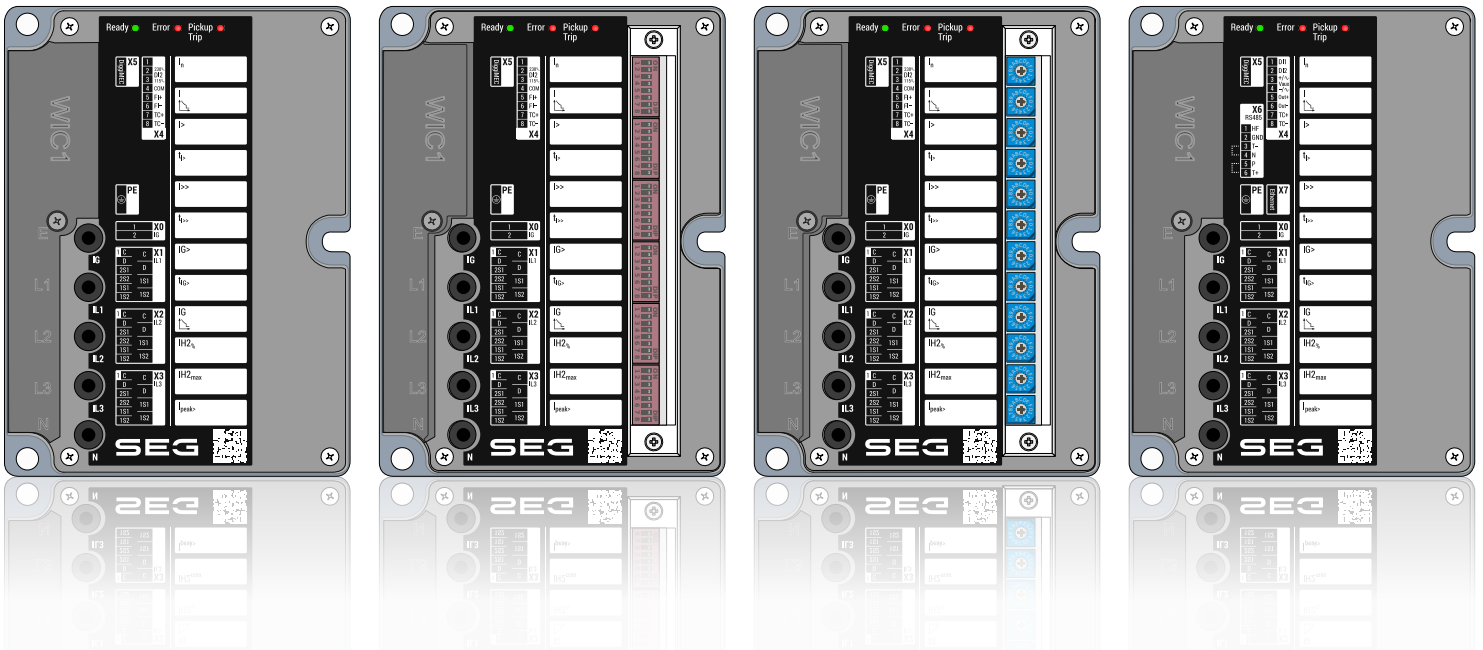


## WI Line

### WIC1

#### SELF-/DUAL POWERED PROTECTION DEVICE

- WIC1-1 | Self-powered device, parameter settings via DiggiMEC / Smart view
- WIC1-2 | Self-powered device, parameter settings via DIP switches and/or DiggiMEC / Smart view
- WIC1-3 | Self-powered device, parameter settings via HEX switches and/or DiggiMEC / Smart view
- WIC1-4 | Dual-powered device, parameter settings via DiggiMEC / Smart view



#### SELF-/DUAL POWERED PROTECTION DEVICE

Version: 2.0

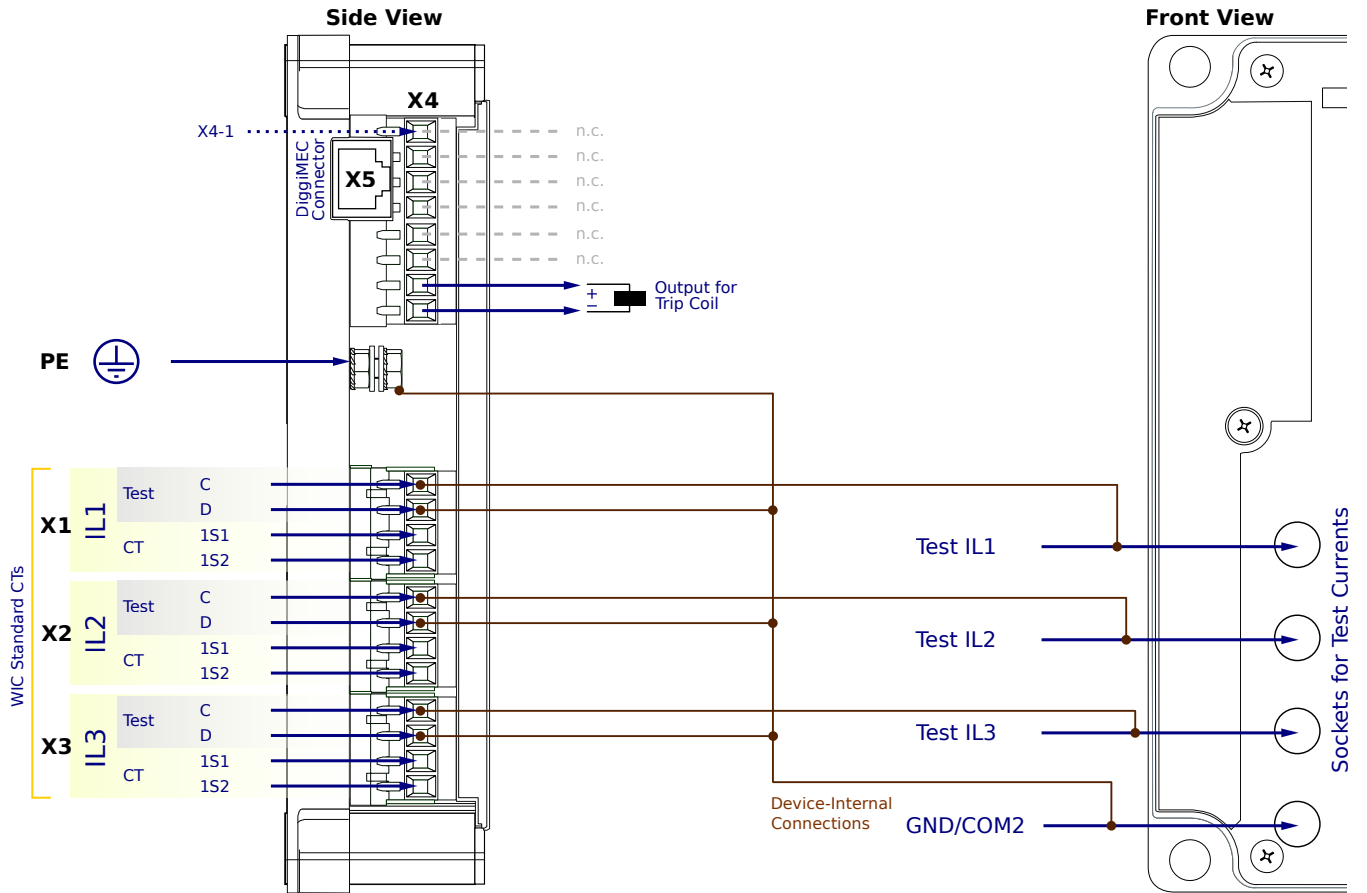
Original document

English

#### WIRING DIAGRAMS

This document does not replace the Technical Manual.

# WIC1-1SN0NN1SA



## CT-Powered Protection Device, configuration via DiggiMEC / Smart view

- Calculated earth current
- Nominal frequency is 50 Hz or 60 Hz. (Setting via DiggiMEC/Smart view.)
- Backup protection operates directly
- ANSI 50, 50G/N, 51, 51G/N, inrush, 50BF, 74TC

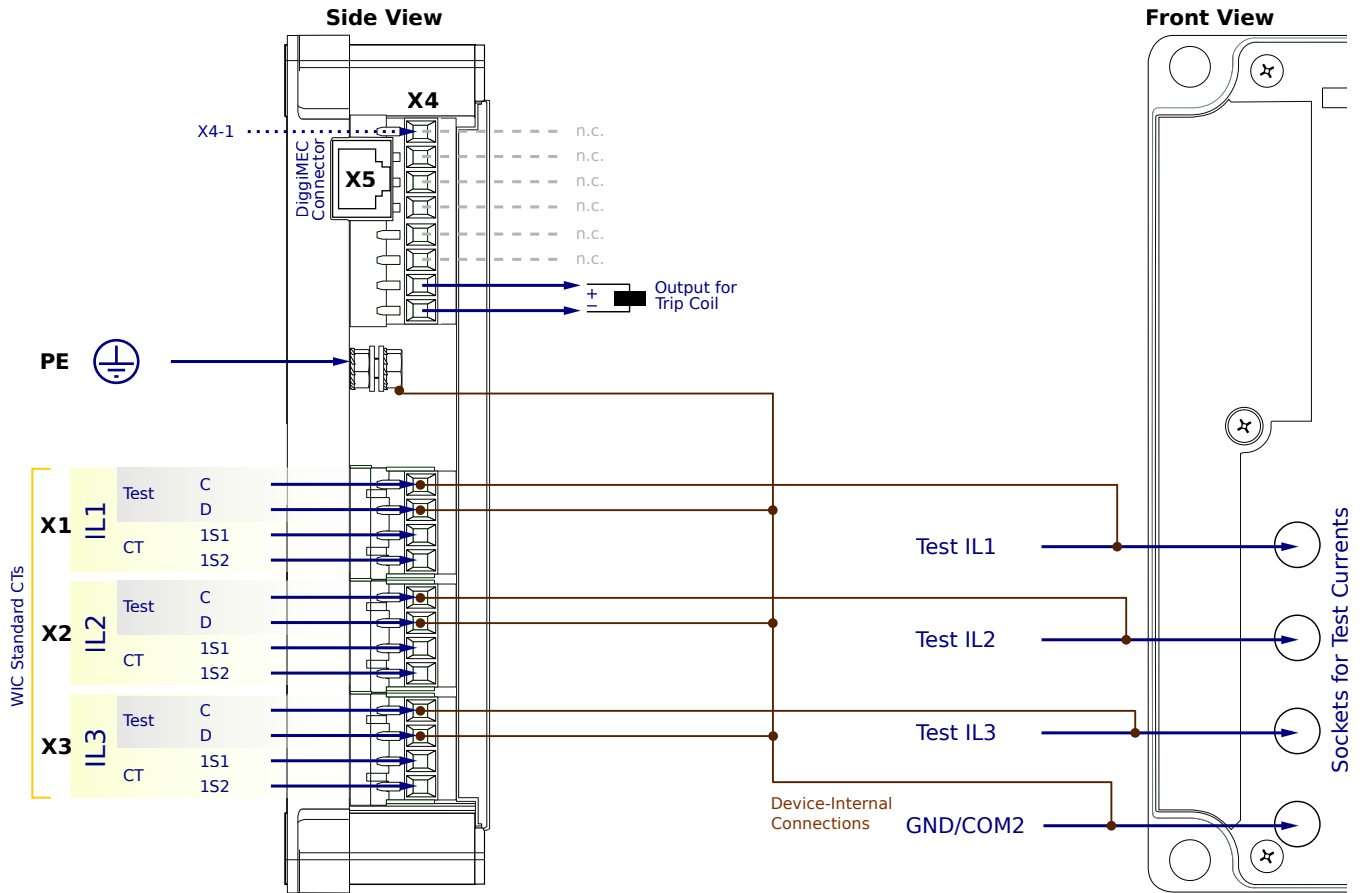
**PE** - Protective Earth

**X1...X3** - WIC CTs

**X4-7,8** - Trip pulse output

**X5** - DiggiMEC-WIC1 connection. Use network cable CAT3 (or better). No crossover cable!

# WIC1-1SN0NN1AA



## CT-Powered Protection Device, configuration via DiggiMEC / Smart view

- Calculated earth current
- Nominal frequency is 50 Hz or 60 Hz. (Setting via DiggiMEC/Smart view.)
- Backup protection operates directly
- Package "S" + ANSI 46, 49, 51Q, Breaker Wear, Condition Monitoring (= Life Load, Drag Indicator)

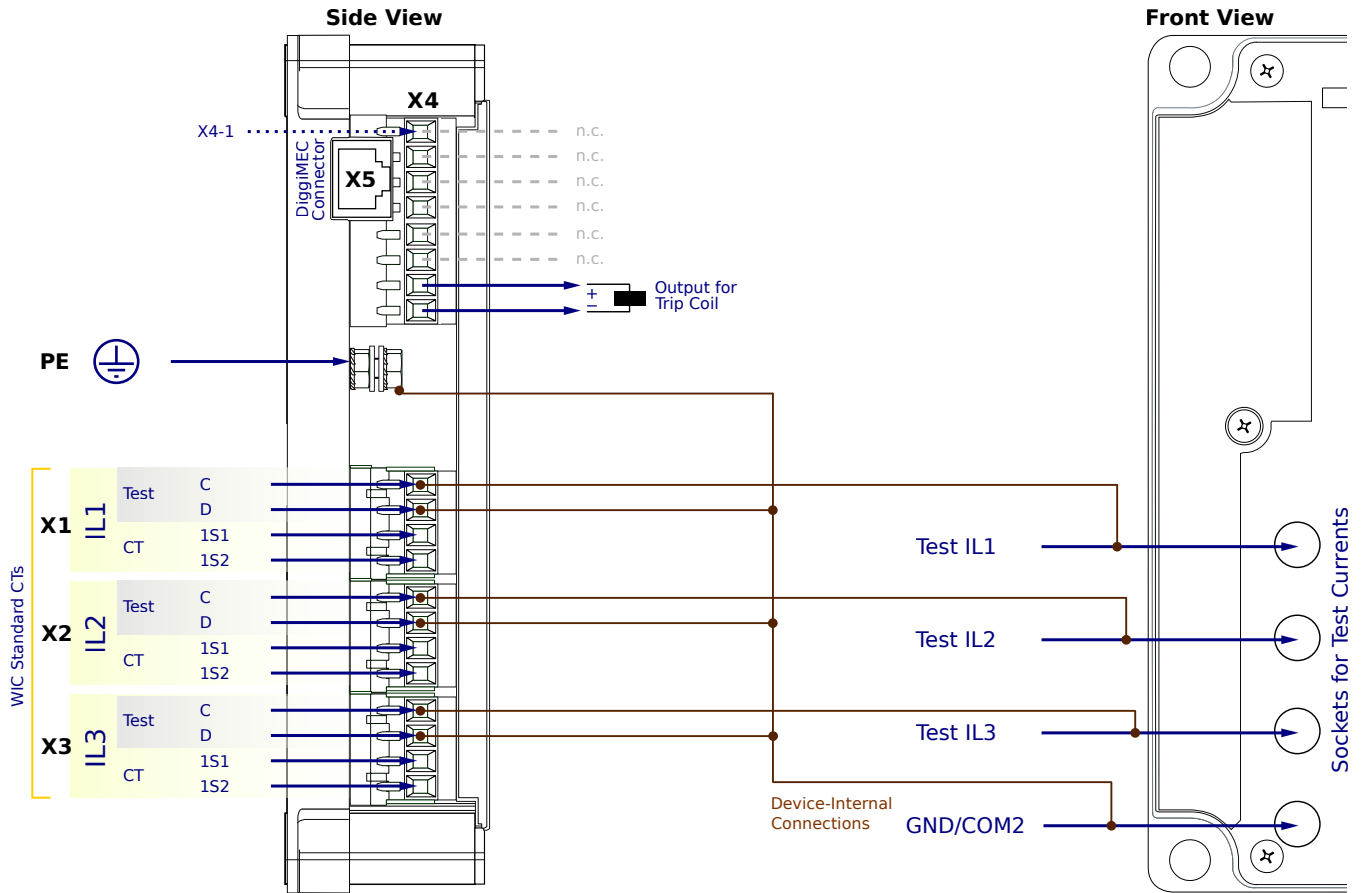
**PE** - Protective Earth

**X1...X3** - WIC CTs

**X4-7,8** - Trip pulse output

**X5** - DiggiMEC-WIC1 connection. Use network cable CAT3 (or better). No crossover cable!

# WIC1-1SN0NN1PA



## CT-Powered Protection Device, configuration via DiggiMEC / Smart view

- Calculated earth current
- Nominal frequency is 50 Hz or 60 Hz. (Setting via DiggiMEC/Smart view.)
- Backup protection operates directly
- Package "A" + SOTF, CLPU, external protection, ultra-fast overcurrent protection

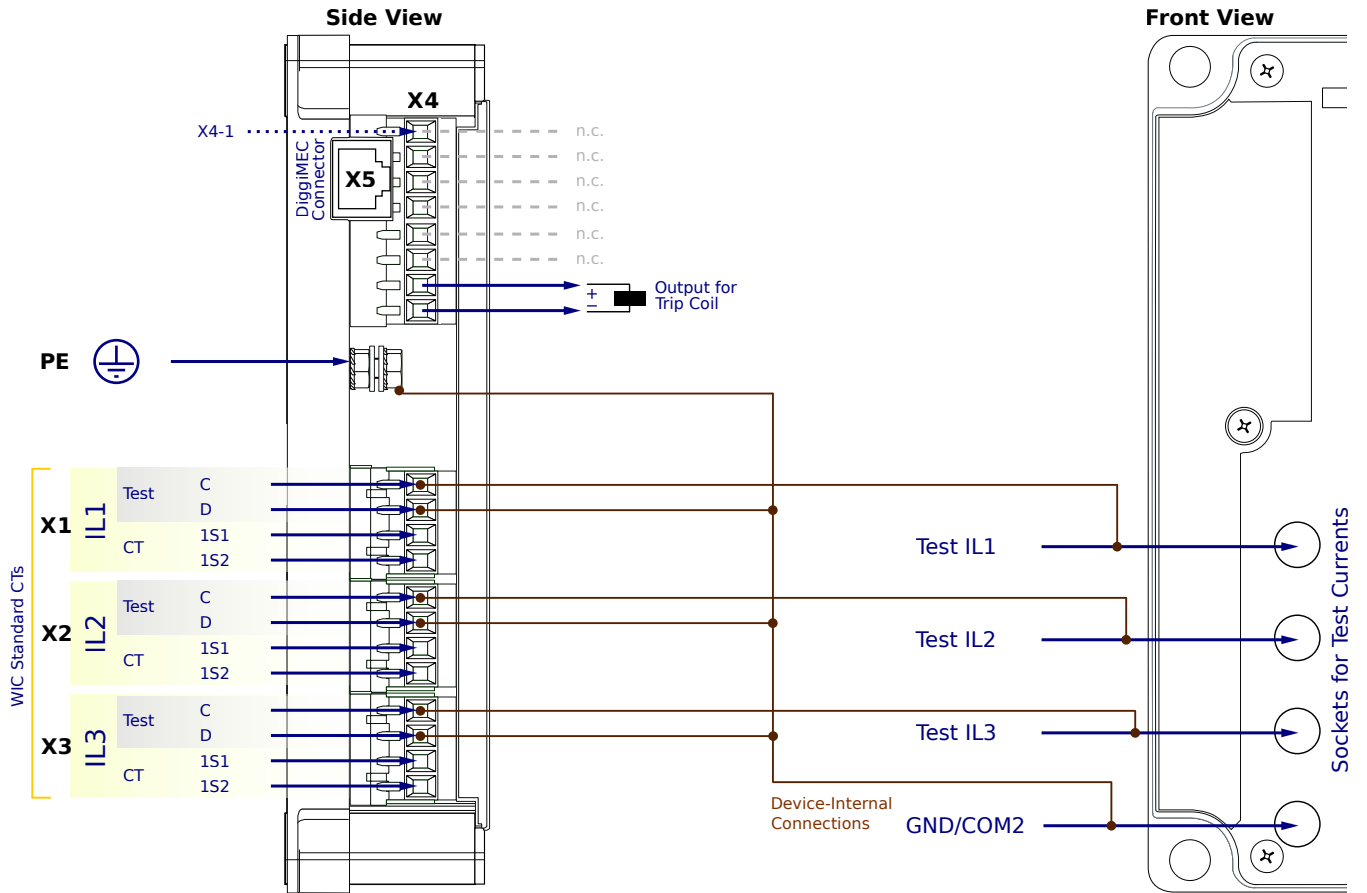
**PE** - Protective Earth

**X1...X3** - WIC CTs

**X4-7,8** - Trip pulse output

**X5** - DiggiMEC-WIC1 connection. Use network cable CAT3 (or better). No crossover cable!

# WIC1-1SN0NN2SA



## CT-Powered Protection Device, configuration via DiggiMEC / Smart view

- Calculated earth current
- Nominal frequency is 50 Hz or 60 Hz. (Setting via DiggiMEC/Smart view.)
- Trip at  $20 \cdot I_{n,max}$
- ANSI 50, 50G/N, 51, 51G/N, inrush, 50BF, 74TC

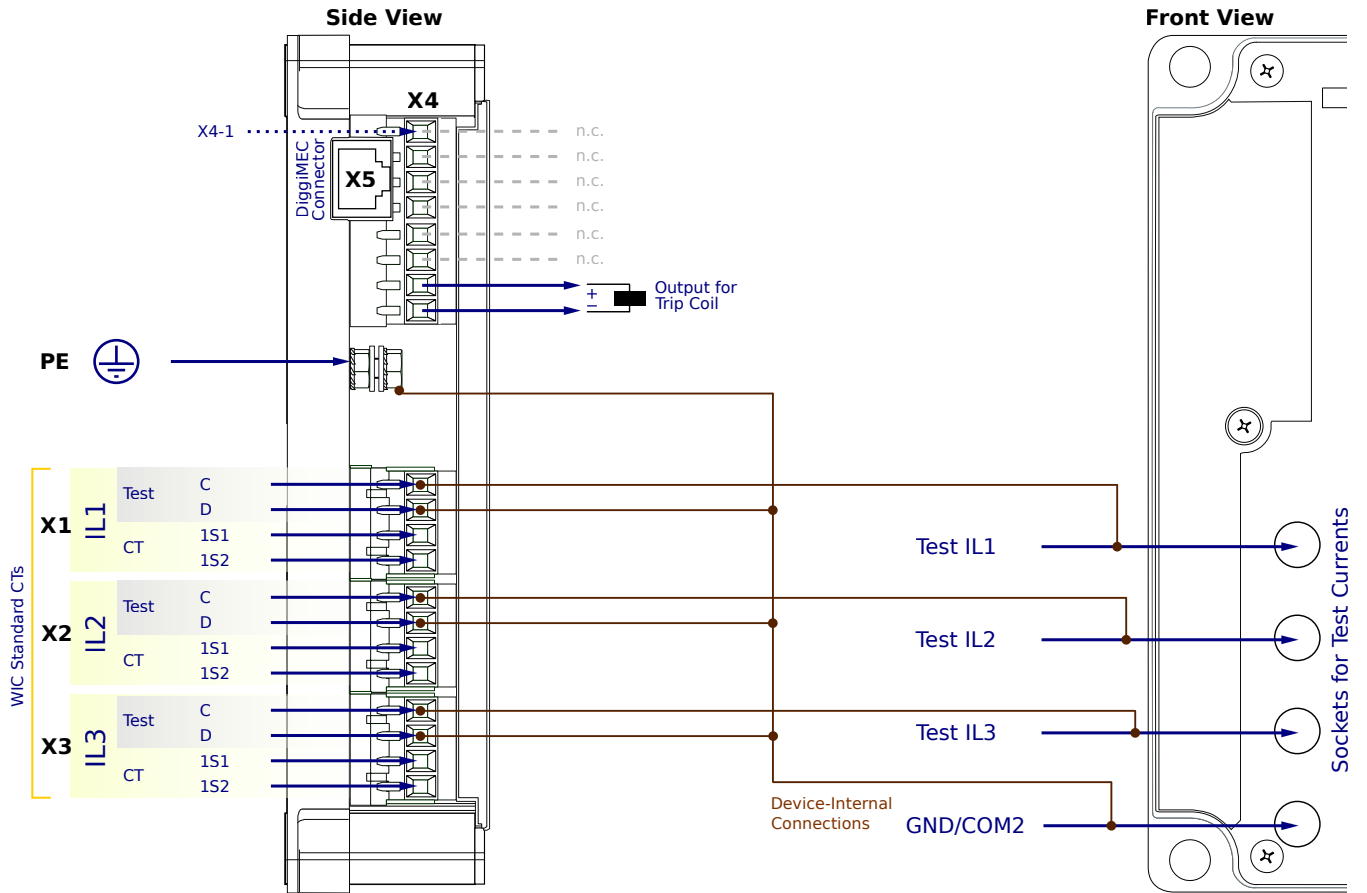
**PE** - Protective Earth

**X1...X3** - WIC CTs

**X4-7,8** - Trip pulse output

**X5** - DiggiMEC-WIC1 connection. Use network cable CAT3 (or better). No crossover cable!

# WIC1-1SN0NN2AA



## CT-Powered Protection Device, configuration via DiggiMEC / Smart view

- Calculated earth current
- Nominal frequency is 50 Hz or 60 Hz. (Setting via DiggiMEC/Smart view.)
- Trip at  $20 \cdot I_{n,max}$
- Package "S" + ANSI 46, 49, 51Q, Breaker Wear, Condition Monitoring (= Life Load, Drag Indicator)

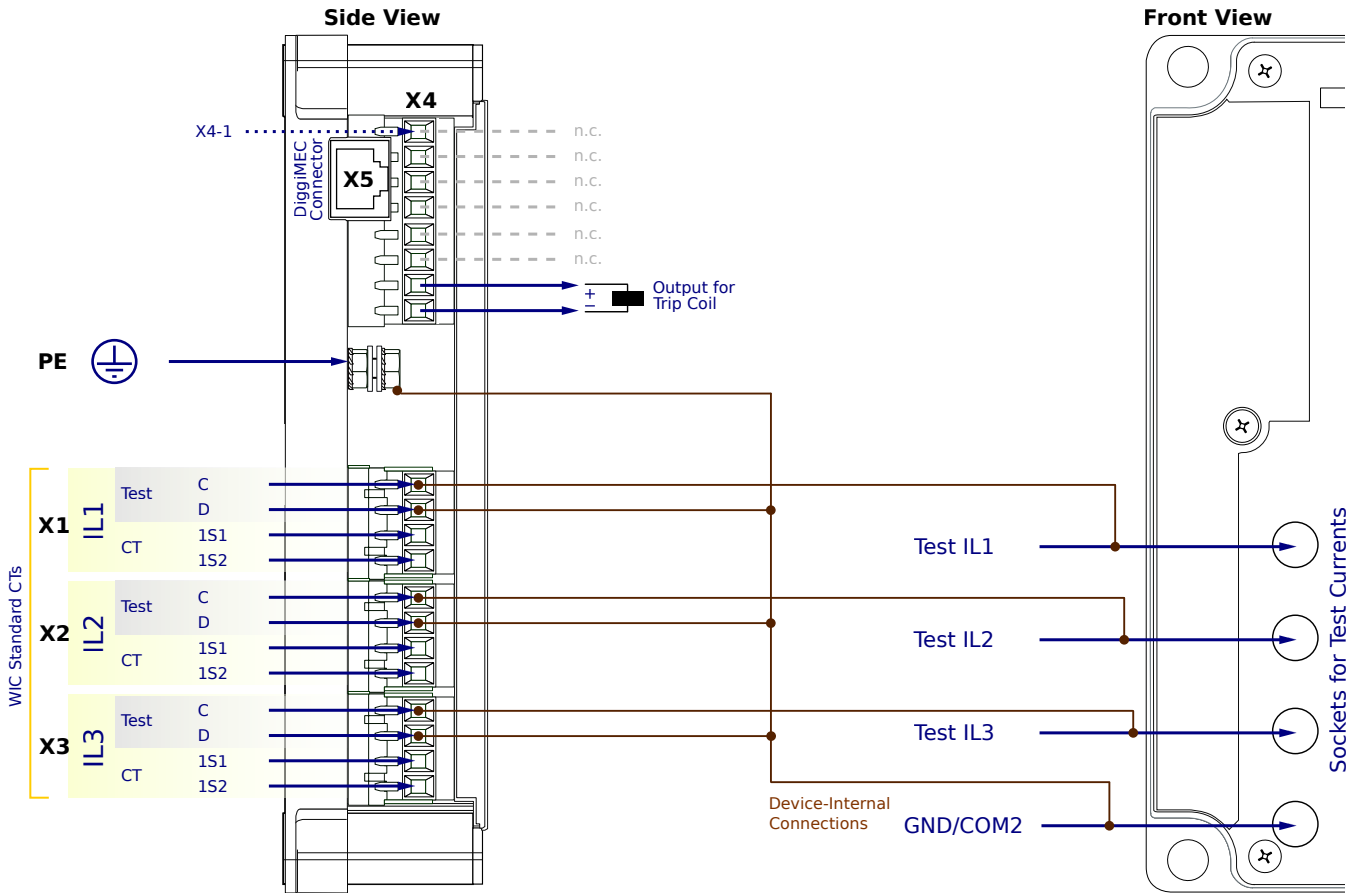
**PE** - Protective Earth

**X1...X3** - WIC CTs

**X4-7,8** - Trip pulse output

**X5** - DiggiMEC-WIC1 connection. Use network cable CAT3 (or better). No crossover cable!

# WIC1-1SN0NN2PA



## CT-Powered Protection Device, configuration via DiggiMEC / Smart view

- Calculated earth current
- Nominal frequency is 50 Hz or 60 Hz. (Setting via DiggiMEC/Smart view.)
- Trip at  $20 \cdot I_{n,max}$
- Package "A" + SOTF, CLPU, external protection, ultra-fast overcurrent protection

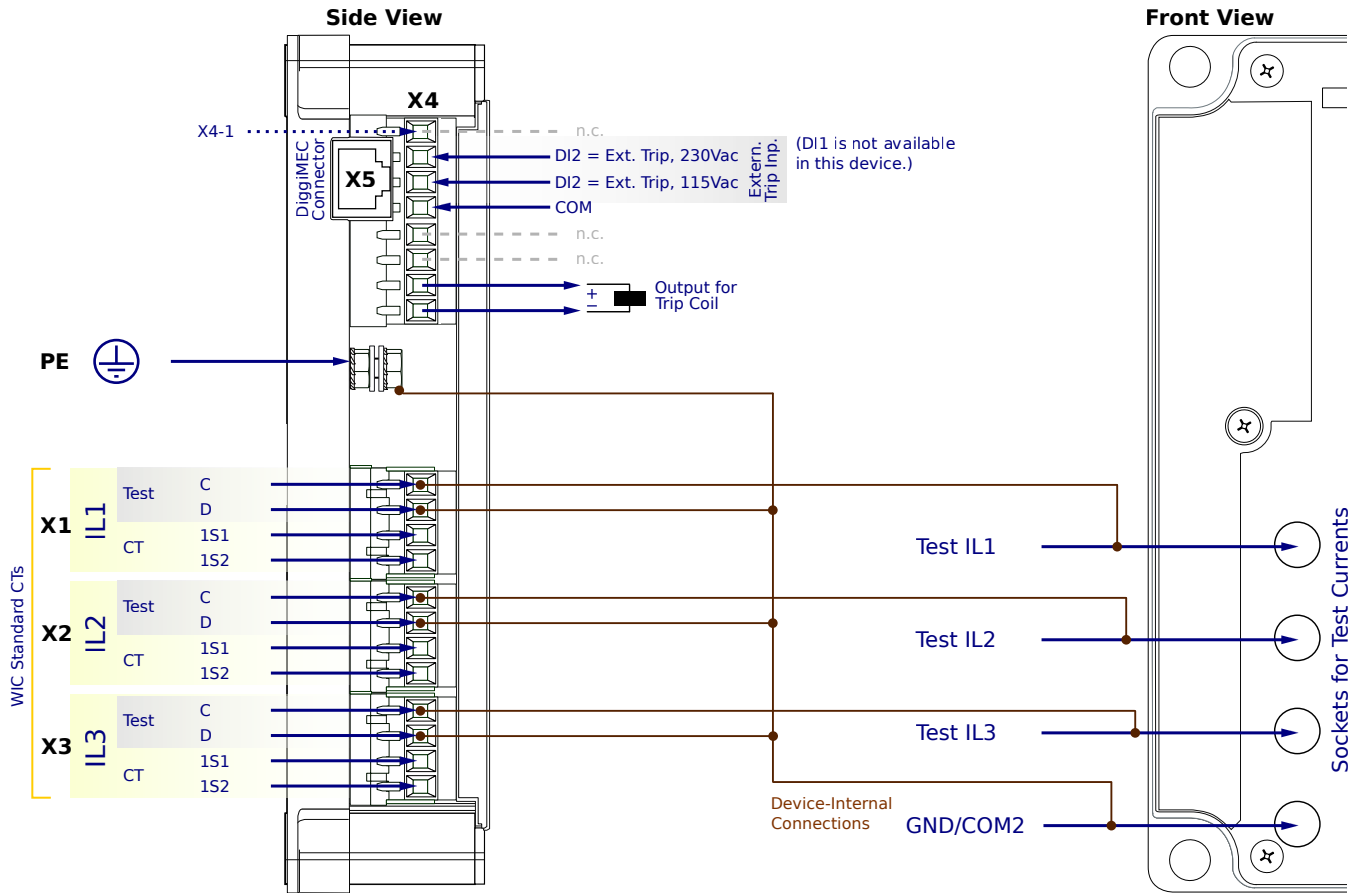
**PE** - Protective Earth

**X1...X3** - WIC CTs

**X4-7,8** - Trip pulse output

**X5** - DiggiMEC-WIC1 connection. Use network cable CAT3 (or better). No crossover cable!

# WIC1-1SN0NF1SA



## CT-Powered Protection Device, configuration via DiggiMEC / Smart view

- Calculated earth current
- Nominal frequency is 50 Hz or 60 Hz. (Setting via DiggiMEC/Smart view.)
- Backup protection operates directly
- ANSI 50, 50G/N, 51, 51G/N, inrush, 50BF, 74TC

**PE** - Protective Earth

**X1...X3** - WIC CTs

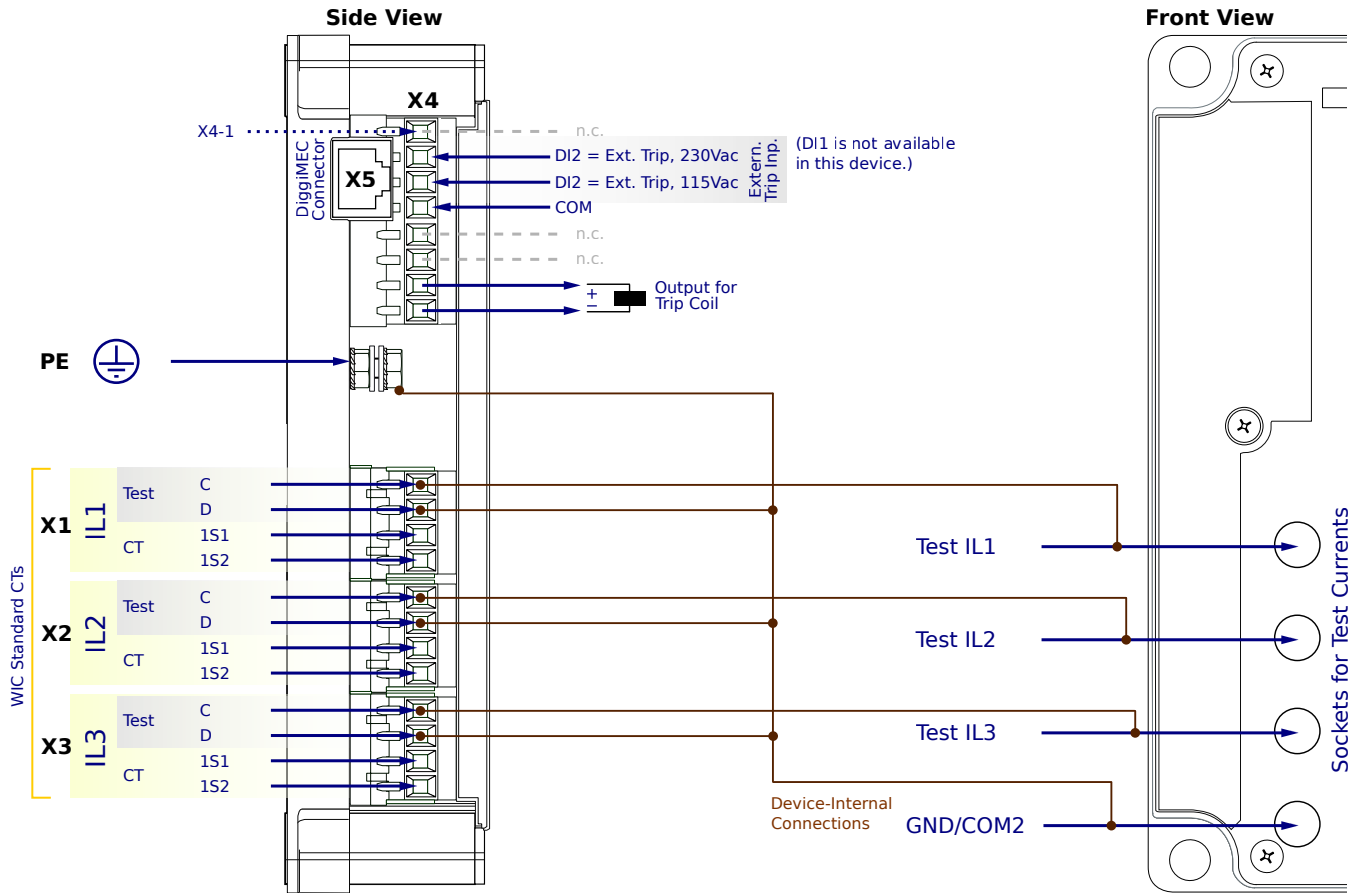
**X4-2,3** - DI2, fixed to External trip input (115Vac or 230Vac)

**X4-7,8** - Trip pulse output

**X5** - DiggiMEC-WIC1 connection. Use network cable CAT3 (or better). No crossover cable!



# WIC1-1SN0NF1AA



## CT-Powered Protection Device, configuration via DiggiMEC / Smart view

- Calculated earth current
- Nominal frequency is 50 Hz or 60 Hz. (Setting via DiggiMEC/Smart view.)
- Backup protection operates directly
- Package "S" + ANSI 46, 49, 51Q, Breaker Wear, Condition Monitoring (= Life Load, Drag Indicator)

**PE** - Protective Earth

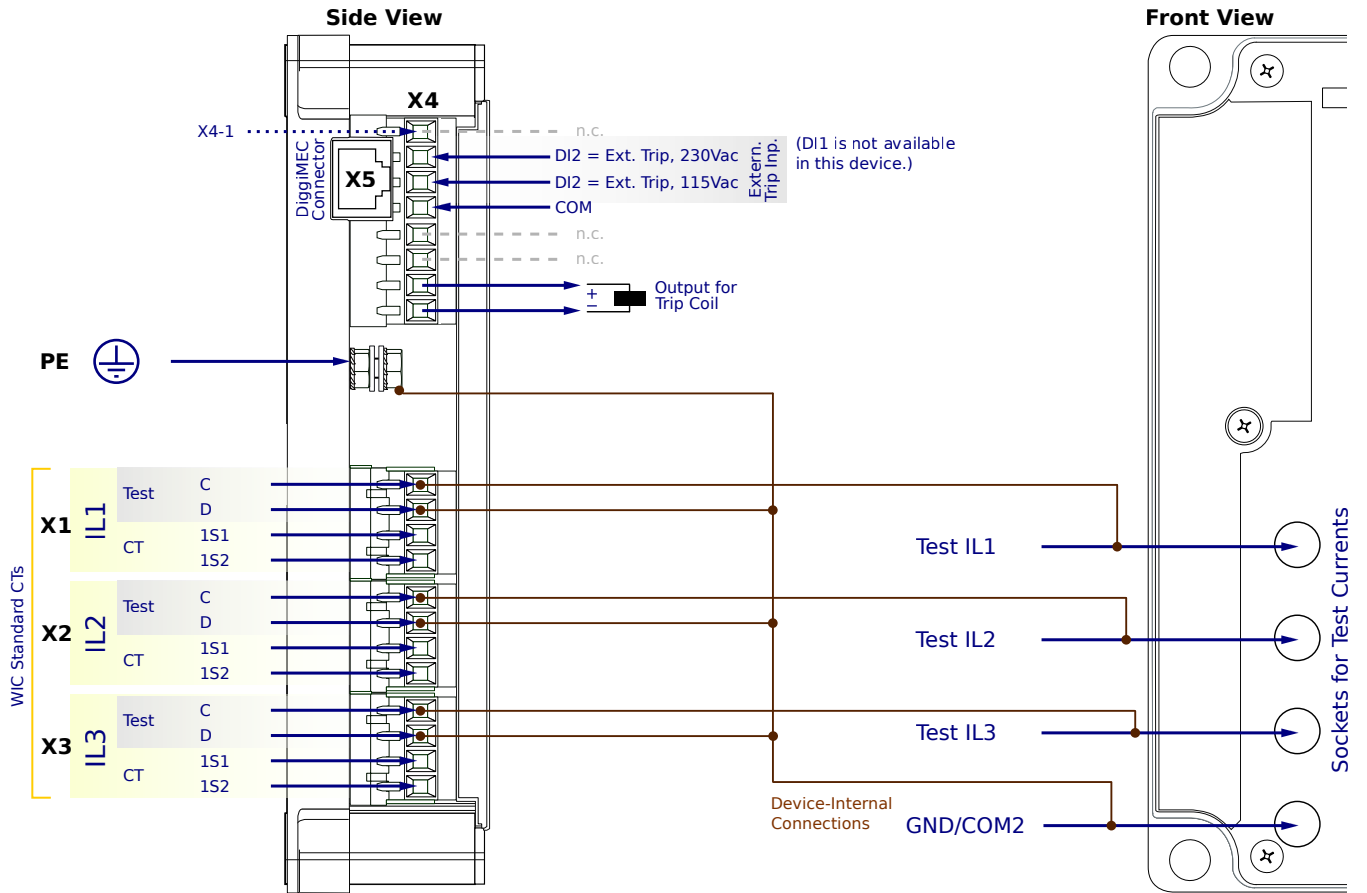
**X1...X3** - WIC CTs

**X4-2,3** - DI2, fixed to External trip input (115Vac or 230Vac)

**X4-7,8** - Trip pulse output

**X5** - DiggiMEC-WIC1 connection. Use network cable CAT3 (or better). No crossover cable!

# WIC1-1SN0NF1PA



## CT-Powered Protection Device, configuration via DiggiMEC / Smart view

- Calculated earth current
- Nominal frequency is 50 Hz or 60 Hz. (Setting via DiggiMEC/Smart view.)
- Backup protection operates directly
- Package "A" + SOTF, CLPU, external protection, ultra-fast overcurrent protection

**PE** - Protective Earth

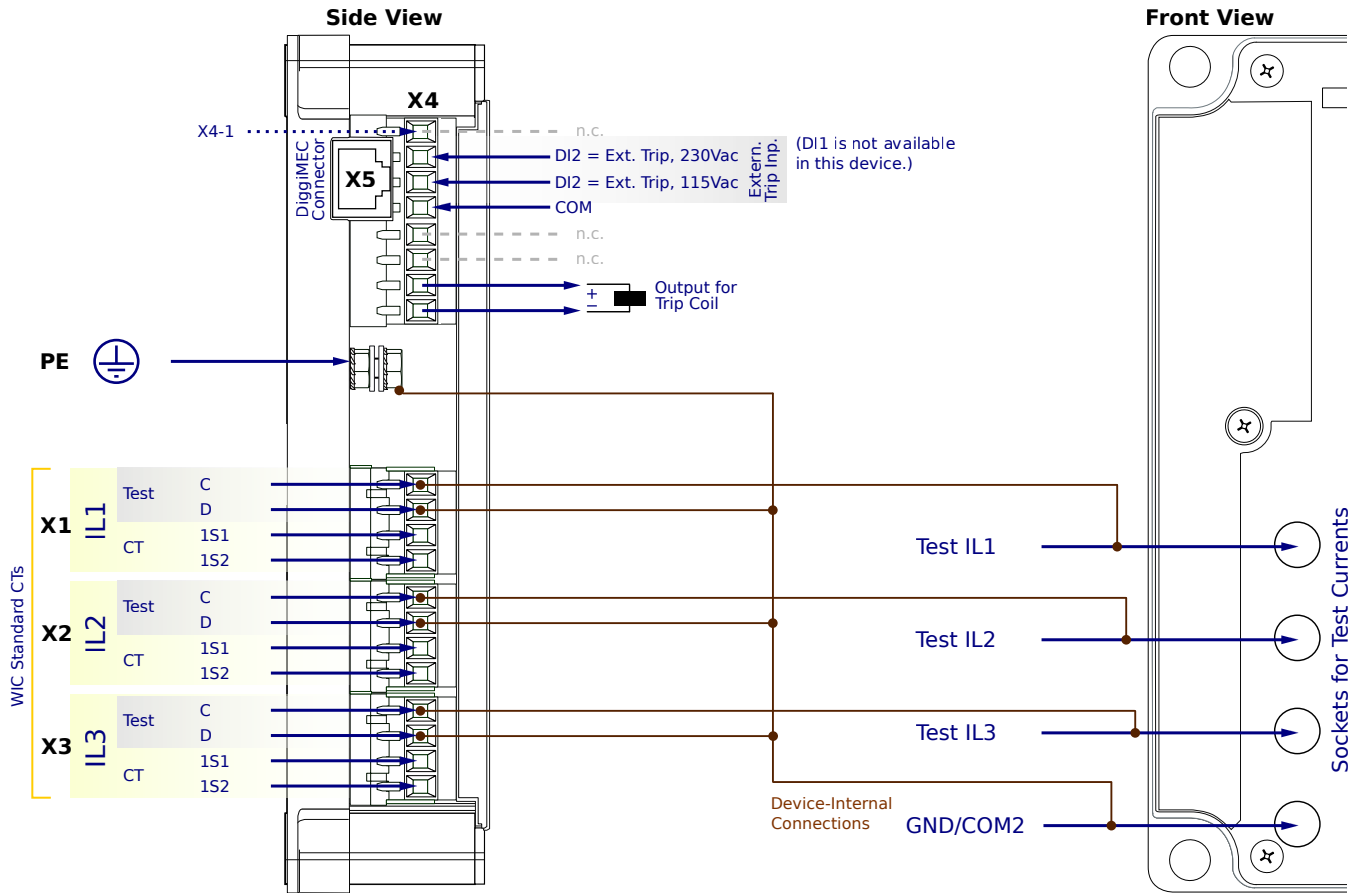
**X1...X3** - WIC CTs

**X4-2,3** - DI2, fixed to External trip input (115Vac or 230Vac)

**X4-7,8** - Trip pulse output

**X5** - DiggiMEC-WIC1 connection. Use network cable CAT3 (or better). No crossover cable!

# WIC1-1SN0NF2SA



## CT-Powered Protection Device, configuration via DiggiMEC / Smart view

- Calculated earth current
- Nominal frequency is 50 Hz or 60 Hz. (Setting via DiggiMEC/Smart view.)
- Trip at  $20 \cdot I_{n,max}$
- ANSI 50, 50G/N, 51, 51G/N, inrush, 50BF, 74TC

**PE** - Protective Earth

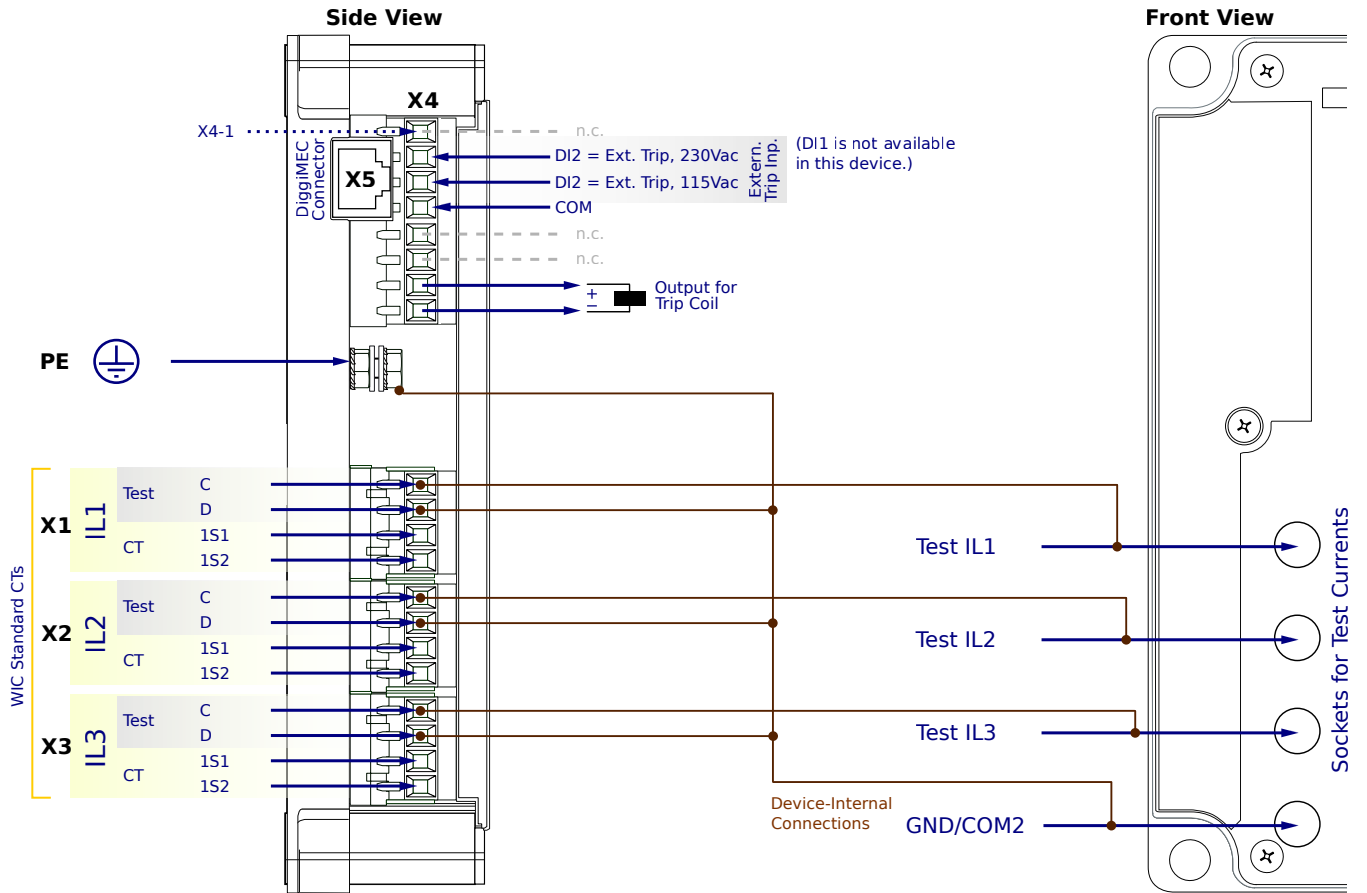
**X1...X3** - WIC CTs

**X4-2,3** - DI2, fixed to External trip input (115Vac or 230Vac)

**X4-7,8** - Trip pulse output

**X5** - DiggiMEC-WIC1 connection. Use network cable CAT3 (or better). No crossover cable!

# WIC1-1SN0NF2AA



## CT-Powered Protection Device, configuration via DiggiMEC / Smart view

- Calculated earth current
- Nominal frequency is 50 Hz or 60 Hz. (Setting via DiggiMEC/Smart view.)
- Trip at  $20 \cdot I_{n,max}$
- Package "S" + ANSI 46, 49, 51Q, Breaker Wear, Condition Monitoring (= Life Load, Drag Indicator)

**PE** - Protective Earth

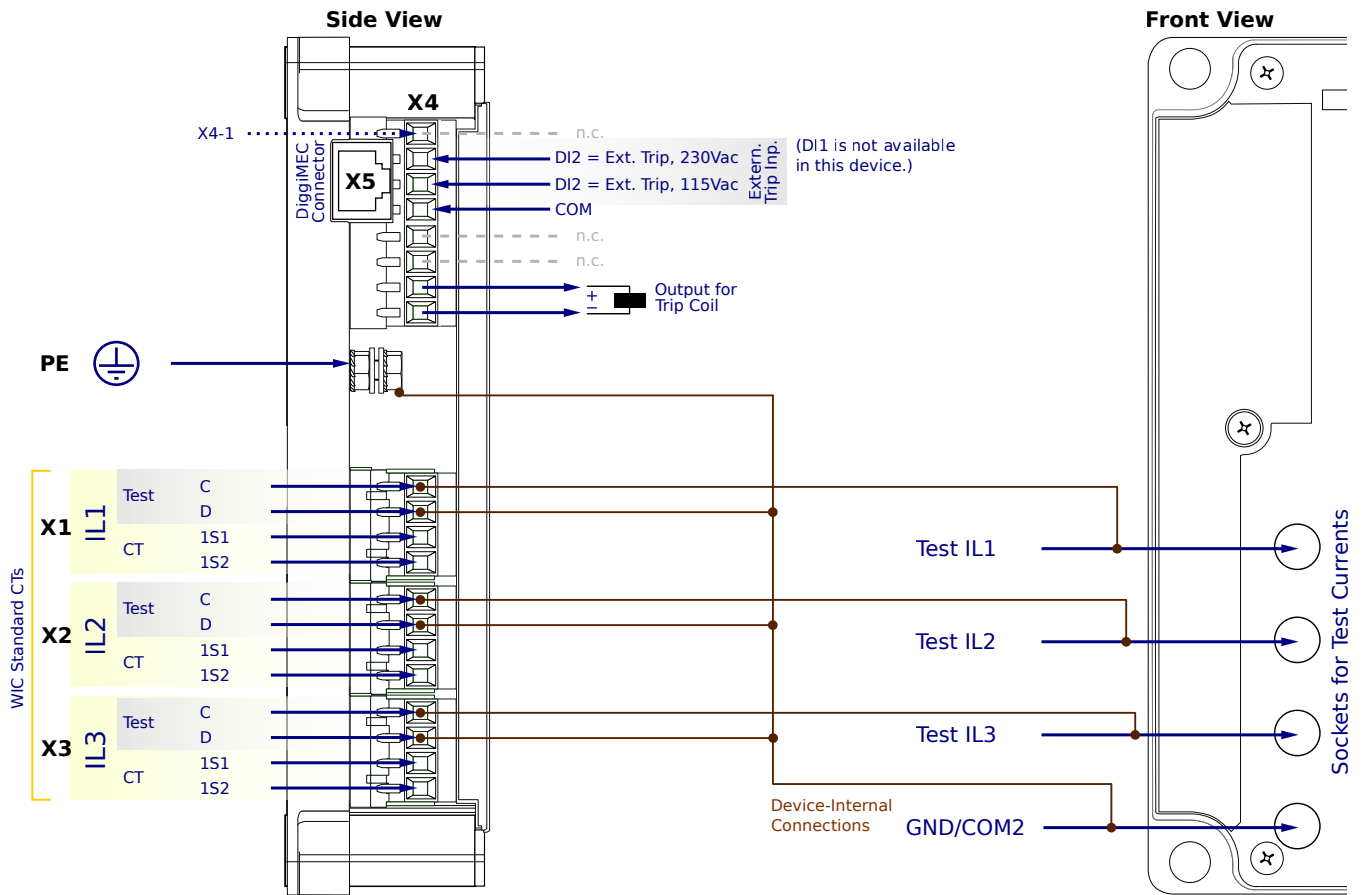
**X1...X3** - WIC CTs

**X4-2,3** - DI2, fixed to External trip input (115Vac or 230Vac)

**X4-7,8** - Trip pulse output

**X5** - DiggiMEC-WIC1 connection. Use network cable CAT3 (or better). No crossover cable!

# WIC1-1SN0NF2PA



## CT-Powered Protection Device, configuration via DiggiMEC / Smart view

- Calculated earth current
- Nominal frequency is 50 Hz or 60 Hz. (Setting via DiggiMEC/Smart view.)
- Trip at  $20 \cdot I_{n,max}$
- Package "A" + SOTF, CLPU, external protection, ultra-fast overcurrent protection

**PE** - Protective Earth

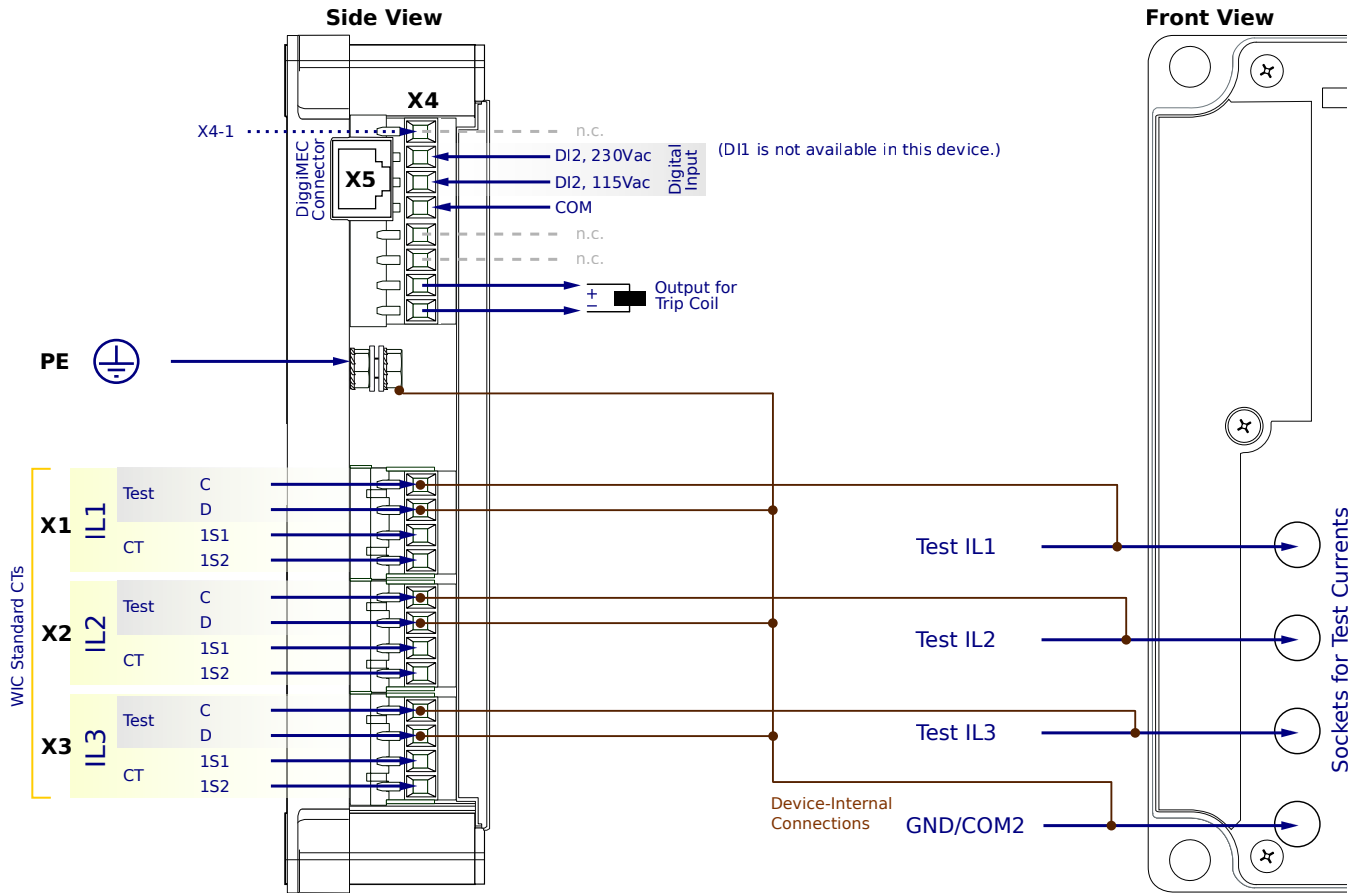
**X1...X3** - WIC CTs

**X4-2,3** - DI2, fixed to External trip input (115Vac or 230Vac)

**X4-7,8** - Trip pulse output

**X5** - DiggiMEC-WIC1 connection. Use network cable CAT3 (or better). No crossover cable!

# WIC1-1SN0NC1SA



## CT-Powered Protection Device, configuration via DiggiMEC / Smart view

- Calculated earth current
- Nominal frequency is 50 Hz or 60 Hz. (Setting via DiggiMEC/Smart view.)
- Backup protection operates directly
- ANSI 50, 50G/N, 51, 51G/N, inrush, 50BF, 74TC

**PE** - Protective Earth

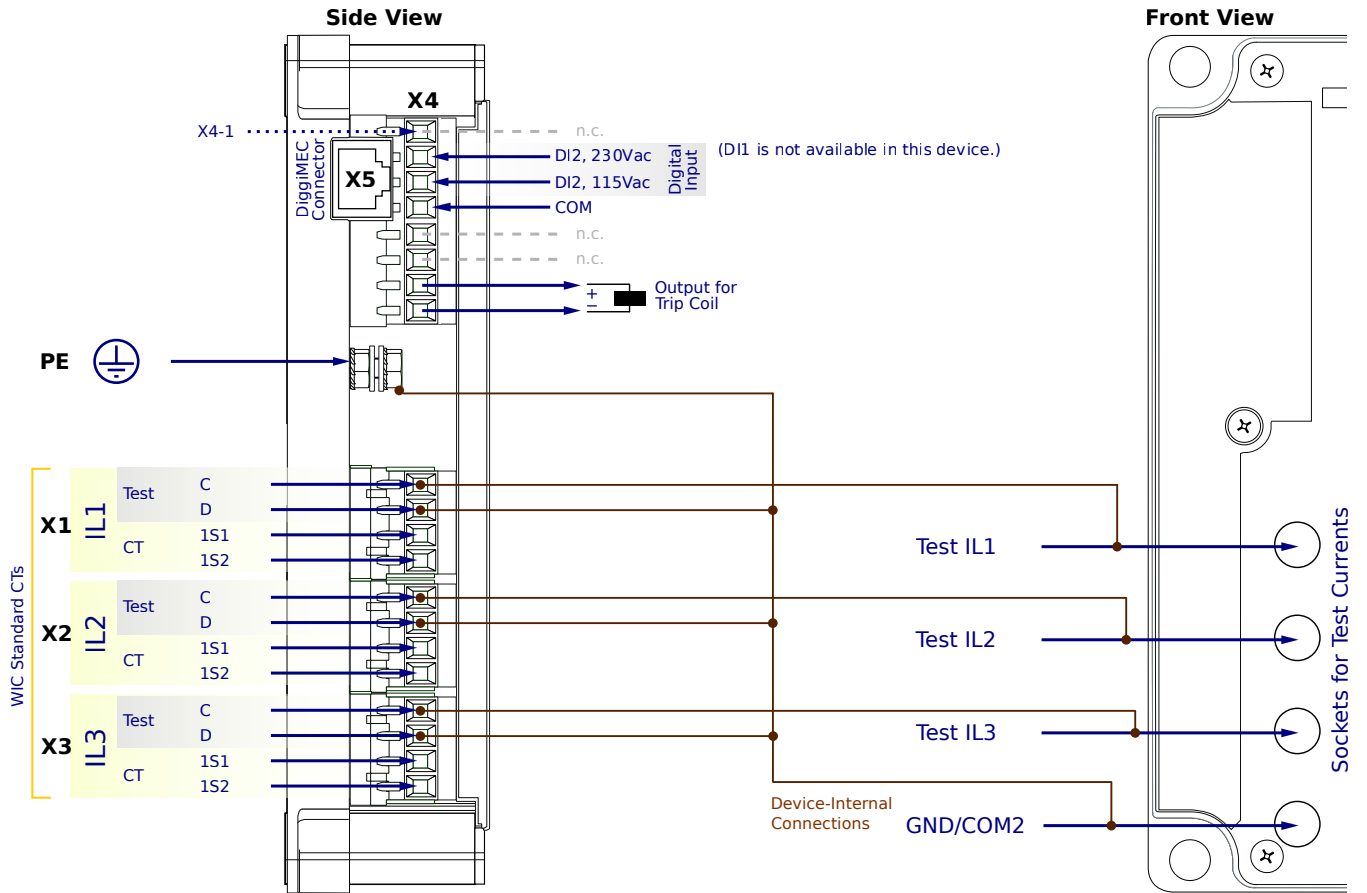
**X1...X3** - WIC CTs

**X4-2,3** - 1 assignable Digital Input DI2 (115Vac or 230Vac)

**X4-7,8** - Trip pulse output

**X5** - DiggiMEC-WIC1 connection. Use network cable CAT3 (or better). No crossover cable!

# WIC1-1SN0NC1AA



## CT-Powered Protection Device, configuration via DiggiMEC / Smart view

- Calculated earth current
- Nominal frequency is 50 Hz or 60 Hz. (Setting via DiggiMEC/Smart view.)
- Backup protection operates directly
- Package "S" + ANSI 46, 49, 51Q, Breaker Wear, Condition Monitoring (= Life Load, Drag Indicator)

**PE** - Protective Earth

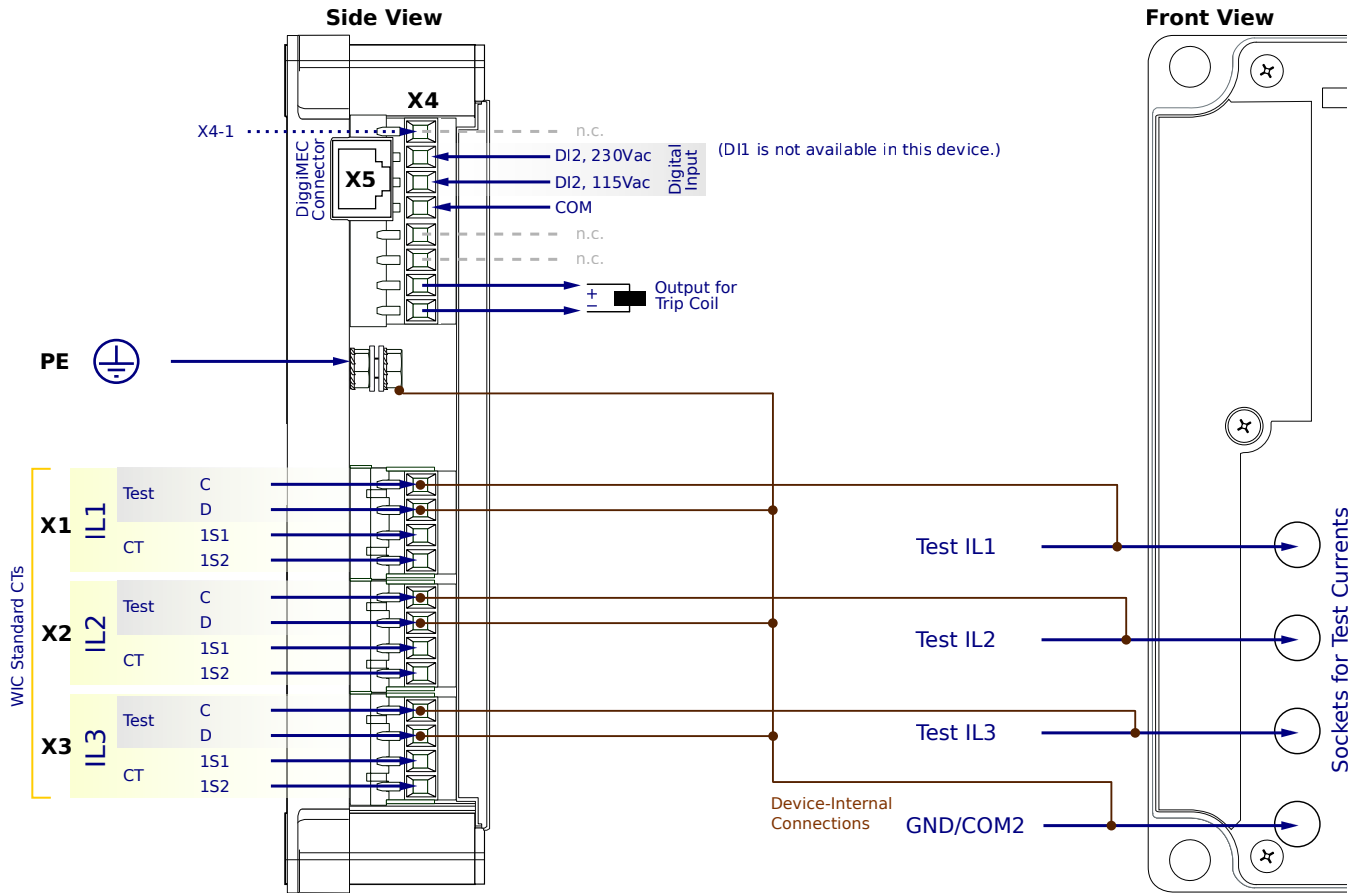
**X1...X3** - WIC CTs

**X4-2,3** - 1 assignable Digital Input DI2 (115Vac or 230Vac)

**X4-7,8** - Trip pulse output

**X5** - DiggiMEC-WIC1 connection. Use network cable CAT3 (or better). No crossover cable!

# WIC1-1SN0NC1PA



## CT-Powered Protection Device, configuration via DiggiMEC / Smart view

- Calculated earth current
- Nominal frequency is 50 Hz or 60 Hz. (Setting via DiggiMEC/Smart view.)
- Backup protection operates directly
- Package "A" + SOTF, CLPU, external protection, ultra-fast overcurrent protection

**PE** - Protective Earth

**X1...X3** - WIC CTs

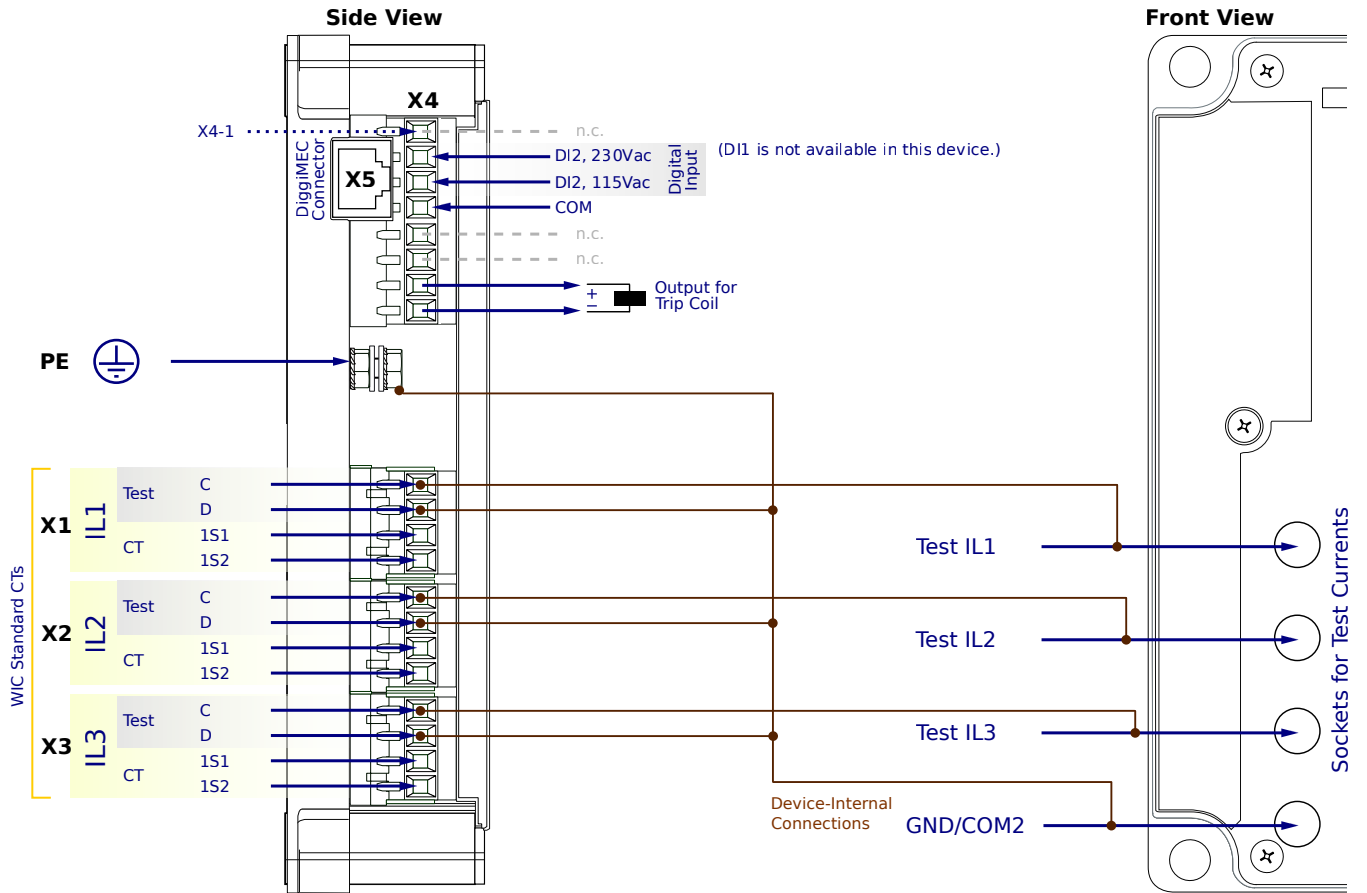
**X4-2,3** - 1 assignable Digital Input DI2 (115Vac or 230Vac)

**X4-7,8** - Trip pulse output

**X5** - DiggiMEC-WIC1 connection. Use network cable CAT3 (or better). No crossover cable!



# WIC1-1SN0NC2SA



## CT-Powered Protection Device, configuration via DiggiMEC / Smart view

- Calculated earth current
- Nominal frequency is 50 Hz or 60 Hz. (Setting via DiggiMEC/Smart view.)
- Trip at  $20 \cdot I_{n,max}$
- ANSI 50, 50G/N, 51, 51G/N, inrush, 50BF, 74TC

**PE** - Protective Earth

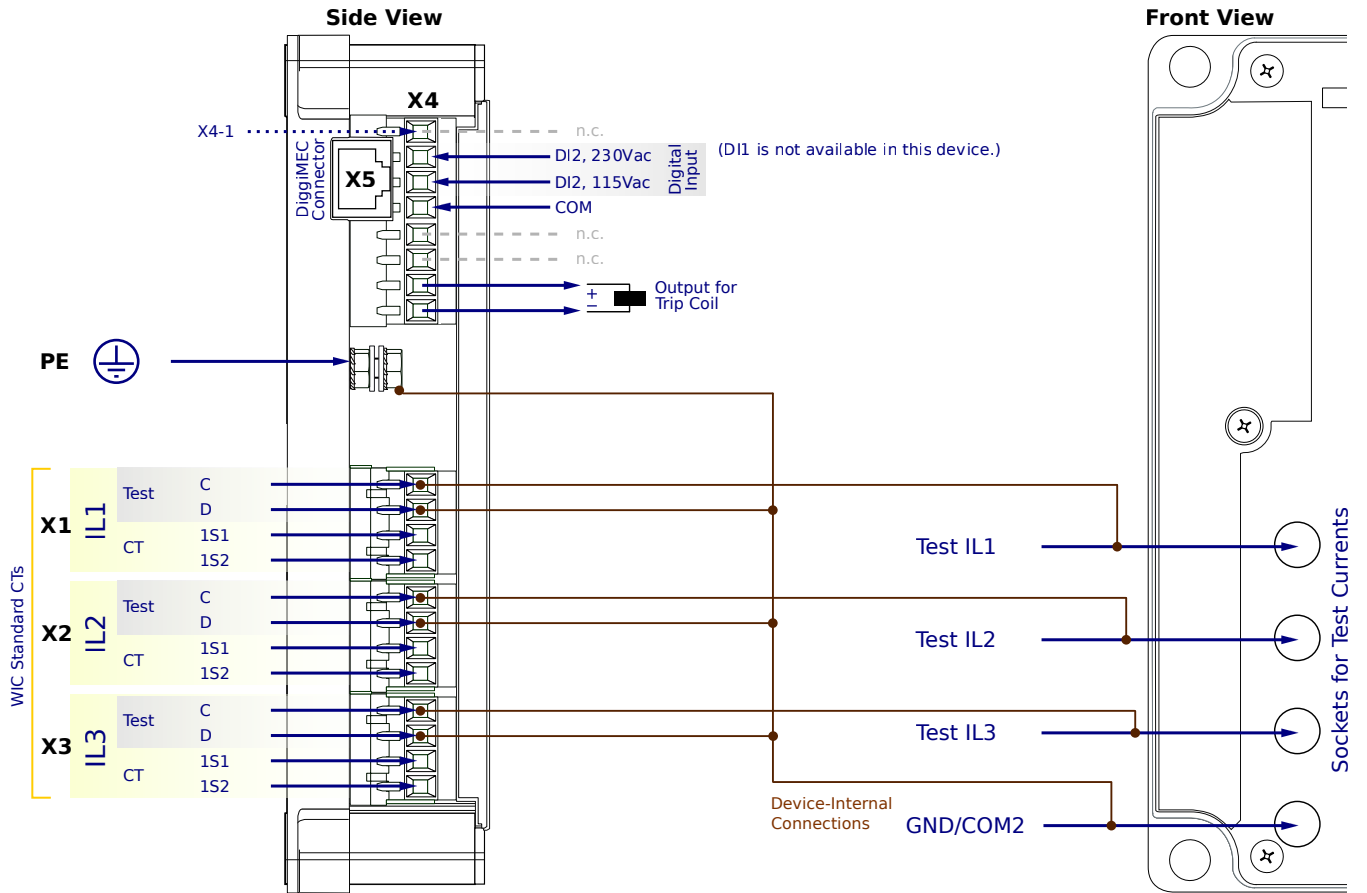
**X1...X3** - WIC CTs

**X4-2,3** - 1 assignable Digital Input DI2 (115Vac or 230Vac)

**X4-7,8** - Trip pulse output

**X5** - DiggiMEC-WIC1 connection. Use network cable CAT3 (or better). No crossover cable!

# WIC1-1SN0NC2AA



## CT-Powered Protection Device, configuration via DiggiMEC / Smart view

- Calculated earth current
- Nominal frequency is 50 Hz or 60 Hz. (Setting via DiggiMEC/Smart view.)
- Trip at  $20 \cdot I_{n,max}$
- Package "S" + ANSI 46, 49, 51Q, Breaker Wear, Condition Monitoring (= Life Load, Drag Indicator)

**PE** - Protective Earth

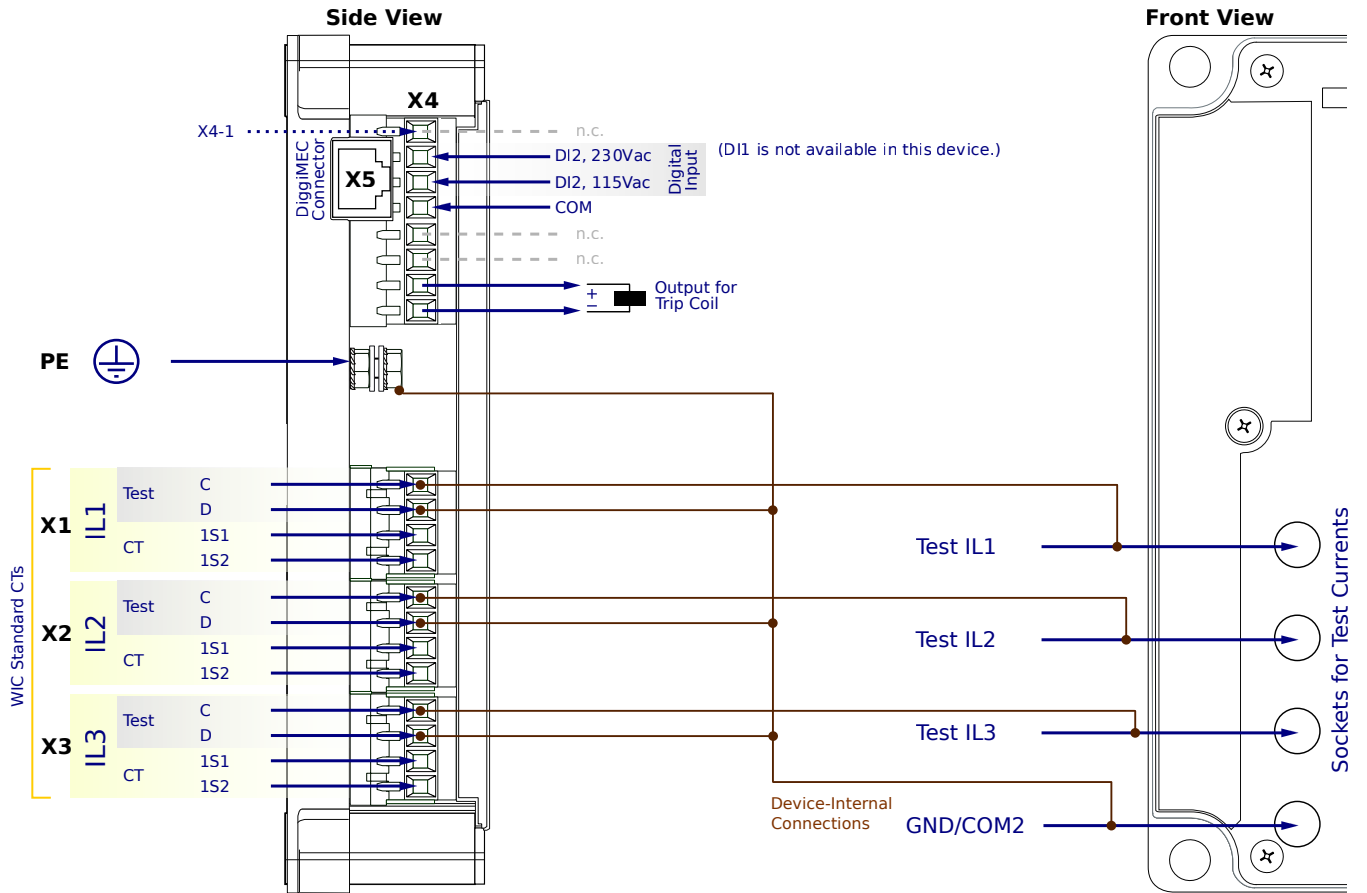
**X1...X3** - WIC CTs

**X4-2,3** - 1 assignable Digital Input DI2 (115Vac or 230Vac)

**X4-7,8** - Trip pulse output

**X5** - DiggiMEC-WIC1 connection. Use network cable CAT3 (or better). No crossover cable!

# WIC1-1SN0NC2PA



## CT-Powered Protection Device, configuration via DiggiMEC / Smart view

- Calculated earth current
- Nominal frequency is 50 Hz or 60 Hz. (Setting via DiggiMEC/Smart view.)
- Trip at  $20 \cdot I_{n,max}$
- Package "A" + SOTF, CLPU, external protection, ultra-fast overcurrent protection

**PE** - Protective Earth

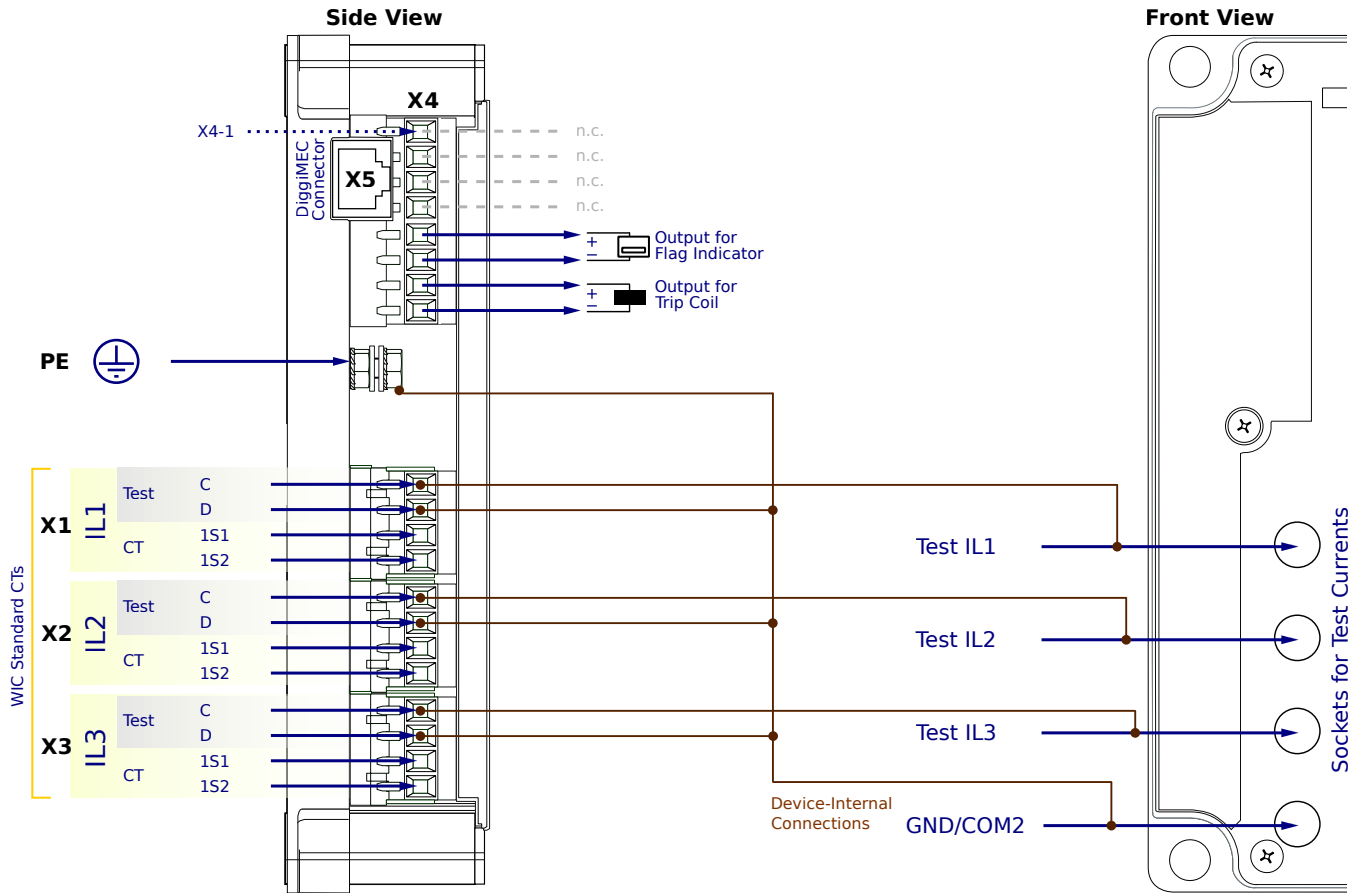
**X1...X3** - WIC CTs

**X4-2,3** - 1 assignable Digital Input DI2 (115Vac or 230Vac)

**X4-7,8** - Trip pulse output

**X5** - DiggiMEC-WIC1 connection. Use network cable CAT3 (or better). No crossover cable!

# WIC1-1SN0FN1SA



## CT-Powered Protection Device, configuration via DiggiMEC / Smart view

- Calculated earth current
- Nominal frequency is 50 Hz or 60 Hz. (Setting via DiggiMEC/Smart view.)
- Backup protection operates directly
- ANSI 50, 50G/N, 51, 51G/N, inrush, 50BF, 74TC

**PE** - Protective Earth

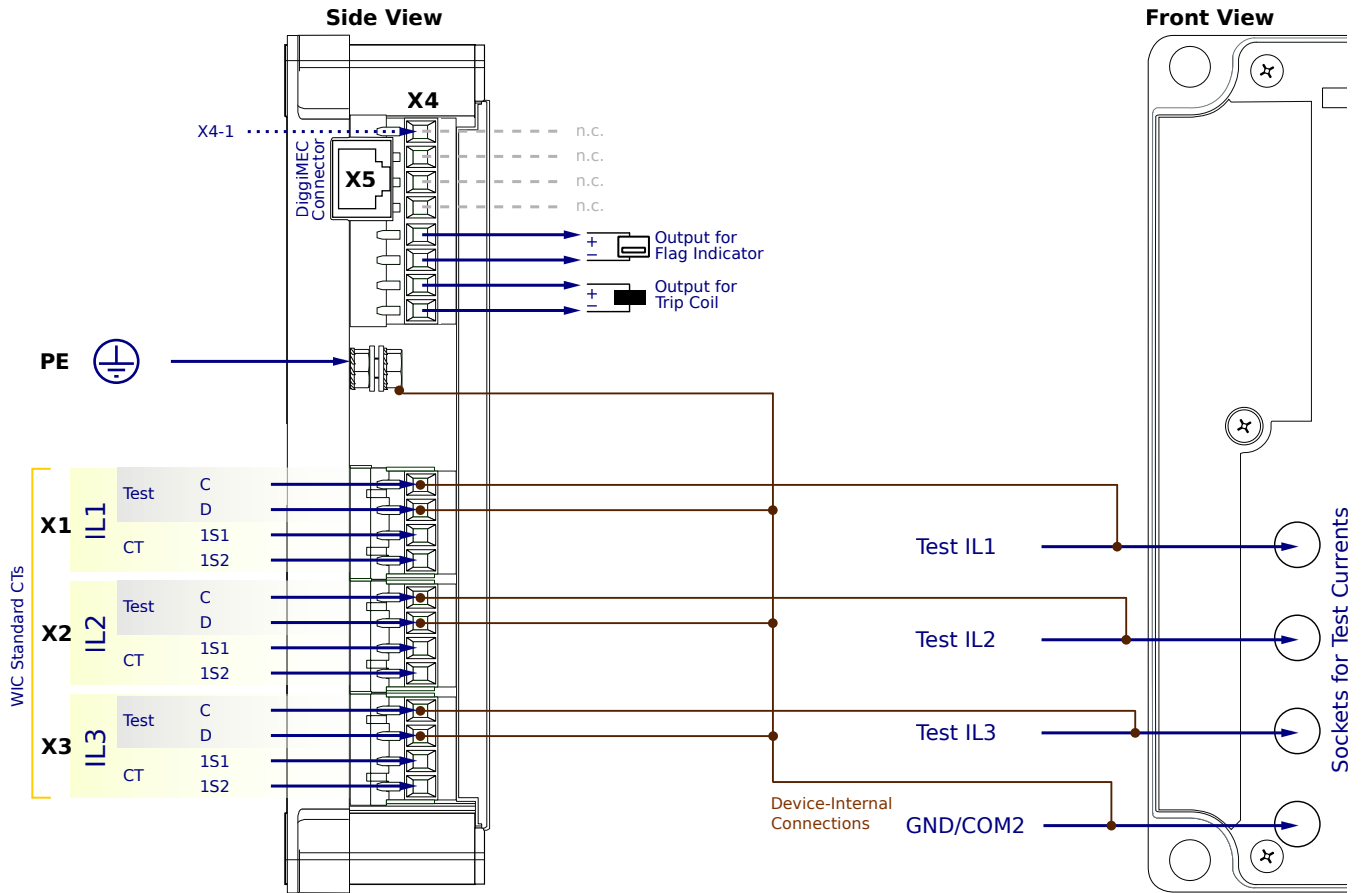
**X1...X3** - WIC CTs

**X4-5,6** - Trip flag indicator

**X4-7,8** - Trip pulse output

**X5** - DiggiMEC-WIC1 connection. Use network cable CAT3 (or better). No crossover cable!

# WIC1-1SN0FN1AA



## CT-Powered Protection Device, configuration via DiggiMEC / Smart view

- Calculated earth current
- Nominal frequency is 50 Hz or 60 Hz. (Setting via DiggiMEC/Smart view.)
- Backup protection operates directly
- Package "S" + ANSI 46, 49, 51Q, Breaker Wear, Condition Monitoring (= Life Load, Drag Indicator)

**PE** - Protective Earth

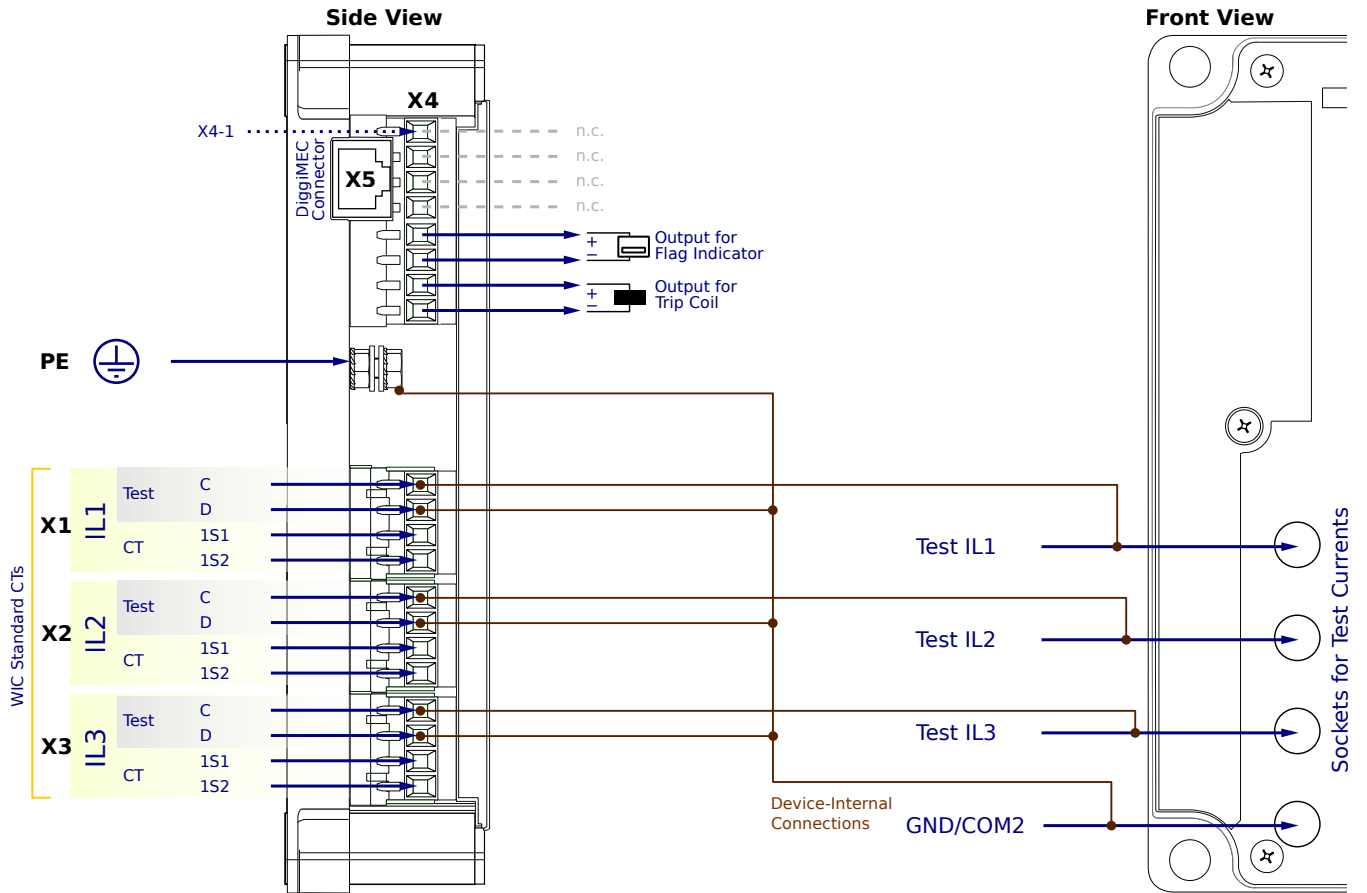
**X1...X3** - WIC CTs

**X4-5,6** - Trip flag indicator

**X4-7,8** - Trip pulse output

**X5** - DiggiMEC-WIC1 connection. Use network cable CAT3 (or better). No crossover cable!

# WIC1-1SN0FN1PA



## CT-Powered Protection Device, configuration via DiggiMEC / Smart view

- Calculated earth current
- Nominal frequency is 50 Hz or 60 Hz. (Setting via DiggiMEC/Smart view.)
- Backup protection operates directly
- Package "A" + SOTF, CLPU, external protection, ultra-fast overcurrent protection

**PE** - Protective Earth

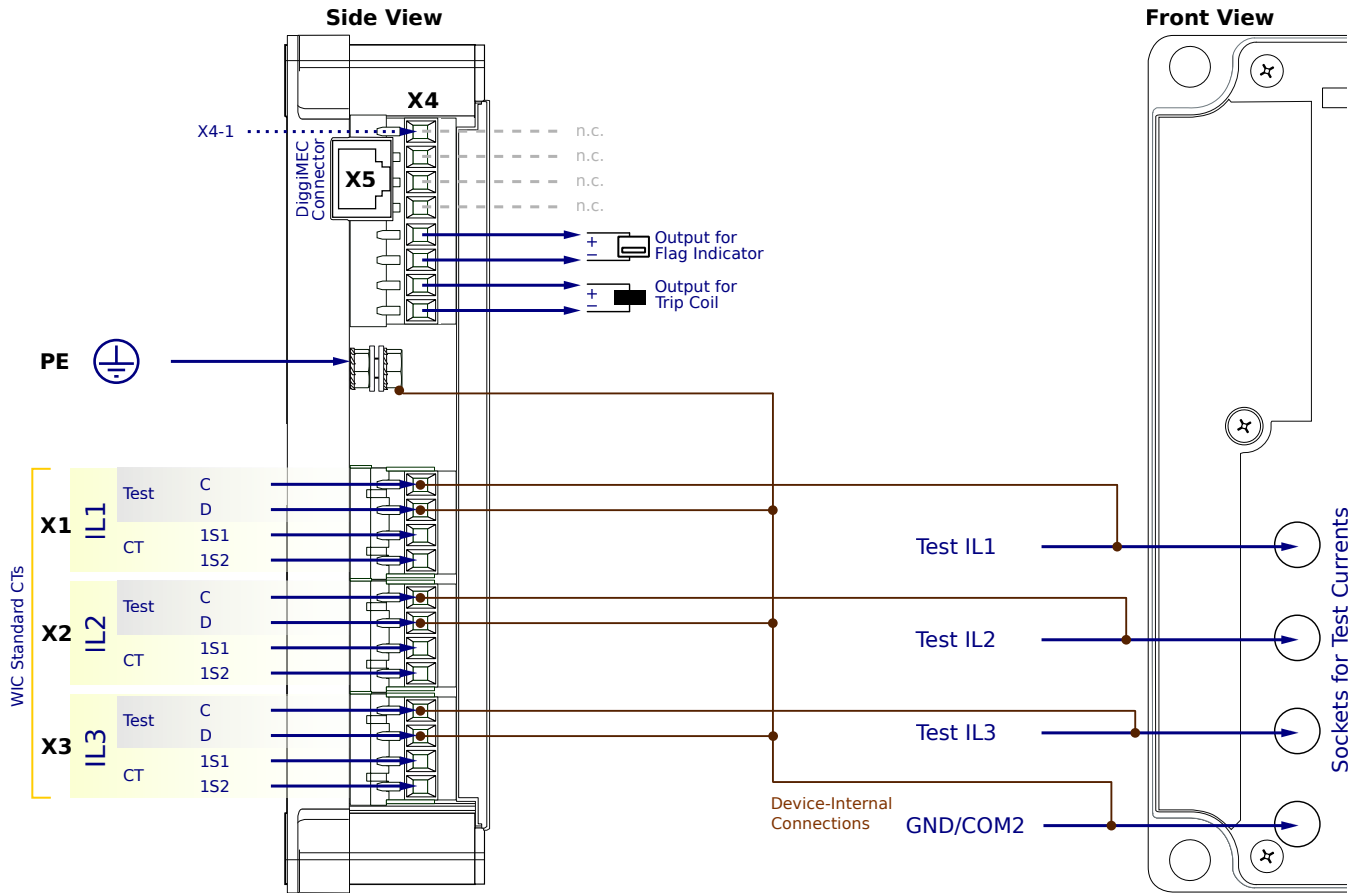
**X1...X3** - WIC CTs

**X4-5,6** - Trip flag indicator

**X4-7,8** - Trip pulse output

**X5** - DiggiMEC-WIC1 connection. Use network cable CAT3 (or better). No crossover cable!

# WIC1-1SN0FN2SA



## CT-Powered Protection Device, configuration via DiggiMEC / Smart view

- Calculated earth current
- Nominal frequency is 50 Hz or 60 Hz. (Setting via DiggiMEC/Smart view.)
- Trip at  $20 \cdot I_{n,max}$
- ANSI 50, 50G/N, 51, 51G/N, inrush, 50BF, 74TC

**PE** - Protective Earth

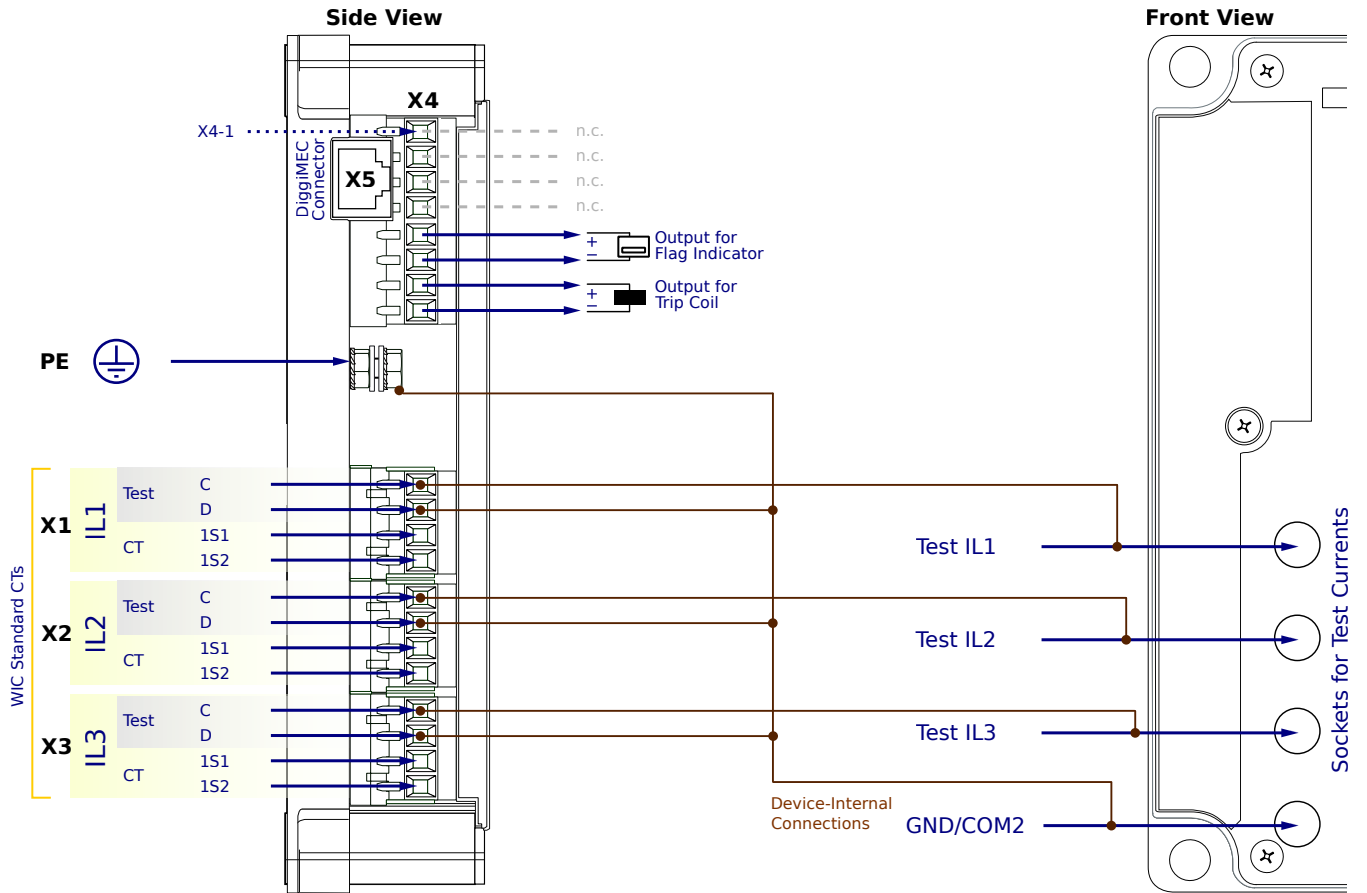
**X1...X3** - WIC CTs

**X4-5,6** - Trip flag indicator

**X4-7,8** - Trip pulse output

**X5** - DiggiMEC-WIC1 connection. Use network cable CAT3 (or better). No crossover cable!

# WIC1-1SN0FN2AA



## CT-Powered Protection Device, configuration via DiggiMEC / Smart view

- Calculated earth current
- Nominal frequency is 50 Hz or 60 Hz. (Setting via DiggiMEC/Smart view.)
- Trip at  $20 \cdot I_{n,max}$
- Package "S" + ANSI 46, 49, 51Q, Breaker Wear, Condition Monitoring (= Life Load, Drag Indicator)

**PE** - Protective Earth

**X1...X3** - WIC CTs

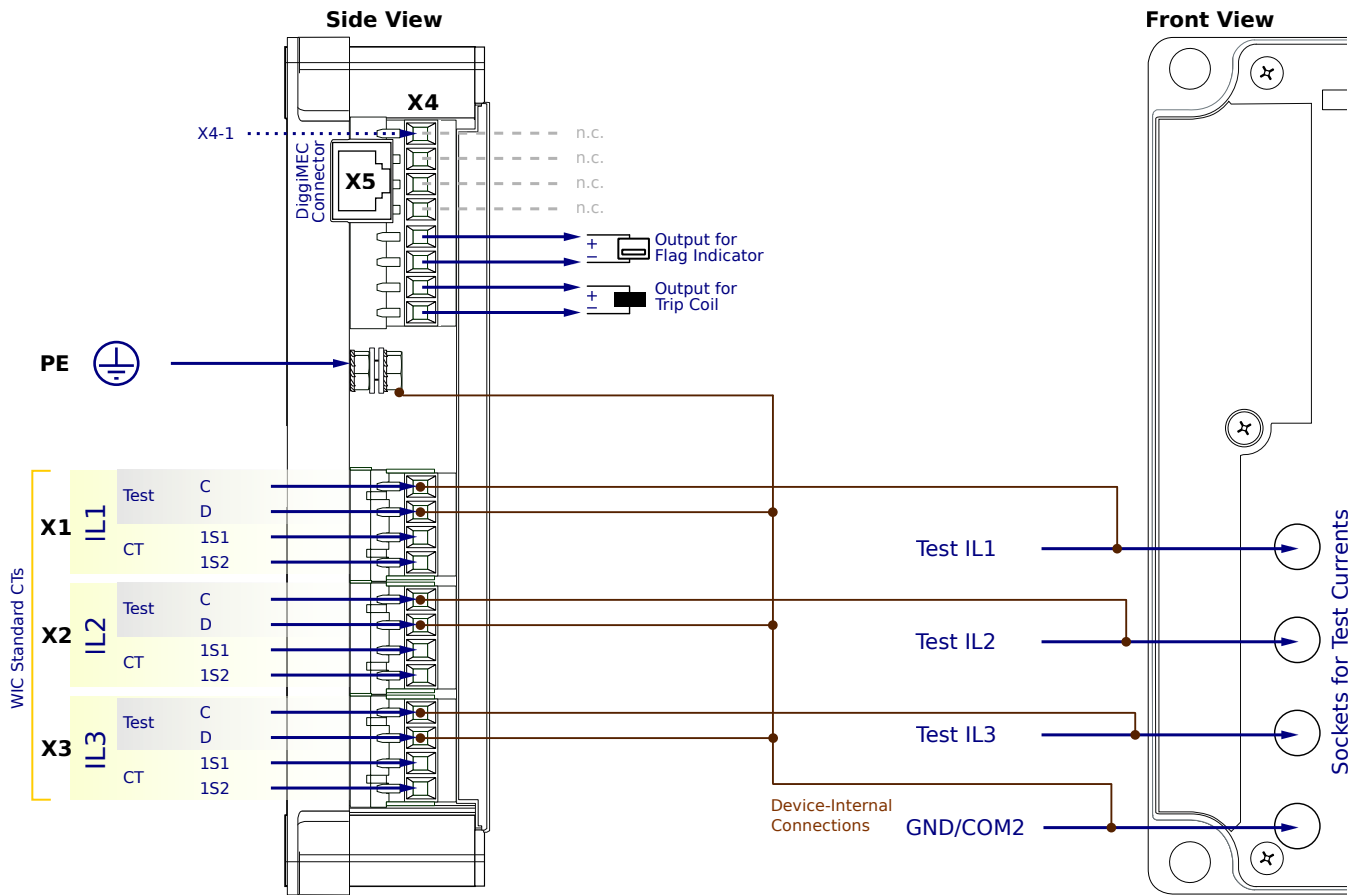
**X4-5,6** - Trip flag indicator

**X4-7,8** - Trip pulse output

**X5** - DiggiMEC-WIC1 connection. Use network cable CAT3 (or better). No crossover cable!



# WIC1-1SN0FN2PA



## CT-Powered Protection Device, configuration via DiggiMEC / Smart view

- Calculated earth current
- Nominal frequency is 50 Hz or 60 Hz. (Setting via DiggiMEC/Smart view.)
- Trip at  $20 \cdot I_{n,max}$
- Package "A" + SOTF, CLPU, external protection, ultra-fast overcurrent protection

**PE** - Protective Earth

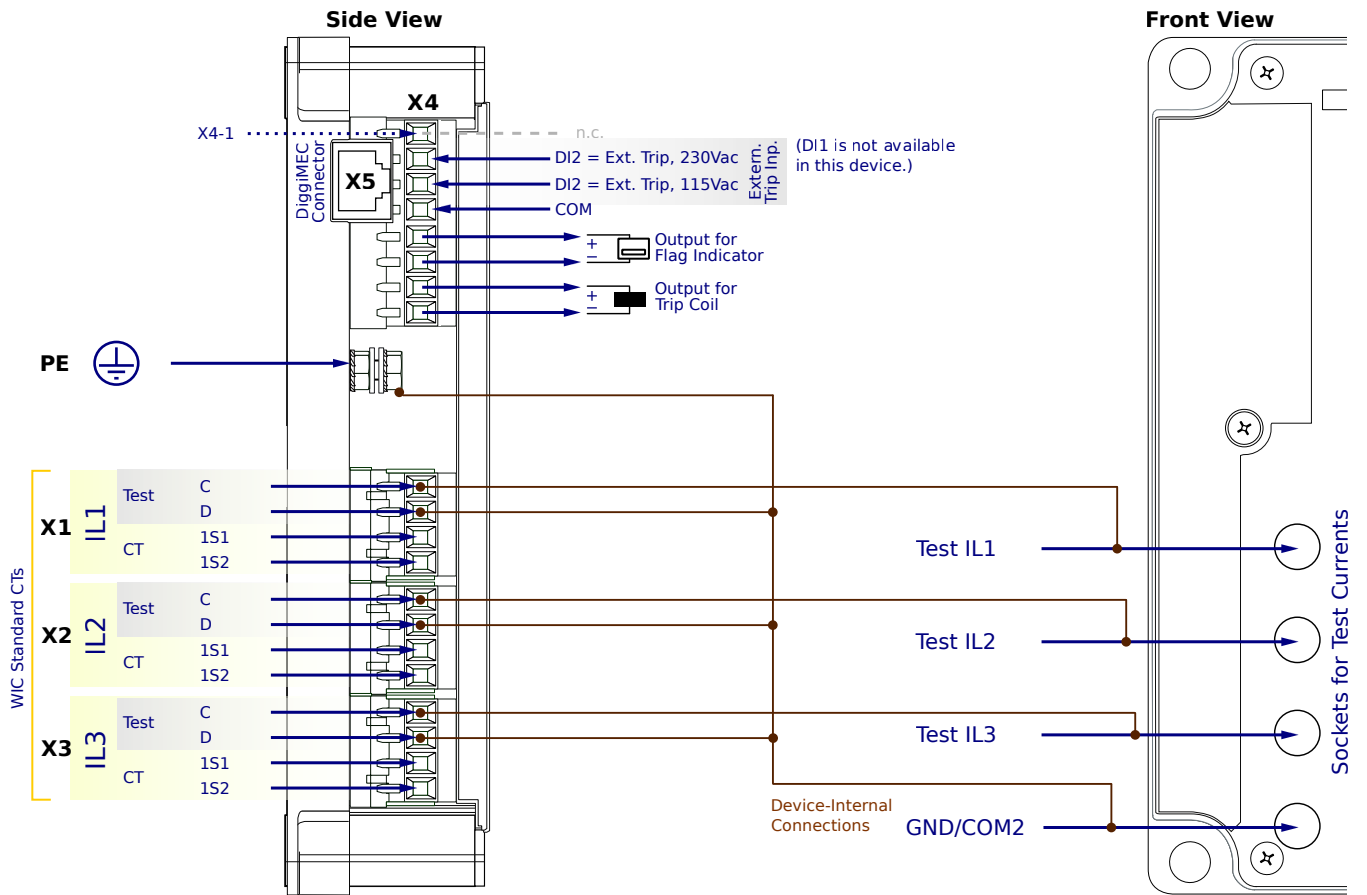
**X1...X3** - WIC CTs

**X4-5,6** - Trip flag indicator

**X4-7,8** - Trip pulse output

**X5** - DiggiMEC-WIC1 connection. Use network cable CAT3 (or better). No crossover cable!

# WIC1-1SN0FF1SA



## CT-Powered Protection Device, configuration via DiggiMEC / Smart view

- Calculated earth current
- Nominal frequency is 50 Hz or 60 Hz. (Setting via DiggiMEC/Smart view.)
- Backup protection operates directly
- ANSI 50, 50G/N, 51, 51G/N, inrush, 50BF, 74TC

**PE** - Protective Earth

**X1...X3** - WIC CTs

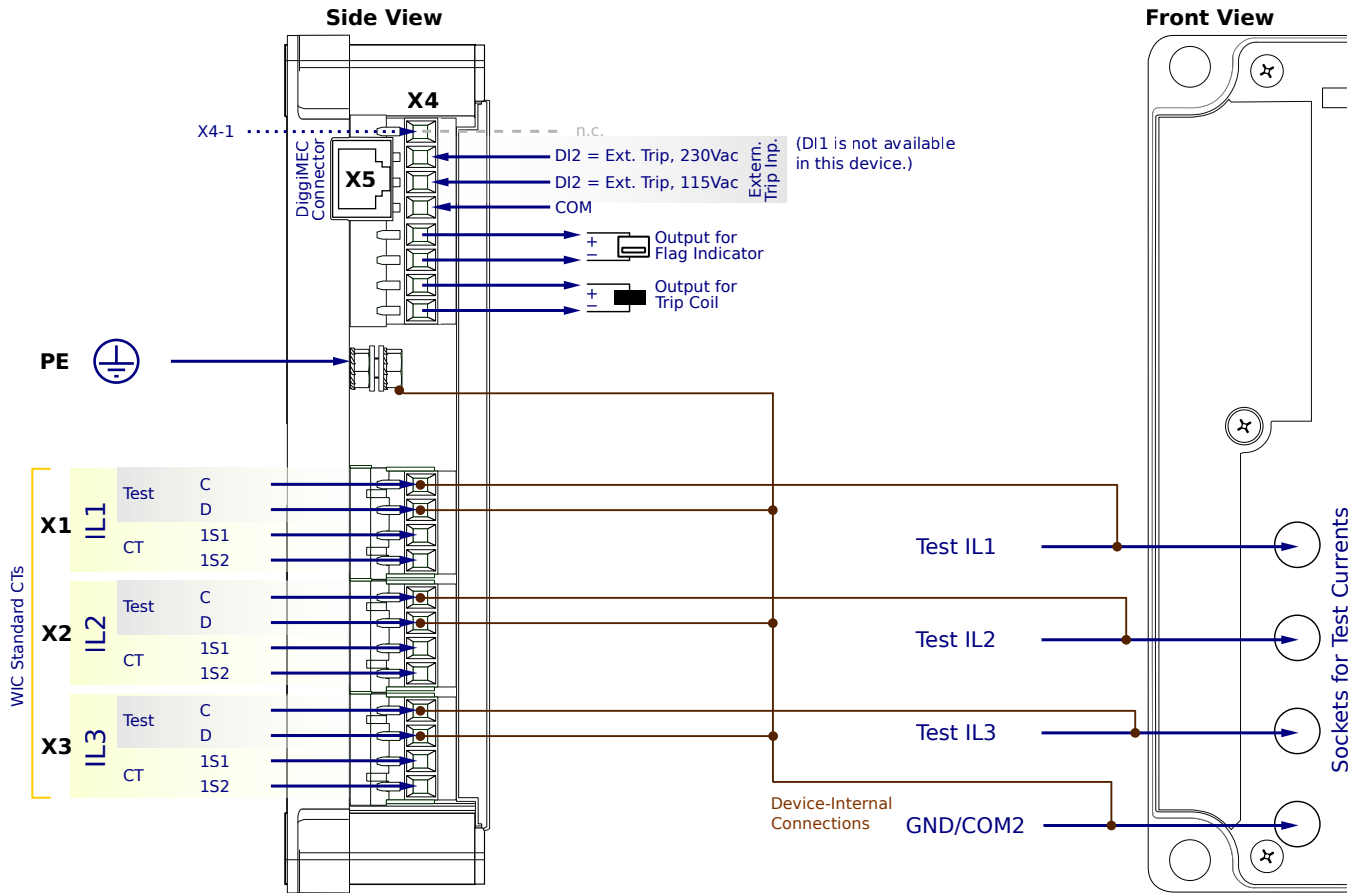
**X4-2,3** - DI2, fixed to External trip input (115Vac or 230Vac)

**X4-5,6** - Trip flag indicator

**X4-7,8** - Trip pulse output

**X5** - DiggiMEC-WIC1 connection. Use network cable CAT3 (or better). No crossover cable!

# WIC1-1SN0FF1AA



## CT-Powered Protection Device, configuration via DiggiMEC / Smart view

- Calculated earth current
- Nominal frequency is 50 Hz or 60 Hz. (Setting via DiggiMEC/Smart view.)
- Backup protection operates directly
- Package "S" + ANSI 46, 49, 51Q, Breaker Wear, Condition Monitoring (= Life Load, Drag Indicator)

**PE** - Protective Earth

**X1...X3** - WIC CTs

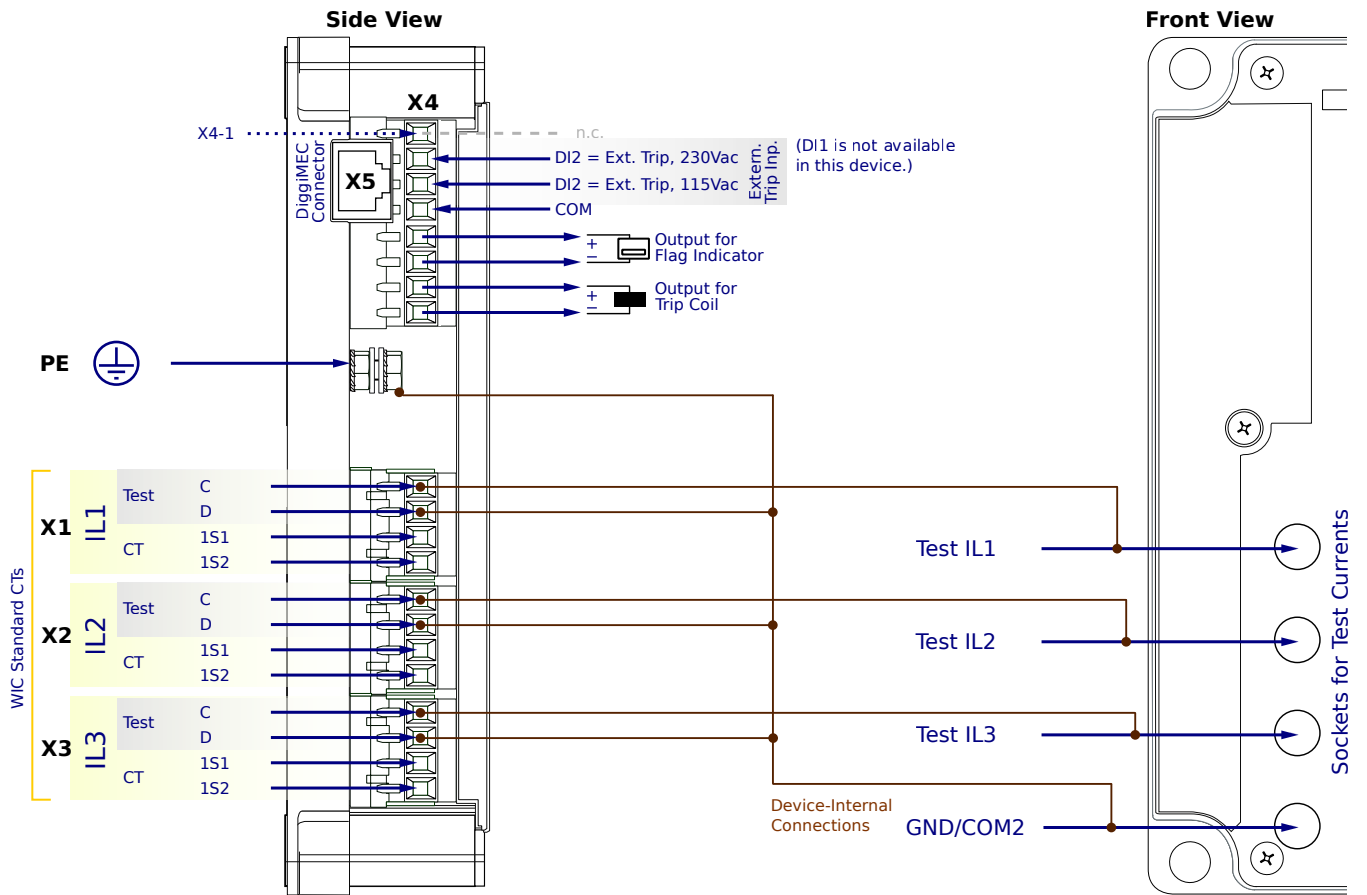
**X4-2,3** - DI2, fixed to External trip input (115Vac or 230Vac)

**X4-5,6** - Trip flag indicator

**X4-7,8** - Trip pulse output

**X5** - DiggiMEC-WIC1 connection. Use network cable CAT3 (or better). No crossover cable!

# WIC1-1SN0FF1PA



## CT-Powered Protection Device, configuration via DiggiMEC / Smart view

- Calculated earth current
- Nominal frequency is 50 Hz or 60 Hz. (Setting via DiggiMEC/Smart view.)
- Backup protection operates directly
- Package "A" + SOTF, CLPU, external protection, ultra-fast overcurrent protection

**PE** - Protective Earth

**X1...X3** - WIC CTs

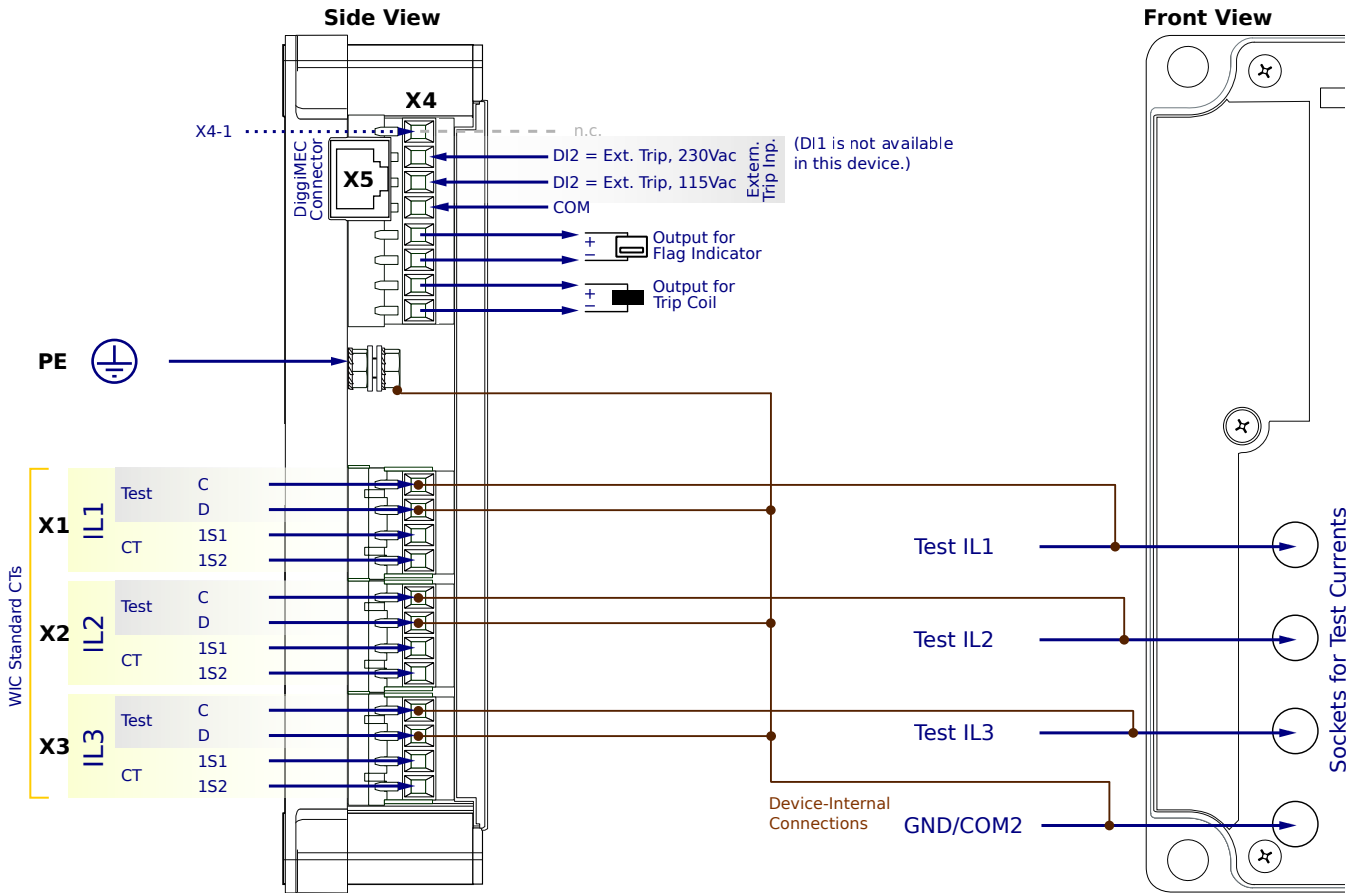
**X4-2,3** - DI2, fixed to External trip input (115Vac or 230Vac)

**X4-5,6** - Trip flag indicator

**X4-7,8** - Trip pulse output

**X5** - DiggiMEC-WIC1 connection. Use network cable CAT3 (or better). No crossover cable!

# WIC1-1SN0FF2SA



## CT-Powered Protection Device, configuration via DiggiMEC / Smart view

- Calculated earth current
- Nominal frequency is 50 Hz or 60 Hz. (Setting via DiggiMEC/Smart view.)
- Trip at  $20 \cdot I_{n,max}$
- ANSI 50, 50G/N, 51, 51G/N, inrush, 50BF, 74TC

**PE** - Protective Earth

**X1...X3** - WIC CTs

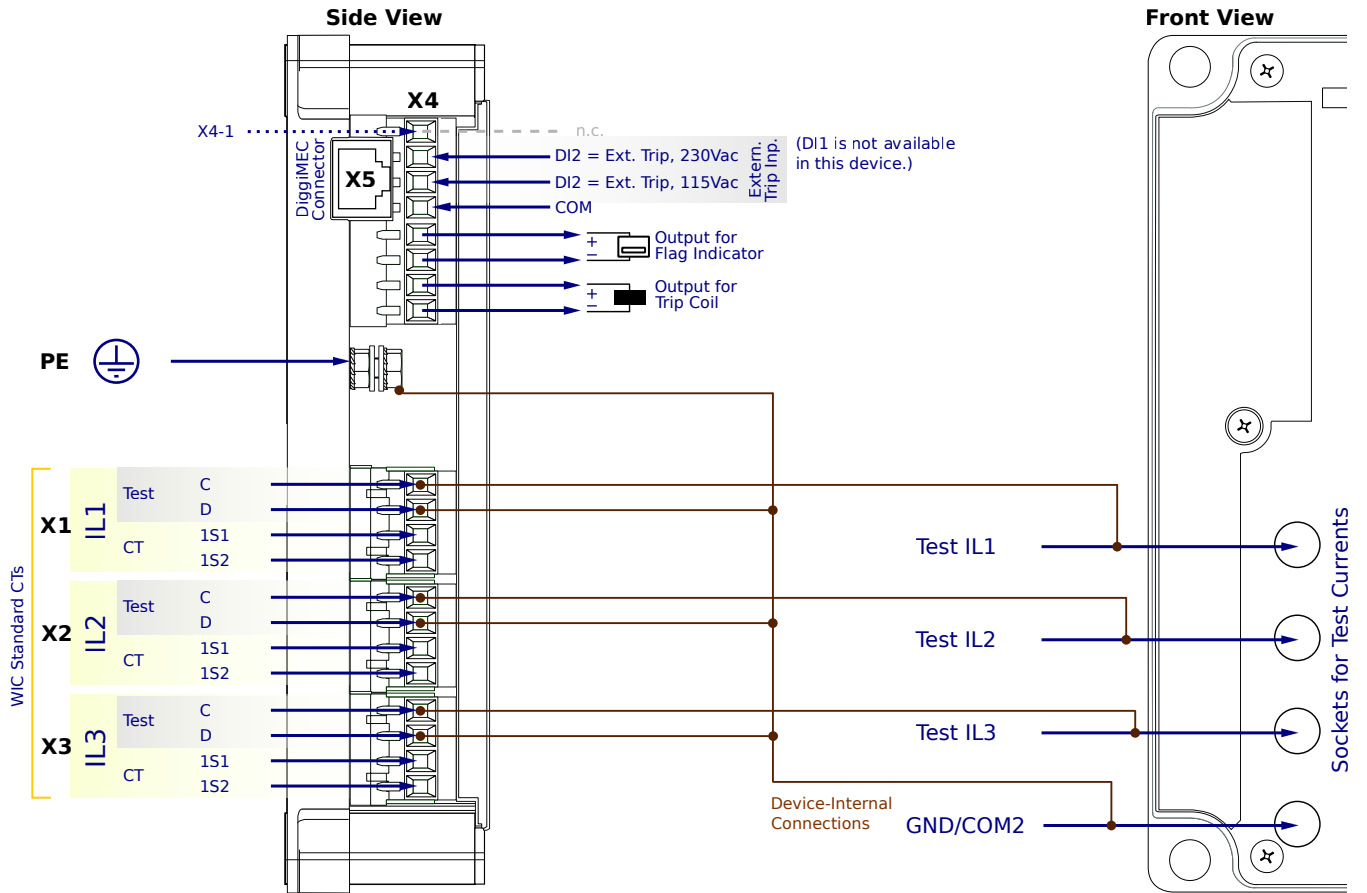
**X4-2,3** - DI2, fixed to External trip input (115Vac or 230Vac)

**X4-5,6** - Trip flag indicator

**X4-7,8** - Trip pulse output

**X5** - DiggiMEC-WIC1 connection. Use network cable CAT3 (or better). No crossover cable!

# WIC1-1SN0FF2AA



## CT-Powered Protection Device, configuration via DiggiMEC / Smart view

- Calculated earth current
- Nominal frequency is 50 Hz or 60 Hz. (Setting via DiggiMEC/Smart view.)
- Trip at  $20 \cdot I_{n,max}$
- Package "S" + ANSI 46, 49, 51Q, Breaker Wear, Condition Monitoring (= Life Load, Drag Indicator)

**PE** - Protective Earth

**X1...X3** - WIC CTs

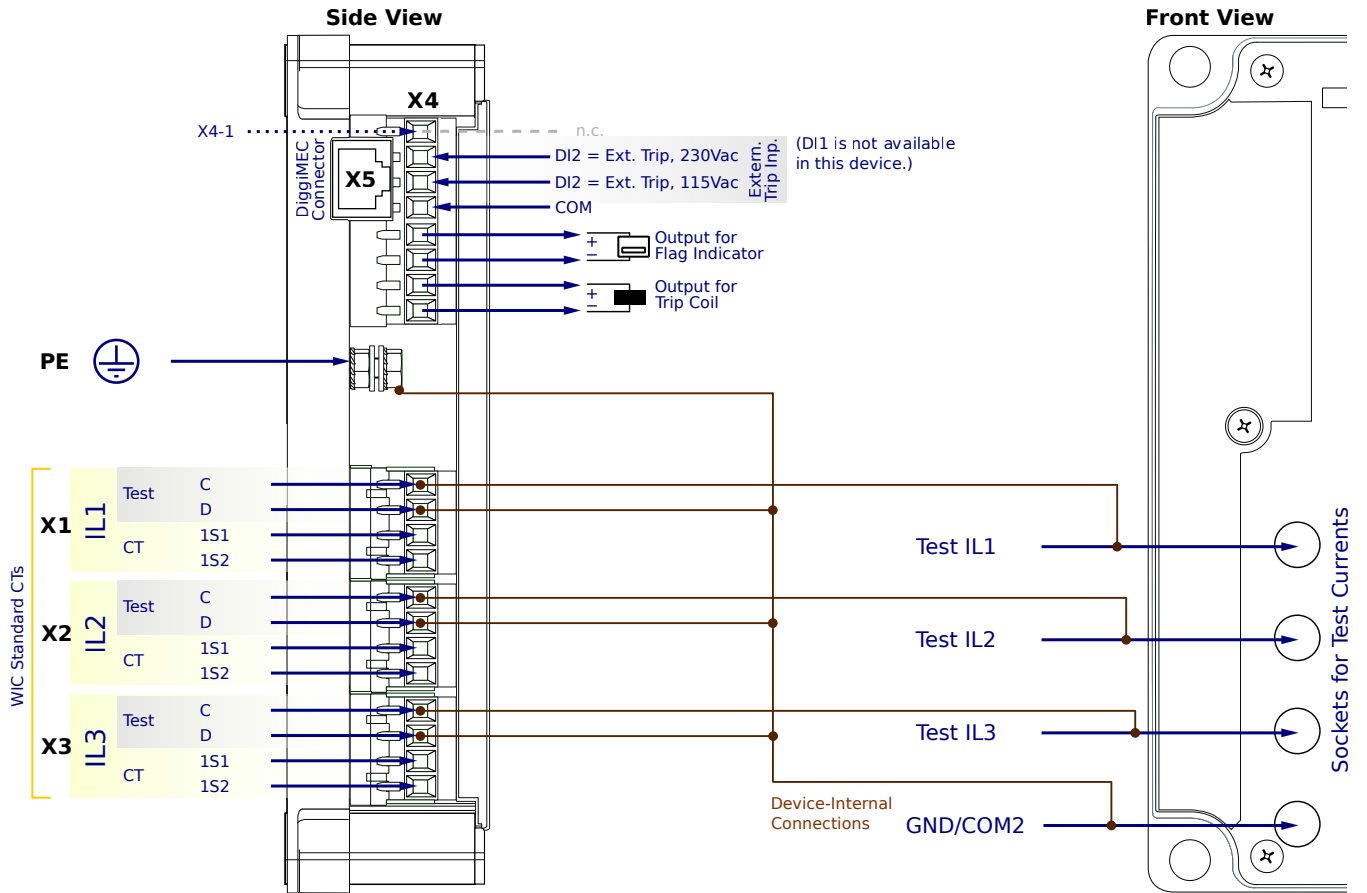
**X4-2,3** - DI2, fixed to External trip input (115Vac or 230Vac)

**X4-5,6** - Trip flag indicator

**X4-7,8** - Trip pulse output

**X5** - DiggiMEC-WIC1 connection. Use network cable CAT3 (or better). No crossover cable!

# WIC1-1SN0FF2PA



## CT-Powered Protection Device, configuration via DiggiMEC / Smart view

- Calculated earth current
- Nominal frequency is 50 Hz or 60 Hz. (Setting via DiggiMEC/Smart view.)
- Trip at  $20 \cdot I_{n,max}$
- Package "A" + SOTF, CLPU, external protection, ultra-fast overcurrent protection

**PE** - Protective Earth

**X1...X3** - WIC CTs

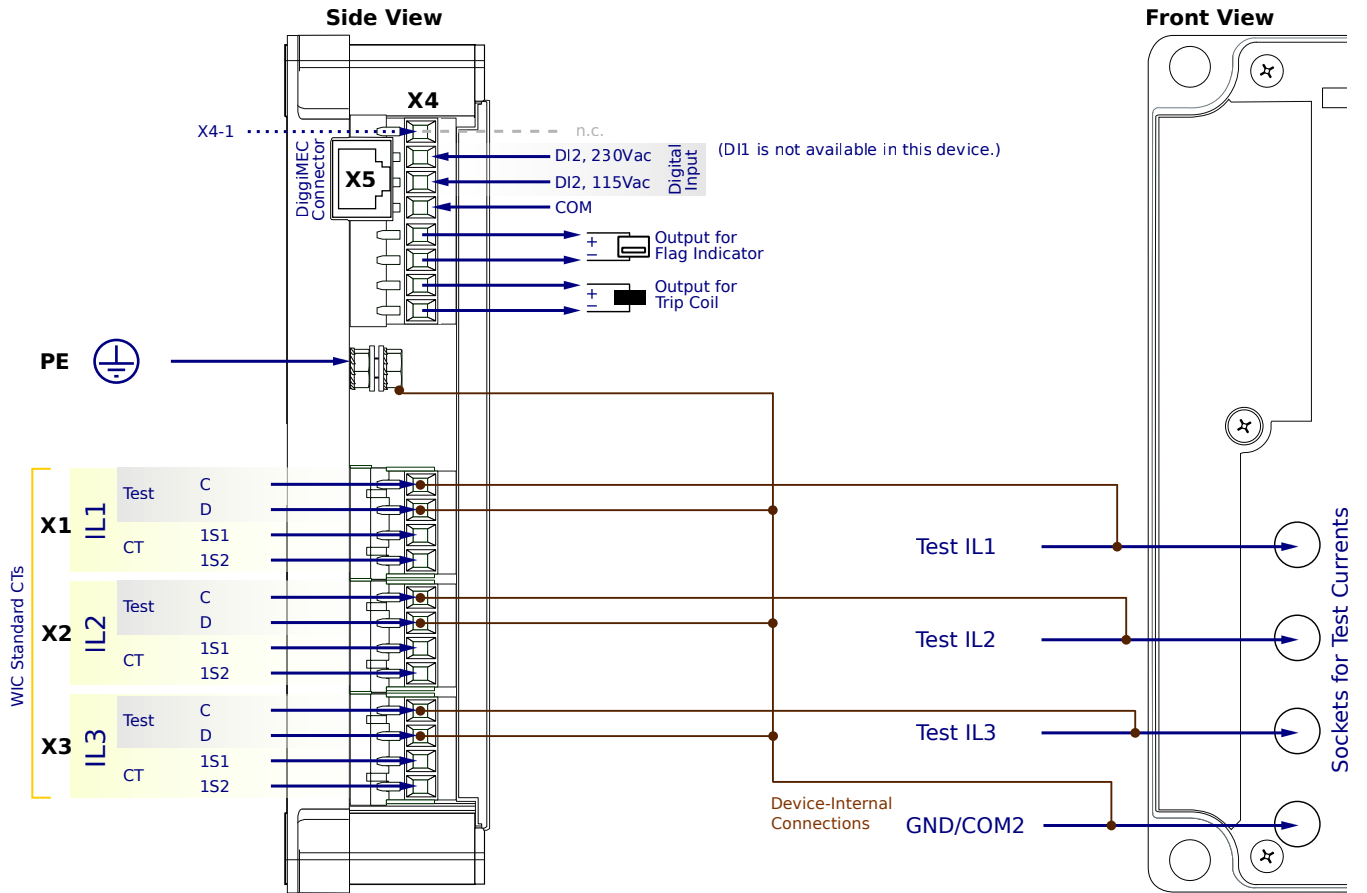
**X4-2,3** - DI2, fixed to External trip input (115Vac or 230Vac)

**X4-5,6** - Trip flag indicator

**X4-7,8** - Trip pulse output

**X5** - DiggiMEC-WIC1 connection. Use network cable CAT3 (or better). No crossover cable!

# WIC1-1SN0FC1SA



## CT-Powered Protection Device, configuration via DiggiMEC / Smart view

- Calculated earth current
- Nominal frequency is 50 Hz or 60 Hz. (Setting via DiggiMEC/Smart view.)
- Backup protection operates directly
- ANSI 50, 50G/N, 51, 51G/N, inrush, 50BF, 74TC

**PE** - Protective Earth

**X1...X3** - WIC CTs

**X4-2,3** - 1 assignable Digital Input DI2 (115Vac or 230Vac)

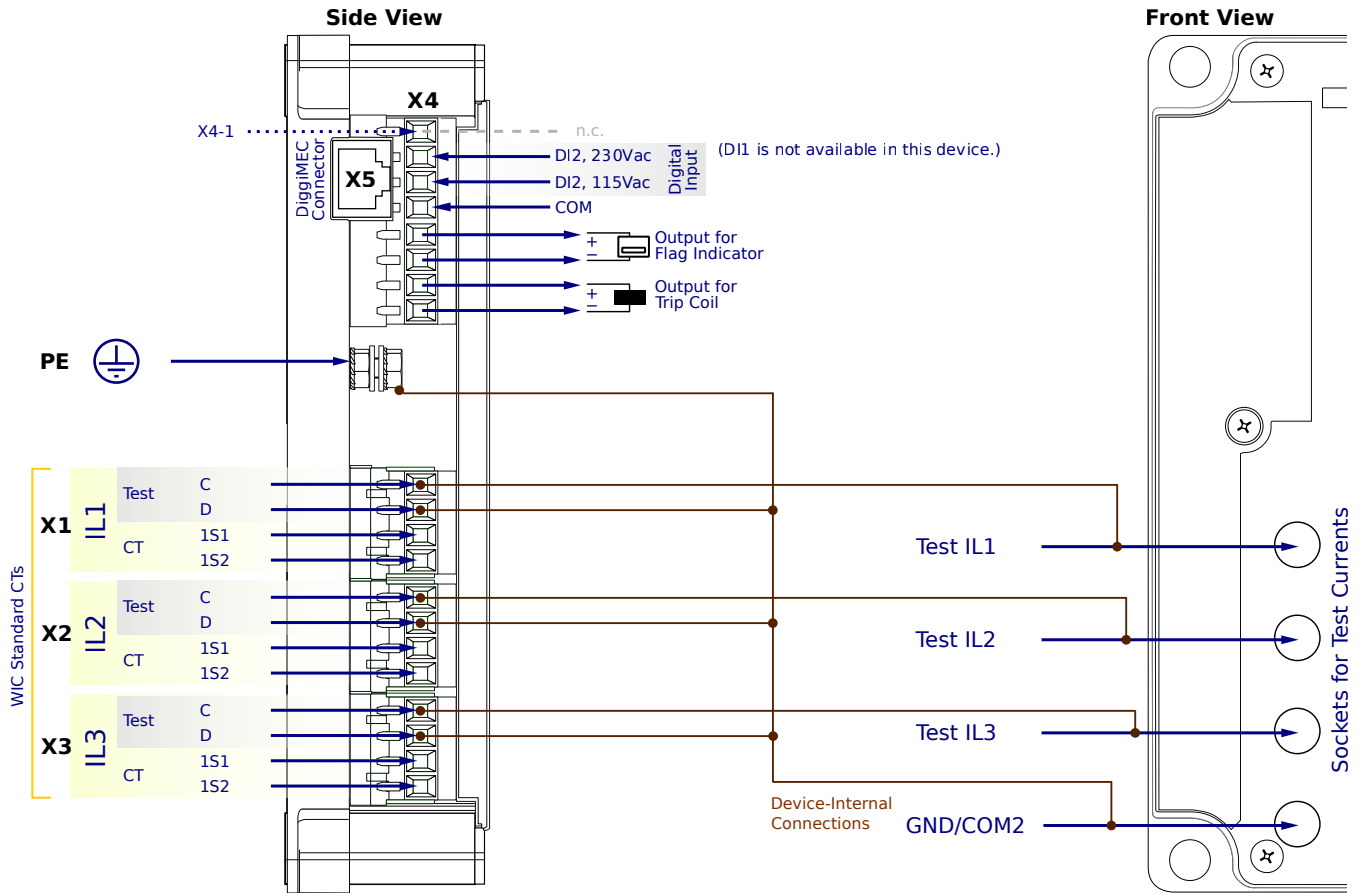
**X4-5,6** - Trip flag indicator

**X4-7,8** - Trip pulse output

**X5** - DiggiMEC-WIC1 connection. Use network cable CAT3 (or better). No crossover cable!



# WIC1-1SN0FC1AA



## CT-Powered Protection Device, configuration via DiggiMEC / Smart view

- Calculated earth current
- Nominal frequency is 50 Hz or 60 Hz. (Setting via DiggiMEC/Smart view.)
- Backup protection operates directly
- Package "S" + ANSI 46, 49, 51Q, Breaker Wear, Condition Monitoring (= Life Load, Drag Indicator)

**PE** - Protective Earth

**X1...X3** - WIC CTs

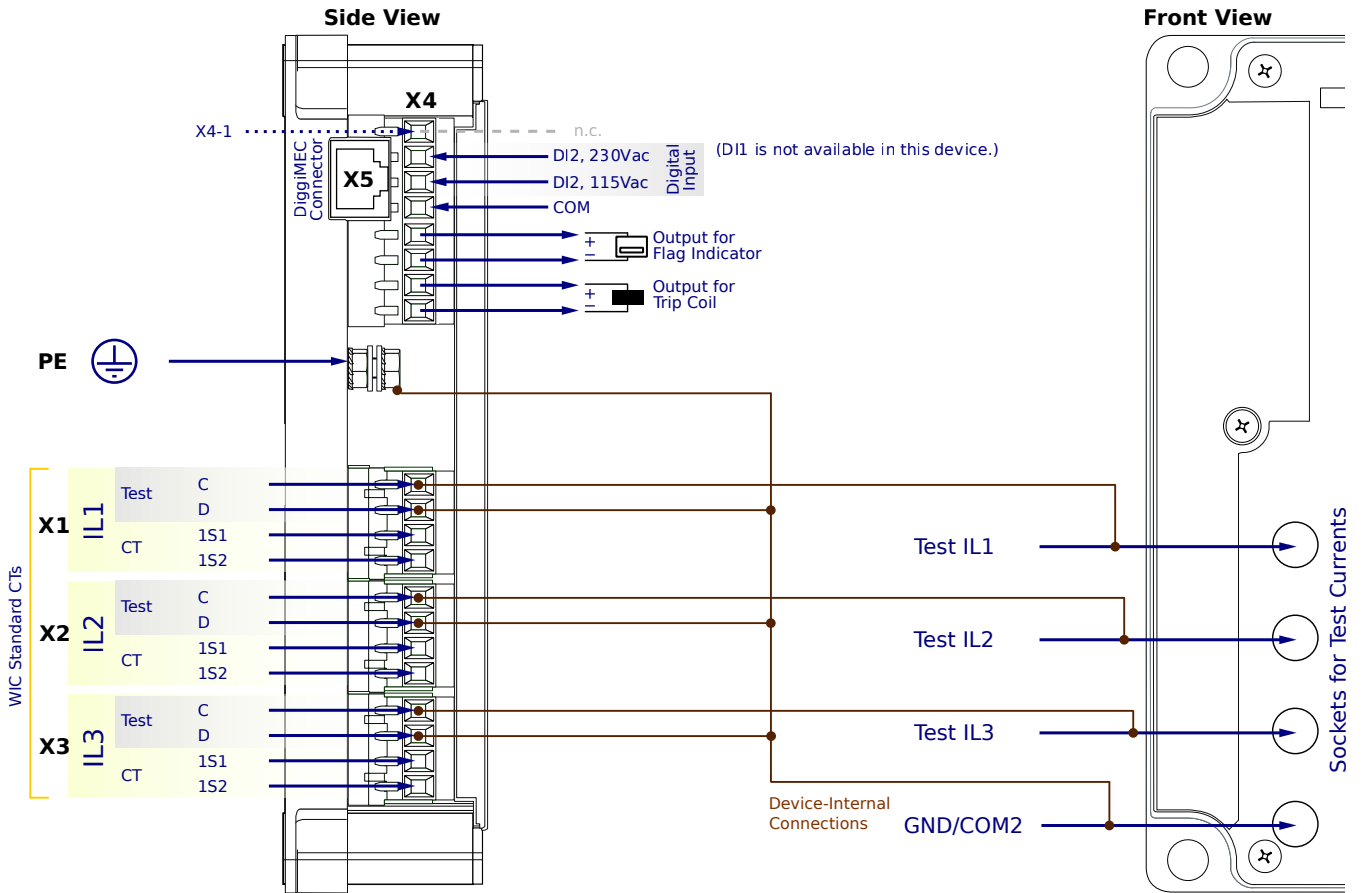
**X4-2,3** - 1 assignable Digital Input DI2 (115Vac or 230Vac)

**X4-5,6** - Trip flag indicator

**X4-7,8** - Trip pulse output

**X5** - DiggiMEC-WIC1 connection. Use network cable CAT3 (or better). No crossover cable!

# WIC1-1SN0FC1PA



## CT-Powered Protection Device, configuration via DiggiMEC / Smart view

- Calculated earth current
- Nominal frequency is 50 Hz or 60 Hz. (Setting via DiggiMEC/Smart view.)
- Backup protection operates directly
- Package "A" + SOTF, CLPU, external protection, ultra-fast overcurrent protection

**PE** - Protective Earth

**X1...X3** - WIC CTs

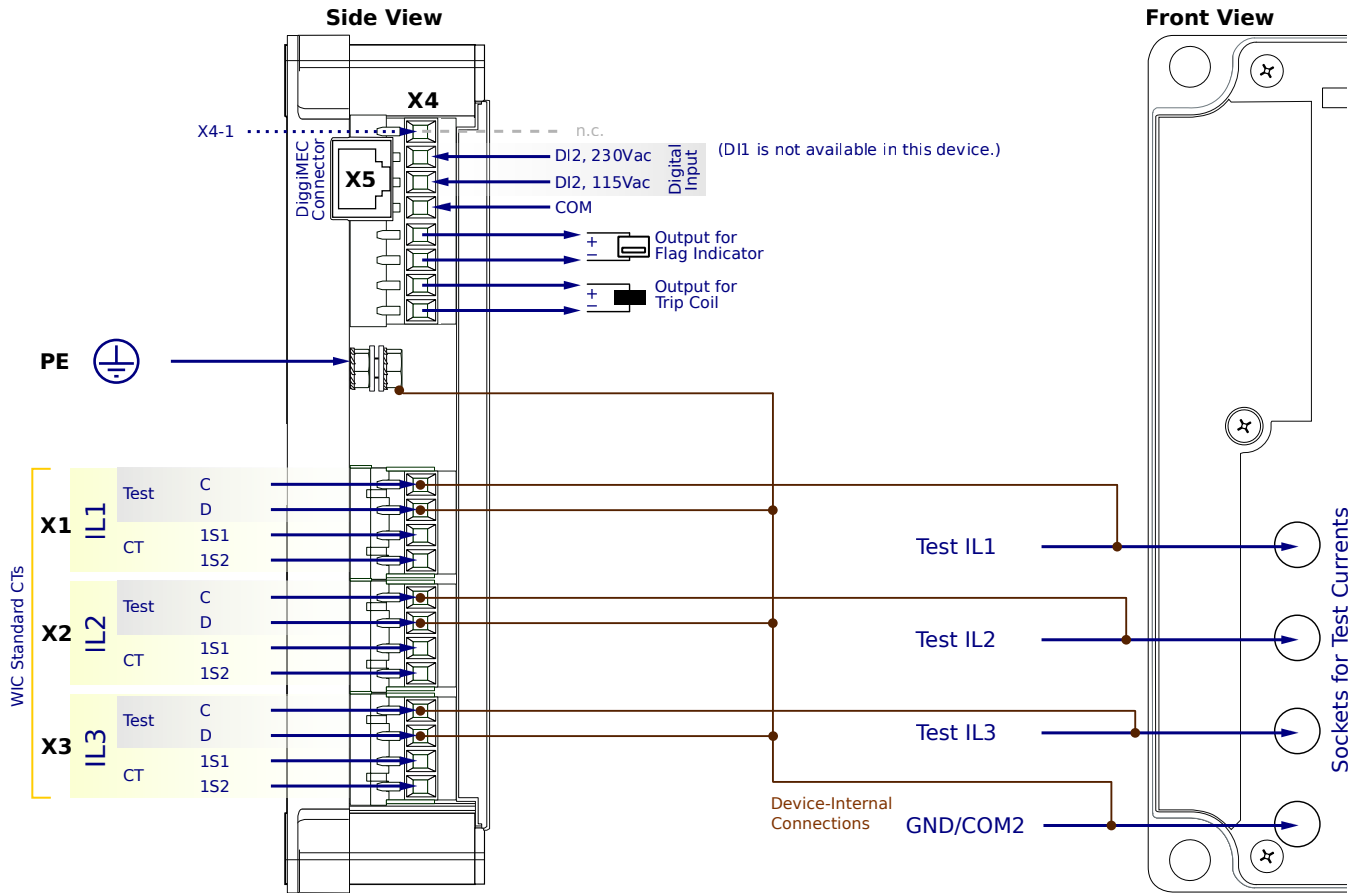
**X4-2,3** - 1 assignable Digital Input DI2 (115Vac or 230Vac)

**X4-5,6** - Trip flag indicator

**X4-7,8** - Trip pulse output

**X5** - DiggiMEC-WIC1 connection. Use network cable CAT3 (or better). No crossover cable!

# WIC1-1SN0FC2SA



## CT-Powered Protection Device, configuration via DiggiMEC / Smart view

- Calculated earth current
- Nominal frequency is 50 Hz or 60 Hz. (Setting via DiggiMEC/Smart view.)
- Trip at  $20 \cdot I_{n,max}$
- ANSI 50, 50G/N, 51, 51G/N, inrush, 50BF, 74TC

**PE** - Protective Earth

**X1...X3** - WIC CTs

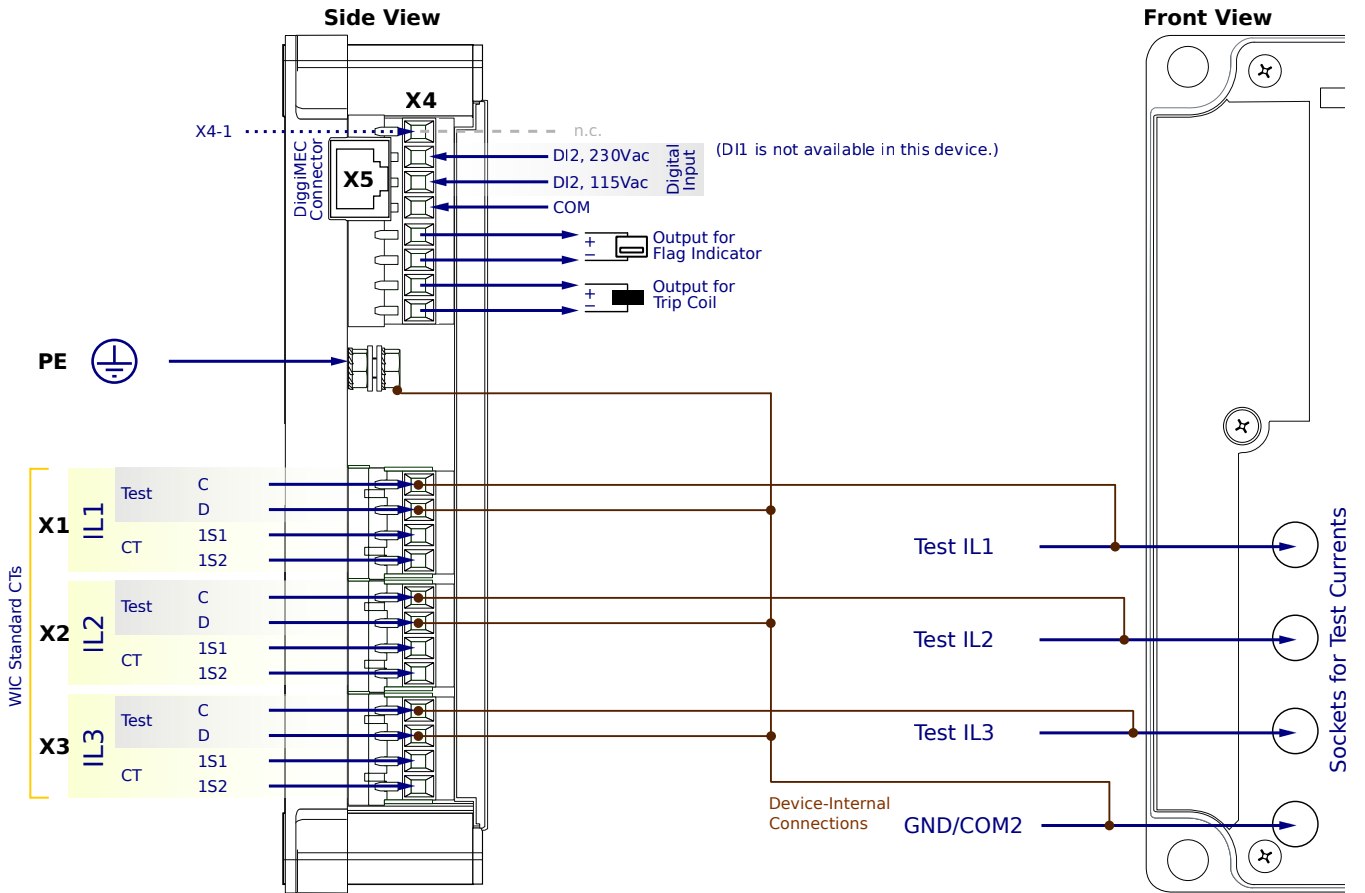
**X4-2,3** - 1 assignable Digital Input DI2 (115Vac or 230Vac)

**X4-5,6** - Trip flag indicator

**X4-7,8** - Trip pulse output

**X5** - DiggiMEC-WIC1 connection. Use network cable CAT3 (or better). No crossover cable!

# WIC1-1SN0FC2AA



## CT-Powered Protection Device, configuration via DiggiMEC / Smart view

- Calculated earth current
- Nominal frequency is 50 Hz or 60 Hz. (Setting via DiggiMEC/Smart view.)
- Trip at  $20 \cdot I_{n,max}$
- Package "S" + ANSI 46, 49, 51Q, Breaker Wear, Condition Monitoring (= Life Load, Drag Indicator)

**PE** - Protective Earth

**X1...X3** - WIC CTs

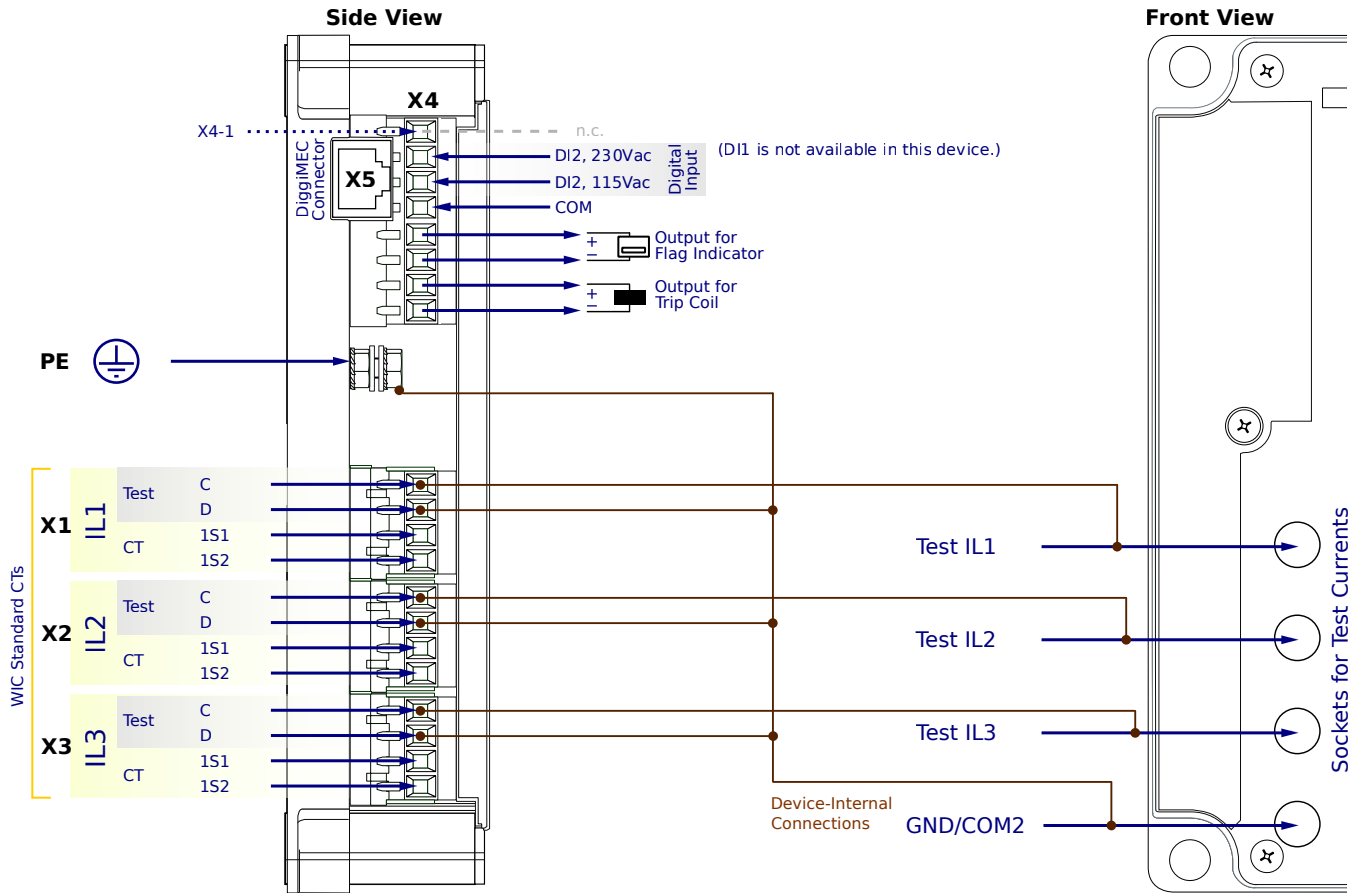
**X4-2,3** - 1 assignable Digital Input DI2 (115Vac or 230Vac)

**X4-5,6** - Trip flag indicator

**X4-7,8** - Trip pulse output

**X5** - DiggiMEC-WIC1 connection. Use network cable CAT3 (or better). No crossover cable!

# WIC1-1SN0FC2PA



## CT-Powered Protection Device, configuration via DiggiMEC / Smart view

- Calculated earth current
- Nominal frequency is 50 Hz or 60 Hz. (Setting via DiggiMEC/Smart view.)
- Trip at  $20 \cdot I_{n,max}$
- Package "A" + SOTF, CLPU, external protection, ultra-fast overcurrent protection

**PE** - Protective Earth

**X1...X3** - WIC CTs

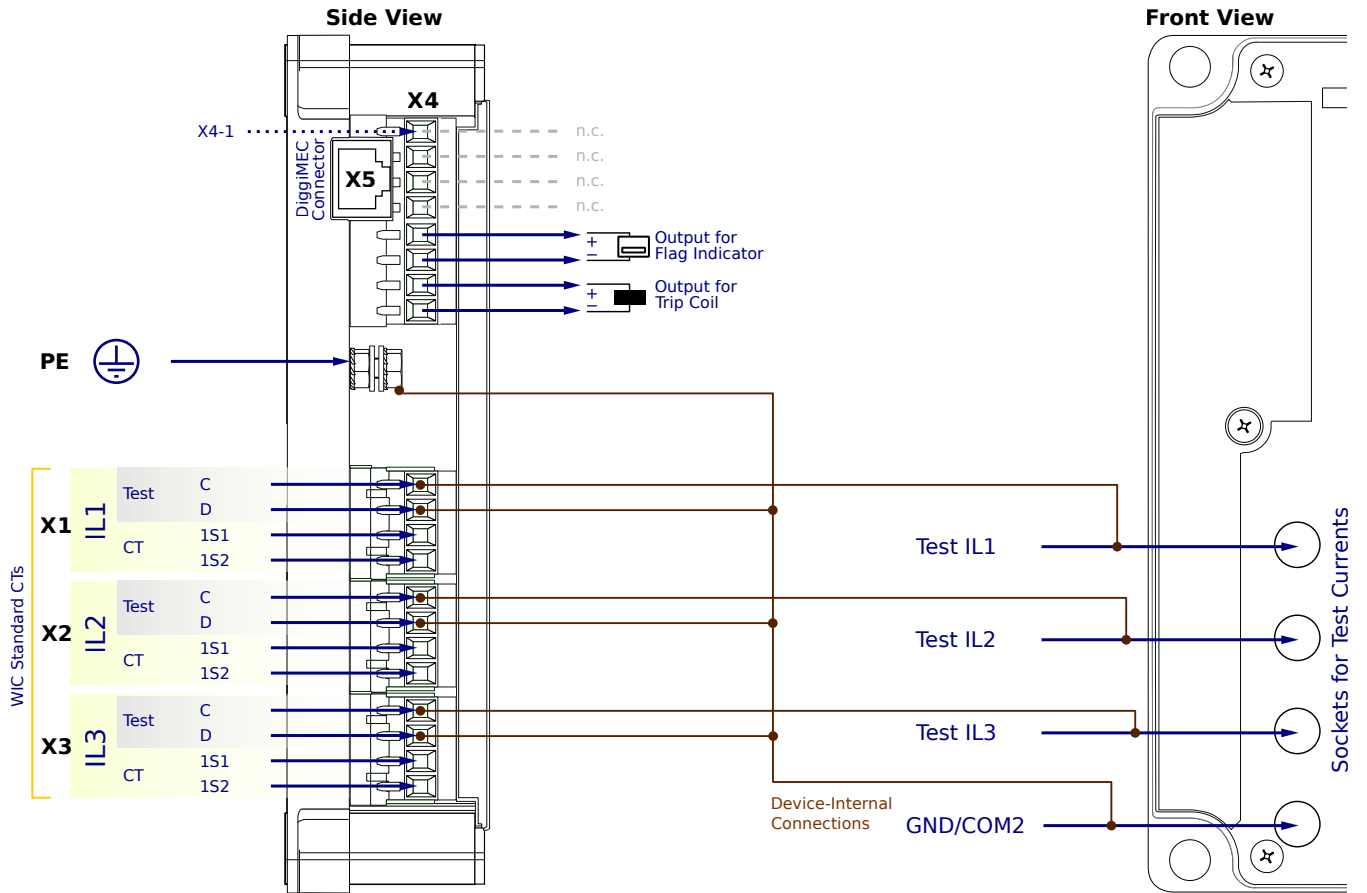
**X4-2,3** - 1 assignable Digital Input DI2 (115Vac or 230Vac)

**X4-5,6** - Trip flag indicator

**X4-7,8** - Trip pulse output

**X5** - DiggiMEC-WIC1 connection. Use network cable CAT3 (or better). No crossover cable!

# WIC1-1SN0CN1SA



## CT-Powered Protection Device, configuration via DiggiMEC / Smart view

- Calculated earth current
- Nominal frequency is 50 Hz or 60 Hz. (Setting via DiggiMEC/Smart view.)
- Backup protection operates directly
- ANSI 50, 50G/N, 51, 51G/N, inrush, 50BF, 74TC

**PE** - Protective Earth

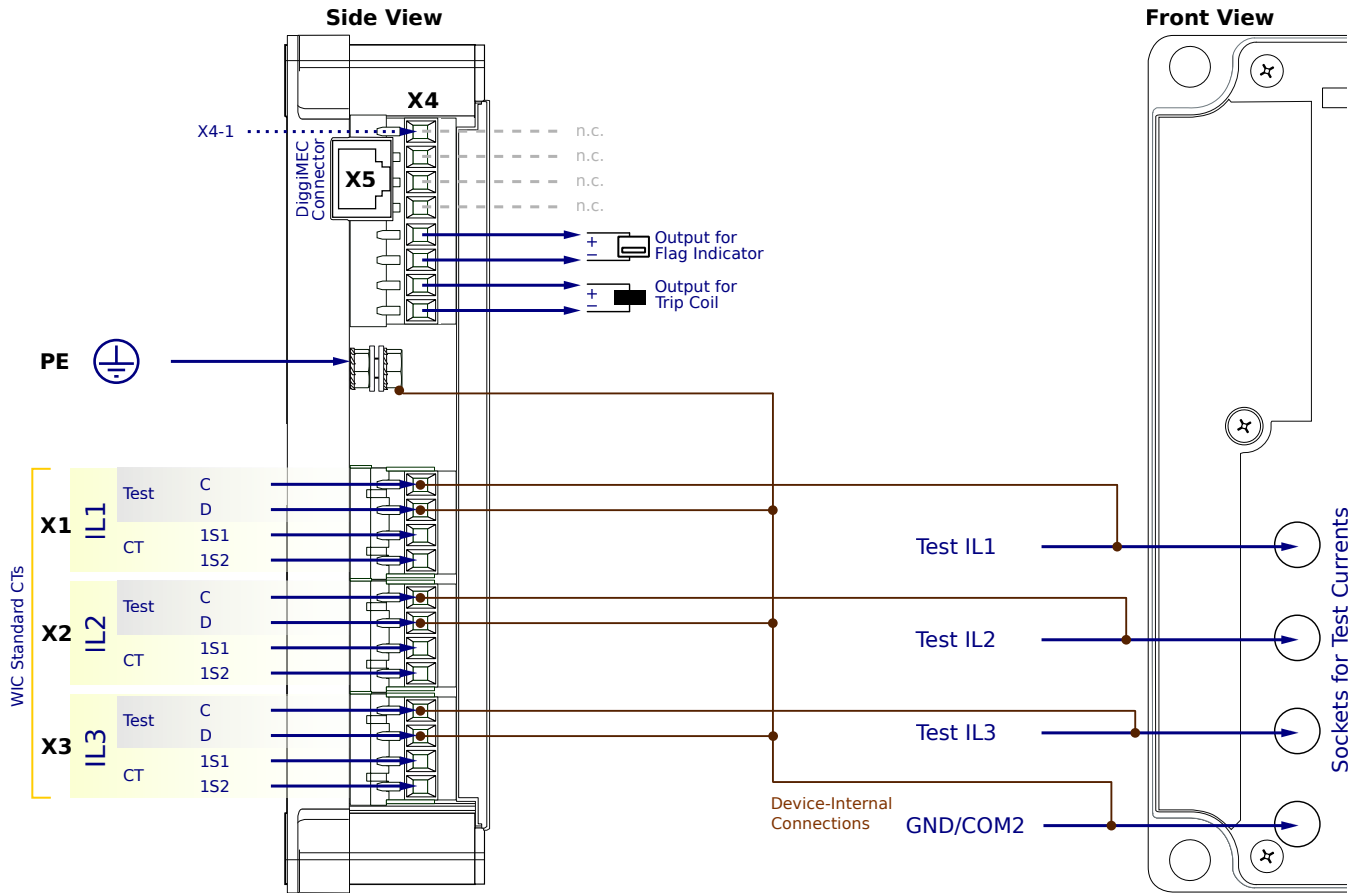
**X1...X3** - WIC CTs

**X4-5,6** - Assignable flag indicator

**X4-7,8** - Trip pulse output

**X5** - DiggiMEC-WIC1 connection. Use network cable CAT3 (or better). No crossover cable!

# WIC1-1SN0CN1AA



## CT-Powered Protection Device, configuration via DiggiMEC / Smart view

- Calculated earth current
- Nominal frequency is 50 Hz or 60 Hz. (Setting via DiggiMEC/Smart view.)
- Backup protection operates directly
- Package "S" + ANSI 46, 49, 51Q, Breaker Wear, Condition Monitoring (= Life Load, Drag Indicator)

**PE** - Protective Earth

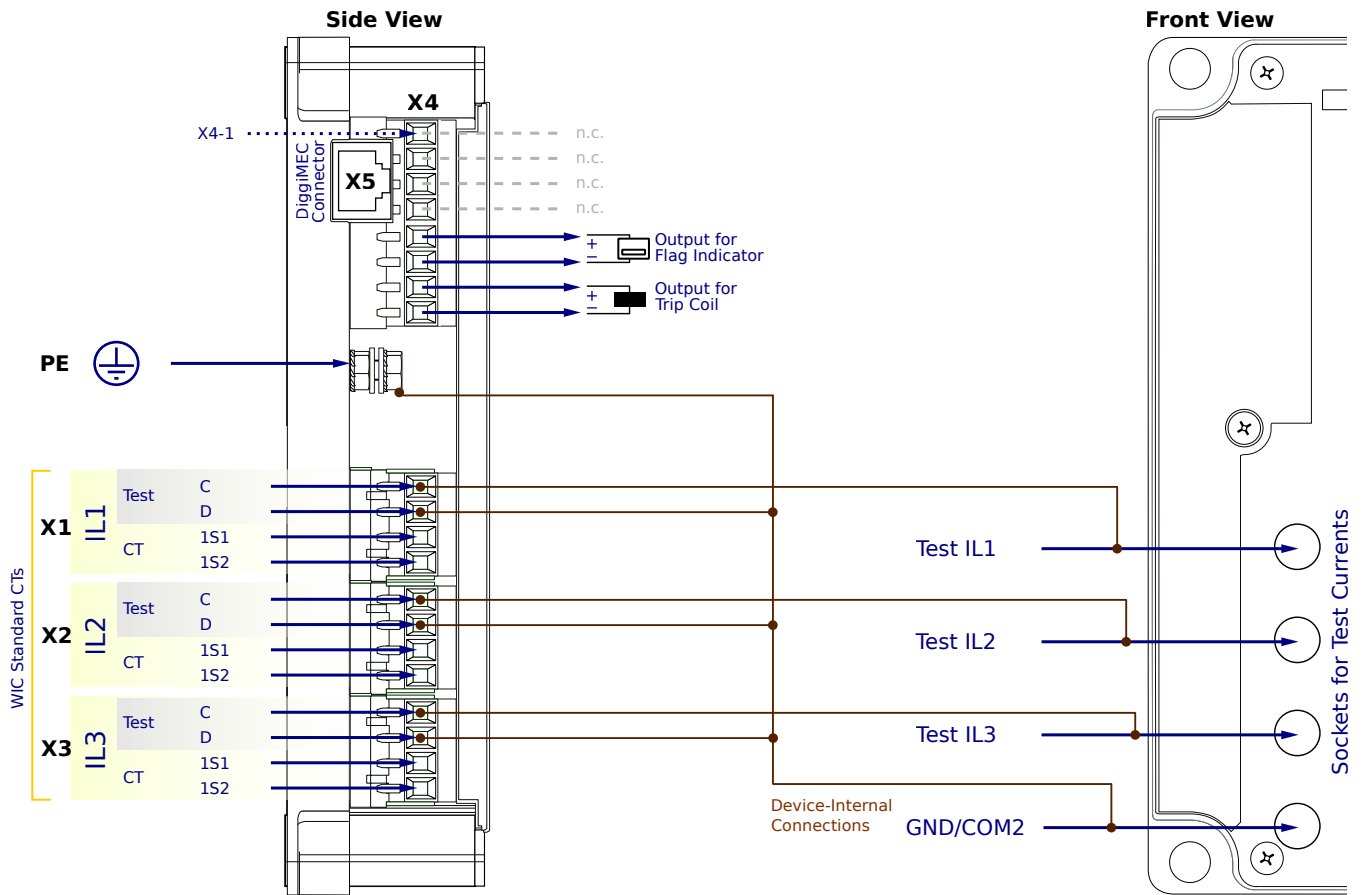
**X1...X3** - WIC CTs

**X4-5,6** - Assignable flag indicator

**X4-7,8** - Trip pulse output

**X5** - DiggiMEC-WIC1 connection. Use network cable CAT3 (or better). No crossover cable!

# WIC1-1SN0CN1PA



## CT-Powered Protection Device, configuration via DiggiMEC / Smart view

- Calculated earth current
- Nominal frequency is 50 Hz or 60 Hz. (Setting via DiggiMEC/Smart view.)
- Backup protection operates directly
- Package "A" + SOTF, CLPU, external protection, ultra-fast overcurrent protection

**PE** - Protective Earth

**X1...X3** - WIC CTs

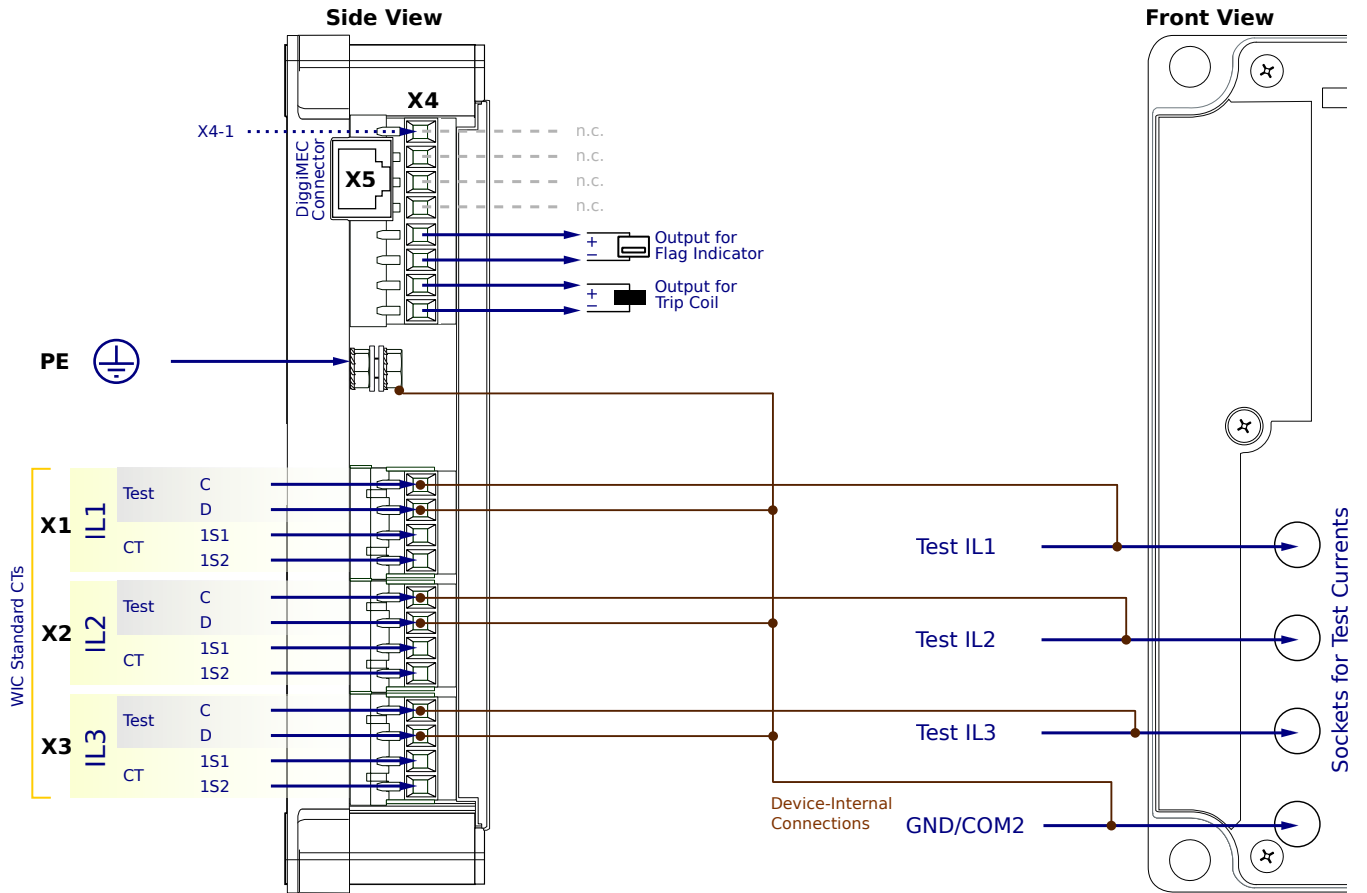
**X4-5,6** - Assignable flag indicator

**X4-7,8** - Trip pulse output

**X5** - DiggiMEC-WIC1 connection. Use network cable CAT3 (or better). No crossover cable!



# WIC1-1SN0CN2SA



## CT-Powered Protection Device, configuration via DiggiMEC / Smart view

- Calculated earth current
- Nominal frequency is 50 Hz or 60 Hz. (Setting via DiggiMEC/Smart view.)
- Trip at  $20 \cdot I_{n,max}$
- ANSI 50, 50G/N, 51, 51G/N, inrush, 50BF, 74TC

**PE** - Protective Earth

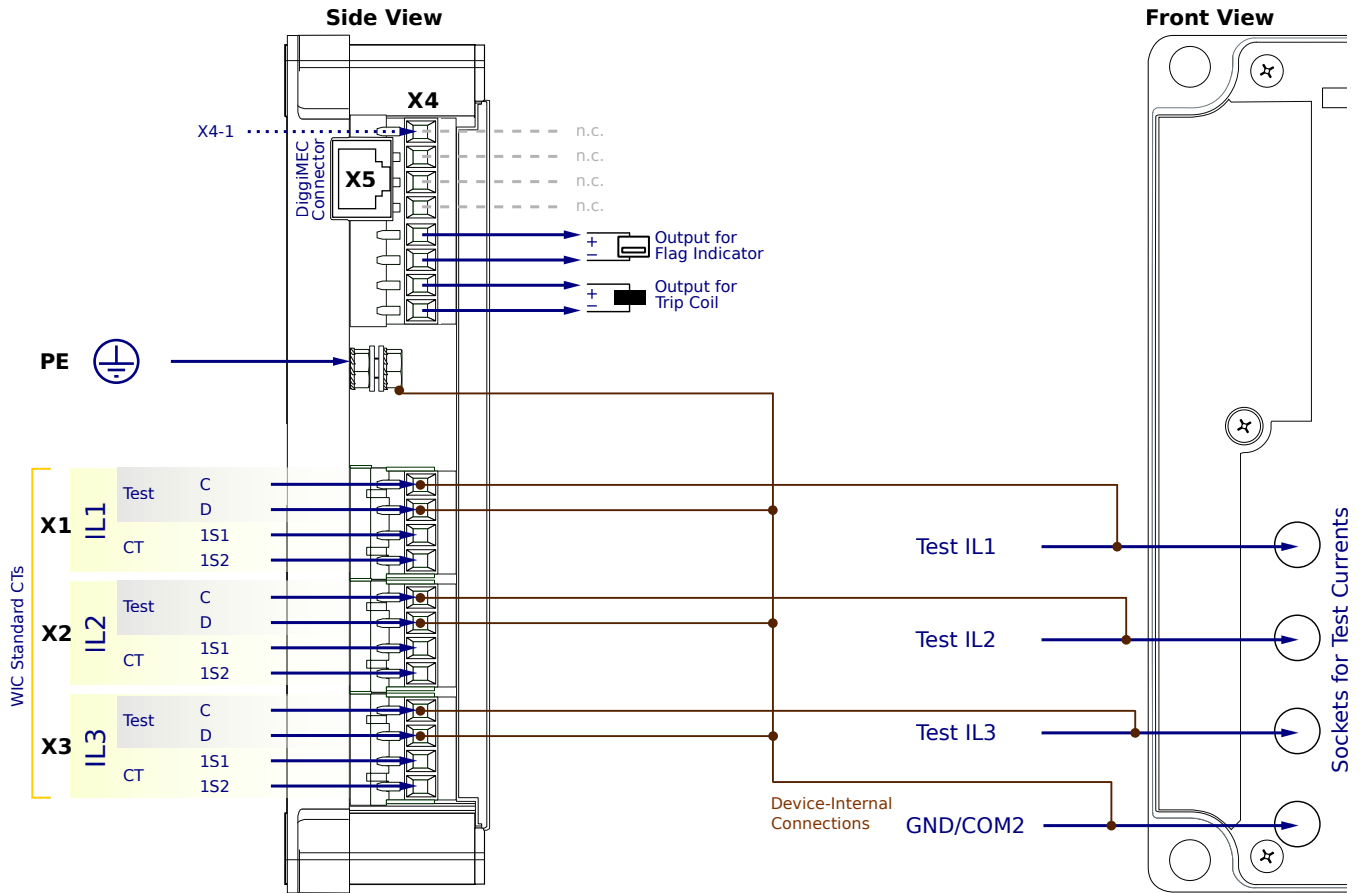
**X1...X3** - WIC CTs

**X4-5,6** - Assignable flag indicator

**X4-7,8** - Trip pulse output

**X5** - DiggiMEC-WIC1 connection. Use network cable CAT3 (or better). No crossover cable!

# WIC1-1SN0CN2AA



## CT-Powered Protection Device, configuration via DiggiMEC / Smart view

- Calculated earth current
- Nominal frequency is 50 Hz or 60 Hz. (Setting via DiggiMEC/Smart view.)
- Trip at  $20 \cdot I_{n,max}$
- Package "S" + ANSI 46, 49, 51Q, Breaker Wear, Condition Monitoring (= Life Load, Drag Indicator)

**PE** - Protective Earth

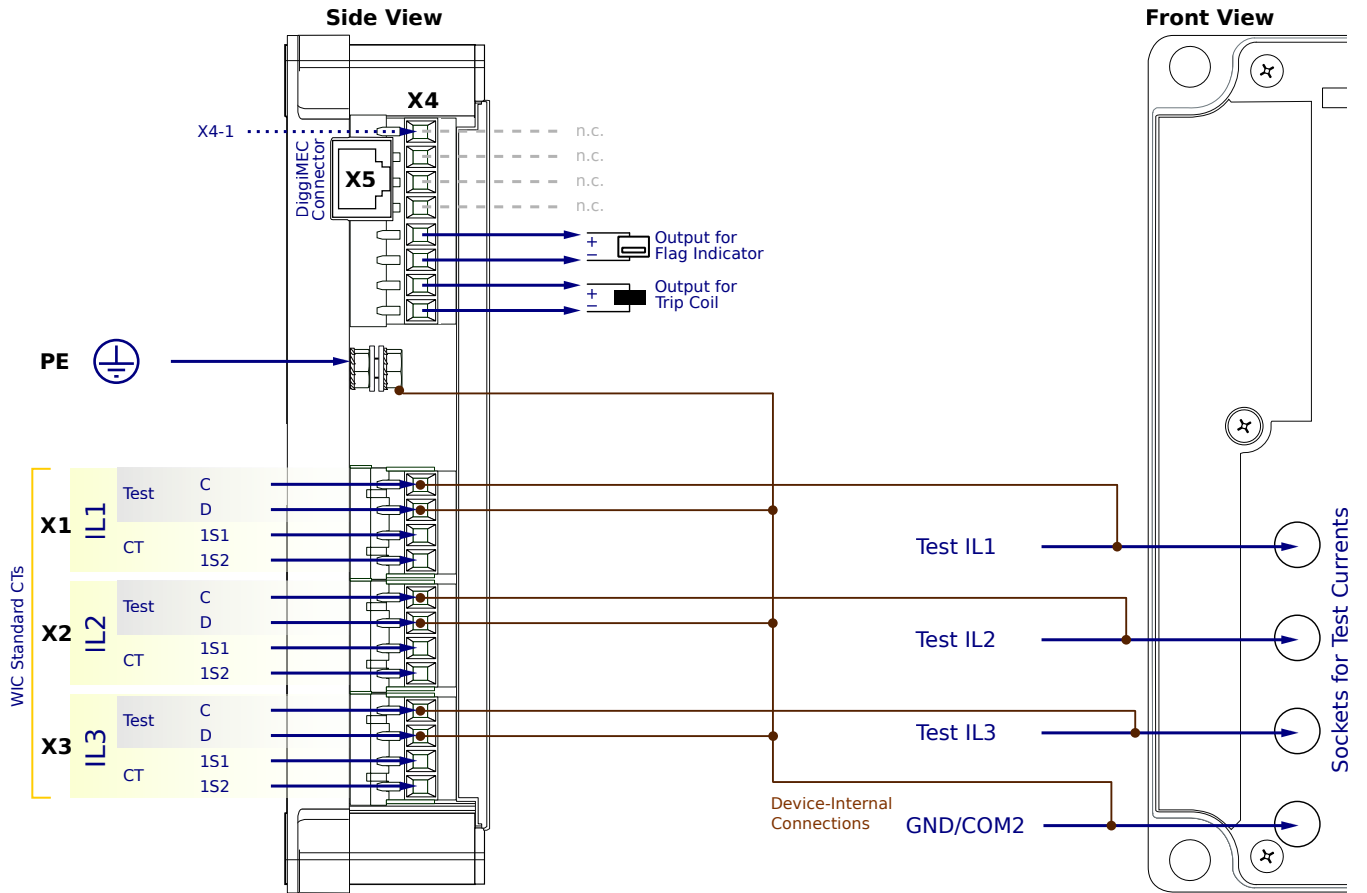
**X1...X3** - WIC CTs

**X4-5,6** - Assignable flag indicator

**X4-7,8** - Trip pulse output

**X5** - DiggiMEC-WIC1 connection. Use network cable CAT3 (or better). No crossover cable!

# WIC1-1SN0CN2PA



## CT-Powered Protection Device, configuration via DiggiMEC / Smart view

- Calculated earth current
- Nominal frequency is 50 Hz or 60 Hz. (Setting via DiggiMEC/Smart view.)
- Trip at  $20 \cdot I_{n,max}$
- Package "A" + SOTF, CLPU, external protection, ultra-fast overcurrent protection

**PE** - Protective Earth

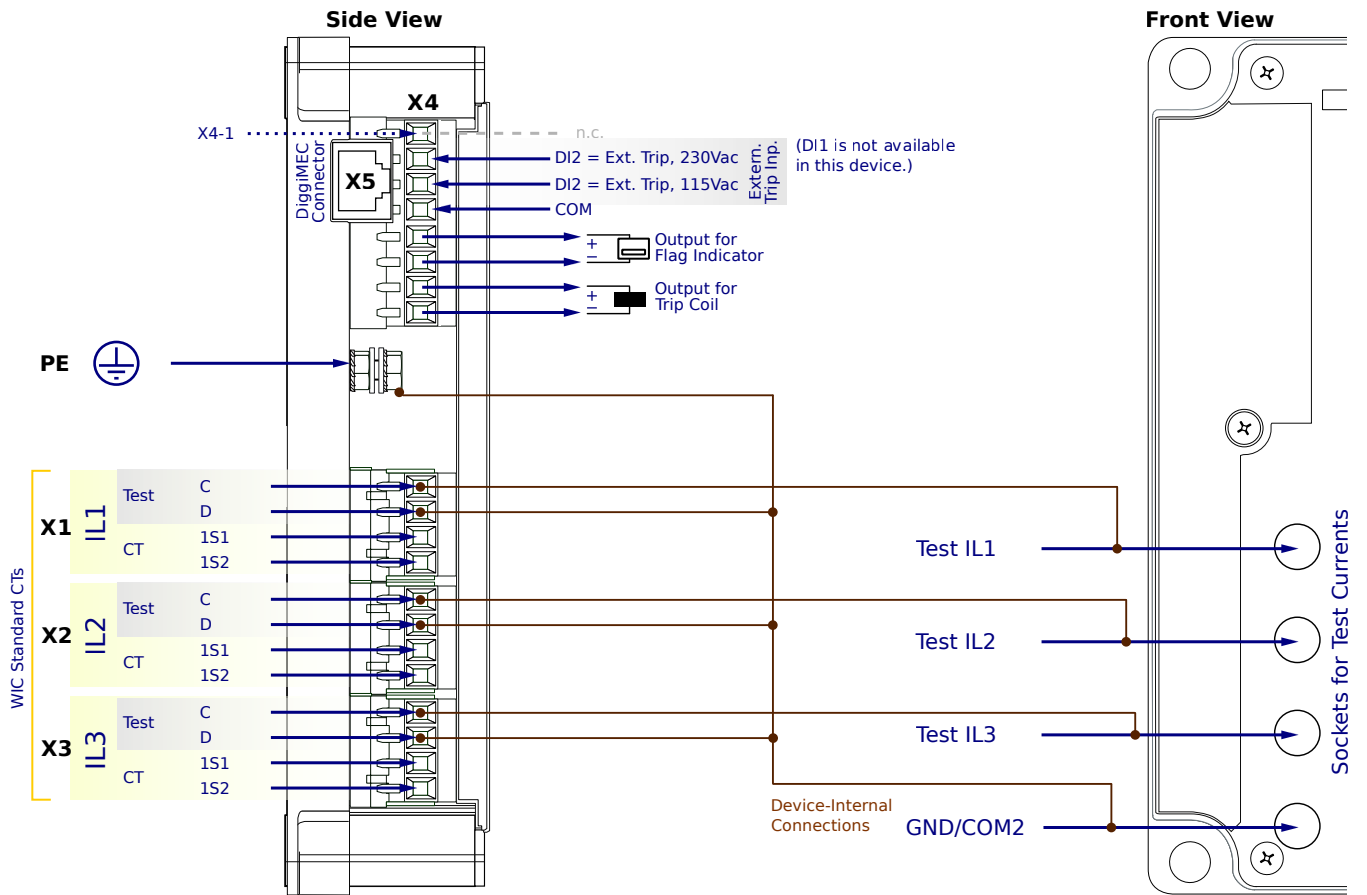
**X1...X3** - WIC CTs

**X4-5,6** - Assignable flag indicator

**X4-7,8** - Trip pulse output

**X5** - DiggiMEC-WIC1 connection. Use network cable CAT3 (or better). No crossover cable!

# WIC1-1SN0CF1SA



## CT-Powered Protection Device, configuration via DiggiMEC / Smart view

- Calculated earth current
- Nominal frequency is 50 Hz or 60 Hz. (Setting via DiggiMEC/Smart view.)
- Backup protection operates directly
- ANSI 50, 50G/N, 51, 51G/N, inrush, 50BF, 74TC

**PE** - Protective Earth

**X1...X3** - WIC CTs

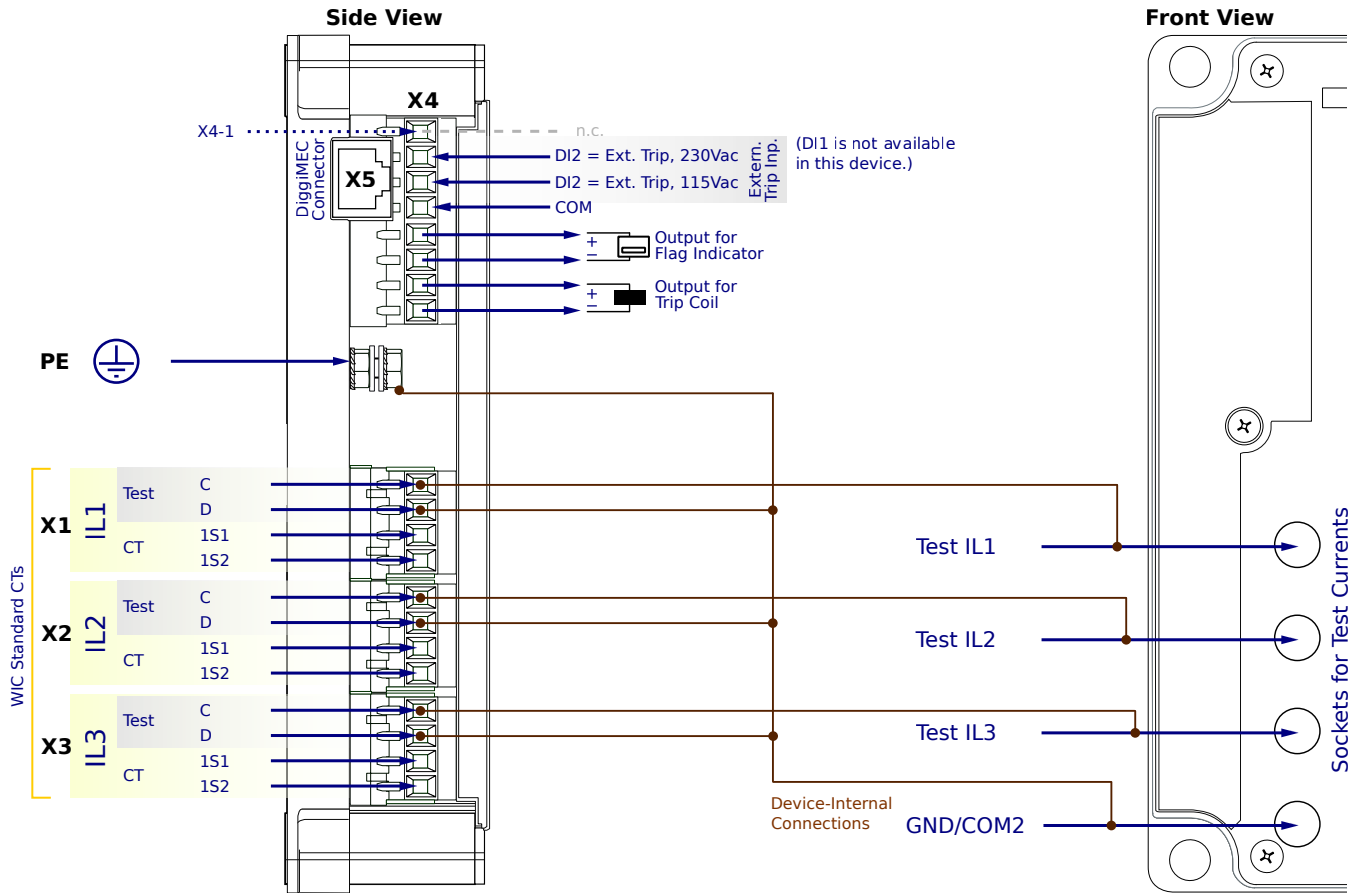
**X4-2,3** - DI2, fixed to External trip input (115Vac or 230Vac)

**X4-5,6** - Assignable flag indicator

**X4-7,8** - Trip pulse output

**X5** - DiggiMEC-WIC1 connection. Use network cable CAT3 (or better). No crossover cable!

# WIC1-1SN0CF1AA



## CT-Powered Protection Device, configuration via DiggiMEC / Smart view

- Calculated earth current
- Nominal frequency is 50 Hz or 60 Hz. (Setting via DiggiMEC/Smart view.)
- Backup protection operates directly
- Package "S" + ANSI 46, 49, 51Q, Breaker Wear, Condition Monitoring (= Life Load, Drag Indicator)

**PE** - Protective Earth

**X1...X3** - WIC CTs

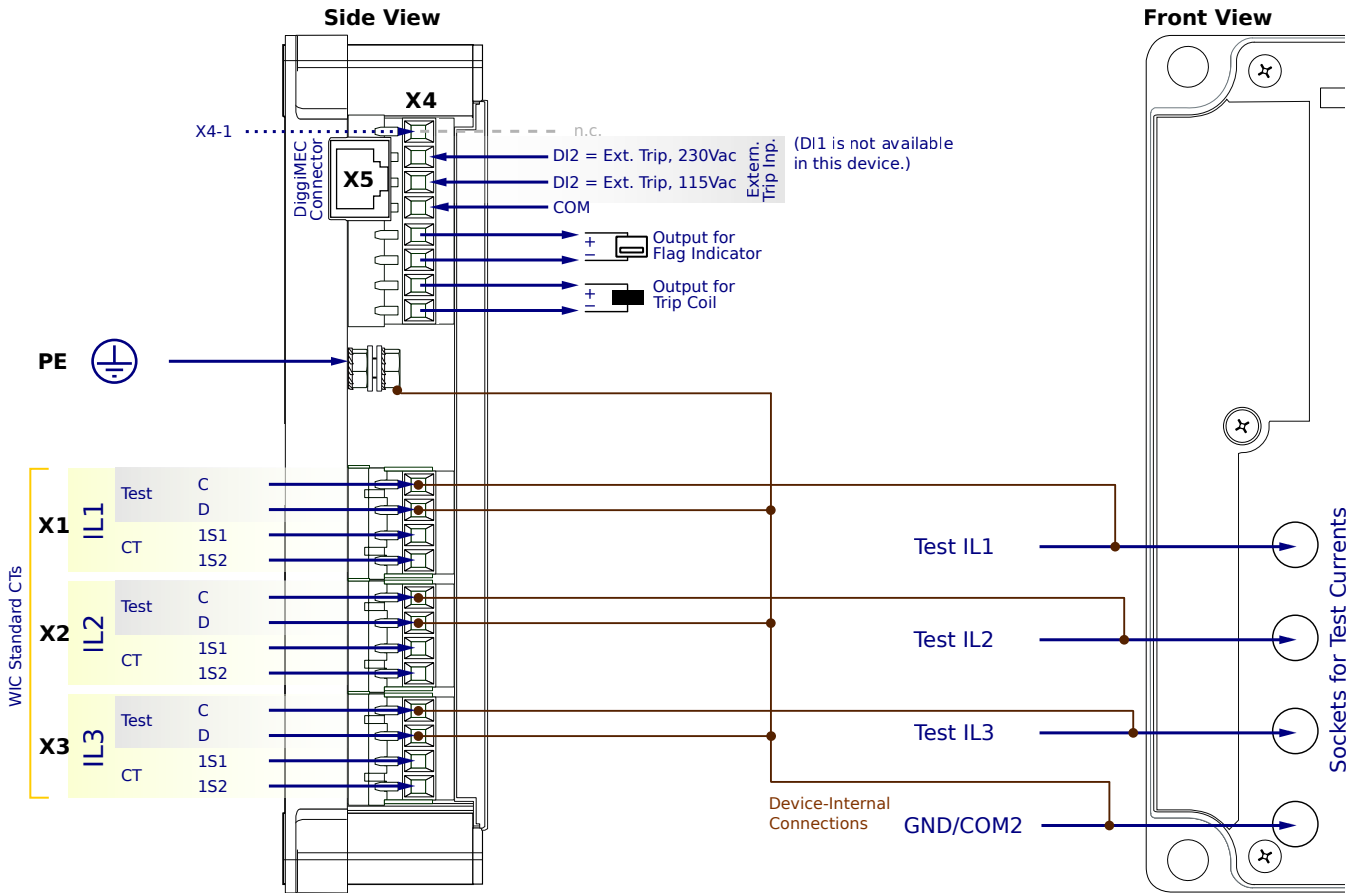
**X4-2,3** - DI2, fixed to External trip input (115Vac or 230Vac)

**X4-5,6** - Assignable flag indicator

**X4-7,8** - Trip pulse output

**X5** - DiggiMEC-WIC1 connection. Use network cable CAT3 (or better). No crossover cable!

# WIC1-1SN0CF1PA



## CT-Powered Protection Device, configuration via DiggiMEC / Smart view

- Calculated earth current
- Nominal frequency is 50 Hz or 60 Hz. (Setting via DiggiMEC/Smart view.)
- Backup protection operates directly
- Package "A" + SOTF, CLPU, external protection, ultra-fast overcurrent protection

**PE** - Protective Earth

**X1...X3** - WIC CTs

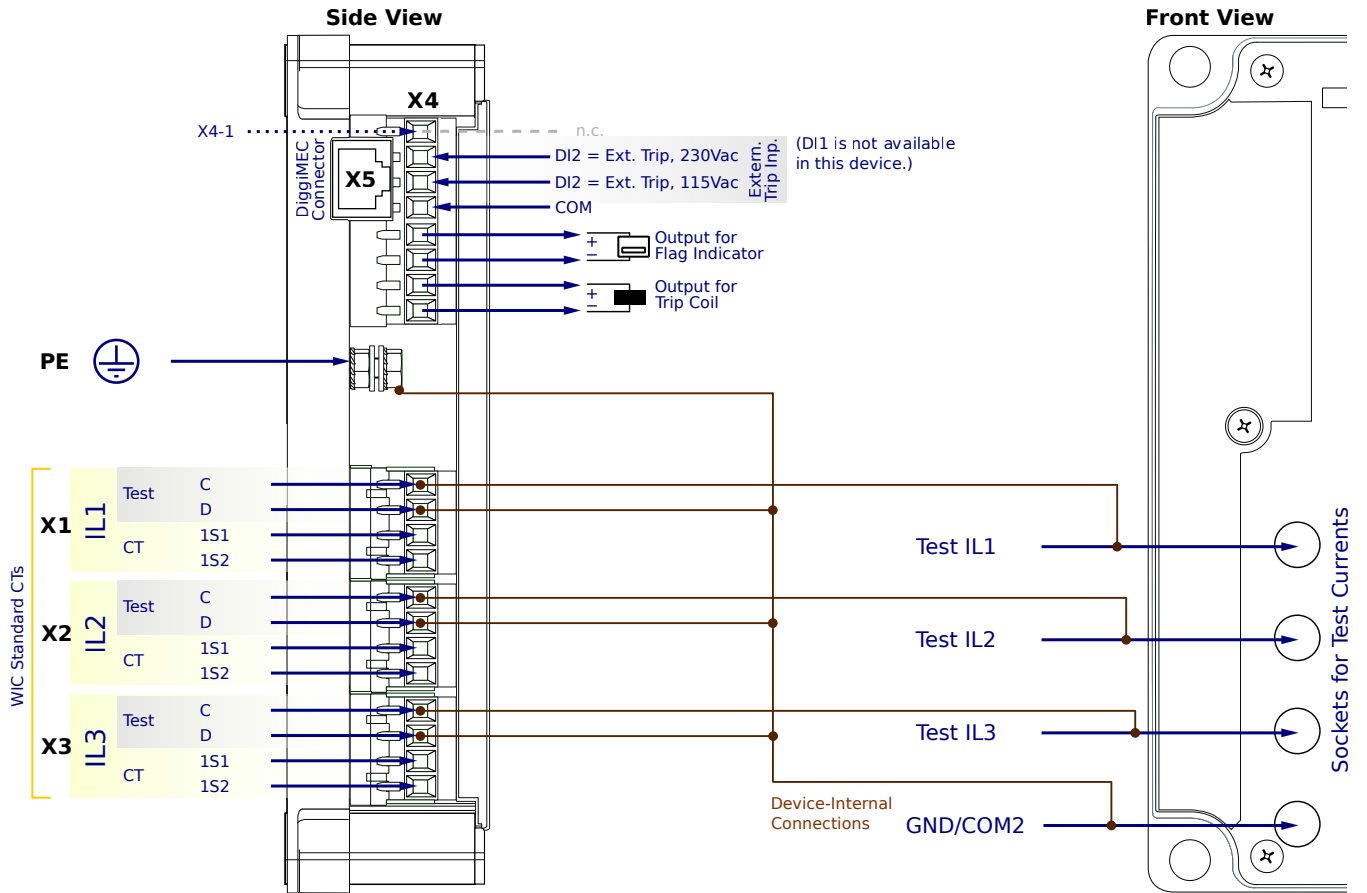
**X4-2,3** - DI2, fixed to External trip input (115Vac or 230Vac)

**X4-5,6** - Assignable flag indicator

**X4-7,8** - Trip pulse output

**X5** - DiggiMEC-WIC1 connection. Use network cable CAT3 (or better). No crossover cable!

# WIC1-1SN0CF2SA



## CT-Powered Protection Device, configuration via DiggiMEC / Smart view

- Calculated earth current
- Nominal frequency is 50 Hz or 60 Hz. (Setting via DiggiMEC/Smart view.)
- Trip at  $20 \cdot I_{n,max}$
- ANSI 50, 50G/N, 51, 51G/N, inrush, 50BF, 74TC

**PE** - Protective Earth

**X1...X3** - WIC CTs

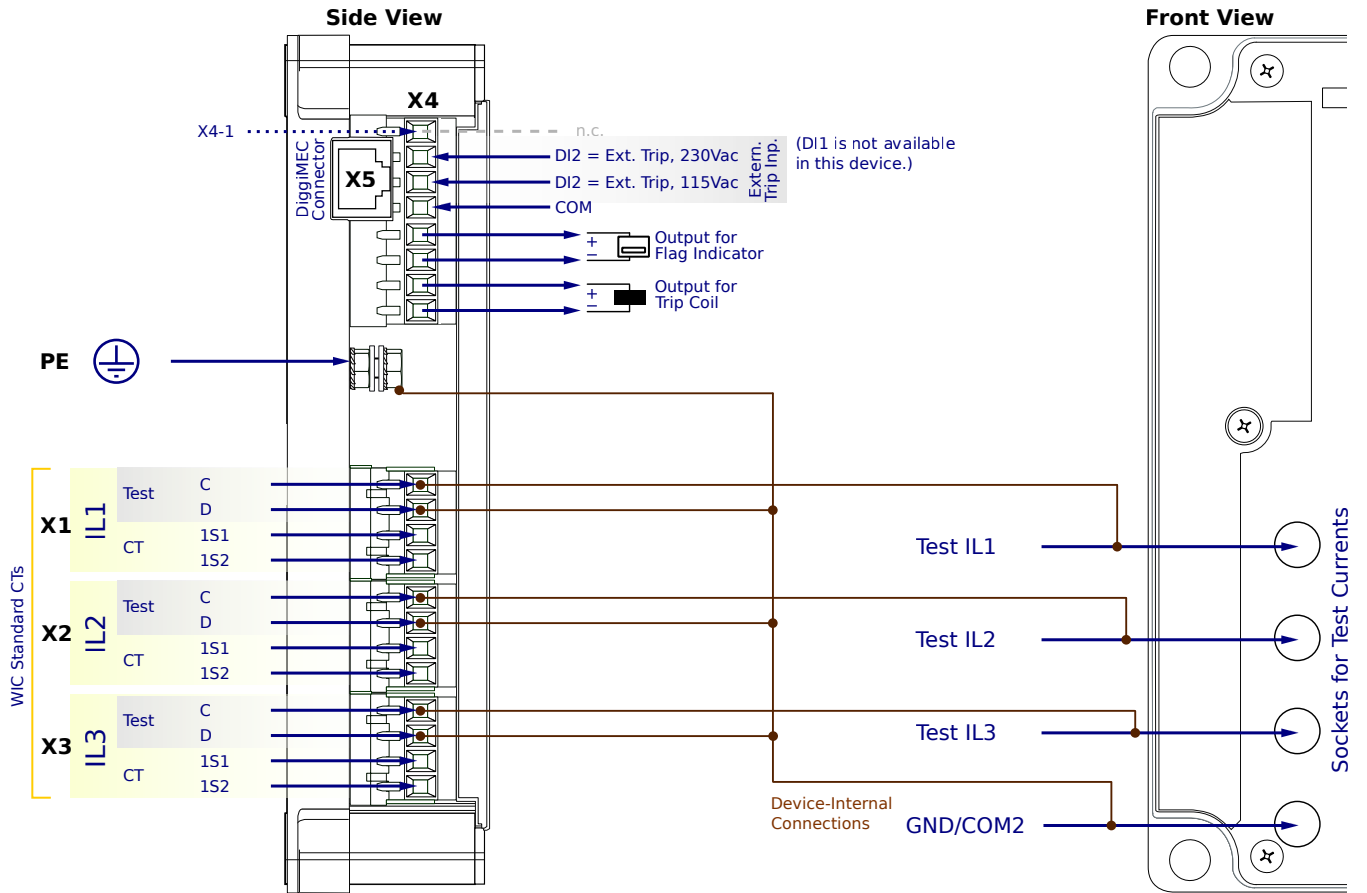
**X4-2,3** - DI2, fixed to External trip input (115Vac or 230Vac)

**X4-5,6** - Assignable flag indicator

**X4-7,8** - Trip pulse output

**X5** - DiggiMEC-WIC1 connection. Use network cable CAT3 (or better). No crossover cable!

# WIC1-1SN0CF2AA



## CT-Powered Protection Device, configuration via DiggiMEC / Smart view

- Calculated earth current
- Nominal frequency is 50 Hz or 60 Hz. (Setting via DiggiMEC/Smart view.)
- Trip at  $20 \cdot I_{n,max}$
- Package "S" + ANSI 46, 49, 51Q, Breaker Wear, Condition Monitoring (= Life Load, Drag Indicator)

**PE** - Protective Earth

**X1...X3** - WIC CTs

**X4-2,3** - DI2, fixed to External trip input (115Vac or 230Vac)

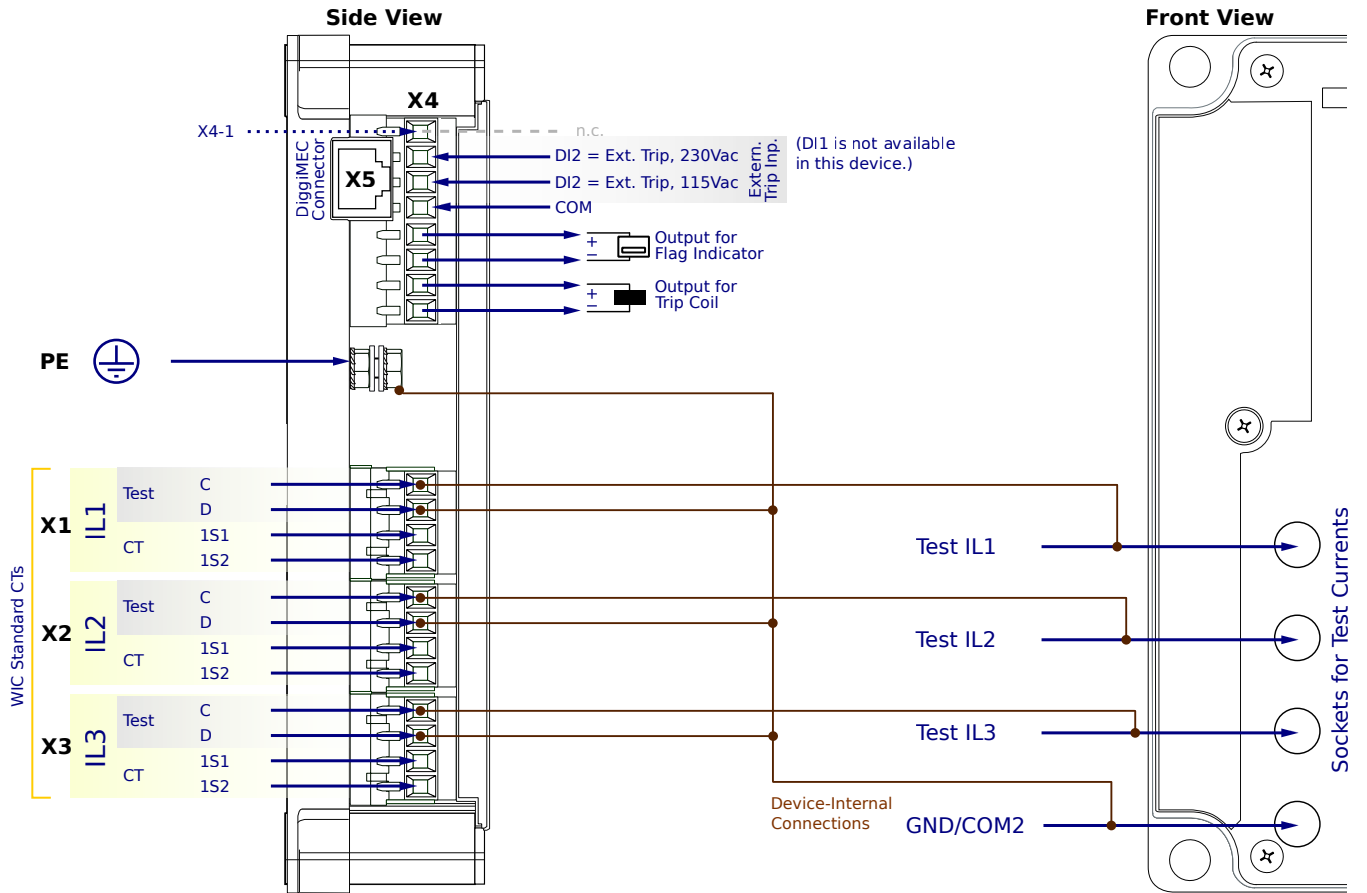
**X4-5,6** - Assignable flag indicator

**X4-7,8** - Trip pulse output

**X5** - DiggiMEC-WIC1 connection. Use network cable CAT3 (or better). No crossover cable!



# WIC1-1SN0CF2PA



## CT-Powered Protection Device, configuration via DiggiMEC / Smart view

- Calculated earth current
- Nominal frequency is 50 Hz or 60 Hz. (Setting via DiggiMEC/Smart view.)
- Trip at  $20 \cdot I_{n,max}$
- Package "A" + SOTF, CLPU, external protection, ultra-fast overcurrent protection

**PE** - Protective Earth

**X1...X3** - WIC CTs

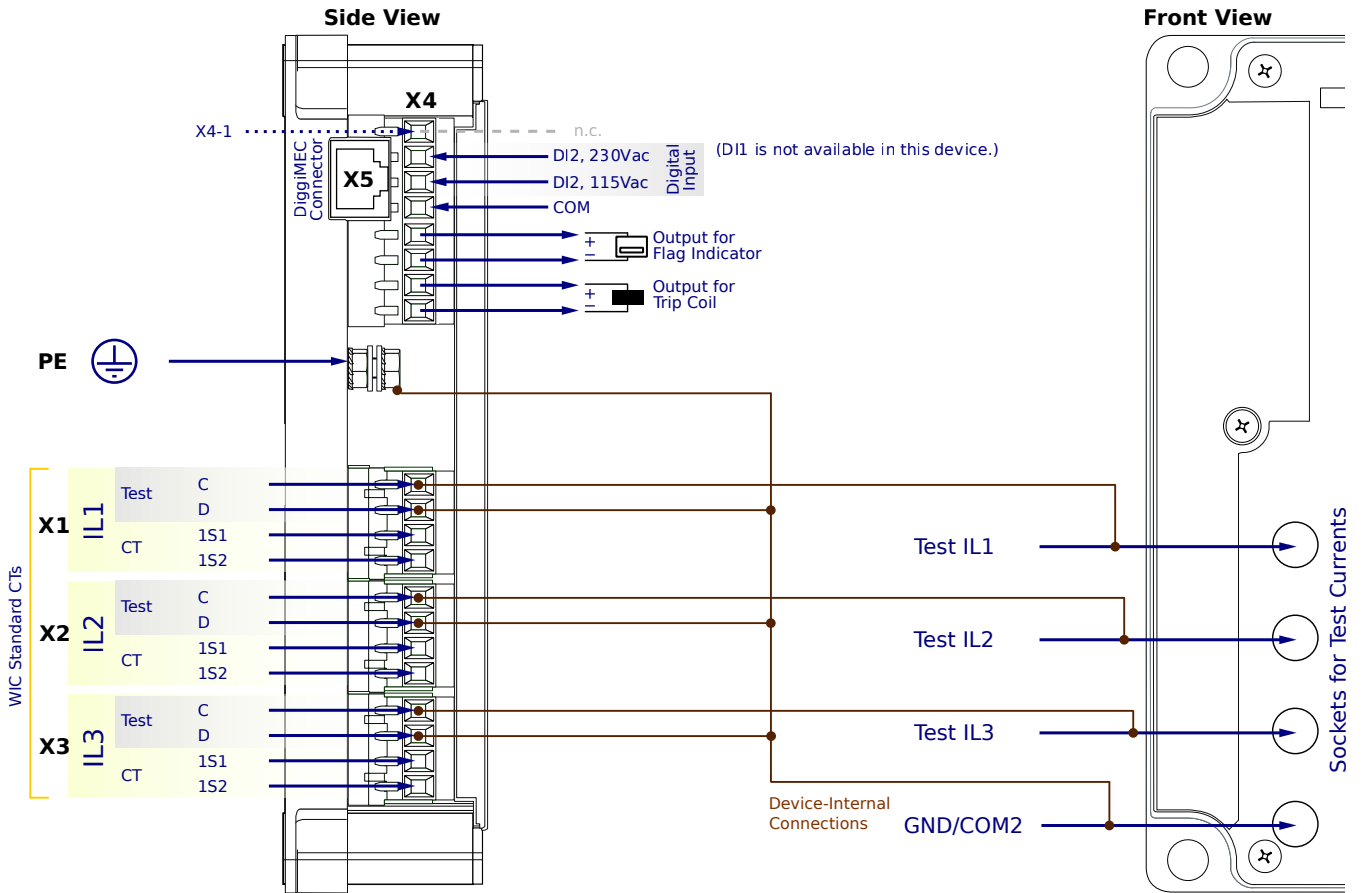
**X4-2,3** - DI2, fixed to External trip input (115Vac or 230Vac)

**X4-5,6** - Assignable flag indicator

**X4-7,8** - Trip pulse output

**X5** - DiggiMEC-WIC1 connection. Use network cable CAT3 (or better). No crossover cable!

# WIC1-1SN0CC1SA



## CT-Powered Protection Device, configuration via DiggiMEC / Smart view

- Calculated earth current
- Nominal frequency is 50 Hz or 60 Hz. (Setting via DiggiMEC/Smart view.)
- Backup protection operates directly
- ANSI 50, 50G/N, 51, 51G/N, inrush, 50BF, 74TC

**PE** - Protective Earth

**X1...X3** - WIC CTs

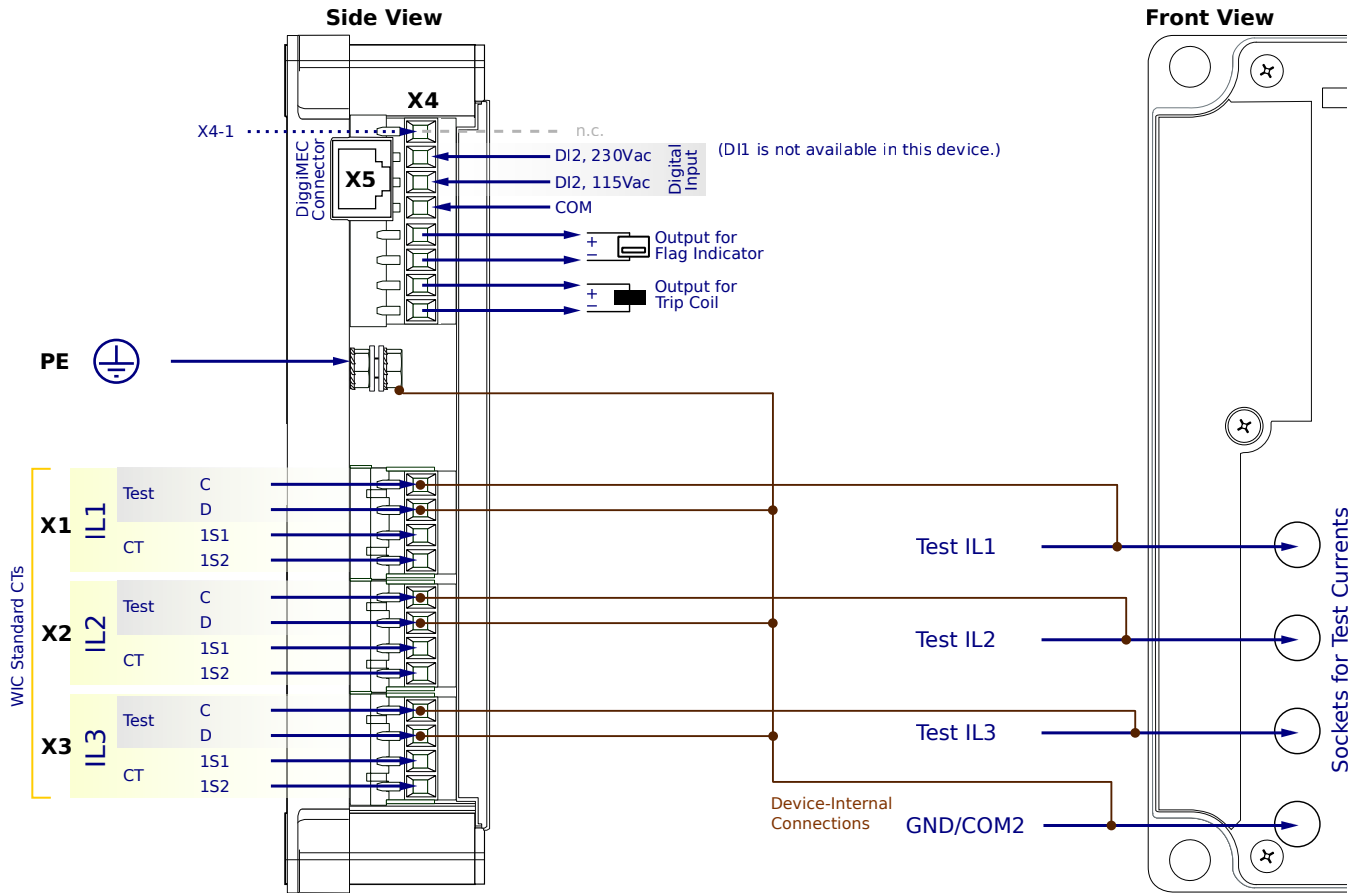
**X4-2,3** - 1 assignable Digital Input DI2 (115Vac or 230Vac)

**X4-5,6** - Assignable flag indicator

**X4-7,8** - Trip pulse output

**X5** - DiggiMEC-WIC1 connection. Use network cable CAT3 (or better). No crossover cable!

# WIC1-1SN0CC1AA



## CT-Powered Protection Device, configuration via DiggiMEC / Smart view

- Calculated earth current
- Nominal frequency is 50 Hz or 60 Hz. (Setting via DiggiMEC/Smart view.)
- Backup protection operates directly
- Package "S" + ANSI 46, 49, 51Q, Breaker Wear, Condition Monitoring (= Life Load, Drag Indicator)

**PE** - Protective Earth

**X1...X3** - WIC CTs

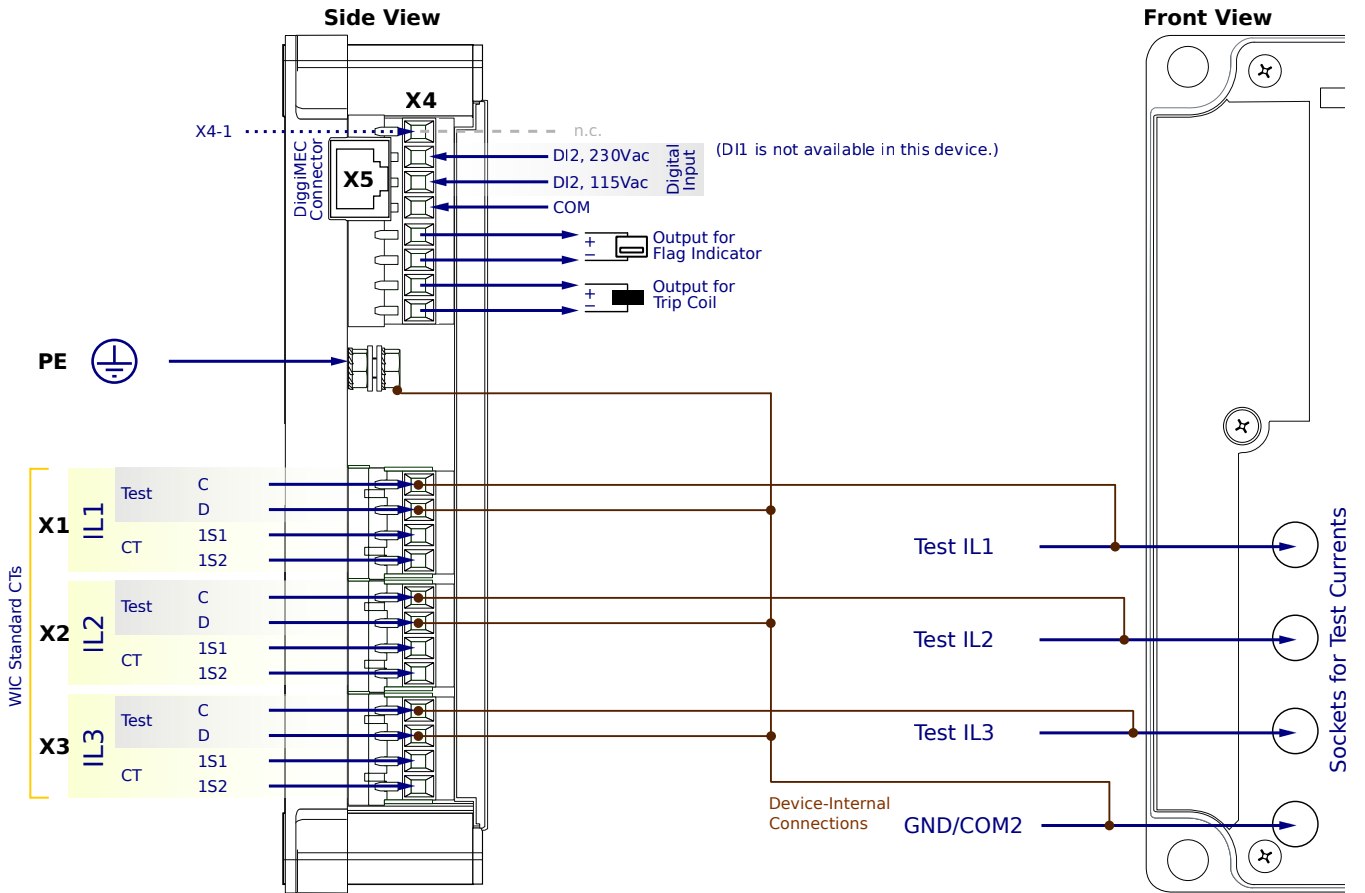
**X4-2,3** - 1 assignable Digital Input DI2 (115Vac or 230Vac)

**X4-5,6** - Assignable flag indicator

**X4-7,8** - Trip pulse output

**X5** - DiggiMEC-WIC1 connection. Use network cable CAT3 (or better). No crossover cable!

# WIC1-1SN0CC1PA



## CT-Powered Protection Device, configuration via DiggiMEC / Smart view

- Calculated earth current
- Nominal frequency is 50 Hz or 60 Hz. (Setting via DiggiMEC/Smart view.)
- Backup protection operates directly
- Package "A" + SOTF, CLPU, external protection, ultra-fast overcurrent protection

**PE** - Protective Earth

**X1...X3** - WIC CTs

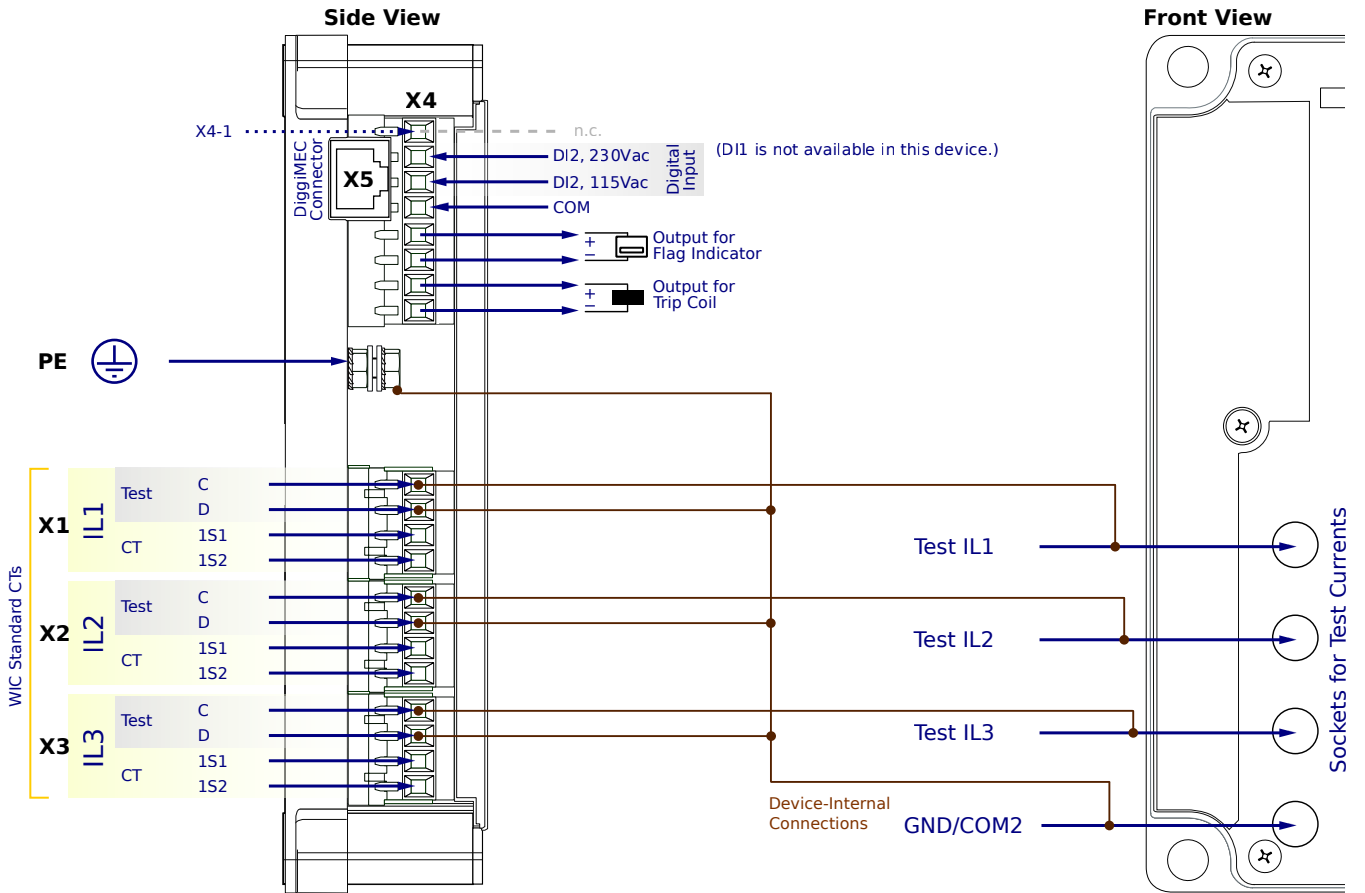
**X4-2,3** - 1 assignable Digital Input DI2 (115Vac or 230Vac)

**X4-5,6** - Assignable flag indicator

**X4-7,8** - Trip pulse output

**X5** - DiggiMEC-WIC1 connection. Use network cable CAT3 (or better). No crossover cable!

# WIC1-1SN0CC2SA



## CT-Powered Protection Device, configuration via DiggiMEC / Smart view

- Calculated earth current
- Nominal frequency is 50 Hz or 60 Hz. (Setting via DiggiMEC/Smart view.)
- Trip at  $20 \cdot I_{n,max}$
- ANSI 50, 50G/N, 51, 51G/N, inrush, 50BF, 74TC

**PE** - Protective Earth

**X1...X3** - WIC CTs

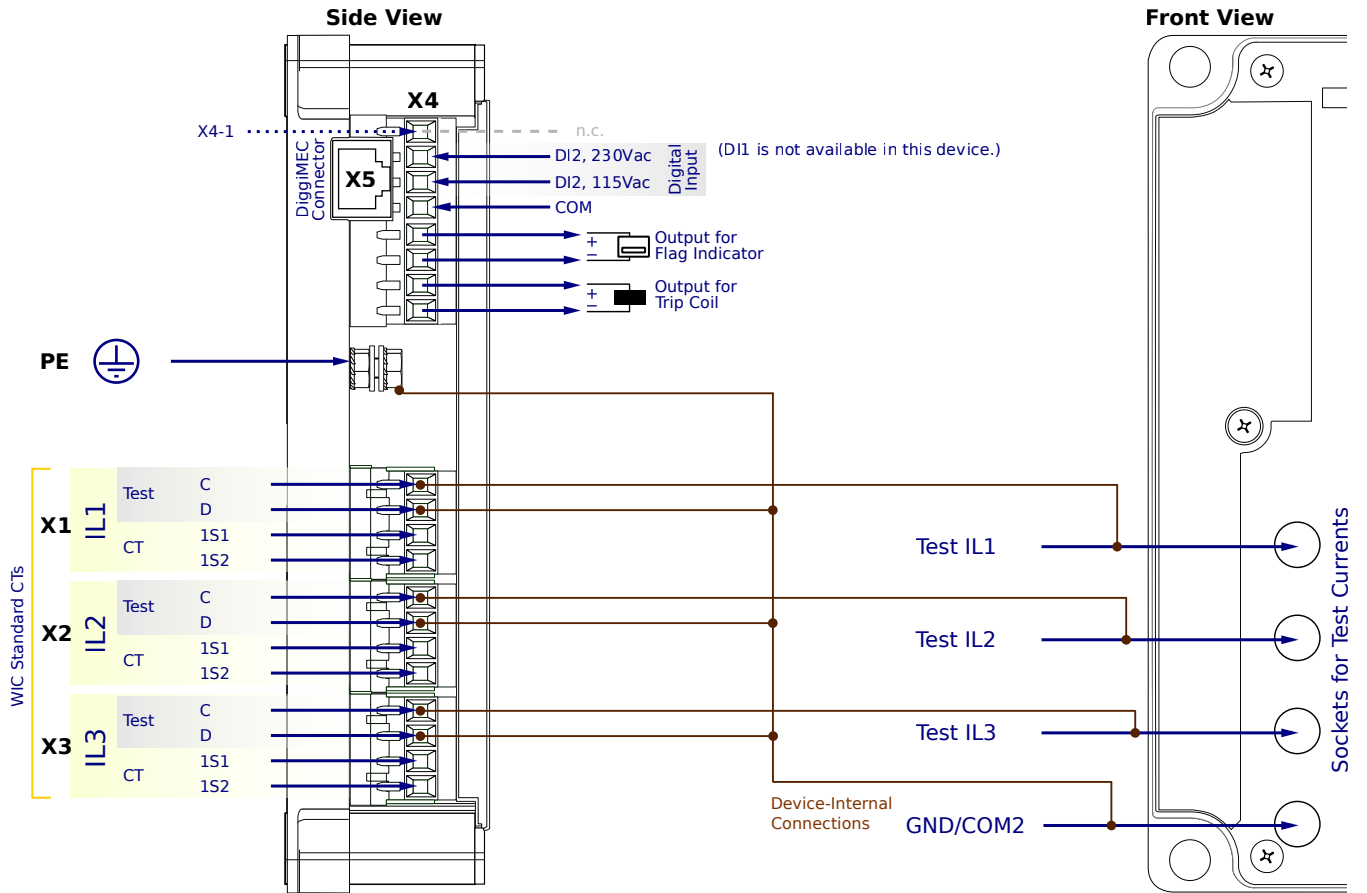
**X4-2,3** - 1 assignable Digital Input DI2 (115Vac or 230Vac)

**X4-5,6** - Assignable flag indicator

**X4-7,8** - Trip pulse output

**X5** - DiggiMEC-WIC1 connection. Use network cable CAT3 (or better). No crossover cable!

# WIC1-1SN0CC2AA



## CT-Powered Protection Device, configuration via DiggiMEC / Smart view

- Calculated earth current
- Nominal frequency is 50 Hz or 60 Hz. (Setting via DiggiMEC/Smart view.)
- Trip at  $20 \cdot I_{n,max}$
- Package "S" + ANSI 46, 49, 51Q, Breaker Wear, Condition Monitoring (= Life Load, Drag Indicator)

**PE** - Protective Earth

**X1...X3** - WIC CTs

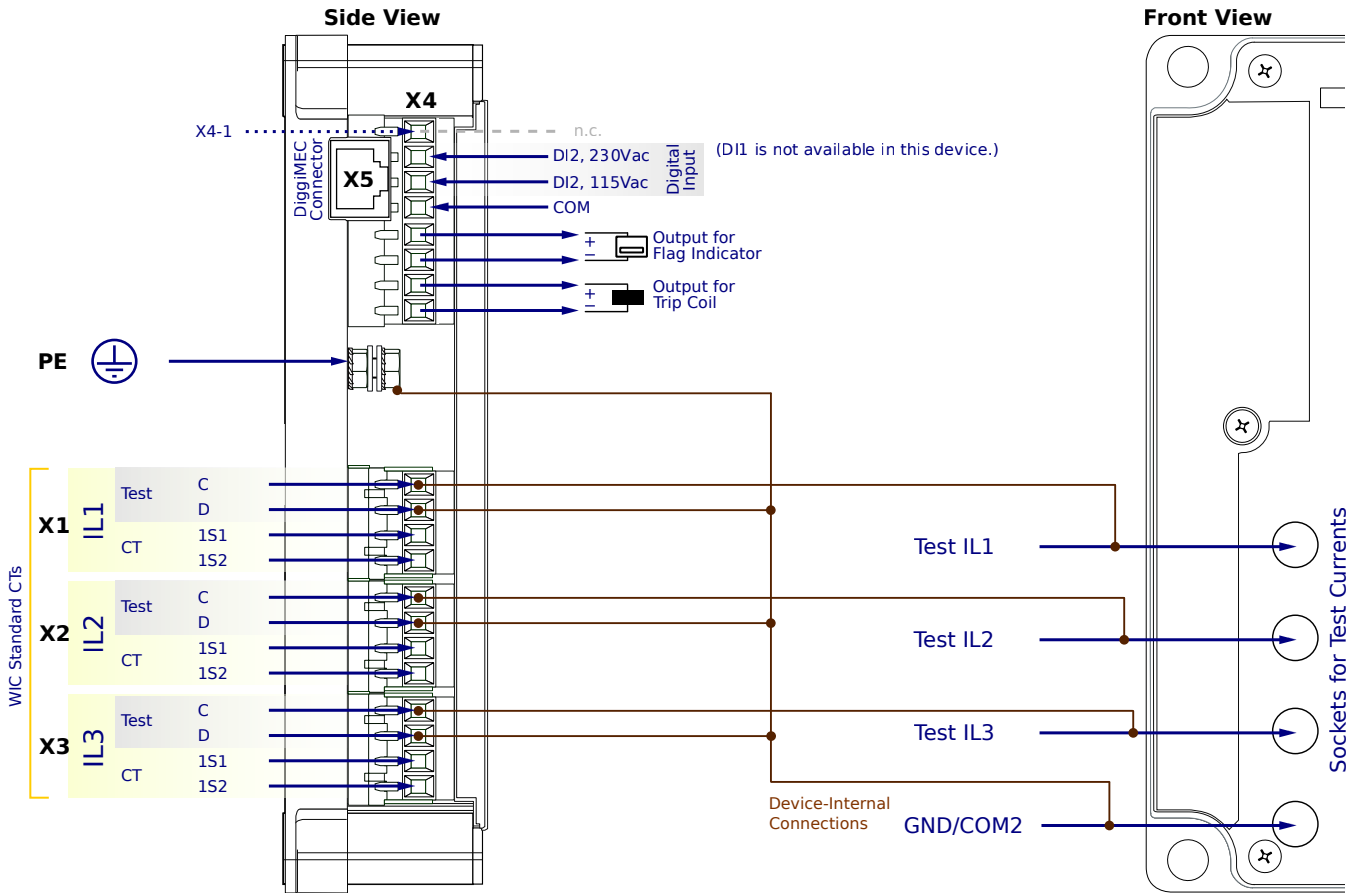
**X4-2,3** - 1 assignable Digital Input DI2 (115Vac or 230Vac)

**X4-5,6** - Assignable flag indicator

**X4-7,8** - Trip pulse output

**X5** - DiggiMEC-WIC1 connection. Use network cable CAT3 (or better). No crossover cable!

# WIC1-1SN0CC2PA



## CT-Powered Protection Device, configuration via DiggiMEC / Smart view

- Calculated earth current
- Nominal frequency is 50 Hz or 60 Hz. (Setting via DiggiMEC/Smart view.)
- Trip at  $20 \cdot I_{n,max}$
- Package "A" + SOTF, CLPU, external protection, ultra-fast overcurrent protection

**PE** - Protective Earth

**X1...X3** - WIC CTs

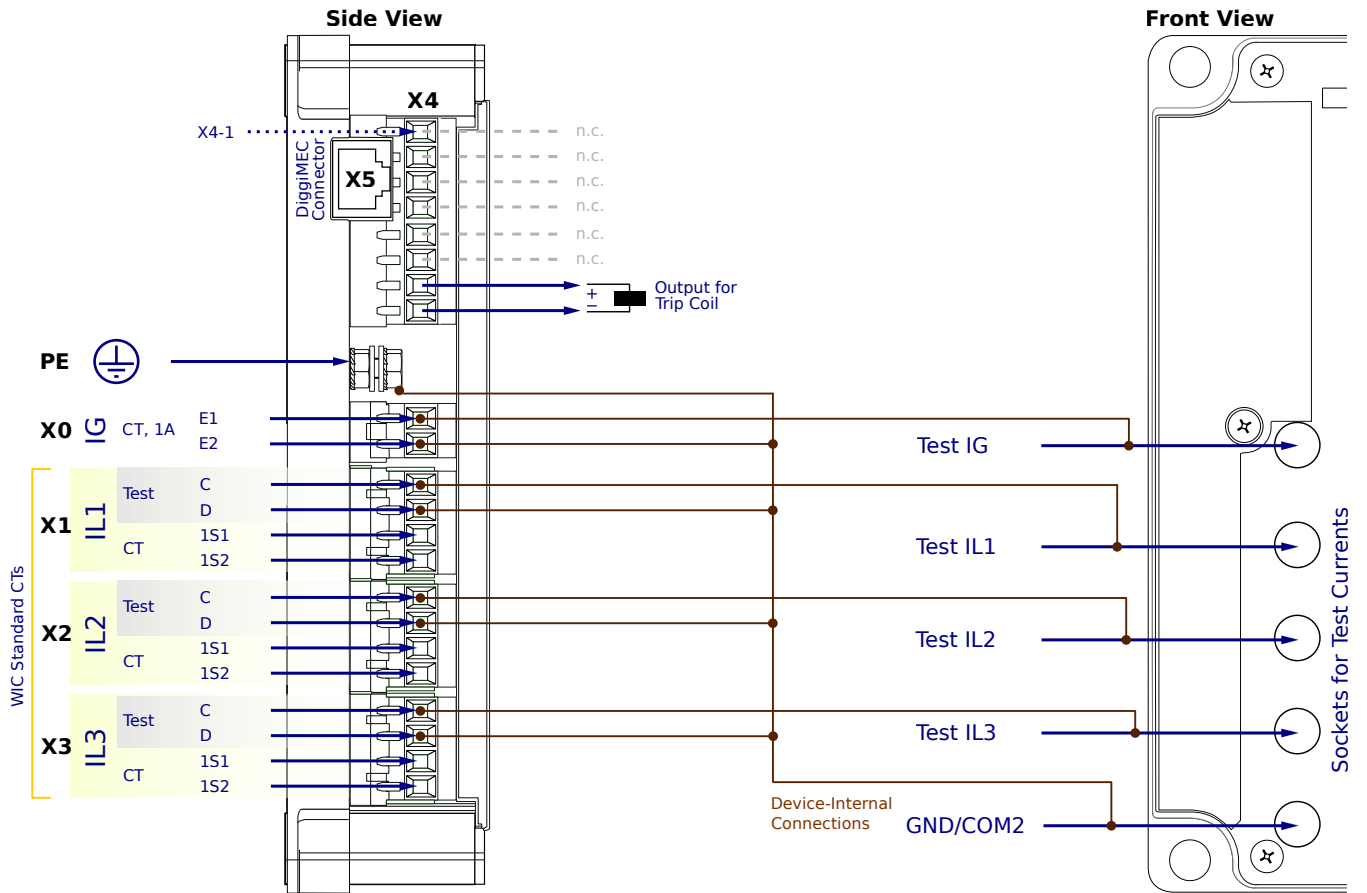
**X4-2,3** - 1 assignable Digital Input DI2 (115Vac or 230Vac)

**X4-5,6** - Assignable flag indicator

**X4-7,8** - Trip pulse output

**X5** - DiggiMEC-WIC1 connection. Use network cable CAT3 (or better). No crossover cable!

# WIC1-1SG0NN1SA



## CT-Powered Protection Device, configuration via DiggiMEC / Smart view

- Nominal frequency is 50 Hz or 60 Hz. (Setting via DiggiMEC/Smart view.)
- Backup protection operates directly
- ANSI 50, 50G/N, 51, 51G/N, inrush, 50BF, 74TC

**PE** - Protective Earth

**X0** - Measured ground current via 1A CT input. (Setting to calc. IG is also possible via DiggiMEC/Smart view.)

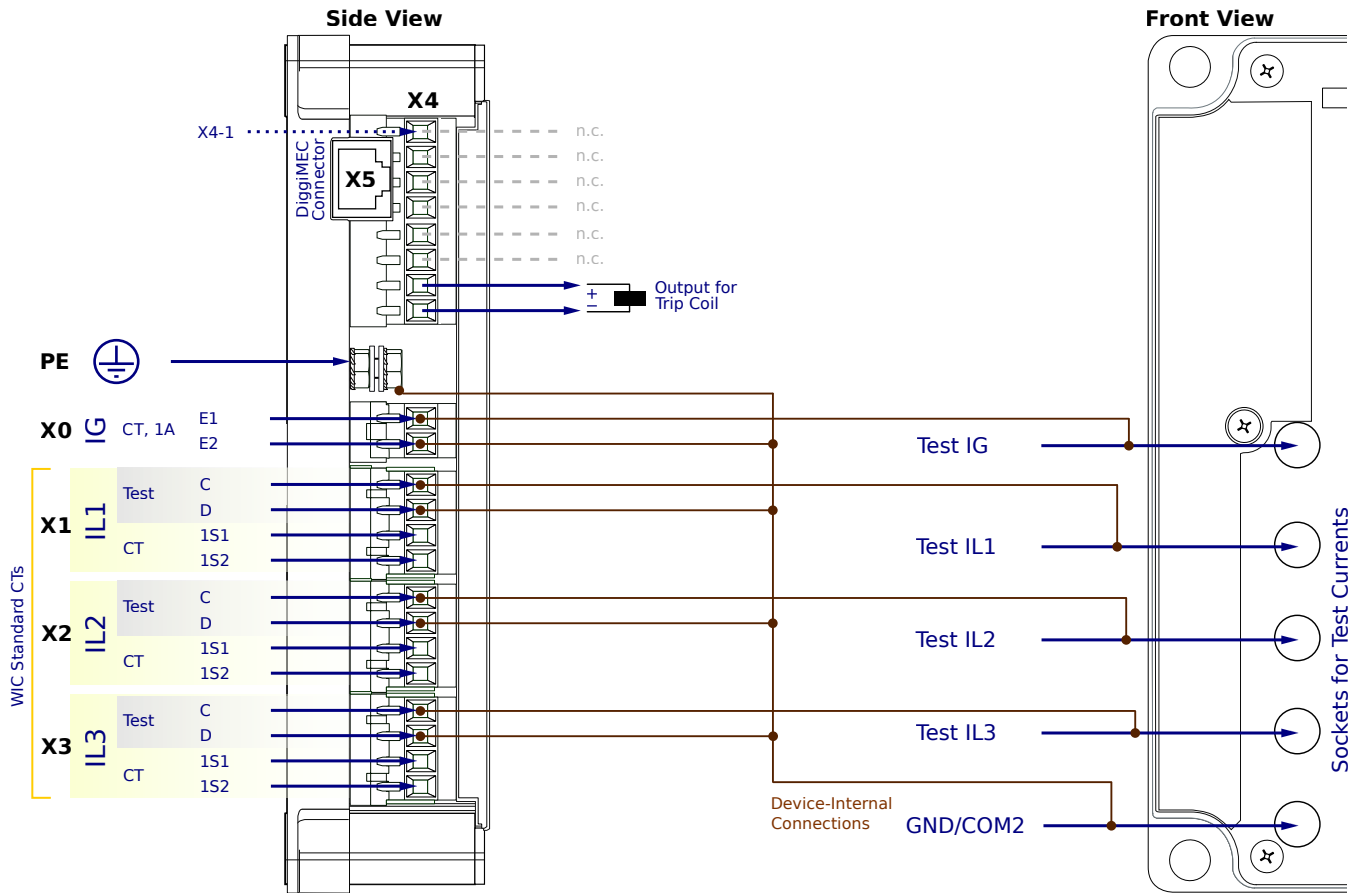
**X1...X3** - WIC CTs

**X4-7,8** - Trip pulse output

**X5** - DiggiMEC-WIC1 connection. Use network cable CAT3 (or better). No crossover cable!



# WIC1-1SG0NN1AA



## CT-Powered Protection Device, configuration via DiggiMEC / Smart view

- Nominal frequency is 50 Hz or 60 Hz. (Setting via DiggiMEC/Smart view.)
- Backup protection operates directly
- Package "S" + ANSI 46, 49, 51Q, Breaker Wear, Condition Monitoring (= Life Load, Drag Indicator)

**PE** - Protective Earth

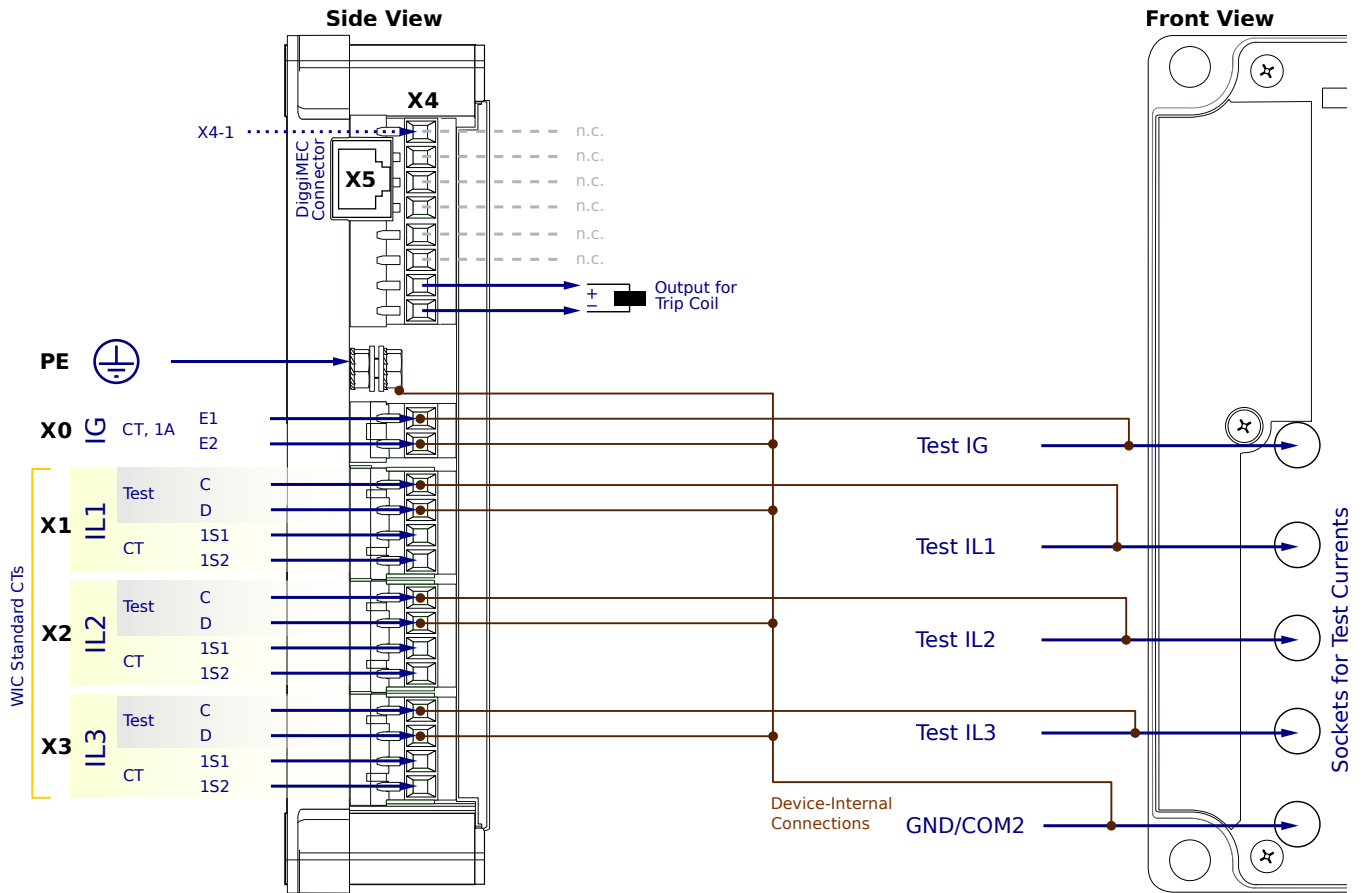
**X0** - Measured ground current via 1A CT input. (Setting to calc. IG is also possible via DiggiMEC/Smart view.)

**X1...X3** - WIC CTs

**X4-7,8** - Trip pulse output

**X5** - DiggiMEC-WIC1 connection. Use network cable CAT3 (or better). No crossover cable!

# WIC1-1SG0NN1PA



## CT-Powered Protection Device, configuration via DiggiMEC / Smart view

- Nominal frequency is 50 Hz or 60 Hz. (Setting via DiggiMEC/Smart view.)
- Backup protection operates directly
- Package "A" + SOTF, CLPU, external protection, ultra-fast overcurrent protection

**PE** - Protective Earth

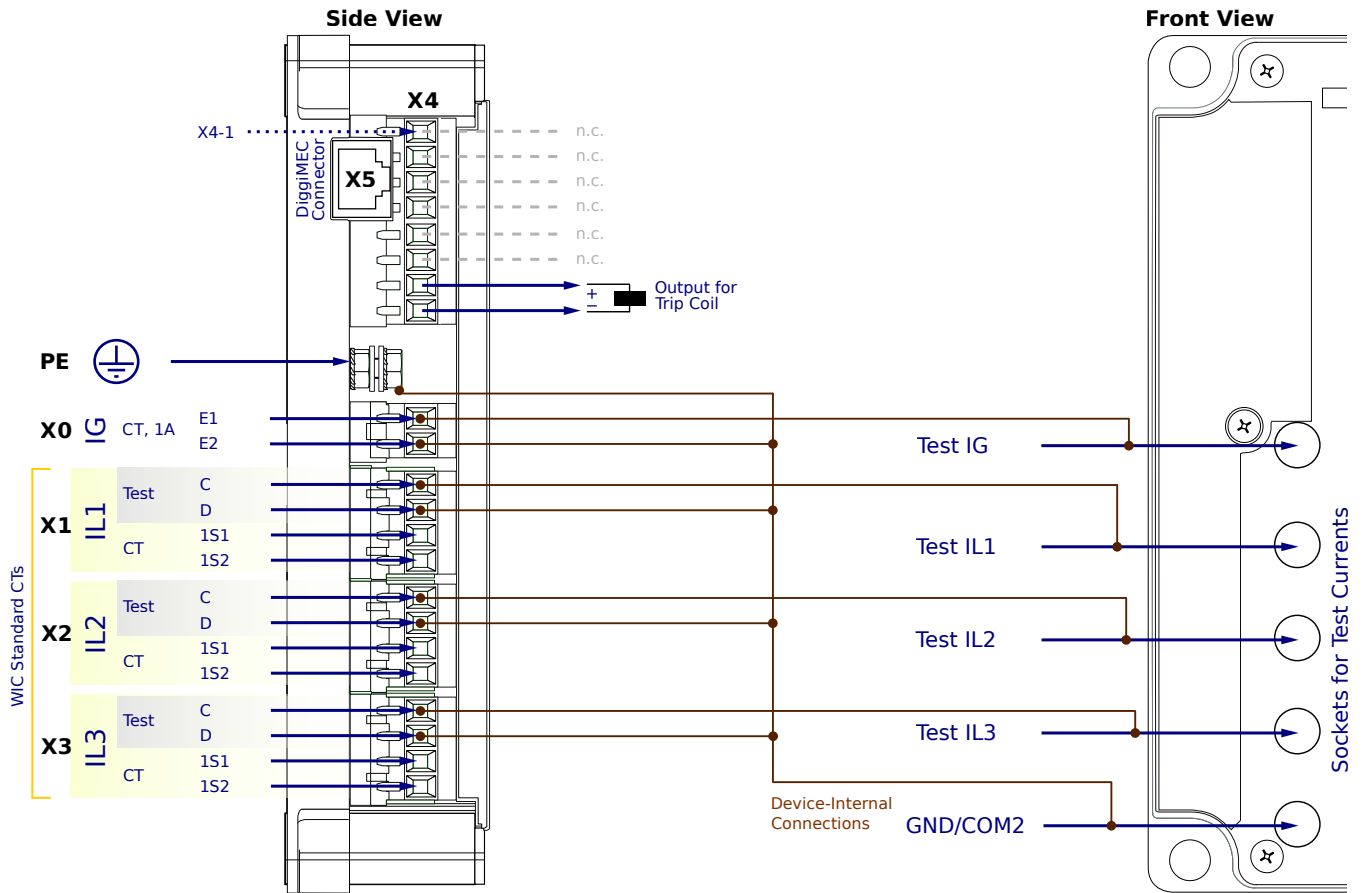
**X0** - Measured ground current via 1A CT input. (Setting to calc. IG is also possible via DiggiMEC/Smart view.)

**X1...X3** - WIC CTs

**X4-7,8** - Trip pulse output

**X5** - DiggiMEC-WIC1 connection. Use network cable CAT3 (or better). No crossover cable!

# WIC1-1SG0NN2SA



## CT-Powered Protection Device, configuration via DiggiMEC / Smart view

- Nominal frequency is 50 Hz or 60 Hz. (Setting via DiggiMEC/Smart view.)
- Trip at  $20 \cdot I_{n,max}$
- ANSI 50, 50G/N, 51, 51G/N, inrush, 50BF, 74TC

**PE** - Protective Earth

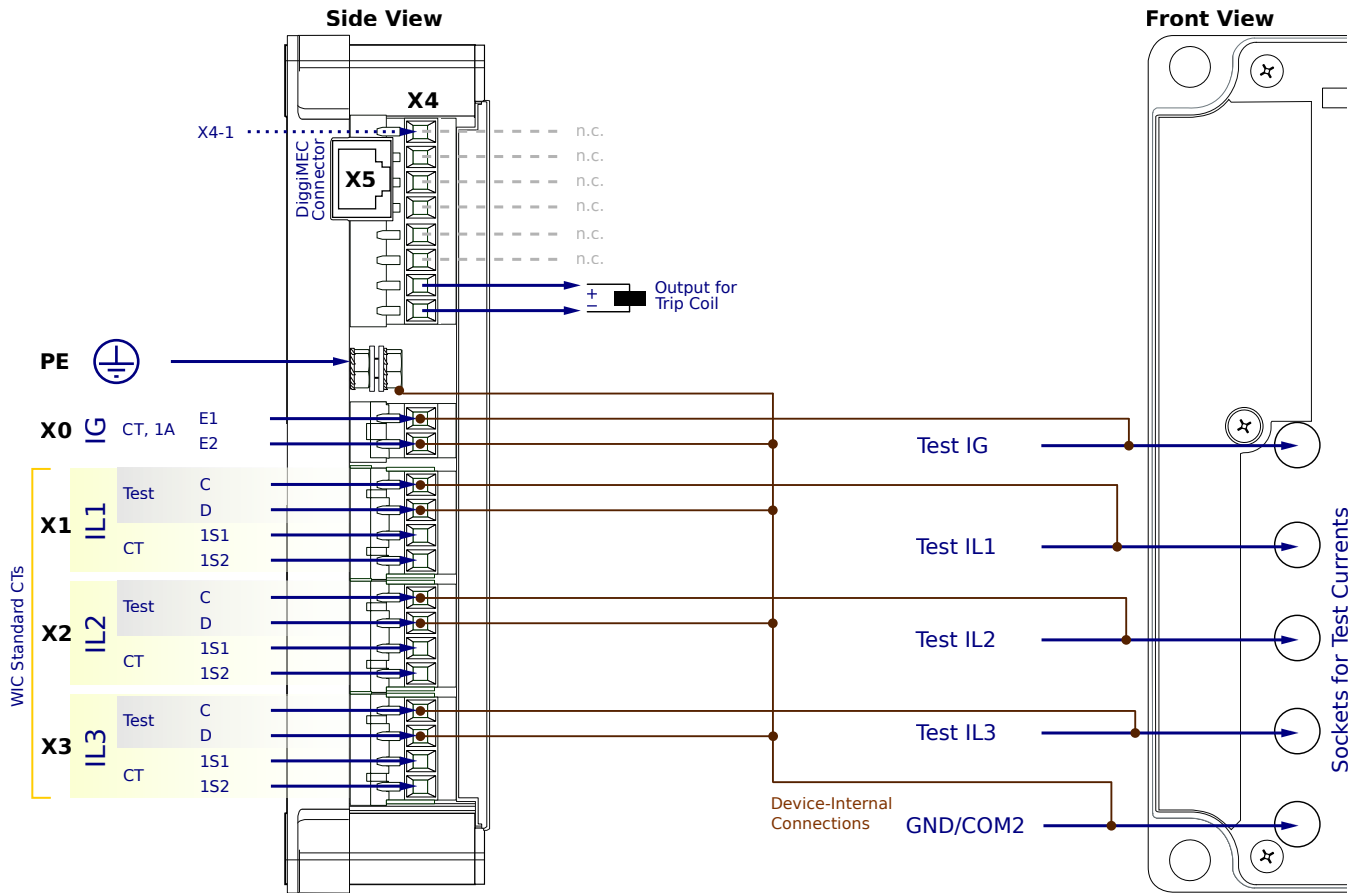
**X0** - Measured ground current via 1A CT input. (Setting to calc. IG is also possible via DiggiMEC/Smart view.)

**X1...X3** - WIC CTs

**X4-7,8** - Trip pulse output

**X5** - DiggiMEC-WIC1 connection. Use network cable CAT3 (or better). No crossover cable!

# WIC1-1SG0NN2AA



## CT-Powered Protection Device, configuration via DiggiMEC / Smart view

- Nominal frequency is 50 Hz or 60 Hz. (Setting via DiggiMEC/Smart view.)
- Trip at  $20 \cdot I_{n,max}$
- Package "S" + ANSI 46, 49, 51Q, Breaker Wear, Condition Monitoring (= Life Load, Drag Indicator)

**PE** - Protective Earth

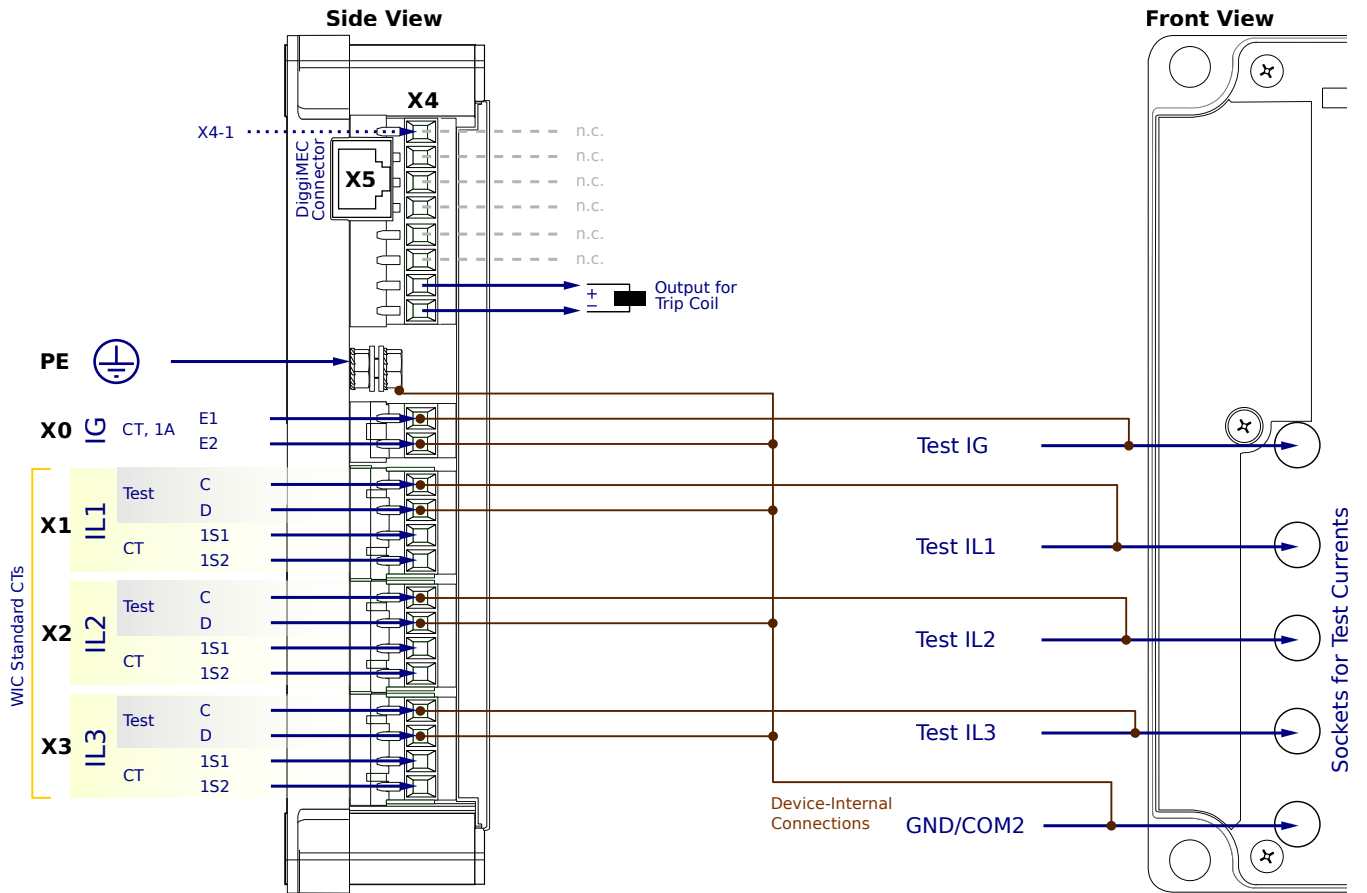
**X0** - Measured ground current via 1A CT input. (Setting to calc. IG is also possible via DiggiMEC/Smart view.)

**X1...X3** - WIC CTs

**X4-7,8** - Trip pulse output

**X5** - DiggiMEC-WIC1 connection. Use network cable CAT3 (or better). No crossover cable!

# WIC1-1SG0NN2PA



## CT-Powered Protection Device, configuration via DiggiMEC / Smart view

- Nominal frequency is 50 Hz or 60 Hz. (Setting via DiggiMEC/Smart view.)
- Trip at  $20 \cdot I_{n,max}$
- Package "A" + SOTF, CLPU, external protection, ultra-fast overcurrent protection

**PE** - Protective Earth

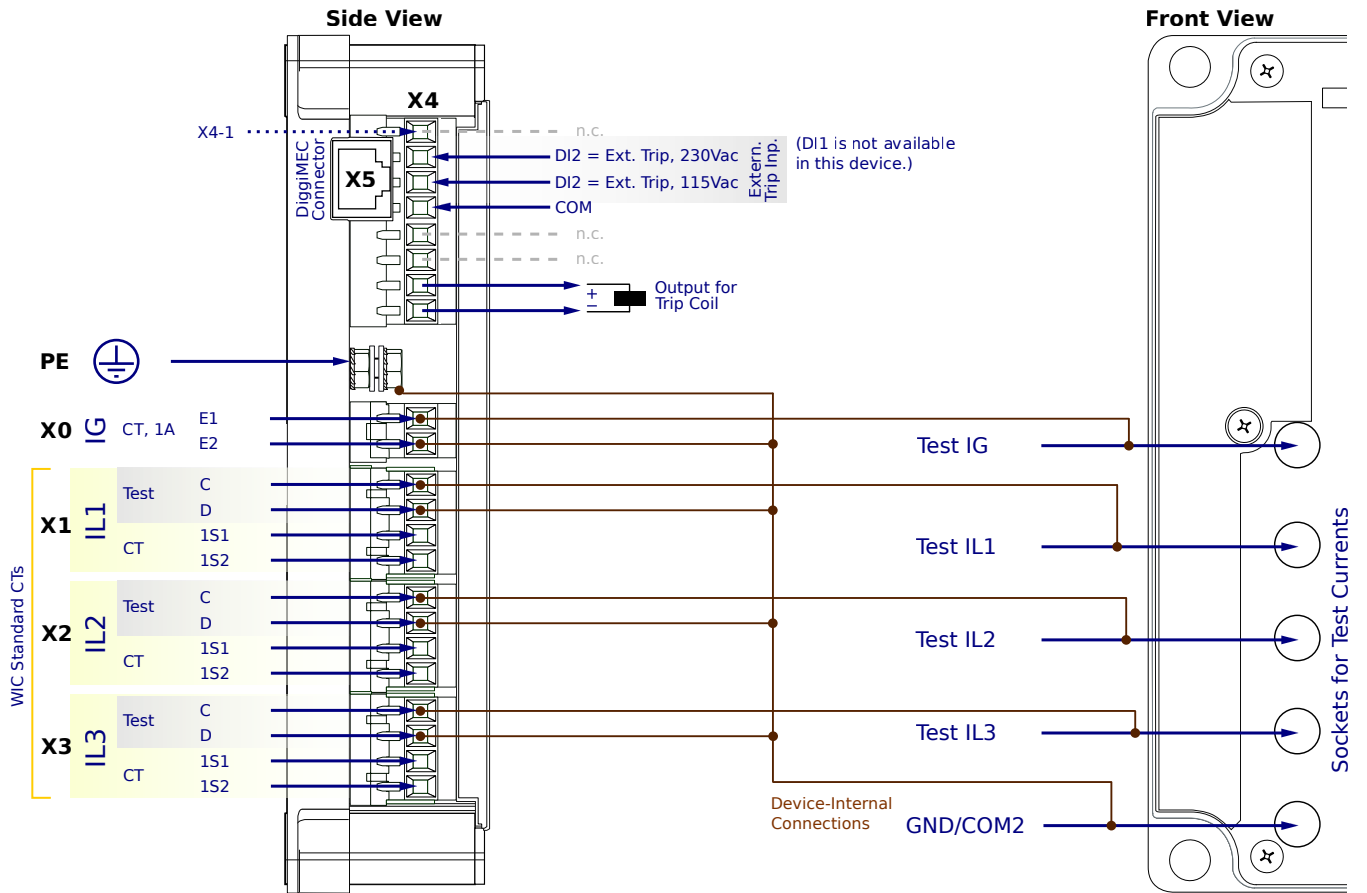
**X0** - Measured ground current via 1A CT input. (Setting to calc. IG is also possible via DiggiMEC/Smart view.)

**X1...X3** - WIC CTs

**X4-7,8** - Trip pulse output

**X5** - DiggiMEC-WIC1 connection. Use network cable CAT3 (or better). No crossover cable!

# WIC1-1SG0NF1SA



## CT-Powered Protection Device, configuration via DiggiMEC / Smart view

- Nominal frequency is 50 Hz or 60 Hz. (Setting via DiggiMEC/Smart view.)
- Backup protection operates directly
- ANSI 50, 50G/N, 51, 51G/N, inrush, 50BF, 74TC

**PE** - Protective Earth

**X0** - Measured ground current via 1A CT input. (Setting to calc. IG is also possible via DiggiMEC/Smart view.)

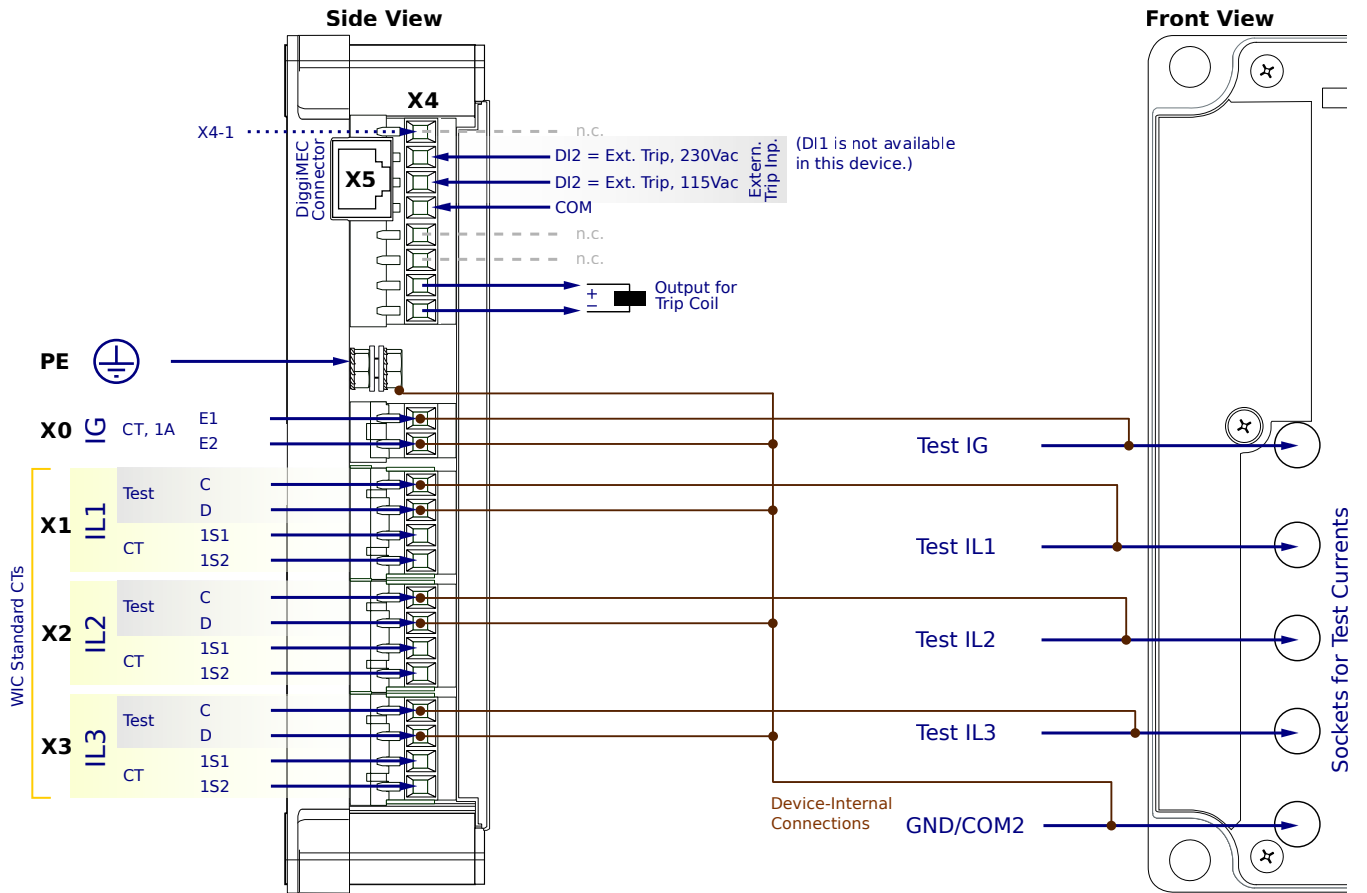
**X1...X3** - WIC CTs

**X4-2,3** - DI2, fixed to External trip input (115Vac or 230Vac)

**X4-7,8** - Trip pulse output

**X5** - DiggiMEC-WIC1 connection. Use network cable CAT3 (or better). No crossover cable!

# WIC1-1SG0NF1AA



## CT-Powered Protection Device, configuration via DiggiMEC / Smart view

- Nominal frequency is 50 Hz or 60 Hz. (Setting via DiggiMEC/Smart view.)
- Backup protection operates directly
- Package "S" + ANSI 46, 49, 51Q, Breaker Wear, Condition Monitoring (= Life Load, Drag Indicator)

**PE** - Protective Earth

**X0** - Measured ground current via 1A CT input. (Setting to calc. IG is also possible via DiggiMEC/Smart view.)

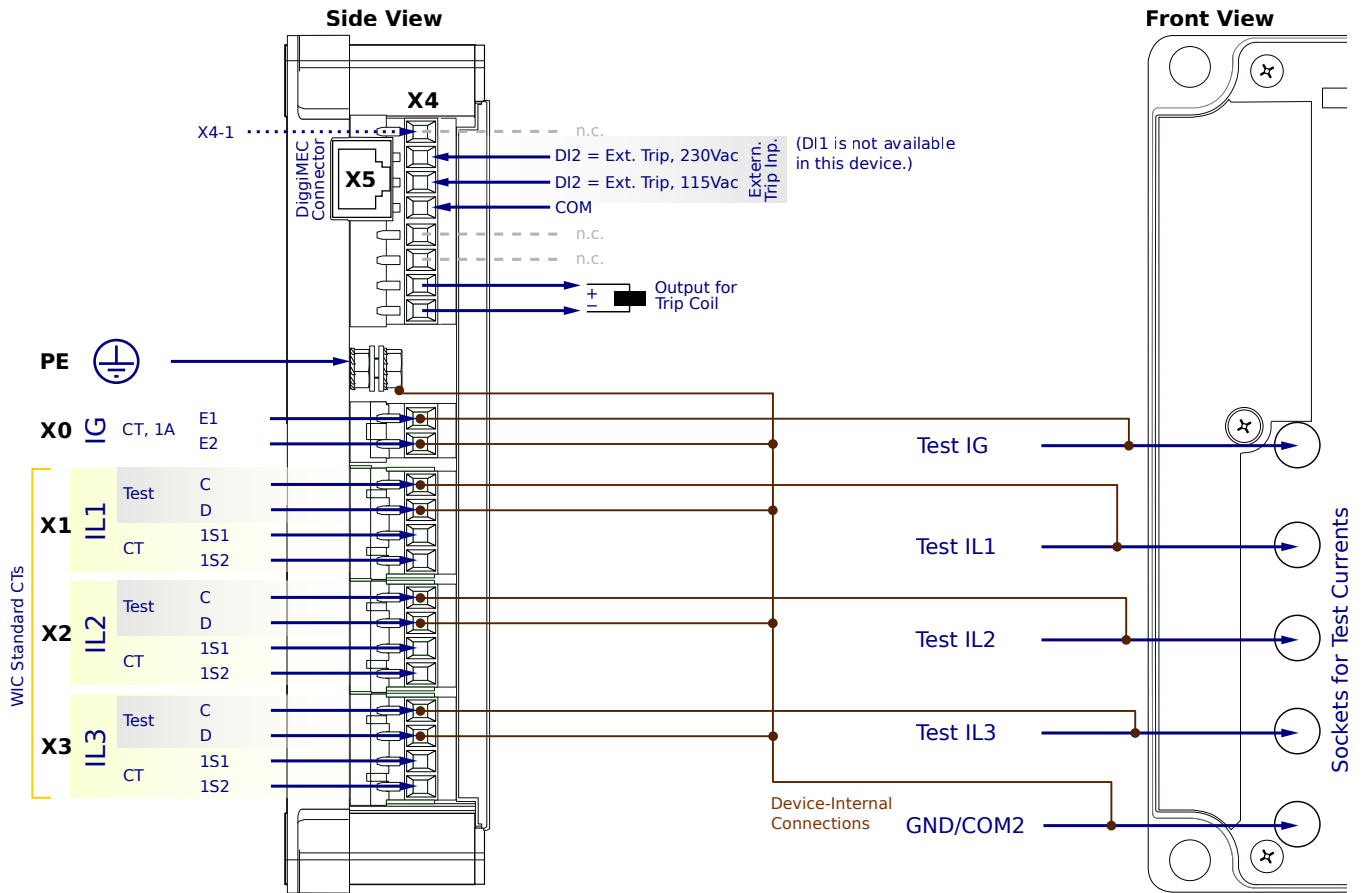
**X1...X3** - WIC CTs

**X4-2,3** - DI2, fixed to External trip input (115Vac or 230Vac)

**X4-7,8** - Trip pulse output

**X5** - DiggiMEC-WIC1 connection. Use network cable CAT3 (or better). No crossover cable!

# WIC1-1SG0NF1PA



## CT-Powered Protection Device, configuration via DiggiMEC / Smart view

- Nominal frequency is 50 Hz or 60 Hz. (Setting via DiggiMEC/Smart view.)
- Backup protection operates directly
- Package "A" + SOTF, CLPU, external protection, ultra-fast overcurrent protection

**PE** - Protective Earth

**X0** - Measured ground current via 1A CT input. (Setting to calc. IG is also possible via DiggiMEC/Smart view.)

**X1...X3** - WIC CTs

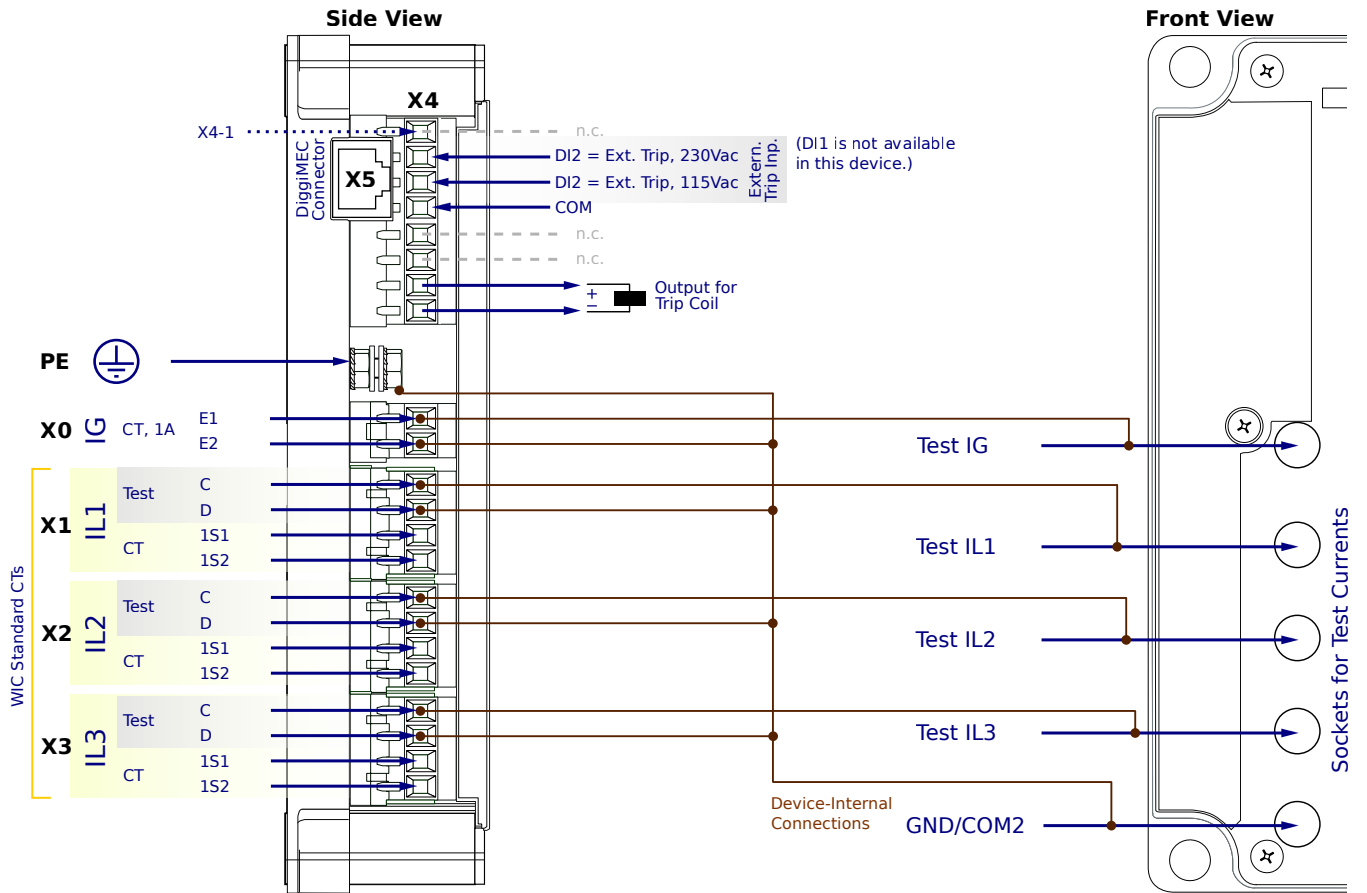
**X4-2,3** - DI2, fixed to External trip input (115Vac or 230Vac)

**X4-7,8** - Trip pulse output

**X5** - DiggiMEC-WIC1 connection. Use network cable CAT3 (or better). No crossover cable!



# WIC1-1SG0NF2SA



## CT-Powered Protection Device, configuration via DiggiMEC / Smart view

- Nominal frequency is 50 Hz or 60 Hz. (Setting via DiggiMEC/Smart view.)
- Trip at  $20 \cdot I_{n,max}$
- ANSI 50, 50G/N, 51, 51G/N, inrush, 50BF, 74TC

**PE** - Protective Earth

**X0** - Measured ground current via 1A CT input. (Setting to calc. IG is also possible via DiggiMEC/Smart view.)

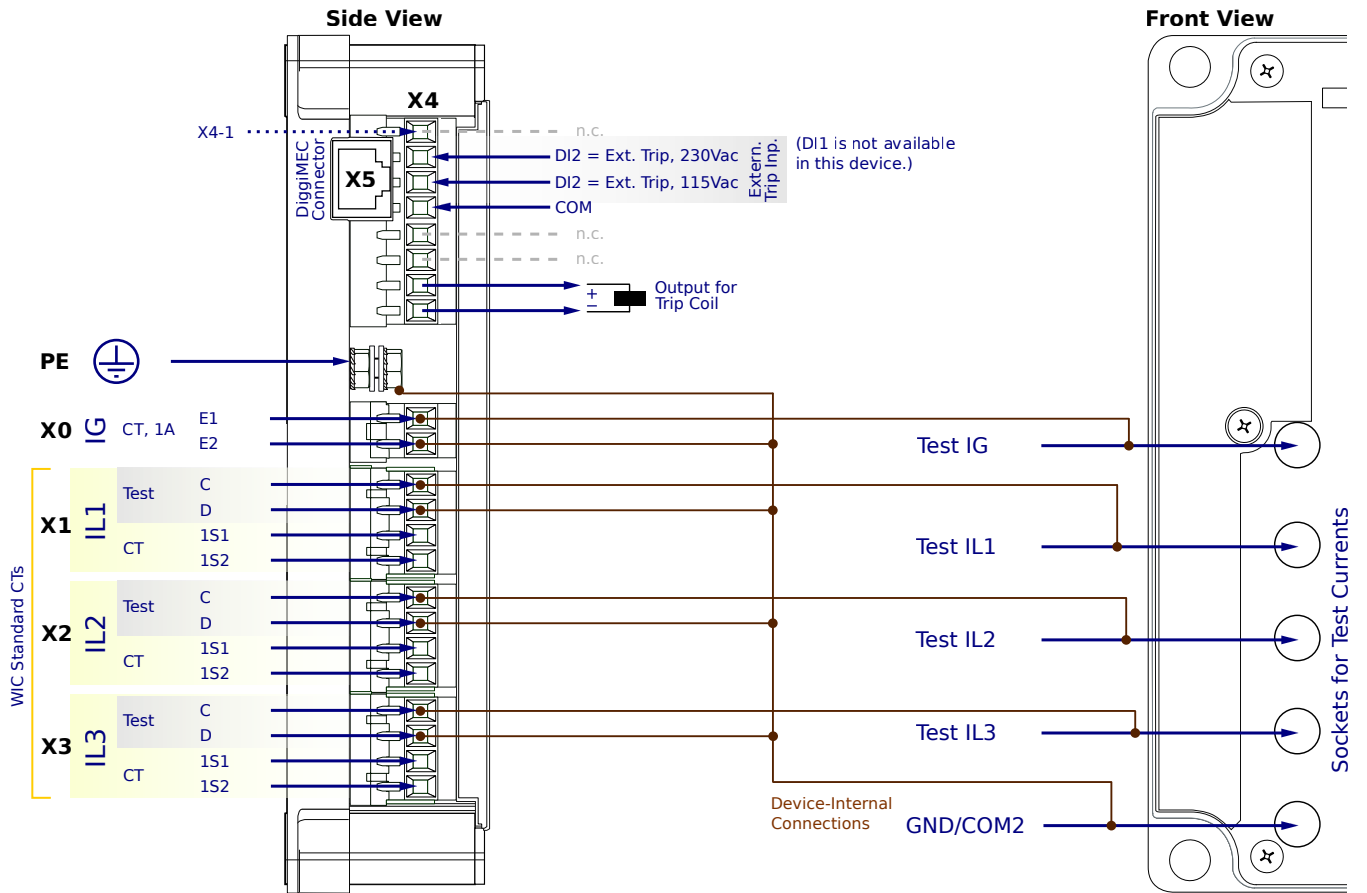
**X1...X3** - WIC CTs

**X4-2,3** - DI2, fixed to External trip input (115Vac or 230Vac)

**X4-7,8** - Trip pulse output

**X5** - DiggiMEC-WIC1 connection. Use network cable CAT3 (or better). No crossover cable!

# WIC1-1SG0NF2AA



## CT-Powered Protection Device, configuration via DiggiMEC / Smart view

- Nominal frequency is 50 Hz or 60 Hz. (Setting via DiggiMEC/Smart view.)
- Trip at  $20 \cdot I_{n,max}$
- Package "S" + ANSI 46, 49, 51Q, Breaker Wear, Condition Monitoring (= Life Load, Drag Indicator)

**PE** - Protective Earth

**X0** - Measured ground current via 1A CT input. (Setting to calc. IG is also possible via DiggiMEC/Smart view.)

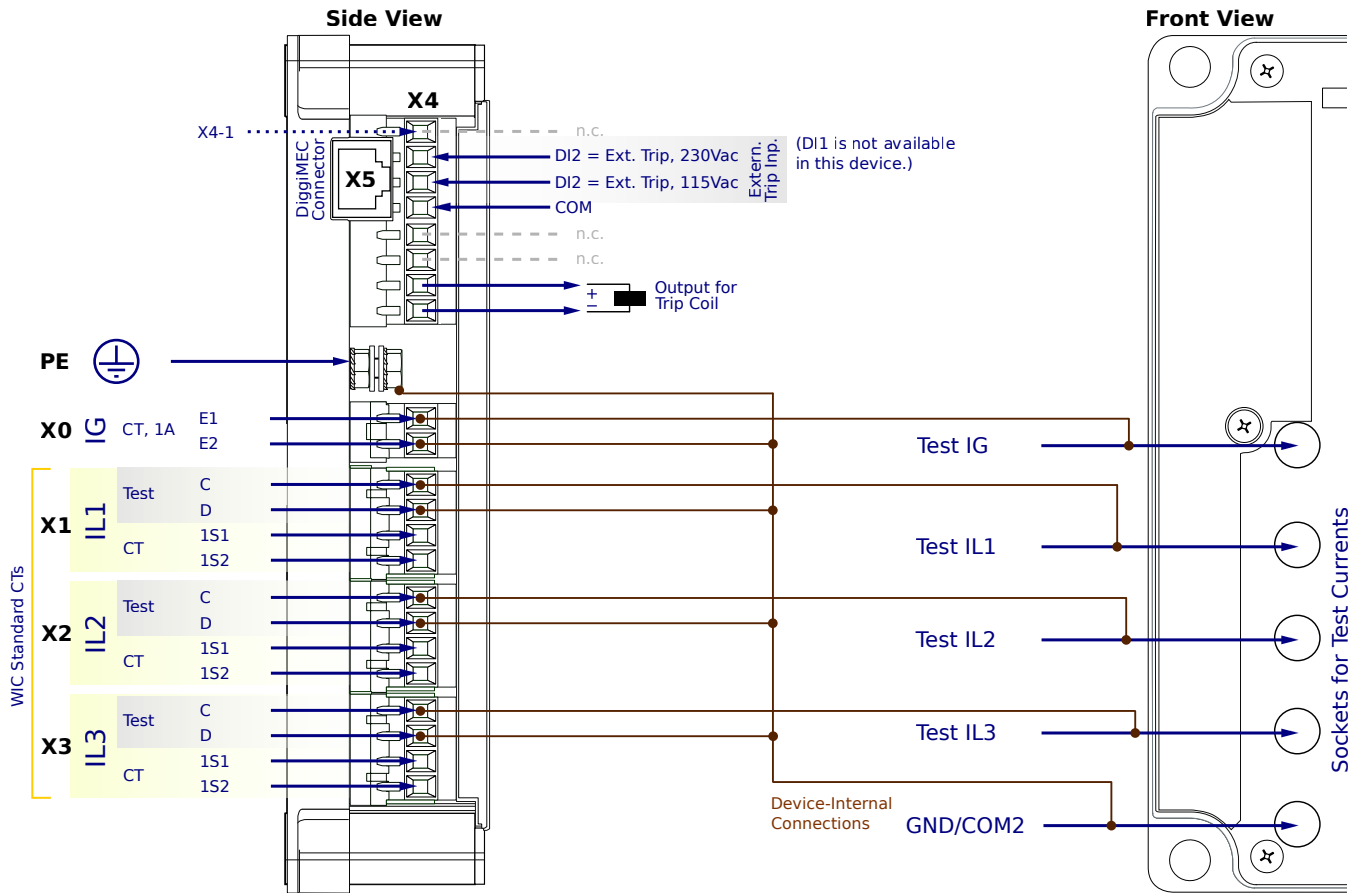
**X1...X3** - WIC CTs

**X4-2,3** - DI2, fixed to External trip input (115Vac or 230Vac)

**X4-7,8** - Trip pulse output

**X5** - DiggiMEC-WIC1 connection. Use network cable CAT3 (or better). No crossover cable!

# WIC1-1SG0NF2PA



## CT-Powered Protection Device, configuration via DiggiMEC / Smart view

- Nominal frequency is 50 Hz or 60 Hz. (Setting via DiggiMEC/Smart view.)
- Trip at  $20 \cdot I_{n,max}$
- Package "A" + SOTF, CLPU, external protection, ultra-fast overcurrent protection

**PE** - Protective Earth

**X0** - Measured ground current via 1A CT input. (Setting to calc. IG is also possible via DiggiMEC/Smart view.)

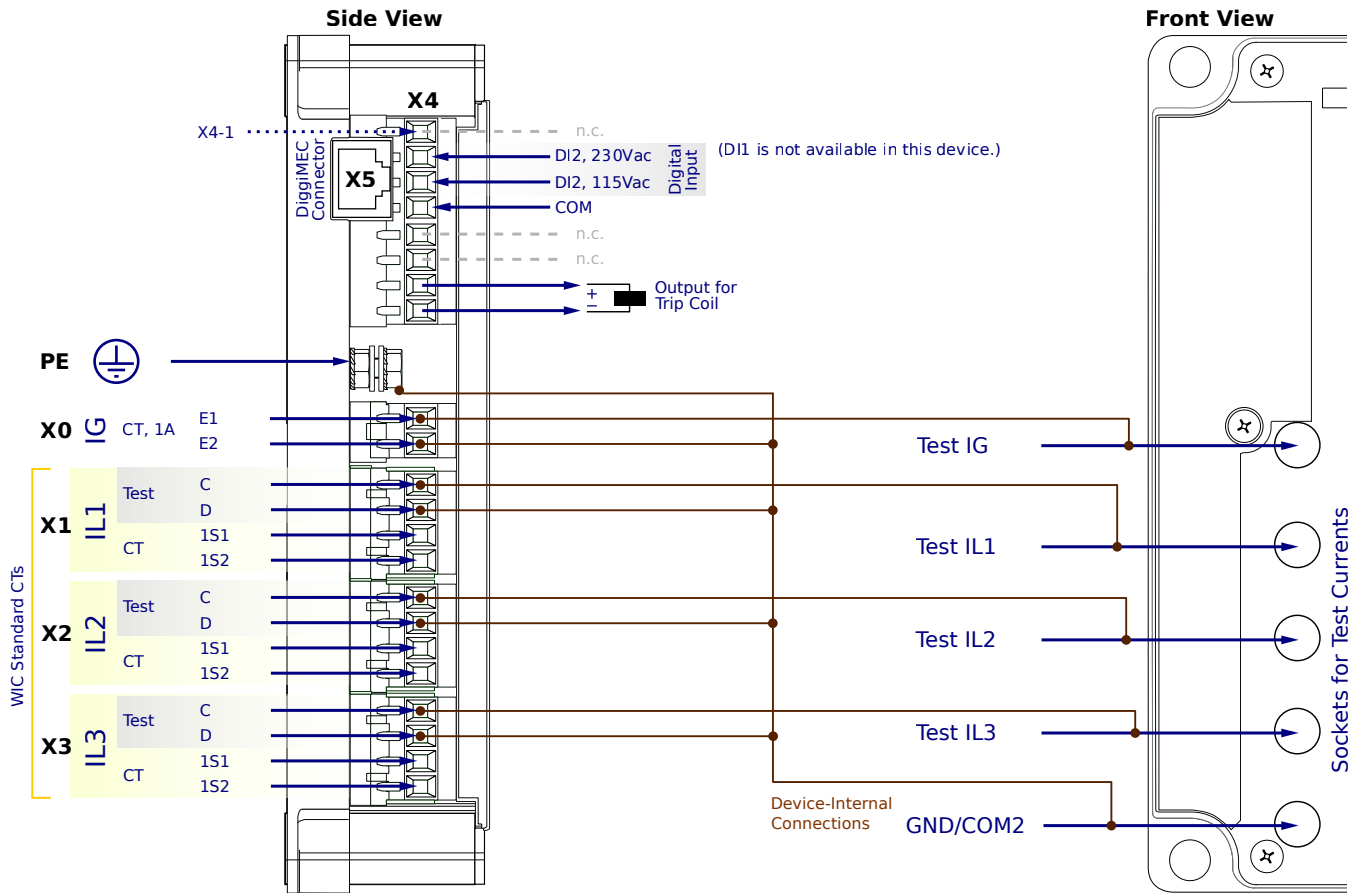
**X1...X3** - WIC CTs

**X4-2,3** - DI2, fixed to External trip input (115Vac or 230Vac)

**X4-7,8** - Trip pulse output

**X5** - DiggiMEC-WIC1 connection. Use network cable CAT3 (or better). No crossover cable!

# WIC1-1SG0NC1SA



## CT-Powered Protection Device, configuration via DiggiMEC / Smart view

- Nominal frequency is 50 Hz or 60 Hz. (Setting via DiggiMEC/Smart view.)
- Backup protection operates directly
- ANSI 50, 50G/N, 51, 51G/N, inrush, 50BF, 74TC

**PE** - Protective Earth

**X0** - Measured ground current via 1A CT input. (Setting to calc. IG is also possible via DiggiMEC/Smart view.)

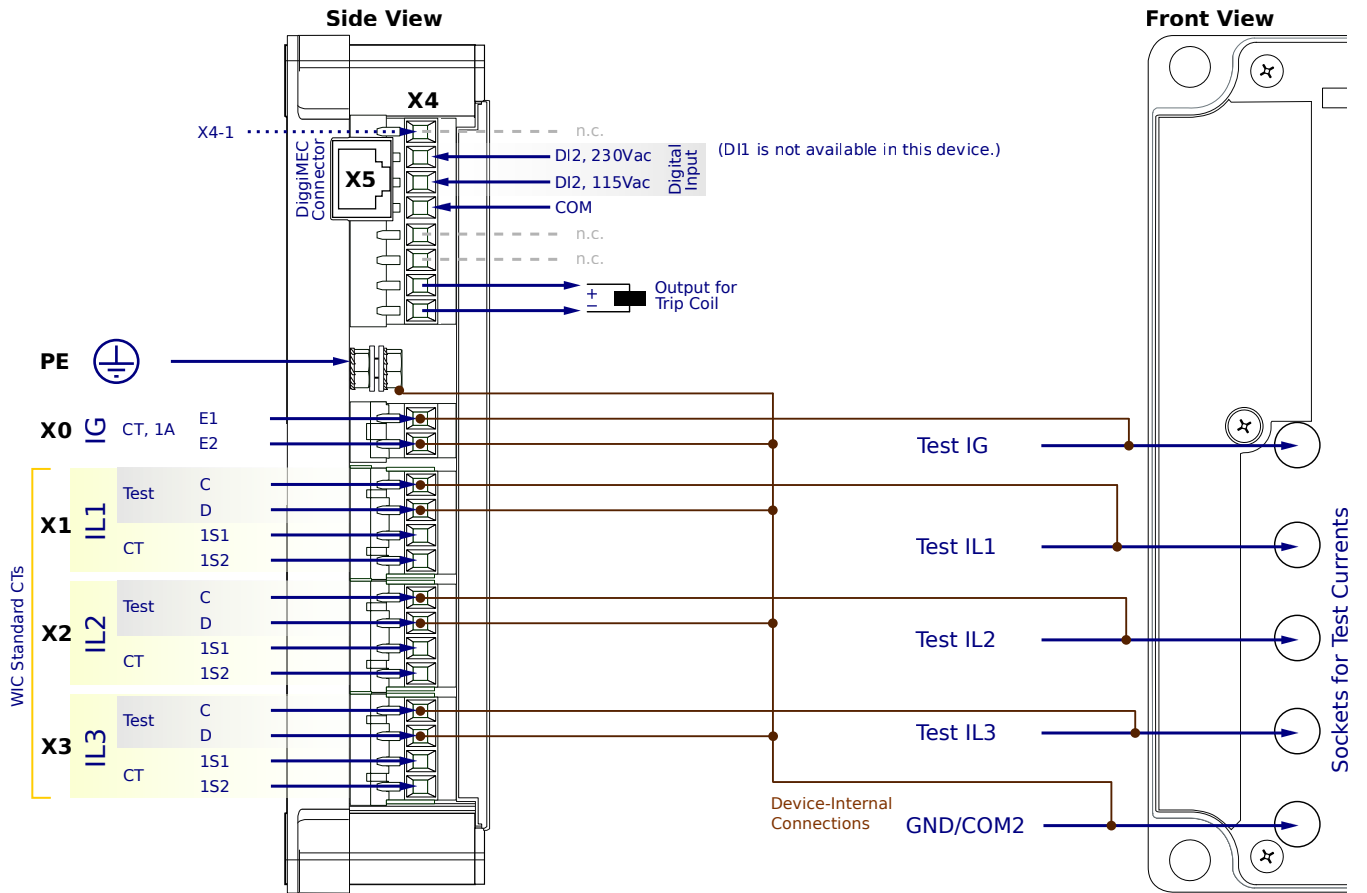
**X1...X3** - WIC CTs

**X4-2,3** - 1 assignable Digital Input DI2 (115Vac or 230Vac)

**X4-7,8** - Trip pulse output

**X5** - DiggiMEC-WIC1 connection. Use network cable CAT3 (or better). No crossover cable!

# WIC1-1SG0NC1AA



## CT-Powered Protection Device, configuration via DiggiMEC / Smart view

- Nominal frequency is 50 Hz or 60 Hz. (Setting via DiggiMEC/Smart view.)
- Backup protection operates directly
- Package "S" + ANSI 46, 49, 51Q, Breaker Wear, Condition Monitoring (= Life Load, Drag Indicator)

**PE** - Protective Earth

**X0** - Measured ground current via 1A CT input. (Setting to calc. IG is also possible via DiggiMEC/Smart view.)

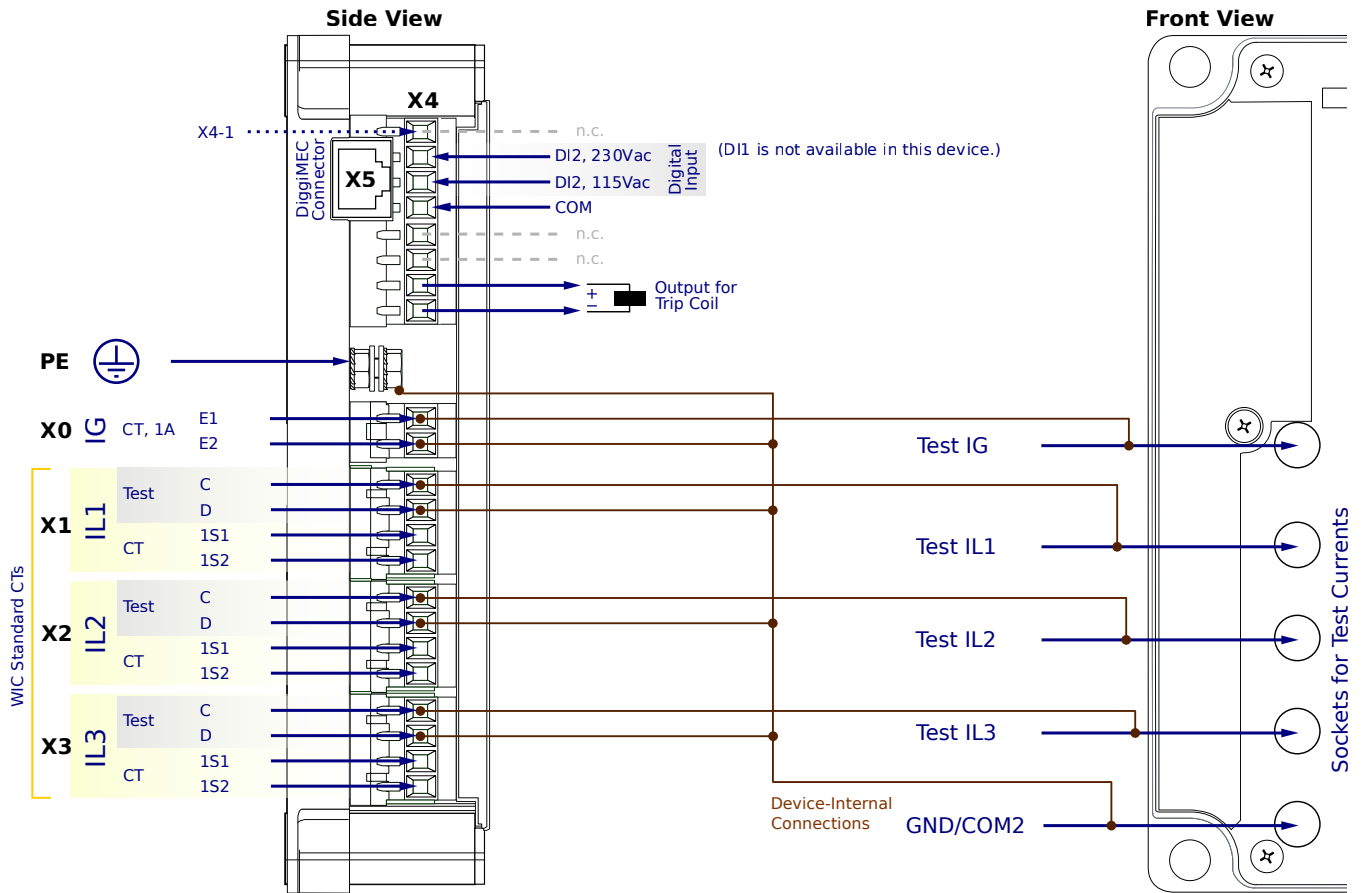
**X1...X3** - WIC CTs

**X4-2,3** - 1 assignable Digital Input DI2 (115Vac or 230Vac)

**X4-7,8** - Trip pulse output

**X5** - DiggiMEC-WIC1 connection. Use network cable CAT3 (or better). No crossover cable!

# WIC1-1SG0NC1PA



## CT-Powered Protection Device, configuration via DiggiMEC / Smart view

- Nominal frequency is 50 Hz or 60 Hz. (Setting via DiggiMEC/Smart view.)
- Backup protection operates directly
- Package "A" + SOTF, CLPU, external protection, ultra-fast overcurrent protection

**PE** - Protective Earth

**X0** - Measured ground current via 1A CT input. (Setting to calc. IG is also possible via DiggiMEC/Smart view.)

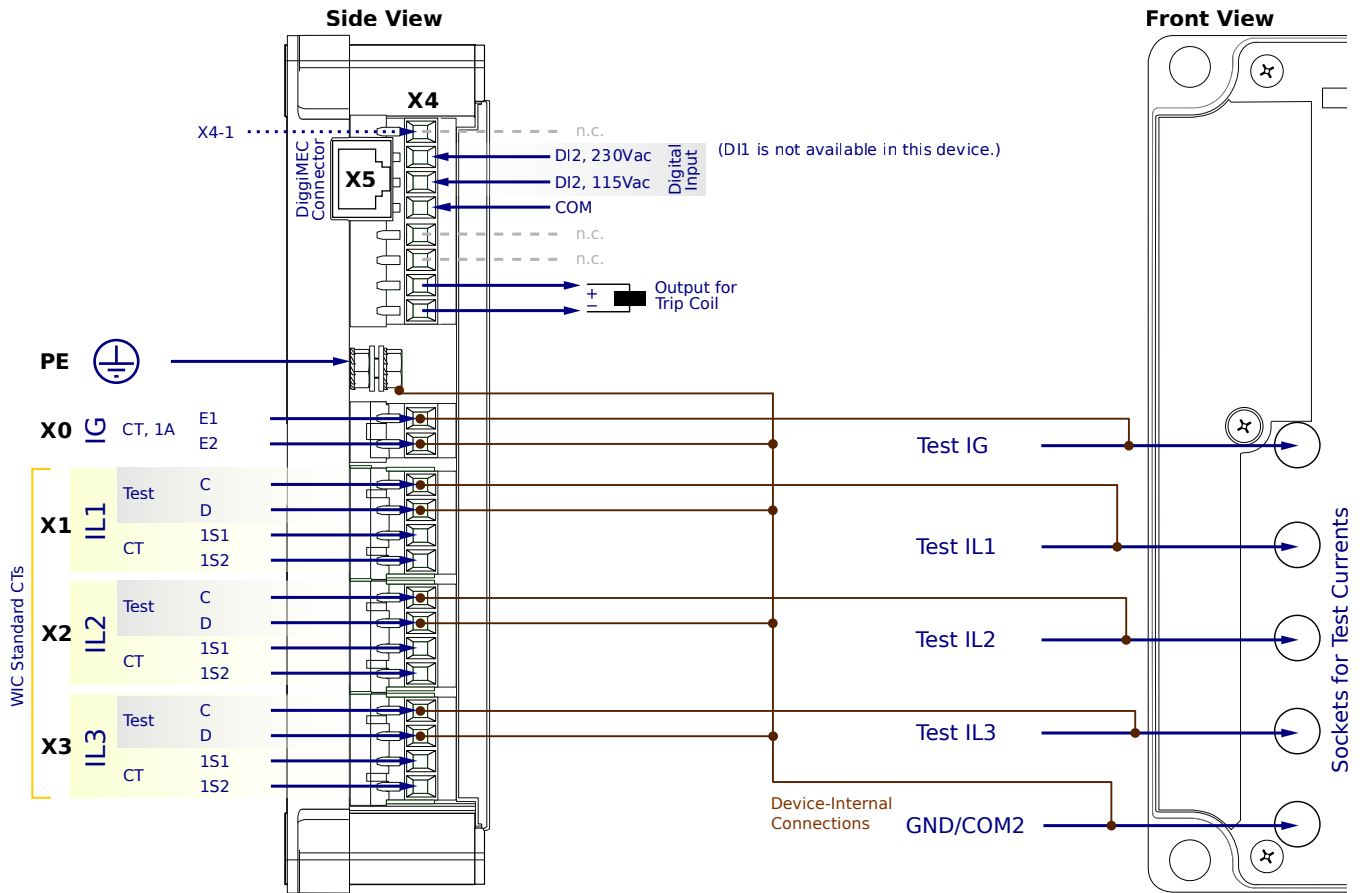
**X1...X3** - WIC CTs

**X4-2,3** - 1 assignable Digital Input DI2 (115Vac or 230Vac)

**X4-7,8** - Trip pulse output

**X5** - DiggiMEC-WIC1 connection. Use network cable CAT3 (or better). No crossover cable!

# WIC1-1SG0NC2SA



## CT-Powered Protection Device, configuration via DiggiMEC / Smart view

- Nominal frequency is 50 Hz or 60 Hz. (Setting via DiggiMEC/Smart view.)
- Trip at  $20 \cdot I_{n,max}$
- ANSI 50, 50G/N, 51, 51G/N, inrush, 50BF, 74TC

**PE** - Protective Earth

**X0** - Measured ground current via 1A CT input. (Setting to calc. IG is also possible via DiggiMEC/Smart view.)

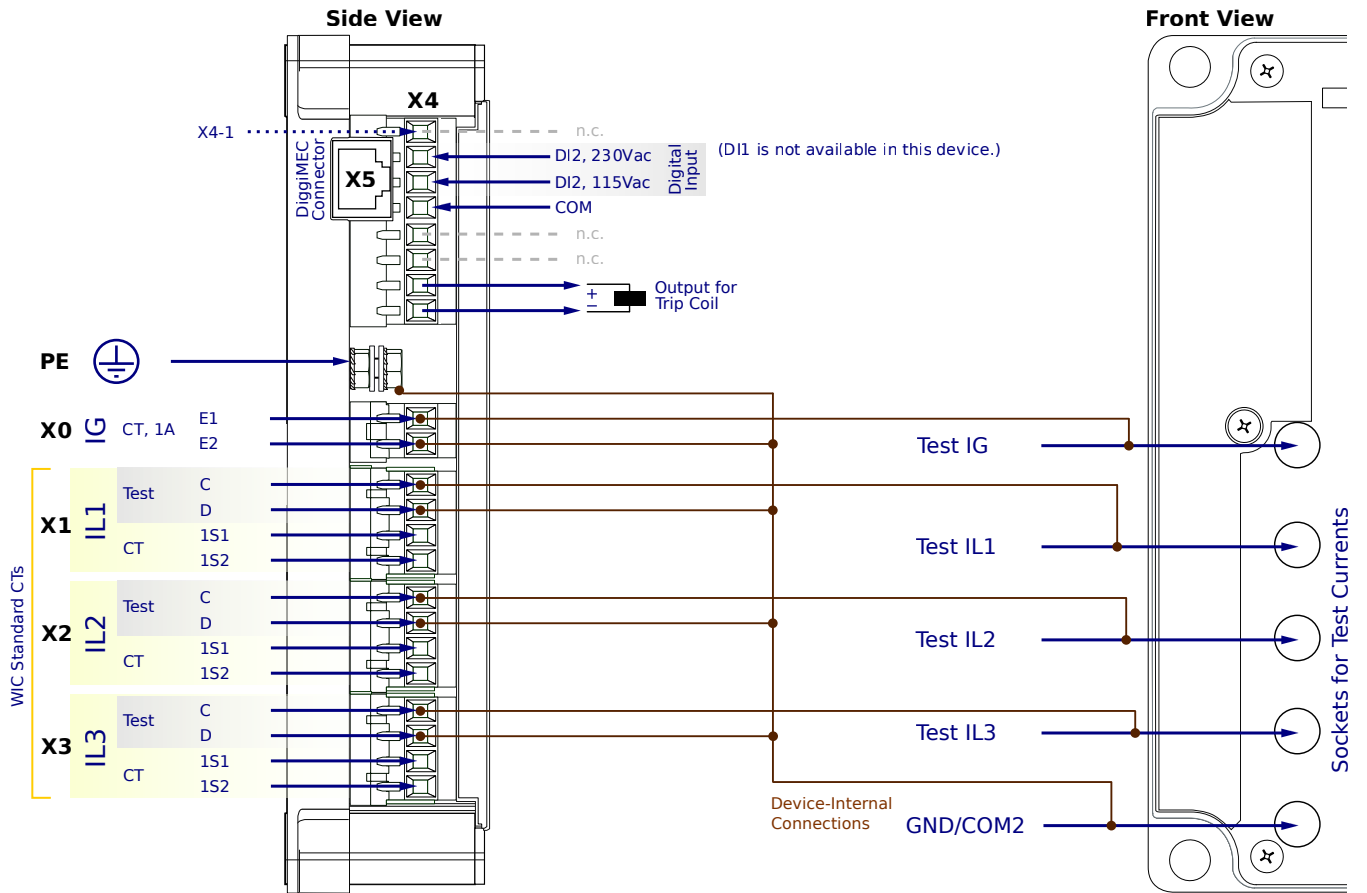
**X1...X3** - WIC CTs

**X4-2,3** - 1 assignable Digital Input DI2 (115Vac or 230Vac)

**X4-7,8** - Trip pulse output

**X5** - DiggiMEC-WIC1 connection. Use network cable CAT3 (or better). No crossover cable!

# WIC1-1SG0NC2AA



## CT-Powered Protection Device, configuration via DiggiMEC / Smart view

- Nominal frequency is 50 Hz or 60 Hz. (Setting via DiggiMEC/Smart view.)
- Trip at  $20 \cdot I_{n,max}$
- Package "S" + ANSI 46, 49, 51Q, Breaker Wear, Condition Monitoring (= Life Load, Drag Indicator)

**PE** - Protective Earth

**X0** - Measured ground current via 1A CT input. (Setting to calc. IG is also possible via DiggiMEC/Smart view.)

**X1...X3** - WIC CTs

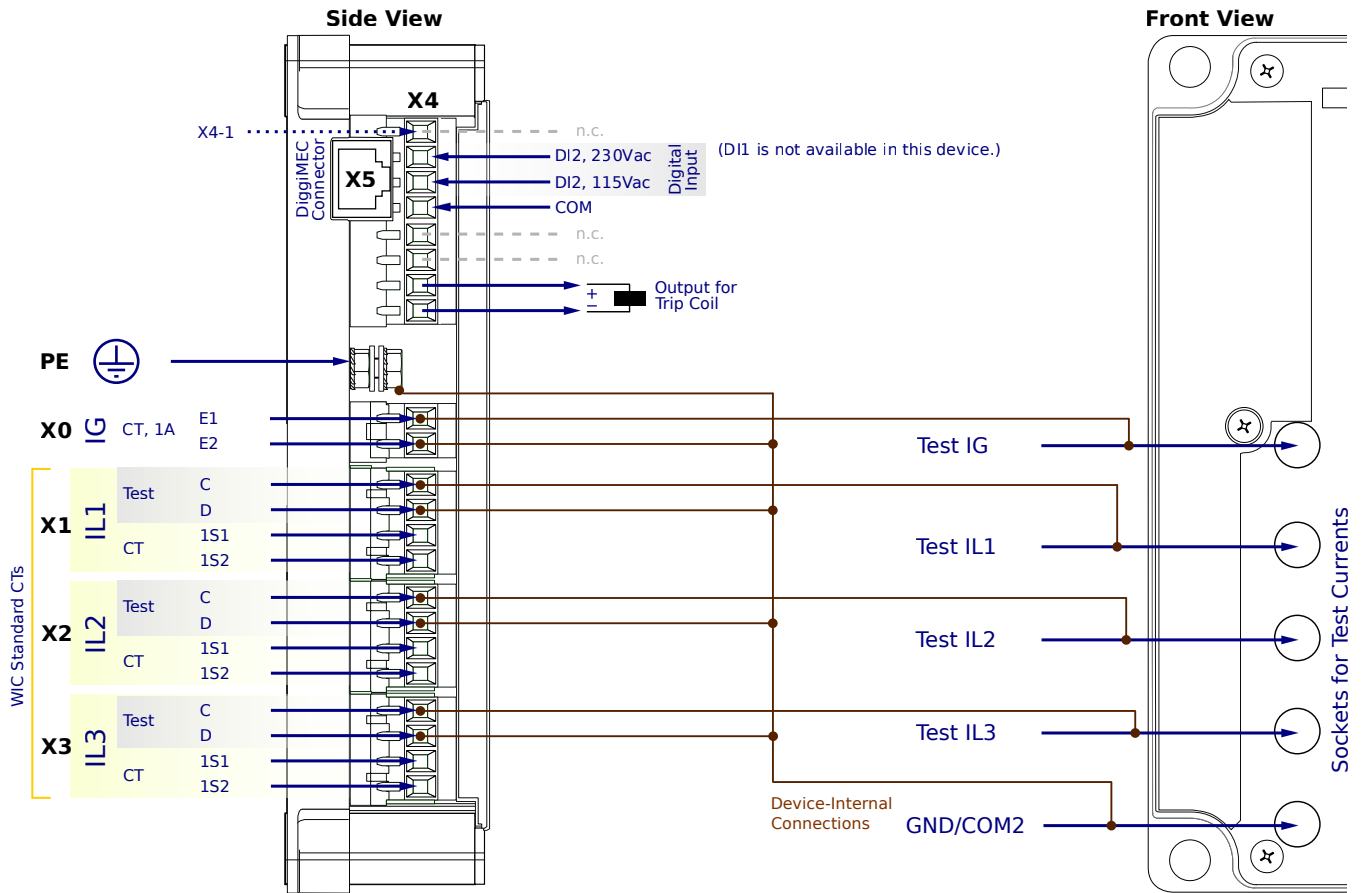
**X4-2,3** - 1 assignable Digital Input DI2 (115Vac or 230Vac)

**X4-7,8** - Trip pulse output

**X5** - DiggiMEC-WIC1 connection. Use network cable CAT3 (or better). No crossover cable!



# WIC1-1SG0NC2PA



## CT-Powered Protection Device, configuration via DiggiMEC / Smart view

- Nominal frequency is 50 Hz or 60 Hz. (Setting via DiggiMEC/Smart view.)
- Trip at  $20 \cdot I_{n,max}$
- Package "A" + SOTF, CLPU, external protection, ultra-fast overcurrent protection

**PE** - Protective Earth

**X0** - Measured ground current via 1A CT input. (Setting to calc. IG is also possible via DiggiMEC/Smart view.)

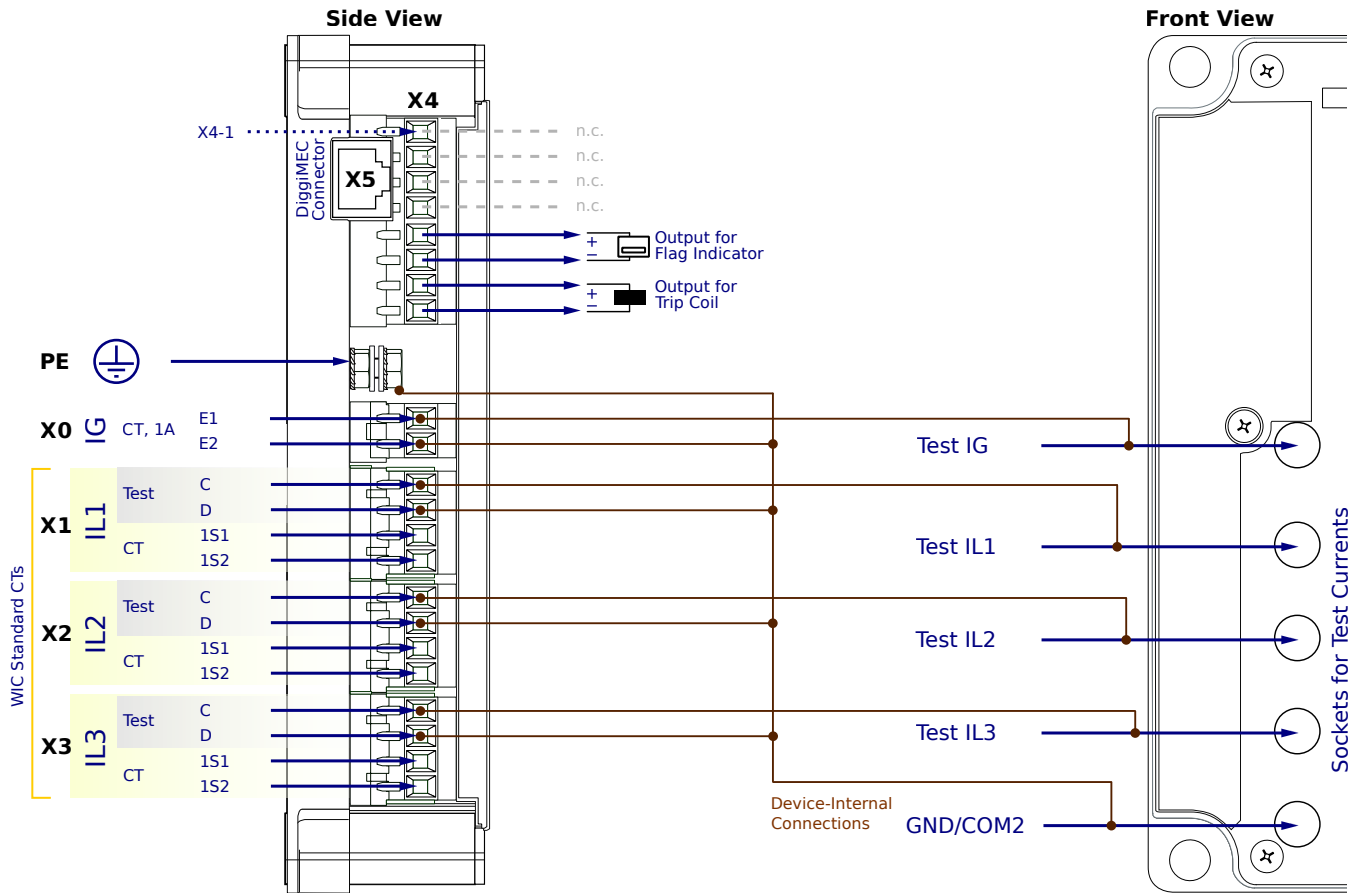
**X1...X3** - WIC CTs

**X4-2,3** - 1 assignable Digital Input DI2 (115Vac or 230Vac)

**X4-7,8** - Trip pulse output

**X5** - DiggiMEC-WIC1 connection. Use network cable CAT3 (or better). No crossover cable!

# WIC1-1SG0FN1SA



## CT-Powered Protection Device, configuration via DiggiMEC / Smart view

- Nominal frequency is 50 Hz or 60 Hz. (Setting via DiggiMEC/Smart view.)
- Backup protection operates directly
- ANSI 50, 50G/N, 51, 51G/N, inrush, 50BF, 74TC

**PE** - Protective Earth

**X0** - Measured ground current via 1A CT input. (Setting to calc. IG is also possible via DiggiMEC/Smart view.)

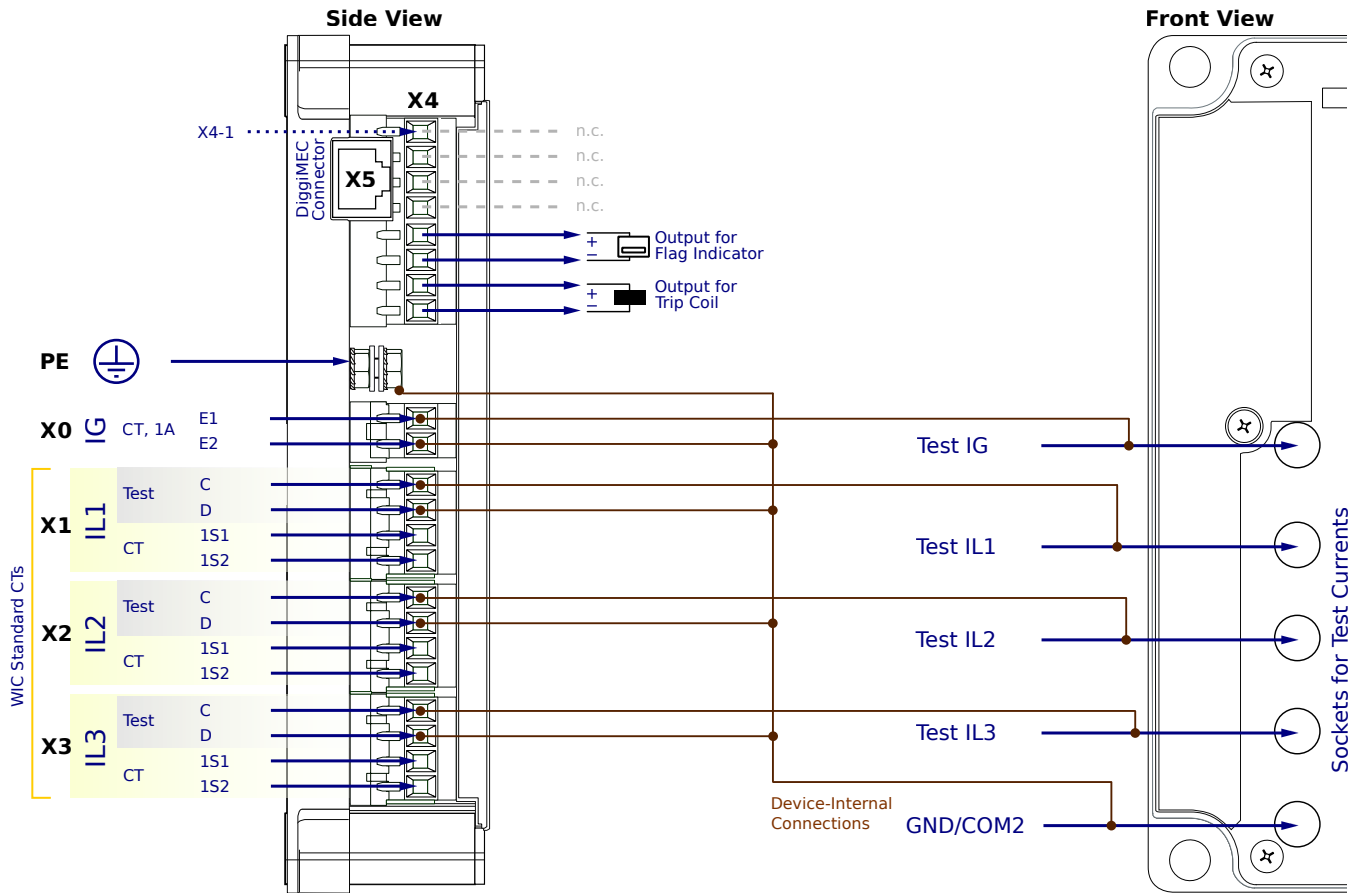
**X1...X3** - WIC CTs

**X4-5,6** - Trip flag indicator

**X4-7,8** - Trip pulse output

**X5** - DiggiMEC-WIC1 connection. Use network cable CAT3 (or better). No crossover cable!

# WIC1-1SG0FN1AA



## CT-Powered Protection Device, configuration via DiggiMEC / Smart view

- Nominal frequency is 50 Hz or 60 Hz. (Setting via DiggiMEC/Smart view.)
- Backup protection operates directly
- Package "S" + ANSI 46, 49, 51Q, Breaker Wear, Condition Monitoring (= Life Load, Drag Indicator)

**PE** - Protective Earth

**X0** - Measured ground current via 1A CT input. (Setting to calc. IG is also possible via DiggiMEC/Smart view.)

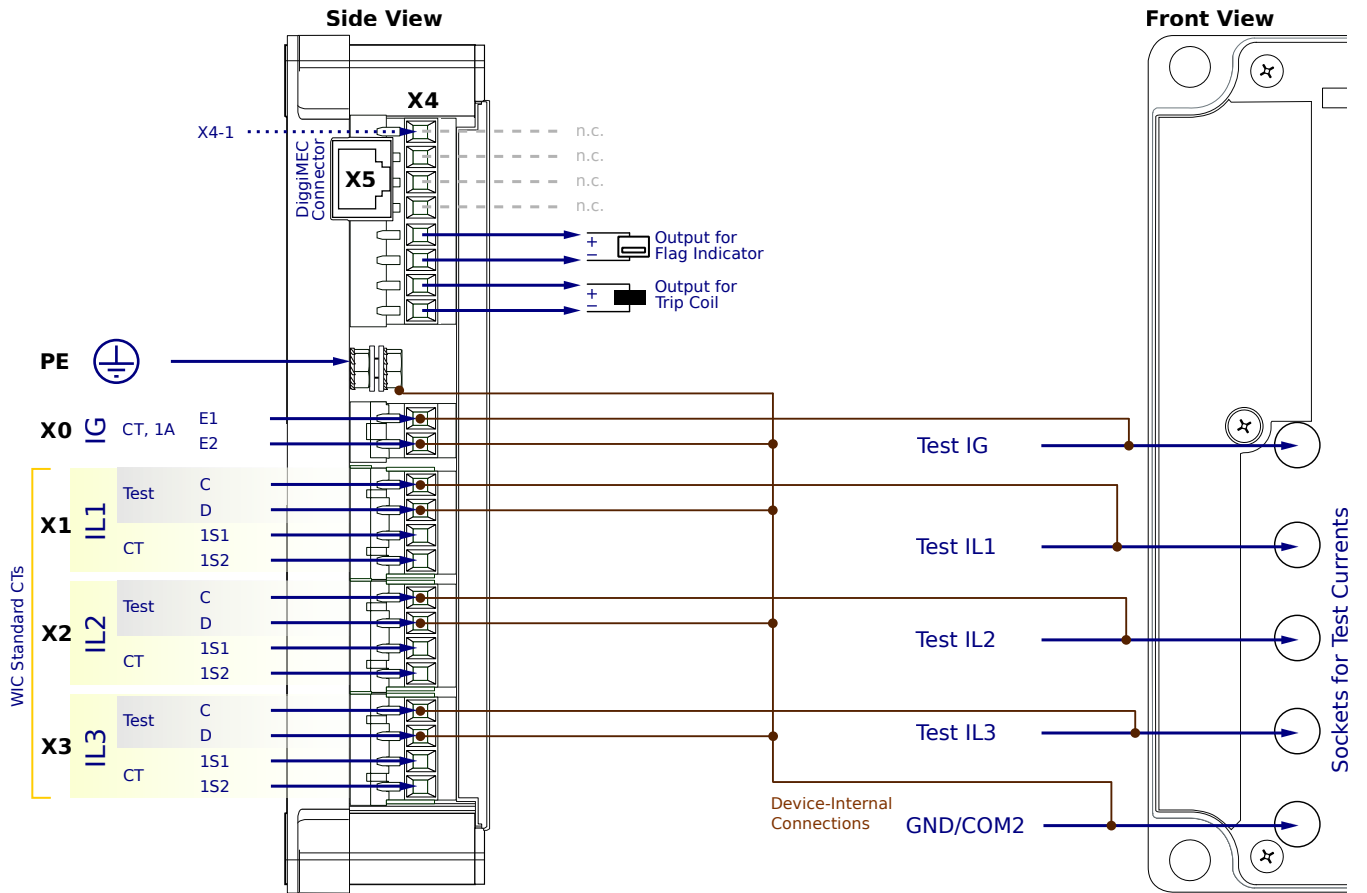
**X1...X3** - WIC CTs

**X4-5,6** - Trip flag indicator

**X4-7,8** - Trip pulse output

**X5** - DiggiMEC-WIC1 connection. Use network cable CAT3 (or better). No crossover cable!

# WIC1-1SG0FN1PA



## CT-Powered Protection Device, configuration via DiggiMEC / Smart view

- Nominal frequency is 50 Hz or 60 Hz. (Setting via DiggiMEC/Smart view.)
- Backup protection operates directly
- Package "A" + SOTF, CLPU, external protection, ultra-fast overcurrent protection

**PE** - Protective Earth

**X0** - Measured ground current via 1A CT input. (Setting to calc. IG is also possible via DiggiMEC/Smart view.)

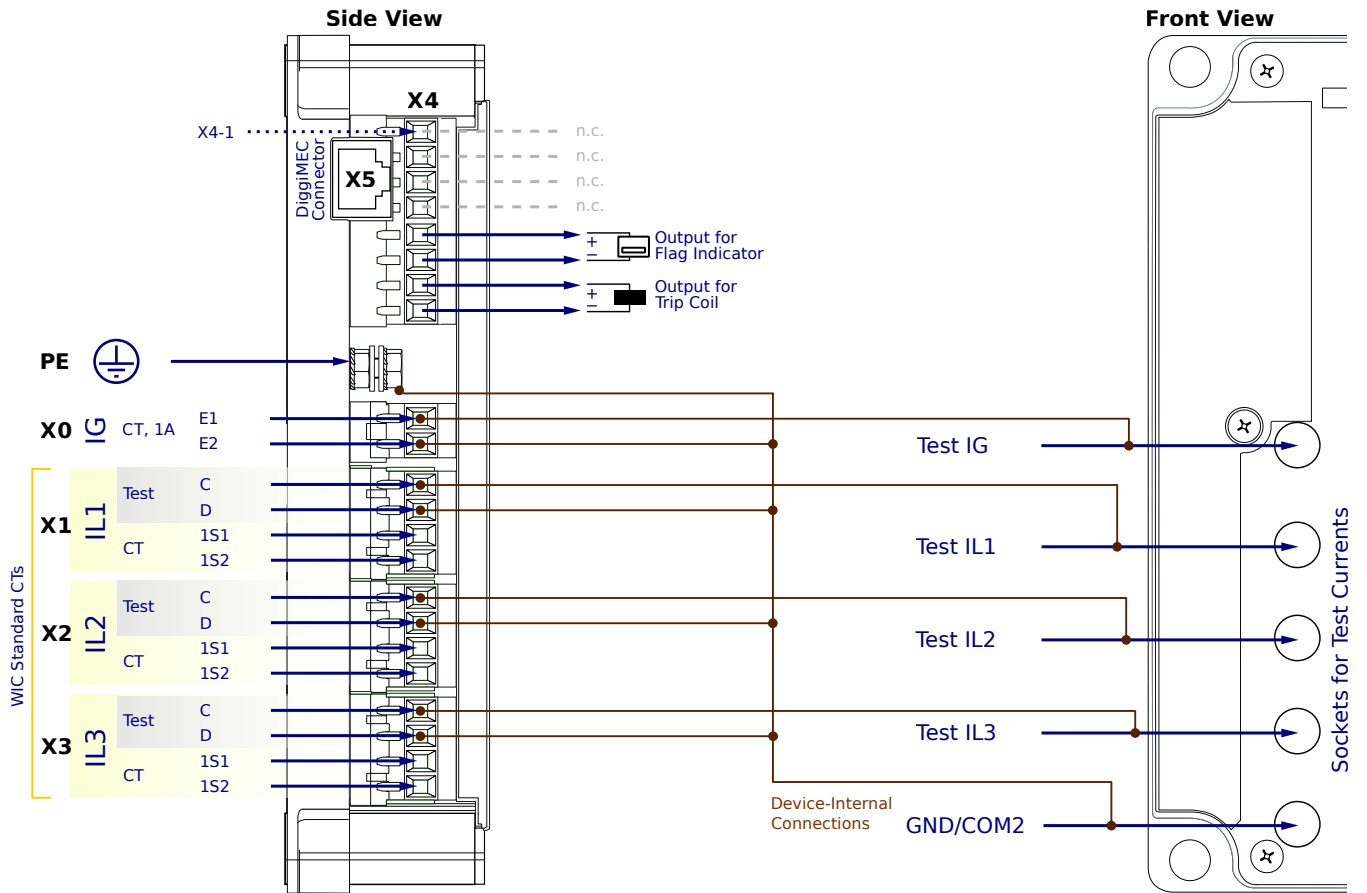
**X1...X3** - WIC CTs

**X4-5,6** - Trip flag indicator

**X4-7,8** - Trip pulse output

**X5** - DiggiMEC-WIC1 connection. Use network cable CAT3 (or better). No crossover cable!

# WIC1-1SG0FN2SA



## CT-Powered Protection Device, configuration via DiggiMEC / Smart view

- Nominal frequency is 50 Hz or 60 Hz. (Setting via DiggiMEC/Smart view.)
- Trip at  $20 \cdot I_{n,max}$
- ANSI 50, 50G/N, 51, 51G/N, inrush, 50BF, 74TC

**PE** - Protective Earth

**X0** - Measured ground current via 1A CT input. (Setting to calc. IG is also possible via DiggiMEC/Smart view.)

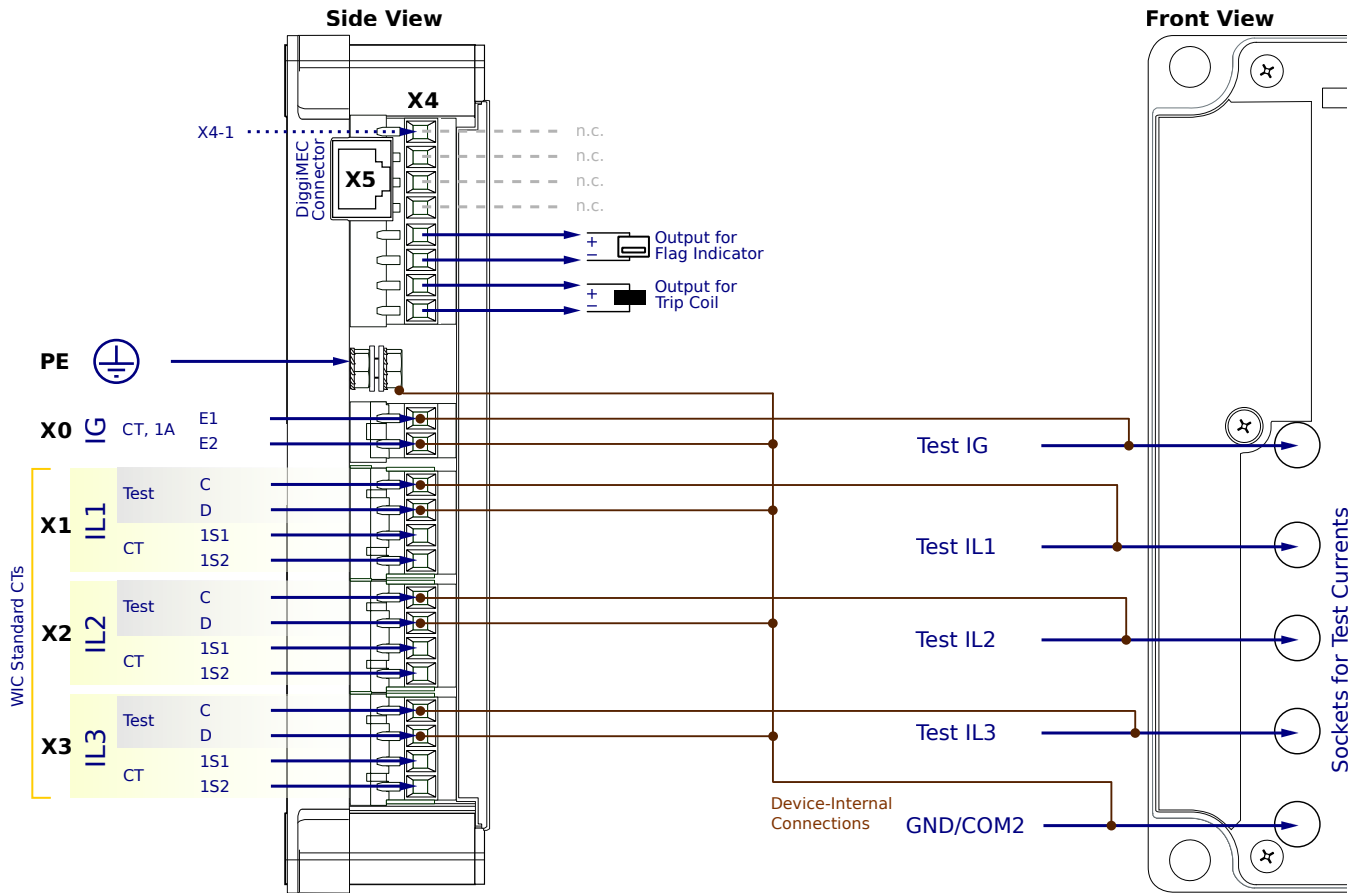
**X1...X3** - WIC CTs

**X4-5,6** - Trip flag indicator

**X4-7,8** - Trip pulse output

**X5** - DiggiMEC-WIC1 connection. Use network cable CAT3 (or better). No crossover cable!

# WIC1-1SG0FN2AA



## CT-Powered Protection Device, configuration via DiggiMEC / Smart view

- Nominal frequency is 50 Hz or 60 Hz. (Setting via DiggiMEC/Smart view.)
- Trip at  $20 \cdot I_{n,max}$
- Package "S" + ANSI 46, 49, 51Q, Breaker Wear, Condition Monitoring (= Life Load, Drag Indicator)

**PE** - Protective Earth

**X0** - Measured ground current via 1A CT input. (Setting to calc. IG is also possible via DiggiMEC/Smart view.)

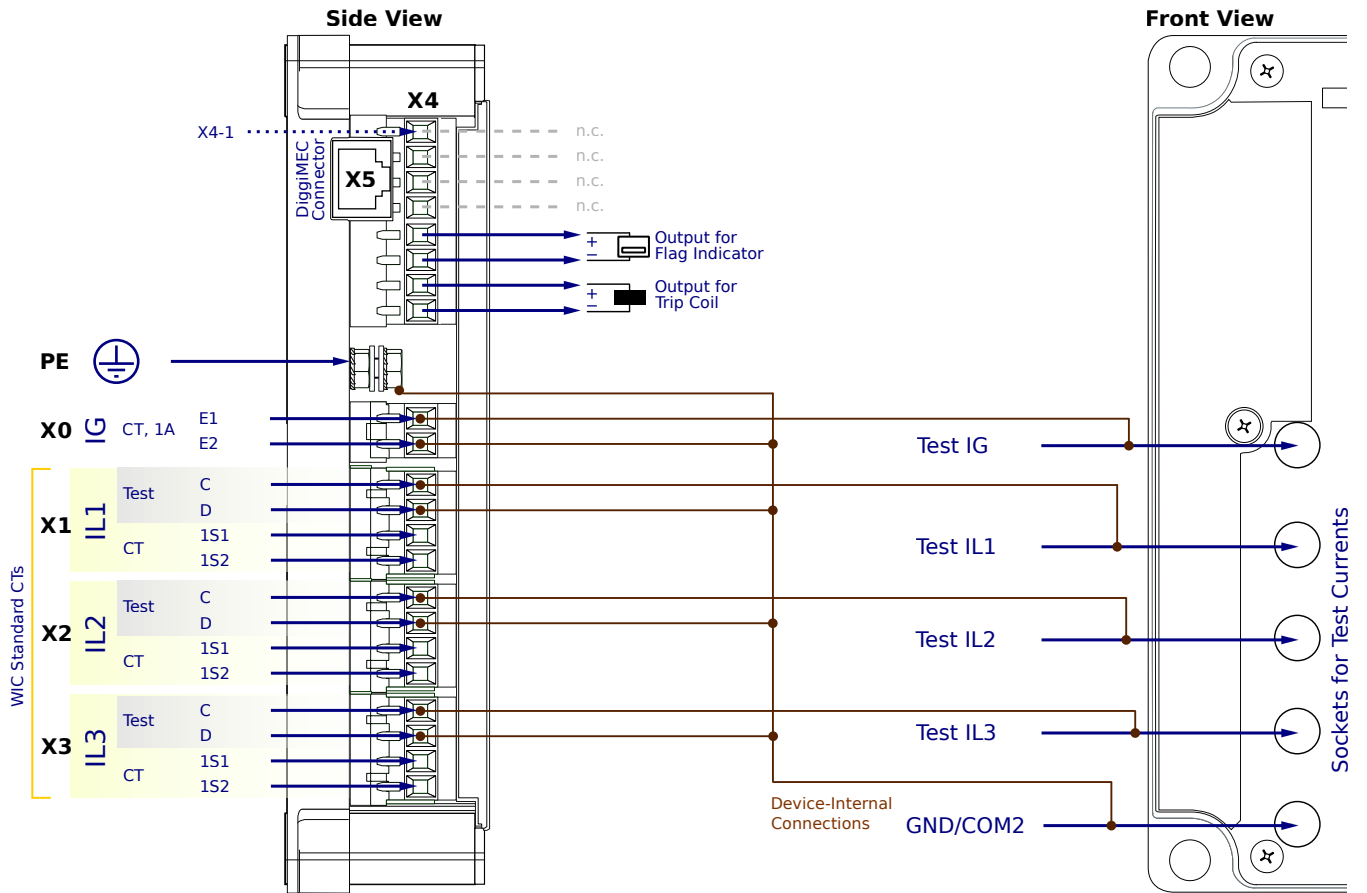
**X1...X3** - WIC CTs

**X4-5,6** - Trip flag indicator

**X4-7,8** - Trip pulse output

**X5** - DiggiMEC-WIC1 connection. Use network cable CAT3 (or better). No crossover cable!

# WIC1-1SG0FN2PA



## CT-Powered Protection Device, configuration via DiggiMEC / Smart view

- Nominal frequency is 50 Hz or 60 Hz. (Setting via DiggiMEC/Smart view.)
- Trip at  $20 \cdot I_{n,max}$
- Package "A" + SOTF, CLPU, external protection, ultra-fast overcurrent protection

**PE** - Protective Earth

**X0** - Measured ground current via 1A CT input. (Setting to calc. IG is also possible via DiggiMEC/Smart view.)

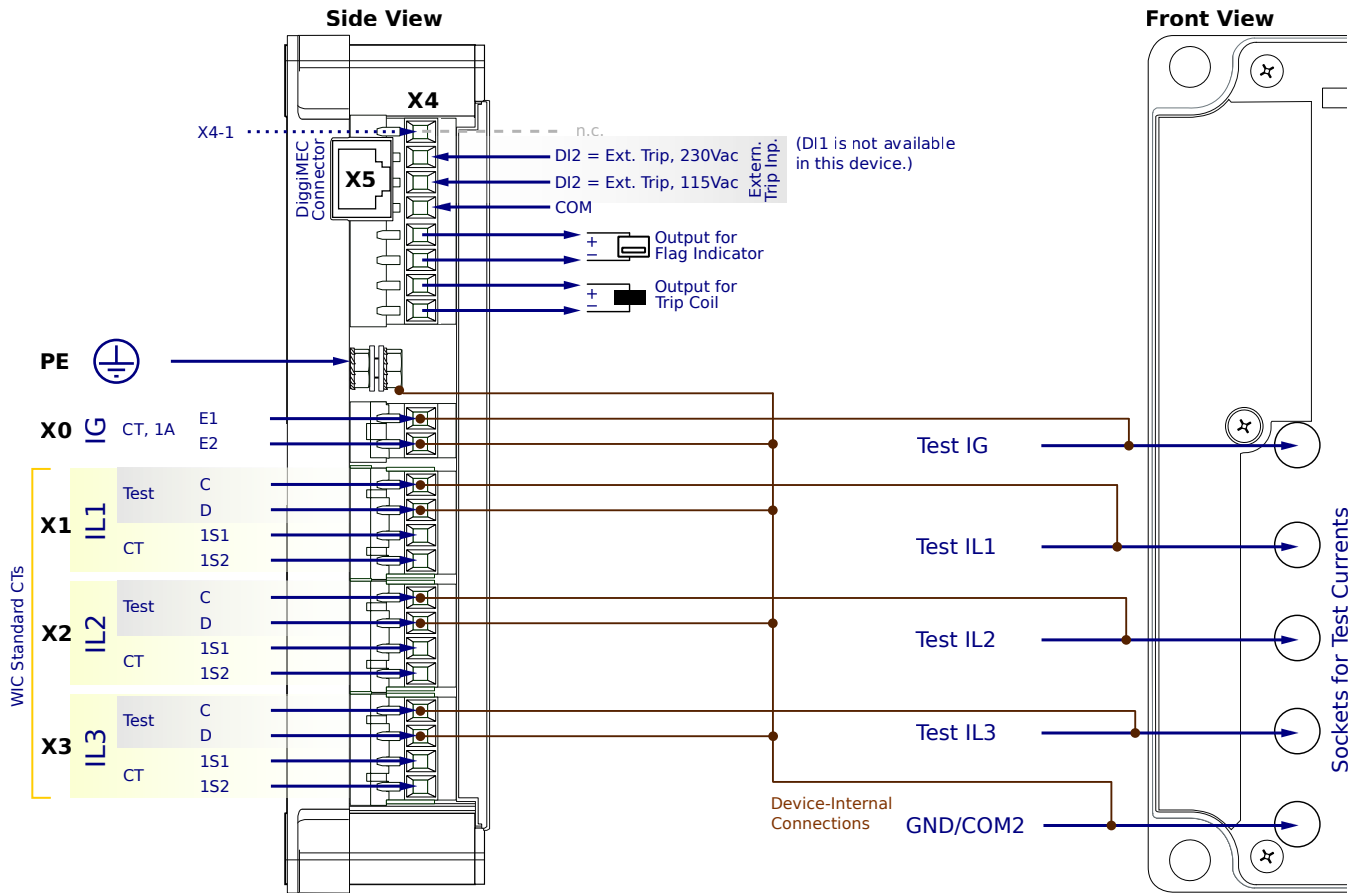
**X1...X3** - WIC CTs

**X4-5,6** - Trip flag indicator

**X4-7,8** - Trip pulse output

**X5** - DiggiMEC-WIC1 connection. Use network cable CAT3 (or better). No crossover cable!

# WIC1-1SG0FF1SA



## CT-Powered Protection Device, configuration via DiggiMEC / Smart view

- Nominal frequency is 50 Hz or 60 Hz. (Setting via DiggiMEC/Smart view.)
- Backup protection operates directly
- ANSI 50, 50G/N, 51, 51G/N, inrush, 50BF, 74TC

**PE** - Protective Earth

**X0** - Measured ground current via 1A CT input. (Setting to calc. IG is also possible via DiggiMEC/Smart view.)

**X1...X3** - WIC CTs

**X4-2,3** - DI2, fixed to External trip input (115Vac or 230Vac)

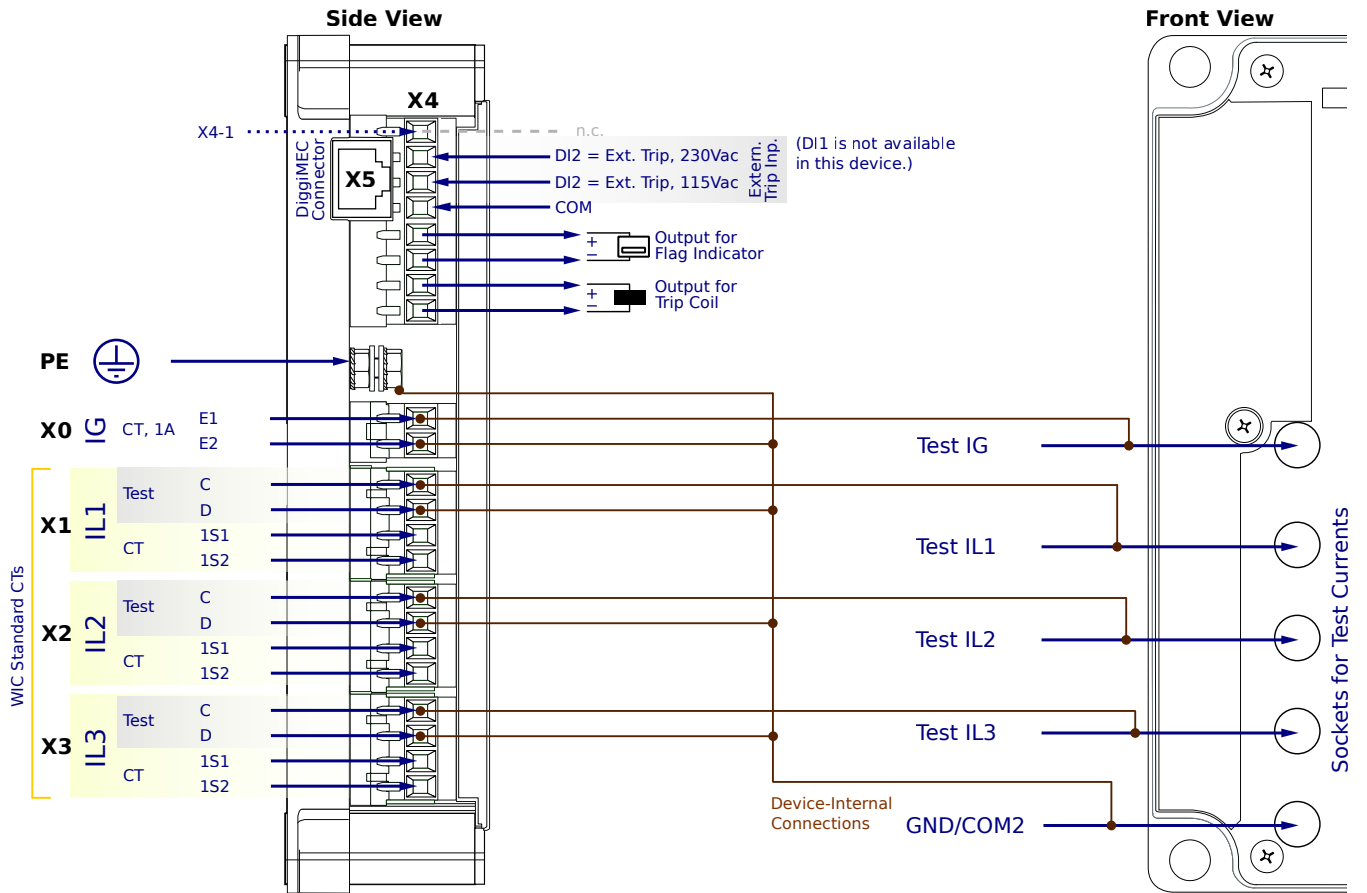
**X4-5,6** - Trip flag indicator

**X4-7,8** - Trip pulse output

**X5** - DiggiMEC-WIC1 connection. Use network cable CAT3 (or better). No crossover cable!



# WIC1-1SG0FF1AA



## CT-Powered Protection Device, configuration via DiggiMEC / Smart view

- Nominal frequency is 50 Hz or 60 Hz. (Setting via DiggiMEC/Smart view.)
- Backup protection operates directly
- Package "S" + ANSI 46, 49, 51Q, Breaker Wear, Condition Monitoring (= Life Load, Drag Indicator)

**PE** - Protective Earth

**X0** - Measured ground current via 1A CT input. (Setting to calc. IG is also possible via DiggiMEC/Smart view.)

**X1...X3** - WIC CTs

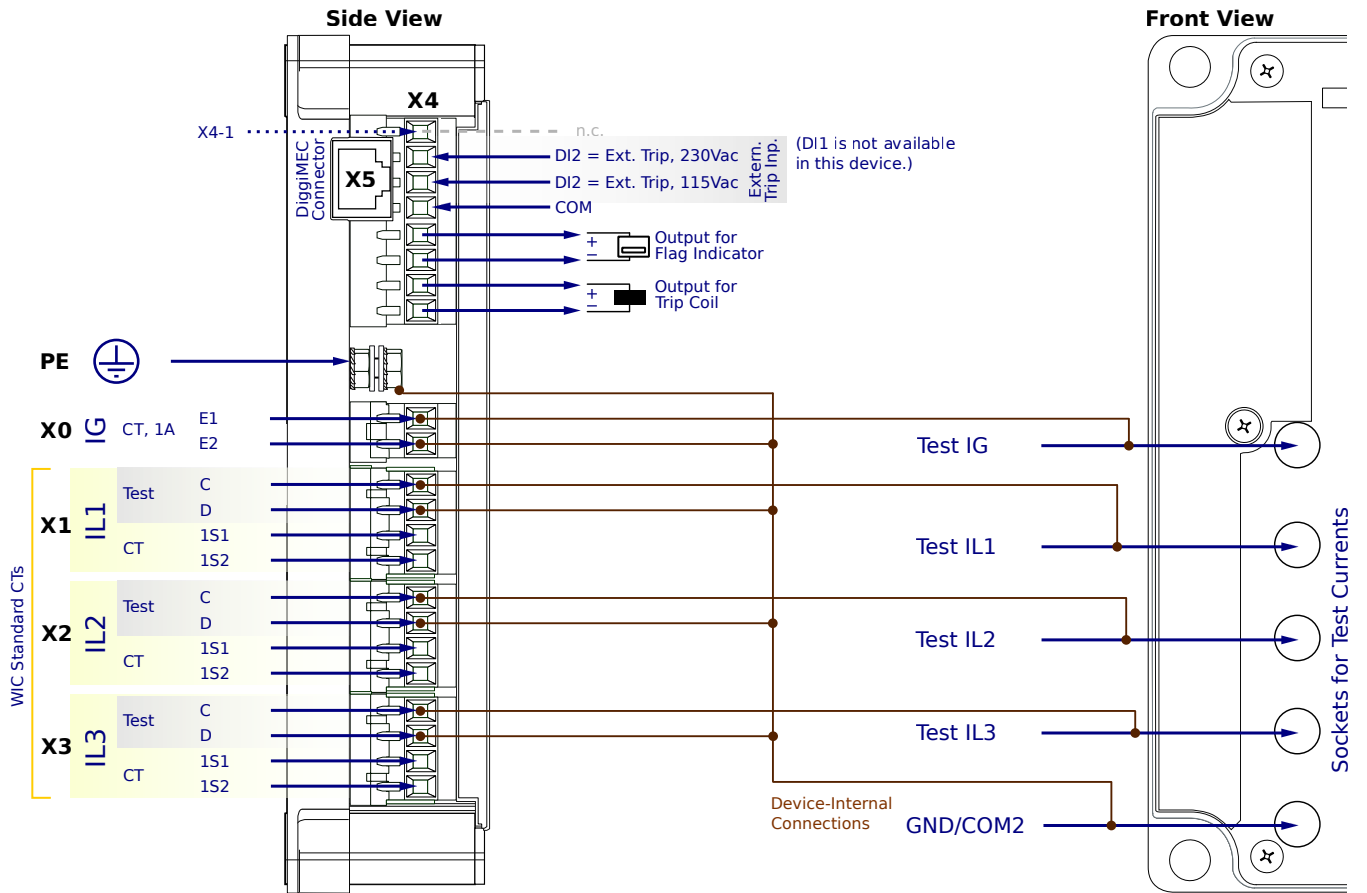
**X4-2,3** - DI2, fixed to External trip input (115Vac or 230Vac)

**X4-5,6** - Trip flag indicator

**X4-7,8** - Trip pulse output

**X5** - DiggiMEC-WIC1 connection. Use network cable CAT3 (or better). No crossover cable!

# WIC1-1SG0FF1PA



## CT-Powered Protection Device, configuration via DiggiMEC / Smart view

- Nominal frequency is 50 Hz or 60 Hz. (Setting via DiggiMEC/Smart view.)
- Backup protection operates directly
- Package "A" + SOTF, CLPU, external protection, ultra-fast overcurrent protection

**PE** - Protective Earth

**X0** - Measured ground current via 1A CT input. (Setting to calc. IG is also possible via DiggiMEC/Smart view.)

**X1...X3** - WIC CTs

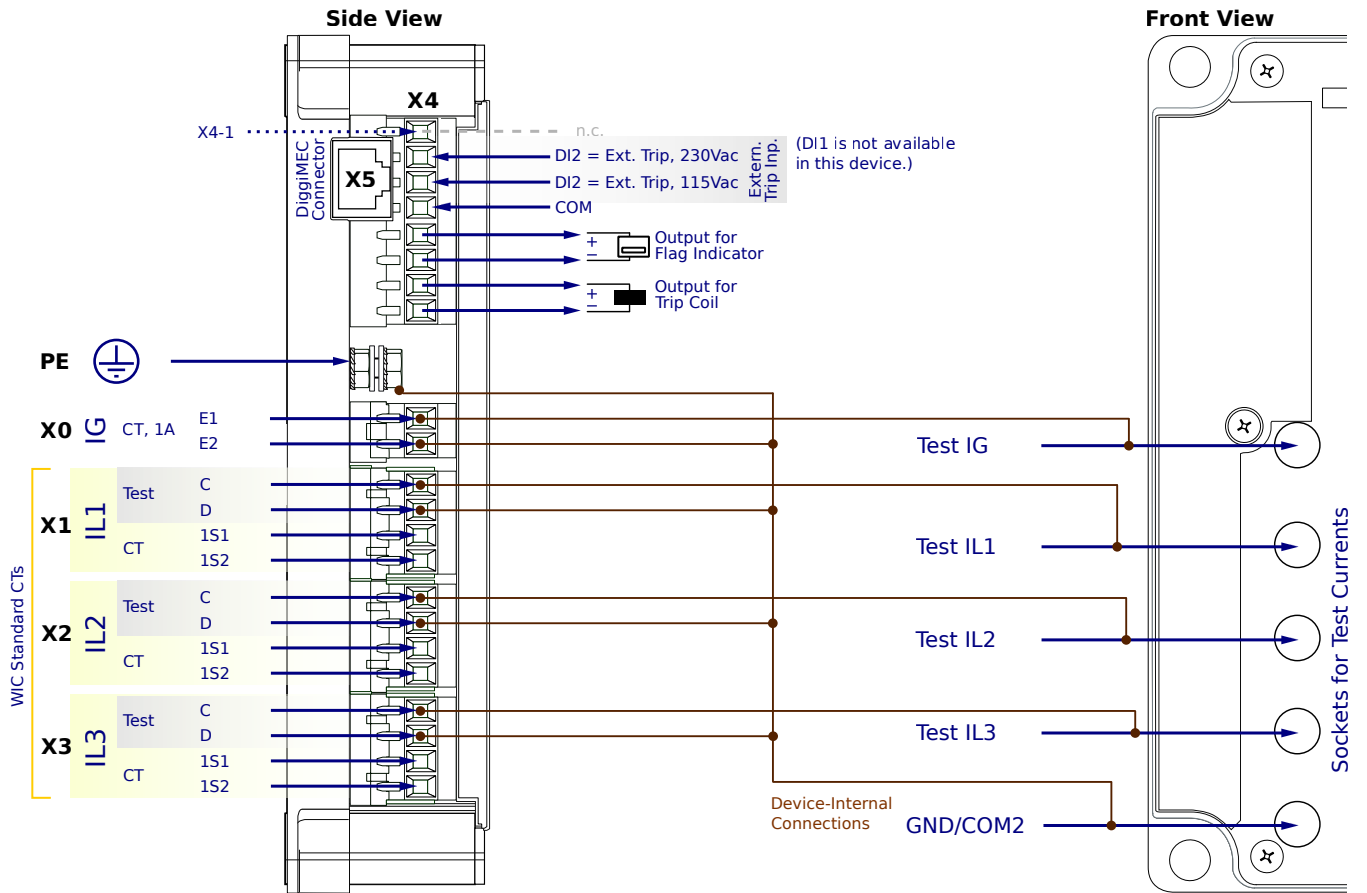
**X4-2,3** - DI2, fixed to External trip input (115Vac or 230Vac)

**X4-5,6** - Trip flag indicator

**X4-7,8** - Trip pulse output

**X5** - DiggiMEC-WIC1 connection. Use network cable CAT3 (or better). No crossover cable!

# WIC1-1SG0FF2SA



## CT-Powered Protection Device, configuration via DiggiMEC / Smart view

- Nominal frequency is 50 Hz or 60 Hz. (Setting via DiggiMEC/Smart view.)
- Trip at  $20 \cdot I_{n,max}$
- ANSI 50, 50G/N, 51, 51G/N, inrush, 50BF, 74TC

**PE** - Protective Earth

**X0** - Measured ground current via 1A CT input. (Setting to calc. IG is also possible via DiggiMEC/Smart view.)

**X1...X3** - WIC CTs

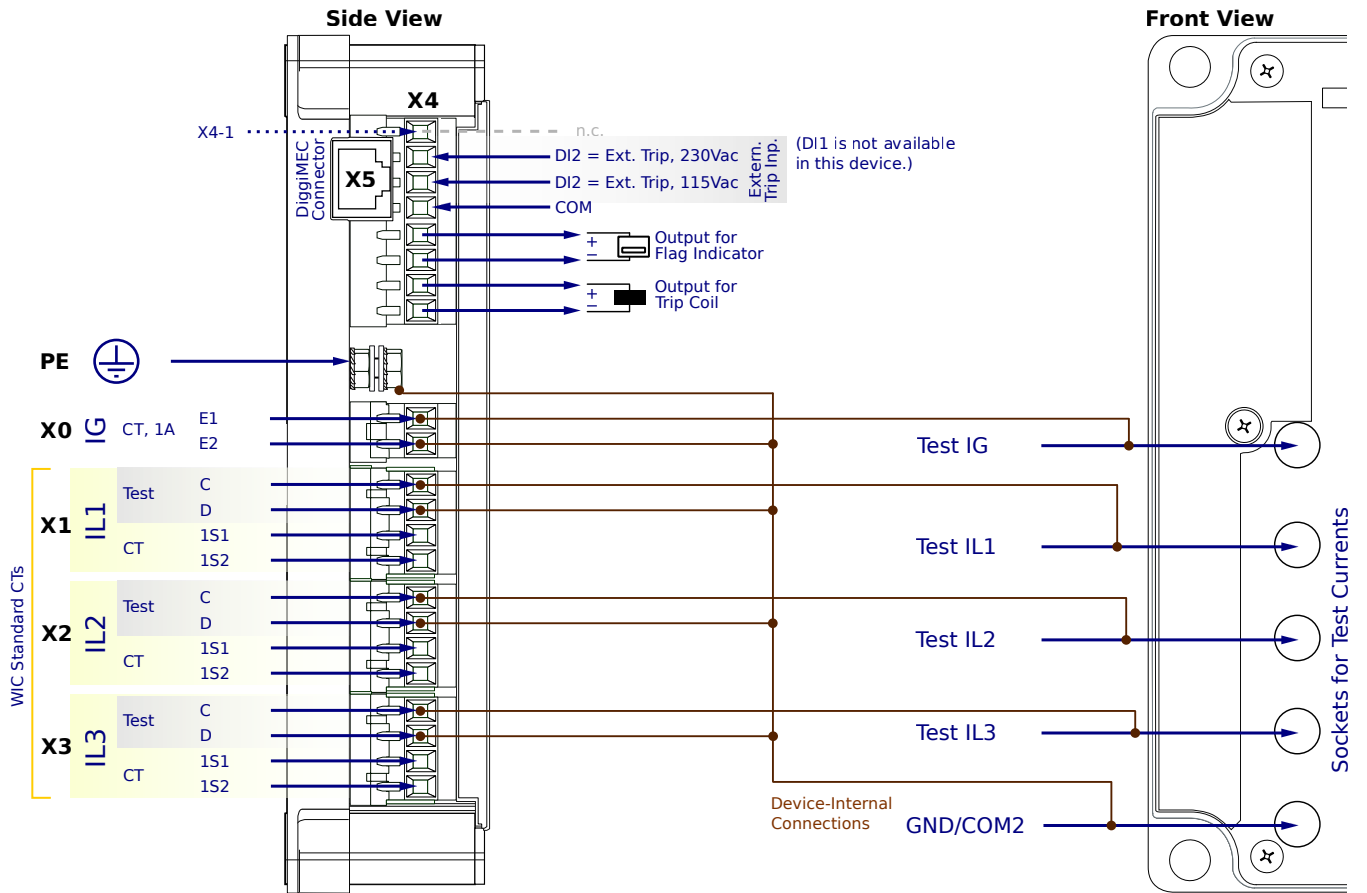
**X4-2,3** - DI2, fixed to External trip input (115Vac or 230Vac)

**X4-5,6** - Trip flag indicator

**X4-7,8** - Trip pulse output

**X5** - DiggiMEC-WIC1 connection. Use network cable CAT3 (or better). No crossover cable!

# WIC1-1SG0FF2AA



## CT-Powered Protection Device, configuration via DiggiMEC / Smart view

- Nominal frequency is 50 Hz or 60 Hz. (Setting via DiggiMEC/Smart view.)
- Trip at  $20 \cdot I_{n,max}$
- Package "S" + ANSI 46, 49, 51Q, Breaker Wear, Condition Monitoring (= Life Load, Drag Indicator)

**PE** - Protective Earth

**X0** - Measured ground current via 1A CT input. (Setting to calc. IG is also possible via DiggiMEC/Smart view.)

**X1...X3** - WIC CTs

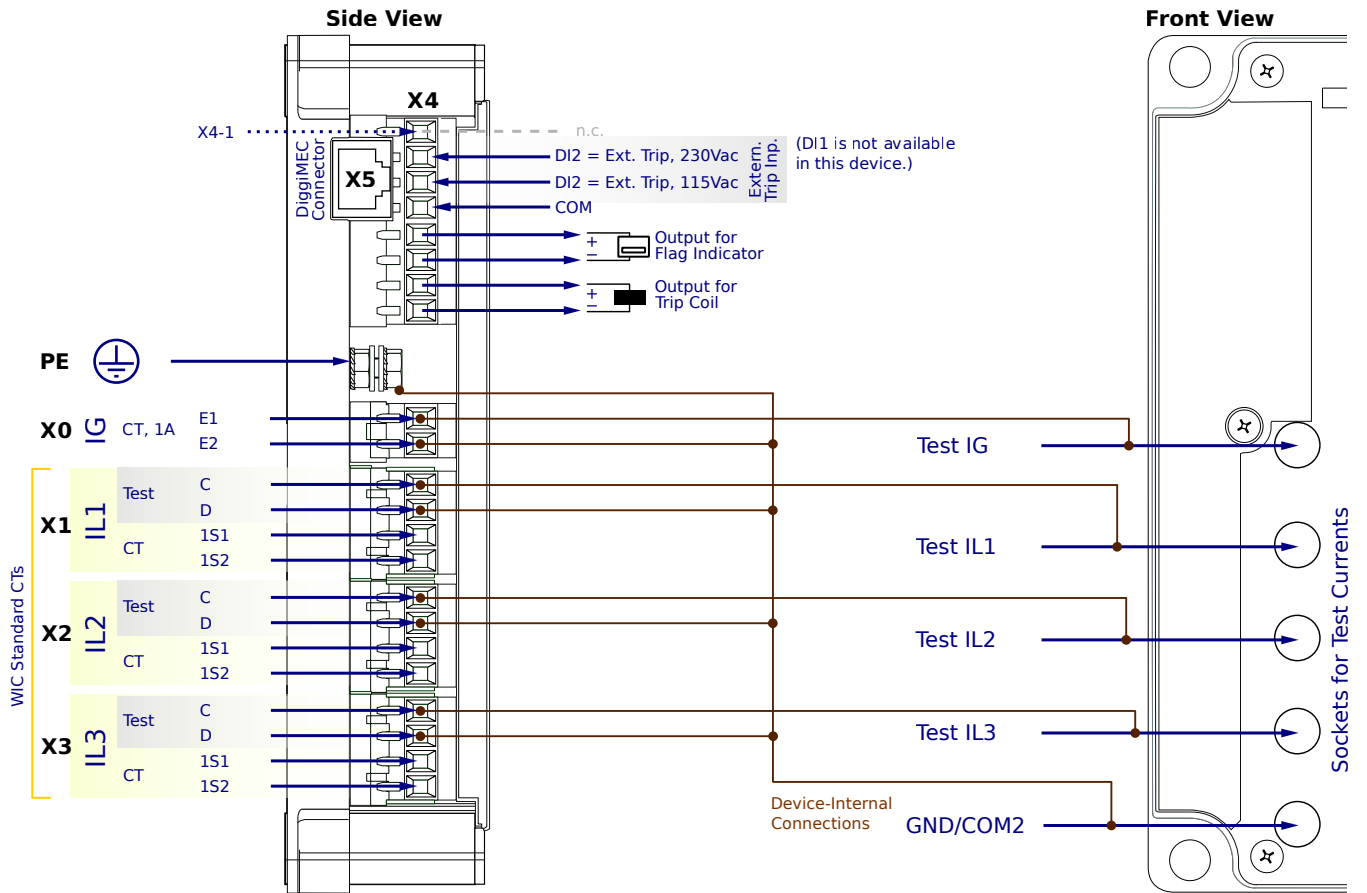
**X4-2,3** - DI2, fixed to External trip input (115Vac or 230Vac)

**X4-5,6** - Trip flag indicator

**X4-7,8** - Trip pulse output

**X5** - DiggiMEC-WIC1 connection. Use network cable CAT3 (or better). No crossover cable!

# WIC1-1SG0FF2PA



## CT-Powered Protection Device, configuration via DiggiMEC / Smart view

- Nominal frequency is 50 Hz or 60 Hz. (Setting via DiggiMEC/Smart view.)
- Trip at  $20 \cdot I_{n,max}$
- Package "A" + SOTF, CLPU, external protection, ultra-fast overcurrent protection

**PE** - Protective Earth

**X0** - Measured ground current via 1A CT input. (Setting to calc. IG is also possible via DiggiMEC/Smart view.)

**X1...X3** - WIC CTs

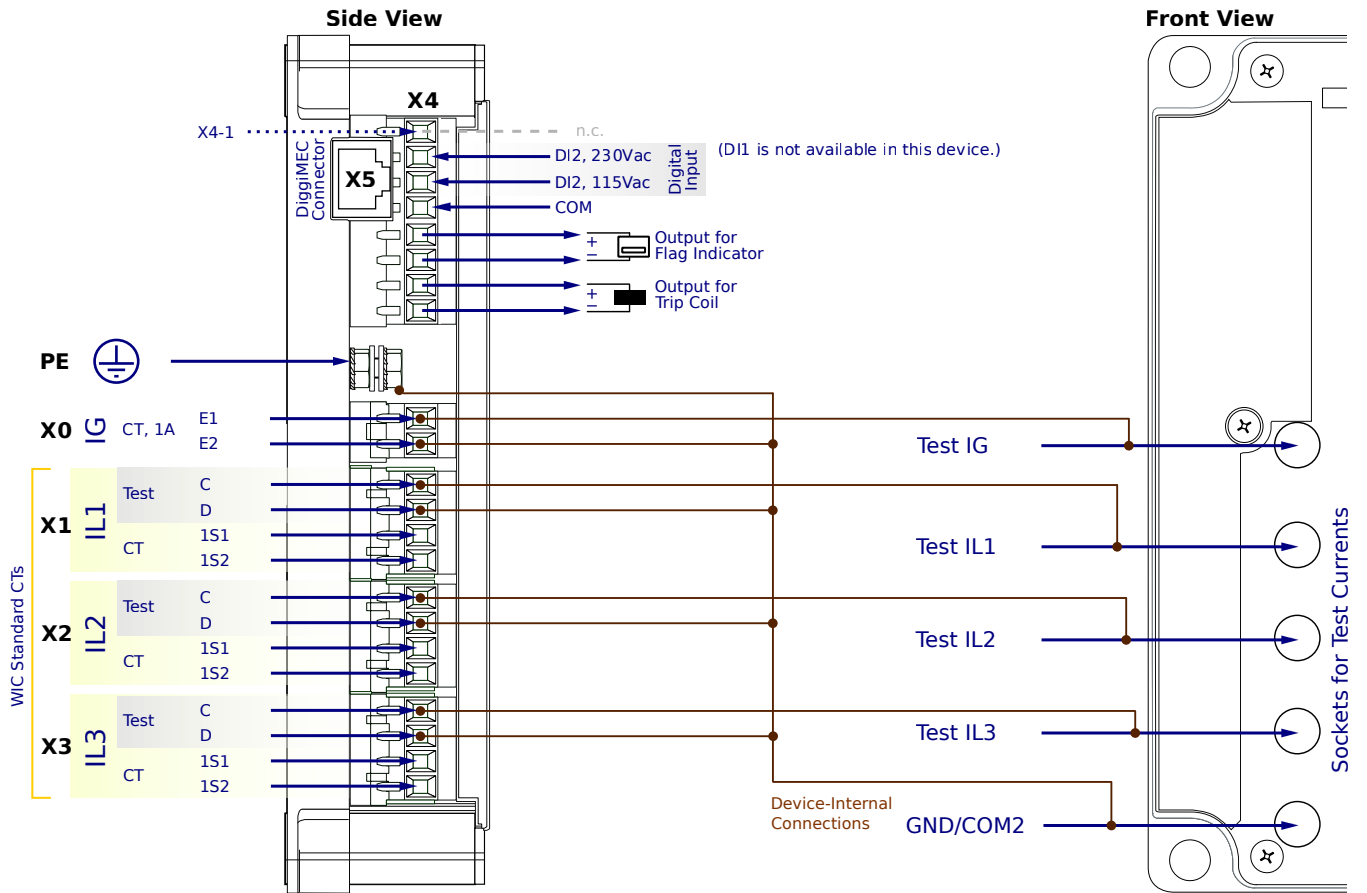
**X4-2,3** - DI2, fixed to External trip input (115Vac or 230Vac)

**X4-5,6** - Trip flag indicator

**X4-7,8** - Trip pulse output

**X5** - DiggiMEC-WIC1 connection. Use network cable CAT3 (or better). No crossover cable!

# WIC1-1SG0FC1SA



## CT-Powered Protection Device, configuration via DiggiMEC / Smart view

- Nominal frequency is 50 Hz or 60 Hz. (Setting via DiggiMEC/Smart view.)
- Backup protection operates directly
- ANSI 50, 50G/N, 51, 51G/N, inrush, 50BF, 74TC

**PE** - Protective Earth

**X0** - Measured ground current via 1A CT input. (Setting to calc. IG is also possible via DiggiMEC/Smart view.)

**X1...X3** - WIC CTs

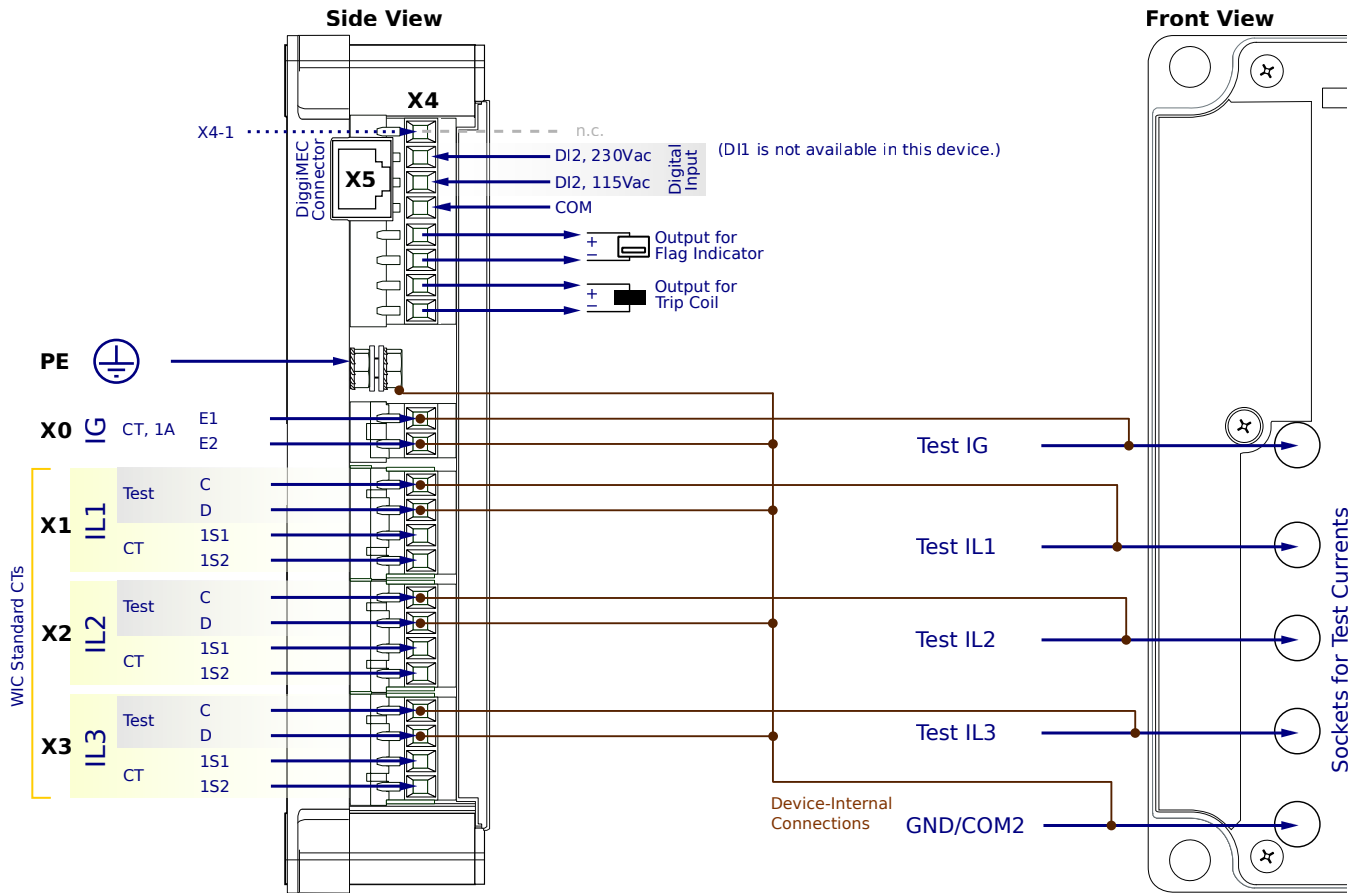
**X4-2,3** - 1 assignable Digital Input DI2 (115Vac or 230Vac)

**X4-5,6** - Trip flag indicator

**X4-7,8** - Trip pulse output

**X5** - DiggiMEC-WIC1 connection. Use network cable CAT3 (or better). No crossover cable!

# WIC1-1SG0FC1AA



## CT-Powered Protection Device, configuration via DiggiMEC / Smart view

- Nominal frequency is 50 Hz or 60 Hz. (Setting via DiggiMEC/Smart view.)
- Backup protection operates directly
- Package "S" + ANSI 46, 49, 51Q, Breaker Wear, Condition Monitoring (= Life Load, Drag Indicator)

**PE** - Protective Earth

**X0** - Measured ground current via 1A CT input. (Setting to calc. IG is also possible via DiggiMEC/Smart view.)

**X1...X3** - WIC CTs

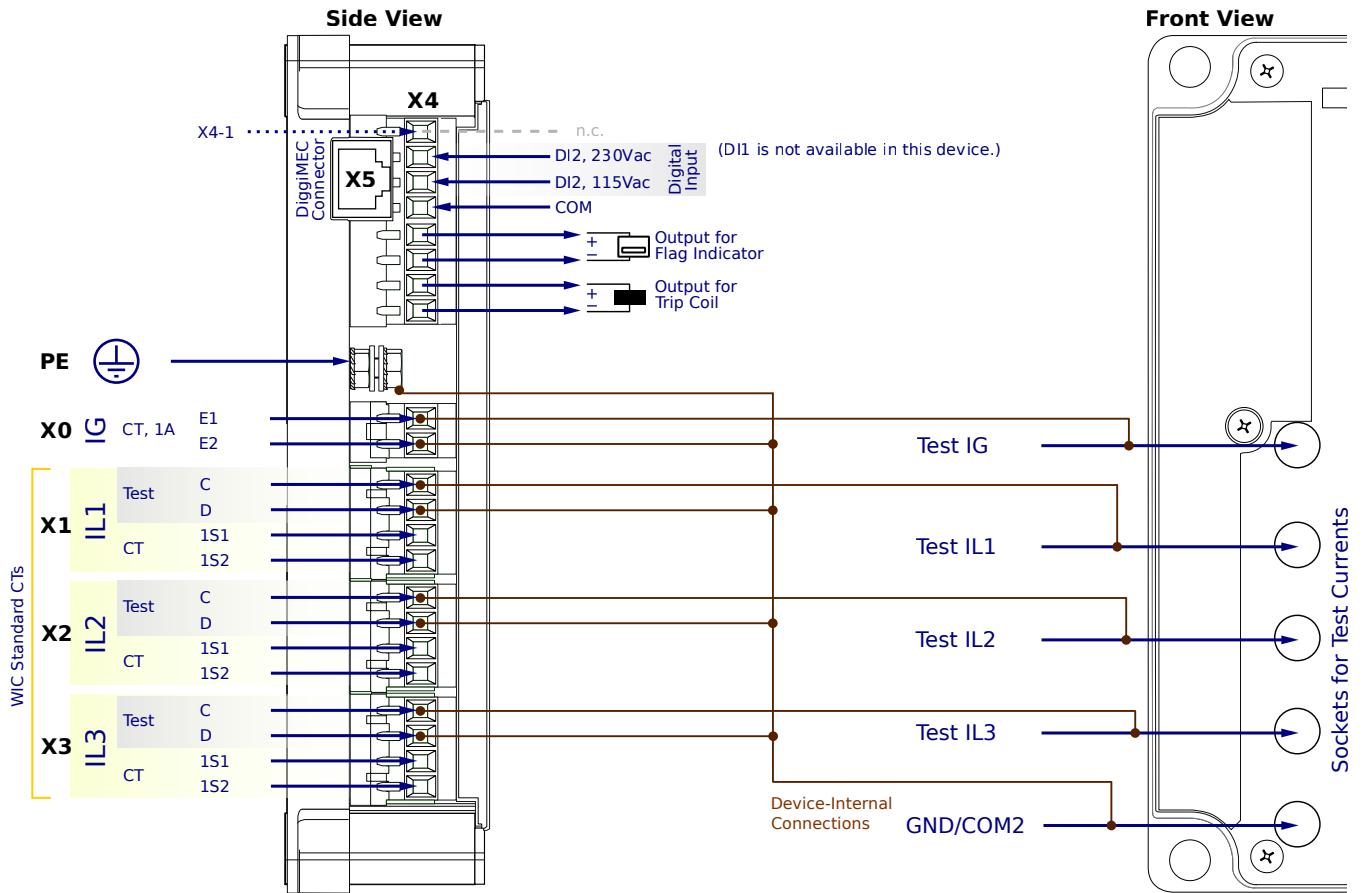
**X4-2,3** - 1 assignable Digital Input DI2 (115Vac or 230Vac)

**X4-5,6** - Trip flag indicator

**X4-7,8** - Trip pulse output

**X5** - DiggiMEC-WIC1 connection. Use network cable CAT3 (or better). No crossover cable!

# WIC1-1SG0FC1PA



## CT-Powered Protection Device, configuration via DiggiMEC / Smart view

- Nominal frequency is 50 Hz or 60 Hz. (Setting via DiggiMEC/Smart view.)
- Backup protection operates directly
- Package "A" + SOTF, CLPU, external protection, ultra-fast overcurrent protection

**PE** - Protective Earth

**X0** - Measured ground current via 1A CT input. (Setting to calc. IG is also possible via DiggiMEC/Smart view.)

**X1...X3** - WIC CTs

**X4-2,3** - 1 assignable Digital Input DI2 (115Vac or 230Vac)

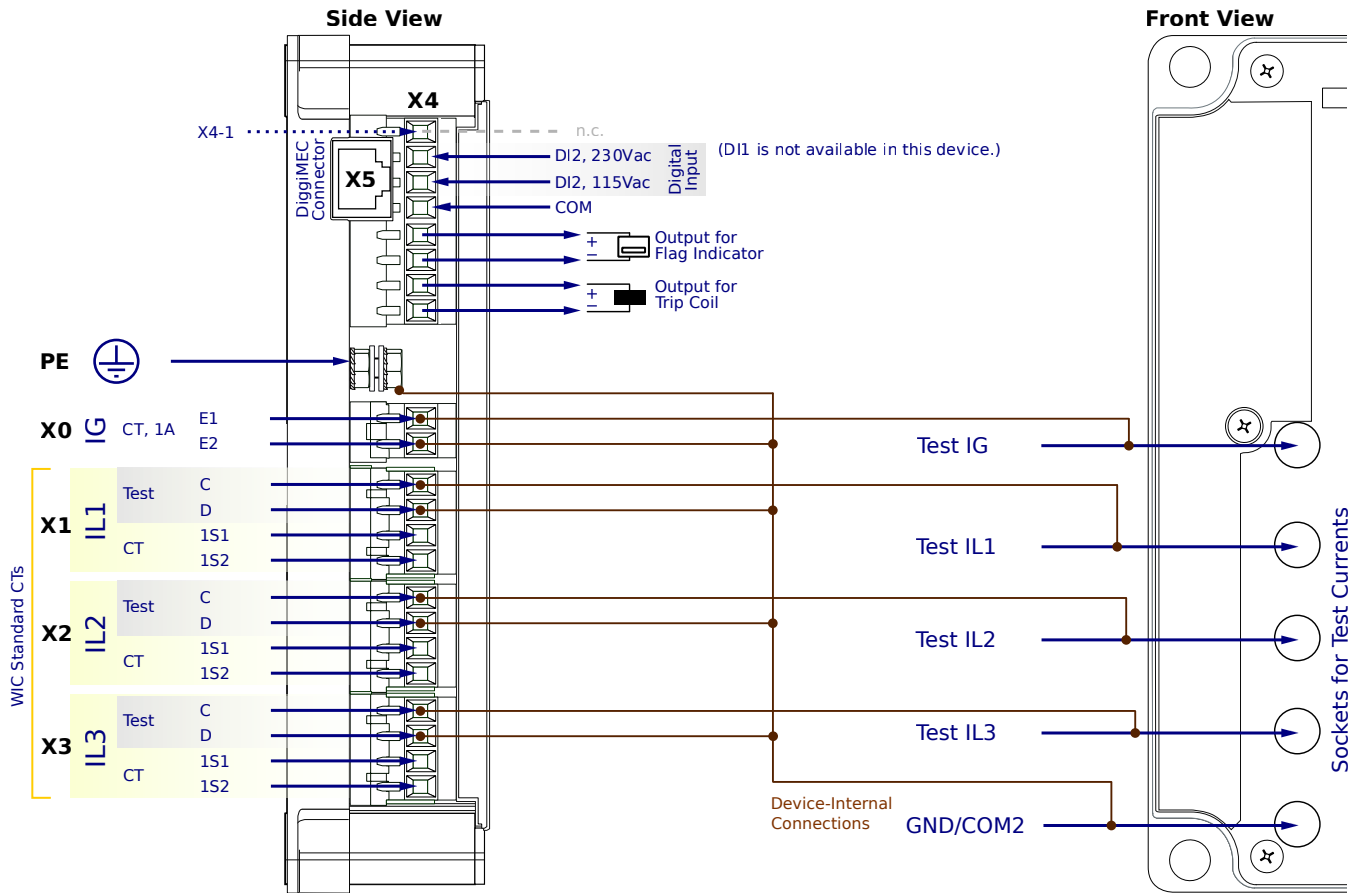
**X4-5,6** - Trip flag indicator

**X4-7,8** - Trip pulse output

**X5** - DiggiMEC-WIC1 connection. Use network cable CAT3 (or better). No crossover cable!



# WIC1-1SG0FC2SA



## CT-Powered Protection Device, configuration via DiggiMEC / Smart view

- Nominal frequency is 50 Hz or 60 Hz. (Setting via DiggiMEC/Smart view.)
- Trip at  $20 \cdot I_{n,max}$
- ANSI 50, 50G/N, 51, 51G/N, inrush, 50BF, 74TC

**PE** - Protective Earth

**X0** - Measured ground current via 1A CT input. (Setting to calc. IG is also possible via DiggiMEC/Smart view.)

**X1...X3** - WIC CTs

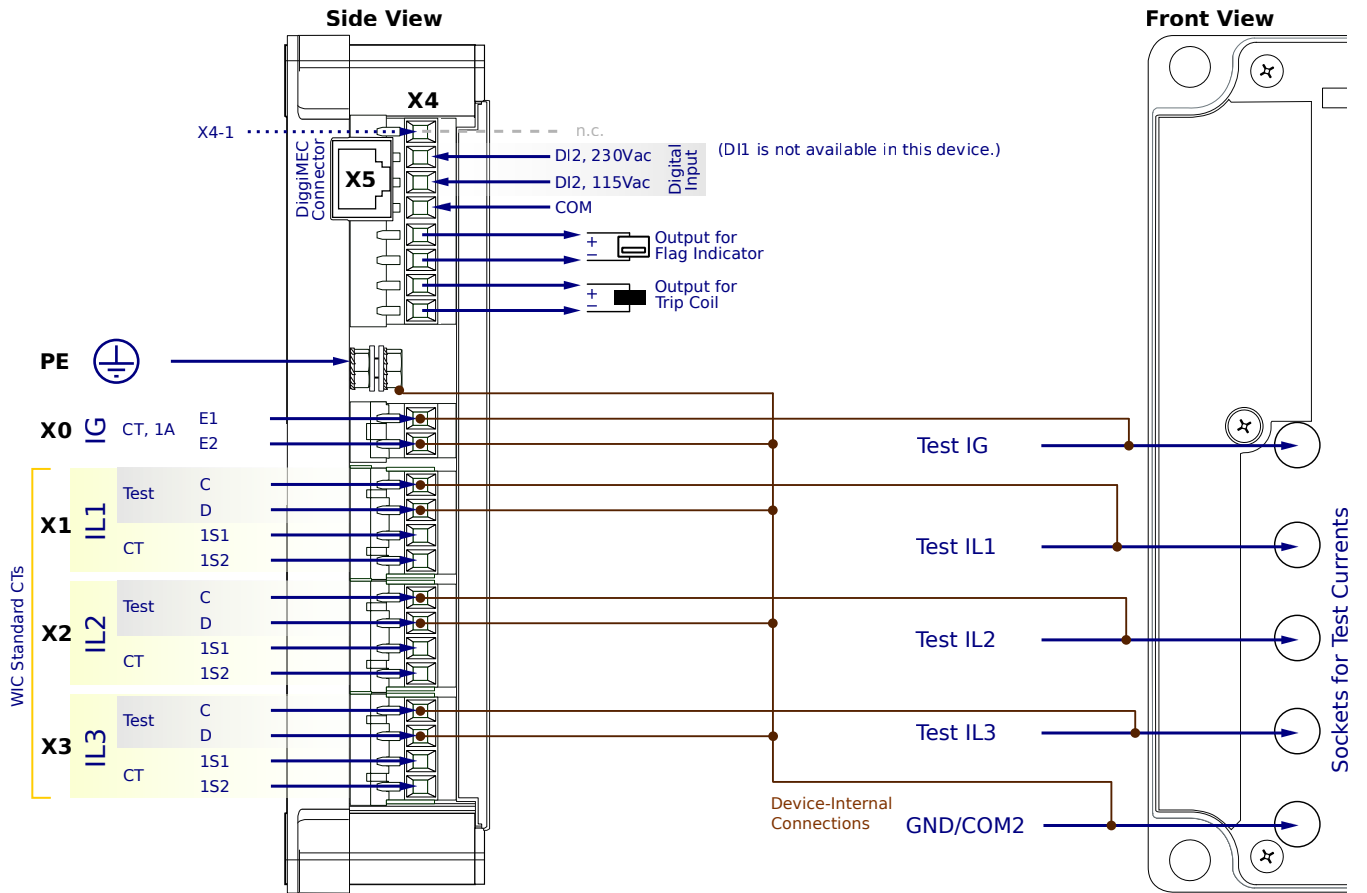
**X4-2,3** - 1 assignable Digital Input DI2 (115Vac or 230Vac)

**X4-5,6** - Trip flag indicator

**X4-7,8** - Trip pulse output

**X5** - DiggiMEC-WIC1 connection. Use network cable CAT3 (or better). No crossover cable!

# WIC1-1SG0FC2AA



## CT-Powered Protection Device, configuration via DiggiMEC / Smart view

- Nominal frequency is 50 Hz or 60 Hz. (Setting via DiggiMEC/Smart view.)
- Trip at  $20 \cdot I_{n,max}$
- Package "S" + ANSI 46, 49, 51Q, Breaker Wear, Condition Monitoring (= Life Load, Drag Indicator)

**PE** - Protective Earth

**X0** - Measured ground current via 1A CT input. (Setting to calc. IG is also possible via DiggiMEC/Smart view.)

**X1...X3** - WIC CTs

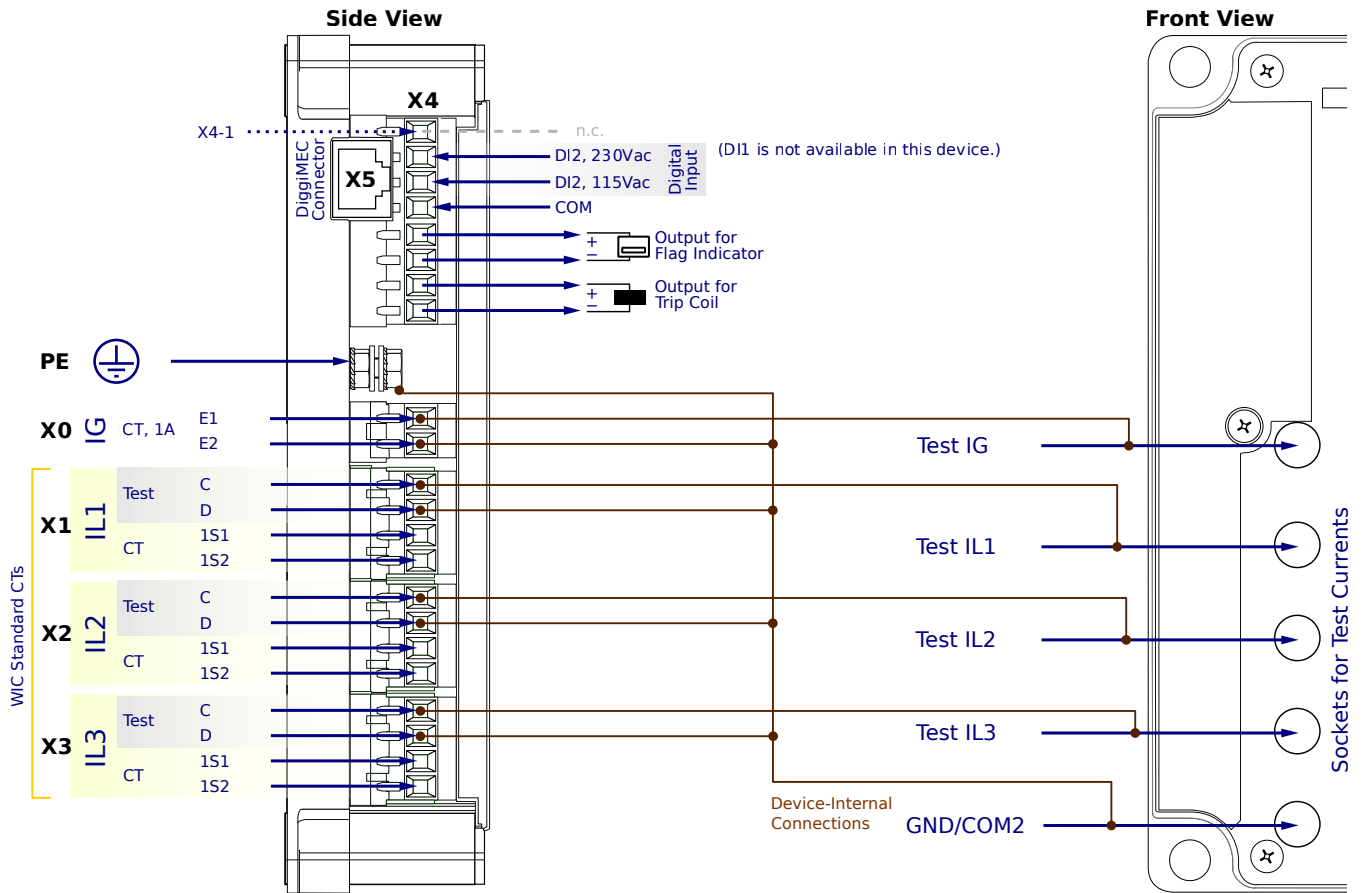
**X4-2,3** - 1 assignable Digital Input DI2 (115Vac or 230Vac)

**X4-5,6** - Trip flag indicator

**X4-7,8** - Trip pulse output

**X5** - DiggiMEC-WIC1 connection. Use network cable CAT3 (or better). No crossover cable!

# WIC1-1SG0FC2PA



## CT-Powered Protection Device, configuration via DiggiMEC / Smart view

- Nominal frequency is 50 Hz or 60 Hz. (Setting via DiggiMEC/Smart view.)
- Trip at  $20 \cdot I_{n,max}$
- Package "A" + SOTF, CLPU, external protection, ultra-fast overcurrent protection

**PE** - Protective Earth

**X0** - Measured ground current via 1A CT input. (Setting to calc. IG is also possible via DiggiMEC/Smart view.)

**X1...X3** - WIC CTs

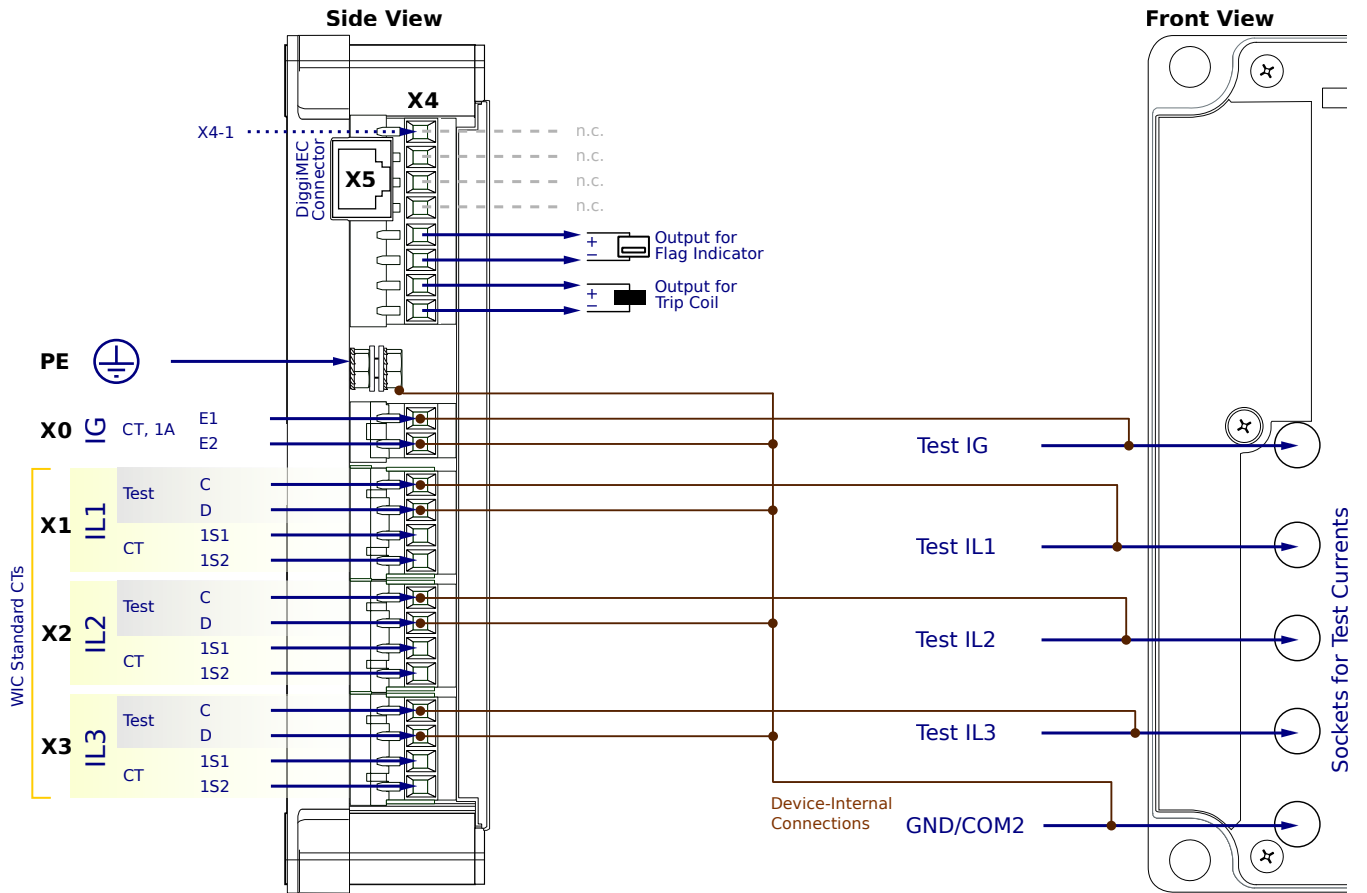
**X4-2,3** - 1 assignable Digital Input DI2 (115Vac or 230Vac)

**X4-5,6** - Trip flag indicator

**X4-7,8** - Trip pulse output

**X5** - DiggiMEC-WIC1 connection. Use network cable CAT3 (or better). No crossover cable!

# WIC1-1SG0CN1SA



## CT-Powered Protection Device, configuration via DiggiMEC / Smart view

- Nominal frequency is 50 Hz or 60 Hz. (Setting via DiggiMEC/Smart view.)
- Backup protection operates directly
- ANSI 50, 50G/N, 51, 51G/N, inrush, 50BF, 74TC

**PE** – Protective Earth

**X0** – Measured ground current via 1A CT input. (Setting to calc. IG is also possible via DiggiMEC/Smart view.)

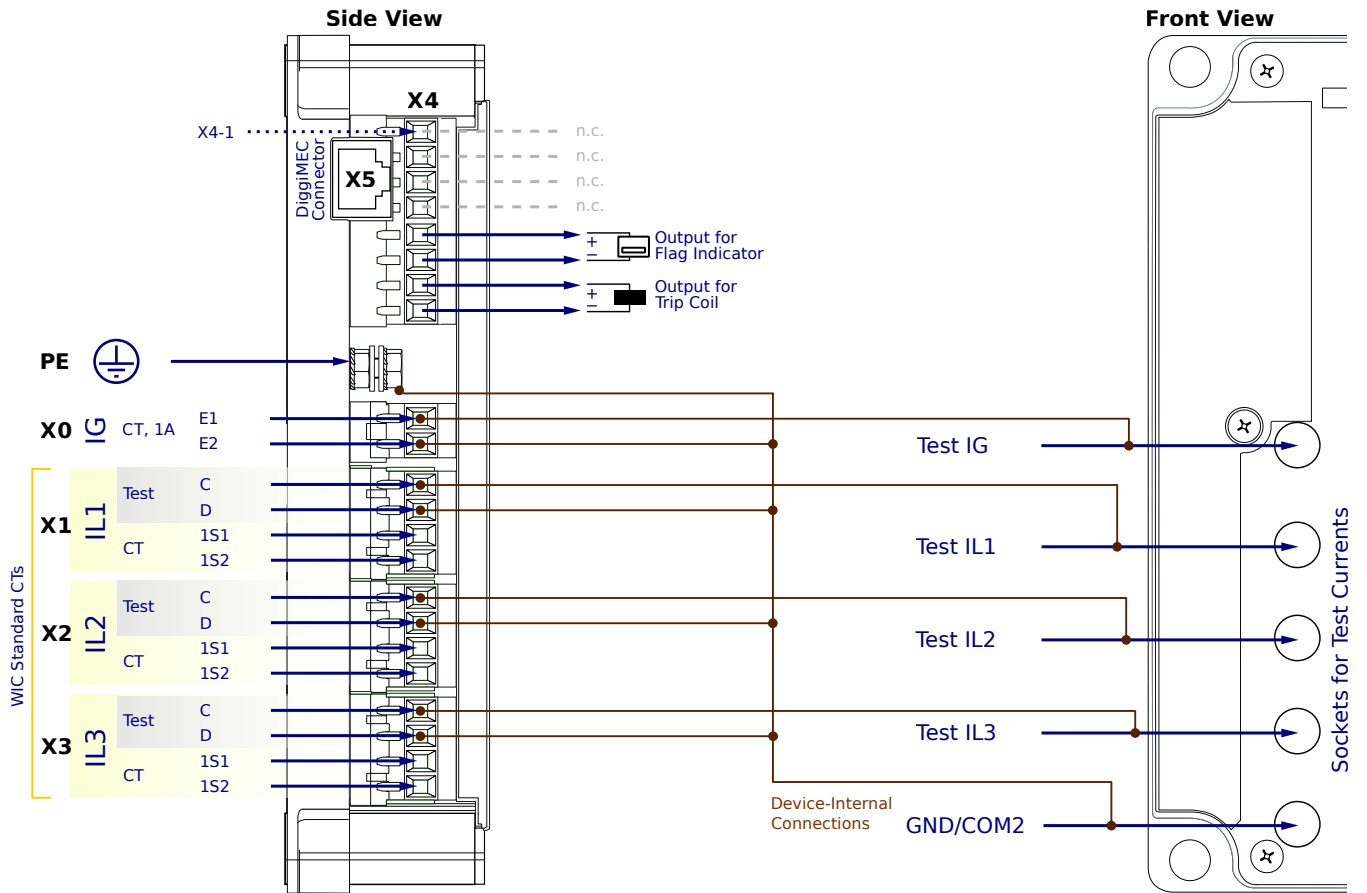
**X1...X3** – WIC CTs

**X4-5,6** – Assignable flag indicator

**X4-7,8** – Trip pulse output

**X5** – DiggiMEC-WIC1 connection. Use network cable CAT3 (or better). No crossover cable!

# WIC1-1SG0CN1AA



## CT-Powered Protection Device, configuration via DiggiMEC / Smart view

- Nominal frequency is 50 Hz or 60 Hz. (Setting via DiggiMEC/Smart view.)
- Backup protection operates directly
- Package "S" + ANSI 46, 49, 51Q, Breaker Wear, Condition Monitoring (= Life Load, Drag Indicator)

**PE** - Protective Earth

**X0** - Measured ground current via 1A CT input. (Setting to calc. IG is also possible via DiggiMEC/Smart view.)

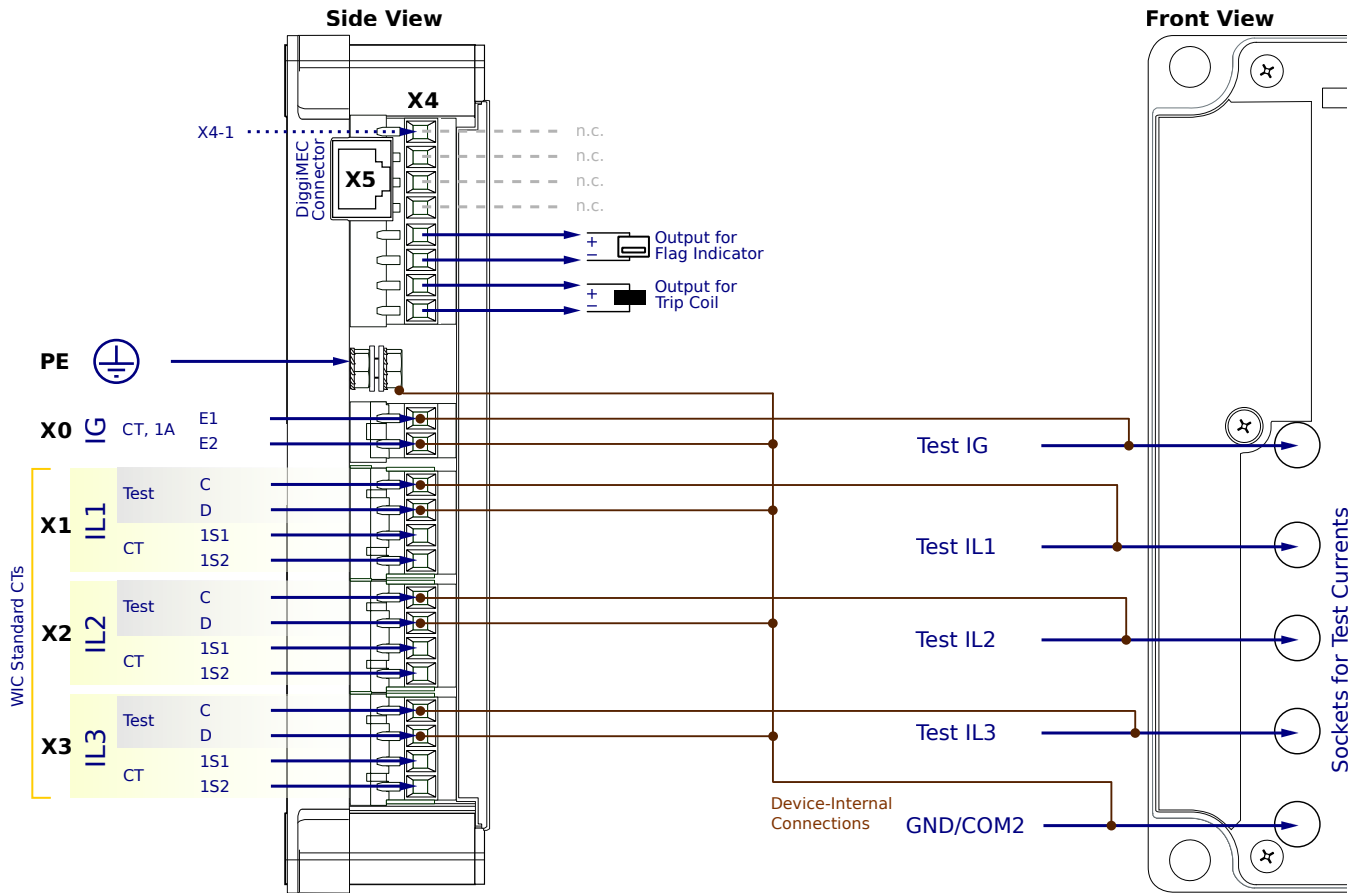
**X1...X3** - WIC CTs

**X4-5,6** - Assignable flag indicator

**X4-7,8** - Trip pulse output

**X5** - DiggiMEC-WIC1 connection. Use network cable CAT3 (or better). No crossover cable!

# WIC1-1SG0CN1PA



## CT-Powered Protection Device, configuration via DiggiMEC / Smart view

- Nominal frequency is 50 Hz or 60 Hz. (Setting via DiggiMEC/Smart view.)
- Backup protection operates directly
- Package "A" + SOTF, CLPU, external protection, ultra-fast overcurrent protection

**PE** - Protective Earth

**X0** - Measured ground current via 1A CT input. (Setting to calc. IG is also possible via DiggiMEC/Smart view.)

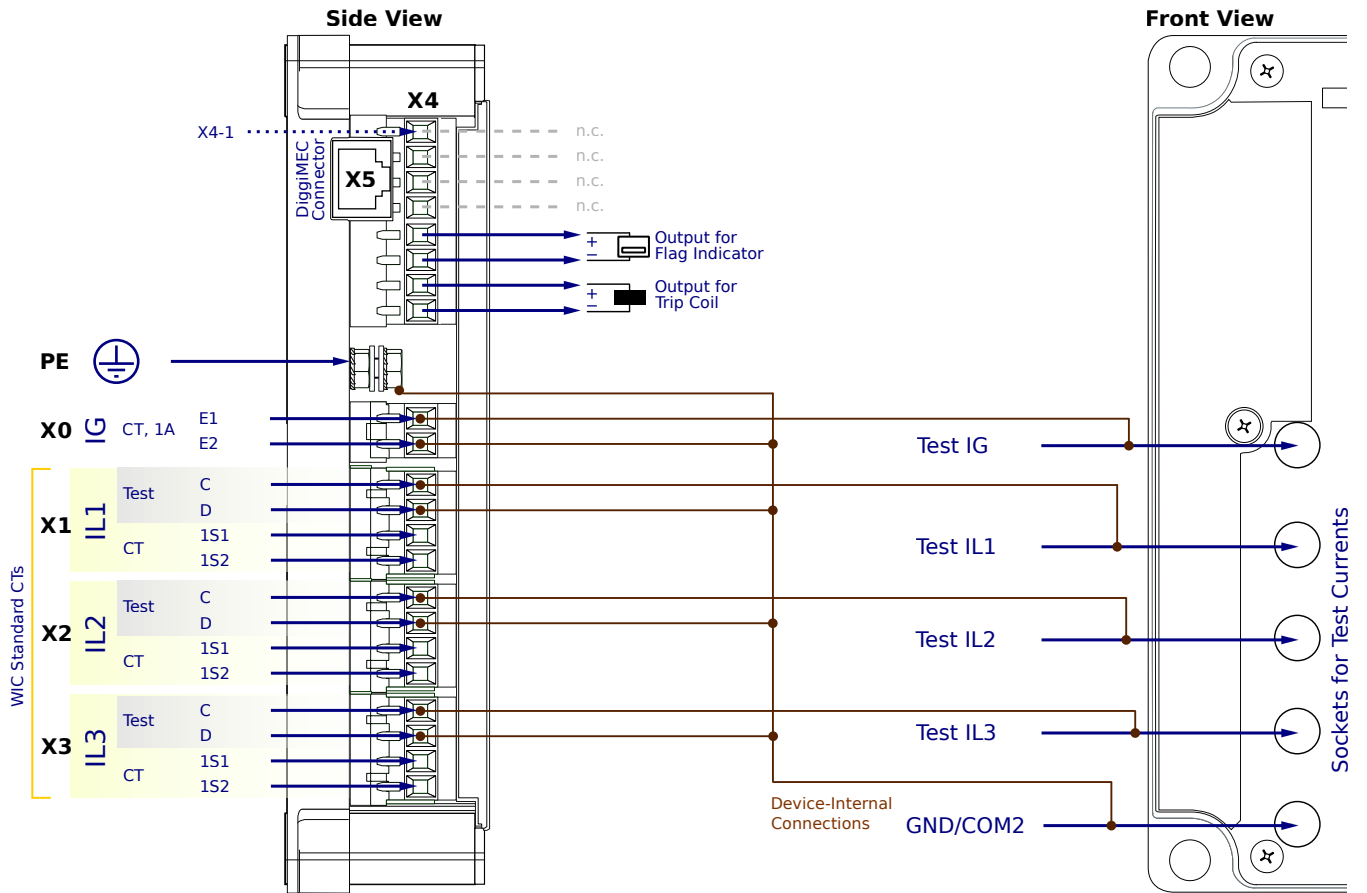
**X1...X3** - WIC CTs

**X4-5,6** - Assignable flag indicator

**X4-7,8** - Trip pulse output

**X5** - DiggiMEC-WIC1 connection. Use network cable CAT3 (or better). No crossover cable!

# WIC1-1SG0CN2SA



## CT-Powered Protection Device, configuration via DiggiMEC / Smart view

- Nominal frequency is 50 Hz or 60 Hz. (Setting via DiggiMEC/Smart view.)
- Trip at  $20 \cdot I_{n,max}$
- ANSI 50, 50G/N, 51, 51G/N, inrush, 50BF, 74TC

**PE** - Protective Earth

**X0** - Measured ground current via 1A CT input. (Setting to calc. IG is also possible via DiggiMEC/Smart view.)

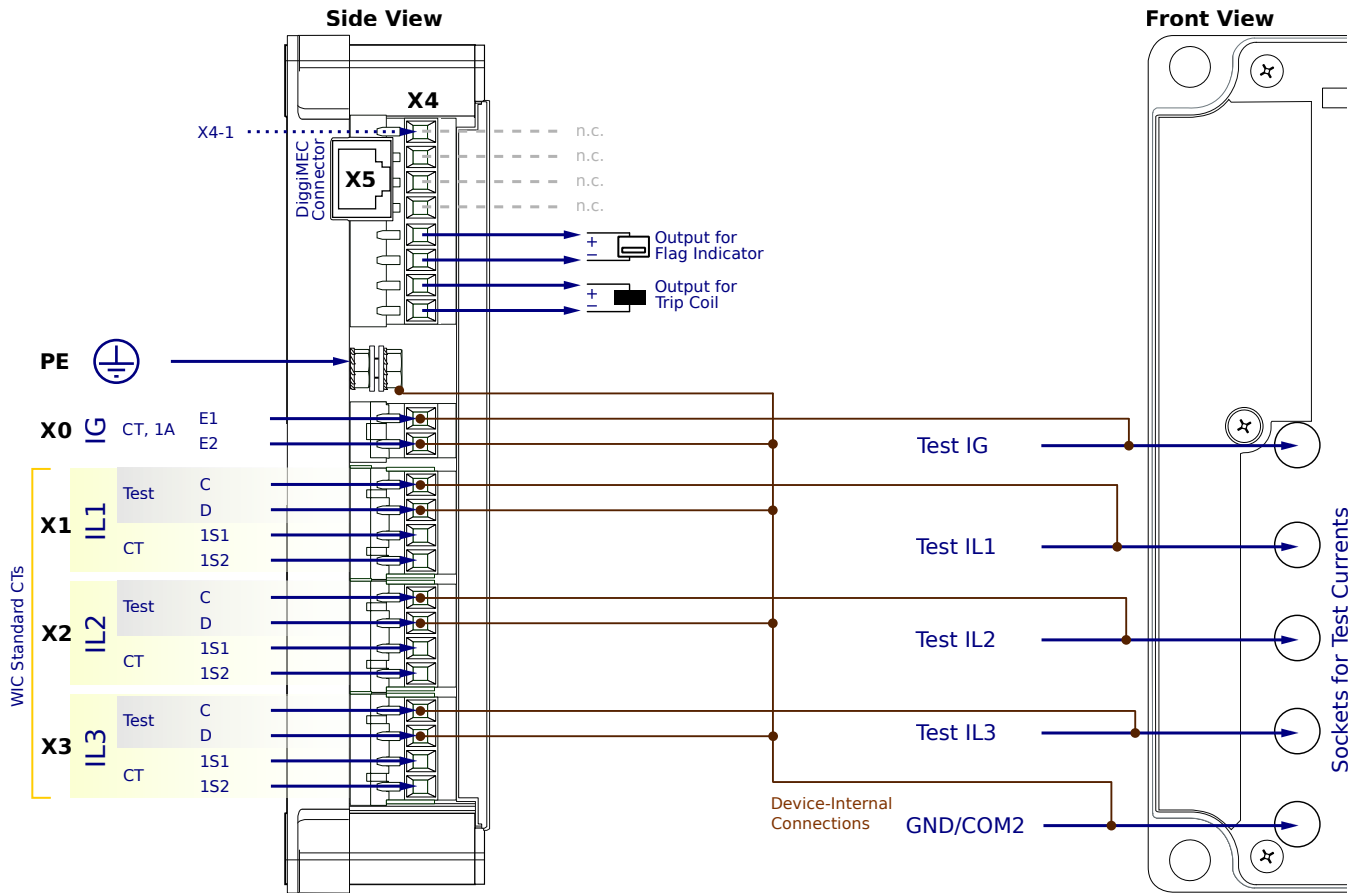
**X1...X3** - WIC CTs

**X4-5,6** - Assignable flag indicator

**X4-7,8** - Trip pulse output

**X5** - DiggiMEC-WIC1 connection. Use network cable CAT3 (or better). No crossover cable!

# WIC1-1SG0CN2AA



## CT-Powered Protection Device, configuration via DiggiMEC / Smart view

- Nominal frequency is 50 Hz or 60 Hz. (Setting via DiggiMEC/Smart view.)
- Trip at  $20 \cdot I_{n,max}$
- Package "S" + ANSI 46, 49, 51Q, Breaker Wear, Condition Monitoring (= Life Load, Drag Indicator)

**PE** - Protective Earth

**X0** - Measured ground current via 1A CT input. (Setting to calc. IG is also possible via DiggiMEC/Smart view.)

**X1...X3** - WIC CTs

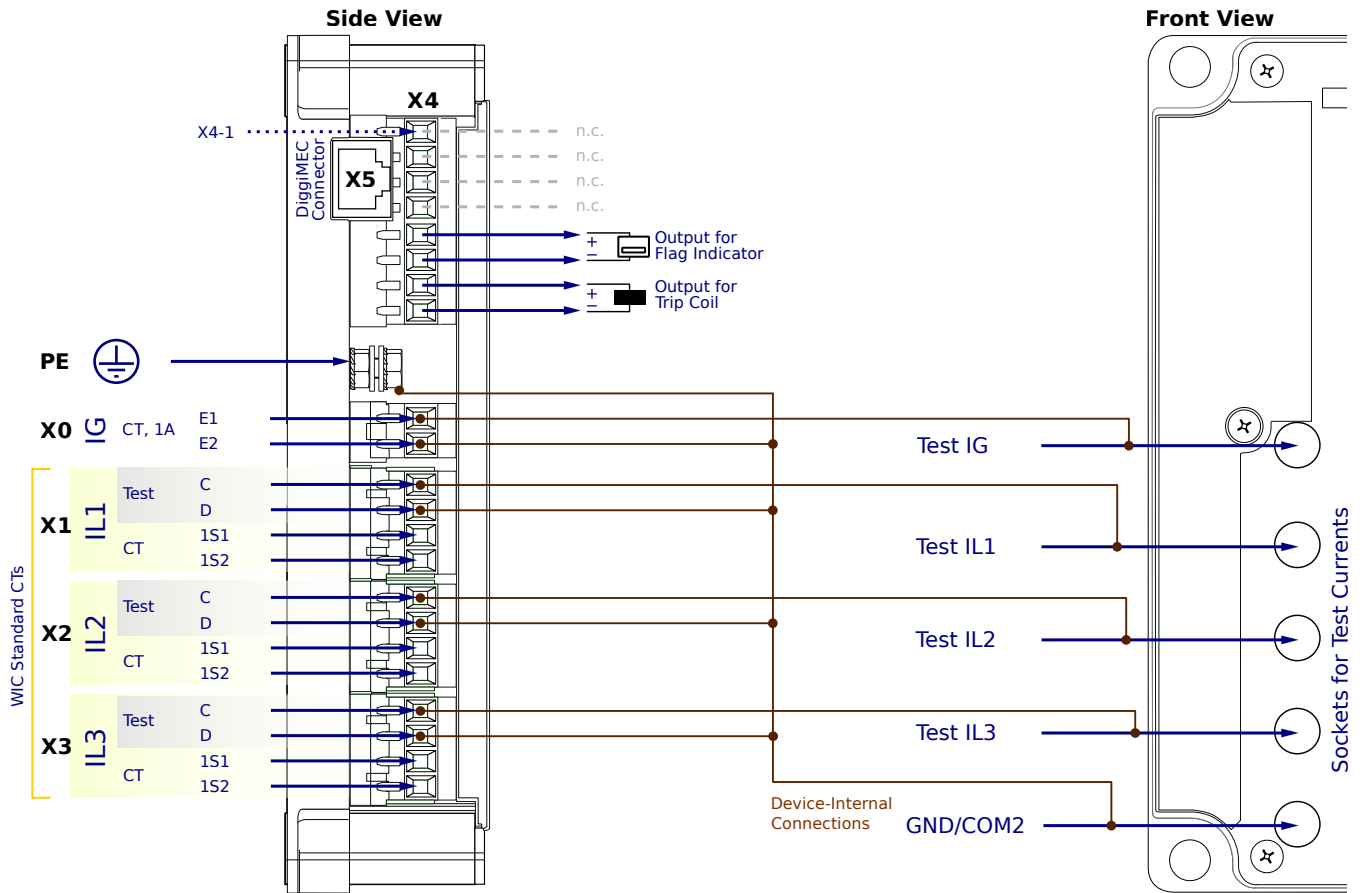
**X4-5,6** - Assignable flag indicator

**X4-7,8** - Trip pulse output

**X5** - DiggiMEC-WIC1 connection. Use network cable CAT3 (or better). No crossover cable!



# WIC1-1SG0CN2PA



## CT-Powered Protection Device, configuration via DiggiMEC / Smart view

- Nominal frequency is 50 Hz or 60 Hz. (Setting via DiggiMEC/Smart view.)
- Trip at  $20 \cdot I_{n,max}$
- Package "A" + SOTF, CLPU, external protection, ultra-fast overcurrent protection

**PE** - Protective Earth

**X0** - Measured ground current via 1A CT input. (Setting to calc. IG is also possible via DiggiMEC/Smart view.)

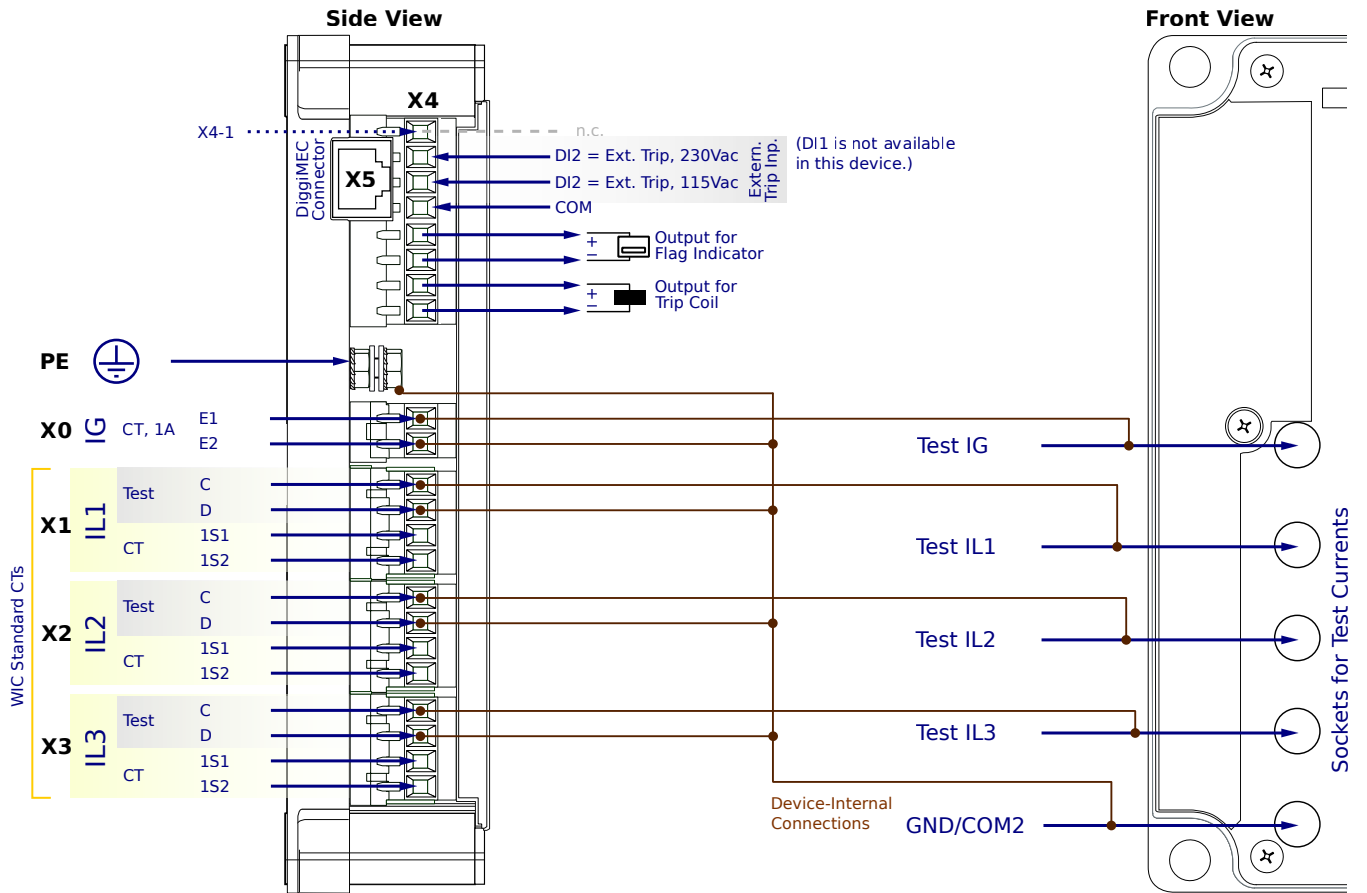
**X1...X3** - WIC CTs

**X4-5,6** - Assignable flag indicator

**X4-7,8** - Trip pulse output

**X5** - DiggiMEC-WIC1 connection. Use network cable CAT3 (or better). No crossover cable!

# WIC1-1SG0CF1SA



## CT-Powered Protection Device, configuration via DiggiMEC / Smart view

- Nominal frequency is 50 Hz or 60 Hz. (Setting via DiggiMEC/Smart view.)
- Backup protection operates directly
- ANSI 50, 50G/N, 51, 51G/N, inrush, 50BF, 74TC

**PE** – Protective Earth

**X0** – Measured ground current via 1A CT input. (Setting to calc. IG is also possible via DiggiMEC/Smart view.)

**X1...X3** – WIC CTs

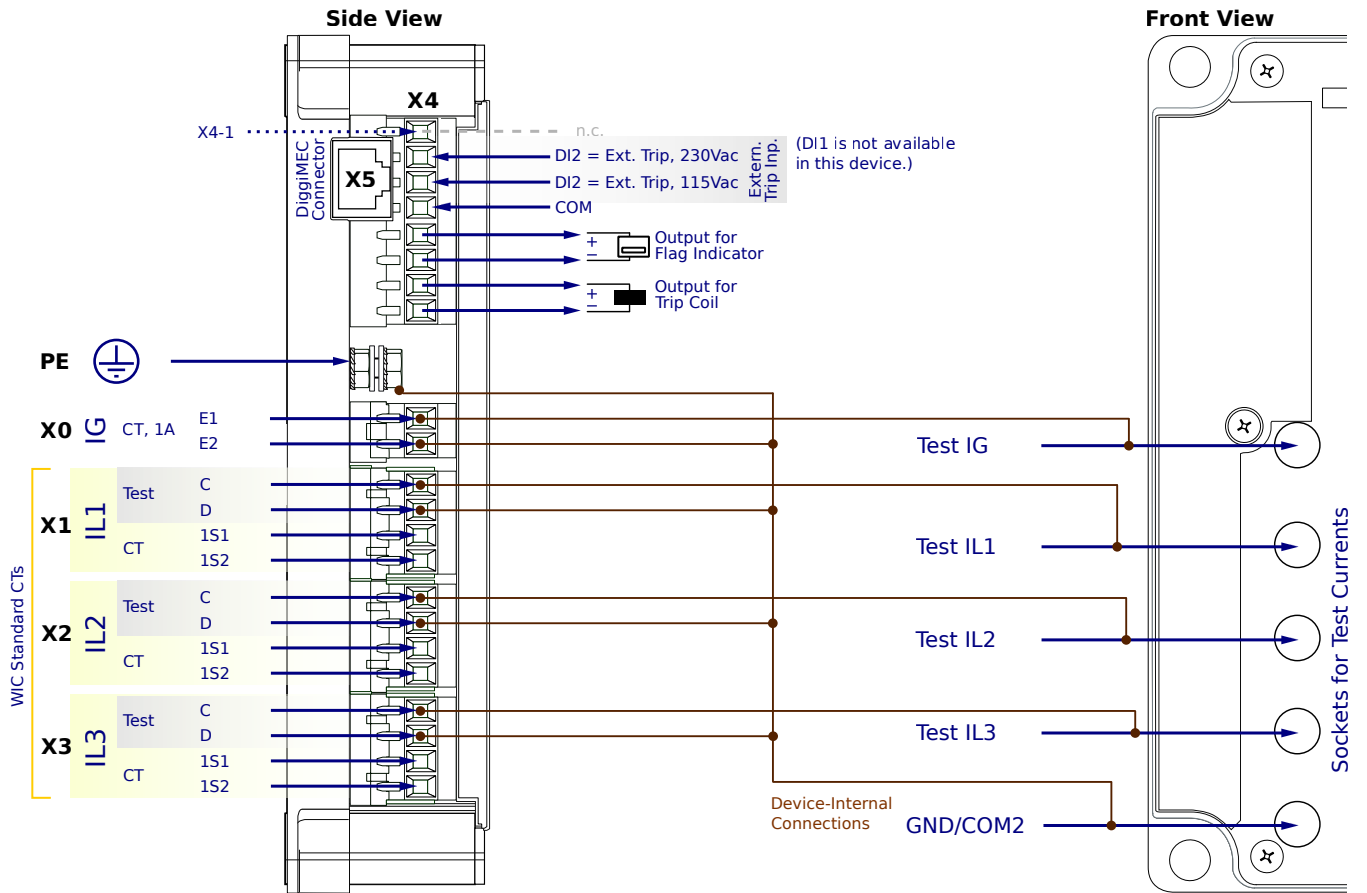
**X4-2,3** – DI2, fixed to External trip input (115Vac or 230Vac)

**X4-5,6** – Assignable flag indicator

**X4-7,8** – Trip pulse output

**X5** – DiggiMEC-WIC1 connection. Use network cable CAT3 (or better). No crossover cable!

# WIC1-1SG0CF1AA



## CT-Powered Protection Device, configuration via DiggiMEC / Smart view

- Nominal frequency is 50 Hz or 60 Hz. (Setting via DiggiMEC/Smart view.)
- Backup protection operates directly
- Package "S" + ANSI 46, 49, 51Q, Breaker Wear, Condition Monitoring (= Life Load, Drag Indicator)

**PE** - Protective Earth

**X0** - Measured ground current via 1A CT input. (Setting to calc. IG is also possible via DiggiMEC/Smart view.)

**X1...X3** - WIC CTs

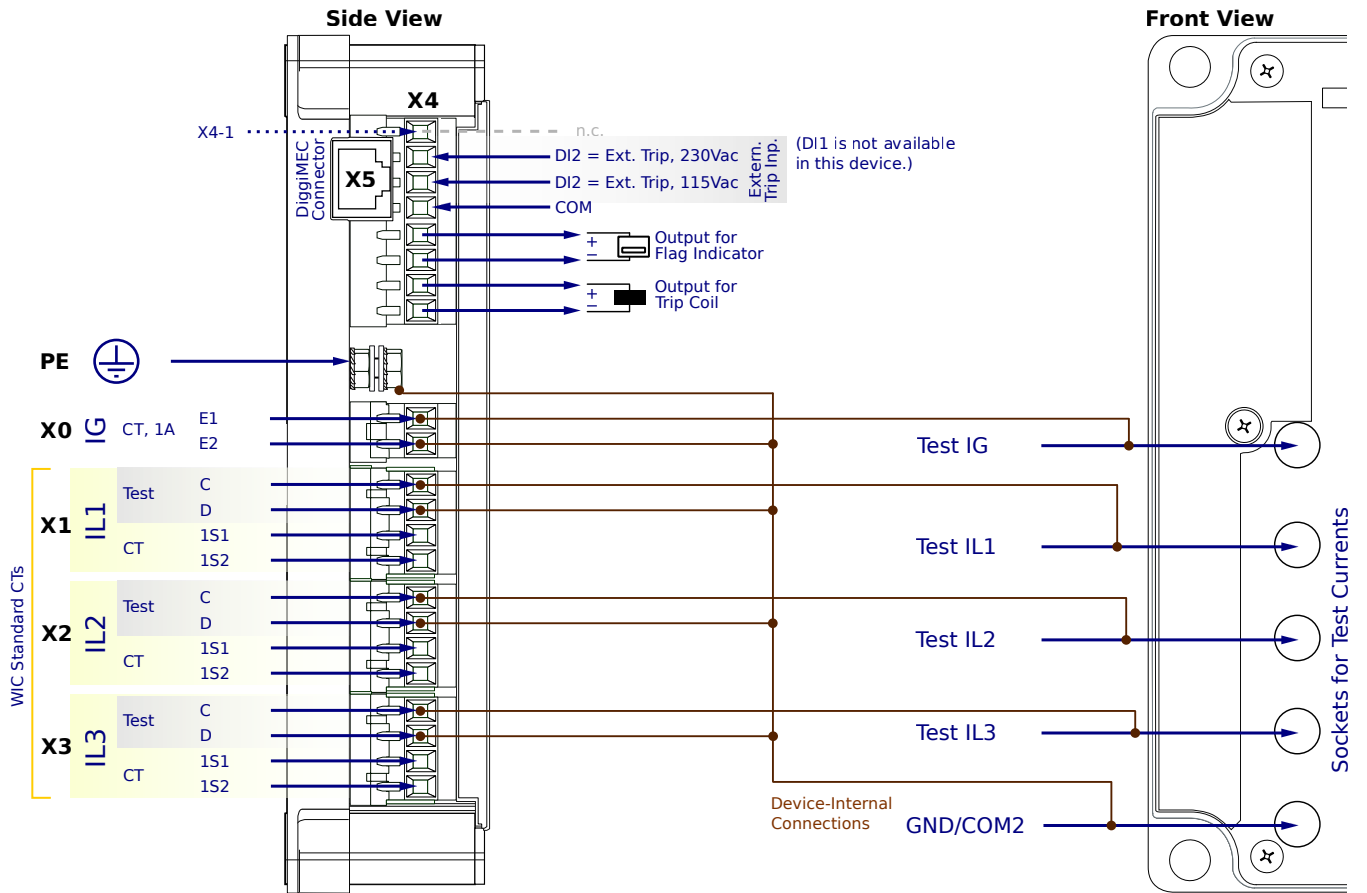
**X4-2,3** - DI2, fixed to External trip input (115Vac or 230Vac)

**X4-5,6** - Assignable flag indicator

**X4-7,8** - Trip pulse output

**X5** - DiggiMEC-WIC1 connection. Use network cable CAT3 (or better). No crossover cable!

# WIC1-1SG0CF1PA



## CT-Powered Protection Device, configuration via DiggiMEC / Smart view

- Nominal frequency is 50 Hz or 60 Hz. (Setting via DiggiMEC/Smart view.)
- Backup protection operates directly
- Package "A" + SOTF, CLPU, external protection, ultra-fast overcurrent protection

**PE** - Protective Earth

**X0** - Measured ground current via 1A CT input. (Setting to calc. IG is also possible via DiggiMEC/Smart view.)

**X1...X3** - WIC CTs

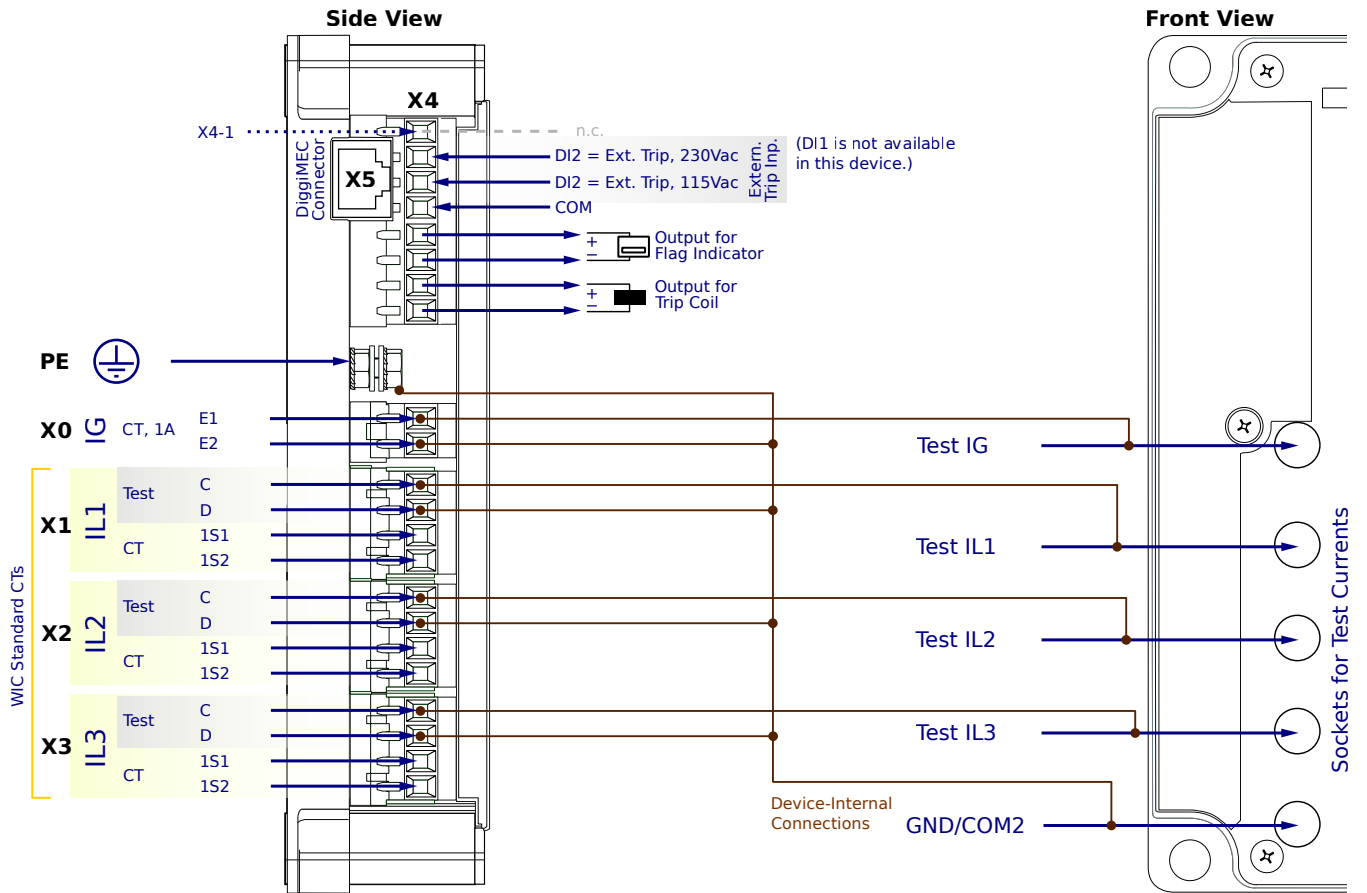
**X4-2,3** - DI2, fixed to External trip input (115Vac or 230Vac)

**X4-5,6** - Assignable flag indicator

**X4-7,8** - Trip pulse output

**X5** - DiggiMEC-WIC1 connection. Use network cable CAT3 (or better). No crossover cable!

# WIC1-1SG0CF2SA



## CT-Powered Protection Device, configuration via DiggiMEC / Smart view

- Nominal frequency is 50 Hz or 60 Hz. (Setting via DiggiMEC/Smart view.)
- Trip at  $20 \cdot I_{n,max}$
- ANSI 50, 50G/N, 51, 51G/N, inrush, 50BF, 74TC

**PE** - Protective Earth

**X0** - Measured ground current via 1A CT input. (Setting to calc. IG is also possible via DiggiMEC/Smart view.)

**X1...X3** - WIC CTs

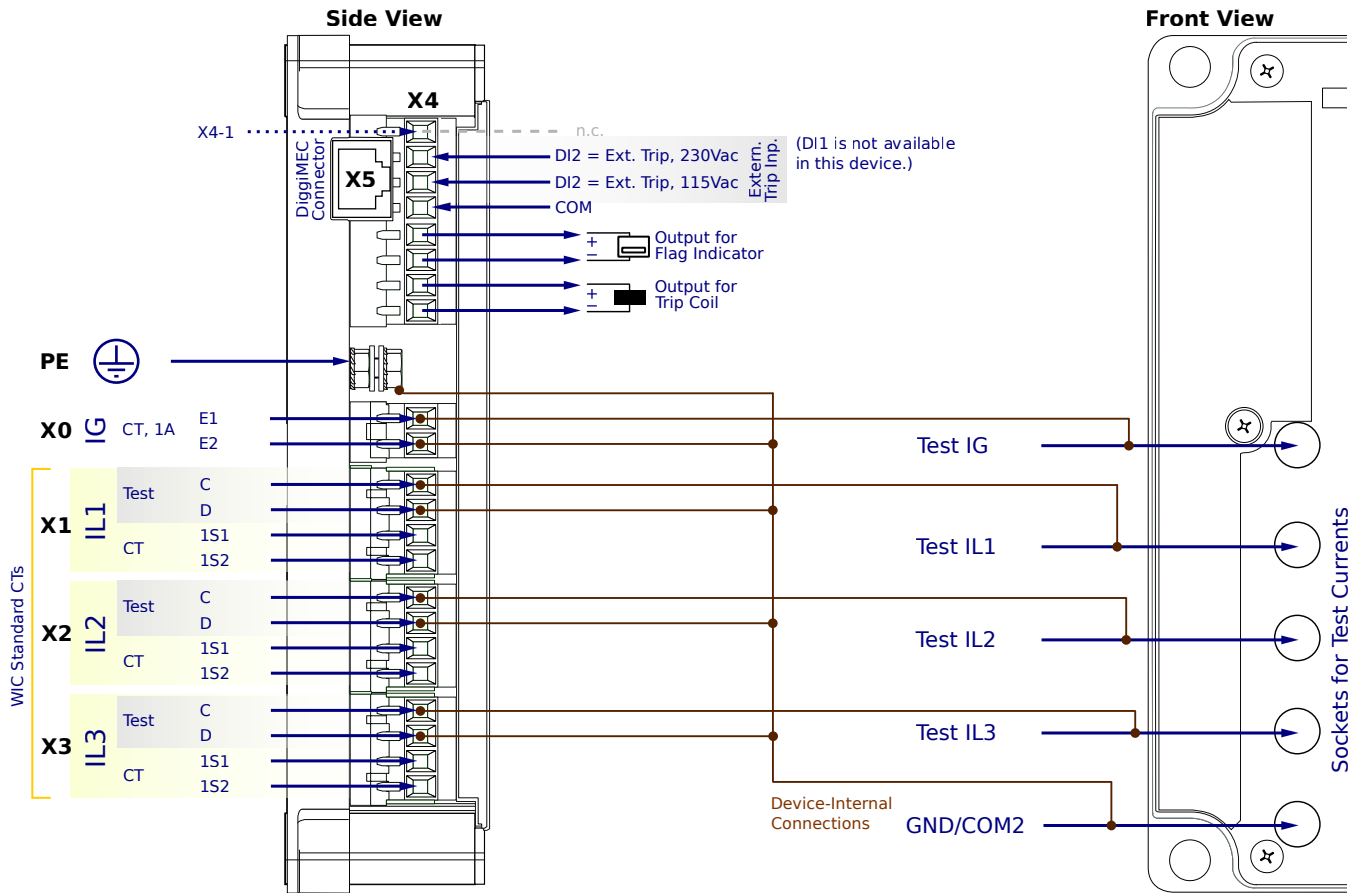
**X4-2,3** - DI2, fixed to External trip input (115Vac or 230Vac)

**X4-5,6** - Assignable flag indicator

**X4-7,8** - Trip pulse output

**X5** - DiggiMEC-WIC1 connection. Use network cable CAT3 (or better). No crossover cable!

# WIC1-1SG0CF2AA



## CT-Powered Protection Device, configuration via DiggiMEC / Smart view

- Nominal frequency is 50 Hz or 60 Hz. (Setting via DiggiMEC/Smart view.)
- Trip at  $20 \cdot I_{n,max}$
- Package "S" + ANSI 46, 49, 51Q, Breaker Wear, Condition Monitoring (= Life Load, Drag Indicator)

**PE** - Protective Earth

**X0** - Measured ground current via 1A CT input. (Setting to calc. IG is also possible via DiggiMEC/Smart view.)

**X1...X3** - WIC CTs

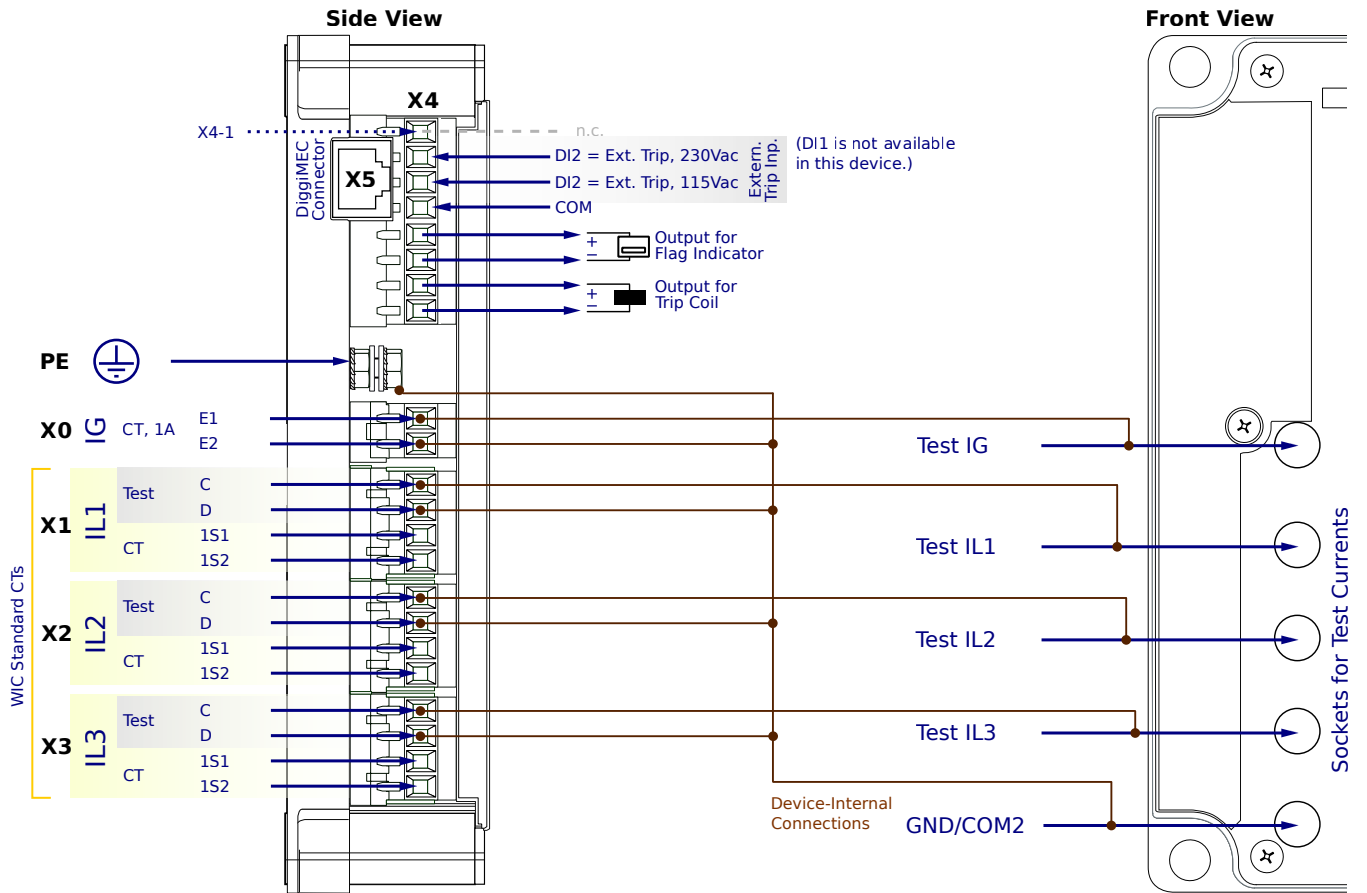
**X4-2,3** - DI2, fixed to External trip input (115Vac or 230Vac)

**X4-5,6** - Assignable flag indicator

**X4-7,8** - Trip pulse output

**X5** - DiggiMEC-WIC1 connection. Use network cable CAT3 (or better). No crossover cable!

# WIC1-1SG0CF2PA



## CT-Powered Protection Device, configuration via DiggiMEC / Smart view

- Nominal frequency is 50 Hz or 60 Hz. (Setting via DiggiMEC/Smart view.)
- Trip at  $20 \cdot I_{n,max}$
- Package "A" + SOTF, CLPU, external protection, ultra-fast overcurrent protection

**PE** - Protective Earth

**X0** - Measured ground current via 1A CT input. (Setting to calc. IG is also possible via DiggiMEC/Smart view.)

**X1...X3** - WIC CTs

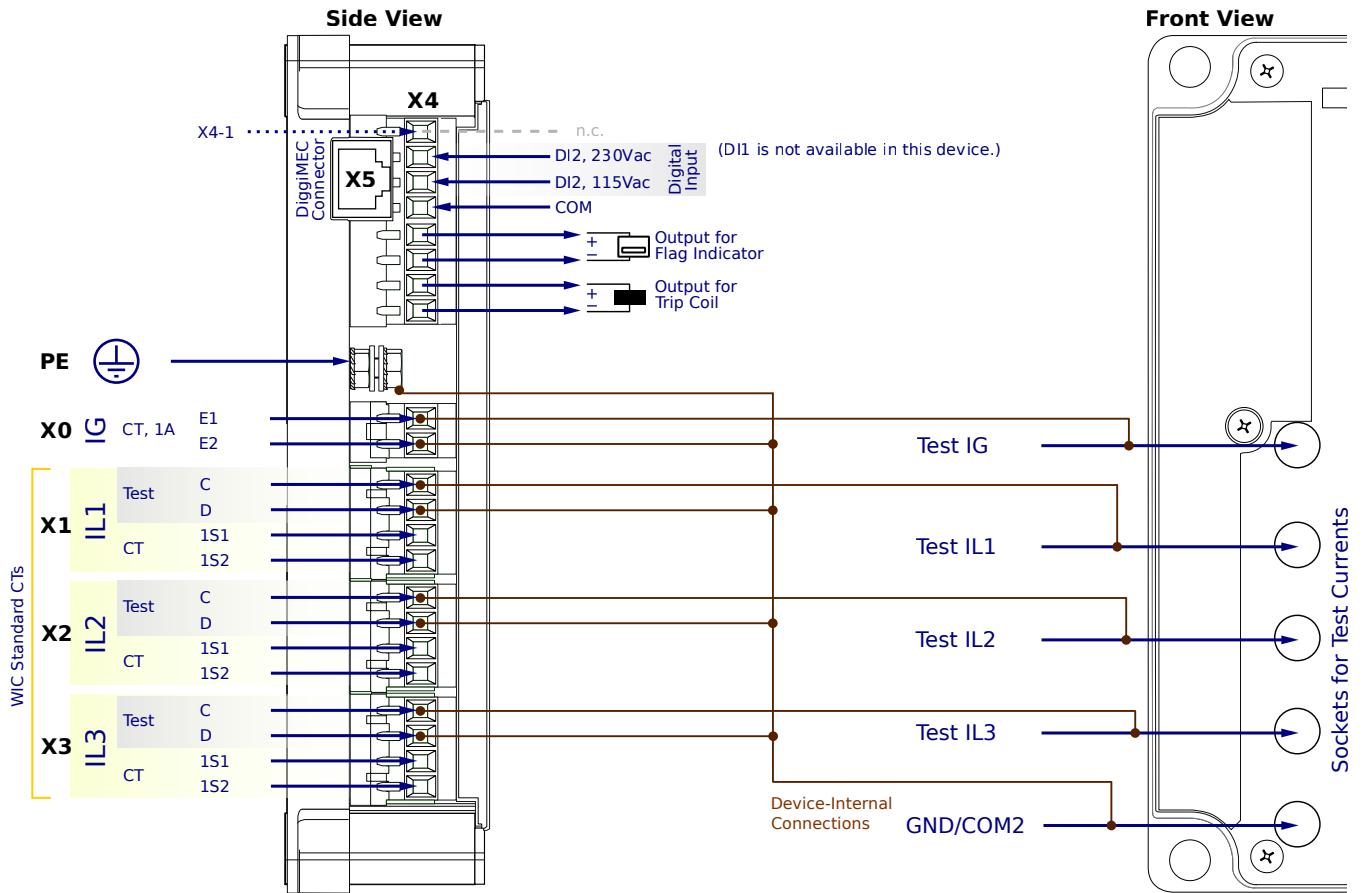
**X4-2,3** - DI2, fixed to External trip input (115Vac or 230Vac)

**X4-5,6** - Assignable flag indicator

**X4-7,8** - Trip pulse output

**X5** - DiggiMEC-WIC1 connection. Use network cable CAT3 (or better). No crossover cable!

# WIC1-1SG0CC1SA



## CT-Powered Protection Device, configuration via DiggiMEC / Smart view

- Nominal frequency is 50 Hz or 60 Hz. (Setting via DiggiMEC/Smart view.)
- Backup protection operates directly
- ANSI 50, 50G/N, 51, 51G/N, inrush, 50BF, 74TC

**PE** - Protective Earth

**X0** - Measured ground current via 1A CT input. (Setting to calc. IG is also possible via DiggiMEC/Smart view.)

**X1...X3** - WIC CTs

**X4-2,3** - 1 assignable Digital Input DI2 (115Vac or 230Vac)

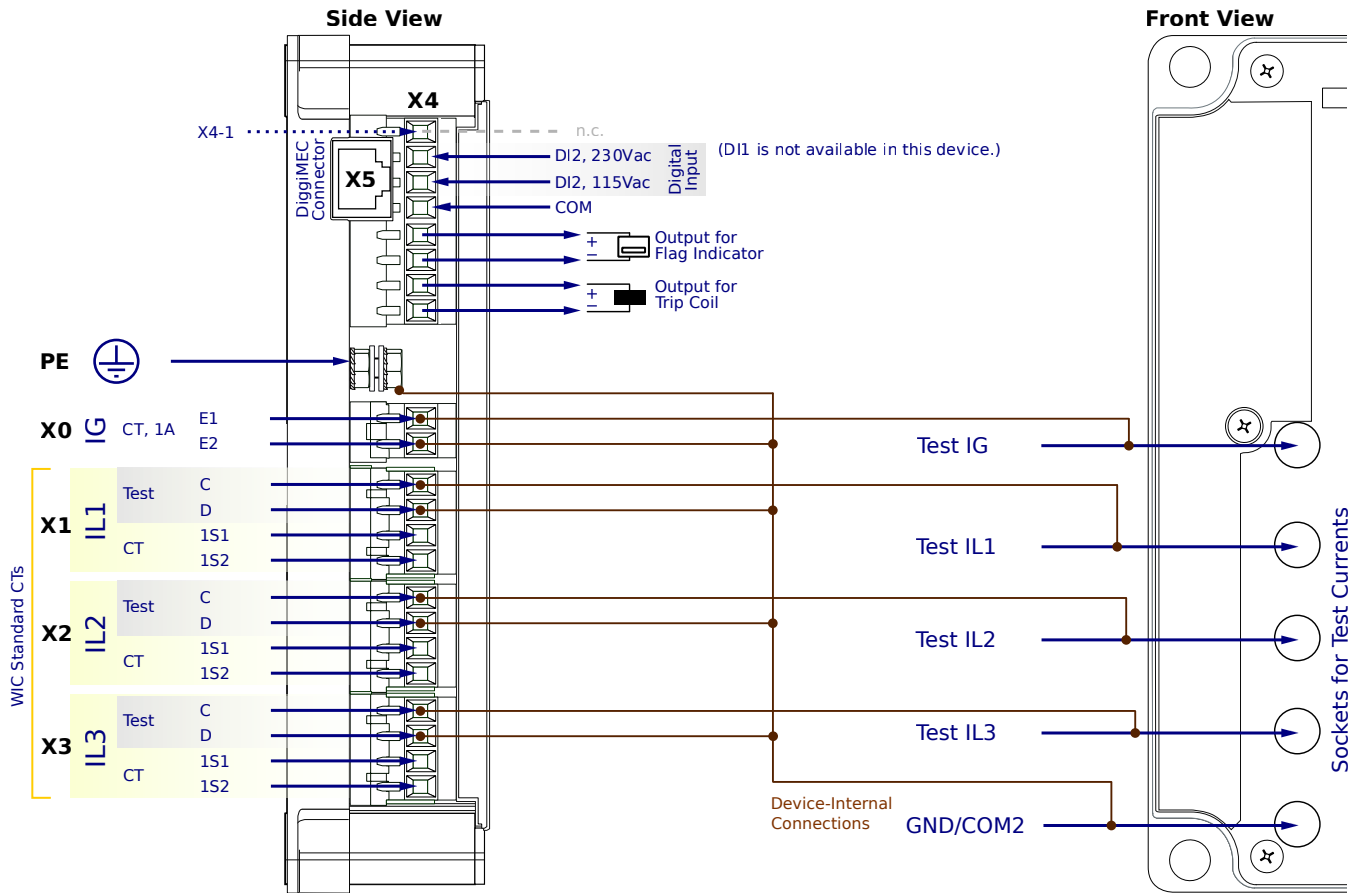
**X4-5,6** - Assignable flag indicator

**X4-7,8** - Trip pulse output

**X5** - DiggiMEC-WIC1 connection. Use network cable CAT3 (or better). No crossover cable!



# WIC1-1SG0CC1AA



## CT-Powered Protection Device, configuration via DiggiMEC / Smart view

- Nominal frequency is 50 Hz or 60 Hz. (Setting via DiggiMEC/Smart view.)
- Backup protection operates directly
- Package "S" + ANSI 46, 49, 51Q, Breaker Wear, Condition Monitoring (= Life Load, Drag Indicator)

**PE** - Protective Earth

**X0** - Measured ground current via 1A CT input. (Setting to calc. IG is also possible via DiggiMEC/Smart view.)

**X1...X3** - WIC CTs

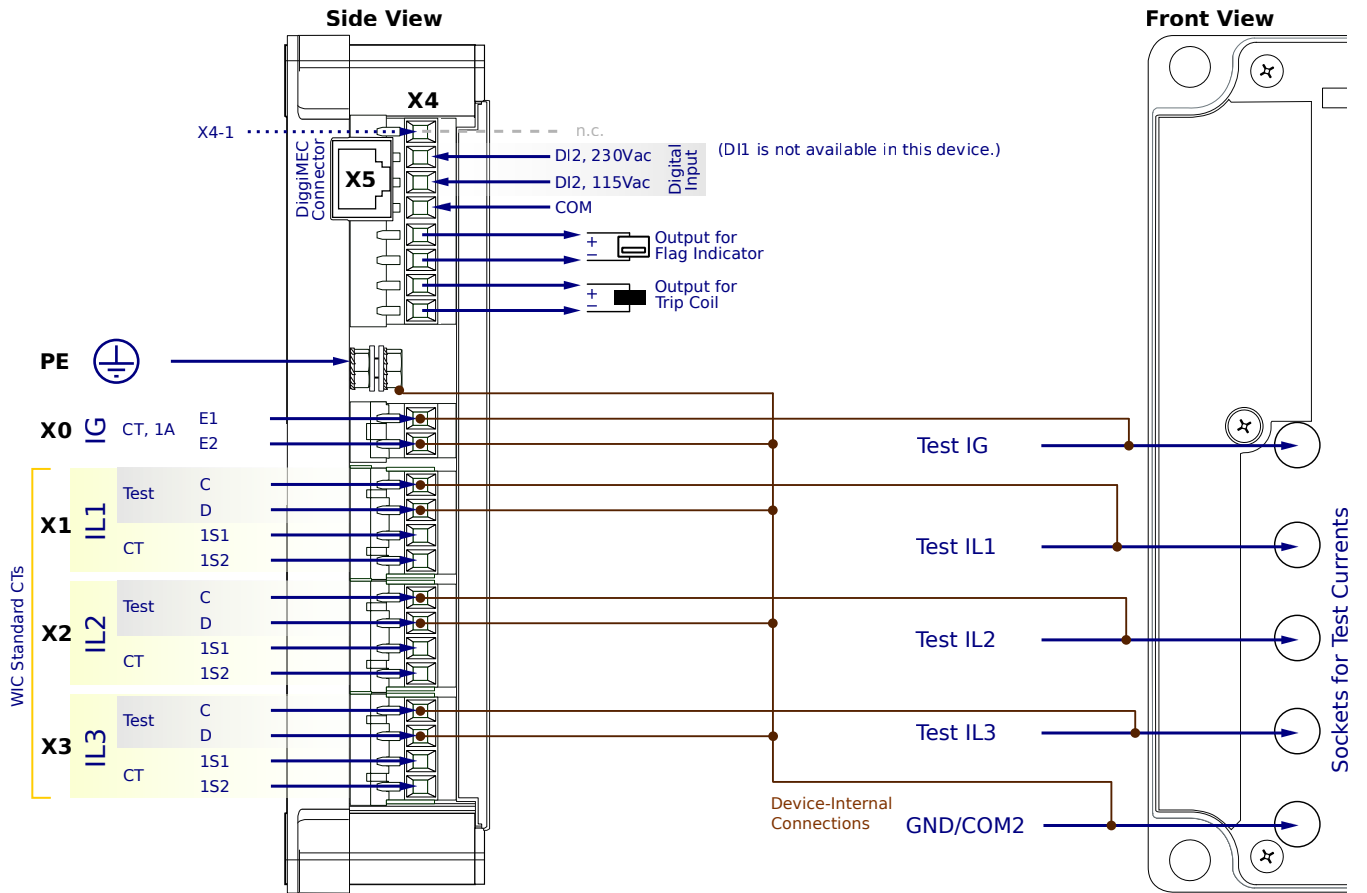
**X4-2,3** - 1 assignable Digital Input DI2 (115Vac or 230Vac)

**X4-5,6** - Assignable flag indicator

**X4-7,8** - Trip pulse output

**X5** - DiggiMEC-WIC1 connection. Use network cable CAT3 (or better). No crossover cable!

# WIC1-1SG0CC1PA



## CT-Powered Protection Device, configuration via DiggiMEC / Smart view

- Nominal frequency is 50 Hz or 60 Hz. (Setting via DiggiMEC/Smart view.)
- Backup protection operates directly
- Package "A" + SOTF, CLPU, external protection, ultra-fast overcurrent protection

**PE** - Protective Earth

**X0** - Measured ground current via 1A CT input. (Setting to calc. IG is also possible via DiggiMEC/Smart view.)

**X1...X3** - WIC CTs

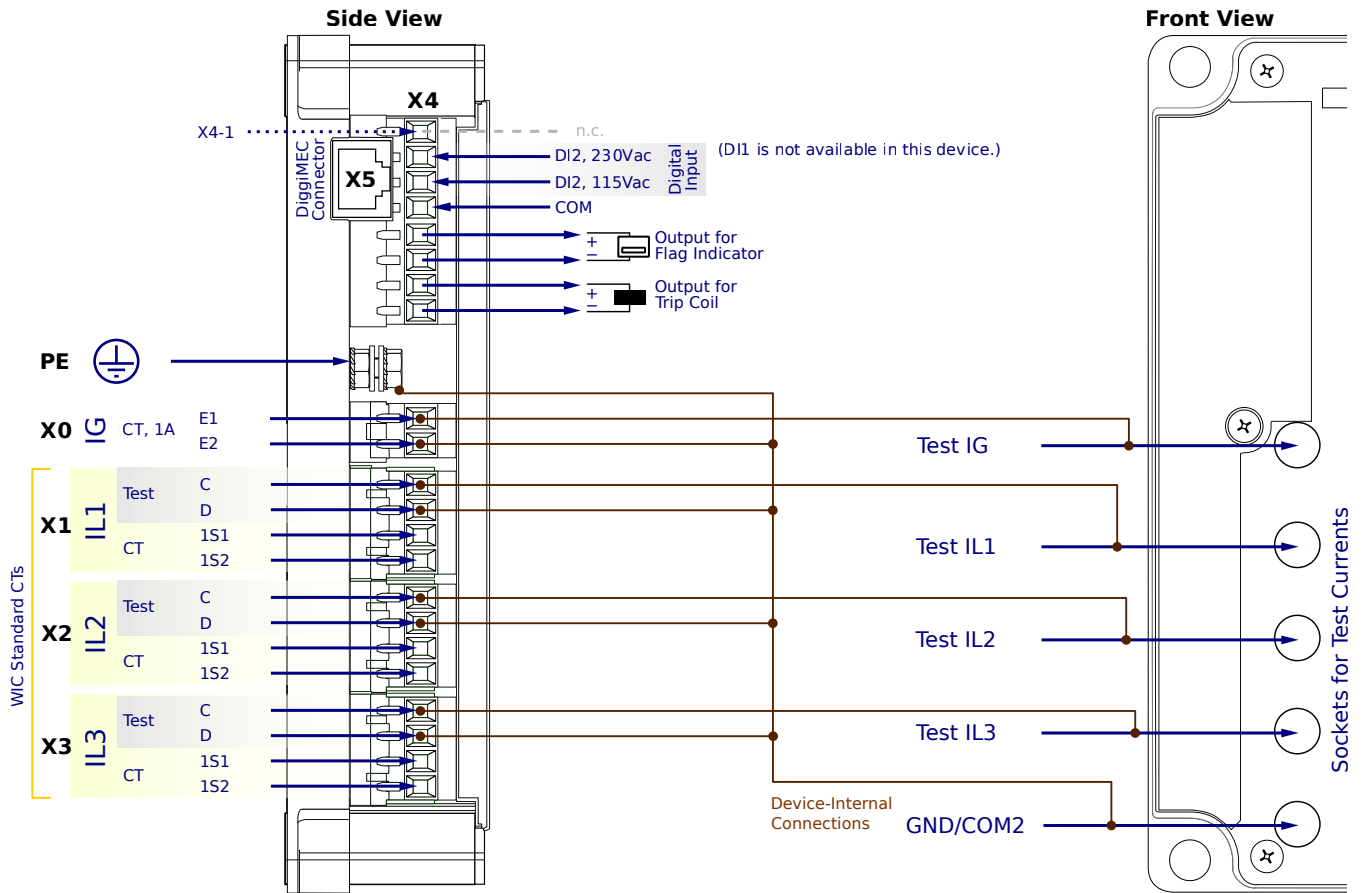
**X4-2,3** - 1 assignable Digital Input DI2 (115Vac or 230Vac)

**X4-5,6** - Assignable flag indicator

**X4-7,8** - Trip pulse output

**X5** - DiggiMEC-WIC1 connection. Use network cable CAT3 (or better). No crossover cable!

# WIC1-1SG0CC2SA



## CT-Powered Protection Device, configuration via DiggiMEC / Smart view

- Nominal frequency is 50 Hz or 60 Hz. (Setting via DiggiMEC/Smart view.)
- Trip at  $20 \cdot I_{n,max}$
- ANSI 50, 50G/N, 51, 51G/N, inrush, 50BF, 74TC

**PE** - Protective Earth

**X0** - Measured ground current via 1A CT input. (Setting to calc. IG is also possible via DiggiMEC/Smart view.)

**X1...X3** - WIC CTs

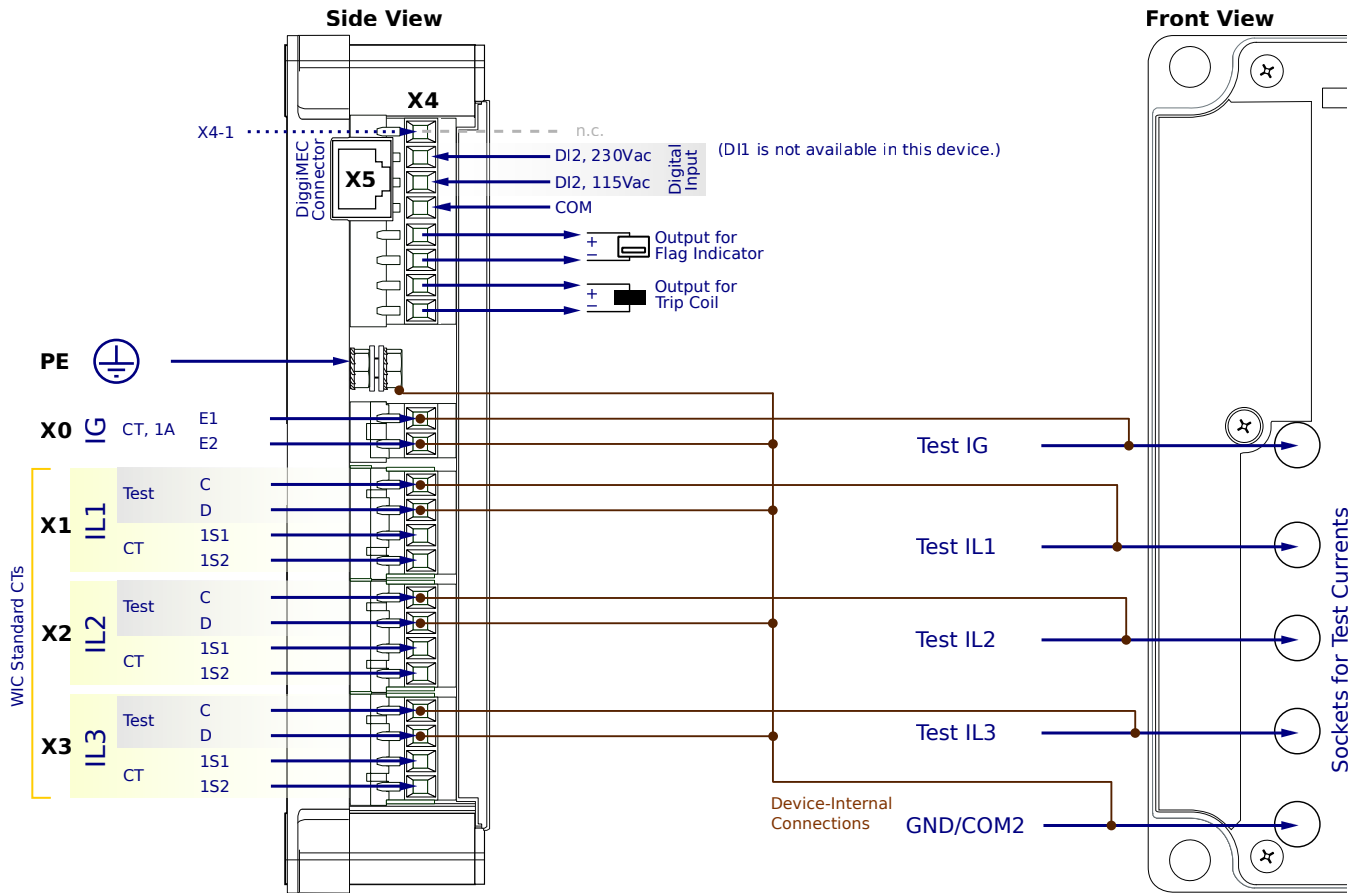
**X4-2,3** - 1 assignable Digital Input DI2 (115Vac or 230Vac)

**X4-5,6** - Assignable flag indicator

**X4-7,8** - Trip pulse output

**X5** - DiggiMEC-WIC1 connection. Use network cable CAT3 (or better). No crossover cable!

# WIC1-1SG0CC2AA



## CT-Powered Protection Device, configuration via DiggiMEC / Smart view

- Nominal frequency is 50 Hz or 60 Hz. (Setting via DiggiMEC/Smart view.)
- Trip at  $20 \cdot I_{n,max}$
- Package "S" + ANSI 46, 49, 51Q, Breaker Wear, Condition Monitoring (= Life Load, Drag Indicator)

**PE** - Protective Earth

**X0** - Measured ground current via 1A CT input. (Setting to calc. IG is also possible via DiggiMEC/Smart view.)

**X1...X3** - WIC CTs

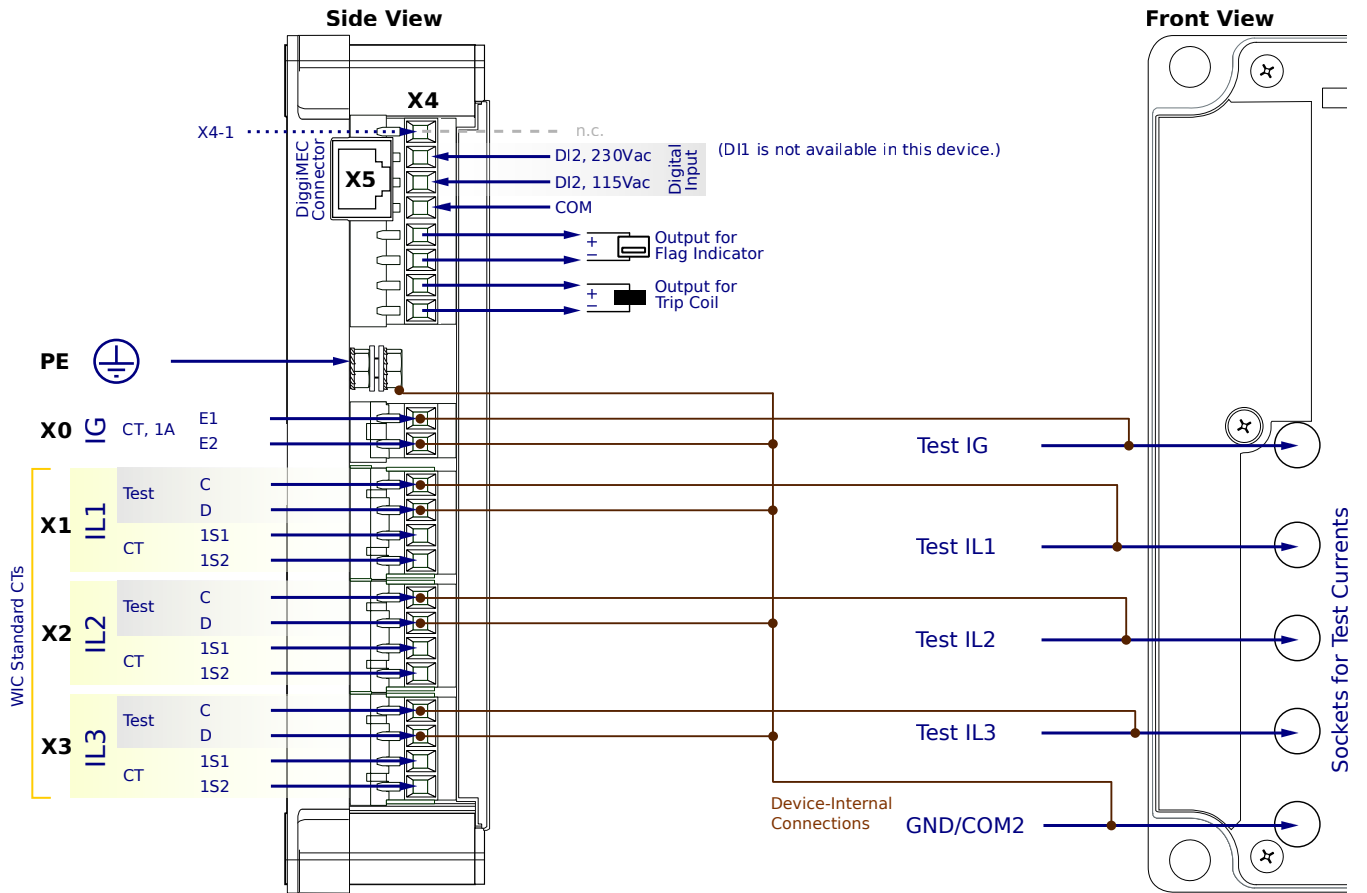
**X4-2,3** - 1 assignable Digital Input DI2 (115Vac or 230Vac)

**X4-5,6** - Assignable flag indicator

**X4-7,8** - Trip pulse output

**X5** - DiggiMEC-WIC1 connection. Use network cable CAT3 (or better). No crossover cable!

# WIC1-1SG0CC2PA



## CT-Powered Protection Device, configuration via DiggiMEC / Smart view

- Nominal frequency is 50 Hz or 60 Hz. (Setting via DiggiMEC/Smart view.)
- Trip at  $20 \cdot I_{n,max}$
- Package "A" + SOTF, CLPU, external protection, ultra-fast overcurrent protection

**PE** - Protective Earth

**X0** - Measured ground current via 1A CT input. (Setting to calc. IG is also possible via DiggiMEC/Smart view.)

**X1...X3** - WIC CTs

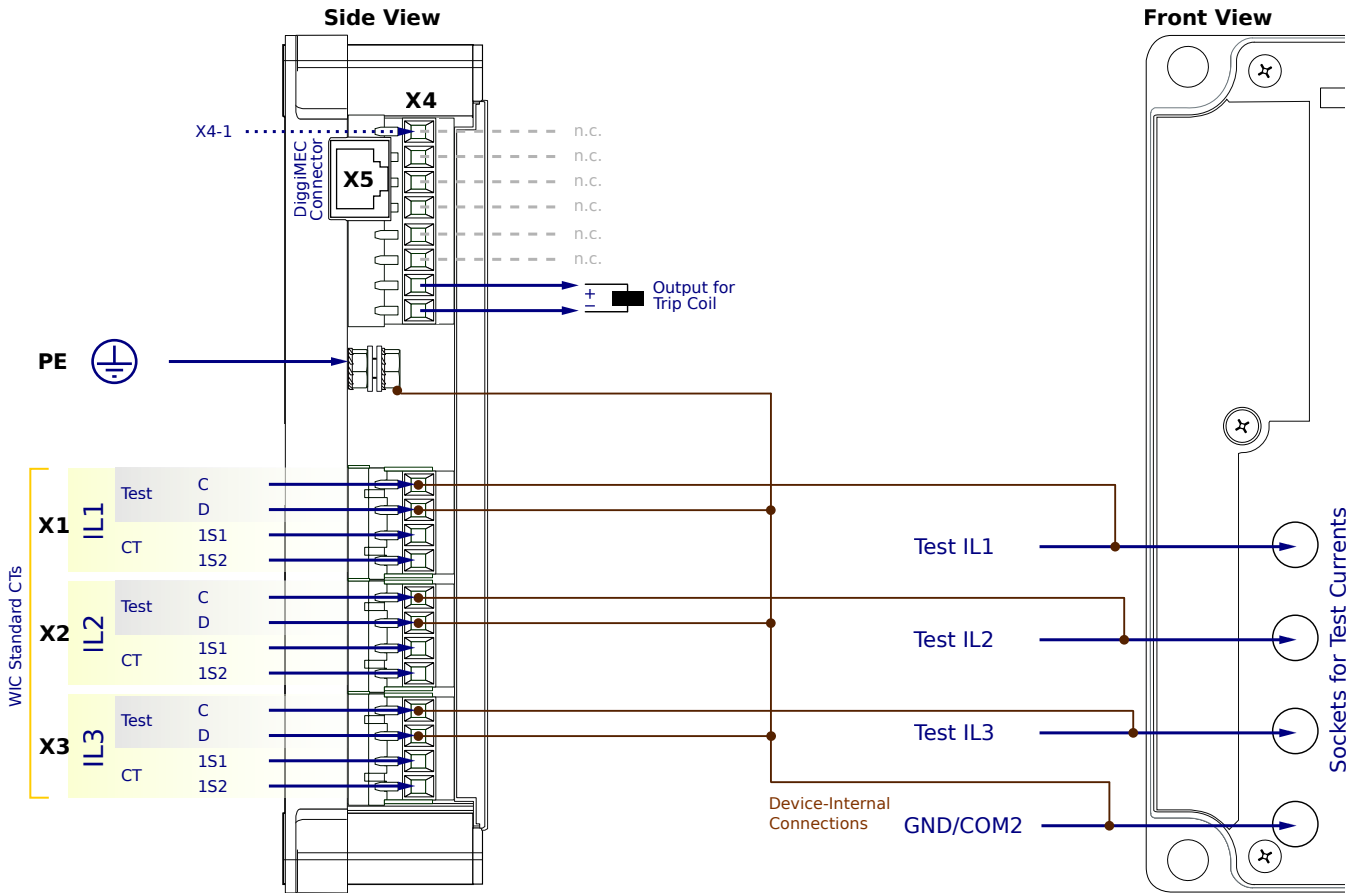
**X4-2,3** - 1 assignable Digital Input DI2 (115Vac or 230Vac)

**X4-5,6** - Assignable flag indicator

**X4-7,8** - Trip pulse output

**X5** - DiggiMEC-WIC1 connection. Use network cable CAT3 (or better). No crossover cable!

# WIC1-2SN5NN1SA



## CT-Powered Protection Device, configuration via DIP switches or DiggiMEC / Smart view

- Calculated earth current
- Nominal frequency is 50 Hz. (Setting to 60 Hz is possible via DiggiMEC/Smart view.)
- Backup protection operates directly
- ANSI 50, 50G/N, 51, 51G/N, inrush, 50BF, 74TC

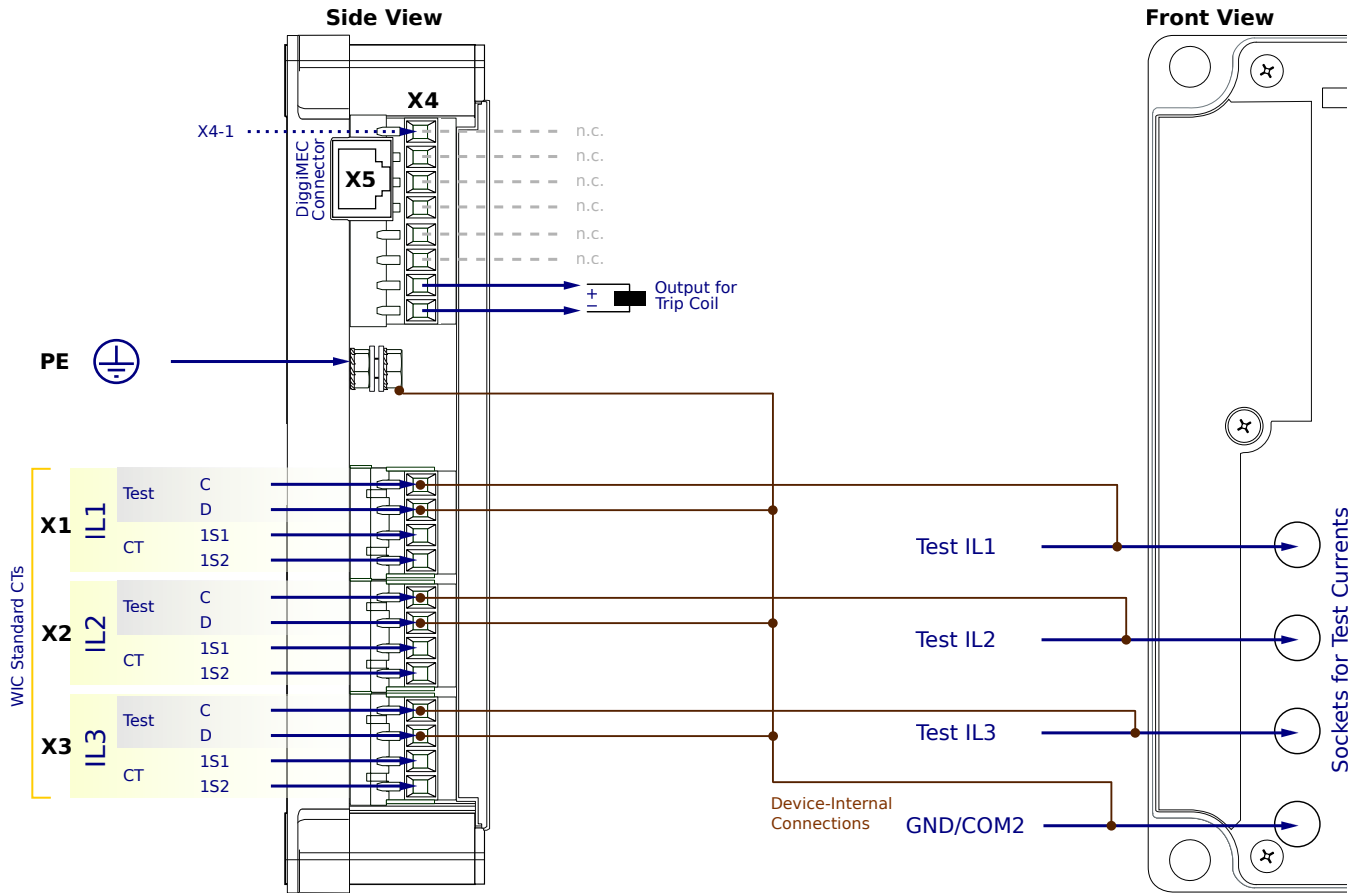
**PE** - Protective Earth

**X1...X3** - WIC CTs

**X4-7,8** - Trip pulse output

**X5** - DiggiMEC-WIC1 connection. Use network cable CAT3 (or better). No crossover cable!

# WIC1-2SN5NN1AA



## CT-Powered Protection Device, configuration via DIP switches or DiggiMEC / Smart view

- Calculated earth current
- Nominal frequency is 50 Hz. (Setting to 60 Hz is possible via DiggiMEC/Smart view.)
- Backup protection operates directly
- Package "S" + ANSI 46, 49, 51Q, Breaker Wear, Condition Monitoring (= Life Load, Drag Indicator)

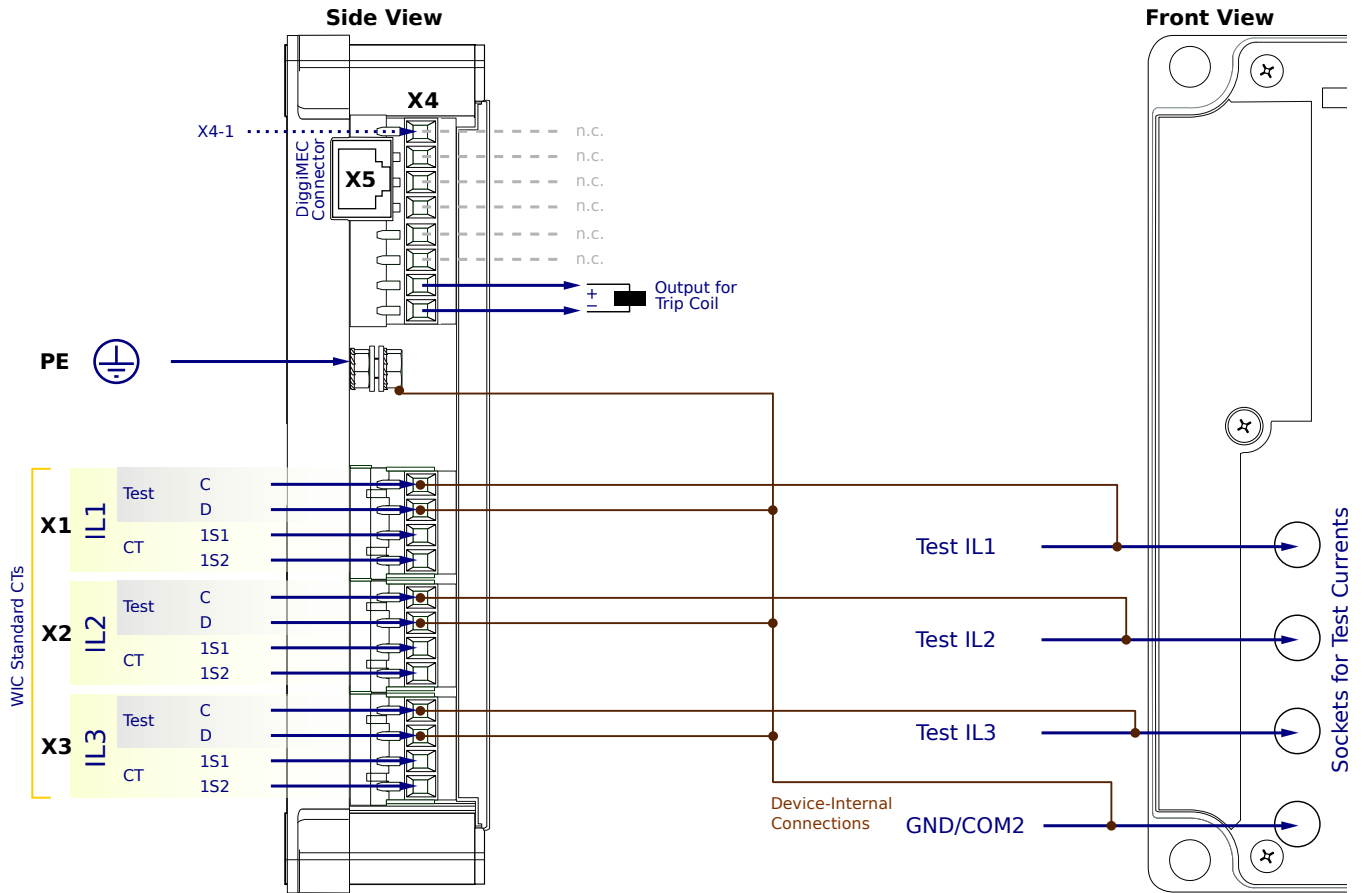
**PE** - Protective Earth

**X1...X3** - WIC CTs

**X4-7,8** - Trip pulse output

**X5** - DiggiMEC-WIC1 connection. Use network cable CAT3 (or better). No crossover cable!

# WIC1-2SN5NN1PA



## CT-Powered Protection Device, configuration via DIP switches or DiggiMEC / Smart view

- Calculated earth current
- Nominal frequency is 50 Hz. (Setting to 60 Hz is possible via DiggiMEC/Smart view.)
- Backup protection operates directly
- Package "A" + SOTF, CLPU, external protection, ultra-fast overcurrent protection

**PE** - Protective Earth

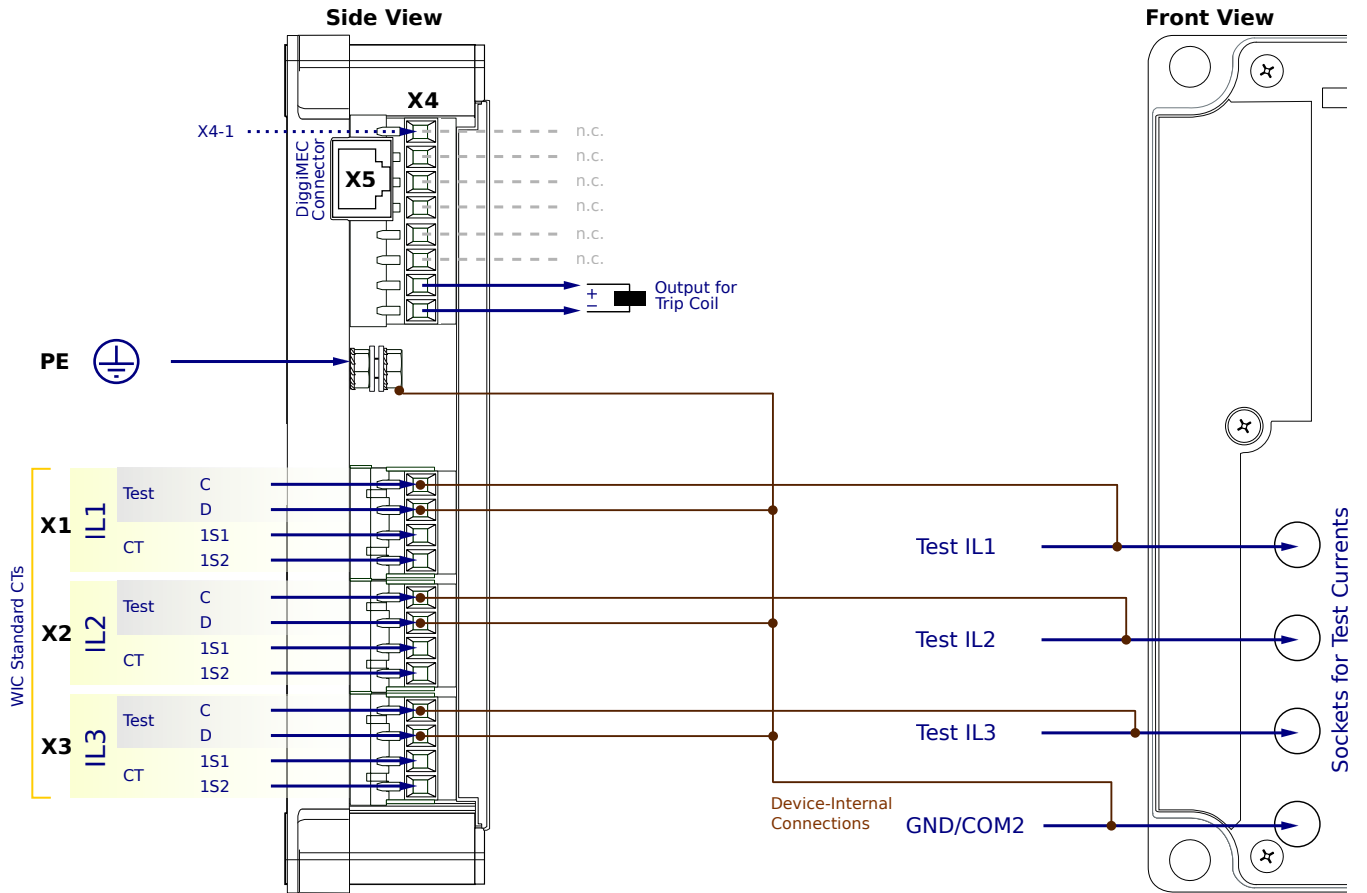
**X1...X3** - WIC CTs

**X4-7,8** - Trip pulse output

**X5** - DiggiMEC-WIC1 connection. Use network cable CAT3 (or better). No crossover cable!



# WIC1-2SN5NN2SA



## CT-Powered Protection Device, configuration via DIP switches or DiggiMEC / Smart view

- Calculated earth current
- Nominal frequency is 50 Hz. (Setting to 60 Hz is possible via DiggiMEC/Smart view.)
- Trip at  $20 \cdot I_{n,max}$
- ANSI 50, 50G/N, 51, 51G/N, inrush, 50BF, 74TC

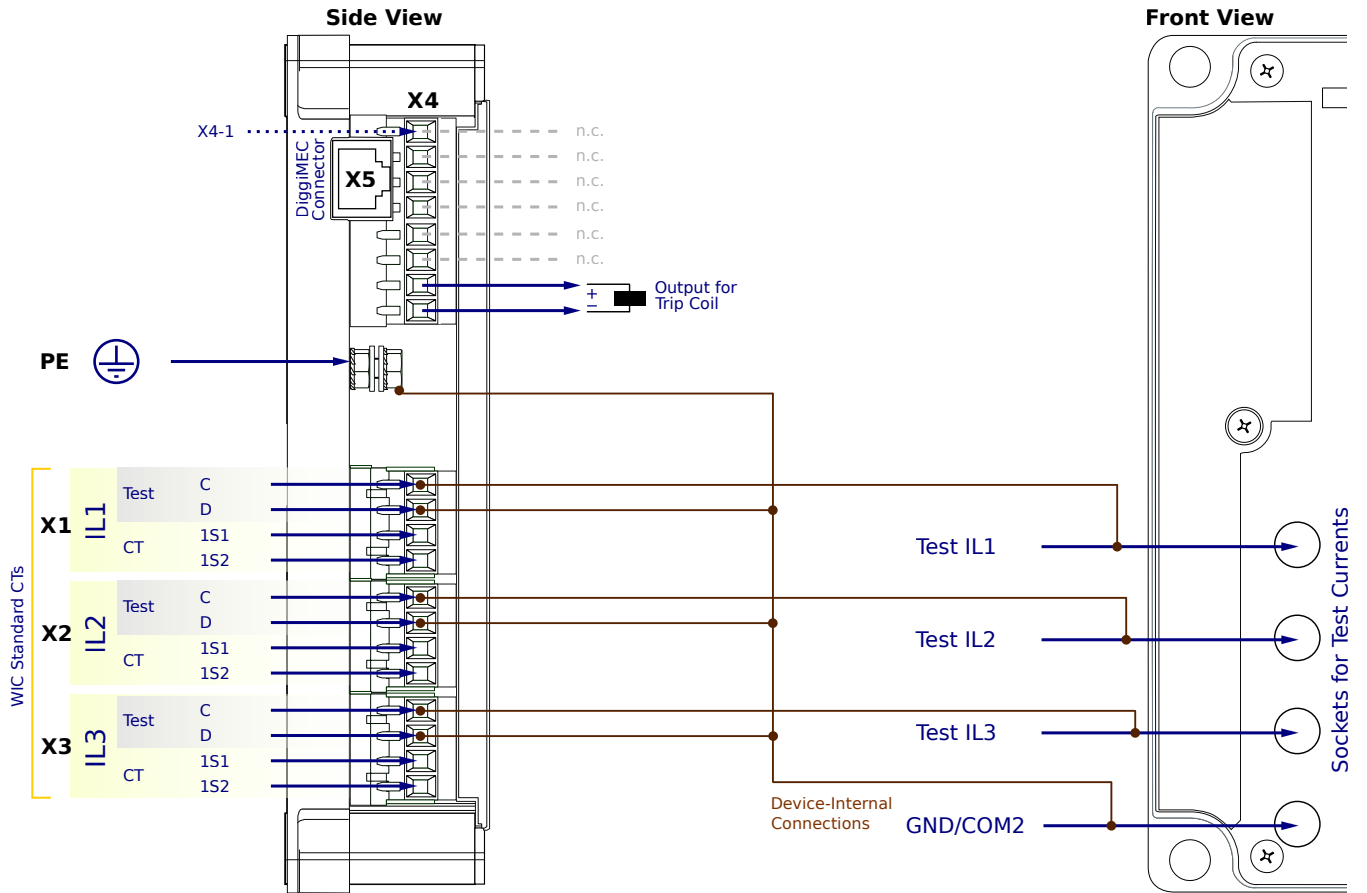
**PE** - Protective Earth

**X1...X3** - WIC CTs

**X4-7,8** - Trip pulse output

**X5** - DiggiMEC-WIC1 connection. Use network cable CAT3 (or better). No crossover cable!

# WIC1-2SN5NN2AA



## CT-Powered Protection Device, configuration via DIP switches or DiggiMEC / Smart view

- Calculated earth current
- Nominal frequency is 50 Hz. (Setting to 60 Hz is possible via DiggiMEC/Smart view.)
- Trip at  $20 \cdot I_{n,max}$
- Package "S" + ANSI 46, 49, 51Q, Breaker Wear, Condition Monitoring (= Life Load, Drag Indicator)

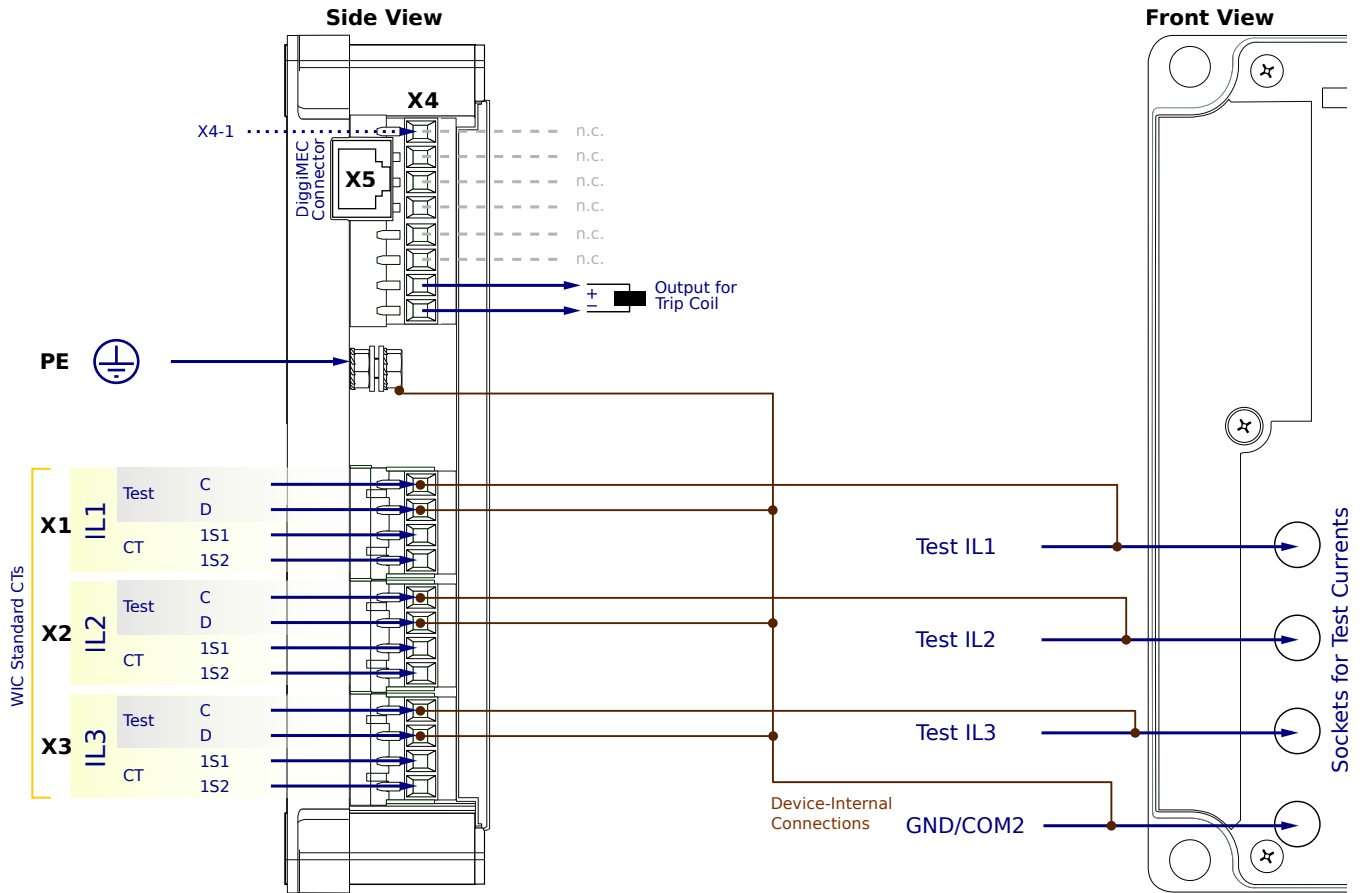
**PE** - Protective Earth

**X1...X3** - WIC CTs

**X4-7,8** - Trip pulse output

**X5** - DiggiMEC-WIC1 connection. Use network cable CAT3 (or better). No crossover cable!

# WIC1-2SN5NN2PA



## CT-Powered Protection Device, configuration via DIP switches or DiggiMEC / Smart view

- Calculated earth current
- Nominal frequency is 50 Hz. (Setting to 60 Hz is possible via DiggiMEC/Smart view.)
- Trip at  $20 \cdot I_{n,max}$
- Package "A" + SOTF, CLPU, external protection, ultra-fast overcurrent protection

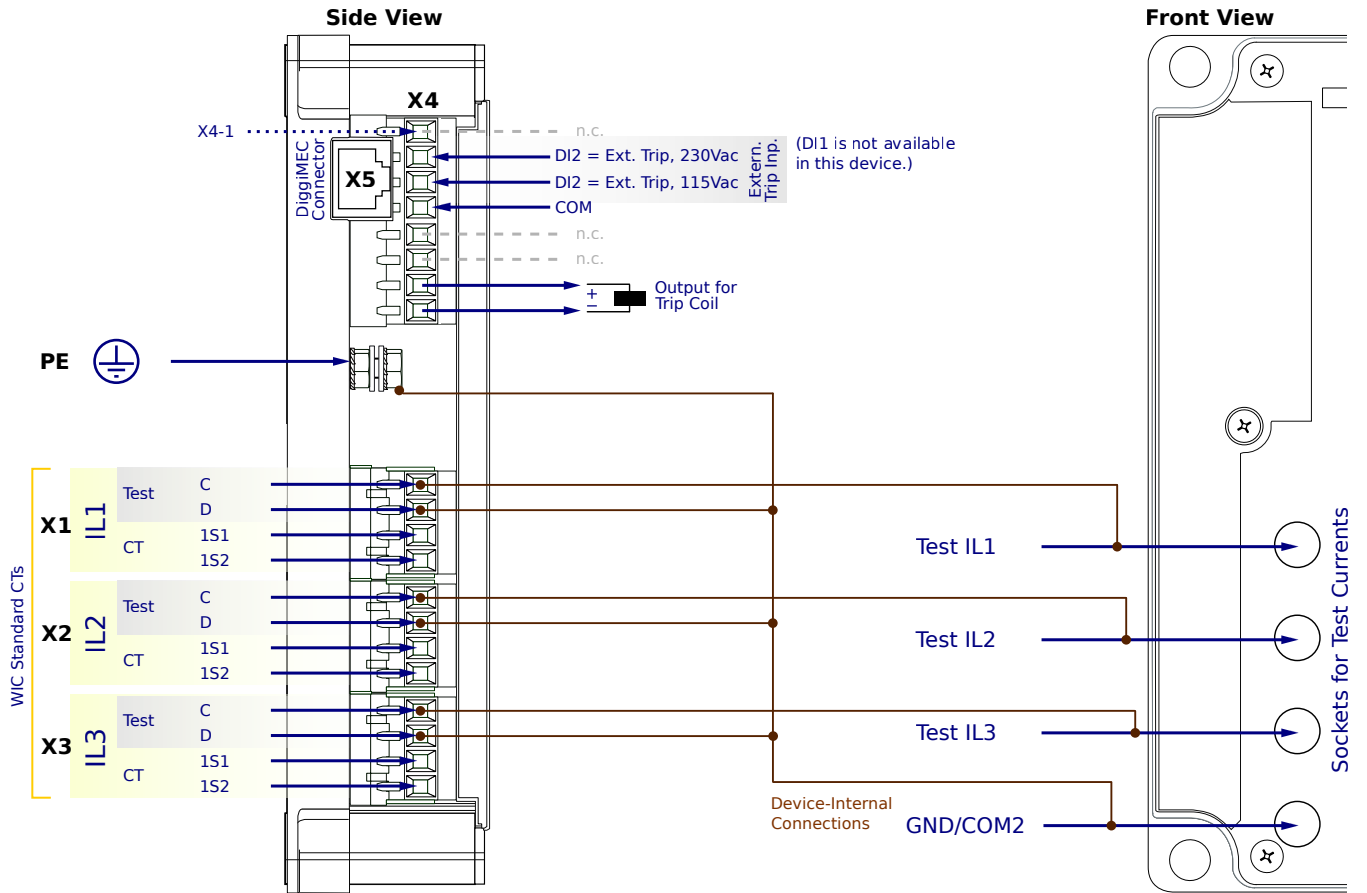
**PE** - Protective Earth

**X1...X3** - WIC CTs

**X4-7,8** - Trip pulse output

**X5** - DiggiMEC-WIC1 connection. Use network cable CAT3 (or better). No crossover cable!

# WIC1-2SN5NF1SA



## CT-Powered Protection Device, configuration via DIP switches or DiggiMEC / Smart view

- Calculated earth current
- Nominal frequency is 50 Hz. (Setting to 60 Hz is possible via DiggiMEC/Smart view.)
- Backup protection operates directly
- ANSI 50, 50G/N, 51, 51G/N, inrush, 50BF, 74TC

**PE** - Protective Earth

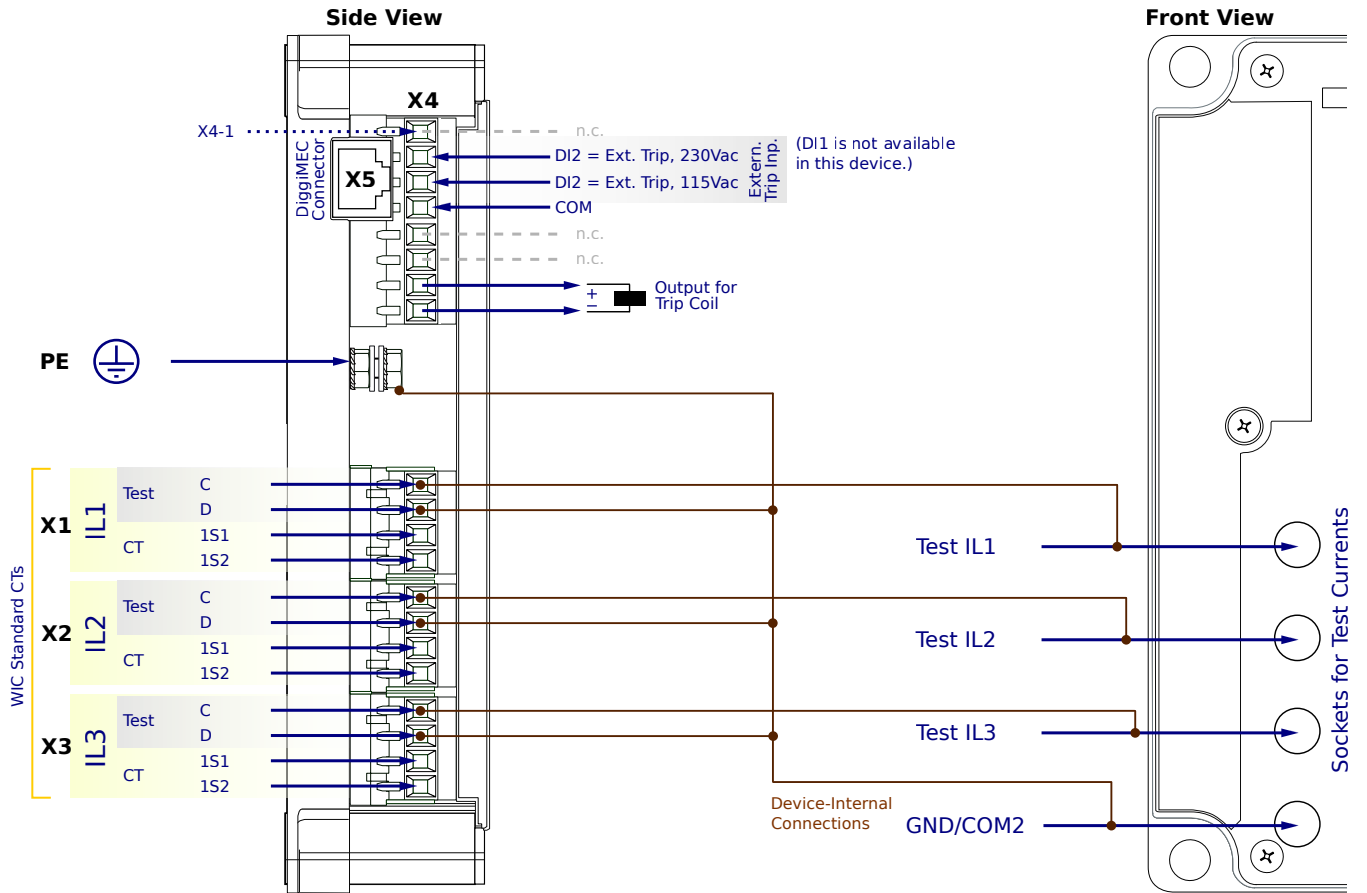
**X1...X3** - WIC CTs

**X4-2,3** - DI2, fixed to External trip input (115Vac or 230Vac)

**X4-7,8** - Trip pulse output

**X5** - DiggiMEC-WIC1 connection. Use network cable CAT3 (or better). No crossover cable!

# WIC1-2SN5NF1AA



## CT-Powered Protection Device, configuration via DIP switches or DiggiMEC / Smart view

- Calculated earth current
- Nominal frequency is 50 Hz. (Setting to 60 Hz is possible via DiggiMEC/Smart view.)
- Backup protection operates directly
- Package "S" + ANSI 46, 49, 51Q, Breaker Wear, Condition Monitoring (= Life Load, Drag Indicator)

**PE** - Protective Earth

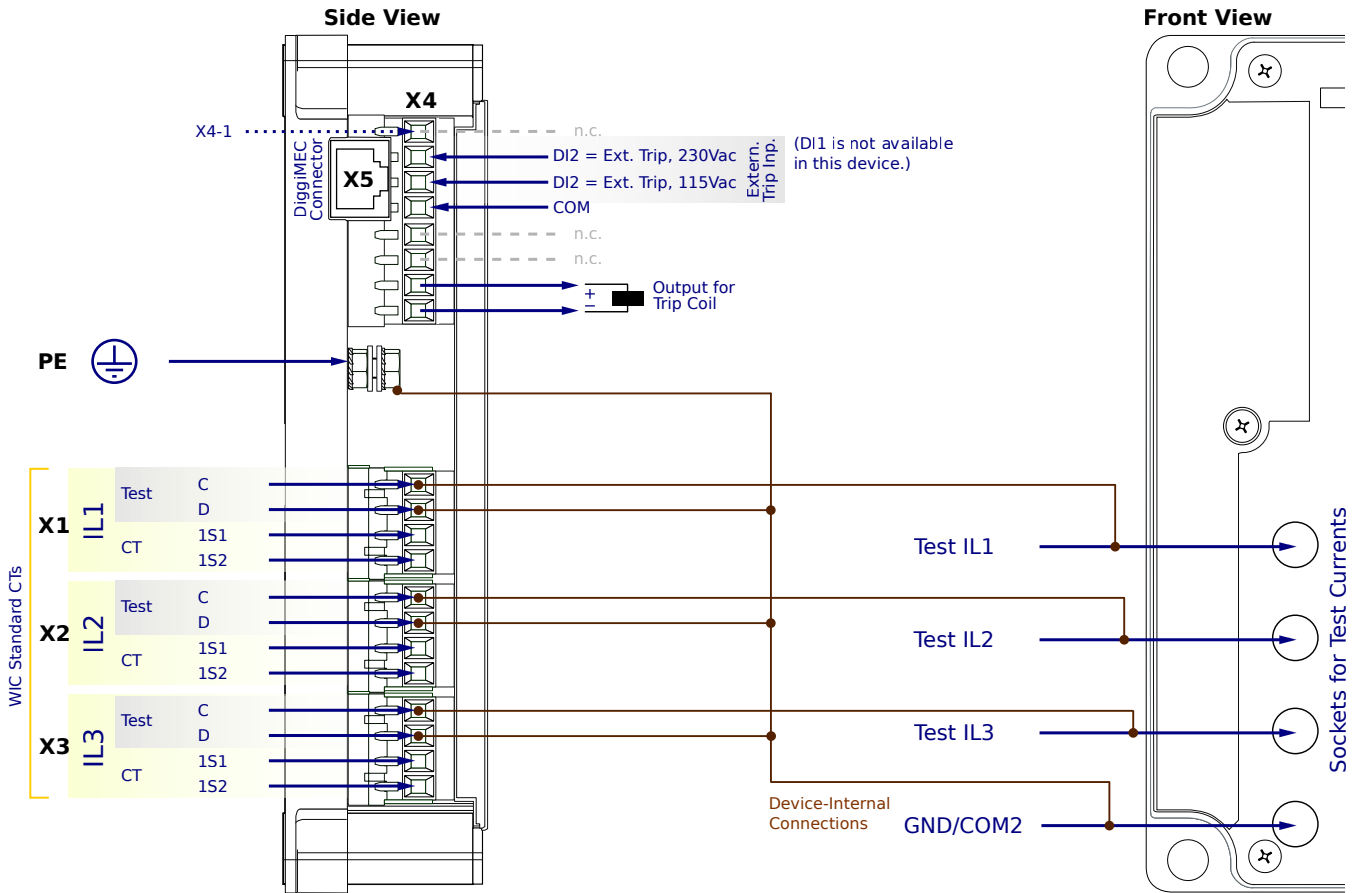
**X1...X3** - WIC CTs

**X4-2,3** - DI2, fixed to External trip input (115Vac or 230Vac)

**X4-7,8** - Trip pulse output

**X5** - DiggiMEC-WIC1 connection. Use network cable CAT3 (or better). No crossover cable!

# WIC1-2SN5NF1PA



## CT-Powered Protection Device, configuration via DIP switches or DiggiMEC / Smart view

- Calculated earth current
- Nominal frequency is 50 Hz. (Setting to 60 Hz is possible via DiggiMEC/Smart view.)
- Backup protection operates directly
- Package "A" + SOTF, CLPU, external protection, ultra-fast overcurrent protection

**PE** - Protective Earth

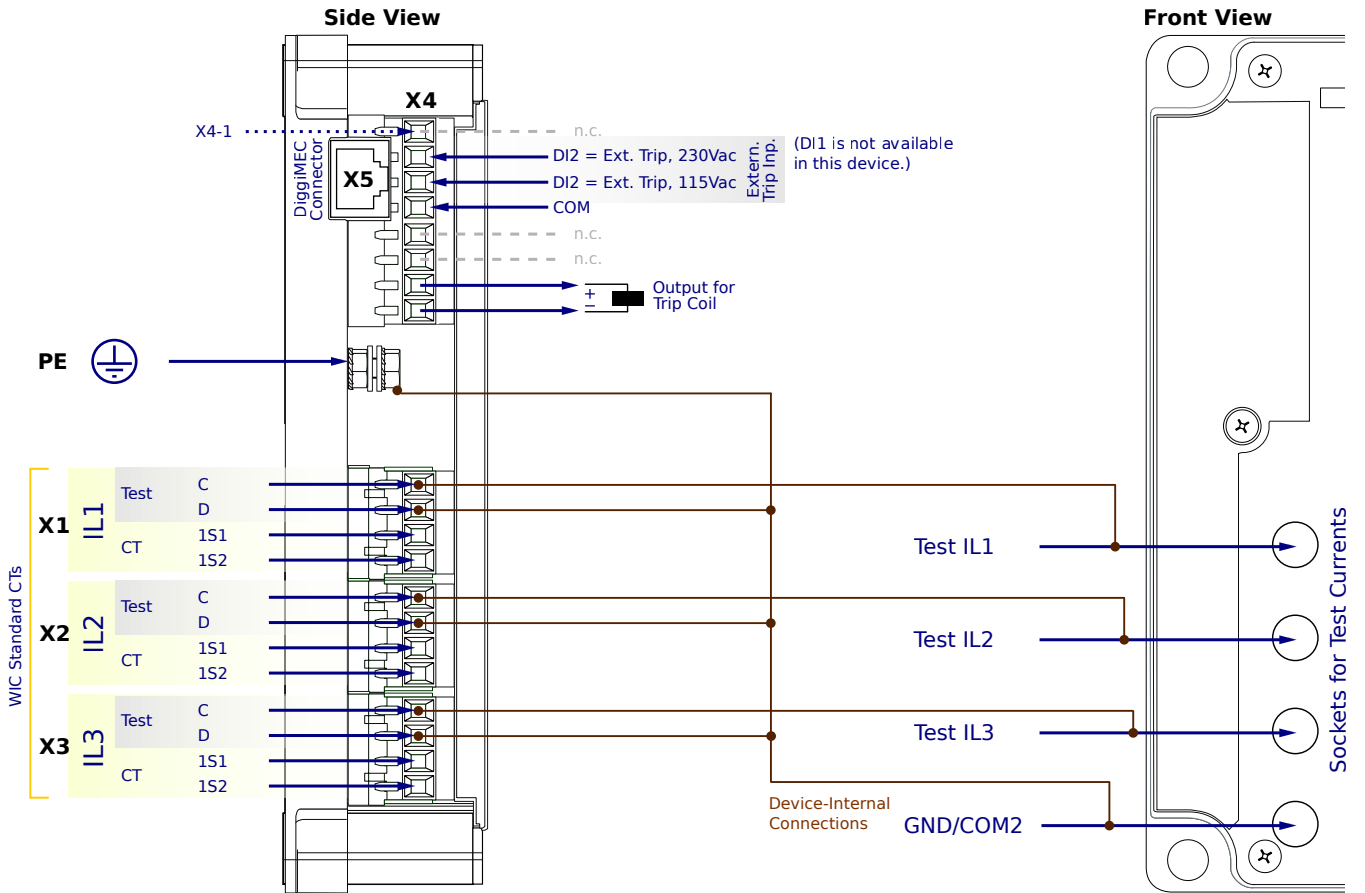
**X1...X3** - WIC CTs

**X4-2,3** - DI2, fixed to External trip input (115Vac or 230Vac)

**X4-7,8** - Trip pulse output

**X5** - DiggiMEC-WIC1 connection. Use network cable CAT3 (or better). No crossover cable!

# WIC1-2SN5NF2SA



## CT-Powered Protection Device, configuration via DIP switches or DiggiMEC / Smart view

- Calculated earth current
- Nominal frequency is 50 Hz. (Setting to 60 Hz is possible via DiggiMEC/Smart view.)
- Trip at  $20 \cdot I_{n,max}$
- ANSI 50, 50G/N, 51, 51G/N, inrush, 50BF, 74TC

**PE** - Protective Earth

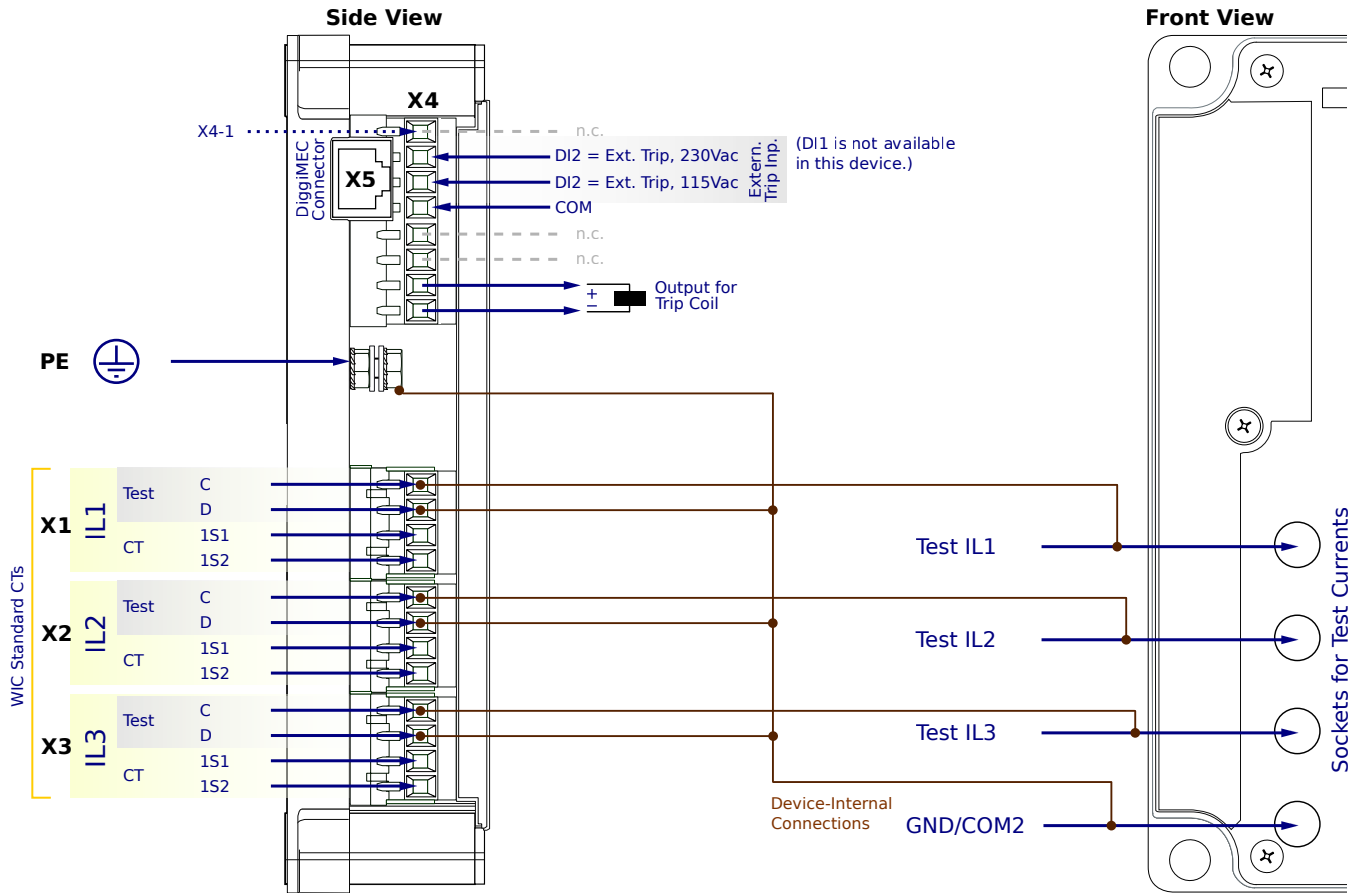
**X1...X3** - WIC CTs

**X4-2,3** - DI2, fixed to External trip input (115Vac or 230Vac)

**X4-7,8** - Trip pulse output

**X5** - DiggiMEC-WIC1 connection. Use network cable CAT3 (or better). No crossover cable!

# WIC1-2SN5NF2AA



## CT-Powered Protection Device, configuration via DIP switches or DiggiMEC / Smart view

- Calculated earth current
- Nominal frequency is 50 Hz. (Setting to 60 Hz is possible via DiggiMEC/Smart view.)
- Trip at  $20 \cdot I_{n,max}$
- Package "S" + ANSI 46, 49, 51Q, Breaker Wear, Condition Monitoring (= Life Load, Drag Indicator)

**PE** - Protective Earth

**X1...X3** - WIC CTs

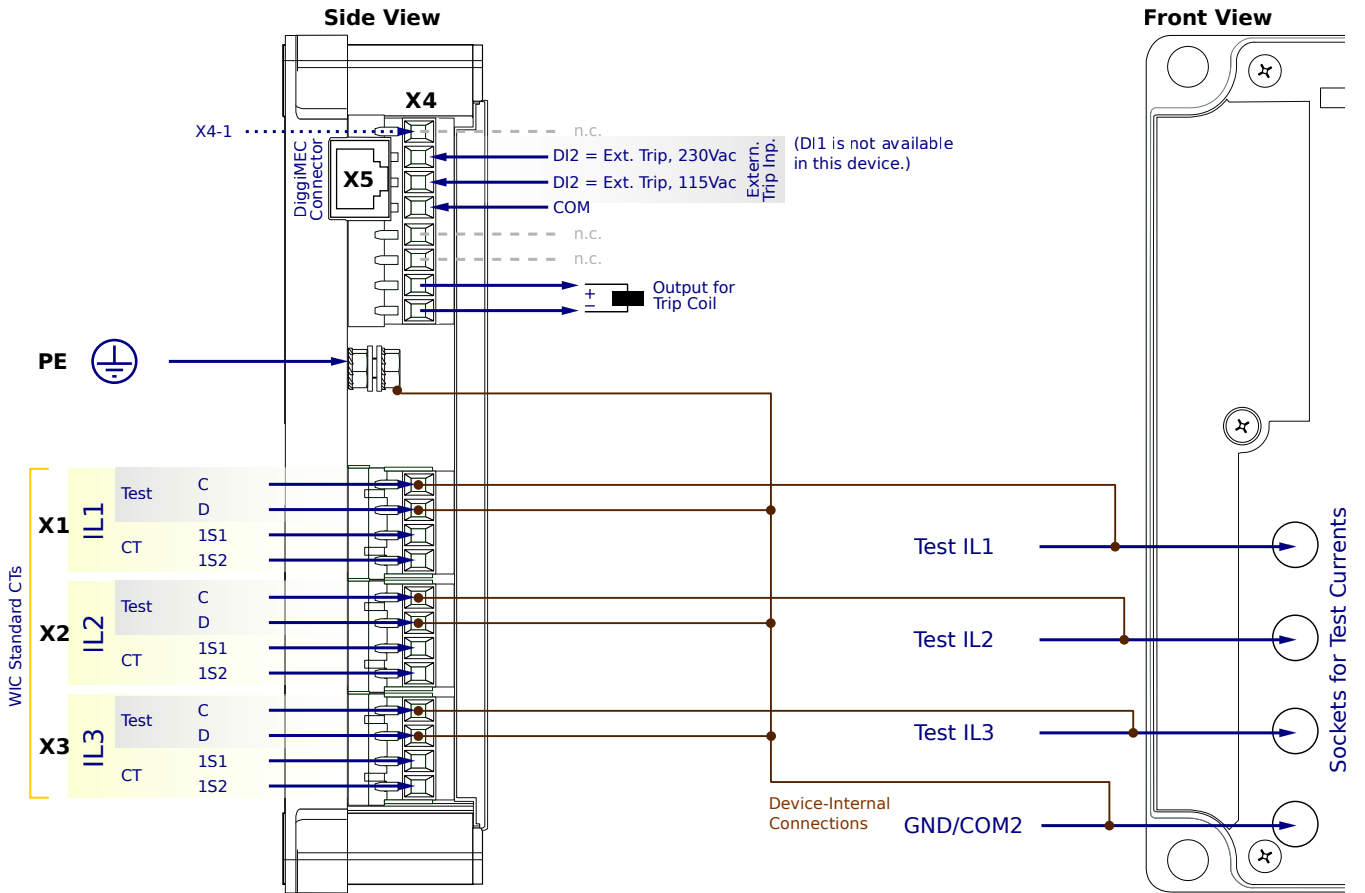
**X4-2,3** - DI2, fixed to External trip input (115Vac or 230Vac)

**X4-7,8** - Trip pulse output

**X5** - DiggiMEC-WIC1 connection. Use network cable CAT3 (or better). No crossover cable!



# WIC1-2SN5NF2PA



## CT-Powered Protection Device, configuration via DIP switches or DiggiMEC / Smart view

- Calculated earth current
- Nominal frequency is 50 Hz. (Setting to 60 Hz is possible via DiggiMEC/Smart view.)
- Trip at  $20 \cdot I_{n,max}$
- Package "A" + SOTF, CLPU, external protection, ultra-fast overcurrent protection

**PE** - Protective Earth

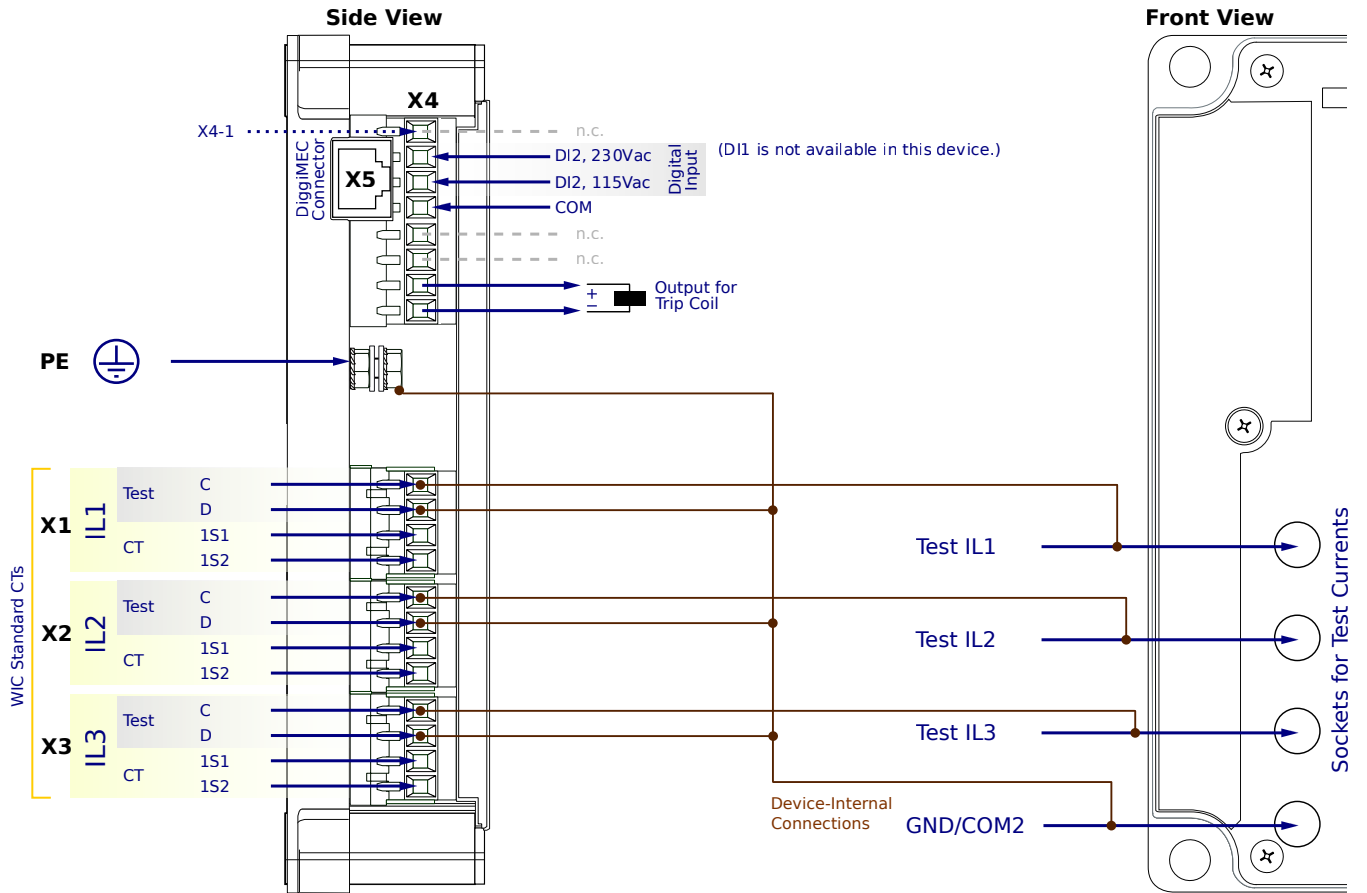
**X1...X3** - WIC CTs

**X4-2,3** - DI2, fixed to External trip input (115Vac or 230Vac)

**X4-7,8** - Trip pulse output

**X5** - DiggiMEC-WIC1 connection. Use network cable CAT3 (or better). No crossover cable!

# WIC1-2SN5NC1SA



## CT-Powered Protection Device, configuration via DIP switches or DiggiMEC / Smart view

- Calculated earth current
- Nominal frequency is 50 Hz. (Setting to 60 Hz is possible via DiggiMEC/Smart view.)
- Backup protection operates directly
- ANSI 50, 50G/N, 51, 51G/N, inrush, 50BF, 74TC

**PE** - Protective Earth

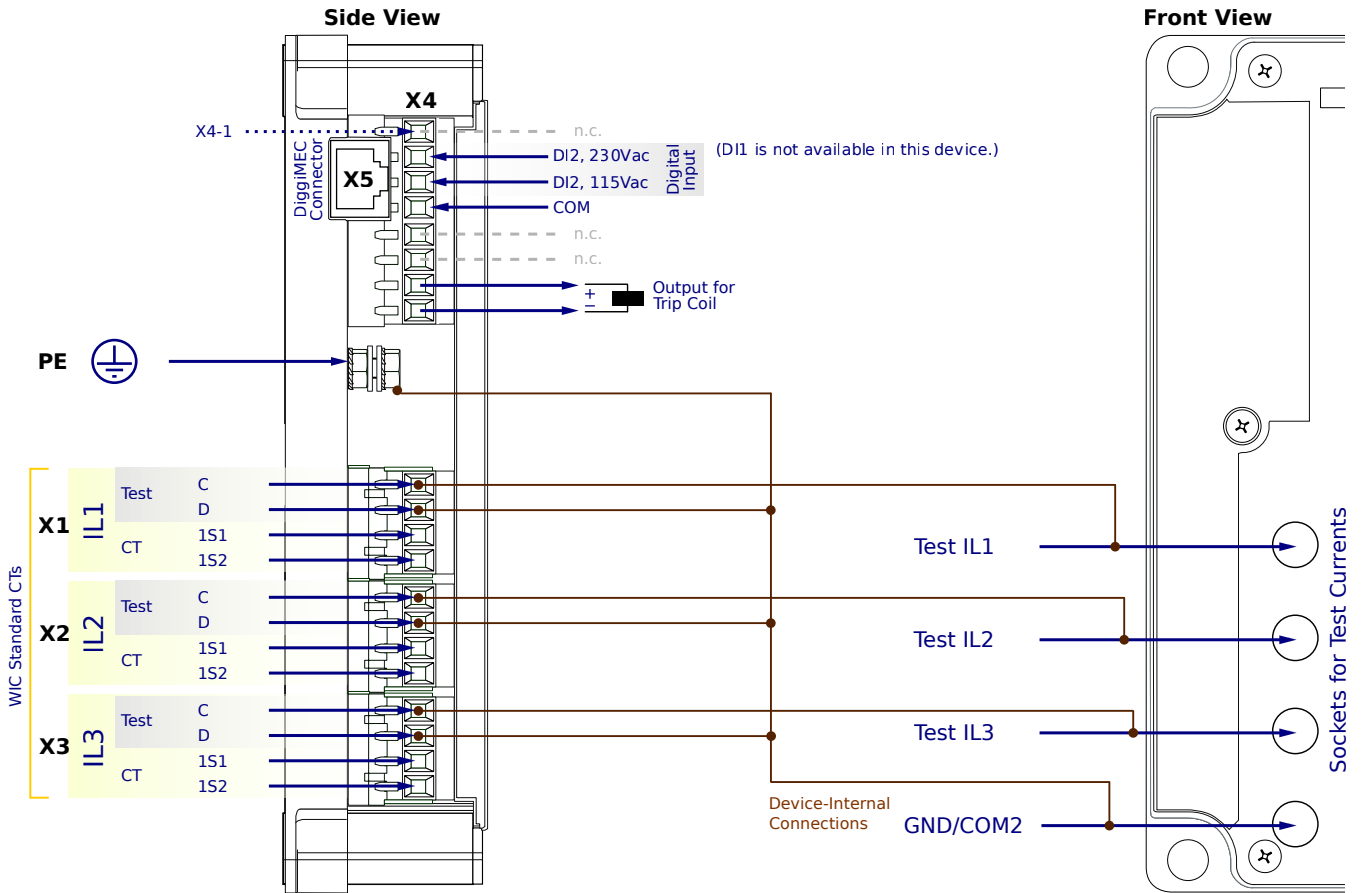
**X1...X3** - WIC CTs

**X4-2,3** - 1 assignable Digital Input DI2 (115Vac or 230Vac)

**X4-7,8** - Trip pulse output

**X5** - DiggiMEC-WIC1 connection. Use network cable CAT3 (or better). No crossover cable!

# WIC1-2SN5NC1AA



## CT-Powered Protection Device, configuration via DIP switches or DiggiMEC / Smart view

- Calculated earth current
- Nominal frequency is 50 Hz. (Setting to 60 Hz is possible via DiggiMEC/Smart view.)
- Backup protection operates directly
- Package "S" + ANSI 46, 49, 51Q, Breaker Wear, Condition Monitoring (= Life Load, Drag Indicator)

**PE** - Protective Earth

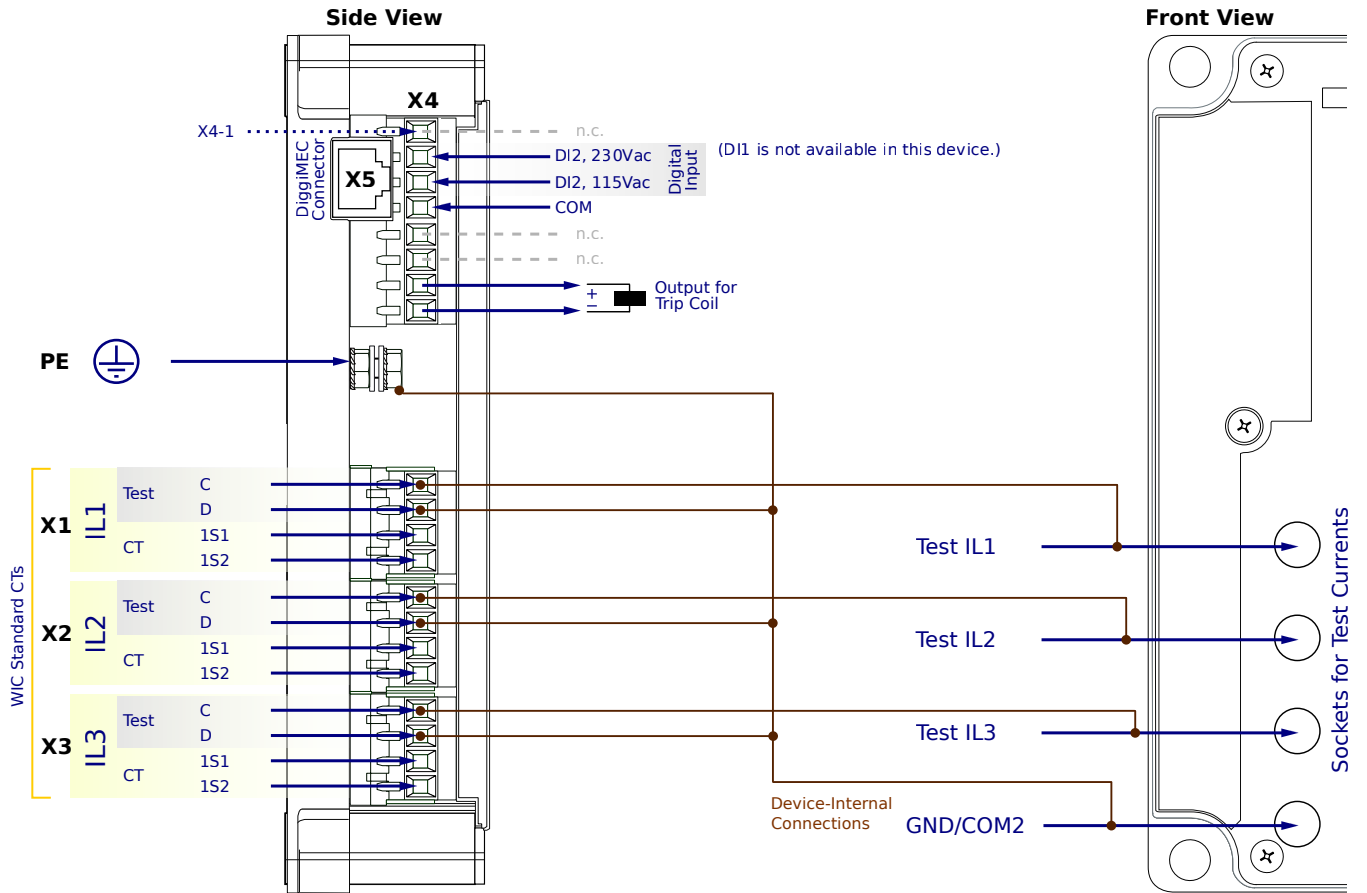
**X1...X3** - WIC CTs

**X4-2,3** - 1 assignable Digital Input DI2 (115Vac or 230Vac)

**X4-7,8** - Trip pulse output

**X5** - DiggiMEC-WIC1 connection. Use network cable CAT3 (or better). No crossover cable!

# WIC1-2SN5NC1PA



## CT-Powered Protection Device, configuration via DIP switches or DiggiMEC / Smart view

- Calculated earth current
- Nominal frequency is 50 Hz. (Setting to 60 Hz is possible via DiggiMEC/Smart view.)
- Backup protection operates directly
- Package "A" + SOTF, CLPU, external protection, ultra-fast overcurrent protection

**PE** - Protective Earth

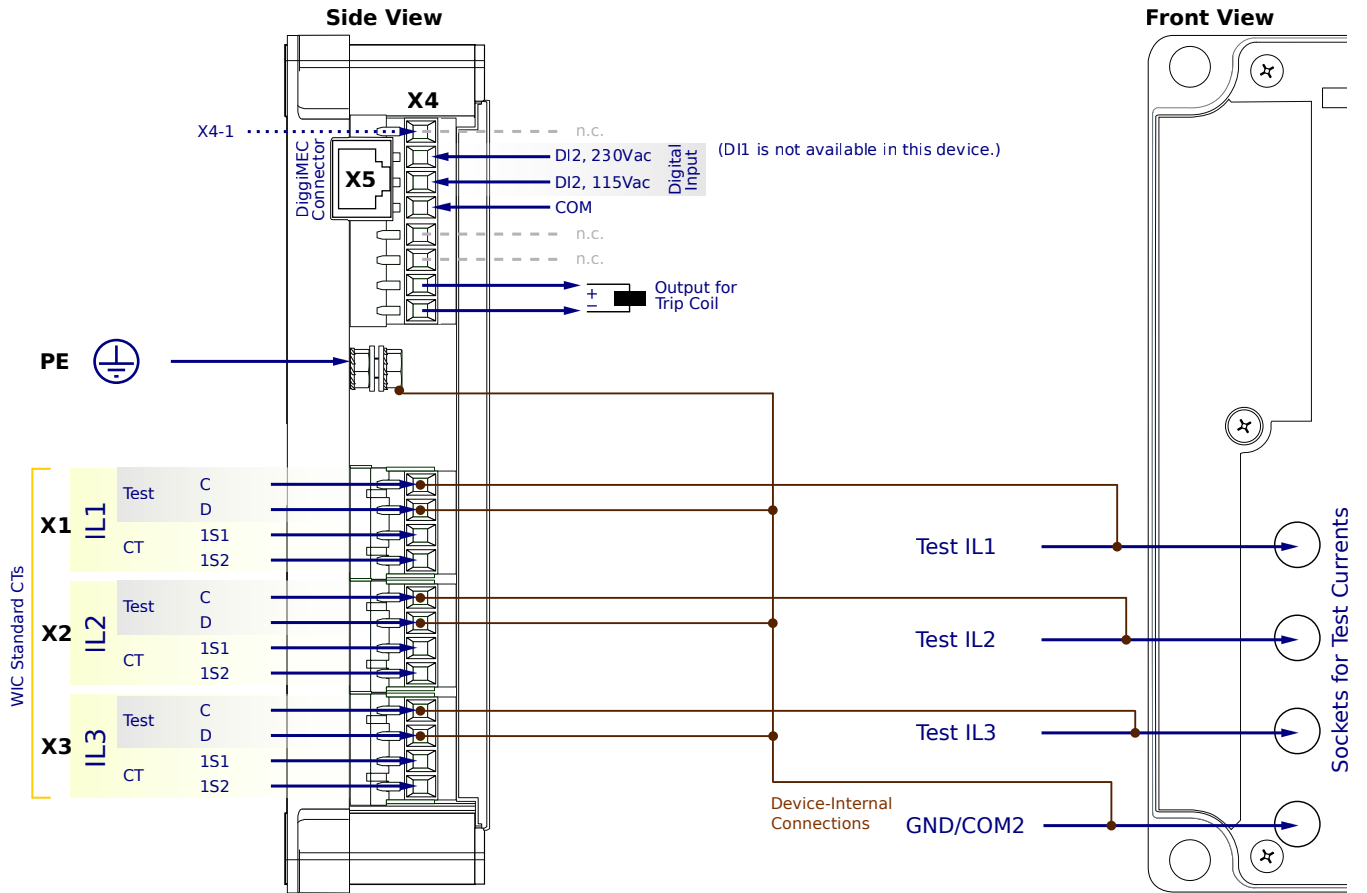
**X1...X3** - WIC CTs

**X4-2,3** - 1 assignable Digital Input DI2 (115Vac or 230Vac)

**X4-7,8** - Trip pulse output

**X5** - DiggiMEC-WIC1 connection. Use network cable CAT3 (or better). No crossover cable!

# WIC1-2SN5NC2SA



## CT-Powered Protection Device, configuration via DIP switches or DiggiMEC / Smart view

- Calculated earth current
- Nominal frequency is 50 Hz. (Setting to 60 Hz is possible via DiggiMEC/Smart view.)
- Trip at  $20 \cdot I_{n,max}$
- ANSI 50, 50G/N, 51, 51G/N, inrush, 50BF, 74TC

**PE** - Protective Earth

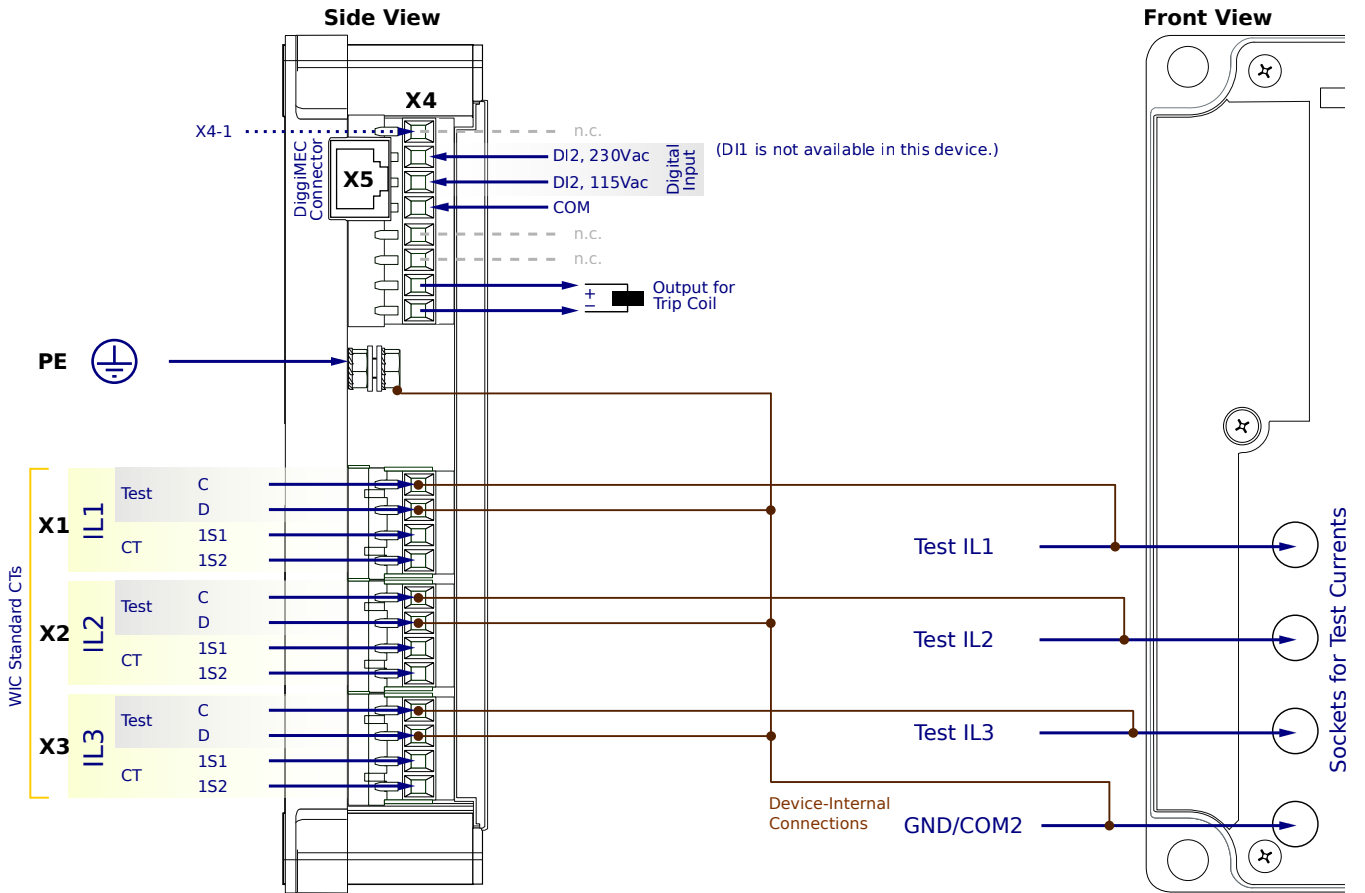
**X1...X3** - WIC CTs

**X4-2,3** - 1 assignable Digital Input DI2 (115Vac or 230Vac)

**X4-7,8** - Trip pulse output

**X5** - DiggiMEC-WIC1 connection. Use network cable CAT3 (or better). No crossover cable!

# WIC1-2SN5NC2AA



## CT-Powered Protection Device, configuration via DIP switches or DiggiMEC / Smart view

- Calculated earth current
- Nominal frequency is 50 Hz. (Setting to 60 Hz is possible via DiggiMEC/Smart view.)
- Trip at  $20 \cdot I_{n,max}$
- Package "S" + ANSI 46, 49, 51Q, Breaker Wear, Condition Monitoring (= Life Load, Drag Indicator)

**PE** - Protective Earth

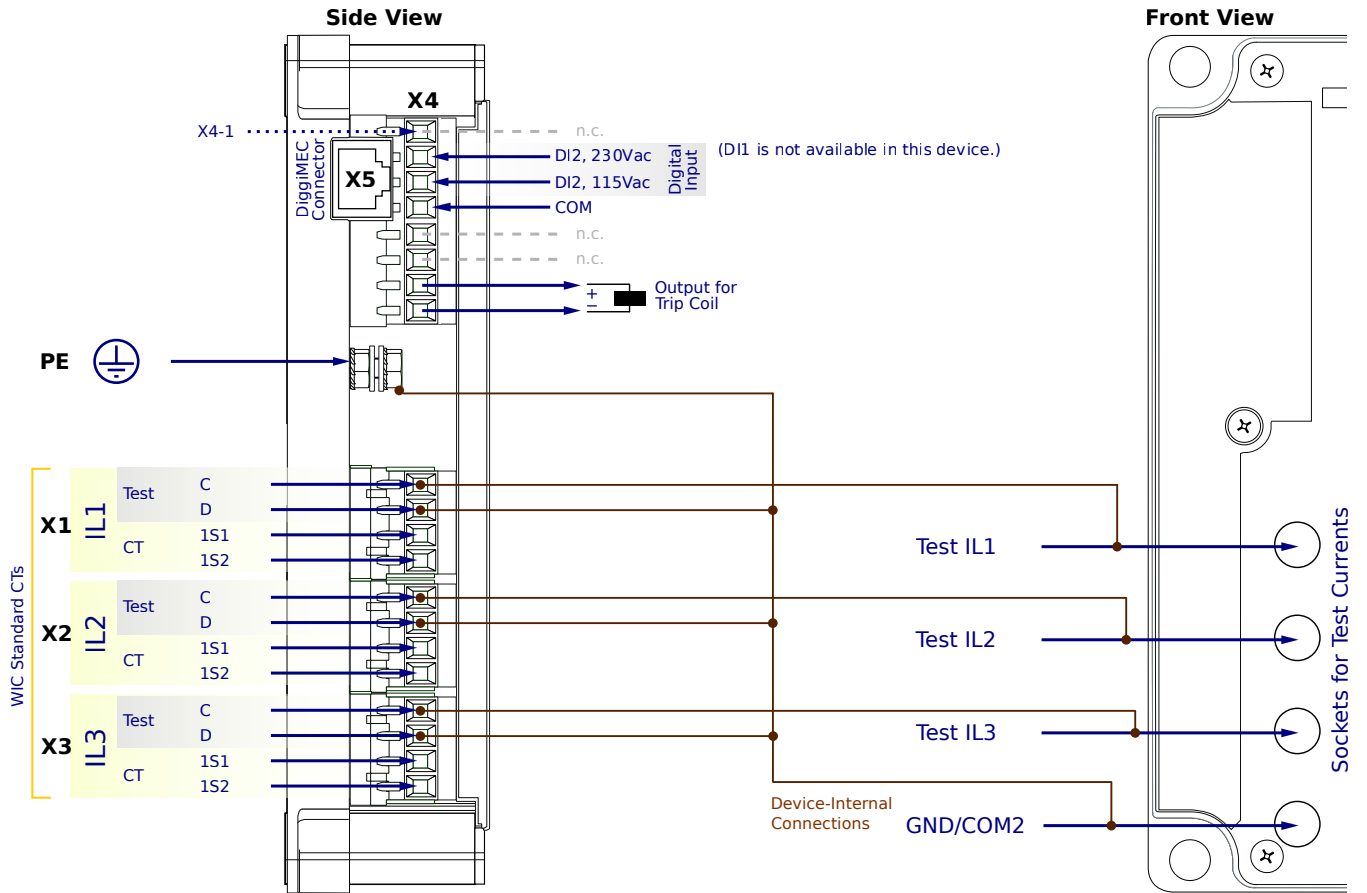
**X1...X3** - WIC CTs

**X4-2,3** - 1 assignable Digital Input DI2 (115Vac or 230Vac)

**X4-7,8** - Trip pulse output

**X5** - DiggiMEC-WIC1 connection. Use network cable CAT3 (or better). No crossover cable!

# WIC1-2SN5NC2PA



## CT-Powered Protection Device, configuration via DIP switches or DiggiMEC / Smart view

- Calculated earth current
- Nominal frequency is 50 Hz. (Setting to 60 Hz is possible via DiggiMEC/Smart view.)
- Trip at  $20 \cdot I_{n,max}$
- Package "A" + SOTF, CLPU, external protection, ultra-fast overcurrent protection

**PE** - Protective Earth

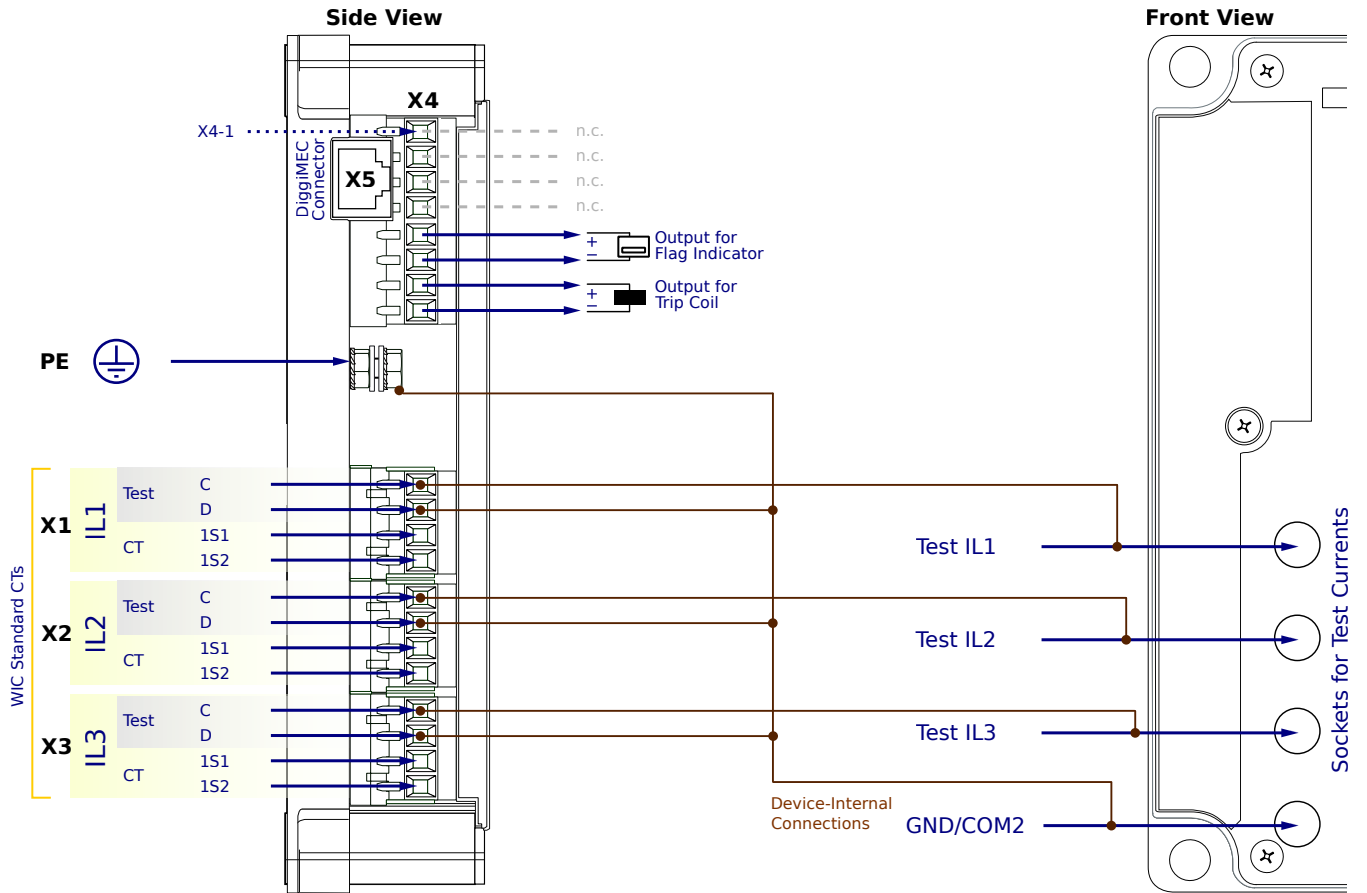
**X1...X3** - WIC CTs

**X4-2,3** - 1 assignable Digital Input DI2 (115Vac or 230Vac)

**X4-7,8** - Trip pulse output

**X5** - DiggiMEC-WIC1 connection. Use network cable CAT3 (or better). No crossover cable!

# WIC1-2SN5FN1SA



## CT-Powered Protection Device, configuration via DIP switches or DiggiMEC / Smart view

- Calculated earth current
- Nominal frequency is 50 Hz. (Setting to 60 Hz is possible via DiggiMEC/Smart view.)
- Backup protection operates directly
- ANSI 50, 50G/N, 51, 51G/N, inrush, 50BF, 74TC

**PE** - Protective Earth

**X1...X3** - WIC CTs

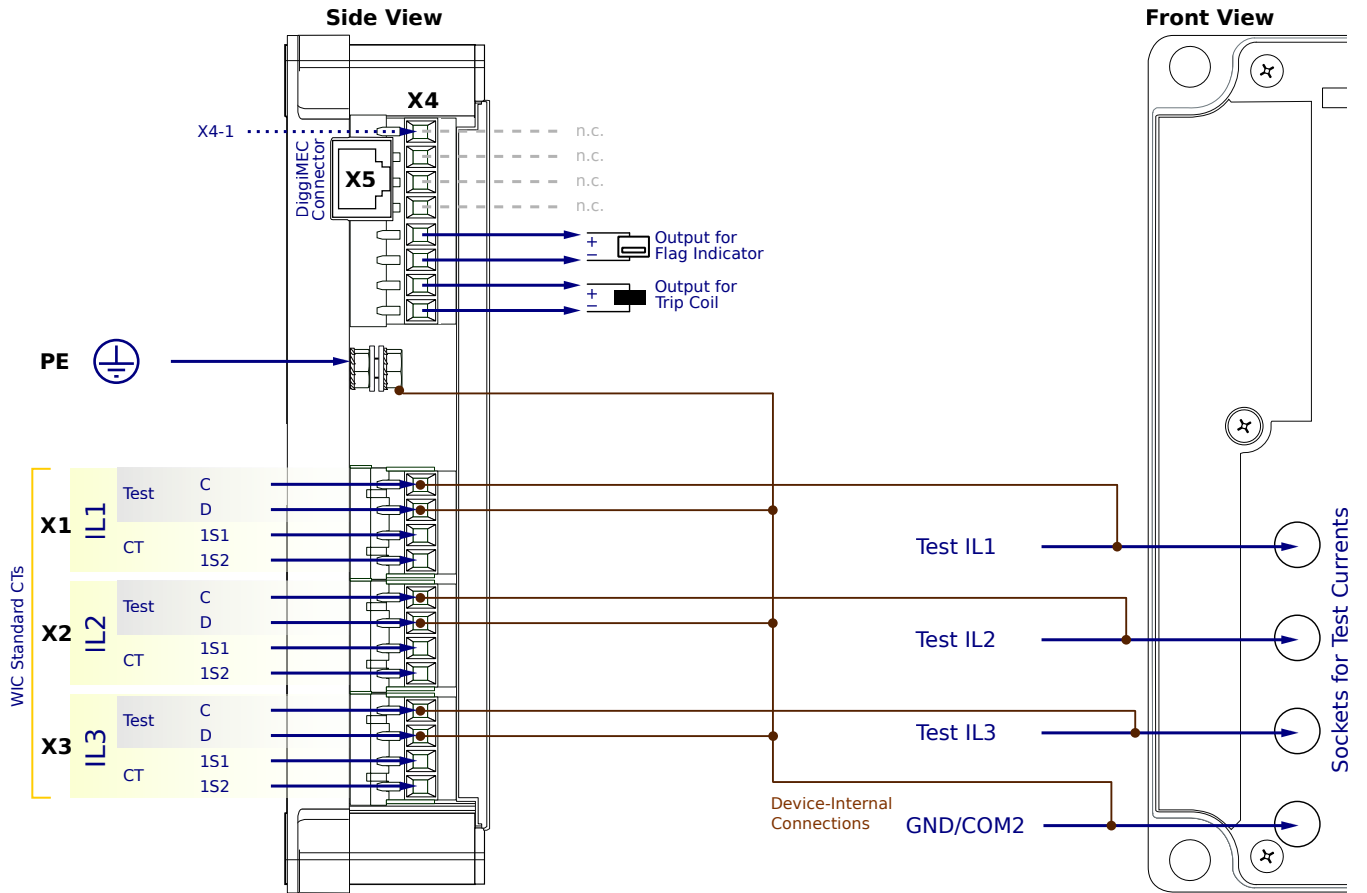
**X4-5,6** - Trip flag indicator

**X4-7,8** - Trip pulse output

**X5** - DiggiMEC-WIC1 connection. Use network cable CAT3 (or better). No crossover cable!



# WIC1-2SN5FN1AA



## CT-Powered Protection Device, configuration via DIP switches or DiggiMEC / Smart view

- Calculated earth current
- Nominal frequency is 50 Hz. (Setting to 60 Hz is possible via DiggiMEC/Smart view.)
- Backup protection operates directly
- Package "S" + ANSI 46, 49, 51Q, Breaker Wear, Condition Monitoring (= Life Load, Drag Indicator)

**PE** - Protective Earth

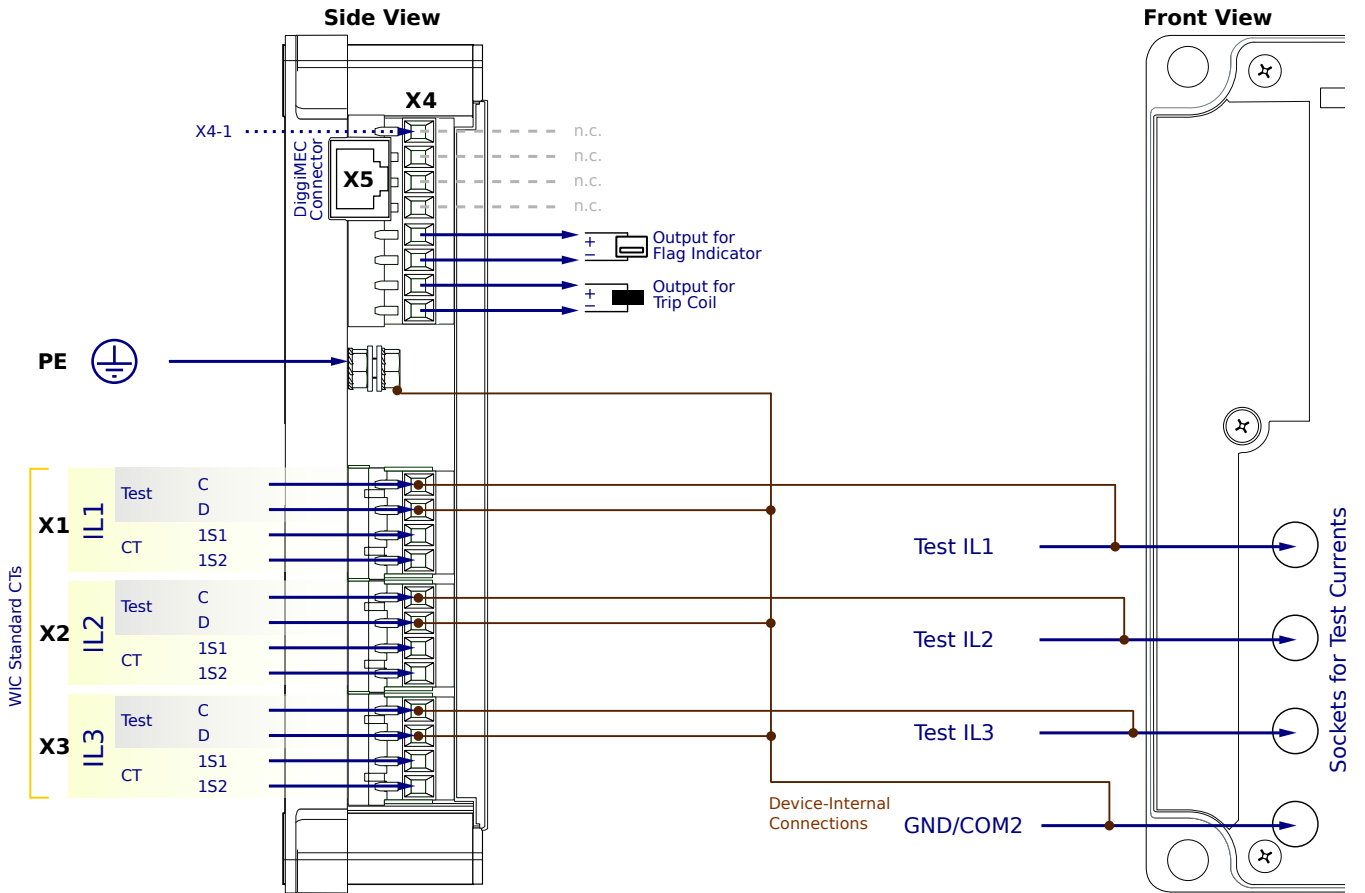
**X1...X3** - WIC CTs

**X4-5,6** - Trip flag indicator

**X4-7,8** - Trip pulse output

**X5** - DiggiMEC-WIC1 connection. Use network cable CAT3 (or better). No crossover cable!

# WIC1-2SN5FN1PA



## CT-Powered Protection Device, configuration via DIP switches or DiggiMEC / Smart view

- Calculated earth current
- Nominal frequency is 50 Hz. (Setting to 60 Hz is possible via DiggiMEC/Smart view.)
- Backup protection operates directly
- Package "A" + SOTF, CLPU, external protection, ultra-fast overcurrent protection

**PE** - Protective Earth

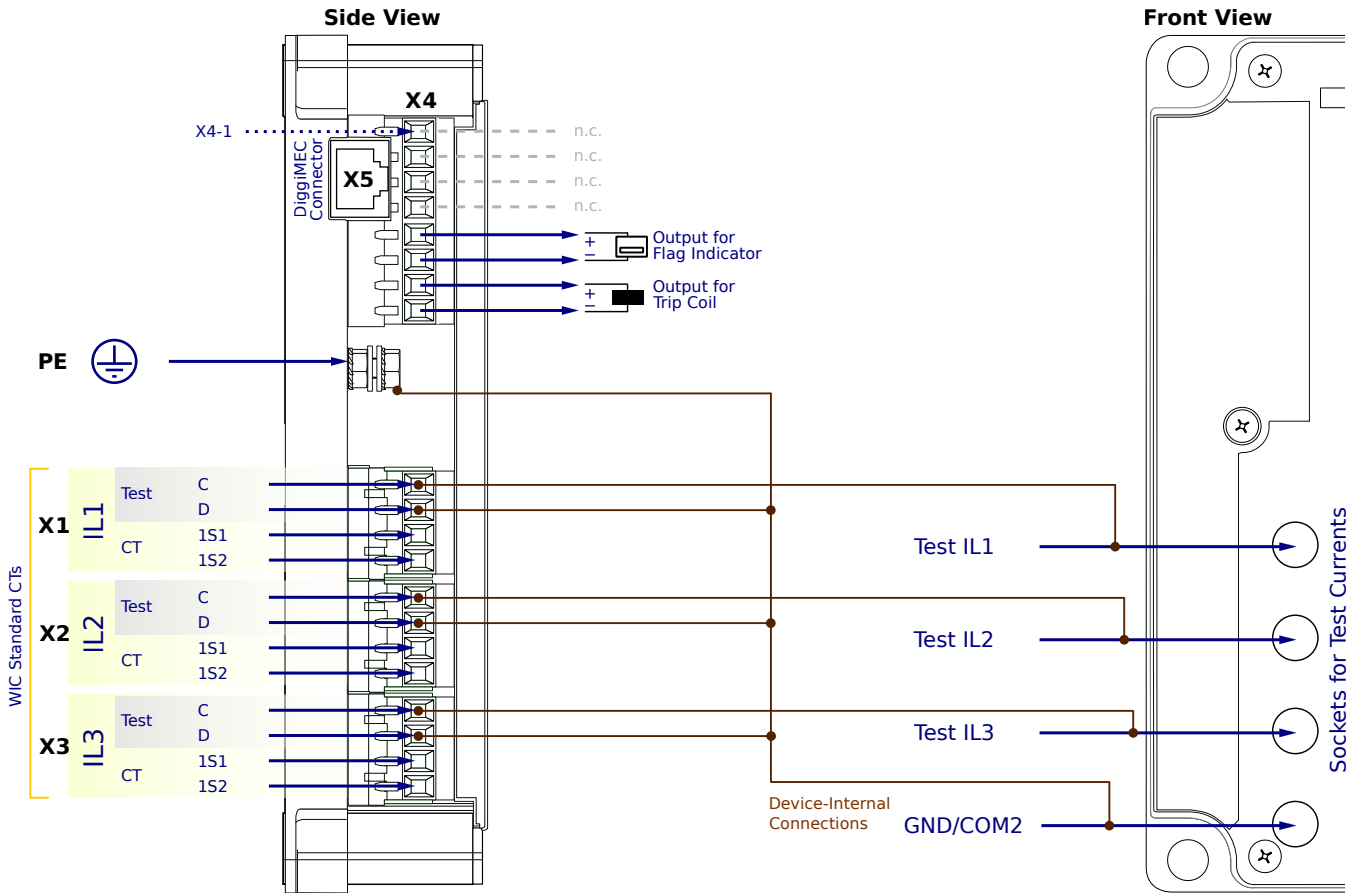
**X1...X3** - WIC CTs

**X4-5,6** - Trip flag indicator

**X4-7,8** - Trip pulse output

**X5** - DiggiMEC-WIC1 connection. Use network cable CAT3 (or better). No crossover cable!

# WIC1-2SN5FN2SA



## CT-Powered Protection Device, configuration via DIP switches or DiggiMEC / Smart view

- Calculated earth current
- Nominal frequency is 50 Hz. (Setting to 60 Hz is possible via DiggiMEC/Smart view.)
- Trip at  $20 \cdot I_{n,max}$
- ANSI 50, 50G/N, 51, 51G/N, inrush, 50BF, 74TC

**PE** - Protective Earth

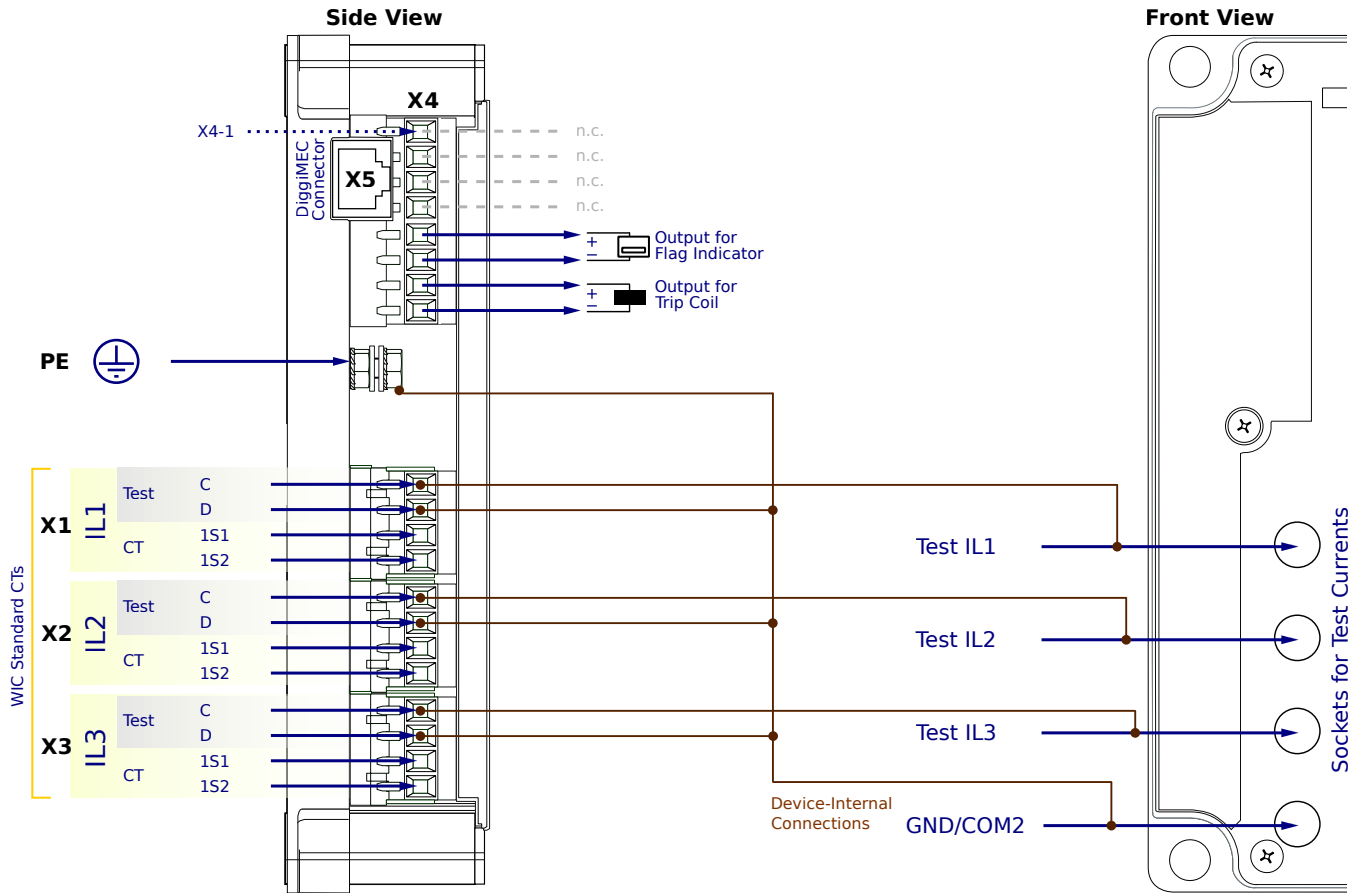
**X1...X3** - WIC CTs

**X4-5,6** - Trip flag indicator

**X4-7,8** - Trip pulse output

**X5** - DiggiMEC-WIC1 connection. Use network cable CAT3 (or better). No crossover cable!

# WIC1-2SN5FN2AA



## CT-Powered Protection Device, configuration via DIP switches or DiggiMEC / Smart view

- Calculated earth current
- Nominal frequency is 50 Hz. (Setting to 60 Hz is possible via DiggiMEC/Smart view.)
- Trip at  $20 \cdot I_{n,max}$
- Package "S" + ANSI 46, 49, 51Q, Breaker Wear, Condition Monitoring (= Life Load, Drag Indicator)

**PE** - Protective Earth

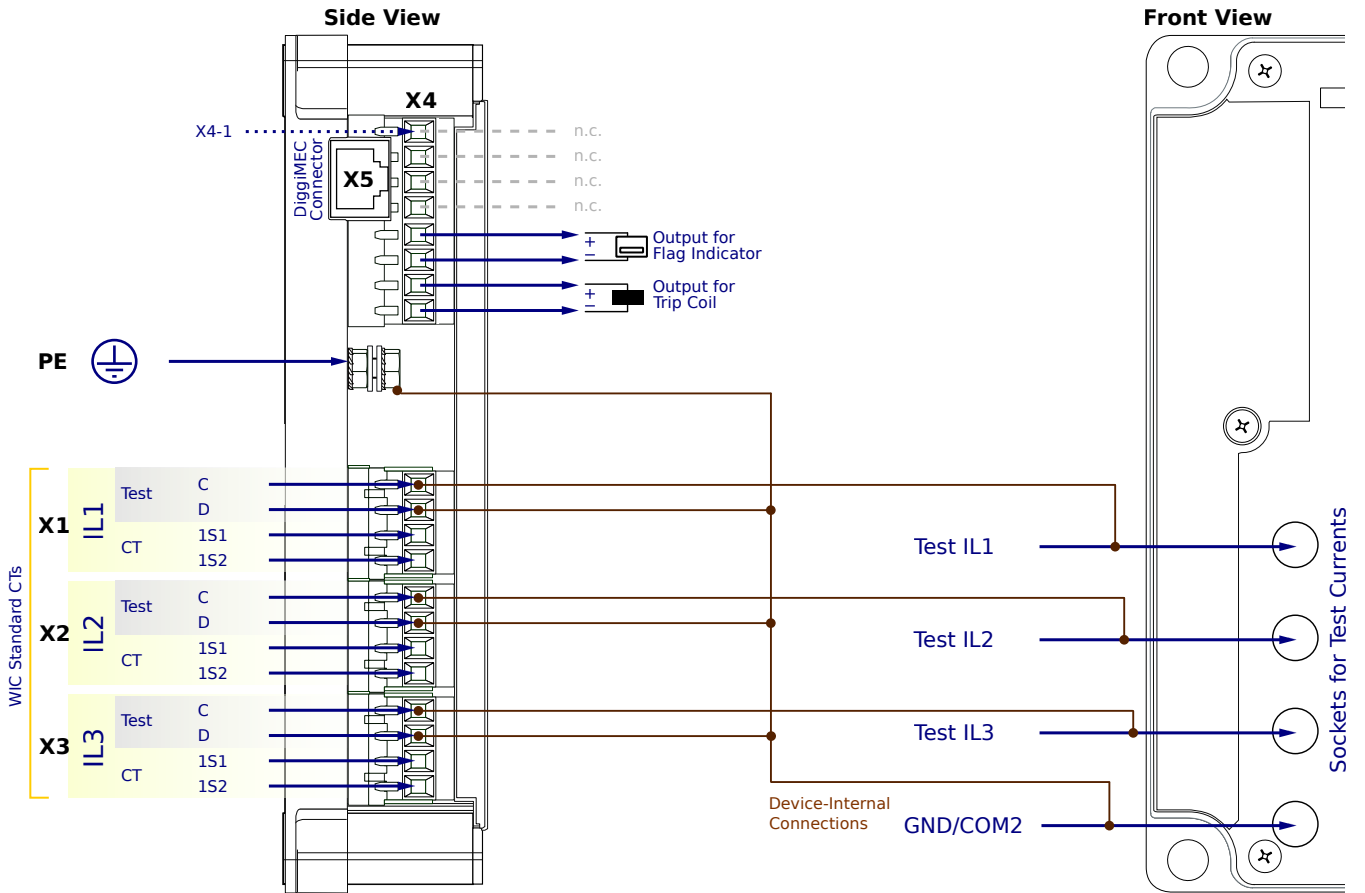
**X1...X3** - WIC CTs

**X4-5,6** - Trip flag indicator

**X4-7,8** - Trip pulse output

**X5** - DiggiMEC-WIC1 connection. Use network cable CAT3 (or better). No crossover cable!

# WIC1-2SN5FN2PA



## CT-Powered Protection Device, configuration via DIP switches or DiggiMEC / Smart view

- Calculated earth current
- Nominal frequency is 50 Hz. (Setting to 60 Hz is possible via DiggiMEC/Smart view.)
- Trip at  $20 \cdot I_{n,max}$
- Package "A" + SOTF, CLPU, external protection, ultra-fast overcurrent protection

**PE** - Protective Earth

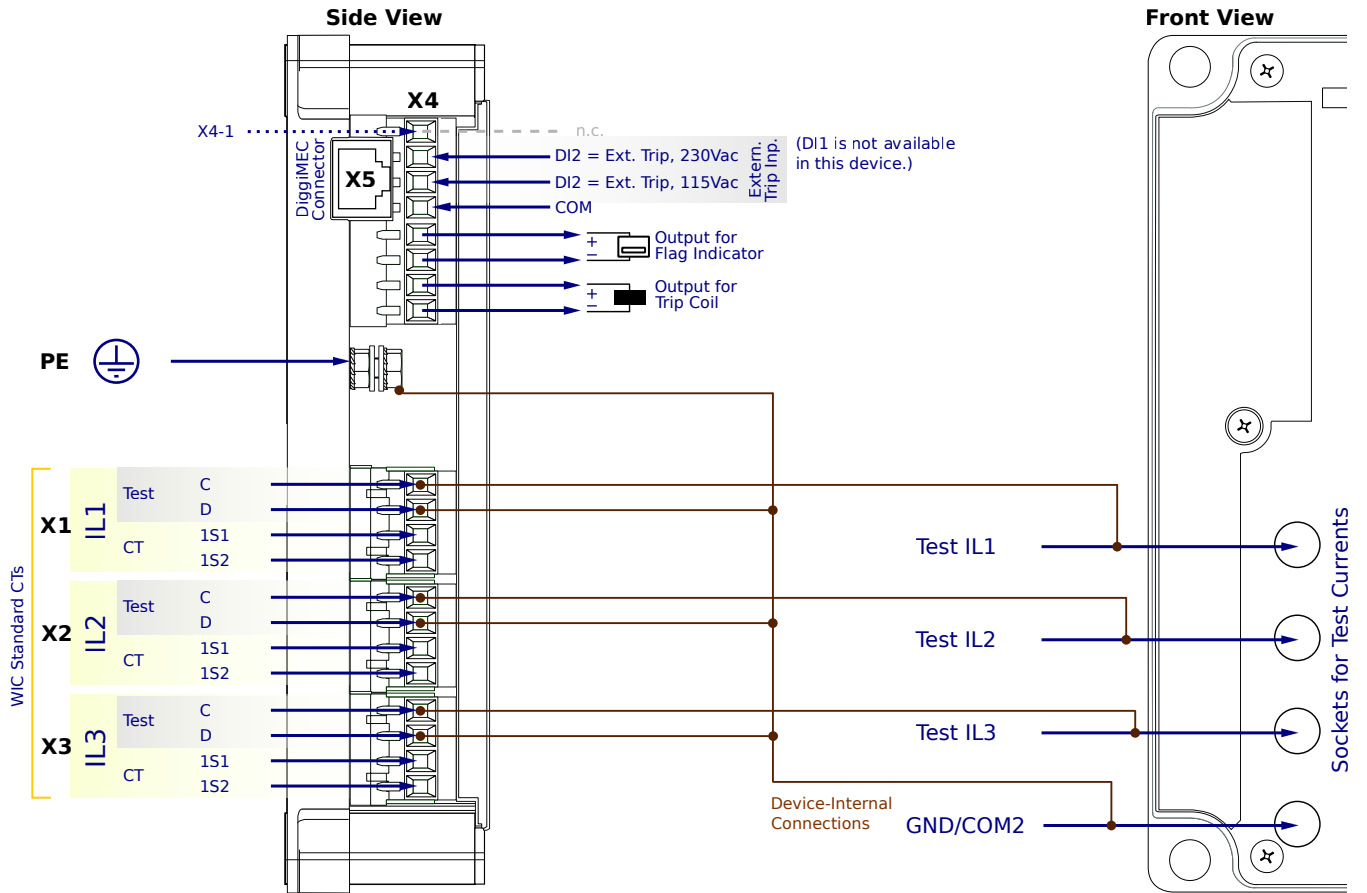
**X1...X3** - WIC CTs

**X4-5,6** - Trip flag indicator

**X4-7,8** - Trip pulse output

**X5** - DiggiMEC-WIC1 connection. Use network cable CAT3 (or better). No crossover cable!

# WIC1-2SN5FF1SA



## CT-Powered Protection Device, configuration via DIP switches or DiggiMEC / Smart view

- Calculated earth current
- Nominal frequency is 50 Hz. (Setting to 60 Hz is possible via DiggiMEC/Smart view.)
- Backup protection operates directly
- ANSI 50, 50G/N, 51, 51G/N, inrush, 50BF, 74TC

**PE** - Protective Earth

**X1...X3** - WIC CTs

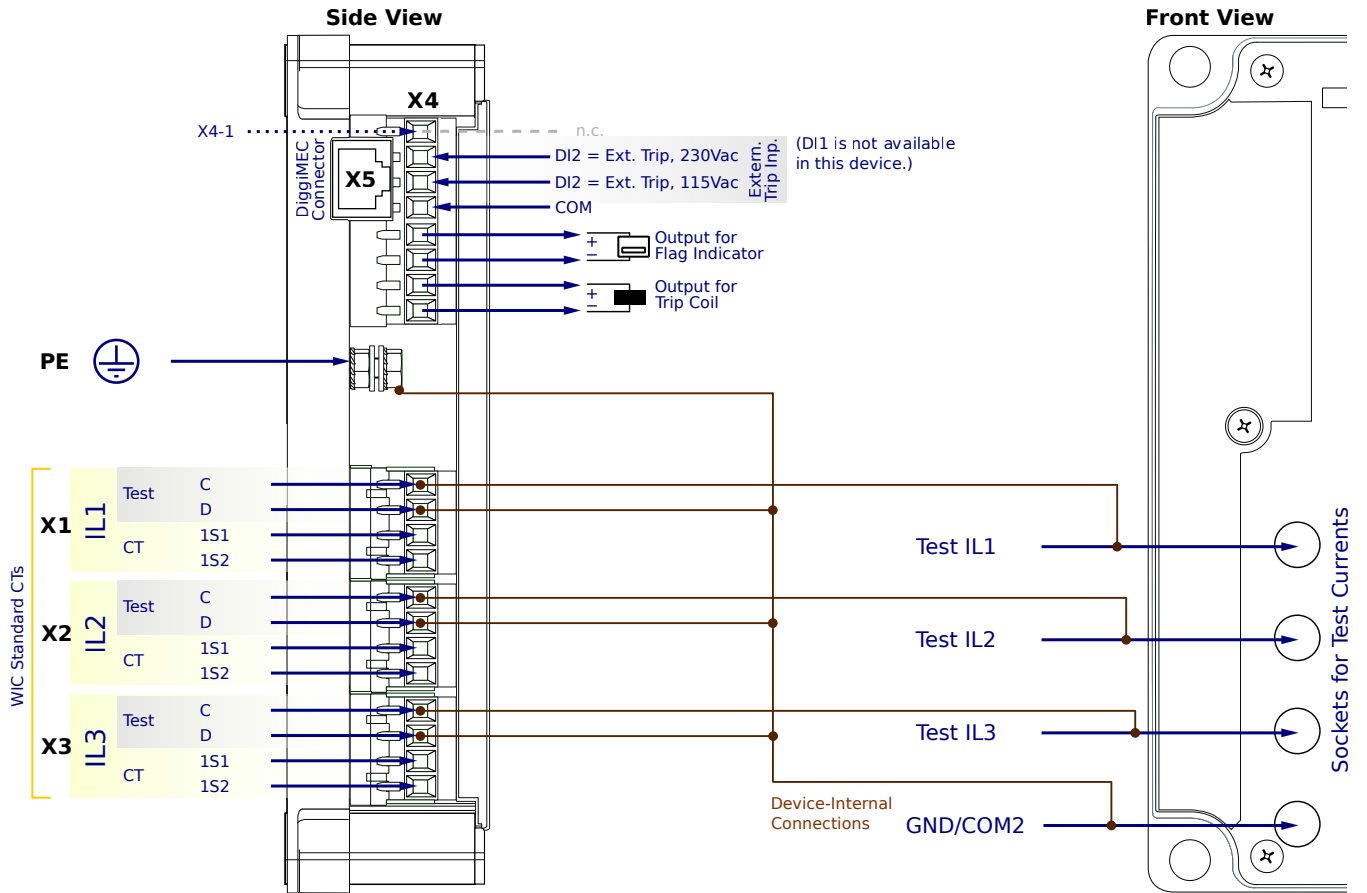
**X4-2,3** - DI2, fixed to External trip input (115Vac or 230Vac)

**X4-5,6** - Trip flag indicator

**X4-7,8** - Trip pulse output

**X5** - DiggiMEC-WIC1 connection. Use network cable CAT3 (or better). No crossover cable!

# WIC1-2SN5FF1AA



## CT-Powered Protection Device, configuration via DIP switches or DiggiMEC / Smart view

- Calculated earth current
- Nominal frequency is 50 Hz. (Setting to 60 Hz is possible via DiggiMEC/Smart view.)
- Backup protection operates directly
- Package "S" + ANSI 46, 49, 51Q, Breaker Wear, Condition Monitoring (= Life Load, Drag Indicator)

**PE** - Protective Earth

**X1...X3** - WIC CTs

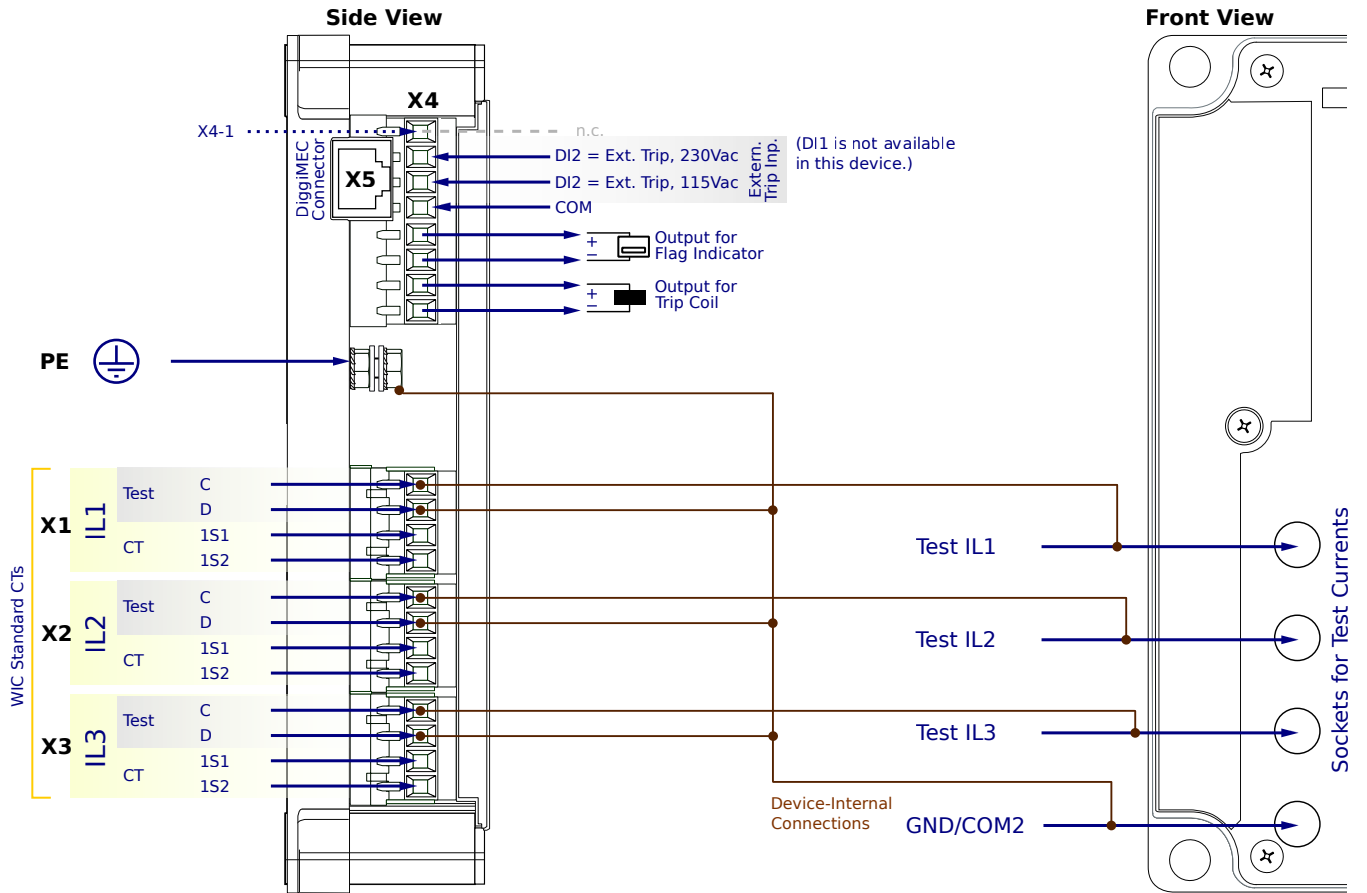
**X4-2,3** - DI2, fixed to External trip input (115Vac or 230Vac)

**X4-5,6** - Trip flag indicator

**X4-7,8** - Trip pulse output

**X5** - DiggiMEC-WIC1 connection. Use network cable CAT3 (or better). No crossover cable!

# WIC1-2SN5FF1PA



## CT-Powered Protection Device, configuration via DIP switches or DiggiMEC / Smart view

- Calculated earth current
- Nominal frequency is 50 Hz. (Setting to 60 Hz is possible via DiggiMEC/Smart view.)
- Backup protection operates directly
- Package "A" + SOTF, CLPU, external protection, ultra-fast overcurrent protection

**PE** - Protective Earth

**X1...X3** - WIC CTs

**X4-2,3** - DI2, fixed to External trip input (115Vac or 230Vac)

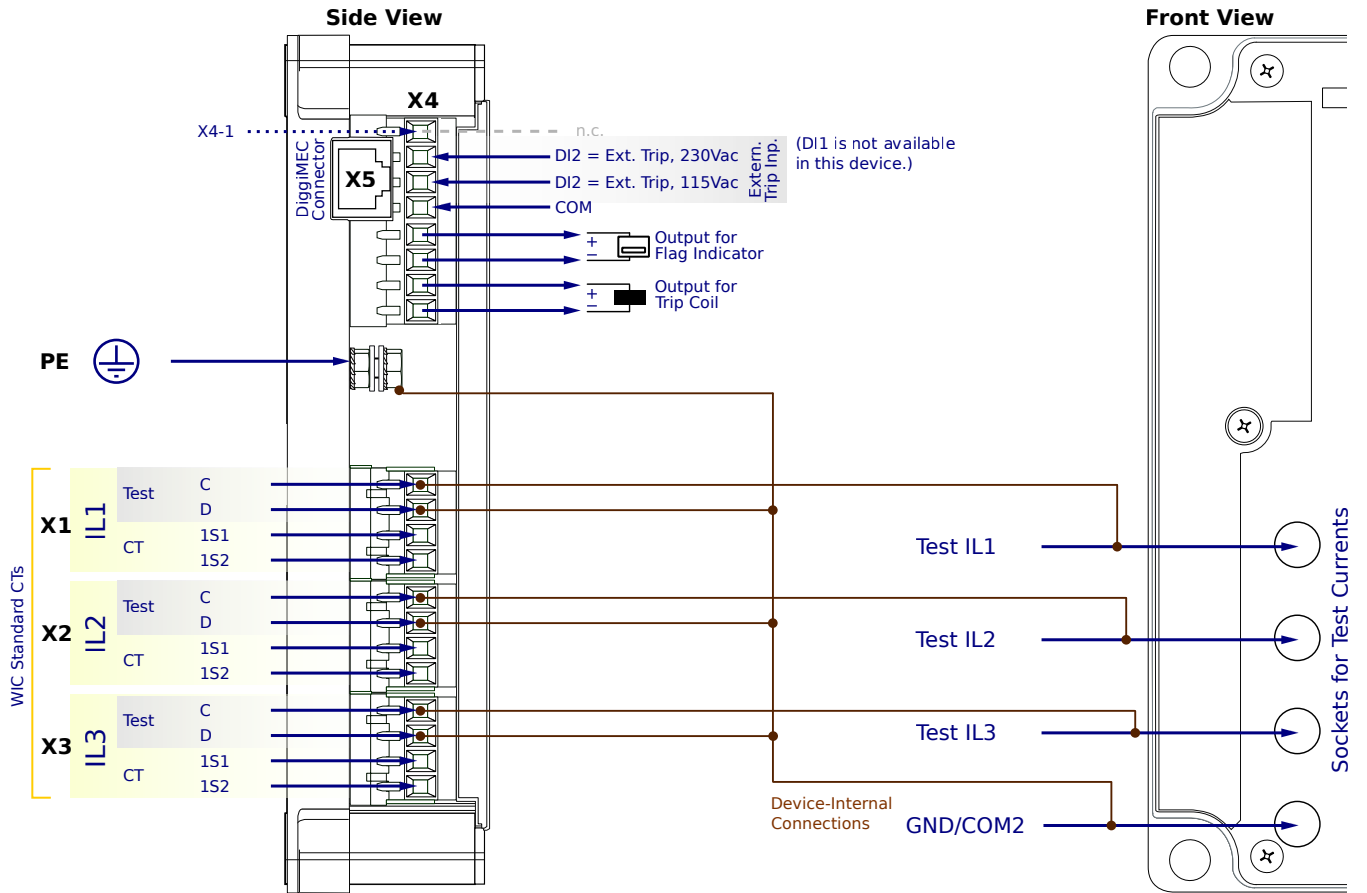
**X4-5,6** - Trip flag indicator

**X4-7,8** - Trip pulse output

**X5** - DiggiMEC-WIC1 connection. Use network cable CAT3 (or better). No crossover cable!



# WIC1-2SN5FF2SA



## CT-Powered Protection Device, configuration via DIP switches or DiggiMEC / Smart view

- Calculated earth current
- Nominal frequency is 50 Hz. (Setting to 60 Hz is possible via DiggiMEC/Smart view.)
- Trip at  $20 \cdot I_{n,max}$
- ANSI 50, 50G/N, 51, 51G/N, inrush, 50BF, 74TC

**PE** - Protective Earth

**X1...X3** - WIC CTs

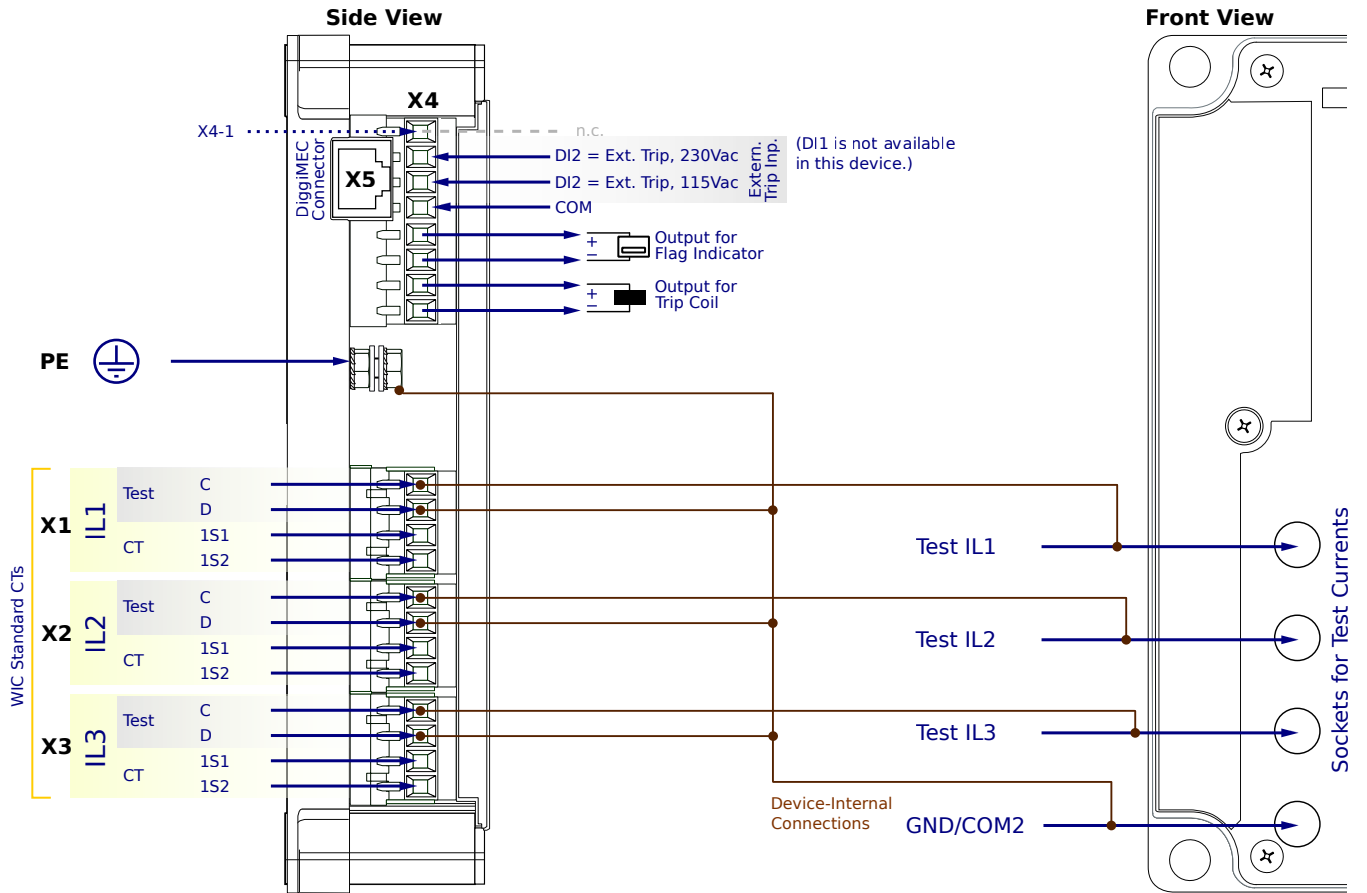
**X4-2,3** - DI2, fixed to External trip input (115Vac or 230Vac)

**X4-5,6** - Trip flag indicator

**X4-7,8** - Trip pulse output

**X5** - DiggiMEC-WIC1 connection. Use network cable CAT3 (or better). No crossover cable!

# WIC1-2SN5FF2AA



## CT-Powered Protection Device, configuration via DIP switches or DiggiMEC / Smart view

- Calculated earth current
- Nominal frequency is 50 Hz. (Setting to 60 Hz is possible via DiggiMEC/Smart view.)
- Trip at  $20 \cdot I_{n,max}$
- Package "S" + ANSI 46, 49, 51Q, Breaker Wear, Condition Monitoring (= Life Load, Drag Indicator)

**PE** - Protective Earth

**X1...X3** - WIC CTs

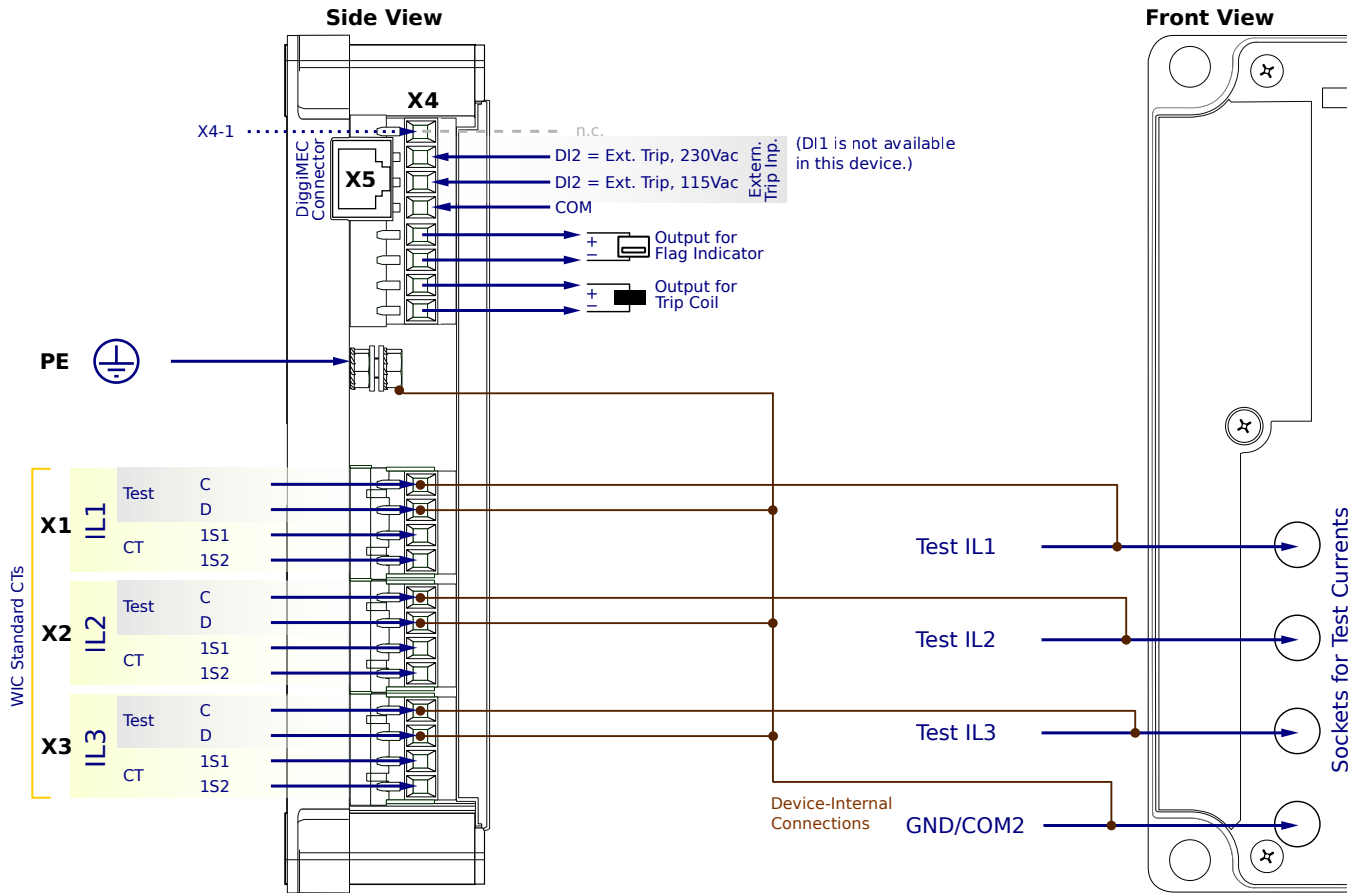
**X4-2,3** - DI2, fixed to External trip input (115Vac or 230Vac)

**X4-5,6** - Trip flag indicator

**X4-7,8** - Trip pulse output

**X5** - DiggiMEC-WIC1 connection. Use network cable CAT3 (or better). No crossover cable!

# WIC1-2SN5FF2PA



## CT-Powered Protection Device, configuration via DIP switches or DiggiMEC / Smart view

- Calculated earth current
- Nominal frequency is 50 Hz. (Setting to 60 Hz is possible via DiggiMEC/Smart view.)
- Trip at  $20 \cdot I_{n,max}$
- Package "A" + SOTF, CLPU, external protection, ultra-fast overcurrent protection

**PE** - Protective Earth

**X1...X3** - WIC CTs

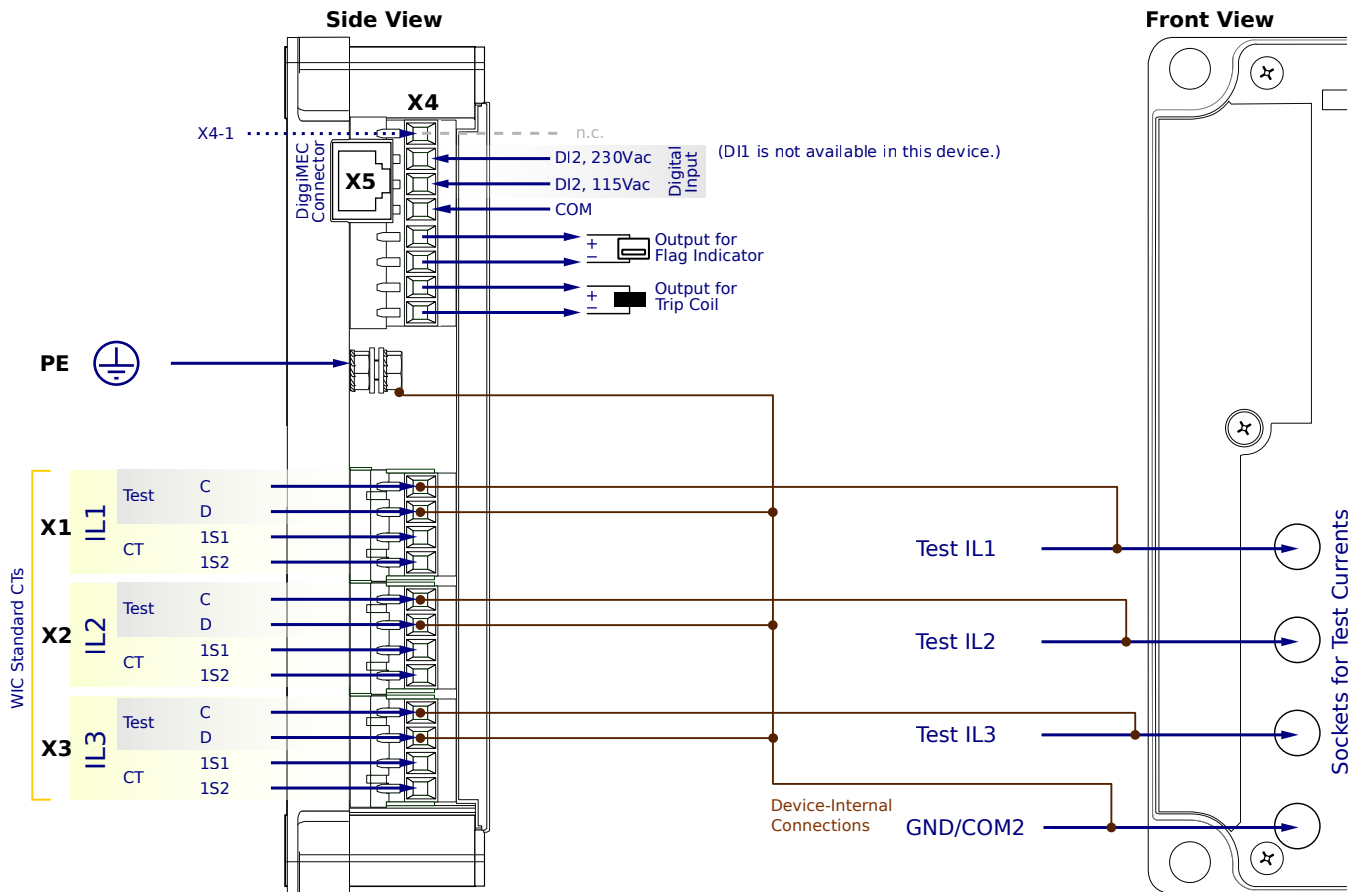
**X4-2,3** - DI2, fixed to External trip input (115Vac or 230Vac)

**X4-5,6** - Trip flag indicator

**X4-7,8** - Trip pulse output

**X5** - DiggiMEC-WIC1 connection. Use network cable CAT3 (or better). No crossover cable!

# WIC1-2SN5FC1SA



## CT-Powered Protection Device, configuration via DIP switches or DiggiMEC / Smart view

- Calculated earth current
- Nominal frequency is 50 Hz. (Setting to 60 Hz is possible via DiggiMEC/Smart view.)
- Backup protection operates directly
- ANSI 50, 50G/N, 51, 51G/N, inrush, 50BF, 74TC

**PE** - Protective Earth

**X1...X3** - WIC CTs

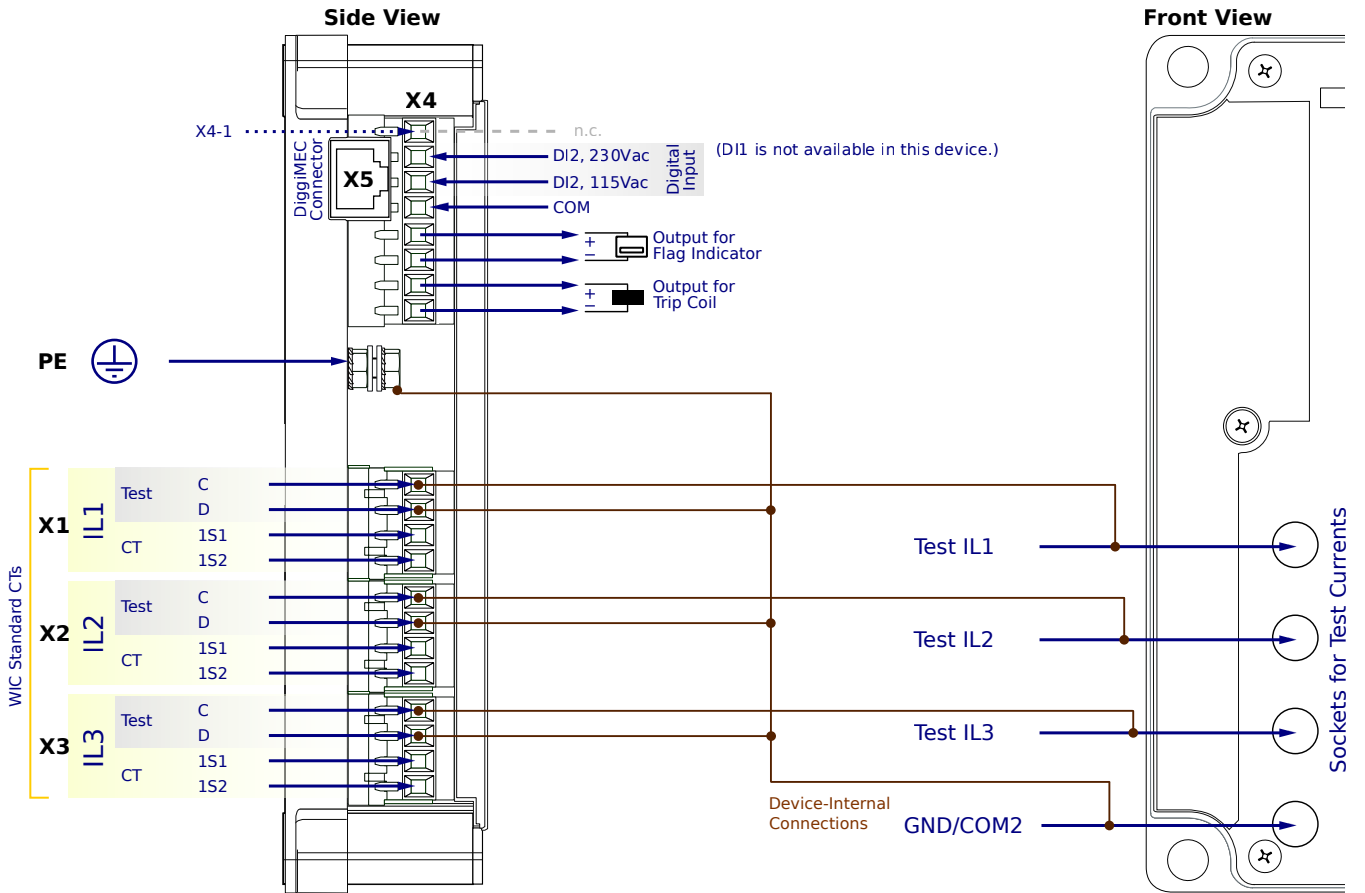
**X4-2,3** - 1 assignable Digital Input DI2 (115Vac or 230Vac)

**X4-5,6** - Trip flag indicator

**X4-7,8** - Trip pulse output

**X5** - DiggiMEC-WIC1 connection. Use network cable CAT3 (or better). No crossover cable!

# WIC1-2SN5FC1AA



## CT-Powered Protection Device, configuration via DIP switches or DiggiMEC / Smart view

- Calculated earth current
- Nominal frequency is 50 Hz. (Setting to 60 Hz is possible via DiggiMEC/Smart view.)
- Backup protection operates directly
- Package "S" + ANSI 46, 49, 51Q, Breaker Wear, Condition Monitoring (= Life Load, Drag Indicator)

**PE** - Protective Earth

**X1...X3** - WIC CTs

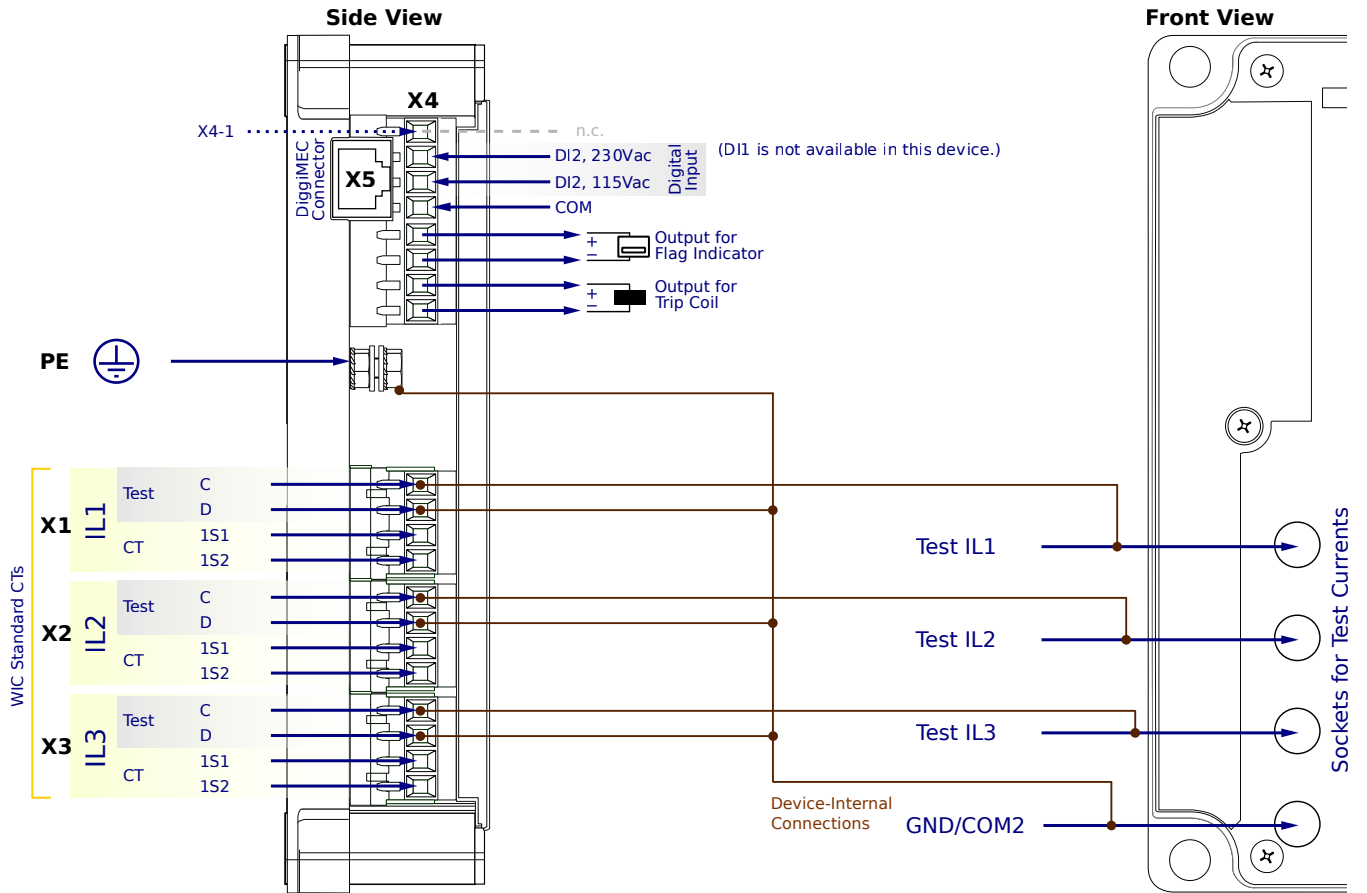
**X4-2,3** - 1 assignable Digital Input DI2 (115Vac or 230Vac)

**X4-5,6** - Trip flag indicator

**X4-7,8** - Trip pulse output

**X5** - DiggiMEC-WIC1 connection. Use network cable CAT3 (or better). No crossover cable!

# WIC1-2SN5FC1PA



## CT-Powered Protection Device, configuration via DIP switches or DiggiMEC / Smart view

- Calculated earth current
- Nominal frequency is 50 Hz. (Setting to 60 Hz is possible via DiggiMEC/Smart view.)
- Backup protection operates directly
- Package "A" + SOTF, CLPU, external protection, ultra-fast overcurrent protection

**PE** - Protective Earth

**X1...X3** - WIC CTs

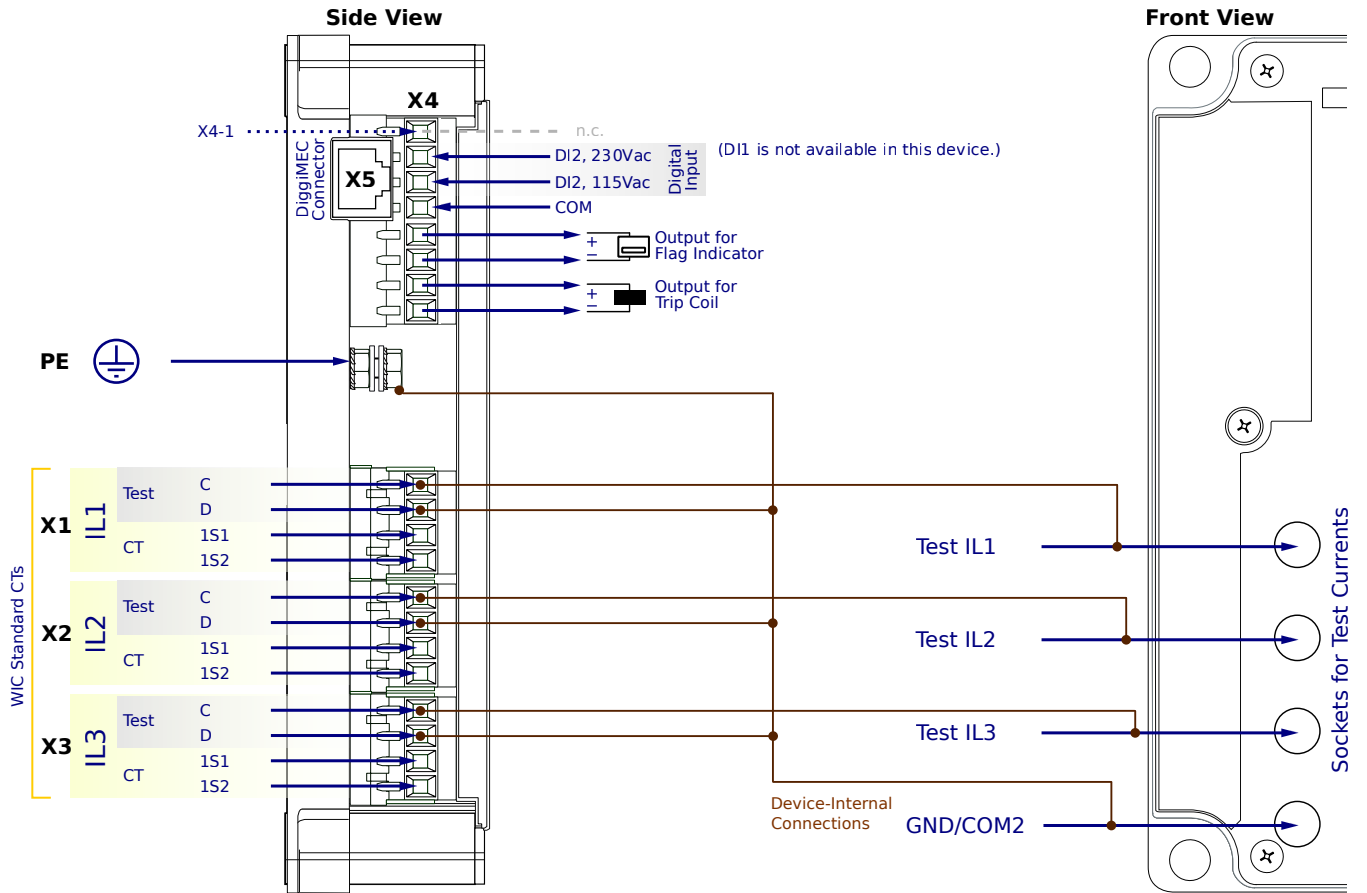
**X4-2,3** - 1 assignable Digital Input DI2 (115Vac or 230Vac)

**X4-5,6** - Trip flag indicator

**X4-7,8** - Trip pulse output

**X5** - DiggiMEC-WIC1 connection. Use network cable CAT3 (or better). No crossover cable!

# WIC1-2SN5FC2SA



## CT-Powered Protection Device, configuration via DIP switches or DiggiMEC / Smart view

- Calculated earth current
- Nominal frequency is 50 Hz. (Setting to 60 Hz is possible via DiggiMEC/Smart view.)
- Trip at  $20 \cdot I_{n,max}$
- ANSI 50, 50G/N, 51, 51G/N, inrush, 50BF, 74TC

**PE** - Protective Earth

**X1...X3** - WIC CTs

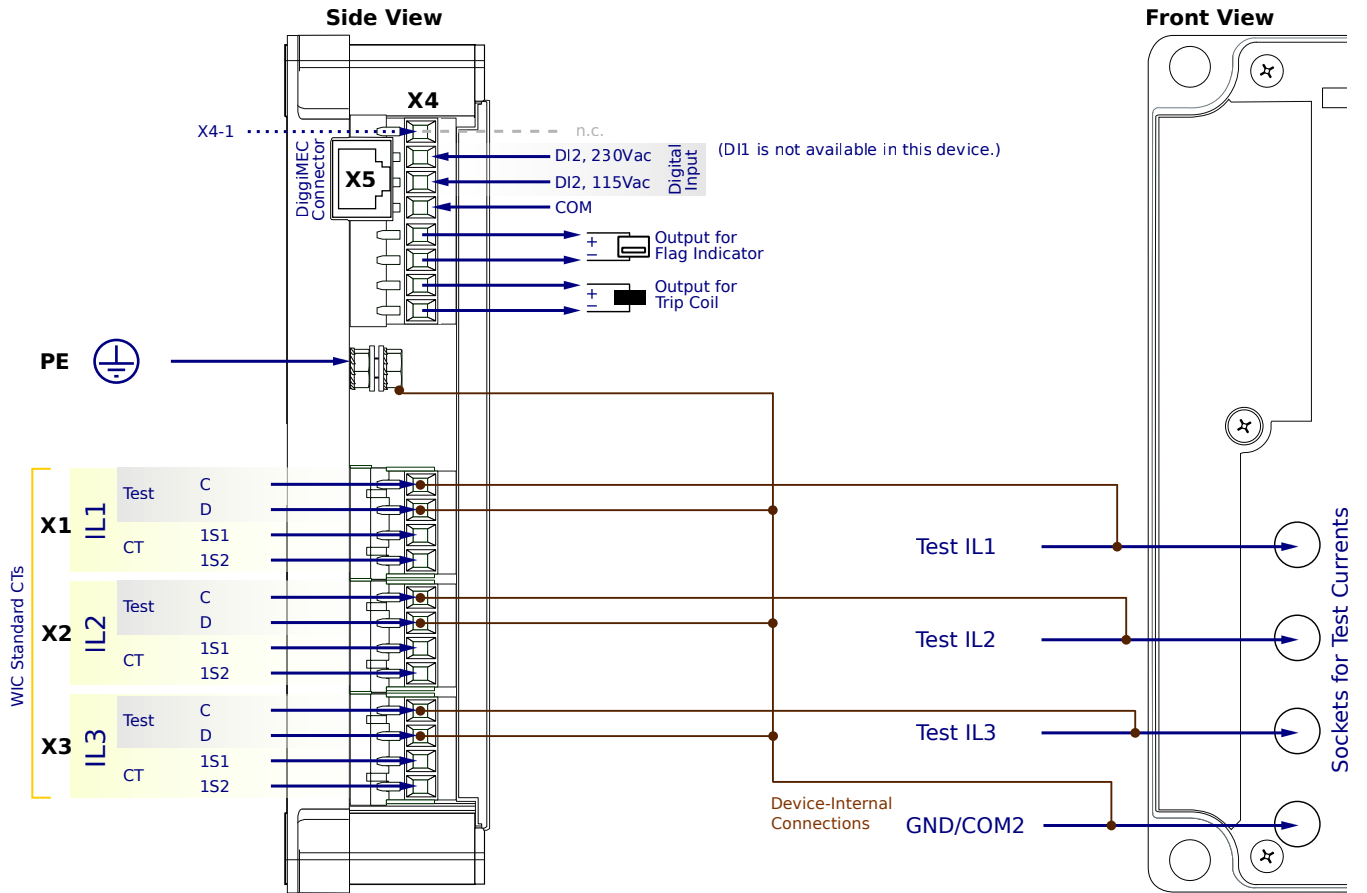
**X4-2,3** - 1 assignable Digital Input DI2 (115Vac or 230Vac)

**X4-5,6** - Trip flag indicator

**X4-7,8** - Trip pulse output

**X5** - DiggiMEC-WIC1 connection. Use network cable CAT3 (or better). No crossover cable!

# WIC1-2SN5FC2AA



## CT-Powered Protection Device, configuration via DIP switches or DiggiMEC / Smart view

- Calculated earth current
- Nominal frequency is 50 Hz. (Setting to 60 Hz is possible via DiggiMEC/Smart view.)
- Trip at  $20 \cdot I_{n,max}$
- Package "S" + ANSI 46, 49, 51Q, Breaker Wear, Condition Monitoring (= Life Load, Drag Indicator)

**PE** - Protective Earth

**X1...X3** - WIC CTs

**X4-2,3** - 1 assignable Digital Input DI2 (115Vac or 230Vac)

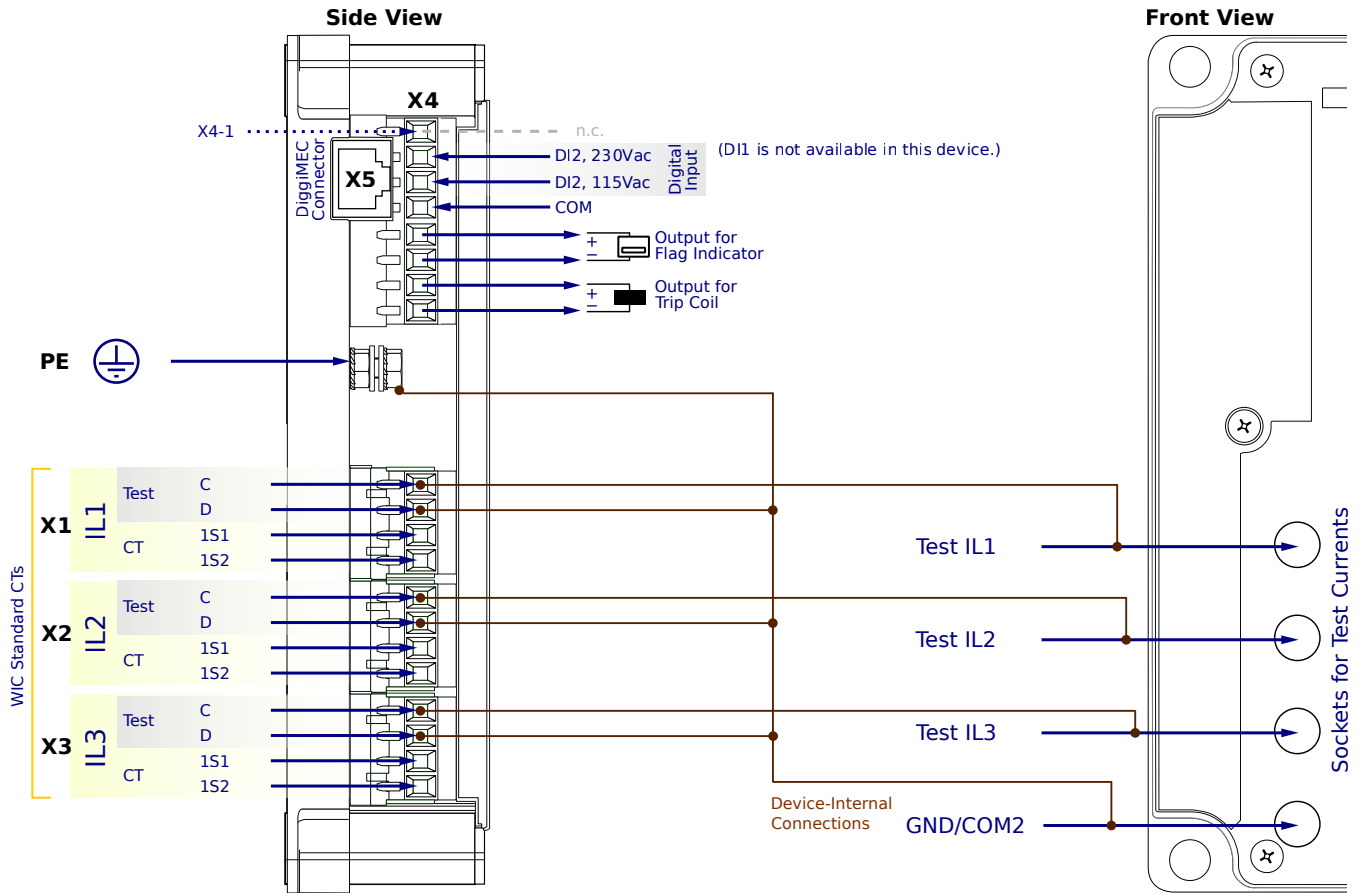
**X4-5,6** - Trip flag indicator

**X4-7,8** - Trip pulse output

**X5** - DiggiMEC-WIC1 connection. Use network cable CAT3 (or better). No crossover cable!



# WIC1-2SN5FC2PA



## CT-Powered Protection Device, configuration via DIP switches or DiggiMEC / Smart view

- Calculated earth current
- Nominal frequency is 50 Hz. (Setting to 60 Hz is possible via DiggiMEC/Smart view.)
- Trip at  $20 \cdot I_{n,max}$
- Package "A" + SOTF, CLPU, external protection, ultra-fast overcurrent protection

**PE** - Protective Earth

**X1...X3** - WIC CTs

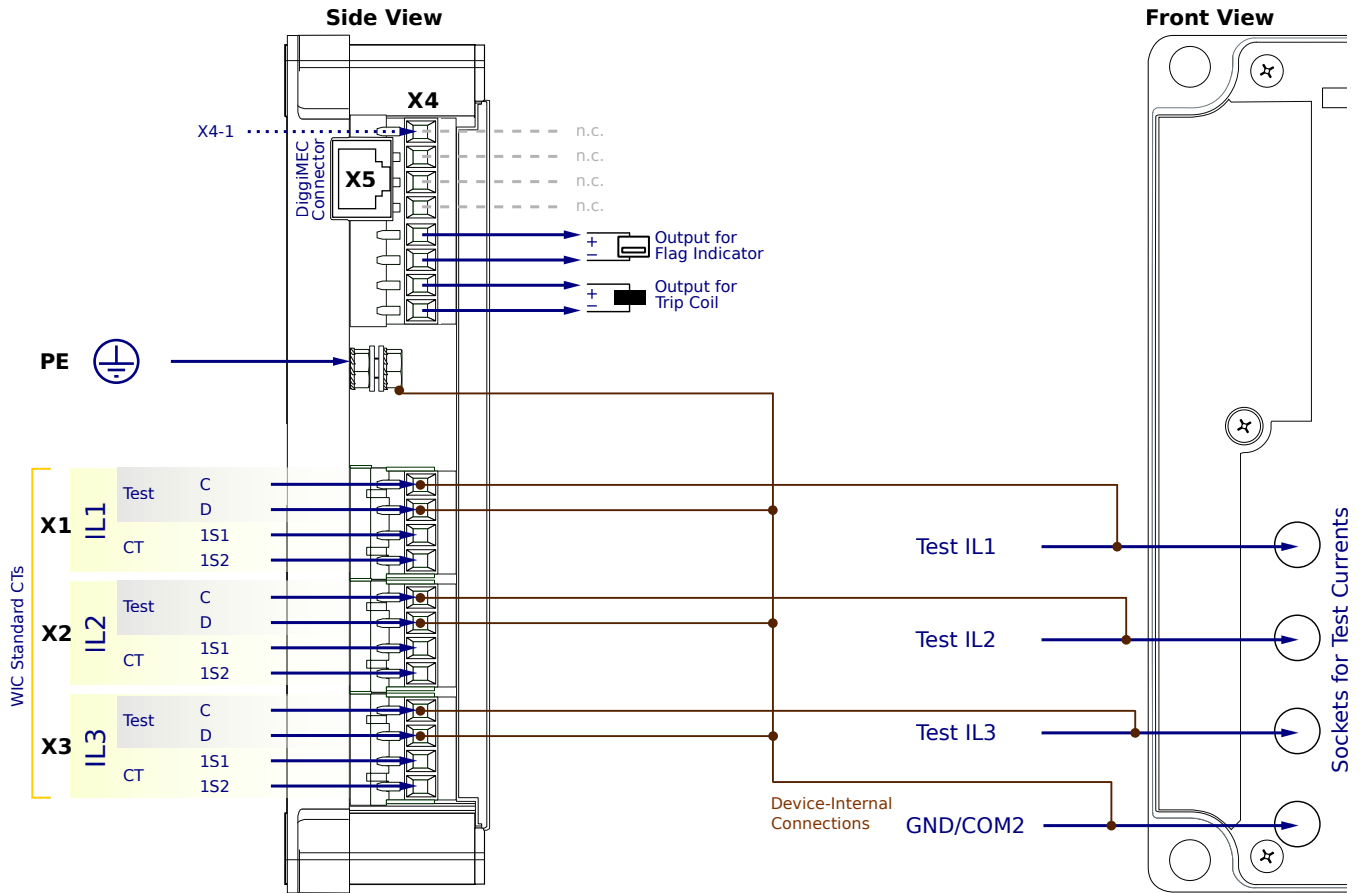
**X4-2,3** - 1 assignable Digital Input DI2 (115Vac or 230Vac)

**X4-5,6** - Trip flag indicator

**X4-7,8** - Trip pulse output

**X5** - DiggiMEC-WIC1 connection. Use network cable CAT3 (or better). No crossover cable!

# WIC1-2SN5CN1SA



## CT-Powered Protection Device, configuration via DIP switches or DiggiMEC / Smart view

- Calculated earth current
- Nominal frequency is 50 Hz. (Setting to 60 Hz is possible via DiggiMEC/Smart view.)
- Backup protection operates directly
- ANSI 50, 50G/N, 51, 51G/N, inrush, 50BF, 74TC

**PE** - Protective Earth

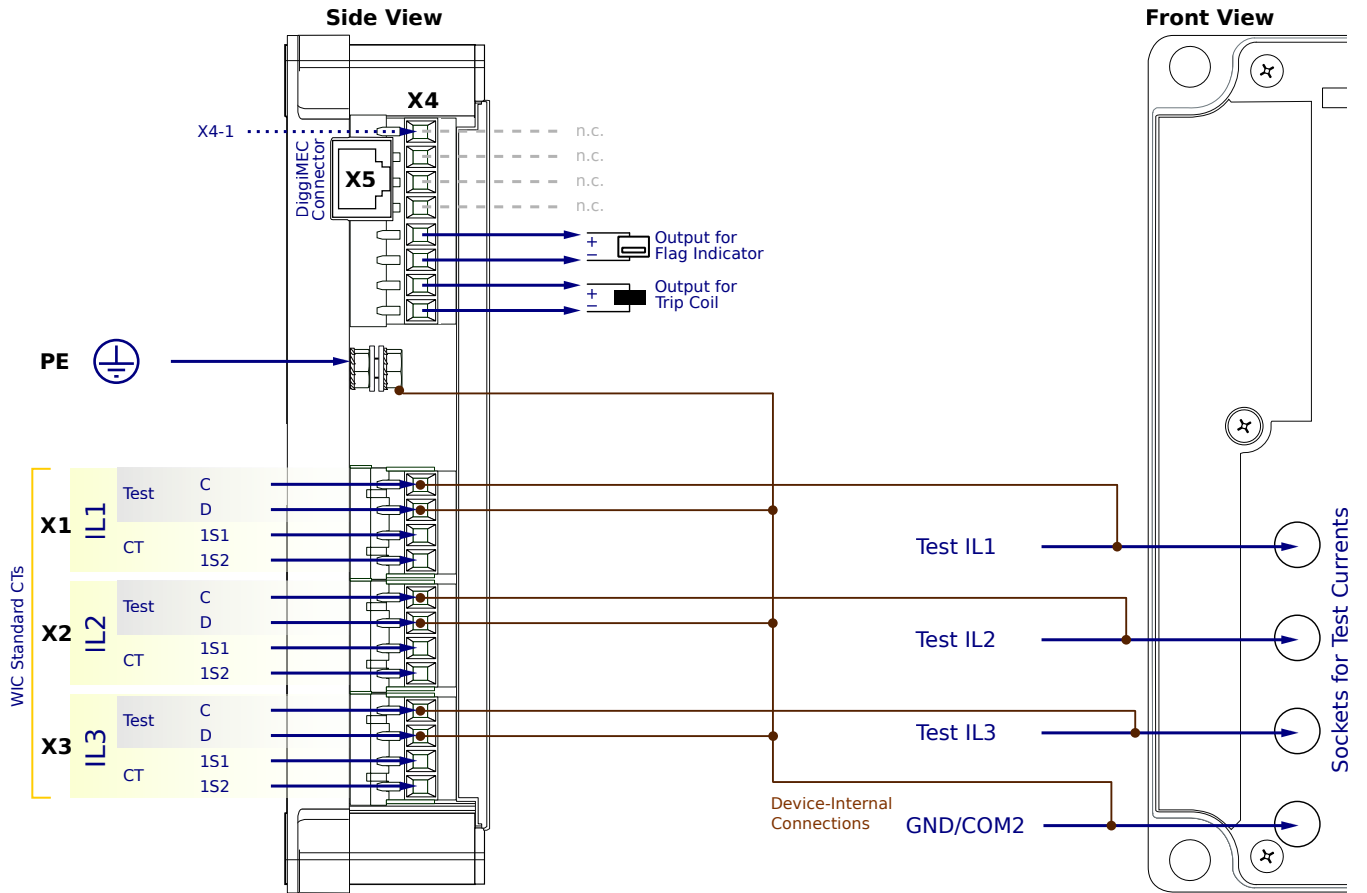
**X1...X3** - WIC CTs

**X4-5,6** - Assignable flag indicator

**X4-7,8** - Trip pulse output

**X5** - DiggiMEC-WIC1 connection. Use network cable CAT3 (or better). No crossover cable!

# WIC1-2SN5CN1AA



## CT-Powered Protection Device, configuration via DIP switches or DiggiMEC / Smart view

- Calculated earth current
- Nominal frequency is 50 Hz. (Setting to 60 Hz is possible via DiggiMEC/Smart view.)
- Backup protection operates directly
- Package "S" + ANSI 46, 49, 51Q, Breaker Wear, Condition Monitoring (= Life Load, Drag Indicator)

**PE** - Protective Earth

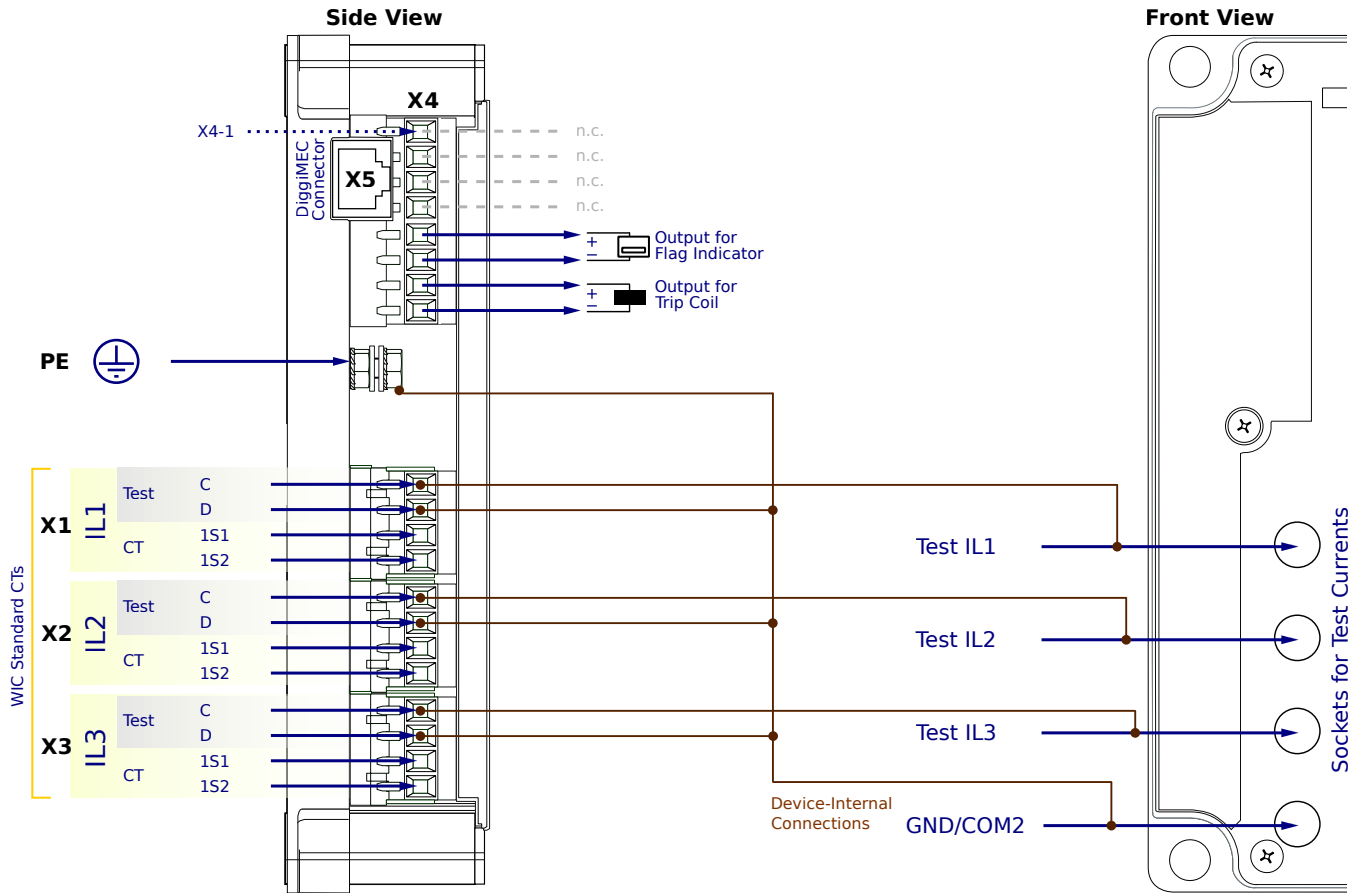
**X1...X3** - WIC CTs

**X4-5,6** - Assignable flag indicator

**X4-7,8** - Trip pulse output

**X5** - DiggiMEC-WIC1 connection. Use network cable CAT3 (or better). No crossover cable!

# WIC1-2SN5CN1PA



## CT-Powered Protection Device, configuration via DIP switches or DiggiMEC / Smart view

- Calculated earth current
- Nominal frequency is 50 Hz. (Setting to 60 Hz is possible via DiggiMEC/Smart view.)
- Backup protection operates directly
- Package "A" + SOTF, CLPU, external protection, ultra-fast overcurrent protection

**PE** - Protective Earth

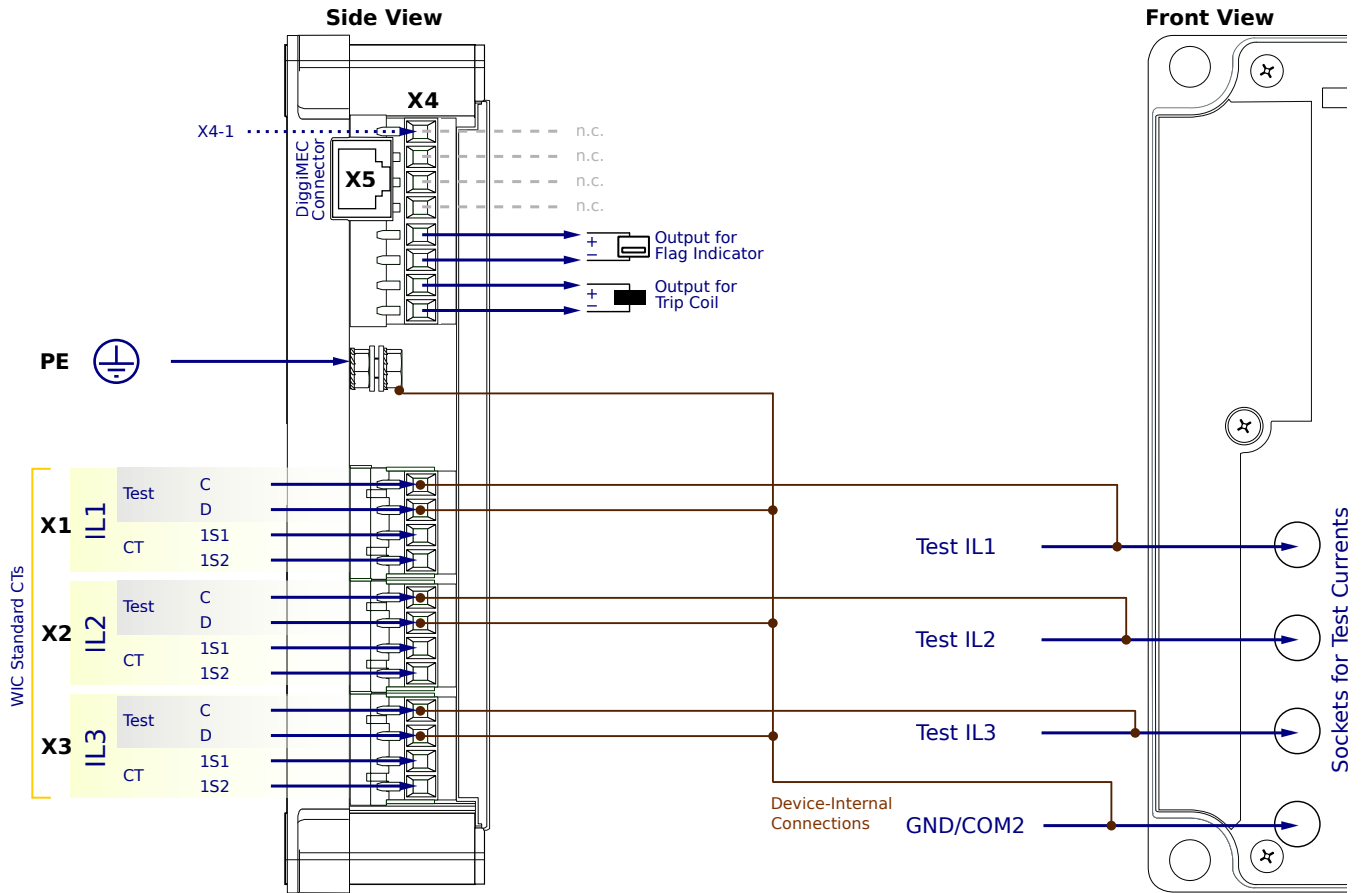
**X1...X3** - WIC CTs

**X4-5,6** - Assignable flag indicator

**X4-7,8** - Trip pulse output

**X5** - DiggiMEC-WIC1 connection. Use network cable CAT3 (or better). No crossover cable!

# WIC1-2SN5CN2SA



## CT-Powered Protection Device, configuration via DIP switches or DiggiMEC / Smart view

- Calculated earth current
- Nominal frequency is 50 Hz. (Setting to 60 Hz is possible via DiggiMEC/Smart view.)
- Trip at  $20 \cdot I_{n,max}$
- ANSI 50, 50G/N, 51, 51G/N, inrush, 50BF, 74TC

**PE** - Protective Earth

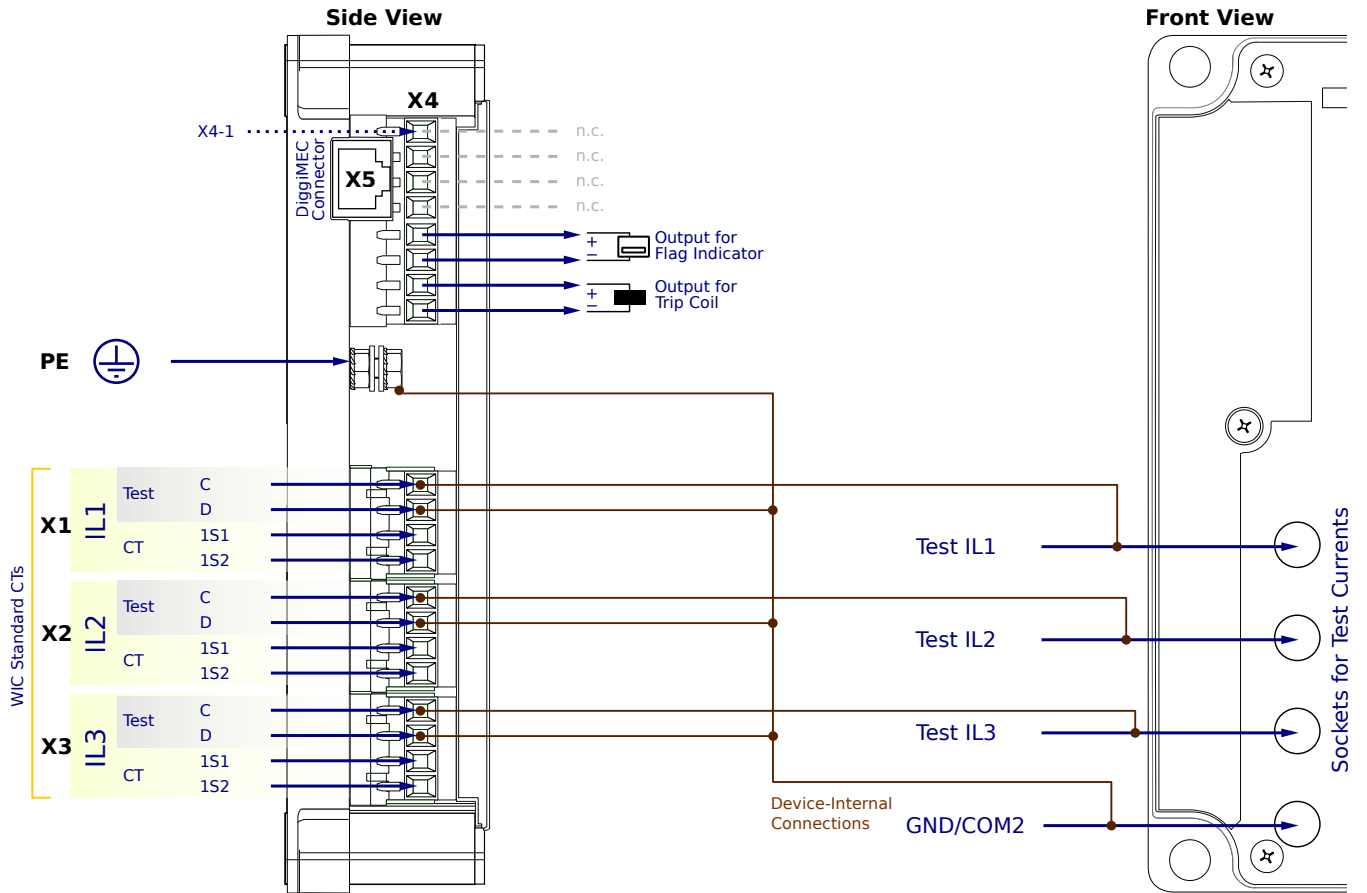
**X1...X3** - WIC CTs

**X4-5,6** - Assignable flag indicator

**X4-7,8** - Trip pulse output

**X5** - DiggiMEC-WIC1 connection. Use network cable CAT3 (or better). No crossover cable!

# WIC1-2SN5CN2AA



## CT-Powered Protection Device, configuration via DIP switches or DiggiMEC / Smart view

- Calculated earth current
- Nominal frequency is 50 Hz. (Setting to 60 Hz is possible via DiggiMEC/Smart view.)
- Trip at  $20 \cdot I_{n,max}$
- Package "S" + ANSI 46, 49, 51Q, Breaker Wear, Condition Monitoring (= Life Load, Drag Indicator)

**PE** - Protective Earth

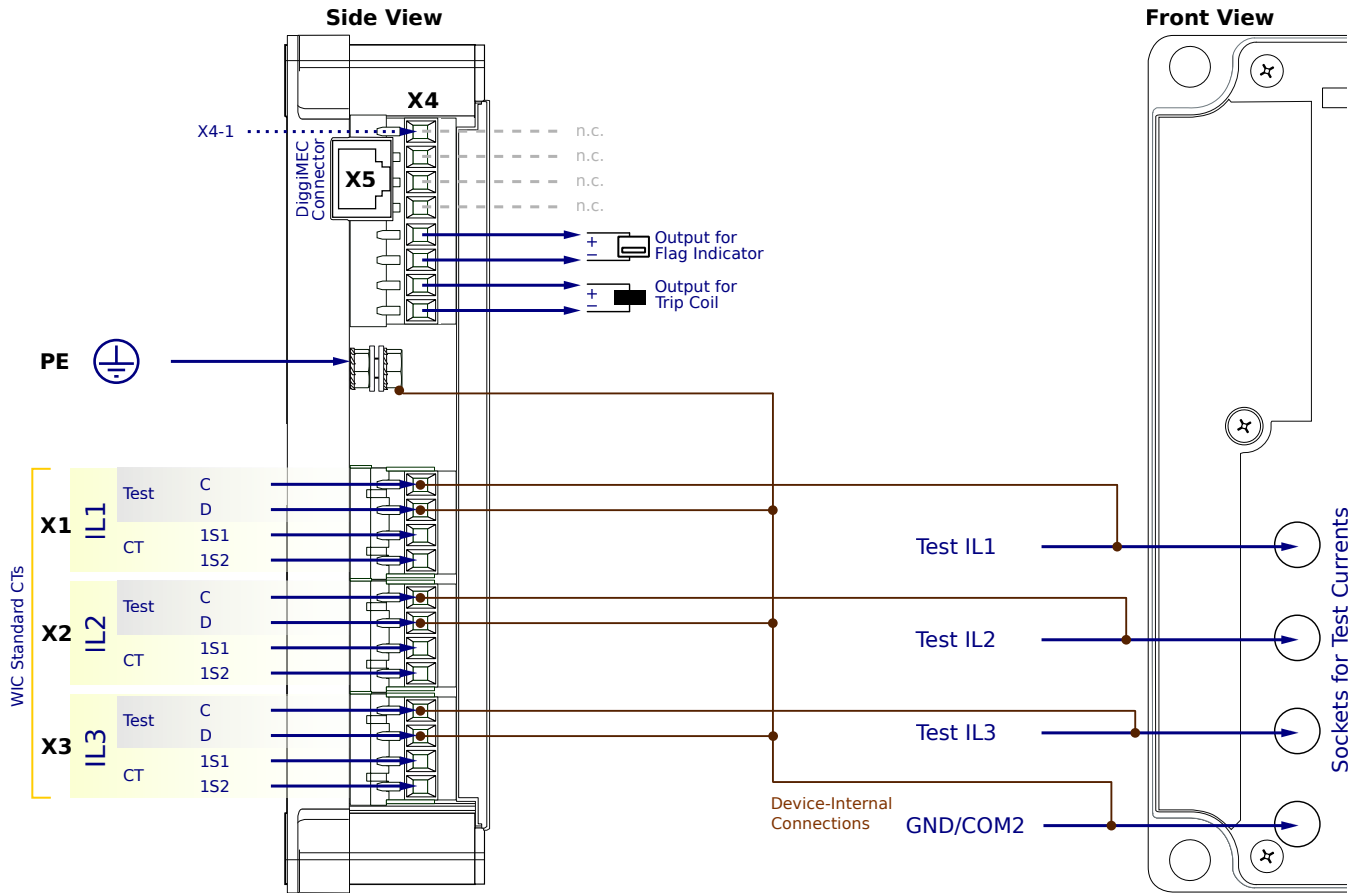
**X1...X3** - WIC CTs

**X4-5,6** - Assignable flag indicator

**X4-7,8** - Trip pulse output

**X5** - DiggiMEC-WIC1 connection. Use network cable CAT3 (or better). No crossover cable!

# WIC1-2SN5CN2PA



## CT-Powered Protection Device, configuration via DIP switches or DiggiMEC / Smart view

- Calculated earth current
- Nominal frequency is 50 Hz. (Setting to 60 Hz is possible via DiggiMEC/Smart view.)
- Trip at  $20 \cdot I_{n,max}$
- Package "A" + SOTF, CLPU, external protection, ultra-fast overcurrent protection

**PE** - Protective Earth

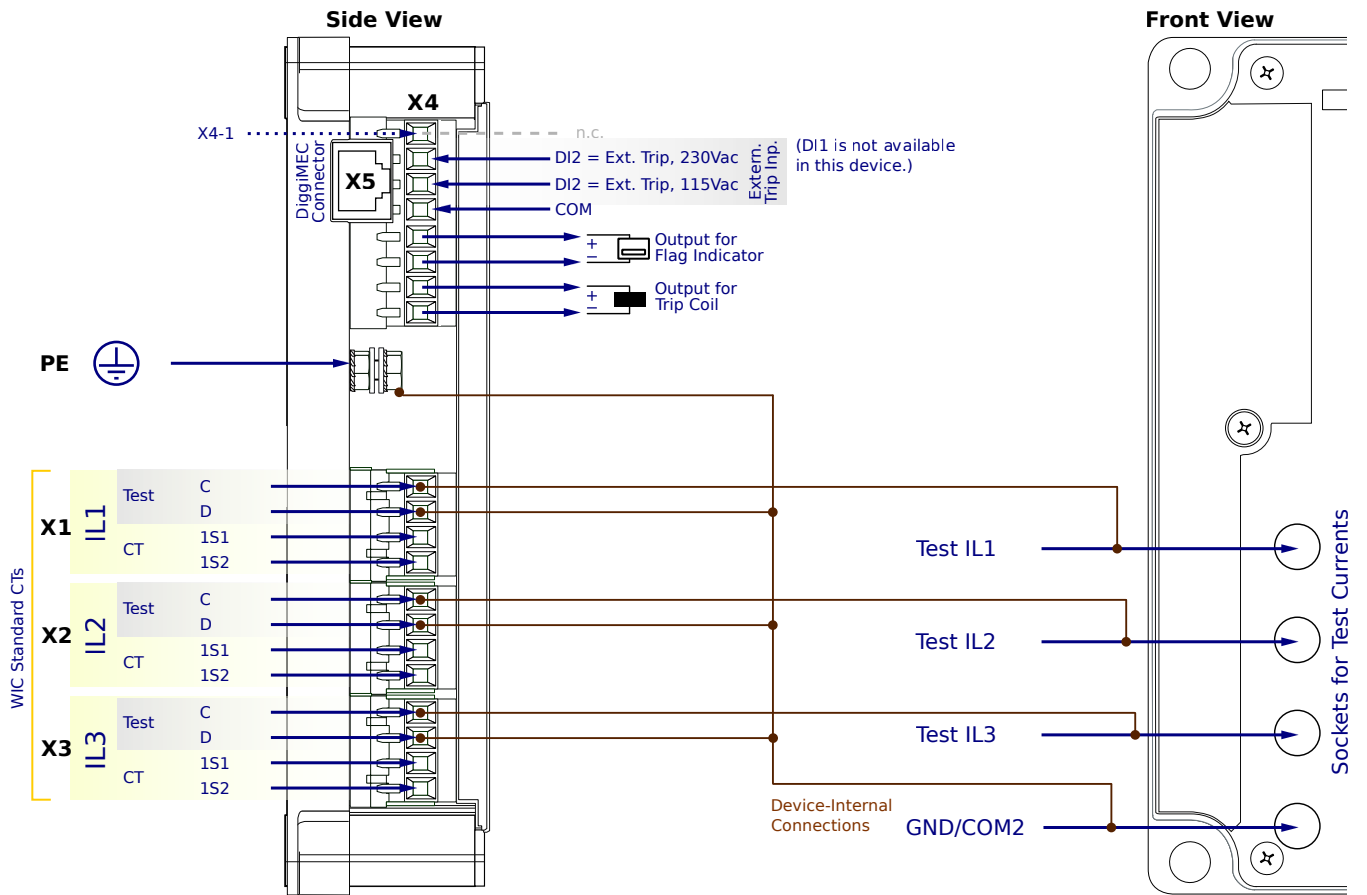
**X1...X3** - WIC CTs

**X4-5,6** - Assignable flag indicator

**X4-7,8** - Trip pulse output

**X5** - DiggiMEC-WIC1 connection. Use network cable CAT3 (or better). No crossover cable!

# WIC1-2SN5CF1SA



## CT-Powered Protection Device, configuration via DIP switches or DiggiMEC / Smart view

- Calculated earth current
- Nominal frequency is 50 Hz. (Setting to 60 Hz is possible via DiggiMEC/Smart view.)
- Backup protection operates directly
- ANSI 50, 50G/N, 51, 51G/N, inrush, 50BF, 74TC

**PE** - Protective Earth

**X1...X3** - WIC CTs

**X4-2,3** - DI2, fixed to External trip input (115Vac or 230Vac)

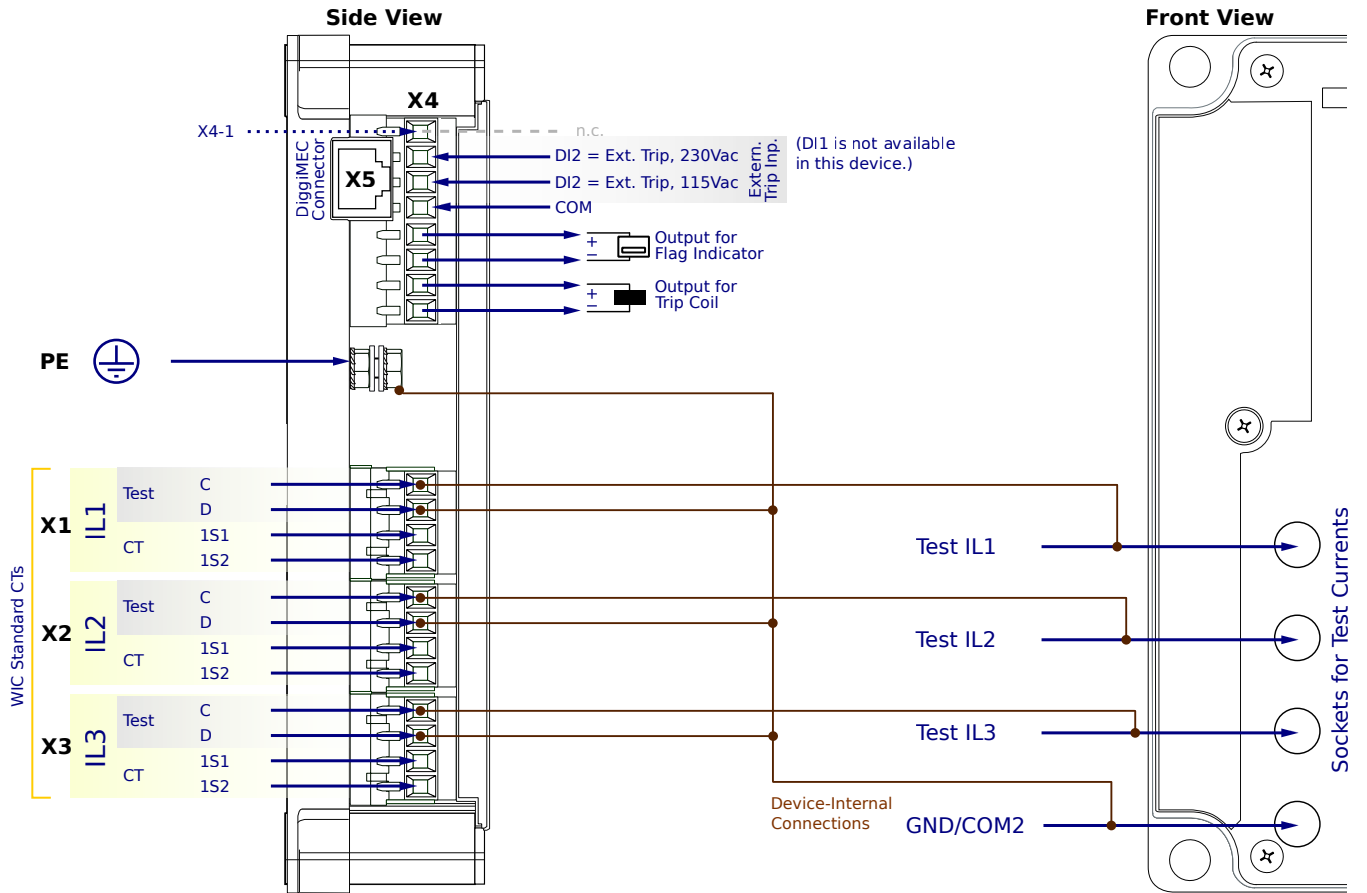
**X4-5,6** - Assignable flag indicator

**X4-7,8** - Trip pulse output

**X5** - DiggiMEC-WIC1 connection. Use network cable CAT3 (or better). No crossover cable!



# WIC1-2SN5CF1AA



## CT-Powered Protection Device, configuration via DIP switches or DiggiMEC / Smart view

- Calculated earth current
- Nominal frequency is 50 Hz. (Setting to 60 Hz is possible via DiggiMEC/Smart view.)
- Backup protection operates directly
- Package "S" + ANSI 46, 49, 51Q, Breaker Wear, Condition Monitoring (= Life Load, Drag Indicator)

**PE** - Protective Earth

**X1...X3** - WIC CTs

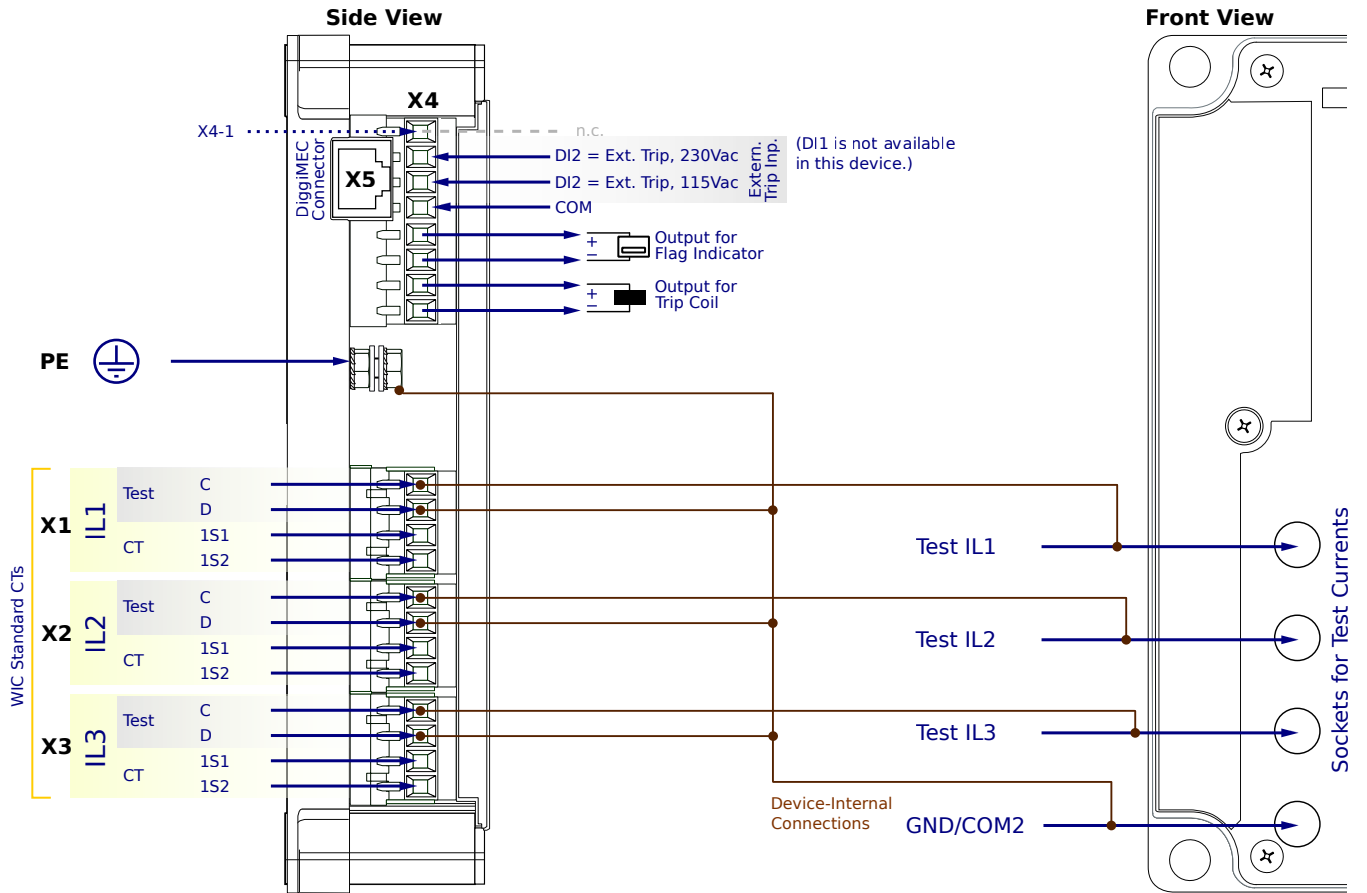
**X4-2,3** - DI2, fixed to External trip input (115Vac or 230Vac)

**X4-5,6** - Assignable flag indicator

**X4-7,8** - Trip pulse output

**X5** - DiggiMEC-WIC1 connection. Use network cable CAT3 (or better). No crossover cable!

# WIC1-2SN5CF1PA



## CT-Powered Protection Device, configuration via DIP switches or DiggiMEC / Smart view

- Calculated earth current
- Nominal frequency is 50 Hz. (Setting to 60 Hz is possible via DiggiMEC/Smart view.)
- Backup protection operates directly
- Package "A" + SOTF, CLPU, external protection, ultra-fast overcurrent protection

**PE** - Protective Earth

**X1...X3** - WIC CTs

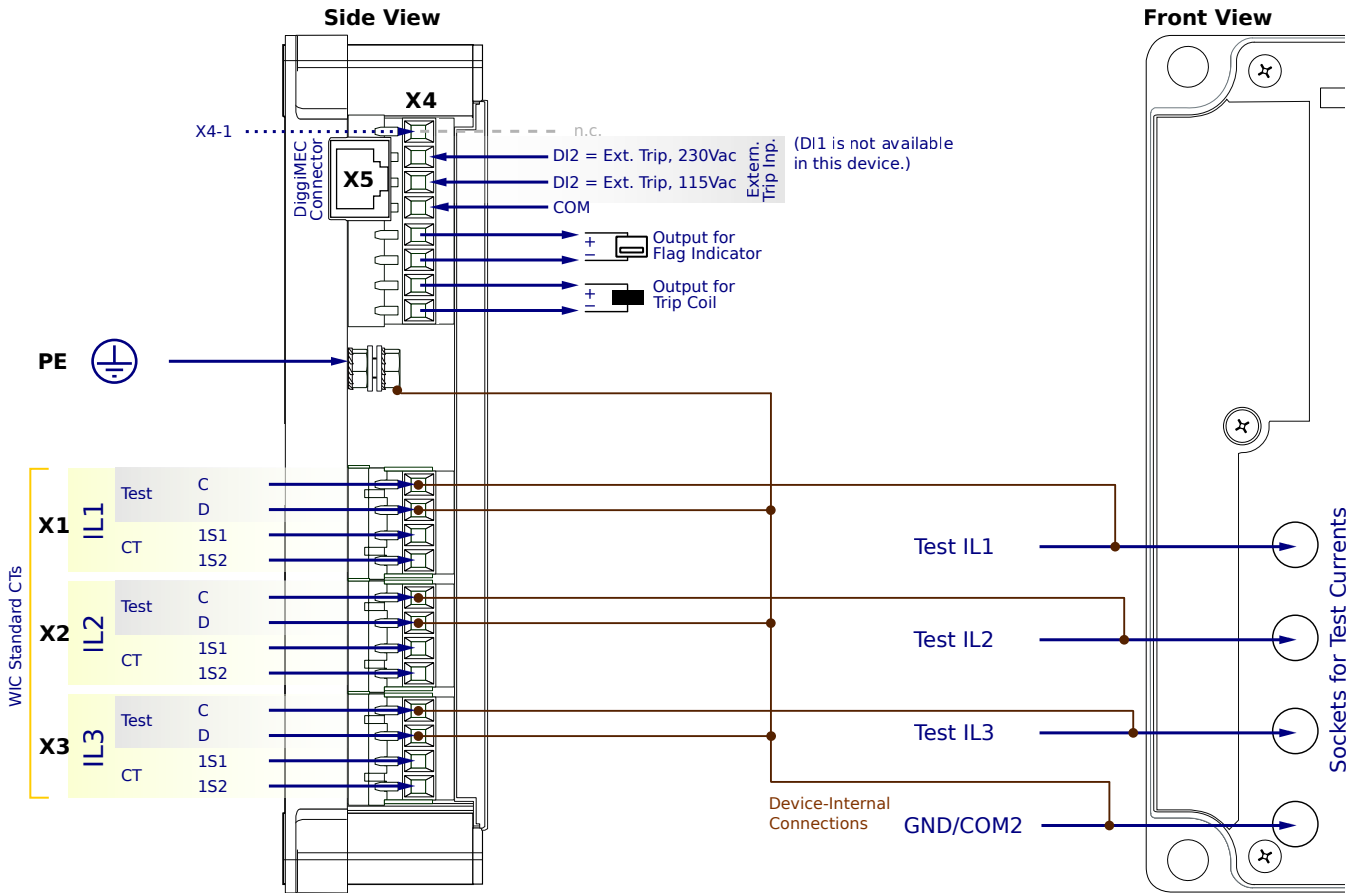
**X4-2,3** - DI2, fixed to External trip input (115Vac or 230Vac)

**X4-5,6** - Assignable flag indicator

**X4-7,8** - Trip pulse output

**X5** - DiggiMEC-WIC1 connection. Use network cable CAT3 (or better). No crossover cable!

# WIC1-2SN5CF2SA



## CT-Powered Protection Device, configuration via DIP switches or DiggiMEC / Smart view

- Calculated earth current
- Nominal frequency is 50 Hz. (Setting to 60 Hz is possible via DiggiMEC/Smart view.)
- Trip at  $20 \cdot I_{n,max}$
- ANSI 50, 50G/N, 51, 51G/N, inrush, 50BF, 74TC

**PE** - Protective Earth

**X1...X3** - WIC CTs

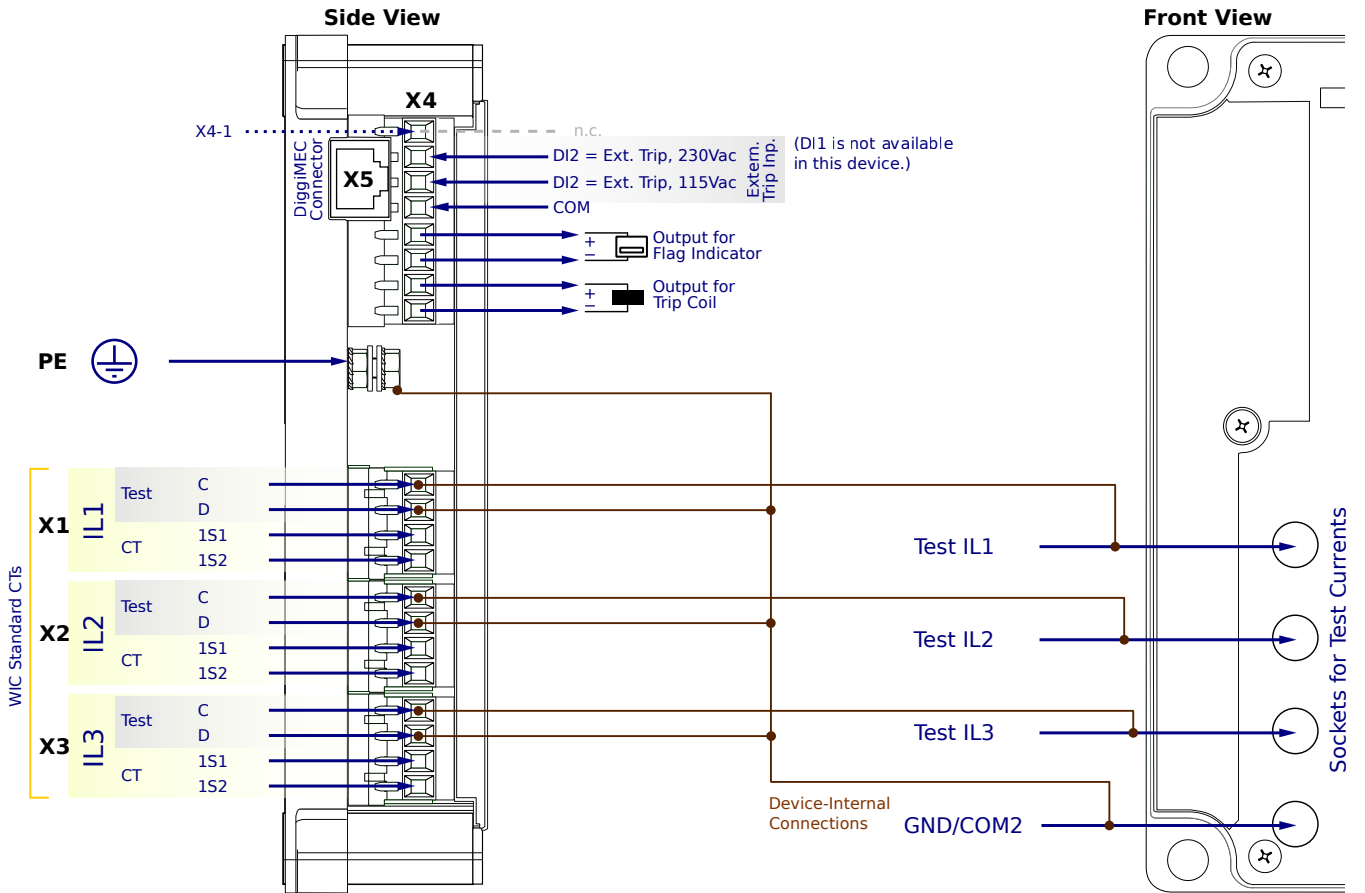
**X4-2,3** - DI2, fixed to External trip input (115Vac or 230Vac)

**X4-5,6** - Assignable flag indicator

**X4-7,8** - Trip pulse output

**X5** - DiggiMEC-WIC1 connection. Use network cable CAT3 (or better). No crossover cable!

# WIC1-2SN5CF2AA



## CT-Powered Protection Device, configuration via DIP switches or DiggiMEC / Smart view

- Calculated earth current
- Nominal frequency is 50 Hz. (Setting to 60 Hz is possible via DiggiMEC/Smart view.)
- Trip at  $20 \cdot I_{n,max}$
- Package "S" + ANSI 46, 49, 51Q, Breaker Wear, Condition Monitoring (= Life Load, Drag Indicator)

**PE** - Protective Earth

**X1...X3** - WIC CTs

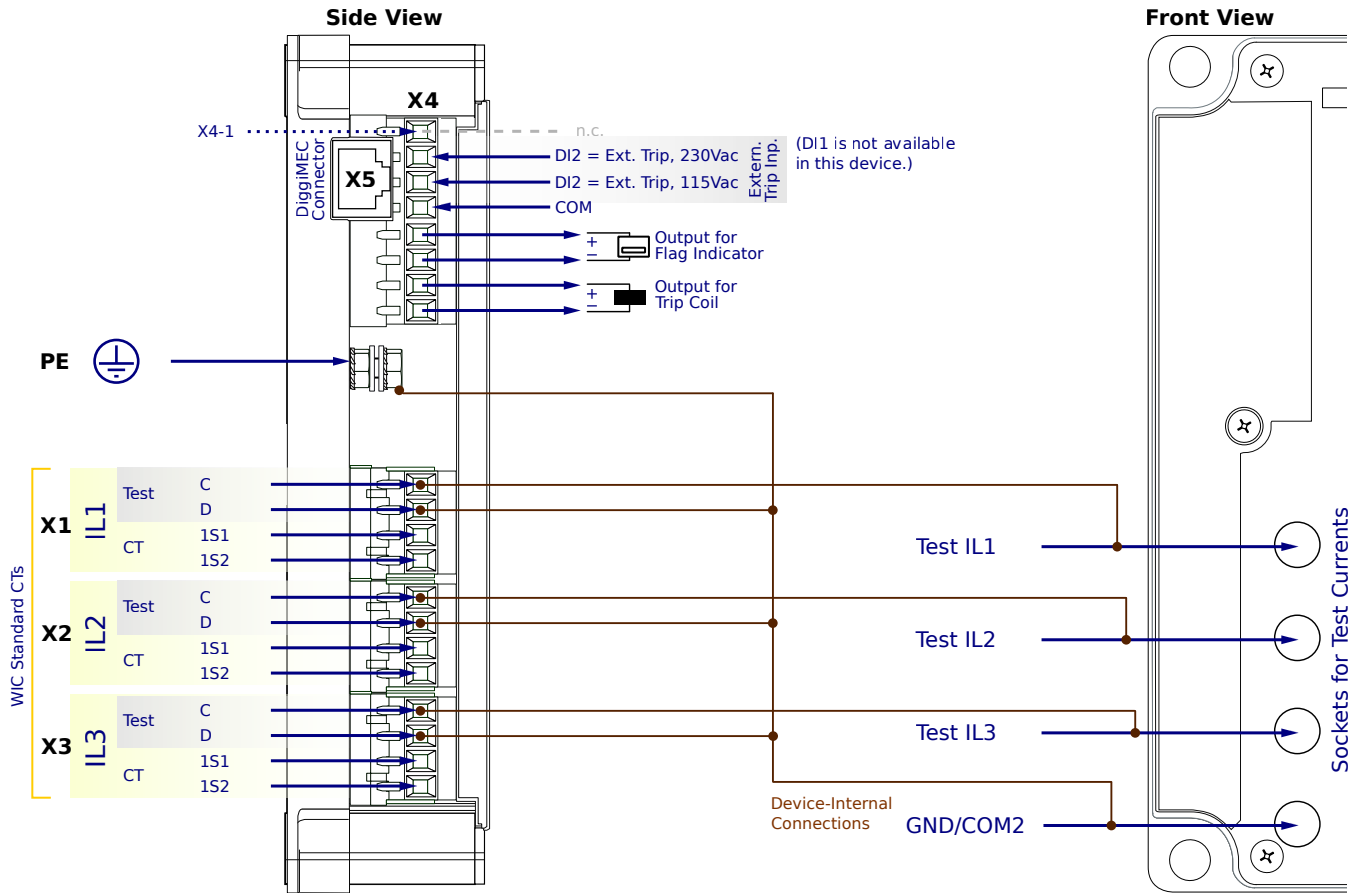
**X4-2,3** - DI2, fixed to External trip input (115Vac or 230Vac)

**X4-5,6** - Assignable flag indicator

**X4-7,8** - Trip pulse output

**X5** - DiggiMEC-WIC1 connection. Use network cable CAT3 (or better). No crossover cable!

# WIC1-2SN5CF2PA



## CT-Powered Protection Device, configuration via DIP switches or DiggiMEC / Smart view

- Calculated earth current
- Nominal frequency is 50 Hz. (Setting to 60 Hz is possible via DiggiMEC/Smart view.)
- Trip at  $20 \cdot I_{n,max}$
- Package "A" + SOTF, CLPU, external protection, ultra-fast overcurrent protection

**PE** - Protective Earth

**X1...X3** - WIC CTs

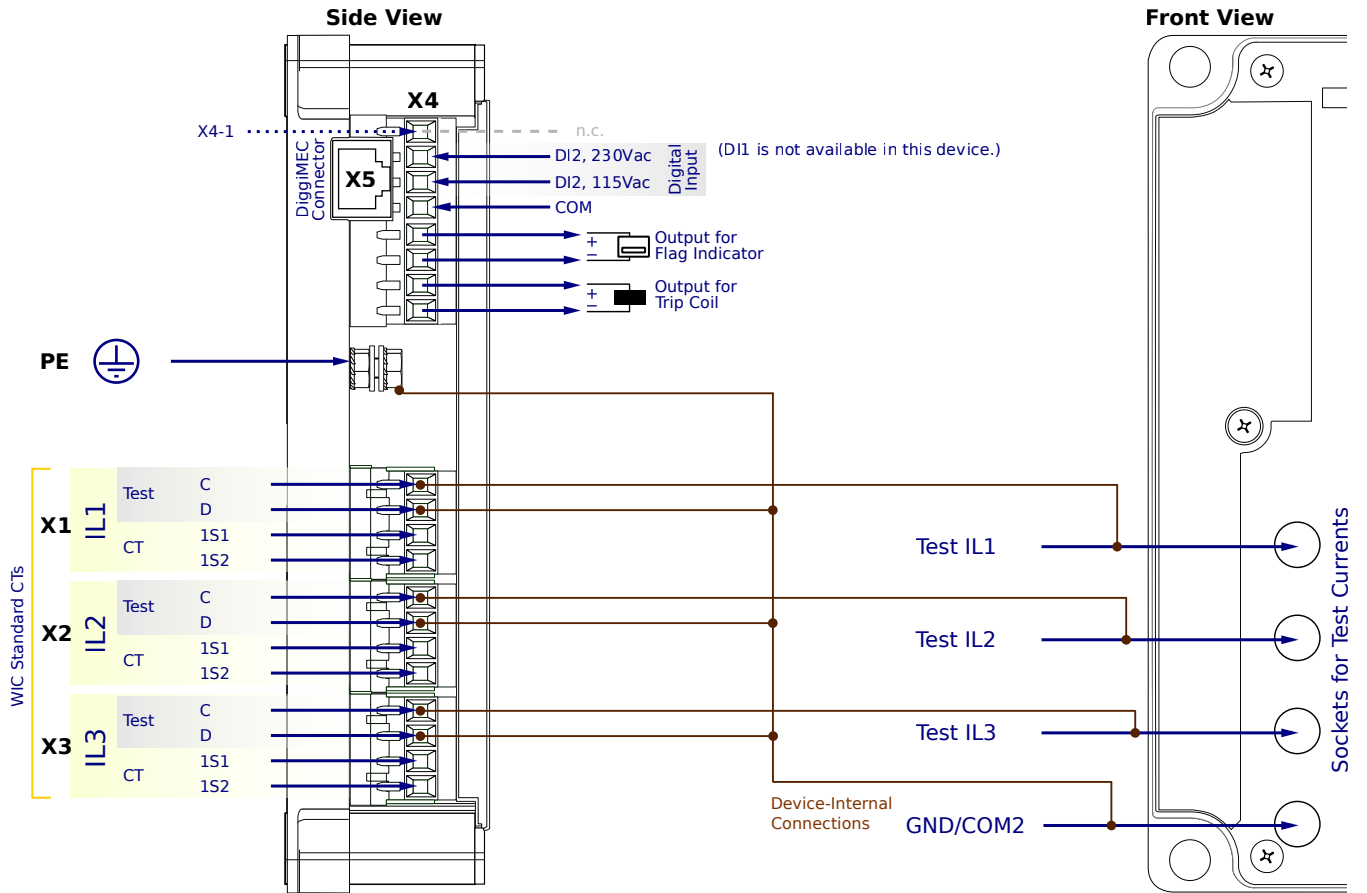
**X4-2,3** - DI2, fixed to External trip input (115Vac or 230Vac)

**X4-5,6** - Assignable flag indicator

**X4-7,8** - Trip pulse output

**X5** - DiggiMEC-WIC1 connection. Use network cable CAT3 (or better). No crossover cable!

# WIC1-2SN5CC1SA



## CT-Powered Protection Device, configuration via DIP switches or DiggiMEC / Smart view

- Calculated earth current
- Nominal frequency is 50 Hz. (Setting to 60 Hz is possible via DiggiMEC/Smart view.)
- Backup protection operates directly
- ANSI 50, 50G/N, 51, 51G/N, inrush, 50BF, 74TC

**PE** - Protective Earth

**X1...X3** - WIC CTs

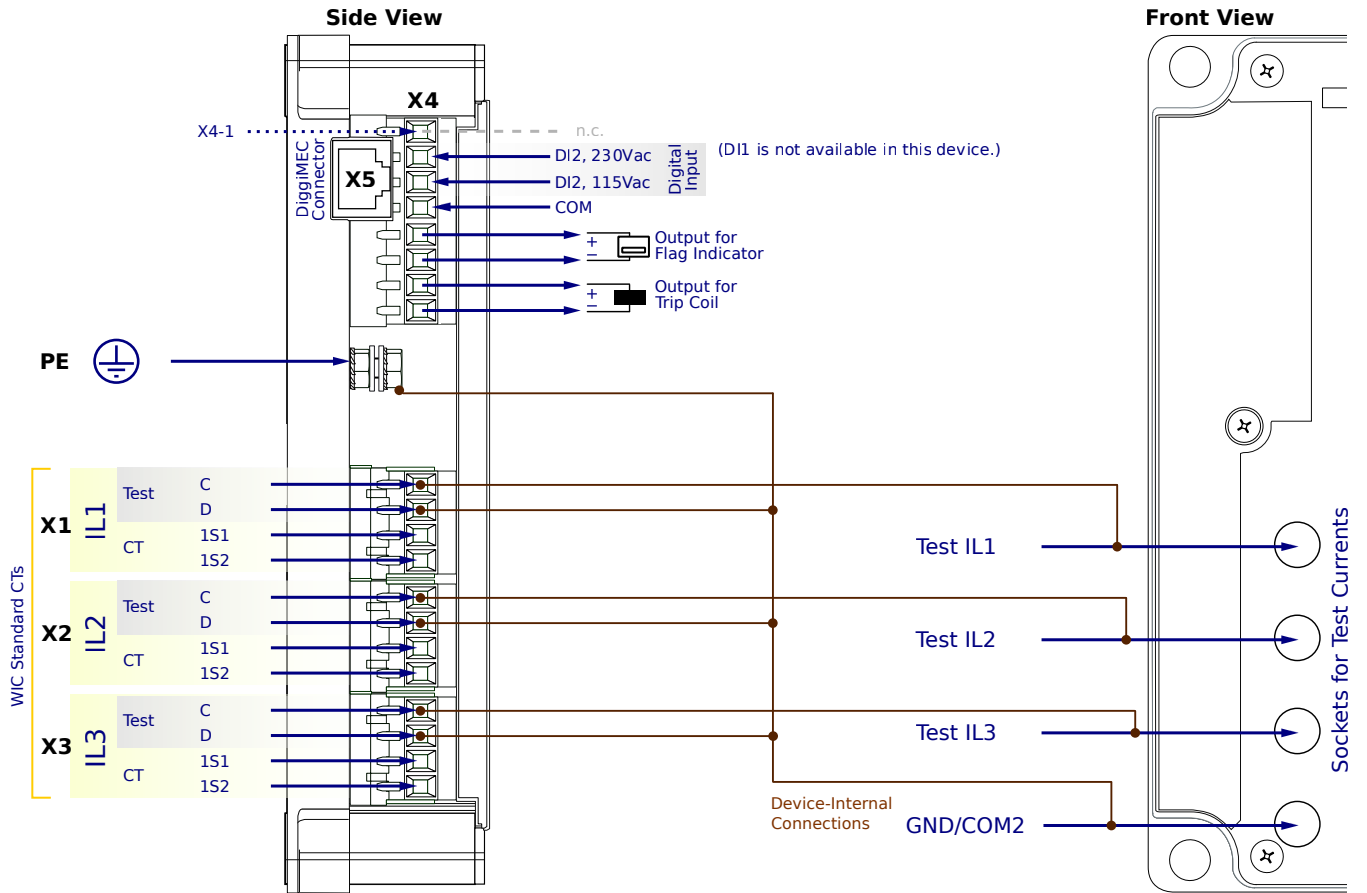
**X4-2,3** - 1 assignable Digital Input DI2 (115Vac or 230Vac)

**X4-5,6** - Assignable flag indicator

**X4-7,8** - Trip pulse output

**X5** - DiggiMEC-WIC1 connection. Use network cable CAT3 (or better). No crossover cable!

# WIC1-2SN5CC1AA



## CT-Powered Protection Device, configuration via DIP switches or DiggiMEC / Smart view

- Calculated earth current
- Nominal frequency is 50 Hz. (Setting to 60 Hz is possible via DiggiMEC/Smart view.)
- Backup protection operates directly
- Package "S" + ANSI 46, 49, 51Q, Breaker Wear, Condition Monitoring (= Life Load, Drag Indicator)

**PE** - Protective Earth

**X1...X3** - WIC CTs

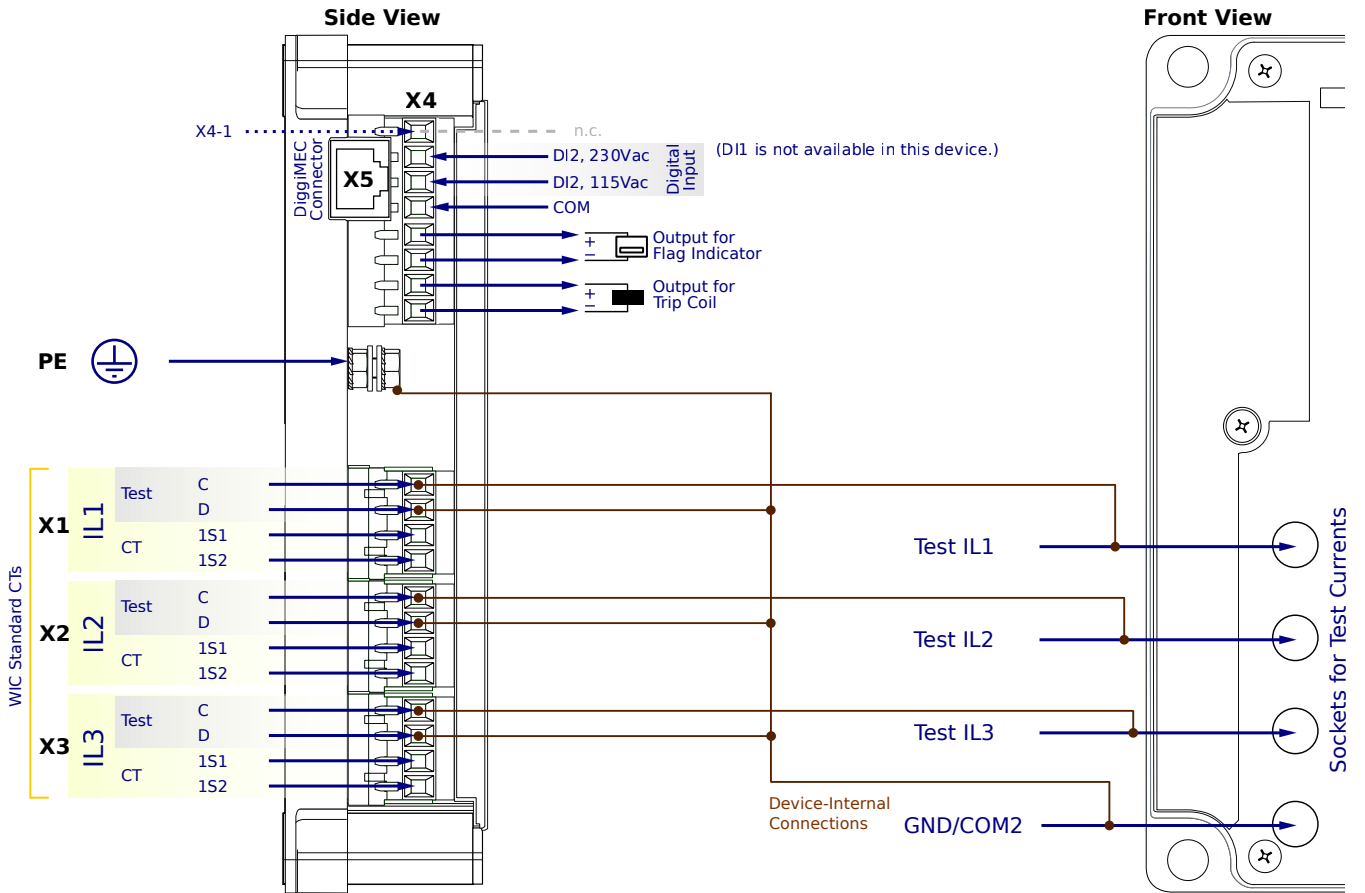
**X4-2,3** - 1 assignable Digital Input DI2 (115Vac or 230Vac)

**X4-5,6** - Assignable flag indicator

**X4-7,8** - Trip pulse output

**X5** - DiggiMEC-WIC1 connection. Use network cable CAT3 (or better). No crossover cable!

# WIC1-2SN5CC1PA



## CT-Powered Protection Device, configuration via DIP switches or DiggiMEC / Smart view

- Calculated earth current
- Nominal frequency is 50 Hz. (Setting to 60 Hz is possible via DiggiMEC/Smart view.)
- Backup protection operates directly
- Package "A" + SOTF, CLPU, external protection, ultra-fast overcurrent protection

**PE** - Protective Earth

**X1...X3** - WIC CTs

**X4-2,3** - 1 assignable Digital Input DI2 (115Vac or 230Vac)

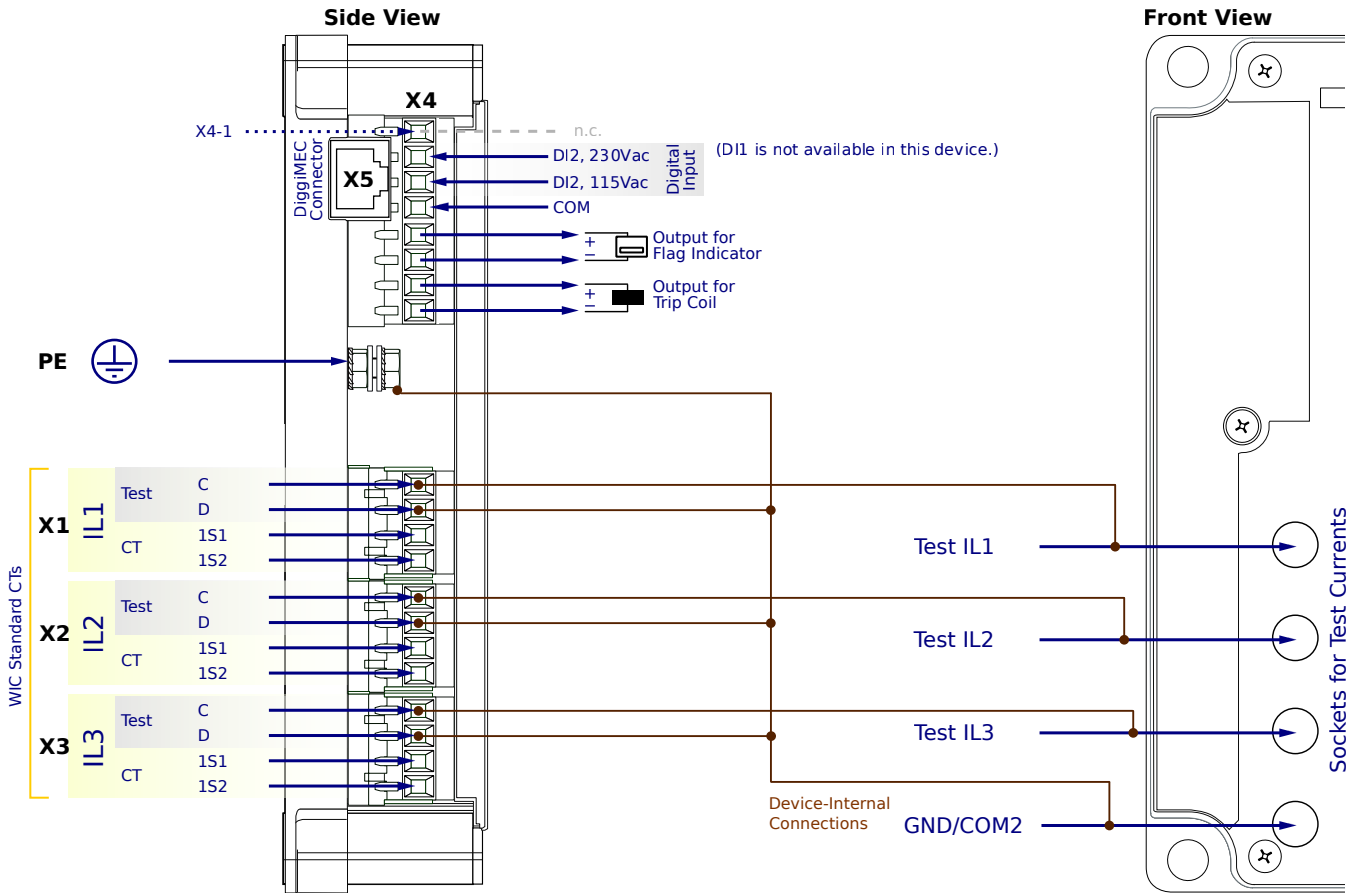
**X4-5,6** - Assignable flag indicator

**X4-7,8** - Trip pulse output

**X5** - DiggiMEC-WIC1 connection. Use network cable CAT3 (or better). No crossover cable!



# WIC1-2SN5CC2SA



## CT-Powered Protection Device, configuration via DIP switches or DiggiMEC / Smart view

- Calculated earth current
- Nominal frequency is 50 Hz. (Setting to 60 Hz is possible via DiggiMEC/Smart view.)
- Trip at  $20 \cdot I_{n,max}$
- ANSI 50, 50G/N, 51, 51G/N, inrush, 50BF, 74TC

**PE** - Protective Earth

**X1...X3** - WIC CTs

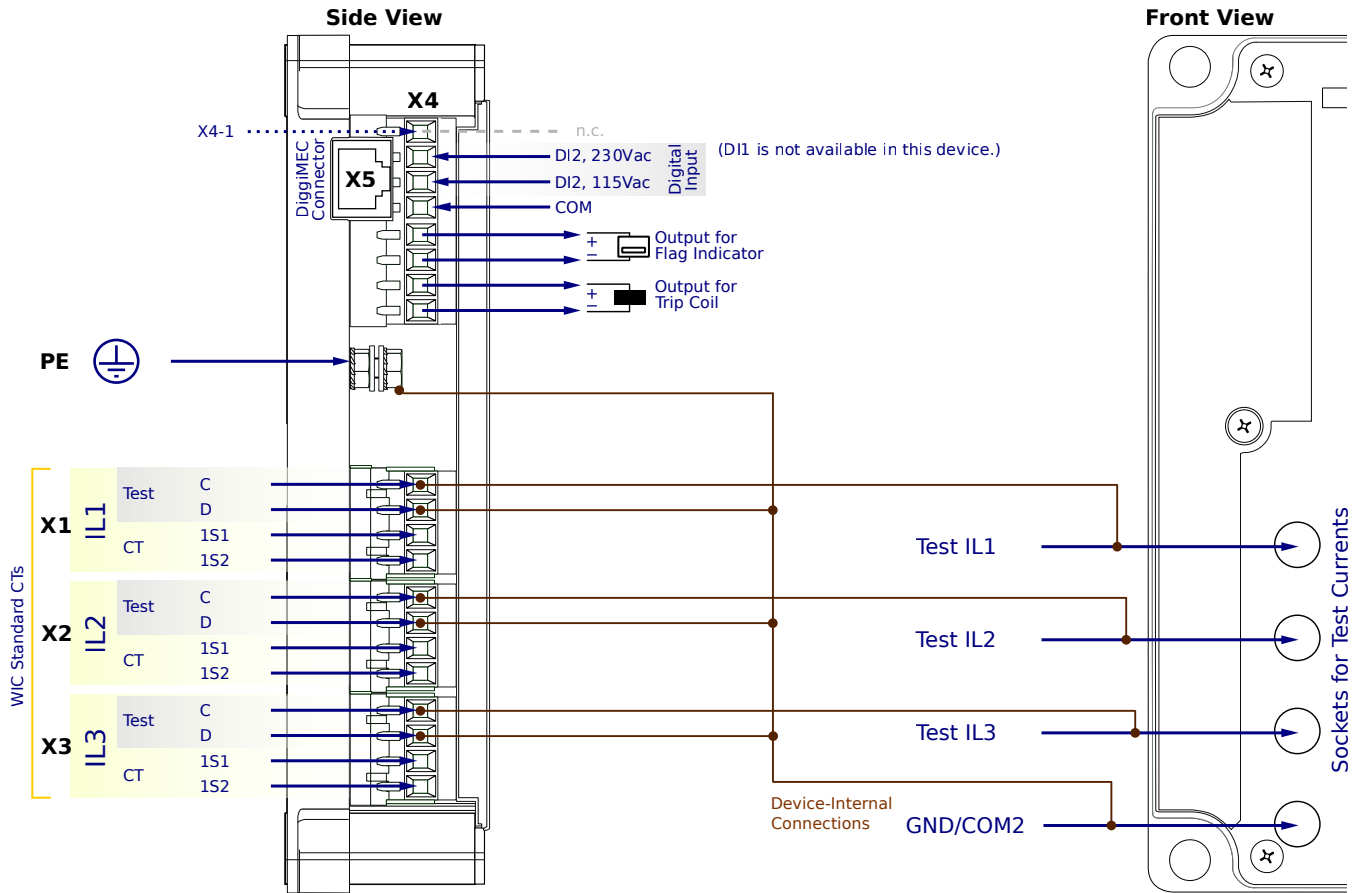
**X4-2,3** - 1 assignable Digital Input DI2 (115Vac or 230Vac)

**X4-5,6** - Assignable flag indicator

**X4-7,8** - Trip pulse output

**X5** - DiggiMEC-WIC1 connection. Use network cable CAT3 (or better). No crossover cable!

# WIC1-2SN5CC2AA



## CT-Powered Protection Device, configuration via DIP switches or DiggiMEC / Smart view

- Calculated earth current
- Nominal frequency is 50 Hz. (Setting to 60 Hz is possible via DiggiMEC/Smart view.)
- Trip at  $20 \cdot I_{n,max}$
- Package "S" + ANSI 46, 49, 51Q, Breaker Wear, Condition Monitoring (= Life Load, Drag Indicator)

**PE** - Protective Earth

**X1...X3** - WIC CTs

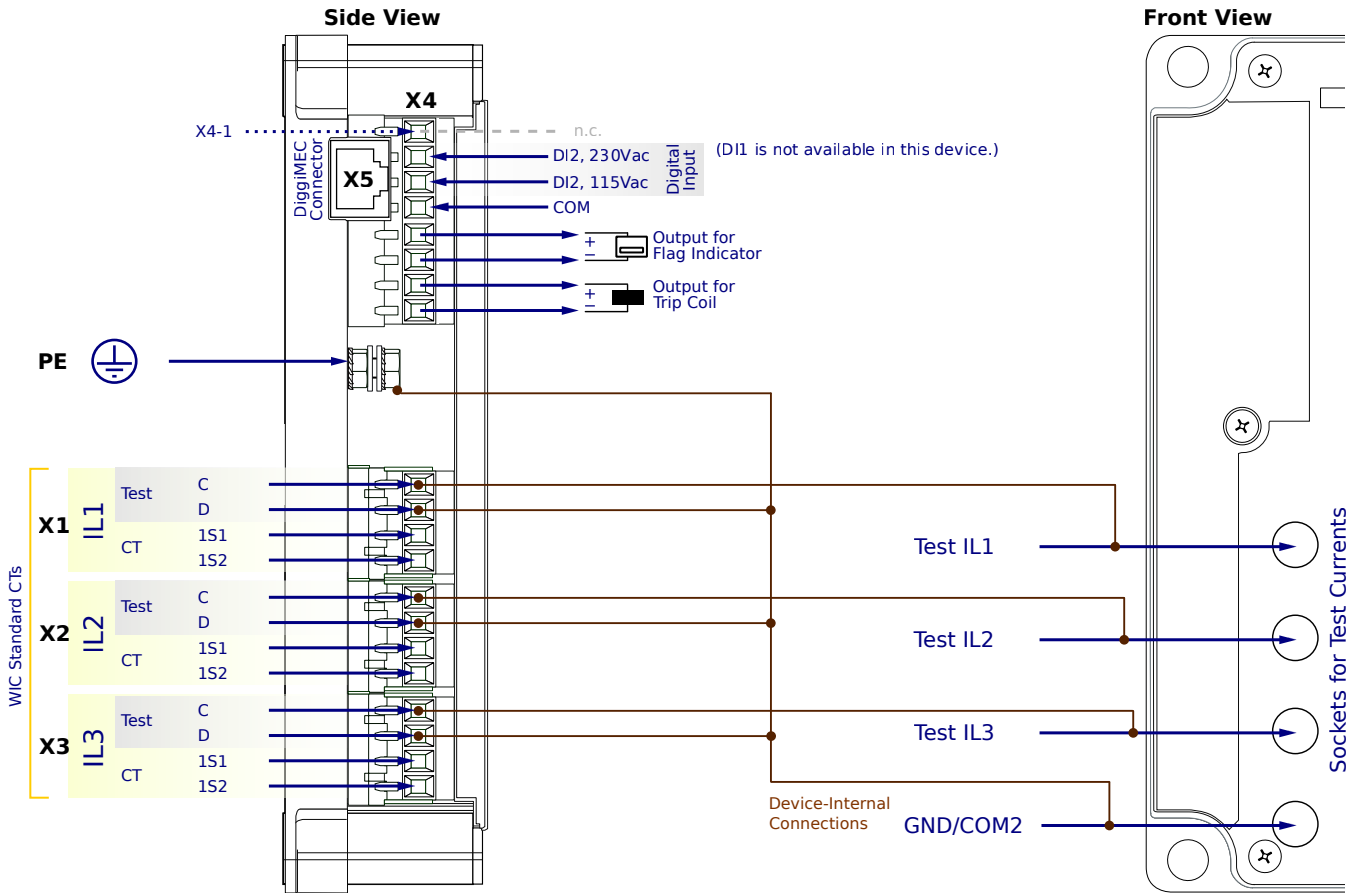
**X4-2,3** - 1 assignable Digital Input DI2 (115Vac or 230Vac)

**X4-5,6** - Assignable flag indicator

**X4-7,8** - Trip pulse output

**X5** - DiggiMEC-WIC1 connection. Use network cable CAT3 (or better). No crossover cable!

# WIC1-2SN5CC2PA



## CT-Powered Protection Device, configuration via DIP switches or DiggiMEC / Smart view

- Calculated earth current
- Nominal frequency is 50 Hz. (Setting to 60 Hz is possible via DiggiMEC/Smart view.)
- Trip at  $20 \cdot I_{n,max}$
- Package "A" + SOTF, CLPU, external protection, ultra-fast overcurrent protection

**PE** - Protective Earth

**X1...X3** - WIC CTs

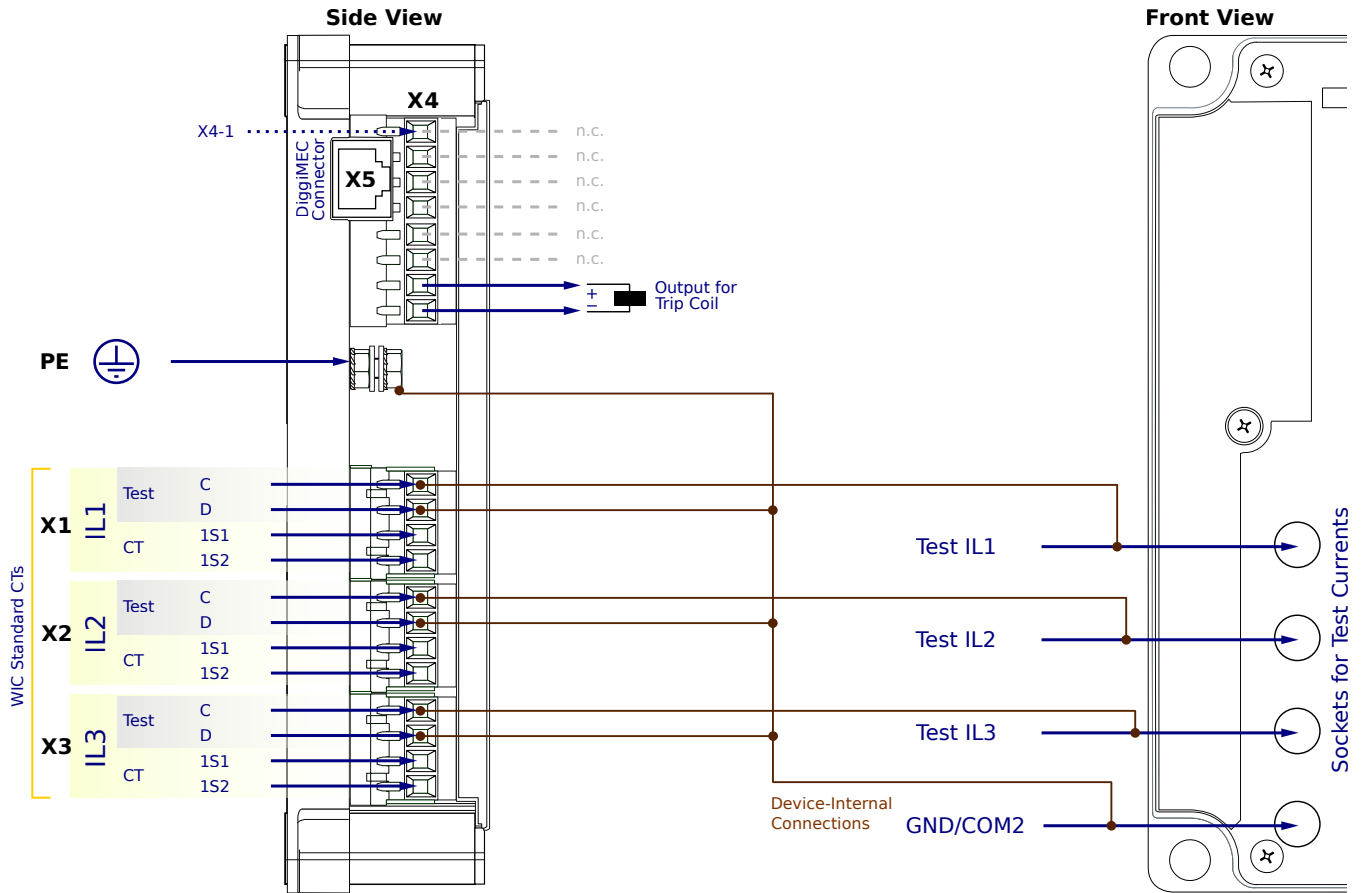
**X4-2,3** - 1 assignable Digital Input DI2 (115Vac or 230Vac)

**X4-5,6** - Assignable flag indicator

**X4-7,8** - Trip pulse output

**X5** - DiggiMEC-WIC1 connection. Use network cable CAT3 (or better). No crossover cable!

# WIC1-2SN6NN1SA



## CT-Powered Protection Device, configuration via DIP switches or DiggiMEC / Smart view

- Calculated earth current
- Nominal frequency is 60 Hz. (Setting to 50 Hz is possible via DiggiMEC/Smart view.)
- Backup protection operates directly
- ANSI 50, 50G/N, 51, 51G/N, inrush, 50BF, 74TC

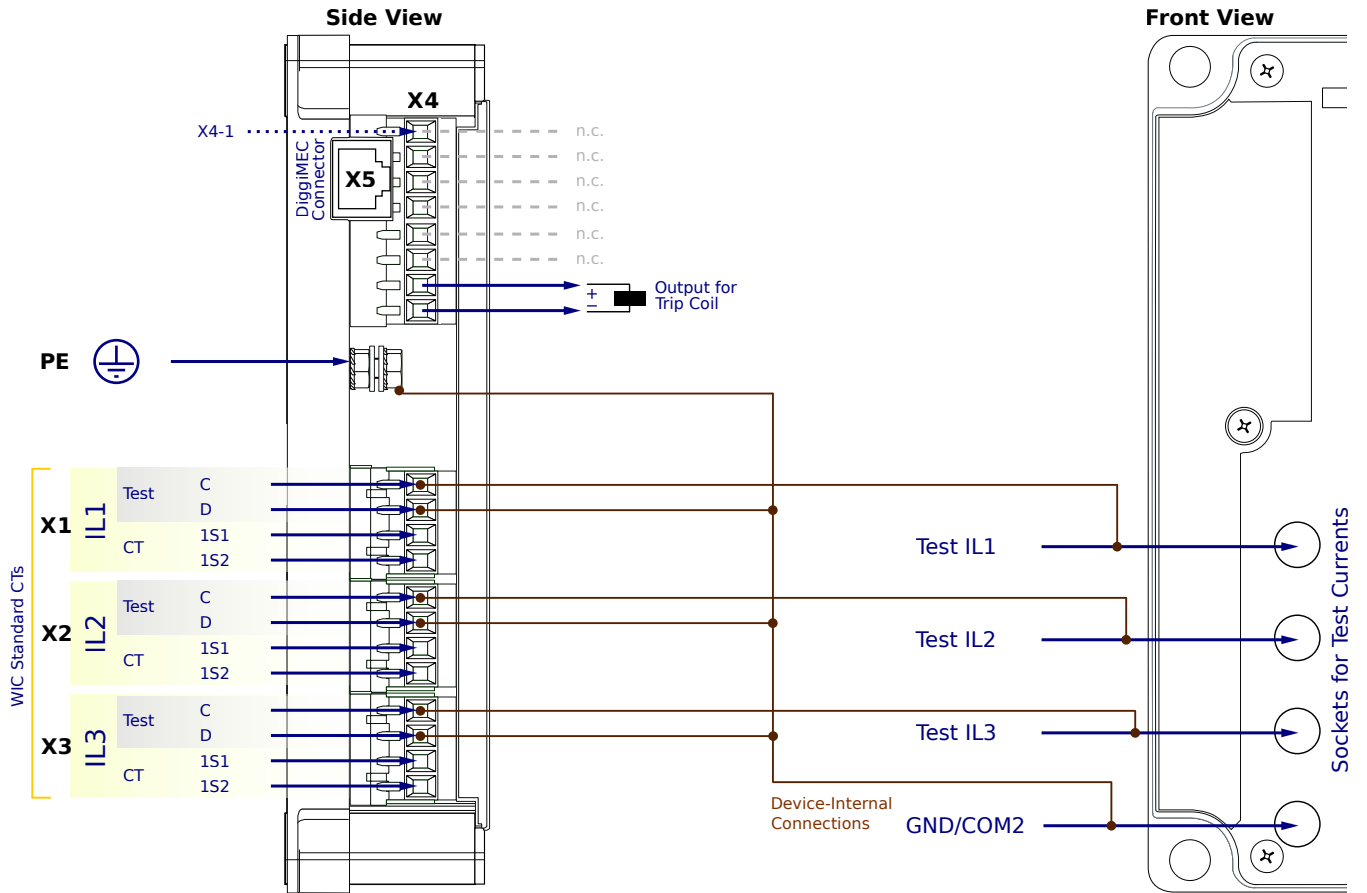
**PE** - Protective Earth

**X1...X3** - WIC CTs

**X4-7,8** - Trip pulse output

**X5** - DiggiMEC-WIC1 connection. Use network cable CAT3 (or better). No crossover cable!

# WIC1-2SN6NN1AA



## CT-Powered Protection Device, configuration via DIP switches or DiggiMEC / Smart view

- Calculated earth current
- Nominal frequency is 60 Hz. (Setting to 50 Hz is possible via DiggiMEC/Smart view.)
- Backup protection operates directly
- Package "S" + ANSI 46, 49, 51Q, Breaker Wear, Condition Monitoring (= Life Load, Drag Indicator)

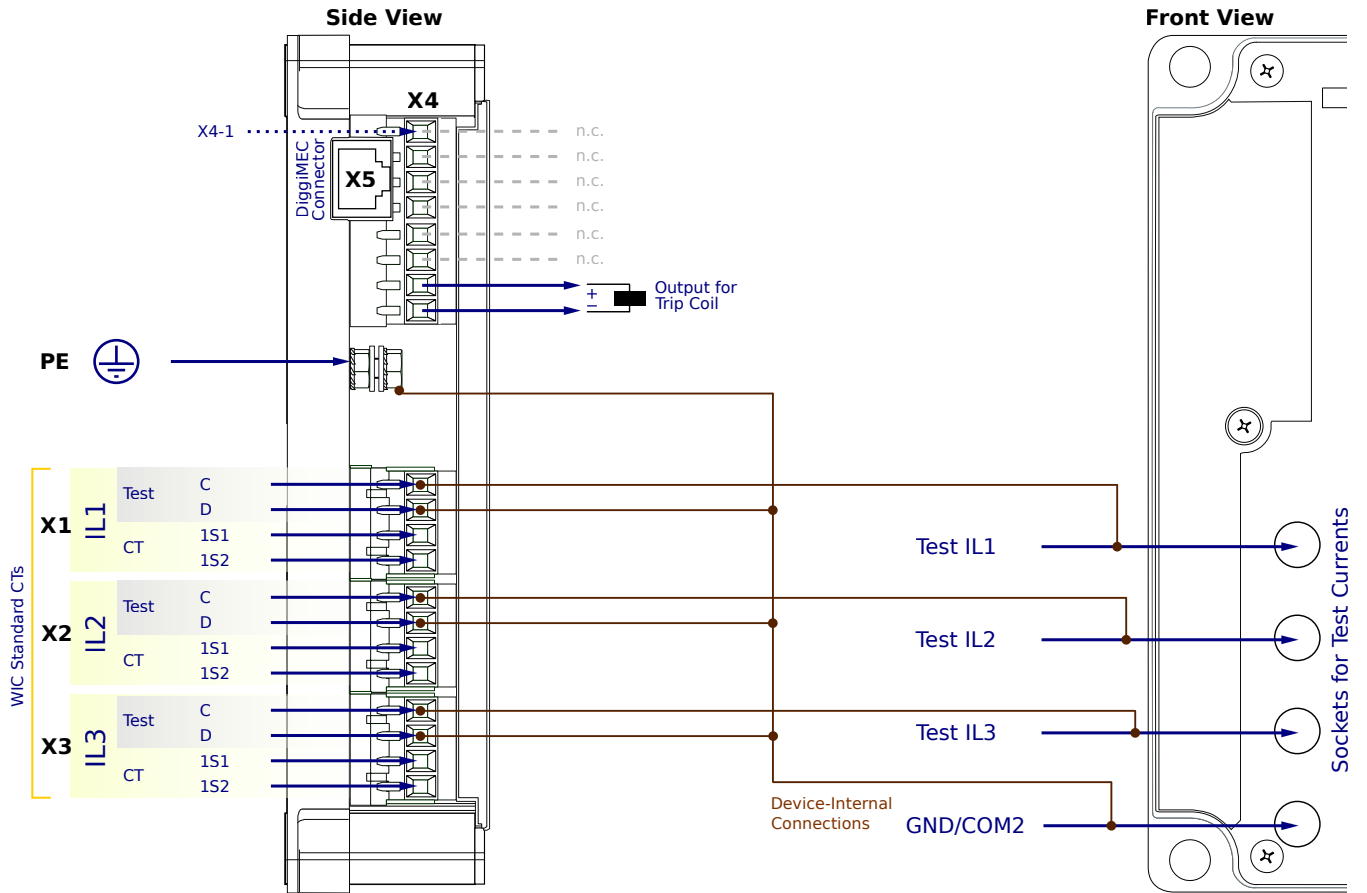
**PE** - Protective Earth

**X1...X3** - WIC CTs

**X4-7,8** - Trip pulse output

**X5** - DiggiMEC-WIC1 connection. Use network cable CAT3 (or better). No crossover cable!

# WIC1-2SN6NN1PA



## CT-Powered Protection Device, configuration via DIP switches or DiggiMEC / Smart view

- Calculated earth current
- Nominal frequency is 60 Hz. (Setting to 50 Hz is possible via DiggiMEC/Smart view.)
- Backup protection operates directly
- Package "A" + SOTF, CLPU, external protection, ultra-fast overcurrent protection

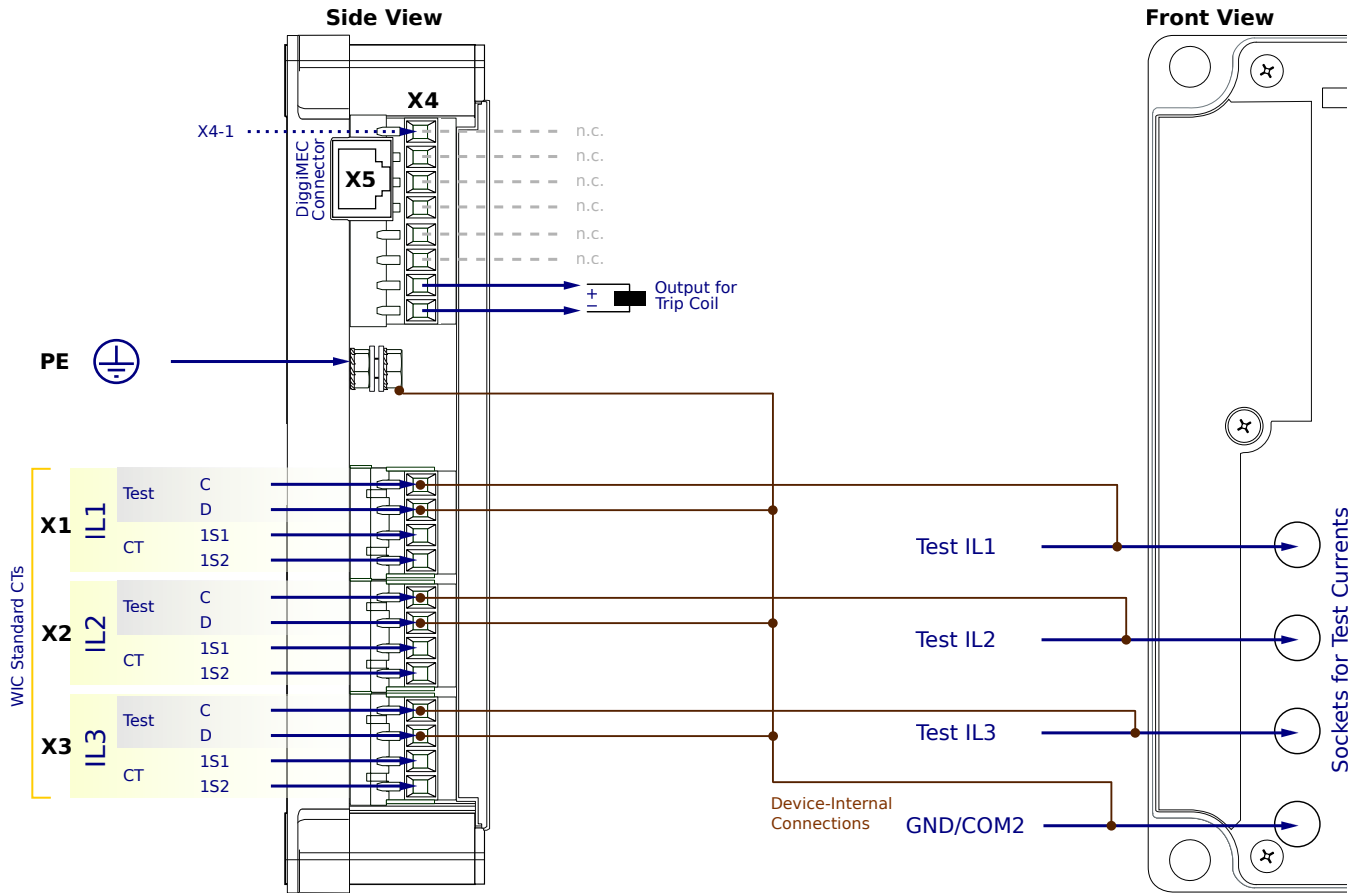
**PE** - Protective Earth

**X1...X3** - WIC CTs

**X4-7,8** - Trip pulse output

**X5** - DiggiMEC-WIC1 connection. Use network cable CAT3 (or better). No crossover cable!

# WIC1-2SN6NN2SA



## CT-Powered Protection Device, configuration via DIP switches or DiggiMEC / Smart view

- Calculated earth current
- Nominal frequency is 60 Hz. (Setting to 50 Hz is possible via DiggiMEC/Smart view.)
- Trip at  $20 \cdot I_{n,max}$
- ANSI 50, 50G/N, 51, 51G/N, inrush, 50BF, 74TC

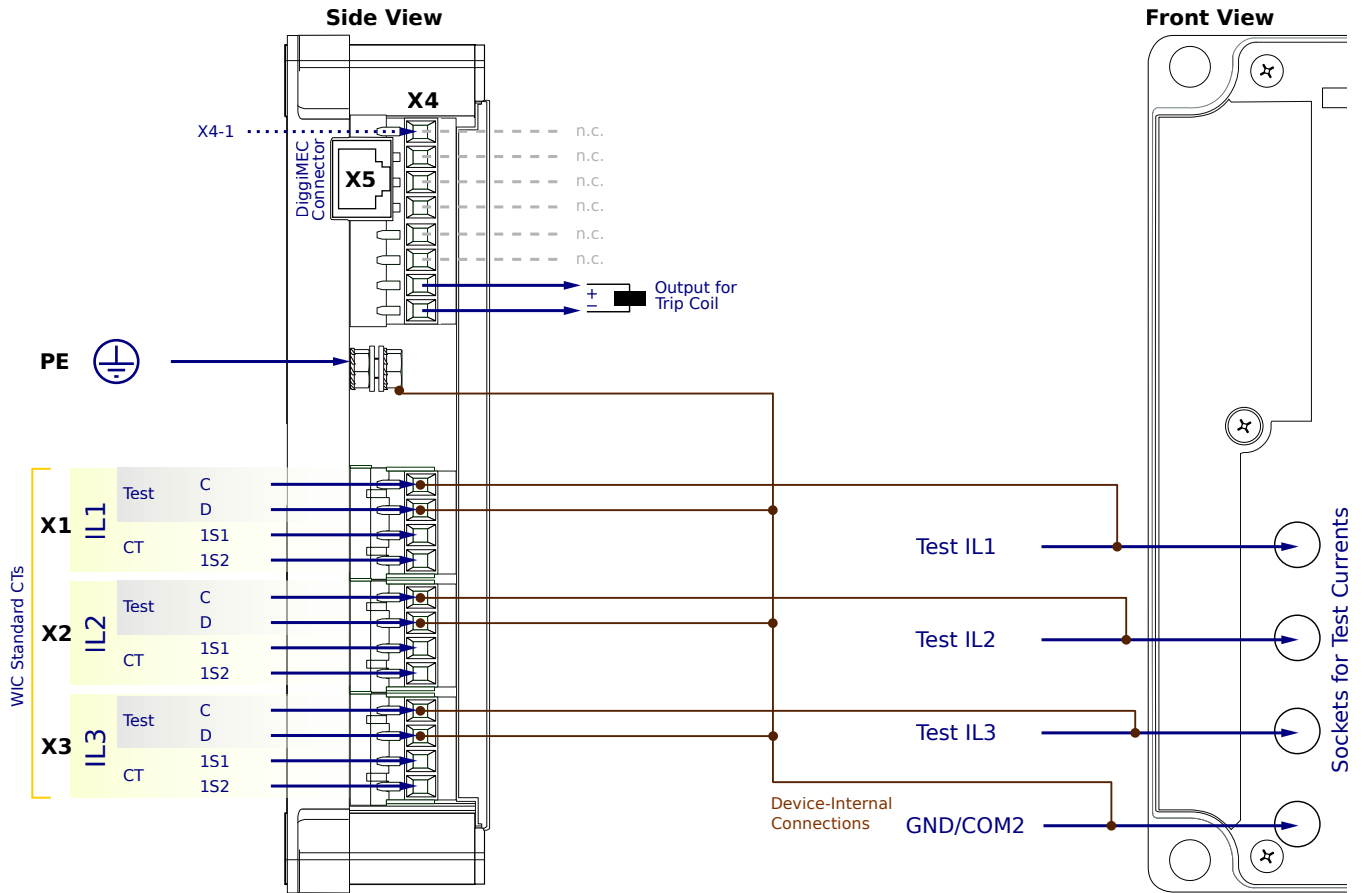
PE - Protective Earth

X1...X3 - WIC CTs

X4-7,8 - Trip pulse output

X5 - DiggiMEC-WIC1 connection. Use network cable CAT3 (or better). No crossover cable!

# WIC1-2SN6NN2AA



## CT-Powered Protection Device, configuration via DIP switches or DiggiMEC / Smart view

- Calculated earth current
- Nominal frequency is 60 Hz. (Setting to 50 Hz is possible via DiggiMEC/Smart view.)
- Trip at  $20 \cdot I_{n,max}$
- Package "S" + ANSI 46, 49, 51Q, Breaker Wear, Condition Monitoring (= Life Load, Drag Indicator)

**PE** - Protective Earth

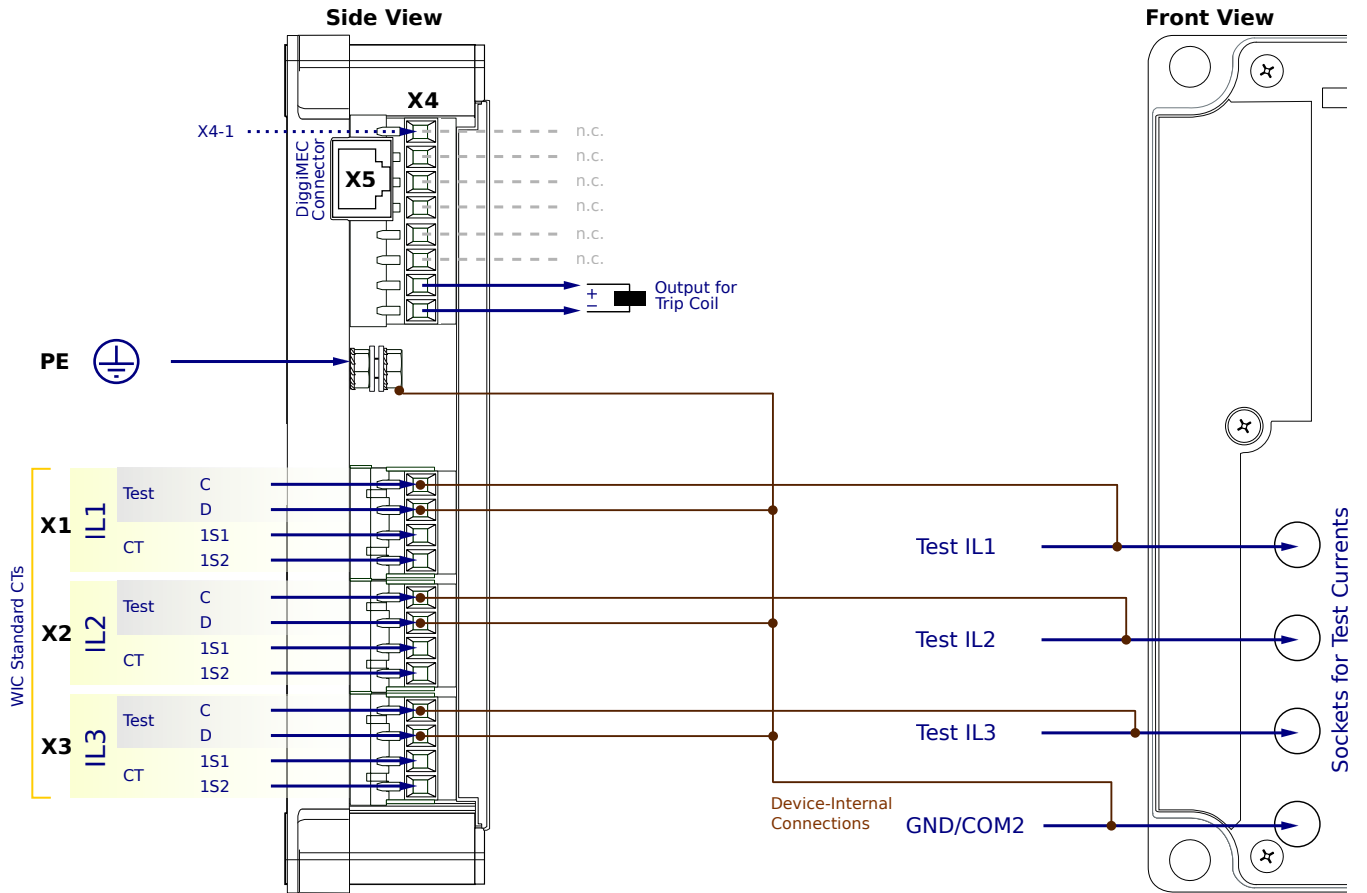
**X1...X3** - WIC CTs

**X4-7,8** - Trip pulse output

**X5** - DiggiMEC-WIC1 connection. Use network cable CAT3 (or better). No crossover cable!



# WIC1-2SN6NN2PA



## CT-Powered Protection Device, configuration via DIP switches or DiggiMEC / Smart view

- Calculated earth current
- Nominal frequency is 60 Hz. (Setting to 50 Hz is possible via DiggiMEC/Smart view.)
- Trip at  $20 \cdot I_{n,max}$
- Package "A" + SOTF, CLPU, external protection, ultra-fast overcurrent protection

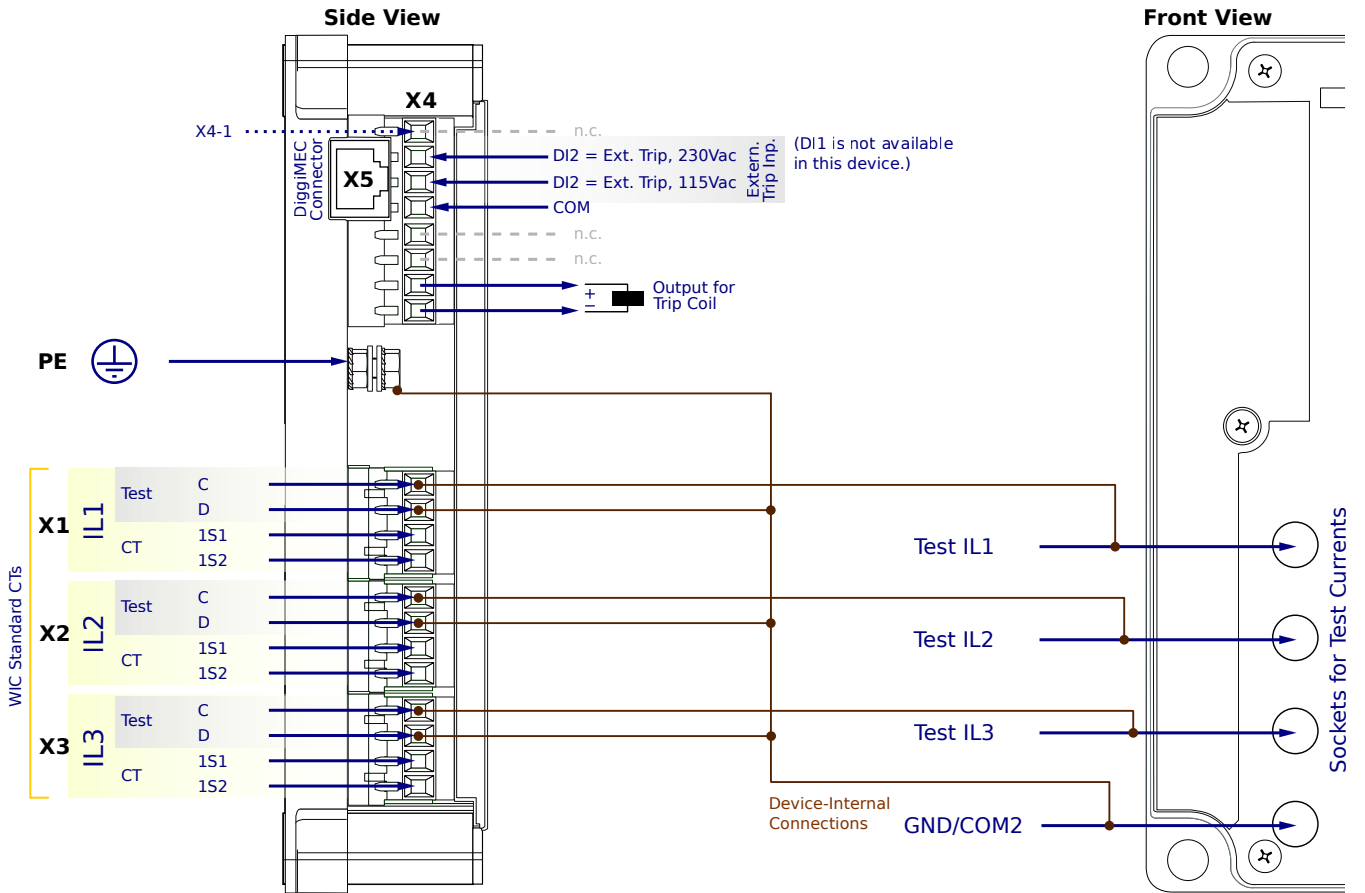
**PE** - Protective Earth

**X1...X3** - WIC CTs

**X4-7,8** - Trip pulse output

**X5** - DiggiMEC-WIC1 connection. Use network cable CAT3 (or better). No crossover cable!

# WIC1-2SN6NF1SA



## CT-Powered Protection Device, configuration via DIP switches or DiggiMEC / Smart view

- Calculated earth current
- Nominal frequency is 60 Hz. (Setting to 50 Hz is possible via DiggiMEC/Smart view.)
- Backup protection operates directly
- ANSI 50, 50G/N, 51, 51G/N, inrush, 50BF, 74TC

**PE** - Protective Earth

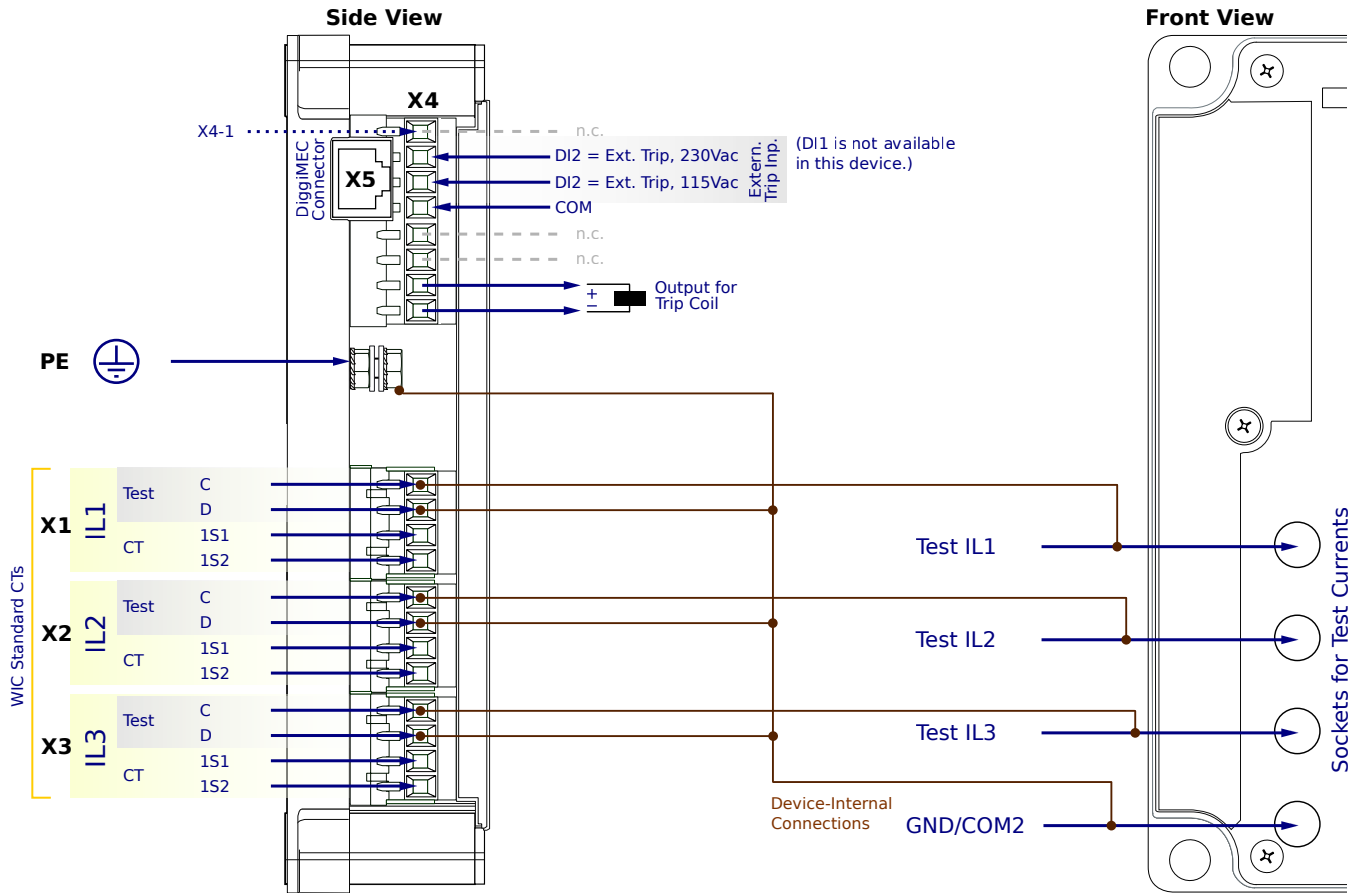
**X1...X3** - WIC CTs

**X4-2,3** - DI2, fixed to External trip input (115Vac or 230Vac)

**X4-7,8** - Trip pulse output

**X5** - DiggiMEC-WIC1 connection. Use network cable CAT3 (or better). No crossover cable!

# WIC1-2SN6NF1AA



## CT-Powered Protection Device, configuration via DIP switches or DiggiMEC / Smart view

- Calculated earth current
- Nominal frequency is 60 Hz. (Setting to 50 Hz is possible via DiggiMEC/Smart view.)
- Backup protection operates directly
- Package "S" + ANSI 46, 49, 51Q, Breaker Wear, Condition Monitoring (= Life Load, Drag Indicator)

**PE** - Protective Earth

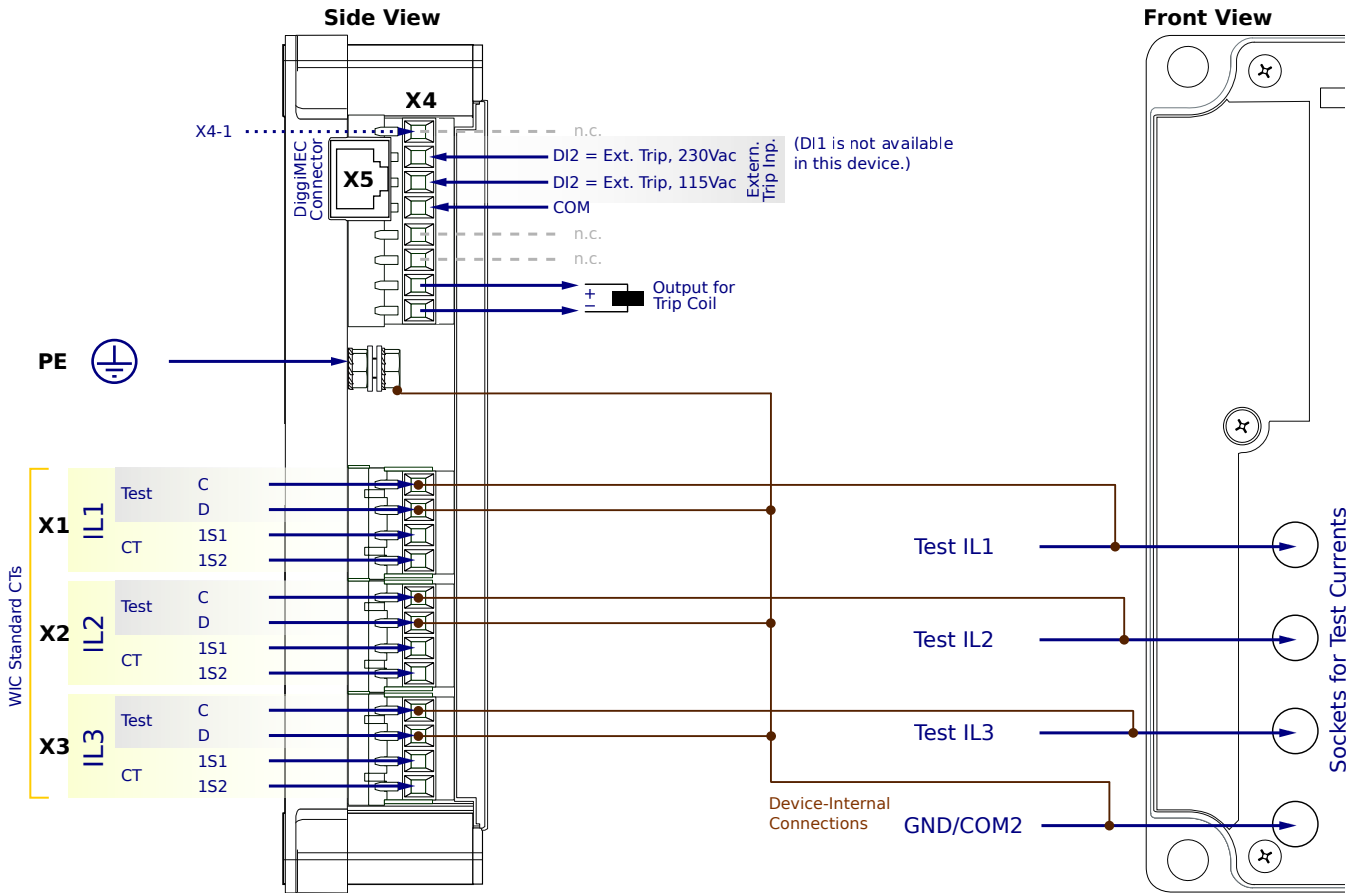
**X1...X3** - WIC CTs

**X4-2,3** - DI2, fixed to External trip input (115Vac or 230Vac)

**X4-7,8** - Trip pulse output

**X5** - DiggiMEC-WIC1 connection. Use network cable CAT3 (or better). No crossover cable!

# WIC1-2SN6NF1PA



## CT-Powered Protection Device, configuration via DIP switches or DiggiMEC / Smart view

- Calculated earth current
- Nominal frequency is 60 Hz. (Setting to 50 Hz is possible via DiggiMEC/Smart view.)
- Backup protection operates directly
- Package "A" + SOTF, CLPU, external protection, ultra-fast overcurrent protection

**PE** - Protective Earth

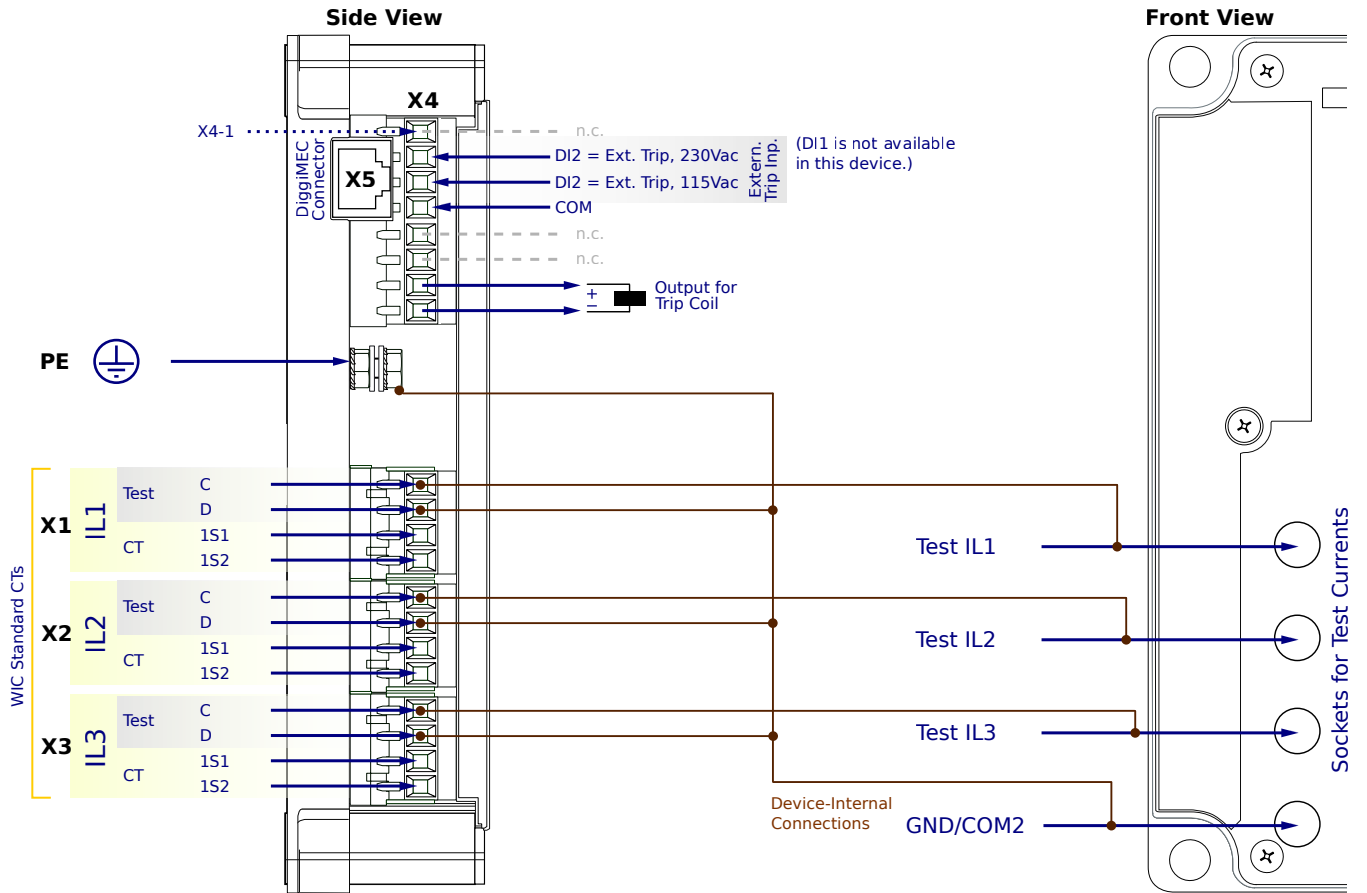
**X1...X3** - WIC CTs

**X4-2,3** - DI2, fixed to External trip input (115Vac or 230Vac)

**X4-7,8** - Trip pulse output

**X5** - DiggiMEC-WIC1 connection. Use network cable CAT3 (or better). No crossover cable!

# WIC1-2SN6NF2SA



## CT-Powered Protection Device, configuration via DIP switches or DiggiMEC / Smart view

- Calculated earth current
- Nominal frequency is 60 Hz. (Setting to 50 Hz is possible via DiggiMEC/Smart view.)
- Trip at  $20 \cdot I_{n,max}$
- ANSI 50, 50G/N, 51, 51G/N, inrush, 50BF, 74TC

**PE** - Protective Earth

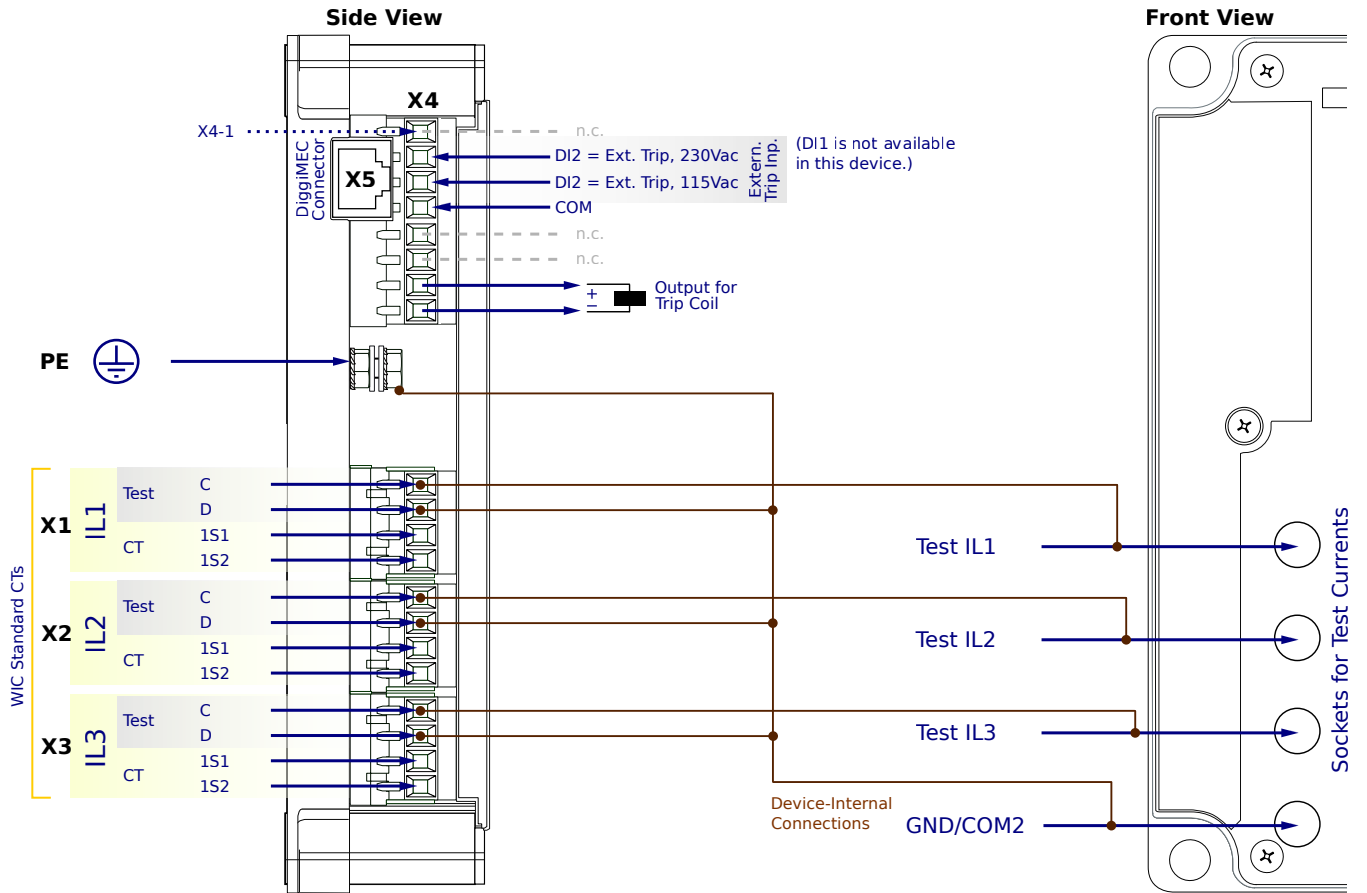
**X1...X3** - WIC CTs

**X4-2,3** - DI2, fixed to External trip input (115Vac or 230Vac)

**X4-7,8** - Trip pulse output

**X5** - DiggiMEC-WIC1 connection. Use network cable CAT3 (or better). No crossover cable!

# WIC1-2SN6NF2AA



## CT-Powered Protection Device, configuration via DIP switches or DiggiMEC / Smart view

- Calculated earth current
- Nominal frequency is 60 Hz. (Setting to 50 Hz is possible via DiggiMEC/Smart view.)
- Trip at  $20 \cdot I_{n,max}$
- Package "S" + ANSI 46, 49, 51Q, Breaker Wear, Condition Monitoring (= Life Load, Drag Indicator)

**PE** - Protective Earth

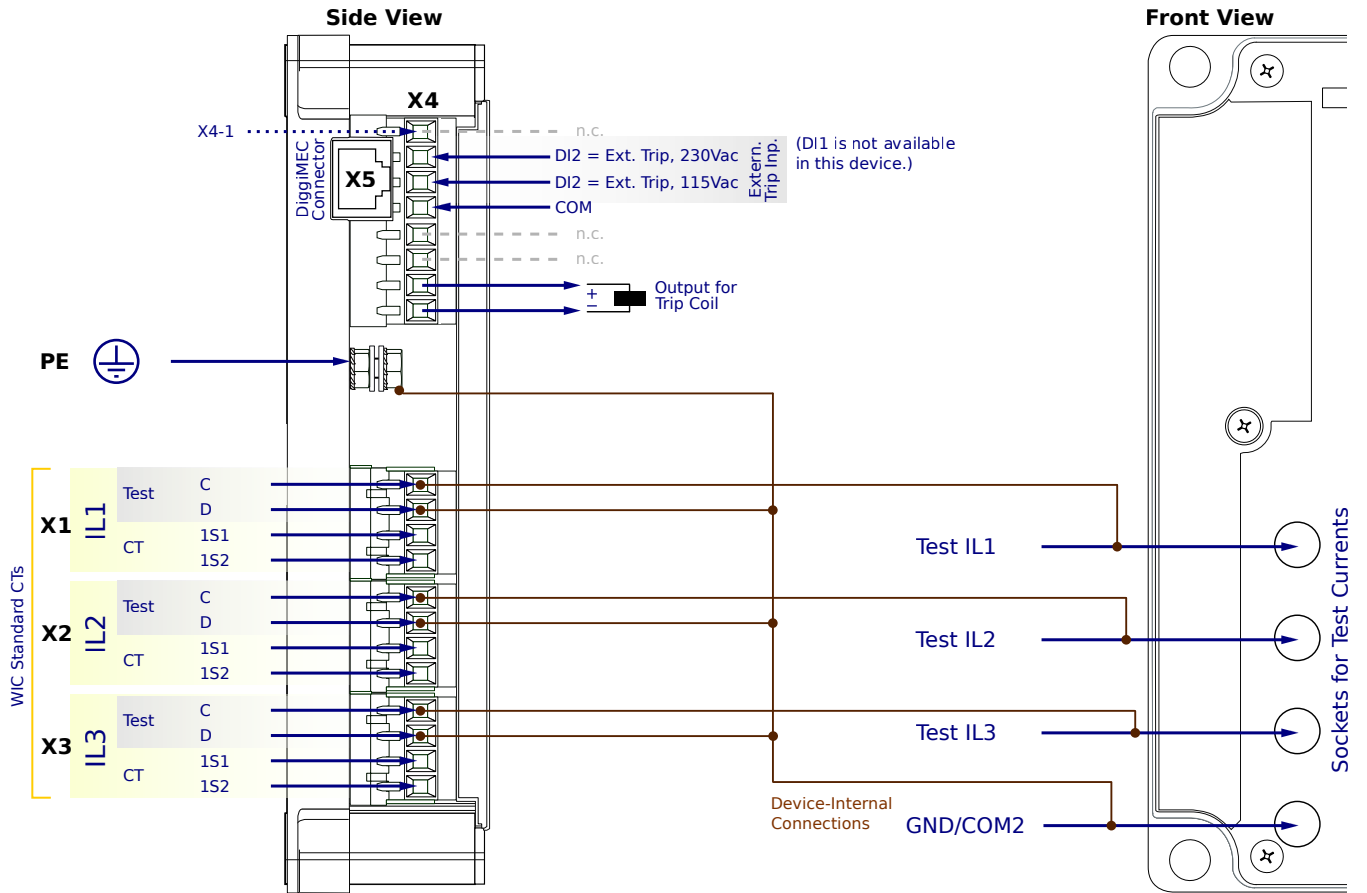
**X1...X3** - WIC CTs

**X4-2,3** - DI2, fixed to External trip input (115Vac or 230Vac)

**X4-7,8** - Trip pulse output

**X5** - DiggiMEC-WIC1 connection. Use network cable CAT3 (or better). No crossover cable!

# WIC1-2SN6NF2PA



## CT-Powered Protection Device, configuration via DIP switches or DiggiMEC / Smart view

- Calculated earth current
- Nominal frequency is 60 Hz. (Setting to 50 Hz is possible via DiggiMEC/Smart view.)
- Trip at  $20 \cdot I_{n,max}$
- Package "A" + SOTF, CLPU, external protection, ultra-fast overcurrent protection

**PE** - Protective Earth

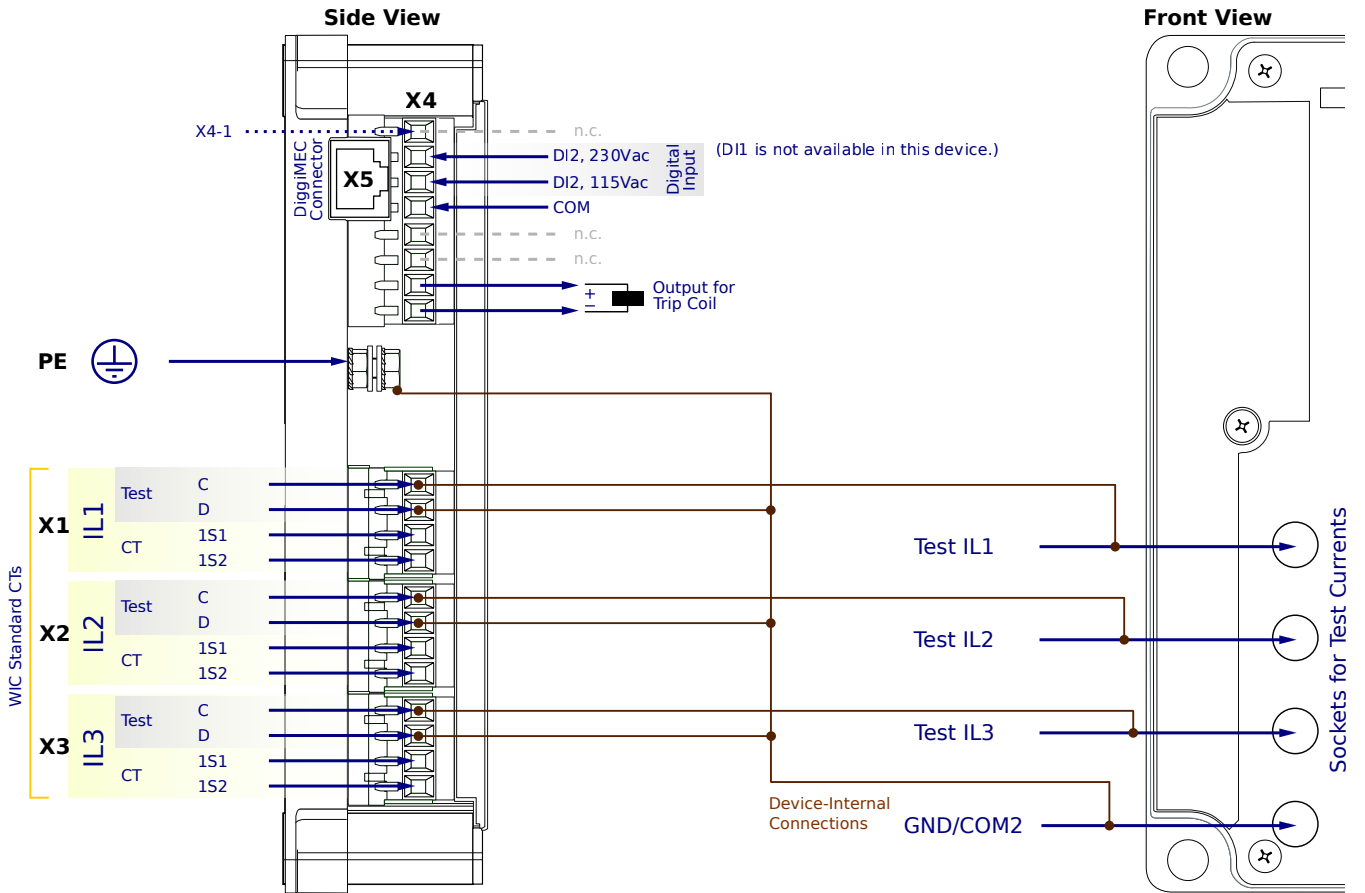
**X1...X3** - WIC CTs

**X4-2,3** - DI2, fixed to External trip input (115Vac or 230Vac)

**X4-7,8** - Trip pulse output

**X5** - DiggiMEC-WIC1 connection. Use network cable CAT3 (or better). No crossover cable!

# WIC1-2SN6NC1SA



## CT-Powered Protection Device, configuration via DIP switches or DiggiMEC / Smart view

- Calculated earth current
- Nominal frequency is 60 Hz. (Setting to 50 Hz is possible via DiggiMEC/Smart view.)
- Backup protection operates directly
- ANSI 50, 50G/N, 51, 51G/N, inrush, 50BF, 74TC

**PE** - Protective Earth

**X1...X3** - WIC CTs

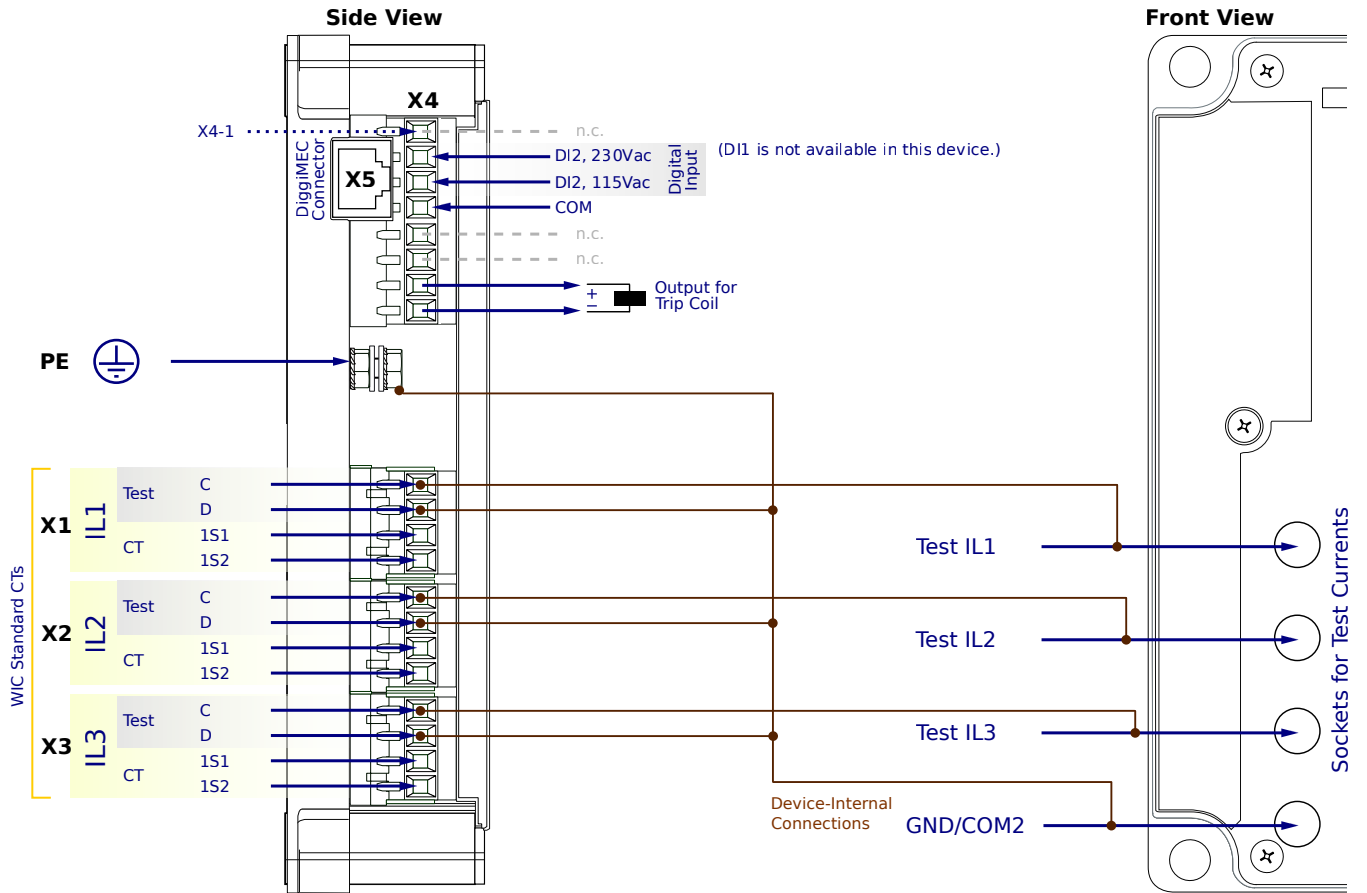
**X4-2,3** - 1 assignable Digital Input DI2 (115Vac or 230Vac)

**X4-7,8** - Trip pulse output

**X5** - DiggiMEC-WIC1 connection. Use network cable CAT3 (or better). No crossover cable!



# WIC1-2SN6NC1AA



## CT-Powered Protection Device, configuration via DIP switches or DiggiMEC / Smart view

- Calculated earth current
- Nominal frequency is 60 Hz. (Setting to 50 Hz is possible via DiggiMEC/Smart view.)
- Backup protection operates directly
- Package "S" + ANSI 46, 49, 51Q, Breaker Wear, Condition Monitoring (= Life Load, Drag Indicator)

**PE** - Protective Earth

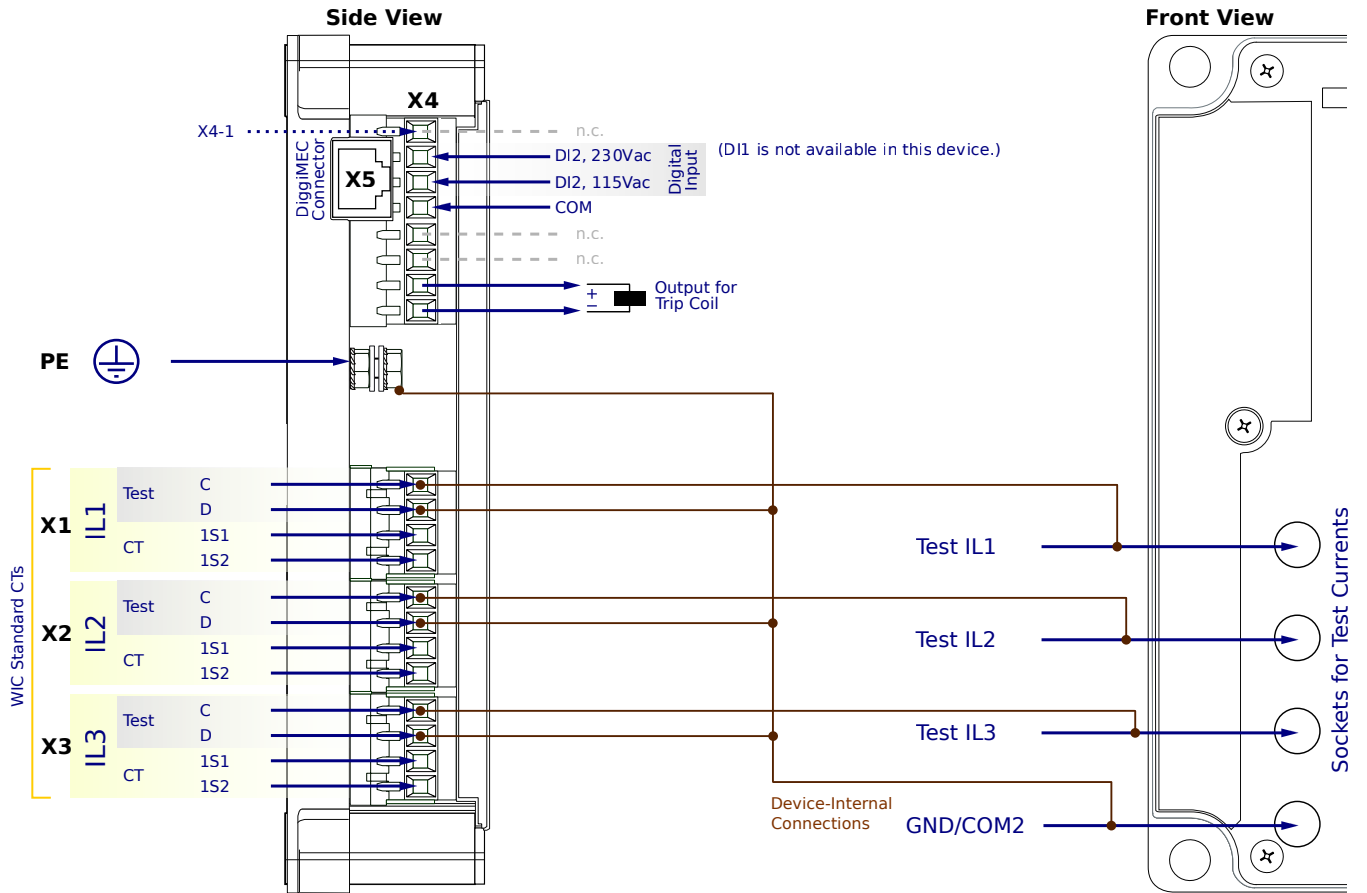
**X1...X3** - WIC CTs

**X4-2,3** - 1 assignable Digital Input DI2 (115Vac or 230Vac)

**X4-7,8** - Trip pulse output

**X5** - DiggiMEC-WIC1 connection. Use network cable CAT3 (or better). No crossover cable!

# WIC1-2SN6NC1PA



## CT-Powered Protection Device, configuration via DIP switches or DiggiMEC / Smart view

- Calculated earth current
- Nominal frequency is 60 Hz. (Setting to 50 Hz is possible via DiggiMEC/Smart view.)
- Backup protection operates directly
- Package "A" + SOTF, CLPU, external protection, ultra-fast overcurrent protection

**PE** - Protective Earth

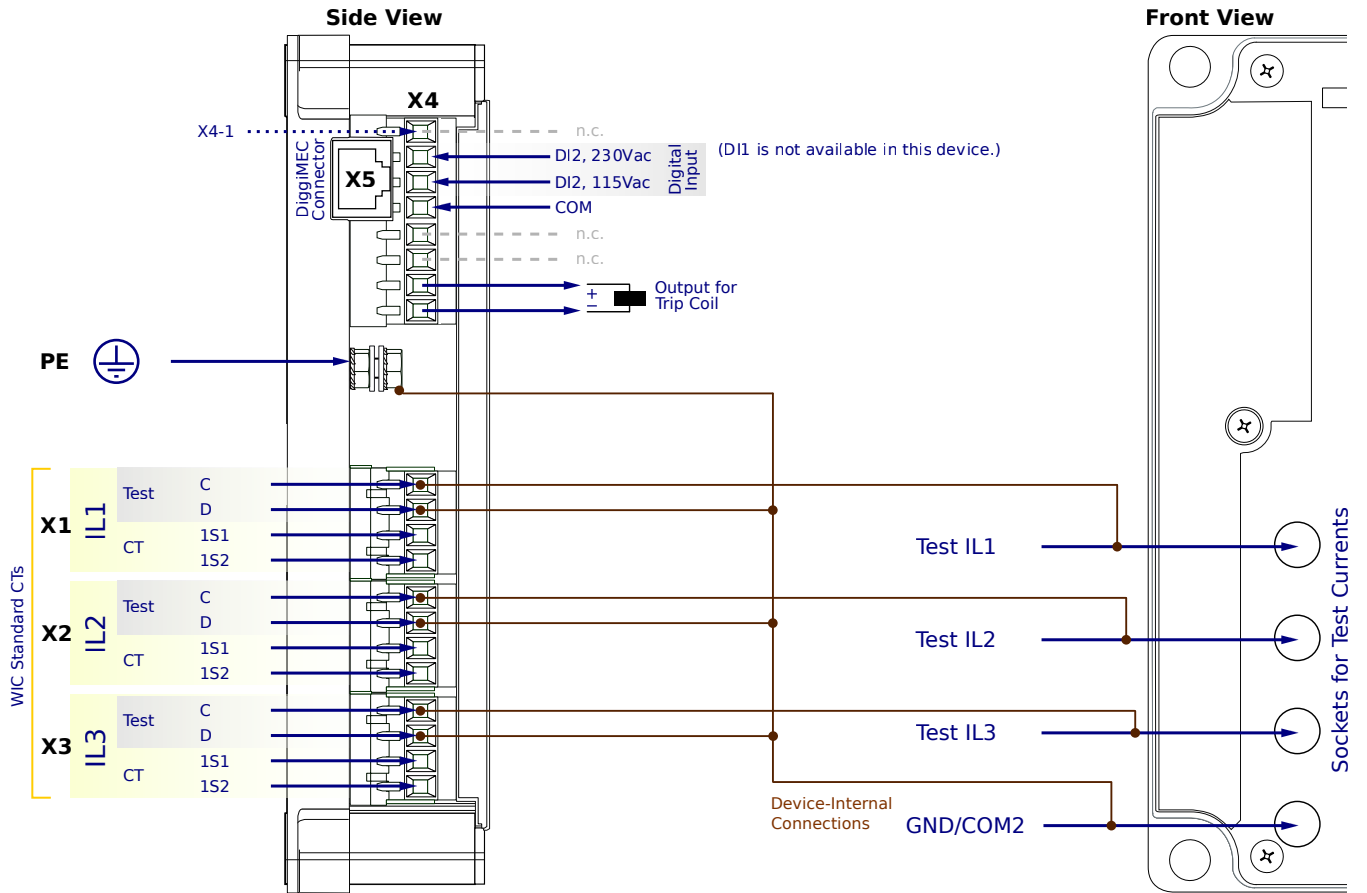
**X1...X3** - WIC CTs

**X4-2,3** - 1 assignable Digital Input DI2 (115Vac or 230Vac)

**X4-7,8** - Trip pulse output

**X5** - DiggiMEC-WIC1 connection. Use network cable CAT3 (or better). No crossover cable!

# WIC1-2SN6NC2SA



## CT-Powered Protection Device, configuration via DIP switches or DiggiMEC / Smart view

- Calculated earth current
- Nominal frequency is 60 Hz. (Setting to 50 Hz is possible via DiggiMEC/Smart view.)
- Trip at  $20 \cdot I_{n,max}$
- ANSI 50, 50G/N, 51, 51G/N, inrush, 50BF, 74TC

**PE** - Protective Earth

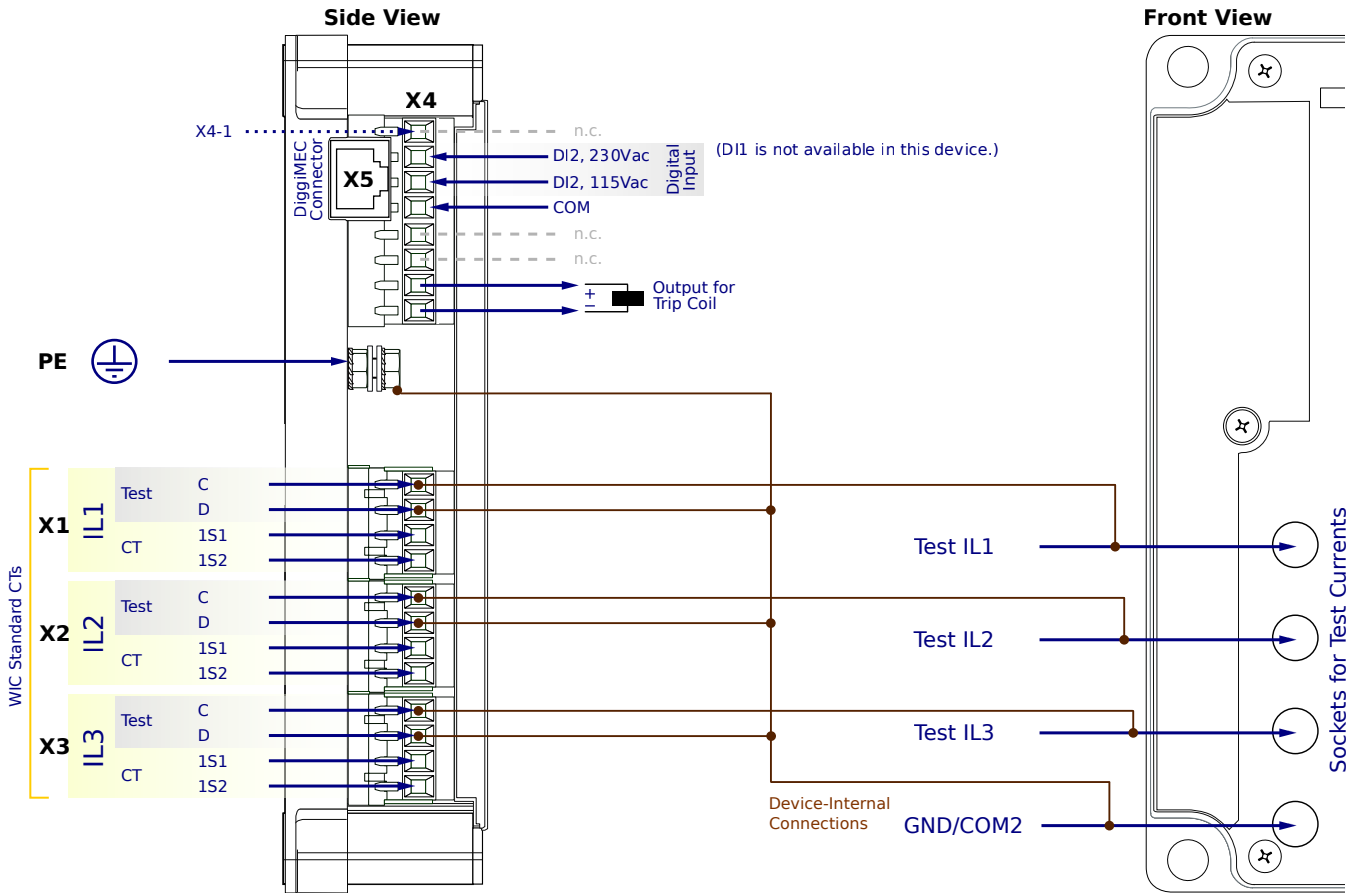
**X1...X3** - WIC CTs

**X4-2,3** - 1 assignable Digital Input DI2 (115Vac or 230Vac)

**X4-7,8** - Trip pulse output

**X5** - DiggiMEC-WIC1 connection. Use network cable CAT3 (or better). No crossover cable!

# WIC1-2SN6NC2AA



## CT-Powered Protection Device, configuration via DIP switches or DiggiMEC / Smart view

- Calculated earth current
- Nominal frequency is 60 Hz. (Setting to 50 Hz is possible via DiggiMEC/Smart view.)
- Trip at  $20 \cdot I_{n,max}$
- Package "S" + ANSI 46, 49, 51Q, Breaker Wear, Condition Monitoring (= Life Load, Drag Indicator)

**PE** - Protective Earth

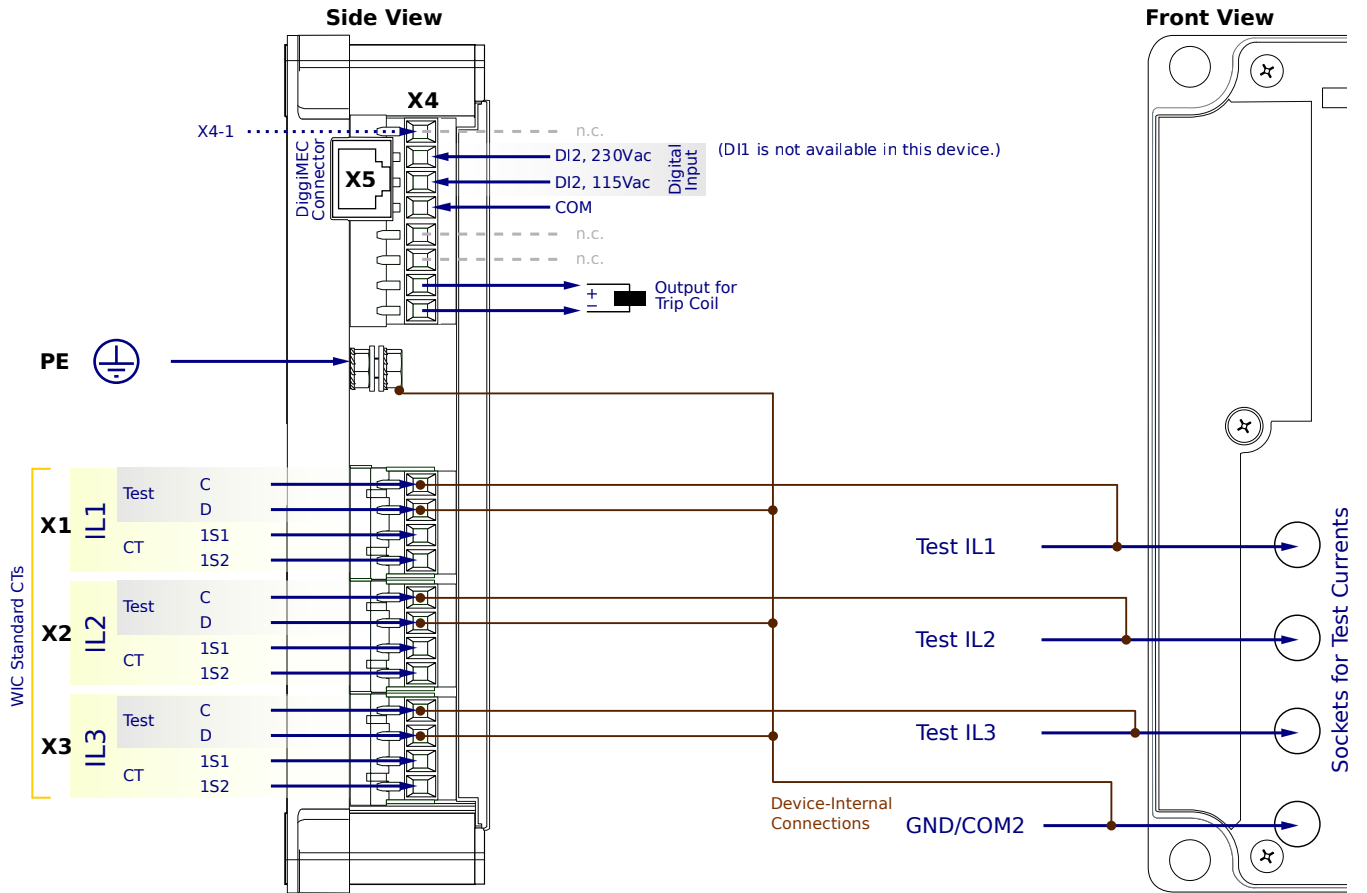
**X1...X3** - WIC CTs

**X4-2,3** - 1 assignable Digital Input DI2 (115Vac or 230Vac)

**X4-7,8** - Trip pulse output

**X5** - DiggiMEC-WIC1 connection. Use network cable CAT3 (or better). No crossover cable!

# WIC1-2SN6NC2PA



## CT-Powered Protection Device, configuration via DIP switches or DiggiMEC / Smart view

- Calculated earth current
- Nominal frequency is 60 Hz. (Setting to 50 Hz is possible via DiggiMEC/Smart view.)
- Trip at  $20 \cdot I_{n,max}$
- Package "A" + SOTF, CLPU, external protection, ultra-fast overcurrent protection

**PE** - Protective Earth

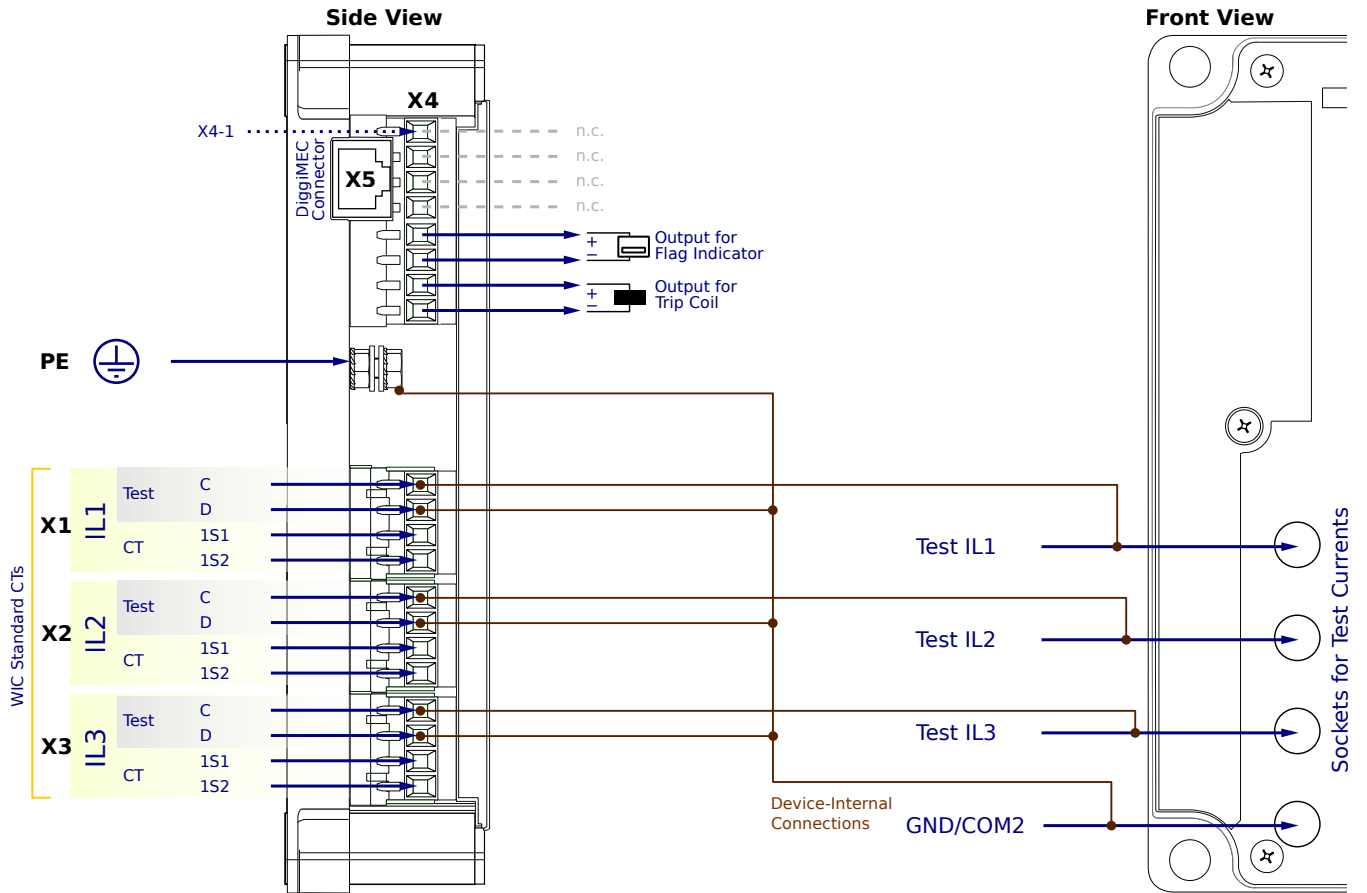
**X1...X3** - WIC CTs

**X4-2,3** - 1 assignable Digital Input DI2 (115Vac or 230Vac)

**X4-7,8** - Trip pulse output

**X5** - DiggiMEC-WIC1 connection. Use network cable CAT3 (or better). No crossover cable!

# WIC1-2SN6FN1SA



## CT-Powered Protection Device, configuration via DIP switches or DiggiMEC / Smart view

- Calculated earth current
- Nominal frequency is 60 Hz. (Setting to 50 Hz is possible via DiggiMEC/Smart view.)
- Backup protection operates directly
- ANSI 50, 50G/N, 51, 51G/N, inrush, 50BF, 74TC

**PE** - Protective Earth

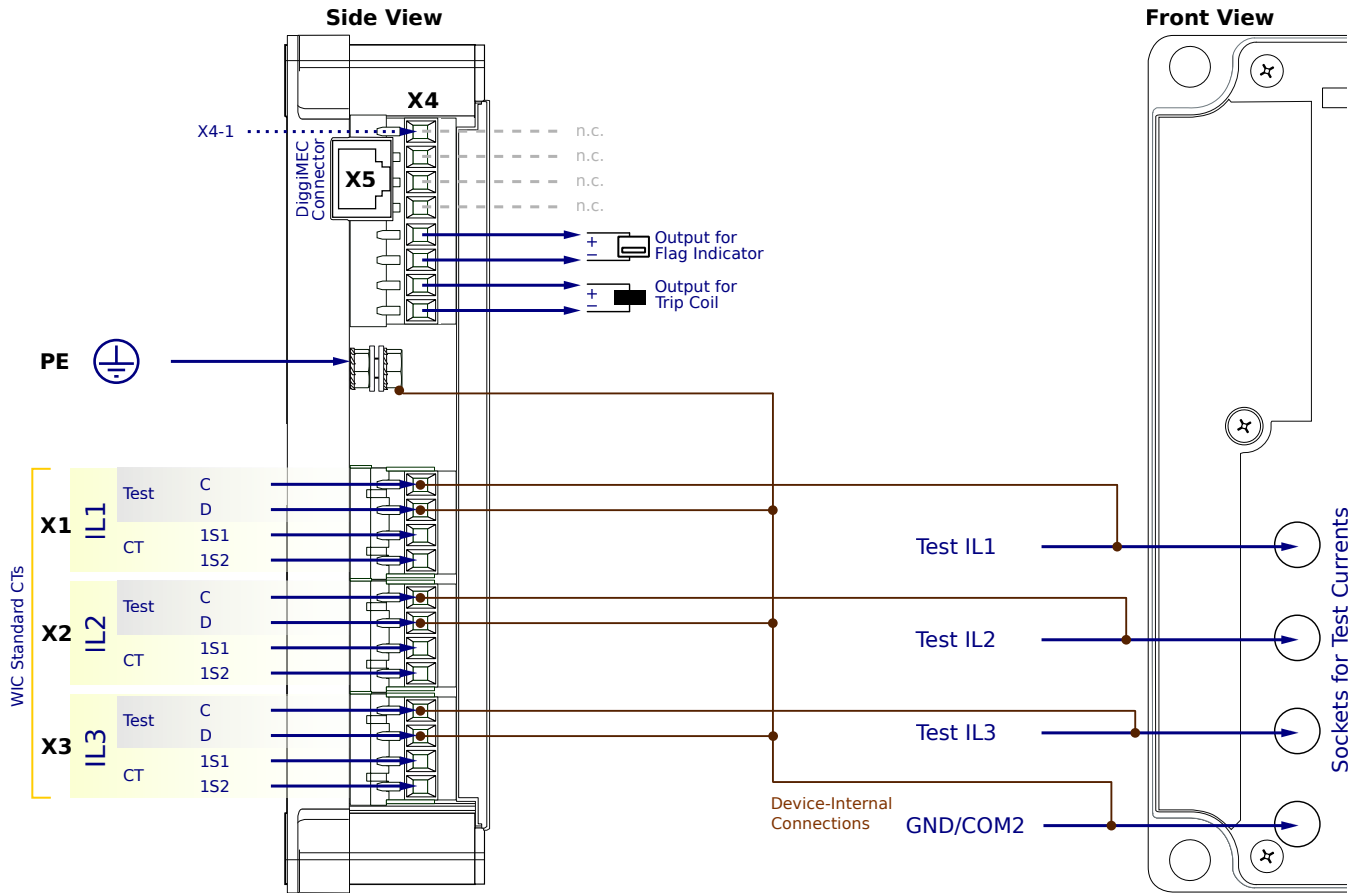
**X1...X3** - WIC CTs

**X4-5,6** - Trip flag indicator

**X4-7,8** - Trip pulse output

**X5** - DiggiMEC-WIC1 connection. Use network cable CAT3 (or better). No crossover cable!

# WIC1-2SN6FN1AA



## CT-Powered Protection Device, configuration via DIP switches or DiggiMEC / Smart view

- Calculated earth current
- Nominal frequency is 60 Hz. (Setting to 50 Hz is possible via DiggiMEC/Smart view.)
- Backup protection operates directly
- Package "S" + ANSI 46, 49, 51Q, Breaker Wear, Condition Monitoring (= Life Load, Drag Indicator)

**PE** - Protective Earth

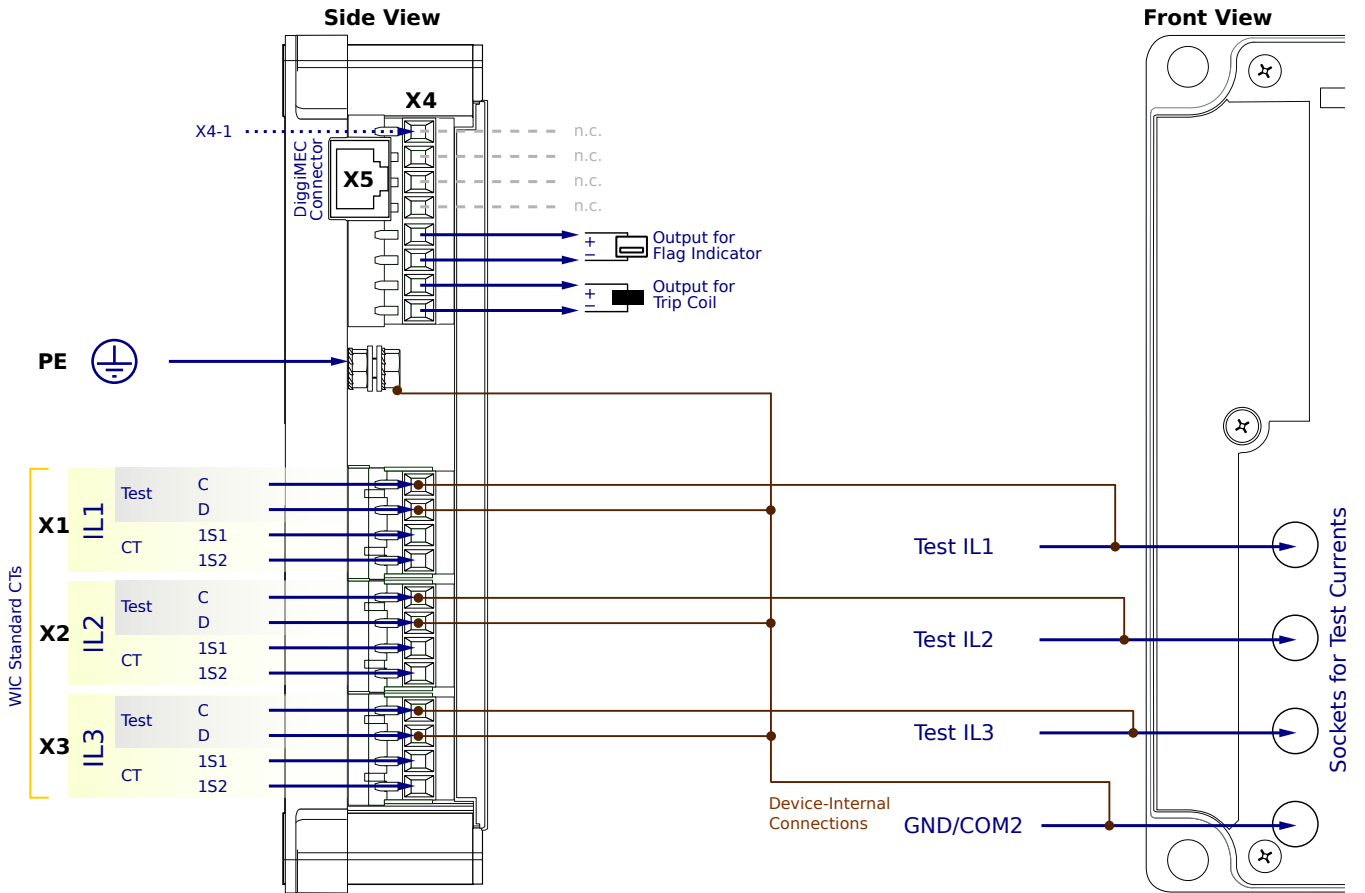
**X1...X3** - WIC CTs

**X4-5,6** - Trip flag indicator

**X4-7,8** - Trip pulse output

**X5** - DiggiMEC-WIC1 connection. Use network cable CAT3 (or better). No crossover cable!

# WIC1-2SN6FN1PA



## CT-Powered Protection Device, configuration via DIP switches or DiggiMEC / Smart view

- Calculated earth current
- Nominal frequency is 60 Hz. (Setting to 50 Hz is possible via DiggiMEC/Smart view.)
- Backup protection operates directly
- Package "A" + SOTF, CLPU, external protection, ultra-fast overcurrent protection

**PE** - Protective Earth

**X1...X3** - WIC CTs

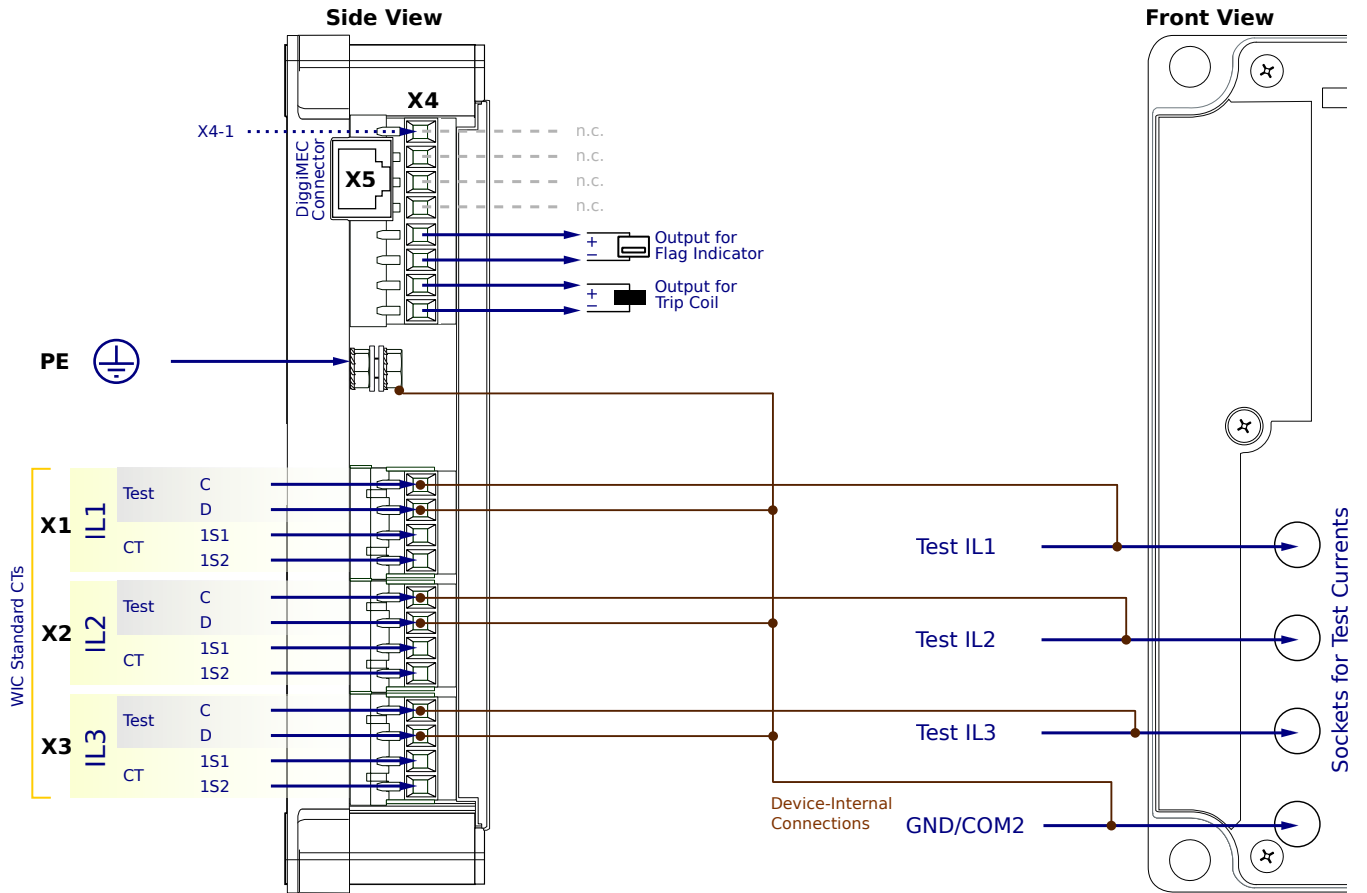
**X4-5,6** - Trip flag indicator

**X4-7,8** - Trip pulse output

**X5** - DiggiMEC-WIC1 connection. Use network cable CAT3 (or better). No crossover cable!



# WIC1-2SN6FN2SA



## CT-Powered Protection Device, configuration via DIP switches or DiggiMEC / Smart view

- Calculated earth current
- Nominal frequency is 60 Hz. (Setting to 50 Hz is possible via DiggiMEC/Smart view.)
- Trip at  $20 \cdot I_{n,max}$
- ANSI 50, 50G/N, 51, 51G/N, inrush, 50BF, 74TC

**PE** - Protective Earth

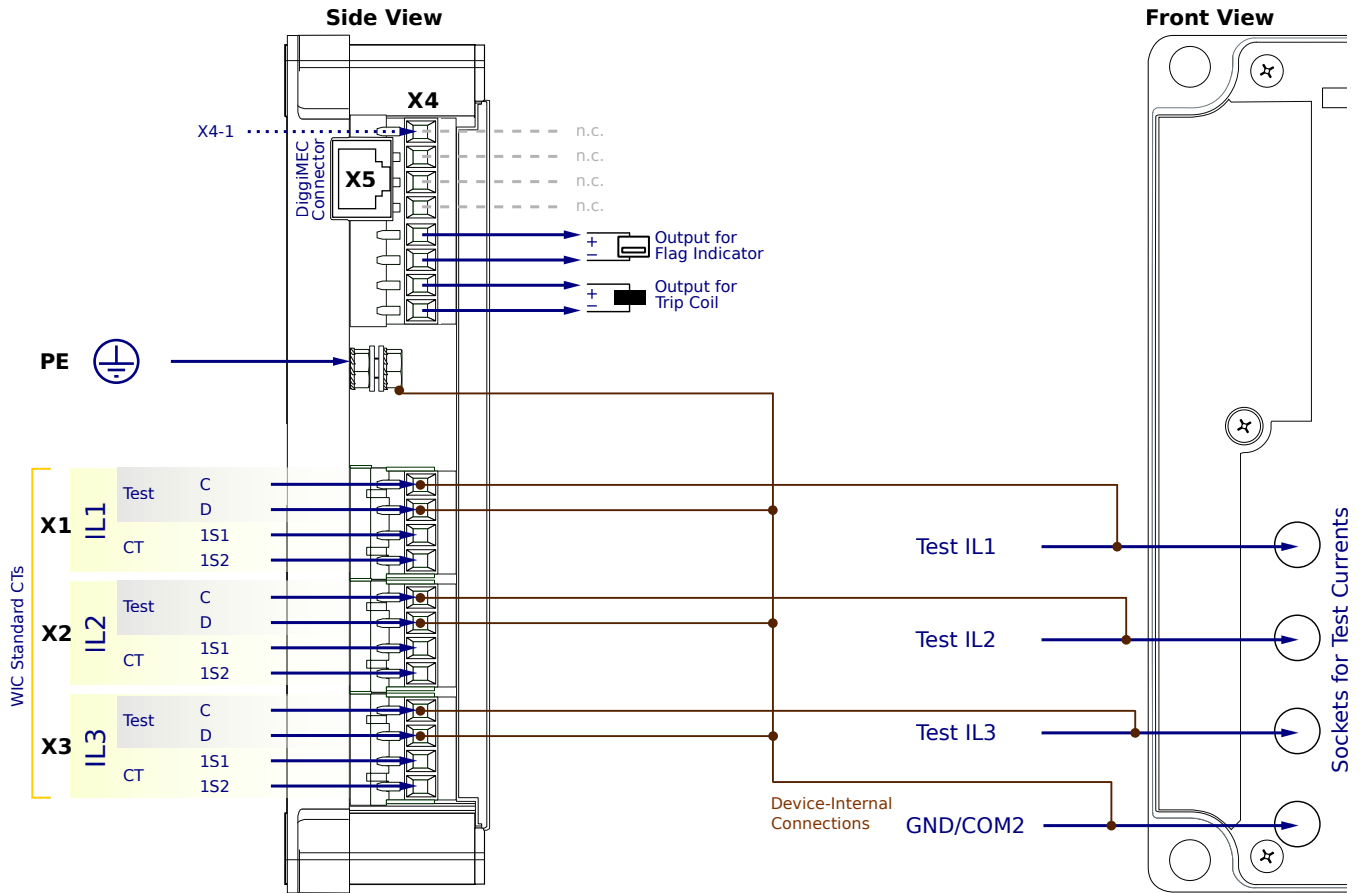
**X1...X3** - WIC CTs

**X4-5,6** - Trip flag indicator

**X4-7,8** - Trip pulse output

**X5** - DiggiMEC-WIC1 connection. Use network cable CAT3 (or better). No crossover cable!

# WIC1-2SN6FN2AA



## CT-Powered Protection Device, configuration via DIP switches or DiggiMEC / Smart view

- Calculated earth current
- Nominal frequency is 60 Hz. (Setting to 50 Hz is possible via DiggiMEC/Smart view.)
- Trip at  $20 \cdot I_{n,max}$
- Package "S" + ANSI 46, 49, 51Q, Breaker Wear, Condition Monitoring (= Life Load, Drag Indicator)

**PE** - Protective Earth

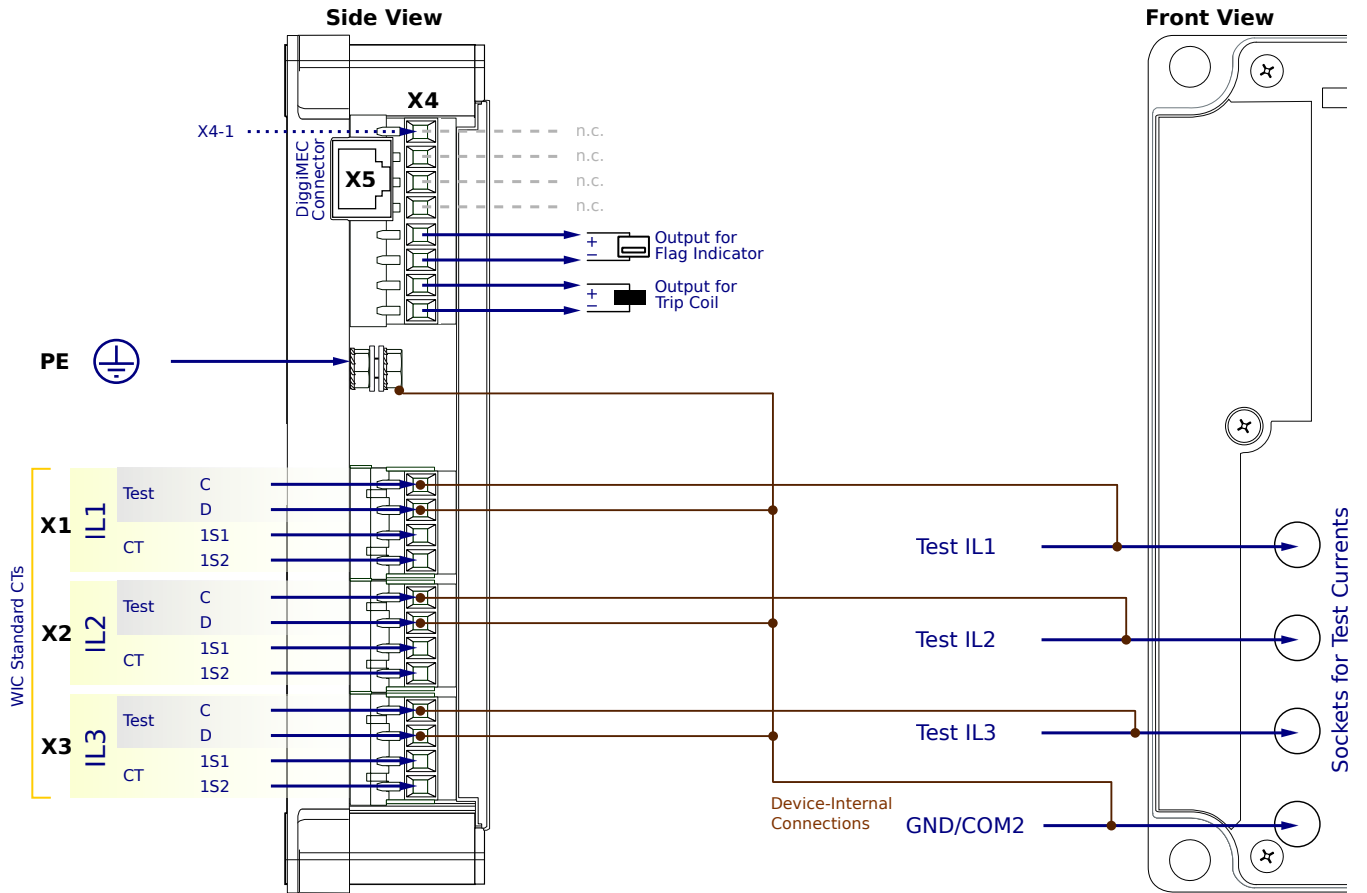
**X1...X3** - WIC CTs

**X4-5,6** - Trip flag indicator

**X4-7,8** - Trip pulse output

**X5** - DiggiMEC-WIC1 connection. Use network cable CAT3 (or better). No crossover cable!

# WIC1-2SN6FN2PA



## CT-Powered Protection Device, configuration via DIP switches or DiggiMEC / Smart view

- Calculated earth current
- Nominal frequency is 60 Hz. (Setting to 50 Hz is possible via DiggiMEC/Smart view.)
- Trip at  $20 \cdot I_{n,max}$
- Package "A" + SOTF, CLPU, external protection, ultra-fast overcurrent protection

**PE** - Protective Earth

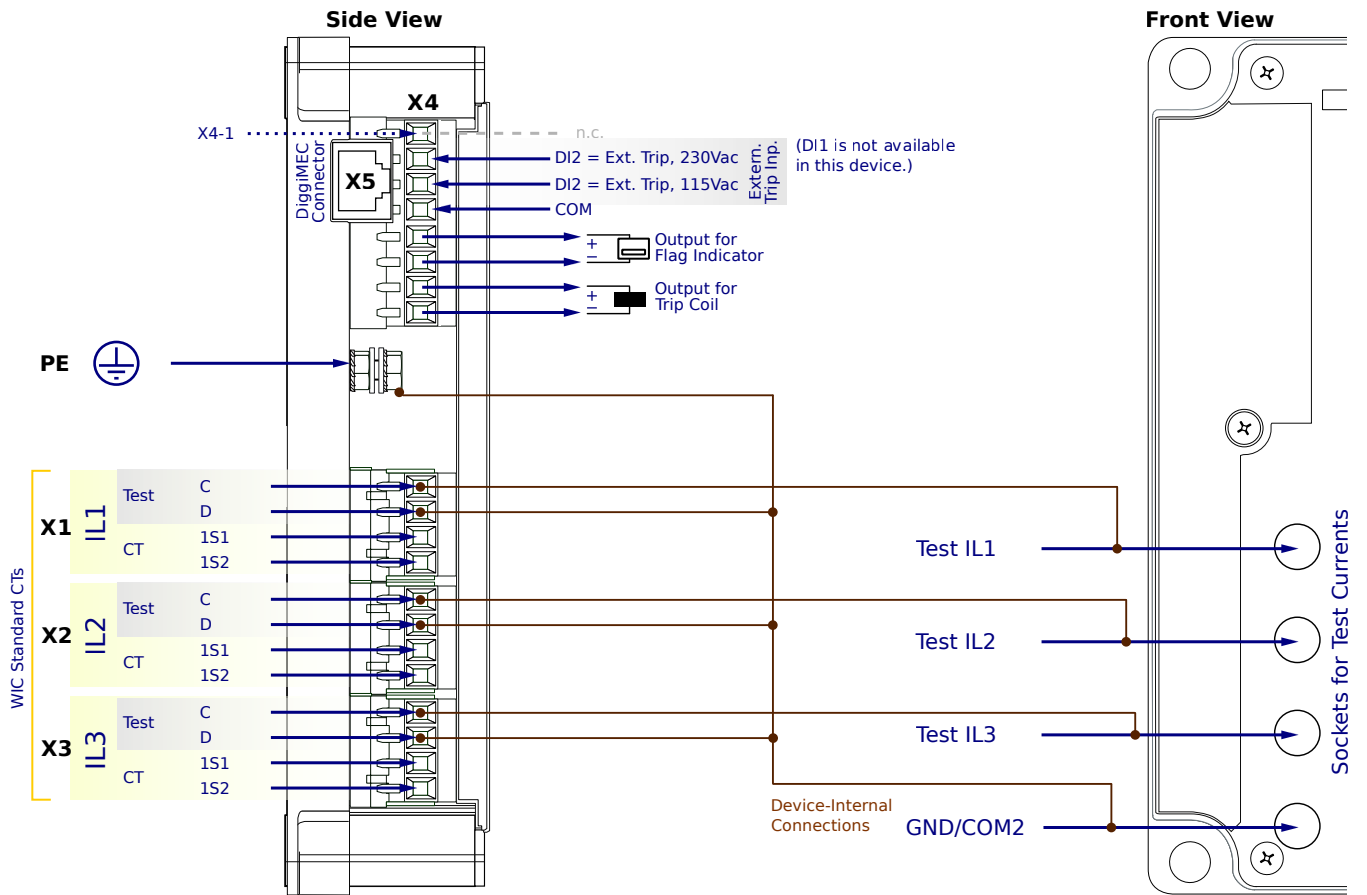
**X1...X3** - WIC CTs

**X4-5,6** - Trip flag indicator

**X4-7,8** - Trip pulse output

**X5** - DiggiMEC-WIC1 connection. Use network cable CAT3 (or better). No crossover cable!

# WIC1-2SN6FF1SA



## CT-Powered Protection Device, configuration via DIP switches or DiggiMEC / Smart view

- Calculated earth current
- Nominal frequency is 60 Hz. (Setting to 50 Hz is possible via DiggiMEC/Smart view.)
- Backup protection operates directly
- ANSI 50, 50G/N, 51, 51G/N, inrush, 50BF, 74TC

**PE** - Protective Earth

**X1...X3** - WIC CTs

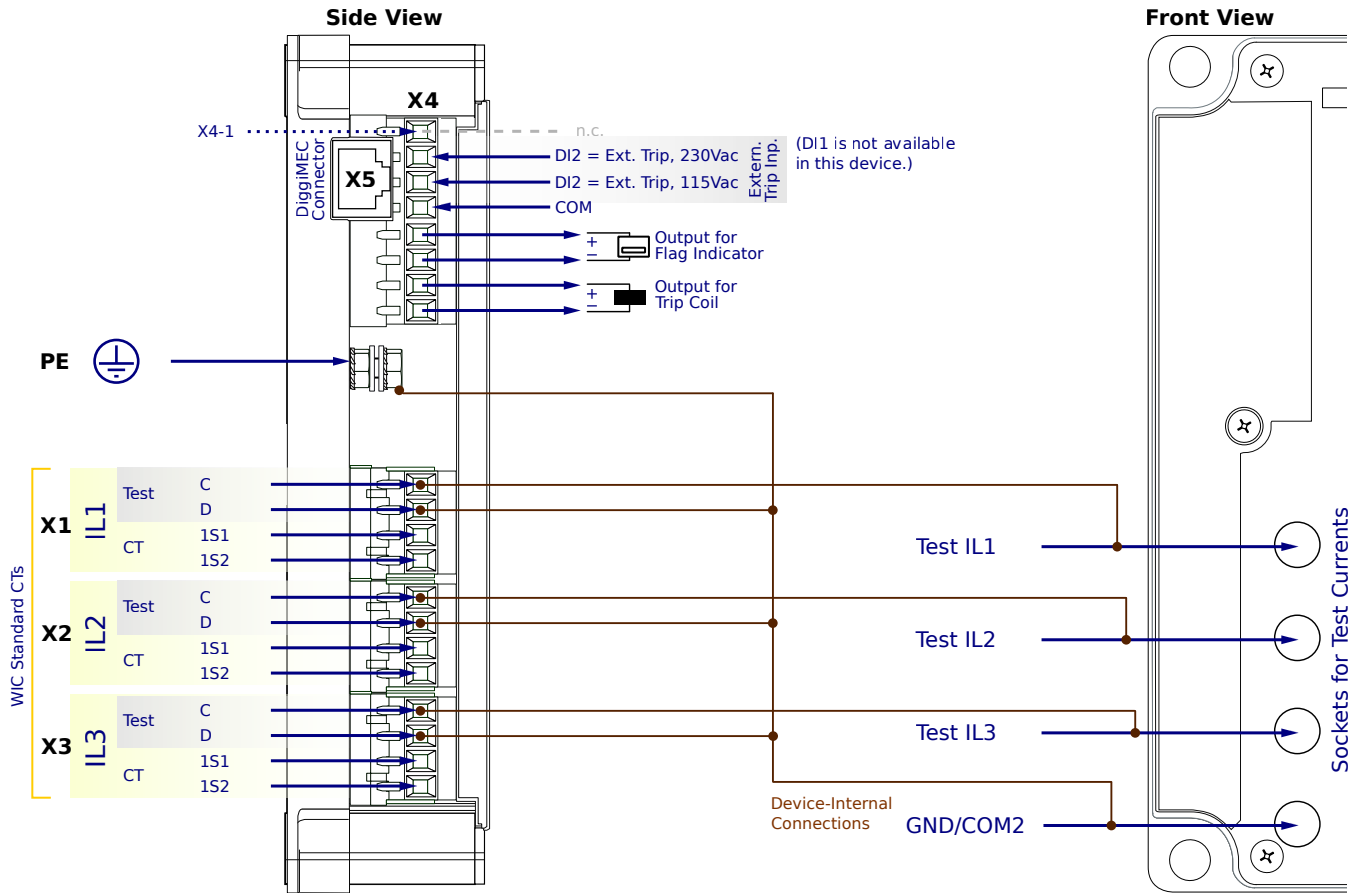
**X4-2,3** - DI2, fixed to External trip input (115Vac or 230Vac)

**X4-5,6** - Trip flag indicator

**X4-7,8** - Trip pulse output

**X5** - DiggiMEC-WIC1 connection. Use network cable CAT3 (or better). No crossover cable!

# WIC1-2SN6FF1AA



## CT-Powered Protection Device, configuration via DIP switches or DiggiMEC / Smart view

- Calculated earth current
- Nominal frequency is 60 Hz. (Setting to 50 Hz is possible via DiggiMEC/Smart view.)
- Backup protection operates directly
- Package "S" + ANSI 46, 49, 51Q, Breaker Wear, Condition Monitoring (= Life Load, Drag Indicator)

**PE** - Protective Earth

**X1...X3** - WIC CTs

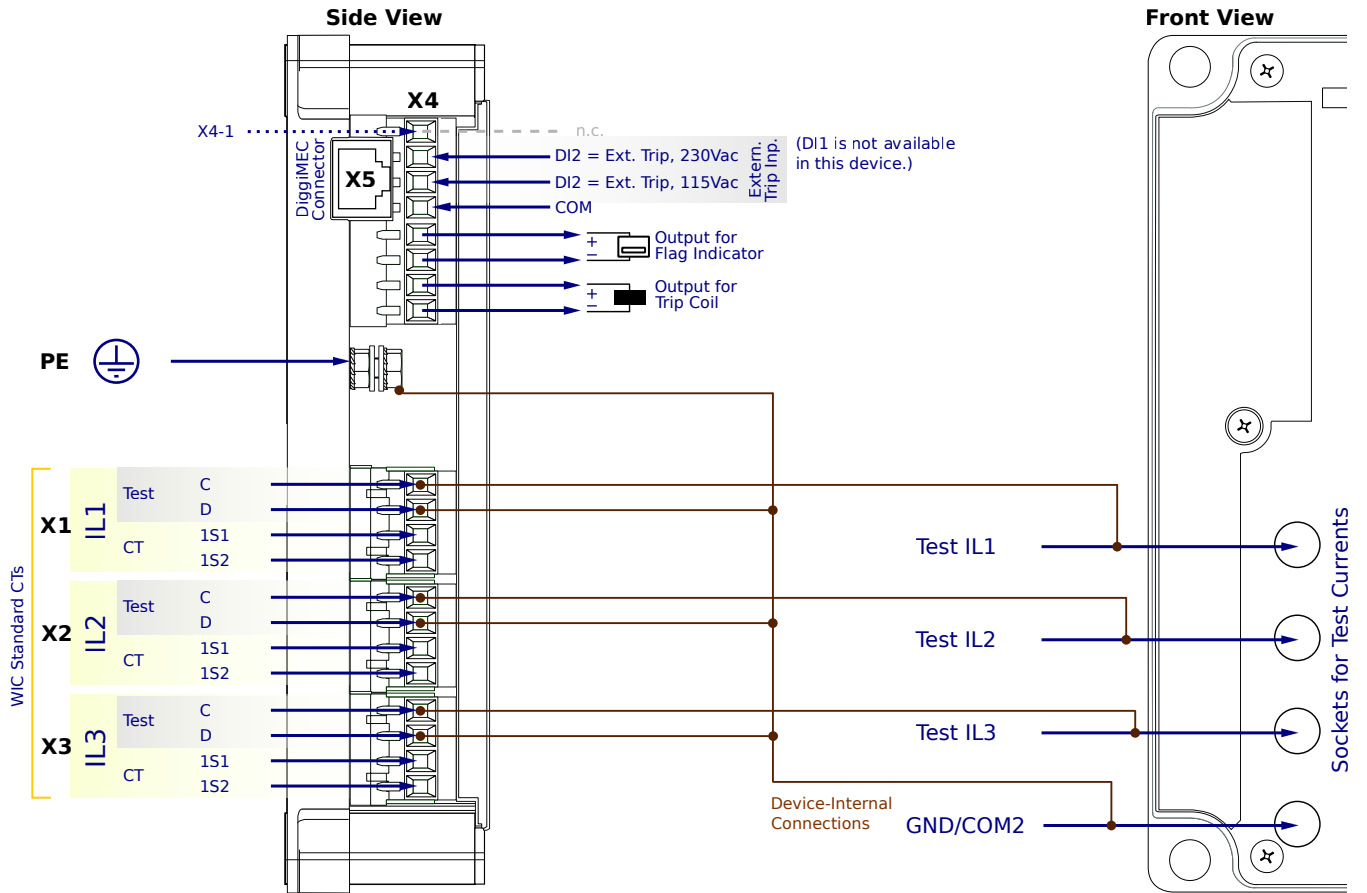
**X4-2,3** - DI2, fixed to External trip input (115Vac or 230Vac)

**X4-5,6** - Trip flag indicator

**X4-7,8** - Trip pulse output

**X5** - DiggiMEC-WIC1 connection. Use network cable CAT3 (or better). No crossover cable!

# WIC1-2SN6FF1PA



## CT-Powered Protection Device, configuration via DIP switches or DiggiMEC / Smart view

- Calculated earth current
- Nominal frequency is 60 Hz. (Setting to 50 Hz is possible via DiggiMEC/Smart view.)
- Backup protection operates directly
- Package "A" + SOTF, CLPU, external protection, ultra-fast overcurrent protection

**PE** - Protective Earth

**X1...X3** - WIC CTs

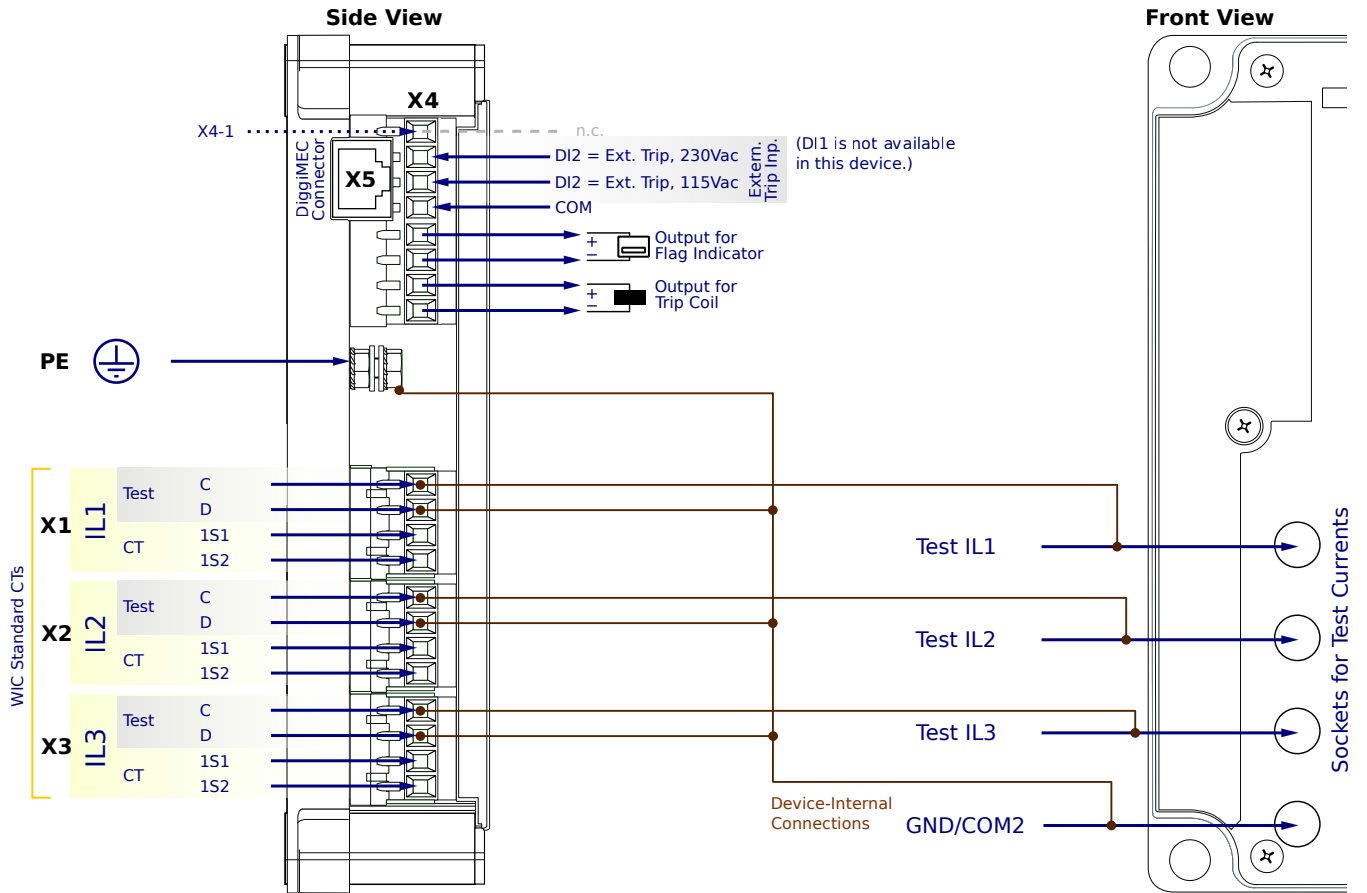
**X4-2,3** - DI2, fixed to External trip input (115Vac or 230Vac)

**X4-5,6** - Trip flag indicator

**X4-7,8** - Trip pulse output

**X5** - DiggiMEC-WIC1 connection. Use network cable CAT3 (or better). No crossover cable!

# WIC1-2SN6FF2SA



## CT-Powered Protection Device, configuration via DIP switches or DiggiMEC / Smart view

- Calculated earth current
- Nominal frequency is 60 Hz. (Setting to 50 Hz is possible via DiggiMEC/Smart view.)
- Trip at  $20 \cdot I_{n,max}$
- ANSI 50, 50G/N, 51, 51G/N, inrush, 50BF, 74TC

**PE** - Protective Earth

**X1...X3** - WIC CTs

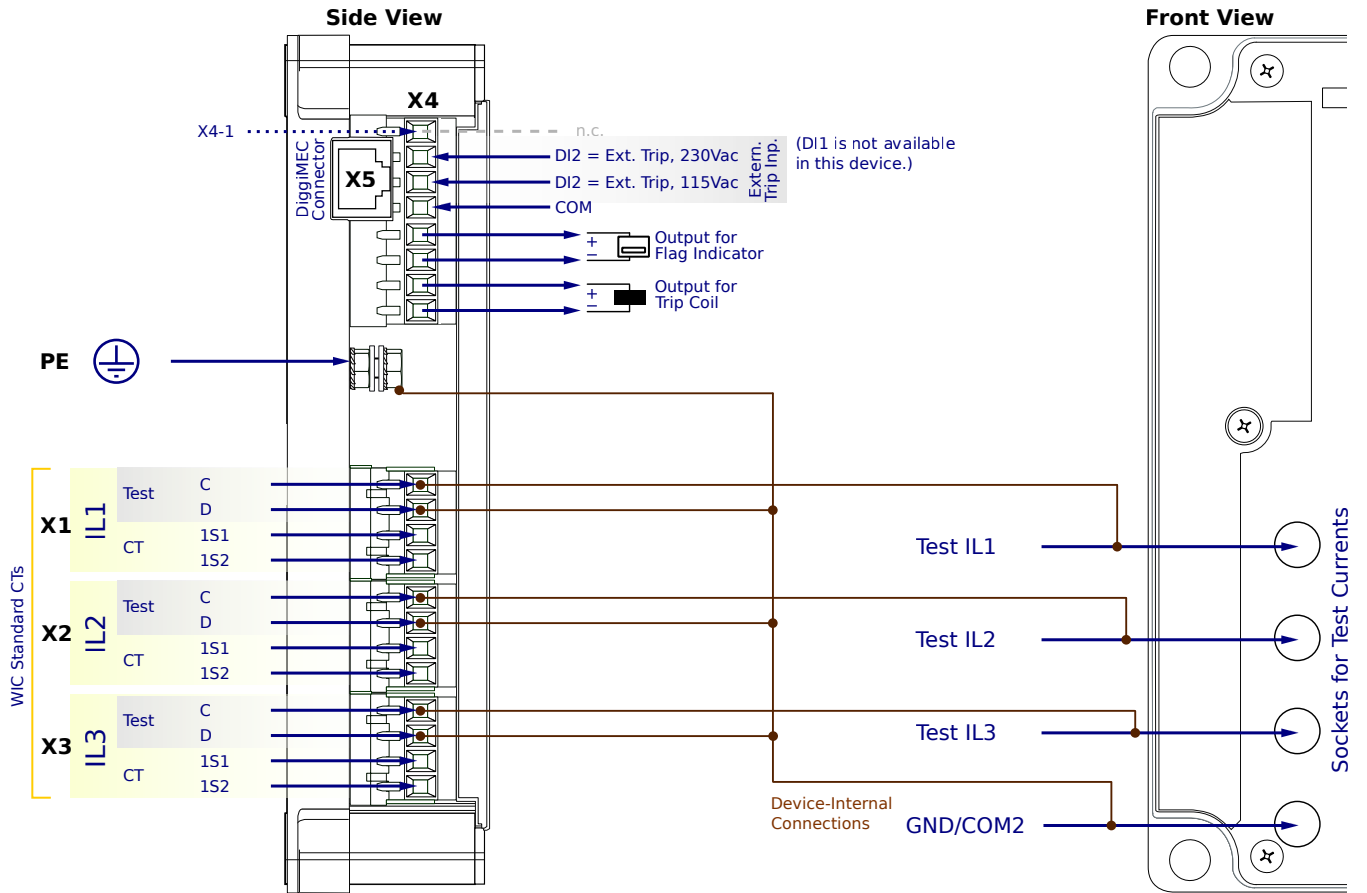
**X4-2,3** - DI2, fixed to External trip input (115Vac or 230Vac)

**X4-5,6** - Trip flag indicator

**X4-7,8** - Trip pulse output

**X5** - DiggiMEC-WIC1 connection. Use network cable CAT3 (or better). No crossover cable!

# WIC1-2SN6FF2AA



## CT-Powered Protection Device, configuration via DIP switches or DiggiMEC / Smart view

- Calculated earth current
- Nominal frequency is 60 Hz. (Setting to 50 Hz is possible via DiggiMEC/Smart view.)
- Trip at  $20 \cdot I_{n,max}$
- Package "S" + ANSI 46, 49, 51Q, Breaker Wear, Condition Monitoring (= Life Load, Drag Indicator)

**PE** - Protective Earth

**X1...X3** - WIC CTs

**X4-2,3** - DI2, fixed to External trip input (115Vac or 230Vac)

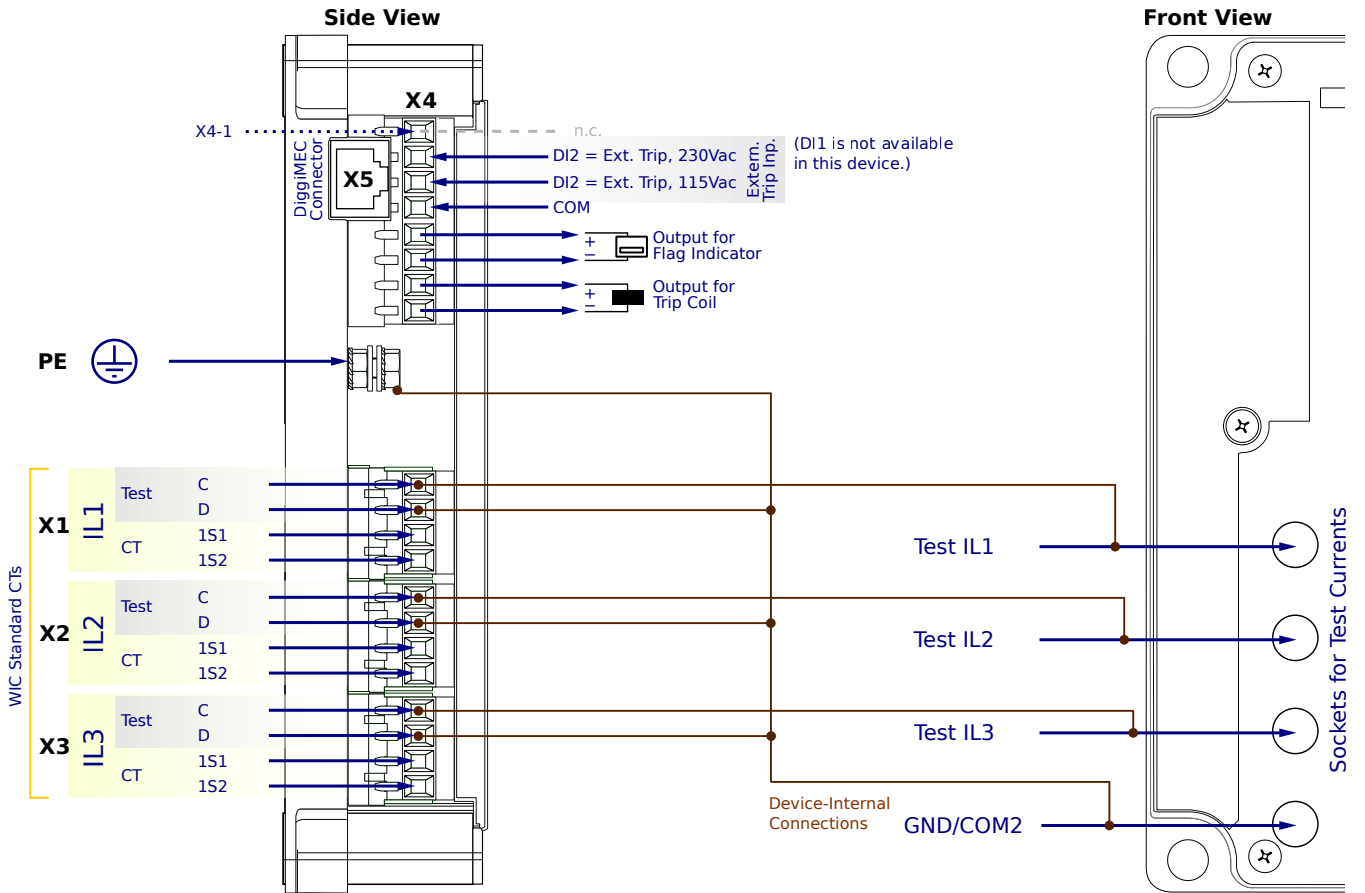
**X4-5,6** - Trip flag indicator

**X4-7,8** - Trip pulse output

**X5** - DiggiMEC-WIC1 connection. Use network cable CAT3 (or better). No crossover cable!



# WIC1-2SN6FF2PA



## CT-Powered Protection Device, configuration via DIP switches or DiggiMEC / Smart view

- Calculated earth current
- Nominal frequency is 60 Hz. (Setting to 50 Hz is possible via DiggiMEC/Smart view.)
- Trip at  $20 \cdot I_{n,max}$
- Package "A" + SOTF, CLPU, external protection, ultra-fast overcurrent protection

**PE** - Protective Earth

**X1...X3** - WIC CTs

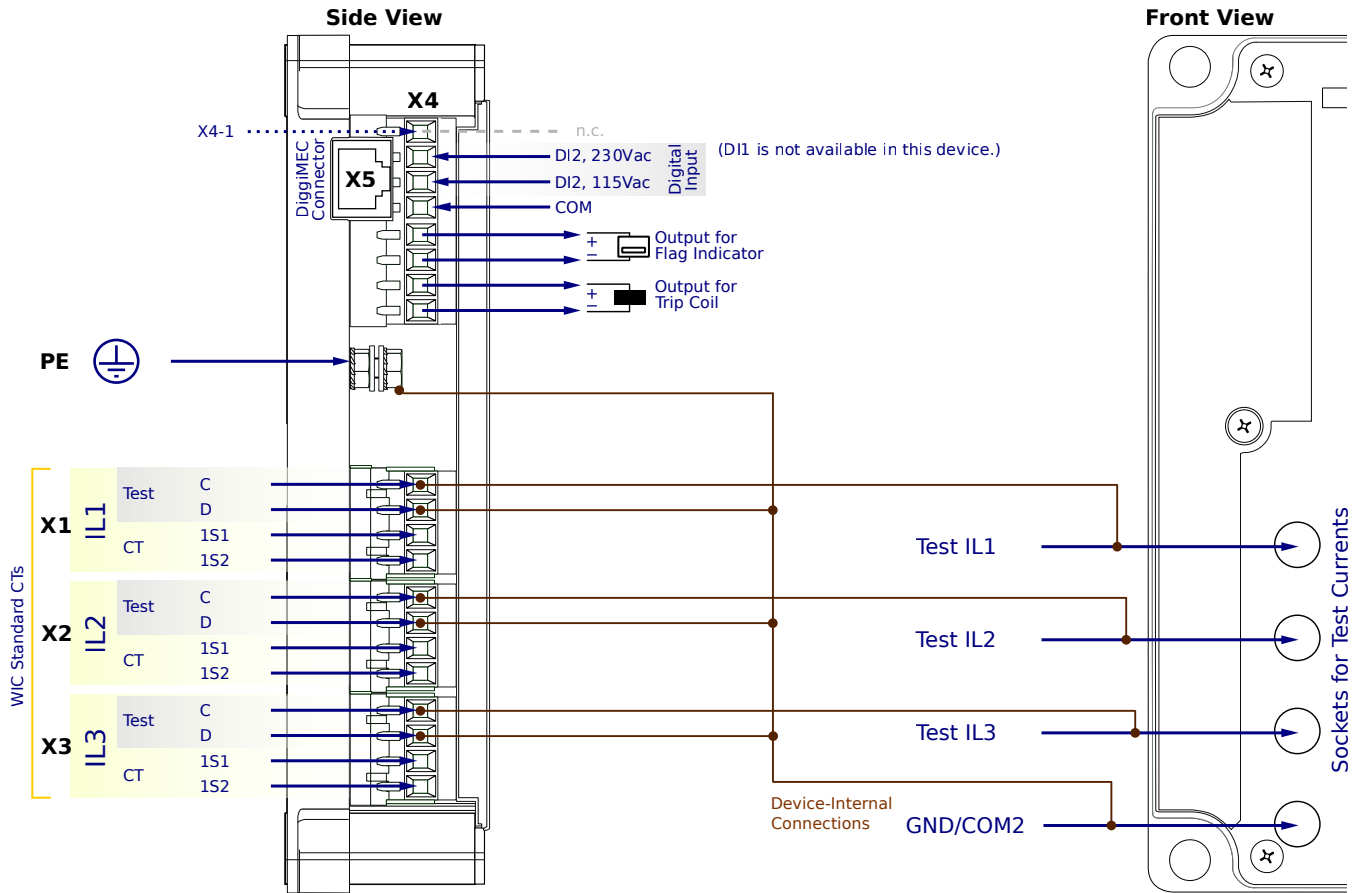
**X4-2,3** - DI2, fixed to External trip input (115Vac or 230Vac)

**X4-5,6** - Trip flag indicator

**X4-7,8** - Trip pulse output

**X5** - DiggiMEC-WIC1 connection. Use network cable CAT3 (or better). No crossover cable!

# WIC1-2SN6FC1SA



## CT-Powered Protection Device, configuration via DIP switches or DiggiMEC / Smart view

- Calculated earth current
- Nominal frequency is 60 Hz. (Setting to 50 Hz is possible via DiggiMEC/Smart view.)
- Backup protection operates directly
- ANSI 50, 50G/N, 51, 51G/N, inrush, 50BF, 74TC

**PE** - Protective Earth

**X1...X3** - WIC CTs

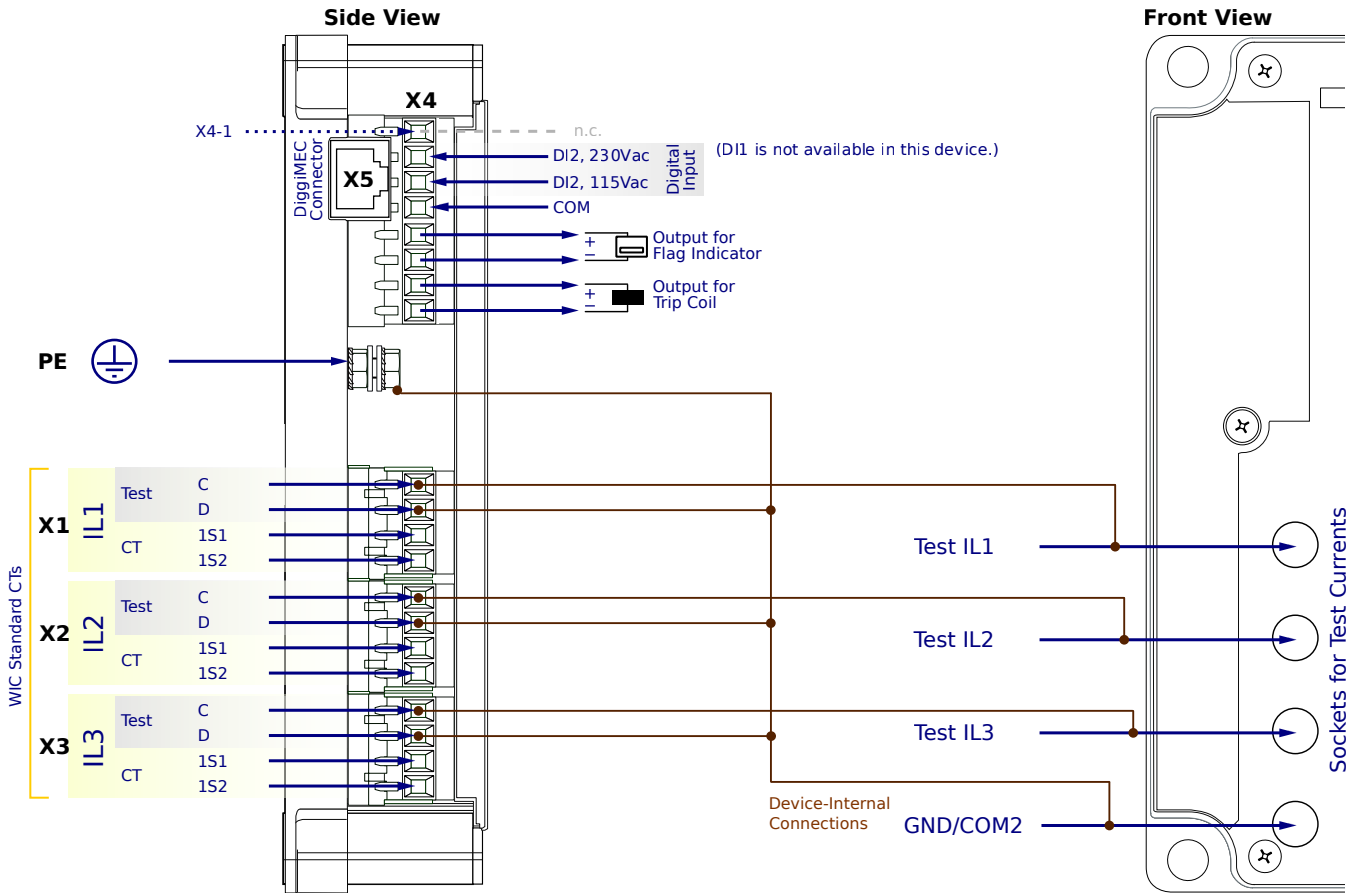
**X4-2,3** - 1 assignable Digital Input DI2 (115Vac or 230Vac)

**X4-5,6** - Trip flag indicator

**X4-7,8** - Trip pulse output

**X5** - DiggiMEC-WIC1 connection. Use network cable CAT3 (or better). No crossover cable!

# WIC1-2SN6FC1AA



## CT-Powered Protection Device, configuration via DIP switches or DiggiMEC / Smart view

- Calculated earth current
- Nominal frequency is 60 Hz. (Setting to 50 Hz is possible via DiggiMEC/Smart view.)
- Backup protection operates directly
- Package "S" + ANSI 46, 49, 51Q, Breaker Wear, Condition Monitoring (= Life Load, Drag Indicator)

**PE** - Protective Earth

**X1...X3** - WIC CTs

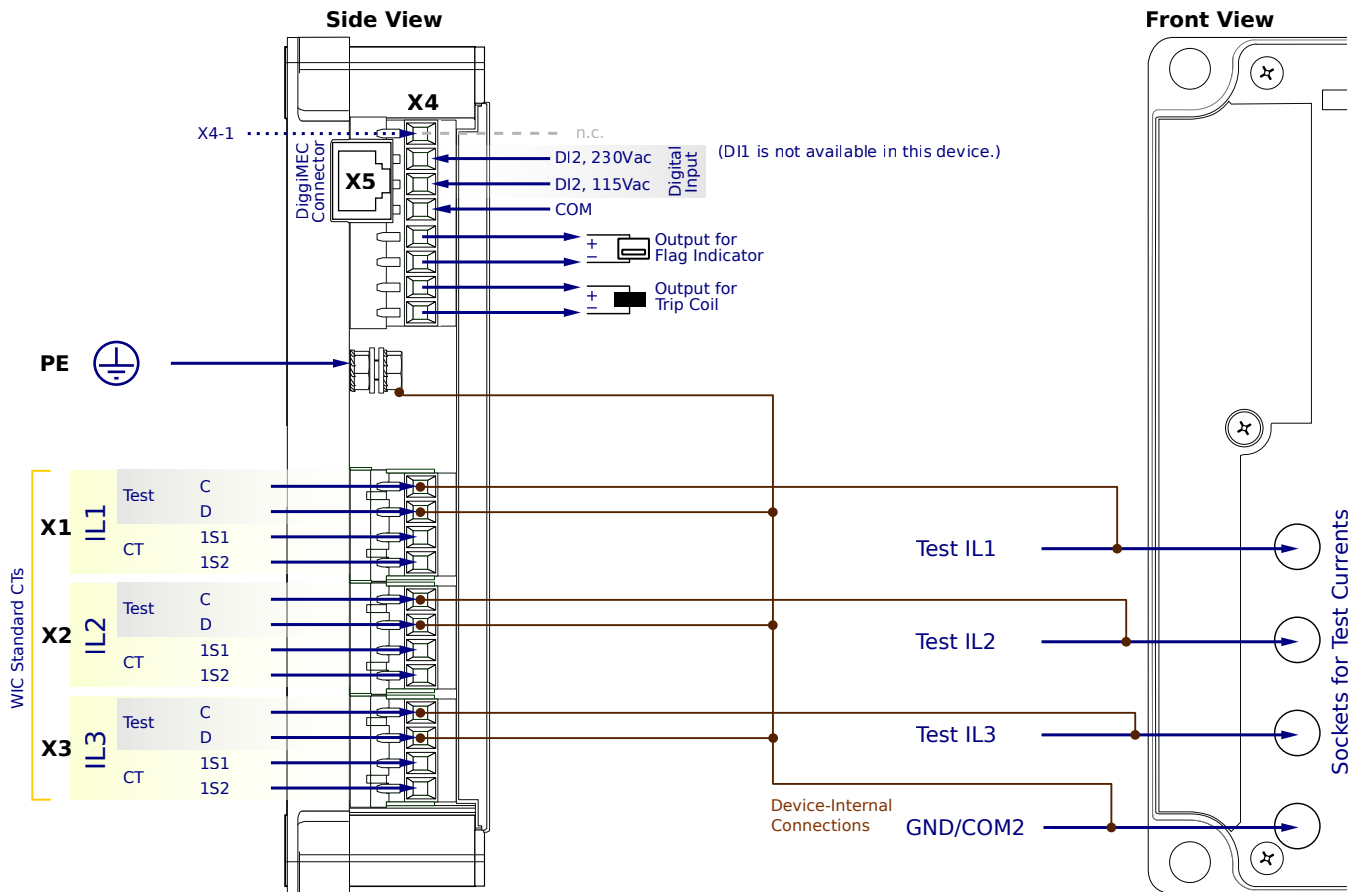
**X4-2,3** - 1 assignable Digital Input DI2 (115Vac or 230Vac)

**X4-5,6** - Trip flag indicator

**X4-7,8** - Trip pulse output

**X5** - DiggiMEC-WIC1 connection. Use network cable CAT3 (or better). No crossover cable!

# WIC1-2SN6FC1PA



## CT-Powered Protection Device, configuration via DIP switches or DiggiMEC / Smart view

- Calculated earth current
- Nominal frequency is 60 Hz. (Setting to 50 Hz is possible via DiggiMEC/Smart view.)
- Backup protection operates directly
- Package "A" + SOTF, CLPU, external protection, ultra-fast overcurrent protection

**PE** - Protective Earth

**X1...X3** - WIC CTs

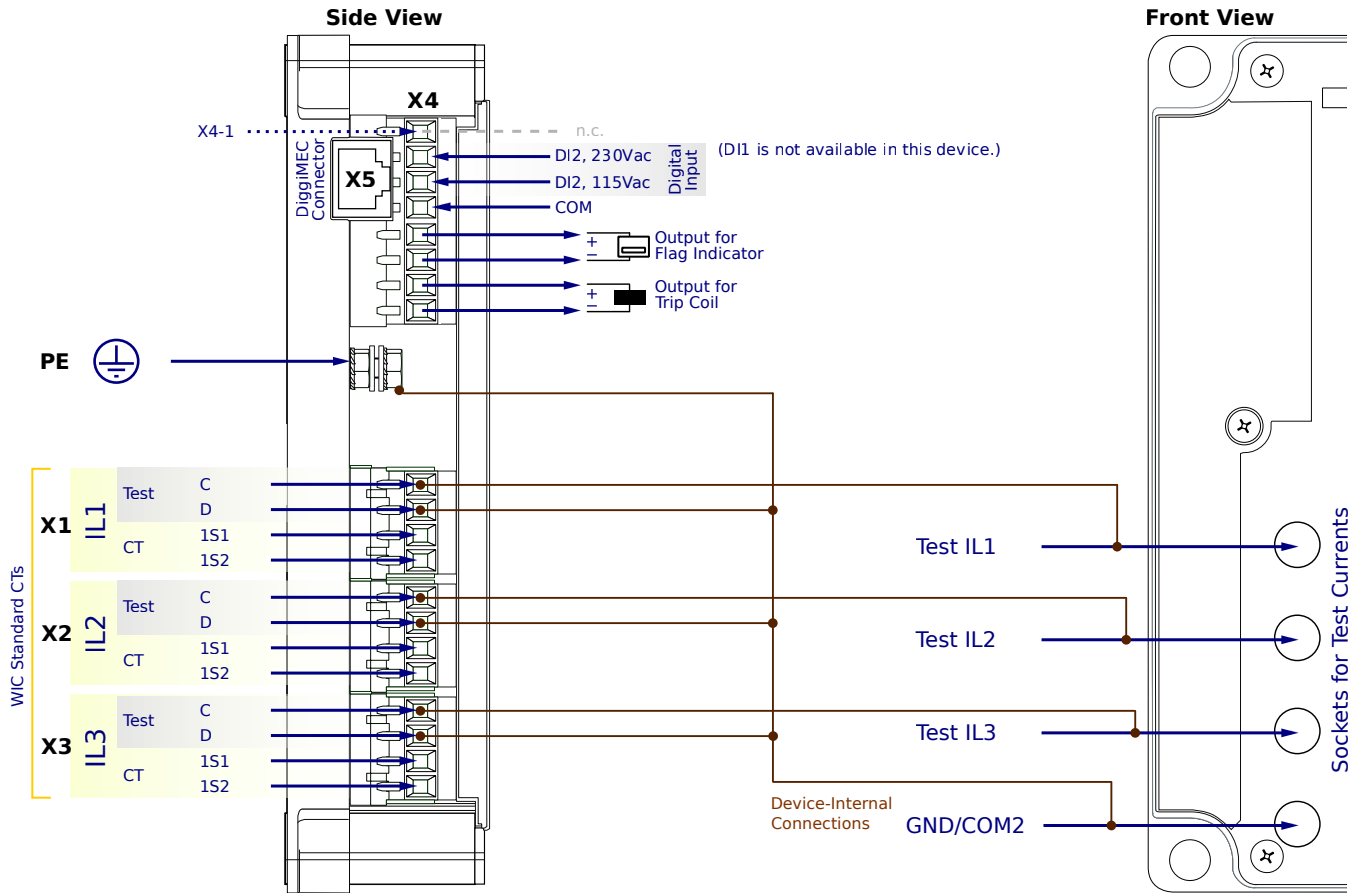
**X4-2,3** - 1 assignable Digital Input DI2 (115Vac or 230Vac)

**X4-5,6** - Trip flag indicator

**X4-7,8** - Trip pulse output

**X5** - DiggiMEC-WIC1 connection. Use network cable CAT3 (or better). No crossover cable!

# WIC1-2SN6FC2SA



## CT-Powered Protection Device, configuration via DIP switches or DiggiMEC / Smart view

- Calculated earth current
- Nominal frequency is 60 Hz. (Setting to 50 Hz is possible via DiggiMEC/Smart view.)
- Trip at  $20 \cdot I_{n,max}$
- ANSI 50, 50G/N, 51, 51G/N, inrush, 50BF, 74TC

**PE** - Protective Earth

**X1...X3** - WIC CTs

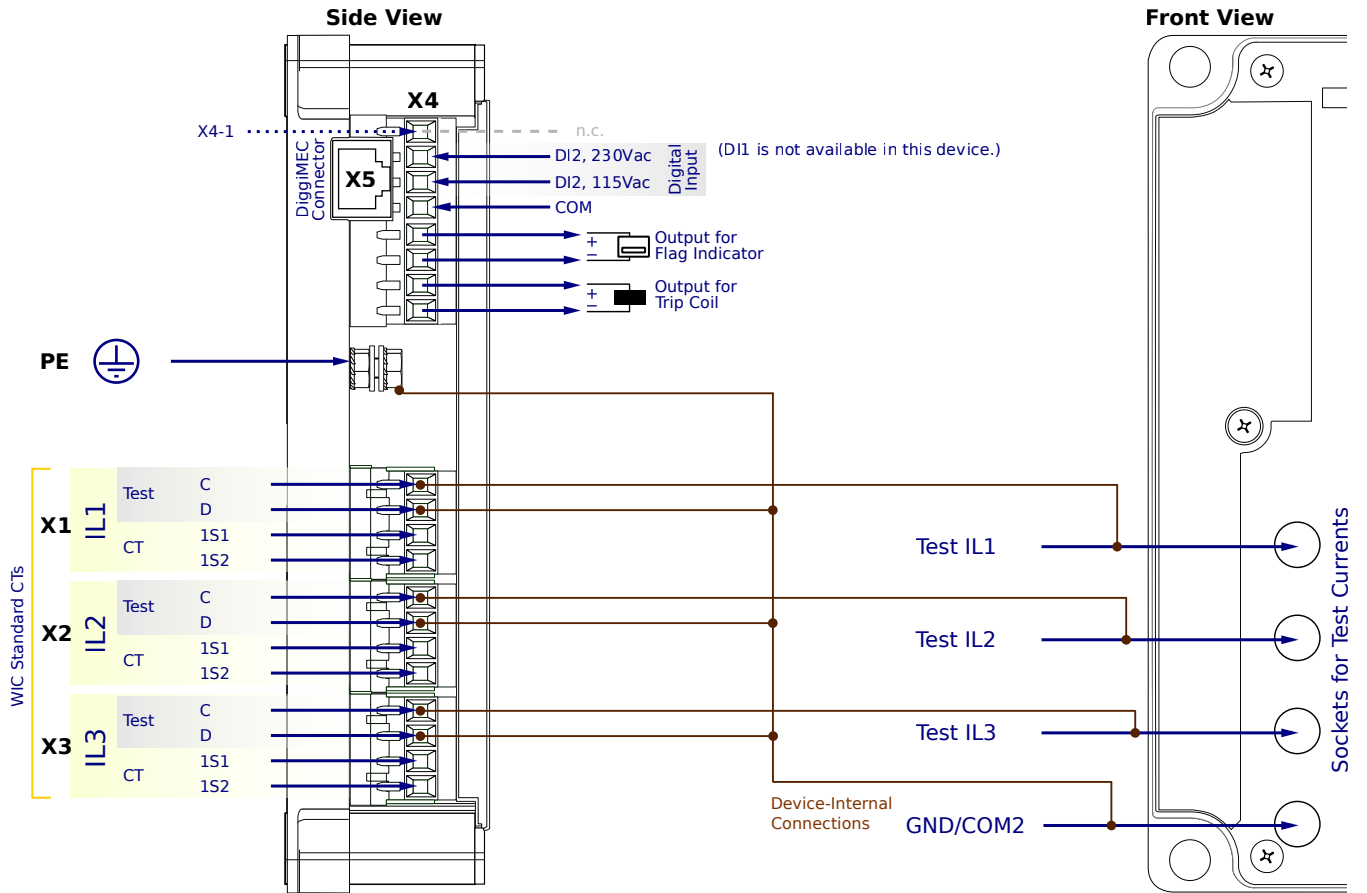
**X4-2,3** - 1 assignable Digital Input DI2 (115Vac or 230Vac)

**X4-5,6** - Trip flag indicator

**X4-7,8** - Trip pulse output

**X5** - DiggiMEC-WIC1 connection. Use network cable CAT3 (or better). No crossover cable!

# WIC1-2SN6FC2AA



## CT-Powered Protection Device, configuration via DIP switches or DiggiMEC / Smart view

- Calculated earth current
- Nominal frequency is 60 Hz. (Setting to 50 Hz is possible via DiggiMEC/Smart view.)
- Trip at  $20 \cdot I_{n,max}$
- Package "S" + ANSI 46, 49, 51Q, Breaker Wear, Condition Monitoring (= Life Load, Drag Indicator)

**PE** - Protective Earth

**X1...X3** - WIC CTs

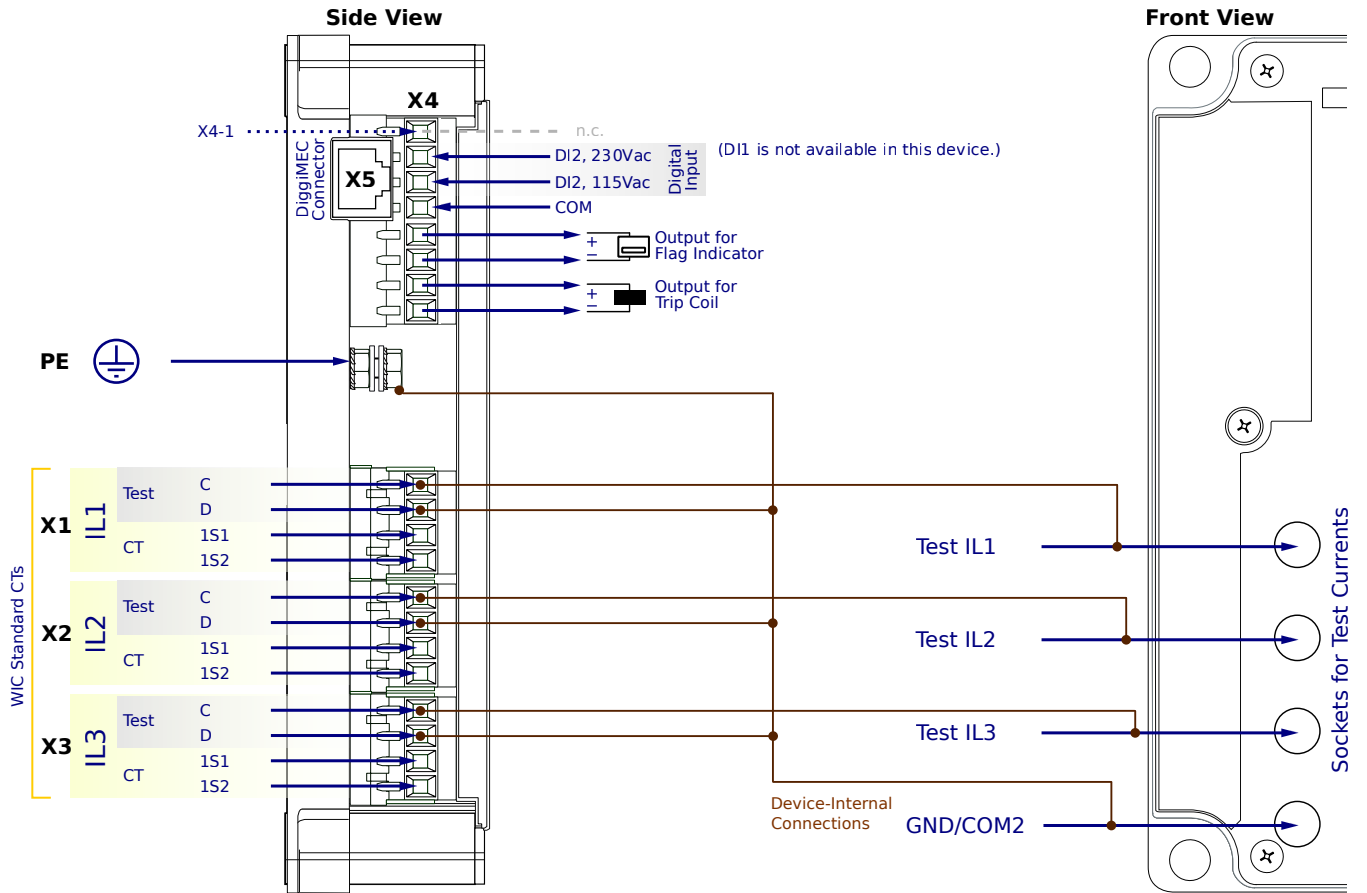
**X4-2,3** - 1 assignable Digital Input DI2 (115Vac or 230Vac)

**X4-5,6** - Trip flag indicator

**X4-7,8** - Trip pulse output

**X5** - DiggiMEC-WIC1 connection. Use network cable CAT3 (or better). No crossover cable!

# WIC1-2SN6FC2PA



## CT-Powered Protection Device, configuration via DIP switches or DiggiMEC / Smart view

- Calculated earth current
- Nominal frequency is 60 Hz. (Setting to 50 Hz is possible via DiggiMEC/Smart view.)
- Trip at  $20 \cdot I_{n,max}$
- Package "A" + SOTF, CLPU, external protection, ultra-fast overcurrent protection

**PE** - Protective Earth

**X1...X3** - WIC CTs

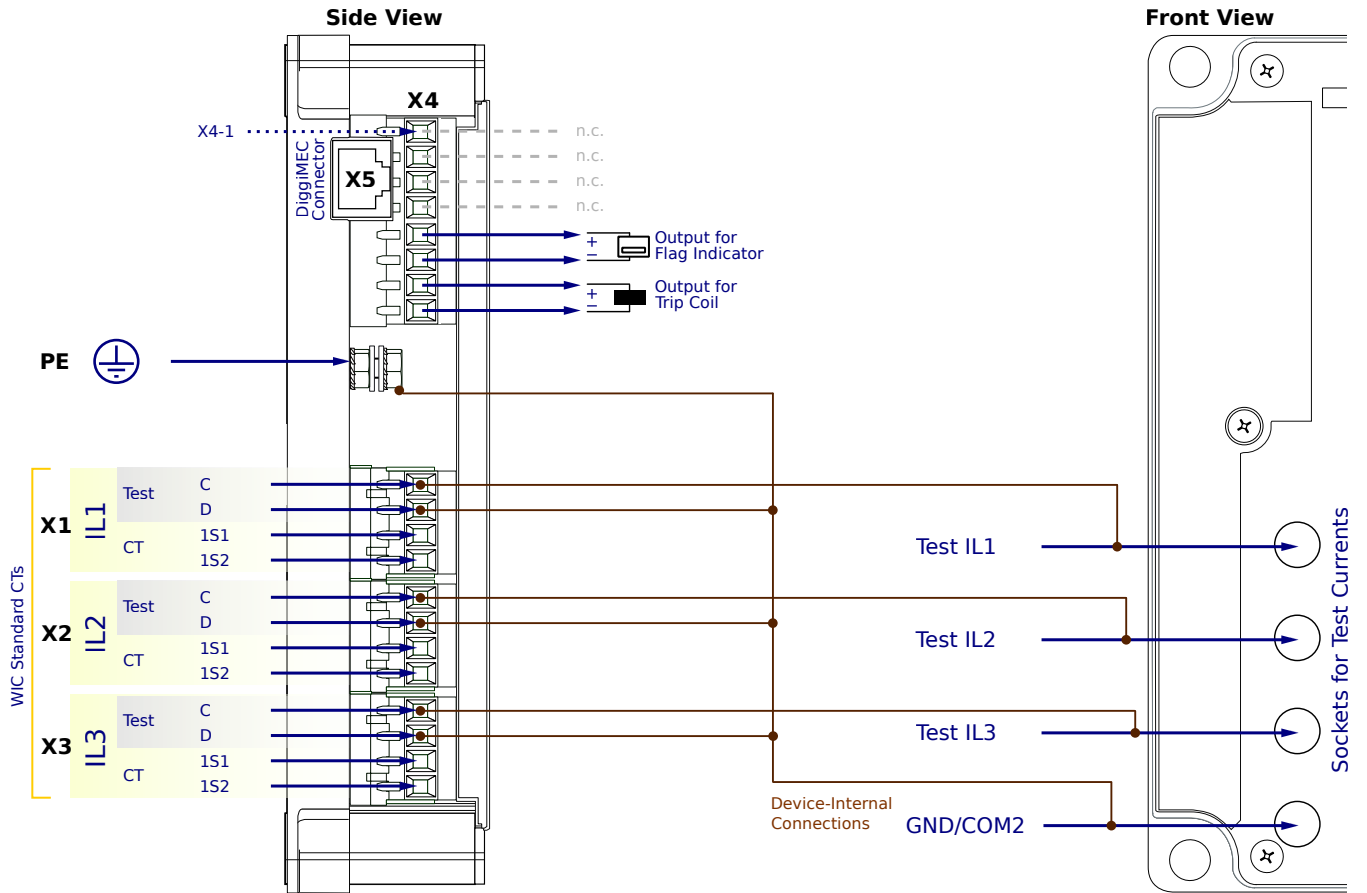
**X4-2,3** - 1 assignable Digital Input DI2 (115Vac or 230Vac)

**X4-5,6** - Trip flag indicator

**X4-7,8** - Trip pulse output

**X5** - DiggiMEC-WIC1 connection. Use network cable CAT3 (or better). No crossover cable!

# WIC1-2SN6CN1SA



## CT-Powered Protection Device, configuration via DIP switches or DiggiMEC / Smart view

- Calculated earth current
- Nominal frequency is 60 Hz. (Setting to 50 Hz is possible via DiggiMEC/Smart view.)
- Backup protection operates directly
- ANSI 50, 50G/N, 51, 51G/N, inrush, 50BF, 74TC

**PE** - Protective Earth

**X1...X3** - WIC CTs

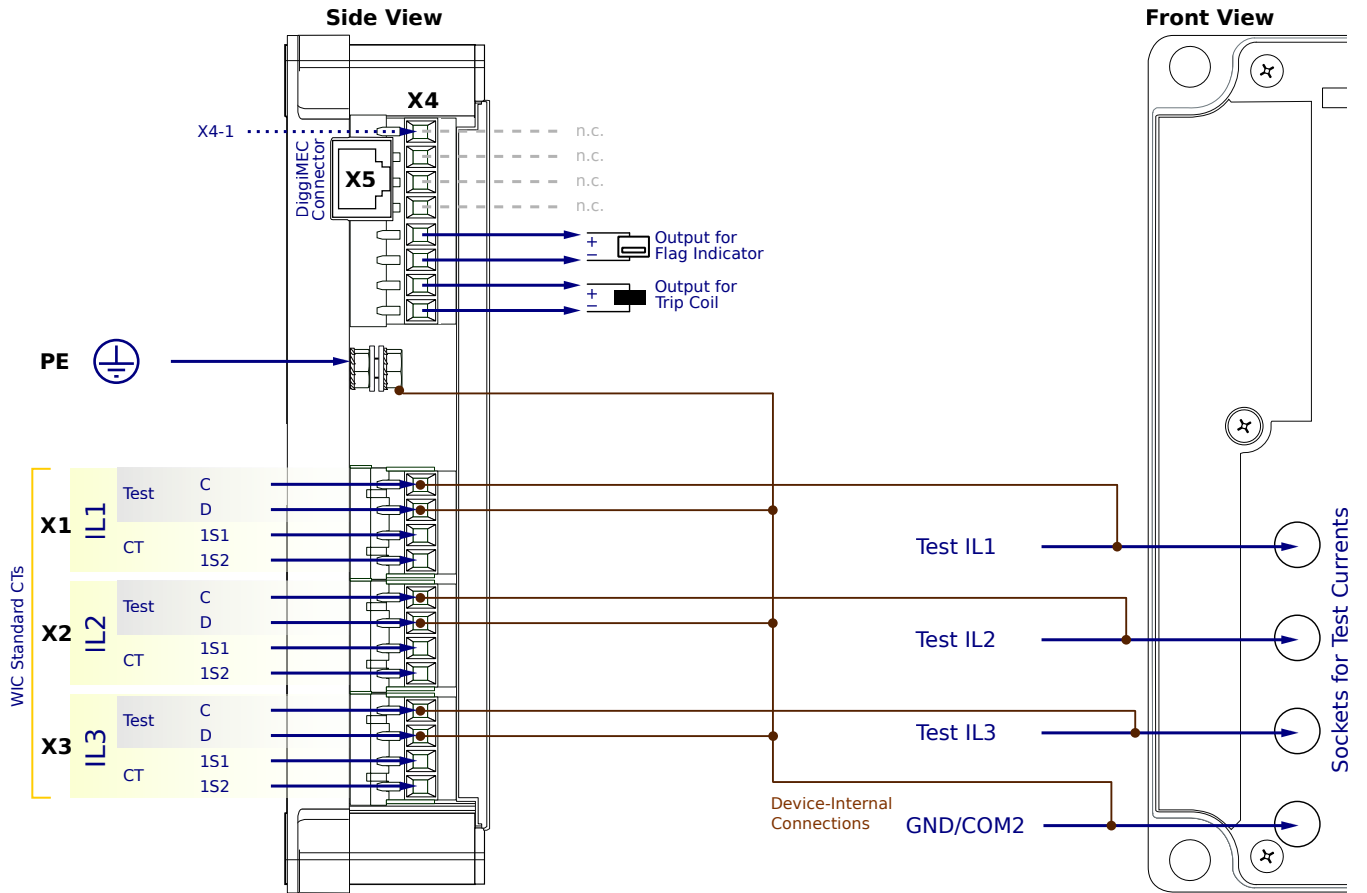
**X4-5,6** - Assignable flag indicator

**X4-7,8** - Trip pulse output

**X5** - DiggiMEC-WIC1 connection. Use network cable CAT3 (or better). No crossover cable!



# WIC1-2SN6CN1AA



## CT-Powered Protection Device, configuration via DIP switches or DiggiMEC / Smart view

- Calculated earth current
- Nominal frequency is 60 Hz. (Setting to 50 Hz is possible via DiggiMEC/Smart view.)
- Backup protection operates directly
- Package "S" + ANSI 46, 49, 51Q, Breaker Wear, Condition Monitoring (= Life Load, Drag Indicator)

**PE** - Protective Earth

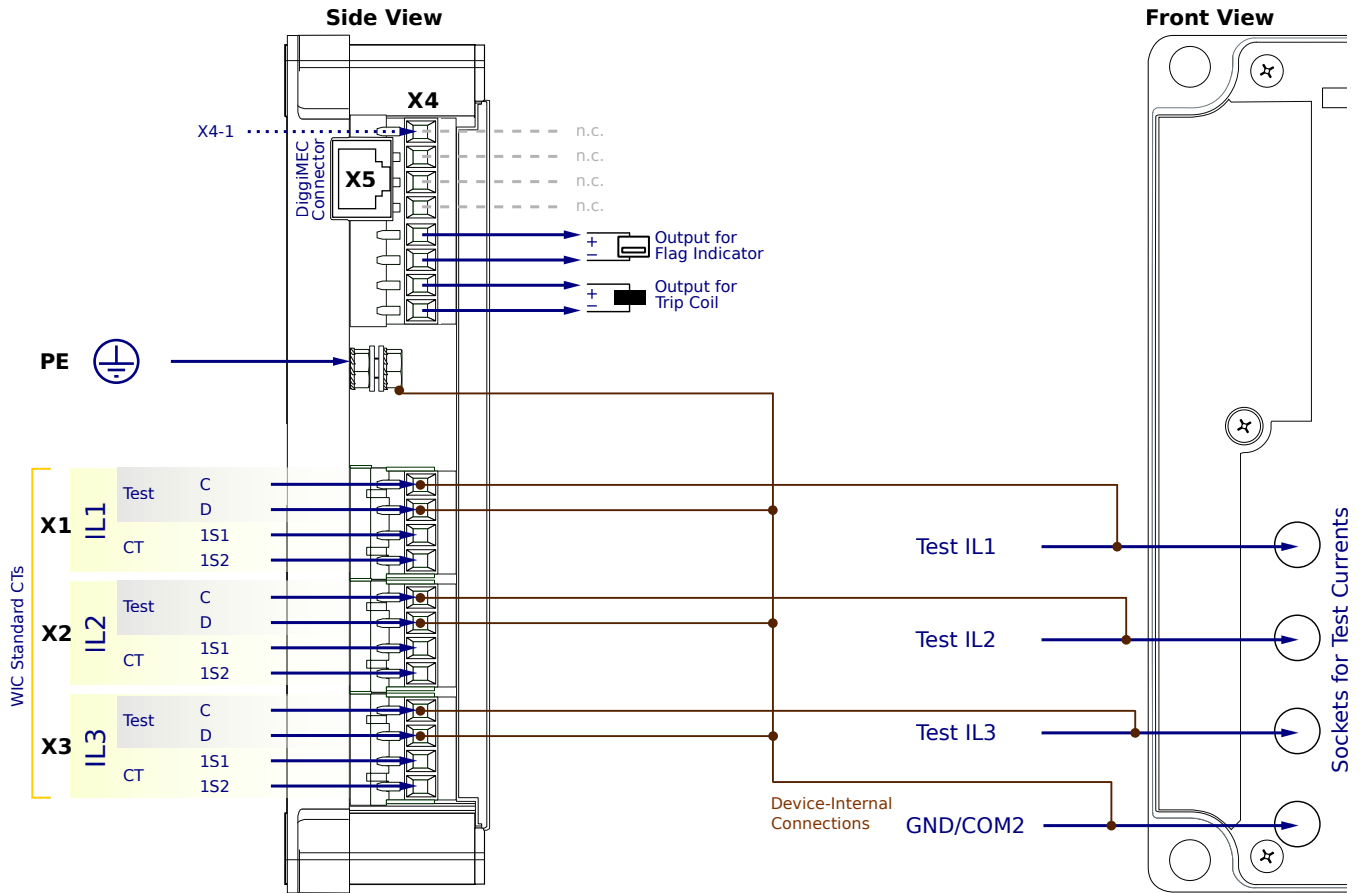
**X1...X3** - WIC CTs

**X4-5,6** - Assignable flag indicator

**X4-7,8** - Trip pulse output

**X5** - DiggiMEC-WIC1 connection. Use network cable CAT3 (or better). No crossover cable!

# WIC1-2SN6CN1PA



## CT-Powered Protection Device, configuration via DIP switches or DiggiMEC / Smart view

- Calculated earth current
- Nominal frequency is 60 Hz. (Setting to 50 Hz is possible via DiggiMEC/Smart view.)
- Backup protection operates directly
- Package "A" + SOTF, CLPU, external protection, ultra-fast overcurrent protection

**PE** - Protective Earth

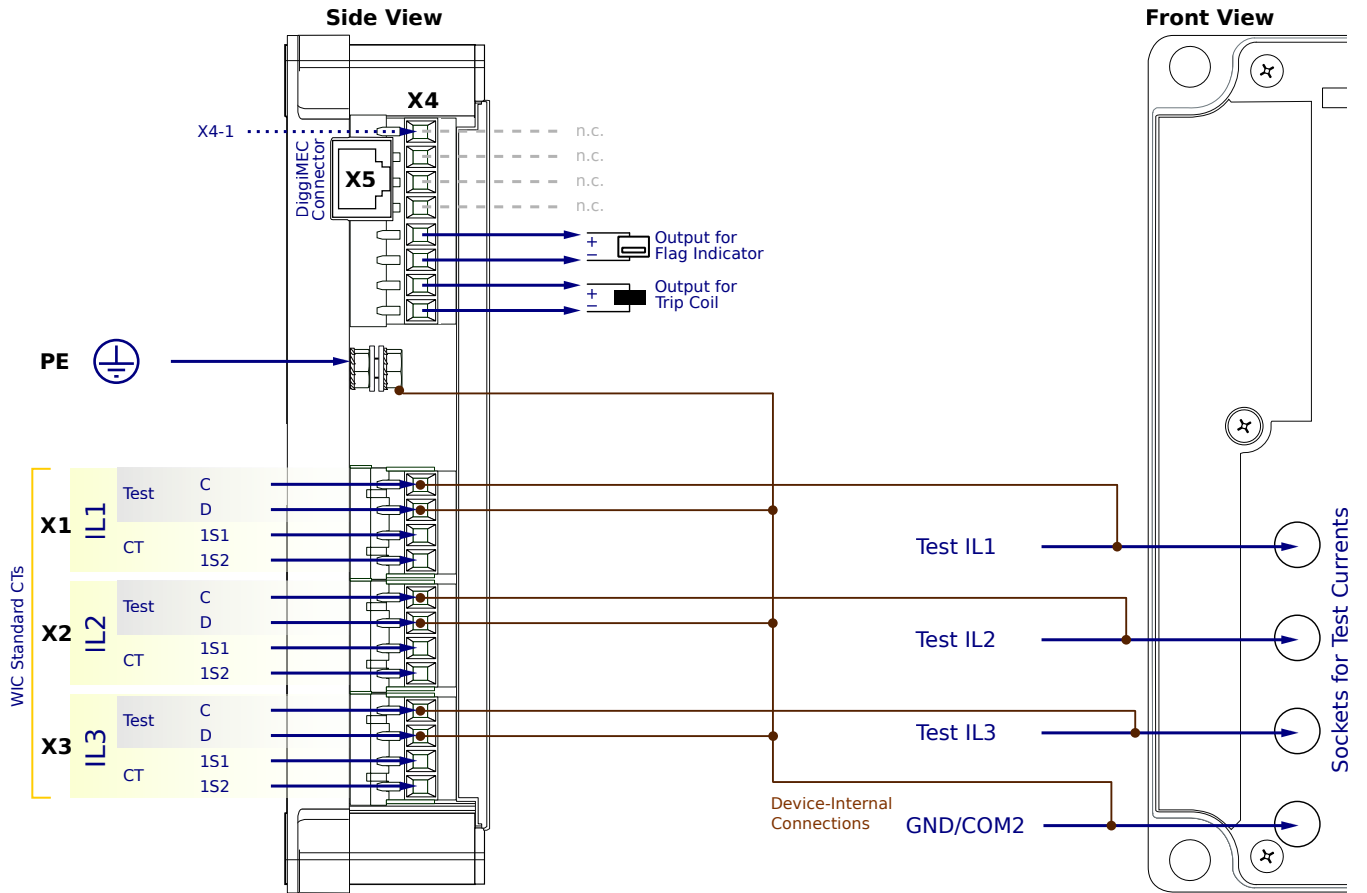
**X1...X3** - WIC CTs

**X4-5,6** - Assignable flag indicator

**X4-7,8** - Trip pulse output

**X5** - DiggiMEC-WIC1 connection. Use network cable CAT3 (or better). No crossover cable!

# WIC1-2SN6CN2SA



## CT-Powered Protection Device, configuration via DIP switches or DiggiMEC / Smart view

- Calculated earth current
- Nominal frequency is 60 Hz. (Setting to 50 Hz is possible via DiggiMEC/Smart view.)
- Trip at  $20 \cdot I_{n,max}$
- ANSI 50, 50G/N, 51, 51G/N, inrush, 50BF, 74TC

**PE** - Protective Earth

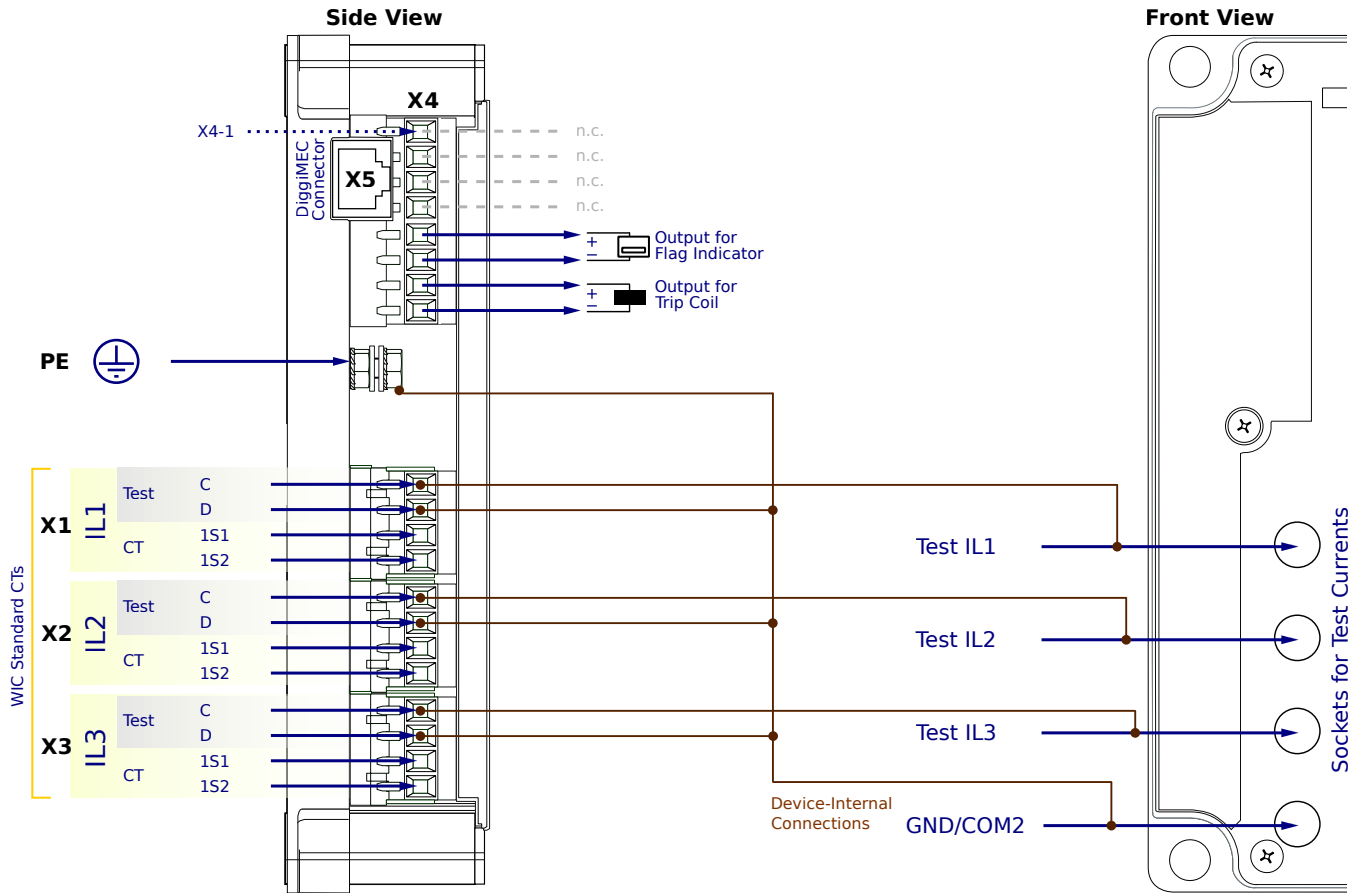
**X1...X3** - WIC CTs

**X4-5,6** - Assignable flag indicator

**X4-7,8** - Trip pulse output

**X5** - DiggiMEC-WIC1 connection. Use network cable CAT3 (or better). No crossover cable!

# WIC1-2SN6CN2AA



## CT-Powered Protection Device, configuration via DIP switches or DiggiMEC / Smart view

- Calculated earth current
- Nominal frequency is 60 Hz. (Setting to 50 Hz is possible via DiggiMEC/Smart view.)
- Trip at  $20 \cdot I_{n,max}$
- Package "S" + ANSI 46, 49, 51Q, Breaker Wear, Condition Monitoring (= Life Load, Drag Indicator)

**PE** - Protective Earth

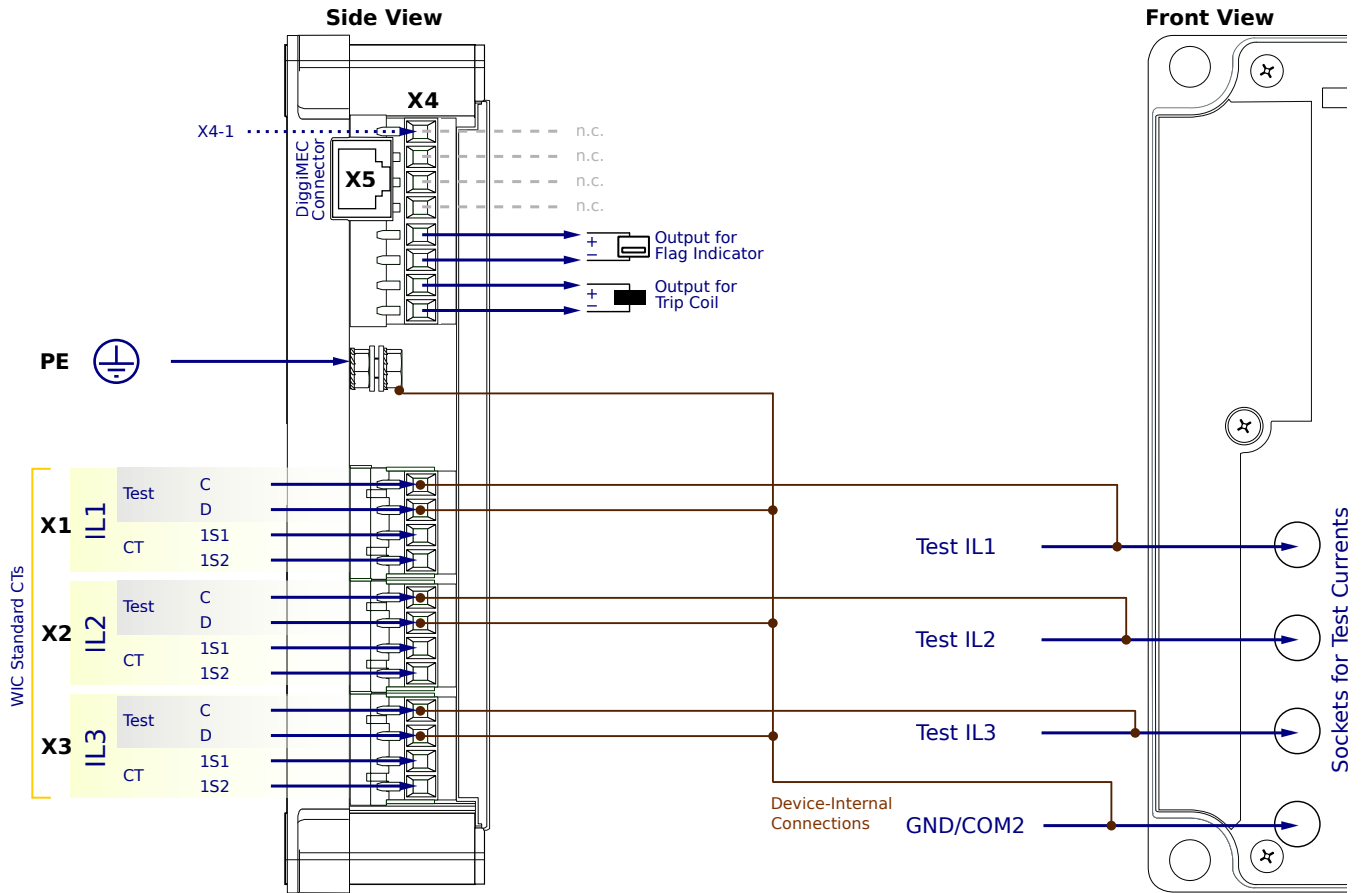
**X1...X3** - WIC CTs

**X4-5,6** - Assignable flag indicator

**X4-7,8** - Trip pulse output

**X5** - DiggiMEC-WIC1 connection. Use network cable CAT3 (or better). No crossover cable!

# WIC1-2SN6CN2PA



## CT-Powered Protection Device, configuration via DIP switches or DiggiMEC / Smart view

- Calculated earth current
- Nominal frequency is 60 Hz. (Setting to 50 Hz is possible via DiggiMEC/Smart view.)
- Trip at  $20 \cdot I_{n,max}$
- Package "A" + SOTF, CLPU, external protection, ultra-fast overcurrent protection

**PE** - Protective Earth

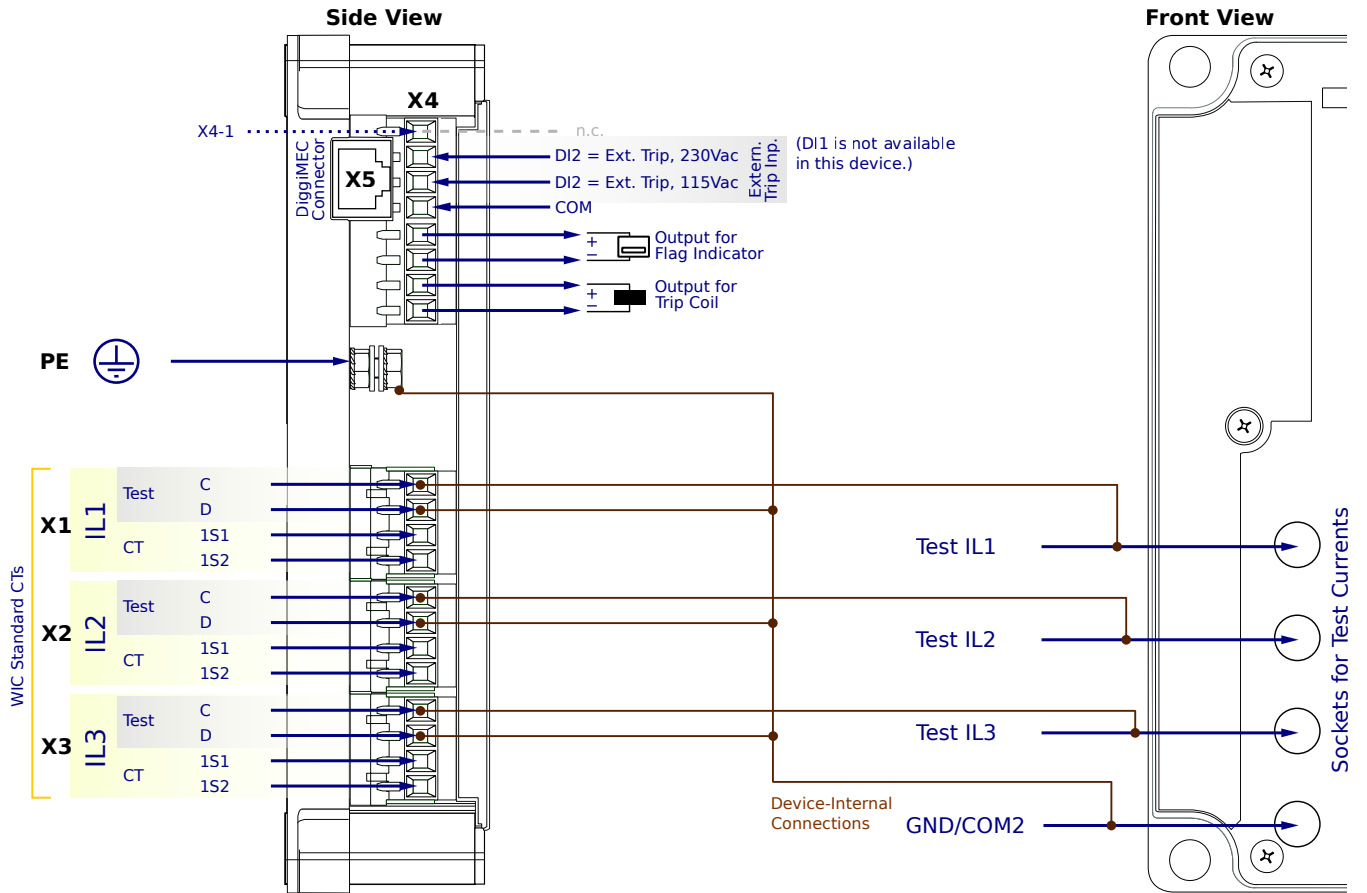
**X1...X3** - WIC CTs

**X4-5,6** - Assignable flag indicator

**X4-7,8** - Trip pulse output

**X5** - DiggiMEC-WIC1 connection. Use network cable CAT3 (or better). No crossover cable!

# WIC1-2SN6CF1SA



## CT-Powered Protection Device, configuration via DIP switches or DiggiMEC / Smart view

- Calculated earth current
- Nominal frequency is 60 Hz. (Setting to 50 Hz is possible via DiggiMEC/Smart view.)
- Backup protection operates directly
- ANSI 50, 50G/N, 51, 51G/N, inrush, 50BF, 74TC

**PE** - Protective Earth

**X1...X3** - WIC CTs

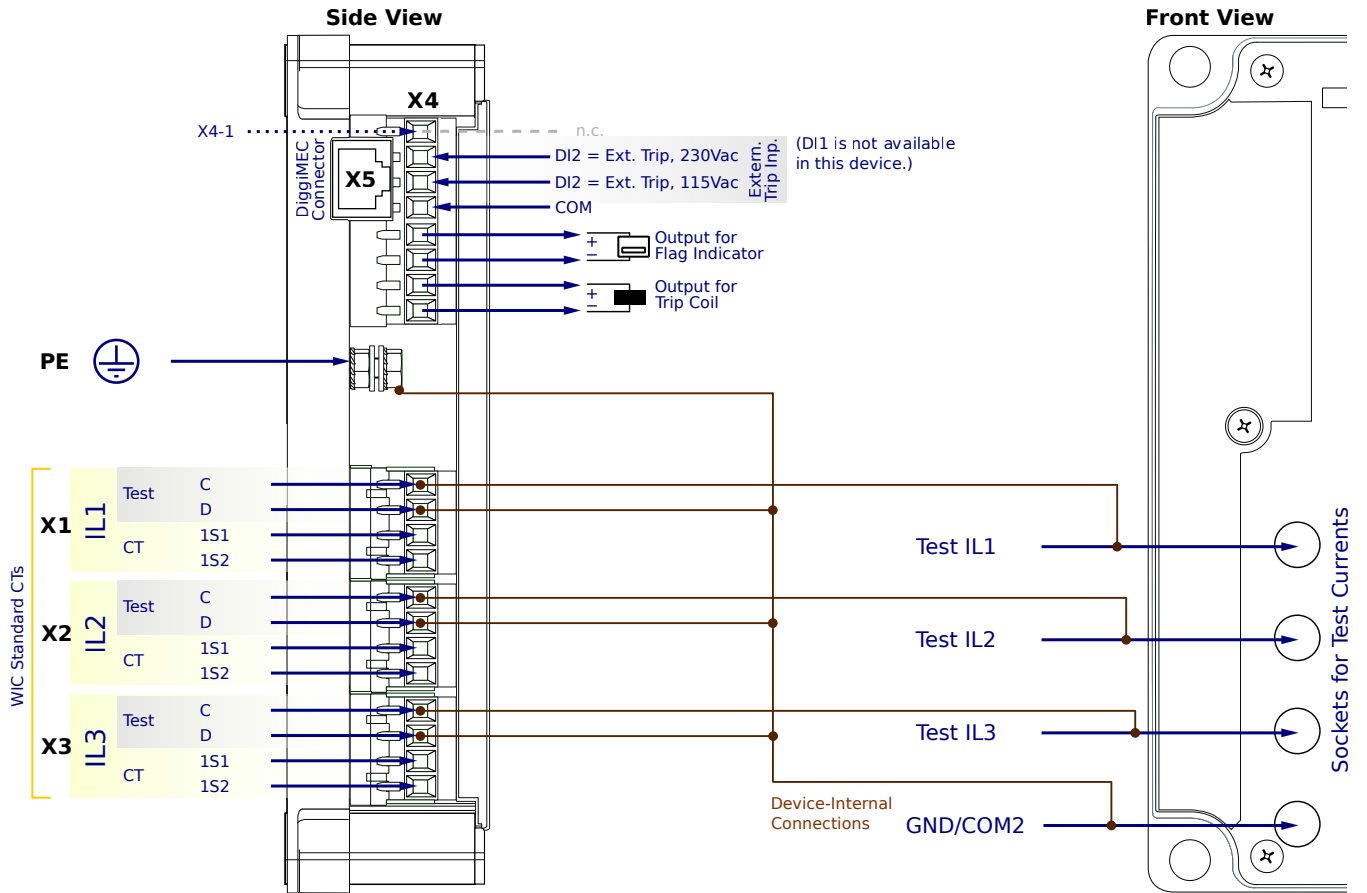
**X4-2,3** - DI2, fixed to External trip input (115Vac or 230Vac)

**X4-5,6** - Assignable flag indicator

**X4-7,8** - Trip pulse output

**X5** - DiggiMEC-WIC1 connection. Use network cable CAT3 (or better). No crossover cable!

# WIC1-2SN6CF1AA



## CT-Powered Protection Device, configuration via DIP switches or DiggiMEC / Smart view

- Calculated earth current
- Nominal frequency is 60 Hz. (Setting to 50 Hz is possible via DiggiMEC/Smart view.)
- Backup protection operates directly
- Package "S" + ANSI 46, 49, 51Q, Breaker Wear, Condition Monitoring (= Life Load, Drag Indicator)

**PE** - Protective Earth

**X1...X3** - WIC CTs

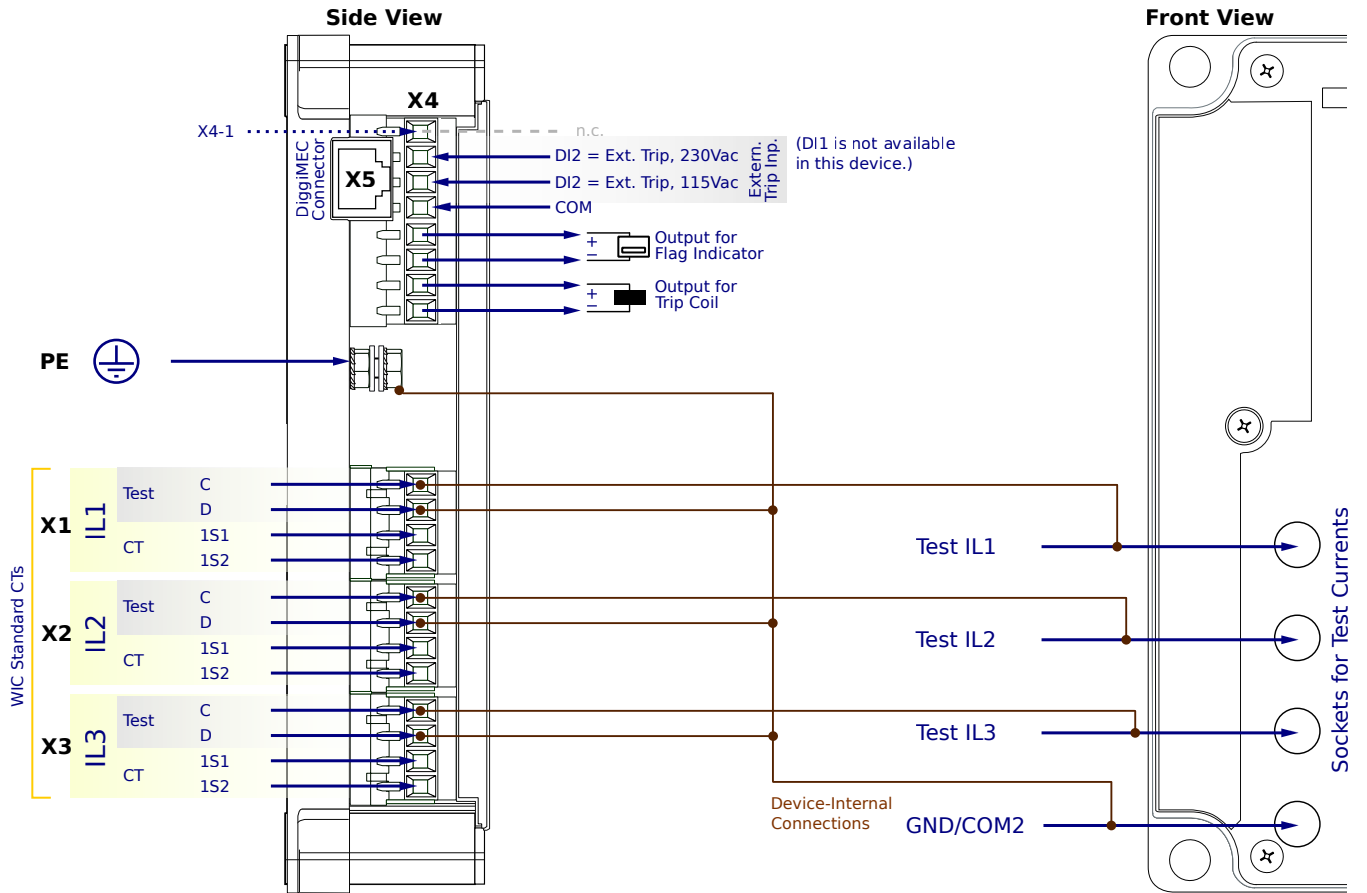
**X4-2,3** - DI2, fixed to External trip input (115Vac or 230Vac)

**X4-5,6** - Assignable flag indicator

**X4-7,8** - Trip pulse output

**X5** - DiggiMEC-WIC1 connection. Use network cable CAT3 (or better). No crossover cable!

# WIC1-2SN6CF1PA



## CT-Powered Protection Device, configuration via DIP switches or DiggiMEC / Smart view

- Calculated earth current
- Nominal frequency is 60 Hz. (Setting to 50 Hz is possible via DiggiMEC/Smart view.)
- Backup protection operates directly
- Package "A" + SOTF, CLPU, external protection, ultra-fast overcurrent protection

**PE** - Protective Earth

**X1...X3** - WIC CTs

**X4-2,3** - DI2, fixed to External trip input (115Vac or 230Vac)

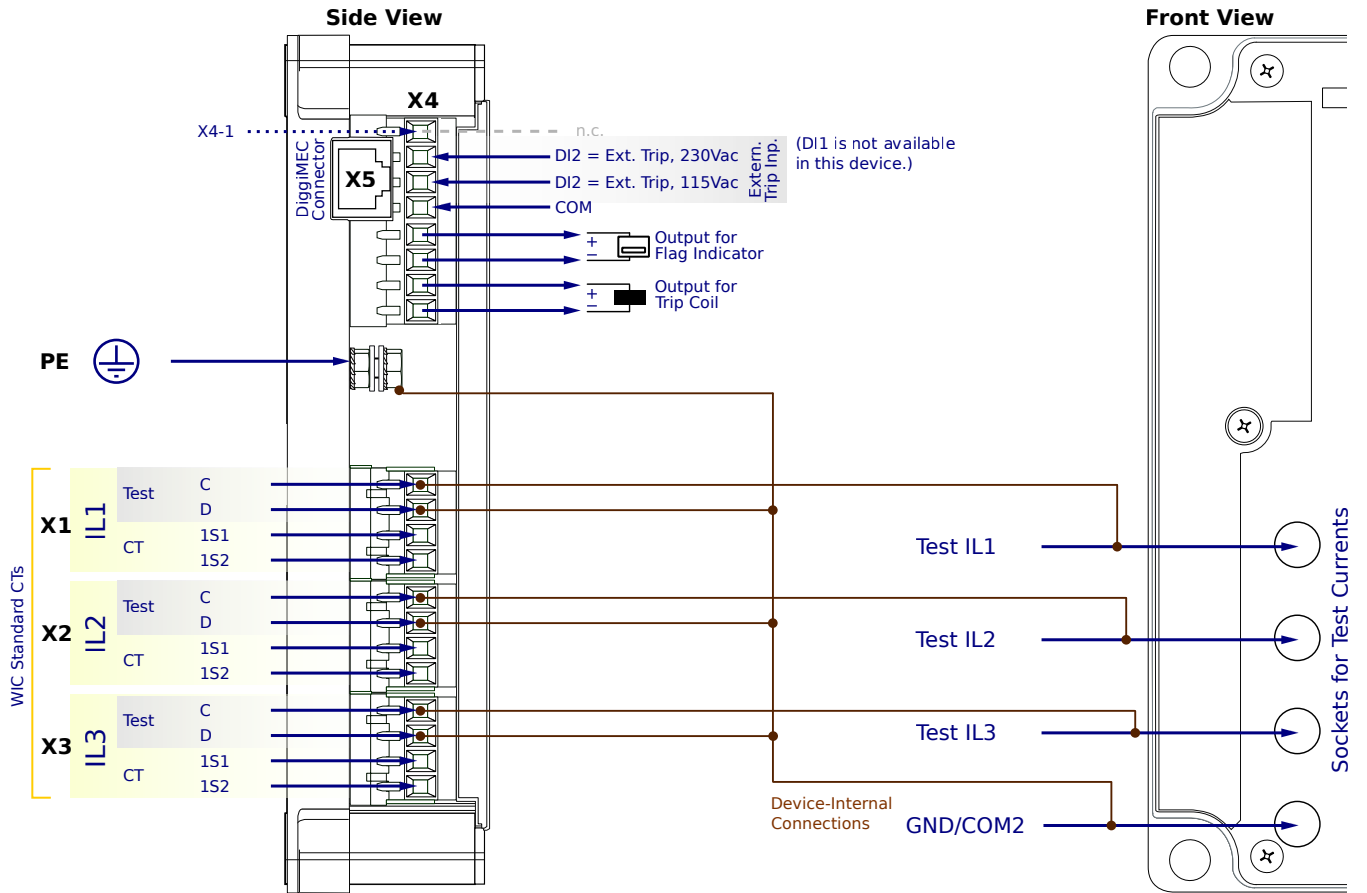
**X4-5,6** - Assignable flag indicator

**X4-7,8** - Trip pulse output

**X5** - DiggiMEC-WIC1 connection. Use network cable CAT3 (or better). No crossover cable!



# WIC1-2SN6CF2SA



## CT-Powered Protection Device, configuration via DIP switches or DiggiMEC / Smart view

- Calculated earth current
- Nominal frequency is 60 Hz. (Setting to 50 Hz is possible via DiggiMEC/Smart view.)
- Trip at  $20 \cdot I_{n,max}$
- ANSI 50, 50G/N, 51, 51G/N, inrush, 50BF, 74TC

**PE** - Protective Earth

**X1...X3** - WIC CTs

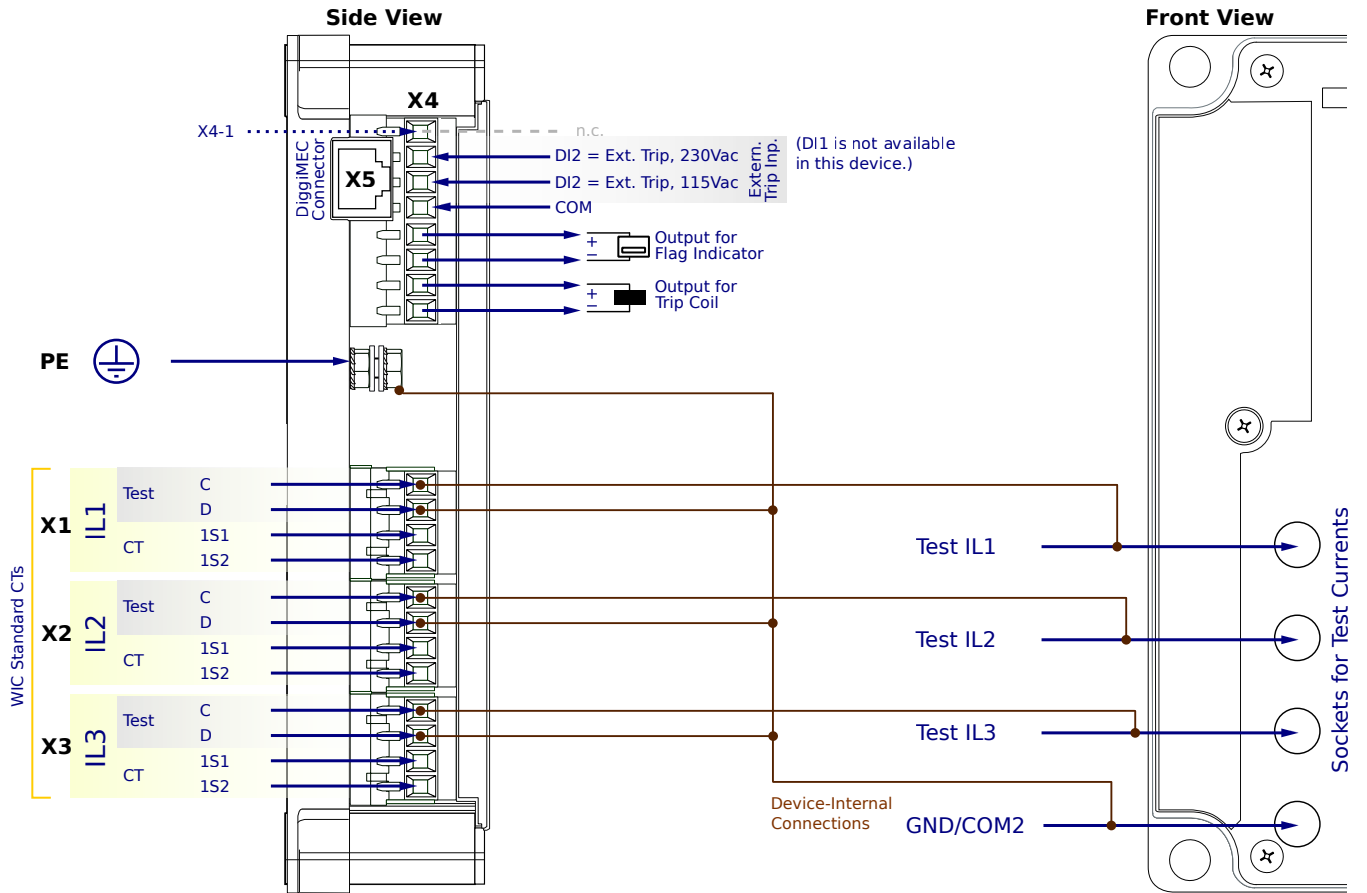
**X4-2,3** - DI2, fixed to External trip input (115Vac or 230Vac)

**X4-5,6** - Assignable flag indicator

**X4-7,8** - Trip pulse output

**X5** - DiggiMEC-WIC1 connection. Use network cable CAT3 (or better). No crossover cable!

# WIC1-2SN6CF2AA



## CT-Powered Protection Device, configuration via DIP switches or DiggiMEC / Smart view

- Calculated earth current
- Nominal frequency is 60 Hz. (Setting to 50 Hz is possible via DiggiMEC/Smart view.)
- Trip at  $20 \cdot I_{n,max}$
- Package "S" + ANSI 46, 49, 51Q, Breaker Wear, Condition Monitoring (= Life Load, Drag Indicator)

**PE** - Protective Earth

**X1...X3** - WIC CTs

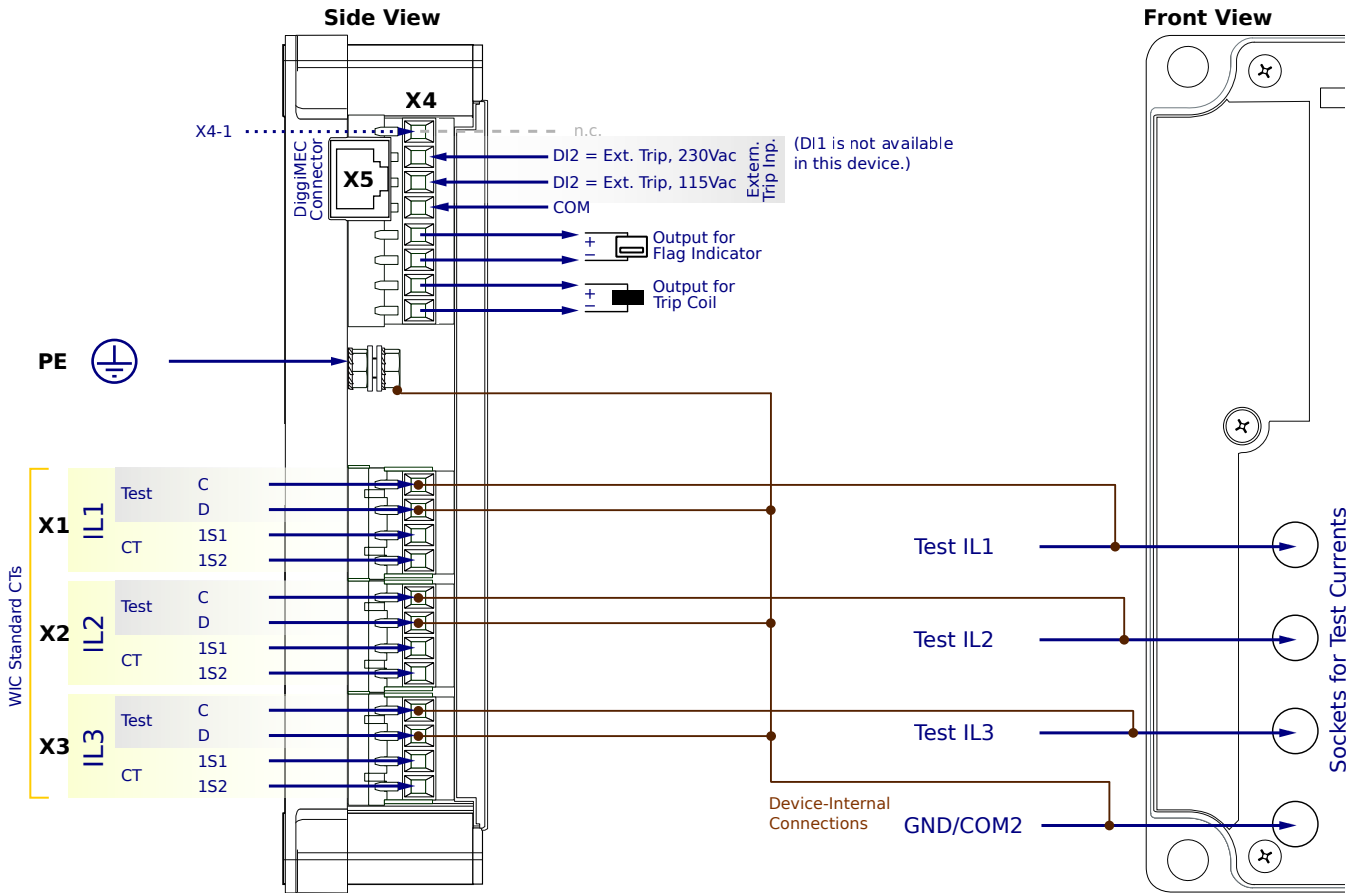
**X4-2,3** - DI2, fixed to External trip input (115Vac or 230Vac)

**X4-5,6** - Assignable flag indicator

**X4-7,8** - Trip pulse output

**X5** - DiggiMEC-WIC1 connection. Use network cable CAT3 (or better). No crossover cable!

# WIC1-2SN6CF2PA



## CT-Powered Protection Device, configuration via DIP switches or DiggiMEC / Smart view

- Calculated earth current
- Nominal frequency is 60 Hz. (Setting to 50 Hz is possible via DiggiMEC/Smart view.)
- Trip at  $20 \cdot I_{n,max}$
- Package "A" + SOTF, CLPU, external protection, ultra-fast overcurrent protection

**PE** - Protective Earth

**X1...X3** - WIC CTs

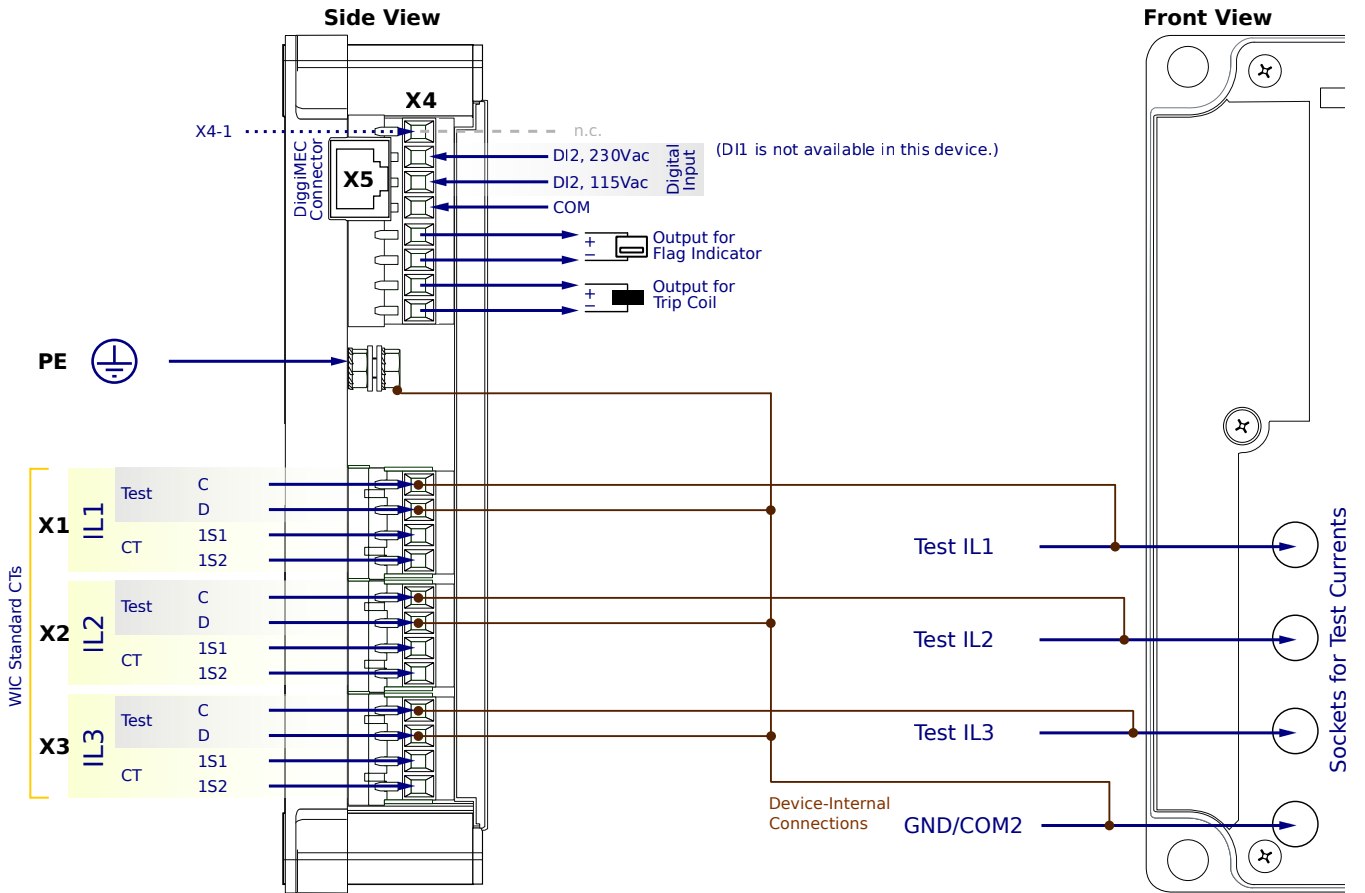
**X4-2,3** - DI2, fixed to External trip input (115Vac or 230Vac)

**X4-5,6** - Assignable flag indicator

**X4-7,8** - Trip pulse output

**X5** - DiggiMEC-WIC1 connection. Use network cable CAT3 (or better). No crossover cable!

# WIC1-2SN6CC1SA



## CT-Powered Protection Device, configuration via DIP switches or DiggiMEC / Smart view

- Calculated earth current
- Nominal frequency is 60 Hz. (Setting to 50 Hz is possible via DiggiMEC/Smart view.)
- Backup protection operates directly
- ANSI 50, 50G/N, 51, 51G/N, inrush, 50BF, 74TC

**PE** - Protective Earth

**X1...X3** - WIC CTs

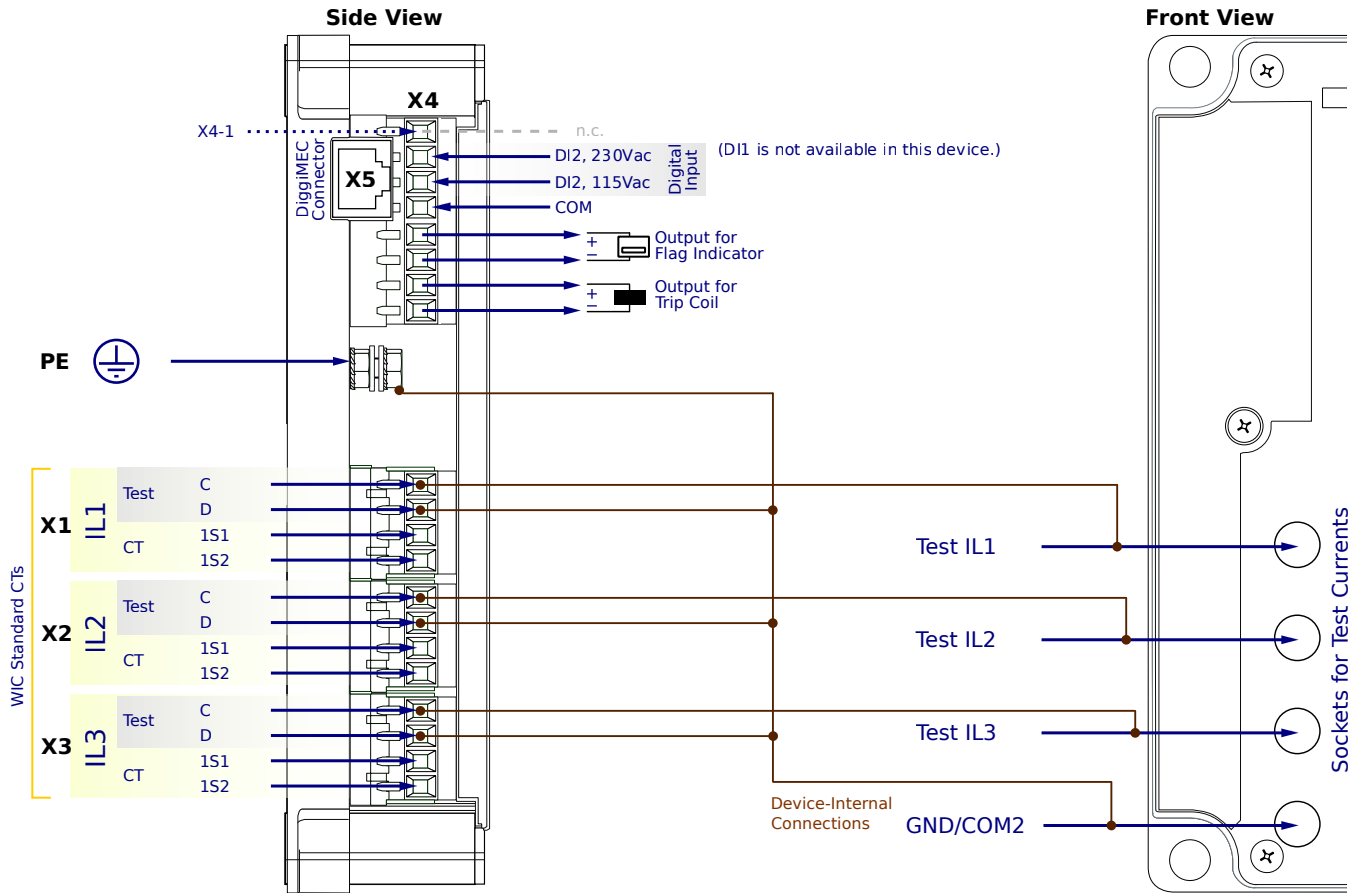
**X4-2,3** - 1 assignable Digital Input DI2 (115Vac or 230Vac)

**X4-5,6** - Assignable flag indicator

**X4-7,8** - Trip pulse output

**X5** - DiggiMEC-WIC1 connection. Use network cable CAT3 (or better). No crossover cable!

# WIC1-2SN6CC1AA



## CT-Powered Protection Device, configuration via DIP switches or DiggiMEC / Smart view

- Calculated earth current
- Nominal frequency is 60 Hz. (Setting to 50 Hz is possible via DiggiMEC/Smart view.)
- Backup protection operates directly
- Package "S" + ANSI 46, 49, 51Q, Breaker Wear, Condition Monitoring (= Life Load, Drag Indicator)

**PE** - Protective Earth

**X1...X3** - WIC CTs

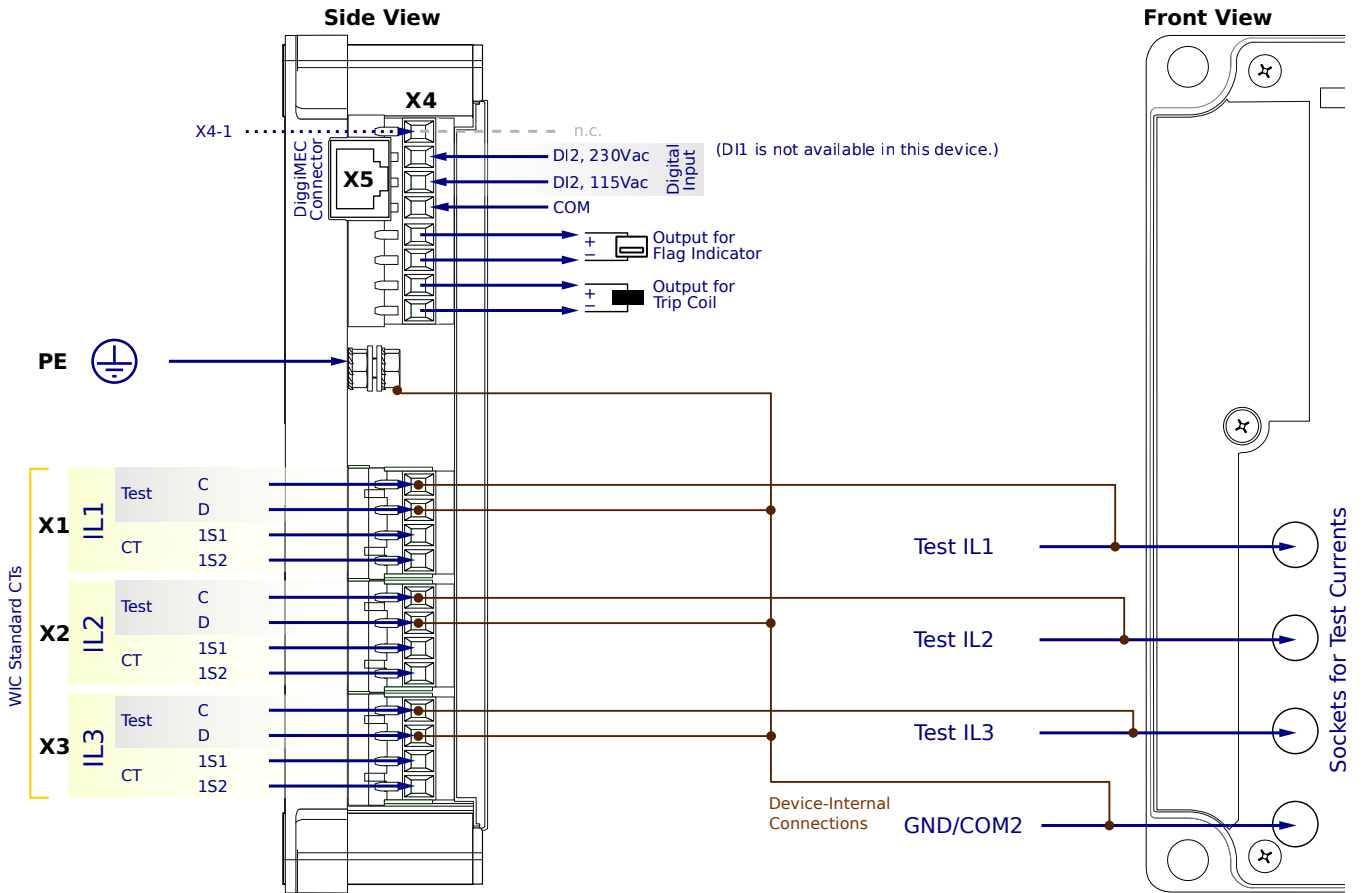
**X4-2,3** - 1 assignable Digital Input DI2 (115Vac or 230Vac)

**X4-5,6** - Assignable flag indicator

**X4-7,8** - Trip pulse output

**X5** - DiggiMEC-WIC1 connection. Use network cable CAT3 (or better). No crossover cable!

# WIC1-2SN6CC1PA



## CT-Powered Protection Device, configuration via DIP switches or DiggiMEC / Smart view

- Calculated earth current
- Nominal frequency is 60 Hz. (Setting to 50 Hz is possible via DiggiMEC/Smart view.)
- Backup protection operates directly
- Package "A" + SOTF, CLPU, external protection, ultra-fast overcurrent protection

**PE** - Protective Earth

**X1...X3** - WIC CTs

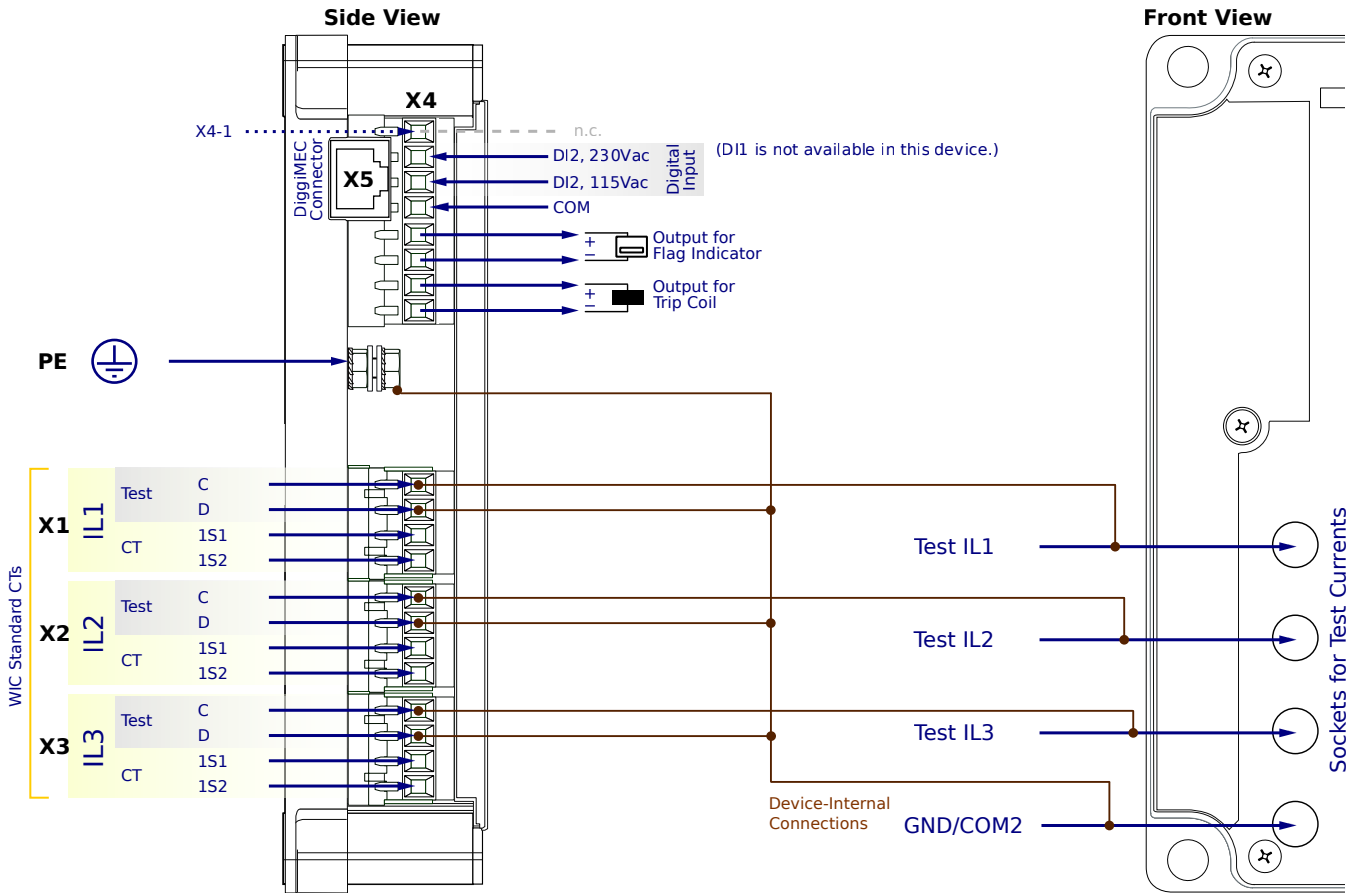
**X4-2,3** - 1 assignable Digital Input DI2 (115Vac or 230Vac)

**X4-5,6** - Assignable flag indicator

**X4-7,8** - Trip pulse output

**X5** - DiggiMEC-WIC1 connection. Use network cable CAT3 (or better). No crossover cable!

# WIC1-2SN6CC2SA



## CT-Powered Protection Device, configuration via DIP switches or DiggiMEC / Smart view

- Calculated earth current
- Nominal frequency is 60 Hz. (Setting to 50 Hz is possible via DiggiMEC/Smart view.)
- Trip at  $20 \cdot I_{n,max}$
- ANSI 50, 50G/N, 51, 51G/N, inrush, 50BF, 74TC

**PE** - Protective Earth

**X1...X3** - WIC CTs

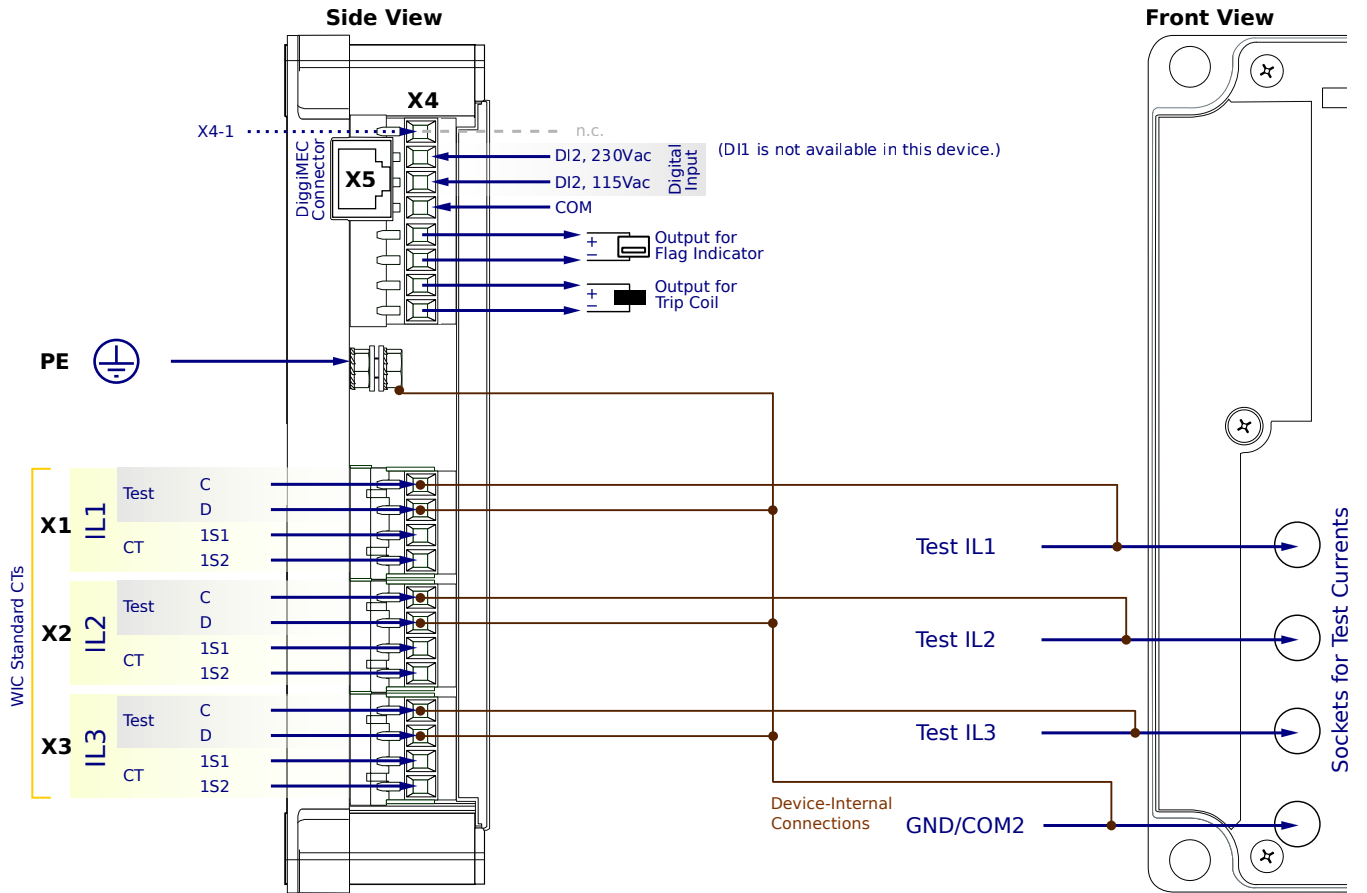
**X4-2,3** - 1 assignable Digital Input DI2 (115Vac or 230Vac)

**X4-5,6** - Assignable flag indicator

**X4-7,8** - Trip pulse output

**X5** - DiggiMEC-WIC1 connection. Use network cable CAT3 (or better). No crossover cable!

# WIC1-2SN6CC2AA



## CT-Powered Protection Device, configuration via DIP switches or DiggiMEC / Smart view

- Calculated earth current
- Nominal frequency is 60 Hz. (Setting to 50 Hz is possible via DiggiMEC/Smart view.)
- Trip at  $20 \cdot I_{n,max}$
- Package "S" + ANSI 46, 49, 51Q, Breaker Wear, Condition Monitoring (= Life Load, Drag Indicator)

**PE** - Protective Earth

**X1...X3** - WIC CTs

**X4-2,3** - 1 assignable Digital Input DI2 (115Vac or 230Vac)

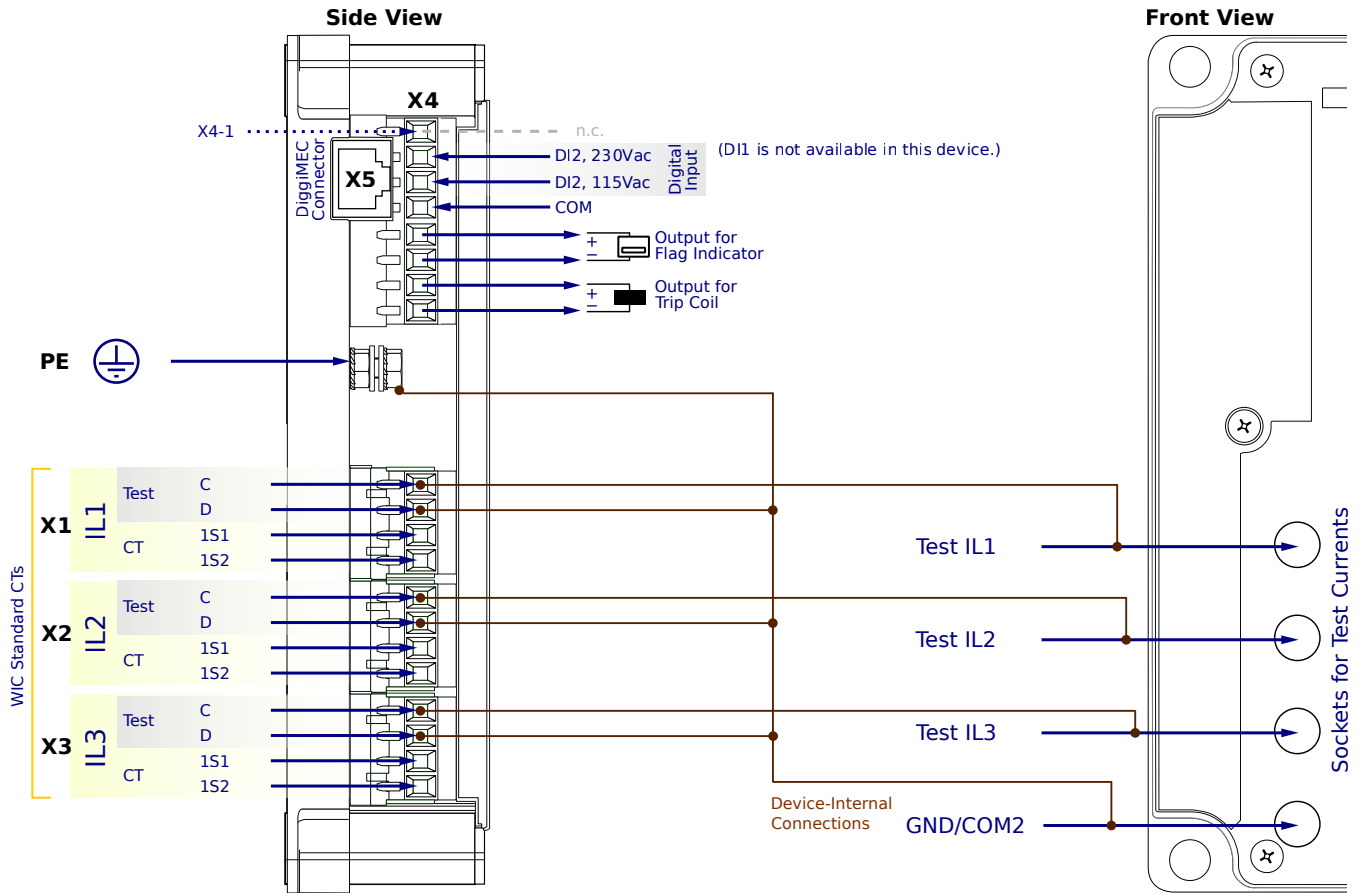
**X4-5,6** - Assignable flag indicator

**X4-7,8** - Trip pulse output

**X5** - DiggiMEC-WIC1 connection. Use network cable CAT3 (or better). No crossover cable!



# WIC1-2SN6CC2PA



## CT-Powered Protection Device, configuration via DIP switches or DiggiMEC / Smart view

- Calculated earth current
- Nominal frequency is 60 Hz. (Setting to 50 Hz is possible via DiggiMEC/Smart view.)
- Trip at  $20 \cdot I_{n,max}$
- Package "A" + SOTF, CLPU, external protection, ultra-fast overcurrent protection

**PE** - Protective Earth

**X1...X3** - WIC CTs

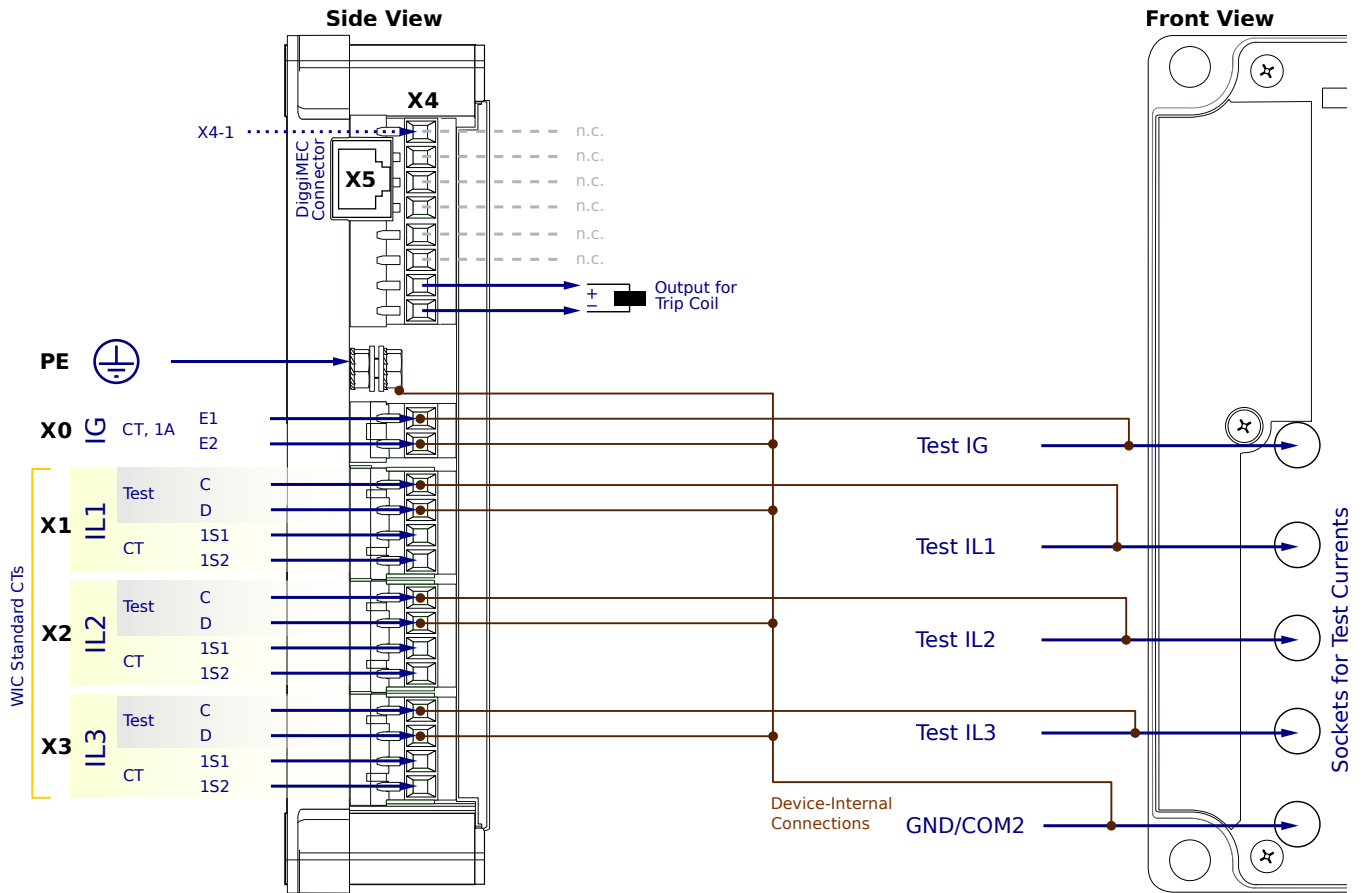
**X4-2,3** - 1 assignable Digital Input DI2 (115Vac or 230Vac)

**X4-5,6** - Assignable flag indicator

**X4-7,8** - Trip pulse output

**X5** - DiggiMEC-WIC1 connection. Use network cable CAT3 (or better). No crossover cable!

# WIC1-2SG5NN1SA



## CT-Powered Protection Device, configuration via DIP switches or DiggiMEC / Smart view

- Nominal frequency is 50 Hz. (Setting to 60 Hz is possible via DiggiMEC/Smart view.)
- Backup protection operates directly
- ANSI 50, 50G/N, 51, 51G/N, inrush, 50BF, 74TC

**PE** – Protective Earth

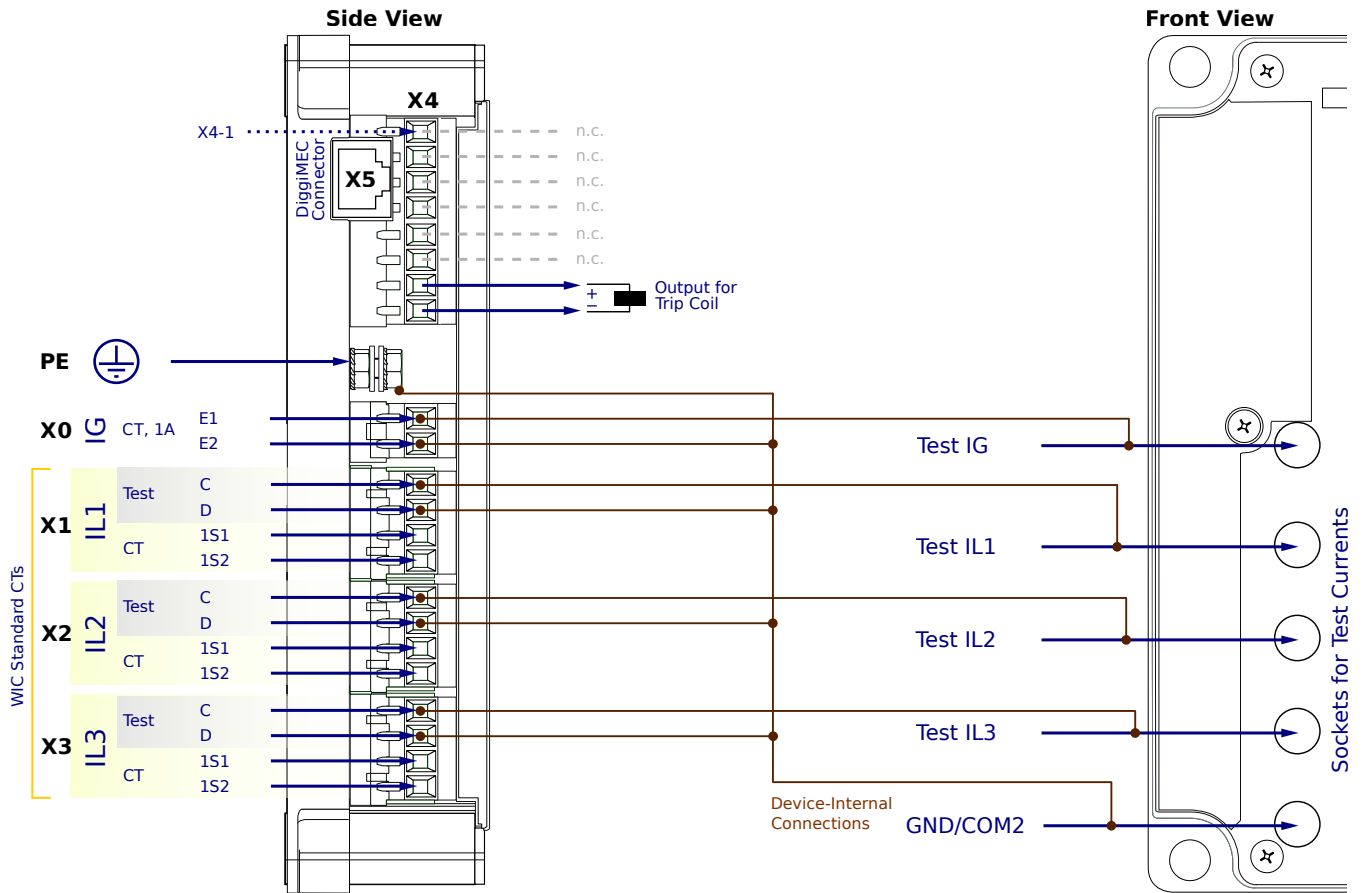
**X0** – Measured ground current via 1A CT input. (Setting to calc. IG is also possible via DiggiMEC/Smart view.)

**X1...X3** – WIC CTs

**X4-7,8** – Trip pulse output

**X5** – DiggiMEC-WIC1 connection. Use network cable CAT3 (or better). No crossover cable!

# WIC1-2SG5NN1AA



## CT-Powered Protection Device, configuration via DIP switches or DiggiMEC / Smart view

- Nominal frequency is 50 Hz. (Setting to 60 Hz is possible via DiggiMEC/Smart view.)
- Backup protection operates directly
- Package "S" + ANSI 46, 49, 51Q, Breaker Wear, Condition Monitoring (= Life Load, Drag Indicator)

**PE** - Protective Earth

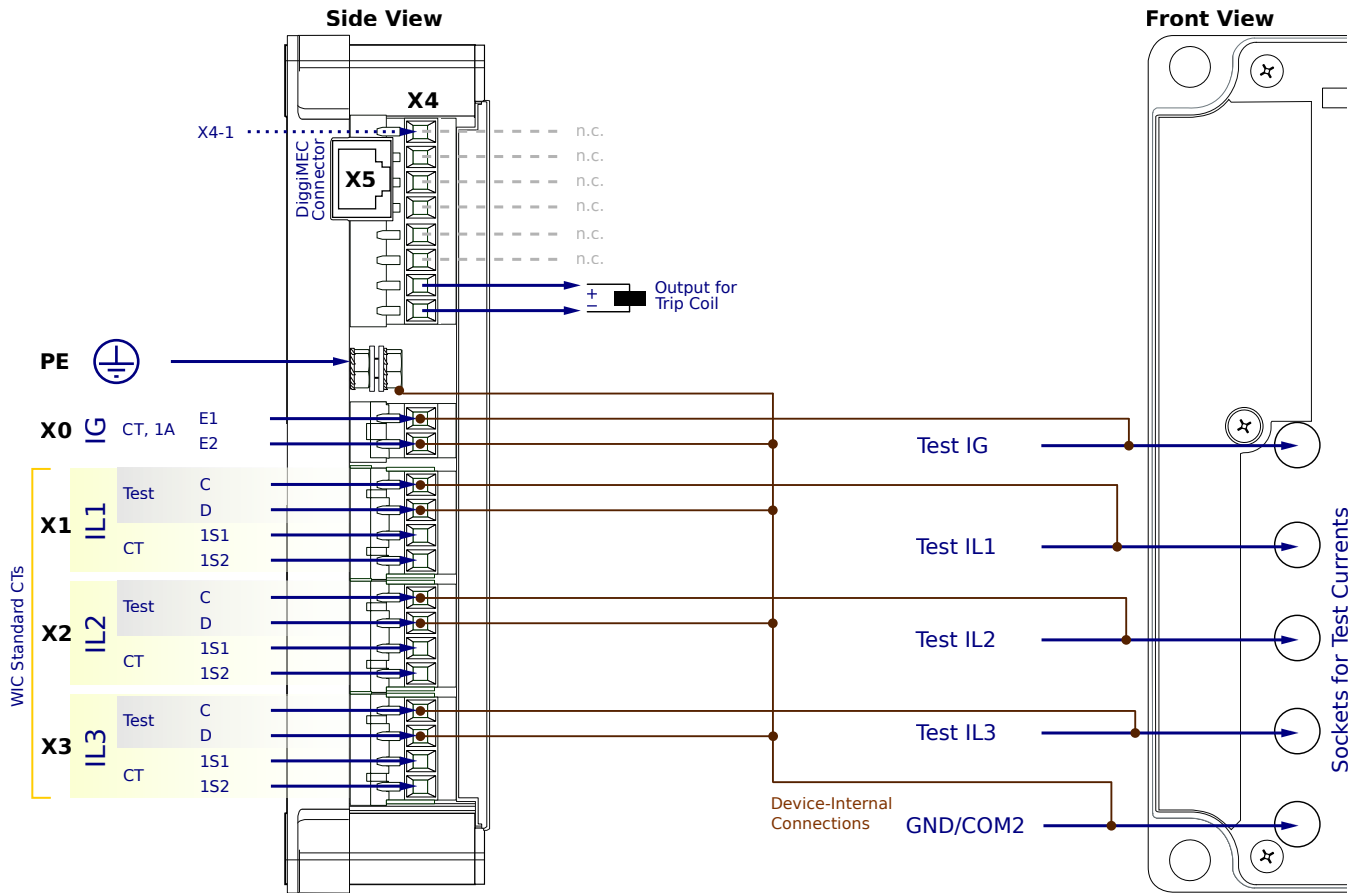
**X0** - Measured ground current via 1A CT input. (Setting to calc. IG is also possible via DiggiMEC/Smart view.)

**X1...X3** - WIC CTs

**X4-7,8** - Trip pulse output

**X5** - DiggiMEC-WIC1 connection. Use network cable CAT3 (or better). No crossover cable!

# WIC1-2SG5NN1PA



## CT-Powered Protection Device, configuration via DIP switches or DiggiMEC / Smart view

- Nominal frequency is 50 Hz. (Setting to 60 Hz is possible via DiggiMEC/Smart view.)
- Backup protection operates directly
- Package "A" + SOTF, CLPU, external protection, ultra-fast overcurrent protection

**PE** - Protective Earth

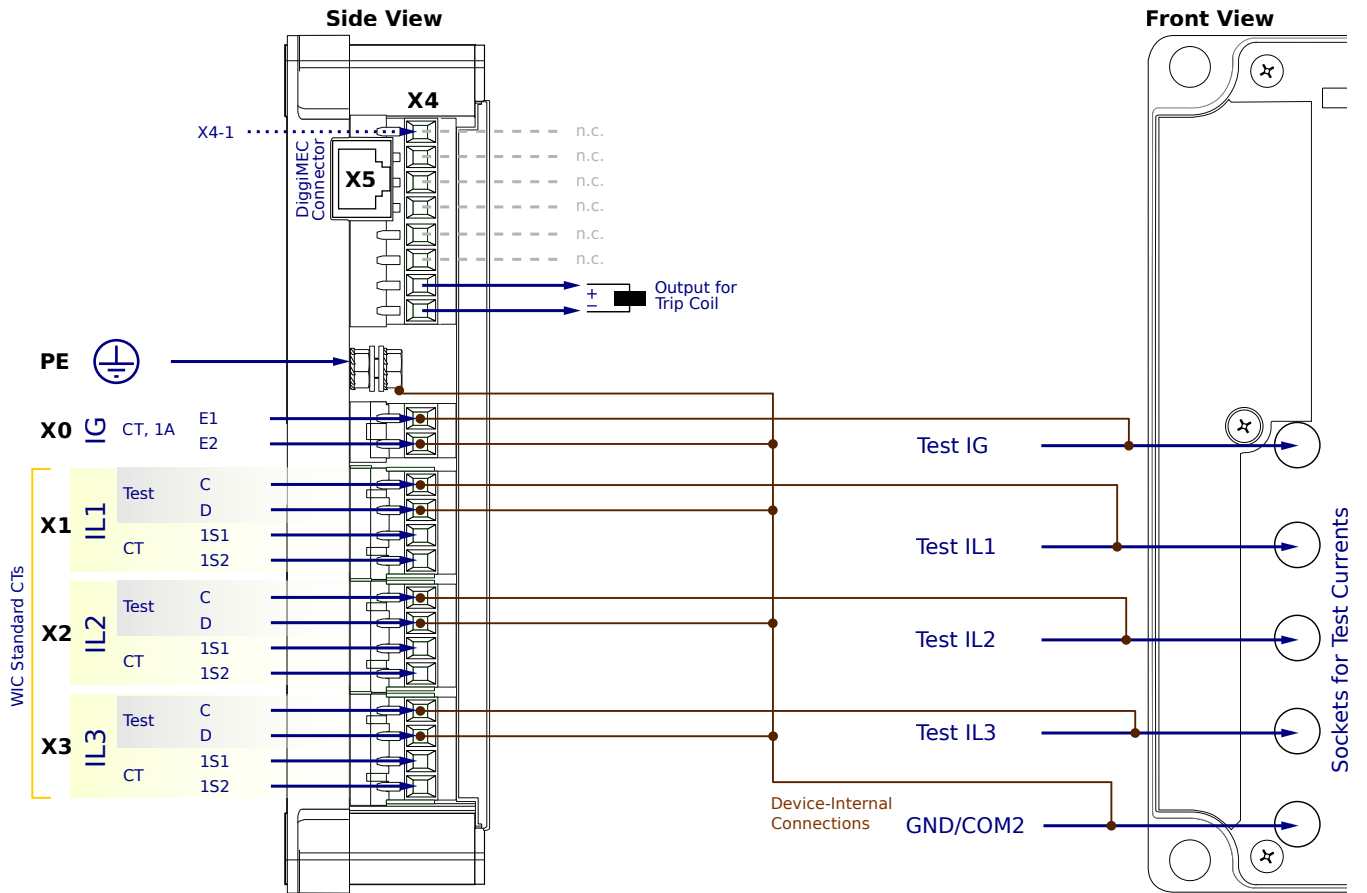
**X0** - Measured ground current via 1A CT input. (Setting to calc. IG is also possible via DiggiMEC/Smart view.)

**X1...X3** - WIC CTs

**X4-7,8** - Trip pulse output

**X5** - DiggiMEC-WIC1 connection. Use network cable CAT3 (or better). No crossover cable!

# WIC1-2SG5NN2SA



## CT-Powered Protection Device, configuration via DIP switches or DiggiMEC / Smart view

- Nominal frequency is 50 Hz. (Setting to 60 Hz is possible via DiggiMEC/Smart view.)
- Trip at  $20 \cdot I_{n,max}$
- ANSI 50, 50G/N, 51, 51G/N, inrush, 50BF, 74TC

**PE** - Protective Earth

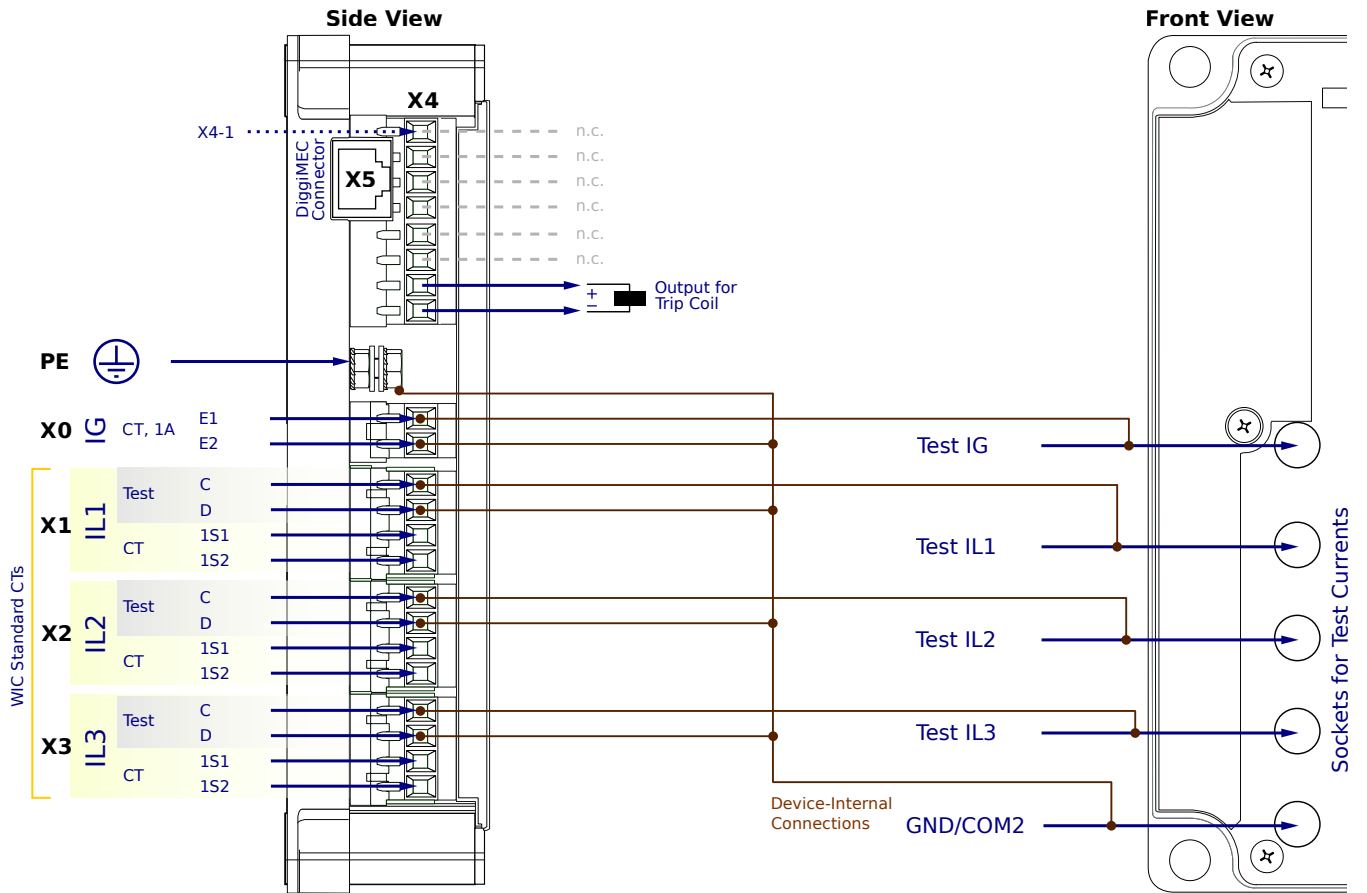
**X0** - Measured ground current via 1A CT input. (Setting to calc. IG is also possible via DiggiMEC/Smart view.)

**X1...X3** - WIC CTs

**X4-7,8** - Trip pulse output

**X5** - DiggiMEC-WIC1 connection. Use network cable CAT3 (or better). No crossover cable!

# WIC1-2SG5NN2AA



## CT-Powered Protection Device, configuration via DIP switches or DiggiMEC / Smart view

- Nominal frequency is 50 Hz. (Setting to 60 Hz is possible via DiggiMEC/Smart view.)
- Trip at  $20 \cdot I_{n,max}$
- Package "S" + ANSI 46, 49, 51Q, Breaker Wear, Condition Monitoring (= Life Load, Drag Indicator)

**PE** - Protective Earth

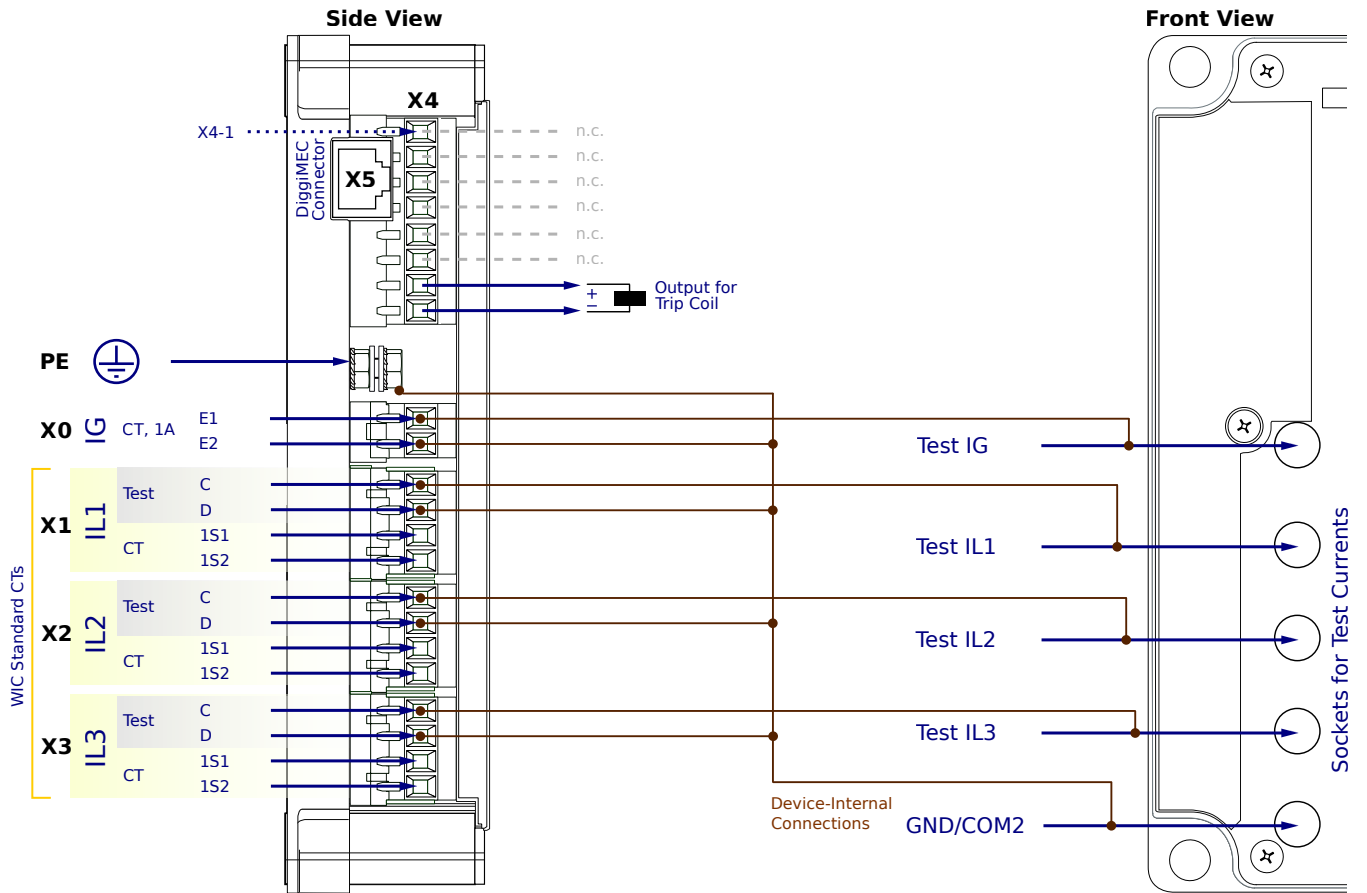
**X0** - Measured ground current via 1A CT input. (Setting to calc. IG is also possible via DiggiMEC/Smart view.)

**X1...X3** - WIC CTs

**X4-7,8** - Trip pulse output

**X5** - DiggiMEC-WIC1 connection. Use network cable CAT3 (or better). No crossover cable!

# WIC1-2SG5NN2PA



## CT-Powered Protection Device, configuration via DIP switches or DiggiMEC / Smart view

- Nominal frequency is 50 Hz. (Setting to 60 Hz is possible via DiggiMEC/Smart view.)
- Trip at  $20 \cdot I_{n,max}$
- Package "A" + SOTF, CLPU, external protection, ultra-fast overcurrent protection

**PE** - Protective Earth

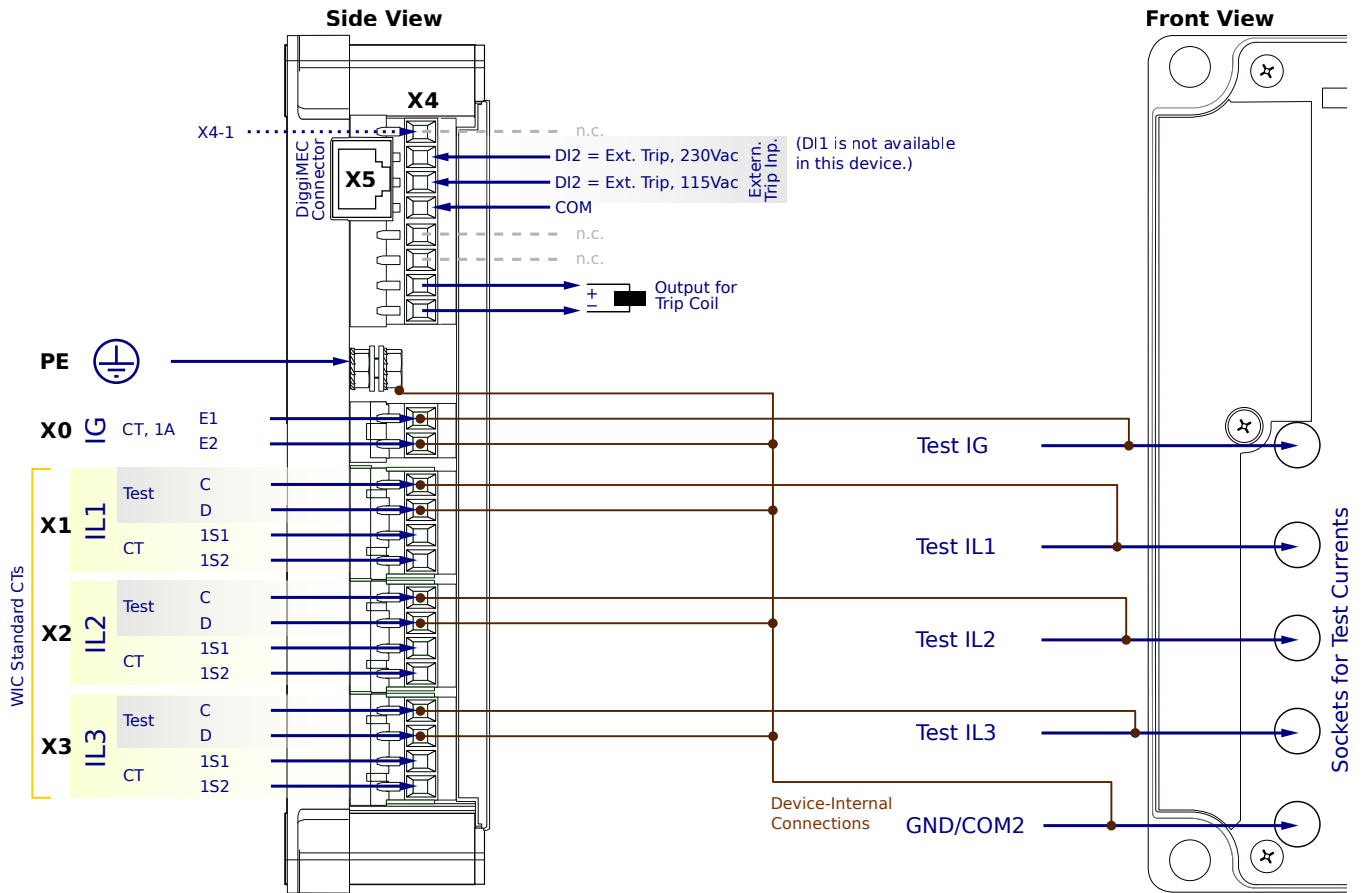
**X0** - Measured ground current via 1A CT input. (Setting to calc. IG is also possible via DiggiMEC/Smart view.)

**X1...X3** - WIC CTs

**X4-7,8** - Trip pulse output

**X5** - DiggiMEC-WIC1 connection. Use network cable CAT3 (or better). No crossover cable!

# WIC1-2SG5NF1SA



## CT-Powered Protection Device, configuration via DIP switches or DiggiMEC / Smart view

- Nominal frequency is 50 Hz. (Setting to 60 Hz is possible via DiggiMEC/Smart view.)
- Backup protection operates directly
- ANSI 50, 50G/N, 51, 51G/N, inrush, 50BF, 74TC

**PE** - Protective Earth

**X0** - Measured ground current via 1A CT input. (Setting to calc. IG is also possible via DiggiMEC/Smart view.)

**X1...X3** - WIC CTs

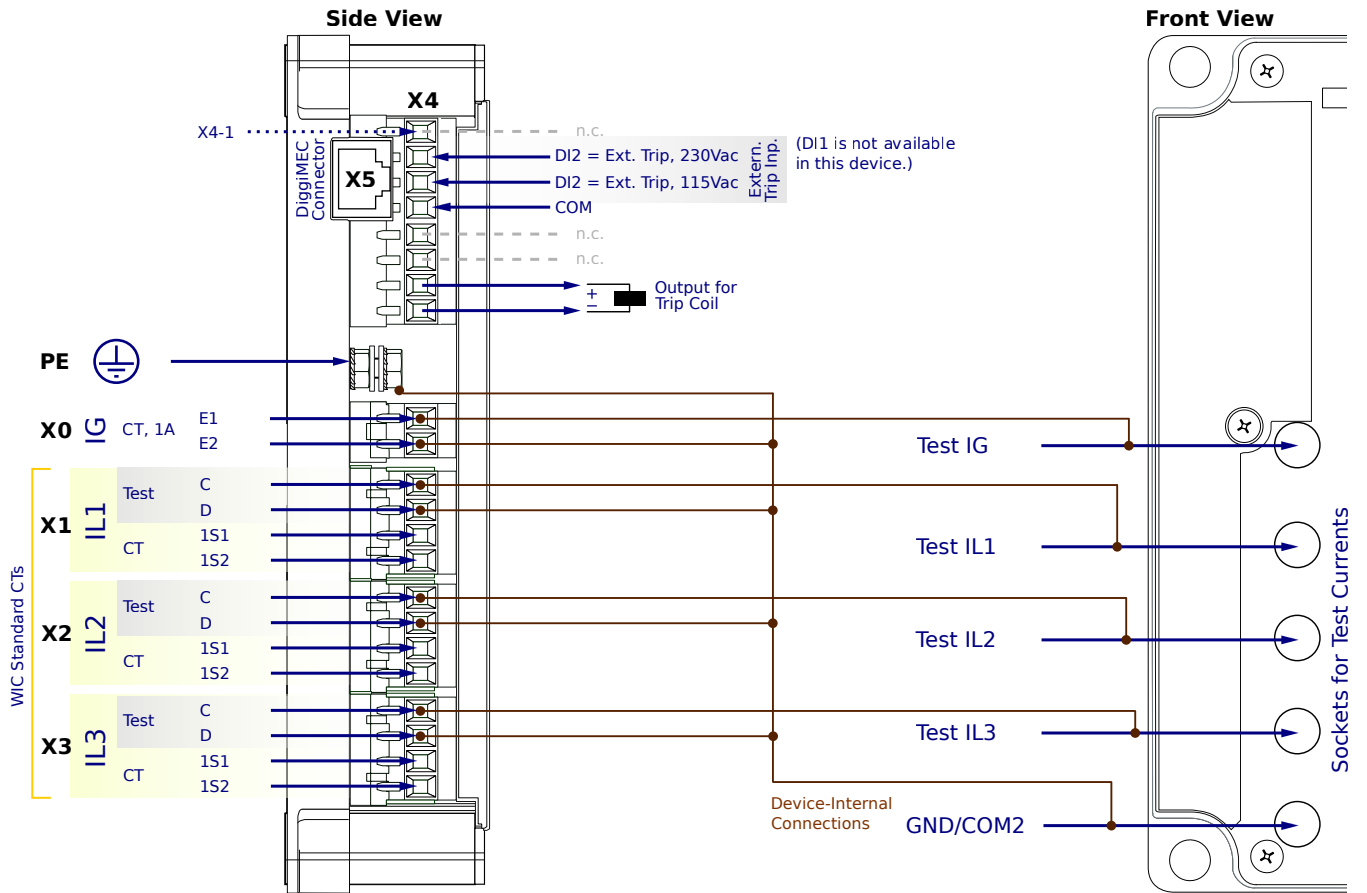
**X4-2,3** - DI2, fixed to External trip input (115Vac or 230Vac)

**X4-7,8** - Trip pulse output

**X5** - DiggiMEC-WIC1 connection. Use network cable CAT3 (or better). No crossover cable!



# WIC1-2SG5NF1AA



## CT-Powered Protection Device, configuration via DIP switches or DiggiMEC / Smart view

- Nominal frequency is 50 Hz. (Setting to 60 Hz is possible via DiggiMEC/Smart view.)
- Backup protection operates directly
- Package "S" + ANSI 46, 49, 51Q, Breaker Wear, Condition Monitoring (= Life Load, Drag Indicator)

**PE** - Protective Earth

**X0** - Measured ground current via 1A CT input. (Setting to calc. IG is also possible via DiggiMEC/Smart view.)

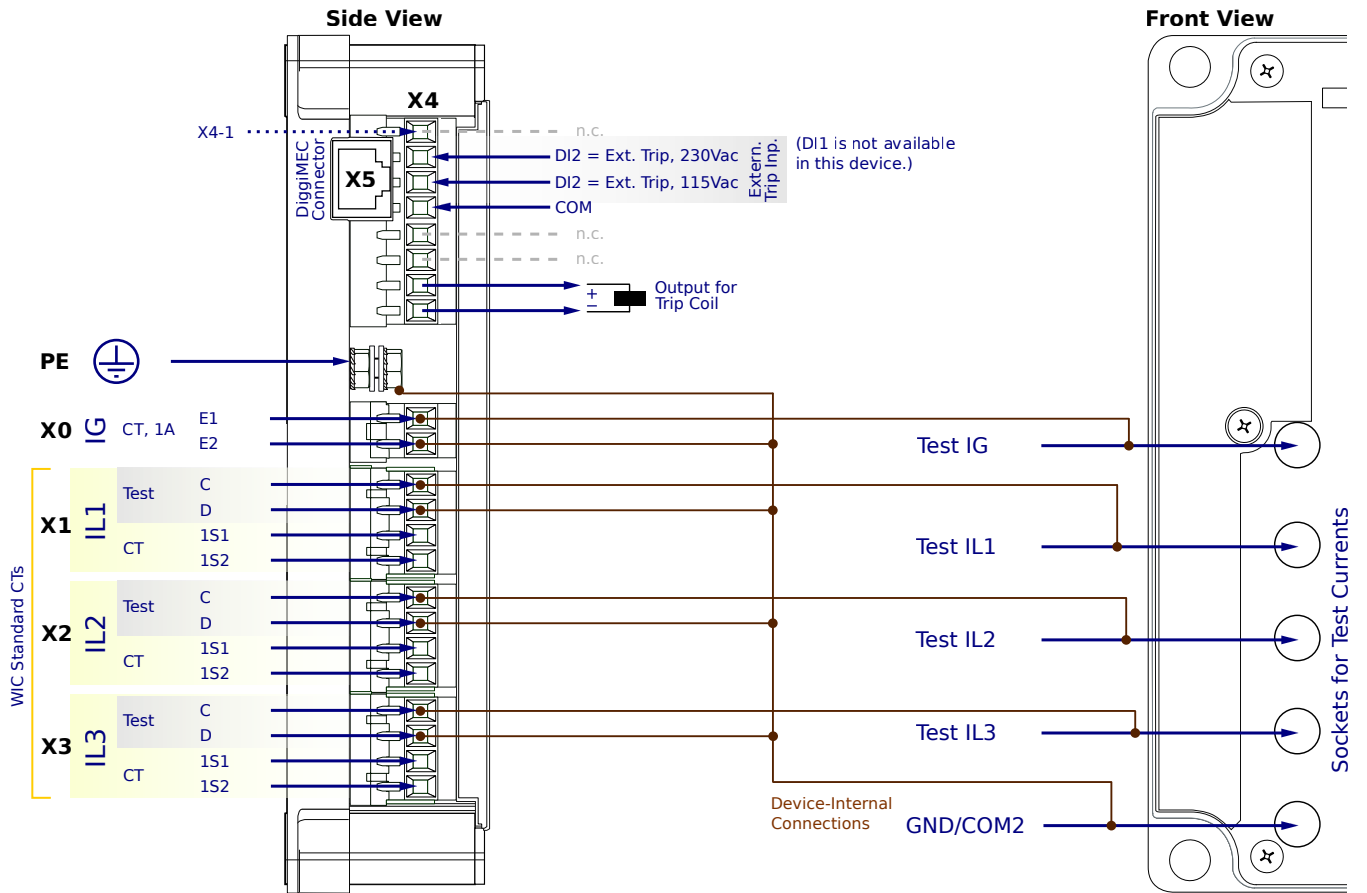
**X1...X3** - WIC CTs

**X4-2,3** - DI2, fixed to External trip input (115Vac or 230Vac)

**X4-7,8** - Trip pulse output

**X5** - DiggiMEC-WIC1 connection. Use network cable CAT3 (or better). No crossover cable!

# WIC1-2SG5NF1PA



## CT-Powered Protection Device, configuration via DIP switches or DiggiMEC / Smart view

- Nominal frequency is 50 Hz. (Setting to 60 Hz is possible via DiggiMEC/Smart view.)
- Backup protection operates directly
- Package "A" + SOTF, CLPU, external protection, ultra-fast overcurrent protection

**PE** - Protective Earth

**X0** - Measured ground current via 1A CT input. (Setting to calc. IG is also possible via DiggiMEC/Smart view.)

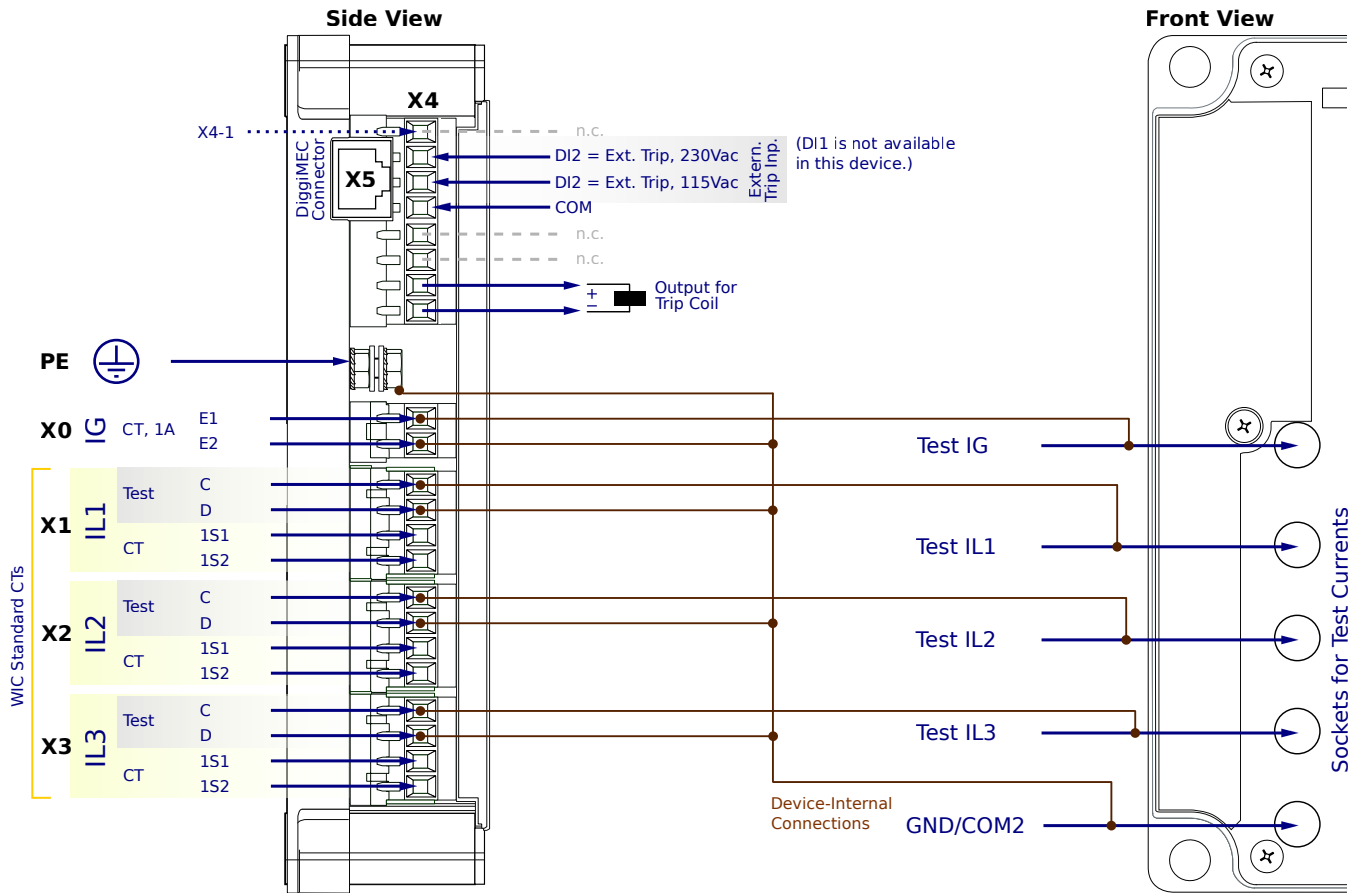
**X1...X3** - WIC CTs

**X4-2,3** - DI2, fixed to External trip input (115Vac or 230Vac)

**X4-7,8** - Trip pulse output

**X5** - DiggiMEC-WIC1 connection. Use network cable CAT3 (or better). No crossover cable!

# WIC1-2SG5NF2SA



## CT-Powered Protection Device, configuration via DIP switches or DiggiMEC / Smart view

- Nominal frequency is 50 Hz. (Setting to 60 Hz is possible via DiggiMEC/Smart view.)
- Trip at  $20 \cdot I_{n,max}$
- ANSI 50, 50G/N, 51, 51G/N, inrush, 50BF, 74TC

**PE** - Protective Earth

**X0** - Measured ground current via 1A CT input. (Setting to calc. IG is also possible via DiggiMEC/Smart view.)

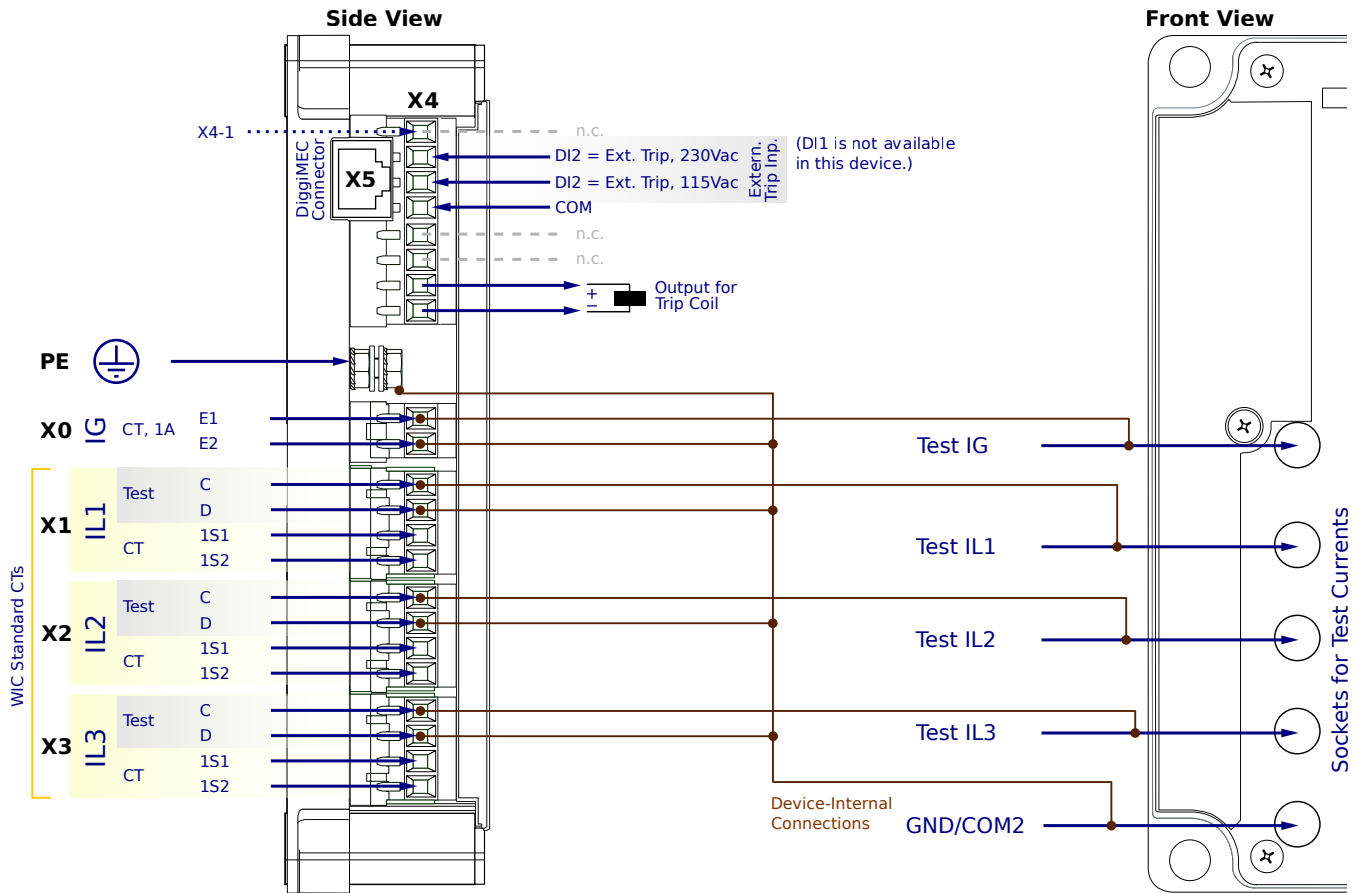
**X1...X3** - WIC CTs

**X4-2,3** - DI2, fixed to External trip input (115Vac or 230Vac)

**X4-7,8** - Trip pulse output

**X5** - DiggiMEC-WIC1 connection. Use network cable CAT3 (or better). No crossover cable!

# WIC1-2SG5NF2AA



## CT-Powered Protection Device, configuration via DIP switches or DiggiMEC / Smart view

- Nominal frequency is 50 Hz. (Setting to 60 Hz is possible via DiggiMEC/Smart view.)
- Trip at  $20 \cdot I_{n,max}$
- Package "S" + ANSI 46, 49, 51Q, Breaker Wear, Condition Monitoring (= Life Load, Drag Indicator)

**PE** - Protective Earth

**X0** - Measured ground current via 1A CT input. (Setting to calc. IG is also possible via DiggiMEC/Smart view.)

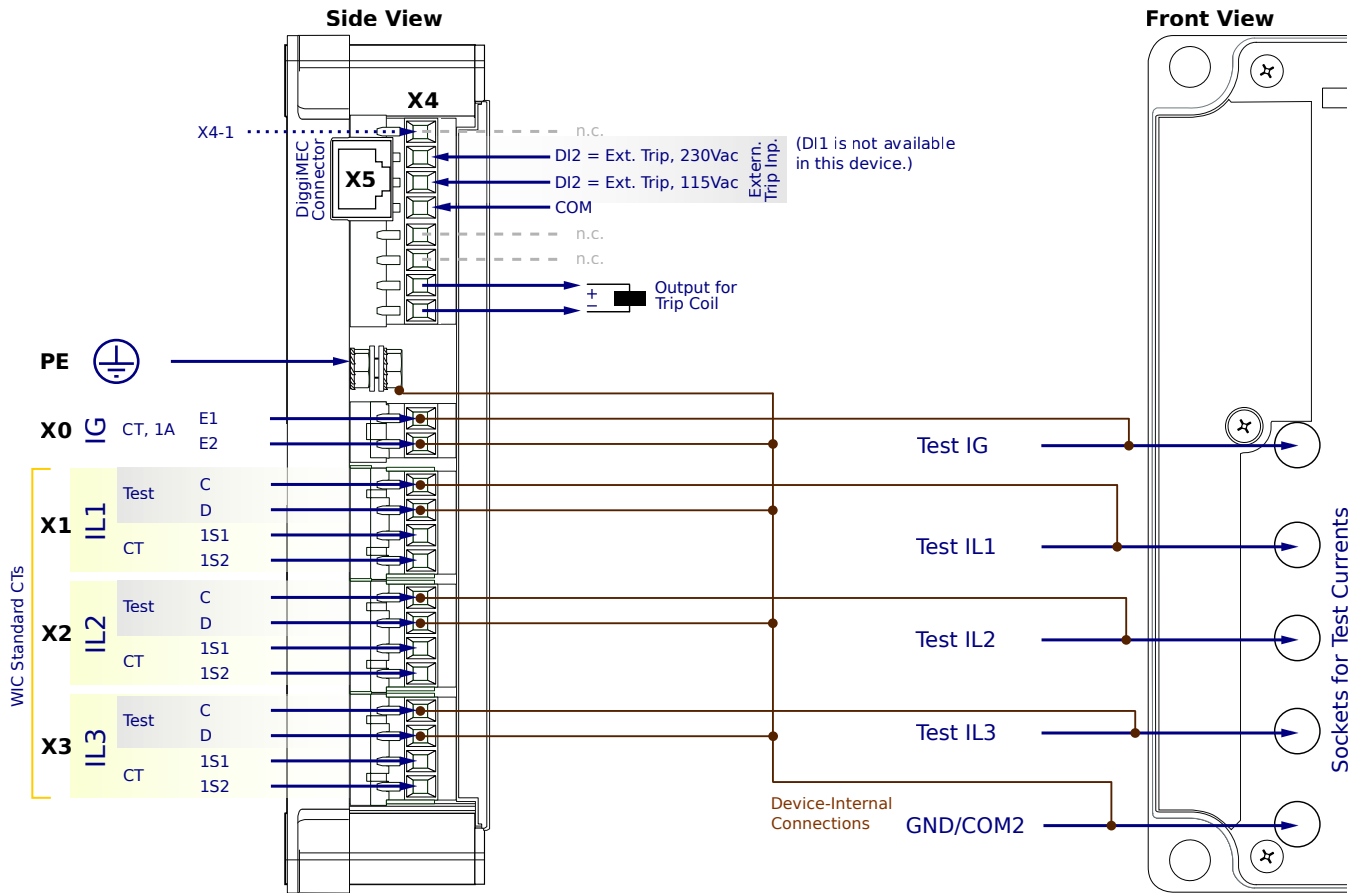
**X1...X3** - WIC CTs

**X4-2,3** - DI2, fixed to External trip input (115Vac or 230Vac)

**X4-7,8** - Trip pulse output

**X5** - DiggiMEC-WIC1 connection. Use network cable CAT3 (or better). No crossover cable!

# WIC1-2SG5NF2PA



## CT-Powered Protection Device, configuration via DIP switches or DiggiMEC / Smart view

- Nominal frequency is 50 Hz. (Setting to 60 Hz is possible via DiggiMEC/Smart view.)
- Trip at  $20 \cdot I_{n,max}$
- Package "A" + SOTF, CLPU, external protection, ultra-fast overcurrent protection

**PE** - Protective Earth

**X0** - Measured ground current via 1A CT input. (Setting to calc. IG is also possible via DiggiMEC/Smart view.)

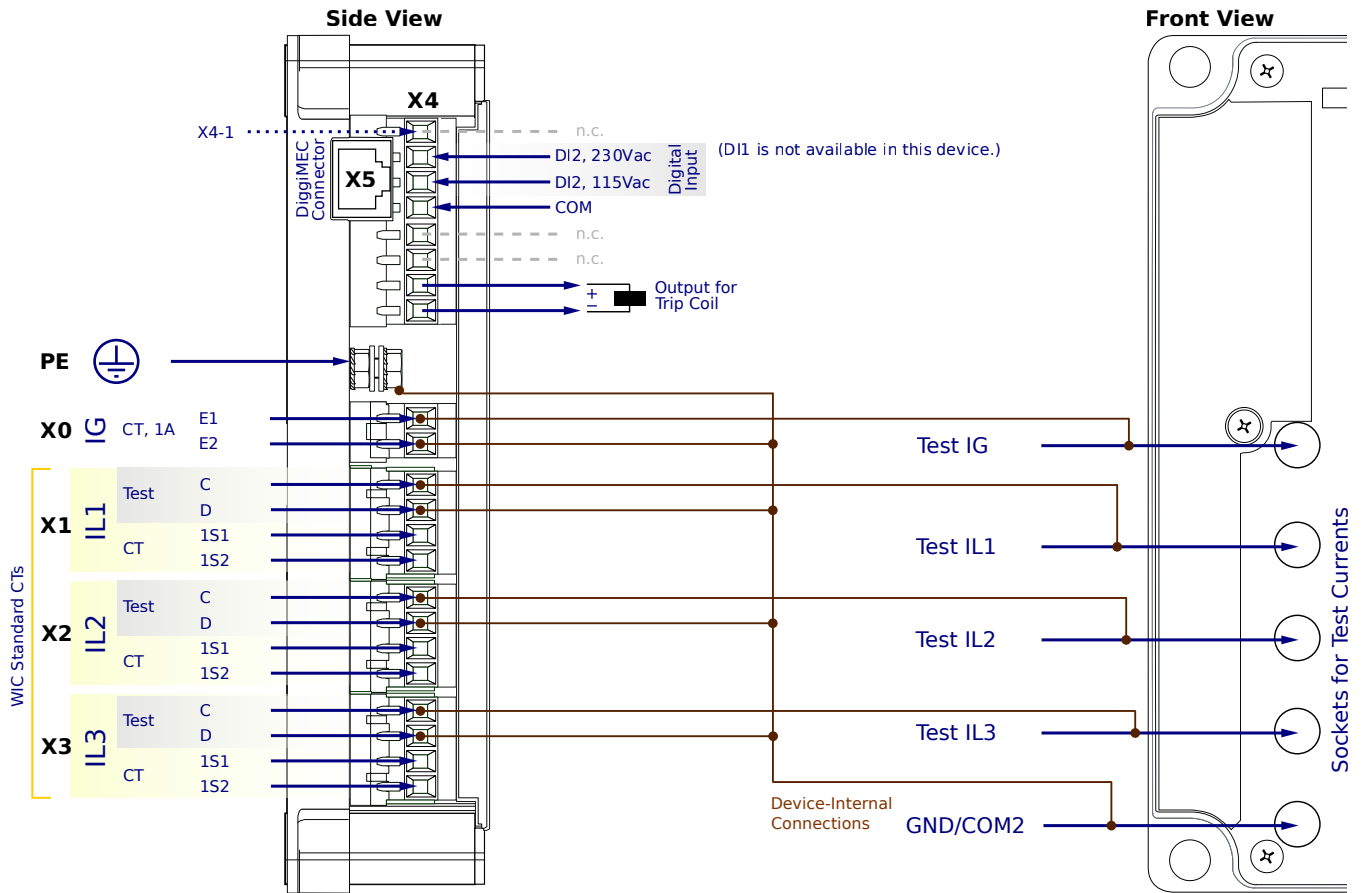
**X1...X3** - WIC CTs

**X4-2,3** - DI2, fixed to External trip input (115Vac or 230Vac)

**X4-7,8** - Trip pulse output

**X5** - DiggiMEC-WIC1 connection. Use network cable CAT3 (or better). No crossover cable!

# WIC1-2SG5NC1SA



## CT-Powered Protection Device, configuration via DIP switches or DiggiMEC / Smart view

- Nominal frequency is 50 Hz. (Setting to 60 Hz is possible via DiggiMEC/Smart view.)
- Backup protection operates directly
- ANSI 50, 50G/N, 51, 51G/N, inrush, 50BF, 74TC

**PE** - Protective Earth

**X0** - Measured ground current via 1A CT input. (Setting to calc. IG is also possible via DiggiMEC/Smart view.)

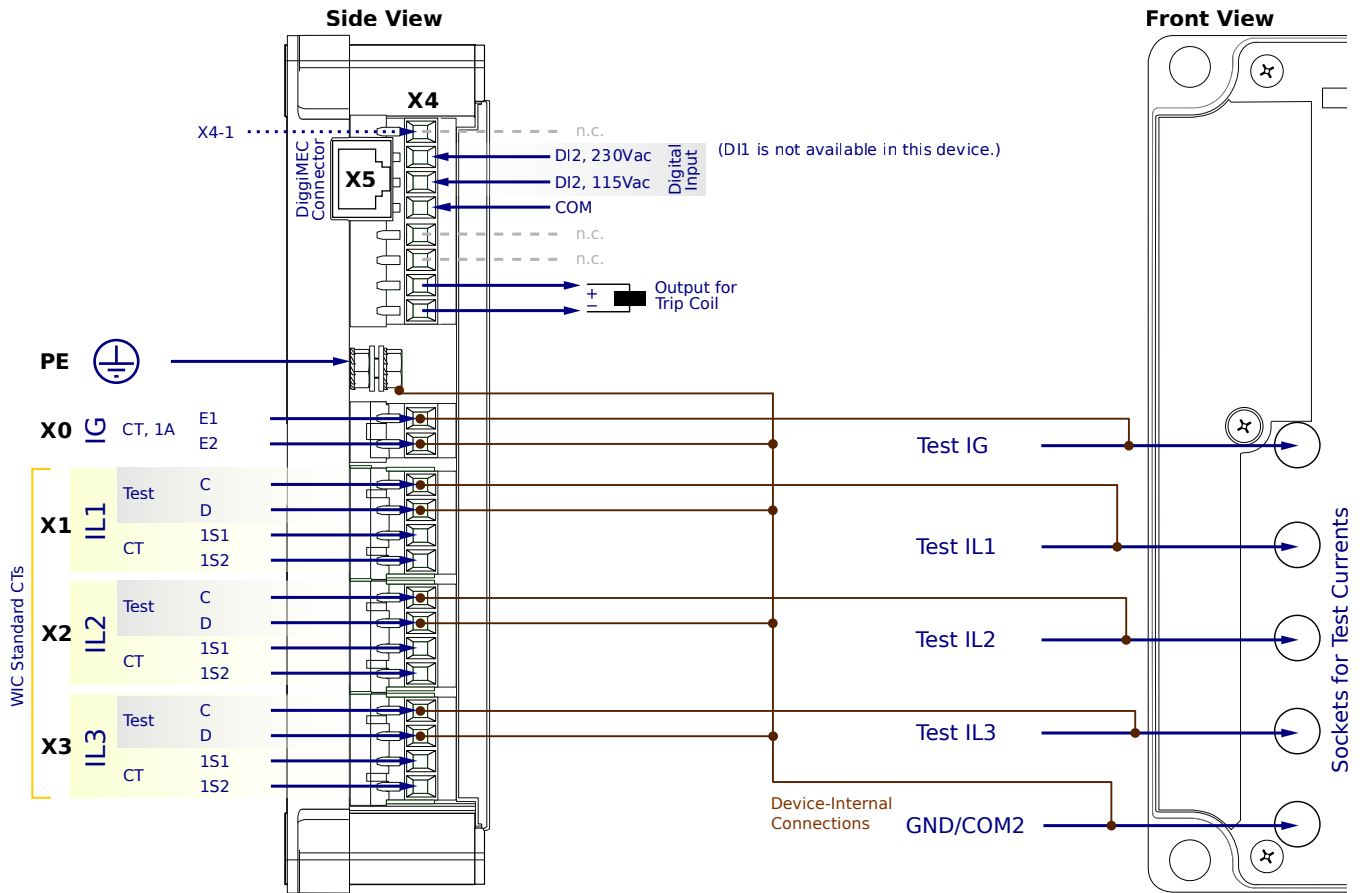
**X1...X3** - WIC CTs

**X4-2,3** - 1 assignable Digital Input DI2 (115Vac or 230Vac)

**X4-7,8** - Trip pulse output

**X5** - DiggiMEC-WIC1 connection. Use network cable CAT3 (or better). No crossover cable!

# WIC1-2SG5NC1AA



## CT-Powered Protection Device, configuration via DIP switches or DiggiMEC / Smart view

- Nominal frequency is 50 Hz. (Setting to 60 Hz is possible via DiggiMEC/Smart view.)
- Backup protection operates directly
- Package "S" + ANSI 46, 49, 51Q, Breaker Wear, Condition Monitoring (= Life Load, Drag Indicator)

**PE** - Protective Earth

**X0** - Measured ground current via 1A CT input. (Setting to calc. IG is also possible via DiggiMEC/Smart view.)

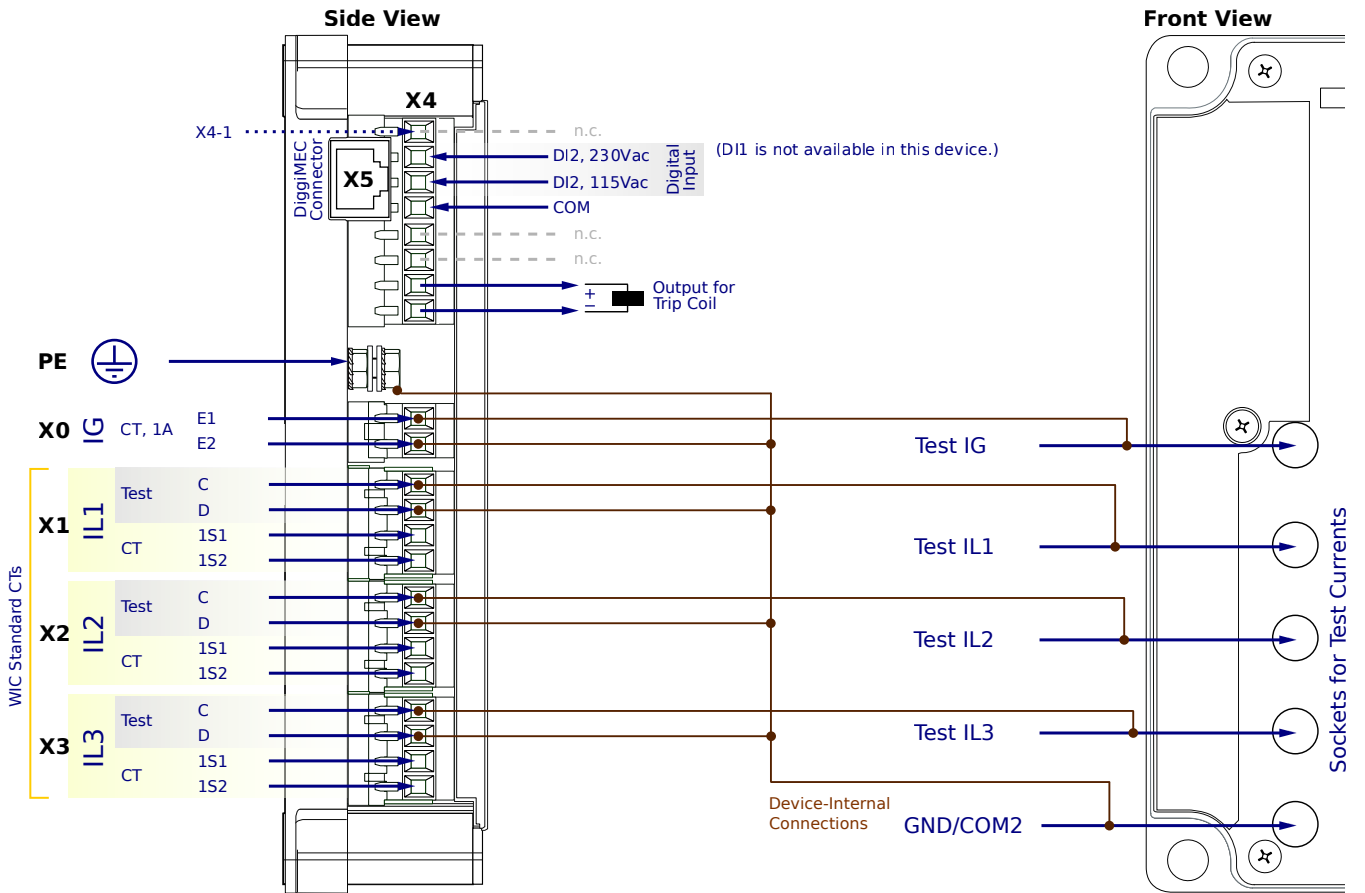
**X1...X3** - WIC CTs

**X4-2,3** - 1 assignable Digital Input DI2 (115Vac or 230Vac)

**X4-7,8** - Trip pulse output

**X5** - DiggiMEC-WIC1 connection. Use network cable CAT3 (or better). No crossover cable!

# WIC1-2SG5NC1PA



## CT-Powered Protection Device, configuration via DIP switches or DiggiMEC / Smart view

- Nominal frequency is 50 Hz. (Setting to 60 Hz is possible via DiggiMEC/Smart view.)
- Backup protection operates directly
- Package "A" + SOTF, CLPU, external protection, ultra-fast overcurrent protection

**PE** - Protective Earth

**X0** - Measured ground current via 1A CT input. (Setting to calc. IG is also possible via DiggiMEC/Smart view.)

**X1...X3** - WIC CTs

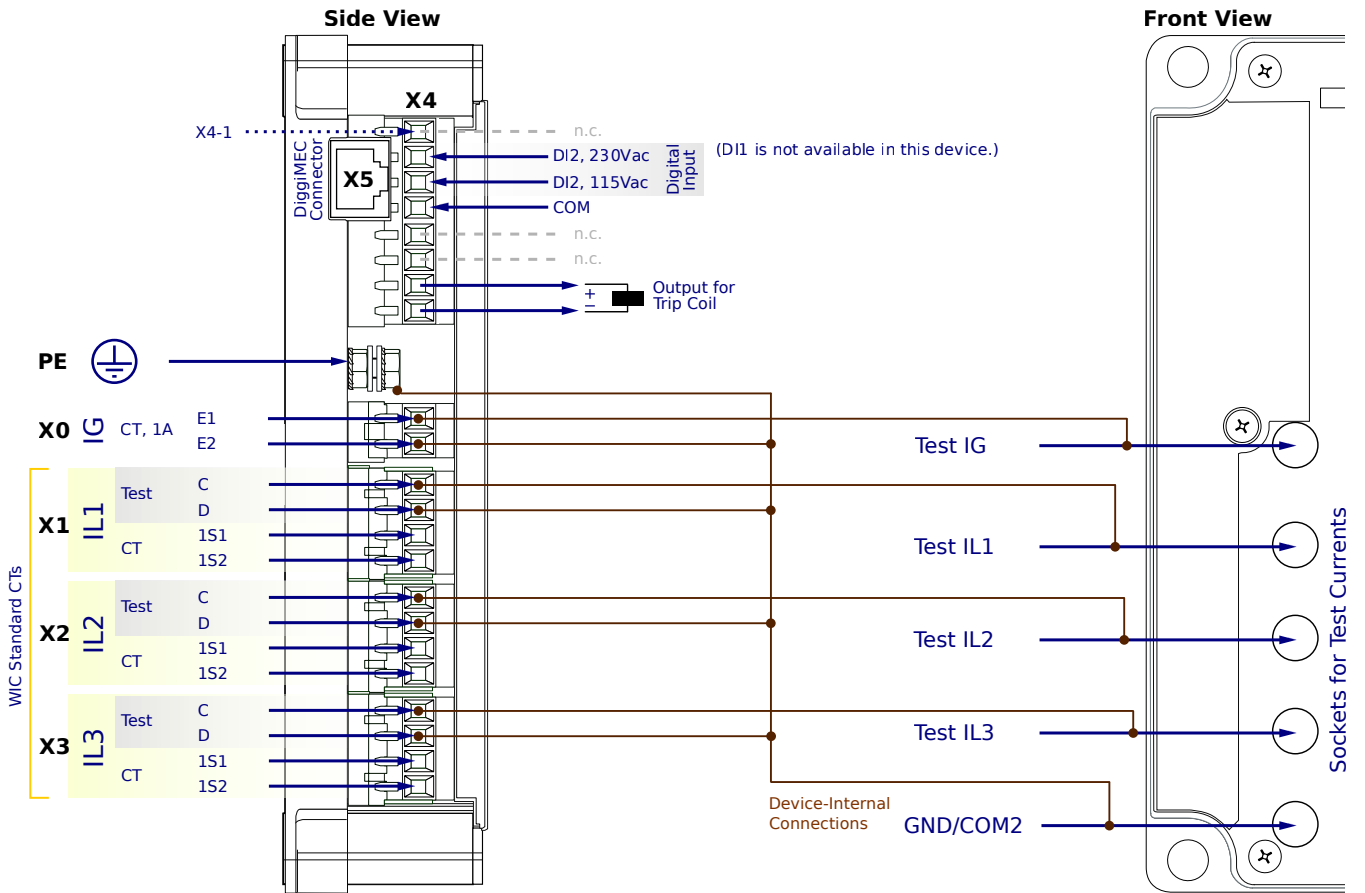
**X4-2,3** - 1 assignable Digital Input DI2 (115Vac or 230Vac)

**X4-7,8** - Trip pulse output

**X5** - DiggiMEC-WIC1 connection. Use network cable CAT3 (or better). No crossover cable!



# WIC1-2SG5NC2SA



## CT-Powered Protection Device, configuration via DIP switches or DiggiMEC / Smart view

- Nominal frequency is 50 Hz. (Setting to 60 Hz is possible via DiggiMEC/Smart view.)
- Trip at  $20 \cdot I_{n,max}$
- ANSI 50, 50G/N, 51, 51G/N, inrush, 50BF, 74TC

**PE** - Protective Earth

**X0** - Measured ground current via 1A CT input. (Setting to calc. IG is also possible via DiggiMEC/Smart view.)

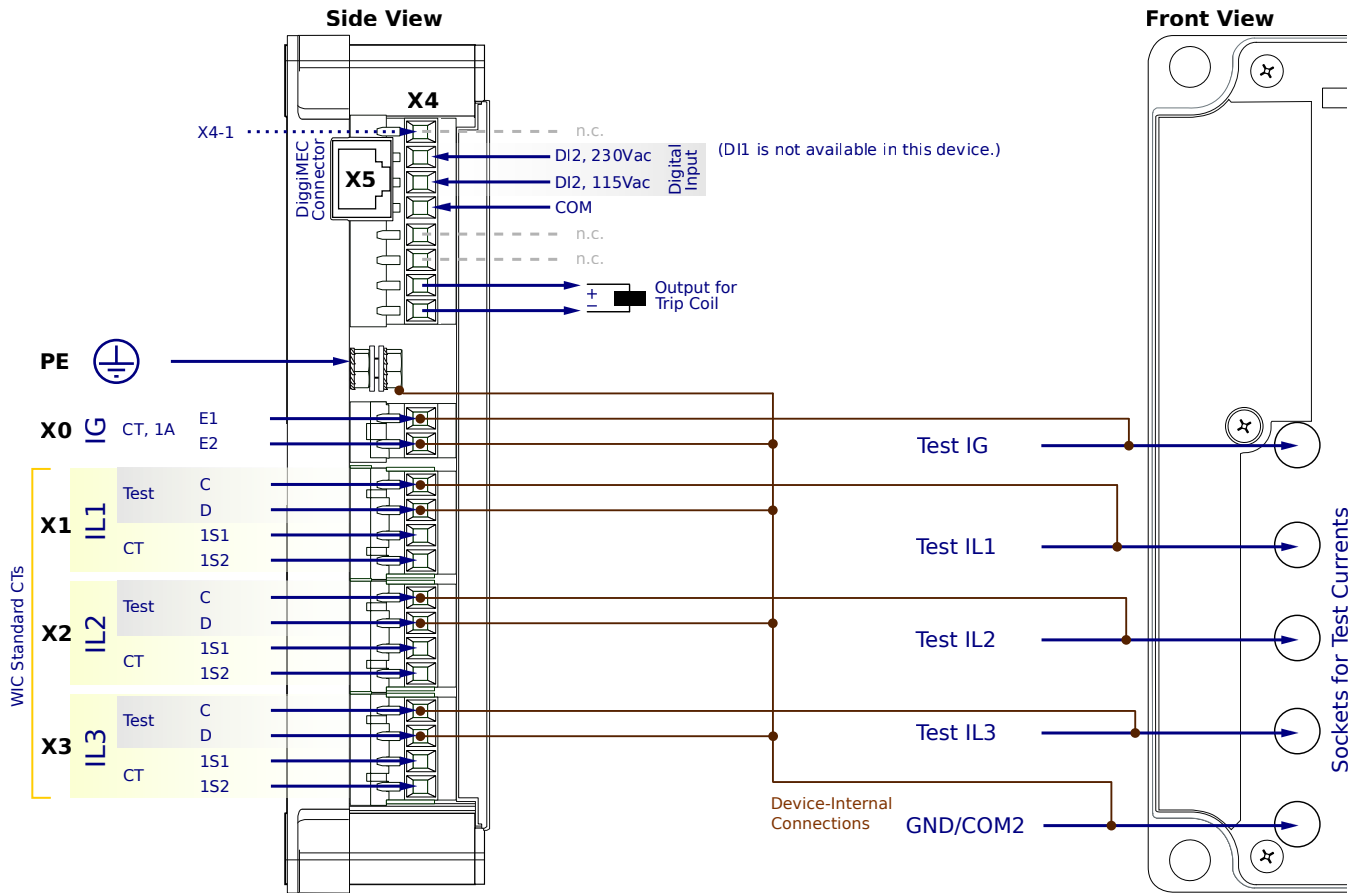
**X1...X3** - WIC CTs

**X4-2,3** - 1 assignable Digital Input DI2 (115Vac or 230Vac)

**X4-7,8** - Trip pulse output

**X5** - DiggiMEC-WIC1 connection. Use network cable CAT3 (or better). No crossover cable!

# WIC1-2SG5NC2AA



## CT-Powered Protection Device, configuration via DIP switches or DiggiMEC / Smart view

- Nominal frequency is 50 Hz. (Setting to 60 Hz is possible via DiggiMEC/Smart view.)
- Trip at  $20 \cdot I_{n,max}$
- Package "S" + ANSI 46, 49, 51Q, Breaker Wear, Condition Monitoring (= Life Load, Drag Indicator)

**PE** - Protective Earth

**X0** - Measured ground current via 1A CT input. (Setting to calc. IG is also possible via DiggiMEC/Smart view.)

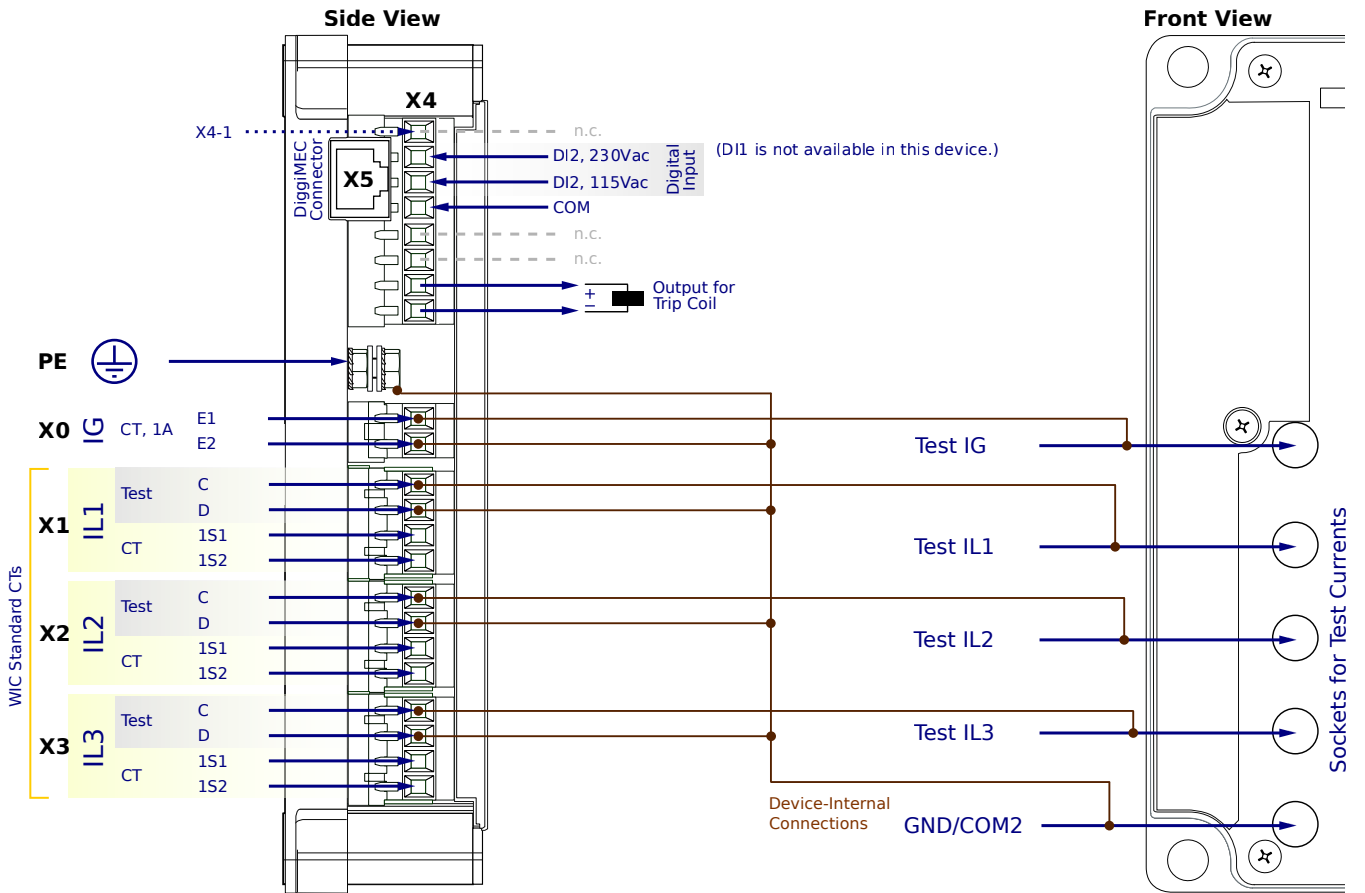
**X1...X3** - WIC CTs

**X4-2,3** - 1 assignable Digital Input DI2 (115Vac or 230Vac)

**X4-7,8** - Trip pulse output

**X5** - DiggiMEC-WIC1 connection. Use network cable CAT3 (or better). No crossover cable!

# WIC1-2SG5NC2PA



## CT-Powered Protection Device, configuration via DIP switches or DiggiMEC / Smart view

- Nominal frequency is 50 Hz. (Setting to 60 Hz is possible via DiggiMEC/Smart view.)
- Trip at  $20 \cdot I_{n,max}$
- Package "A" + SOTF, CLPU, external protection, ultra-fast overcurrent protection

**PE** - Protective Earth

**X0** - Measured ground current via 1A CT input. (Setting to calc. IG is also possible via DiggiMEC/Smart view.)

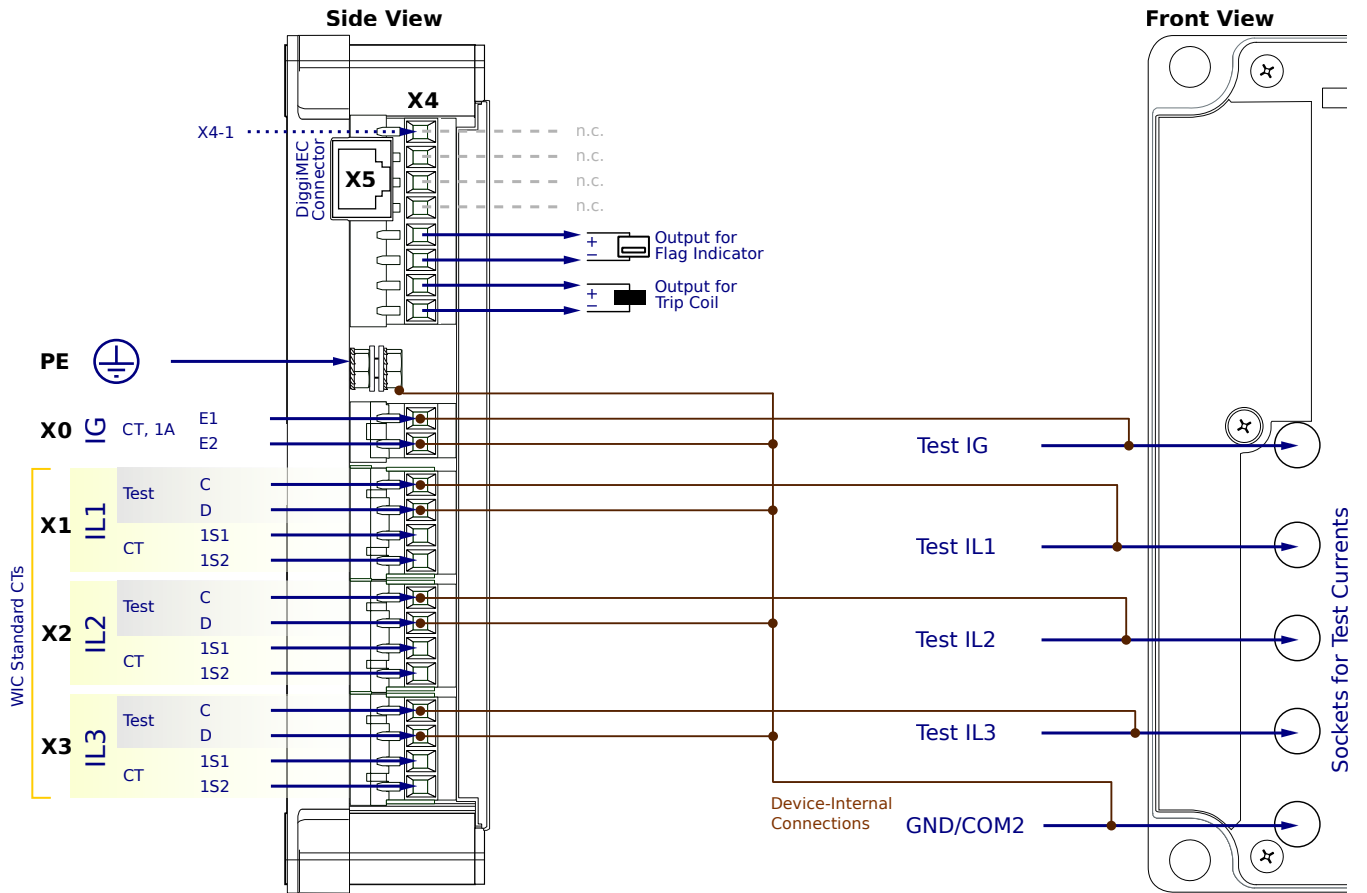
**X1...X3** - WIC CTs

**X4-2,3** - 1 assignable Digital Input DI2 (115Vac or 230Vac)

**X4-7,8** - Trip pulse output

**X5** - DiggiMEC-WIC1 connection. Use network cable CAT3 (or better). No crossover cable!

# WIC1-2SG5FN1SA



## CT-Powered Protection Device, configuration via DIP switches or DiggiMEC / Smart view

- Nominal frequency is 50 Hz. (Setting to 60 Hz is possible via DiggiMEC/Smart view.)
- Backup protection operates directly
- ANSI 50, 50G/N, 51, 51G/N, inrush, 50BF, 74TC

**PE** - Protective Earth

**X0** - Measured ground current via 1A CT input. (Setting to calc. IG is also possible via DiggiMEC/Smart view.)

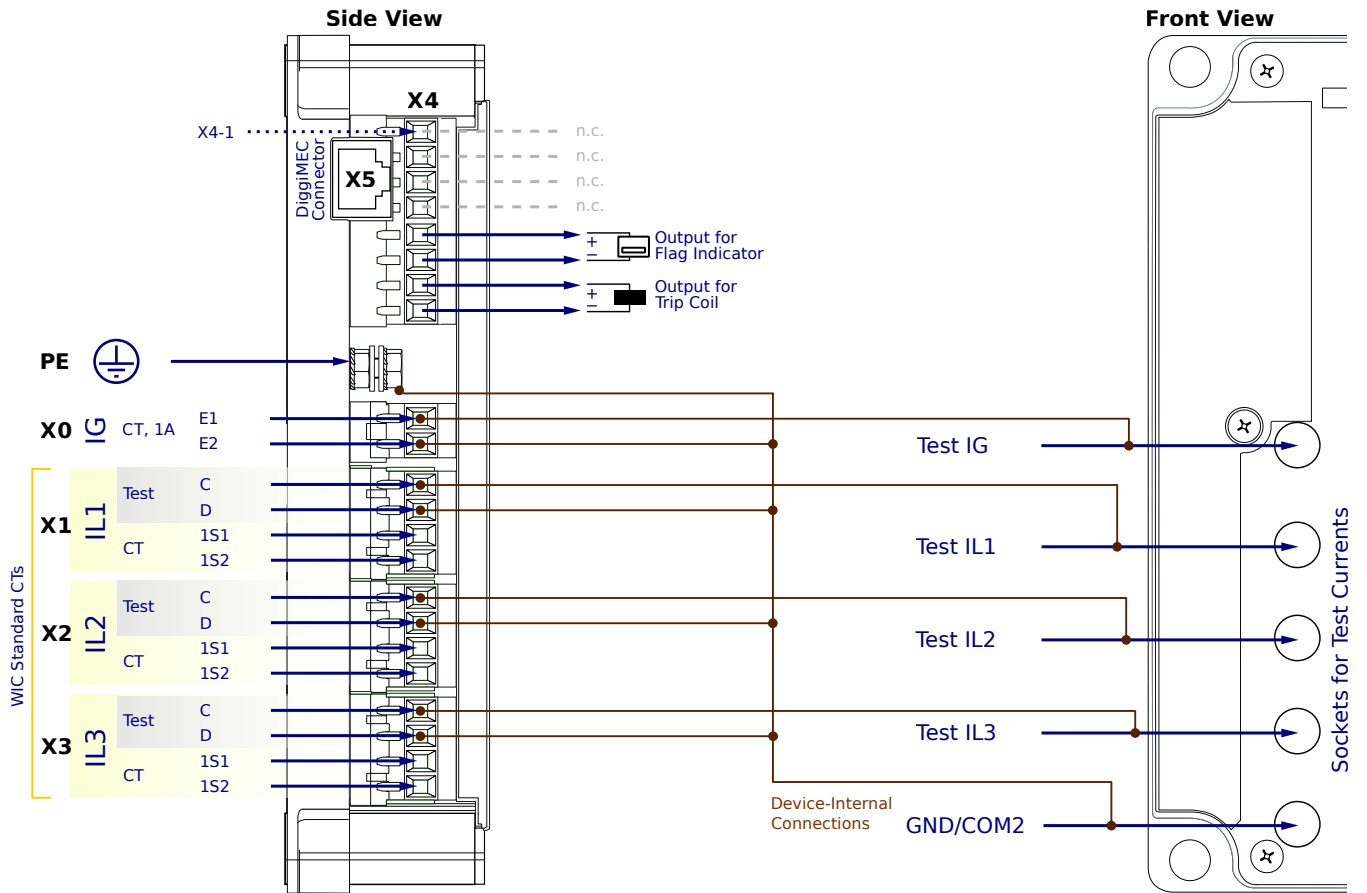
**X1...X3** - WIC CTs

**X4-5,6** - Trip flag indicator

**X4-7,8** - Trip pulse output

**X5** - DiggiMEC-WIC1 connection. Use network cable CAT3 (or better). No crossover cable!

# WIC1-2SG5FN1AA



## CT-Powered Protection Device, configuration via DIP switches or DiggiMEC / Smart view

- Nominal frequency is 50 Hz. (Setting to 60 Hz is possible via DiggiMEC/Smart view.)
- Backup protection operates directly
- Package "S" + ANSI 46, 49, 51Q, Breaker Wear, Condition Monitoring (= Life Load, Drag Indicator)

**PE** - Protective Earth

**X0** - Measured ground current via 1A CT input. (Setting to calc. IG is also possible via DiggiMEC/Smart view.)

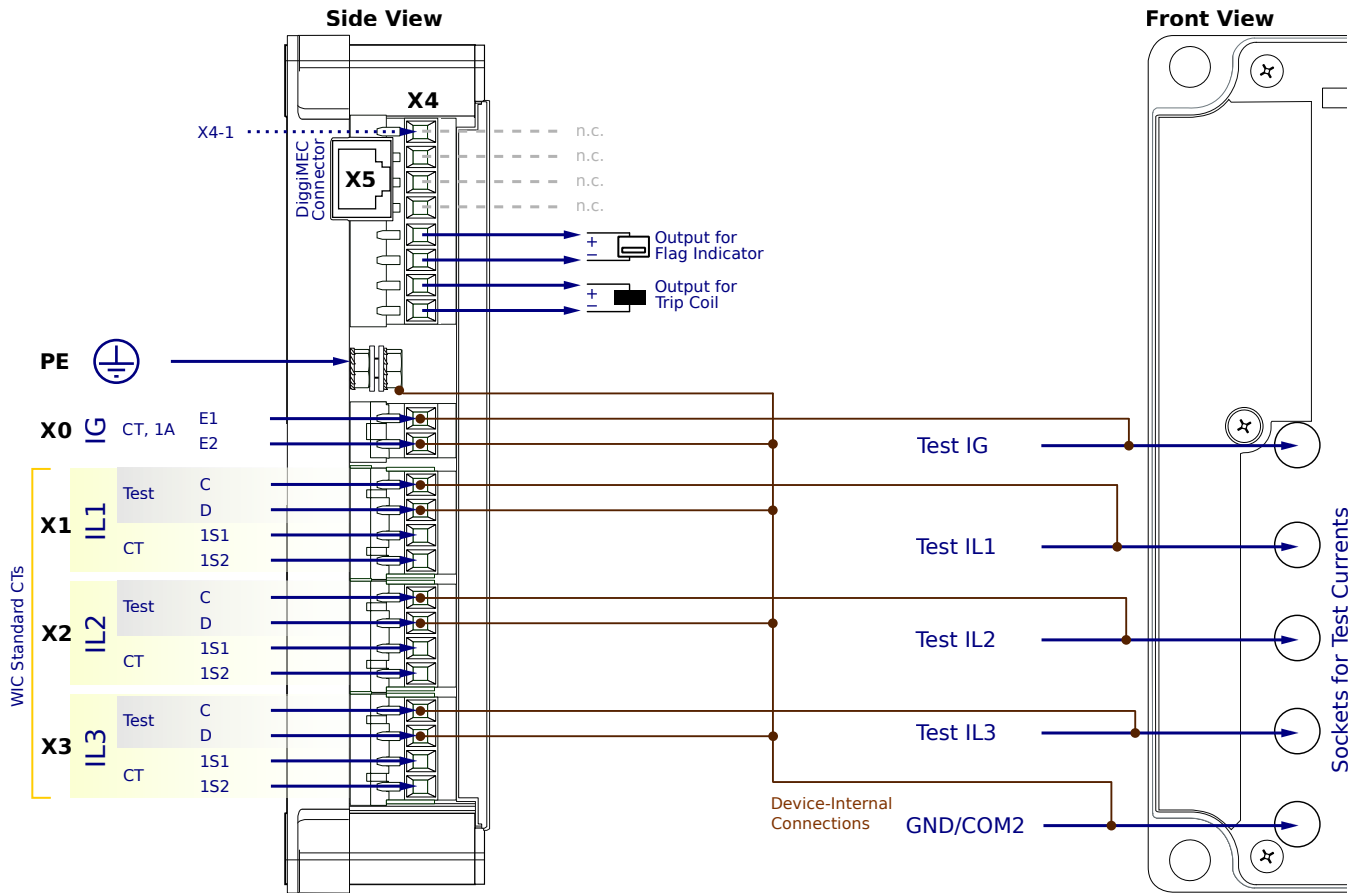
**X1...X3** - WIC CTs

**X4-5,6** - Trip flag indicator

**X4-7,8** - Trip pulse output

**X5** - DiggiMEC-WIC1 connection. Use network cable CAT3 (or better). No crossover cable!

# WIC1-2SG5FN1PA



## CT-Powered Protection Device, configuration via DIP switches or DiggiMEC / Smart view

- Nominal frequency is 50 Hz. (Setting to 60 Hz is possible via DiggiMEC/Smart view.)
- Backup protection operates directly
- Package "A" + SOTF, CLPU, external protection, ultra-fast overcurrent protection

**PE** - Protective Earth

**X0** - Measured ground current via 1A CT input. (Setting to calc. IG is also possible via DiggiMEC/Smart view.)

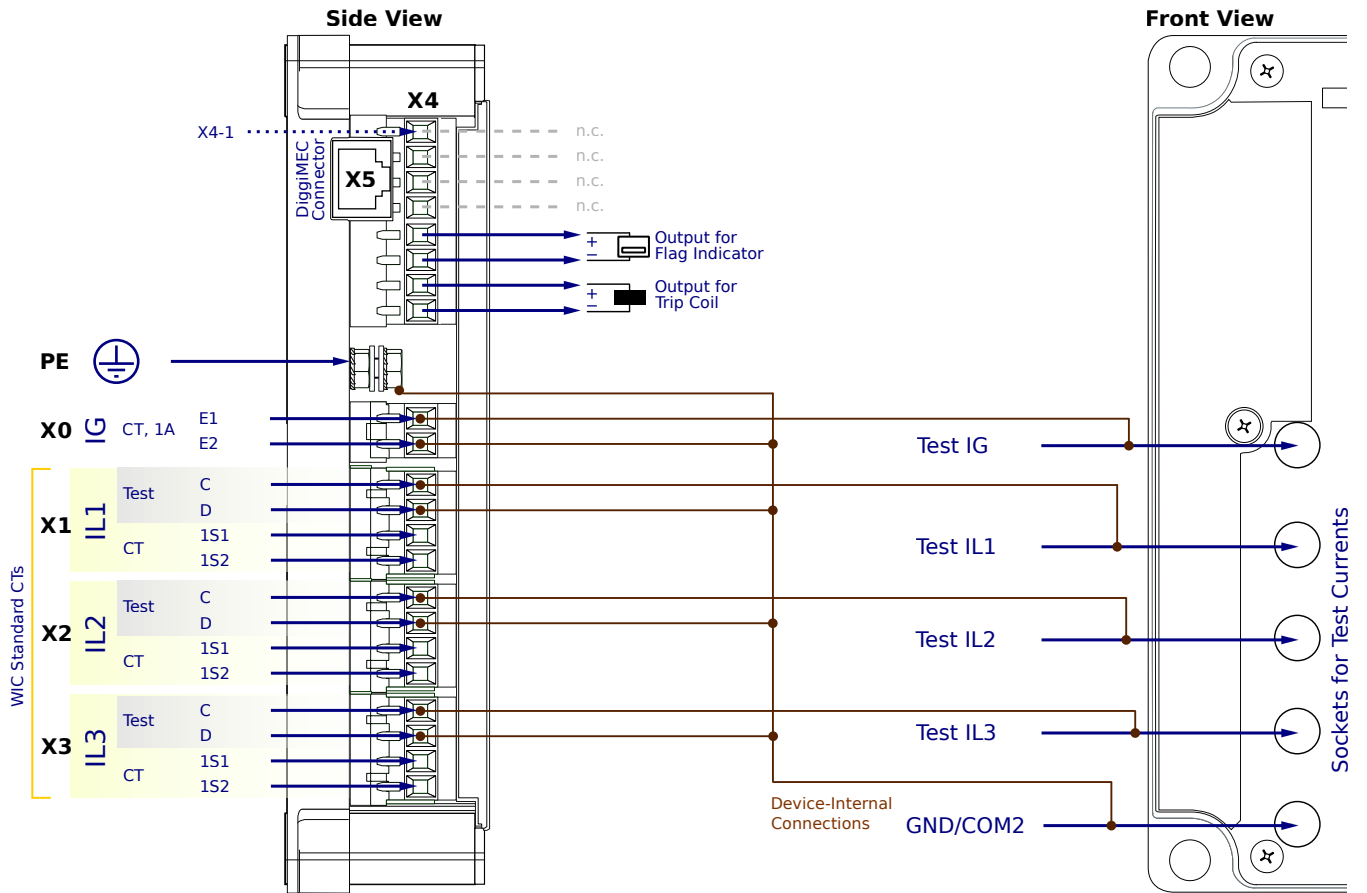
**X1...X3** - WIC CTs

**X4-5,6** - Trip flag indicator

**X4-7,8** - Trip pulse output

**X5** - DiggiMEC-WIC1 connection. Use network cable CAT3 (or better). No crossover cable!

# WIC1-2SG5FN2SA



## CT-Powered Protection Device, configuration via DIP switches or DiggiMEC / Smart view

- Nominal frequency is 50 Hz. (Setting to 60 Hz is possible via DiggiMEC/Smart view.)
- Trip at  $20 \cdot I_{n,max}$
- ANSI 50, 50G/N, 51, 51G/N, inrush, 50BF, 74TC

**PE** - Protective Earth

**X0** - Measured ground current via 1A CT input. (Setting to calc. IG is also possible via DiggiMEC/Smart view.)

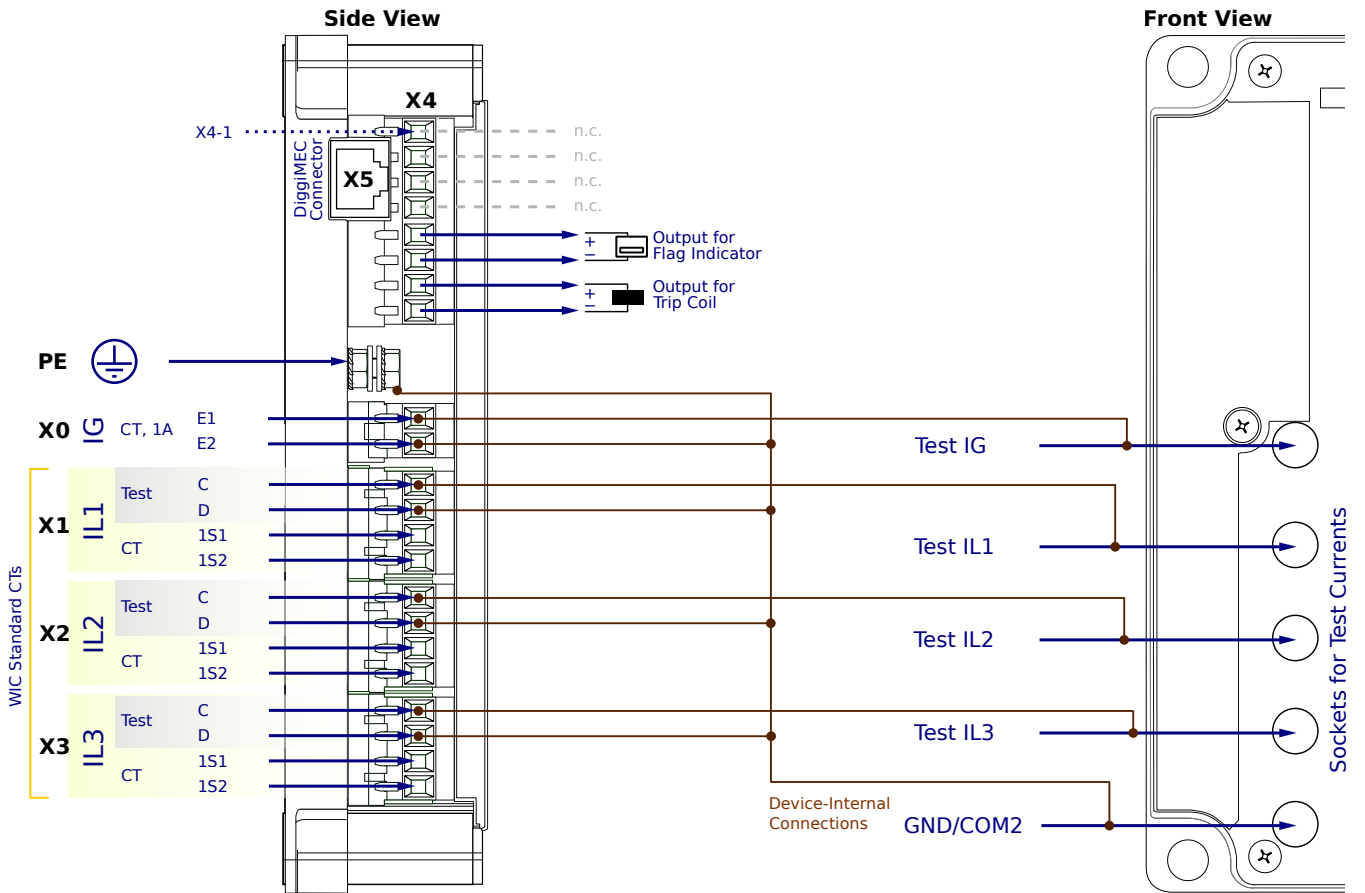
**X1...X3** - WIC CTs

**X4-5,6** - Trip flag indicator

**X4-7,8** - Trip pulse output

**X5** - DiggiMEC-WIC1 connection. Use network cable CAT3 (or better). No crossover cable!

# WIC1-2SG5FN2AA



## CT-Powered Protection Device, configuration via DIP switches or DiggiMEC / Smart view

- Nominal frequency is 50 Hz. (Setting to 60 Hz is possible via DiggiMEC/Smart view.)
- Trip at  $20 \cdot I_{n,max}$
- Package "S" + ANSI 46, 49, 51Q, Breaker Wear, Condition Monitoring (= Life Load, Drag Indicator)

**PE** - Protective Earth

**X0** - Measured ground current via 1A CT input. (Setting to calc. IG is also possible via DiggiMEC/Smart view.)

**X1...X3** - WIC CTs

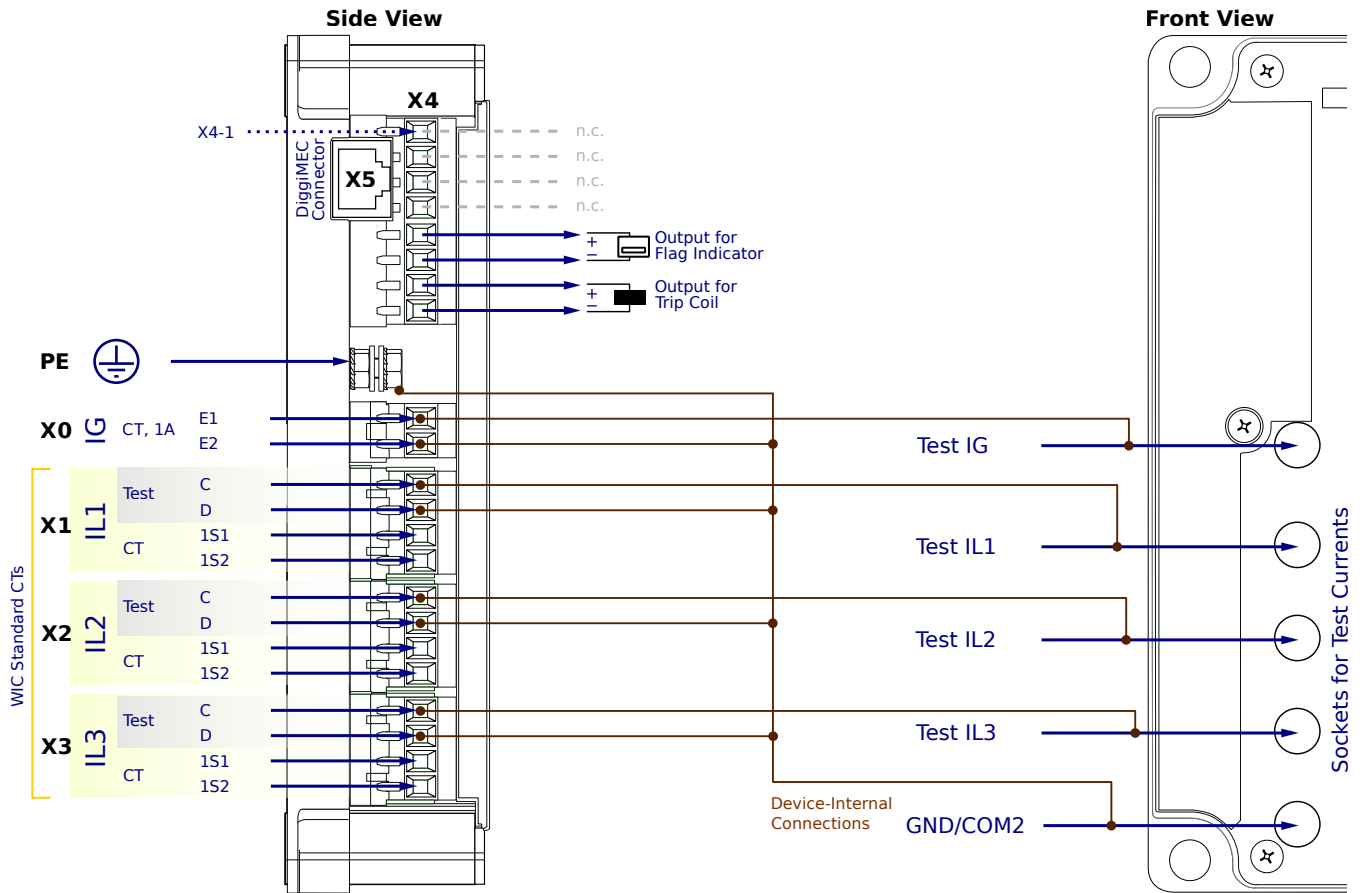
**X4-5,6** - Trip flag indicator

**X4-7,8** - Trip pulse output

**X5** - DiggiMEC-WIC1 connection. Use network cable CAT3 (or better). No crossover cable!



# WIC1-2SG5FN2PA



## CT-Powered Protection Device, configuration via DIP switches or DiggiMEC / Smart view

- Nominal frequency is 50 Hz. (Setting to 60 Hz is possible via DiggiMEC/Smart view.)
- Trip at  $20 \cdot I_{n,max}$
- Package "A" + SOTF, CLPU, external protection, ultra-fast overcurrent protection

**PE** - Protective Earth

**X0** - Measured ground current via 1A CT input. (Setting to calc. IG is also possible via DiggiMEC/Smart view.)

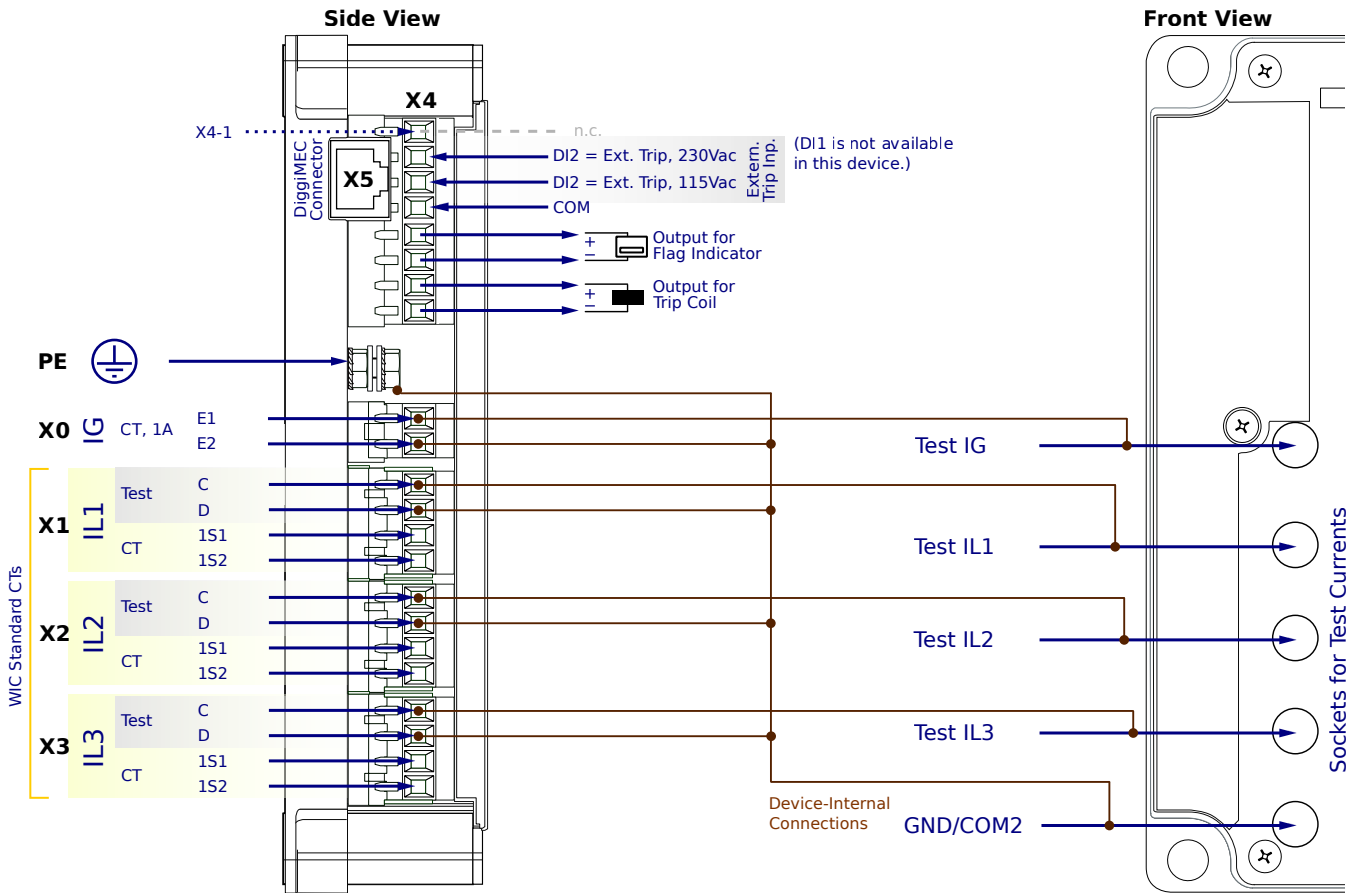
**X1...X3** - WIC CTs

**X4-5,6** - Trip flag indicator

**X4-7,8** - Trip pulse output

**X5** - DiggiMEC-WIC1 connection. Use network cable CAT3 (or better). No crossover cable!

# WIC1-2SG5FF1SA



## CT-Powered Protection Device, configuration via DIP switches or DiggiMEC / Smart view

- Nominal frequency is 50 Hz. (Setting to 60 Hz is possible via DiggiMEC/Smart view.)
- Backup protection operates directly
- ANSI 50, 50G/N, 51, 51G/N, inrush, 50BF, 74TC

**PE** - Protective Earth

**X0** - Measured ground current via 1A CT input. (Setting to calc. IG is also possible via DiggiMEC/Smart view.)

**X1...X3** - WIC CTs

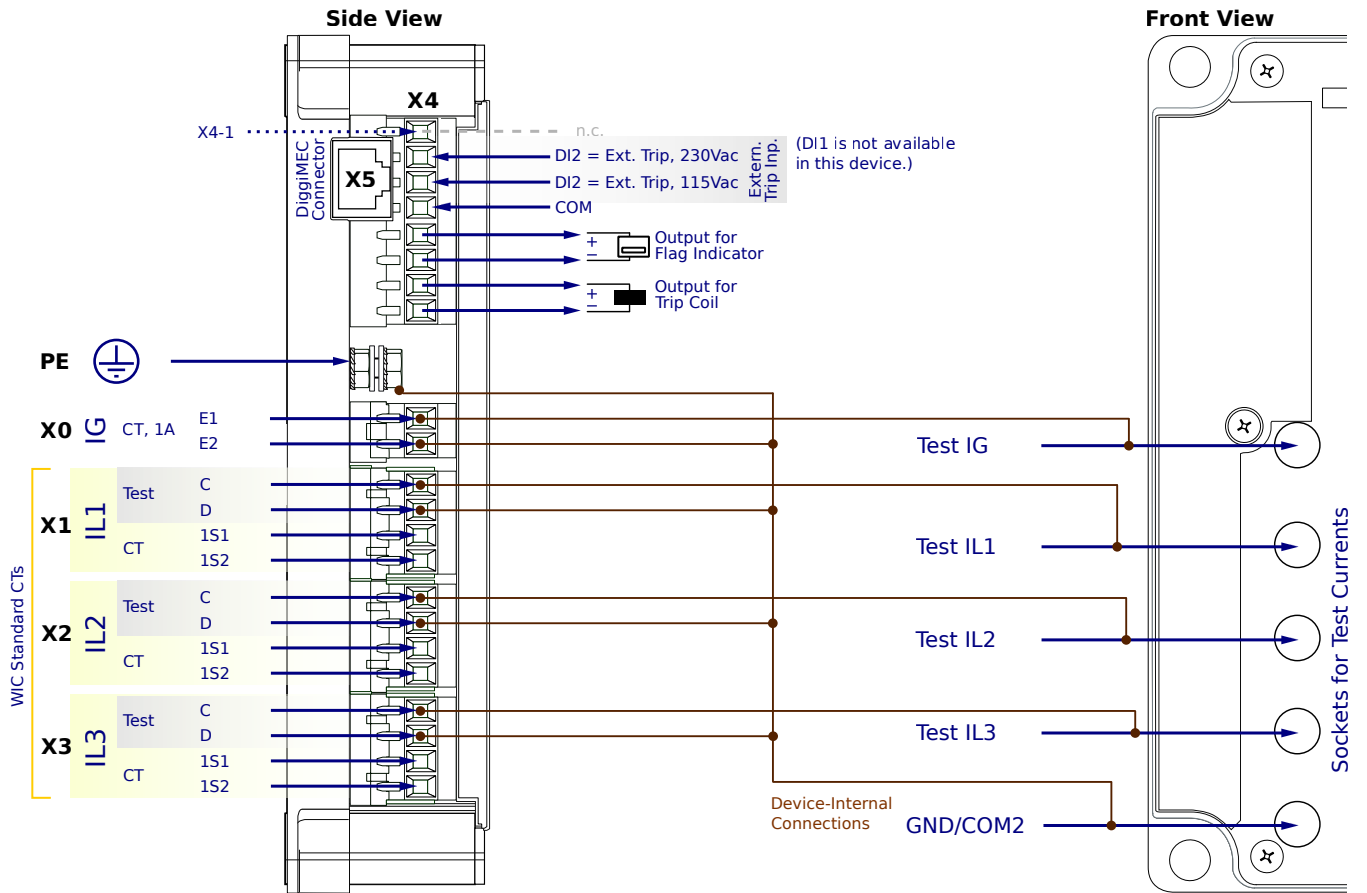
**X4-2,3** - DI2, fixed to External trip input (115Vac or 230Vac)

**X4-5,6** - Trip flag indicator

**X4-7,8** - Trip pulse output

**X5** - DiggiMEC-WIC1 connection. Use network cable CAT3 (or better). No crossover cable!

# WIC1-2SG5FF1AA



## CT-Powered Protection Device, configuration via DIP switches or DiggiMEC / Smart view

- Nominal frequency is 50 Hz. (Setting to 60 Hz is possible via DiggiMEC/Smart view.)
- Backup protection operates directly
- Package "S" + ANSI 46, 49, 51Q, Breaker Wear, Condition Monitoring (= Life Load, Drag Indicator)

**PE** - Protective Earth

**X0** - Measured ground current via 1A CT input. (Setting to calc. IG is also possible via DiggiMEC/Smart view.)

**X1...X3** - WIC CTs

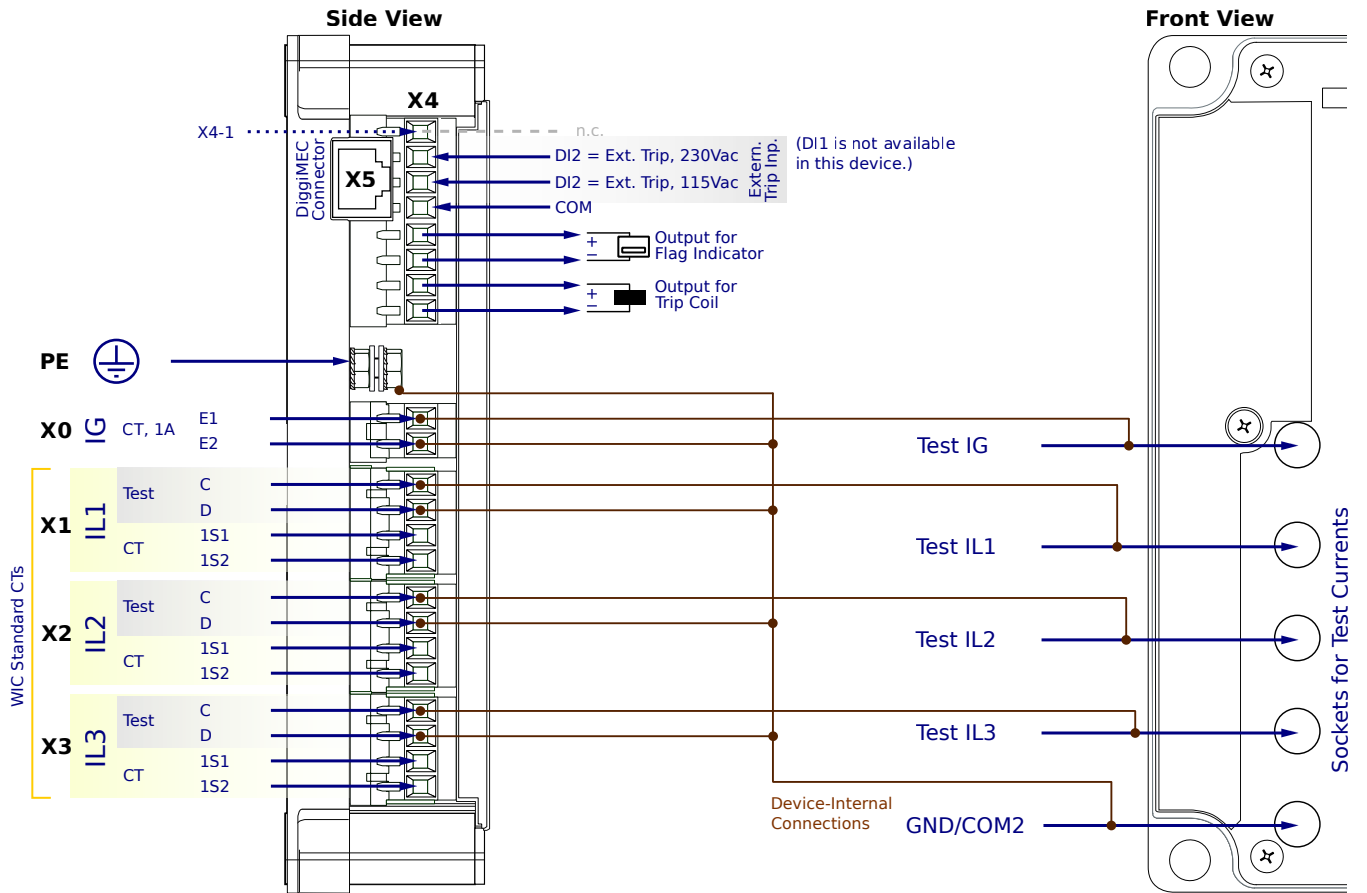
**X4-2,3** - DI2, fixed to External trip input (115Vac or 230Vac)

**X4-5,6** - Trip flag indicator

**X4-7,8** - Trip pulse output

**X5** - DiggiMEC-WIC1 connection. Use network cable CAT3 (or better). No crossover cable!

# WIC1-2SG5FF1PA



## CT-Powered Protection Device, configuration via DIP switches or DiggiMEC / Smart view

- Nominal frequency is 50 Hz. (Setting to 60 Hz is possible via DiggiMEC/Smart view.)
- Backup protection operates directly
- Package "A" + SOTF, CLPU, external protection, ultra-fast overcurrent protection

**PE** - Protective Earth

**X0** - Measured ground current via 1A CT input. (Setting to calc. IG is also possible via DiggiMEC/Smart view.)

**X1...X3** - WIC CTs

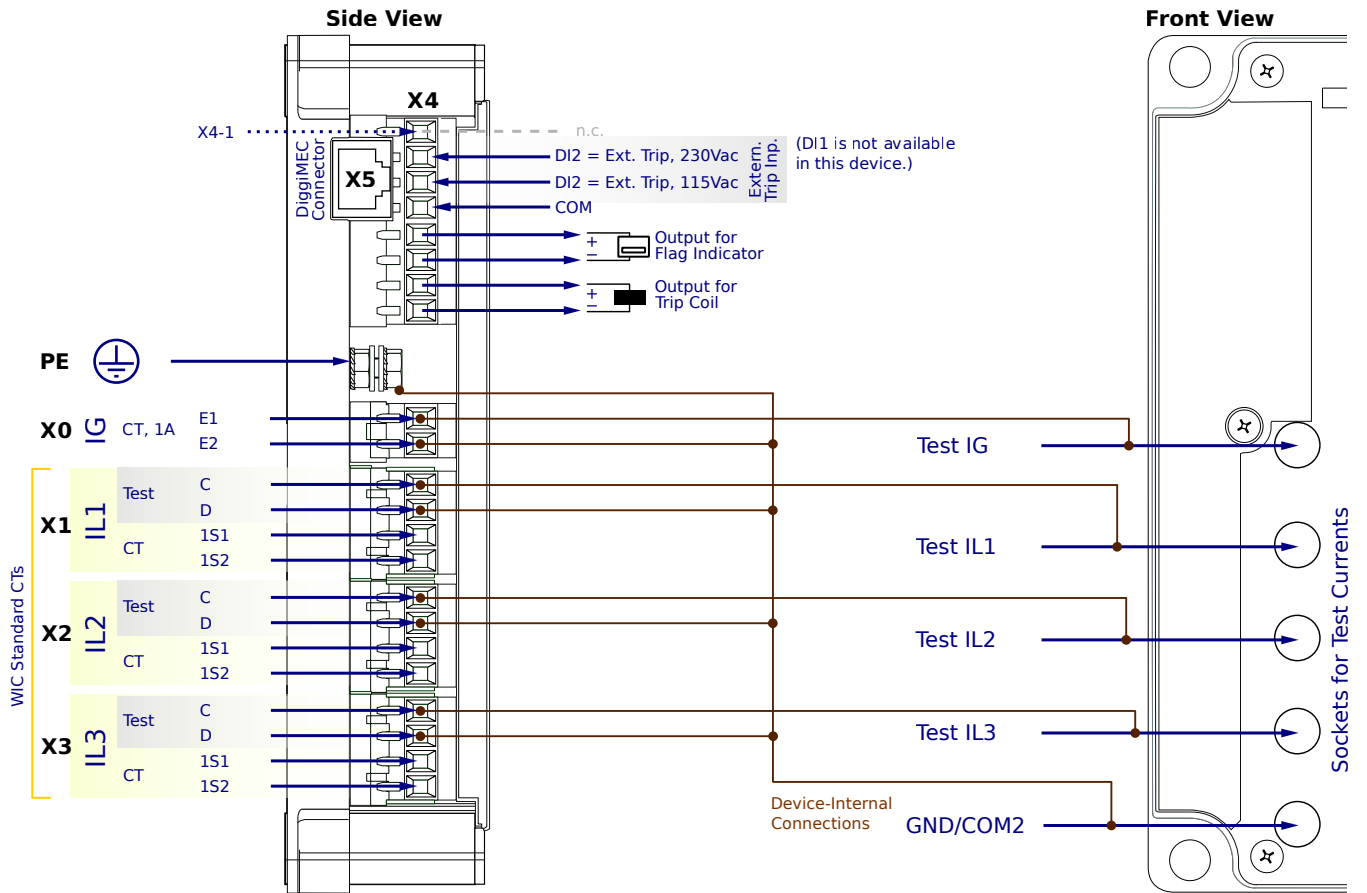
**X4-2,3** - DI2, fixed to External trip input (115Vac or 230Vac)

**X4-5,6** - Trip flag indicator

**X4-7,8** - Trip pulse output

**X5** - DiggiMEC-WIC1 connection. Use network cable CAT3 (or better). No crossover cable!

# WIC1-2SG5FF2SA



## CT-Powered Protection Device, configuration via DIP switches or DiggiMEC / Smart view

- Nominal frequency is 50 Hz. (Setting to 60 Hz is possible via DiggiMEC/Smart view.)
- Trip at  $20 \cdot I_{n,max}$
- ANSI 50, 50G/N, 51, 51G/N, inrush, 50BF, 74TC

**PE** - Protective Earth

**X0** - Measured ground current via 1A CT input. (Setting to calc. IG is also possible via DiggiMEC/Smart view.)

**X1...X3** - WIC CTs

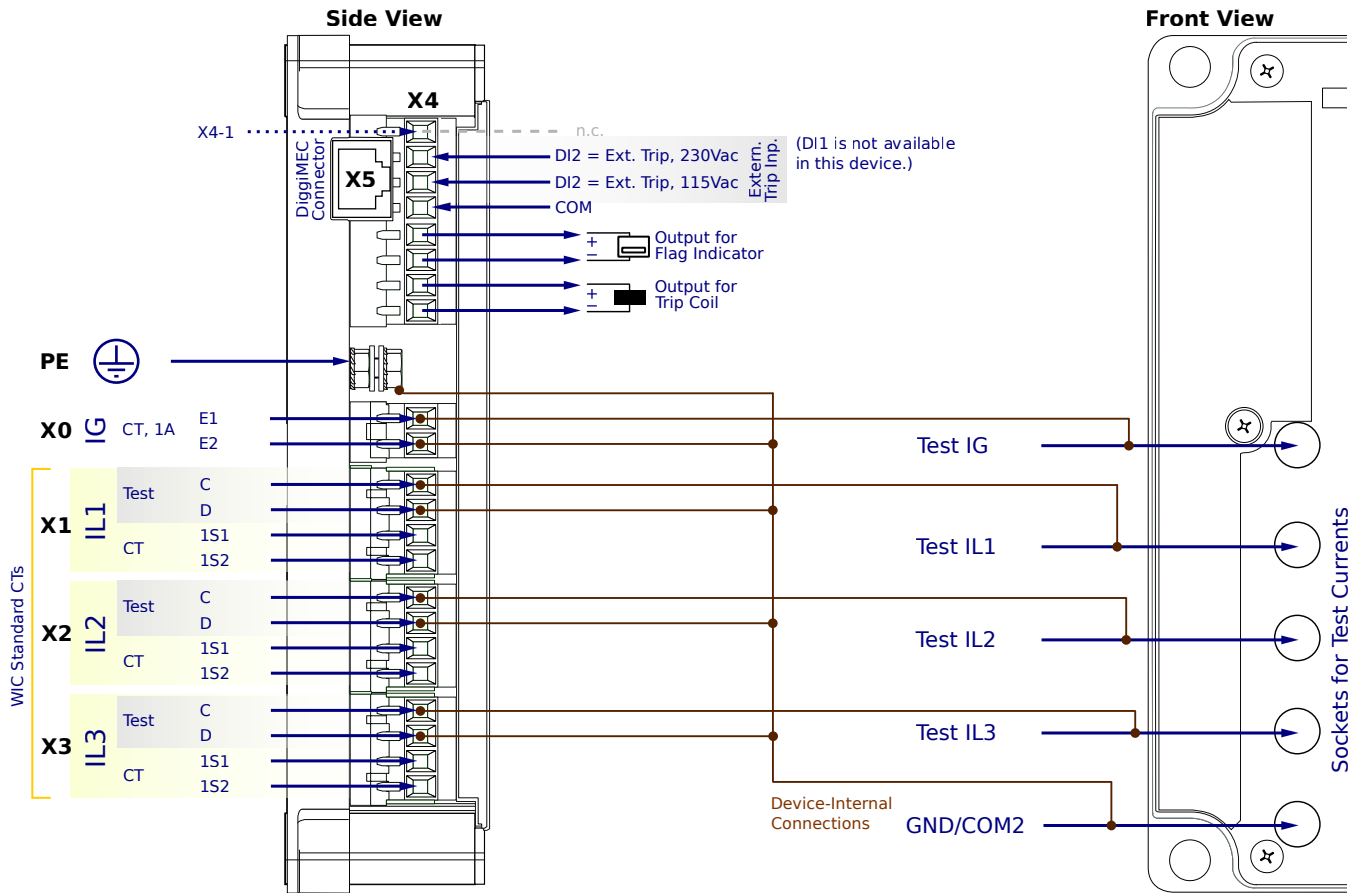
**X4-2,3** - DI2, fixed to External trip input (115Vac or 230Vac)

**X4-5,6** - Trip flag indicator

**X4-7,8** - Trip pulse output

**X5** - DiggiMEC-WIC1 connection. Use network cable CAT3 (or better). No crossover cable!

# WIC1-2SG5FF2AA



## CT-Powered Protection Device, configuration via DIP switches or DiggiMEC / Smart view

- Nominal frequency is 50 Hz. (Setting to 60 Hz is possible via DiggiMEC/Smart view.)
- Trip at  $20 \cdot I_{n,max}$
- Package "S" + ANSI 46, 49, 51Q, Breaker Wear, Condition Monitoring (= Life Load, Drag Indicator)

**PE** - Protective Earth

**X0** - Measured ground current via 1A CT input. (Setting to calc. IG is also possible via DiggiMEC/Smart view.)

**X1...X3** - WIC CTs

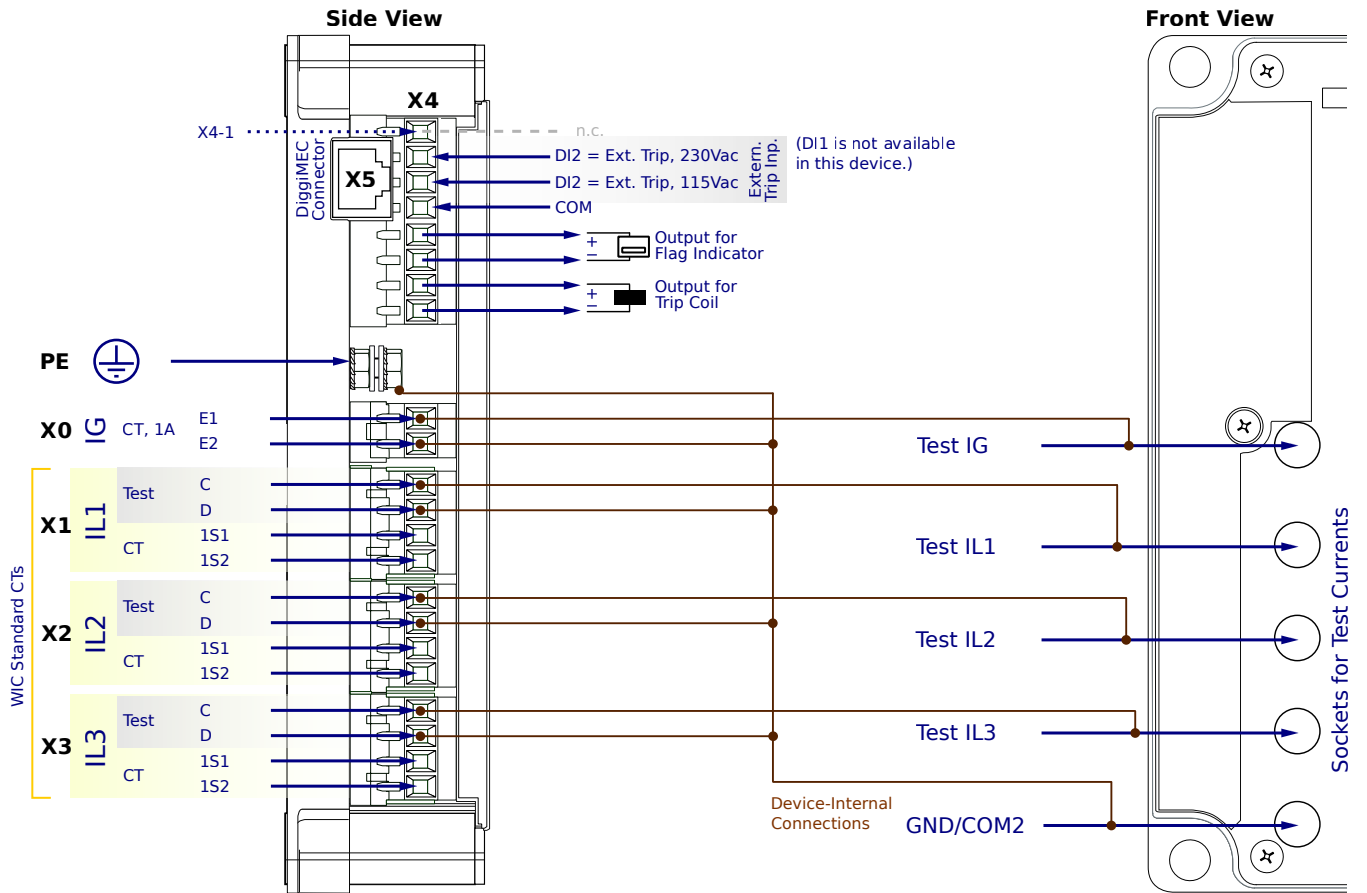
**X4-2,3** - DI2, fixed to External trip input (115Vac or 230Vac)

**X4-5,6** - Trip flag indicator

**X4-7,8** - Trip pulse output

**X5** - DiggiMEC-WIC1 connection. Use network cable CAT3 (or better). No crossover cable!

# WIC1-2SG5FF2PA



## CT-Powered Protection Device, configuration via DIP switches or DiggiMEC / Smart view

- Nominal frequency is 50 Hz. (Setting to 60 Hz is possible via DiggiMEC/Smart view.)
- Trip at  $20 \cdot I_{n,max}$
- Package "A" + SOTF, CLPU, external protection, ultra-fast overcurrent protection

**PE** - Protective Earth

**X0** - Measured ground current via 1A CT input. (Setting to calc. IG is also possible via DiggiMEC/Smart view.)

**X1...X3** - WIC CTs

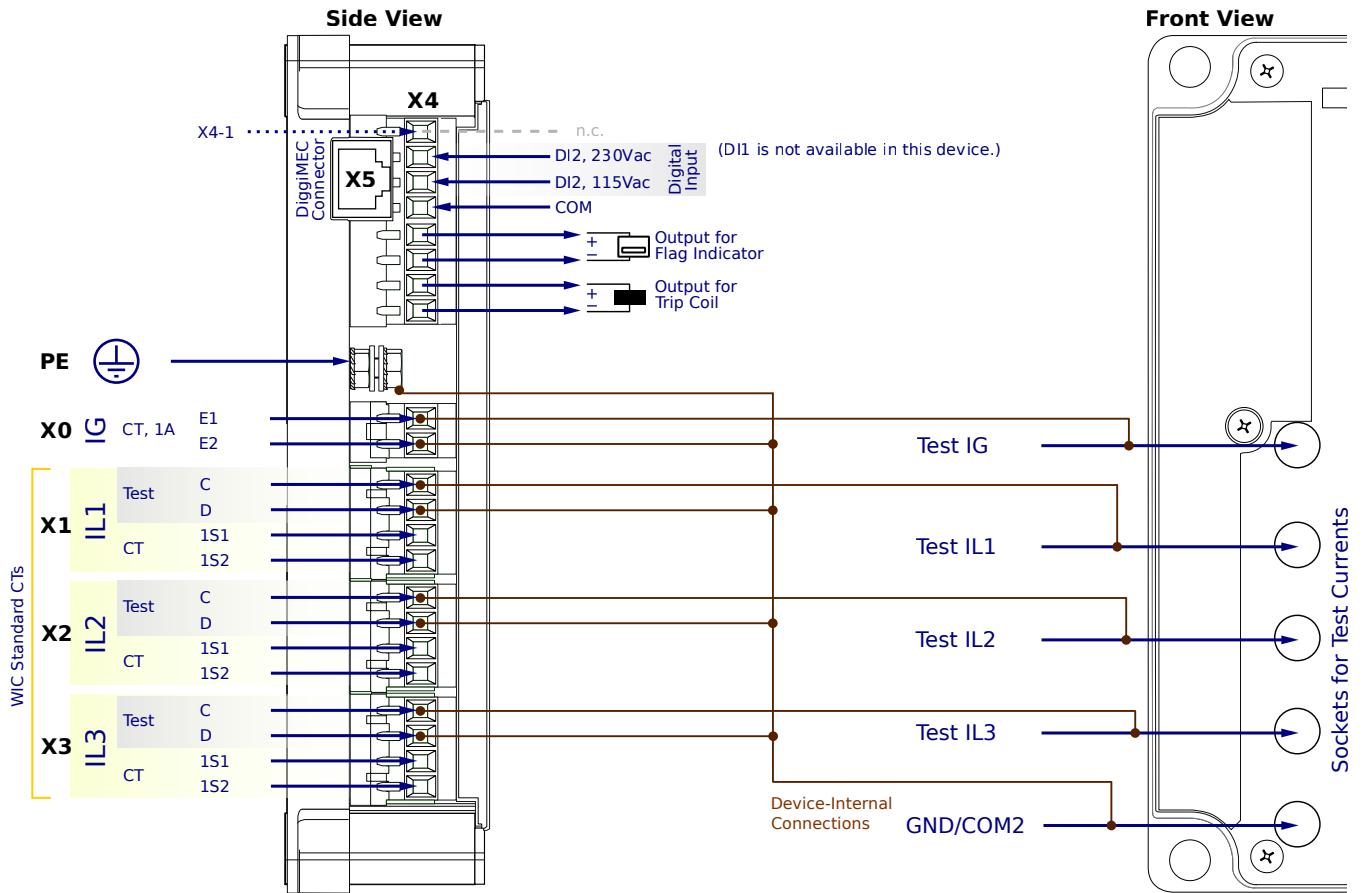
**X4-2,3** - DI2, fixed to External trip input (115Vac or 230Vac)

**X4-5,6** - Trip flag indicator

**X4-7,8** - Trip pulse output

**X5** - DiggiMEC-WIC1 connection. Use network cable CAT3 (or better). No crossover cable!

# WIC1-2SG5FC1SA



## CT-Powered Protection Device, configuration via DIP switches or DiggiMEC / Smart view

- Nominal frequency is 50 Hz. (Setting to 60 Hz is possible via DiggiMEC/Smart view.)
- Backup protection operates directly
- ANSI 50, 50G/N, 51, 51G/N, inrush, 50BF, 74TC

**PE** - Protective Earth

**X0** - Measured ground current via 1A CT input. (Setting to calc. IG is also possible via DiggiMEC/Smart view.)

**X1...X3** - WIC CTs

**X4-2,3** - 1 assignable Digital Input DI2 (115Vac or 230Vac)

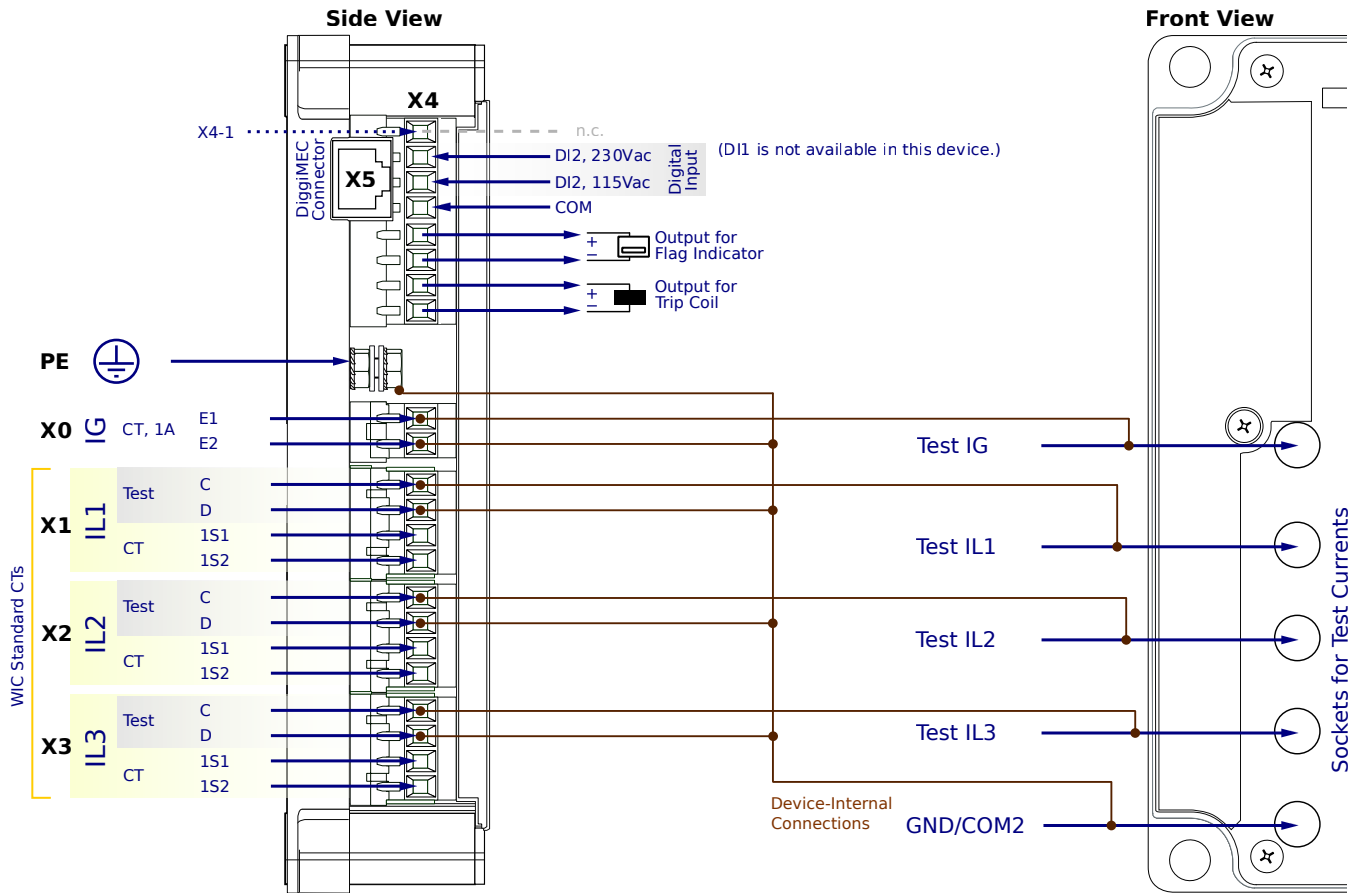
**X4-5,6** - Trip flag indicator

**X4-7,8** - Trip pulse output

**X5** - DiggiMEC-WIC1 connection. Use network cable CAT3 (or better). No crossover cable!



# WIC1-2SG5FC1AA



## CT-Powered Protection Device, configuration via DIP switches or DiggiMEC / Smart view

- Nominal frequency is 50 Hz. (Setting to 60 Hz is possible via DiggiMEC/Smart view.)
- Backup protection operates directly
- Package "S" + ANSI 46, 49, 51Q, Breaker Wear, Condition Monitoring (= Life Load, Drag Indicator)

**PE** - Protective Earth

**X0** - Measured ground current via 1A CT input. (Setting to calc. IG is also possible via DiggiMEC/Smart view.)

**X1...X3** - WIC CTs

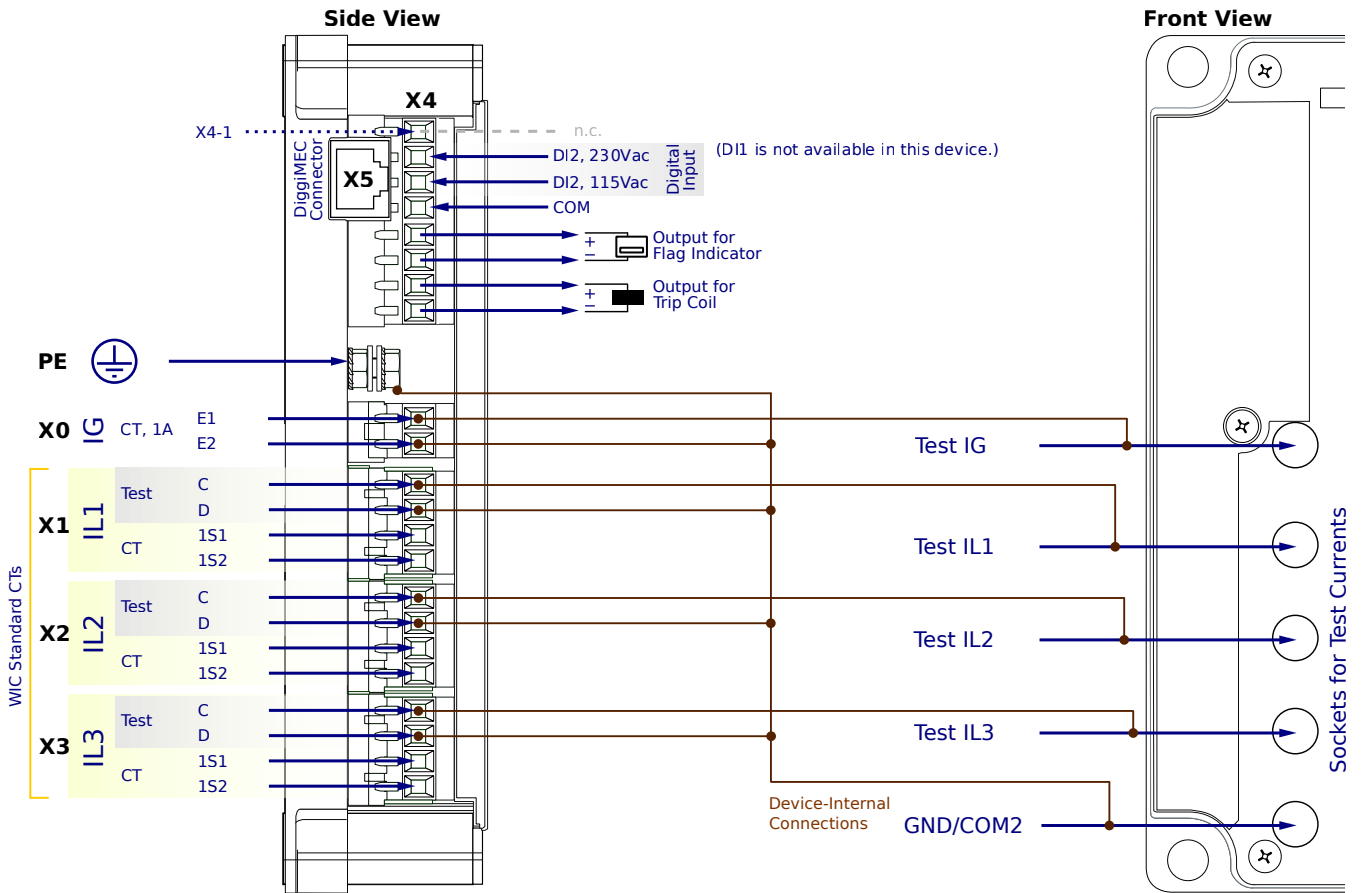
**X4-2,3** - 1 assignable Digital Input DI2 (115Vac or 230Vac)

**X4-5,6** - Trip flag indicator

**X4-7,8** - Trip pulse output

**X5** - DiggiMEC-WIC1 connection. Use network cable CAT3 (or better). No crossover cable!

# WIC1-2SG5FC1PA



## CT-Powered Protection Device, configuration via DIP switches or DiggiMEC / Smart view

- Nominal frequency is 50 Hz. (Setting to 60 Hz is possible via DiggiMEC/Smart view.)
- Backup protection operates directly
- Package "A" + SOTF, CLPU, external protection, ultra-fast overcurrent protection

**PE** - Protective Earth

**X0** - Measured ground current via 1A CT input. (Setting to calc. IG is also possible via DiggiMEC/Smart view.)

**X1...X3** - WIC CTs

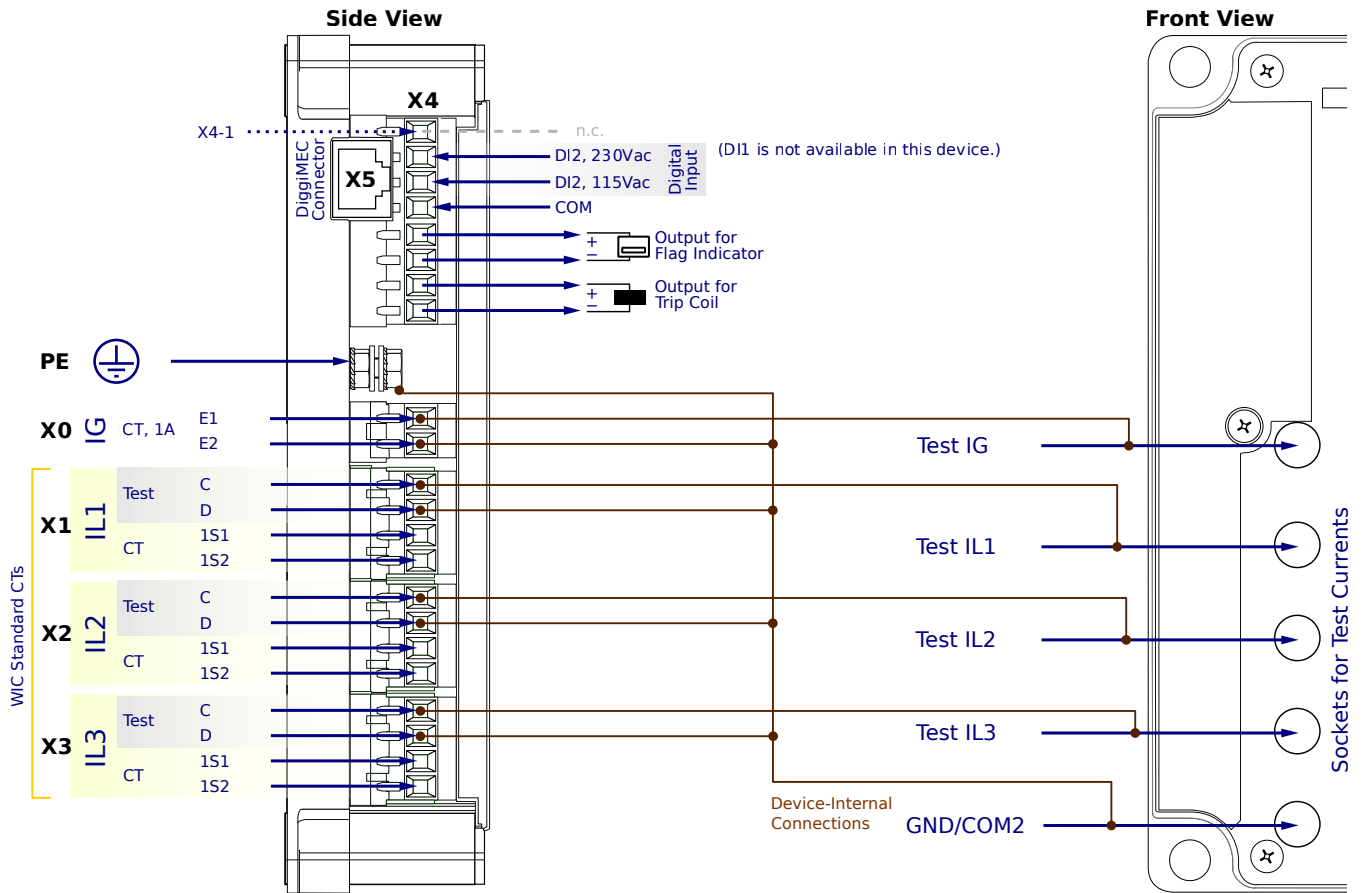
**X4-2,3** - 1 assignable Digital Input DI2 (115Vac or 230Vac)

**X4-5,6** - Trip flag indicator

**X4-7,8** - Trip pulse output

**X5** - DiggiMEC-WIC1 connection. Use network cable CAT3 (or better). No crossover cable!

# WIC1-2SG5FC2SA



## CT-Powered Protection Device, configuration via DIP switches or DiggiMEC / Smart view

- Nominal frequency is 50 Hz. (Setting to 60 Hz is possible via DiggiMEC/Smart view.)
- Trip at  $20 \cdot I_{n,max}$
- ANSI 50, 50G/N, 51, 51G/N, inrush, 50BF, 74TC

**PE** - Protective Earth

**X0** - Measured ground current via 1A CT input. (Setting to calc. IG is also possible via DiggiMEC/Smart view.)

**X1...X3** - WIC CTs

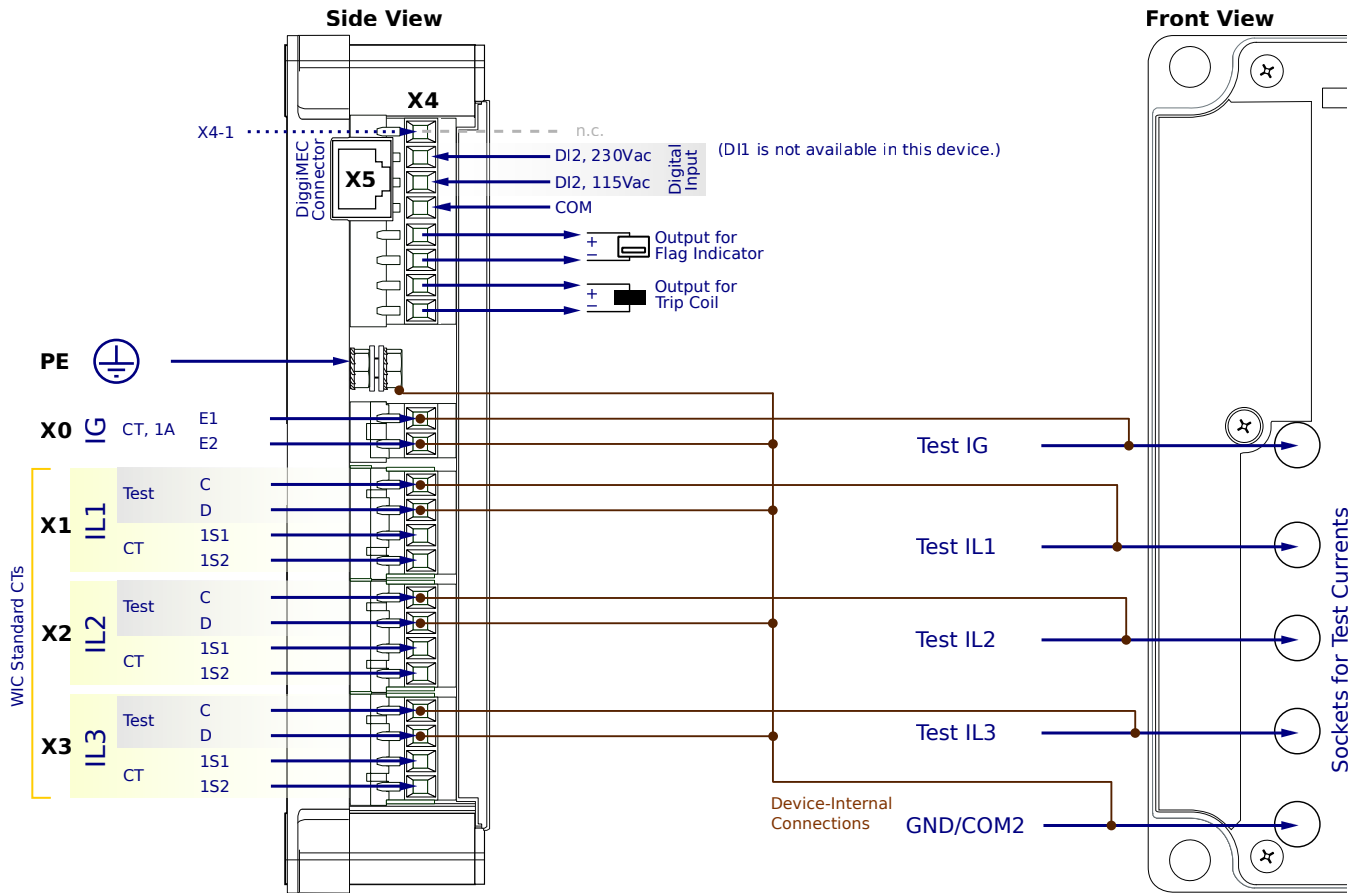
**X4-2,3** - 1 assignable Digital Input DI2 (115Vac or 230Vac)

**X4-5,6** - Trip flag indicator

**X4-7,8** - Trip pulse output

**X5** - DiggiMEC-WIC1 connection. Use network cable CAT3 (or better). No crossover cable!

# WIC1-2SG5FC2AA



## CT-Powered Protection Device, configuration via DIP switches or DiggiMEC / Smart view

- Nominal frequency is 50 Hz. (Setting to 60 Hz is possible via DiggiMEC/Smart view.)
- Trip at  $20 \cdot I_{n,max}$
- Package "S" + ANSI 46, 49, 51Q, Breaker Wear, Condition Monitoring (= Life Load, Drag Indicator)

**PE** - Protective Earth

**X0** - Measured ground current via 1A CT input. (Setting to calc. IG is also possible via DiggiMEC/Smart view.)

**X1...X3** - WIC CTs

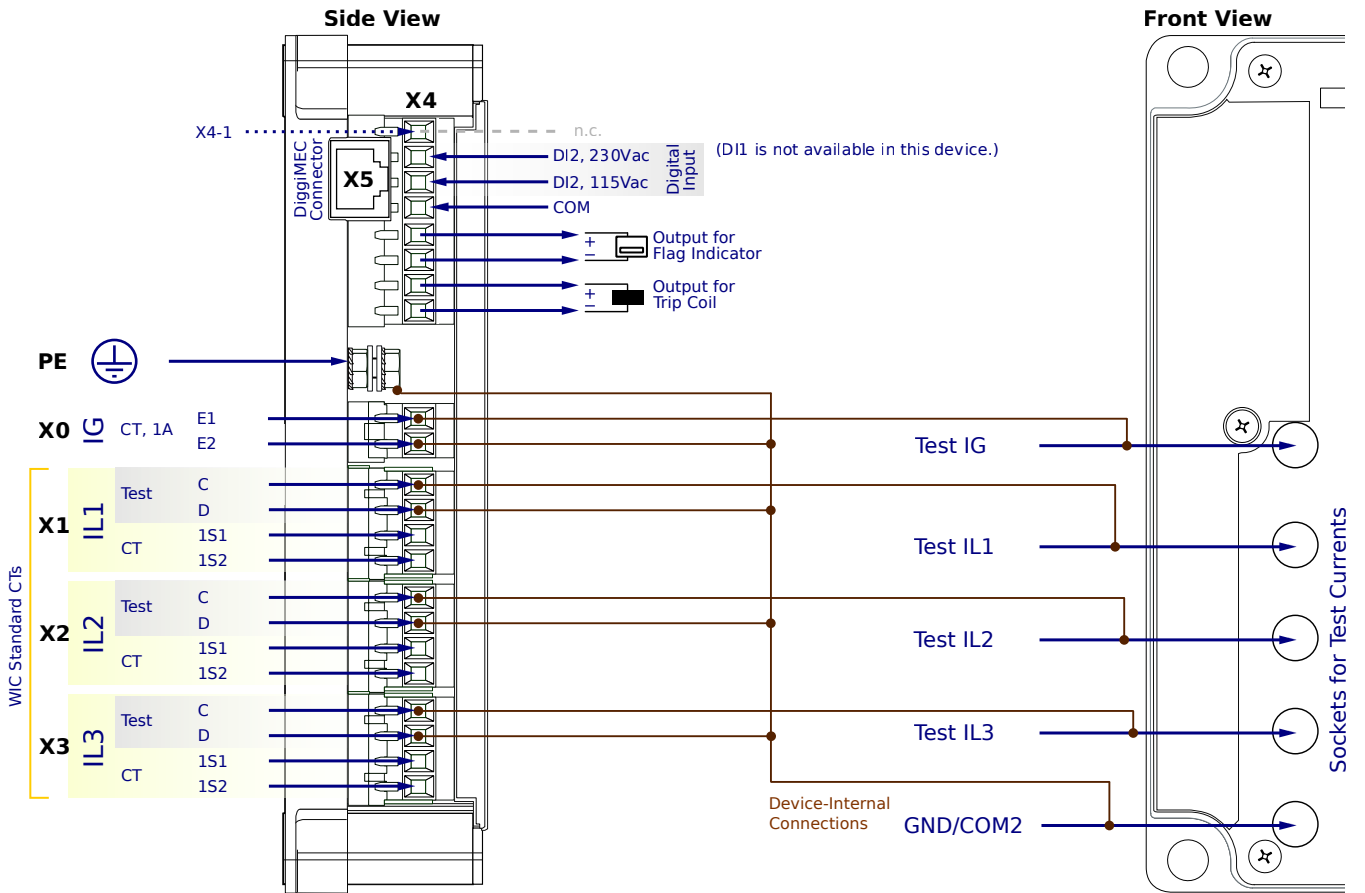
**X4-2,3** - 1 assignable Digital Input DI2 (115Vac or 230Vac)

**X4-5,6** - Trip flag indicator

**X4-7,8** - Trip pulse output

**X5** - DiggiMEC-WIC1 connection. Use network cable CAT3 (or better). No crossover cable!

# WIC1-2SG5FC2PA



## CT-Powered Protection Device, configuration via DIP switches or DiggiMEC / Smart view

- Nominal frequency is 50 Hz. (Setting to 60 Hz is possible via DiggiMEC/Smart view.)
- Trip at  $20 \cdot I_{n,max}$
- Package "A" + SOTF, CLPU, external protection, ultra-fast overcurrent protection

**PE** - Protective Earth

**X0** - Measured ground current via 1A CT input. (Setting to calc. IG is also possible via DiggiMEC/Smart view.)

**X1...X3** - WIC CTs

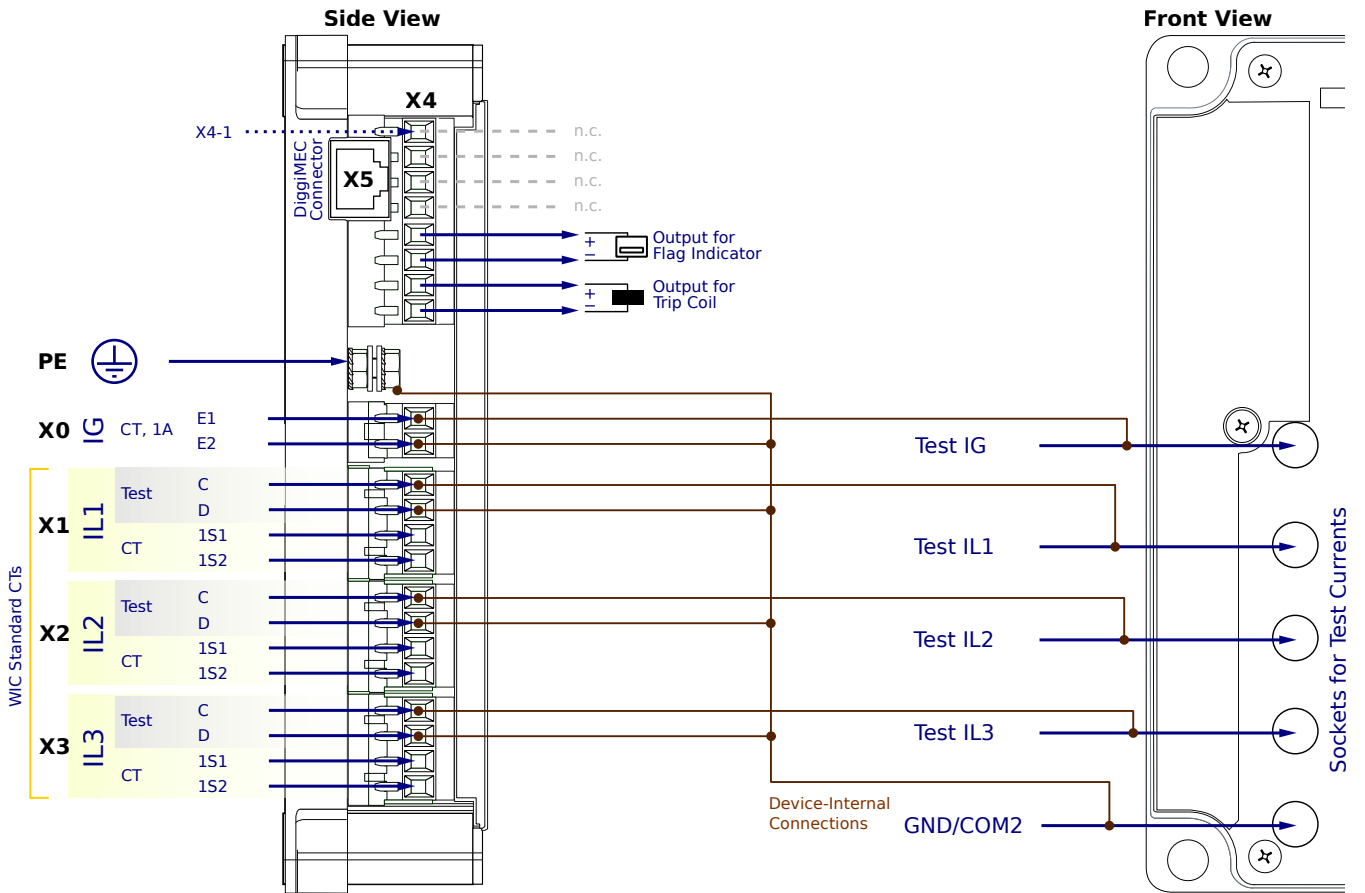
**X4-2,3** - 1 assignable Digital Input DI2 (115Vac or 230Vac)

**X4-5,6** - Trip flag indicator

**X4-7,8** - Trip pulse output

**X5** - DiggiMEC-WIC1 connection. Use network cable CAT3 (or better). No crossover cable!

# WIC1-2SG5CN1SA



## CT-Powered Protection Device, configuration via DIP switches or DiggiMEC / Smart view

- Nominal frequency is 50 Hz. (Setting to 60 Hz is possible via DiggiMEC/Smart view.)
- Backup protection operates directly
- ANSI 50, 50G/N, 51, 51G/N, inrush, 50BF, 74TC

**PE** - Protective Earth

**X0** - Measured ground current via 1A CT input. (Setting to calc. IG is also possible via DiggiMEC/Smart view.)

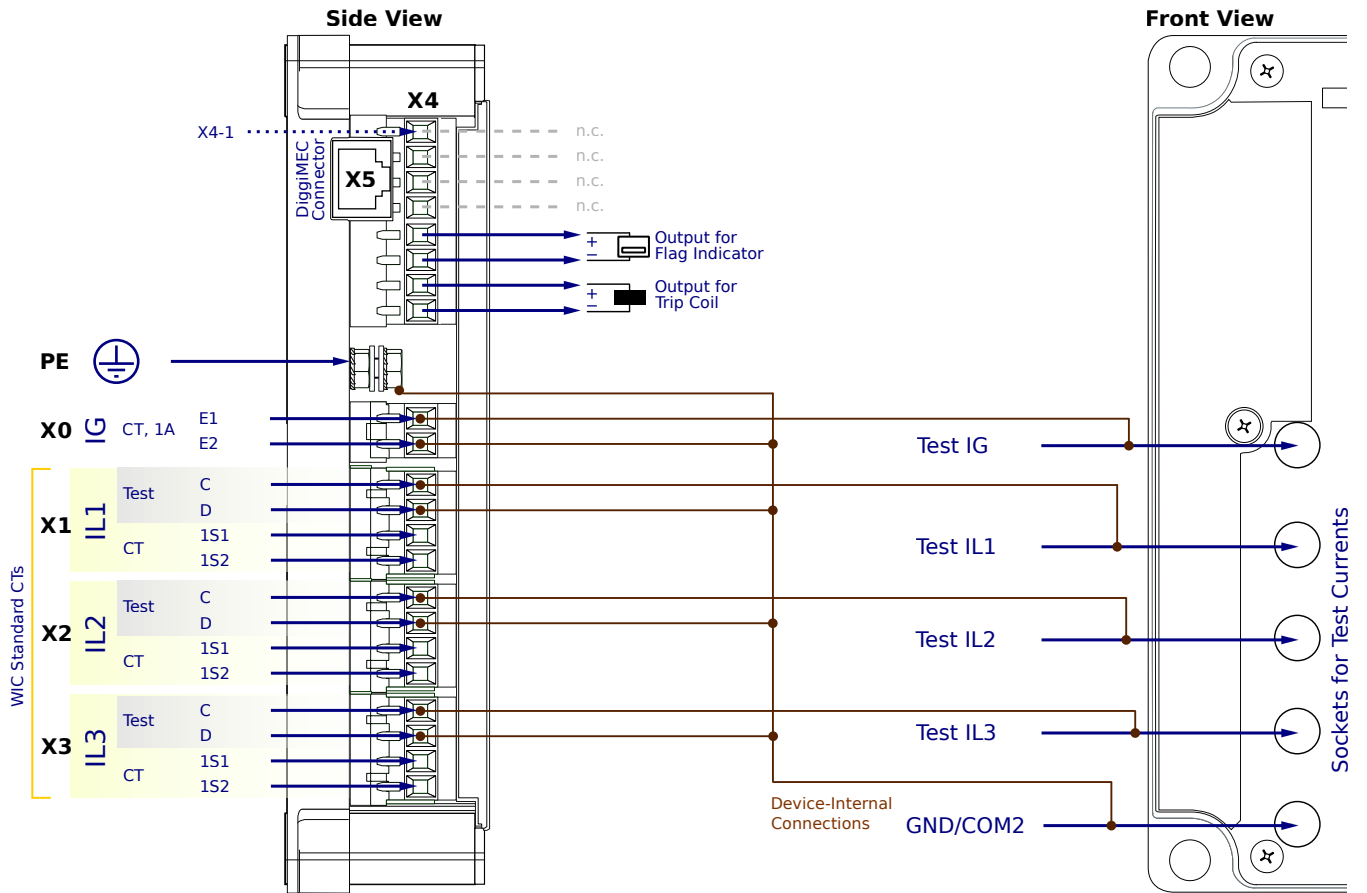
**X1...X3** - WIC CTs

**X4-5,6** - Assignable flag indicator

**X4-7,8** - Trip pulse output

**X5** - DiggiMEC-WIC1 connection. Use network cable CAT3 (or better). No crossover cable!

# WIC1-2SG5CN1AA



## CT-Powered Protection Device, configuration via DIP switches or DiggiMEC / Smart view

- Nominal frequency is 50 Hz. (Setting to 60 Hz is possible via DiggiMEC/Smart view.)
- Backup protection operates directly
- Package "S" + ANSI 46, 49, 51Q, Breaker Wear, Condition Monitoring (= Life Load, Drag Indicator)

**PE** - Protective Earth

**X0** - Measured ground current via 1A CT input. (Setting to calc. IG is also possible via DiggiMEC/Smart view.)

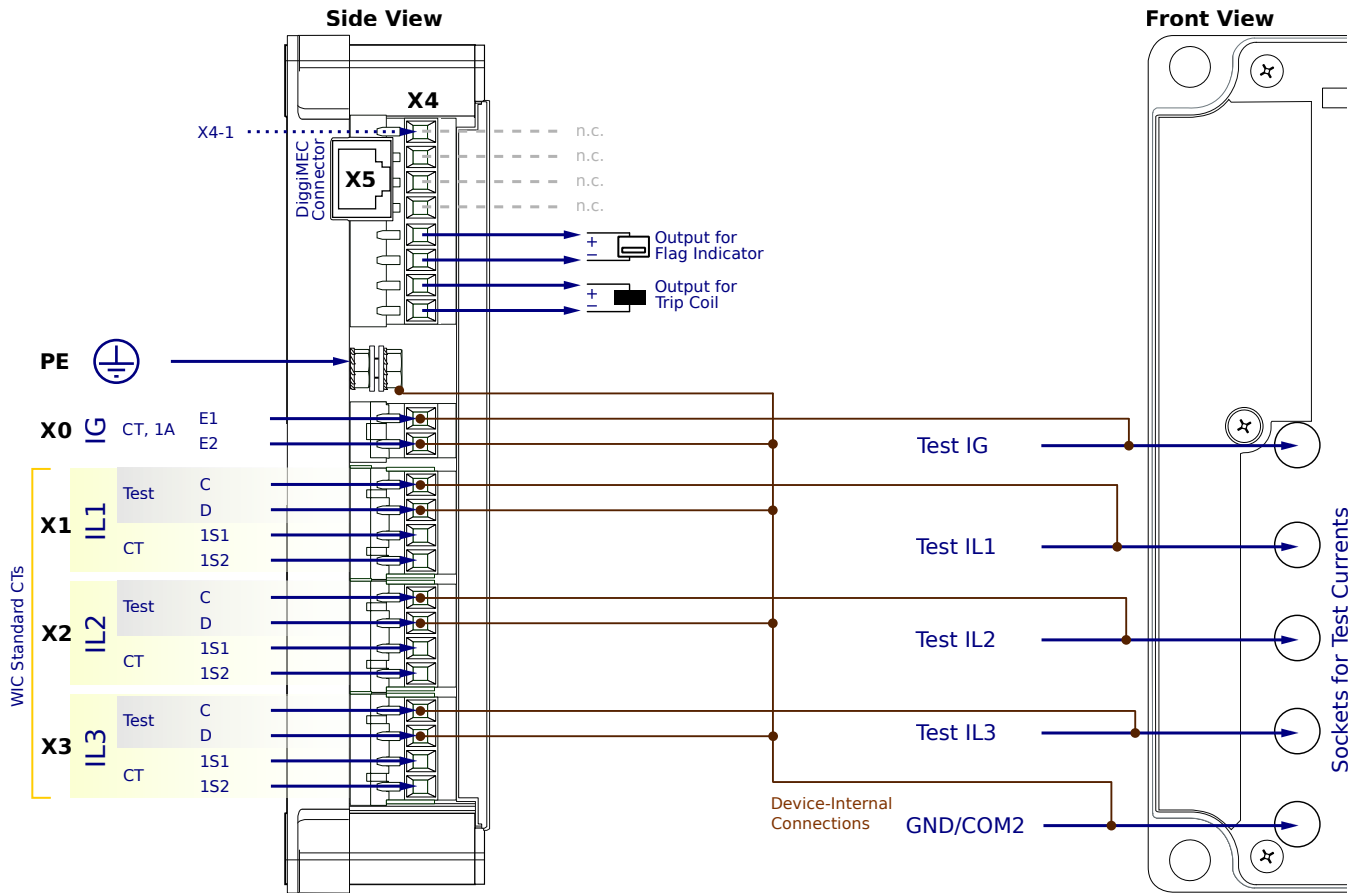
**X1...X3** - WIC CTs

**X4-5,6** - Assignable flag indicator

**X4-7,8** - Trip pulse output

**X5** - DiggiMEC-WIC1 connection. Use network cable CAT3 (or better). No crossover cable!

# WIC1-2SG5CN1PA



## CT-Powered Protection Device, configuration via DIP switches or DiggiMEC / Smart view

- Nominal frequency is 50 Hz. (Setting to 60 Hz is possible via DiggiMEC/Smart view.)
- Backup protection operates directly
- Package "A" + SOTF, CLPU, external protection, ultra-fast overcurrent protection

**PE** - Protective Earth

**X0** - Measured ground current via 1A CT input. (Setting to calc. IG is also possible via DiggiMEC/Smart view.)

**X1...X3** - WIC CTs

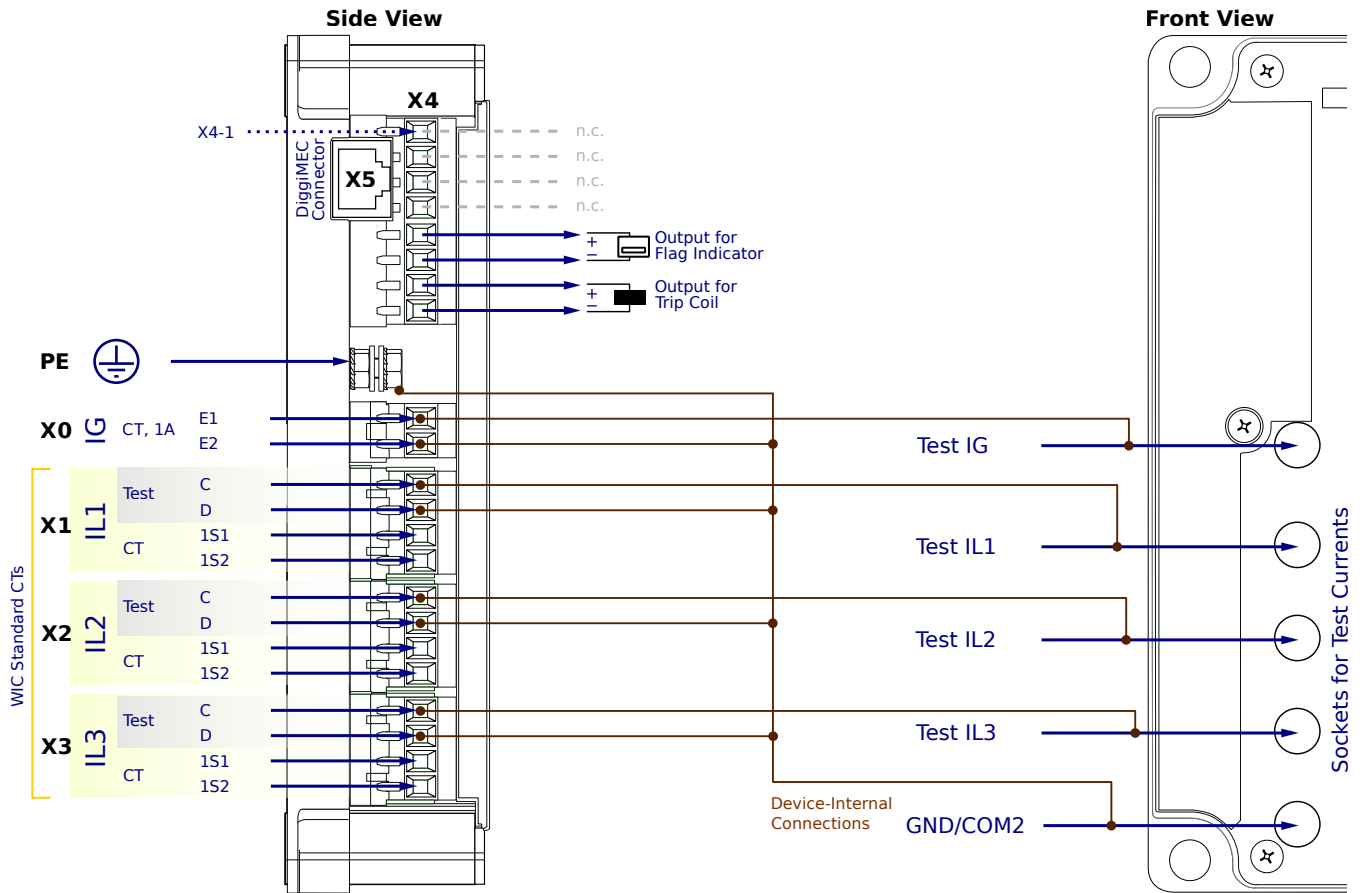
**X4-5,6** - Assignable flag indicator

**X4-7,8** - Trip pulse output

**X5** - DiggiMEC-WIC1 connection. Use network cable CAT3 (or better). No crossover cable!



# WIC1-2SG5CN2SA



## CT-Powered Protection Device, configuration via DIP switches or DiggiMEC / Smart view

- Nominal frequency is 50 Hz. (Setting to 60 Hz is possible via DiggiMEC/Smart view.)
- Trip at  $20 \cdot I_{n,max}$
- ANSI 50, 50G/N, 51, 51G/N, inrush, 50BF, 74TC

**PE** - Protective Earth

**X0** - Measured ground current via 1A CT input. (Setting to calc. IG is also possible via DiggiMEC/Smart view.)

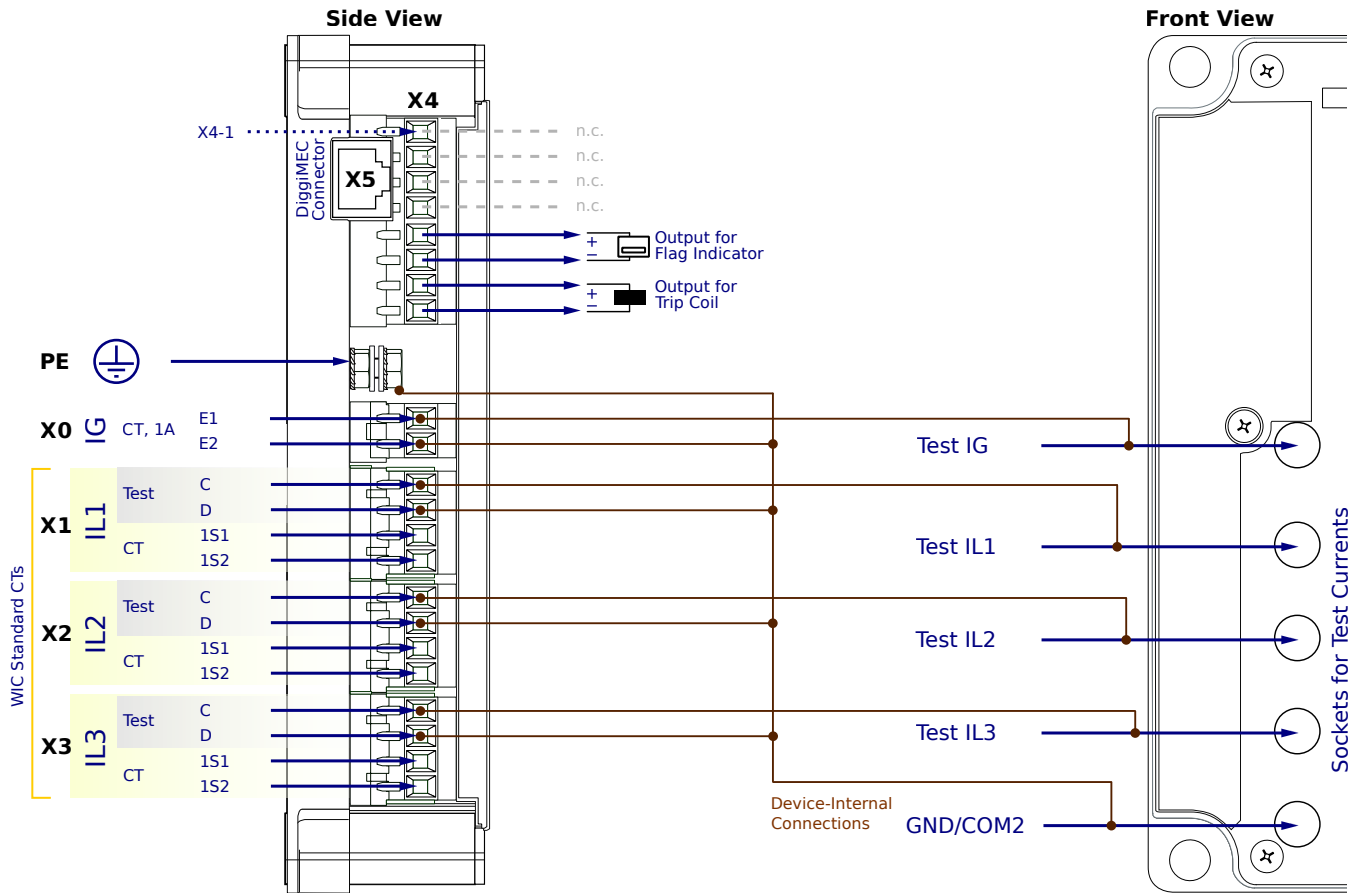
**X1...X3** - WIC CTs

**X4-5,6** - Assignable flag indicator

**X4-7,8** - Trip pulse output

**X5** - DiggiMEC-WIC1 connection. Use network cable CAT3 (or better). No crossover cable!

# WIC1-2SG5CN2AA



## CT-Powered Protection Device, configuration via DIP switches or DiggiMEC / Smart view

- Nominal frequency is 50 Hz. (Setting to 60 Hz is possible via DiggiMEC/Smart view.)
- Trip at  $20 \cdot I_{n,max}$
- Package "S" + ANSI 46, 49, 51Q, Breaker Wear, Condition Monitoring (= Life Load, Drag Indicator)

**PE** - Protective Earth

**X0** - Measured ground current via 1A CT input. (Setting to calc. IG is also possible via DiggiMEC/Smart view.)

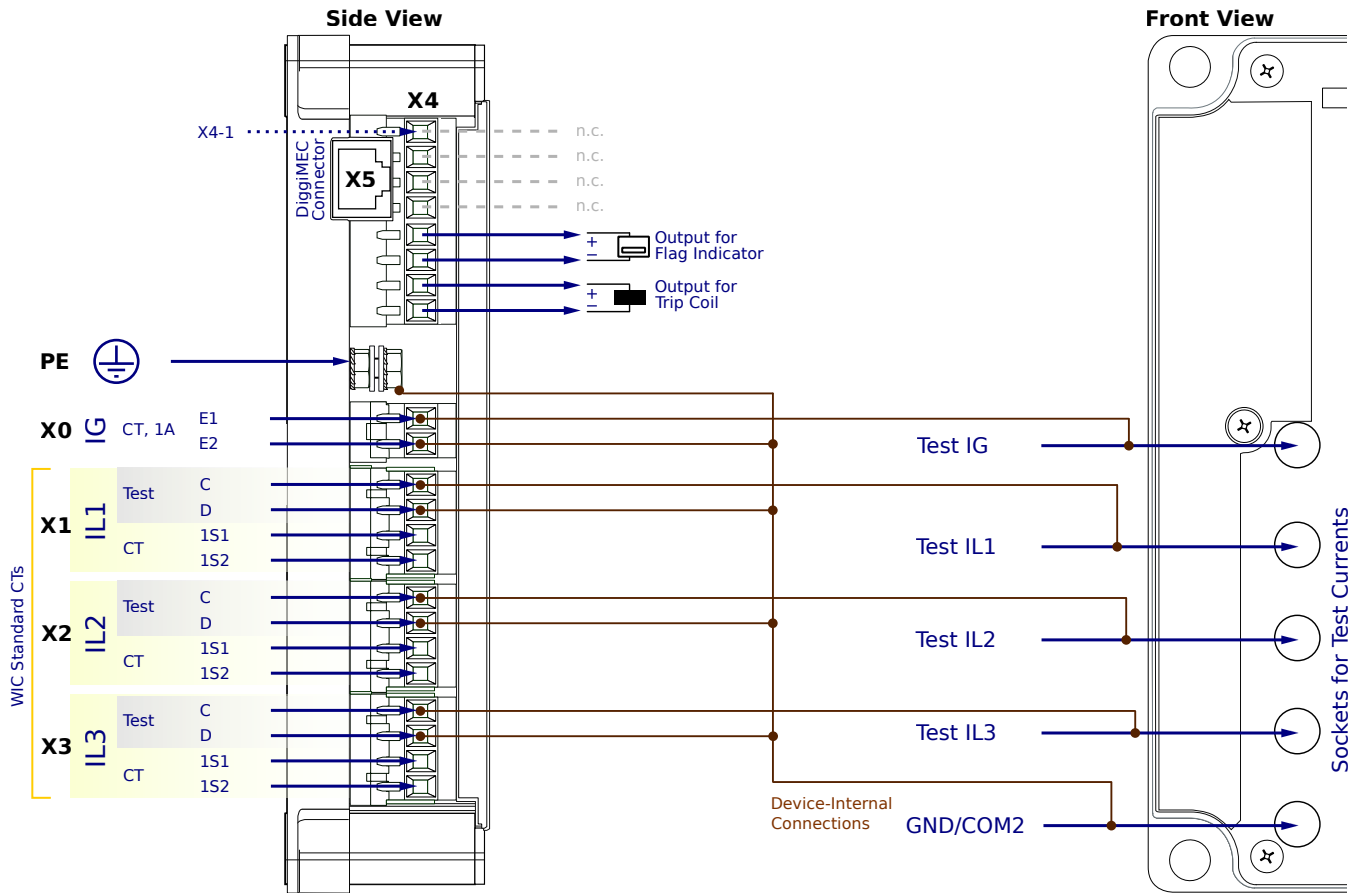
**X1...X3** - WIC CTs

**X4-5,6** - Assignable flag indicator

**X4-7,8** - Trip pulse output

**X5** - DiggiMEC-WIC1 connection. Use network cable CAT3 (or better). No crossover cable!

# WIC1-2SG5CN2PA



## CT-Powered Protection Device, configuration via DIP switches or DiggiMEC / Smart view

- Nominal frequency is 50 Hz. (Setting to 60 Hz is possible via DiggiMEC/Smart view.)
- Trip at  $20 \cdot I_{n,max}$
- Package "A" + SOTF, CLPU, external protection, ultra-fast overcurrent protection

**PE** - Protective Earth

**X0** - Measured ground current via 1A CT input. (Setting to calc. IG is also possible via DiggiMEC/Smart view.)

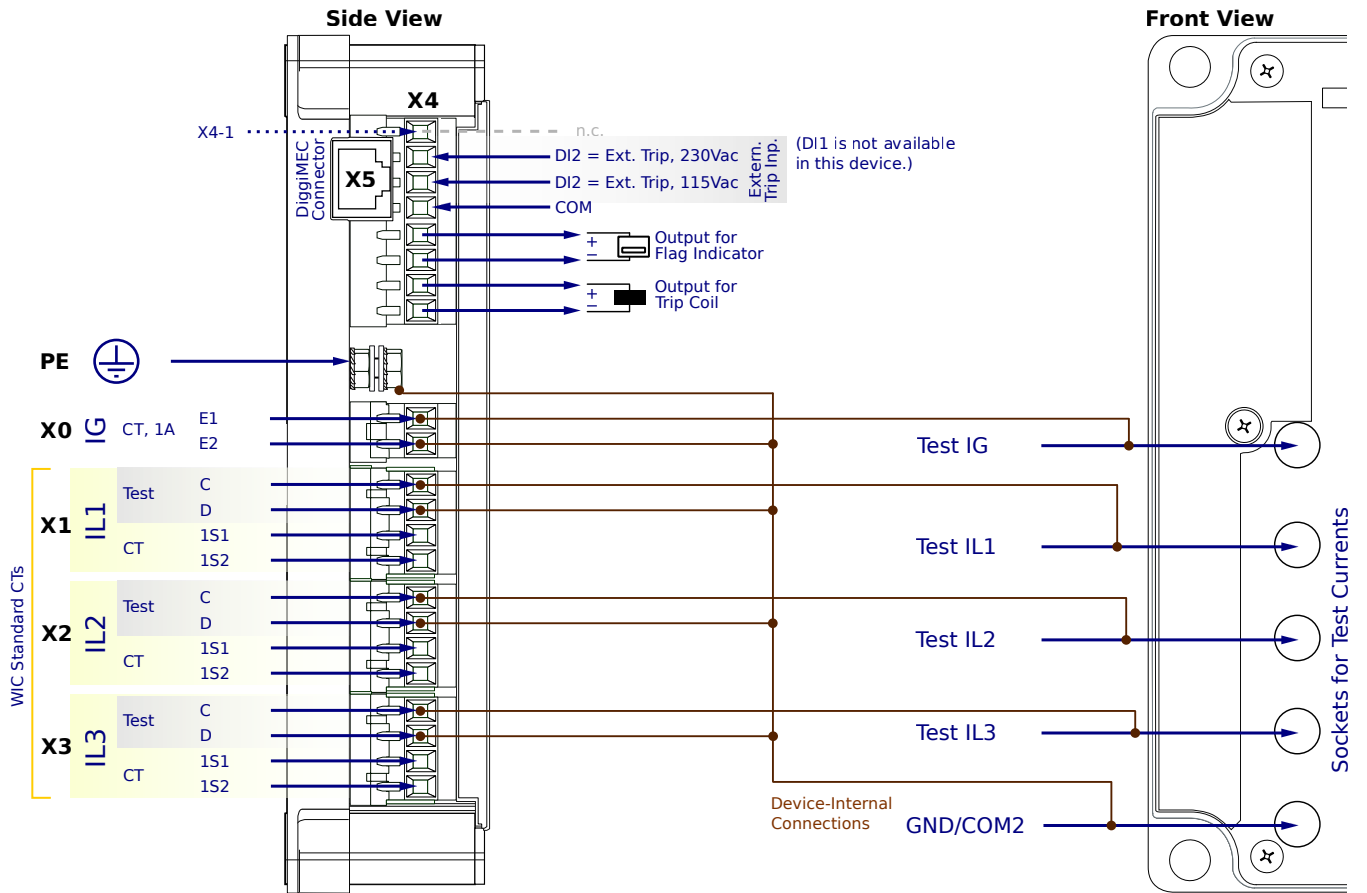
**X1...X3** - WIC CTs

**X4-5,6** - Assignable flag indicator

**X4-7,8** - Trip pulse output

**X5** - DiggiMEC-WIC1 connection. Use network cable CAT3 (or better). No crossover cable!

# WIC1-2SG5CF1SA



## CT-Powered Protection Device, configuration via DIP switches or DiggiMEC / Smart view

- Nominal frequency is 50 Hz. (Setting to 60 Hz is possible via DiggiMEC/Smart view.)
- Backup protection operates directly
- ANSI 50, 50G/N, 51, 51G/N, inrush, 50BF, 74TC

**PE** - Protective Earth

**X0** - Measured ground current via 1A CT input. (Setting to calc. IG is also possible via DiggiMEC/Smart view.)

**X1...X3** - WIC CTs

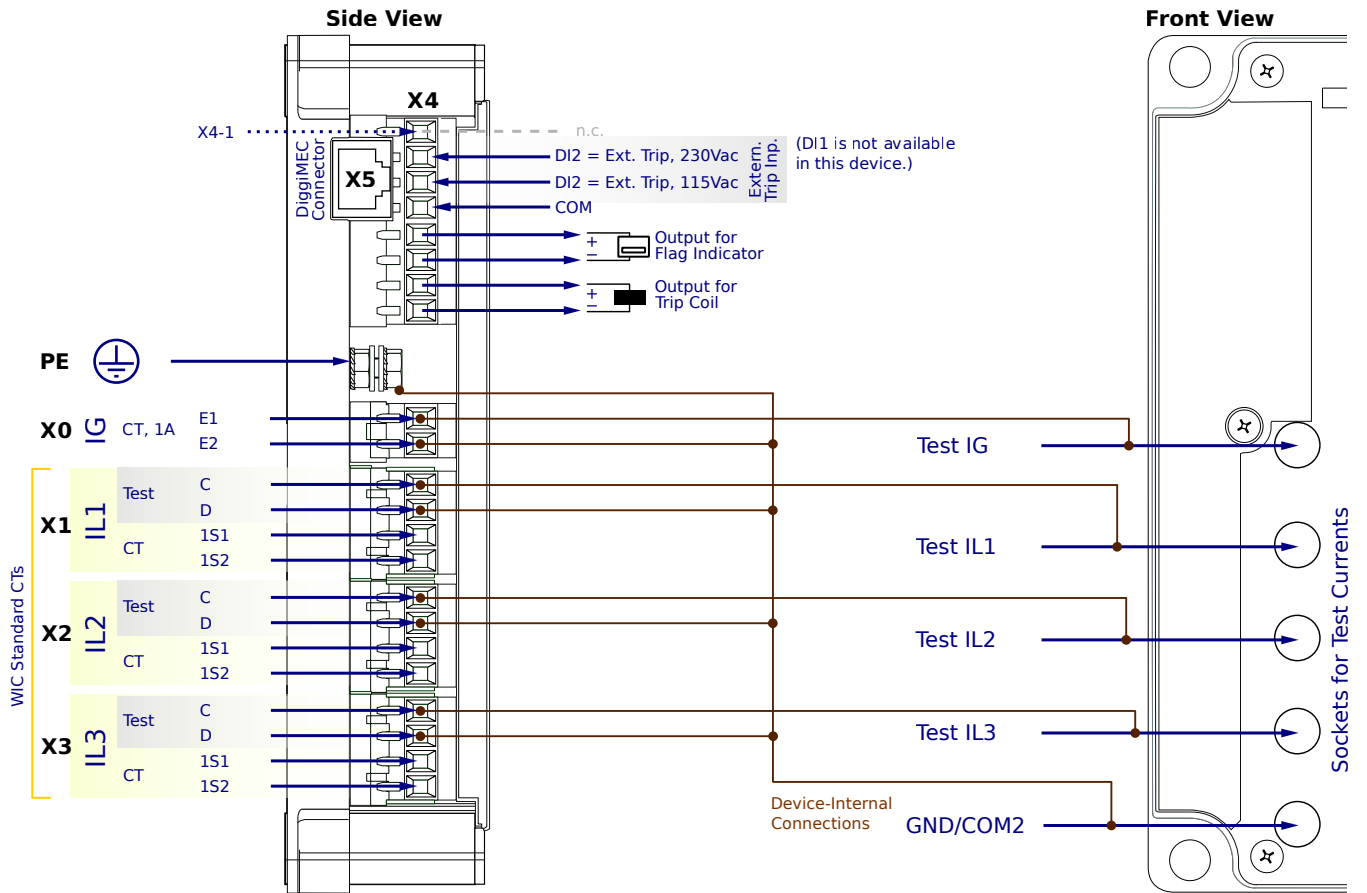
**X4-2,3** - DI2, fixed to External trip input (115Vac or 230Vac)

**X4-5,6** - Assignable flag indicator

**X4-7,8** - Trip pulse output

**X5** - DiggiMEC-WIC1 connection. Use network cable CAT3 (or better). No crossover cable!

# WIC1-2SG5CF1AA



## CT-Powered Protection Device, configuration via DIP switches or DiggiMEC / Smart view

- Nominal frequency is 50 Hz. (Setting to 60 Hz is possible via DiggiMEC/Smart view.)
- Backup protection operates directly
- Package "S" + ANSI 46, 49, 51Q, Breaker Wear, Condition Monitoring (= Life Load, Drag Indicator)

**PE** - Protective Earth

**X0** - Measured ground current via 1A CT input. (Setting to calc. IG is also possible via DiggiMEC/Smart view.)

**X1...X3** - WIC CTs

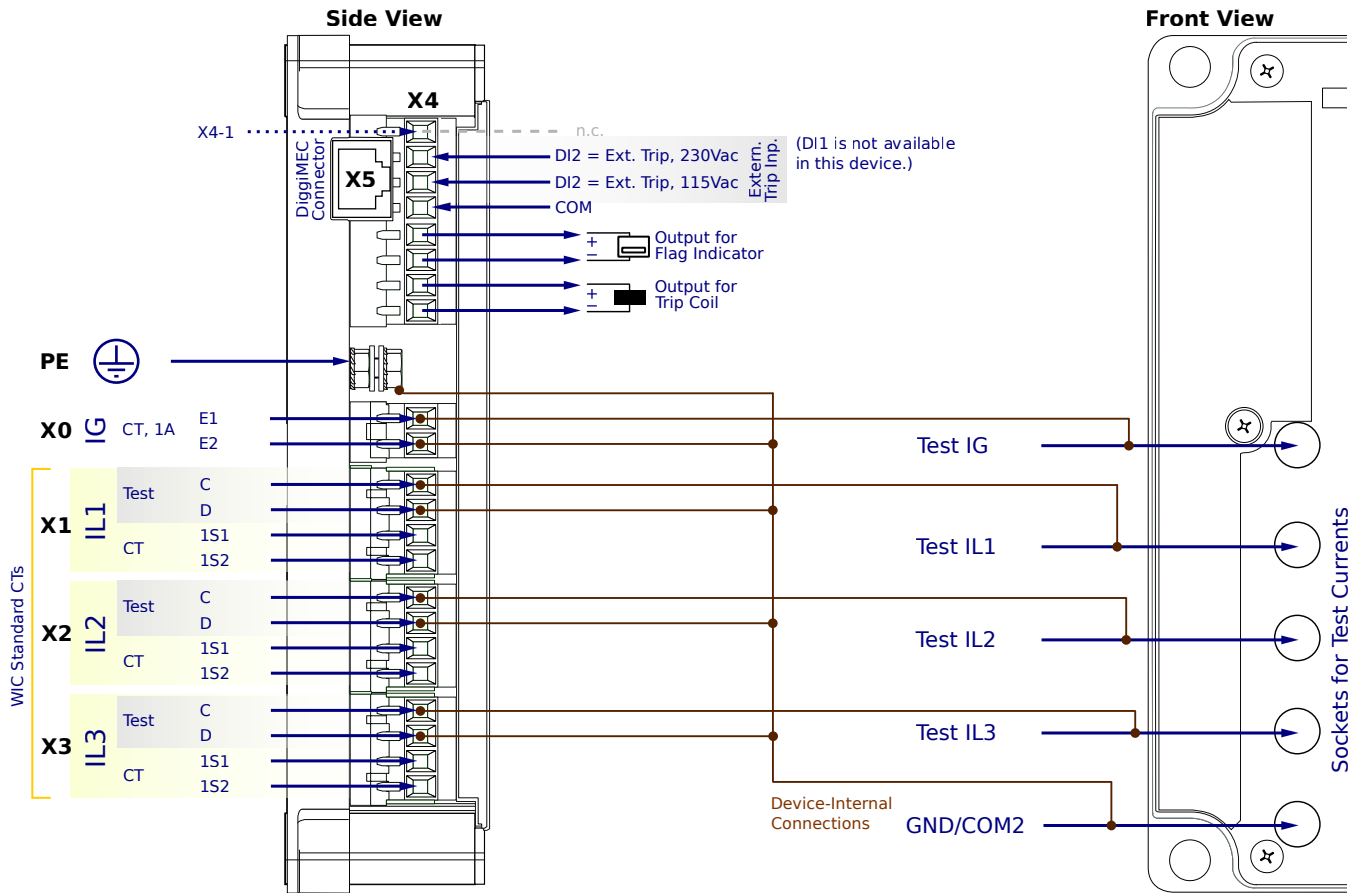
**X4-2,3** - DI2, fixed to External trip input (115Vac or 230Vac)

**X4-5,6** - Assignable flag indicator

**X4-7,8** - Trip pulse output

**X5** - DiggiMEC-WIC1 connection. Use network cable CAT3 (or better). No crossover cable!

# WIC1-2SG5CF1PA



## CT-Powered Protection Device, configuration via DIP switches or DiggiMEC / Smart view

- Nominal frequency is 50 Hz. (Setting to 60 Hz is possible via DiggiMEC/Smart view.)
- Backup protection operates directly
- Package "A" + SOTF, CLPU, external protection, ultra-fast overcurrent protection

**PE** - Protective Earth

**X0** - Measured ground current via 1A CT input. (Setting to calc. IG is also possible via DiggiMEC/Smart view.)

**X1...X3** - WIC CTs

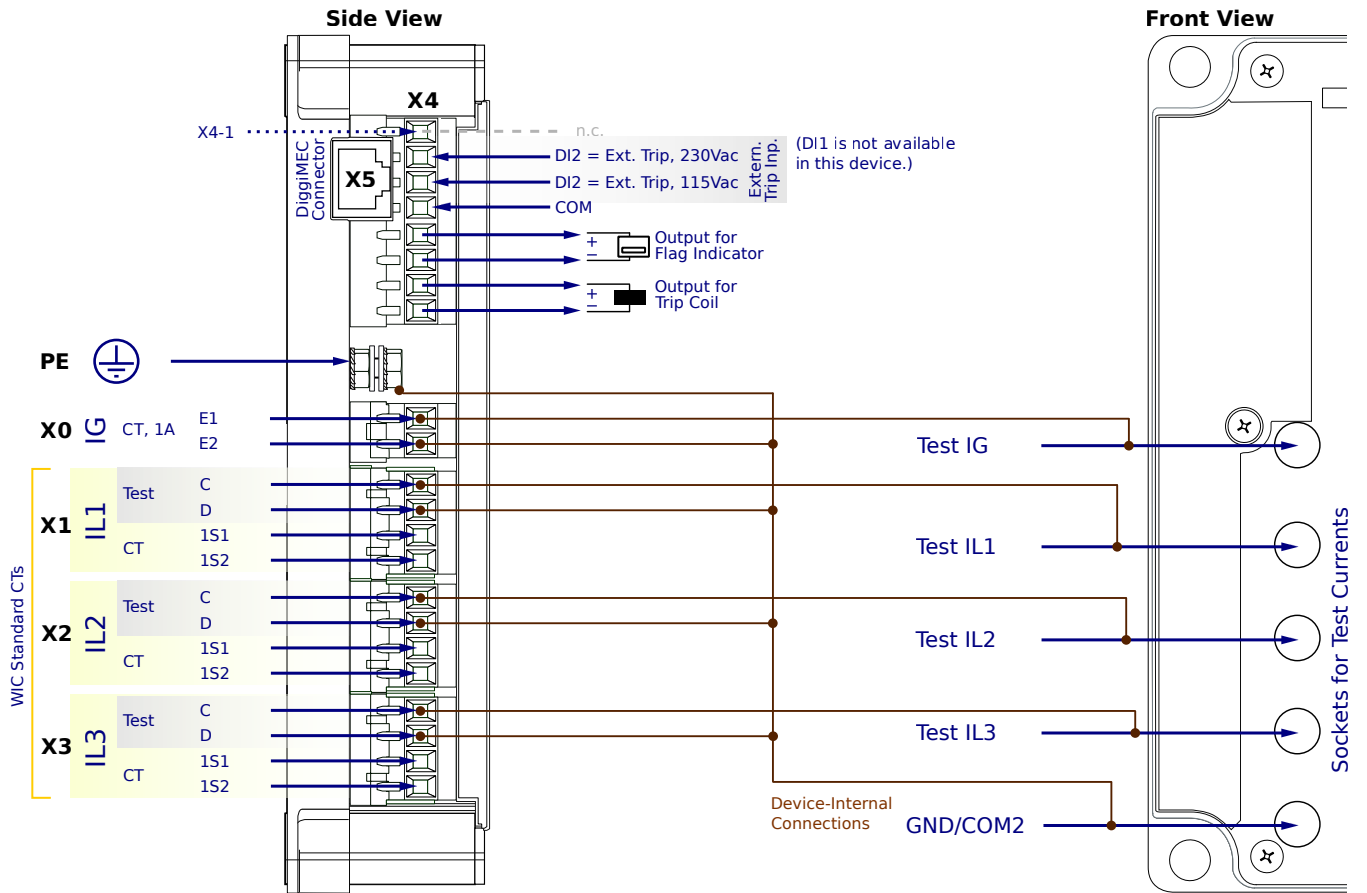
**X4-2,3** - DI2, fixed to External trip input (115Vac or 230Vac)

**X4-5,6** - Assignable flag indicator

**X4-7,8** - Trip pulse output

**X5** - DiggiMEC-WIC1 connection. Use network cable CAT3 (or better). No crossover cable!

# WIC1-2SG5CF2SA



## CT-Powered Protection Device, configuration via DIP switches or DiggiMEC / Smart view

- Nominal frequency is 50 Hz. (Setting to 60 Hz is possible via DiggiMEC/Smart view.)
- Trip at  $20 \cdot I_{n,max}$
- ANSI 50, 50G/N, 51, 51G/N, inrush, 50BF, 74TC

**PE** - Protective Earth

**X0** - Measured ground current via 1A CT input. (Setting to calc. IG is also possible via DiggiMEC/Smart view.)

**X1...X3** - WIC CTs

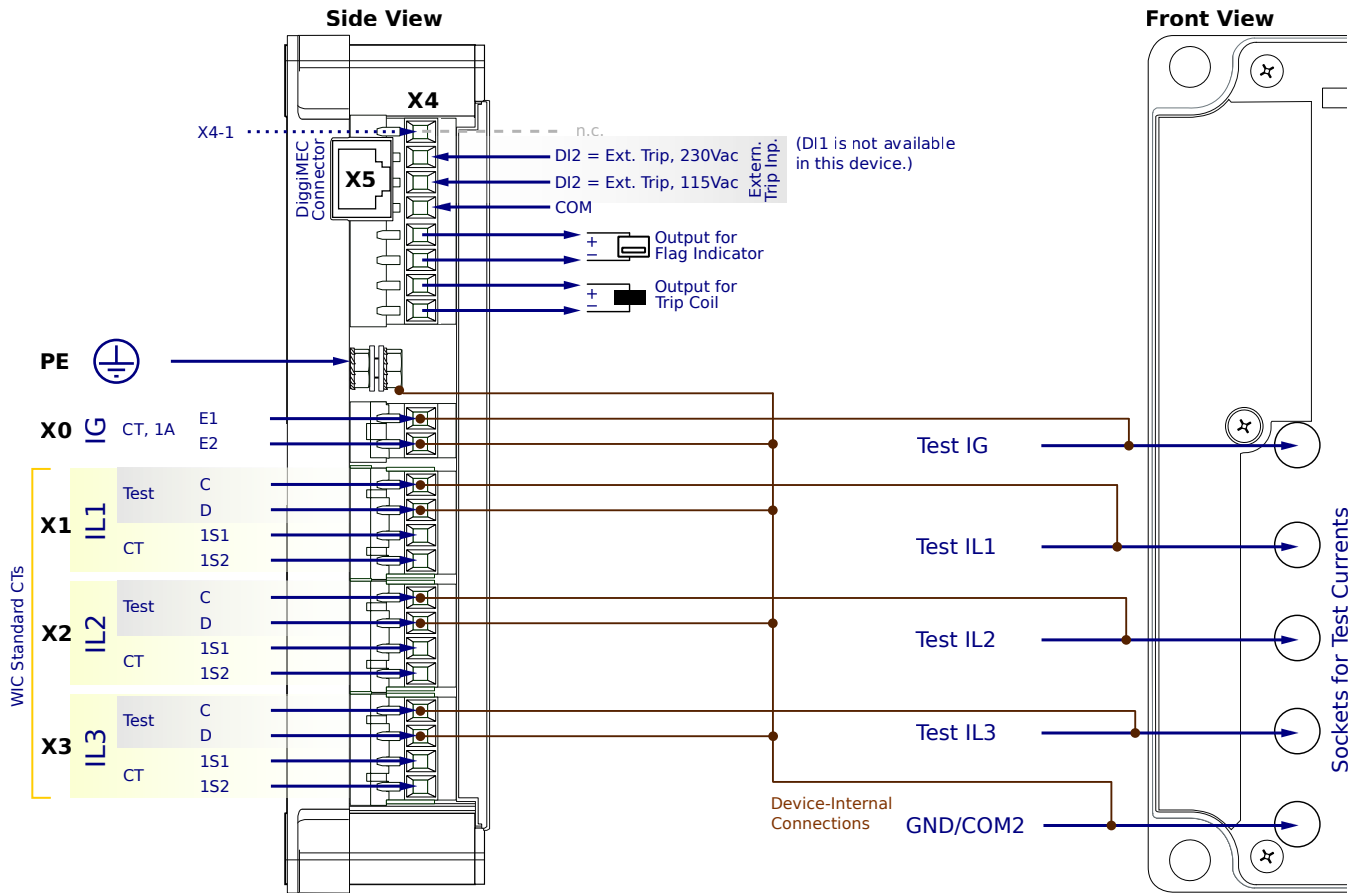
**X4-2,3** - DI2, fixed to External trip input (115Vac or 230Vac)

**X4-5,6** - Assignable flag indicator

**X4-7,8** - Trip pulse output

**X5** - DiggiMEC-WIC1 connection. Use network cable CAT3 (or better). No crossover cable!

# WIC1-2SG5CF2AA



## CT-Powered Protection Device, configuration via DIP switches or DiggiMEC / Smart view

- Nominal frequency is 50 Hz. (Setting to 60 Hz is possible via DiggiMEC/Smart view.)
- Trip at  $20 \cdot I_{n,max}$
- Package "S" + ANSI 46, 49, 51Q, Breaker Wear, Condition Monitoring (= Life Load, Drag Indicator)

**PE** - Protective Earth

**X0** - Measured ground current via 1A CT input. (Setting to calc. IG is also possible via DiggiMEC/Smart view.)

**X1...X3** - WIC CTs

**X4-2,3** - DI2, fixed to External trip input (115Vac or 230Vac)

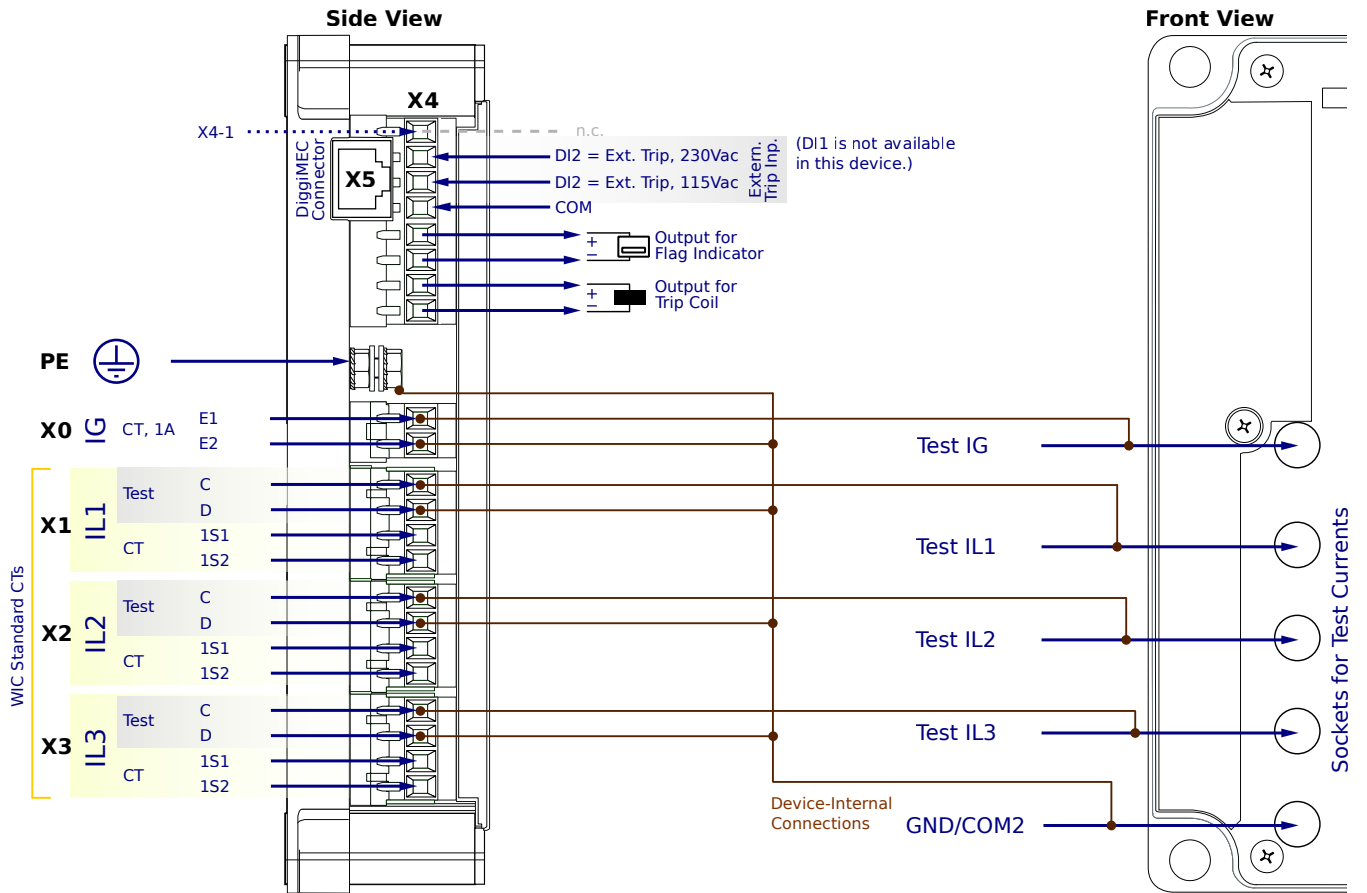
**X4-5,6** - Assignable flag indicator

**X4-7,8** - Trip pulse output

**X5** - DiggiMEC-WIC1 connection. Use network cable CAT3 (or better). No crossover cable!



# WIC1-2SG5CF2PA



## CT-Powered Protection Device, configuration via DIP switches or DiggiMEC / Smart view

- Nominal frequency is 50 Hz. (Setting to 60 Hz is possible via DiggiMEC/Smart view.)
- Trip at  $20 \cdot I_{n,max}$
- Package "A" + SOTF, CLPU, external protection, ultra-fast overcurrent protection

**PE** - Protective Earth

**X0** - Measured ground current via 1A CT input. (Setting to calc. IG is also possible via DiggiMEC/Smart view.)

**X1...X3** - WIC CTs

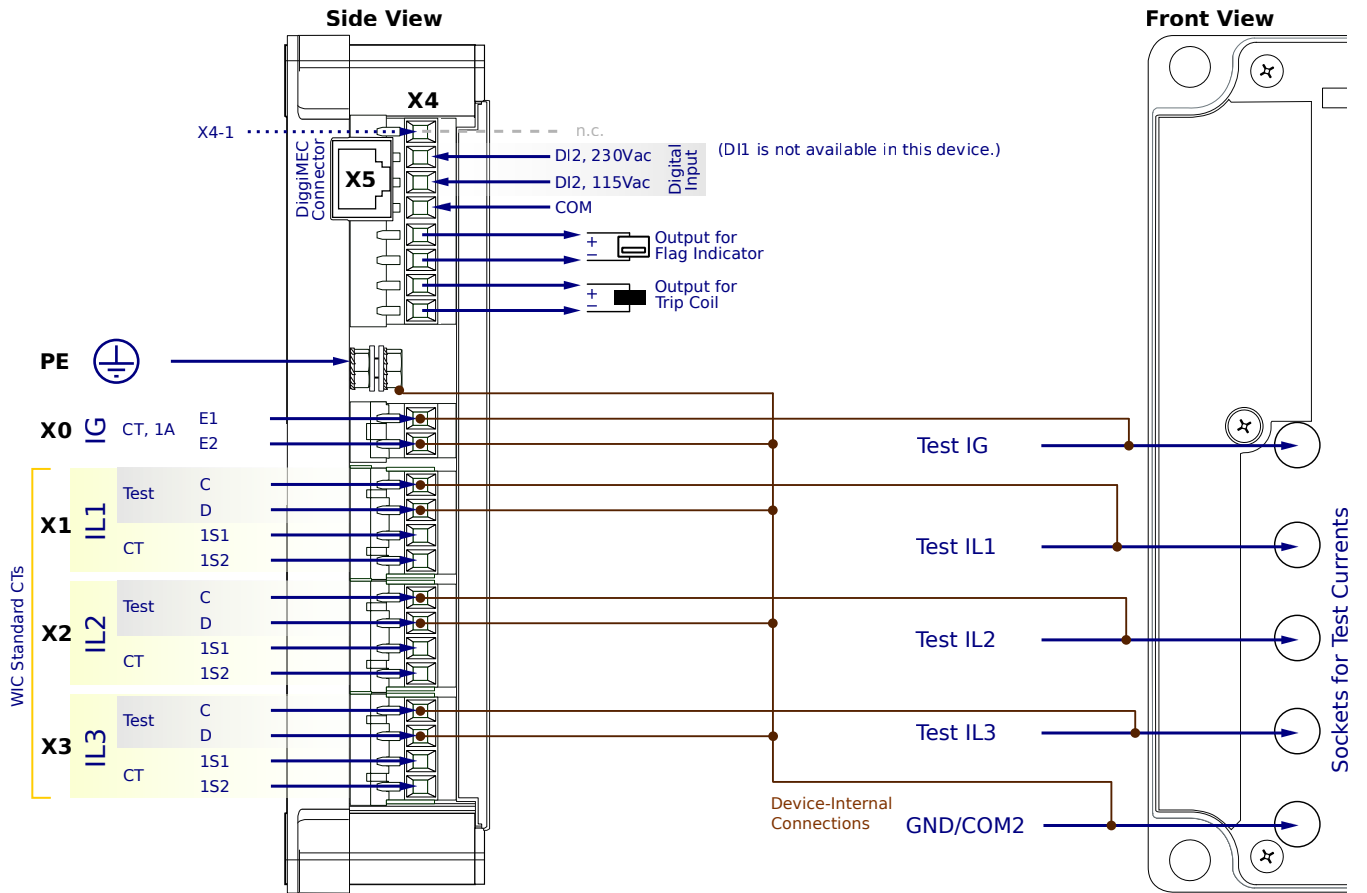
**X4-2,3** - DI2, fixed to External trip input (115Vac or 230Vac)

**X4-5,6** - Assignable flag indicator

**X4-7,8** - Trip pulse output

**X5** - DiggiMEC-WIC1 connection. Use network cable CAT3 (or better). No crossover cable!

# WIC1-2SG5CC1SA



## CT-Powered Protection Device, configuration via DIP switches or DiggiMEC / Smart view

- Nominal frequency is 50 Hz. (Setting to 60 Hz is possible via DiggiMEC/Smart view.)
- Backup protection operates directly
- ANSI 50, 50G/N, 51, 51G/N, inrush, 50BF, 74TC

**PE** - Protective Earth

**X0** - Measured ground current via 1A CT input. (Setting to calc. IG is also possible via DiggiMEC/Smart view.)

**X1...X3** - WIC CTs

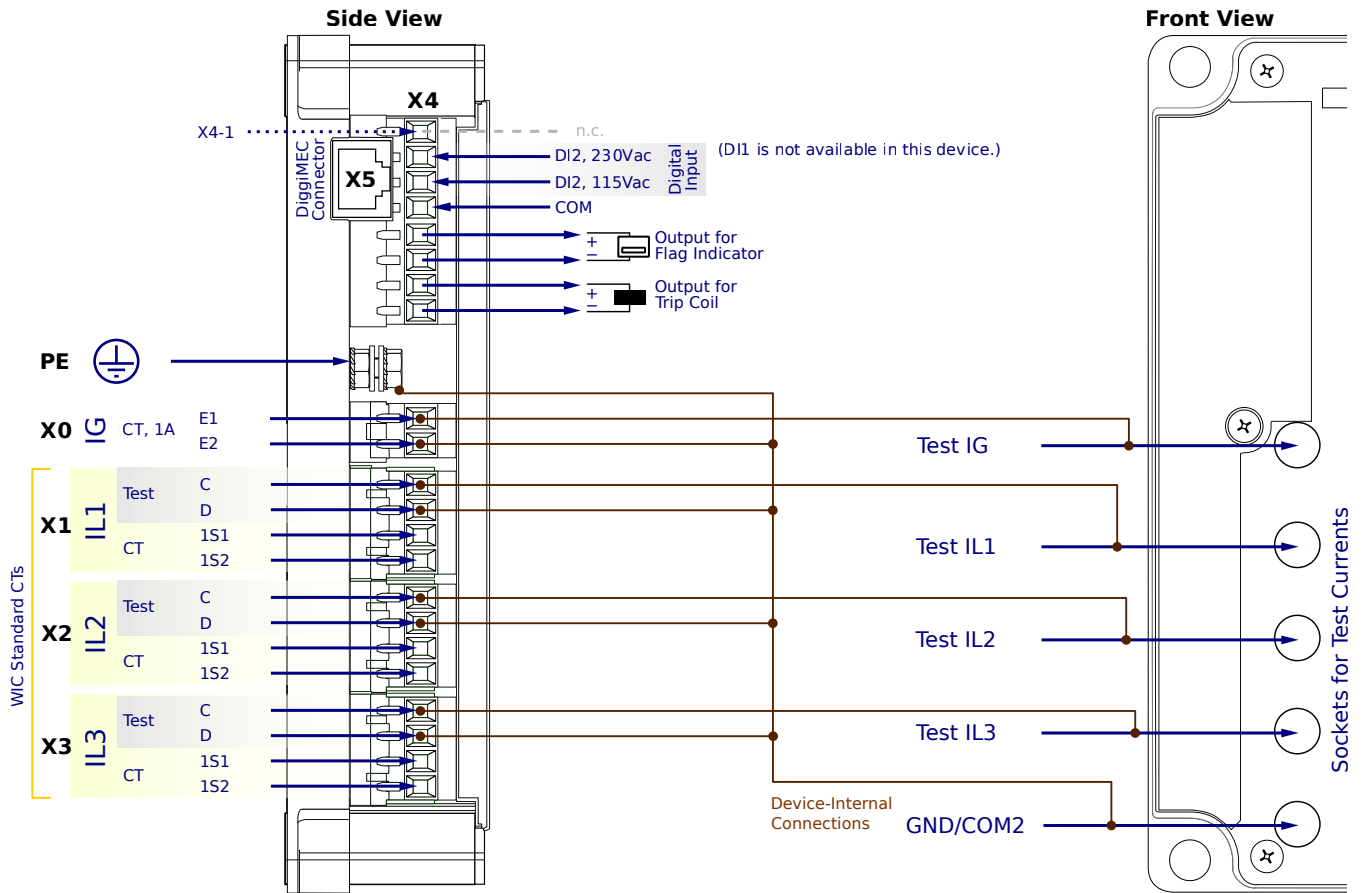
**X4-2,3** - 1 assignable Digital Input DI2 (115Vac or 230Vac)

**X4-5,6** - Assignable flag indicator

**X4-7,8** - Trip pulse output

**X5** - DiggiMEC-WIC1 connection. Use network cable CAT3 (or better). No crossover cable!

# WIC1-2SG5CC1AA



## CT-Powered Protection Device, configuration via DIP switches or DiggiMEC / Smart view

- Nominal frequency is 50 Hz. (Setting to 60 Hz is possible via DiggiMEC/Smart view.)
- Backup protection operates directly
- Package "S" + ANSI 46, 49, 51Q, Breaker Wear, Condition Monitoring (= Life Load, Drag Indicator)

**PE** - Protective Earth

**X0** - Measured ground current via 1A CT input. (Setting to calc. IG is also possible via DiggiMEC/Smart view.)

**X1...X3** - WIC CTs

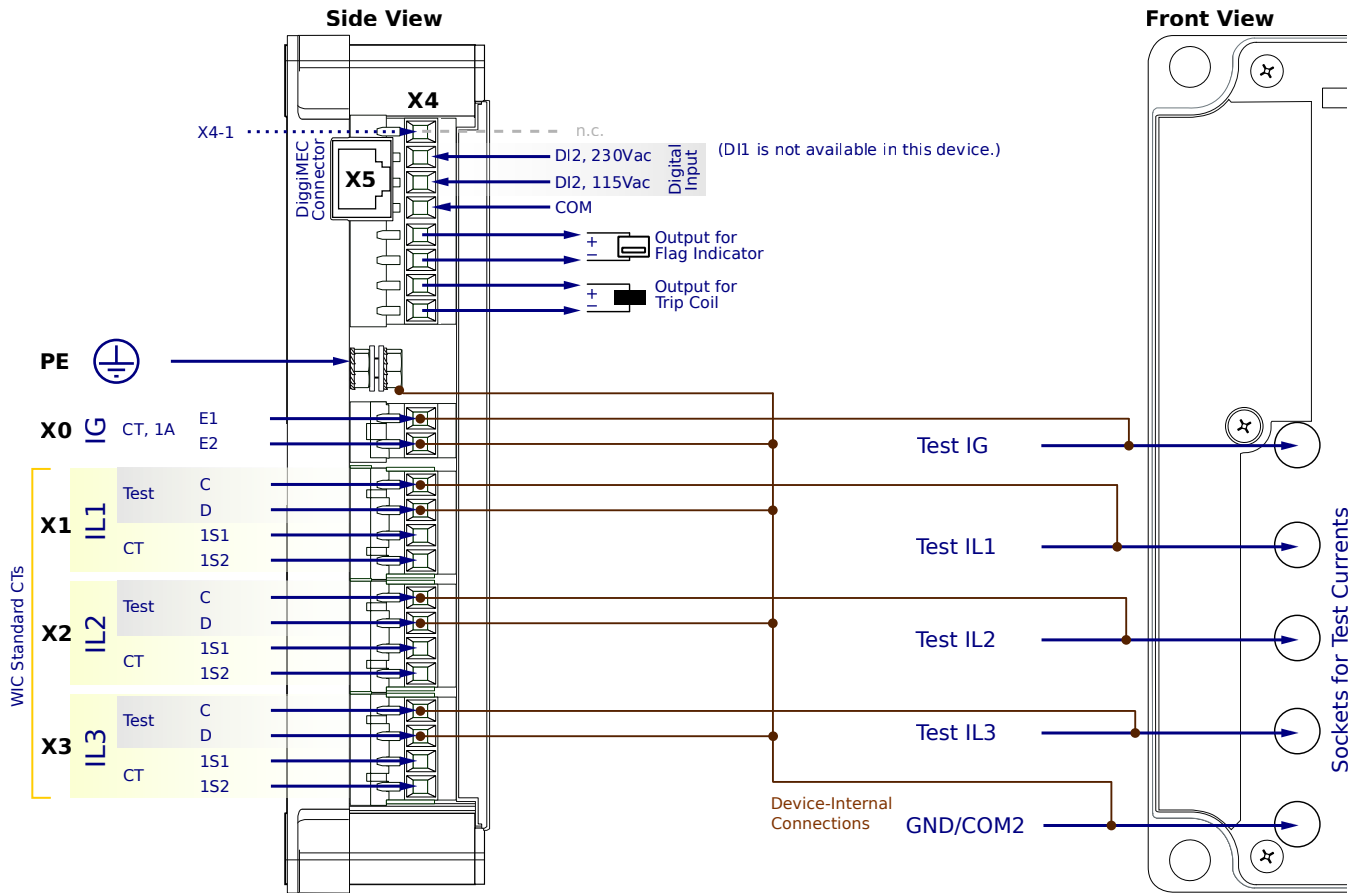
**X4-2,3** - 1 assignable Digital Input DI2 (115Vac or 230Vac)

**X4-5,6** - Assignable flag indicator

**X4-7,8** - Trip pulse output

**X5** - DiggiMEC-WIC1 connection. Use network cable CAT3 (or better). No crossover cable!

# WIC1-2SG5CC1PA



## CT-Powered Protection Device, configuration via DIP switches or DiggiMEC / Smart view

- Nominal frequency is 50 Hz. (Setting to 60 Hz is possible via DiggiMEC/Smart view.)
- Backup protection operates directly
- Package "A" + SOTF, CLPU, external protection, ultra-fast overcurrent protection

**PE** - Protective Earth

**X0** - Measured ground current via 1A CT input. (Setting to calc. IG is also possible via DiggiMEC/Smart view.)

**X1...X3** - WIC CTs

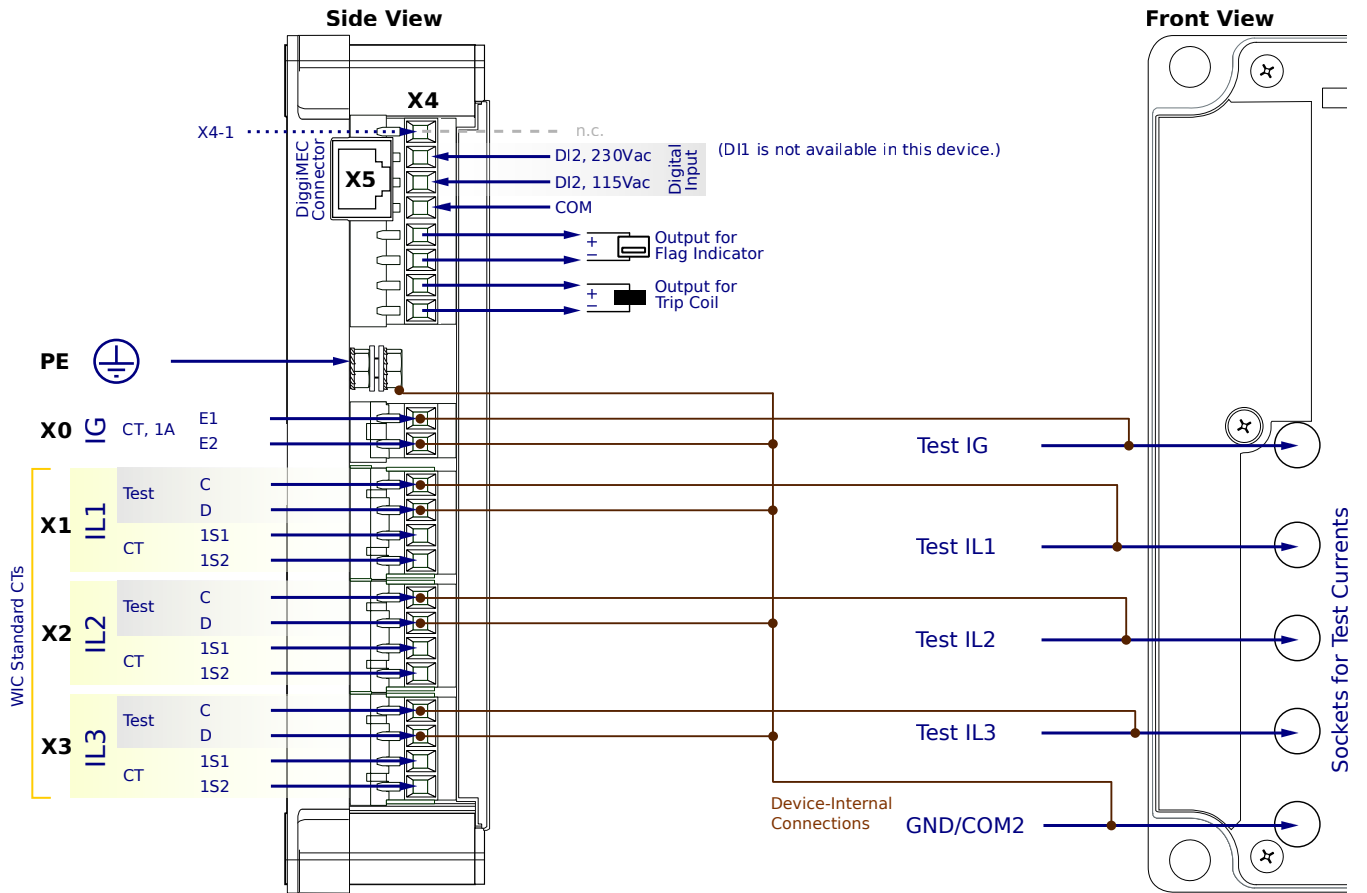
**X4-2,3** - 1 assignable Digital Input DI2 (115Vac or 230Vac)

**X4-5,6** - Assignable flag indicator

**X4-7,8** - Trip pulse output

**X5** - DiggiMEC-WIC1 connection. Use network cable CAT3 (or better). No crossover cable!

# WIC1-2SG5CC2SA



## CT-Powered Protection Device, configuration via DIP switches or DiggiMEC / Smart view

- Nominal frequency is 50 Hz. (Setting to 60 Hz is possible via DiggiMEC/Smart view.)
- Trip at  $20 \cdot I_{n,max}$
- ANSI 50, 50G/N, 51, 51G/N, inrush, 50BF, 74TC

**PE** - Protective Earth

**X0** - Measured ground current via 1A CT input. (Setting to calc. IG is also possible via DiggiMEC/Smart view.)

**X1...X3** - WIC CTs

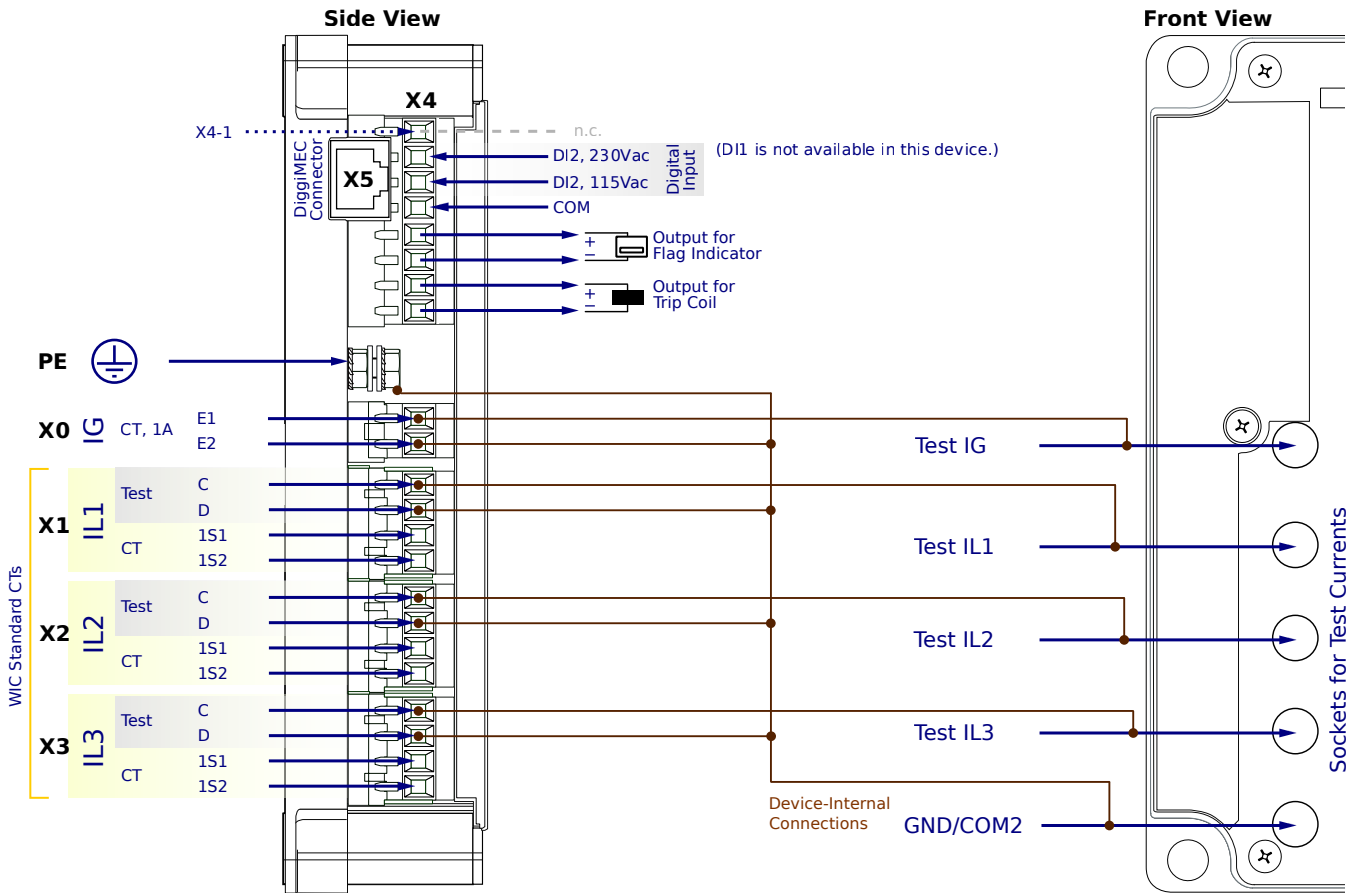
**X4-2,3** - 1 assignable Digital Input DI2 (115Vac or 230Vac)

**X4-5,6** - Assignable flag indicator

**X4-7,8** - Trip pulse output

**X5** - DiggiMEC-WIC1 connection. Use network cable CAT3 (or better). No crossover cable!

# WIC1-2SG5CC2AA



## CT-Powered Protection Device, configuration via DIP switches or DiggiMEC / Smart view

- Nominal frequency is 50 Hz. (Setting to 60 Hz is possible via DiggiMEC/Smart view.)
- Trip at  $20 \cdot I_{n,max}$
- Package "S" + ANSI 46, 49, 51Q, Breaker Wear, Condition Monitoring (= Life Load, Drag Indicator)

**PE** - Protective Earth

**X0** - Measured ground current via 1A CT input. (Setting to calc. IG is also possible via DiggiMEC/Smart view.)

**X1...X3** - WIC CTs

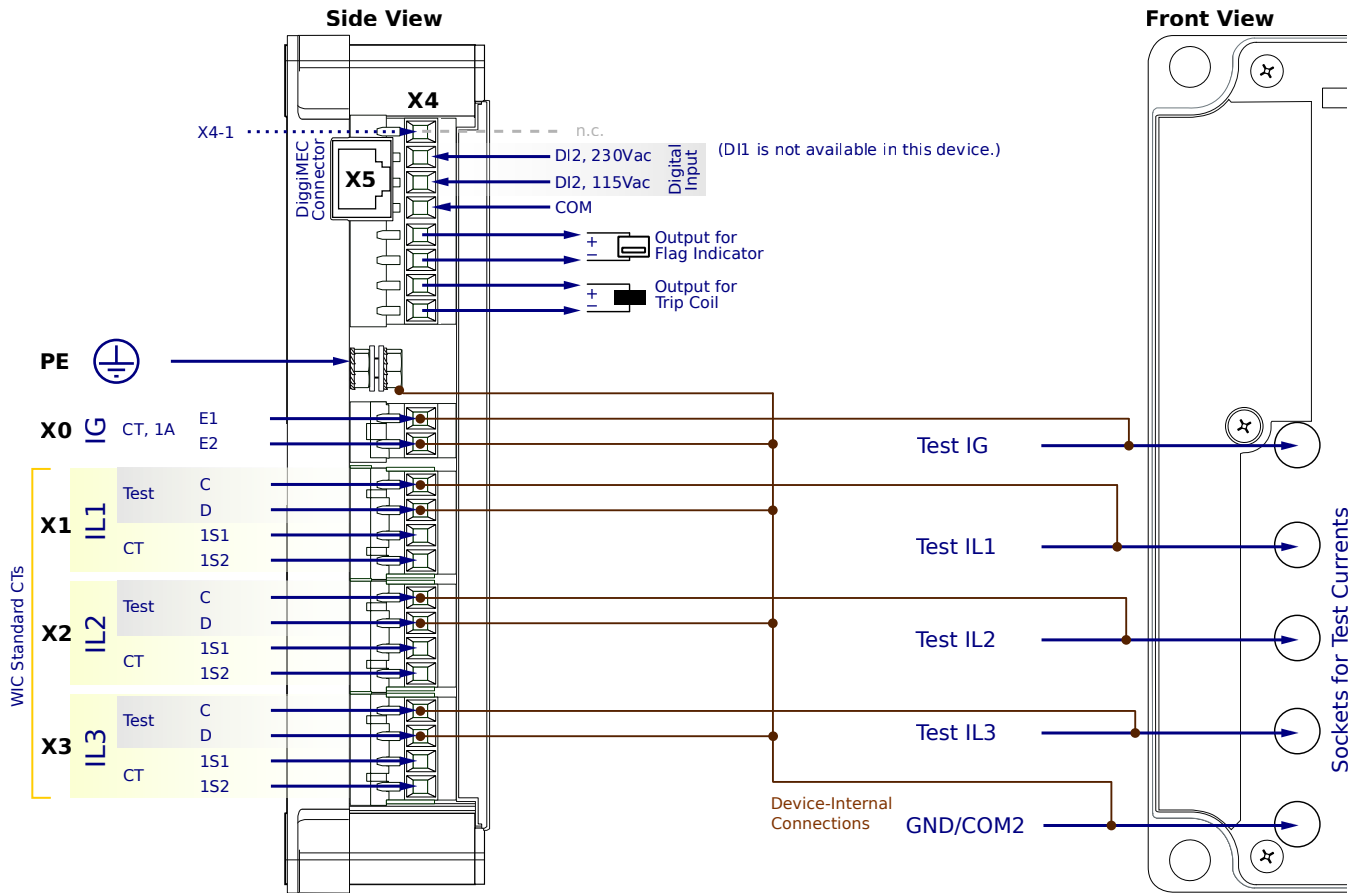
**X4-2,3** - 1 assignable Digital Input DI2 (115Vac or 230Vac)

**X4-5,6** - Assignable flag indicator

**X4-7,8** - Trip pulse output

**X5** - DiggiMEC-WIC1 connection. Use network cable CAT3 (or better). No crossover cable!

# WIC1-2SG5CC2PA



## CT-Powered Protection Device, configuration via DIP switches or DiggiMEC / Smart view

- Nominal frequency is 50 Hz. (Setting to 60 Hz is possible via DiggiMEC/Smart view.)
- Trip at  $20 \cdot I_{n,max}$
- Package "A" + SOTF, CLPU, external protection, ultra-fast overcurrent protection

**PE** - Protective Earth

**X0** - Measured ground current via 1A CT input. (Setting to calc. IG is also possible via DiggiMEC/Smart view.)

**X1...X3** - WIC CTs

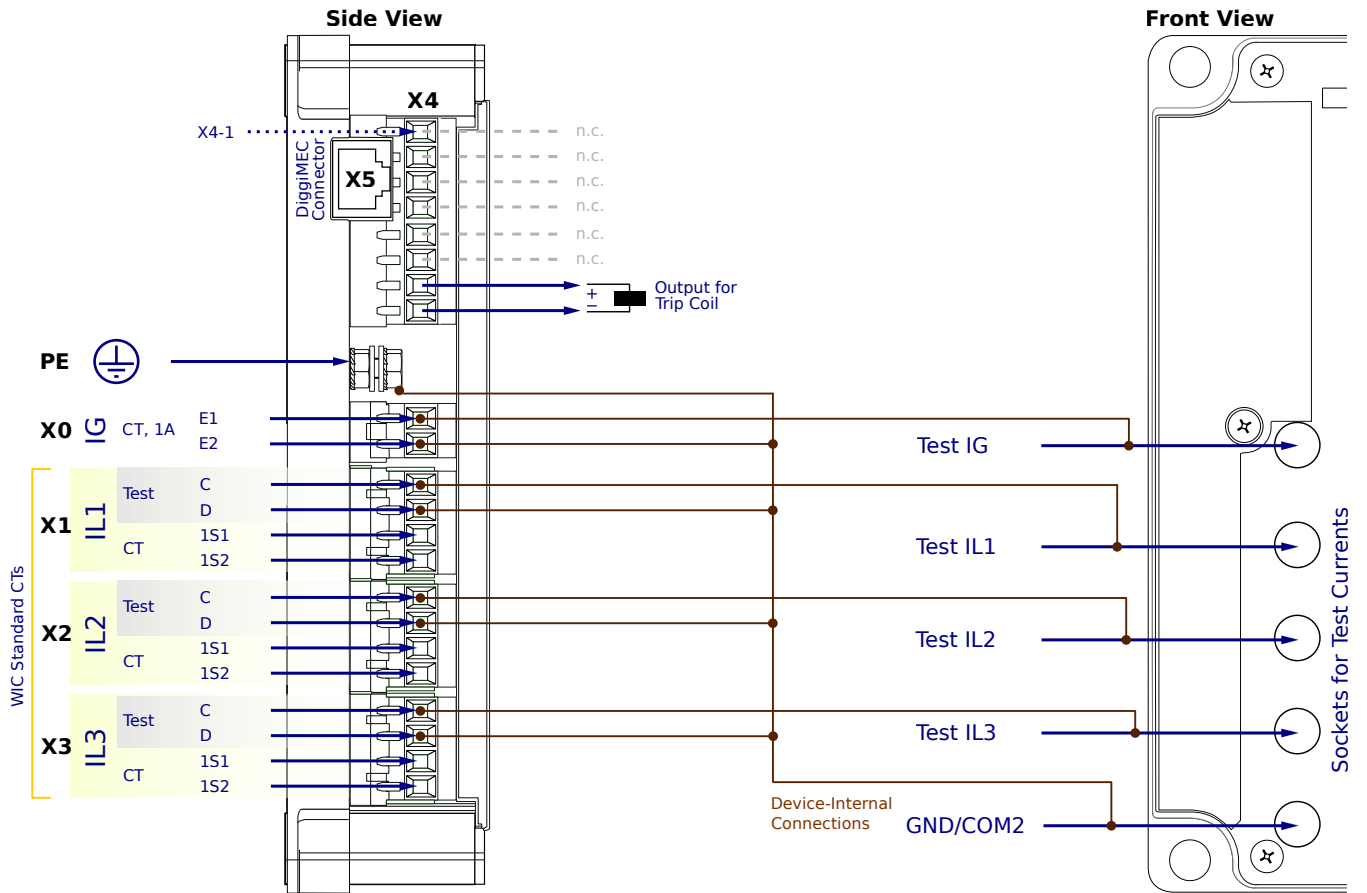
**X4-2,3** - 1 assignable Digital Input DI2 (115Vac or 230Vac)

**X4-5,6** - Assignable flag indicator

**X4-7,8** - Trip pulse output

**X5** - DiggiMEC-WIC1 connection. Use network cable CAT3 (or better). No crossover cable!

# WIC1-2SG6NN1SA



## CT-Powered Protection Device, configuration via DIP switches or DiggiMEC / Smart view

- Nominal frequency is 60 Hz. (Setting to 50 Hz is possible via DiggiMEC/Smart view.)
- Backup protection operates directly
- ANSI 50, 50G/N, 51, 51G/N, inrush, 50BF, 74TC

**PE** - Protective Earth

**X0** - Measured ground current via 1A CT input. (Setting to calc. IG is also possible via DiggiMEC/Smart view.)

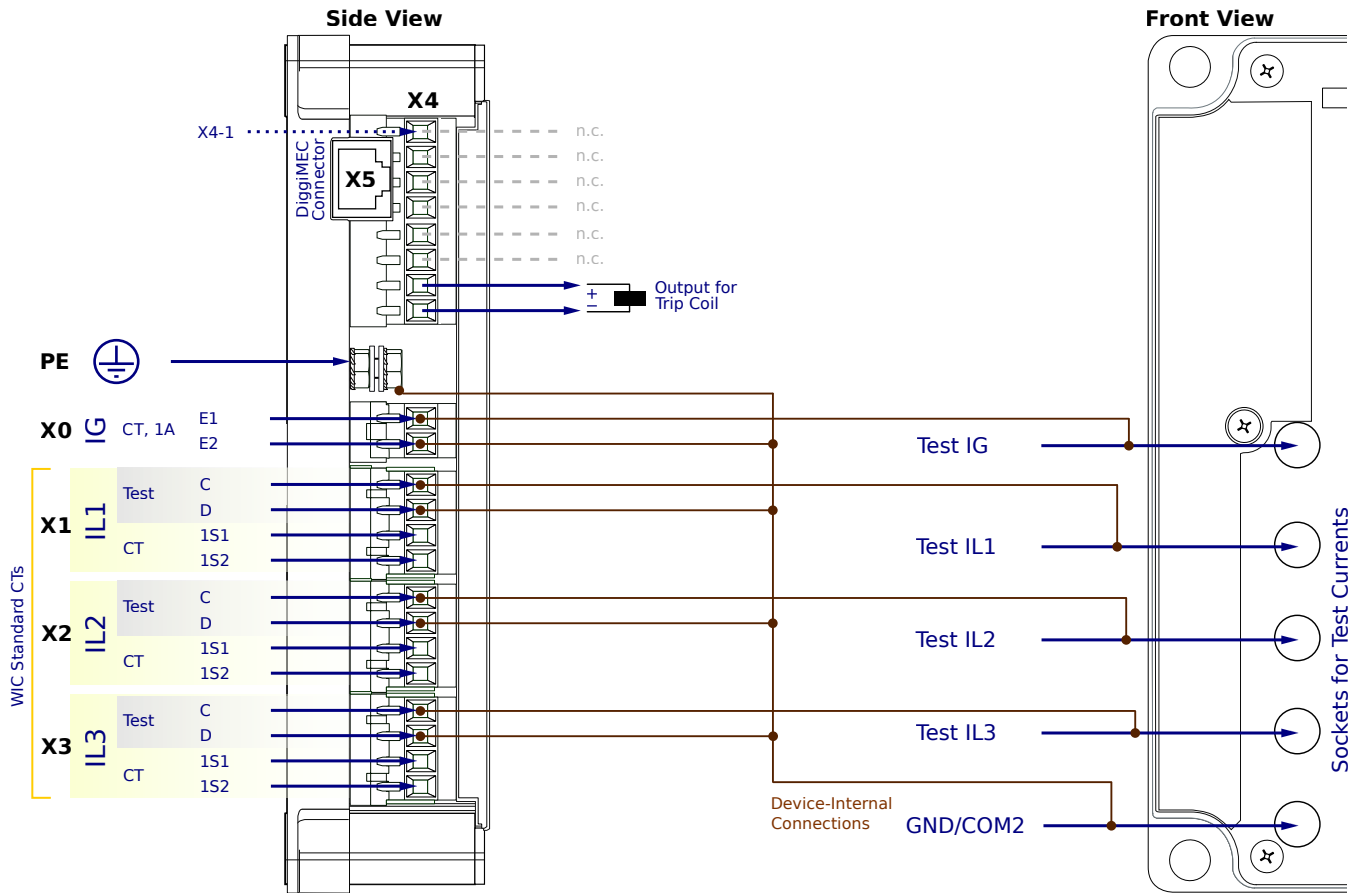
**X1...X3** - WIC CTs

**X4-7,8** - Trip pulse output

**X5** - DiggiMEC-WIC1 connection. Use network cable CAT3 (or better). No crossover cable!



# WIC1-2SG6NN1AA



## CT-Powered Protection Device, configuration via DIP switches or DiggiMEC / Smart view

- Nominal frequency is 60 Hz. (Setting to 50 Hz is possible via DiggiMEC/Smart view.)
- Backup protection operates directly
- Package "S" + ANSI 46, 49, 51Q, Breaker Wear, Condition Monitoring (= Life Load, Drag Indicator)

**PE** - Protective Earth

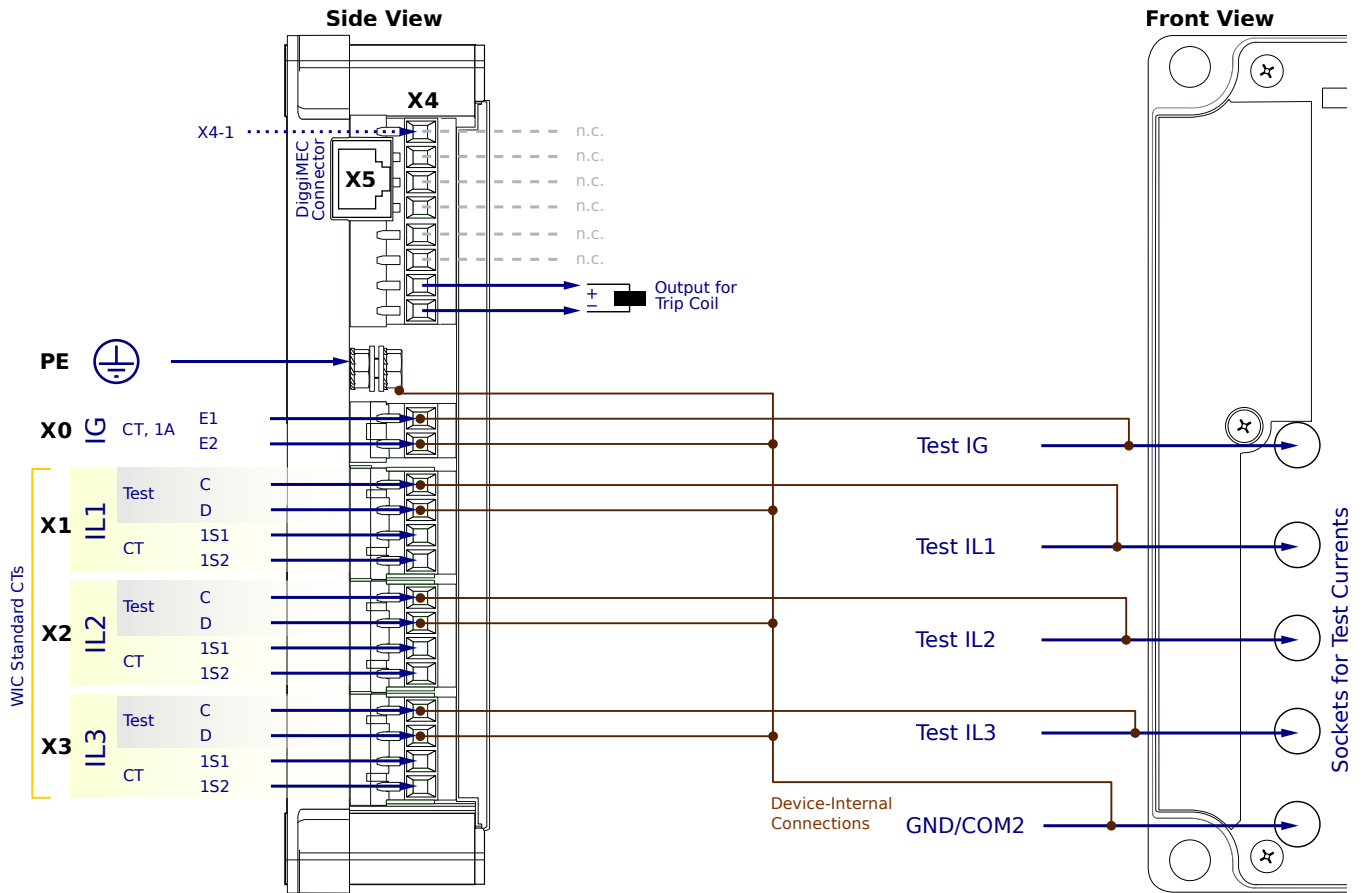
**X0** - Measured ground current via 1A CT input. (Setting to calc. IG is also possible via DiggiMEC/Smart view.)

**X1...X3** - WIC CTs

**X4-7,8** - Trip pulse output

**X5** - DiggiMEC-WIC1 connection. Use network cable CAT3 (or better). No crossover cable!

# WIC1-2SG6NN1PA



## CT-Powered Protection Device, configuration via DIP switches or DiggiMEC / Smart view

- Nominal frequency is 60 Hz. (Setting to 50 Hz is possible via DiggiMEC/Smart view.)
- Backup protection operates directly
- Package "A" + SOTF, CLPU, external protection, ultra-fast overcurrent protection

**PE** - Protective Earth

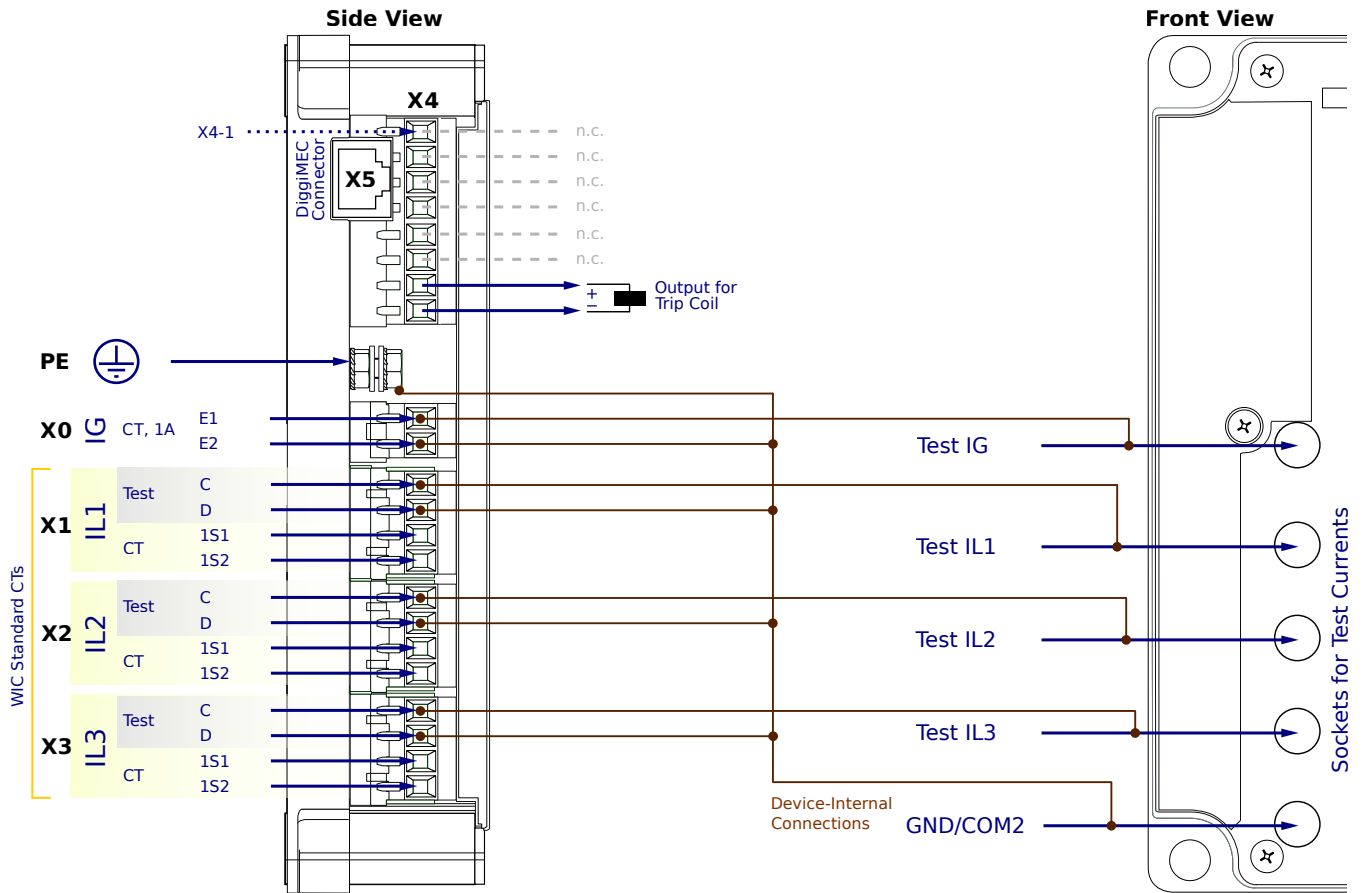
**X0** - Measured ground current via 1A CT input. (Setting to calc. IG is also possible via DiggiMEC/Smart view.)

**X1...X3** - WIC CTs

**X4-7,8** - Trip pulse output

**X5** - DiggiMEC-WIC1 connection. Use network cable CAT3 (or better). No crossover cable!

# WIC1-2SG6NN2SA



## CT-Powered Protection Device, configuration via DIP switches or DiggiMEC / Smart view

- Nominal frequency is 60 Hz. (Setting to 50 Hz is possible via DiggiMEC/Smart view.)
- Trip at  $20 \cdot I_{n,max}$
- ANSI 50, 50G/N, 51, 51G/N, inrush, 50BF, 74TC

**PE** - Protective Earth

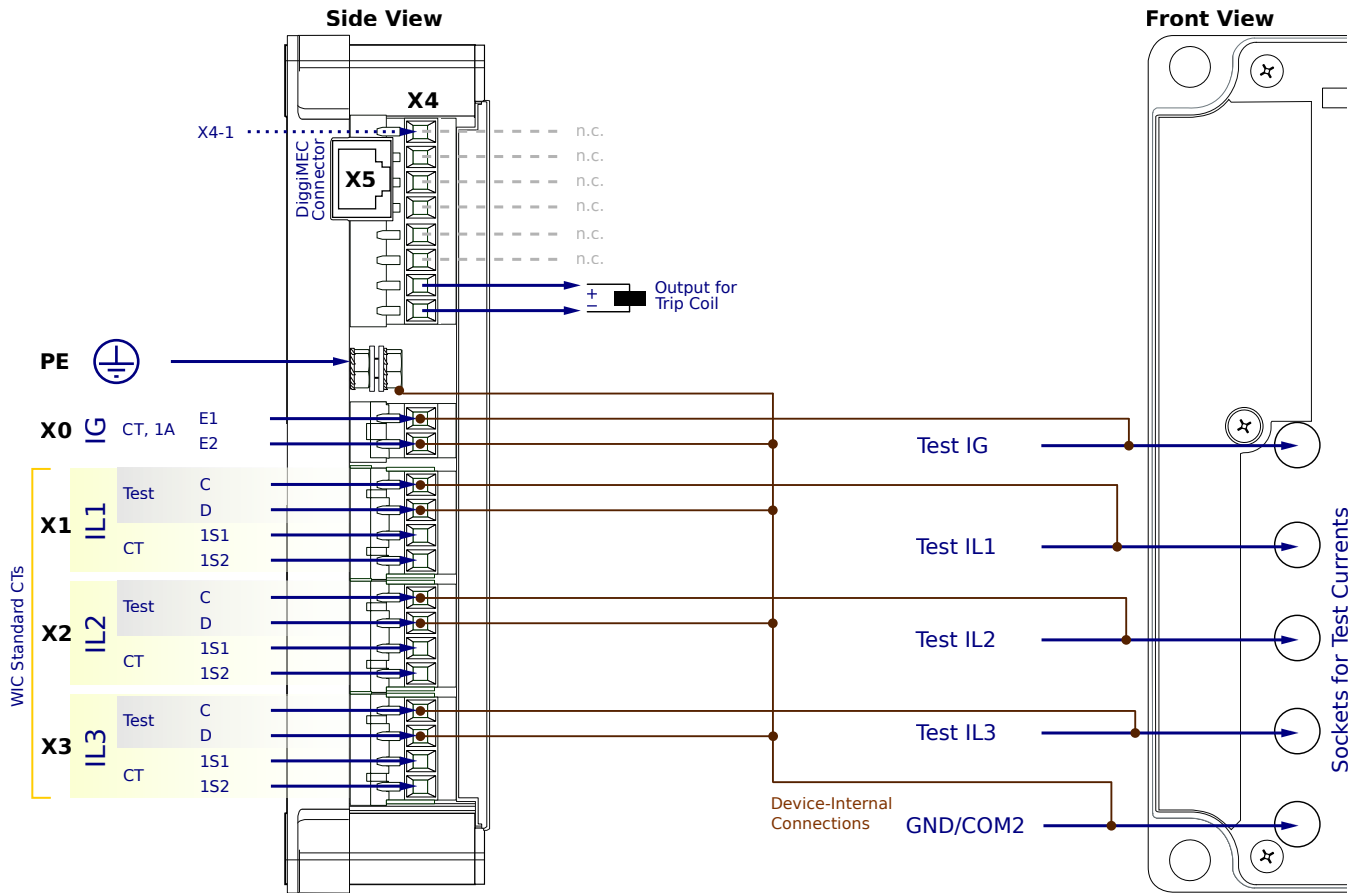
**X0** - Measured ground current via 1A CT input. (Setting to calc. IG is also possible via DiggiMEC/Smart view.)

**X1...X3** - WIC CTs

**X4-7,8** - Trip pulse output

**X5** - DiggiMEC-WIC1 connection. Use network cable CAT3 (or better). No crossover cable!

# WIC1-2SG6NN2AA



## CT-Powered Protection Device, configuration via DIP switches or DiggiMEC / Smart view

- Nominal frequency is 60 Hz. (Setting to 50 Hz is possible via DiggiMEC/Smart view.)
- Trip at  $20 \cdot I_{n,max}$
- Package "S" + ANSI 46, 49, 51Q, Breaker Wear, Condition Monitoring (= Life Load, Drag Indicator)

**PE** - Protective Earth

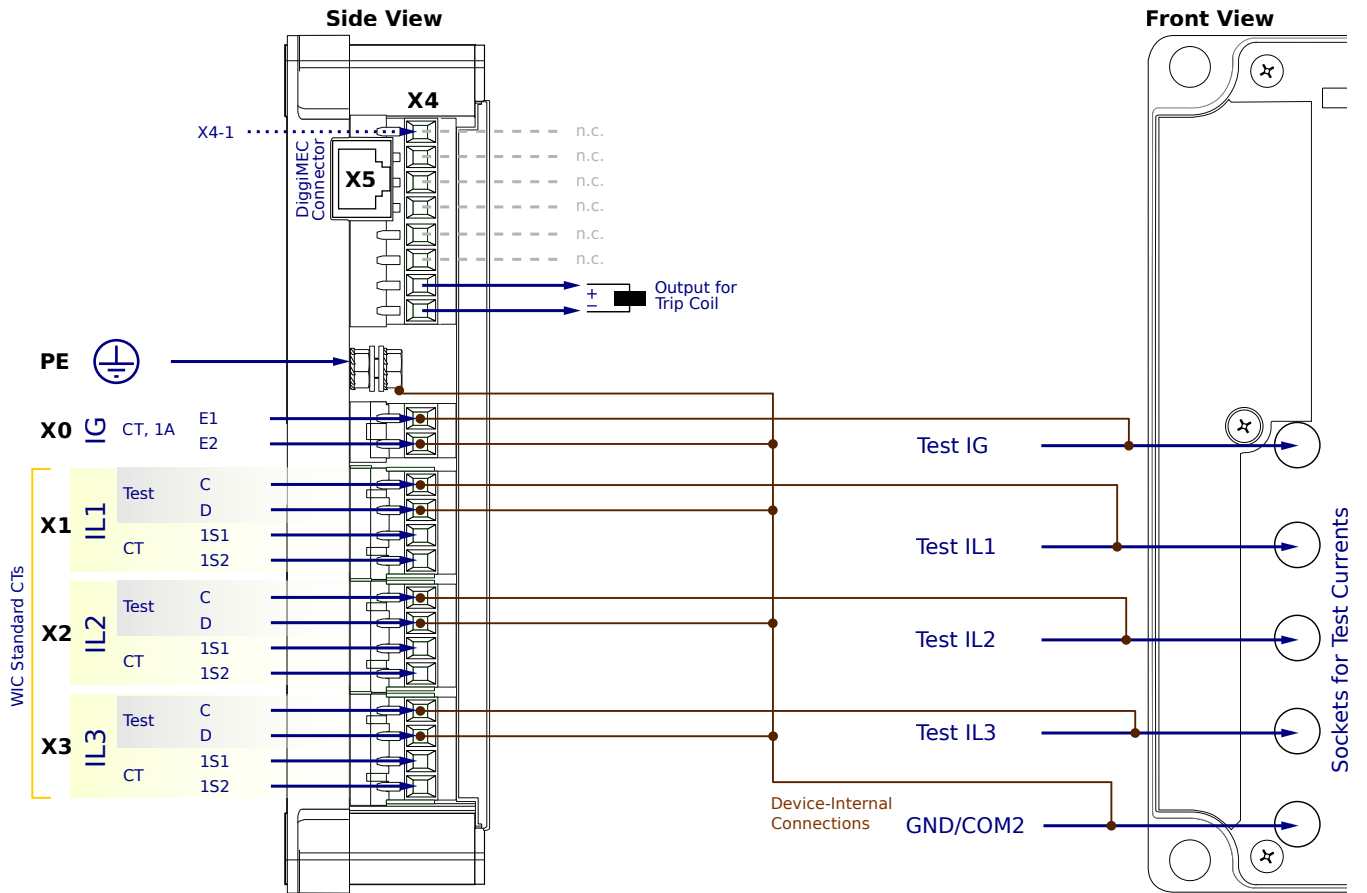
**X0** - Measured ground current via 1A CT input. (Setting to calc. IG is also possible via DiggiMEC/Smart view.)

**X1...X3** - WIC CTs

**X4-7,8** - Trip pulse output

**X5** - DiggiMEC-WIC1 connection. Use network cable CAT3 (or better). No crossover cable!

# WIC1-2SG6NN2PA



## CT-Powered Protection Device, configuration via DIP switches or DiggiMEC / Smart view

- Nominal frequency is 60 Hz. (Setting to 50 Hz is possible via DiggiMEC/Smart view.)
- Trip at  $20 \cdot I_{n,max}$
- Package "A" + SOTF, CLPU, external protection, ultra-fast overcurrent protection

**PE** - Protective Earth

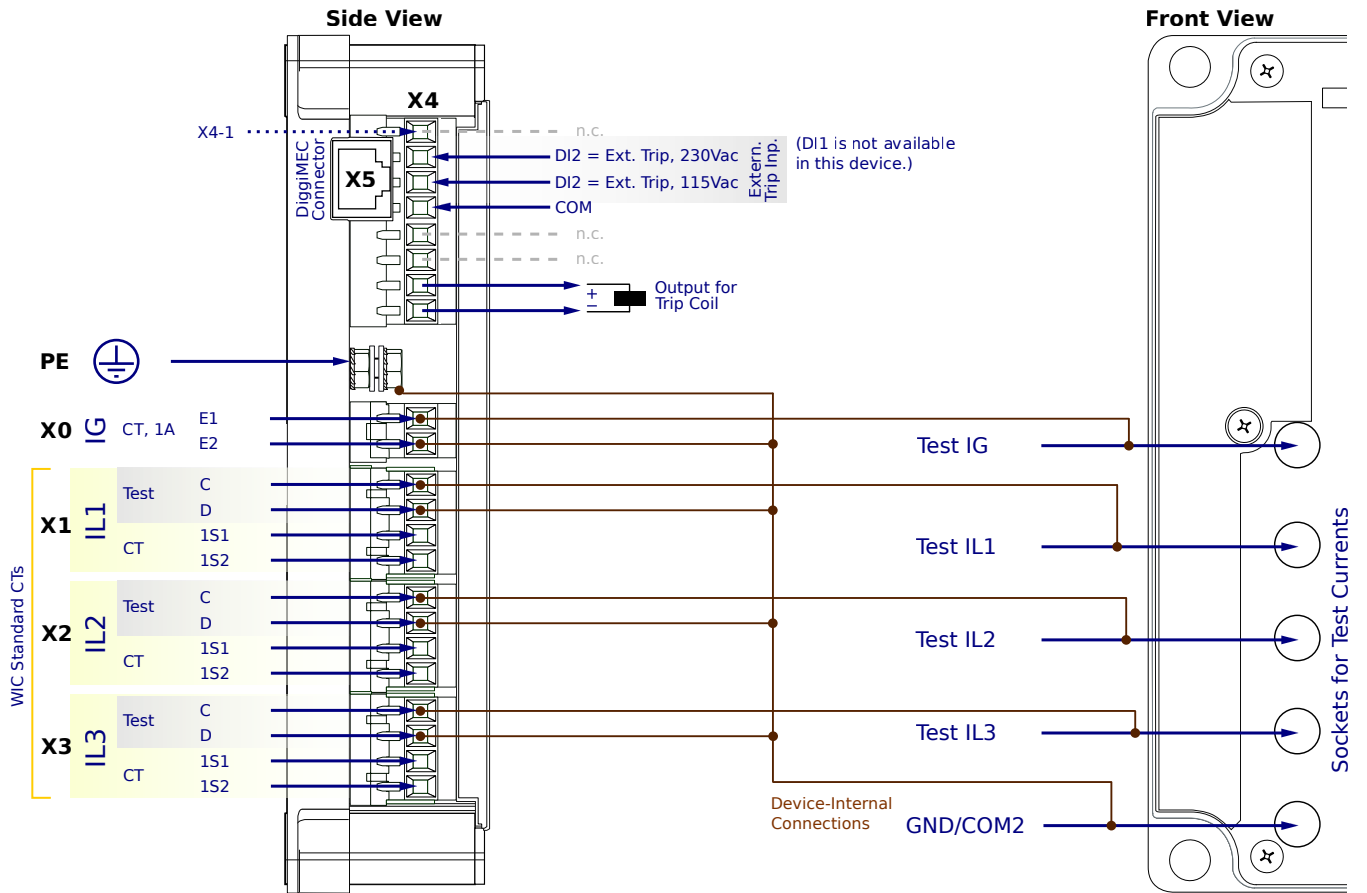
**X0** - Measured ground current via 1A CT input. (Setting to calc. IG is also possible via DiggiMEC/Smart view.)

**X1...X3** - WIC CTs

**X4-7,8** - Trip pulse output

**X5** - DiggiMEC-WIC1 connection. Use network cable CAT3 (or better). No crossover cable!

# WIC1-2SG6NF1SA



## CT-Powered Protection Device, configuration via DIP switches or DiggiMEC / Smart view

- Nominal frequency is 60 Hz. (Setting to 50 Hz is possible via DiggiMEC/Smart view.)
- Backup protection operates directly
- ANSI 50, 50G/N, 51, 51G/N, inrush, 50BF, 74TC

**PE** - Protective Earth

**X0** - Measured ground current via 1A CT input. (Setting to calc. IG is also possible via DiggiMEC/Smart view.)

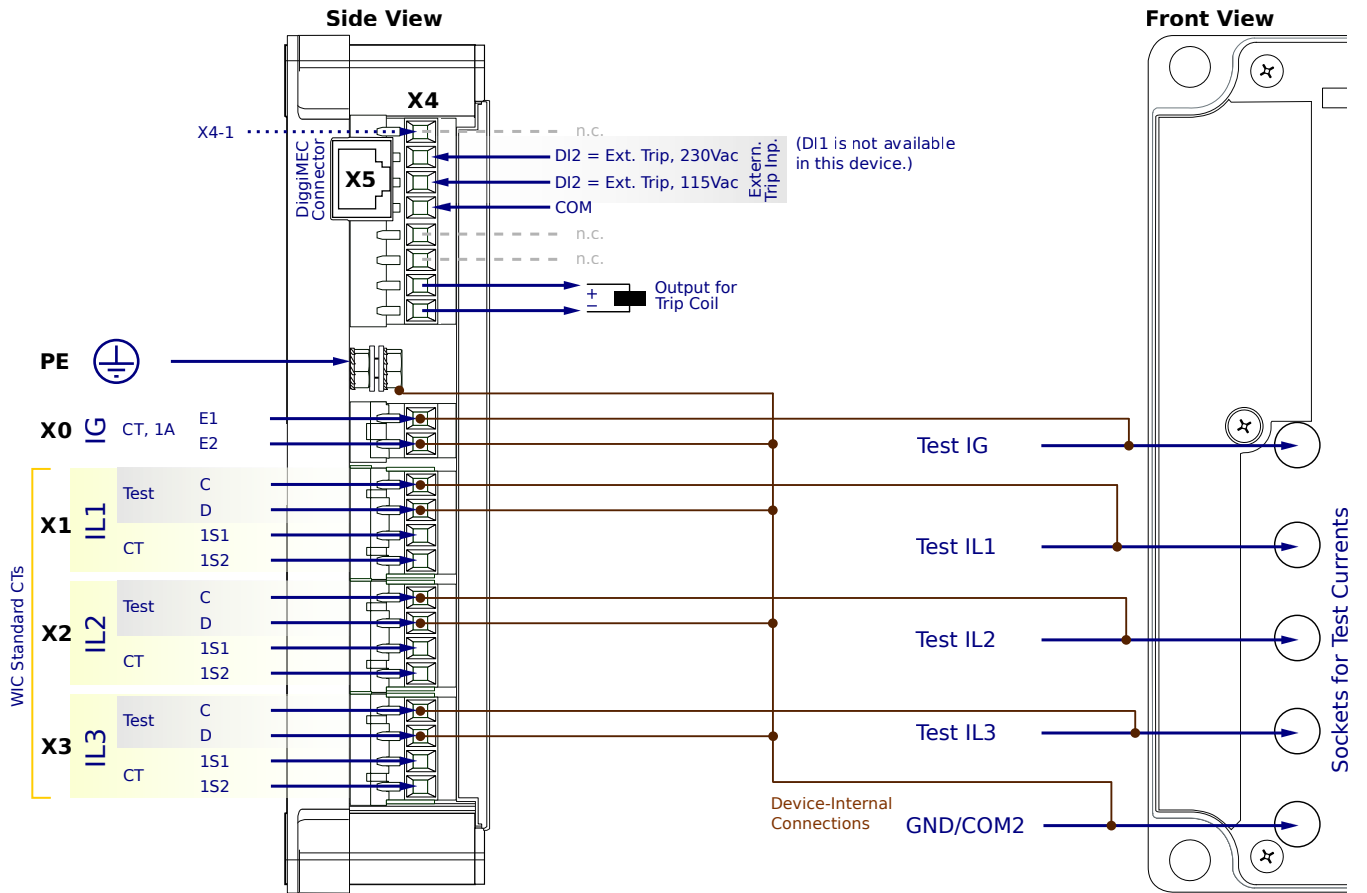
**X1...X3** - WIC CTs

**X4-2,3** - DI2, fixed to External trip input (115Vac or 230Vac)

**X4-7,8** - Trip pulse output

**X5** - DiggiMEC-WIC1 connection. Use network cable CAT3 (or better). No crossover cable!

# WIC1-2SG6NF1AA



## CT-Powered Protection Device, configuration via DIP switches or DiggiMEC / Smart view

- Nominal frequency is 60 Hz. (Setting to 50 Hz is possible via DiggiMEC/Smart view.)
- Backup protection operates directly
- Package "S" + ANSI 46, 49, 51Q, Breaker Wear, Condition Monitoring (= Life Load, Drag Indicator)

**PE** - Protective Earth

**X0** - Measured ground current via 1A CT input. (Setting to calc. IG is also possible via DiggiMEC/Smart view.)

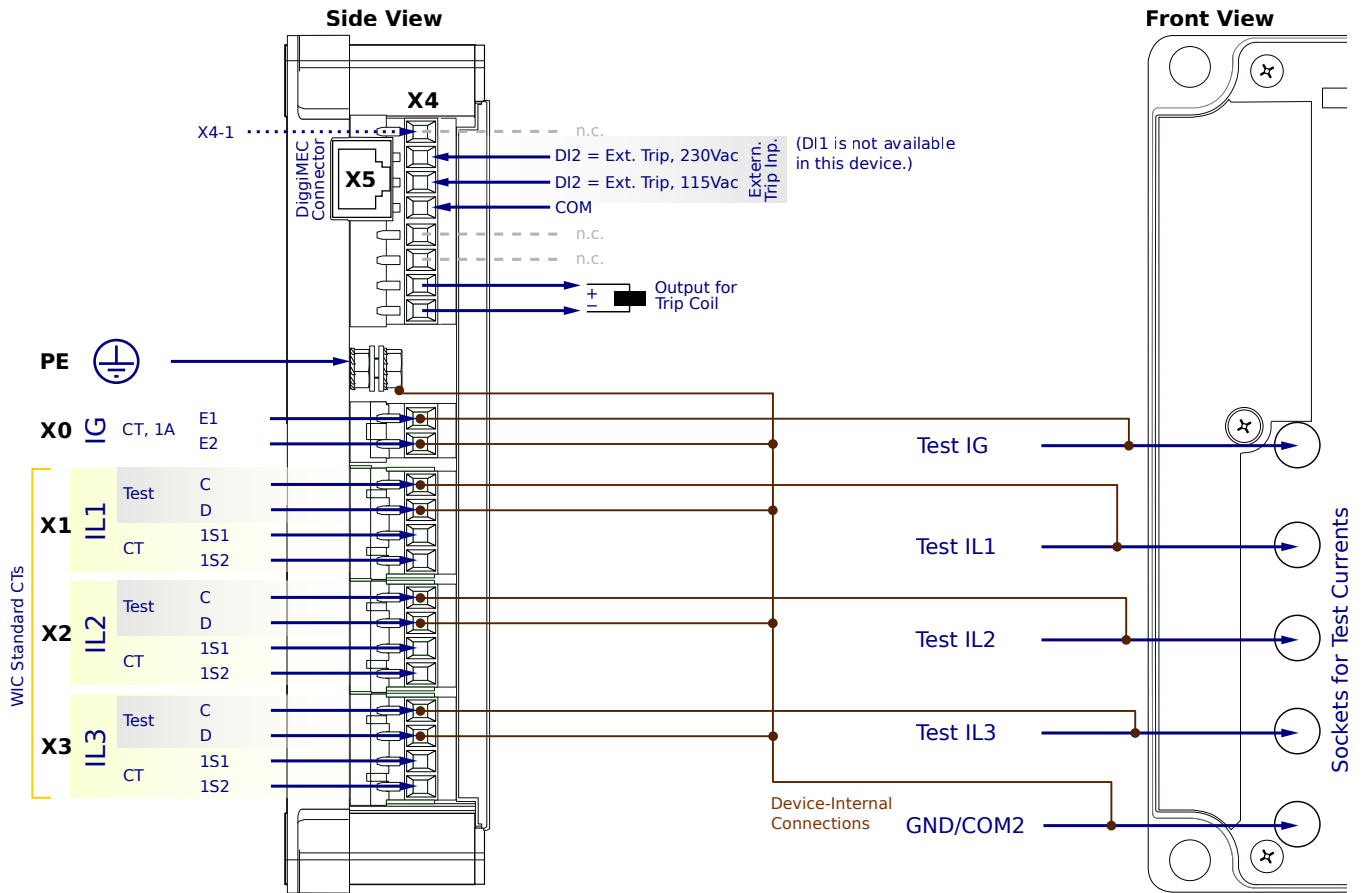
**X1...X3** - WIC CTs

**X4-2,3** - DI2, fixed to External trip input (115Vac or 230Vac)

**X4-7,8** - Trip pulse output

**X5** - DiggiMEC-WIC1 connection. Use network cable CAT3 (or better). No crossover cable!

# WIC1-2SG6NF1PA



## CT-Powered Protection Device, configuration via DIP switches or DiggiMEC / Smart view

- Nominal frequency is 60 Hz. (Setting to 50 Hz is possible via DiggiMEC/Smart view.)
- Backup protection operates directly
- Package "A" + SOTF, CLPU, external protection, ultra-fast overcurrent protection

**PE** - Protective Earth

**X0** - Measured ground current via 1A CT input. (Setting to calc. IG is also possible via DiggiMEC/Smart view.)

**X1...X3** - WIC CTs

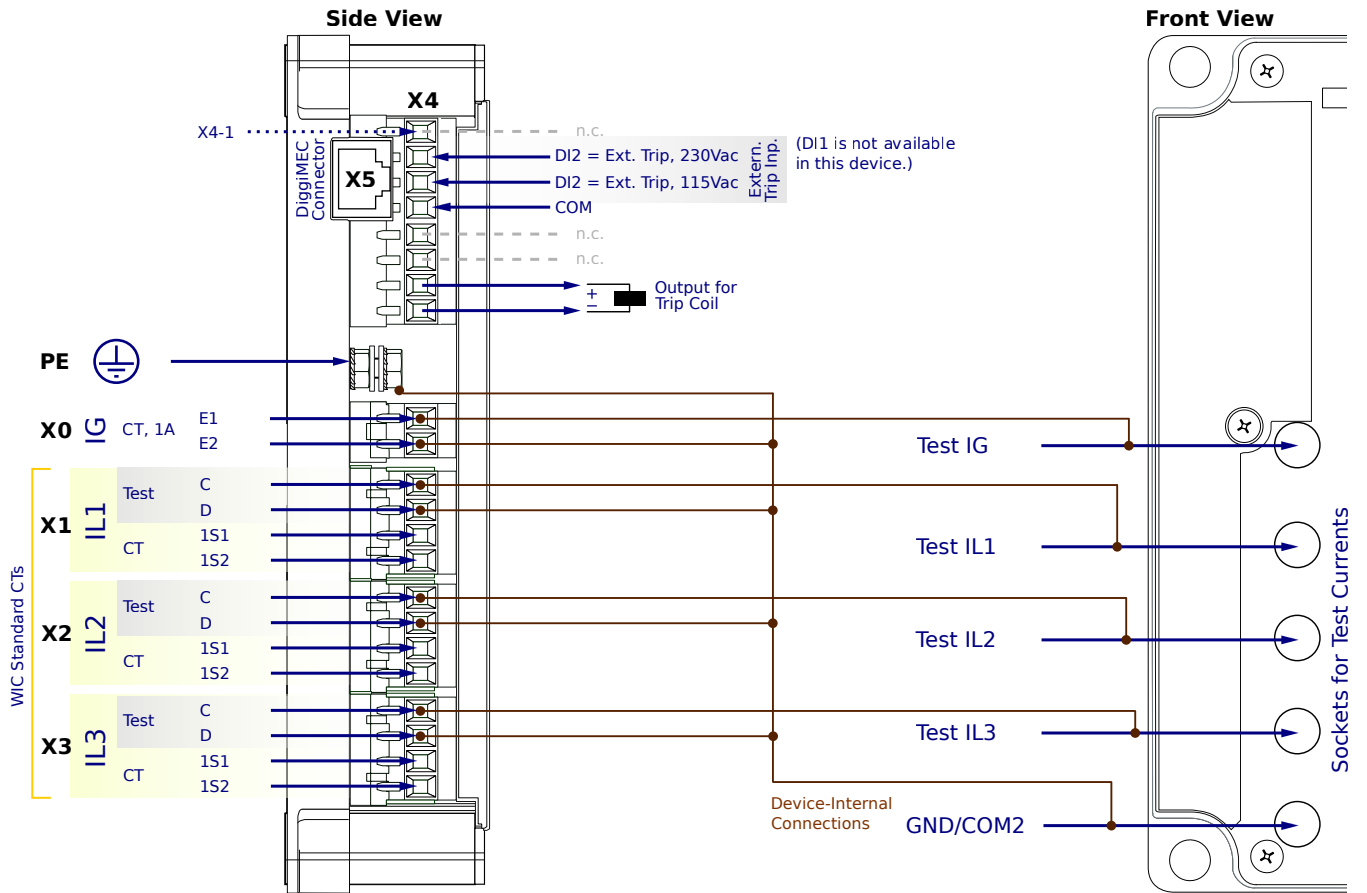
**X4-2,3** - DI2, fixed to External trip input (115Vac or 230Vac)

**X4-7,8** - Trip pulse output

**X5** - DiggiMEC-WIC1 connection. Use network cable CAT3 (or better). No crossover cable!



# WIC1-2SG6NF2SA



## CT-Powered Protection Device, configuration via DIP switches or DiggiMEC / Smart view

- Nominal frequency is 60 Hz. (Setting to 50 Hz is possible via DiggiMEC/Smart view.)
- Trip at  $20 \cdot I_{n,max}$
- ANSI 50, 50G/N, 51, 51G/N, inrush, 50BF, 74TC

**PE** - Protective Earth

**X0** - Measured ground current via 1A CT input. (Setting to calc. IG is also possible via DiggiMEC/Smart view.)

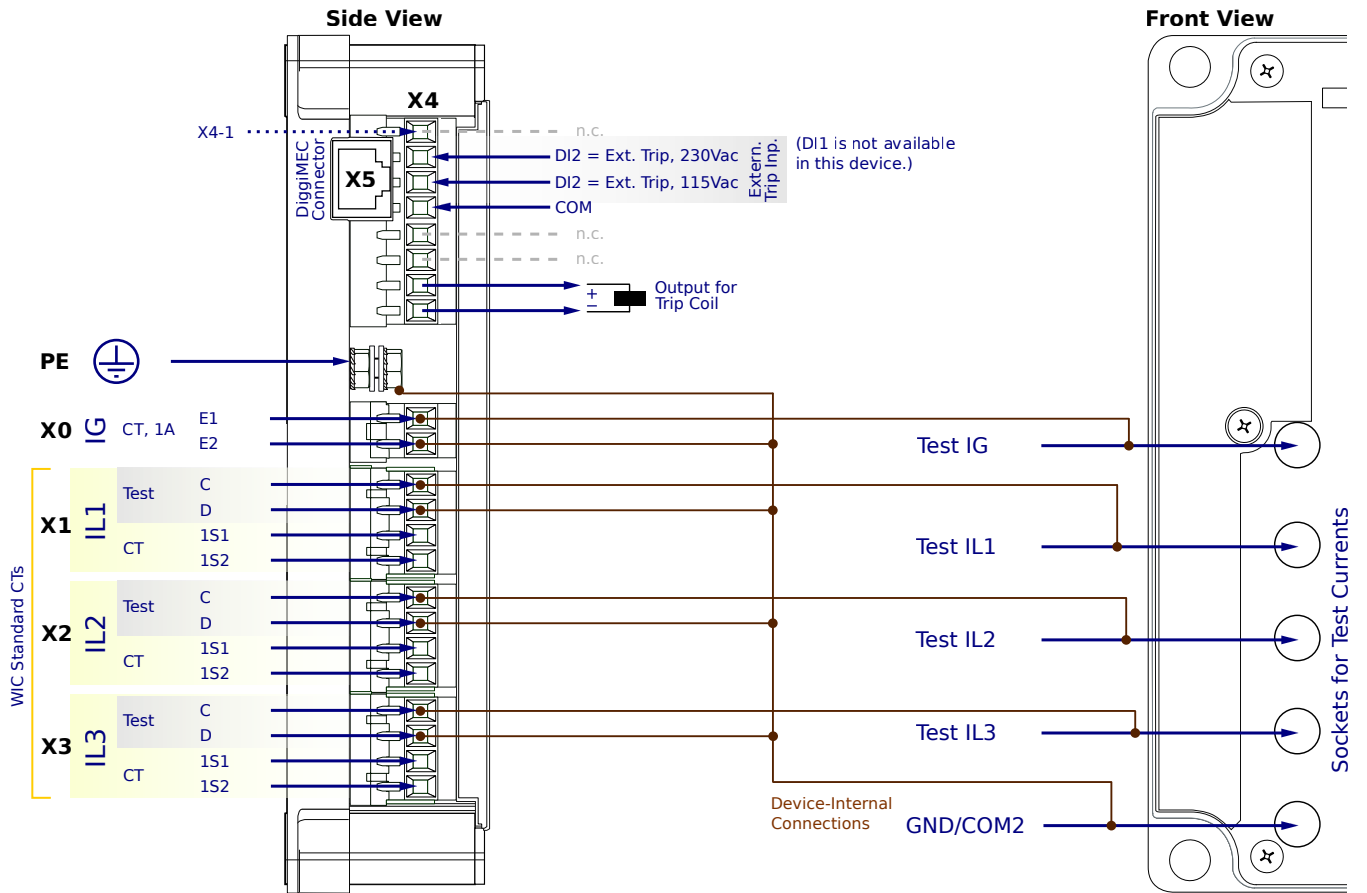
**X1...X3** - WIC CTs

**X4-2,3** - DI2, fixed to External trip input (115Vac or 230Vac)

**X4-7,8** - Trip pulse output

**X5** - DiggiMEC-WIC1 connection. Use network cable CAT3 (or better). No crossover cable!

# WIC1-2SG6NF2AA



## CT-Powered Protection Device, configuration via DIP switches or DiggiMEC / Smart view

- Nominal frequency is 60 Hz. (Setting to 50 Hz is possible via DiggiMEC/Smart view.)
- Trip at  $20 \cdot I_{n,max}$
- Package "S" + ANSI 46, 49, 51Q, Breaker Wear, Condition Monitoring (= Life Load, Drag Indicator)

**PE** - Protective Earth

**X0** - Measured ground current via 1A CT input. (Setting to calc. IG is also possible via DiggiMEC/Smart view.)

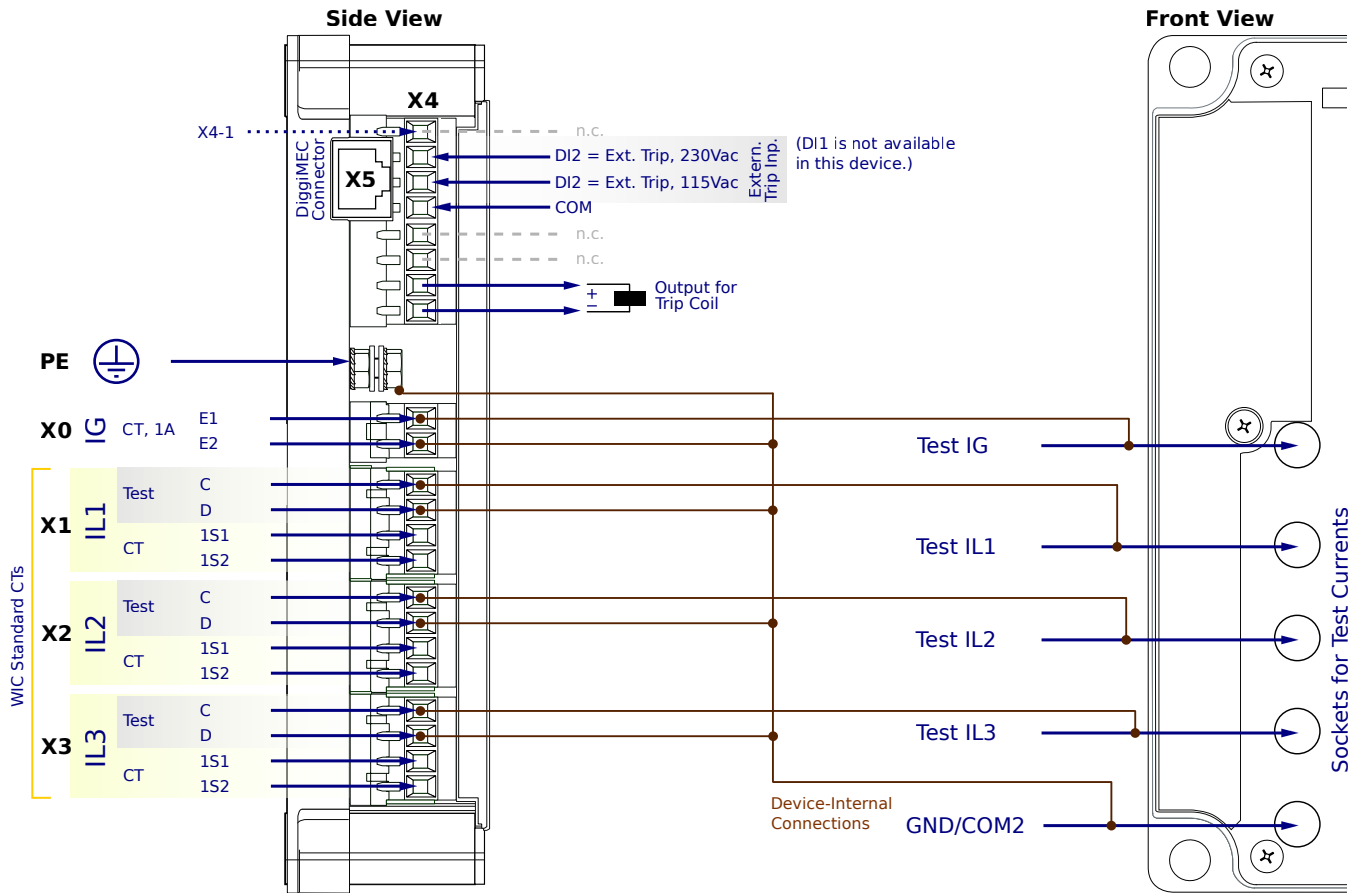
**X1...X3** - WIC CTs

**X4-2,3** - DI2, fixed to External trip input (115Vac or 230Vac)

**X4-7,8** - Trip pulse output

**X5** - DiggiMEC-WIC1 connection. Use network cable CAT3 (or better). No crossover cable!

# WIC1-2SG6NF2PA



## CT-Powered Protection Device, configuration via DIP switches or DiggiMEC / Smart view

- Nominal frequency is 60 Hz. (Setting to 50 Hz is possible via DiggiMEC/Smart view.)
- Trip at  $20 \cdot I_{n,max}$
- Package "A" + SOTF, CLPU, external protection, ultra-fast overcurrent protection

**PE** - Protective Earth

**X0** - Measured ground current via 1A CT input. (Setting to calc. IG is also possible via DiggiMEC/Smart view.)

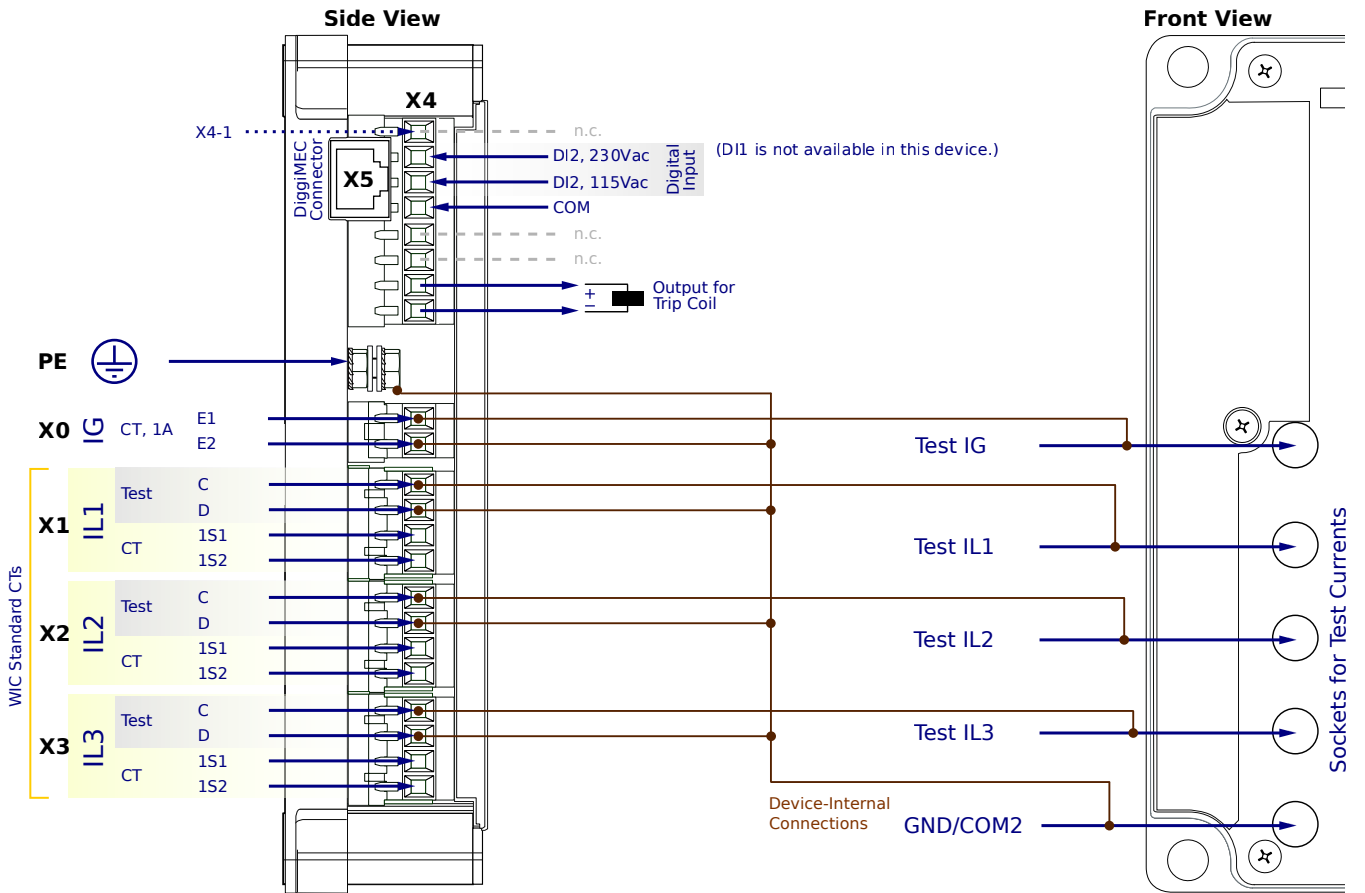
**X1...X3** - WIC CTs

**X4-2,3** - DI2, fixed to External trip input (115Vac or 230Vac)

**X4-7,8** - Trip pulse output

**X5** - DiggiMEC-WIC1 connection. Use network cable CAT3 (or better). No crossover cable!

# WIC1-2SG6NC1SA



## CT-Powered Protection Device, configuration via DIP switches or DiggiMEC / Smart view

- Nominal frequency is 60 Hz. (Setting to 50 Hz is possible via DiggiMEC/Smart view.)
- Backup protection operates directly
- ANSI 50, 50G/N, 51, 51G/N, inrush, 50BF, 74TC

**PE** - Protective Earth

**X0** - Measured ground current via 1A CT input. (Setting to calc. IG is also possible via DiggiMEC/Smart view.)

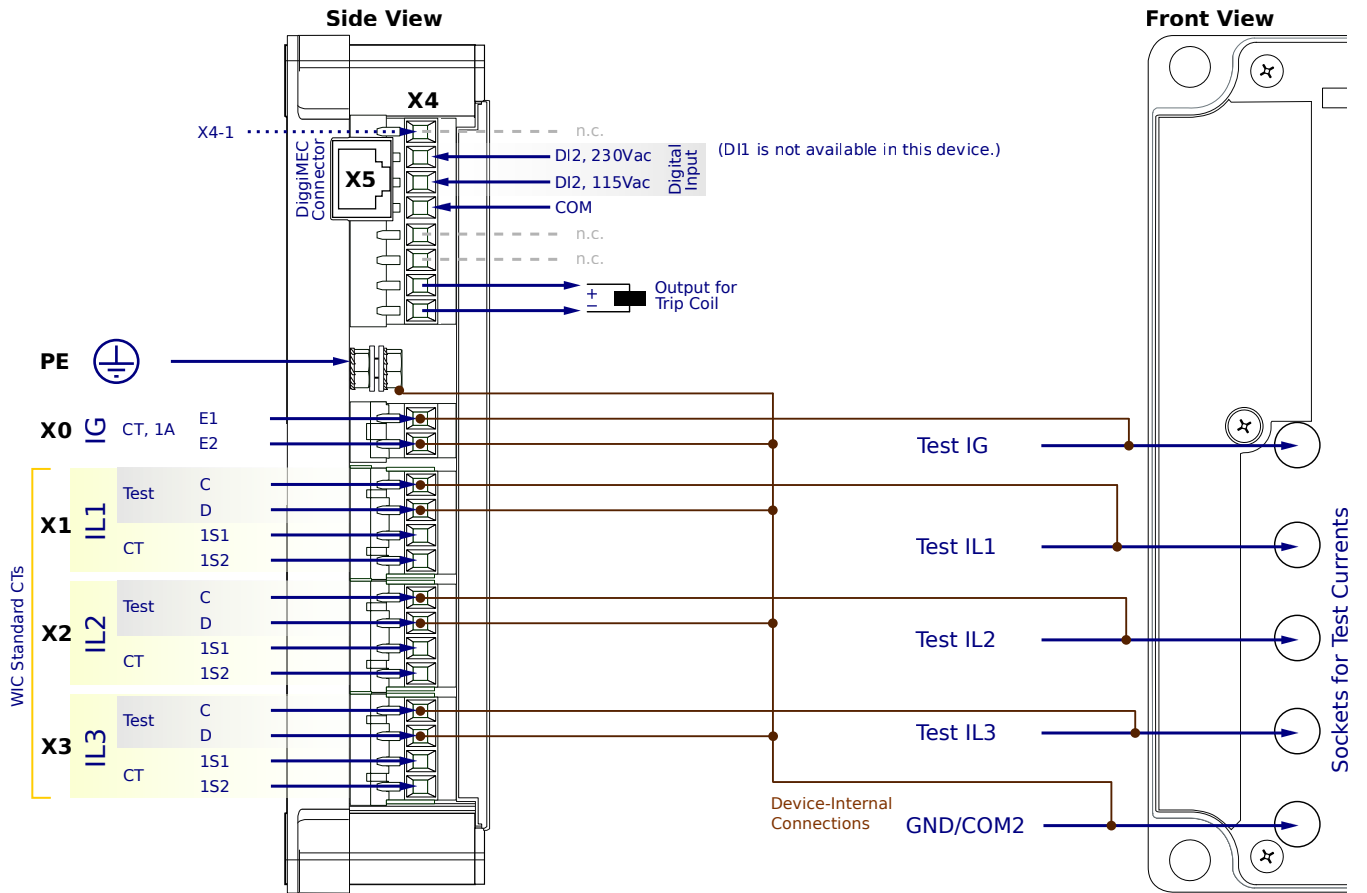
**X1...X3** - WIC CTs

**X4-2,3** - 1 assignable Digital Input DI2 (115Vac or 230Vac)

**X4-7,8** - Trip pulse output

**X5** - DiggiMEC-WIC1 connection. Use network cable CAT3 (or better). No crossover cable!

# WIC1-2SG6NC1AA



## CT-Powered Protection Device, configuration via DIP switches or DiggiMEC / Smart view

- Nominal frequency is 60 Hz. (Setting to 50 Hz is possible via DiggiMEC/Smart view.)
- Backup protection operates directly
- Package "S" + ANSI 46, 49, 51Q, Breaker Wear, Condition Monitoring (= Life Load, Drag Indicator)

**PE** - Protective Earth

**X0** - Measured ground current via 1A CT input. (Setting to calc. IG is also possible via DiggiMEC/Smart view.)

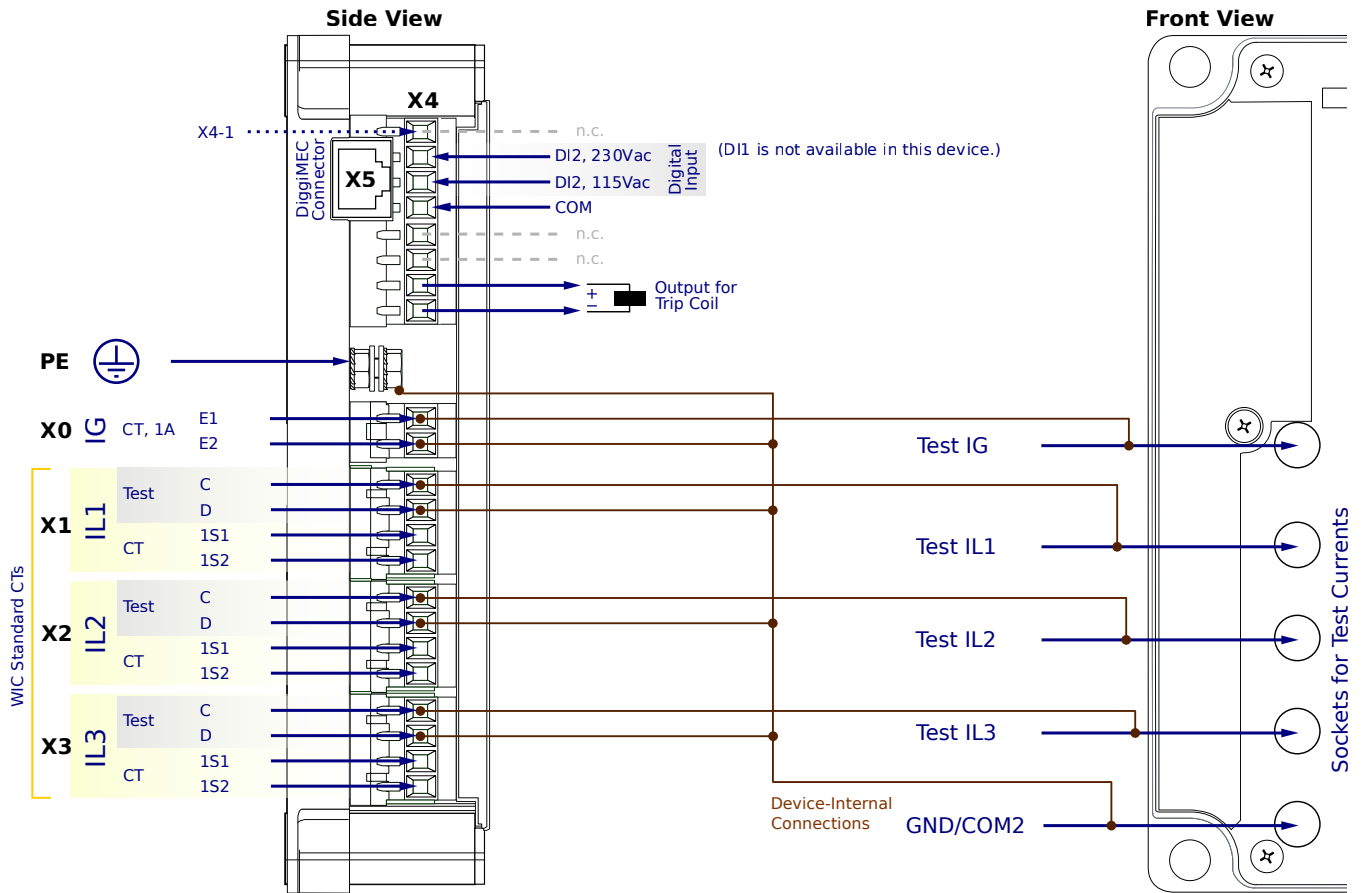
**X1...X3** - WIC CTs

**X4-2,3** - 1 assignable Digital Input DI2 (115Vac or 230Vac)

**X4-7,8** - Trip pulse output

**X5** - DiggiMEC-WIC1 connection. Use network cable CAT3 (or better). No crossover cable!

# WIC1-2SG6NC1PA



## CT-Powered Protection Device, configuration via DIP switches or DiggiMEC / Smart view

- Nominal frequency is 60 Hz. (Setting to 50 Hz is possible via DiggiMEC/Smart view.)
- Backup protection operates directly
- Package "A" + SOTF, CLPU, external protection, ultra-fast overcurrent protection

**PE** - Protective Earth

**X0** - Measured ground current via 1A CT input. (Setting to calc. IG is also possible via DiggiMEC/Smart view.)

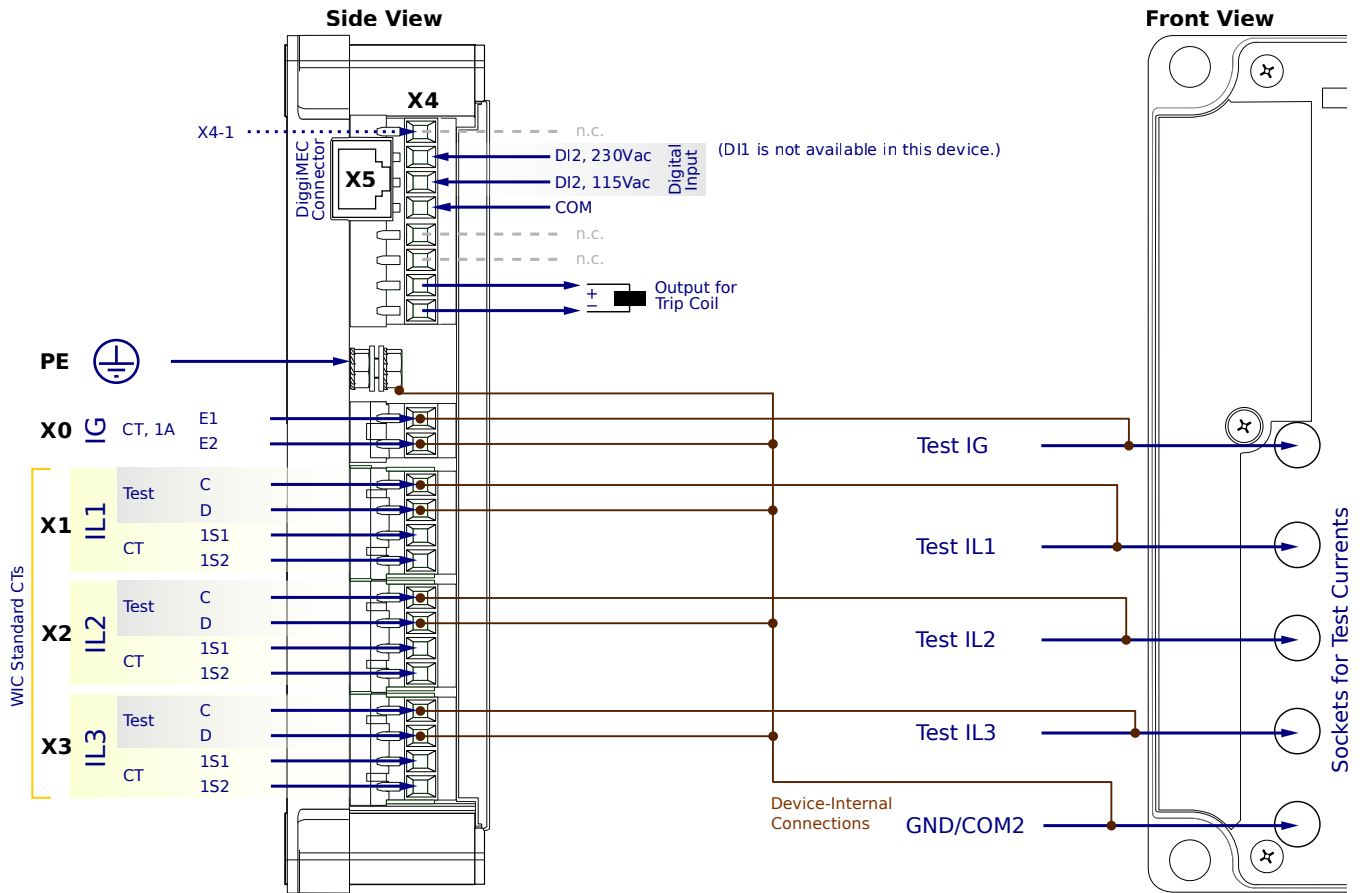
**X1...X3** - WIC CTs

**X4-2,3** - 1 assignable Digital Input DI2 (115Vac or 230Vac)

**X4-7,8** - Trip pulse output

**X5** - DiggiMEC-WIC1 connection. Use network cable CAT3 (or better). No crossover cable!

# WIC1-2SG6NC2SA



## CT-Powered Protection Device, configuration via DIP switches or DiggiMEC / Smart view

- Nominal frequency is 60 Hz. (Setting to 50 Hz is possible via DiggiMEC/Smart view.)
- Trip at  $20 \cdot I_{n,max}$
- ANSI 50, 50G/N, 51, 51G/N, inrush, 50BF, 74TC

**PE** - Protective Earth

**X0** - Measured ground current via 1A CT input. (Setting to calc. IG is also possible via DiggiMEC/Smart view.)

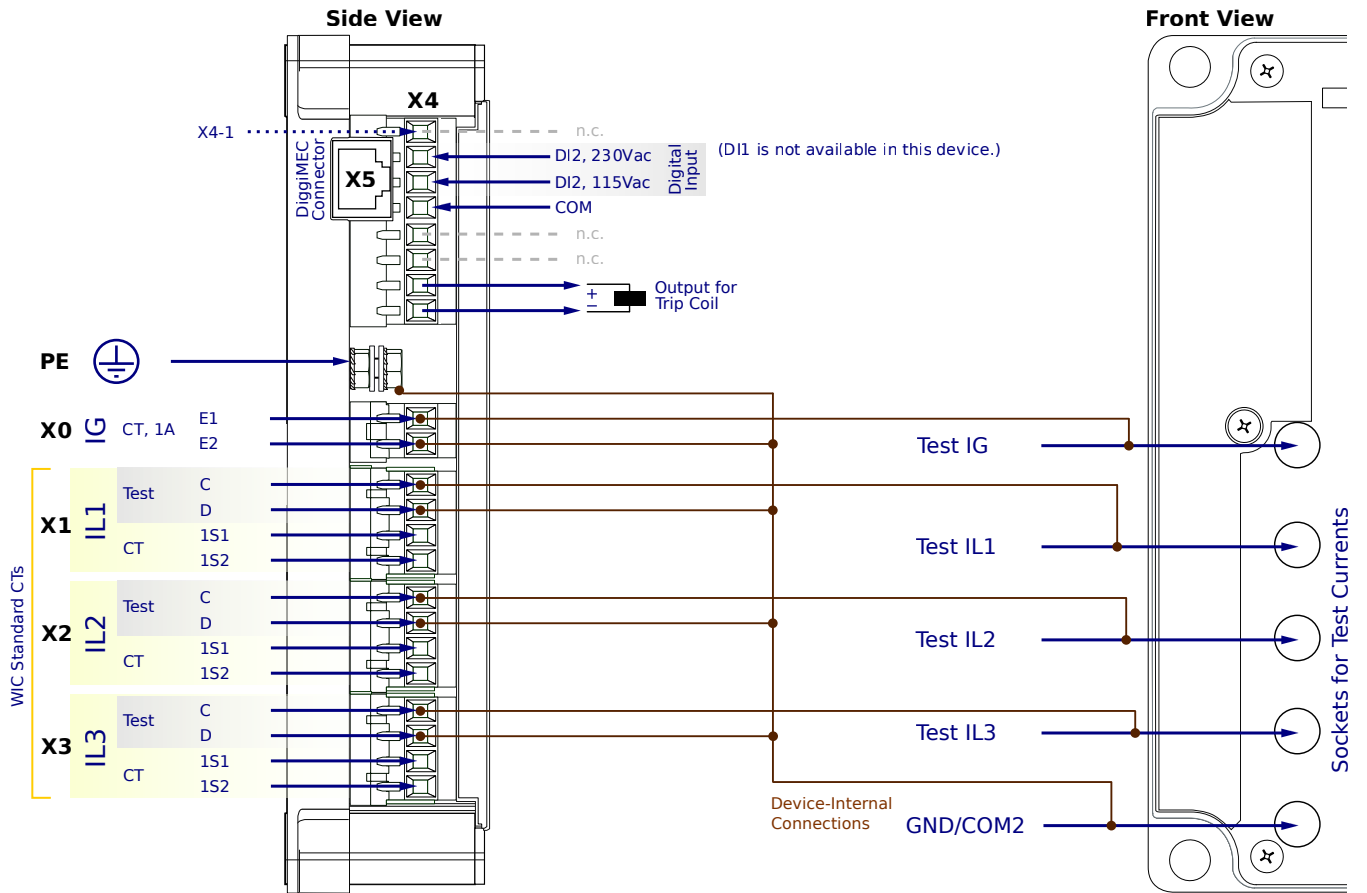
**X1...X3** - WIC CTs

**X4-2,3** - 1 assignable Digital Input DI2 (115Vac or 230Vac)

**X4-7,8** - Trip pulse output

**X5** - DiggiMEC-WIC1 connection. Use network cable CAT3 (or better). No crossover cable!

# WIC1-2SG6NC2AA



## CT-Powered Protection Device, configuration via DIP switches or DiggiMEC / Smart view

- Nominal frequency is 60 Hz. (Setting to 50 Hz is possible via DiggiMEC/Smart view.)
- Trip at  $20 \cdot I_{n,max}$
- Package "S" + ANSI 46, 49, 51Q, Breaker Wear, Condition Monitoring (= Life Load, Drag Indicator)

**PE** - Protective Earth

**X0** - Measured ground current via 1A CT input. (Setting to calc. IG is also possible via DiggiMEC/Smart view.)

**X1...X3** - WIC CTs

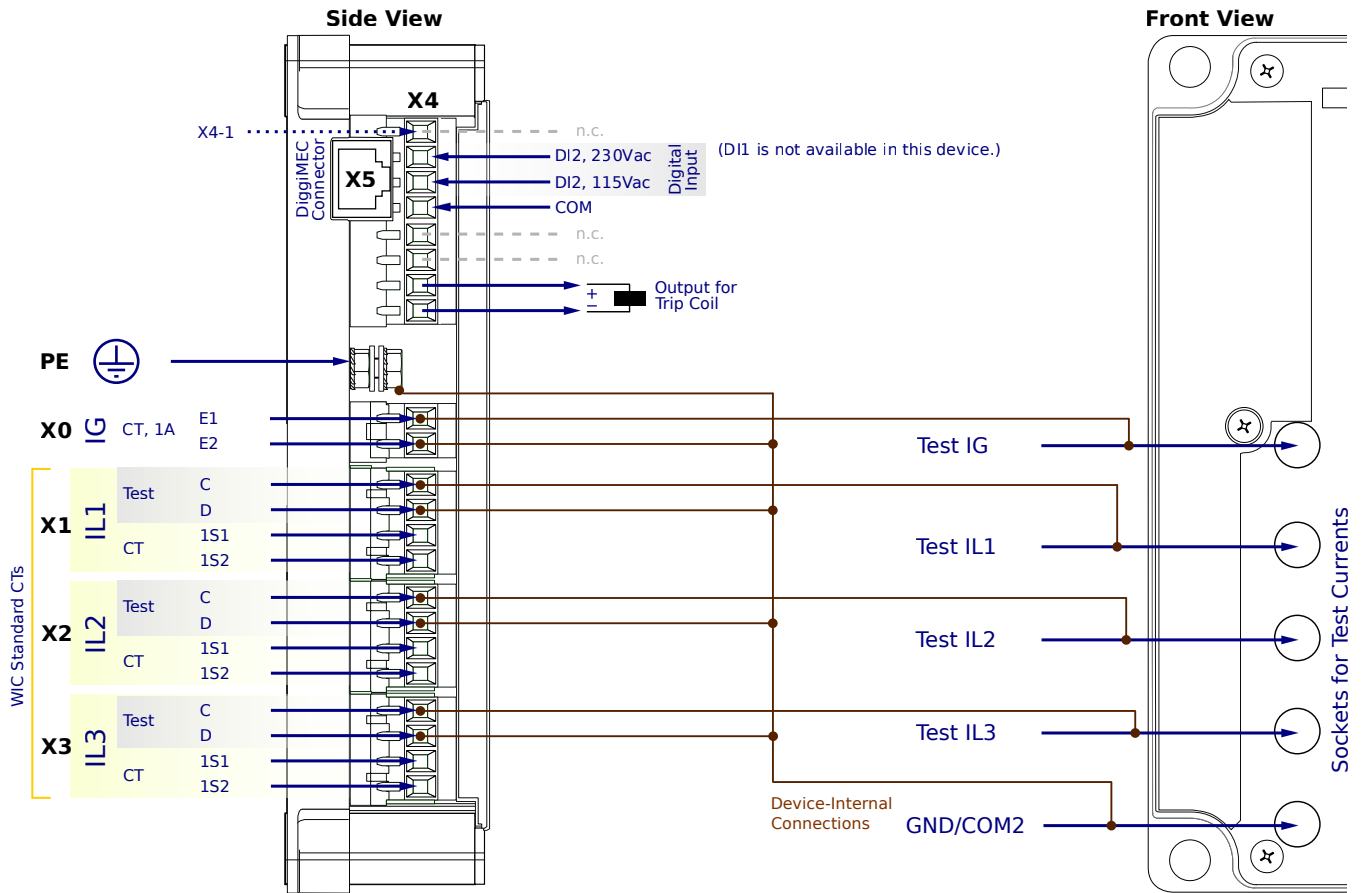
**X4-2,3** - 1 assignable Digital Input DI2 (115Vac or 230Vac)

**X4-7,8** - Trip pulse output

**X5** - DiggiMEC-WIC1 connection. Use network cable CAT3 (or better). No crossover cable!



# WIC1-2SG6NC2PA



## CT-Powered Protection Device, configuration via DIP switches or DiggiMEC / Smart view

- Nominal frequency is 60 Hz. (Setting to 50 Hz is possible via DiggiMEC/Smart view.)
- Trip at  $20 \cdot I_{n,max}$
- Package "A" + SOTF, CLPU, external protection, ultra-fast overcurrent protection

**PE** - Protective Earth

**X0** - Measured ground current via 1A CT input. (Setting to calc. IG is also possible via DiggiMEC/Smart view.)

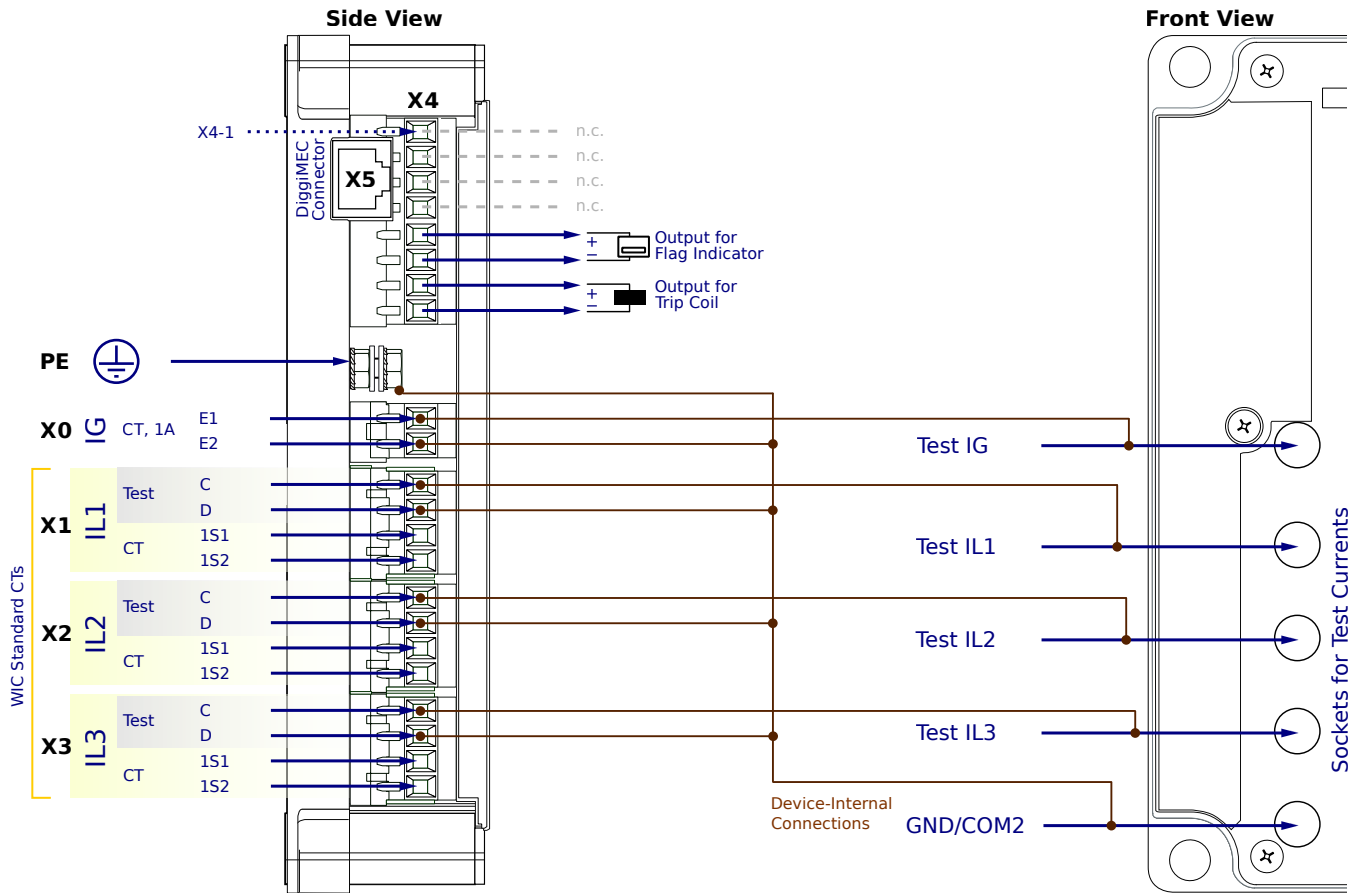
**X1...X3** - WIC CTs

**X4-2,3** - 1 assignable Digital Input DI2 (115Vac or 230Vac)

**X4-7,8** - Trip pulse output

**X5** - DiggiMEC-WIC1 connection. Use network cable CAT3 (or better). No crossover cable!

# WIC1-2SG6FN1SA



## CT-Powered Protection Device, configuration via DIP switches or DiggiMEC / Smart view

- Nominal frequency is 60 Hz. (Setting to 50 Hz is possible via DiggiMEC/Smart view.)
- Backup protection operates directly
- ANSI 50, 50G/N, 51, 51G/N, inrush, 50BF, 74TC

**PE** - Protective Earth

**X0** - Measured ground current via 1A CT input. (Setting to calc. IG is also possible via DiggiMEC/Smart view.)

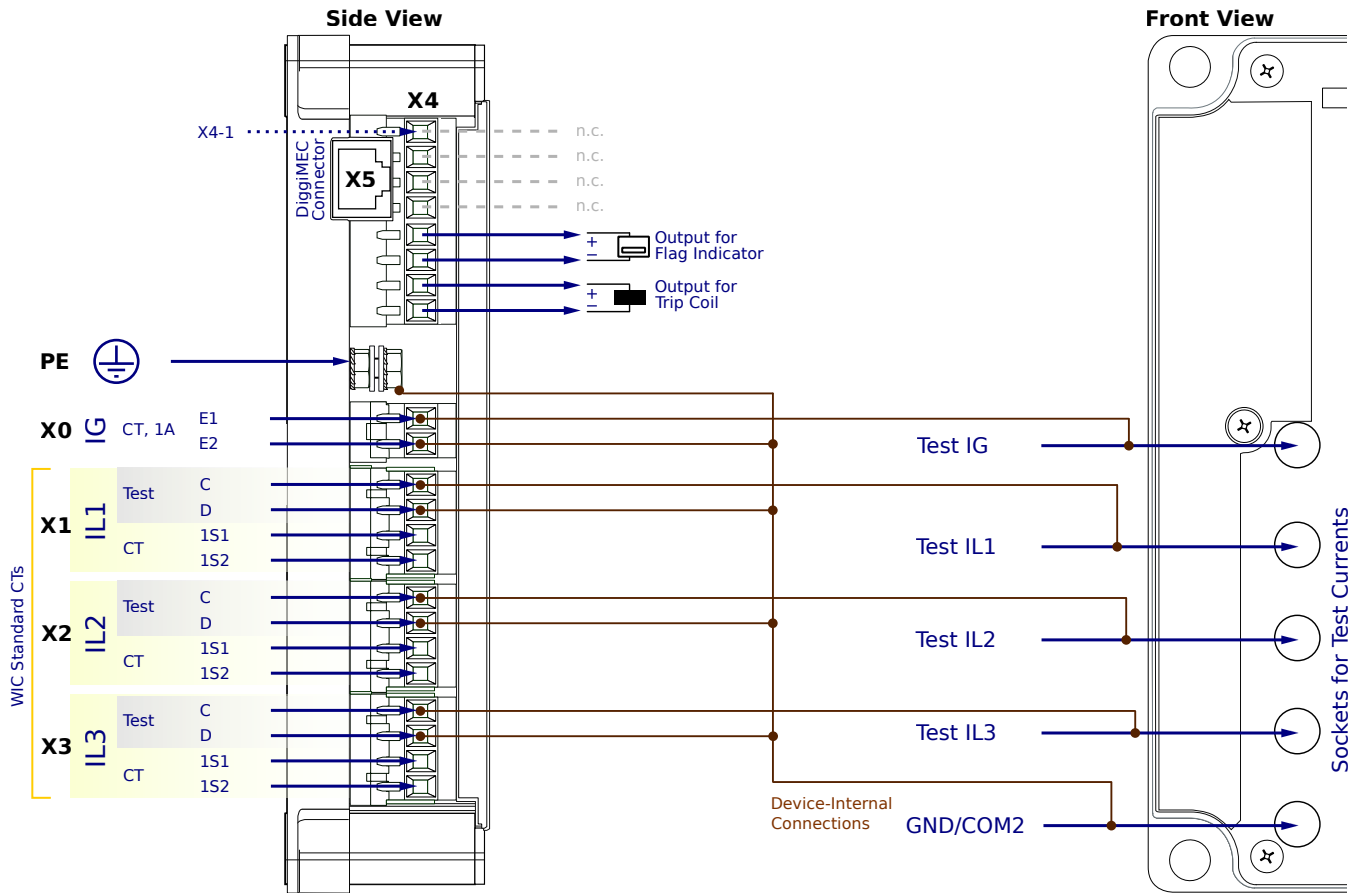
**X1...X3** - WIC CTs

**X4-5,6** - Trip flag indicator

**X4-7,8** - Trip pulse output

**X5** - DiggiMEC-WIC1 connection. Use network cable CAT3 (or better). No crossover cable!

# WIC1-2SG6FN1AA



## CT-Powered Protection Device, configuration via DIP switches or DiggiMEC / Smart view

- Nominal frequency is 60 Hz. (Setting to 50 Hz is possible via DiggiMEC/Smart view.)
- Backup protection operates directly
- Package "S" + ANSI 46, 49, 51Q, Breaker Wear, Condition Monitoring (= Life Load, Drag Indicator)

**PE** - Protective Earth

**X0** - Measured ground current via 1A CT input. (Setting to calc. IG is also possible via DiggiMEC/Smart view.)

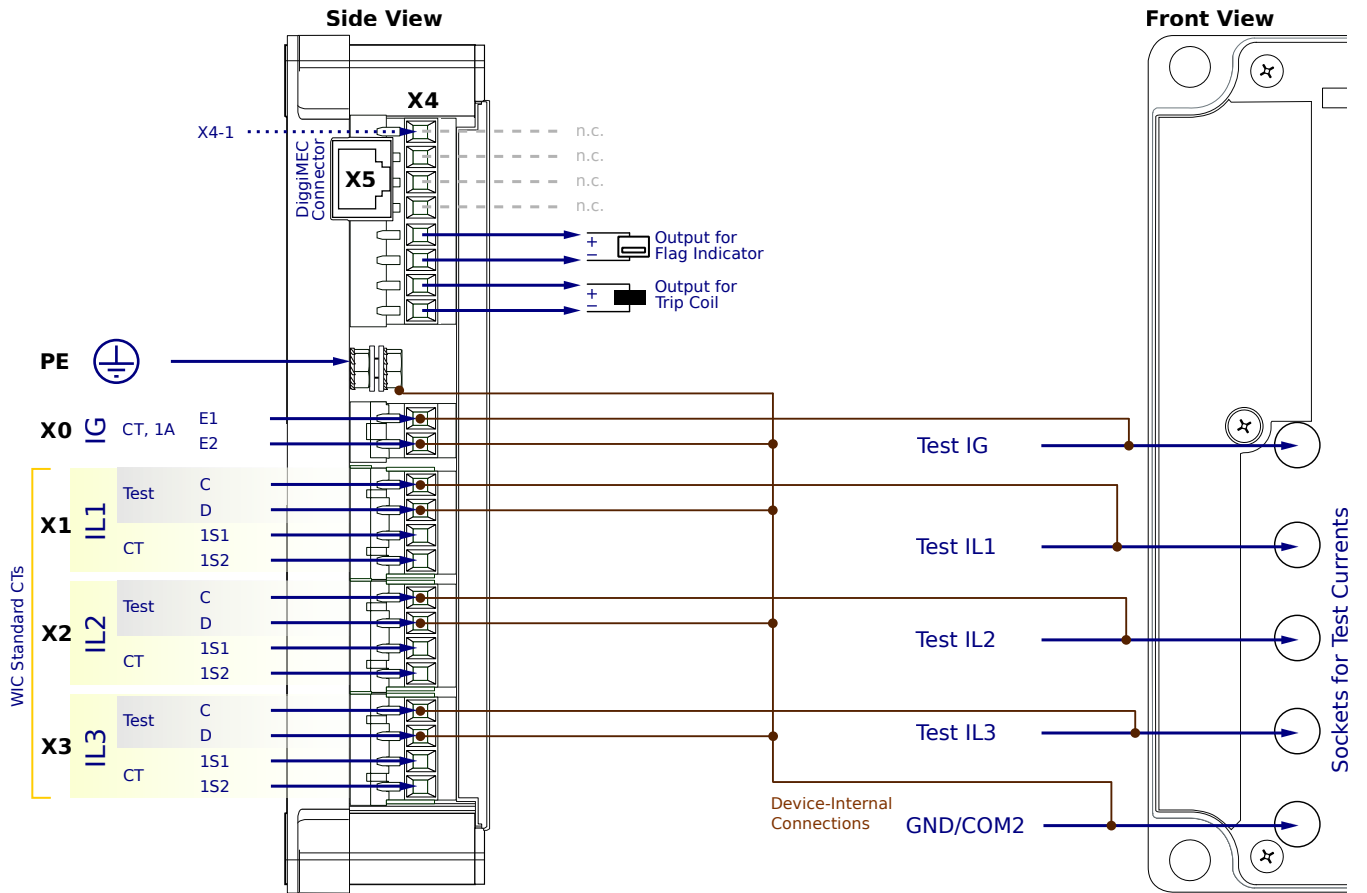
**X1...X3** - WIC CTs

**X4-5,6** - Trip flag indicator

**X4-7,8** - Trip pulse output

**X5** - DiggiMEC-WIC1 connection. Use network cable CAT3 (or better). No crossover cable!

# WIC1-2SG6FN1PA



## CT-Powered Protection Device, configuration via DIP switches or DiggiMEC / Smart view

- Nominal frequency is 60 Hz. (Setting to 50 Hz is possible via DiggiMEC/Smart view.)
- Backup protection operates directly
- Package "A" + SOTF, CLPU, external protection, ultra-fast overcurrent protection

**PE** - Protective Earth

**X0** - Measured ground current via 1A CT input. (Setting to calc. IG is also possible via DiggiMEC/Smart view.)

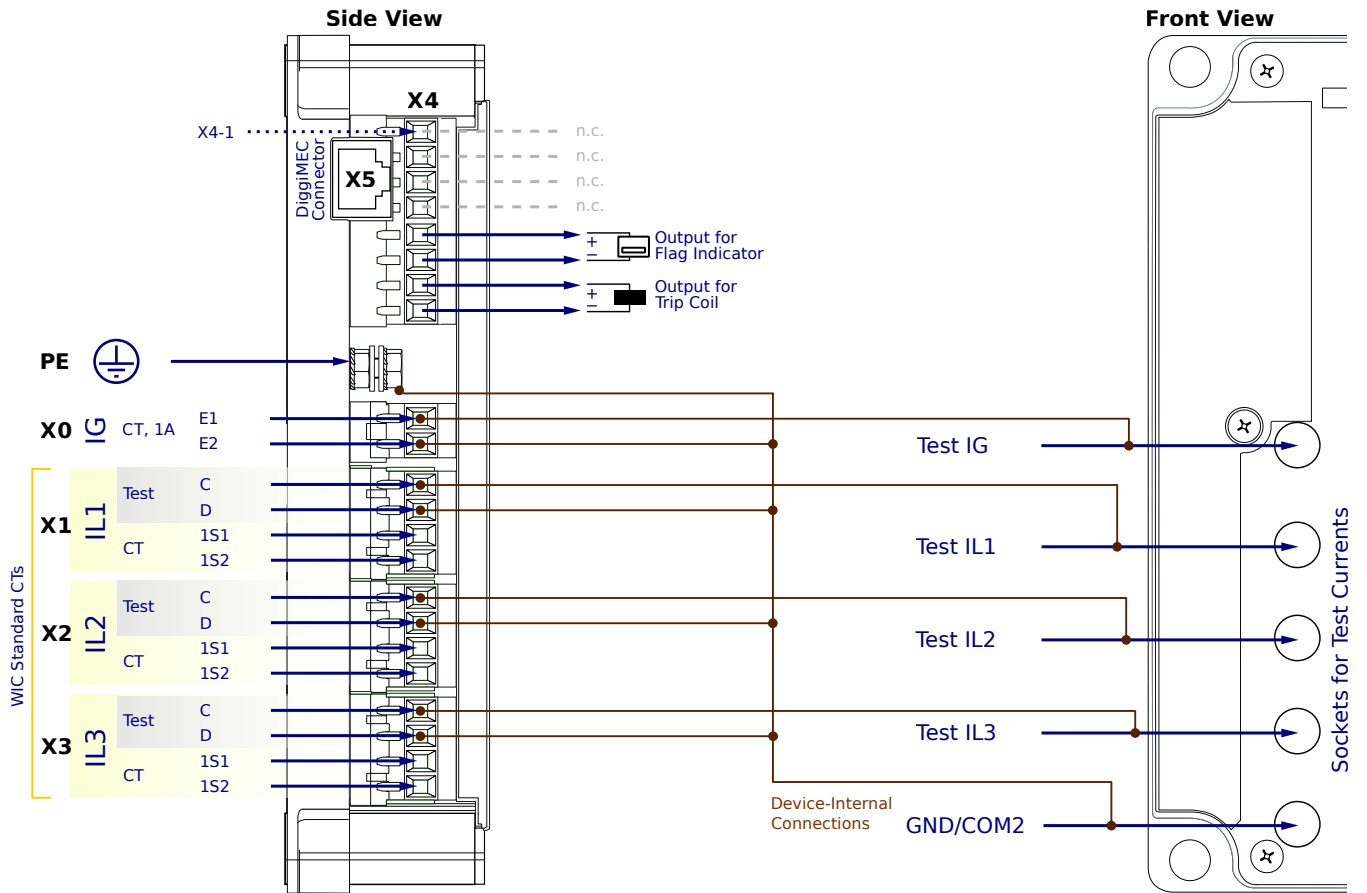
**X1...X3** - WIC CTs

**X4-5,6** - Trip flag indicator

**X4-7,8** - Trip pulse output

**X5** - DiggiMEC-WIC1 connection. Use network cable CAT3 (or better). No crossover cable!

# WIC1-2SG6FN2SA



## CT-Powered Protection Device, configuration via DIP switches or DiggiMEC / Smart view

- Nominal frequency is 60 Hz. (Setting to 50 Hz is possible via DiggiMEC/Smart view.)
- Trip at  $20 \cdot I_{n,max}$
- ANSI 50, 50G/N, 51, 51G/N, inrush, 50BF, 74TC

**PE** - Protective Earth

**X0** - Measured ground current via 1A CT input. (Setting to calc. IG is also possible via DiggiMEC/Smart view.)

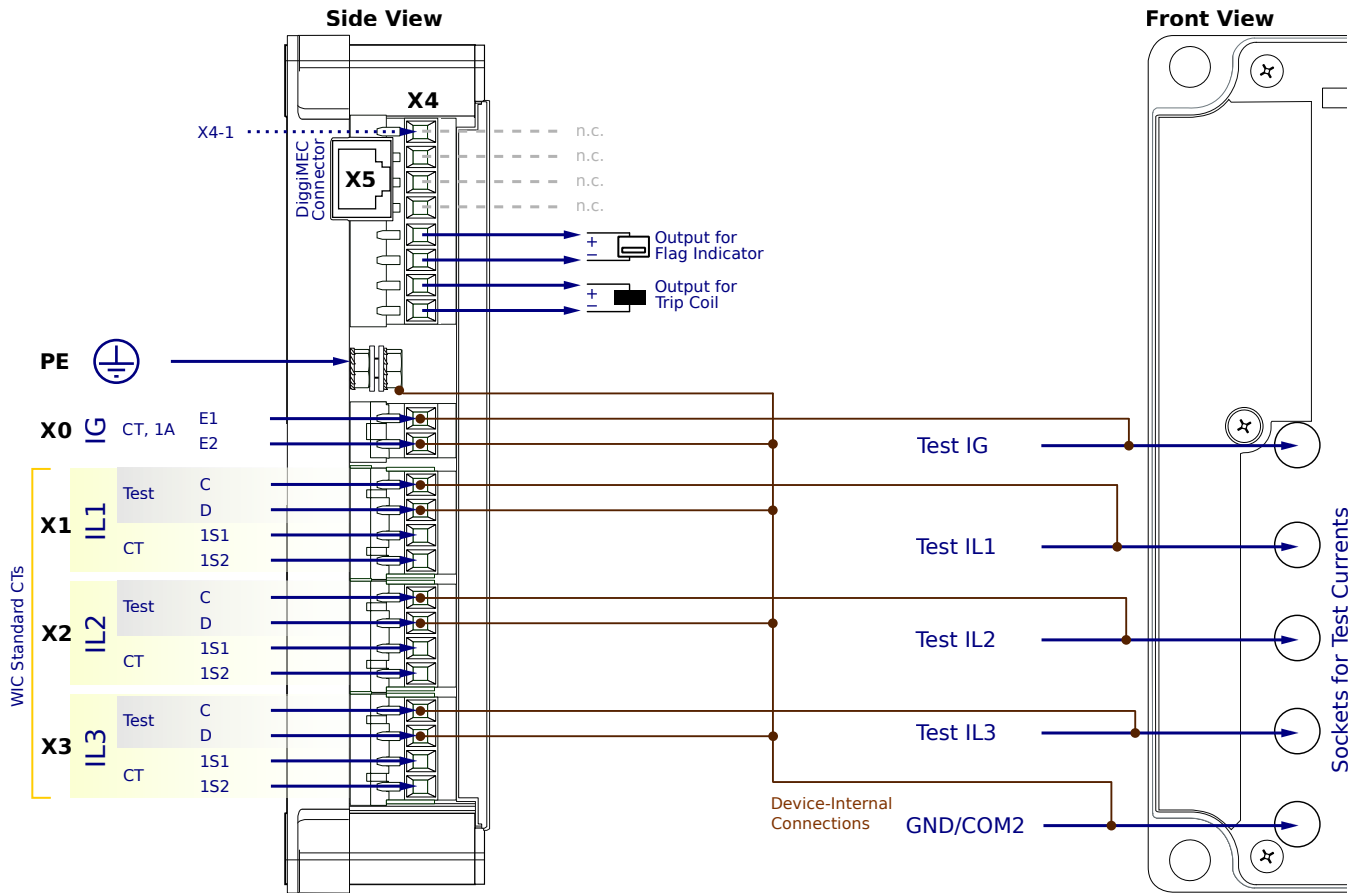
**X1...X3** - WIC CTs

**X4-5,6** - Trip flag indicator

**X4-7,8** - Trip pulse output

**X5** - DiggiMEC-WIC1 connection. Use network cable CAT3 (or better). No crossover cable!

# WIC1-2SG6FN2AA



## CT-Powered Protection Device, configuration via DIP switches or DiggiMEC / Smart view

- Nominal frequency is 60 Hz. (Setting to 50 Hz is possible via DiggiMEC/Smart view.)
- Trip at  $20 \cdot I_{n,max}$
- Package "S" + ANSI 46, 49, 51Q, Breaker Wear, Condition Monitoring (= Life Load, Drag Indicator)

**PE** - Protective Earth

**X0** - Measured ground current via 1A CT input. (Setting to calc. IG is also possible via DiggiMEC/Smart view.)

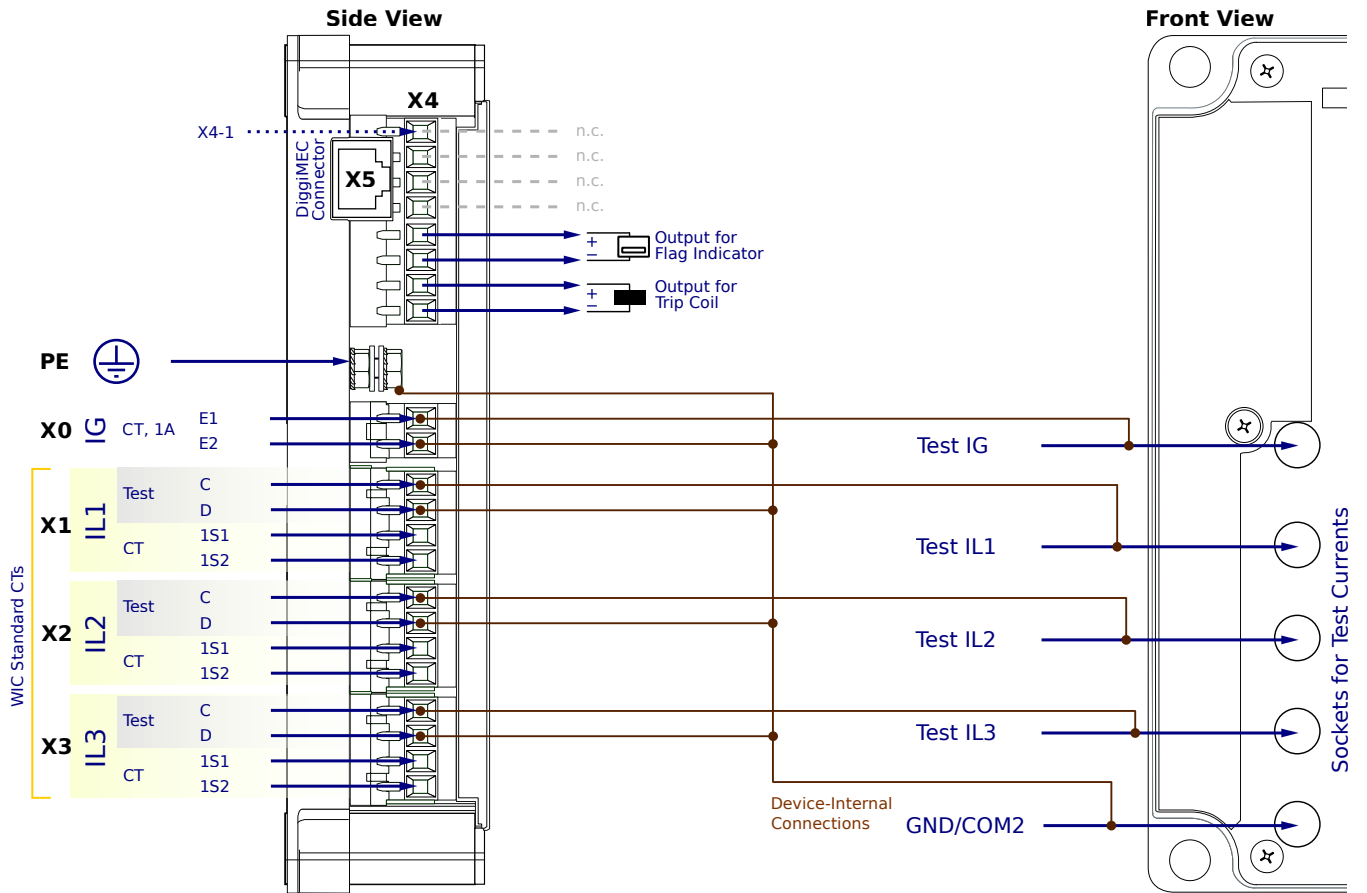
**X1...X3** - WIC CTs

**X4-5,6** - Trip flag indicator

**X4-7,8** - Trip pulse output

**X5** - DiggiMEC-WIC1 connection. Use network cable CAT3 (or better). No crossover cable!

# WIC1-2SG6FN2PA



## CT-Powered Protection Device, configuration via DIP switches or DiggiMEC / Smart view

- Nominal frequency is 60 Hz. (Setting to 50 Hz is possible via DiggiMEC/Smart view.)
- Trip at  $20 \cdot I_{n,max}$
- Package "A" + SOTF, CLPU, external protection, ultra-fast overcurrent protection

**PE** - Protective Earth

**X0** - Measured ground current via 1A CT input. (Setting to calc. IG is also possible via DiggiMEC/Smart view.)

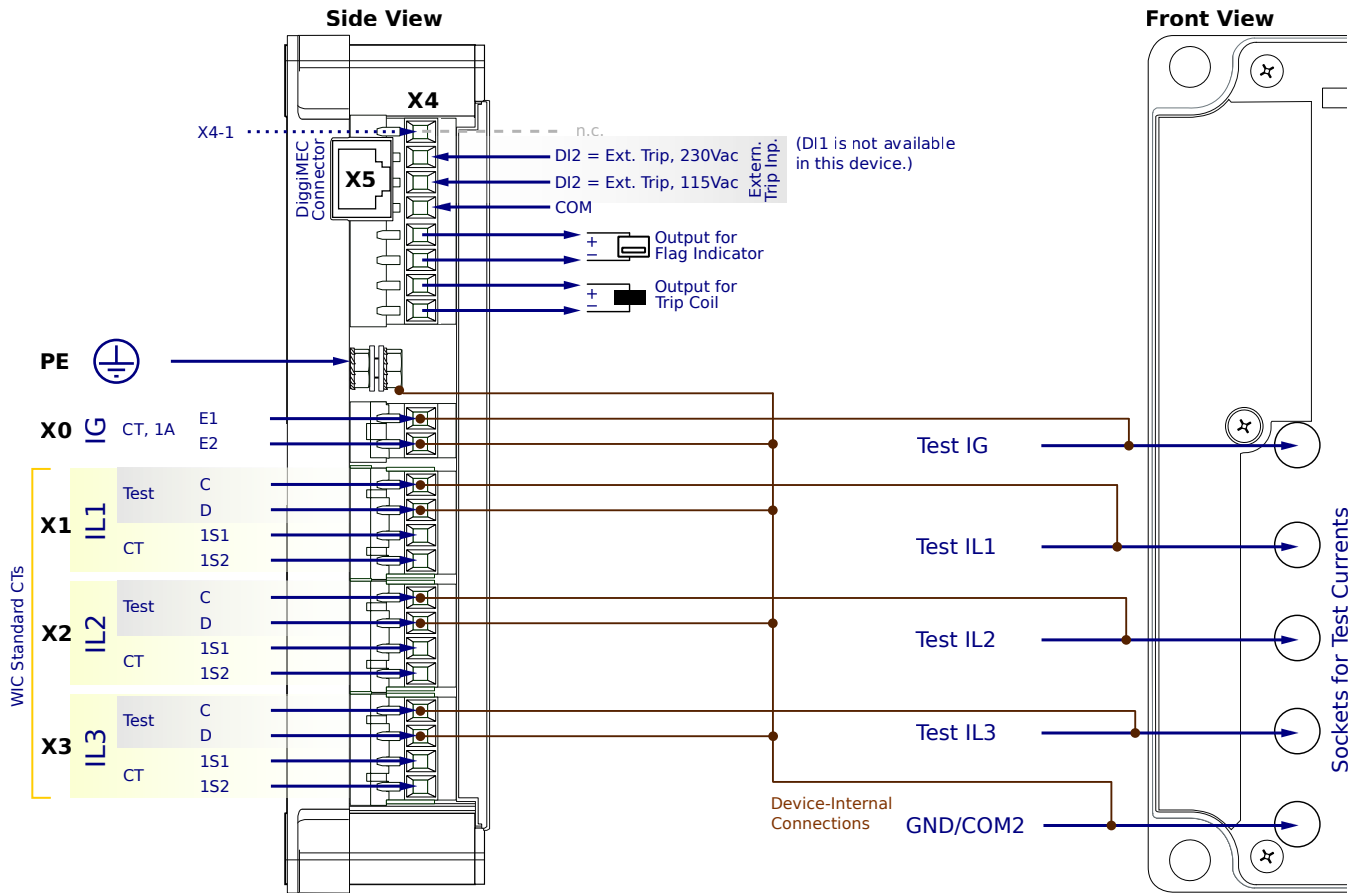
**X1...X3** - WIC CTs

**X4-5,6** - Trip flag indicator

**X4-7,8** - Trip pulse output

**X5** - DiggiMEC-WIC1 connection. Use network cable CAT3 (or better). No crossover cable!

# WIC1-2SG6FF1SA



## CT-Powered Protection Device, configuration via DIP switches or DiggiMEC / Smart view

- Nominal frequency is 60 Hz. (Setting to 50 Hz is possible via DiggiMEC/Smart view.)
- Backup protection operates directly
- ANSI 50, 50G/N, 51, 51G/N, inrush, 50BF, 74TC

**PE** - Protective Earth

**X0** - Measured ground current via 1A CT input. (Setting to calc. IG is also possible via DiggiMEC/Smart view.)

**X1...X3** - WIC CTs

**X4-2,3** - DI2, fixed to External trip input (115Vac or 230Vac)

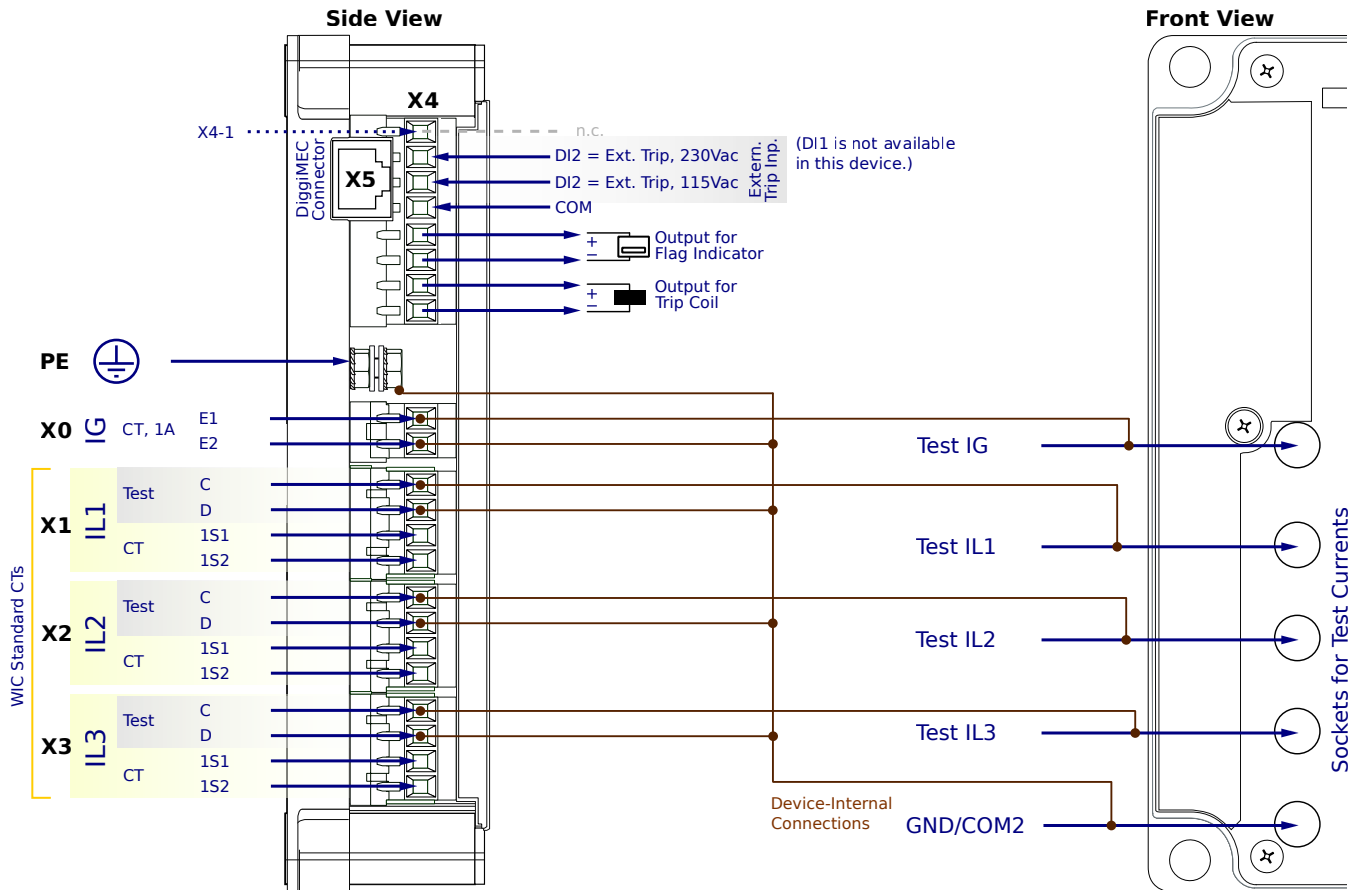
**X4-5,6** - Trip flag indicator

**X4-7,8** - Trip pulse output

**X5** - DiggiMEC-WIC1 connection. Use network cable CAT3 (or better). No crossover cable!



# WIC1-2SG6FF1AA



## CT-Powered Protection Device, configuration via DIP switches or DiggiMEC / Smart view

- Nominal frequency is 60 Hz. (Setting to 50 Hz is possible via DiggiMEC/Smart view.)
- Backup protection operates directly
- Package "S" + ANSI 46, 49, 51Q, Breaker Wear, Condition Monitoring (= Life Load, Drag Indicator)

**PE** - Protective Earth

**X0** - Measured ground current via 1A CT input. (Setting to calc. IG is also possible via DiggiMEC/Smart view.)

**X1...X3** - WIC CTs

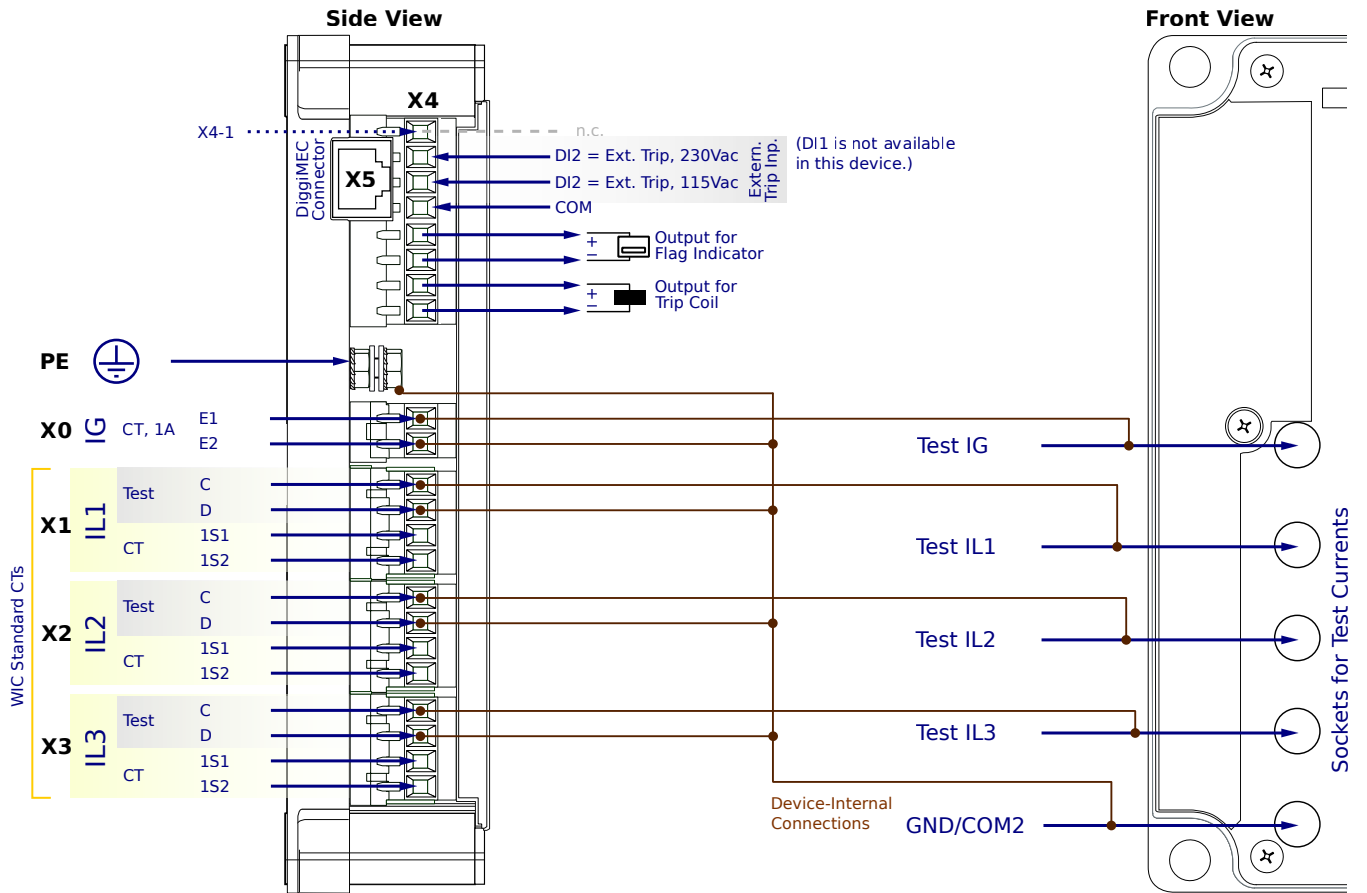
**X4-2,3** - DI2, fixed to External trip input (115Vac or 230Vac)

**X4-5,6** - Trip flag indicator

**X4-7,8** - Trip pulse output

**X5** - DiggiMEC-WIC1 connection. Use network cable CAT3 (or better). No crossover cable!

# WIC1-2SG6FF1PA



## CT-Powered Protection Device, configuration via DIP switches or DiggiMEC / Smart view

- Nominal frequency is 60 Hz. (Setting to 50 Hz is possible via DiggiMEC/Smart view.)
- Backup protection operates directly
- Package "A" + SOTF, CLPU, external protection, ultra-fast overcurrent protection

**PE** - Protective Earth

**X0** - Measured ground current via 1A CT input. (Setting to calc. IG is also possible via DiggiMEC/Smart view.)

**X1...X3** - WIC CTs

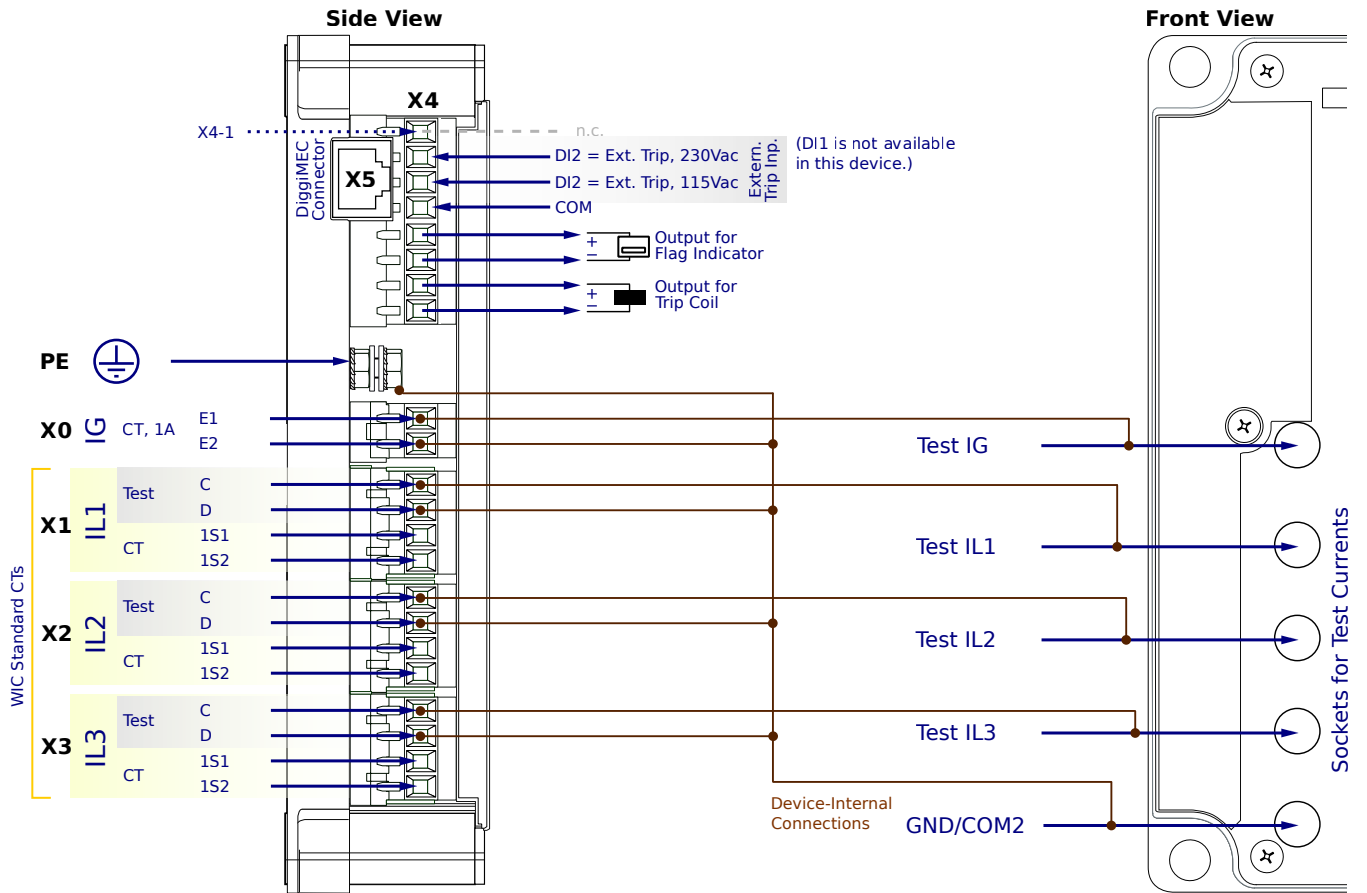
**X4-2,3** - DI2, fixed to External trip input (115Vac or 230Vac)

**X4-5,6** - Trip flag indicator

**X4-7,8** - Trip pulse output

**X5** - DiggiMEC-WIC1 connection. Use network cable CAT3 (or better). No crossover cable!

# WIC1-2SG6FF2SA



## CT-Powered Protection Device, configuration via DIP switches or DiggiMEC / Smart view

- Nominal frequency is 60 Hz. (Setting to 50 Hz is possible via DiggiMEC/Smart view.)
- Trip at  $20 \cdot I_{n,max}$
- ANSI 50, 50G/N, 51, 51G/N, inrush, 50BF, 74TC

**PE** - Protective Earth

**X0** - Measured ground current via 1A CT input. (Setting to calc. IG is also possible via DiggiMEC/Smart view.)

**X1...X3** - WIC CTs

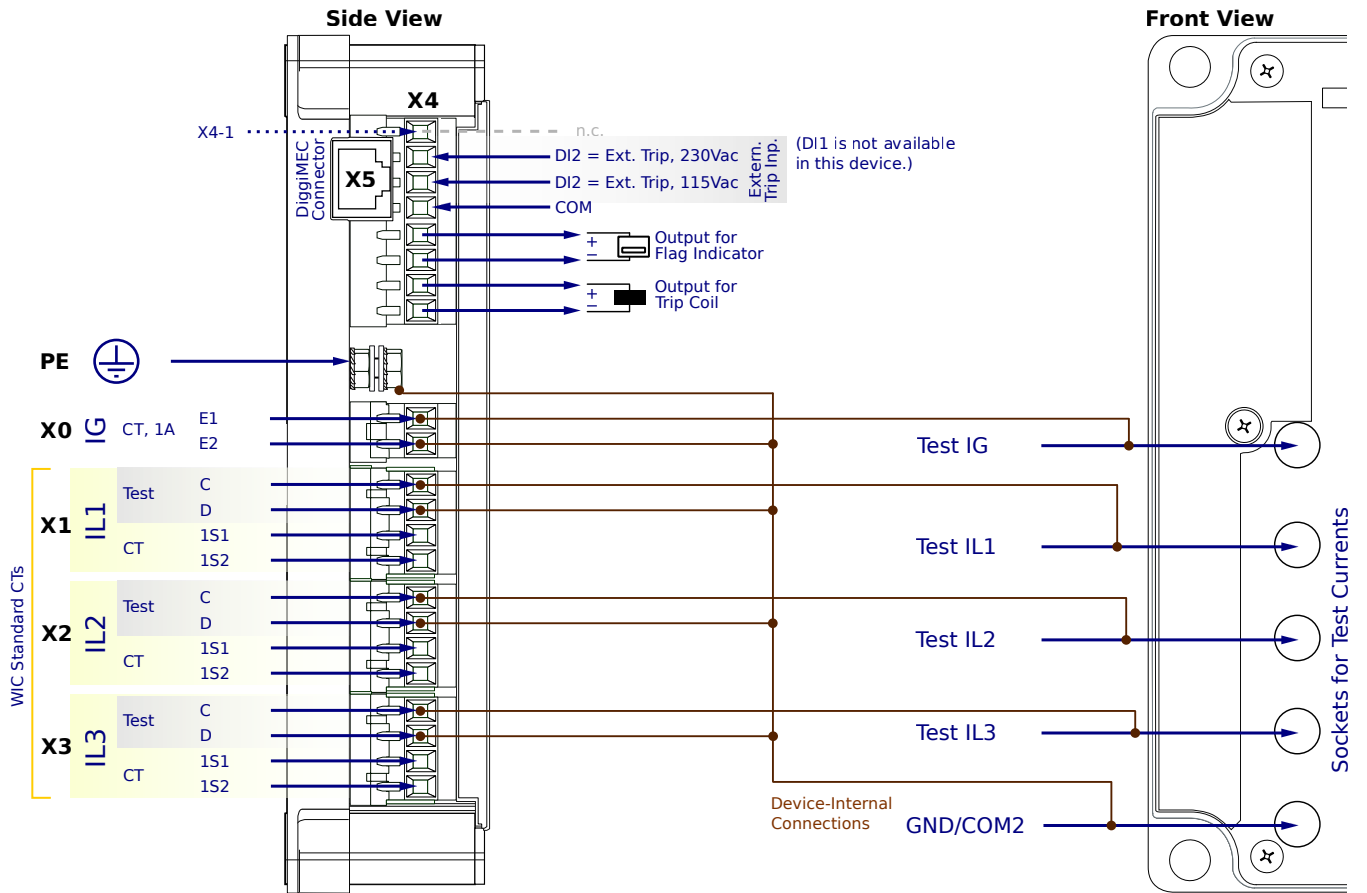
**X4-2,3** - DI2, fixed to External trip input (115Vac or 230Vac)

**X4-5,6** - Trip flag indicator

**X4-7,8** - Trip pulse output

**X5** - DiggiMEC-WIC1 connection. Use network cable CAT3 (or better). No crossover cable!

# WIC1-2SG6FF2AA



## CT-Powered Protection Device, configuration via DIP switches or DiggiMEC / Smart view

- Nominal frequency is 60 Hz. (Setting to 50 Hz is possible via DiggiMEC/Smart view.)
- Trip at  $20 \cdot I_{n,max}$
- Package "S" + ANSI 46, 49, 51Q, Breaker Wear, Condition Monitoring (= Life Load, Drag Indicator)

**PE** - Protective Earth

**X0** - Measured ground current via 1A CT input. (Setting to calc. IG is also possible via DiggiMEC/Smart view.)

**X1...X3** - WIC CTs

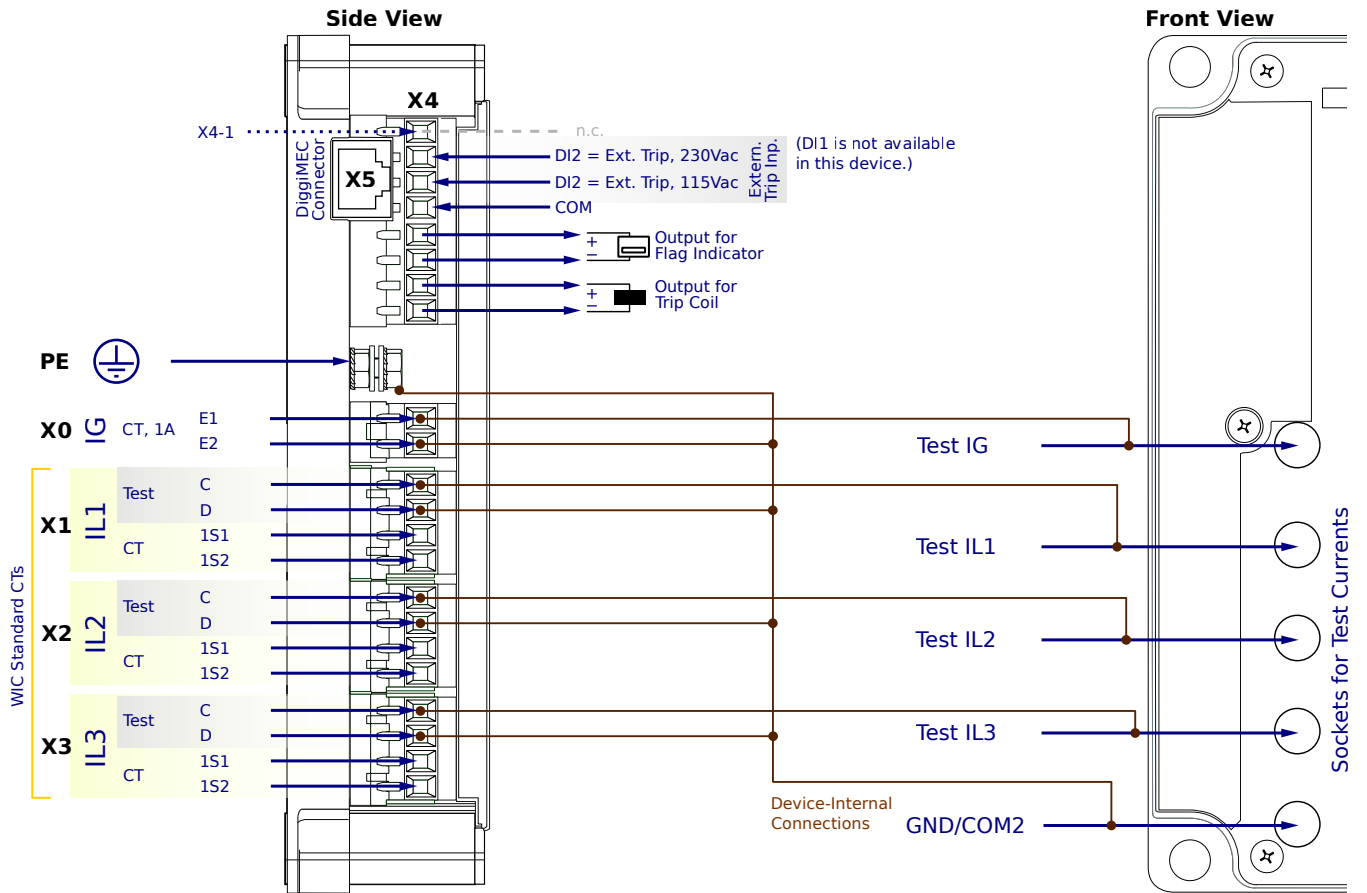
**X4-2,3** - DI2, fixed to External trip input (115Vac or 230Vac)

**X4-5,6** - Trip flag indicator

**X4-7,8** - Trip pulse output

**X5** - DiggiMEC-WIC1 connection. Use network cable CAT3 (or better). No crossover cable!

# WIC1-2SG6FF2PA



## CT-Powered Protection Device, configuration via DIP switches or DiggiMEC / Smart view

- Nominal frequency is 60 Hz. (Setting to 50 Hz is possible via DiggiMEC/Smart view.)
- Trip at  $20 \cdot I_{n,max}$
- Package "A" + SOTF, CLPU, external protection, ultra-fast overcurrent protection

**PE** - Protective Earth

**X0** - Measured ground current via 1A CT input. (Setting to calc. IG is also possible via DiggiMEC/Smart view.)

**X1...X3** - WIC CTs

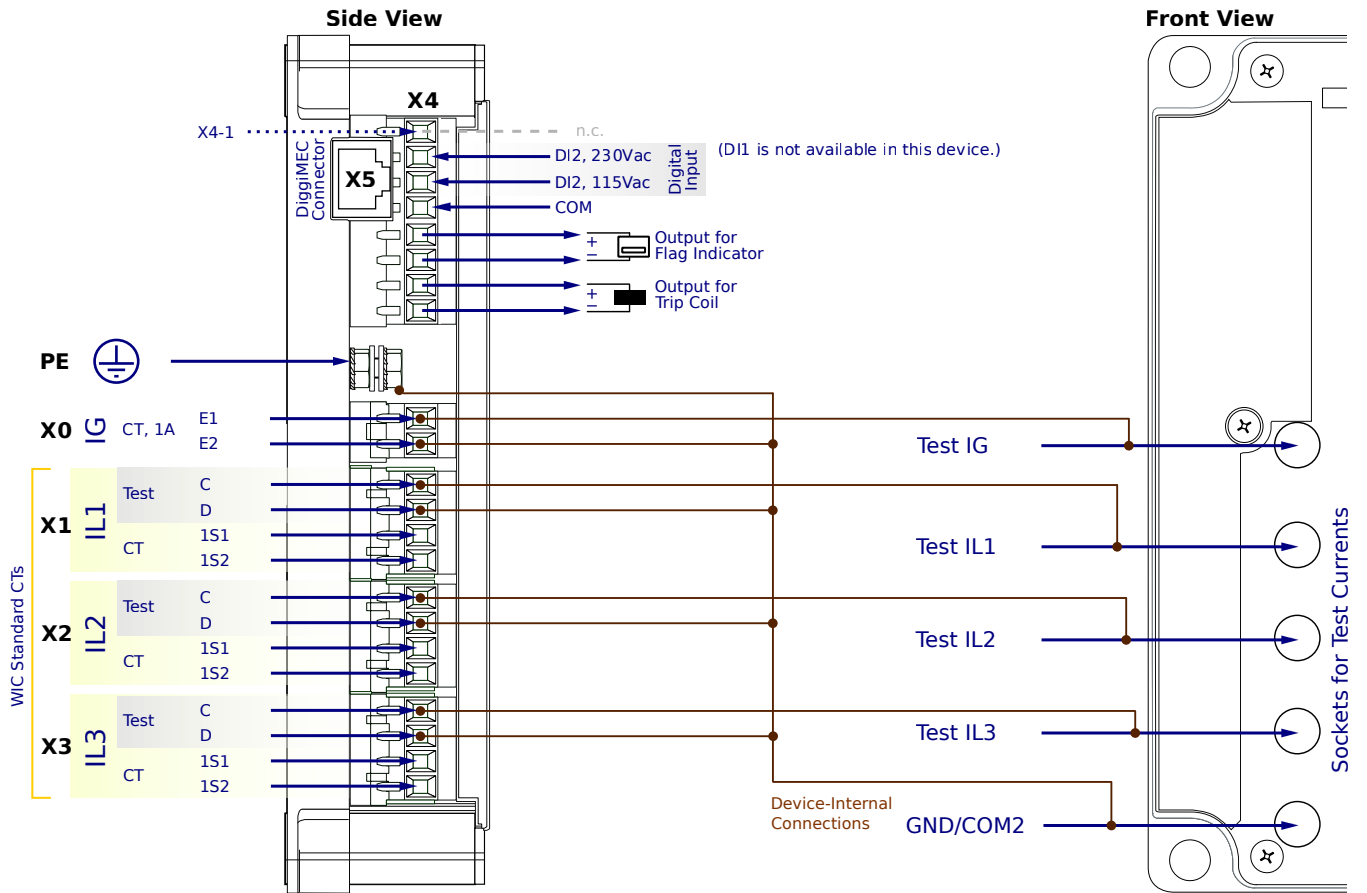
**X4-2,3** - DI2, fixed to External trip input (115Vac or 230Vac)

**X4-5,6** - Trip flag indicator

**X4-7,8** - Trip pulse output

**X5** - DiggiMEC-WIC1 connection. Use network cable CAT3 (or better). No crossover cable!

# WIC1-2SG6FC1SA



## CT-Powered Protection Device, configuration via DIP switches or DiggiMEC / Smart view

- Nominal frequency is 60 Hz. (Setting to 50 Hz is possible via DiggiMEC/Smart view.)
- Backup protection operates directly
- ANSI 50, 50G/N, 51, 51G/N, inrush, 50BF, 74TC

**PE** - Protective Earth

**X0** - Measured ground current via 1A CT input. (Setting to calc. IG is also possible via DiggiMEC/Smart view.)

**X1...X3** - WIC CTs

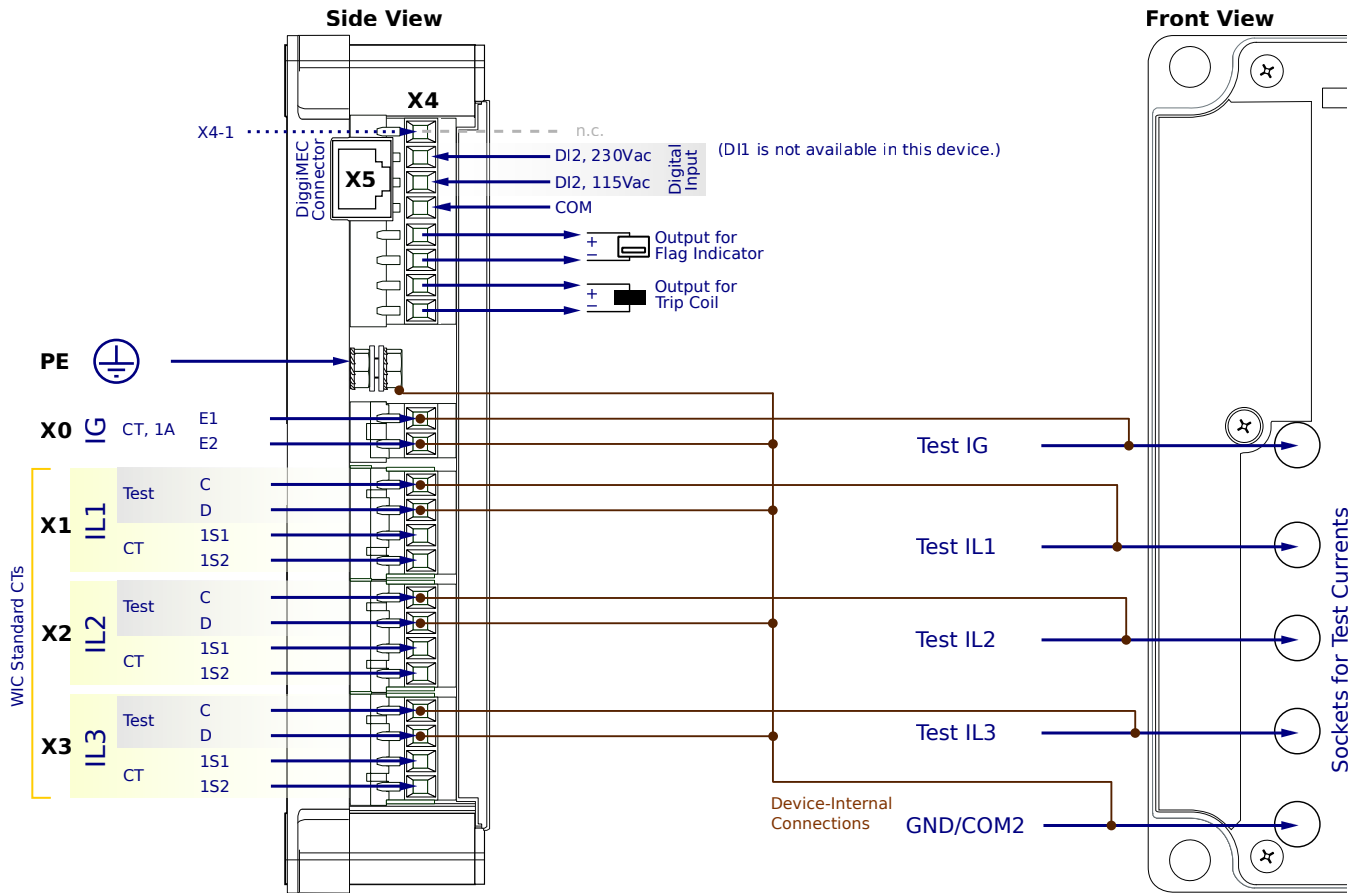
**X4-2,3** - 1 assignable Digital Input DI2 (115Vac or 230Vac)

**X4-5,6** - Trip flag indicator

**X4-7,8** - Trip pulse output

**X5** - DiggiMEC-WIC1 connection. Use network cable CAT3 (or better). No crossover cable!

# WIC1-2SG6FC1AA



## CT-Powered Protection Device, configuration via DIP switches or DiggiMEC / Smart view

- Nominal frequency is 60 Hz. (Setting to 50 Hz is possible via DiggiMEC/Smart view.)
- Backup protection operates directly
- Package "S" + ANSI 46, 49, 51Q, Breaker Wear, Condition Monitoring (= Life Load, Drag Indicator)

**PE** - Protective Earth

**X0** - Measured ground current via 1A CT input. (Setting to calc. IG is also possible via DiggiMEC/Smart view.)

**X1...X3** - WIC CTs

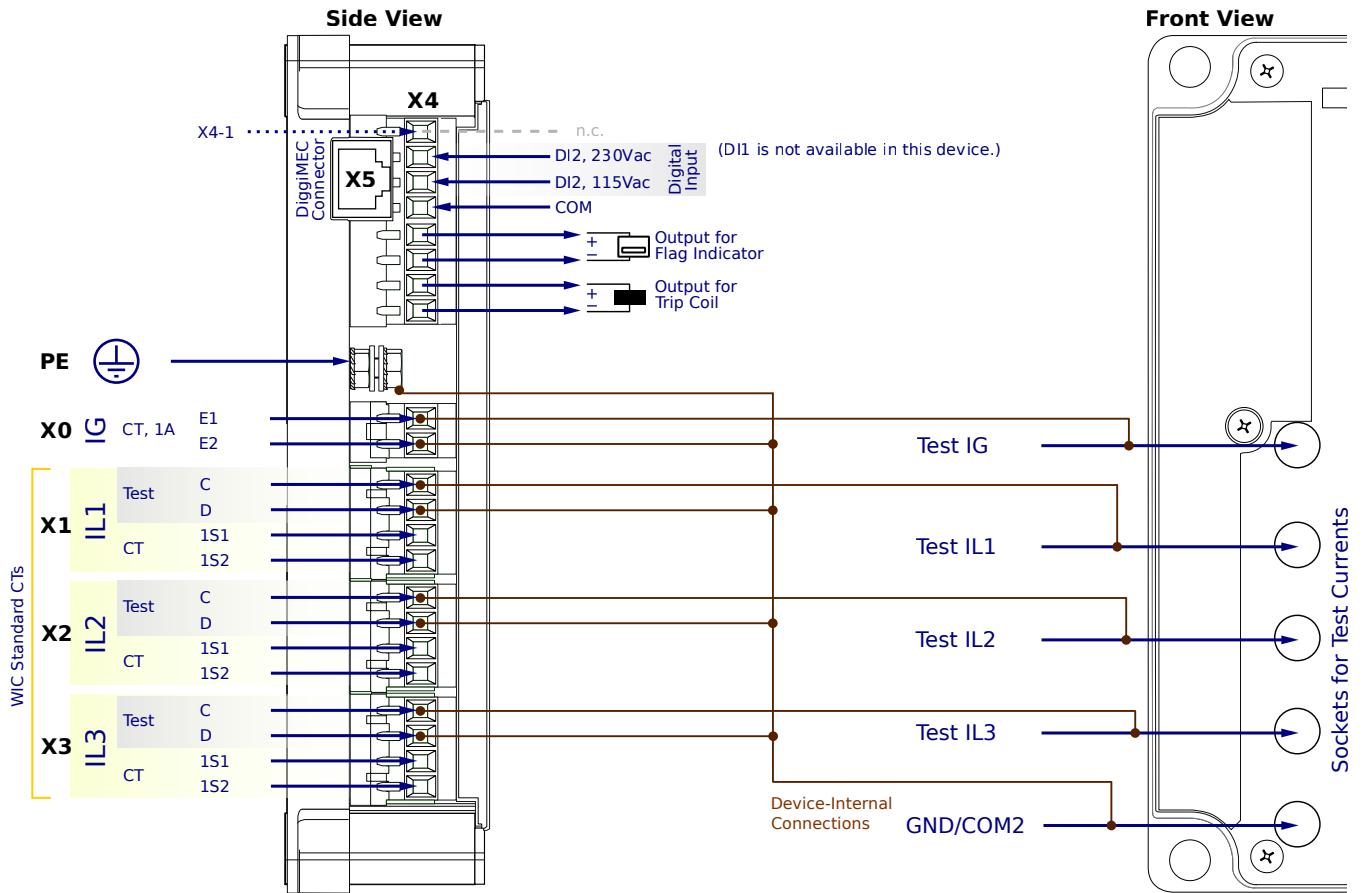
**X4-2,3** - 1 assignable Digital Input DI2 (115Vac or 230Vac)

**X4-5,6** - Trip flag indicator

**X4-7,8** - Trip pulse output

**X5** - DiggiMEC-WIC1 connection. Use network cable CAT3 (or better). No crossover cable!

# WIC1-2SG6FC1PA



## CT-Powered Protection Device, configuration via DIP switches or DiggiMEC / Smart view

- Nominal frequency is 60 Hz. (Setting to 50 Hz is possible via DiggiMEC/Smart view.)
- Backup protection operates directly
- Package "A" + SOTF, CLPU, external protection, ultra-fast overcurrent protection

**PE** - Protective Earth

**X0** - Measured ground current via 1A CT input. (Setting to calc. IG is also possible via DiggiMEC/Smart view.)

**X1...X3** - WIC CTs

**X4-2,3** - 1 assignable Digital Input DI2 (115Vac or 230Vac)

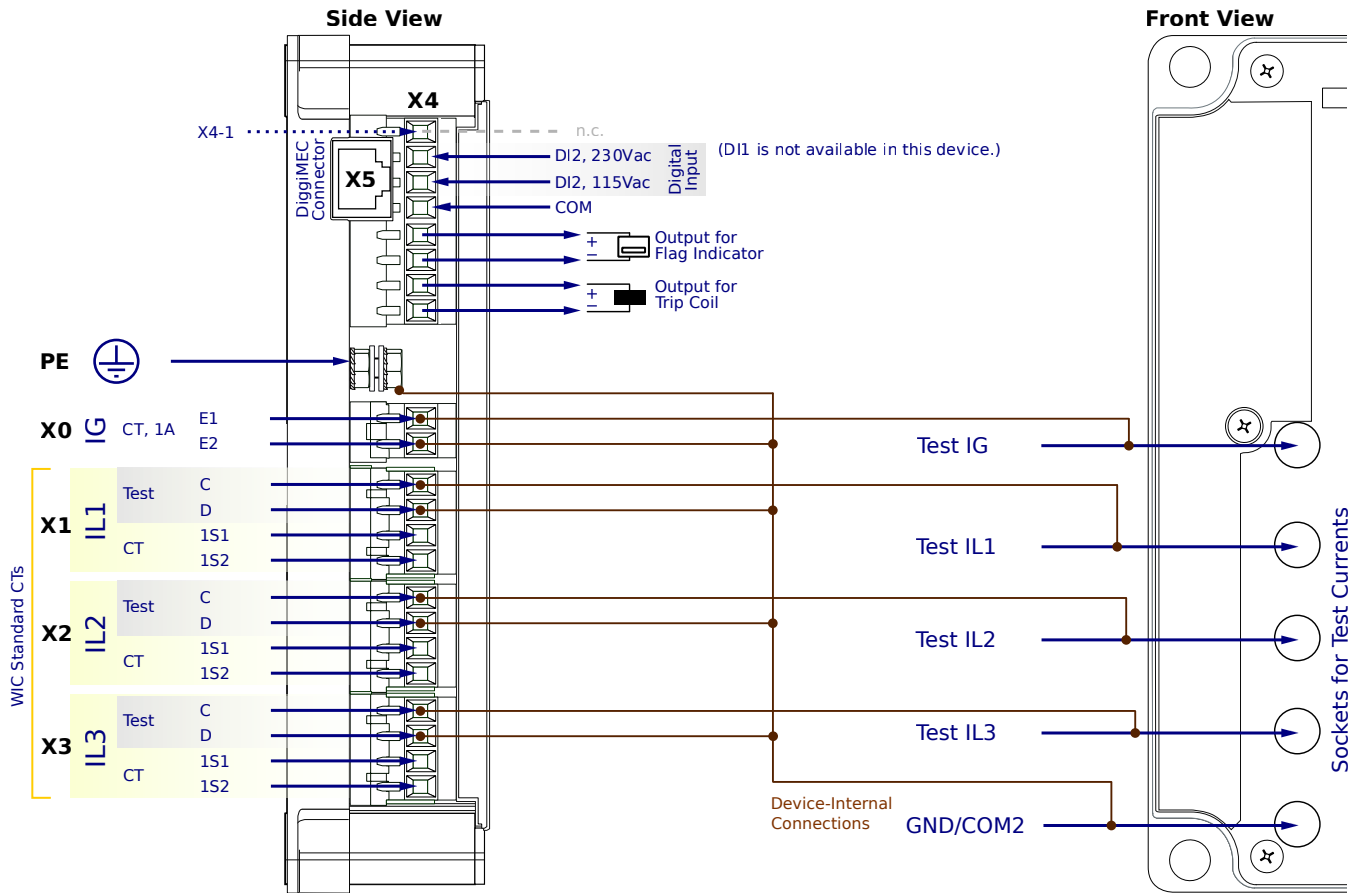
**X4-5,6** - Trip flag indicator

**X4-7,8** - Trip pulse output

**X5** - DiggiMEC-WIC1 connection. Use network cable CAT3 (or better). No crossover cable!



# WIC1-2SG6FC2SA



## CT-Powered Protection Device, configuration via DIP switches or DiggiMEC / Smart view

- Nominal frequency is 60 Hz. (Setting to 50 Hz is possible via DiggiMEC/Smart view.)
- Trip at  $20 \cdot I_{n,max}$
- ANSI 50, 50G/N, 51, 51G/N, inrush, 50BF, 74TC

**PE** - Protective Earth

**X0** - Measured ground current via 1A CT input. (Setting to calc. IG is also possible via DiggiMEC/Smart view.)

**X1...X3** - WIC CTs

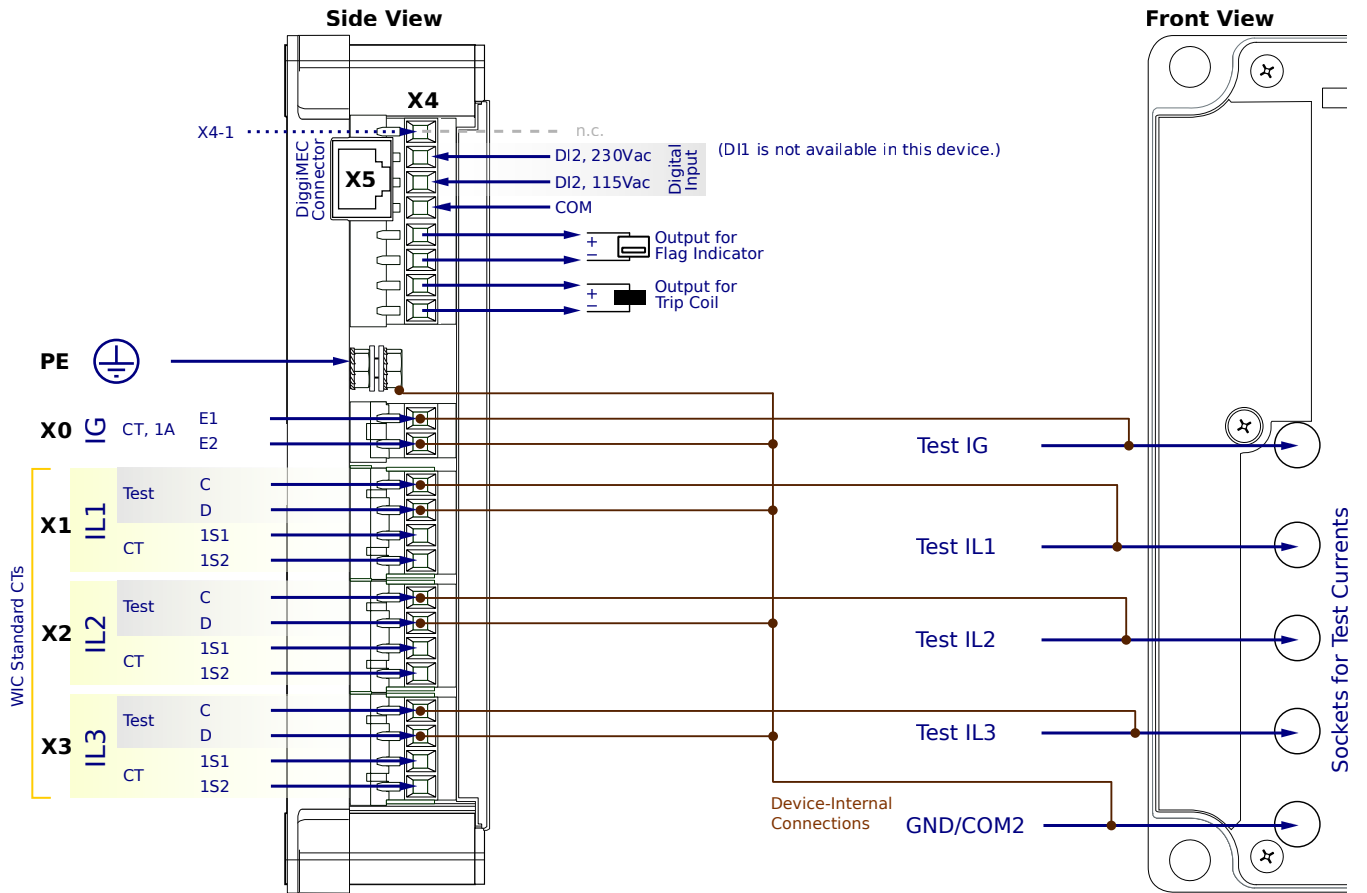
**X4-2,3** - 1 assignable Digital Input DI2 (115Vac or 230Vac)

**X4-5,6** - Trip flag indicator

**X4-7,8** - Trip pulse output

**X5** - DiggiMEC-WIC1 connection. Use network cable CAT3 (or better). No crossover cable!

# WIC1-2SG6FC2AA



## CT-Powered Protection Device, configuration via DIP switches or DiggiMEC / Smart view

- Nominal frequency is 60 Hz. (Setting to 50 Hz is possible via DiggiMEC/Smart view.)
- Trip at  $20 \cdot I_{n,max}$
- Package "S" + ANSI 46, 49, 51Q, Breaker Wear, Condition Monitoring (= Life Load, Drag Indicator)

**PE** - Protective Earth

**X0** - Measured ground current via 1A CT input. (Setting to calc. IG is also possible via DiggiMEC/Smart view.)

**X1...X3** - WIC CTs

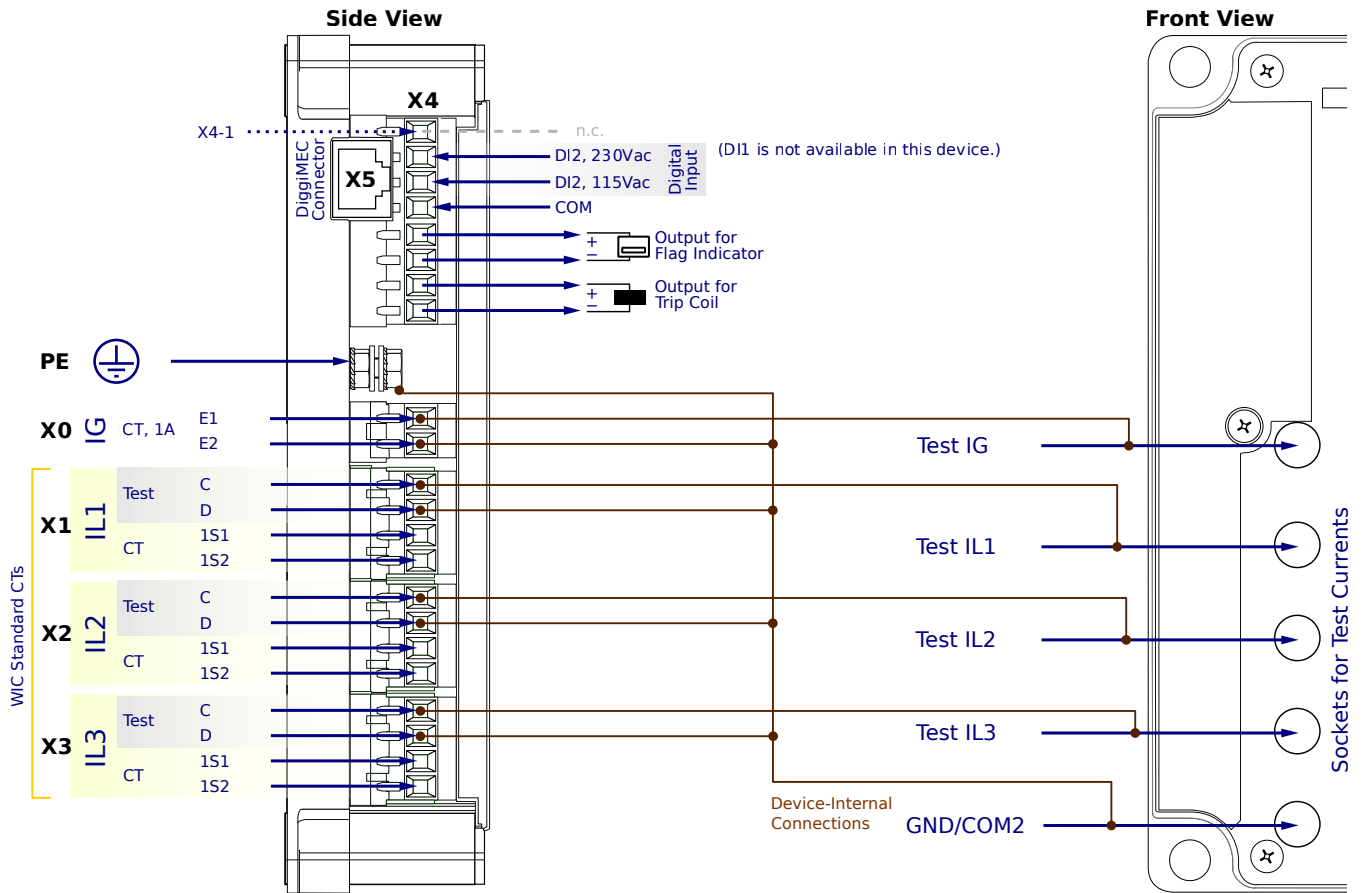
**X4-2,3** - 1 assignable Digital Input DI2 (115Vac or 230Vac)

**X4-5,6** - Trip flag indicator

**X4-7,8** - Trip pulse output

**X5** - DiggiMEC-WIC1 connection. Use network cable CAT3 (or better). No crossover cable!

# WIC1-2SG6FC2PA



## CT-Powered Protection Device, configuration via DIP switches or DiggiMEC / Smart view

- Nominal frequency is 60 Hz. (Setting to 50 Hz is possible via DiggiMEC/Smart view.)
- Trip at  $20 \cdot I_{n,max}$
- Package "A" + SOTF, CLPU, external protection, ultra-fast overcurrent protection

**PE** - Protective Earth

**X0** - Measured ground current via 1A CT input. (Setting to calc. IG is also possible via DiggiMEC/Smart view.)

**X1...X3** - WIC CTs

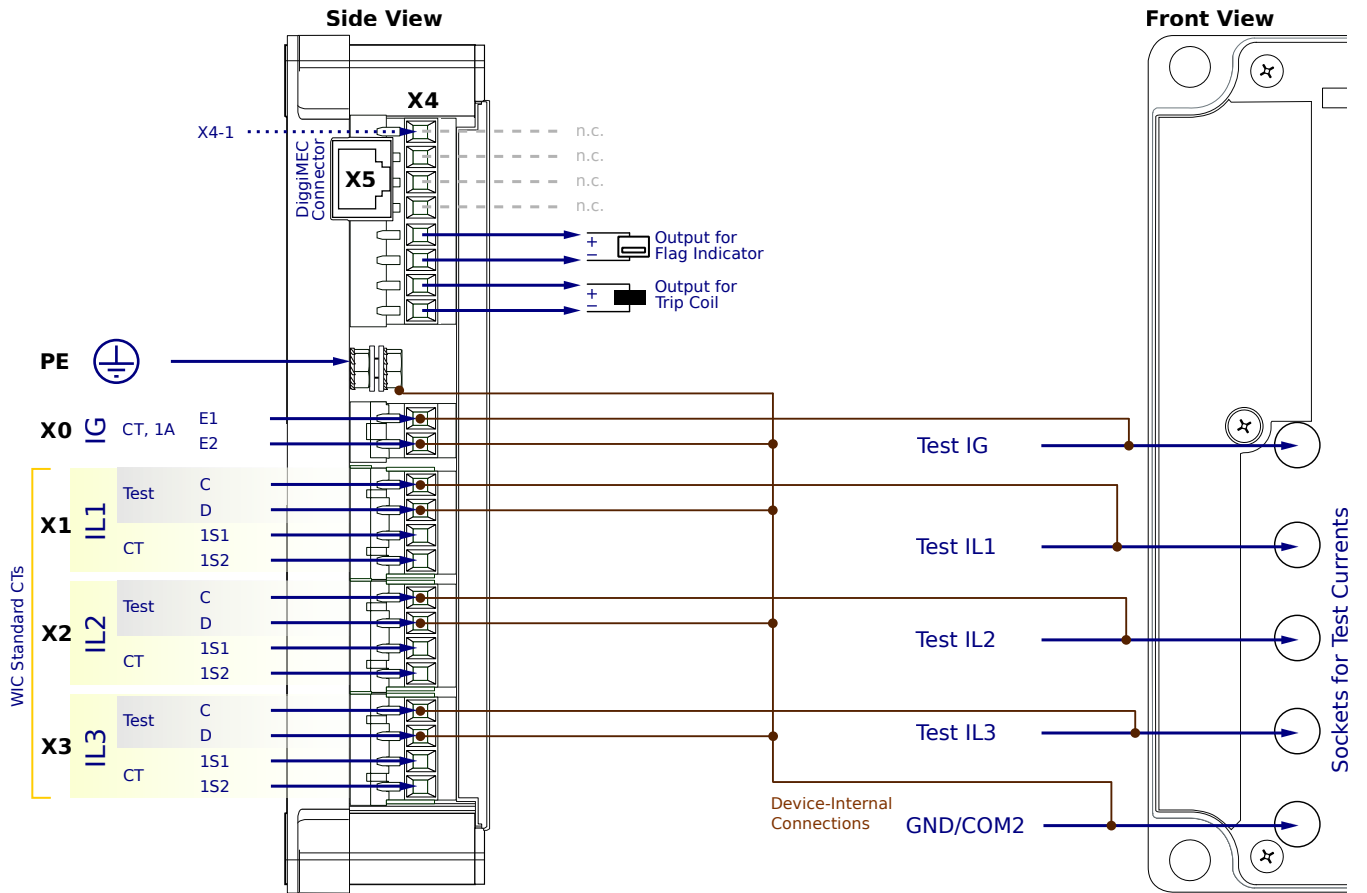
**X4-2,3** - 1 assignable Digital Input DI2 (115Vac or 230Vac)

**X4-5,6** - Trip flag indicator

**X4-7,8** - Trip pulse output

**X5** - DiggiMEC-WIC1 connection. Use network cable CAT3 (or better). No crossover cable!

# WIC1-2SG6CN1SA



## CT-Powered Protection Device, configuration via DIP switches or DiggiMEC / Smart view

- Nominal frequency is 60 Hz. (Setting to 50 Hz is possible via DiggiMEC/Smart view.)
- Backup protection operates directly
- ANSI 50, 50G/N, 51, 51G/N, inrush, 50BF, 74TC

**PE** - Protective Earth

**X0** - Measured ground current via 1A CT input. (Setting to calc. IG is also possible via DiggiMEC/Smart view.)

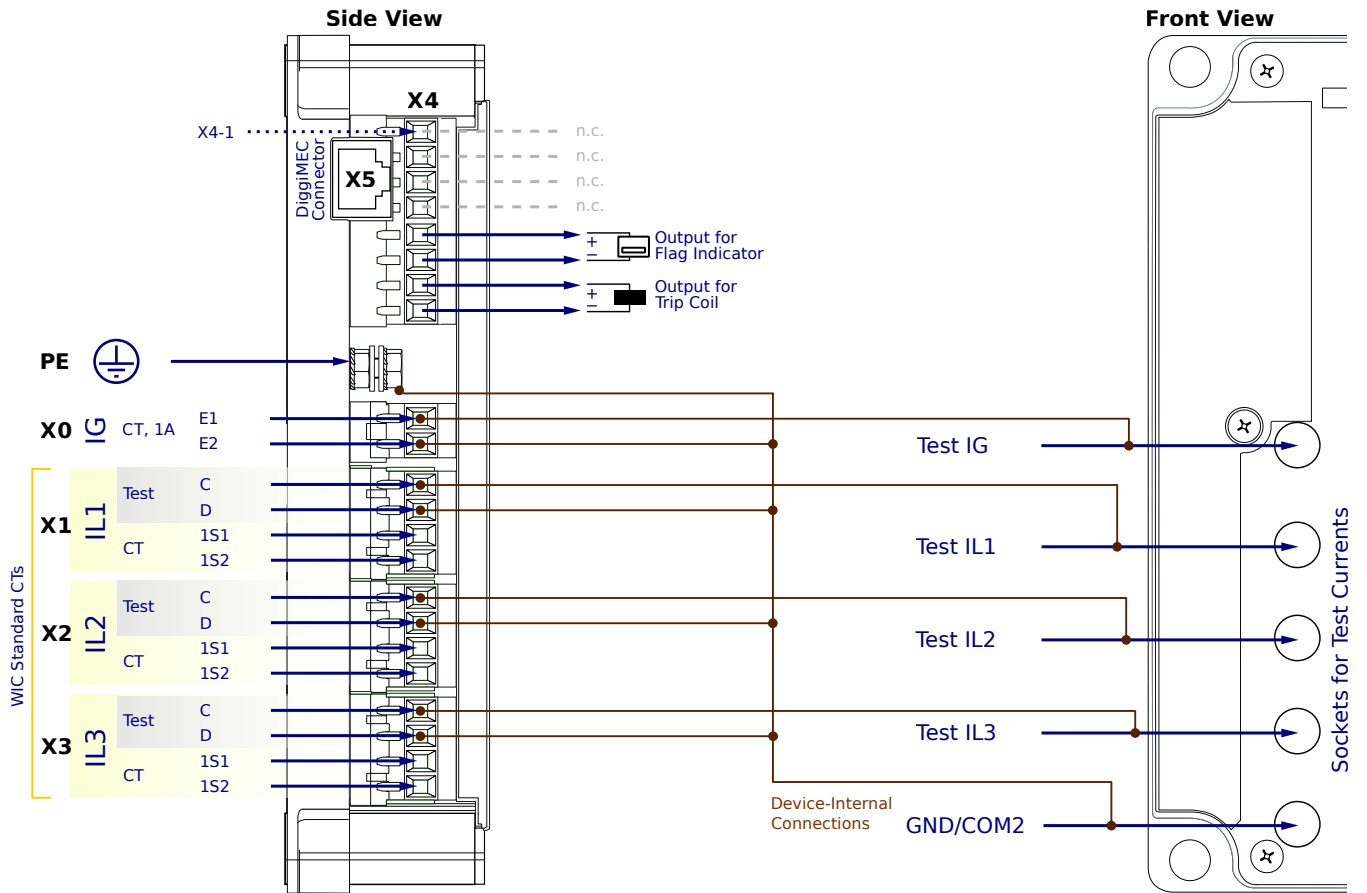
**X1...X3** - WIC CTs

**X4-5,6** - Assignable flag indicator

**X4-7,8** - Trip pulse output

**X5** - DiggiMEC-WIC1 connection. Use network cable CAT3 (or better). No crossover cable!

# WIC1-2SG6CN1AA



## CT-Powered Protection Device, configuration via DIP switches or DiggiMEC / Smart view

- Nominal frequency is 60 Hz. (Setting to 50 Hz is possible via DiggiMEC/Smart view.)
- Backup protection operates directly
- Package "S" + ANSI 46, 49, 51Q, Breaker Wear, Condition Monitoring (= Life Load, Drag Indicator)

**PE** - Protective Earth

**X0** - Measured ground current via 1A CT input. (Setting to calc. IG is also possible via DiggiMEC/Smart view.)

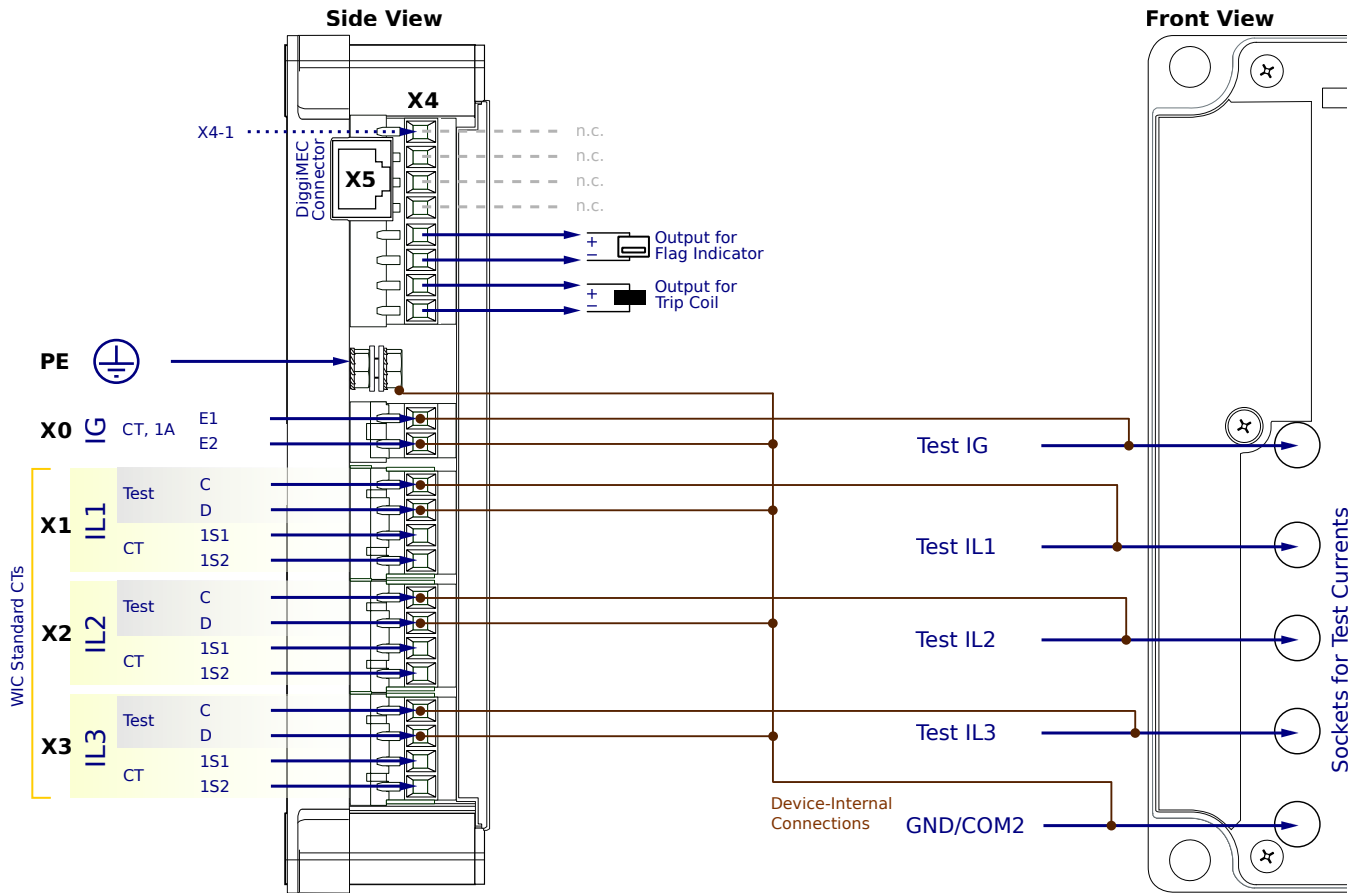
**X1...X3** - WIC CTs

**X4-5,6** - Assignable flag indicator

**X4-7,8** - Trip pulse output

**X5** - DiggiMEC-WIC1 connection. Use network cable CAT3 (or better). No crossover cable!

# WIC1-2SG6CN1PA



## CT-Powered Protection Device, configuration via DIP switches or DiggiMEC / Smart view

- Nominal frequency is 60 Hz. (Setting to 50 Hz is possible via DiggiMEC/Smart view.)
- Backup protection operates directly
- Package "A" + SOTF, CLPU, external protection, ultra-fast overcurrent protection

**PE** - Protective Earth

**X0** - Measured ground current via 1A CT input. (Setting to calc. IG is also possible via DiggiMEC/Smart view.)

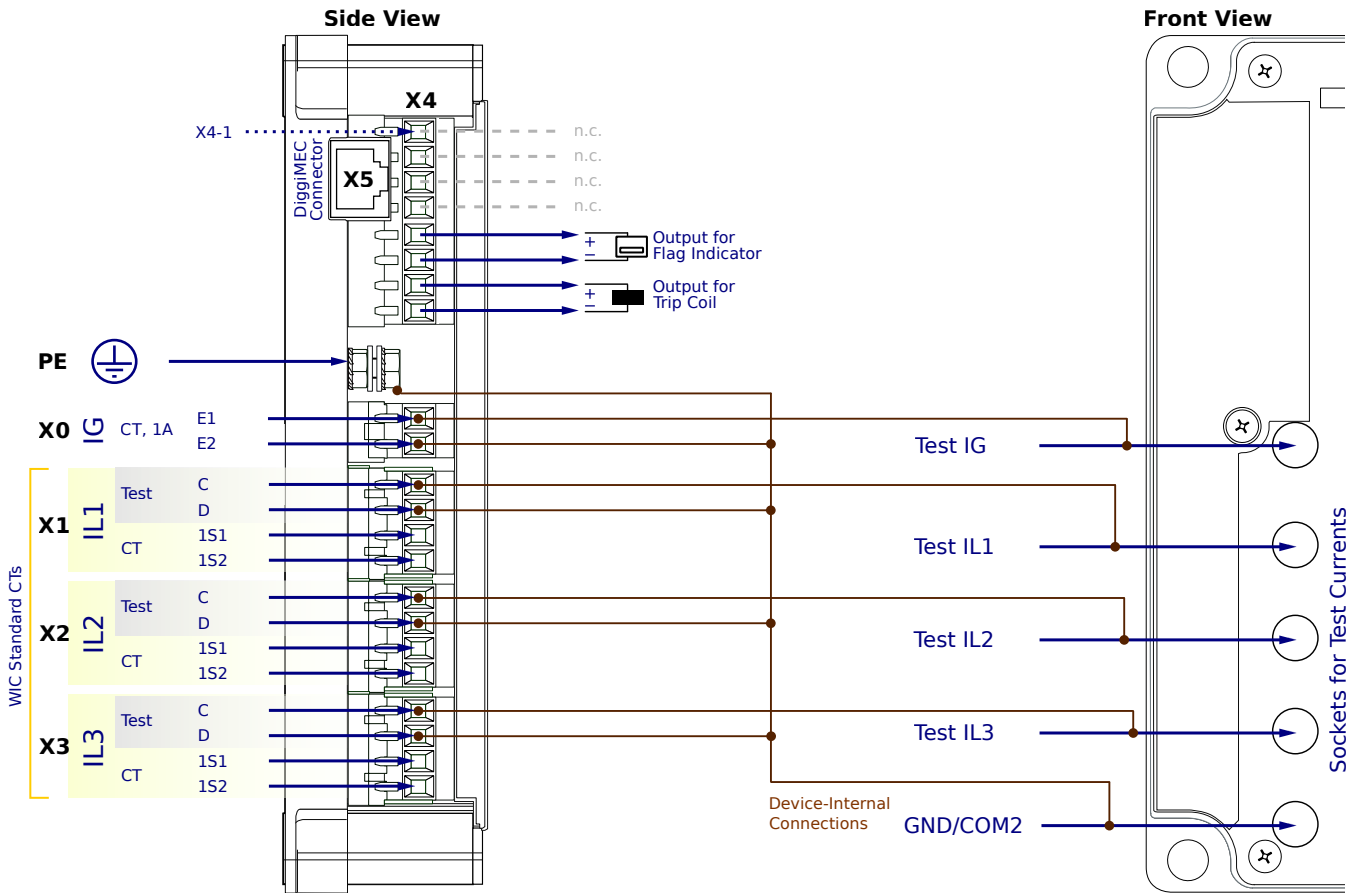
**X1...X3** - WIC CTs

**X4-5,6** - Assignable flag indicator

**X4-7,8** - Trip pulse output

**X5** - DiggiMEC-WIC1 connection. Use network cable CAT3 (or better). No crossover cable!

# WIC1-2SG6CN2SA



## CT-Powered Protection Device, configuration via DIP switches or DiggiMEC / Smart view

- Nominal frequency is 60 Hz. (Setting to 50 Hz is possible via DiggiMEC/Smart view.)
- Trip at  $20 \cdot I_{n,max}$
- ANSI 50, 50G/N, 51, 51G/N, inrush, 50BF, 74TC

**PE** - Protective Earth

**X0** - Measured ground current via 1A CT input. (Setting to calc. IG is also possible via DiggiMEC/Smart view.)

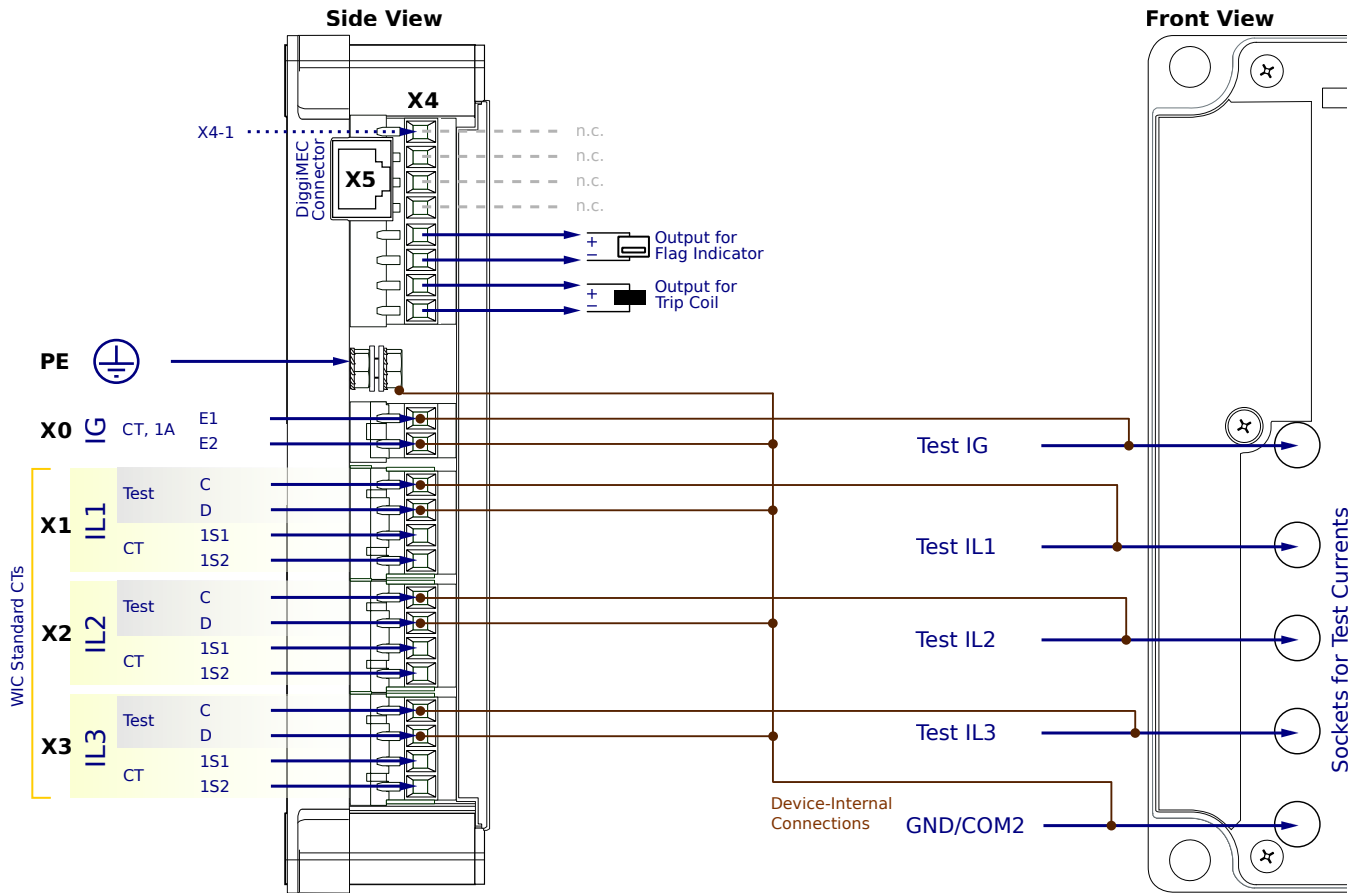
**X1...X3** - WIC CTs

**X4-5,6** - Assignable flag indicator

**X4-7,8** - Trip pulse output

**X5** - DiggiMEC-WIC1 connection. Use network cable CAT3 (or better). No crossover cable!

# WIC1-2SG6CN2AA



## CT-Powered Protection Device, configuration via DIP switches or DiggiMEC / Smart view

- Nominal frequency is 60 Hz. (Setting to 50 Hz is possible via DiggiMEC/Smart view.)
- Trip at  $20 \cdot I_{n,max}$
- Package "S" + ANSI 46, 49, 51Q, Breaker Wear, Condition Monitoring (= Life Load, Drag Indicator)

**PE** - Protective Earth

**X0** - Measured ground current via 1A CT input. (Setting to calc. IG is also possible via DiggiMEC/Smart view.)

**X1...X3** - WIC CTs

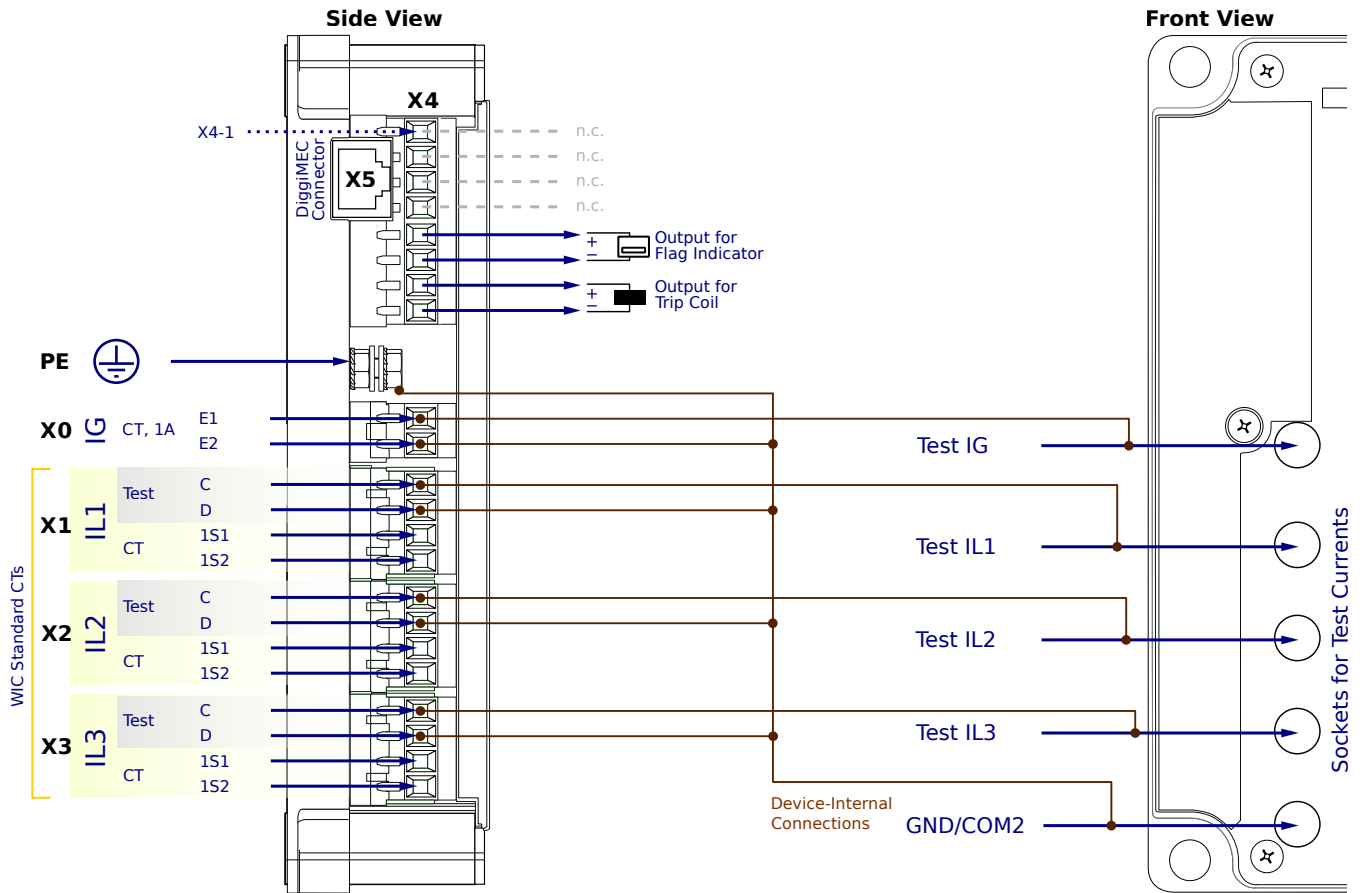
**X4-5,6** - Assignable flag indicator

**X4-7,8** - Trip pulse output

**X5** - DiggiMEC-WIC1 connection. Use network cable CAT3 (or better). No crossover cable!



# WIC1-2SG6CN2PA



## CT-Powered Protection Device, configuration via DIP switches or DiggiMEC / Smart view

- Nominal frequency is 60 Hz. (Setting to 50 Hz is possible via DiggiMEC/Smart view.)
- Trip at  $20 \cdot I_{n,max}$
- Package "A" + SOTF, CLPU, external protection, ultra-fast overcurrent protection

**PE** - Protective Earth

**X0** - Measured ground current via 1A CT input. (Setting to calc. IG is also possible via DiggiMEC/Smart view.)

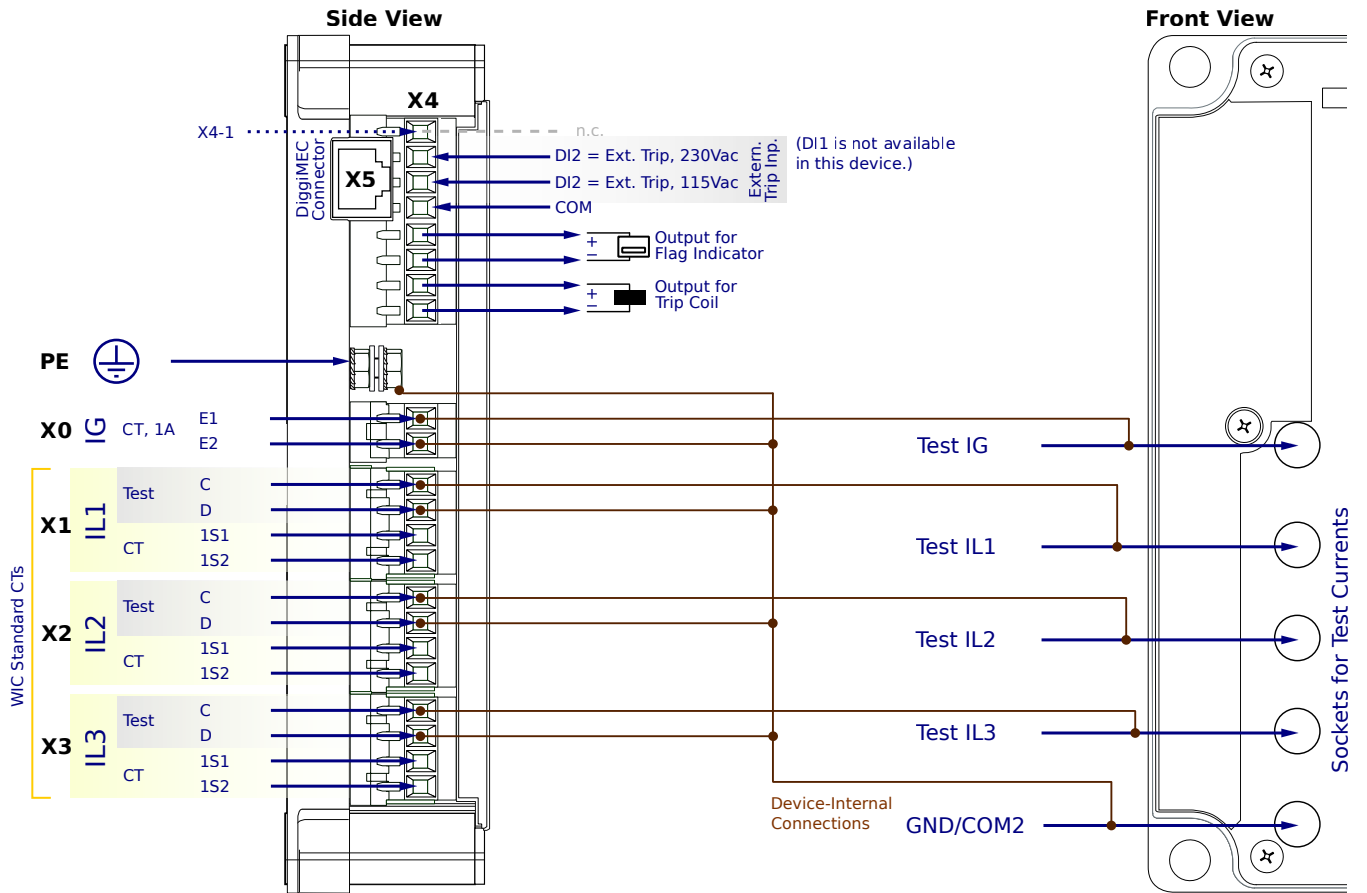
**X1...X3** - WIC CTs

**X4-5,6** - Assignable flag indicator

**X4-7,8** - Trip pulse output

**X5** - DiggiMEC-WIC1 connection. Use network cable CAT3 (or better). No crossover cable!

# WIC1-2SG6CF1SA



## CT-Powered Protection Device, configuration via DIP switches or DiggiMEC / Smart view

- Nominal frequency is 60 Hz. (Setting to 50 Hz is possible via DiggiMEC/Smart view.)
- Backup protection operates directly
- ANSI 50, 50G/N, 51, 51G/N, inrush, 50BF, 74TC

**PE** - Protective Earth

**X0** - Measured ground current via 1A CT input. (Setting to calc. IG is also possible via DiggiMEC/Smart view.)

**X1...X3** - WIC CTs

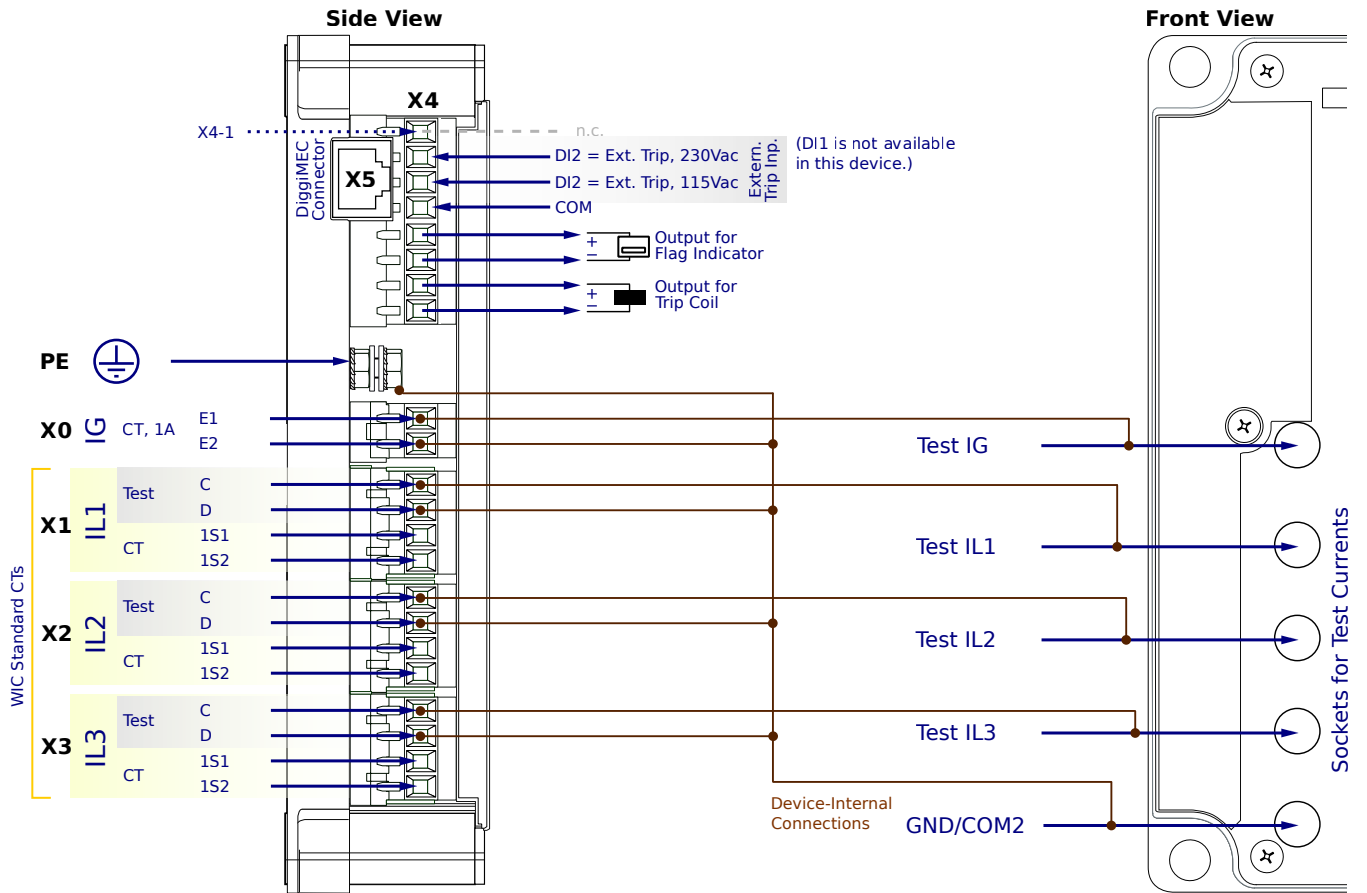
**X4-2,3** - DI2, fixed to External trip input (115Vac or 230Vac)

**X4-5,6** - Assignable flag indicator

**X4-7,8** - Trip pulse output

**X5** - DiggiMEC-WIC1 connection. Use network cable CAT3 (or better). No crossover cable!

# WIC1-2SG6CF1AA



## CT-Powered Protection Device, configuration via DIP switches or DiggiMEC / Smart view

- Nominal frequency is 60 Hz. (Setting to 50 Hz is possible via DiggiMEC/Smart view.)
- Backup protection operates directly
- Package "S" + ANSI 46, 49, 51Q, Breaker Wear, Condition Monitoring (= Life Load, Drag Indicator)

**PE** - Protective Earth

**X0** - Measured ground current via 1A CT input. (Setting to calc. IG is also possible via DiggiMEC/Smart view.)

**X1...X3** - WIC CTs

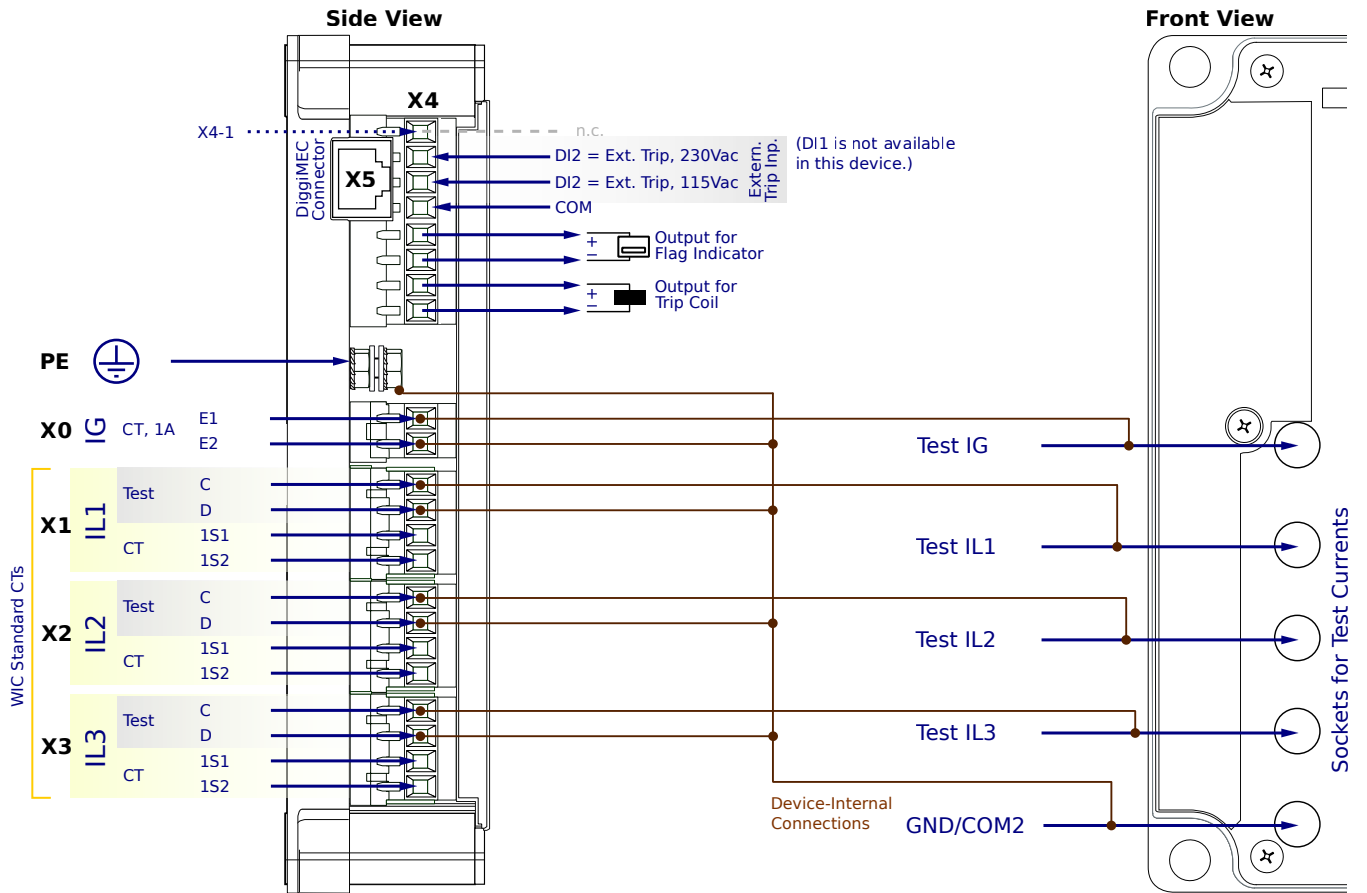
**X4-2,3** - DI2, fixed to External trip input (115Vac or 230Vac)

**X4-5,6** - Assignable flag indicator

**X4-7,8** - Trip pulse output

**X5** - DiggiMEC-WIC1 connection. Use network cable CAT3 (or better). No crossover cable!

# WIC1-2SG6CF1PA



## CT-Powered Protection Device, configuration via DIP switches or DiggiMEC / Smart view

- Nominal frequency is 60 Hz. (Setting to 50 Hz is possible via DiggiMEC/Smart view.)
- Backup protection operates directly
- Package "A" + SOTF, CLPU, external protection, ultra-fast overcurrent protection

**PE** - Protective Earth

**X0** - Measured ground current via 1A CT input. (Setting to calc. IG is also possible via DiggiMEC/Smart view.)

**X1...X3** - WIC CTs

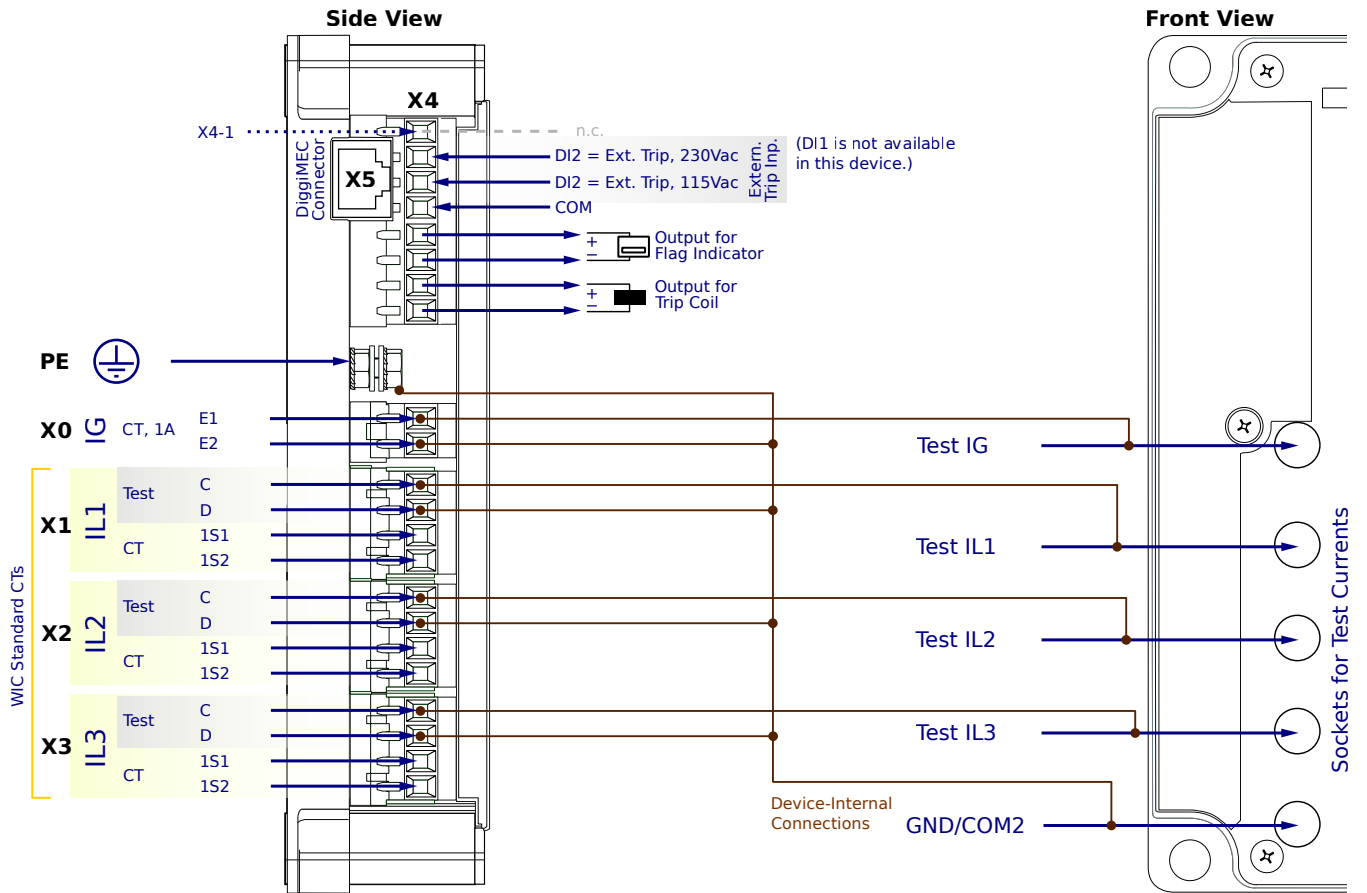
**X4-2,3** - DI2, fixed to External trip input (115Vac or 230Vac)

**X4-5,6** - Assignable flag indicator

**X4-7,8** - Trip pulse output

**X5** - DiggiMEC-WIC1 connection. Use network cable CAT3 (or better). No crossover cable!

# WIC1-2SG6CF2SA



## CT-Powered Protection Device, configuration via DIP switches or DiggiMEC / Smart view

- Nominal frequency is 60 Hz. (Setting to 50 Hz is possible via DiggiMEC/Smart view.)
- Trip at  $20 \cdot I_{n,max}$
- ANSI 50, 50G/N, 51, 51G/N, inrush, 50BF, 74TC

**PE** - Protective Earth

**X0** - Measured ground current via 1A CT input. (Setting to calc. IG is also possible via DiggiMEC/Smart view.)

**X1...X3** - WIC CTs

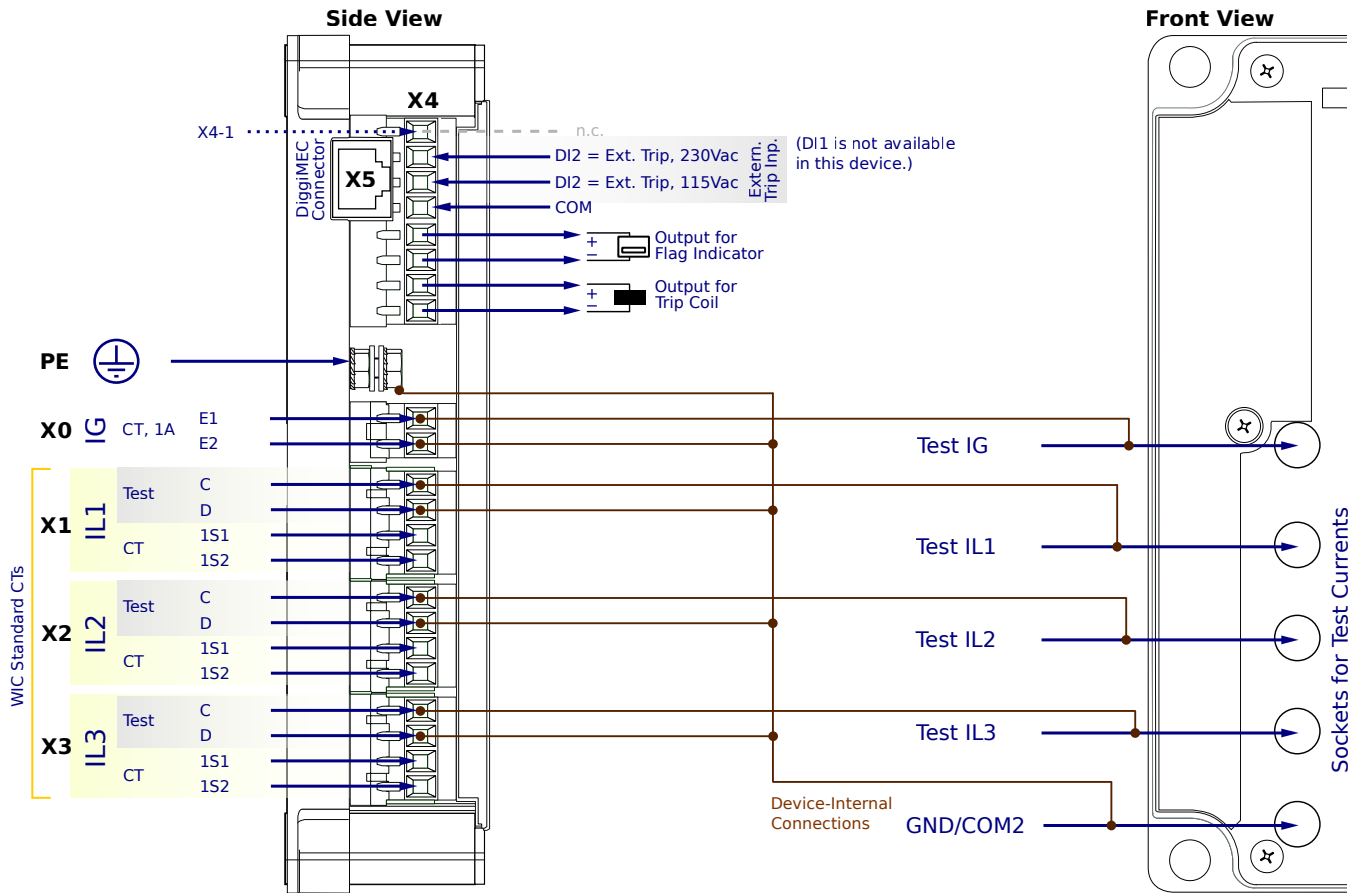
**X4-2,3** - DI2, fixed to External trip input (115Vac or 230Vac)

**X4-5,6** - Assignable flag indicator

**X4-7,8** - Trip pulse output

**X5** - DiggiMEC-WIC1 connection. Use network cable CAT3 (or better). No crossover cable!

# WIC1-2SG6CF2AA



## CT-Powered Protection Device, configuration via DIP switches or DiggiMEC / Smart view

- Nominal frequency is 60 Hz. (Setting to 50 Hz is possible via DiggiMEC/Smart view.)
- Trip at  $20 \cdot I_{n,max}$
- Package "S" + ANSI 46, 49, 51Q, Breaker Wear, Condition Monitoring (= Life Load, Drag Indicator)

**PE** - Protective Earth

**X0** - Measured ground current via 1A CT input. (Setting to calc. IG is also possible via DiggiMEC/Smart view.)

**X1...X3** - WIC CTs

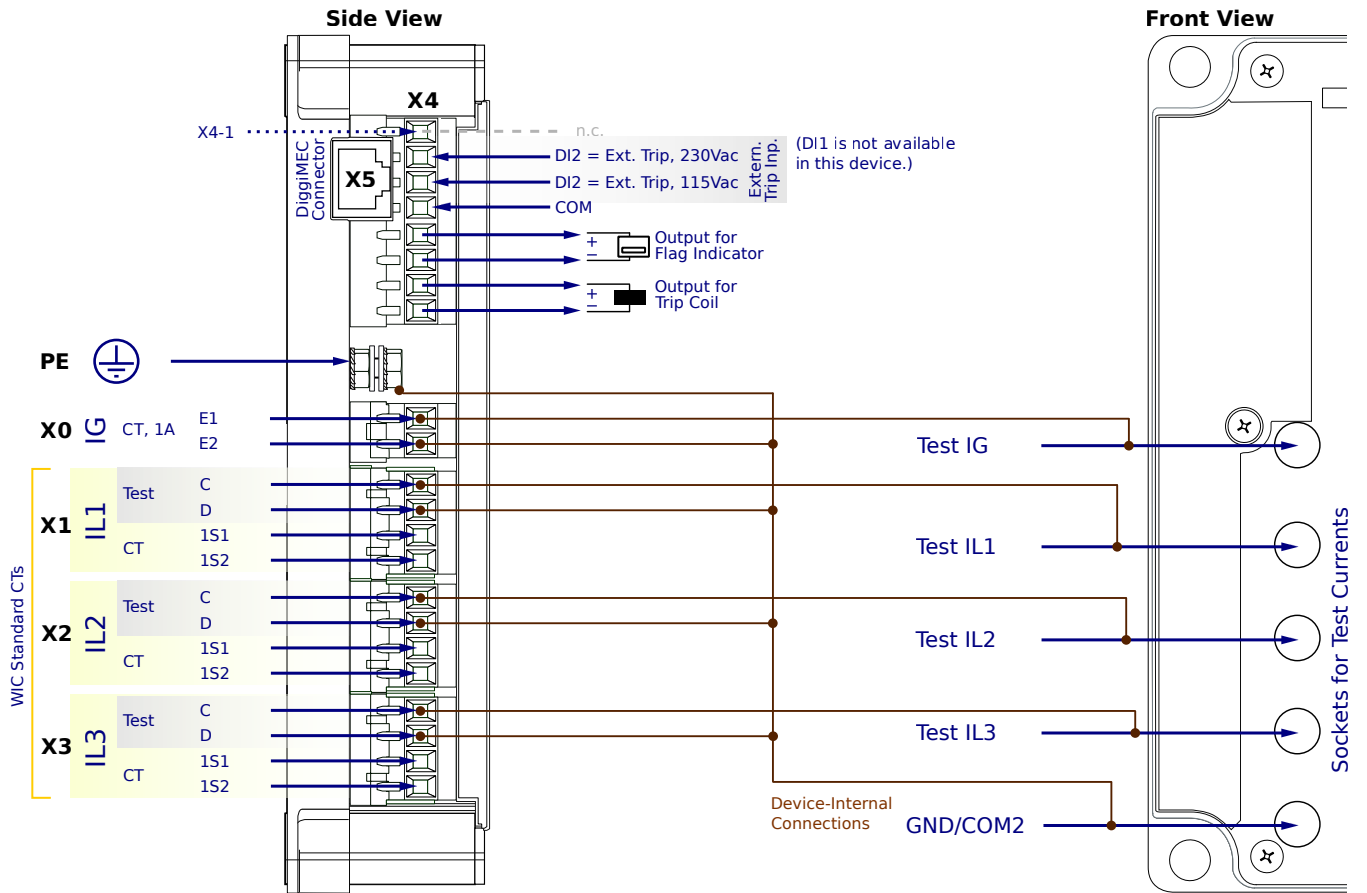
**X4-2,3** - DI2, fixed to External trip input (115Vac or 230Vac)

**X4-5,6** - Assignable flag indicator

**X4-7,8** - Trip pulse output

**X5** - DiggiMEC-WIC1 connection. Use network cable CAT3 (or better). No crossover cable!

# WIC1-2SG6CF2PA



## CT-Powered Protection Device, configuration via DIP switches or DiggiMEC / Smart view

- Nominal frequency is 60 Hz. (Setting to 50 Hz is possible via DiggiMEC/Smart view.)
- Trip at  $20 \cdot I_{n,max}$
- Package "A" + SOTF, CLPU, external protection, ultra-fast overcurrent protection

**PE** - Protective Earth

**X0** - Measured ground current via 1A CT input. (Setting to calc. IG is also possible via DiggiMEC/Smart view.)

**X1...X3** - WIC CTs

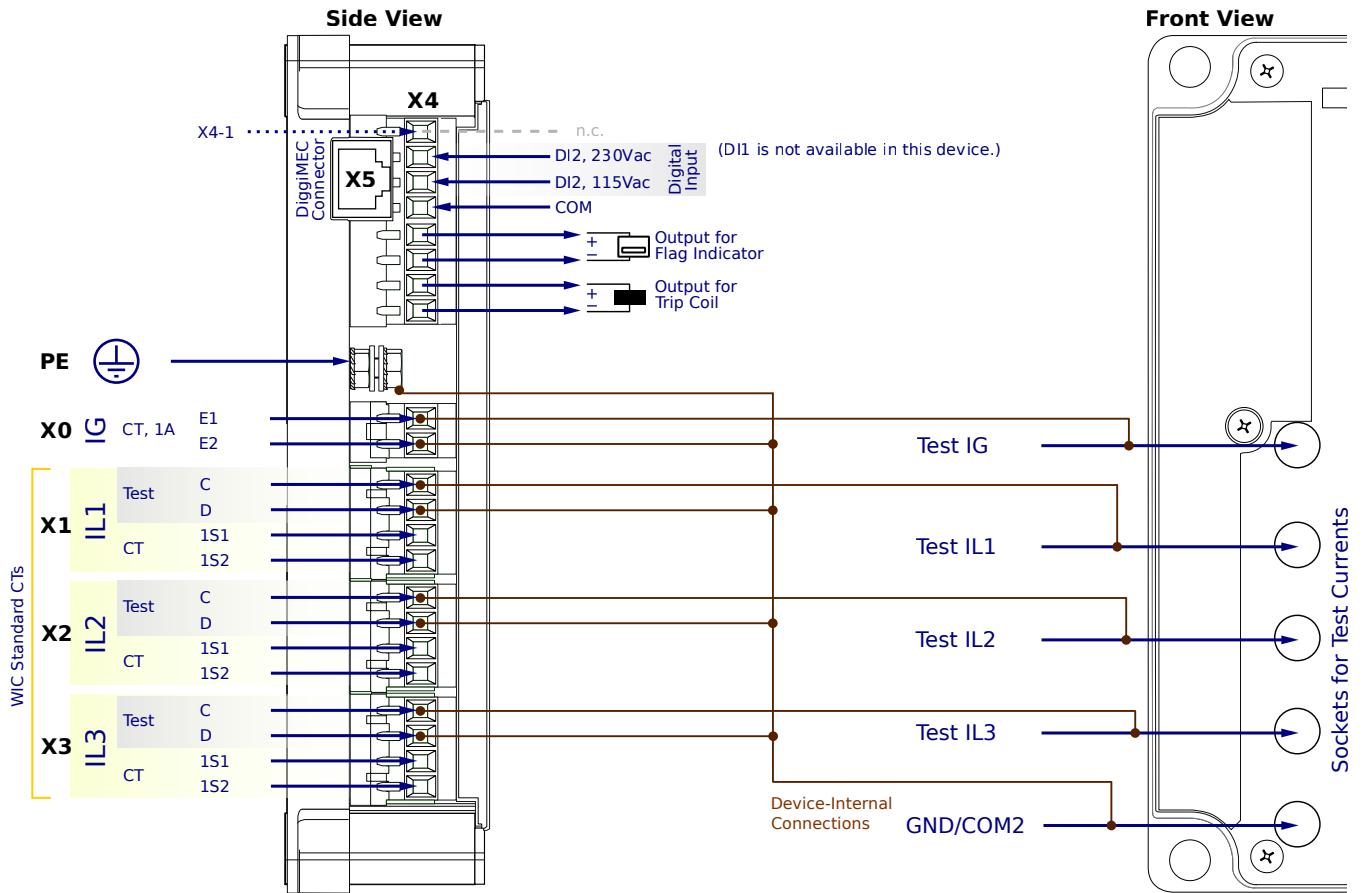
**X4-2,3** - DI2, fixed to External trip input (115Vac or 230Vac)

**X4-5,6** - Assignable flag indicator

**X4-7,8** - Trip pulse output

**X5** - DiggiMEC-WIC1 connection. Use network cable CAT3 (or better). No crossover cable!

# WIC1-2SG6CC1SA



## CT-Powered Protection Device, configuration via DIP switches or DiggiMEC / Smart view

- Nominal frequency is 60 Hz. (Setting to 50 Hz is possible via DiggiMEC/Smart view.)
- Backup protection operates directly
- ANSI 50, 50G/N, 51, 51G/N, inrush, 50BF, 74TC

**PE** - Protective Earth

**X0** - Measured ground current via 1A CT input. (Setting to calc. IG is also possible via DiggiMEC/Smart view.)

**X1...X3** - WIC CTs

**X4-2,3** - 1 assignable Digital Input DI2 (115Vac or 230Vac)

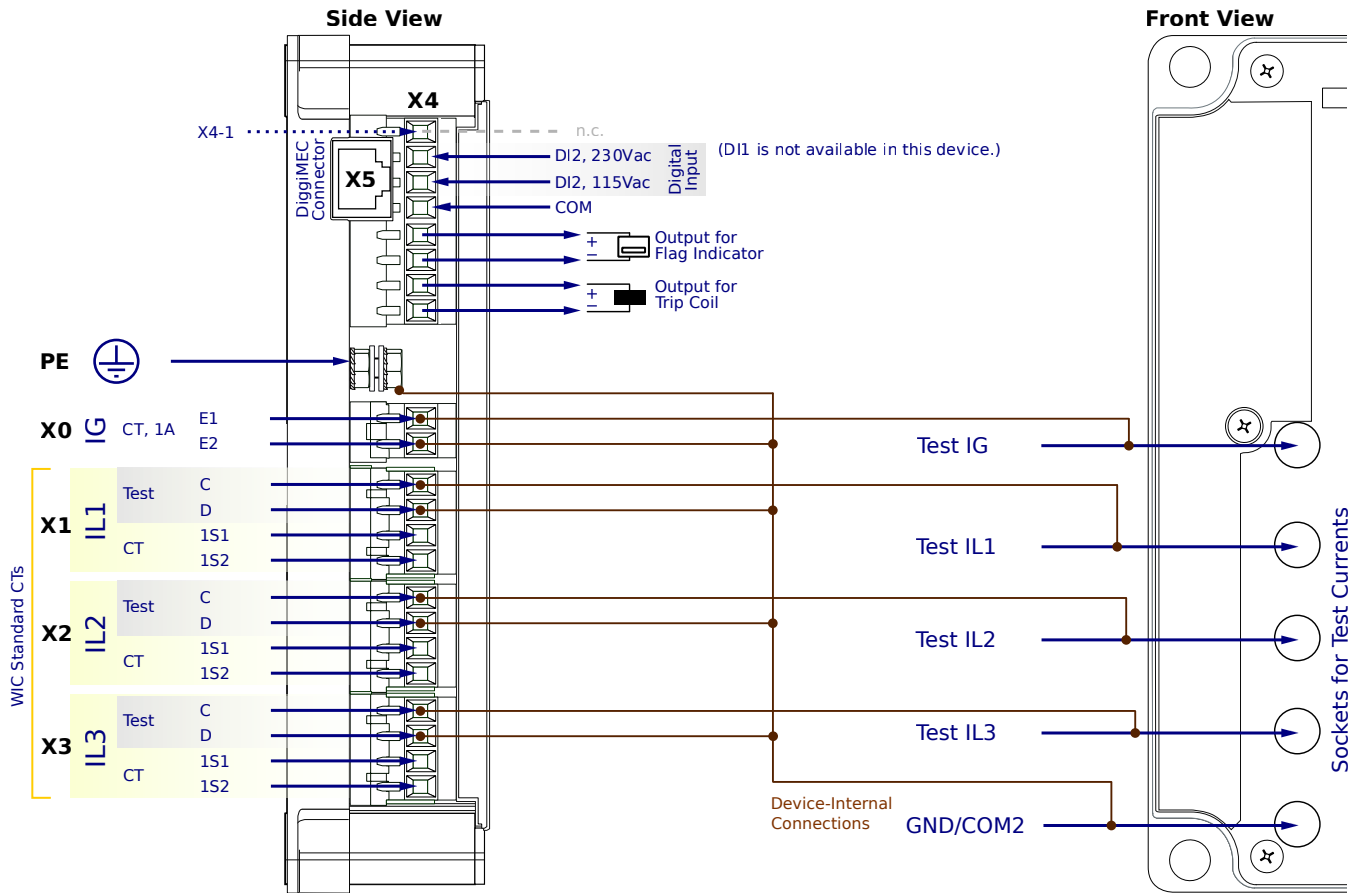
**X4-5,6** - Assignable flag indicator

**X4-7,8** - Trip pulse output

**X5** - DiggiMEC-WIC1 connection. Use network cable CAT3 (or better). No crossover cable!



# WIC1-2SG6CC1AA



## CT-Powered Protection Device, configuration via DIP switches or DiggiMEC / Smart view

- Nominal frequency is 60 Hz. (Setting to 50 Hz is possible via DiggiMEC/Smart view.)
- Backup protection operates directly
- Package "S" + ANSI 46, 49, 51Q, Breaker Wear, Condition Monitoring (= Life Load, Drag Indicator)

**PE** - Protective Earth

**X0** - Measured ground current via 1A CT input. (Setting to calc. IG is also possible via DiggiMEC/Smart view.)

**X1...X3** - WIC CTs

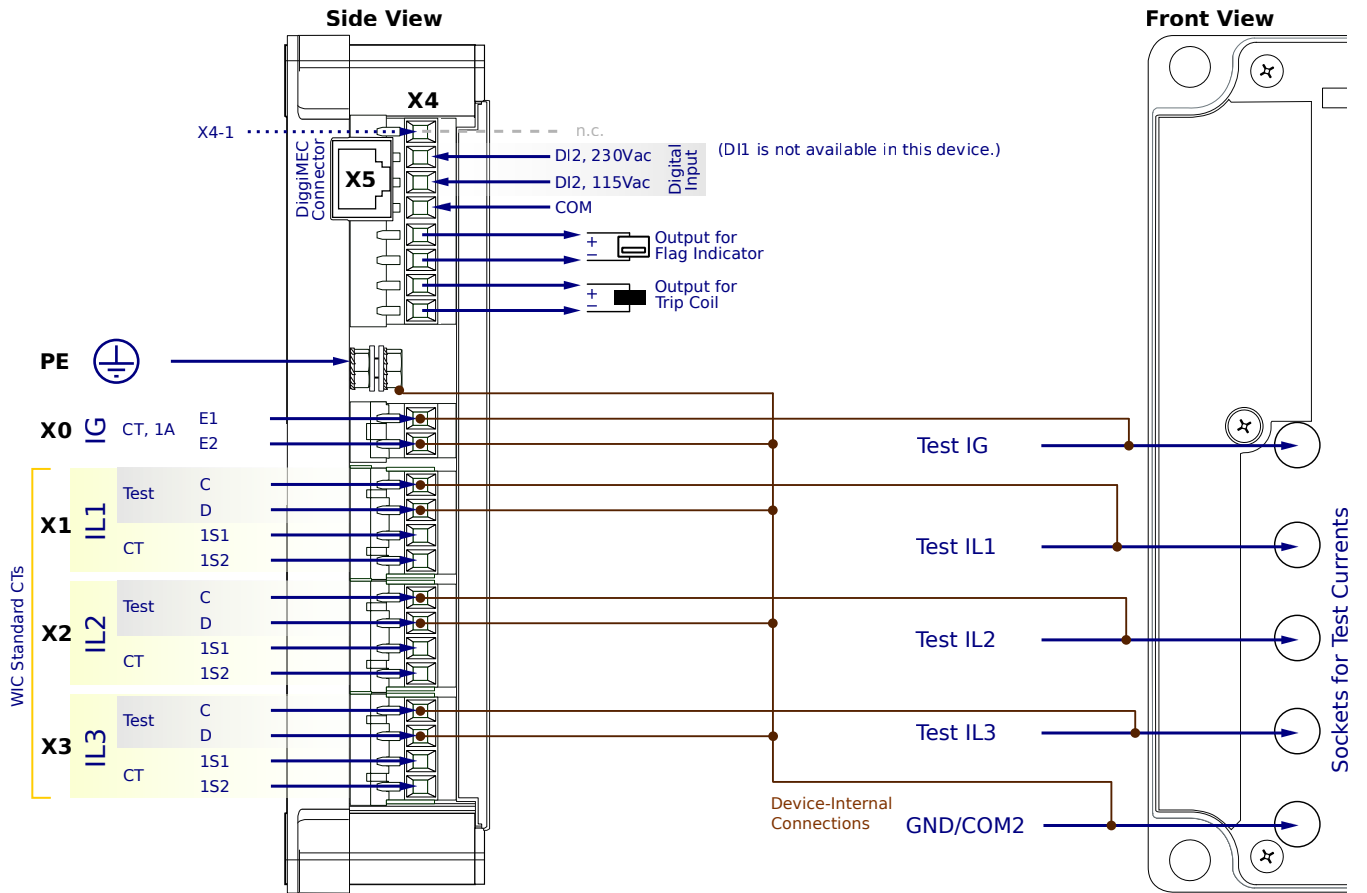
**X4-2,3** - 1 assignable Digital Input DI2 (115Vac or 230Vac)

**X4-5,6** - Assignable flag indicator

**X4-7,8** - Trip pulse output

**X5** - DiggiMEC-WIC1 connection. Use network cable CAT3 (or better). No crossover cable!

# WIC1-2SG6CC1PA



## CT-Powered Protection Device, configuration via DIP switches or DiggiMEC / Smart view

- Nominal frequency is 60 Hz. (Setting to 50 Hz is possible via DiggiMEC/Smart view.)
- Backup protection operates directly
- Package "A" + SOTF, CLPU, external protection, ultra-fast overcurrent protection

**PE** - Protective Earth

**X0** - Measured ground current via 1A CT input. (Setting to calc. IG is also possible via DiggiMEC/Smart view.)

**X1...X3** - WIC CTs

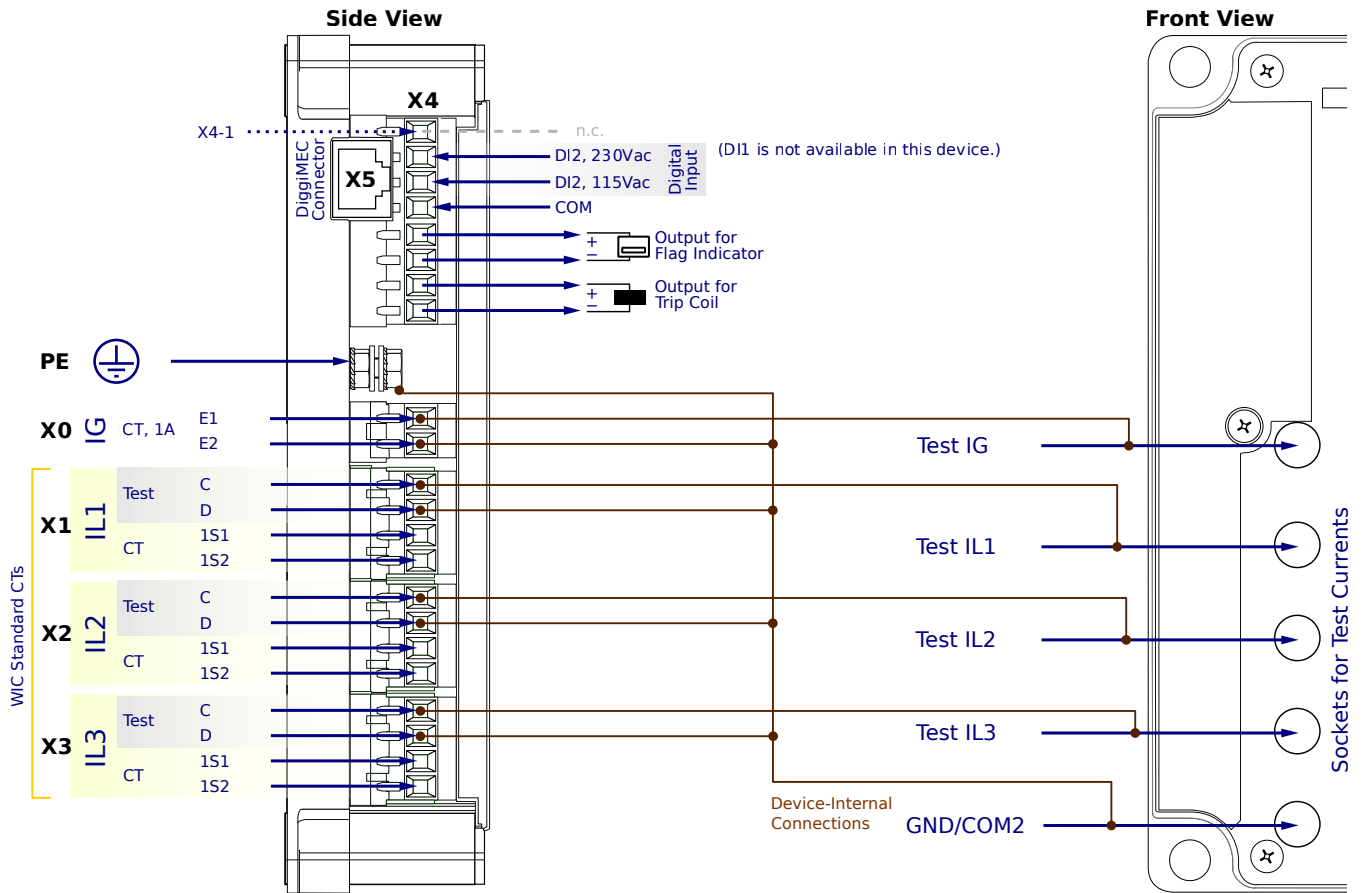
**X4-2,3** - 1 assignable Digital Input DI2 (115Vac or 230Vac)

**X4-5,6** - Assignable flag indicator

**X4-7,8** - Trip pulse output

**X5** - DiggiMEC-WIC1 connection. Use network cable CAT3 (or better). No crossover cable!

# WIC1-2SG6CC2SA



## CT-Powered Protection Device, configuration via DIP switches or DiggiMEC / Smart view

- Nominal frequency is 60 Hz. (Setting to 50 Hz is possible via DiggiMEC/Smart view.)
- Trip at  $20 \cdot I_{n,max}$
- ANSI 50, 50G/N, 51, 51G/N, inrush, 50BF, 74TC

**PE** - Protective Earth

**X0** - Measured ground current via 1A CT input. (Setting to calc. IG is also possible via DiggiMEC/Smart view.)

**X1...X3** - WIC CTs

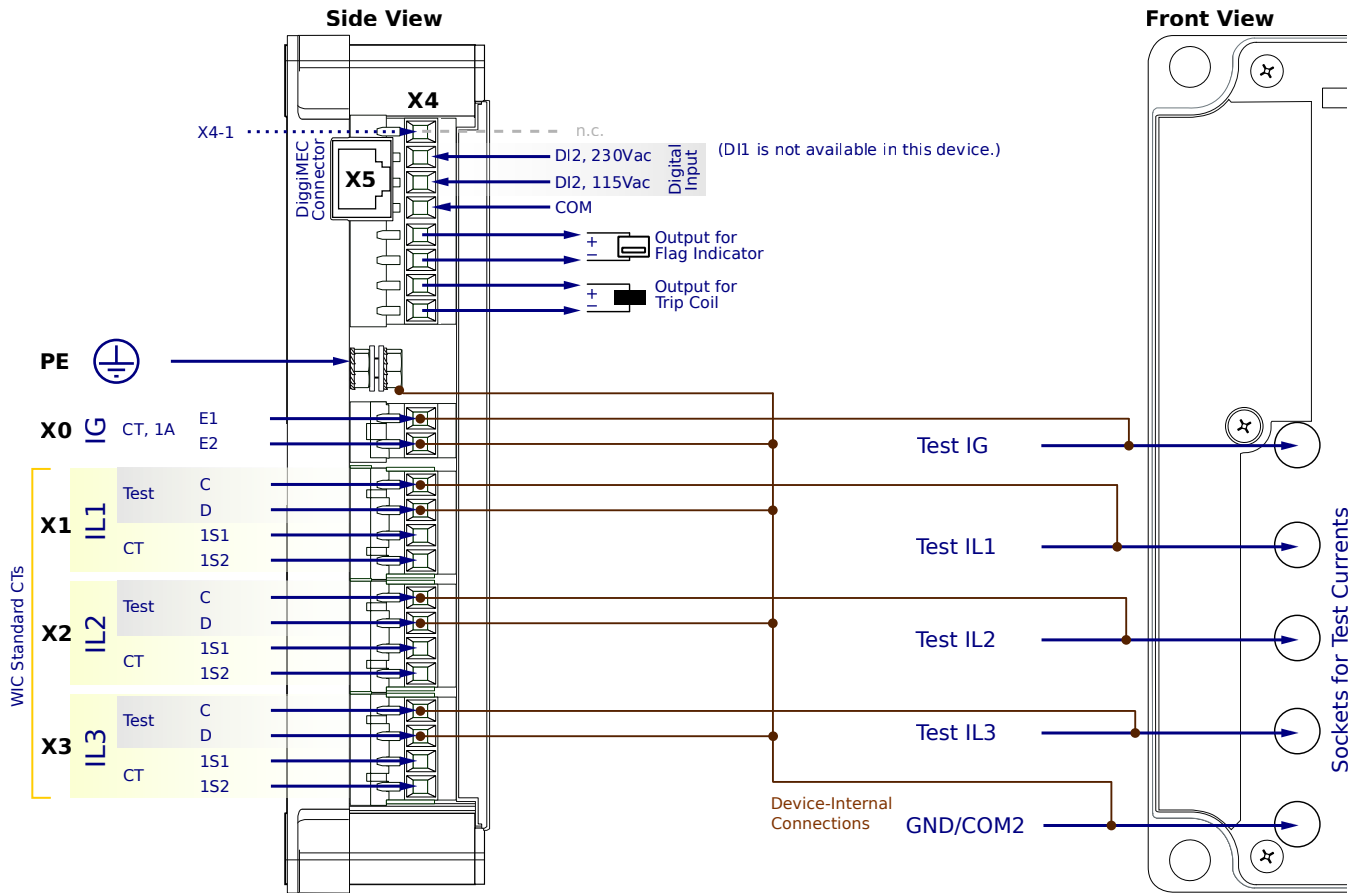
**X4-2,3** - 1 assignable Digital Input DI2 (115Vac or 230Vac)

**X4-5,6** - Assignable flag indicator

**X4-7,8** - Trip pulse output

**X5** - DiggiMEC-WIC1 connection. Use network cable CAT3 (or better). No crossover cable!

# WIC1-2SG6CC2AA



## CT-Powered Protection Device, configuration via DIP switches or DiggiMEC / Smart view

- Nominal frequency is 60 Hz. (Setting to 50 Hz is possible via DiggiMEC/Smart view.)
- Trip at  $20 \cdot I_{n,max}$
- Package "S" + ANSI 46, 49, 51Q, Breaker Wear, Condition Monitoring (= Life Load, Drag Indicator)

**PE** - Protective Earth

**X0** - Measured ground current via 1A CT input. (Setting to calc. IG is also possible via DiggiMEC/Smart view.)

**X1...X3** - WIC CTs

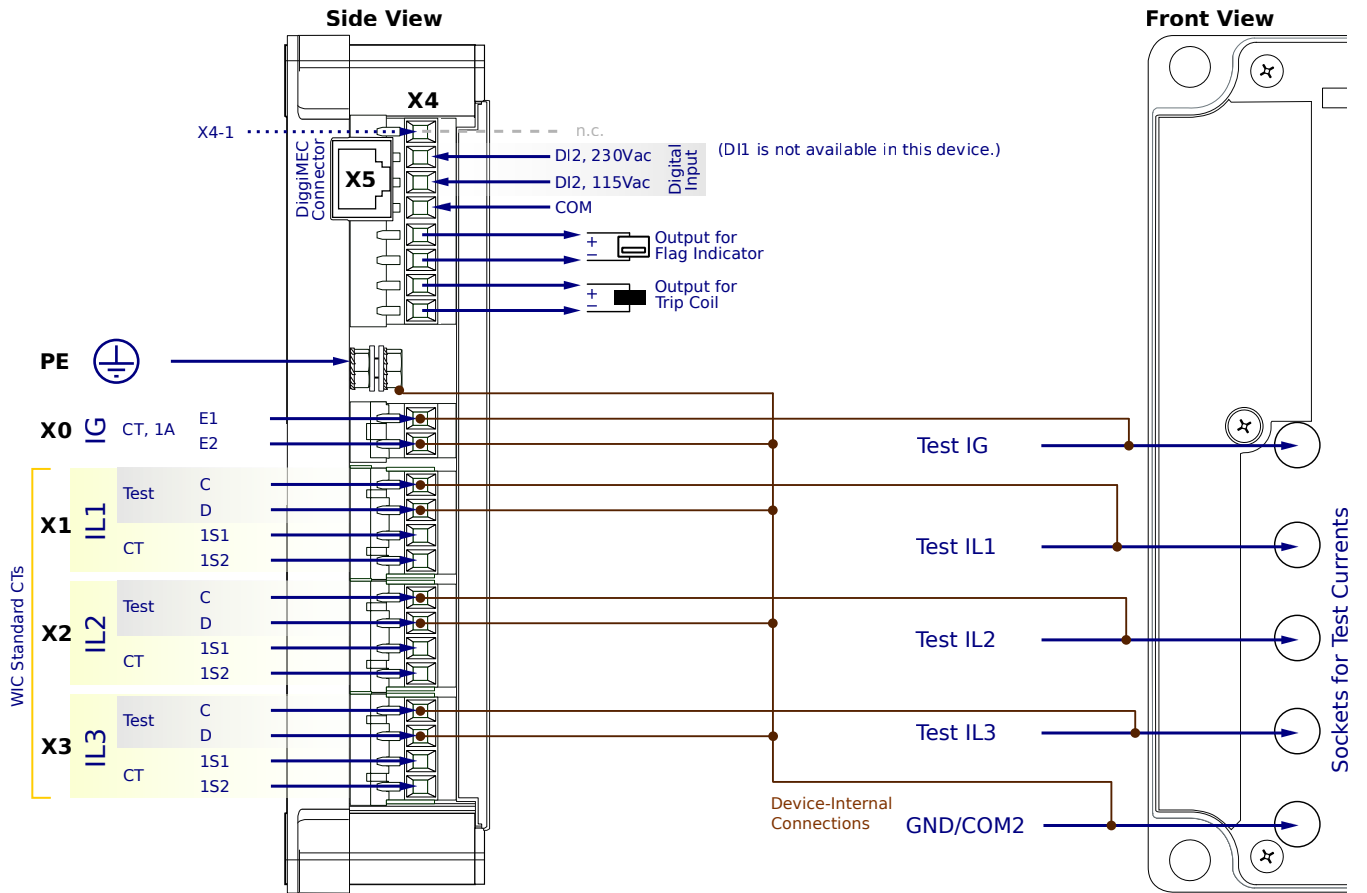
**X4-2,3** - 1 assignable Digital Input DI2 (115Vac or 230Vac)

**X4-5,6** - Assignable flag indicator

**X4-7,8** - Trip pulse output

**X5** - DiggiMEC-WIC1 connection. Use network cable CAT3 (or better). No crossover cable!

# WIC1-2SG6CC2PA



## CT-Powered Protection Device, configuration via DIP switches or DiggiMEC / Smart view

- Nominal frequency is 60 Hz. (Setting to 50 Hz is possible via DiggiMEC/Smart view.)
- Trip at  $20 \cdot I_{n,max}$
- Package "A" + SOTF, CLPU, external protection, ultra-fast overcurrent protection

**PE** - Protective Earth

**X0** - Measured ground current via 1A CT input. (Setting to calc. IG is also possible via DiggiMEC/Smart view.)

**X1...X3** - WIC CTs

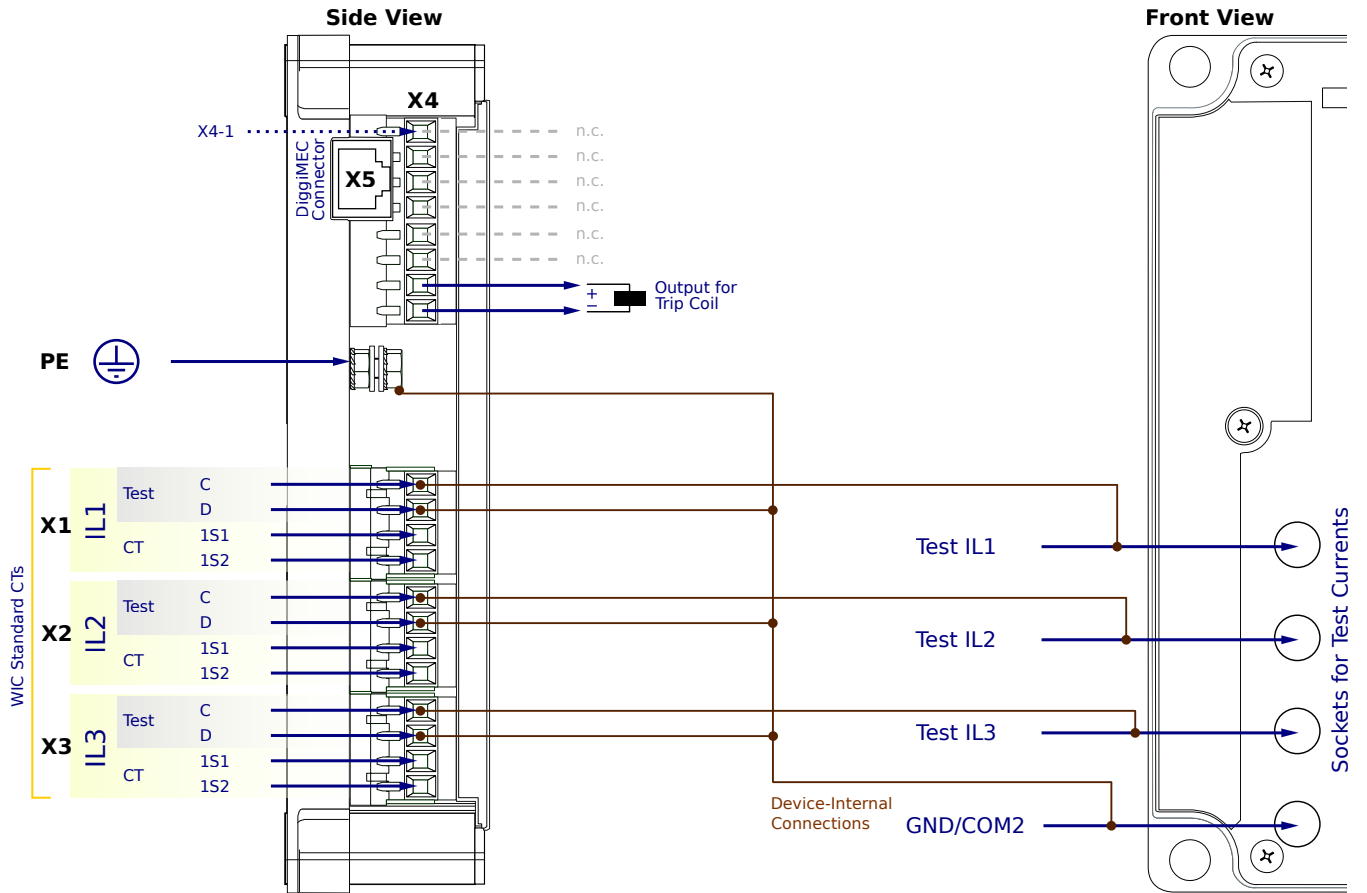
**X4-2,3** - 1 assignable Digital Input DI2 (115Vac or 230Vac)

**X4-5,6** - Assignable flag indicator

**X4-7,8** - Trip pulse output

**X5** - DiggiMEC-WIC1 connection. Use network cable CAT3 (or better). No crossover cable!

# WIC1-3SN5NN1SA



## CT-Powered Protection Device, configuration via HEX switches or DiggiMEC / Smart view

- Calculated earth current
- Nominal frequency is 50 Hz. (Setting to 60 Hz is possible via DiggiMEC/Smart view.)
- Backup protection operates directly
- ANSI 50, 50G/N, 51, 51G/N, inrush, 50BF, 74TC

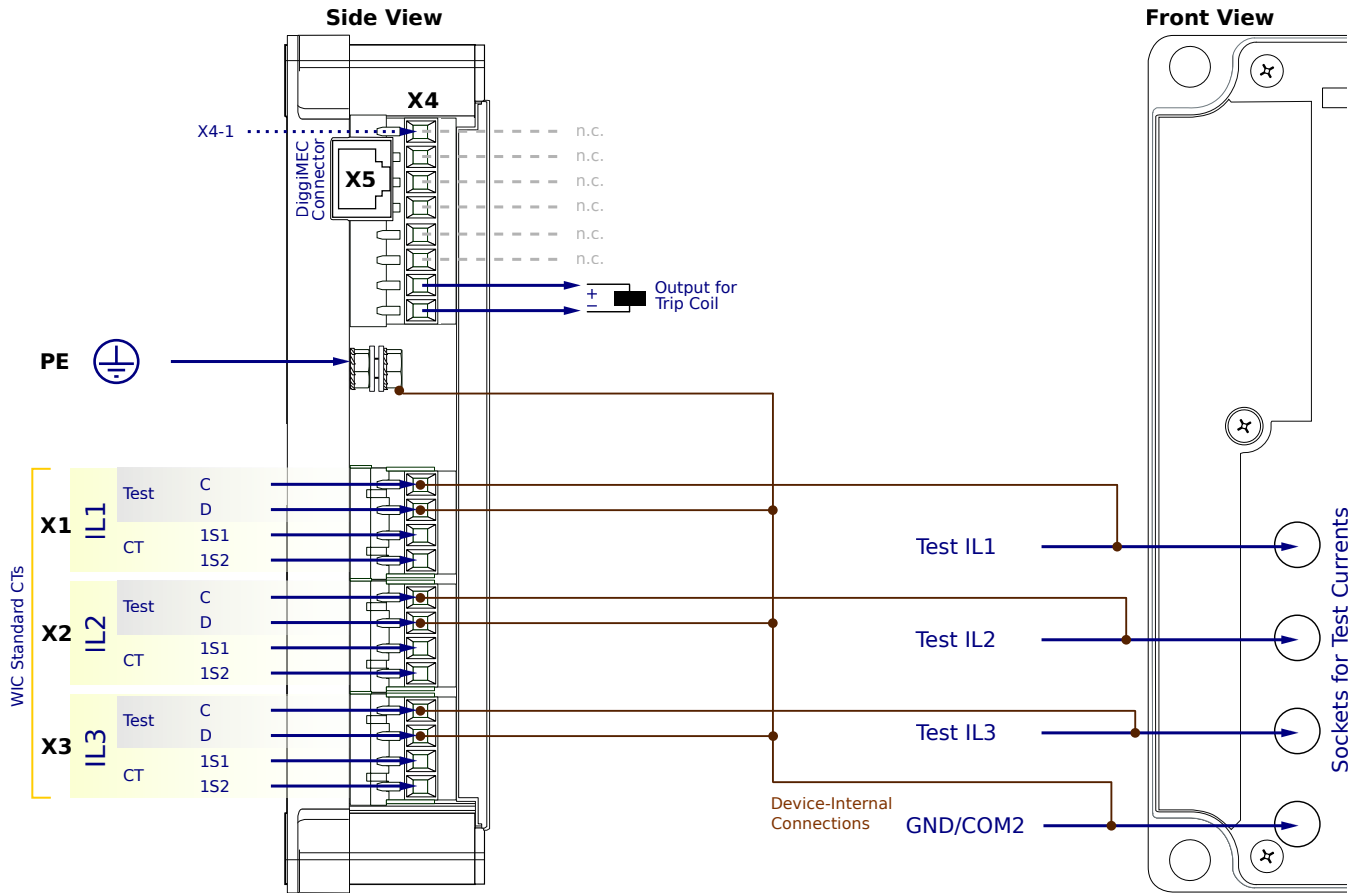
**PE** - Protective Earth

**X1...X3** - WIC CTs

**X4-7,8** - Trip pulse output

**X5** - DiggiMEC-WIC1 connection. Use network cable CAT3 (or better). No crossover cable!

# WIC1-3SN5NN1AA



## CT-Powered Protection Device, configuration via HEX switches or DiggiMEC / Smart view

- Calculated earth current
- Nominal frequency is 50 Hz. (Setting to 60 Hz is possible via DiggiMEC/Smart view.)
- Backup protection operates directly
- Package "S" + ANSI 46, 49, 51Q, Breaker Wear, Condition Monitoring (= Life Load, Drag Indicator)

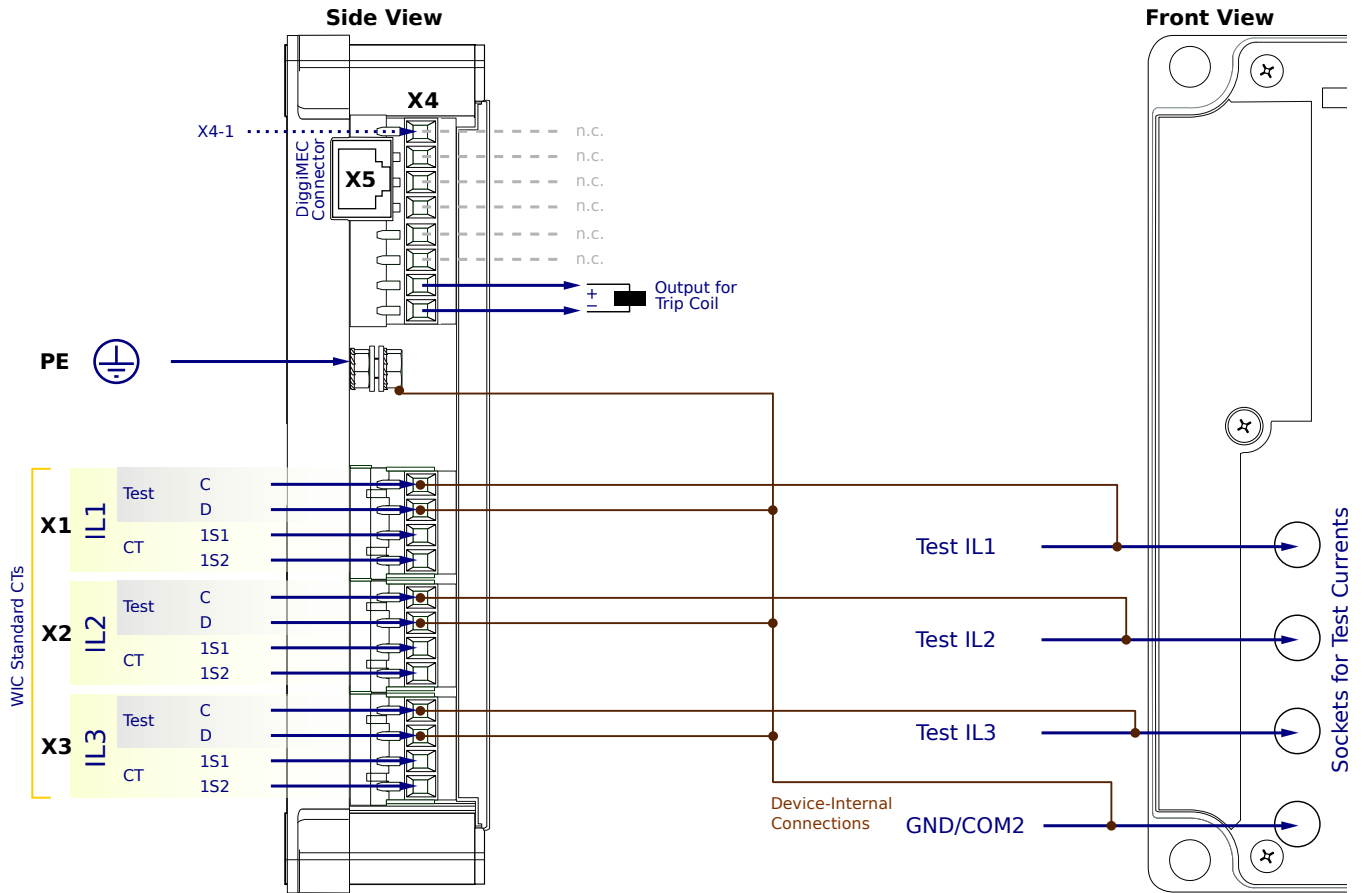
**PE** - Protective Earth

**X1...X3** - WIC CTs

**X4-7,8** - Trip pulse output

**X5** - DiggiMEC-WIC1 connection. Use network cable CAT3 (or better). No crossover cable!

# WIC1-3SN5NN1PA



## CT-Powered Protection Device, configuration via HEX switches or DiggiMEC / Smart view

- Calculated earth current
- Nominal frequency is 50 Hz. (Setting to 60 Hz is possible via DiggiMEC/Smart view.)
- Backup protection operates directly
- Package "A" + SOTF, CLPU, external protection, ultra-fast overcurrent protection

**PE** - Protective Earth

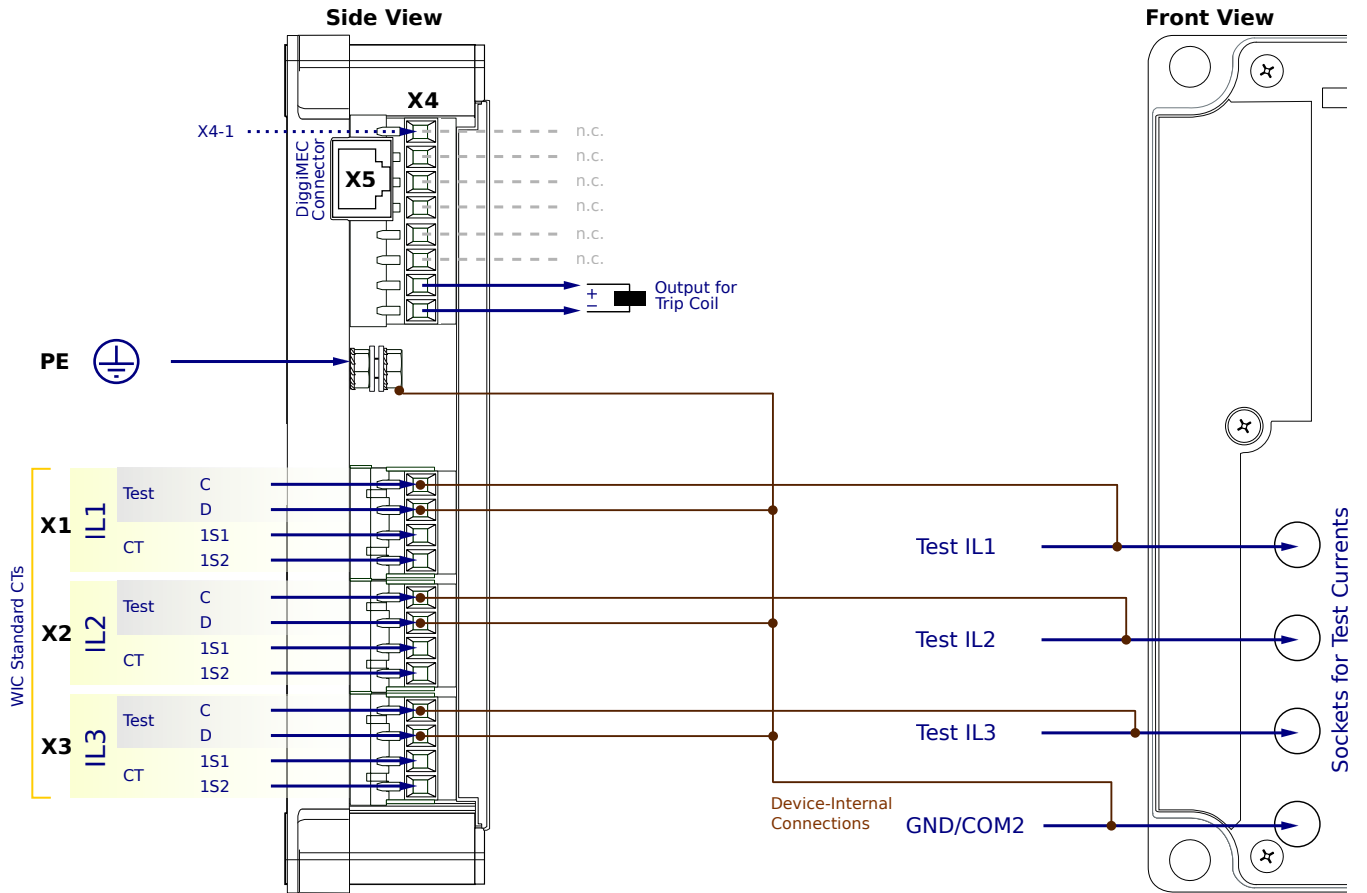
**X1...X3** - WIC CTs

**X4-7,8** - Trip pulse output

**X5** - DiggiMEC-WIC1 connection. Use network cable CAT3 (or better). No crossover cable!



# WIC1-3SN5NN2SA



## CT-Powered Protection Device, configuration via HEX switches or DiggiMEC / Smart view

- Calculated earth current
- Nominal frequency is 50 Hz. (Setting to 60 Hz is possible via DiggiMEC/Smart view.)
- Trip at  $20 \cdot I_{n,max}$
- ANSI 50, 50G/N, 51, 51G/N, inrush, 50BF, 74TC

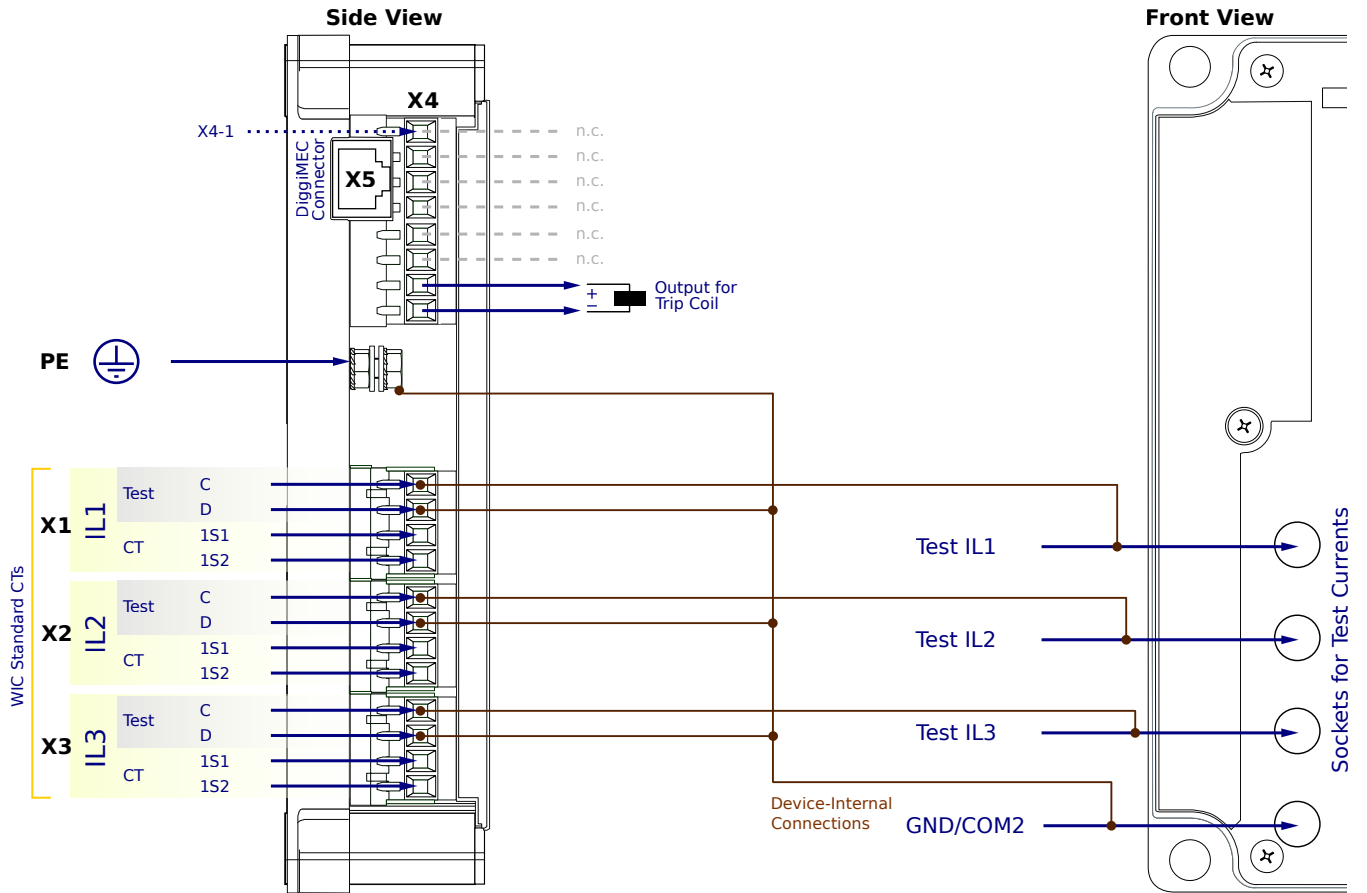
**PE** - Protective Earth

**X1...X3** - WIC CTs

**X4-7,8** - Trip pulse output

**X5** - DiggiMEC-WIC1 connection. Use network cable CAT3 (or better). No crossover cable!

# WIC1-3SN5NN2AA



## CT-Powered Protection Device, configuration via HEX switches or DiggiMEC / Smart view

- Calculated earth current
- Nominal frequency is 50 Hz. (Setting to 60 Hz is possible via DiggiMEC/Smart view.)
- Trip at  $20 \cdot I_{n,max}$
- Package "S" + ANSI 46, 49, 51Q, Breaker Wear, Condition Monitoring (= Life Load, Drag Indicator)

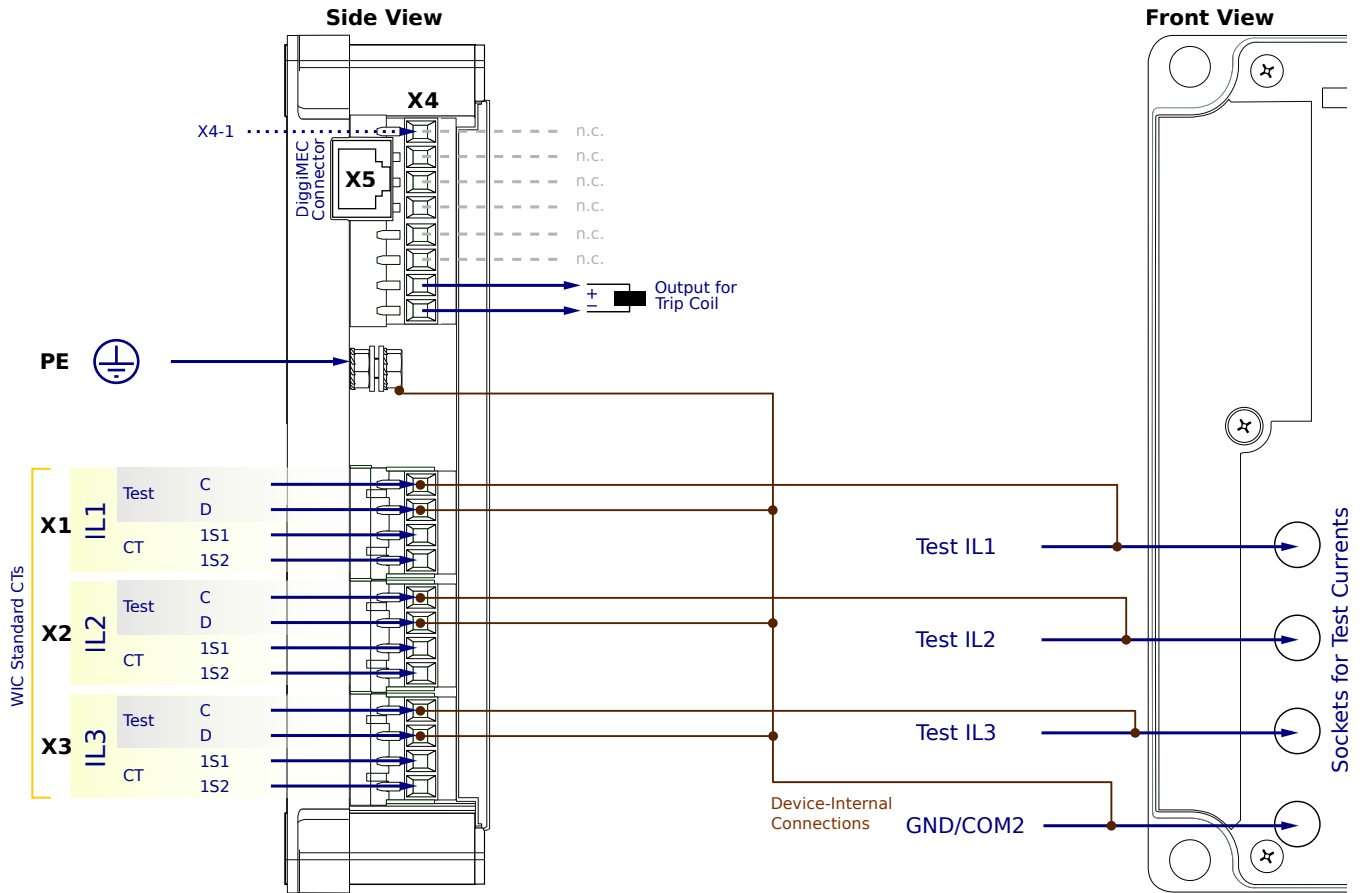
**PE** - Protective Earth

**X1...X3** - WIC CTs

**X4-7,8** - Trip pulse output

**X5** - DiggiMEC-WIC1 connection. Use network cable CAT3 (or better). No crossover cable!

# WIC1-3SN5NN2PA



## CT-Powered Protection Device, configuration via HEX switches or DiggiMEC / Smart view

- Calculated earth current
- Nominal frequency is 50 Hz. (Setting to 60 Hz is possible via DiggiMEC/Smart view.)
- Trip at  $20 \cdot I_{n,max}$
- Package "A" + SOTF, CLPU, external protection, ultra-fast overcurrent protection

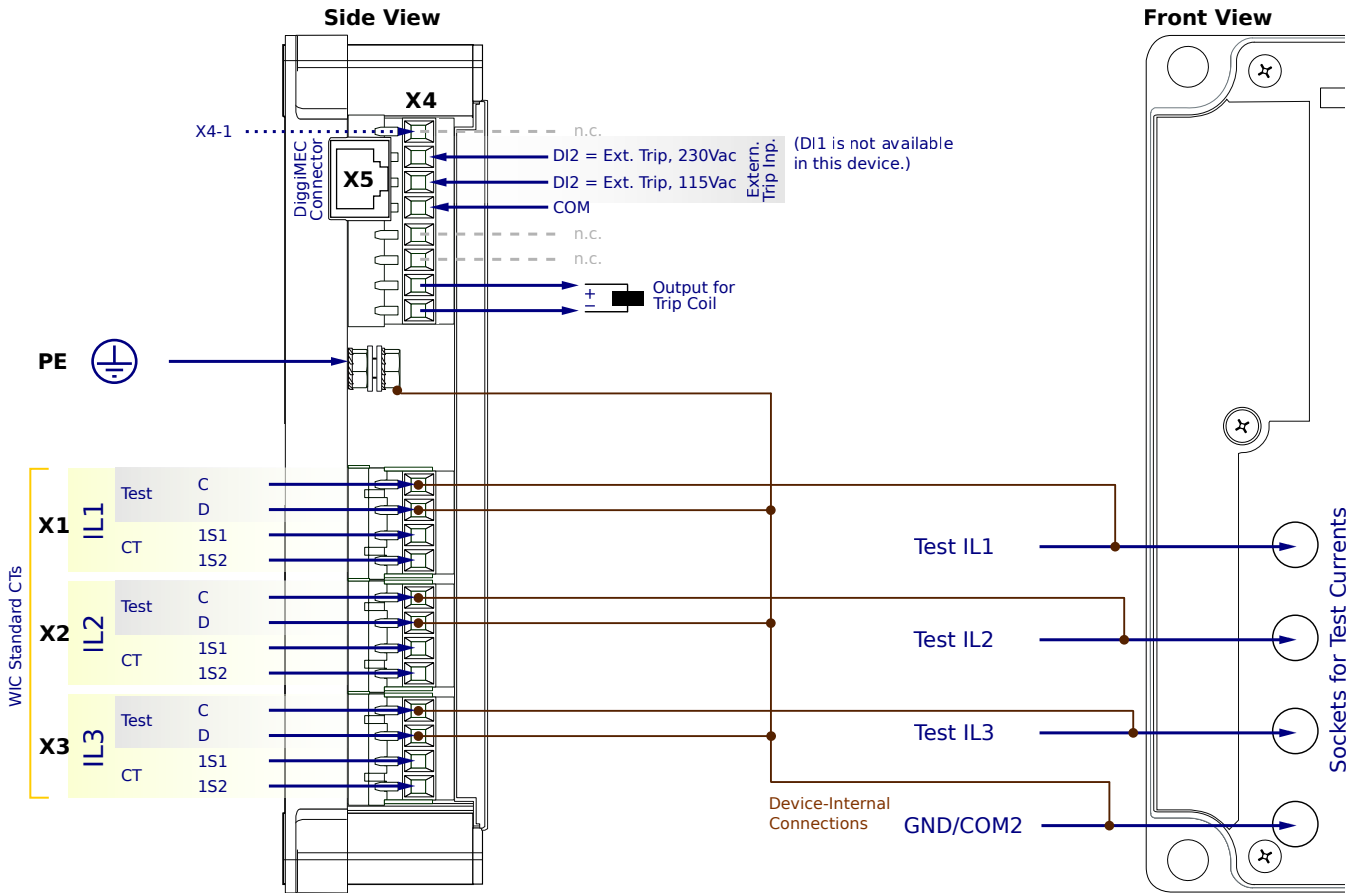
**PE** - Protective Earth

**X1...X3** - WIC CTs

**X4-7,8** - Trip pulse output

**X5** - DiggiMEC-WIC1 connection. Use network cable CAT3 (or better). No crossover cable!

# WIC1-3SN5NF1SA



## CT-Powered Protection Device, configuration via HEX switches or DiggiMEC / Smart view

- Calculated earth current
- Nominal frequency is 50 Hz. (Setting to 60 Hz is possible via DiggiMEC/Smart view.)
- Backup protection operates directly
- ANSI 50, 50G/N, 51, 51G/N, inrush, 50BF, 74TC

**PE** - Protective Earth

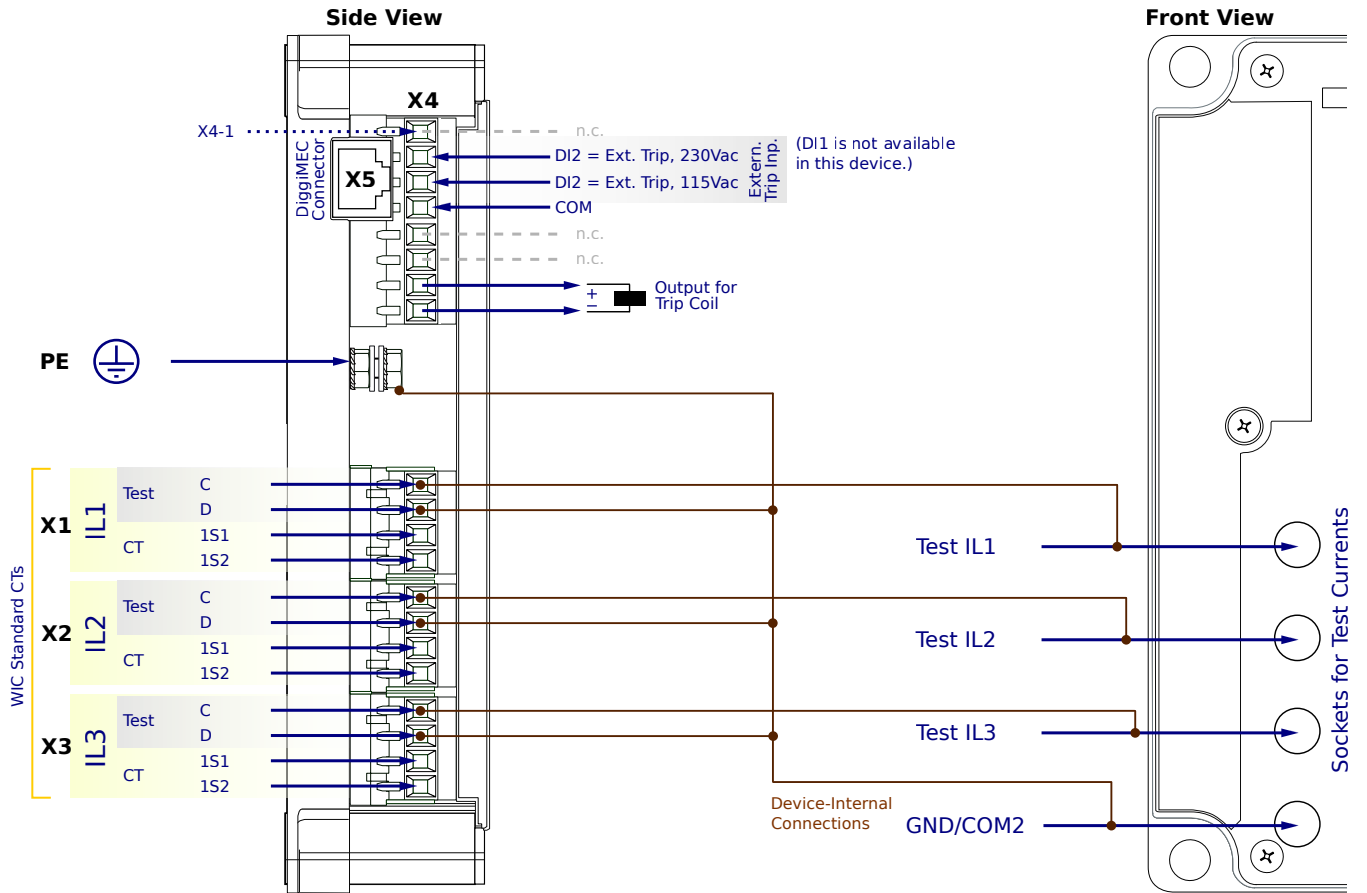
**X1...X3** - WIC CTs

**X4-2,3** - DI2, fixed to External trip input (115Vac or 230Vac)

**X4-7,8** - Trip pulse output

**X5** - DiggiMEC-WIC1 connection. Use network cable CAT3 (or better). No crossover cable!

# WIC1-3SN5NF1AA



## CT-Powered Protection Device, configuration via HEX switches or DiggiMEC / Smart view

- Calculated earth current
- Nominal frequency is 50 Hz. (Setting to 60 Hz is possible via DiggiMEC/Smart view.)
- Backup protection operates directly
- Package "S" + ANSI 46, 49, 51Q, Breaker Wear, Condition Monitoring (= Life Load, Drag Indicator)

**PE** - Protective Earth

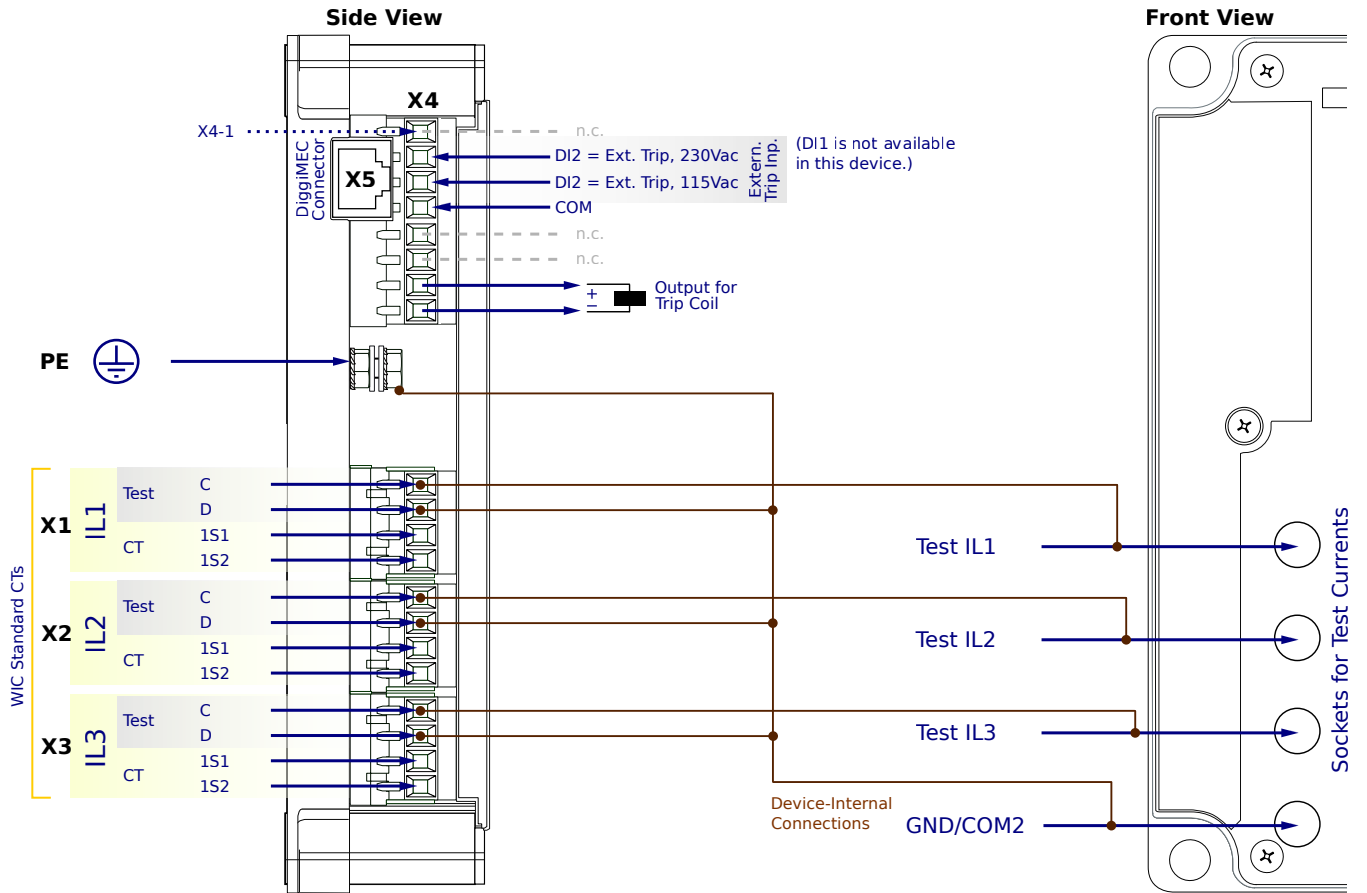
**X1...X3** - WIC CTs

**X4-2,3** - DI2, fixed to External trip input (115Vac or 230Vac)

**X4-7,8** - Trip pulse output

**X5** - DiggiMEC-WIC1 connection. Use network cable CAT3 (or better). No crossover cable!

# WIC1-3SN5NF1PA



## CT-Powered Protection Device, configuration via HEX switches or DiggiMEC / Smart view

- Calculated earth current
- Nominal frequency is 50 Hz. (Setting to 60 Hz is possible via DiggiMEC/Smart view.)
- Backup protection operates directly
- Package "A" + SOTF, CLPU, external protection, ultra-fast overcurrent protection

**PE** - Protective Earth

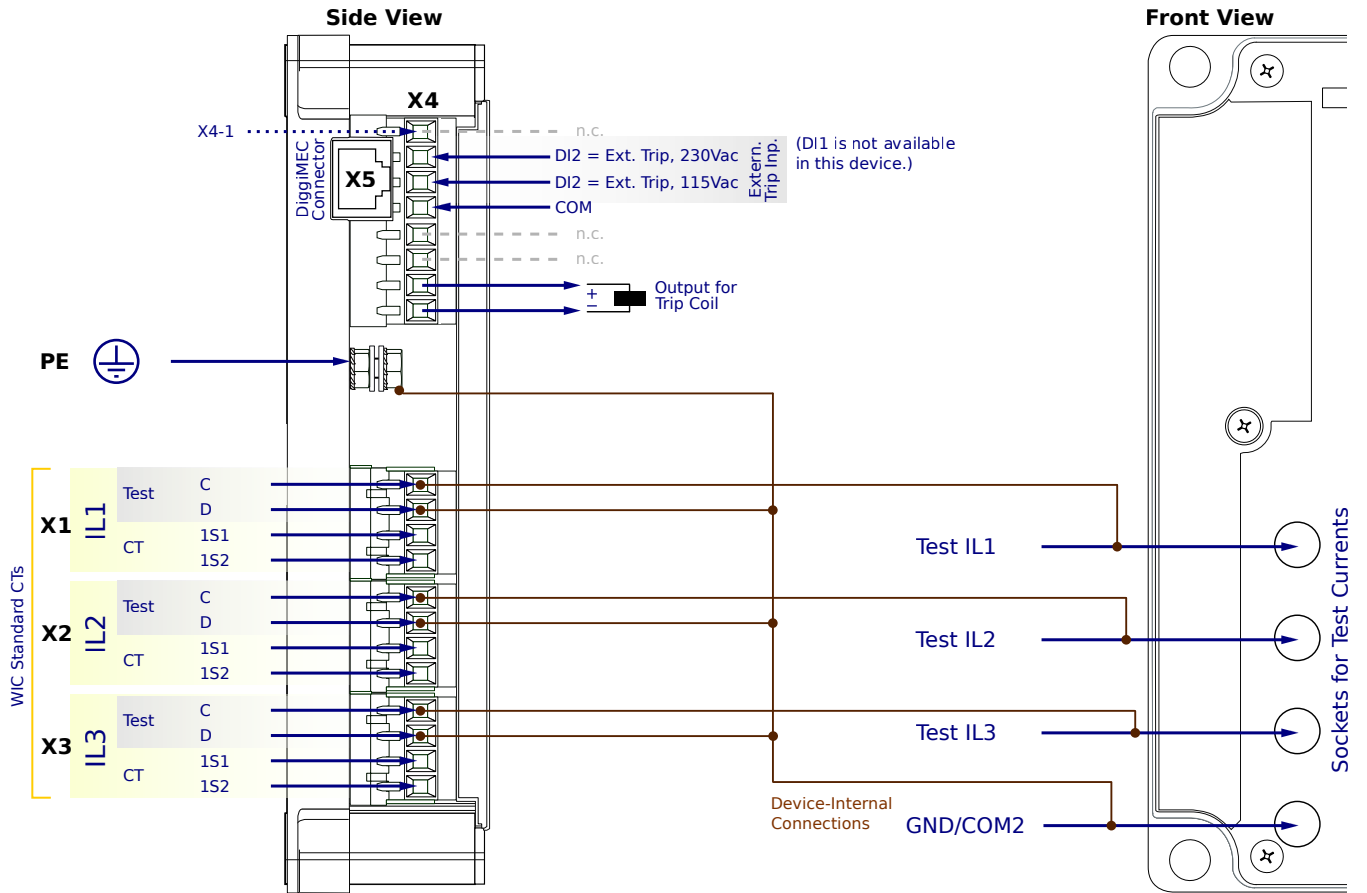
**X1...X3** - WIC CTs

**X4-2,3** - DI2, fixed to External trip input (115Vac or 230Vac)

**X4-7,8** - Trip pulse output

**X5** - DiggiMEC-WIC1 connection. Use network cable CAT3 (or better). No crossover cable!

# WIC1-3SN5NF2SA



## CT-Powered Protection Device, configuration via HEX switches or DiggiMEC / Smart view

- Calculated earth current
- Nominal frequency is 50 Hz. (Setting to 60 Hz is possible via DiggiMEC/Smart view.)
- Trip at  $20 \cdot I_{n,max}$
- ANSI 50, 50G/N, 51, 51G/N, inrush, 50BF, 74TC

**PE** - Protective Earth

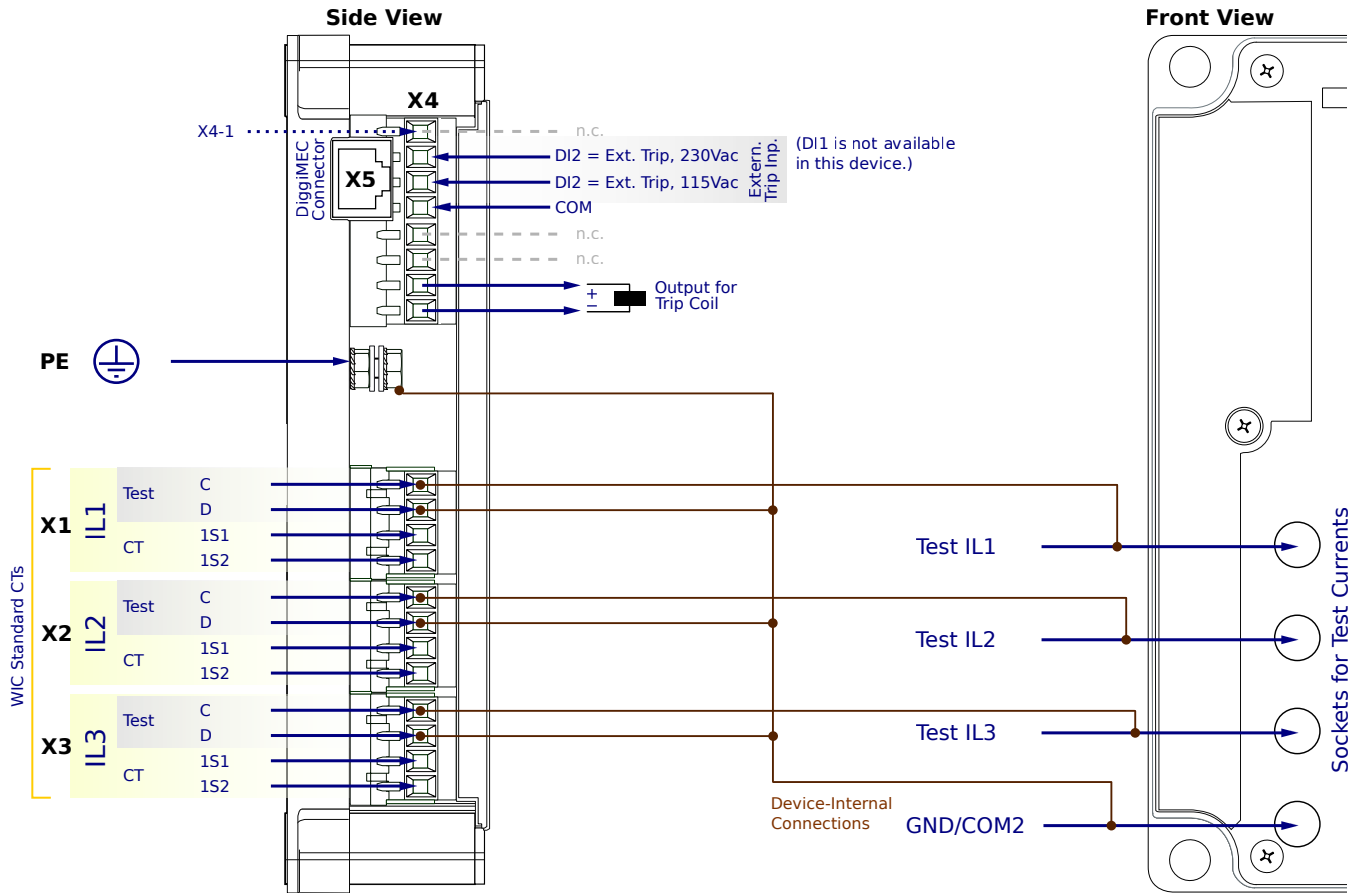
**X1...X3** - WIC CTs

**X4-2,3** - DI2, fixed to External trip input (115Vac or 230Vac)

**X4-7,8** - Trip pulse output

**X5** - DiggiMEC-WIC1 connection. Use network cable CAT3 (or better). No crossover cable!

# WIC1-3SN5NF2AA



## CT-Powered Protection Device, configuration via HEX switches or DiggiMEC / Smart view

- Calculated earth current
- Nominal frequency is 50 Hz. (Setting to 60 Hz is possible via DiggiMEC/Smart view.)
- Trip at  $20 \cdot I_{n,max}$
- Package "S" + ANSI 46, 49, 51Q, Breaker Wear, Condition Monitoring (= Life Load, Drag Indicator)

**PE** - Protective Earth

**X1...X3** - WIC CTs

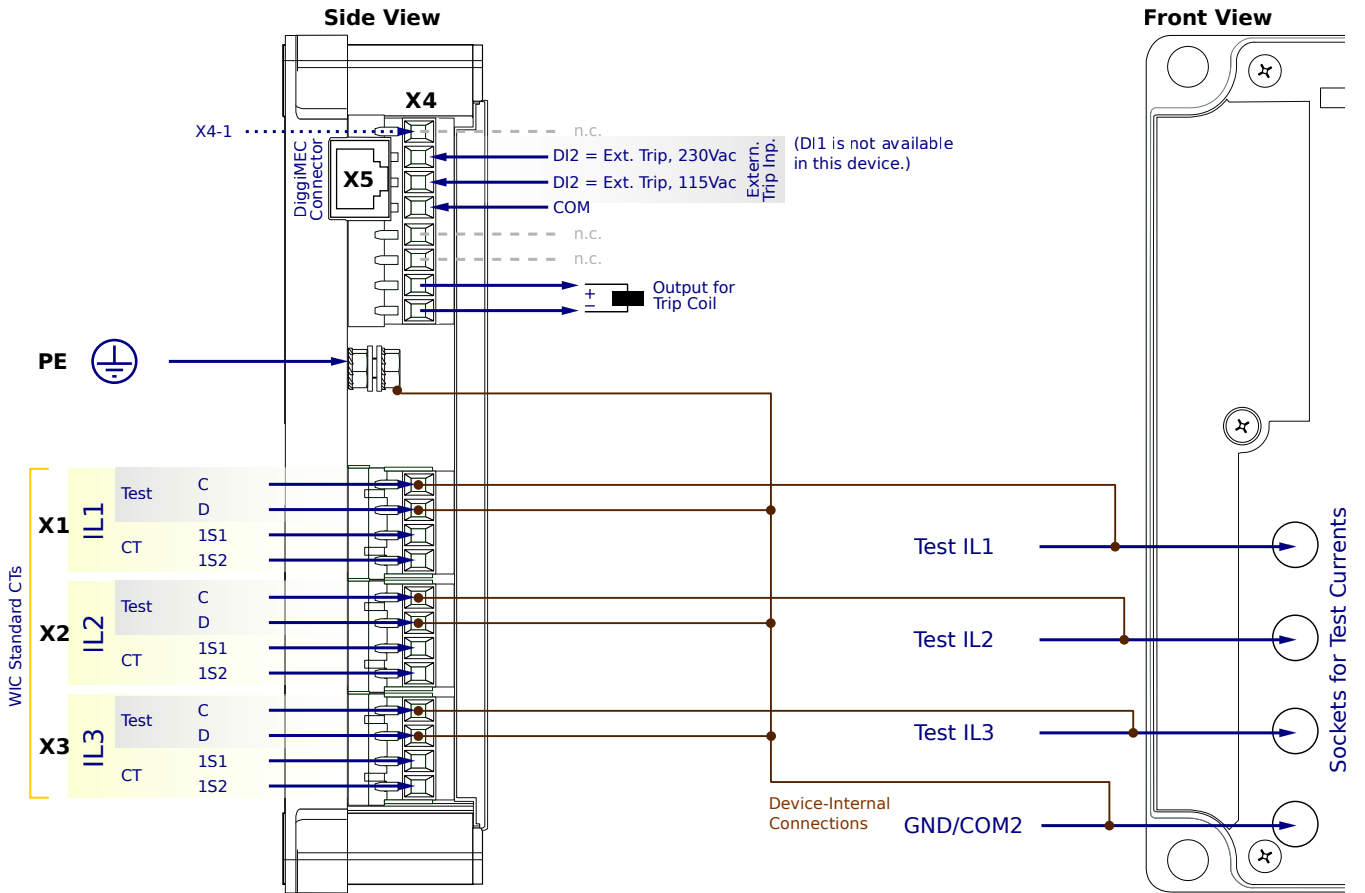
**X4-2,3** - DI2, fixed to External trip input (115Vac or 230Vac)

**X4-7,8** - Trip pulse output

**X5** - DiggiMEC-WIC1 connection. Use network cable CAT3 (or better). No crossover cable!



# WIC1-3SN5NF2PA



## CT-Powered Protection Device, configuration via HEX switches or DiggiMEC / Smart view

- Calculated earth current
- Nominal frequency is 50 Hz. (Setting to 60 Hz is possible via DiggiMEC/Smart view.)
- Trip at  $20 \cdot I_{n,max}$
- Package "A" + SOTF, CLPU, external protection, ultra-fast overcurrent protection

**PE** - Protective Earth

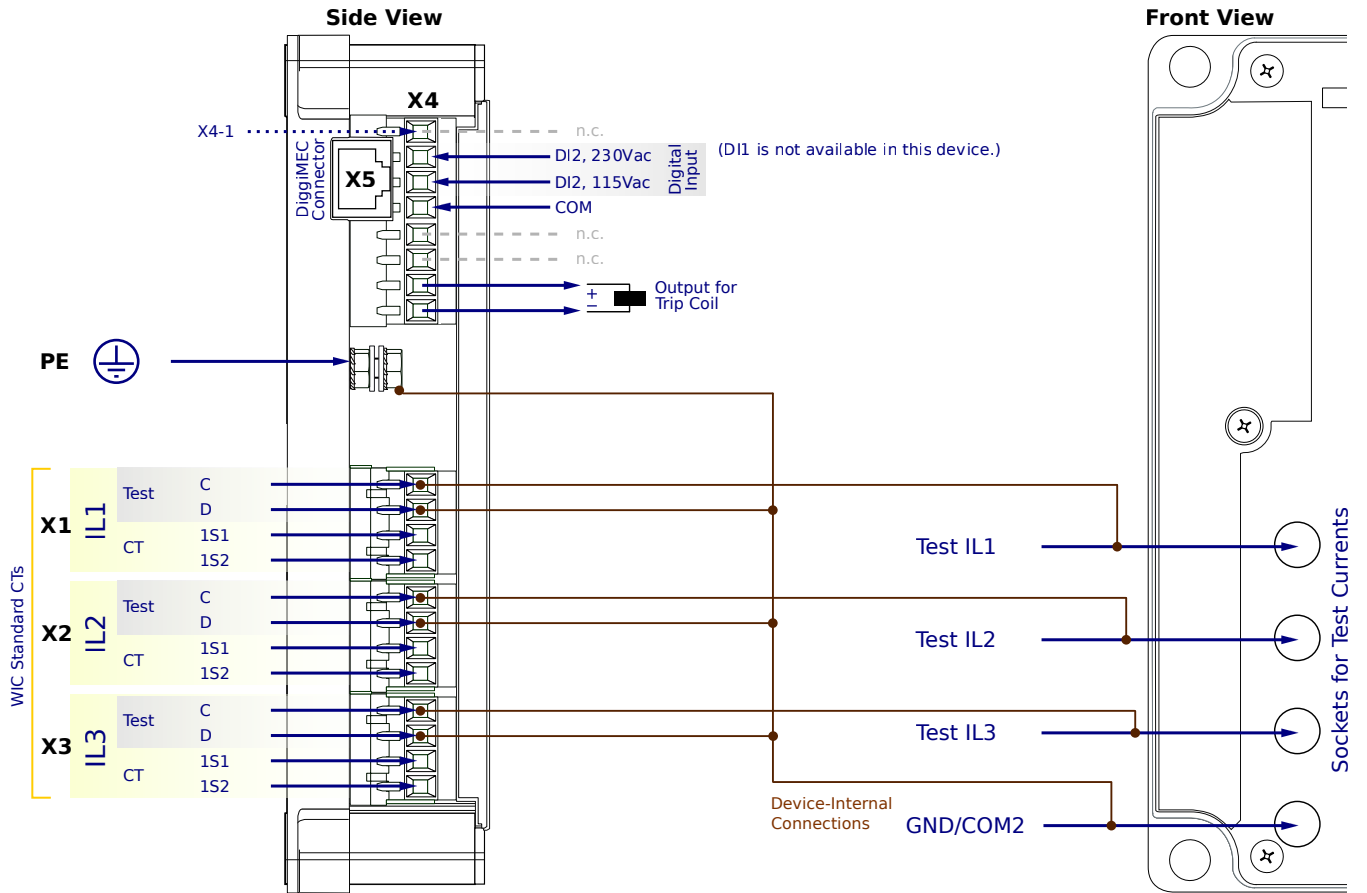
**X1...X3** - WIC CTs

**X4-2,3** - DI2, fixed to External trip input (115Vac or 230Vac)

**X4-7,8** - Trip pulse output

**X5** - DiggiMEC-WIC1 connection. Use network cable CAT3 (or better). No crossover cable!

# WIC1-3SN5NC1SA



## CT-Powered Protection Device, configuration via HEX switches or DiggiMEC / Smart view

- Calculated earth current
- Nominal frequency is 50 Hz. (Setting to 60 Hz is possible via DiggiMEC/Smart view.)
- Backup protection operates directly
- ANSI 50, 50G/N, 51, 51G/N, inrush, 50BF, 74TC

**PE** - Protective Earth

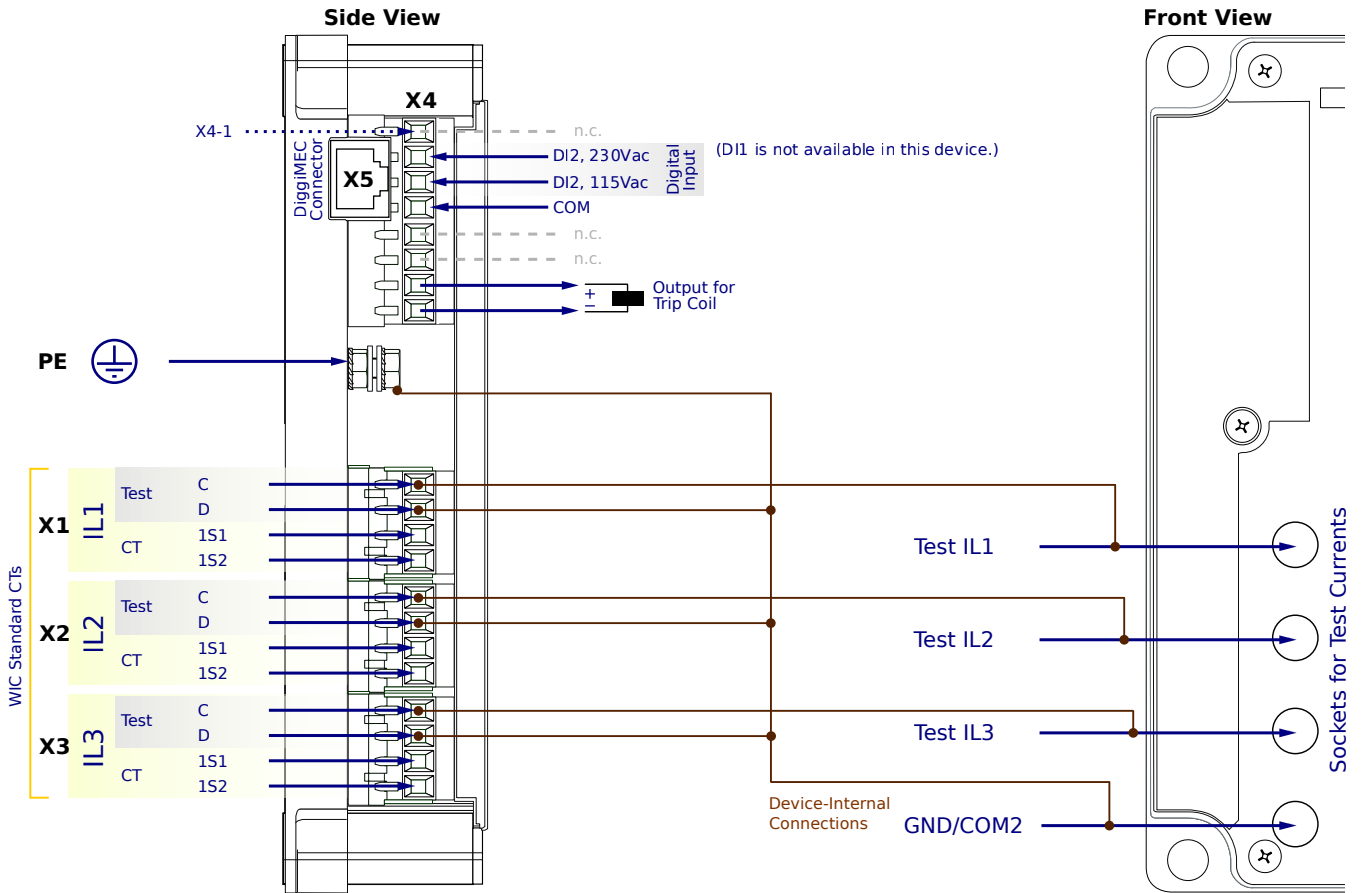
**X1...X3** - WIC CTs

**X4-2,3** - 1 assignable Digital Input DI2 (115Vac or 230Vac)

**X4-7,8** - Trip pulse output

**X5** - DiggiMEC-WIC1 connection. Use network cable CAT3 (or better). No crossover cable!

# WIC1-3SN5NC1AA



## CT-Powered Protection Device, configuration via HEX switches or DiggiMEC / Smart view

- Calculated earth current
- Nominal frequency is 50 Hz. (Setting to 60 Hz is possible via DiggiMEC/Smart view.)
- Backup protection operates directly
- Package "S" + ANSI 46, 49, 51Q, Breaker Wear, Condition Monitoring (= Life Load, Drag Indicator)

**PE** - Protective Earth

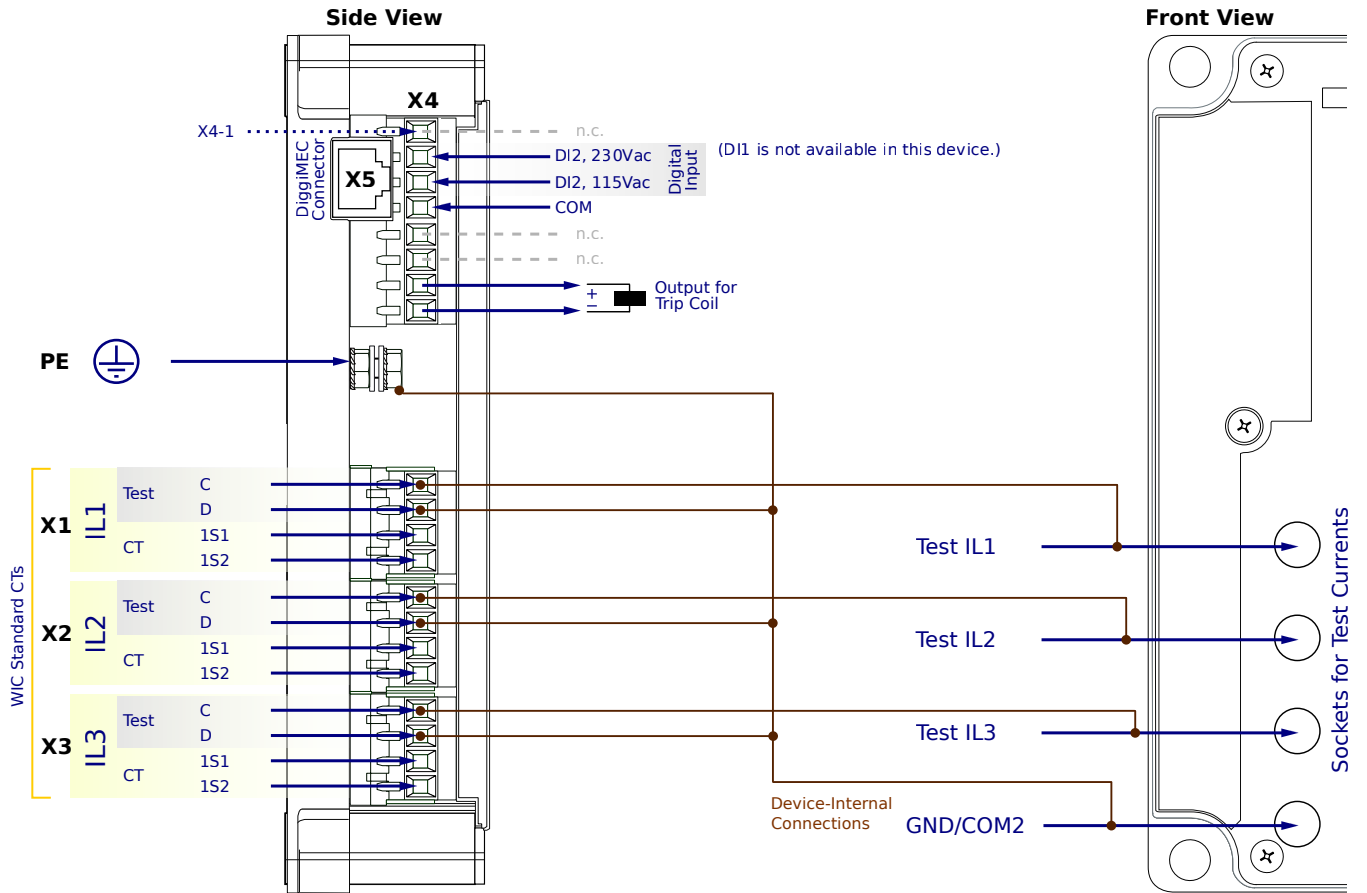
**X1...X3** - WIC CTs

**X4-2,3** - 1 assignable Digital Input DI2 (115Vac or 230Vac)

**X4-7,8** - Trip pulse output

**X5** - DiggiMEC-WIC1 connection. Use network cable CAT3 (or better). No crossover cable!

# WIC1-3SN5NC1PA



## CT-Powered Protection Device, configuration via HEX switches or DiggiMEC / Smart view

- Calculated earth current
- Nominal frequency is 50 Hz. (Setting to 60 Hz is possible via DiggiMEC/Smart view.)
- Backup protection operates directly
- Package "A" + SOTF, CLPU, external protection, ultra-fast overcurrent protection

**PE** - Protective Earth

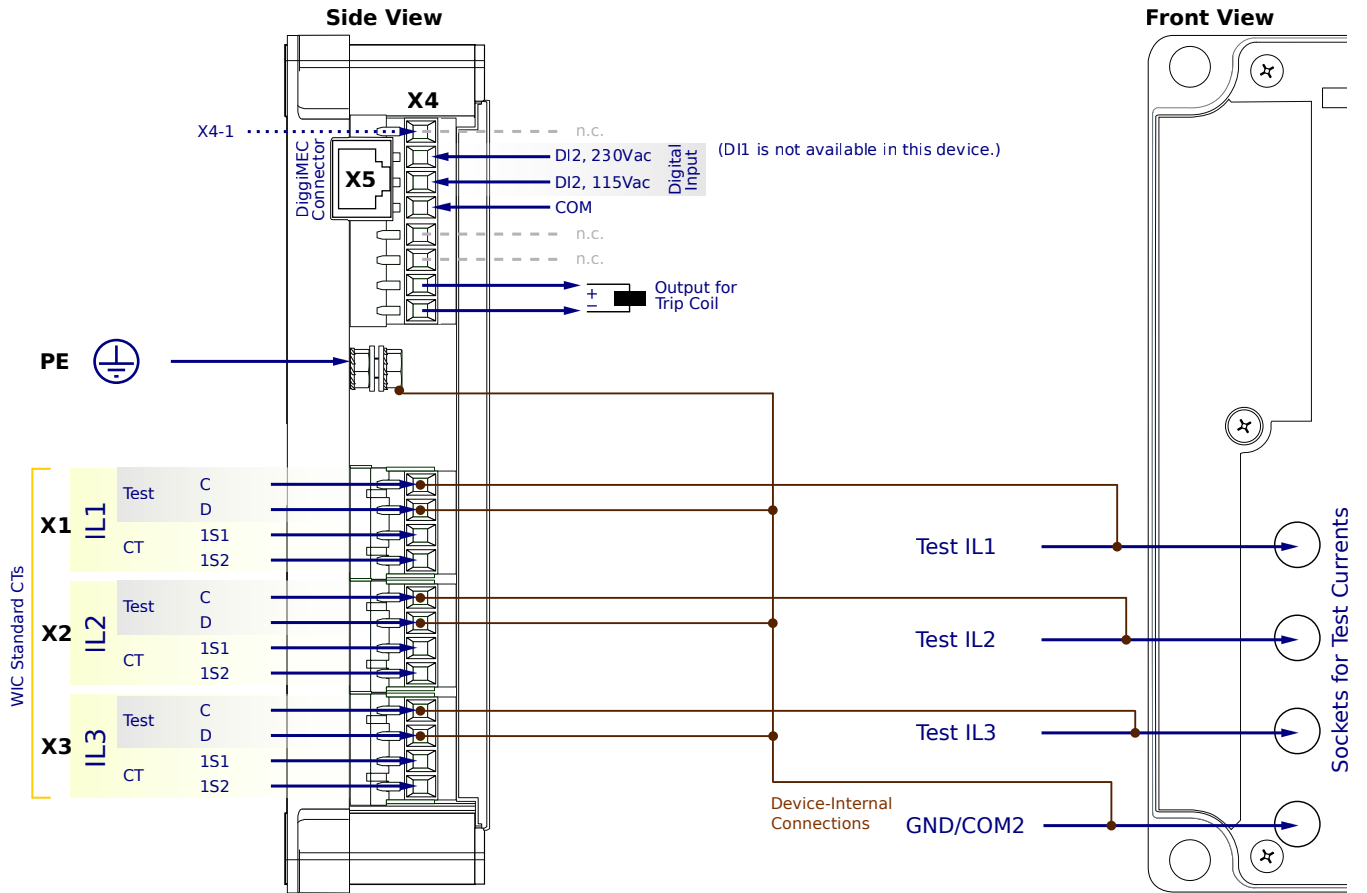
**X1...X3** - WIC CTs

**X4-2,3** - 1 assignable Digital Input DI2 (115Vac or 230Vac)

**X4-7,8** - Trip pulse output

**X5** - DiggiMEC-WIC1 connection. Use network cable CAT3 (or better). No crossover cable!

# WIC1-3SN5NC2SA



## CT-Powered Protection Device, configuration via HEX switches or DiggiMEC / Smart view

- Calculated earth current
- Nominal frequency is 50 Hz. (Setting to 60 Hz is possible via DiggiMEC/Smart view.)
- Trip at  $20 \cdot I_{n,max}$
- ANSI 50, 50G/N, 51, 51G/N, inrush, 50BF, 74TC

**PE** - Protective Earth

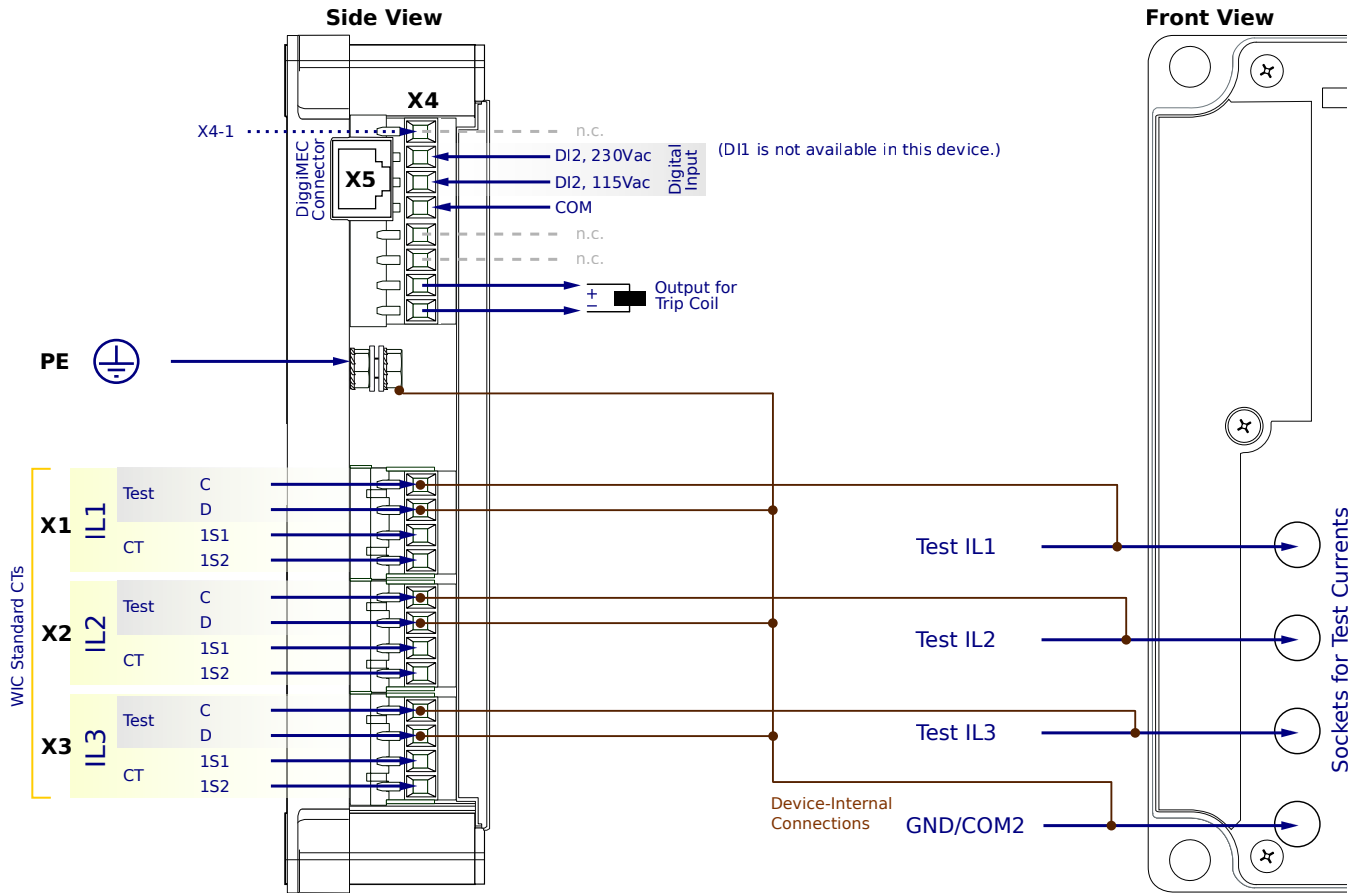
**X1...X3** - WIC CTs

**X4-2,3** - 1 assignable Digital Input DI2 (115Vac or 230Vac)

**X4-7,8** - Trip pulse output

**X5** - DiggiMEC-WIC1 connection. Use network cable CAT3 (or better). No crossover cable!

# WIC1-3SN5NC2AA



## CT-Powered Protection Device, configuration via HEX switches or DiggiMEC / Smart view

- Calculated earth current
- Nominal frequency is 50 Hz. (Setting to 60 Hz is possible via DiggiMEC/Smart view.)
- Trip at  $20 \cdot I_{n,max}$
- Package "S" + ANSI 46, 49, 51Q, Breaker Wear, Condition Monitoring (= Life Load, Drag Indicator)

**PE** - Protective Earth

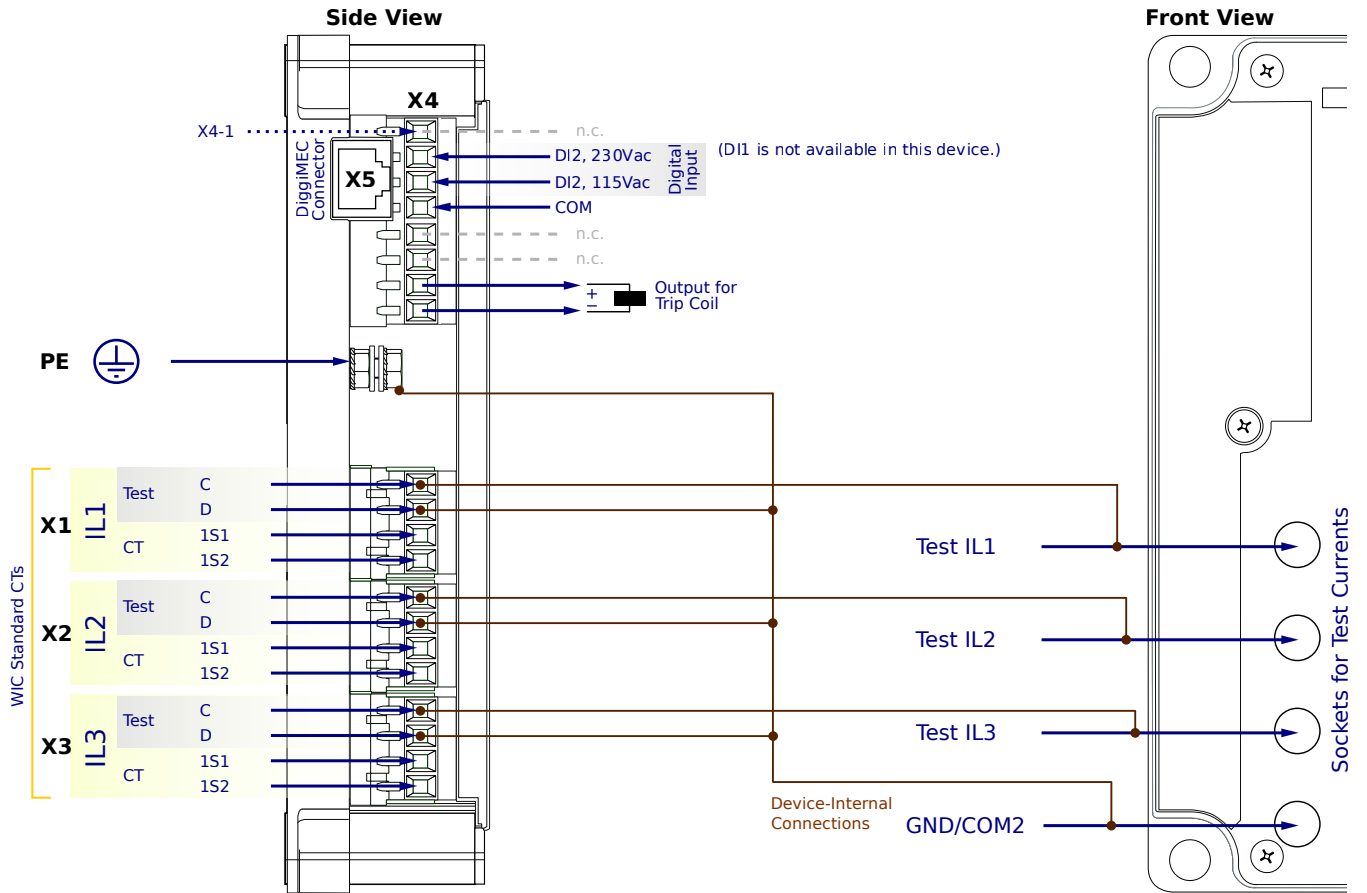
**X1...X3** - WIC CTs

**X4-2,3** - 1 assignable Digital Input DI2 (115Vac or 230Vac)

**X4-7,8** - Trip pulse output

**X5** - DiggiMEC-WIC1 connection. Use network cable CAT3 (or better). No crossover cable!

# WIC1-3SN5NC2PA



## CT-Powered Protection Device, configuration via HEX switches or DiggiMEC / Smart view

- Calculated earth current
- Nominal frequency is 50 Hz. (Setting to 60 Hz is possible via DiggiMEC/Smart view.)
- Trip at  $20 \cdot I_{n,max}$
- Package "A" + SOTF, CLPU, external protection, ultra-fast overcurrent protection

**PE** - Protective Earth

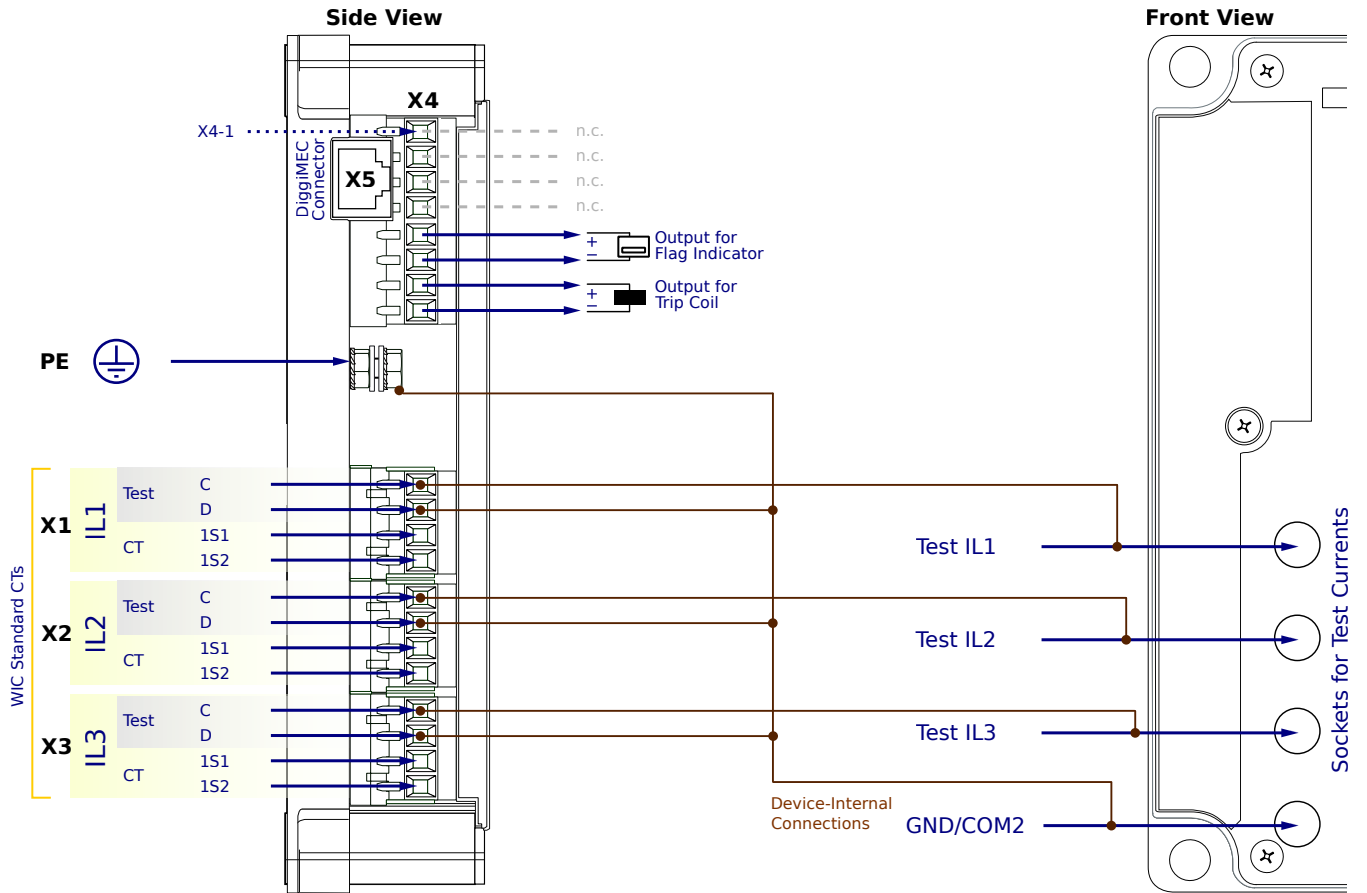
**X1...X3** - WIC CTs

**X4-2,3** - 1 assignable Digital Input DI2 (115Vac or 230Vac)

**X4-7,8** - Trip pulse output

**X5** - DiggiMEC-WIC1 connection. Use network cable CAT3 (or better). No crossover cable!

# WIC1-3SN5FN1SA



## CT-Powered Protection Device, configuration via HEX switches or DiggiMEC / Smart view

- Calculated earth current
- Nominal frequency is 50 Hz. (Setting to 60 Hz is possible via DiggiMEC/Smart view.)
- Backup protection operates directly
- ANSI 50, 50G/N, 51, 51G/N, inrush, 50BF, 74TC

**PE** - Protective Earth

**X1...X3** - WIC CTs

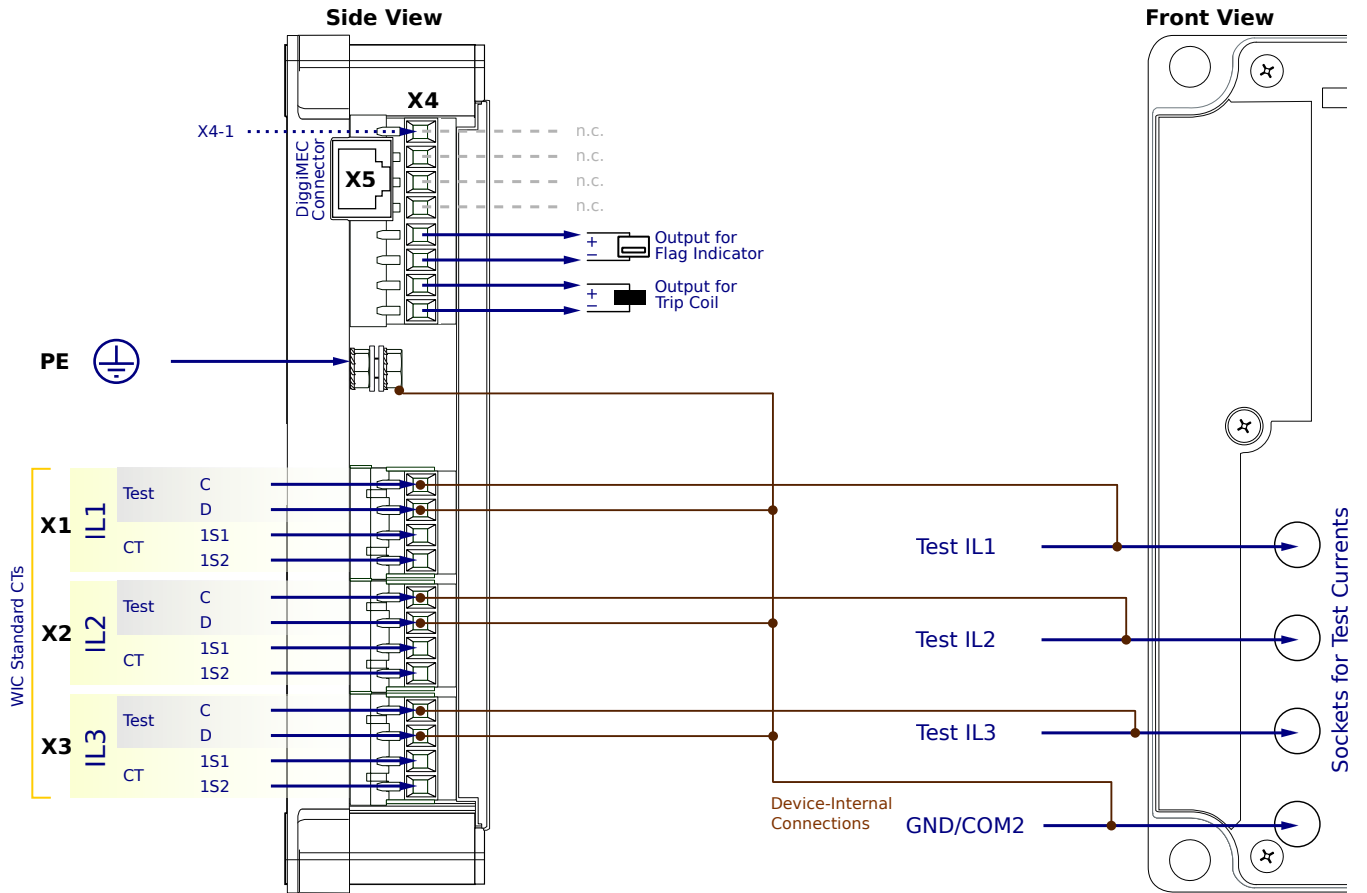
**X4-5,6** - Trip flag indicator

**X4-7,8** - Trip pulse output

**X5** - DiggiMEC-WIC1 connection. Use network cable CAT3 (or better). No crossover cable!



# WIC1-3SN5FN1AA



## CT-Powered Protection Device, configuration via HEX switches or DiggiMEC / Smart view

- Calculated earth current
- Nominal frequency is 50 Hz. (Setting to 60 Hz is possible via DiggiMEC/Smart view.)
- Backup protection operates directly
- Package "S" + ANSI 46, 49, 51Q, Breaker Wear, Condition Monitoring (= Life Load, Drag Indicator)

**PE** - Protective Earth

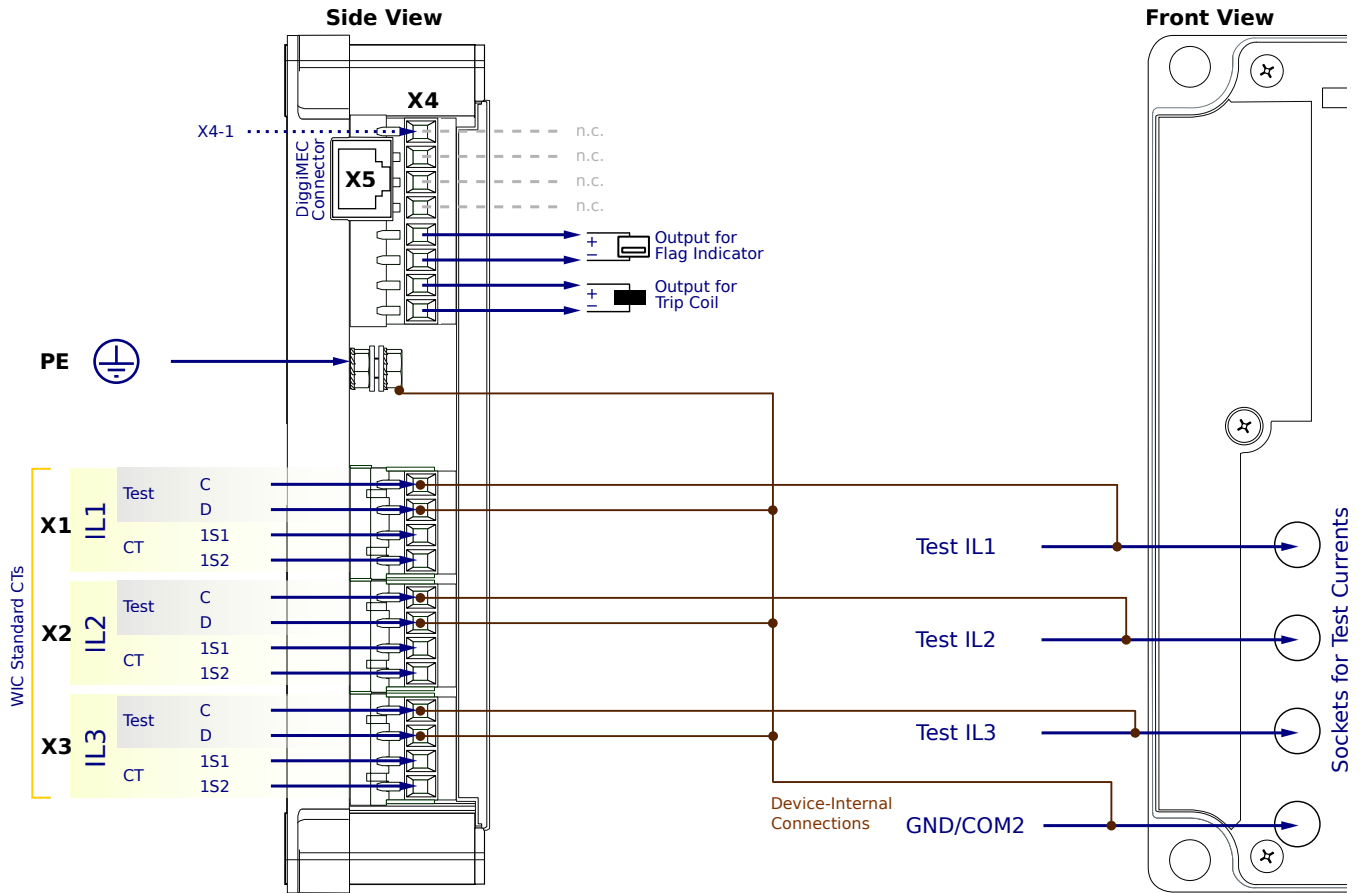
**X1...X3** - WIC CTs

**X4-5,6** - Trip flag indicator

**X4-7,8** - Trip pulse output

**X5** - DiggiMEC-WIC1 connection. Use network cable CAT3 (or better). No crossover cable!

# WIC1-3SN5FN1PA



## CT-Powered Protection Device, configuration via HEX switches or DiggiMEC / Smart view

- Calculated earth current
- Nominal frequency is 50 Hz. (Setting to 60 Hz is possible via DiggiMEC/Smart view.)
- Backup protection operates directly
- Package "A" + SOTF, CLPU, external protection, ultra-fast overcurrent protection

**PE** - Protective Earth

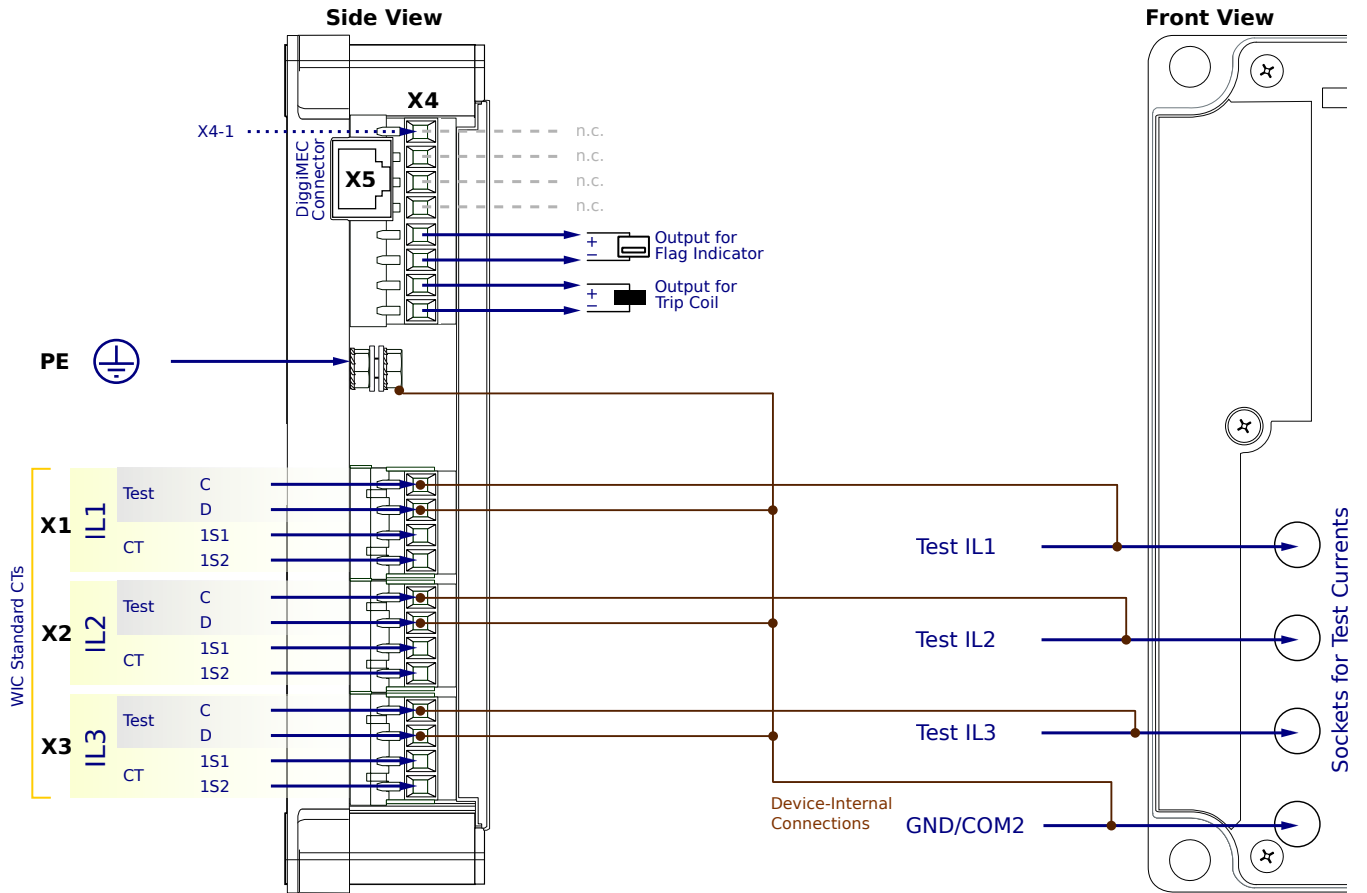
**X1...X3** - WIC CTs

**X4-5,6** - Trip flag indicator

**X4-7,8** - Trip pulse output

**X5** - DiggiMEC-WIC1 connection. Use network cable CAT3 (or better). No crossover cable!

# WIC1-3SN5FN2SA



## CT-Powered Protection Device, configuration via HEX switches or DiggiMEC / Smart view

- Calculated earth current
- Nominal frequency is 50 Hz. (Setting to 60 Hz is possible via DiggiMEC/Smart view.)
- Trip at  $20 \cdot I_{n,max}$
- ANSI 50, 50G/N, 51, 51G/N, inrush, 50BF, 74TC

**PE** - Protective Earth

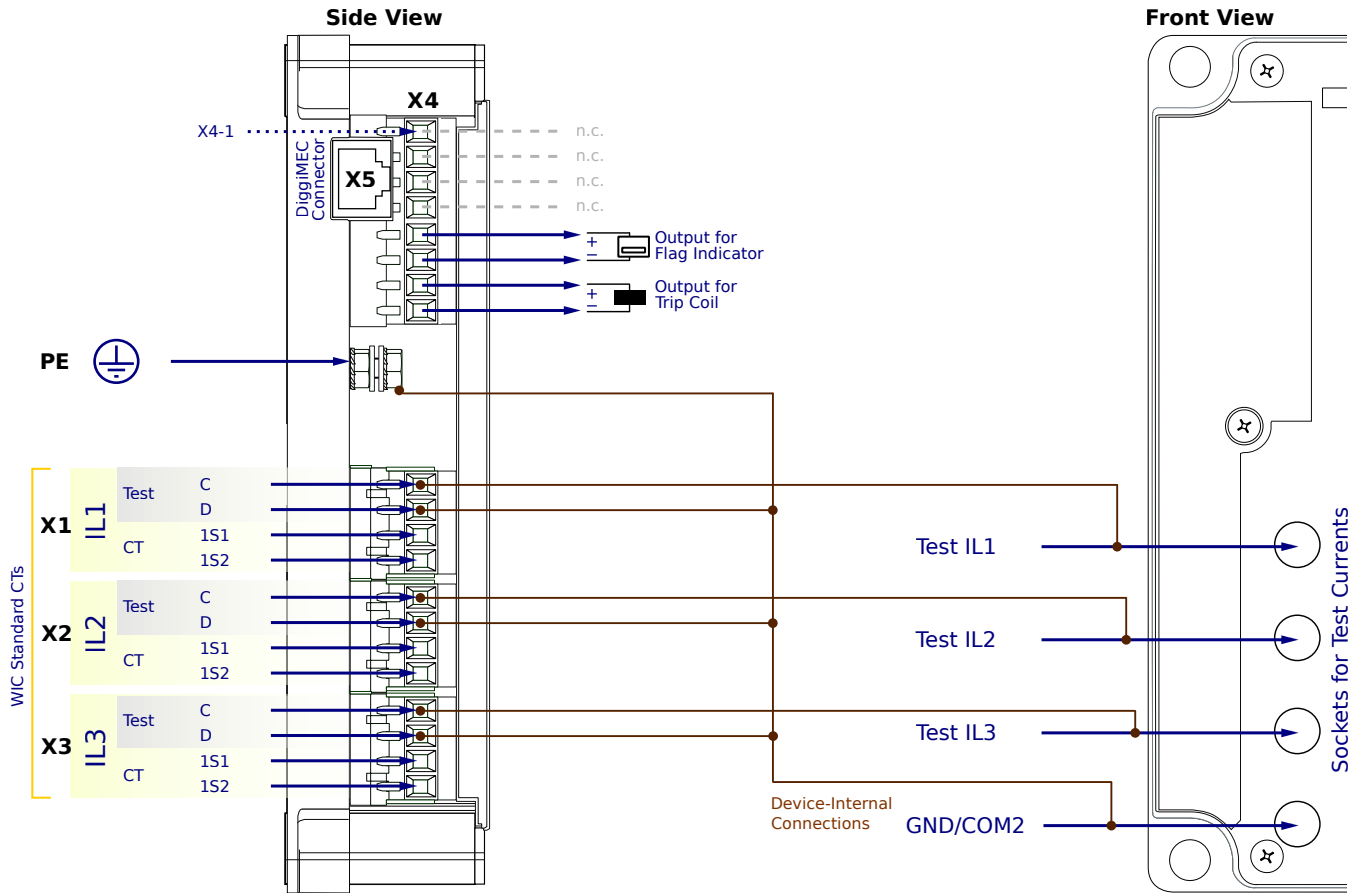
**X1...X3** - WIC CTs

**X4-5,6** - Trip flag indicator

**X4-7,8** - Trip pulse output

**X5** - DiggiMEC-WIC1 connection. Use network cable CAT3 (or better). No crossover cable!

# WIC1-3SN5FN2AA



## CT-Powered Protection Device, configuration via HEX switches or DiggiMEC / Smart view

- Calculated earth current
- Nominal frequency is 50 Hz. (Setting to 60 Hz is possible via DiggiMEC/Smart view.)
- Trip at  $20 \cdot I_{n,max}$
- Package "S" + ANSI 46, 49, 51Q, Breaker Wear, Condition Monitoring (= Life Load, Drag Indicator)

**PE** - Protective Earth

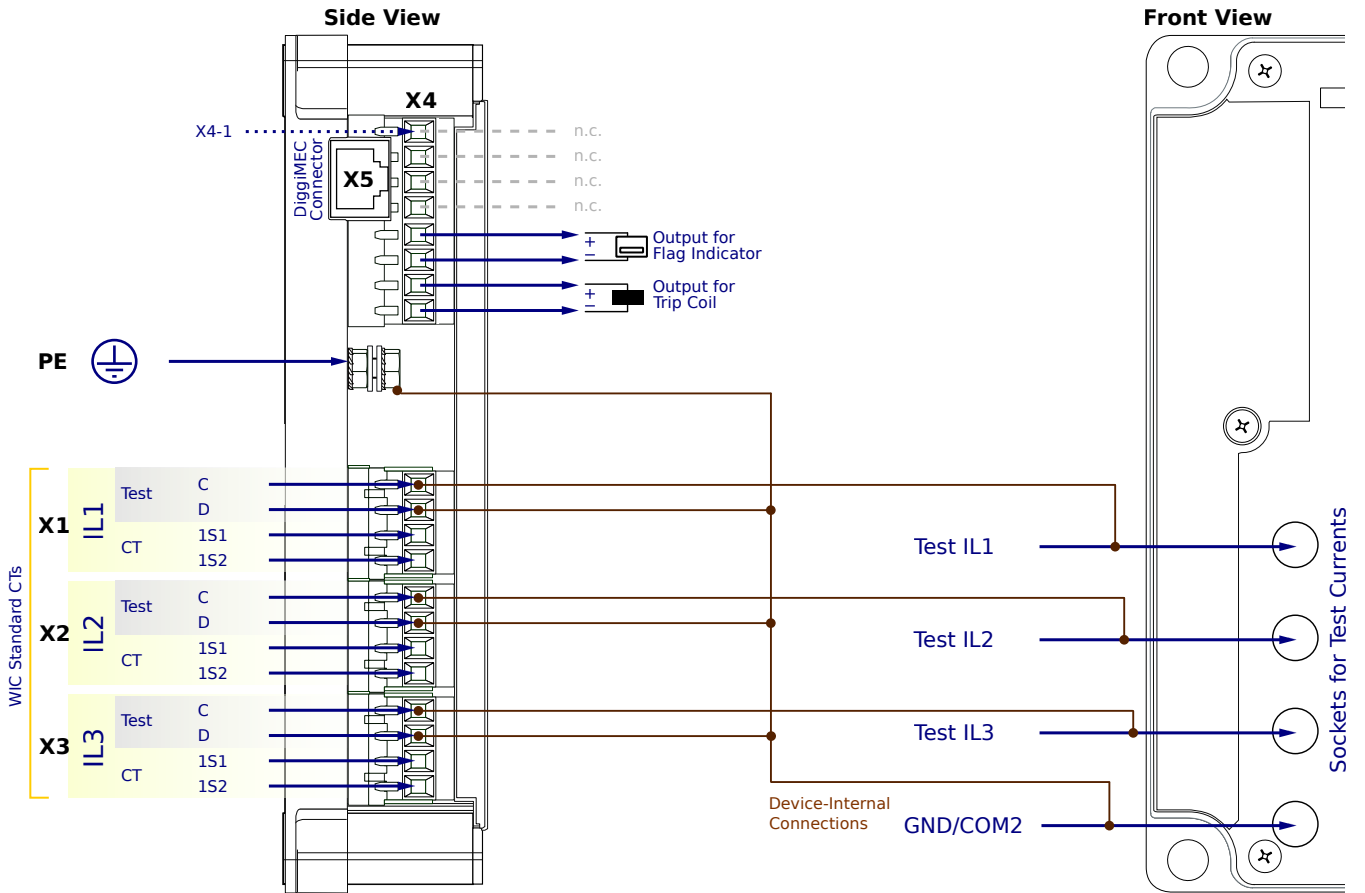
**X1...X3** - WIC CTs

**X4-5,6** - Trip flag indicator

**X4-7,8** - Trip pulse output

**X5** - DiggiMEC-WIC1 connection. Use network cable CAT3 (or better). No crossover cable!

# WIC1-3SN5FN2PA



## CT-Powered Protection Device, configuration via HEX switches or DiggiMEC / Smart view

- Calculated earth current
- Nominal frequency is 50 Hz. (Setting to 60 Hz is possible via DiggiMEC/Smart view.)
- Trip at  $20 \cdot I_{n,max}$
- Package "A" + SOTF, CLPU, external protection, ultra-fast overcurrent protection

**PE** - Protective Earth

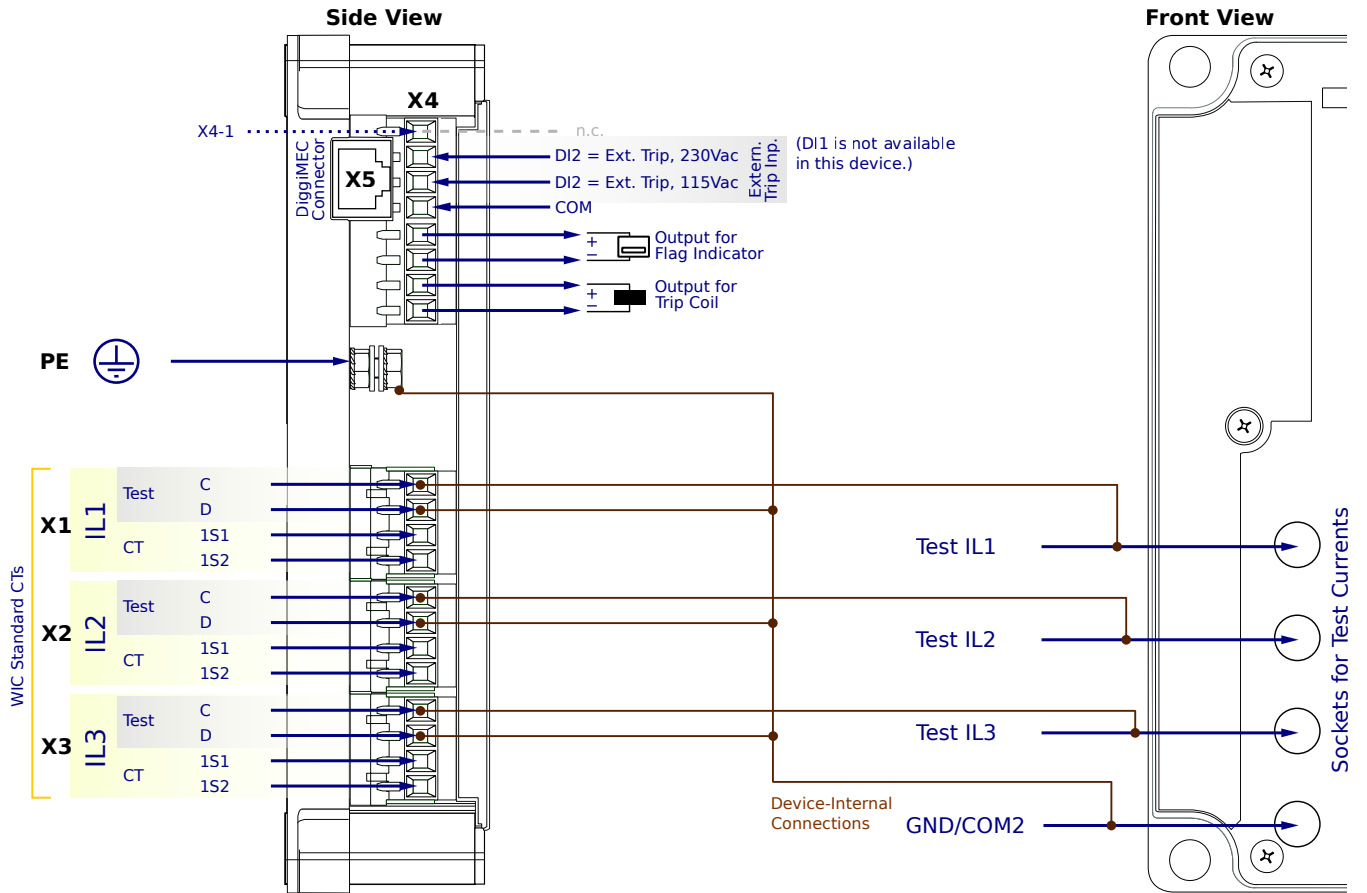
**X1...X3** - WIC CTs

**X4-5,6** - Trip flag indicator

**X4-7,8** - Trip pulse output

**X5** - DiggiMEC-WIC1 connection. Use network cable CAT3 (or better). No crossover cable!

# WIC1-3SN5FF1SA



## CT-Powered Protection Device, configuration via HEX switches or DiggiMEC / Smart view

- Calculated earth current
- Nominal frequency is 50 Hz. (Setting to 60 Hz is possible via DiggiMEC/Smart view.)
- Backup protection operates directly
- ANSI 50, 50G/N, 51, 51G/N, inrush, 50BF, 74TC

**PE** - Protective Earth

**X1...X3** - WIC CTs

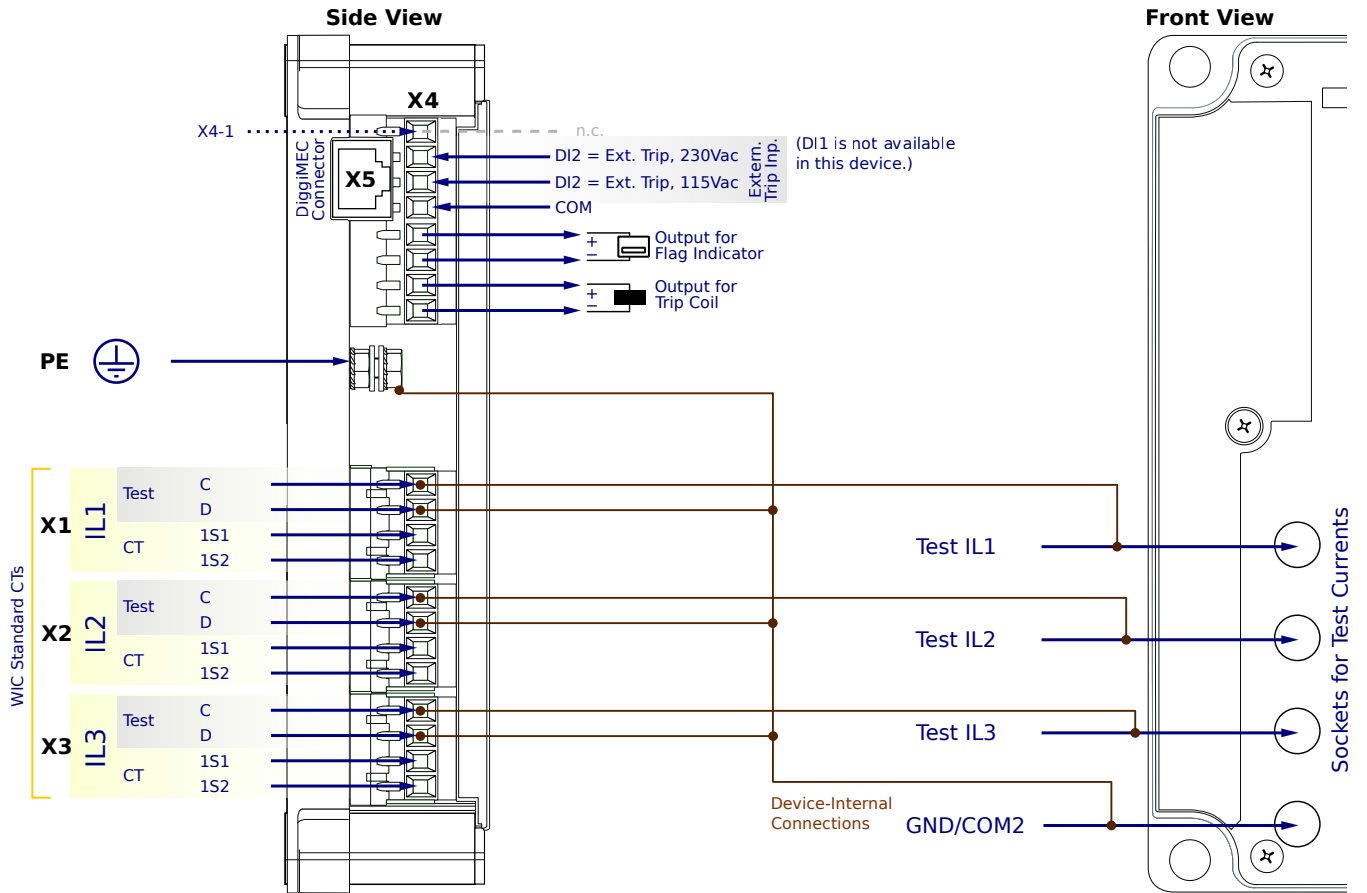
**X4-2,3** - DI2, fixed to External trip input (115Vac or 230Vac)

**X4-5,6** - Trip flag indicator

**X4-7,8** - Trip pulse output

**X5** - DiggiMEC-WIC1 connection. Use network cable CAT3 (or better). No crossover cable!

# WIC1-3SN5FF1AA



## CT-Powered Protection Device, configuration via HEX switches or DiggiMEC / Smart view

- Calculated earth current
- Nominal frequency is 50 Hz. (Setting to 60 Hz is possible via DiggiMEC/Smart view.)
- Backup protection operates directly
- Package "S" + ANSI 46, 49, 51Q, Breaker Wear, Condition Monitoring (= Life Load, Drag Indicator)

**PE** - Protective Earth

**X1...X3** - WIC CTs

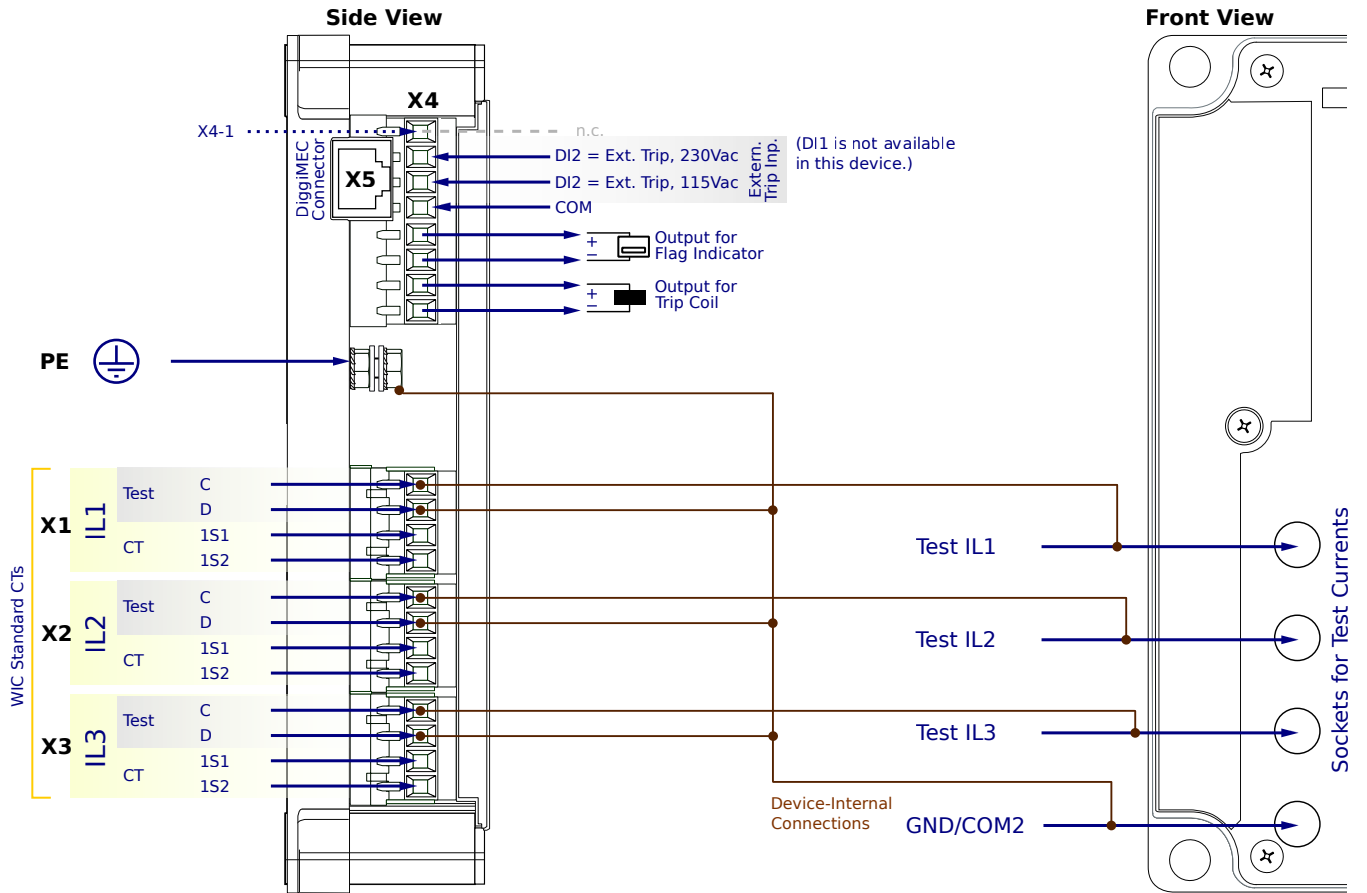
**X4-2,3** - DI2, fixed to External trip input (115Vac or 230Vac)

**X4-5,6** - Trip flag indicator

**X4-7,8** - Trip pulse output

**X5** - DiggiMEC-WIC1 connection. Use network cable CAT3 (or better). No crossover cable!

# WIC1-3SN5FF1PA



## CT-Powered Protection Device, configuration via HEX switches or DiggiMEC / Smart view

- Calculated earth current
- Nominal frequency is 50 Hz. (Setting to 60 Hz is possible via DiggiMEC/Smart view.)
- Backup protection operates directly
- Package "A" + SOTF, CLPU, external protection, ultra-fast overcurrent protection

**PE** - Protective Earth

**X1...X3** - WIC CTs

**X4-2,3** - DI2, fixed to External trip input (115Vac or 230Vac)

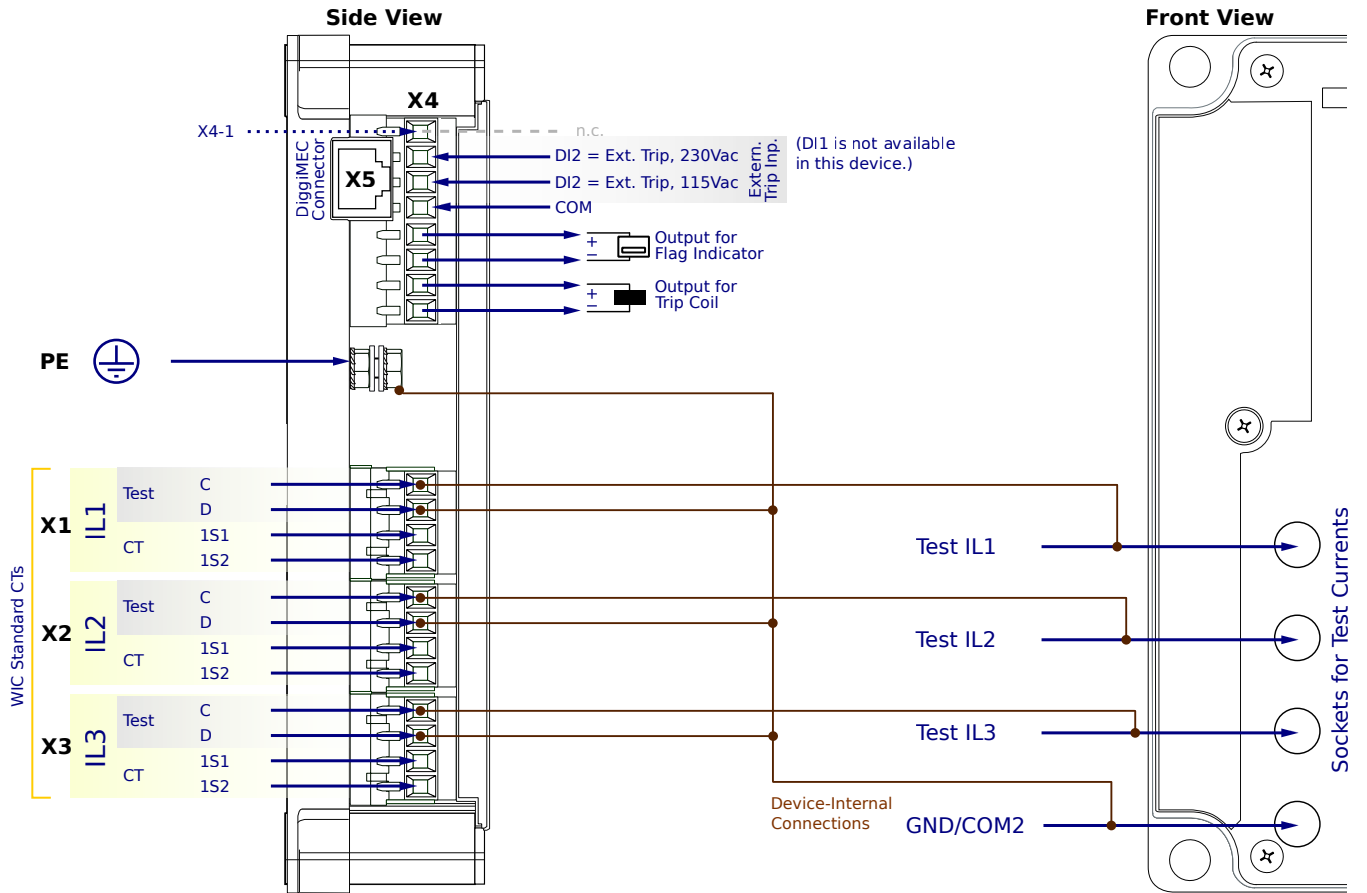
**X4-5,6** - Trip flag indicator

**X4-7,8** - Trip pulse output

**X5** - DiggiMEC-WIC1 connection. Use network cable CAT3 (or better). No crossover cable!



# WIC1-3SN5FF2SA



## CT-Powered Protection Device, configuration via HEX switches or DiggiMEC / Smart view

- Calculated earth current
- Nominal frequency is 50 Hz. (Setting to 60 Hz is possible via DiggiMEC/Smart view.)
- Trip at  $20 \cdot I_{n,max}$
- ANSI 50, 50G/N, 51, 51G/N, inrush, 50BF, 74TC

**PE** - Protective Earth

**X1...X3** - WIC CTs

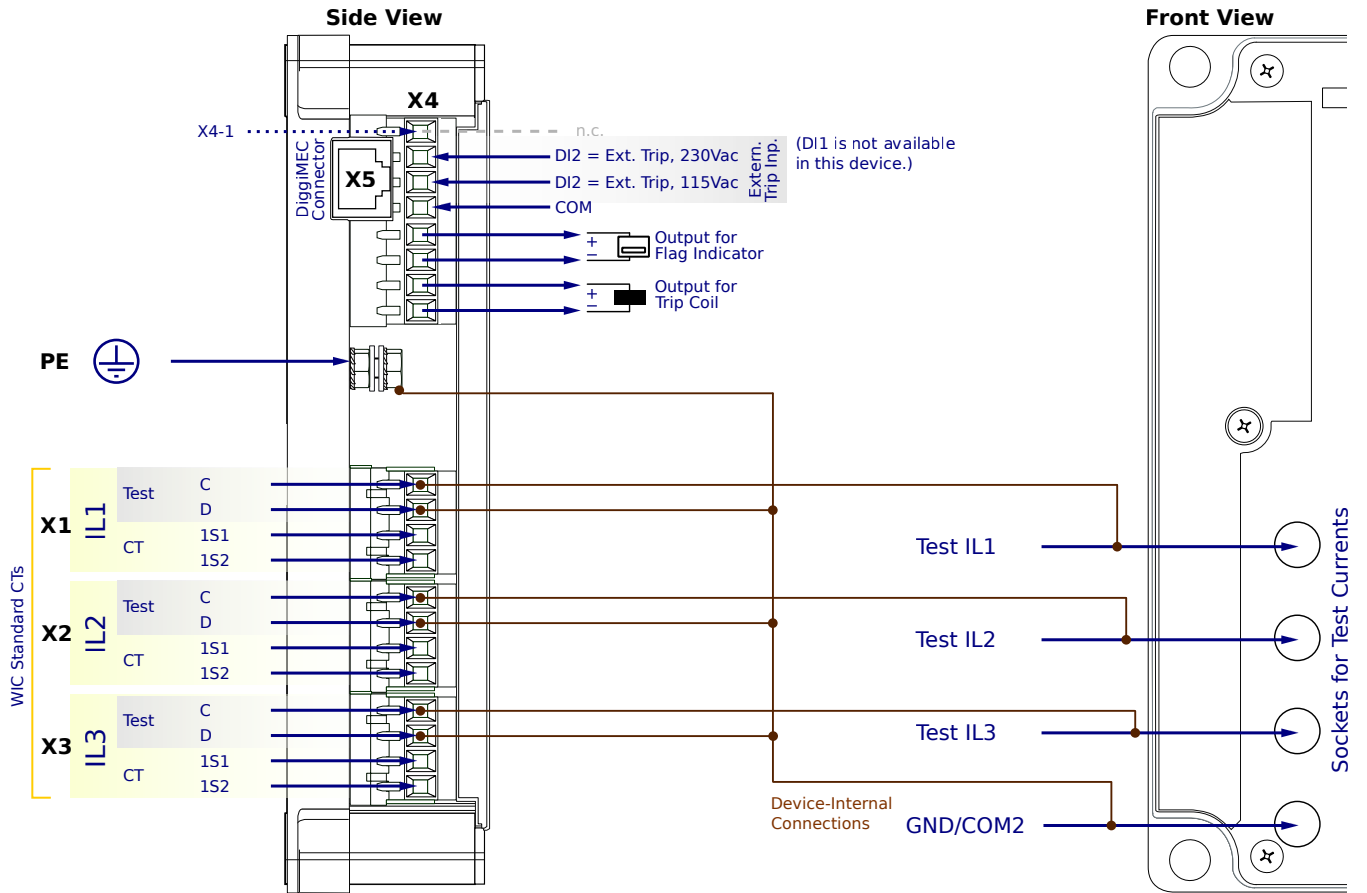
**X4-2,3** - DI2, fixed to External trip input (115Vac or 230Vac)

**X4-5,6** - Trip flag indicator

**X4-7,8** - Trip pulse output

**X5** - DiggiMEC-WIC1 connection. Use network cable CAT3 (or better). No crossover cable!

# WIC1-3SN5FF2AA



## CT-Powered Protection Device, configuration via HEX switches or DiggiMEC / Smart view

- Calculated earth current
- Nominal frequency is 50 Hz. (Setting to 60 Hz is possible via DiggiMEC/Smart view.)
- Trip at  $20 \cdot I_{n,max}$
- Package "S" + ANSI 46, 49, 51Q, Breaker Wear, Condition Monitoring (= Life Load, Drag Indicator)

**PE** - Protective Earth

**X1...X3** - WIC CTs

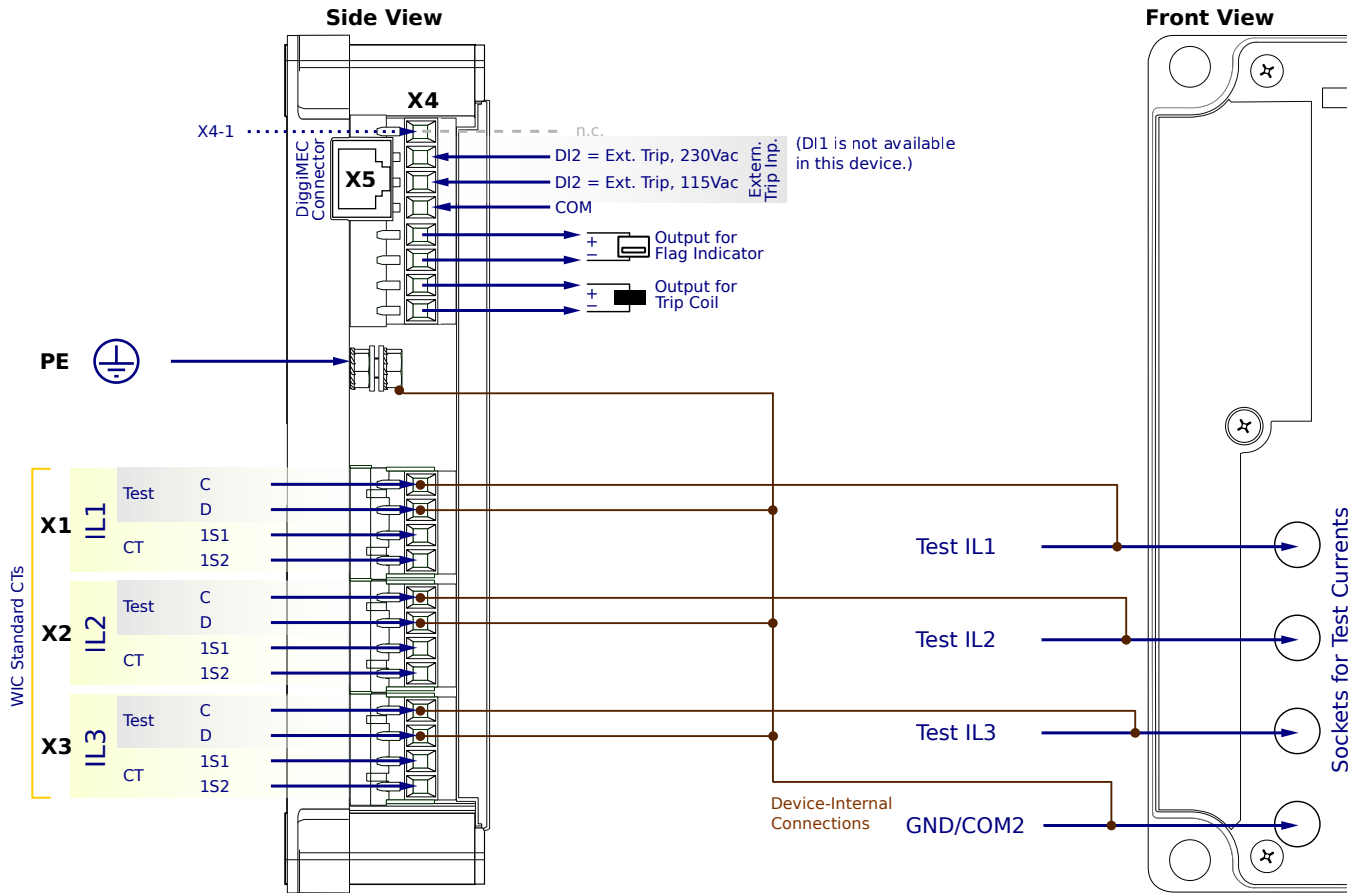
**X4-2,3** - DI2, fixed to External trip input (115Vac or 230Vac)

**X4-5,6** - Trip flag indicator

**X4-7,8** - Trip pulse output

**X5** - DiggiMEC-WIC1 connection. Use network cable CAT3 (or better). No crossover cable!

# WIC1-3SN5FF2PA



## CT-Powered Protection Device, configuration via HEX switches or DiggiMEC / Smart view

- Calculated earth current
- Nominal frequency is 50 Hz. (Setting to 60 Hz is possible via DiggiMEC/Smart view.)
- Trip at  $20 \cdot I_{n,max}$
- Package "A" + SOTF, CLPU, external protection, ultra-fast overcurrent protection

**PE** - Protective Earth

**X1...X3** - WIC CTs

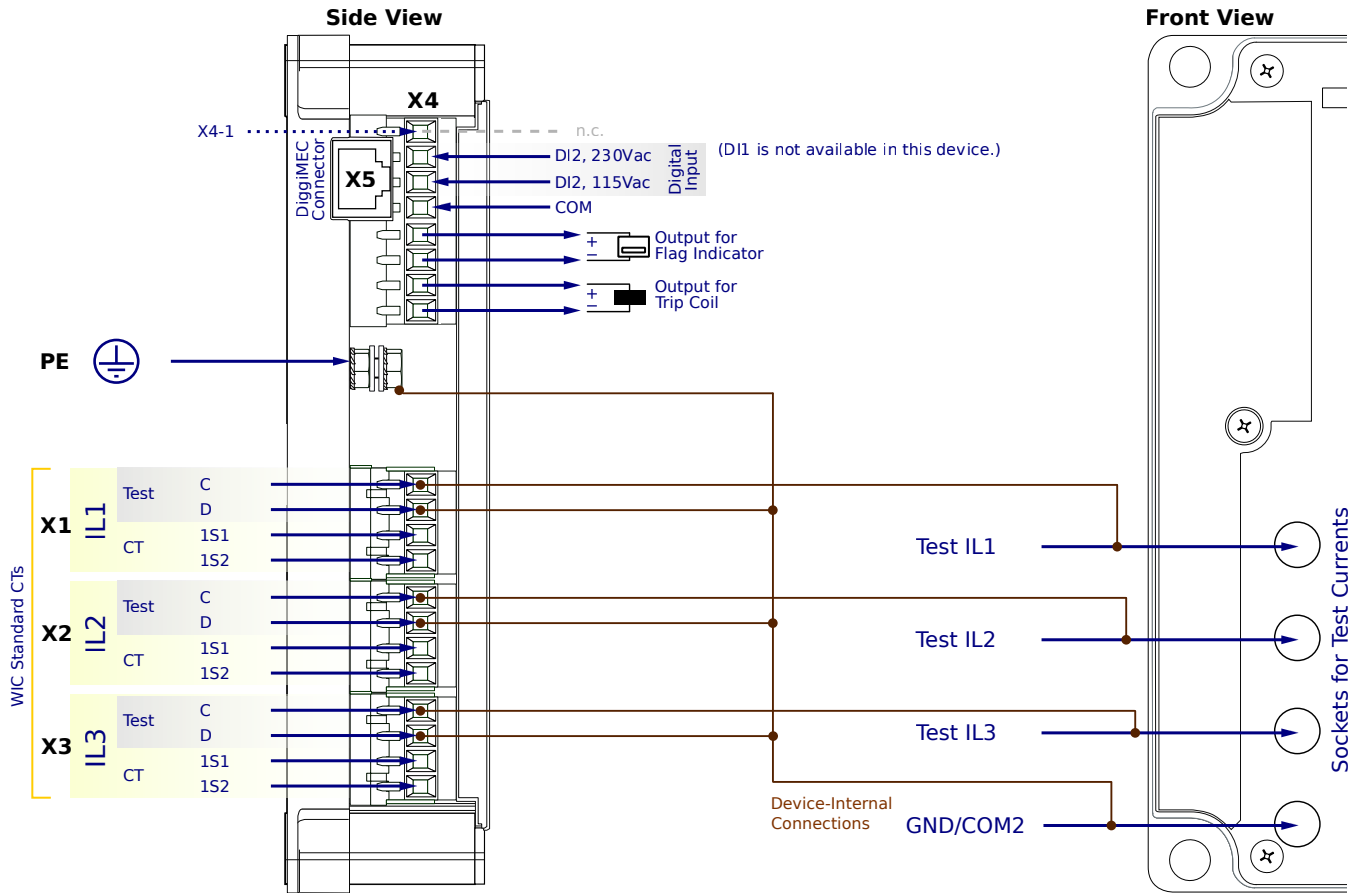
**X4-2,3** - DI2, fixed to External trip input (115Vac or 230Vac)

**X4-5,6** - Trip flag indicator

**X4-7,8** - Trip pulse output

**X5** - DiggiMEC-WIC1 connection. Use network cable CAT3 (or better). No crossover cable!

# WIC1-3SN5FC1SA



## CT-Powered Protection Device, configuration via HEX switches or DiggiMEC / Smart view

- Calculated earth current
- Nominal frequency is 50 Hz. (Setting to 60 Hz is possible via DiggiMEC/Smart view.)
- Backup protection operates directly
- ANSI 50, 50G/N, 51, 51G/N, inrush, 50BF, 74TC

**PE** - Protective Earth

**X1...X3** - WIC CTs

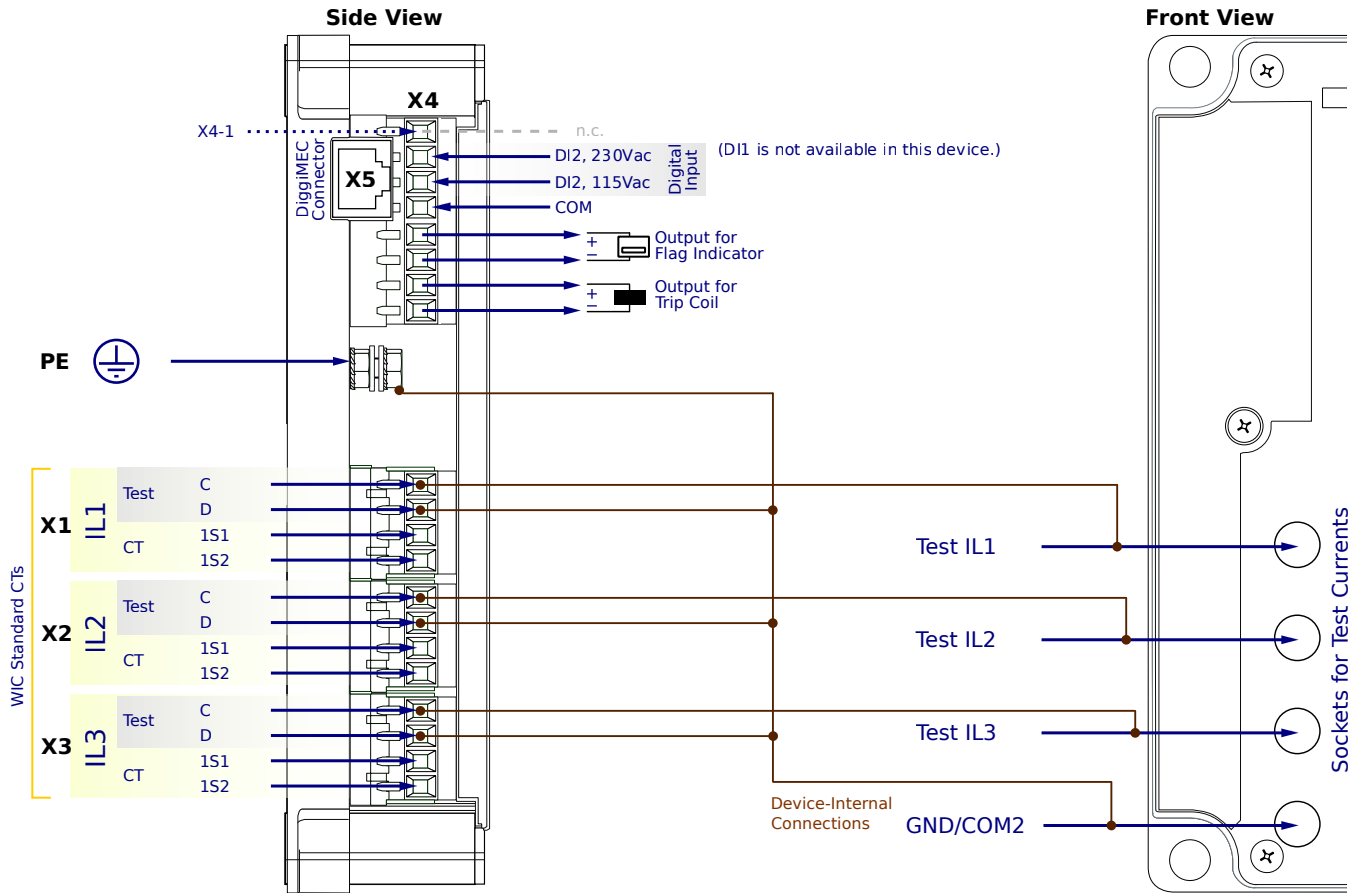
**X4-2,3** - 1 assignable Digital Input DI2 (115Vac or 230Vac)

**X4-5,6** - Trip flag indicator

**X4-7,8** - Trip pulse output

**X5** - DiggiMEC-WIC1 connection. Use network cable CAT3 (or better). No crossover cable!

# WIC1-3SN5FC1AA



## CT-Powered Protection Device, configuration via HEX switches or DiggiMEC / Smart view

- Calculated earth current
- Nominal frequency is 50 Hz. (Setting to 60 Hz is possible via DiggiMEC/Smart view.)
- Backup protection operates directly
- Package "S" + ANSI 46, 49, 51Q, Breaker Wear, Condition Monitoring (= Life Load, Drag Indicator)

**PE** - Protective Earth

**X1...X3** - WIC CTs

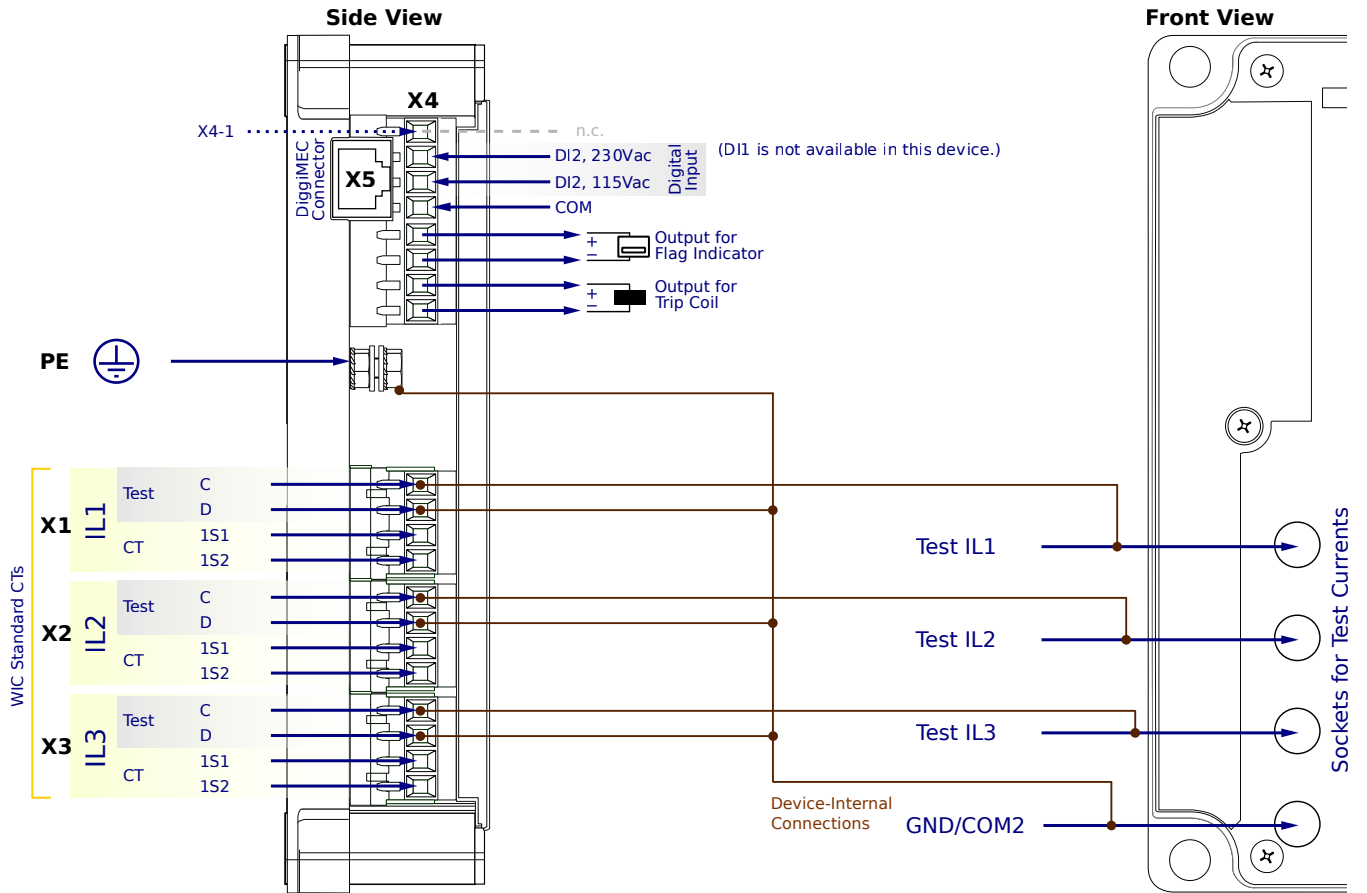
**X4-2,3** - 1 assignable Digital Input DI2 (115Vac or 230Vac)

**X4-5,6** - Trip flag indicator

**X4-7,8** - Trip pulse output

**X5** - DiggiMEC-WIC1 connection. Use network cable CAT3 (or better). No crossover cable!

# WIC1-3SN5FC1PA



## CT-Powered Protection Device, configuration via HEX switches or DiggiMEC / Smart view

- Calculated earth current
- Nominal frequency is 50 Hz. (Setting to 60 Hz is possible via DiggiMEC/Smart view.)
- Backup protection operates directly
- Package "A" + SOTF, CLPU, external protection, ultra-fast overcurrent protection

**PE** - Protective Earth

**X1...X3** - WIC CTs

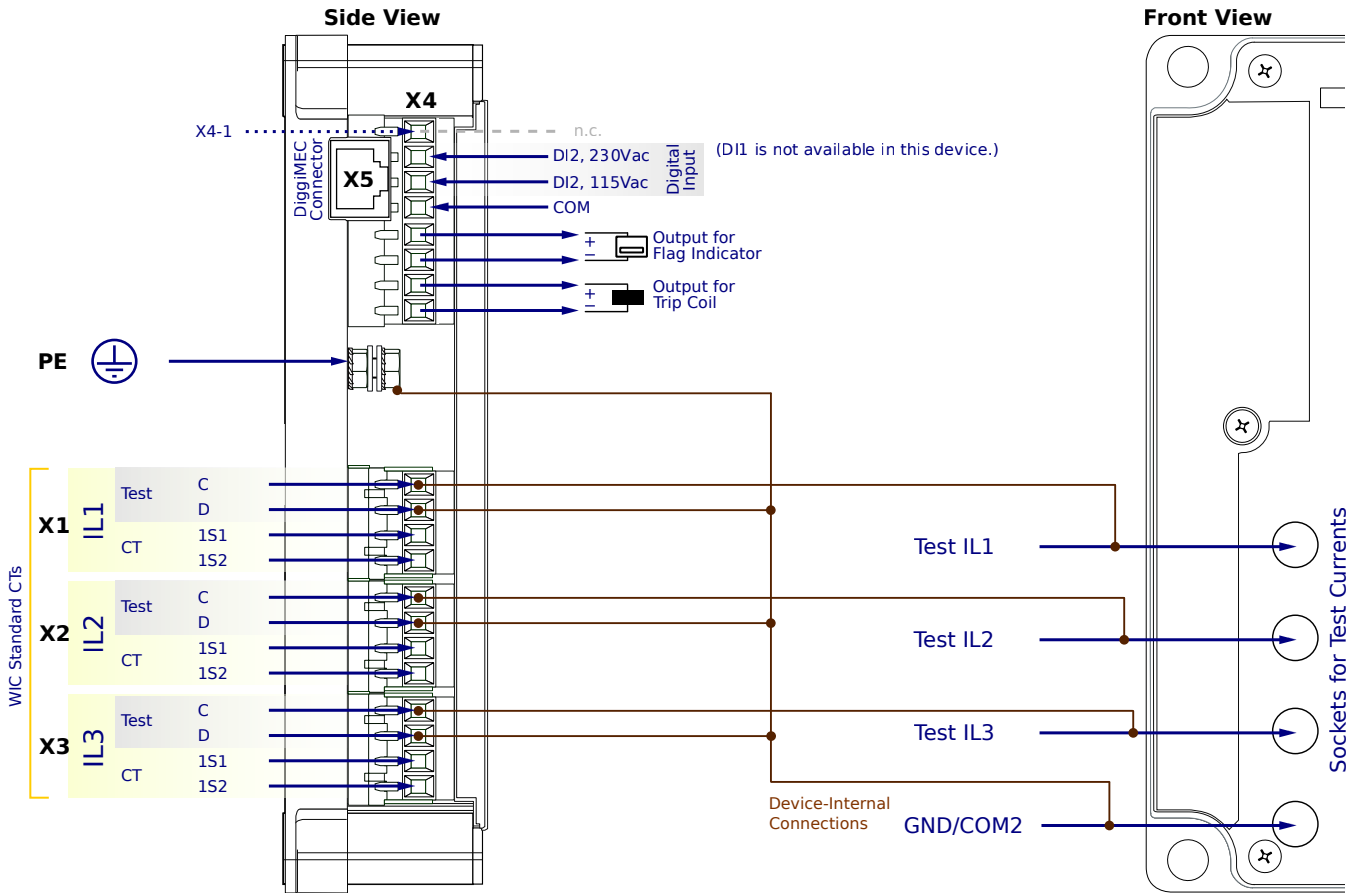
**X4-2,3** - 1 assignable Digital Input DI2 (115Vac or 230Vac)

**X4-5,6** - Trip flag indicator

**X4-7,8** - Trip pulse output

**X5** - DiggiMEC-WIC1 connection. Use network cable CAT3 (or better). No crossover cable!

# WIC1-3SN5FC2SA



## CT-Powered Protection Device, configuration via HEX switches or DiggiMEC / Smart view

- Calculated earth current
- Nominal frequency is 50 Hz. (Setting to 60 Hz is possible via DiggiMEC/Smart view.)
- Trip at  $20 \cdot I_{n,max}$
- ANSI 50, 50G/N, 51, 51G/N, inrush, 50BF, 74TC

**PE** - Protective Earth

**X1...X3** - WIC CTs

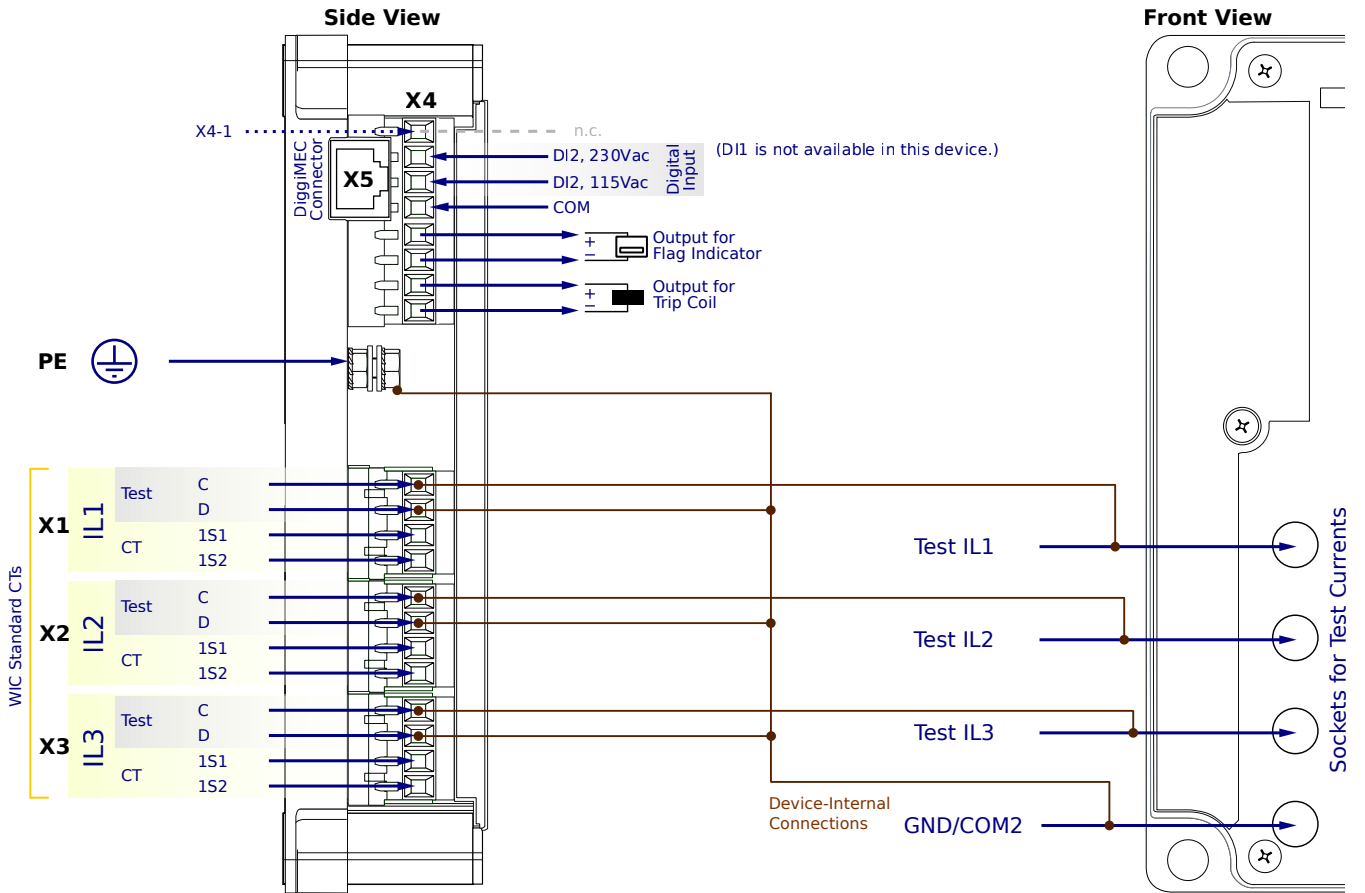
**X4-2,3** - 1 assignable Digital Input DI2 (115Vac or 230Vac)

**X4-5,6** - Trip flag indicator

**X4-7,8** - Trip pulse output

**X5** - DiggiMEC-WIC1 connection. Use network cable CAT3 (or better). No crossover cable!

# WIC1-3SN5FC2AA



## CT-Powered Protection Device, configuration via HEX switches or DiggiMEC / Smart view

- Calculated earth current
- Nominal frequency is 50 Hz. (Setting to 60 Hz is possible via DiggiMEC/Smart view.)
- Trip at  $20 \cdot I_{n,max}$
- Package "S" + ANSI 46, 49, 51Q, Breaker Wear, Condition Monitoring (= Life Load, Drag Indicator)

**PE** - Protective Earth

**X1...X3** - WIC CTs

**X4-2,3** - 1 assignable Digital Input DI2 (115Vac or 230Vac)

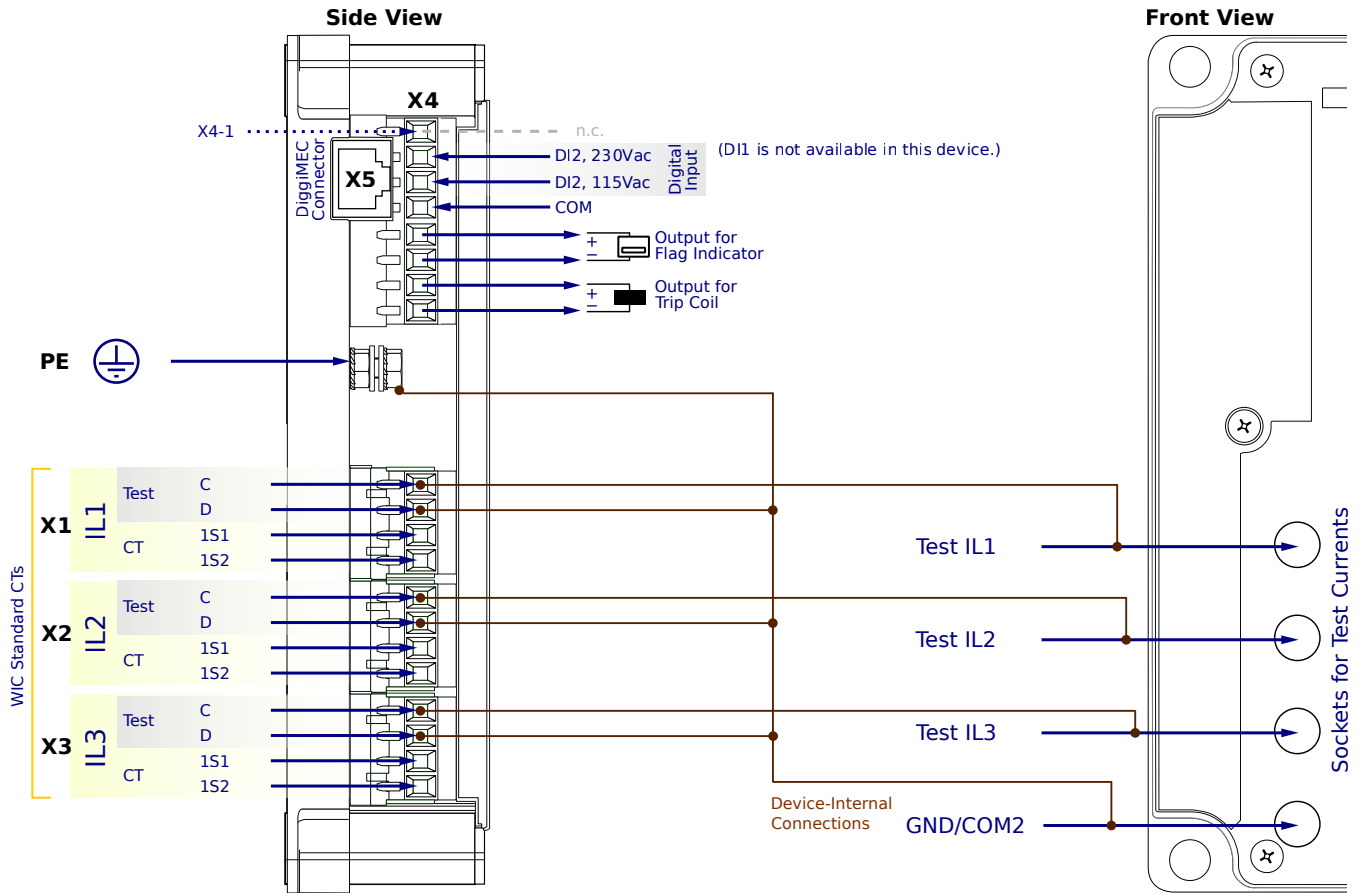
**X4-5,6** - Trip flag indicator

**X4-7,8** - Trip pulse output

**X5** - DiggiMEC-WIC1 connection. Use network cable CAT3 (or better). No crossover cable!



# WIC1-3SN5FC2PA



## CT-Powered Protection Device, configuration via HEX switches or DiggiMEC / Smart view

- Calculated earth current
- Nominal frequency is 50 Hz. (Setting to 60 Hz is possible via DiggiMEC/Smart view.)
- Trip at  $20 \cdot I_{n,max}$
- Package "A" + SOTF, CLPU, external protection, ultra-fast overcurrent protection

**PE** - Protective Earth

**X1...X3** - WIC CTs

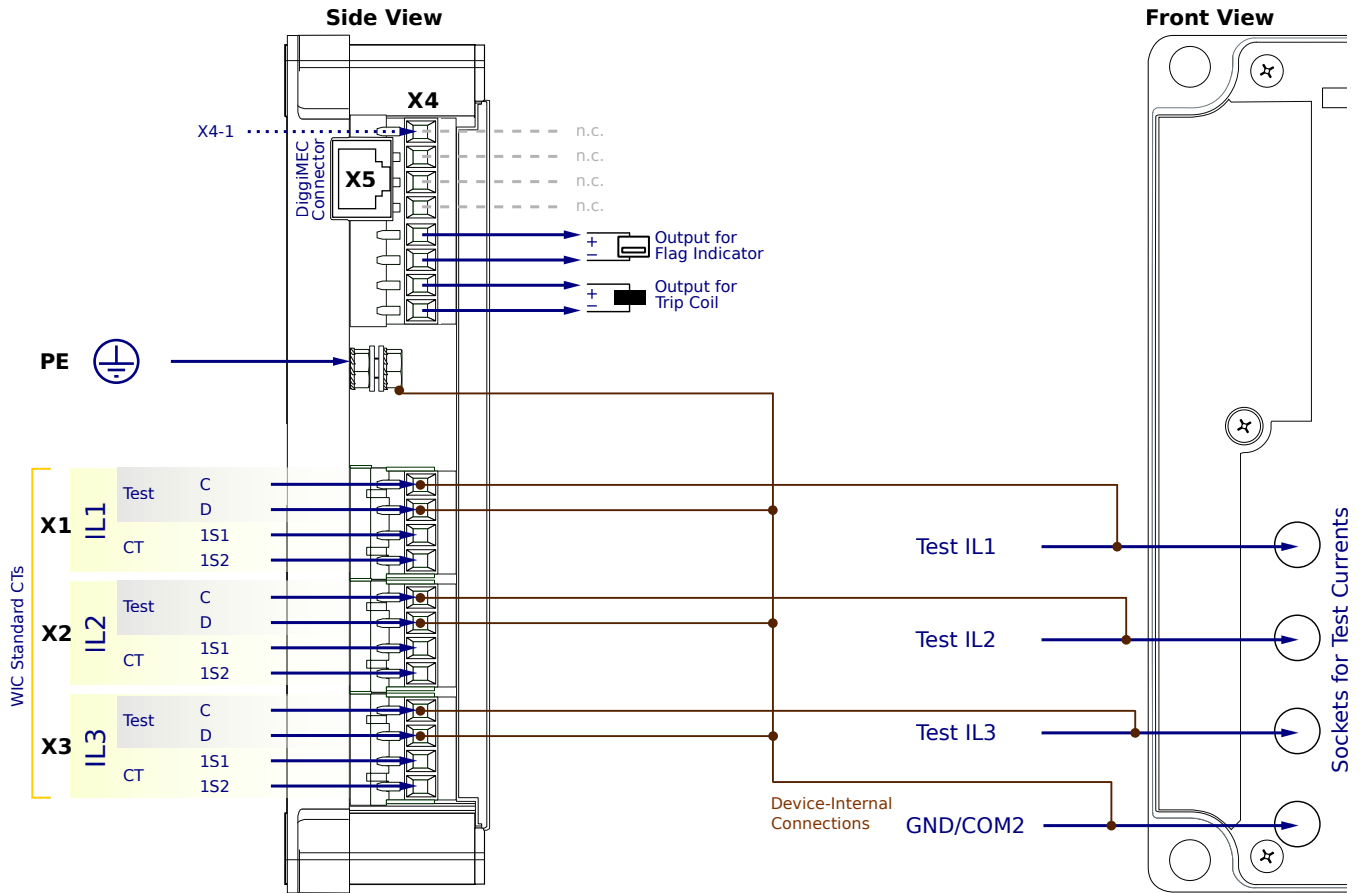
**X4-2,3** - 1 assignable Digital Input DI2 (115Vac or 230Vac)

**X4-5,6** - Trip flag indicator

**X4-7,8** - Trip pulse output

**X5** - DiggiMEC-WIC1 connection. Use network cable CAT3 (or better). No crossover cable!

# WIC1-3SN5CN1SA



## CT-Powered Protection Device, configuration via HEX switches or DiggiMEC / Smart view

- Calculated earth current
- Nominal frequency is 50 Hz. (Setting to 60 Hz is possible via DiggiMEC/Smart view.)
- Backup protection operates directly
- ANSI 50, 50G/N, 51, 51G/N, inrush, 50BF, 74TC

**PE** - Protective Earth

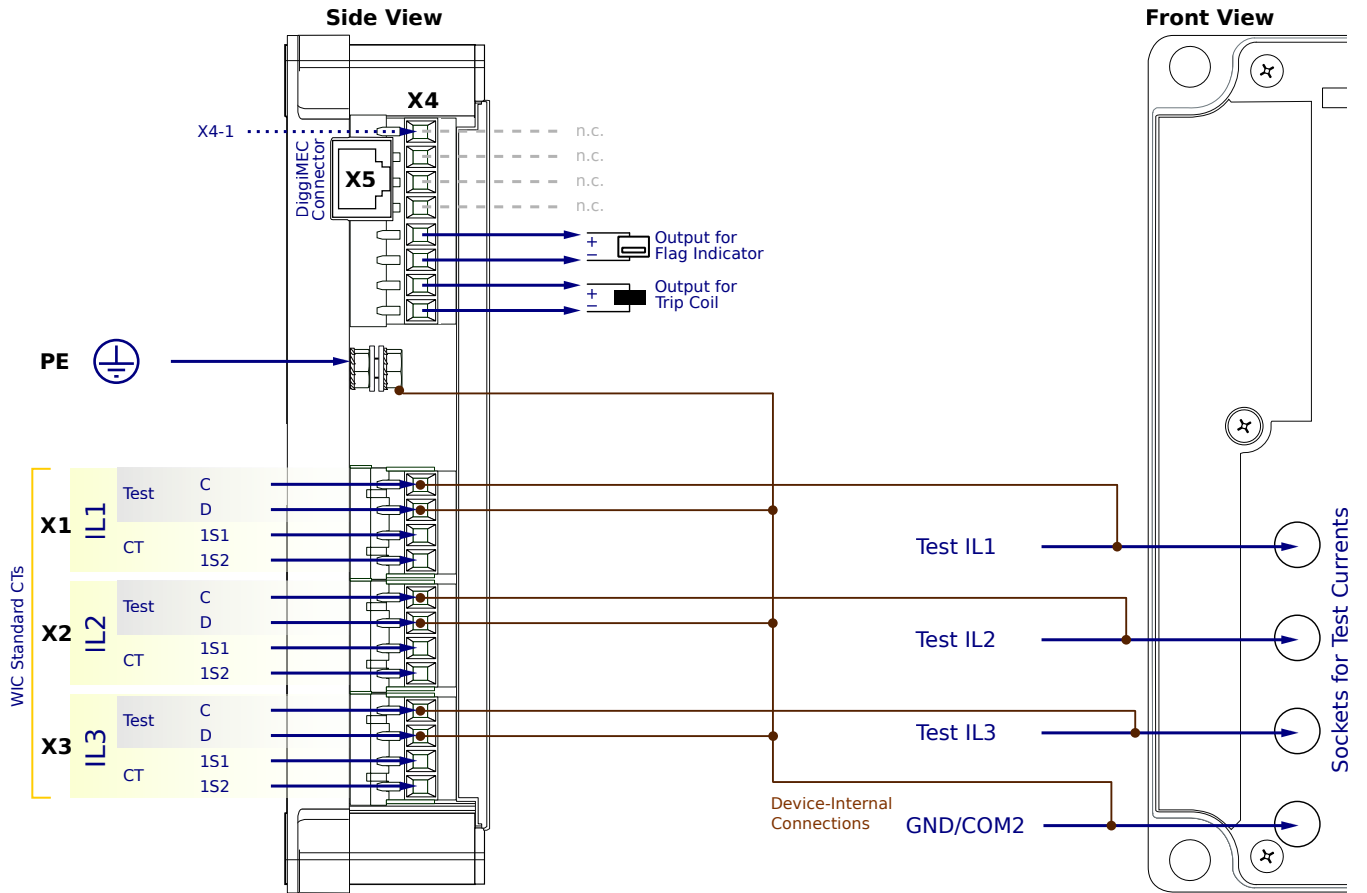
**X1...X3** - WIC CTs

**X4-5,6** - Assignable flag indicator

**X4-7,8** - Trip pulse output

**X5** - DiggiMEC-WIC1 connection. Use network cable CAT3 (or better). No crossover cable!

# WIC1-3SN5CN1AA



## CT-Powered Protection Device, configuration via HEX switches or DiggiMEC / Smart view

- Calculated earth current
- Nominal frequency is 50 Hz. (Setting to 60 Hz is possible via DiggiMEC/Smart view.)
- Backup protection operates directly
- Package "S" + ANSI 46, 49, 51Q, Breaker Wear, Condition Monitoring (= Life Load, Drag Indicator)

**PE** - Protective Earth

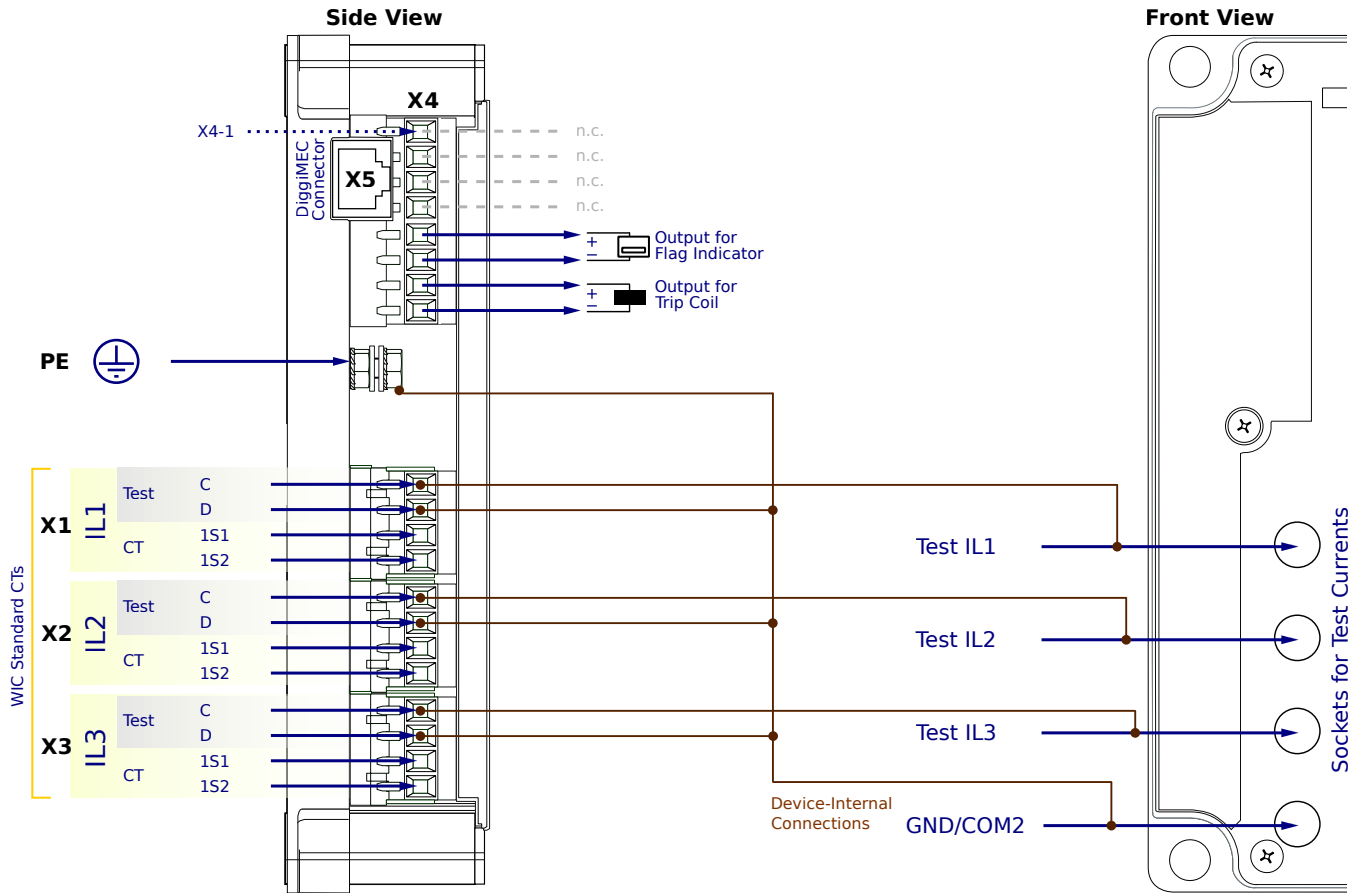
**X1...X3** - WIC CTs

**X4-5,6** - Assignable flag indicator

**X4-7,8** - Trip pulse output

**X5** - DiggiMEC-WIC1 connection. Use network cable CAT3 (or better). No crossover cable!

# WIC1-3SN5CN1PA



## CT-Powered Protection Device, configuration via HEX switches or DiggiMEC / Smart view

- Calculated earth current
- Nominal frequency is 50 Hz. (Setting to 60 Hz is possible via DiggiMEC/Smart view.)
- Backup protection operates directly
- Package "A" + SOTF, CLPU, external protection, ultra-fast overcurrent protection

**PE** - Protective Earth

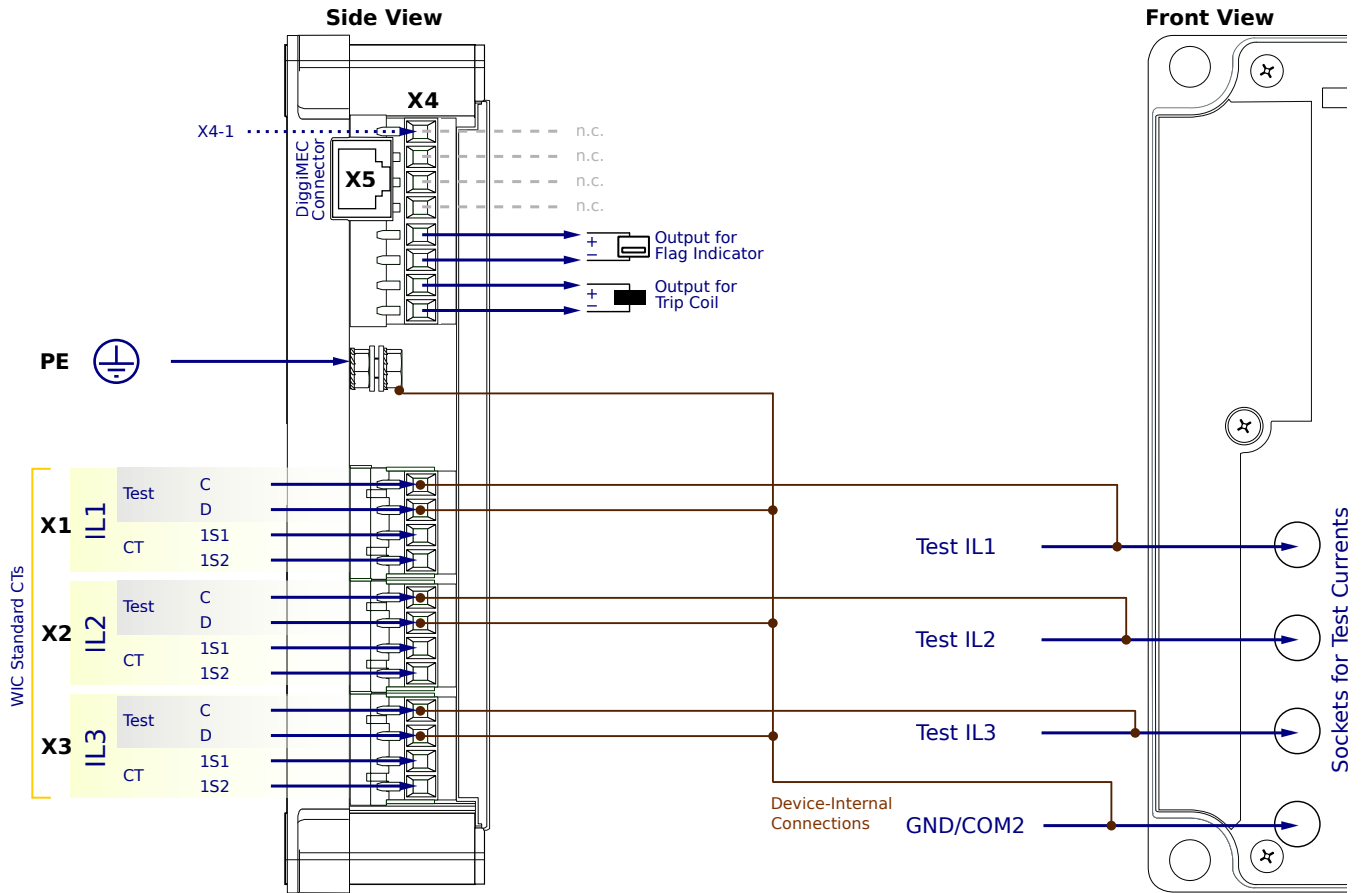
**X1...X3** - WIC CTs

**X4-5,6** - Assignable flag indicator

**X4-7,8** - Trip pulse output

**X5** - DiggiMEC-WIC1 connection. Use network cable CAT3 (or better). No crossover cable!

# WIC1-3SN5CN2SA



## CT-Powered Protection Device, configuration via HEX switches or DiggiMEC / Smart view

- Calculated earth current
- Nominal frequency is 50 Hz. (Setting to 60 Hz is possible via DiggiMEC/Smart view.)
- Trip at  $20 \cdot I_{n,max}$
- ANSI 50, 50G/N, 51, 51G/N, inrush, 50BF, 74TC

**PE** - Protective Earth

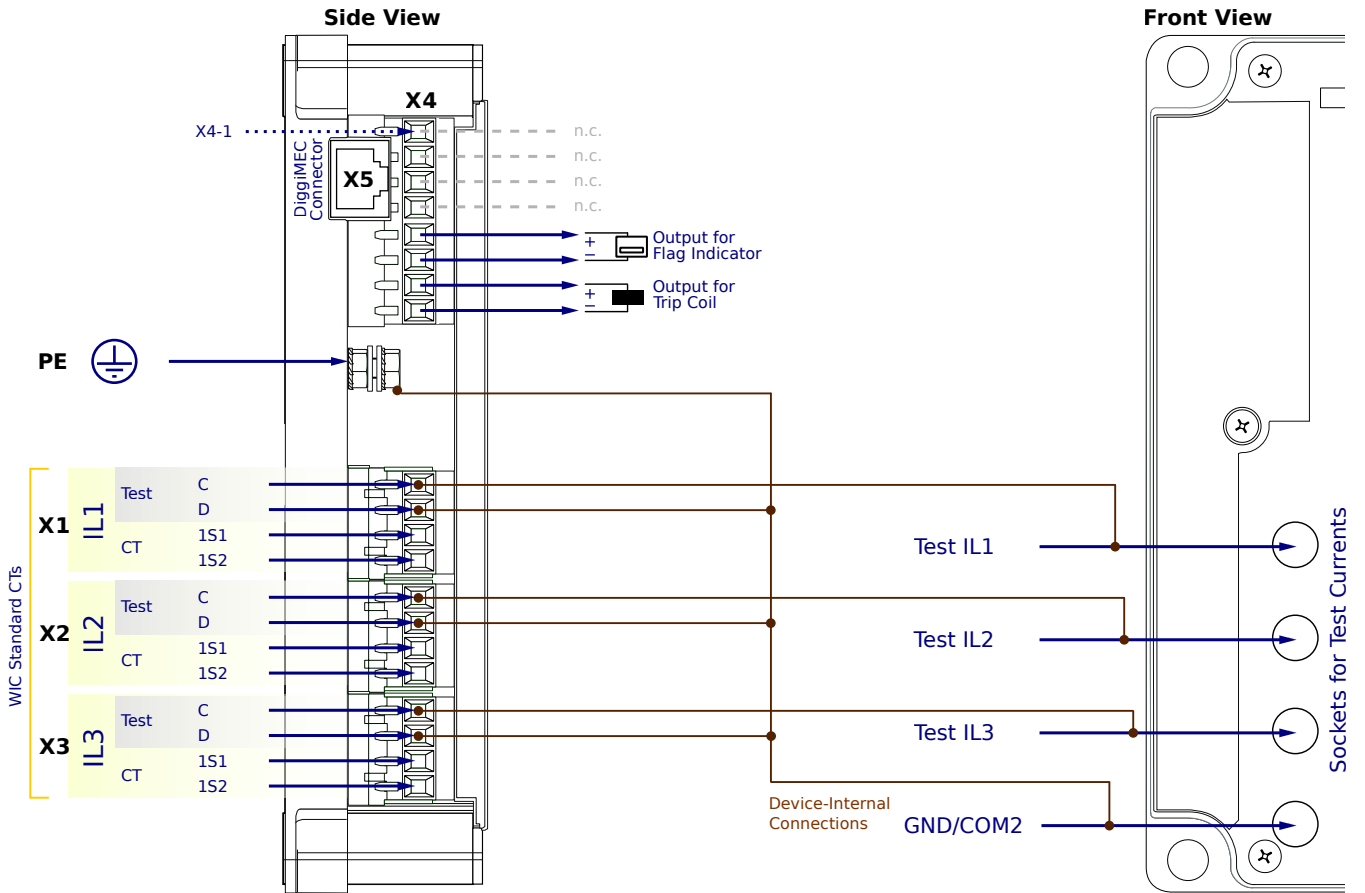
**X1...X3** - WIC CTs

**X4-5,6** - Assignable flag indicator

**X4-7,8** - Trip pulse output

**X5** - DiggiMEC-WIC1 connection. Use network cable CAT3 (or better). No crossover cable!

# WIC1-3SN5CN2AA



## CT-Powered Protection Device, configuration via HEX switches or DiggiMEC / Smart view

- Calculated earth current
- Nominal frequency is 50 Hz. (Setting to 60 Hz is possible via DiggiMEC/Smart view.)
- Trip at  $20 \cdot I_{n,max}$
- Package "S" + ANSI 46, 49, 51Q, Breaker Wear, Condition Monitoring (= Life Load, Drag Indicator)

**PE** - Protective Earth

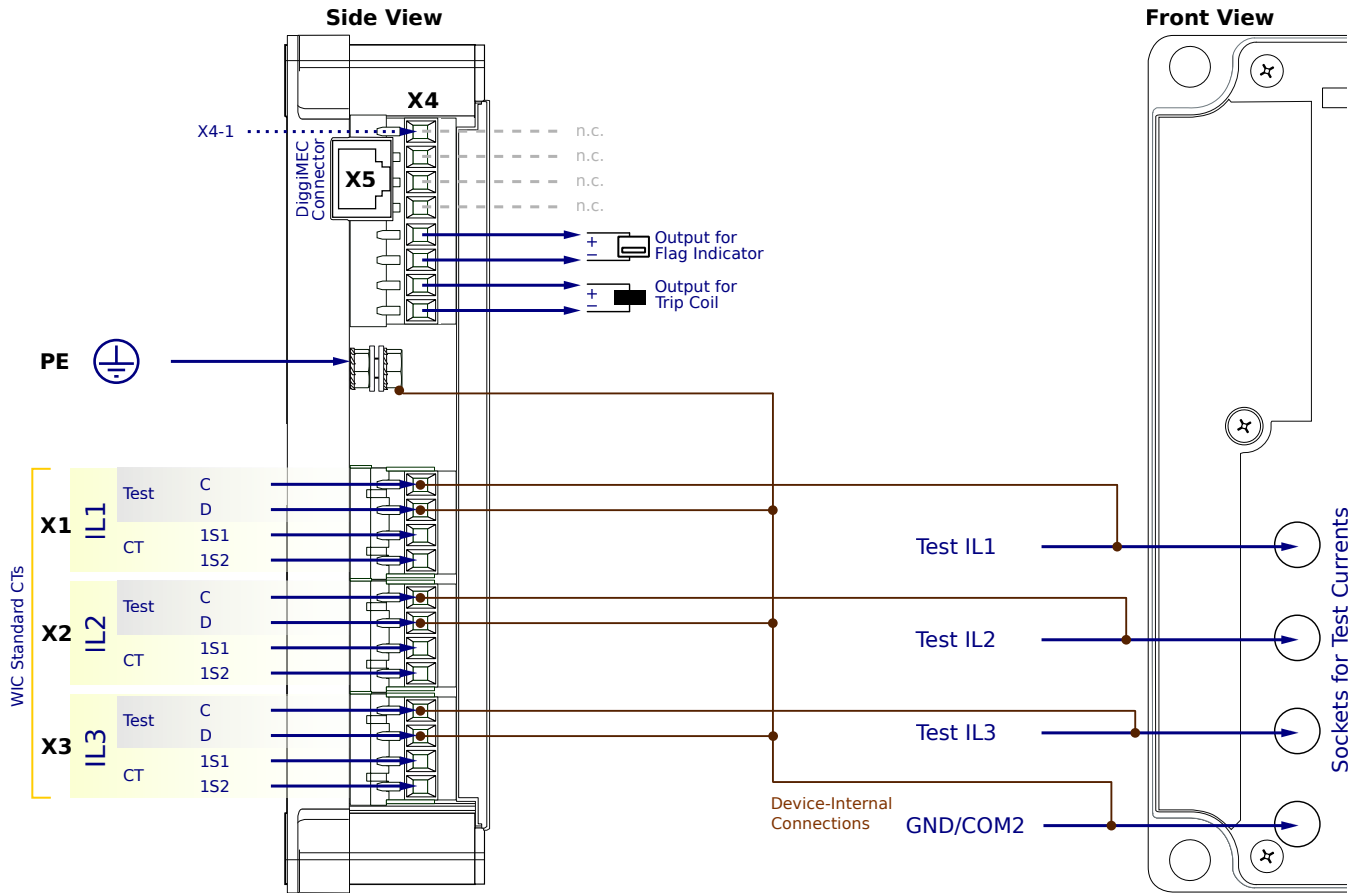
**X1...X3** - WIC CTs

**X4-5,6** - Assignable flag indicator

**X4-7,8** - Trip pulse output

**X5** - DiggiMEC-WIC1 connection. Use network cable CAT3 (or better). No crossover cable!

# WIC1-3SN5CN2PA



## CT-Powered Protection Device, configuration via HEX switches or DiggiMEC / Smart view

- Calculated earth current
- Nominal frequency is 50 Hz. (Setting to 60 Hz is possible via DiggiMEC/Smart view.)
- Trip at  $20 \cdot I_{n,max}$
- Package "A" + SOTF, CLPU, external protection, ultra-fast overcurrent protection

**PE** - Protective Earth

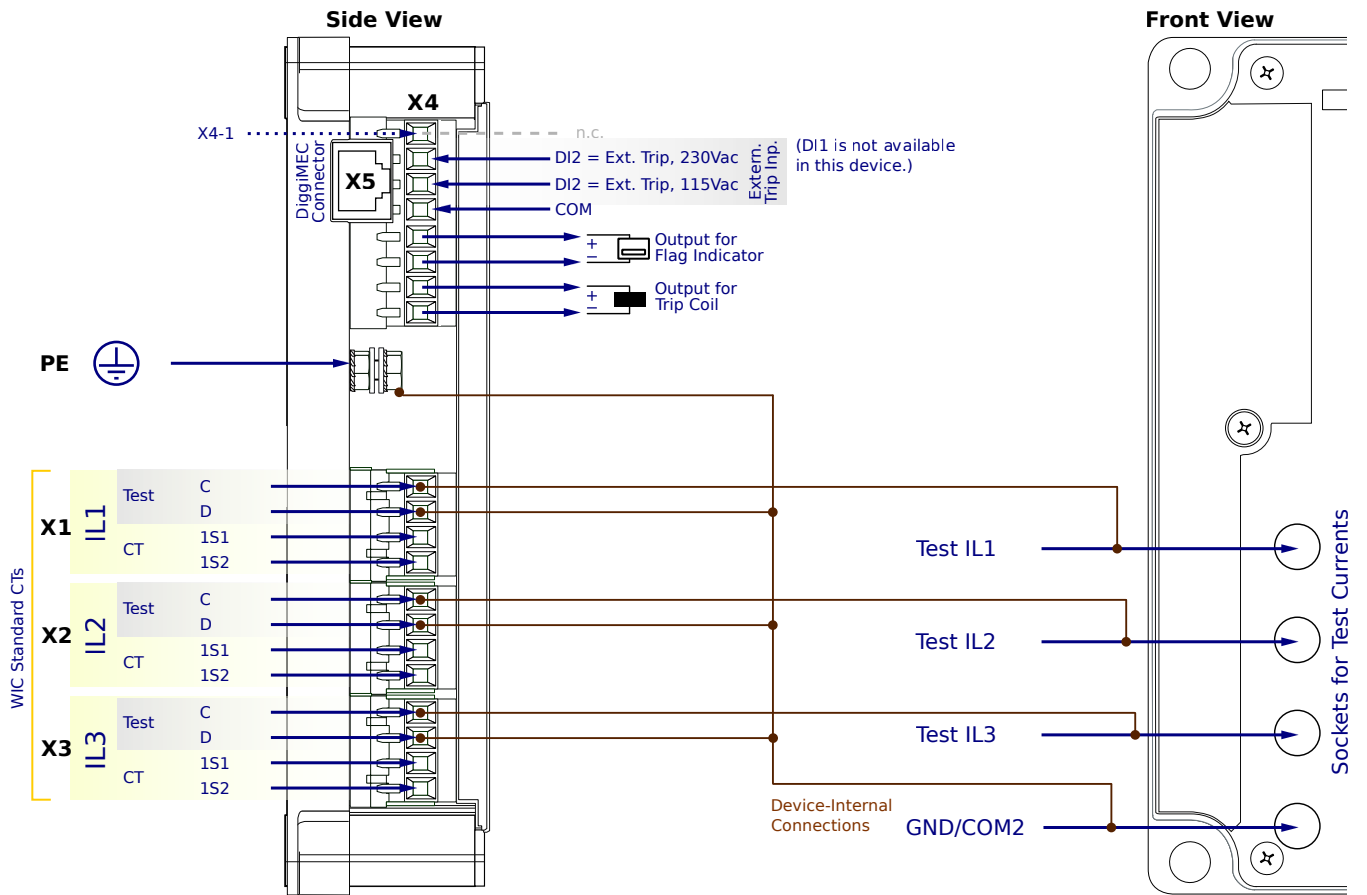
**X1...X3** - WIC CTs

**X4-5,6** - Assignable flag indicator

**X4-7,8** - Trip pulse output

**X5** - DiggiMEC-WIC1 connection. Use network cable CAT3 (or better). No crossover cable!

# WIC1-3SN5CF1SA



## CT-Powered Protection Device, configuration via HEX switches or DiggiMEC / Smart view

- Calculated earth current
- Nominal frequency is 50 Hz. (Setting to 60 Hz is possible via DiggiMEC/Smart view.)
- Backup protection operates directly
- ANSI 50, 50G/N, 51, 51G/N, inrush, 50BF, 74TC

**PE** - Protective Earth

**X1...X3** - WIC CTs

**X4-2,3** - DI2, fixed to External trip input (115Vac or 230Vac)

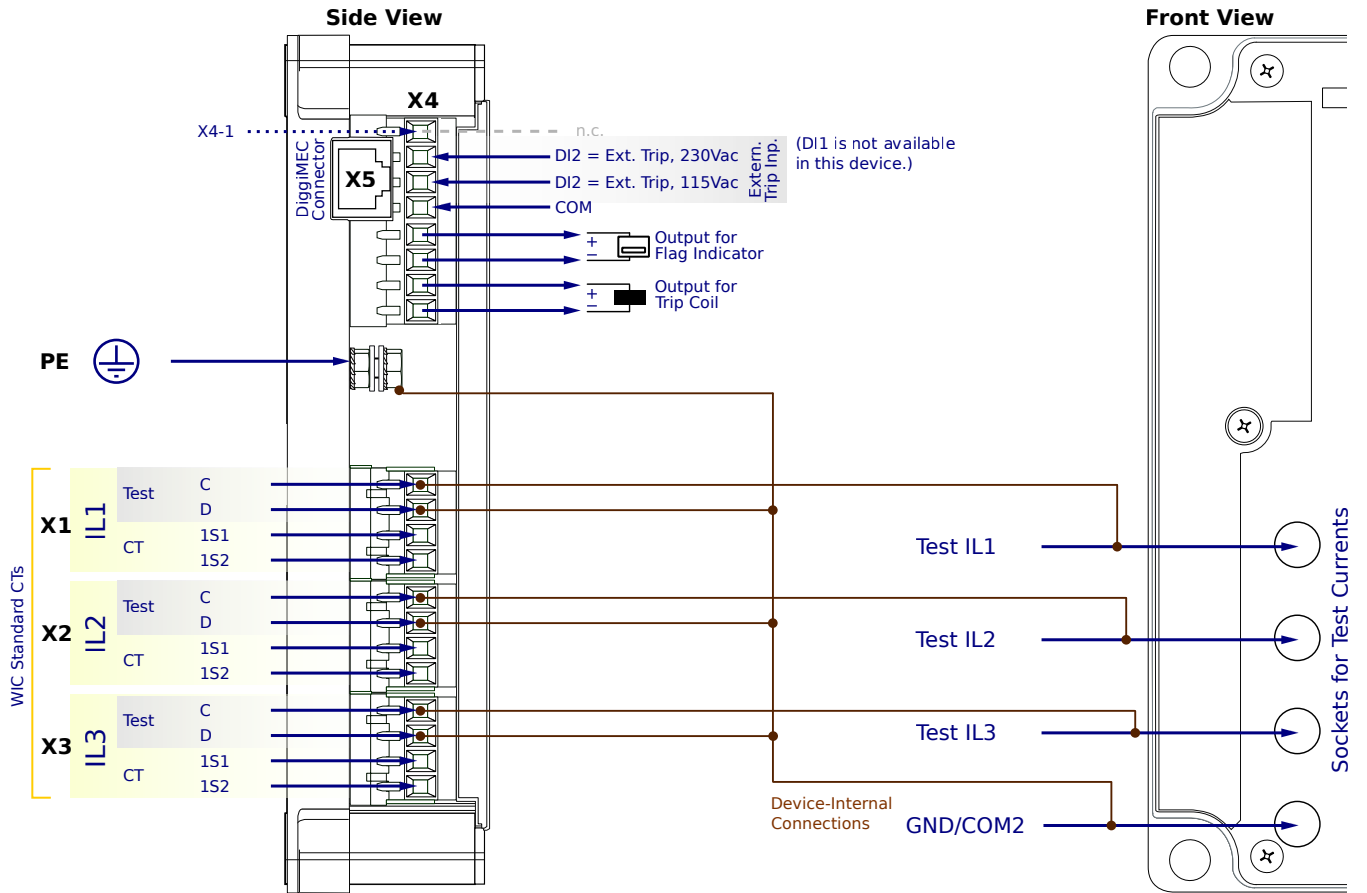
**X4-5,6** - Assignable flag indicator

**X4-7,8** - Trip pulse output

**X5** - DiggiMEC-WIC1 connection. Use network cable CAT3 (or better). No crossover cable!



# WIC1-3SN5CF1AA



## CT-Powered Protection Device, configuration via HEX switches or DiggiMEC / Smart view

- Calculated earth current
- Nominal frequency is 50 Hz. (Setting to 60 Hz is possible via DiggiMEC/Smart view.)
- Backup protection operates directly
- Package "S" + ANSI 46, 49, 51Q, Breaker Wear, Condition Monitoring (= Life Load, Drag Indicator)

**PE** - Protective Earth

**X1...X3** - WIC CTs

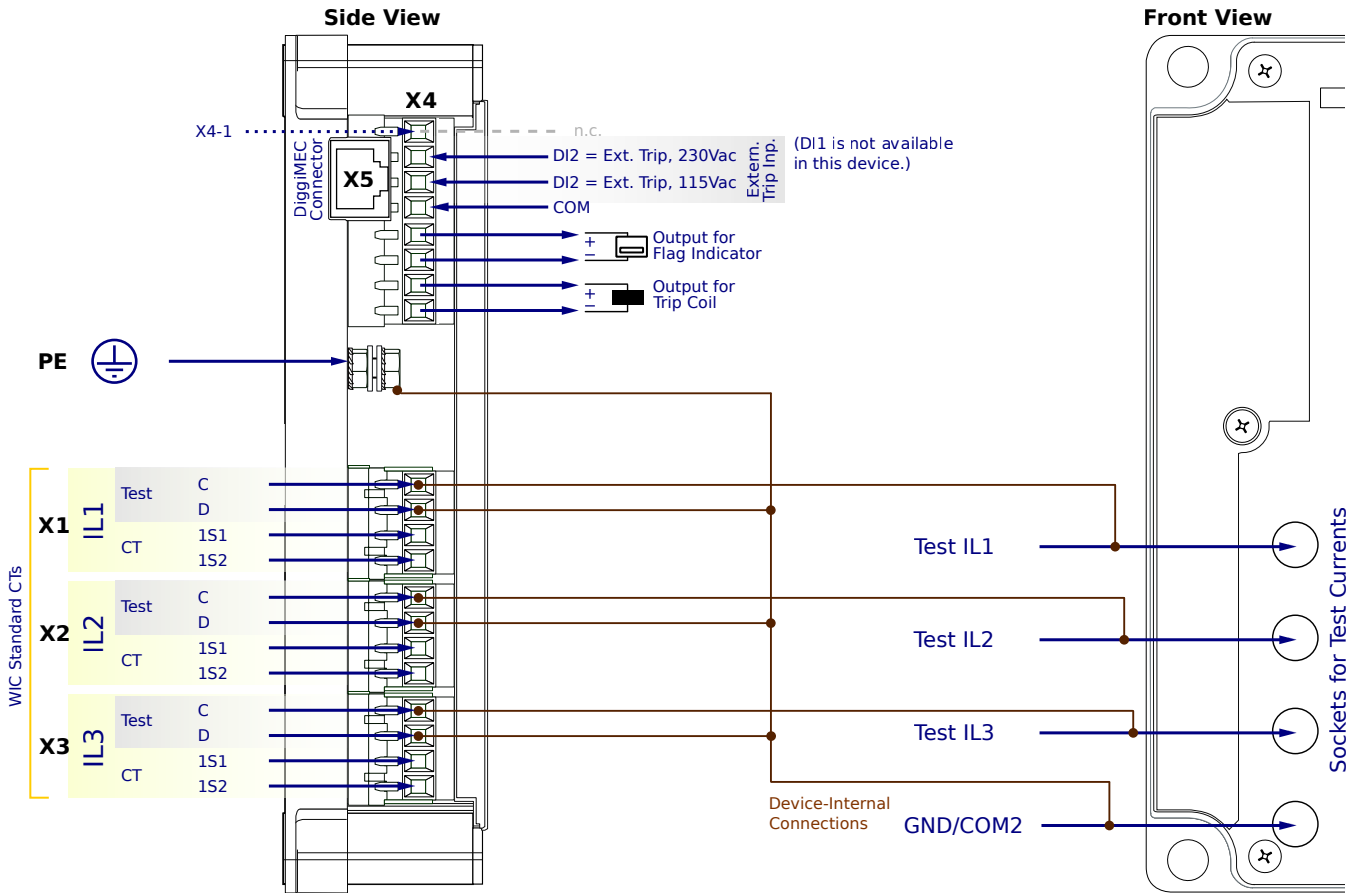
**X4-2,3** - DI2, fixed to External trip input (115Vac or 230Vac)

**X4-5,6** - Assignable flag indicator

**X4-7,8** - Trip pulse output

**X5** - DiggiMEC-WIC1 connection. Use network cable CAT3 (or better). No crossover cable!

# WIC1-3SN5CF1PA



## CT-Powered Protection Device, configuration via HEX switches or DiggiMEC / Smart view

- Calculated earth current
- Nominal frequency is 50 Hz. (Setting to 60 Hz is possible via DiggiMEC/Smart view.)
- Backup protection operates directly
- Package "A" + SOTF, CLPU, external protection, ultra-fast overcurrent protection

**PE** - Protective Earth

**X1...X3** - WIC CTs

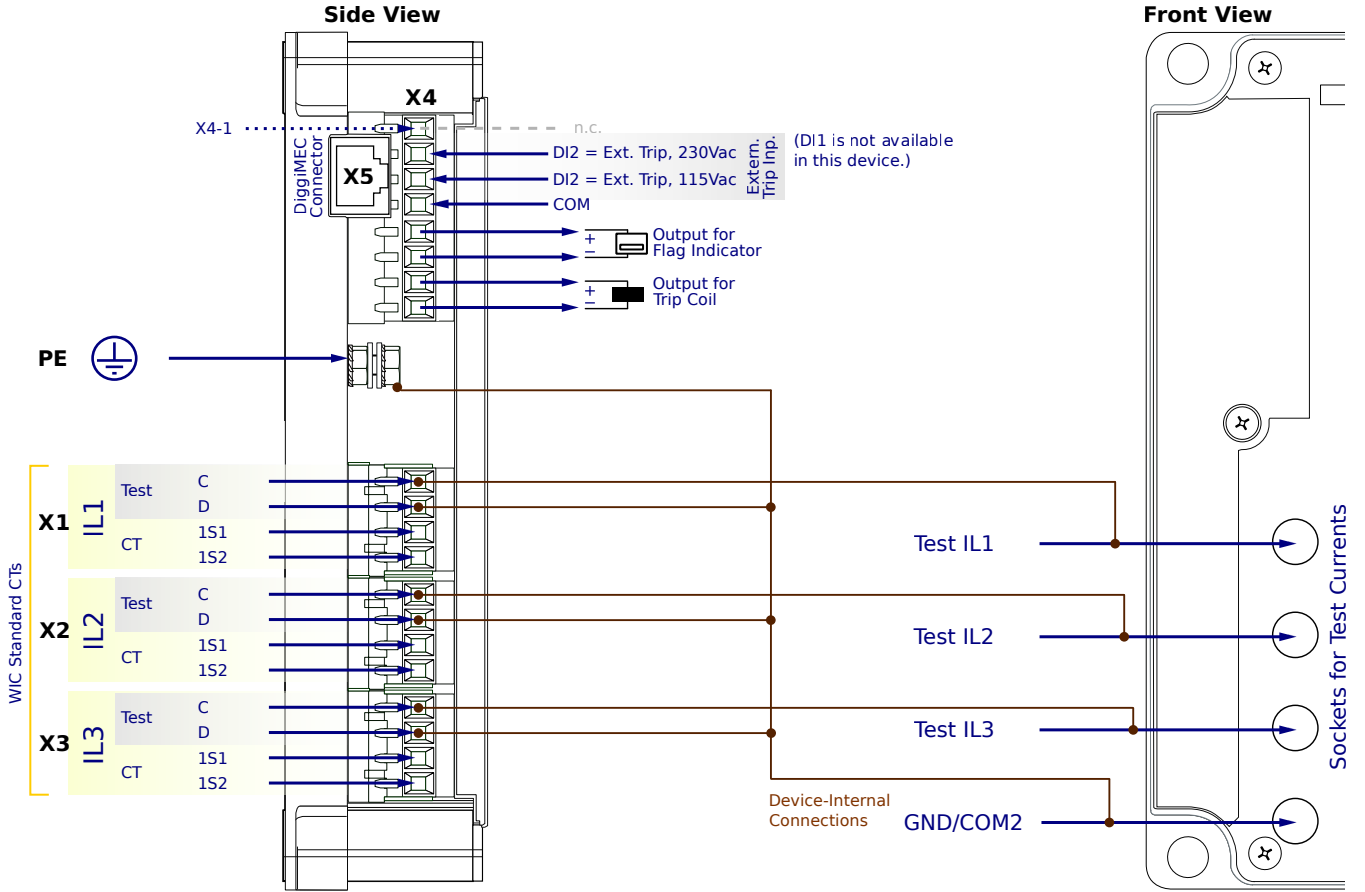
**X4-2,3** - DI2, fixed to External trip input (115Vac or 230Vac)

**X4-5,6** - Assignable flag indicator

**X4-7,8** - Trip pulse output

**X5** - DiggiMEC-WIC1 connection. Use network cable CAT3 (or better). No crossover cable!

# WIC1-3SN5CF2SA



**CT-Powered Protection Device, configuration via HEX switches or DiggiMEC / Smart view**

- Calculated earth current
- Nominal frequency is 50 Hz. (Setting to 60 Hz is possible via DiggiMEC/Smart view.)
- Trip at 20·In,max
- ANSI 50, 50G/N, 51, 51G/N, inrush, 50BF, 74TC

**PE** - Protective Earth

**X1...X3** - WIC CTs

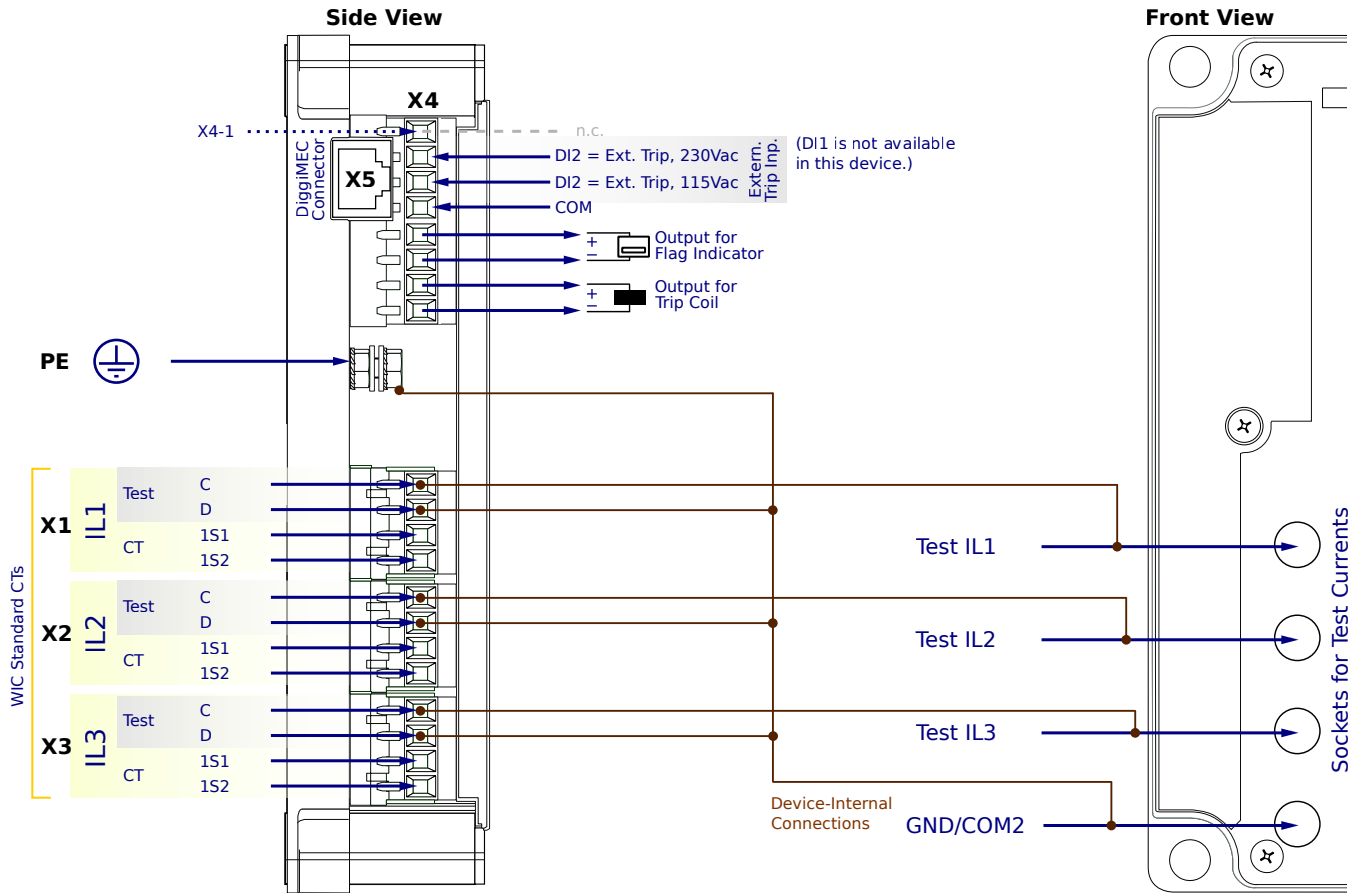
**X4-2,3** - DI2, fixed to External trip input (115Vac or 230Vac)

**X4-5,6** - Assignable flag indicator

**X4-7,8** - Trip pulse output

**X5** - DiggiMEC-WIC1 connection. Use network cable CAT3 (or better). No crossover cable!

# WIC1-3SN5CF2AA



## CT-Powered Protection Device, configuration via HEX switches or DiggiMEC / Smart view

- Calculated earth current
- Nominal frequency is 50 Hz. (Setting to 60 Hz is possible via DiggiMEC/Smart view.)
- Trip at  $20 \cdot I_{n,max}$
- Package "S" + ANSI 46, 49, 51Q, Breaker Wear, Condition Monitoring (= Life Load, Drag Indicator)

**PE** - Protective Earth

**X1...X3** - WIC CTs

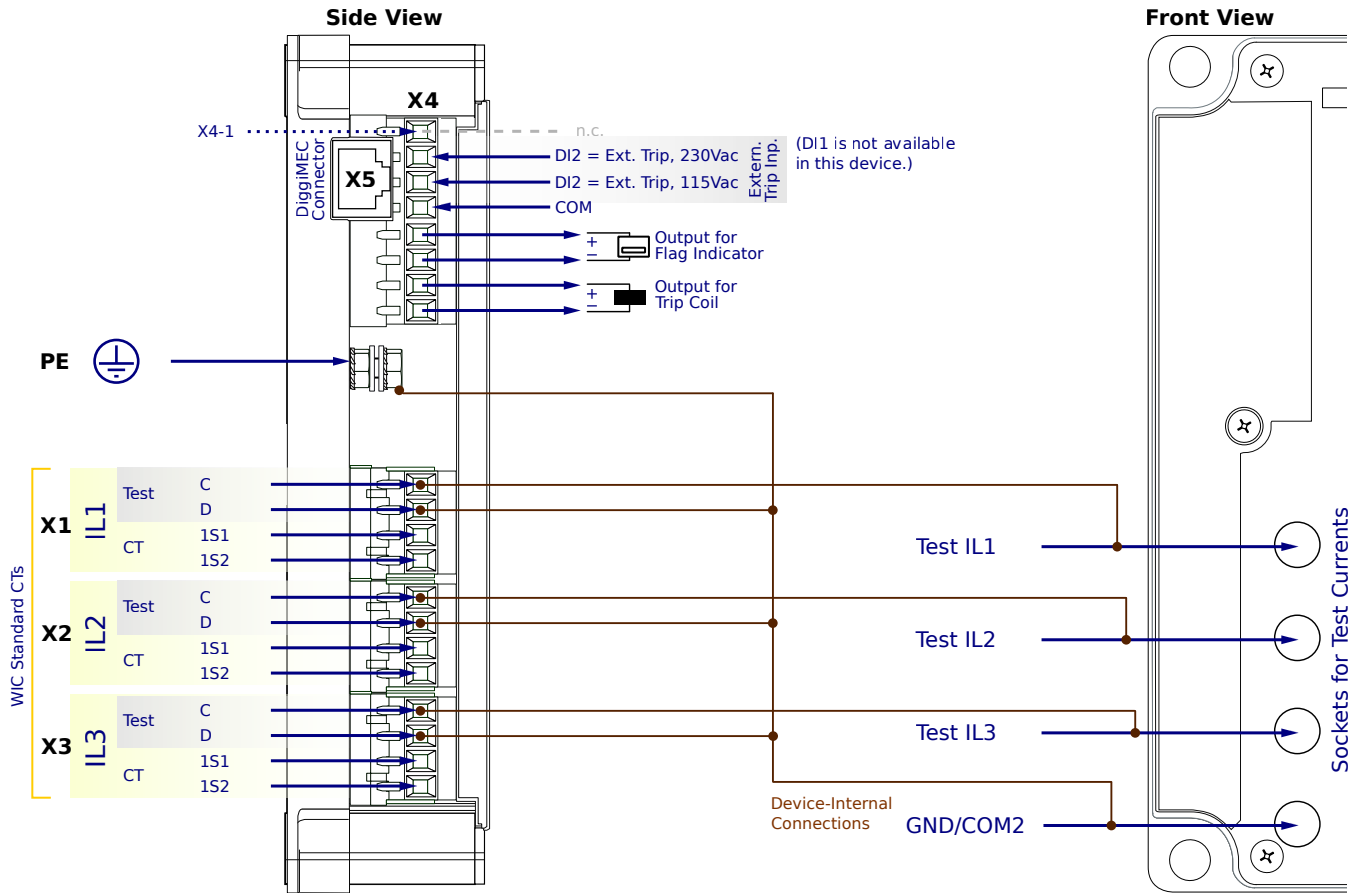
**X4-2,3** - DI2, fixed to External trip input (115Vac or 230Vac)

**X4-5,6** - Assignable flag indicator

**X4-7,8** - Trip pulse output

**X5** - DiggiMEC-WIC1 connection. Use network cable CAT3 (or better). No crossover cable!

# WIC1-3SN5CF2PA



## CT-Powered Protection Device, configuration via HEX switches or DiggiMEC / Smart view

- Calculated earth current
- Nominal frequency is 50 Hz. (Setting to 60 Hz is possible via DiggiMEC/Smart view.)
- Trip at  $20 \cdot I_{n,max}$
- Package "A" + SOTF, CLPU, external protection, ultra-fast overcurrent protection

**PE** - Protective Earth

**X1...X3** - WIC CTs

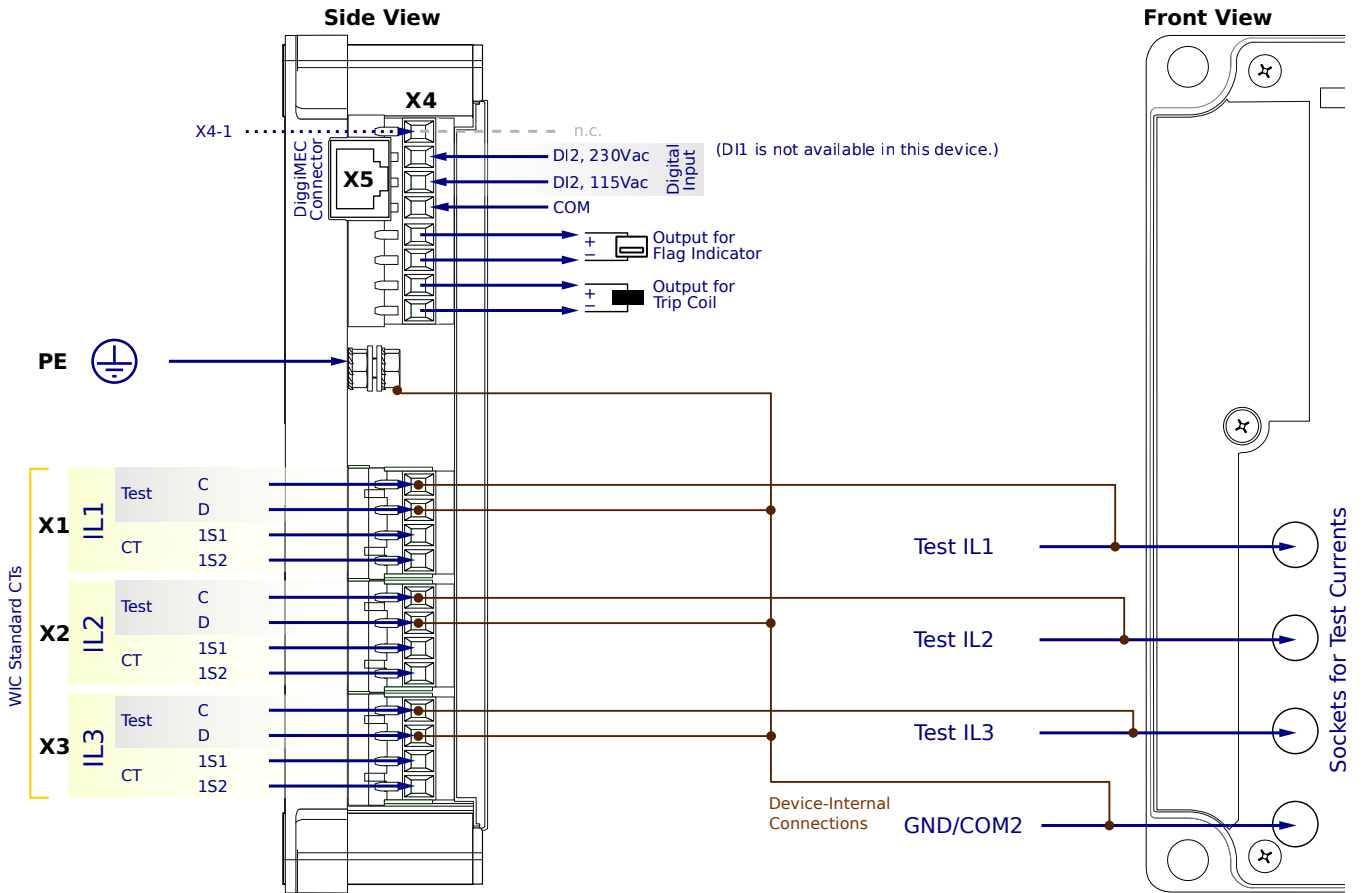
**X4-2,3** - DI2, fixed to External trip input (115Vac or 230Vac)

**X4-5,6** - Assignable flag indicator

**X4-7,8** - Trip pulse output

**X5** - DiggiMEC-WIC1 connection. Use network cable CAT3 (or better). No crossover cable!

# WIC1-3SN5CC1SA



## CT-Powered Protection Device, configuration via HEX switches or DiggiMEC / Smart view

- Calculated earth current
- Nominal frequency is 50 Hz. (Setting to 60 Hz is possible via DiggiMEC/Smart view.)
- Backup protection operates directly
- ANSI 50, 50G/N, 51, 51G/N, inrush, 50BF, 74TC

**PE** - Protective Earth

**X1...X3** - WIC CTs

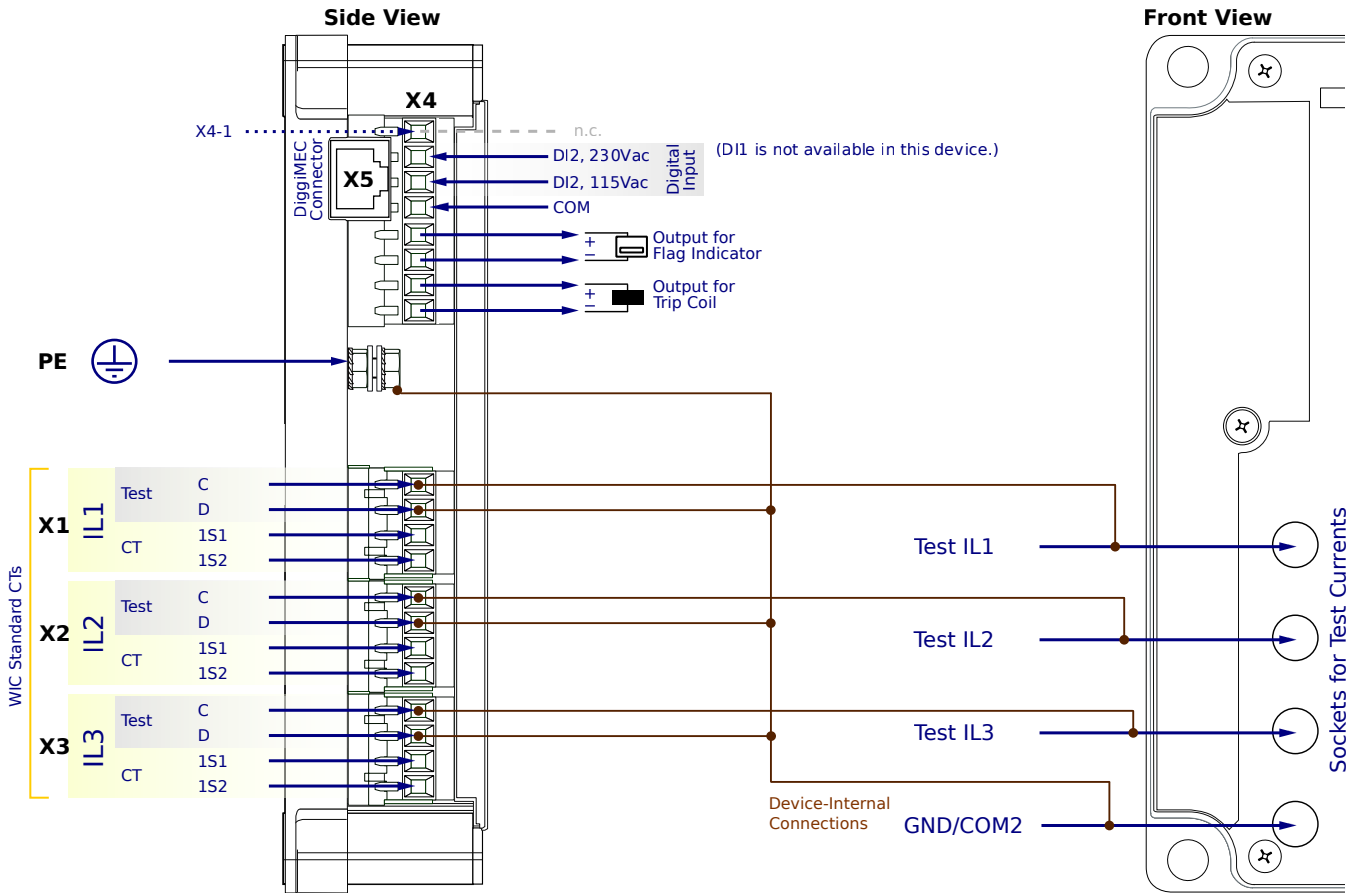
**X4-2,3** - 1 assignable Digital Input DI2 (115Vac or 230Vac)

**X4-5,6** - Assignable flag indicator

**X4-7,8** - Trip pulse output

**X5** - DiggiMEC-WIC1 connection. Use network cable CAT3 (or better). No crossover cable!

# WIC1-3SN5CC1AA



## CT-Powered Protection Device, configuration via HEX switches or DiggiMEC / Smart view

- Calculated earth current
- Nominal frequency is 50 Hz. (Setting to 60 Hz is possible via DiggiMEC/Smart view.)
- Backup protection operates directly
- Package "S" + ANSI 46, 49, 51Q, Breaker Wear, Condition Monitoring (= Life Load, Drag Indicator)

**PE** - Protective Earth

**X1...X3** - WIC CTs

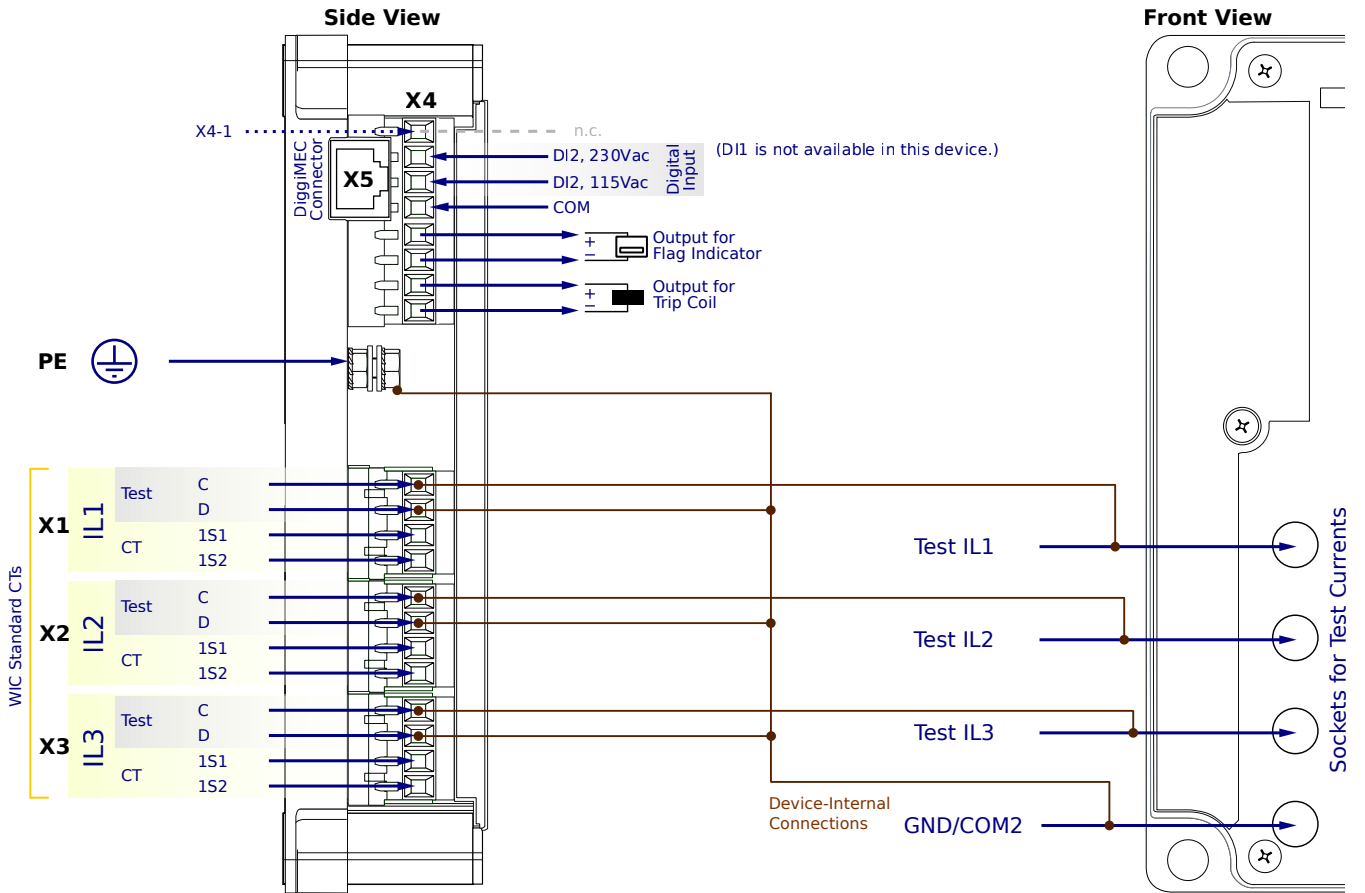
**X4-2,3** - 1 assignable Digital Input DI2 (115Vac or 230Vac)

**X4-5,6** - Assignable flag indicator

**X4-7,8** - Trip pulse output

**X5** - DiggiMEC-WIC1 connection. Use network cable CAT3 (or better). No crossover cable!

# WIC1-3SN5CC1PA



## CT-Powered Protection Device, configuration via HEX switches or DiggiMEC / Smart view

- Calculated earth current
- Nominal frequency is 50 Hz. (Setting to 60 Hz is possible via DiggiMEC/Smart view.)
- Backup protection operates directly
- Package "A" + SOTF, CLPU, external protection, ultra-fast overcurrent protection

**PE** - Protective Earth

**X1...X3** - WIC CTs

**X4-2,3** - 1 assignable Digital Input DI2 (115Vac or 230Vac)

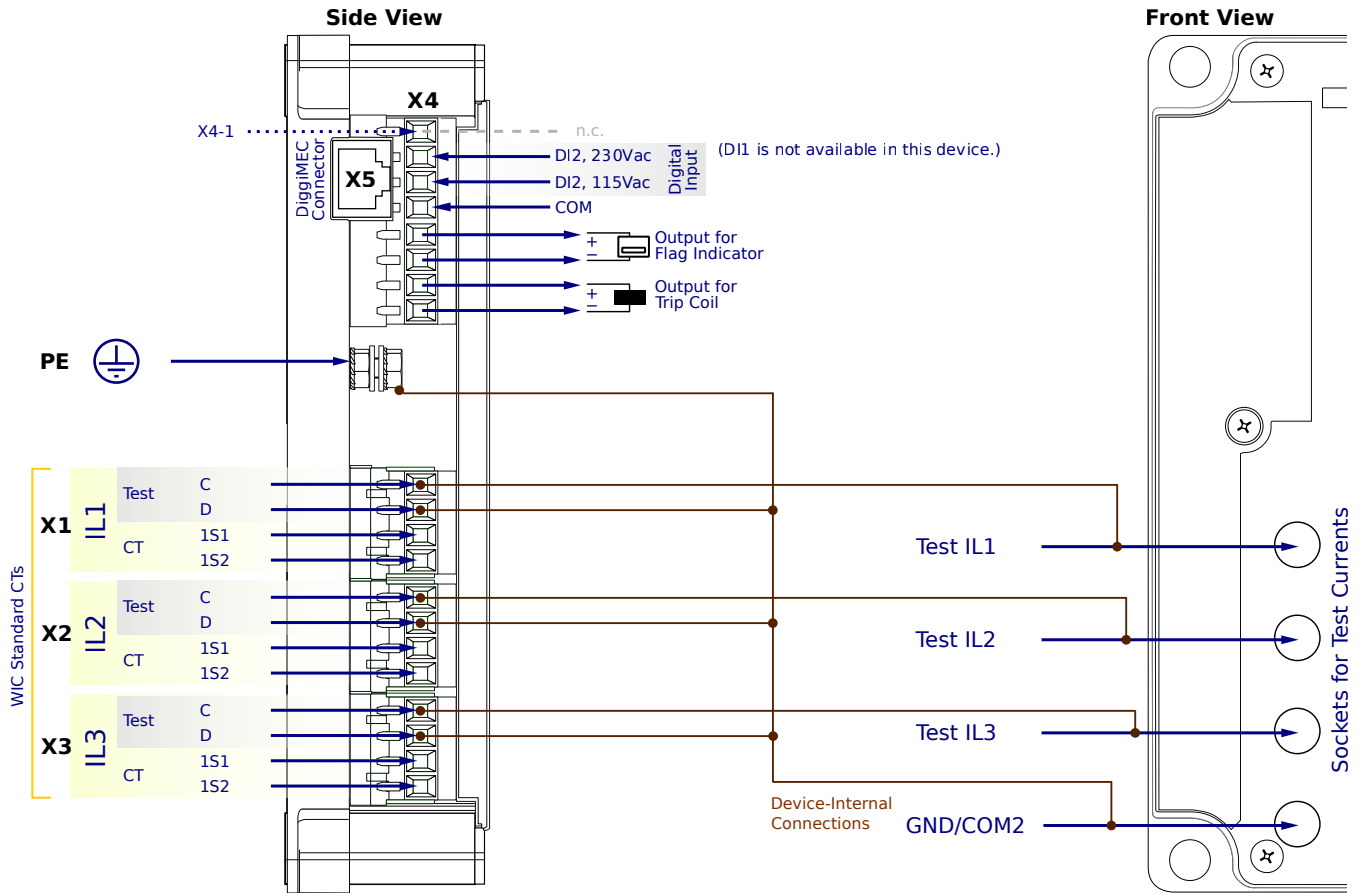
**X4-5,6** - Assignable flag indicator

**X4-7,8** - Trip pulse output

**X5** - DiggiMEC-WIC1 connection. Use network cable CAT3 (or better). No crossover cable!



# WIC1-3SN5CC2SA



## CT-Powered Protection Device, configuration via HEX switches or DiggiMEC / Smart view

- Calculated earth current
- Nominal frequency is 50 Hz. (Setting to 60 Hz is possible via DiggiMEC/Smart view.)
- Trip at  $20 \cdot I_{n,max}$
- ANSI 50, 50G/N, 51, 51G/N, inrush, 50BF, 74TC

**PE** - Protective Earth

**X1...X3** - WIC CTs

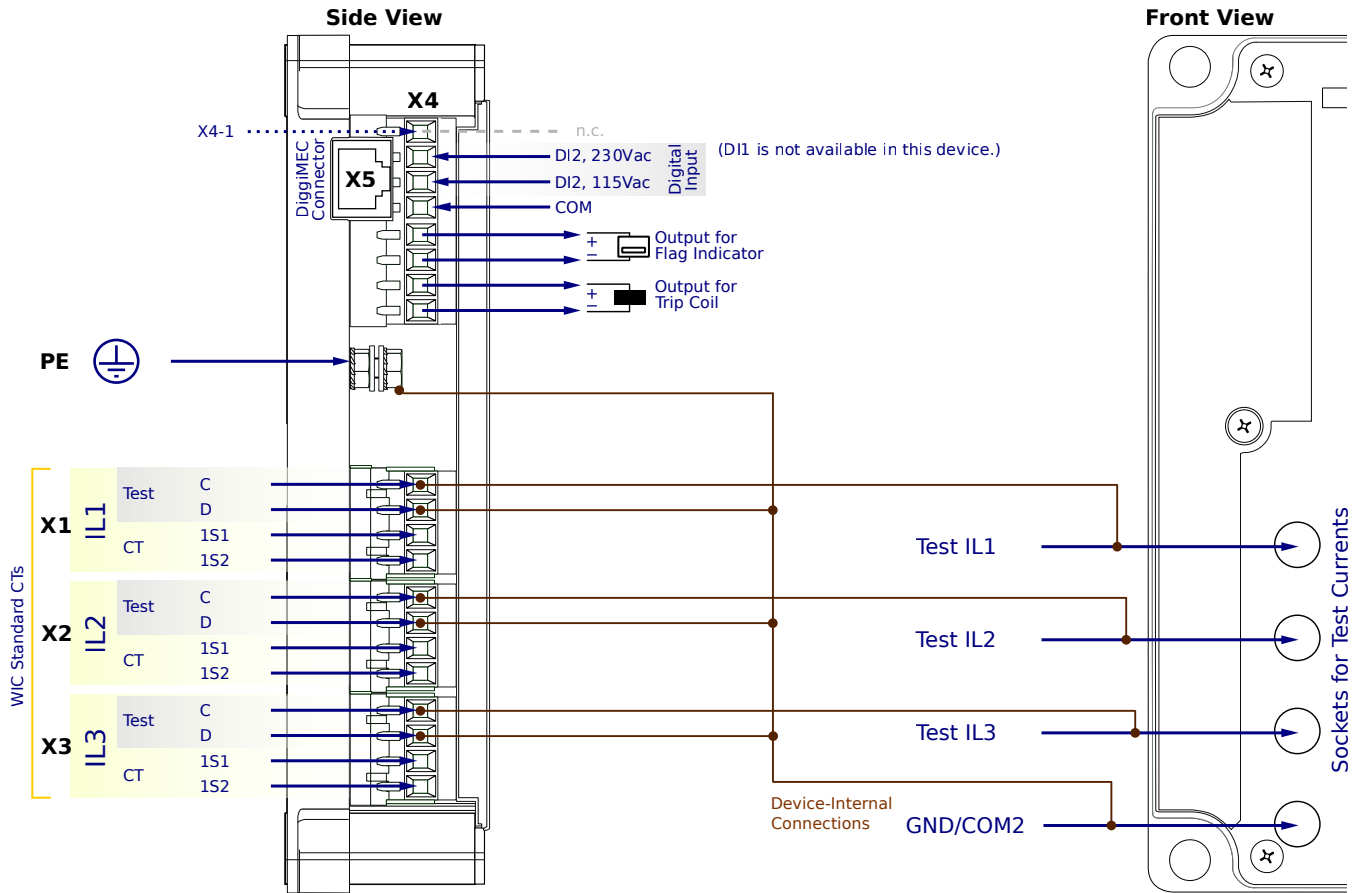
**X4-2,3** - 1 assignable Digital Input DI2 (115Vac or 230Vac)

**X4-5,6** - Assignable flag indicator

**X4-7,8** - Trip pulse output

**X5** - DiggiMEC-WIC1 connection. Use network cable CAT3 (or better). No crossover cable!

# WIC1-3SN5CC2AA



## CT-Powered Protection Device, configuration via HEX switches or DiggiMEC / Smart view

- Calculated earth current
- Nominal frequency is 50 Hz. (Setting to 60 Hz is possible via DiggiMEC/Smart view.)
- Trip at  $20 \cdot I_{n,max}$
- Package "S" + ANSI 46, 49, 51Q, Breaker Wear, Condition Monitoring (= Life Load, Drag Indicator)

**PE** - Protective Earth

**X1...X3** - WIC CTs

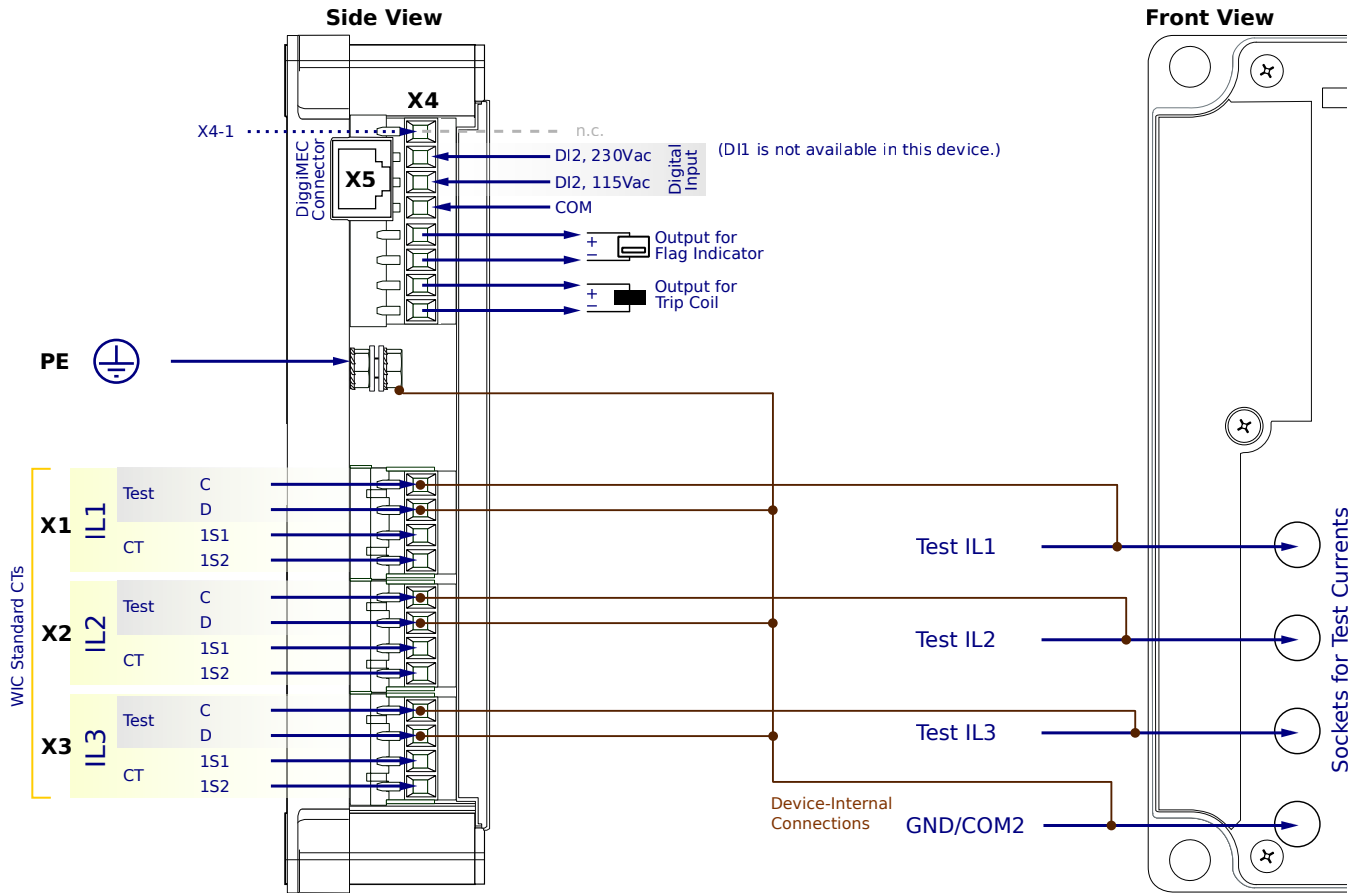
**X4-2,3** - 1 assignable Digital Input DI2 (115Vac or 230Vac)

**X4-5,6** - Assignable flag indicator

**X4-7,8** - Trip pulse output

**X5** - DiggiMEC-WIC1 connection. Use network cable CAT3 (or better). No crossover cable!

# WIC1-3SN5CC2PA



## CT-Powered Protection Device, configuration via HEX switches or DiggiMEC / Smart view

- Calculated earth current
- Nominal frequency is 50 Hz. (Setting to 60 Hz is possible via DiggiMEC/Smart view.)
- Trip at  $20 \cdot I_{n,max}$
- Package "A" + SOTF, CLPU, external protection, ultra-fast overcurrent protection

**PE** - Protective Earth

**X1...X3** - WIC CTs

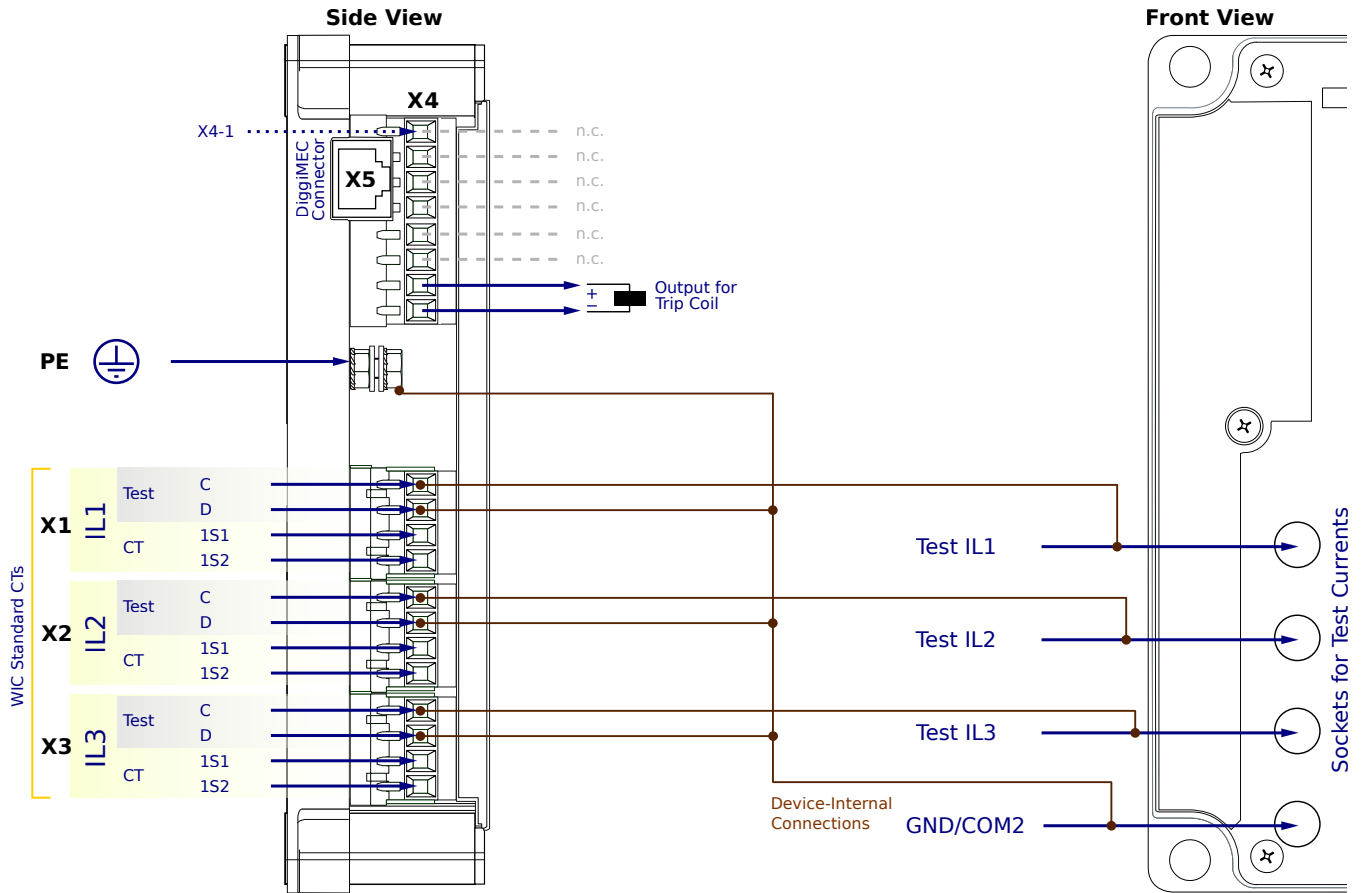
**X4-2,3** - 1 assignable Digital Input DI2 (115Vac or 230Vac)

**X4-5,6** - Assignable flag indicator

**X4-7,8** - Trip pulse output

**X5** - DiggiMEC-WIC1 connection. Use network cable CAT3 (or better). No crossover cable!

# WIC1-3SN6NN1SA



## CT-Powered Protection Device, configuration via HEX switches or DiggiMEC / Smart view

- Calculated earth current
- Nominal frequency is 60 Hz. (Setting to 50 Hz is possible via DiggiMEC/Smart view.)
- Backup protection operates directly
- ANSI 50, 50G/N, 51, 51G/N, inrush, 50BF, 74TC

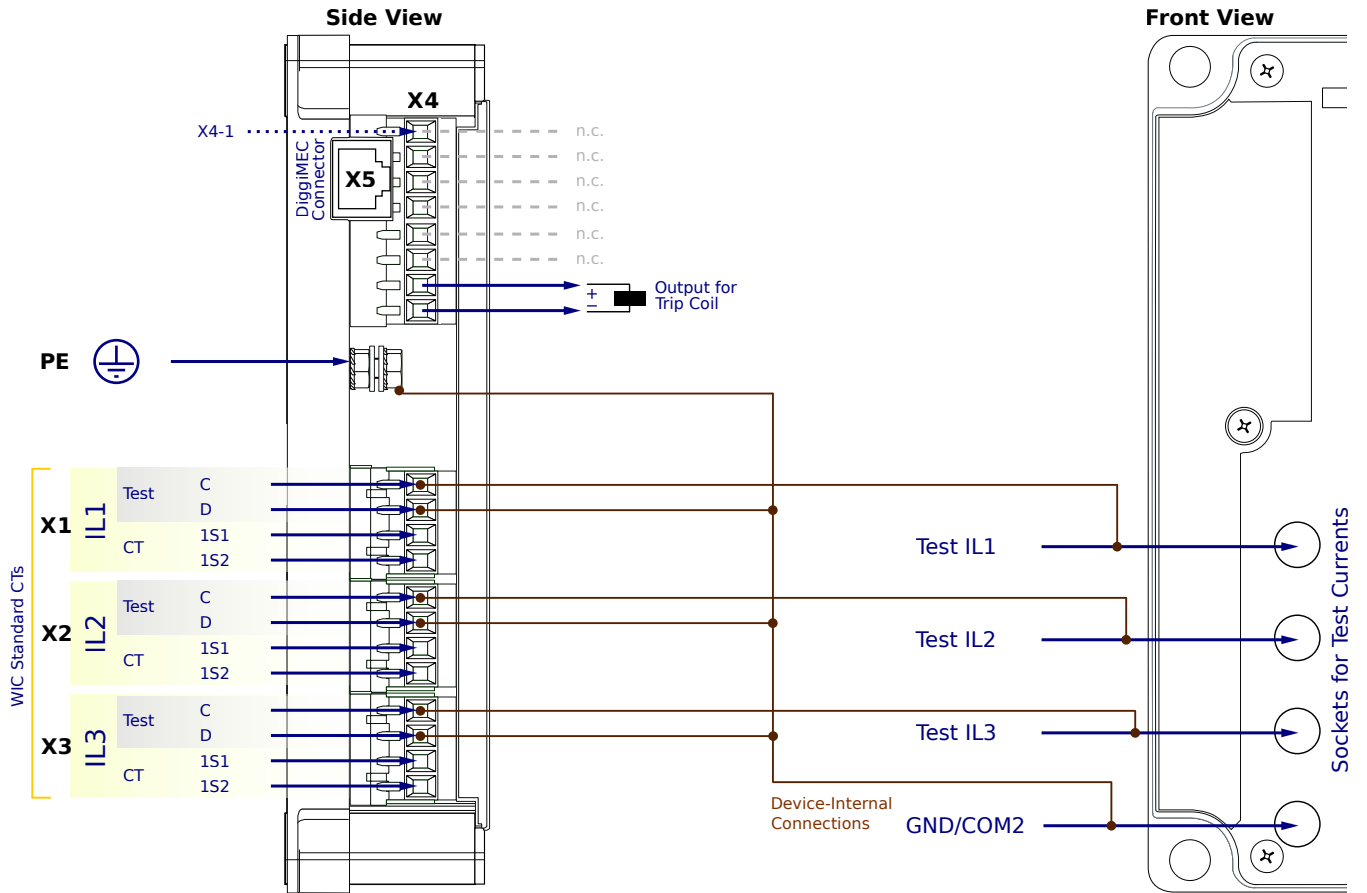
**PE** - Protective Earth

**X1...X3** - WIC CTs

**X4-7,8** - Trip pulse output

**X5** - DiggiMEC-WIC1 connection. Use network cable CAT3 (or better). No crossover cable!

# WIC1-3SN6NN1AA



## CT-Powered Protection Device, configuration via HEX switches or DiggiMEC / Smart view

- Calculated earth current
- Nominal frequency is 60 Hz. (Setting to 50 Hz is possible via DiggiMEC/Smart view.)
- Backup protection operates directly
- Package "S" + ANSI 46, 49, 51Q, Breaker Wear, Condition Monitoring (= Life Load, Drag Indicator)

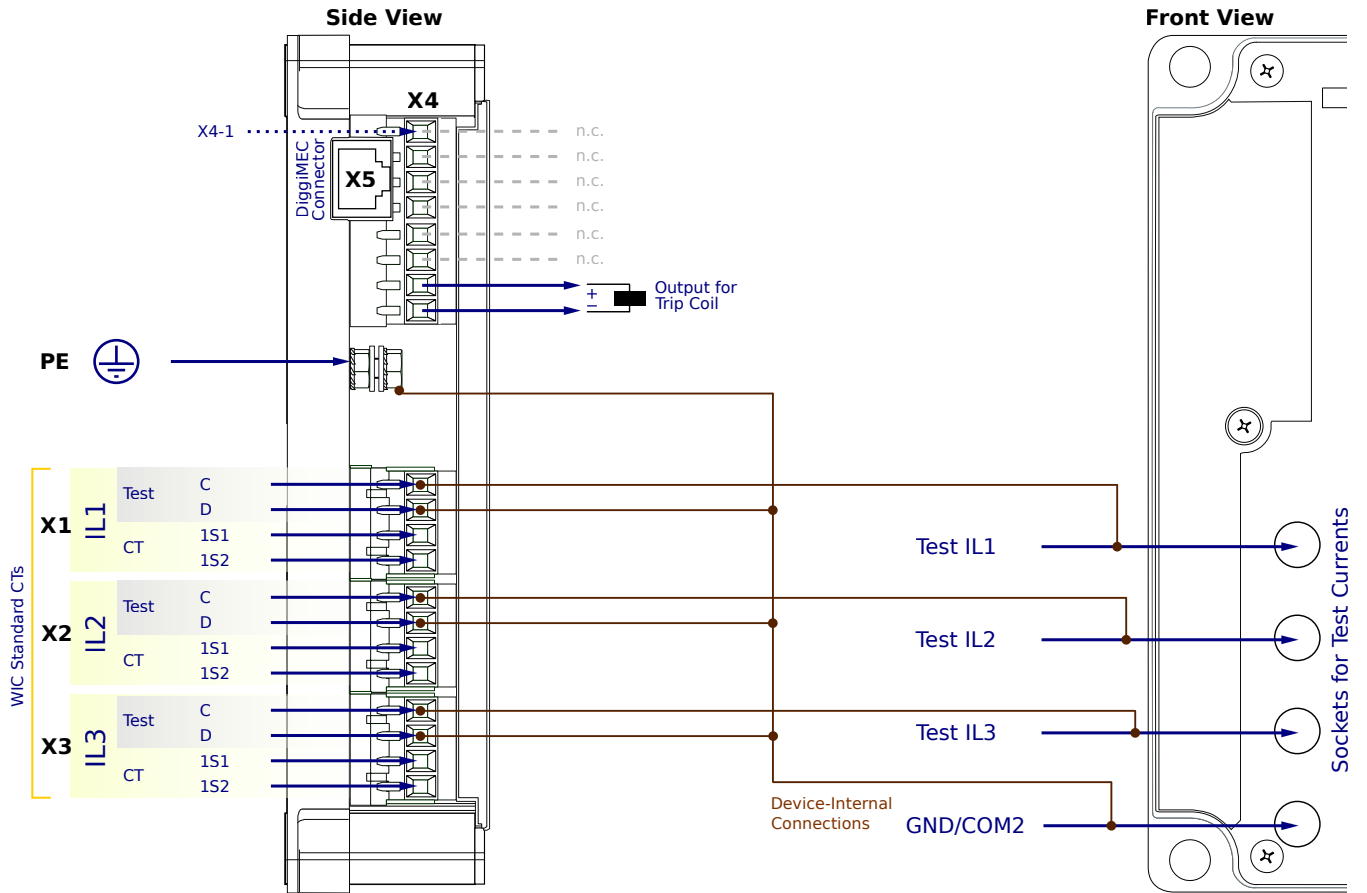
**PE** - Protective Earth

**X1...X3** - WIC CTs

**X4-7,8** - Trip pulse output

**X5** - DiggiMEC-WIC1 connection. Use network cable CAT3 (or better). No crossover cable!

# WIC1-3SN6NN1PA



## CT-Powered Protection Device, configuration via HEX switches or DiggiMEC / Smart view

- Calculated earth current
- Nominal frequency is 60 Hz. (Setting to 50 Hz is possible via DiggiMEC/Smart view.)
- Backup protection operates directly
- Package "A" + SOTF, CLPU, external protection, ultra-fast overcurrent protection

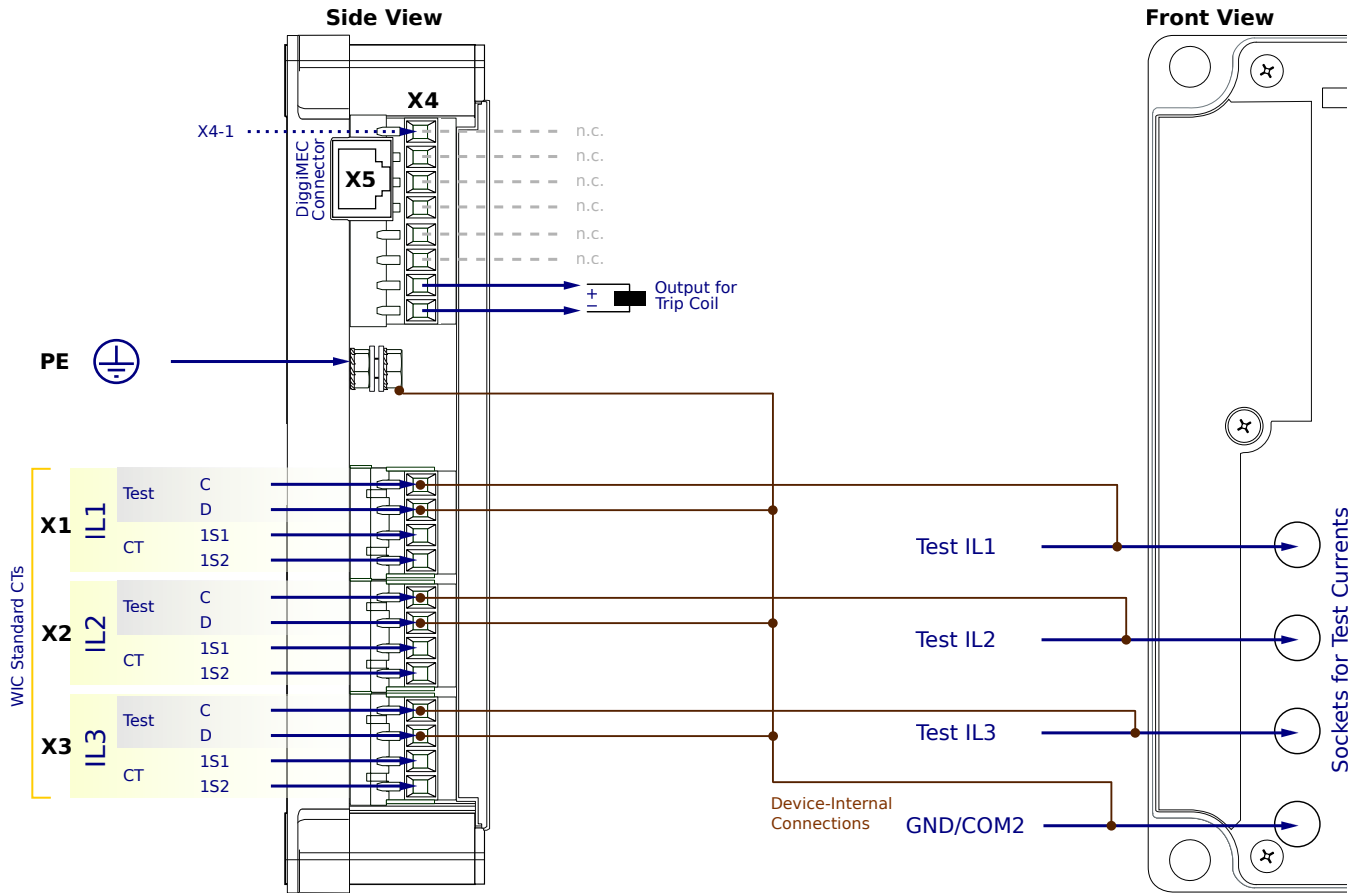
**PE** - Protective Earth

**X1...X3** - WIC CTs

**X4-7,8** - Trip pulse output

**X5** - DiggiMEC-WIC1 connection. Use network cable CAT3 (or better). No crossover cable!

# WIC1-3SN6NN2SA



## CT-Powered Protection Device, configuration via HEX switches or DiggiMEC / Smart view

- Calculated earth current
- Nominal frequency is 60 Hz. (Setting to 50 Hz is possible via DiggiMEC/Smart view.)
- Trip at  $20 \cdot I_{n,max}$
- ANSI 50, 50G/N, 51, 51G/N, inrush, 50BF, 74TC

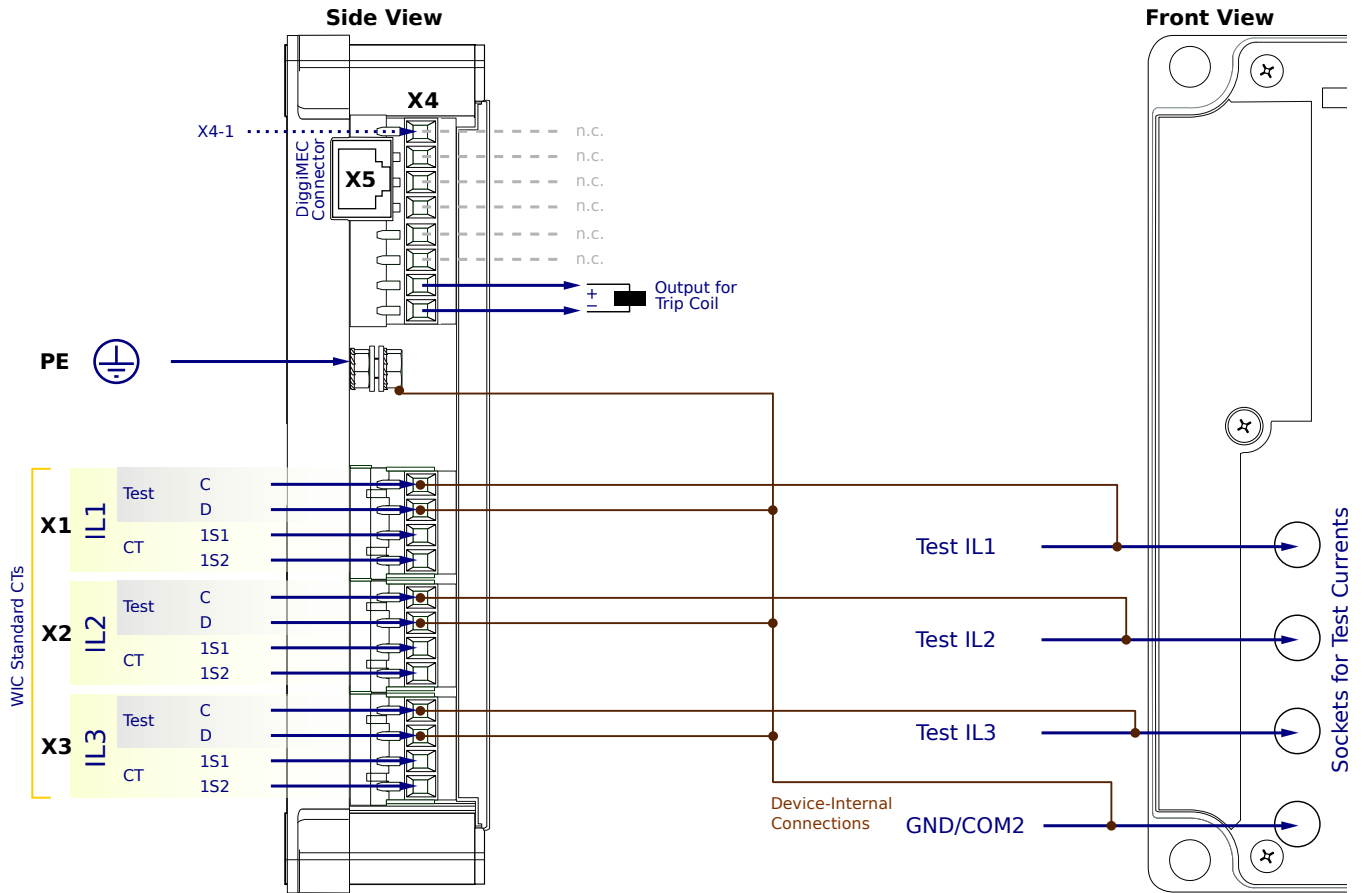
**PE** - Protective Earth

**X1...X3** - WIC CTs

**X4-7,8** - Trip pulse output

**X5** - DiggiMEC-WIC1 connection. Use network cable CAT3 (or better). No crossover cable!

# WIC1-3SN6NN2AA



## CT-Powered Protection Device, configuration via HEX switches or DiggiMEC / Smart view

- Calculated earth current
- Nominal frequency is 60 Hz. (Setting to 50 Hz is possible via DiggiMEC/Smart view.)
- Trip at  $20 \cdot I_{n,max}$
- Package "S" + ANSI 46, 49, 51Q, Breaker Wear, Condition Monitoring (= Life Load, Drag Indicator)

**PE** - Protective Earth

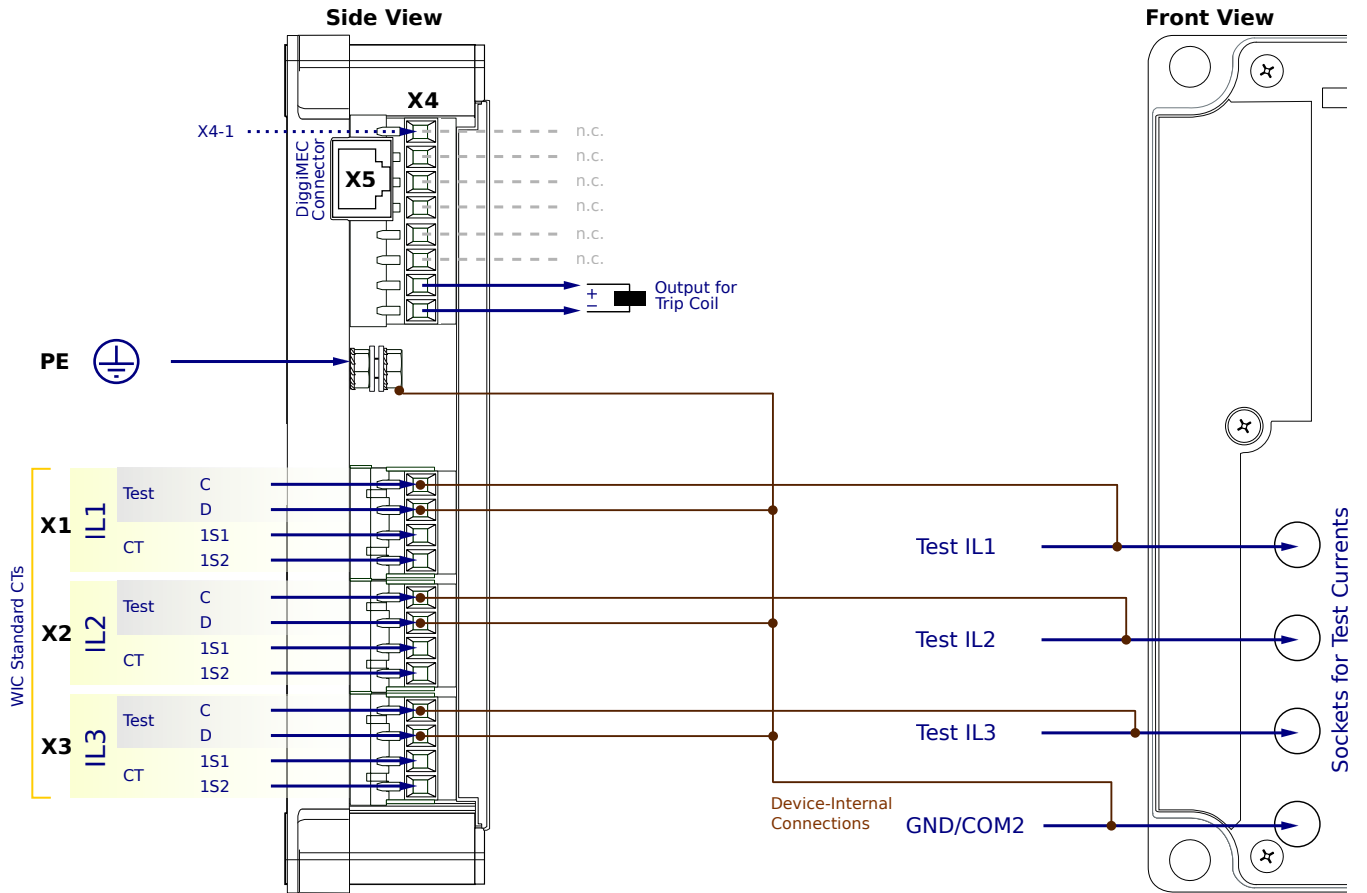
**X1...X3** - WIC CTs

**X4-7,8** - Trip pulse output

**X5** - DiggiMEC-WIC1 connection. Use network cable CAT3 (or better). No crossover cable!



# WIC1-3SN6NN2PA



## CT-Powered Protection Device, configuration via HEX switches or DiggiMEC / Smart view

- Calculated earth current
- Nominal frequency is 60 Hz. (Setting to 50 Hz is possible via DiggiMEC/Smart view.)
- Trip at  $20 \cdot I_{n,max}$
- Package "A" + SOTF, CLPU, external protection, ultra-fast overcurrent protection

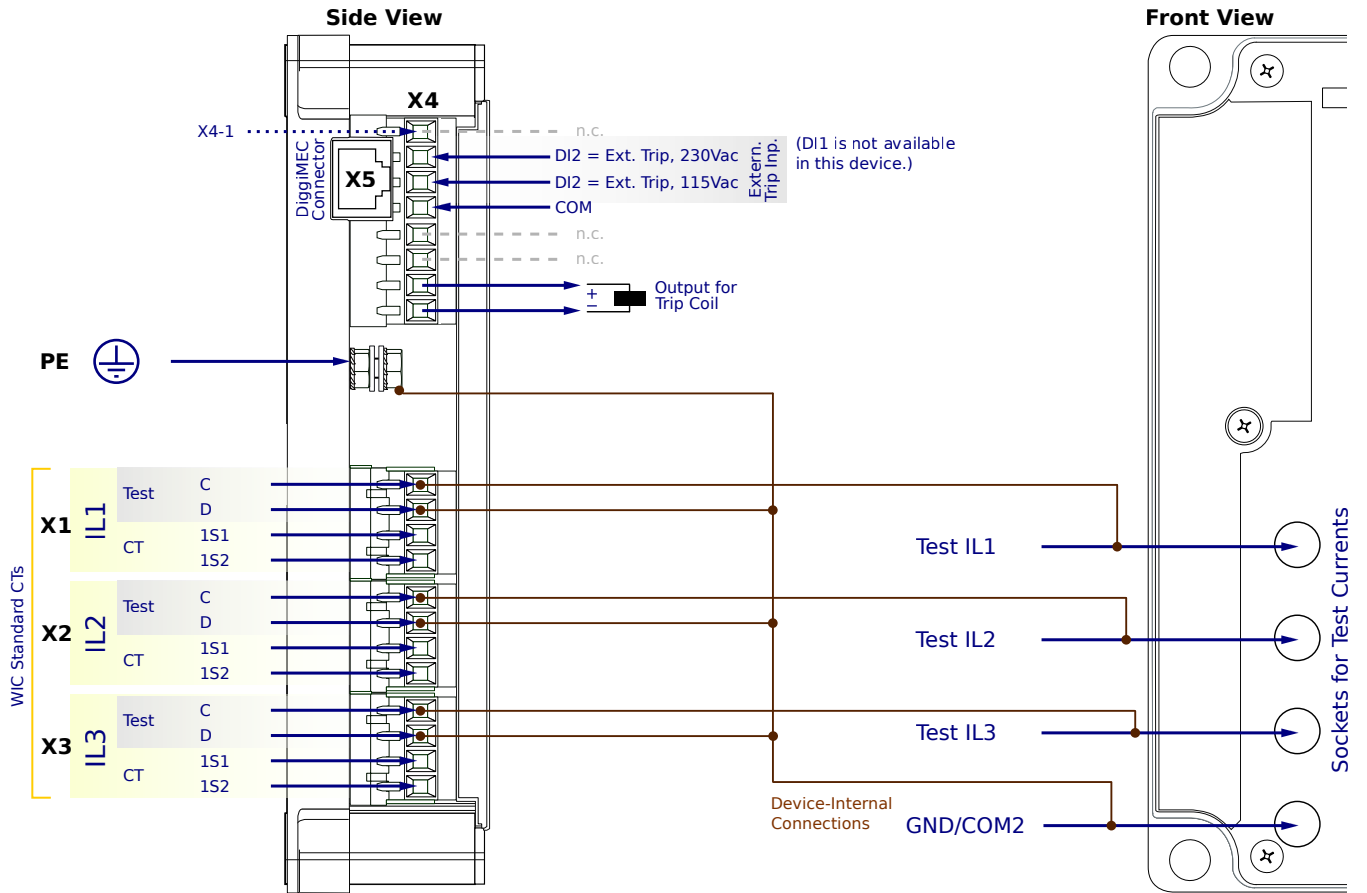
**PE** - Protective Earth

**X1...X3** - WIC CTs

**X4-7,8** - Trip pulse output

**X5** - DiggiMEC-WIC1 connection. Use network cable CAT3 (or better). No crossover cable!

# WIC1-3SN6NF1SA



## CT-Powered Protection Device, configuration via HEX switches or DiggiMEC / Smart view

- Calculated earth current
- Nominal frequency is 60 Hz. (Setting to 50 Hz is possible via DiggiMEC/Smart view.)
- Backup protection operates directly
- ANSI 50, 50G/N, 51, 51G/N, inrush, 50BF, 74TC

**PE** - Protective Earth

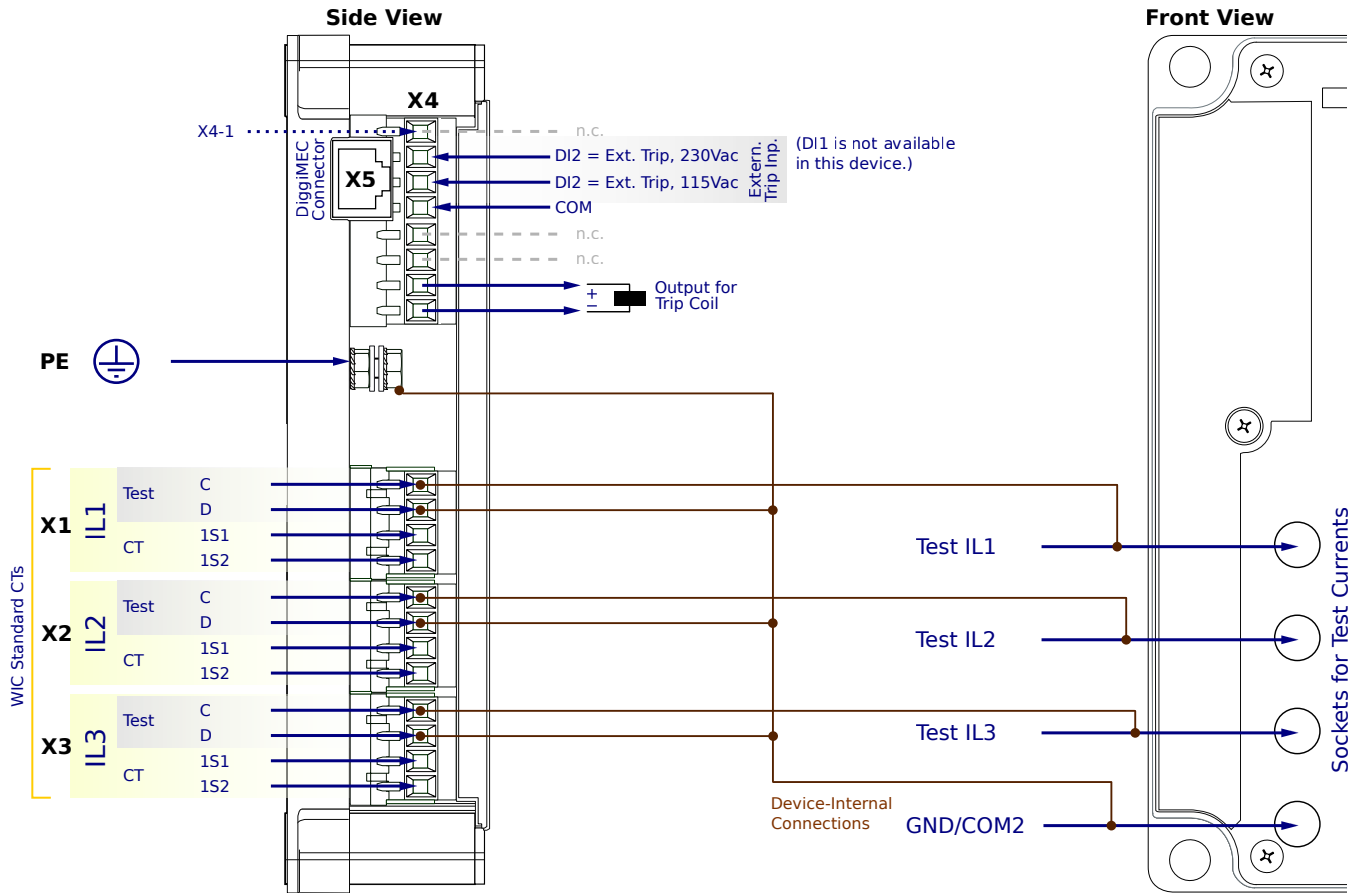
**X1...X3** - WIC CTs

**X4-2,3** - DI2, fixed to External trip input (115Vac or 230Vac)

**X4-7,8** - Trip pulse output

**X5** - DiggiMEC-WIC1 connection. Use network cable CAT3 (or better). No crossover cable!

# WIC1-3SN6NF1AA



## CT-Powered Protection Device, configuration via HEX switches or DiggiMEC / Smart view

- Calculated earth current
- Nominal frequency is 60 Hz. (Setting to 50 Hz is possible via DiggiMEC/Smart view.)
- Backup protection operates directly
- Package "S" + ANSI 46, 49, 51Q, Breaker Wear, Condition Monitoring (= Life Load, Drag Indicator)

**PE** - Protective Earth

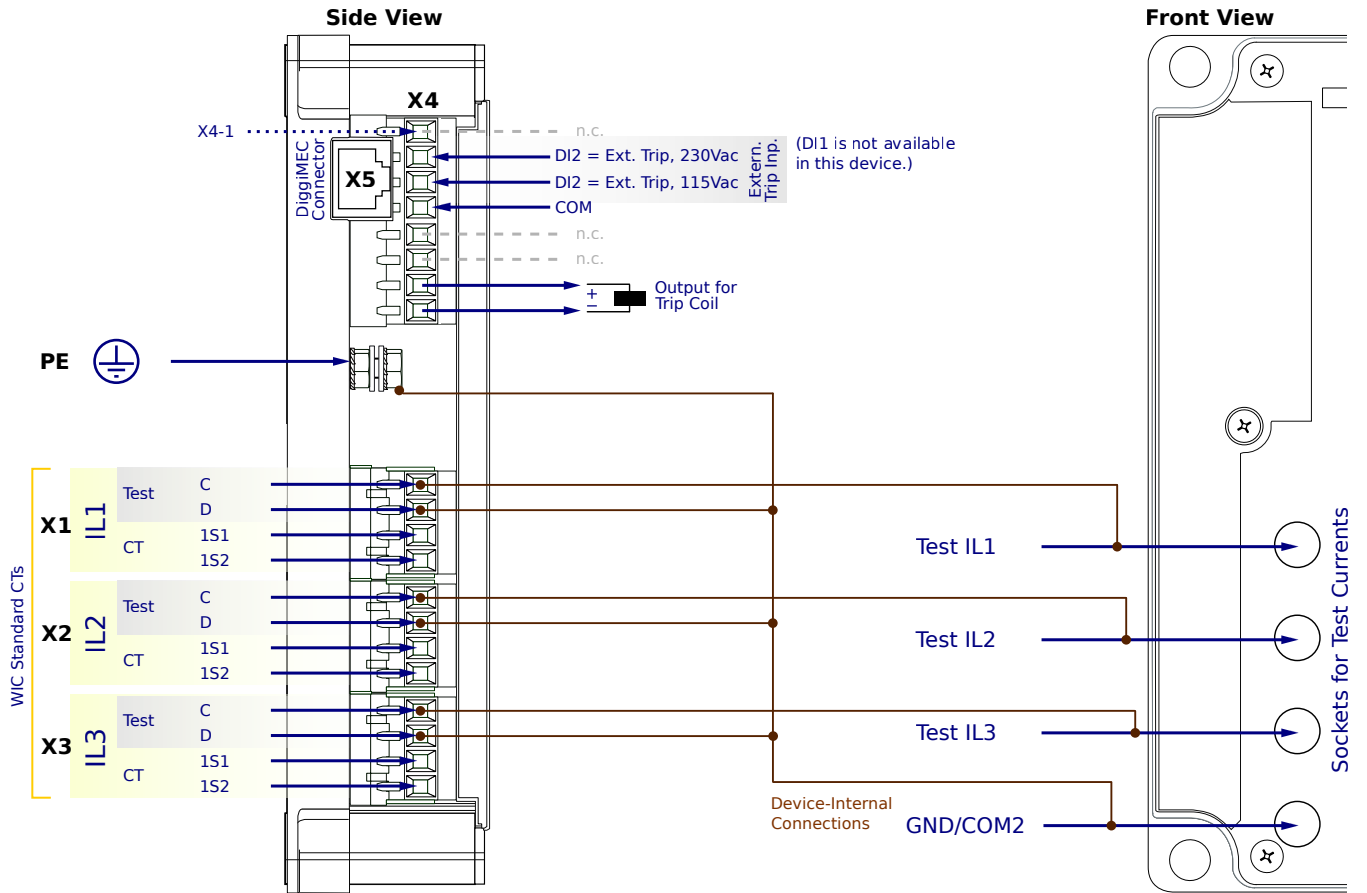
**X1...X3** - WIC CTs

**X4-2,3** - DI2, fixed to External trip input (115Vac or 230Vac)

**X4-7,8** - Trip pulse output

**X5** - DiggiMEC-WIC1 connection. Use network cable CAT3 (or better). No crossover cable!

# WIC1-3SN6NF1PA



## CT-Powered Protection Device, configuration via HEX switches or DiggiMEC / Smart view

- Calculated earth current
- Nominal frequency is 60 Hz. (Setting to 50 Hz is possible via DiggiMEC/Smart view.)
- Backup protection operates directly
- Package "A" + SOTF, CLPU, external protection, ultra-fast overcurrent protection

**PE** - Protective Earth

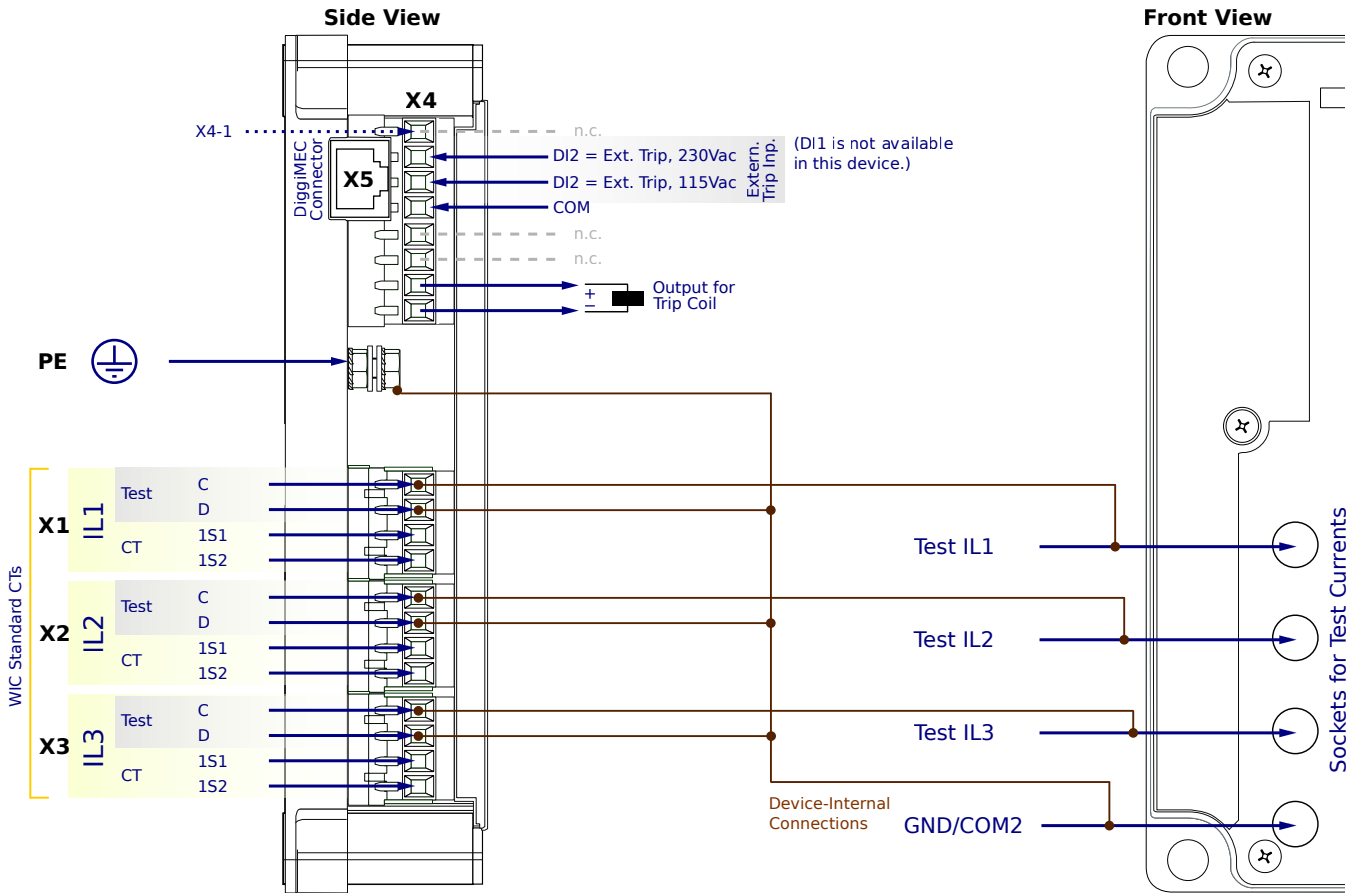
**X1...X3** - WIC CTs

**X4-2,3** - DI2, fixed to External trip input (115Vac or 230Vac)

**X4-7,8** - Trip pulse output

**X5** - DiggiMEC-WIC1 connection. Use network cable CAT3 (or better). No crossover cable!

# WIC1-3SN6NF2SA



## CT-Powered Protection Device, configuration via HEX switches or DiggiMEC / Smart view

- Calculated earth current
- Nominal frequency is 60 Hz. (Setting to 50 Hz is possible via DiggiMEC/Smart view.)
- Trip at  $20 \cdot I_{n,max}$
- ANSI 50, 50G/N, 51, 51G/N, inrush, 50BF, 74TC

**PE** - Protective Earth

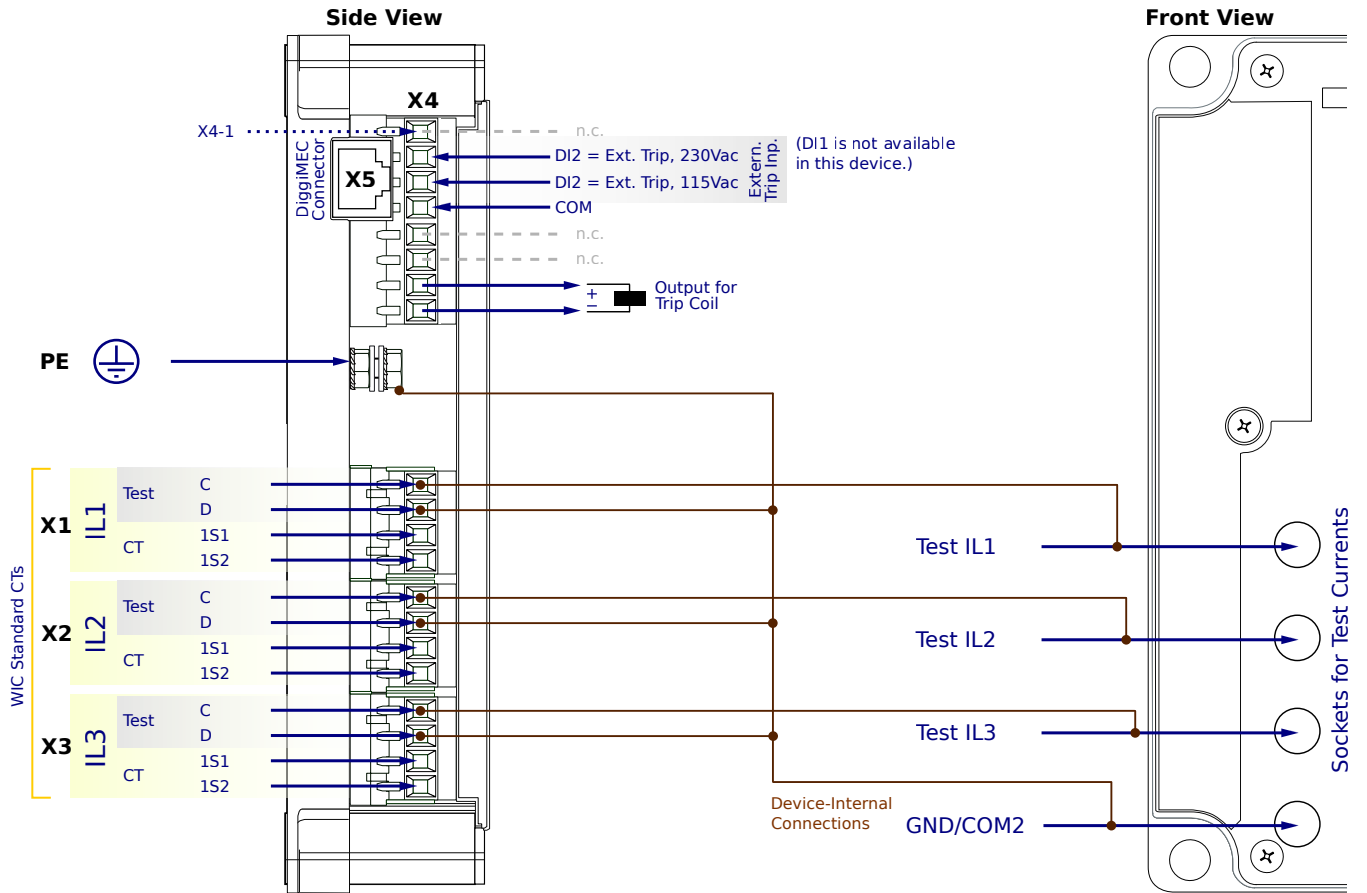
**X1...X3** - WIC CTs

**X4-2,3** - DI2, fixed to External trip input (115Vac or 230Vac)

**X4-7,8** - Trip pulse output

**X5** - DiggiMEC-WIC1 connection. Use network cable CAT3 (or better). No crossover cable!

# WIC1-3SN6NF2AA



## CT-Powered Protection Device, configuration via HEX switches or DiggiMEC / Smart view

- Calculated earth current
- Nominal frequency is 60 Hz. (Setting to 50 Hz is possible via DiggiMEC/Smart view.)
- Trip at  $20 \cdot I_{n,max}$
- Package "S" + ANSI 46, 49, 51Q, Breaker Wear, Condition Monitoring (= Life Load, Drag Indicator)

**PE** - Protective Earth

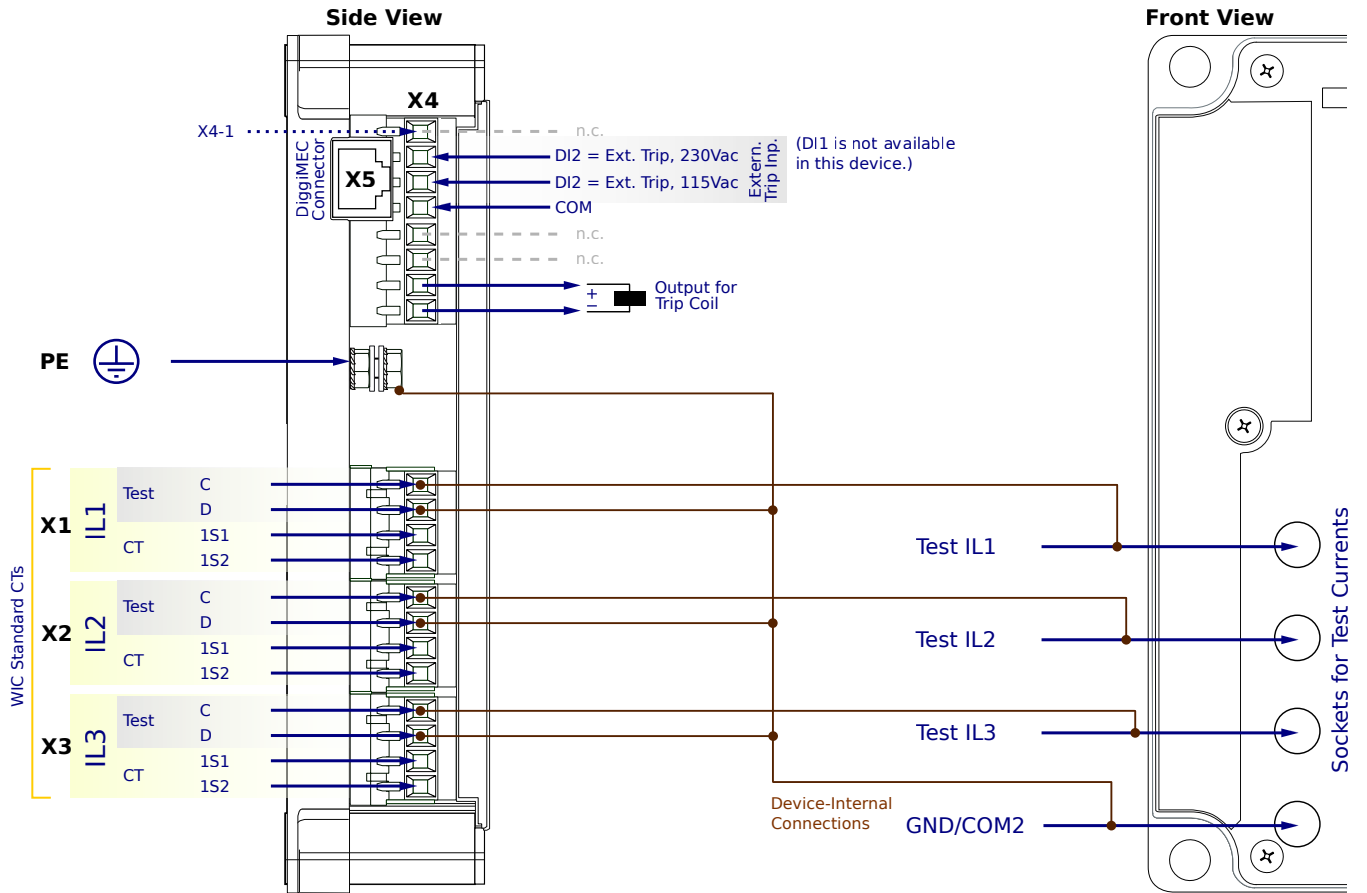
**X1...X3** - WIC CTs

**X4-2,3** - DI2, fixed to External trip input (115Vac or 230Vac)

**X4-7,8** - Trip pulse output

**X5** - DiggiMEC-WIC1 connection. Use network cable CAT3 (or better). No crossover cable!

# WIC1-3SN6NF2PA



## CT-Powered Protection Device, configuration via HEX switches or DiggiMEC / Smart view

- Calculated earth current
- Nominal frequency is 60 Hz. (Setting to 50 Hz is possible via DiggiMEC/Smart view.)
- Trip at  $20 \cdot I_{n,max}$
- Package "A" + SOTF, CLPU, external protection, ultra-fast overcurrent protection

**PE** - Protective Earth

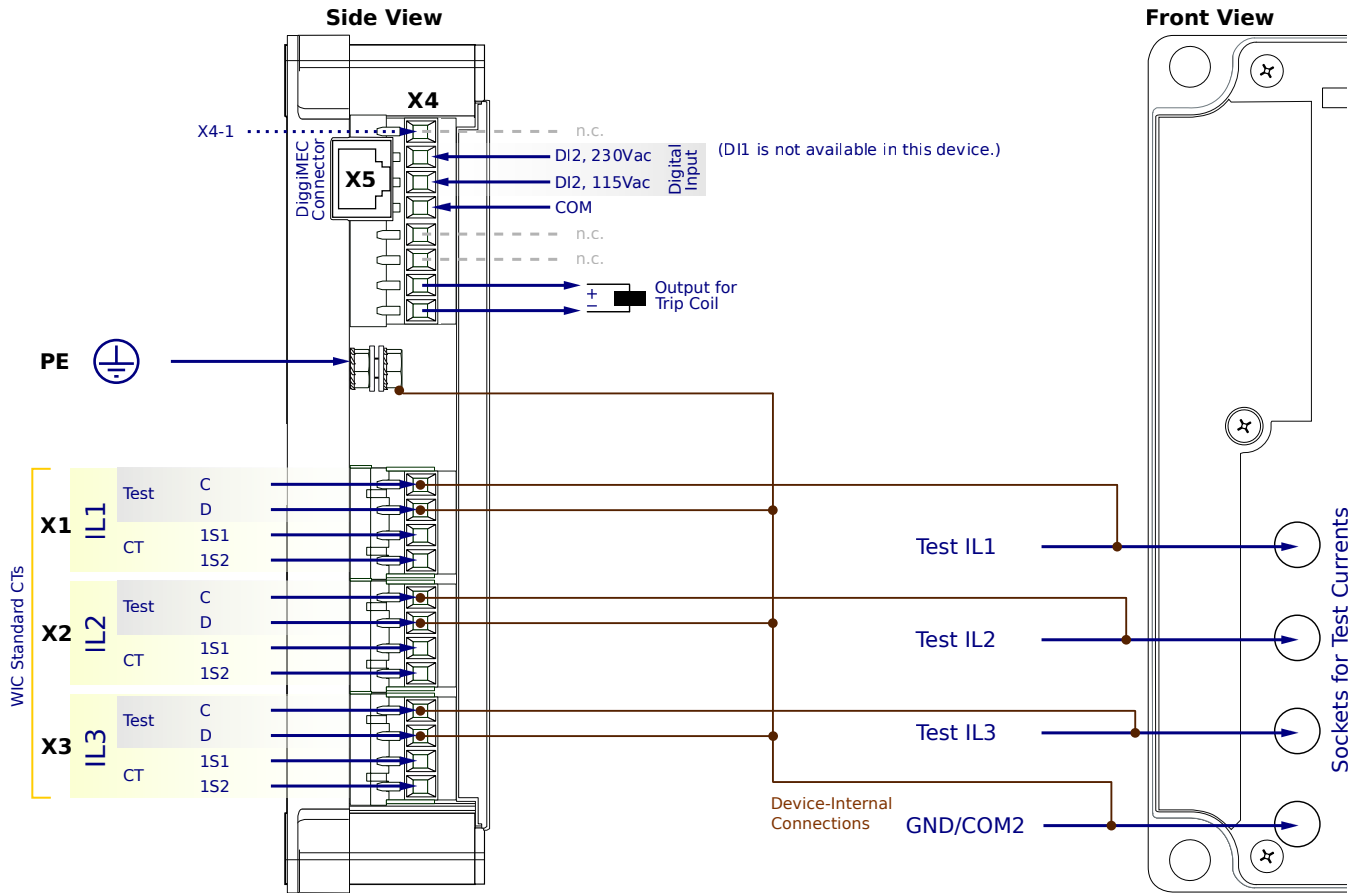
**X1...X3** - WIC CTs

**X4-2,3** - DI2, fixed to External trip input (115Vac or 230Vac)

**X4-7,8** - Trip pulse output

**X5** - DiggiMEC-WIC1 connection. Use network cable CAT3 (or better). No crossover cable!

# WIC1-3SN6NC1SA



## CT-Powered Protection Device, configuration via HEX switches or DiggiMEC / Smart view

- Calculated earth current
- Nominal frequency is 60 Hz. (Setting to 50 Hz is possible via DiggiMEC/Smart view.)
- Backup protection operates directly
- ANSI 50, 50G/N, 51, 51G/N, inrush, 50BF, 74TC

**PE** - Protective Earth

**X1...X3** - WIC CTs

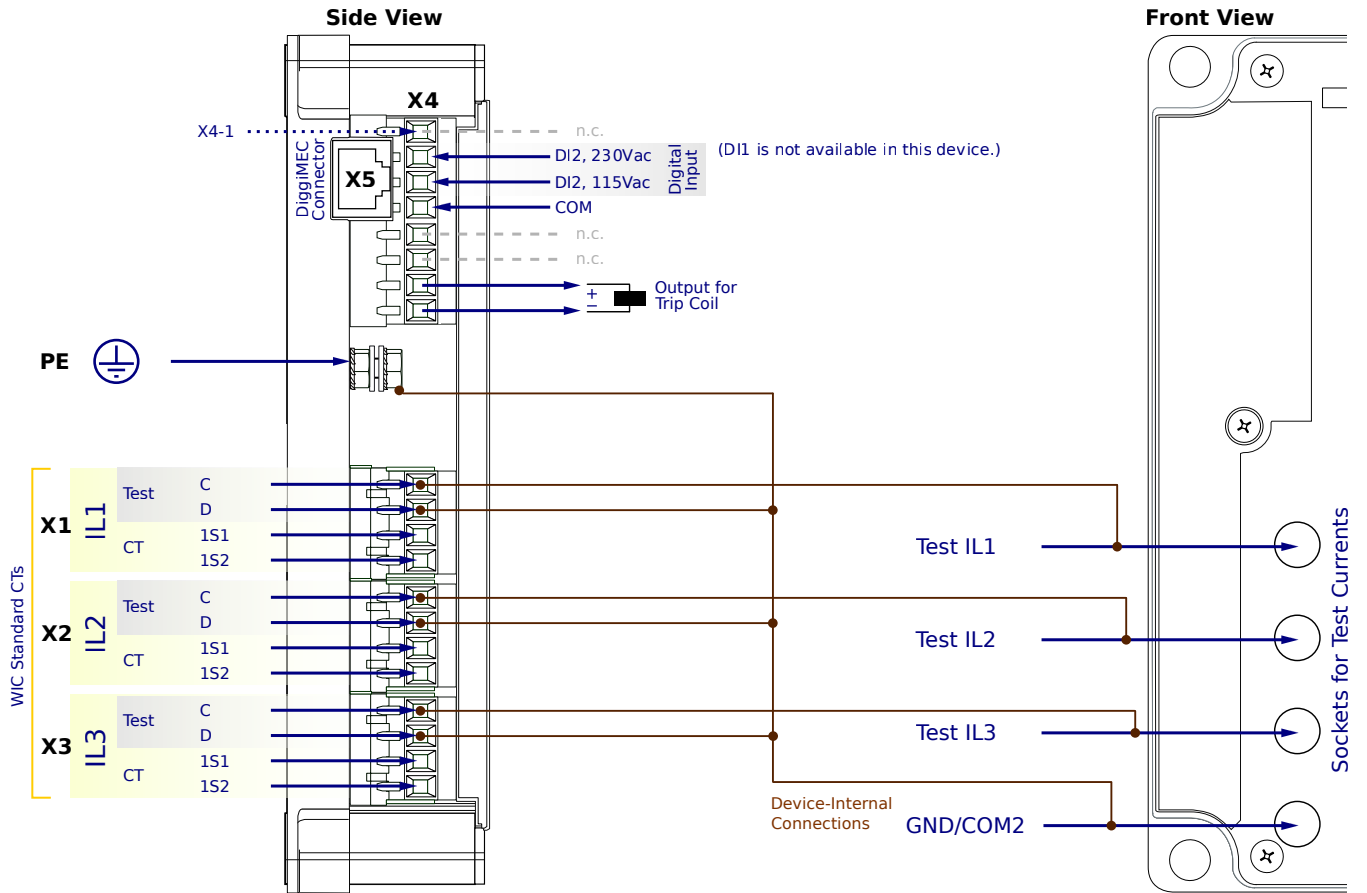
**X4-2,3** - 1 assignable Digital Input DI2 (115Vac or 230Vac)

**X4-7,8** - Trip pulse output

**X5** - DiggiMEC-WIC1 connection. Use network cable CAT3 (or better). No crossover cable!



# WIC1-3SN6NC1AA



## CT-Powered Protection Device, configuration via HEX switches or DiggiMEC / Smart view

- Calculated earth current
- Nominal frequency is 60 Hz. (Setting to 50 Hz is possible via DiggiMEC/Smart view.)
- Backup protection operates directly
- Package "S" + ANSI 46, 49, 51Q, Breaker Wear, Condition Monitoring (= Life Load, Drag Indicator)

**PE** - Protective Earth

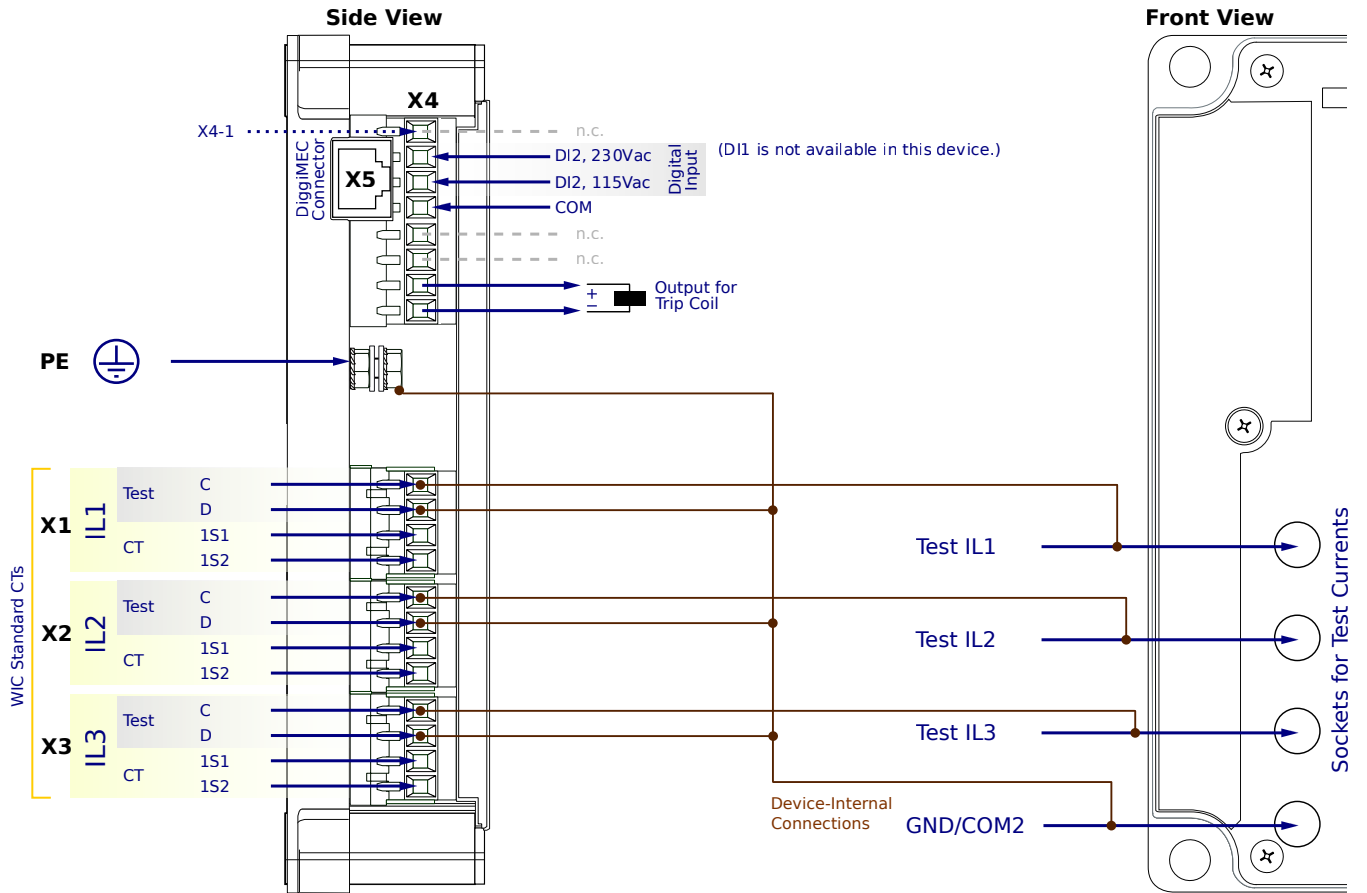
**X1...X3** - WIC CTs

**X4-2,3** - 1 assignable Digital Input DI2 (115Vac or 230Vac)

**X4-7,8** - Trip pulse output

**X5** - DiggiMEC-WIC1 connection. Use network cable CAT3 (or better). No crossover cable!

# WIC1-3SN6NC1PA



## CT-Powered Protection Device, configuration via HEX switches or DiggiMEC / Smart view

- Calculated earth current
- Nominal frequency is 60 Hz. (Setting to 50 Hz is possible via DiggiMEC/Smart view.)
- Backup protection operates directly
- Package "A" + SOTF, CLPU, external protection, ultra-fast overcurrent protection

**PE** - Protective Earth

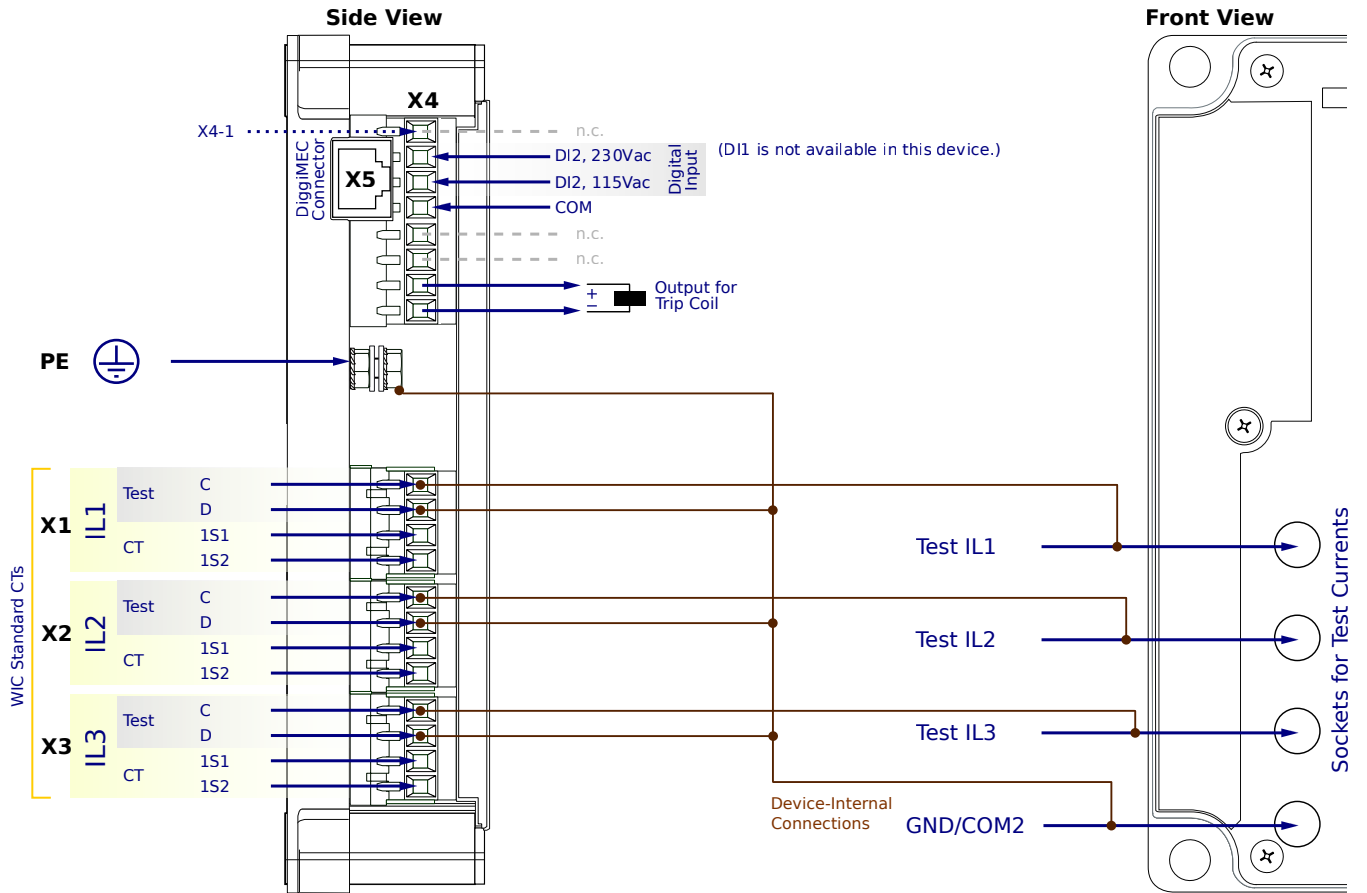
**X1...X3** - WIC CTs

**X4-2,3** - 1 assignable Digital Input DI2 (115Vac or 230Vac)

**X4-7,8** - Trip pulse output

**X5** - DiggiMEC-WIC1 connection. Use network cable CAT3 (or better). No crossover cable!

# WIC1-3SN6NC2SA



## CT-Powered Protection Device, configuration via HEX switches or DiggiMEC / Smart view

- Calculated earth current
- Nominal frequency is 60 Hz. (Setting to 50 Hz is possible via DiggiMEC/Smart view.)
- Trip at  $20 \cdot I_{n,max}$
- ANSI 50, 50G/N, 51, 51G/N, inrush, 50BF, 74TC

**PE** - Protective Earth

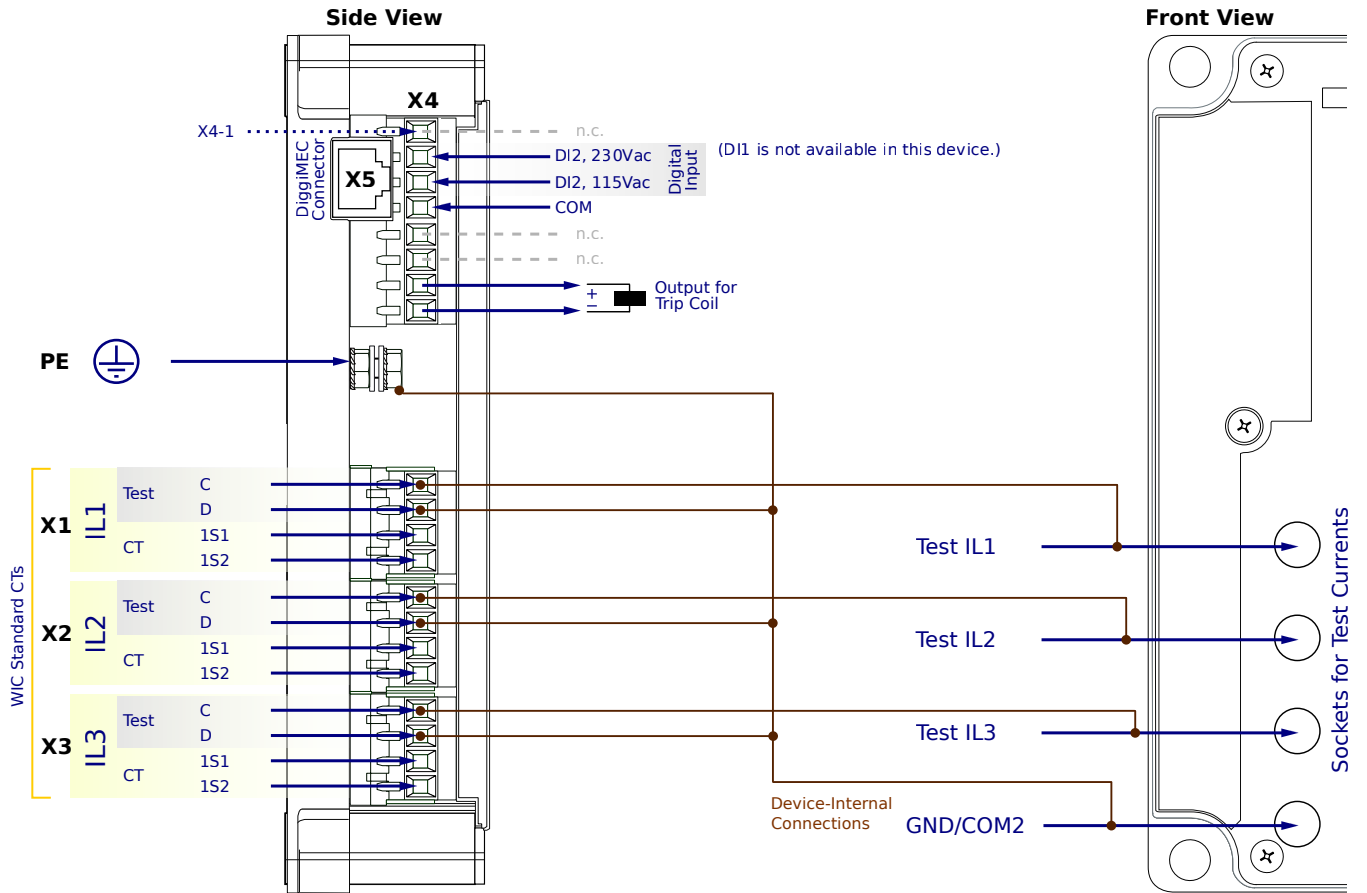
**X1...X3** - WIC CTs

**X4-2,3** - 1 assignable Digital Input DI2 (115Vac or 230Vac)

**X4-7,8** - Trip pulse output

**X5** - DiggiMEC-WIC1 connection. Use network cable CAT3 (or better). No crossover cable!

# WIC1-3SN6NC2AA



## CT-Powered Protection Device, configuration via HEX switches or DiggiMEC / Smart view

- Calculated earth current
- Nominal frequency is 60 Hz. (Setting to 50 Hz is possible via DiggiMEC/Smart view.)
- Trip at  $20 \cdot I_{n,max}$
- Package "S" + ANSI 46, 49, 51Q, Breaker Wear, Condition Monitoring (= Life Load, Drag Indicator)

**PE** - Protective Earth

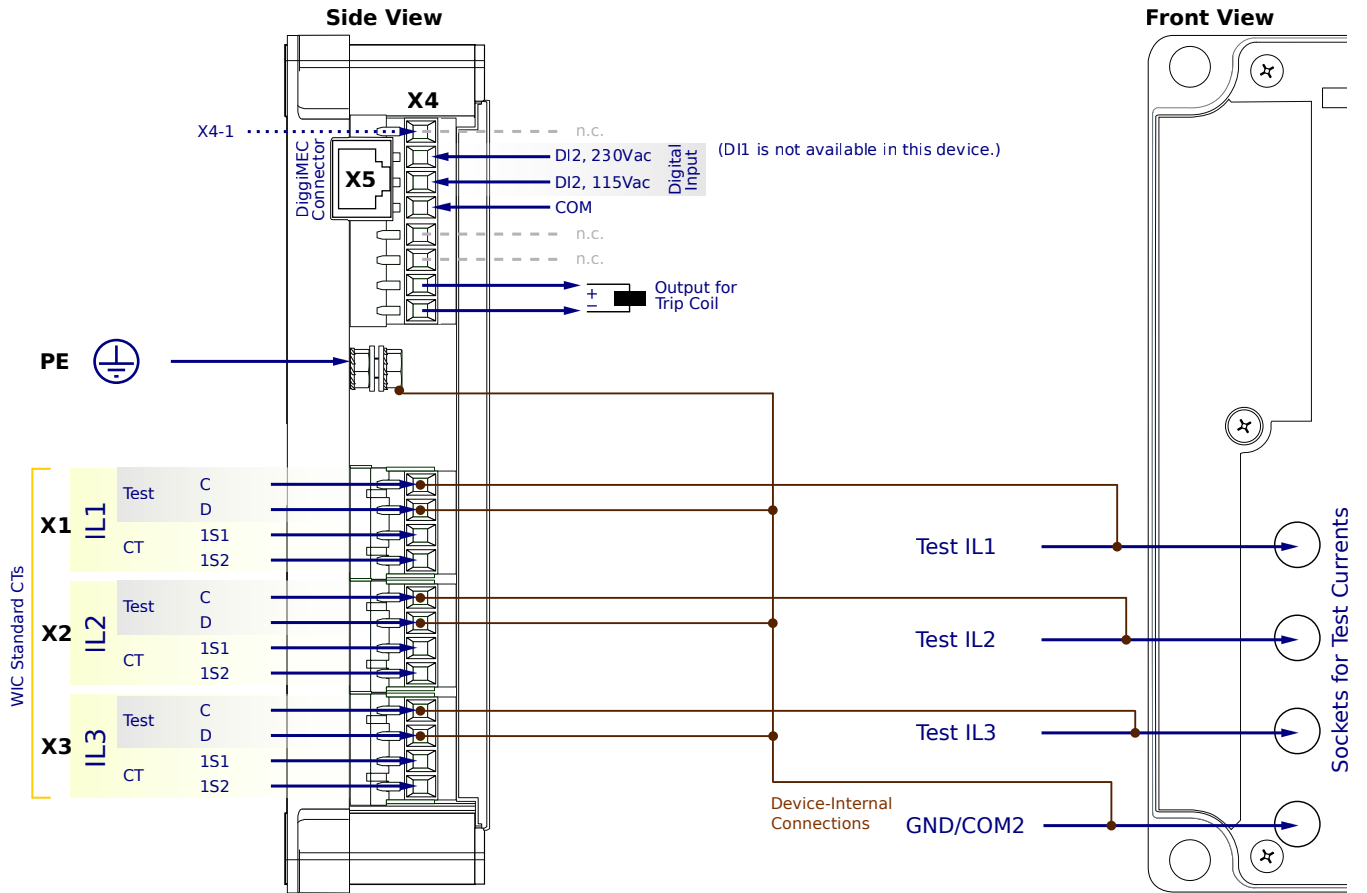
**X1...X3** - WIC CTs

**X4-2,3** - 1 assignable Digital Input DI2 (115Vac or 230Vac)

**X4-7,8** - Trip pulse output

**X5** - DiggiMEC-WIC1 connection. Use network cable CAT3 (or better). No crossover cable!

# WIC1-3SN6NC2PA



## CT-Powered Protection Device, configuration via HEX switches or DiggiMEC / Smart view

- Calculated earth current
- Nominal frequency is 60 Hz. (Setting to 50 Hz is possible via DiggiMEC/Smart view.)
- Trip at  $20 \cdot I_{n,max}$
- Package "A" + SOTF, CLPU, external protection, ultra-fast overcurrent protection

**PE** - Protective Earth

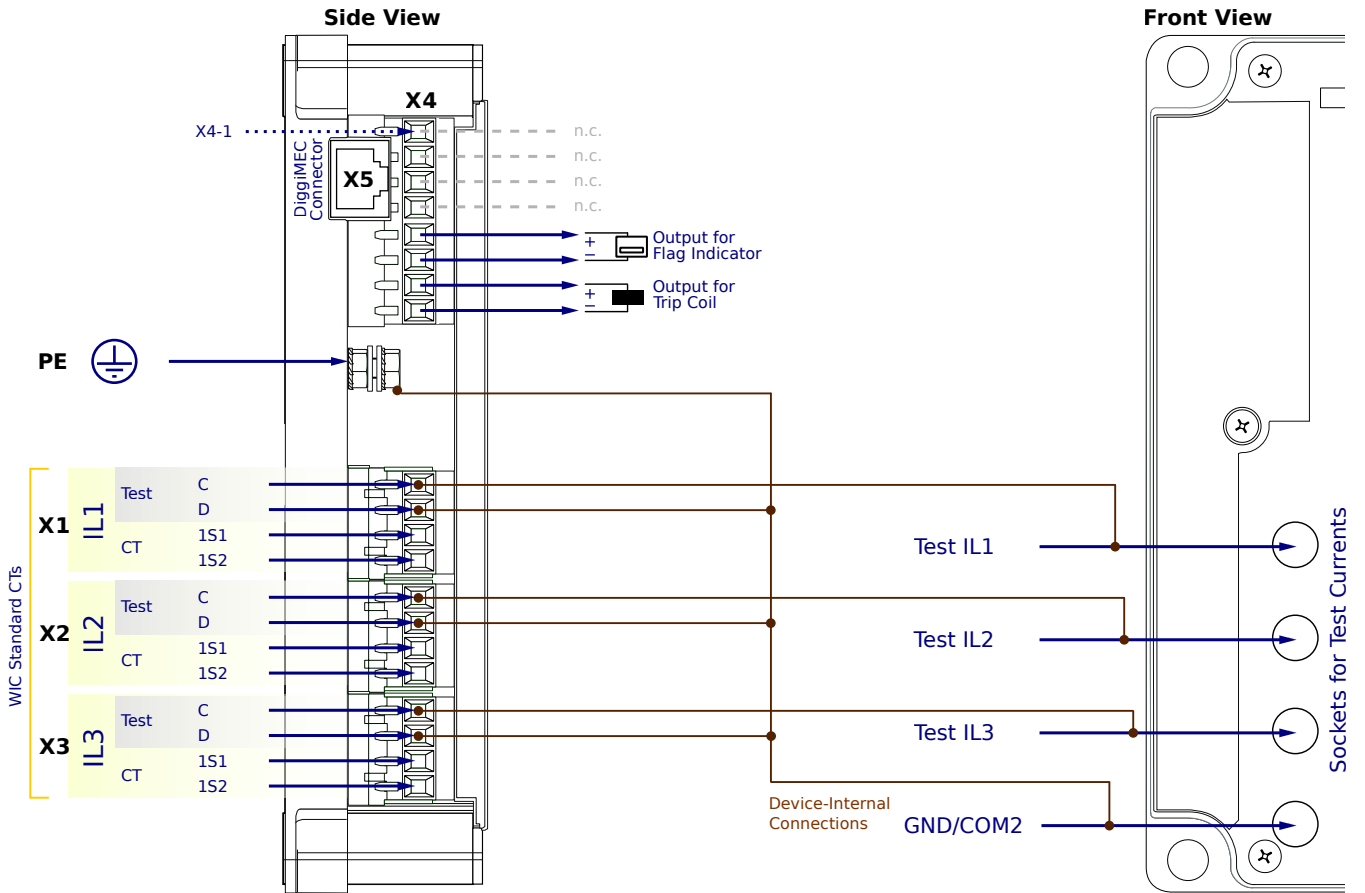
**X1...X3** - WIC CTs

**X4-2,3** - 1 assignable Digital Input DI2 (115Vac or 230Vac)

**X4-7,8** - Trip pulse output

**X5** - DiggiMEC-WIC1 connection. Use network cable CAT3 (or better). No crossover cable!

# WIC1-3SN6FN1SA



## CT-Powered Protection Device, configuration via HEX switches or DiggiMEC / Smart view

- Calculated earth current
- Nominal frequency is 60 Hz. (Setting to 50 Hz is possible via DiggiMEC/Smart view.)
- Backup protection operates directly
- ANSI 50, 50G/N, 51, 51G/N, inrush, 50BF, 74TC

**PE** - Protective Earth

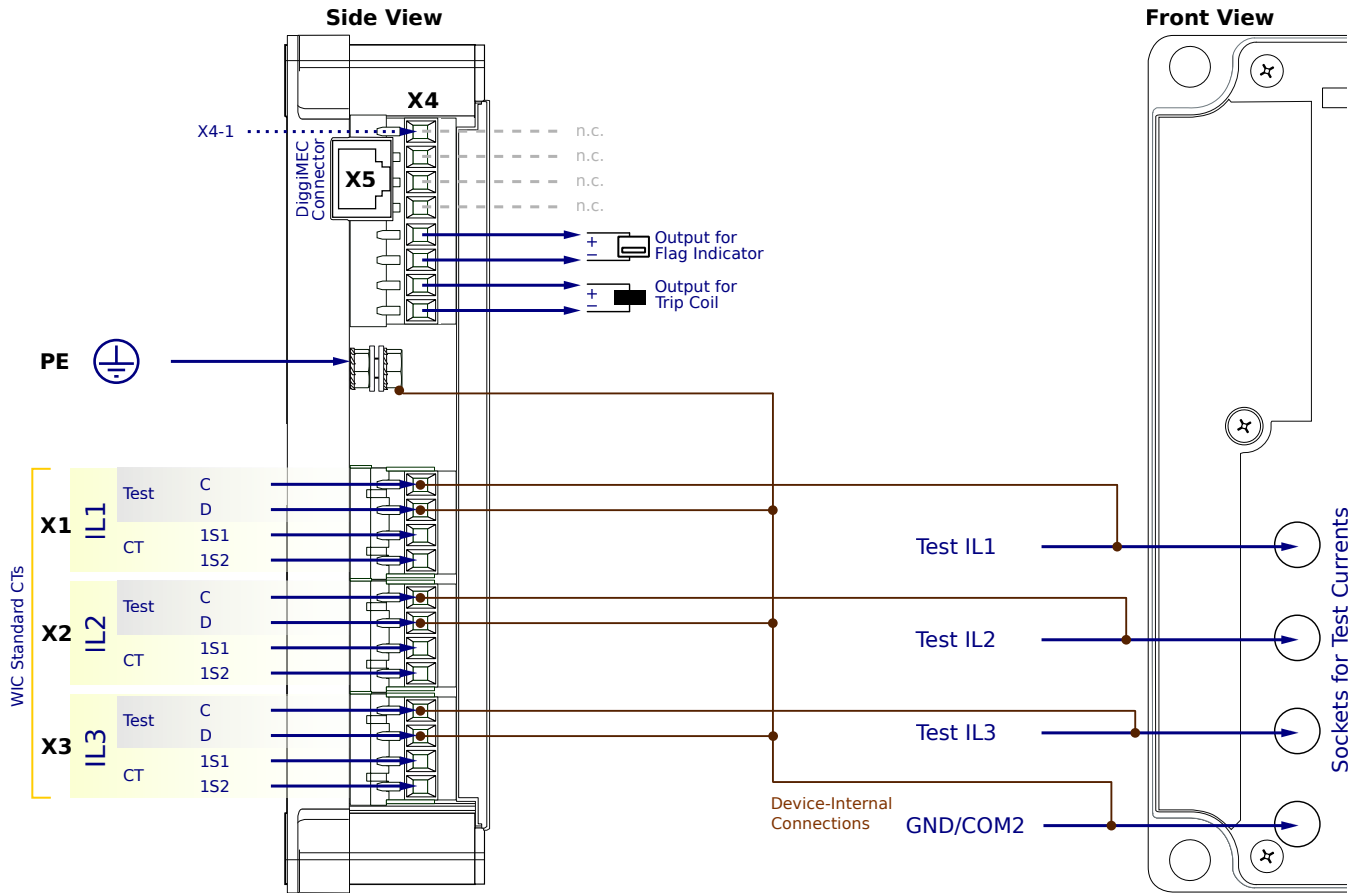
**X1...X3** - WIC CTs

**X4-5,6** - Trip flag indicator

**X4-7,8** - Trip pulse output

**X5** - DiggiMEC-WIC1 connection. Use network cable CAT3 (or better). No crossover cable!

# WIC1-3SN6FN1AA



## CT-Powered Protection Device, configuration via HEX switches or DiggiMEC / Smart view

- Calculated earth current
- Nominal frequency is 60 Hz. (Setting to 50 Hz is possible via DiggiMEC/Smart view.)
- Backup protection operates directly
- Package "S" + ANSI 46, 49, 51Q, Breaker Wear, Condition Monitoring (= Life Load, Drag Indicator)

**PE** - Protective Earth

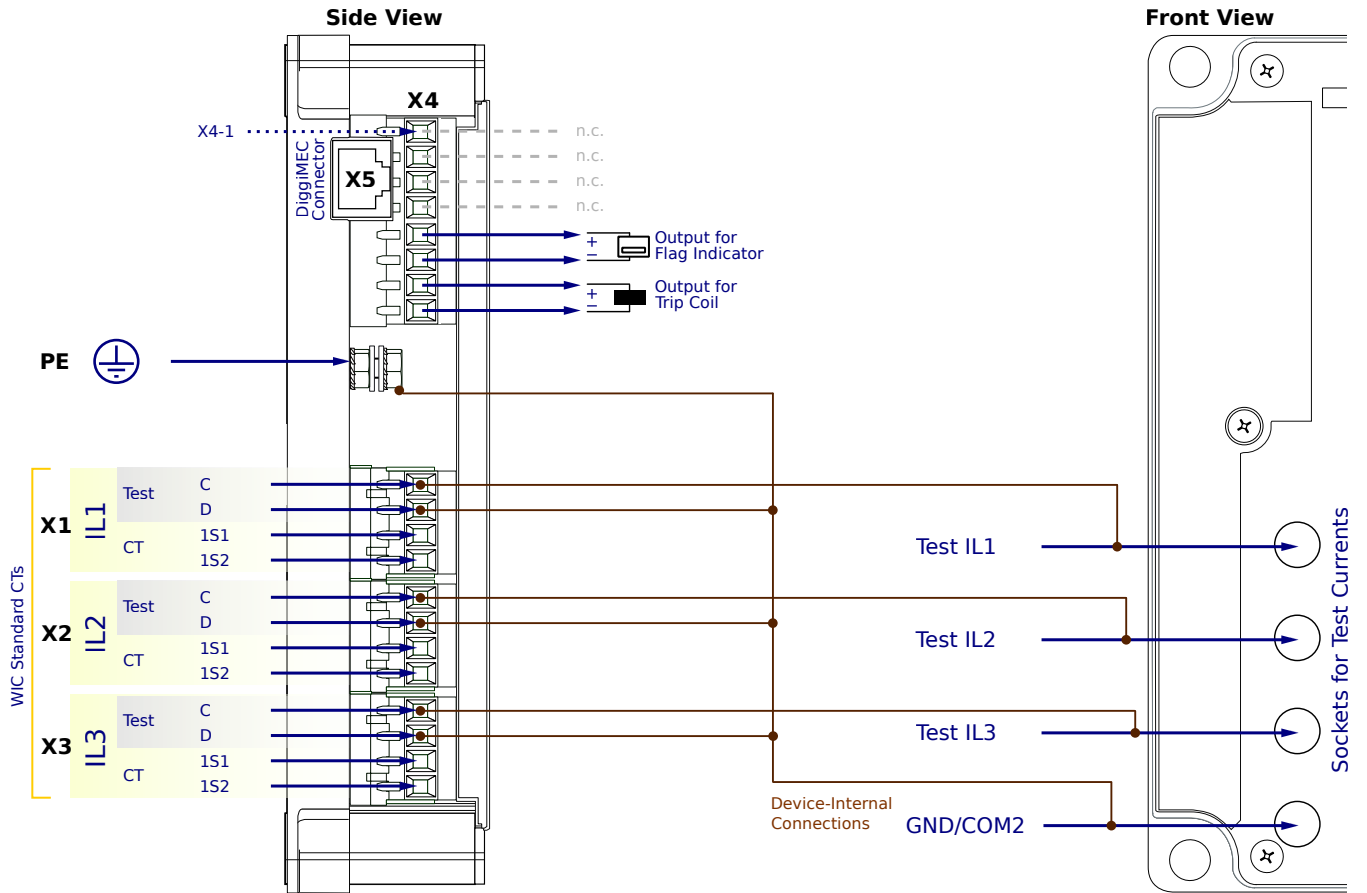
**X1...X3** - WIC CTs

**X4-5,6** - Trip flag indicator

**X4-7,8** - Trip pulse output

**X5** - DiggiMEC-WIC1 connection. Use network cable CAT3 (or better). No crossover cable!

# WIC1-3SN6FN1PA



## CT-Powered Protection Device, configuration via HEX switches or DiggiMEC / Smart view

- Calculated earth current
- Nominal frequency is 60 Hz. (Setting to 50 Hz is possible via DiggiMEC/Smart view.)
- Backup protection operates directly
- Package "A" + SOTF, CLPU, external protection, ultra-fast overcurrent protection

**PE** - Protective Earth

**X1...X3** - WIC CTs

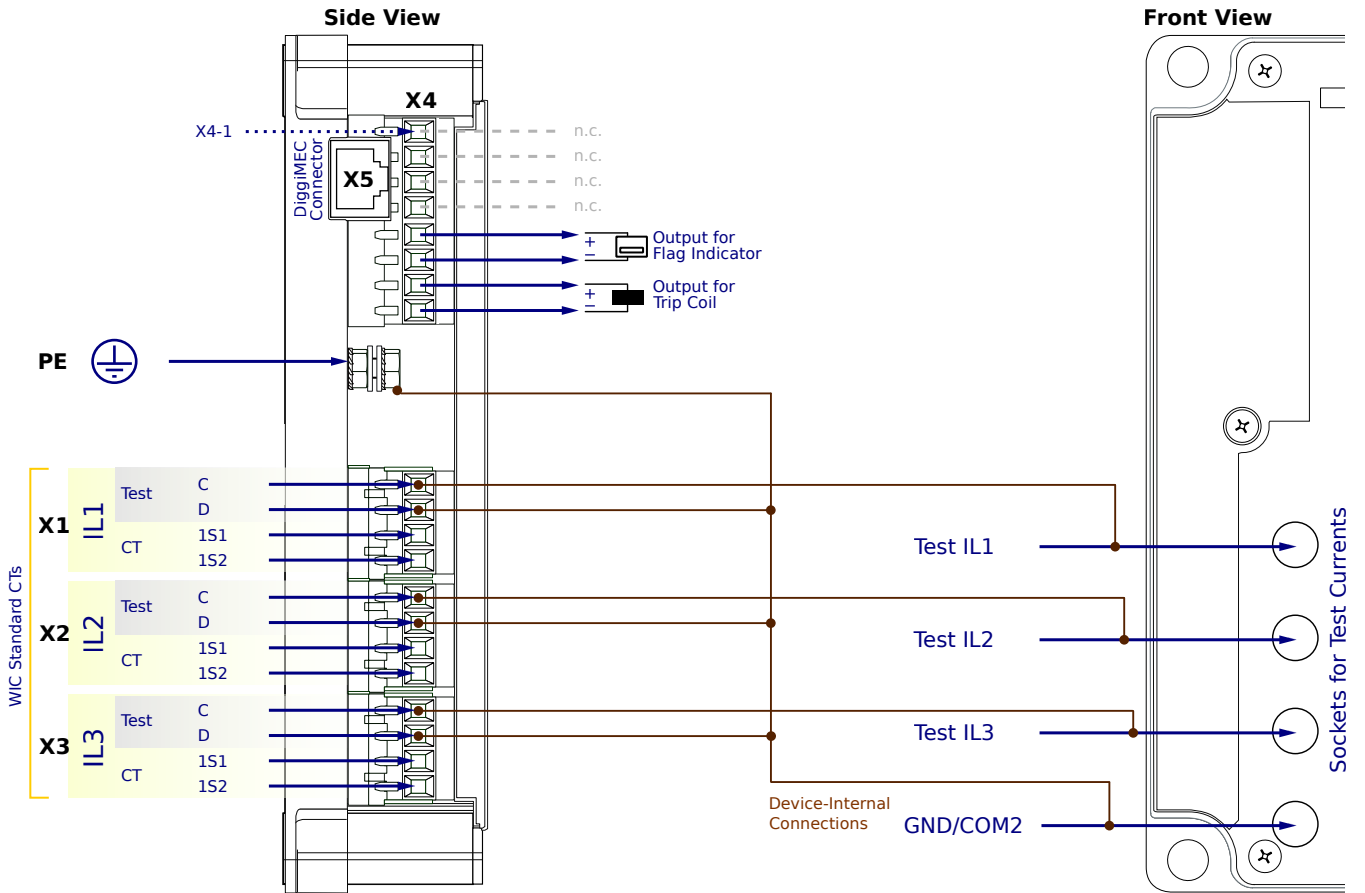
**X4-5,6** - Trip flag indicator

**X4-7,8** - Trip pulse output

**X5** - DiggiMEC-WIC1 connection. Use network cable CAT3 (or better). No crossover cable!



# WIC1-3SN6FN2SA



## CT-Powered Protection Device, configuration via HEX switches or DiggiMEC / Smart view

- Calculated earth current
- Nominal frequency is 60 Hz. (Setting to 50 Hz is possible via DiggiMEC/Smart view.)
- Trip at  $20 \cdot I_{n,max}$
- ANSI 50, 50G/N, 51, 51G/N, inrush, 50BF, 74TC

**PE** - Protective Earth

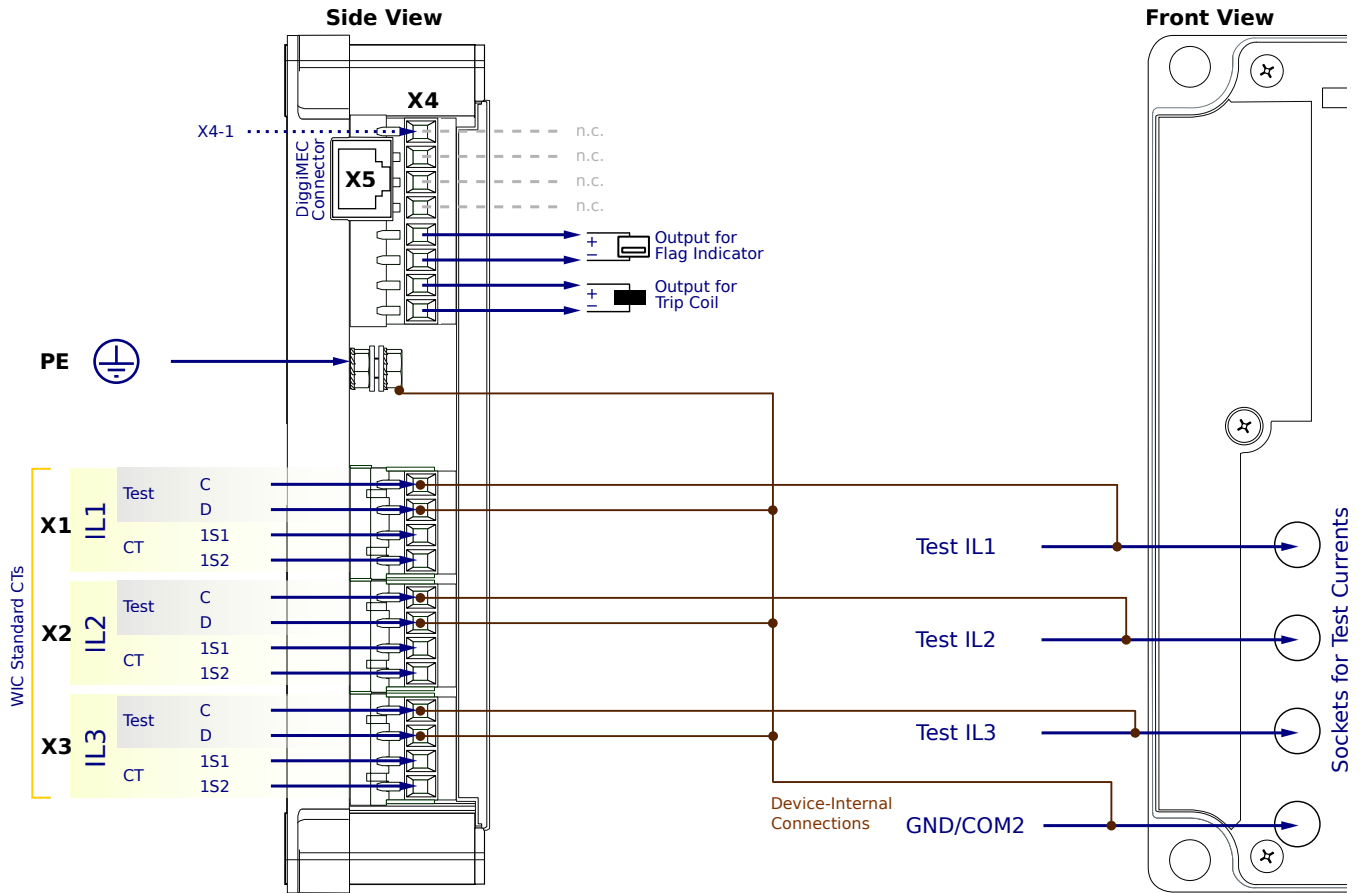
**X1...X3** - WIC CTs

**X4-5,6** - Trip flag indicator

**X4-7,8** - Trip pulse output

**X5** - DiggiMEC-WIC1 connection. Use network cable CAT3 (or better). No crossover cable!

# WIC1-3SN6FN2AA



## CT-Powered Protection Device, configuration via HEX switches or DiggiMEC / Smart view

- Calculated earth current
- Nominal frequency is 60 Hz. (Setting to 50 Hz is possible via DiggiMEC/Smart view.)
- Trip at  $20 \cdot I_{n,max}$
- Package "S" + ANSI 46, 49, 51Q, Breaker Wear, Condition Monitoring (= Life Load, Drag Indicator)

**PE** - Protective Earth

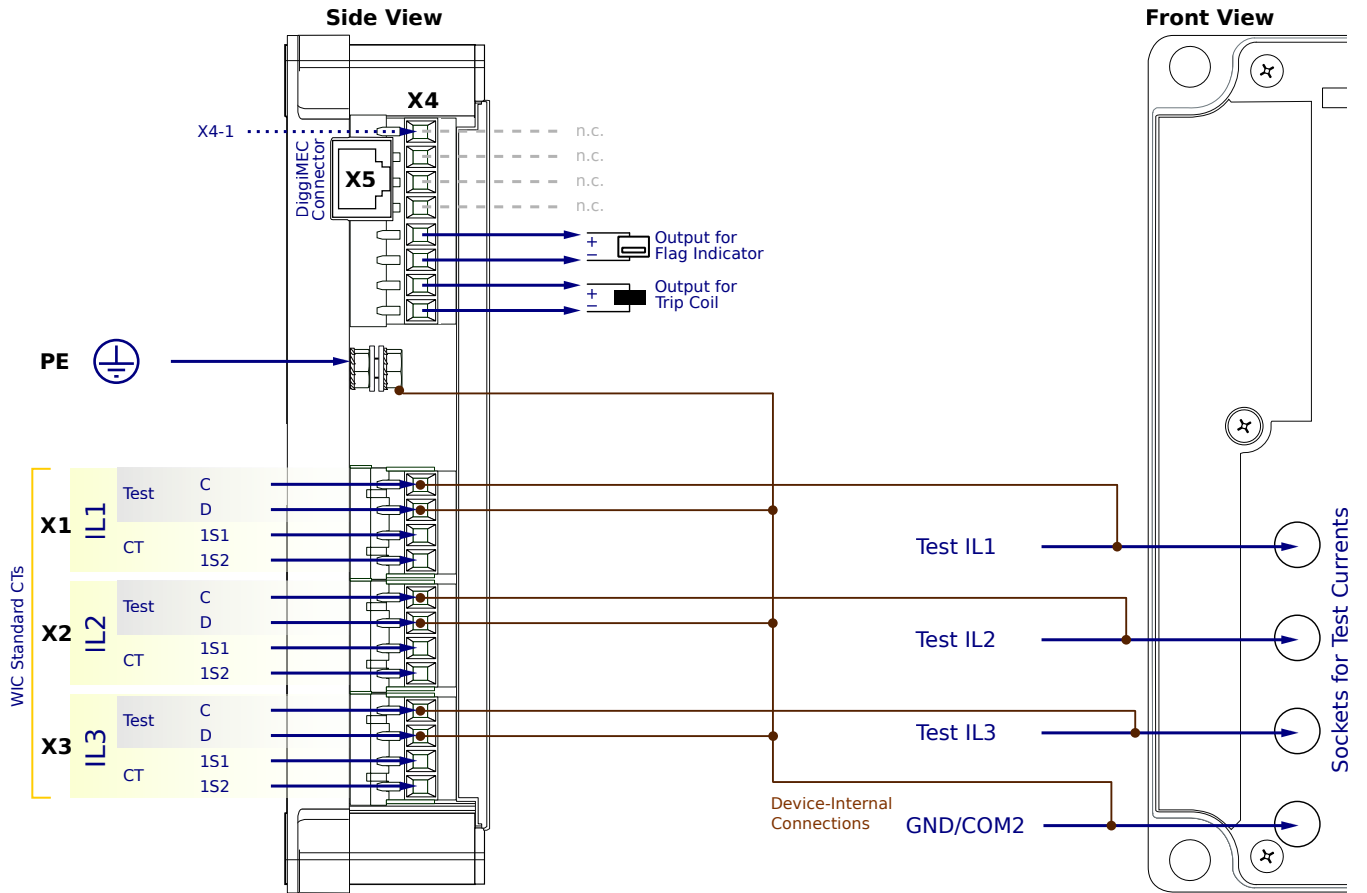
**X1...X3** - WIC CTs

**X4-5,6** - Trip flag indicator

**X4-7,8** - Trip pulse output

**X5** - DiggiMEC-WIC1 connection. Use network cable CAT3 (or better). No crossover cable!

# WIC1-3SN6FN2PA



## CT-Powered Protection Device, configuration via HEX switches or DiggiMEC / Smart view

- Calculated earth current
- Nominal frequency is 60 Hz. (Setting to 50 Hz is possible via DiggiMEC/Smart view.)
- Trip at  $20 \cdot I_{n,max}$
- Package "A" + SOTF, CLPU, external protection, ultra-fast overcurrent protection

**PE** - Protective Earth

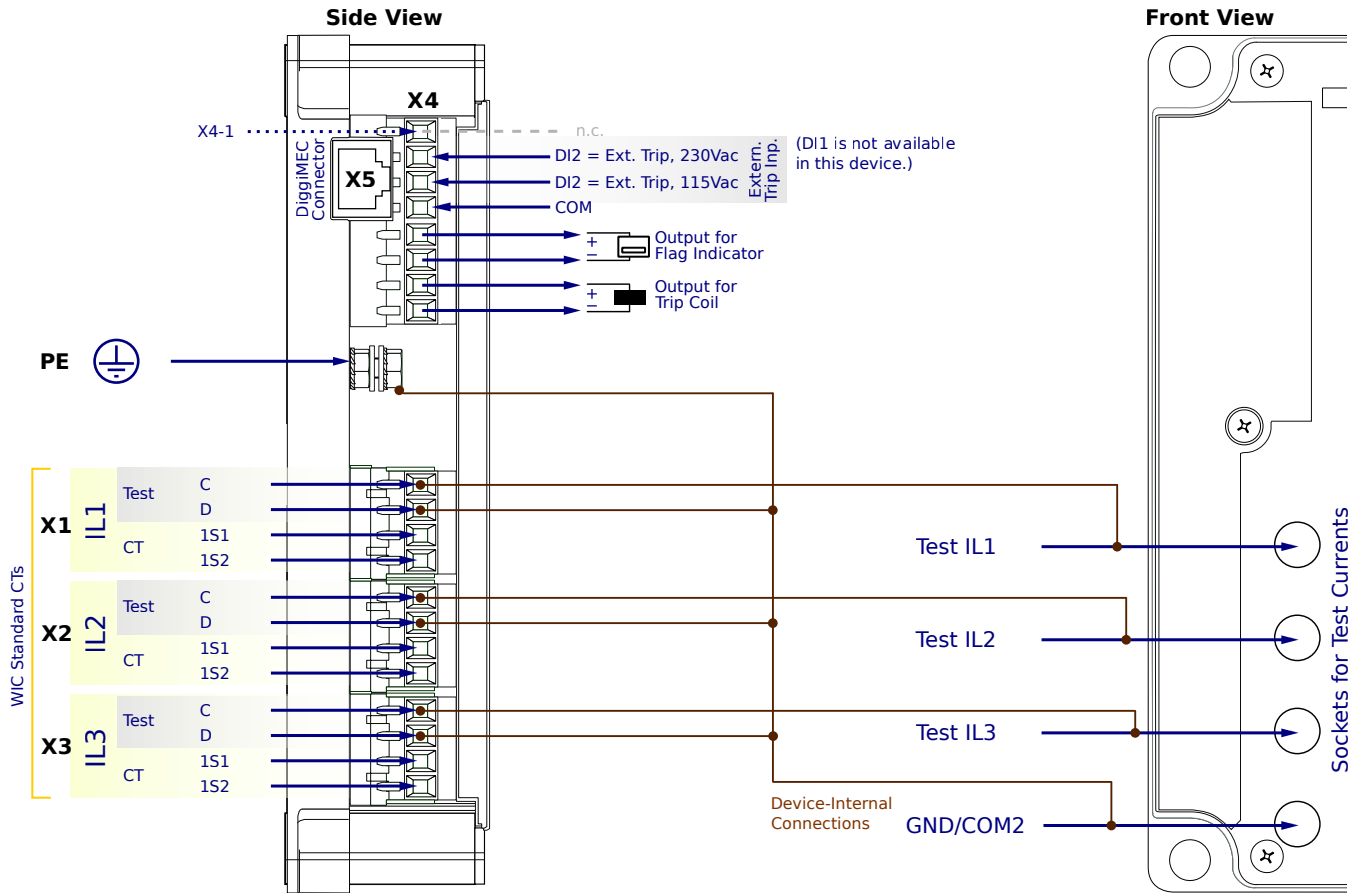
**X1...X3** - WIC CTs

**X4-5,6** - Trip flag indicator

**X4-7,8** - Trip pulse output

**X5** - DiggiMEC-WIC1 connection. Use network cable CAT3 (or better). No crossover cable!

# WIC1-3SN6FF1SA



## CT-Powered Protection Device, configuration via HEX switches or DiggiMEC / Smart view

- Calculated earth current
- Nominal frequency is 60 Hz. (Setting to 50 Hz is possible via DiggiMEC/Smart view.)
- Backup protection operates directly
- ANSI 50, 50G/N, 51, 51G/N, inrush, 50BF, 74TC

**PE** - Protective Earth

**X1...X3** - WIC CTs

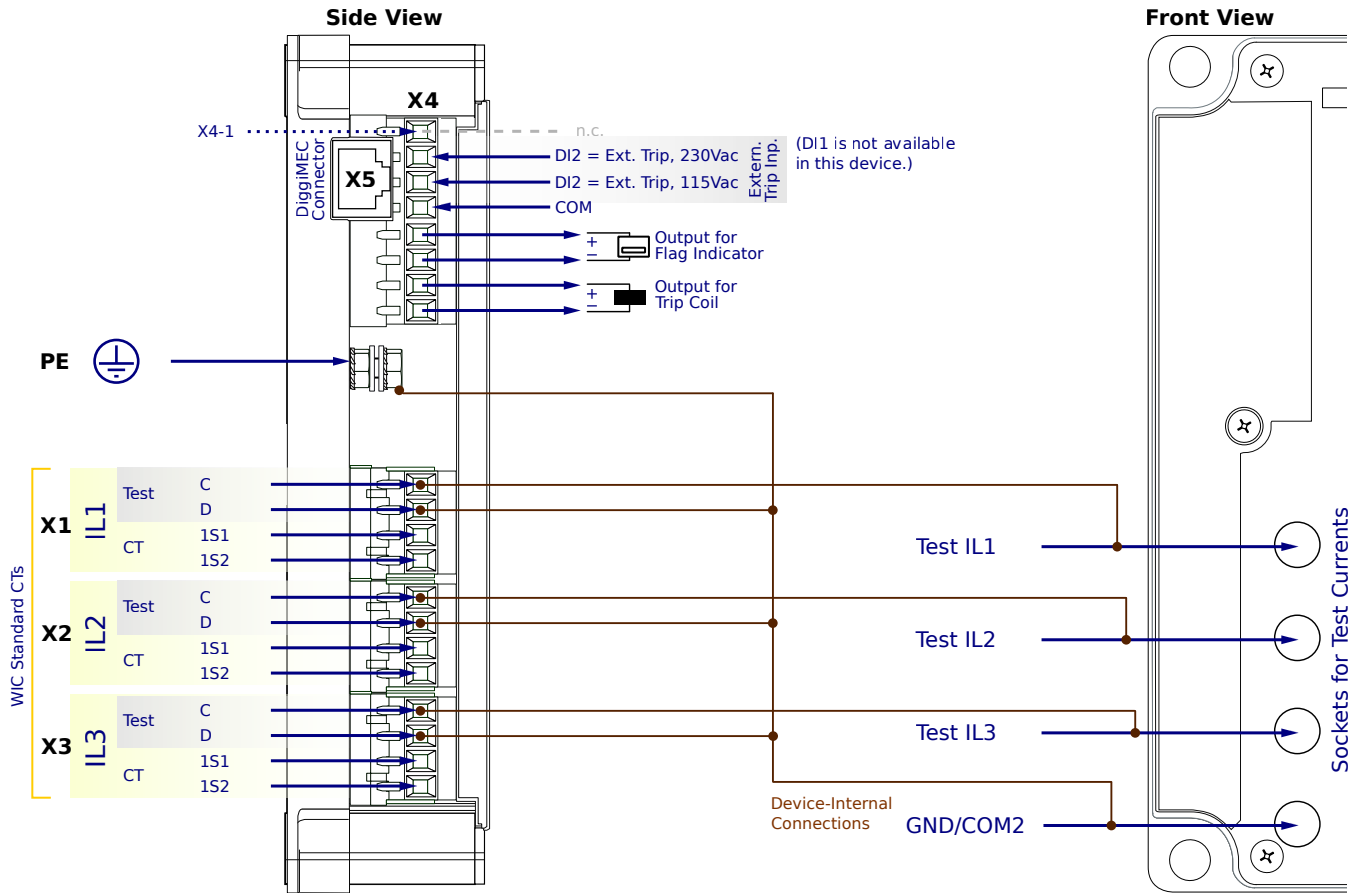
**X4-2,3** - DI2, fixed to External trip input (115Vac or 230Vac)

**X4-5,6** - Trip flag indicator

**X4-7,8** - Trip pulse output

**X5** - DiggiMEC-WIC1 connection. Use network cable CAT3 (or better). No crossover cable!

# WIC1-3SN6FF1AA



## CT-Powered Protection Device, configuration via HEX switches or DiggiMEC / Smart view

- Calculated earth current
- Nominal frequency is 60 Hz. (Setting to 50 Hz is possible via DiggiMEC/Smart view.)
- Backup protection operates directly
- Package "S" + ANSI 46, 49, 51Q, Breaker Wear, Condition Monitoring (= Life Load, Drag Indicator)

**PE** - Protective Earth

**X1...X3** - WIC CTs

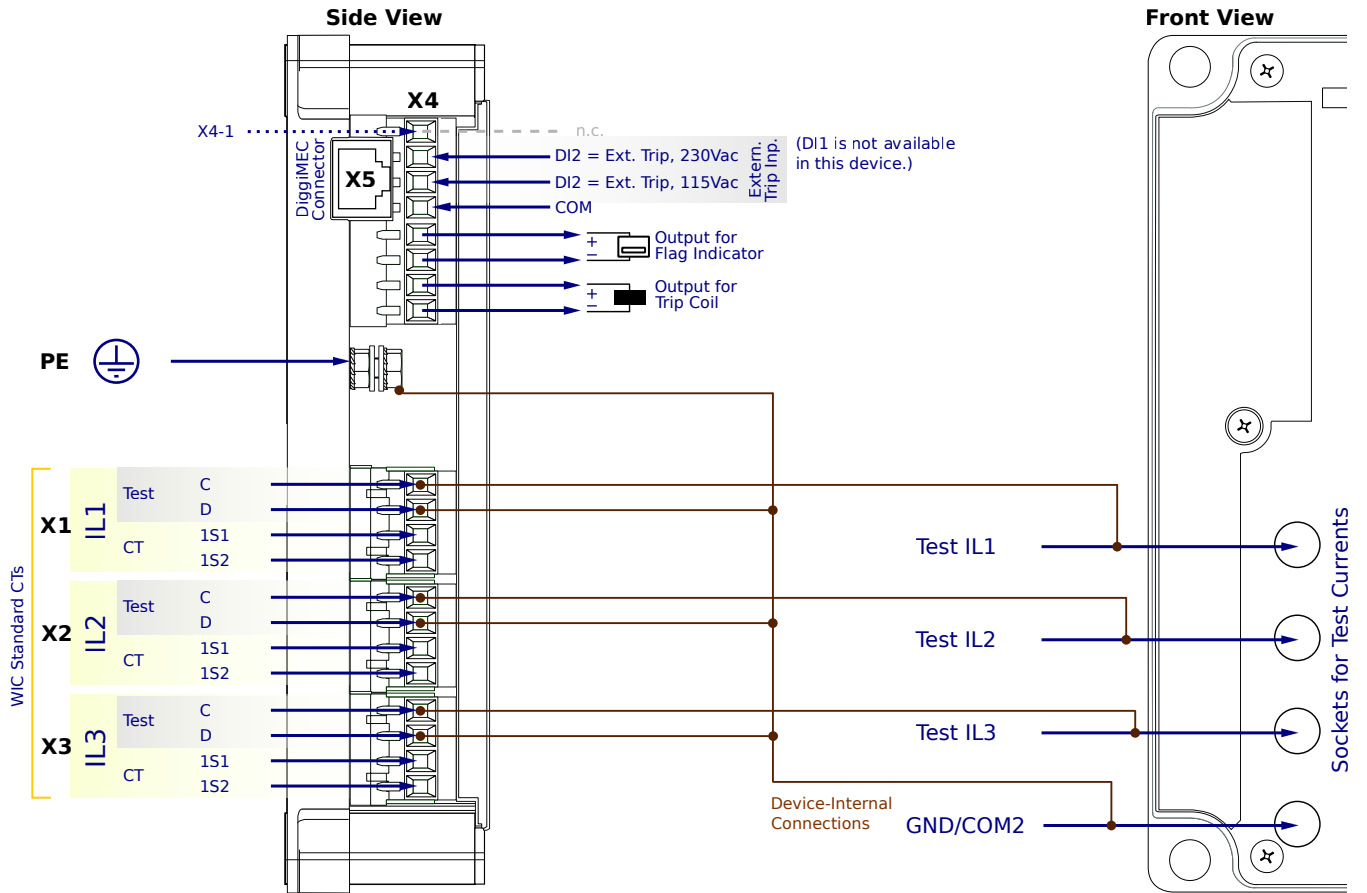
**X4-2,3** - DI2, fixed to External trip input (115Vac or 230Vac)

**X4-5,6** - Trip flag indicator

**X4-7,8** - Trip pulse output

**X5** - DiggiMEC-WIC1 connection. Use network cable CAT3 (or better). No crossover cable!

# WIC1-3SN6FF1PA



## CT-Powered Protection Device, configuration via HEX switches or DiggiMEC / Smart view

- Calculated earth current
- Nominal frequency is 60 Hz. (Setting to 50 Hz is possible via DiggiMEC/Smart view.)
- Backup protection operates directly
- Package "A" + SOTF, CLPU, external protection, ultra-fast overcurrent protection

**PE** - Protective Earth

**X1...X3** - WIC CTs

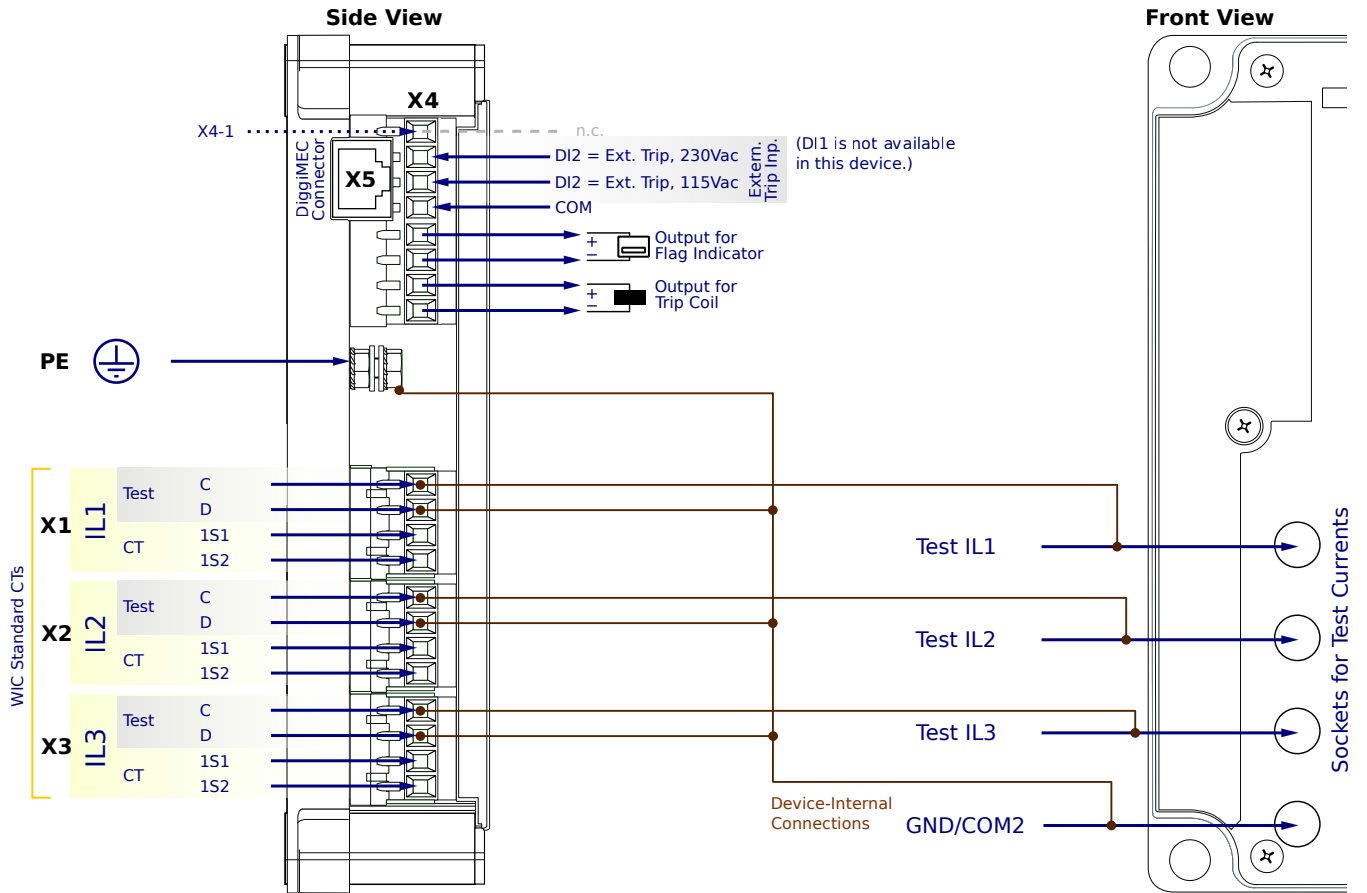
**X4-2,3** - DI2, fixed to External trip input (115Vac or 230Vac)

**X4-5,6** - Trip flag indicator

**X4-7,8** - Trip pulse output

**X5** - DiggiMEC-WIC1 connection. Use network cable CAT3 (or better). No crossover cable!

# WIC1-3SN6FF2SA



## CT-Powered Protection Device, configuration via HEX switches or DiggiMEC / Smart view

- Calculated earth current
- Nominal frequency is 60 Hz. (Setting to 50 Hz is possible via DiggiMEC/Smart view.)
- Trip at  $20 \cdot I_{n,max}$
- ANSI 50, 50G/N, 51, 51G/N, inrush, 50BF, 74TC

**PE** - Protective Earth

**X1...X3** - WIC CTs

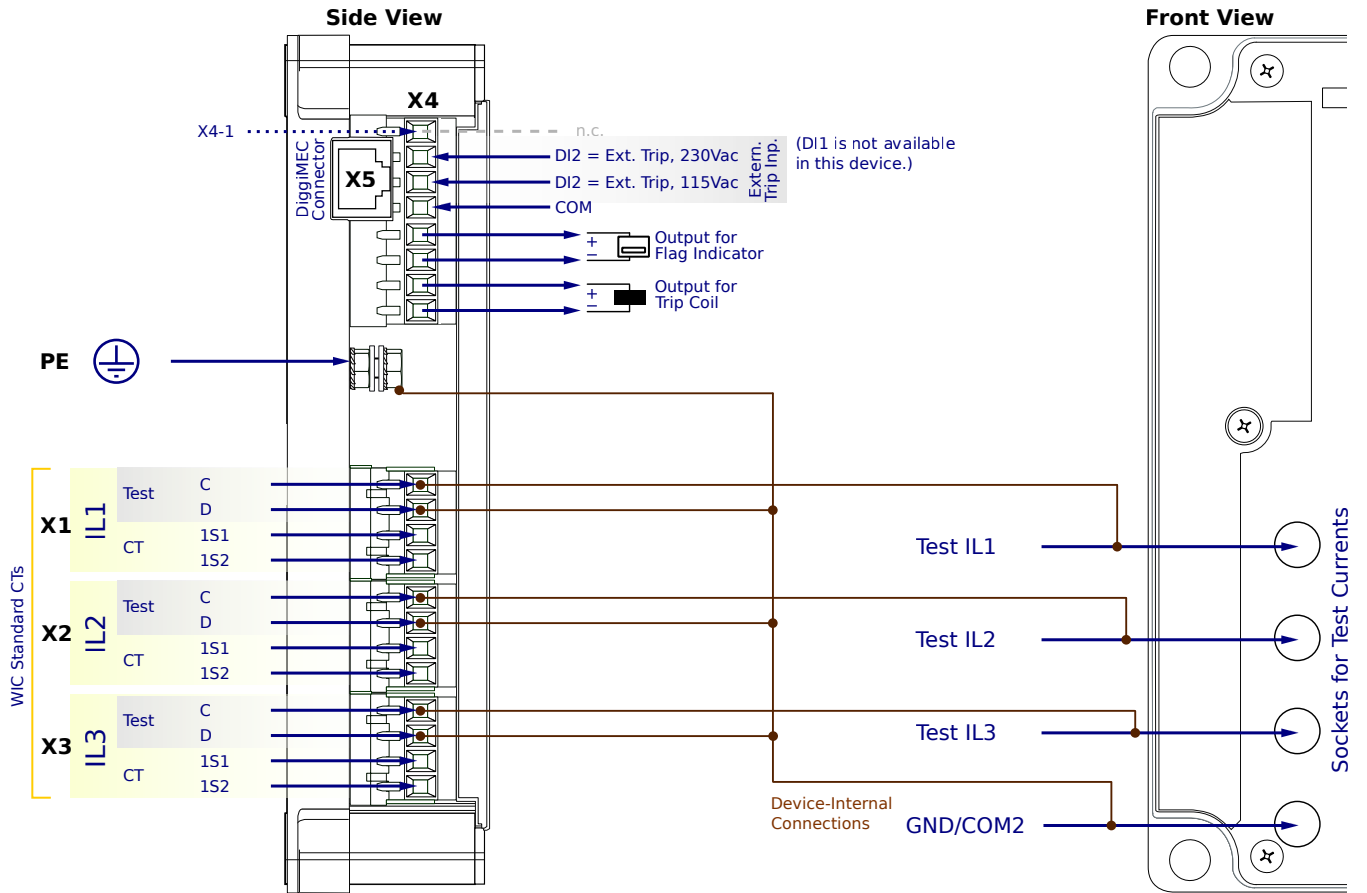
**X4-2,3** - DI2, fixed to External trip input (115Vac or 230Vac)

**X4-5,6** - Trip flag indicator

**X4-7,8** - Trip pulse output

**X5** - DiggiMEC-WIC1 connection. Use network cable CAT3 (or better). No crossover cable!

# WIC1-3SN6FF2AA



## CT-Powered Protection Device, configuration via HEX switches or DiggiMEC / Smart view

- Calculated earth current
- Nominal frequency is 60 Hz. (Setting to 50 Hz is possible via DiggiMEC/Smart view.)
- Trip at  $20 \cdot I_{n,max}$
- Package "S" + ANSI 46, 49, 51Q, Breaker Wear, Condition Monitoring (= Life Load, Drag Indicator)

**PE** - Protective Earth

**X1...X3** - WIC CTs

**X4-2,3** - DI2, fixed to External trip input (115Vac or 230Vac)

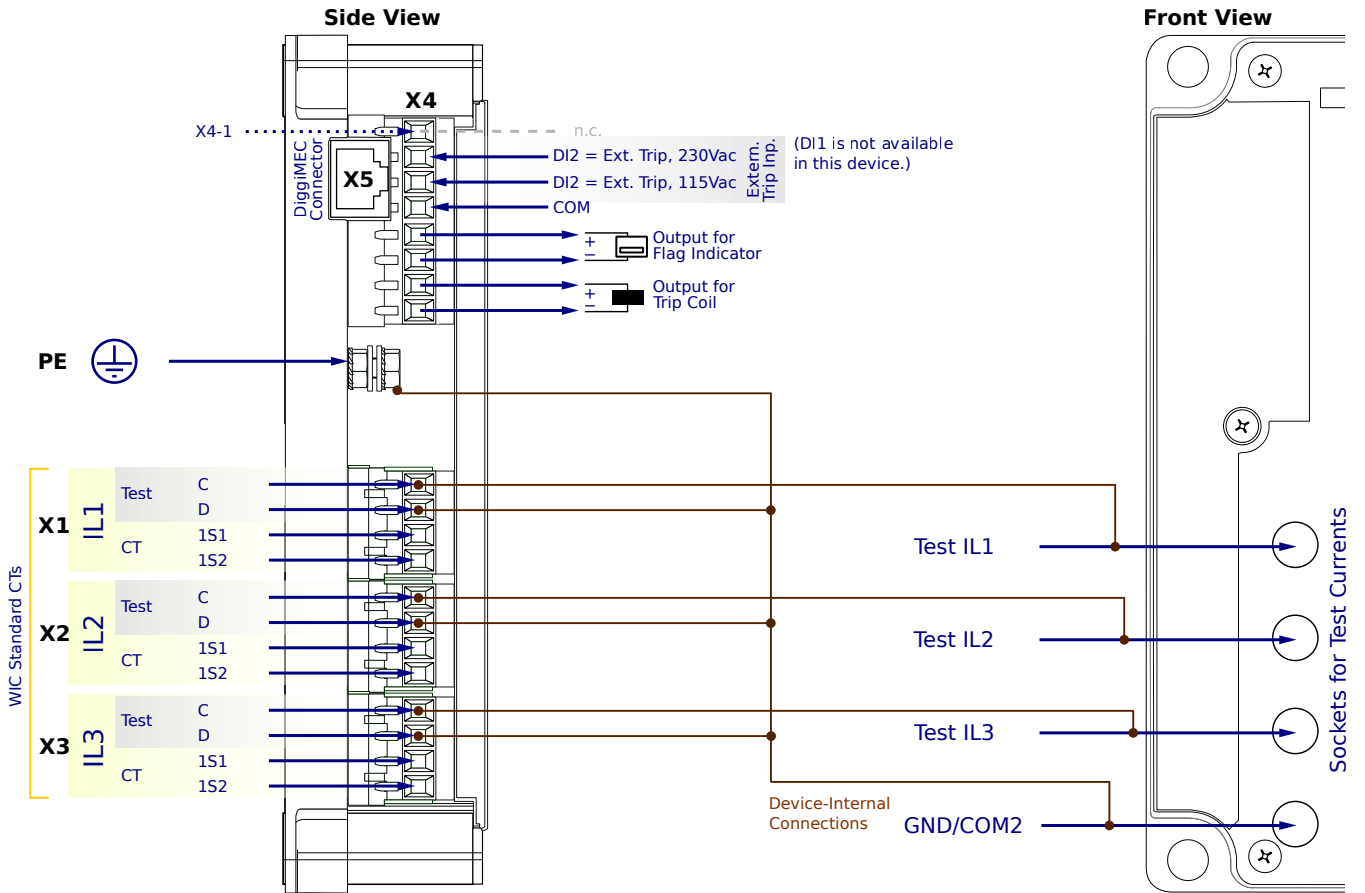
**X4-5,6** - Trip flag indicator

**X4-7,8** - Trip pulse output

**X5** - DiggiMEC-WIC1 connection. Use network cable CAT3 (or better). No crossover cable!



# WIC1-3SN6FF2PA



## CT-Powered Protection Device, configuration via HEX switches or DiggiMEC / Smart view

- Calculated earth current
- Nominal frequency is 60 Hz. (Setting to 50 Hz is possible via DiggiMEC/Smart view.)
- Trip at  $20 \cdot I_{n,max}$
- Package "A" + SOTF, CLPU, external protection, ultra-fast overcurrent protection

**PE** - Protective Earth

**X1...X3** - WIC CTs

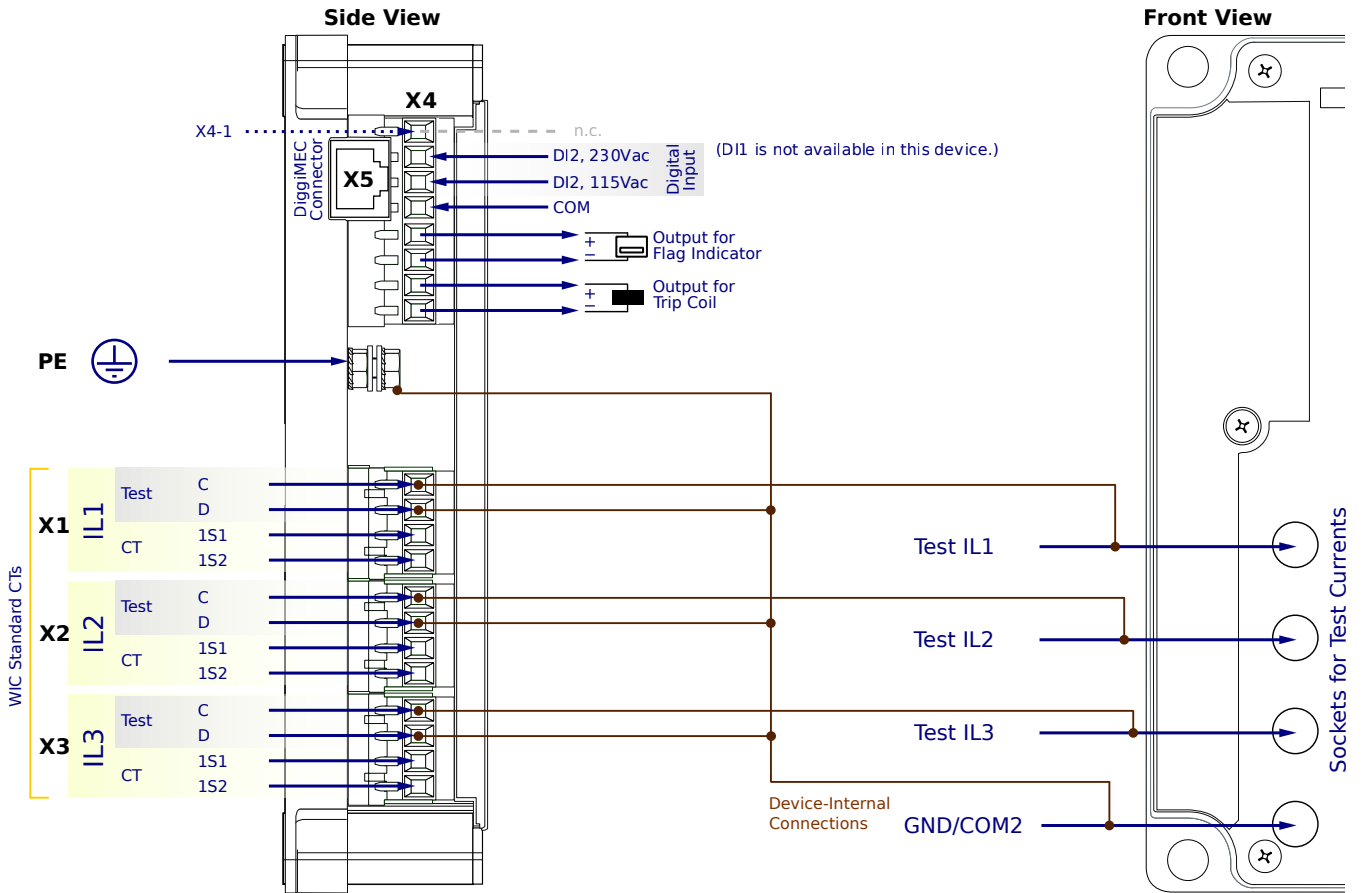
**X4-2,3** - DI2, fixed to External trip input (115Vac or 230Vac)

**X4-5,6** - Trip flag indicator

**X4-7,8** - Trip pulse output

**X5** - DiggiMEC-WIC1 connection. Use network cable CAT3 (or better). No crossover cable!

# WIC1-3SN6FC1SA



## CT-Powered Protection Device, configuration via HEX switches or DiggiMEC / Smart view

- Calculated earth current
- Nominal frequency is 60 Hz. (Setting to 50 Hz is possible via DiggiMEC/Smart view.)
- Backup protection operates directly
- ANSI 50, 50G/N, 51, 51G/N, inrush, 50BF, 74TC

**PE** - Protective Earth

**X1...X3** - WIC CTs

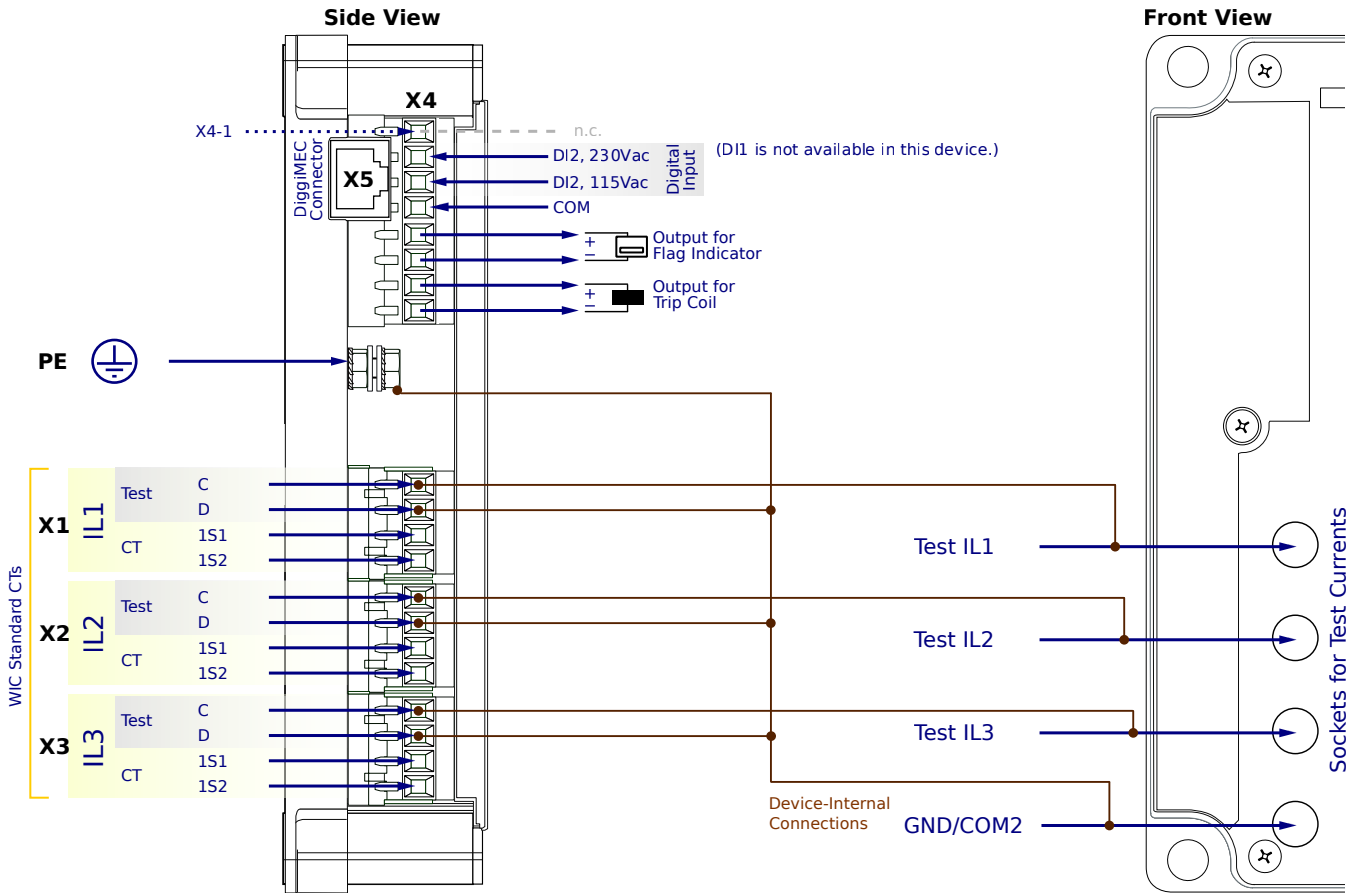
**X4-2,3** - 1 assignable Digital Input DI2 (115Vac or 230Vac)

**X4-5,6** - Trip flag indicator

**X4-7,8** - Trip pulse output

**X5** - DiggiMEC-WIC1 connection. Use network cable CAT3 (or better). No crossover cable!

# WIC1-3SN6FC1AA



## CT-Powered Protection Device, configuration via HEX switches or DiggiMEC / Smart view

- Calculated earth current
- Nominal frequency is 60 Hz. (Setting to 50 Hz is possible via DiggiMEC/Smart view.)
- Backup protection operates directly
- Package "S" + ANSI 46, 49, 51Q, Breaker Wear, Condition Monitoring (= Life Load, Drag Indicator)

**PE** - Protective Earth

**X1...X3** - WIC CTs

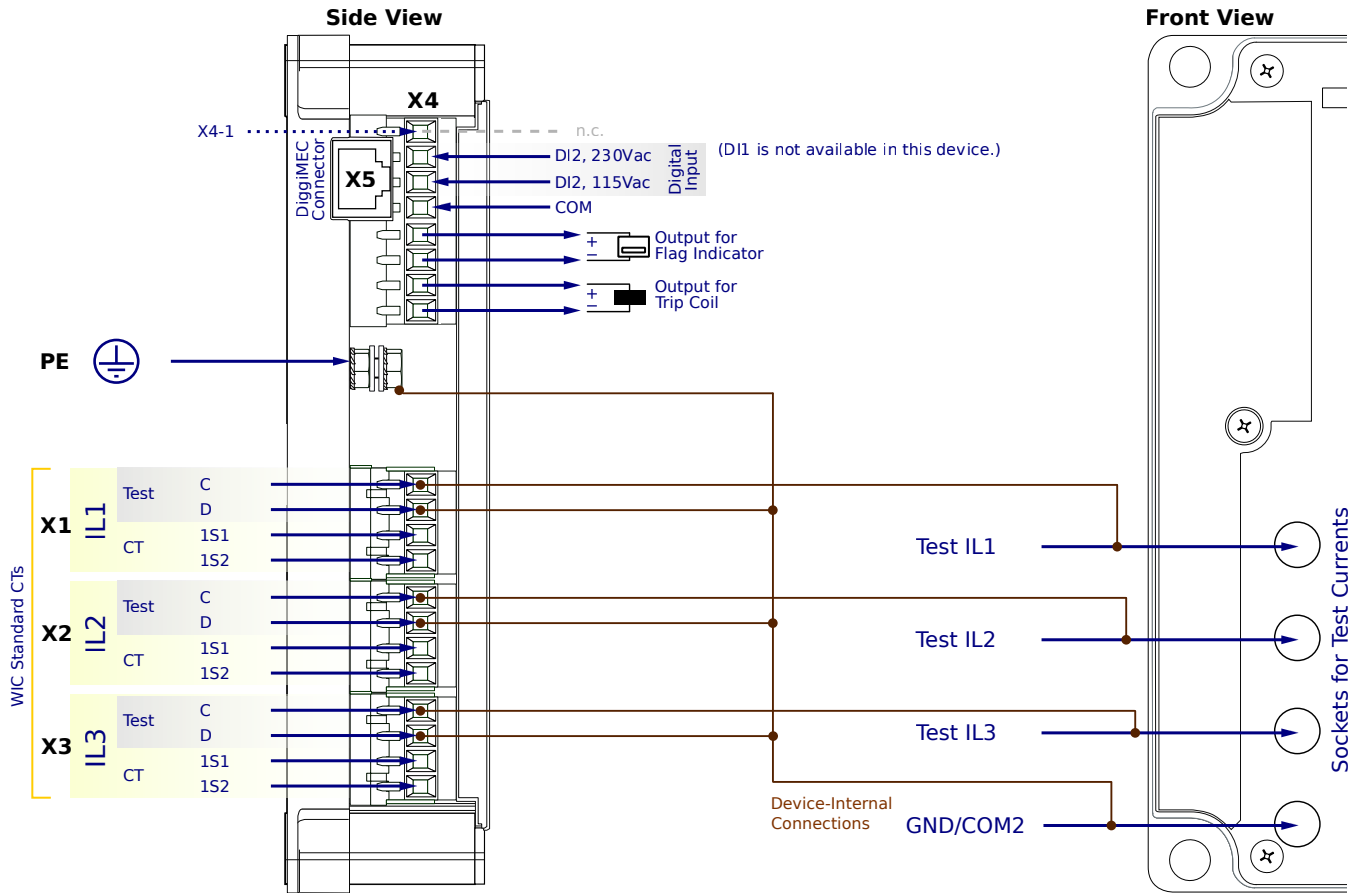
**X4-2,3** - 1 assignable Digital Input DI2 (115Vac or 230Vac)

**X4-5,6** - Trip flag indicator

**X4-7,8** - Trip pulse output

**X5** - DiggiMEC-WIC1 connection. Use network cable CAT3 (or better). No crossover cable!

# WIC1-3SN6FC1PA



## CT-Powered Protection Device, configuration via HEX switches or DiggiMEC / Smart view

- Calculated earth current
- Nominal frequency is 60 Hz. (Setting to 50 Hz is possible via DiggiMEC/Smart view.)
- Backup protection operates directly
- Package "A" + SOTF, CLPU, external protection, ultra-fast overcurrent protection

**PE** - Protective Earth

**X1...X3** - WIC CTs

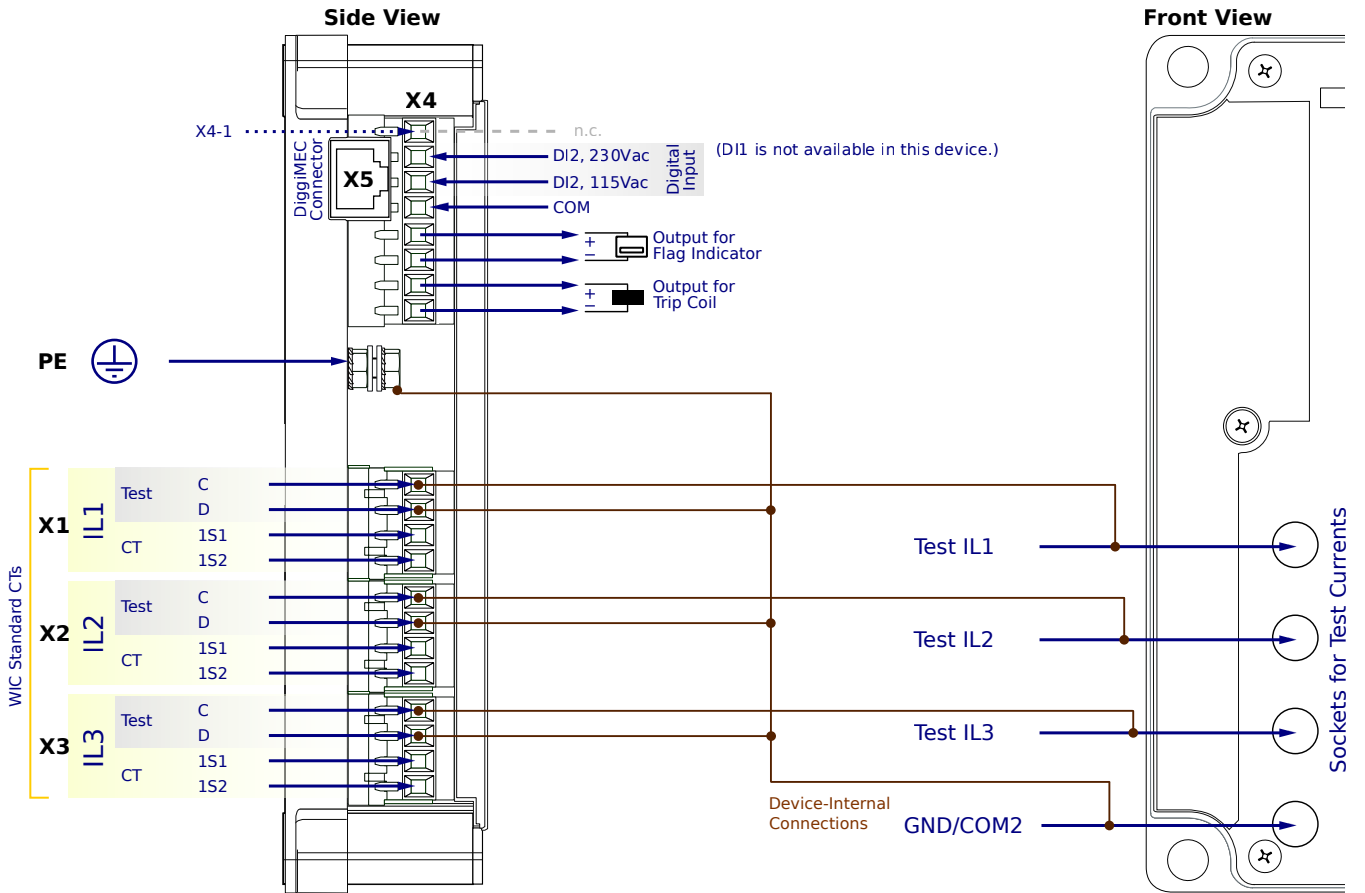
**X4-2,3** - 1 assignable Digital Input DI2 (115Vac or 230Vac)

**X4-5,6** - Trip flag indicator

**X4-7,8** - Trip pulse output

**X5** - DiggiMEC-WIC1 connection. Use network cable CAT3 (or better). No crossover cable!

# WIC1-3SN6FC2SA



## CT-Powered Protection Device, configuration via HEX switches or DiggiMEC / Smart view

- Calculated earth current
- Nominal frequency is 60 Hz. (Setting to 50 Hz is possible via DiggiMEC/Smart view.)
- Trip at  $20 \cdot I_{n,max}$
- ANSI 50, 50G/N, 51, 51G/N, inrush, 50BF, 74TC

**PE** - Protective Earth

**X1...X3** - WIC CTs

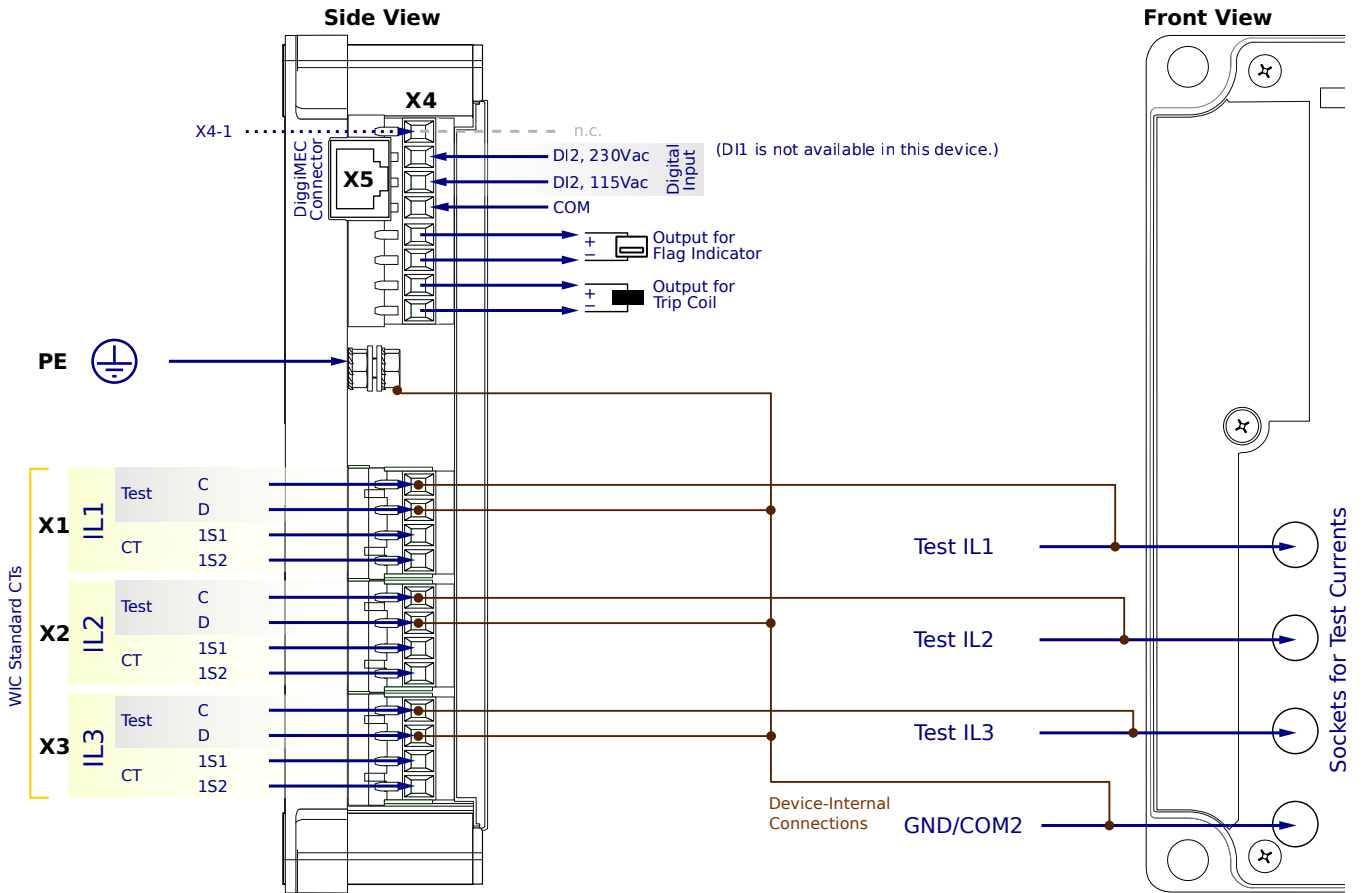
**X4-2,3** - 1 assignable Digital Input DI2 (115Vac or 230Vac)

**X4-5,6** - Trip flag indicator

**X4-7,8** - Trip pulse output

**X5** - DiggiMEC-WIC1 connection. Use network cable CAT3 (or better). No crossover cable!

# WIC1-3SN6FC2AA



## CT-Powered Protection Device, configuration via HEX switches or DiggiMEC / Smart view

- Calculated earth current
- Nominal frequency is 60 Hz. (Setting to 50 Hz is possible via DiggiMEC/Smart view.)
- Trip at  $20 \cdot I_{n,max}$
- Package "S" + ANSI 46, 49, 51Q, Breaker Wear, Condition Monitoring (= Life Load, Drag Indicator)

**PE** - Protective Earth

**X1...X3** - WIC CTs

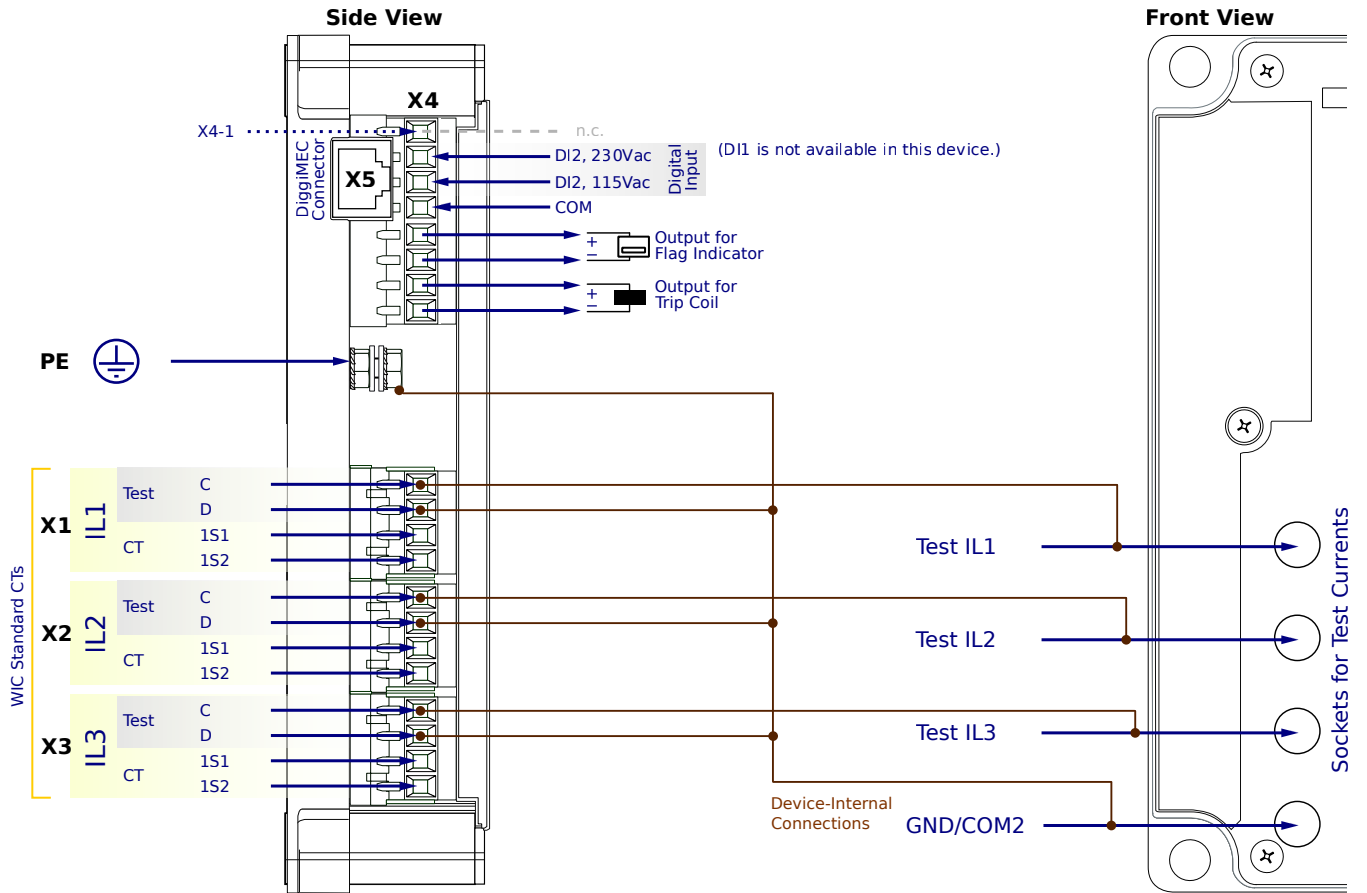
**X4-2,3** - 1 assignable Digital Input DI2 (115Vac or 230Vac)

**X4-5,6** - Trip flag indicator

**X4-7,8** - Trip pulse output

**X5** - DiggiMEC-WIC1 connection. Use network cable CAT3 (or better). No crossover cable!

# WIC1-3SN6FC2PA



## CT-Powered Protection Device, configuration via HEX switches or DiggiMEC / Smart view

- Calculated earth current
- Nominal frequency is 60 Hz. (Setting to 50 Hz is possible via DiggiMEC/Smart view.)
- Trip at  $20 \cdot I_{n,max}$
- Package "A" + SOTF, CLPU, external protection, ultra-fast overcurrent protection

**PE** - Protective Earth

**X1...X3** - WIC CTs

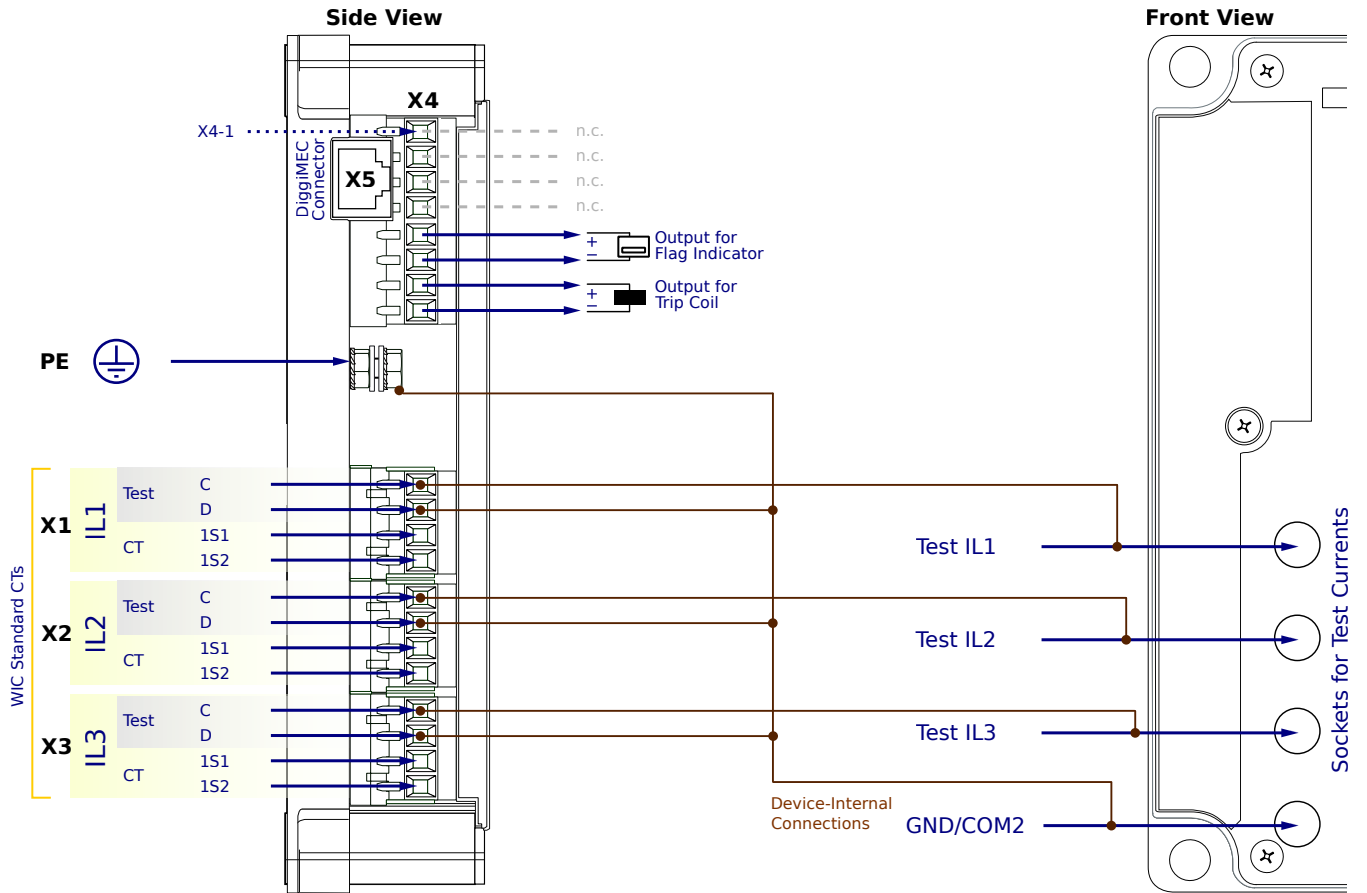
**X4-2,3** - 1 assignable Digital Input DI2 (115Vac or 230Vac)

**X4-5,6** - Trip flag indicator

**X4-7,8** - Trip pulse output

**X5** - DiggiMEC-WIC1 connection. Use network cable CAT3 (or better). No crossover cable!

# WIC1-3SN6CN1SA



## CT-Powered Protection Device, configuration via HEX switches or DiggiMEC / Smart view

- Calculated earth current
- Nominal frequency is 60 Hz. (Setting to 50 Hz is possible via DiggiMEC/Smart view.)
- Backup protection operates directly
- ANSI 50, 50G/N, 51, 51G/N, inrush, 50BF, 74TC

**PE** - Protective Earth

**X1...X3** - WIC CTs

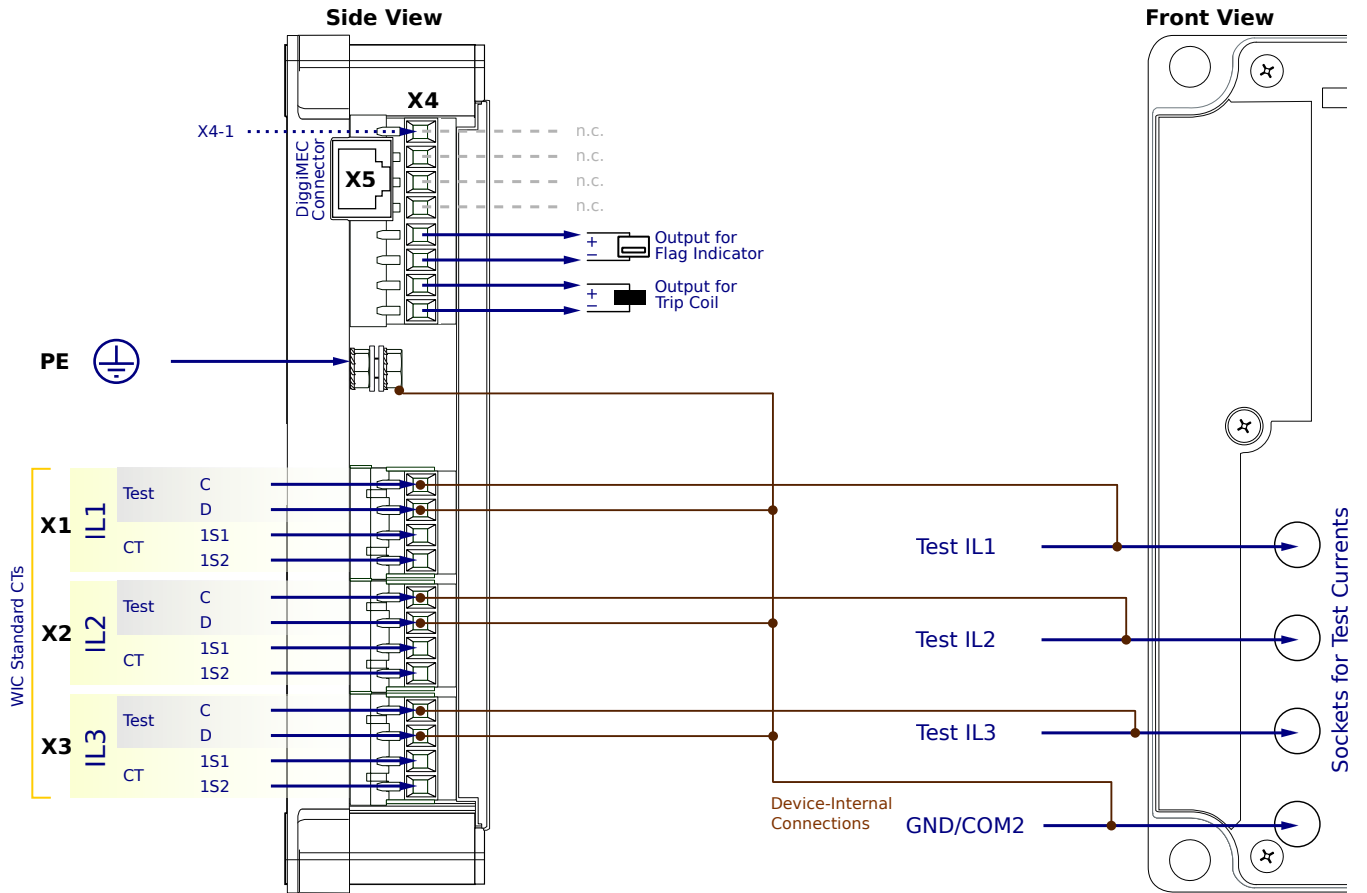
**X4-5,6** - Assignable flag indicator

**X4-7,8** - Trip pulse output

**X5** - DiggiMEC-WIC1 connection. Use network cable CAT3 (or better). No crossover cable!



# WIC1-3SN6CN1AA



## CT-Powered Protection Device, configuration via HEX switches or DiggiMEC / Smart view

- Calculated earth current
- Nominal frequency is 60 Hz. (Setting to 50 Hz is possible via DiggiMEC/Smart view.)
- Backup protection operates directly
- Package "S" + ANSI 46, 49, 51Q, Breaker Wear, Condition Monitoring (= Life Load, Drag Indicator)

**PE** - Protective Earth

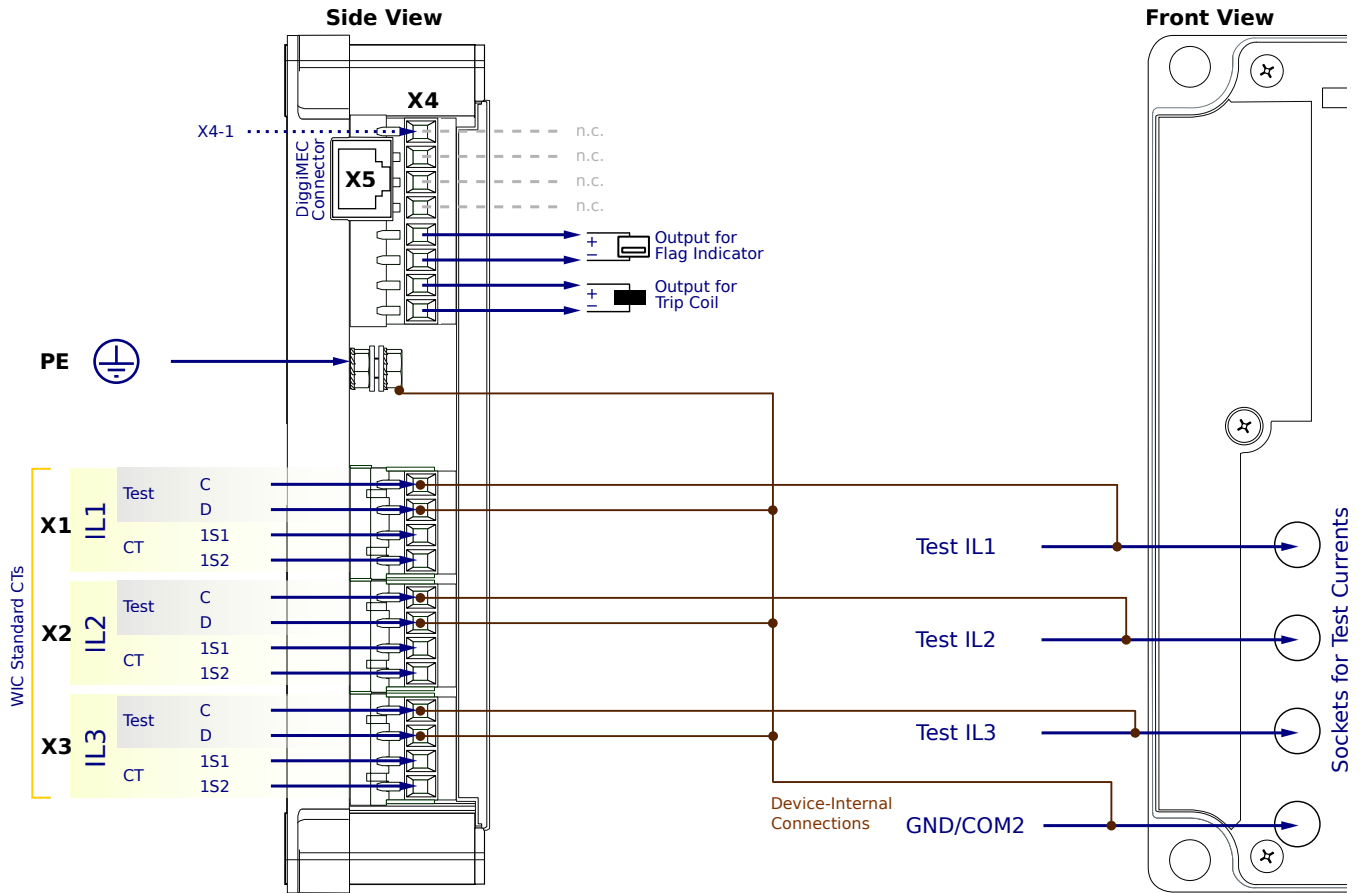
**X1...X3** - WIC CTs

**X4-5,6** - Assignable flag indicator

**X4-7,8** - Trip pulse output

**X5** - DiggiMEC-WIC1 connection. Use network cable CAT3 (or better). No crossover cable!

# WIC1-3SN6CN1PA



## CT-Powered Protection Device, configuration via HEX switches or DiggiMEC / Smart view

- Calculated earth current
- Nominal frequency is 60 Hz. (Setting to 50 Hz is possible via DiggiMEC/Smart view.)
- Backup protection operates directly
- Package "A" + SOTF, CLPU, external protection, ultra-fast overcurrent protection

**PE** - Protective Earth

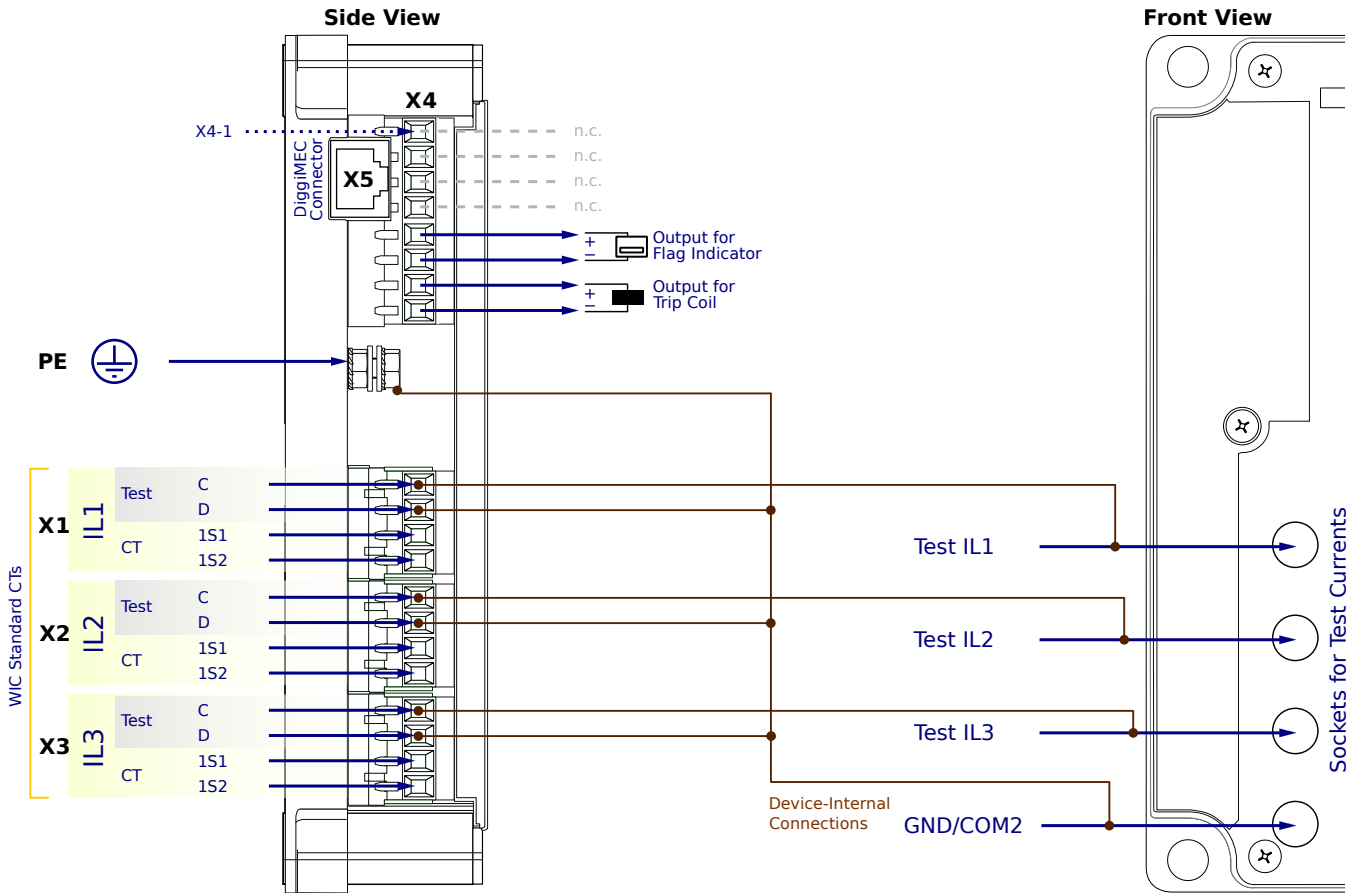
**X1...X3** - WIC CTs

**X4-5,6** - Assignable flag indicator

**X4-7,8** - Trip pulse output

**X5** - DiggiMEC-WIC1 connection. Use network cable CAT3 (or better). No crossover cable!

# WIC1-3SN6CN2SA



## CT-Powered Protection Device, configuration via HEX switches or DiggiMEC / Smart view

- Calculated earth current
- Nominal frequency is 60 Hz. (Setting to 50 Hz is possible via DiggiMEC/Smart view.)
- Trip at  $20 \cdot I_{n,max}$
- ANSI 50, 50G/N, 51, 51G/N, inrush, 50BF, 74TC

**PE** - Protective Earth

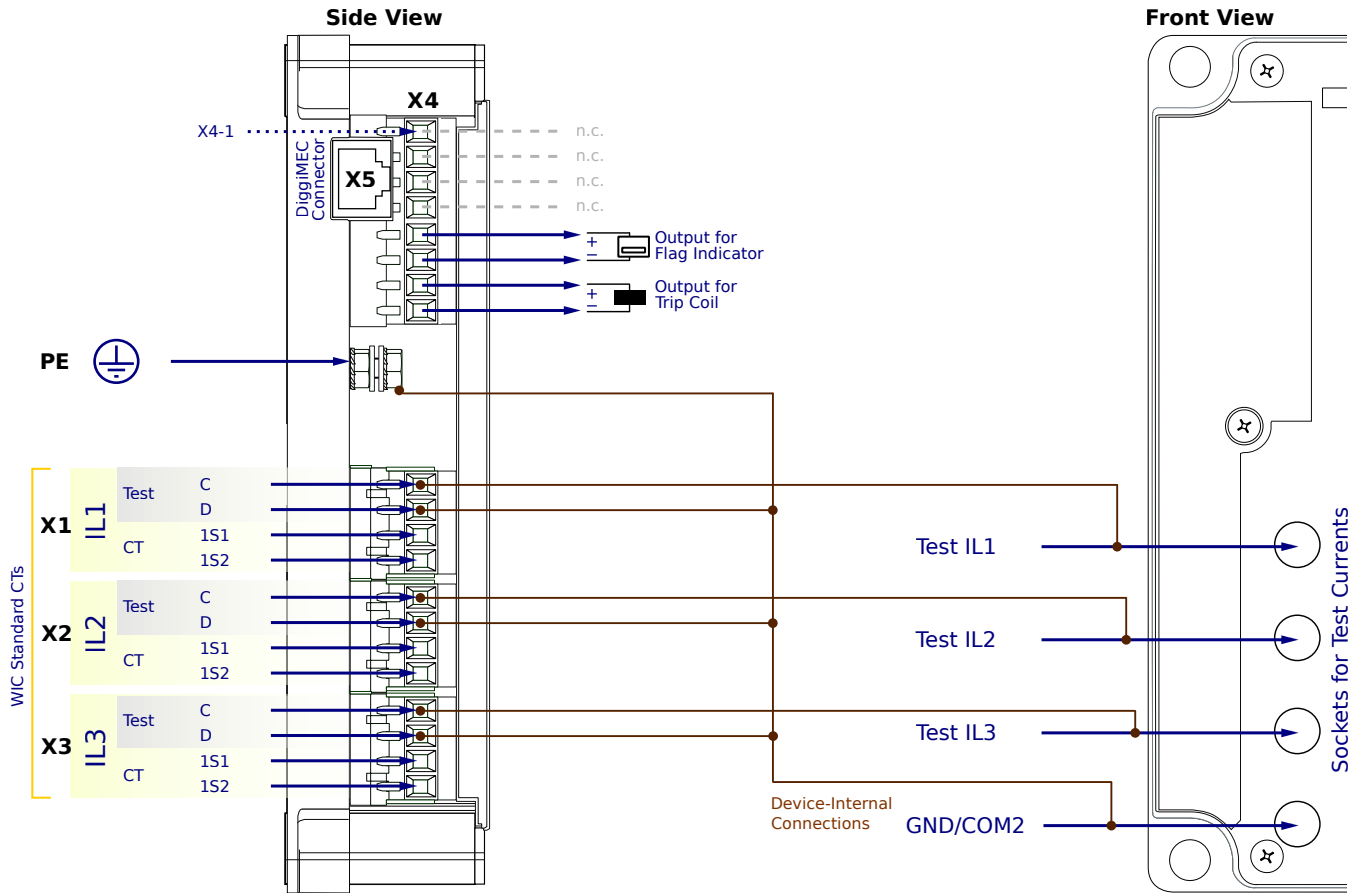
**X1...X3** - WIC CTs

**X4-5,6** - Assignable flag indicator

**X4-7,8** - Trip pulse output

**X5** - DiggiMEC-WIC1 connection. Use network cable CAT3 (or better). No crossover cable!

# WIC1-3SN6CN2AA



## CT-Powered Protection Device, configuration via HEX switches or DiggiMEC / Smart view

- Calculated earth current
- Nominal frequency is 60 Hz. (Setting to 50 Hz is possible via DiggiMEC/Smart view.)
- Trip at  $20 \cdot I_{n,max}$
- Package "S" + ANSI 46, 49, 51Q, Breaker Wear, Condition Monitoring (= Life Load, Drag Indicator)

**PE** - Protective Earth

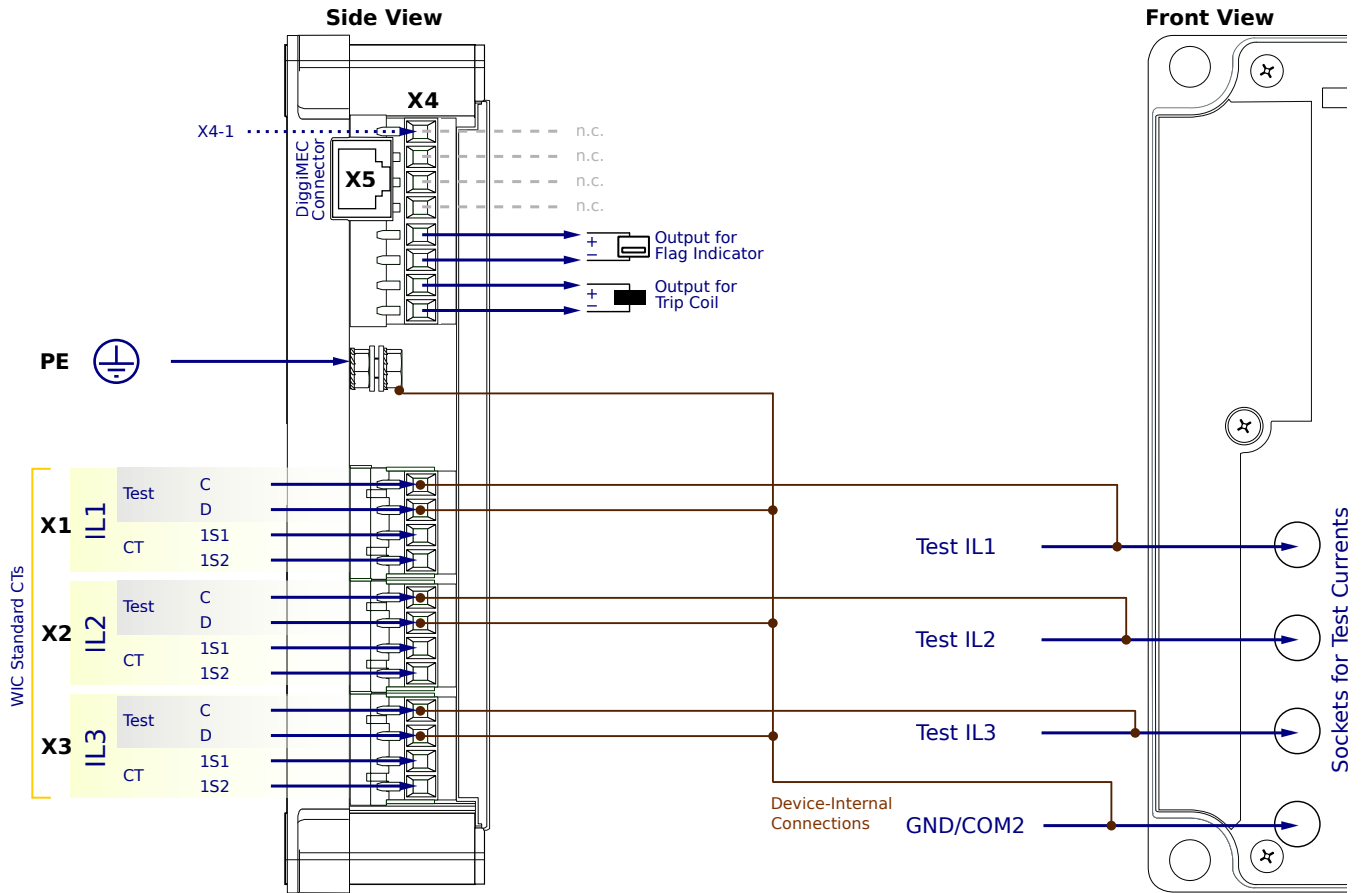
**X1...X3** - WIC CTs

**X4-5,6** - Assignable flag indicator

**X4-7,8** - Trip pulse output

**X5** - DiggiMEC-WIC1 connection. Use network cable CAT3 (or better). No crossover cable!

# WIC1-3SN6CN2PA



## CT-Powered Protection Device, configuration via HEX switches or DiggiMEC / Smart view

- Calculated earth current
- Nominal frequency is 60 Hz. (Setting to 50 Hz is possible via DiggiMEC/Smart view.)
- Trip at  $20 \cdot I_{n,max}$
- Package "A" + SOTF, CLPU, external protection, ultra-fast overcurrent protection

**PE** - Protective Earth

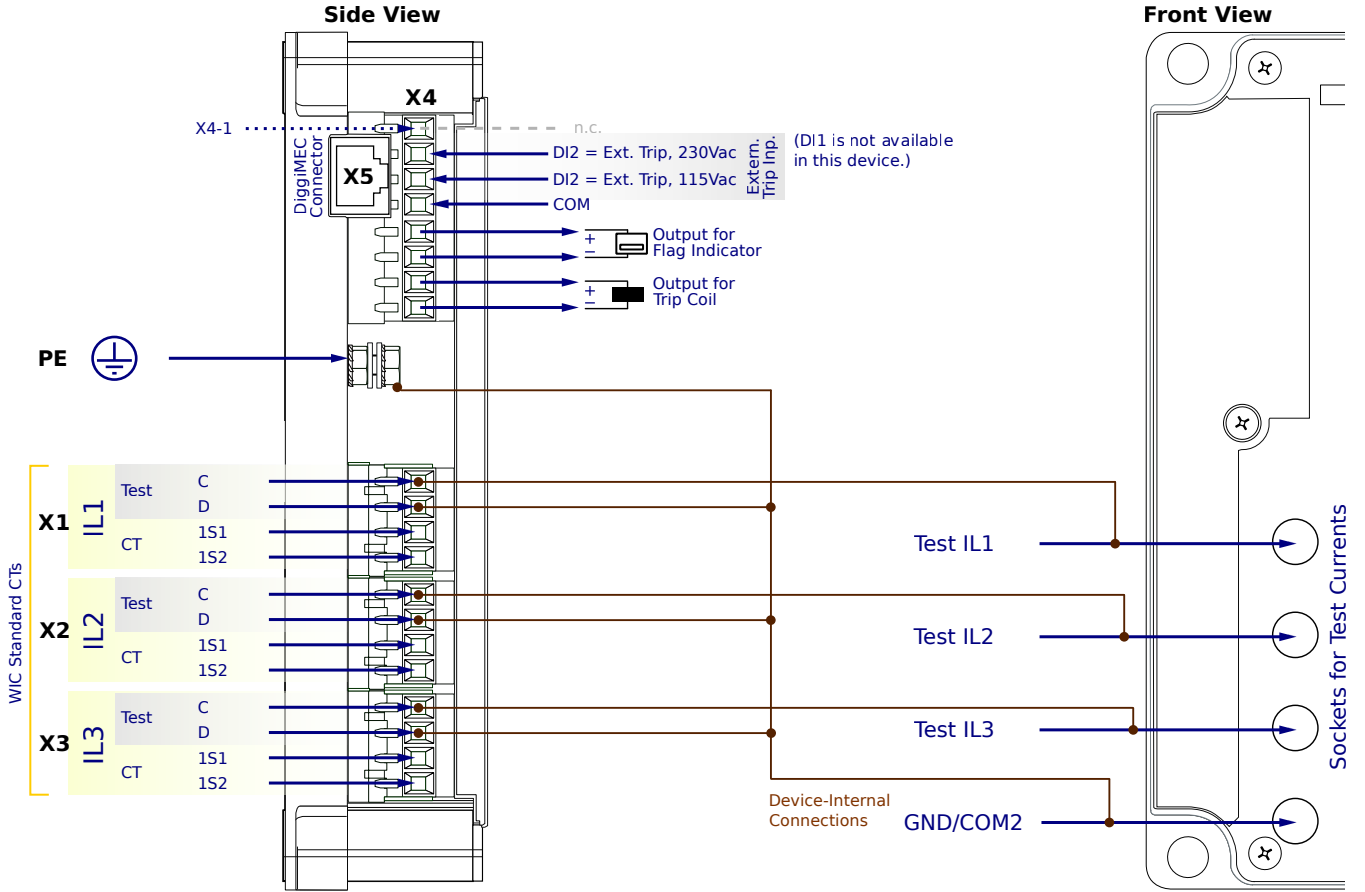
**X1...X3** - WIC CTs

**X4-5,6** - Assignable flag indicator

**X4-7,8** - Trip pulse output

**X5** - DiggiMEC-WIC1 connection. Use network cable CAT3 (or better). No crossover cable!

# WIC1-3SN6CF1SA



**CT-Powered Protection Device, configuration via HEX switches or DiggiMEC / Smart view**

- Calculated earth current
- Nominal frequency is 60 Hz. (Setting to 50 Hz is possible via DiggiMEC/Smart view.)
- Backup protection operates directly
- ANSI 50, 50G/N, 51, 51G/N, inrush, 50BF, 74TC

**PE** - Protective Earth

**X1...X3** - WIC CTs

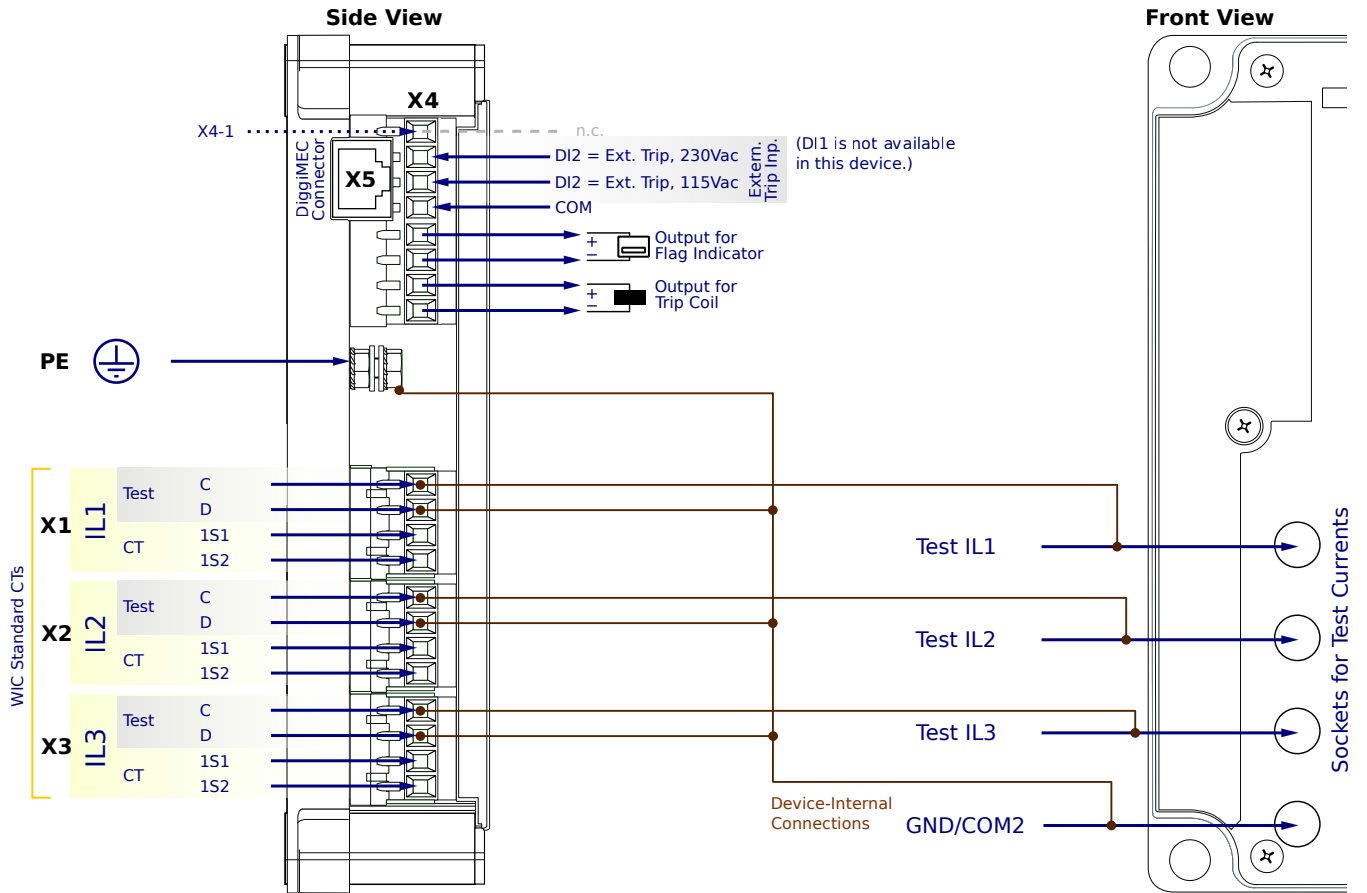
**X4-2,3** - DI2, fixed to External trip input (115Vac or 230Vac)

**X4-5,6** - Assignable flag indicator

**X4-7,8** - Trip pulse output

**X5** - DiggiMEC-WIC1 connection. Use network cable CAT3 (or better). No crossover cable!

# WIC1-3SN6CF1AA



## CT-Powered Protection Device, configuration via HEX switches or DiggiMEC / Smart view

- Calculated earth current
- Nominal frequency is 60 Hz. (Setting to 50 Hz is possible via DiggiMEC/Smart view.)
- Backup protection operates directly
- Package "S" + ANSI 46, 49, 51Q, Breaker Wear, Condition Monitoring (= Life Load, Drag Indicator)

**PE** - Protective Earth

**X1...X3** - WIC CTs

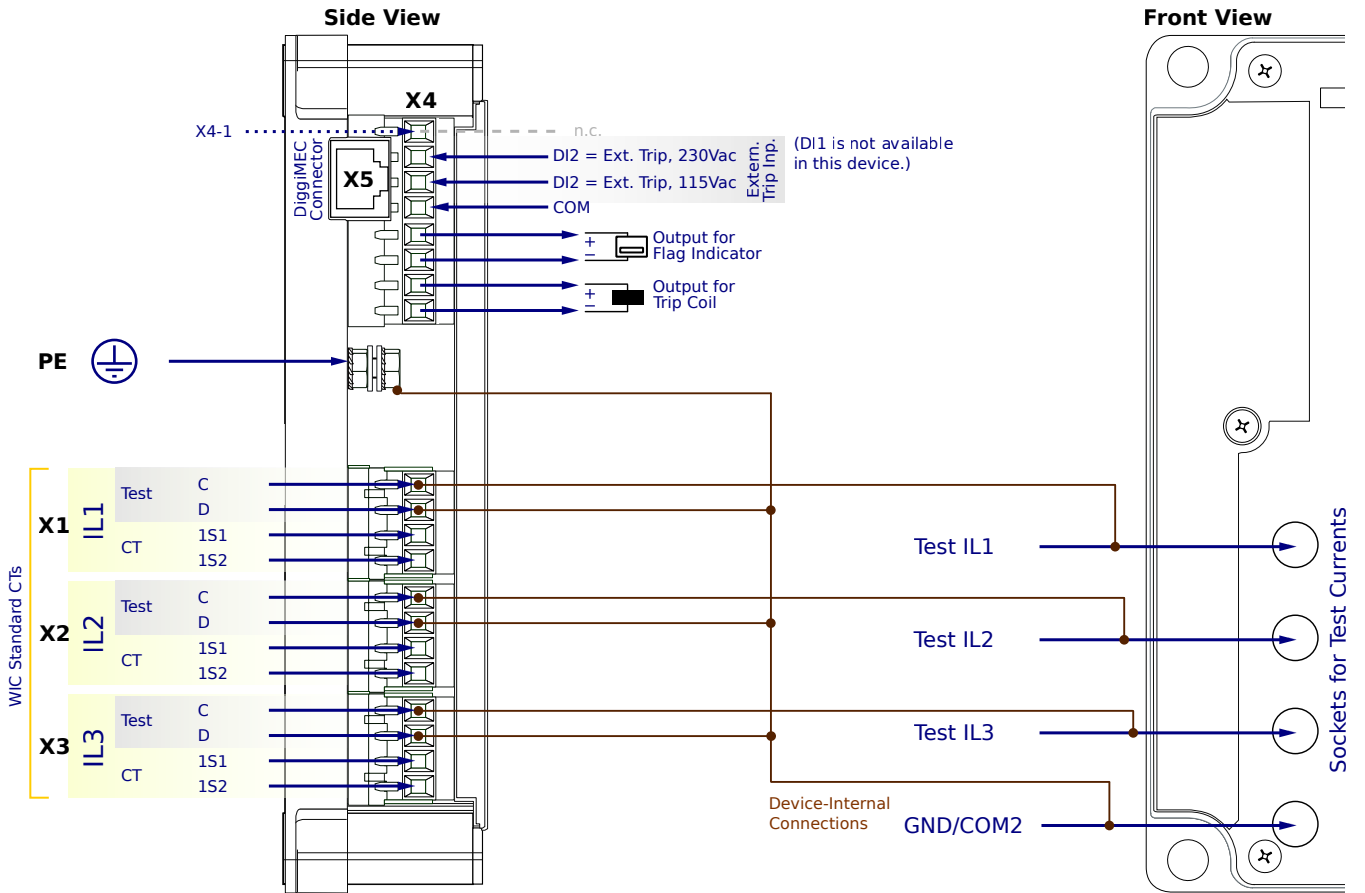
**X4-2,3** - DI2, fixed to External trip input (115Vac or 230Vac)

**X4-5,6** - Assignable flag indicator

**X4-7,8** - Trip pulse output

**X5** - DiggiMEC-WIC1 connection. Use network cable CAT3 (or better). No crossover cable!

# WIC1-3SN6CF1PA



## CT-Powered Protection Device, configuration via HEX switches or DiggiMEC / Smart view

- Calculated earth current
- Nominal frequency is 60 Hz. (Setting to 50 Hz is possible via DiggiMEC/Smart view.)
- Backup protection operates directly
- Package "A" + SOTF, CLPU, external protection, ultra-fast overcurrent protection

**PE** - Protective Earth

**X1...X3** - WIC CTs

**X4-2,3** - DI2, fixed to External trip input (115Vac or 230Vac)

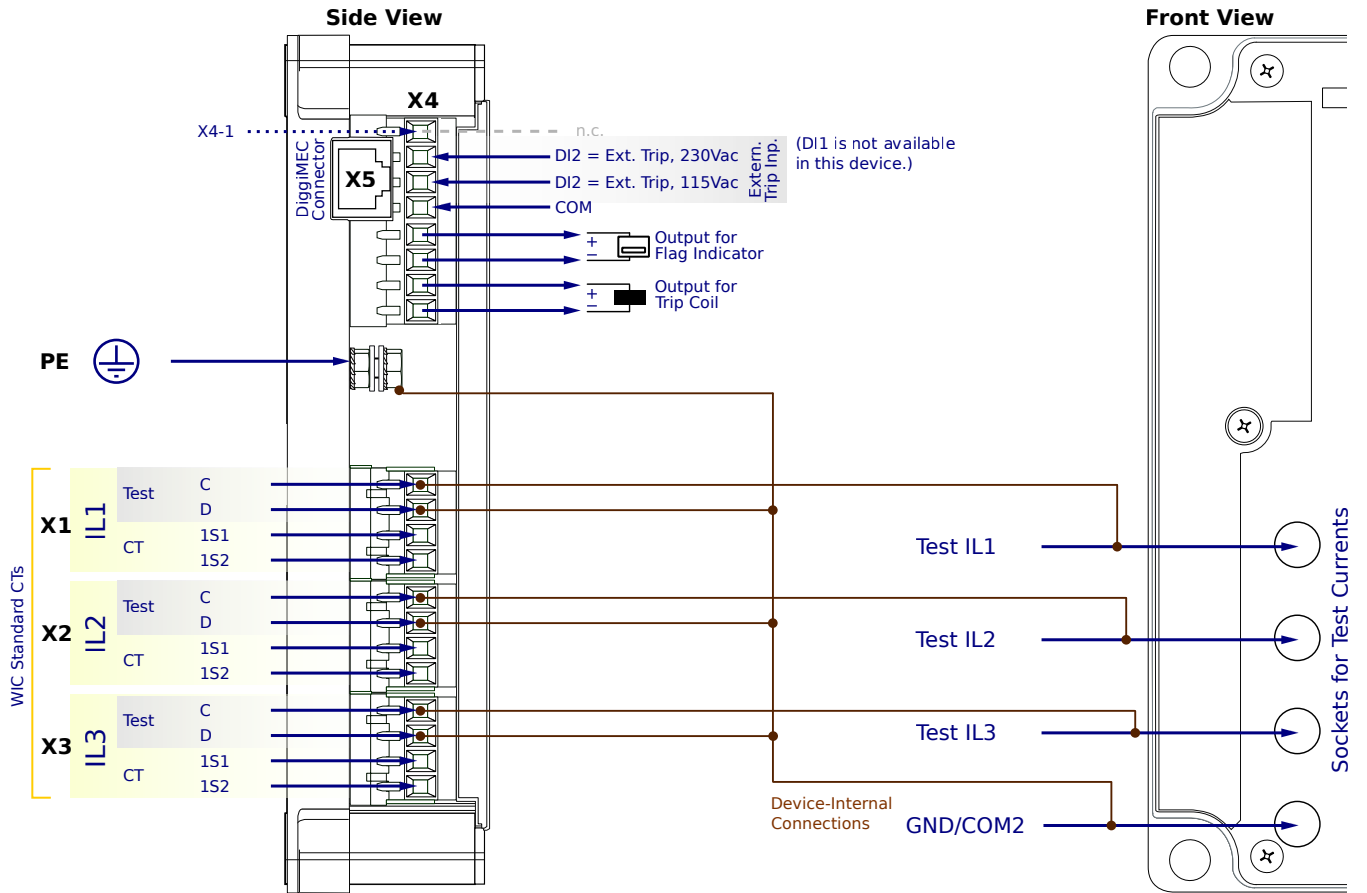
**X4-5,6** - Assignable flag indicator

**X4-7,8** - Trip pulse output

**X5** - DiggiMEC-WIC1 connection. Use network cable CAT3 (or better). No crossover cable!



# WIC1-3SN6CF2SA



## CT-Powered Protection Device, configuration via HEX switches or DiggiMEC / Smart view

- Calculated earth current
- Nominal frequency is 60 Hz. (Setting to 50 Hz is possible via DiggiMEC/Smart view.)
- Trip at  $20 \cdot I_{n,max}$
- ANSI 50, 50G/N, 51, 51G/N, inrush, 50BF, 74TC

**PE** - Protective Earth

**X1...X3** - WIC CTs

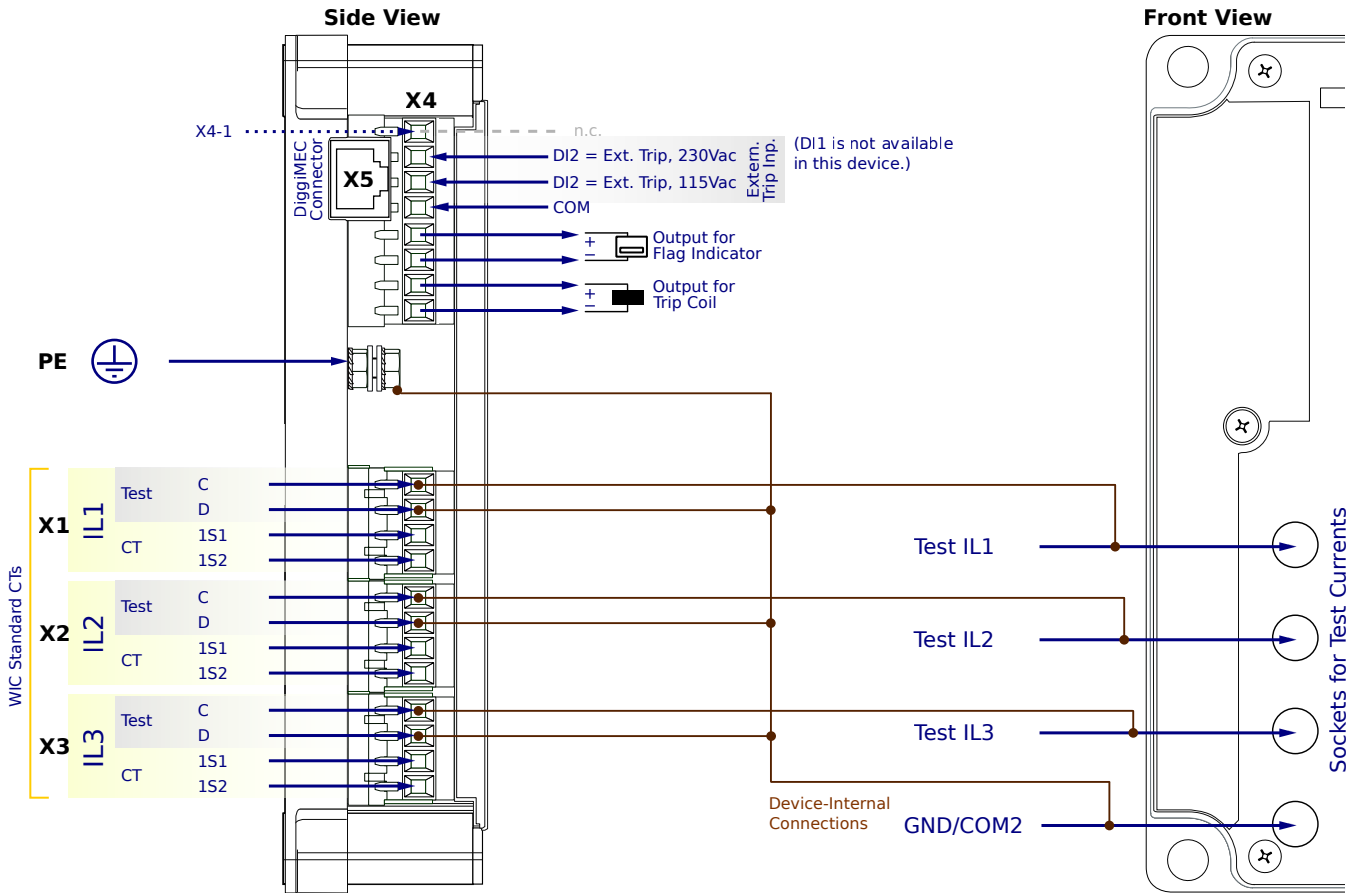
**X4-2,3** - DI2, fixed to External trip input (115Vac or 230Vac)

**X4-5,6** - Assignable flag indicator

**X4-7,8** - Trip pulse output

**X5** - DiggiMEC-WIC1 connection. Use network cable CAT3 (or better). No crossover cable!

# WIC1-3SN6CF2AA



## CT-Powered Protection Device, configuration via HEX switches or DiggiMEC / Smart view

- Calculated earth current
- Nominal frequency is 60 Hz. (Setting to 50 Hz is possible via DiggiMEC/Smart view.)
- Trip at  $20 \cdot I_{n,max}$
- Package "S" + ANSI 46, 49, 51Q, Breaker Wear, Condition Monitoring (= Life Load, Drag Indicator)

**PE** - Protective Earth

**X1...X3** - WIC CTs

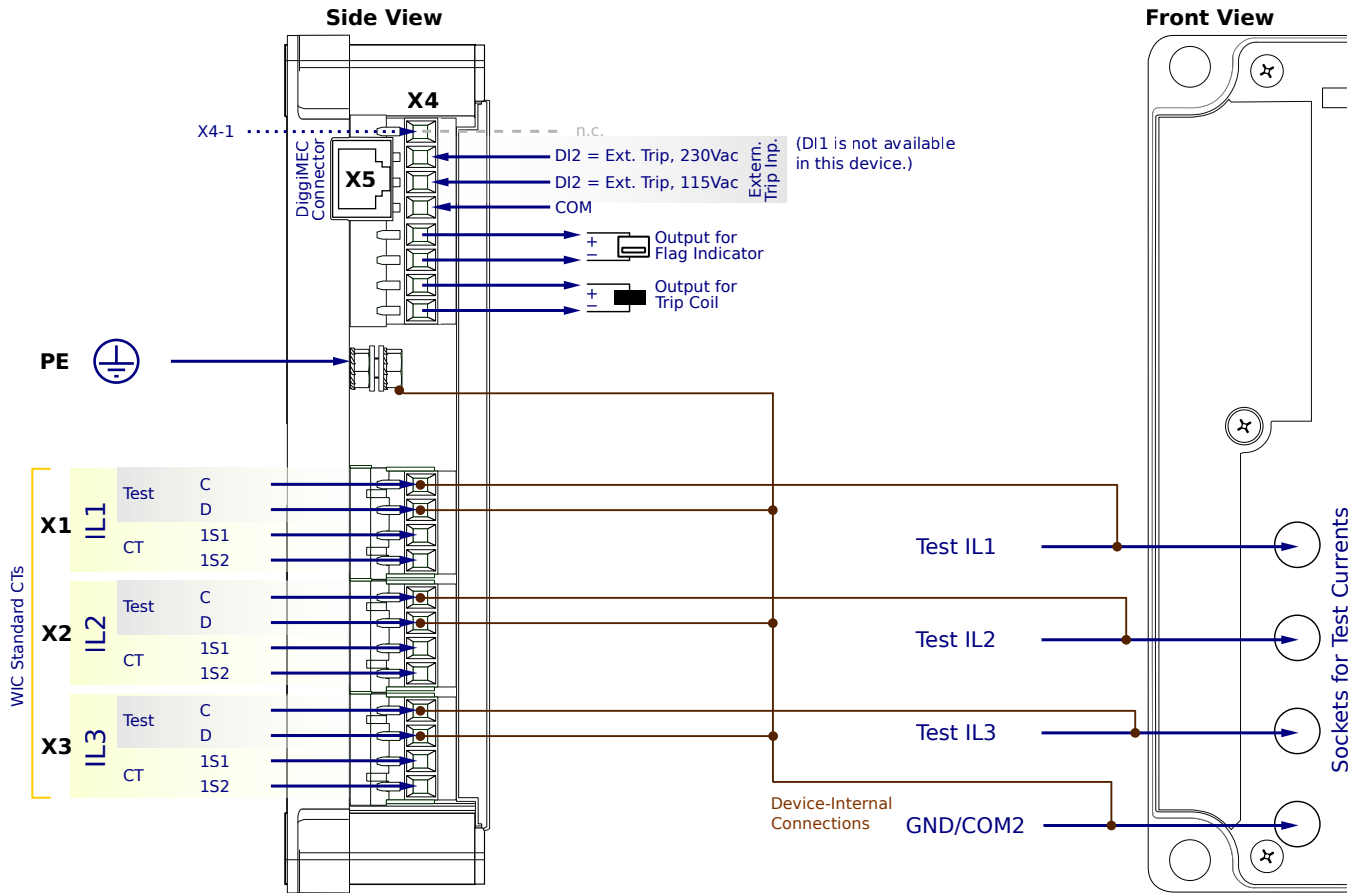
**X4-2,3** - DI2, fixed to External trip input (115Vac or 230Vac)

**X4-5,6** - Assignable flag indicator

**X4-7,8** - Trip pulse output

**X5** - DiggiMEC-WIC1 connection. Use network cable CAT3 (or better). No crossover cable!

# WIC1-3SN6CF2PA



## CT-Powered Protection Device, configuration via HEX switches or DiggiMEC / Smart view

- Calculated earth current
- Nominal frequency is 60 Hz. (Setting to 50 Hz is possible via DiggiMEC/Smart view.)
- Trip at  $20 \cdot I_{n,max}$
- Package "A" + SOTF, CLPU, external protection, ultra-fast overcurrent protection

**PE** - Protective Earth

**X1...X3** - WIC CTs

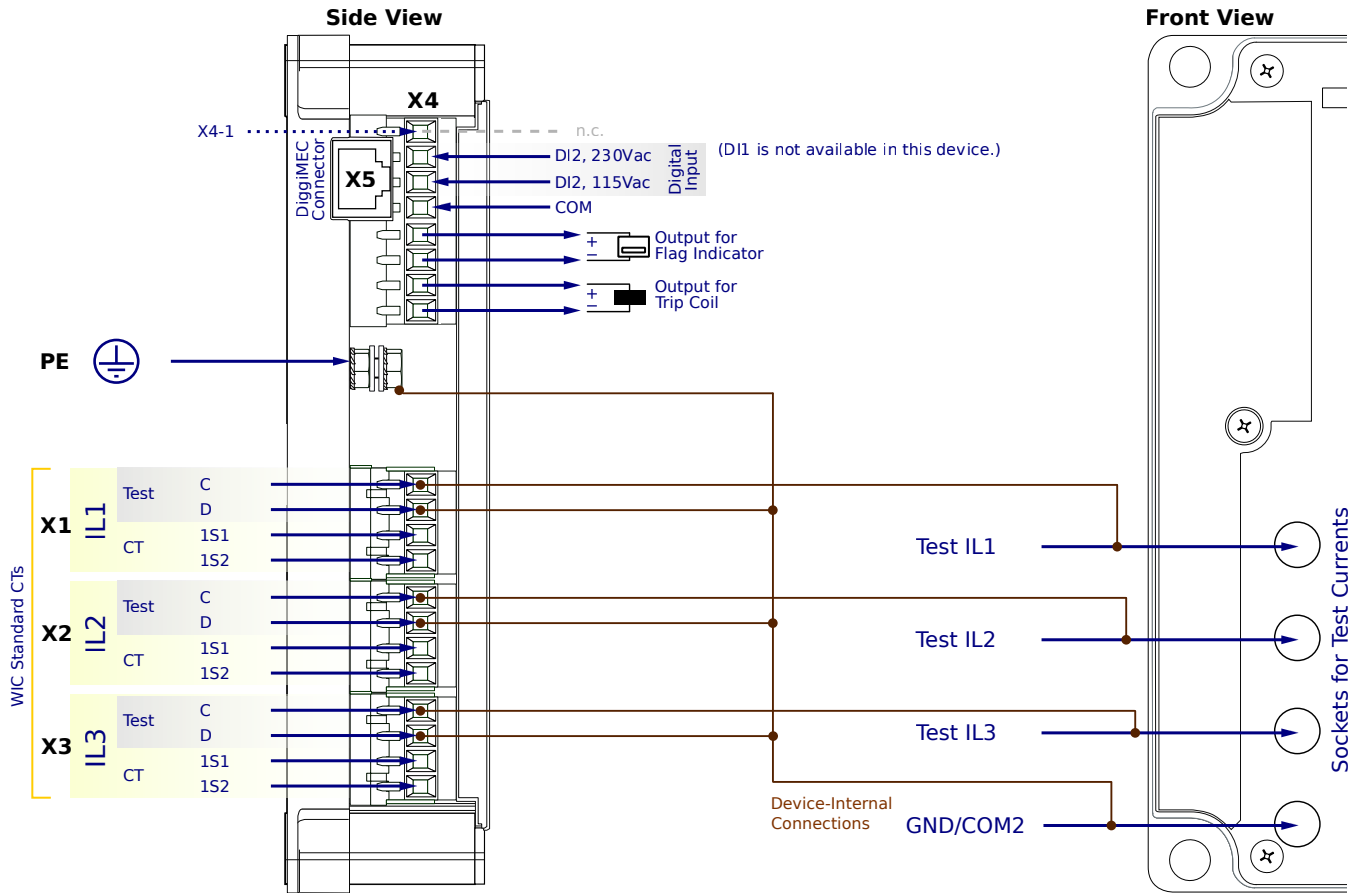
**X4-2,3** - DI2, fixed to External trip input (115Vac or 230Vac)

**X4-5,6** - Assignable flag indicator

**X4-7,8** - Trip pulse output

**X5** - DiggiMEC-WIC1 connection. Use network cable CAT3 (or better). No crossover cable!

# WIC1-3SN6CC1SA



## CT-Powered Protection Device, configuration via HEX switches or DiggiMEC / Smart view

- Calculated earth current
- Nominal frequency is 60 Hz. (Setting to 50 Hz is possible via DiggiMEC/Smart view.)
- Backup protection operates directly
- ANSI 50, 50G/N, 51, 51G/N, inrush, 50BF, 74TC

**PE** - Protective Earth

**X1...X3** - WIC CTs

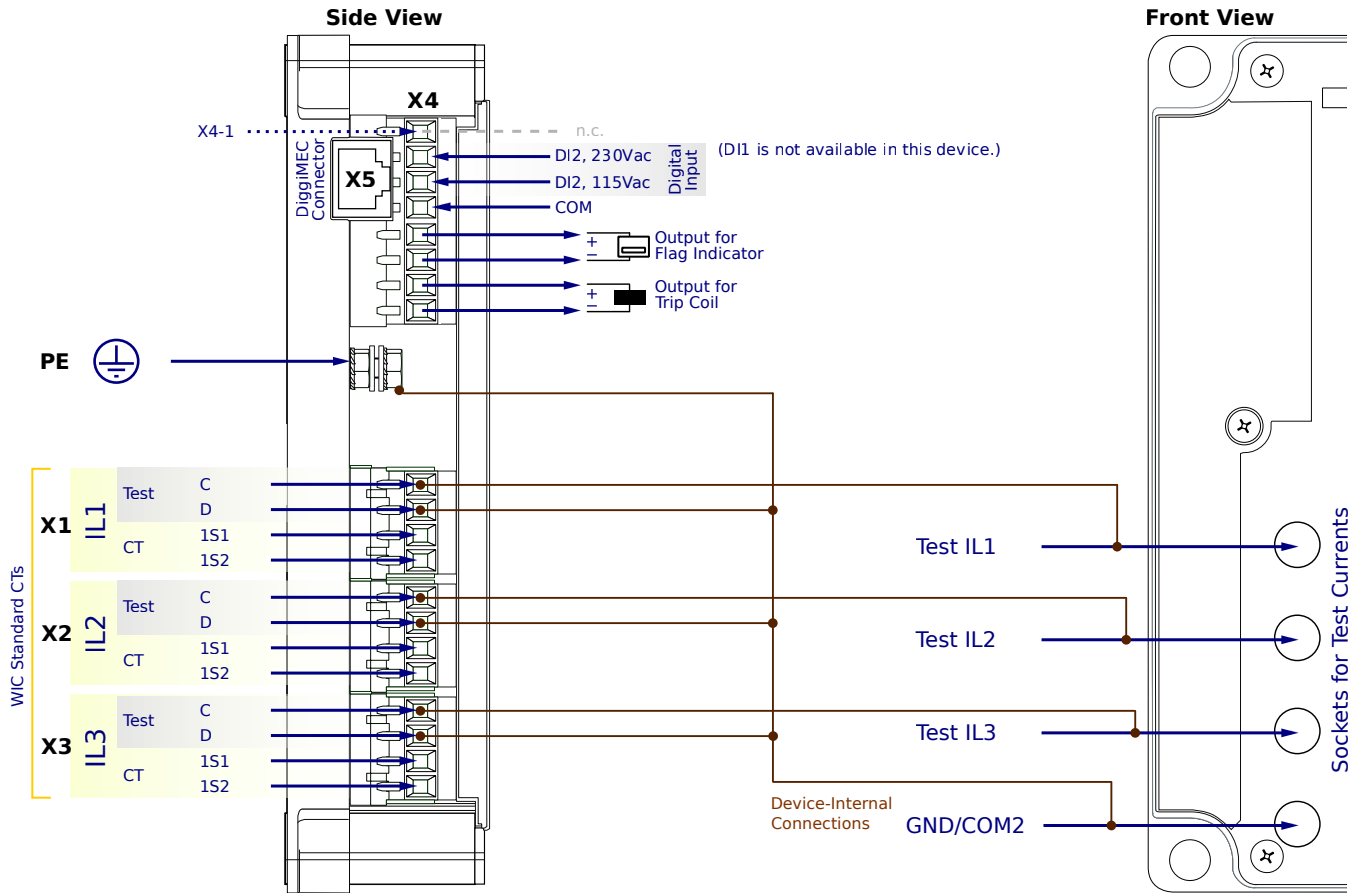
**X4-2,3** - 1 assignable Digital Input DI2 (115Vac or 230Vac)

**X4-5,6** - Assignable flag indicator

**X4-7,8** - Trip pulse output

**X5** - DiggiMEC-WIC1 connection. Use network cable CAT3 (or better). No crossover cable!

# WIC1-3SN6CC1AA



## CT-Powered Protection Device, configuration via HEX switches or DiggiMEC / Smart view

- Calculated earth current
- Nominal frequency is 60 Hz. (Setting to 50 Hz is possible via DiggiMEC/Smart view.)
- Backup protection operates directly
- Package "S" + ANSI 46, 49, 51Q, Breaker Wear, Condition Monitoring (= Life Load, Drag Indicator)

**PE** - Protective Earth

**X1...X3** - WIC CTs

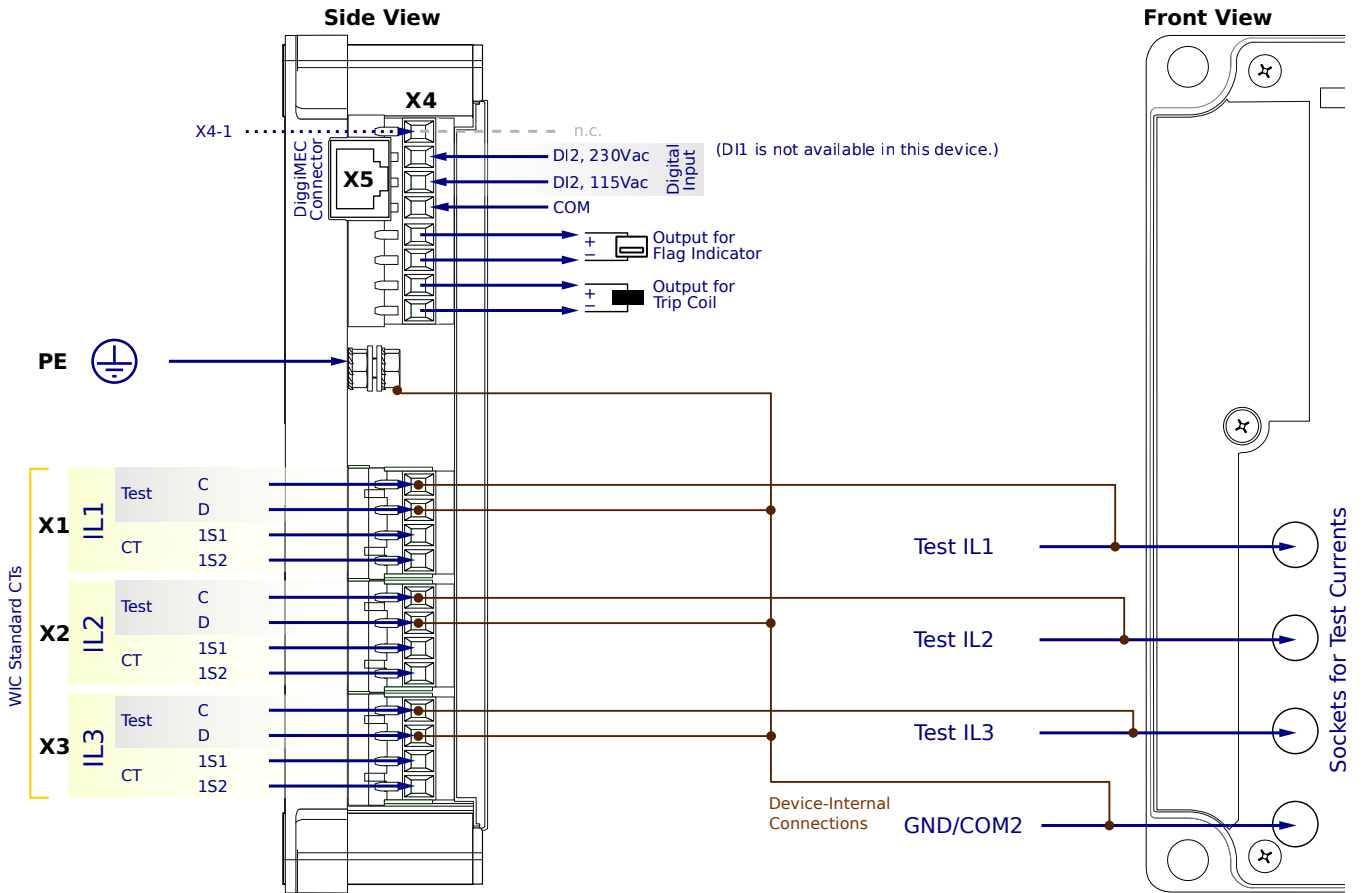
**X4-2,3** - 1 assignable Digital Input DI2 (115Vac or 230Vac)

**X4-5,6** - Assignable flag indicator

**X4-7,8** - Trip pulse output

**X5** - DiggiMEC-WIC1 connection. Use network cable CAT3 (or better). No crossover cable!

# WIC1-3SN6CC1PA



## CT-Powered Protection Device, configuration via HEX switches or DiggiMEC / Smart view

- Calculated earth current
- Nominal frequency is 60 Hz. (Setting to 50 Hz is possible via DiggiMEC/Smart view.)
- Backup protection operates directly
- Package "A" + SOTF, CLPU, external protection, ultra-fast overcurrent protection

**PE** - Protective Earth

**X1...X3** - WIC CTs

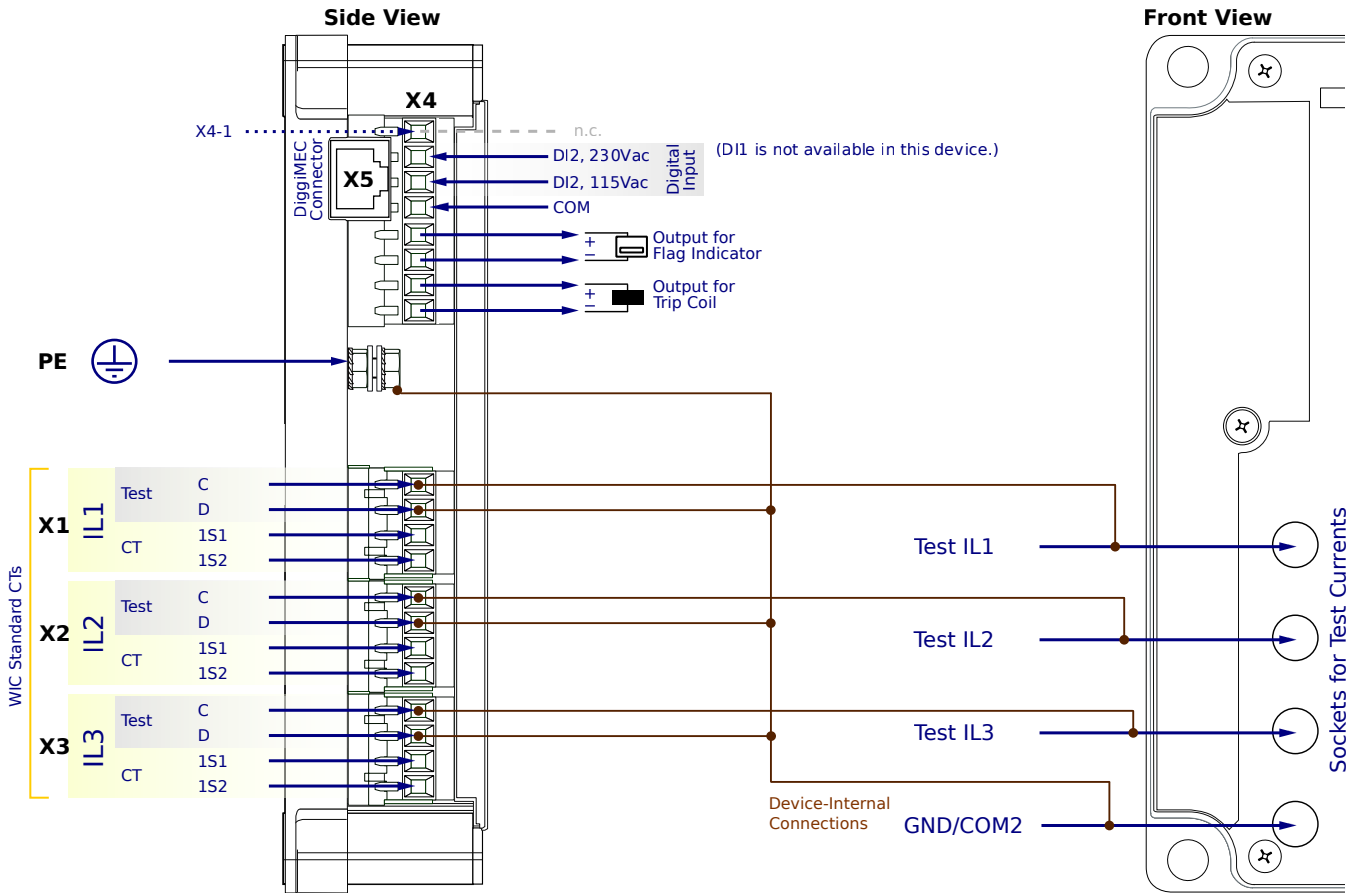
**X4-2,3** - 1 assignable Digital Input DI2 (115Vac or 230Vac)

**X4-5,6** - Assignable flag indicator

**X4-7,8** - Trip pulse output

**X5** - DiggiMEC-WIC1 connection. Use network cable CAT3 (or better). No crossover cable!

# WIC1-3SN6CC2SA



## CT-Powered Protection Device, configuration via HEX switches or DiggiMEC / Smart view

- Calculated earth current
- Nominal frequency is 60 Hz. (Setting to 50 Hz is possible via DiggiMEC/Smart view.)
- Trip at  $20 \cdot I_{n,max}$
- ANSI 50, 50G/N, 51, 51G/N, inrush, 50BF, 74TC

**PE** - Protective Earth

**X1...X3** - WIC CTs

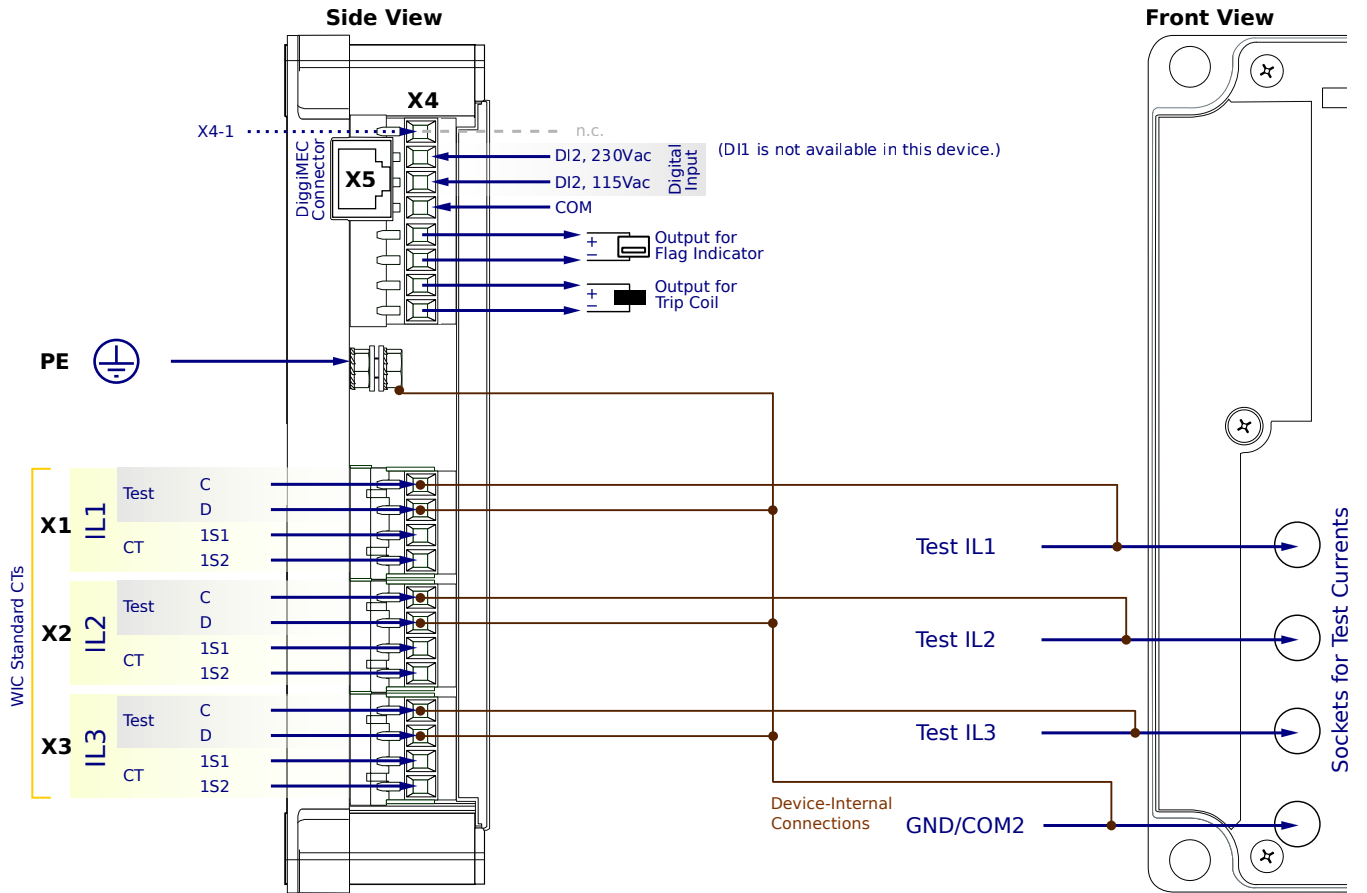
**X4-2,3** - 1 assignable Digital Input DI2 (115Vac or 230Vac)

**X4-5,6** - Assignable flag indicator

**X4-7,8** - Trip pulse output

**X5** - DiggiMEC-WIC1 connection. Use network cable CAT3 (or better). No crossover cable!

# WIC1-3SN6CC2AA



## CT-Powered Protection Device, configuration via HEX switches or DiggiMEC / Smart view

- Calculated earth current
- Nominal frequency is 60 Hz. (Setting to 50 Hz is possible via DiggiMEC/Smart view.)
- Trip at  $20 \cdot I_{n,max}$
- Package "S" + ANSI 46, 49, 51Q, Breaker Wear, Condition Monitoring (= Life Load, Drag Indicator)

**PE** - Protective Earth

**X1...X3** - WIC CTs

**X4-2,3** - 1 assignable Digital Input DI2 (115Vac or 230Vac)

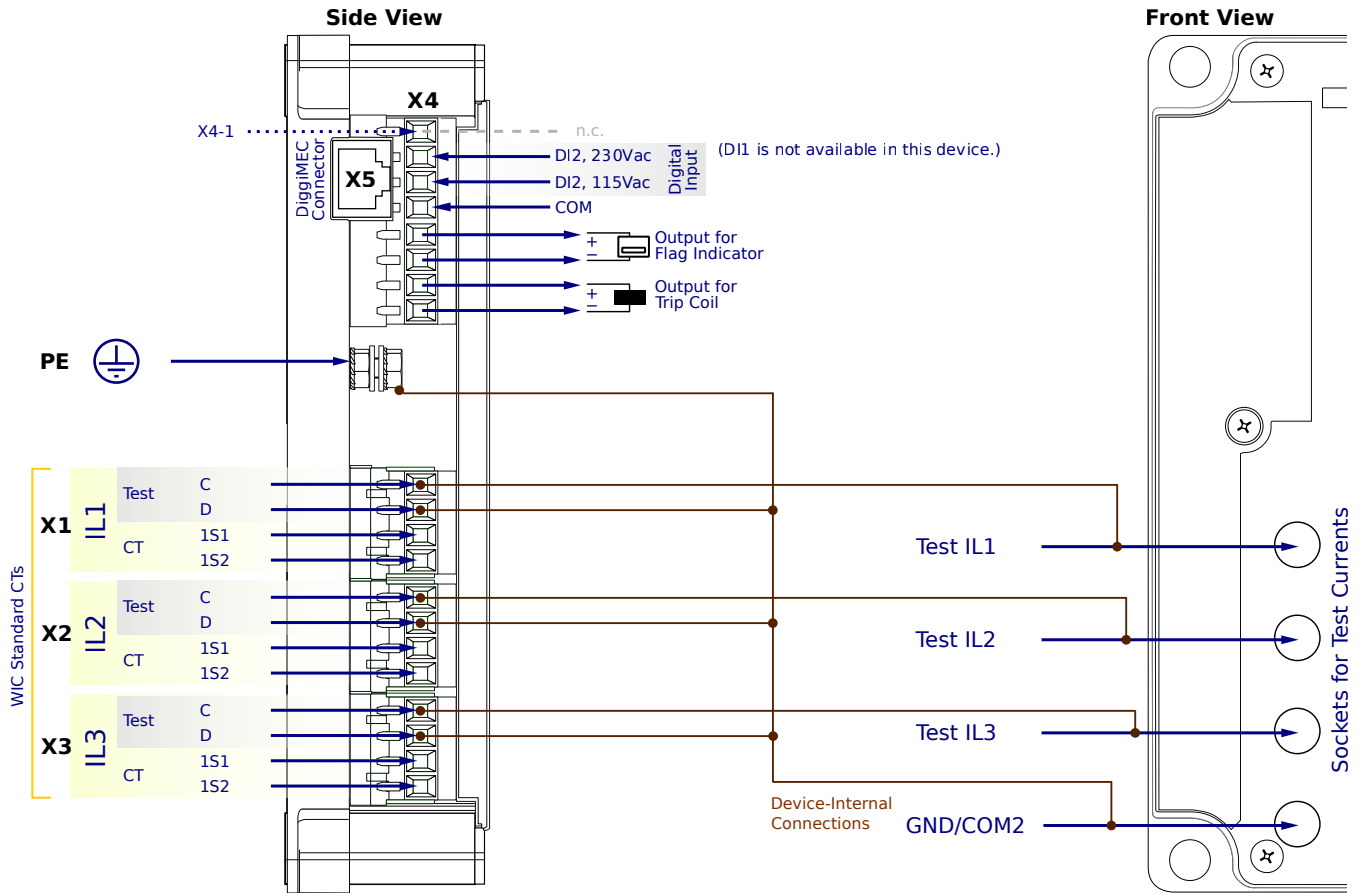
**X4-5,6** - Assignable flag indicator

**X4-7,8** - Trip pulse output

**X5** - DiggiMEC-WIC1 connection. Use network cable CAT3 (or better). No crossover cable!



# WIC1-3SN6CC2PA



## CT-Powered Protection Device, configuration via HEX switches or DiggiMEC / Smart view

- Calculated earth current
- Nominal frequency is 60 Hz. (Setting to 50 Hz is possible via DiggiMEC/Smart view.)
- Trip at  $20 \cdot I_{n,max}$
- Package "A" + SOTF, CLPU, external protection, ultra-fast overcurrent protection

**PE** - Protective Earth

**X1...X3** - WIC CTs

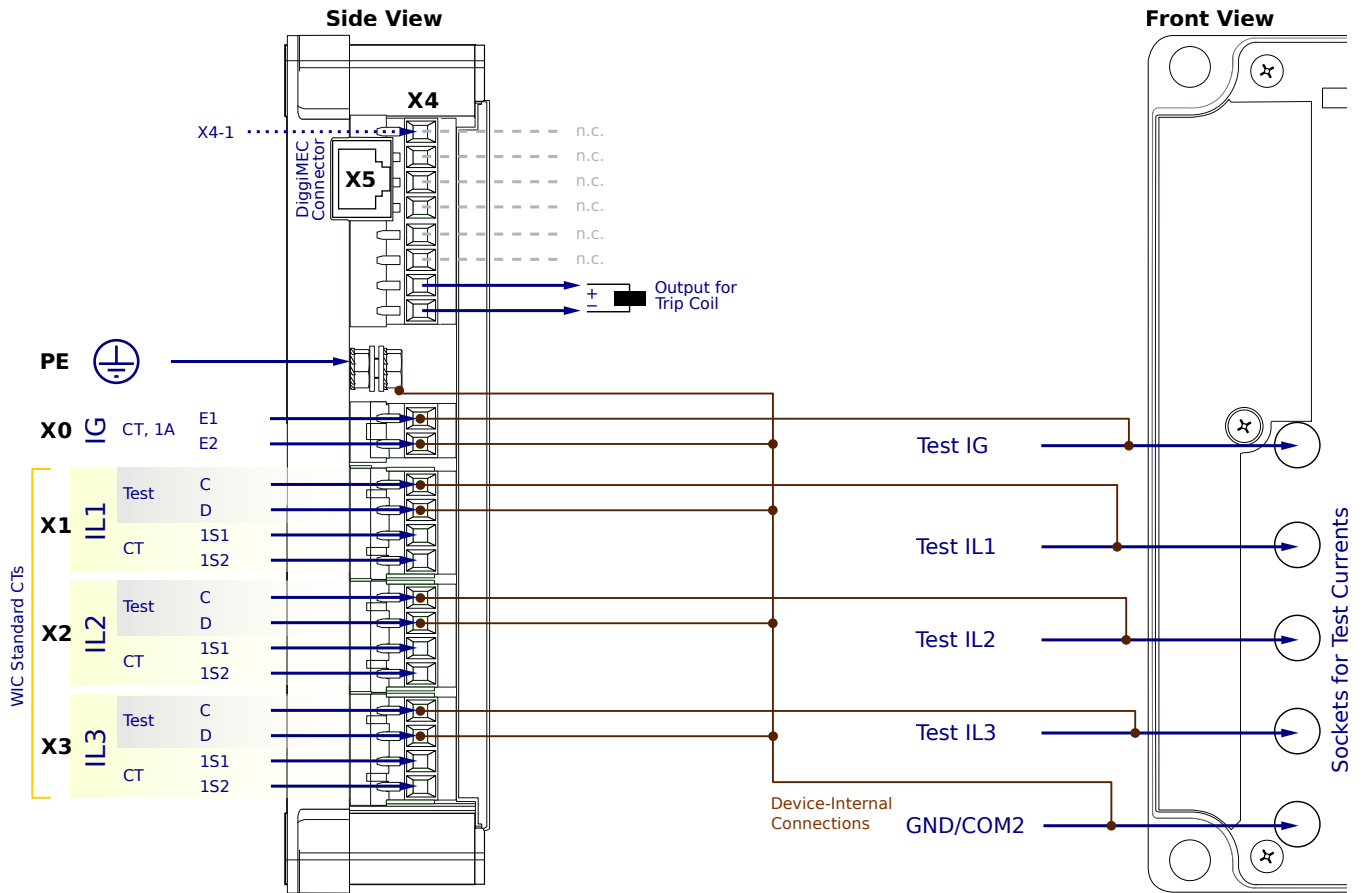
**X4-2,3** - 1 assignable Digital Input DI2 (115Vac or 230Vac)

**X4-5,6** - Assignable flag indicator

**X4-7,8** - Trip pulse output

**X5** - DiggiMEC-WIC1 connection. Use network cable CAT3 (or better). No crossover cable!

# WIC1-3SG5NN1SA



## CT-Powered Protection Device, configuration via HEX switches or DiggiMEC / Smart view

- Nominal frequency is 50 Hz. (Setting to 60 Hz is possible via DiggiMEC/Smart view.)
- Backup protection operates directly
- ANSI 50, 50G/N, 51, 51G/N, inrush, 50BF, 74TC

**PE** - Protective Earth

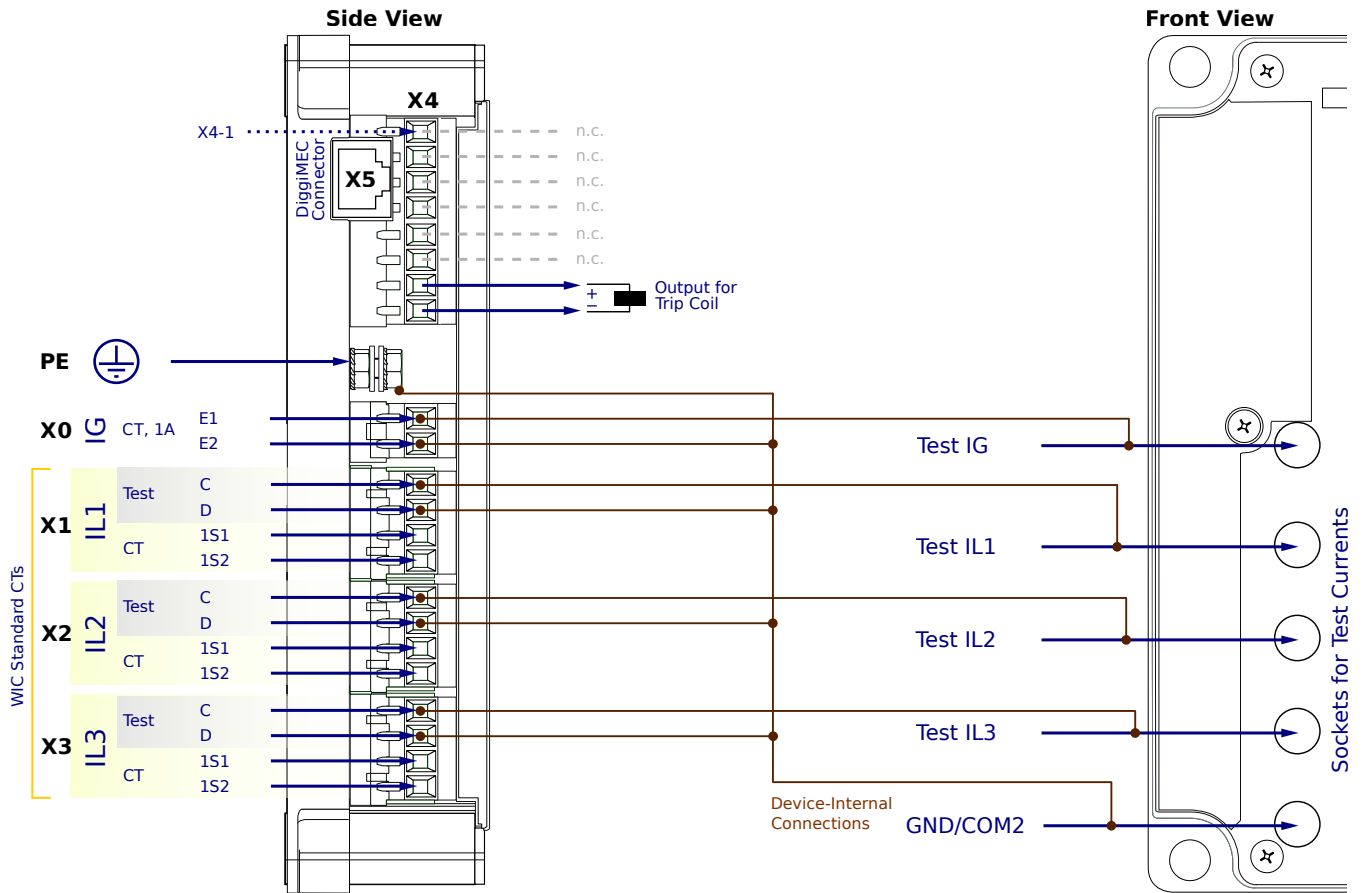
**X0** - Measured ground current via 1A CT input. (Setting to calc. IG is also possible via DiggiMEC/Smart view.)

**X1...X3** - WIC CTs

**X4-7,8** - Trip pulse output

**X5** - DiggiMEC-WIC1 connection. Use network cable CAT3 (or better). No crossover cable!

# WIC1-3SG5NN1AA



## CT-Powered Protection Device, configuration via HEX switches or DiggiMEC / Smart view

- Nominal frequency is 50 Hz. (Setting to 60 Hz is possible via DiggiMEC/Smart view.)
- Backup protection operates directly
- Package "S" + ANSI 46, 49, 51Q, Breaker Wear, Condition Monitoring (= Life Load, Drag Indicator)

**PE** - Protective Earth

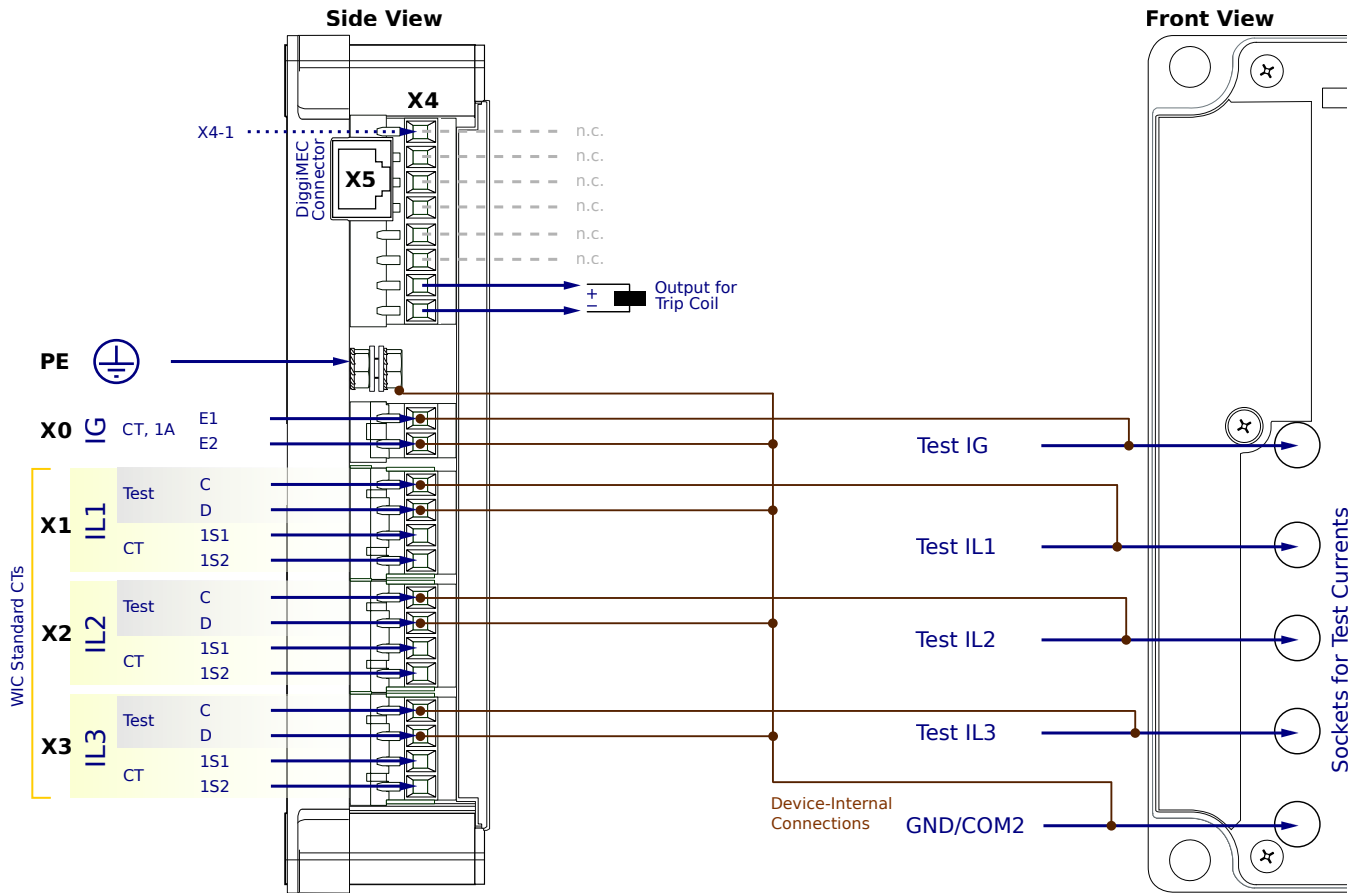
**X0** - Measured ground current via 1A CT input. (Setting to calc. IG is also possible via DiggiMEC/Smart view.)

**X1...X3** - WIC CTs

**X4-7,8** - Trip pulse output

**X5** - DiggiMEC-WIC1 connection. Use network cable CAT3 (or better). No crossover cable!

# WIC1-3SG5NN1PA



## CT-Powered Protection Device, configuration via HEX switches or DiggiMEC / Smart view

- Nominal frequency is 50 Hz. (Setting to 60 Hz is possible via DiggiMEC/Smart view.)
- Backup protection operates directly
- Package "A" + SOTF, CLPU, external protection, ultra-fast overcurrent protection

**PE** - Protective Earth

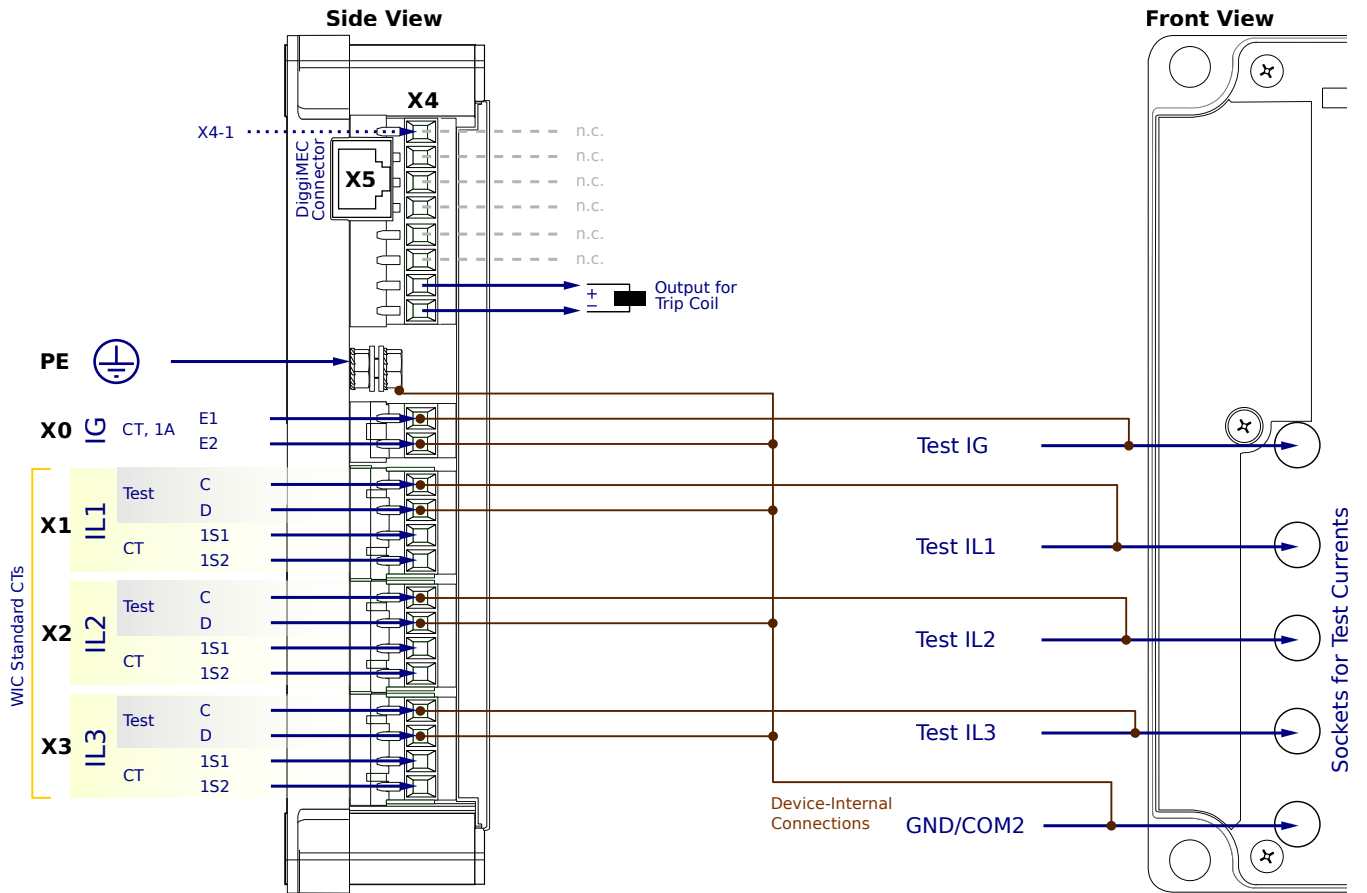
**X0** - Measured ground current via 1A CT input. (Setting to calc. IG is also possible via DiggiMEC/Smart view.)

**X1...X3** - WIC CTs

**X4-7,8** - Trip pulse output

**X5** - DiggiMEC-WIC1 connection. Use network cable CAT3 (or better). No crossover cable!

# WIC1-3SG5NN2SA



## CT-Powered Protection Device, configuration via HEX switches or DiggiMEC / Smart view

- Nominal frequency is 50 Hz. (Setting to 60 Hz is possible via DiggiMEC/Smart view.)
- Trip at  $20 \cdot I_{n,max}$
- ANSI 50, 50G/N, 51, 51G/N, inrush, 50BF, 74TC

**PE** - Protective Earth

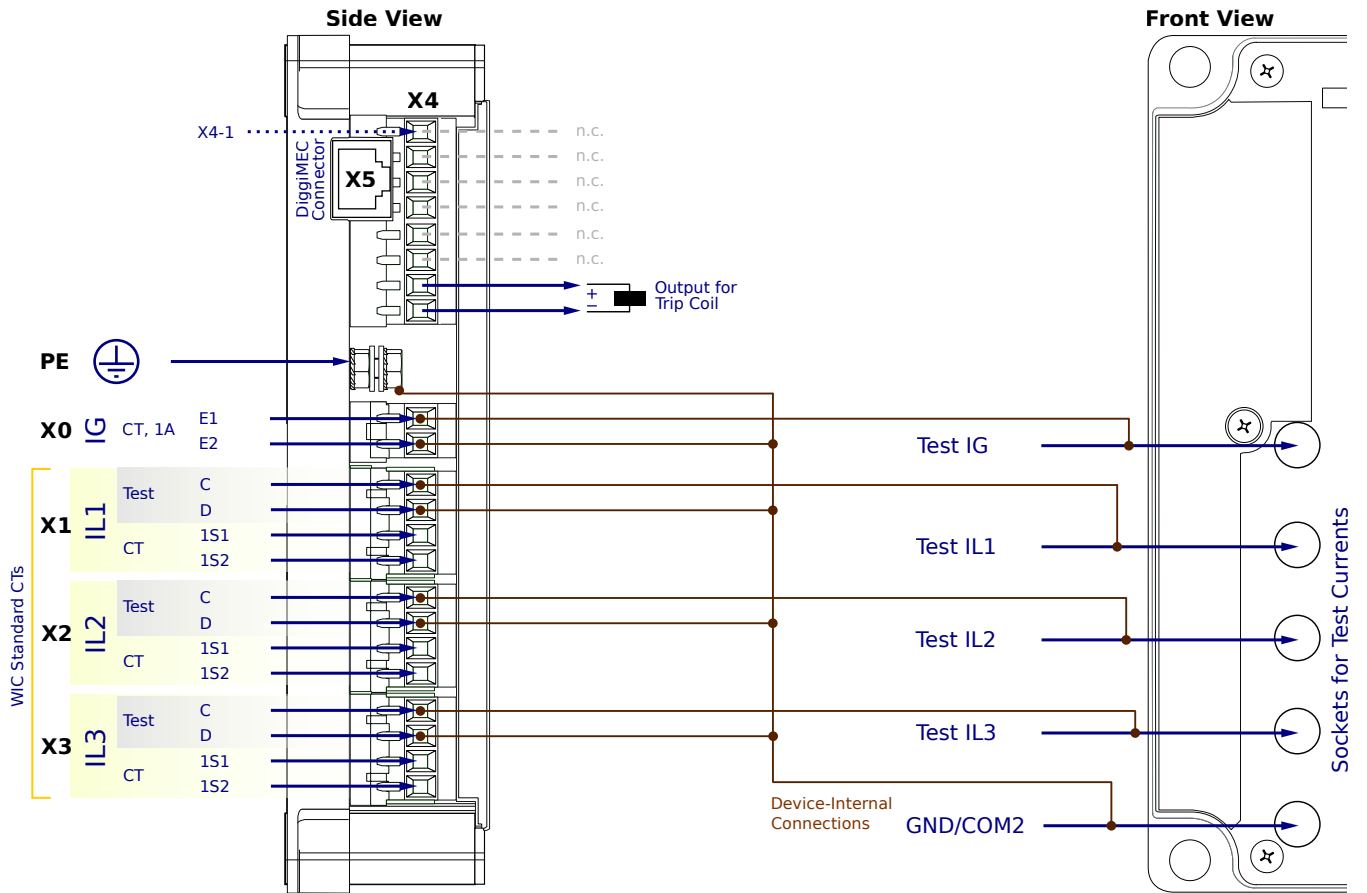
**X0** - Measured ground current via 1A CT input. (Setting to calc. IG is also possible via DiggiMEC/Smart view.)

**X1...X3** - WIC CTs

**X4-7,8** - Trip pulse output

**X5** - DiggiMEC-WIC1 connection. Use network cable CAT3 (or better). No crossover cable!

# WIC1-3SG5NN2AA



## CT-Powered Protection Device, configuration via HEX switches or DiggiMEC / Smart view

- Nominal frequency is 50 Hz. (Setting to 60 Hz is possible via DiggiMEC/Smart view.)
- Trip at  $20 \cdot I_{n,max}$
- Package "S" + ANSI 46, 49, 51Q, Breaker Wear, Condition Monitoring (= Life Load, Drag Indicator)

**PE** - Protective Earth

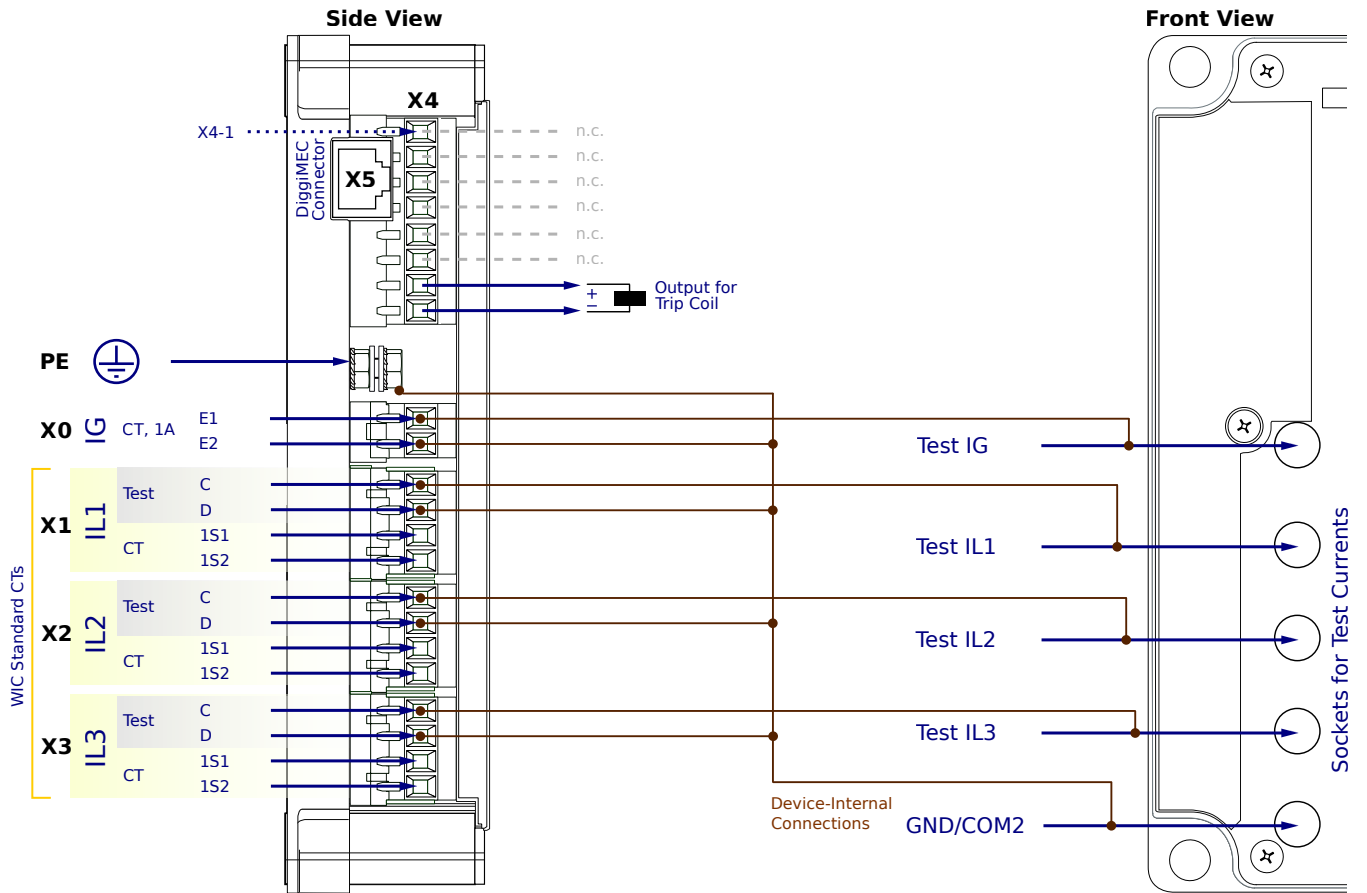
**X0** - Measured ground current via 1A CT input. (Setting to calc. IG is also possible via DiggiMEC/Smart view.)

**X1...X3** - WIC CTs

**X4-7,8** - Trip pulse output

**X5** - DiggiMEC-WIC1 connection. Use network cable CAT3 (or better). No crossover cable!

# WIC1-3SG5NN2PA



## CT-Powered Protection Device, configuration via HEX switches or DiggiMEC / Smart view

- Nominal frequency is 50 Hz. (Setting to 60 Hz is possible via DiggiMEC/Smart view.)
- Trip at  $20 \cdot I_{n,max}$
- Package "A" + SOTF, CLPU, external protection, ultra-fast overcurrent protection

**PE** - Protective Earth

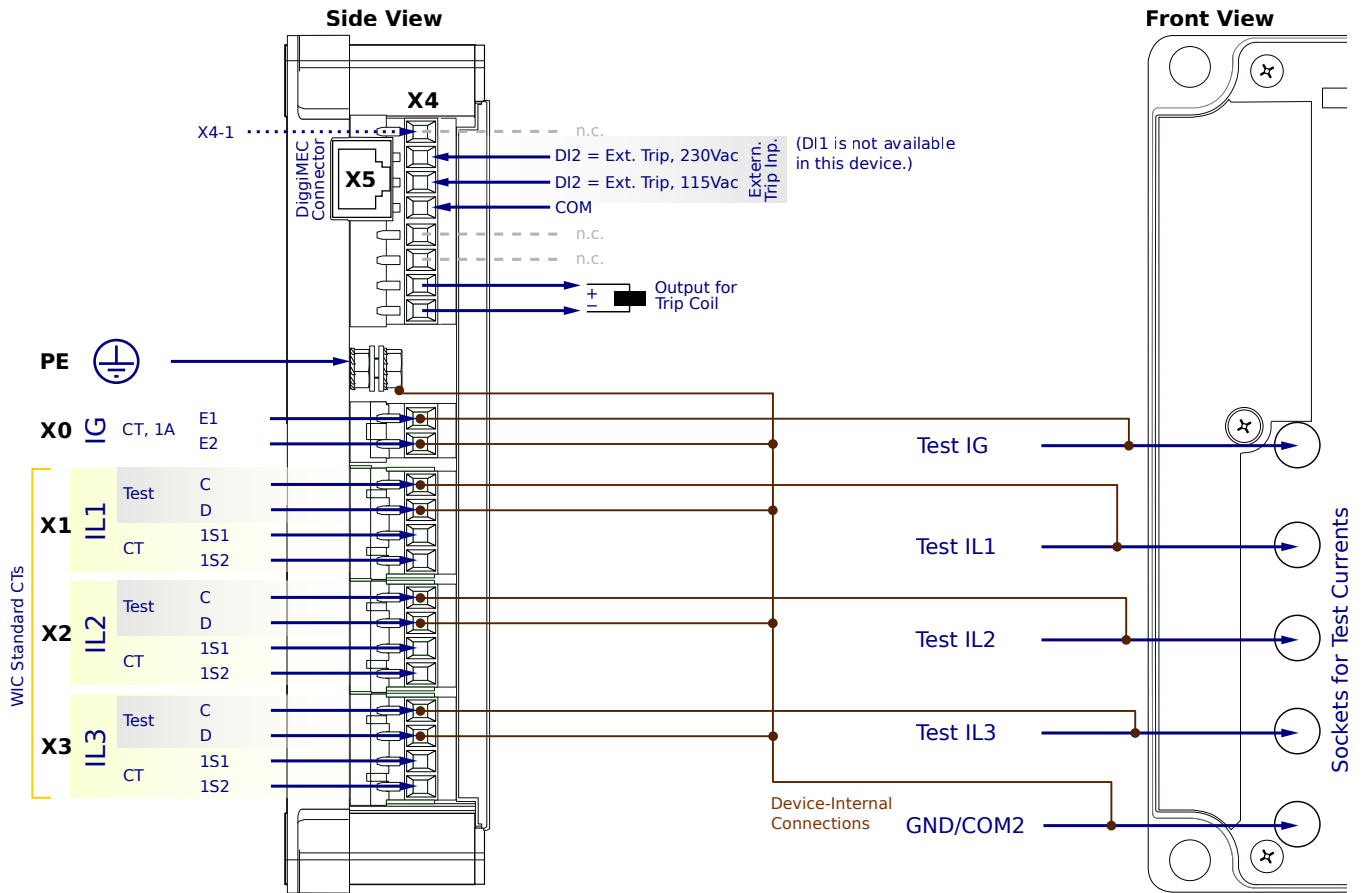
**X0** - Measured ground current via 1A CT input. (Setting to calc. IG is also possible via DiggiMEC/Smart view.)

**X1...X3** - WIC CTs

**X4-7,8** - Trip pulse output

**X5** - DiggiMEC-WIC1 connection. Use network cable CAT3 (or better). No crossover cable!

# WIC1-3SG5NF1SA



## CT-Powered Protection Device, configuration via HEX switches or DiggiMEC / Smart view

- Nominal frequency is 50 Hz. (Setting to 60 Hz is possible via DiggiMEC/Smart view.)
- Backup protection operates directly
- ANSI 50, 50G/N, 51, 51G/N, inrush, 50BF, 74TC

**PE** - Protective Earth

**X0** - Measured ground current via 1A CT input. (Setting to calc. IG is also possible via DiggiMEC/Smart view.)

**X1...X3** - WIC CTs

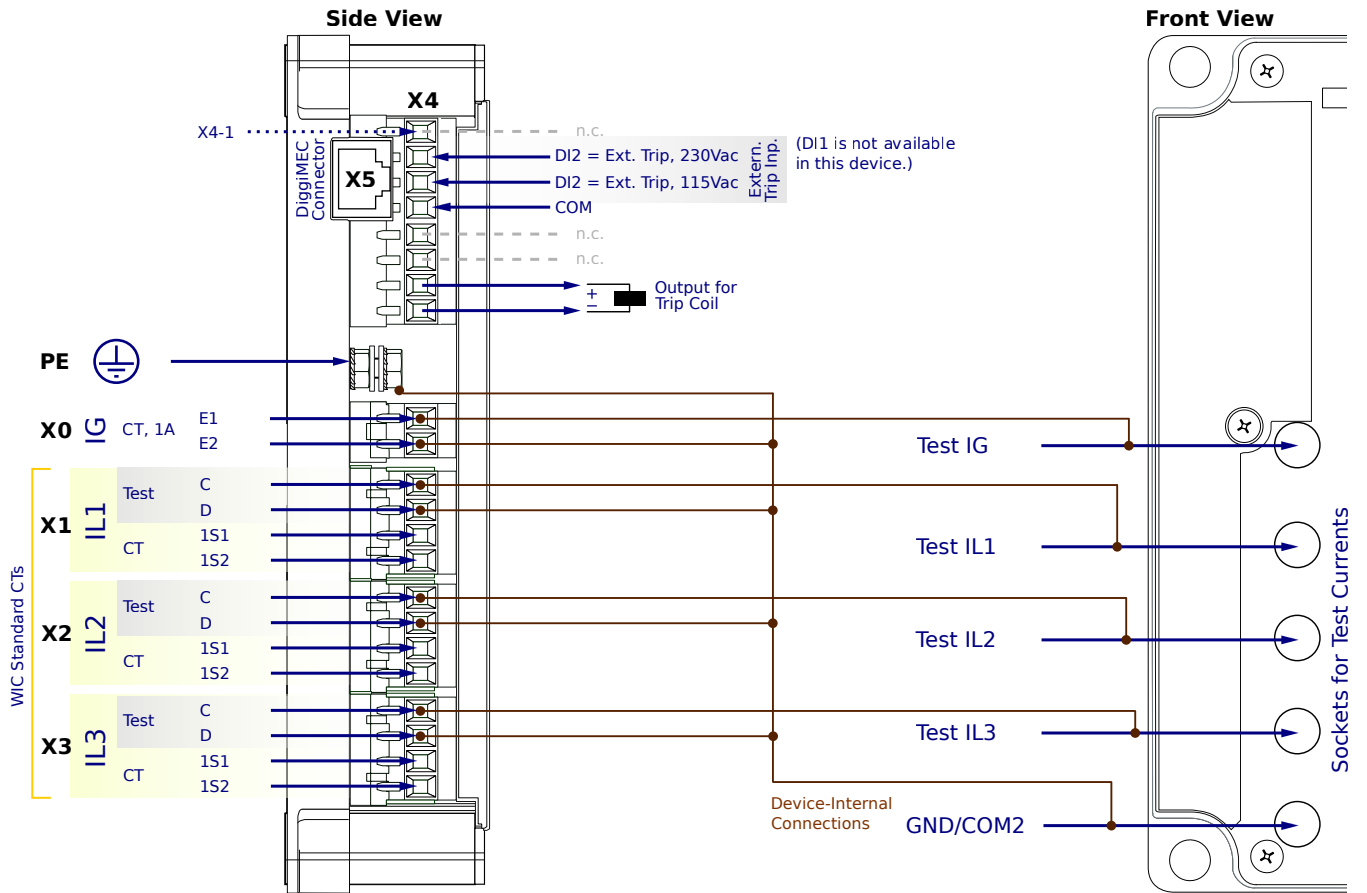
**X4-2,3** - DI2, fixed to External trip input (115Vac or 230Vac)

**X4-7,8** - Trip pulse output

**X5** - DiggiMEC-WIC1 connection. Use network cable CAT3 (or better). No crossover cable!



# WIC1-3SG5NF1AA



## CT-Powered Protection Device, configuration via HEX switches or DiggiMEC / Smart view

- Nominal frequency is 50 Hz. (Setting to 60 Hz is possible via DiggiMEC/Smart view.)
- Backup protection operates directly
- Package "S" + ANSI 46, 49, 51Q, Breaker Wear, Condition Monitoring (= Life Load, Drag Indicator)

**PE** - Protective Earth

**X0** - Measured ground current via 1A CT input. (Setting to calc. IG is also possible via DiggiMEC/Smart view.)

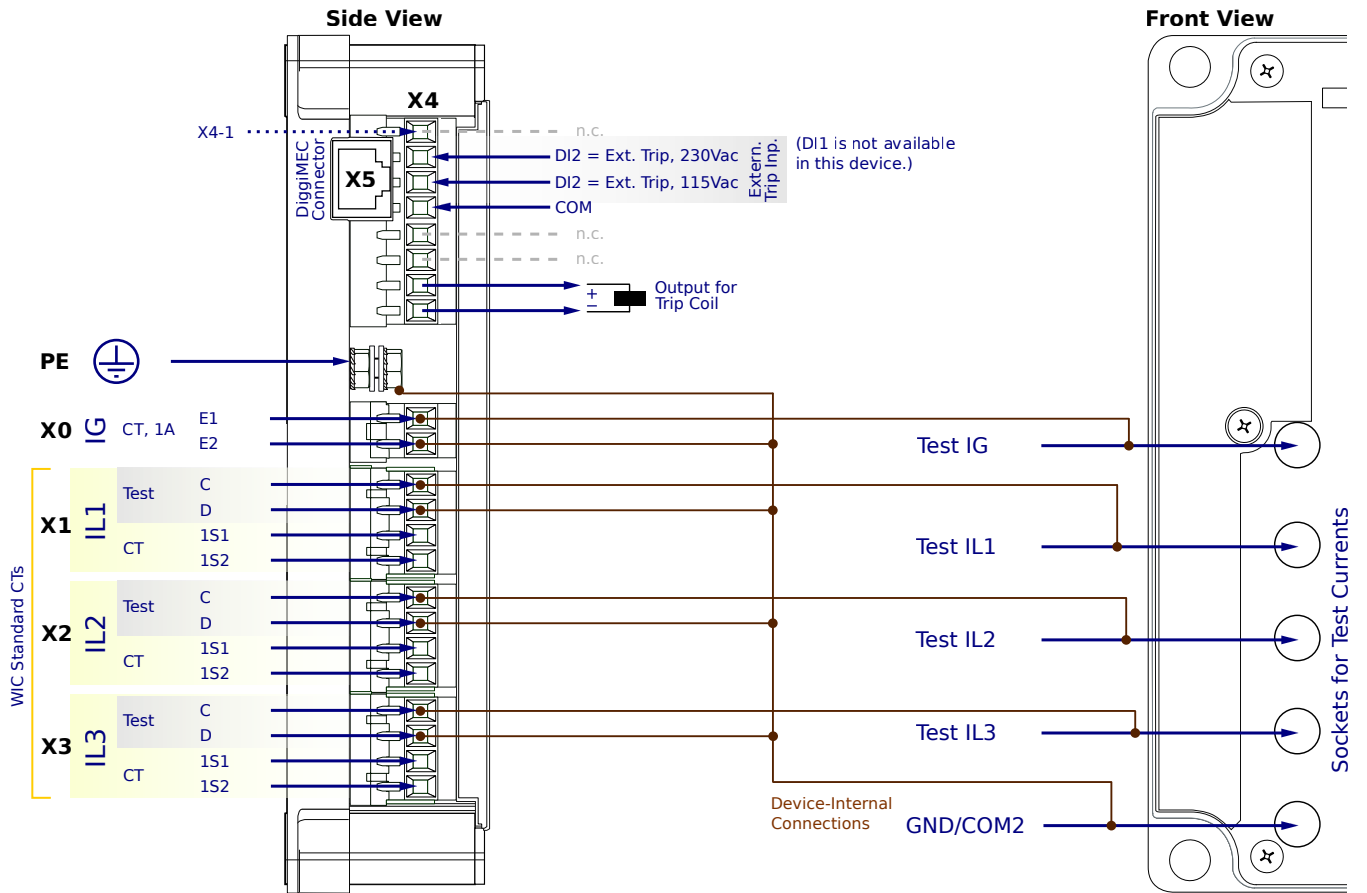
**X1...X3** - WIC CTs

**X4-2,3** - DI2, fixed to External trip input (115Vac or 230Vac)

**X4-7,8** - Trip pulse output

**X5** - DiggiMEC-WIC1 connection. Use network cable CAT3 (or better). No crossover cable!

# WIC1-3SG5NF1PA



## CT-Powered Protection Device, configuration via HEX switches or DiggiMEC / Smart view

- Nominal frequency is 50 Hz. (Setting to 60 Hz is possible via DiggiMEC/Smart view.)
- Backup protection operates directly
- Package "A" + SOTF, CLPU, external protection, ultra-fast overcurrent protection

**PE** - Protective Earth

**X0** - Measured ground current via 1A CT input. (Setting to calc. IG is also possible via DiggiMEC/Smart view.)

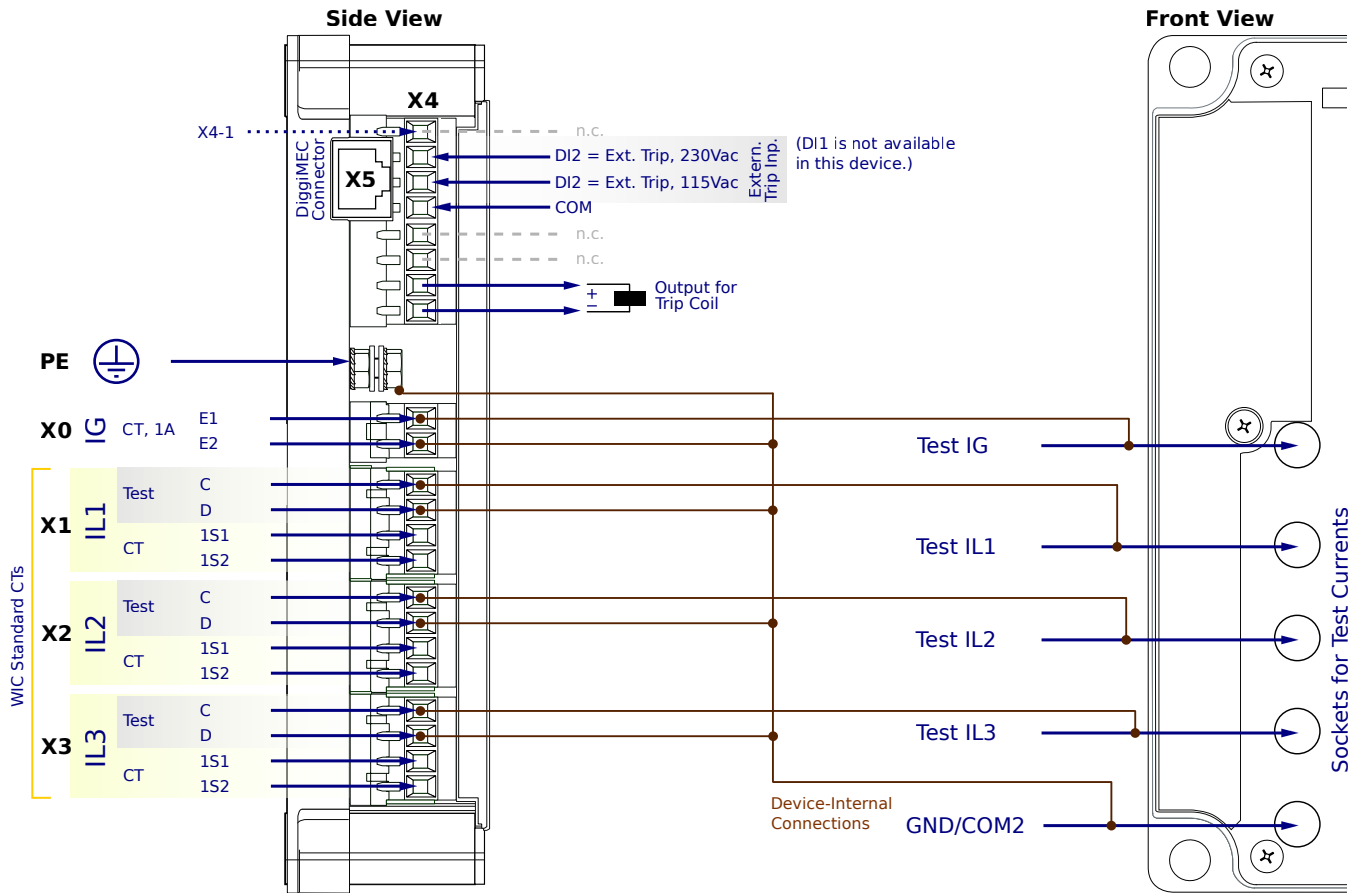
**X1...X3** - WIC CTs

**X4-2,3** - DI2, fixed to External trip input (115Vac or 230Vac)

**X4-7,8** - Trip pulse output

**X5** - DiggiMEC-WIC1 connection. Use network cable CAT3 (or better). No crossover cable!

# WIC1-3SG5NF2SA



## CT-Powered Protection Device, configuration via HEX switches or DiggiMEC / Smart view

- Nominal frequency is 50 Hz. (Setting to 60 Hz is possible via DiggiMEC/Smart view.)
- Trip at  $20 \cdot I_{n,max}$
- ANSI 50, 50G/N, 51, 51G/N, inrush, 50BF, 74TC

**PE** - Protective Earth

**X0** - Measured ground current via 1A CT input. (Setting to calc. IG is also possible via DiggiMEC/Smart view.)

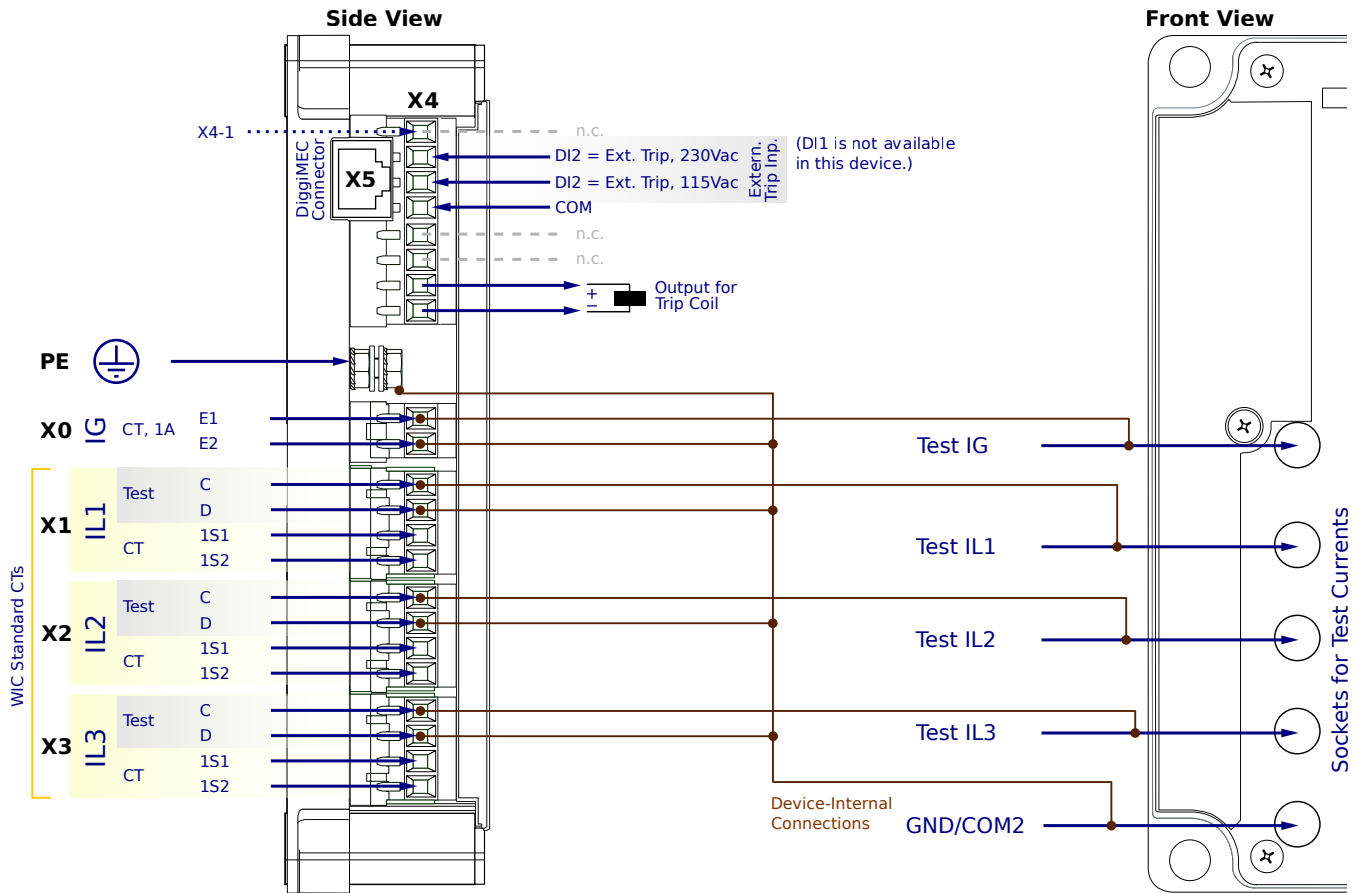
**X1...X3** - WIC CTs

**X4-2,3** - DI2, fixed to External trip input (115Vac or 230Vac)

**X4-7,8** - Trip pulse output

**X5** - DiggiMEC-WIC1 connection. Use network cable CAT3 (or better). No crossover cable!

# WIC1-3SG5NF2AA



## CT-Powered Protection Device, configuration via HEX switches or DiggiMEC / Smart view

- Nominal frequency is 50 Hz. (Setting to 60 Hz is possible via DiggiMEC/Smart view.)
- Trip at  $20 \cdot I_{n,max}$
- Package "S" + ANSI 46, 49, 51Q, Breaker Wear, Condition Monitoring (= Life Load, Drag Indicator)

**PE** - Protective Earth

**X0** - Measured ground current via 1A CT input. (Setting to calc. IG is also possible via DiggiMEC/Smart view.)

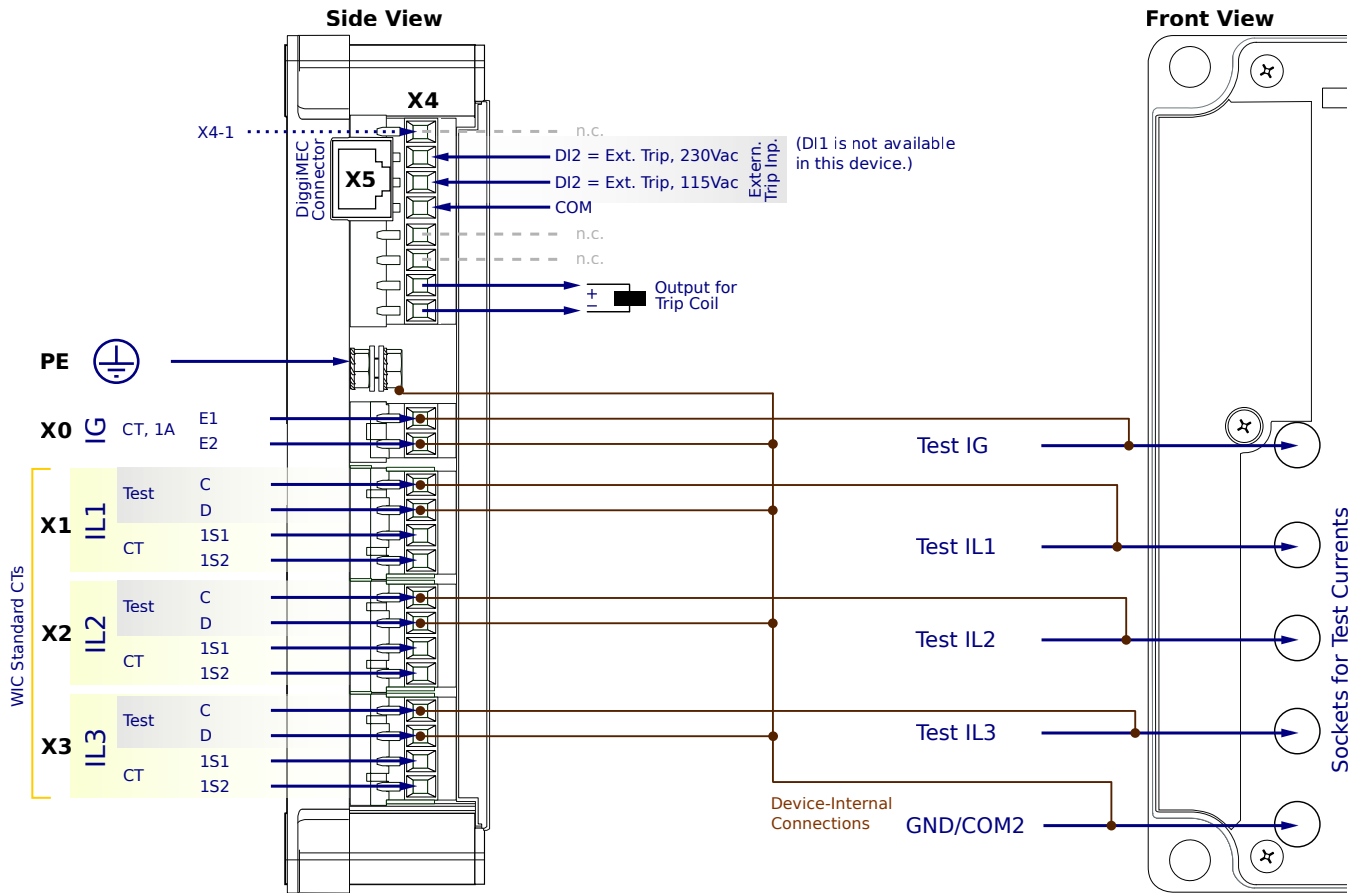
**X1...X3** - WIC CTs

**X4-2,3** - DI2, fixed to External trip input (115Vac or 230Vac)

**X4-7,8** - Trip pulse output

**X5** - DiggiMEC-WIC1 connection. Use network cable CAT3 (or better). No crossover cable!

# WIC1-3SG5NF2PA



## CT-Powered Protection Device, configuration via HEX switches or DiggiMEC / Smart view

- Nominal frequency is 50 Hz. (Setting to 60 Hz is possible via DiggiMEC/Smart view.)
- Trip at  $20 \cdot I_{n,max}$
- Package "A" + SOTF, CLPU, external protection, ultra-fast overcurrent protection

**PE** - Protective Earth

**X0** - Measured ground current via 1A CT input. (Setting to calc. IG is also possible via DiggiMEC/Smart view.)

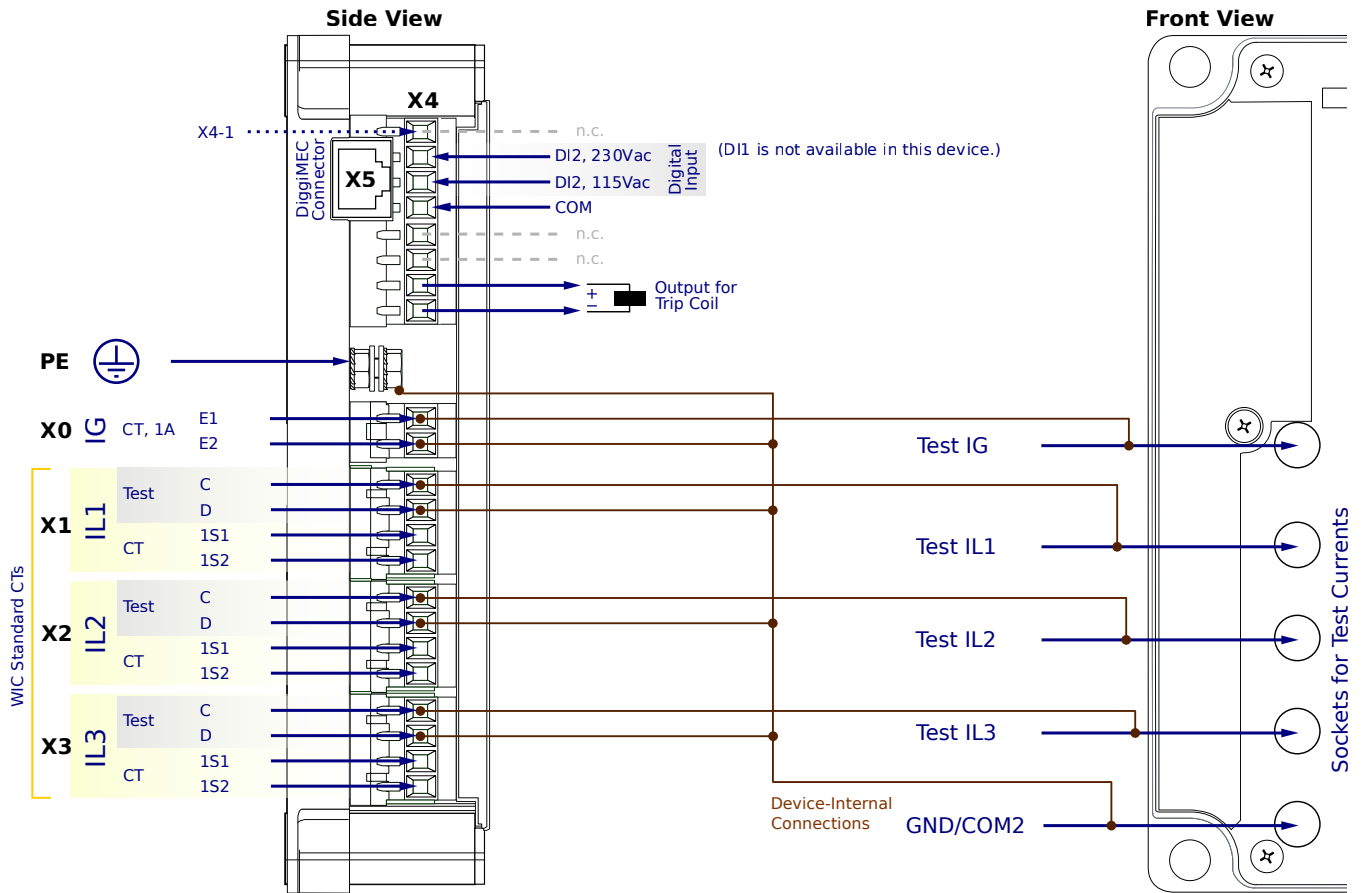
**X1...X3** - WIC CTs

**X4-2,3** - DI2, fixed to External trip input (115Vac or 230Vac)

**X4-7,8** - Trip pulse output

**X5** - DiggiMEC-WIC1 connection. Use network cable CAT3 (or better). No crossover cable!

# WIC1-3SG5NC1SA



## CT-Powered Protection Device, configuration via HEX switches or DiggiMEC / Smart view

- Nominal frequency is 50 Hz. (Setting to 60 Hz is possible via DiggiMEC/Smart view.)
- Backup protection operates directly
- ANSI 50, 50G/N, 51, 51G/N, inrush, 50BF, 74TC

**PE** - Protective Earth

**X0** - Measured ground current via 1A CT input. (Setting to calc. IG is also possible via DiggiMEC/Smart view.)

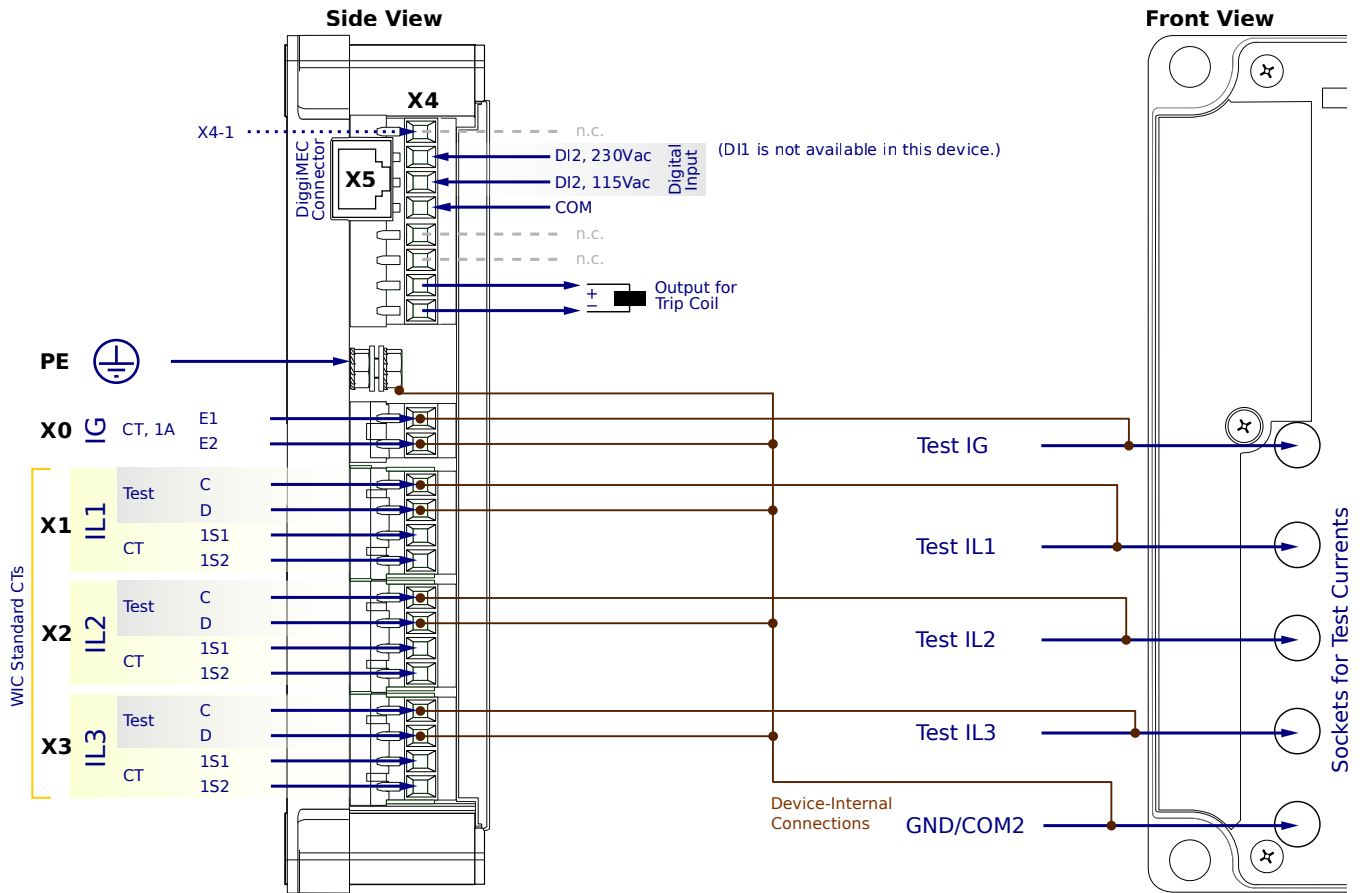
**X1...X3** - WIC CTs

**X4-2,3** - 1 assignable Digital Input DI2 (115Vac or 230Vac)

**X4-7,8** - Trip pulse output

**X5** - DiggiMEC-WIC1 connection. Use network cable CAT3 (or better). No crossover cable!

# WIC1-3SG5NC1AA



## CT-Powered Protection Device, configuration via HEX switches or DiggiMEC / Smart view

- Nominal frequency is 50 Hz. (Setting to 60 Hz is possible via DiggiMEC/Smart view.)
- Backup protection operates directly
- Package "S" + ANSI 46, 49, 51Q, Breaker Wear, Condition Monitoring (= Life Load, Drag Indicator)

**PE** - Protective Earth

**X0** - Measured ground current via 1A CT input. (Setting to calc. IG is also possible via DiggiMEC/Smart view.)

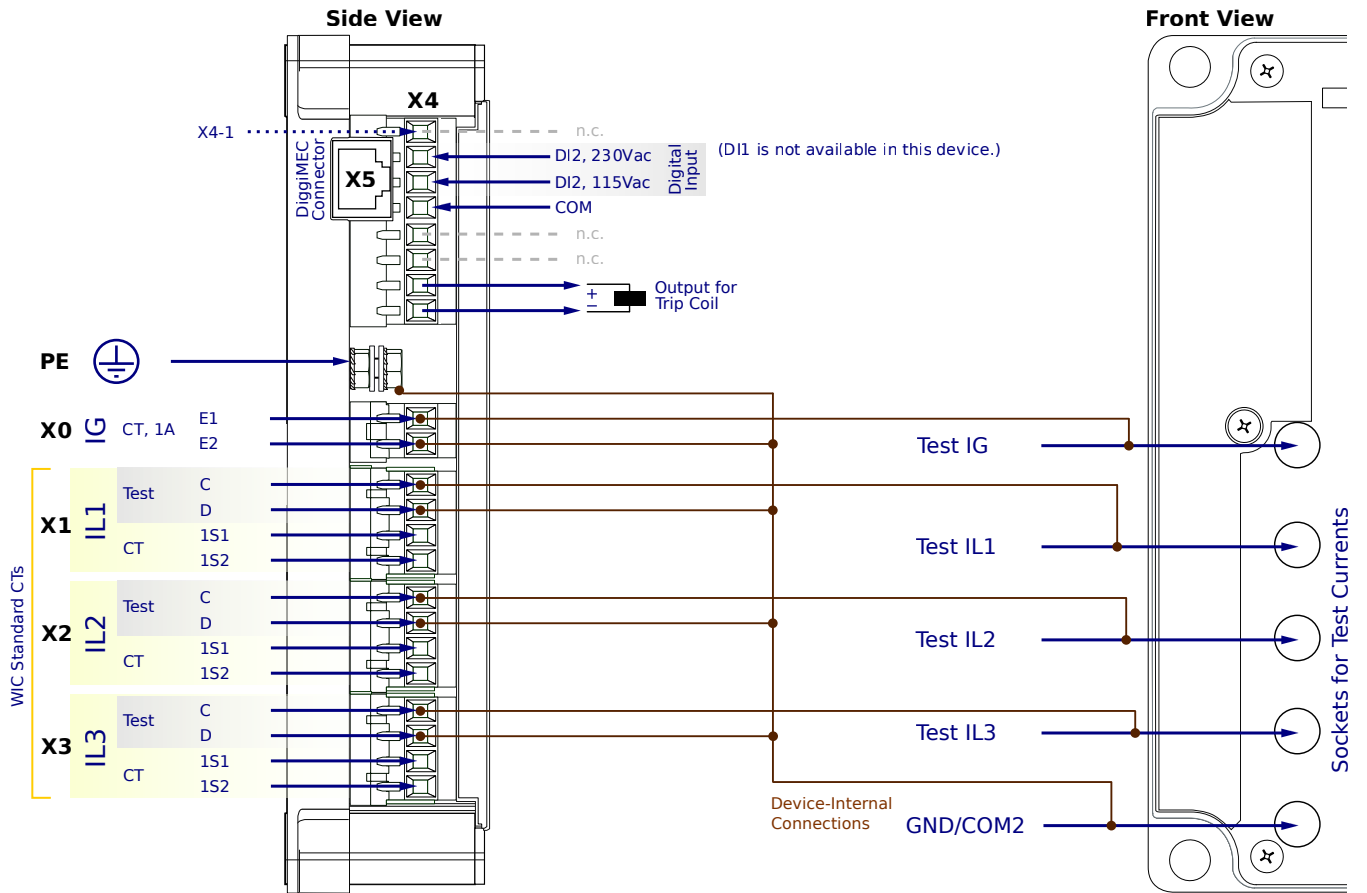
**X1...X3** - WIC CTs

**X4-2,3** - 1 assignable Digital Input DI2 (115Vac or 230Vac)

**X4-7,8** - Trip pulse output

**X5** - DiggiMEC-WIC1 connection. Use network cable CAT3 (or better). No crossover cable!

# WIC1-3SG5NC1PA



## CT-Powered Protection Device, configuration via HEX switches or DiggiMEC / Smart view

- Nominal frequency is 50 Hz. (Setting to 60 Hz is possible via DiggiMEC/Smart view.)
- Backup protection operates directly
- Package "A" + SOTF, CLPU, external protection, ultra-fast overcurrent protection

**PE** - Protective Earth

**X0** - Measured ground current via 1A CT input. (Setting to calc. IG is also possible via DiggiMEC/Smart view.)

**X1...X3** - WIC CTs

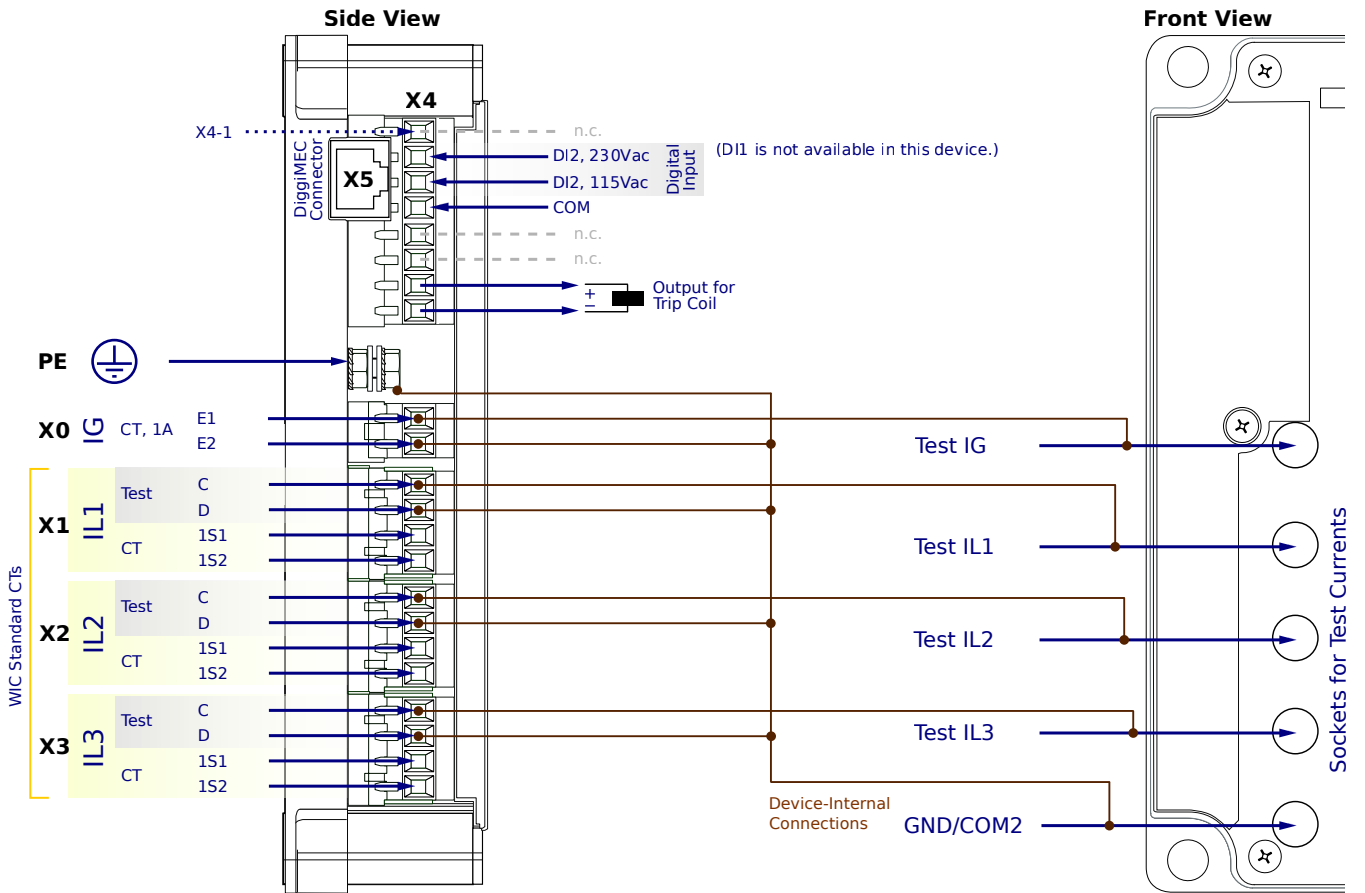
**X4-2,3** - 1 assignable Digital Input DI2 (115Vac or 230Vac)

**X4-7,8** - Trip pulse output

**X5** - DiggiMEC-WIC1 connection. Use network cable CAT3 (or better). No crossover cable!



# WIC1-3SG5NC2SA



## CT-Powered Protection Device, configuration via HEX switches or DiggiMEC / Smart view

- Nominal frequency is 50 Hz. (Setting to 60 Hz is possible via DiggiMEC/Smart view.)
- Trip at  $20 \cdot I_{n,max}$
- ANSI 50, 50G/N, 51, 51G/N, inrush, 50BF, 74TC

**PE** - Protective Earth

**X0** - Measured ground current via 1A CT input. (Setting to calc. IG is also possible via DiggiMEC/Smart view.)

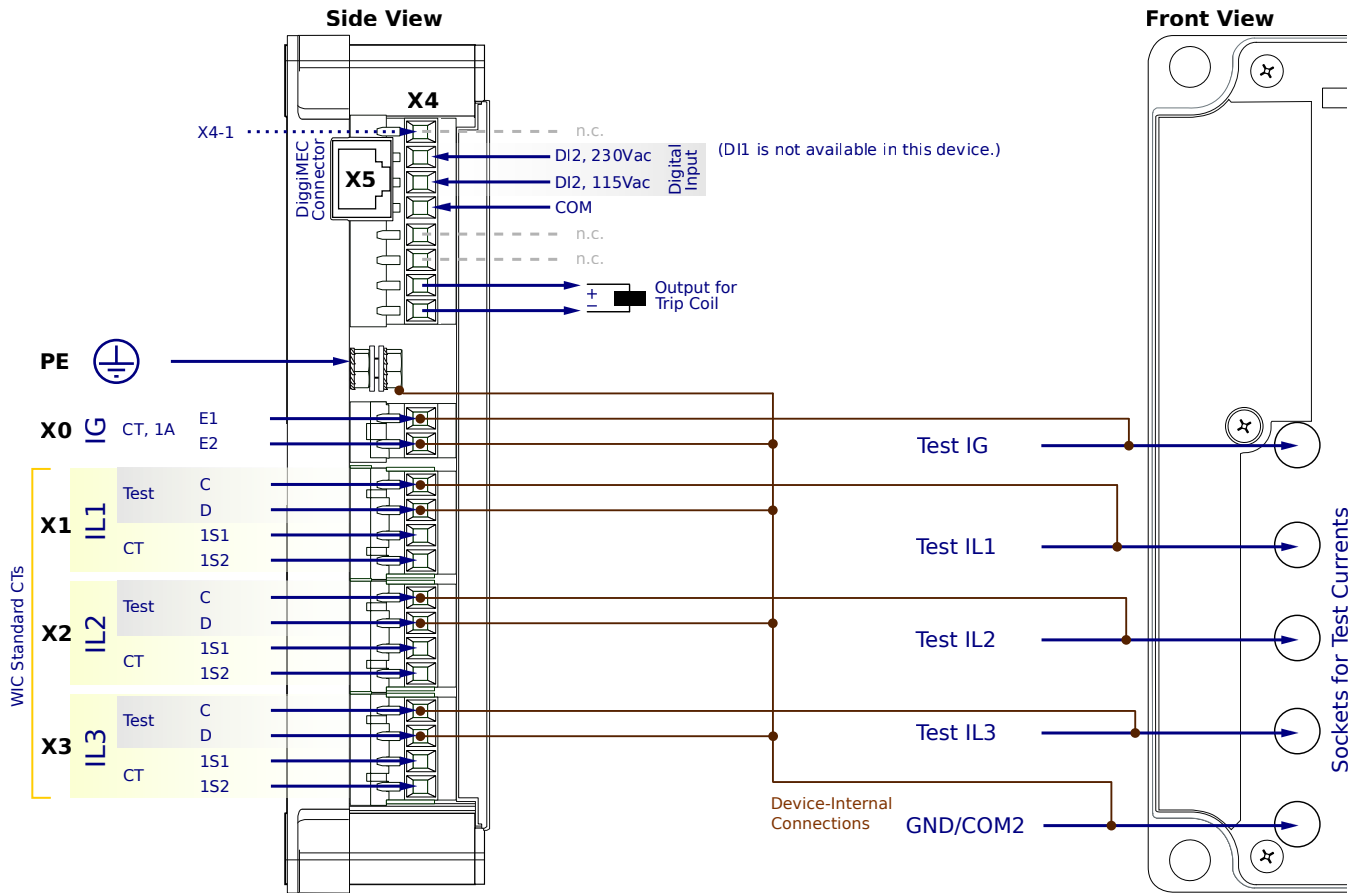
**X1...X3** - WIC CTs

**X4-2,3** - 1 assignable Digital Input DI2 (115Vac or 230Vac)

**X4-7,8** - Trip pulse output

**X5** - DiggiMEC-WIC1 connection. Use network cable CAT3 (or better). No crossover cable!

# WIC1-3SG5NC2AA



## CT-Powered Protection Device, configuration via HEX switches or DiggiMEC / Smart view

- Nominal frequency is 50 Hz. (Setting to 60 Hz is possible via DiggiMEC/Smart view.)
- Trip at  $20 \cdot I_{n,max}$
- Package "S" + ANSI 46, 49, 51Q, Breaker Wear, Condition Monitoring (= Life Load, Drag Indicator)

**PE** - Protective Earth

**X0** - Measured ground current via 1A CT input. (Setting to calc. IG is also possible via DiggiMEC/Smart view.)

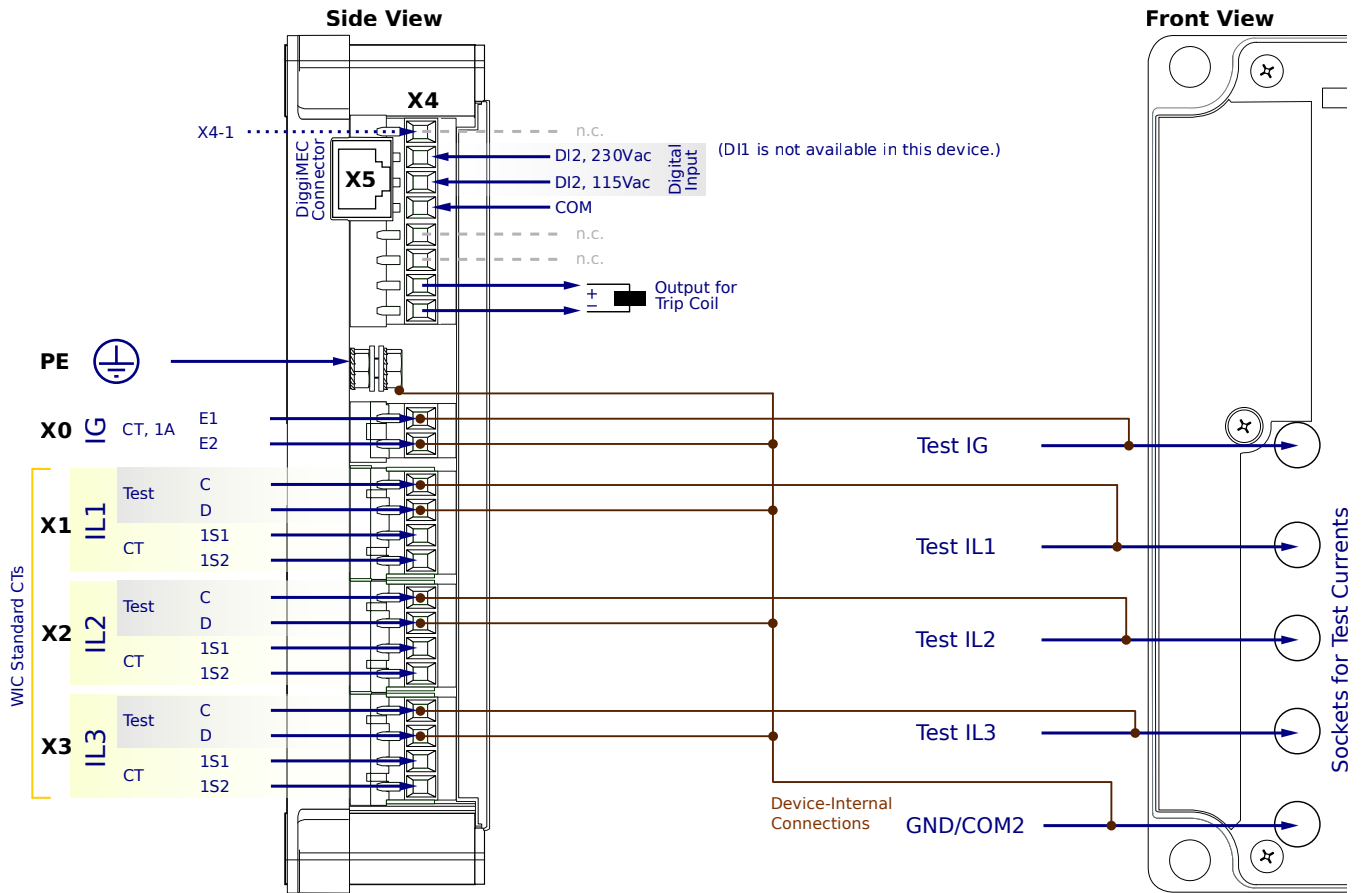
**X1...X3** - WIC CTs

**X4-2,3** - 1 assignable Digital Input DI2 (115Vac or 230Vac)

**X4-7,8** - Trip pulse output

**X5** - DiggiMEC-WIC1 connection. Use network cable CAT3 (or better). No crossover cable!

# WIC1-3SG5NC2PA



## CT-Powered Protection Device, configuration via HEX switches or DiggiMEC / Smart view

- Nominal frequency is 50 Hz. (Setting to 60 Hz is possible via DiggiMEC/Smart view.)
- Trip at  $20 \cdot I_{n,max}$
- Package "A" + SOTF, CLPU, external protection, ultra-fast overcurrent protection

**PE** - Protective Earth

**X0** - Measured ground current via 1A CT input. (Setting to calc. IG is also possible via DiggiMEC/Smart view.)

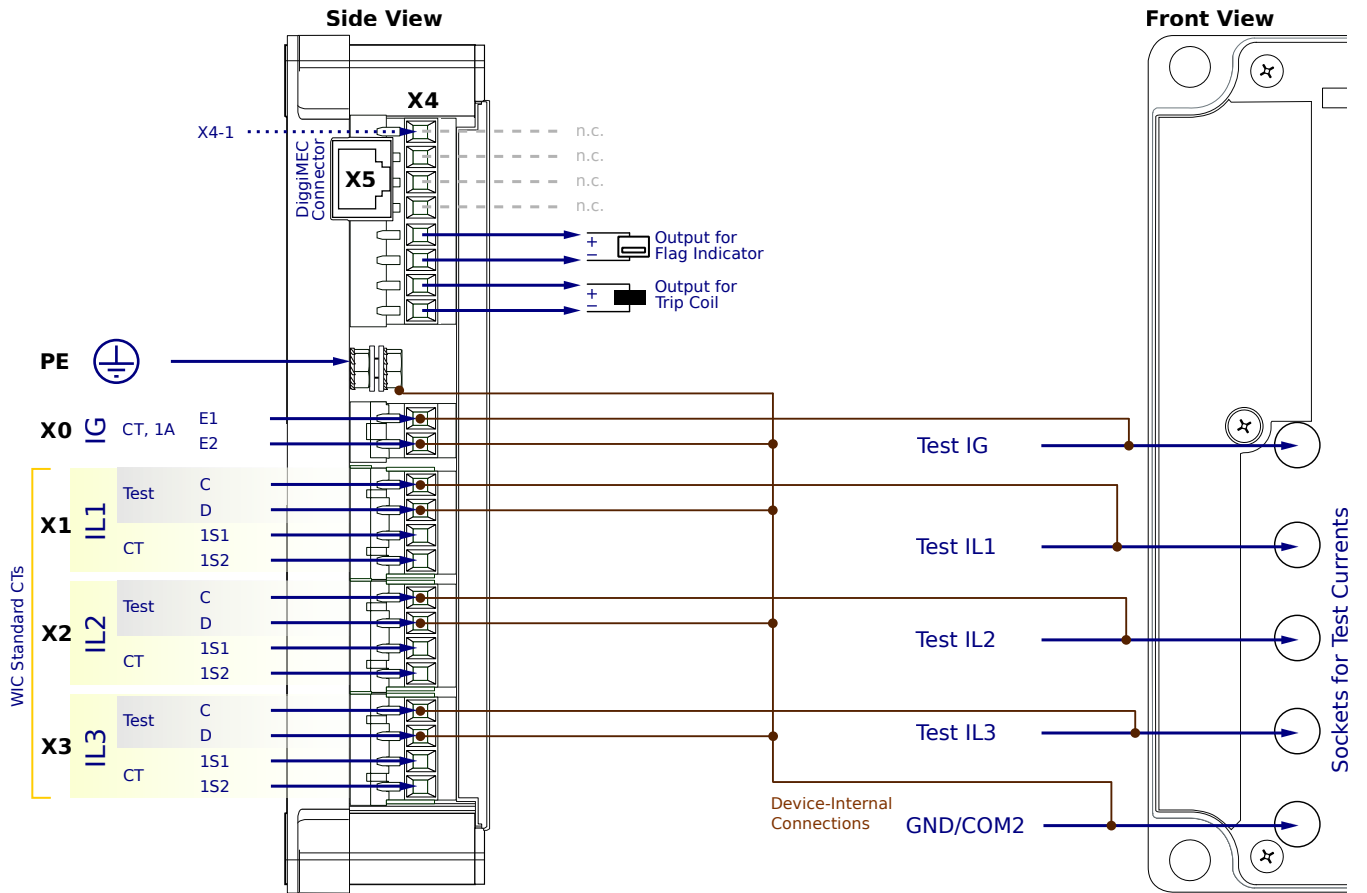
**X1...X3** - WIC CTs

**X4-2,3** - 1 assignable Digital Input DI2 (115Vac or 230Vac)

**X4-7,8** - Trip pulse output

**X5** - DiggiMEC-WIC1 connection. Use network cable CAT3 (or better). No crossover cable!

# WIC1-3SG5FN1SA



## CT-Powered Protection Device, configuration via HEX switches or DiggiMEC / Smart view

- Nominal frequency is 50 Hz. (Setting to 60 Hz is possible via DiggiMEC/Smart view.)
- Backup protection operates directly
- ANSI 50, 50G/N, 51, 51G/N, inrush, 50BF, 74TC

**PE** - Protective Earth

**X0** - Measured ground current via 1A CT input. (Setting to calc. IG is also possible via DiggiMEC/Smart view.)

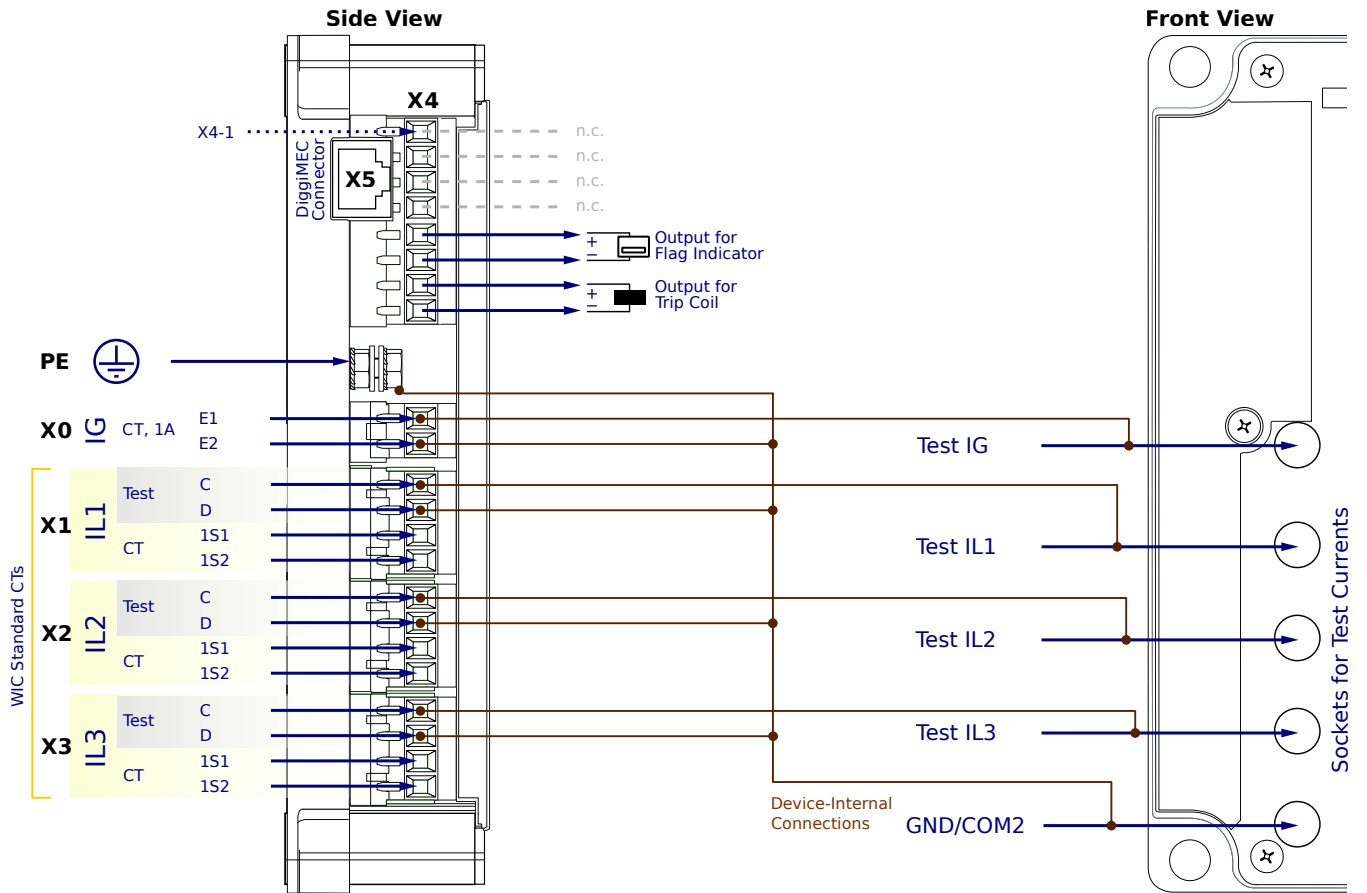
**X1...X3** - WIC CTs

**X4-5,6** - Trip flag indicator

**X4-7,8** - Trip pulse output

**X5** - DiggiMEC-WIC1 connection. Use network cable CAT3 (or better). No crossover cable!

# WIC1-3SG5FN1AA



## CT-Powered Protection Device, configuration via HEX switches or DiggiMEC / Smart view

- Nominal frequency is 50 Hz. (Setting to 60 Hz is possible via DiggiMEC/Smart view.)
- Backup protection operates directly
- Package "S" + ANSI 46, 49, 51Q, Breaker Wear, Condition Monitoring (= Life Load, Drag Indicator)

**PE** - Protective Earth

**X0** - Measured ground current via 1A CT input. (Setting to calc. IG is also possible via DiggiMEC/Smart view.)

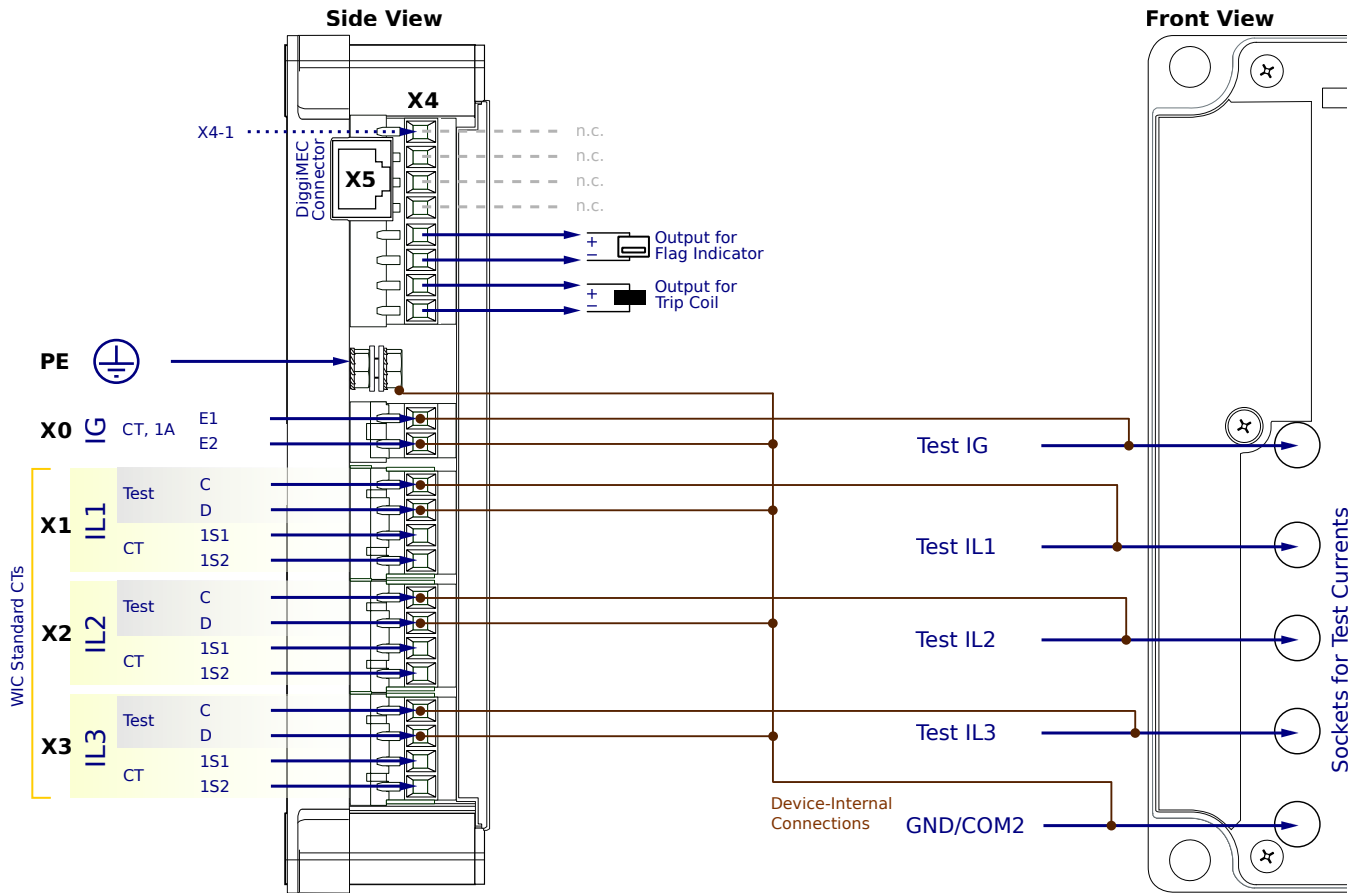
**X1...X3** - WIC CTs

**X4-5,6** - Trip flag indicator

**X4-7,8** - Trip pulse output

**X5** - DiggiMEC-WIC1 connection. Use network cable CAT3 (or better). No crossover cable!

# WIC1-3SG5FN1PA



## CT-Powered Protection Device, configuration via HEX switches or DiggiMEC / Smart view

- Nominal frequency is 50 Hz. (Setting to 60 Hz is possible via DiggiMEC/Smart view.)
- Backup protection operates directly
- Package "A" + SOTF, CLPU, external protection, ultra-fast overcurrent protection

**PE** - Protective Earth

**X0** - Measured ground current via 1A CT input. (Setting to calc. IG is also possible via DiggiMEC/Smart view.)

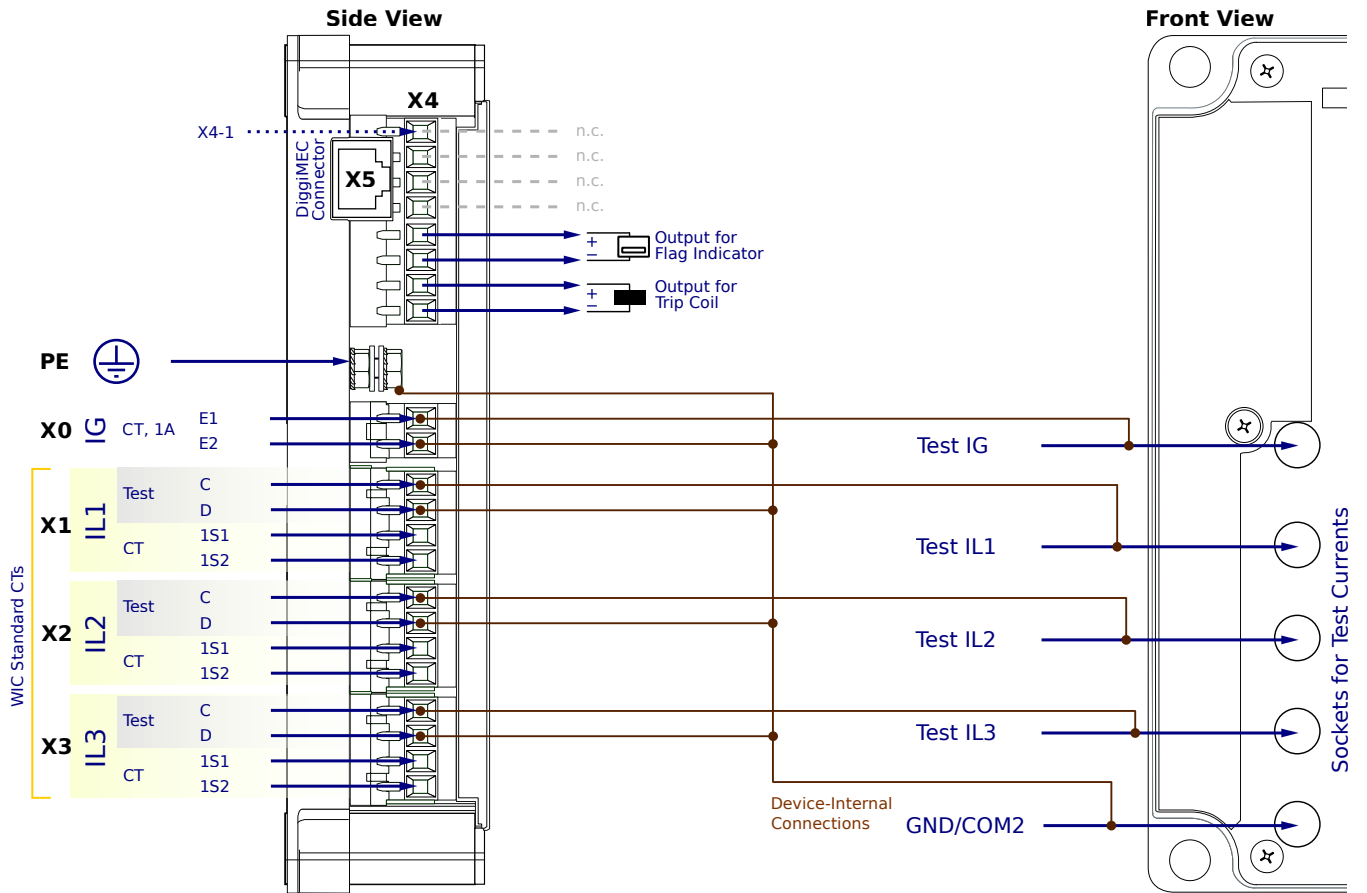
**X1...X3** - WIC CTs

**X4-5,6** - Trip flag indicator

**X4-7,8** - Trip pulse output

**X5** - DiggiMEC-WIC1 connection. Use network cable CAT3 (or better). No crossover cable!

# WIC1-3SG5FN2SA



## CT-Powered Protection Device, configuration via HEX switches or DiggiMEC / Smart view

- Nominal frequency is 50 Hz. (Setting to 60 Hz is possible via DiggiMEC/Smart view.)
- Trip at  $20 \cdot I_{n,max}$
- ANSI 50, 50G/N, 51, 51G/N, inrush, 50BF, 74TC

**PE** - Protective Earth

**X0** - Measured ground current via 1A CT input. (Setting to calc. IG is also possible via DiggiMEC/Smart view.)

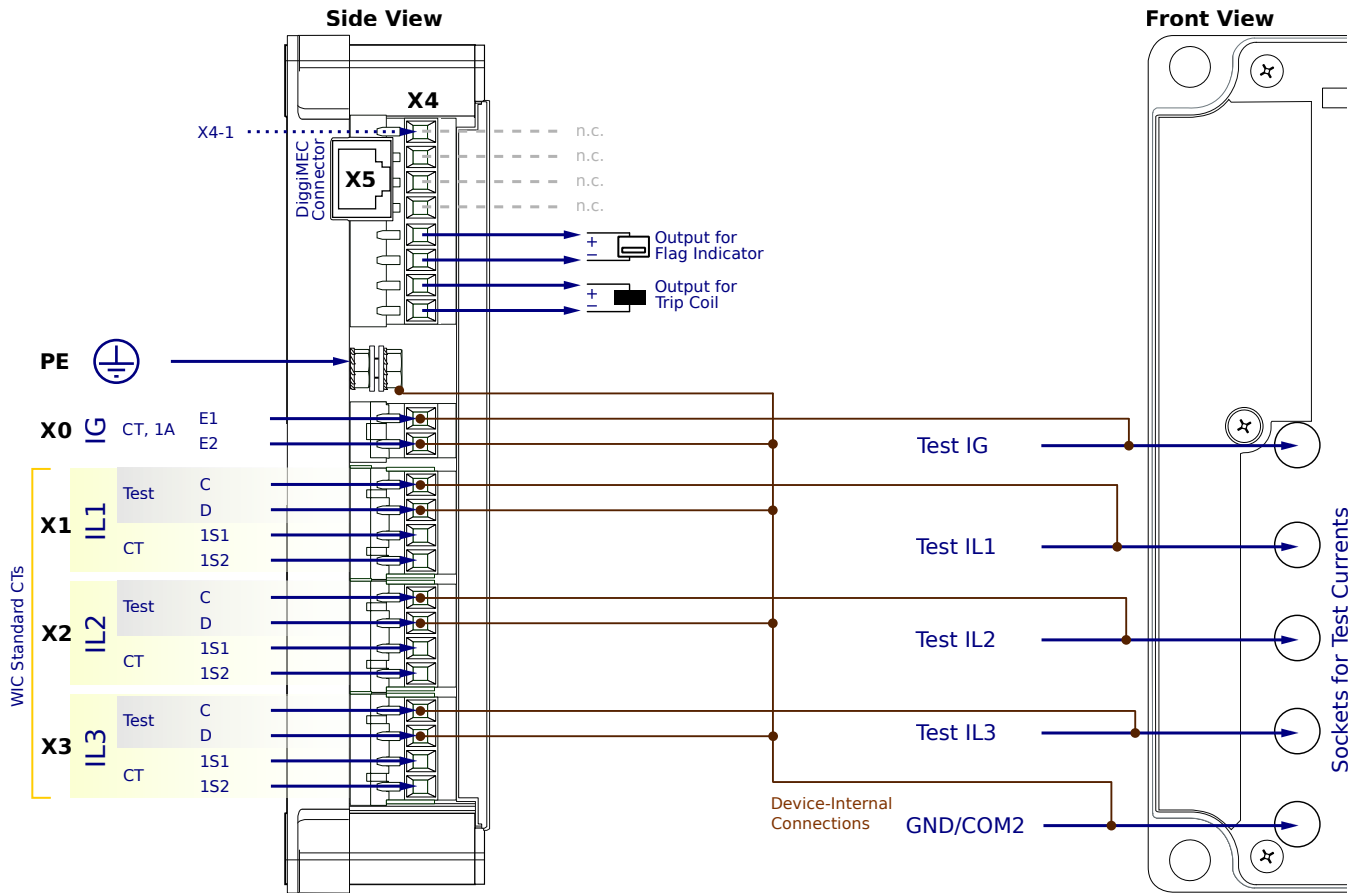
**X1...X3** - WIC CTs

**X4-5,6** - Trip flag indicator

**X4-7,8** - Trip pulse output

**X5** - DiggiMEC-WIC1 connection. Use network cable CAT3 (or better). No crossover cable!

# WIC1-3SG5FN2AA



## CT-Powered Protection Device, configuration via HEX switches or DiggiMEC / Smart view

- Nominal frequency is 50 Hz. (Setting to 60 Hz is possible via DiggiMEC/Smart view.)
- Trip at  $20 \cdot I_{n,max}$
- Package "S" + ANSI 46, 49, 51Q, Breaker Wear, Condition Monitoring (= Life Load, Drag Indicator)

**PE** - Protective Earth

**X0** - Measured ground current via 1A CT input. (Setting to calc. IG is also possible via DiggiMEC/Smart view.)

**X1...X3** - WIC CTs

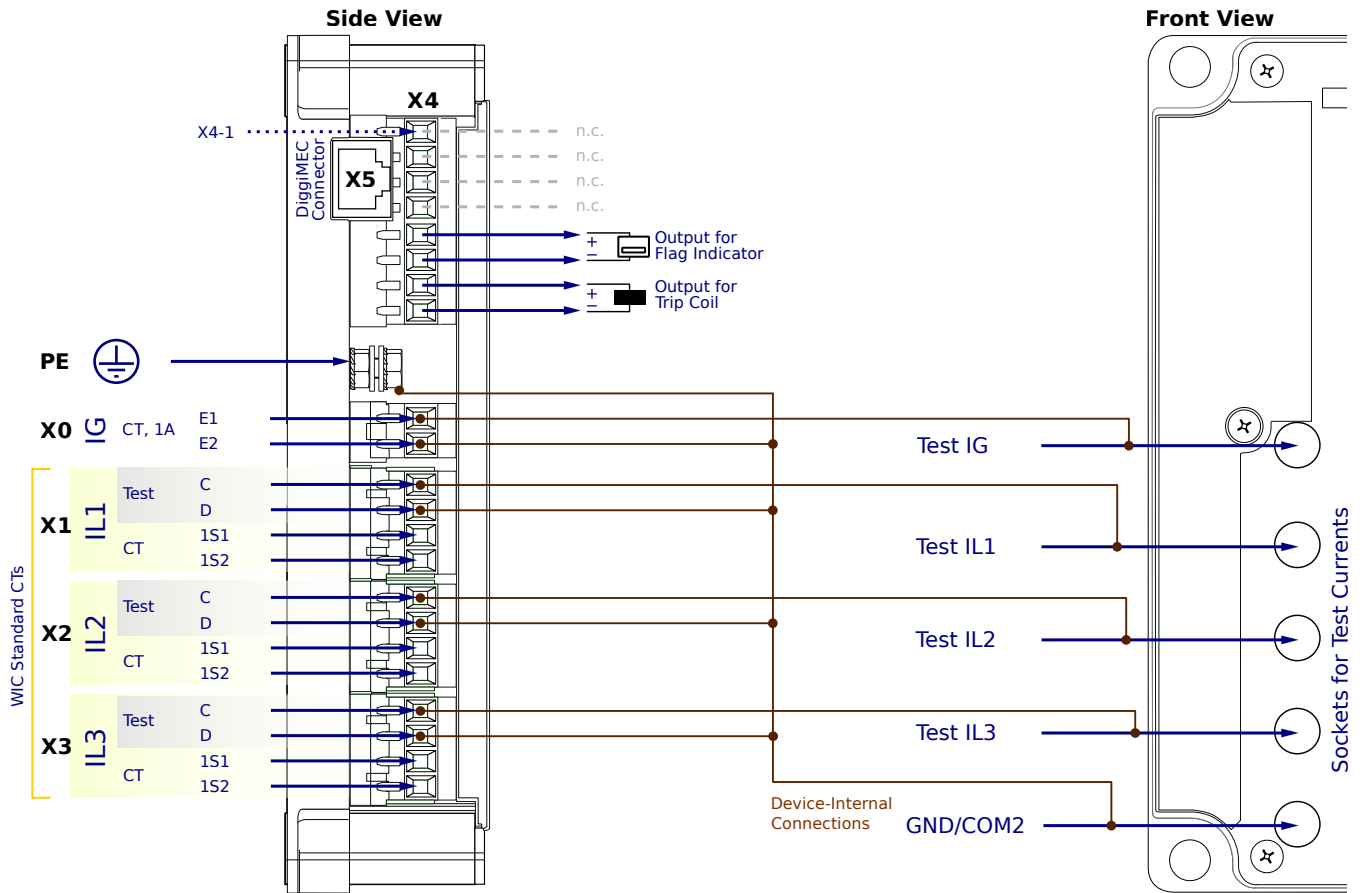
**X4-5,6** - Trip flag indicator

**X4-7,8** - Trip pulse output

**X5** - DiggiMEC-WIC1 connection. Use network cable CAT3 (or better). No crossover cable!



# WIC1-3SG5FN2PA



## CT-Powered Protection Device, configuration via HEX switches or DiggiMEC / Smart view

- Nominal frequency is 50 Hz. (Setting to 60 Hz is possible via DiggiMEC/Smart view.)
- Trip at  $20 \cdot I_{n,max}$
- Package "A" + SOTF, CLPU, external protection, ultra-fast overcurrent protection

**PE** - Protective Earth

**X0** - Measured ground current via 1A CT input. (Setting to calc. IG is also possible via DiggiMEC/Smart view.)

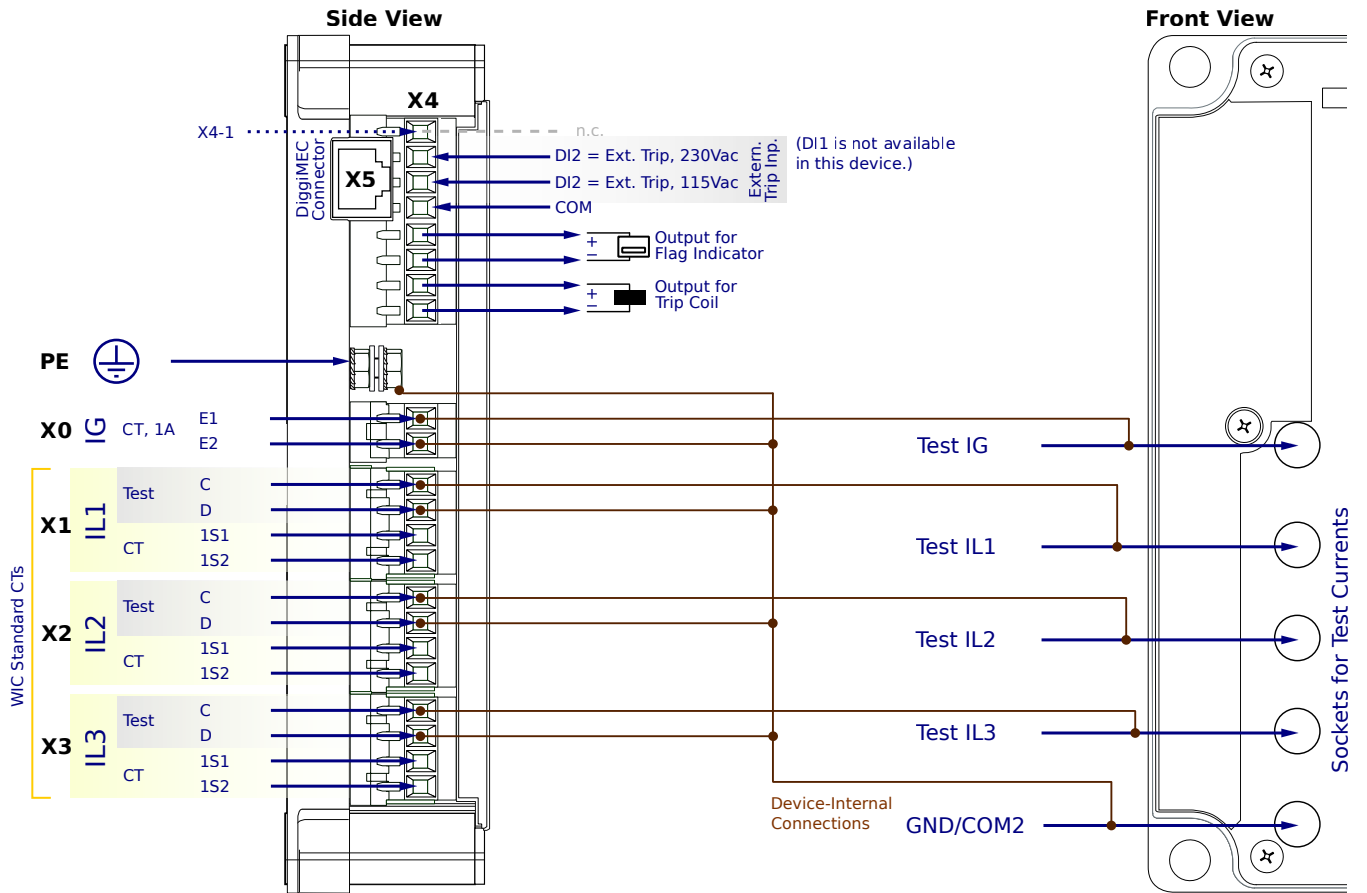
**X1...X3** - WIC CTs

**X4-5,6** - Trip flag indicator

**X4-7,8** - Trip pulse output

**X5** - DiggiMEC-WIC1 connection. Use network cable CAT3 (or better). No crossover cable!

# WIC1-3SG5FF1SA



## CT-Powered Protection Device, configuration via HEX switches or DiggiMEC / Smart view

- Nominal frequency is 50 Hz. (Setting to 60 Hz is possible via DiggiMEC/Smart view.)
- Backup protection operates directly
- ANSI 50, 50G/N, 51, 51G/N, inrush, 50BF, 74TC

**PE** - Protective Earth

**X0** - Measured ground current via 1A CT input. (Setting to calc. IG is also possible via DiggiMEC/Smart view.)

**X1...X3** - WIC CTs

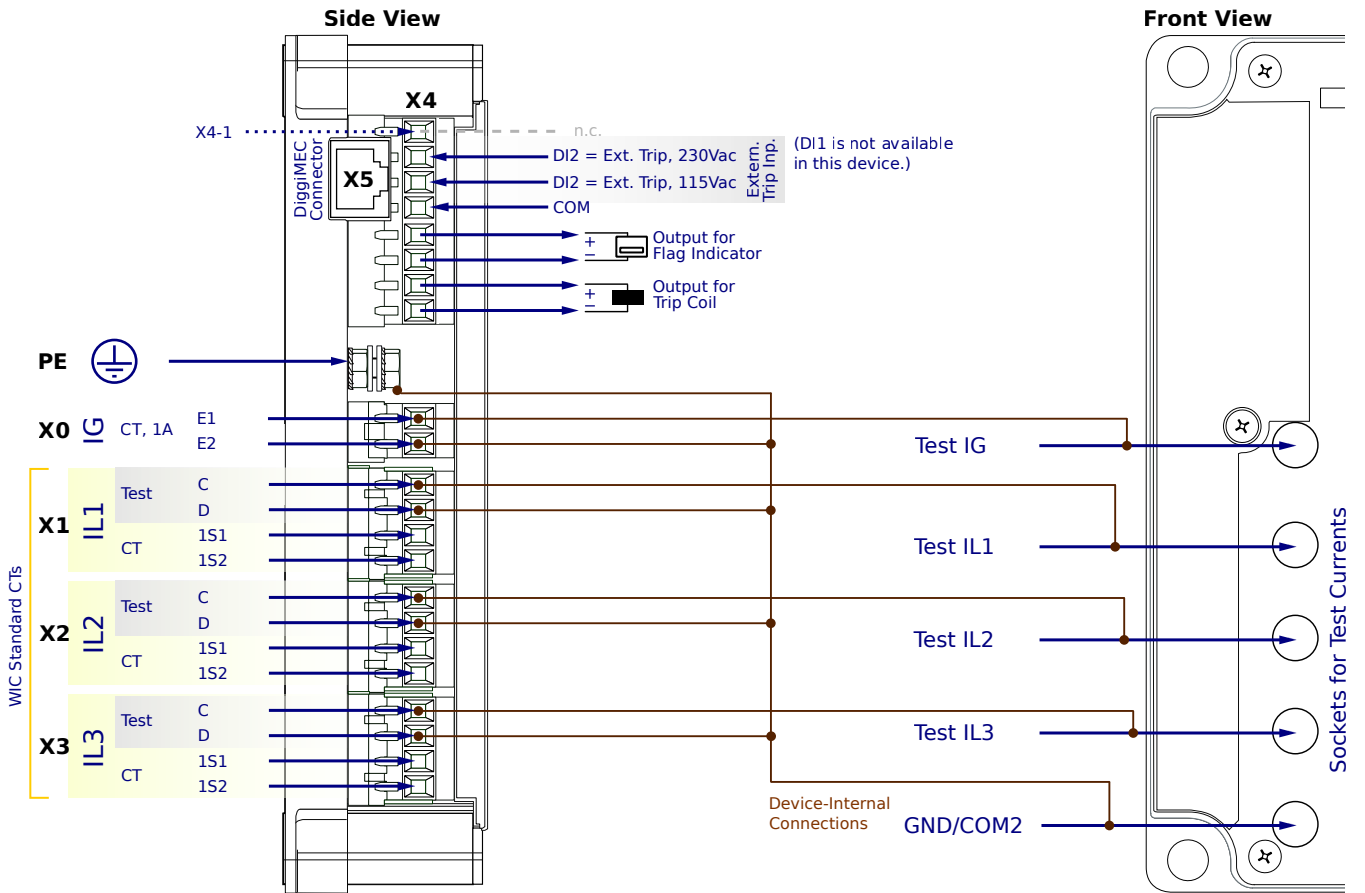
**X4-2,3** - DI2, fixed to External trip input (115Vac or 230Vac)

**X4-5,6** - Trip flag indicator

**X4-7,8** - Trip pulse output

**X5** - DiggiMEC-WIC1 connection. Use network cable CAT3 (or better). No crossover cable!

# WIC1-3SG5FF1AA



## CT-Powered Protection Device, configuration via HEX switches or DiggiMEC / Smart view

- Nominal frequency is 50 Hz. (Setting to 60 Hz is possible via DiggiMEC/Smart view.)
- Backup protection operates directly
- Package "S" + ANSI 46, 49, 51Q, Breaker Wear, Condition Monitoring (= Life Load, Drag Indicator)

**PE** - Protective Earth

**X0** - Measured ground current via 1A CT input. (Setting to calc. IG is also possible via DiggiMEC/Smart view.)

**X1...X3** - WIC CTs

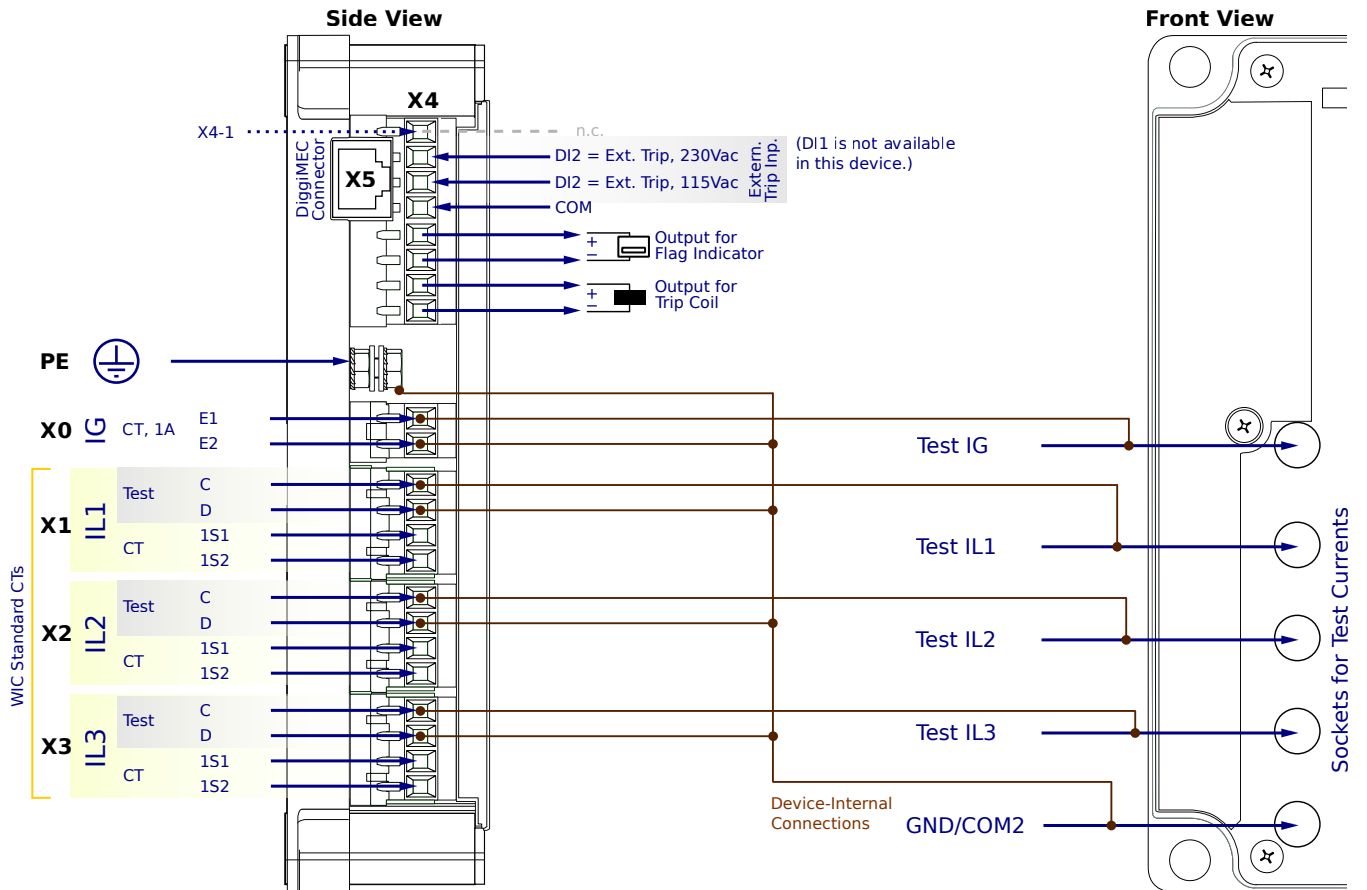
**X4-2,3** - DI2, fixed to External trip input (115Vac or 230Vac)

**X4-5,6** - Trip flag indicator

**X4-7,8** - Trip pulse output

**X5** - DiggiMEC-WIC1 connection. Use network cable CAT3 (or better). No crossover cable!

# WIC1-3SG5FF1PA



## CT-Powered Protection Device, configuration via HEX switches or DiggiMEC / Smart view

- Nominal frequency is 50 Hz. (Setting to 60 Hz is possible via DiggiMEC/Smart view.)
- Backup protection operates directly
- Package "A" + SOTF, CLPU, external protection, ultra-fast overcurrent protection

**PE** - Protective Earth

**X0** - Measured ground current via 1A CT input. (Setting to calc. IG is also possible via DiggiMEC/Smart view.)

**X1...X3** - WIC CTs

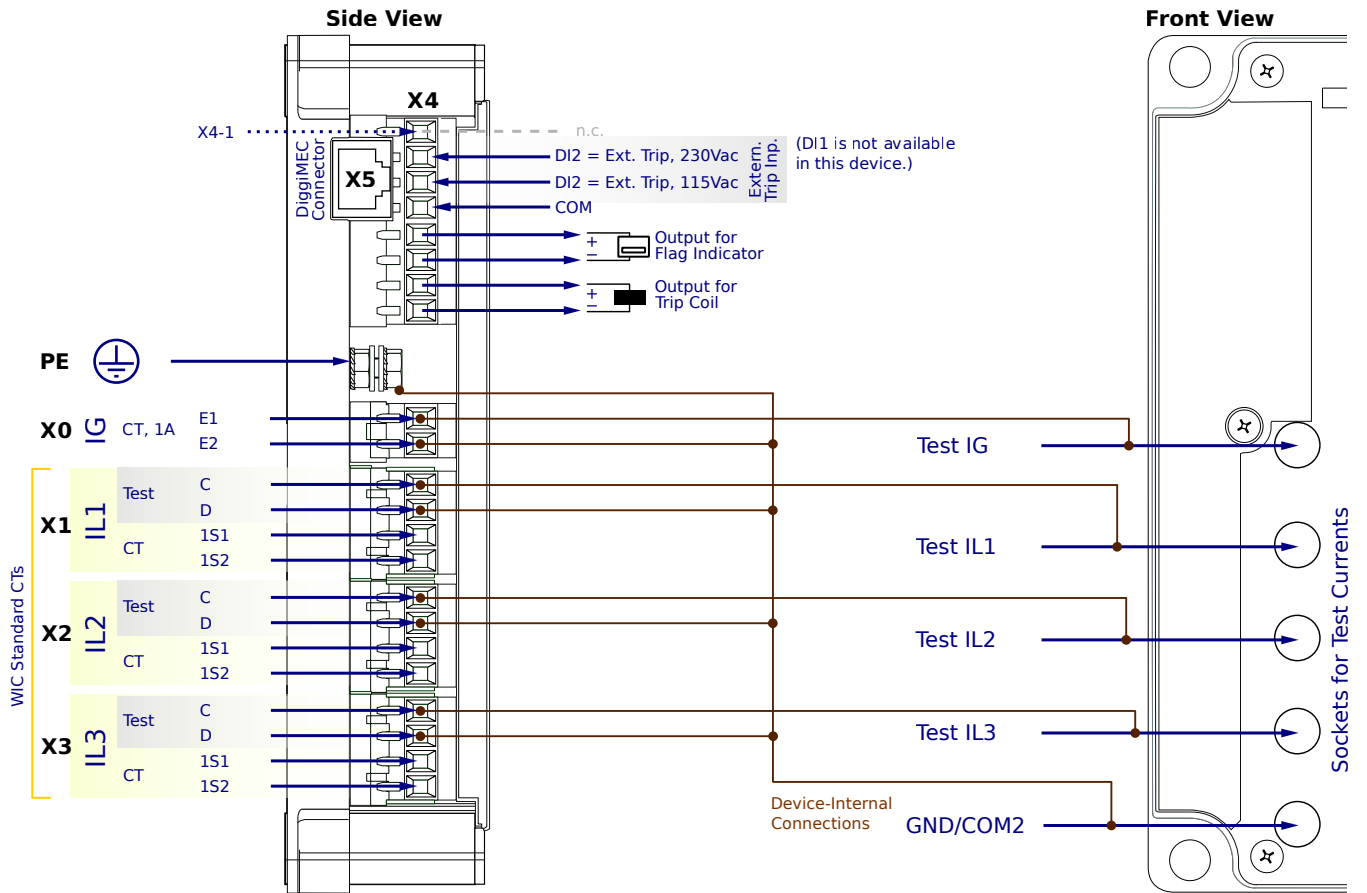
**X4-2,3** - DI2, fixed to External trip input (115Vac or 230Vac)

**X4-5,6** - Trip flag indicator

**X4-7,8** - Trip pulse output

**X5** - DiggiMEC-WIC1 connection. Use network cable CAT3 (or better). No crossover cable!

# WIC1-3SG5FF2SA



## CT-Powered Protection Device, configuration via HEX switches or DiggiMEC / Smart view

- Nominal frequency is 50 Hz. (Setting to 60 Hz is possible via DiggiMEC/Smart view.)
- Trip at  $20 \cdot I_{n,max}$
- ANSI 50, 50G/N, 51, 51G/N, inrush, 50BF, 74TC

**PE** - Protective Earth

**X0** - Measured ground current via 1A CT input. (Setting to calc. IG is also possible via DiggiMEC/Smart view.)

**X1...X3** - WIC CTs

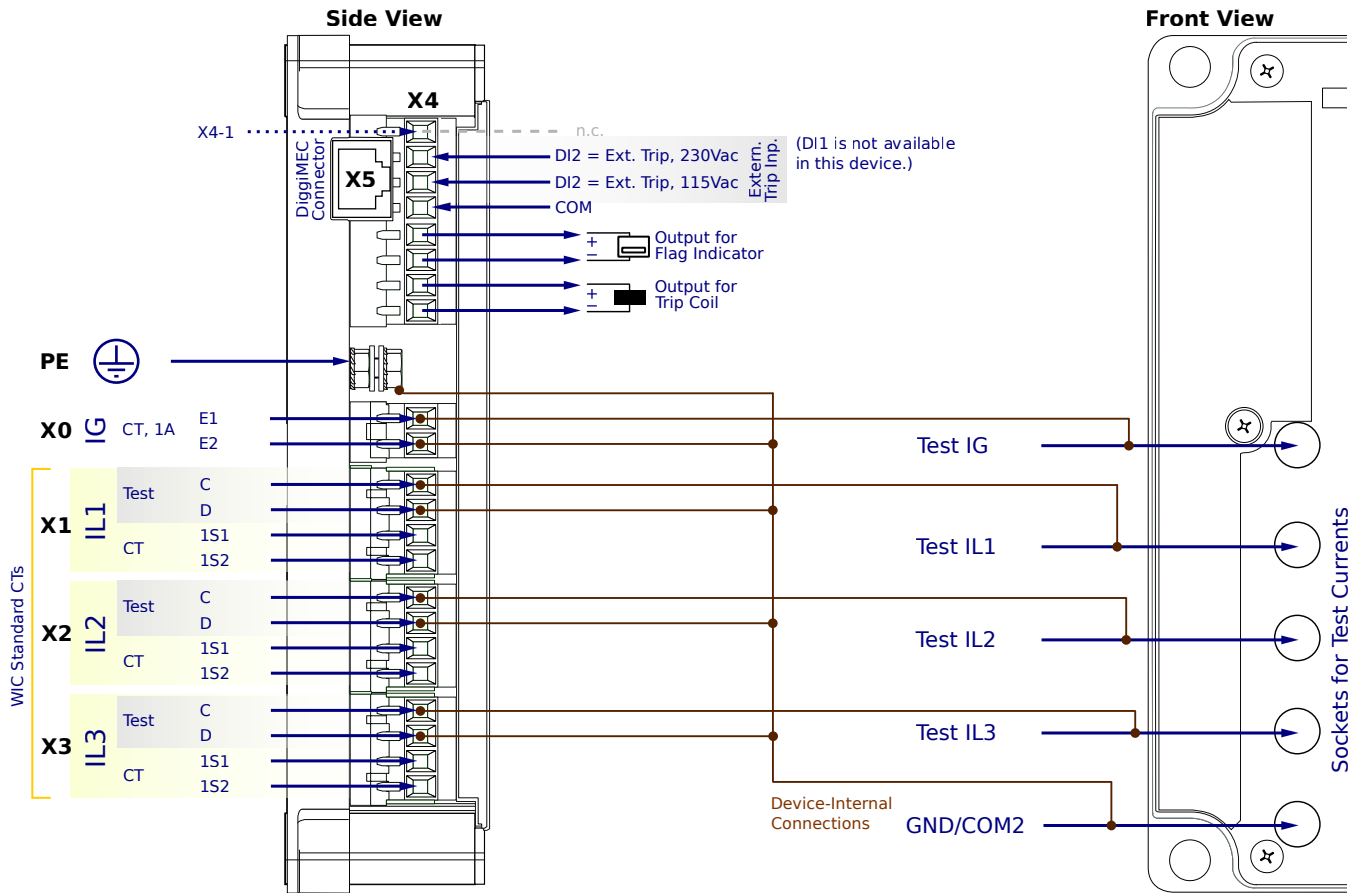
**X4-2,3** - DI2, fixed to External trip input (115Vac or 230Vac)

**X4-5,6** - Trip flag indicator

**X4-7,8** - Trip pulse output

**X5** - DiggiMEC-WIC1 connection. Use network cable CAT3 (or better). No crossover cable!

# WIC1-3SG5FF2AA



## CT-Powered Protection Device, configuration via HEX switches or DiggiMEC / Smart view

- Nominal frequency is 50 Hz. (Setting to 60 Hz is possible via DiggiMEC/Smart view.)
- Trip at  $20 \cdot I_{n,max}$
- Package "S" + ANSI 46, 49, 51Q, Breaker Wear, Condition Monitoring (= Life Load, Drag Indicator)

**PE** - Protective Earth

**X0** - Measured ground current via 1A CT input. (Setting to calc. IG is also possible via DiggiMEC/Smart view.)

**X1...X3** - WIC CTs

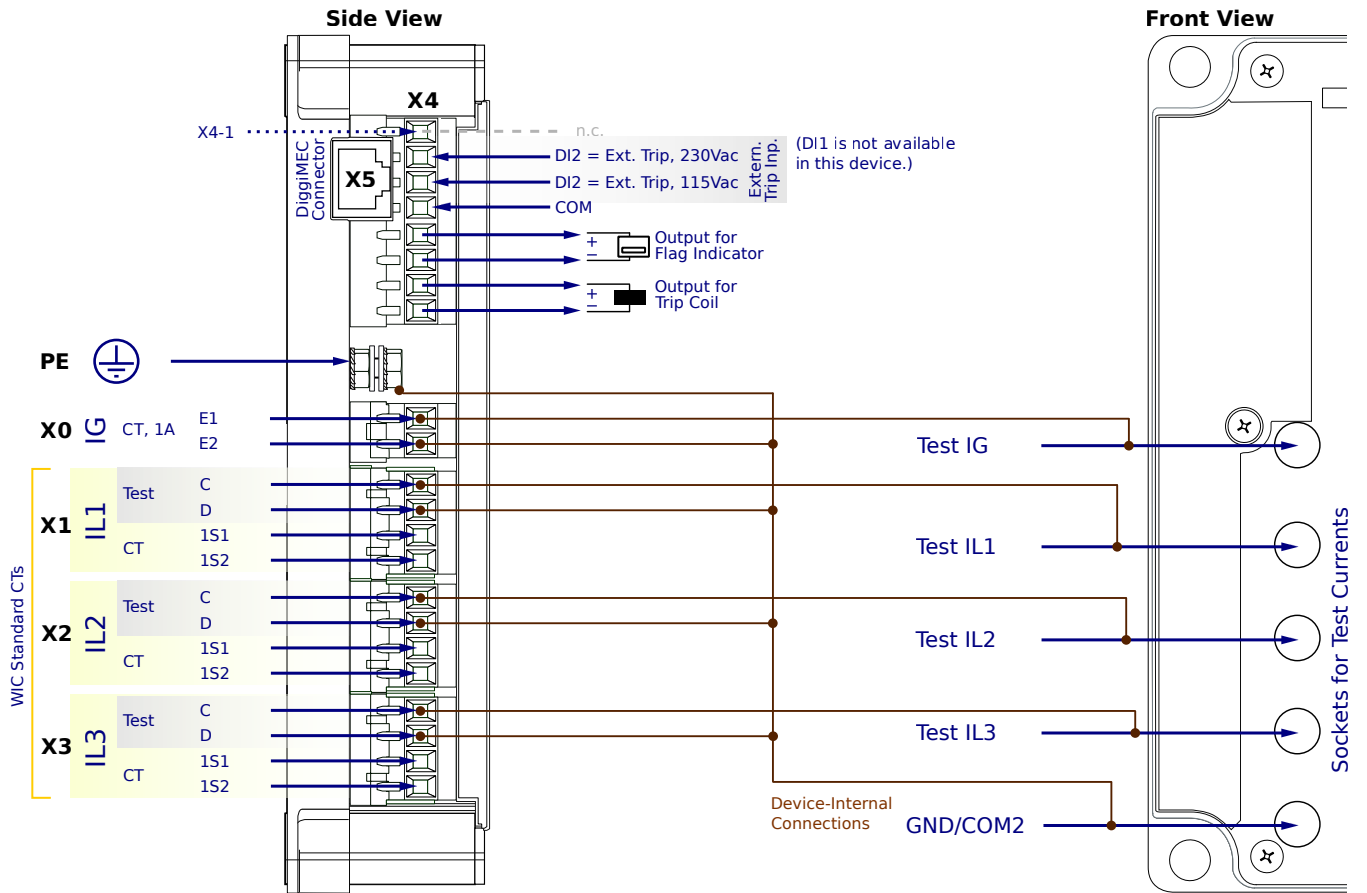
**X4-2,3** - DI2, fixed to External trip input (115Vac or 230Vac)

**X4-5,6** - Trip flag indicator

**X4-7,8** - Trip pulse output

**X5** - DiggiMEC-WIC1 connection. Use network cable CAT3 (or better). No crossover cable!

# WIC1-3SG5FF2PA



## CT-Powered Protection Device, configuration via HEX switches or DiggiMEC / Smart view

- Nominal frequency is 50 Hz. (Setting to 60 Hz is possible via DiggiMEC/Smart view.)
- Trip at  $20 \cdot I_{n,max}$
- Package "A" + SOTF, CLPU, external protection, ultra-fast overcurrent protection

**PE** - Protective Earth

**X0** - Measured ground current via 1A CT input. (Setting to calc. IG is also possible via DiggiMEC/Smart view.)

**X1...X3** - WIC CTs

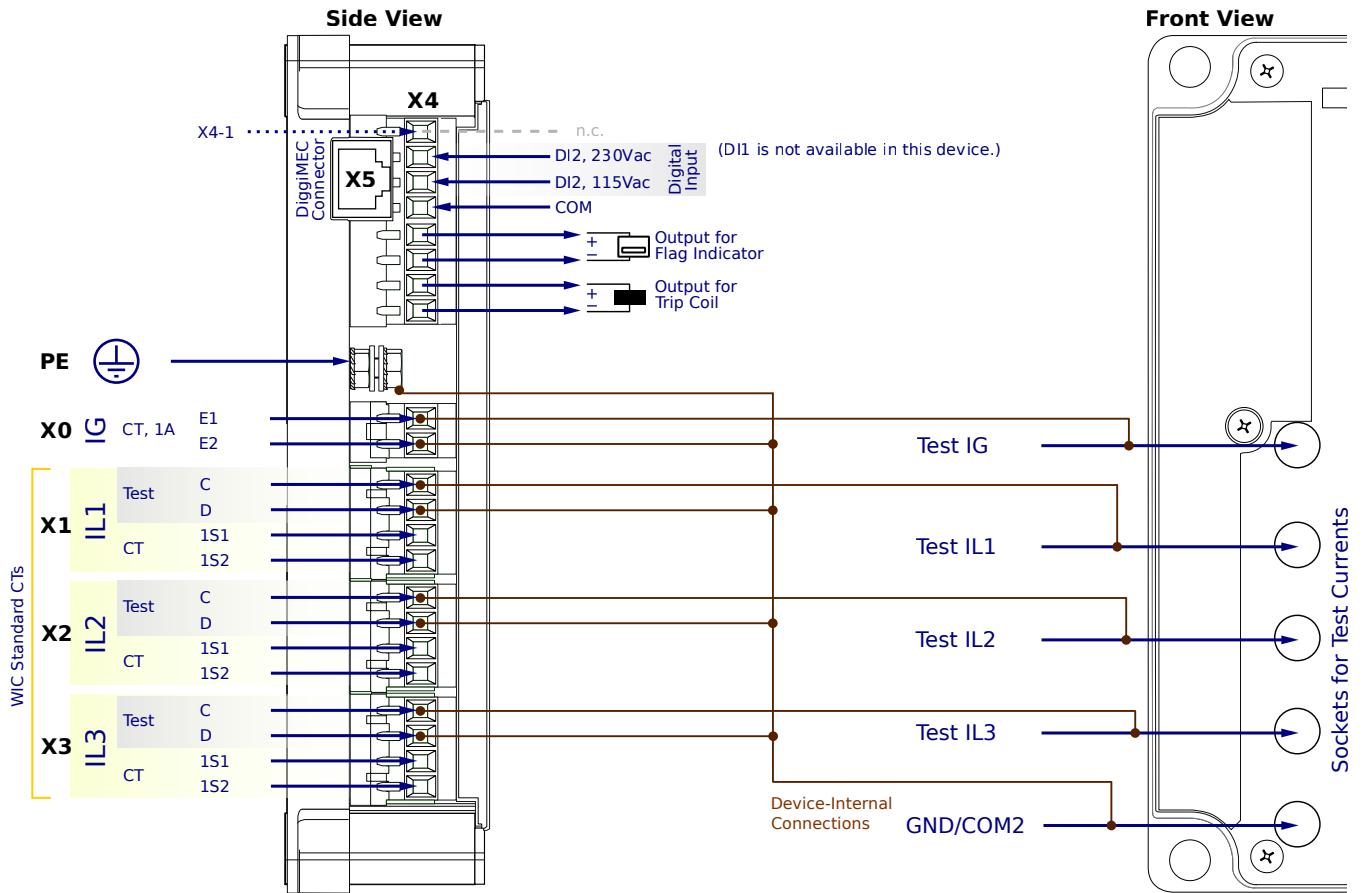
**X4-2,3** - DI2, fixed to External trip input (115Vac or 230Vac)

**X4-5,6** - Trip flag indicator

**X4-7,8** - Trip pulse output

**X5** - DiggiMEC-WIC1 connection. Use network cable CAT3 (or better). No crossover cable!

# WIC1-3SG5FC1SA



## CT-Powered Protection Device, configuration via HEX switches or DiggiMEC / Smart view

- Nominal frequency is 50 Hz. (Setting to 60 Hz is possible via DiggiMEC/Smart view.)
- Backup protection operates directly
- ANSI 50, 50G/N, 51, 51G/N, inrush, 50BF, 74TC

**PE** - Protective Earth

**X0** - Measured ground current via 1A CT input. (Setting to calc. IG is also possible via DiggiMEC/Smart view.)

**X1...X3** - WIC CTs

**X4-2,3** - 1 assignable Digital Input DI2 (115Vac or 230Vac)

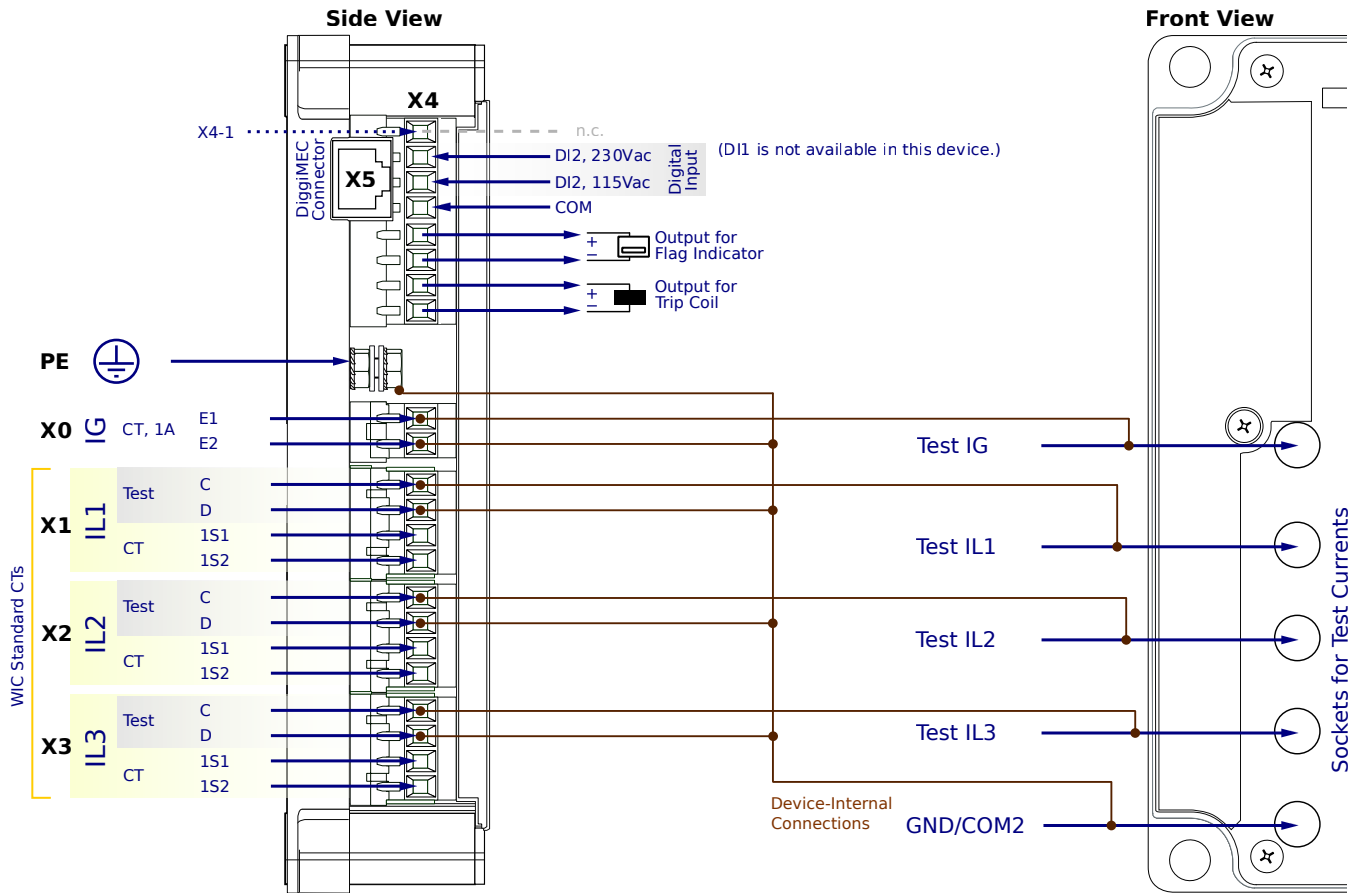
**X4-5,6** - Trip flag indicator

**X4-7,8** - Trip pulse output

**X5** - DiggiMEC-WIC1 connection. Use network cable CAT3 (or better). No crossover cable!



# WIC1-3SG5FC1AA



## CT-Powered Protection Device, configuration via HEX switches or DiggiMEC / Smart view

- Nominal frequency is 50 Hz. (Setting to 60 Hz is possible via DiggiMEC/Smart view.)
- Backup protection operates directly
- Package "S" + ANSI 46, 49, 51Q, Breaker Wear, Condition Monitoring (= Life Load, Drag Indicator)

**PE** - Protective Earth

**X0** - Measured ground current via 1A CT input. (Setting to calc. IG is also possible via DiggiMEC/Smart view.)

**X1...X3** - WIC CTs

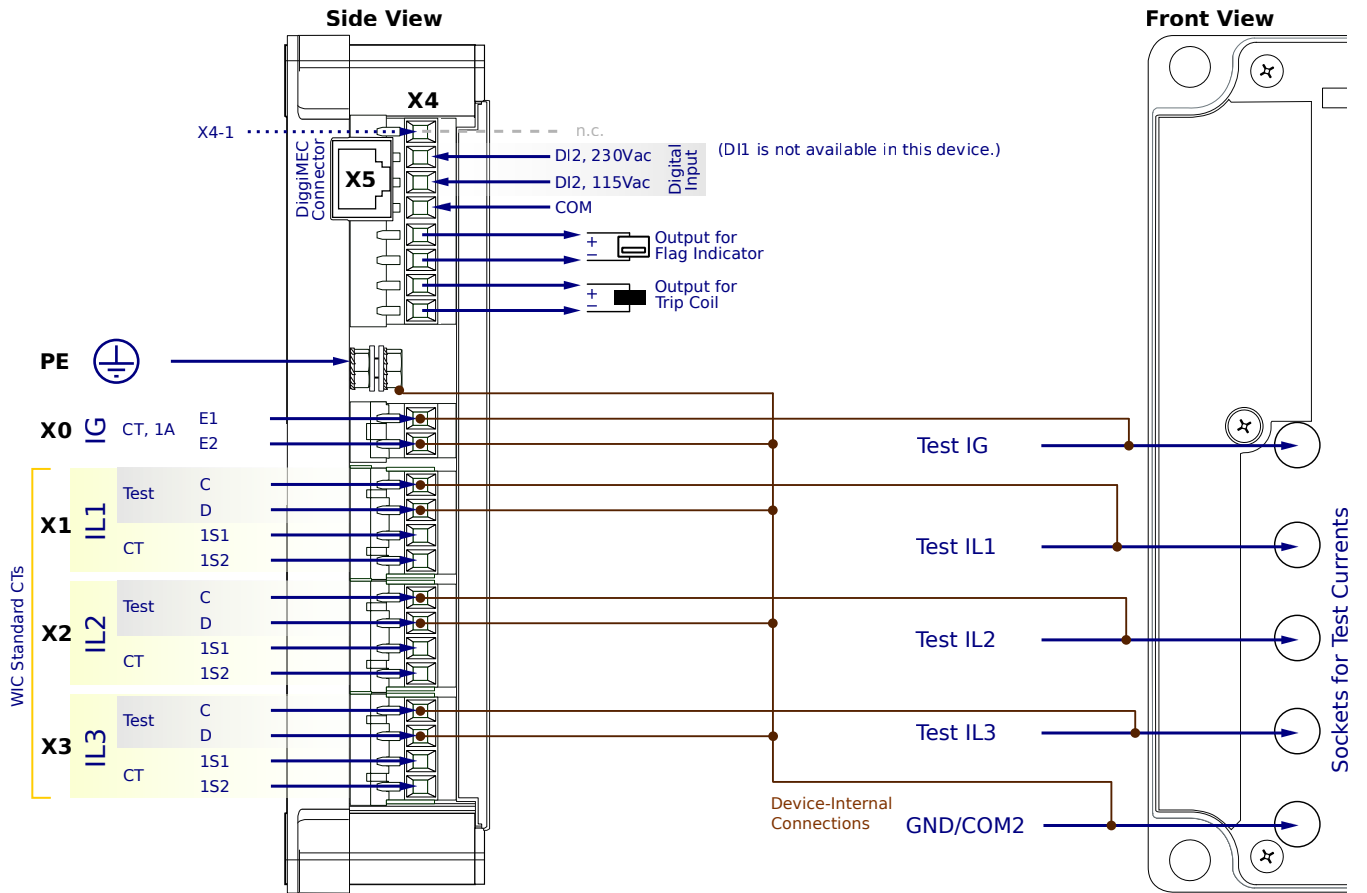
**X4-2,3** - 1 assignable Digital Input DI2 (115Vac or 230Vac)

**X4-5,6** - Trip flag indicator

**X4-7,8** - Trip pulse output

**X5** - DiggiMEC-WIC1 connection. Use network cable CAT3 (or better). No crossover cable!

# WIC1-3SG5FC1PA



## CT-Powered Protection Device, configuration via HEX switches or DiggiMEC / Smart view

- Nominal frequency is 50 Hz. (Setting to 60 Hz is possible via DiggiMEC/Smart view.)
- Backup protection operates directly
- Package "A" + SOTF, CLPU, external protection, ultra-fast overcurrent protection

**PE** - Protective Earth

**X0** - Measured ground current via 1A CT input. (Setting to calc. IG is also possible via DiggiMEC/Smart view.)

**X1...X3** - WIC CTs

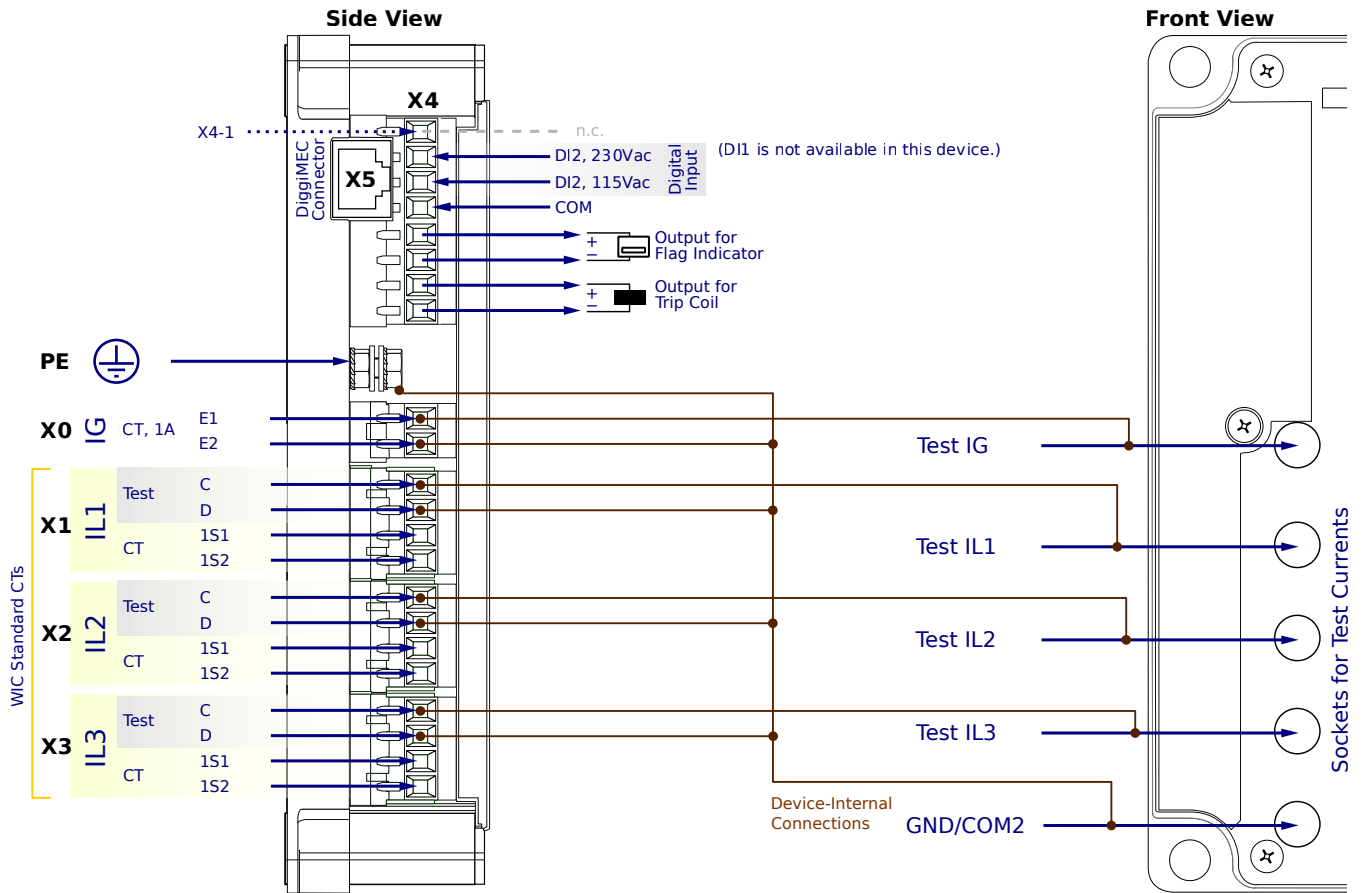
**X4-2,3** - 1 assignable Digital Input DI2 (115Vac or 230Vac)

**X4-5,6** - Trip flag indicator

**X4-7,8** - Trip pulse output

**X5** - DiggiMEC-WIC1 connection. Use network cable CAT3 (or better). No crossover cable!

# WIC1-3SG5FC2SA



## CT-Powered Protection Device, configuration via HEX switches or DiggiMEC / Smart view

- Nominal frequency is 50 Hz. (Setting to 60 Hz is possible via DiggiMEC/Smart view.)
- Trip at  $20 \cdot I_{n,max}$
- ANSI 50, 50G/N, 51, 51G/N, inrush, 50BF, 74TC

**PE** - Protective Earth

**X0** - Measured ground current via 1A CT input. (Setting to calc. IG is also possible via DiggiMEC/Smart view.)

**X1...X3** - WIC CTs

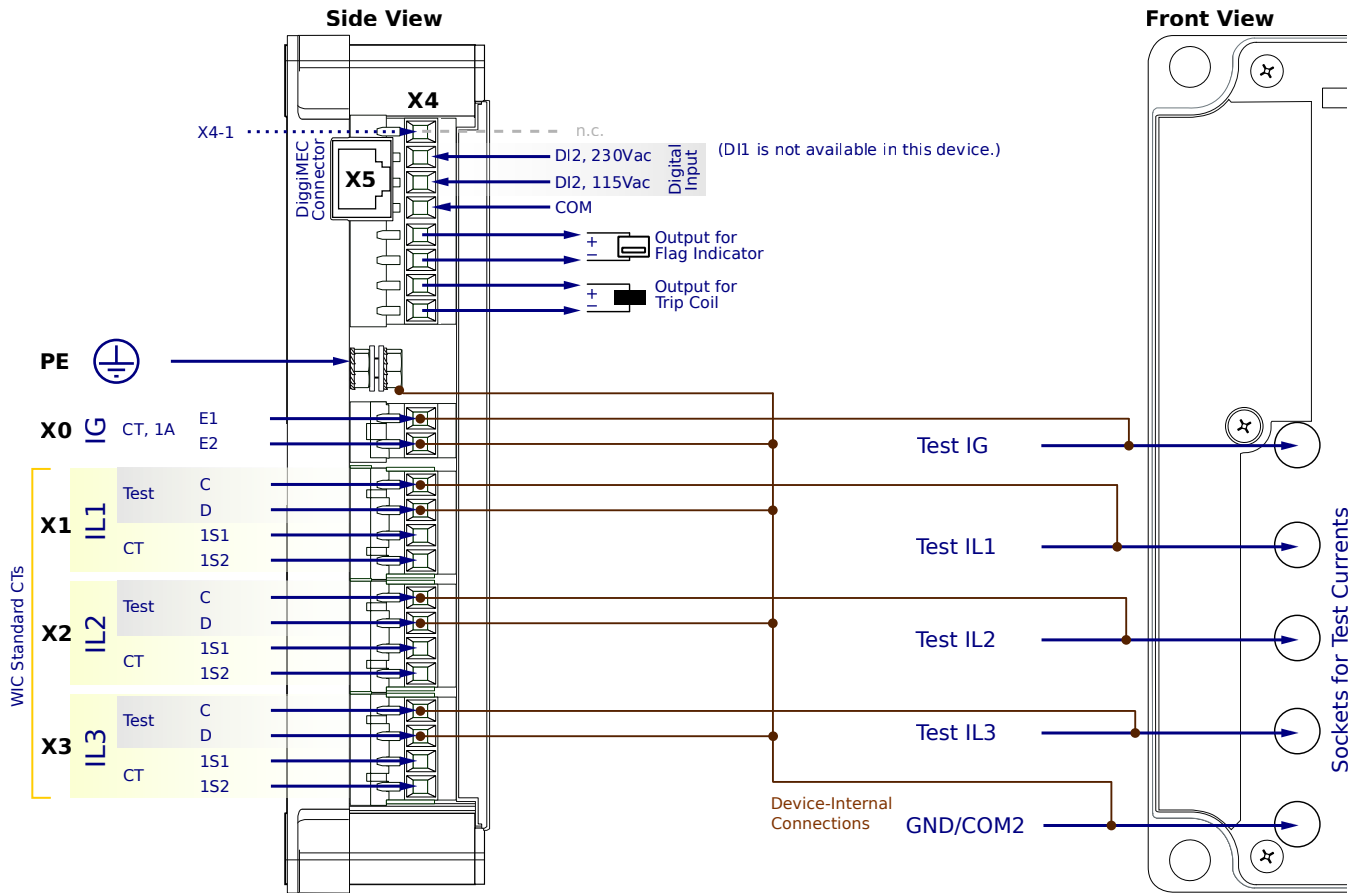
**X4-2,3** - 1 assignable Digital Input DI2 (115Vac or 230Vac)

**X4-5,6** - Trip flag indicator

**X4-7,8** - Trip pulse output

**X5** - DiggiMEC-WIC1 connection. Use network cable CAT3 (or better). No crossover cable!

# WIC1-3SG5FC2AA



## CT-Powered Protection Device, configuration via HEX switches or DiggiMEC / Smart view

- Nominal frequency is 50 Hz. (Setting to 60 Hz is possible via DiggiMEC/Smart view.)
- Trip at  $20 \cdot I_{n,max}$
- Package "S" + ANSI 46, 49, 51Q, Breaker Wear, Condition Monitoring (= Life Load, Drag Indicator)

**PE** - Protective Earth

**X0** - Measured ground current via 1A CT input. (Setting to calc. IG is also possible via DiggiMEC/Smart view.)

**X1...X3** - WIC CTs

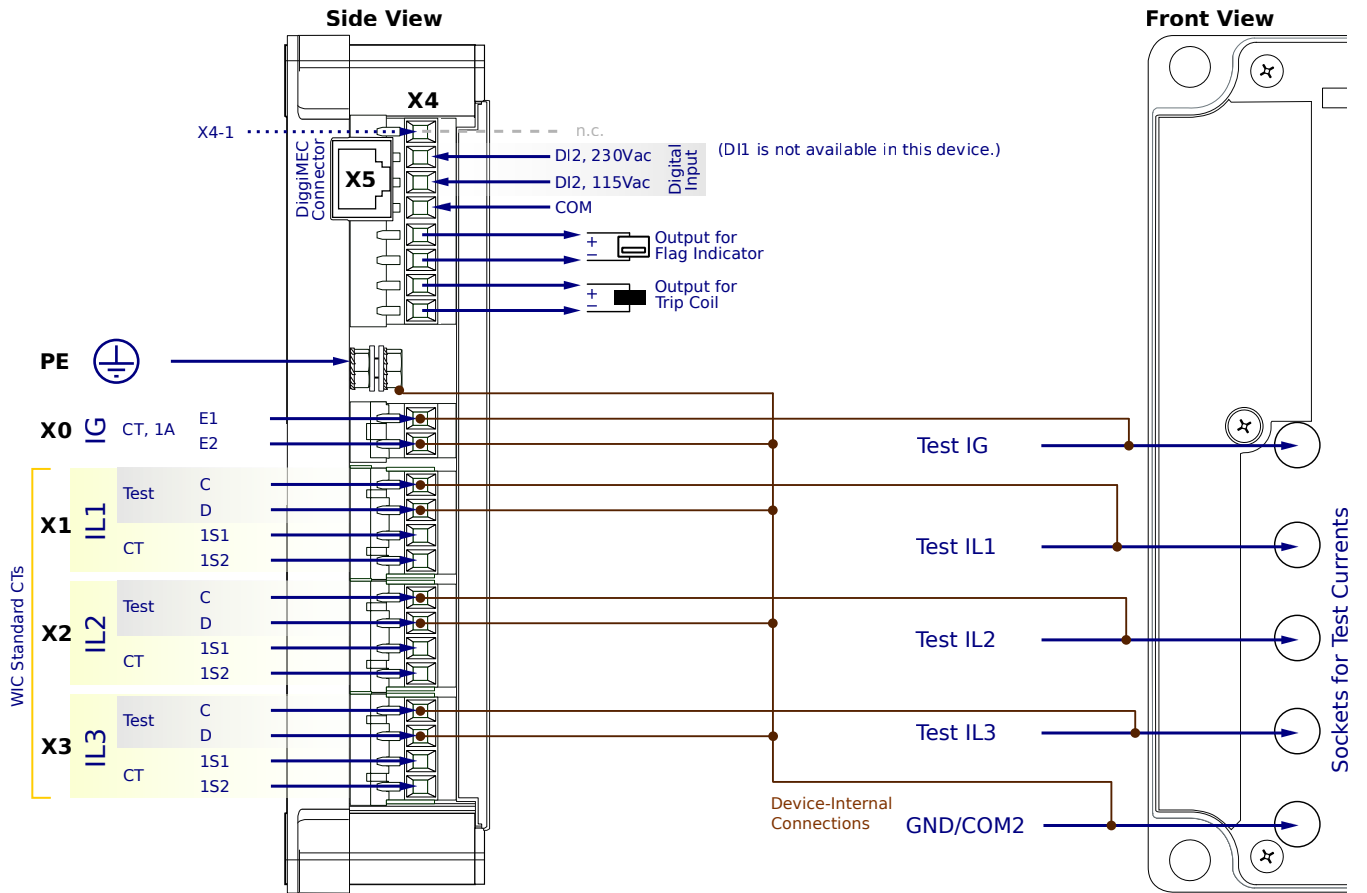
**X4-2,3** - 1 assignable Digital Input DI2 (115Vac or 230Vac)

**X4-5,6** - Trip flag indicator

**X4-7,8** - Trip pulse output

**X5** - DiggiMEC-WIC1 connection. Use network cable CAT3 (or better). No crossover cable!

# WIC1-3SG5FC2PA



## CT-Powered Protection Device, configuration via HEX switches or DiggiMEC / Smart view

- Nominal frequency is 50 Hz. (Setting to 60 Hz is possible via DiggiMEC/Smart view.)
- Trip at  $20 \cdot I_{n,max}$
- Package "A" + SOTF, CLPU, external protection, ultra-fast overcurrent protection

**PE** - Protective Earth

**X0** - Measured ground current via 1A CT input. (Setting to calc. IG is also possible via DiggiMEC/Smart view.)

**X1...X3** - WIC CTs

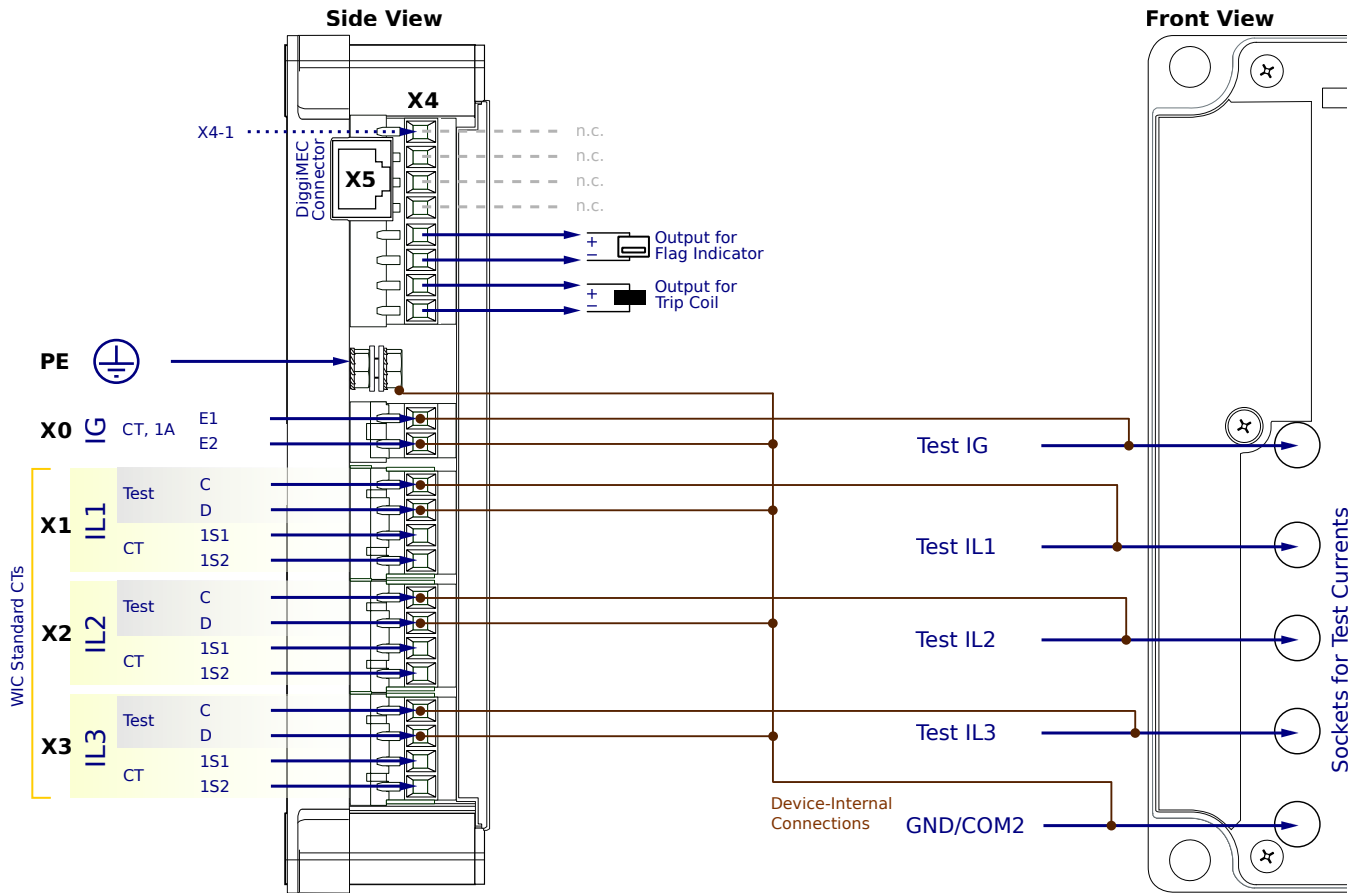
**X4-2,3** - 1 assignable Digital Input DI2 (115Vac or 230Vac)

**X4-5,6** - Trip flag indicator

**X4-7,8** - Trip pulse output

**X5** - DiggiMEC-WIC1 connection. Use network cable CAT3 (or better). No crossover cable!

# WIC1-3SG5CN1SA



## CT-Powered Protection Device, configuration via HEX switches or DiggiMEC / Smart view

- Nominal frequency is 50 Hz. (Setting to 60 Hz is possible via DiggiMEC/Smart view.)
- Backup protection operates directly
- ANSI 50, 50G/N, 51, 51G/N, inrush, 50BF, 74TC

**PE** - Protective Earth

**X0** - Measured ground current via 1A CT input. (Setting to calc. IG is also possible via DiggiMEC/Smart view.)

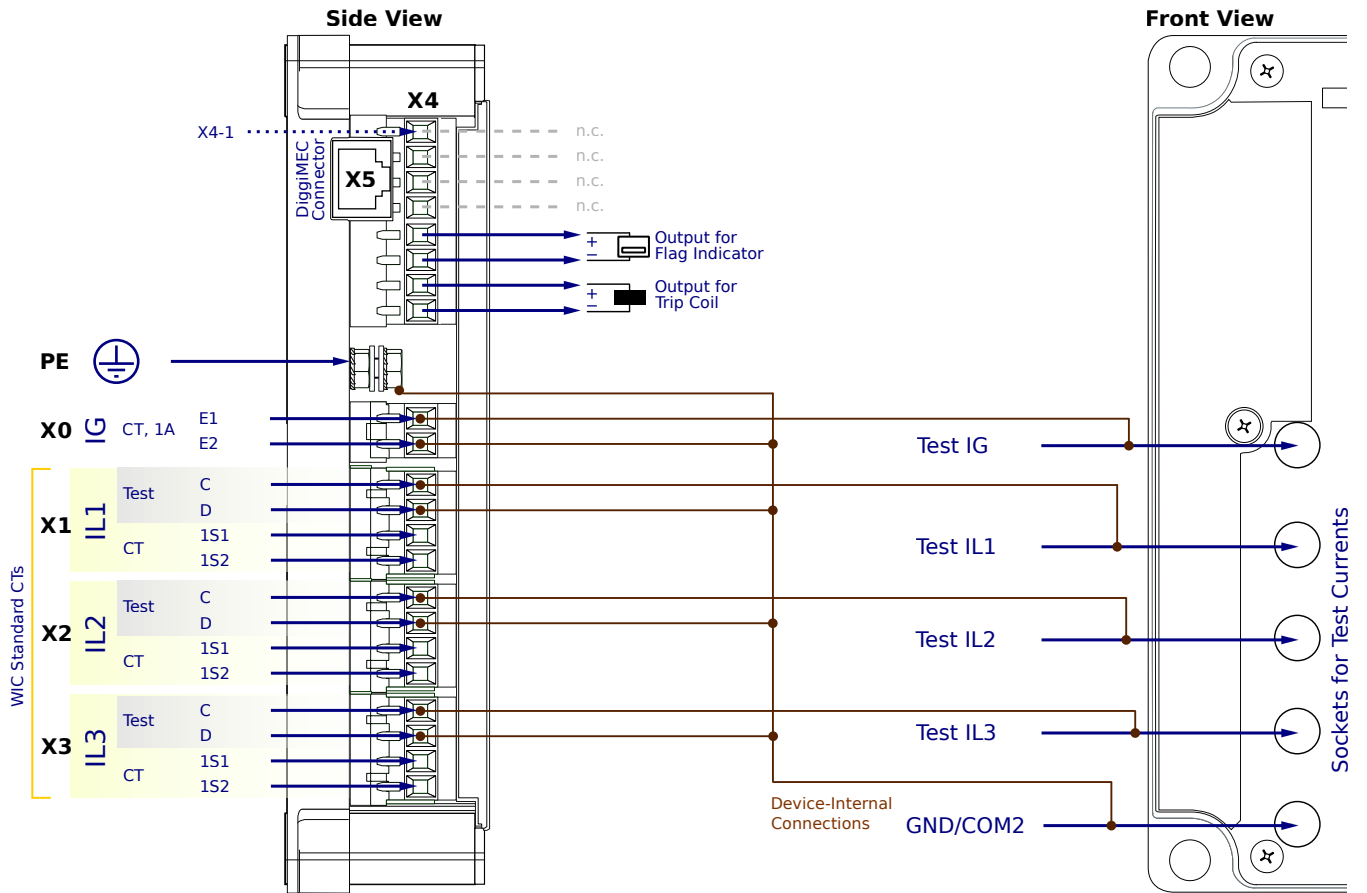
**X1...X3** - WIC CTs

**X4-5,6** - Assignable flag indicator

**X4-7,8** - Trip pulse output

**X5** - DiggiMEC-WIC1 connection. Use network cable CAT3 (or better). No crossover cable!

# WIC1-3SG5CN1AA



## CT-Powered Protection Device, configuration via HEX switches or DiggiMEC / Smart view

- Nominal frequency is 50 Hz. (Setting to 60 Hz is possible via DiggiMEC/Smart view.)
- Backup protection operates directly
- Package "S" + ANSI 46, 49, 51Q, Breaker Wear, Condition Monitoring (= Life Load, Drag Indicator)

**PE** - Protective Earth

**X0** - Measured ground current via 1A CT input. (Setting to calc. IG is also possible via DiggiMEC/Smart view.)

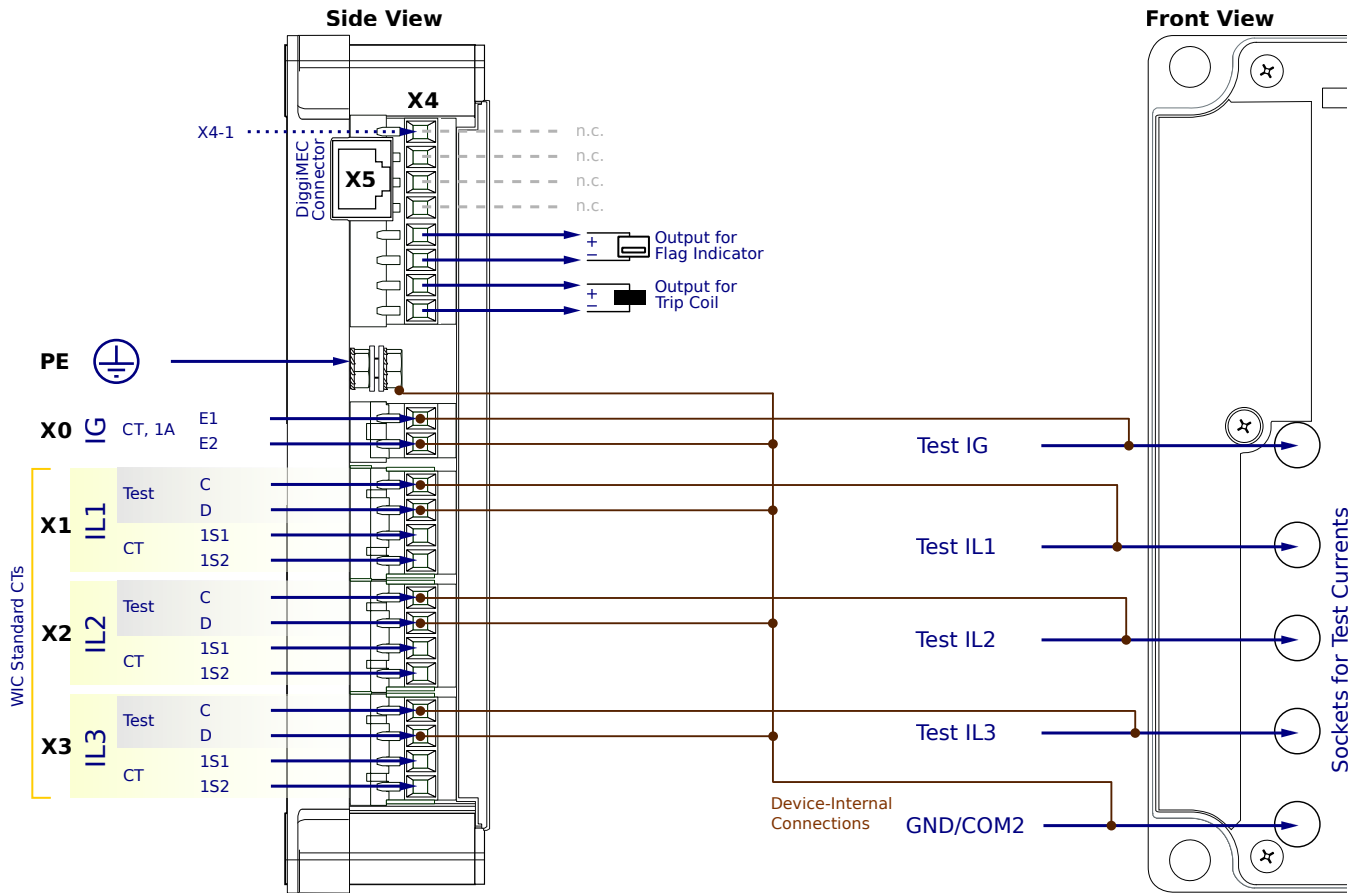
**X1...X3** - WIC CTs

**X4-5,6** - Assignable flag indicator

**X4-7,8** - Trip pulse output

**X5** - DiggiMEC-WIC1 connection. Use network cable CAT3 (or better). No crossover cable!

# WIC1-3SG5CN1PA



## CT-Powered Protection Device, configuration via HEX switches or DiggiMEC / Smart view

- Nominal frequency is 50 Hz. (Setting to 60 Hz is possible via DiggiMEC/Smart view.)
- Backup protection operates directly
- Package "A" + SOTF, CLPU, external protection, ultra-fast overcurrent protection

**PE** - Protective Earth

**X0** - Measured ground current via 1A CT input. (Setting to calc. IG is also possible via DiggiMEC/Smart view.)

**X1...X3** - WIC CTs

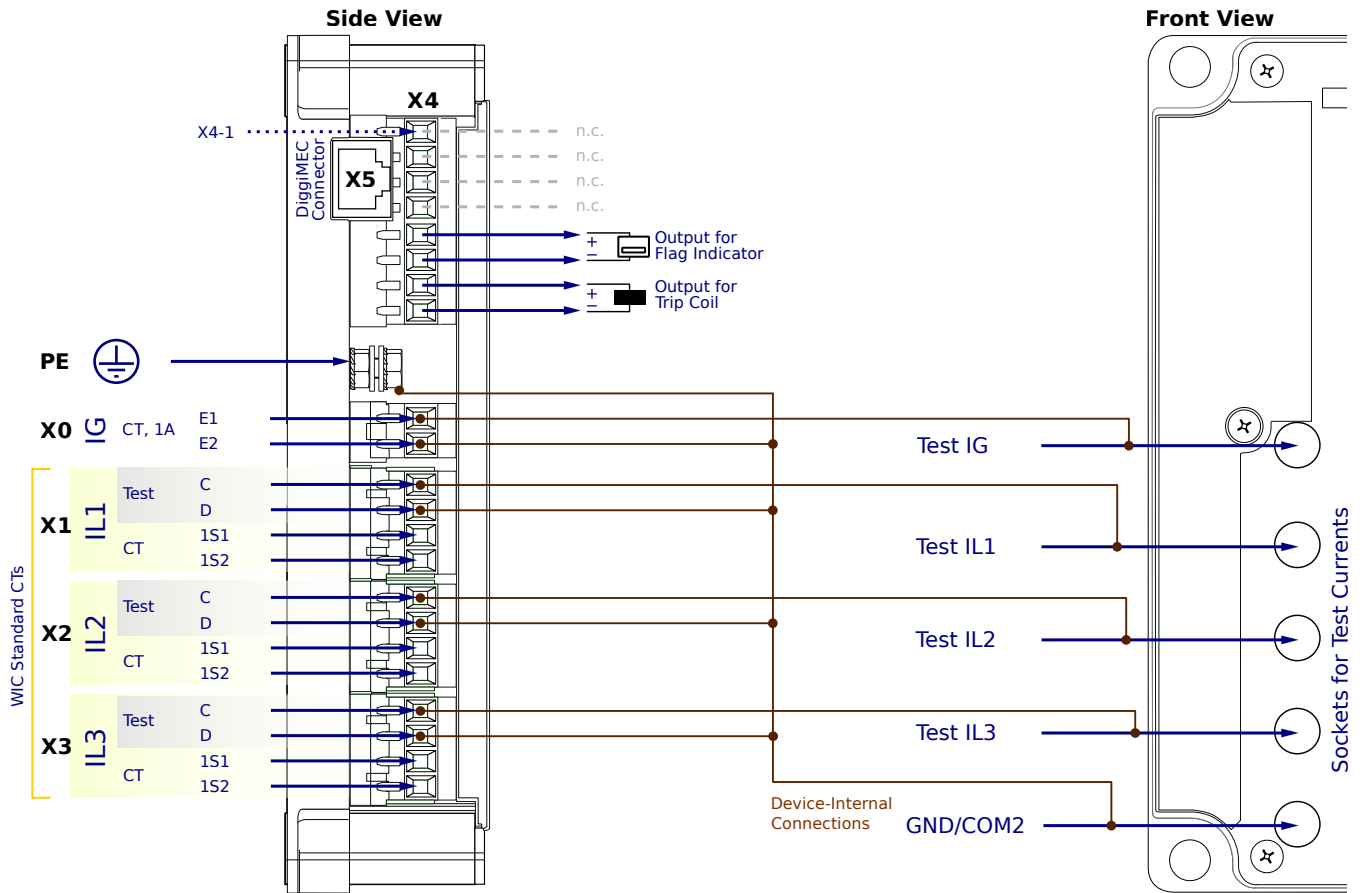
**X4-5,6** - Assignable flag indicator

**X4-7,8** - Trip pulse output

**X5** - DiggiMEC-WIC1 connection. Use network cable CAT3 (or better). No crossover cable!



# WIC1-3SG5CN2SA



## CT-Powered Protection Device, configuration via HEX switches or DiggiMEC / Smart view

- Nominal frequency is 50 Hz. (Setting to 60 Hz is possible via DiggiMEC/Smart view.)
- Trip at  $20 \cdot I_{n,max}$
- ANSI 50, 50G/N, 51, 51G/N, inrush, 50BF, 74TC

**PE** - Protective Earth

**X0** - Measured ground current via 1A CT input. (Setting to calc. IG is also possible via DiggiMEC/Smart view.)

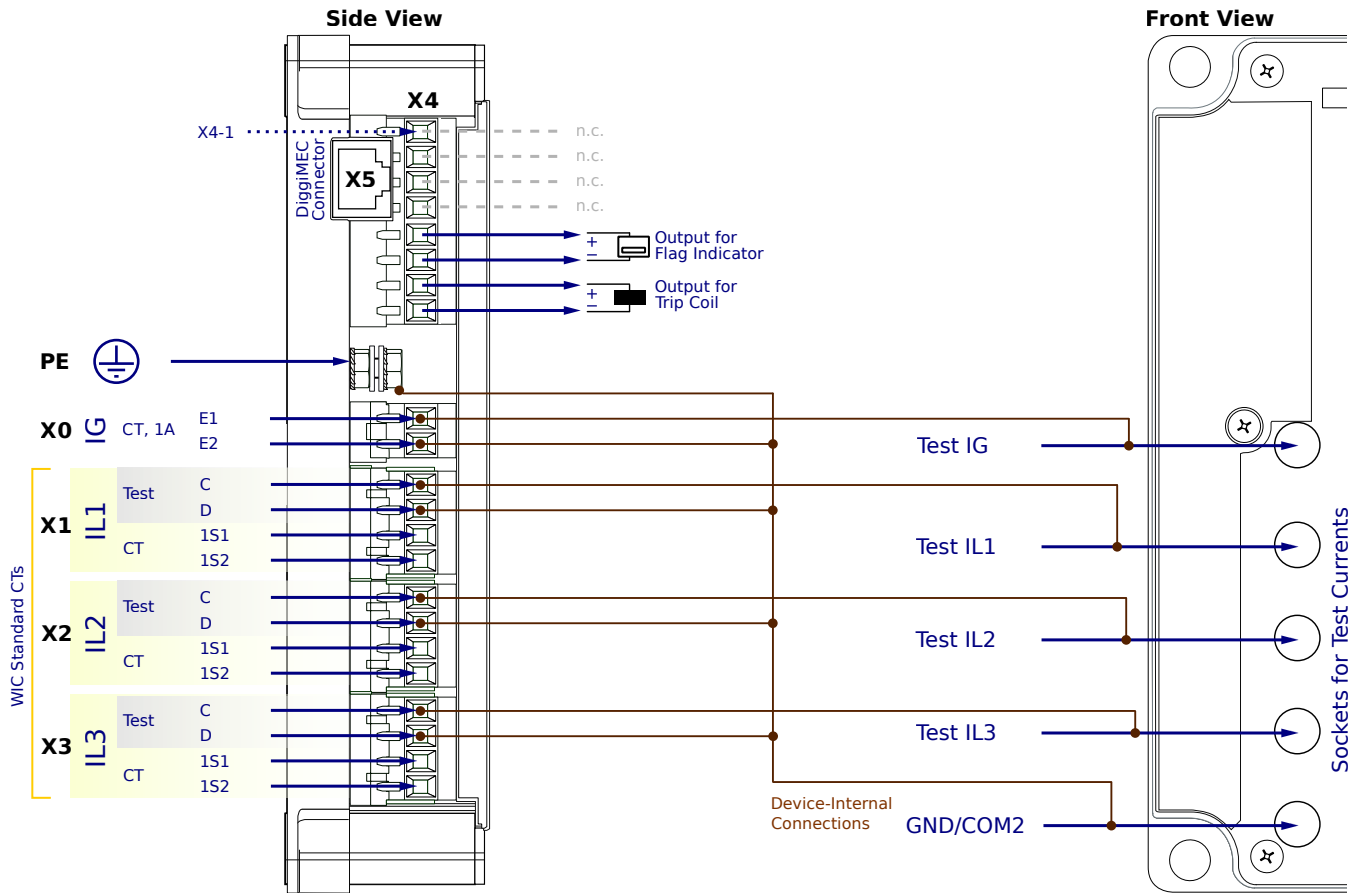
**X1...X3** - WIC CTs

**X4-5,6** - Assignable flag indicator

**X4-7,8** - Trip pulse output

**X5** - DiggiMEC-WIC1 connection. Use network cable CAT3 (or better). No crossover cable!

# WIC1-3SG5CN2AA



## CT-Powered Protection Device, configuration via HEX switches or DiggiMEC / Smart view

- Nominal frequency is 50 Hz. (Setting to 60 Hz is possible via DiggiMEC/Smart view.)
- Trip at  $20 \cdot I_{n,max}$
- Package "S" + ANSI 46, 49, 51Q, Breaker Wear, Condition Monitoring (= Life Load, Drag Indicator)

**PE** - Protective Earth

**X0** - Measured ground current via 1A CT input. (Setting to calc. IG is also possible via DiggiMEC/Smart view.)

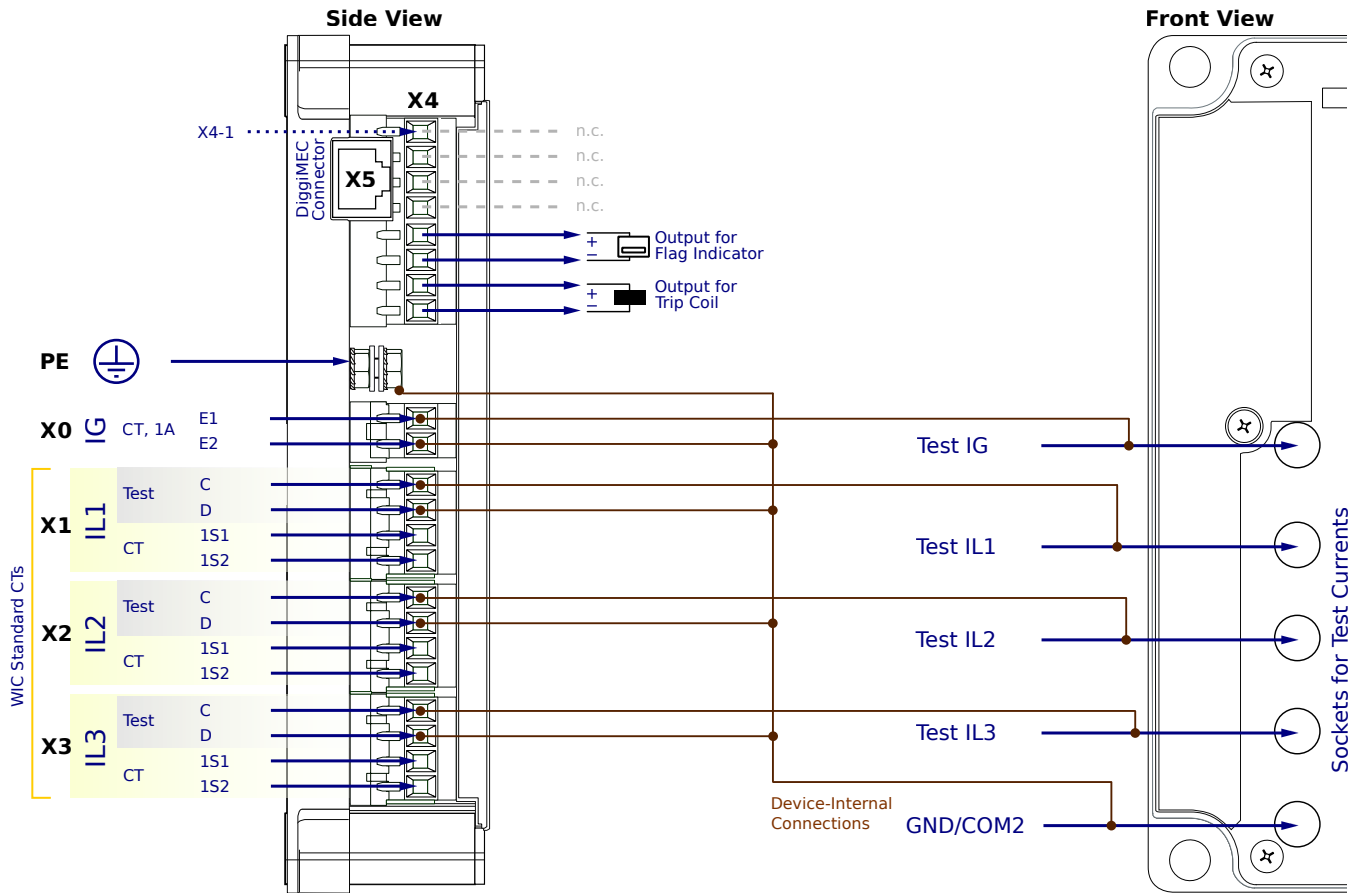
**X1...X3** - WIC CTs

**X4-5,6** - Assignable flag indicator

**X4-7,8** - Trip pulse output

**X5** - DiggiMEC-WIC1 connection. Use network cable CAT3 (or better). No crossover cable!

# WIC1-3SG5CN2PA



## CT-Powered Protection Device, configuration via HEX switches or DiggiMEC / Smart view

- Nominal frequency is 50 Hz. (Setting to 60 Hz is possible via DiggiMEC/Smart view.)
- Trip at  $20 \cdot I_{n,max}$
- Package "A" + SOTF, CLPU, external protection, ultra-fast overcurrent protection

**PE** - Protective Earth

**X0** - Measured ground current via 1A CT input. (Setting to calc. IG is also possible via DiggiMEC/Smart view.)

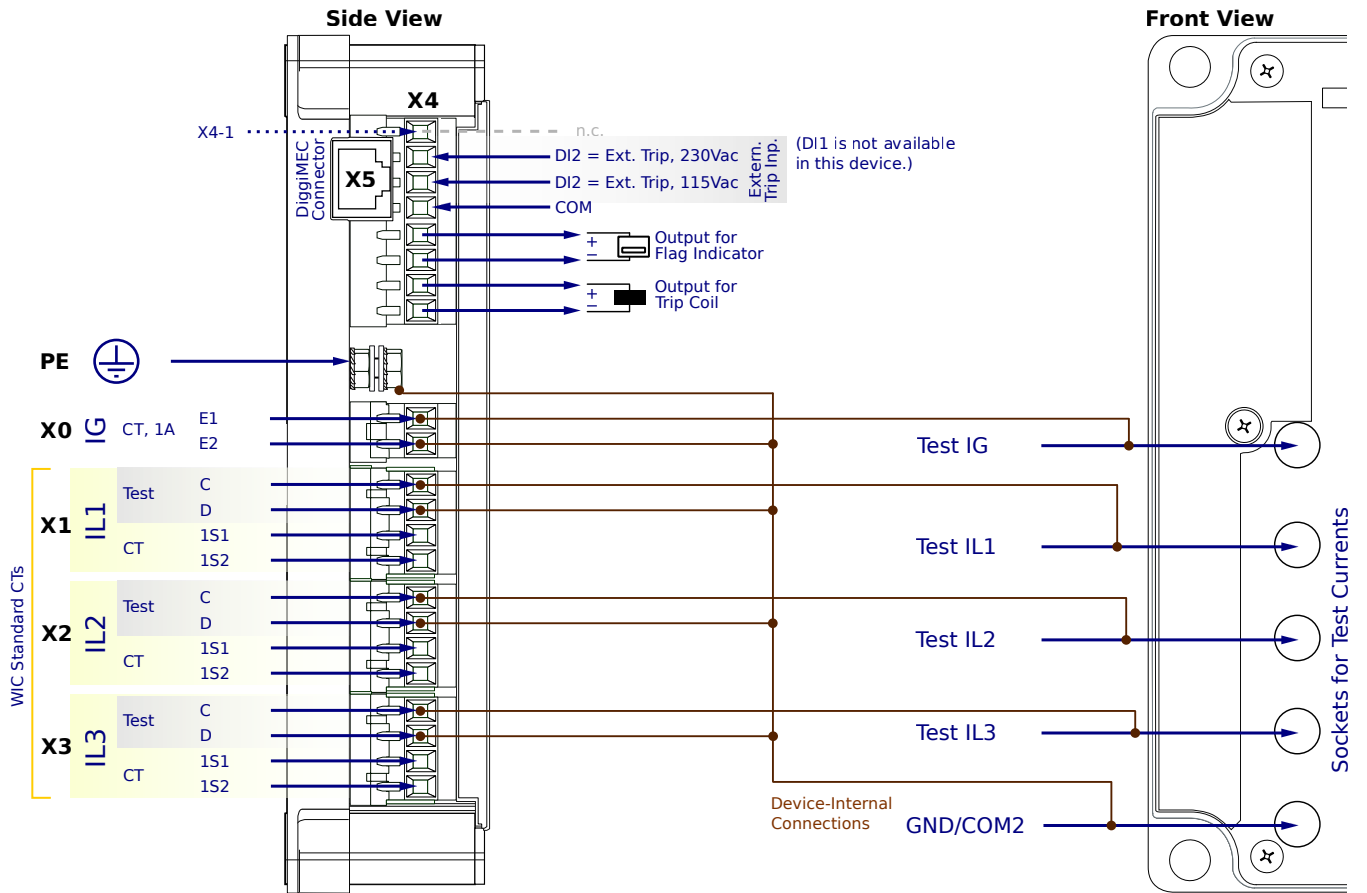
**X1...X3** - WIC CTs

**X4-5,6** - Assignable flag indicator

**X4-7,8** - Trip pulse output

**X5** - DiggiMEC-WIC1 connection. Use network cable CAT3 (or better). No crossover cable!

# WIC1-3SG5CF1SA



## CT-Powered Protection Device, configuration via HEX switches or DiggiMEC / Smart view

- Nominal frequency is 50 Hz. (Setting to 60 Hz is possible via DiggiMEC/Smart view.)
- Backup protection operates directly
- ANSI 50, 50G/N, 51, 51G/N, inrush, 50BF, 74TC

**PE** - Protective Earth

**X0** - Measured ground current via 1A CT input. (Setting to calc. IG is also possible via DiggiMEC/Smart view.)

**X1...X3** - WIC CTs

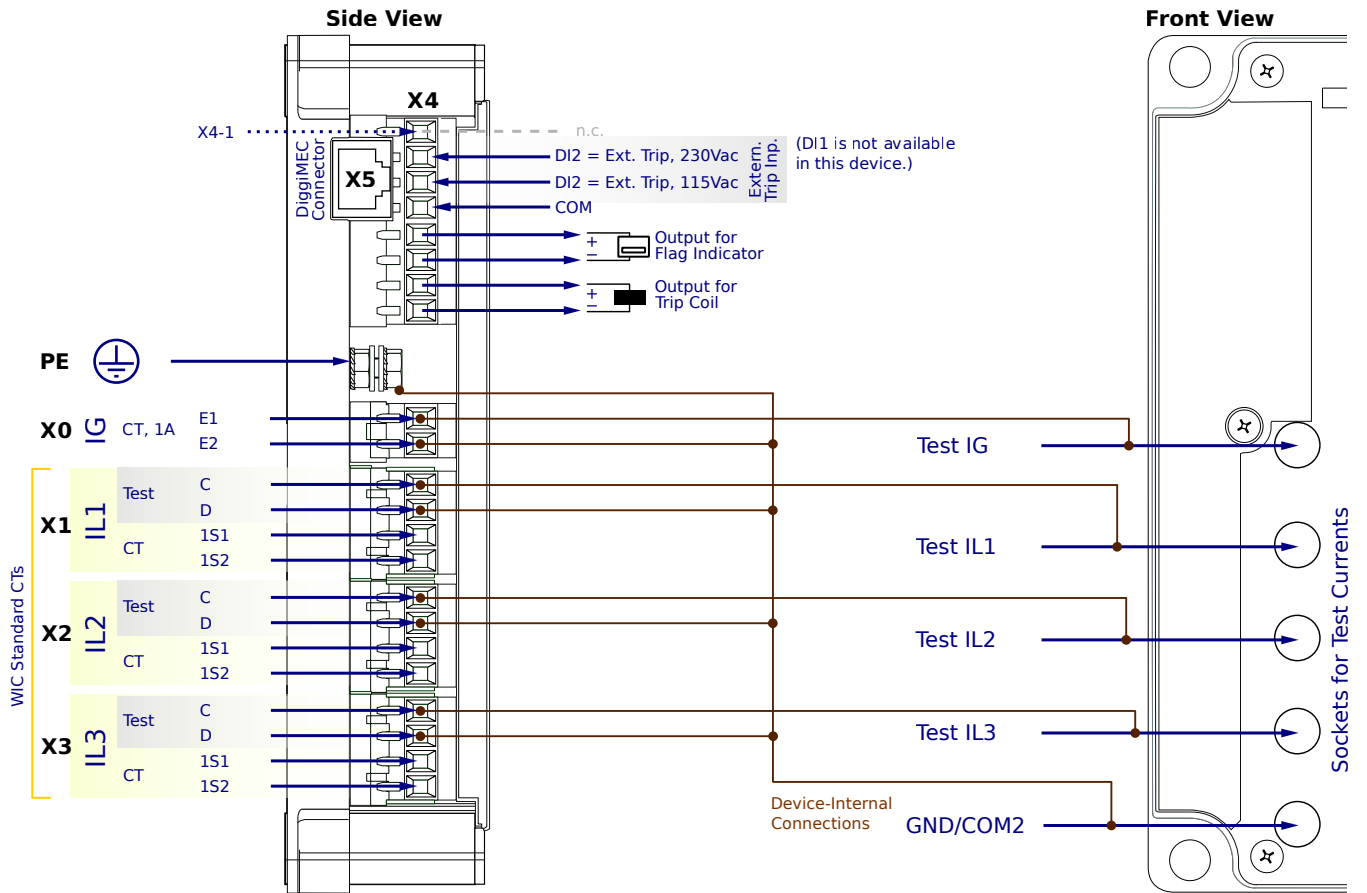
**X4-2,3** - DI2, fixed to External trip input (115Vac or 230Vac)

**X4-5,6** - Assignable flag indicator

**X4-7,8** - Trip pulse output

**X5** - DiggiMEC-WIC1 connection. Use network cable CAT3 (or better). No crossover cable!

# WIC1-3SG5CF1AA



## CT-Powered Protection Device, configuration via HEX switches or DiggiMEC / Smart view

- Nominal frequency is 50 Hz. (Setting to 60 Hz is possible via DiggiMEC/Smart view.)
- Backup protection operates directly
- Package "S" + ANSI 46, 49, 51Q, Breaker Wear, Condition Monitoring (= Life Load, Drag Indicator)

**PE** - Protective Earth

**X0** - Measured ground current via 1A CT input. (Setting to calc. IG is also possible via DiggiMEC/Smart view.)

**X1...X3** - WIC CTs

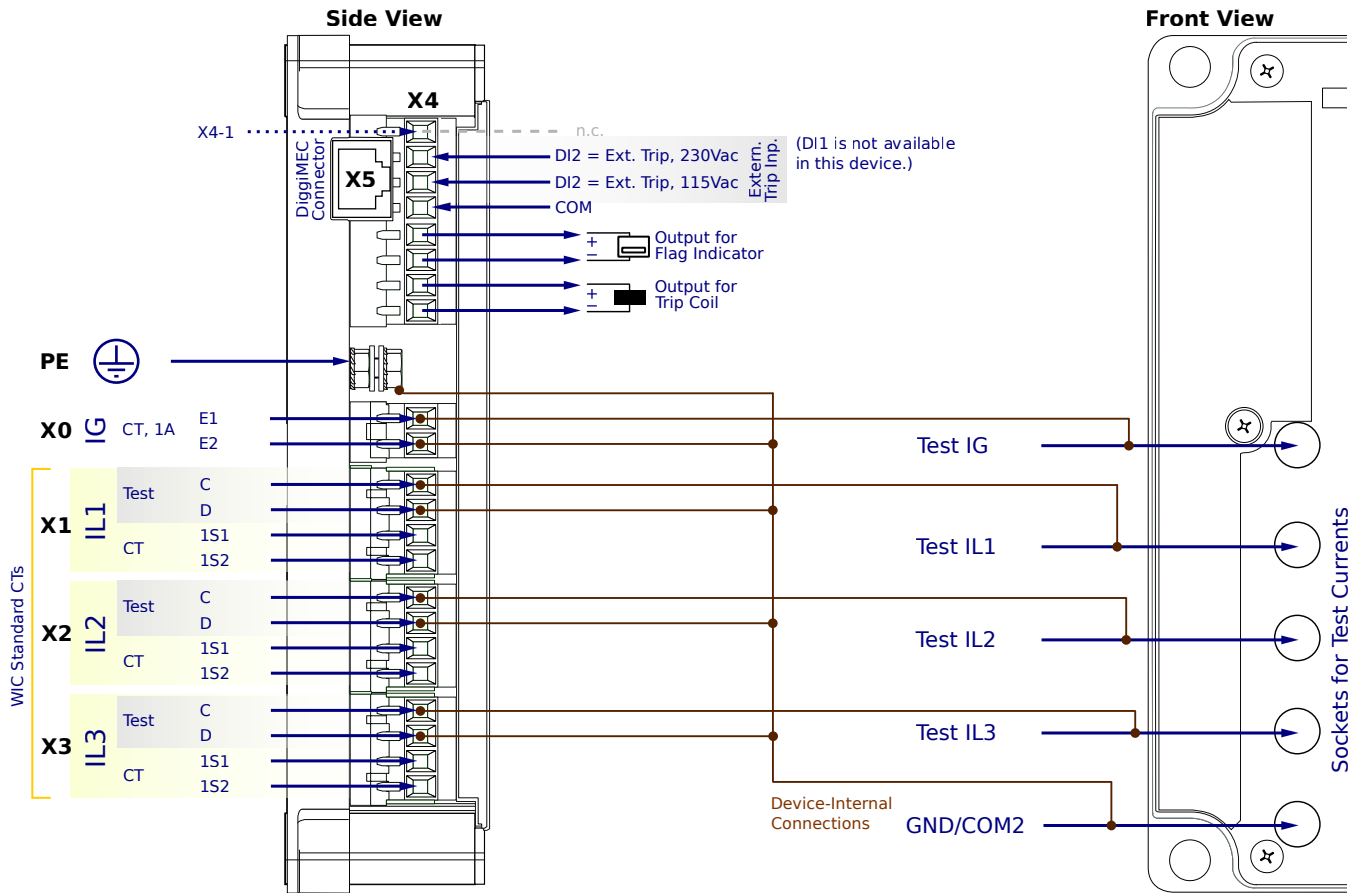
**X4-2,3** - DI2, fixed to External trip input (115Vac or 230Vac)

**X4-5,6** - Assignable flag indicator

**X4-7,8** - Trip pulse output

**X5** - DiggiMEC-WIC1 connection. Use network cable CAT3 (or better). No crossover cable!

# WIC1-3SG5CF1PA



## CT-Powered Protection Device, configuration via HEX switches or DiggiMEC / Smart view

- Nominal frequency is 50 Hz. (Setting to 60 Hz is possible via DiggiMEC/Smart view.)
- Backup protection operates directly
- Package "A" + SOTF, CLPU, external protection, ultra-fast overcurrent protection

**PE** - Protective Earth

**X0** - Measured ground current via 1A CT input. (Setting to calc. IG is also possible via DiggiMEC/Smart view.)

**X1...X3** - WIC CTs

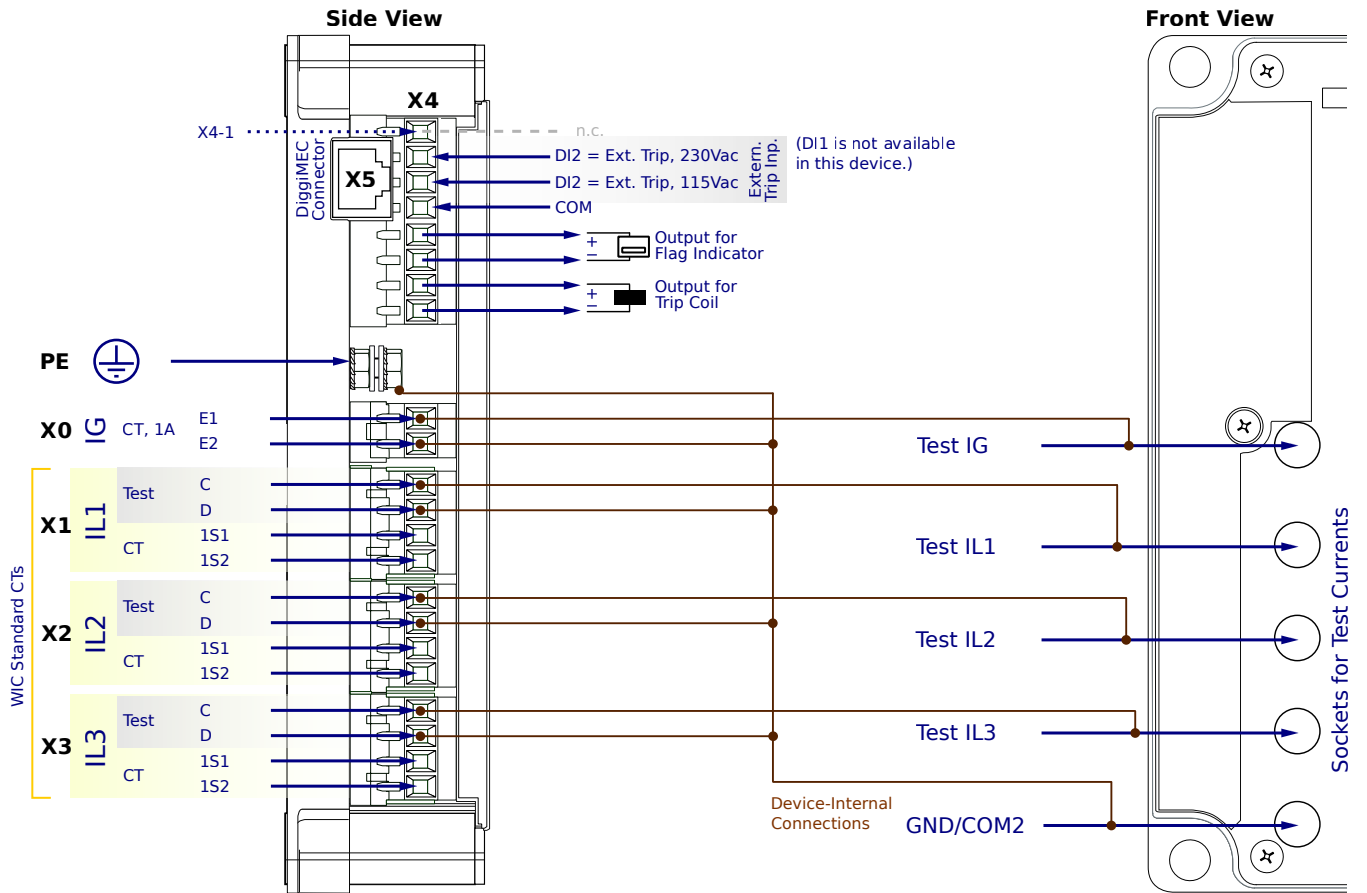
**X4-2,3** - DI2, fixed to External trip input (115Vac or 230Vac)

**X4-5,6** - Assignable flag indicator

**X4-7,8** - Trip pulse output

**X5** - DiggiMEC-WIC1 connection. Use network cable CAT3 (or better). No crossover cable!

# WIC1-3SG5CF2SA



## CT-Powered Protection Device, configuration via HEX switches or DiggiMEC / Smart view

- Nominal frequency is 50 Hz. (Setting to 60 Hz is possible via DiggiMEC/Smart view.)
- Trip at  $20 \cdot I_{n,max}$
- ANSI 50, 50G/N, 51, 51G/N, inrush, 50BF, 74TC

**PE** - Protective Earth

**X0** - Measured ground current via 1A CT input. (Setting to calc. IG is also possible via DiggiMEC/Smart view.)

**X1...X3** - WIC CTs

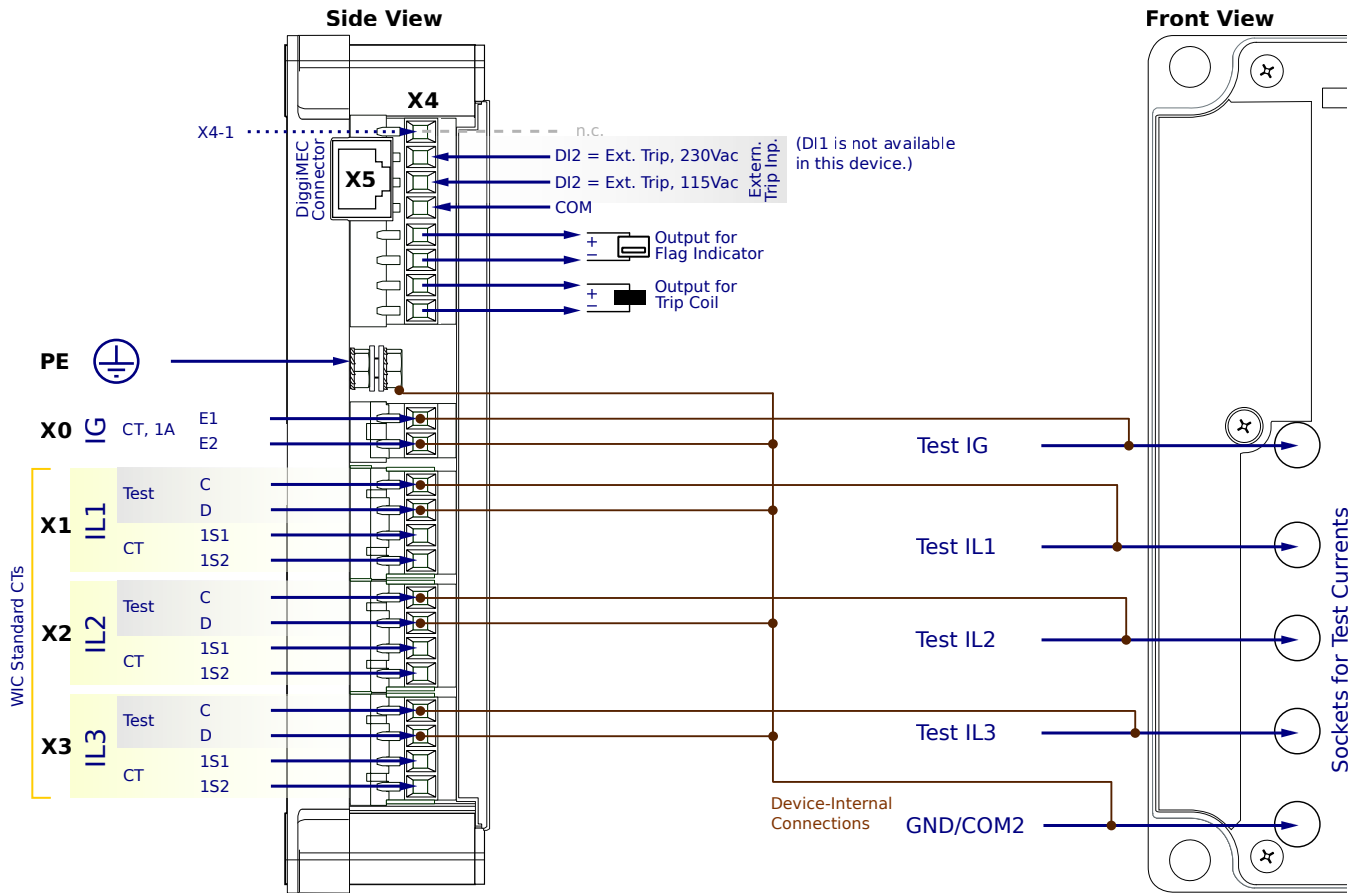
**X4-2,3** - DI2, fixed to External trip input (115Vac or 230Vac)

**X4-5,6** - Assignable flag indicator

**X4-7,8** - Trip pulse output

**X5** - DiggiMEC-WIC1 connection. Use network cable CAT3 (or better). No crossover cable!

# WIC1-3SG5CF2AA



## CT-Powered Protection Device, configuration via HEX switches or DiggiMEC / Smart view

- Nominal frequency is 50 Hz. (Setting to 60 Hz is possible via DiggiMEC/Smart view.)
- Trip at  $20 \cdot I_{n,max}$
- Package "S" + ANSI 46, 49, 51Q, Breaker Wear, Condition Monitoring (= Life Load, Drag Indicator)

**PE** - Protective Earth

**X0** - Measured ground current via 1A CT input. (Setting to calc. IG is also possible via DiggiMEC/Smart view.)

**X1...X3** - WIC CTs

**X4-2,3** - DI2, fixed to External trip input (115Vac or 230Vac)

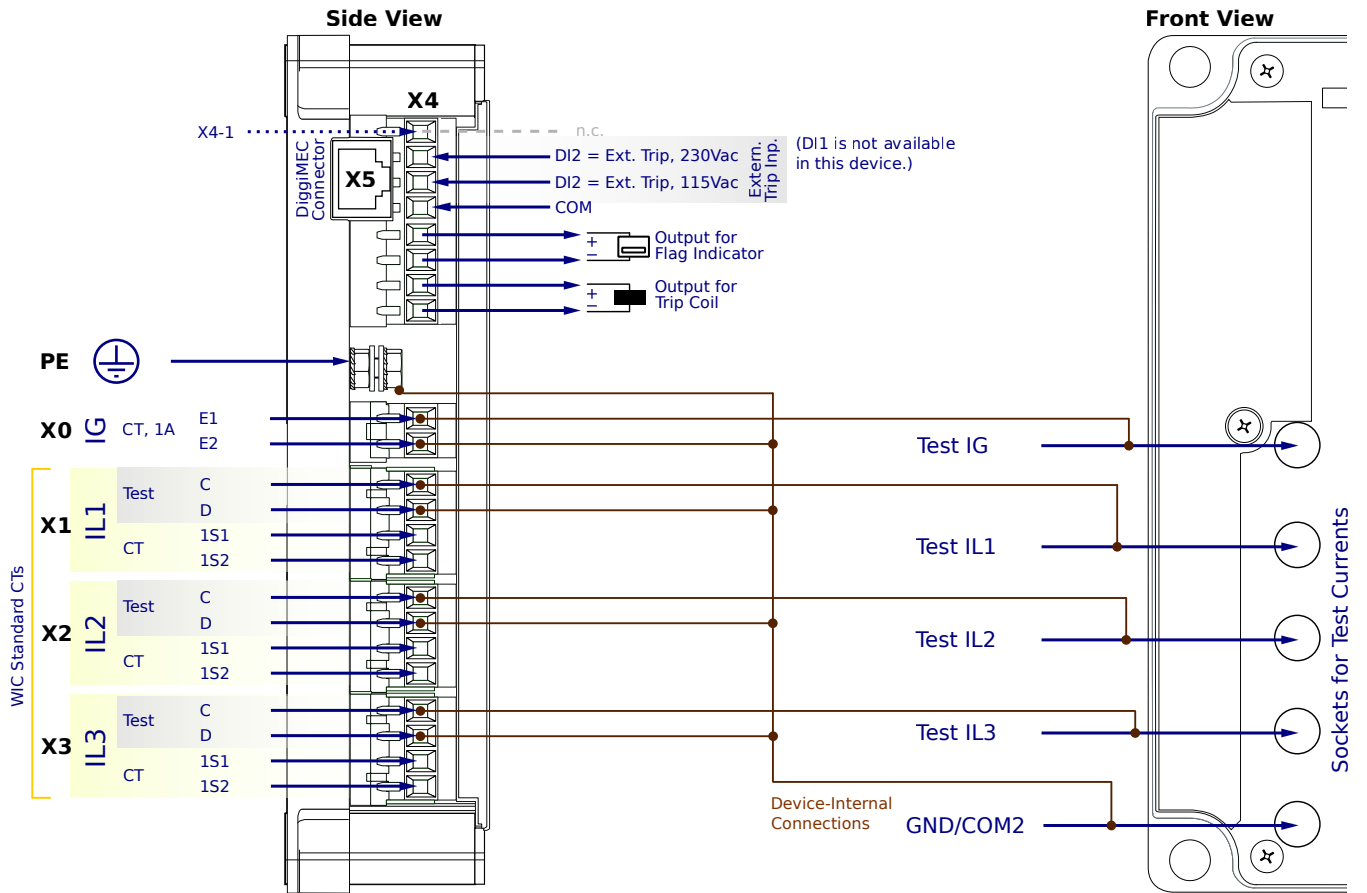
**X4-5,6** - Assignable flag indicator

**X4-7,8** - Trip pulse output

**X5** - DiggiMEC-WIC1 connection. Use network cable CAT3 (or better). No crossover cable!



# WIC1-3SG5CF2PA



## CT-Powered Protection Device, configuration via HEX switches or DiggiMEC / Smart view

- Nominal frequency is 50 Hz. (Setting to 60 Hz is possible via DiggiMEC/Smart view.)
- Trip at  $20 \cdot I_{n,max}$
- Package "A" + SOTF, CLPU, external protection, ultra-fast overcurrent protection

**PE** - Protective Earth

**X0** - Measured ground current via 1A CT input. (Setting to calc. IG is also possible via DiggiMEC/Smart view.)

**X1...X3** - WIC CTs

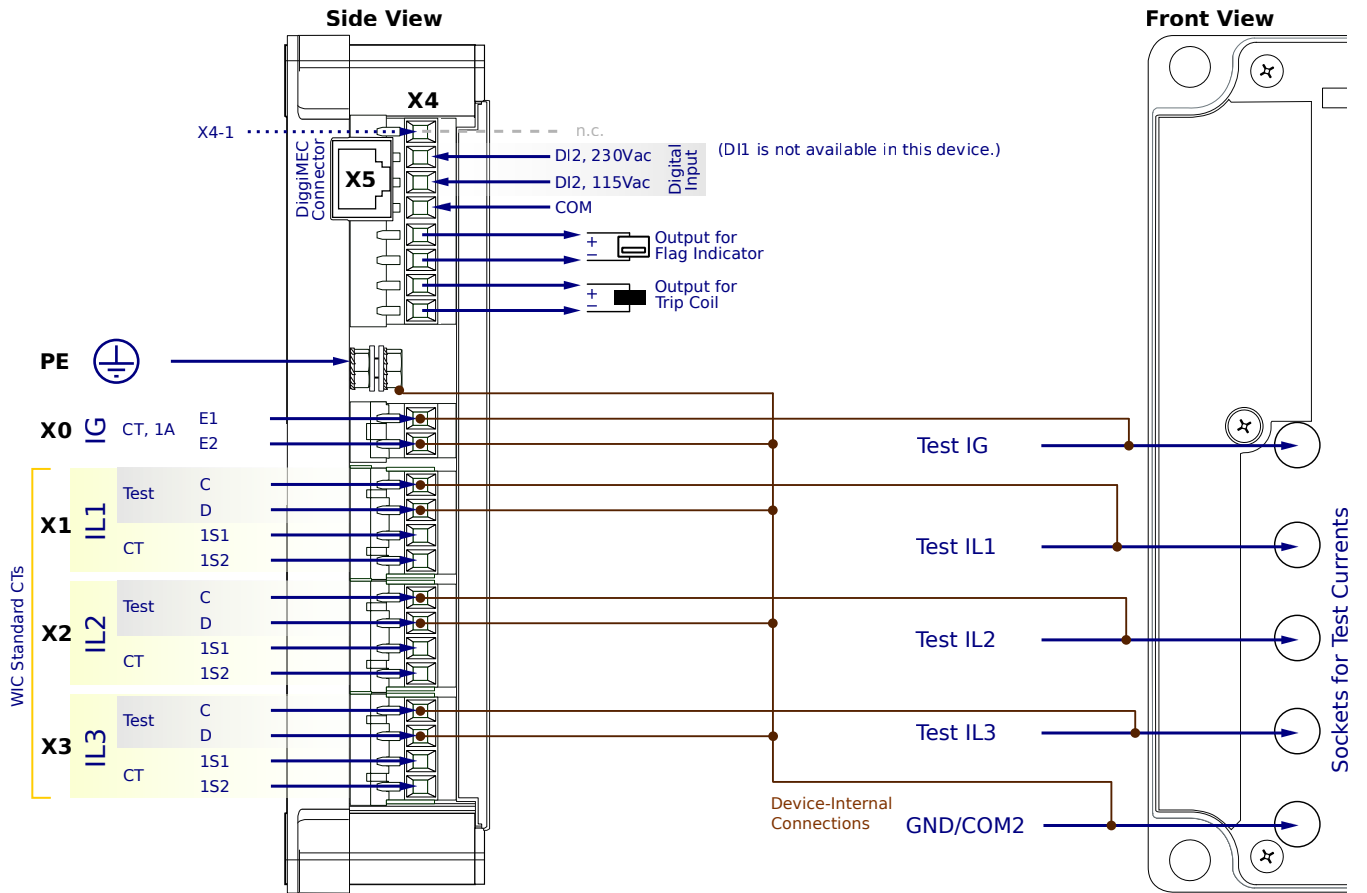
**X4-2,3** - DI2, fixed to External trip input (115Vac or 230Vac)

**X4-5,6** - Assignable flag indicator

**X4-7,8** - Trip pulse output

**X5** - DiggiMEC-WIC1 connection. Use network cable CAT3 (or better). No crossover cable!

# WIC1-3SG5CC1SA



## CT-Powered Protection Device, configuration via HEX switches or DiggiMEC / Smart view

- Nominal frequency is 50 Hz. (Setting to 60 Hz is possible via DiggiMEC/Smart view.)
- Backup protection operates directly
- ANSI 50, 50G/N, 51, 51G/N, inrush, 50BF, 74TC

**PE** - Protective Earth

**X0** - Measured ground current via 1A CT input. (Setting to calc. IG is also possible via DiggiMEC/Smart view.)

**X1...X3** - WIC CTs

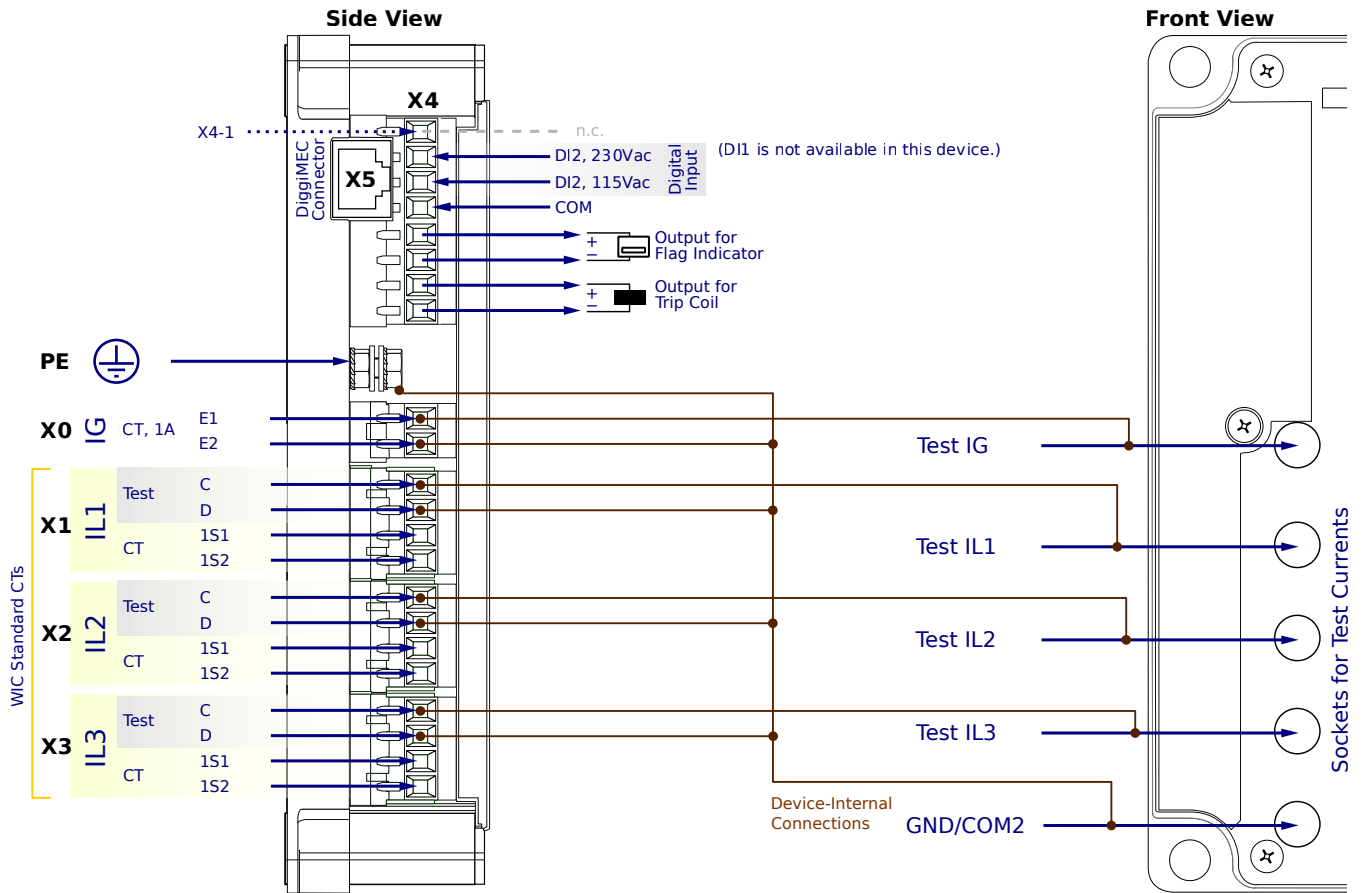
**X4-2,3** - 1 assignable Digital Input DI2 (115Vac or 230Vac)

**X4-5,6** - Assignable flag indicator

**X4-7,8** - Trip pulse output

**X5** - DiggiMEC-WIC1 connection. Use network cable CAT3 (or better). No crossover cable!

# WIC1-3SG5CC1AA



## CT-Powered Protection Device, configuration via HEX switches or DiggiMEC / Smart view

- Nominal frequency is 50 Hz. (Setting to 60 Hz is possible via DiggiMEC/Smart view.)
- Backup protection operates directly
- Package "S" + ANSI 46, 49, 51Q, Breaker Wear, Condition Monitoring (= Life Load, Drag Indicator)

**PE** - Protective Earth

**X0** - Measured ground current via 1A CT input. (Setting to calc. IG is also possible via DiggiMEC/Smart view.)

**X1...X3** - WIC CTs

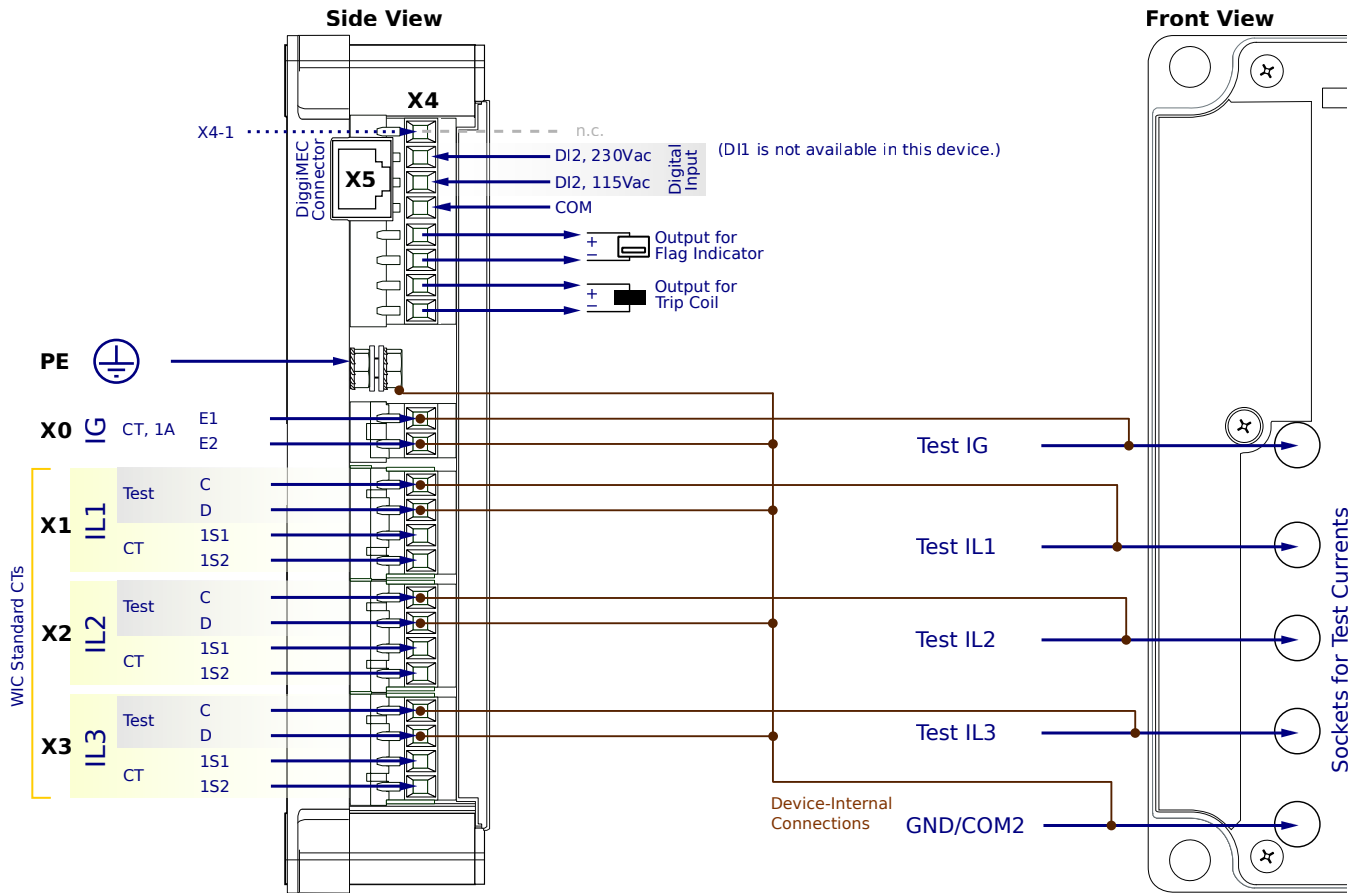
**X4-2,3** - 1 assignable Digital Input DI2 (115Vac or 230Vac)

**X4-5,6** - Assignable flag indicator

**X4-7,8** - Trip pulse output

**X5** - DiggiMEC-WIC1 connection. Use network cable CAT3 (or better). No crossover cable!

# WIC1-3SG5CC1PA



## CT-Powered Protection Device, configuration via HEX switches or DiggiMEC / Smart view

- Nominal frequency is 50 Hz. (Setting to 60 Hz is possible via DiggiMEC/Smart view.)
- Backup protection operates directly
- Package "A" + SOTF, CLPU, external protection, ultra-fast overcurrent protection

**PE** - Protective Earth

**X0** - Measured ground current via 1A CT input. (Setting to calc. IG is also possible via DiggiMEC/Smart view.)

**X1...X3** - WIC CTs

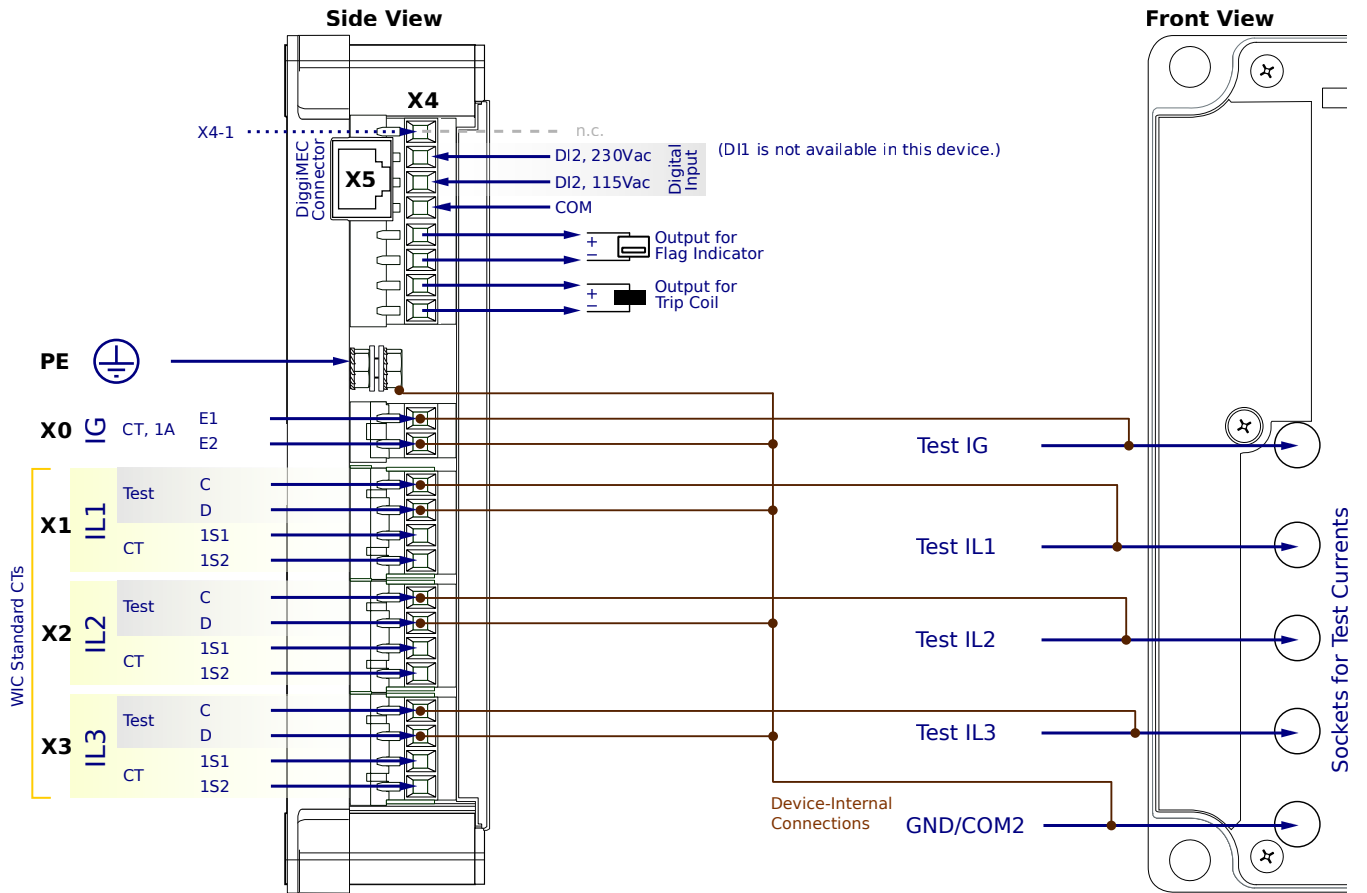
**X4-2,3** - 1 assignable Digital Input DI2 (115Vac or 230Vac)

**X4-5,6** - Assignable flag indicator

**X4-7,8** - Trip pulse output

**X5** - DiggiMEC-WIC1 connection. Use network cable CAT3 (or better). No crossover cable!

# WIC1-3SG5CC2SA



## CT-Powered Protection Device, configuration via HEX switches or DiggiMEC / Smart view

- Nominal frequency is 50 Hz. (Setting to 60 Hz is possible via DiggiMEC/Smart view.)
- Trip at  $20 \cdot I_{n,max}$
- ANSI 50, 50G/N, 51, 51G/N, inrush, 50BF, 74TC

**PE** - Protective Earth

**X0** - Measured ground current via 1A CT input. (Setting to calc. IG is also possible via DiggiMEC/Smart view.)

**X1...X3** - WIC CTs

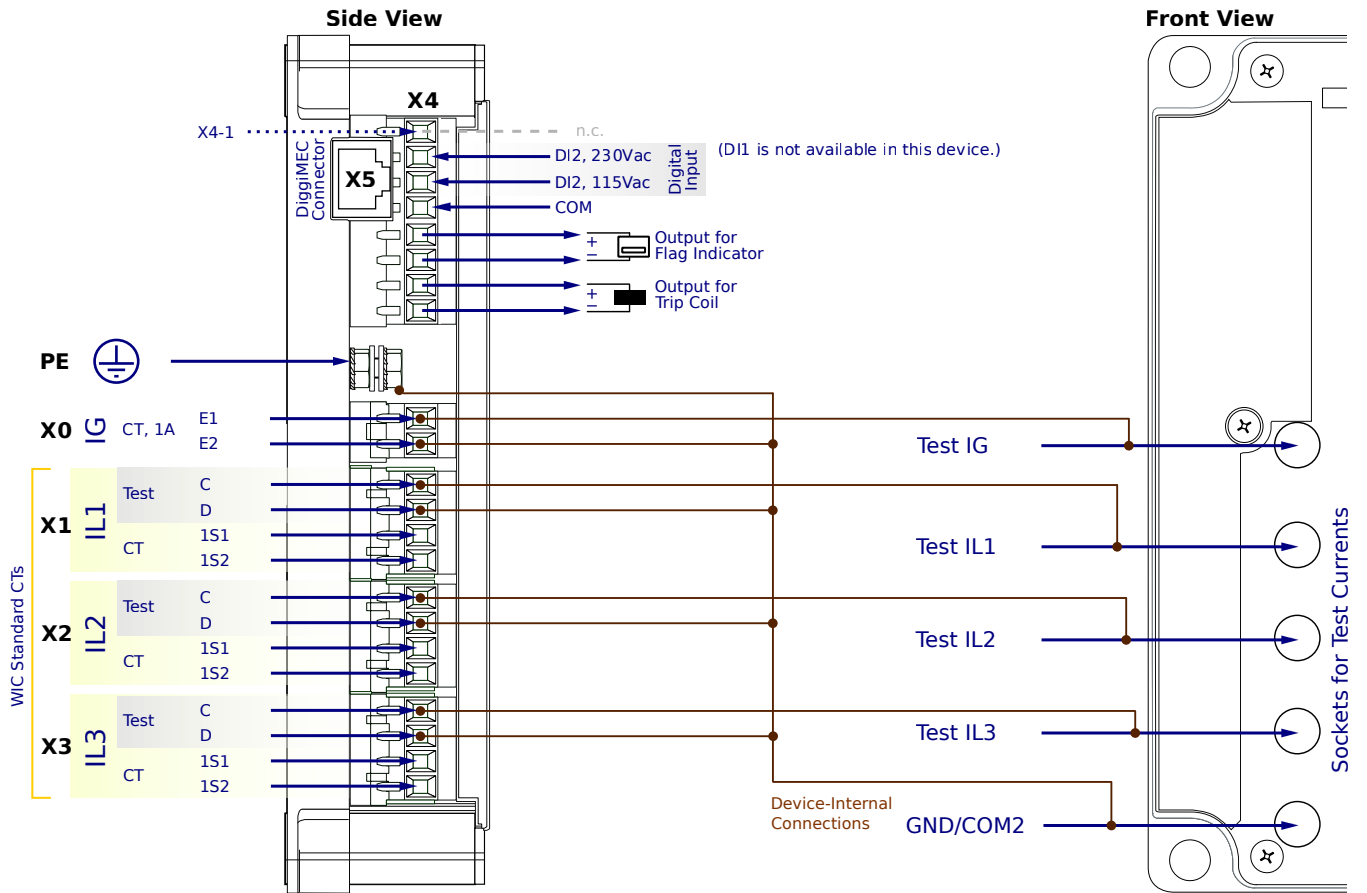
**X4-2,3** - 1 assignable Digital Input DI2 (115Vac or 230Vac)

**X4-5,6** - Assignable flag indicator

**X4-7,8** - Trip pulse output

**X5** - DiggiMEC-WIC1 connection. Use network cable CAT3 (or better). No crossover cable!

# WIC1-3SG5CC2AA



## CT-Powered Protection Device, configuration via HEX switches or DiggiMEC / Smart view

- Nominal frequency is 50 Hz. (Setting to 60 Hz is possible via DiggiMEC/Smart view.)
- Trip at  $20 \cdot I_{n,max}$
- Package "S" + ANSI 46, 49, 51Q, Breaker Wear, Condition Monitoring (= Life Load, Drag Indicator)

**PE** - Protective Earth

**X0** - Measured ground current via 1A CT input. (Setting to calc. IG is also possible via DiggiMEC/Smart view.)

**X1...X3** - WIC CTs

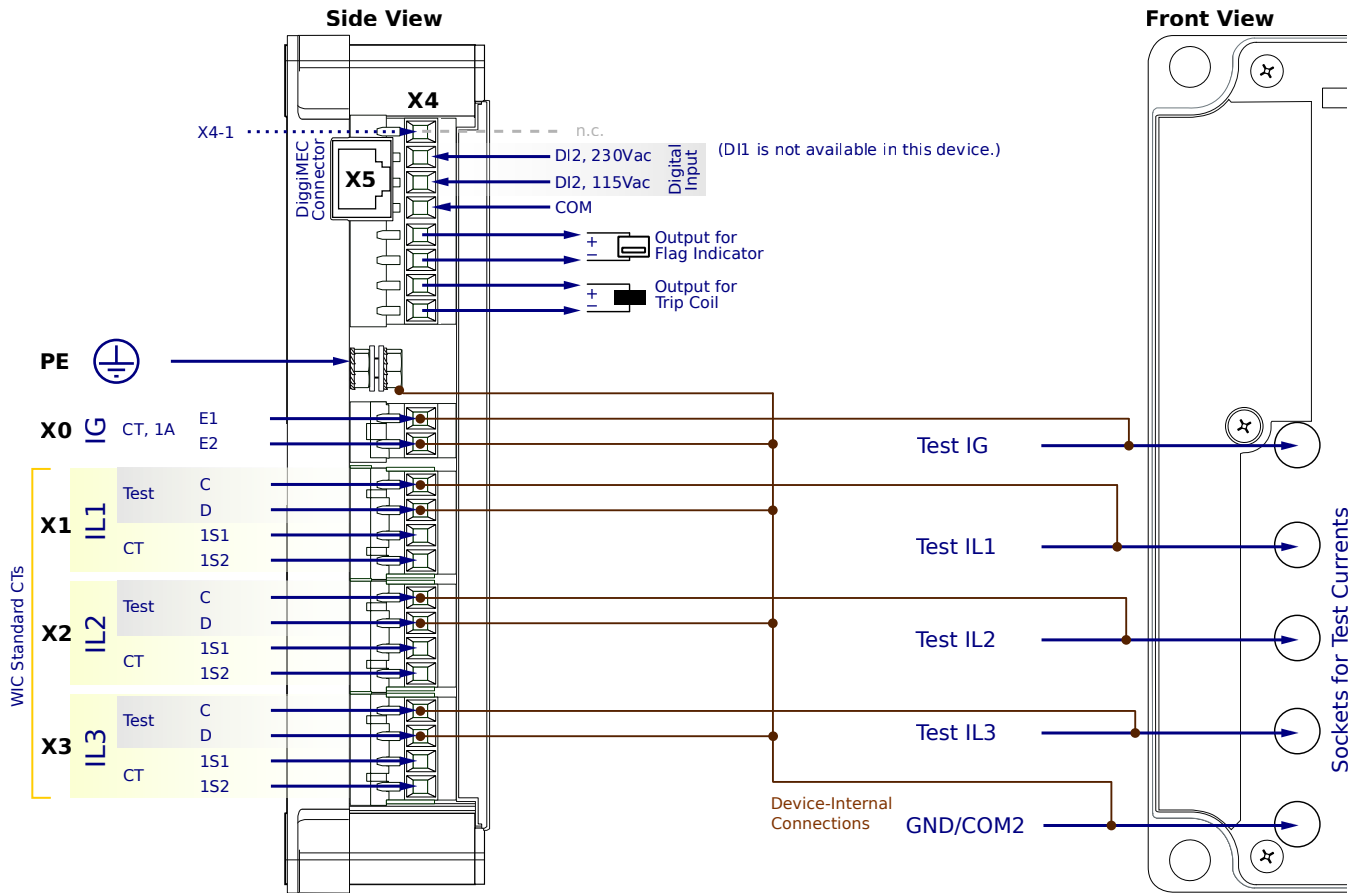
**X4-2,3** - 1 assignable Digital Input DI2 (115Vac or 230Vac)

**X4-5,6** - Assignable flag indicator

**X4-7,8** - Trip pulse output

**X5** - DiggiMEC-WIC1 connection. Use network cable CAT3 (or better). No crossover cable!

# WIC1-3SG5CC2PA



## CT-Powered Protection Device, configuration via HEX switches or DiggiMEC / Smart view

- Nominal frequency is 50 Hz. (Setting to 60 Hz is possible via DiggiMEC/Smart view.)
- Trip at  $20 \cdot I_{n,max}$
- Package "A" + SOTF, CLPU, external protection, ultra-fast overcurrent protection

**PE** - Protective Earth

**X0** - Measured ground current via 1A CT input. (Setting to calc. IG is also possible via DiggiMEC/Smart view.)

**X1...X3** - WIC CTs

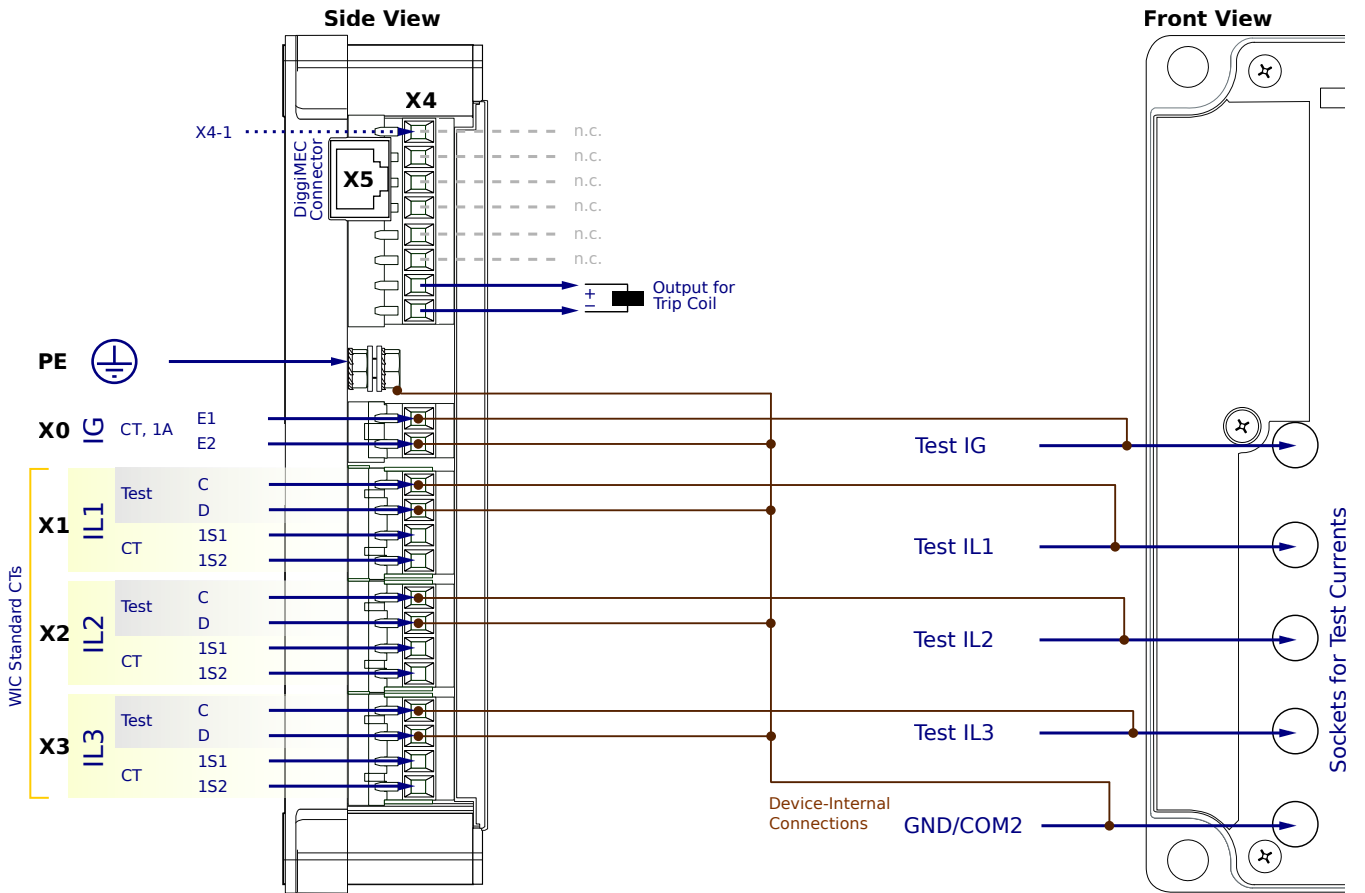
**X4-2,3** - 1 assignable Digital Input DI2 (115Vac or 230Vac)

**X4-5,6** - Assignable flag indicator

**X4-7,8** - Trip pulse output

**X5** - DiggiMEC-WIC1 connection. Use network cable CAT3 (or better). No crossover cable!

# WIC1-3SG6NN1SA



## CT-Powered Protection Device, configuration via HEX switches or DiggiMEC / Smart view

- Nominal frequency is 60 Hz. (Setting to 50 Hz is possible via DiggiMEC/Smart view.)
- Backup protection operates directly
- ANSI 50, 50G/N, 51, 51G/N, inrush, 50BF, 74TC

**PE** - Protective Earth

**X0** - Measured ground current via 1A CT input. (Setting to calc. IG is also possible via DiggiMEC/Smart view.)

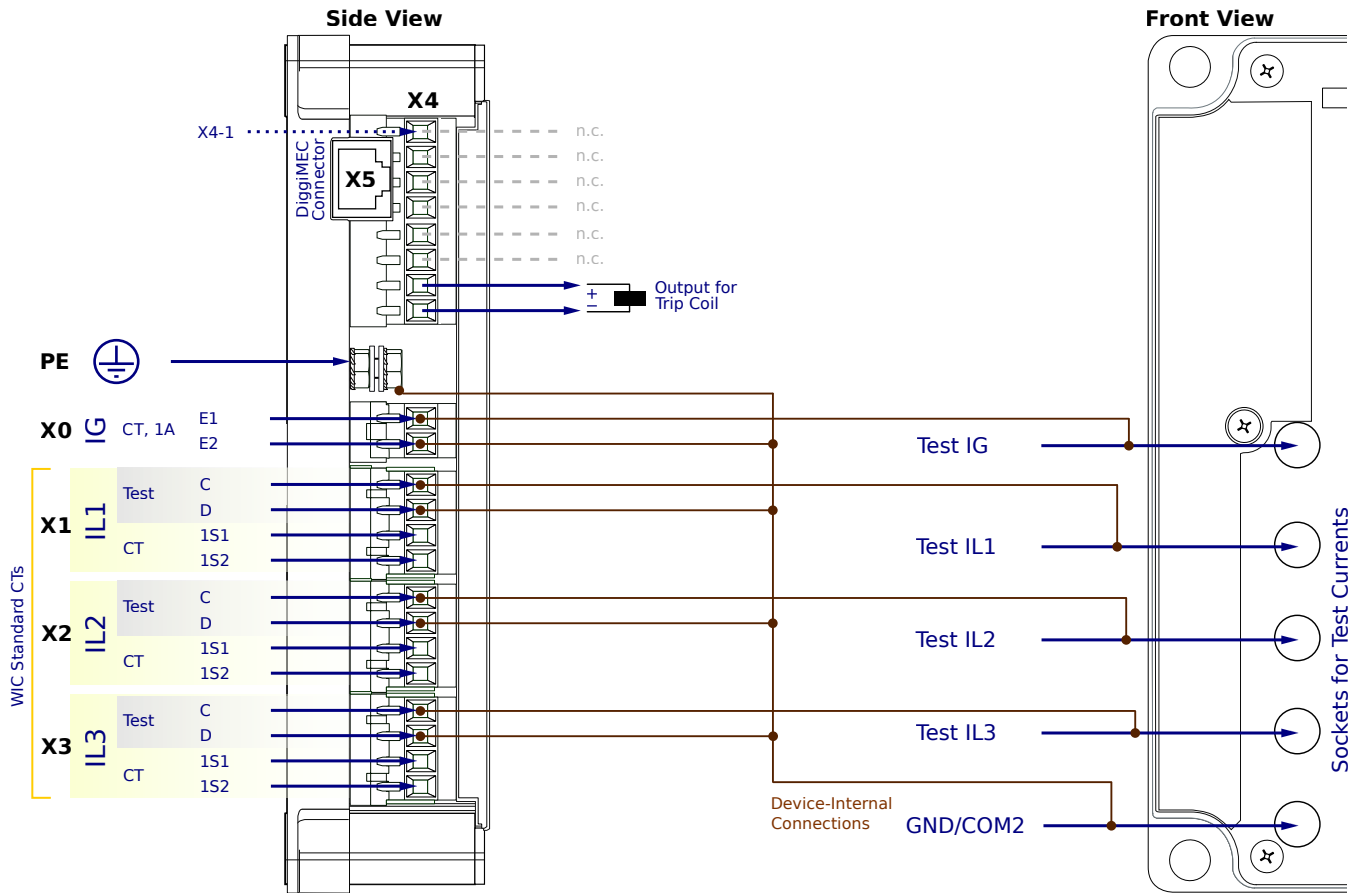
**X1...X3** - WIC CTs

**X4-7,8** - Trip pulse output

**X5** - DiggiMEC-WIC1 connection. Use network cable CAT3 (or better). No crossover cable!



# WIC1-3SG6NN1AA



## CT-Powered Protection Device, configuration via HEX switches or DiggiMEC / Smart view

- Nominal frequency is 60 Hz. (Setting to 50 Hz is possible via DiggiMEC/Smart view.)
- Backup protection operates directly
- Package "S" + ANSI 46, 49, 51Q, Breaker Wear, Condition Monitoring (= Life Load, Drag Indicator)

**PE** - Protective Earth

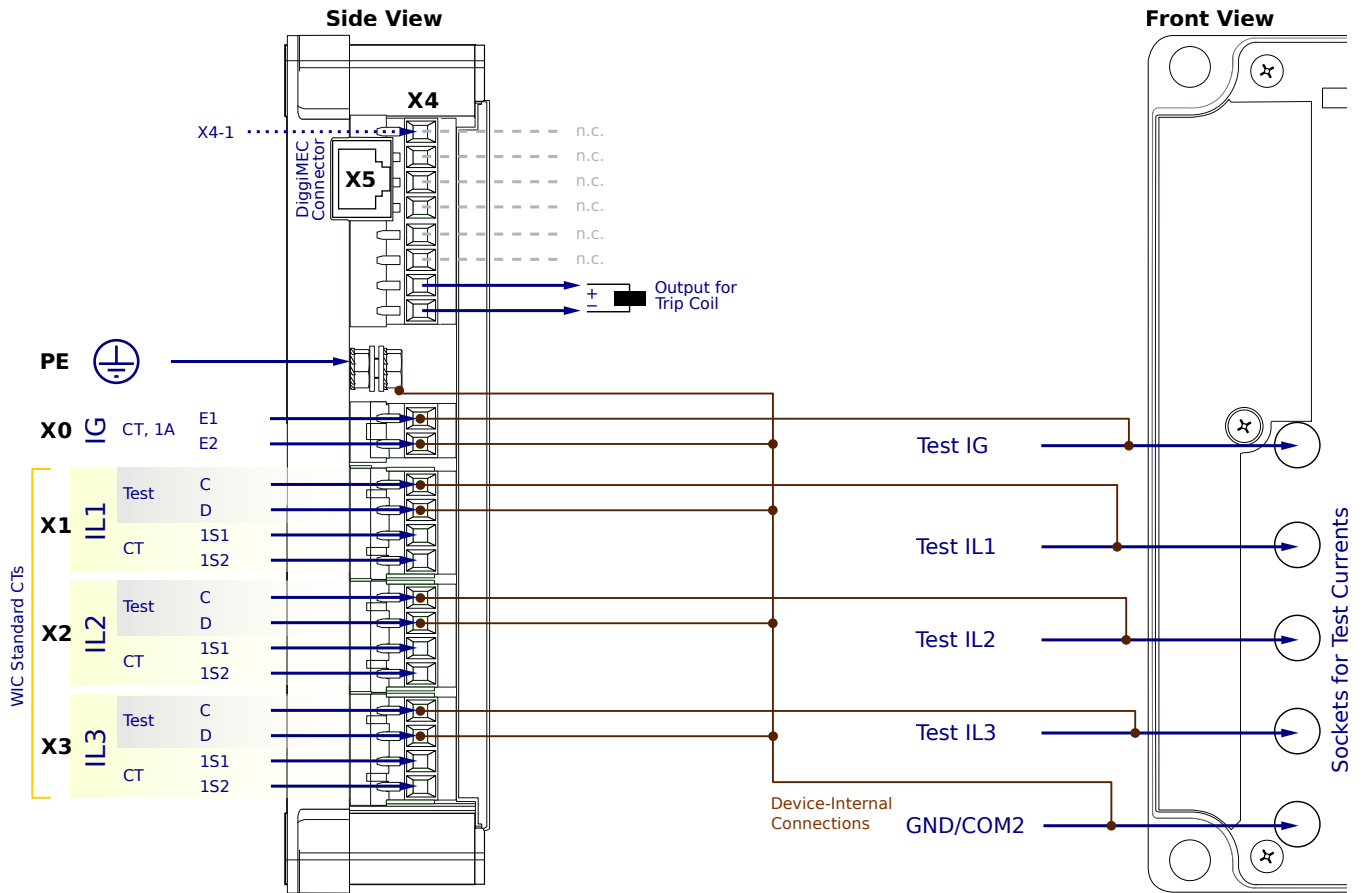
**X0** - Measured ground current via 1A CT input. (Setting to calc. IG is also possible via DiggiMEC/Smart view.)

**X1...X3** - WIC CTs

**X4-7,8** - Trip pulse output

**X5** - DiggiMEC-WIC1 connection. Use network cable CAT3 (or better). No crossover cable!

# WIC1-3SG6NN1PA



## CT-Powered Protection Device, configuration via HEX switches or DiggiMEC / Smart view

- Nominal frequency is 60 Hz. (Setting to 50 Hz is possible via DiggiMEC/Smart view.)
- Backup protection operates directly
- Package "A" + SOTF, CLPU, external protection, ultra-fast overcurrent protection

**PE** - Protective Earth

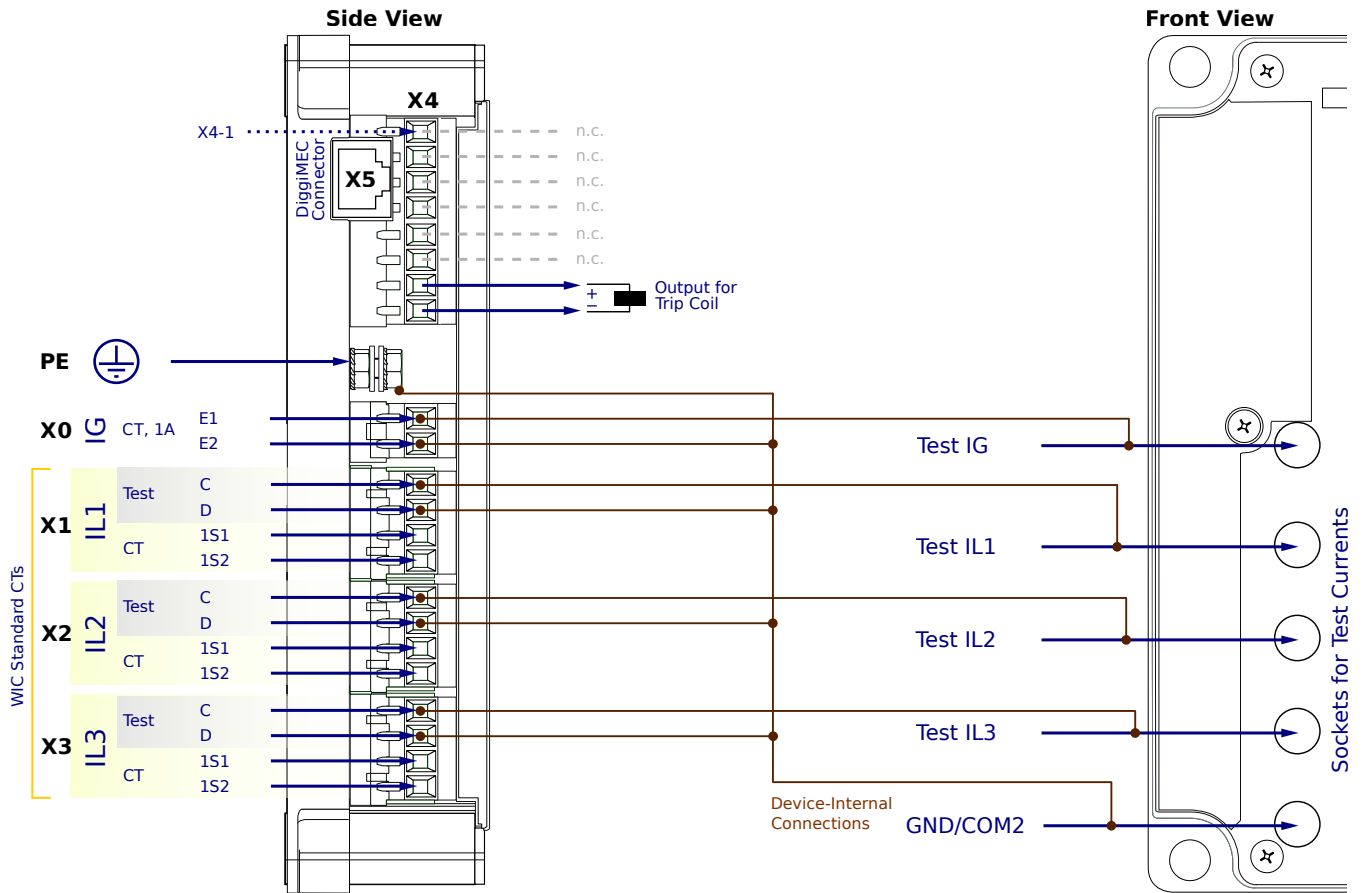
**X0** - Measured ground current via 1A CT input. (Setting to calc. IG is also possible via DiggiMEC/Smart view.)

**X1...X3** - WIC CTs

**X4-7,8** - Trip pulse output

**X5** - DiggiMEC-WIC1 connection. Use network cable CAT3 (or better). No crossover cable!

# WIC1-3SG6NN2SA



## CT-Powered Protection Device, configuration via HEX switches or DiggiMEC / Smart view

- Nominal frequency is 60 Hz. (Setting to 50 Hz is possible via DiggiMEC/Smart view.)
- Trip at  $20 \cdot I_{n,max}$
- ANSI 50, 50G/N, 51, 51G/N, inrush, 50BF, 74TC

**PE** - Protective Earth

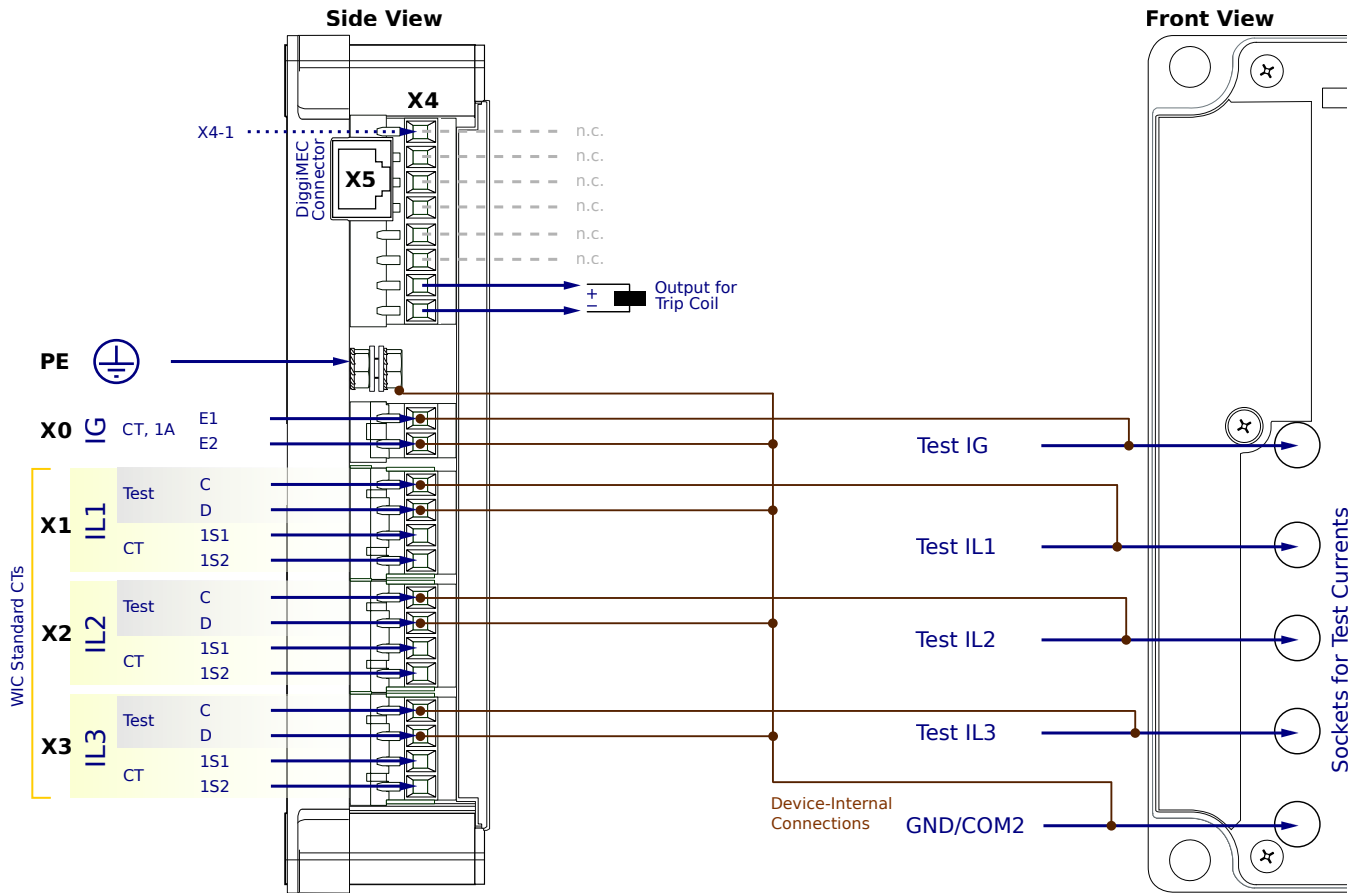
**X0** - Measured ground current via 1A CT input. (Setting to calc. IG is also possible via DiggiMEC/Smart view.)

**X1...X3** - WIC CTs

**X4-7,8** - Trip pulse output

**X5** - DiggiMEC-WIC1 connection. Use network cable CAT3 (or better). No crossover cable!

# WIC1-3SG6NN2AA



## CT-Powered Protection Device, configuration via HEX switches or DiggiMEC / Smart view

- Nominal frequency is 60 Hz. (Setting to 50 Hz is possible via DiggiMEC/Smart view.)
- Trip at  $20 \cdot I_{n,max}$
- Package "S" + ANSI 46, 49, 51Q, Breaker Wear, Condition Monitoring (= Life Load, Drag Indicator)

**PE** - Protective Earth

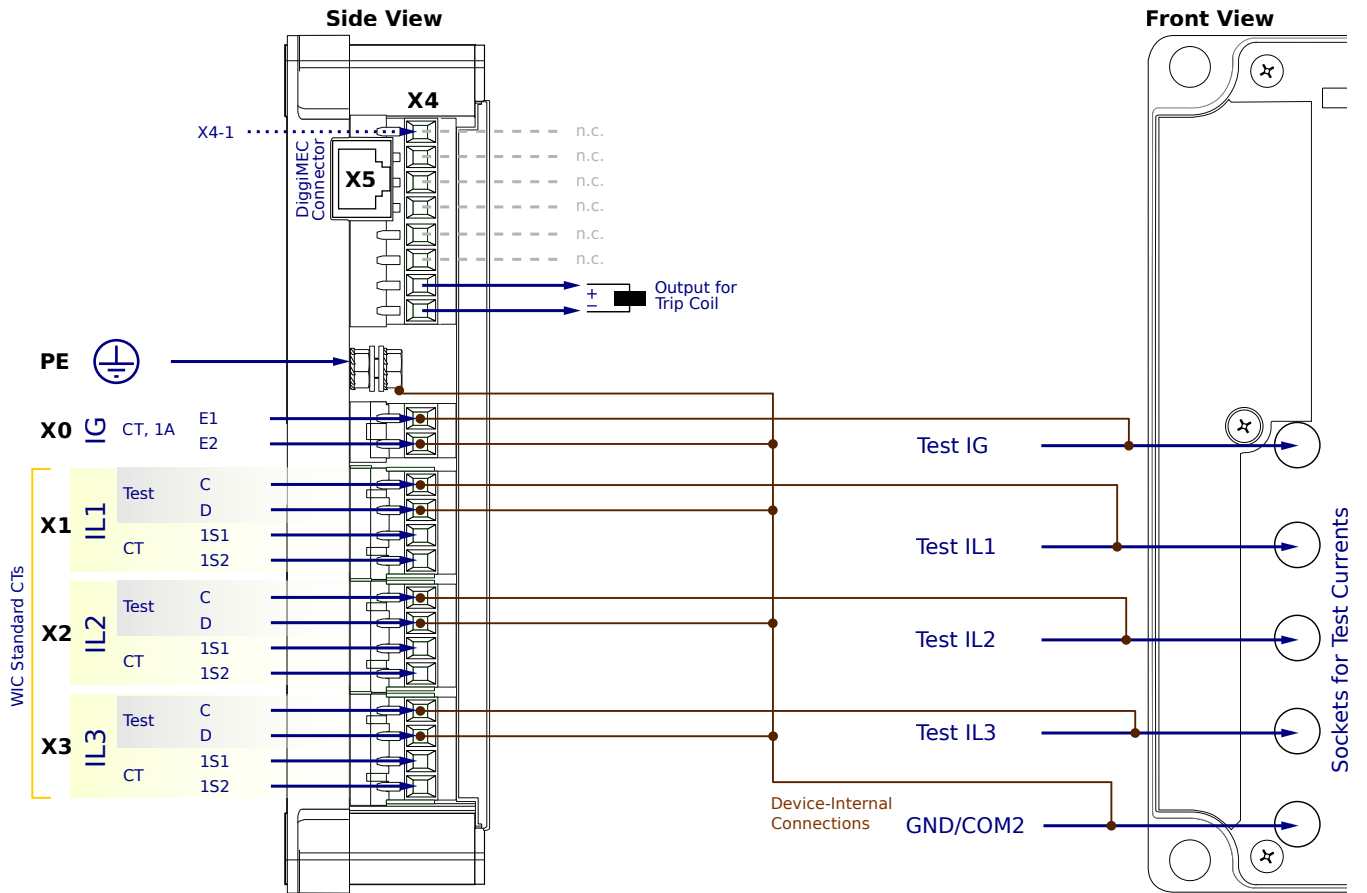
**X0** - Measured ground current via 1A CT input. (Setting to calc. IG is also possible via DiggiMEC/Smart view.)

**X1...X3** - WIC CTs

**X4-7,8** - Trip pulse output

**X5** - DiggiMEC-WIC1 connection. Use network cable CAT3 (or better). No crossover cable!

# WIC1-3SG6NN2PA



## CT-Powered Protection Device, configuration via HEX switches or DiggiMEC / Smart view

- Nominal frequency is 60 Hz. (Setting to 50 Hz is possible via DiggiMEC/Smart view.)
- Trip at  $20 \cdot I_{n,max}$
- Package "A" + SOTF, CLPU, external protection, ultra-fast overcurrent protection

**PE** - Protective Earth

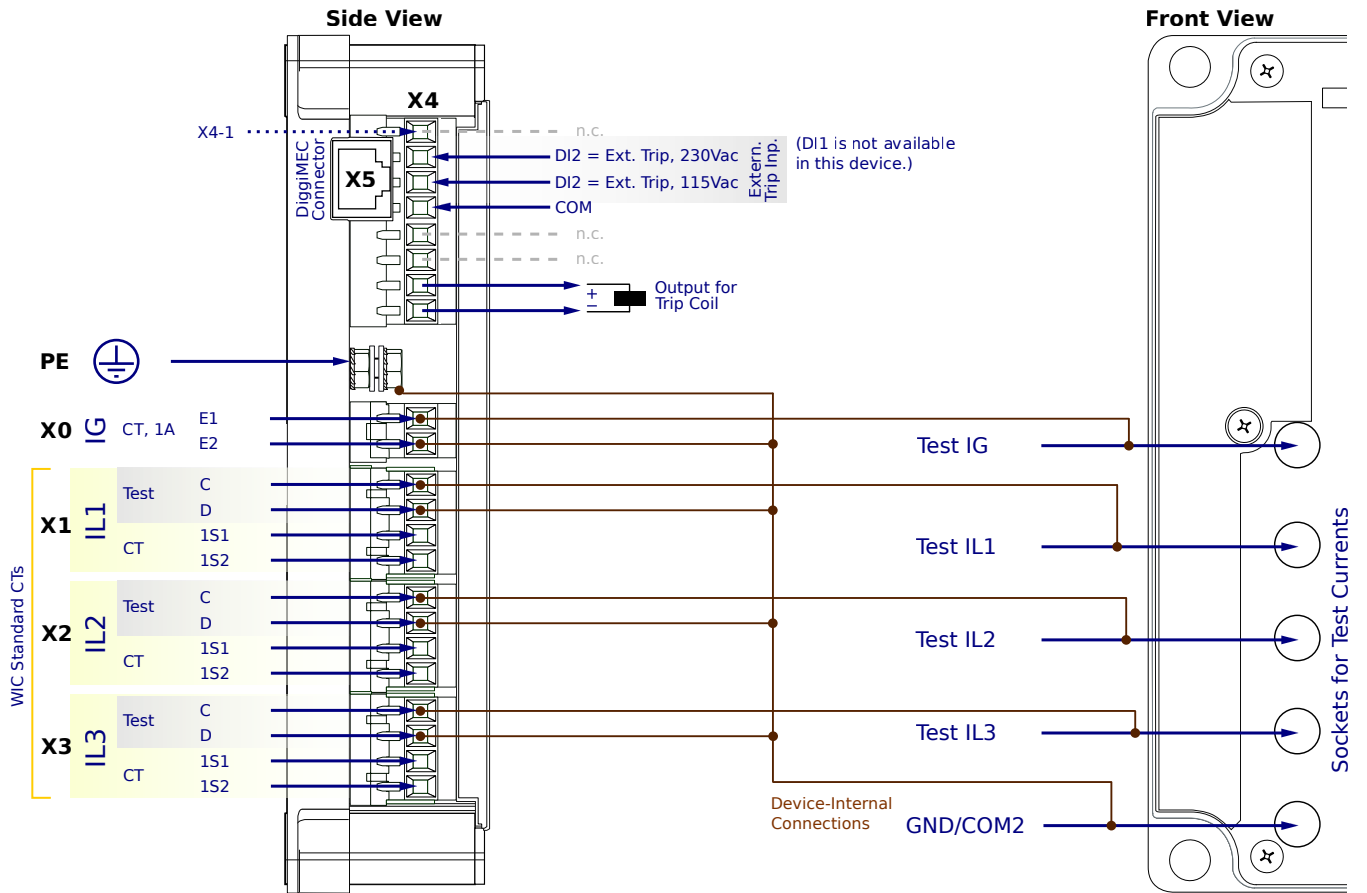
**X0** - Measured ground current via 1A CT input. (Setting to calc. IG is also possible via DiggiMEC/Smart view.)

**X1...X3** - WIC CTs

**X4-7,8** - Trip pulse output

**X5** - DiggiMEC-WIC1 connection. Use network cable CAT3 (or better). No crossover cable!

# WIC1-3SG6NF1SA



## CT-Powered Protection Device, configuration via HEX switches or DiggiMEC / Smart view

- Nominal frequency is 60 Hz. (Setting to 50 Hz is possible via DiggiMEC/Smart view.)
- Backup protection operates directly
- ANSI 50, 50G/N, 51, 51G/N, inrush, 50BF, 74TC

**PE** - Protective Earth

**X0** - Measured ground current via 1A CT input. (Setting to calc. IG is also possible via DiggiMEC/Smart view.)

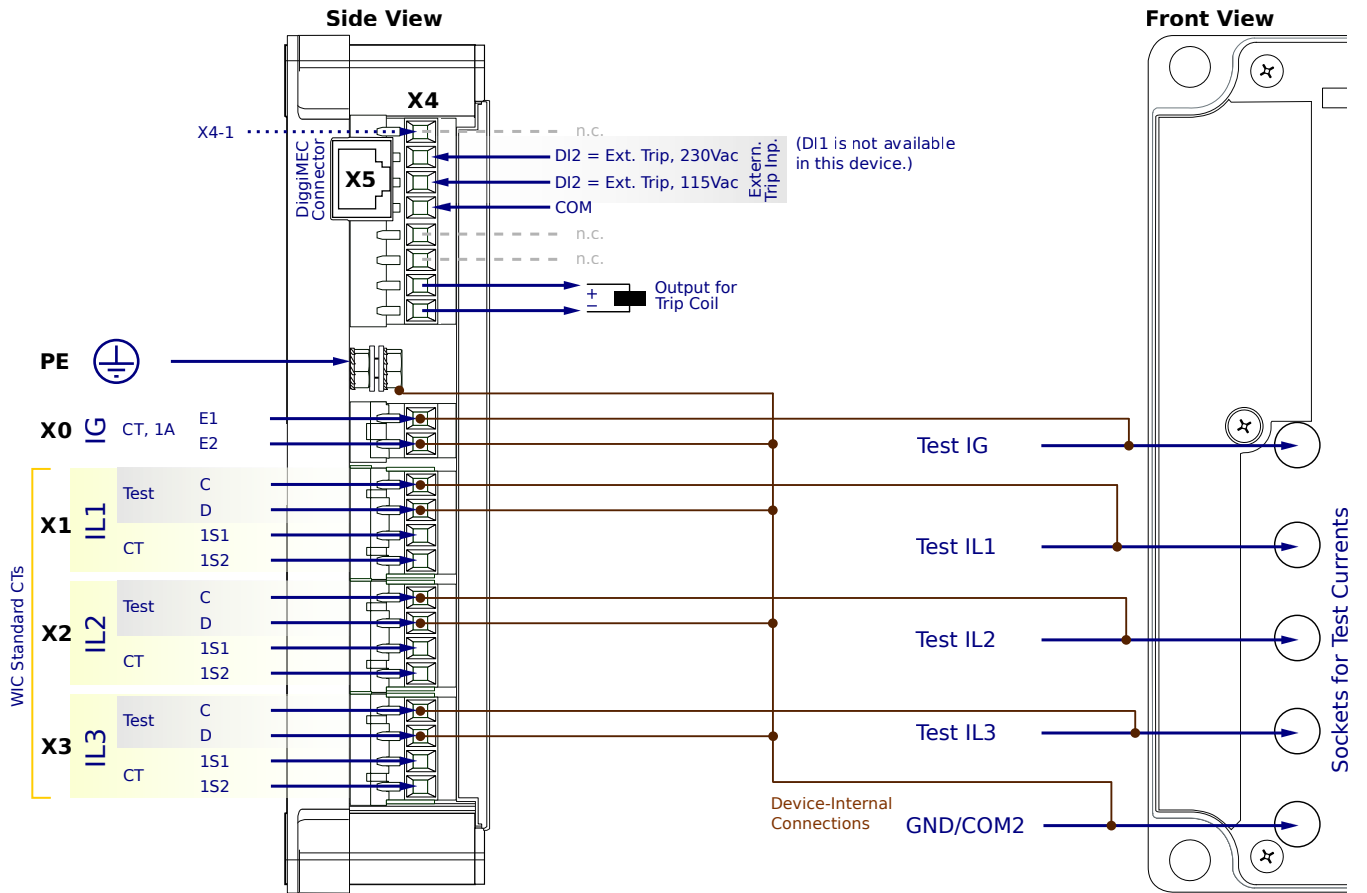
**X1...X3** - WIC CTs

**X4-2,3** - DI2, fixed to External trip input (115Vac or 230Vac)

**X4-7,8** - Trip pulse output

**X5** - DiggiMEC-WIC1 connection. Use network cable CAT3 (or better). No crossover cable!

# WIC1-3SG6NF1AA



## CT-Powered Protection Device, configuration via HEX switches or DiggiMEC / Smart view

- Nominal frequency is 60 Hz. (Setting to 50 Hz is possible via DiggiMEC/Smart view.)
- Backup protection operates directly
- Package "S" + ANSI 46, 49, 51Q, Breaker Wear, Condition Monitoring (= Life Load, Drag Indicator)

**PE** - Protective Earth

**X0** - Measured ground current via 1A CT input. (Setting to calc. IG is also possible via DiggiMEC/Smart view.)

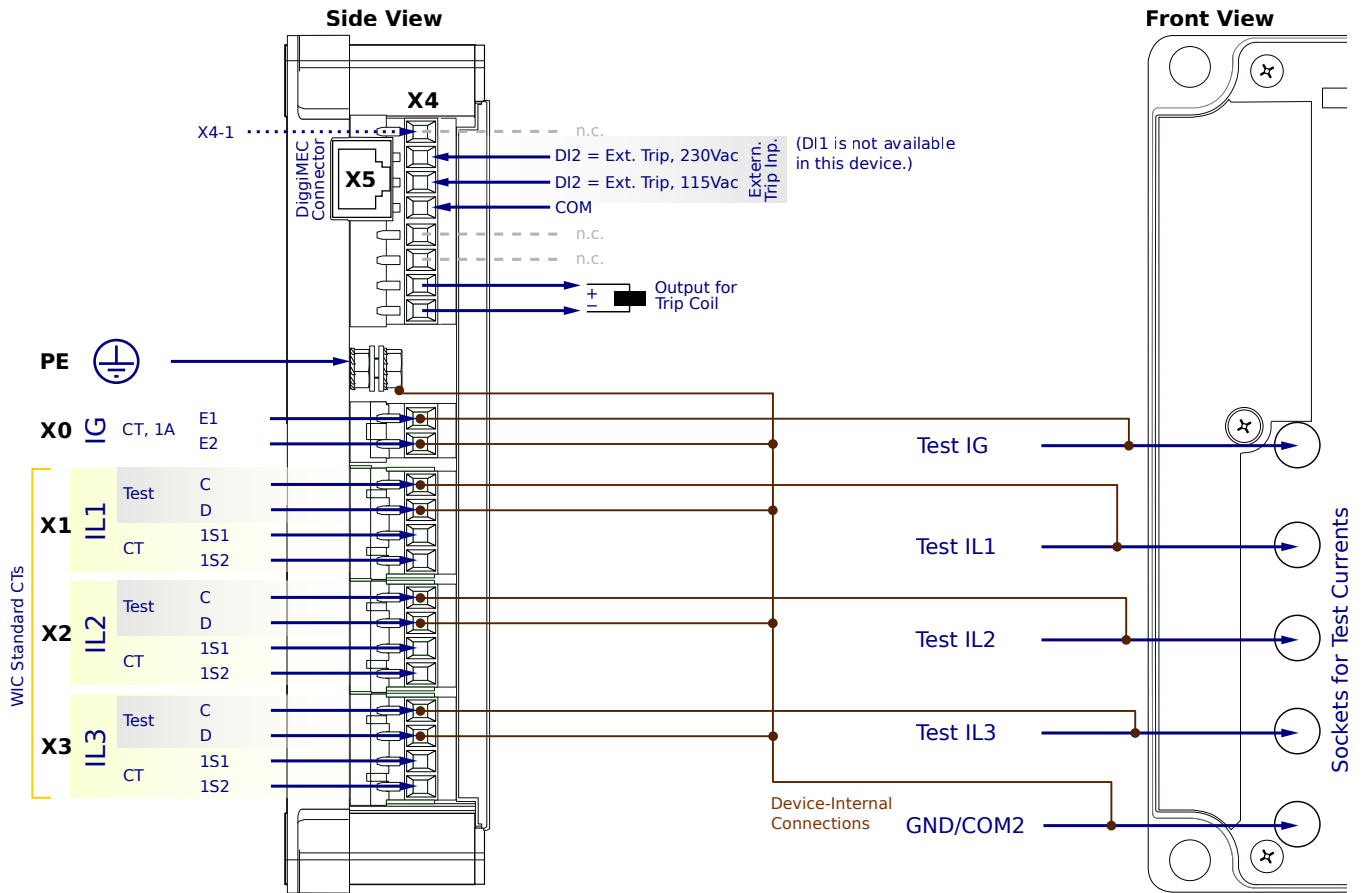
**X1...X3** - WIC CTs

**X4-2,3** - DI2, fixed to External trip input (115Vac or 230Vac)

**X4-7,8** - Trip pulse output

**X5** - DiggiMEC-WIC1 connection. Use network cable CAT3 (or better). No crossover cable!

# WIC1-3SG6NF1PA



## CT-Powered Protection Device, configuration via HEX switches or DiggiMEC / Smart view

- Nominal frequency is 60 Hz. (Setting to 50 Hz is possible via DiggiMEC/Smart view.)
- Backup protection operates directly
- Package "A" + SOTF, CLPU, external protection, ultra-fast overcurrent protection

**PE** - Protective Earth

**X0** - Measured ground current via 1A CT input. (Setting to calc. IG is also possible via DiggiMEC/Smart view.)

**X1...X3** - WIC CTs

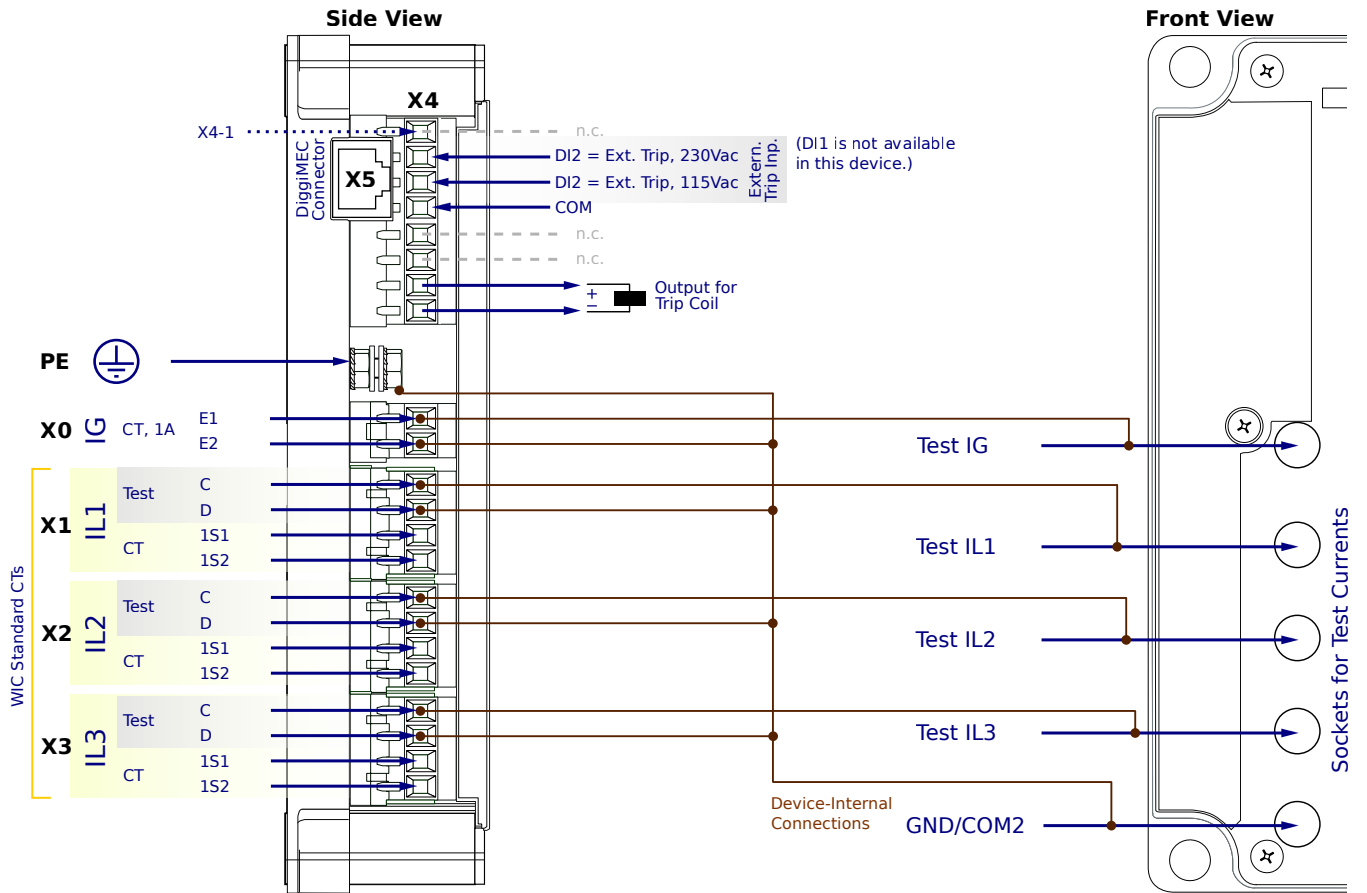
**X4-2,3** - DI2, fixed to External trip input (115Vac or 230Vac)

**X4-7,8** - Trip pulse output

**X5** - DiggiMEC-WIC1 connection. Use network cable CAT3 (or better). No crossover cable!



# WIC1-3SG6NF2SA



## CT-Powered Protection Device, configuration via HEX switches or DiggiMEC / Smart view

- Nominal frequency is 60 Hz. (Setting to 50 Hz is possible via DiggiMEC/Smart view.)
- Trip at  $20 \cdot I_{n,max}$
- ANSI 50, 50G/N, 51, 51G/N, inrush, 50BF, 74TC

**PE** - Protective Earth

**X0** - Measured ground current via 1A CT input. (Setting to calc. IG is also possible via DiggiMEC/Smart view.)

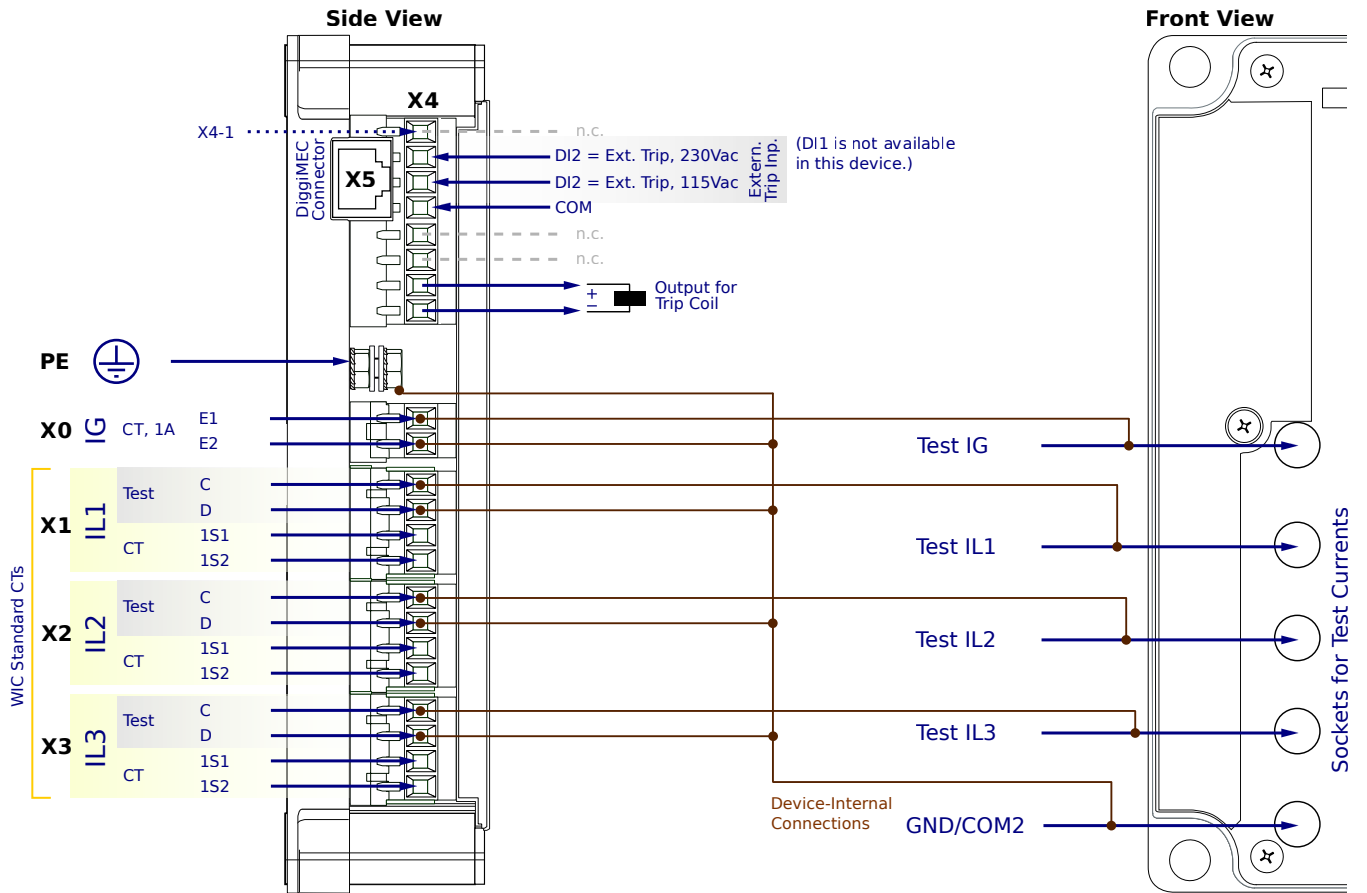
**X1...X3** - WIC CTs

**X4-2,3** - DI2, fixed to External trip input (115Vac or 230Vac)

**X4-7,8** - Trip pulse output

**X5** - DiggiMEC-WIC1 connection. Use network cable CAT3 (or better). No crossover cable!

# WIC1-3SG6NF2AA



## CT-Powered Protection Device, configuration via HEX switches or DiggiMEC / Smart view

- Nominal frequency is 60 Hz. (Setting to 50 Hz is possible via DiggiMEC/Smart view.)
- Trip at  $20 \cdot I_{n,max}$
- Package "S" + ANSI 46, 49, 51Q, Breaker Wear, Condition Monitoring (= Life Load, Drag Indicator)

**PE** - Protective Earth

**X0** - Measured ground current via 1A CT input. (Setting to calc. IG is also possible via DiggiMEC/Smart view.)

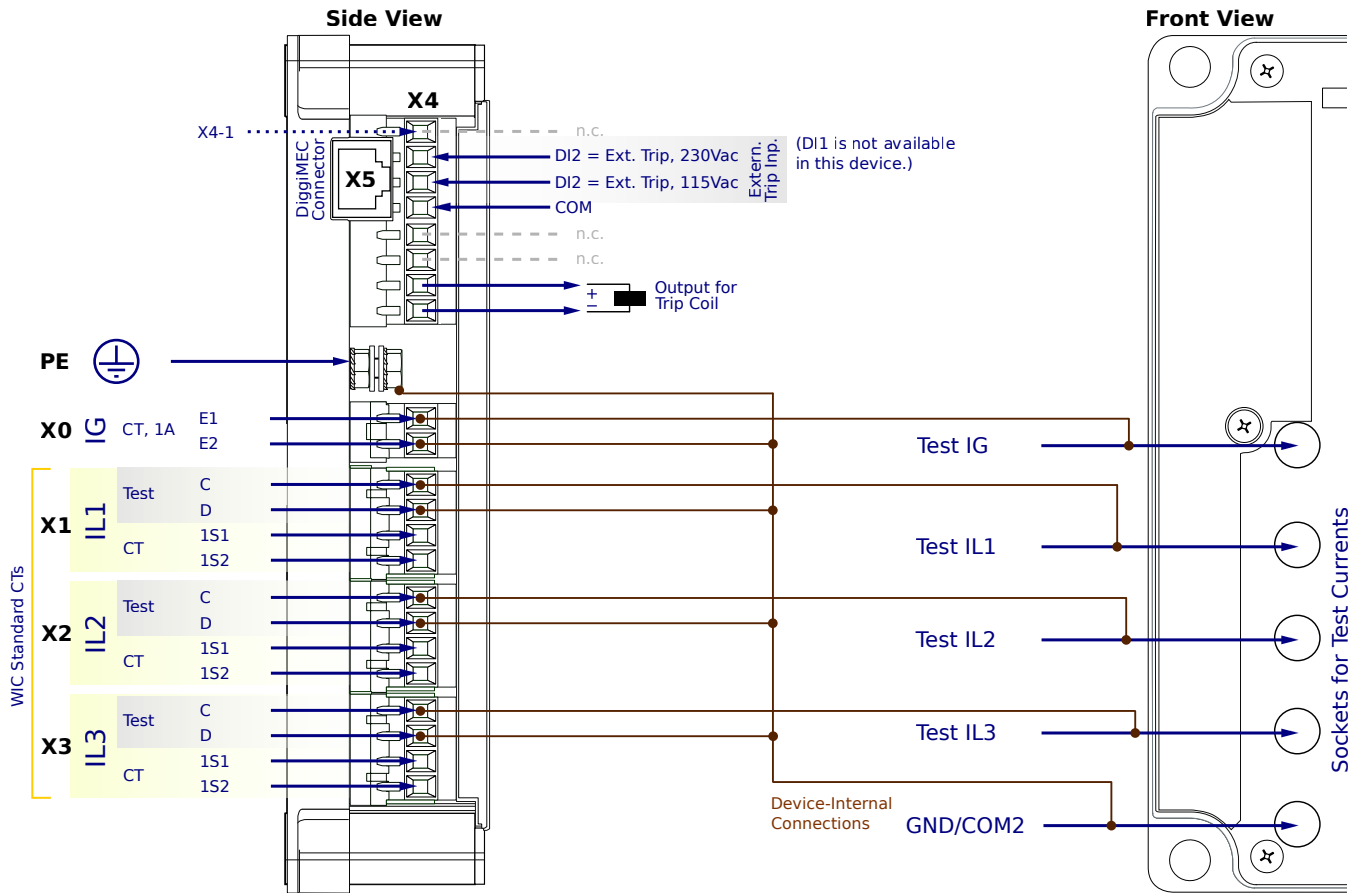
**X1...X3** - WIC CTs

**X4-2,3** - DI2, fixed to External trip input (115Vac or 230Vac)

**X4-7,8** - Trip pulse output

**X5** - DiggiMEC-WIC1 connection. Use network cable CAT3 (or better). No crossover cable!

# WIC1-3SG6NF2PA



## CT-Powered Protection Device, configuration via HEX switches or DiggiMEC / Smart view

- Nominal frequency is 60 Hz. (Setting to 50 Hz is possible via DiggiMEC/Smart view.)
- Trip at  $20 \cdot I_{n,max}$
- Package "A" + SOTF, CLPU, external protection, ultra-fast overcurrent protection

**PE** - Protective Earth

**X0** - Measured ground current via 1A CT input. (Setting to calc. IG is also possible via DiggiMEC/Smart view.)

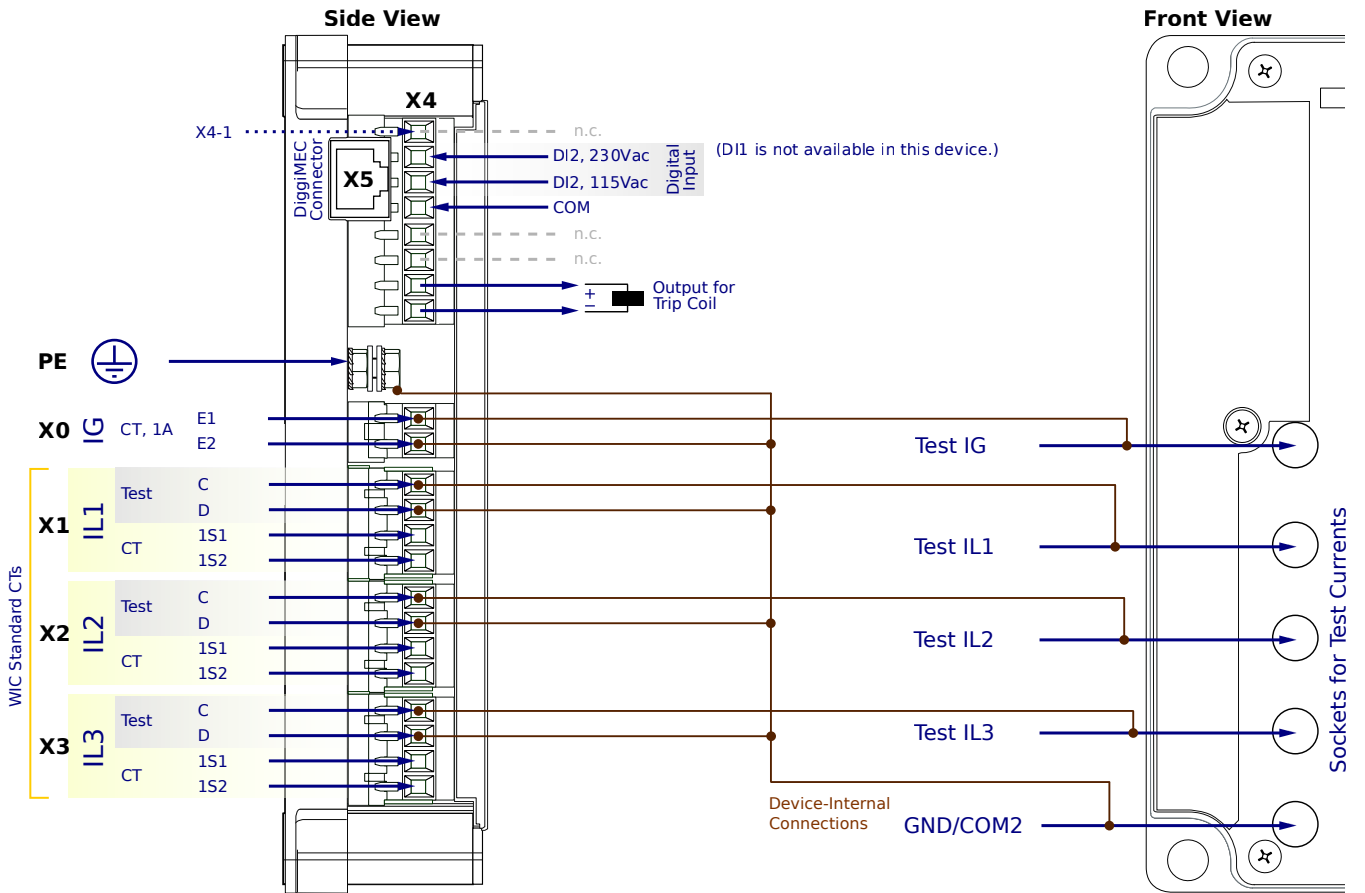
**X1...X3** - WIC CTs

**X4-2,3** - DI2, fixed to External trip input (115Vac or 230Vac)

**X4-7,8** - Trip pulse output

**X5** - DiggiMEC-WIC1 connection. Use network cable CAT3 (or better). No crossover cable!

# WIC1-3SG6NC1SA



## CT-Powered Protection Device, configuration via HEX switches or DiggiMEC / Smart view

- Nominal frequency is 60 Hz. (Setting to 50 Hz is possible via DiggiMEC/Smart view.)
- Backup protection operates directly
- ANSI 50, 50G/N, 51, 51G/N, inrush, 50BF, 74TC

**PE** - Protective Earth

**X0** - Measured ground current via 1A CT input. (Setting to calc. IG is also possible via DiggiMEC/Smart view.)

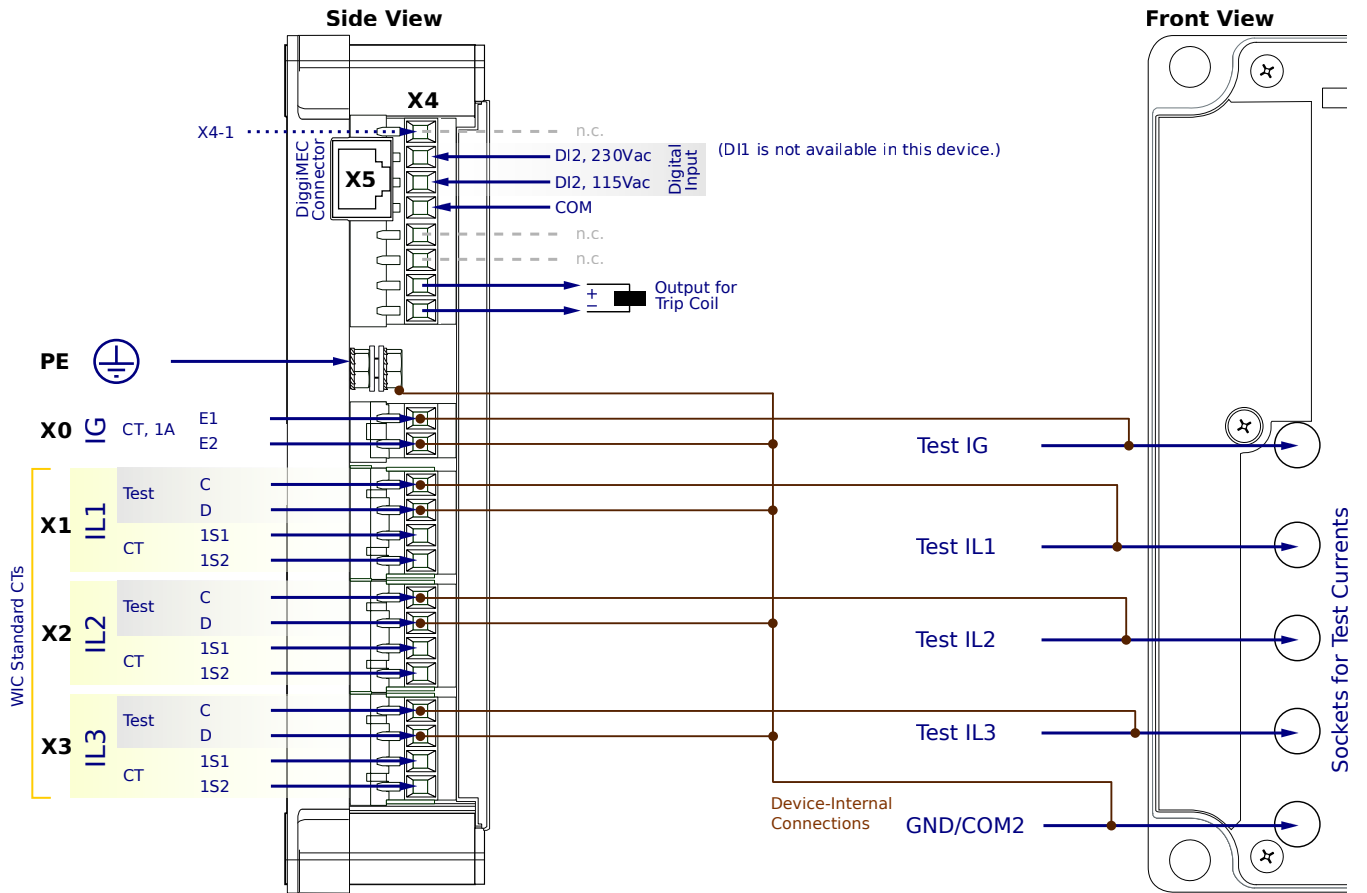
**X1...X3** - WIC CTs

**X4-2,3** - 1 assignable Digital Input DI2 (115Vac or 230Vac)

**X4-7,8** - Trip pulse output

**X5** - DiggiMEC-WIC1 connection. Use network cable CAT3 (or better). No crossover cable!

# WIC1-3SG6NC1AA



## CT-Powered Protection Device, configuration via HEX switches or DiggiMEC / Smart view

- Nominal frequency is 60 Hz. (Setting to 50 Hz is possible via DiggiMEC/Smart view.)
- Backup protection operates directly
- Package "S" + ANSI 46, 49, 51Q, Breaker Wear, Condition Monitoring (= Life Load, Drag Indicator)

**PE** - Protective Earth

**X0** - Measured ground current via 1A CT input. (Setting to calc. IG is also possible via DiggiMEC/Smart view.)

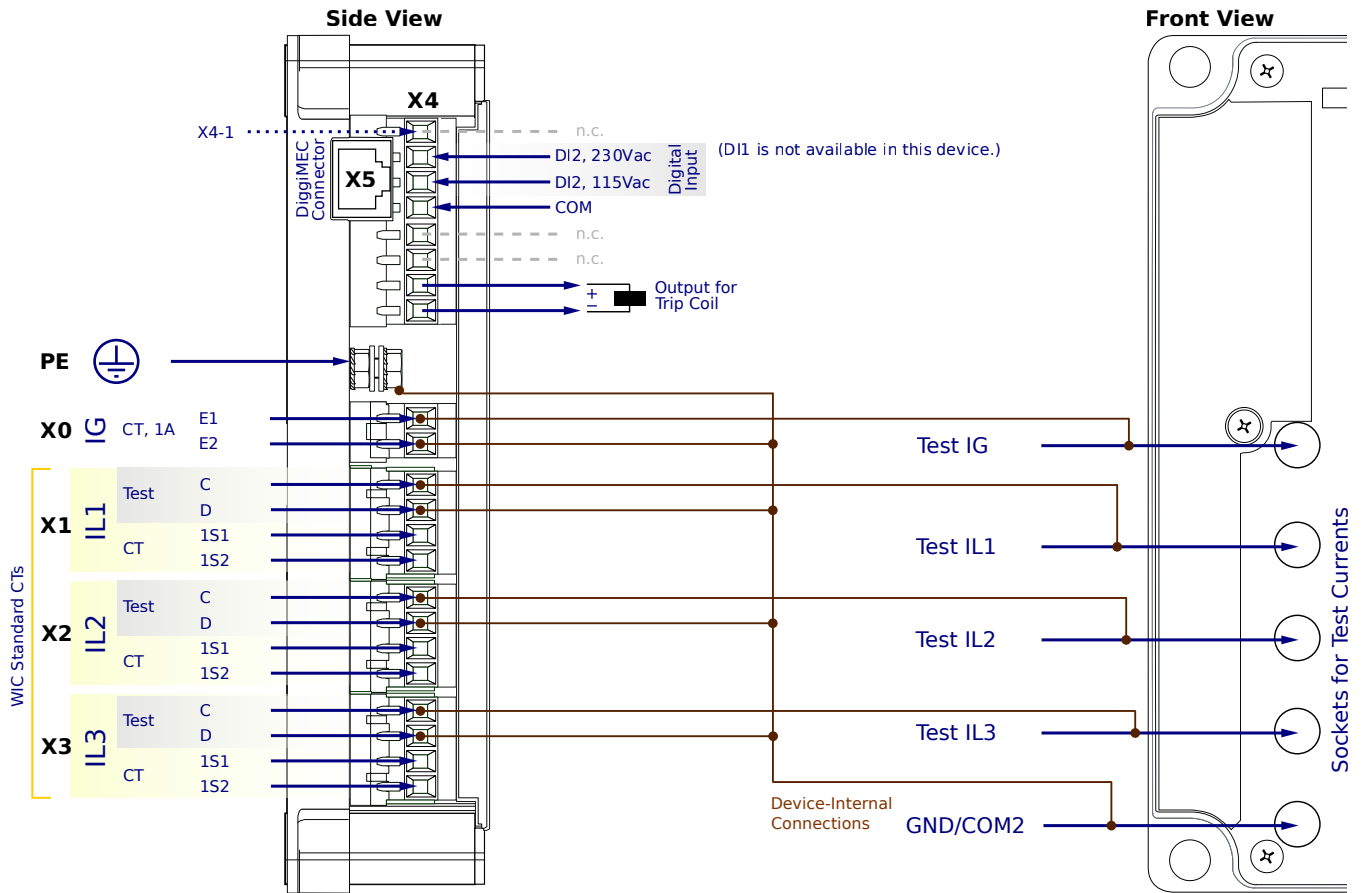
**X1...X3** - WIC CTs

**X4-2,3** - 1 assignable Digital Input DI2 (115Vac or 230Vac)

**X4-7,8** - Trip pulse output

**X5** - DiggiMEC-WIC1 connection. Use network cable CAT3 (or better). No crossover cable!

# WIC1-3SG6NC1PA



## CT-Powered Protection Device, configuration via HEX switches or DiggiMEC / Smart view

- Nominal frequency is 60 Hz. (Setting to 50 Hz is possible via DiggiMEC/Smart view.)
- Backup protection operates directly
- Package "A" + SOTF, CLPU, external protection, ultra-fast overcurrent protection

**PE** - Protective Earth

**X0** - Measured ground current via 1A CT input. (Setting to calc. IG is also possible via DiggiMEC/Smart view.)

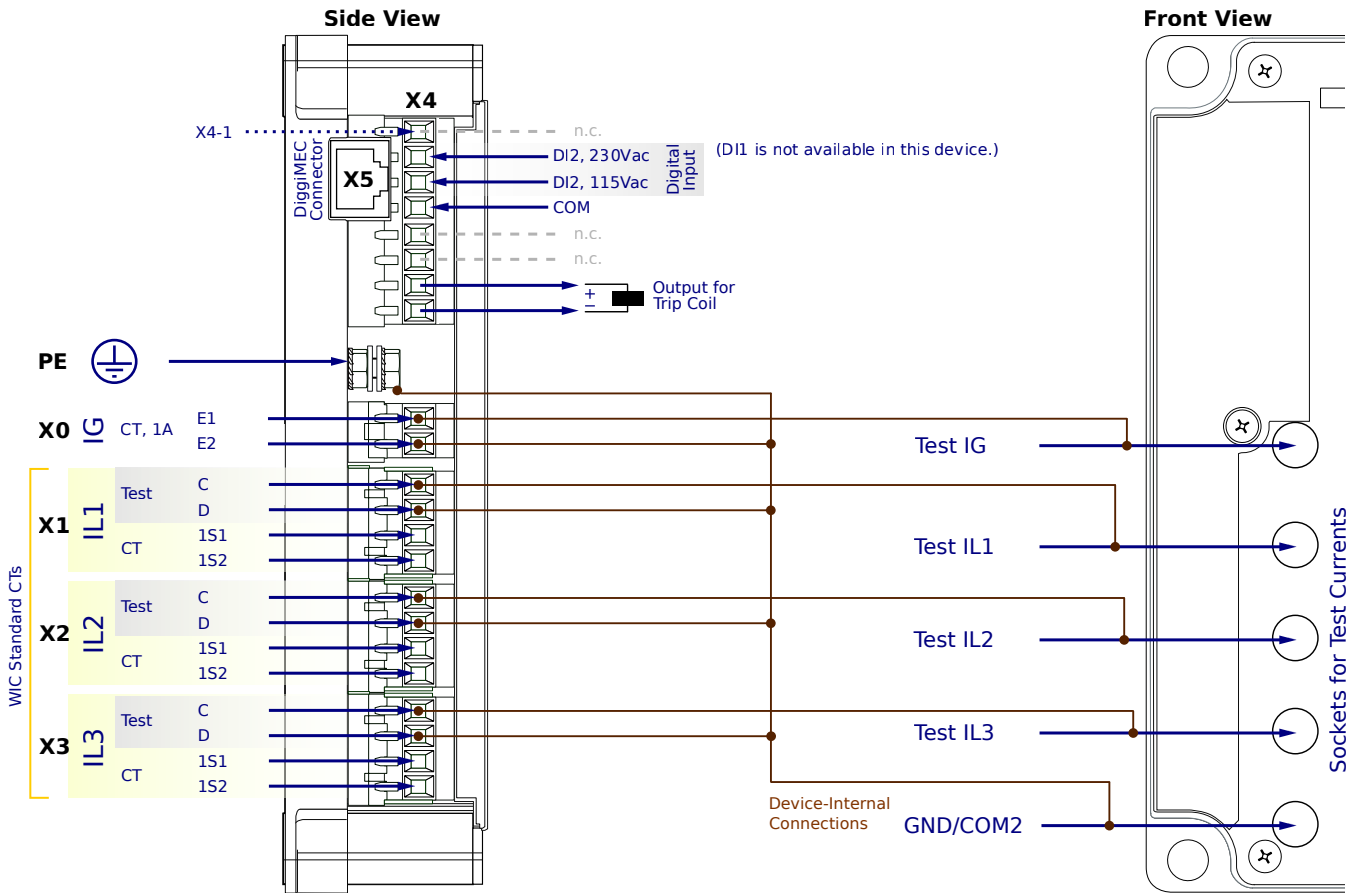
**X1...X3** - WIC CTs

**X4-2,3** - 1 assignable Digital Input DI2 (115Vac or 230Vac)

**X4-7,8** - Trip pulse output

**X5** - DiggiMEC-WIC1 connection. Use network cable CAT3 (or better). No crossover cable!

# WIC1-3SG6NC2SA



## CT-Powered Protection Device, configuration via HEX switches or DiggiMEC / Smart view

- Nominal frequency is 60 Hz. (Setting to 50 Hz is possible via DiggiMEC/Smart view.)
- Trip at  $20 \cdot I_{n,max}$
- ANSI 50, 50G/N, 51, 51G/N, inrush, 50BF, 74TC

**PE** - Protective Earth

**X0** - Measured ground current via 1A CT input. (Setting to calc. IG is also possible via DiggiMEC/Smart view.)

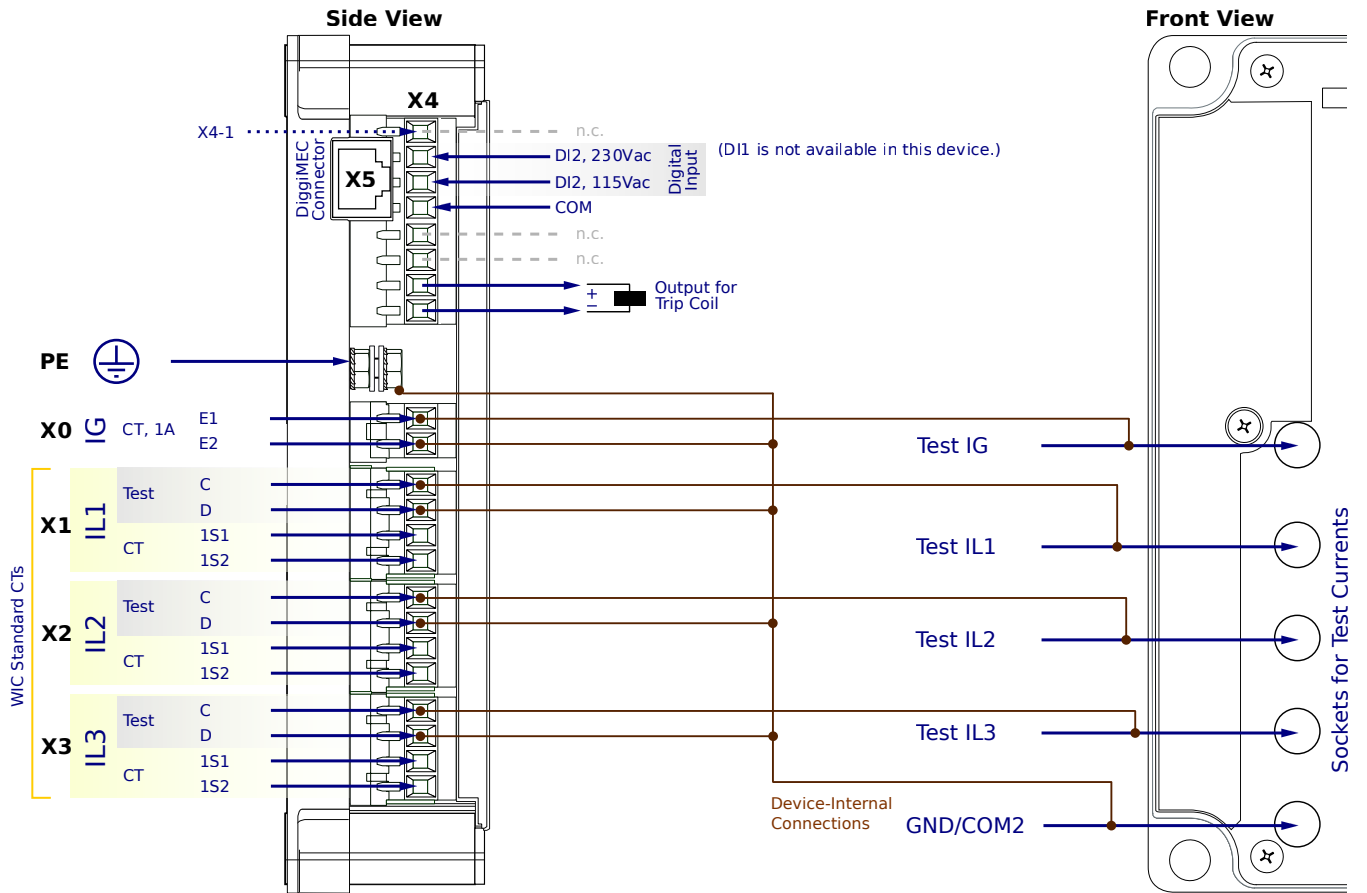
**X1...X3** - WIC CTs

**X4-2,3** - 1 assignable Digital Input DI2 (115Vac or 230Vac)

**X4-7,8** - Trip pulse output

**X5** - DiggiMEC-WIC1 connection. Use network cable CAT3 (or better). No crossover cable!

# WIC1-3SG6NC2AA



## CT-Powered Protection Device, configuration via HEX switches or DiggiMEC / Smart view

- Nominal frequency is 60 Hz. (Setting to 50 Hz is possible via DiggiMEC/Smart view.)
- Trip at  $20 \cdot I_{n,max}$
- Package "S" + ANSI 46, 49, 51Q, Breaker Wear, Condition Monitoring (= Life Load, Drag Indicator)

**PE** - Protective Earth

**X0** - Measured ground current via 1A CT input. (Setting to calc. IG is also possible via DiggiMEC/Smart view.)

**X1...X3** - WIC CTs

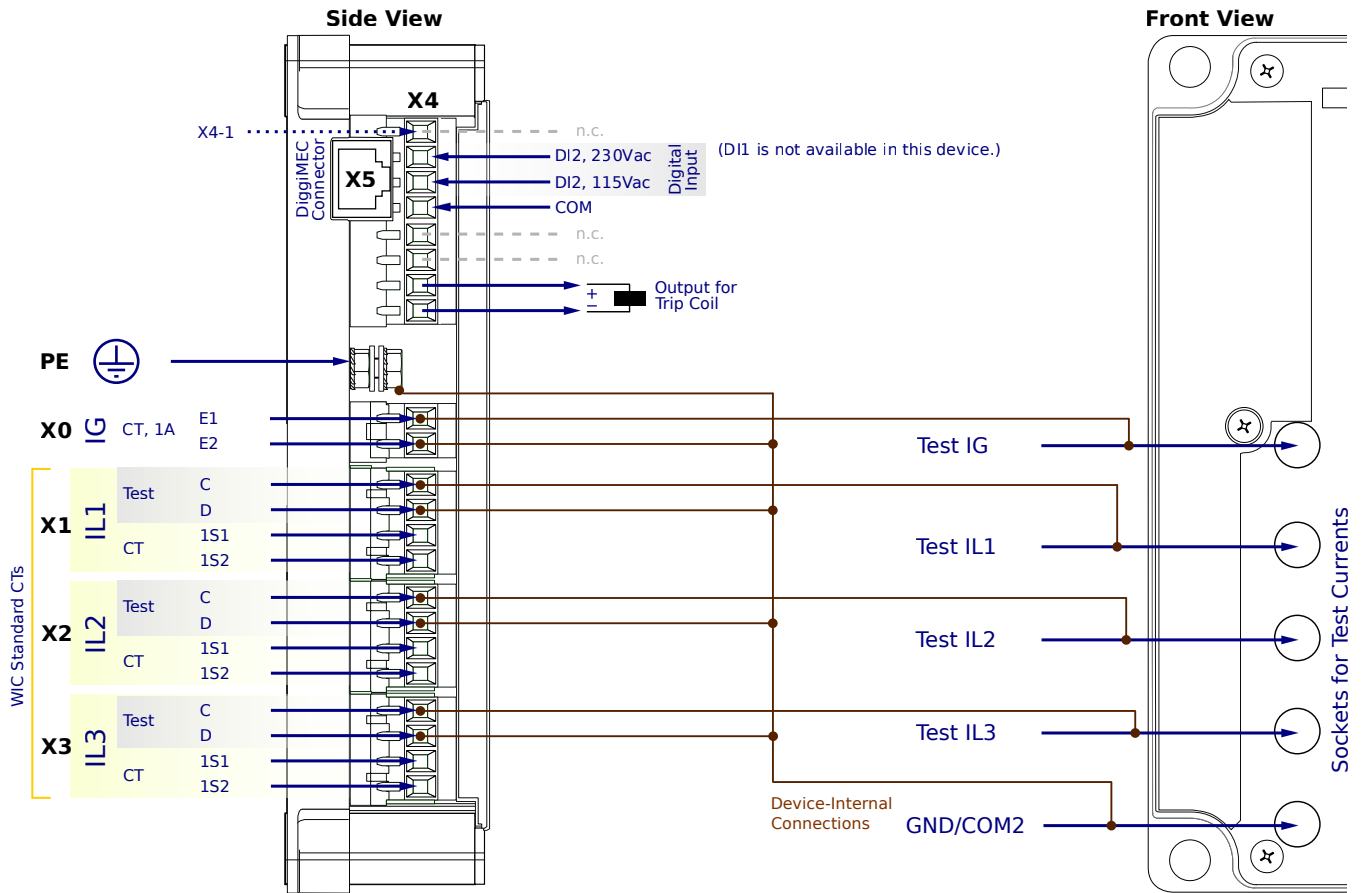
**X4-2,3** - 1 assignable Digital Input DI2 (115Vac or 230Vac)

**X4-7,8** - Trip pulse output

**X5** - DiggiMEC-WIC1 connection. Use network cable CAT3 (or better). No crossover cable!



# WIC1-3SG6NC2PA



## CT-Powered Protection Device, configuration via HEX switches or DiggiMEC / Smart view

- Nominal frequency is 60 Hz. (Setting to 50 Hz is possible via DiggiMEC/Smart view.)
- Trip at  $20 \cdot I_{n,max}$
- Package "A" + SOTF, CLPU, external protection, ultra-fast overcurrent protection

**PE** - Protective Earth

**X0** - Measured ground current via 1A CT input. (Setting to calc. IG is also possible via DiggiMEC/Smart view.)

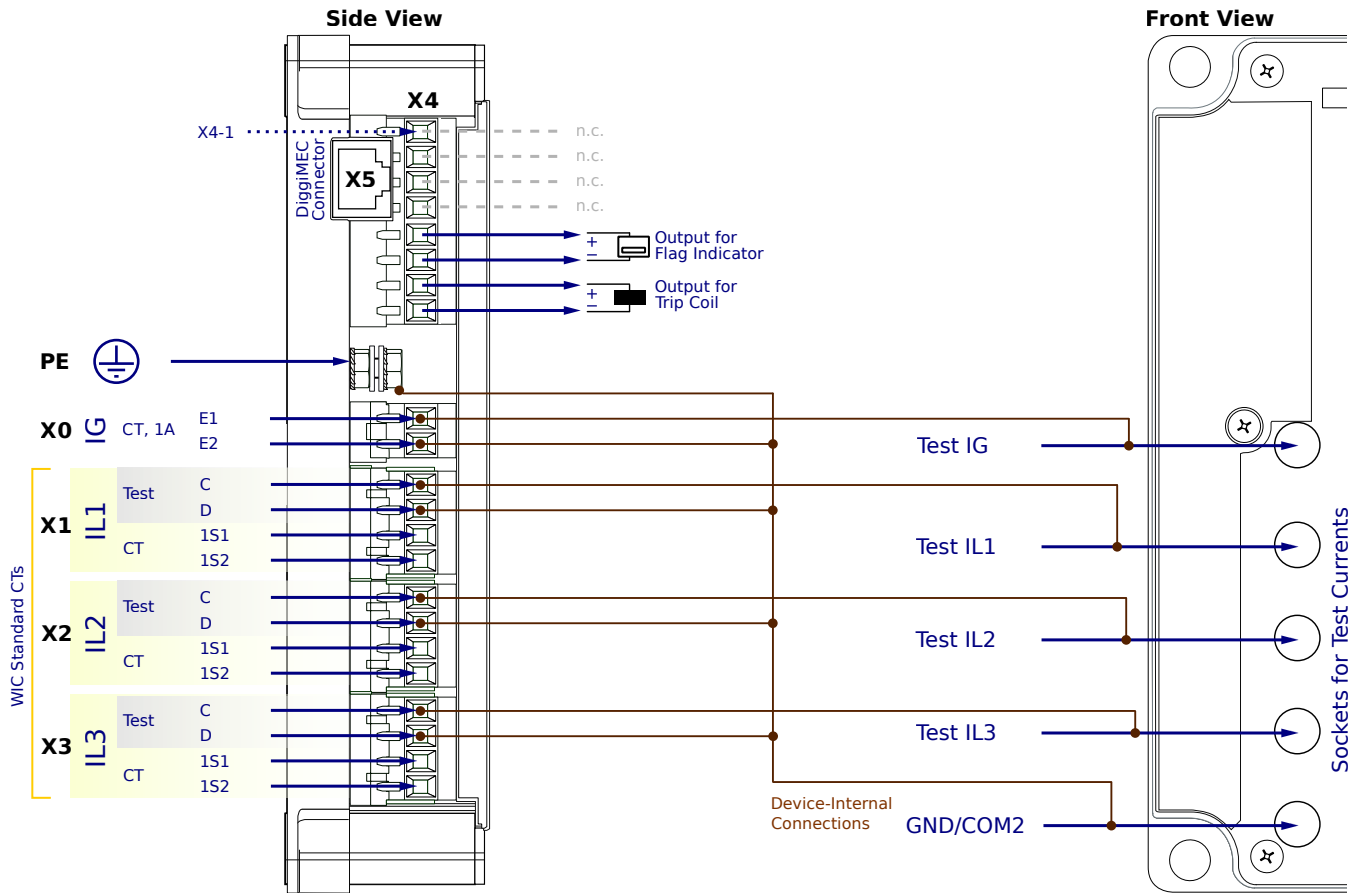
**X1...X3** - WIC CTs

**X4-2,3** - 1 assignable Digital Input DI2 (115Vac or 230Vac)

**X4-7,8** - Trip pulse output

**X5** - DiggiMEC-WIC1 connection. Use network cable CAT3 (or better). No crossover cable!

# WIC1-3SG6FN1SA



## CT-Powered Protection Device, configuration via HEX switches or DiggiMEC / Smart view

- Nominal frequency is 60 Hz. (Setting to 50 Hz is possible via DiggiMEC/Smart view.)
- Backup protection operates directly
- ANSI 50, 50G/N, 51, 51G/N, inrush, 50BF, 74TC

**PE** - Protective Earth

**X0** - Measured ground current via 1A CT input. (Setting to calc. IG is also possible via DiggiMEC/Smart view.)

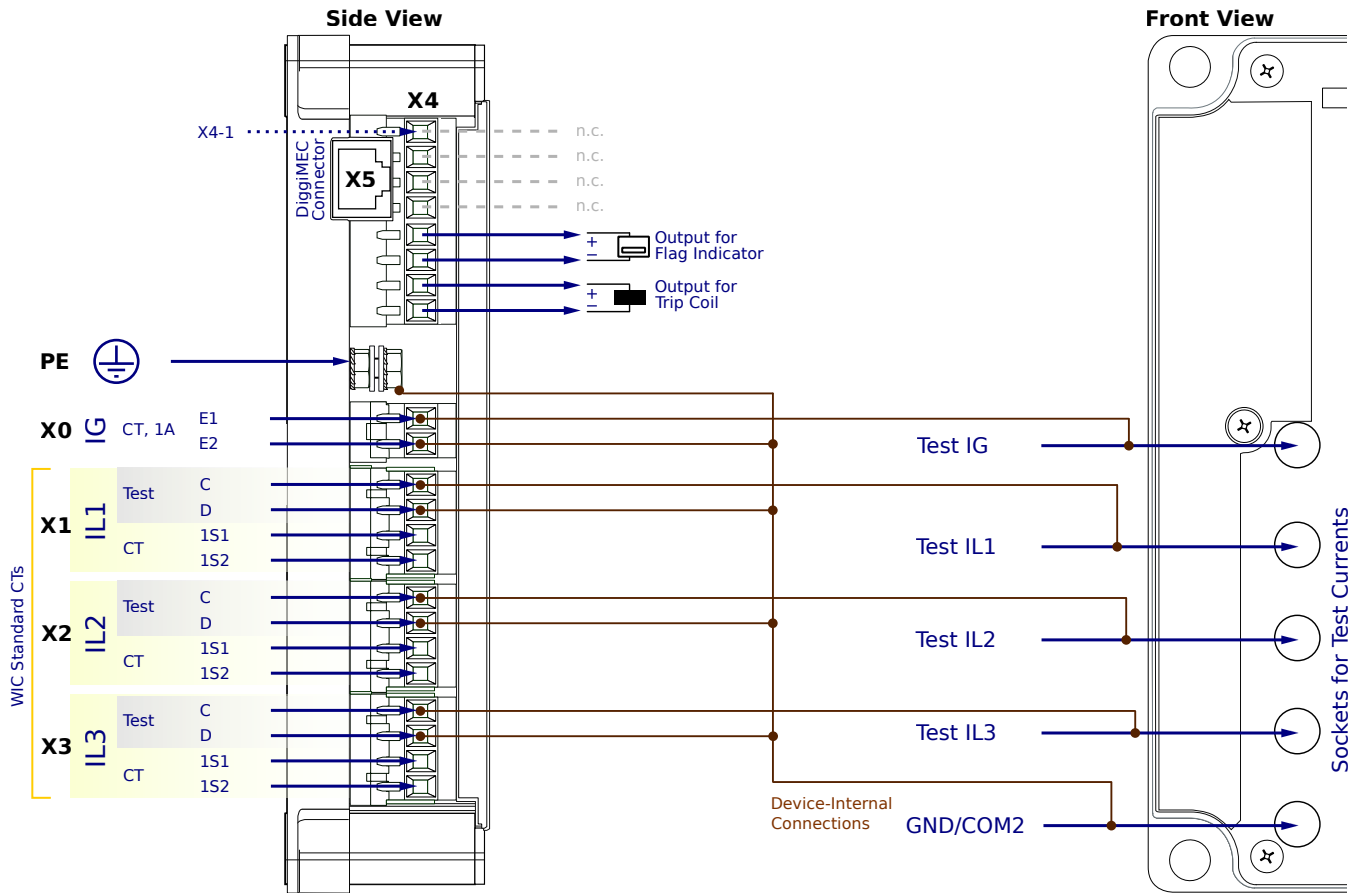
**X1...X3** - WIC CTs

**X4-5,6** - Trip flag indicator

**X4-7,8** - Trip pulse output

**X5** - DiggiMEC-WIC1 connection. Use network cable CAT3 (or better). No crossover cable!

# WIC1-3SG6FN1AA



## CT-Powered Protection Device, configuration via HEX switches or DiggiMEC / Smart view

- Nominal frequency is 60 Hz. (Setting to 50 Hz is possible via DiggiMEC/Smart view.)
- Backup protection operates directly
- Package "S" + ANSI 46, 49, 51Q, Breaker Wear, Condition Monitoring (= Life Load, Drag Indicator)

**PE** - Protective Earth

**X0** - Measured ground current via 1A CT input. (Setting to calc. IG is also possible via DiggiMEC/Smart view.)

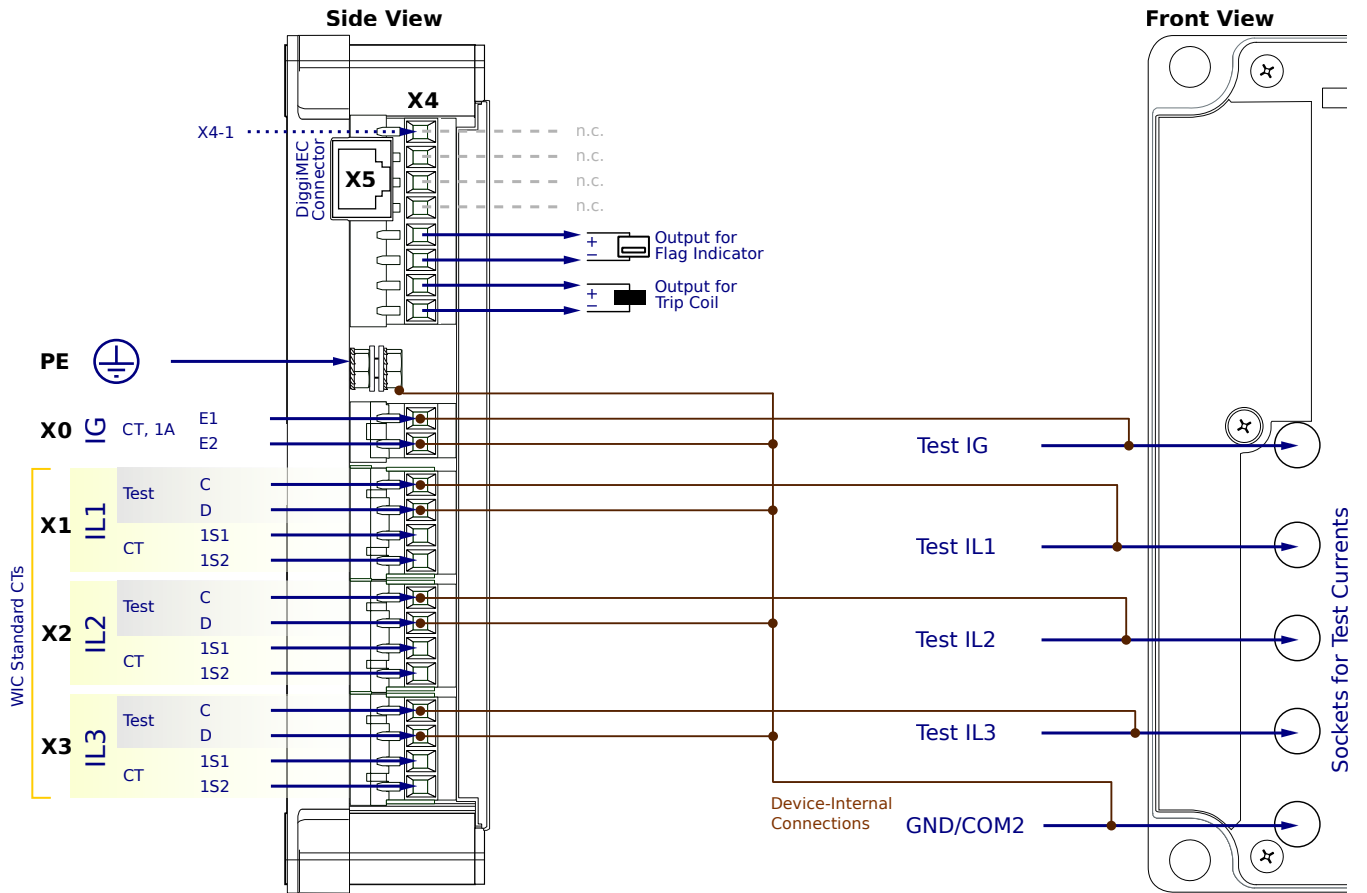
**X1...X3** - WIC CTs

**X4-5,6** - Trip flag indicator

**X4-7,8** - Trip pulse output

**X5** - DiggiMEC-WIC1 connection. Use network cable CAT3 (or better). No crossover cable!

# WIC1-3SG6FN1PA



## CT-Powered Protection Device, configuration via HEX switches or DiggiMEC / Smart view

- Nominal frequency is 60 Hz. (Setting to 50 Hz is possible via DiggiMEC/Smart view.)
- Backup protection operates directly
- Package "A" + SOTF, CLPU, external protection, ultra-fast overcurrent protection

**PE** - Protective Earth

**X0** - Measured ground current via 1A CT input. (Setting to calc. IG is also possible via DiggiMEC/Smart view.)

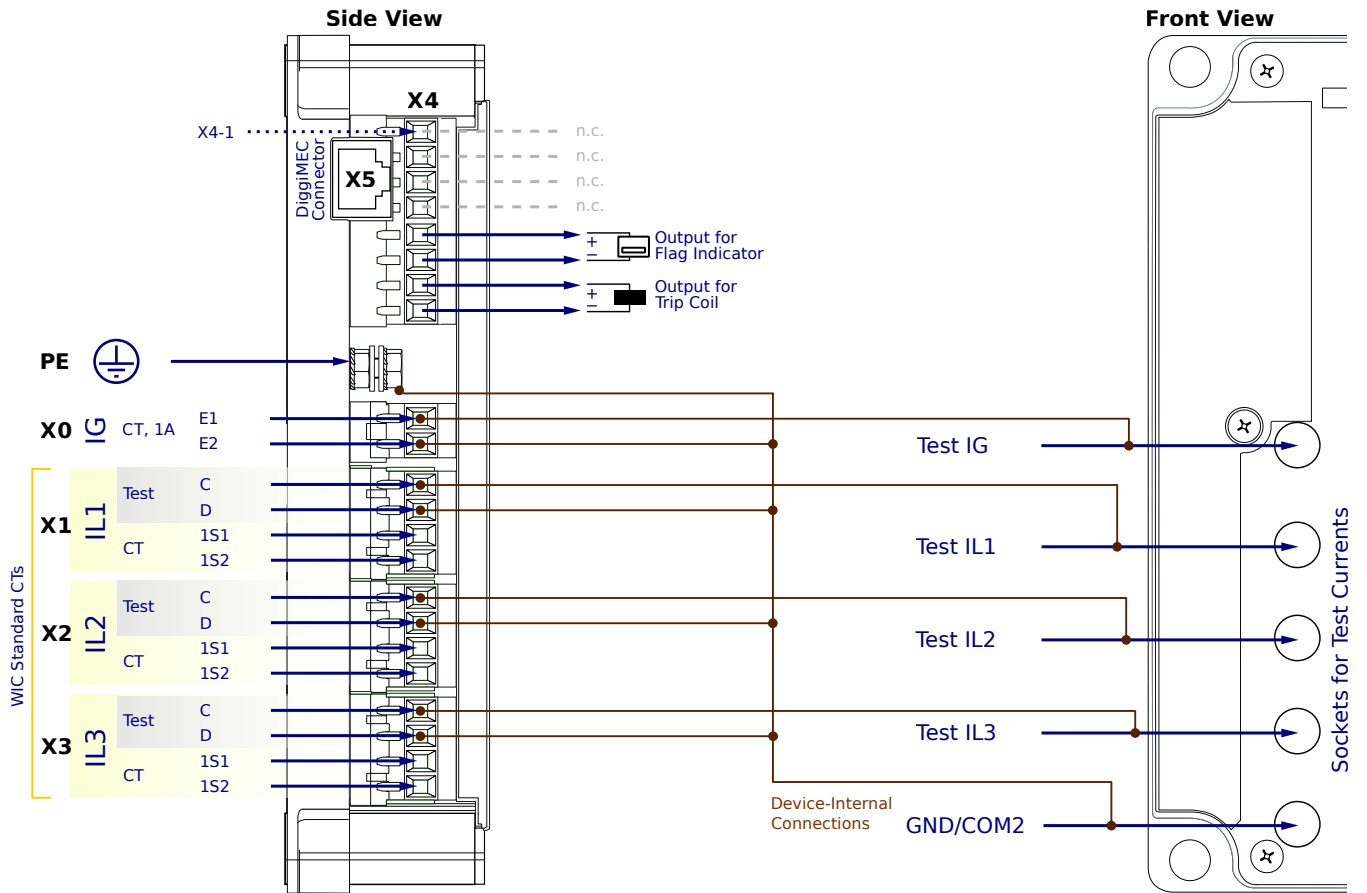
**X1...X3** - WIC CTs

**X4-5,6** - Trip flag indicator

**X4-7,8** - Trip pulse output

**X5** - DiggiMEC-WIC1 connection. Use network cable CAT3 (or better). No crossover cable!

# WIC1-3SG6FN2SA



## CT-Powered Protection Device, configuration via HEX switches or DiggiMEC / Smart view

- Nominal frequency is 60 Hz. (Setting to 50 Hz is possible via DiggiMEC/Smart view.)
- Trip at  $20 \cdot I_{n,max}$
- ANSI 50, 50G/N, 51, 51G/N, inrush, 50BF, 74TC

**PE** - Protective Earth

**X0** - Measured ground current via 1A CT input. (Setting to calc. IG is also possible via DiggiMEC/Smart view.)

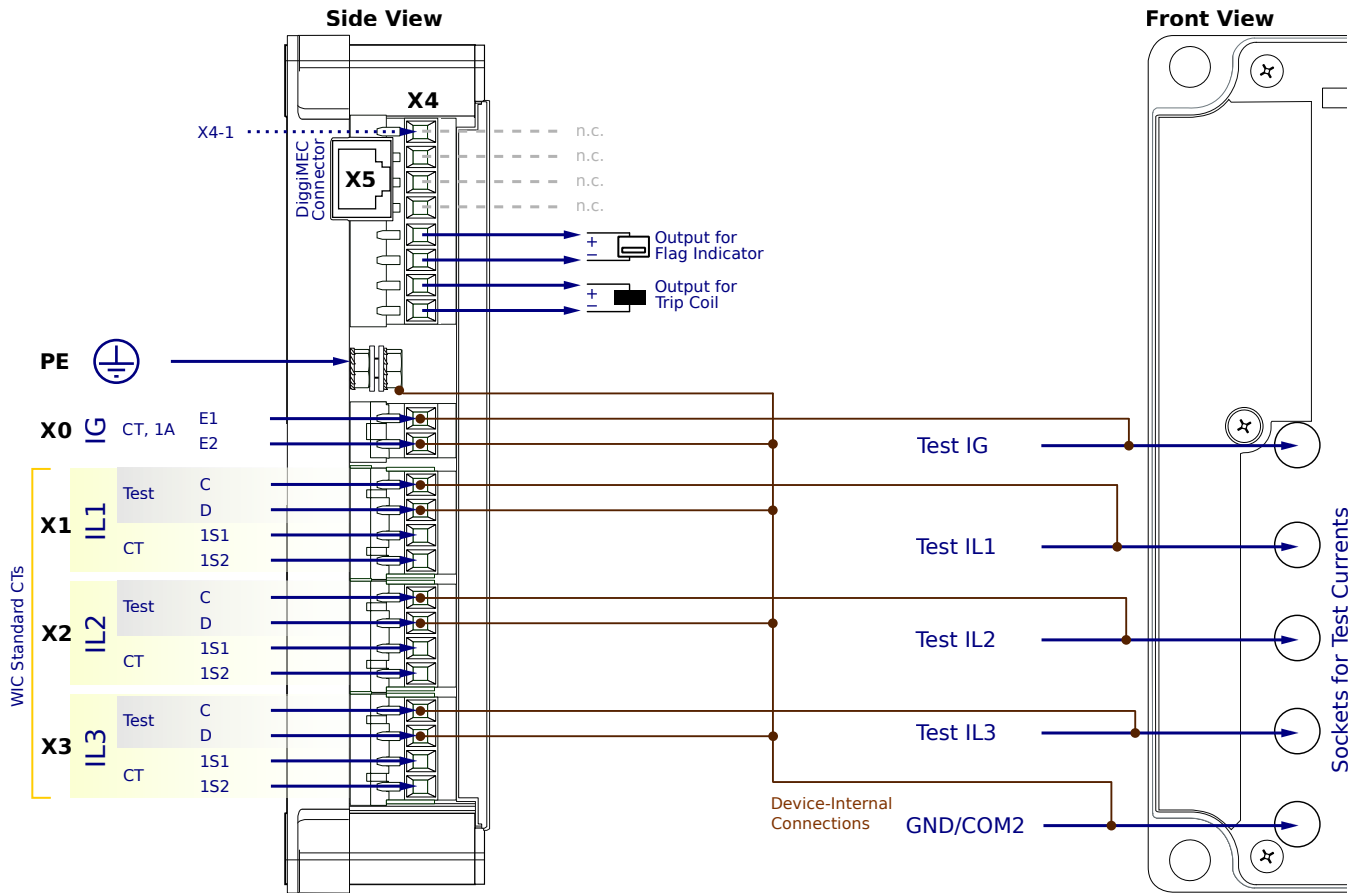
**X1...X3** - WIC CTs

**X4-5,6** - Trip flag indicator

**X4-7,8** - Trip pulse output

**X5** - DiggiMEC-WIC1 connection. Use network cable CAT3 (or better). No crossover cable!

# WIC1-3SG6FN2AA



## CT-Powered Protection Device, configuration via HEX switches or DiggiMEC / Smart view

- Nominal frequency is 60 Hz. (Setting to 50 Hz is possible via DiggiMEC/Smart view.)
- Trip at  $20 \cdot I_{n,max}$
- Package "S" + ANSI 46, 49, 51Q, Breaker Wear, Condition Monitoring (= Life Load, Drag Indicator)

**PE** - Protective Earth

**X0** - Measured ground current via 1A CT input. (Setting to calc. IG is also possible via DiggiMEC/Smart view.)

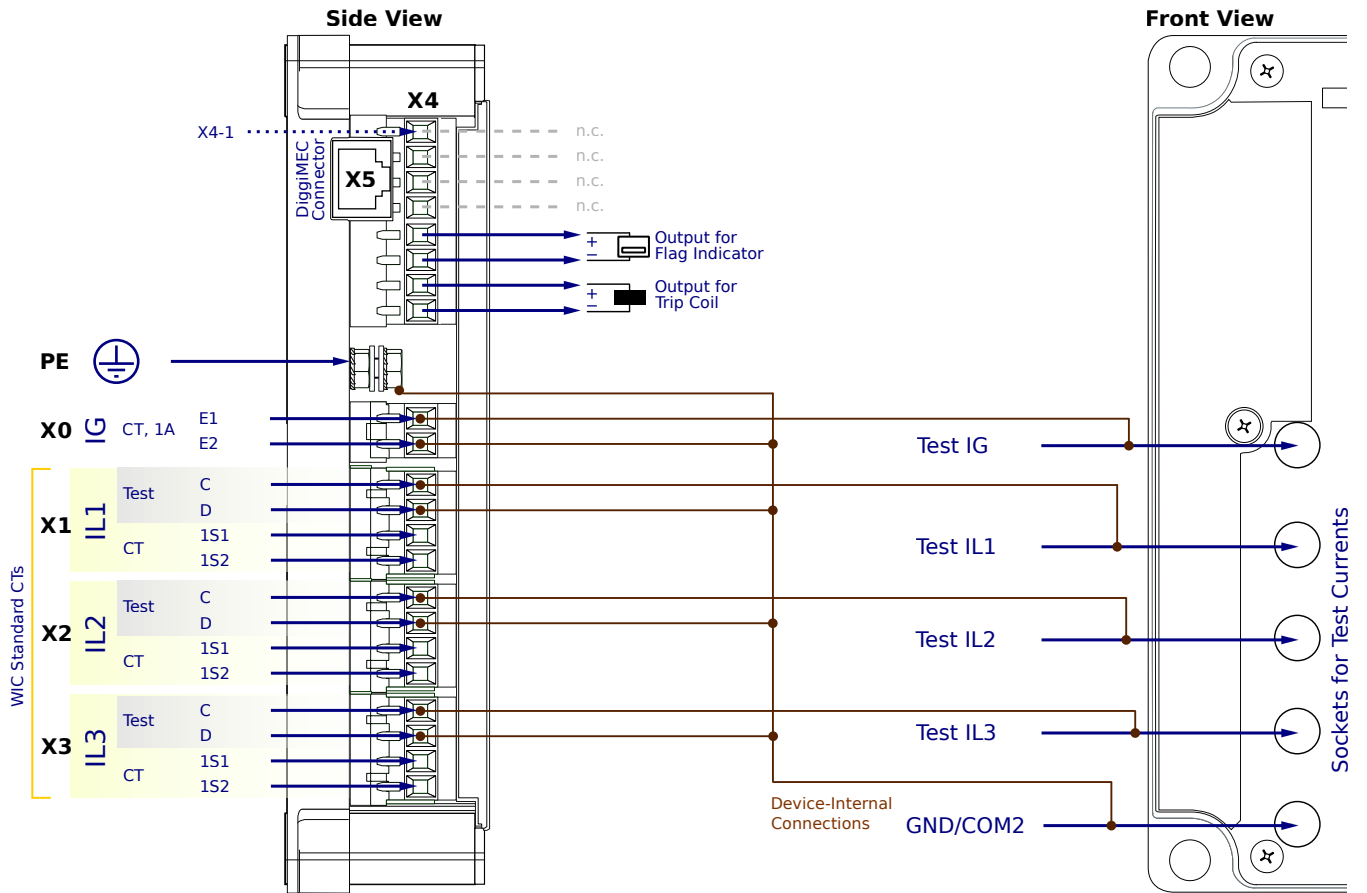
**X1...X3** - WIC CTs

**X4-5,6** - Trip flag indicator

**X4-7,8** - Trip pulse output

**X5** - DiggiMEC-WIC1 connection. Use network cable CAT3 (or better). No crossover cable!

# WIC1-3SG6FN2PA



## CT-Powered Protection Device, configuration via HEX switches or DiggiMEC / Smart view

- Nominal frequency is 60 Hz. (Setting to 50 Hz is possible via DiggiMEC/Smart view.)
- Trip at  $20 \cdot I_{n,max}$
- Package "A" + SOTF, CLPU, external protection, ultra-fast overcurrent protection

**PE** - Protective Earth

**X0** - Measured ground current via 1A CT input. (Setting to calc. IG is also possible via DiggiMEC/Smart view.)

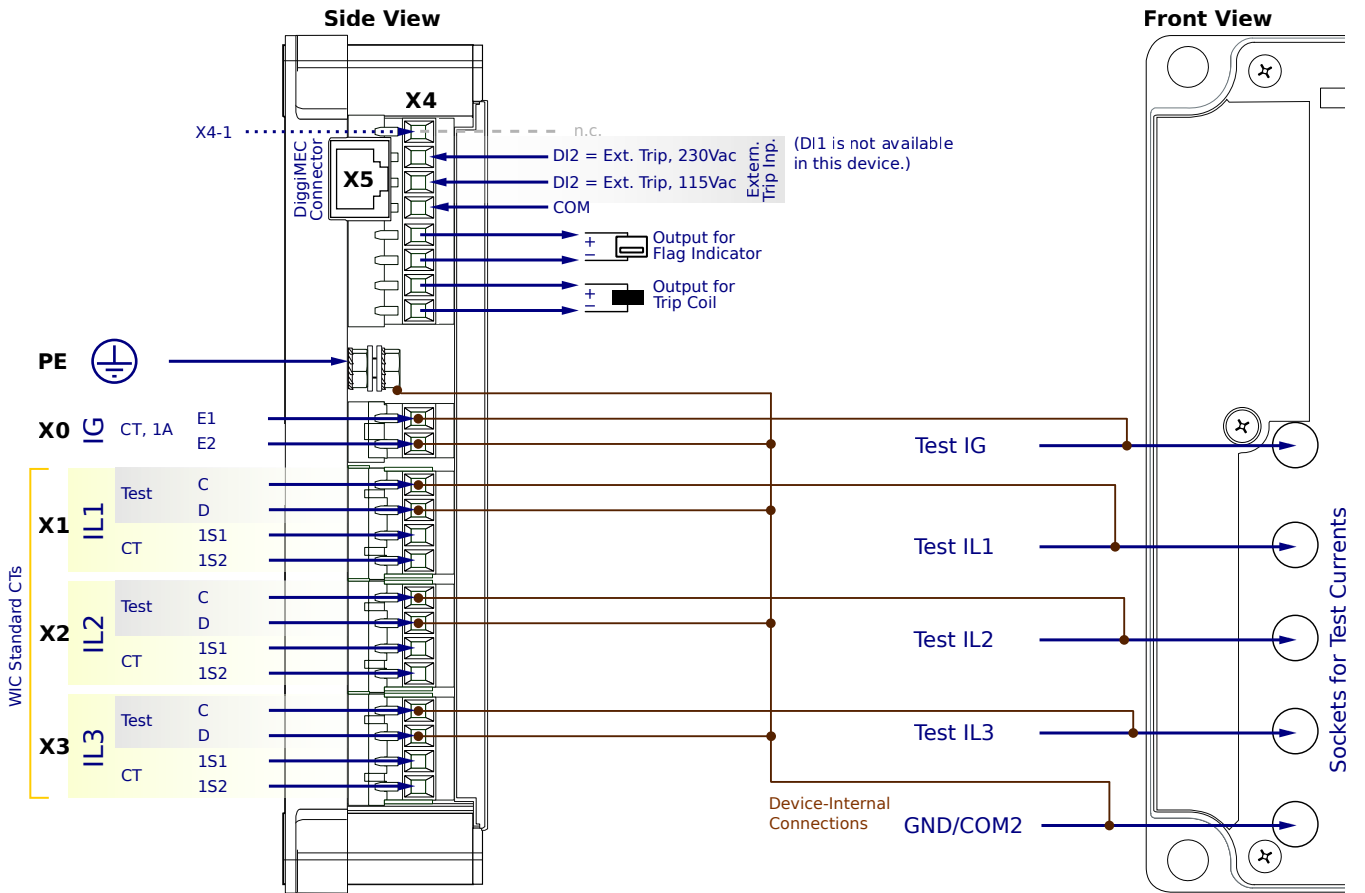
**X1...X3** - WIC CTs

**X4-5,6** - Trip flag indicator

**X4-7,8** - Trip pulse output

**X5** - DiggiMEC-WIC1 connection. Use network cable CAT3 (or better). No crossover cable!

# WIC1-3SG6FF1SA



## CT-Powered Protection Device, configuration via HEX switches or DiggiMEC / Smart view

- Nominal frequency is 60 Hz. (Setting to 50 Hz is possible via DiggiMEC/Smart view.)
- Backup protection operates directly
- ANSI 50, 50G/N, 51, 51G/N, inrush, 50BF, 74TC

**PE** - Protective Earth

**X0** - Measured ground current via 1A CT input. (Setting to calc. IG is also possible via DiggiMEC/Smart view.)

**X1...X3** - WIC CTs

**X4-2,3** - DI2, fixed to External trip input (115Vac or 230Vac)

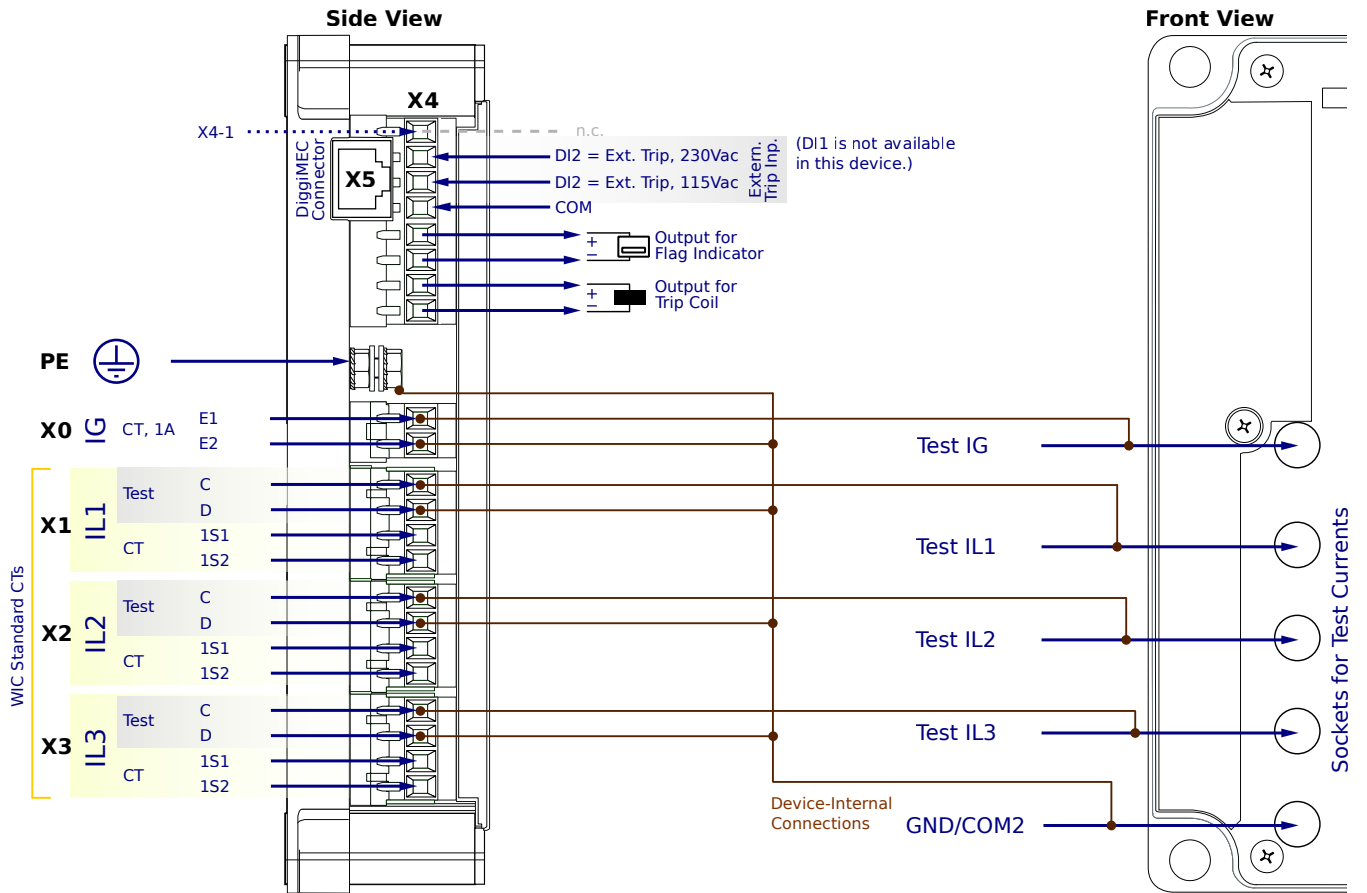
**X4-5,6** - Trip flag indicator

**X4-7,8** - Trip pulse output

**X5** - DiggiMEC-WIC1 connection. Use network cable CAT3 (or better). No crossover cable!



# WIC1-3SG6FF1AA



## CT-Powered Protection Device, configuration via HEX switches or DiggiMEC / Smart view

- Nominal frequency is 60 Hz. (Setting to 50 Hz is possible via DiggiMEC/Smart view.)
- Backup protection operates directly
- Package "S" + ANSI 46, 49, 51Q, Breaker Wear, Condition Monitoring (= Life Load, Drag Indicator)

**PE** - Protective Earth

**X0** - Measured ground current via 1A CT input. (Setting to calc. IG is also possible via DiggiMEC/Smart view.)

**X1...X3** - WIC CTs

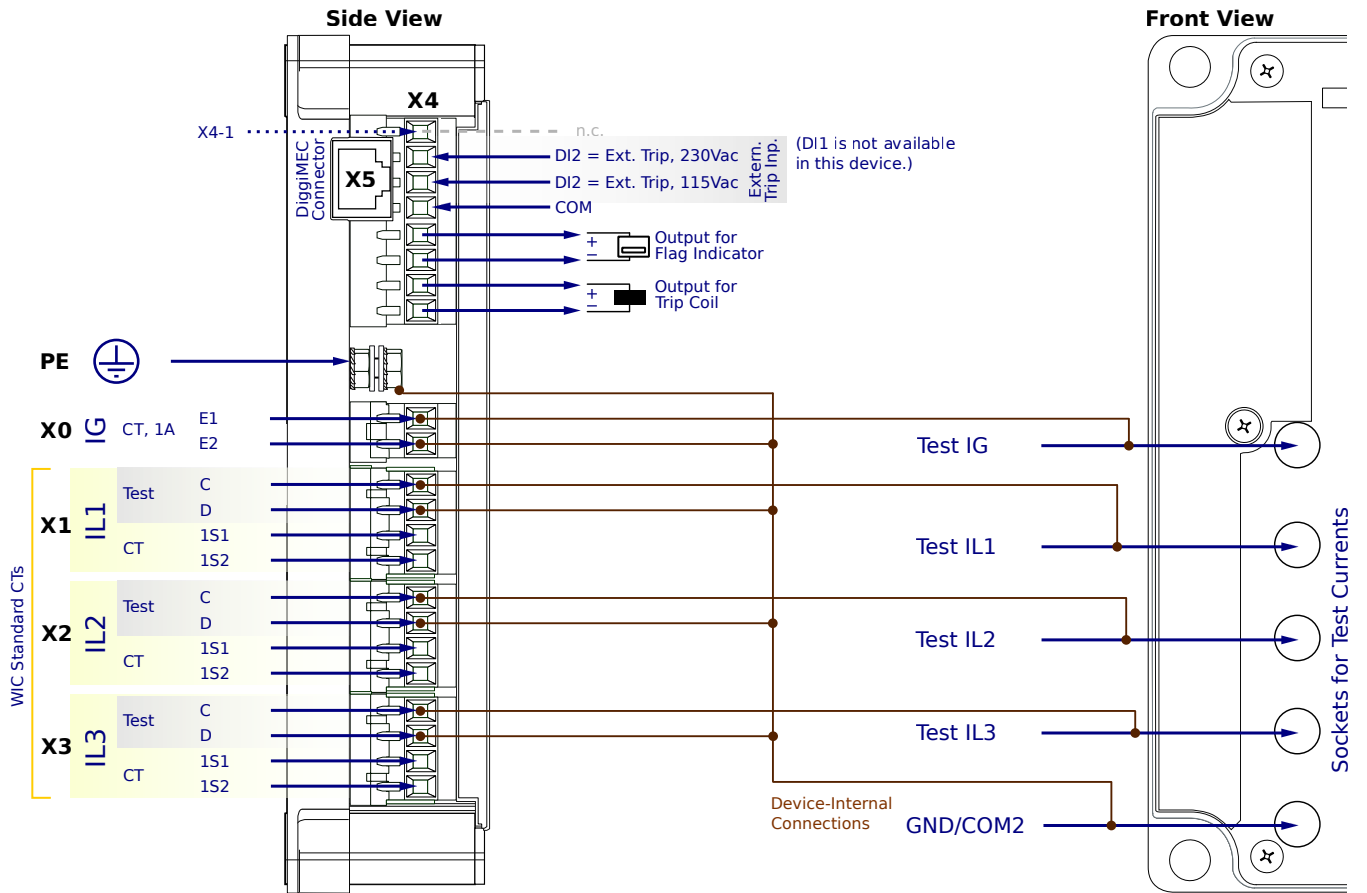
**X4-2,3** - DI2, fixed to External trip input (115Vac or 230Vac)

**X4-5,6** - Trip flag indicator

**X4-7,8** - Trip pulse output

**X5** - DiggiMEC-WIC1 connection. Use network cable CAT3 (or better). No crossover cable!

# WIC1-3SG6FF1PA



## CT-Powered Protection Device, configuration via HEX switches or DiggiMEC / Smart view

- Nominal frequency is 60 Hz. (Setting to 50 Hz is possible via DiggiMEC/Smart view.)
- Backup protection operates directly
- Package "A" + SOTF, CLPU, external protection, ultra-fast overcurrent protection

**PE** - Protective Earth

**X0** - Measured ground current via 1A CT input. (Setting to calc. IG is also possible via DiggiMEC/Smart view.)

**X1...X3** - WIC CTs

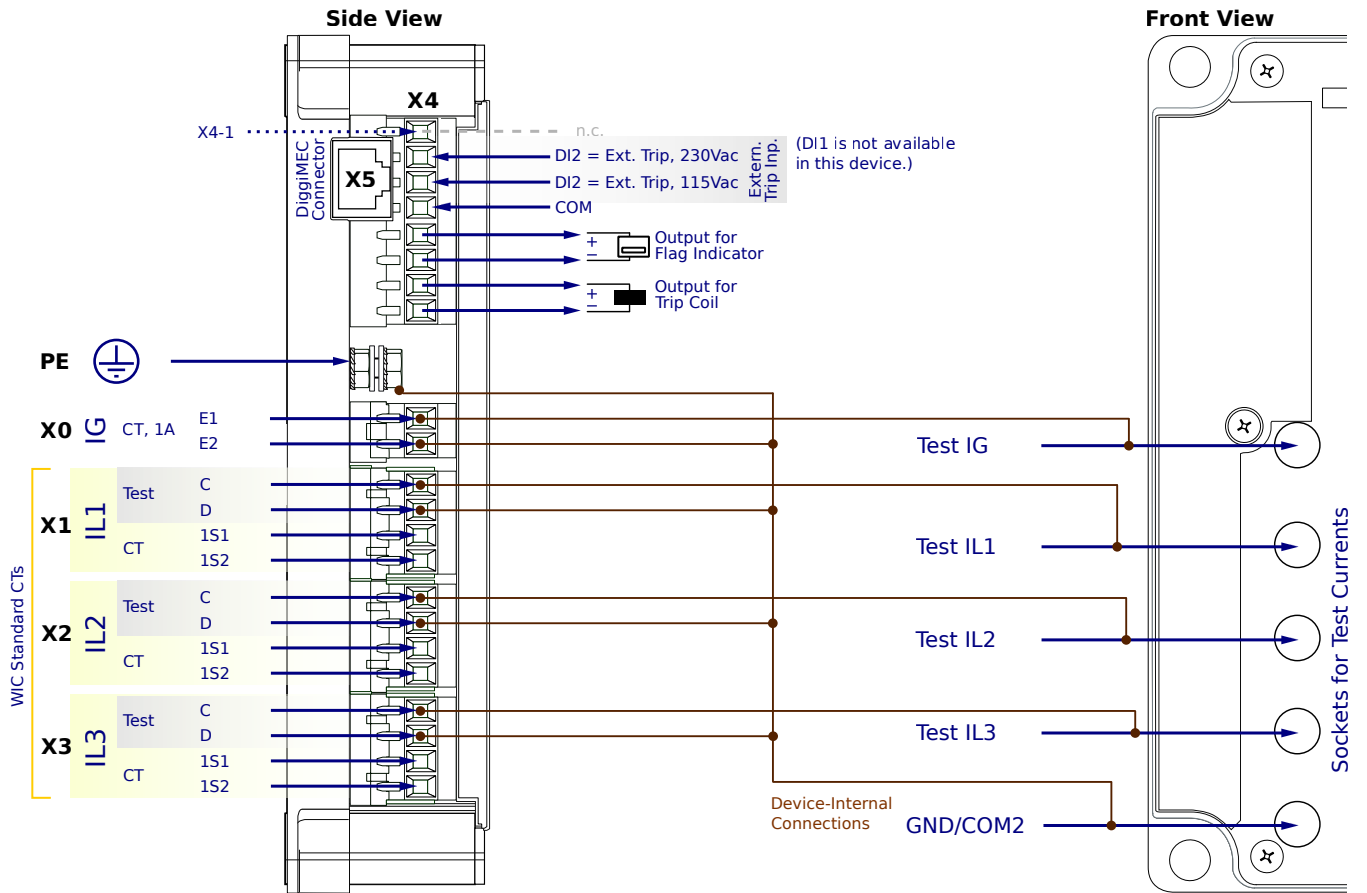
**X4-2,3** - DI2, fixed to External trip input (115Vac or 230Vac)

**X4-5,6** - Trip flag indicator

**X4-7,8** - Trip pulse output

**X5** - DiggiMEC-WIC1 connection. Use network cable CAT3 (or better). No crossover cable!

# WIC1-3SG6FF2SA



## CT-Powered Protection Device, configuration via HEX switches or DiggiMEC / Smart view

- Nominal frequency is 60 Hz. (Setting to 50 Hz is possible via DiggiMEC/Smart view.)
- Trip at  $20 \cdot I_{n,max}$
- ANSI 50, 50G/N, 51, 51G/N, inrush, 50BF, 74TC

**PE** - Protective Earth

**X0** - Measured ground current via 1A CT input. (Setting to calc. IG is also possible via DiggiMEC/Smart view.)

**X1...X3** - WIC CTs

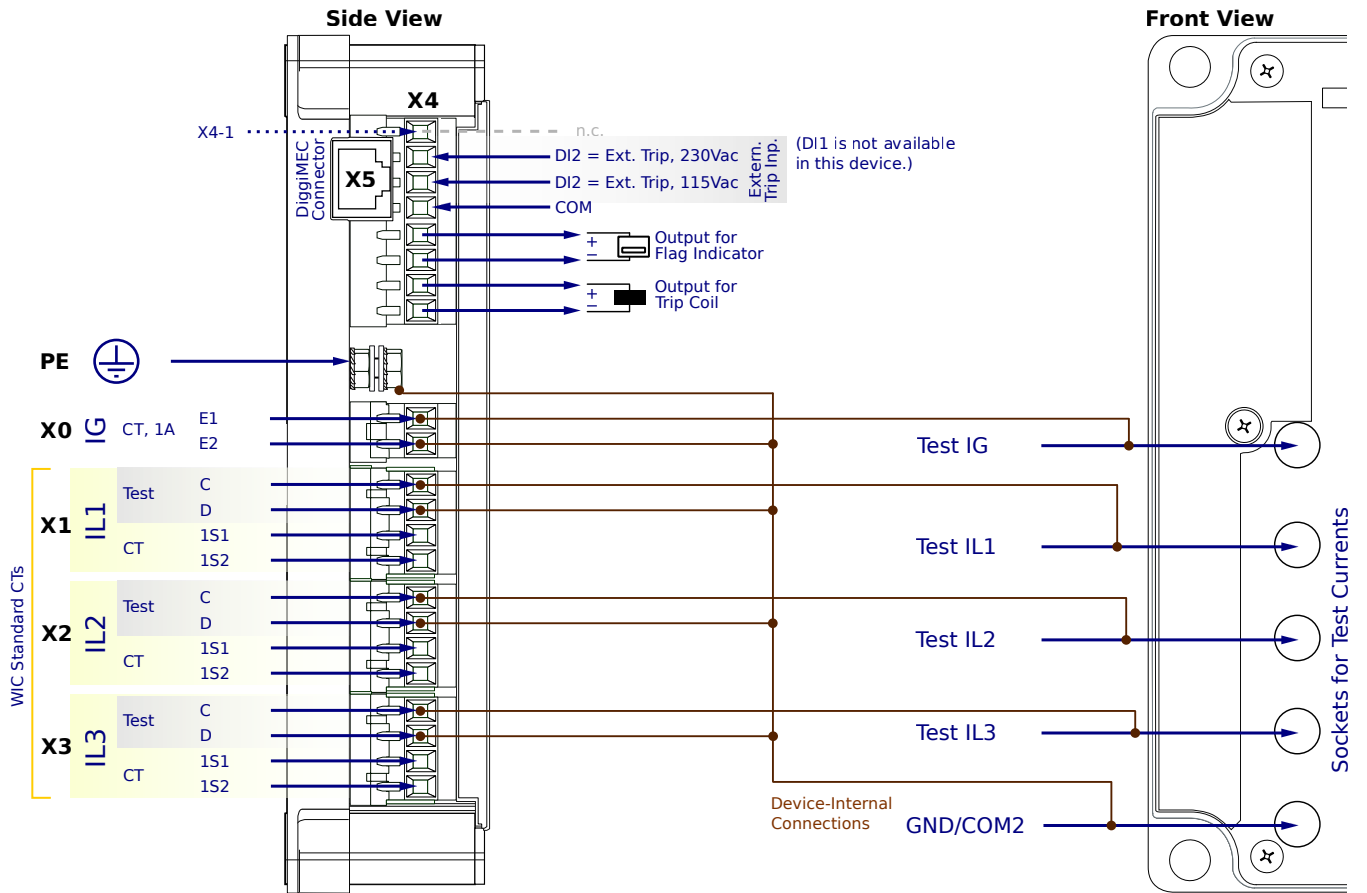
**X4-2,3** - DI2, fixed to External trip input (115Vac or 230Vac)

**X4-5,6** - Trip flag indicator

**X4-7,8** - Trip pulse output

**X5** - DiggiMEC-WIC1 connection. Use network cable CAT3 (or better). No crossover cable!

# WIC1-3SG6FF2AA



## CT-Powered Protection Device, configuration via HEX switches or DiggiMEC / Smart view

- Nominal frequency is 60 Hz. (Setting to 50 Hz is possible via DiggiMEC/Smart view.)
- Trip at  $20 \cdot I_{n,max}$
- Package "S" + ANSI 46, 49, 51Q, Breaker Wear, Condition Monitoring (= Life Load, Drag Indicator)

**PE** - Protective Earth

**X0** - Measured ground current via 1A CT input. (Setting to calc. IG is also possible via DiggiMEC/Smart view.)

**X1...X3** - WIC CTs

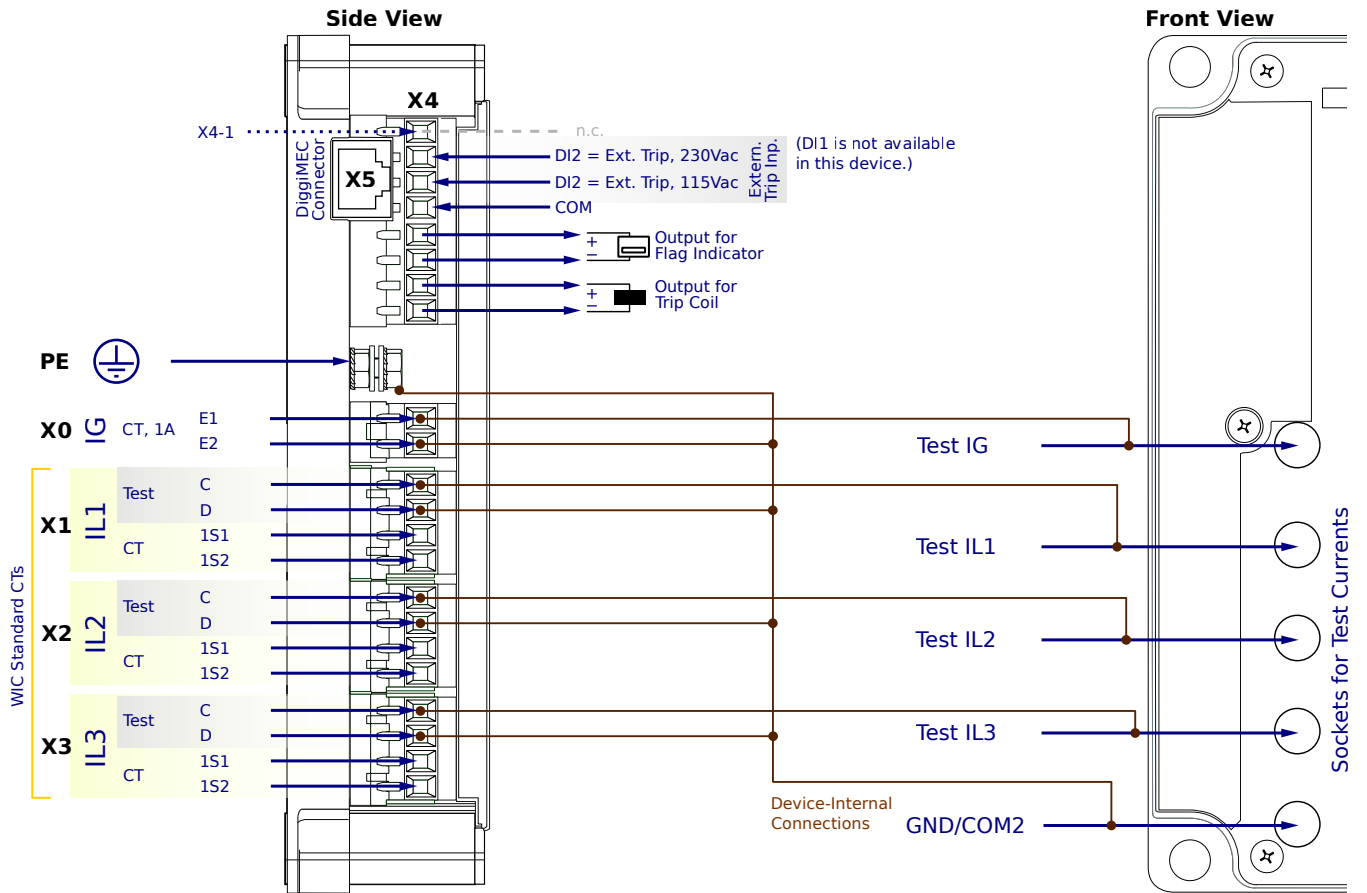
**X4-2,3** - DI2, fixed to External trip input (115Vac or 230Vac)

**X4-5,6** - Trip flag indicator

**X4-7,8** - Trip pulse output

**X5** - DiggiMEC-WIC1 connection. Use network cable CAT3 (or better). No crossover cable!

# WIC1-3SG6FF2PA



## CT-Powered Protection Device, configuration via HEX switches or DiggiMEC / Smart view

- Nominal frequency is 60 Hz. (Setting to 50 Hz is possible via DiggiMEC/Smart view.)
- Trip at  $20 \cdot I_{n,max}$
- Package "A" + SOTF, CLPU, external protection, ultra-fast overcurrent protection

**PE** - Protective Earth

**X0** - Measured ground current via 1A CT input. (Setting to calc. IG is also possible via DiggiMEC/Smart view.)

**X1...X3** - WIC CTs

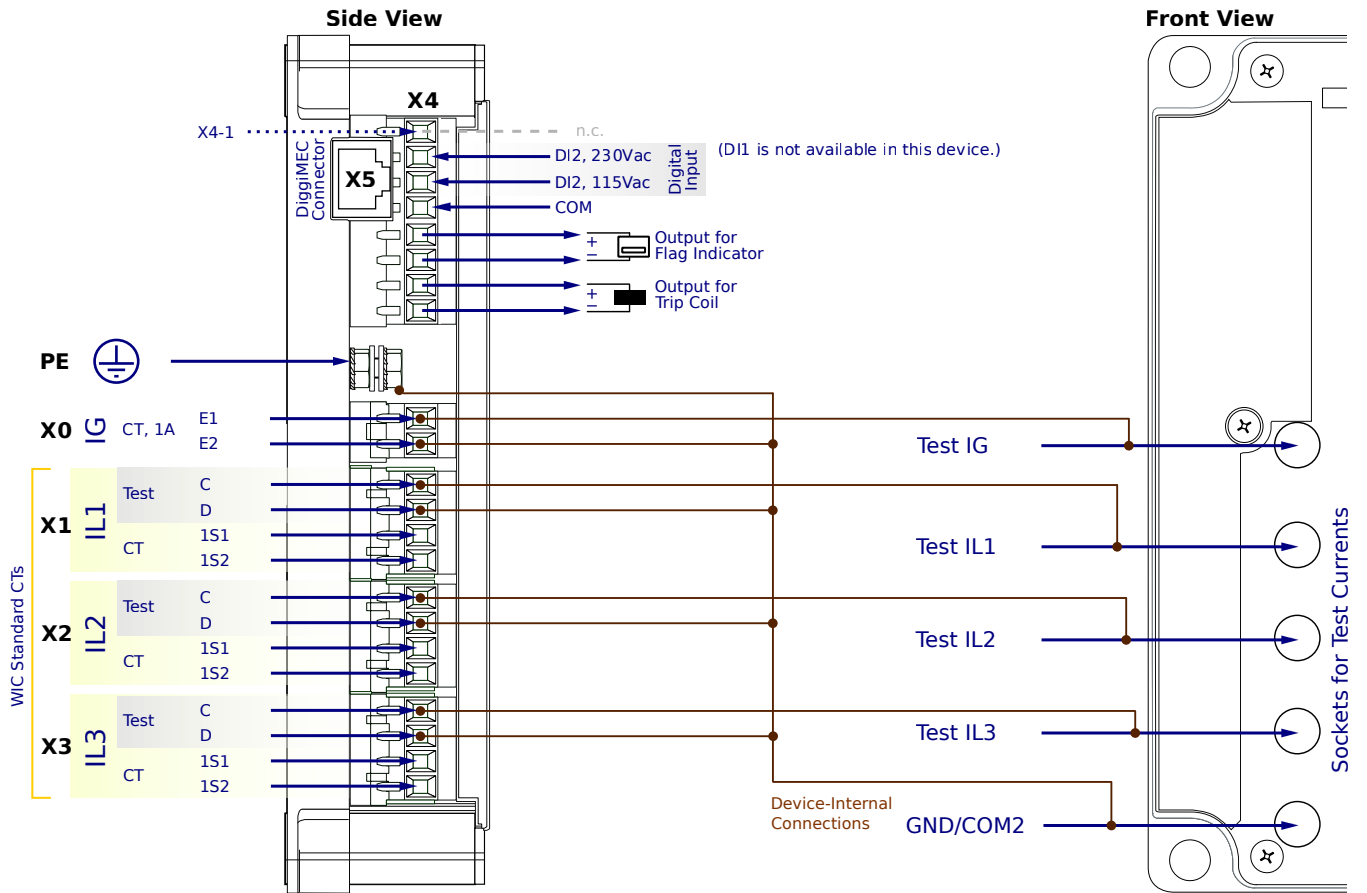
**X4-2,3** - DI2, fixed to External trip input (115Vac or 230Vac)

**X4-5,6** - Trip flag indicator

**X4-7,8** - Trip pulse output

**X5** - DiggiMEC-WIC1 connection. Use network cable CAT3 (or better). No crossover cable!

# WIC1-3SG6FC1SA



## CT-Powered Protection Device, configuration via HEX switches or DiggiMEC / Smart view

- Nominal frequency is 60 Hz. (Setting to 50 Hz is possible via DiggiMEC/Smart view.)
- Backup protection operates directly
- ANSI 50, 50G/N, 51, 51G/N, inrush, 50BF, 74TC

**PE** - Protective Earth

**X0** - Measured ground current via 1A CT input. (Setting to calc. IG is also possible via DiggiMEC/Smart view.)

**X1...X3** - WIC CTs

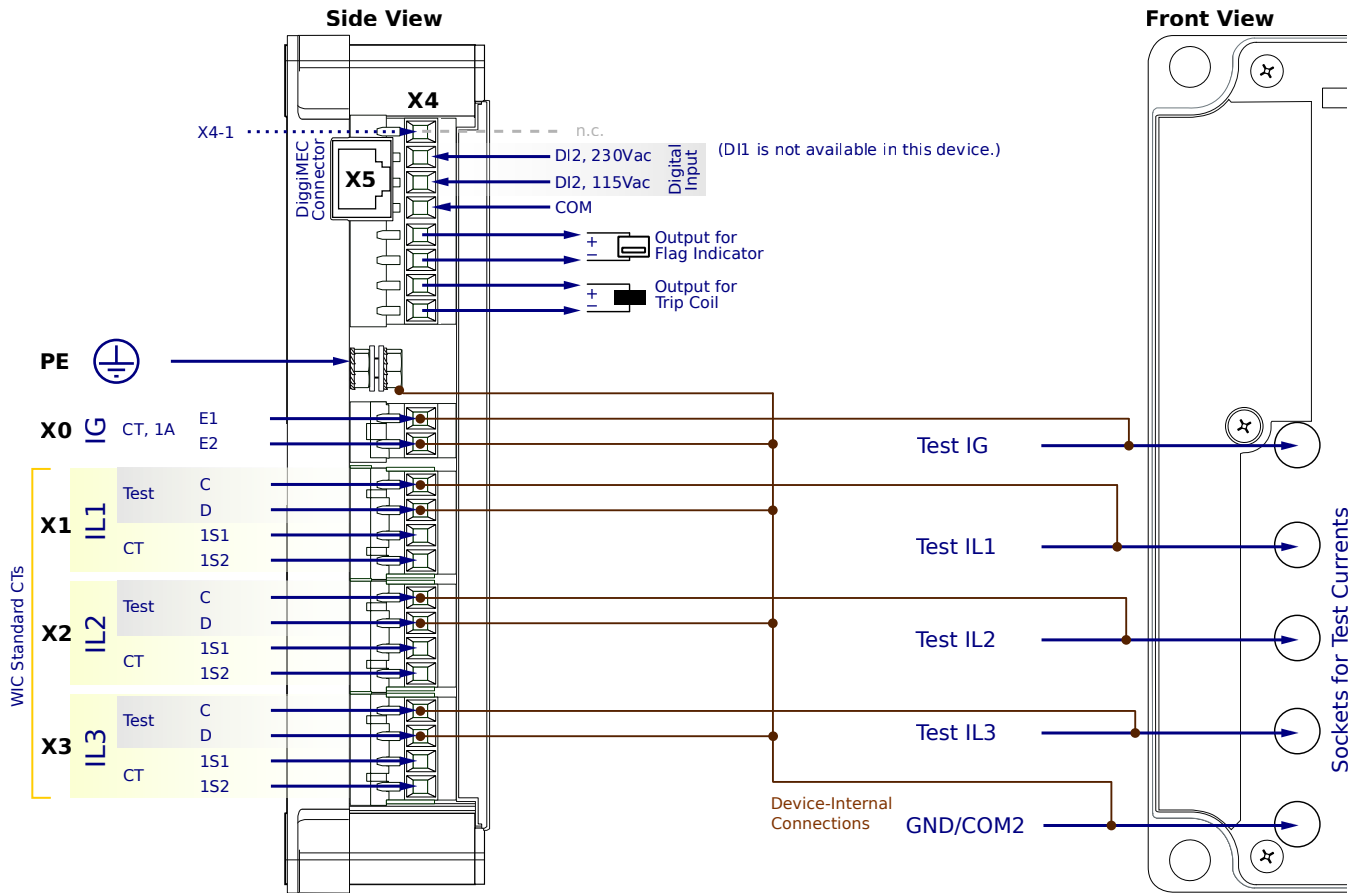
**X4-2,3** - 1 assignable Digital Input DI2 (115Vac or 230Vac)

**X4-5,6** - Trip flag indicator

**X4-7,8** - Trip pulse output

**X5** - DiggiMEC-WIC1 connection. Use network cable CAT3 (or better). No crossover cable!

# WIC1-3SG6FC1AA



## CT-Powered Protection Device, configuration via HEX switches or DiggiMEC / Smart view

- Nominal frequency is 60 Hz. (Setting to 50 Hz is possible via DiggiMEC/Smart view.)
- Backup protection operates directly
- Package "S" + ANSI 46, 49, 51Q, Breaker Wear, Condition Monitoring (= Life Load, Drag Indicator)

**PE** - Protective Earth

**X0** - Measured ground current via 1A CT input. (Setting to calc. IG is also possible via DiggiMEC/Smart view.)

**X1...X3** - WIC CTs

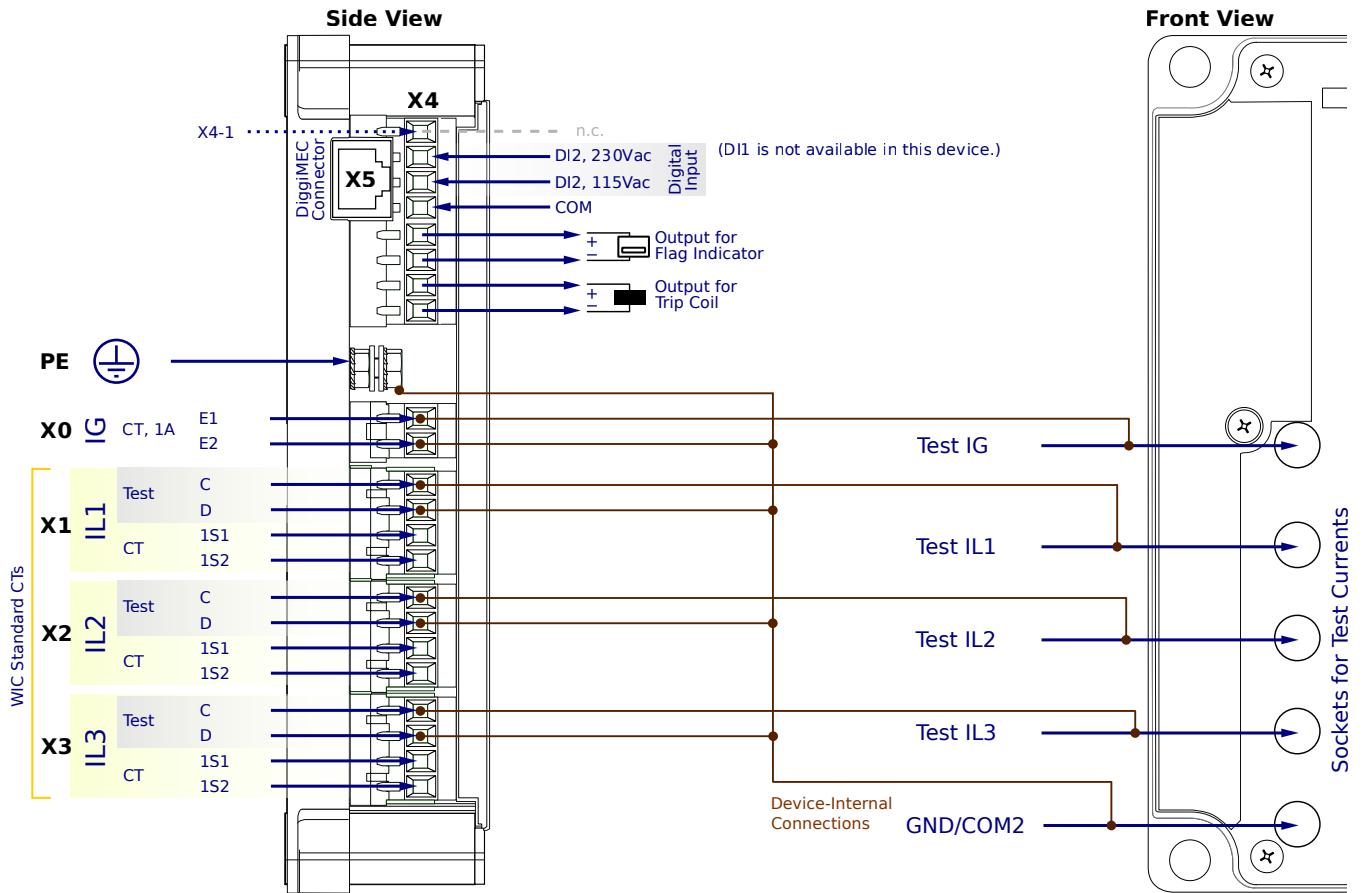
**X4-2,3** - 1 assignable Digital Input DI2 (115Vac or 230Vac)

**X4-5,6** - Trip flag indicator

**X4-7,8** - Trip pulse output

**X5** - DiggiMEC-WIC1 connection. Use network cable CAT3 (or better). No crossover cable!

# WIC1-3SG6FC1PA



## CT-Powered Protection Device, configuration via HEX switches or DiggiMEC / Smart view

- Nominal frequency is 60 Hz. (Setting to 50 Hz is possible via DiggiMEC/Smart view.)
- Backup protection operates directly
- Package "A" + SOTF, CLPU, external protection, ultra-fast overcurrent protection

**PE** - Protective Earth

**X0** - Measured ground current via 1A CT input. (Setting to calc. IG is also possible via DiggiMEC/Smart view.)

**X1...X3** - WIC CTs

**X4-2,3** - 1 assignable Digital Input DI2 (115Vac or 230Vac)

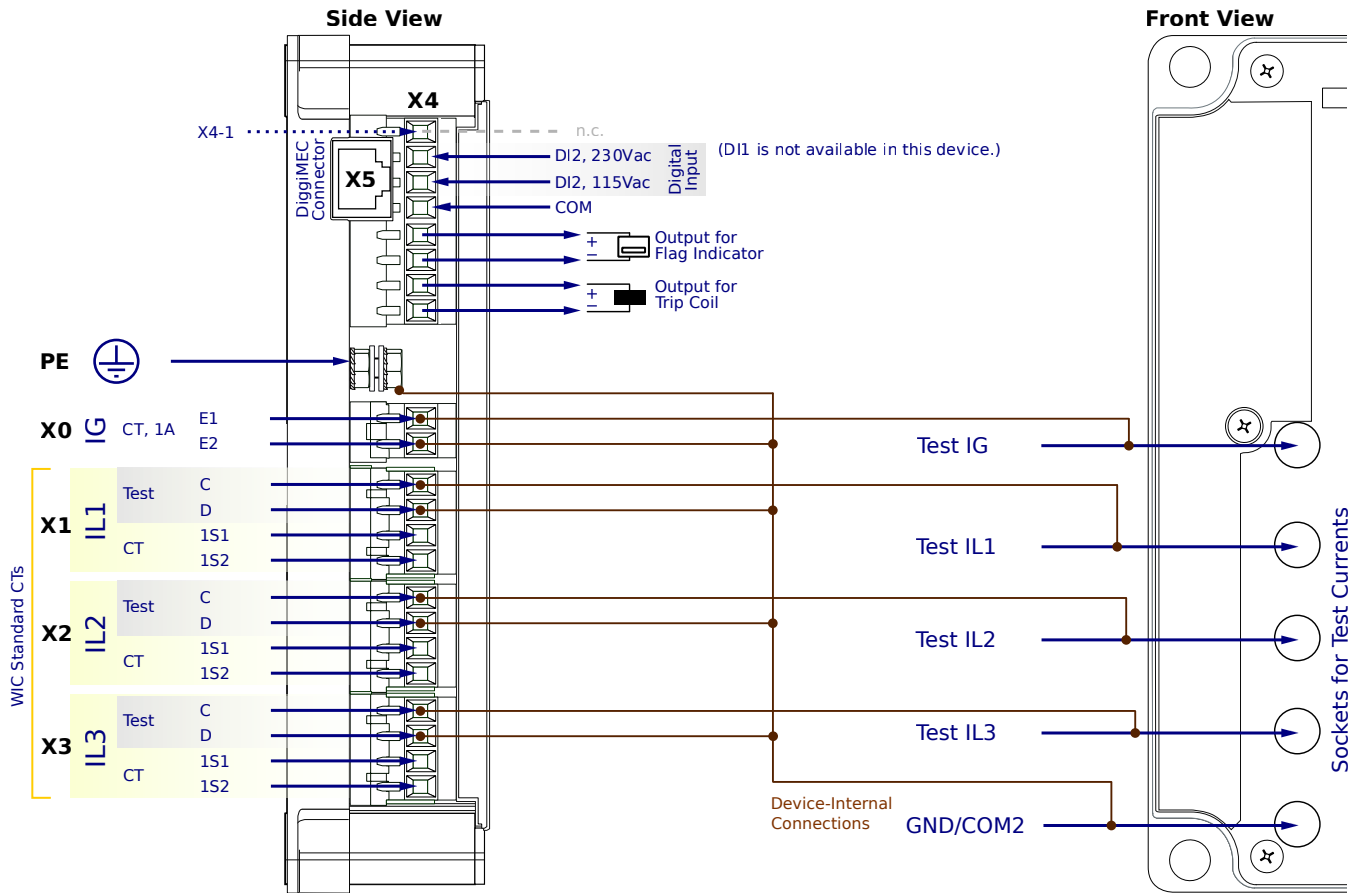
**X4-5,6** - Trip flag indicator

**X4-7,8** - Trip pulse output

**X5** - DiggiMEC-WIC1 connection. Use network cable CAT3 (or better). No crossover cable!



# WIC1-3SG6FC2SA



## CT-Powered Protection Device, configuration via HEX switches or DiggiMEC / Smart view

- Nominal frequency is 60 Hz. (Setting to 50 Hz is possible via DiggiMEC/Smart view.)
- Trip at  $20 \cdot I_{n,max}$
- ANSI 50, 50G/N, 51, 51G/N, inrush, 50BF, 74TC

**PE** - Protective Earth

**X0** - Measured ground current via 1A CT input. (Setting to calc. IG is also possible via DiggiMEC/Smart view.)

**X1...X3** - WIC CTs

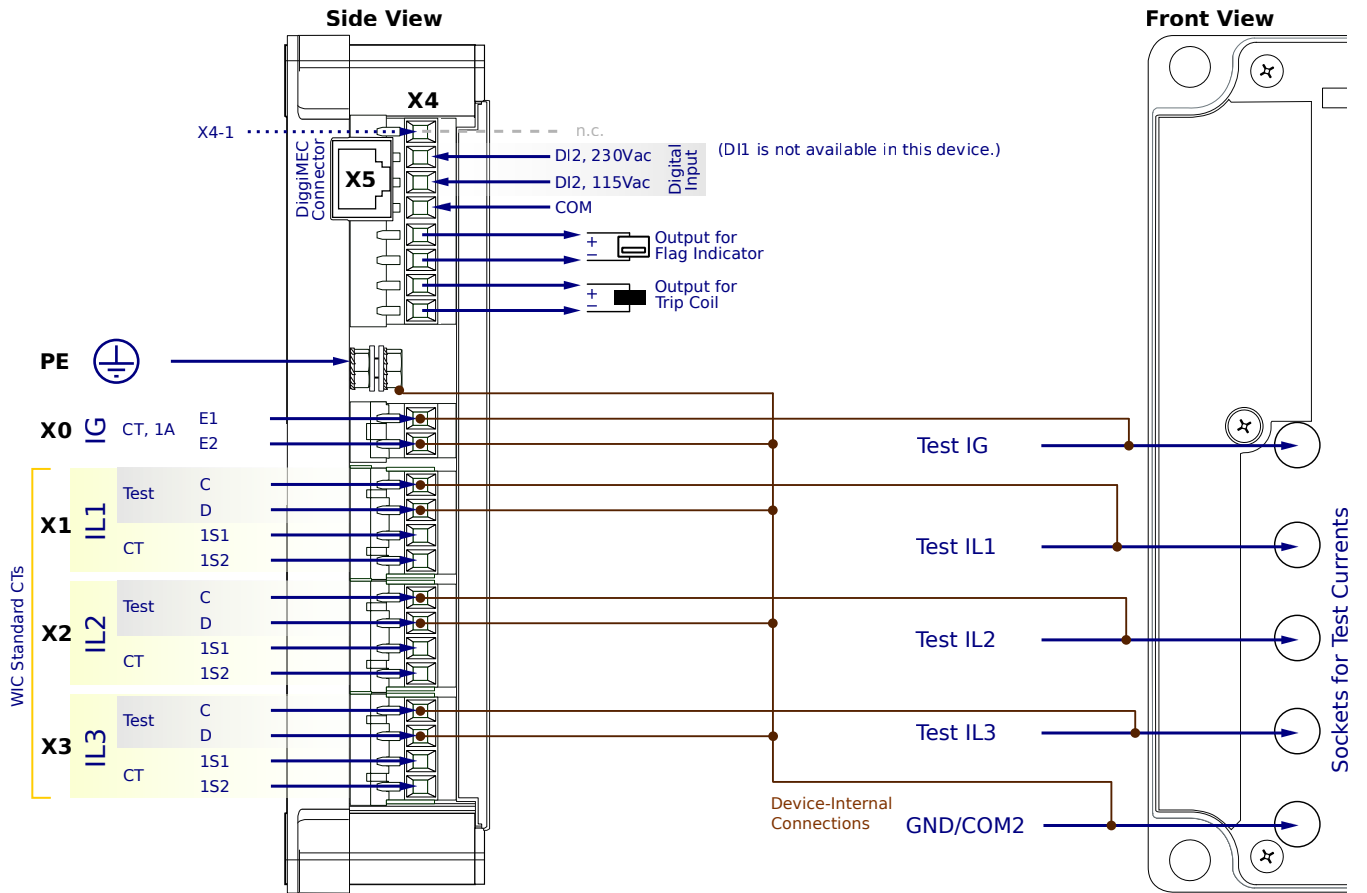
**X4-2,3** - 1 assignable Digital Input DI2 (115Vac or 230Vac)

**X4-5,6** - Trip flag indicator

**X4-7,8** - Trip pulse output

**X5** - DiggiMEC-WIC1 connection. Use network cable CAT3 (or better). No crossover cable!

# WIC1-3SG6FC2AA



## CT-Powered Protection Device, configuration via HEX switches or DiggiMEC / Smart view

- Nominal frequency is 60 Hz. (Setting to 50 Hz is possible via DiggiMEC/Smart view.)
- Trip at  $20 \cdot I_{n,max}$
- Package "S" + ANSI 46, 49, 51Q, Breaker Wear, Condition Monitoring (= Life Load, Drag Indicator)

**PE** - Protective Earth

**X0** - Measured ground current via 1A CT input. (Setting to calc. IG is also possible via DiggiMEC/Smart view.)

**X1...X3** - WIC CTs

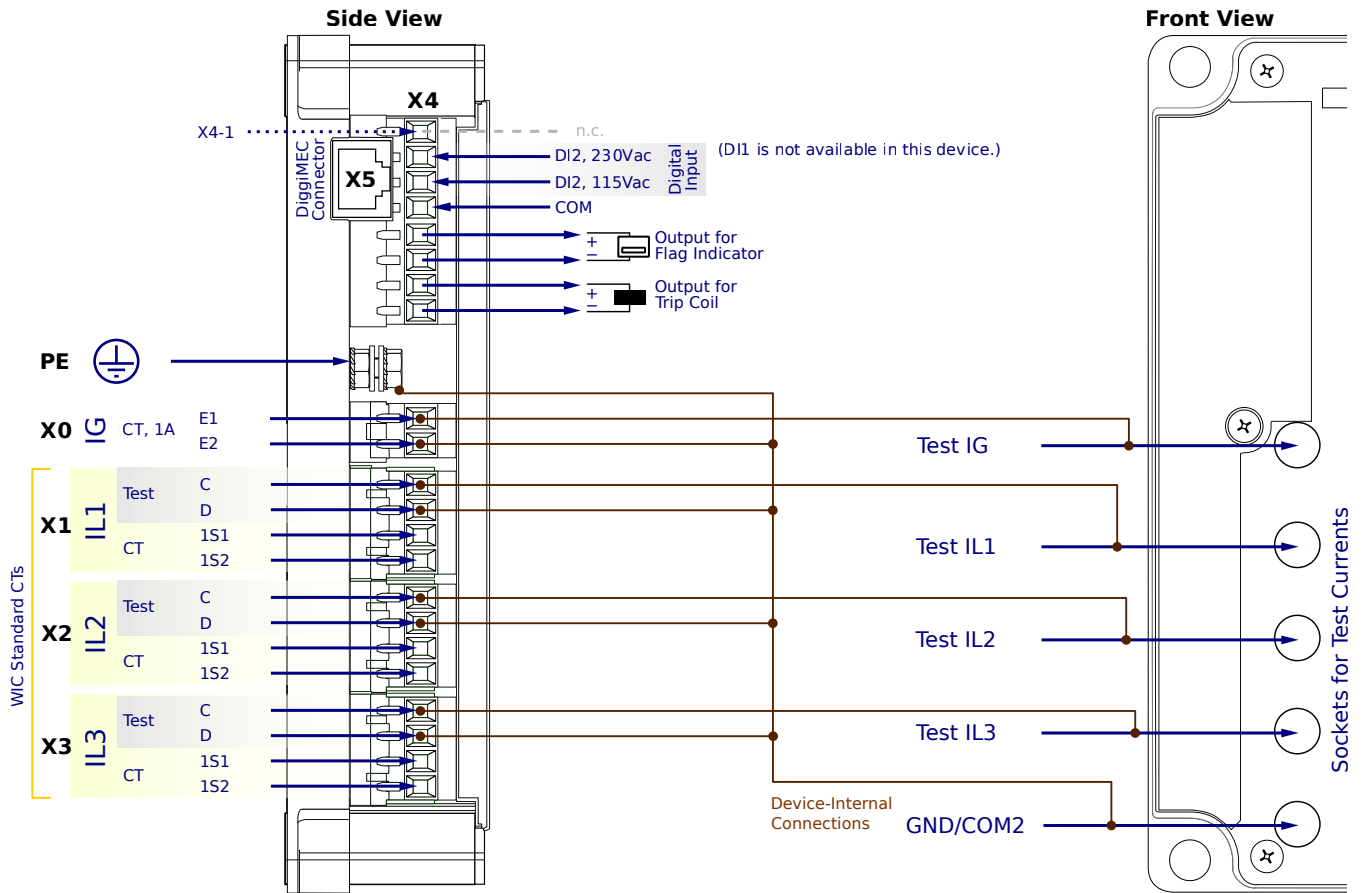
**X4-2,3** - 1 assignable Digital Input DI2 (115Vac or 230Vac)

**X4-5,6** - Trip flag indicator

**X4-7,8** - Trip pulse output

**X5** - DiggiMEC-WIC1 connection. Use network cable CAT3 (or better). No crossover cable!

# WIC1-3SG6FC2PA



## CT-Powered Protection Device, configuration via HEX switches or DiggiMEC / Smart view

- Nominal frequency is 60 Hz. (Setting to 50 Hz is possible via DiggiMEC/Smart view.)
- Trip at  $20 \cdot I_{n,max}$
- Package "A" + SOTF, CLPU, external protection, ultra-fast overcurrent protection

**PE** - Protective Earth

**X0** - Measured ground current via 1A CT input. (Setting to calc. IG is also possible via DiggiMEC/Smart view.)

**X1...X3** - WIC CTs

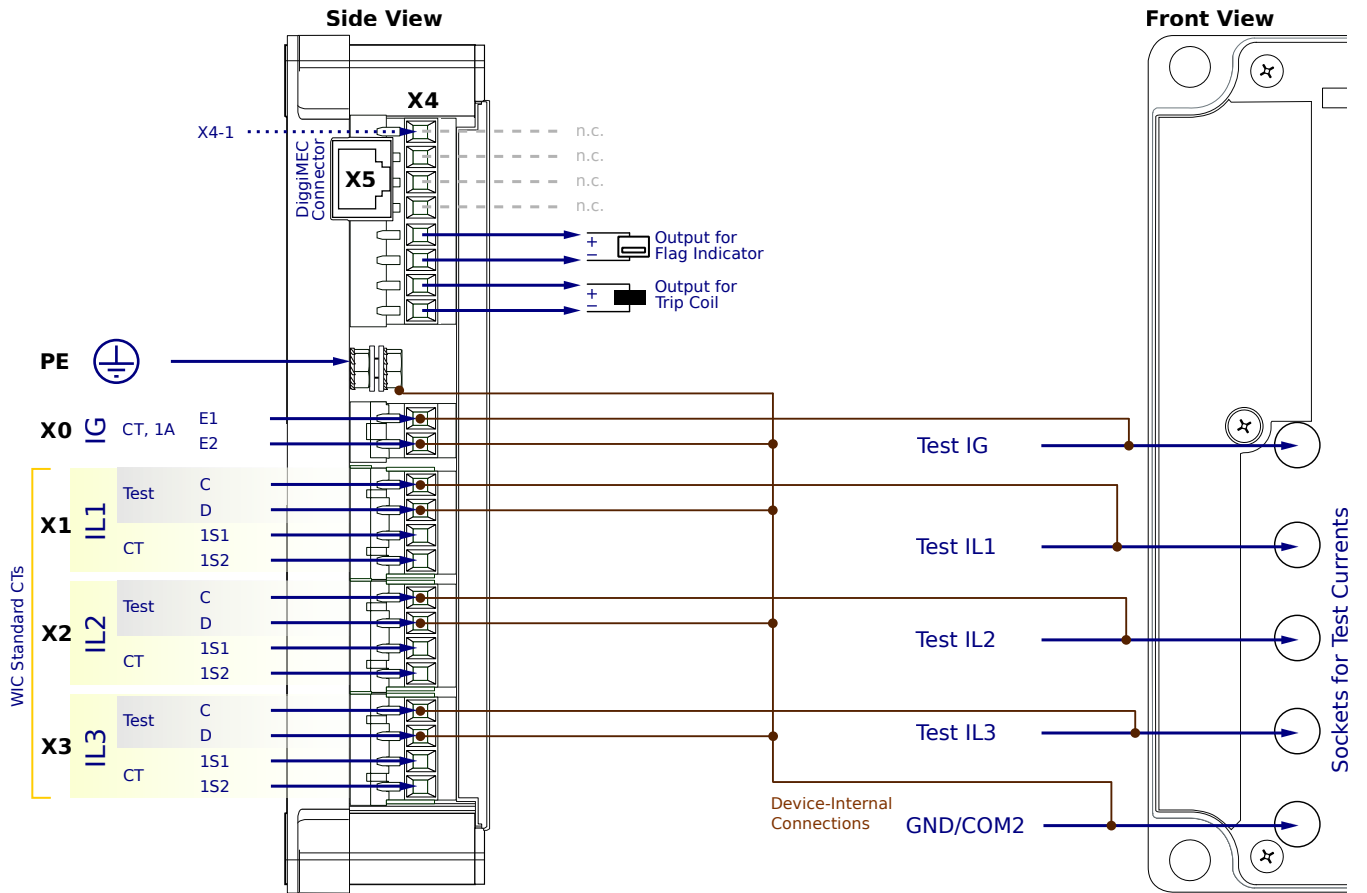
**X4-2,3** - 1 assignable Digital Input DI2 (115Vac or 230Vac)

**X4-5,6** - Trip flag indicator

**X4-7,8** - Trip pulse output

**X5** - DiggiMEC-WIC1 connection. Use network cable CAT3 (or better). No crossover cable!

# WIC1-3SG6CN1SA



## CT-Powered Protection Device, configuration via HEX switches or DiggiMEC / Smart view

- Nominal frequency is 60 Hz. (Setting to 50 Hz is possible via DiggiMEC/Smart view.)
- Backup protection operates directly
- ANSI 50, 50G/N, 51, 51G/N, inrush, 50BF, 74TC

**PE** – Protective Earth

**X0** – Measured ground current via 1A CT input. (Setting to calc. IG is also possible via DiggiMEC/Smart view.)

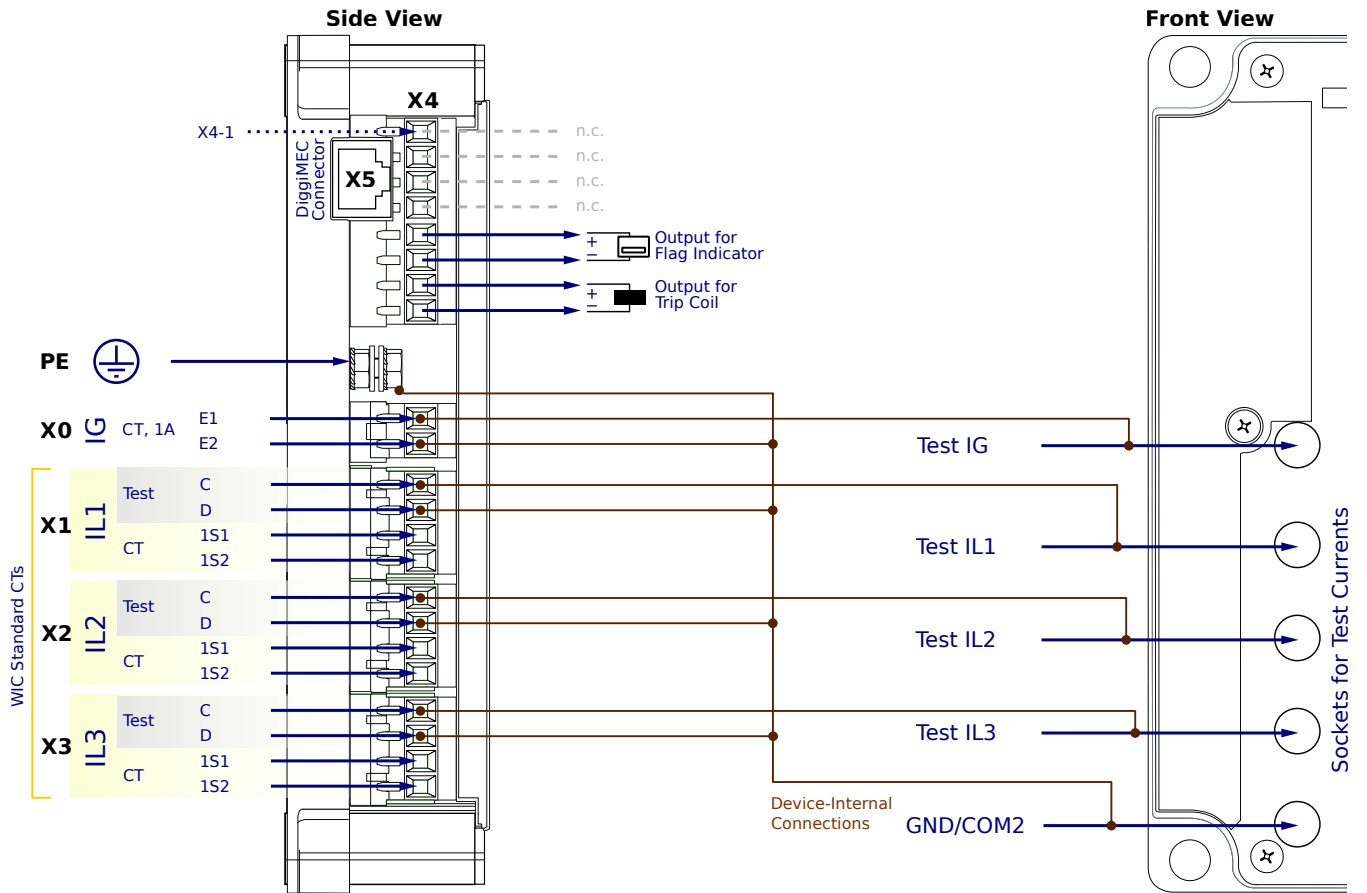
**X1...X3** – WIC CTs

**X4-5,6** – Assignable flag indicator

**X4-7,8** – Trip pulse output

**X5** – DiggiMEC-WIC1 connection. Use network cable CAT3 (or better). No crossover cable!

# WIC1-3SG6CN1AA



## CT-Powered Protection Device, configuration via HEX switches or DiggiMEC / Smart view

- Nominal frequency is 60 Hz. (Setting to 50 Hz is possible via DiggiMEC/Smart view.)
- Backup protection operates directly
- Package "S" + ANSI 46, 49, 51Q, Breaker Wear, Condition Monitoring (= Life Load, Drag Indicator)

**PE** - Protective Earth

**X0** - Measured ground current via 1A CT input. (Setting to calc. IG is also possible via DiggiMEC/Smart view.)

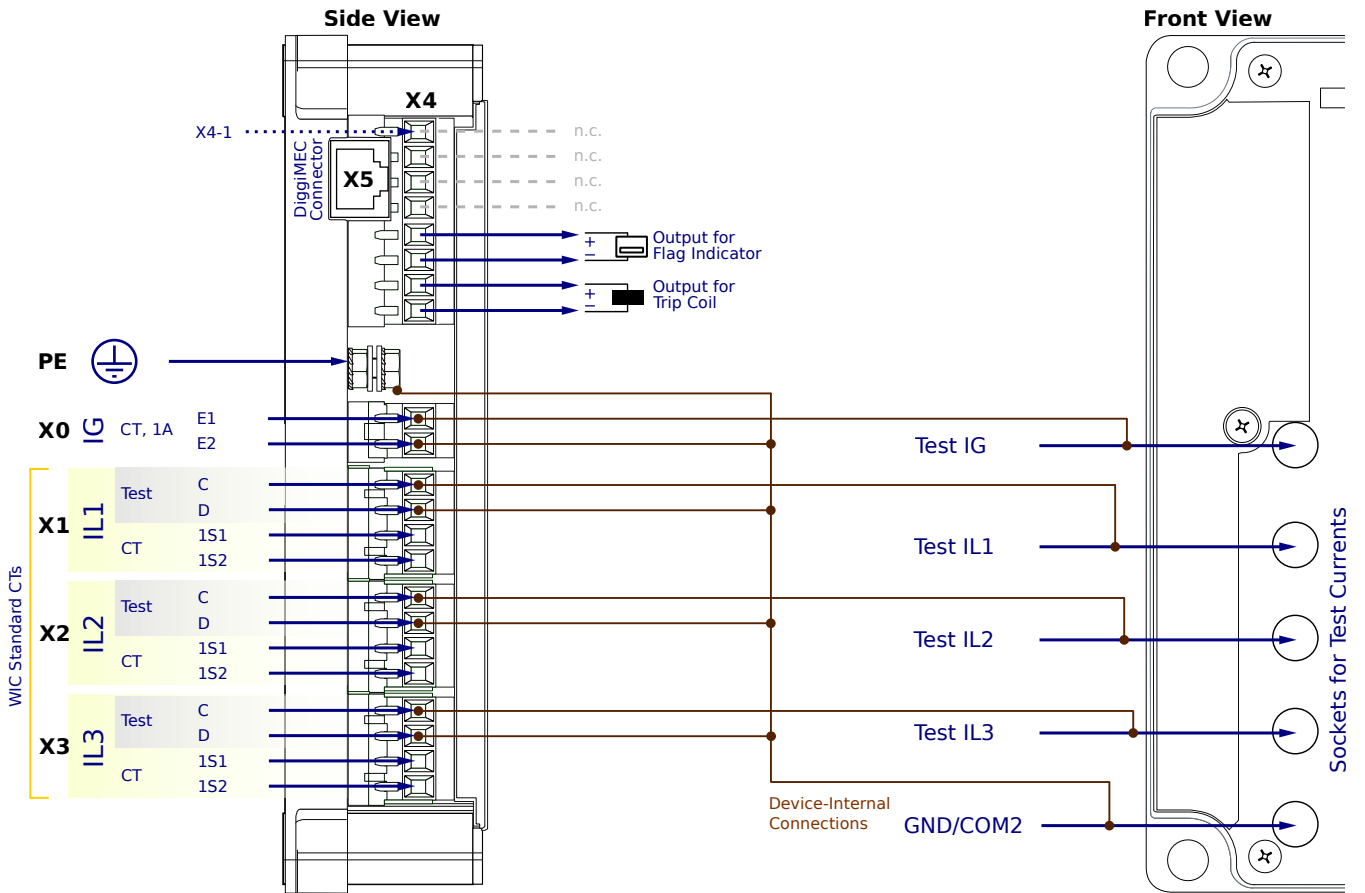
**X1...X3** - WIC CTs

**X4-5,6** - Assignable flag indicator

**X4-7,8** - Trip pulse output

**X5** - DiggiMEC-WIC1 connection. Use network cable CAT3 (or better). No crossover cable!

# WIC1-3SG6CN1PA



## CT-Powered Protection Device, configuration via HEX switches or DiggiMEC / Smart view

- Nominal frequency is 60 Hz. (Setting to 50 Hz is possible via DiggiMEC/Smart view.)
- Backup protection operates directly
- Package "A" + SOTF, CLPU, external protection, ultra-fast overcurrent protection

**PE** - Protective Earth

**X0** - Measured ground current via 1A CT input. (Setting to calc. IG is also possible via DiggiMEC/Smart view.)

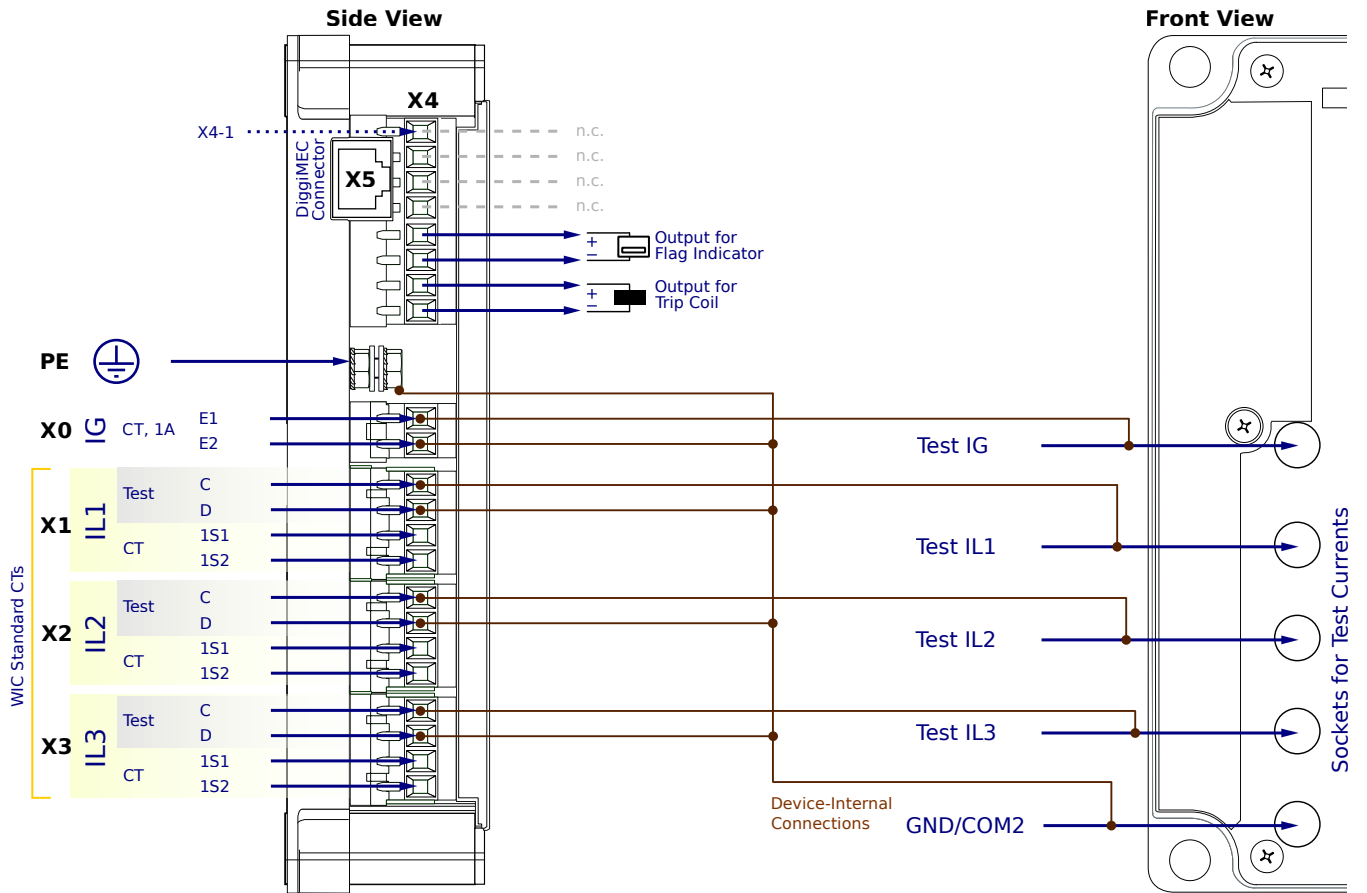
**X1...X3** - WIC CTs

**X4-5,6** - Assignable flag indicator

**X4-7,8** - Trip pulse output

**X5** - DiggiMEC-WIC1 connection. Use network cable CAT3 (or better). No crossover cable!

# WIC1-3SG6CN2SA



## CT-Powered Protection Device, configuration via HEX switches or DiggiMEC / Smart view

- Nominal frequency is 60 Hz. (Setting to 50 Hz is possible via DiggiMEC/Smart view.)
- Trip at  $20 \cdot I_{n,max}$
- ANSI 50, 50G/N, 51, 51G/N, inrush, 50BF, 74TC

**PE** - Protective Earth

**X0** - Measured ground current via 1A CT input. (Setting to calc. IG is also possible via DiggiMEC/Smart view.)

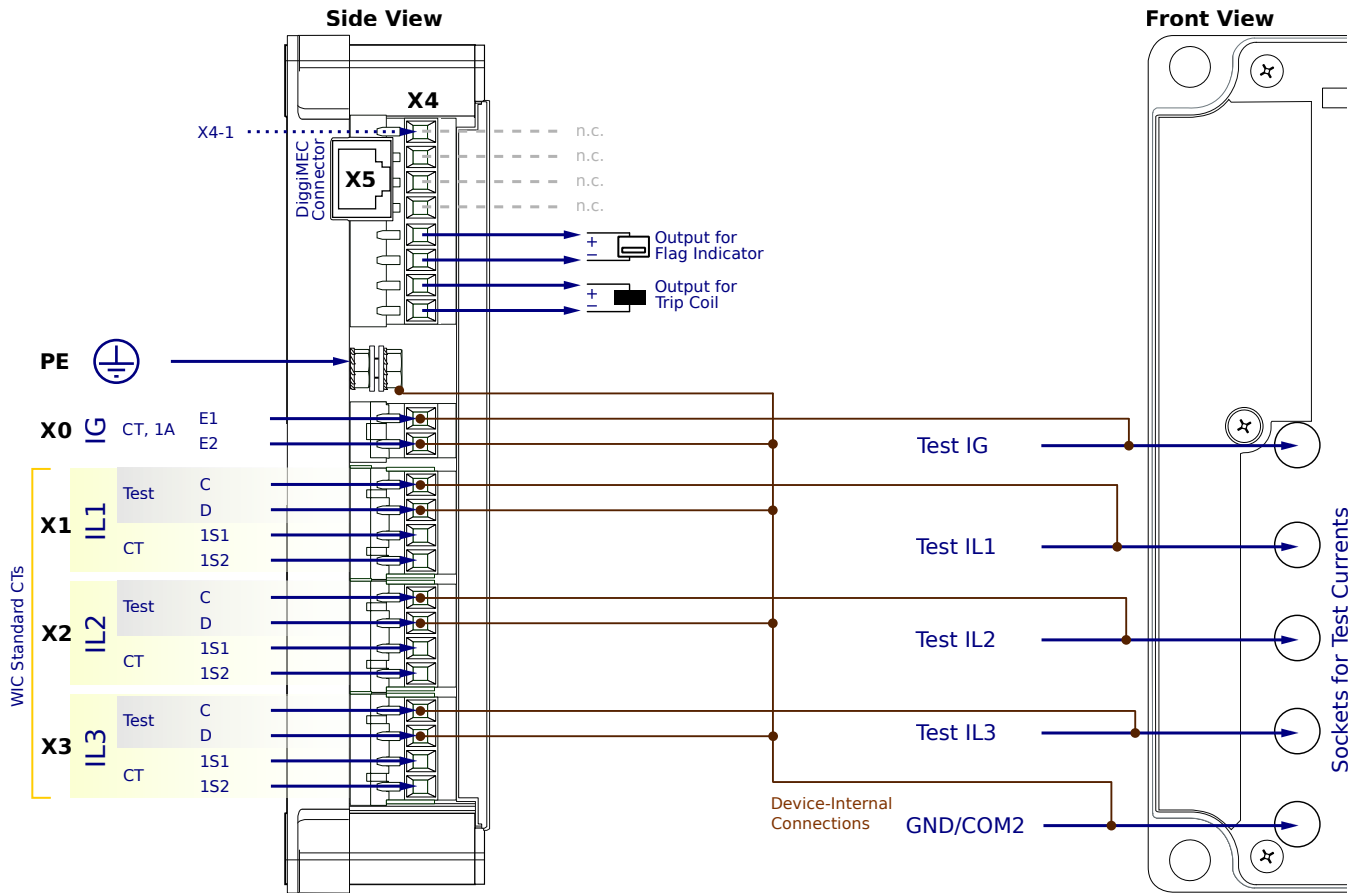
**X1...X3** - WIC CTs

**X4-5,6** - Assignable flag indicator

**X4-7,8** - Trip pulse output

**X5** - DiggiMEC-WIC1 connection. Use network cable CAT3 (or better). No crossover cable!

# WIC1-3SG6CN2AA



## CT-Powered Protection Device, configuration via HEX switches or DiggiMEC / Smart view

- Nominal frequency is 60 Hz. (Setting to 50 Hz is possible via DiggiMEC/Smart view.)
- Trip at  $20 \cdot I_{n,max}$
- Package "S" + ANSI 46, 49, 51Q, Breaker Wear, Condition Monitoring (= Life Load, Drag Indicator)

**PE** - Protective Earth

**X0** - Measured ground current via 1A CT input. (Setting to calc. IG is also possible via DiggiMEC/Smart view.)

**X1...X3** - WIC CTs

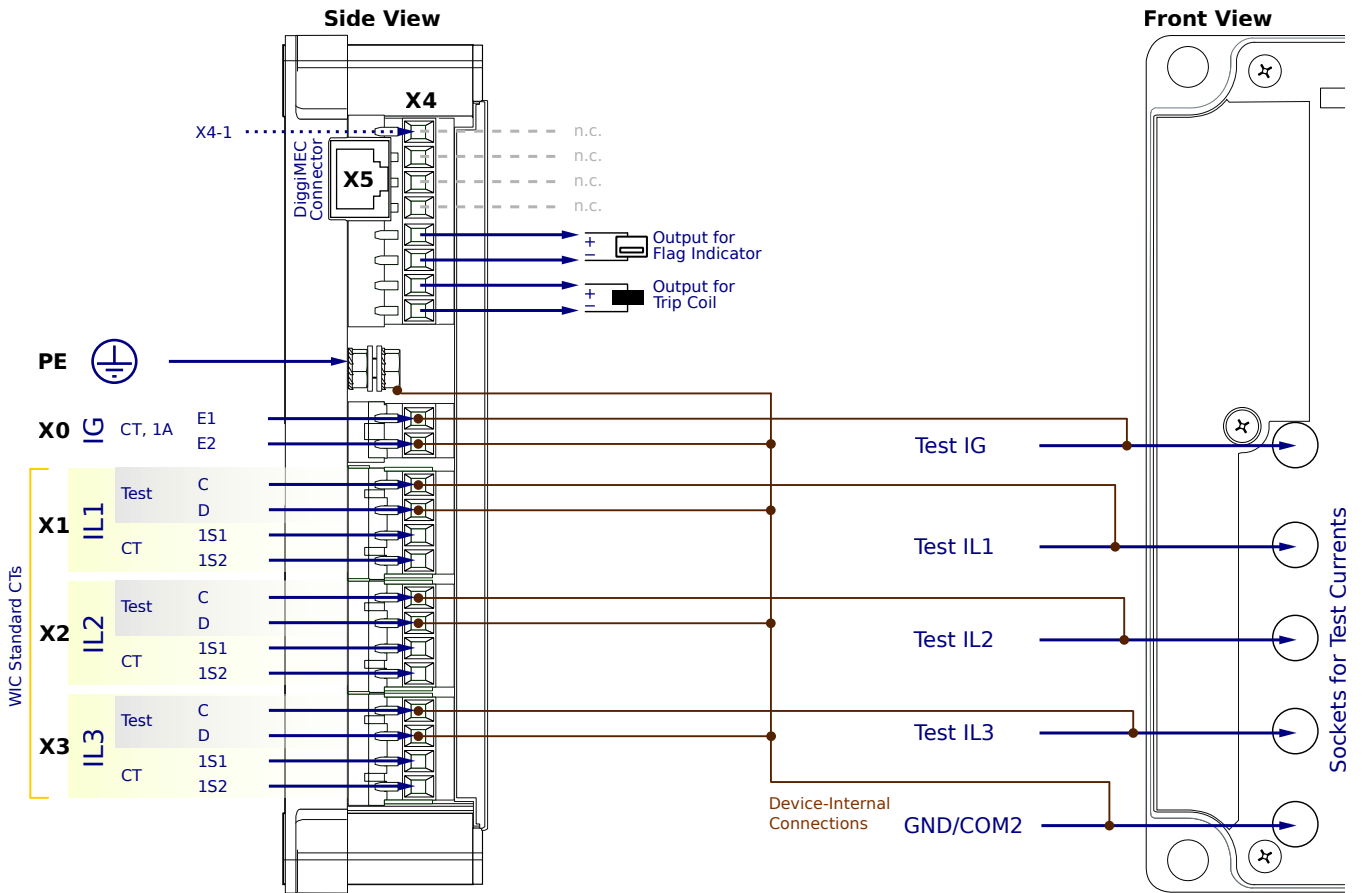
**X4-5,6** - Assignable flag indicator

**X4-7,8** - Trip pulse output

**X5** - DiggiMEC-WIC1 connection. Use network cable CAT3 (or better). No crossover cable!



# WIC1-3SG6CN2PA



## CT-Powered Protection Device, configuration via HEX switches or DiggiMEC / Smart view

- Nominal frequency is 60 Hz. (Setting to 50 Hz is possible via DiggiMEC/Smart view.)
- Trip at  $20 \cdot I_{n,max}$
- Package "A" + SOTF, CLPU, external protection, ultra-fast overcurrent protection

**PE** - Protective Earth

**X0** - Measured ground current via 1A CT input. (Setting to calc. IG is also possible via DiggiMEC/Smart view.)

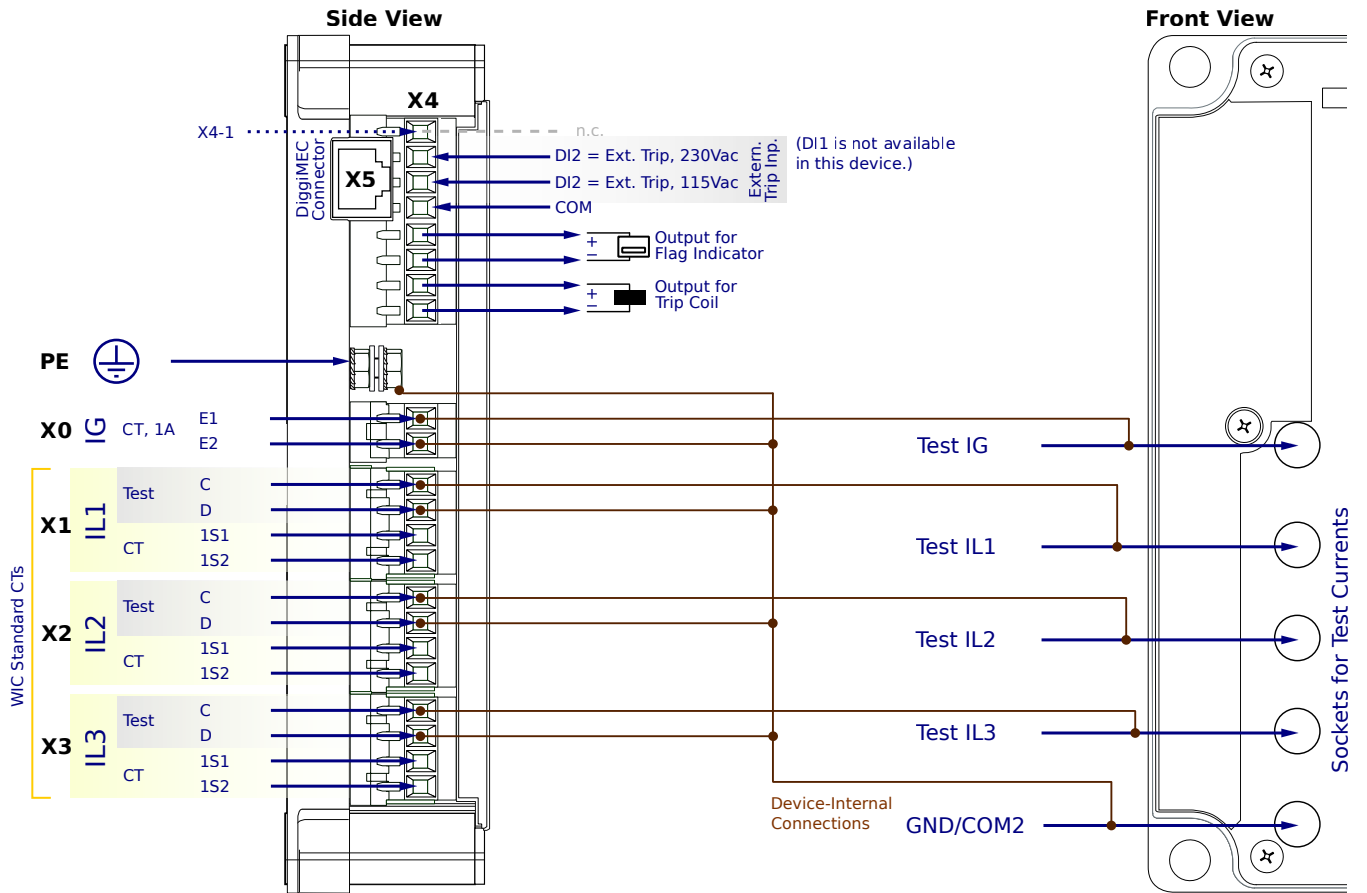
**X1...X3** - WIC CTs

**X4-5,6** - Assignable flag indicator

**X4-7,8** - Trip pulse output

**X5** - DiggiMEC-WIC1 connection. Use network cable CAT3 (or better). No crossover cable!

# WIC1-3SG6CF1SA



## CT-Powered Protection Device, configuration via HEX switches or DiggiMEC / Smart view

- Nominal frequency is 60 Hz. (Setting to 50 Hz is possible via DiggiMEC/Smart view.)
- Backup protection operates directly
- ANSI 50, 50G/N, 51, 51G/N, inrush, 50BF, 74TC

**PE** - Protective Earth

**X0** - Measured ground current via 1A CT input. (Setting to calc. IG is also possible via DiggiMEC/Smart view.)

**X1...X3** - WIC CTs

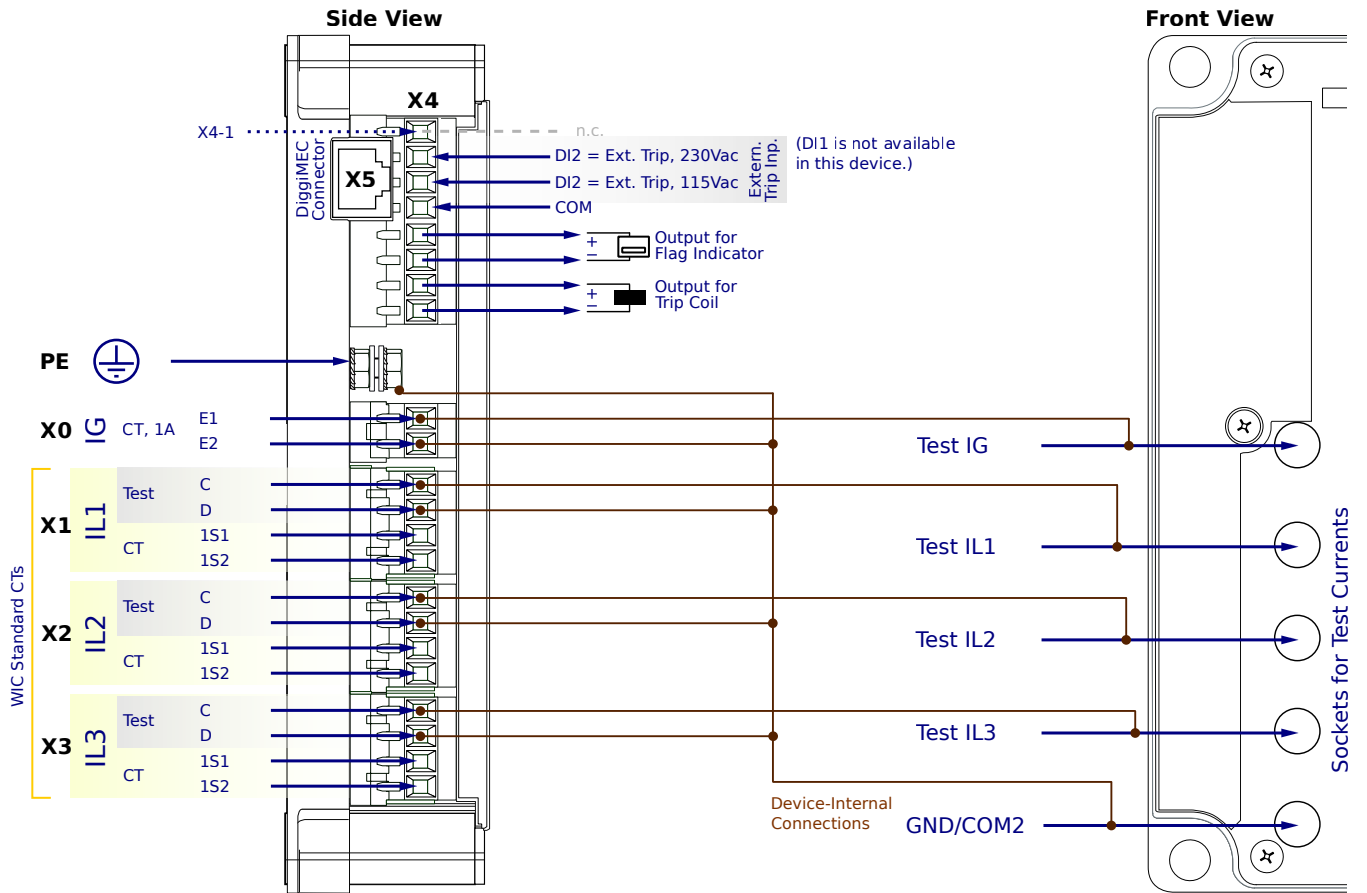
**X4-2,3** - DI2, fixed to External trip input (115Vac or 230Vac)

**X4-5,6** - Assignable flag indicator

**X4-7,8** - Trip pulse output

**X5** - DiggiMEC-WIC1 connection. Use network cable CAT3 (or better). No crossover cable!

# WIC1-3SG6CF1AA



## CT-Powered Protection Device, configuration via HEX switches or DiggiMEC / Smart view

- Nominal frequency is 60 Hz. (Setting to 50 Hz is possible via DiggiMEC/Smart view.)
- Backup protection operates directly
- Package "S" + ANSI 46, 49, 51Q, Breaker Wear, Condition Monitoring (= Life Load, Drag Indicator)

**PE** - Protective Earth

**X0** - Measured ground current via 1A CT input. (Setting to calc. IG is also possible via DiggiMEC/Smart view.)

**X1...X3** - WIC CTs

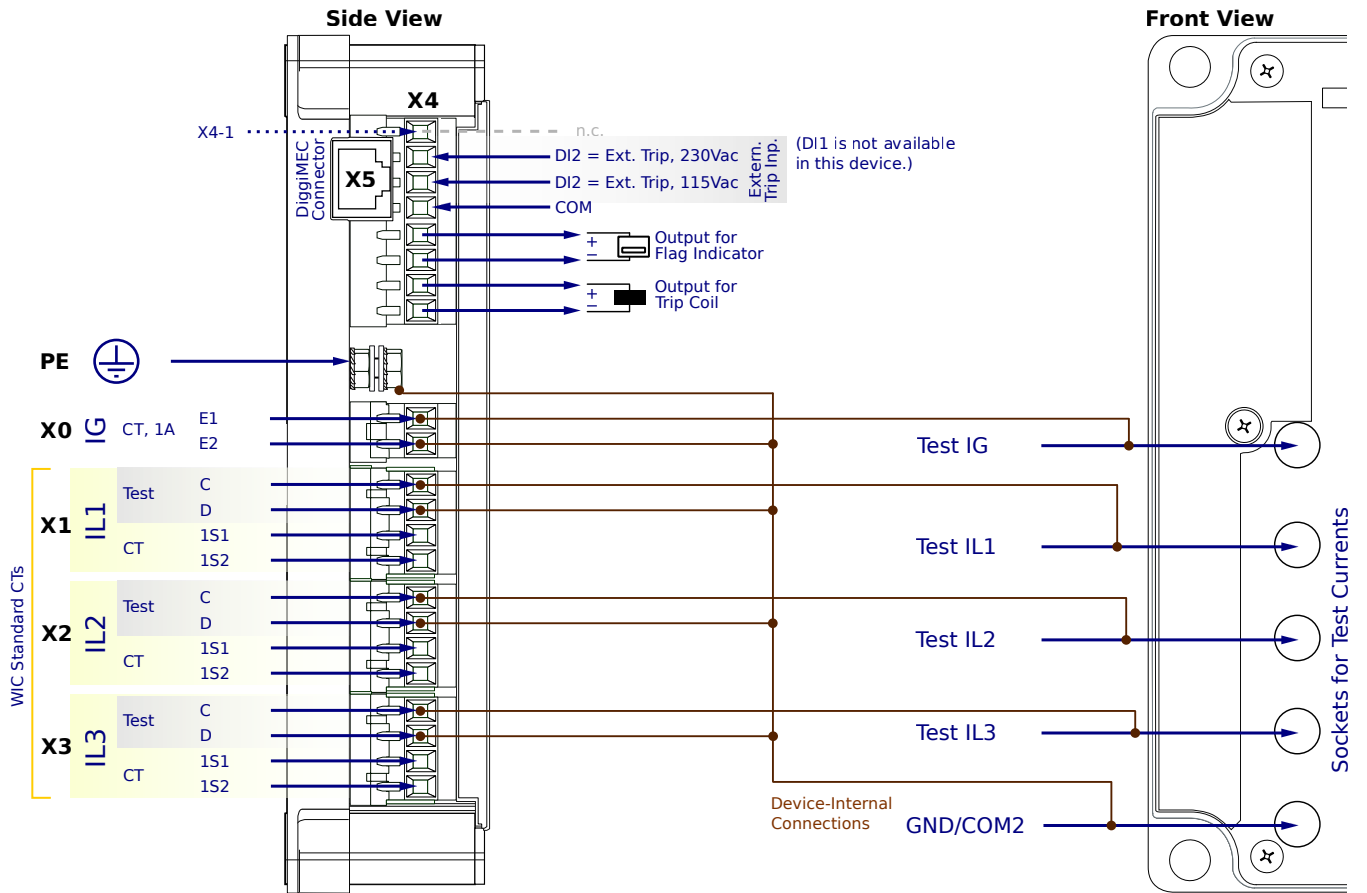
**X4-2,3** - DI2, fixed to External trip input (115Vac or 230Vac)

**X4-5,6** - Assignable flag indicator

**X4-7,8** - Trip pulse output

**X5** - DiggiMEC-WIC1 connection. Use network cable CAT3 (or better). No crossover cable!

# WIC1-3SG6CF1PA



## CT-Powered Protection Device, configuration via HEX switches or DiggiMEC / Smart view

- Nominal frequency is 60 Hz. (Setting to 50 Hz is possible via DiggiMEC/Smart view.)
- Backup protection operates directly
- Package "A" + SOTF, CLPU, external protection, ultra-fast overcurrent protection

**PE** - Protective Earth

**X0** - Measured ground current via 1A CT input. (Setting to calc. IG is also possible via DiggiMEC/Smart view.)

**X1...X3** - WIC CTs

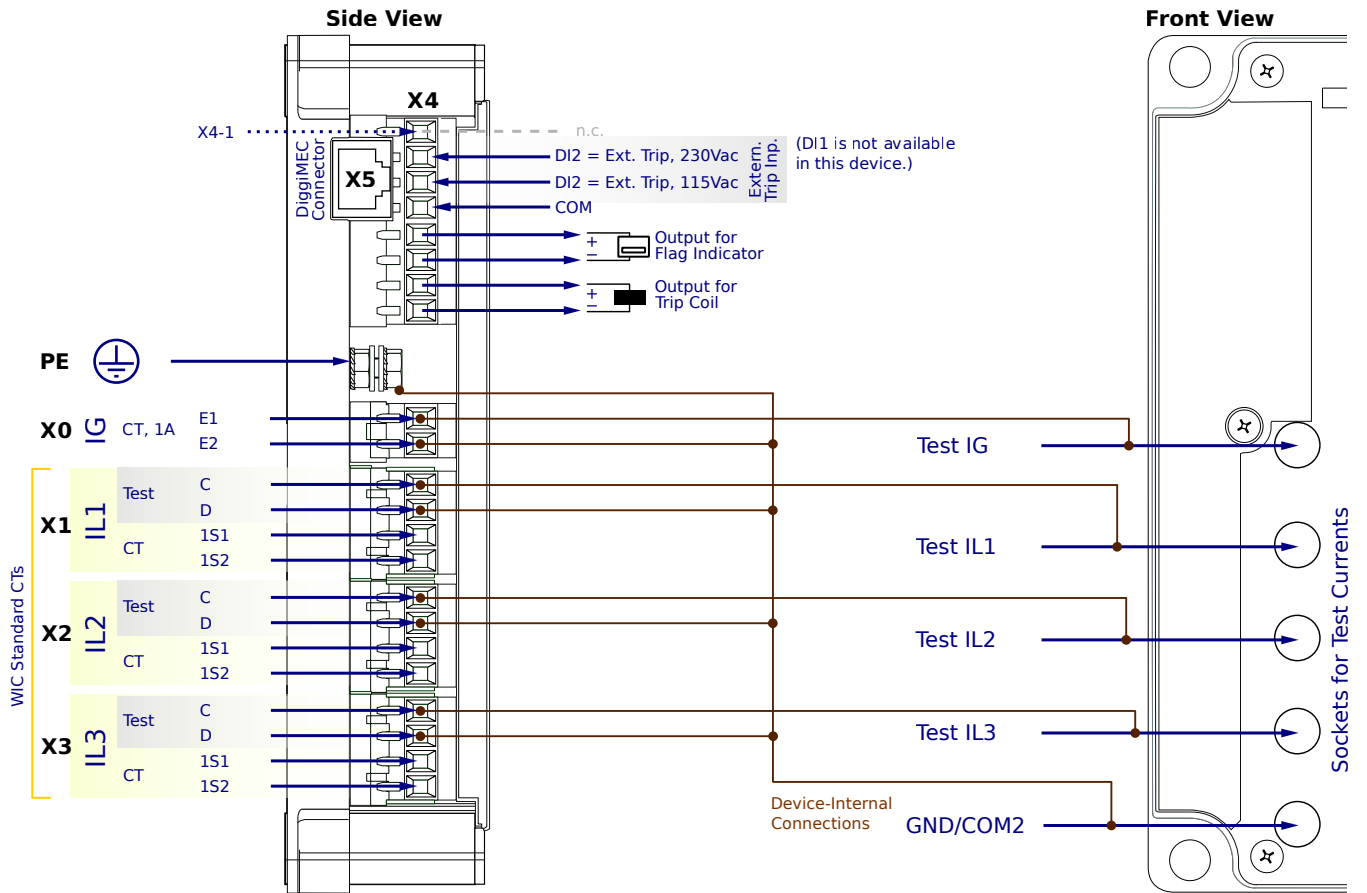
**X4-2,3** - DI2, fixed to External trip input (115Vac or 230Vac)

**X4-5,6** - Assignable flag indicator

**X4-7,8** - Trip pulse output

**X5** - DiggiMEC-WIC1 connection. Use network cable CAT3 (or better). No crossover cable!

# WIC1-3SG6CF2SA



## CT-Powered Protection Device, configuration via HEX switches or DiggiMEC / Smart view

- Nominal frequency is 60 Hz. (Setting to 50 Hz is possible via DiggiMEC/Smart view.)
- Trip at  $20 \cdot I_{n,max}$
- ANSI 50, 50G/N, 51, 51G/N, inrush, 50BF, 74TC

**PE** - Protective Earth

**X0** - Measured ground current via 1A CT input. (Setting to calc. IG is also possible via DiggiMEC/Smart view.)

**X1...X3** - WIC CTs

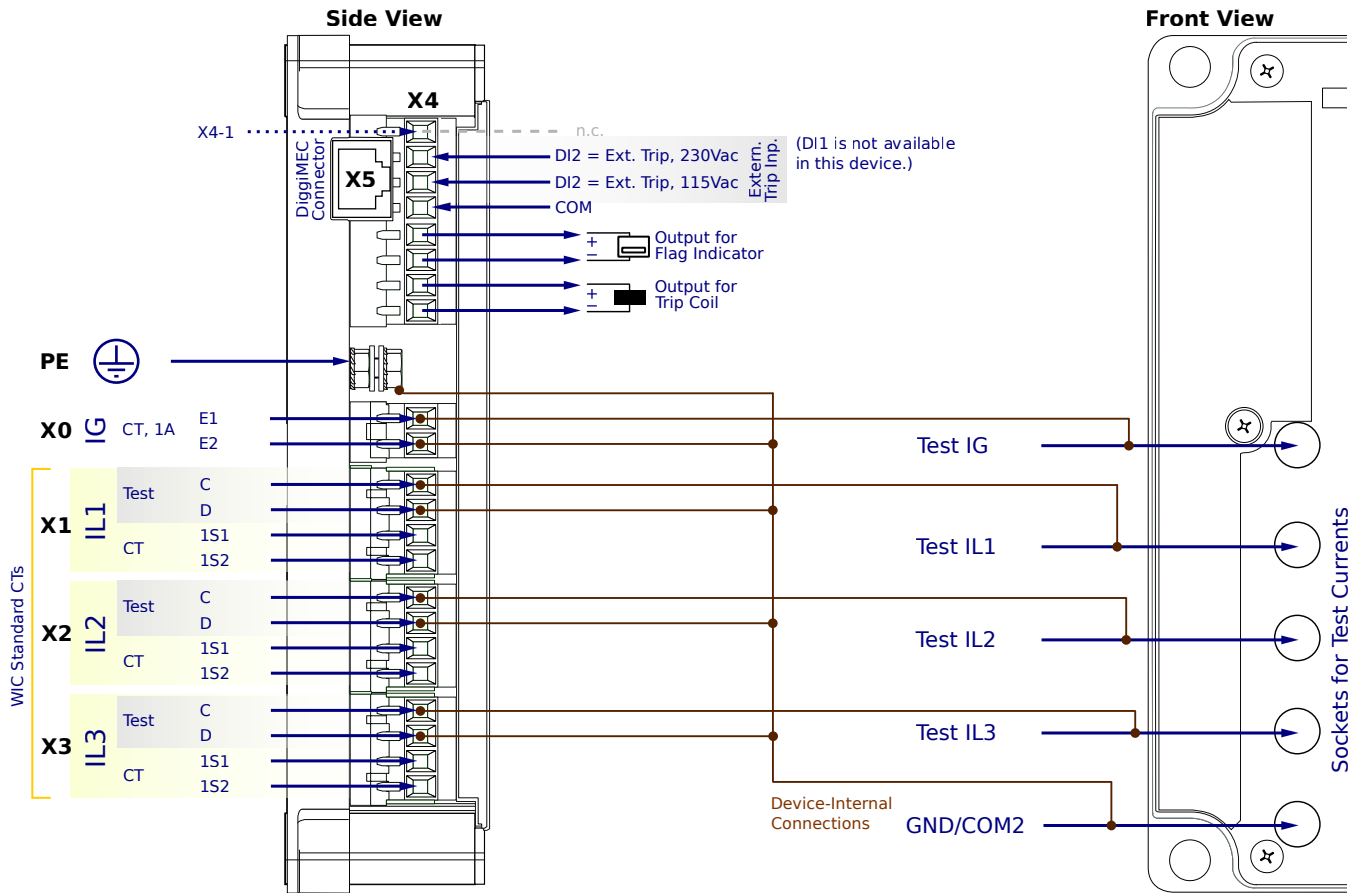
**X4-2,3** - DI2, fixed to External trip input (115Vac or 230Vac)

**X4-5,6** - Assignable flag indicator

**X4-7,8** - Trip pulse output

**X5** - DiggiMEC-WIC1 connection. Use network cable CAT3 (or better). No crossover cable!

# WIC1-3SG6CF2AA



## CT-Powered Protection Device, configuration via HEX switches or DiggiMEC / Smart view

- Nominal frequency is 60 Hz. (Setting to 50 Hz is possible via DiggiMEC/Smart view.)
- Trip at  $20 \cdot I_{n,max}$
- Package "S" + ANSI 46, 49, 51Q, Breaker Wear, Condition Monitoring (= Life Load, Drag Indicator)

**PE** - Protective Earth

**X0** - Measured ground current via 1A CT input. (Setting to calc. IG is also possible via DiggiMEC/Smart view.)

**X1...X3** - WIC CTs

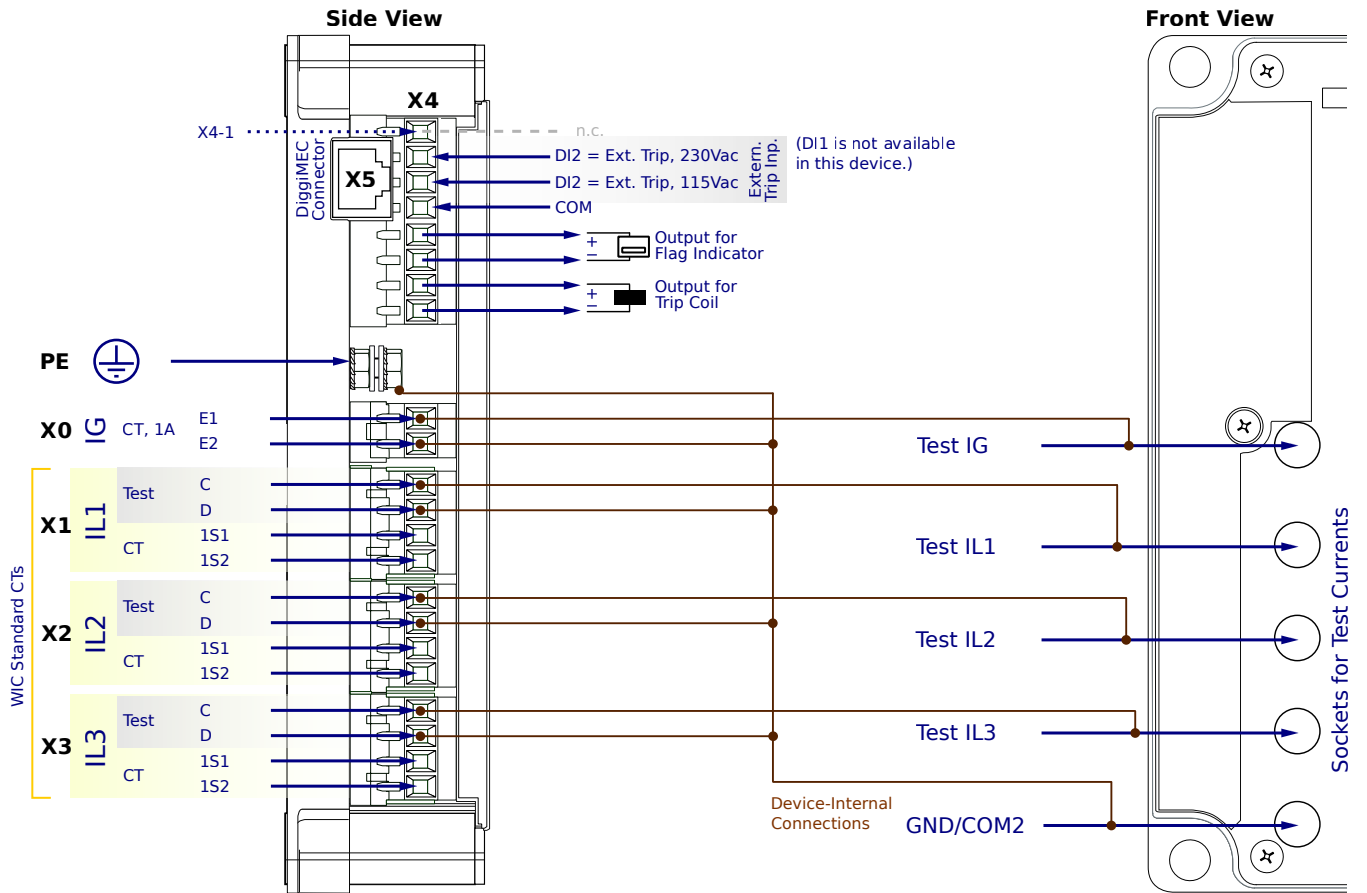
**X4-2,3** - DI2, fixed to External trip input (115Vac or 230Vac)

**X4-5,6** - Assignable flag indicator

**X4-7,8** - Trip pulse output

**X5** - DiggiMEC-WIC1 connection. Use network cable CAT3 (or better). No crossover cable!

# WIC1-3SG6CF2PA



## CT-Powered Protection Device, configuration via HEX switches or DiggiMEC / Smart view

- Nominal frequency is 60 Hz. (Setting to 50 Hz is possible via DiggiMEC/Smart view.)
- Trip at  $20 \cdot I_{n,max}$
- Package "A" + SOTF, CLPU, external protection, ultra-fast overcurrent protection

**PE** - Protective Earth

**X0** - Measured ground current via 1A CT input. (Setting to calc. IG is also possible via DiggiMEC/Smart view.)

**X1...X3** - WIC CTs

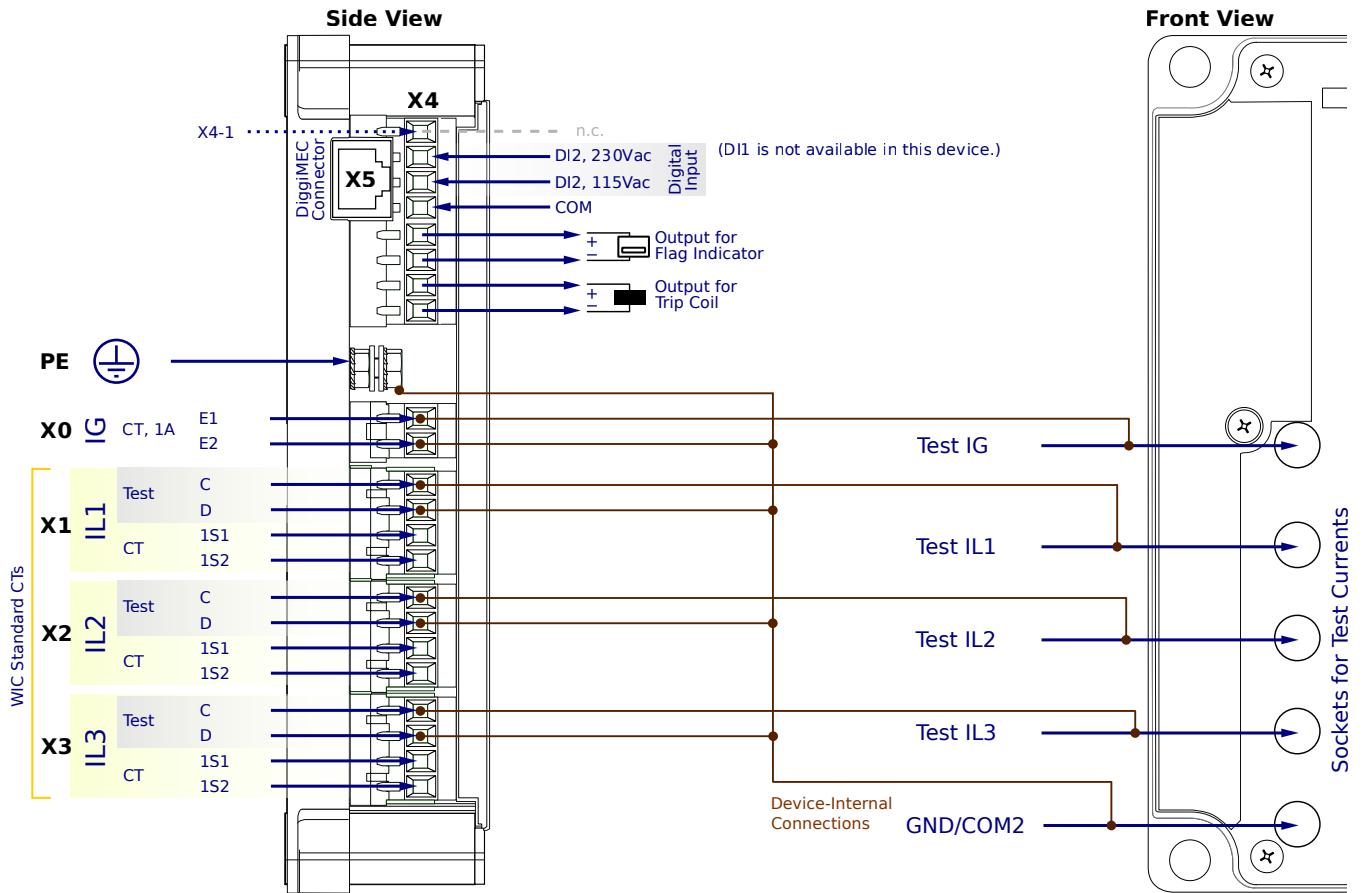
**X4-2,3** - DI2, fixed to External trip input (115Vac or 230Vac)

**X4-5,6** - Assignable flag indicator

**X4-7,8** - Trip pulse output

**X5** - DiggiMEC-WIC1 connection. Use network cable CAT3 (or better). No crossover cable!

# WIC1-3SG6CC1SA



## CT-Powered Protection Device, configuration via HEX switches or DiggiMEC / Smart view

- Nominal frequency is 60 Hz. (Setting to 50 Hz is possible via DiggiMEC/Smart view.)
- Backup protection operates directly
- ANSI 50, 50G/N, 51, 51G/N, inrush, 50BF, 74TC

**PE** - Protective Earth

**X0** - Measured ground current via 1A CT input. (Setting to calc. IG is also possible via DiggiMEC/Smart view.)

**X1...X3** - WIC CTs

**X4-2,3** - 1 assignable Digital Input DI2 (115Vac or 230Vac)

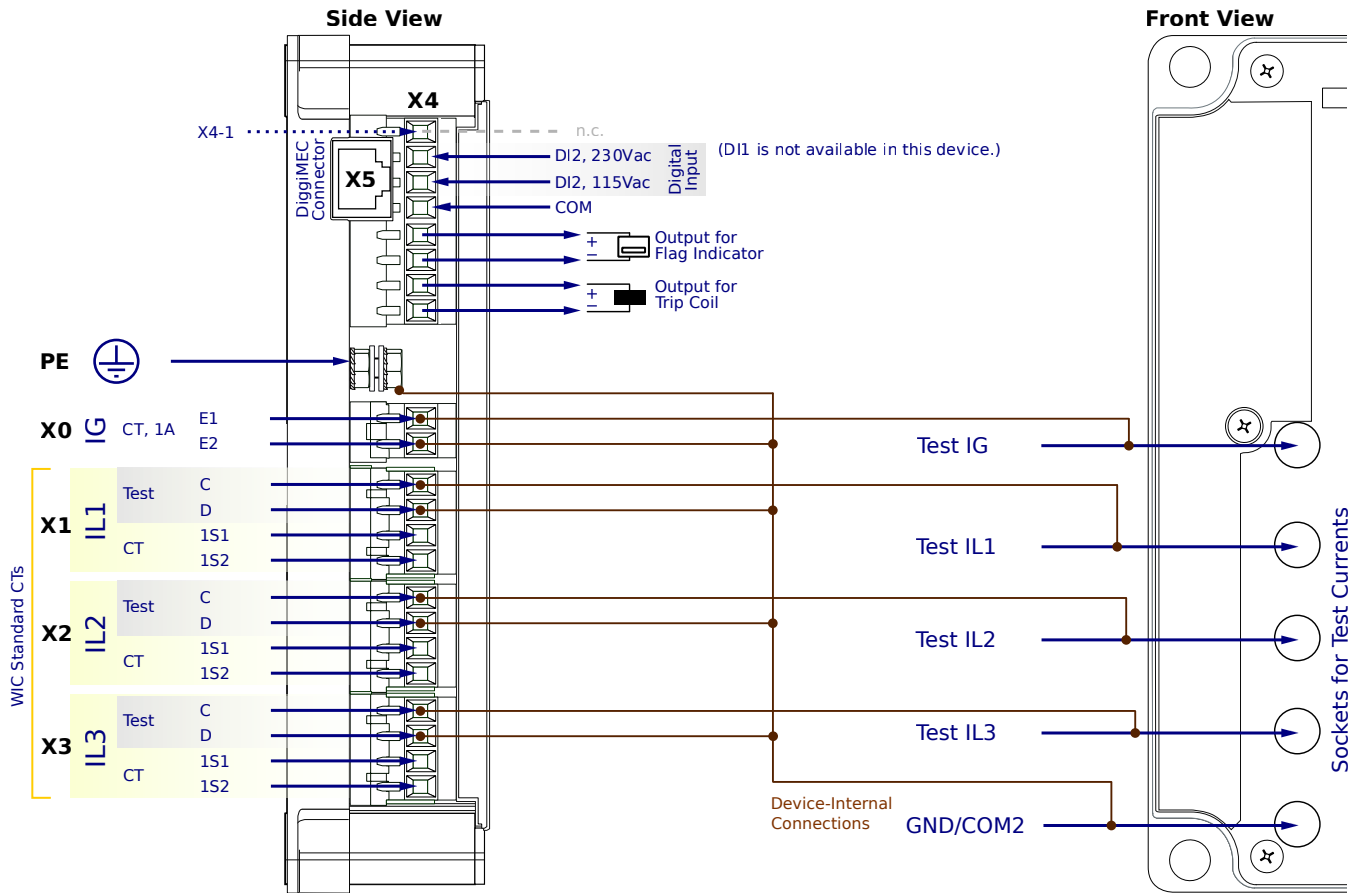
**X4-5,6** - Assignable flag indicator

**X4-7,8** - Trip pulse output

**X5** - DiggiMEC-WIC1 connection. Use network cable CAT3 (or better). No crossover cable!



# WIC1-3SG6CC1AA



## CT-Powered Protection Device, configuration via HEX switches or DiggiMEC / Smart view

- Nominal frequency is 60 Hz. (Setting to 50 Hz is possible via DiggiMEC/Smart view.)
- Backup protection operates directly
- Package "S" + ANSI 46, 49, 51Q, Breaker Wear, Condition Monitoring (= Life Load, Drag Indicator)

**PE** - Protective Earth

**X0** - Measured ground current via 1A CT input. (Setting to calc. IG is also possible via DiggiMEC/Smart view.)

**X1...X3** - WIC CTs

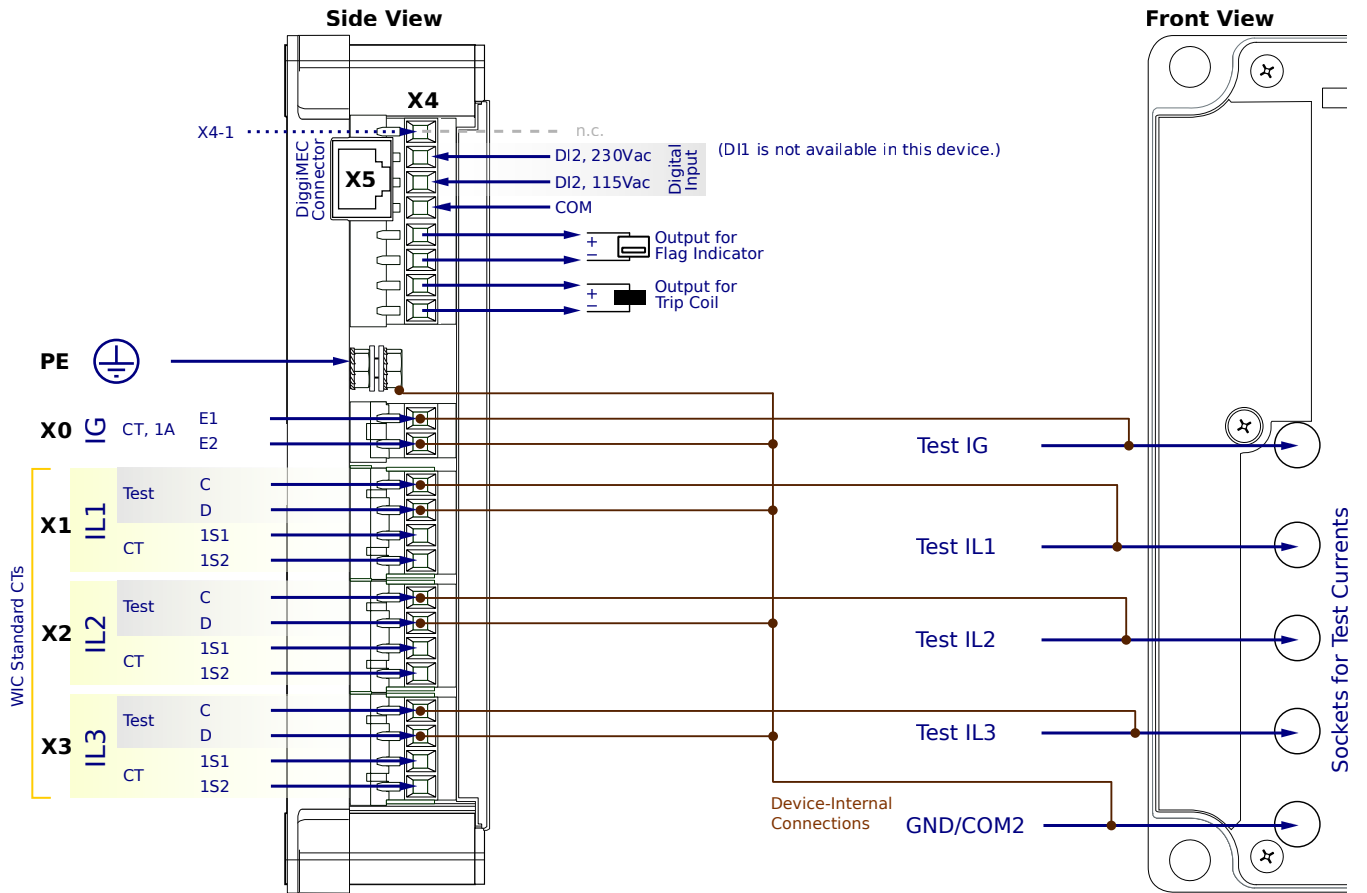
**X4-2,3** - 1 assignable Digital Input DI2 (115Vac or 230Vac)

**X4-5,6** - Assignable flag indicator

**X4-7,8** - Trip pulse output

**X5** - DiggiMEC-WIC1 connection. Use network cable CAT3 (or better). No crossover cable!

# WIC1-3SG6CC1PA



## CT-Powered Protection Device, configuration via HEX switches or DiggiMEC / Smart view

- Nominal frequency is 60 Hz. (Setting to 50 Hz is possible via DiggiMEC/Smart view.)
- Backup protection operates directly
- Package "A" + SOTF, CLPU, external protection, ultra-fast overcurrent protection

**PE** - Protective Earth

**X0** - Measured ground current via 1A CT input. (Setting to calc. IG is also possible via DiggiMEC/Smart view.)

**X1...X3** - WIC CTs

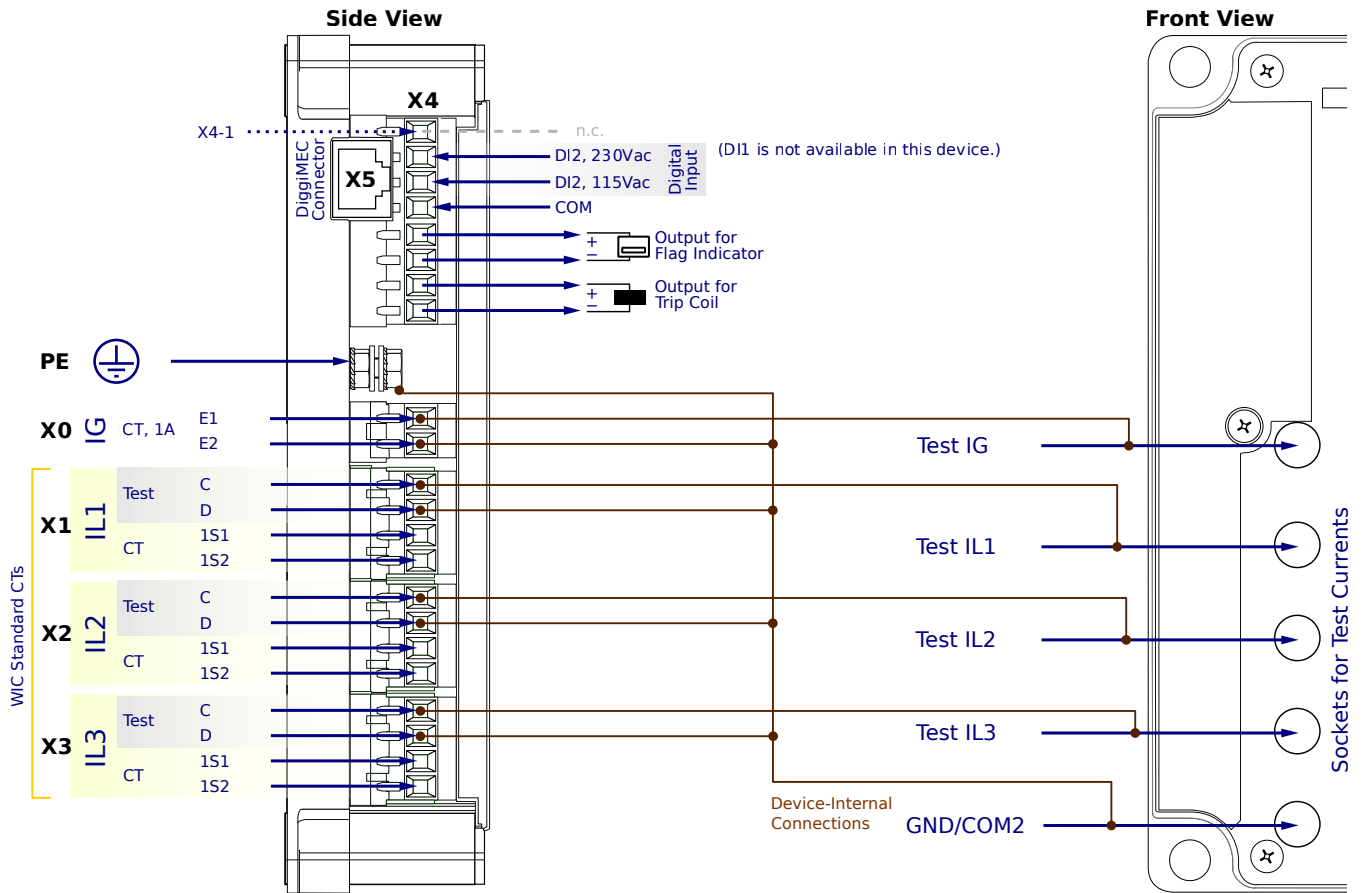
**X4-2,3** - 1 assignable Digital Input DI2 (115Vac or 230Vac)

**X4-5,6** - Assignable flag indicator

**X4-7,8** - Trip pulse output

**X5** - DiggiMEC-WIC1 connection. Use network cable CAT3 (or better). No crossover cable!

# WIC1-3SG6CC2SA



## CT-Powered Protection Device, configuration via HEX switches or DiggiMEC / Smart view

- Nominal frequency is 60 Hz. (Setting to 50 Hz is possible via DiggiMEC/Smart view.)
- Trip at  $20 \cdot I_{n,max}$
- ANSI 50, 50G/N, 51, 51G/N, inrush, 50BF, 74TC

**PE** - Protective Earth

**X0** - Measured ground current via 1A CT input. (Setting to calc. IG is also possible via DiggiMEC/Smart view.)

**X1...X3** - WIC CTs

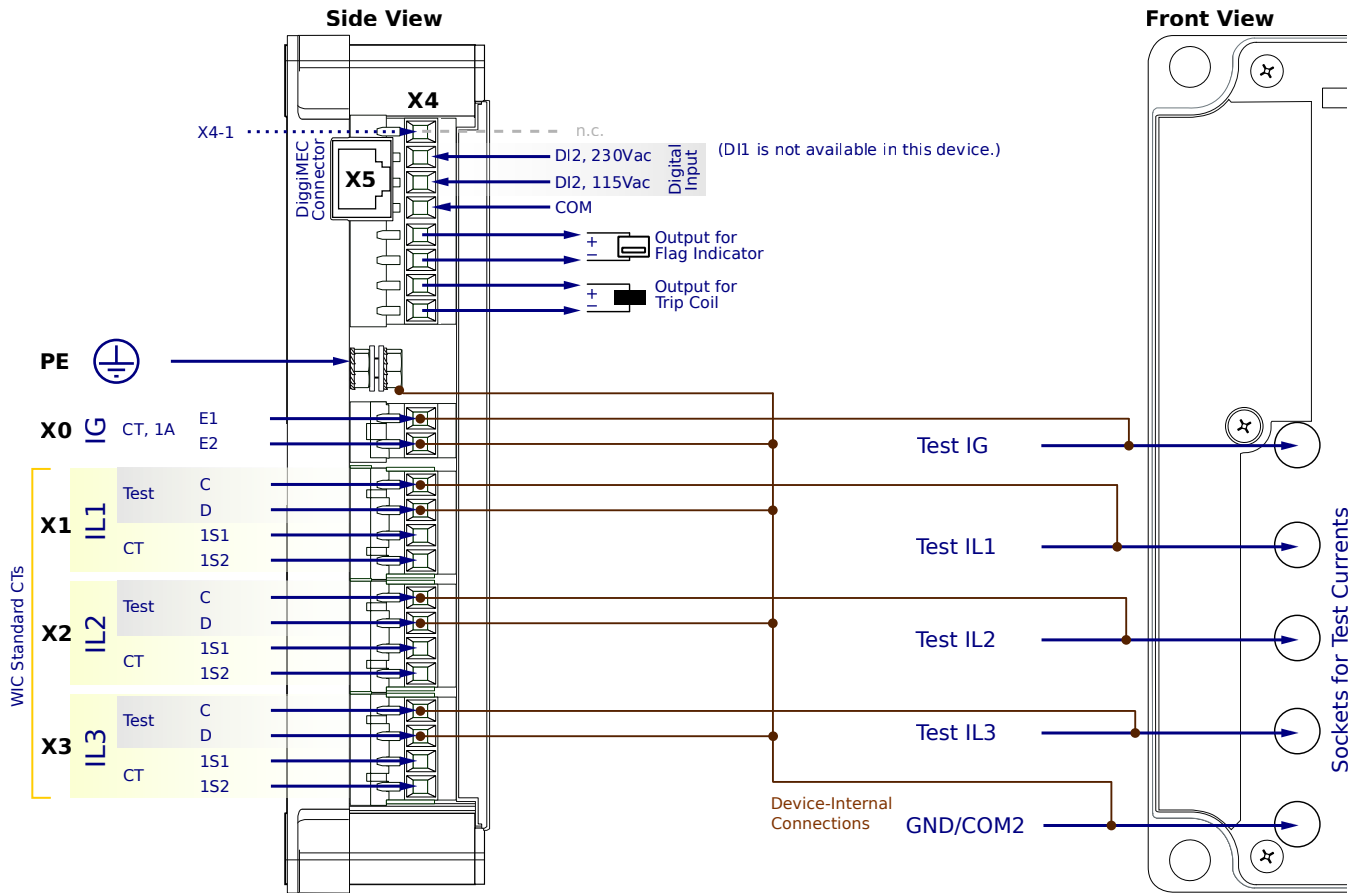
**X4-2,3** - 1 assignable Digital Input DI2 (115Vac or 230Vac)

**X4-5,6** - Assignable flag indicator

**X4-7,8** - Trip pulse output

**X5** - DiggiMEC-WIC1 connection. Use network cable CAT3 (or better). No crossover cable!

# WIC1-3SG6CC2AA



## CT-Powered Protection Device, configuration via HEX switches or DiggiMEC / Smart view

- Nominal frequency is 60 Hz. (Setting to 50 Hz is possible via DiggiMEC/Smart view.)
- Trip at  $20 \cdot I_{n,max}$
- Package "S" + ANSI 46, 49, 51Q, Breaker Wear, Condition Monitoring (= Life Load, Drag Indicator)

**PE** - Protective Earth

**X0** - Measured ground current via 1A CT input. (Setting to calc. IG is also possible via DiggiMEC/Smart view.)

**X1...X3** - WIC CTs

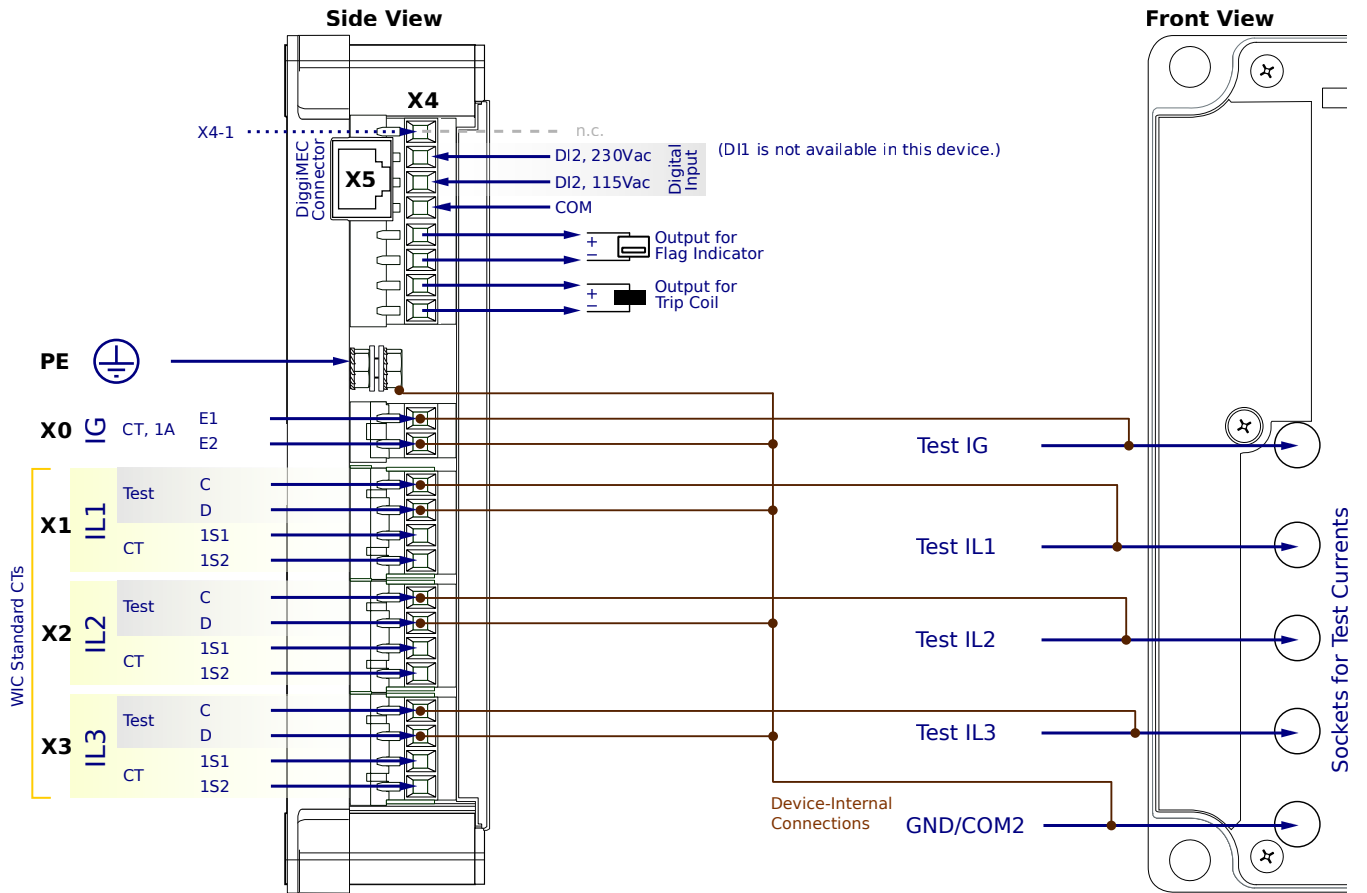
**X4-2,3** - 1 assignable Digital Input DI2 (115Vac or 230Vac)

**X4-5,6** - Assignable flag indicator

**X4-7,8** - Trip pulse output

**X5** - DiggiMEC-WIC1 connection. Use network cable CAT3 (or better). No crossover cable!

# WIC1-3SG6CC2PA



## CT-Powered Protection Device, configuration via HEX switches or DiggiMEC / Smart view

- Nominal frequency is 60 Hz. (Setting to 50 Hz is possible via DiggiMEC/Smart view.)
- Trip at  $20 \cdot I_{n,max}$
- Package "A" + SOTF, CLPU, external protection, ultra-fast overcurrent protection

**PE** - Protective Earth

**X0** - Measured ground current via 1A CT input. (Setting to calc. IG is also possible via DiggiMEC/Smart view.)

**X1...X3** - WIC CTs

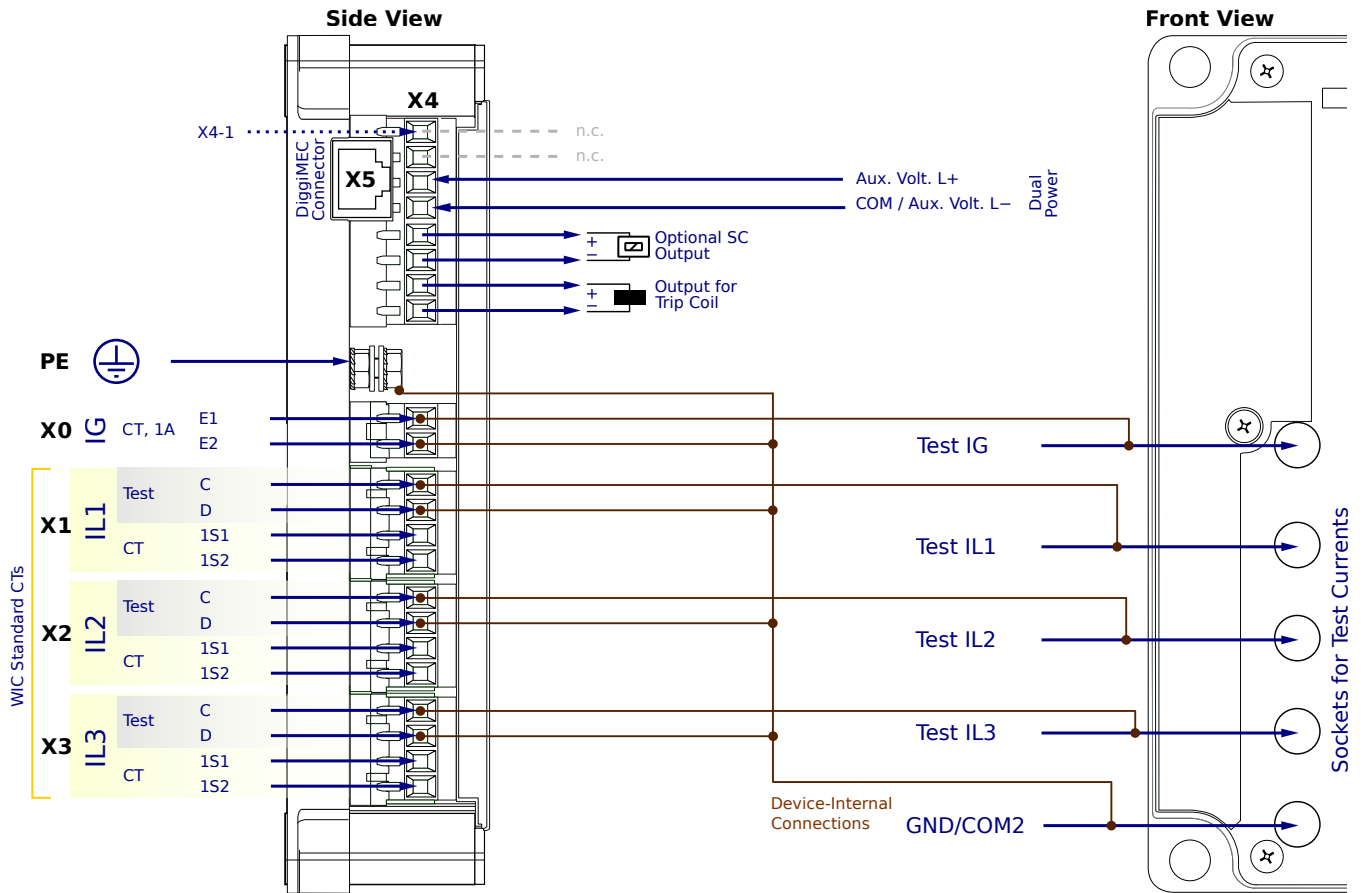
**X4-2,3** - 1 assignable Digital Input DI2 (115Vac or 230Vac)

**X4-5,6** - Assignable flag indicator

**X4-7,8** - Trip pulse output

**X5** - DiggiMEC-WIC1 connection. Use network cable CAT3 (or better). No crossover cable!

# WIC1-4SG0NM1SA



## Dual-Powered Protection Device, configuration via DiggiMEC / Smart view

- Nominal frequency is 50 Hz or 60 Hz. (Setting via DiggiMEC/Smart view.)
- Backup protection operates directly
- ANSI 50, 50G/N, 51, 51G/N, inrush, 50BF, 74TC

**PE** - Protective Earth

**X0** - Measured ground (earth) current via 1 A CT input. (Calc. IG is also possible.)

**X1...X3** - WIC CTs

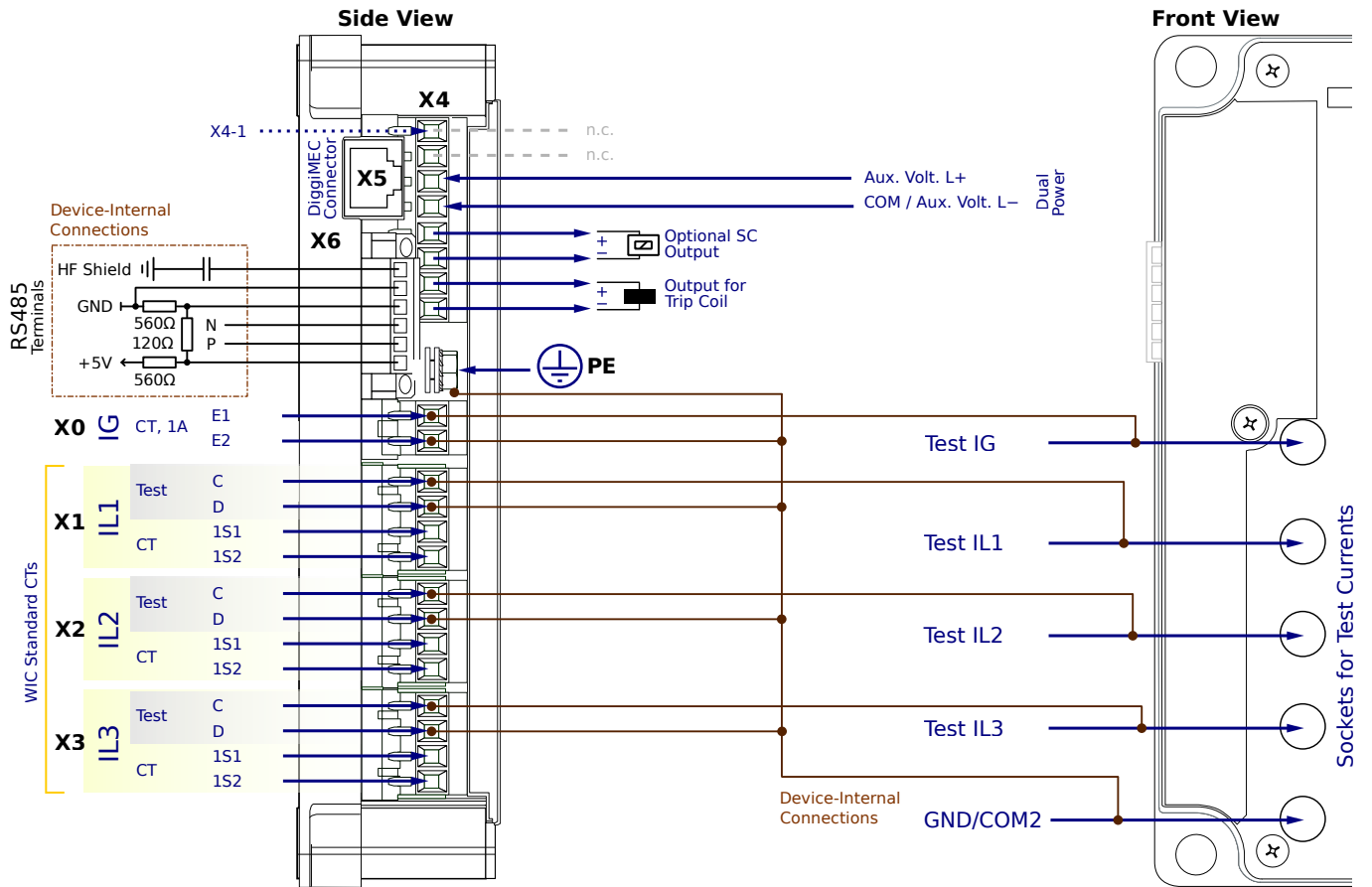
**X4-3,4** - Dual Power (Optional auxiliary power supply)

**X4-5,6** - Output, optional use for self-supervision signaling

**X4-7,8** - Trip pulse output

**X5** - DiggiMEC-WIC1 connection. Use network cable CAT3 (or better). No crossover cable!

# WIC1-4SG0NM1SB



## Dual-Powered Protection Device, configuration via DiggiMEC / Smart view

- Nominal frequency is 50 Hz or 60 Hz. (Setting via DiggiMEC/Smart view.)
- Backup protection operates directly
- ANSI 50, 50G/N, 51, 51G/N, inrush, 50BF, 74TC

**PE** – Protective Earth

**X0** – Measured ground (earth) current via 1 A CT input. (Calc. IG is also possible.)

**X1...X3** – WIC CTs

**X4-3,4** – Dual Power (Optional auxiliary power supply)

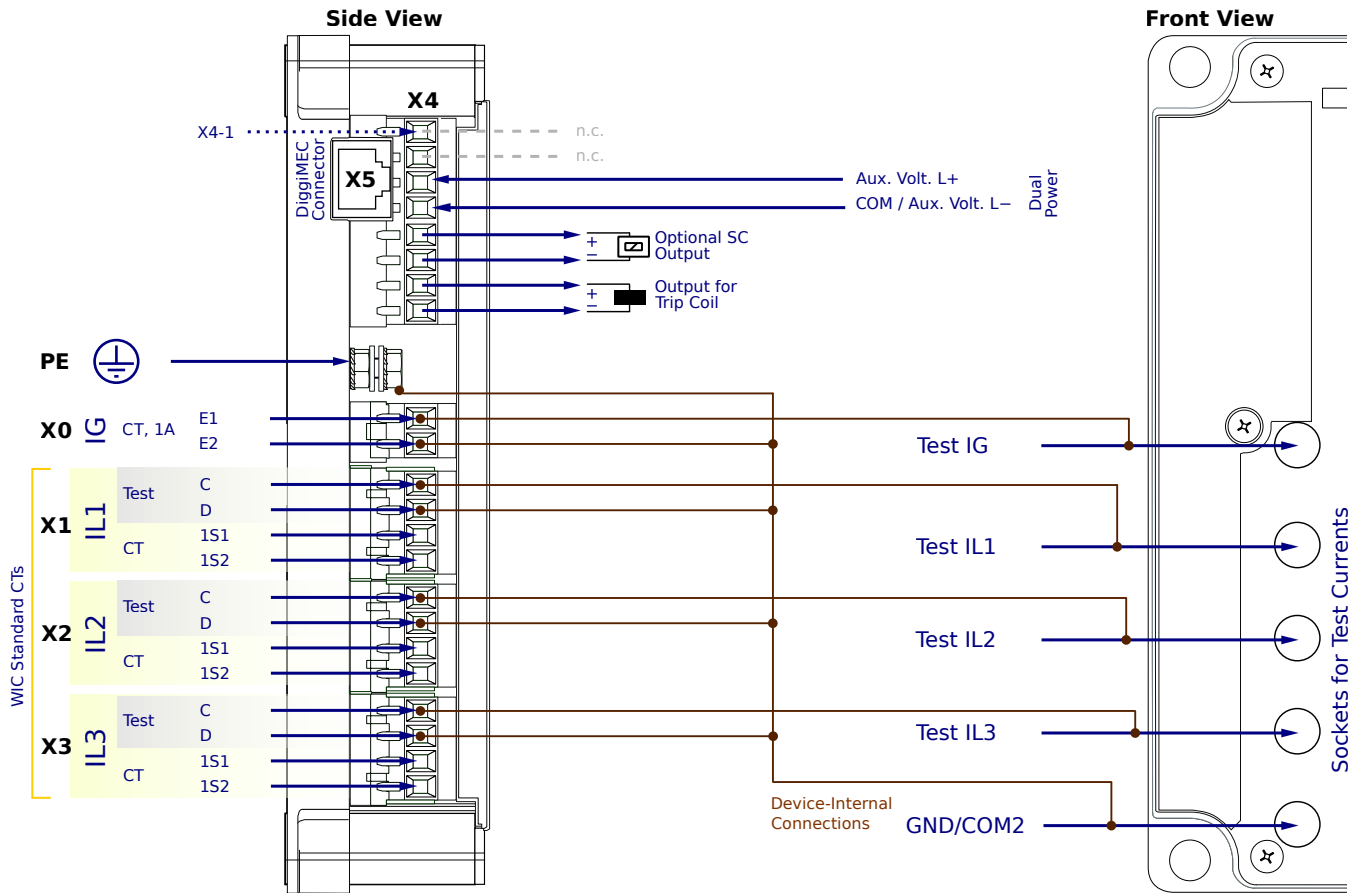
**X4-5,6** – Output, optional use for self-supervision signaling

**X4-7,8** – Trip pulse output

**X5** – DiggiMEC-WIC1 connection. Use network cable CAT3 (or better). No crossover cable!

**X6** – Modbus RTU — RS485 / terminals

# WIC1-4SG0NM1AA



## Dual-Powered Protection Device, configuration via DiggiMEC / Smart view

- Nominal frequency is 50 Hz or 60 Hz. (Setting via DiggiMEC/Smart view.)
- Backup protection operates directly
- Package "S" + ANSI 46, 49, 51Q, Breaker Wear, Condition Monitoring (= Life Load, Drag Indicator)

**PE** - Protective Earth

**X0** - Measured ground (earth) current via 1 A CT input. (Calc. IG is also possible.)

**X1...X3** - WIC CTs

**X4-3,4** - Dual Power (Optional auxiliary power supply)

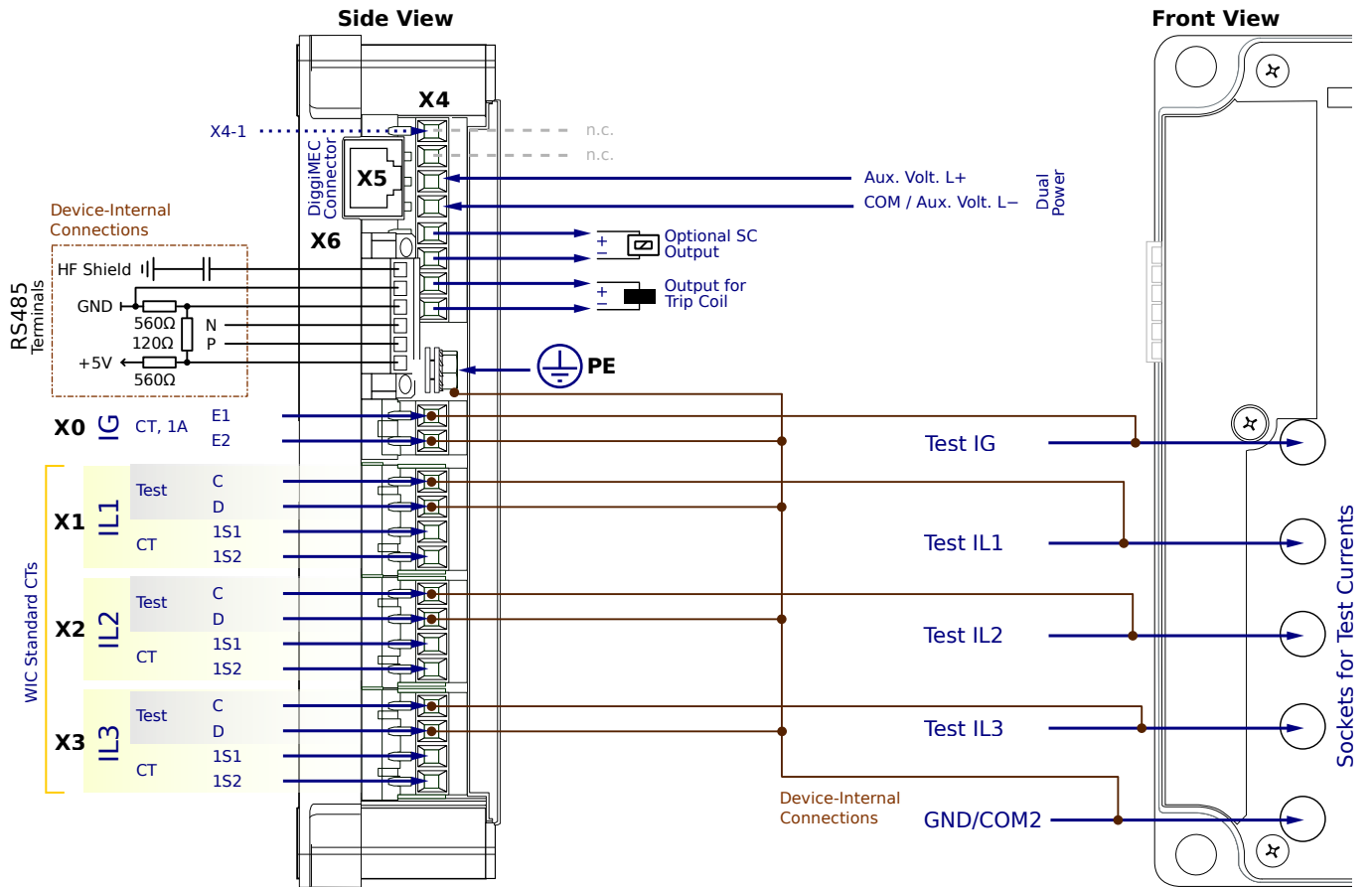
**X4-5,6** - Output, optional use for self-supervision signaling

**X4-7,8** - Trip pulse output

**X5** - DiggiMEC-WIC1 connection. Use network cable CAT3 (or better). No crossover cable!



# WIC1-4SG0NM1AB



## Dual-Powered Protection Device, configuration via DiggiMEC / Smart view

- Nominal frequency is 50 Hz or 60 Hz. (Setting via DiggiMEC/Smart view.)
- Backup protection operates directly
- Package "S" + ANSI 46, 49, 51Q, Breaker Wear, Condition Monitoring (= Life Load, Drag Indicator)

**PE** – Protective Earth

**X0** – Measured ground (earth) current via 1 A CT input. (Calc. IG is also possible.)

**X1...X3** – WIC CTs

**X4-3,4** – Dual Power (Optional auxiliary power supply)

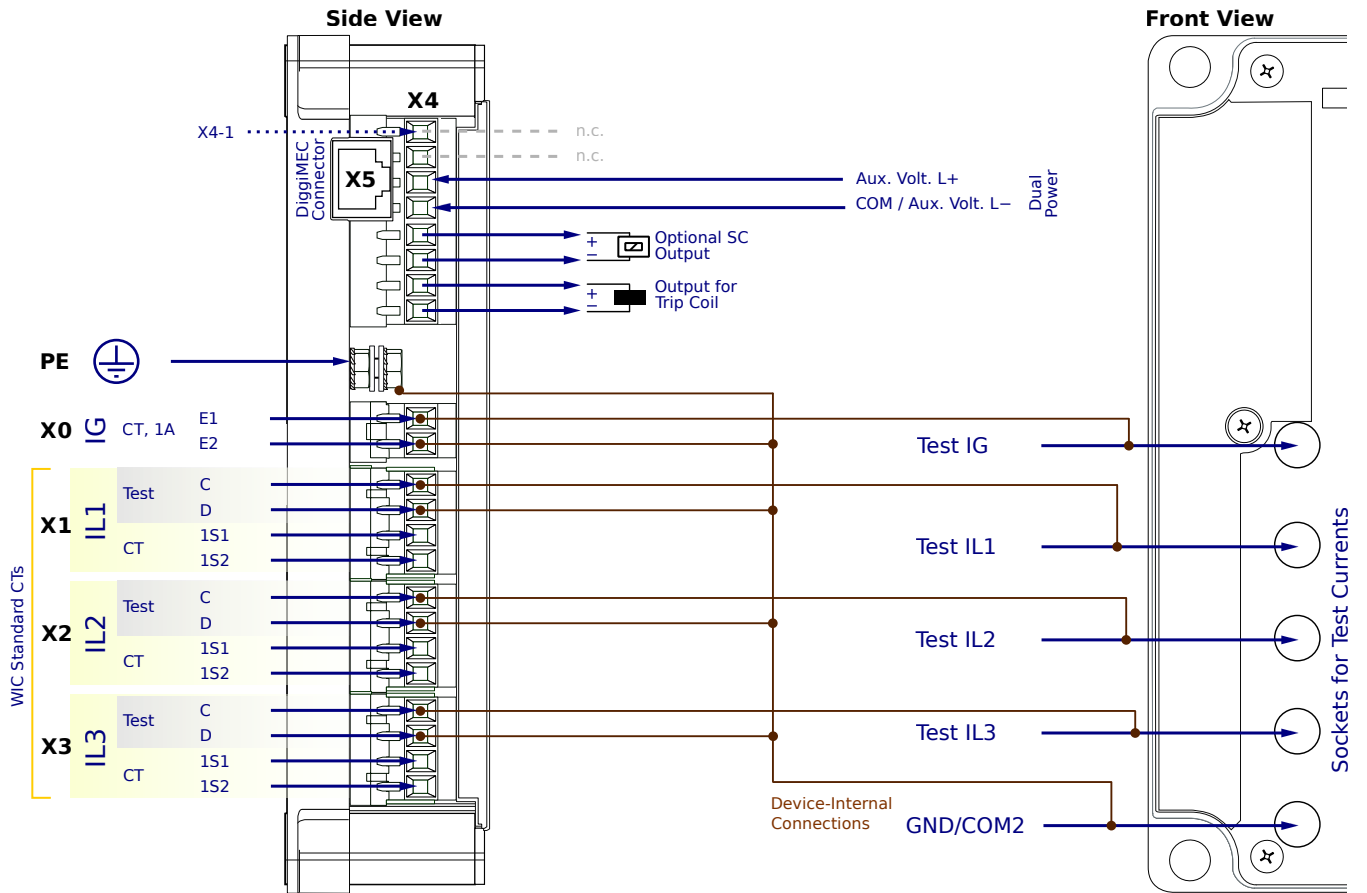
**X4-5,6** – Output, optional use for self-supervision signaling

**X4-7,8** – Trip pulse output

**X5** – DiggiMEC-WIC1 connection. Use network cable CAT3 (or better). No crossover cable!

**X6** – Modbus RTU — RS485 / terminals

# WIC1-4SG0NM1PA



## Dual-Powered Protection Device, configuration via DiggiMEC / Smart view

- Nominal frequency is 50 Hz or 60 Hz. (Setting via DiggiMEC/Smart view.)
- Backup protection operates directly
- Package "A" + SOTF, CLPU, external protection, ultra-fast overcurrent protection

**PE** - Protective Earth

**X0** - Measured ground (earth) current via 1 A CT input. (Calc. IG is also possible.)

**X1...X3** - WIC CTs

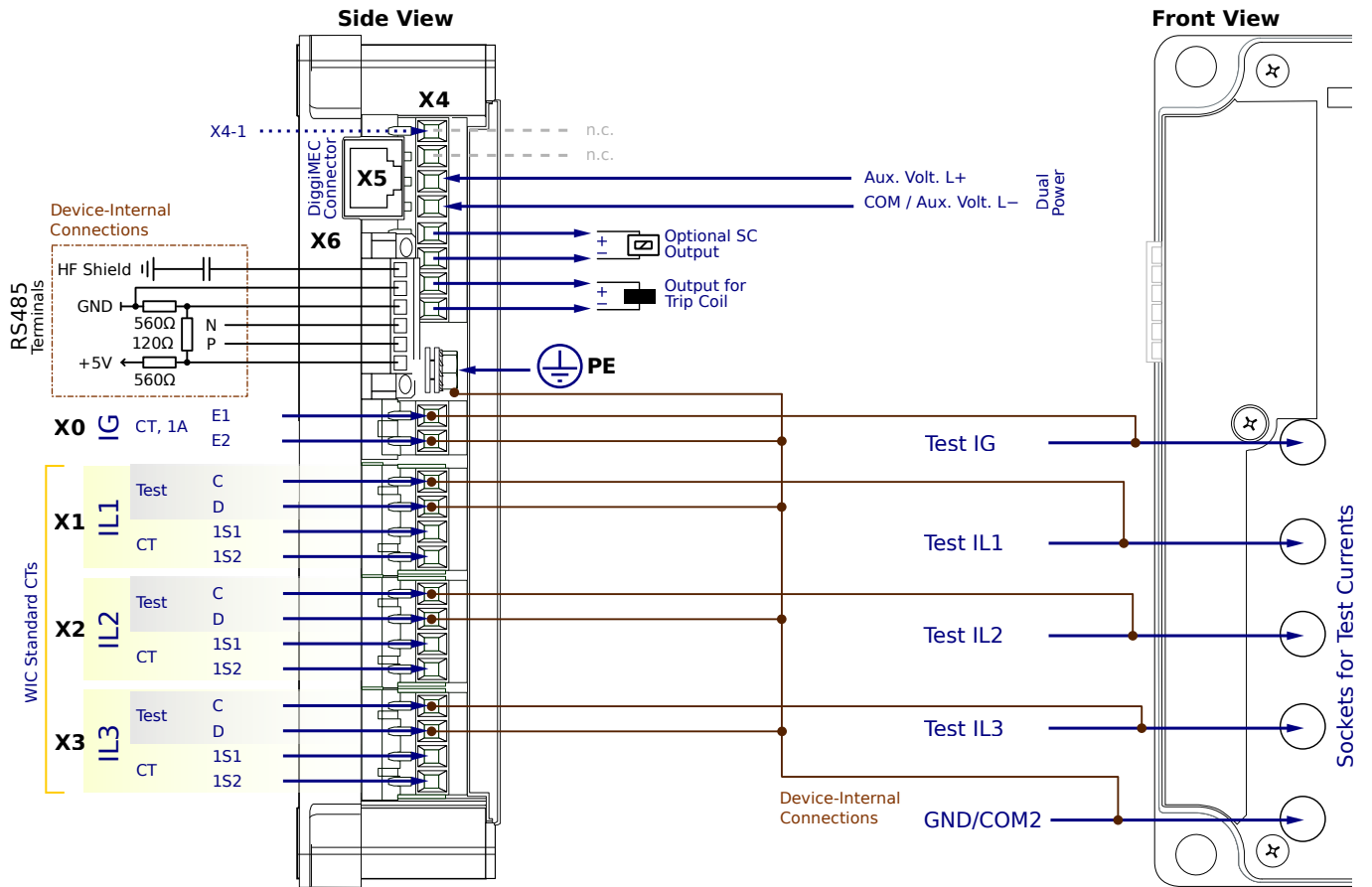
**X4-3,4** - Dual Power (Optional auxiliary power supply)

**X4-5,6** - Output, optional use for self-supervision signaling

**X4-7,8** - Trip pulse output

**X5** - DiggiMEC-WIC1 connection. Use network cable CAT3 (or better). No crossover cable!

# WIC1-4SG0NM1PB



## Dual-Powered Protection Device, configuration via DiggiMEC / Smart view

- Nominal frequency is 50 Hz or 60 Hz. (Setting via DiggiMEC/Smart view.)
- Backup protection operates directly
- Package "A" + SOTF, CLPU, external protection, ultra-fast overcurrent protection

**PE** – Protective Earth

**X0** – Measured ground (earth) current via 1 A CT input. (Calc. IG is also possible.)

**X1...X3** – WIC CTs

**X4-3,4** – Dual Power (Optional auxiliary power supply)

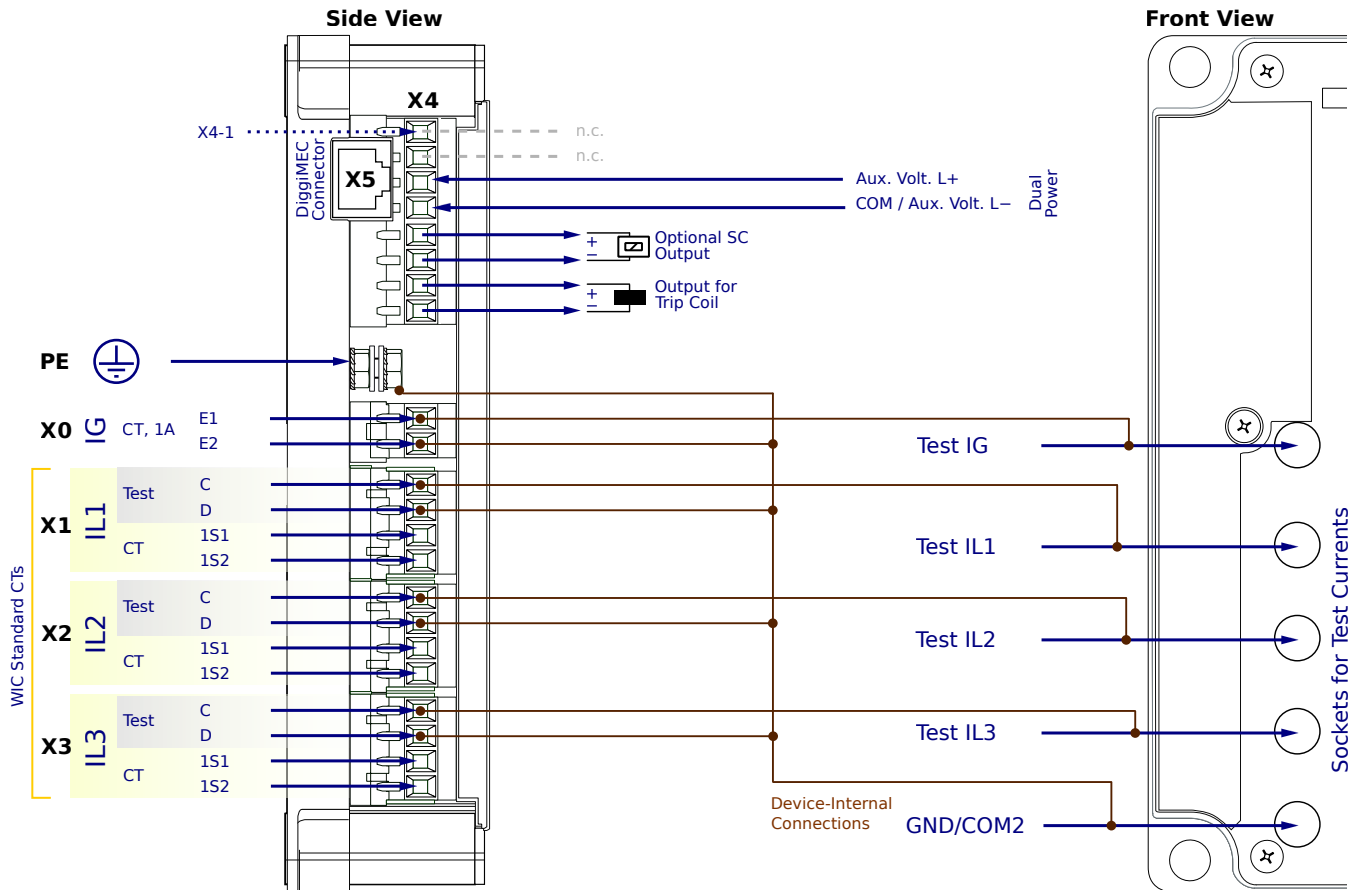
**X4-5,6** – Output, optional use for self-supervision signaling

**X4-7,8** – Trip pulse output

**X5** – DiggiMEC-WIC1 connection. Use network cable CAT3 (or better). No crossover cable!

**X6** – Modbus RTU — RS485 / terminals

# WIC1-4SG0NM2SA



## Dual-Powered Protection Device, configuration via DiggiMEC / Smart view

- Nominal frequency is 50 Hz or 60 Hz. (Setting via DiggiMEC/Smart view.)
- Trip at  $20 \cdot I_{n,max}$
- ANSI 50, 50G/N, 51, 51G/N, inrush, 50BF, 74TC

**PE** - Protective Earth

**X0** - Measured ground (earth) current via 1 A CT input. (Calc. IG is also possible.)

**X1...X3** - WIC CTs

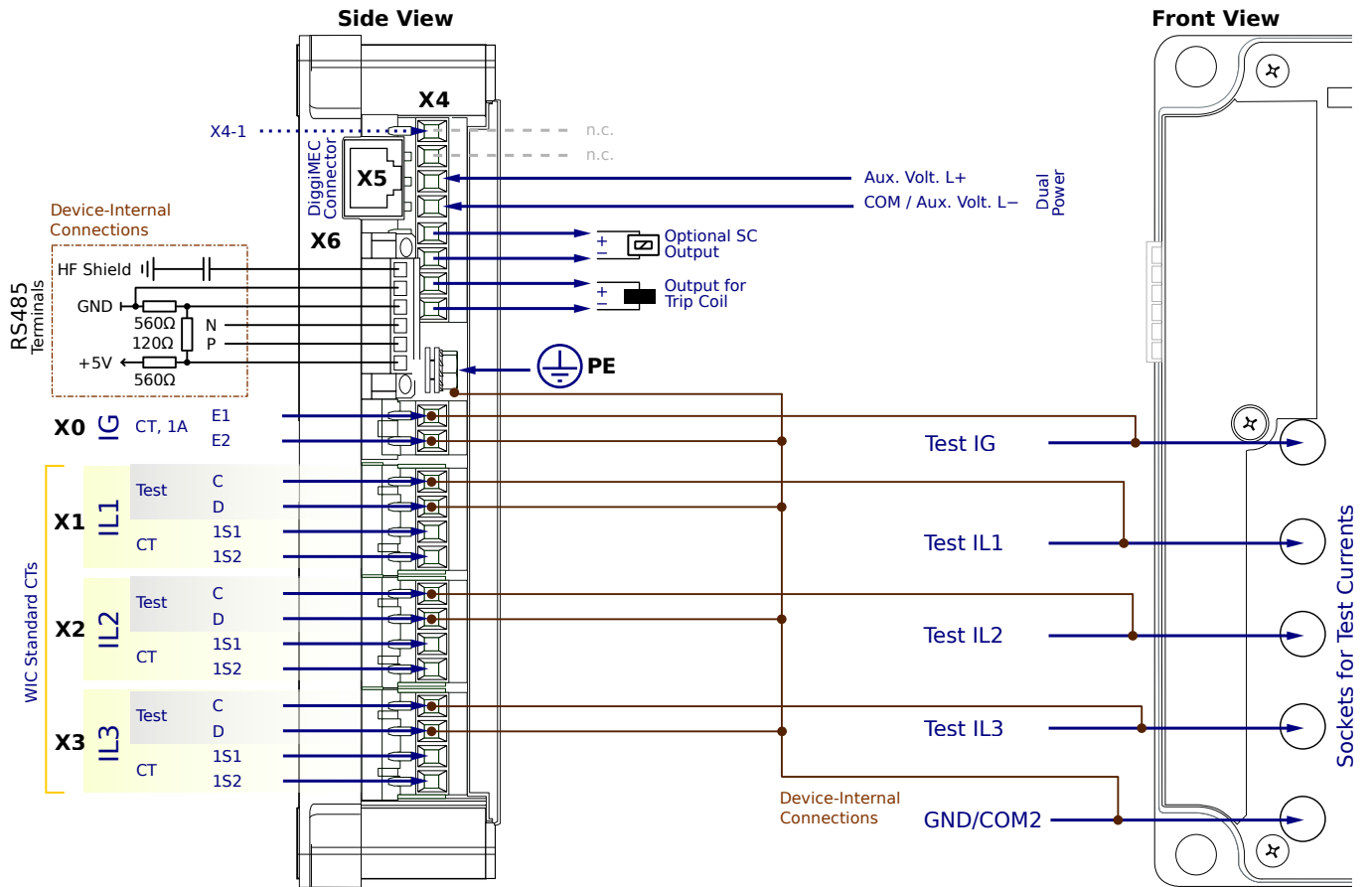
**X4-3,4** - Dual Power (Optional auxiliary power supply)

**X4-5,6** - Output, optional use for self-supervision signaling

**X4-7,8** - Trip pulse output

**X5** - DiggiMEC-WIC1 connection. Use network cable CAT3 (or better). No crossover cable!

# WIC1-4SG0NM2SB



## Dual-Powered Protection Device, configuration via DiggiMEC / Smart view

- Nominal frequency is 50 Hz or 60 Hz. (Setting via DiggiMEC/Smart view.)
- Trip at  $20 \cdot I_{n,max}$
- ANSI 50, 50G/N, 51, 51G/N, inrush, 50BF, 74TC

**PE** – Protective Earth

**X0** – Measured ground (earth) current via 1 A CT input. (Calc. IG is also possible.)

**X1...X3** – WIC CTs

**X4-3,4** – Dual Power (Optional auxiliary power supply)

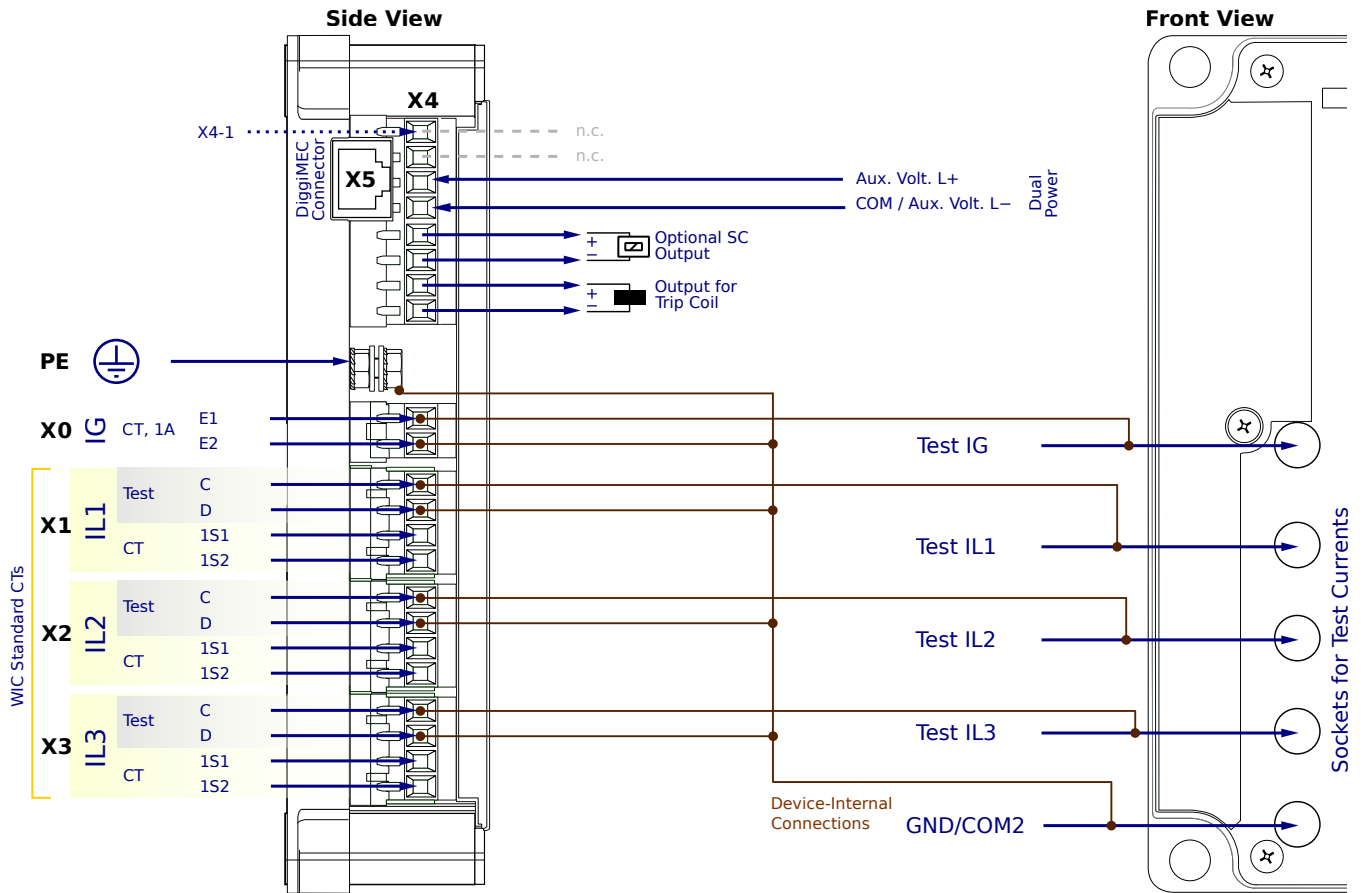
**X4-5,6** – Output, optional use for self-supervision signaling

**X4-7,8** – Trip pulse output

**X5** – DiggiMEC-WIC1 connection. Use network cable CAT3 (or better). No crossover cable!

**X6** – Modbus RTU — RS485 / terminals

# WIC1-4SG0NM2AA



## Dual-Powered Protection Device, configuration via DiggiMEC / Smart view

- Nominal frequency is 50 Hz or 60 Hz. (Setting via DiggiMEC/Smart view.)
- Trip at  $20 \cdot I_{n,max}$
- Package "S" + ANSI 46, 49, 51Q, Breaker Wear, Condition Monitoring (= Life Load, Drag Indicator)

**PE** - Protective Earth

**X0** - Measured ground (earth) current via 1 A CT input. (Calc. IG is also possible.)

**X1...X3** - WIC CTs

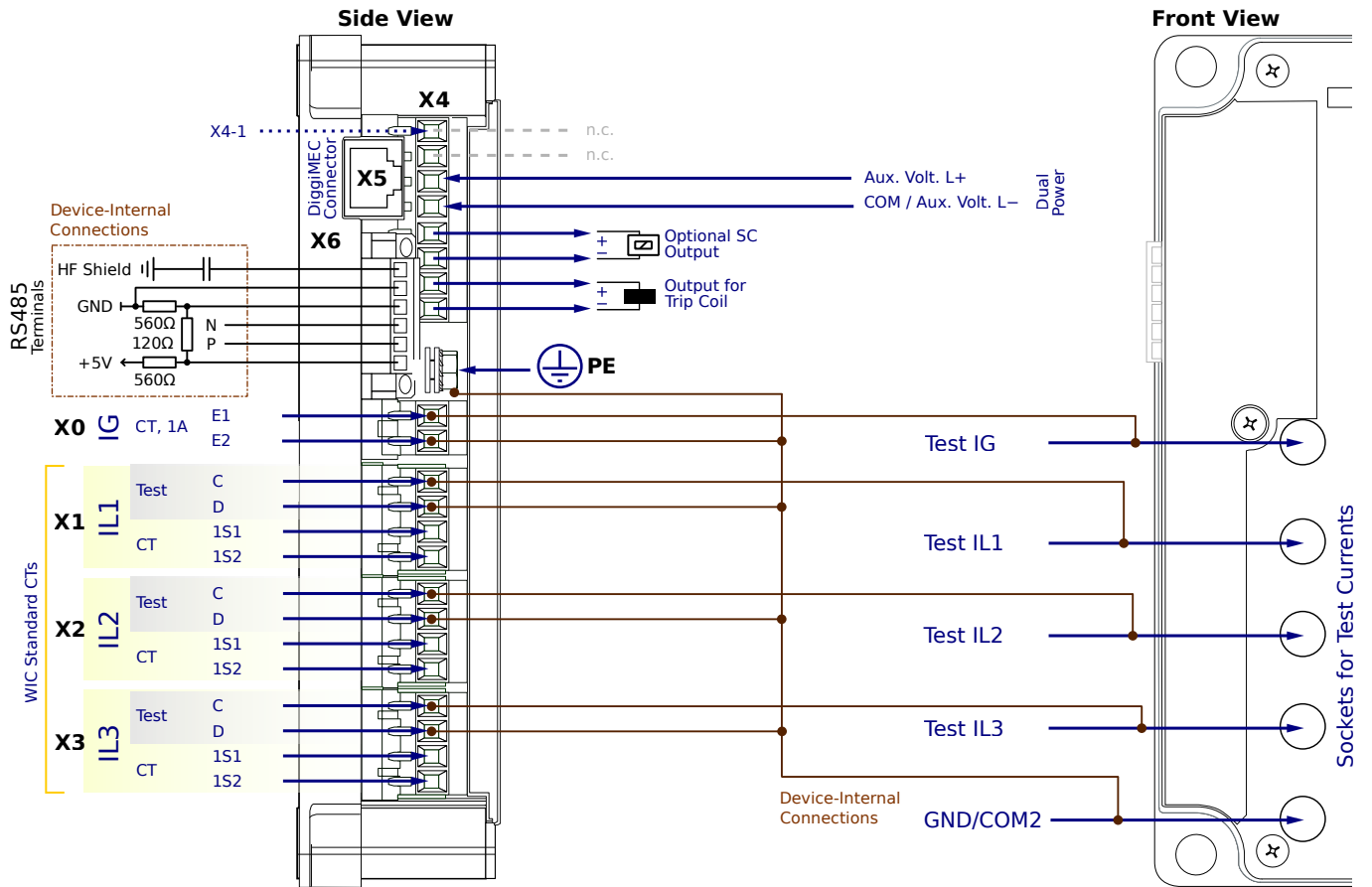
**X4-3,4** - Dual Power (Optional auxiliary power supply)

**X4-5,6** - Output, optional use for self-supervision signaling

**X4-7,8** - Trip pulse output

**X5** - DiggiMEC-WIC1 connection. Use network cable CAT3 (or better). No crossover cable!

# WIC1-4SG0NM2AB



## Dual-Powered Protection Device, configuration via DiggiMEC / Smart view

- Nominal frequency is 50 Hz or 60 Hz. (Setting via DiggiMEC/Smart view.)
- Trip at  $20 \cdot I_{n,max}$
- Package "S" + ANSI 46, 49, 51Q, Breaker Wear, Condition Monitoring (= Life Load, Drag Indicator)

**PE** - Protective Earth

**X0** - Measured ground (earth) current via 1 A CT input. (Calc. IG is also possible.)

**X1...X3** - WIC CTs

**X4-3,4** - Dual Power (Optional auxiliary power supply)

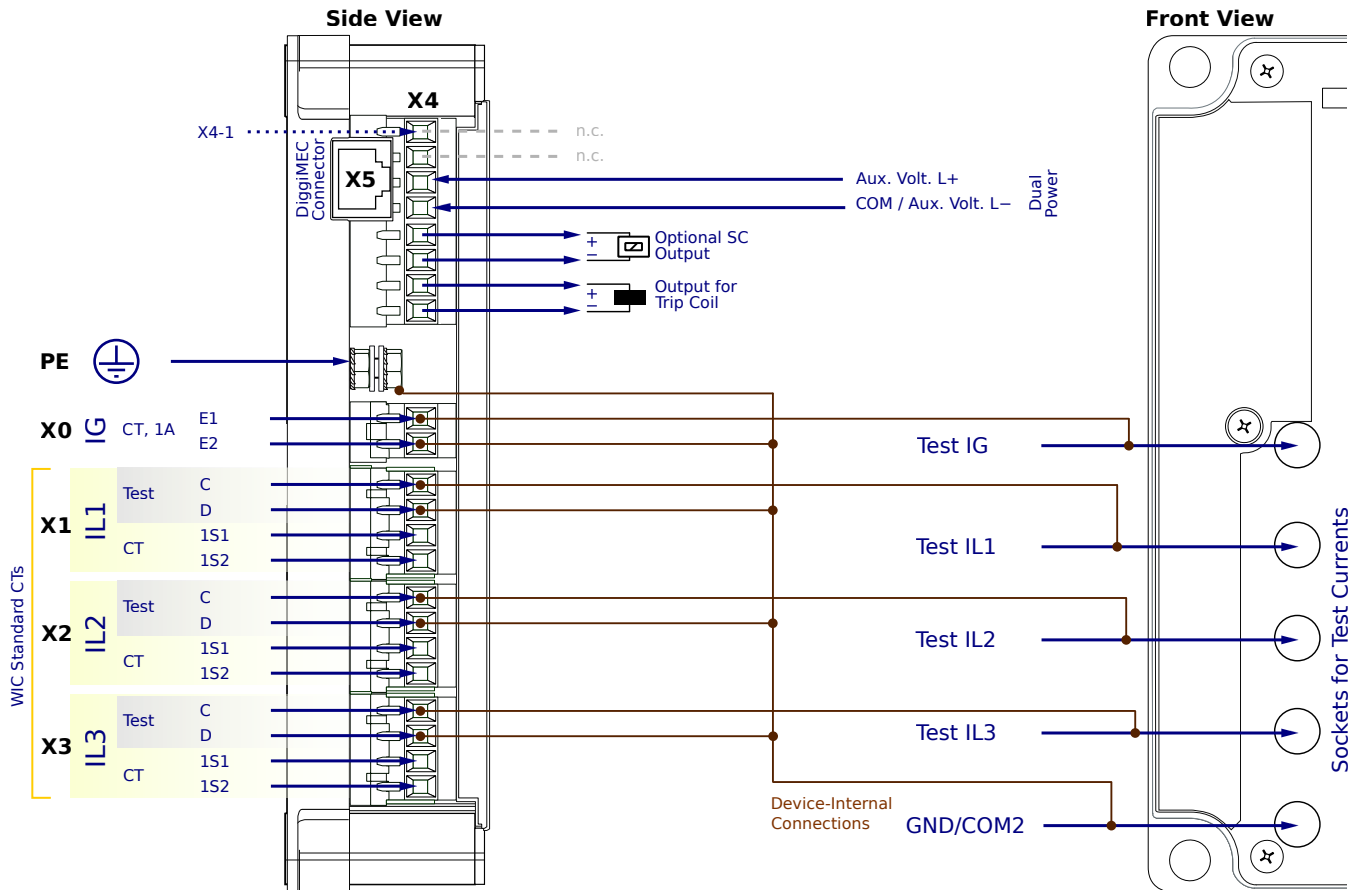
**X4-5,6** - Output, optional use for self-supervision signaling

**X4-7,8** - Trip pulse output

**X5** - DiggiMEC-WIC1 connection. Use network cable CAT3 (or better). No crossover cable!

**X6** - Modbus RTU — RS485 / terminals

# WIC1-4SG0NM2PA



## Dual-Powered Protection Device, configuration via DiggiMEC / Smart view

- Nominal frequency is 50 Hz or 60 Hz. (Setting via DiggiMEC/Smart view.)
- Trip at  $20 \cdot I_{n,max}$
- Package "A" + SOTF, CLPU, external protection, ultra-fast overcurrent protection

**PE** - Protective Earth

**X0** - Measured ground (earth) current via 1 A CT input. (Calc. IG is also possible.)

**X1...X3** - WIC CTs

**X4-3,4** - Dual Power (Optional auxiliary power supply)

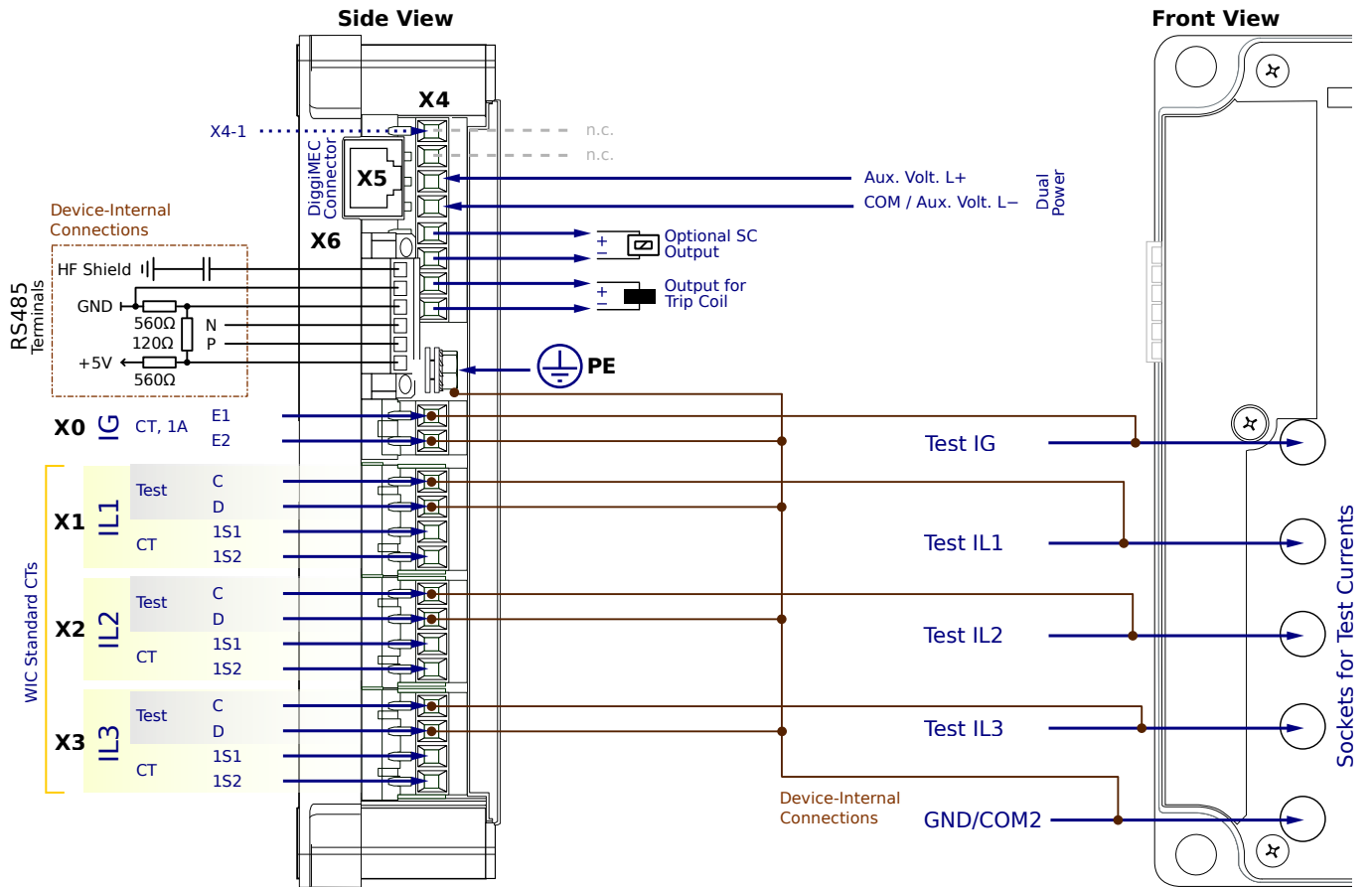
**X4-5,6** - Output, optional use for self-supervision signaling

**X4-7,8** - Trip pulse output

**X5** - DiggiMEC-WIC1 connection. Use network cable CAT3 (or better). No crossover cable!



# WIC1-4SG0NM2PB



## Dual-Powered Protection Device, configuration via DiggiMEC / Smart view

- Nominal frequency is 50 Hz or 60 Hz. (Setting via DiggiMEC/Smart view.)
- Trip at  $20 \cdot I_{n,max}$
- Package "A" + SOTF, CLPU, external protection, ultra-fast overcurrent protection

**PE** - Protective Earth

**X0** - Measured ground (earth) current via 1 A CT input. (Calc. IG is also possible.)

**X1...X3** - WIC CTs

**X4-3,4** - Dual Power (Optional auxiliary power supply)

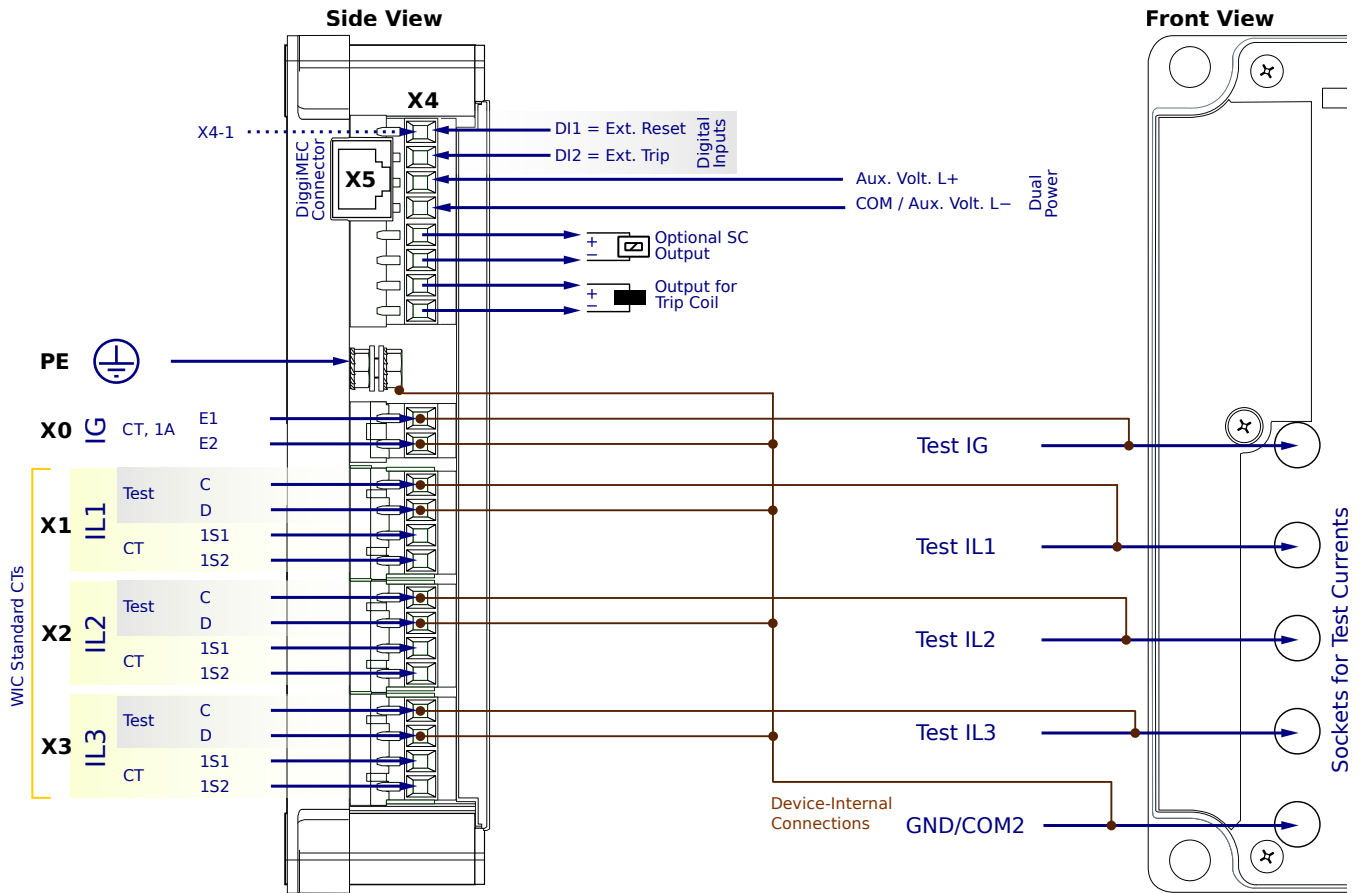
**X4-5,6** - Output, optional use for self-supervision signaling

**X4-7,8** - Trip pulse output

**X5** - DiggiMEC-WIC1 connection. Use network cable CAT3 (or better). No crossover cable!

**X6** - Modbus RTU — RS485 / terminals

# WIC1-4SG0NG1SA



## Dual-Powered Protection Device, configuration via DiggiMEC / Smart view

- Nominal frequency is 50 Hz or 60 Hz. (Setting via DiggiMEC/Smart view.)
- Backup protection operates directly
- ANSI 50, 50G/N, 51, 51G/N, inrush, 50BF, 74TC

**PE** – Protective Earth

**X0** – Measured ground (earth) current via 1 A CT input. (Calc. IG is also possible.)

**X1...X3** – WIC CTs

**X4-1,2** – Digital Inputs, fixed to: DI1=ext. reset, DI2=ext. trip

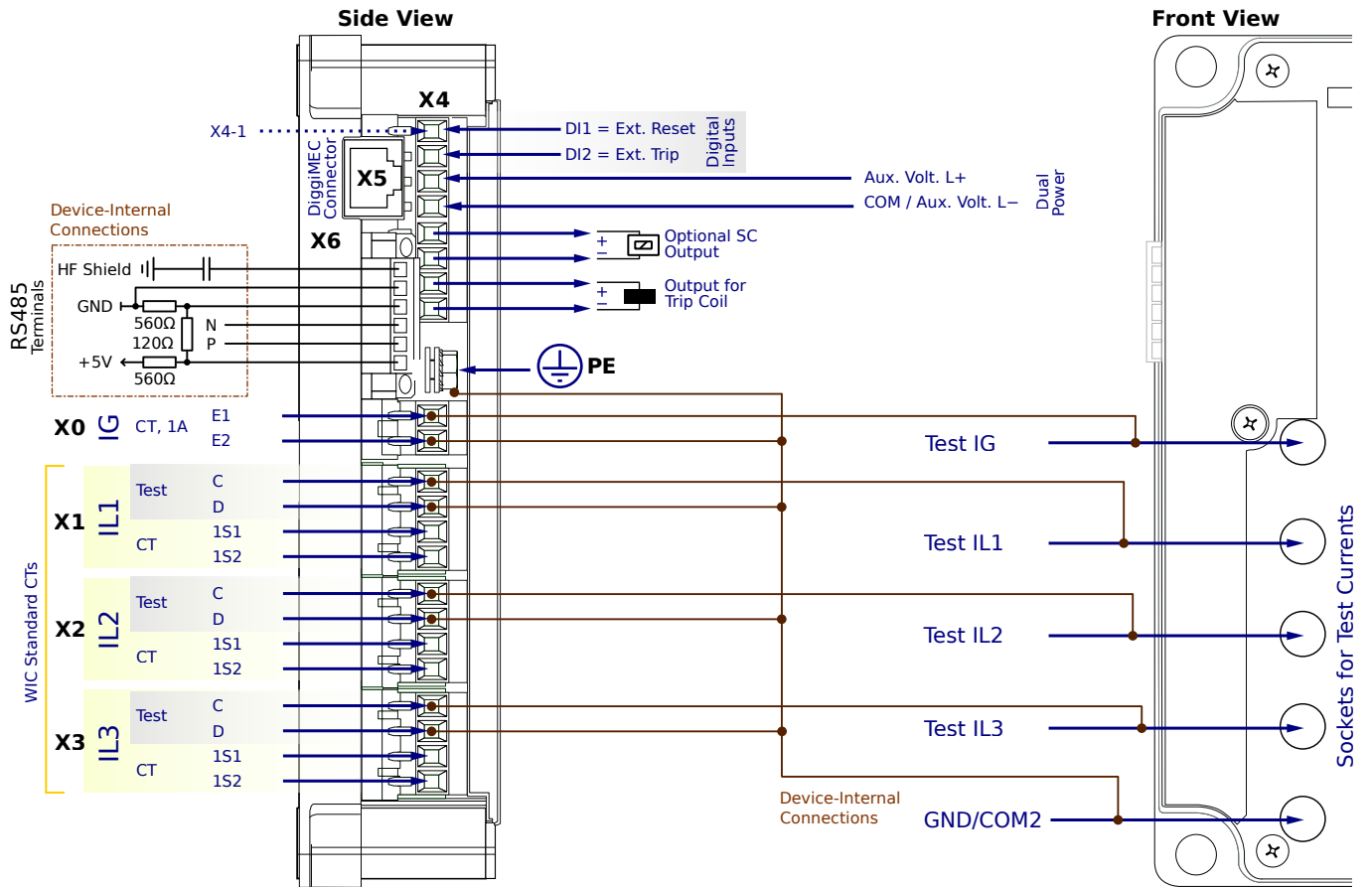
**X4-3,4** – Dual Power (Optional auxiliary power supply)

**X4-5,6** – Output, optional use for self-supervision signaling

**X4-7,8** – Trip pulse output

**X5** – DiggiMEC-WIC1 connection. Use network cable CAT3 (or better). No crossover cable!

# WIC1-4SG0NG1SB



## Dual-Powered Protection Device, configuration via DiggiMEC / Smart view

- Nominal frequency is 50 Hz or 60 Hz. (Setting via DiggiMEC/Smart view.)
- Backup protection operates directly
- ANSI 50, 50G/N, 51, 51G/N, inrush, 50BF, 74TC

**PE** - Protective Earth

**X0** - Measured ground (earth) current via 1 A CT input. (Calc. IG is also possible.)

**X1...X3** - WIC CTs

**X4-1,2** - Digital Inputs, fixed to: DI1=ext. reset, DI2=ext. trip

**X4-3,4** - Dual Power (Optional auxiliary power supply)

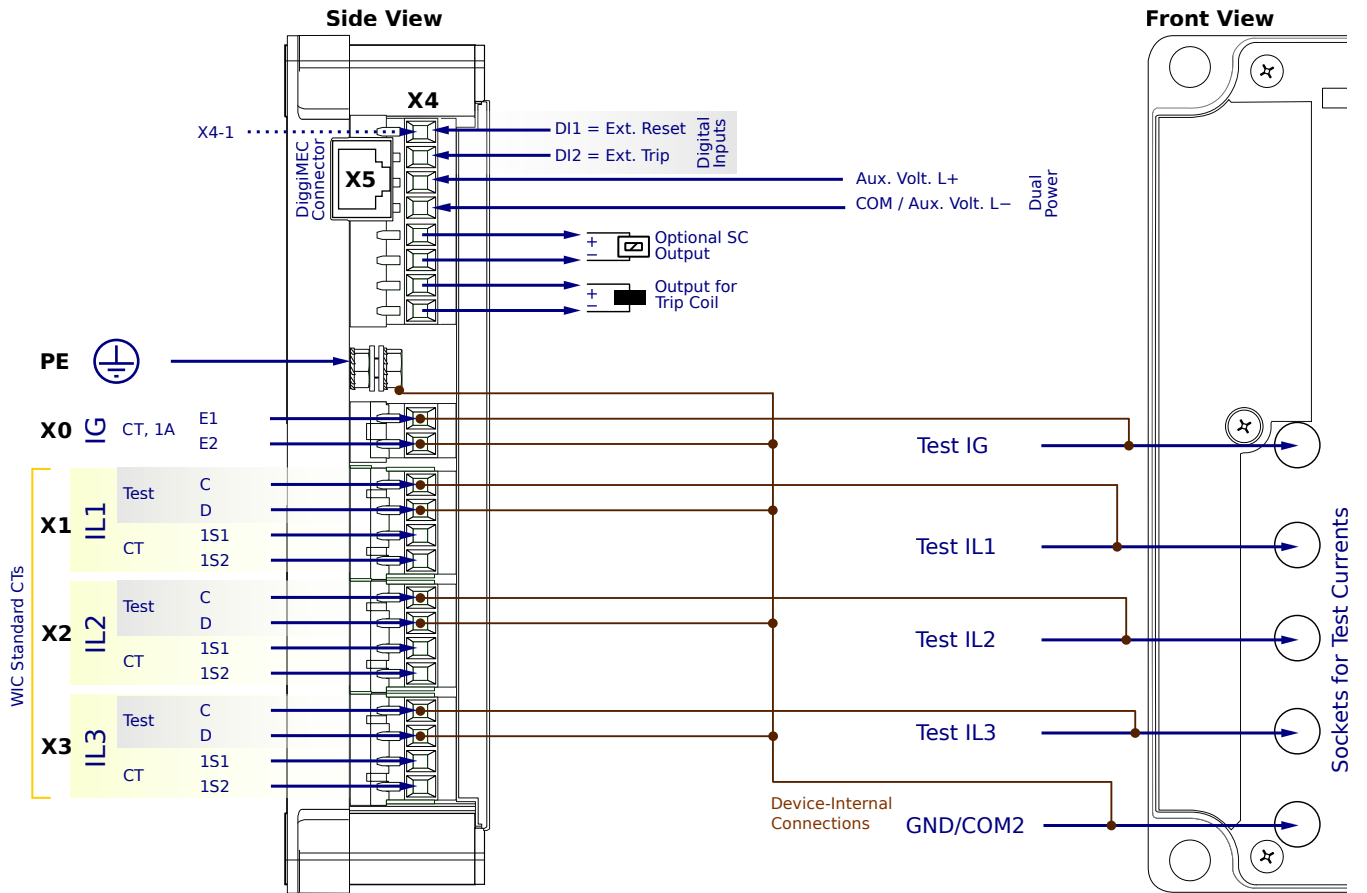
**X4-5,6** - Output, optional use for self-supervision signaling

**X4-7,8** - Trip pulse output

**X5** - DiggiMEC-WIC1 connection. Use network cable CAT3 (or better). No crossover cable!

**X6** - Modbus RTU — RS485 / terminals

# WIC1-4SG0NG1AA



## Dual-Powered Protection Device, configuration via DiggiMEC / Smart view

- Nominal frequency is 50 Hz or 60 Hz. (Setting via DiggiMEC/Smart view.)
- Backup protection operates directly
- Package "S" + ANSI 46, 49, 51Q, Breaker Wear, Condition Monitoring (= Life Load, Drag Indicator)

**PE** - Protective Earth

**X0** - Measured ground (earth) current via 1 A CT input. (Calc. IG is also possible.)

**X1...X3** - WIC CTs

**X4-1,2** - Digital Inputs, fixed to: DI1=ext. reset, DI2=ext. trip

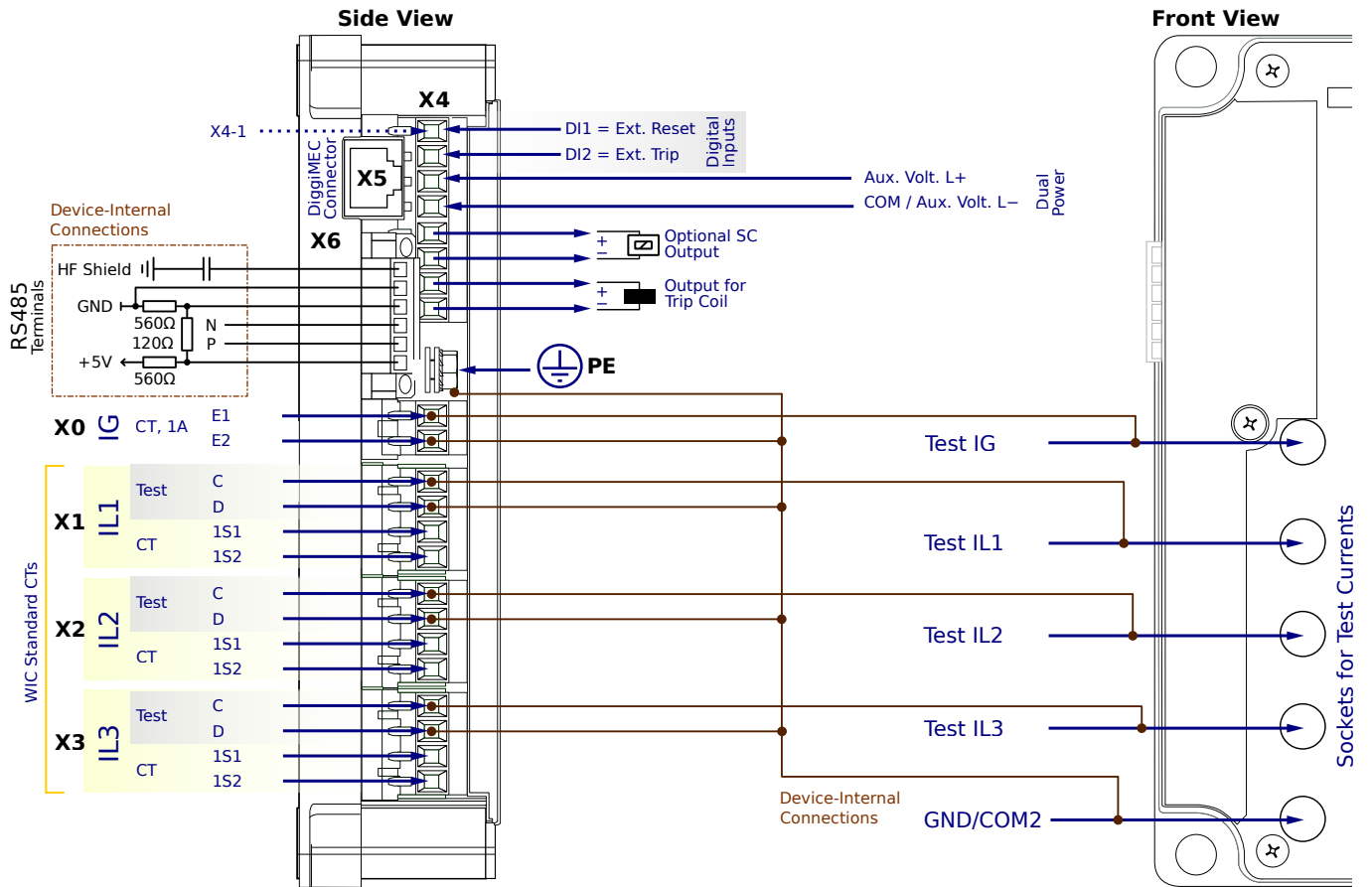
**X4-3,4** - Dual Power (Optional auxiliary power supply)

**X4-5,6** - Output, optional use for self-supervision signaling

**X4-7,8** - Trip pulse output

**X5** - DiggiMEC-WIC1 connection. Use network cable CAT3 (or better). No crossover cable!

# WIC1-4SG0NG1AB



## Dual-Powered Protection Device, configuration via DiggiMEC / Smart view

- Nominal frequency is 50 Hz or 60 Hz. (Setting via DiggiMEC/Smart view.)
- Backup protection operates directly
- Package "S" + ANSI 46, 49, 51Q, Breaker Wear, Condition Monitoring (= Life Load, Drag Indicator)

**PE** - Protective Earth

**X0** - Measured ground (earth) current via 1 A CT input. (Calc. IG is also possible.)

**X1...X3** - WIC CTs

**X4-1,2** - Digital Inputs, fixed to: DI1=ext. reset, DI2=ext. trip

**X4-3,4** - Dual Power (Optional auxiliary power supply)

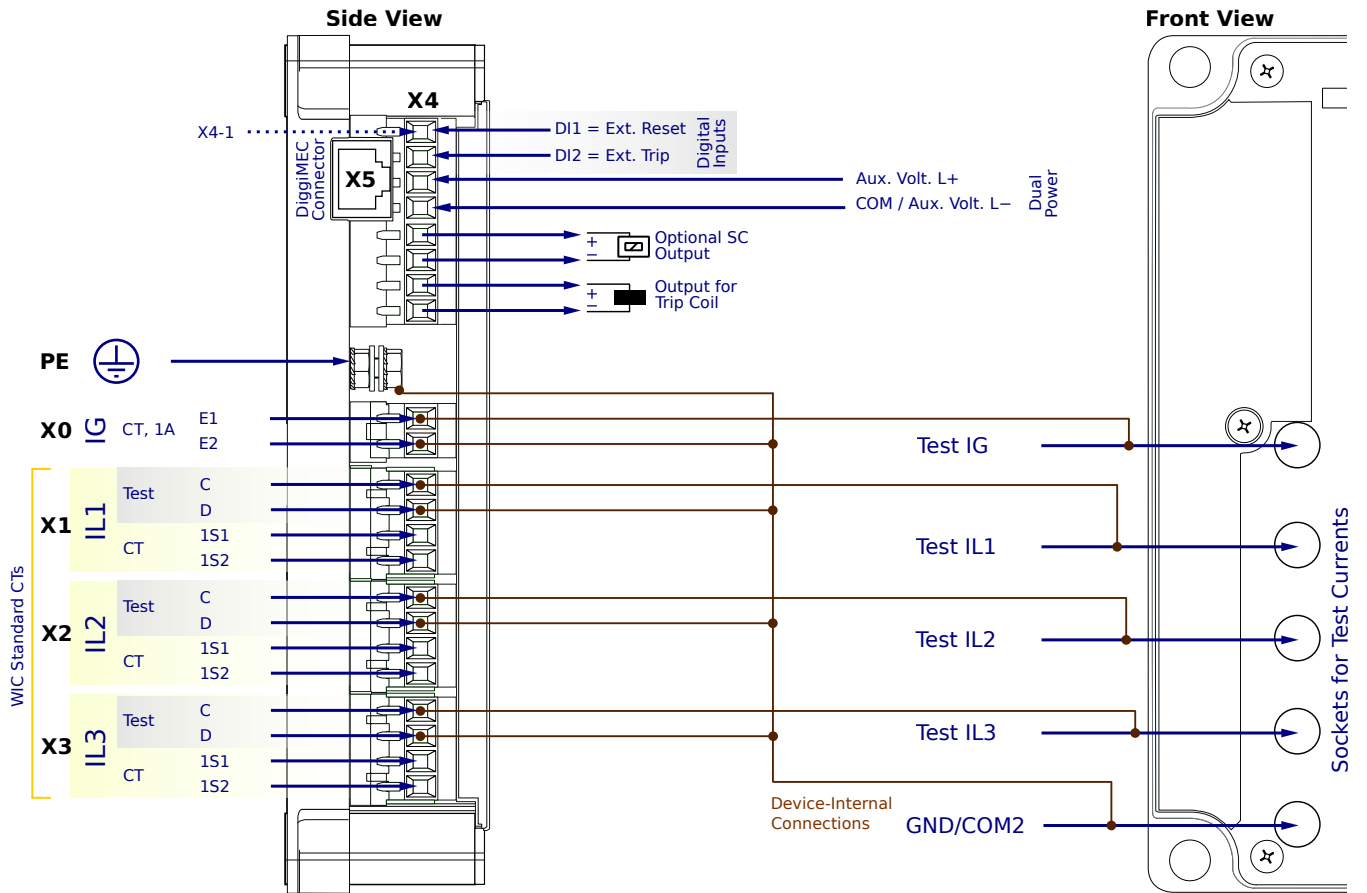
**X4-5,6** - Output, optional use for self-supervision signaling

**X4-7,8** - Trip pulse output

**X5** - DiggiMEC-WIC1 connection. Use network cable CAT3 (or better). No crossover cable!

**X6** - Modbus RTU — RS485 / terminals

# WIC1-4SG0NG1PA



## Dual-Powered Protection Device, configuration via DiggiMEC / Smart view

- Nominal frequency is 50 Hz or 60 Hz. (Setting via DiggiMEC/Smart view.)
- Backup protection operates directly
- Package "A" + SOTF, CLPU, external protection, ultra-fast overcurrent protection

**PE** - Protective Earth

**X0** - Measured ground (earth) current via 1 A CT input. (Calc. IG is also possible.)

**X1...X3** - WIC CTs

**X4-1,2** - Digital Inputs, fixed to: DI1=ext. reset, DI2=ext. trip

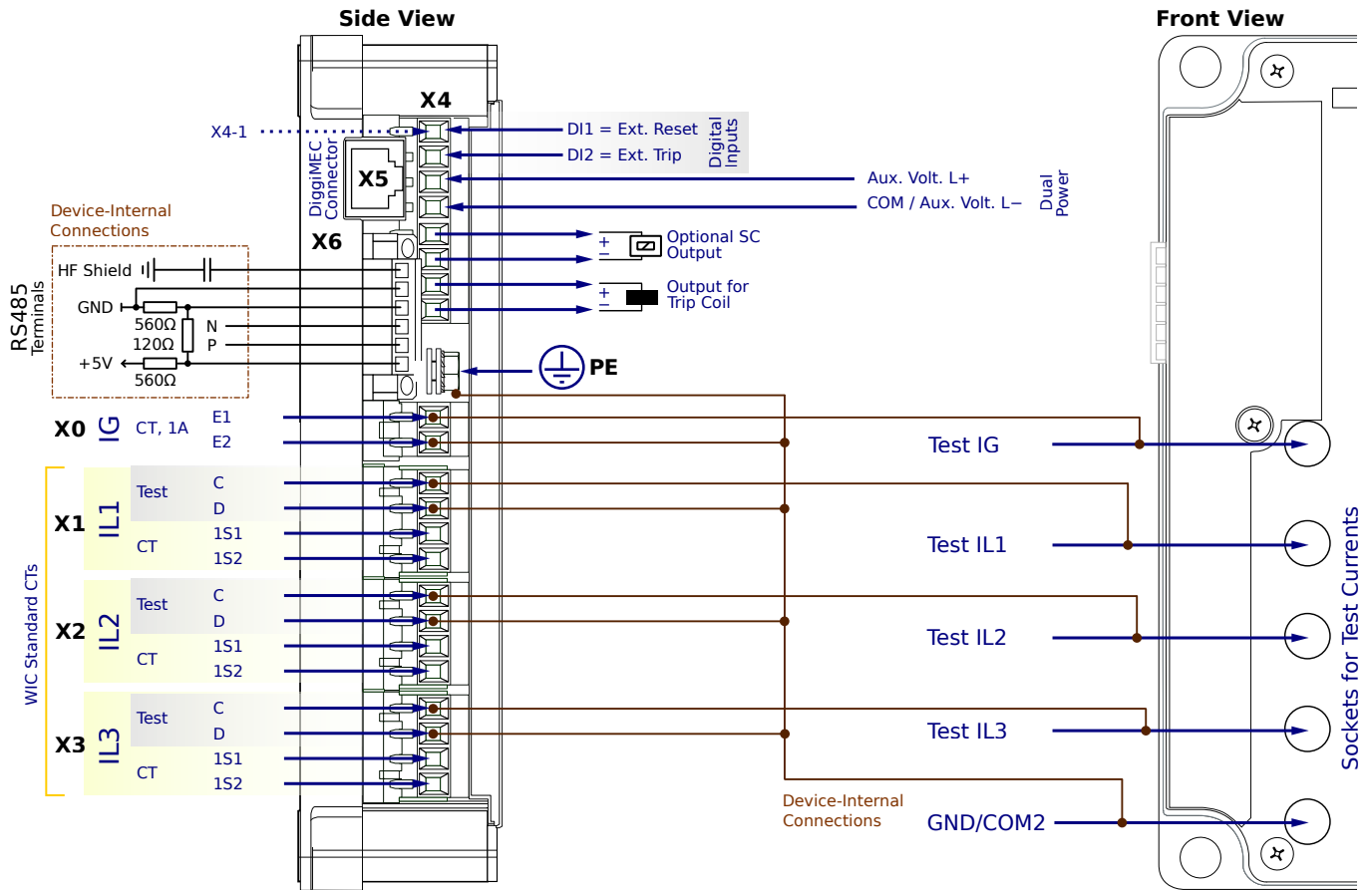
**X4-3,4** - Dual Power (Optional auxiliary power supply)

**X4-5,6** - Output, optional use for self-supervision signaling

**X4-7,8** - Trip pulse output

**X5** - DiggiMEC-WIC1 connection. Use network cable CAT3 (or better). No crossover cable!

# WIC1-4SG0NG1PB



## Dual-Powered Protection Device, configuration via DiggiMEC / Smart view

- Nominal frequency is 50 Hz or 60 Hz. (Setting via DiggiMEC/Smart view.)
- Backup protection operates directly
- Package "A" + SOTF, CLPU, external protection, ultra-fast overcurrent protection

**PE** – Protective Earth

**X0** – Measured ground (earth) current via 1 A CT input. (Calc. IG is also possible.)

**X1...X3** – WIC CTs

**X4-1,2** – Digital Inputs, fixed to: DI1=ext. reset, DI2=ext. trip

**X4-3,4** – Dual Power (Optional auxiliary power supply)

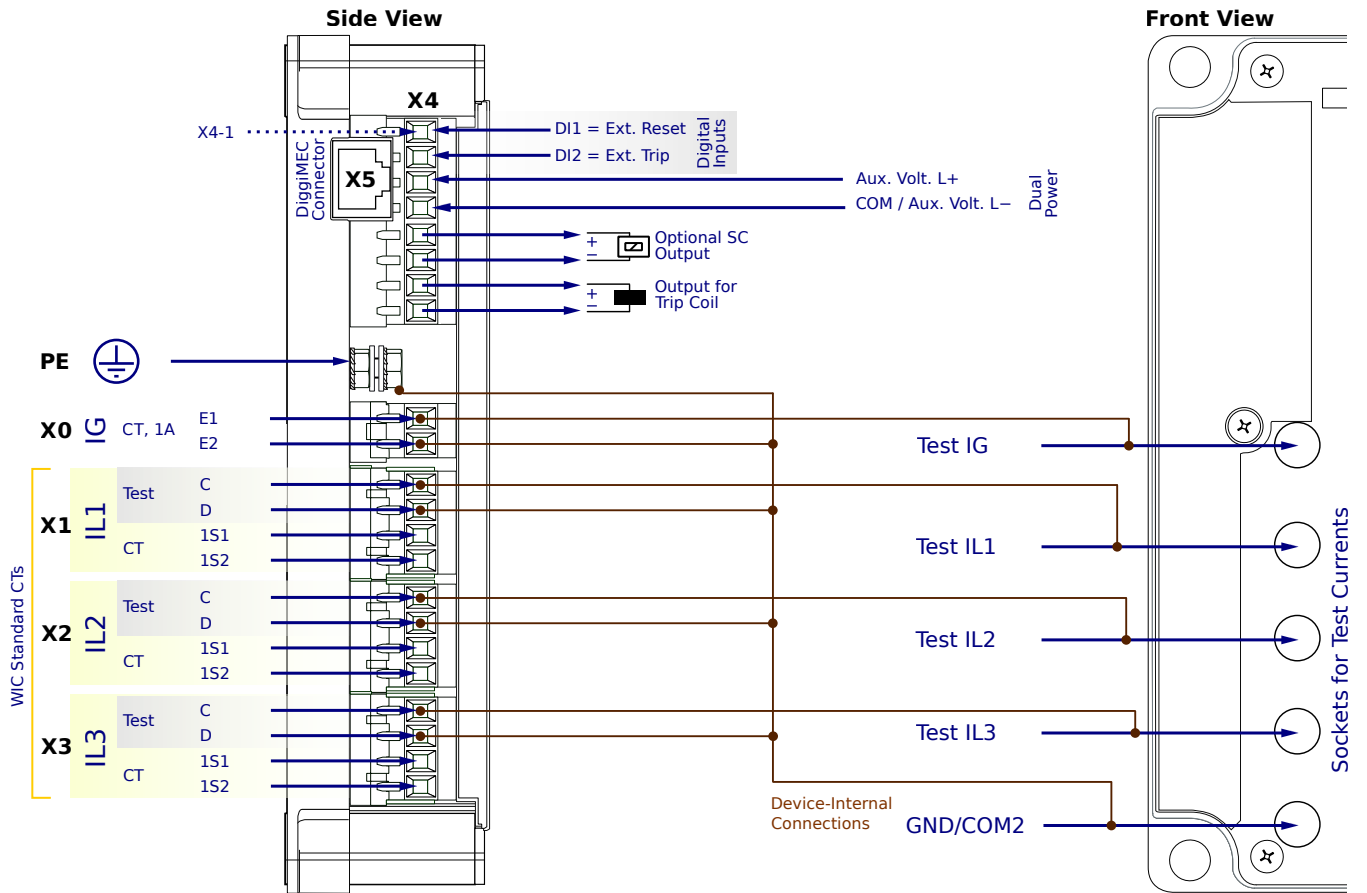
**X4-5,6** – Output, optional use for self-supervision signaling

**X4-7,8** – Trip pulse output

**X5** – DiggiMEC-WIC1 connection. Use network cable CAT3 (or better). No crossover cable!

**X6** – Modbus RTU — RS485 / terminals

# WIC1-4SG0NG2SA



## Dual-Powered Protection Device, configuration via DiggiMEC / Smart view

- Nominal frequency is 50 Hz or 60 Hz. (Setting via DiggiMEC/Smart view.)
- Trip at  $20 \cdot I_{n,max}$
- ANSI 50, 50G/N, 51, 51G/N, inrush, 50BF, 74TC

**PE** - Protective Earth

**X0** - Measured ground (earth) current via 1 A CT input. (Calc. IG is also possible.)

**X1...X3** - WIC CTs

**X4-1,2** - Digital Inputs, fixed to: DI1=ext. reset, DI2=ext. trip

**X4-3,4** - Dual Power (Optional auxiliary power supply)

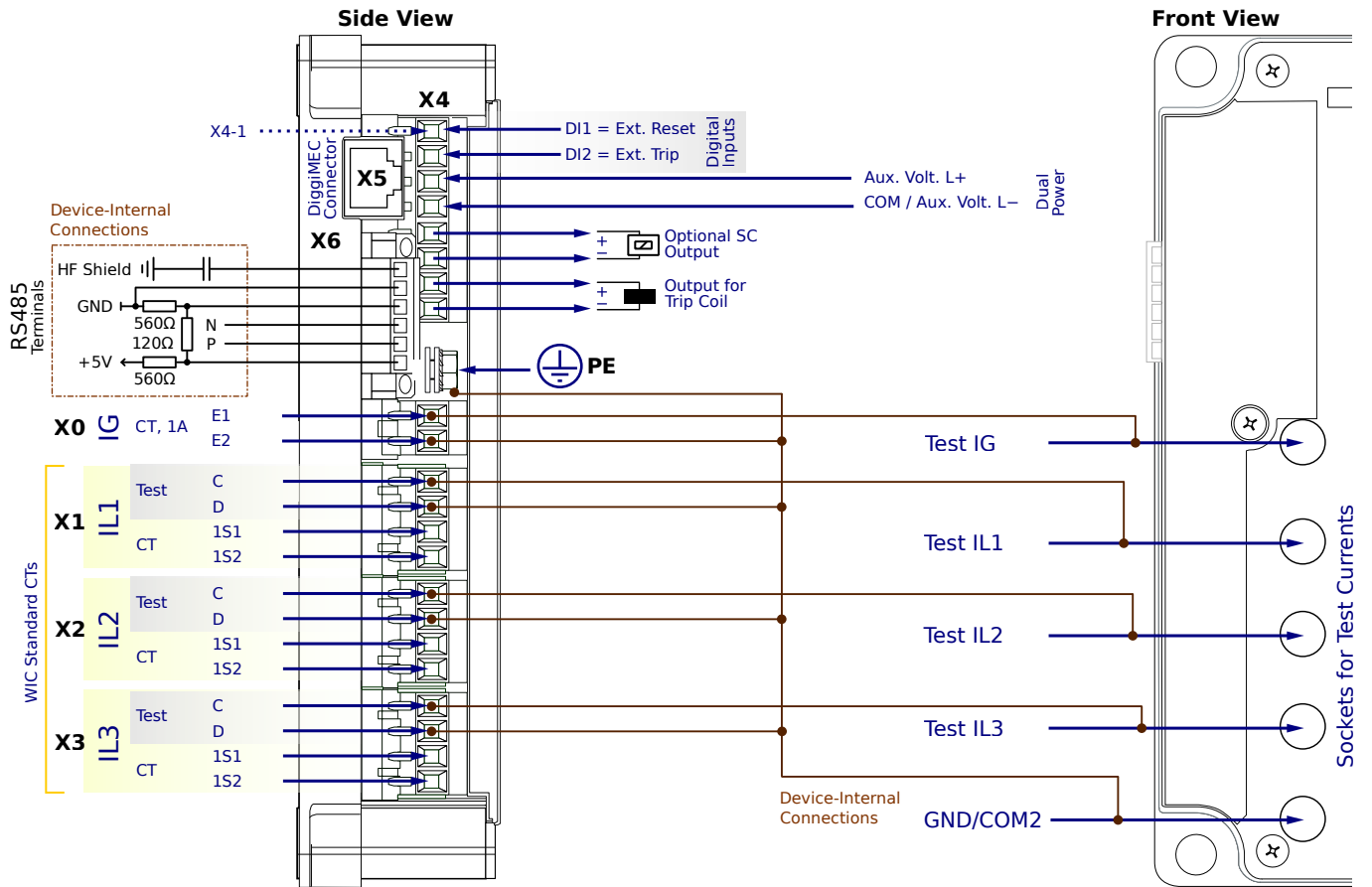
**X4-5,6** - Output, optional use for self-supervision signaling

**X4-7,8** - Trip pulse output

**X5** - DiggiMEC-WIC1 connection. Use network cable CAT3 (or better). No crossover cable!



# WIC1-4SG0NG2SB



## Dual-Powered Protection Device, configuration via DiggiMEC / Smart view

- Nominal frequency is 50 Hz or 60 Hz. (Setting via DiggiMEC/Smart view.)
- Trip at  $20 \cdot I_{n,max}$
- ANSI 50, 50G/N, 51, 51G/N, inrush, 50BF, 74TC

**PE** - Protective Earth

**X0** - Measured ground (earth) current via 1 A CT input. (Calc. IG is also possible.)

**X1...X3** - WIC CTs

**X4-1,2** - Digital Inputs, fixed to: DI1=ext. reset, DI2=ext. trip

**X4-3,4** - Dual Power (Optional auxiliary power supply)

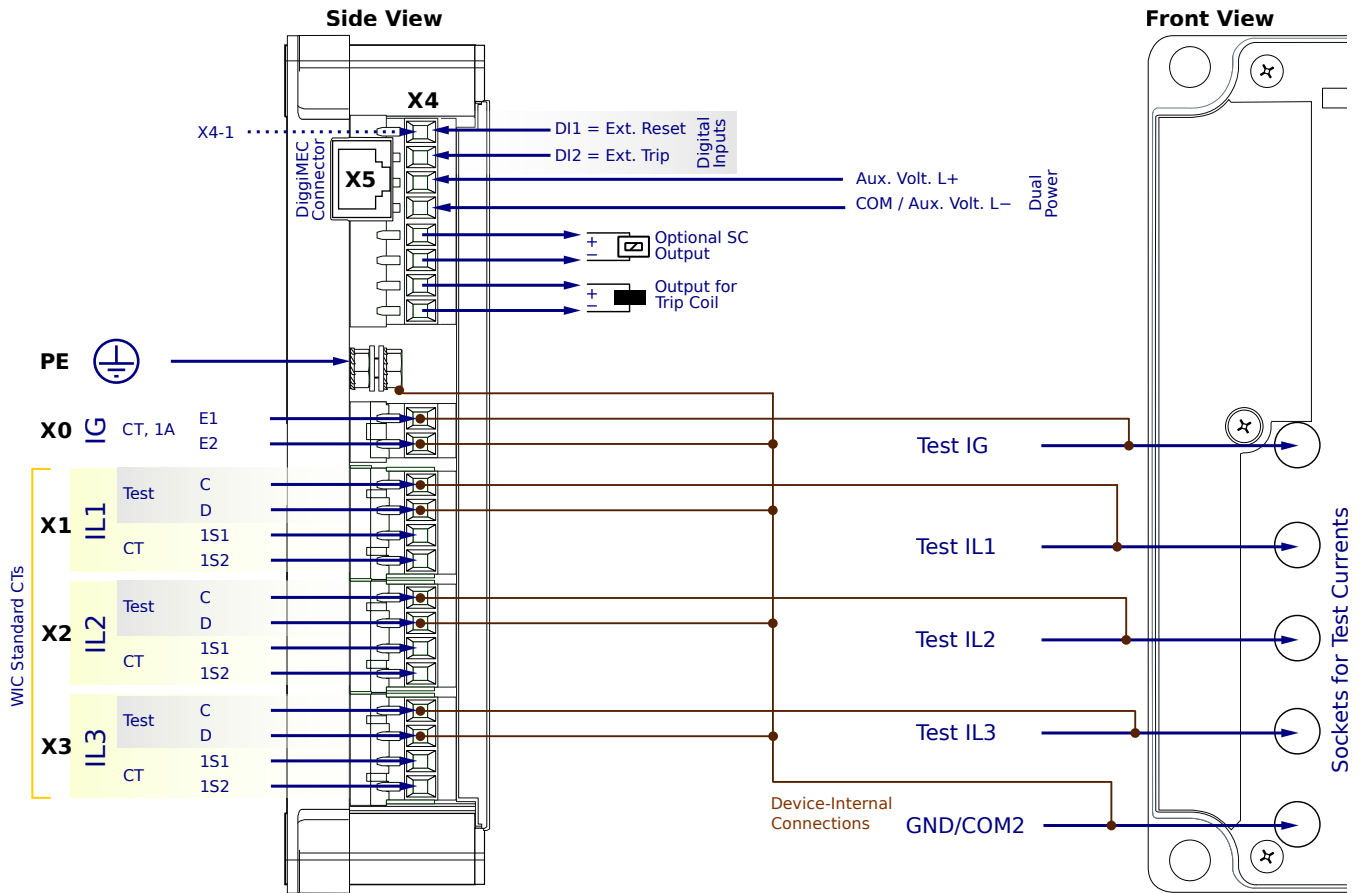
**X4-5,6** - Output, optional use for self-supervision signaling

**X4-7,8** - Trip pulse output

**X5** - DiggiMEC-WIC1 connection. Use network cable CAT3 (or better). No crossover cable!

**X6** - Modbus RTU — RS485 / terminals

# WIC1-4SG0NG2AA



## Dual-Powered Protection Device, configuration via DiggiMEC / Smart view

- Nominal frequency is 50 Hz or 60 Hz. (Setting via DiggiMEC/Smart view.)
- Trip at  $20 \cdot I_{n,max}$
- Package "S" + ANSI 46, 49, 51Q, Breaker Wear, Condition Monitoring (= Life Load, Drag Indicator)

**PE** - Protective Earth

**X0** - Measured ground (earth) current via 1 A CT input. (Calc. IG is also possible.)

**X1...X3** - WIC CTs

**X4-1,2** - Digital Inputs, fixed to: DI1=ext. reset, DI2=ext. trip

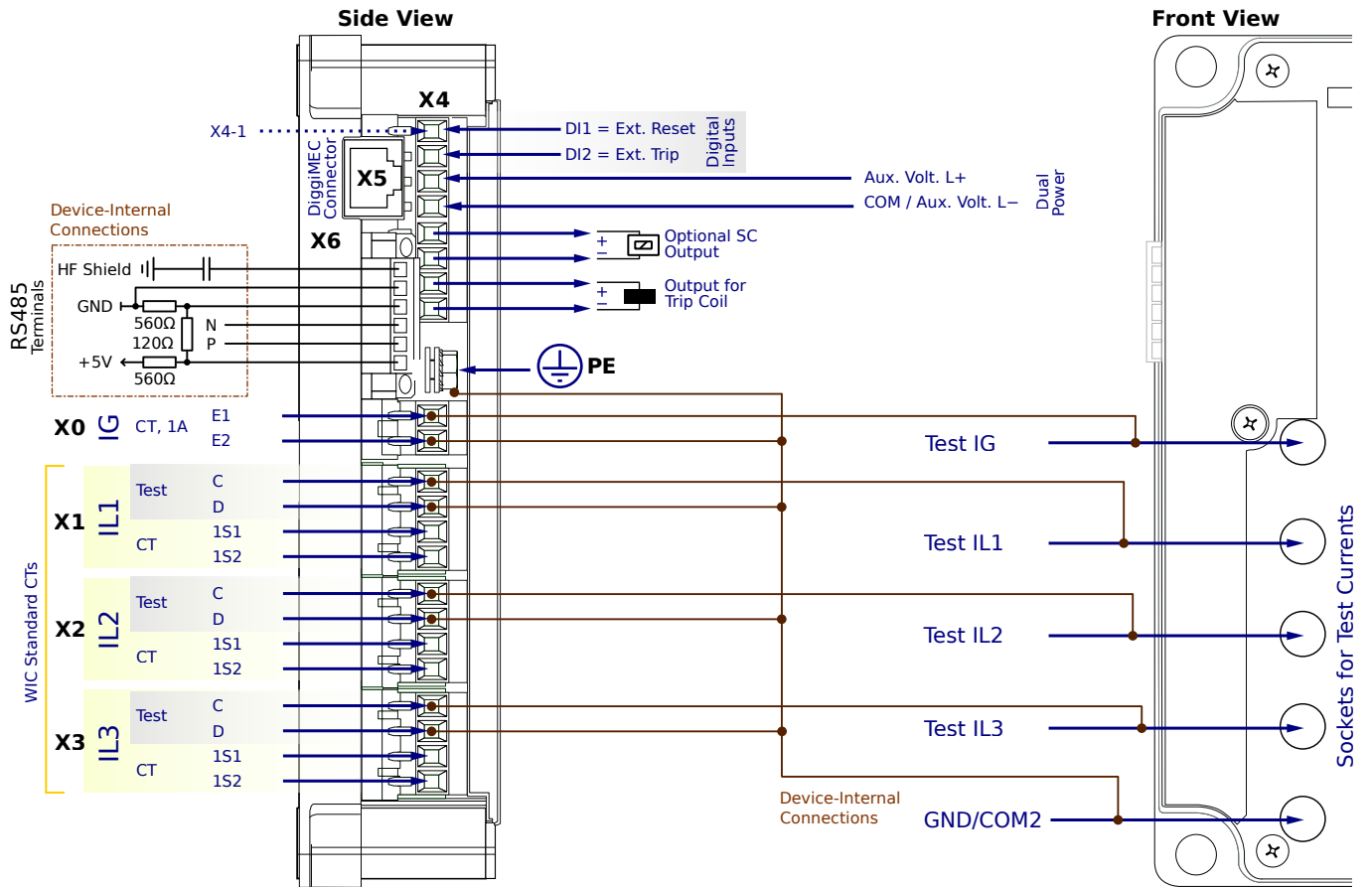
**X4-3,4** - Dual Power (Optional auxiliary power supply)

**X4-5,6** - Output, optional use for self-supervision signaling

**X4-7,8** - Trip pulse output

**X5** - DiggiMEC-WIC1 connection. Use network cable CAT3 (or better). No crossover cable!

# WIC1-4SG0NG2AB



## Dual-Powered Protection Device, configuration via DiggiMEC / Smart view

- Nominal frequency is 50 Hz or 60 Hz. (Setting via DiggiMEC/Smart view.)
- Trip at  $20 \cdot I_{n,max}$
- Package "S" + ANSI 46, 49, 51Q, Breaker Wear, Condition Monitoring (= Life Load, Drag Indicator)

**PE** - Protective Earth

**X0** - Measured ground (earth) current via 1 A CT input. (Calc. IG is also possible.)

**X1...X3** - WIC CTs

**X4-1,2** - Digital Inputs, fixed to: DI1=ext. reset, DI2=ext. trip

**X4-3,4** - Dual Power (Optional auxiliary power supply)

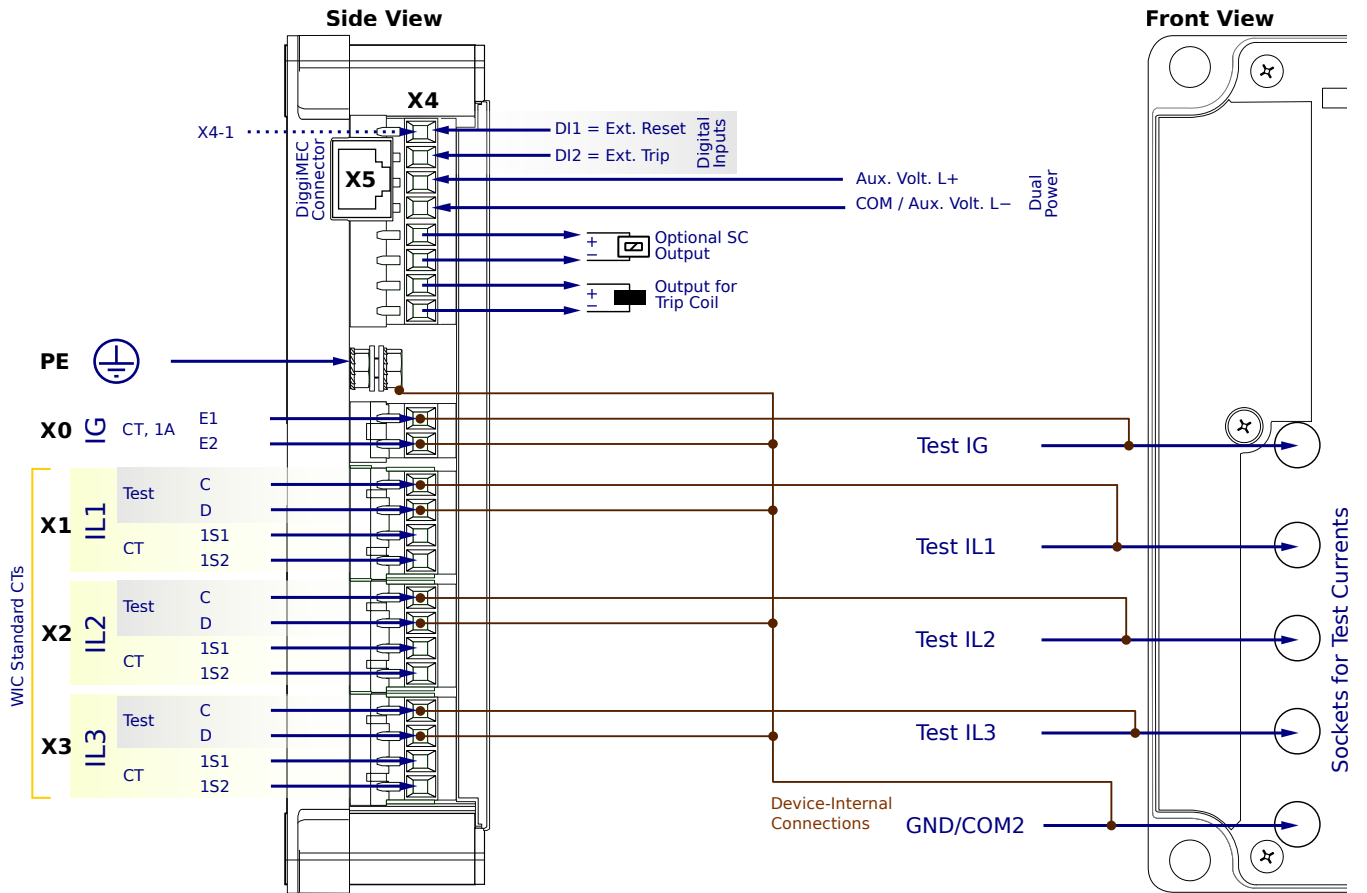
**X4-5,6** - Output, optional use for self-supervision signaling

**X4-7,8** - Trip pulse output

**X5** - DiggiMEC-WIC1 connection. Use network cable CAT3 (or better). No crossover cable!

**X6** - Modbus RTU — RS485 / terminals

# WIC1-4SG0NG2PA



## Dual-Powered Protection Device, configuration via DiggiMEC / Smart view

- Nominal frequency is 50 Hz or 60 Hz. (Setting via DiggiMEC/Smart view.)
- Trip at  $20 \cdot I_{n,max}$
- Package "A" + SOTF, CLPU, external protection, ultra-fast overcurrent protection

**PE** - Protective Earth

**X0** - Measured ground (earth) current via 1 A CT input. (Calc. IG is also possible.)

**X1...X3** - WIC CTs

**X4-1,2** - Digital Inputs, fixed to: DI1=ext. reset, DI2=ext. trip

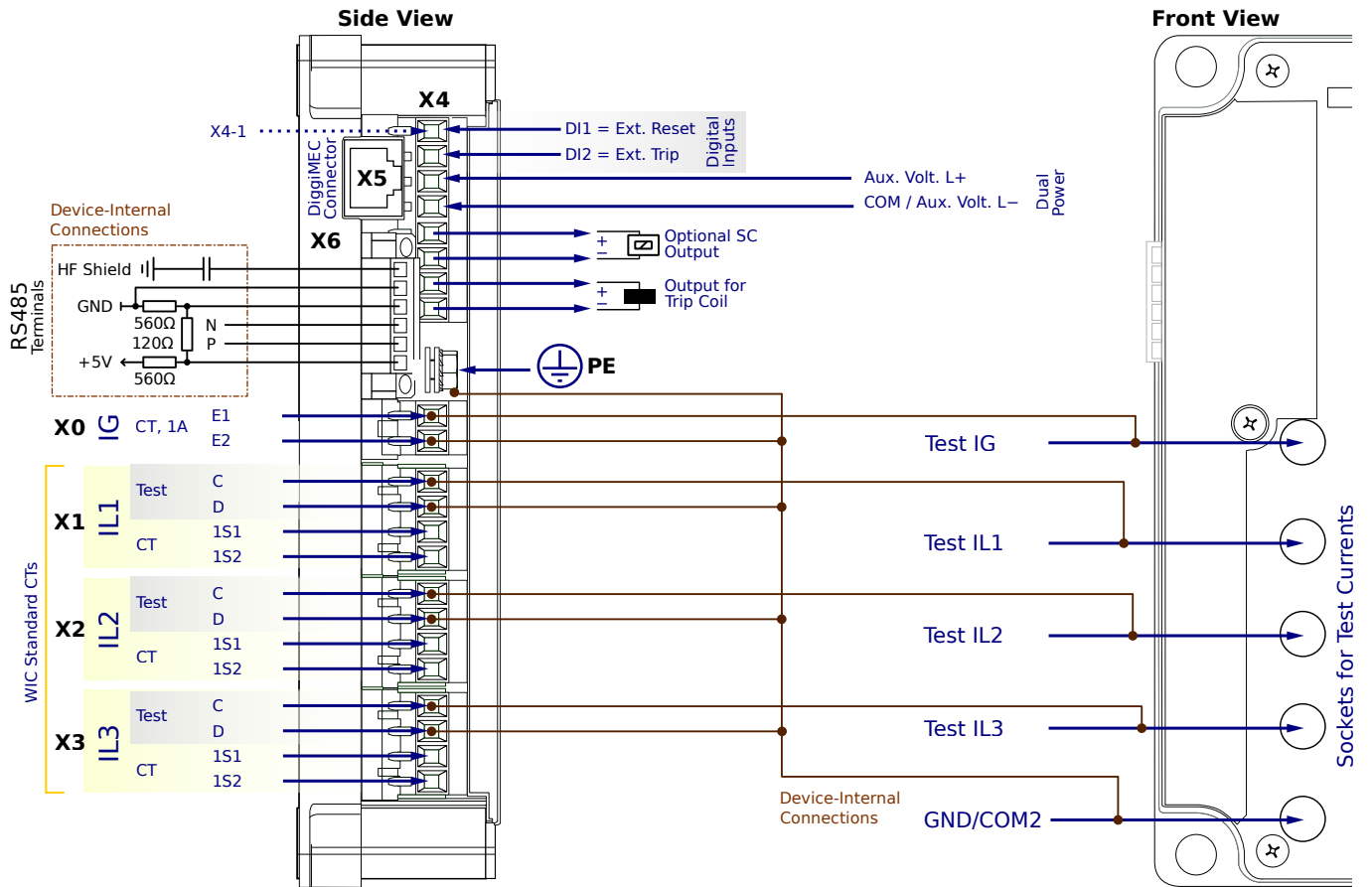
**X4-3,4** - Dual Power (Optional auxiliary power supply)

**X4-5,6** - Output, optional use for self-supervision signaling

**X4-7,8** - Trip pulse output

**X5** - DiggiMEC-WIC1 connection. Use network cable CAT3 (or better). No crossover cable!

# WIC1-4SG0NG2PB



## Dual-Powered Protection Device, configuration via DiggiMEC / Smart view

- Nominal frequency is 50 Hz or 60 Hz. (Setting via DiggiMEC/Smart view.)
- Trip at  $20 \cdot I_{n,max}$
- Package "A" + SOTF, CLPU, external protection, ultra-fast overcurrent protection

**PE** - Protective Earth

**X0** - Measured ground (earth) current via 1 A CT input. (Calc. IG is also possible.)

**X1...X3** - WIC CTs

**X4-1,2** - Digital Inputs, fixed to: DI1=ext. reset, DI2=ext. trip

**X4-3,4** - Dual Power (Optional auxiliary power supply)

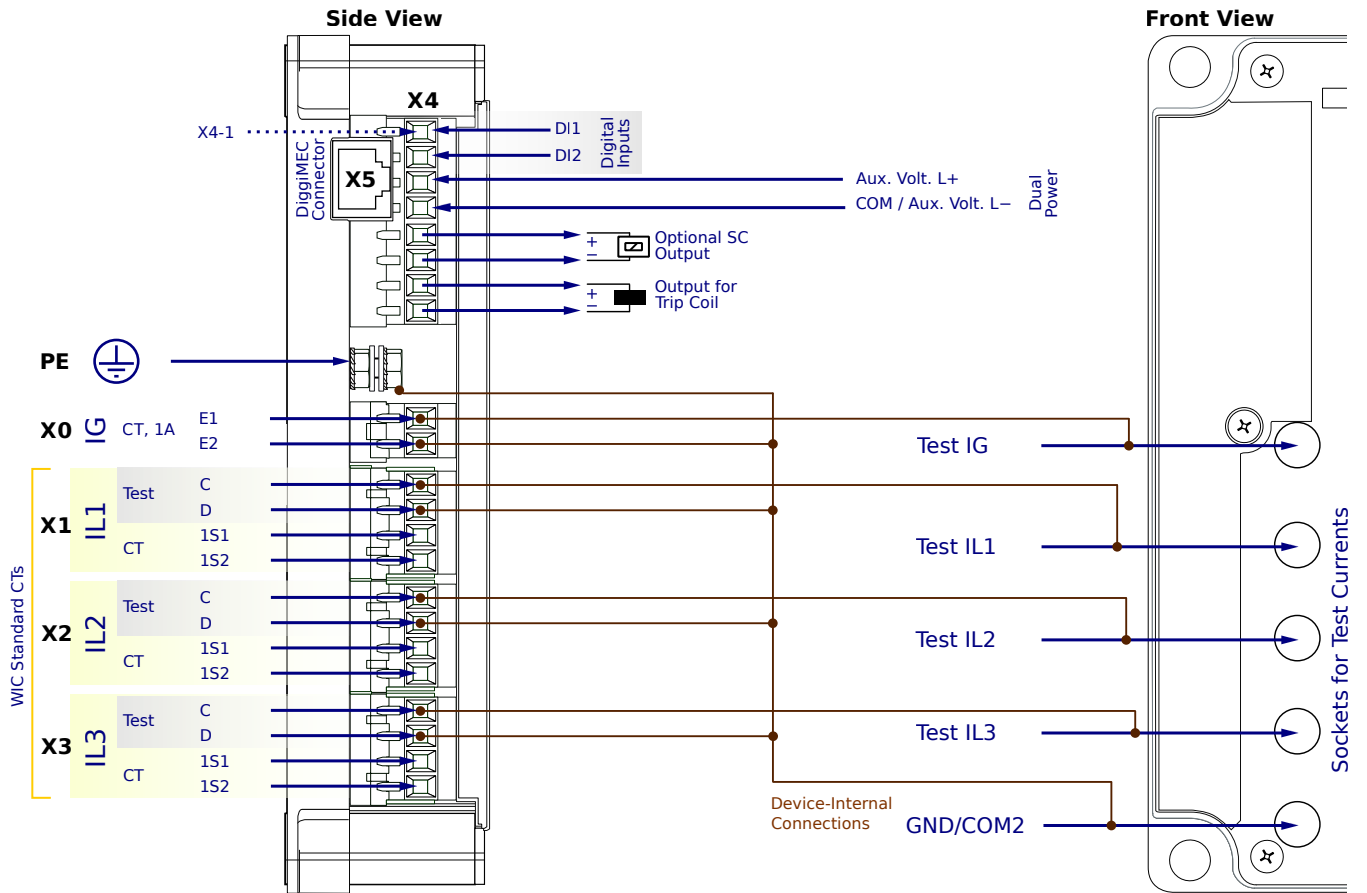
**X4-5,6** - Output, optional use for self-supervision signaling

**X4-7,8** - Trip pulse output

**X5** - DiggiMEC-WIC1 connection. Use network cable CAT3 (or better). No crossover cable!

**X6** - Modbus RTU — RS485 / terminals

# WIC1-4SG0ND1SA



## Dual-Powered Protection Device, configuration via DiggiMEC / Smart view

- Nominal frequency is 50 Hz or 60 Hz. (Setting via DiggiMEC/Smart view.)
- Backup protection operates directly
- ANSI 50, 50G/N, 51, 51G/N, inrush, 50BF, 74TC

**PE** - Protective Earth

**X0** - Measured ground (earth) current via 1 A CT input. (Calc. IG is also possible.)

**X1...X3** - WIC CTs

**X4-1,2** - 2 assignable Digital Inputs

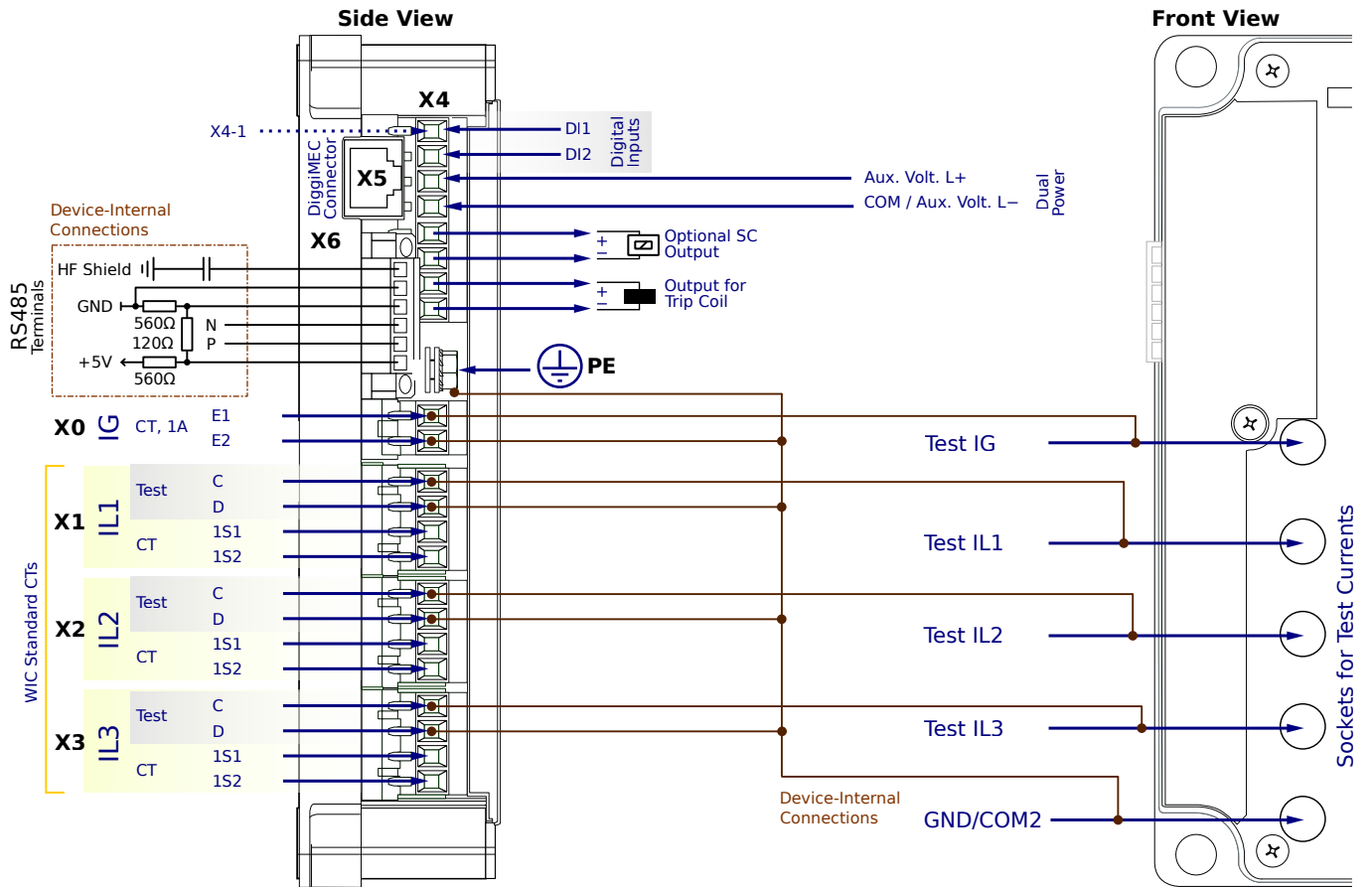
**X4-3,4** - Dual Power (Optional auxiliary power supply)

**X4-5,6** - Output, optional use for self-supervision signaling

**X4-7,8** - Trip pulse output

**X5** - DiggiMEC-WIC1 connection. Use network cable CAT3 (or better). No crossover cable!

# WIC1-4SG0ND1SB



## Dual-Powered Protection Device, configuration via DiggiMEC / Smart view

- Nominal frequency is 50 Hz or 60 Hz. (Setting via DiggiMEC/Smart view.)
- Backup protection operates directly
- ANSI 50, 50G/N, 51, 51G/N, inrush, 50BF, 74TC

**PE** – Protective Earth

**X0** – Measured ground (earth) current via 1 A CT input. (Calc. IG is also possible.)

**X1...X3** – WIC CTs

**X4-1,2** – 2 assignable Digital Inputs

**X4-3,4** – Dual Power (Optional auxiliary power supply)

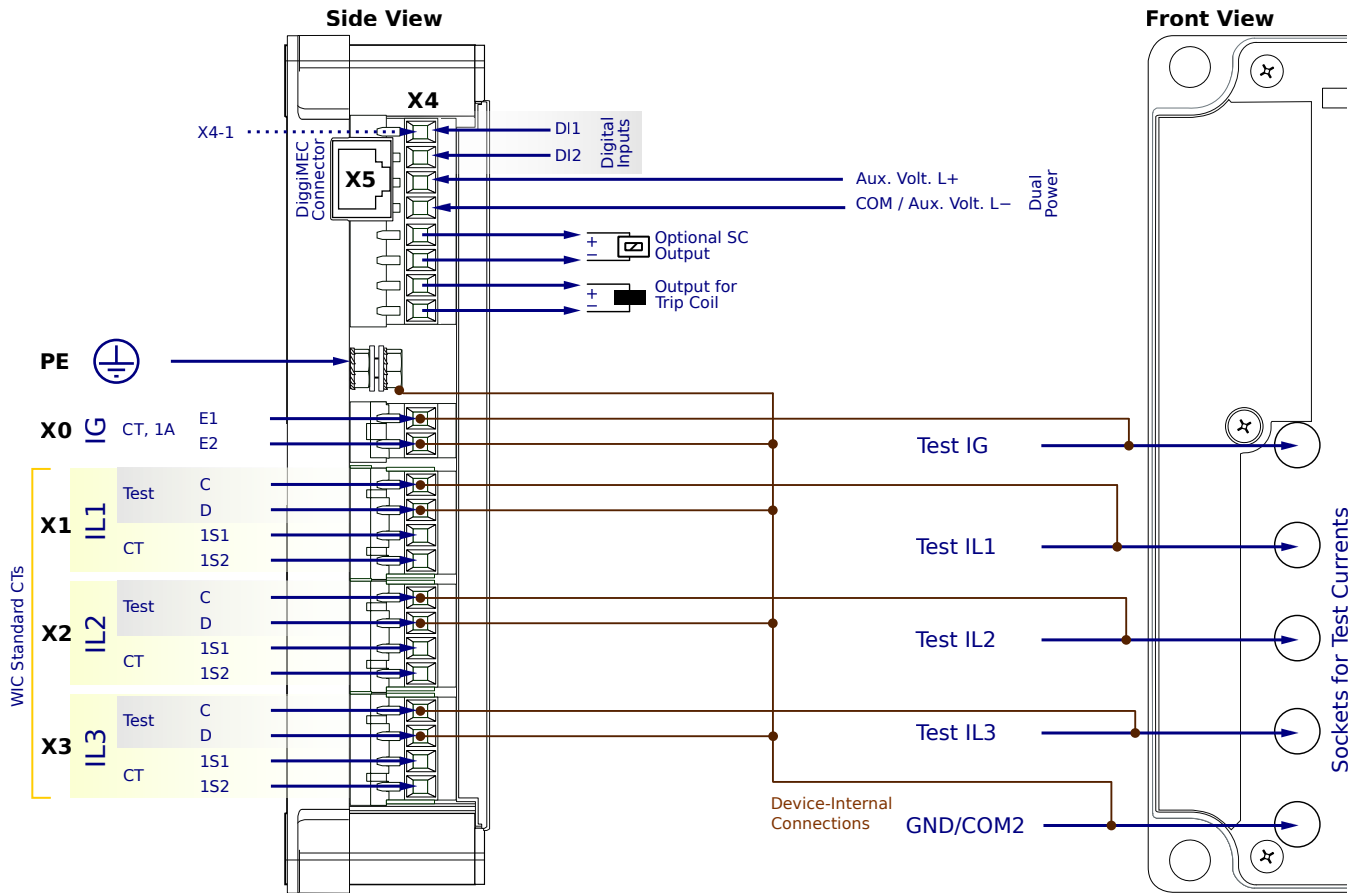
**X4-5,6** – Output, optional use for self-supervision signaling

**X4-7,8** – Trip pulse output

**X5** – DiggiMEC-WIC1 connection. Use network cable CAT3 (or better). No crossover cable!

**X6** – Modbus RTU — RS485 / terminals

# WIC1-4SG0ND1AA



## Dual-Powered Protection Device, configuration via DiggiMEC / Smart view

- Nominal frequency is 50 Hz or 60 Hz. (Setting via DiggiMEC/Smart view.)
- Backup protection operates directly
- Package "S" + ANSI 46, 49, 51Q, Breaker Wear, Condition Monitoring (= Life Load, Drag Indicator)

**PE** - Protective Earth

**X0** - Measured ground (earth) current via 1 A CT input. (Calc. IG is also possible.)

**X1...X3** - WIC CTs

**X4-1,2** - 2 assignable Digital Inputs

**X4-3,4** - Dual Power (Optional auxiliary power supply)

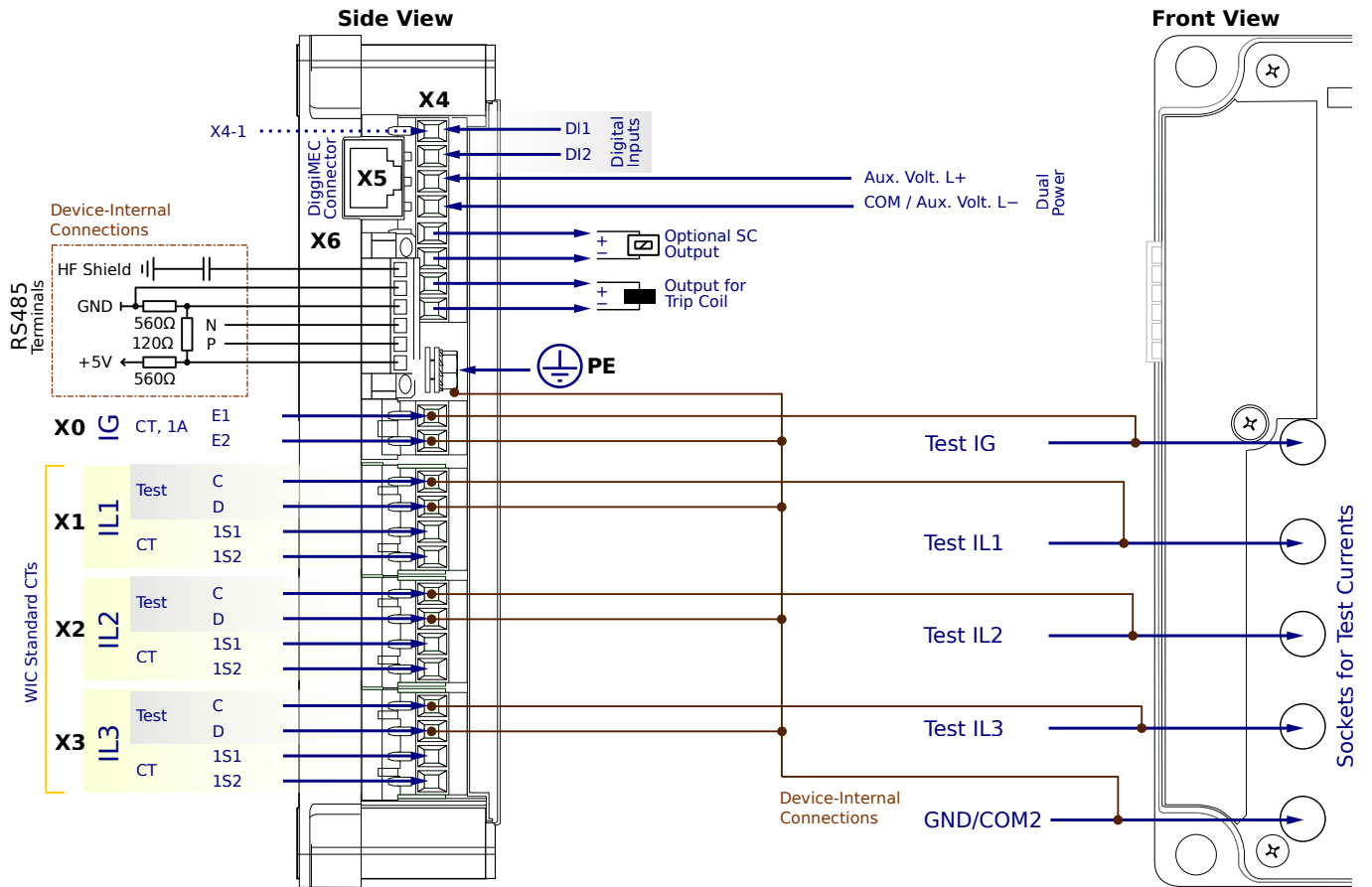
**X4-5,6** - Output, optional use for self-supervision signaling

**X4-7,8** - Trip pulse output

**X5** - DiggiMEC-WIC1 connection. Use network cable CAT3 (or better). No crossover cable!



# WIC1-4SG0ND1AB



## Dual-Powered Protection Device, configuration via DiggiMEC / Smart view

- Nominal frequency is 50 Hz or 60 Hz. (Setting via DiggiMEC/Smart view.)
- Backup protection operates directly
- Package "S" + ANSI 46, 49, 51Q, Breaker Wear, Condition Monitoring (= Life Load, Drag Indicator)

**PE** - Protective Earth

**X0** - Measured ground (earth) current via 1 A CT input. (Calc. IG is also possible.)

**X1...X3** - WIC CTs

**X4-1,2** - 2 assignable Digital Inputs

**X4-3,4** - Dual Power (Optional auxiliary power supply)

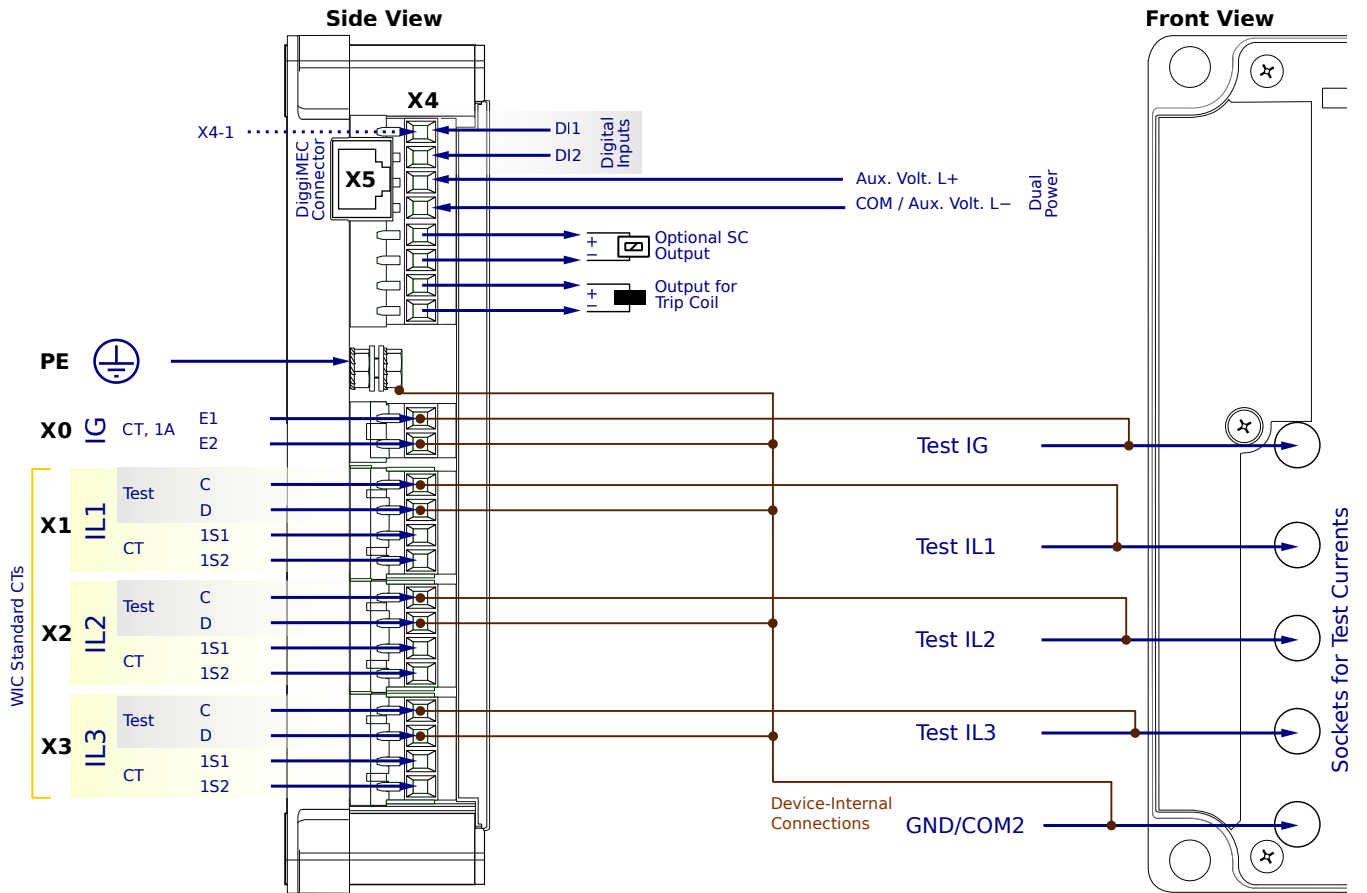
**X4-5,6** - Output, optional use for self-supervision signaling

**X4-7,8** - Trip pulse output

**X5** - DiggiMEC-WIC1 connection. Use network cable CAT3 (or better). No crossover cable!

**X6** - Modbus RTU — RS485 / terminals

# WIC1-4SG0ND1PA



## Dual-Powered Protection Device, configuration via DiggiMEC / Smart view

- Nominal frequency is 50 Hz or 60 Hz. (Setting via DiggiMEC/Smart view.)
- Backup protection operates directly
- Package "A" + SOTF, CLPU, external protection, ultra-fast overcurrent protection

**PE** - Protective Earth

**X0** - Measured ground (earth) current via 1 A CT input. (Calc. IG is also possible.)

**X1...X3** - WIC CTs

**X4-1,2** - 2 assignable Digital Inputs

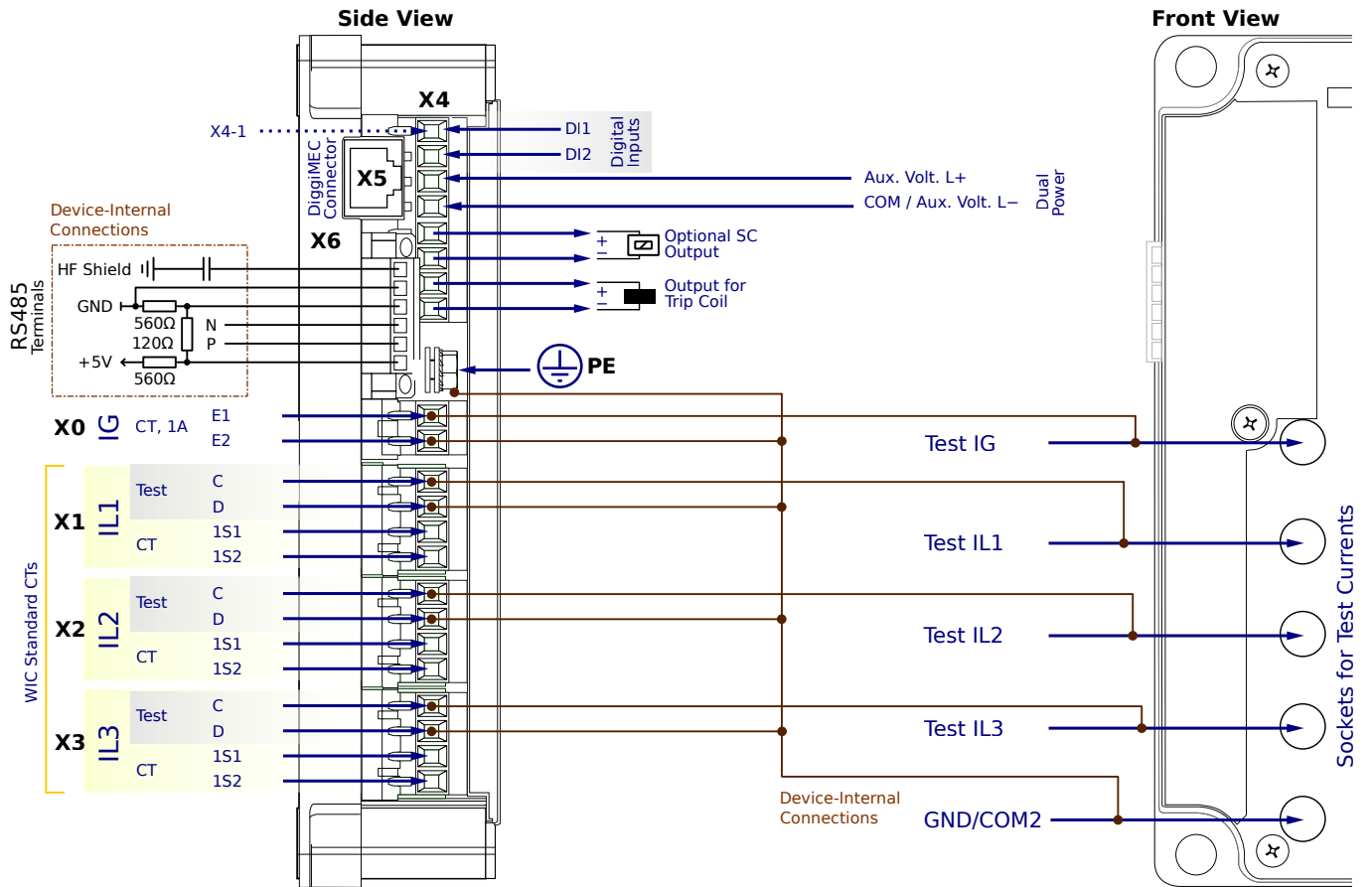
**X4-3,4** - Dual Power (Optional auxiliary power supply)

**X4-5,6** - Output, optional use for self-supervision signaling

**X4-7,8** - Trip pulse output

**X5** - DiggiMEC-WIC1 connection. Use network cable CAT3 (or better). No crossover cable!

# WIC1-4SG0ND1PB



## Dual-Powered Protection Device, configuration via DiggiMEC / Smart view

- Nominal frequency is 50 Hz or 60 Hz. (Setting via DiggiMEC/Smart view.)
- Backup protection operates directly
- Package "A" + SOTF, CLPU, external protection, ultra-fast overcurrent protection

**PE** - Protective Earth

**X0** - Measured ground (earth) current via 1 A CT input. (Calc. IG is also possible.)

**X1...X3** - WIC CTs

**X4-1,2** - 2 assignable Digital Inputs

**X4-3,4** - Dual Power (Optional auxiliary power supply)

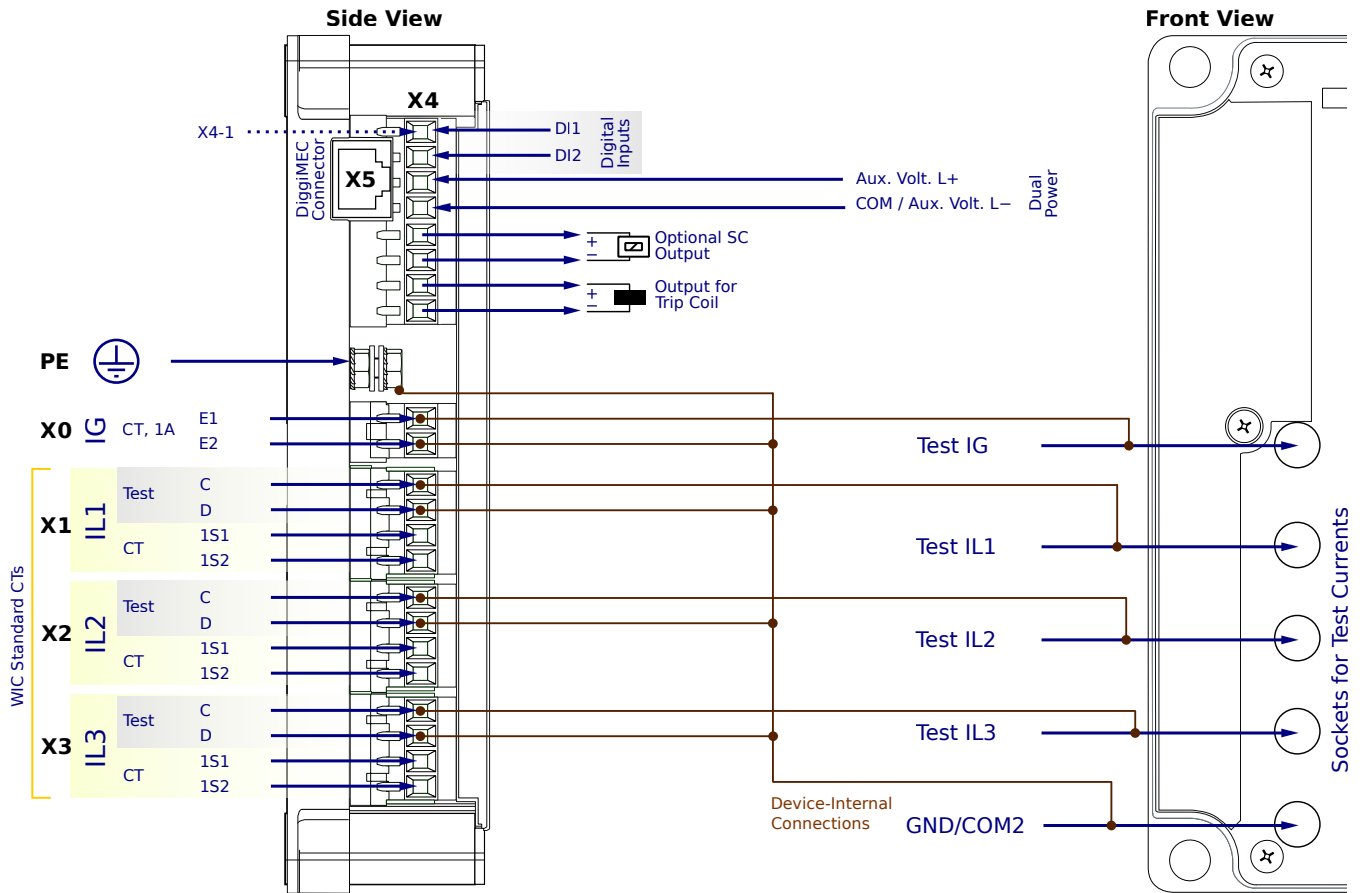
**X4-5,6** - Output, optional use for self-supervision signaling

**X4-7,8** - Trip pulse output

**X5** - DiggiMEC-WIC1 connection. Use network cable CAT3 (or better). No crossover cable!

**X6** - Modbus RTU — RS485 / terminals

# WIC1-4SG0ND2SA



## Dual-Powered Protection Device, configuration via DiggiMEC / Smart view

- Nominal frequency is 50 Hz or 60 Hz. (Setting via DiggiMEC/Smart view.)
- Trip at  $20 \cdot I_{n,max}$
- ANSI 50, 50G/N, 51, 51G/N, inrush, 50BF, 74TC

**PE** - Protective Earth

**X0** - Measured ground (earth) current via 1 A CT input. (Calc. IG is also possible.)

**X1...X3** - WIC CTs

**X4-1,2** - 2 assignable Digital Inputs

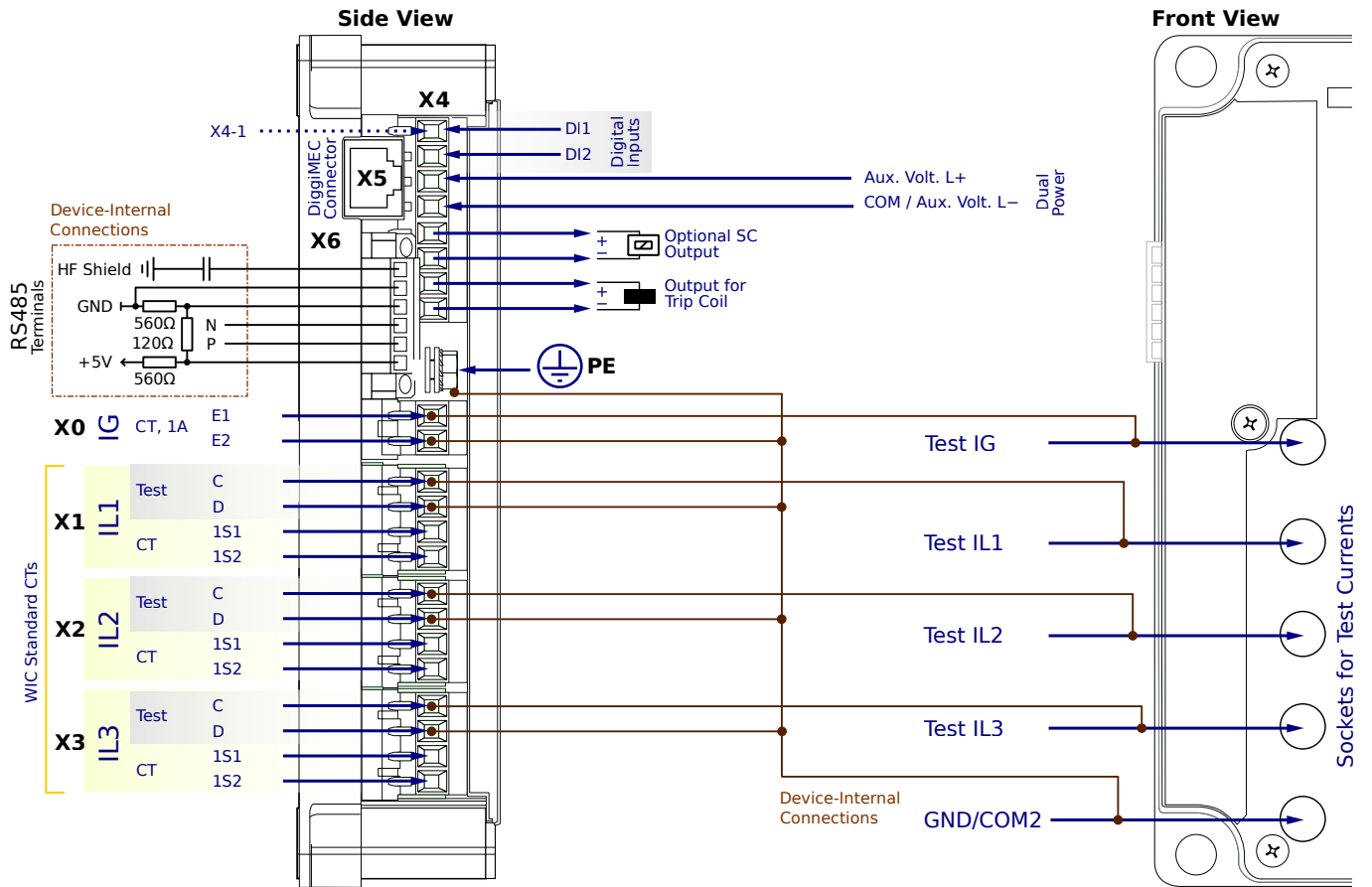
**X4-3,4** - Dual Power (Optional auxiliary power supply)

**X4-5,6** - Output, optional use for self-supervision signaling

**X4-7,8** - Trip pulse output

**X5** - DiggiMEC-WIC1 connection. Use network cable CAT3 (or better). No crossover cable!

# WIC1-4SG0ND2SB



## Dual-Powered Protection Device, configuration via DiggiMEC / Smart view

- Nominal frequency is 50 Hz or 60 Hz. (Setting via DiggiMEC/Smart view.)
- Trip at  $20 \cdot I_{n,max}$
- ANSI 50, 50G/N, 51, 51G/N, inrush, 50BF, 74TC

**PE** - Protective Earth

**X0** - Measured ground (earth) current via 1 A CT input. (Calc. IG is also possible.)

**X1...X3** - WIC CTs

**X4-1,2** - 2 assignable Digital Inputs

**X4-3,4** - Dual Power (Optional auxiliary power supply)

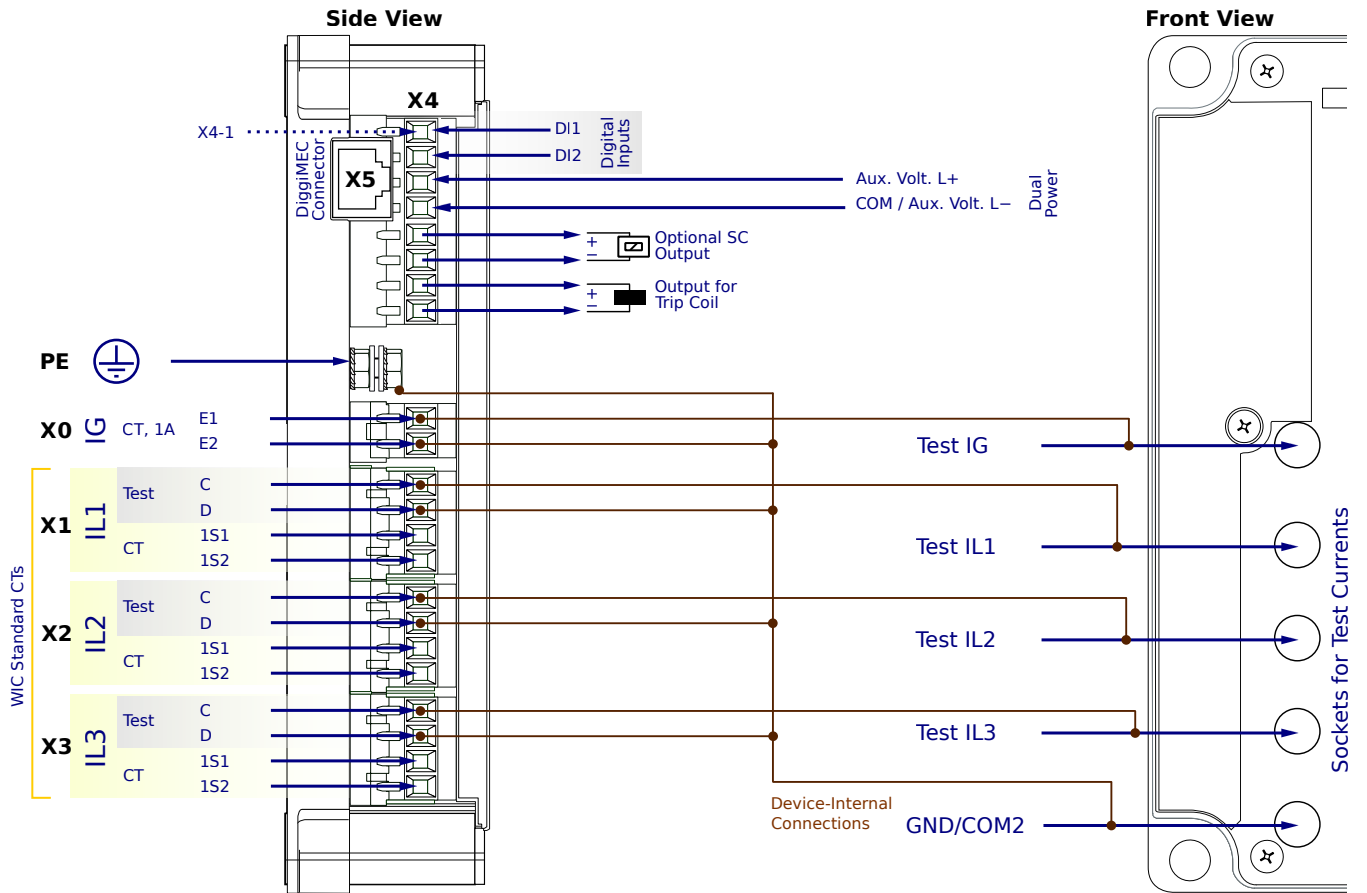
**X4-5,6** - Output, optional use for self-supervision signaling

**X4-7,8** - Trip pulse output

**X5** - DiggiMEC-WIC1 connection. Use network cable CAT3 (or better). No crossover cable!

**X6** - Modbus RTU — RS485 / terminals

# WIC1-4SG0ND2AA



## Dual-Powered Protection Device, configuration via DiggiMEC / Smart view

- Nominal frequency is 50 Hz or 60 Hz. (Setting via DiggiMEC/Smart view.)
- Trip at  $20 \cdot I_{n,max}$
- Package "S" + ANSI 46, 49, 51Q, Breaker Wear, Condition Monitoring (= Life Load, Drag Indicator)

**PE** - Protective Earth

**X0** - Measured ground (earth) current via 1 A CT input. (Calc. IG is also possible.)

**X1...X3** - WIC CTs

**X4-1,2** - 2 assignable Digital Inputs

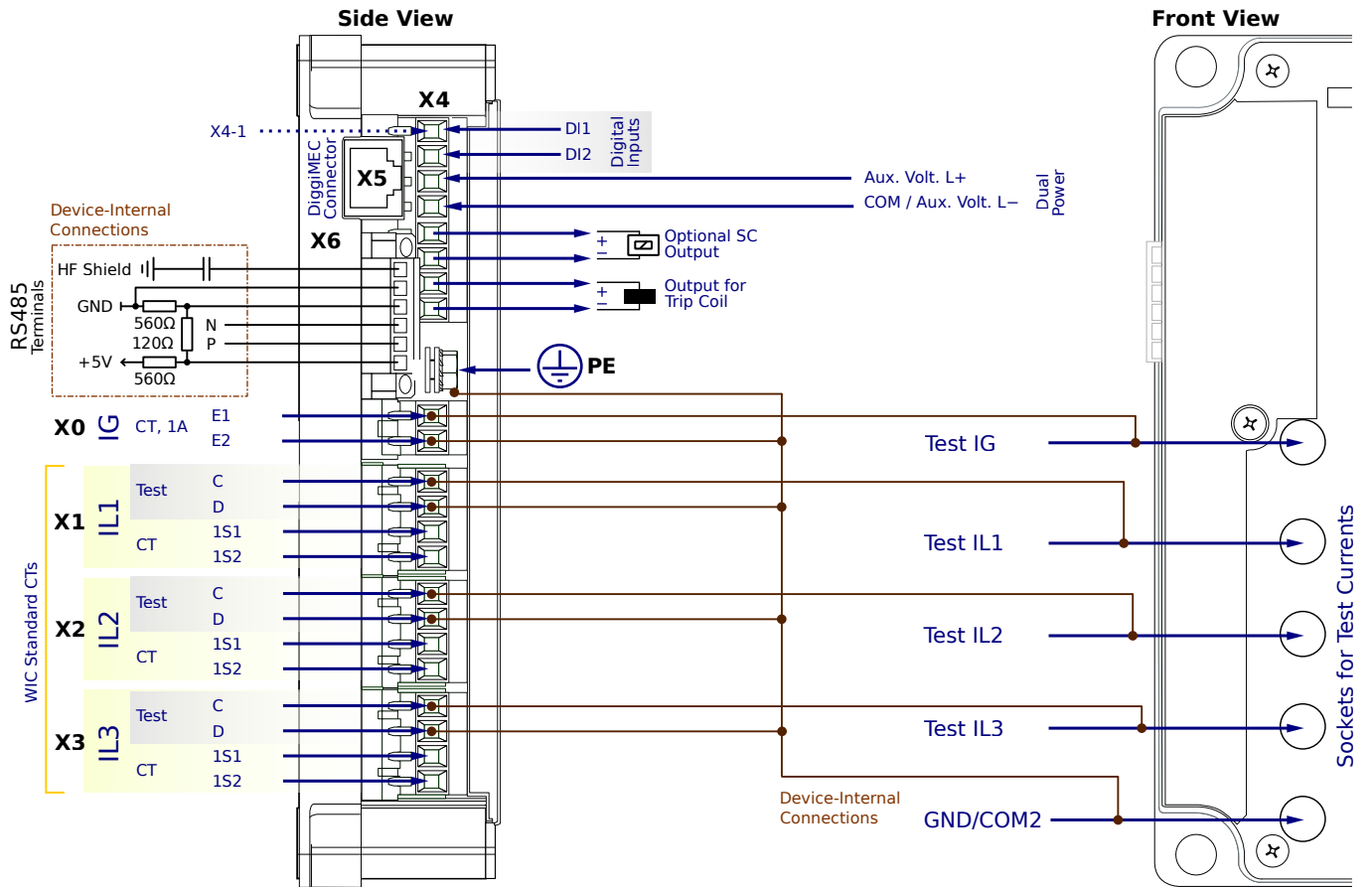
**X4-3,4** - Dual Power (Optional auxiliary power supply)

**X4-5,6** - Output, optional use for self-supervision signaling

**X4-7,8** - Trip pulse output

**X5** - DiggiMEC-WIC1 connection. Use network cable CAT3 (or better). No crossover cable!

# WIC1-4SG0ND2AB



## Dual-Powered Protection Device, configuration via DiggiMEC / Smart view

- Nominal frequency is 50 Hz or 60 Hz. (Setting via DiggiMEC/Smart view.)
- Trip at  $20 \cdot I_{n,max}$
- Package "S" + ANSI 46, 49, 51Q, Breaker Wear, Condition Monitoring (= Life Load, Drag Indicator)

**PE** - Protective Earth

**X0** - Measured ground (earth) current via 1 A CT input. (Calc. IG is also possible.)

**X1...X3** - WIC CTs

**X4-1,2** - 2 assignable Digital Inputs

**X4-3,4** - Dual Power (Optional auxiliary power supply)

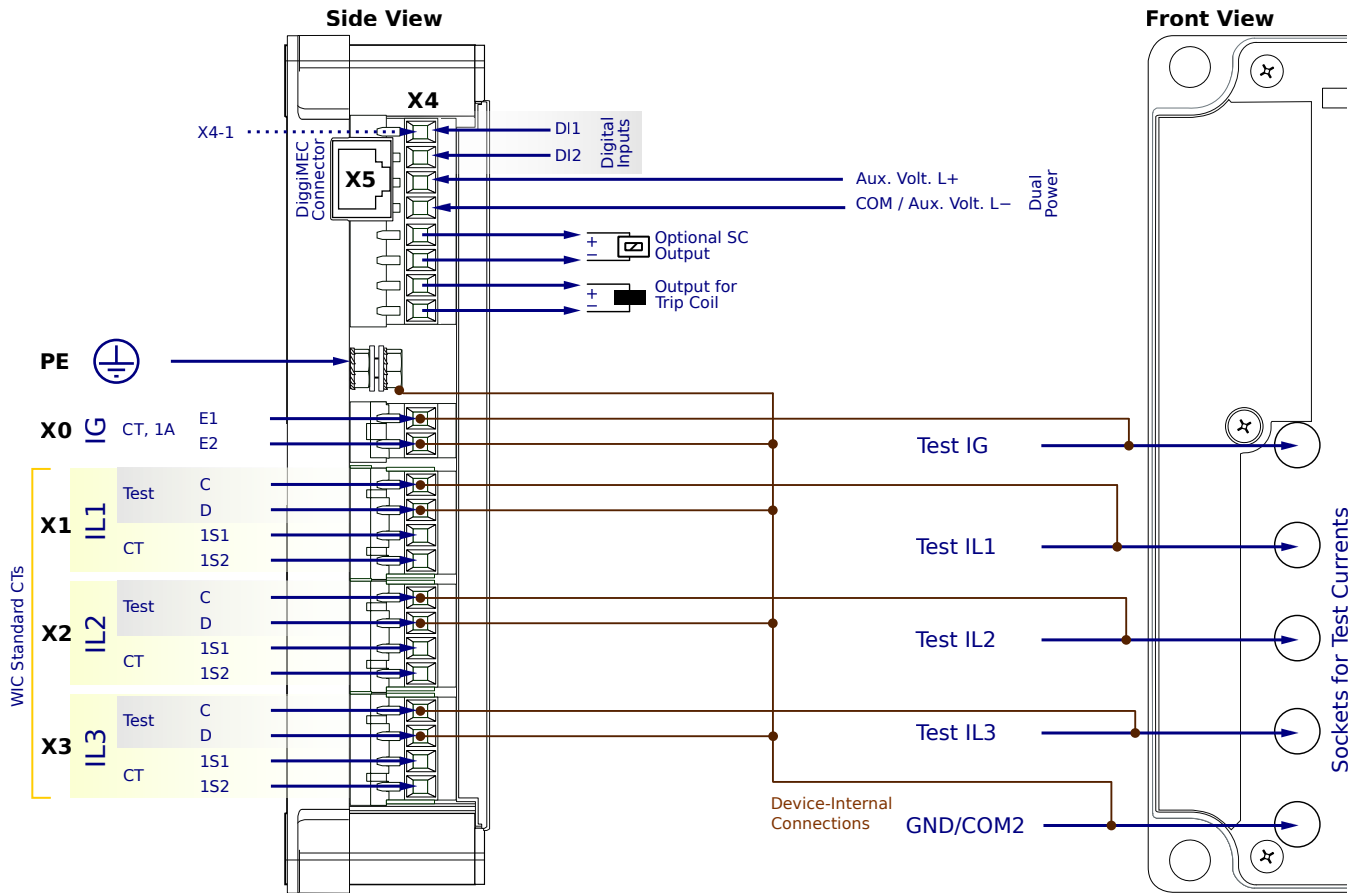
**X4-5,6** - Output, optional use for self-supervision signaling

**X4-7,8** - Trip pulse output

**X5** - DiggiMEC-WIC1 connection. Use network cable CAT3 (or better). No crossover cable!

**X6** - Modbus RTU — RS485 / terminals

# WIC1-4SG0ND2PA



## Dual-Powered Protection Device, configuration via DiggiMEC / Smart view

- Nominal frequency is 50 Hz or 60 Hz. (Setting via DiggiMEC/Smart view.)
- Trip at  $20 \cdot I_{n,max}$
- Package "A" + SOTF, CLPU, external protection, ultra-fast overcurrent protection

**PE** - Protective Earth

**X0** - Measured ground (earth) current via 1 A CT input. (Calc. IG is also possible.)

**X1...X3** - WIC CTs

**X4-1,2** - 2 assignable Digital Inputs

**X4-3,4** - Dual Power (Optional auxiliary power supply)

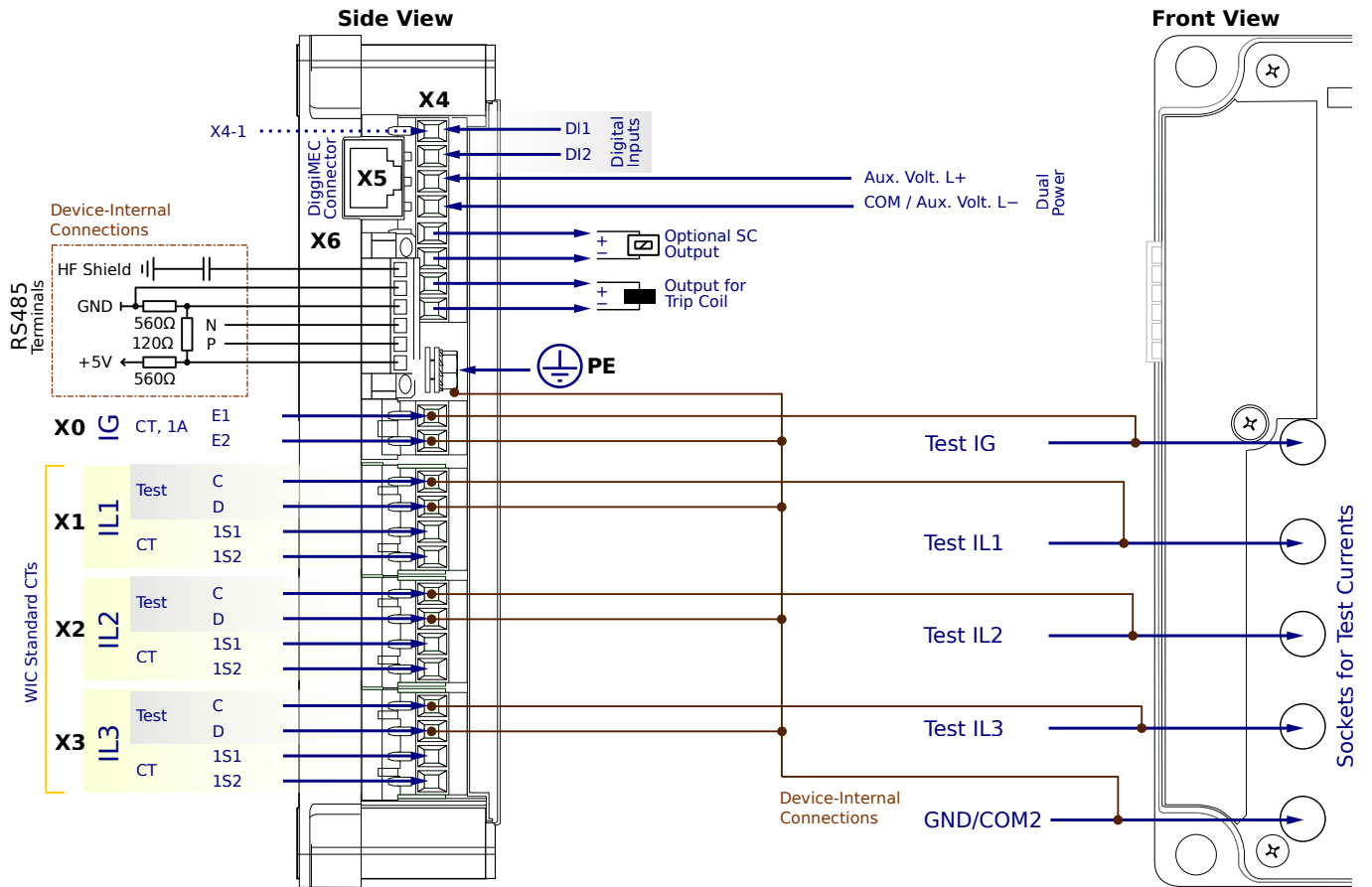
**X4-5,6** - Output, optional use for self-supervision signaling

**X4-7,8** - Trip pulse output

**X5** - DiggiMEC-WIC1 connection. Use network cable CAT3 (or better). No crossover cable!



# WIC1-4SG0ND2PB



## Dual-Powered Protection Device, configuration via DiggiMEC / Smart view

- Nominal frequency is 50 Hz or 60 Hz. (Setting via DiggiMEC/Smart view.)
- Trip at  $20 \cdot I_{n,max}$
- Package "A" + SOTF, CLPU, external protection, ultra-fast overcurrent protection

**PE** - Protective Earth

**X0** - Measured ground (earth) current via 1 A CT input. (Calc. IG is also possible.)

**X1...X3** - WIC CTs

**X4-1,2** - 2 assignable Digital Inputs

**X4-3,4** - Dual Power (Optional auxiliary power supply)

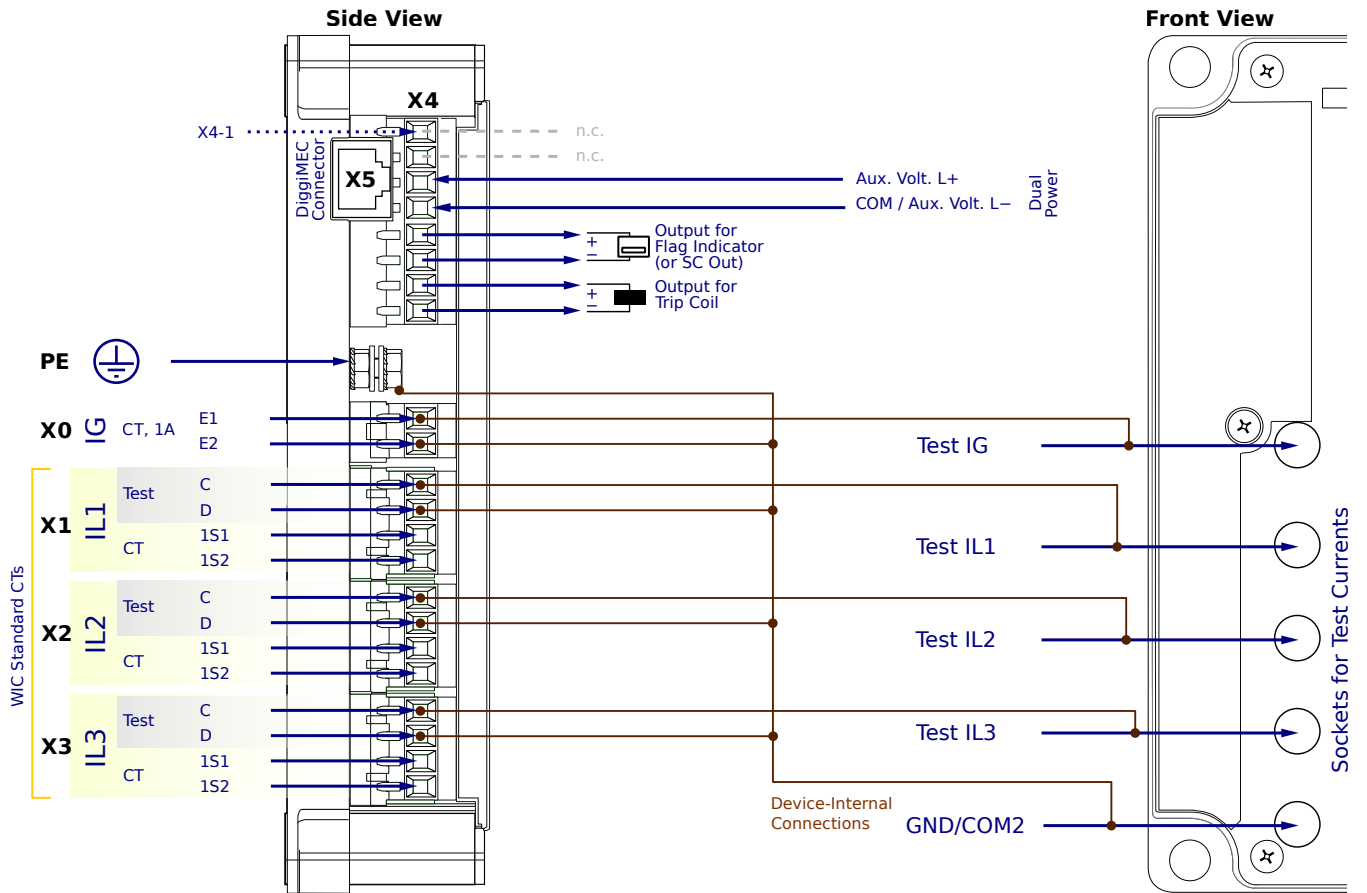
**X4-5,6** - Output, optional use for self-supervision signaling

**X4-7,8** - Trip pulse output

**X5** - DiggiMEC-WIC1 connection. Use network cable CAT3 (or better). No crossover cable!

**X6** - Modbus RTU — RS485 / terminals

# WIC1-4SG0FM1SA



## Dual-Powered Protection Device, configuration via DiggiMEC / Smart view

- Nominal frequency is 50 Hz or 60 Hz. (Setting via DiggiMEC/Smart view.)
- Backup protection operates directly
- ANSI 50, 50G/N, 51, 51G/N, inrush, 50BF, 74TC

**PE** - Protective Earth

**X0** - Measured ground (earth) current via 1 A CT input. (Calc. IG is also possible.)

**X1...X3** - WIC CTs

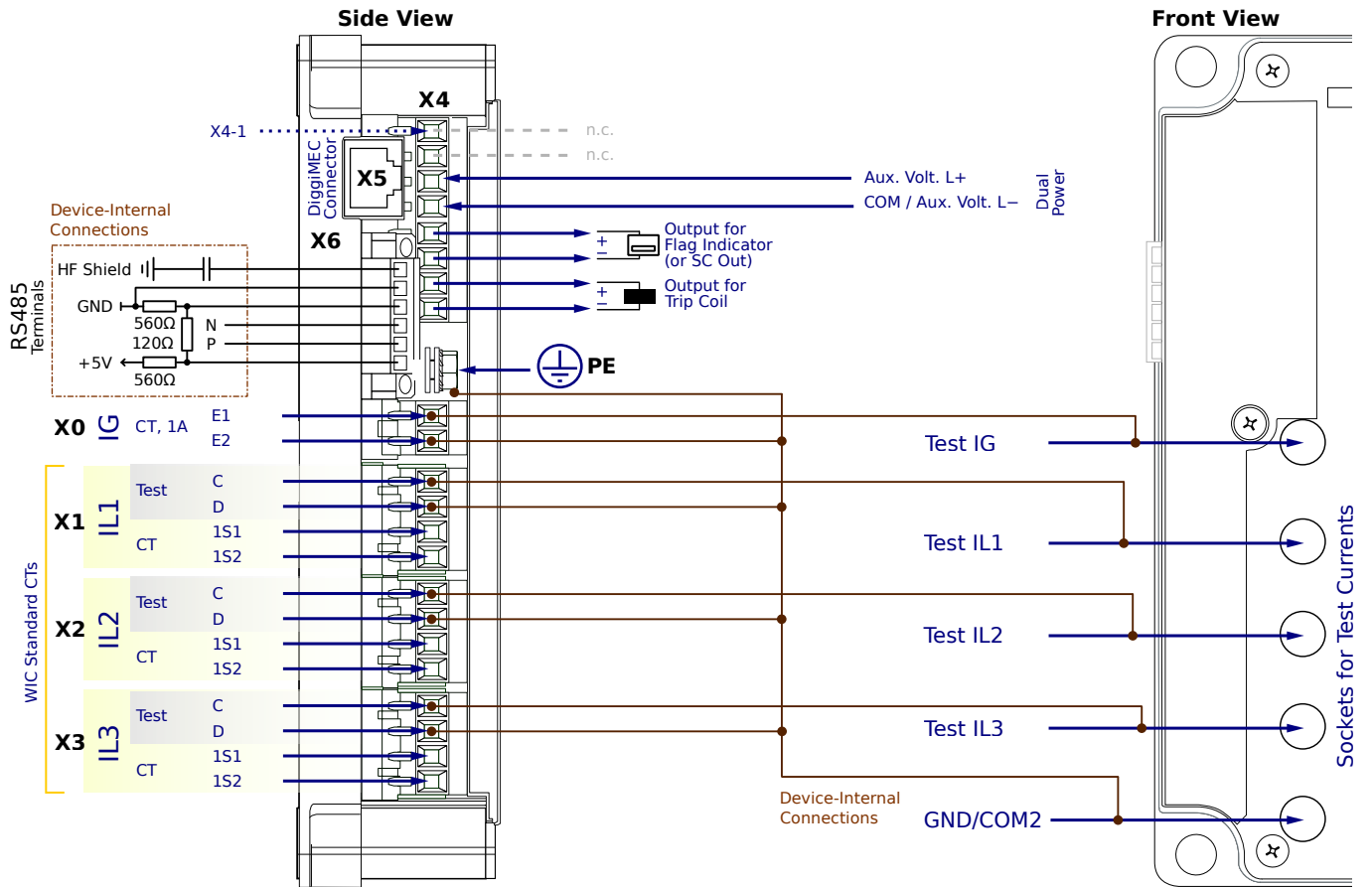
**X4-3,4** - Dual Power (Optional auxiliary power supply)

**X4-5,6** - Trip flag indicator, optional use for self-supervision signaling

**X4-7,8** - Trip pulse output

**X5** - DiggiMEC-WIC1 connection. Use network cable CAT3 (or better). No crossover cable!

# WIC1-4SG0FM1SB



## Dual-Powered Protection Device, configuration via DiggiMEC / Smart view

- Nominal frequency is 50 Hz or 60 Hz. (Setting via DiggiMEC/Smart view.)
- Backup protection operates directly
- ANSI 50, 50G/N, 51, 51G/N, inrush, 50BF, 74TC

**PE** – Protective Earth

**X0** – Measured ground (earth) current via 1 A CT input. (Calc. IG is also possible.)

**X1...X3** – WIC CTs

**X4-3,4** – Dual Power (Optional auxiliary power supply)

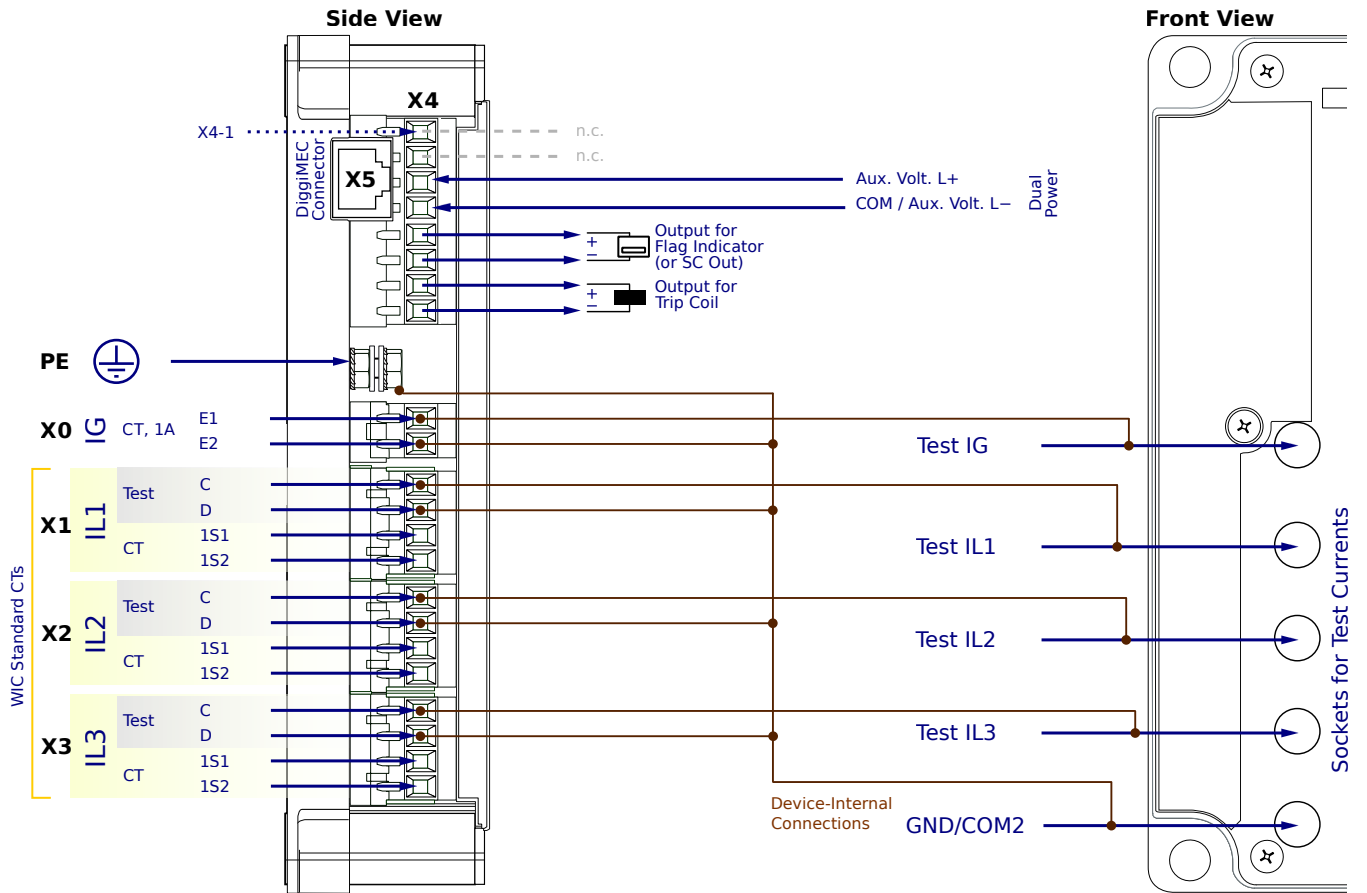
**X4-5,6** – Trip flag indicator, optional use for self-supervision signaling

**X4-7,8** – Trip pulse output

**X5** – DiggiMEC-WIC1 connection. Use network cable CAT3 (or better). No crossover cable!

**X6** – Modbus RTU — RS485 / terminals

# WIC1-4SG0FM1AA



## Dual-Powered Protection Device, configuration via DiggiMEC / Smart view

- Nominal frequency is 50 Hz or 60 Hz. (Setting via DiggiMEC/Smart view.)
- Backup protection operates directly
- Package "S" + ANSI 46, 49, 51Q, Breaker Wear, Condition Monitoring (= Life Load, Drag Indicator)

**PE** - Protective Earth

**X0** - Measured ground (earth) current via 1 A CT input. (Calc. IG is also possible.)

**X1...X3** - WIC CTs

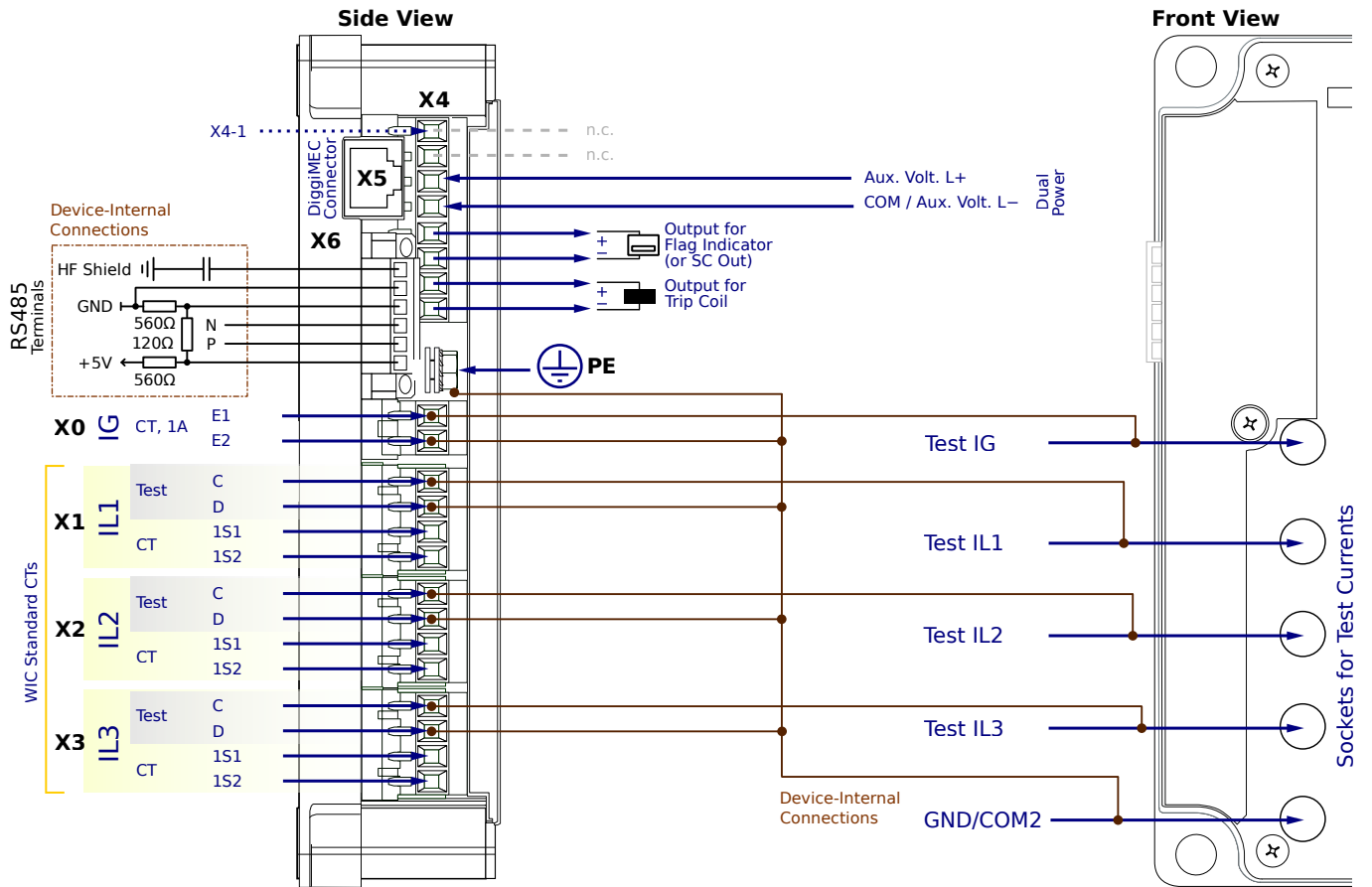
**X4-3,4** - Dual Power (Optional auxiliary power supply)

**X4-5,6** - Trip flag indicator, optional use for self-supervision signaling

**X4-7,8** - Trip pulse output

**X5** - DiggiMEC-WIC1 connection. Use network cable CAT3 (or better). No crossover cable!

# WIC1-4SG0FM1AB



## Dual-Powered Protection Device, configuration via DiggiMEC / Smart view

- Nominal frequency is 50 Hz or 60 Hz. (Setting via DiggiMEC/Smart view.)
- Backup protection operates directly
- Package "S" + ANSI 46, 49, 51Q, Breaker Wear, Condition Monitoring (= Life Load, Drag Indicator)

**PE** – Protective Earth

**X0** – Measured ground (earth) current via 1 A CT input. (Calc. IG is also possible.)

**X1...X3** – WIC CTs

**X4-3,4** – Dual Power (Optional auxiliary power supply)

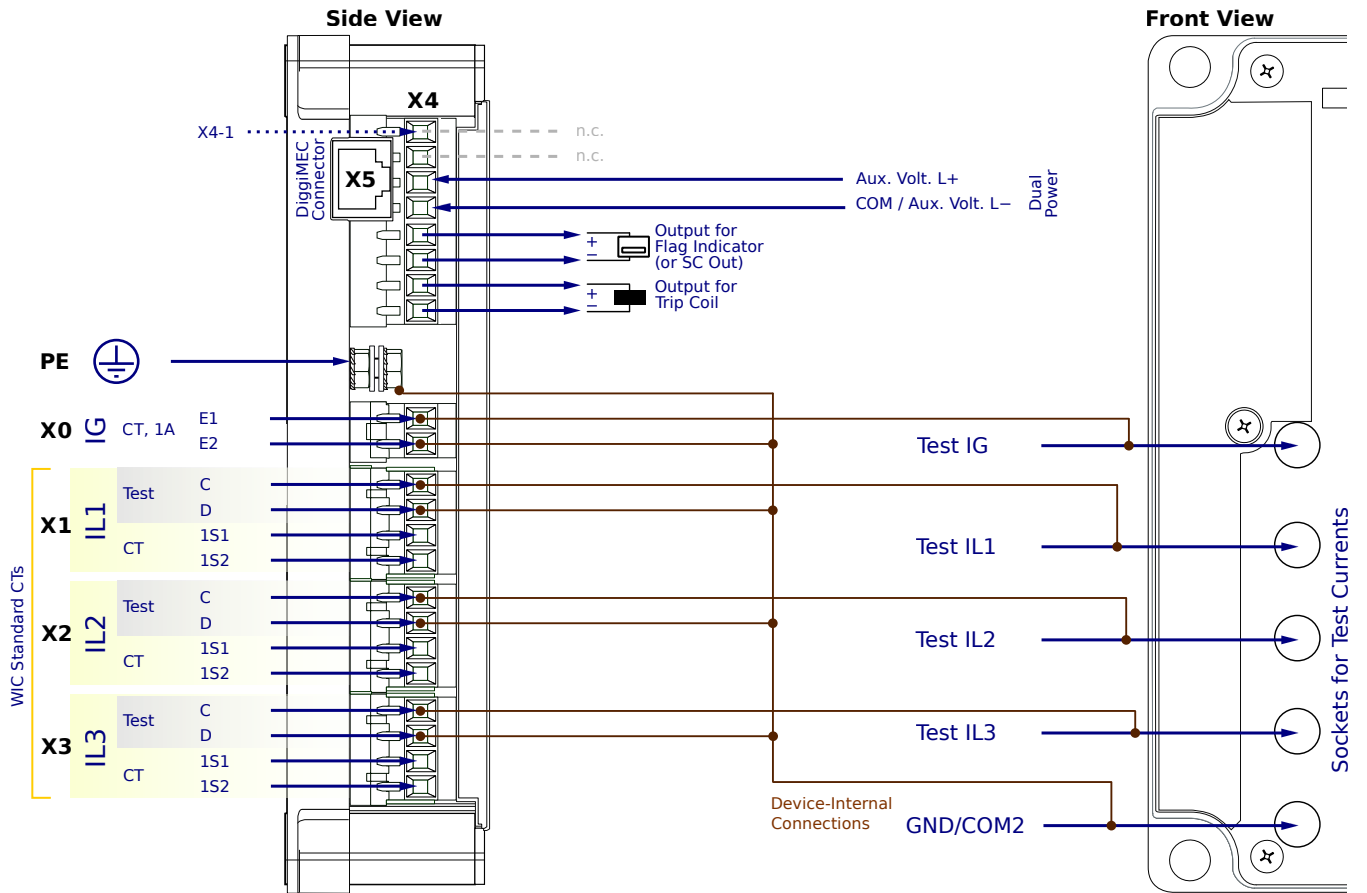
**X4-5,6** – Trip flag indicator, optional use for self-supervision signaling

**X4-7,8** – Trip pulse output

**X5** – DiggiMEC-WIC1 connection. Use network cable CAT3 (or better). No crossover cable!

**X6** – Modbus RTU — RS485 / terminals

# WIC1-4SG0FM1PA



## Dual-Powered Protection Device, configuration via DiggiMEC / Smart view

- Nominal frequency is 50 Hz or 60 Hz. (Setting via DiggiMEC/Smart view.)
- Backup protection operates directly
- Package "A" + SOTF, CLPU, external protection, ultra-fast overcurrent protection

**PE** - Protective Earth

**X0** - Measured ground (earth) current via 1 A CT input. (Calc. IG is also possible.)

**X1...X3** - WIC CTs

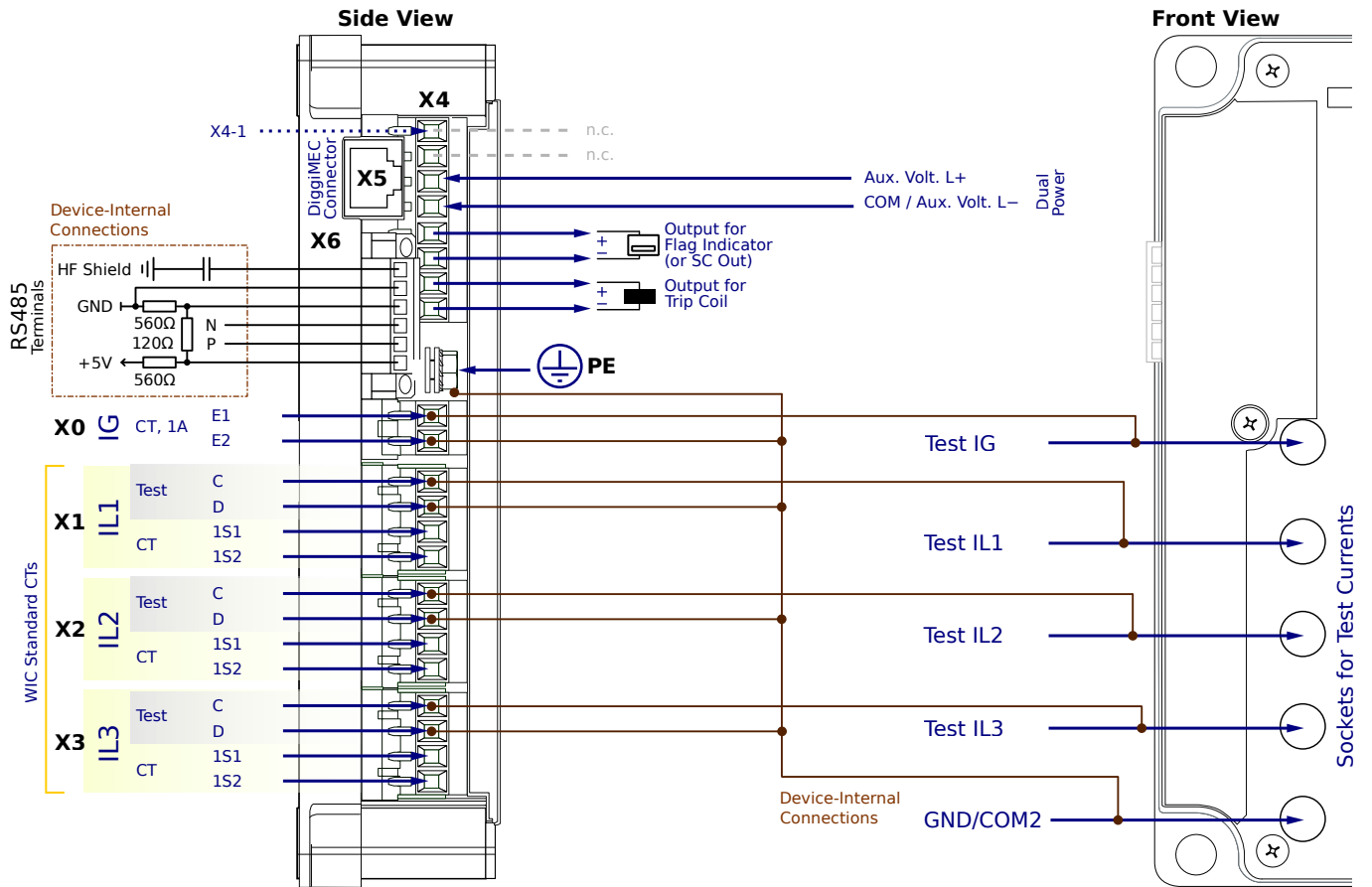
**X4-3,4** - Dual Power (Optional auxiliary power supply)

**X4-5,6** - Trip flag indicator, optional use for self-supervision signaling

**X4-7,8** - Trip pulse output

**X5** - DiggiMEC-WIC1 connection. Use network cable CAT3 (or better). No crossover cable!

# WIC1-4SG0FM1PB



## Dual-Powered Protection Device, configuration via DiggiMEC / Smart view

- Nominal frequency is 50 Hz or 60 Hz. (Setting via DiggiMEC/Smart view.)
- Backup protection operates directly
- Package "A" + SOTF, CLPU, external protection, ultra-fast overcurrent protection

**PE** - Protective Earth

**X0** - Measured ground (earth) current via 1 A CT input. (Calc. IG is also possible.)

**X1...X3** - WIC CTs

**X4-3,4** - Dual Power (Optional auxiliary power supply)

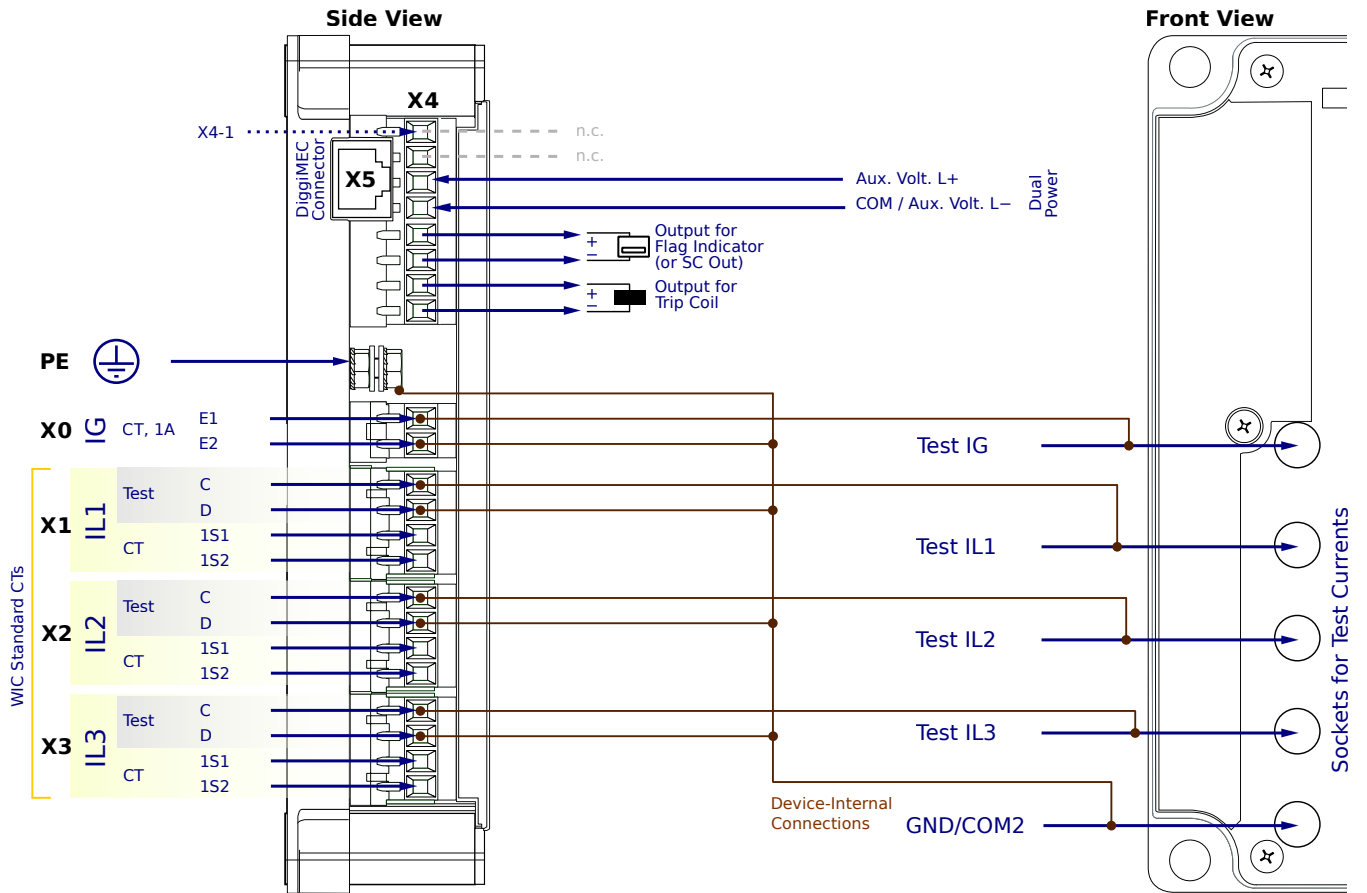
**X4-5,6** - Trip flag indicator, optional use for self-supervision signaling

**X4-7,8** - Trip pulse output

**X5** - DiggiMEC-WIC1 connection. Use network cable CAT3 (or better). No crossover cable!

**X6** - Modbus RTU — RS485 / terminals

# WIC1-4SG0FM2SA



## Dual-Powered Protection Device, configuration via DiggiMEC / Smart view

- Nominal frequency is 50 Hz or 60 Hz. (Setting via DiggiMEC/Smart view.)
- Trip at  $20 \cdot I_{n,max}$
- ANSI 50, 50G/N, 51, 51G/N, inrush, 50BF, 74TC

**PE** - Protective Earth

**X0** - Measured ground (earth) current via 1 A CT input. (Calc. IG is also possible.)

**X1...X3** - WIC CTs

**X4-3,4** - Dual Power (Optional auxiliary power supply)

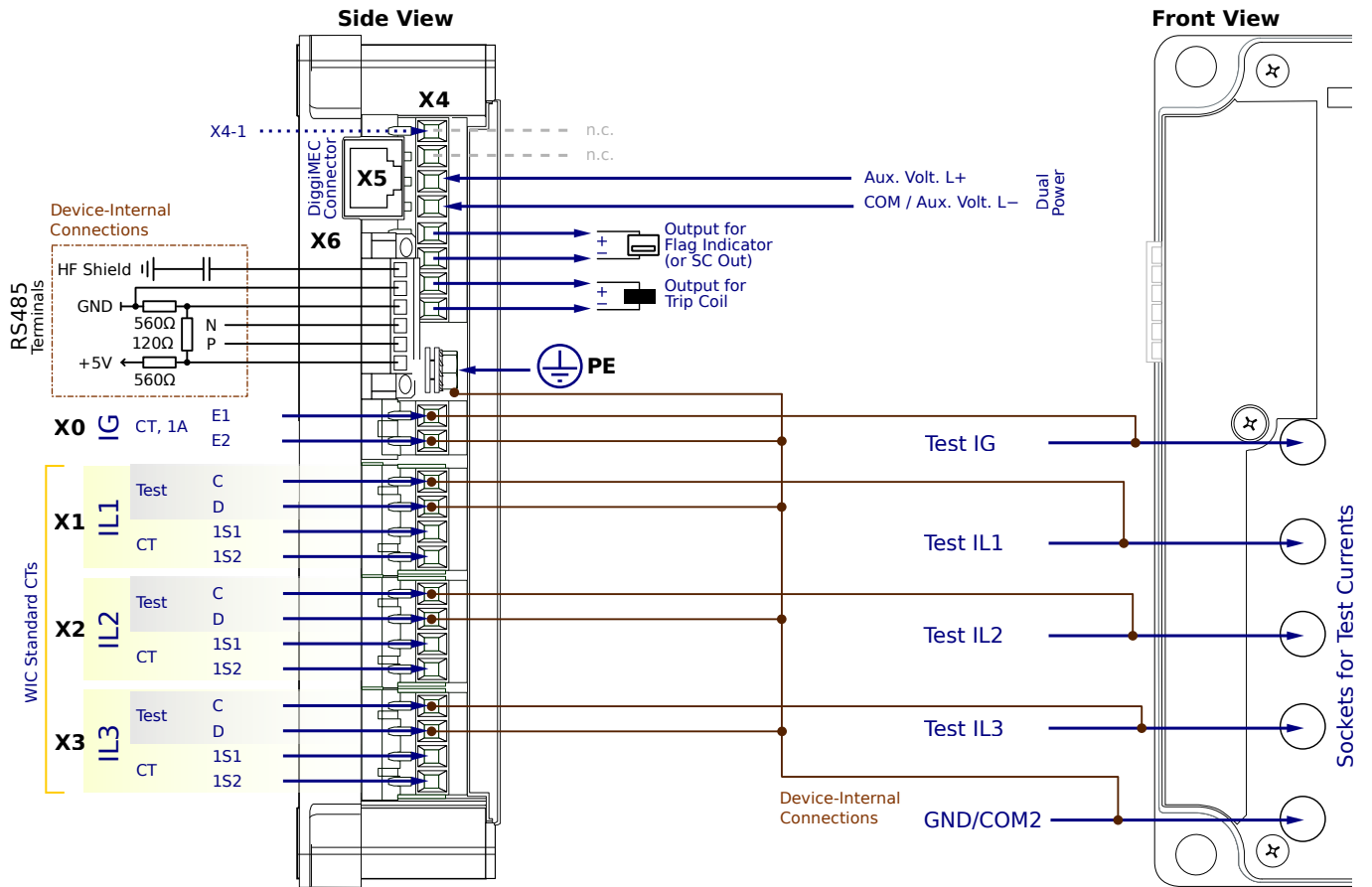
**X4-5,6** - Trip flag indicator, optional use for self-supervision signaling

**X4-7,8** - Trip pulse output

**X5** - DiggiMEC-WIC1 connection. Use network cable CAT3 (or better). No crossover cable!



# WIC1-4SG0FM2SB



## Dual-Powered Protection Device, configuration via DiggiMEC / Smart view

- Nominal frequency is 50 Hz or 60 Hz. (Setting via DiggiMEC/Smart view.)
- Trip at  $20 \cdot I_{n,max}$
- ANSI 50, 50G/N, 51, 51G/N, inrush, 50BF, 74TC

**PE** – Protective Earth

**X0** – Measured ground (earth) current via 1 A CT input. (Calc. IG is also possible.)

**X1...X3** – WIC CTs

**X4-3,4** – Dual Power (Optional auxiliary power supply)

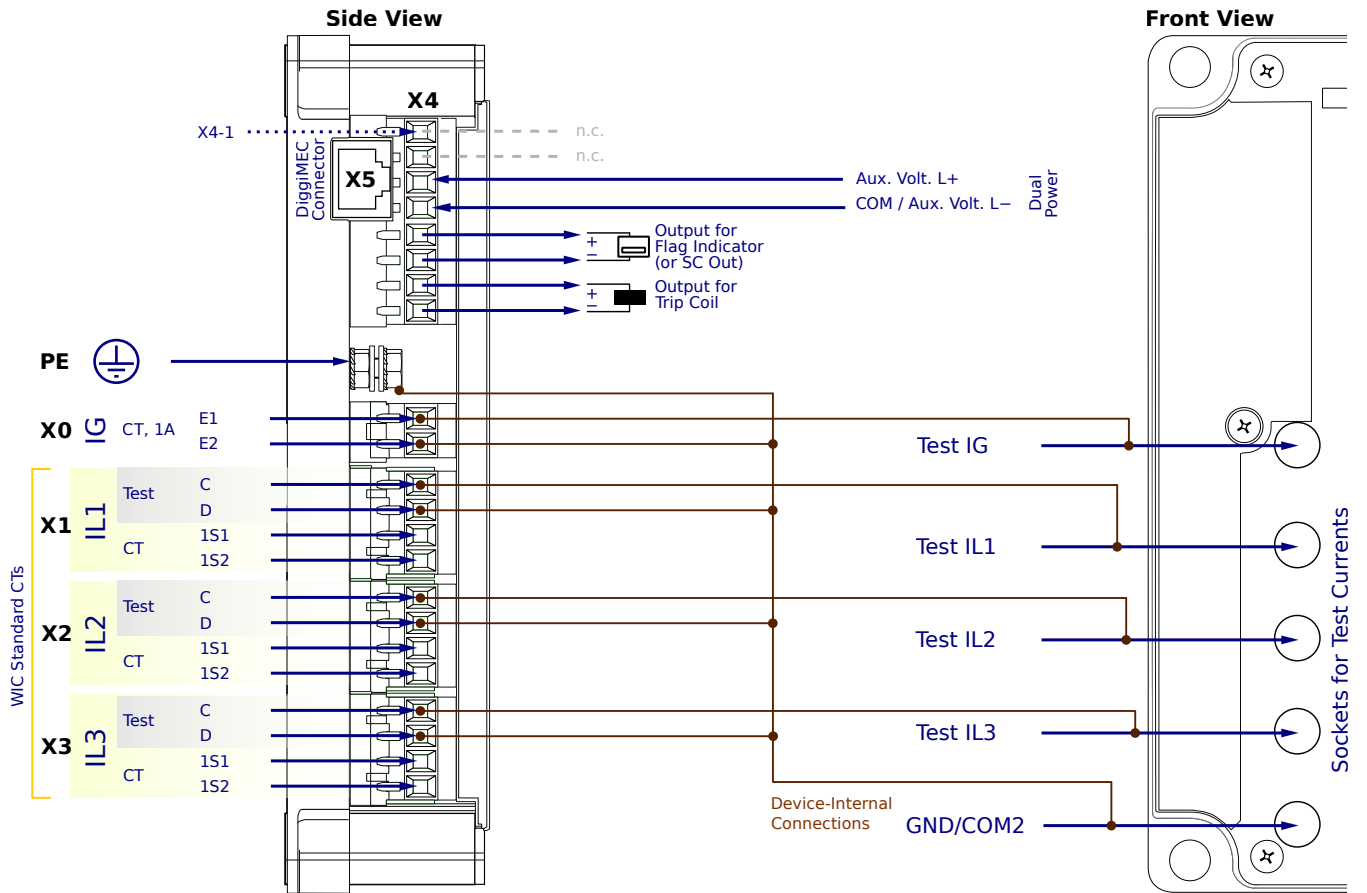
**X4-5,6** – Trip flag indicator, optional use for self-supervision signaling

**X4-7,8** – Trip pulse output

**X5** – DiggiMEC-WIC1 connection. Use network cable CAT3 (or better). No crossover cable!

**X6** – Modbus RTU — RS485 / terminals

# WIC1-4SG0FM2AA



## Dual-Powered Protection Device, configuration via DiggiMEC / Smart view

- Nominal frequency is 50 Hz or 60 Hz. (Setting via DiggiMEC/Smart view.)
- Trip at  $20 \cdot I_{n,max}$
- Package "S" + ANSI 46, 49, 51Q, Breaker Wear, Condition Monitoring (= Life Load, Drag Indicator)

**PE** - Protective Earth

**X0** - Measured ground (earth) current via 1 A CT input. (Calc. IG is also possible.)

**X1...X3** - WIC CTs

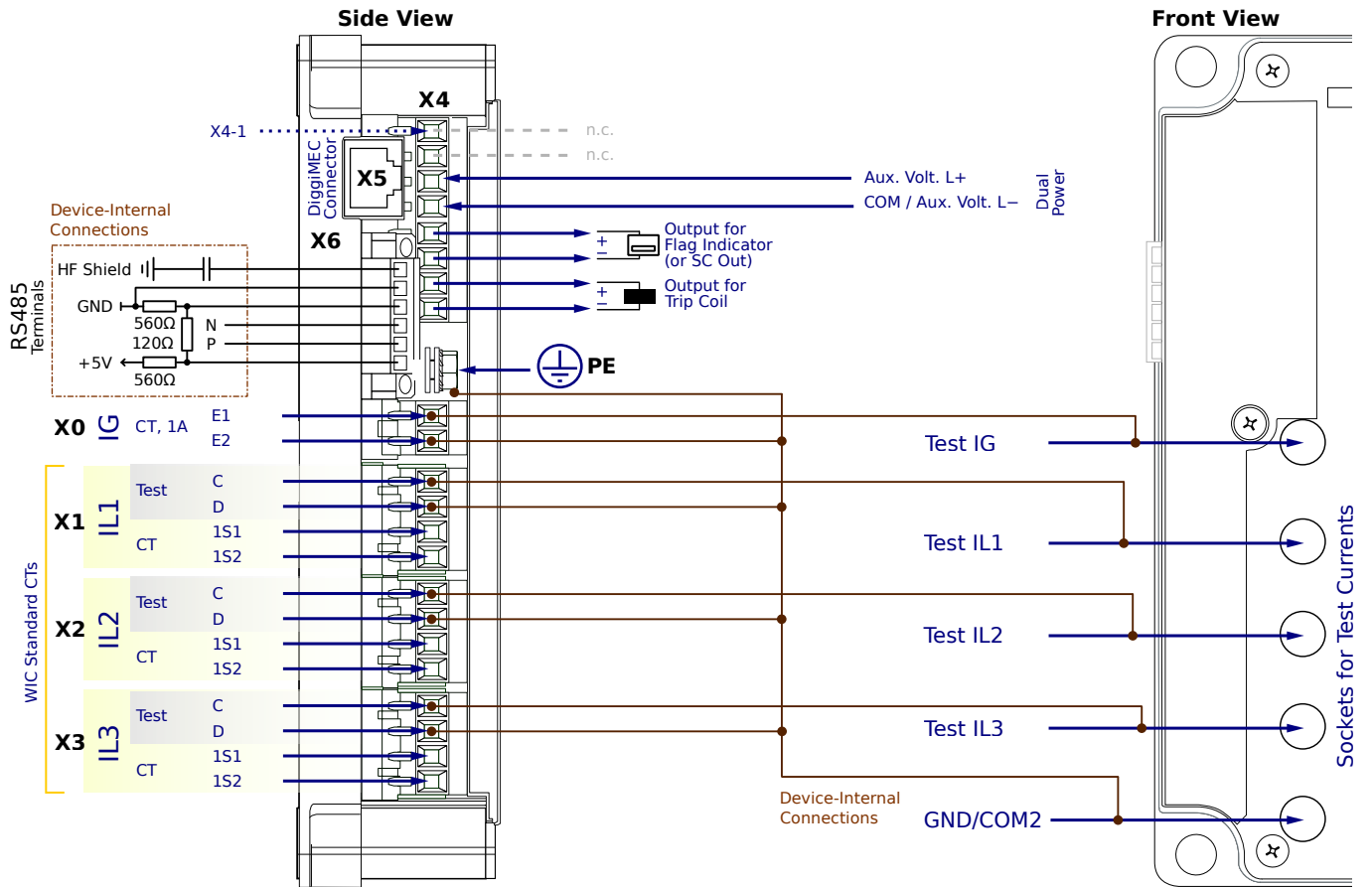
**X4-3,4** - Dual Power (Optional auxiliary power supply)

**X4-5,6** - Trip flag indicator, optional use for self-supervision signaling

**X4-7,8** - Trip pulse output

**X5** - DiggiMEC-WIC1 connection. Use network cable CAT3 (or better). No crossover cable!

# WIC1-4SG0FM2AB



## Dual-Powered Protection Device, configuration via DiggiMEC / Smart view

- Nominal frequency is 50 Hz or 60 Hz. (Setting via DiggiMEC/Smart view.)
- Trip at  $20 \cdot I_{n,max}$
- Package "S" + ANSI 46, 49, 51Q, Breaker Wear, Condition Monitoring (= Life Load, Drag Indicator)

**PE** - Protective Earth

**X0** - Measured ground (earth) current via 1 A CT input. (Calc. IG is also possible.)

**X1...X3** - WIC CTs

**X4-3,4** - Dual Power (Optional auxiliary power supply)

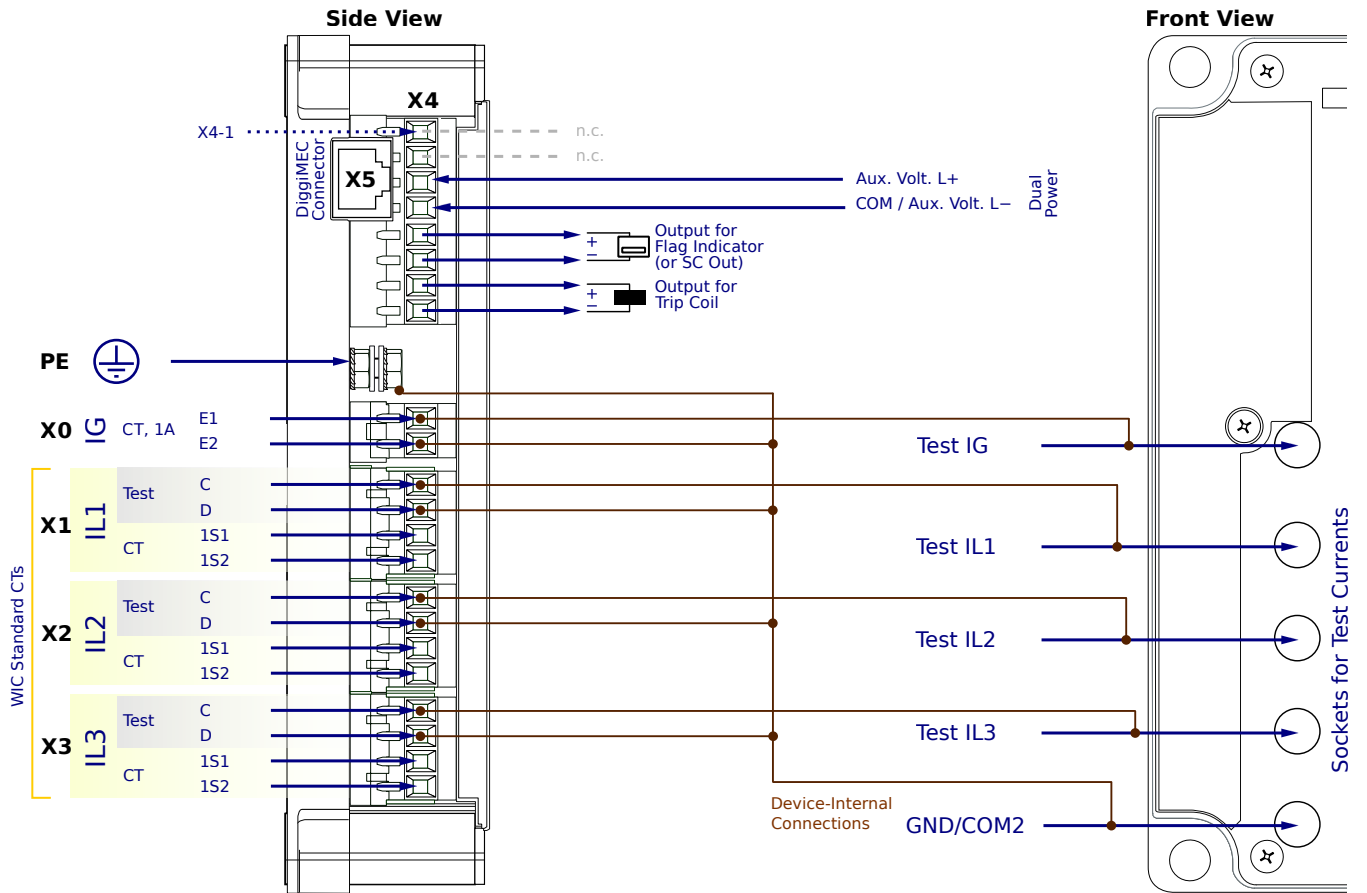
**X4-5,6** - Trip flag indicator, optional use for self-supervision signaling

**X4-7,8** - Trip pulse output

**X5** - DiggiMEC-WIC1 connection. Use network cable CAT3 (or better). No crossover cable!

**X6** - Modbus RTU — RS485 / terminals

# WIC1-4SG0FM2PA



## Dual-Powered Protection Device, configuration via DiggiMEC / Smart view

- Nominal frequency is 50 Hz or 60 Hz. (Setting via DiggiMEC/Smart view.)
- Trip at  $20 \cdot I_{n,max}$
- Package "A" + SOTF, CLPU, external protection, ultra-fast overcurrent protection

**PE** - Protective Earth

**X0** - Measured ground (earth) current via 1 A CT input. (Calc. IG is also possible.)

**X1...X3** - WIC CTs

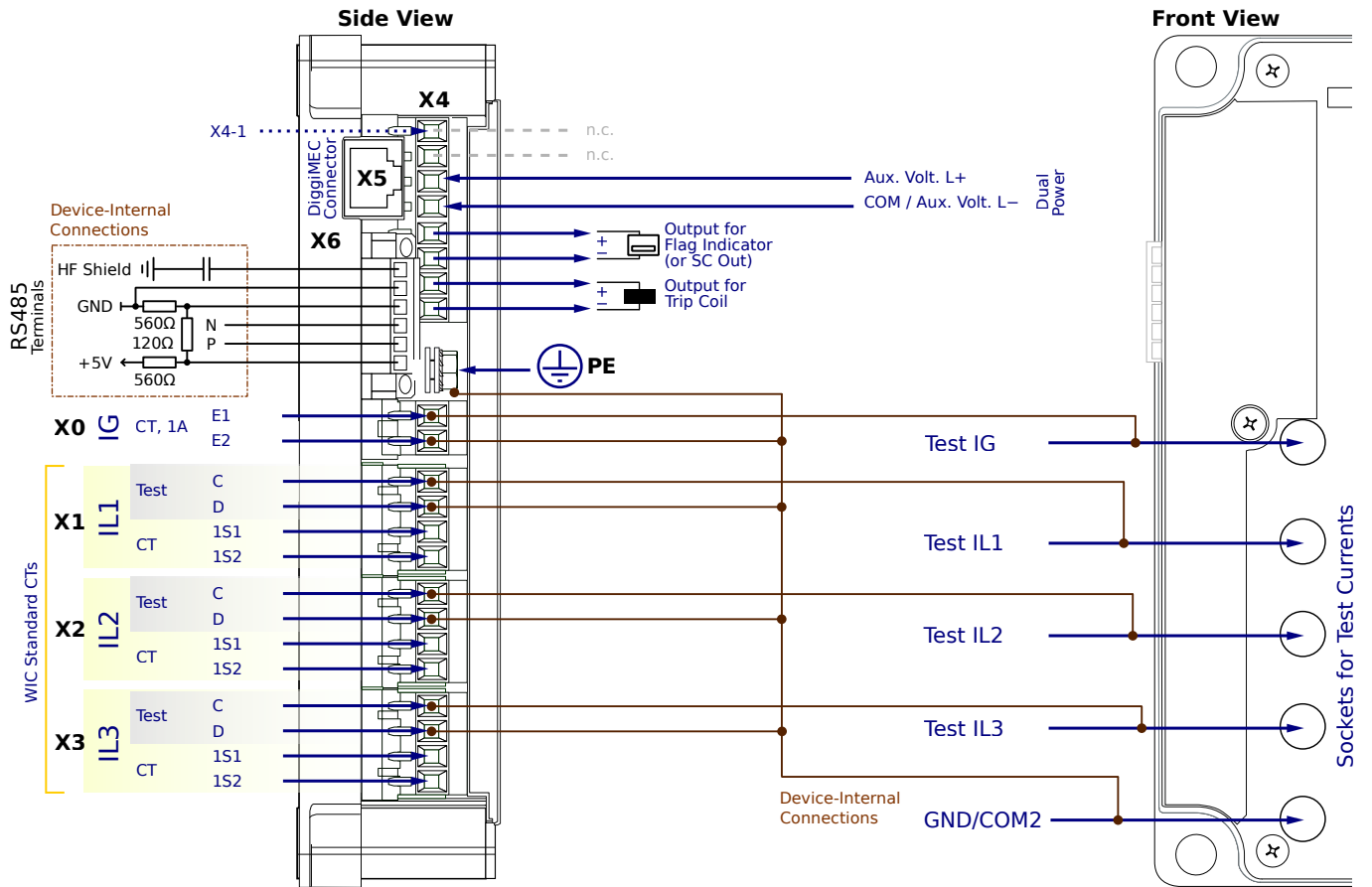
**X4-3,4** - Dual Power (Optional auxiliary power supply)

**X4-5,6** - Trip flag indicator, optional use for self-supervision signaling

**X4-7,8** - Trip pulse output

**X5** - DiggiMEC-WIC1 connection. Use network cable CAT3 (or better). No crossover cable!

# WIC1-4SG0FM2PB



## Dual-Powered Protection Device, configuration via DiggiMEC / Smart view

- Nominal frequency is 50 Hz or 60 Hz. (Setting via DiggiMEC/Smart view.)
- Trip at  $20 \cdot I_{n,max}$
- Package "A" + SOTF, CLPU, external protection, ultra-fast overcurrent protection

**PE** - Protective Earth

**X0** - Measured ground (earth) current via 1 A CT input. (Calc. IG is also possible.)

**X1...X3** - WIC CTs

**X4-3,4** - Dual Power (Optional auxiliary power supply)

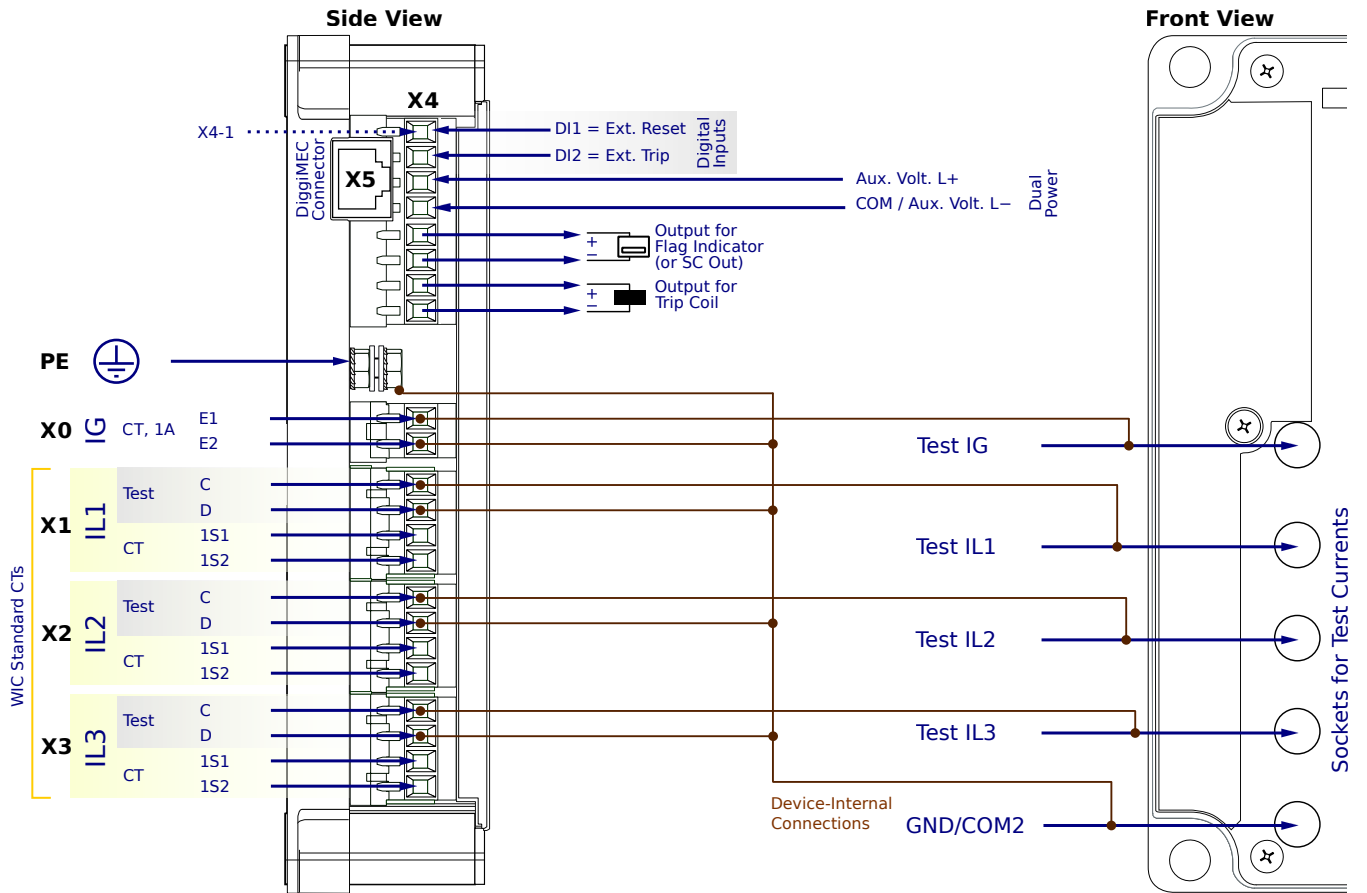
**X4-5,6** - Trip flag indicator, optional use for self-supervision signaling

**X4-7,8** - Trip pulse output

**X5** - DiggiMEC-WIC1 connection. Use network cable CAT3 (or better). No crossover cable!

**X6** - Modbus RTU — RS485 / terminals

# WIC1-4SG0FG1SA



## Dual-Powered Protection Device, configuration via DiggiMEC / Smart view

- Nominal frequency is 50 Hz or 60 Hz. (Setting via DiggiMEC/Smart view.)
- Backup protection operates directly
- ANSI 50, 50G/N, 51, 51G/N, inrush, 50BF, 74TC

**PE** - Protective Earth

**X0** - Measured ground (earth) current via 1 A CT input. (Calc. IG is also possible.)

**X1...X3** - WIC CTs

**X4-1,2** - Digital Inputs, fixed to: DI1=ext. reset, DI2=ext. trip

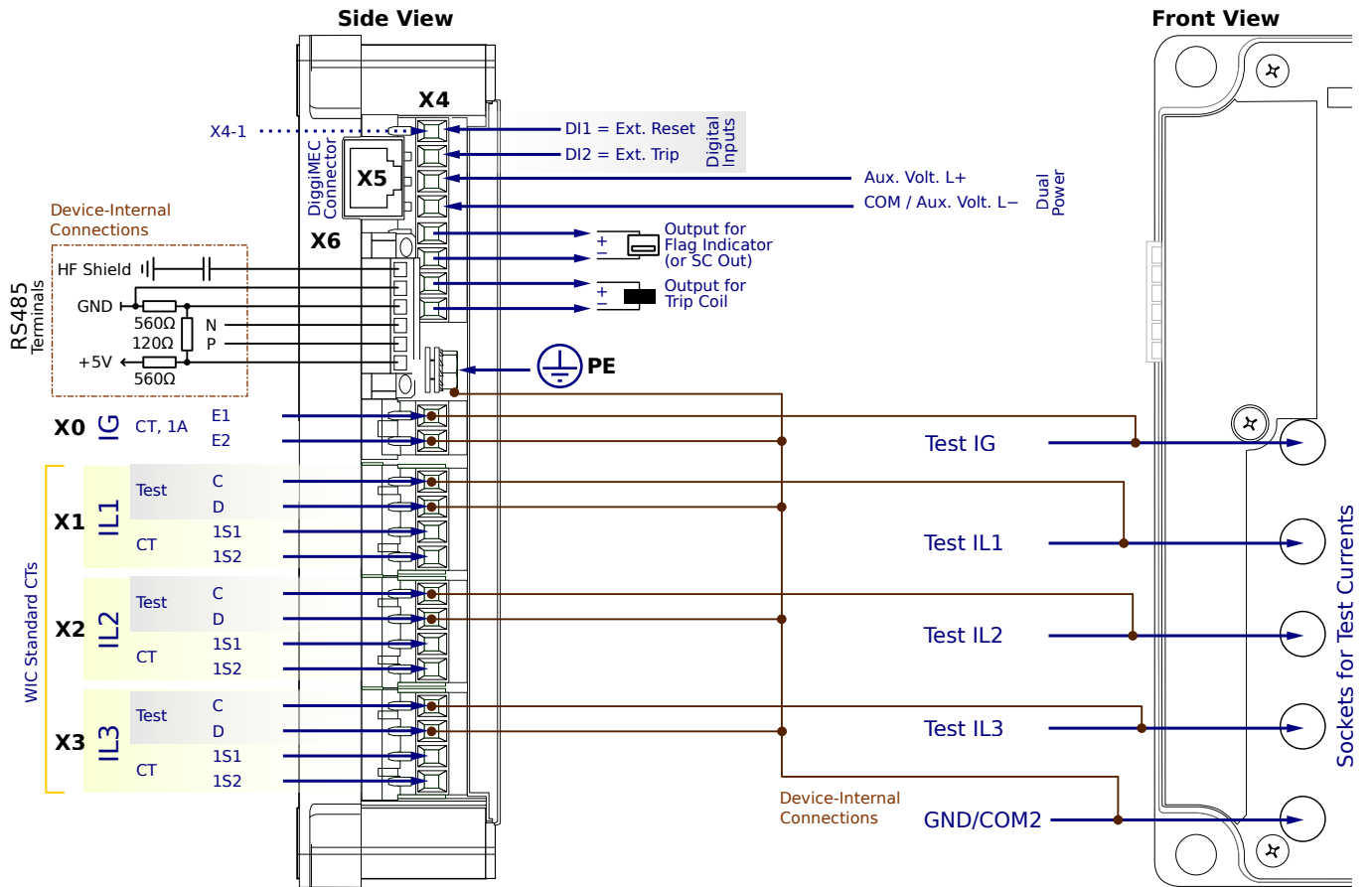
**X4-3,4** - Dual Power (Optional auxiliary power supply)

**X4-5,6** - Trip flag indicator, optional use for self-supervision signaling

**X4-7,8** - Trip pulse output

**X5** - DiggiMEC-WIC1 connection. Use network cable CAT3 (or better). No crossover cable!

# WIC1-4SG0FG1SB



## Dual-Powered Protection Device, configuration via DiggiMEC / Smart view

- Nominal frequency is 50 Hz or 60 Hz. (Setting via DiggiMEC/Smart view.)
- Backup protection operates directly
- ANSI 50, 50G/N, 51, 51G/N, inrush, 50BF, 74TC

**PE** - Protective Earth

**X0** - Measured ground (earth) current via 1 A CT input. (Calc. IG is also possible.)

**X1...X3** - WIC CTs

**X4-1,2** - Digital Inputs, fixed to: DI1=ext. reset, DI2=ext. trip

**X4-3,4** - Dual Power (Optional auxiliary power supply)

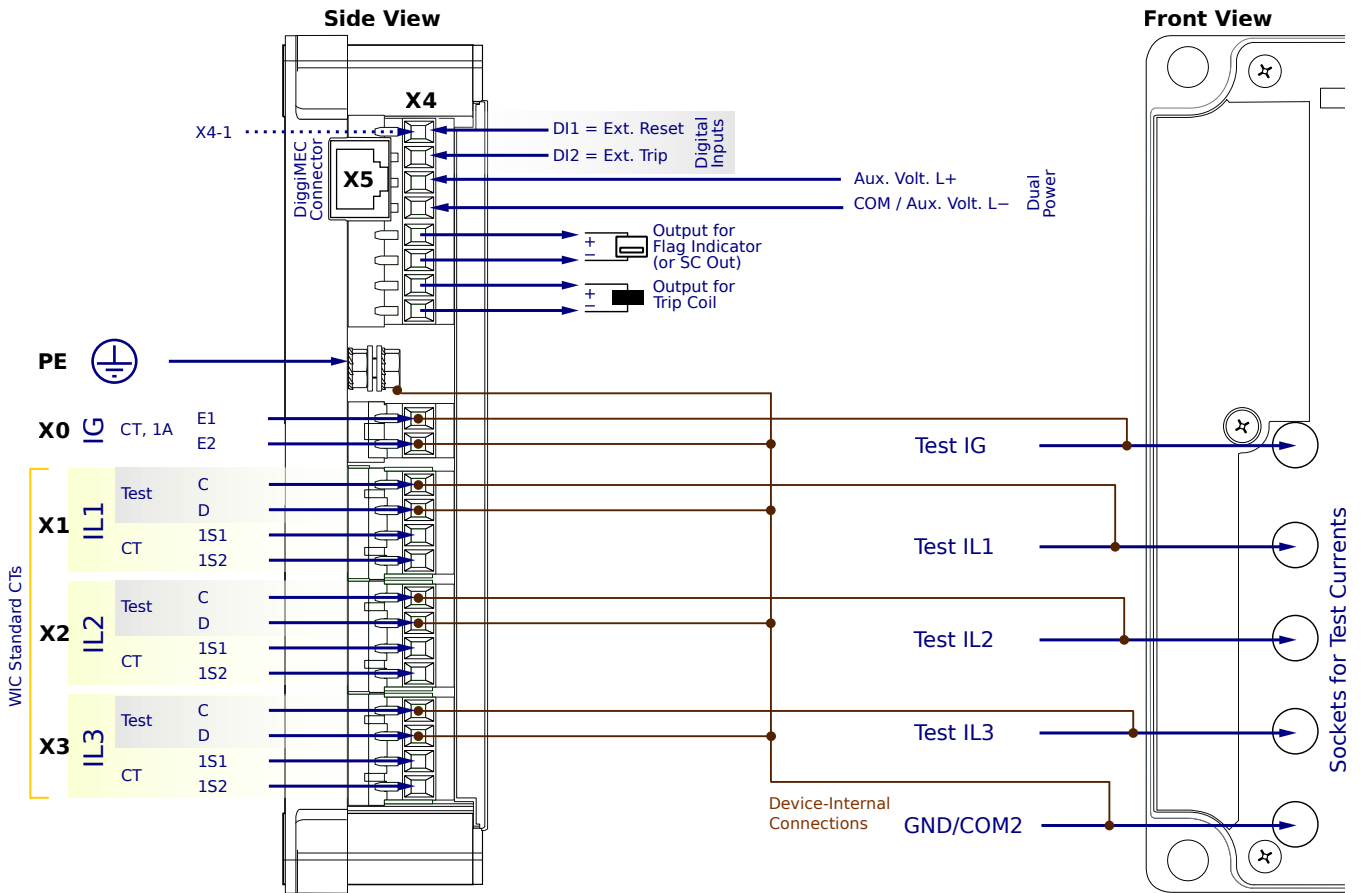
**X4-5,6** - Trip flag indicator, optional use for self-supervision signaling

**X4-7,8** - Trip pulse output

**X5** - DiggiMEC-WIC1 connection. Use network cable CAT3 (or better). No crossover cable!

**X6** - Modbus RTU — RS485 / terminals

# WIC1-4SG0FG1AA



## Dual-Powered Protection Device, configuration via DiggiMEC / Smart view

- Nominal frequency is 50 Hz or 60 Hz. (Setting via DiggiMEC/Smart view.)
- Backup protection operates directly
- Package "S" + ANSI 46, 49, 51Q, Breaker Wear, Condition Monitoring (= Life Load, Drag Indicator)

**PE** - Protective Earth

**X0** - Measured ground (earth) current via 1 A CT input. (Calc. IG is also possible.)

**X1...X3** - WIC CTs

**X4-1,2** - Digital Inputs, fixed to: DI1=ext. reset, DI2=ext. trip

**X4-3,4** - Dual Power (Optional auxiliary power supply)

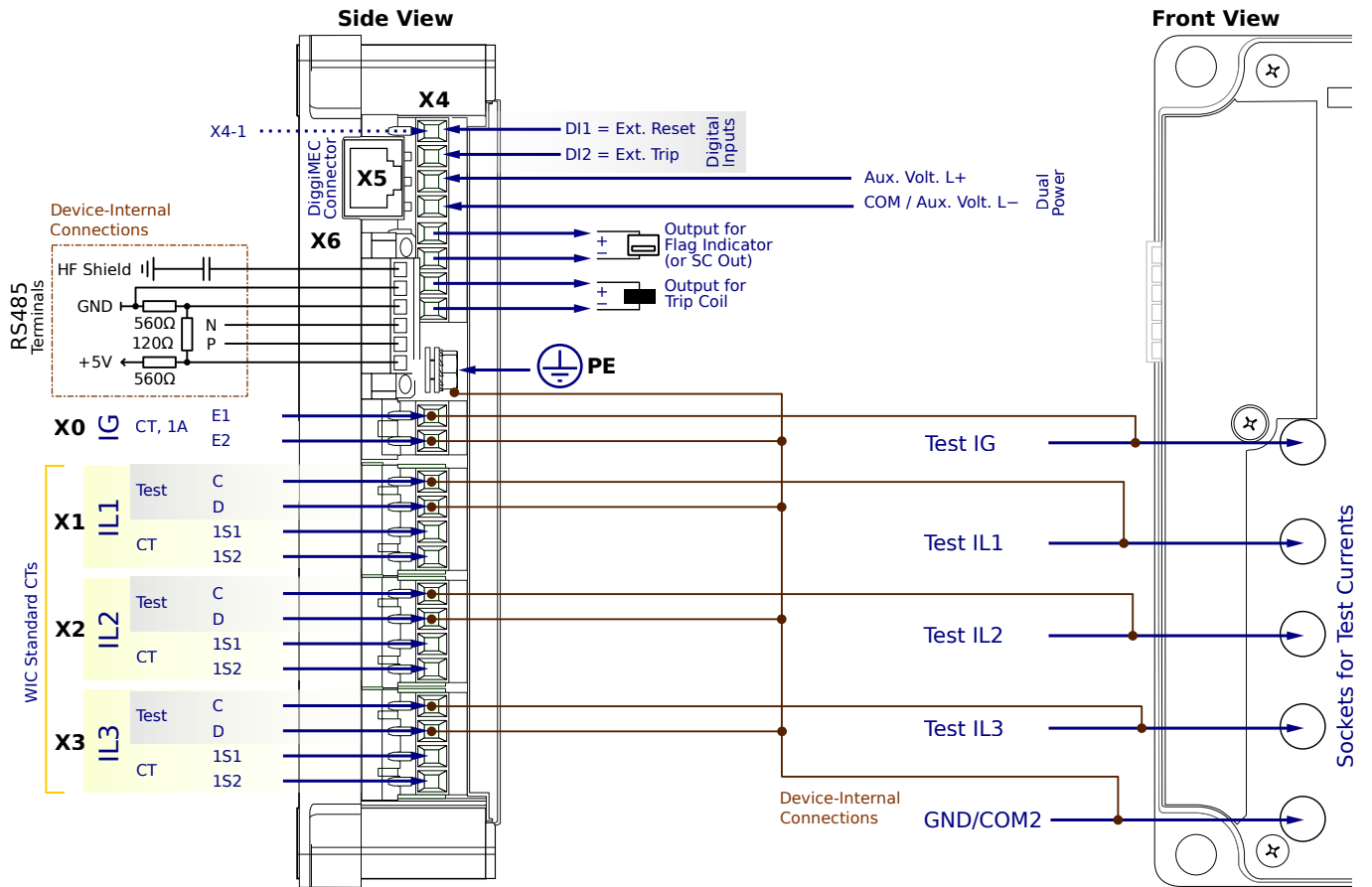
**X4-5,6** - Trip flag indicator, optional use for self-supervision signaling

**X4-7,8** - Trip pulse output

**X5** - DiggiMEC-WIC1 connection. Use network cable CAT3 (or better). No crossover cable!



# WIC1-4SG0FG1AB



## Dual-Powered Protection Device, configuration via DiggiMEC / Smart view

- Nominal frequency is 50 Hz or 60 Hz. (Setting via DiggiMEC/Smart view.)
- Backup protection operates directly
- Package "S" + ANSI 46, 49, 51Q, Breaker Wear, Condition Monitoring (= Life Load, Drag Indicator)

**PE** - Protective Earth

**X0** - Measured ground (earth) current via 1 A CT input. (Calc. IG is also possible.)

**X1...X3** - WIC CTs

**X4-1,2** - Digital Inputs, fixed to: DI1=ext. reset, DI2=ext. trip

**X4-3,4** - Dual Power (Optional auxiliary power supply)

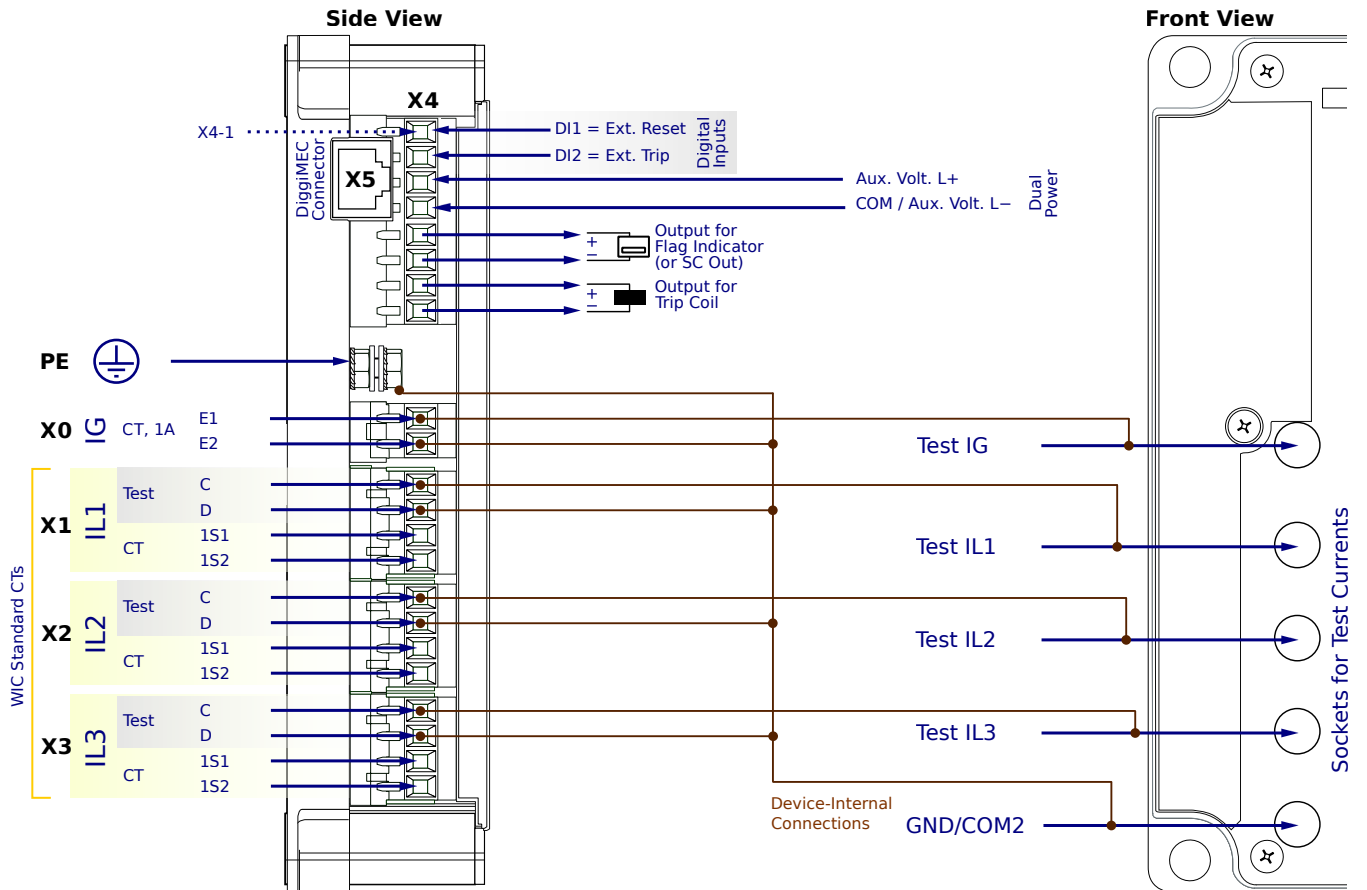
**X4-5,6** - Trip flag indicator, optional use for self-supervision signaling

**X4-7,8** - Trip pulse output

**X5** - DiggiMEC-WIC1 connection. Use network cable CAT3 (or better). No crossover cable!

**X6** - Modbus RTU — RS485 / terminals

# WIC1-4SG0FG1PA



## Dual-Powered Protection Device, configuration via DigiMEC / Smart view

- Nominal frequency is 50 Hz or 60 Hz. (Setting via DigiMEC/Smart view.)
- Backup protection operates directly
- Package "A" + SOTF, CLPU, external protection, ultra-fast overcurrent protection

**PE** - Protective Earth

**X0** - Measured ground (earth) current via 1 A CT input. (Calc. IG is also possible.)

**X1...X3** - WIC CTs

**X4-1,2** - Digital Inputs, fixed to: DI1=ext. reset, DI2=ext. trip

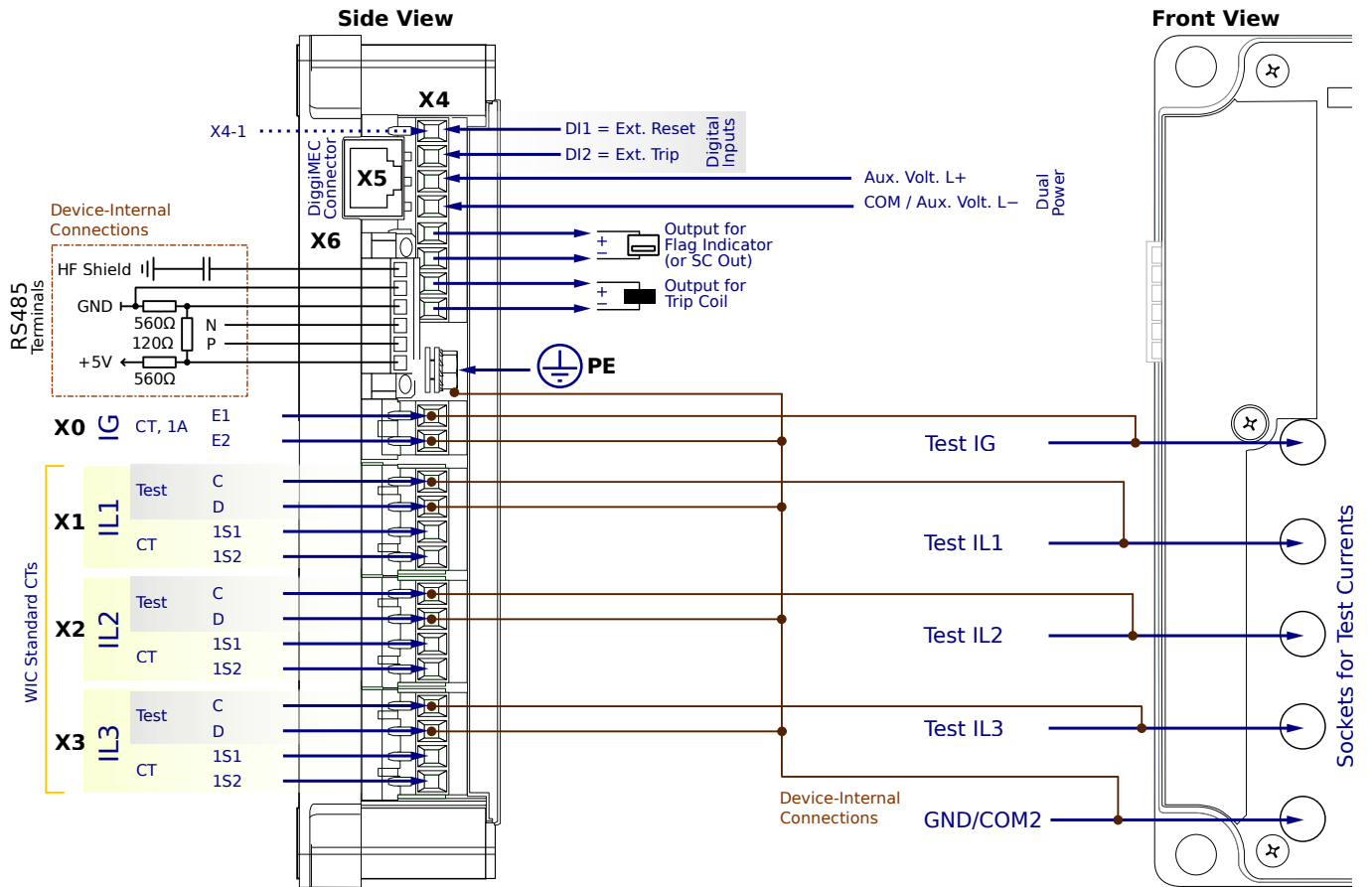
**X4-3,4** - Dual Power (Optional auxiliary power supply)

**X4-5,6** - Trip flag indicator, optional use for self-supervision signaling

**X4-7,8** - Trip pulse output

**X5** - DigiMEC-WIC1 connection. Use network cable CAT3 (or better). No crossover cable!

# WIC1-4SG0FG1PB



## Dual-Powered Protection Device, configuration via DiggiMEC / Smart view

- Nominal frequency is 50 Hz or 60 Hz. (Setting via DiggiMEC/Smart view.)
- Backup protection operates directly
- Package "A" + SOTF, CLPU, external protection, ultra-fast overcurrent protection

**PE** - Protective Earth

**X0** - Measured ground (earth) current via 1 A CT input. (Calc. IG is also possible.)

**X1...X3** - WIC CTs

**X4-1,2** - Digital Inputs, fixed to: DI1=ext. reset, DI2=ext. trip

**X4-3,4** - Dual Power (Optional auxiliary power supply)

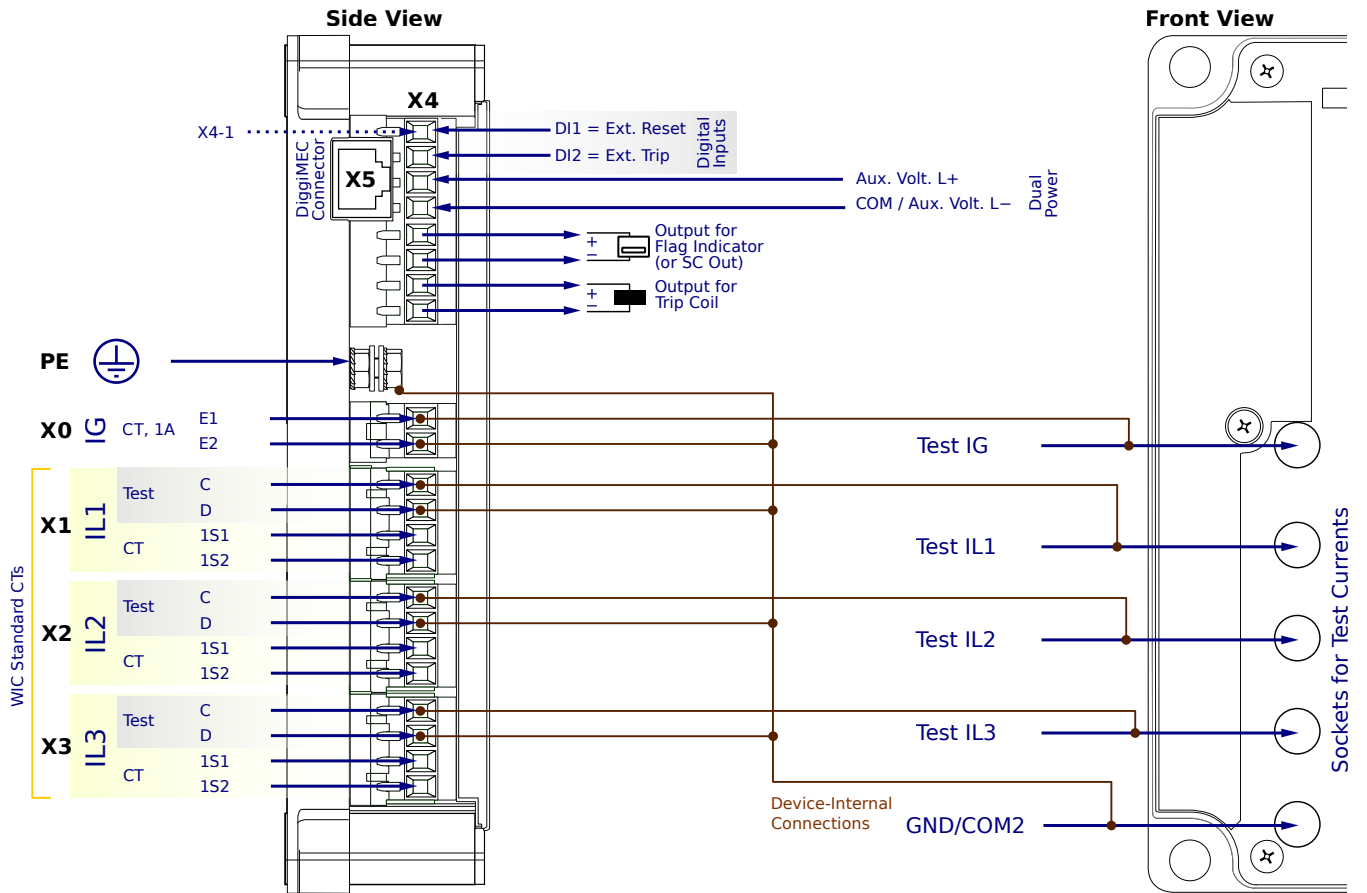
**X4-5,6** - Trip flag indicator, optional use for self-supervision signaling

**X4-7,8** - Trip pulse output

**X5** - DiggiMEC-WIC1 connection. Use network cable CAT3 (or better). No crossover cable!

**X6** - Modbus RTU — RS485 / terminals

# WIC1-4SG0FG2SA



## Dual-Powered Protection Device, configuration via DiggiMEC / Smart view

- Nominal frequency is 50 Hz or 60 Hz. (Setting via DiggiMEC/Smart view.)
- Trip at  $20 \cdot I_{n,max}$
- ANSI 50, 50G/N, 51, 51G/N, inrush, 50BF, 74TC

**PE** - Protective Earth

**X0** - Measured ground (earth) current via 1 A CT input. (Calc. IG is also possible.)

**X1...X3** - WIC CTs

**X4-1,2** - Digital Inputs, fixed to: DI1=ext. reset, DI2=ext. trip

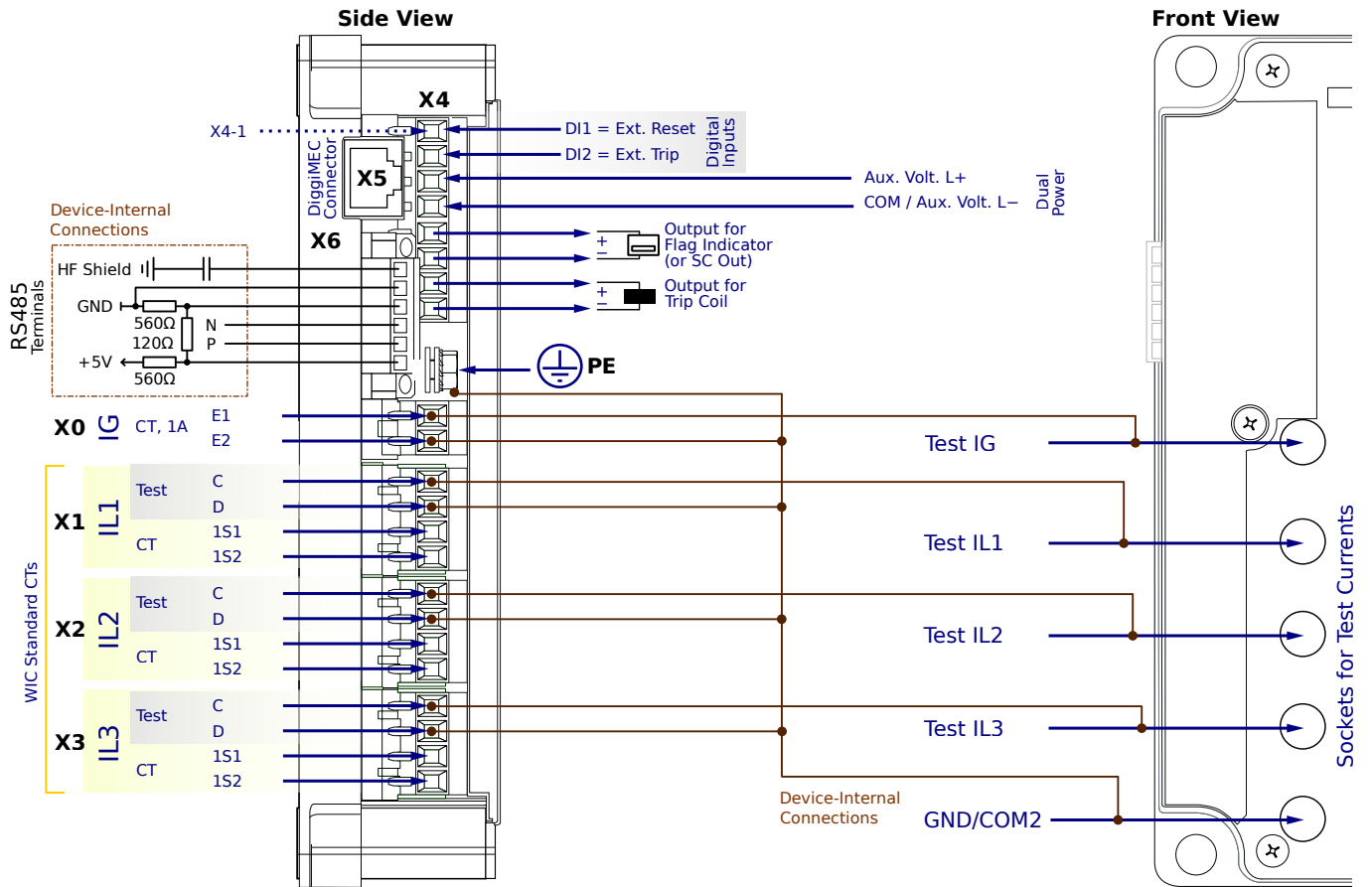
**X4-3,4** - Dual Power (Optional auxiliary power supply)

**X4-5,6** - Trip flag indicator, optional use for self-supervision signaling

**X4-7,8** - Trip pulse output

**X5** - DiggiMEC-WIC1 connection. Use network cable CAT3 (or better). No crossover cable!

# WIC1-4SG0FG2SB



## Dual-Powered Protection Device, configuration via DiggiMEC / Smart view

- Nominal frequency is 50 Hz or 60 Hz. (Setting via DiggiMEC/Smart view.)
- Trip at  $20 \cdot I_{n,max}$
- ANSI 50, 50G/N, 51, 51G/N, inrush, 50BF, 74TC

**PE** - Protective Earth

**X0** - Measured ground (earth) current via 1 A CT input. (Calc. IG is also possible.)

**X1...X3** - WIC CTs

**X4-1,2** - Digital Inputs, fixed to: DI1=ext. reset, DI2=ext. trip

**X4-3,4** - Dual Power (Optional auxiliary power supply)

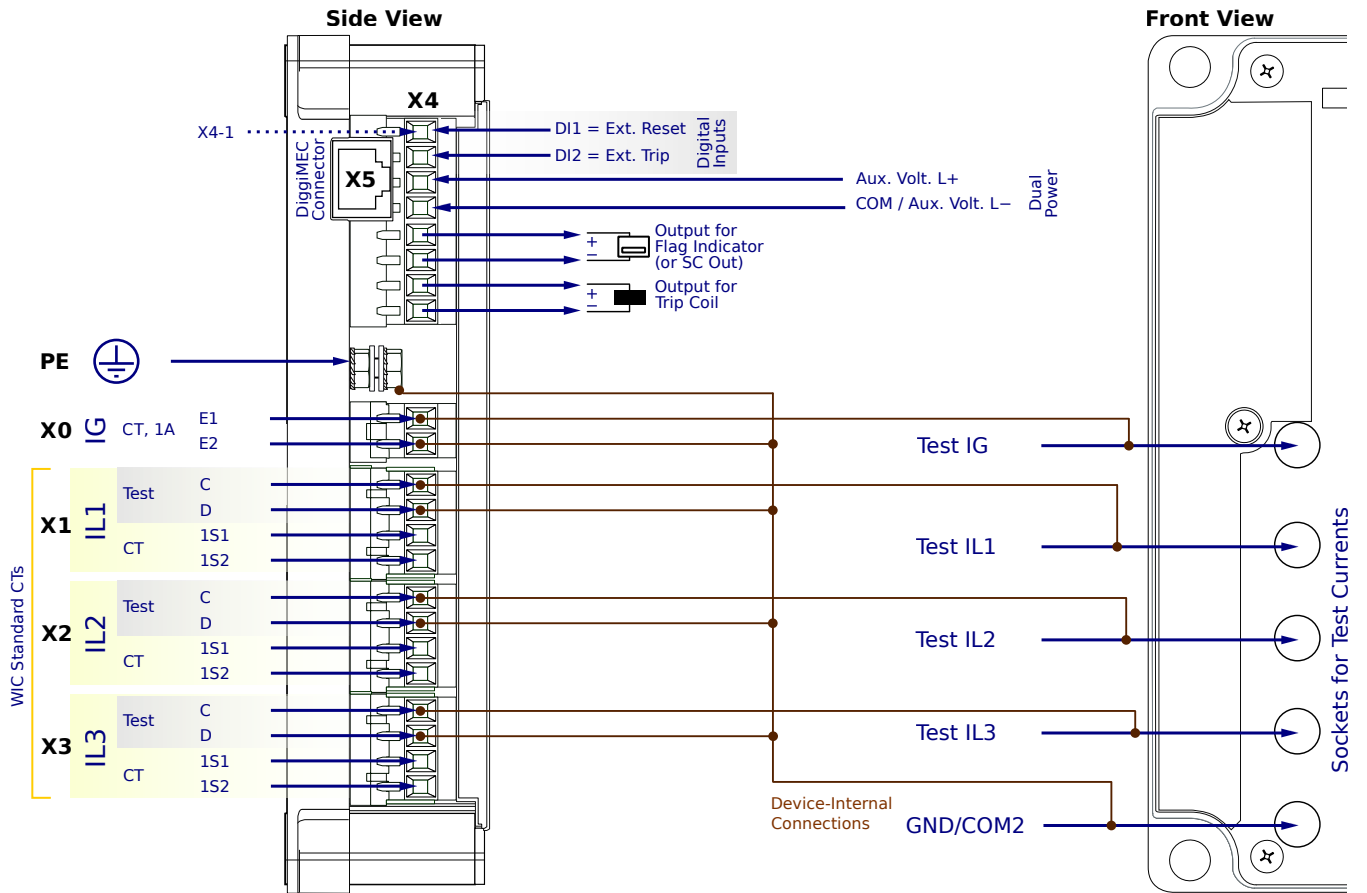
**X4-5,6** - Trip flag indicator, optional use for self-supervision signaling

**X4-7,8** - Trip pulse output

**X5** - DiggiMEC-WIC1 connection. Use network cable CAT3 (or better). No crossover cable!

**X6** - Modbus RTU — RS485 / terminals

# WIC1-4SG0FG2AA



## Dual-Powered Protection Device, configuration via DiggiMEC / Smart view

- Nominal frequency is 50 Hz or 60 Hz. (Setting via DiggiMEC/Smart view.)
- Trip at  $20 \cdot I_{n,max}$
- Package "S" + ANSI 46, 49, 51Q, Breaker Wear, Condition Monitoring (= Life Load, Drag Indicator)

**PE** - Protective Earth

**X0** - Measured ground (earth) current via 1 A CT input. (Calc. IG is also possible.)

**X1...X3** - WIC CTs

**X4-1,2** - Digital Inputs, fixed to: DI1=ext. reset, DI2=ext. trip

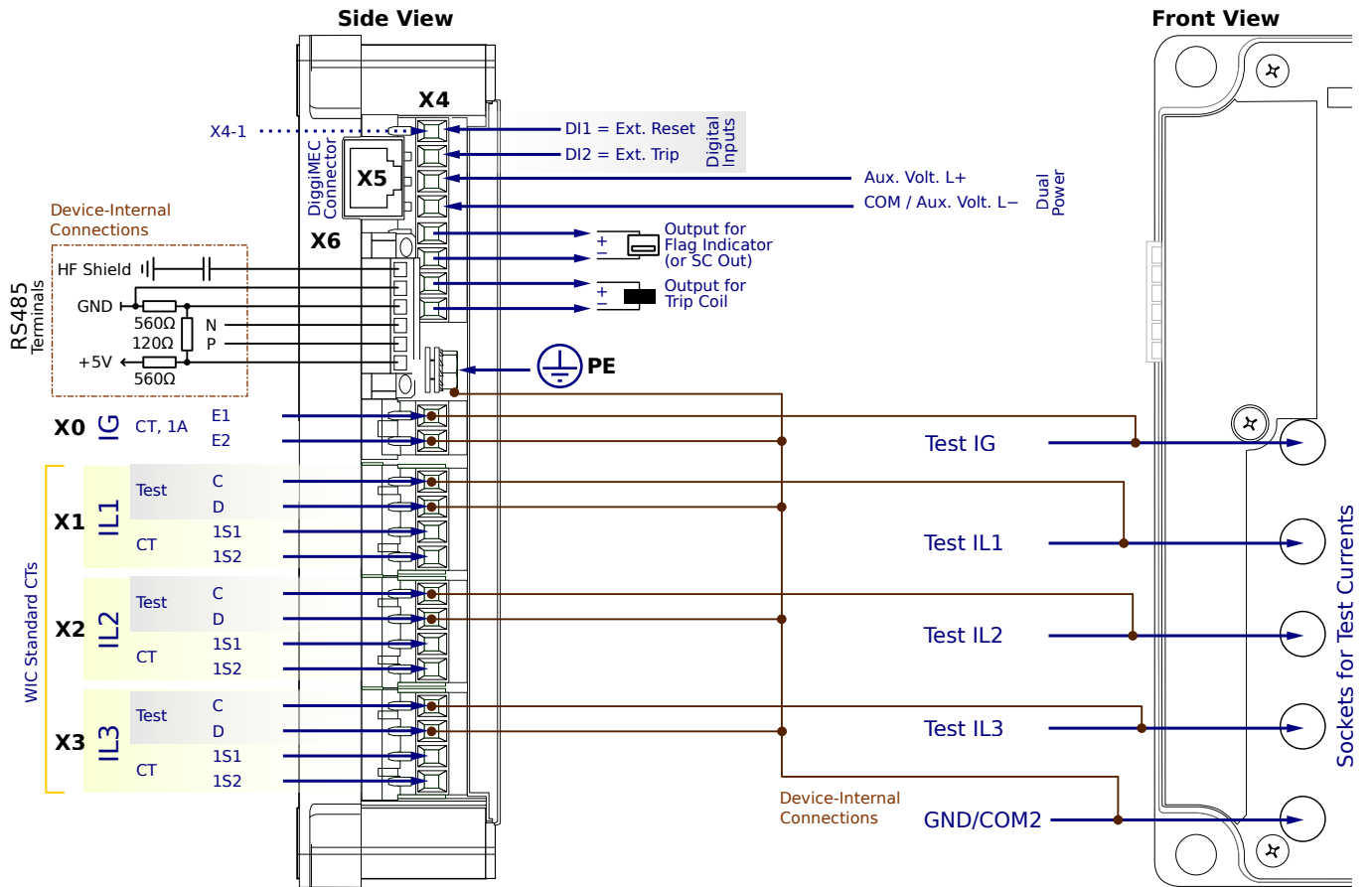
**X4-3,4** - Dual Power (Optional auxiliary power supply)

**X4-5,6** - Trip flag indicator, optional use for self-supervision signaling

**X4-7,8** - Trip pulse output

**X5** - DiggiMEC-WIC1 connection. Use network cable CAT3 (or better). No crossover cable!

# WIC1-4SG0FG2AB



## Dual-Powered Protection Device, configuration via DiggiMEC / Smart view

- Nominal frequency is 50 Hz or 60 Hz. (Setting via DiggiMEC/Smart view.)
- Trip at  $20 \cdot I_{n,max}$
- Package "S" + ANSI 46, 49, 51Q, Breaker Wear, Condition Monitoring (= Life Load, Drag Indicator)

**PE** – Protective Earth

**X0** – Measured ground (earth) current via 1 A CT input. (Calc. IG is also possible.)

**X1...X3** – WIC CTs

**X4-1,2** – Digital Inputs, fixed to: DI1=ext. reset, DI2=ext. trip

**X4-3,4** – Dual Power (Optional auxiliary power supply)

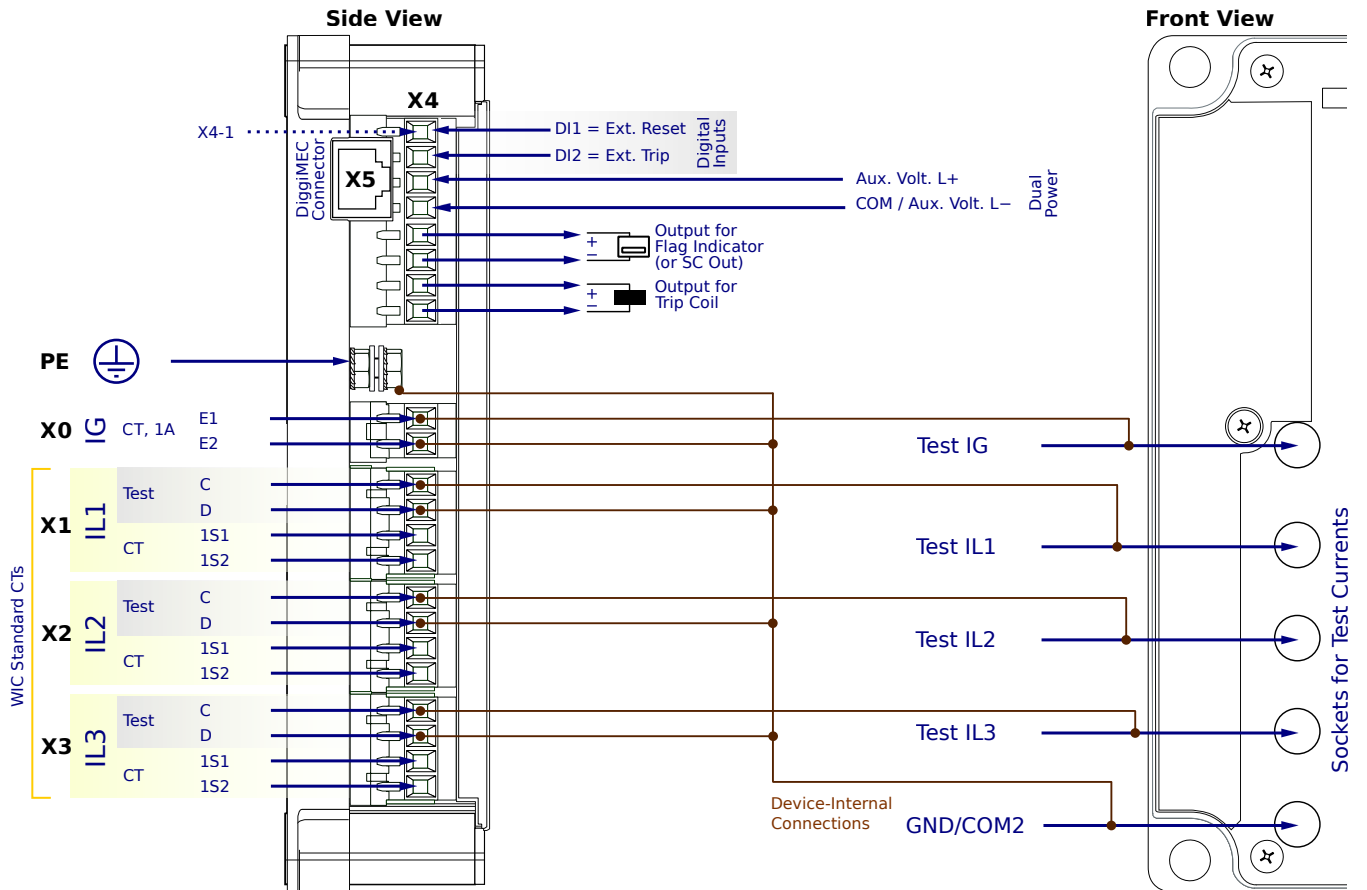
**X4-5,6** – Trip flag indicator, optional use for self-supervision signaling

**X4-7,8** – Trip pulse output

**X5** – DiggiMEC-WIC1 connection. Use network cable CAT3 (or better). No crossover cable!

**X6** – Modbus RTU — RS485 / terminals

# WIC1-4SG0FG2PA



## Dual-Powered Protection Device, configuration via DiggiMEC / Smart view

- Nominal frequency is 50 Hz or 60 Hz. (Setting via DiggiMEC/Smart view.)
- Trip at  $20 \cdot I_{n,max}$
- Package "A" + SOTF, CLPU, external protection, ultra-fast overcurrent protection

**PE** - Protective Earth

**X0** - Measured ground (earth) current via 1 A CT input. (Calc. IG is also possible.)

**X1...X3** - WIC CTs

**X4-1,2** - Digital Inputs, fixed to: DI1=ext. reset, DI2=ext. trip

**X4-3,4** - Dual Power (Optional auxiliary power supply)

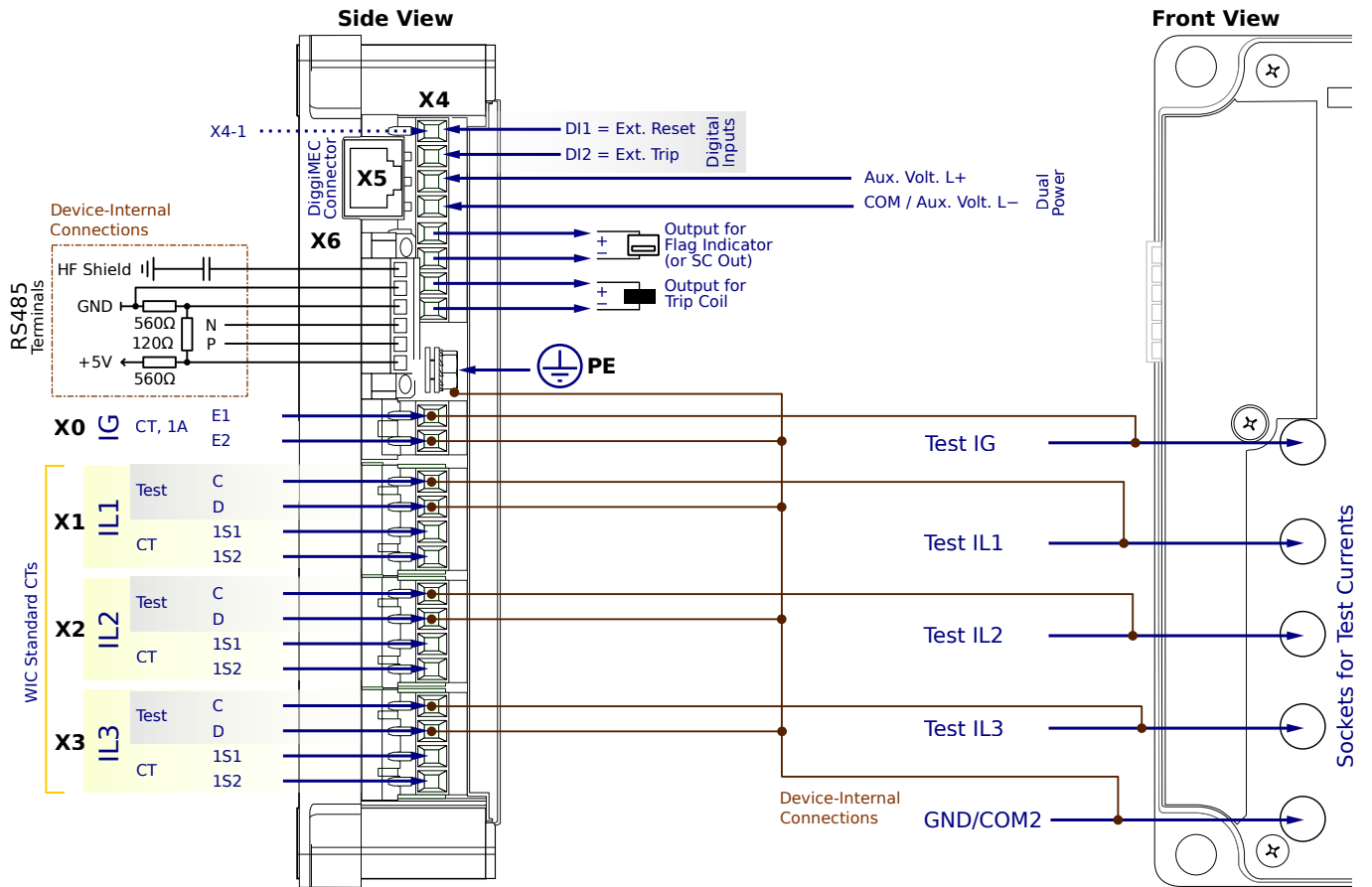
**X4-5,6** - Trip flag indicator, optional use for self-supervision signaling

**X4-7,8** - Trip pulse output

**X5** - DiggiMEC-WIC1 connection. Use network cable CAT3 (or better). No crossover cable!



# WIC1-4SG0FG2PB



## Dual-Powered Protection Device, configuration via DiggiMEC / Smart view

- Nominal frequency is 50 Hz or 60 Hz. (Setting via DiggiMEC/Smart view.)
- Trip at  $20 \cdot I_{n,max}$
- Package "A" + SOTF, CLPU, external protection, ultra-fast overcurrent protection

**PE** - Protective Earth

**X0** - Measured ground (earth) current via 1 A CT input. (Calc. IG is also possible.)

**X1...X3** - WIC CTs

**X4-1,2** - Digital Inputs, fixed to: DI1=ext. reset, DI2=ext. trip

**X4-3,4** - Dual Power (Optional auxiliary power supply)

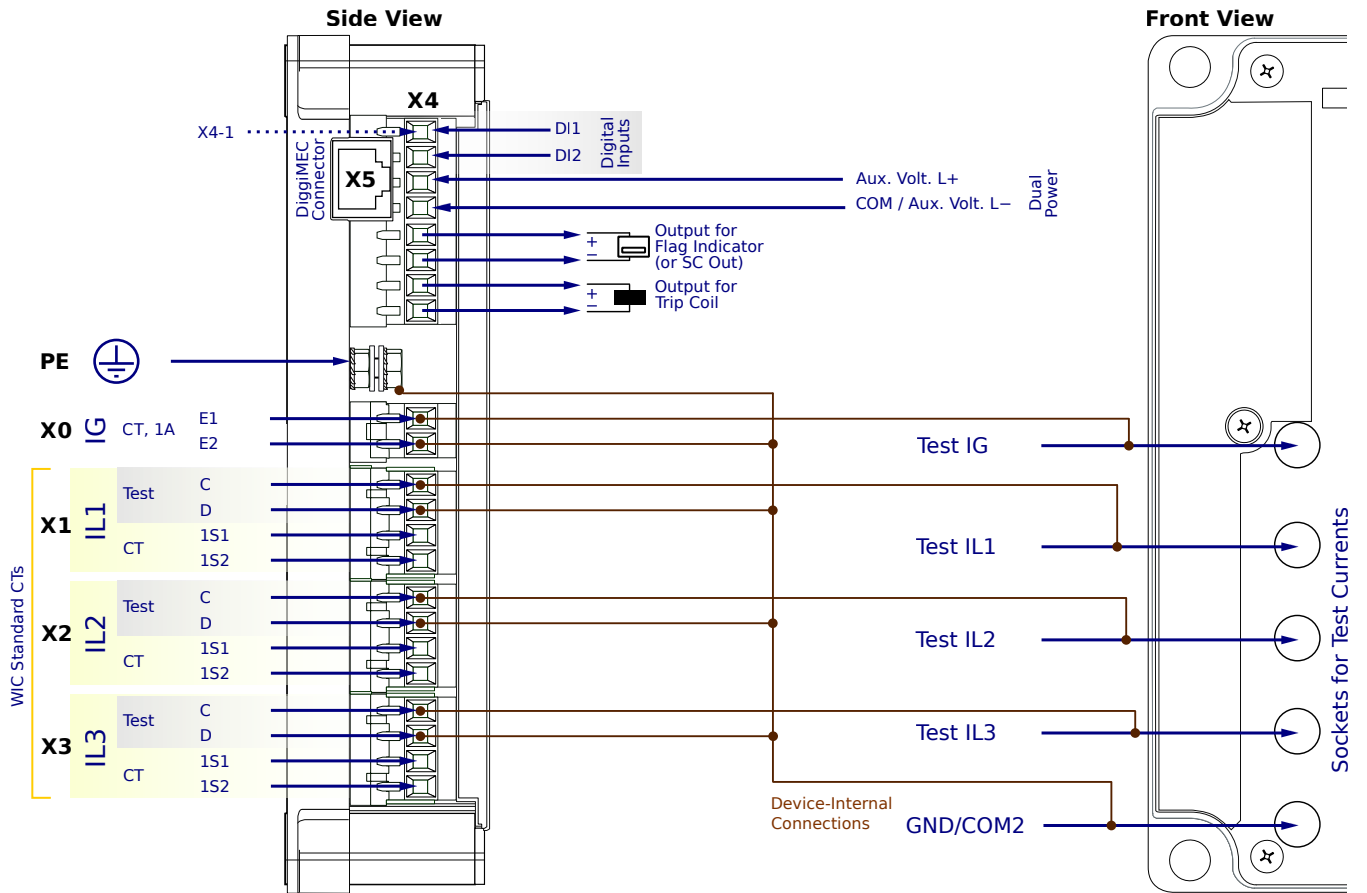
**X4-5,6** - Trip flag indicator, optional use for self-supervision signaling

**X4-7,8** - Trip pulse output

**X5** - DiggiMEC-WIC1 connection. Use network cable CAT3 (or better). No crossover cable!

**X6** - Modbus RTU — RS485 / terminals

# WIC1-4SG0FD1SA



## Dual-Powered Protection Device, configuration via DiggiMEC / Smart view

- Nominal frequency is 50 Hz or 60 Hz. (Setting via DiggiMEC/Smart view.)
- Backup protection operates directly
- ANSI 50, 50G/N, 51, 51G/N, inrush, 50BF, 74TC

**PE** - Protective Earth

**X0** - Measured ground (earth) current via 1 A CT input. (Calc. IG is also possible.)

**X1...X3** - WIC CTs

**X4-1,2** - 2 assignable Digital Inputs

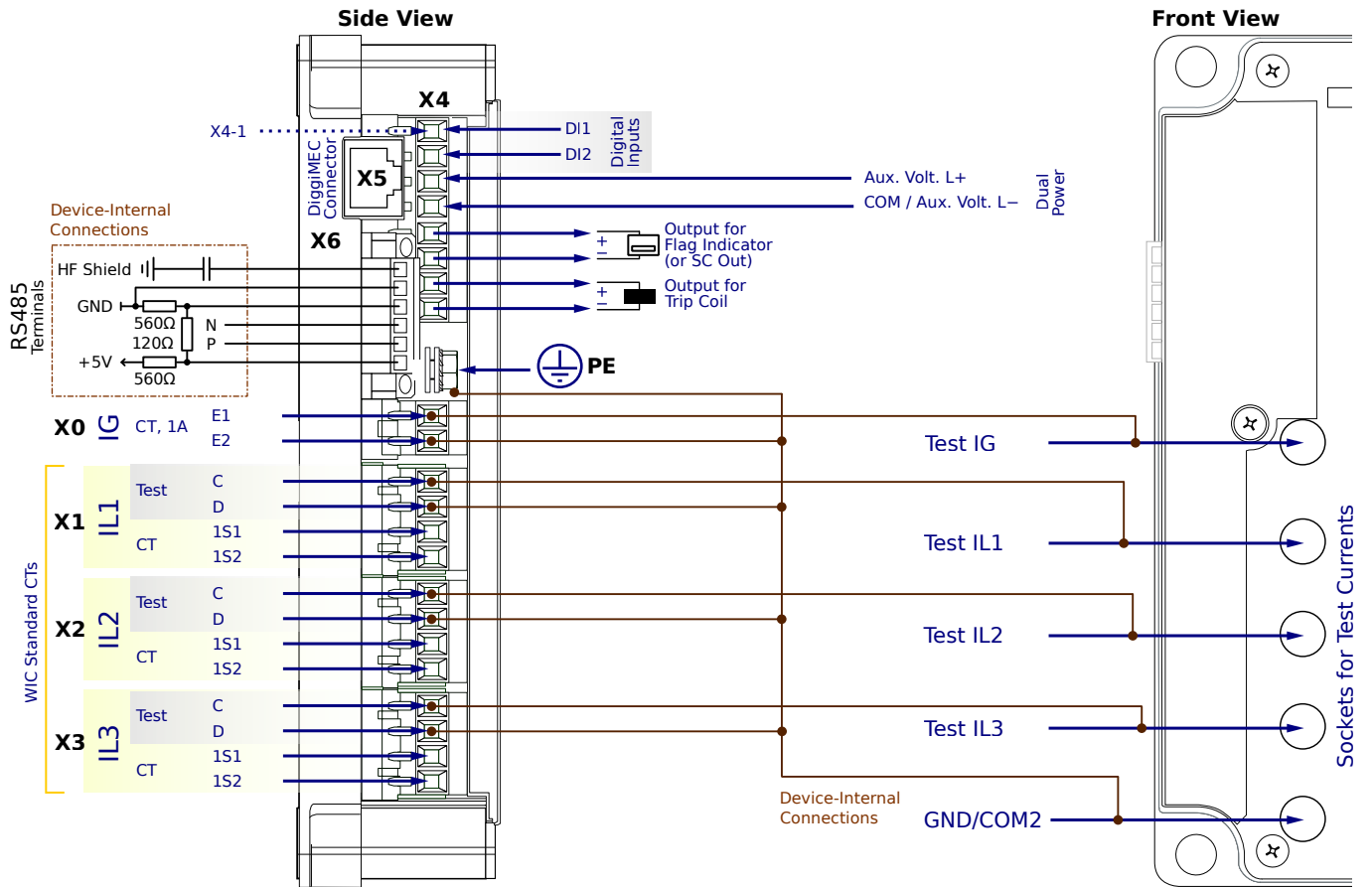
**X4-3,4** - Dual Power (Optional auxiliary power supply)

**X4-5,6** - Trip flag indicator, optional use for self-supervision signaling

**X4-7,8** - Trip pulse output

**X5** - DiggiMEC-WIC1 connection. Use network cable CAT3 (or better). No crossover cable!

# WIC1-4SG0FD1SB



## Dual-Powered Protection Device, configuration via DiggiMEC / Smart view

- Nominal frequency is 50 Hz or 60 Hz. (Setting via DiggiMEC/Smart view.)
- Backup protection operates directly
- ANSI 50, 50G/N, 51, 51G/N, inrush, 50BF, 74TC

**PE** - Protective Earth

**X0** - Measured ground (earth) current via 1 A CT input. (Calc. IG is also possible.)

**X1...X3** - WIC CTs

**X4-1,2** - 2 assignable Digital Inputs

**X4-3,4** - Dual Power (Optional auxiliary power supply)

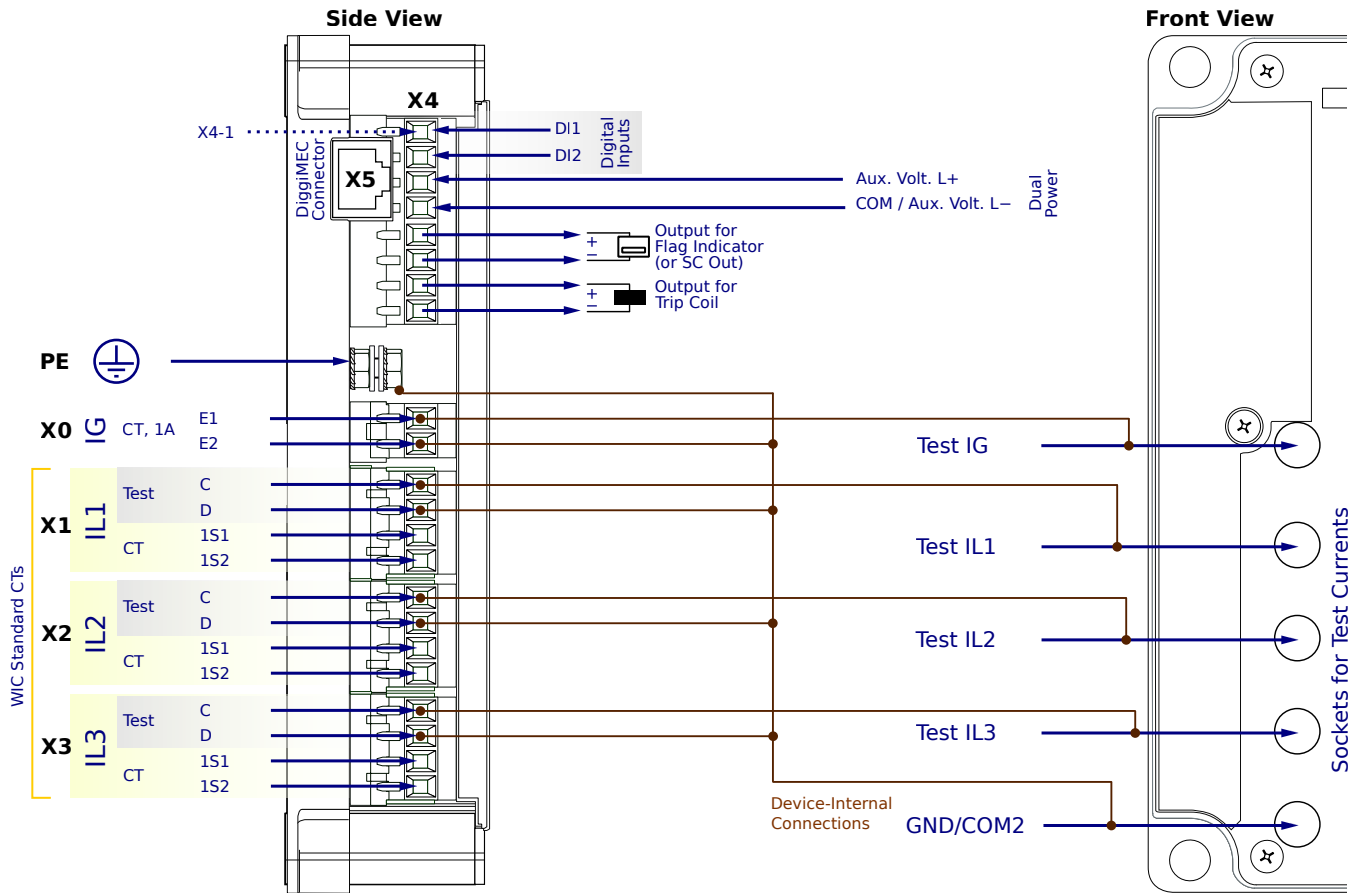
**X4-5,6** - Trip flag indicator, optional use for self-supervision signaling

**X4-7,8** - Trip pulse output

**X5** - DiggiMEC-WIC1 connection. Use network cable CAT3 (or better). No crossover cable!

**X6** - Modbus RTU — RS485 / terminals

# WIC1-4SG0FD1AA



## Dual-Powered Protection Device, configuration via DiggiMEC / Smart view

- Nominal frequency is 50 Hz or 60 Hz. (Setting via DiggiMEC/Smart view.)
- Backup protection operates directly
- Package "S" + ANSI 46, 49, 51Q, Breaker Wear, Condition Monitoring (= Life Load, Drag Indicator)

**PE** - Protective Earth

**X0** - Measured ground (earth) current via 1 A CT input. (Calc. IG is also possible.)

**X1...X3** - WIC CTs

**X4-1,2** - 2 assignable Digital Inputs

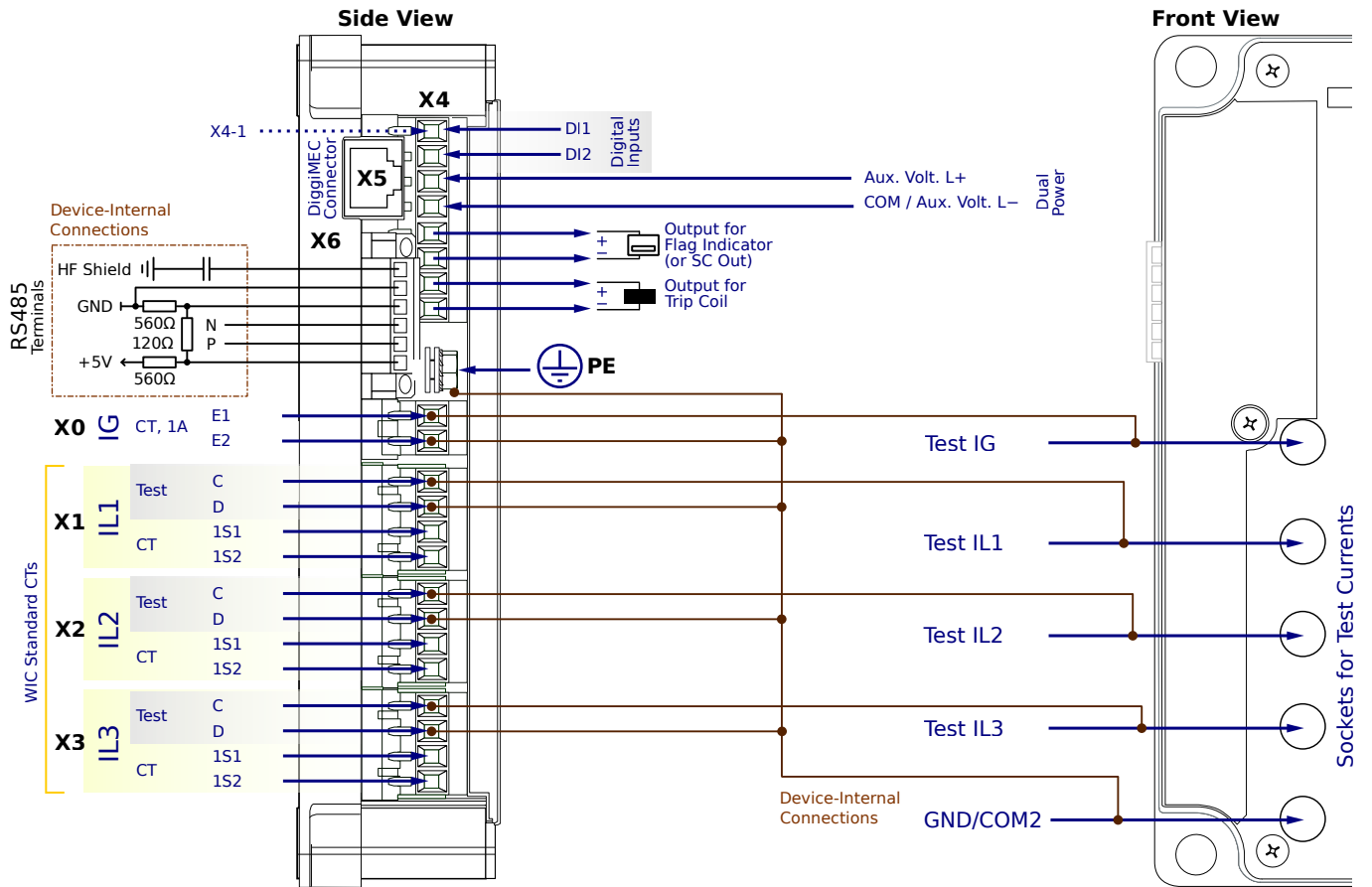
**X4-3,4** - Dual Power (Optional auxiliary power supply)

**X4-5,6** - Trip flag indicator, optional use for self-supervision signaling

**X4-7,8** - Trip pulse output

**X5** - DiggiMEC-WIC1 connection. Use network cable CAT3 (or better). No crossover cable!

# WIC1-4SG0FD1AB



## Dual-Powered Protection Device, configuration via DiggiMEC / Smart view

- Nominal frequency is 50 Hz or 60 Hz. (Setting via DiggiMEC/Smart view.)
- Backup protection operates directly
- Package "S" + ANSI 46, 49, 51Q, Breaker Wear, Condition Monitoring (= Life Load, Drag Indicator)

**PE** – Protective Earth

**X0** – Measured ground (earth) current via 1 A CT input. (Calc. IG is also possible.)

**X1...X3** – WIC CTs

**X4-1,2** – 2 assignable Digital Inputs

**X4-3,4** – Dual Power (Optional auxiliary power supply)

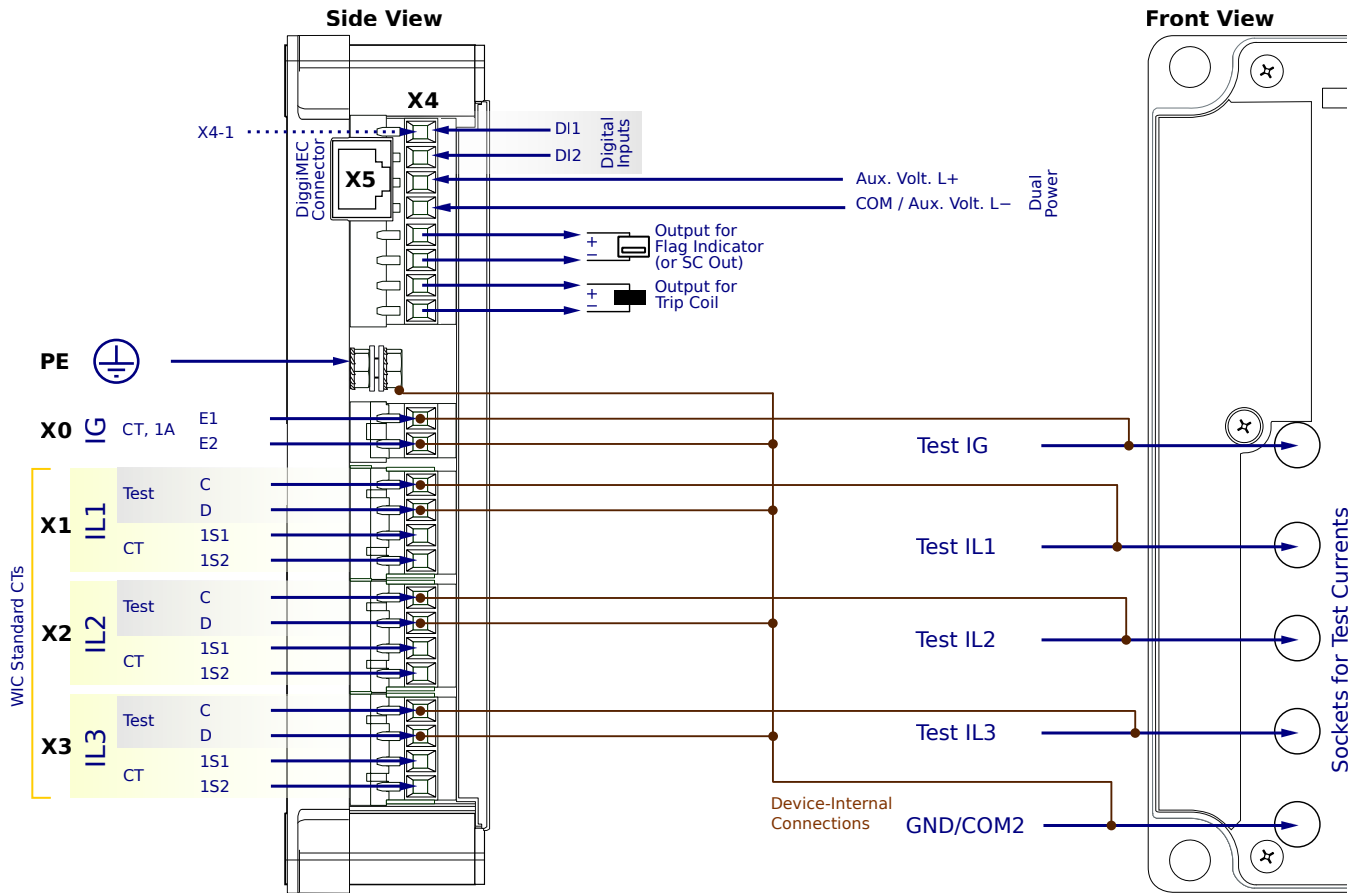
**X4-5,6** – Trip flag indicator, optional use for self-supervision signaling

**X4-7,8** – Trip pulse output

**X5** – DiggiMEC-WIC1 connection. Use network cable CAT3 (or better). No crossover cable!

**X6** – Modbus RTU — RS485 / terminals

# WIC1-4SG0FD1PA



## Dual-Powered Protection Device, configuration via DiggiMEC / Smart view

- Nominal frequency is 50 Hz or 60 Hz. (Setting via DiggiMEC/Smart view.)
- Backup protection operates directly
- Package "A" + SOTF, CLPU, external protection, ultra-fast overcurrent protection

**PE** - Protective Earth

**X0** - Measured ground (earth) current via 1 A CT input. (Calc. IG is also possible.)

**X1...X3** - WIC CTs

**X4-1,2** - 2 assignable Digital Inputs

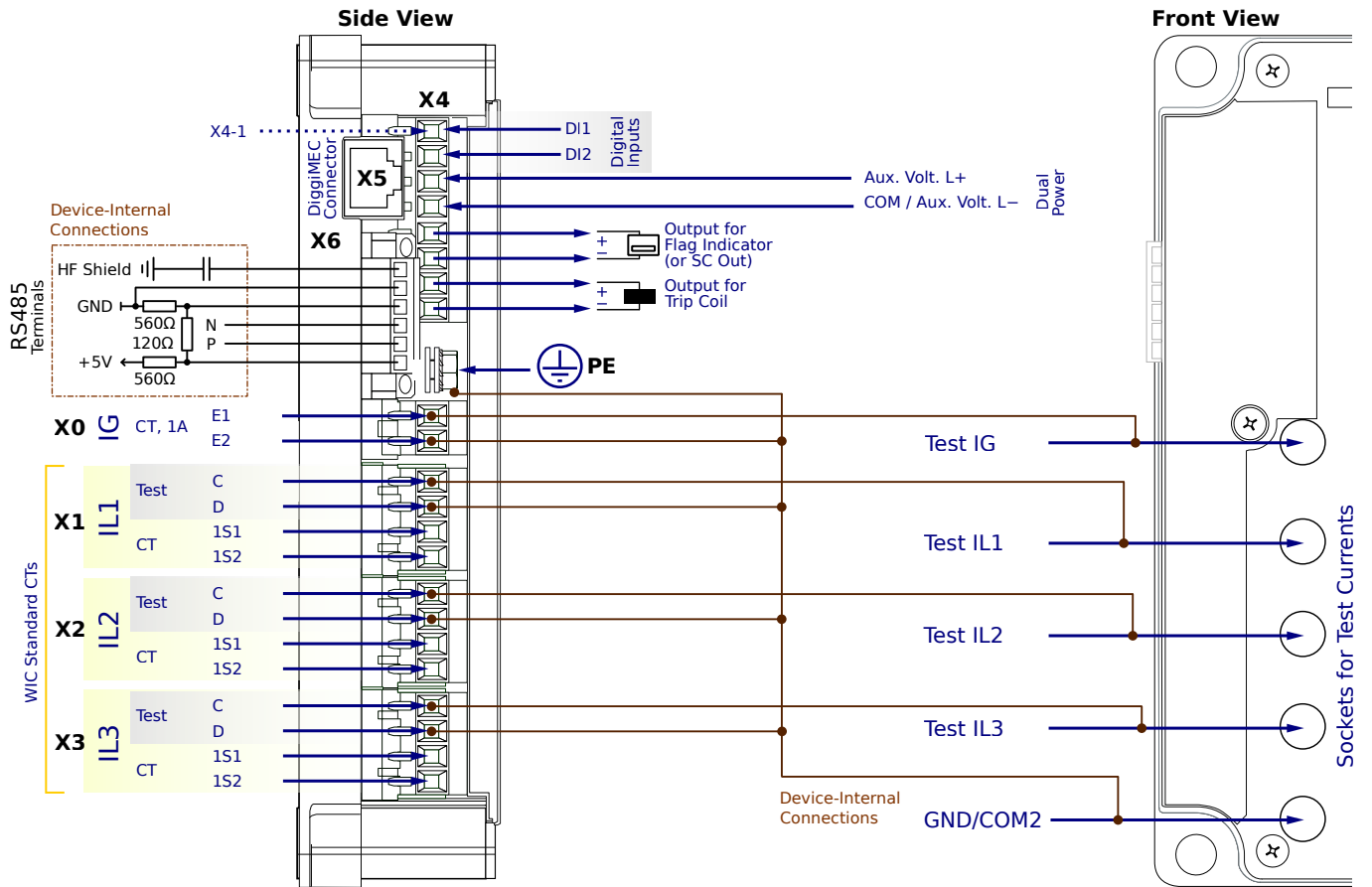
**X4-3,4** - Dual Power (Optional auxiliary power supply)

**X4-5,6** - Trip flag indicator, optional use for self-supervision signaling

**X4-7,8** - Trip pulse output

**X5** - DiggiMEC-WIC1 connection. Use network cable CAT3 (or better). No crossover cable!

# WIC1-4SG0FD1PB



## Dual-Powered Protection Device, configuration via DiggiMEC / Smart view

- Nominal frequency is 50 Hz or 60 Hz. (Setting via DiggiMEC/Smart view.)
- Backup protection operates directly
- Package "A" + SOTF, CLPU, external protection, ultra-fast overcurrent protection

**PE** - Protective Earth

**X0** - Measured ground (earth) current via 1 A CT input. (Calc. IG is also possible.)

**X1...X3** - WIC CTs

**X4-1,2** - 2 assignable Digital Inputs

**X4-3,4** - Dual Power (Optional auxiliary power supply)

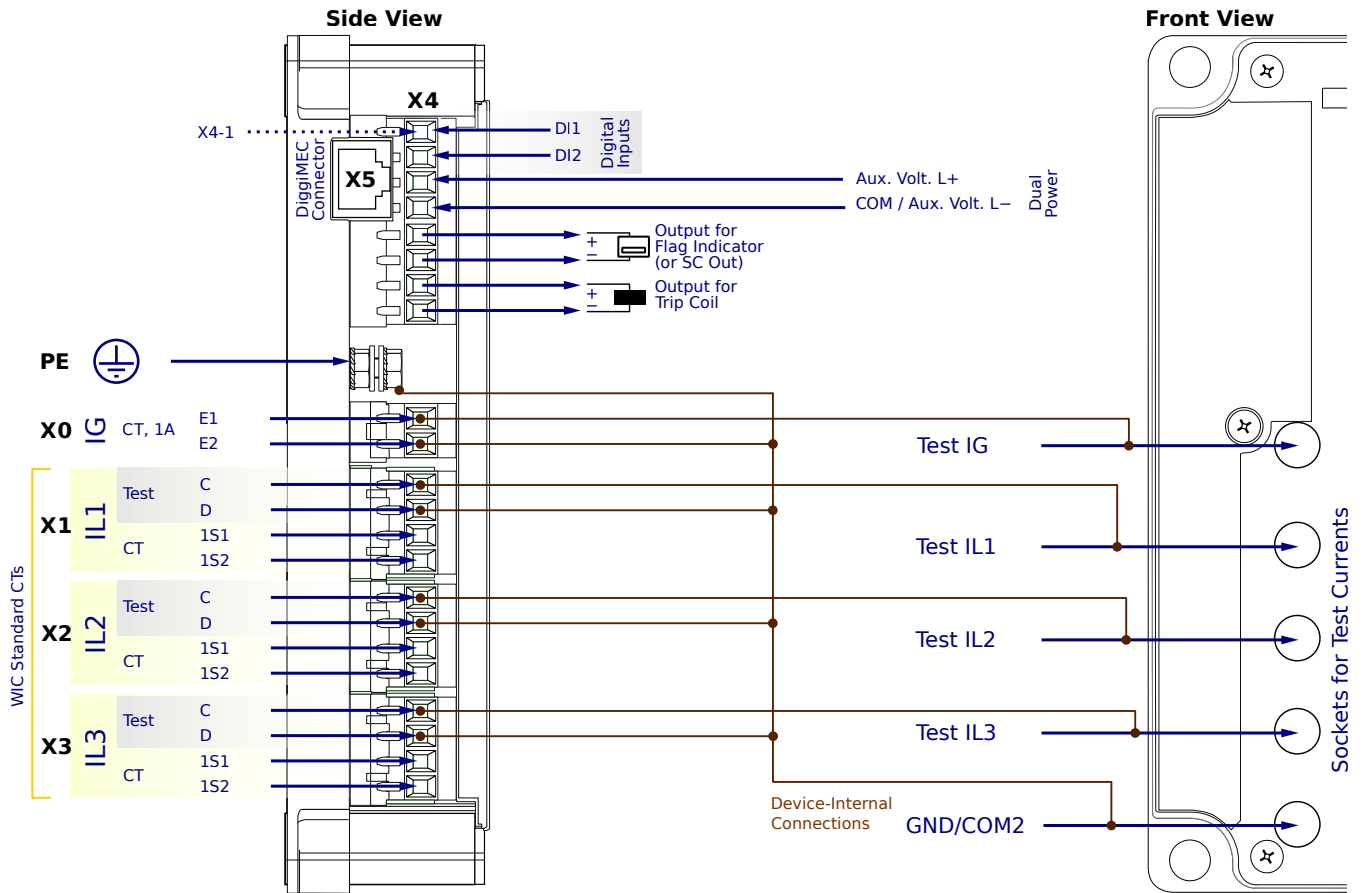
**X4-5,6** - Trip flag indicator, optional use for self-supervision signaling

**X4-7,8** - Trip pulse output

**X5** - DiggiMEC-WIC1 connection. Use network cable CAT3 (or better). No crossover cable!

**X6** - Modbus RTU — RS485 / terminals

# WIC1-4SG0FD2SA



## Dual-Powered Protection Device, configuration via DiggiMEC / Smart view

- Nominal frequency is 50 Hz or 60 Hz. (Setting via DiggiMEC/Smart view.)
- Trip at  $20 \cdot I_{n,max}$
- ANSI 50, 50G/N, 51, 51G/N, inrush, 50BF, 74TC

**PE** - Protective Earth

**X0** - Measured ground (earth) current via 1 A CT input. (Calc. IG is also possible.)

**X1...X3** - WIC CTs

**X4-1,2** - 2 assignable Digital Inputs

**X4-3,4** - Dual Power (Optional auxiliary power supply)

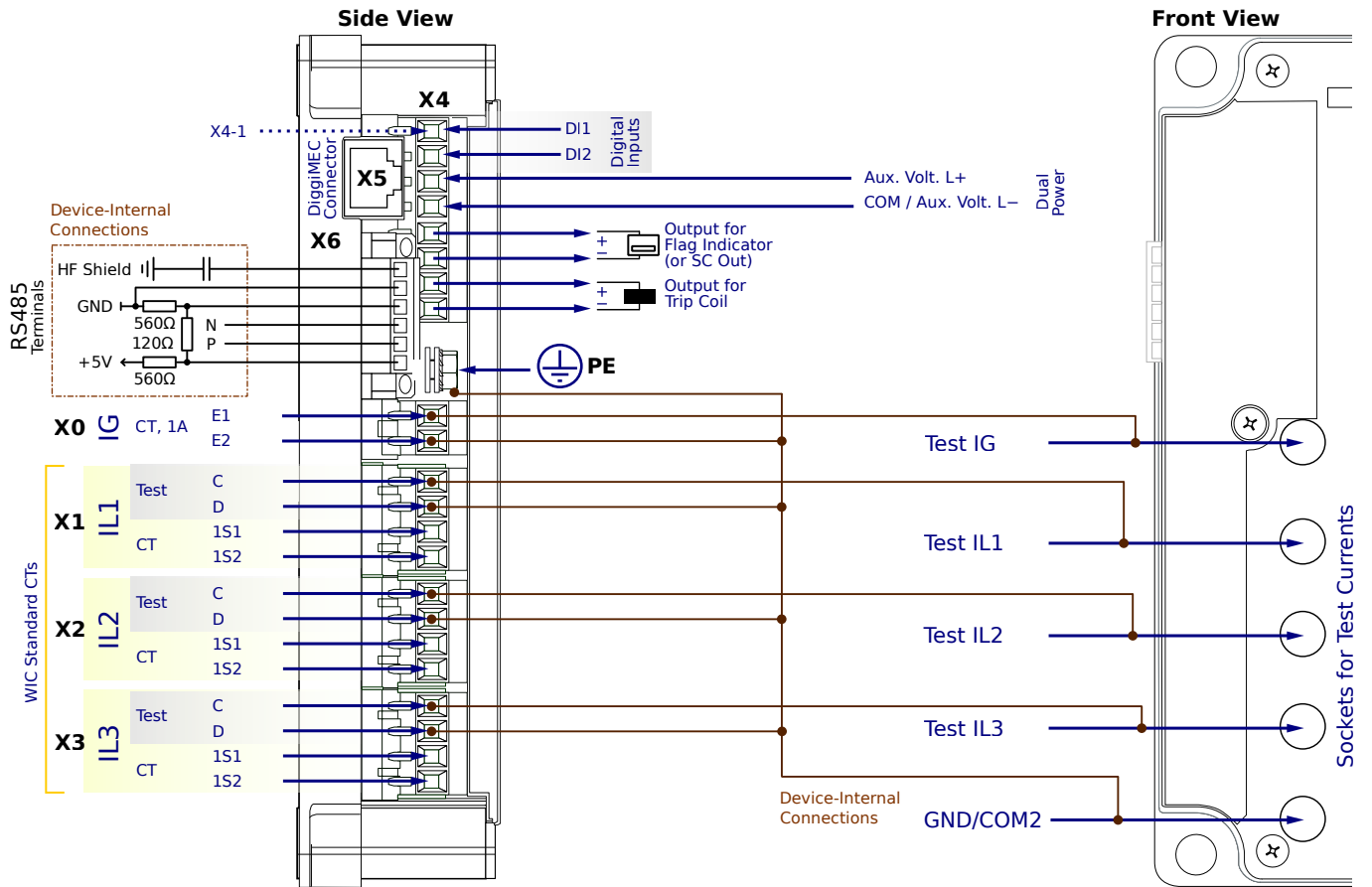
**X4-5,6** - Trip flag indicator, optional use for self-supervision signaling

**X4-7,8** - Trip pulse output

**X5** - DiggiMEC-WIC1 connection. Use network cable CAT3 (or better). No crossover cable!



# WIC1-4SG0FD2SB



## Dual-Powered Protection Device, configuration via DiggiMEC / Smart view

- Nominal frequency is 50 Hz or 60 Hz. (Setting via DiggiMEC/Smart view.)
- Trip at  $20 \cdot I_{n,max}$
- ANSI 50, 50G/N, 51, 51G/N, inrush, 50BF, 74TC

**PE** - Protective Earth

**X0** - Measured ground (earth) current via 1 A CT input. (Calc. IG is also possible.)

**X1...X3** - WIC CTs

**X4-1,2** - 2 assignable Digital Inputs

**X4-3,4** - Dual Power (Optional auxiliary power supply)

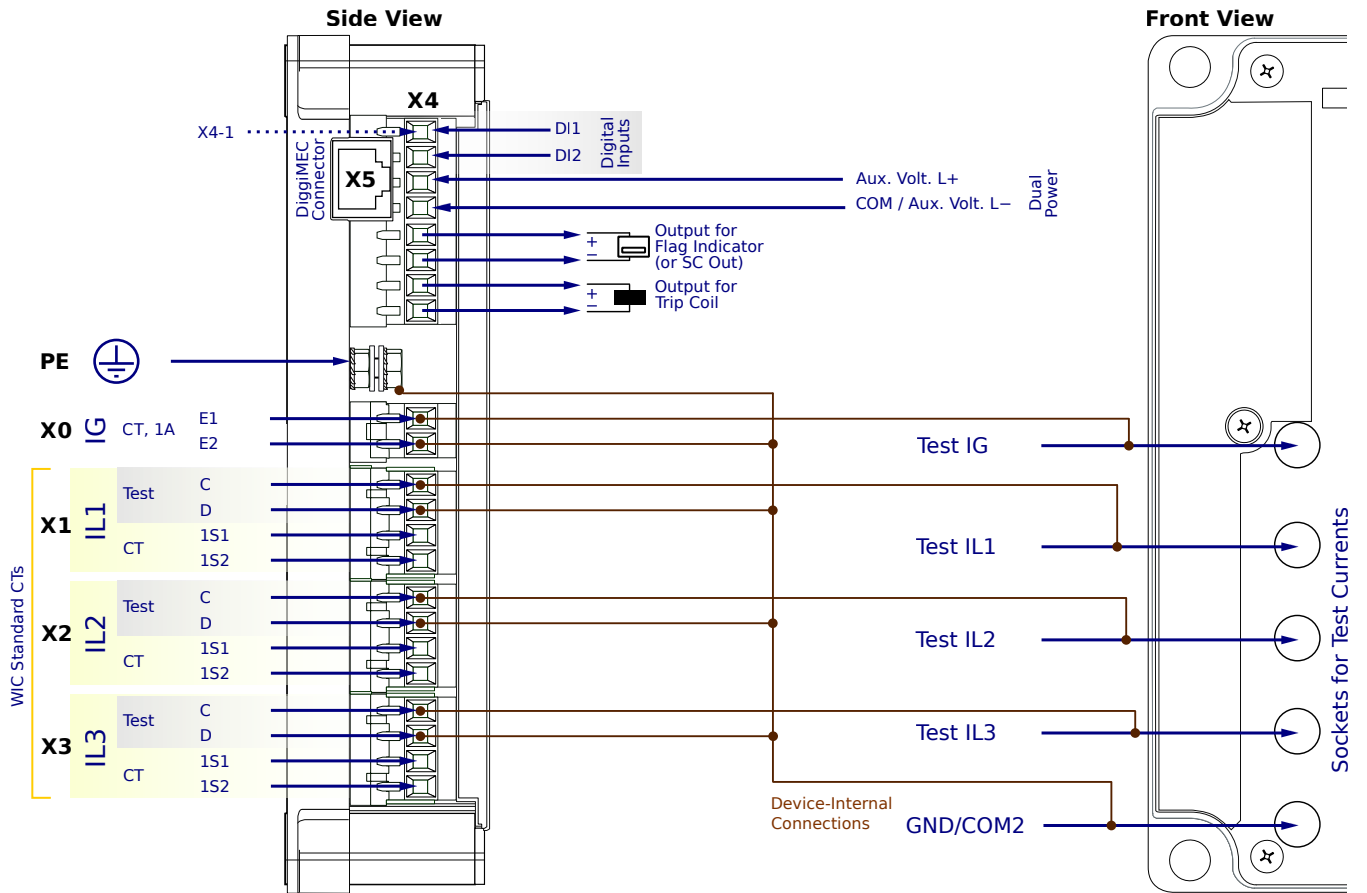
**X4-5,6** - Trip flag indicator, optional use for self-supervision signaling

**X4-7,8** - Trip pulse output

**X5** - DiggiMEC-WIC1 connection. Use network cable CAT3 (or better). No crossover cable!

**X6** - Modbus RTU — RS485 / terminals

# WIC1-4SG0FD2AA



## Dual-Powered Protection Device, configuration via DiggiMEC / Smart view

- Nominal frequency is 50 Hz or 60 Hz. (Setting via DiggiMEC/Smart view.)
- Trip at  $20 \cdot I_{n,max}$
- Package "S" + ANSI 46, 49, 51Q, Breaker Wear, Condition Monitoring (= Life Load, Drag Indicator)

**PE** - Protective Earth

**X0** - Measured ground (earth) current via 1 A CT input. (Calc. IG is also possible.)

**X1...X3** - WIC CTs

**X4-1,2** - 2 assignable Digital Inputs

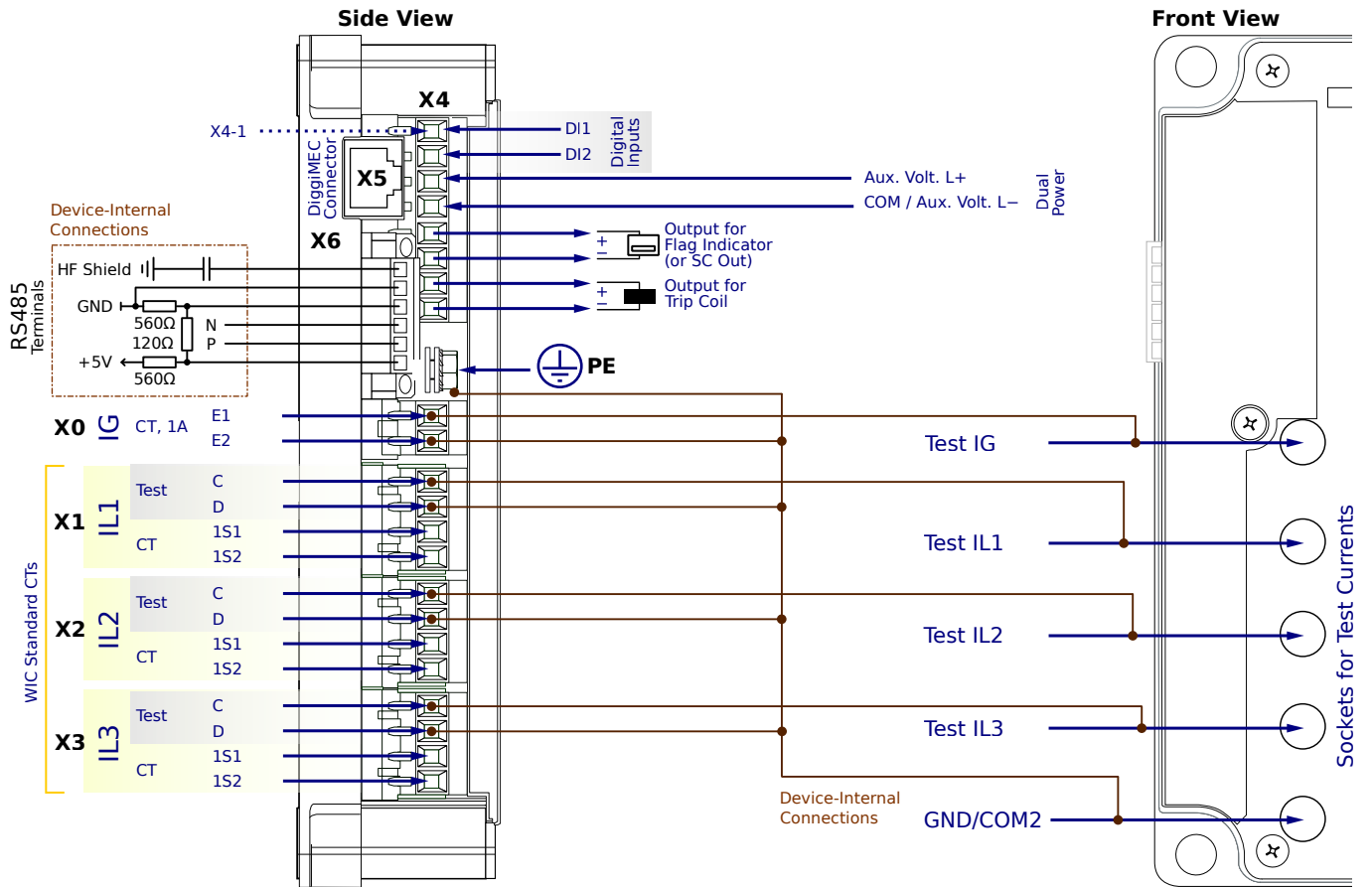
**X4-3,4** - Dual Power (Optional auxiliary power supply)

**X4-5,6** - Trip flag indicator, optional use for self-supervision signaling

**X4-7,8** - Trip pulse output

**X5** - DiggiMEC-WIC1 connection. Use network cable CAT3 (or better). No crossover cable!

# WIC1-4SG0FD2AB



## Dual-Powered Protection Device, configuration via DiggiMEC / Smart view

- Nominal frequency is 50 Hz or 60 Hz. (Setting via DiggiMEC/Smart view.)
- Trip at  $20 \cdot I_{n,max}$
- Package "S" + ANSI 46, 49, 51Q, Breaker Wear, Condition Monitoring (= Life Load, Drag Indicator)

**PE** - Protective Earth

**X0** - Measured ground (earth) current via 1 A CT input. (Calc. IG is also possible.)

**X1...X3** - WIC CTs

**X4-1,2** - 2 assignable Digital Inputs

**X4-3,4** - Dual Power (Optional auxiliary power supply)

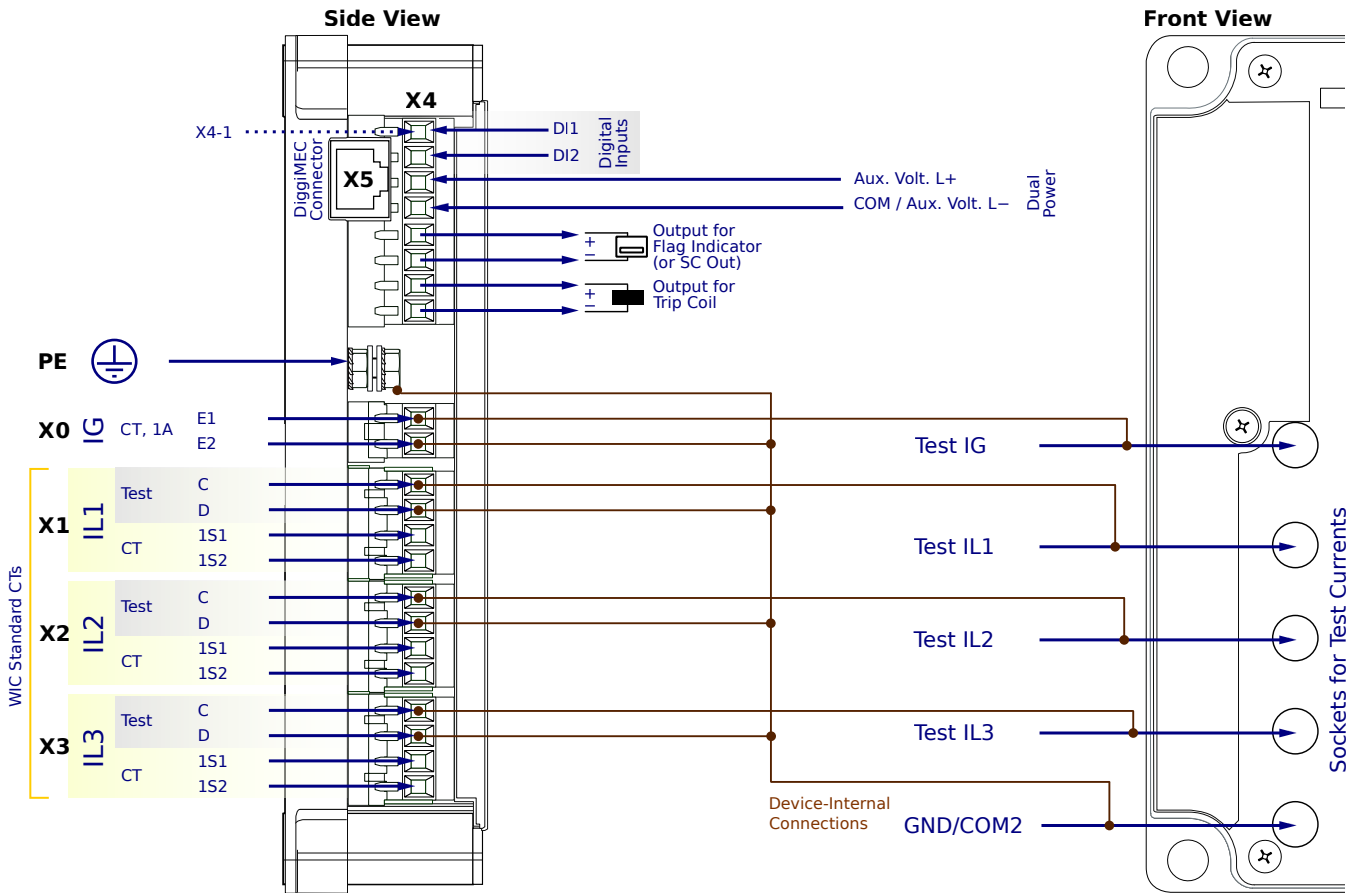
**X4-5,6** - Trip flag indicator, optional use for self-supervision signaling

**X4-7,8** - Trip pulse output

**X5** - DiggiMEC-WIC1 connection. Use network cable CAT3 (or better). No crossover cable!

**X6** - Modbus RTU — RS485 / terminals

# WIC1-4SG0FD2PA



## Dual-Powered Protection Device, configuration via DiggiMEC / Smart view

- Nominal frequency is 50 Hz or 60 Hz. (Setting via DiggiMEC/Smart view.)
- Trip at  $20 \cdot I_{n,max}$
- Package "A" + SOTF, CLPU, external protection, ultra-fast overcurrent protection

**PE** - Protective Earth

**X0** - Measured ground (earth) current via 1 A CT input. (Calc. IG is also possible.)

**X1...X3** - WIC CTs

**X4-1,2** - 2 assignable Digital Inputs

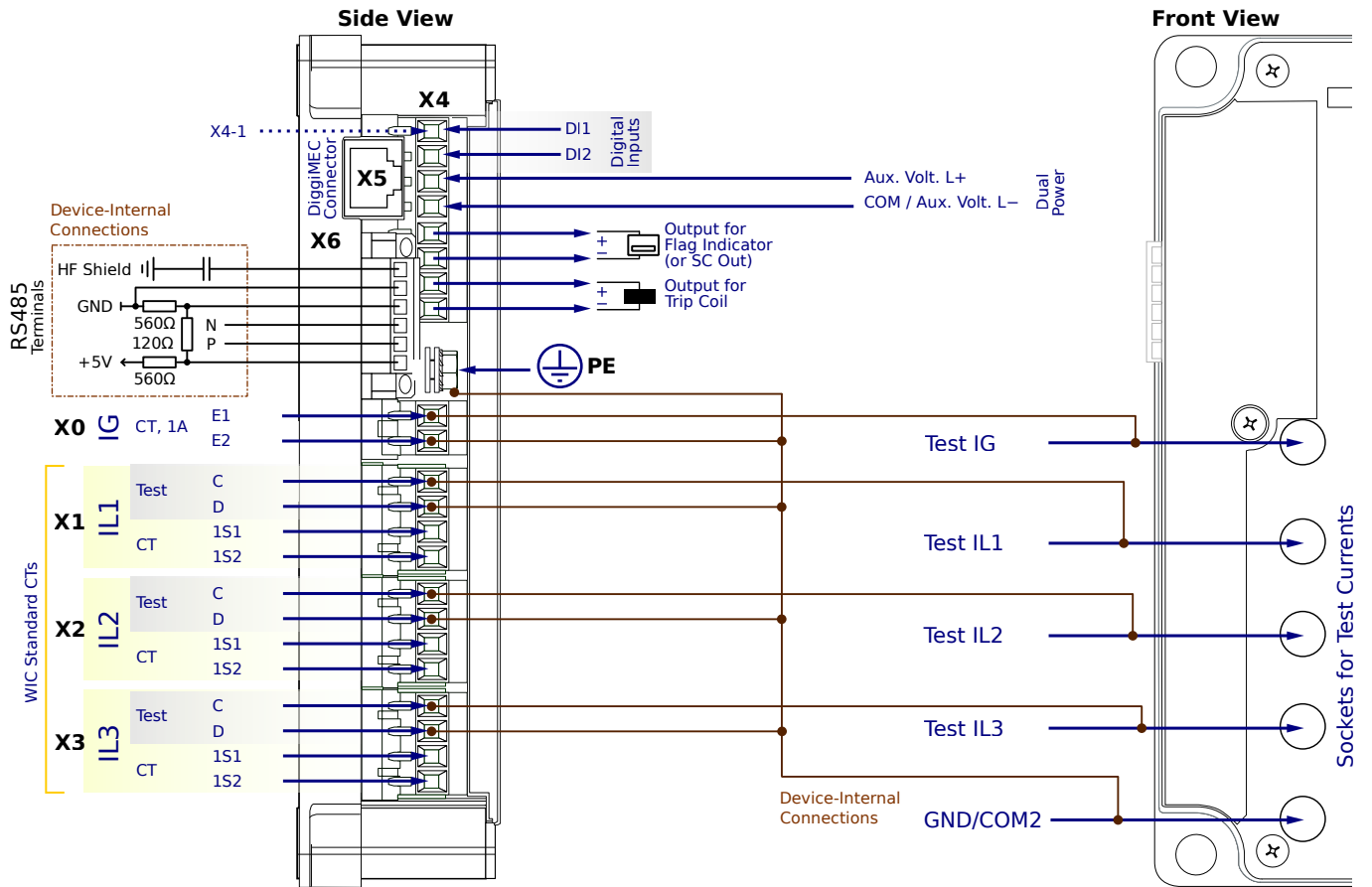
**X4-3,4** - Dual Power (Optional auxiliary power supply)

**X4-5,6** - Trip flag indicator, optional use for self-supervision signaling

**X4-7,8** - Trip pulse output

**X5** - DiggiMEC-WIC1 connection. Use network cable CAT3 (or better). No crossover cable!

# WIC1-4SG0FD2PB



## Dual-Powered Protection Device, configuration via DiggiMEC / Smart view

- Nominal frequency is 50 Hz or 60 Hz. (Setting via DiggiMEC/Smart view.)
- Trip at  $20 \cdot I_{n,max}$
- Package "A" + SOTF, CLPU, external protection, ultra-fast overcurrent protection

**PE** - Protective Earth

**X0** - Measured ground (earth) current via 1 A CT input. (Calc. IG is also possible.)

**X1...X3** - WIC CTs

**X4-1,2** - 2 assignable Digital Inputs

**X4-3,4** - Dual Power (Optional auxiliary power supply)

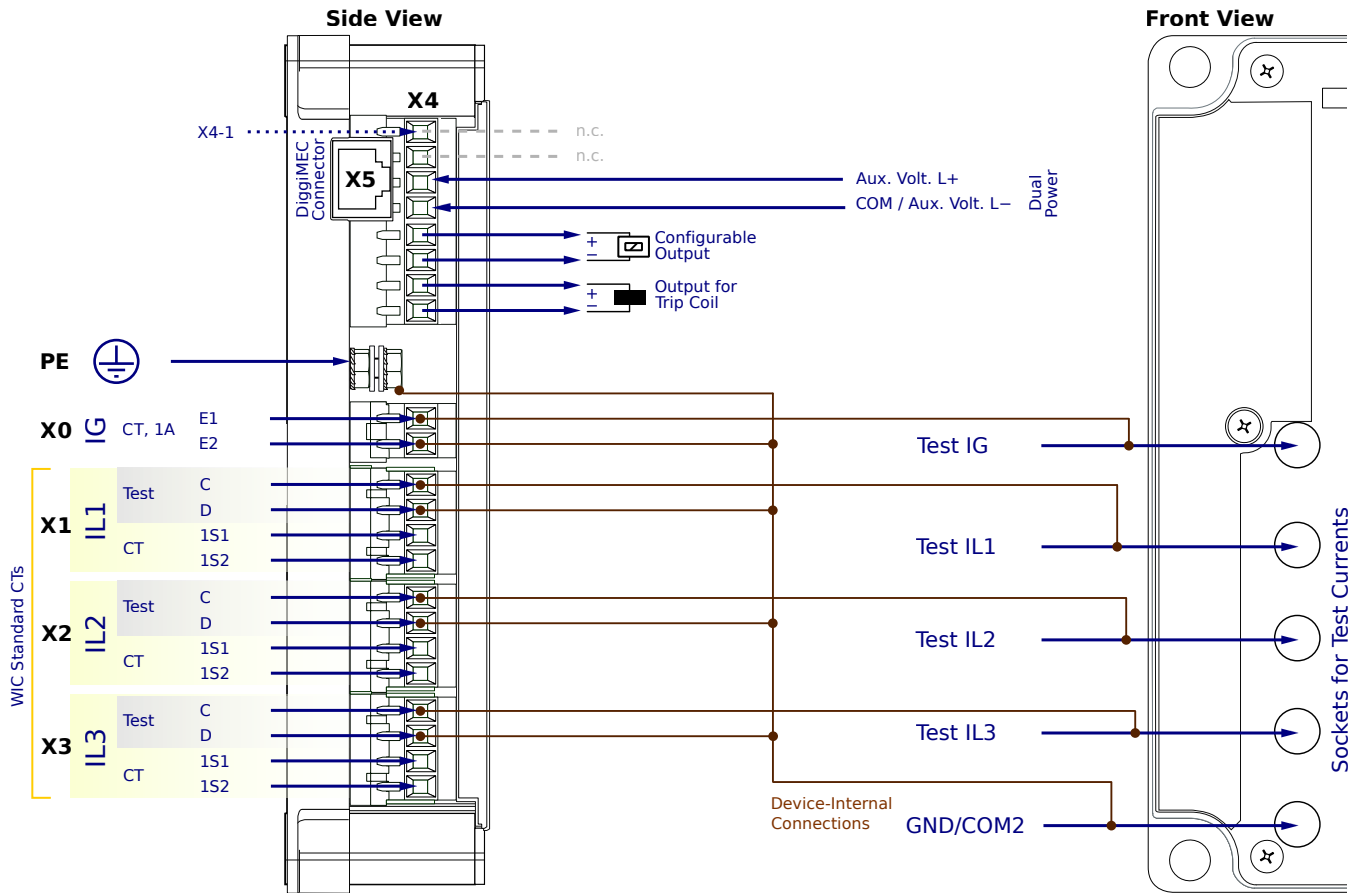
**X4-5,6** - Trip flag indicator, optional use for self-supervision signaling

**X4-7,8** - Trip pulse output

**X5** - DiggiMEC-WIC1 connection. Use network cable CAT3 (or better). No crossover cable!

**X6** - Modbus RTU — RS485 / terminals

# WIC1-4SG0CM1SA



## Dual-Powered Protection Device, configuration via DiggiMEC / Smart view

- Nominal frequency is 50 Hz or 60 Hz. (Setting via DiggiMEC/Smart view.)
- Backup protection operates directly
- ANSI 50, 50G/N, 51, 51G/N, inrush, 50BF, 74TC

**PE** - Protective Earth

**X0** - Measured ground (earth) current via 1 A CT input. (Calc. IG is also possible.)

**X1...X3** - WIC CTs

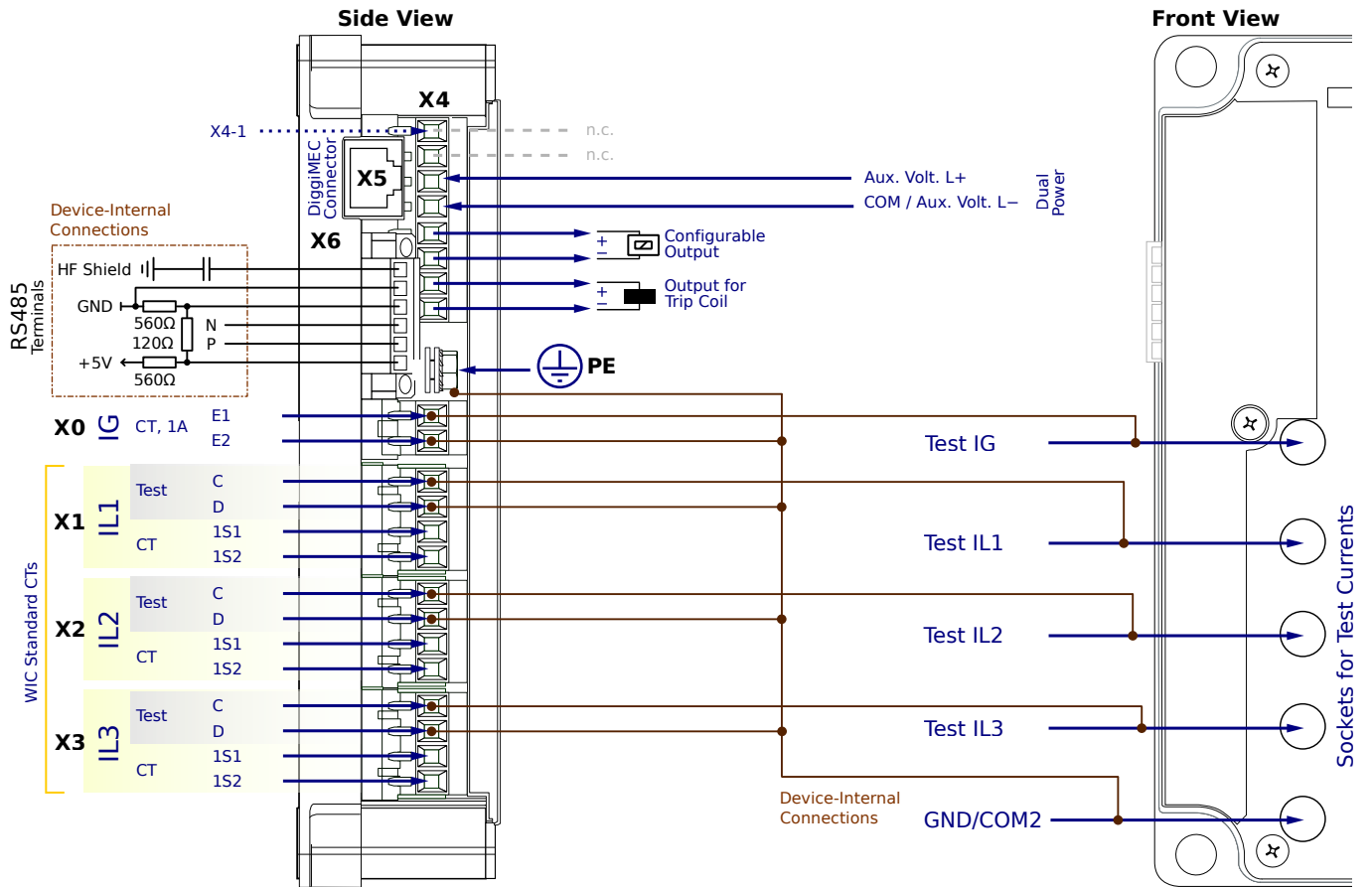
**X4-3,4** - Dual Power (Optional auxiliary power supply)

**X4-5,6** - Configurable Output, optional use for self-supervision signaling

**X4-7,8** - Trip pulse output

**X5** - DiggiMEC-WIC1 connection. Use network cable CAT3 (or better). No crossover cable!

# WIC1-4SG0CM1SB



## Dual-Powered Protection Device, configuration via DiggiMEC / Smart view

- Nominal frequency is 50 Hz or 60 Hz. (Setting via DiggiMEC/Smart view.)
- Backup protection operates directly
- ANSI 50, 50G/N, 51, 51G/N, inrush, 50BF, 74TC

**PE** – Protective Earth

**X0** – Measured ground (earth) current via 1 A CT input. (Calc. IG is also possible.)

**X1...X3** – WIC CTs

**X4-3,4** – Dual Power (Optional auxiliary power supply)

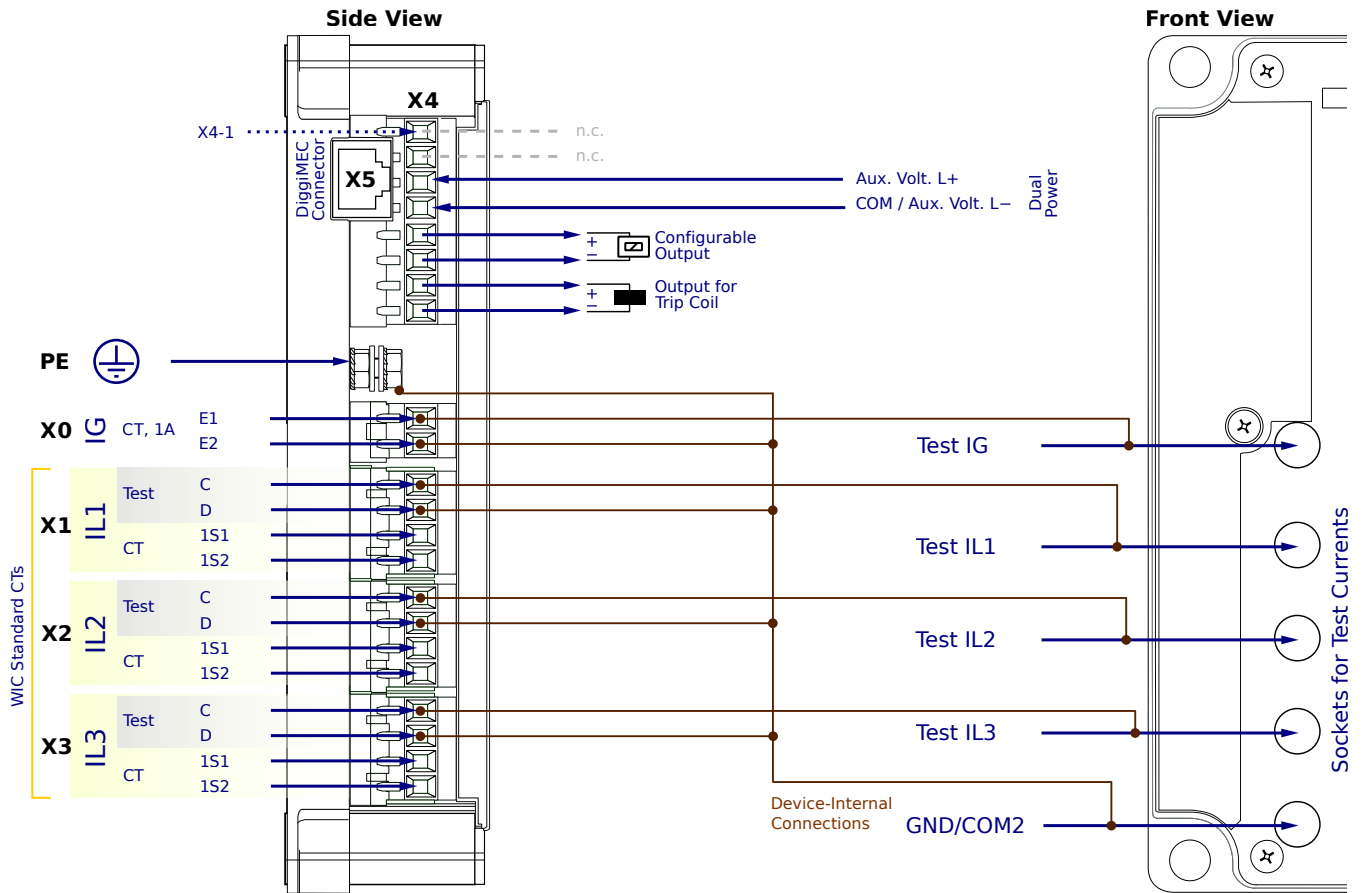
**X4-5,6** – Configurable Output, optional use for self-supervision signaling

**X4-7,8** – Trip pulse output

**X5** – DiggiMEC-WIC1 connection. Use network cable CAT3 (or better). No crossover cable!

**X6** – Modbus RTU — RS485 / terminals

# WIC1-4SG0CM1AA



## Dual-Powered Protection Device, configuration via DiggiMEC / Smart view

- Nominal frequency is 50 Hz or 60 Hz. (Setting via DiggiMEC/Smart view.)
- Backup protection operates directly
- Package "S" + ANSI 46, 49, 51Q, Breaker Wear, Condition Monitoring (= Life Load, Drag Indicator)

**PE** - Protective Earth

**X0** - Measured ground (earth) current via 1 A CT input. (Calc. IG is also possible.)

**X1...X3** - WIC CTs

**X4-3,4** - Dual Power (Optional auxiliary power supply)

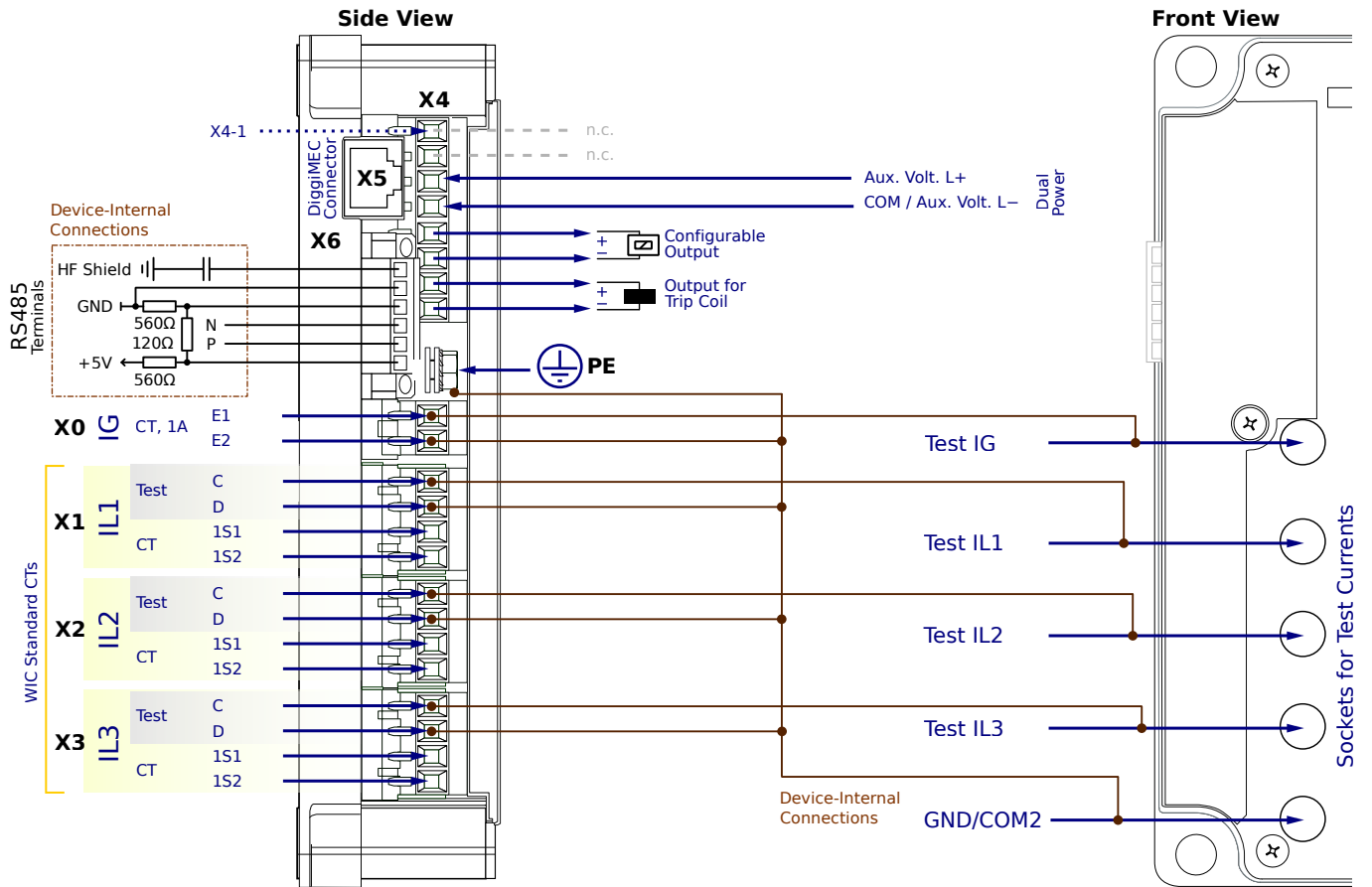
**X4-5,6** - Configurable Output, optional use for self-supervision signaling

**X4-7,8** - Trip pulse output

**X5** - DiggiMEC-WIC1 connection. Use network cable CAT3 (or better). No crossover cable!



# WIC1-4SG0CM1AB



## Dual-Powered Protection Device, configuration via DiggiMEC / Smart view

- Nominal frequency is 50 Hz or 60 Hz. (Setting via DiggiMEC/Smart view.)
- Backup protection operates directly
- Package "S" + ANSI 46, 49, 51Q, Breaker Wear, Condition Monitoring (= Life Load, Drag Indicator)

**PE** – Protective Earth

**X0** – Measured ground (earth) current via 1 A CT input. (Calc. IG is also possible.)

**X1...X3** – WIC CTs

**X4-3,4** – Dual Power (Optional auxiliary power supply)

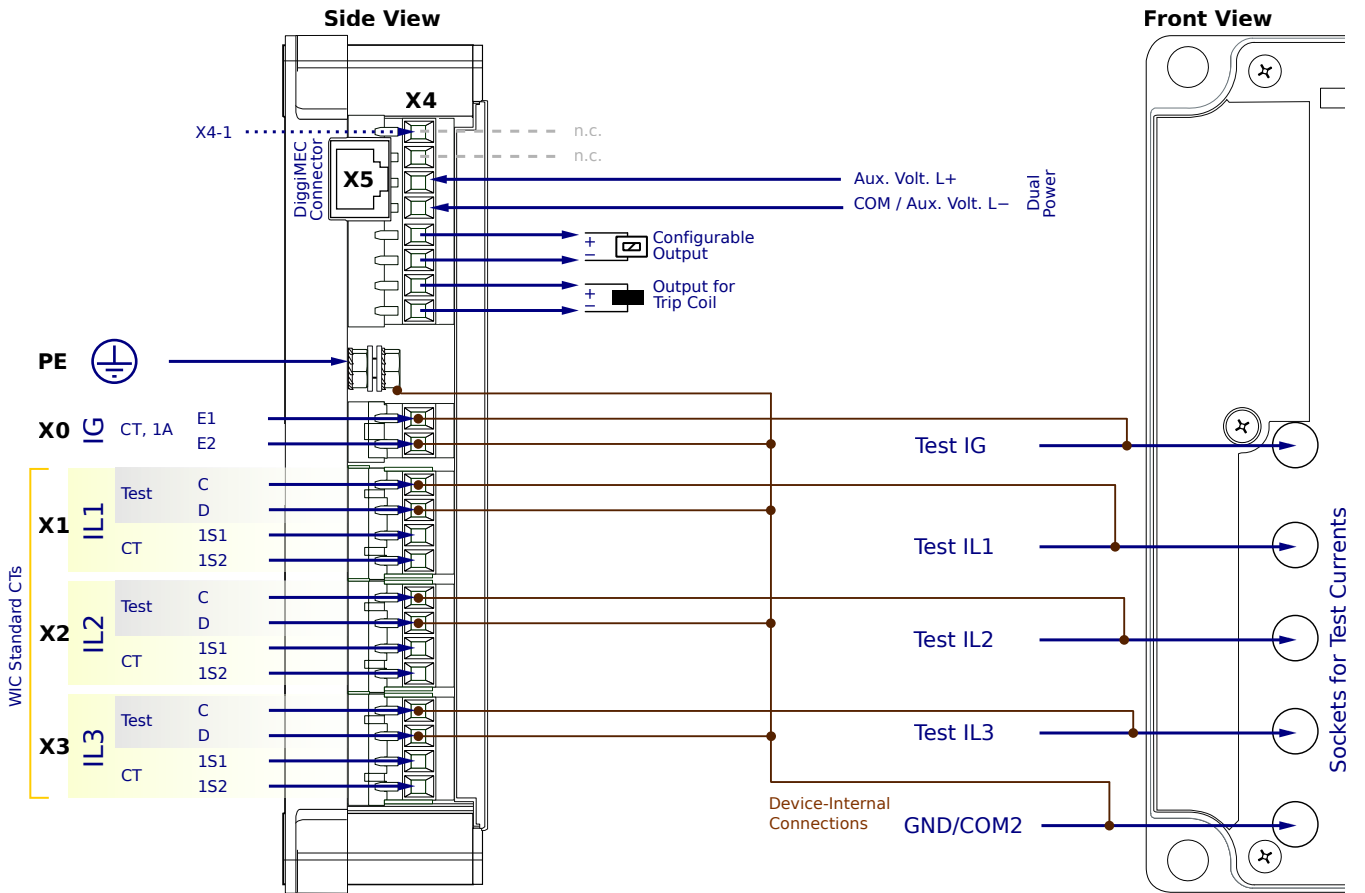
**X4-5,6** – Configurable Output, optional use for self-supervision signaling

**X4-7,8** – Trip pulse output

**X5** – DiggiMEC-WIC1 connection. Use network cable CAT3 (or better). No crossover cable!

**X6** – Modbus RTU — RS485 / terminals

# WIC1-4SG0CM1PA



## Dual-Powered Protection Device, configuration via DiggiMEC / Smart view

- Nominal frequency is 50 Hz or 60 Hz. (Setting via DiggiMEC/Smart view.)
- Backup protection operates directly
- Package "A" + SOTF, CLPU, external protection, ultra-fast overcurrent protection

**PE** – Protective Earth

**X0** – Measured ground (earth) current via 1 A CT input. (Calc. IG is also possible.)

**X1...X3** – WIC CTs

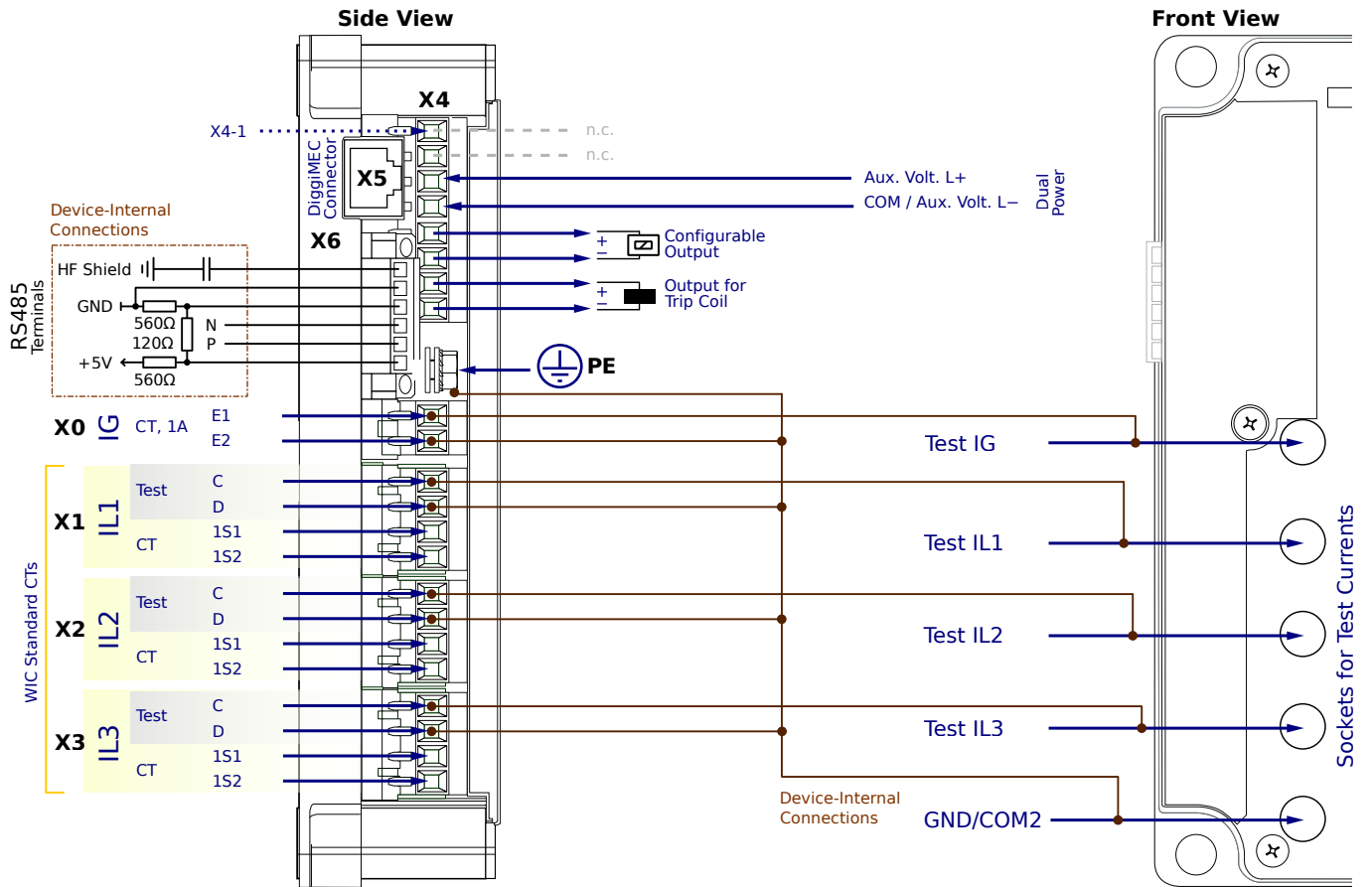
**X4-3,4** – Dual Power (Optional auxiliary power supply)

**X4-5,6** – Configurable Output, optional use for self-supervision signaling

**X4-7,8** – Trip pulse output

**X5** – DiggiMEC-WIC1 connection. Use network cable CAT3 (or better). No crossover cable!

# WIC1-4SG0CM1PB



## Dual-Powered Protection Device, configuration via DiggiMEC / Smart view

- Nominal frequency is 50 Hz or 60 Hz. (Setting via DiggiMEC/Smart view.)
- Backup protection operates directly
- Package "A" + SOTF, CLPU, external protection, ultra-fast overcurrent protection

**PE** – Protective Earth

**X0** – Measured ground (earth) current via 1 A CT input. (Calc. IG is also possible.)

**X1...X3** – WIC CTs

**X4-3,4** – Dual Power (Optional auxiliary power supply)

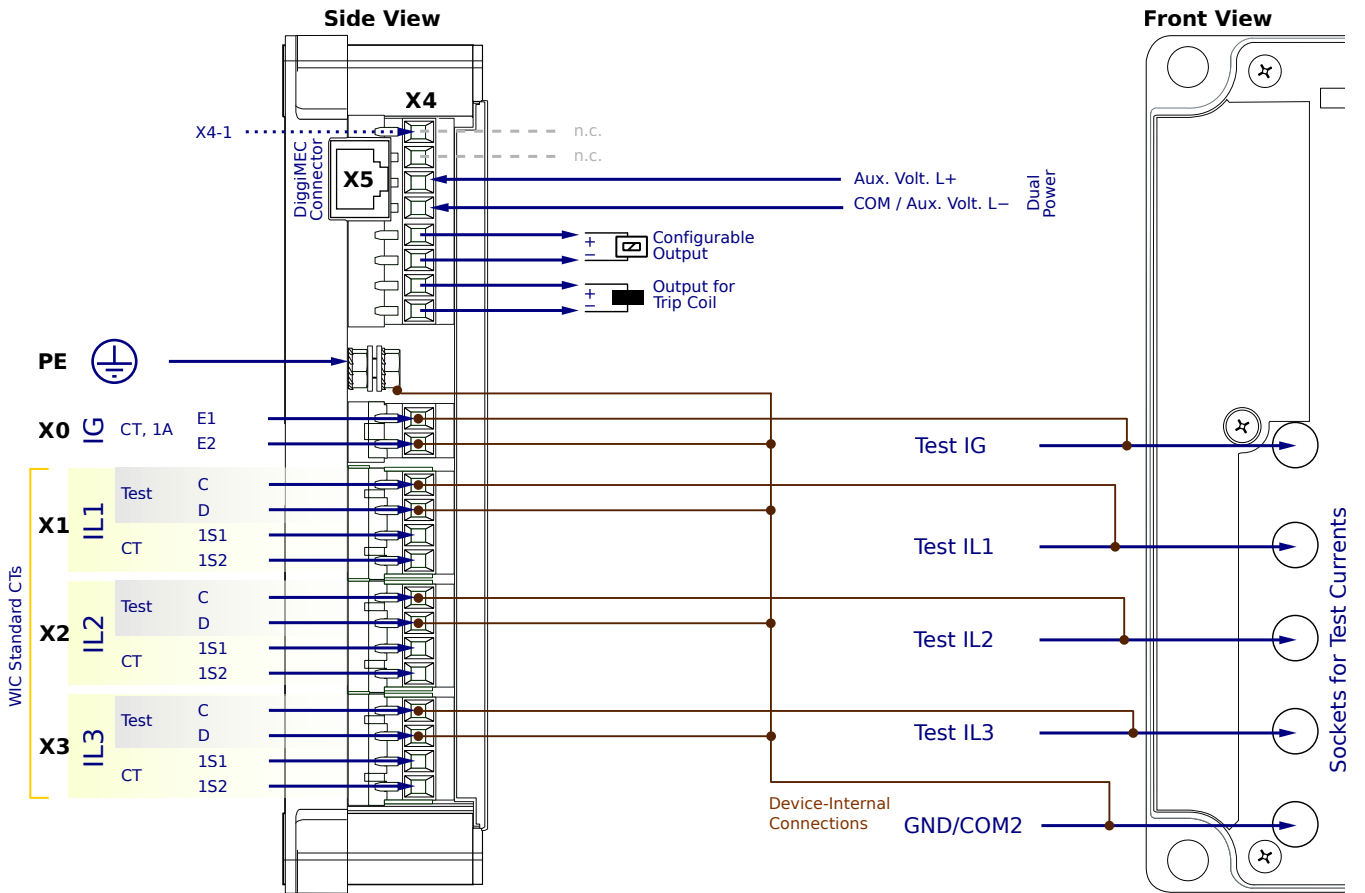
**X4-5,6** – Configurable Output, optional use for self-supervision signaling

**X4-7,8** – Trip pulse output

**X5** – DiggiMEC-WIC1 connection. Use network cable CAT3 (or better). No crossover cable!

**X6** – Modbus RTU — RS485 / terminals

# WIC1-4SG0CM2SA



## Dual-Powered Protection Device, configuration via DiggiMEC / Smart view

- Nominal frequency is 50 Hz or 60 Hz. (Setting via DiggiMEC/Smart view.)
- Trip at  $20 \cdot I_{n,max}$
- ANSI 50, 50G/N, 51, 51G/N, inrush, 50BF, 74TC

**PE** - Protective Earth

**X0** - Measured ground (earth) current via 1 A CT input. (Calc. IG is also possible.)

**X1...X3** - WIC CTs

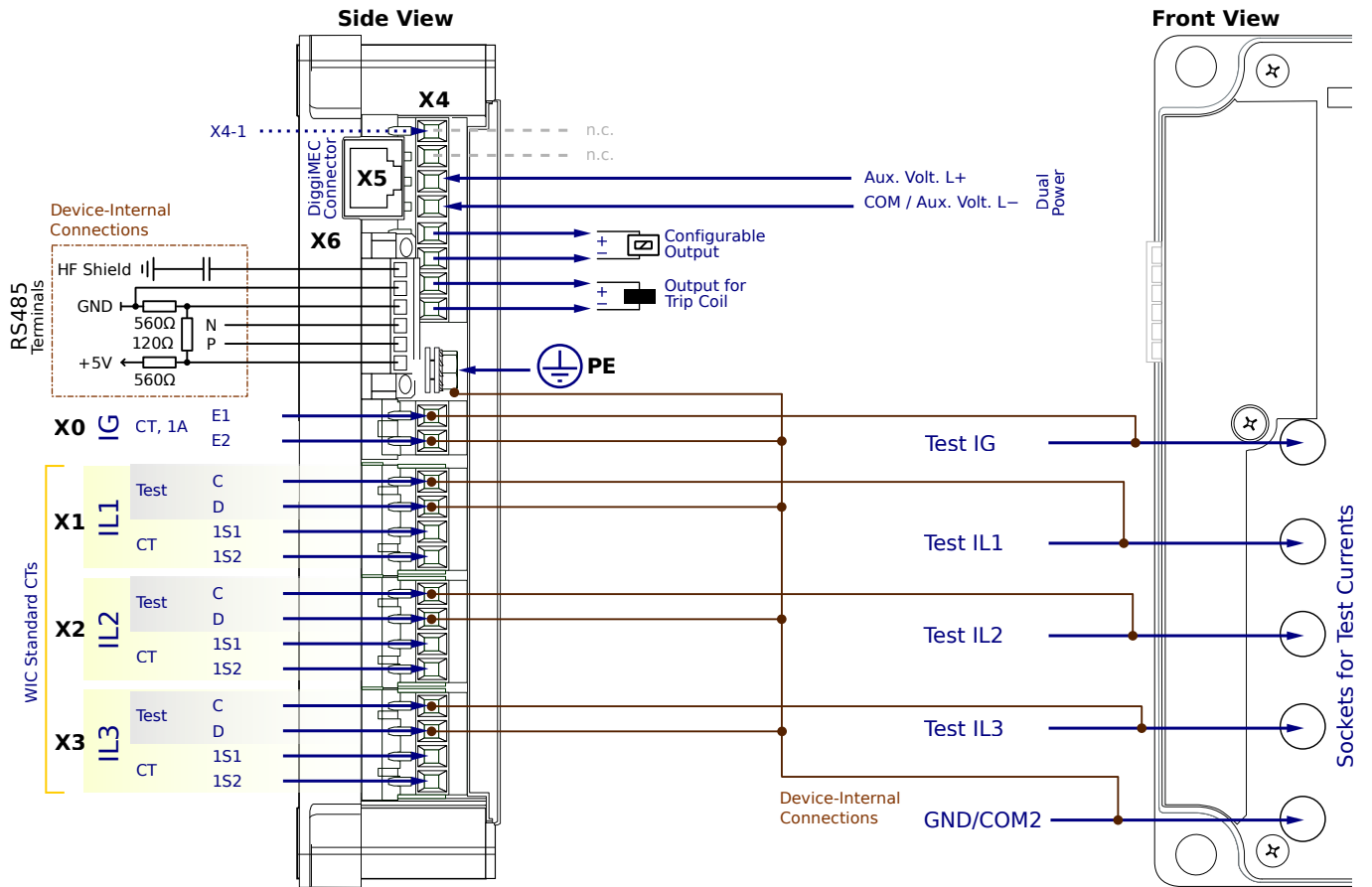
**X4-3,4** - Dual Power (Optional auxiliary power supply)

**X4-5,6** - Configurable Output, optional use for self-supervision signaling

**X4-7,8** - Trip pulse output

**X5** - DiggiMEC-WIC1 connection. Use network cable CAT3 (or better). No crossover cable!

# WIC1-4SG0CM2SB



## Dual-Powered Protection Device, configuration via DiggiMEC / Smart view

- Nominal frequency is 50 Hz or 60 Hz. (Setting via DiggiMEC/Smart view.)
- Trip at  $20 \cdot I_{n,max}$
- ANSI 50, 50G/N, 51, 51G/N, inrush, 50BF, 74TC

**PE** - Protective Earth

**X0** - Measured ground (earth) current via 1 A CT input. (Calc. IG is also possible.)

**X1...X3** - WIC CTs

**X4-3,4** - Dual Power (Optional auxiliary power supply)

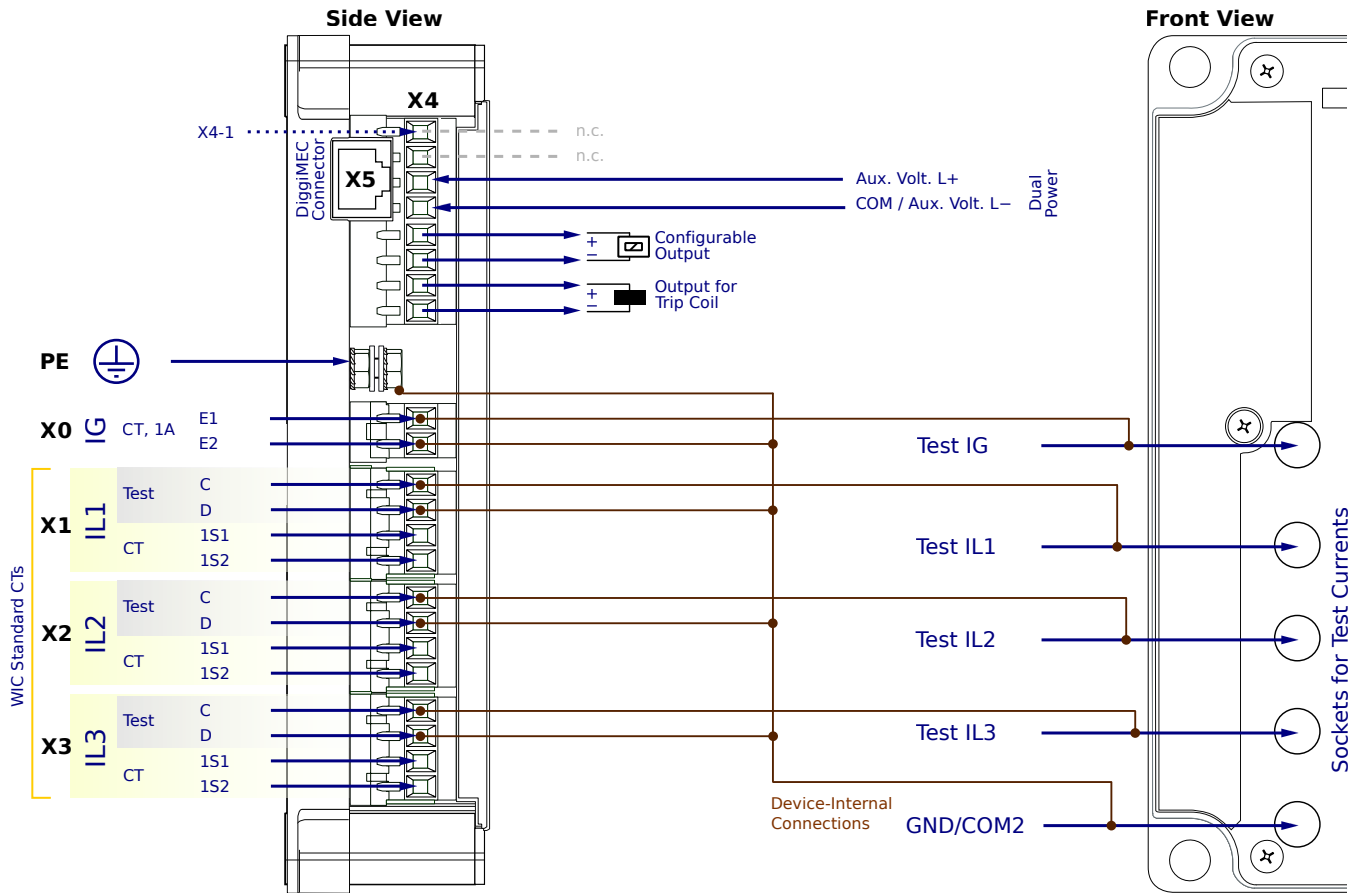
**X4-5,6** - Configurable Output, optional use for self-supervision signaling

**X4-7,8** - Trip pulse output

**X5** - DiggiMEC-WIC1 connection. Use network cable CAT3 (or better). No crossover cable!

**X6** - Modbus RTU — RS485 / terminals

# WIC1-4SG0CM2AA



## Dual-Powered Protection Device, configuration via DiggiMEC / Smart view

- Nominal frequency is 50 Hz or 60 Hz. (Setting via DiggiMEC/Smart view.)
- Trip at  $20 \cdot I_{n,max}$
- Package "S" + ANSI 46, 49, 51Q, Breaker Wear, Condition Monitoring (= Life Load, Drag Indicator)

**PE** - Protective Earth

**X0** - Measured ground (earth) current via 1 A CT input. (Calc. IG is also possible.)

**X1...X3** - WIC CTs

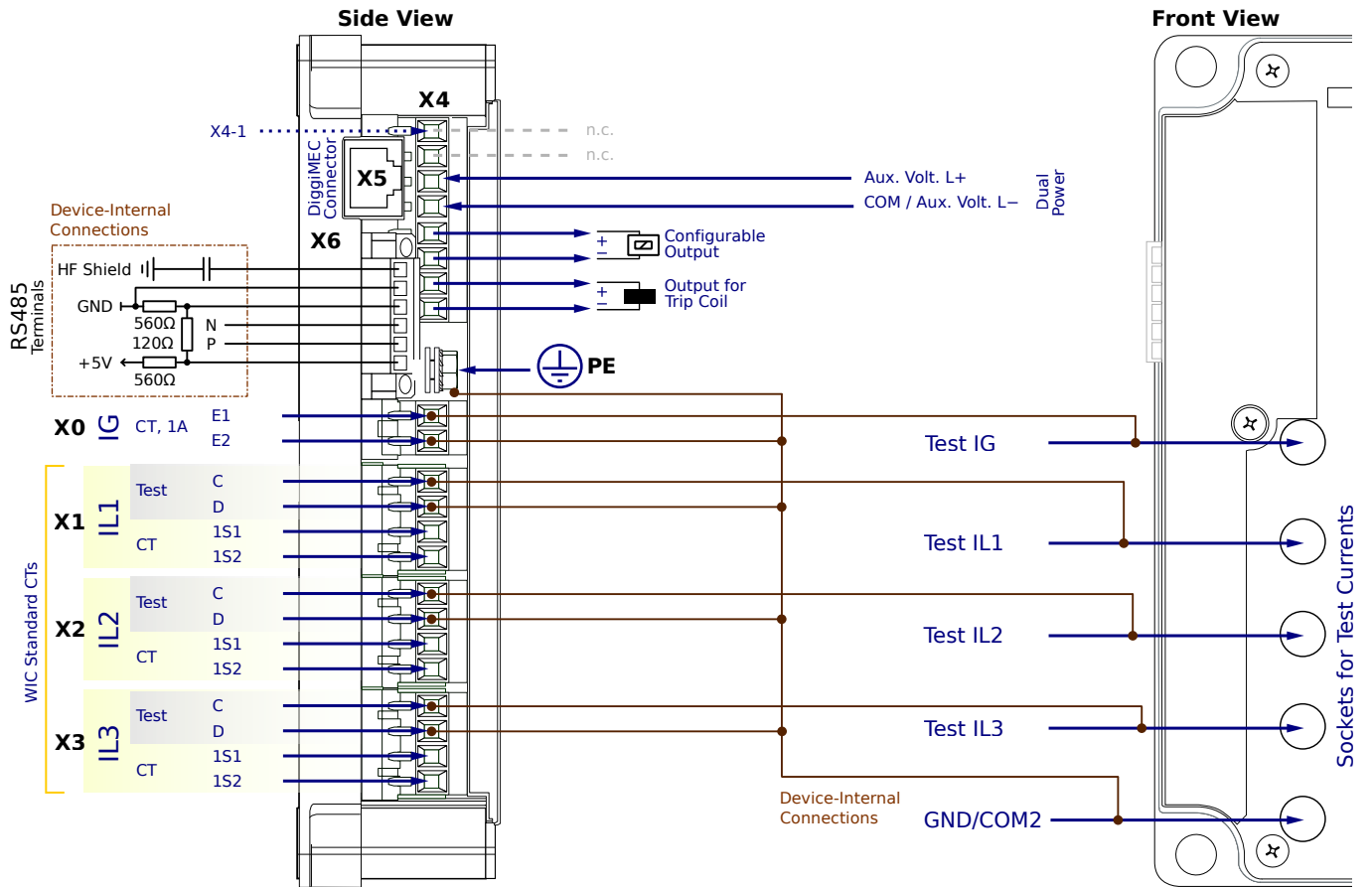
**X4-3,4** - Dual Power (Optional auxiliary power supply)

**X4-5,6** - Configurable Output, optional use for self-supervision signaling

**X4-7,8** - Trip pulse output

**X5** - DiggiMEC-WIC1 connection. Use network cable CAT3 (or better). No crossover cable!

# WIC1-4SG0CM2AB



## Dual-Powered Protection Device, configuration via DiggiMEC / Smart view

- Nominal frequency is 50 Hz or 60 Hz. (Setting via DiggiMEC/Smart view.)
- Trip at  $20 \cdot I_{n,max}$
- Package "S" + ANSI 46, 49, 51Q, Breaker Wear, Condition Monitoring (= Life Load, Drag Indicator)

**PE** - Protective Earth

**X0** - Measured ground (earth) current via 1 A CT input. (Calc. IG is also possible.)

**X1...X3** - WIC CTs

**X4-3,4** - Dual Power (Optional auxiliary power supply)

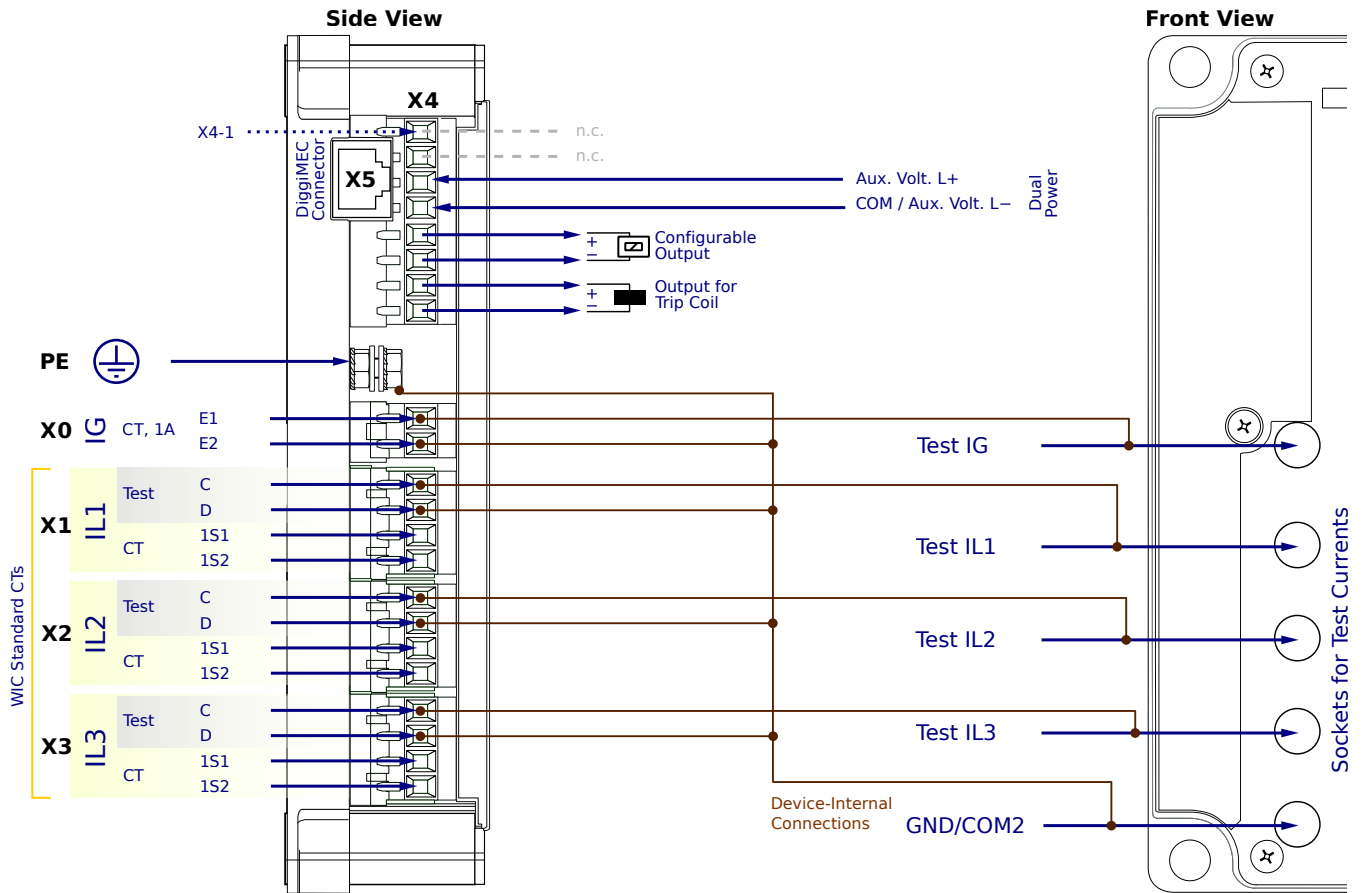
**X4-5,6** - Configurable Output, optional use for self-supervision signaling

**X4-7,8** - Trip pulse output

**X5** - DiggiMEC-WIC1 connection. Use network cable CAT3 (or better). No crossover cable!

**X6** - Modbus RTU — RS485 / terminals

# WIC1-4SG0CM2PA



## Dual-Powered Protection Device, configuration via DiggiMEC / Smart view

- Nominal frequency is 50 Hz or 60 Hz. (Setting via DiggiMEC/Smart view.)
- Trip at  $20 \cdot I_{n,max}$
- Package "A" + SOTF, CLPU, external protection, ultra-fast overcurrent protection

**PE** - Protective Earth

**X0** - Measured ground (earth) current via 1 A CT input. (Calc. IG is also possible.)

**X1...X3** - WIC CTs

**X4-3,4** - Dual Power (Optional auxiliary power supply)

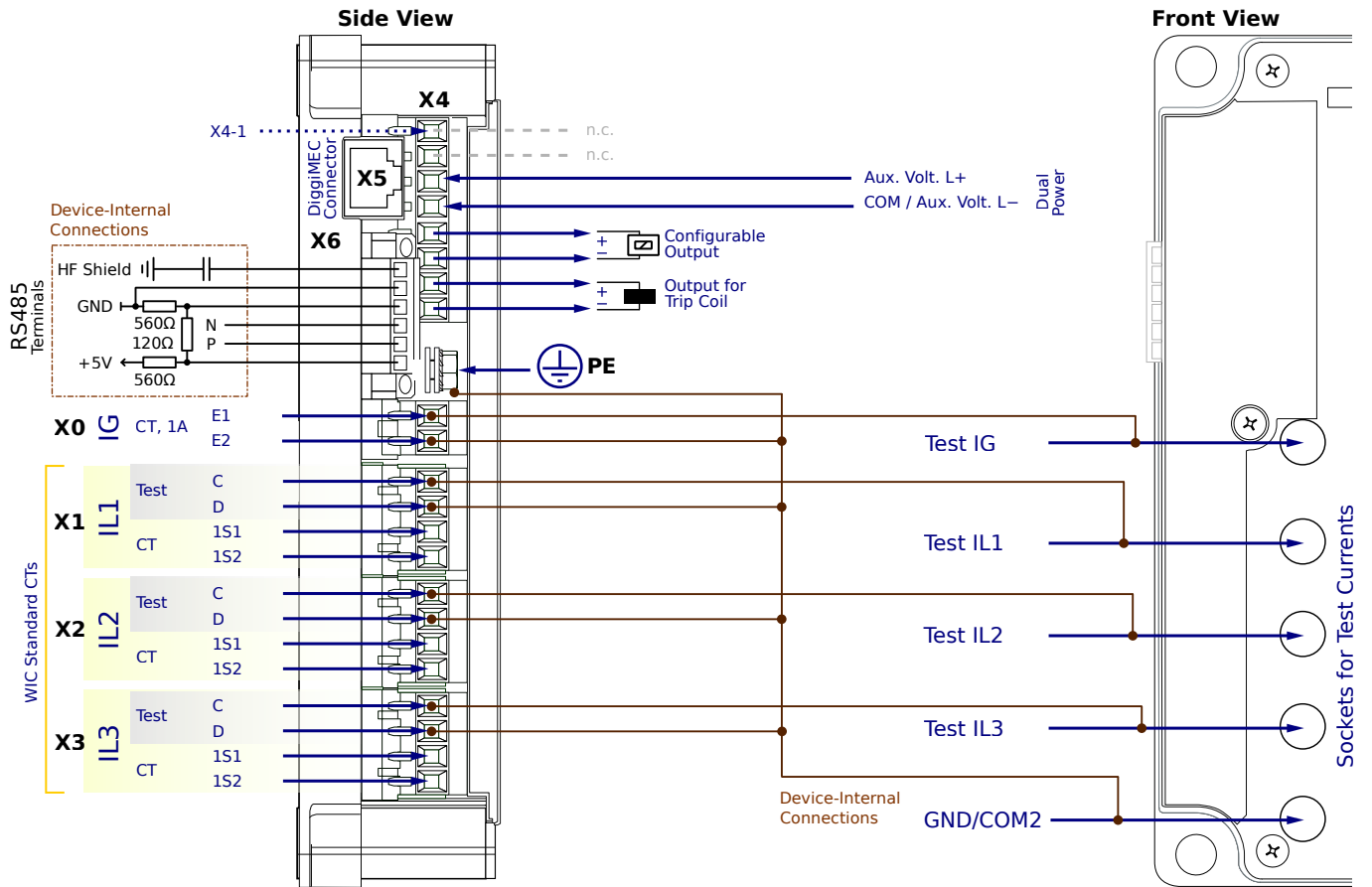
**X4-5,6** - Configurable Output, optional use for self-supervision signaling

**X4-7,8** - Trip pulse output

**X5** - DiggiMEC-WIC1 connection. Use network cable CAT3 (or better). No crossover cable!



# WIC1-4SG0CM2PB



## Dual-Powered Protection Device, configuration via DiggiMEC / Smart view

- Nominal frequency is 50 Hz or 60 Hz. (Setting via DiggiMEC/Smart view.)
- Trip at  $20 \cdot I_{n,max}$
- Package "A" + SOTF, CLPU, external protection, ultra-fast overcurrent protection

**PE** – Protective Earth

**X0** – Measured ground (earth) current via 1 A CT input. (Calc. IG is also possible.)

**X1...X3** – WIC CTs

**X4-3,4** – Dual Power (Optional auxiliary power supply)

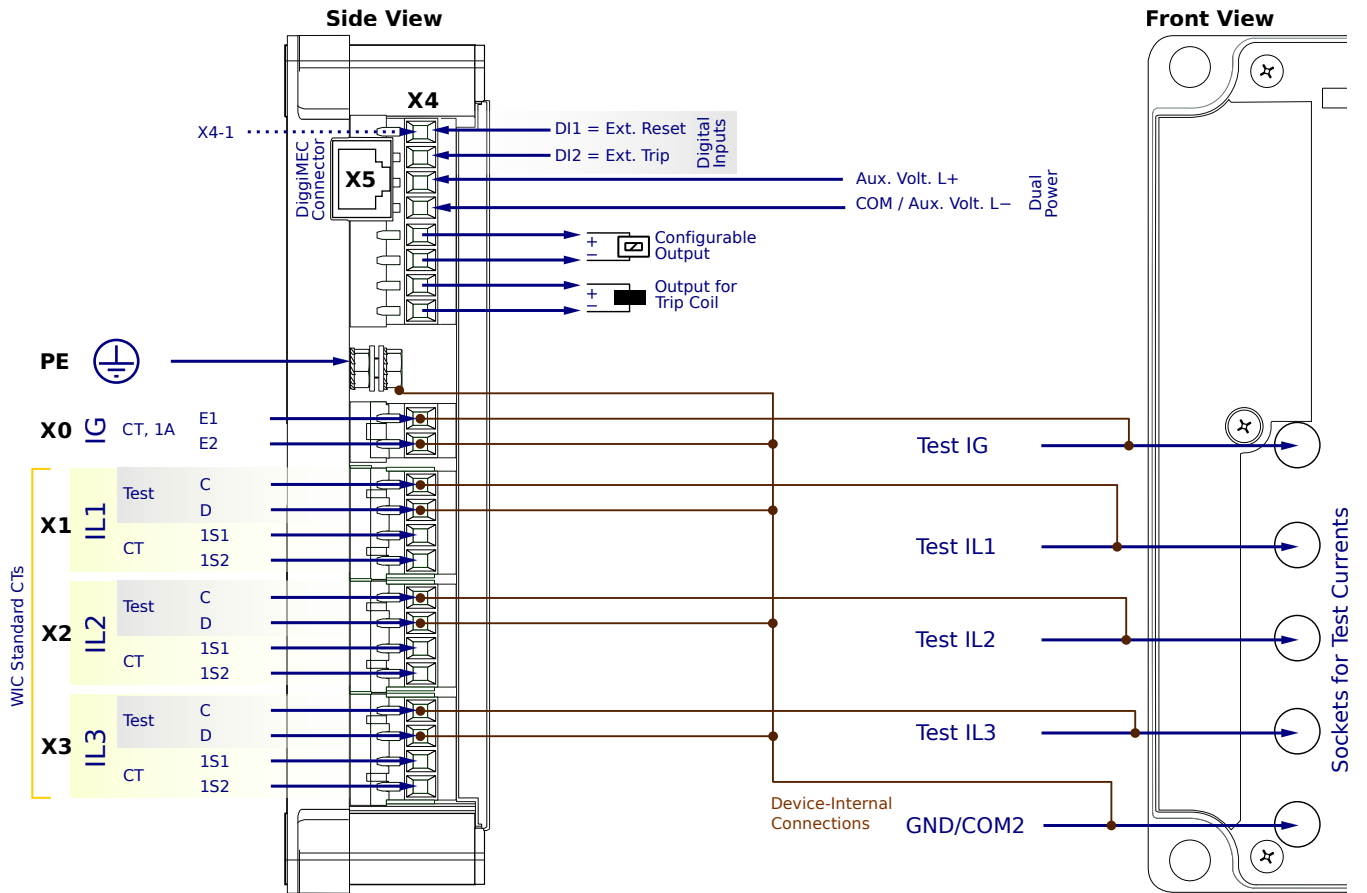
**X4-5,6** – Configurable Output, optional use for self-supervision signaling

**X4-7,8** – Trip pulse output

**X5** – DiggiMEC-WIC1 connection. Use network cable CAT3 (or better). No crossover cable!

**X6** – Modbus RTU — RS485 / terminals

# WIC1-4SG0CG1SA



## Dual-Powered Protection Device, configuration via DiggiMEC / Smart view

- Nominal frequency is 50 Hz or 60 Hz. (Setting via DiggiMEC/Smart view.)
- Backup protection operates directly
- ANSI 50, 50G/N, 51, 51G/N, inrush, 50BF, 74TC

**PE** - Protective Earth

**X0** - Measured ground (earth) current via 1 A CT input. (Calc. IG is also possible.)

**X1...X3** - WIC CTs

**X4-1,2** - Digital Inputs, fixed to: DI1=ext. reset, DI2=ext. trip

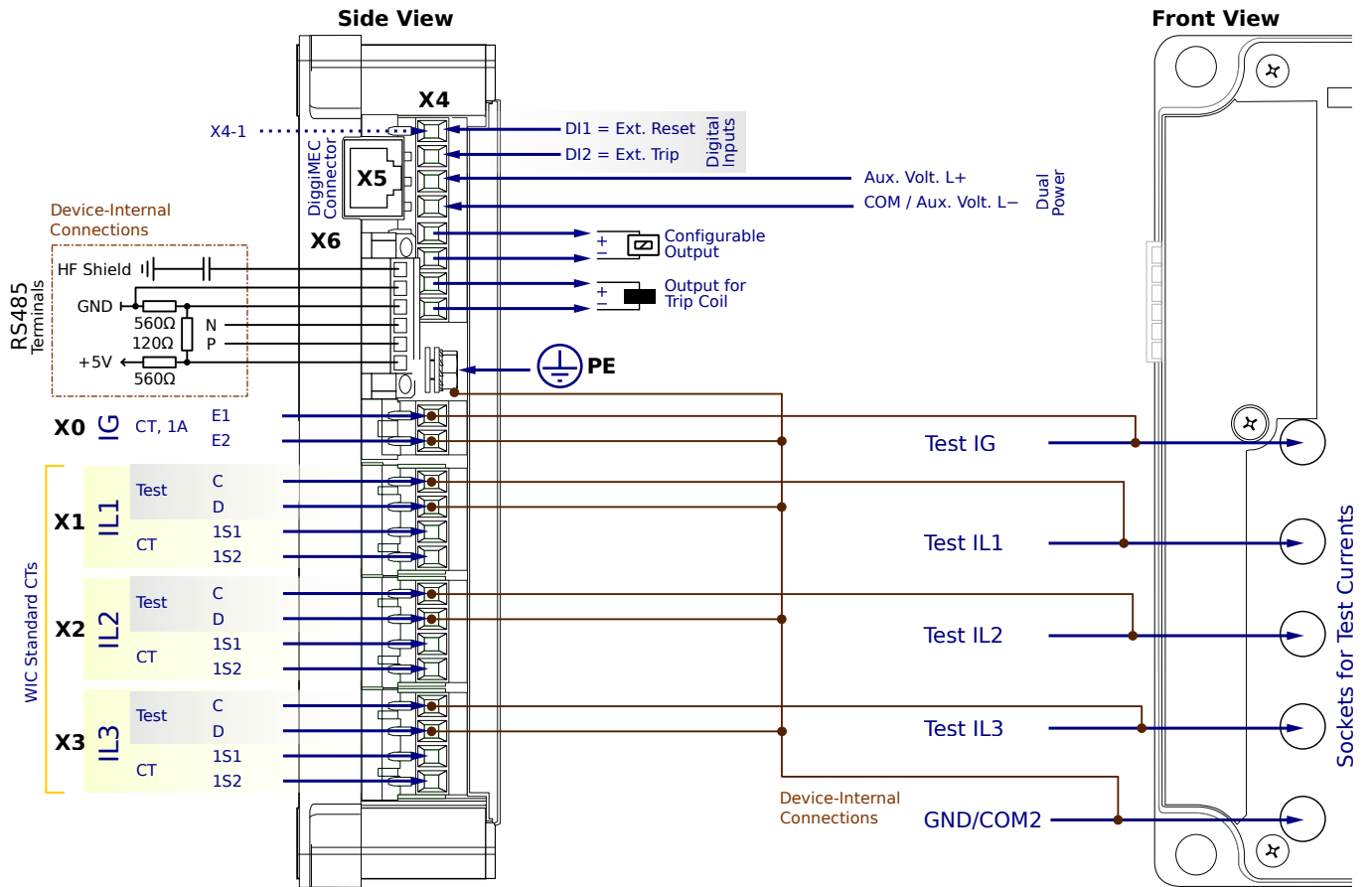
**X4-3,4** - Dual Power (Optional auxiliary power supply)

**X4-5,6** - Configurable Output, optional use for self-supervision signaling

**X4-7,8** - Trip pulse output

**X5** - DiggiMEC-WIC1 connection. Use network cable CAT3 (or better). No crossover cable!

# WIC1-4SG0CG1SB



## Dual-Powered Protection Device, configuration via DiggiMEC / Smart view

- Nominal frequency is 50 Hz or 60 Hz. (Setting via DiggiMEC/Smart view.)
- Backup protection operates directly
- ANSI 50, 50G/N, 51, 51G/N, inrush, 50BF, 74TC

**PE** - Protective Earth

**X0** - Measured ground (earth) current via 1 A CT input. (Calc. IG is also possible.)

**X1...X3** - WIC CTs

**X4-1,2** - Digital Inputs, fixed to: DI1=ext. reset, DI2=ext. trip

**X4-3,4** - Dual Power (Optional auxiliary power supply)

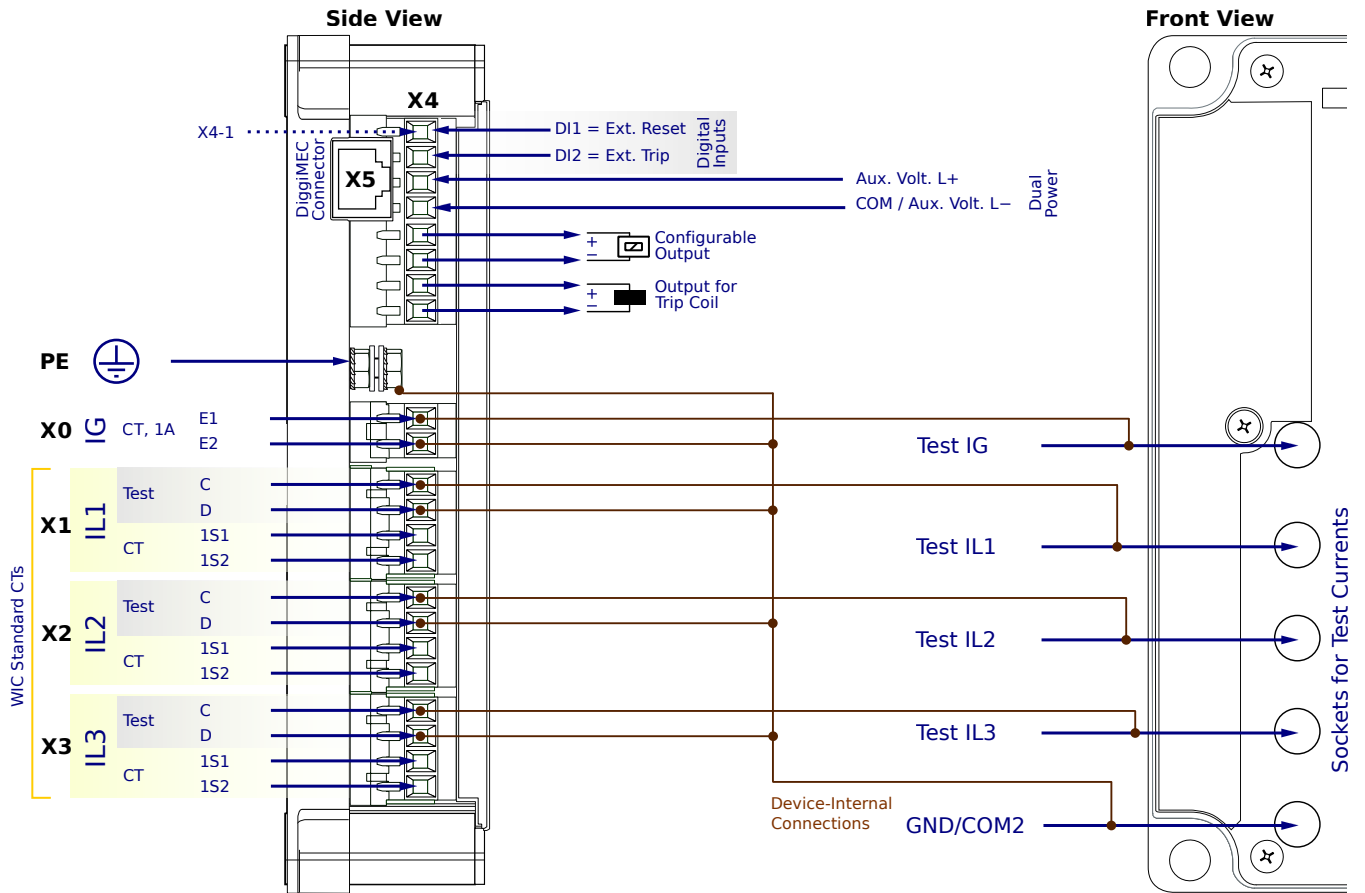
**X4-5,6** - Configurable Output, optional use for self-supervision signaling

**X4-7,8** - Trip pulse output

**X5** - DiggiMEC-WIC1 connection. Use network cable CAT3 (or better). No crossover cable!

**X6** - Modbus RTU — RS485 / terminals

# WIC1-4SG0CG1AA



## Dual-Powered Protection Device, configuration via DiggiMEC / Smart view

- Nominal frequency is 50 Hz or 60 Hz. (Setting via DiggiMEC/Smart view.)
- Backup protection operates directly
- Package "S" + ANSI 46, 49, 51Q, Breaker Wear, Condition Monitoring (= Life Load, Drag Indicator)

**PE** - Protective Earth

**X0** - Measured ground (earth) current via 1 A CT input. (Calc. IG is also possible.)

**X1...X3** - WIC CTs

**X4-1,2** - Digital Inputs, fixed to: DI1=ext. reset, DI2=ext. trip

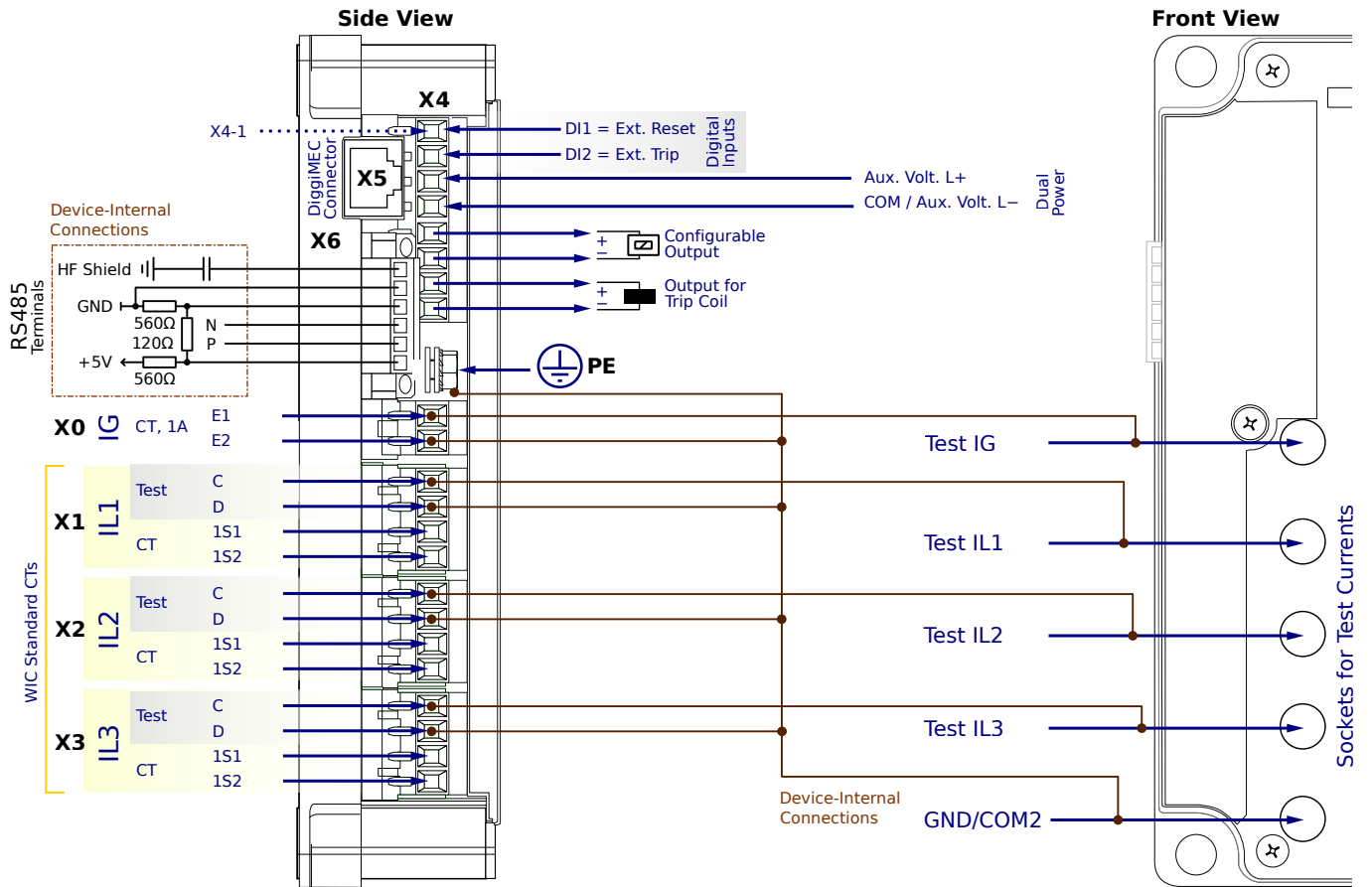
**X4-3,4** - Dual Power (Optional auxiliary power supply)

**X4-5,6** - Configurable Output, optional use for self-supervision signaling

**X4-7,8** - Trip pulse output

**X5** - DiggiMEC-WIC1 connection. Use network cable CAT3 (or better). No crossover cable!

# WIC1-4SG0CG1AB



## Dual-Powered Protection Device, configuration via DiggiMEC / Smart view

- Nominal frequency is 50 Hz or 60 Hz. (Setting via DiggiMEC/Smart view.)
- Backup protection operates directly
- Package "S" + ANSI 46, 49, 51Q, Breaker Wear, Condition Monitoring (= Life Load, Drag Indicator)

**PE** - Protective Earth

**X0** - Measured ground (earth) current via 1 A CT input. (Calc. IG is also possible.)

**X1...X3** - WIC CTs

**X4-1,2** - Digital Inputs, fixed to: DI1=ext. reset, DI2=ext. trip

**X4-3,4** - Dual Power (Optional auxiliary power supply)

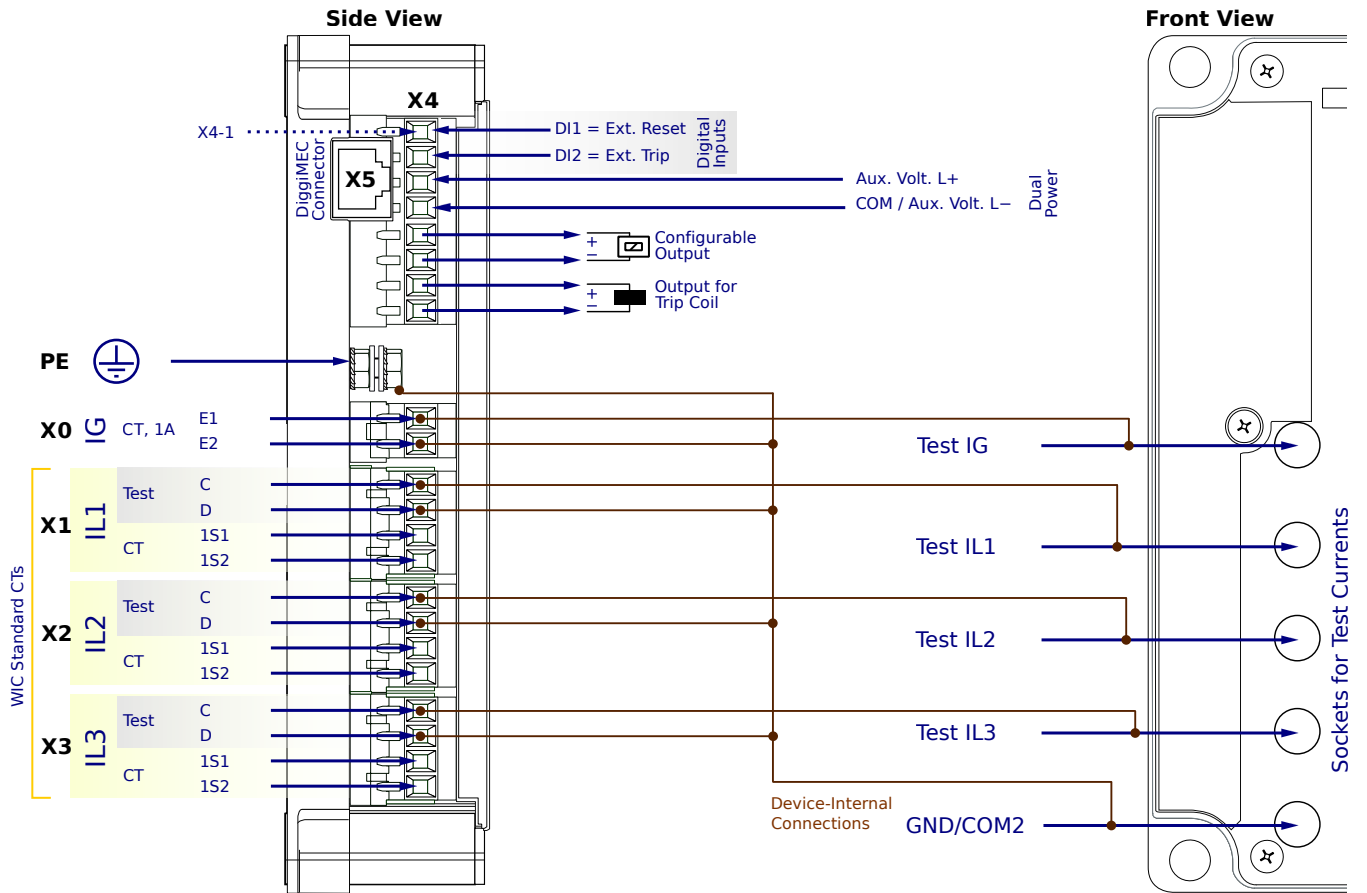
**X4-5,6** - Configurable Output, optional use for self-supervision signaling

**X4-7,8** - Trip pulse output

**X5** - DiggiMEC-WIC1 connection. Use network cable CAT3 (or better). No crossover cable!

**X6** - Modbus RTU — RS485 / terminals

# WIC1-4SG0CG1PA



## Dual-Powered Protection Device, configuration via DigiMEC / Smart view

- Nominal frequency is 50 Hz or 60 Hz. (Setting via DigiMEC/Smart view.)
- Backup protection operates directly
- Package "A" + SOTF, CLPU, external protection, ultra-fast overcurrent protection

**PE** - Protective Earth

**X0** - Measured ground (earth) current via 1 A CT input. (Calc. IG is also possible.)

**X1...X3** - WIC CTs

**X4-1,2** - Digital Inputs, fixed to: DI1=ext. reset, DI2=ext. trip

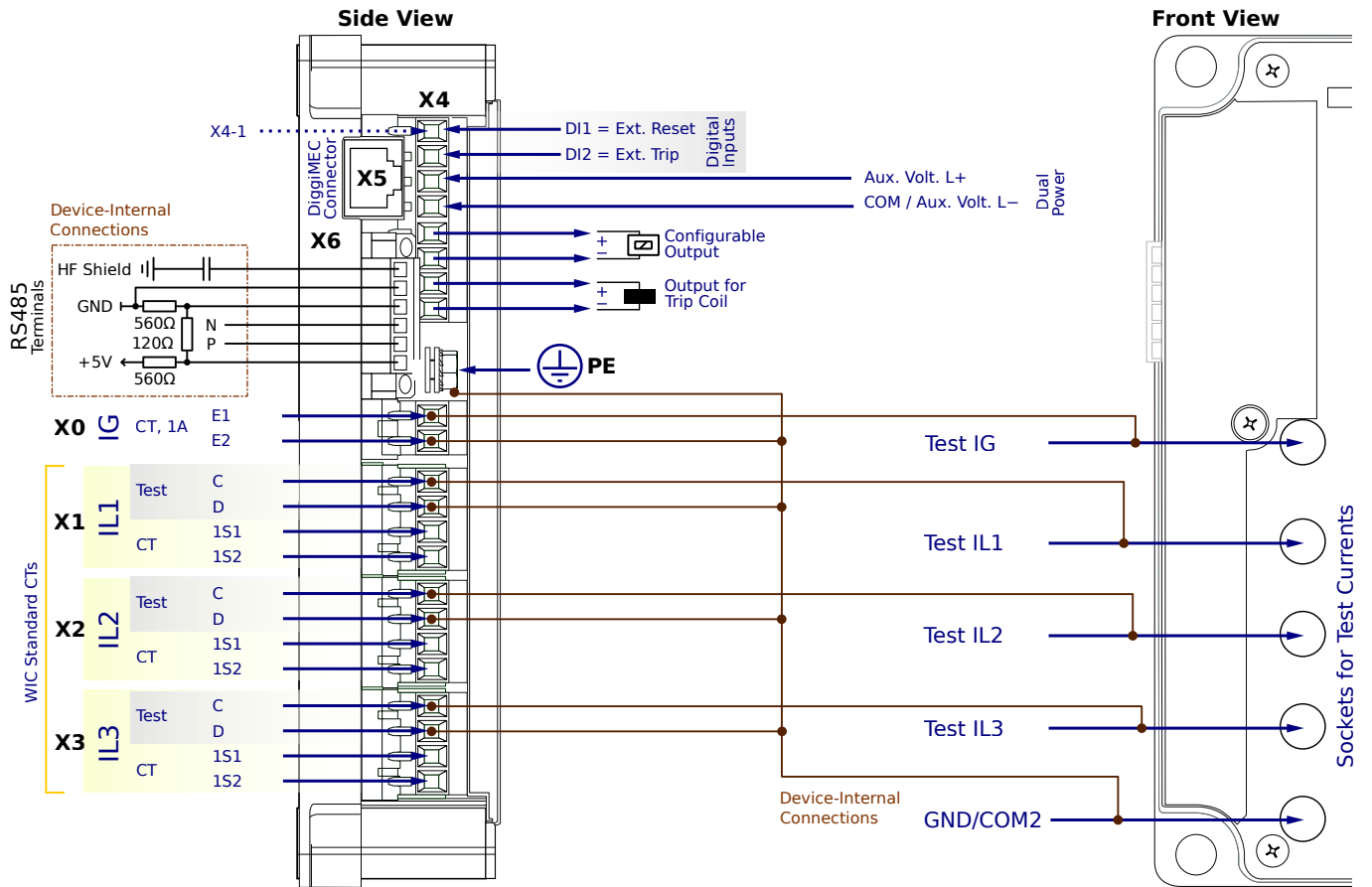
**X4-3,4** - Dual Power (Optional auxiliary power supply)

**X4-5,6** - Configurable Output, optional use for self-supervision signaling

**X4-7,8** - Trip pulse output

**X5** - DigiMEC-WIC1 connection. Use network cable CAT3 (or better). No crossover cable!

# WIC1-4SG0CG1PB



## Dual-Powered Protection Device, configuration via DiggiMEC / Smart view

- Nominal frequency is 50 Hz or 60 Hz. (Setting via DiggiMEC/Smart view.)
- Backup protection operates directly
- Package "A" + SOTF, CLPU, external protection, ultra-fast overcurrent protection

**PE** – Protective Earth

**X0** – Measured ground (earth) current via 1 A CT input. (Calc. IG is also possible.)

**X1...X3** – WIC CTs

**X4-1,2** – Digital Inputs, fixed to: DI1=ext. reset, DI2=ext. trip

**X4-3,4** – Dual Power (Optional auxiliary power supply)

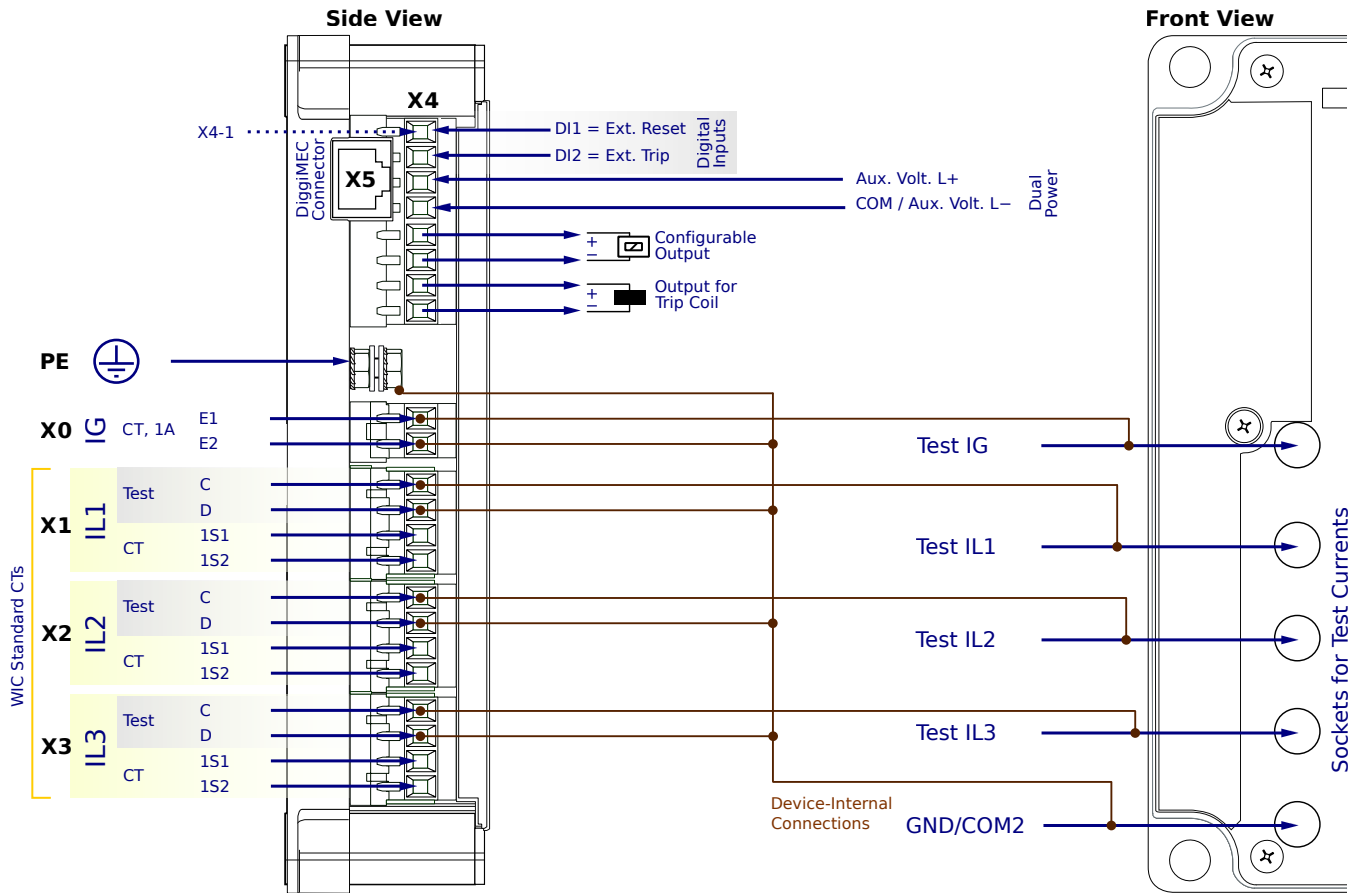
**X4-5,6** – Configurable Output, optional use for self-supervision signaling

**X4-7,8** – Trip pulse output

**X5** – DiggiMEC-WIC1 connection. Use network cable CAT3 (or better). No crossover cable!

**X6** – Modbus RTU — RS485 / terminals

# WIC1-4SG0CG2SA



## Dual-Powered Protection Device, configuration via DiggiMEC / Smart view

- Nominal frequency is 50 Hz or 60 Hz. (Setting via DiggiMEC/Smart view.)
- Trip at  $20 \cdot I_{n,max}$
- ANSI 50, 50G/N, 51, 51G/N, inrush, 50BF, 74TC

**PE** - Protective Earth

**X0** - Measured ground (earth) current via 1 A CT input. (Calc. IG is also possible.)

**X1...X3** - WIC CTs

**X4-1,2** - Digital Inputs, fixed to: DI1=ext. reset, DI2=ext. trip

**X4-3,4** - Dual Power (Optional auxiliary power supply)

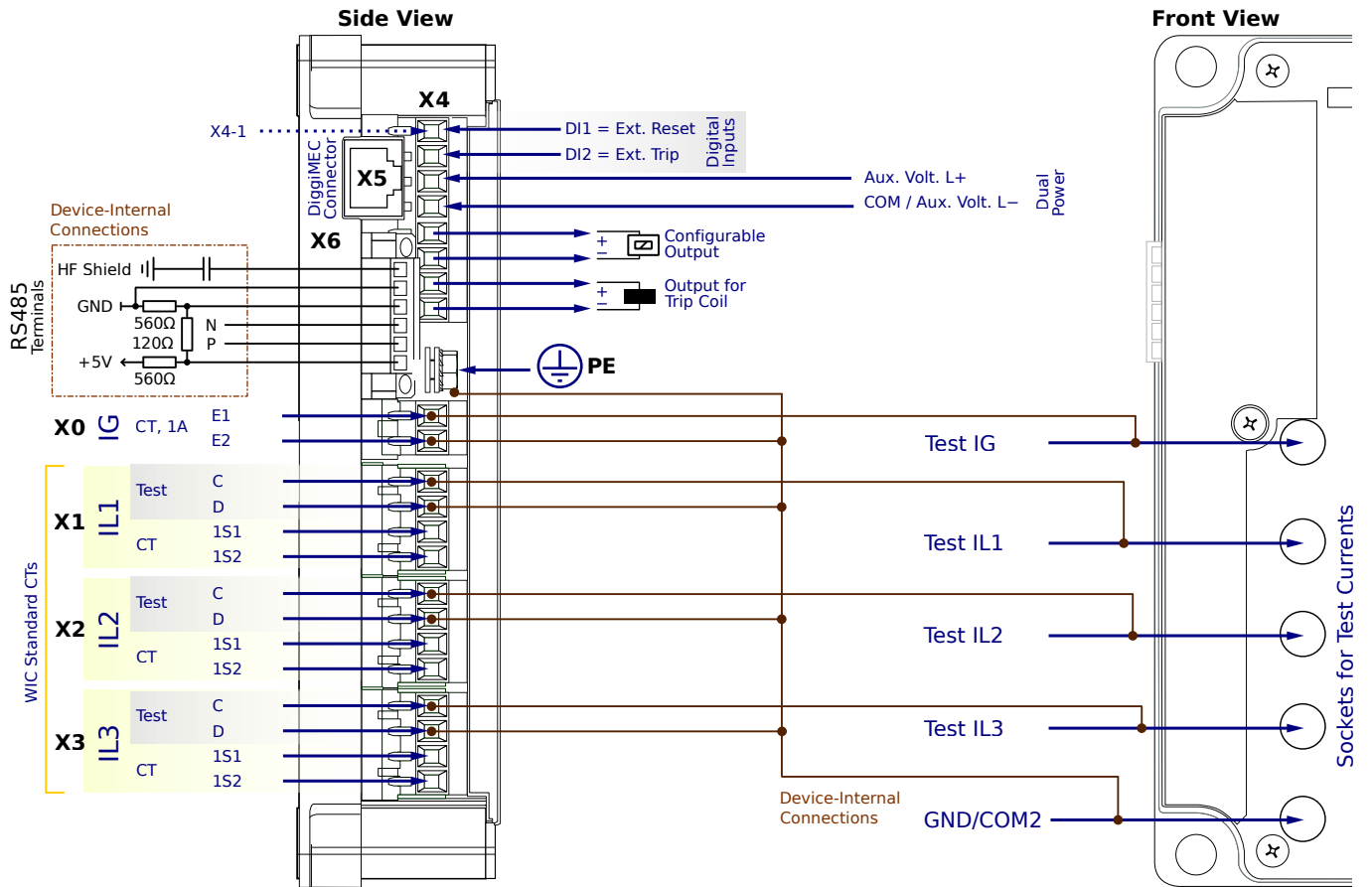
**X4-5,6** - Configurable Output, optional use for self-supervision signaling

**X4-7,8** - Trip pulse output

**X5** - DiggiMEC-WIC1 connection. Use network cable CAT3 (or better). No crossover cable!



# WIC1-4SG0CG2SB



## Dual-Powered Protection Device, configuration via DiggiMEC / Smart view

- Nominal frequency is 50 Hz or 60 Hz. (Setting via DiggiMEC/Smart view.)
- Trip at  $20 \cdot I_{n,max}$
- ANSI 50, 50G/N, 51, 51G/N, inrush, 50BF, 74TC

**PE** - Protective Earth

**X0** - Measured ground (earth) current via 1 A CT input. (Calc. IG is also possible.)

**X1...X3** - WIC CTs

**X4-1,2** - Digital Inputs, fixed to: DI1=ext. reset, DI2=ext. trip

**X4-3,4** - Dual Power (Optional auxiliary power supply)

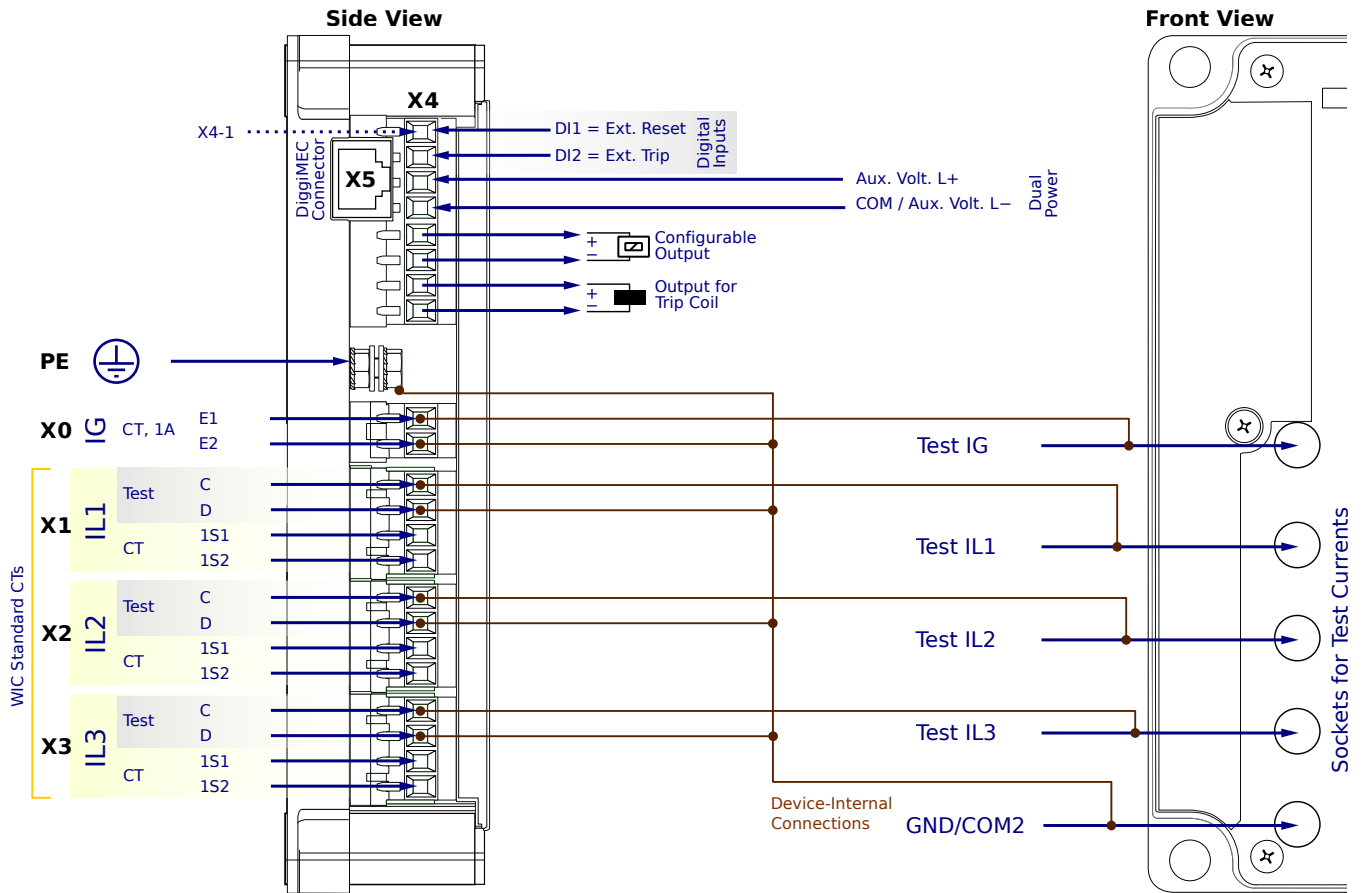
**X4-5,6** - Configurable Output, optional use for self-supervision signaling

**X4-7,8** - Trip pulse output

**X5** - DiggiMEC-WIC1 connection. Use network cable CAT3 (or better). No crossover cable!

**X6** - Modbus RTU — RS485 / terminals

# WIC1-4SG0CG2AA



## Dual-Powered Protection Device, configuration via DiggiMEC / Smart view

- Nominal frequency is 50 Hz or 60 Hz. (Setting via DiggiMEC/Smart view.)
- Trip at  $20 \cdot I_{n,max}$
- Package "S" + ANSI 46, 49, 51Q, Breaker Wear, Condition Monitoring (= Life Load, Drag Indicator)

**PE** - Protective Earth

**X0** - Measured ground (earth) current via 1 A CT input. (Calc. IG is also possible.)

**X1...X3** - WIC CTs

**X4-1,2** - Digital Inputs, fixed to: DI1=ext. reset, DI2=ext. trip

**X4-3,4** - Dual Power (Optional auxiliary power supply)

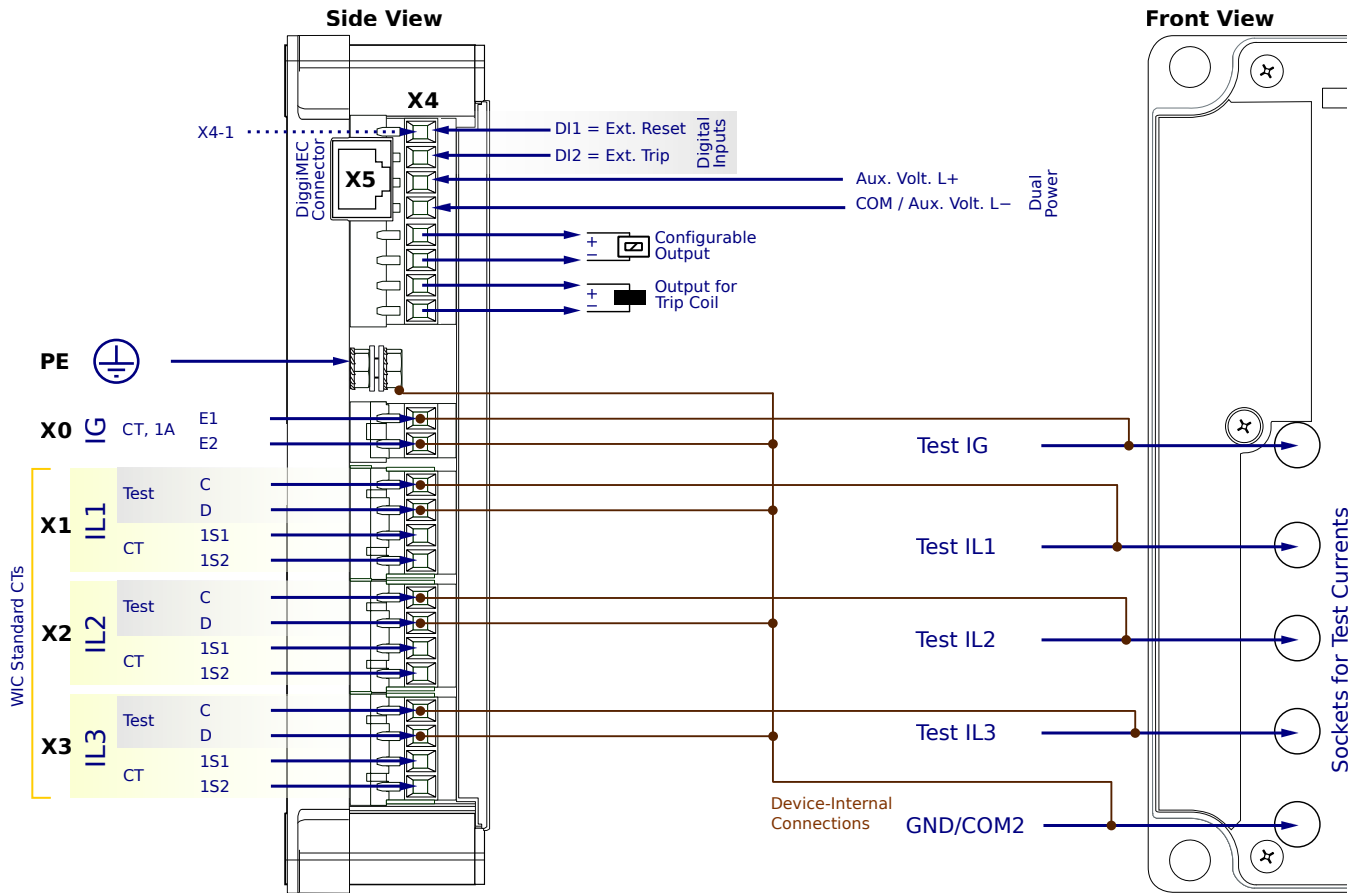
**X4-5,6** - Configurable Output, optional use for self-supervision signaling

**X4-7,8** - Trip pulse output

**X5** - DiggiMEC-WIC1 connection. Use network cable CAT3 (or better). No crossover cable!



# WIC1-4SG0CG2PA



## Dual-Powered Protection Device, configuration via DiggiMEC / Smart view

- Nominal frequency is 50 Hz or 60 Hz. (Setting via DiggiMEC/Smart view.)
- Trip at  $20 \cdot I_{n,max}$
- Package "A" + SOTF, CLPU, external protection, ultra-fast overcurrent protection

**PE** - Protective Earth

**X0** - Measured ground (earth) current via 1 A CT input. (Calc. IG is also possible.)

**X1...X3** - WIC CTs

**X4-1,2** - Digital Inputs, fixed to: DI1=ext. reset, DI2=ext. trip

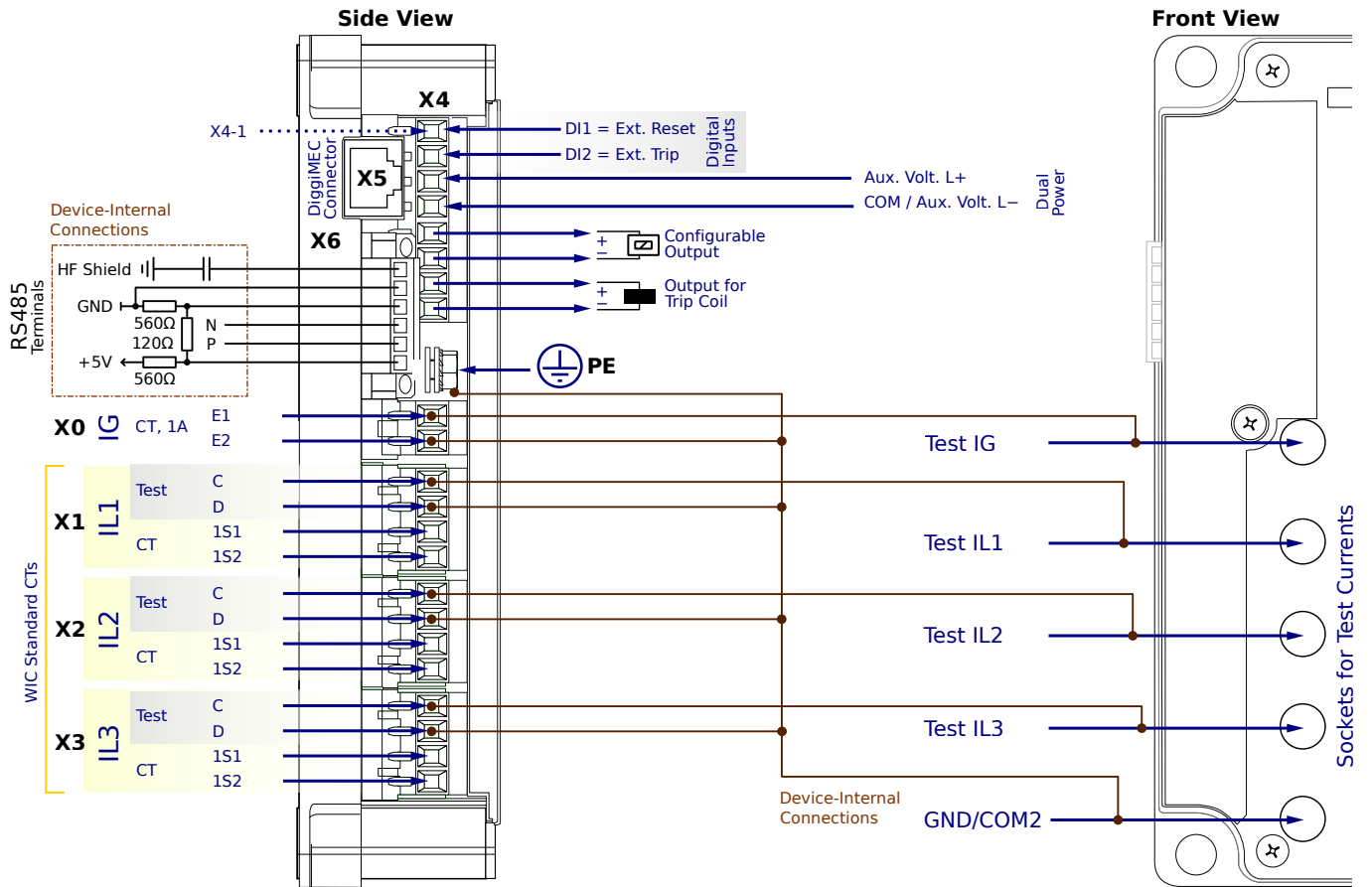
**X4-3,4** - Dual Power (Optional auxiliary power supply)

**X4-5,6** - Configurable Output, optional use for self-supervision signaling

**X4-7,8** - Trip pulse output

**X5** - DiggiMEC-WIC1 connection. Use network cable CAT3 (or better). No crossover cable!

# WIC1-4SG0CG2PB



## Dual-Powered Protection Device, configuration via DiggiMEC / Smart view

- Nominal frequency is 50 Hz or 60 Hz. (Setting via DiggiMEC/Smart view.)
- Trip at  $20 \cdot I_{n,max}$
- Package "A" + SOTF, CLPU, external protection, ultra-fast overcurrent protection

**PE** - Protective Earth

**X0** - Measured ground (earth) current via 1 A CT input. (Calc. IG is also possible.)

**X1...X3** - WIC CTs

**X4-1,2** - Digital Inputs, fixed to: DI1=ext. reset, DI2=ext. trip

**X4-3,4** - Dual Power (Optional auxiliary power supply)

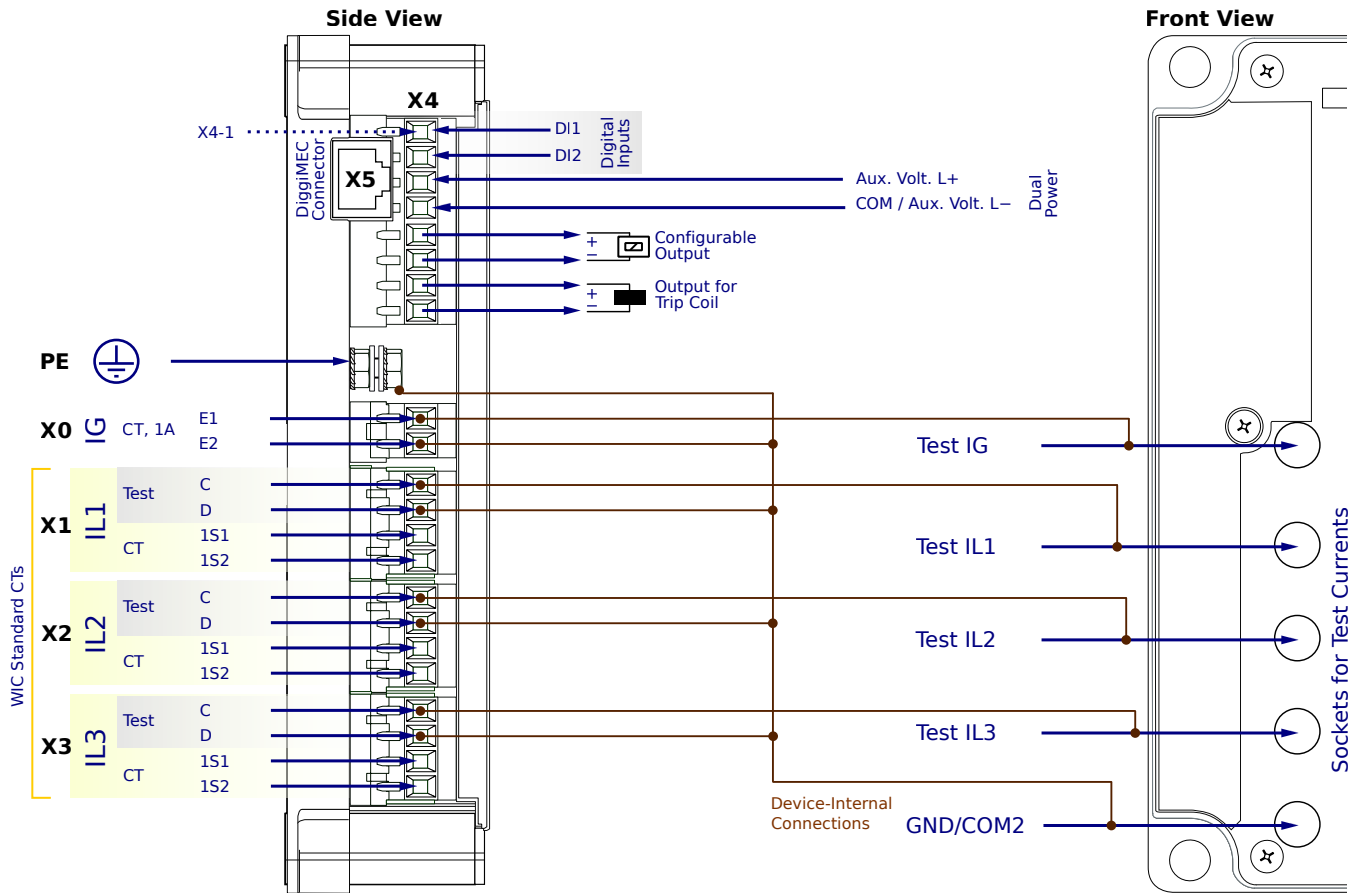
**X4-5,6** - Configurable Output, optional use for self-supervision signaling

**X4-7,8** - Trip pulse output

**X5** - DiggiMEC-WIC1 connection. Use network cable CAT3 (or better). No crossover cable!

**X6** - Modbus RTU — RS485 / terminals

# WIC1-4SG0CD1SA



## Dual-Powered Protection Device, configuration via DiggiMEC / Smart view

- Nominal frequency is 50 Hz or 60 Hz. (Setting via DiggiMEC/Smart view.)
- Backup protection operates directly
- ANSI 50, 50G/N, 51, 51G/N, inrush, 50BF, 74TC

**PE** - Protective Earth

**X0** - Measured ground (earth) current via 1 A CT input. (Calc. IG is also possible.)

**X1...X3** - WIC CTs

**X4-1,2** - 2 assignable Digital Inputs

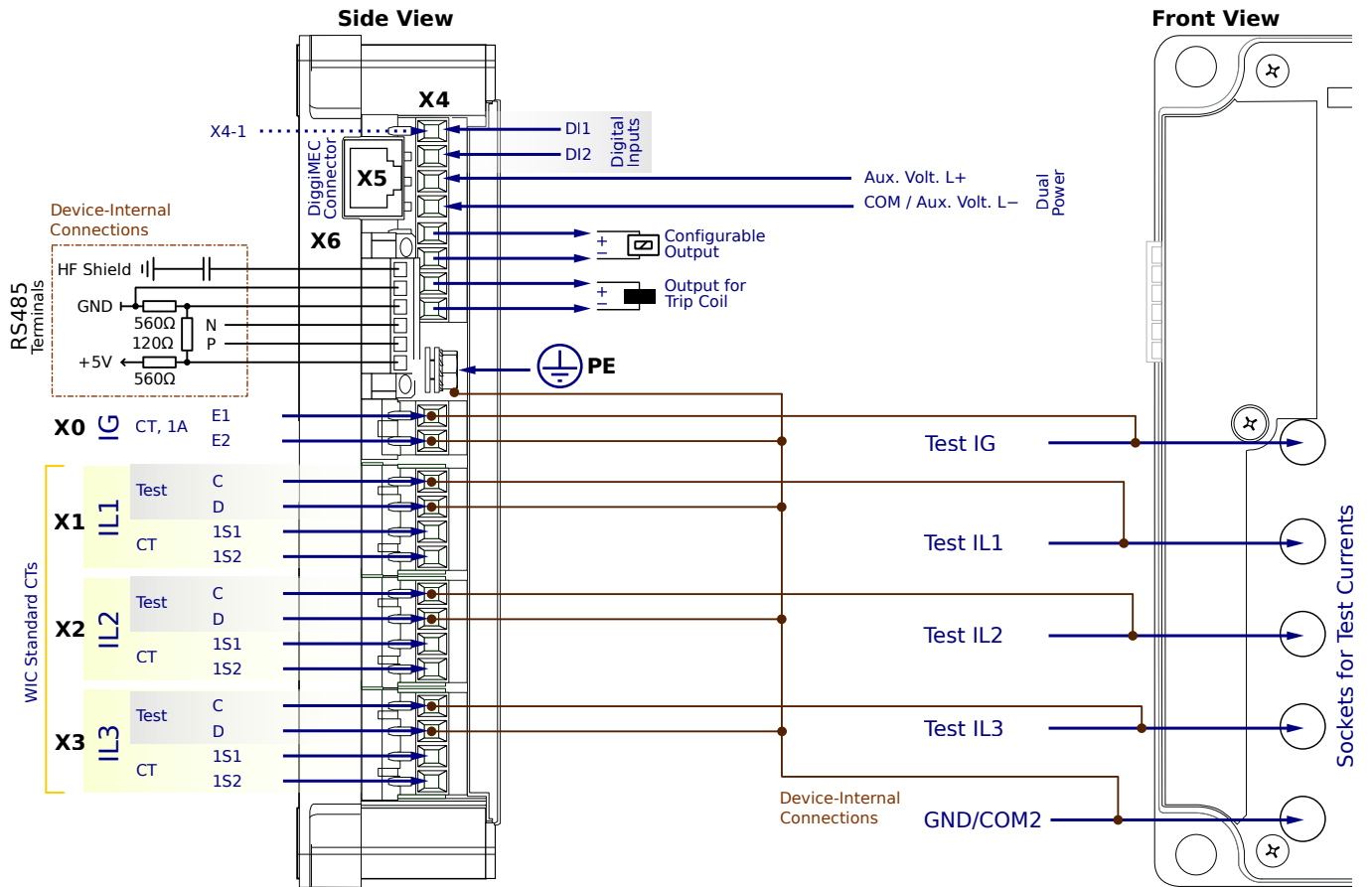
**X4-3,4** - Dual Power (Optional auxiliary power supply)

**X4-5,6** - Configurable Output, optional use for self-supervision signaling

**X4-7,8** - Trip pulse output

**X5** - DiggiMEC-WIC1 connection. Use network cable CAT3 (or better). No crossover cable!

# WIC1-4SG0CD1SB



## Dual-Powered Protection Device, configuration via DiggiMEC / Smart view

- Nominal frequency is 50 Hz or 60 Hz. (Setting via DiggiMEC/Smart view.)
- Backup protection operates directly
- ANSI 50, 50G/N, 51, 51G/N, inrush, 50BF, 74TC

**PE** - Protective Earth

**X0** - Measured ground (earth) current via 1 A CT input. (Calc. IG is also possible.)

**X1...X3** - WIC CTs

**X4-1,2** - 2 assignable Digital Inputs

**X4-3,4** - Dual Power (Optional auxiliary power supply)

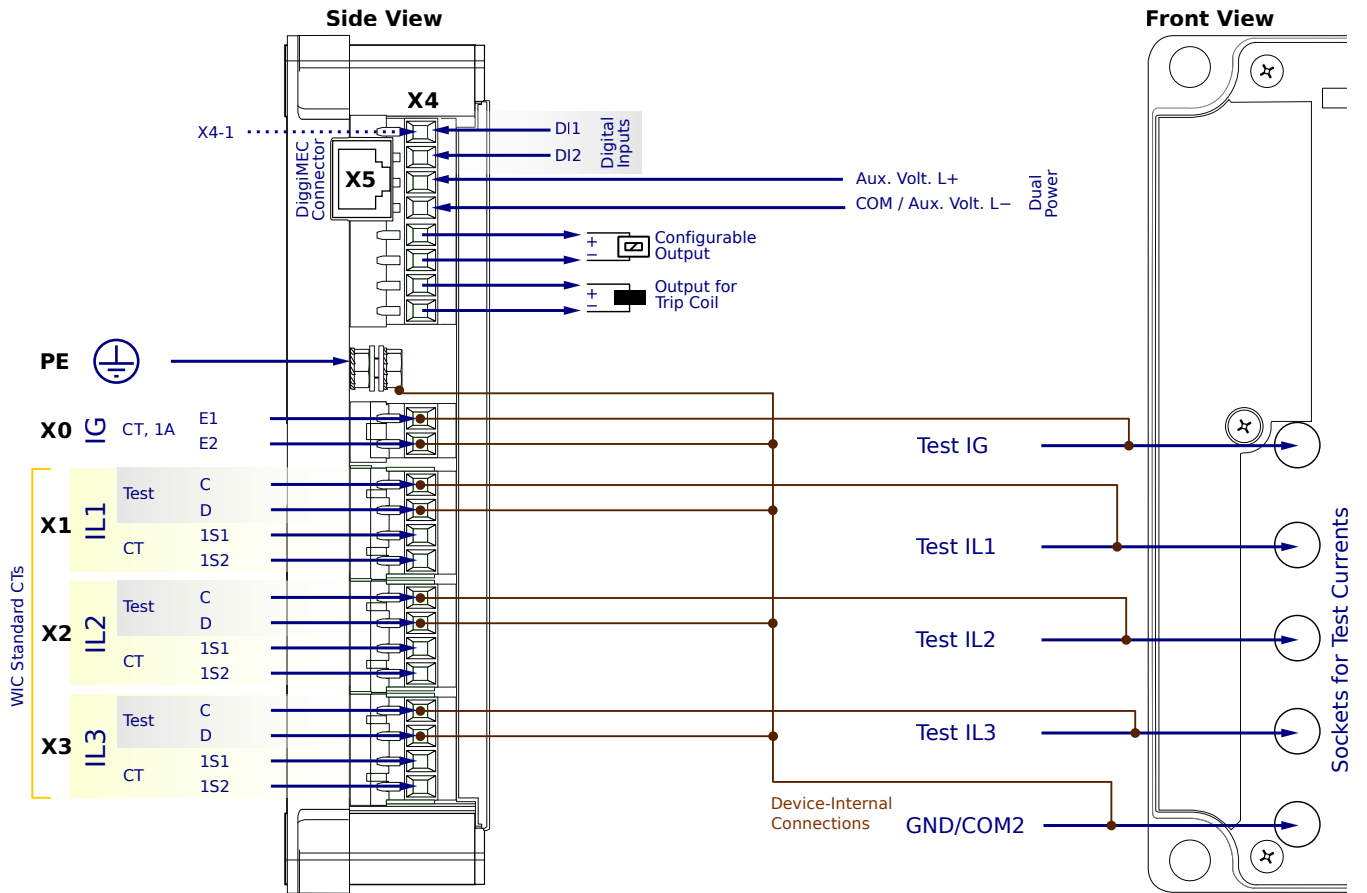
**X4-5,6** - Configurable Output, optional use for self-supervision signaling

**X4-7,8** - Trip pulse output

**X5** - DiggiMEC-WIC1 connection. Use network cable CAT3 (or better). No crossover cable!

**X6** - Modbus RTU — RS485 / terminals

# WIC1-4SG0CD1AA



## Dual-Powered Protection Device, configuration via DiggiMEC / Smart view

- Nominal frequency is 50 Hz or 60 Hz. (Setting via DiggiMEC/Smart view.)
- Backup protection operates directly
- Package "S" + ANSI 46, 49, 51Q, Breaker Wear, Condition Monitoring (= Life Load, Drag Indicator)

**PE** - Protective Earth

**X0** - Measured ground (earth) current via 1 A CT input. (Calc. IG is also possible.)

**X1...X3** - WIC CTs

**X4-1,2** - 2 assignable Digital Inputs

**X4-3,4** - Dual Power (Optional auxiliary power supply)

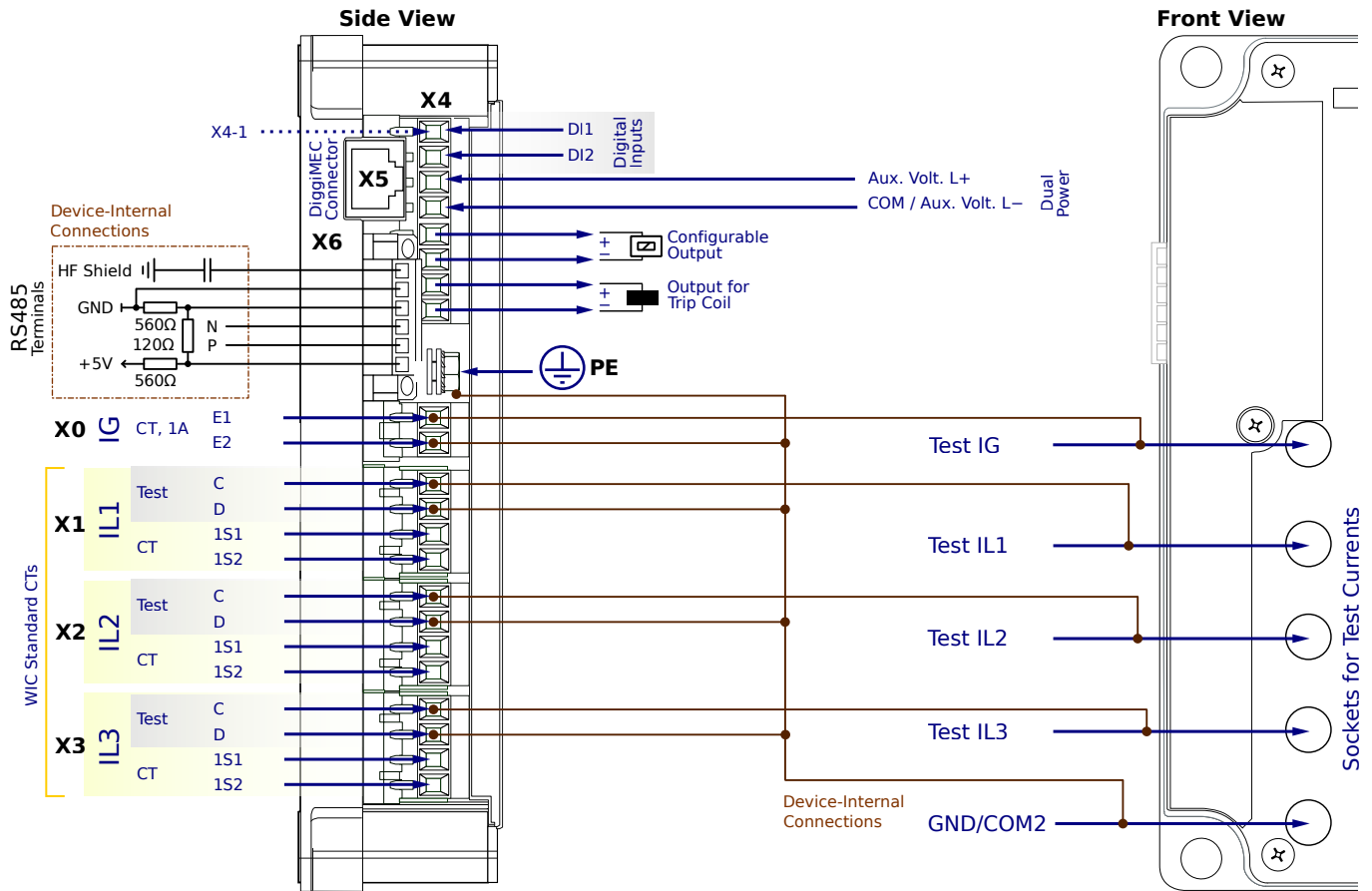
**X4-5,6** - Configurable Output, optional use for self-supervision signaling

**X4-7,8** - Trip pulse output

**X5** - DiggiMEC-WIC1 connection. Use network cable CAT3 (or better). No crossover cable!



# WIC1-4SG0CD1AB



## Dual-Powered Protection Device, configuration via DiggiMEC / Smart view

- Nominal frequency is 50 Hz or 60 Hz. (Setting via DiggiMEC/Smart view.)
- Backup protection operates directly
- Package "S" + ANSI 46, 49, 51Q, Breaker Wear, Condition Monitoring (= Life Load, Drag Indicator)

**PE** – Protective Earth

**X0** – Measured ground (earth) current via 1 A CT input. (Calc. IG is also possible.)

**X1...X3** – WIC CTs

**X4-1,2** – 2 assignable Digital Inputs

**X4-3,4** – Dual Power (Optional auxiliary power supply)

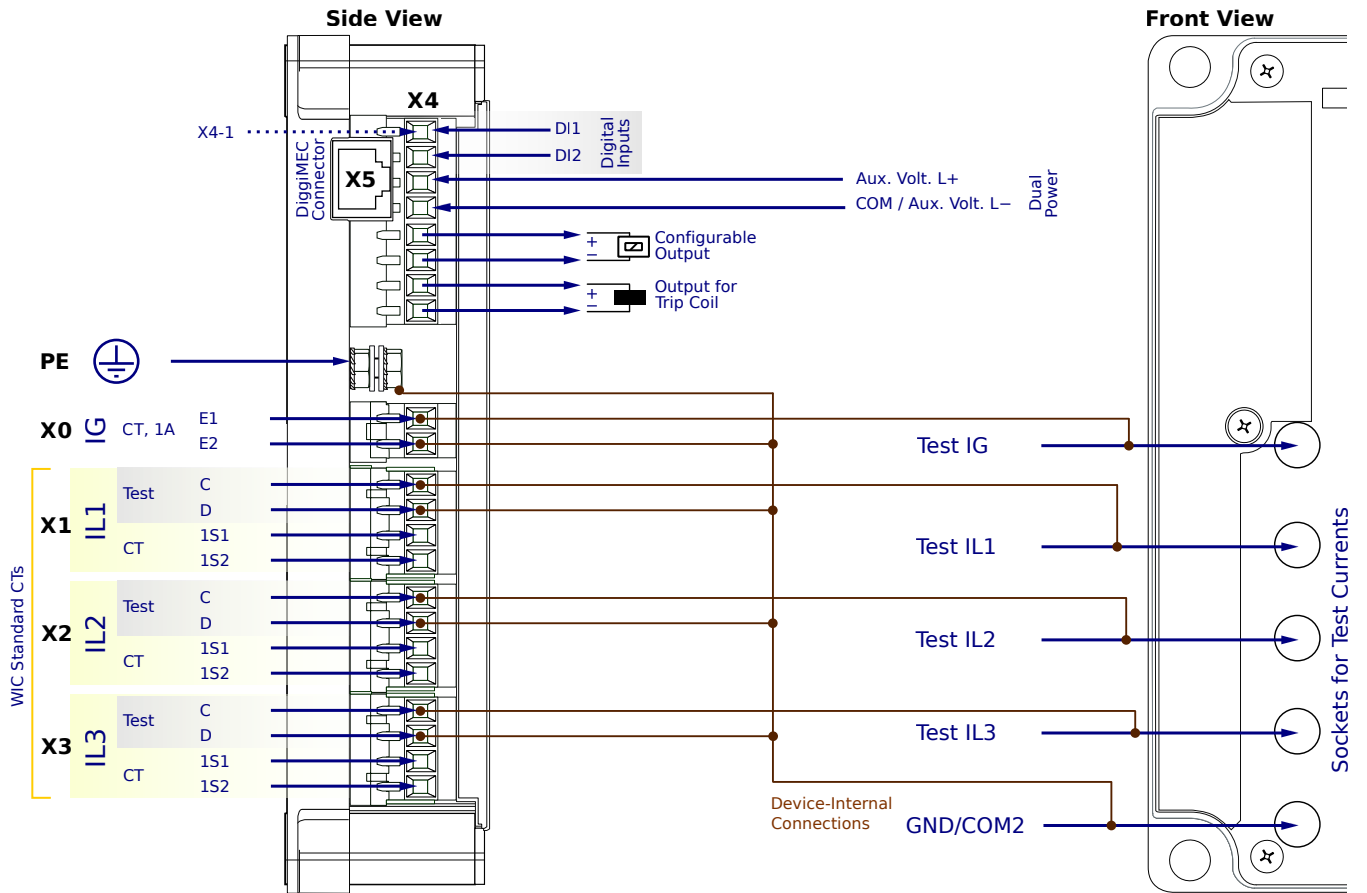
**X4-5,6** – Configurable Output, optional use for self-supervision signaling

**X4-7,8** – Trip pulse output

**X5** – DiggiMEC-WIC1 connection. Use network cable CAT3 (or better). No crossover cable!

**X6** – Modbus RTU — RS485 / terminals

# WIC1-4SG0CD1PA



## Dual-Powered Protection Device, configuration via DigiMEC / Smart view

- Nominal frequency is 50 Hz or 60 Hz. (Setting via DigiMEC/Smart view.)
- Backup protection operates directly
- Package "A" + SOTF, CLPU, external protection, ultra-fast overcurrent protection

**PE** - Protective Earth

**X0** - Measured ground (earth) current via 1 A CT input. (Calc. IG is also possible.)

**X1...X3** - WIC CTs

**X4-1,2** - 2 assignable Digital Inputs

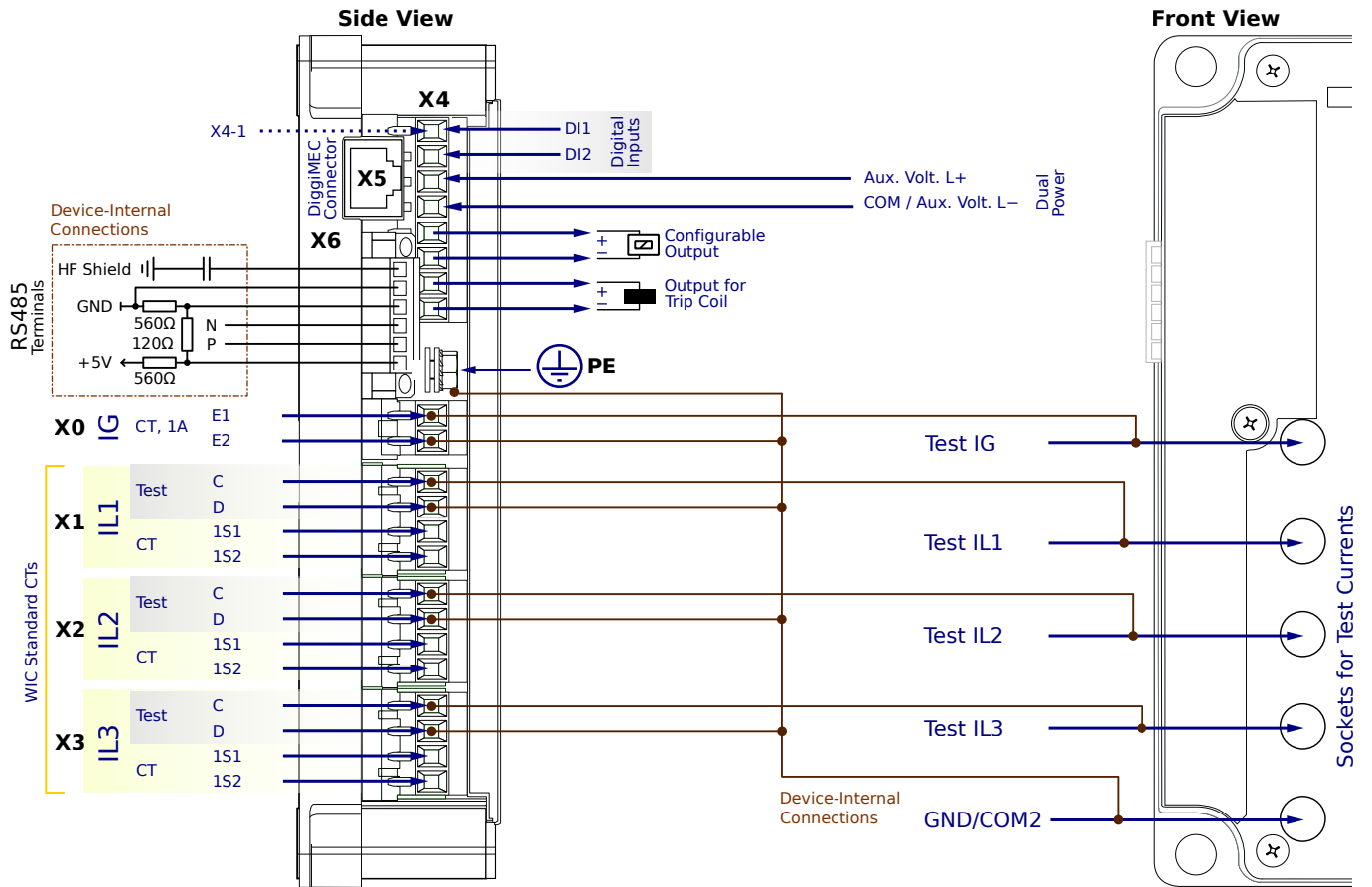
**X4-3,4** - Dual Power (Optional auxiliary power supply)

**X4-5,6** - Configurable Output, optional use for self-supervision signaling

**X4-7,8** - Trip pulse output

**X5** - DigiMEC-WIC1 connection. Use network cable CAT3 (or better). No crossover cable!

# WIC1-4SG0CD1PB



## Dual-Powered Protection Device, configuration via DiggiMEC / Smart view

- Nominal frequency is 50 Hz or 60 Hz. (Setting via DiggiMEC/Smart view.)
- Backup protection operates directly
- Package "A" + SOTF, CLPU, external protection, ultra-fast overcurrent protection

**PE** – Protective Earth

**X0** – Measured ground (earth) current via 1 A CT input. (Calc. IG is also possible.)

**X1...X3** – WIC CTs

**X4-1,2** – 2 assignable Digital Inputs

**X4-3,4** – Dual Power (Optional auxiliary power supply)

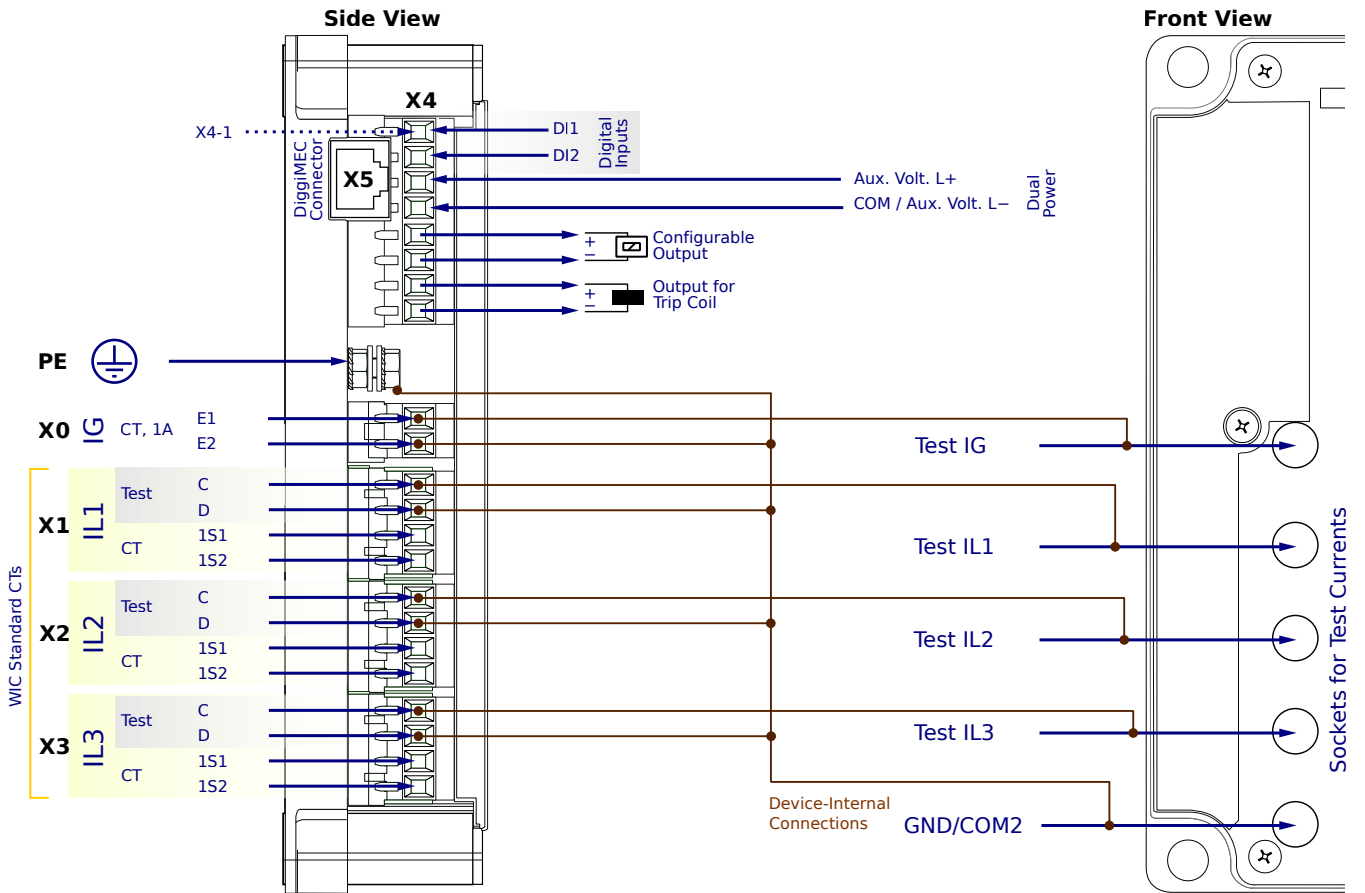
**X4-5,6** – Configurable Output, optional use for self-supervision signaling

**X4-7,8** – Trip pulse output

**X5** – DiggiMEC-WIC1 connection. Use network cable CAT3 (or better). No crossover cable!

**X6** – Modbus RTU — RS485 / terminals

# WIC1-4SG0CD2SA



## Dual-Powered Protection Device, configuration via DiggiMEC / Smart view

- Nominal frequency is 50 Hz or 60 Hz. (Setting via DiggiMEC/Smart view.)
- Trip at  $20 \cdot I_{n,max}$
- ANSI 50, 50G/N, 51, 51G/N, inrush, 50BF, 74TC

**PE** - Protective Earth

**X0** - Measured ground (earth) current via 1 A CT input. (Calc. IG is also possible.)

**X1...X3** - WIC CTs

**X4-1,2** - 2 assignable Digital Inputs

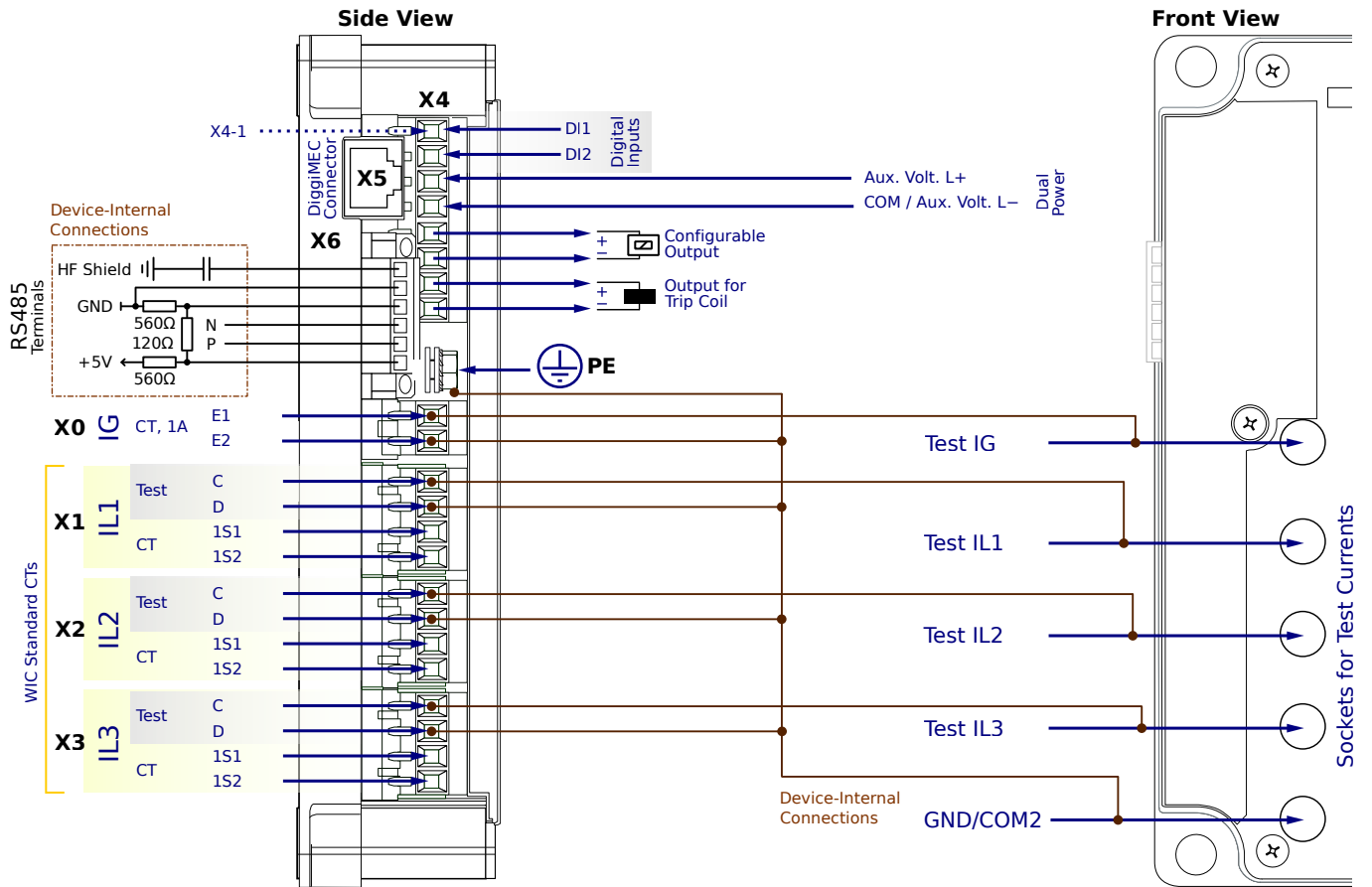
**X4-3,4** - Dual Power (Optional auxiliary power supply)

**X4-5,6** - Configurable Output, optional use for self-supervision signaling

**X4-7,8** - Trip pulse output

**X5** - DiggiMEC-WIC1 connection. Use network cable CAT3 (or better). No crossover cable!

# WIC1-4SG0CD2SB



## Dual-Powered Protection Device, configuration via DiggiMEC / Smart view

- Nominal frequency is 50 Hz or 60 Hz. (Setting via DiggiMEC/Smart view.)
- Trip at  $20 \cdot I_{n,max}$
- ANSI 50, 50G/N, 51, 51G/N, inrush, 50BF, 74TC

**PE** - Protective Earth

**X0** - Measured ground (earth) current via 1 A CT input. (Calc. IG is also possible.)

**X1...X3** - WIC CTs

**X4-1,2** - 2 assignable Digital Inputs

**X4-3,4** - Dual Power (Optional auxiliary power supply)

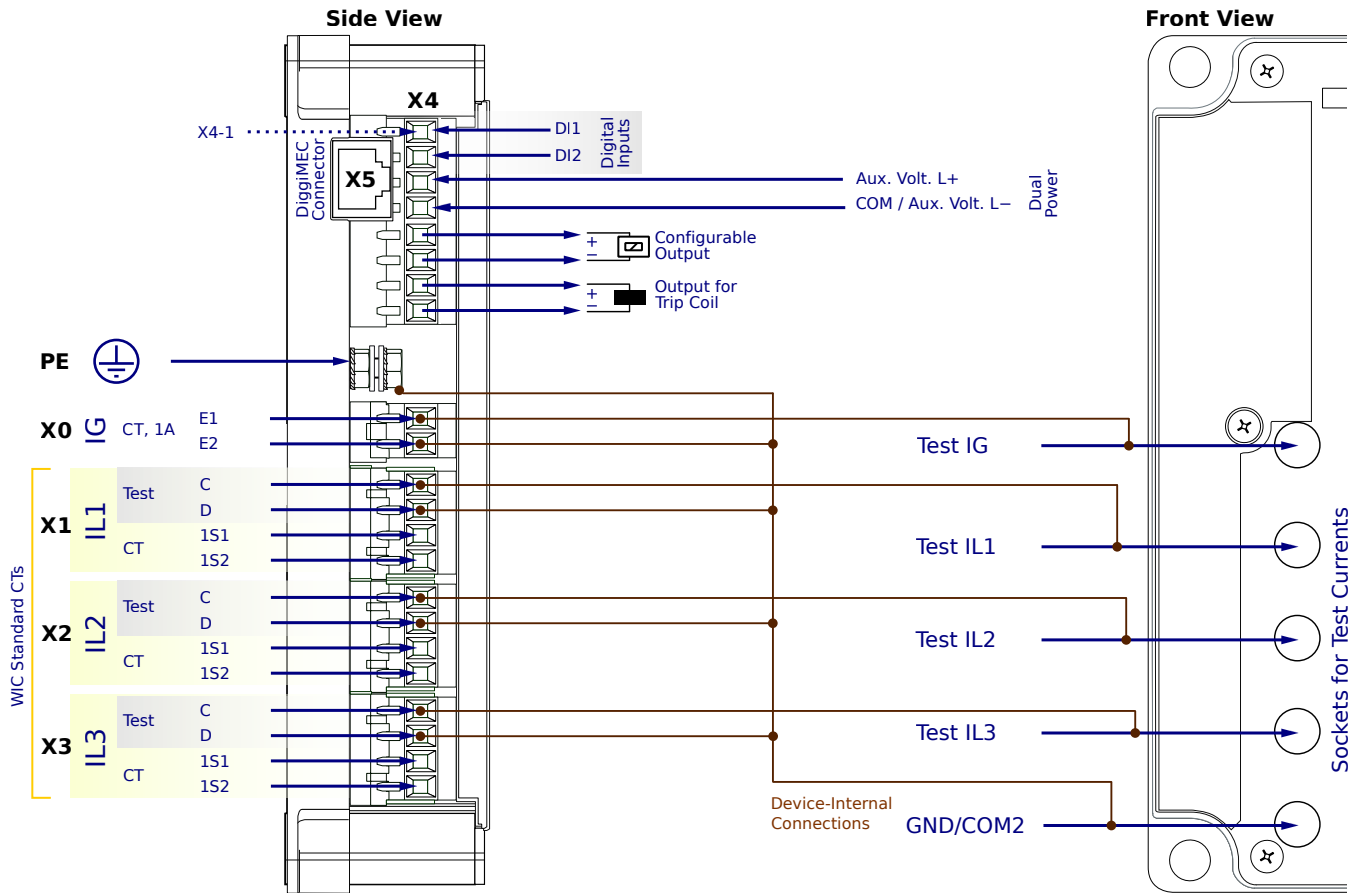
**X4-5,6** - Configurable Output, optional use for self-supervision signaling

**X4-7,8** - Trip pulse output

**X5** - DiggiMEC-WIC1 connection. Use network cable CAT3 (or better). No crossover cable!

**X6** - Modbus RTU — RS485 / terminals

# WIC1-4SG0CD2AA



## Dual-Powered Protection Device, configuration via DiggiMEC / Smart view

- Nominal frequency is 50 Hz or 60 Hz. (Setting via DiggiMEC/Smart view.)
- Trip at  $20 \cdot I_{n,max}$
- Package "S" + ANSI 46, 49, 51Q, Breaker Wear, Condition Monitoring (= Life Load, Drag Indicator)

**PE** - Protective Earth

**X0** - Measured ground (earth) current via 1 A CT input. (Calc. IG is also possible.)

**X1...X3** - WIC CTs

**X4-1,2** - 2 assignable Digital Inputs

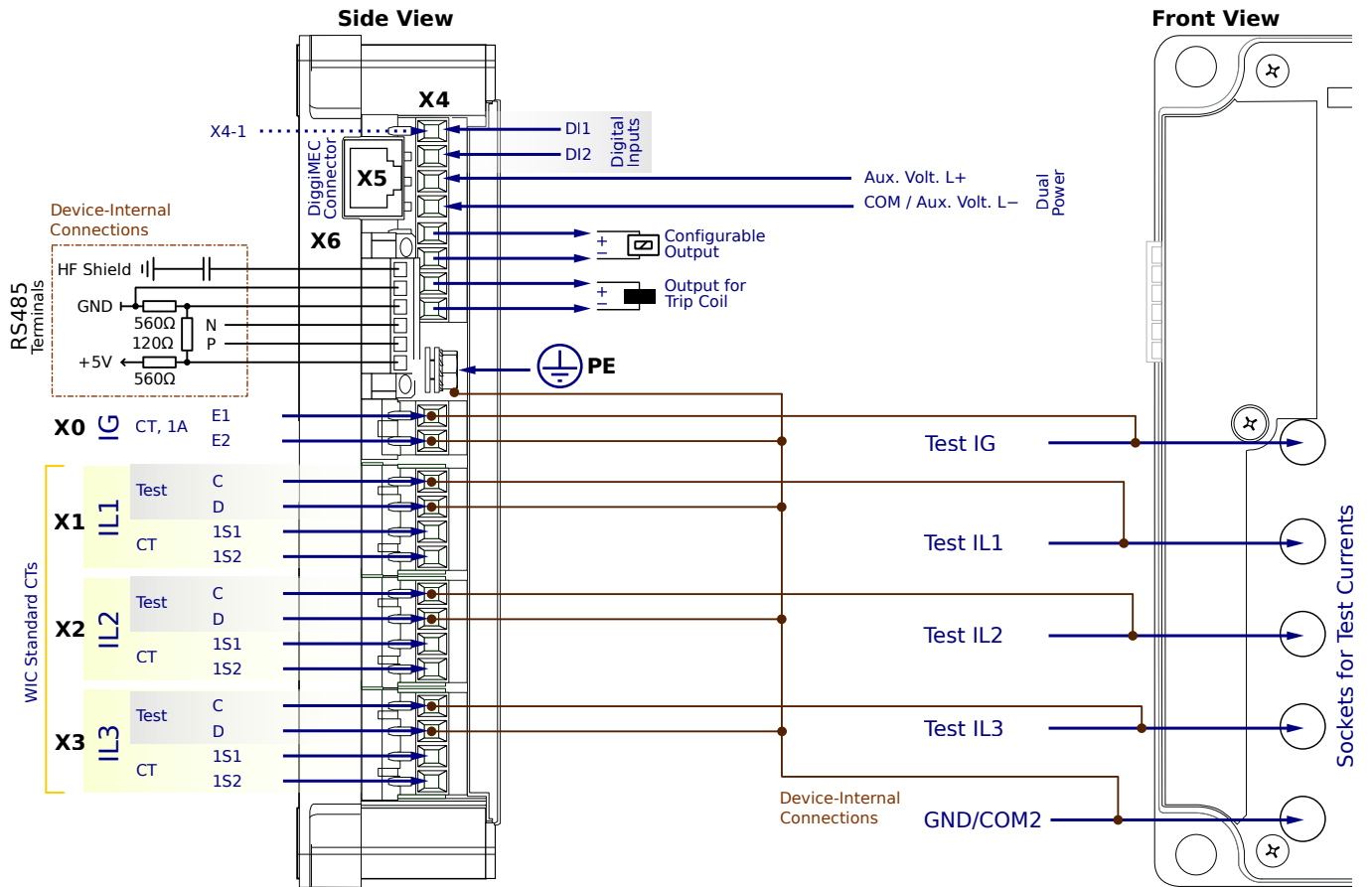
**X4-3,4** - Dual Power (Optional auxiliary power supply)

**X4-5,6** - Configurable Output, optional use for self-supervision signaling

**X4-7,8** - Trip pulse output

**X5** - DiggiMEC-WIC1 connection. Use network cable CAT3 (or better). No crossover cable!

# WIC1-4SG0CD2AB



## Dual-Powered Protection Device, configuration via DiggiMEC / Smart view

- Nominal frequency is 50 Hz or 60 Hz. (Setting via DiggiMEC/Smart view.)
- Trip at  $20 \cdot I_{n,max}$
- Package "S" + ANSI 46, 49, 51Q, Breaker Wear, Condition Monitoring (= Life Load, Drag Indicator)

**PE** - Protective Earth

**X0** - Measured ground (earth) current via 1 A CT input. (Calc. IG is also possible.)

**X1...X3** - WIC CTs

**X4-1,2** - 2 assignable Digital Inputs

**X4-3,4** - Dual Power (Optional auxiliary power supply)

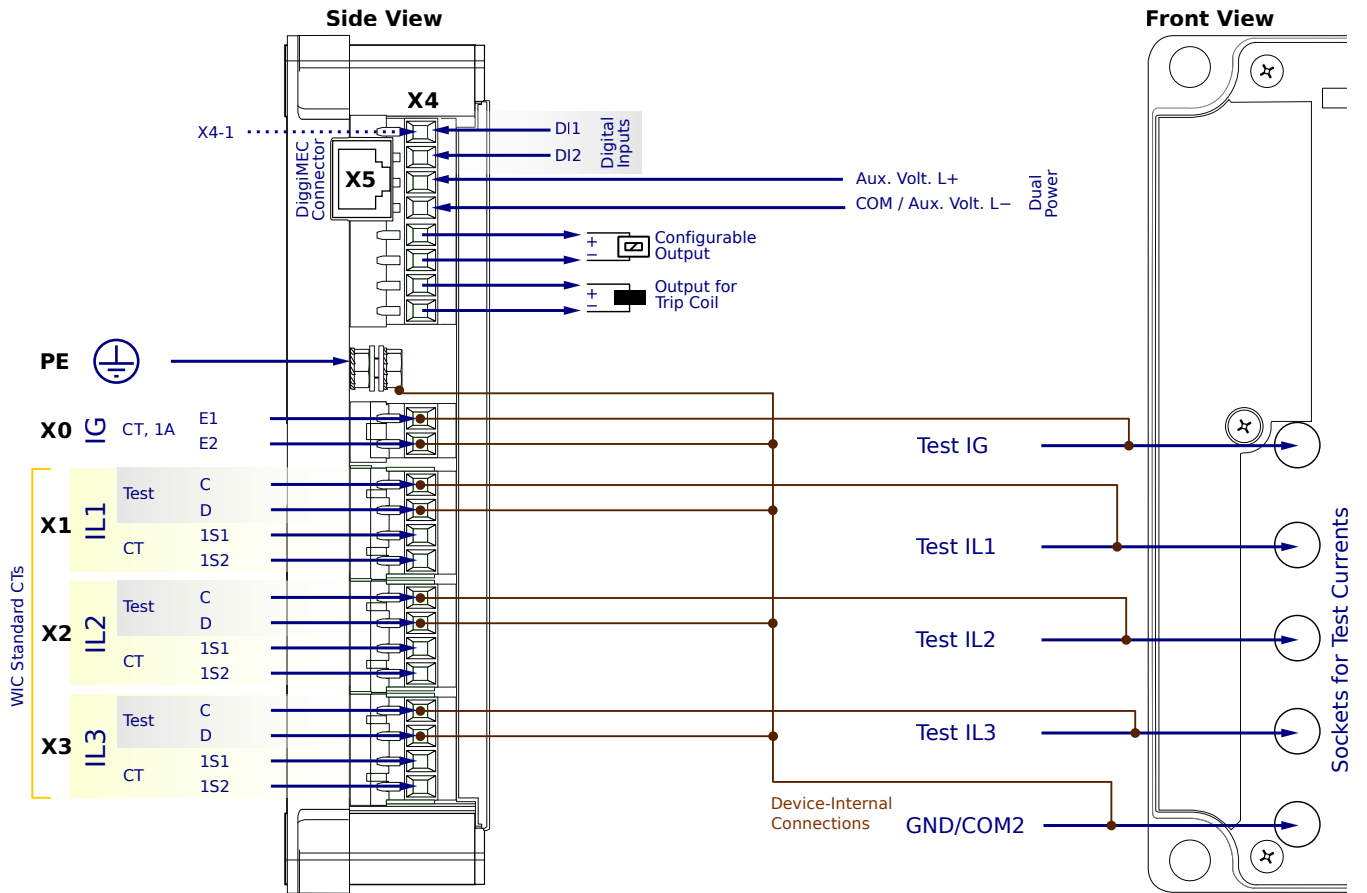
**X4-5,6** - Configurable Output, optional use for self-supervision signaling

**X4-7,8** - Trip pulse output

**X5** - DiggiMEC-WIC1 connection. Use network cable CAT3 (or better). No crossover cable!

**X6** - Modbus RTU — RS485 / terminals

# WIC1-4SG0CD2PA



## Dual-Powered Protection Device, configuration via DiggiMEC / Smart view

- Nominal frequency is 50 Hz or 60 Hz. (Setting via DiggiMEC/Smart view.)
- Trip at  $20 \cdot I_{n,max}$
- Package "A" + SOTF, CLPU, external protection, ultra-fast overcurrent protection

**PE** - Protective Earth

**X0** - Measured ground (earth) current via 1 A CT input. (Calc. IG is also possible.)

**X1...X3** - WIC CTs

**X4-1,2** - 2 assignable Digital Inputs

**X4-3,4** - Dual Power (Optional auxiliary power supply)

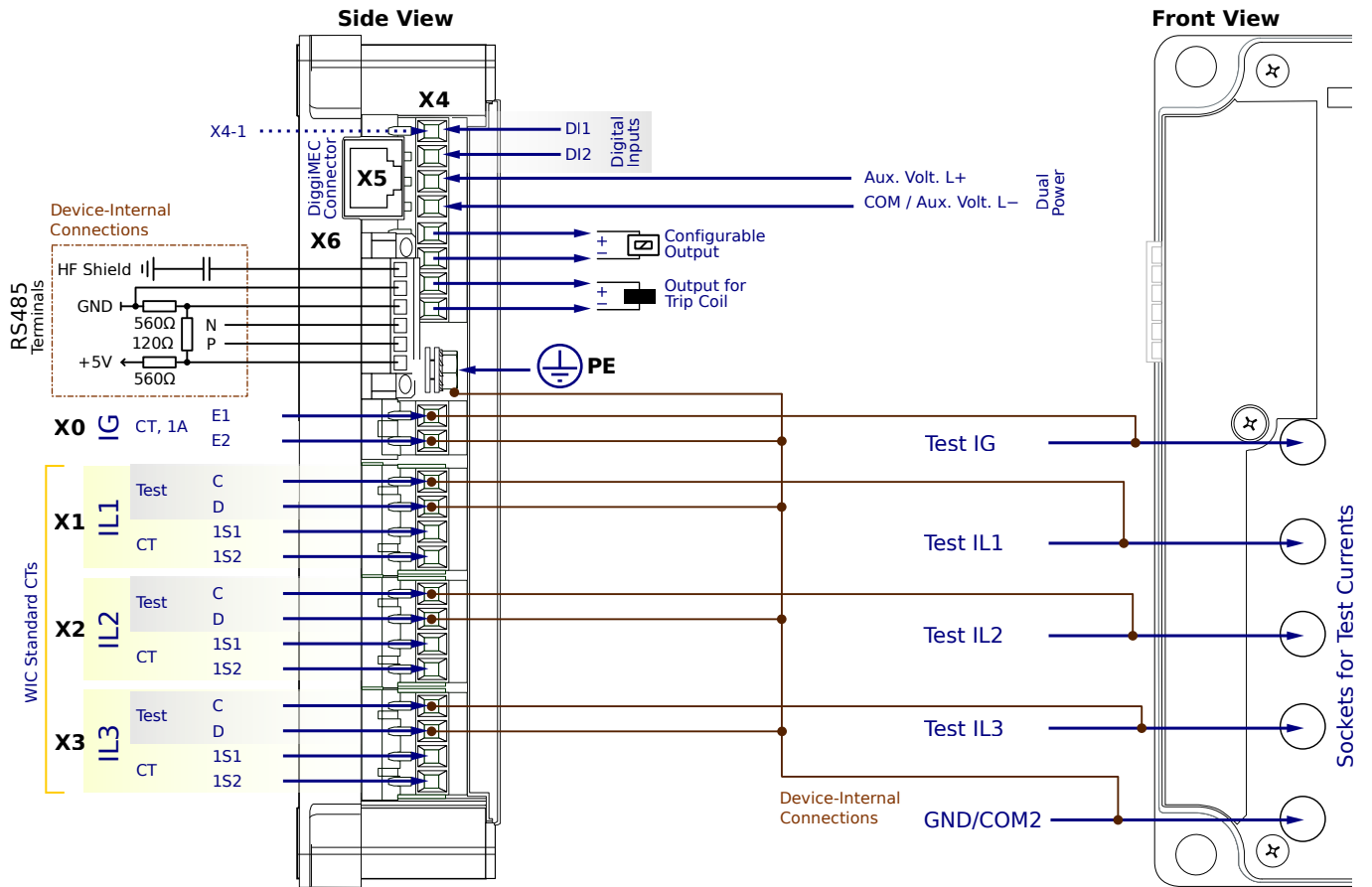
**X4-5,6** - Configurable Output, optional use for self-supervision signaling

**X4-7,8** - Trip pulse output

**X5** - DiggiMEC-WIC1 connection. Use network cable CAT3 (or better). No crossover cable!



# WIC1-4SG0CD2PB



## Dual-Powered Protection Device, configuration via DiggiMEC / Smart view

- Nominal frequency is 50 Hz or 60 Hz. (Setting via DiggiMEC/Smart view.)
- Trip at  $20 \cdot I_{n,max}$
- Package "A" + SOTF, CLPU, external protection, ultra-fast overcurrent protection

**PE** - Protective Earth

**X0** - Measured ground (earth) current via 1 A CT input. (Calc. IG is also possible.)

**X1...X3** - WIC CTs

**X4-1,2** - 2 assignable Digital Inputs

**X4-3,4** - Dual Power (Optional auxiliary power supply)

**X4-5,6** - Configurable Output, optional use for self-supervision signaling

**X4-7,8** - Trip pulse output

**X5** - DiggiMEC-WIC1 connection. Use network cable CAT3 (or better). No crossover cable!

**X6** - Modbus RTU — RS485 / terminals

## Appendix – Legend

In this legend designations of various device types are listed, e.g. transformer protection, motor protection, generator protection, etc. Therefore it can occur that not every designation actually appears on the wiring diagram of your device.

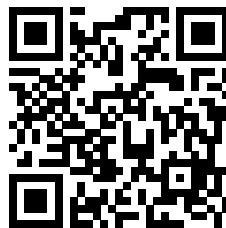
<b>PE</b>	– Connection of protective earth (see chapter Grounding in the Technical Manual).
<b>FE</b>	– Connection of functional earth (see chapter Grounding in the Technical Manual).
<b>Power Supply</b>	– Connection for auxiliary power supply.
<b>IL1</b>	– Phase current input L1 (in some countries designated as IA).
<b>IL2</b>	– Phase current input L2 (in some countries designated as IB).
<b>IL3</b>	– Phase current input L3 (in some countries designated as IC).
<b>ILx C–D</b>	– WIC1 Test windings.
<b>ILx 1S1–1S2, 2S1–2S2</b>	– WIC1 phase current inputs.
<b>IL1 W1 ... IL3 W1</b>	– Phase current input L1...L3, winding side 1.
<b>IL1 W2 ... IL3 W2</b>	– Phase current input L1...L3, winding side 2.
<b>IG</b>	– Ground (earth) current input.
<b>IG W1, IG W2</b>	– Ground (earth) current input, winding side 1 / 2.
<b>VL1</b>	– Phase-to-neutral voltage L1 (in some countries designated as VA).
<b>VL2</b>	– Phase-to-neutral voltage L2 (in some countries designated as VB).
<b>VL3</b>	– Phase-to-neutral voltage L3 (in some countries designated as VC).
<b>VL12</b>	– Phase-to-phase voltage V12 (in some countries designated as VAB).
<b>VL23</b>	– Phase-to-phase voltage V23 (in some countries designated as VBC).
<b>VL31</b>	– Phase-to-phase voltage V31 (in some countries designated as VCA).
<b>VX</b>	– 4th voltage measuring input for measuring residual voltage or synchro-check.
<b>BO</b>	– Binary output relay.
<b>NO / NC</b>	– Contact output, normally open (Form A) / closed (Form B).
<b>DI</b>	– Digital input.
<b>COM</b>	– Common connection of digital inputs.
<b>Out+, AnOut</b>	– Analog output + (0/4...20 mA or 0...10 V).
<b>In–, AnIn</b>	– Analog input + (0/4...20 mA or 0...10 V).
<b>n.c.</b>	– Not connected.
<b>DO NOT USE</b>	– Do not use. (Caution: Non-usable internal wiring may exist.)
<b>SC</b>	– Self-supervision contact.
<b>HF SHIELD</b>	– Connection cable shield.
<b>Fiber Optics / LWL</b>	– Fiber optic connection.

## WI Line

### WIC1

#### WIRING DIAGRAMS

[docs.SEGelectronics.de/wic1](https://docs.SEGelectronics.de/wic1)



SEG Electronics GmbH reserves the right to update any portion of this publication at any time.  
Information provided by SEG Electronics GmbH is believed to be correct and reliable.  
However, SEG Electronics GmbH assumes no responsibility unless otherwise expressly undertaken.



SEG Electronics GmbH  
Krefelder Weg 47 • D-47906 Kempen (Germany)  
Telephone: +49 (0) 21 52 145 1  
Internet: [www.SEGelectronics.de](http://www.SEGelectronics.de)

#### Sales

Telephone: +49 (0) 21 52 145 331  
Fax: +49 (0) 21 52 145 354  
E-mail: [sales@SEGelectronics.de](mailto:sales@SEGelectronics.de)

#### Service

Telephone: +49 (0) 21 52 145 600  
Fax: +49 (0) 21 52 145 354  
E-mail: [support@SEGelectronics.de](mailto:support@SEGelectronics.de)

Complete address / phone / fax / email information for all locations is available on our website.