

WI Line

WI1SZ4, WI1SZ5

FLAG INDICATORS FOR WIB1, WIC1, WIP1



FLAG INDICATORS FOR WIB1, WIC1, WIP1

Original document

English

© 2023 SEG Electronics GmbH. All rights reserved.

SEG Electronics GmbH

Krefelder Weg 47 • D-47906 Kempen (Germany)

Telephone: +49 (0) 21 52 145 0

Internet: www.SEGelectronics.de

Sales

Telephone: +49 (0) 21 52 145 331

Fax: +49 (0) 21 52 145 354

E-mail: sales@SEGelectronics.de

Service

Telephone: +49 (0) 21 52 145 600

Fax: +49 (0) 21 52 145 354

E-mail: support@SEGelectronics.de

SEG Electronics GmbH reserves the right to update any portion of this publication at any time.

Information provided by SEG Electronics GmbH is believed to be correct and reliable.

However, no responsibility is assumed by SEG Electronics GmbH unless otherwise expressly undertaken.

Complete address / phone / fax / email information for all locations is available on our website.

Table of Contents

1	Application	4
2	Safety Messages and Proper Use of the WI1SZ4, WI1SZ5	5
2.1	Important Definitions	5
2.2	Proper Use of the Device and of This Manual	6
3	Dimension Drawing of the Flag Indicators WI1SZ4, WI1SZ5	7
4	Connecting a Flag Indicator to the WIC1	8
5	Impulse Signal for the Flag Indicator	10
6	Technical Data - WI1SZ4	11
7	Technical Data - WI1SZ5	12
8	Order Form WI1SZ4	13
9	Order Form WI1SZ5	14

1 Application

The mechanical flag indicators WI1SZ4 and WI1SZ5 are available as accessories of a WIC1 protection device.

The WI1SZ5 features two potential-free change-over (Form C) contacts. It can be reset either mechanically or via an electrical voltage pulse.

After a WI1SZ5 (or WI1SZ4) has been connected to a WIC1 it signals the occurrence of a trip. The trip signal makes a small flag move to another position, so that a differently colored part shows up in the window. This way the signaling is purely mechanical, so that it keeps its state after loss of power supply.

Since the WIC1 is typically operated without auxiliary voltage a trip can cause a circuit breaker to switch off the power supply, so that an electrical signaling device would be no longer functional.

2 Safety Messages and Proper Use of the WI1SZ4, WI1SZ5

2.1 Important Definitions

The types of messages shown below serve the safety of life and limb as well as for the appropriate operating life of the device.

DANGER!



DANGER! indicates an immediately dangerous situation that will result in death or serious injury if it is not avoided.

WARNING!



WARNING! indicates a hazardous situation that can result in death or serious injury if it is not avoided.

CAUTION!



CAUTION! indicates a possibly hazardous situation that can result in minor or moderate injuries if it is not avoided.

NOTICE!



NOTICE! is used to address practices not related to personal injury.



This symbol indicates useful tips and recommendations as well as information for efficient and trouble-free operation.

2.2 Proper Use of the Device and of This Manual

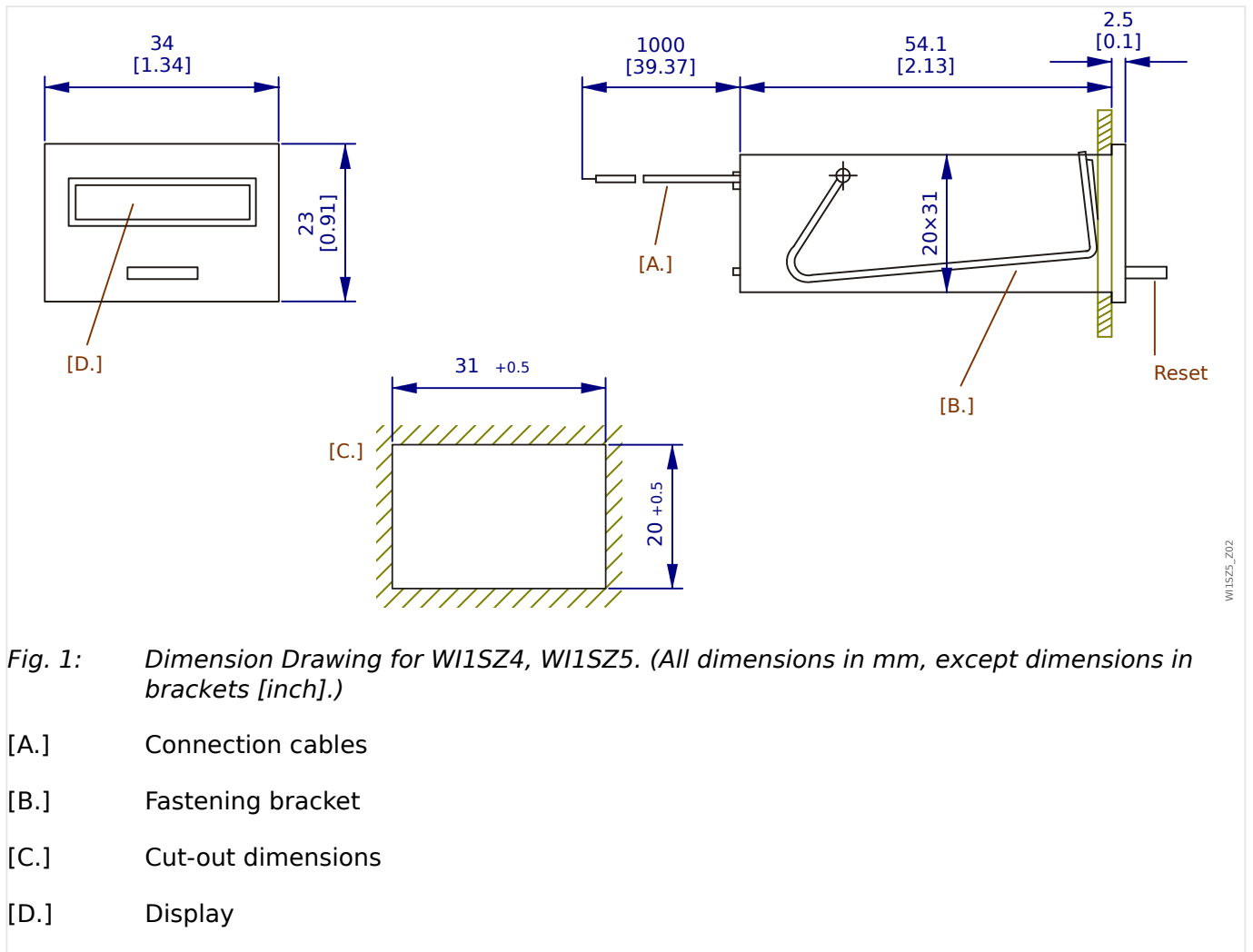
WARNING!



FOLLOW INSTRUCTIONS

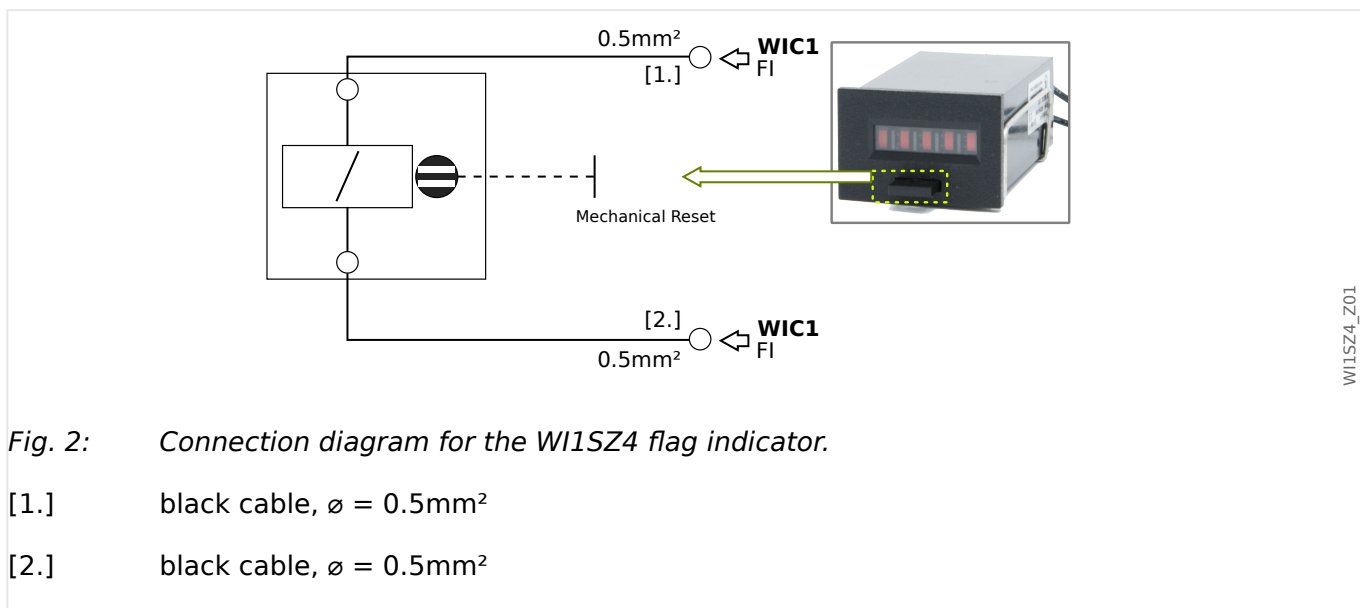
Read this entire manual and all other publications pertaining to the work to be performed before installing, operating, or servicing this equipment. Practice all plant and safety instructions and precautions. Failure to follow instructions can cause personal injury and/or property damage.

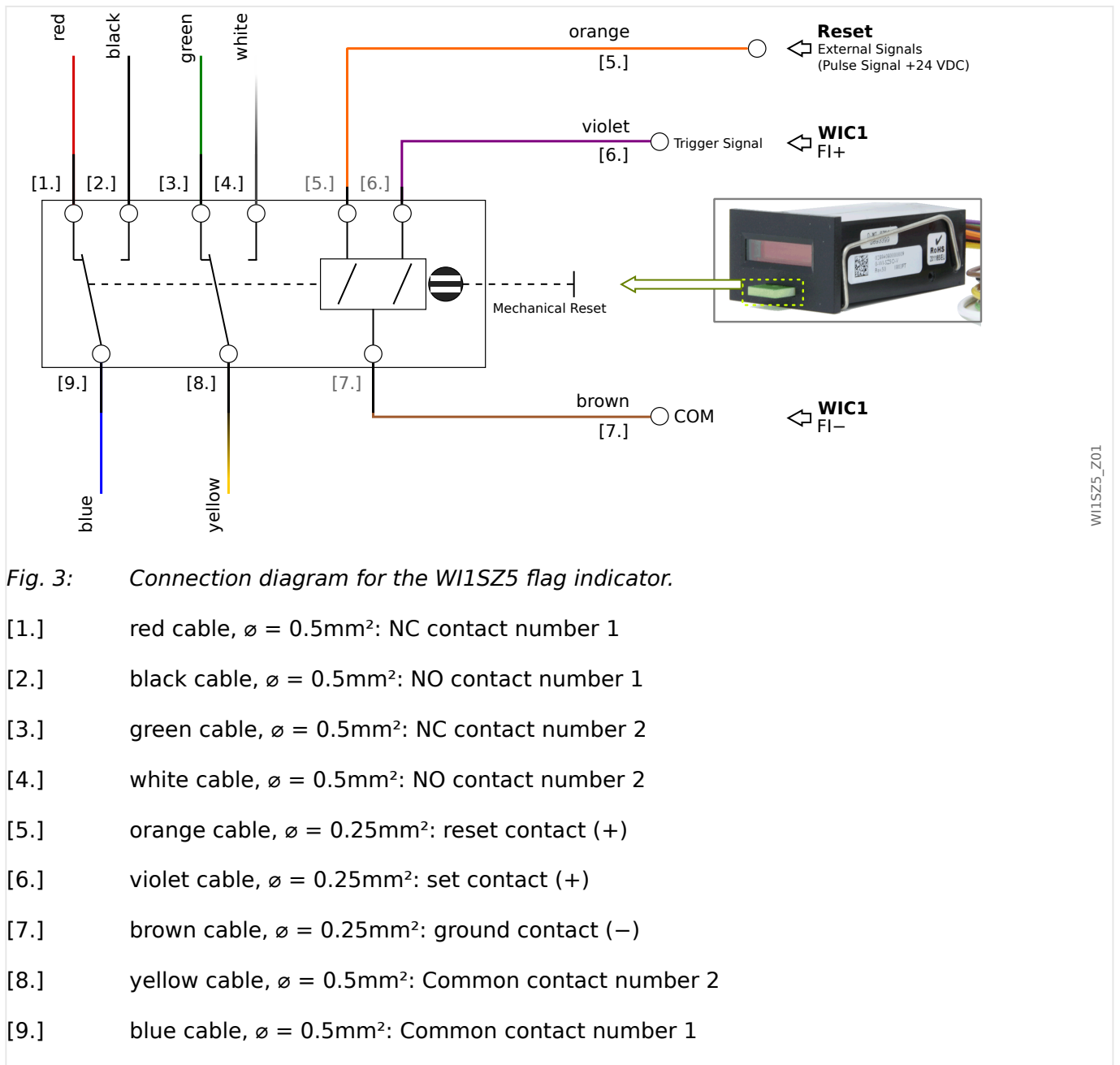
3 Dimension Drawing of the Flag Indicators WI1SZ4, WI1SZ5



4 Connecting a Flag Indicator to the WIC1

Coil connection WI1SZ4



Coil connection W1SZ5

W1SZ5_Z01

5 Impulse Signal for the Flag Indicator

A flag indicator can be connected to terminals FI+/FI– (WI1SZ4, WI1SZ5-4: Out+/Out–) of the terminal block X4, e. g. for a power-safe signaling of a trip.

The energy is provided by a capacitor store integrated in the WIC1 protection relay. The length of the trip impulse is approx. 50 ms, the pause between the individual pulses depends on the impedance of the flag indicator and the current level. Pulsing is continued until the assigned signal drops off.

Technical Data for the Setting Pulse

- Energy: $E \approx 0.01 \text{ Ws}$
- Voltage: $V \approx 24 \text{ VDC}$

CAUTION!



It is not allowed to connect any continuous / active voltage to the setting contact or to the reset contact of the flag indicator!

Any continuous voltage can destroy the coil that is built into the flag indicator.

6 Technical Data - WI1SZ4

Coil voltage: 24 V DC \pm 10%

- The WI1SZ4 can be set electrically.
- The WI1SZ4 can be reset mechanically.

Coil connection

Cable Color	Diameter	Function
black	0.25mm ²	Ground / Set

Maximum cable connection length: 1 m

See also the connection diagram, [↔“Coil connection WI1SZ4”](#).

7 Technical Data - WI1SZ5

Coil voltage: 24 V DC \pm 10%

Contact Rating:

- 230 V AC / 3 A
- 230 V DC / 0.12 A
- 115 V DC / 0.2 A
- 24 V DC / 2 A
- The WI1SZ5 has two potential-free changeover contacts.
- The WI1SZ5 can be set and reset electrically.

The WI1SZ5 can be reset mechanically.

Coil connection

	Cable Color	Diameter	Function
Coil connection	brown	0.25mm ²	(-) Ground
	violet	0.25mm ²	(+) Set
	orange	0.25mm ²	(+) Reset
Changeover contact 1	black	0.5mm ²	NO contact
	blue	0.5mm ²	changeover contact
	red	0.5mm ²	NC contact
Changeover contact 2	white	0.5mm ²	NO contact
	yellow	0.5mm ²	changeover contact
	green	0.5mm ²	NC contact

“NO”: normally open. “NC”: normally closed.

Maximum cable connection length: 1 m

See also the connection diagram, ↪ [“Coil connection WI1SZ5”](#).

8 Order Form WI1SZ4

Flag Indicator	Article Number
Small type, front 34 × 23 mm	WI1SZ4

9 Order Form WI1SZ5

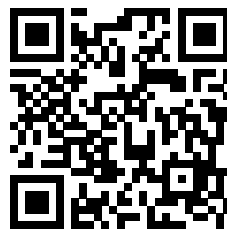
Flag Indicator	Article Number
Small type, front 34 × 23 mm, with bi-stable signal contacts (230 V AC / 3 A, 24 V DC / 2 A)	WI1SZ5

WI Line

WI1SZ4, WI1SZ5

MANUAL

docs.SEGelectronics.de/wic1



SEG Electronics GmbH reserves the right to update any portion of this publication at any time.
Information provided by SEG Electronics GmbH is believed to be correct and reliable.
However, SEG Electronics GmbH assumes no responsibility unless otherwise expressly undertaken.



SEG Electronics GmbH

Krefelder Weg 47 • D-47906 Kempen (Germany)

Telephone: +49 (0) 21 52 145 0

Internet: www.SEGelectronics.de

Sales

Telephone: +49 (0) 21 52 145 331

Fax: +49 (0) 21 52 145 354

E-mail: sales@SEGelectronics.de

Service

Telephone: +49 (0) 21 52 145 600

Fax: +49 (0) 21 52 145 354

E-mail: support@SEGelectronics.de

Complete address / phone / fax / email information for all locations is available on our website.