

MANUAL

HighTECH Line | PROTECTION TECHNOLOGY
MADE SIMPLE

IRI1-ER | STABILIZED
EARTH FAULT CURRENT RELAY



STABILIZED EARTH FAULT CURRENT RELAY

Original User Manual
English
Revision: C

**SEG Electronics GmbH reserves the right to update any portion of this publication at any time.
Information provided by SEG Electronics GmbH is believed to be correct and reliable.
However, no responsibility is assumed by SEG Electronics GmbH unless otherwise expressly undertaken.**

© SEG Electronics 1994–2021

Content

1. Summary	4
2. Applications	5
3. Characteristics and features	6
4. Design	7
4.1 Connections	7
4.1.1 Analog inputs.....	8
4.1.2 Output relays	8
4.2 Front plate	8
4.2.1 LEDs.....	9
4.2.2 DIP-switches	9
4.2.3 <RESET>-push button	9
4.3 Code jumper.....	10
5. Working principle	11
6. Operations and settings	13
6.1 Layout of the operating elements.....	13
6.2 Setting of the pick-up value for the differential current I_D	13
6.2.1 Indication of fault	13
6.3 Reset	14
6.3.1 Reset by pressing the <RESET>-push-button.....	14
6.3.2 Automatic reset	14
6.4 Calculation of the tripping current and the stabilizing resistance.....	15
6.4.1 Sample calculation - alternator.....	15
6.4.2 Example calculation - transformer.....	18
7. Housing	21
7.1 Individual housing	21
7.2 Rack mounting	21
7.3 Terminal connections	21
8. Relay testing and commissioning	23
8.1 Power On	23
8.2 Checking the set values	23
8.3 Secondary injection test	23
8.3.1 Test equipment.....	23
8.3.2 Example of a test circuit for a IRI1-3ER-relay.....	24
8.3.3 Checking the pick-up and tripping values (IRI1-ER)	24
8.3.4 Checking the operating and resetting values (IRI1-3ER).....	25
8.4 Primary injection test.....	25
8.5 Maintenance.....	25
9. Technical Data	26
9.1 Measuring input.....	26
9.2 Auxiliary voltage	26
9.3 General data.....	26
9.4 Output relay.....	27
9.5 System data	27
9.6 Setting ranges and steps	29
9.7 Dimensional drawing.....	29
10. Order form	30

1. Summary

The application of powerful microprocessors with MR- and IR-relays of the HIGH TECH LINE provides a large variety of advantages over power protection systems of the traditional type.

The MR-protection relays are based exclusively on the microprocessor technology. They represent our most efficient generation of power protection systems. Because of their capabilities to process measured values digitally and to perform arithmetical and logical operations, they are superior to the traditional analog systems.

Besides, the digital protection relays offer important additional advantages such as very low power consumption, adaptability, possibilities for self-supervision, flexible construction, selection of relay characteristics etc.

The IR-protection relays may be based on the microprocessor technology or on the analog technology. They represent a more cost saving generation of relays of the HIGH TECH LINE, used for basic equipment protection.

The IR-protection relays are superior to conventional protective devices because of their following characteristics:

- Integration of multiple protective functions into one compact housing
- User-friendly setting procedure by means of DIP-switches
- Compact construction type by SMD-technology

MR-protection relays are used for more complex protective functions, such as for example for earth fault directional detection, and also in cases where easy operation, quick fault-analysis and optimal communication capabilities are required.

All relays of the HIGH TECH LINE are available for front plate installation, as well as for 19" rack mounting. Plug-in technology is used. Of course, all relays comply with the IEC/DIN regulations required for the specific protection application.

2. Applications

The stabilized earth fault current relay IRI1-ER serves as a supplement for the transformer differential protection. It allows for example implementation of a zero-current differential protection by integrating the star-point current (IRI1-ER). With the view to its higher resistance to disturbances from outside the protection area, it can be set much more sensitively than the simple transformer differential protection, in order to prevent false trippings.

The IRI1-ER can be used as:

- Zero-current differential protection of the star point winding (restricted earth fault) of a transformer (IRI1-ER), see figure 2.1
- Highly stabilized differential current relay for alternators, transformers and motors (IRI-3ER), see figure 2.2

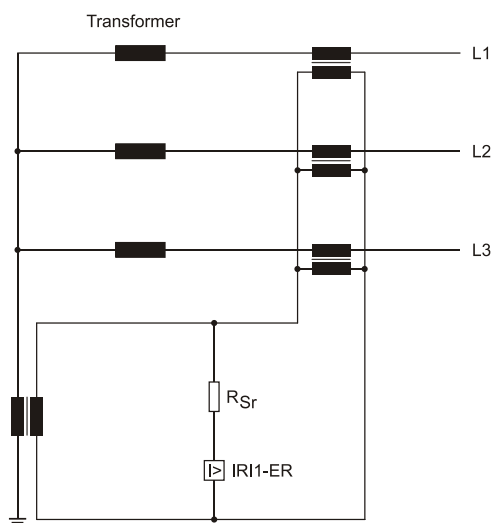


Figure 2.1: Zero-current differential protection of a transformer in star-connection (IRI1-ER)

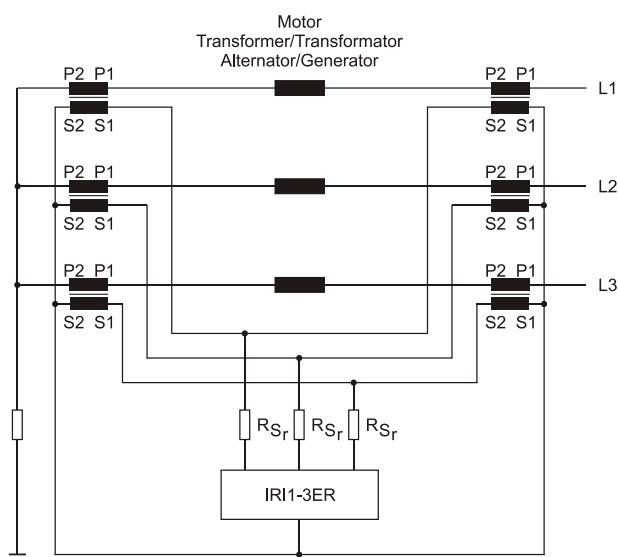


Figure 2.2: Highly stabilized differential protection for alternators, transformers and motors (IRI-3ER)

3. Characteristics and features

- static protective device
- single-phase current measuring (IRI1-ER) as zero-current differential protection (restricted earth fault 64 REF)
- three-phase current measuring (IRI1-3ER) as phase-current differential protection
- high stability by serial stabilizing resistor R_{sr} per phase
- high sensitivity by low input burden of C.T.
- extremely large setting range for current reaction value with fine grading
- wide range of operation of the supply voltage (AC/DC)
- coding for the self-holding function or automatic reset of the LED's and trip relays
- frequency range 50/60 Hz
- rated current 1A or 5A
- output relay with 2 change-over contacts

4. Design

4.1 Connections

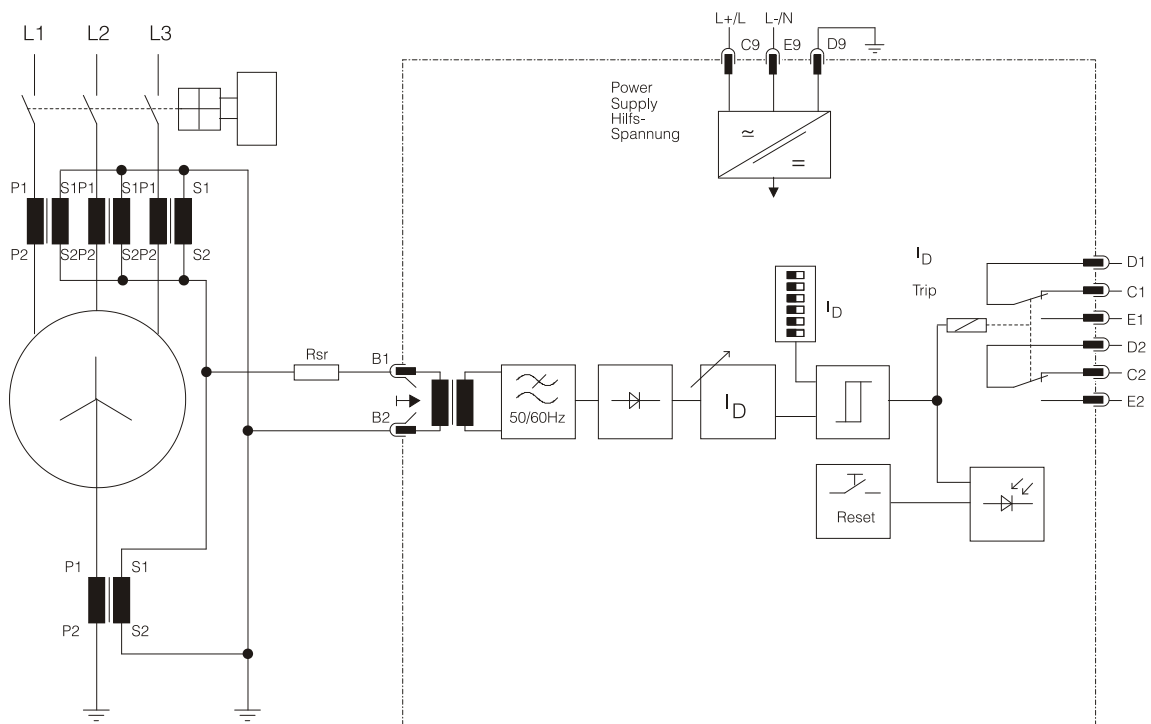


Figure 4.1: Connection diagram IRI1-ER

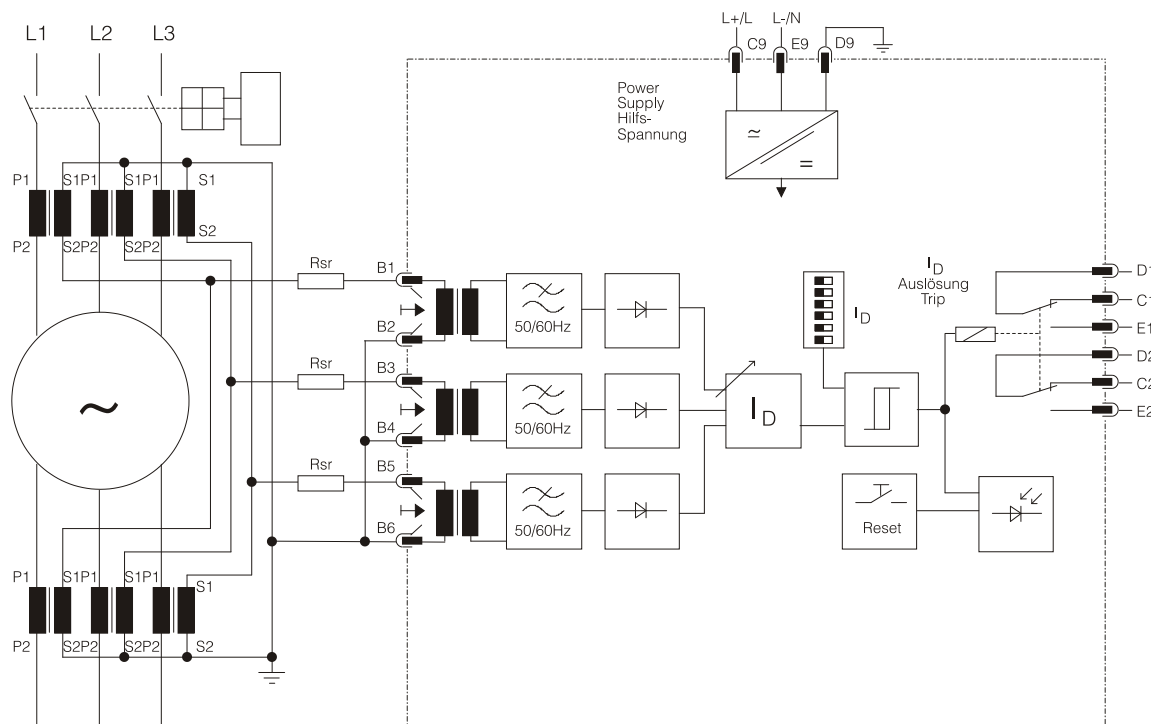


Figure 4.2: Connection diagram IRI1-3ER

4.1.1 Analog inputs

At three-phase measuring, the analog input signals of the differential currents are fed to the protective device via terminals B1 to B6 (IRI1-3ER), respectively at single phase measuring via terminals B1/B2 (IRI1-ER).

4.1.2 Output relays

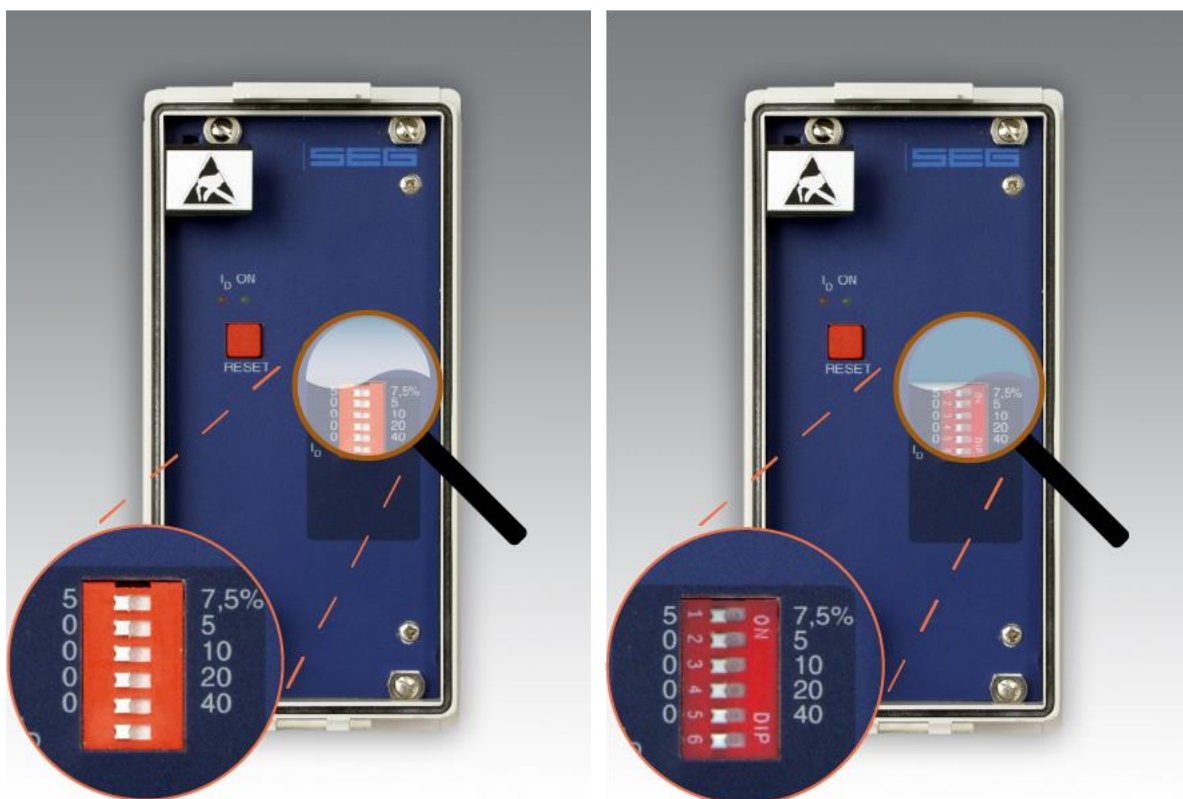
Both relay types are equipped with a trip relay with two change-over contacts.

Tripping I_D: D1, C1, E1
 D2, C2, E2

4.2 Front plate

The front plate of the IRI1-ER comprises the following operation and indication elements:

- 1 set of DIP-switches for setting the tripping value
- 2 LEDs for indication of faults- and readiness for operation
- 1 <RESET> push button



Depending on the year of production the DIP switches may have no labels (left) or may be labeled with digits and the words "DIP" and "ON" (right). Note, however, that always the writings on the blue front plate are applicable! Any writings on the red DIP switch blocks have to be ignored.

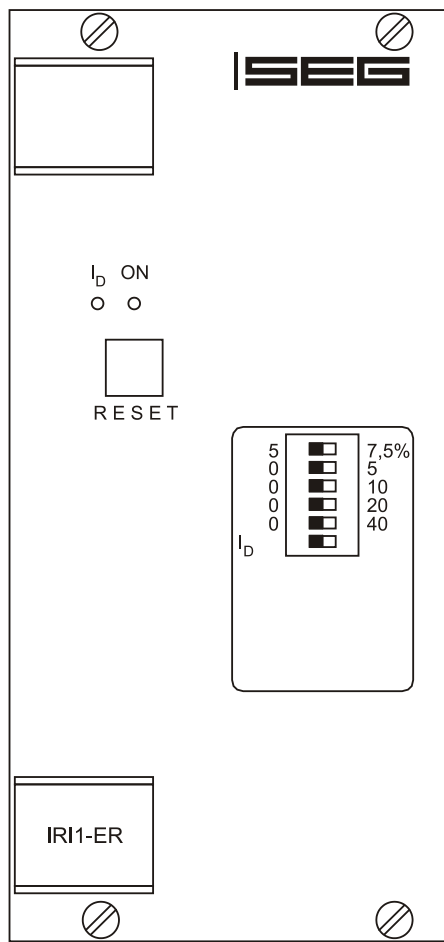


Figure 4.3: Front plate

4.2.1 LEDs

On the front plate of the IRI1-ER 2 LEDs are installed, signaling the following 2 service conditions:

- LED ON (green): readiness for service
- LED ID (red): tripping

4.2.2 DIP-switches

The set of DIP switches on the front plate serves for setting the tripping value for the differential current ID.

4.2.3 <RESET>-push button

The <RESET> push button is used for acknowledgement and reset of the LED and the tripping relay after tripping at the specifically preset value (see 4.3).

4.3 Code jumper

Behind the front plate, two coding jumpers are installed at the bottom side for presetting the LED-display, as well as for the tripping function of the output relay.

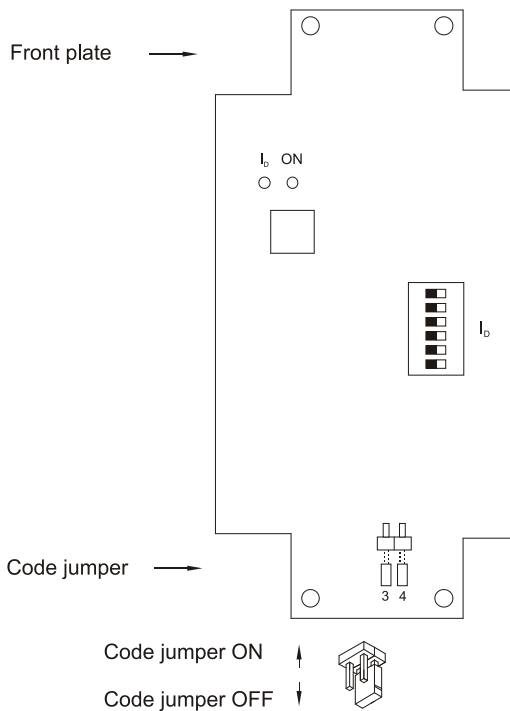


Figure 4.4: Code jumper

Code jumper	Function	Position of code jumper	Operating mode
3	Differential current indication	OFF	latching of the red LED ID
		ON	automatic reset of the red LED ID
4	Differential current tripping	OFF	latching of the tripping relay
		ON	automatic reset of the tripping relay

Table 4.1: Code jumper

5. Working principle

The protection relay IRI1-ER is connected to the differential circuit of the c.t.s as a current differential protection relay. When used as zero-current differential protection (restricted earth fault), the relay (IRI1-ER) is to be connected acc. figure 2.1. When used as highly stabilized differential current relay, the relay (IRI1-3ER) is to be connected acc. figure 2.2.

The knee voltage U_{Kn} is an important characteristic of the transformer. The transformer does not work linearly anymore above this voltage. Two transformers of the same class still show the same behavior below U_{Kn} within the scope of their precision class. Above U_{Kn} they can, however, show very different saturation behavior.

Connected in a differential current circuit an apparent fault current can thus be measured at large primary current intensity which really results only from the different saturation of both transformers.

An additional stabilizing resistor R_{Sr} counteracts this effect. It attenuates the current flow through the measuring device. This way the unsaturated transformer drives part of its current into the saturated transformer and minimizes the faulty differential current effect on secondary side. By small currents the stabilizing resistor effects however also the accuracy of the real fault current measurement. Because this effect lies in a linear range it can be taken into consideration mathematically by adjusting the protection device. (see chapter 6.4).

For demonstrating the working principle, figure 5.1 shows the single-line diagram of the IRI1-ER.

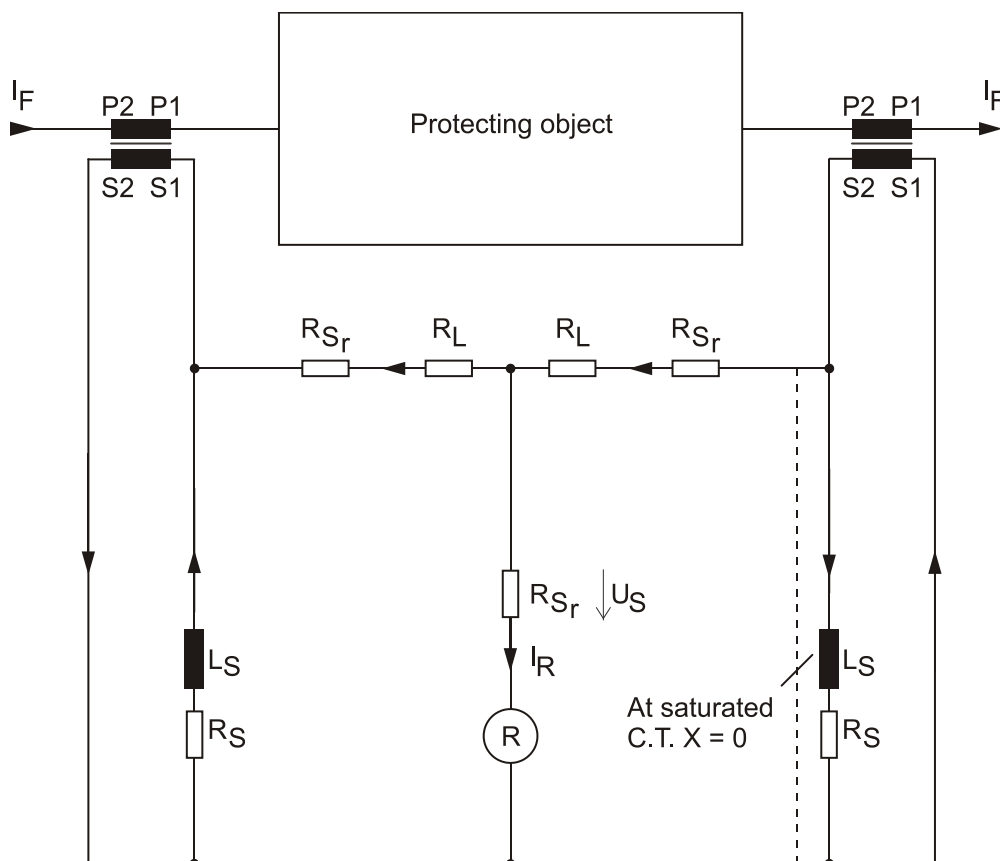


Figure 5.1 : Single line diagram IRI1-ER

The harmonics existing during a transformer saturation and the DC-component are suppressed by a filter circuit located in the input circuit of the relay; the filter circuit is adjusted to the mains frequency (50/60Hz).

The IRI1-ER has a single-phase differential current supervision with an adjustable pick-up value. The current measured in the differential circuit is constantly compared with the set reference value.

Measuring principle IRI1-ER

The analog current signals are galvanically decoupled via the input transformer and are led over a low pass with subsequent band-pass for suppression of the harmonics, then rectified and compared with the set reference value of a comparator. In case the current measured exceeds the reference value, an instantaneous tripping takes place (figure 4.1).

The IRI1-3ER has a three-phase differential current supervision with adjustable pick-up value. The currents measured in the individual differential circuits are constantly compared with the set reference value.

Measuring principle IRI1-3ER

The analog current signals are galvanically decoupled via three input transformers and led over a low pass with subsequent band-pass for suppressing the harmonics. Then rectified and compared with the set reference value of a comparator. In case one of the three currents measured exceeds the reference value, an instantaneous tripping takes place (figure 4.2).

6. Operations and settings

6.1 Layout of the operating elements

The DIP-switch required for setting of parameters is located on the front plate of the relay.

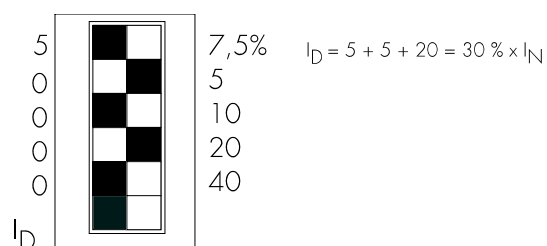
6.2 Setting of the pick-up value for the differential current I_D

The pick-up value of the differential current tripping I_D can be set by means of the DIP-switches set I_D in the range of 5% to 82.5% $\times I_N$ with a grading of 2.5%.

The pick-up value is calculated by adding up the values of all DIP-switches.

Example:

A pick-up value of 30% of the rated current is required.



6.2.1 Indication of fault

The fault alarm is shown by the LED ID on the front plate of the relay, which lights up red at tripping.

Depending on the coding by means of the code jumper (see chapter 6.3.2), the fault alarm extinguishes automatically or after pressing the <RESET> push button, after the fault is eliminated.

6.3 Reset

6.3.1 Reset by pressing the <RESET>-push-button

By pressing the <RESET> push button, the tripping relay is reset and the LED-signal extinguishes. All coding switches must be plugged out for this (see chapter 4.3).

6.3.2 Automatic reset

Code jumper 1

If no code jumper is plugged in at coding place 1, the red fault alarm LED ID is coded latching.

The fault signal can only be reset manually by pressing the <RESET> push button.

If the code jumper is plugged in at coding place 1, the red fault signal LED ID is automatically reset, after the fault is eliminated.

Code jumper 2

The tripping relay is coded latching, if no code jumper is plugged in on coding place 2.

The tripping relay can only be reset manually by pressing the <RESET> push button.

If the code jumper is plugged in on coding place 2, the tripping relay is automatically reset after elimination of the fault.

6.4 Calculation of the tripping current and the stabilizing resistance

Prior to setting the relay, the stabilizing resistance R_{Sr} , as well as the tripping current I_{set} must be calculated.

For the correct setting, the knee-point voltage in the magnetizing circuit of the c.t. is of special importance. In order to obtain a sufficient differential current for tripping on account of internal faults, the knee-point voltage U_{Kn} of the transformer should be twice as high as the maximum expected stabilizing voltage U_S in case of faults from outside the protection zone. From this results the following calculation:

$$U_{Kn} = 2 \cdot U_S = I_{f,sek} \cdot (R_S + R_L)$$

Explanation:

U_{Kn}	knee-point voltage of the magnetizing circuit of the transformer
U_S	maximum stabilizing voltage in case of external faults
$I_{f,sek}$	maximum expected fault current (secondary-side) in case of external faults
R_S	secondary resistance of the transformer
R_L	Resistance of the connection line between c.t. and relay

The tripping current of the relay is then calculated, as follows:

$$I_D \geq \frac{U_{Kn}}{2 \cdot R_{Sr}}$$

Explanation:

R_{Sr}	stabilizing resistance
----------	------------------------

The strength of the stabilizing resistance must be selected in a way to ensure that the tripping current is within the setting range (5% to 82.5% of I_N).

When the pick-up value is exceeded, nearly an immediate tripping is initiated. With 30 ms the tripping time is approx. five times as high as the tripping value. In case of lower currents, the tripping time is slightly higher (about 100ms), in order to reach a stabilization of the protective function against external faults (see also chapter 5).

6.4.1 Sample calculation - alternator

An IRI1-ER protection relay is used for the earth-fault protection of an alternator. In the starpoint, the following c.t. is provided:

transformation ratio:	100/1A
class:	5 P 10
output:	2.5 VA
secondary resistance of the transformer:	<0.7Ω

A primary-side fault current of 20% x I_N shall be recorded. The secondary current is used for calculation.

Calculation of the knee-point voltage

If the knee-point voltage is not indicated by the manufacturer, as is the case in our example, the approximate value can be calculated, as follows:

$$U_{kn} \cong \left(\frac{S \cdot k_{lu}}{I_N} \right) \Rightarrow \left(\frac{2.5 \cdot 10}{1} \right) = 25 \text{ V}$$

Explanation:

S output of the c.t.
 k_{lu} overcurrent factor of the c.t.
 I_N secondary-side rated current of the transformer

Calculation of the active resistances

The relevant resistances in the differential circuit add up to a total (circle-) resistance:

$$R_{kreis} \left(\frac{U_{Kn}}{2 \cdot I_{set}} \right) = R_{Sr} + 2 \cdot R_L + R_S + R_r$$

Explanation:

R_{kreis} total resistance in the differential circuit
 R_{Sr} stabilizing resistance
 R_L resistance of the connection line between c.t. and relay
 R_s secondary resistance of the transformer ($<0.7\Omega$)
 R_r relay input resistance ($B1 - B2 = 0.02\Omega$)
 I_D tripping current

The individual resistance values are:

$$2 \cdot R_L = 150 \text{ m}\Omega, \text{ bei } 20 \text{ m}, 2.5 \text{ mm}^2 \text{ Cu}$$

$$2 \cdot R_L + R_r + R_s = 0.87 \Omega$$

Therefore, the following is valid:

$$R_{kreis} = \left(\frac{25 \text{ V}}{2 \cdot 0.2 \text{ A}} \right) = 62.5 \Omega$$

Calculation of the stabilizing resistance

The stabilizing resistance is calculated from above ratios, as follows:

$$\begin{aligned} R_{Sr} &= R_{kreis} - (2 \cdot R_L + R_r + R_s) \\ &= R_{kreis} - 0.87\Omega \\ &= 61.6\Omega \end{aligned}$$

In operational mode $\leq I_D$, the output requirement P_N is as follows:

$$P_N \leq I^2 \cdot R_{Sr} = 0.2^2 A^2 \cdot 61.6\Omega \leq 2.47W$$

In this case, P_N represents the minimum output required (pure current-heat losses). A considerably increased output PF is required in the event of a fault.

Example: The false current is: $I_{F,prim} = 13.1 \text{ kA}$

If one neglects the transformer saturation, the following peak voltage U_P occurs:

$$\begin{aligned} U_P &= \frac{I_{F,prim}}{n} \cdot (R_{Sr} + 2 \cdot R_L + R_s) \\ U_P &= \frac{13100 \text{ A} \cdot 1}{100} \cdot (62.5\Omega) = 8187.5 \text{ V} \end{aligned}$$

If one considers the transformer saturation, a short-term peak voltage U_{SS} occurs, as shown in the following calculation:

$$\begin{aligned} U_{SS} &= 2 \cdot (2 \cdot U_{Kn} \cdot (U_P - U_{Kn}))^{+0.5} \leq 3kV \\ U_{SS} &= (2 \cdot 25V \cdot (8187.5V - 25V))^{+0.5} = 1.28kV \\ P_F &= \frac{U_{SS}^2}{R_{Sr}} = \frac{1280^2 V^2}{61.6\Omega} = 26.6kW \end{aligned}$$

The calculation of P_N and P_F must be effected in any case, in order to get the exact power range of the stabilizing resistor.

Take over of power by the resistor in the event of a fault PF creates a short-term peak value. The actual value is about half of it.

For above example, a stabilizing resistance of 62Ω with $13 \text{ kW}/1.1$ is required for the total earth-fault period (f.ex. 1 s tripping delay on account of graduation times of external protection equipment +100 ms (individual time of the switch = 1.1s).

6.4.2 Example calculation - transformer

An IRI1-ER protection relay is used for the earth-fault protection of a 1.6 MVA-transformer (11000/415 V, 6%), see figure 2.1. The following c.t.s are used in the rigidly earthed starpoint:

transformation ratio: 2 500/1A
 class: X
 resistance R_s : 8Ω
 knee-point voltage: 250 V

The relay is situated about 20m away from the c.t.s and is connected with a 2.5mm² cable.

Calculation of the stabilizing voltage

The primary-side fault-current $I_{F,prim}$ is:

$$I_{F,prim} = \frac{1600000 \text{ VA}}{\sqrt{3} \cdot 415 \text{ V} \cdot 6\%} = 37.1 \text{ kA}$$

Line resistance R_L (2.5 mm² \approx 7.46 Ω /km)

$$R_L = 20 \text{ m} \cdot \frac{7.46\Omega}{1000 \text{ m}} = 0.15\Omega$$

Additional resistance R_r (ca. 0.02 Ω)

From this results the stabilizing voltage for:

$$U_s = \frac{I_{F,prim}}{n} \cdot (2 \cdot R_L + R_s + R_r)$$

$$U_s = \frac{37100 \text{ A} \cdot 1}{2500} \cdot (2 \cdot 0.15\Omega + 8\Omega + 0.01\Omega) = 123.5\text{V}$$

Since the knee-point voltage shall be $U_{kn} = 2x U_s$ ($2 \times 123,5\text{V} = 247 \text{ V}$), the above transformer with $U_{kn} = 250 \text{ V}$ can be used.

Calculation of the set current and the stabilizing resistance (sample value)

The rating for the set current of 20% is calculated:

$$I_D = 20 \% \times I_N = 0.2 \times 1 \text{ A} = 0.2 \text{ A}$$

From this results the stabilizing resistance for:

$$R_{kreis} = \left(\frac{U_S}{I_D} \right) \approx R_{Sr} \Rightarrow \left(\frac{123.5 \text{ V}}{0.2 \text{ A}} \right) = 617.5 \Omega$$

In the event of a fault, the stabilizing resistance must withstand a secondary-side false current of:

$$I_{F,sek} = \frac{1600000 \text{ VA} \cdot 1}{\sqrt{3} \cdot 415 \text{ V} \cdot 6\% \cdot 2500} = 14.84 \text{ A}$$

The calculation of the short-term peak voltages provides the following result:

$$U_P = \frac{37.1 \text{ kA} \cdot 1}{2500} \cdot (8 \Omega + 2 \cdot 0.15 \Omega + 0.02 \Omega + 615 \Omega) = 9.25 \text{ kV}$$

Thus, the ratio

$$U_{SS} = 2 \cdot (2 \cdot U_{Kn} \cdot (U_P - U_{Kn}))^{+0.5} \leq 3 \text{ kV}$$

$$U_{SS} = 2 \cdot (2 \cdot 250 \text{ V} \cdot (9250 \text{ V} - 250 \text{ V}))^{+0.5} = 4.24 \text{ kV}$$

is not reached and the calculation must be repeated with a higher set current.

Calculation of the set current and the stabilizing resistance (actual value)

The rating for the set current of 40% is calculated again:

$$I_D = 40 \% \times I_N = 0.4 \times 1 \text{ A} = 0.4 \text{ A}$$

From this results the stabilizing resistance for:

$$R_{kreis} = \left(\frac{U_S}{I_D} \right) \approx R_{Sr} \Rightarrow \left(\frac{123.75\Omega}{0.4A} \right) = 308.75\Omega$$

Thus, the requirement of the short-term peak voltage is met.

$$U_P = \frac{37.1kA \cdot 1}{2500} \cdot (8 + 2 \cdot 0.15\Omega + 0.02\Omega + 308.75\Omega)$$

$$U_{SS} = 2 \cdot (2 \cdot 250V \cdot (4700V - 250V))^{+0.5} = 2.98kV$$

Since the requirement is met, the set values and the resulting resistance values can be accepted.

The calculation of the output requirement for the stabilizing resistance can be carried out analog to the calculation of sample 6.4.1.

7. Housing

The IRI1-ER can be supplied in an individual housing for flush-mounting or as a plug-in module for installation in a 19" mounting rack according to DIN 41494. Both versions have plug-in connections.

Relays of variant D are complete devices for flush mounting, whereas relays of variant A are used for 19" rack mounting. Housing variant A to be installed in switchboards of protection class IP51. For switchboards of lower protection classes housing variant D can be used.

7.1 Individual housing

The individual housing of the IRI1-ER is constructed for flush-mounting. The dimensions of the mounting frame correspond to the requirements of DIN 43700 (72 x 144 mm). The cut-out for mounting is 68 x 138 mm.

The front of the IRI1-ER is covered with a transparent, sealable flap (IP54).

For case dimensions and cut-out refer to "technical data". The individual housing is fixed with the supplied clasps from the rear of the switchboard panel.

7.2 Rack mounting

The IRI1-ER is in general suitable for installation in a modular carrier according to DIN 41494. The installation dimensions are: 12 TE; 3 HE.

According to requirements, the IRI1-ER-devices can be delivered mounted in 19" racks.

If 19" racks are used the panel requires protection class IP51. For switchboards with lower degree of protection must be used individual housing.

7.3 Terminal connections

The plug-in module has very compact base with plug connectors and screwed-type connectors.

- max. 15 poles screw-type terminals for voltage and current circuits (terminal connectors series A and B with a short time current capability of 500 A / 1 s).
- 27 poles tab terminals for relay outputs, supply voltage etc.(terminal connectors series C, D and E, max. 6 A current carrying capacity). Connection with tabs 6.3 x 0.8 mm for cable up to max. 1.5 mm² or with tabs 2.8 x 0.8 mm for cable up to max. 1 mm².

By using 2.8 x 0.8 mm tabs a bridge connection between different poles is possible.

The current terminals are equipped with self-closing short-circuit contacts. Thus, the IRI1-ER-module can be unplugged even with current flowing, without endangering the current transformers connected.

The following figure shows the terminal block of IRI1-ER:

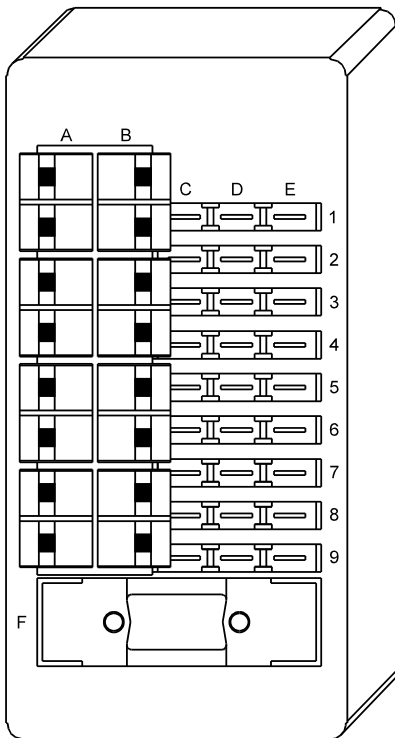


Figure 7.1: Terminal block of IRI1-ER

8. Relay testing and commissioning

The following instructions should help to test the protection relay performance before or during commissioning of the protection system. To avoid a relay damage and to ensure a correct relay operation, be sure that:

- the auxiliary power supply rating corresponds to the auxiliary voltage on site
- the rated current and rated voltage of the relay correspond to the plant data on site
- the current transformer circuits are connected to the relay correctly
- all signal circuits and output relay circuits are connected correctly

8.1 Power On

NOTE!

Prior to switch on the auxiliary power supply, be sure that the auxiliary supply voltage corresponds to the rated data on the type plate.

Switch on the auxiliary power supply to the relay (terminal C9/E9) and check that the LED „ON“ on the front plate lights up green.

8.2 Checking the set values

Check the DIP-switch positions, in order to verify the parameterized set value. If necessary, the set value can be corrected by means of the DIP-switch.

8.3 Secondary injection test

8.3.1 Test equipment

- ammeter of class 1 or better
- auxiliary power supply with a voltage corresponding to the rated data on the type plate
- single-phase AC-power supply (adjustable from 0 - 2.0 x I_N)
- test leads and tools
- potentiometer
- switching device
- timer

8.3.2 Example of a test circuit for a IRI1-3ER-relay

For testing the IRI1-3ER-relay, only power signals are required. Figure 8.3.1 shows an example of a test circuit with adjustable power supply. The phases are tested individually one after the other.

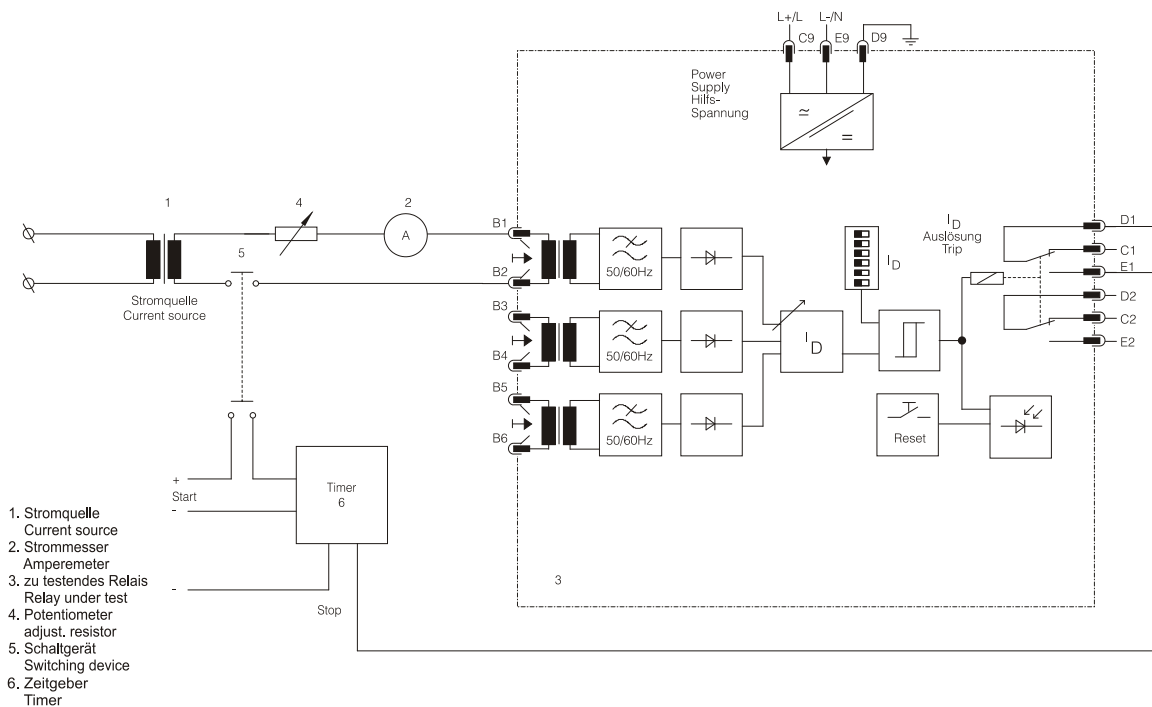


Figure 8.1: Test circuit IRI1-3ER

8.3.3 Checking the pick-up and tripping values (IRI1-ER)

With the IRI1-ER, the analog input signal of the single-phase testing AC must be supplied to the relay via the terminals B1/B2 for checking the pick-up value I_D .

For testing the differential current pick-up value, first the testing AC must be set below the set pick-up value I_D . Then the testing AC is increased gradually, until the relay is trips. This is indicated by the LED I_D lighting up red, with the relay tripping at the same time. Check that the value shown at the ammeter does not deviate by more than +/- 3% from the set pick-up value I_D .

The resetting value of the differential current pick-up value is determined, by slowly decreasing the testing AC, until the output relay I_D is trips. The LED I_D extinguishes (supposed the respective coding was effected).

Check that the resetting value is greater than 0.97 times the pick-up value, i.e. the resetting ratio of the differential current supervision is below 1.

8.3.4 Checking the operating and resetting values (IRI1-3ER)

With the IRI1-3ER, all analog input signals of the single-phase testing AC must be supplied to the relay via the terminals B1/B2; B3/B4; B5/B6 one after another for checking the pick-up value I_D .

For testing the differential current pick-up value, first the testing AC must be set below the set pick-up value I_D . Then the testing AC is increased gradually, until the relay is tripping. This is indicated by the LED ID lighting up red, with the relay tripping at the same time. Check that the value shown at the ammeter does not deviate by more than $\pm 3\%$ from the set pick-up value I_D .

The resetting value of the differential current pick-up value is determined, by slowly decreasing the testing AC, until the output relay ID is tripping. The LED ID extinguishes (supposed the respective coding was effected).

Check that the resetting value is not lower than 0.97 times the pick up value, i.e. the resetting ratio of the differential current supervision is below 1.

Note: An external timer must be used for checking the tripping time (individual time of the relay).

8.4 Primary injection test

Principally, a primary injection test (real-time test) of a c.t. can be carried out in the same way as a secondary injection test. Since the cost and potential hazards may be very high for such tests, they should only be carried out in exceptional cases, if absolutely necessary.

8.5 Maintenance

Maintenance testing is generally done on site at regular intervals. These intervals may vary among users depending on many factors: e.g. type of protective relays employed; type of application; operating safety of the equipment to be protected; the user's past experience with the relay etc.

For static relays such as the IRI1-ER/-3ER, maintenance testing once per year is sufficient, as experience has shown.

9. Technical Data

9.1 Measuring input

Rated data:

Nominal current I_N 1A/5A
 Nominal frequency f_N 50/60 Hz

Power consumption in current circuit: <1 VA/at $I_N = 1A$
 <5 VA/at $I_N = 5 A$

Thermal withstand capability of current circuit	dynamic current withstand (half-wave)	250 x I_N
	for 1 s	100 x I_N
	for 10 s	30 x I_N
	continuously	4 x I_N

9.2 Auxiliary voltage

Rated auxiliary voltage U_H :

24 V - working range 16 - 60 V AC / 16 - 80 V DC
 110 V - working range 50 - 270 V AC / 70 - 360 V DC

Power consumption:

24 V - working range	standby approx. 3 W	operating approx. 6 W
110 V - working range	standby approx. 3 W	operating approx. 6 W

9.3 General data

Permissible interruption of the supply voltage without influence on the function

50 ms

Dropout to pickup ratio:

>97%

Returning time:

30 ms

Minimum operating time:

30 ms

9.4 Output relay

The output relay has the following characteristics:

Maximum breaking capacity: 250 V AC / 1500 VA / continuous current 6 A

Breaking capacity for DC:

	ohmsch	L/R = 4 ms	L/R = 7 ms
300 V DC	0.3 A / 90 W	0.2 A / 63 W	0.18 A / 54 W
250 V DC	0.4 A / 100 W	0.3 A / 70 W	0.15 A / 40 W
110 V DC	0.5 A / 55 W	0.4 A / 40 W	0.20 A / 22 W
60 V DC	0.7 A / 42 W	0.5 A / 30 W	0.30 A / 17 W
24 V DC	6.0 A / 144 W	4.2 A / 100 W	2.50 A / 60 W

Max. rated making current 64 A (acc. VDE 0435/0972 and IEC 65 / VDE 0860 / 8.86)
 Making current: minimum 20 A (16ms)
 Mechanical life span: 30 x 10⁶ switching cycles
 Electrical life span: 2 x 10⁵ switching cycles at 220 V AC / 6 A
 Contact material: silver-cadmium-oxyde

9.5 System data

Design standard:
 Generic standard: EN 50082-2, EN 50081-1
 Product standard: EN 60255-6, IEC 255-4, BS 142

Specified ambient service
 Storage temperature range: - 40°C to + 85°C
 Operating temperature range: - 20°C to + 70°C

Environmental protection class F
 as per DIN 40040 and per
 DIN IEC 68 2-3: relative humidity 95 % at 40°C for 56 days

Insulation test voltage, inputs
 and outputs between themselves
 and to the relay frame as per
 EN 60255-6 and IEC 255-5: 2.5 kV (eff.), 50 Hz; 1 min

Impulse test voltage, inputs
 and outputs between themselves
 and to the relay frame as per
 EN 60255-6 and IEC 255-5: 5 kV; 1.2 / 50 µs; 0.5 J

High frequency interference
 test voltage, inputs and outputs
 between themselves and to the
 relay frame as per EN 60255-6
 and IEC 255-22-1: 2.5 kV / 1MHz

Electrostatic discharge (ESD) test as
 per EN 61000-4-2 and IEC 255-22-1: 8 kV air discharge, 6 kV contact discharge

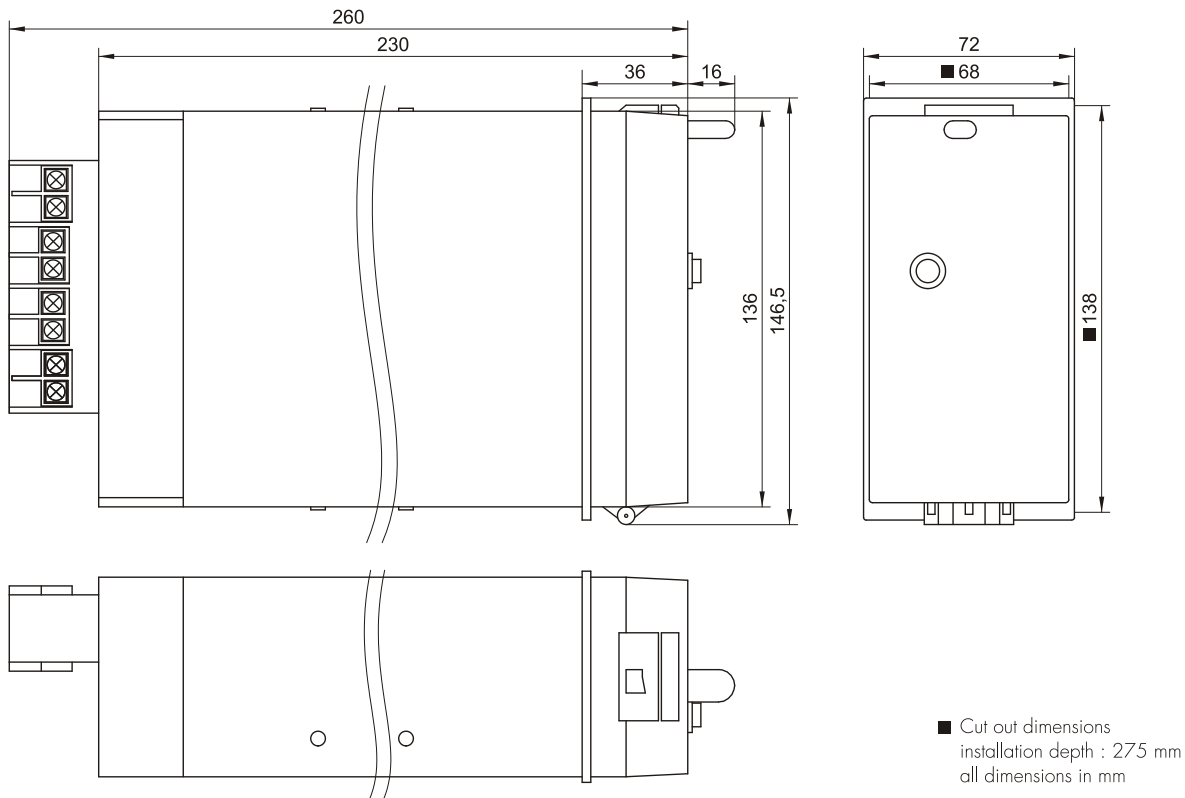
Electrical fast transient (Burst) test as
 per EN 61000-4-8 and IEC 801-4: 4 kV / 2.5 kHz, 15 ms

Power frequency magnetic field test as per ENV 50141:	electric field strength 10 V/m
Surge immunity EN 61000-4-5:	4 kV
Radio interference suppression test as per EN 55011:	limit value class B
Radio interference radiation test as per EN 55011:	limit value class B
Mechanical tests:	
Shock:	class 1 acc. to DIN IEC 255-21-2
Vibration:	class 1 acc. to DIN IEC 255-21-1
Degree of protection - front of relay:	IP 54 by enclosure of the relay case and front panel (relay version D)
Weight:	approx. 1.5 kg
Degree of pollution:	2 by using housing type A 3 by using housing type D
Overvoltage class:	III
Influence variable values:	
Frequency influence:	40 Hz < f < 70 Hz: <3 % of set value
Temperature influence:	-20°C to +70°C
Auxiliary voltage influence:	no influence within the admissible range

9.6 Setting ranges and steps

Relay type	Parameter	Setting range	Steps	Tolerances
IRI1-ER	ID	5 % ... 82.5 % x I _N	2.5 %	±3 % of set value
IRI1-3ER	ID	5 % ... 82.5 % x I _N	2.5 %	±3 % of set value

9.7 Dimensional drawing



Please note:

A distance of 50 mm is necessary when the units are mounted one below the other in order to allow easy opening of the front cover of the housing. The front cover opens downwards.

10. Order form

Earth fault relay		IRI1			
Highly stabilized measuring		ER			
3-phase measuring, highly stabilized		3ER			
Rated current	1 A		1		
	5 A		5		
Auxiliary voltage					
24 V (16 to 60 V AC/16 to 80 V DC)				L	
110 V (50 to 270 V AC/70 to 360 V DC)				H	
Housing (12TE)	19"-rack				A
	Flush mounting				D

Technical data subject to change without notice!

Setting list IRI1-ER

Note!

All settings must be checked at site and should the occasion arise, adjusted to the object / item to be protected.

Project: _____ Job.-no.: _____

Function group: = _____ Location: + _____ Relay code: - _____

Relay functions: _____ Date: _____

Setting of parameters

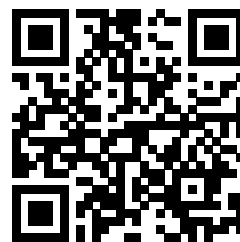
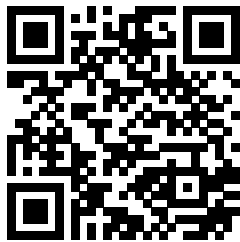
Parameter		Unit	Default settings	Actual settings
I _D	Differential current	% In	5	

Setting of code jumpers

Code jumper	J1		J2		J3		J4	
	Default setting	Actual setting	Default setting	Actual setting	Default setting	Actual setting	Default setting	Actual setting
Plugged					X		X	
Not plugged	not used		not used					

HighTECH Line

https://docs.SEGelectronics.de/iri1_er
<https://docs.SEGelectronics.de/mr>



SEG Electronics GmbH reserves the right to update any portion of this publication at any time. Information provided by SEG Electronics GmbH is believed to be correct and reliable. However, SEG Electronics GmbH assumes no responsibility unless otherwise expressly undertaken.



SEG Electronics GmbH
Krefelder Weg 47 • D-47906 Kempen (Germany)
Telephone: +49 (0) 21 52 145 1

Internet: www.SEGelectronics.de

Sales
Telephone: +49 (0) 21 52 145 331
Fax: +49 (0) 21 52 145 354
E-mail: sales@SEGelectronics.de

Service
Telephone: +49 (0) 21 52 145 614
Fax: +49 (0) 21 52 145 354
E-mail: support@SEGelectronics.de

SEG Electronics has company-owned plants, subsidiaries, and branches, as well as authorized distributors and other authorized service and sales facilities throughout the world.

Complete address / phone / fax / email information for all locations is available on our website.