



BZ1-U – Speed relay

Manual BZ1-U (Revision A)

Woodward Governor Company reserves the right to update any portion of this publication at any time. Information provided by Woodward Governor Company is believed to be correct and reliable. However, no responsibility is assumed by Woodward Governor Company unless otherwise expressly undertaken.

© Woodward 1994-2008

Application

Speed supervision of CONCYCLE UPS

Function

Via the output frequency of the generator, the BZ1 detects the speed of the genset to be supervised. The re-lay is provided with three independently adjustable elements for ignition speed, under- and overspeed. The rated frequency can be changed from 50 Hz (left stop) to 100 Hz (right stop) by means of potentiometer CAL. At output CAL-A2 a current of 0 - 20 mA in proportion to the speed is available for indication of speed.

Technical data

Auxiliary voltage	
Terminals (A1 - A2):	24 V DC $\pm 40\%$
Gen. rated frequency:	50/100 Hz, 80 V AC $\pm 20\%$
Hysteresis:	2 % of f_n
Power consumption:	4 VA
Therm. load carrying capacity:	continuous 1,4 x U_n
Returning time:	<450 ms
Minimum operating time:	<650 ms
Output current CAL:	0 - 20 mA DC, $R_i \leq 100 \Omega$, 100 % $f_n = 10$ mA

Output relays:

Max. breaking capacity	
Ohmic:	1250 VA AC/150 W DC
Inductive:	500 VA AC/75 W DC
Rated current:	5 A
Making current (16ms):	20 A

System data:

Regulations:	VDE 0435 part 303
Temperature range at storage and operation:	- 25°C to + 70°C

Mechanical stress:

Shock:	class 1 acc. to DIN IEC 255-21-2
Vibration:	class 1 acc. to DIN IEC 255-21-1
Degree of protection:	IP 40 at closed front cover
Weight:	approx. 0.3 kg
Mounting position:	any

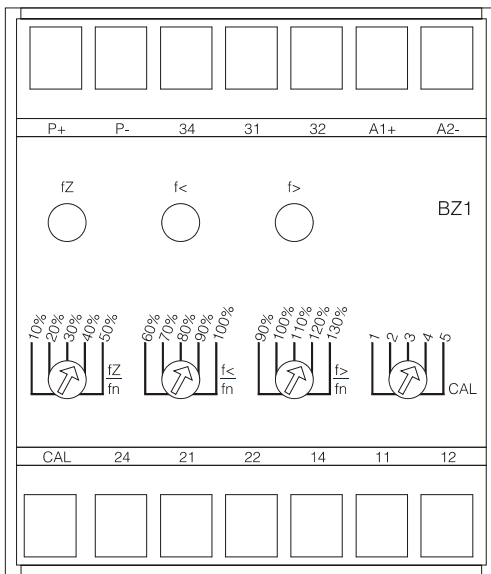


Figure 1: Front plate

The unit BZ1 is designed to be fastened onto a DIN-rail acc. to DIN EN 50022 same as all units of the BASIC LINE.

The front plate of the unit is protected with a sealable transparent cover (IP40). Please remove the transparent cover with a screw driver to adjust the relay.

LEDs

The LED fZ lights up at ignition speed. The LED f> extinguishes at overspeed. The LED f< extinguishes at underspeed. During operation without fault LEDs fZ, f< and f> light up.

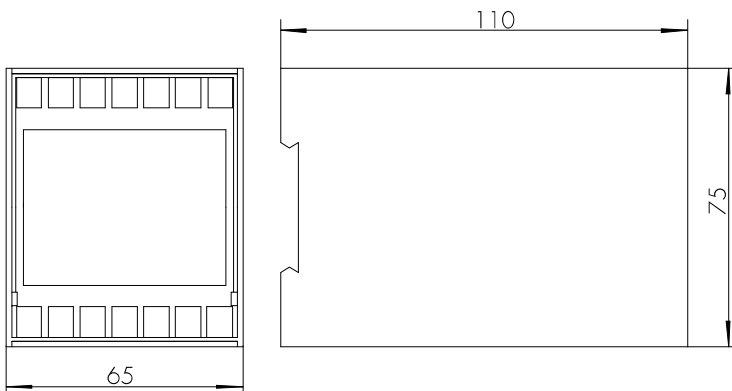


Figure 2: Dimensional drawing of BZ1

Auxiliary voltage supply

The unit BZ1 needs a separate auxiliary voltage supply. The supply voltage will be connected to terminals A1 - A2.

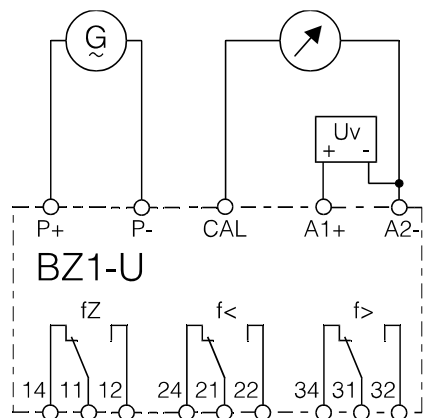


Figure 3: Connection terminals

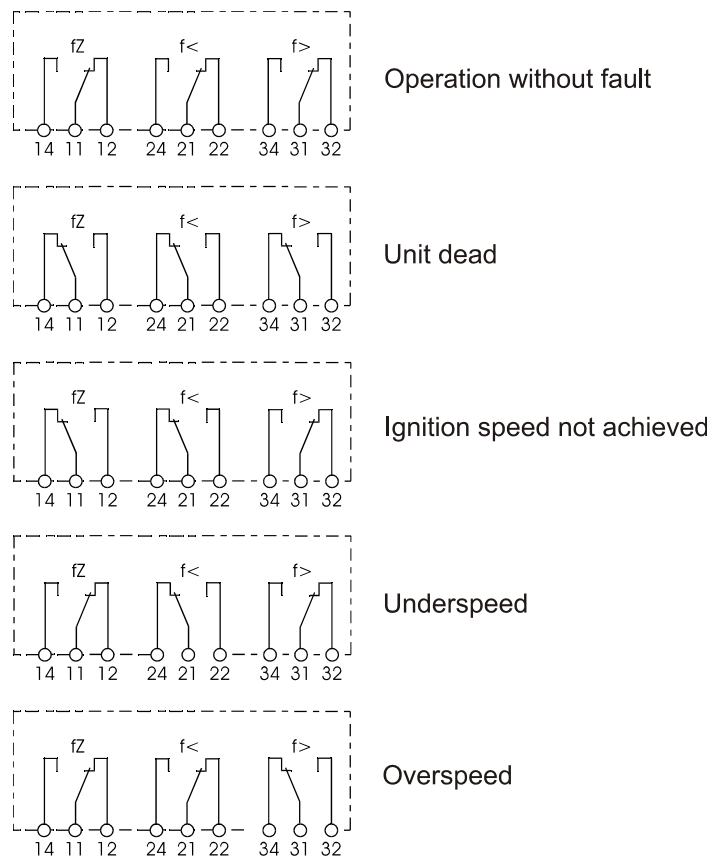


Figure 4: Contact positions

Connection terminals

The connection up to a maximum of 2 x 2.5 mm² cross-section conductors is possible. For this procedure the transparent cover of the unit has to be removed.

Setting ranges

fZ: 10 - 50 % fn
 f<: 60 - 100 % fn
 f>: 90 - 170 % fn
 fn (CAL): 50/100 Hz

Order form

Speed relay		BZ1		
Generator	50/60 Hz AC		G	
Pick-up	1 kHz ... 10 kHz		P	
Auxiliary voltage	12 V/DC			12
	24 V/DC			24

**Woodward Kempen GmbH**

Krefelder Weg 47 · D – 47906 Kempen (Germany)
Postfach 10 07 55 (P.O.Box) · D – 47884 Kempen (Germany)
Phone: +49 (0) 21 52 145 1

Internet

www.woodward.com

Sales

Phone: +49 (0) 21 52 145 216 or 342 · Telefax: +49 (0) 21 52 145 354
e-mail: salesEMEA_PGD@woodward.com

Service

Phone: +49 (0) 21 52 145 614 · Telefax: +49 (0) 21 52 145 455
e-mail: SupportEMEA_PGD@woodward.com