

MRU4

Software-Version: 3.4

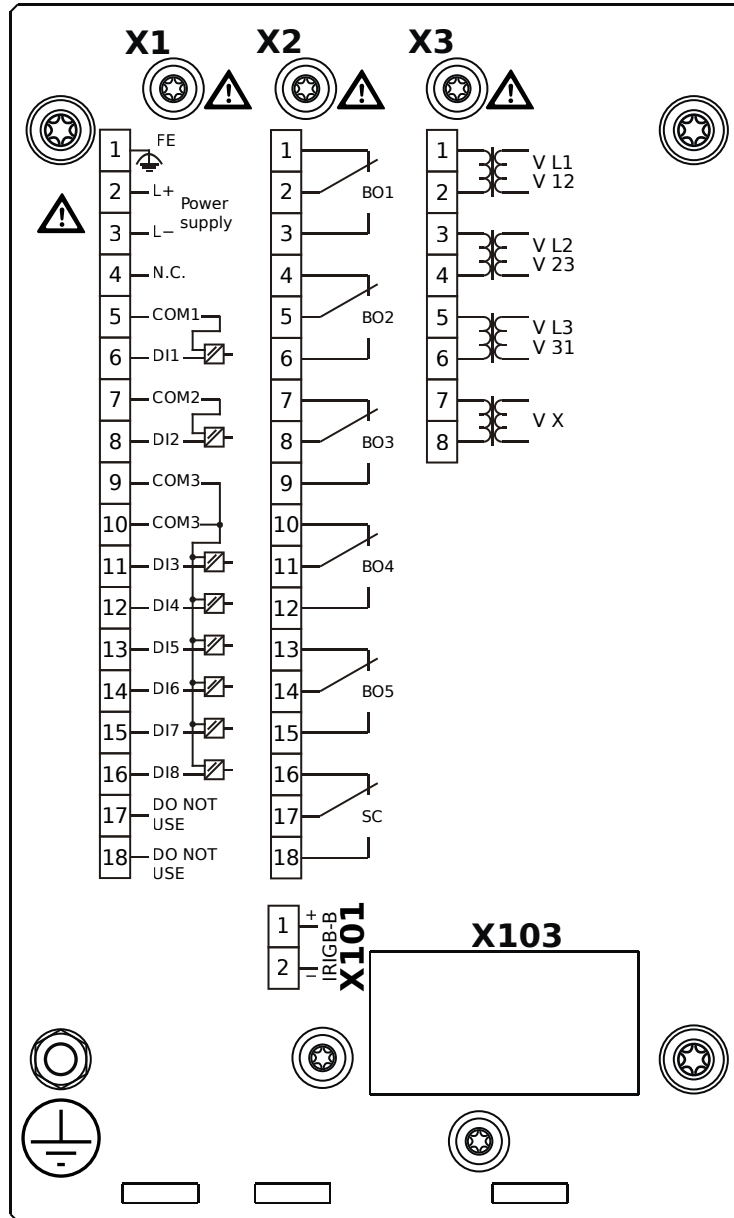
DOK-WD-MRU4-2E

Revision: D

English

This document does not replace the Technical Manual.

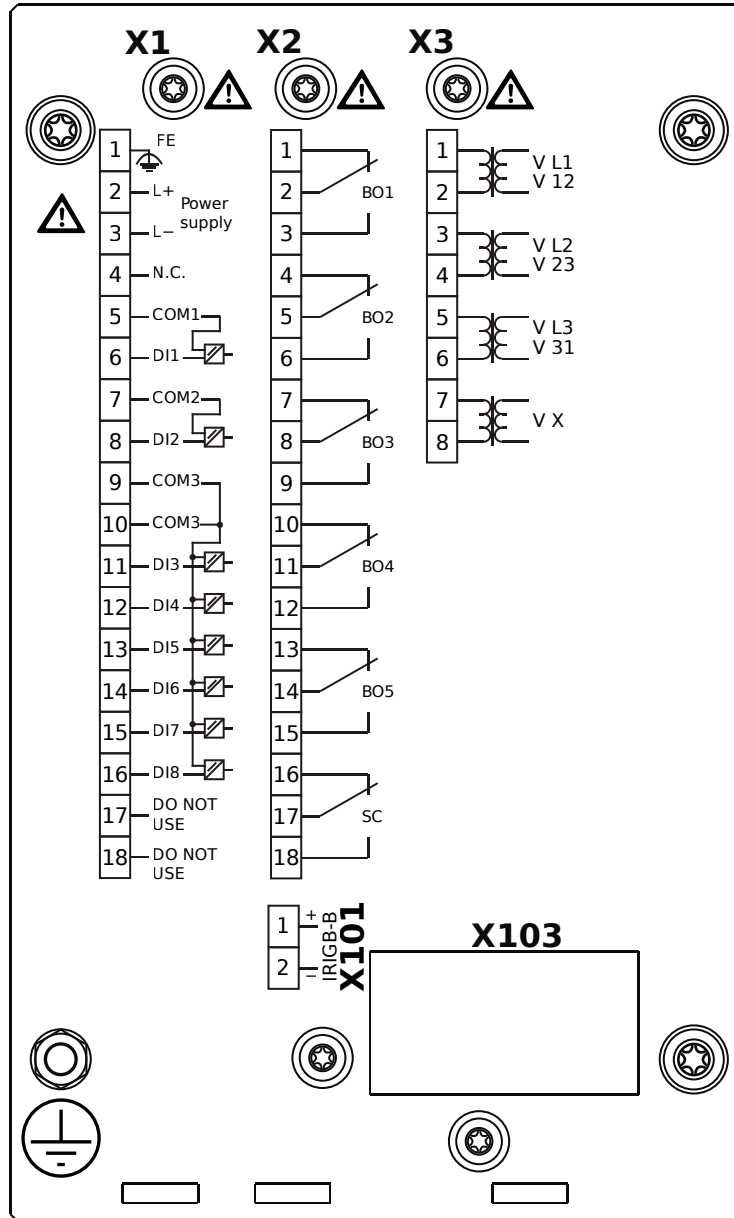
MRU4-2A0AAA



Housing B1, small display, door mounting

- X1** – DI8-X1: Wide-range power supply unit, incl. 2 non-grouped digital inputs and 6 grouped digital inputs
- X2** – OR5: Assembly Group with 5 Output Relays + 1 Supervision Contact
- X3** – TU: Card with 4 voltage transformer measuring inputs
- X101** – IRIG-B00X

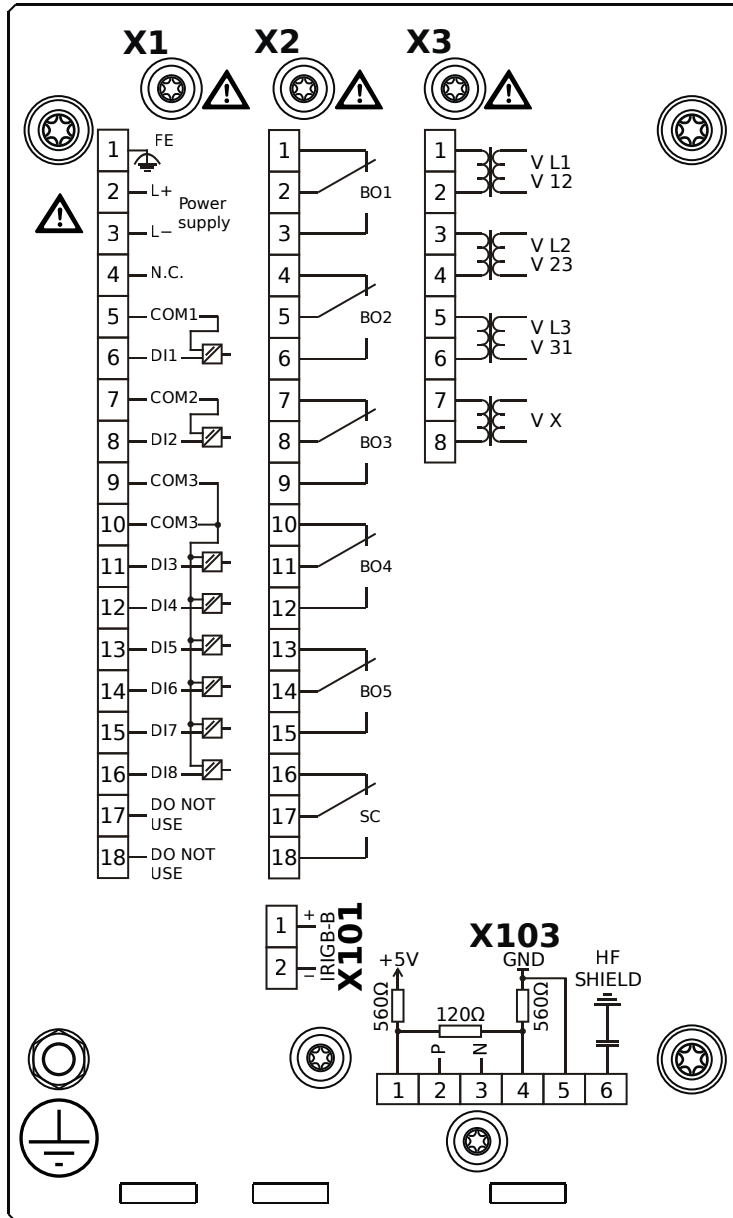
MRU4-2A0AAB



Housing B1, small display, door mounting

- X1** – DI8-X1: Wide-range power supply unit, incl. 2 non-grouped digital inputs and 6 grouped digital inputs
- X2** – OR5: Assembly Group with 5 Output Relays + 1 Supervision Contact
- X3** – TU: Card with 4 voltage transformer measuring inputs
- X101** – IRIG-B00X

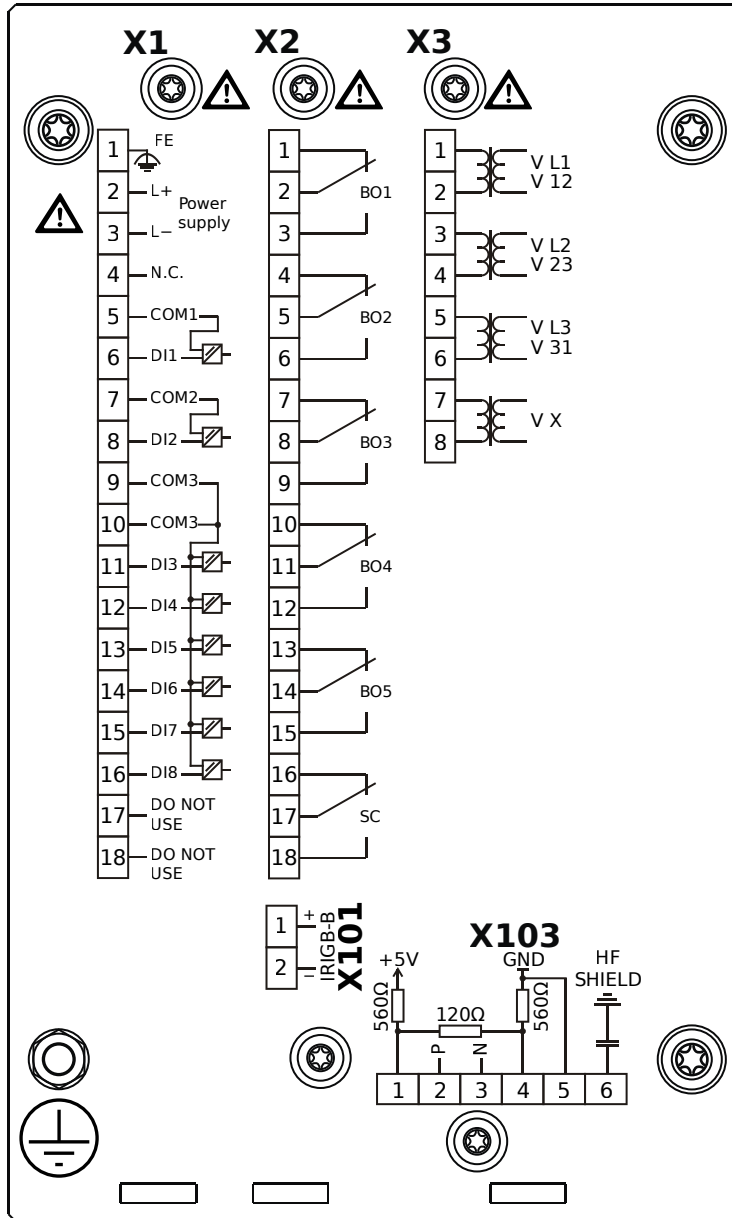
MRU4-2A0ABA



Housing B1, small display, door mounting

- X1** – DI8-X1: Wide-range power supply unit, incl. 2 non-grouped digital inputs and 6 grouped digital inputs
- X2** – OR5: Assembly Group with 5 Output Relays + 1 Supervision Contact
- X3** – TU: Card with 4 voltage transformer measuring inputs
- X101** – IRIG-B00X
- X103** – Modbus RTU / IEC 60870-5-103 / DNP3.0 RTU, RS485, Terminals

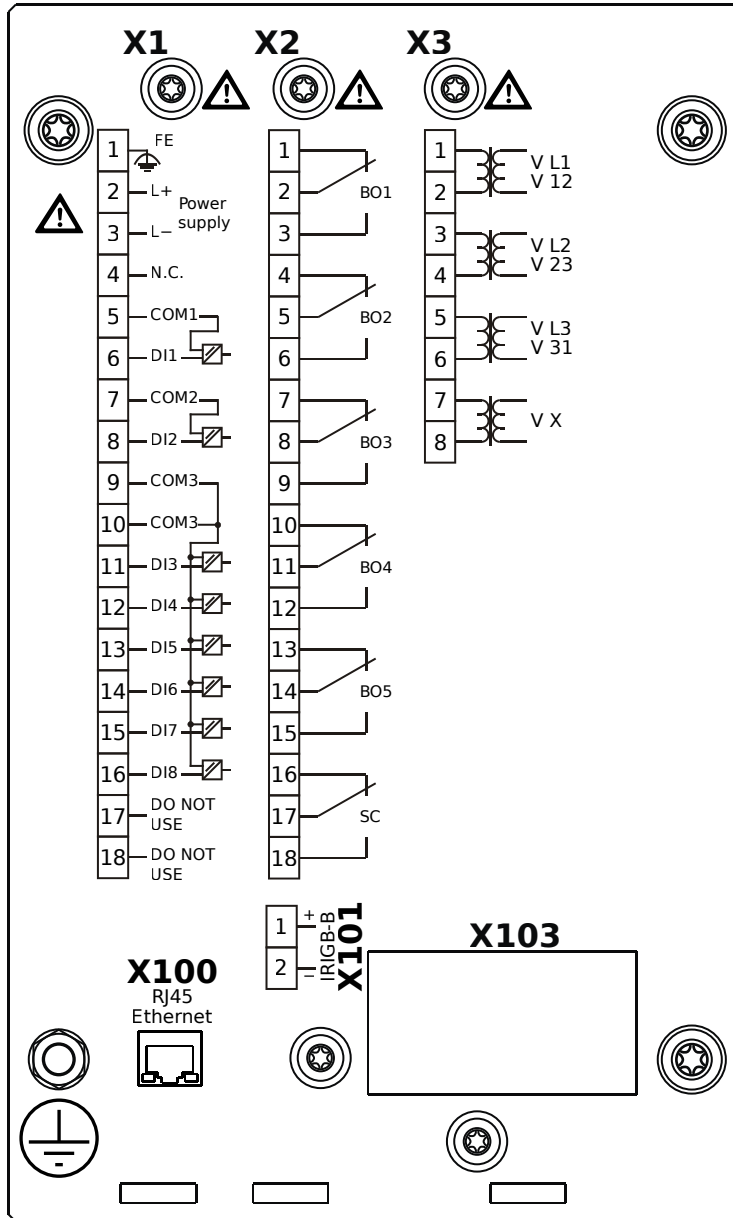
MRU4-2A0ABB



Housing B1, small display, door mounting

- X1** – DI8-X1: Wide-range power supply unit, incl. 2 non-grouped digital inputs and 6 grouped digital inputs
- X2** – OR5: Assembly Group with 5 Output Relays + 1 Supervision Contact
- X3** – TU: Card with 4 voltage transformer measuring inputs
- X101** – IRIG-B00X
- X103** – Modbus RTU / IEC 60870-5-103 / DNP3.0 RTU, RS485, Terminals

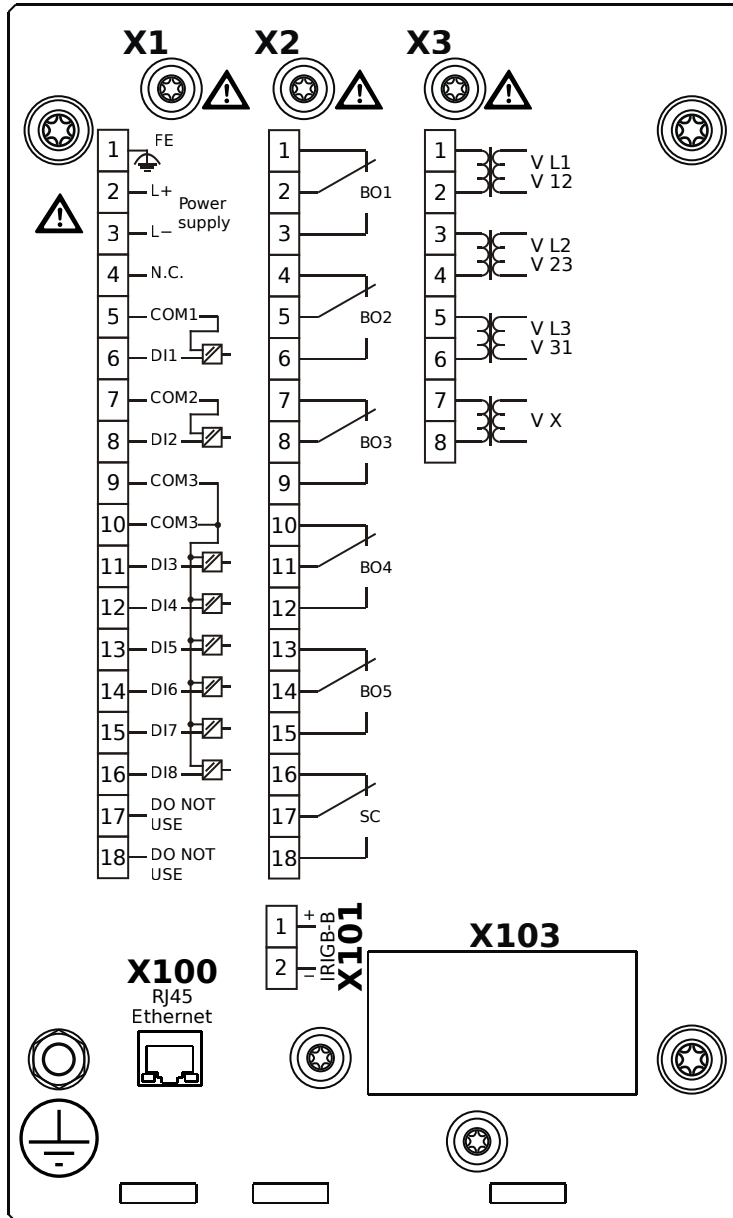
MRU4-2A0ACA



Housing B1, small display, door mounting

- X1** – DI8-X1: Wide-range power supply unit, incl. 2 non-grouped digital inputs and 6 grouped digital inputs
- X2** – OR5: Assembly Group with 5 Output Relays + 1 Supervision Contact
- X3** – TU: Card with 4 voltage transformer measuring inputs
- X100** – Modbus TCP / DNP3.0 TCP/UDP, Ethernet interface, 100 Mbit/s, RJ45 (BASE100-FX)
- X101** – IRIG-B00X

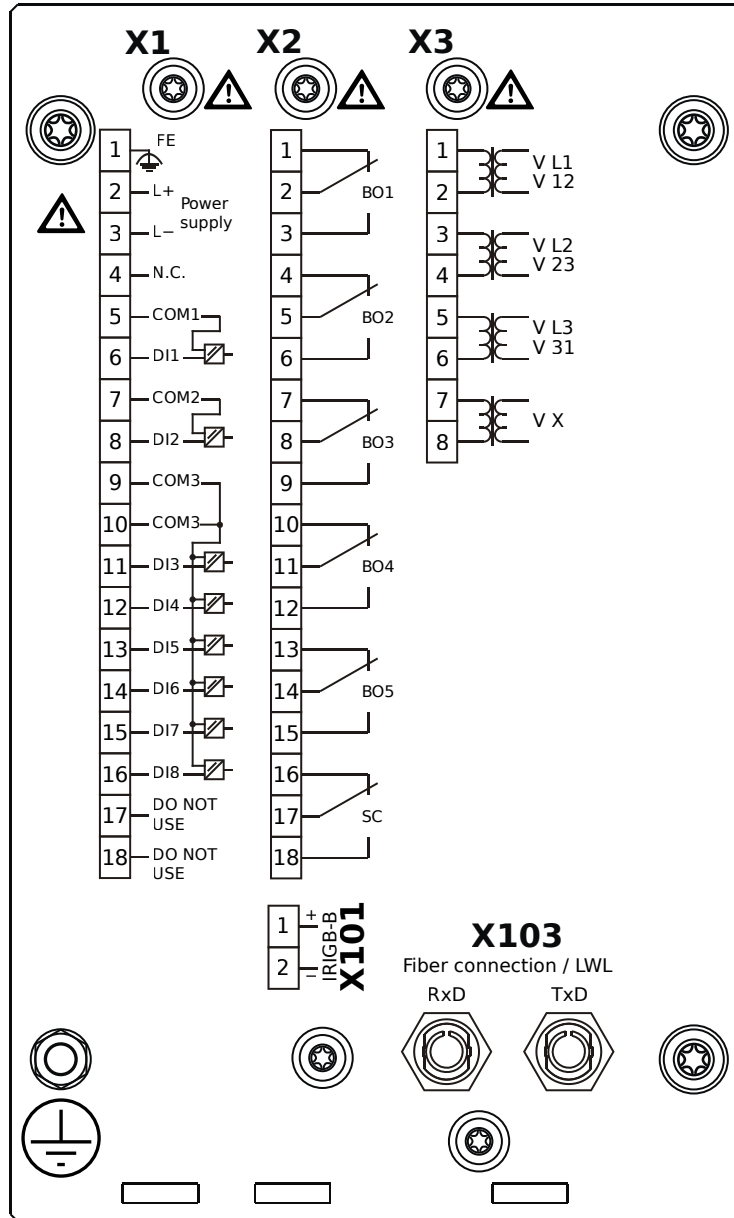
MRU4-2A0ACB



Housing B1, small display, door mounting

- X1** – DI8-X1: Wide-range power supply unit, incl. 2 non-grouped digital inputs and 6 grouped digital inputs
- X2** – OR5: Assembly Group with 5 Output Relays + 1 Supervision Contact
- X3** – TU: Card with 4 voltage transformer measuring inputs
- X100** – Modbus TCP / DNP3.0 TCP/UDP, Ethernet interface, 100 Mbit/s, RJ45 (BASE100-FX)
- X101** – IRIG-B00X

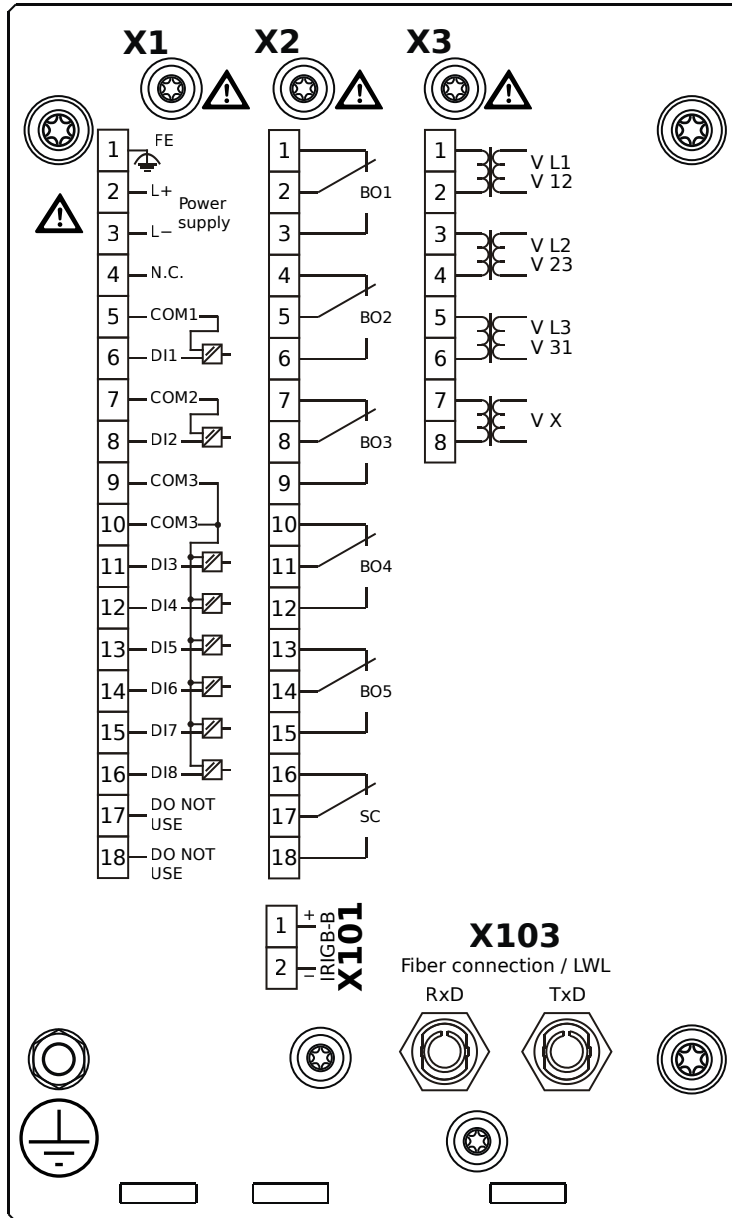
MRU4-2A0ADA



Housing B1, small display, door mounting

- X1** – DI8-X1: Wide-range power supply unit, incl. 2 non-grouped digital inputs and 6 grouped digital inputs
- X2** – OR5: Assembly Group with 5 Output Relays + 1 Supervision Contact
- X3** – TU: Card with 4 voltage transformer measuring inputs
- X101** – IRIG-B00X
- X103** – Profibus-DP, Fiber optics interface, ST Connector

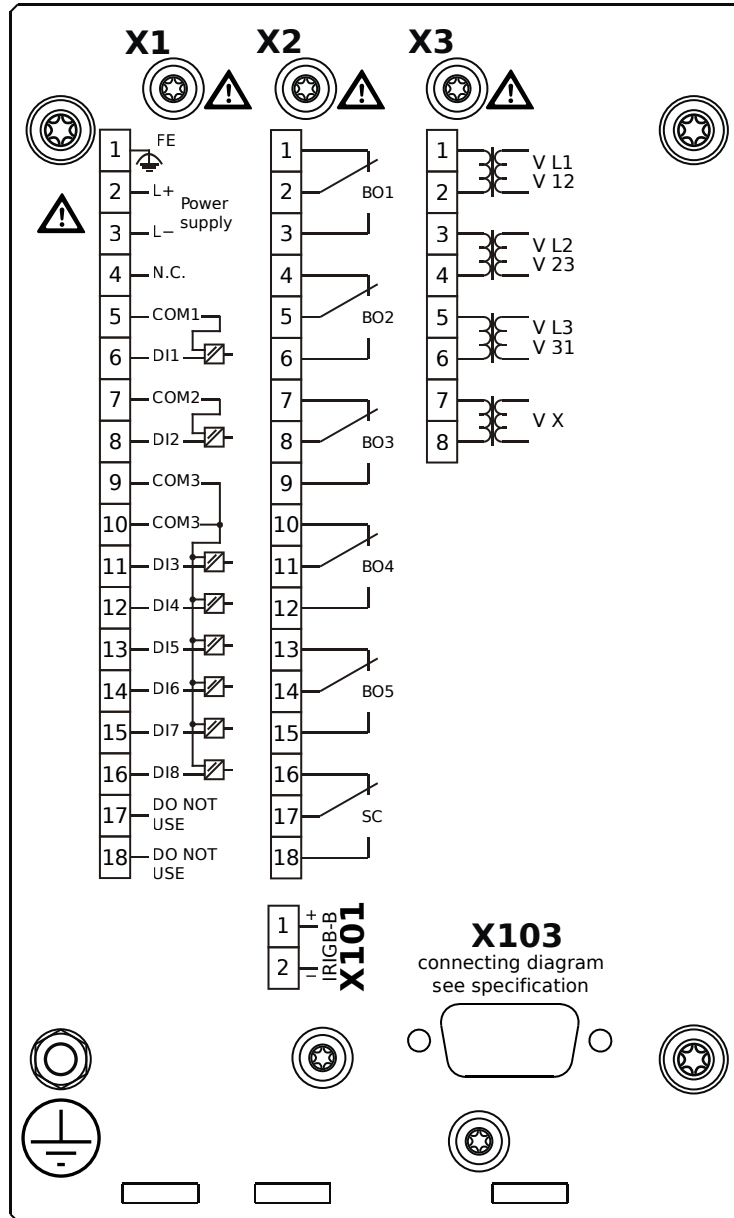
MRU4-2A0ADB



Housing B1, small display, door mounting

- X1** – DI8-X1: Wide-range power supply unit, incl. 2 non-grouped digital inputs and 6 grouped digital inputs
- X2** – OR5: Assembly Group with 5 Output Relays + 1 Supervision Contact
- X3** – TU: Card with 4 voltage transformer measuring inputs
- X101** – IRIG-B00X
- X103** – Profibus-DP, Fiber optics interface, ST Connector

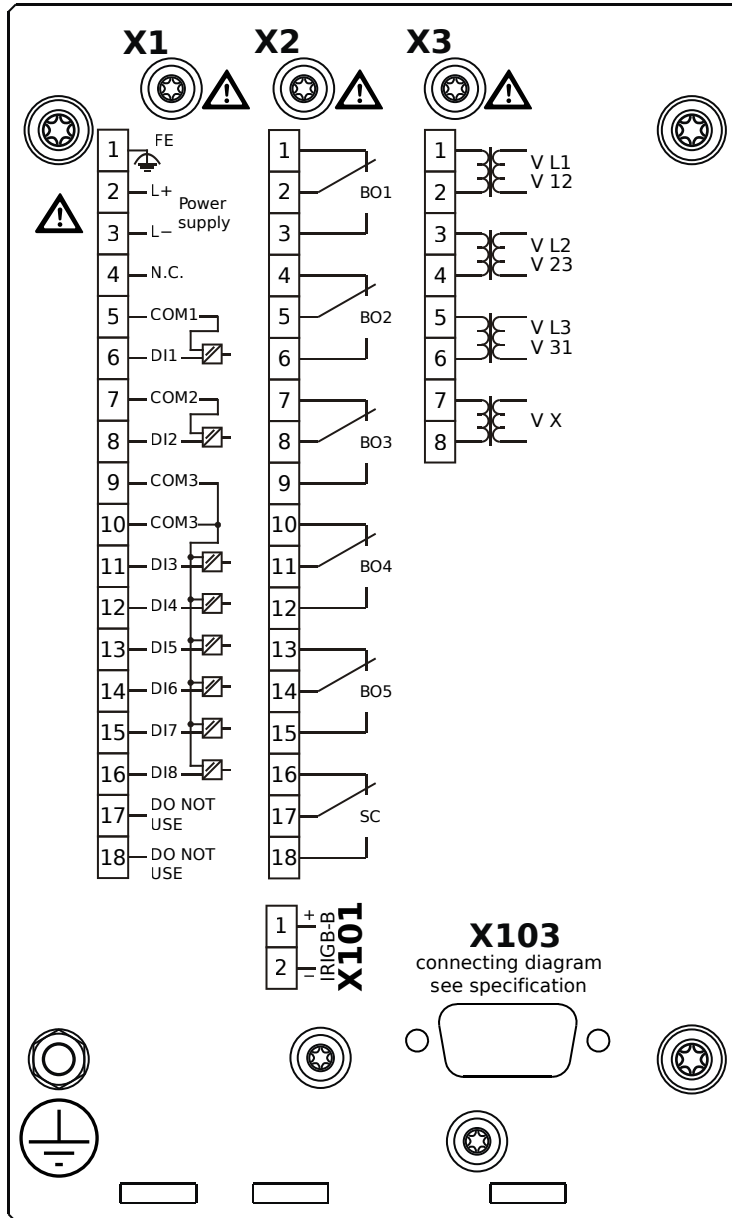
MRU4-2A0AEA



Housing B1, small display, door mounting

- X1** – DI8-X1: Wide-range power supply unit, incl. 2 non-grouped digital inputs and 6 grouped digital inputs
- X2** – OR5: Assembly Group with 5 Output Relays + 1 Supervision Contact
- X3** – TU: Card with 4 voltage transformer measuring inputs
- X101** – IRIG-B00X
- X103** – Profibus-DP, RS485, D-SUB

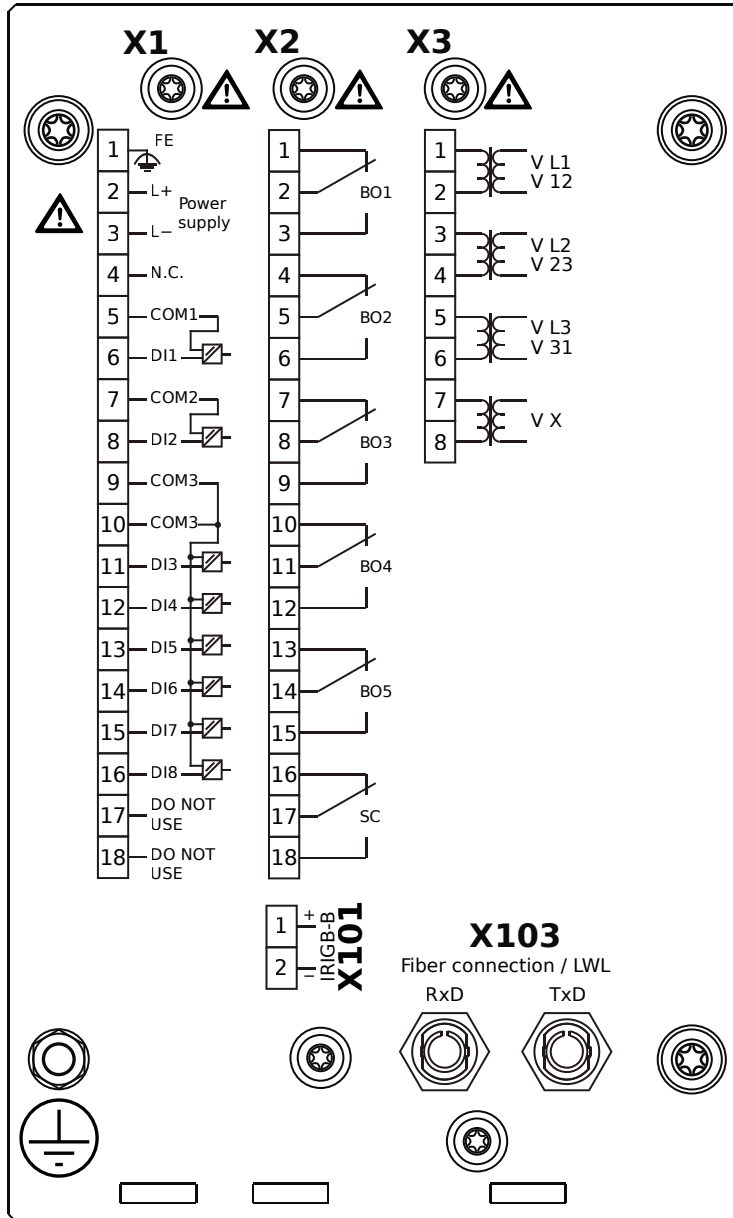
MRU4-2A0AEB



Housing B1, small display, door mounting

- X1** – DI8-X1: Wide-range power supply unit, incl. 2 non-grouped digital inputs and 6 grouped digital inputs
- X2** – OR5: Assembly Group with 5 Output Relays + 1 Supervision Contact
- X3** – TU: Card with 4 voltage transformer measuring inputs
- X101** – IRIG-B00X
- X103** – Profibus-DP, RS485, D-SUB

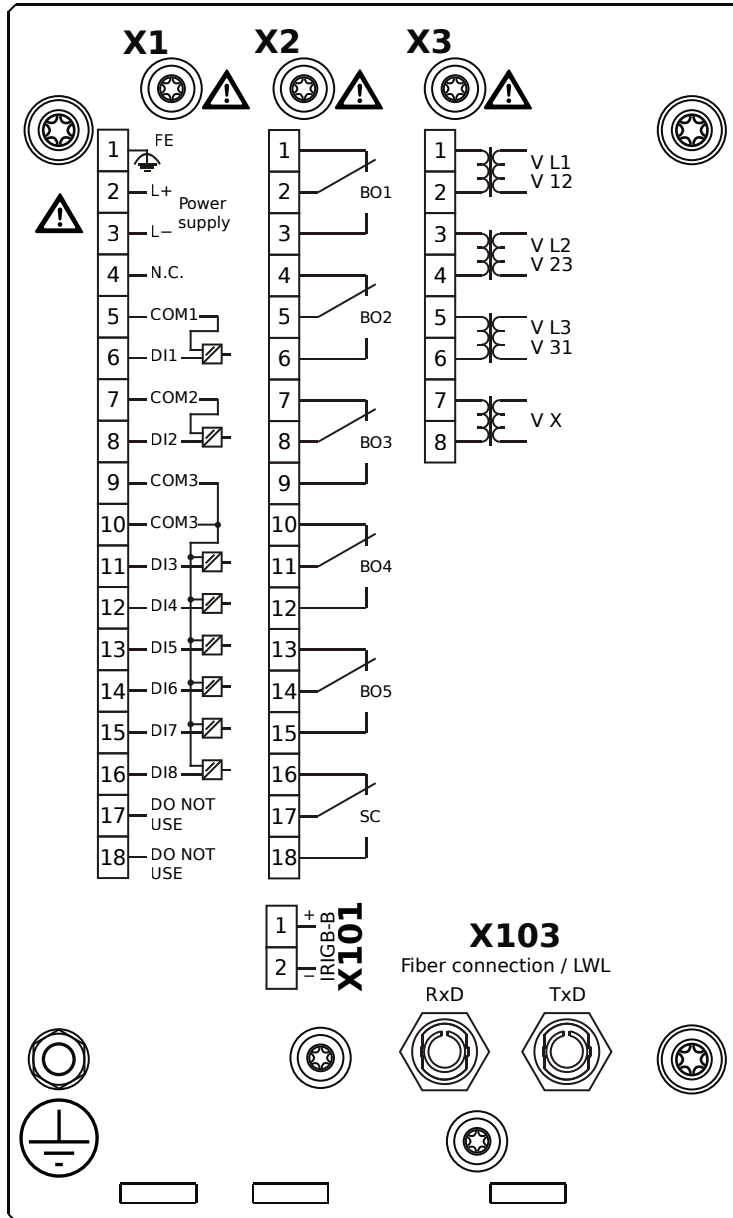
MRU4-2A0AFA



Housing B1, small display, door mounting

- X1** – DI8-X1: Wide-range power supply unit, incl. 2 non-grouped digital inputs and 6 grouped digital inputs
- X2** – OR5: Assembly Group with 5 Output Relays + 1 Supervision Contact
- X3** – TU: Card with 4 voltage transformer measuring inputs
- X101** – IRIG-B00X
- X103** – Modbus RTU / IEC 60870-5-103 / DNP3.0 RTU, Fiber optics interface, ST Connector

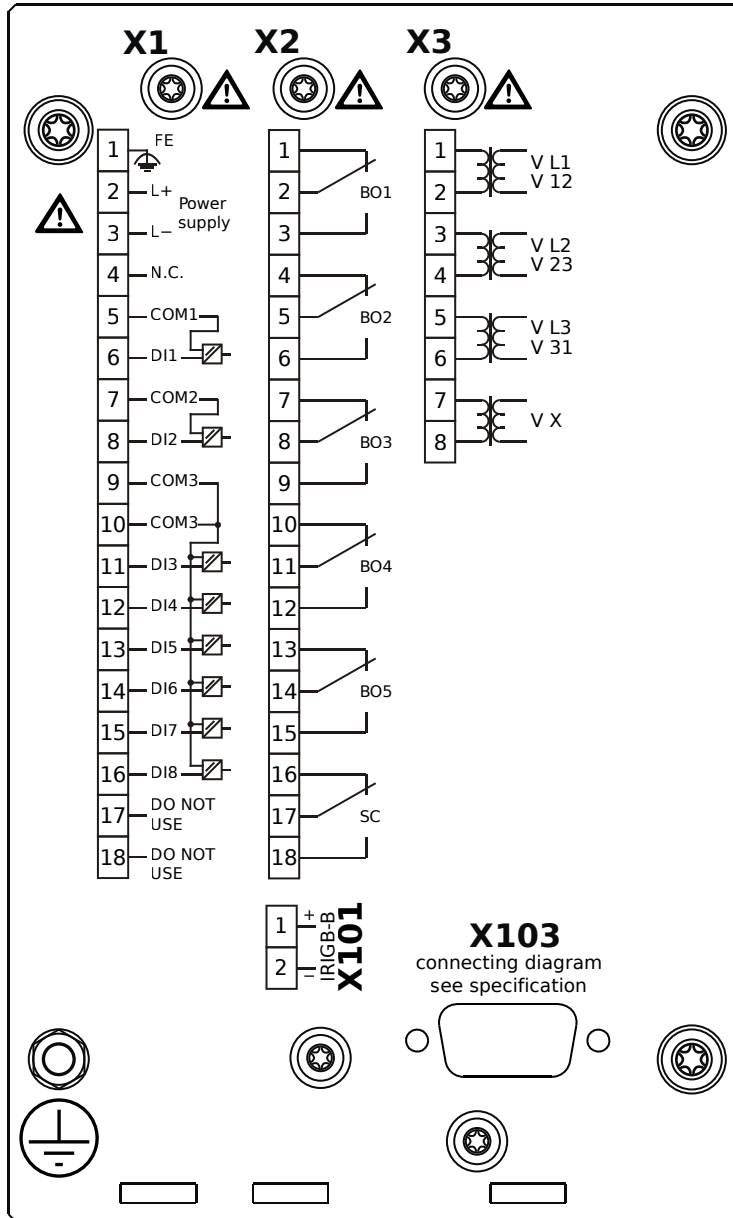
MRU4-2A0AFB



Housing B1, small display, door mounting

- X1** – DI8-X1: Wide-range power supply unit, incl. 2 non-grouped digital inputs and 6 grouped digital inputs
- X2** – OR5: Assembly Group with 5 Output Relays + 1 Supervision Contact
- X3** – TU: Card with 4 voltage transformer measuring inputs
- X101** – IRIG-B00X
- X103** – Modbus RTU / IEC 60870-5-103 / DNP3.0 RTU, Fiber optics interface, ST Connector

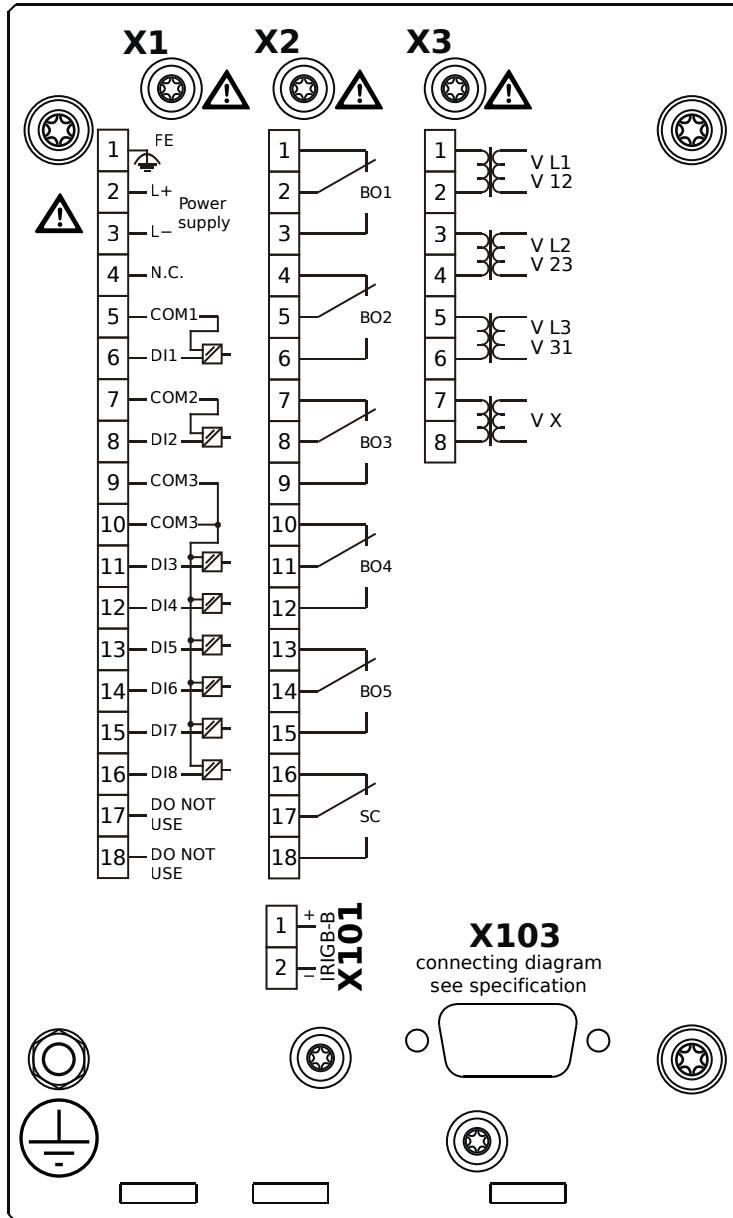
MRU4-2A0AGA



Housing B1, small display, door mounting

- X1** – DI8-X1: Wide-range power supply unit, incl. 2 non-grouped digital inputs and 6 grouped digital inputs
- X2** – OR5: Assembly Group with 5 Output Relays + 1 Supervision Contact
- X3** – TU: Card with 4 voltage transformer measuring inputs
- X101** – IRIG-B00X
- X103** – Modbus RTU / IEC 60870-5-103 / DNP3.0 RTU, RS485, D-SUB

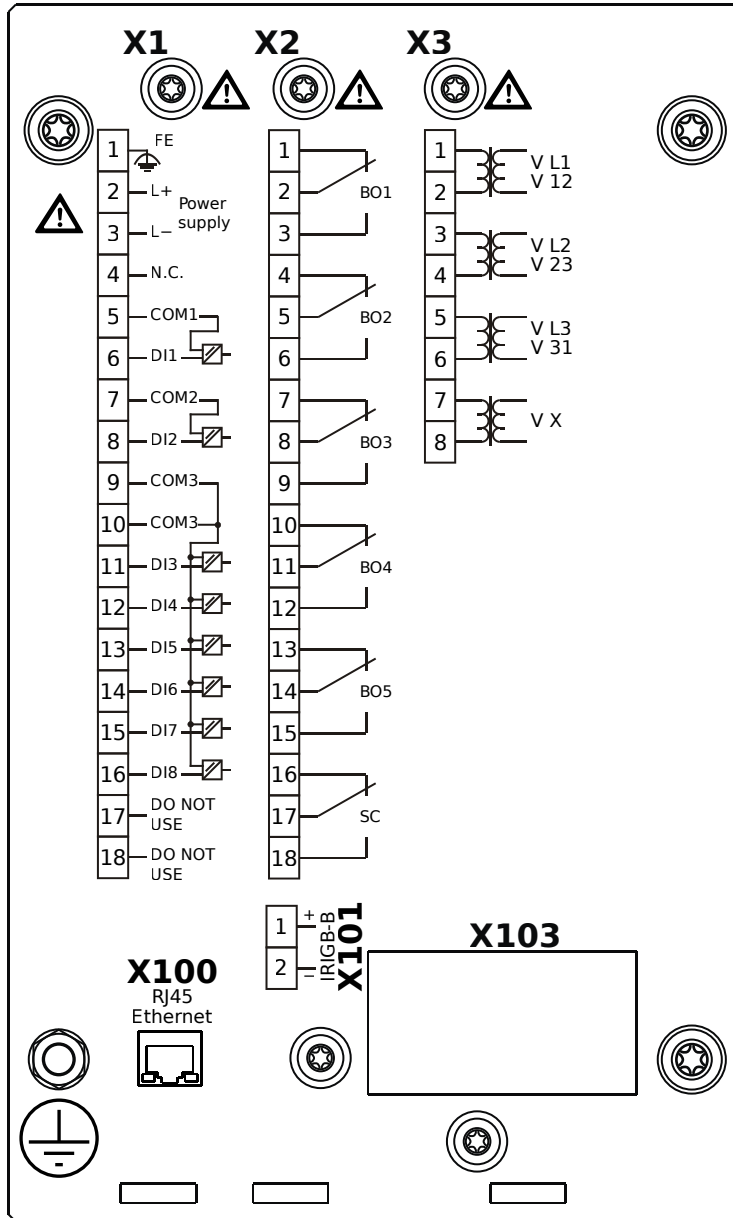
MRU4-2A0AGB



Housing B1, small display, door mounting

- X1** – DI8-X1: Wide-range power supply unit, incl. 2 non-grouped digital inputs and 6 grouped digital inputs
- X2** – OR5: Assembly Group with 5 Output Relays + 1 Supervision Contact
- X3** – TU: Card with 4 voltage transformer measuring inputs
- X101** – IRIG-B00X
- X103** – Modbus RTU / IEC 60870-5-103 / DNP3.0 RTU, RS485, D-SUB

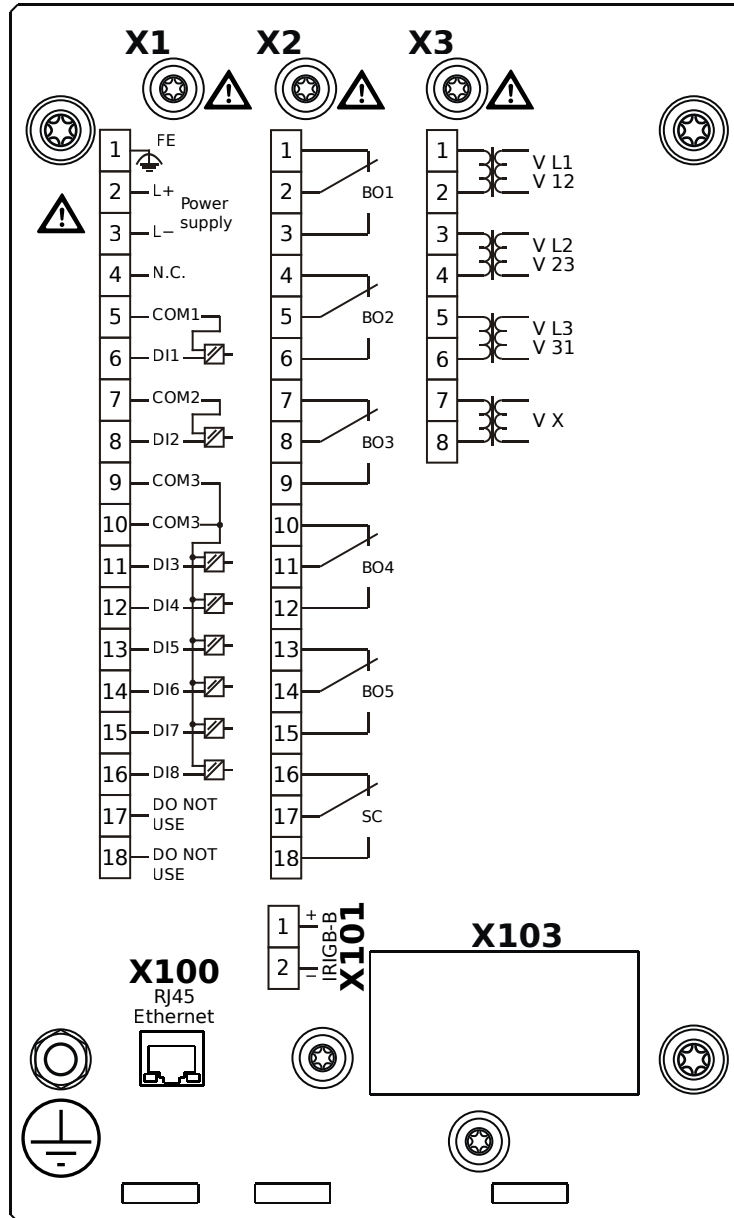
MRU4-2A0AHA



Housing B1, small display, door mounting

- X1** – DI8-X1: Wide-range power supply unit, incl. 2 non-grouped digital inputs and 6 grouped digital inputs
- X2** – OR5: Assembly Group with 5 Output Relays + 1 Supervision Contact
- X3** – TU: Card with 4 voltage transformer measuring inputs
- X100** – IEC 61850 / Modbus TCP / DNP3.0 TCP/UDP, Ethernet interface, 100 Mbit/s, RJ45 (BASE100-FX)
- X101** – IRIG-B00X

MRU4-2A0AHB



Housing B1, small display, door mounting

X1 – DI8-X1: Wide-range power supply unit, incl. 2 non-grouped digital inputs and 6 grouped digital inputs

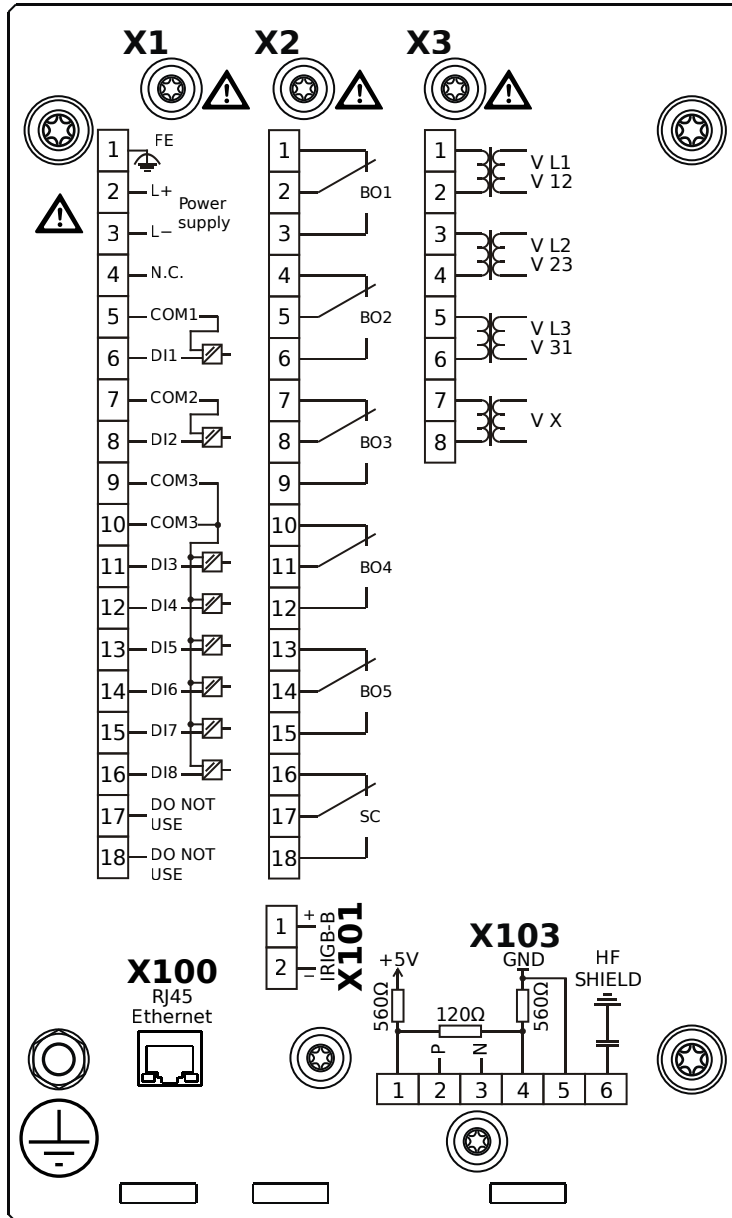
X2 – OR5: Assembly Group with 5 Output Relays + 1 Supervision Contact

X3 – TU: Card with 4 voltage transformer measuring inputs

X100 – IEC 61850 / Modbus TCP / DNP3.0 TCP/UDP, Ethernet interface, 100 Mbit/s, RJ45 (BASE100-FX)

X101 – IRIG-B00X

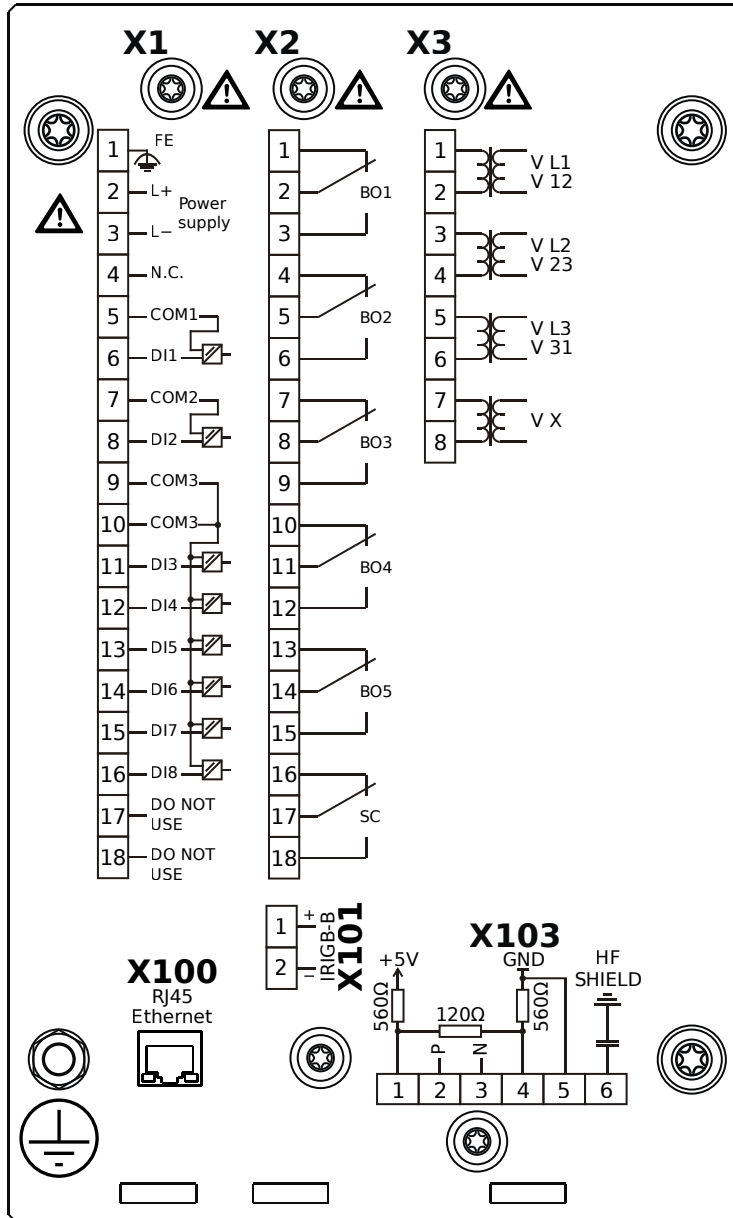
MRU4-2A0AIA



Housing B1, small display, door mounting

- X1** – DI8-X1: Wide-range power supply unit, incl. 2 non-grouped digital inputs and 6 grouped digital inputs
- X2** – OR5: Assembly Group with 5 Output Relays + 1 Supervision Contact
- X3** – TU: Card with 4 voltage transformer measuring inputs
- X100** – Modbus TCP / DNP3.0 TCP/UDP, Ethernet interface, 100 Mbit/s, RJ45 (BASE100-FX)
- X101** – IRIG-B00X
- X103** – IEC 60870-5-103 / Modbus RTU / DNP3.0 RTU, RS485, Terminals

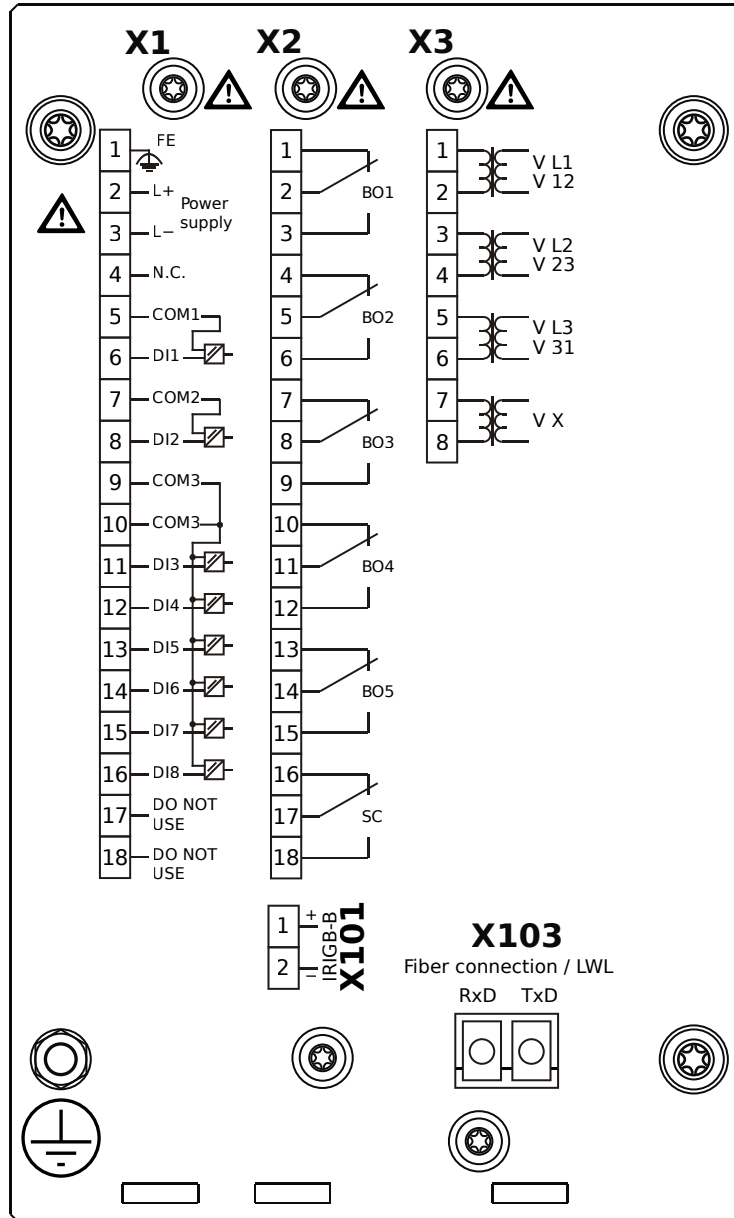
MRU4-2A0AIB



Housing B1, small display, door mounting

- X1** – DI8-X1: Wide-range power supply unit, incl. 2 non-grouped digital inputs and 6 grouped digital inputs
- X2** – OR5: Assembly Group with 5 Output Relays + 1 Supervision Contact
- X3** – TU: Card with 4 voltage transformer measuring inputs
- X100** – Modbus TCP / DNP3.0 TCP/UDP, Ethernet interface, 100 Mbit/s, RJ45 (BASE100-FX)
- X101** – IRIG-B00X
- X103** – IEC 60870-5-103 / Modbus RTU / DNP3.0 RTU, RS485, Terminals

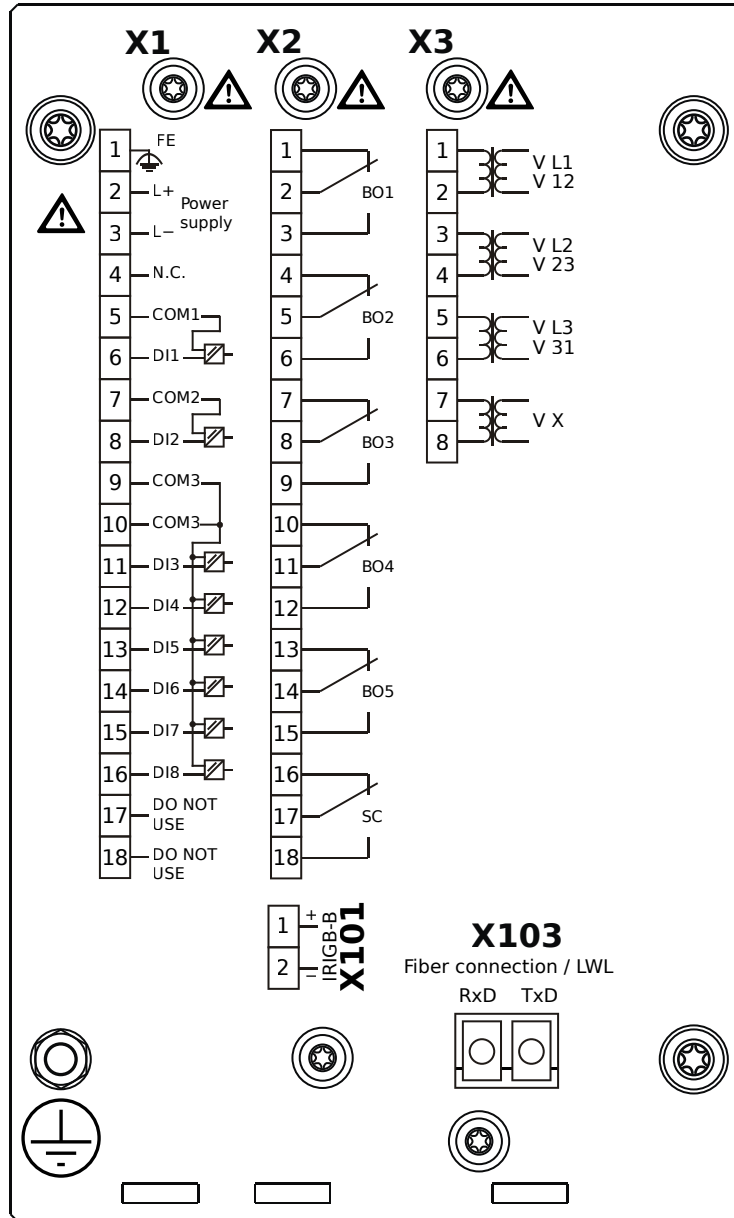
MRU4-2A0AKA



Housing B1, small display, door mounting

- X1** – DI8-X1: Wide-range power supply unit, incl. 2 non-grouped digital inputs and 6 grouped digital inputs
- X2** – OR5: Assembly Group with 5 Output Relays + 1 Supervision Contact
- X3** – TU: Card with 4 voltage transformer measuring inputs
- X101** – IRIG-B00X
- X103** – IEC 61850 / Modbus TCP / DNP3.0 TCP/UDP, Fiber optics interface, LC Connector

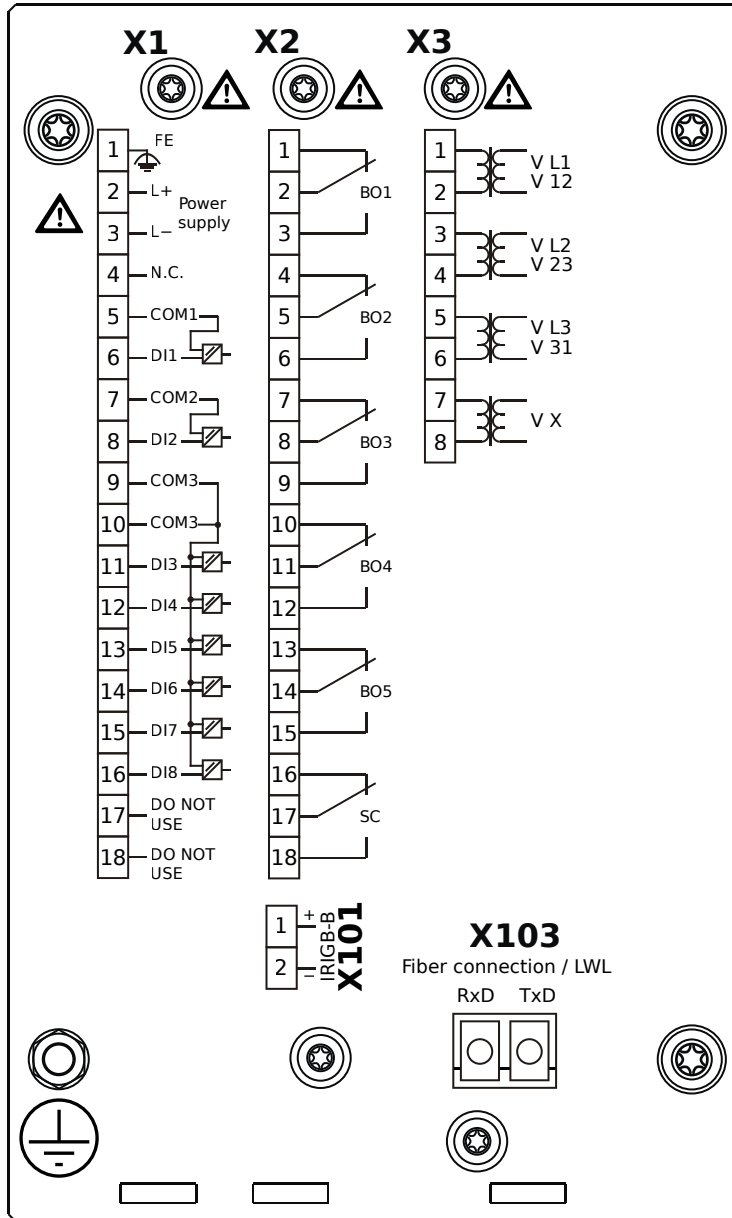
MRU4-2A0AKB



Housing B1, small display, door mounting

- X1** – DI8-X1: Wide-range power supply unit, incl. 2 non-grouped digital inputs and 6 grouped digital inputs
- X2** – OR5: Assembly Group with 5 Output Relays + 1 Supervision Contact
- X3** – TU: Card with 4 voltage transformer measuring inputs
- X101** – IRIG-B00X
- X103** – IEC 61850 / Modbus TCP / DNP3.0 TCP/UDP, Fiber optics interface, LC Connector

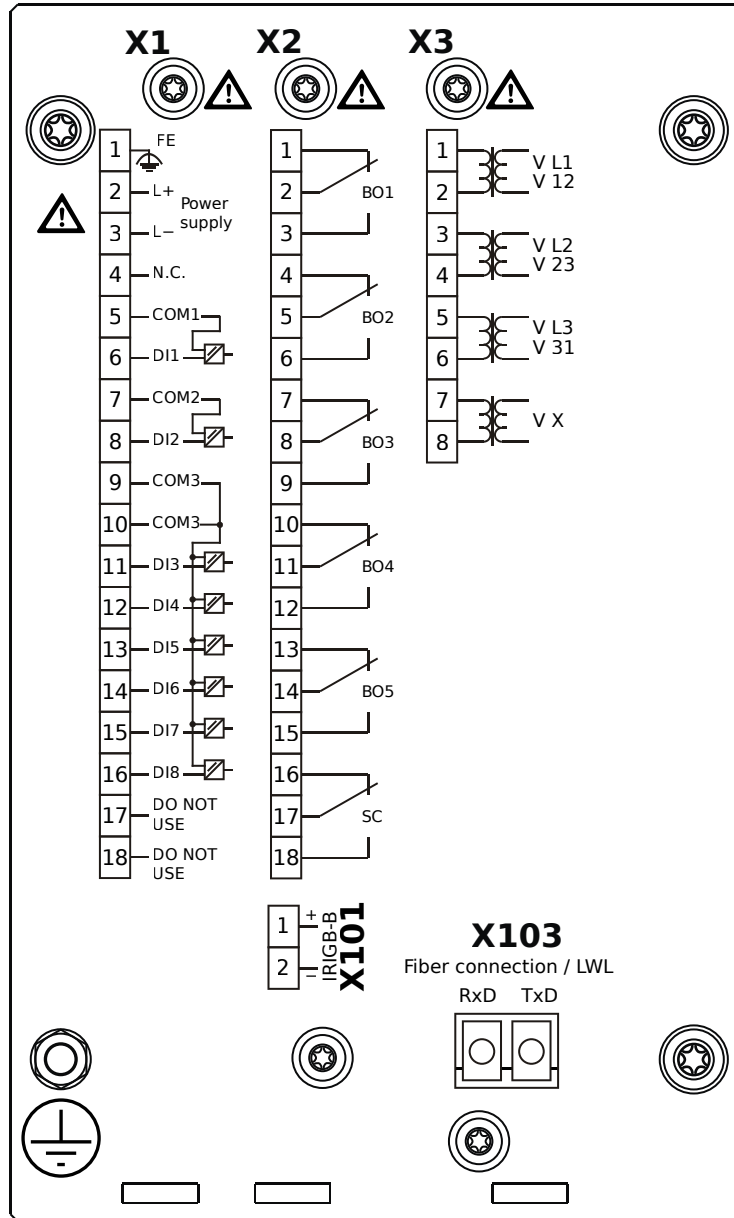
MRU4-2A0ALA



Housing B1, small display, door mounting

- X1** – DI8-X1: Wide-range power supply unit, incl. 2 non-grouped digital inputs and 6 grouped digital inputs
- X2** – OR5: Assembly Group with 5 Output Relays + 1 Supervision Contact
- X3** – TU: Card with 4 voltage transformer measuring inputs
- X101** – IRIG-B00X
- X103** – Modbus TCP / DNP3.0 TCP/UDP, Fiber optics interface, LC Connector

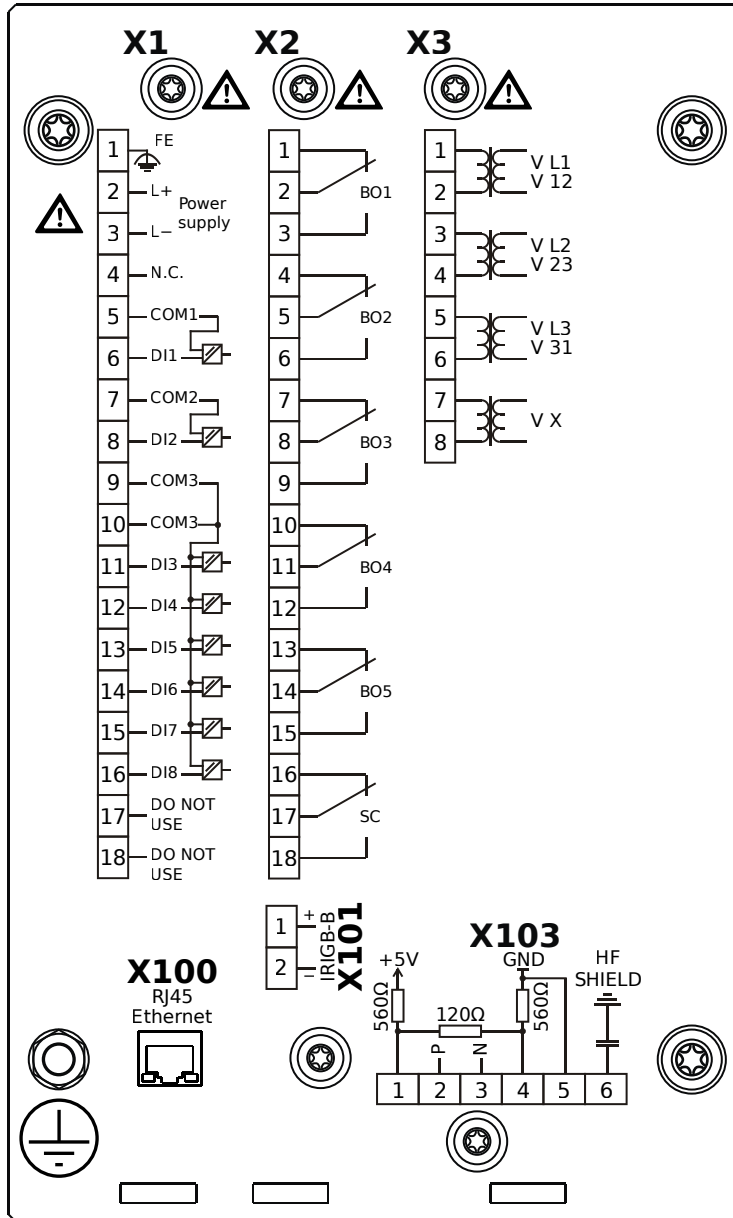
MRU4-2A0ALB



Housing B1, small display, door mounting

- X1** – DI8-X1: Wide-range power supply unit, incl. 2 non-grouped digital inputs and 6 grouped digital inputs
- X2** – OR5: Assembly Group with 5 Output Relays + 1 Supervision Contact
- X3** – TU: Card with 4 voltage transformer measuring inputs
- X101** – IRIG-B00X
- X103** – Modbus TCP / DNP3.0 TCP/UDP, Fiber optics interface, LC Connector

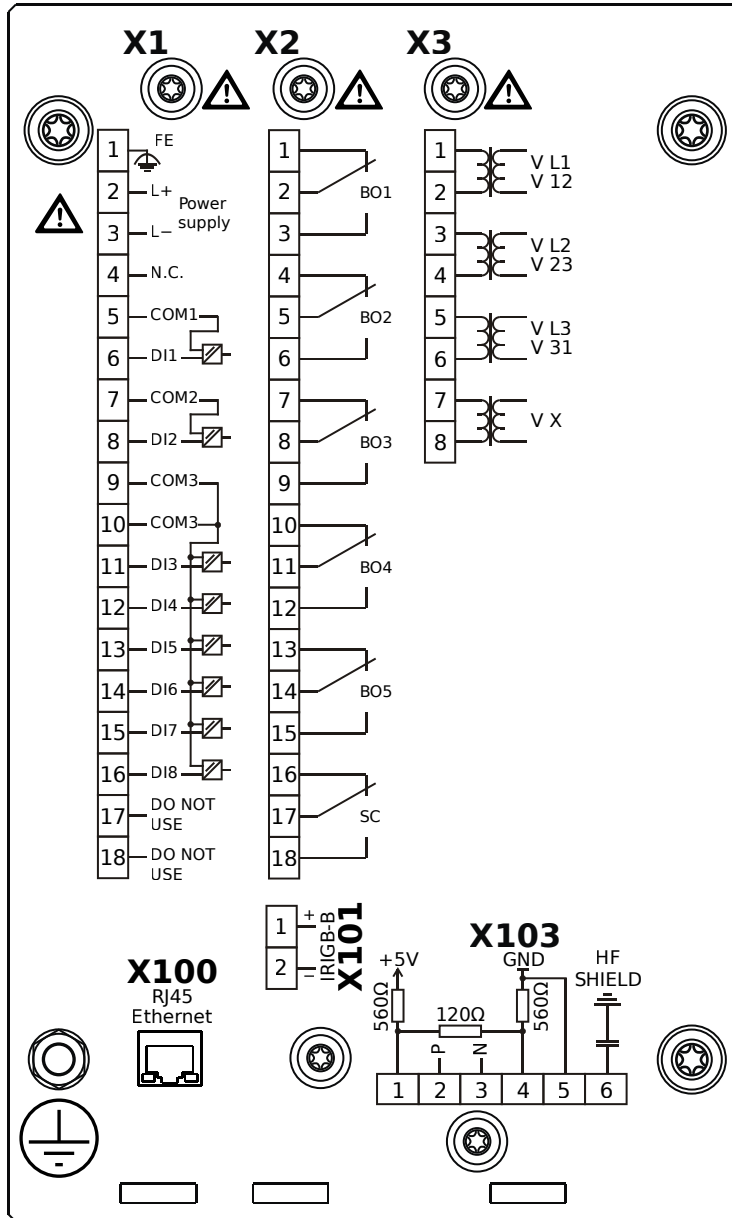
MRU4-2A0ATA



Housing B1, small display, door mounting

- X1** – DI8-X1: Wide-range power supply unit, incl. 2 non-grouped digital inputs and 6 grouped digital inputs
- X2** – OR5: Assembly Group with 5 Output Relays + 1 Supervision Contact
- X3** – TU: Card with 4 voltage transformer measuring inputs
- X100** – IEC 61850 / Modbus TCP / DNP3.0 TCP/UDP, Ethernet interface, 100 Mbit/s, RJ45 (BASE100-FX)
- X101** – IRIG-B00X
- X103** – IEC 60870-5-103 / Modbus RTU / DNP3.0 RTU, RS485, Terminals

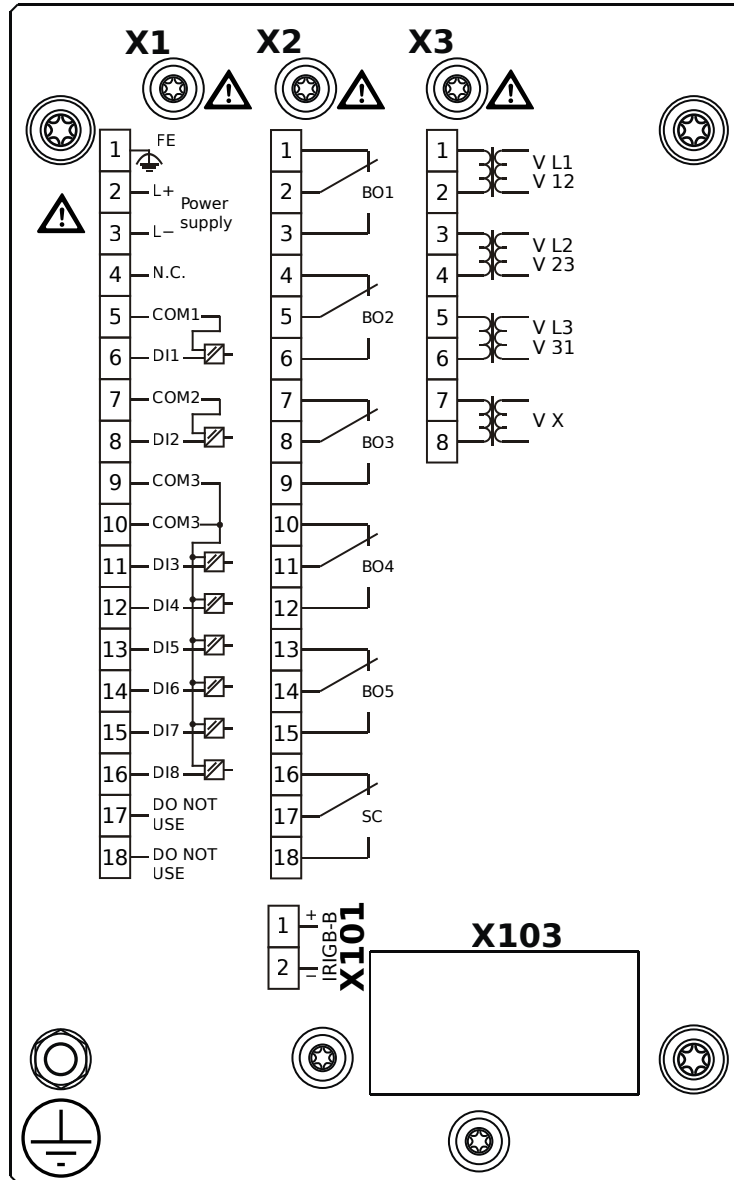
MRU4-2A0ATB



Housing B1, small display, door mounting

- X1** – DI8-X1: Wide-range power supply unit, incl. 2 non-grouped digital inputs and 6 grouped digital inputs
- X2** – OR5: Assembly Group with 5 Output Relays + 1 Supervision Contact
- X3** – TU: Card with 4 voltage transformer measuring inputs
- X100** – IEC 61850 / Modbus TCP / DNP3.0 TCP/UDP, Ethernet interface, 100 Mbit/s, RJ45 (BASE100-FX)
- X101** – IRIG-B00X
- X103** – IEC 60870-5-103 / Modbus RTU / DNP3.0 RTU, RS485, Terminals

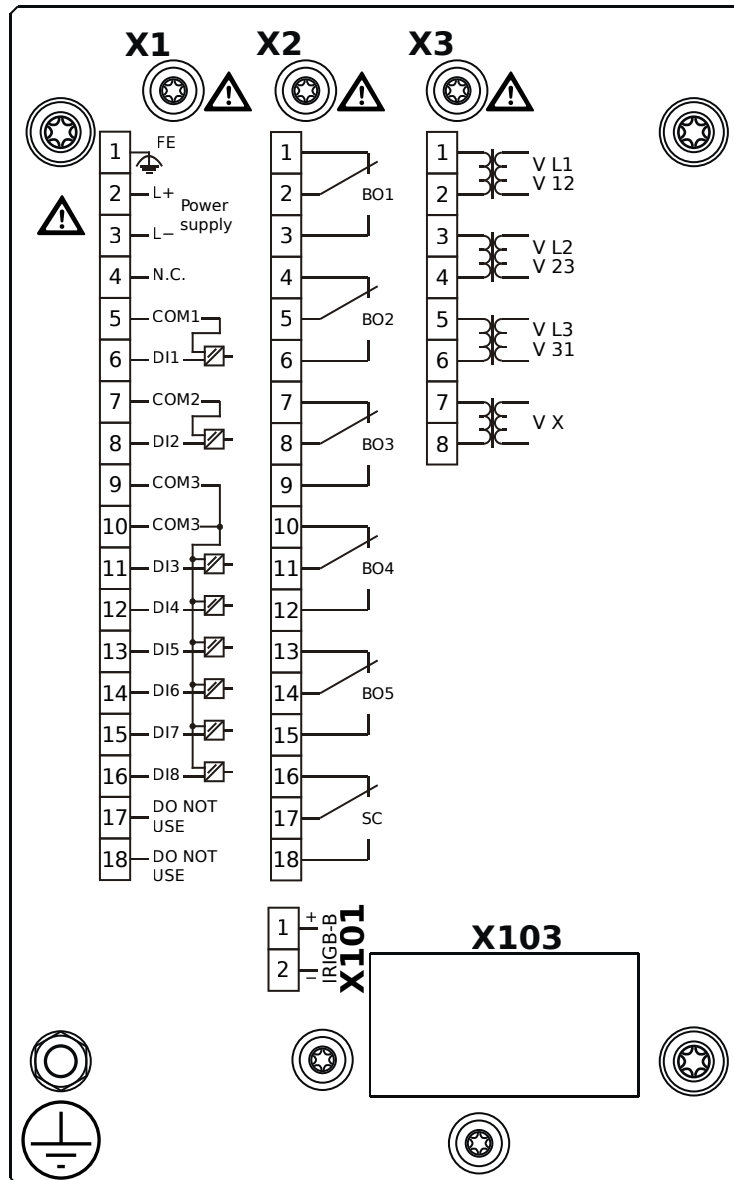
MRU4-2A0BAA



Housing B1, small display, door mounting 19" (flush mounting)

- X1** – DI8-X1: Wide-range power supply unit, incl. 2 non-grouped digital inputs and 6 grouped digital inputs
- X2** – OR5: Assembly Group with 5 Output Relays + 1 Supervision Contact
- X3** – TU: Card with 4 voltage transformer measuring inputs
- X101** – IRIG-B00X

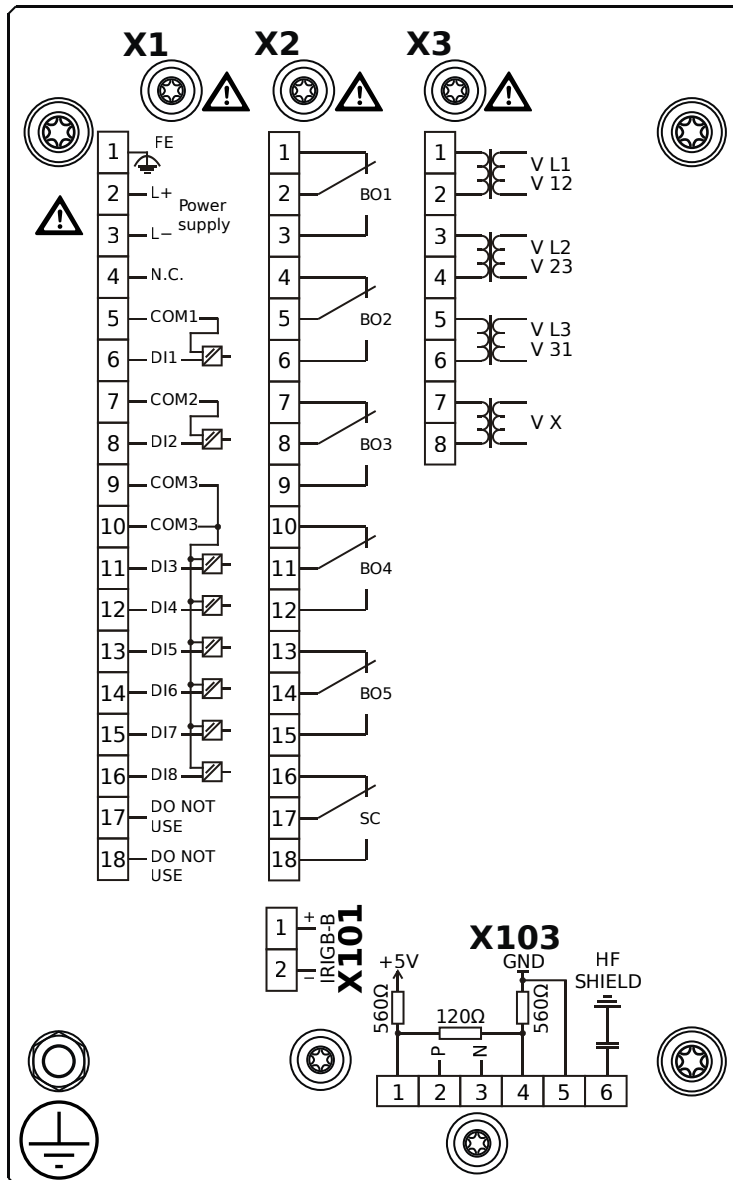
MRU4-2A0BAB



Housing B1, small display, door mounting 19" (flush mounting)

- X1** – DI8-X1: Wide-range power supply unit, incl. 2 non-grouped digital inputs and 6 grouped digital inputs
- X2** – OR5: Assembly Group with 5 Output Relays + 1 Supervision Contact
- X3** – TU: Card with 4 voltage transformer measuring inputs
- X101** – IRIG-B00X

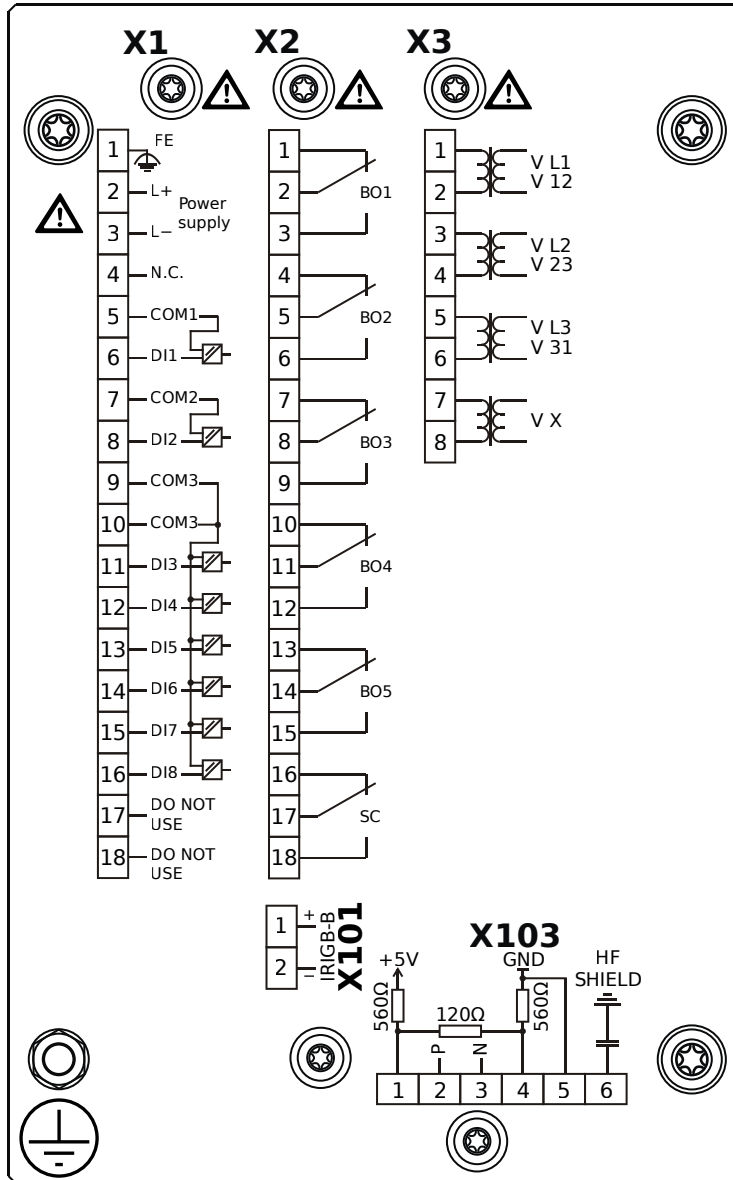
MRU4-2A0BBA



Housing B1, small display, door mounting 19" (flush mounting)

- X1** – DI8-X1: Wide-range power supply unit, incl. 2 non-grouped digital inputs and 6 grouped digital inputs
- X2** – OR5: Assembly Group with 5 Output Relays + 1 Supervision Contact
- X3** – TU: Card with 4 voltage transformer measuring inputs
- X101** – IRIG-B00X
- X103** – Modbus RTU / IEC 60870-5-103 / DNP3.0 RTU, RS485, Terminals

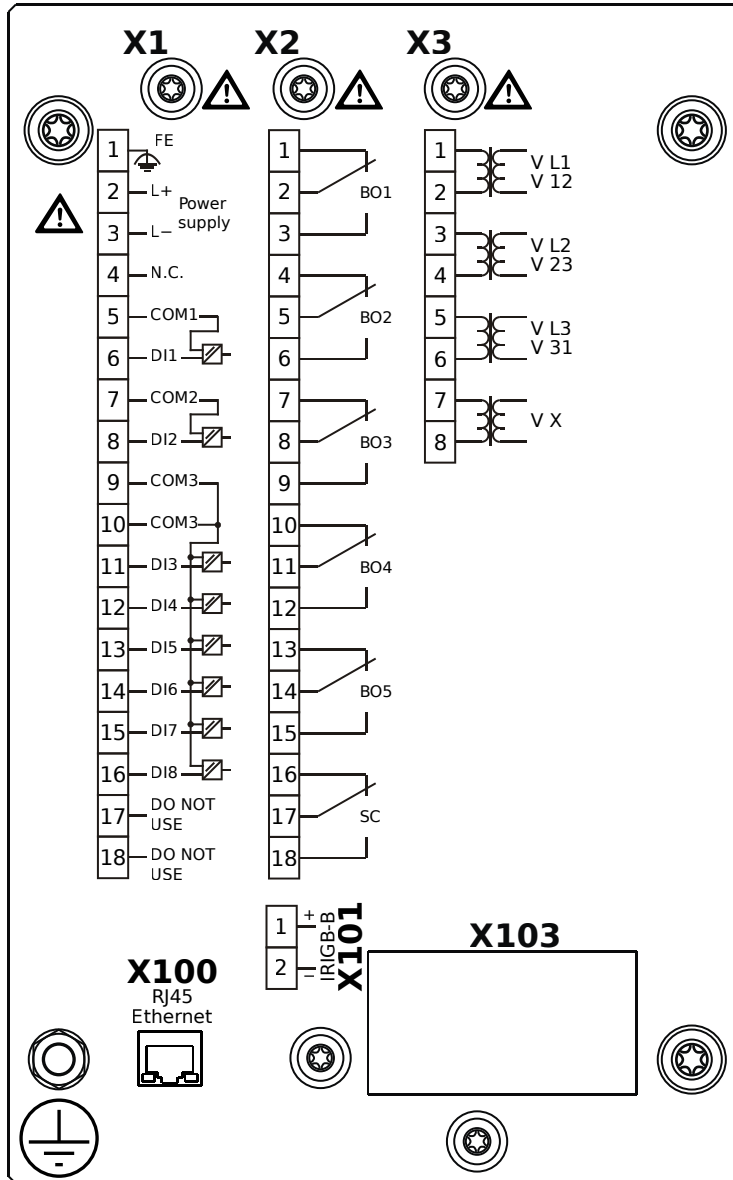
MRU4-2A0BBB



Housing B1, small display, door mounting 19" (flush mounting)

- X1** – DI8-X1: Wide-range power supply unit, incl. 2 non-grouped digital inputs and 6 grouped digital inputs
- X2** – OR5: Assembly Group with 5 Output Relays + 1 Supervision Contact
- X3** – TU: Card with 4 voltage transformer measuring inputs
- X101** – IRIG-B00X
- X103** – Modbus RTU / IEC 60870-5-103 / DNP3.0 RTU, RS485, Terminals

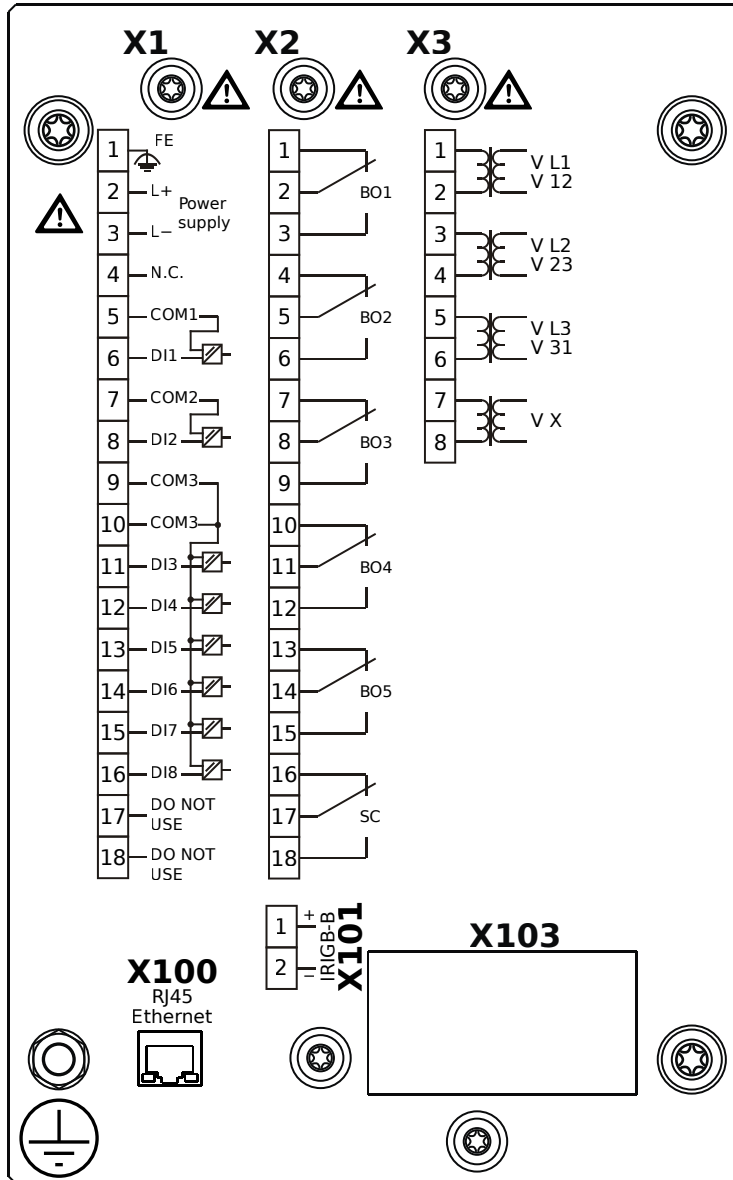
MRU4-2A0BCA



Housing B1, small display, door mounting 19" (flush mounting)

- X1** – DI8-X1: Wide-range power supply unit, incl. 2 non-grouped digital inputs and 6 grouped digital inputs
- X2** – OR5: Assembly Group with 5 Output Relays + 1 Supervision Contact
- X3** – TU: Card with 4 voltage transformer measuring inputs
- X100** – Modbus TCP / DNP3.0 TCP/UDP, Ethernet interface, 100 Mbit/s, RJ45 (BASE100-FX)
- X101** – IRIG-B00X

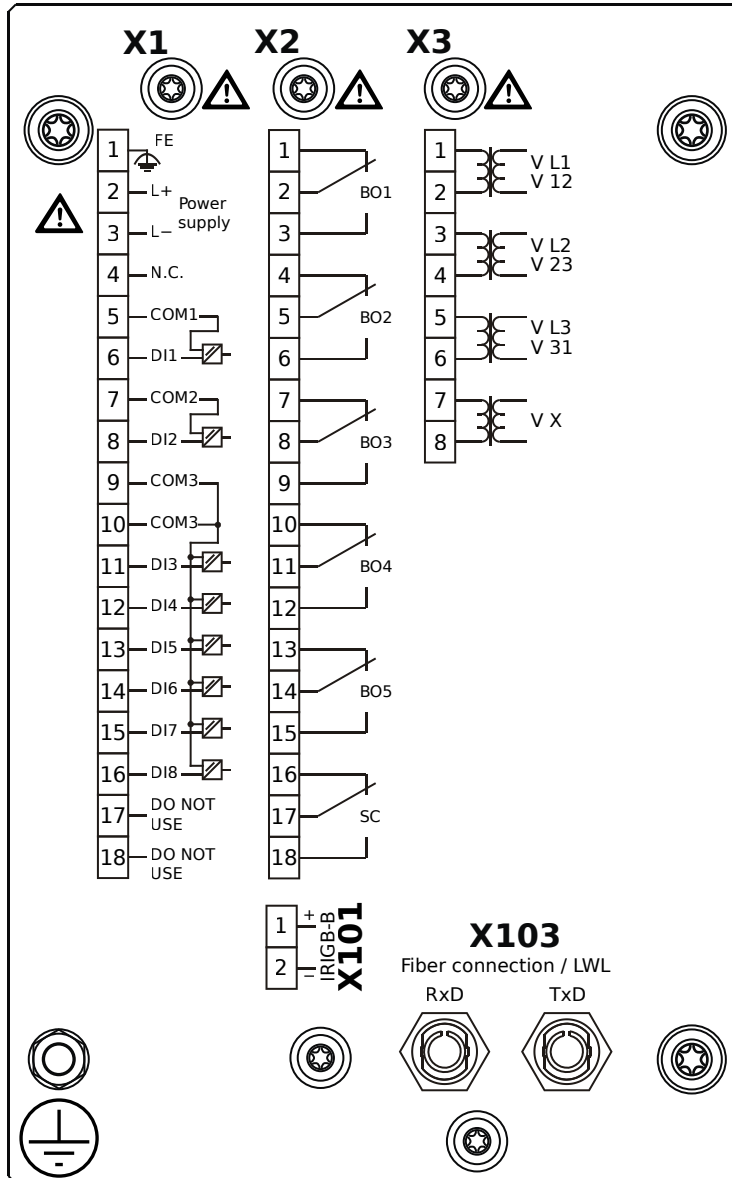
MRU4-2A0BCB



Housing B1, small display, door mounting 19" (flush mounting)

- X1** – DI8-X1: Wide-range power supply unit, incl. 2 non-grouped digital inputs and 6 grouped digital inputs
- X2** – OR5: Assembly Group with 5 Output Relays + 1 Supervision Contact
- X3** – TU: Card with 4 voltage transformer measuring inputs
- X100** – Modbus TCP / DNP3.0 TCP/UDP, Ethernet interface, 100 Mbit/s, RJ45 (BASE100-FX)
- X101** – IRIG-B00X

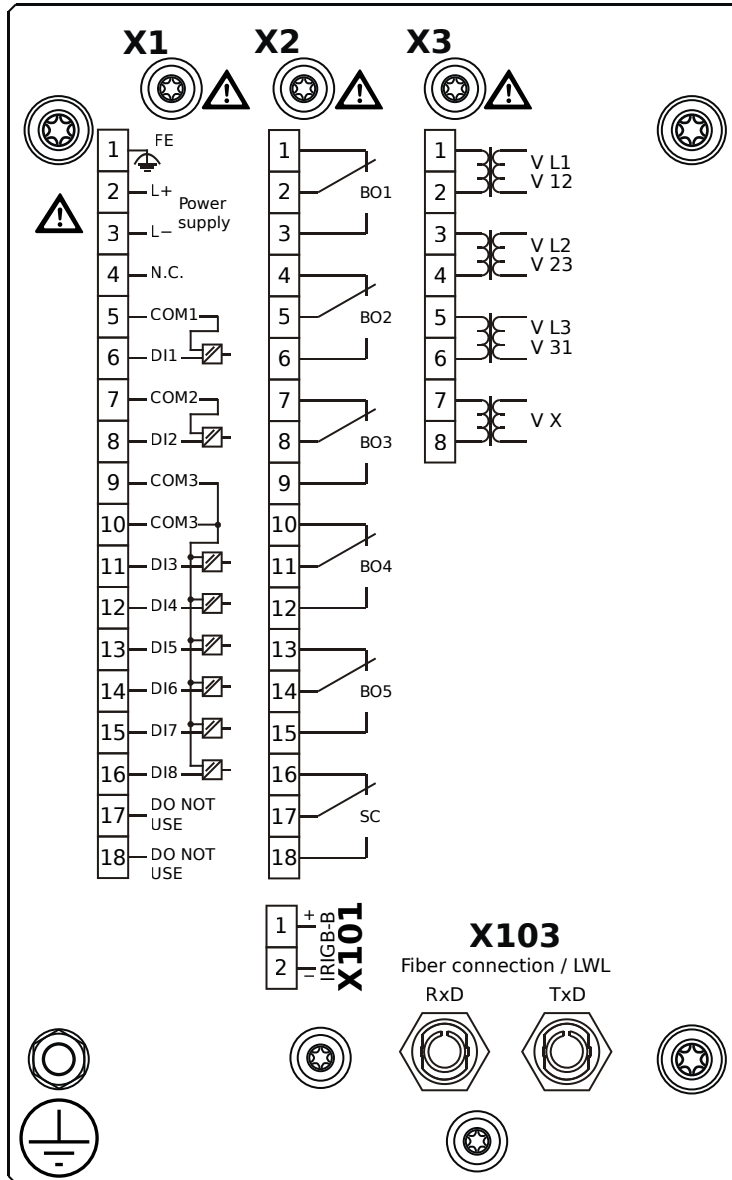
MRU4-2A0BDA



Housing B1, small display, door mounting 19" (flush mounting)

- X1** – DI8-X1: Wide-range power supply unit, incl. 2 non-grouped digital inputs and 6 grouped digital inputs
- X2** – OR5: Assembly Group with 5 Output Relays + 1 Supervision Contact
- X3** – TU: Card with 4 voltage transformer measuring inputs
- X101** – IRIG-B00X
- X103** – Profibus-DP, Fiber optics interface, ST Connector

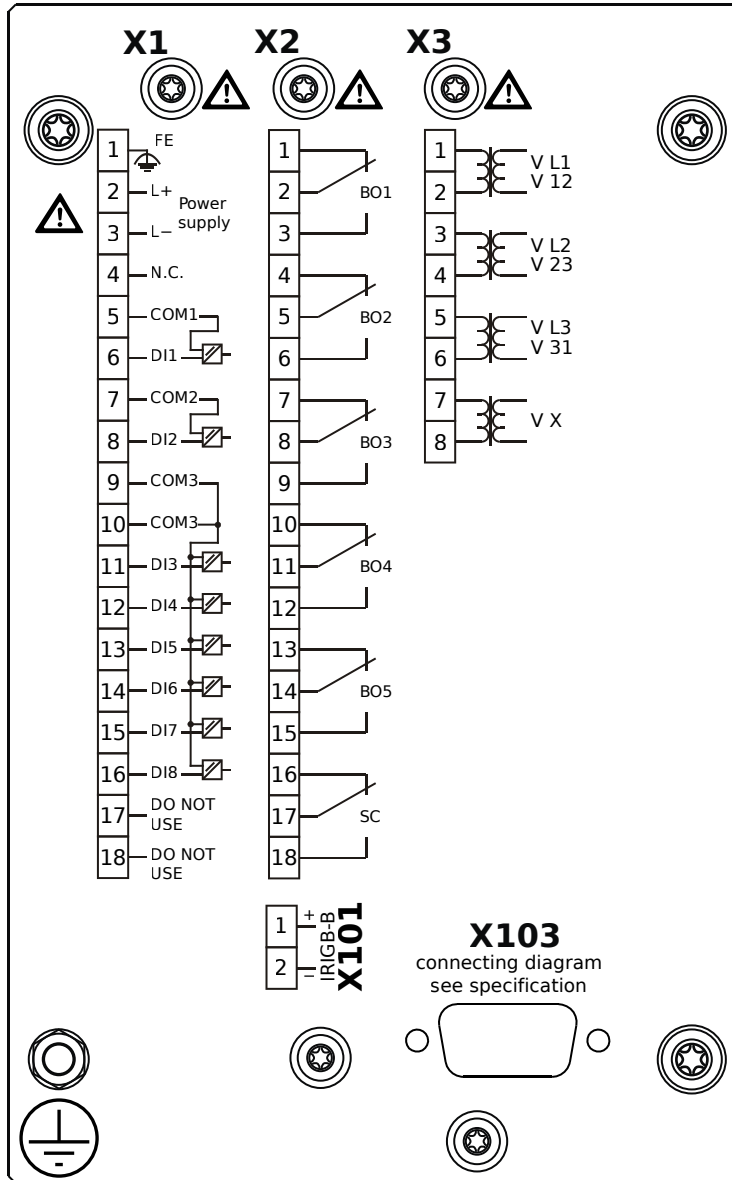
MRU4-2A0BDB



Housing B1, small display, door mounting 19" (flush mounting)

- X1** – DI8-X1: Wide-range power supply unit, incl. 2 non-grouped digital inputs and 6 grouped digital inputs
- X2** – OR5: Assembly Group with 5 Output Relays + 1 Supervision Contact
- X3** – TU: Card with 4 voltage transformer measuring inputs
- X101** – IRIG-B00X
- X103** – Profibus-DP, Fiber optics interface, ST Connector

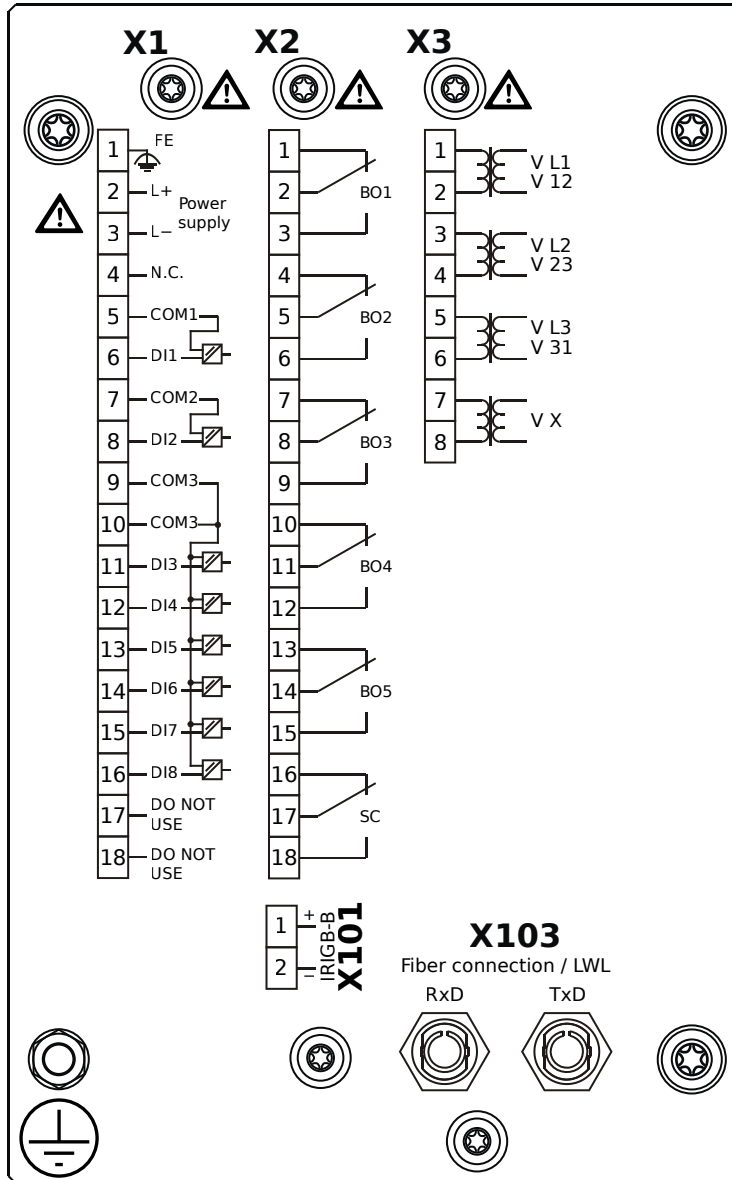
MRU4-2A0BEB



Housing B1, small display, door mounting 19" (flush mounting)

- X1** – DI8-X1: Wide-range power supply unit, incl. 2 non-grouped digital inputs and 6 grouped digital inputs
- X2** – OR5: Assembly Group with 5 Output Relays + 1 Supervision Contact
- X3** – TU: Card with 4 voltage transformer measuring inputs
- X101** – IRIG-B00X
- X103** – Profibus-DP, RS485, D-SUB

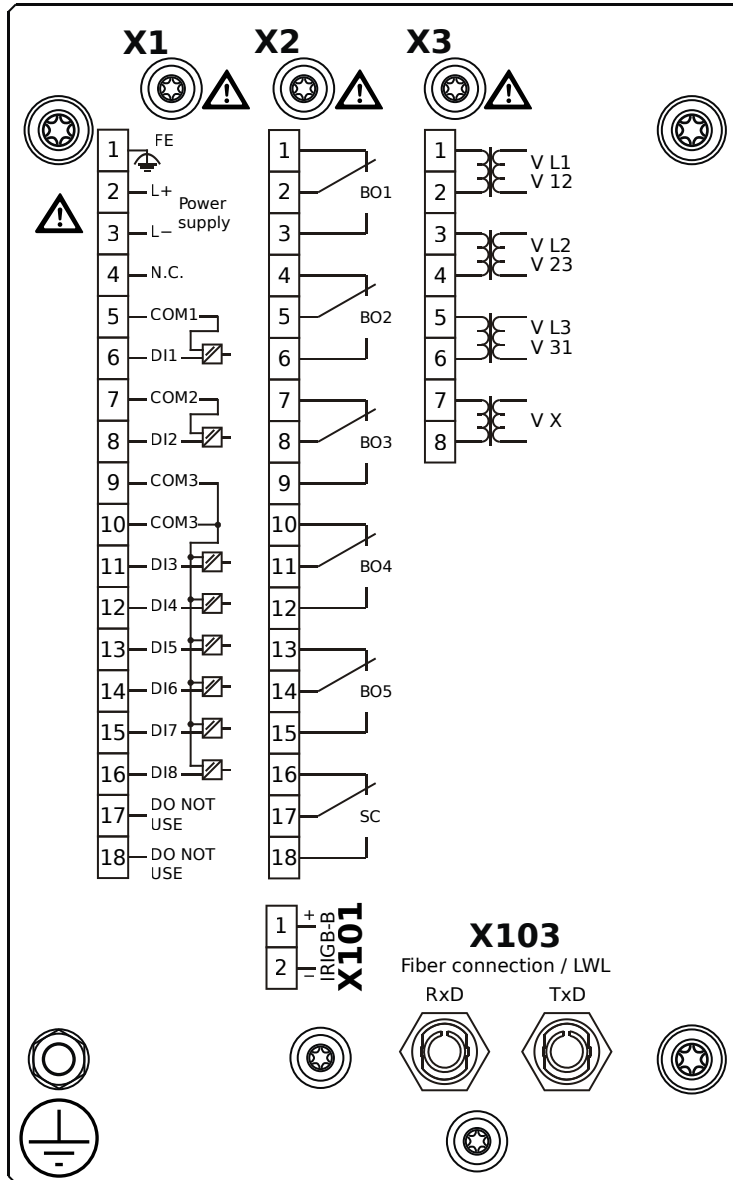
MRU4-2A0BFA



Housing B1, small display, door mounting 19" (flush mounting)

- X1** – DI8-X1: Wide-range power supply unit, incl. 2 non-grouped digital inputs and 6 grouped digital inputs
- X2** – OR5: Assembly Group with 5 Output Relays + 1 Supervision Contact
- X3** – TU: Card with 4 voltage transformer measuring inputs
- X101** – IRIG-B00X
- X103** – Modbus RTU / IEC 60870-5-103 / DNP3.0 RTU, Fiber optics interface, ST Connector

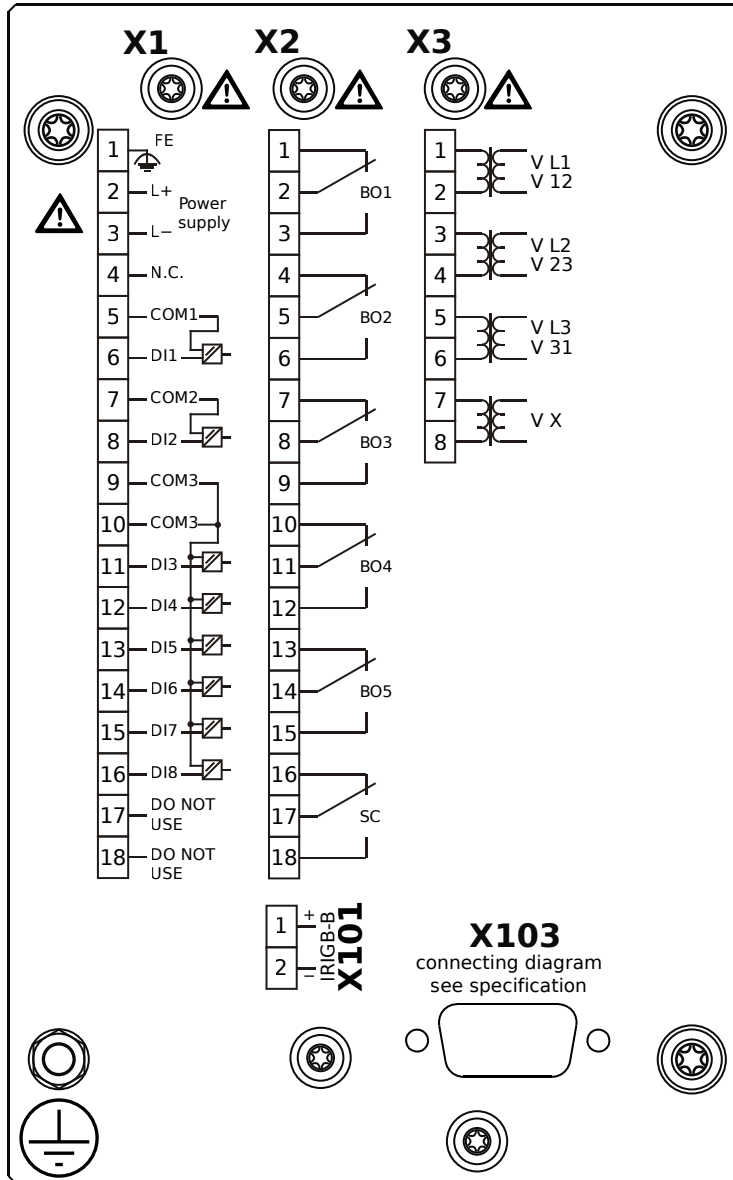
MRU4-2A0BFB



Housing B1, small display, door mounting 19" (flush mounting)

- X1** – DI8-X1: Wide-range power supply unit, incl. 2 non-grouped digital inputs and 6 grouped digital inputs
- X2** – OR5: Assembly Group with 5 Output Relays + 1 Supervision Contact
- X3** – TU: Card with 4 voltage transformer measuring inputs
- X101** – IRIG-B00X
- X103** – Modbus RTU / IEC 60870-5-103 / DNP3.0 RTU, Fiber optics interface, ST Connector

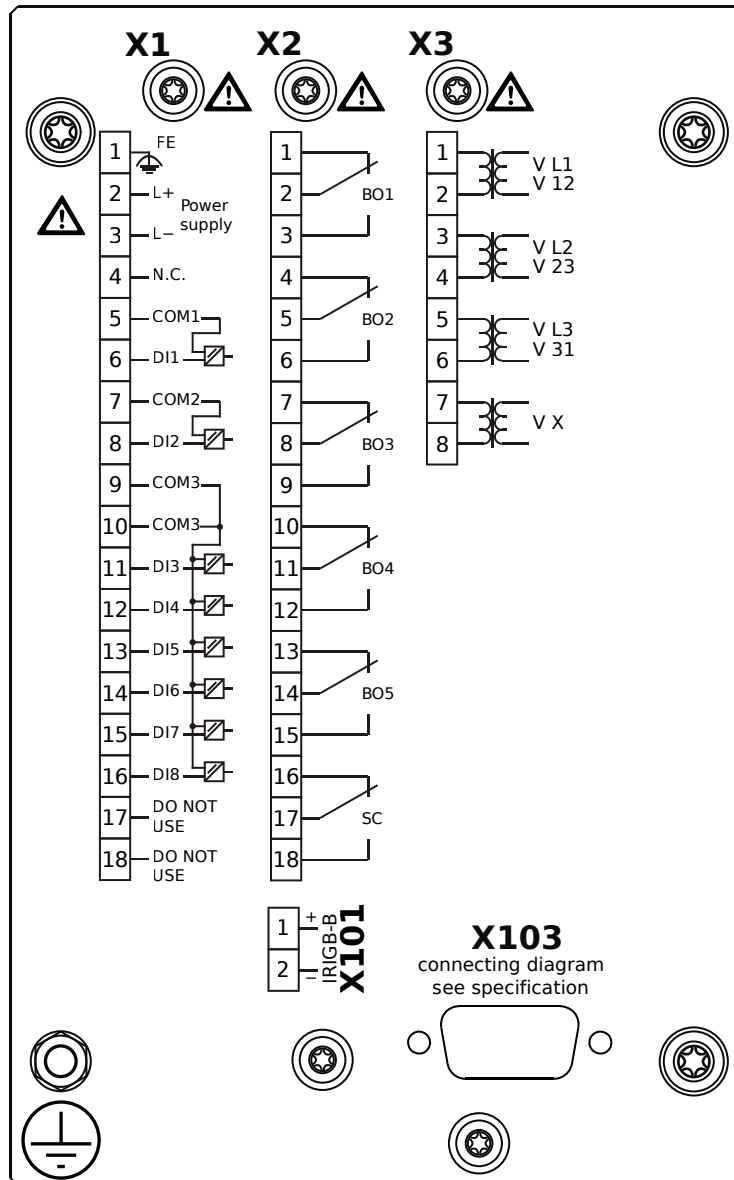
MRU4-2A0BGA



Housing B1, small display, door mounting 19" (flush mounting)

- X1** – DI8-X1: Wide-range power supply unit, incl. 2 non-grouped digital inputs and 6 grouped digital inputs
- X2** – OR5: Assembly Group with 5 Output Relays + 1 Supervision Contact
- X3** – TU: Card with 4 voltage transformer measuring inputs
- X101** – IRIG-B00X
- X103** – Modbus RTU / IEC 60870-5-103 / DNP3.0 RTU, RS485, D-SUB

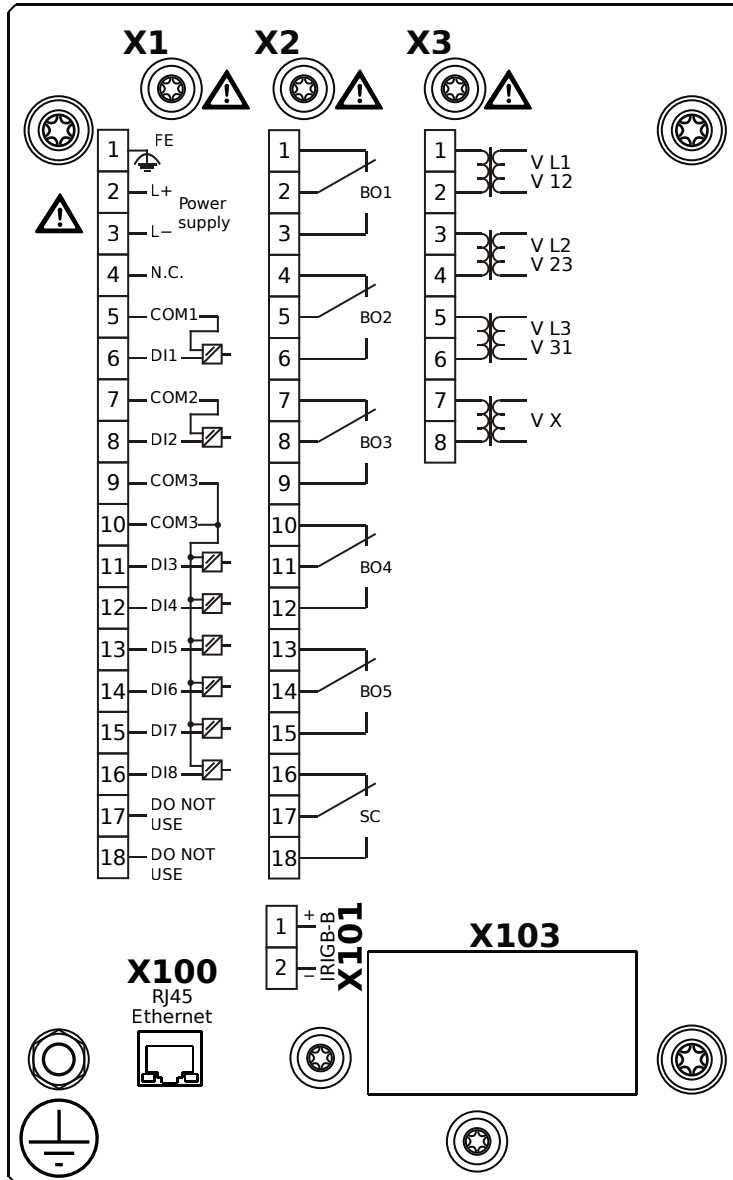
MRU4-2A0BGB



Housing B1, small display, door mounting 19" (flush mounting)

- X1** – DI8-X1: Wide-range power supply unit, incl. 2 non-grouped digital inputs and 6 grouped digital inputs
- X2** – OR5: Assembly Group with 5 Output Relays + 1 Supervision Contact
- X3** – TU: Card with 4 voltage transformer measuring inputs
- X101** – IRIG-B00X
- X103** – Modbus RTU / IEC 60870-5-103 / DNP3.0 RTU, RS485, D-SUB

MRU4-2A0BHA



Housing B1, small display, door mounting 19" (flush mounting)

X1 – DI8-X1: Wide-range power supply unit, incl. 2 non-grouped digital inputs and 6 grouped digital inputs

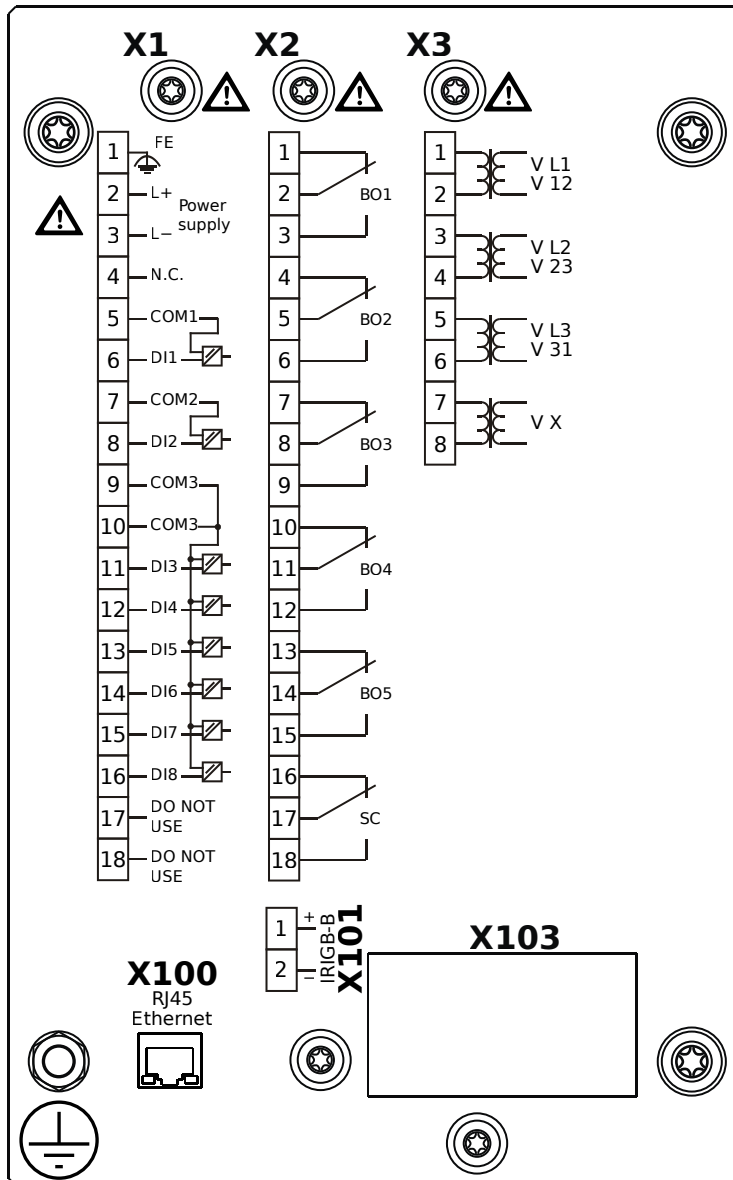
X2 – OR5: Assembly Group with 5 Output Relays + 1 Supervision Contact

X3 – TU: Card with 4 voltage transformer measuring inputs

X100 – IEC 61850 / Modbus TCP / DNP3.0 TCP/UDP, Ethernet interface, 100 Mbit/s, RJ45 (BASE100-FX)

X101 – IRIG-B00X

MRU4-2A0BHB



Housing B1, small display, door mounting 19" (flush mounting)

X1 – DI8-X1: Wide-range power supply unit, incl. 2 non-grouped digital inputs and 6 grouped digital inputs

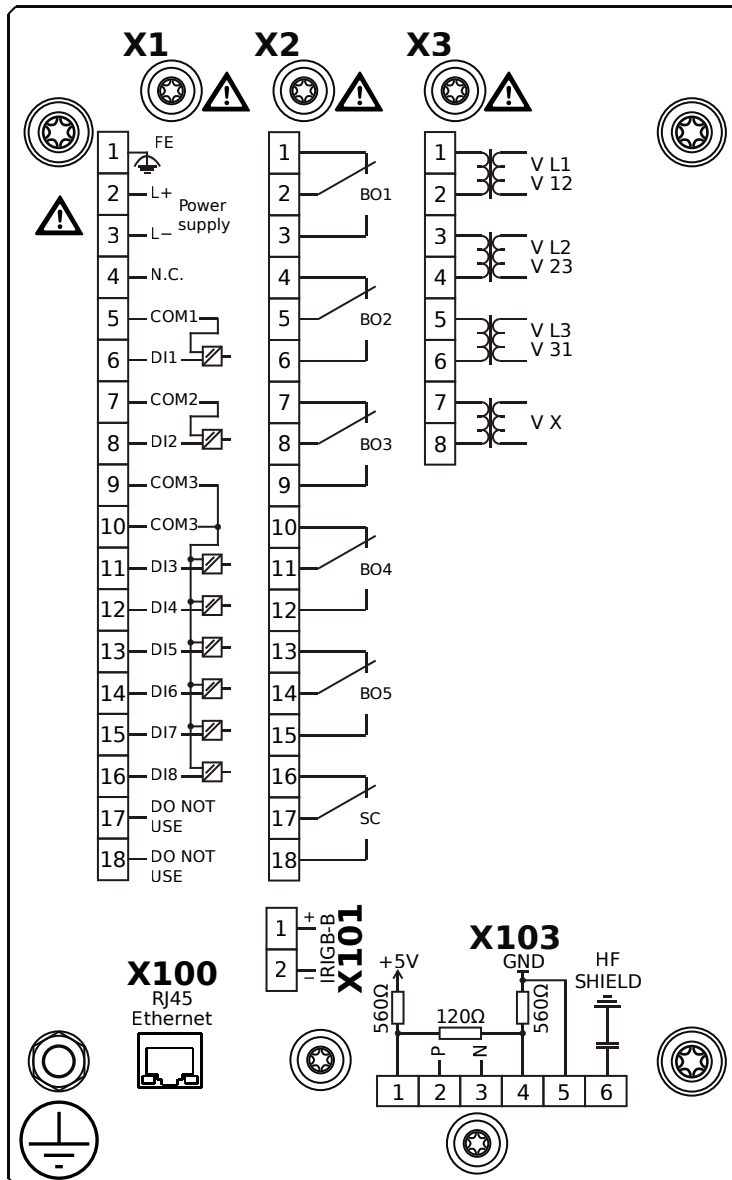
X2 – OR5: Assembly Group with 5 Output Relays + 1 Supervision Contact

X3 – TU: Card with 4 voltage transformer measuring inputs

X100 – IEC 61850 / Modbus TCP / DNP3.0 TCP/UDP, Ethernet interface, 100 Mbit/s, RJ45 (BASE100-FX)

X101 – IRIG-B00X

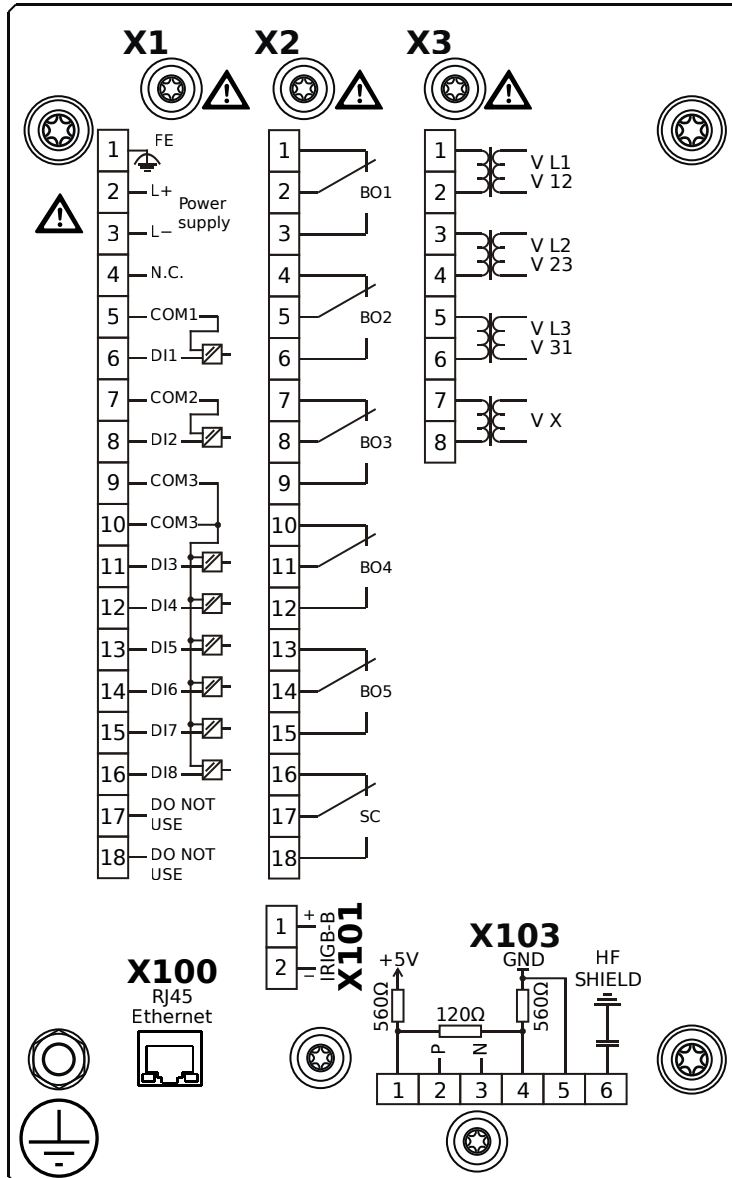
MRU4-2A0BIA



Housing B1, small display, door mounting 19" (flush mounting)

- X1** – DI8-X1: Wide-range power supply unit, incl. 2 non-grouped digital inputs and 6 grouped digital inputs
- X2** – OR5: Assembly Group with 5 Output Relays + 1 Supervision Contact
- X3** – TU: Card with 4 voltage transformer measuring inputs
- X100** – Modbus TCP / DNP3.0 TCP/UDP, Ethernet interface, 100 Mbit/s, RJ45 (BASE100-FX)
- X101** – IRIG-B00X
- X103** – IEC 60870-5-103 / Modbus RTU / DNP3.0 RTU, RS485, Terminals

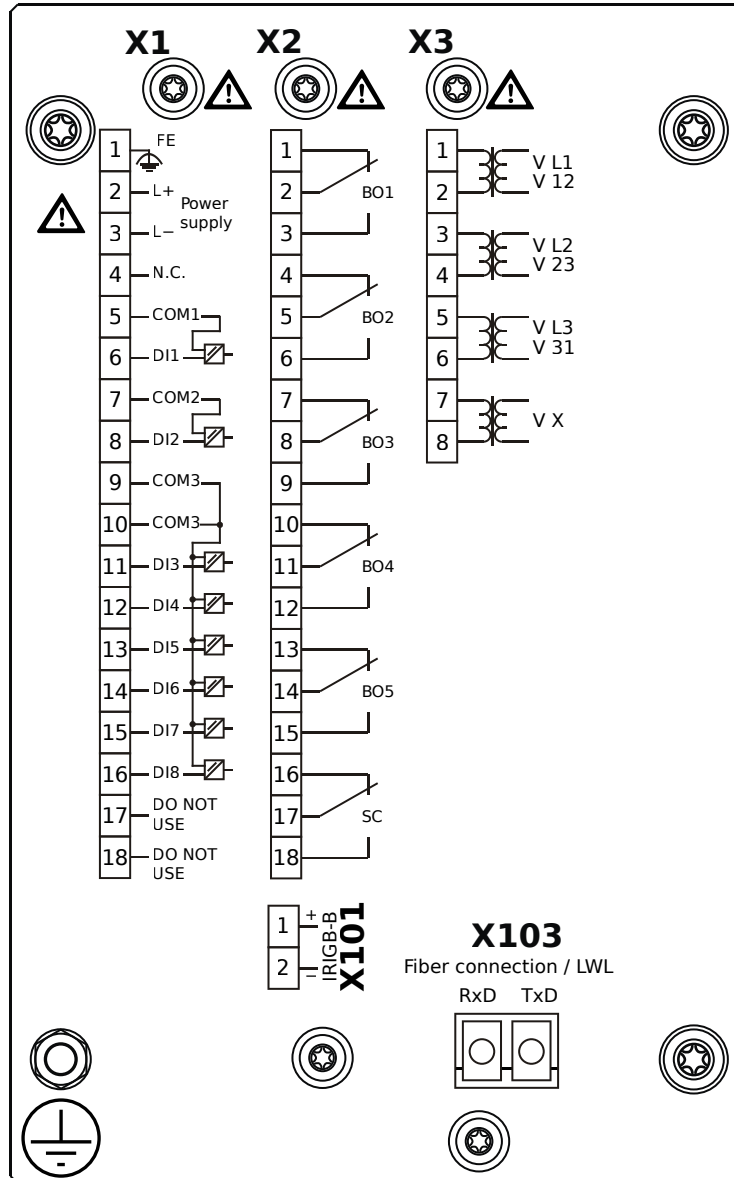
MRU4-2A0BIB



Housing B1, small display, door mounting 19" (flush mounting)

- X1** – DI8-X1: Wide-range power supply unit, incl. 2 non-grouped digital inputs and 6 grouped digital inputs
- X2** – OR5: Assembly Group with 5 Output Relays + 1 Supervision Contact
- X3** – TU: Card with 4 voltage transformer measuring inputs
- X100** – Modbus TCP / DNP3.0 TCP/UDP, Ethernet interface, 100 Mbit/s, RJ45 (BASE100-FX)
- X101** – IRIG-B00X
- X103** – IEC 60870-5-103 / Modbus RTU / DNP3.0 RTU, RS485, Terminals

MRU4-2A0BKA



Housing B1, small display, door mounting 19" (flush mounting)

X1 – DI8-X1: Wide-range power supply unit, incl. 2 non-grouped digital inputs and 6 grouped digital inputs

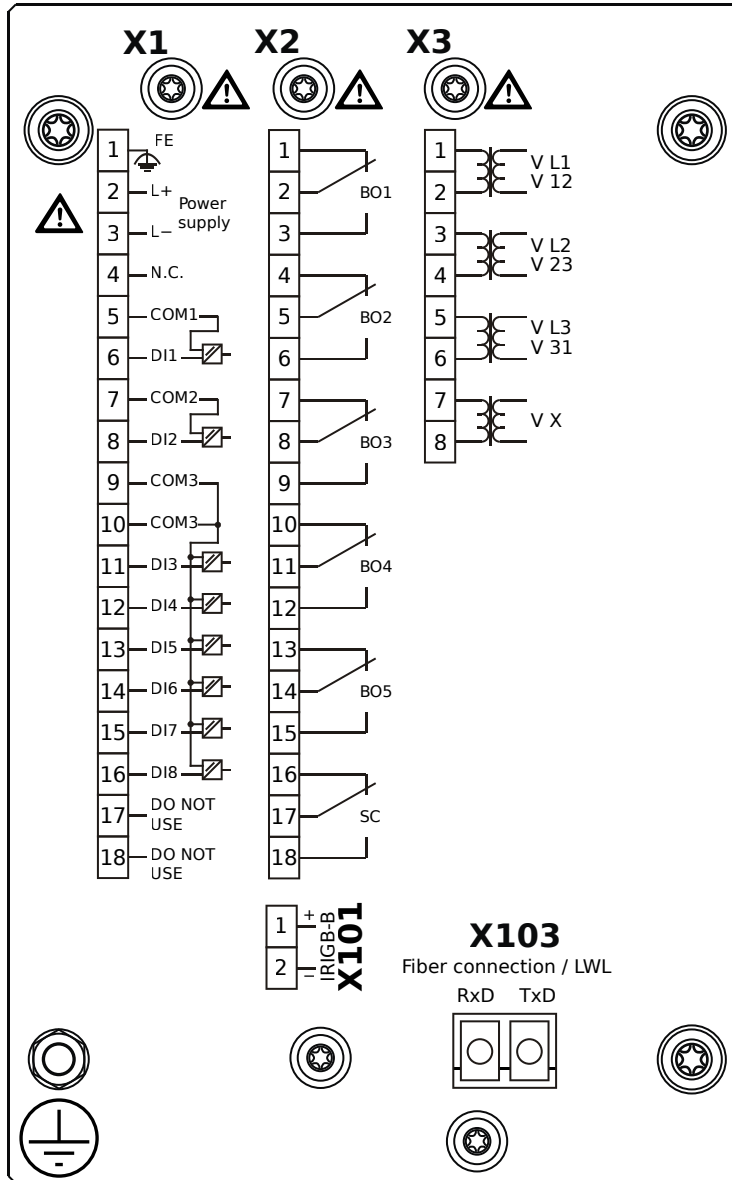
X2 – OR5: Assembly Group with 5 Output Relays + 1 Supervision Contact

X3 – TU: Card with 4 voltage transformer measuring inputs

X101 – IRIG-B00X

X103 – IEC 61850 / Modbus TCP / DNP3.0 TCP/UDP, Fiber optics interface, LC Connector

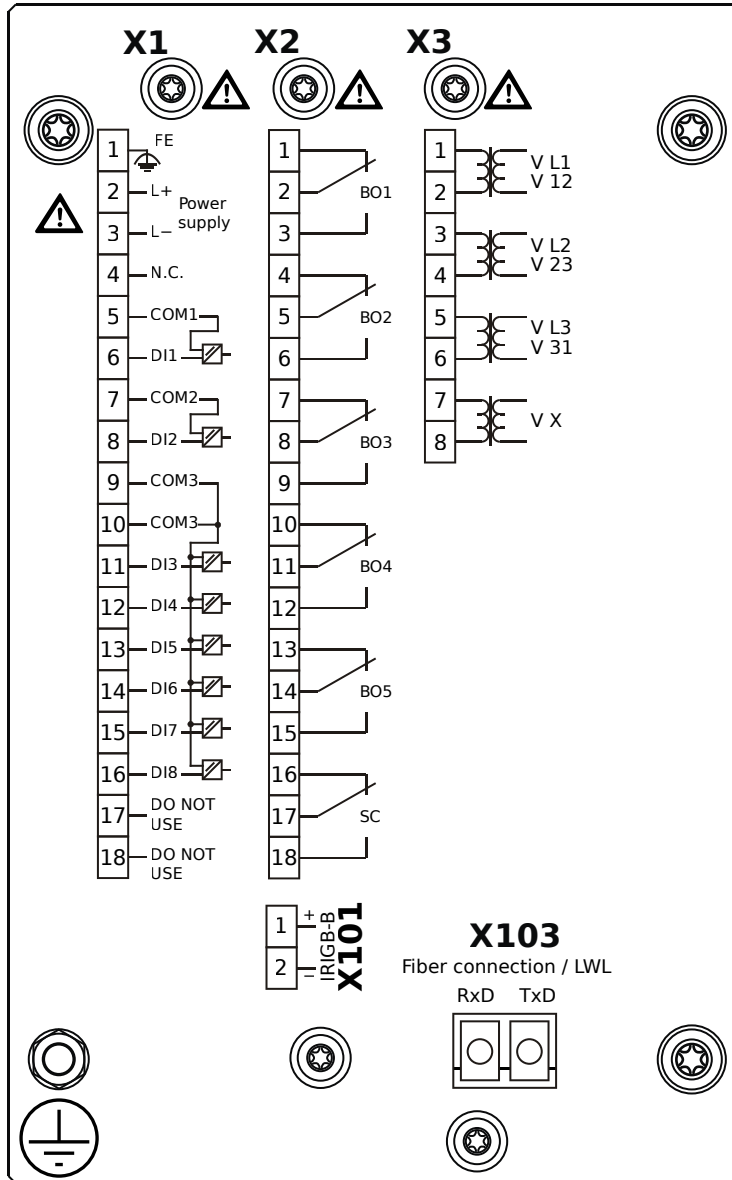
MRU4-2A0BKB



Housing B1, small display, door mounting 19" (flush mounting)

- X1** – DI8-X1: Wide-range power supply unit, incl. 2 non-grouped digital inputs and 6 grouped digital inputs
- X2** – OR5: Assembly Group with 5 Output Relays + 1 Supervision Contact
- X3** – TU: Card with 4 voltage transformer measuring inputs
- X101** – IRIG-B00X
- X103** – IEC 61850 / Modbus TCP / DNP3.0 TCP/UDP, Fiber optics interface, LC Connector

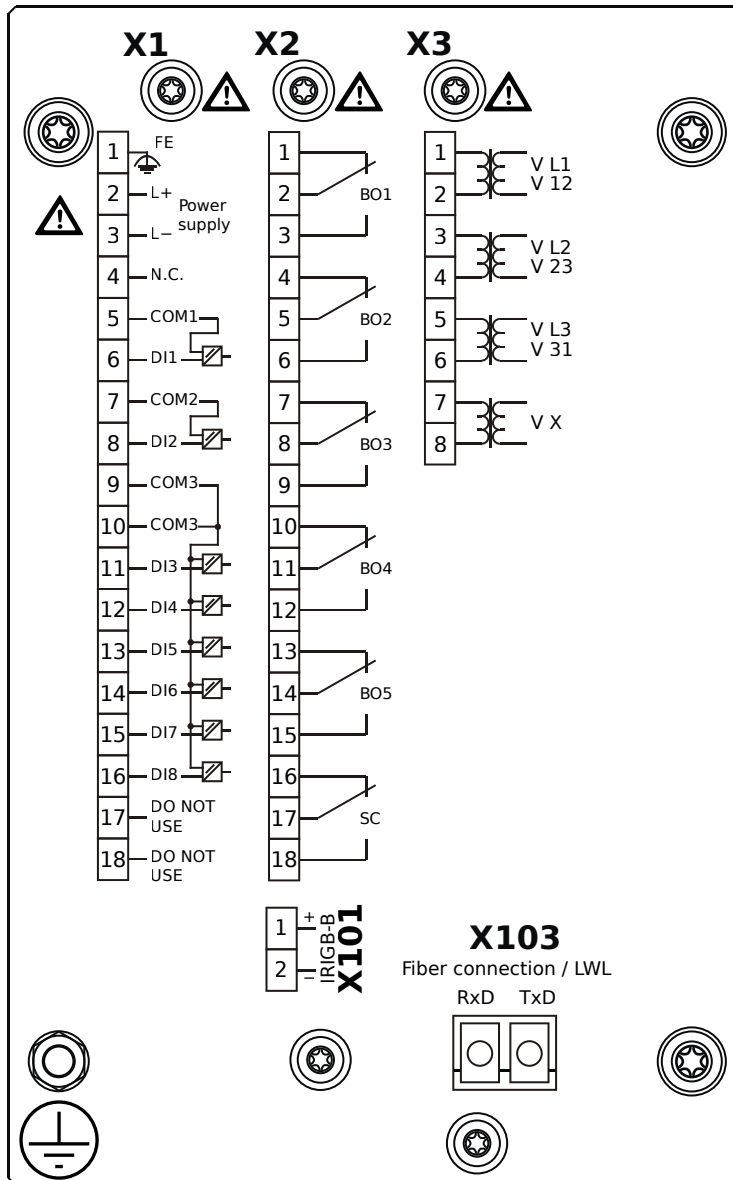
MRU4-2A0BLA



Housing B1, small display, door mounting 19" (flush mounting)

- X1** – DI8-X1: Wide-range power supply unit, incl. 2 non-grouped digital inputs and 6 grouped digital inputs
- X2** – OR5: Assembly Group with 5 Output Relays + 1 Supervision Contact
- X3** – TU: Card with 4 voltage transformer measuring inputs
- X101** – IRIG-B00X
- X103** – Modbus TCP / DNP3.0 TCP/UDP, Fiber optics interface, LC Connector

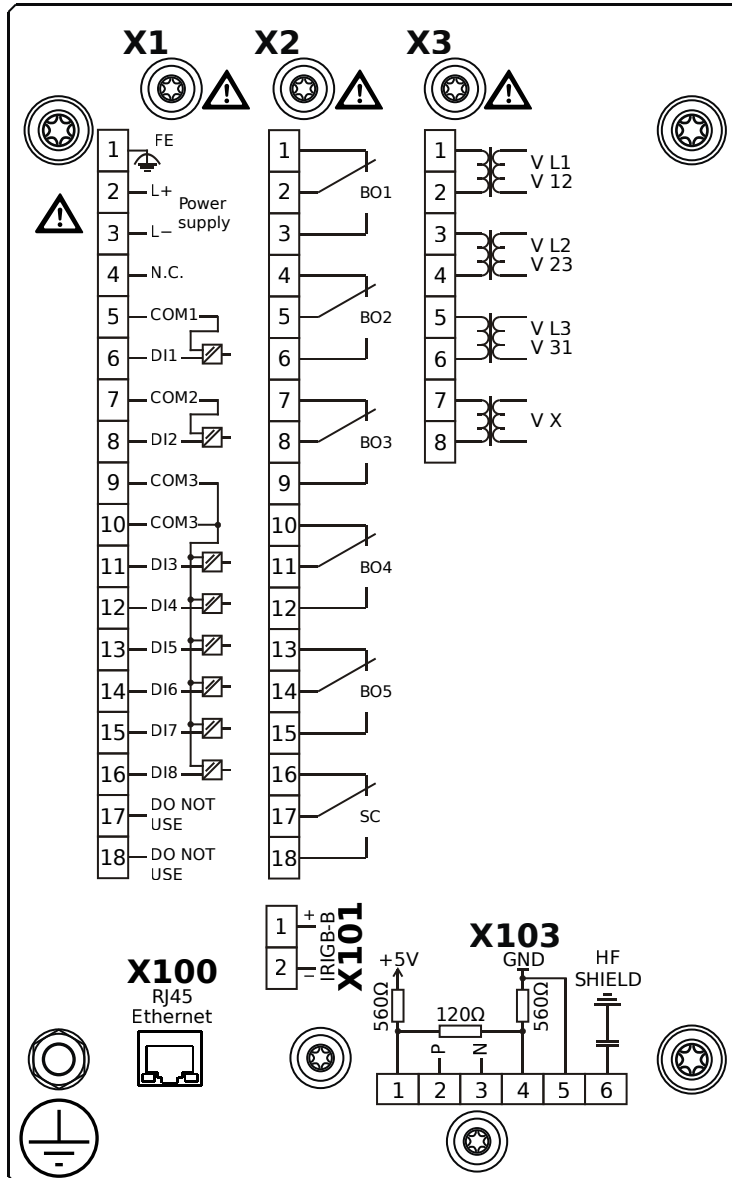
MRU4-2A0BLB



Housing B1, small display, door mounting 19" (flush mounting)

- X1** – DI8-X1: Wide-range power supply unit, incl. 2 non-grouped digital inputs and 6 grouped digital inputs
- X2** – OR5: Assembly Group with 5 Output Relays + 1 Supervision Contact
- X3** – TU: Card with 4 voltage transformer measuring inputs
- X101** – IRIG-B00X
- X103** – Modbus TCP / DNP3.0 TCP/UDP, Fiber optics interface, LC Connector

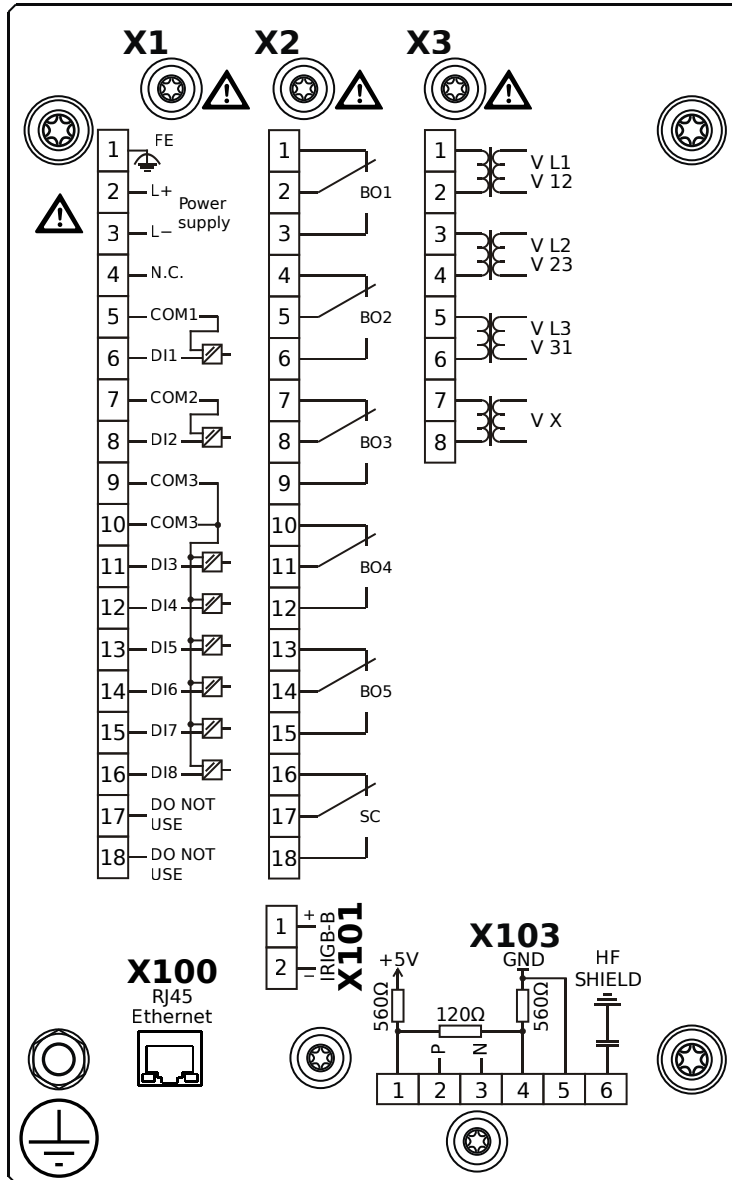
MRU4-2A0BTA



Housing B1, small display, door mounting 19" (flush mounting)

- X1** – DI8-X1: Wide-range power supply unit, incl. 2 non-grouped digital inputs and 6 grouped digital inputs
- X2** – OR5: Assembly Group with 5 Output Relays + 1 Supervision Contact
- X3** – TU: Card with 4 voltage transformer measuring inputs
- X100** – IEC 61850 / Modbus TCP / DNP3.0 TCP/UDP, Ethernet interface, 100 Mbit/s, RJ45 (BASE100-FX)
- X101** – IRIG-B00X
- X103** – IEC 60870-5-103 / Modbus RTU / DNP3.0 RTU, RS485, Terminals

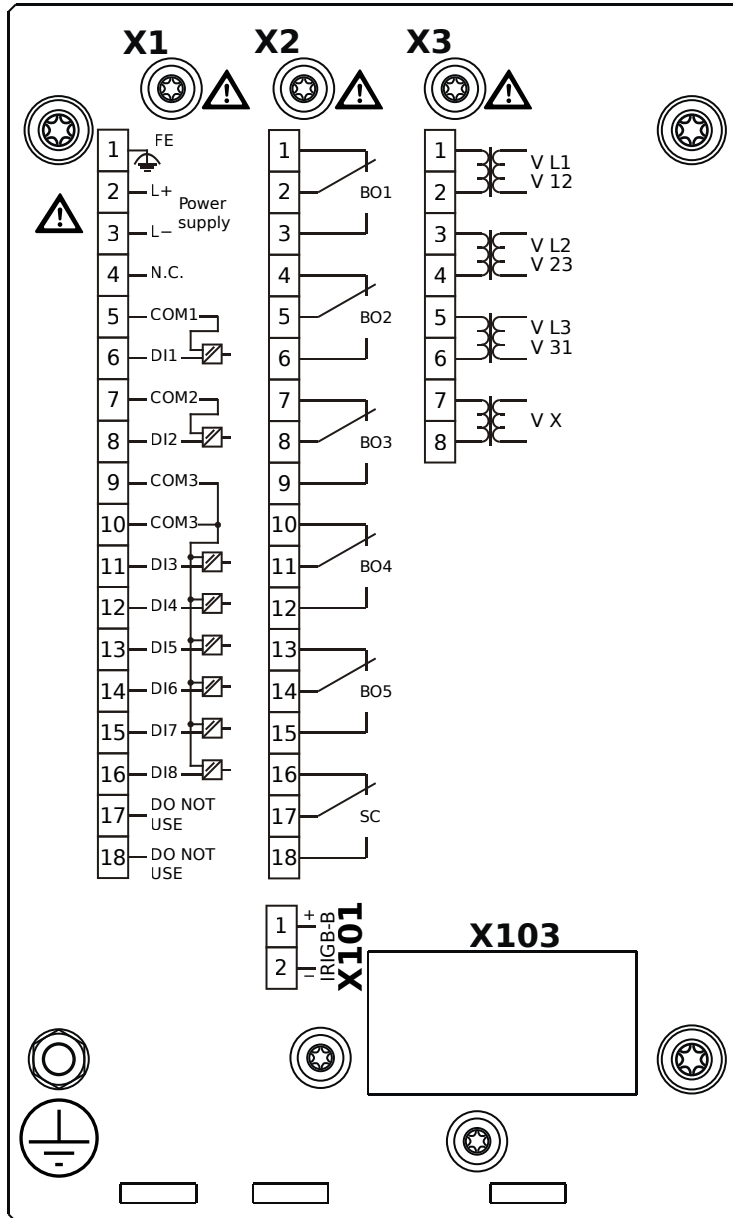
MRU4-2A0BTB



Housing B1, small display, door mounting 19" (flush mounting)

- X1** – DI8-X1: Wide-range power supply unit, incl. 2 non-grouped digital inputs and 6 grouped digital inputs
- X2** – OR5: Assembly Group with 5 Output Relays + 1 Supervision Contact
- X3** – TU: Card with 4 voltage transformer measuring inputs
- X100** – IEC 61850 / Modbus TCP / DNP3.0 TCP/UDP, Ethernet interface, 100 Mbit/s, RJ45 (BASE100-FX)
- X101** – IRIG-B00X
- X103** – IEC 60870-5-103 / Modbus RTU / DNP3.0 RTU, RS485, Terminals

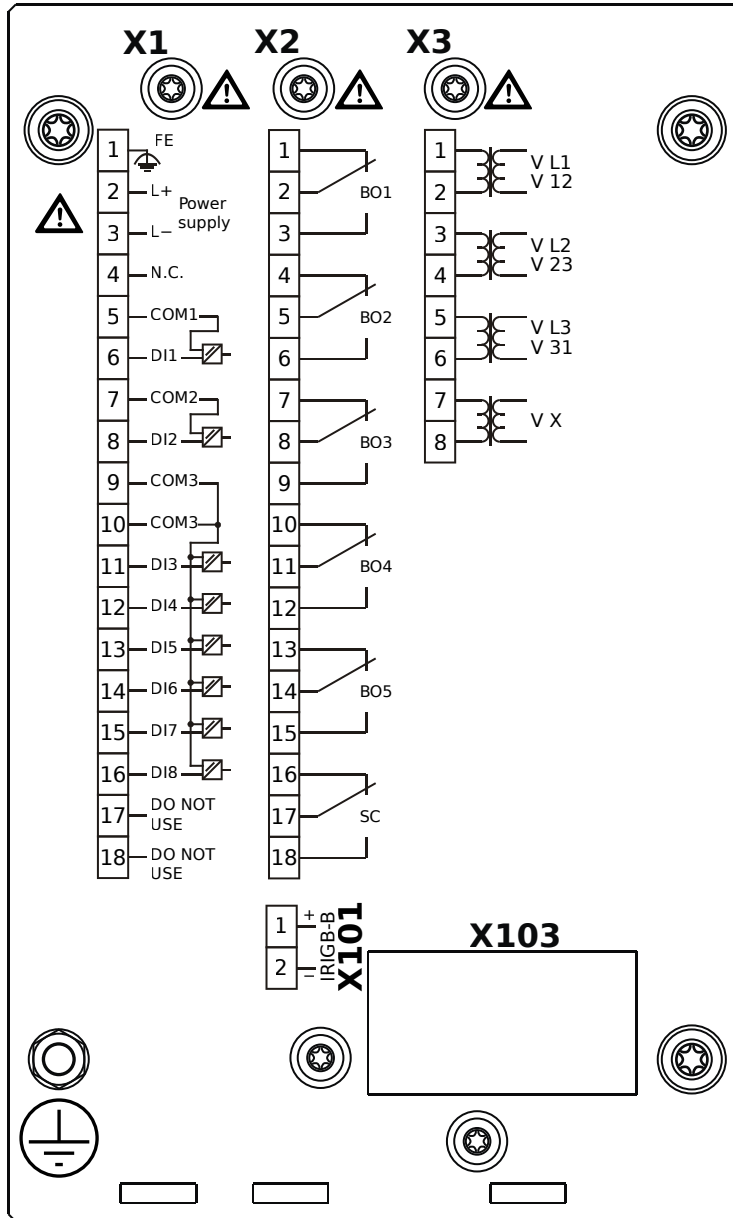
MRU4-2A0HAA



Housing B1, small display, door mounting

- X1** – DI8-X1: Wide-range power supply unit, incl. 2 non-grouped digital inputs and 6 grouped digital inputs
- X2** – OR5: Assembly Group with 5 Output Relays + 1 Supervision Contact
- X3** – TU: Card with 4 voltage transformer measuring inputs
- X101** – IRIG-B00X

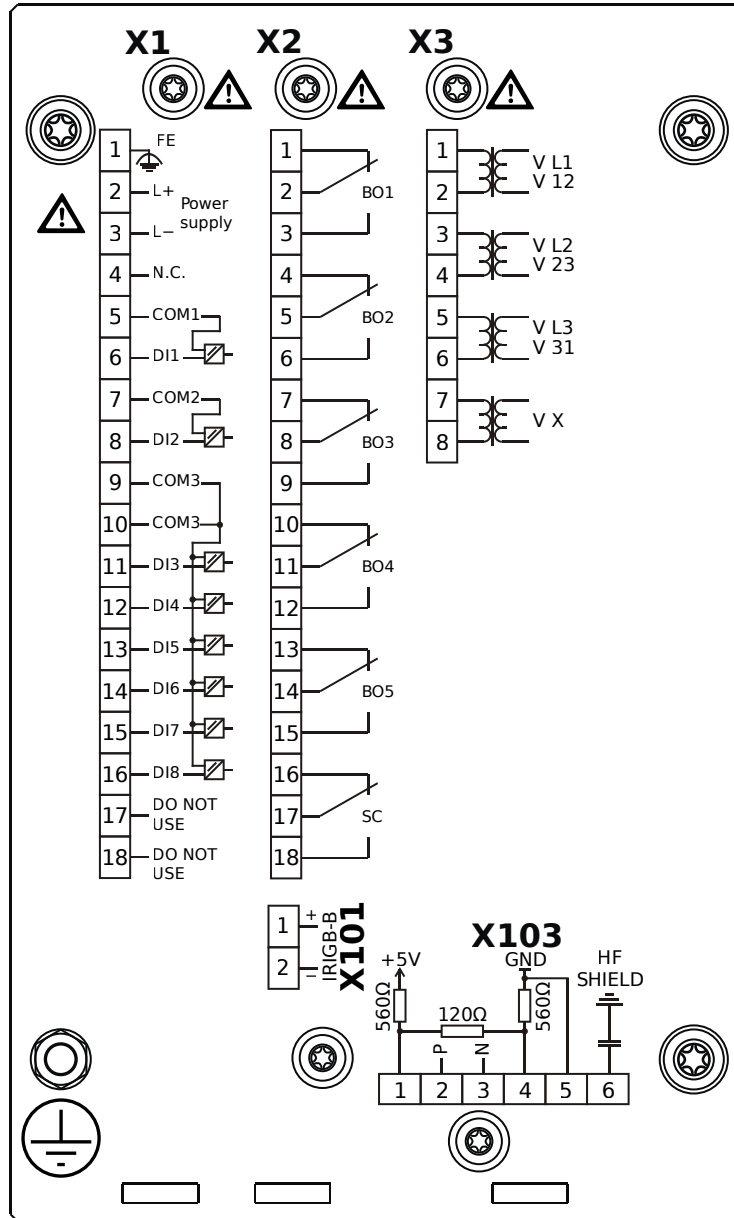
MRU4-2A0HAB



Housing B1, small display, door mounting

- X1** – DI8-X1: Wide-range power supply unit, incl. 2 non-grouped digital inputs and 6 grouped digital inputs
- X2** – OR5: Assembly Group with 5 Output Relays + 1 Supervision Contact
- X3** – TU: Card with 4 voltage transformer measuring inputs
- X101** – IRIG-B00X

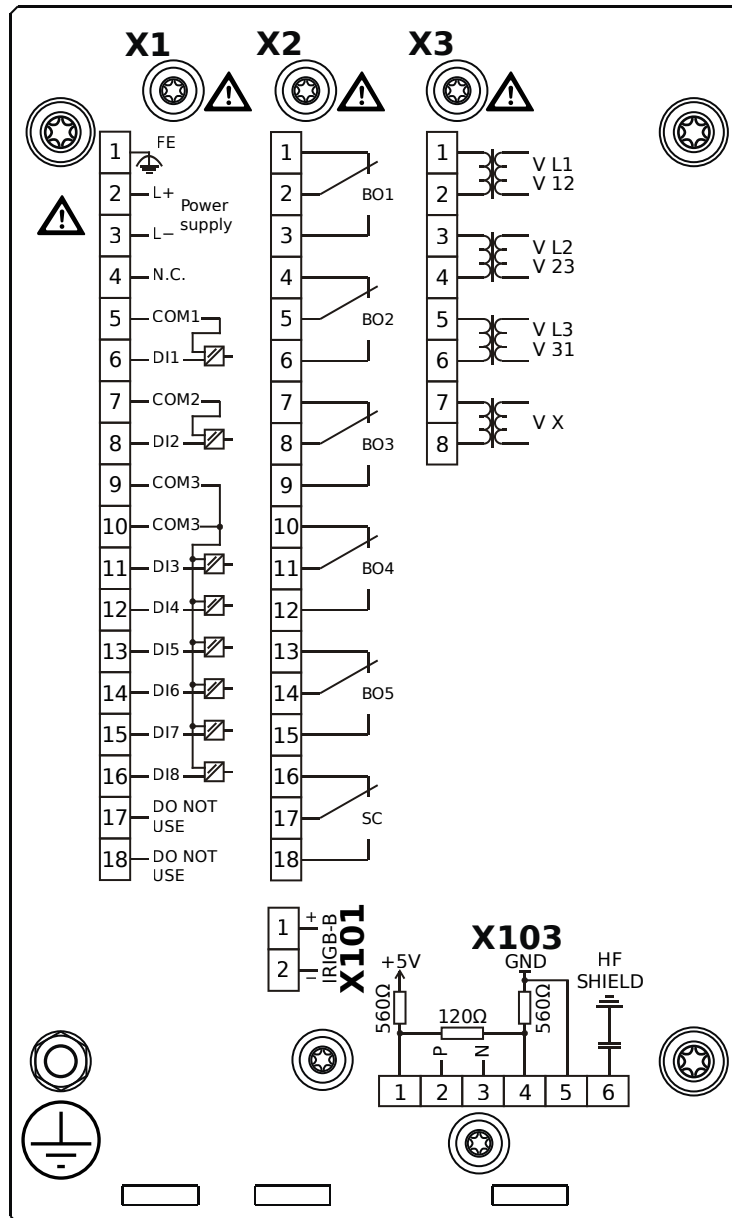
MRU4-2A0HBA



Housing B1, small display, door mounting

- X1** – DI8-X1: Wide-range power supply unit, incl. 2 non-grouped digital inputs and 6 grouped digital inputs
- X2** – OR5: Assembly Group with 5 Output Relays + 1 Supervision Contact
- X3** – TU: Card with 4 voltage transformer measuring inputs
- X101** – IRIG-B00X
- X103** – Modbus RTU / IEC 60870-5-103 / DNP3.0 RTU, RS485, Terminals

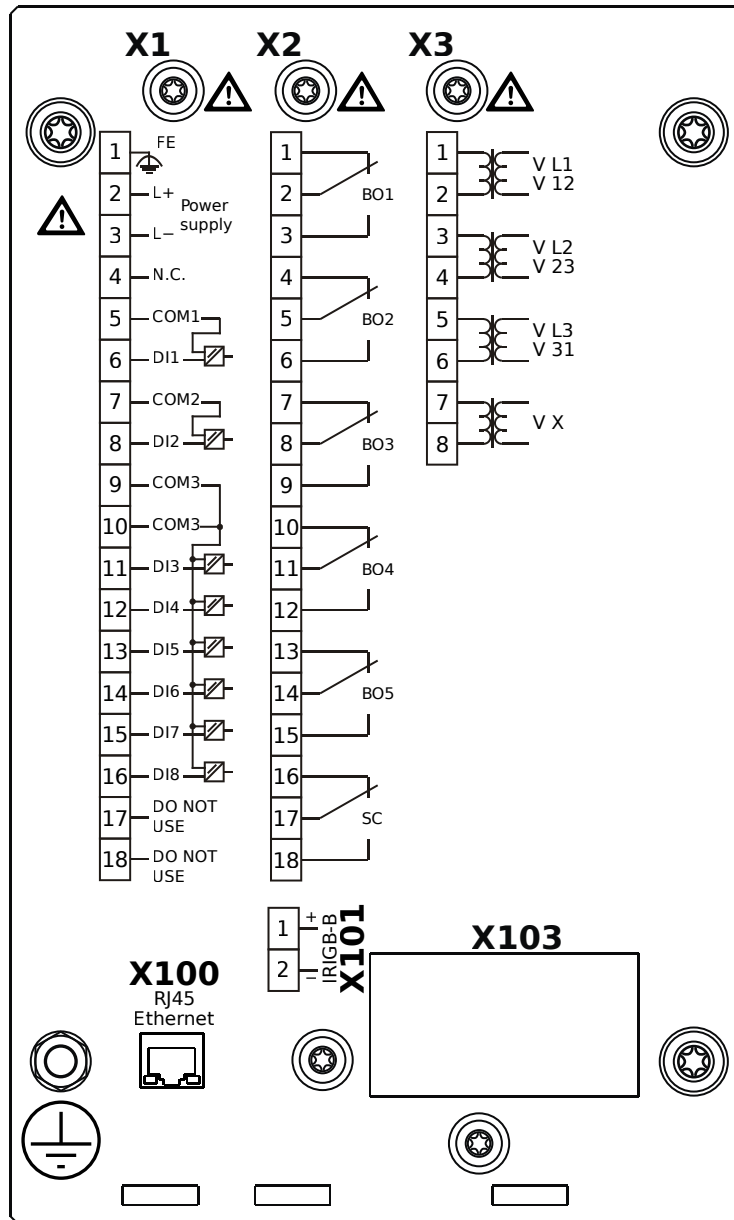
MRU4-2A0HBB



Housing B1, small display, door mounting

- X1** – DI8-X1: Wide-range power supply unit, incl. 2 non-grouped digital inputs and 6 grouped digital inputs
- X2** – OR5: Assembly Group with 5 Output Relays + 1 Supervision Contact
- X3** – TU: Card with 4 voltage transformer measuring inputs
- X101** – IRIG-B00X
- X103** – Modbus RTU / IEC 60870-5-103 / DNP3.0 RTU, RS485, Terminals

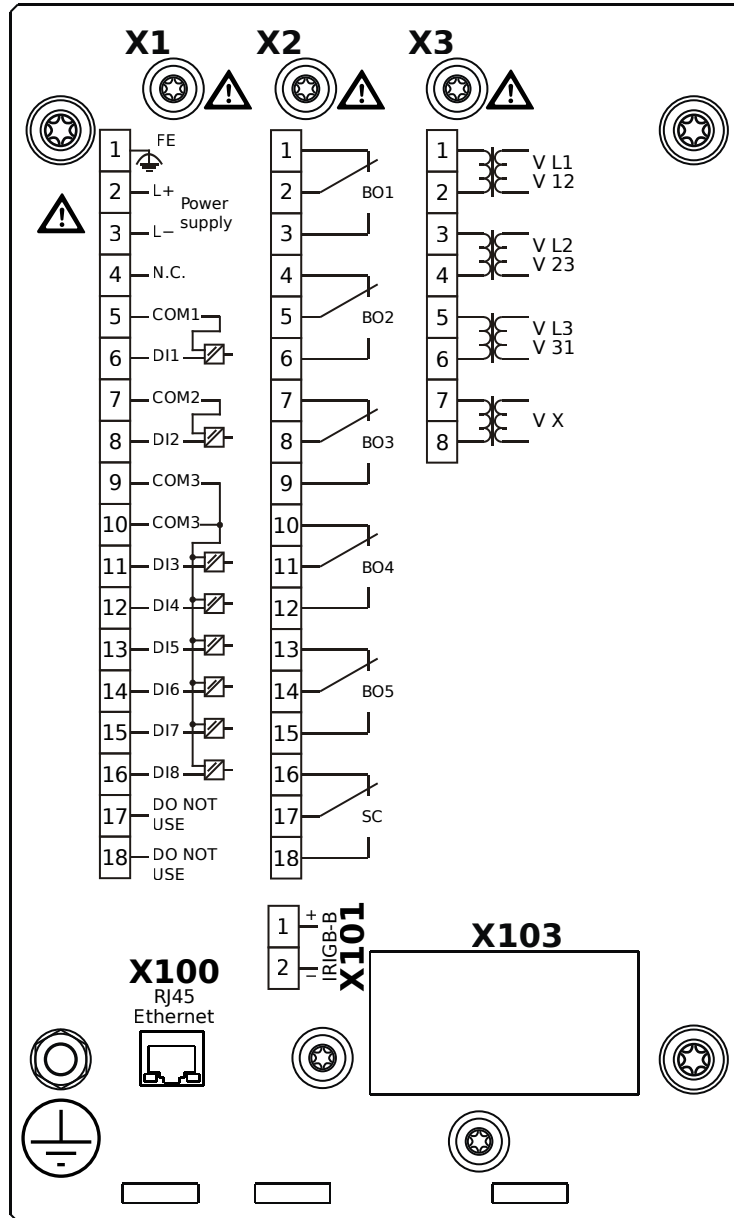
MRU4-2A0HCA



Housing B1, small display, door mounting

- X1** – DI8-X1: Wide-range power supply unit, incl. 2 non-grouped digital inputs and 6 grouped digital inputs
- X2** – OR5: Assembly Group with 5 Output Relays + 1 Supervision Contact
- X3** – TU: Card with 4 voltage transformer measuring inputs
- X100** – Modbus TCP / DNP3.0 TCP/UDP, Ethernet interface, 100 Mbit/s, RJ45 (BASE100-FX)
- X101** – IRIG-B00X

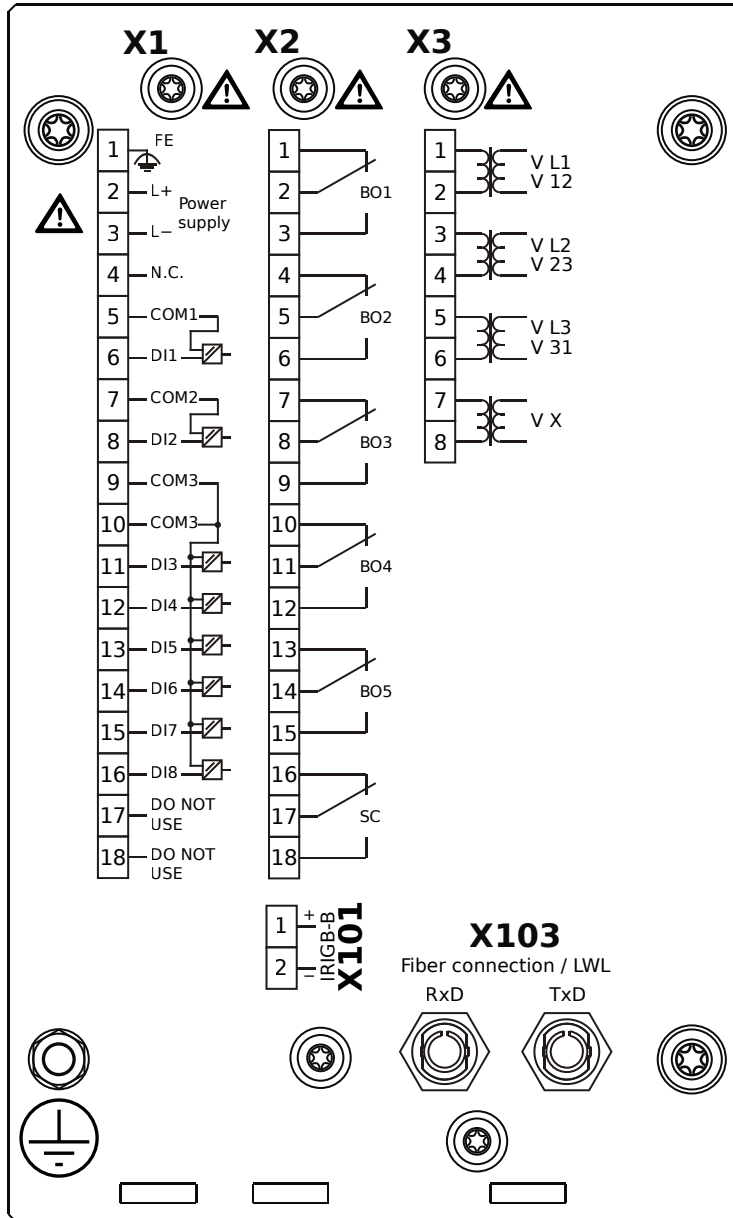
MRU4-2A0HCB



Housing B1, small display, door mounting

- X1** – DI8-X1: Wide-range power supply unit, incl. 2 non-grouped digital inputs and 6 grouped digital inputs
- X2** – OR5: Assembly Group with 5 Output Relays + 1 Supervision Contact
- X3** – TU: Card with 4 voltage transformer measuring inputs
- X100** – Modbus TCP / DNP3.0 TCP/UDP, Ethernet interface, 100 Mbit/s, RJ45 (BASE100-FX)
- X101** – IRIG-B00X

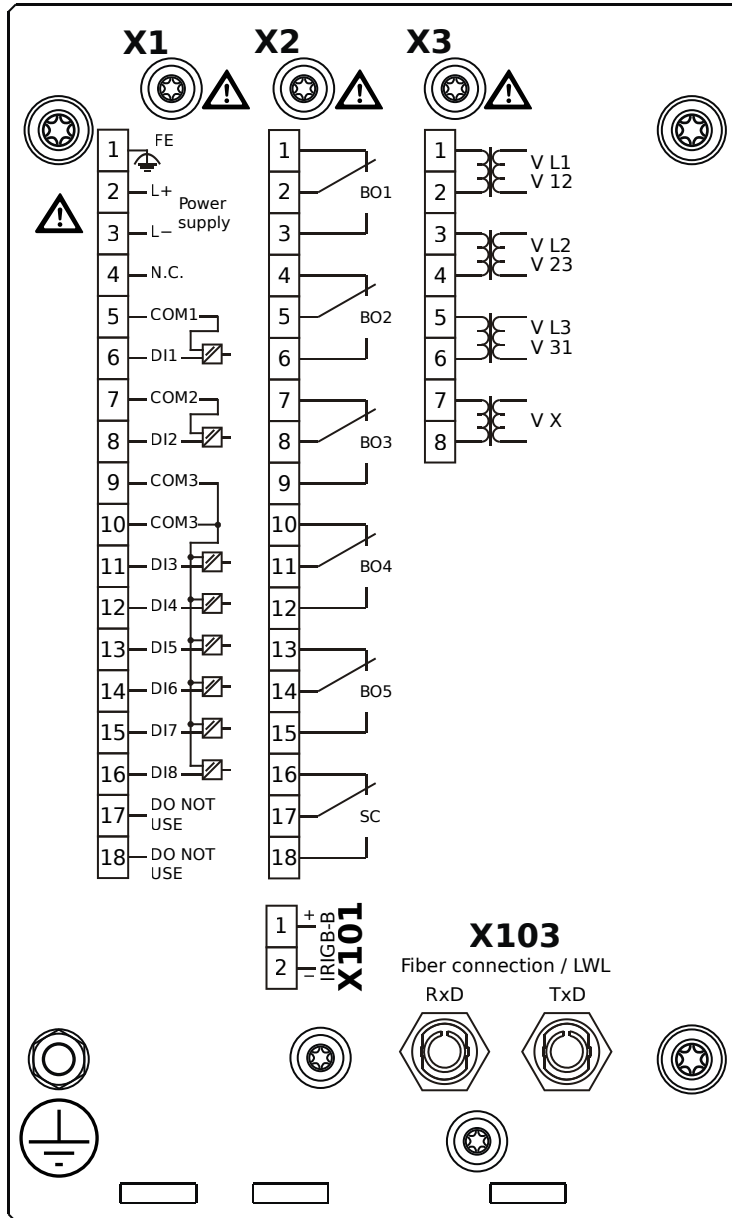
MRU4-2A0HDA



Housing B1, small display, door mounting

- X1** – DI8-X1: Wide-range power supply unit, incl. 2 non-grouped digital inputs and 6 grouped digital inputs
- X2** – OR5: Assembly Group with 5 Output Relays + 1 Supervision Contact
- X3** – TU: Card with 4 voltage transformer measuring inputs
- X101** – IRIG-B00X
- X103** – Profibus-DP, Fiber optics interface, ST Connector

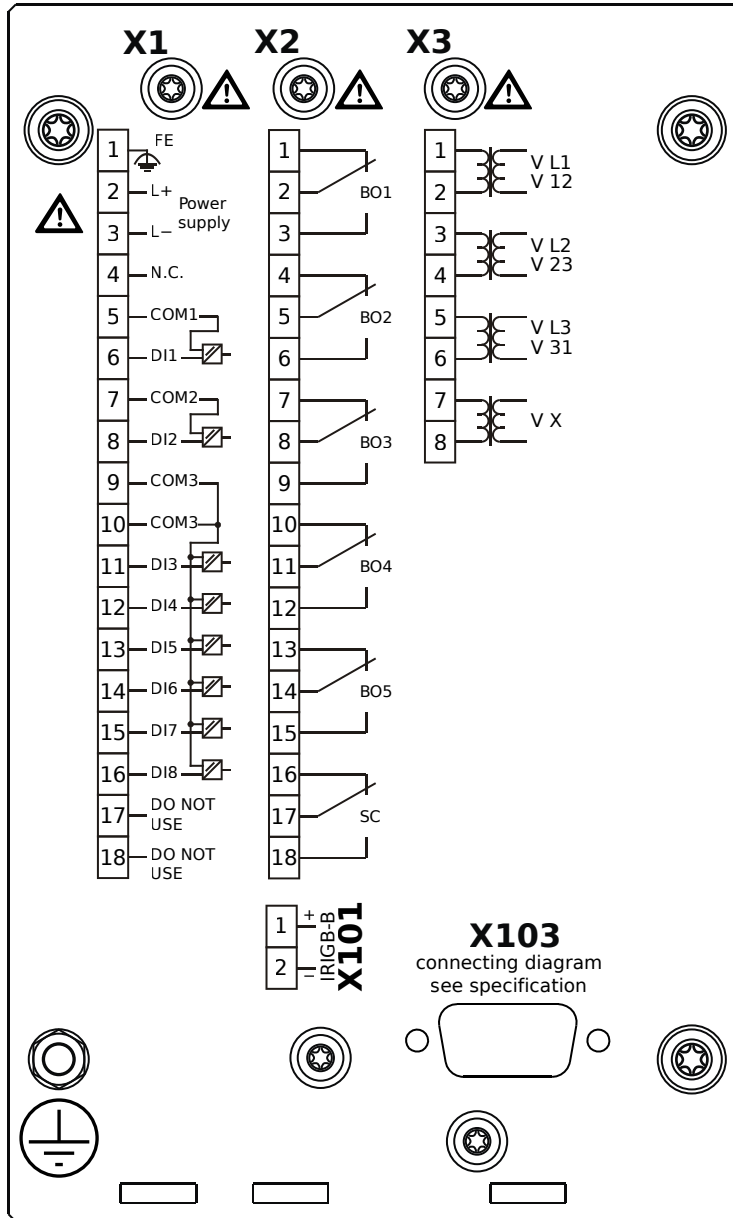
MRU4-2A0HDB



Housing B1, small display, door mounting

- X1** – DI8-X1: Wide-range power supply unit, incl. 2 non-grouped digital inputs and 6 grouped digital inputs
- X2** – OR5: Assembly Group with 5 Output Relays + 1 Supervision Contact
- X3** – TU: Card with 4 voltage transformer measuring inputs
- X101** – IRIG-B00X
- X103** – Profibus-DP, Fiber optics interface, ST Connector

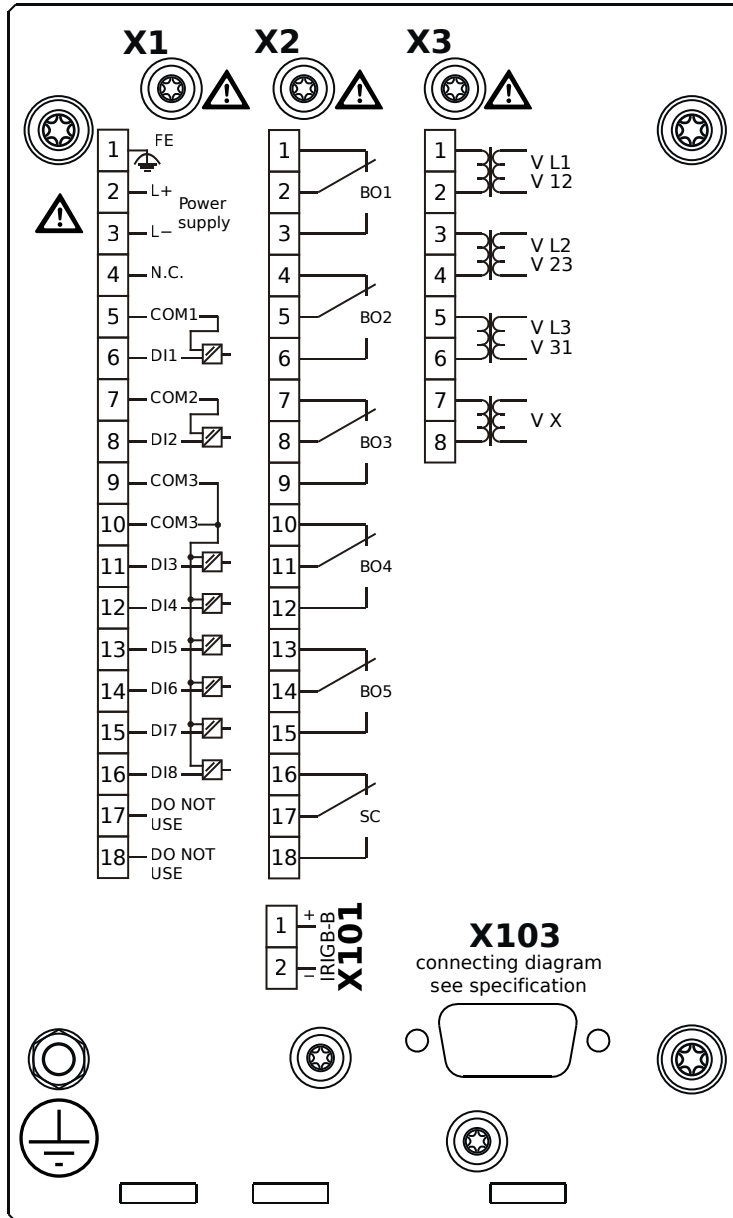
MRU4-2A0HEA



Housing B1, small display, door mounting

- X1** – DI8-X1: Wide-range power supply unit, incl. 2 non-grouped digital inputs and 6 grouped digital inputs
- X2** – OR5: Assembly Group with 5 Output Relays + 1 Supervision Contact
- X3** – TU: Card with 4 voltage transformer measuring inputs
- X101** – IRIG-B00X
- X103** – Profibus-DP, RS485, D-SUB

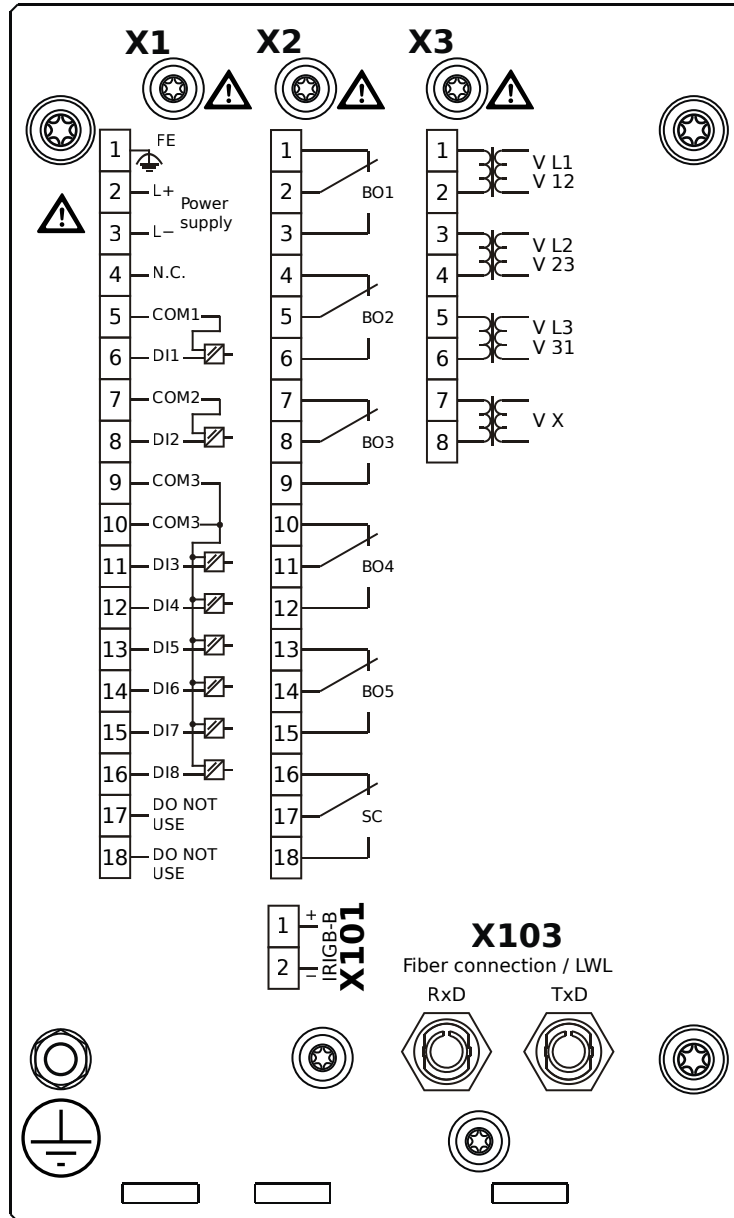
MRU4-2A0HEB



Housing B1, small display, door mounting

- X1** – DI8-X1: Wide-range power supply unit, incl. 2 non-grouped digital inputs and 6 grouped digital inputs
- X2** – OR5: Assembly Group with 5 Output Relays + 1 Supervision Contact
- X3** – TU: Card with 4 voltage transformer measuring inputs
- X101** – IRIG-B00X
- X103** – Profibus-DP, RS485, D-SUB

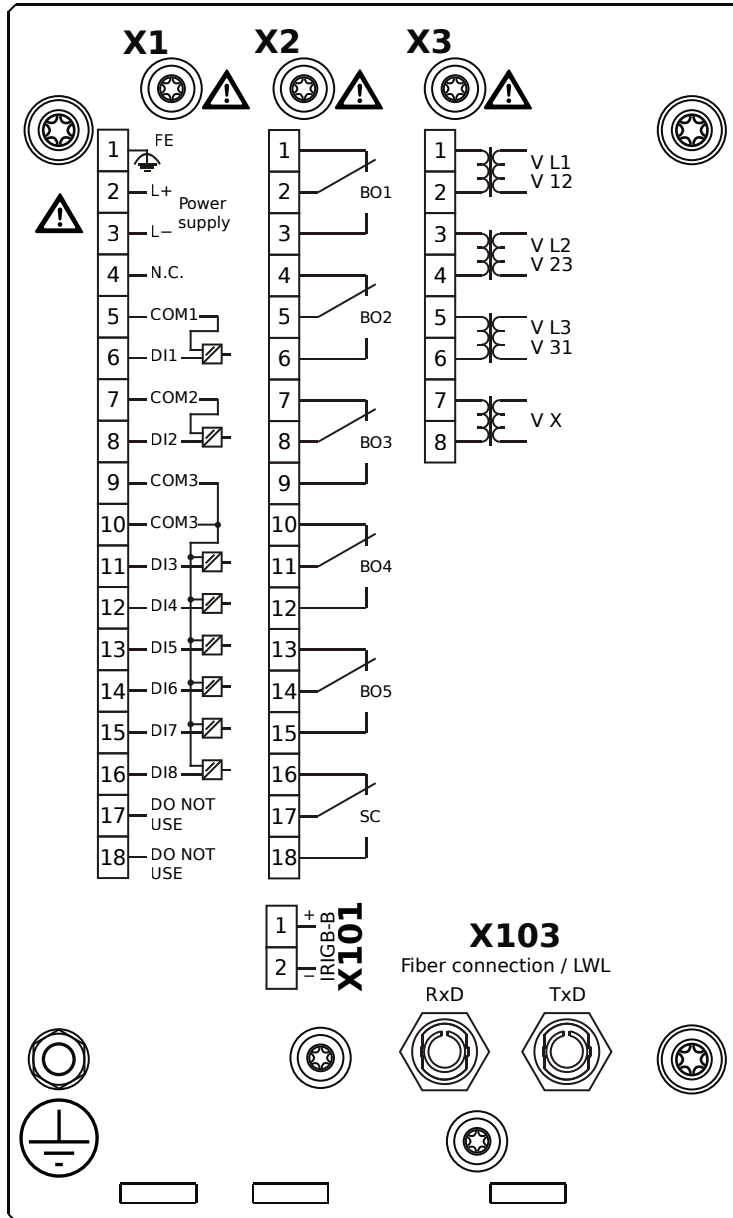
MRU4-2A0HFA



Housing B1, small display, door mounting

- X1** – DI8-X1: Wide-range power supply unit, incl. 2 non-grouped digital inputs and 6 grouped digital inputs
- X2** – OR5: Assembly Group with 5 Output Relays + 1 Supervision Contact
- X3** – TU: Card with 4 voltage transformer measuring inputs
- X101** – IRIG-B00X
- X103** – Modbus RTU / IEC 60870-5-103 / DNP3.0 RTU, Fiber optics interface, ST Connector

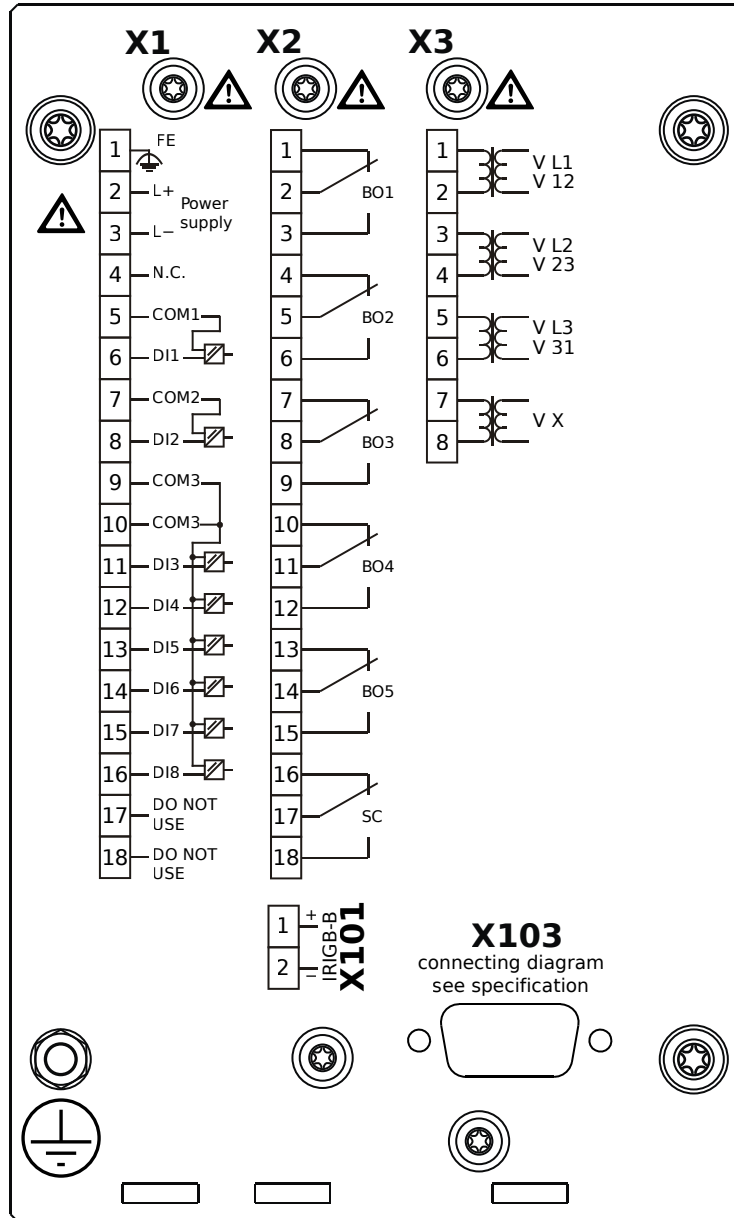
MRU4-2A0HFB



Housing B1, small display, door mounting

- X1** – DI8-X1: Wide-range power supply unit, incl. 2 non-grouped digital inputs and 6 grouped digital inputs
- X2** – OR5: Assembly Group with 5 Output Relays + 1 Supervision Contact
- X3** – TU: Card with 4 voltage transformer measuring inputs
- X101** – IRIG-B00X
- X103** – Modbus RTU / IEC 60870-5-103 / DNP3.0 RTU, Fiber optics interface, ST Connector

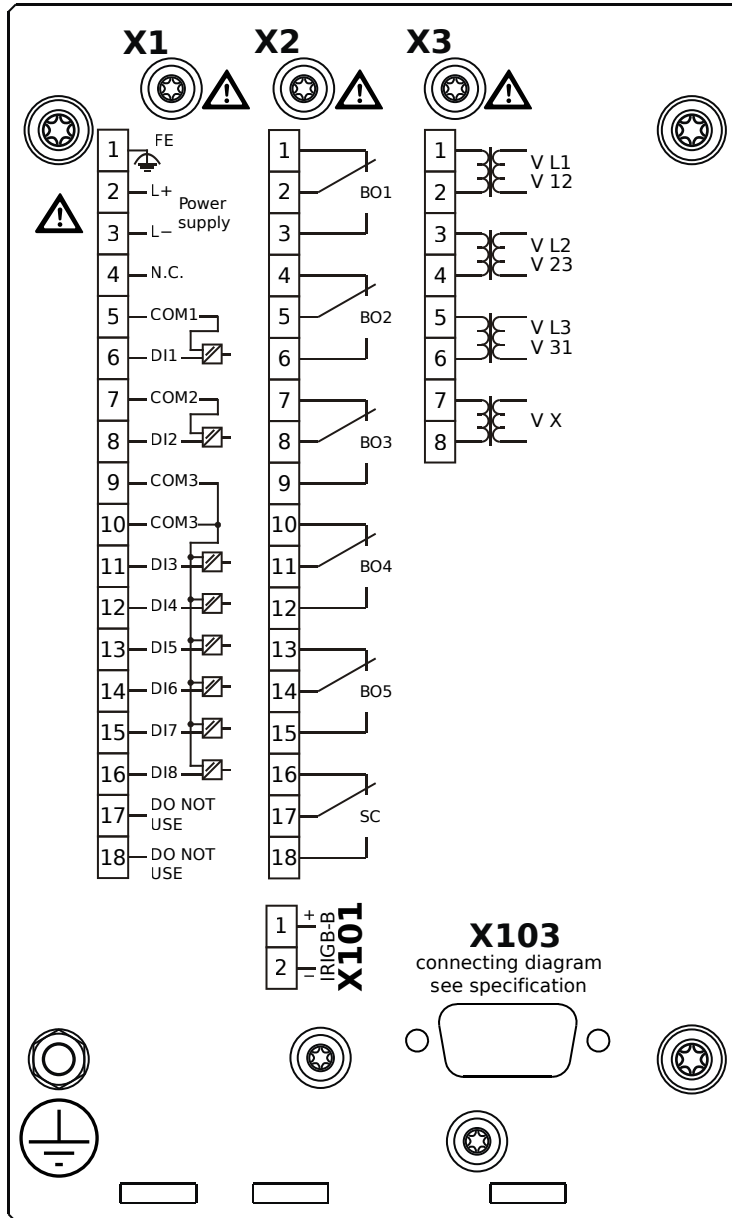
MRU4-2A0HGA



Housing B1, small display, door mounting

- X1** – DI8-X1: Wide-range power supply unit, incl. 2 non-grouped digital inputs and 6 grouped digital inputs
- X2** – OR5: Assembly Group with 5 Output Relays + 1 Supervision Contact
- X3** – TU: Card with 4 voltage transformer measuring inputs
- X101** – IRIG-B00X
- X103** – Modbus RTU / IEC 60870-5-103 / DNP3.0 RTU, RS485, D-SUB

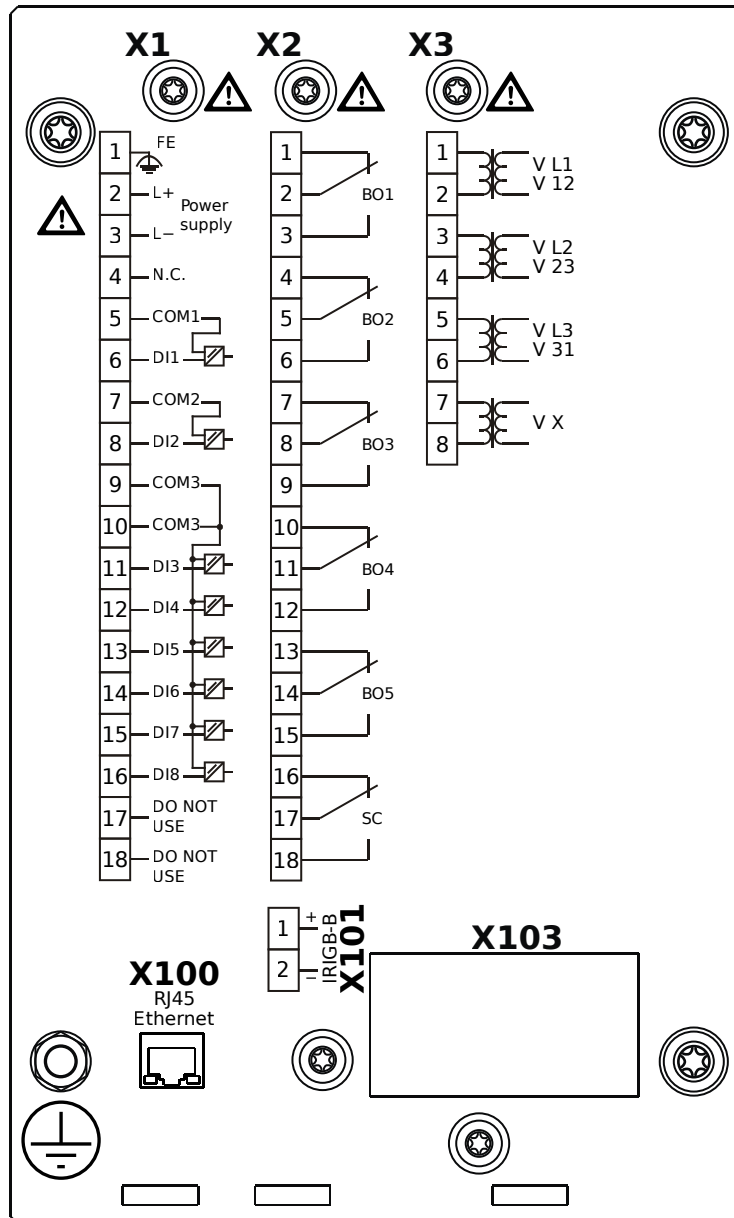
MRU4-2A0HGB



Housing B1, small display, door mounting

- X1** – DI8-X1: Wide-range power supply unit, incl. 2 non-grouped digital inputs and 6 grouped digital inputs
- X2** – OR5: Assembly Group with 5 Output Relays + 1 Supervision Contact
- X3** – TU: Card with 4 voltage transformer measuring inputs
- X101** – IRIG-B00X
- X103** – Modbus RTU / IEC 60870-5-103 / DNP3.0 RTU, RS485, D-SUB

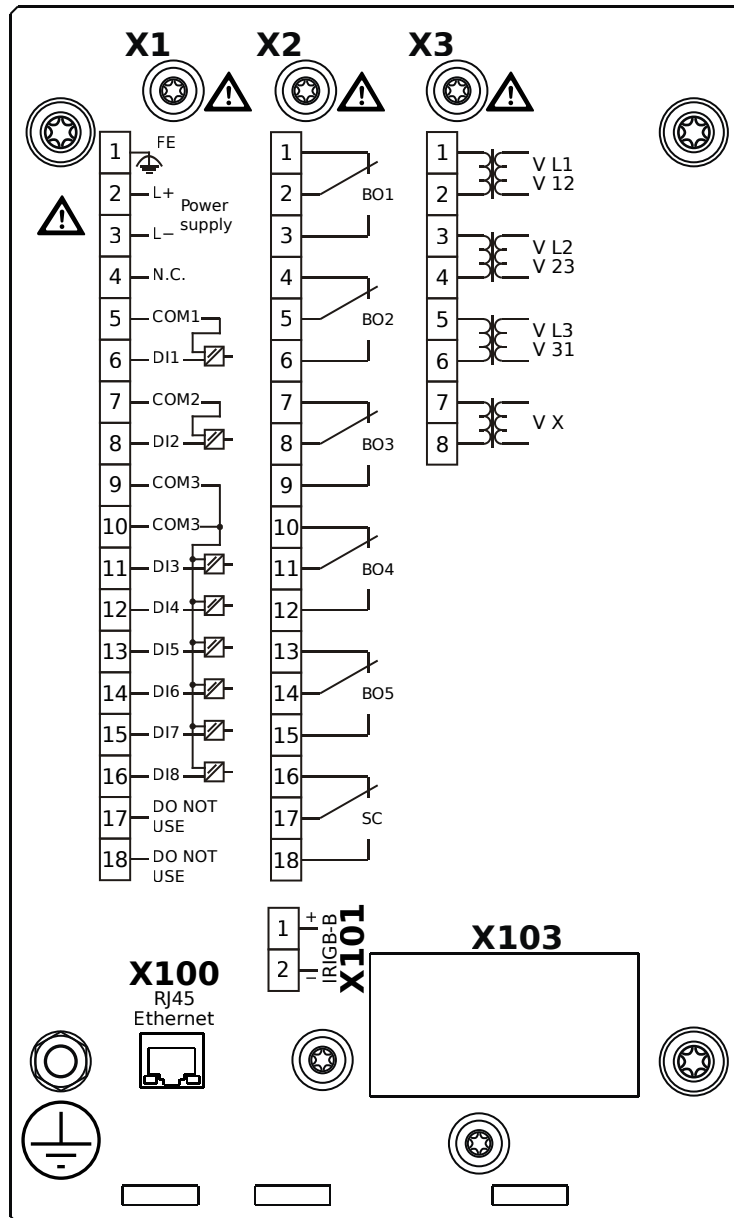
MRU4-2A0HHA



Housing B1, small display, door mounting

- X1** – DI8-X1: Wide-range power supply unit, incl. 2 non-grouped digital inputs and 6 grouped digital inputs
- X2** – OR5: Assembly Group with 5 Output Relays + 1 Supervision Contact
- X3** – TU: Card with 4 voltage transformer measuring inputs
- X100** – IEC 61850 / Modbus TCP / DNP3.0 TCP/UDP, Ethernet interface, 100 Mbit/s, RJ45 (BASE100-FX)
- X101** – IRIG-B00X

MRU4-2A0HHB



Housing B1, small display, door mounting

X1 – DI8-X1: Wide-range power supply unit, incl. 2 non-grouped digital inputs and 6 grouped digital inputs

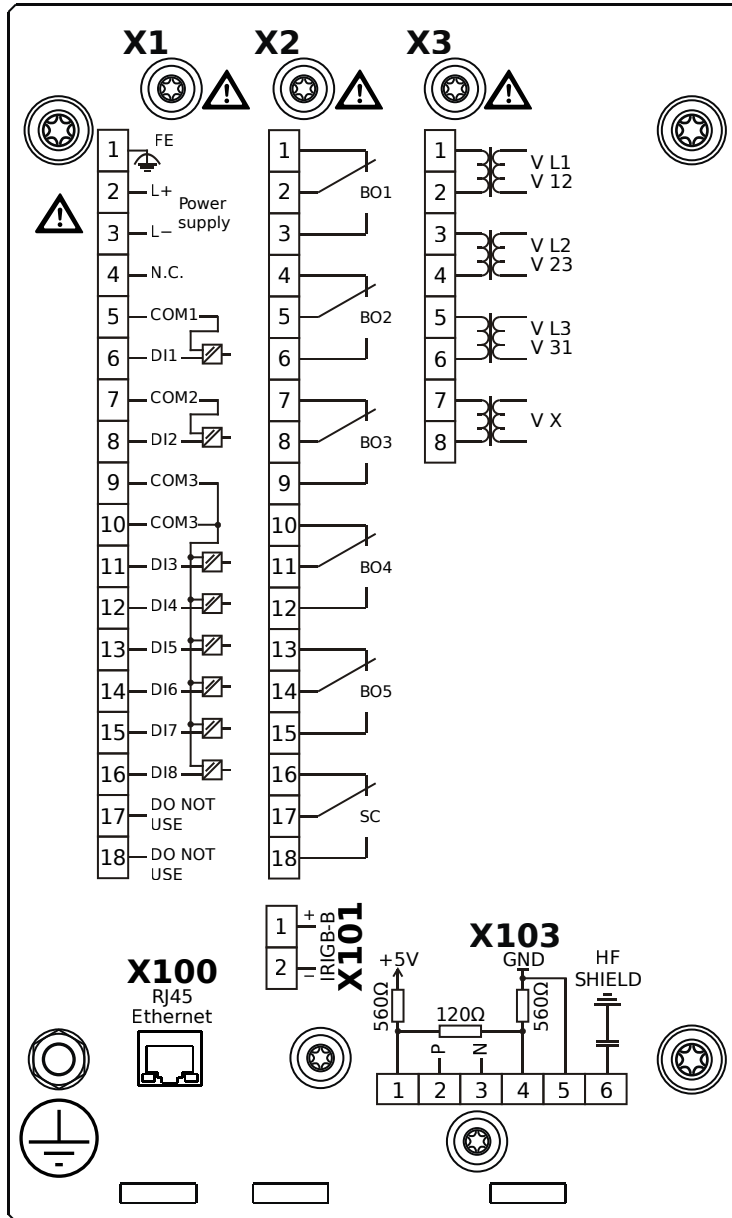
X2 – OR5: Assembly Group with 5 Output Relays + 1 Supervision Contact

X3 – TU: Card with 4 voltage transformer measuring inputs

X100 – IEC 61850 / Modbus TCP / DNP3.0 TCP/UDP, Ethernet interface, 100 Mbit/s, RJ45 (BASE100-FX)

X101 – IRIG-B00X

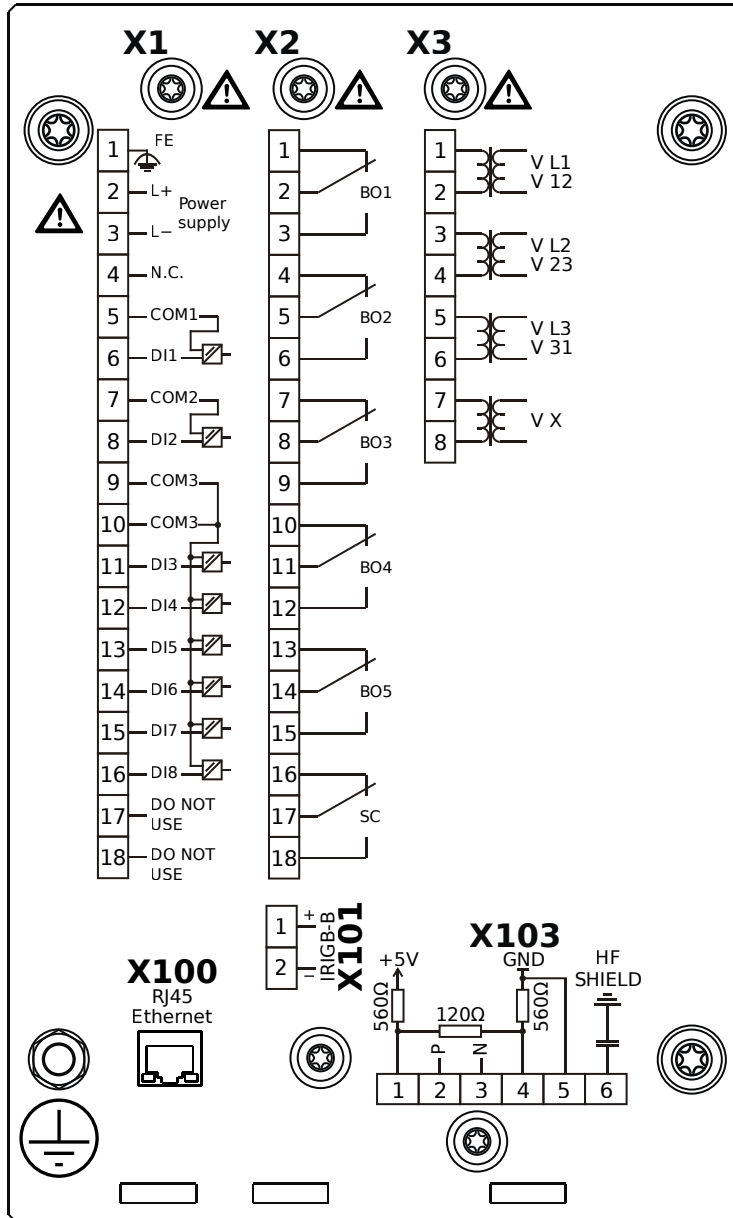
MRU4-2A0HIA



Housing B1, small display, door mounting

- X1** – DI8-X1: Wide-range power supply unit, incl. 2 non-grouped digital inputs and 6 grouped digital inputs
- X2** – OR5: Assembly Group with 5 Output Relays + 1 Supervision Contact
- X3** – TU: Card with 4 voltage transformer measuring inputs
- X100** – Modbus TCP / DNP3.0 TCP/UDP, Ethernet interface, 100 Mbit/s, RJ45 (BASE100-FX)
- X101** – IRIG-B00X
- X103** – IEC 60870-5-103 / Modbus RTU / DNP3.0 RTU, RS485, Terminals

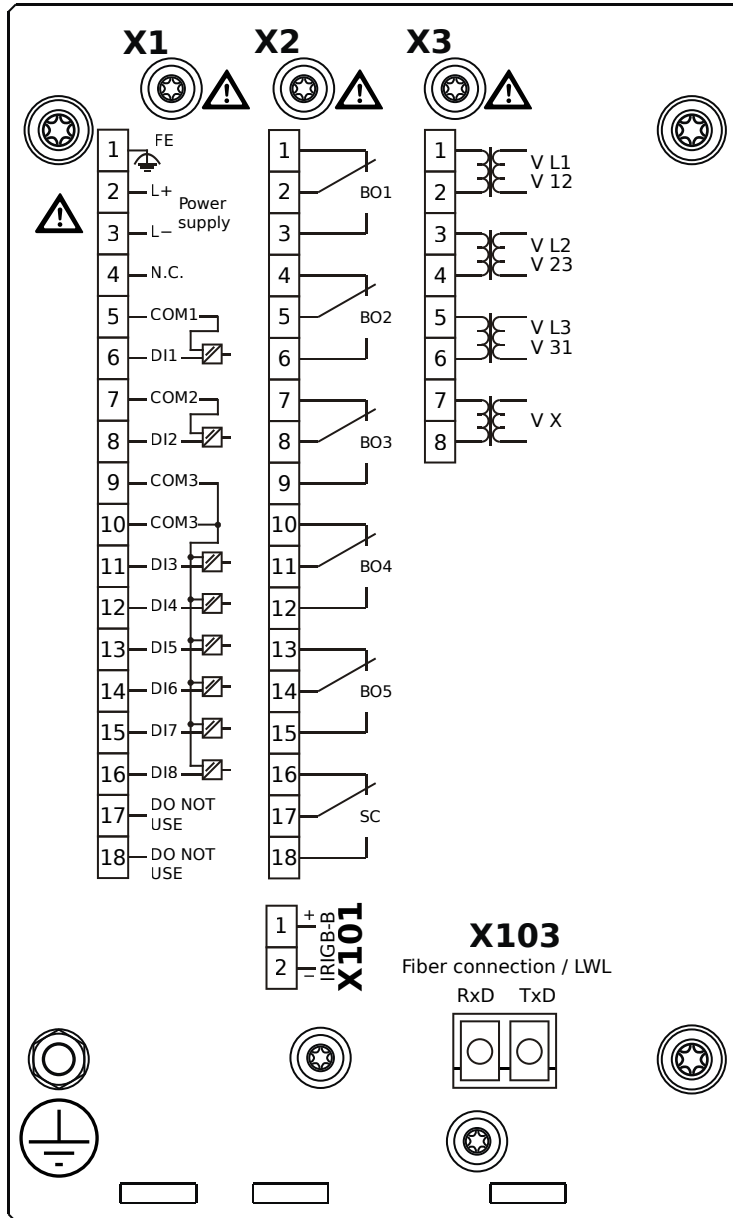
MRU4-2A0HIB



Housing B1, small display, door mounting

- X1** – DI8-X1: Wide-range power supply unit, incl. 2 non-grouped digital inputs and 6 grouped digital inputs
- X2** – OR5: Assembly Group with 5 Output Relays + 1 Supervision Contact
- X3** – TU: Card with 4 voltage transformer measuring inputs
- X100** – Modbus TCP / DNP3.0 TCP/UDP, Ethernet interface, 100 Mbit/s, RJ45 (BASE100-FX)
- X101** – IRIG-B00X
- X103** – IEC 60870-5-103 / Modbus RTU / DNP3.0 RTU, RS485, Terminals

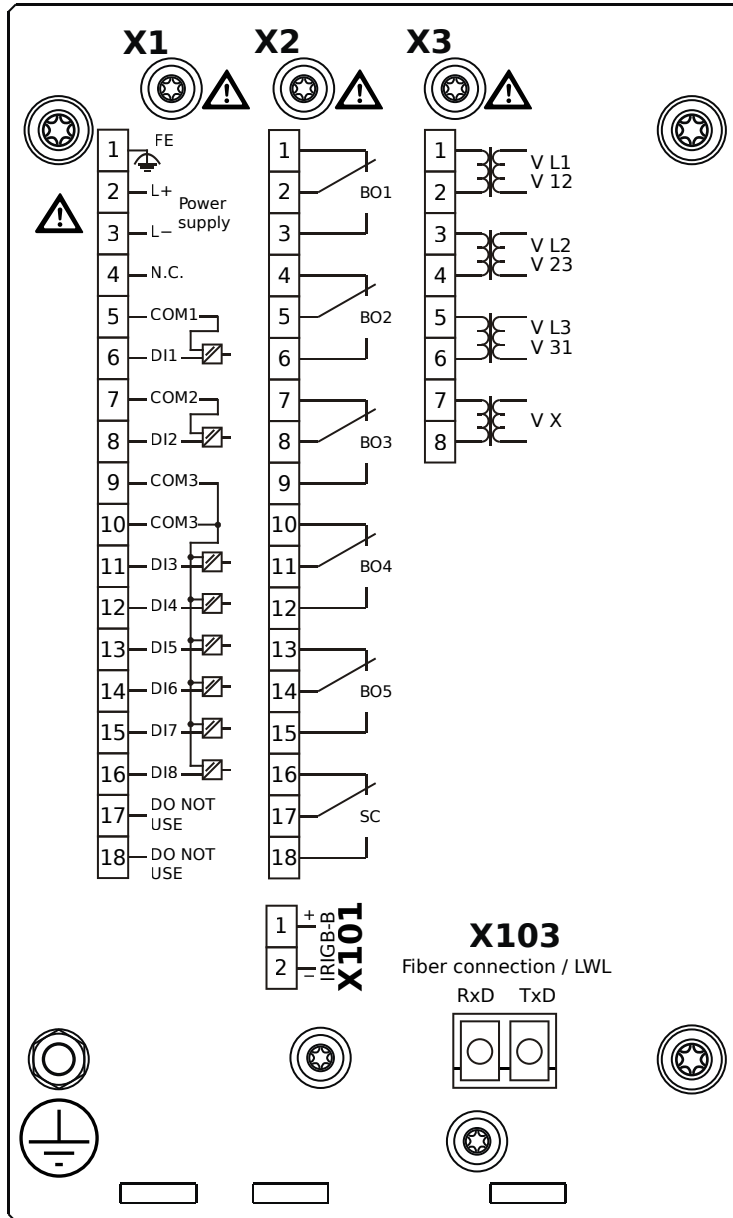
MRU4-2A0HKA



Housing B1, small display, door mounting

- X1** – DI8-X1: Wide-range power supply unit, incl. 2 non-grouped digital inputs and 6 grouped digital inputs
- X2** – OR5: Assembly Group with 5 Output Relays + 1 Supervision Contact
- X3** – TU: Card with 4 voltage transformer measuring inputs
- X101** – IRIG-B00X
- X103** – IEC 61850 / Modbus TCP / DNP3.0 TCP/UDP, Fiber optics interface, LC Connector

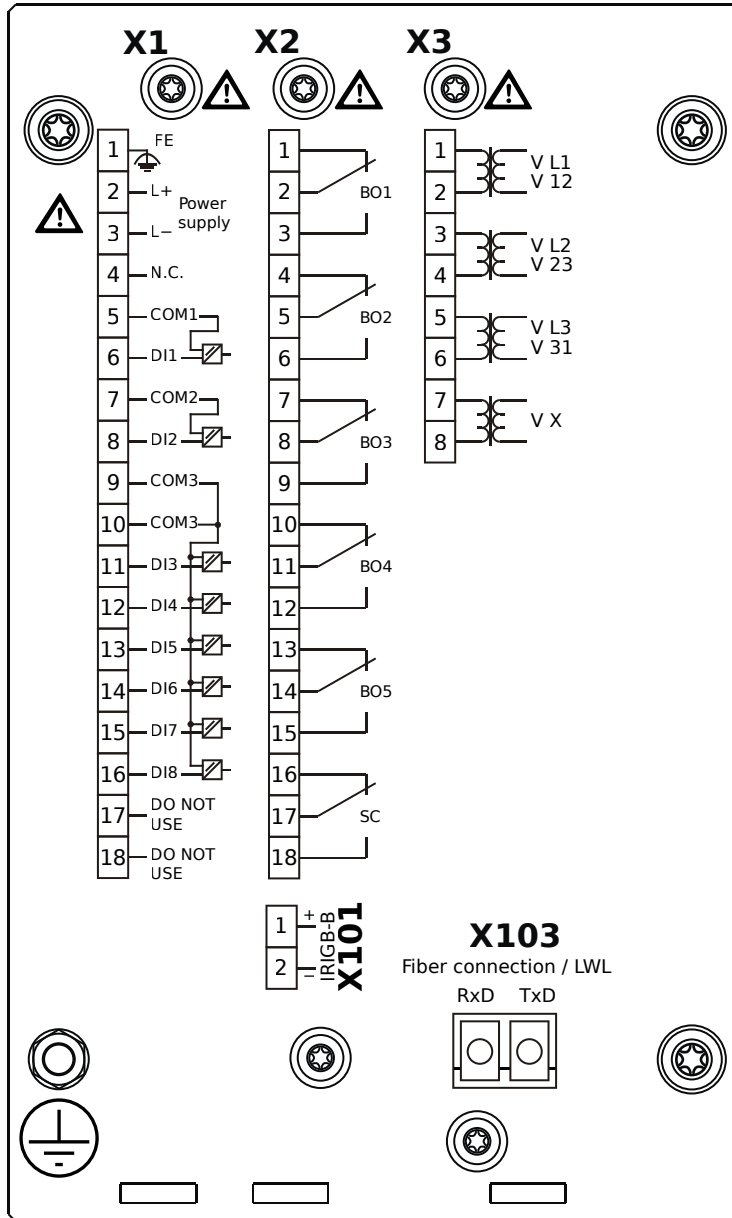
MRU4-2A0HKB



Housing B1, small display, door mounting

- X1** – DI8-X1: Wide-range power supply unit, incl. 2 non-grouped digital inputs and 6 grouped digital inputs
- X2** – OR5: Assembly Group with 5 Output Relays + 1 Supervision Contact
- X3** – TU: Card with 4 voltage transformer measuring inputs
- X101** – IRIG-B00X
- X103** – IEC 61850 / Modbus TCP / DNP3.0 TCP/UDP, Fiber optics interface, LC Connector

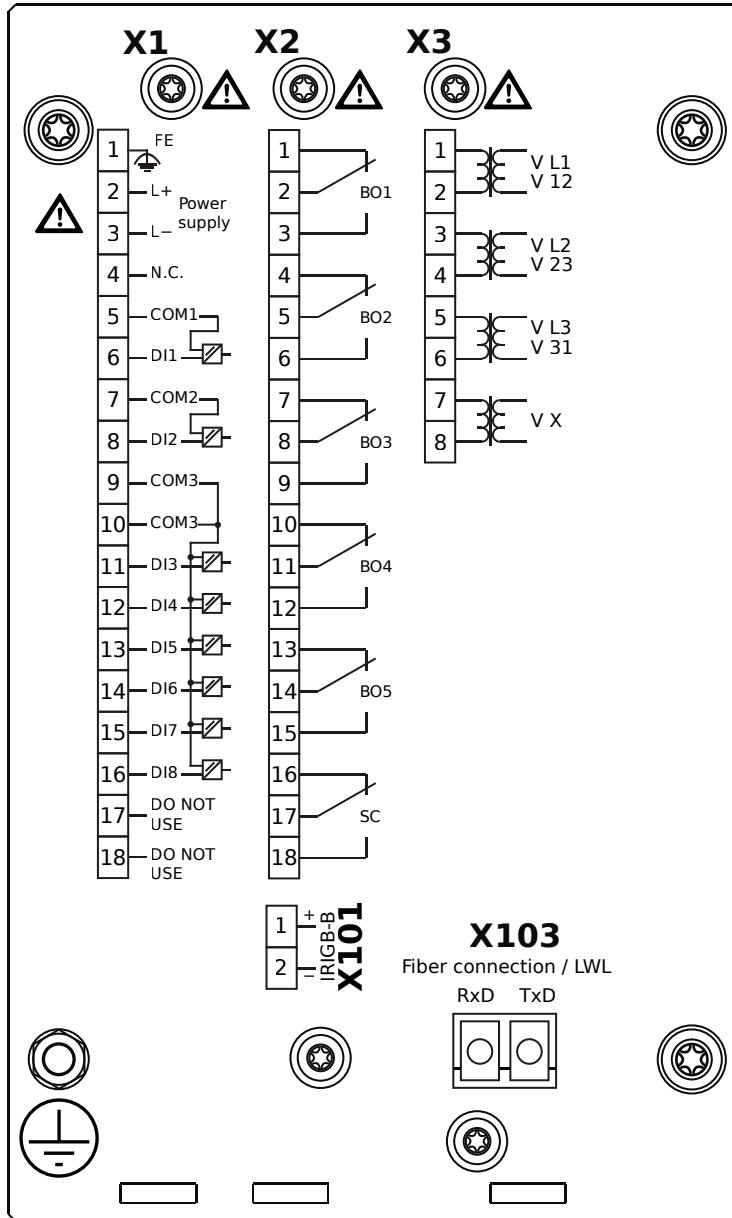
MRU4-2A0HLA



Housing B1, small display, door mounting

- X1** – DI8-X1: Wide-range power supply unit, incl. 2 non-grouped digital inputs and 6 grouped digital inputs
- X2** – OR5: Assembly Group with 5 Output Relays + 1 Supervision Contact
- X3** – TU: Card with 4 voltage transformer measuring inputs
- X101** – IRIG-B00X
- X103** – Modbus TCP / DNP3.0 TCP/UDP, Fiber optics interface, LC Connector

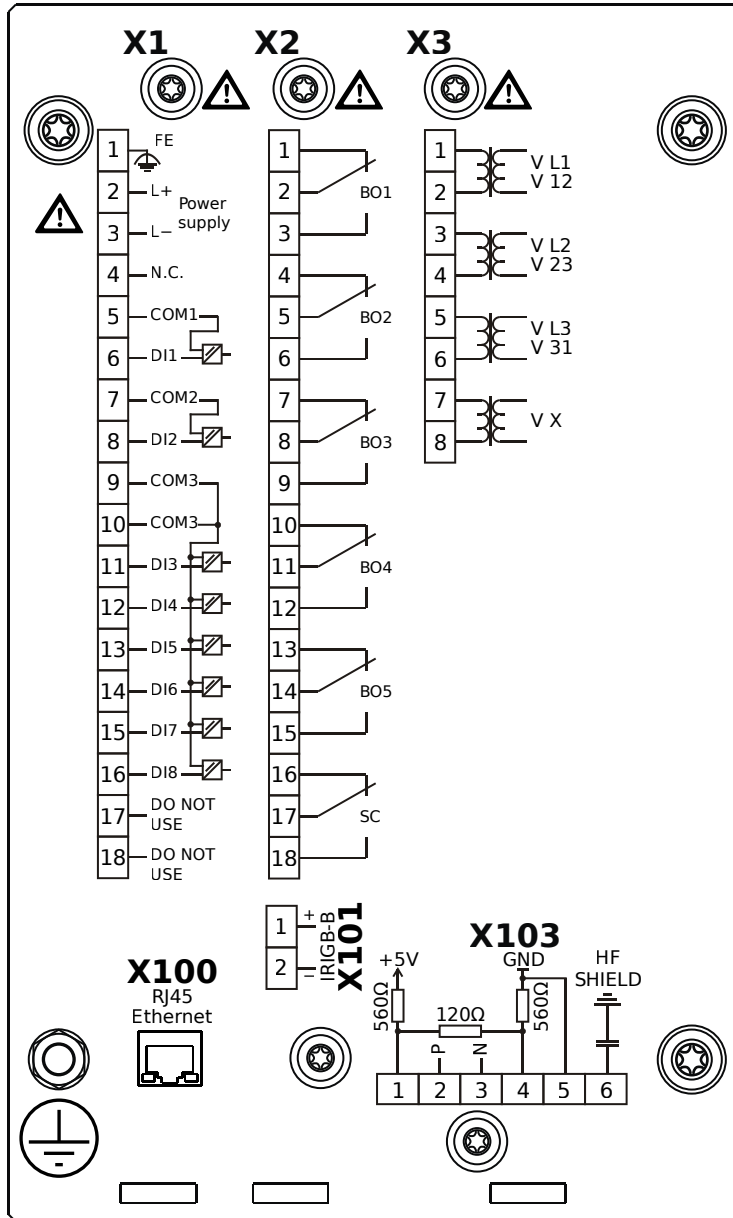
MRU4-2A0HLB



Housing B1, small display, door mounting

- X1** – DI8-X1: Wide-range power supply unit, incl. 2 non-grouped digital inputs and 6 grouped digital inputs
- X2** – OR5: Assembly Group with 5 Output Relays + 1 Supervision Contact
- X3** – TU: Card with 4 voltage transformer measuring inputs
- X101** – IRIG-B00X
- X103** – Modbus TCP / DNP3.0 TCP/UDP, Fiber optics interface, LC Connector

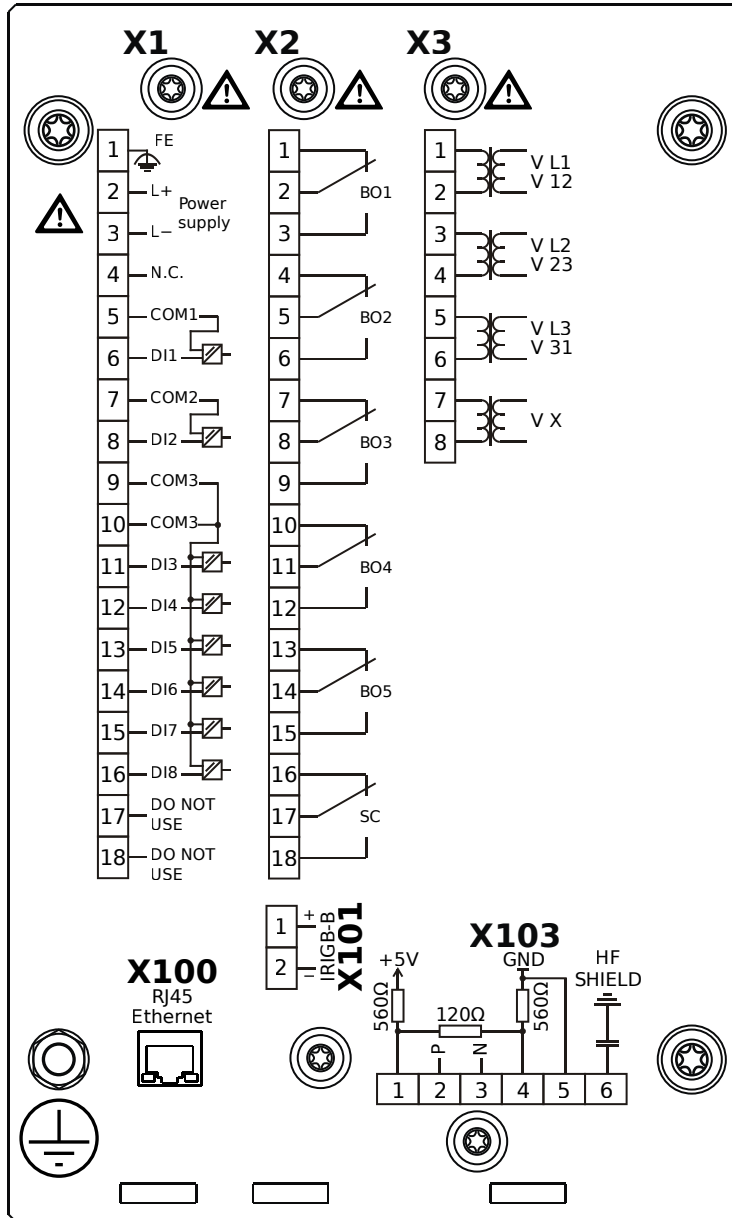
MRU4-2A0HTA



Housing B1, small display, door mounting

- X1** – DI8-X1: Wide-range power supply unit, incl. 2 non-grouped digital inputs and 6 grouped digital inputs
- X2** – OR5: Assembly Group with 5 Output Relays + 1 Supervision Contact
- X3** – TU: Card with 4 voltage transformer measuring inputs
- X100** – IEC 61850 / Modbus TCP / DNP3.0 TCP/UDP, Ethernet interface, 100 Mbit/s, RJ45 (BASE100-FX)
- X101** – IRIG-B00X
- X103** – IEC 60870-5-103 / Modbus RTU / DNP3.0 RTU, RS485, Terminals

MRU4-2A0HTB



Housing B1, small display, door mounting

- X1** – DI8-X1: Wide-range power supply unit, incl. 2 non-grouped digital inputs and 6 grouped digital inputs
- X2** – OR5: Assembly Group with 5 Output Relays + 1 Supervision Contact
- X3** – TU: Card with 4 voltage transformer measuring inputs
- X100** – IEC 61850 / Modbus TCP / DNP3.0 TCP/UDP, Ethernet interface, 100 Mbit/s, RJ45 (BASE100-FX)
- X101** – IRIG-B00X
- X103** – IEC 60870-5-103 / Modbus RTU / DNP3.0 RTU, RS485, Terminals