

WIRING DIAGRAMS

High **PROTEC** | PROTECTION TECHNOLOGY
MADE SIMPLE

MRU4 | Voltage Relay

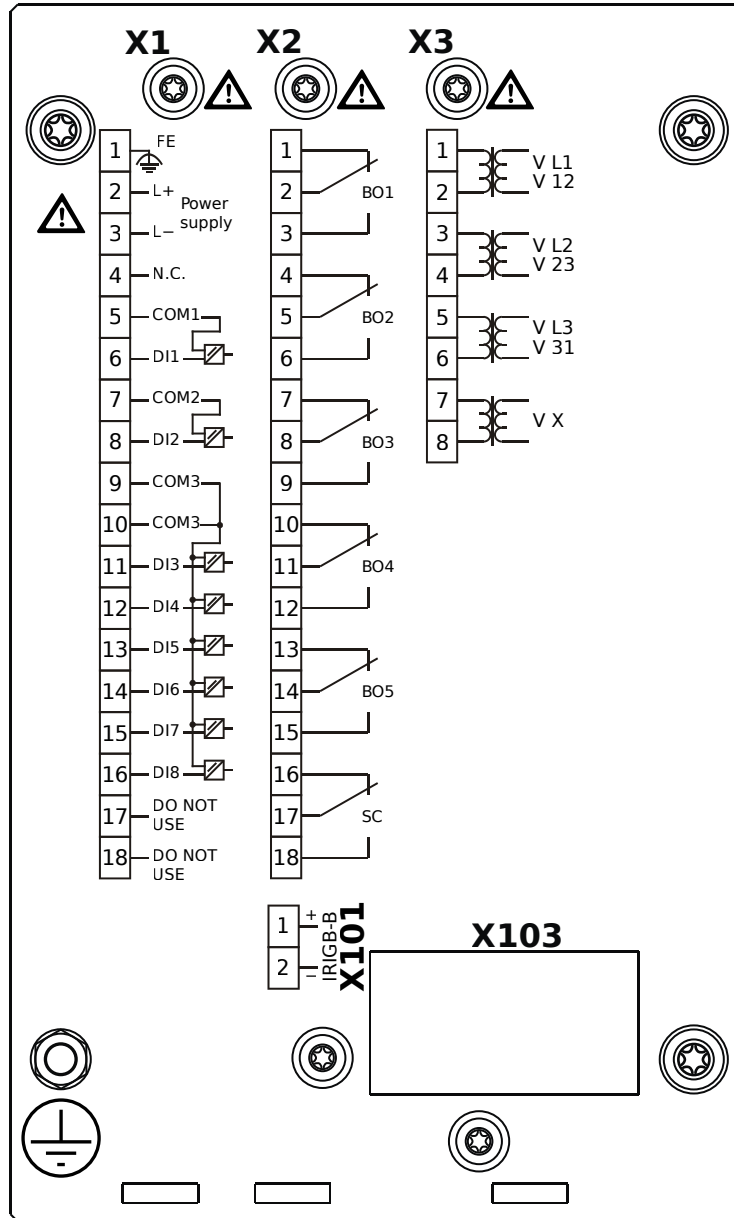
Version: 3.7

Original document

English

This document does not replace the Technical Manual.

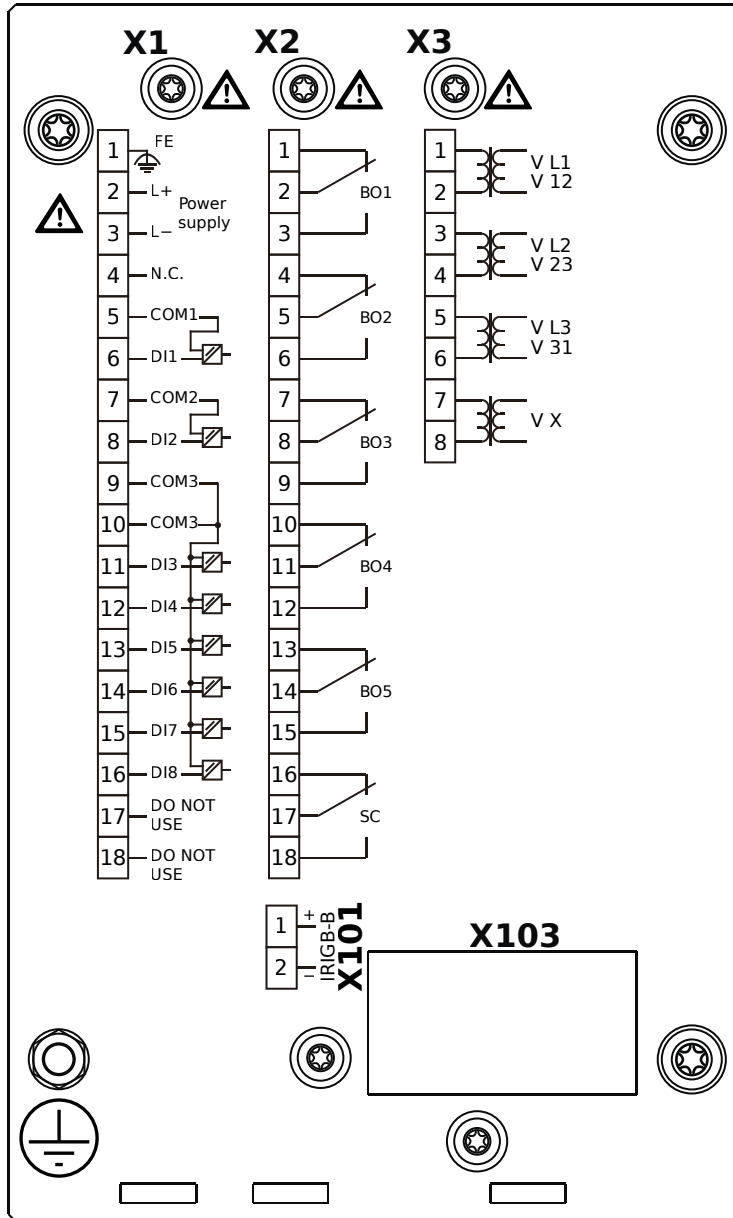
MRU4-2A0AAA



Housing B1, small display, door mounting

- X1** – DI8-X1: Wide-range power supply unit, incl. 2 non-grouped digital inputs and 6 grouped digital inputs
- X2** – OR5: Assembly Group with 5 Output Relays + 1 Supervision Contact
- X3** – TU: Card with 4 voltage transformer measuring inputs
- X101** – IRIG-B00X

MRU4-2A0AAB



Housing B1, small display, door mounting

+ Conformal Coating (for installations in harsh environment)

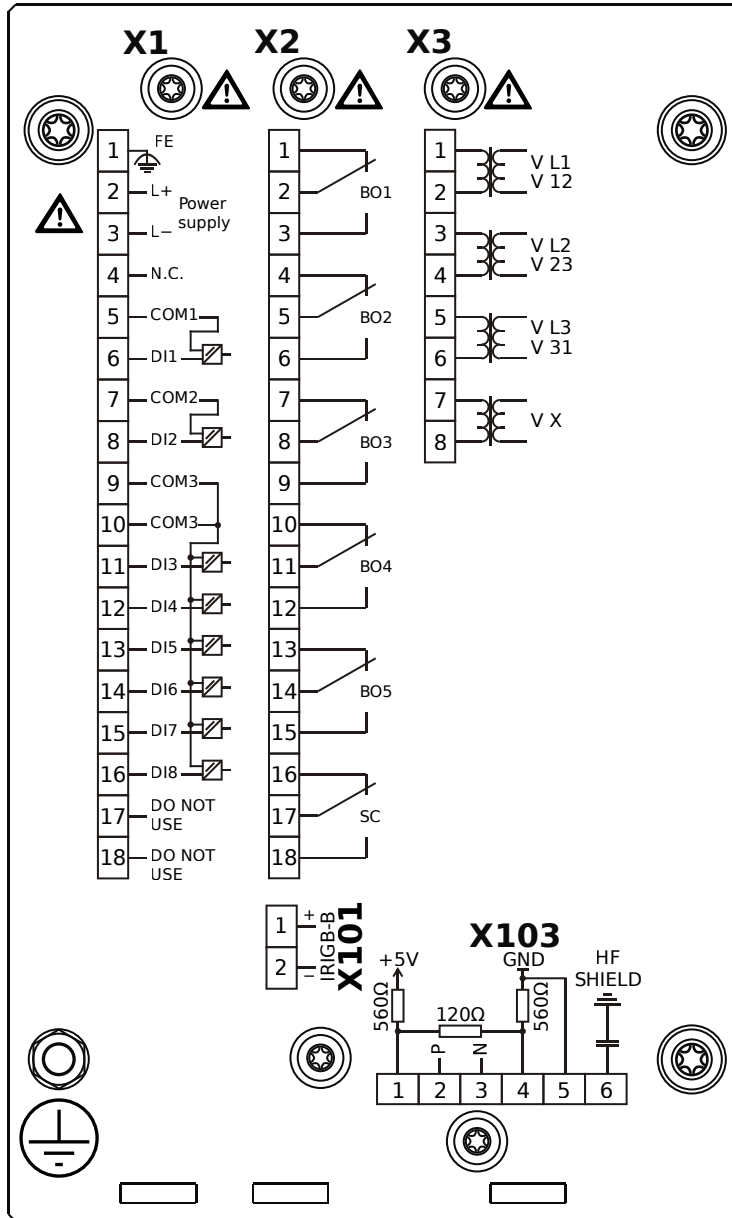
X1 – DI8-X1: Wide-range power supply unit, incl. 2 non-grouped digital inputs and 6 grouped digital inputs

X2 – OR5: Assembly Group with 5 Output Relays + 1 Supervision Contact

X3 – TU: Card with 4 voltage transformer measuring inputs

X101 – IRIG-B00X

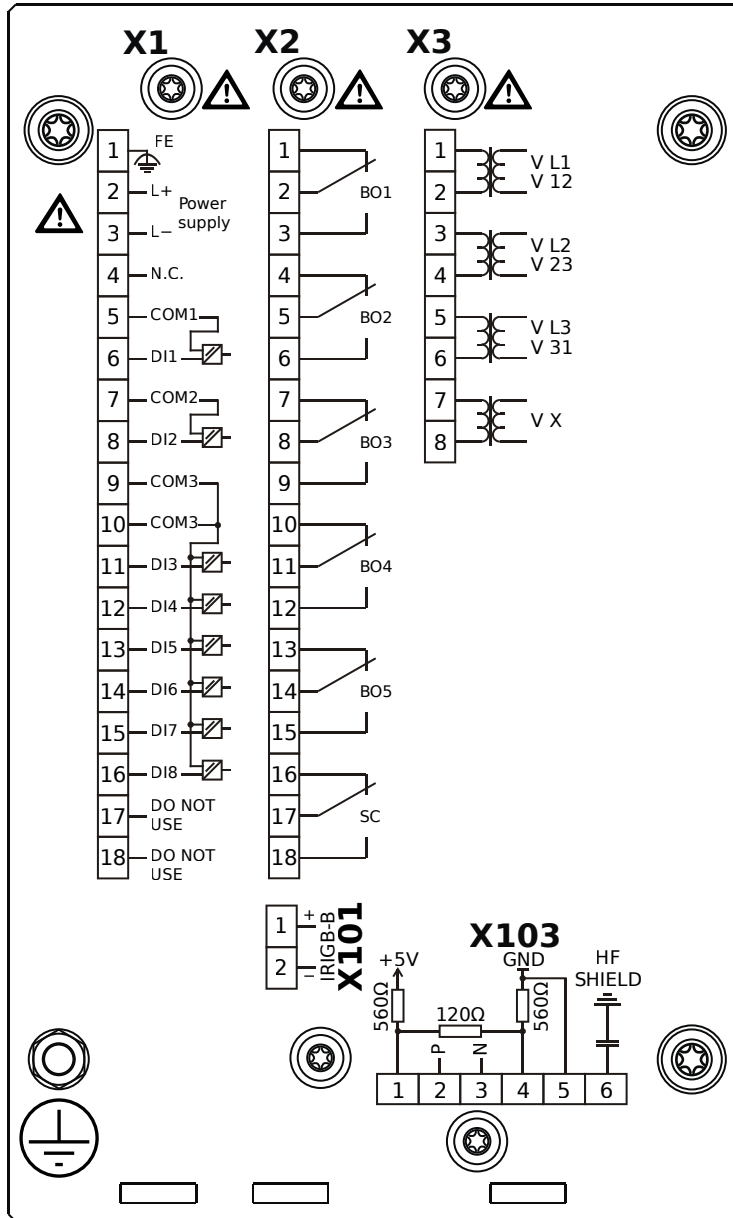
MRU4-2A0ABA



Housing B1, small display, door mounting

- X1** – DI8-X1: Wide-range power supply unit, incl. 2 non-grouped digital inputs and 6 grouped digital inputs
- X2** – OR5: Assembly Group with 5 Output Relays + 1 Supervision Contact
- X3** – TU: Card with 4 voltage transformer measuring inputs
- X101** – IRIG-B00X
- X103** – Modbus RTU / IEC 60870-5-103 / DNP3.0 RTU, RS485, Terminals

MRU4-2A0ABB



Housing B1, small display, door mounting

+ Conformal Coating (for installations in harsh environment)

X1 – DI8-X1: Wide-range power supply unit, incl. 2 non-grouped digital inputs and 6 grouped digital inputs

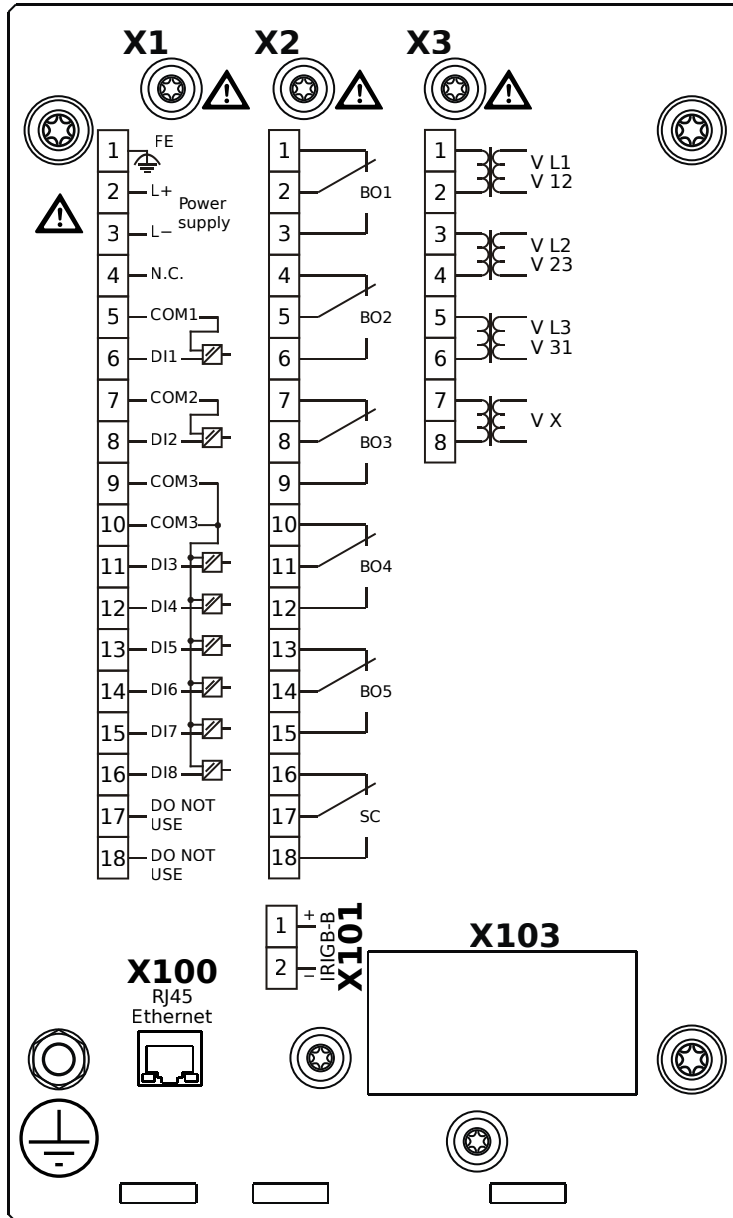
X2 – OR5: Assembly Group with 5 Output Relays + 1 Supervision Contact

X3 – TU: Card with 4 voltage transformer measuring inputs

X101 – IRIG-B00X

X103 – Modbus RTU / IEC 60870-5-103 / DNP3.0 RTU, RS485, Terminals

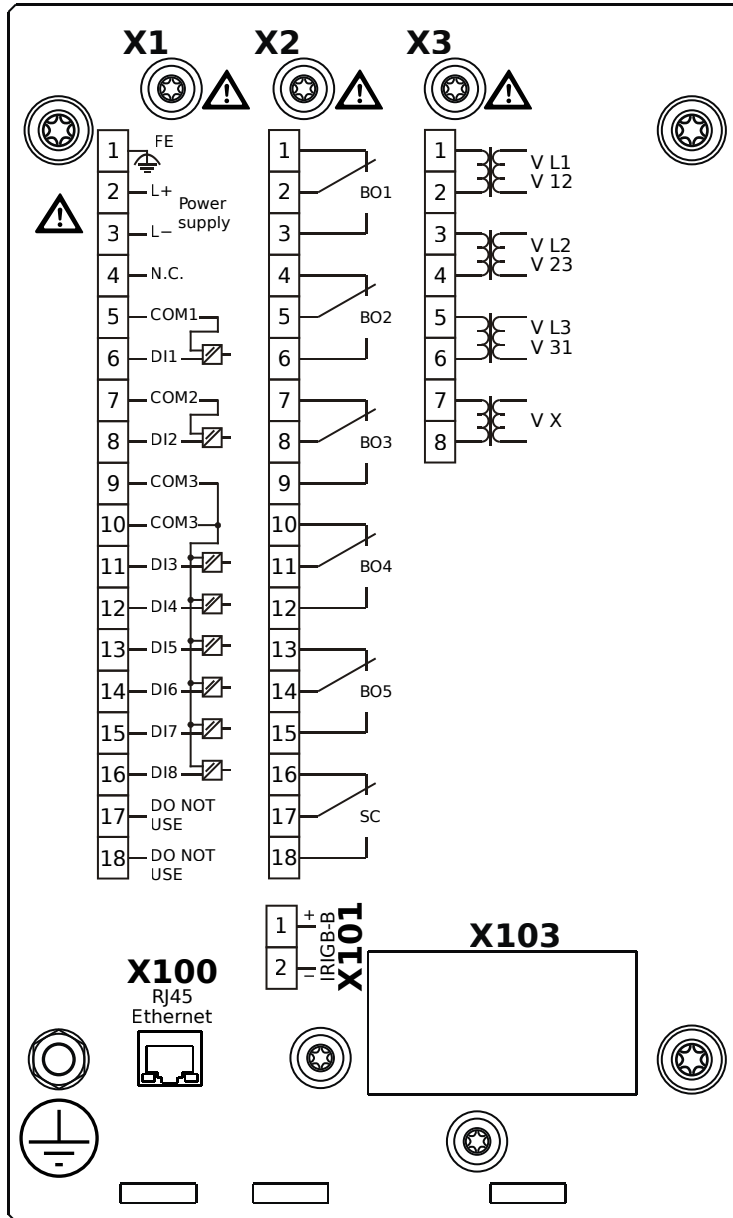
MRU4-2A0ACA



Housing B1, small display, door mounting

- X1** – DI8-X1: Wide-range power supply unit, incl. 2 non-grouped digital inputs and 6 grouped digital inputs
- X2** – OR5: Assembly Group with 5 Output Relays + 1 Supervision Contact
- X3** – TU: Card with 4 voltage transformer measuring inputs
- X100** – Modbus TCP / DNP3.0 TCP/UDP, Ethernet interface, 100 Mbit/s, RJ45 (BASE100-FX)
- X101** – IRIG-B00X

MRU4-2A0ACB



Housing B1, small display, door mounting

+ Conformal Coating (for installations in harsh environment)

X1 – DI8-X1: Wide-range power supply unit, incl. 2 non-grouped digital inputs and 6 grouped digital inputs

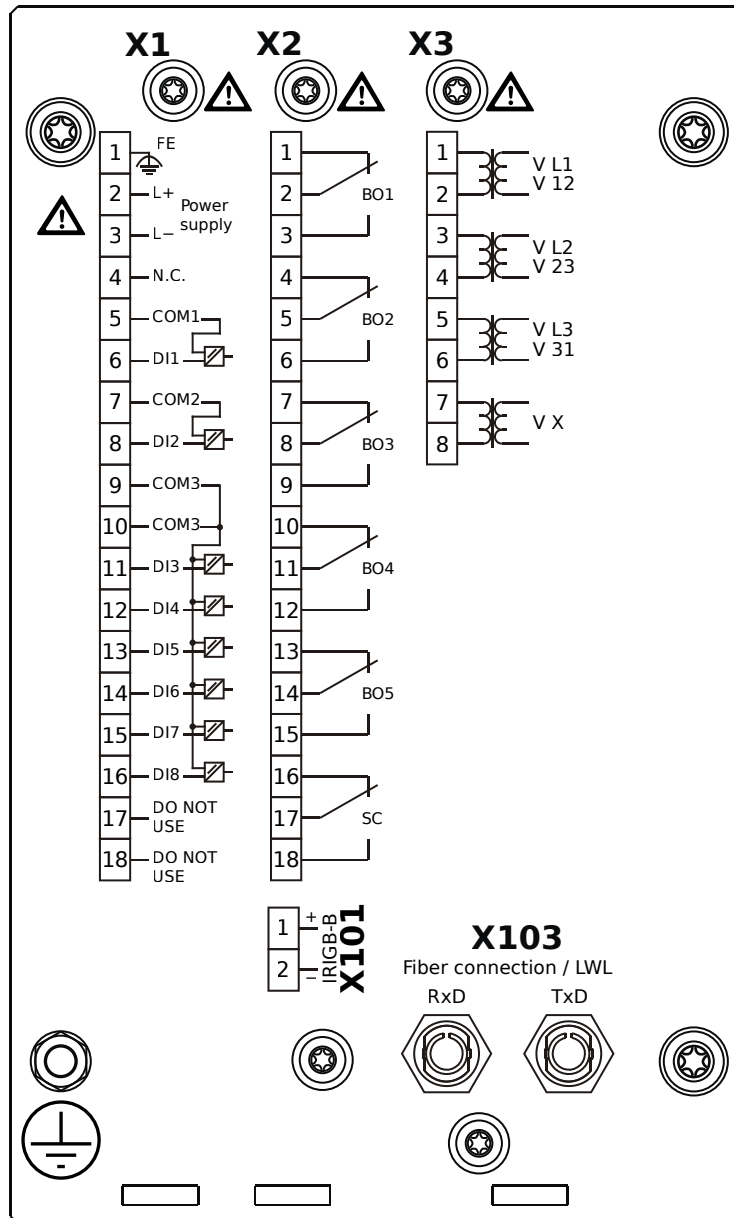
X2 – OR5: Assembly Group with 5 Output Relays + 1 Supervision Contact

X3 – TU: Card with 4 voltage transformer measuring inputs

X100 – Modbus TCP / DNP3.0 TCP/UDP, Ethernet interface, 100 Mbit/s, RJ45 (BASE100-FX)

X101 – IRIG-B00X

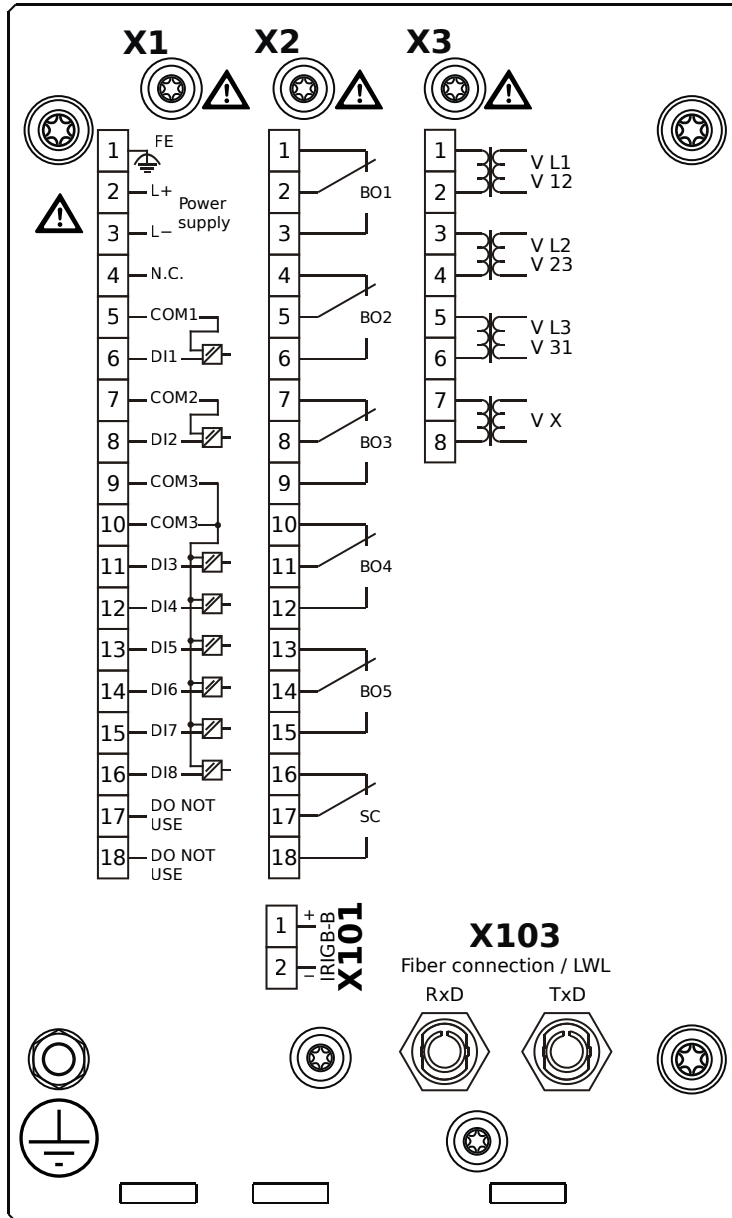
MRU4-2A0ADA



Housing B1, small display, door mounting

- X1** – DI8-X1: Wide-range power supply unit, incl. 2 non-grouped digital inputs and 6 grouped digital inputs
- X2** – OR5: Assembly Group with 5 Output Relays + 1 Supervision Contact
- X3** – TU: Card with 4 voltage transformer measuring inputs
- X101** – IRIG-B00X
- X103** – Profibus-DP, Fiber optics interface, ST Connector

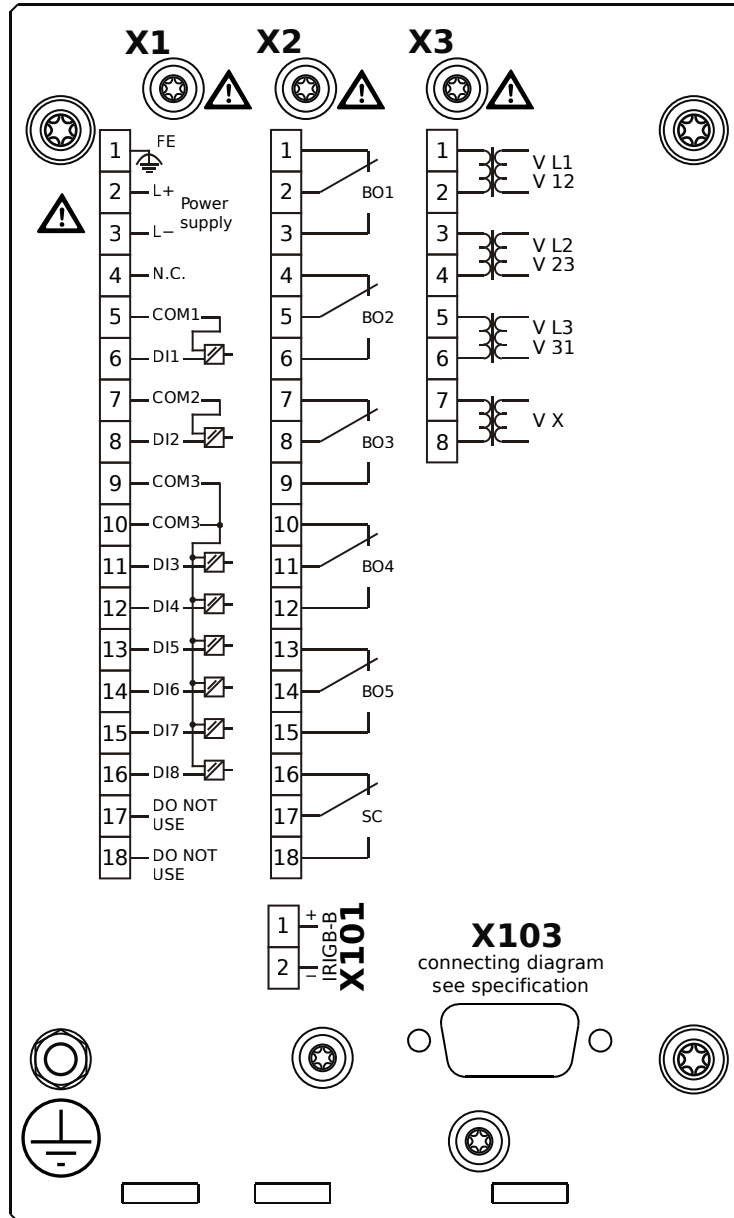
MRU4-2A0ADB



Housing B1, small display, door mounting

- + Conformal Coating (for installations in harsh environment)
- X1** – DI8-X1: Wide-range power supply unit, incl. 2 non-grouped digital inputs and 6 grouped digital inputs
- X2** – OR5: Assembly Group with 5 Output Relays + 1 Supervision Contact
- X3** – TU: Card with 4 voltage transformer measuring inputs
- X101** – IRIG-B00X
- X103** – Profibus-DP, Fiber optics interface, ST Connector

MRU4-2A0AEA



Housing B1, small display, door mounting

X1 – DI8-X1: Wide-range power supply unit, incl. 2 non-grouped digital inputs and 6 grouped digital inputs

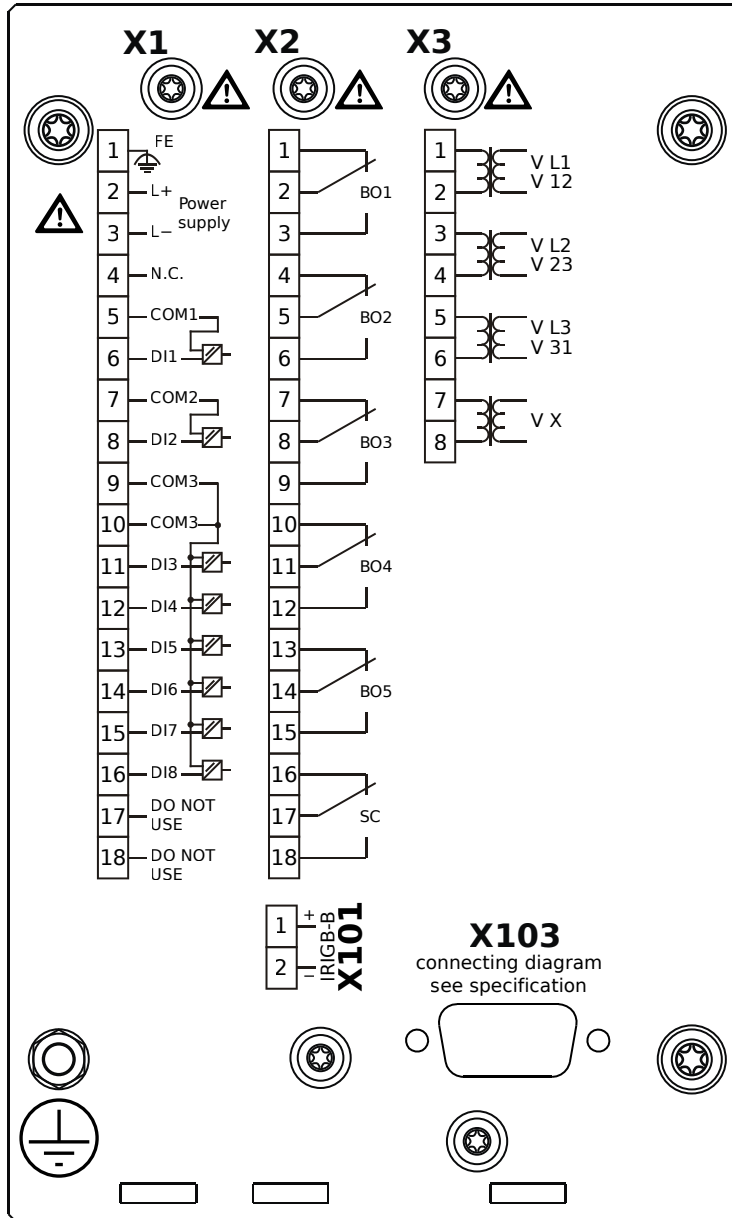
X2 – OR5: Assembly Group with 5 Output Relays + 1 Supervision Contact

X3 – TU: Card with 4 voltage transformer measuring inputs

X101 – IRIG-B00X

X103 – Profibus-DP, RS485, D-SUB

MRU4-2A0AEB



Housing B1, small display, door mounting

+ Conformal Coating (for installations in harsh environment)

X1 – DI8-X1: Wide-range power supply unit, incl. 2 non-grouped digital inputs and 6 grouped digital inputs

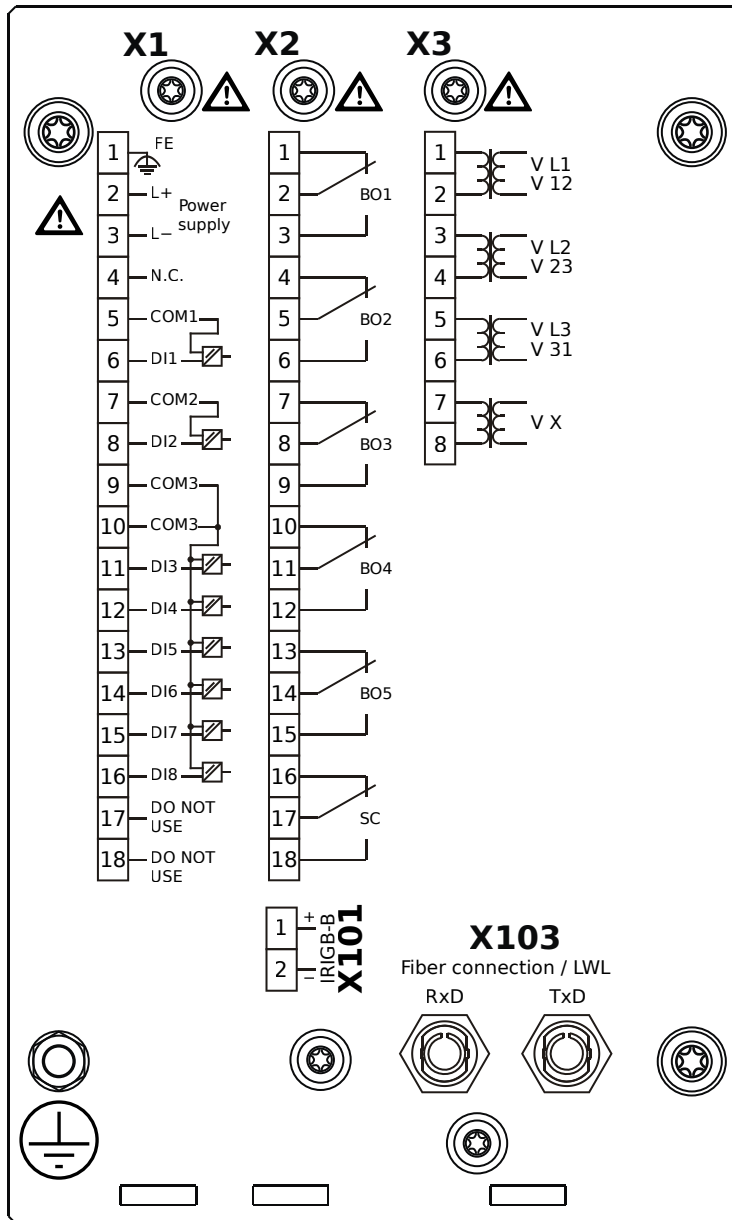
X2 – OR5: Assembly Group with 5 Output Relays + 1 Supervision Contact

X3 – TU: Card with 4 voltage transformer measuring inputs

X101 – IRIG-B00X

X103 – Profibus-DP, RS485, D-SUB

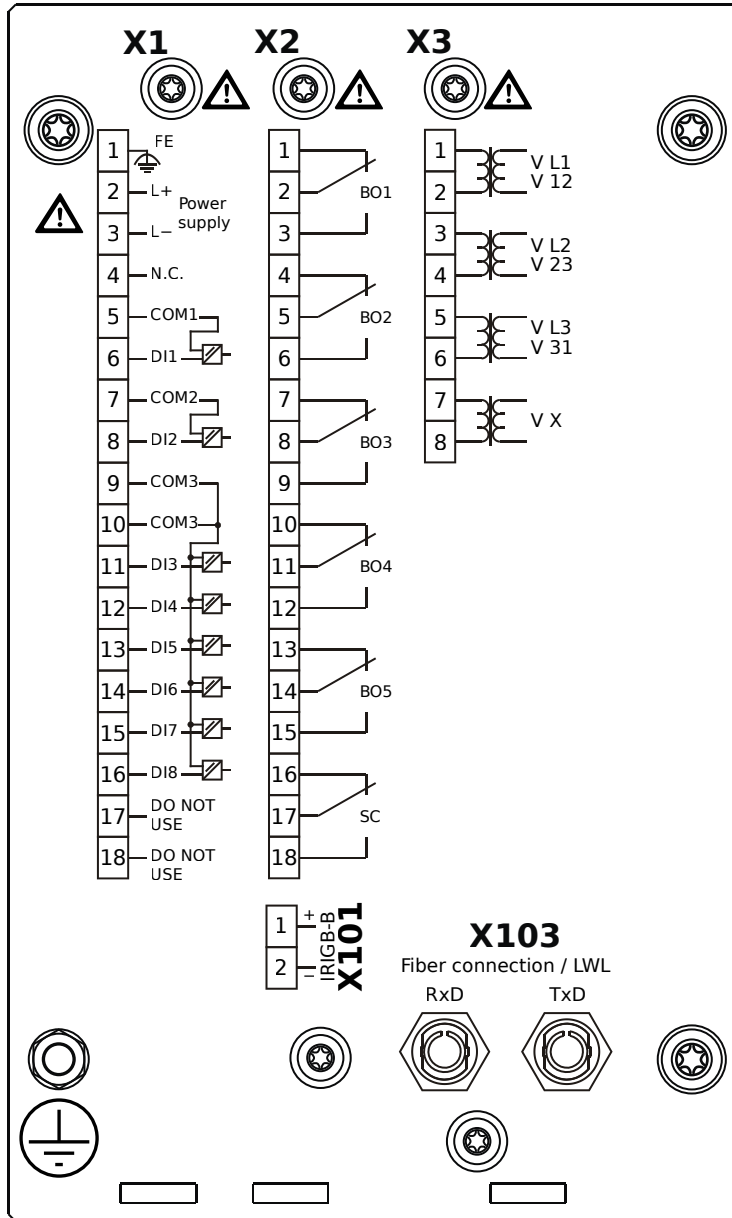
MRU4-2A0AFA



Housing B1, small display, door mounting

- X1** – DI8-X1: Wide-range power supply unit, incl. 2 non-grouped digital inputs and 6 grouped digital inputs
- X2** – OR5: Assembly Group with 5 Output Relays + 1 Supervision Contact
- X3** – TU: Card with 4 voltage transformer measuring inputs
- X101** – IRIG-B00X
- X103** – Modbus RTU / IEC 60870-5-103 / DNP3.0 RTU, Fiber optics interface, ST Connector

MRU4-2A0AFB



Housing B1, small display, door mounting

+ Conformal Coating (for installations in harsh environment)

X1 – DI8-X1: Wide-range power supply unit, incl. 2 non-grouped digital inputs and 6 grouped digital inputs

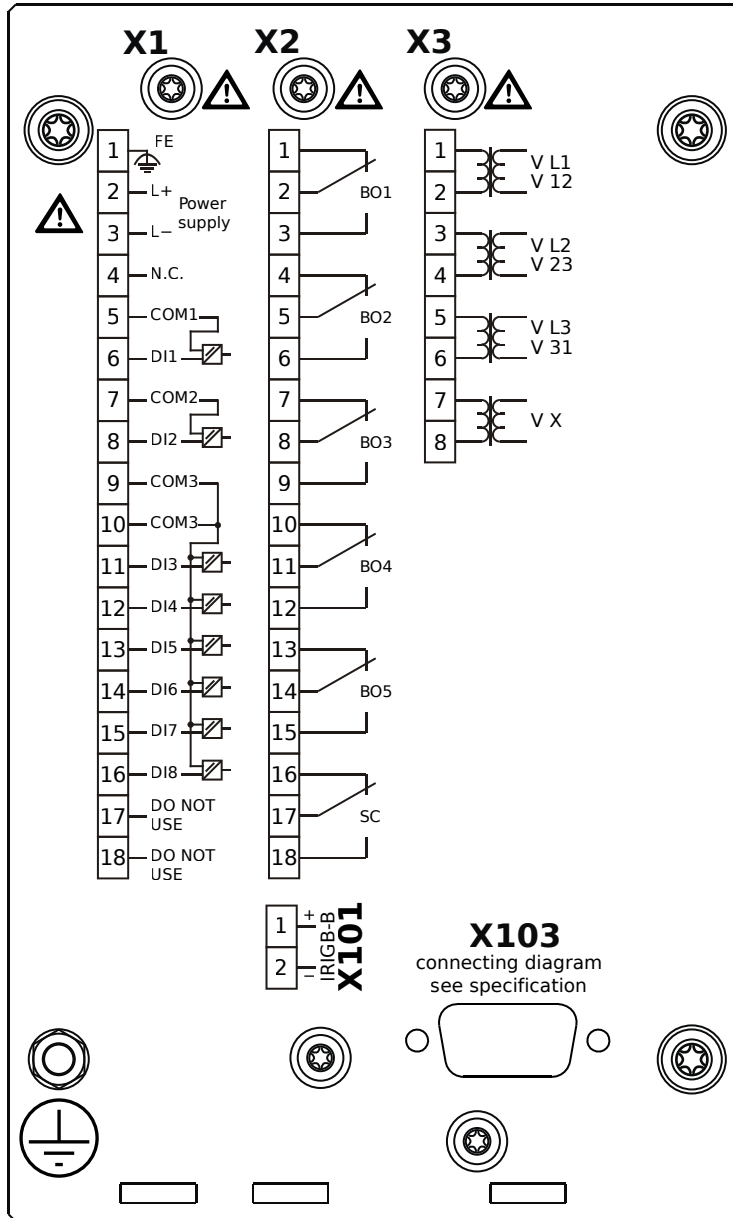
X2 – OR5: Assembly Group with 5 Output Relays + 1 Supervision Contact

X3 – TU: Card with 4 voltage transformer measuring inputs

X101 – IRIG-B00X

X103 – Modbus RTU / IEC 60870-5-103 / DNP3.0 RTU, Fiber optics interface, ST Connector

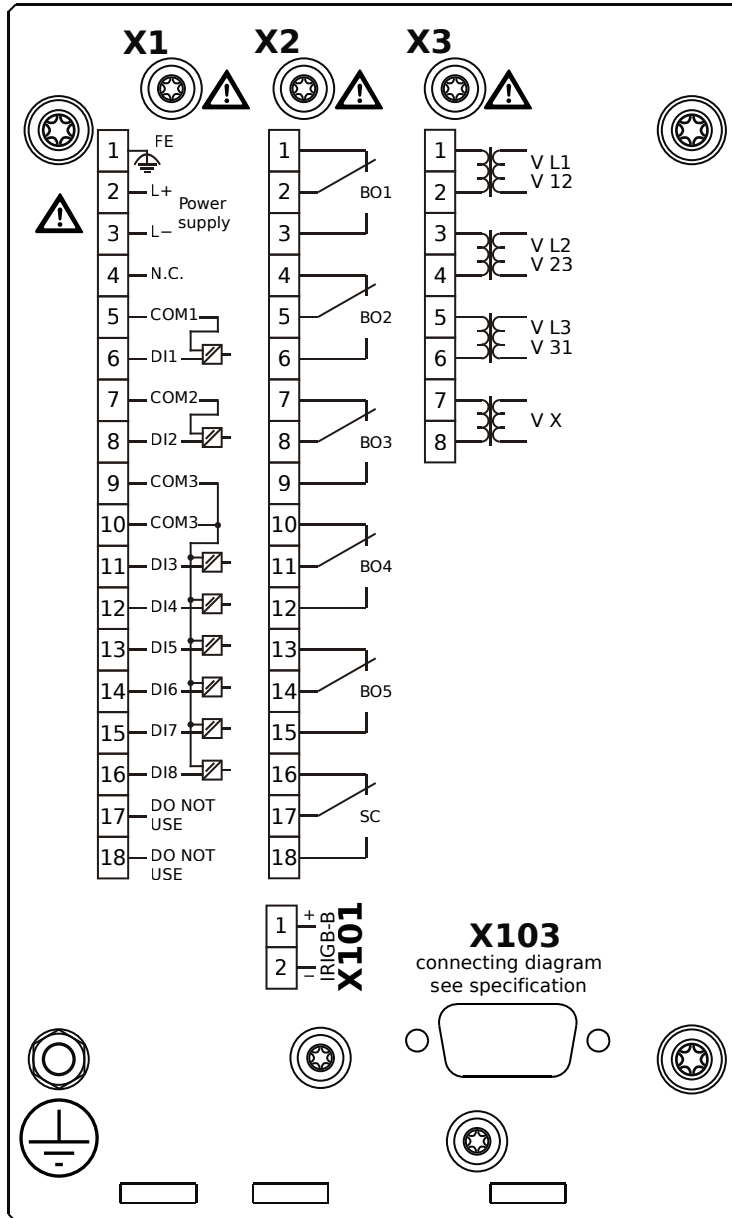
MRU4-2A0AGA



Housing B1, small display, door mounting

- X1** – DI8-X1: Wide-range power supply unit, incl. 2 non-grouped digital inputs and 6 grouped digital inputs
- X2** – OR5: Assembly Group with 5 Output Relays + 1 Supervision Contact
- X3** – TU: Card with 4 voltage transformer measuring inputs
- X101** – IRIG-B00X
- X103** – Modbus RTU / IEC 60870-5-103 / DNP3.0 RTU, RS485, D-SUB

MRU4-2A0AGB



Housing B1, small display, door mounting

+ Conformal Coating (for installations in harsh environment)

X1 – DI8-X1: Wide-range power supply unit, incl. 2 non-grouped digital inputs and 6 grouped digital inputs

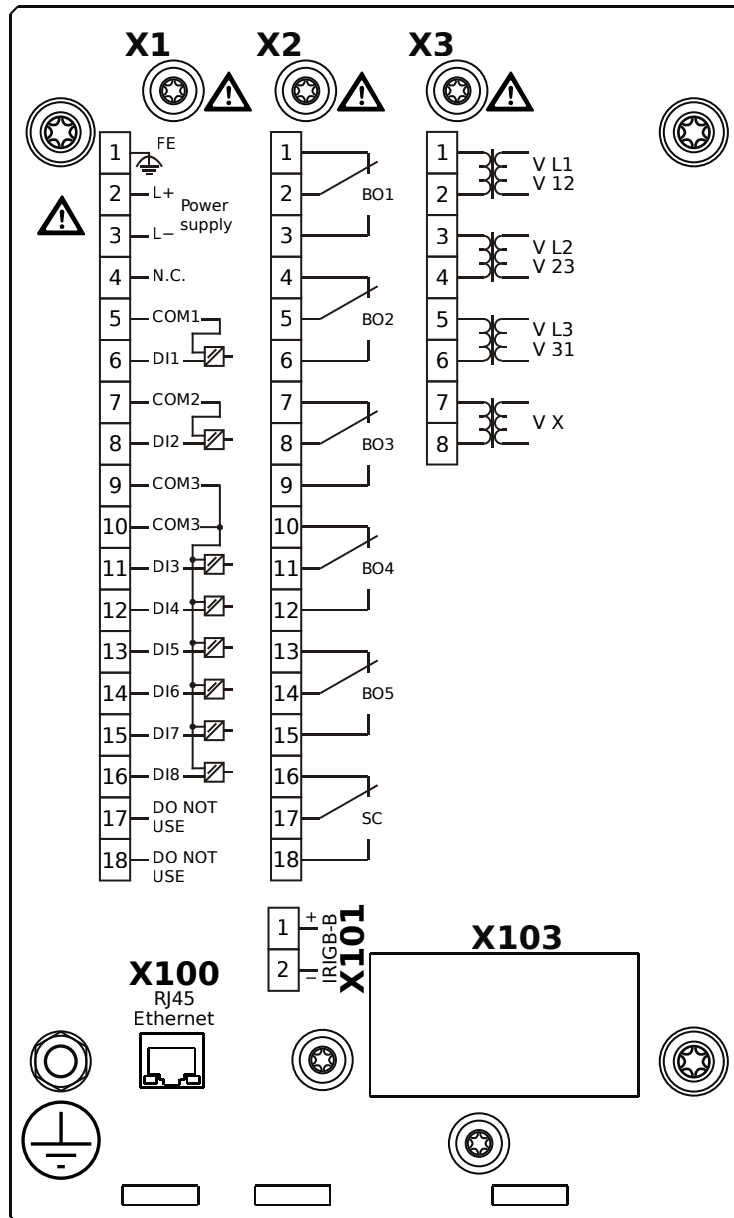
X2 – OR5: Assembly Group with 5 Output Relays + 1 Supervision Contact

X3 – TU: Card with 4 voltage transformer measuring inputs

X101 – IRIG-B00X

X103 – Modbus RTU / IEC 60870-5-103 / DNP3.0 RTU, RS485, D-SUB

MRU4-2A0AHA



Housing B1, small display, door mounting

X1 – DI8-X1: Wide-range power supply unit, incl. 2 non-grouped digital inputs and 6 grouped digital inputs

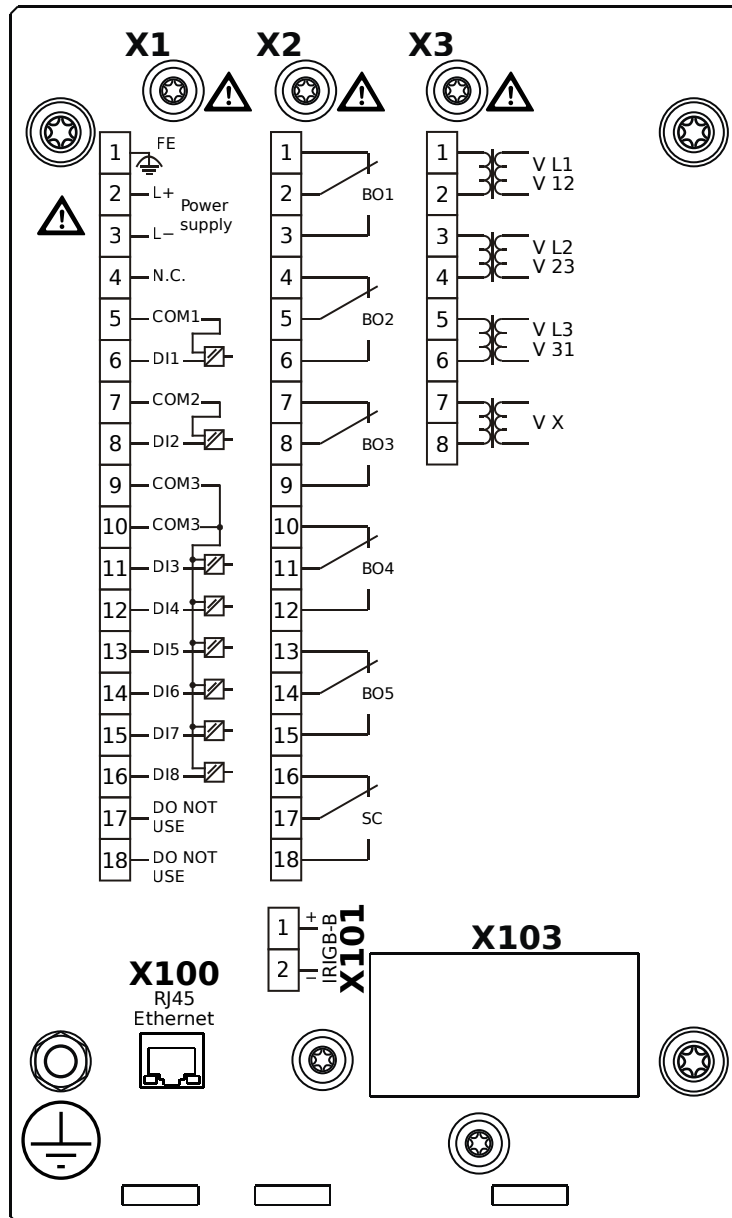
X2 – OR5: Assembly Group with 5 Output Relays + 1 Supervision Contact

X3 – TU: Card with 4 voltage transformer measuring inputs

X100 – IEC 61850 / Modbus TCP / DNP3.0 TCP/UDP, Ethernet interface, 100 Mbit/s, RJ45 (BASE100-FX)

X101 – IRIG-B00X

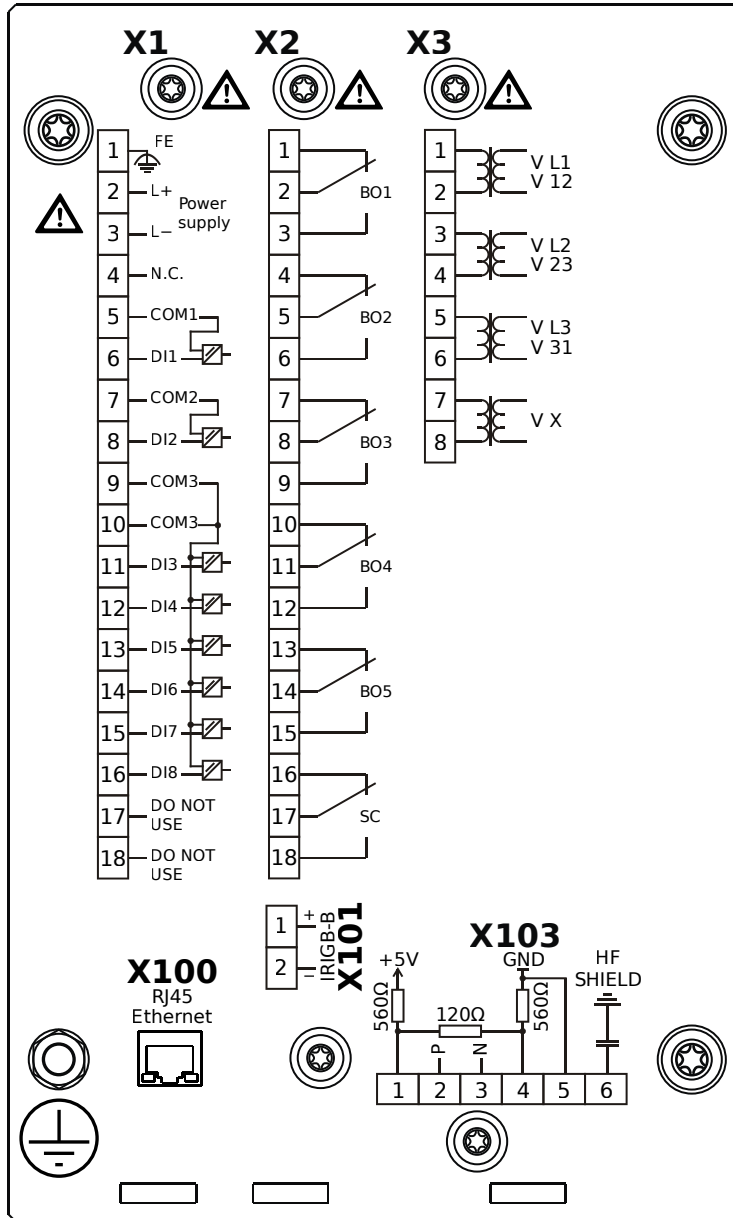
MRU4-2A0AHB



Housing B1, small display, door mounting

- + Conformal Coating (for installations in harsh environment)
- X1** – DI8-X1: Wide-range power supply unit, incl. 2 non-grouped digital inputs and 6 grouped digital inputs
- X2** – OR5: Assembly Group with 5 Output Relays + 1 Supervision Contact
- X3** – TU: Card with 4 voltage transformer measuring inputs
- X100** – IEC 61850 / Modbus TCP / DNP3.0 TCP/UDP, Ethernet interface, 100 Mbit/s, RJ45 (BASE100-FX)
- X101** – IRIG-B00X

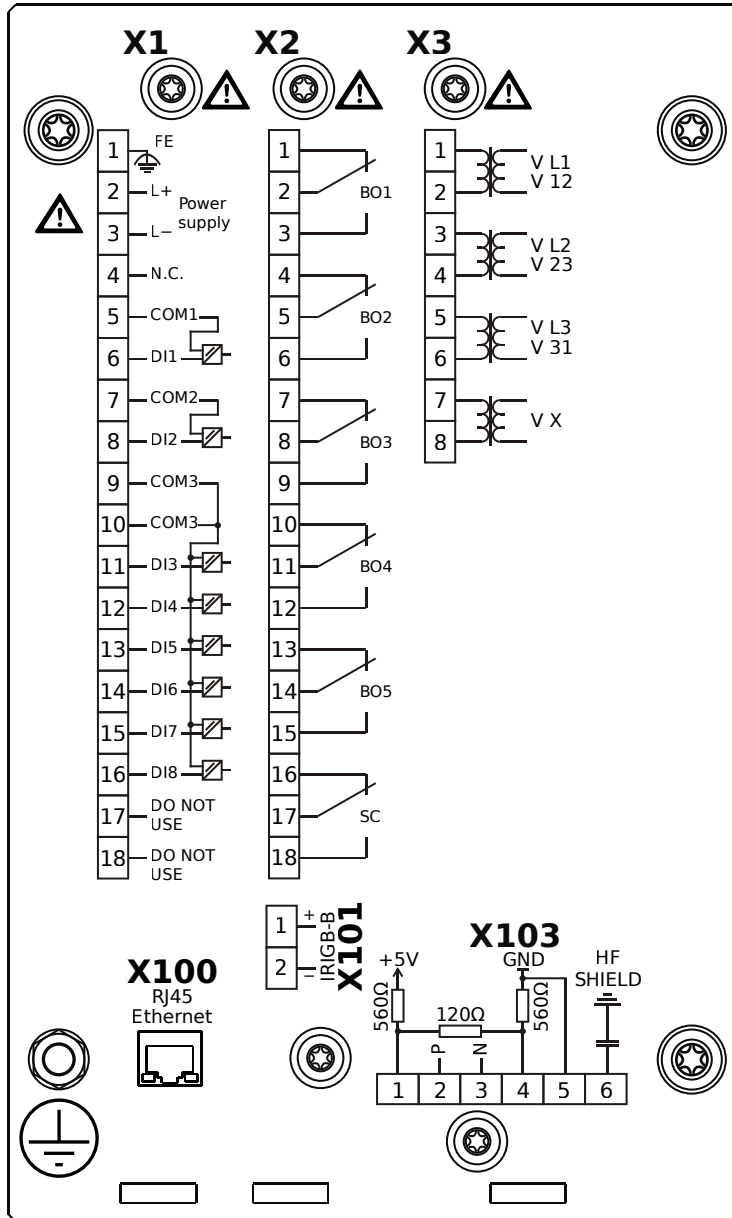
MRU4-2A0AIA



Housing B1, small display, door mounting

- X1** – DI8-X1: Wide-range power supply unit, incl. 2 non-grouped digital inputs and 6 grouped digital inputs
- X2** – OR5: Assembly Group with 5 Output Relays + 1 Supervision Contact
- X3** – TU: Card with 4 voltage transformer measuring inputs
- X100** – Modbus TCP / DNP3.0 TCP/UDP, Ethernet interface, 100 Mbit/s, RJ45 (BASE100-FX)
- X101** – IRIG-B00X
- X103** – IEC 60870-5-103 / Modbus RTU / DNP3.0 RTU, RS485, Terminals

MRU4-2A0AIB



Housing B1, small display, door mounting

+ Conformal Coating (for installations in harsh environment)

X1 – DI8-X1: Wide-range power supply unit, incl. 2 non-grouped digital inputs and 6 grouped digital inputs

X2 – OR5: Assembly Group with 5 Output Relays + 1 Supervision Contact

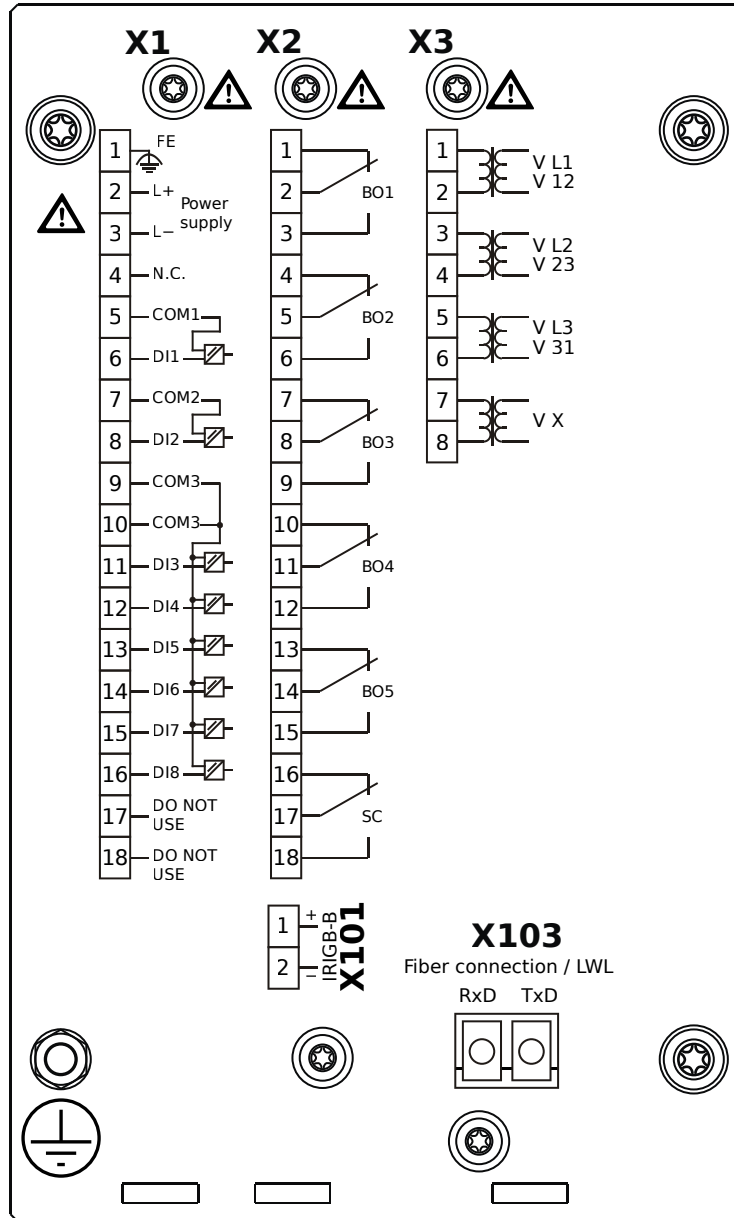
X3 – TU: Card with 4 voltage transformer measuring inputs

X100 – Modbus TCP / DNP3.0 TCP/UDP, Ethernet interface, 100 Mbit/s, RJ45 (BASE100-FX)

X101 – IRIG-B00X

X103 – IEC 60870-5-103 / Modbus RTU / DNP3.0 RTU, RS485, Terminals

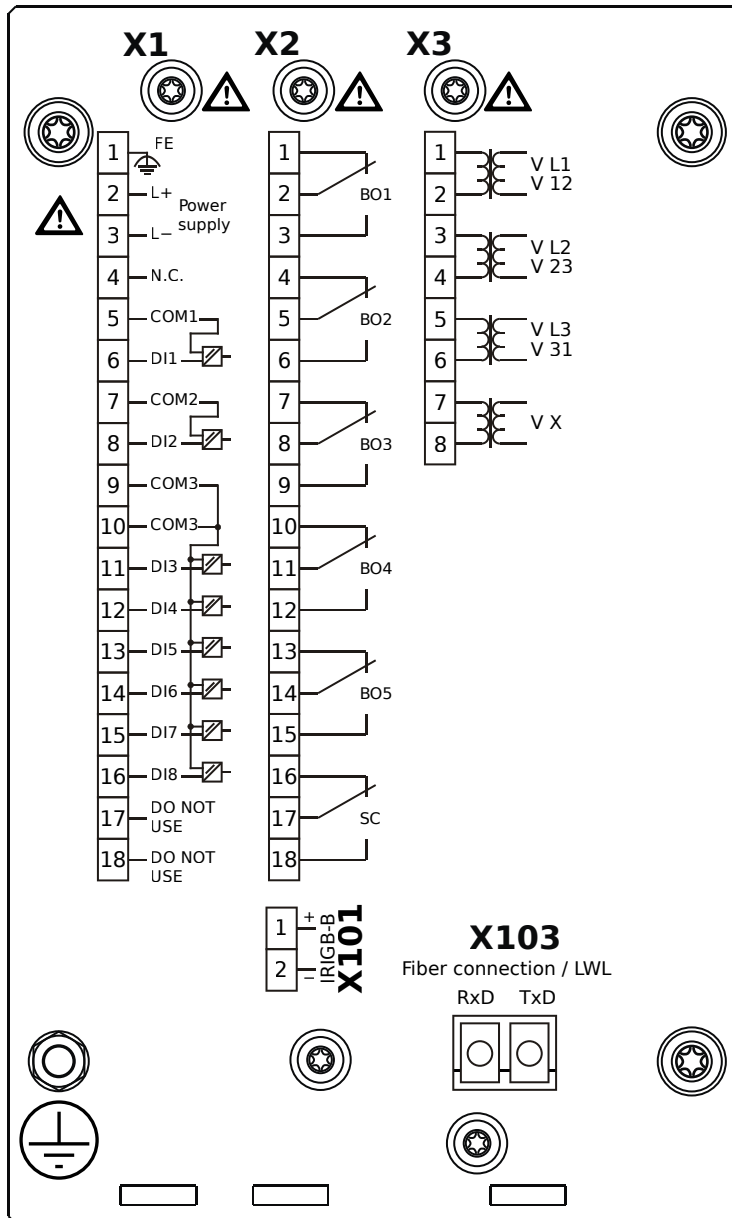
MRU4-2A0AKA



Housing B1, small display, door mounting

- X1** – DI8-X1: Wide-range power supply unit, incl. 2 non-grouped digital inputs and 6 grouped digital inputs
- X2** – OR5: Assembly Group with 5 Output Relays + 1 Supervision Contact
- X3** – TU: Card with 4 voltage transformer measuring inputs
- X101** – IRIG-B00X
- X103** – IEC 61850 / Modbus TCP / DNP3.0 TCP/UDP, Fiber optics interface, LC Connector

MRU4-2A0AKB



Housing B1, small display, door mounting

+ Conformal Coating (for installations in harsh environment)

X1 – DI8-X1: Wide-range power supply unit, incl. 2 non-grouped digital inputs and 6 grouped digital inputs

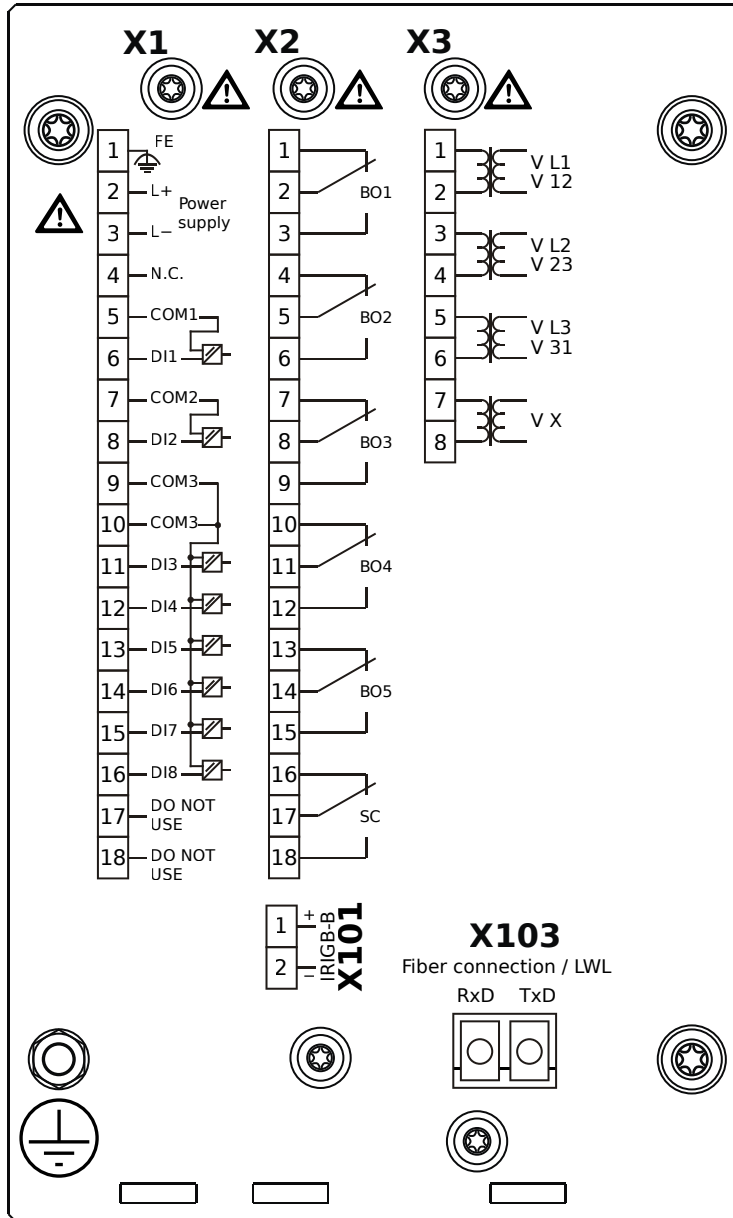
X2 – OR5: Assembly Group with 5 Output Relays + 1 Supervision Contact

X3 – TU: Card with 4 voltage transformer measuring inputs

X101 – IRIG-B00X

X103 – IEC 61850 / Modbus TCP / DNP3.0 TCP/UDP, Fiber optics interface, LC Connector

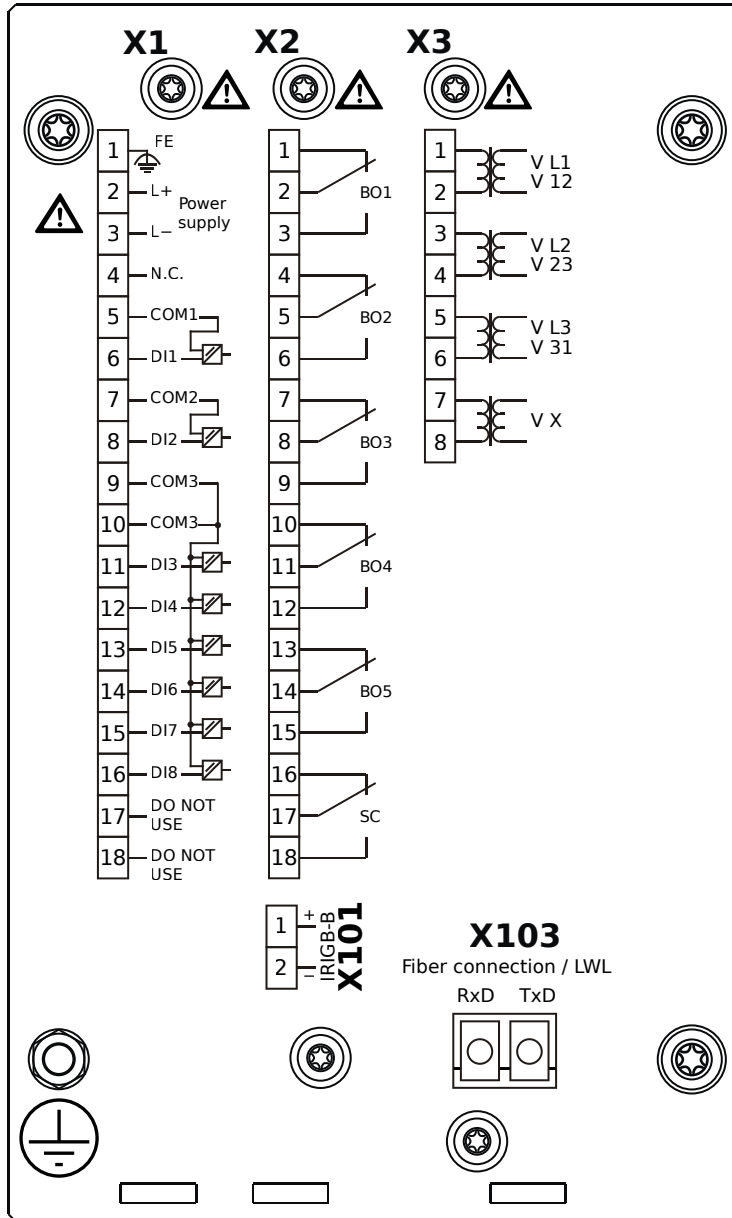
MRU4-2A0ALA



Housing B1, small display, door mounting

- X1** – DI8-X1: Wide-range power supply unit, incl. 2 non-grouped digital inputs and 6 grouped digital inputs
- X2** – OR5: Assembly Group with 5 Output Relays + 1 Supervision Contact
- X3** – TU: Card with 4 voltage transformer measuring inputs
- X101** – IRIG-B00X
- X103** – Modbus TCP / DNP3.0 TCP/UDP, Fiber optics interface, LC Connector

MRU4-2A0ALB



Housing B1, small display, door mounting

+ Conformal Coating (for installations in harsh environment)

X1 – DI8-X1: Wide-range power supply unit, incl. 2 non-grouped digital inputs and 6 grouped digital inputs

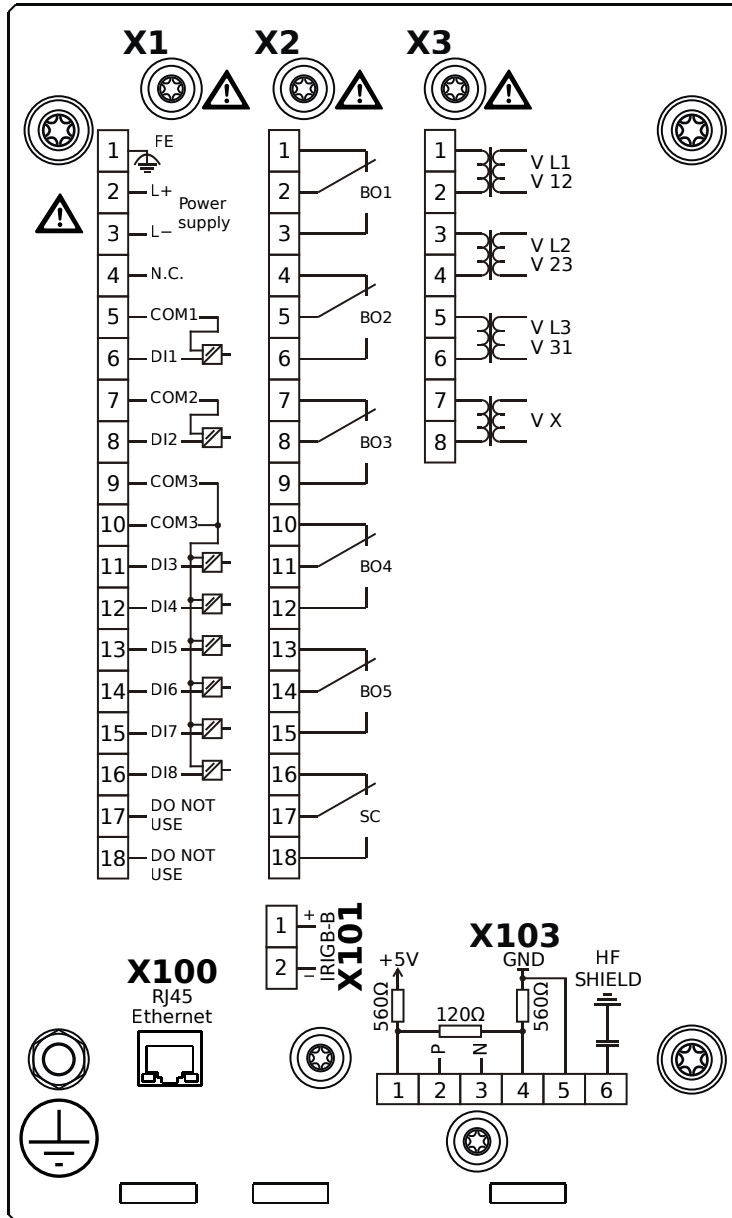
X2 – OR5: Assembly Group with 5 Output Relays + 1 Supervision Contact

X3 – TU: Card with 4 voltage transformer measuring inputs

X101 – IRIG-B00X

X103 – Modbus TCP / DNP3.0 TCP/UDP, Fiber optics interface, LC Connector

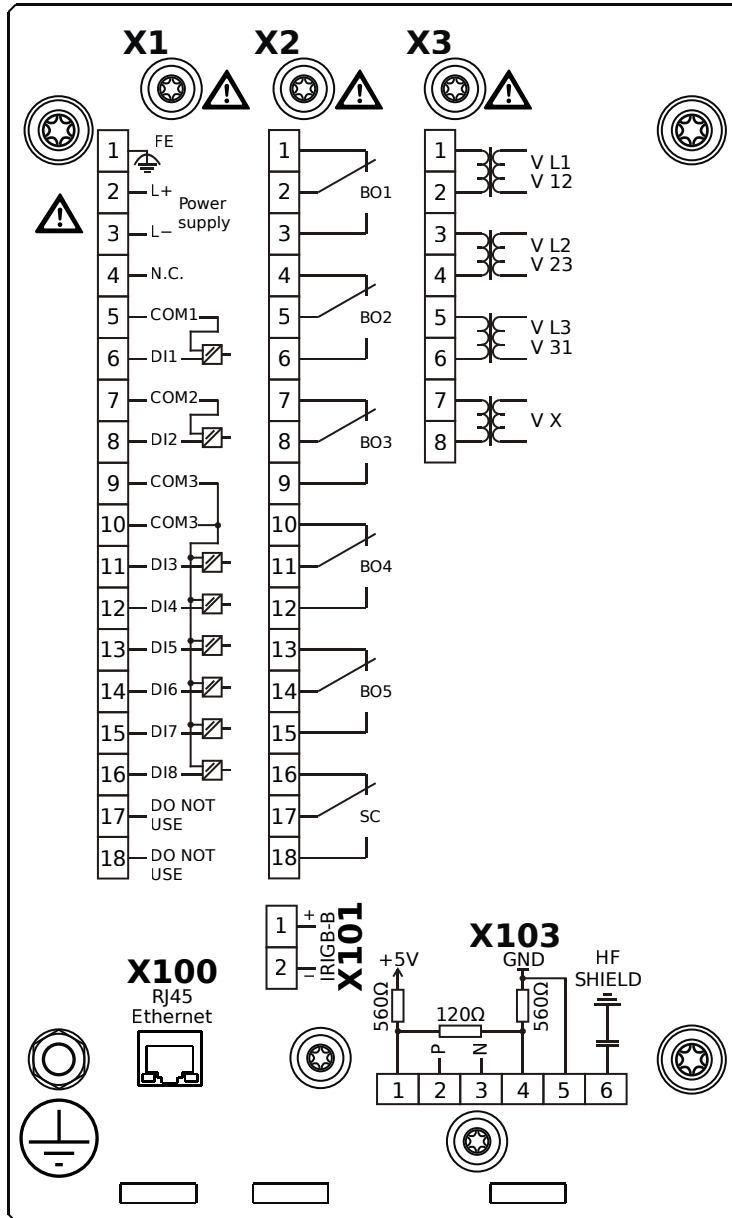
MRU4-2A0ATA



Housing B1, small display, door mounting

- X1** – DI8-X1: Wide-range power supply unit, incl. 2 non-grouped digital inputs and 6 grouped digital inputs
- X2** – OR5: Assembly Group with 5 Output Relays + 1 Supervision Contact
- X3** – TU: Card with 4 voltage transformer measuring inputs
- X100** – IEC 61850 / Modbus TCP / DNP3.0 TCP/UDP, Ethernet interface, 100 Mbit/s, RJ45 (BASE100-FX)
- X101** – IRIG-B00X
- X103** – IEC 60870-5-103 / Modbus RTU / DNP3.0 RTU, RS485, Terminals

MRU4-2A0ATB



Housing B1, small display, door mounting

+ Conformal Coating (for installations in harsh environment)

X1 – DI8-X1: Wide-range power supply unit, incl. 2 non-grouped digital inputs and 6 grouped digital inputs

X2 – OR5: Assembly Group with 5 Output Relays + 1 Supervision Contact

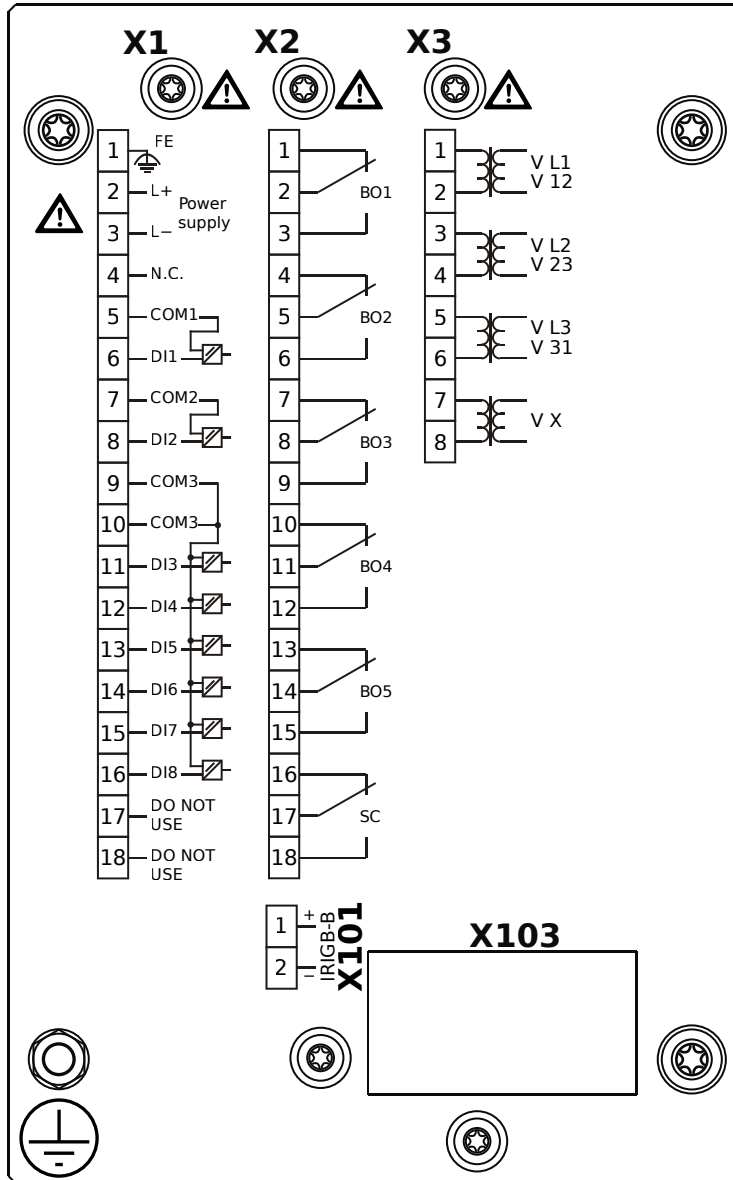
X3 – TU: Card with 4 voltage transformer measuring inputs

X100 – IEC 61850 / Modbus TCP / DNP3.0 TCP/UDP, Ethernet interface, 100 Mbit/s, RJ45 (BASE100-FX)

X101 – IRIG-B00X

X103 – IEC 60870-5-103 / Modbus RTU / DNP3.0 RTU, RS485, Terminals

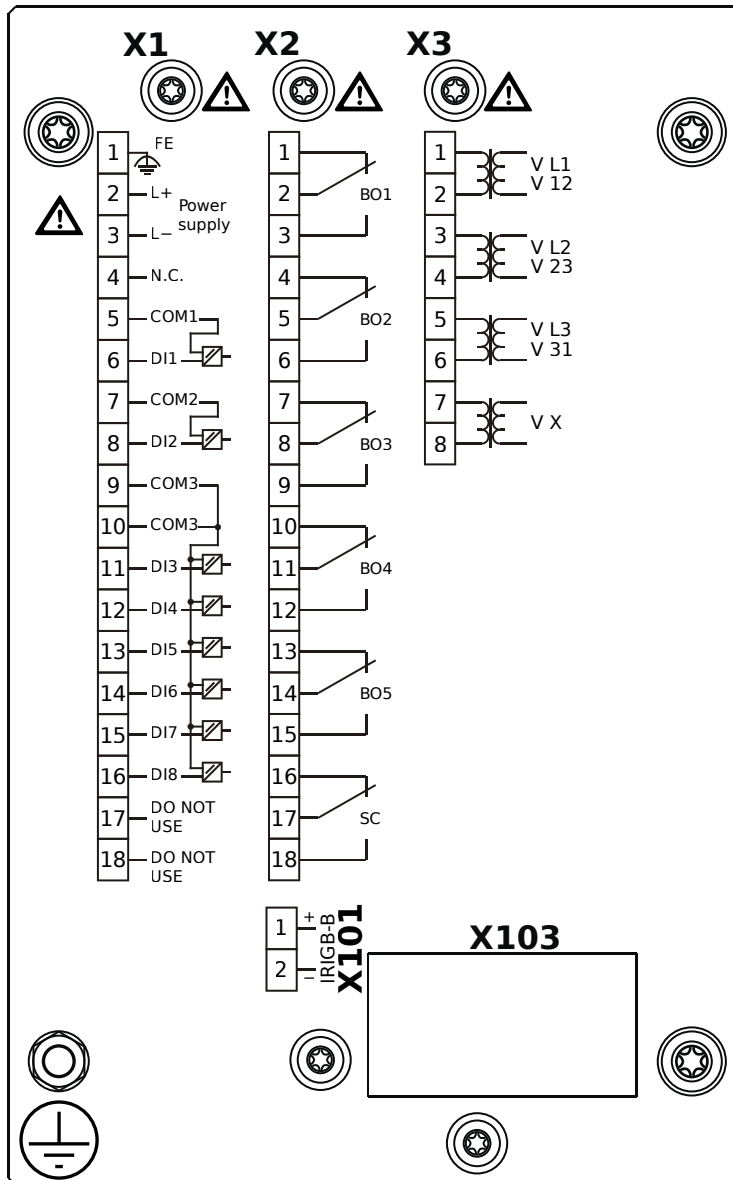
MRU4-2A0BAA



Housing B1, small display, 19" rack mounting

- X1** – DI8-X1: Wide-range power supply unit, incl. 2 non-grouped digital inputs and 6 grouped digital inputs
- X2** – OR5: Assembly Group with 5 Output Relays + 1 Supervision Contact
- X3** – TU: Card with 4 voltage transformer measuring inputs
- X101** – IRIG-B00X

MRU4-2A0BAB



Housing B1, small display, 19" rack mounting

+ Conformal Coating (for installations in harsh environment)

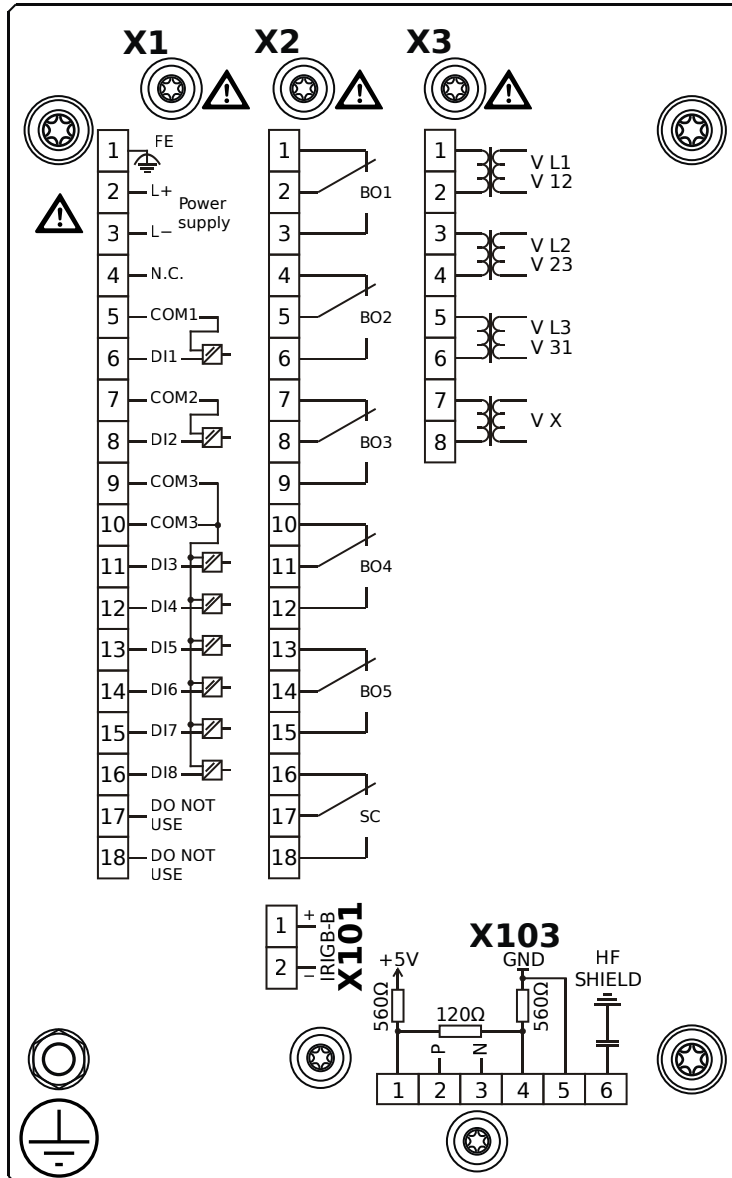
X1 – DI8-X1: Wide-range power supply unit, incl. 2 non-grouped digital inputs and 6 grouped digital inputs

X2 – OR5: Assembly Group with 5 Output Relays + 1 Supervision Contact

X3 – TU: Card with 4 voltage transformer measuring inputs

X101 – IRIG-B00X

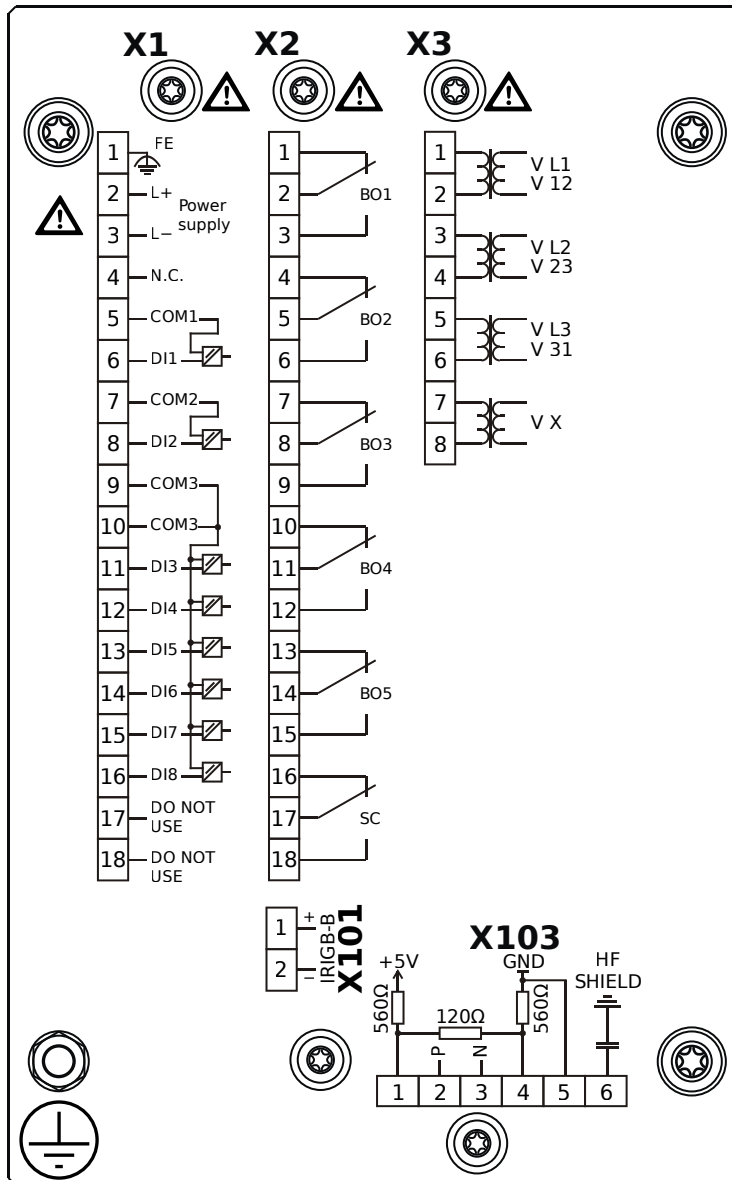
MRU4-2A0BBA



Housing B1, small display, 19" rack mounting

- X1** – DI8-X1: Wide-range power supply unit, incl. 2 non-grouped digital inputs and 6 grouped digital inputs
- X2** – OR5: Assembly Group with 5 Output Relays + 1 Supervision Contact
- X3** – TU: Card with 4 voltage transformer measuring inputs
- X101** – IRIG-B00X
- X103** – Modbus RTU / IEC 60870-5-103 / DNP3.0 RTU, RS485, Terminals

MRU4-2A0BBB



Housing B1, small display, 19" rack mounting

+ Conformal Coating (for installations in harsh environment)

X1 – DI8-X1: Wide-range power supply unit, incl. 2 non-grouped digital inputs and 6 grouped digital inputs

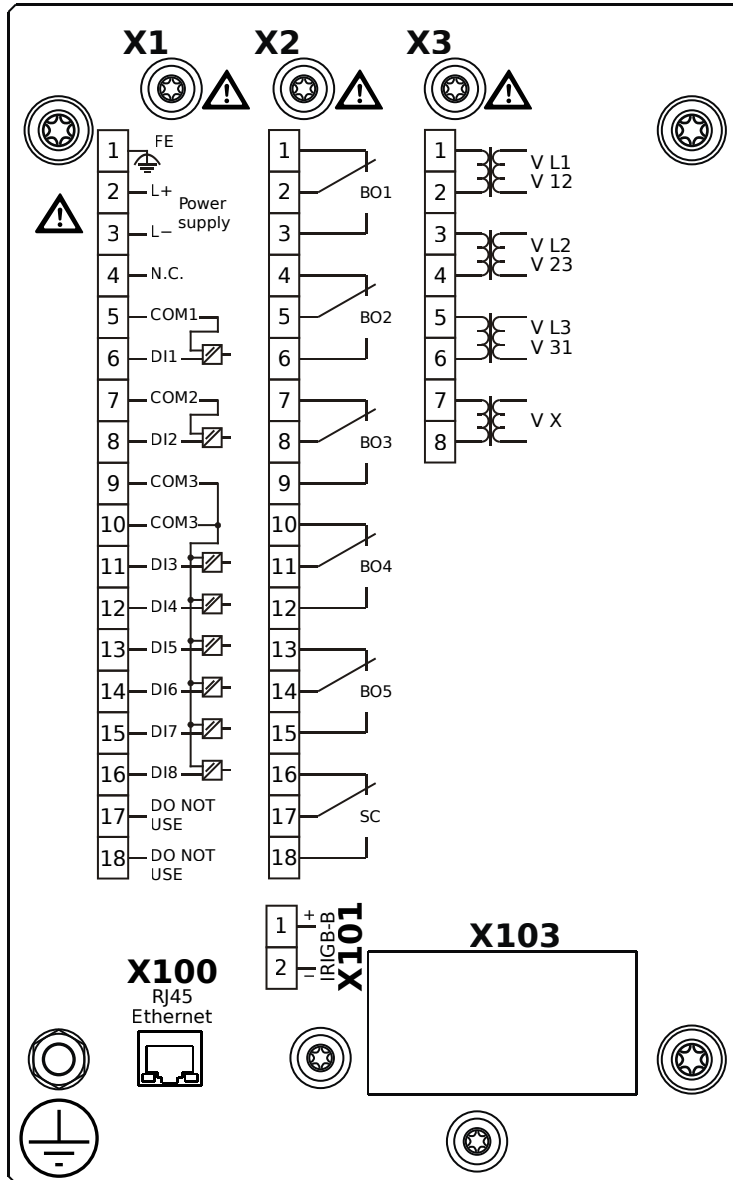
X2 – OR5: Assembly Group with 5 Output Relays + 1 Supervision Contact

X3 – TU: Card with 4 voltage transformer measuring inputs

X101 – IRIG-B00X

X103 – Modbus RTU / IEC 60870-5-103 / DNP3.0 RTU, RS485, Terminals

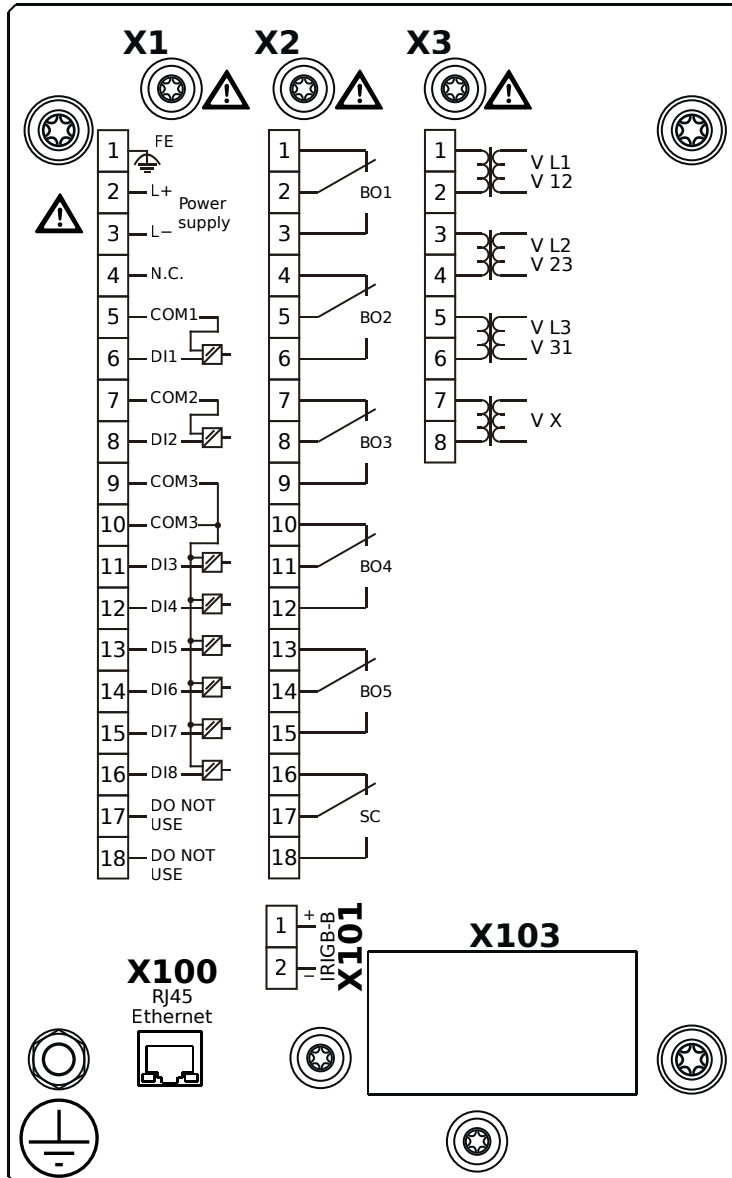
MRU4-2A0BCA



Housing B1, small display, 19" rack mounting

- X1** – DI8-X1: Wide-range power supply unit, incl. 2 non-grouped digital inputs and 6 grouped digital inputs
- X2** – OR5: Assembly Group with 5 Output Relays + 1 Supervision Contact
- X3** – TU: Card with 4 voltage transformer measuring inputs
- X100** – Modbus TCP / DNP3.0 TCP/UDP, Ethernet interface, 100 Mbit/s, RJ45 (BASE100-FX)
- X101** – IRIG-B00X

MRU4-2A0BCB



Housing B1, small display, 19" rack mounting

+ Conformal Coating (for installations in harsh environment)

X1 – DI8-X1: Wide-range power supply unit, incl. 2 non-grouped digital inputs and 6 grouped digital inputs

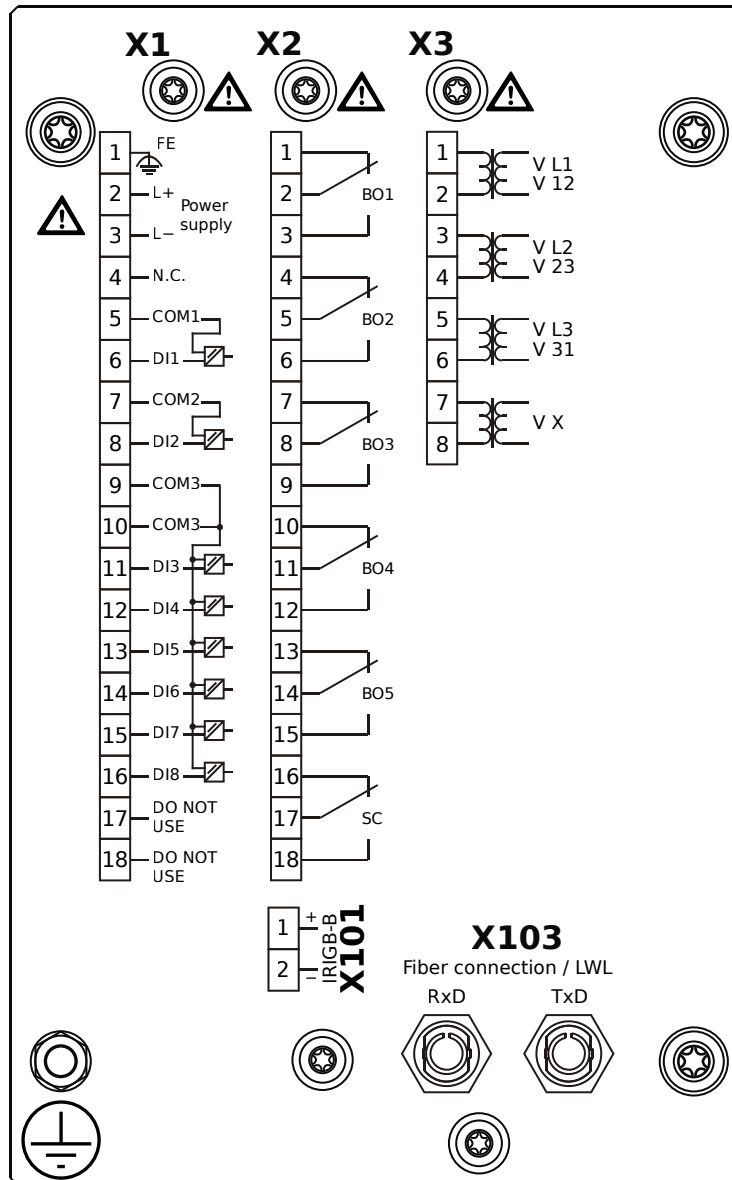
X2 – OR5: Assembly Group with 5 Output Relays + 1 Supervision Contact

X3 – TU: Card with 4 voltage transformer measuring inputs

X100 – Modbus TCP / DNP3.0 TCP/UDP, Ethernet interface, 100 Mbit/s, RJ45 (BASE100-FX)

X101 – IRIG-B00X

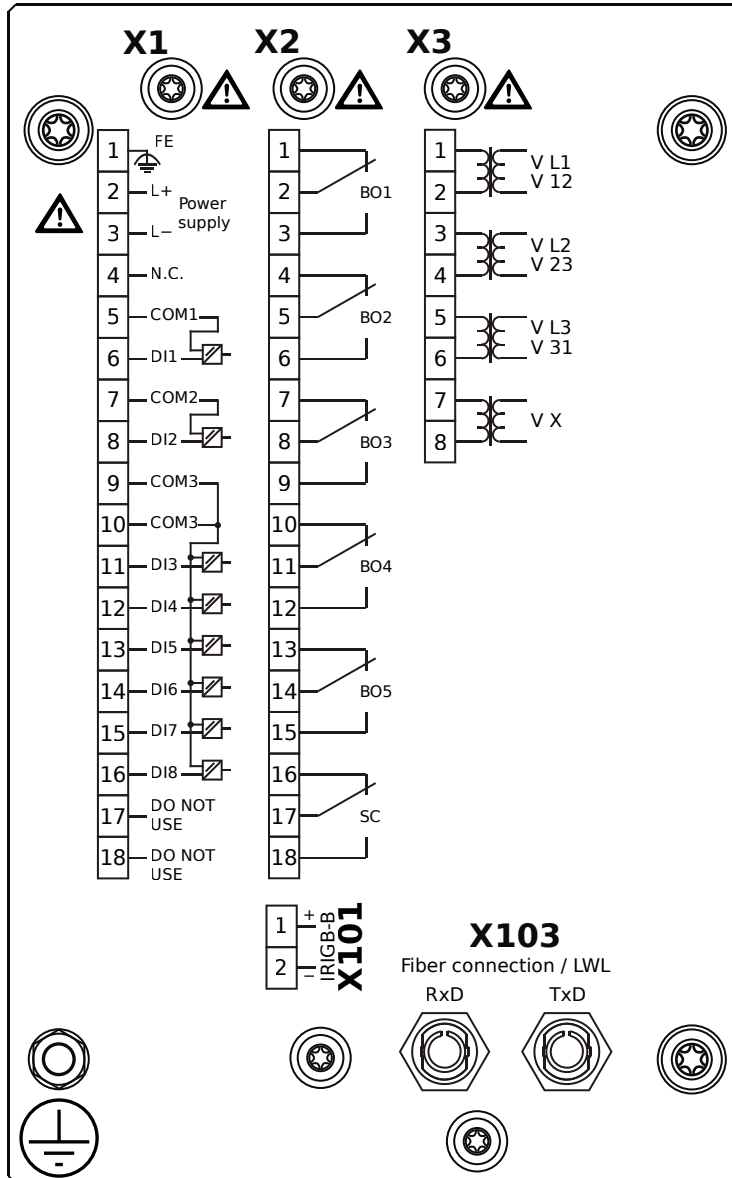
MRU4-2A0BDA



Housing B1, small display, 19" rack mounting

- X1** – DI8-X1: Wide-range power supply unit, incl. 2 non-grouped digital inputs and 6 grouped digital inputs
- X2** – OR5: Assembly Group with 5 Output Relays + 1 Supervision Contact
- X3** – TU: Card with 4 voltage transformer measuring inputs
- X101** – IRIG-B00X
- X103** – Profibus-DP, Fiber optics interface, ST Connector

MRU4-2A0BDB



Housing B1, small display, 19" rack mounting

+ Conformal Coating (for installations in harsh environment)

X1 – DI8-X1: Wide-range power supply unit, incl. 2 non-grouped digital inputs and 6 grouped digital inputs

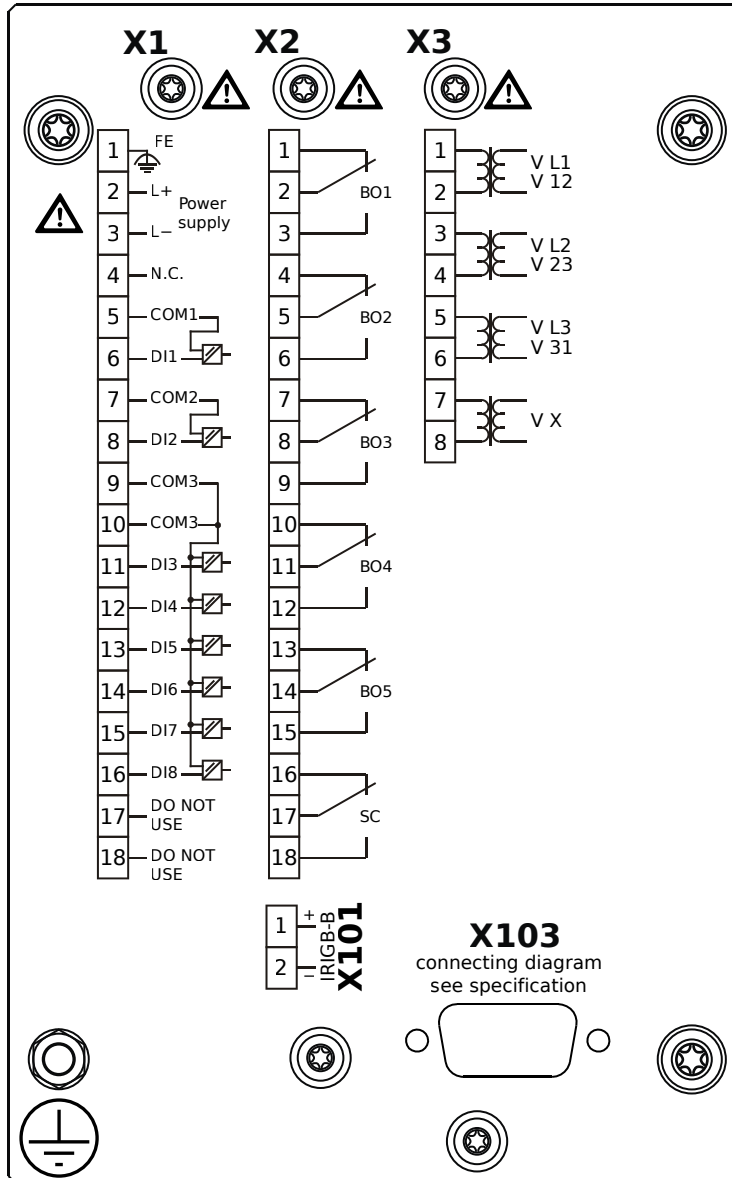
X2 – OR5: Assembly Group with 5 Output Relays + 1 Supervision Contact

X3 – TU: Card with 4 voltage transformer measuring inputs

X101 – IRIG-B00X

X103 – Profibus-DP, Fiber optics interface, ST Connector

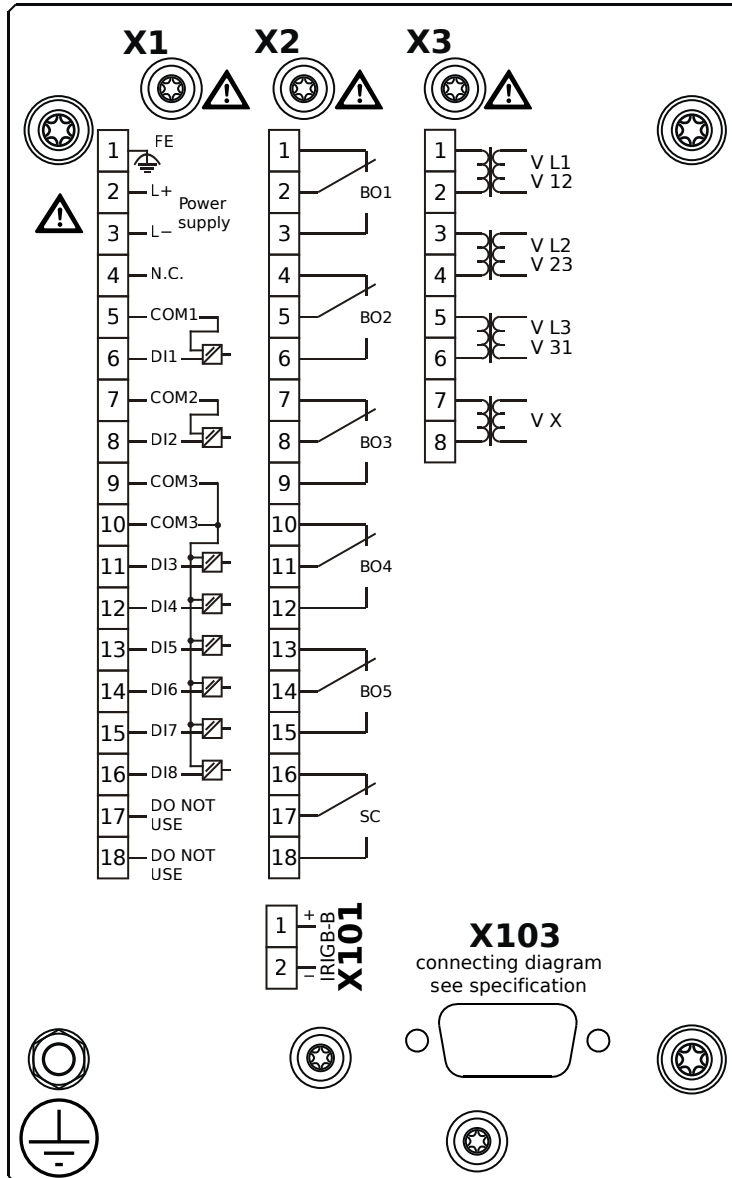
MRU4-2A0BEA



Housing B1, small display, 19" rack mounting

- X1** – DI8-X1: Wide-range power supply unit, incl. 2 non-grouped digital inputs and 6 grouped digital inputs
- X2** – OR5: Assembly Group with 5 Output Relays + 1 Supervision Contact
- X3** – TU: Card with 4 voltage transformer measuring inputs
- X101** – IRIG-B00X
- X103** – Profibus-DP, RS485, D-SUB

MRU4-2A0BEB



Housing B1, small display, 19" rack mounting

+ Conformal Coating (for installations in harsh environment)

X1 – DI8-X1: Wide-range power supply unit, incl. 2 non-grouped digital inputs and 6 grouped digital inputs

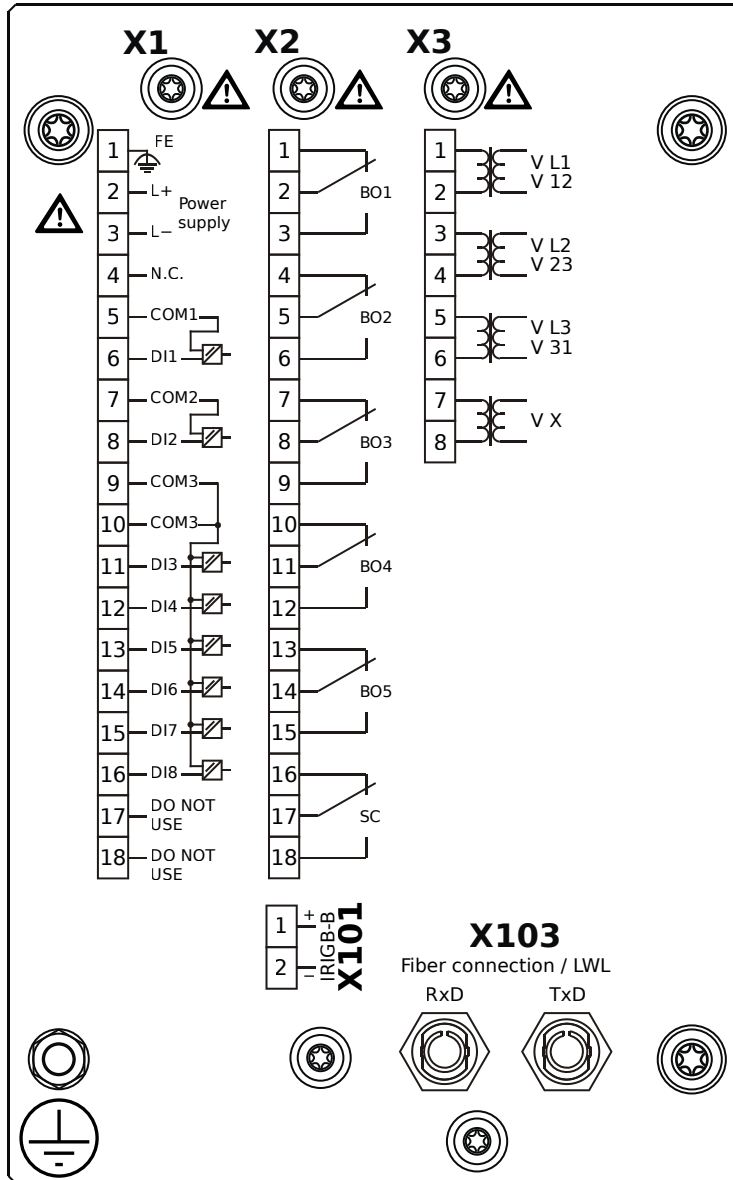
X2 – OR5: Assembly Group with 5 Output Relays + 1 Supervision Contact

X3 – TU: Card with 4 voltage transformer measuring inputs

X101 – IRIG-B00X

X103 – Profibus-DP, RS485, D-SUB

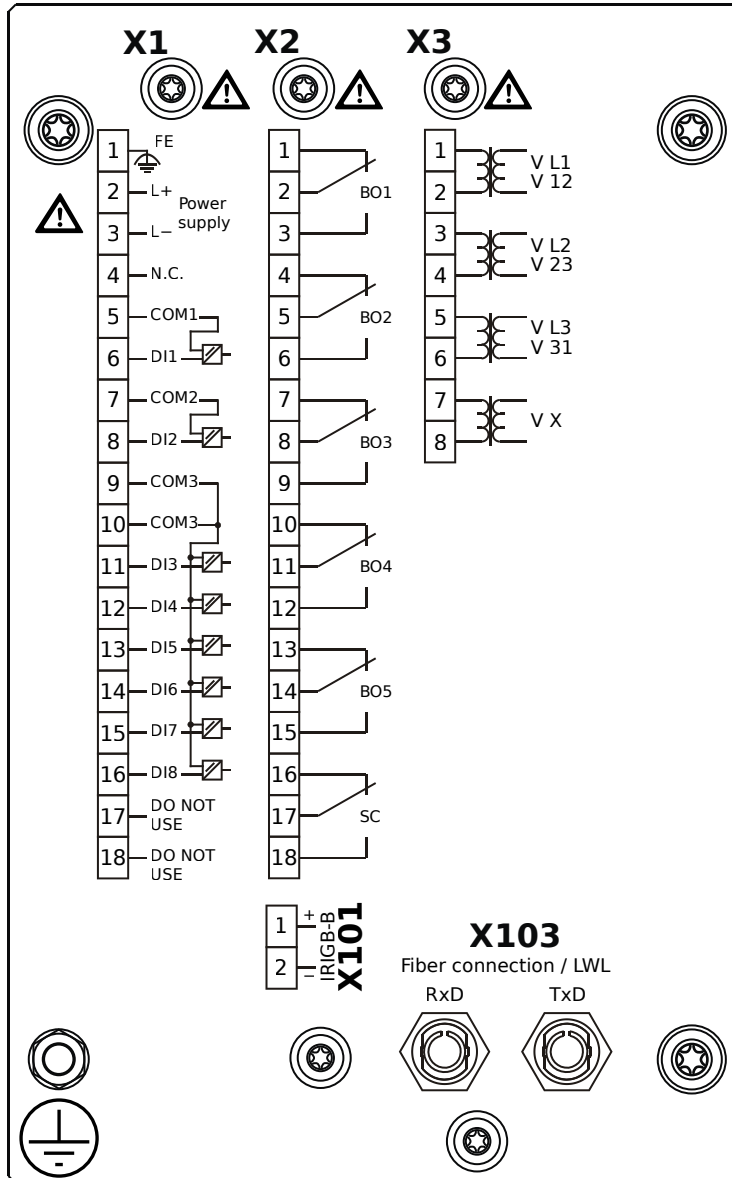
MRU4-2A0BFA



Housing B1, small display, 19" rack mounting

- X1** – DI8-X1: Wide-range power supply unit, incl. 2 non-grouped digital inputs and 6 grouped digital inputs
- X2** – OR5: Assembly Group with 5 Output Relays + 1 Supervision Contact
- X3** – TU: Card with 4 voltage transformer measuring inputs
- X101** – IRIG-B00X
- X103** – Modbus RTU / IEC 60870-5-103 / DNP3.0 RTU, Fiber optics interface, ST Connector

MRU4-2A0BFB



Housing B1, small display, 19" rack mounting

+ Conformal Coating (for installations in harsh environment)

X1 – DI8-X1: Wide-range power supply unit, incl. 2 non-grouped digital inputs and 6 grouped digital inputs

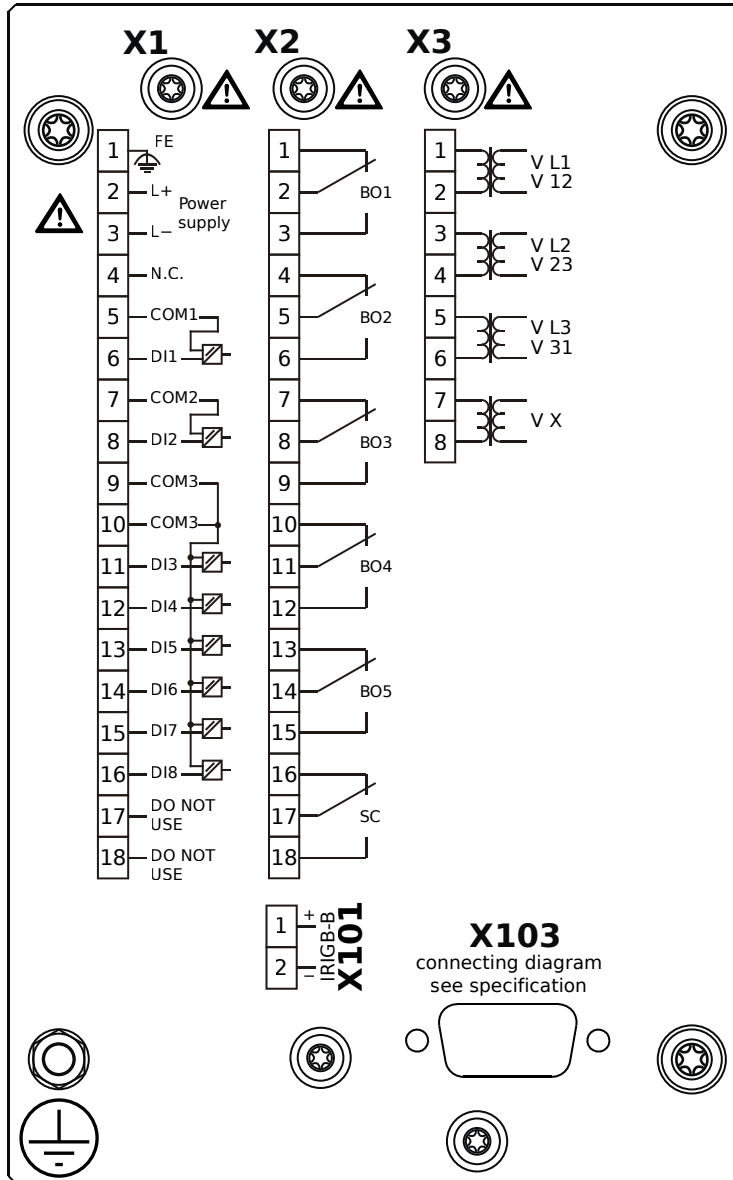
X2 – OR5: Assembly Group with 5 Output Relays + 1 Supervision Contact

X3 – TU: Card with 4 voltage transformer measuring inputs

X101 – IRIG-B00X

X103 – Modbus RTU / IEC 60870-5-103 / DNP3.0 RTU, Fiber optics interface, ST Connector

MRU4-2A0BGA



Housing B1, small display, 19" rack mounting

X1 – DI8-X1: Wide-range power supply unit, incl. 2 non-grouped digital inputs and 6 grouped digital inputs

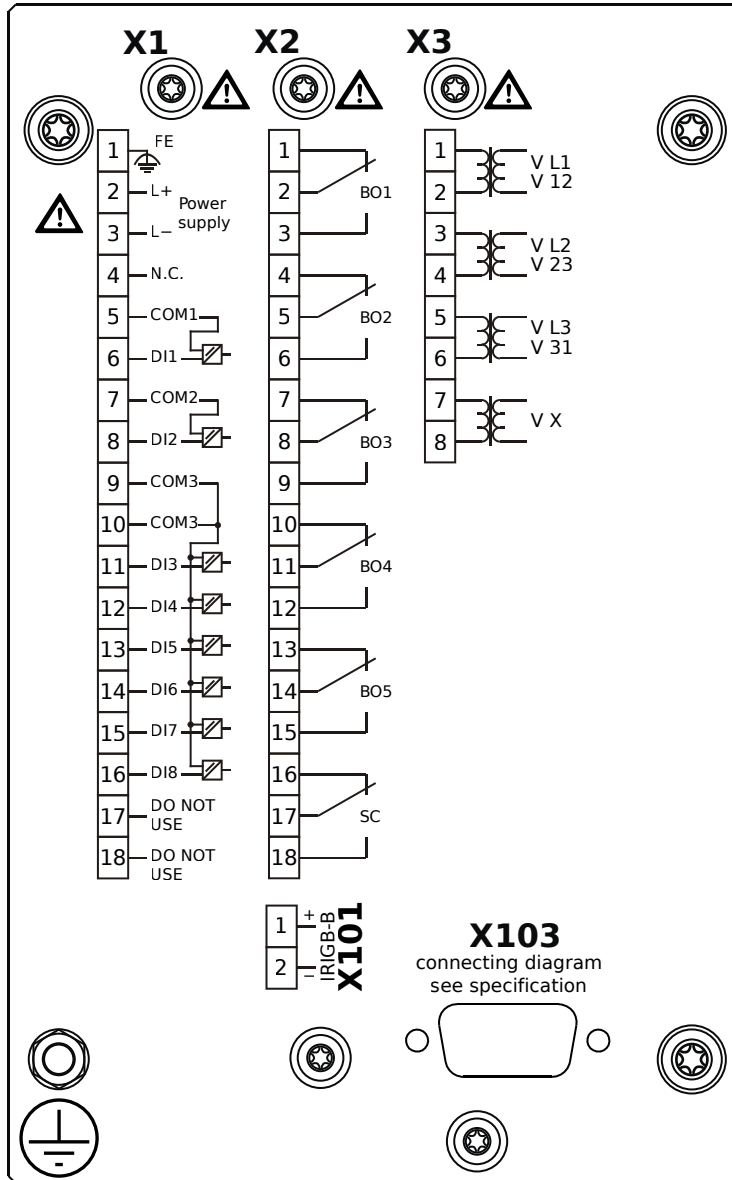
X2 – OR5: Assembly Group with 5 Output Relays + 1 Supervision Contact

X3 – TU: Card with 4 voltage transformer measuring inputs

X101 – IRIG-B00X

X103 – Modbus RTU / IEC 60870-5-103 / DNP3.0 RTU, RS485, D-SUB

MRU4-2A0BGB



Housing B1, small display, 19" rack mounting

+ Conformal Coating (for installations in harsh environment)

X1 – DI8-X1: Wide-range power supply unit, incl. 2 non-grouped digital inputs and 6 grouped digital inputs

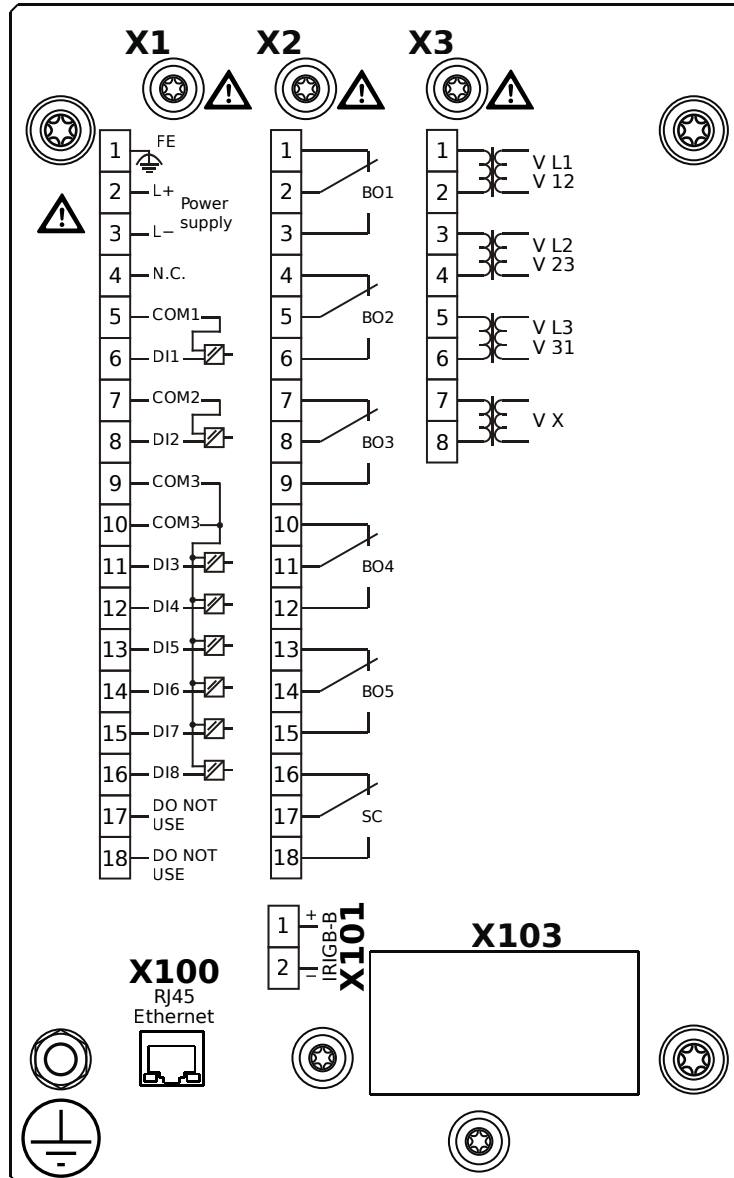
X2 – OR5: Assembly Group with 5 Output Relays + 1 Supervision Contact

X3 – TU: Card with 4 voltage transformer measuring inputs

X101 – IRIG-B00X

X103 – Modbus RTU / IEC 60870-5-103 / DNP3.0 RTU, RS485, D-SUB

MRU4-2A0BHA



Housing B1, small display, 19" rack mounting

X1 – DI8-X1: Wide-range power supply unit, incl. 2 non-grouped digital inputs and 6 grouped digital inputs

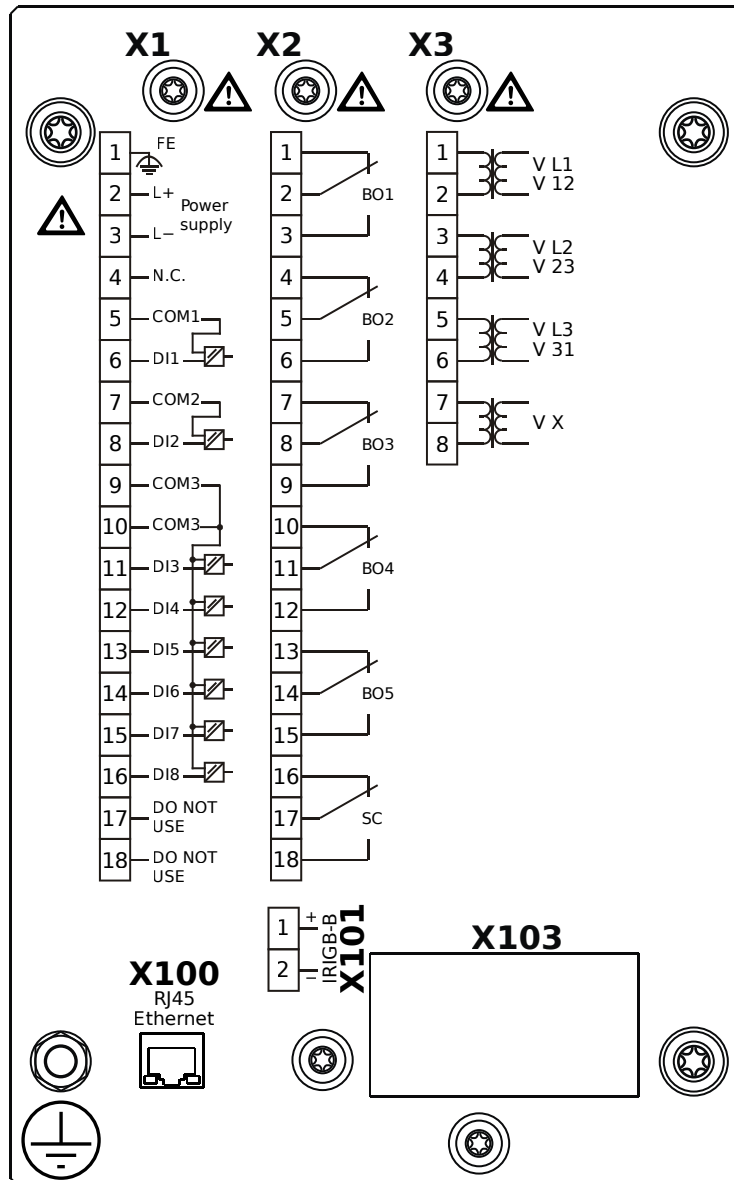
X2 – OR5: Assembly Group with 5 Output Relays + 1 Supervision Contact

X3 – TU: Card with 4 voltage transformer measuring inputs

X100 – IEC 61850 / Modbus TCP / DNP3.0 TCP/UDP, Ethernet interface, 100 Mbit/s, RJ45 (BASE100-FX)

X101 – IRIG-B00X

MRU4-2A0BHB



Housing B1, small display, 19" rack mounting

+ Conformal Coating (for installations in harsh environment)

X1 – DI8-X1: Wide-range power supply unit, incl. 2 non-grouped digital inputs and 6 grouped digital inputs

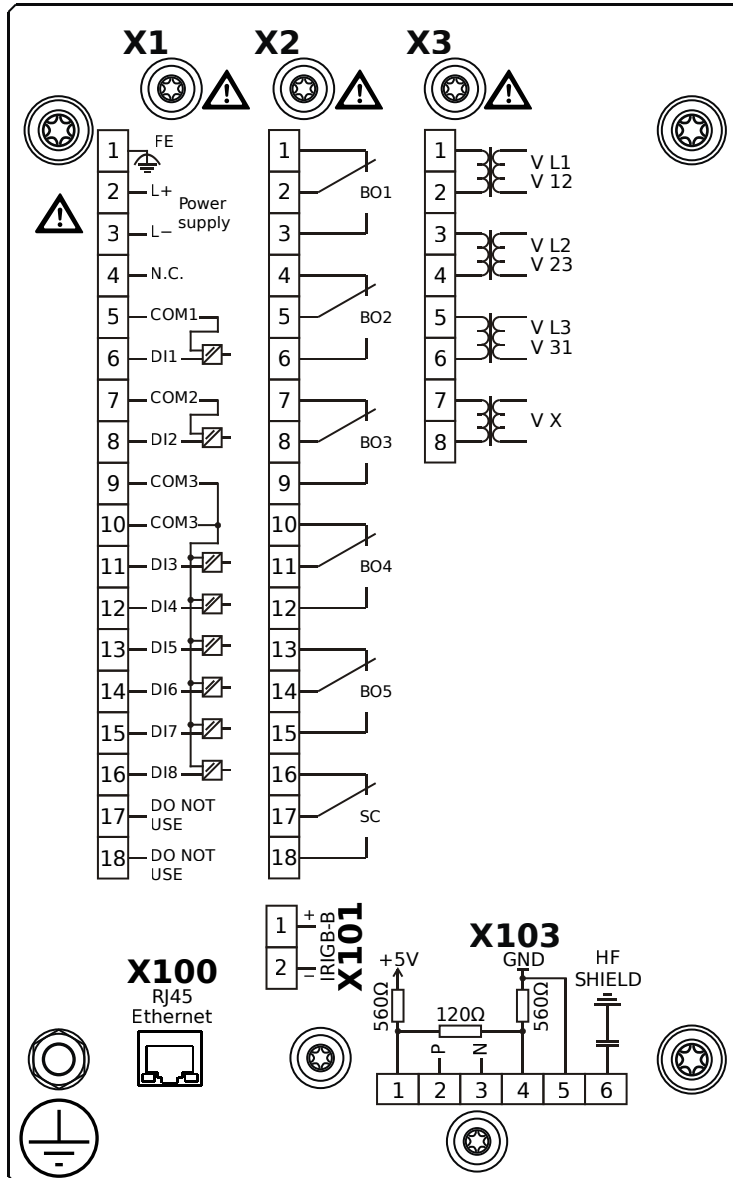
X2 – OR5: Assembly Group with 5 Output Relays + 1 Supervision Contact

X3 – TU: Card with 4 voltage transformer measuring inputs

X100 – IEC 61850 / Modbus TCP / DNP3.0 TCP/UDP, Ethernet interface, 100 Mbit/s, RJ45 (BASE100-FX)

X101 – IRIG-B00X

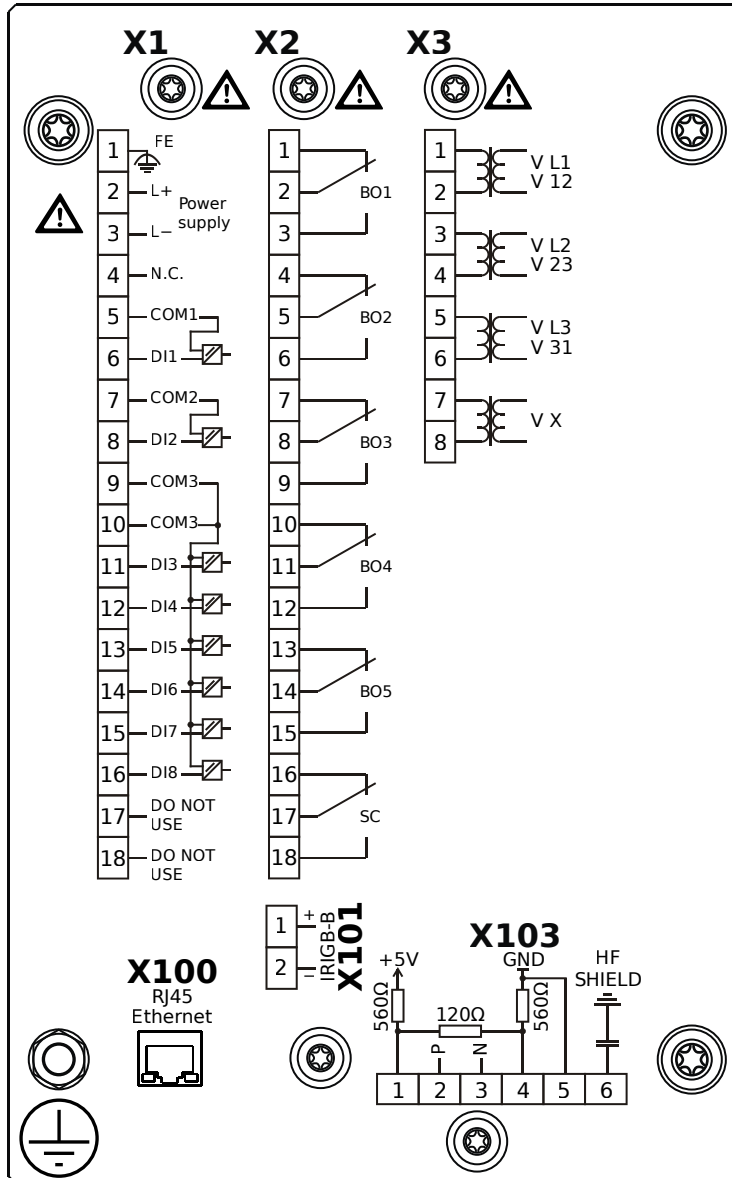
MRU4-2A0BIA



Housing B1, small display, 19" rack mounting

- X1** – DI8-X1: Wide-range power supply unit, incl. 2 non-grouped digital inputs and 6 grouped digital inputs
- X2** – OR5: Assembly Group with 5 Output Relays + 1 Supervision Contact
- X3** – TU: Card with 4 voltage transformer measuring inputs
- X100** – Modbus TCP / DNP3.0 TCP/UDP, Ethernet interface, 100 Mbit/s, RJ45 (BASE100-FX)
- X101** – IRIG-B00X
- X103** – IEC 60870-5-103 / Modbus RTU / DNP3.0 RTU, RS485, Terminals

MRU4-2A0BIB



Housing B1, small display, 19" rack mounting

+ Conformal Coating (for installations in harsh environment)

X1 – DI8-X1: Wide-range power supply unit, incl. 2 non-grouped digital inputs and 6 grouped digital inputs

X2 – OR5: Assembly Group with 5 Output Relays + 1 Supervision Contact

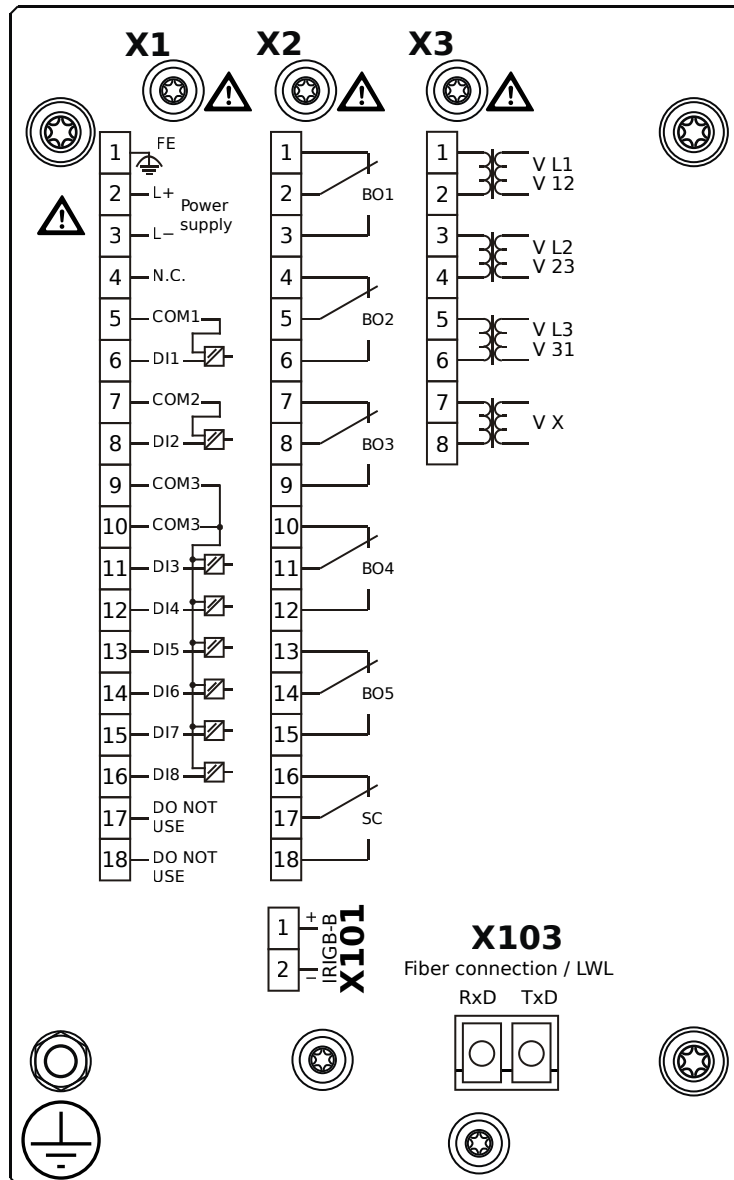
X3 – TU: Card with 4 voltage transformer measuring inputs

X100 – Modbus TCP / DNP3.0 TCP/UDP, Ethernet interface, 100 Mbit/s, RJ45 (BASE100-FX)

X101 – IRIG-B00X

X103 – IEC 60870-5-103 / Modbus RTU / DNP3.0 RTU, RS485, Terminals

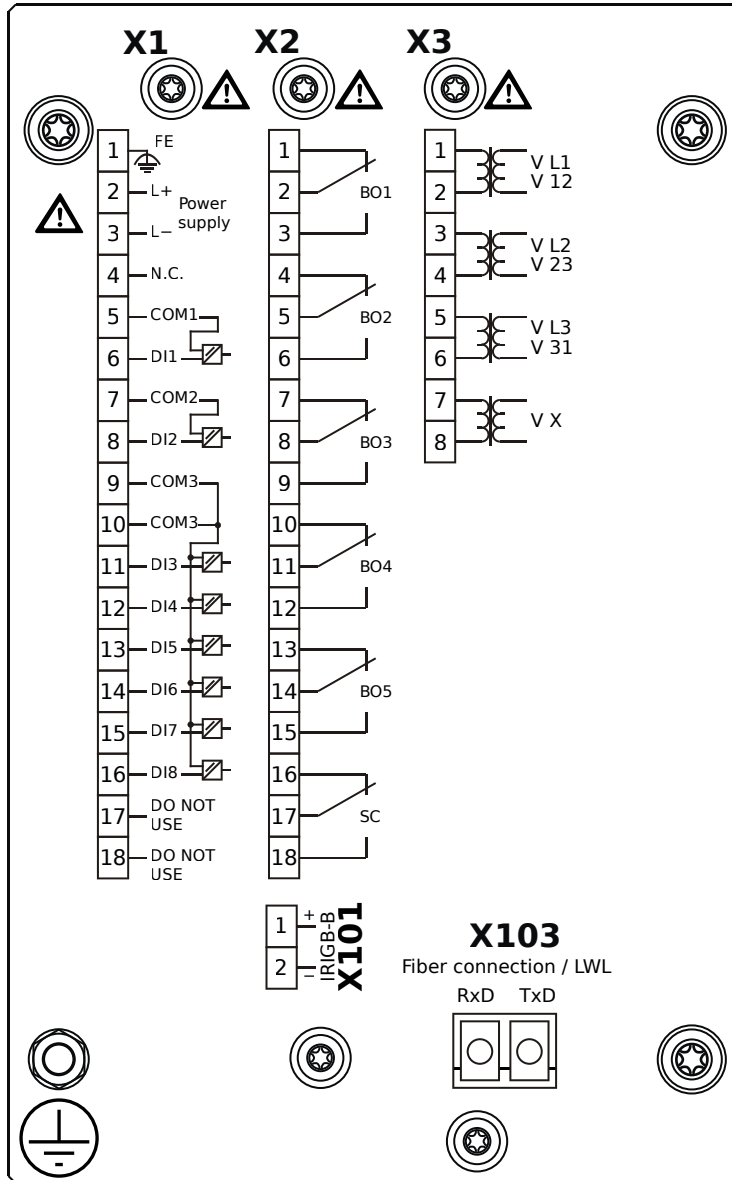
MRU4-2A0BKA



Housing B1, small display, 19" rack mounting

- X1** – DI8-X1: Wide-range power supply unit, incl. 2 non-grouped digital inputs and 6 grouped digital inputs
- X2** – OR5: Assembly Group with 5 Output Relays + 1 Supervision Contact
- X3** – TU: Card with 4 voltage transformer measuring inputs
- X101** – IRIG-B00X
- X103** – IEC 61850 / Modbus TCP / DNP3.0 TCP/UDP, Fiber optics interface, LC Connector

MRU4-2A0BKB



Housing B1, small display, 19" rack mounting

+ Conformal Coating (for installations in harsh environment)

X1 – DI8-X1: Wide-range power supply unit, incl. 2 non-grouped digital inputs and 6 grouped digital inputs

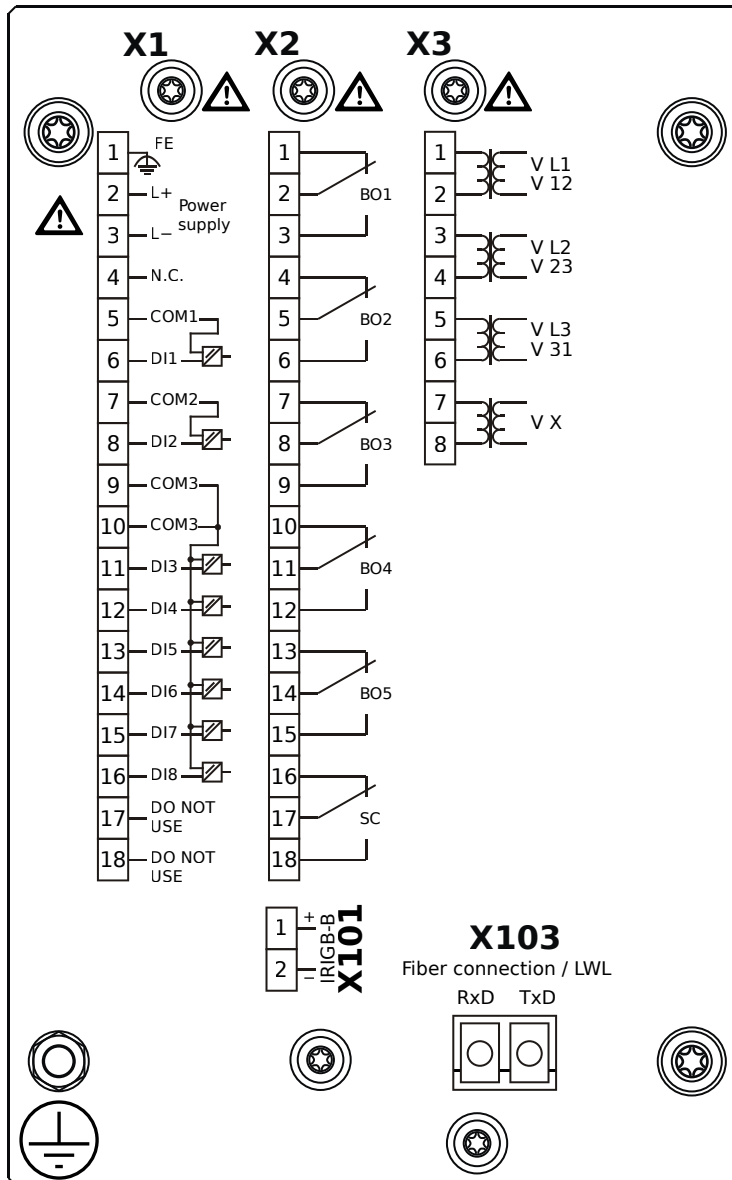
X2 – OR5: Assembly Group with 5 Output Relays + 1 Supervision Contact

X3 – TU: Card with 4 voltage transformer measuring inputs

X101 – IRIG-B00X

X103 – IEC 61850 / Modbus TCP / DNP3.0 TCP/UDP, Fiber optics interface, LC Connector

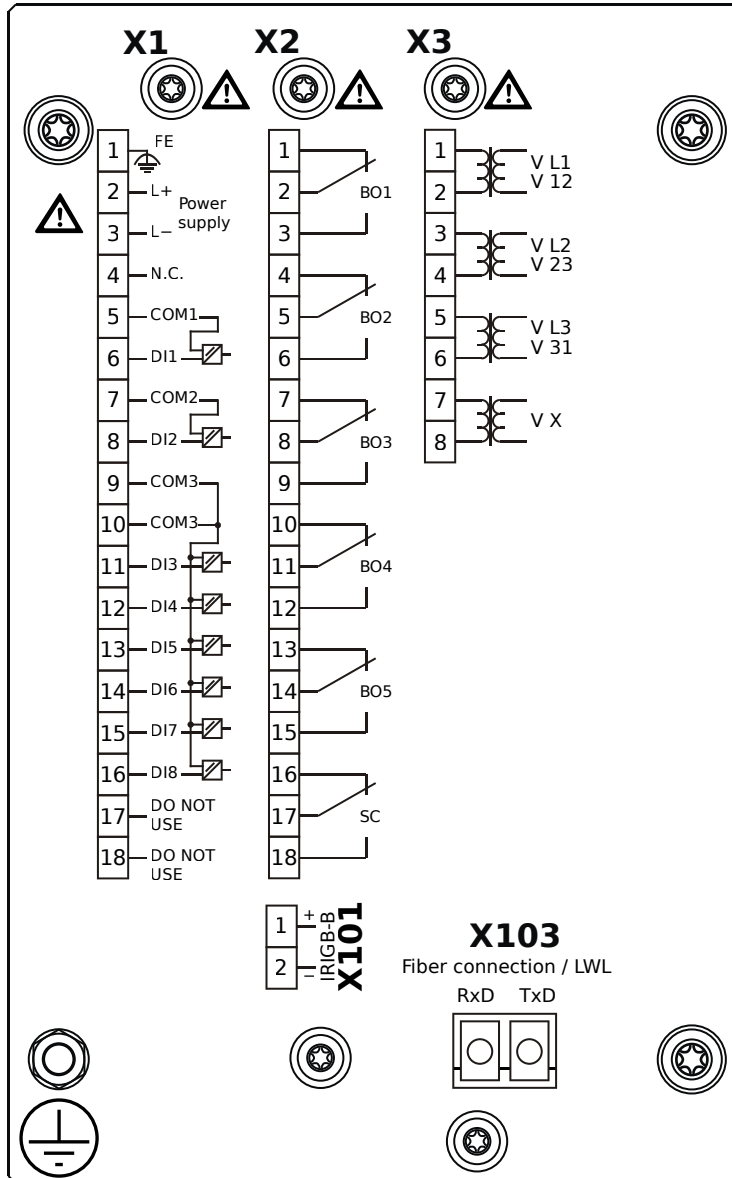
MRU4-2A0BLA



Housing B1, small display, 19" rack mounting

- X1** – DI8-X1: Wide-range power supply unit, incl. 2 non-grouped digital inputs and 6 grouped digital inputs
- X2** – OR5: Assembly Group with 5 Output Relays + 1 Supervision Contact
- X3** – TU: Card with 4 voltage transformer measuring inputs
- X101** – IRIG-B00X
- X103** – Modbus TCP / DNP3.0 TCP/UDP, Fiber optics interface, LC Connector

MRU4-2A0BLB



Housing B1, small display, 19" rack mounting

+ Conformal Coating (for installations in harsh environment)

X1 – DI8-X1: Wide-range power supply unit, incl. 2 non-grouped digital inputs and 6 grouped digital inputs

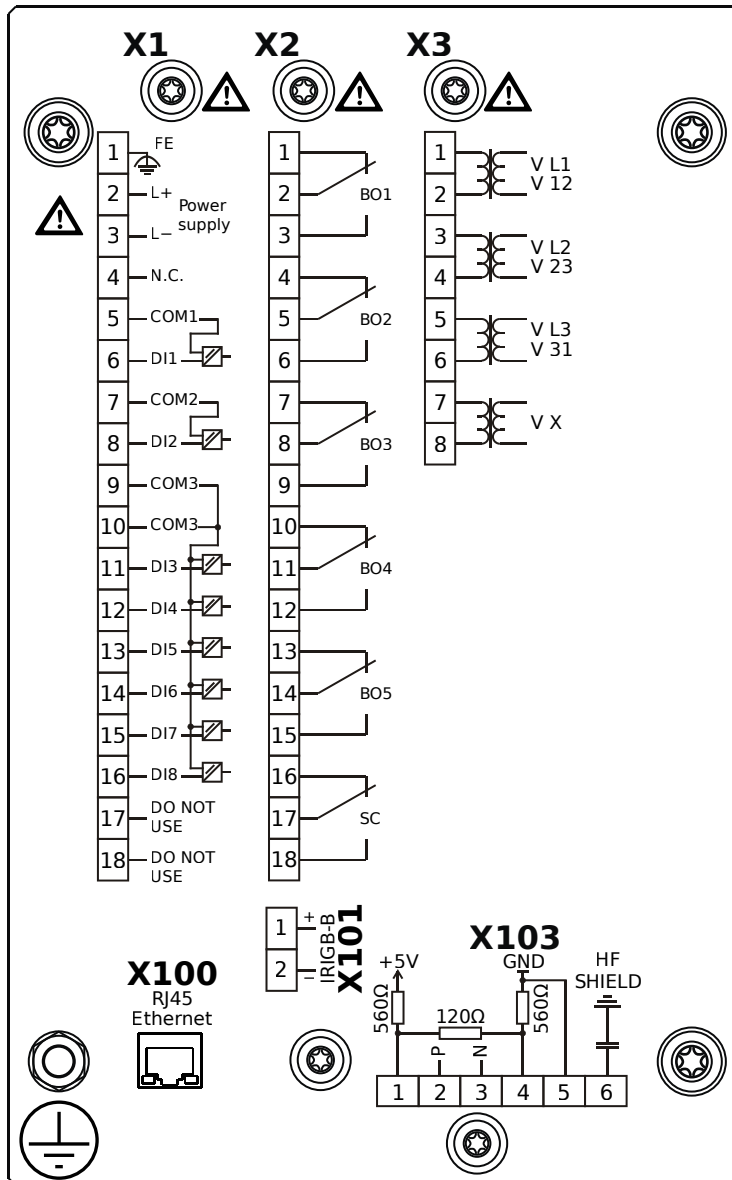
X2 – OR5: Assembly Group with 5 Output Relays + 1 Supervision Contact

X3 – TU: Card with 4 voltage transformer measuring inputs

X101 – IRIG-B00X

X103 – Modbus TCP / DNP3.0 TCP/UDP, Fiber optics interface, LC Connector

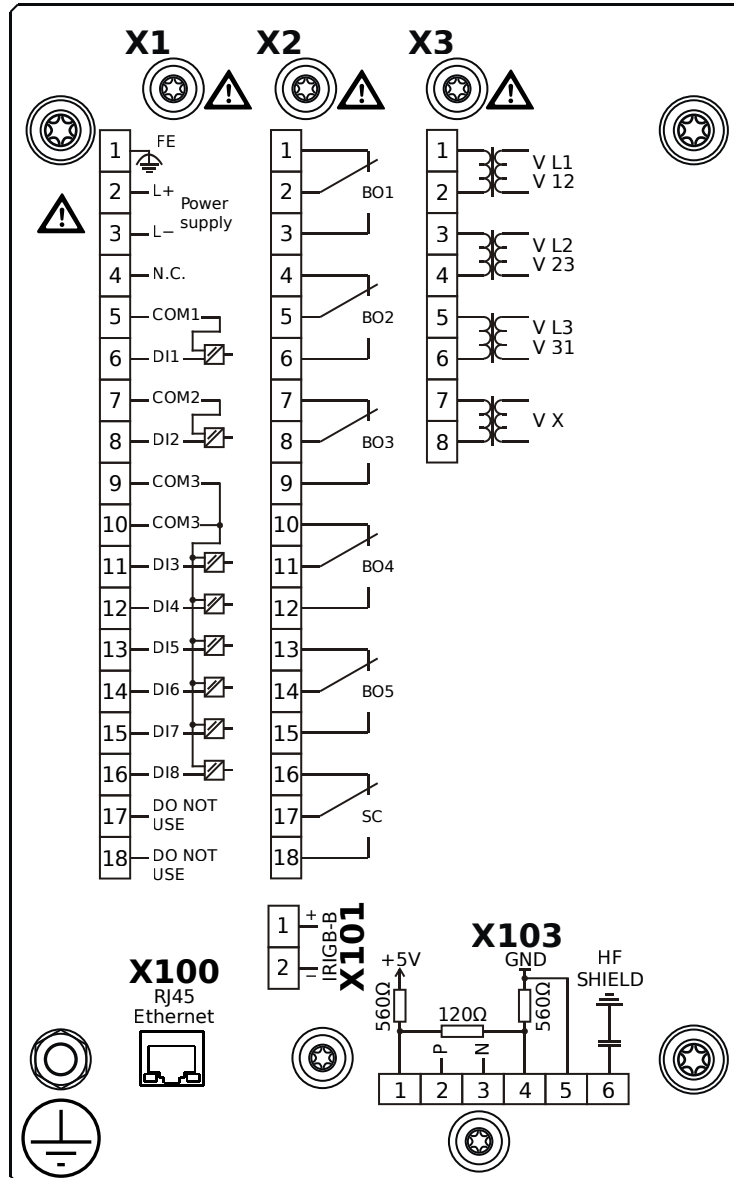
MRU4-2A0BTA



Housing B1, small display, 19" rack mounting

- X1** – DI8-X1: Wide-range power supply unit, incl. 2 non-grouped digital inputs and 6 grouped digital inputs
- X2** – OR5: Assembly Group with 5 Output Relays + 1 Supervision Contact
- X3** – TU: Card with 4 voltage transformer measuring inputs
- X100** – IEC 61850 / Modbus TCP / DNP3.0 TCP/UDP, Ethernet interface, 100 Mbit/s, RJ45 (BASE100-FX)
- X101** – IRIG-B00X
- X103** – IEC 60870-5-103 / Modbus RTU / DNP3.0 RTU, RS485, Terminals

MRU4-2A0BTB



Housing B1, small display, 19" rack mounting

+ Conformal Coating (for installations in harsh environment)

X1 – DI8-X1: Wide-range power supply unit, incl. 2 non-grouped digital inputs and 6 grouped digital inputs

X2 – OR5: Assembly Group with 5 Output Relays + 1 Supervision Contact

X3 – TU: Card with 4 voltage transformer measuring inputs

X100 – IEC 61850 / Modbus TCP / DNP3.0 TCP/UDP, Ethernet interface, 100 Mbit/s, RJ45 (BASE100-FX)

X101 – IRIG-B00X

X103 – IEC 60870-5-103 / Modbus RTU / DNP3.0 RTU, RS485, Terminals

Appendix – Legend

In this legend designations of various device types are listed, e.g. transformer protection, motor protection, generator protection, etc. Therefore it can occur that not every designation actually appears on the wiring diagram of your device.

FE	– Connection of functional earth (see chapter Grounding in the Technical Manual).
Power Supply	– Connection for auxiliary power supply.
IL1	– Phase current input L1 (in some countries designated as IA).
IL2	– Phase current input L2 (in some countries designated as IB).
IL3	– Phase current input L3 (in some countries designated as IC).
IG	– Earth current input.
IL1 W1 ... IL3 W1	– Phase current input L1...L3, winding side 1.
IL1 W2 ... IL3 W2	– Phase current input L1...L3, winding side 2.
IG W1, IG W2	– Earth current input, winding side 1 / 2.
VL1	– Phase-to-neutral voltage L1 (in some countries designated as VA).
VL2	– Phase-to-neutral voltage L2 (in some countries designated as VB).
VL3	– Phase-to-neutral voltage L3 (in some countries designated as VC).
VL12	– Phase-to-phase voltage V12 (in some countries designated as VAB).
VL23	– Phase-to-phase voltage V23 (in some countries designated as VBC).
VL31	– Phase-to-phase voltage V31 (in some countries designated as VCA).
VX	– 4th voltage measuring input for measuring residual voltage or synchro-check.
BO	– Binary output relay.
NO / NC	– Contact output, normally open (Form A) / closed (Form B).
DI	– Digital input.
COM	– Common connection of digital inputs.
Out+, AnOut	– Analog output + (0/4...20 mA or 0...10 V).
In–, AnIn	– Analog input + (0/4...20 mA or 0...10 V).
n.c.	– Not connected.
DO NOT USE	– Do not use. (Caution: Non-usable internal wiring may exist.)
SC	– Self-supervision contact.
HF SHIELD	– Connection cable shield.
Fiber Optics / LWL	– Fiber optic connection.

High PROTEC

www.SEGelectronics.de



SEG Electronics GmbH reserves the right to update any portion of this publication at any time.
Information provided by SEG Electronics GmbH is believed to be correct and reliable.
However, SEG Electronics GmbH assumes no responsibility unless otherwise expressly undertaken.



SEG Electronics GmbH
Krefelder Weg 47 · D-47906 Kempen (Germany)
Postfach 10 07 55 (P.O.Box) · D-47884 Kempen (Germany)
Telephone: +49 (0) 21 52 145 1
Internet: www.segelectronics.de

Sales
Telephone: +49 (0) 21 52 145 331
Fax: +49 (0) 21 52 145 354
Email: SalesPGD.EMEA@woodward.com

Service
Telephone: +49 (0) 21 52 145 600
Fax: +49 (0) 21 52 145 354
Email: industrial.support@woodward.com

SEG Electronics GmbH has company-owned plants, subsidiaries, and branches, as well as authorized distributors and other authorized service and sales facilities throughout the world.

Complete address / phone / fax / email information for all locations is available on our website.