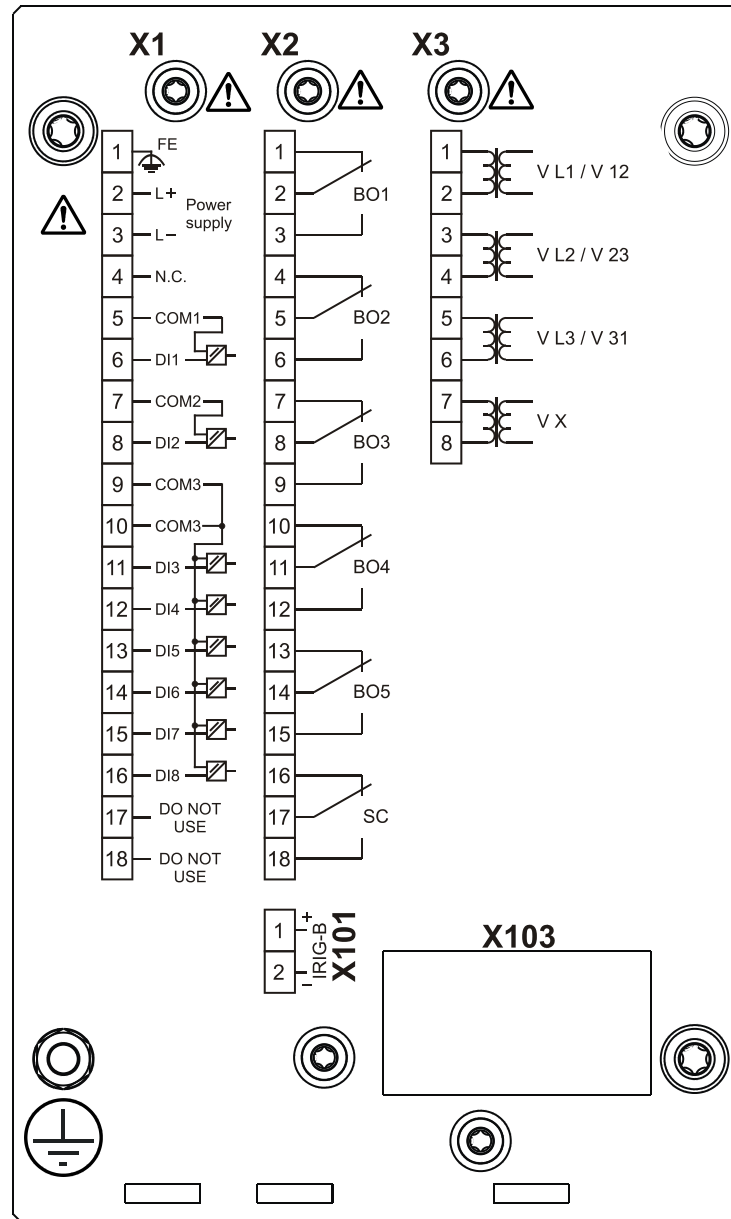
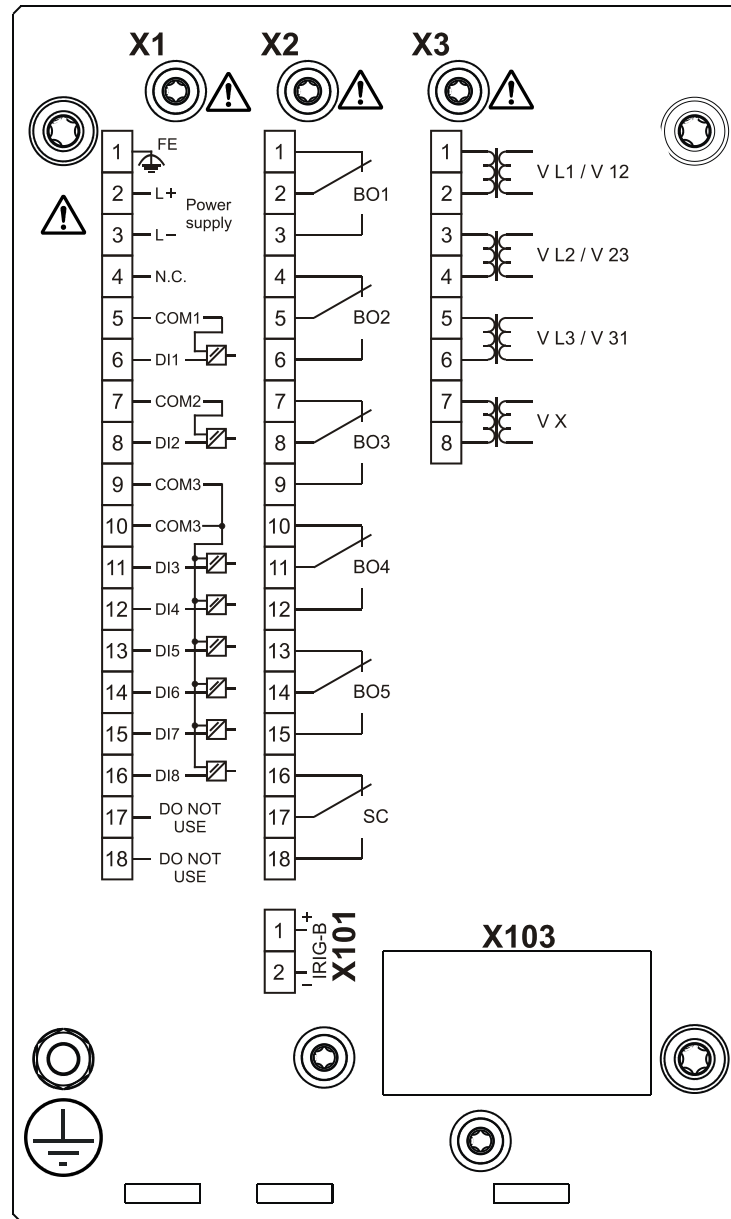


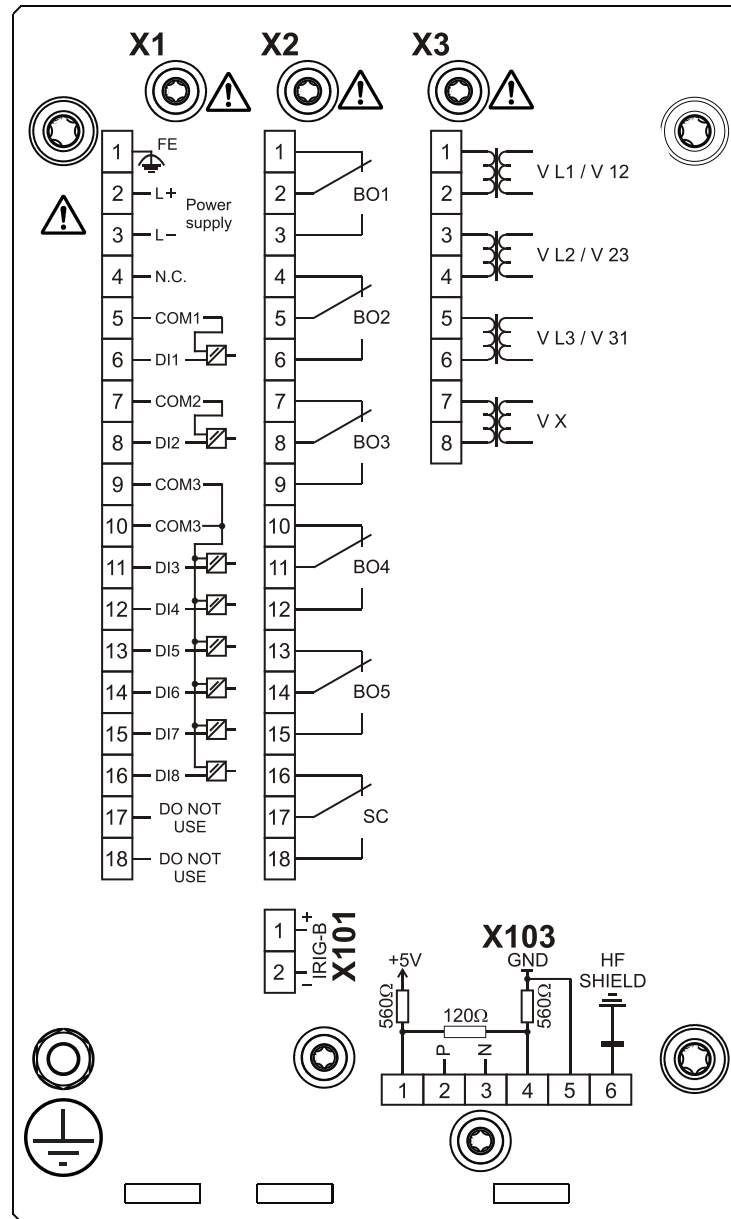
# MRU4-2A0AAA



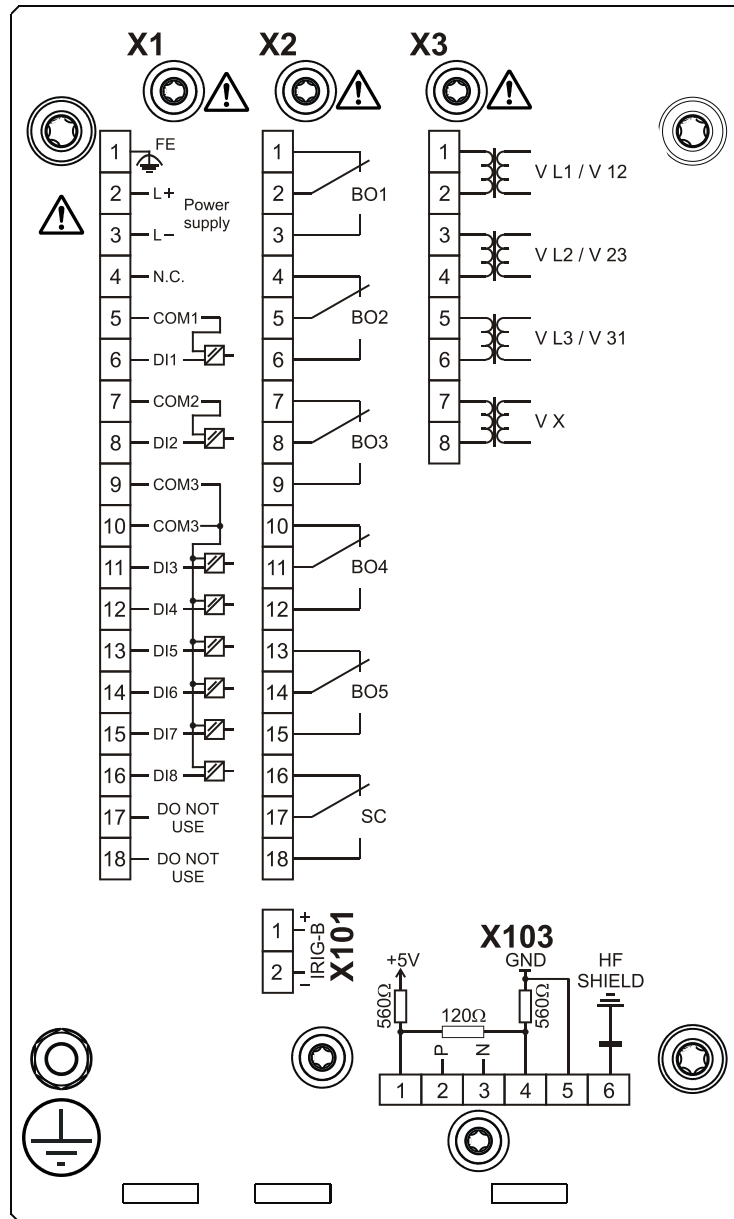
# MRU4-2A0AAB



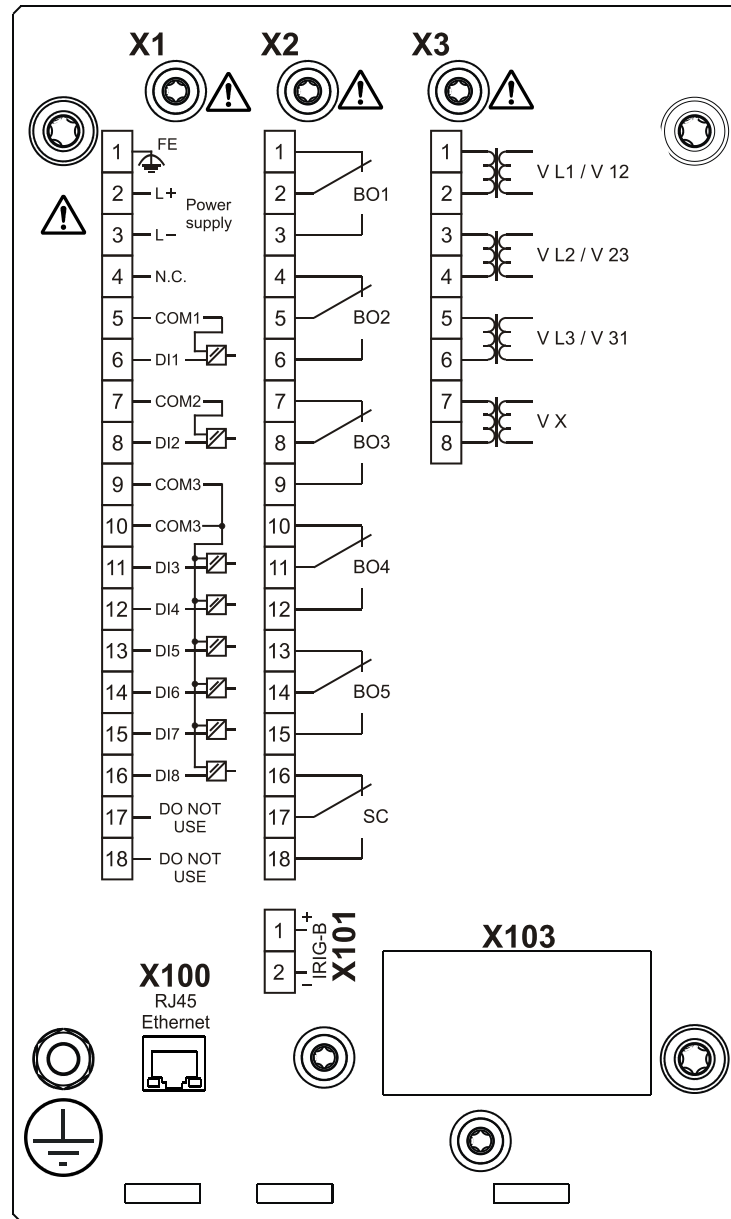
# MRU4-2A0ABA



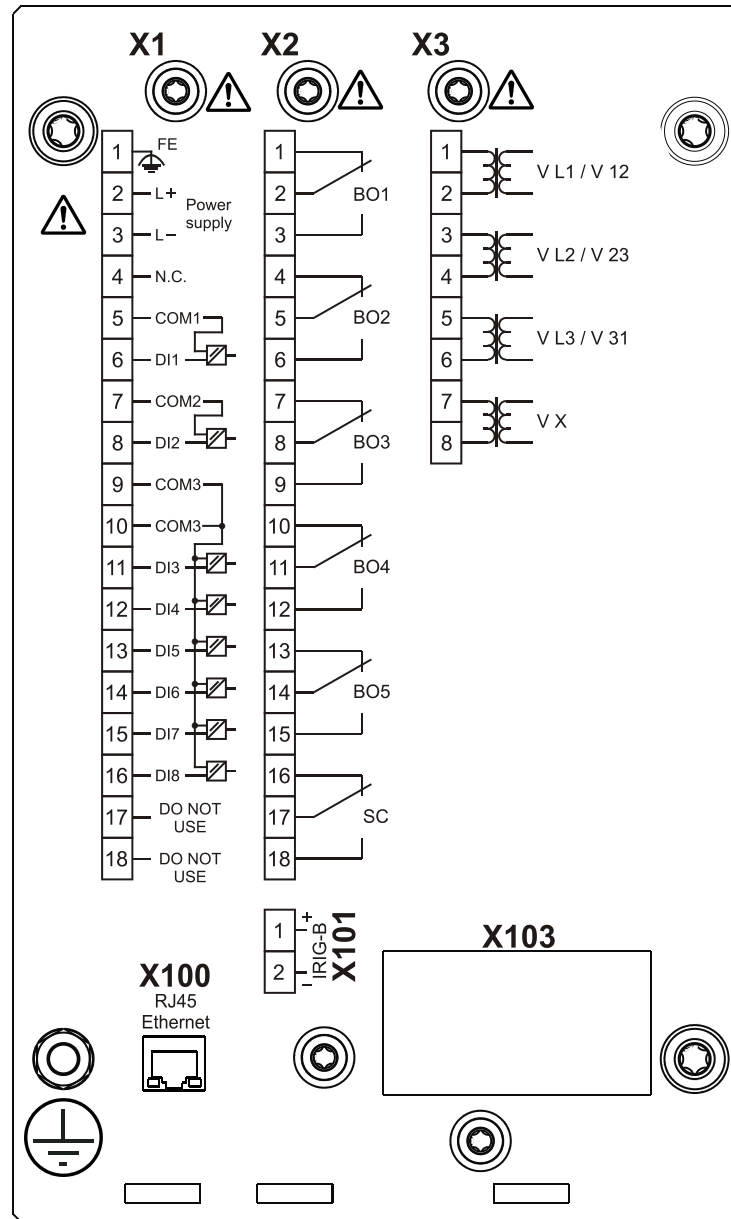
# MRU4-2A0ABB



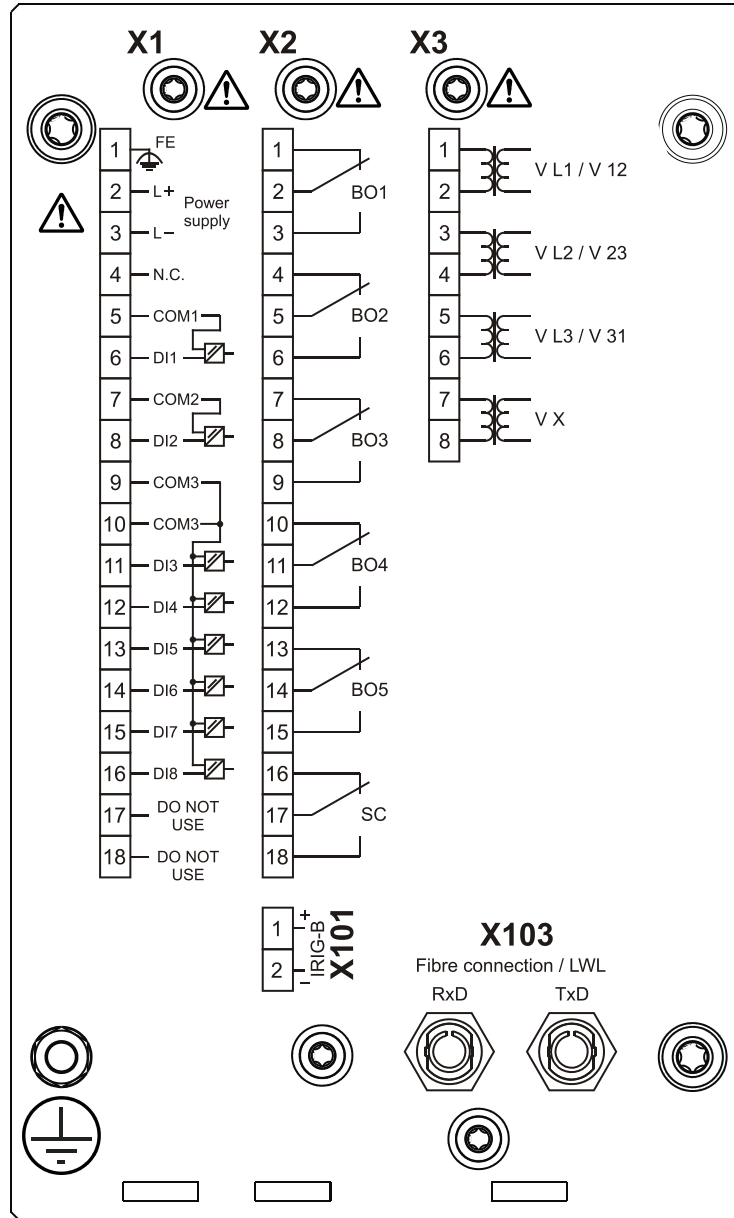
# MRU4-2A0ACA



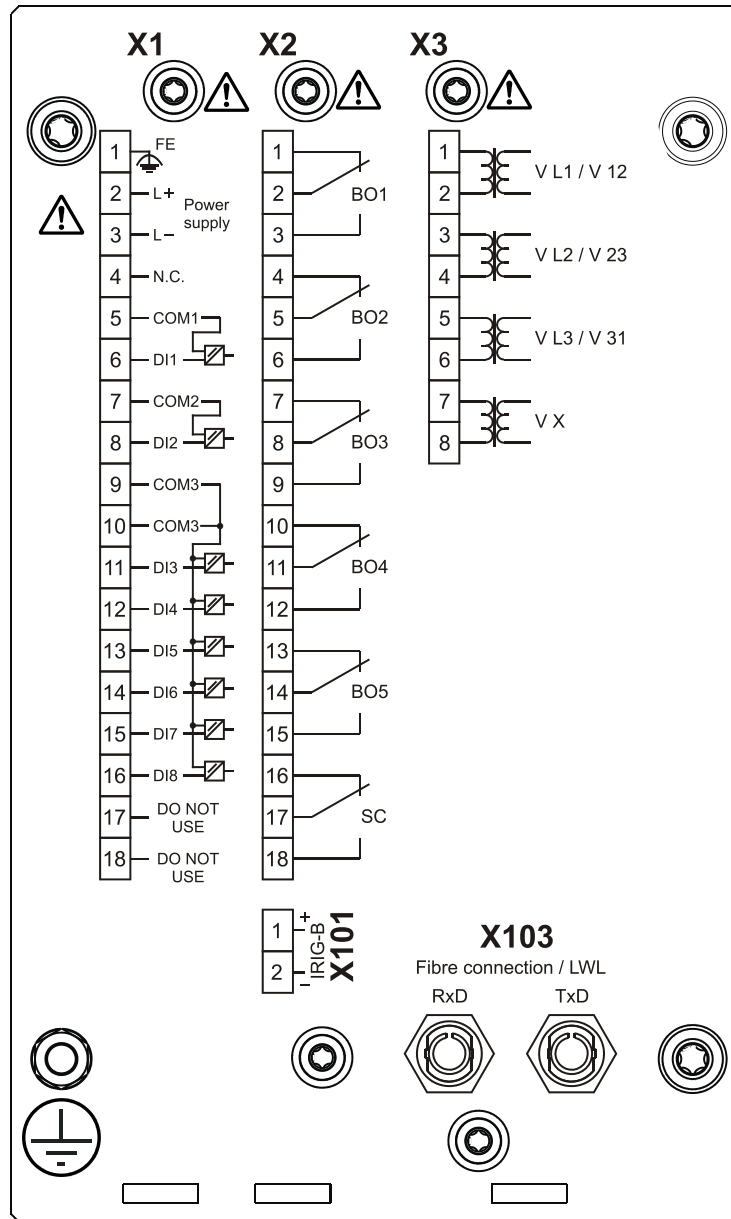
# MRU4-2A0ACB



# MRU4-2A0ADA

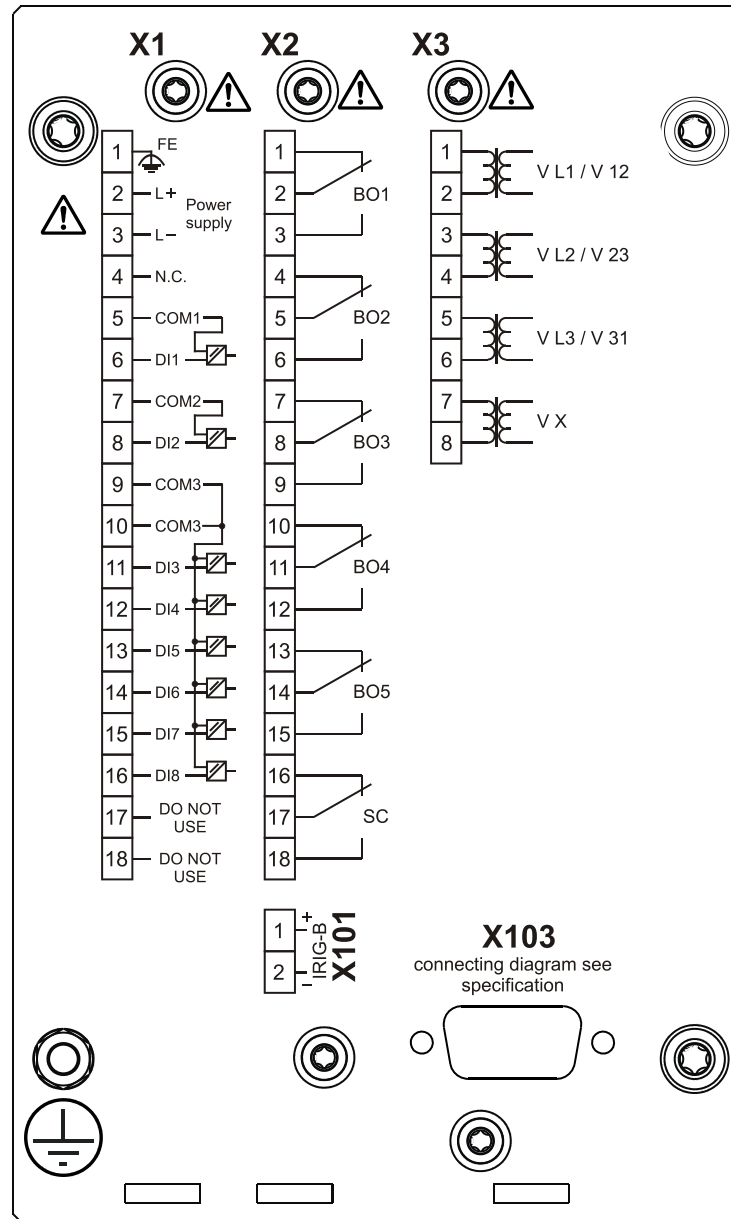


# MRU4-2A0ADB

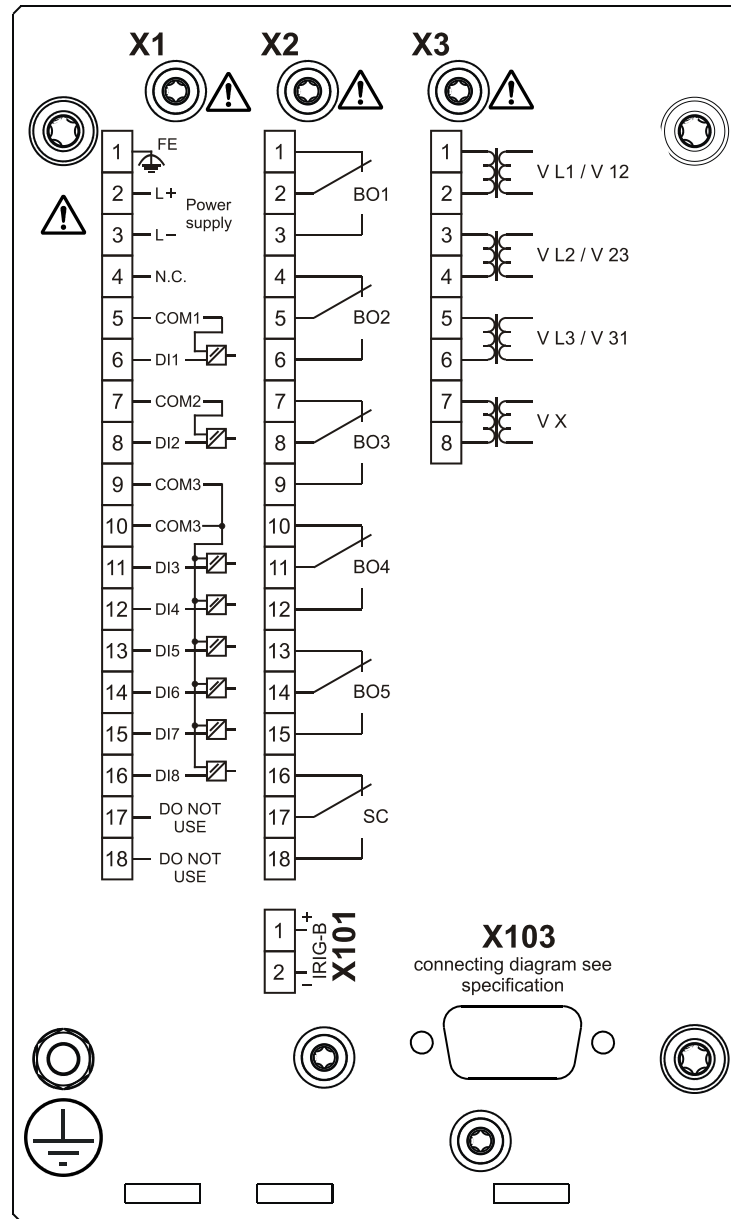




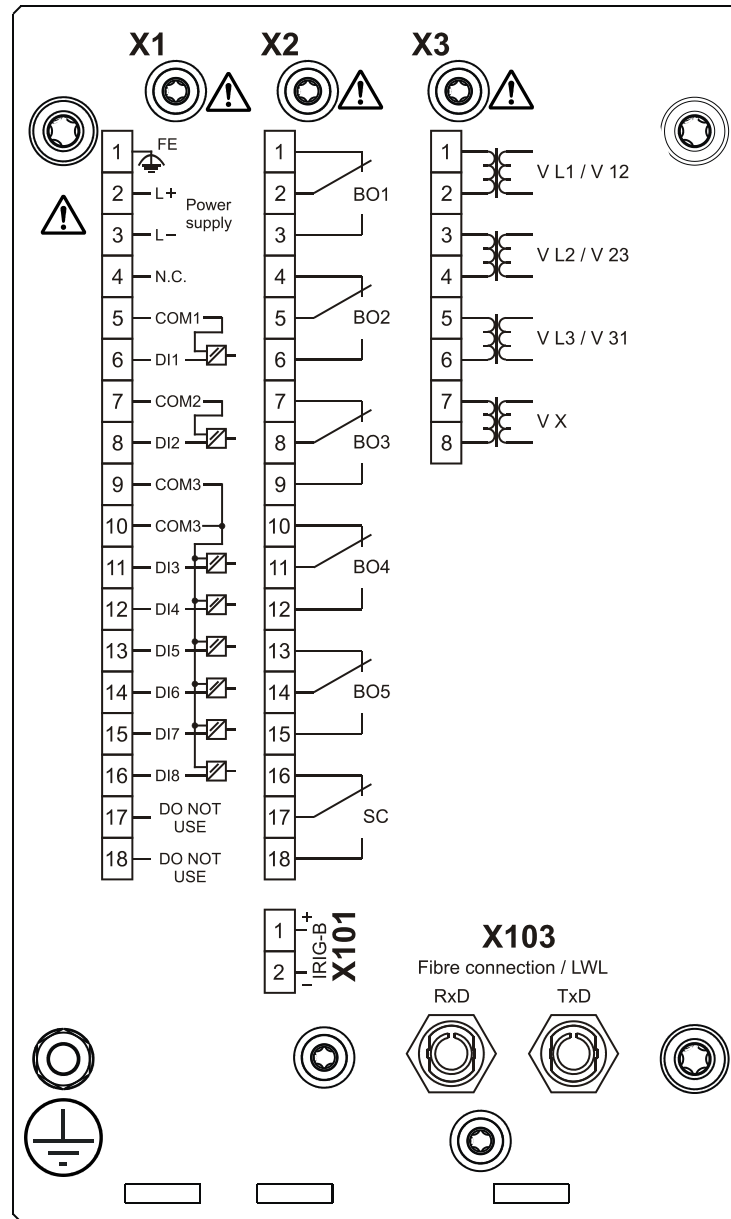
# MRU4-2A0AEA



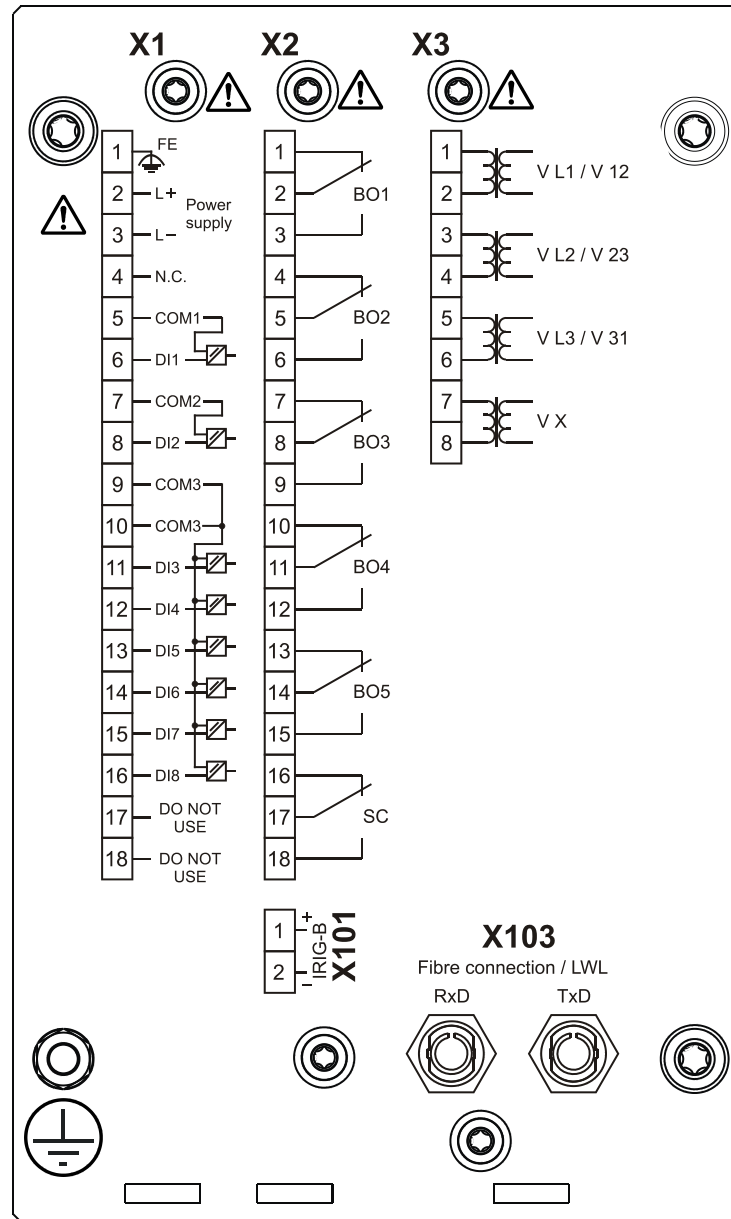
# MRU4-2A0AEB



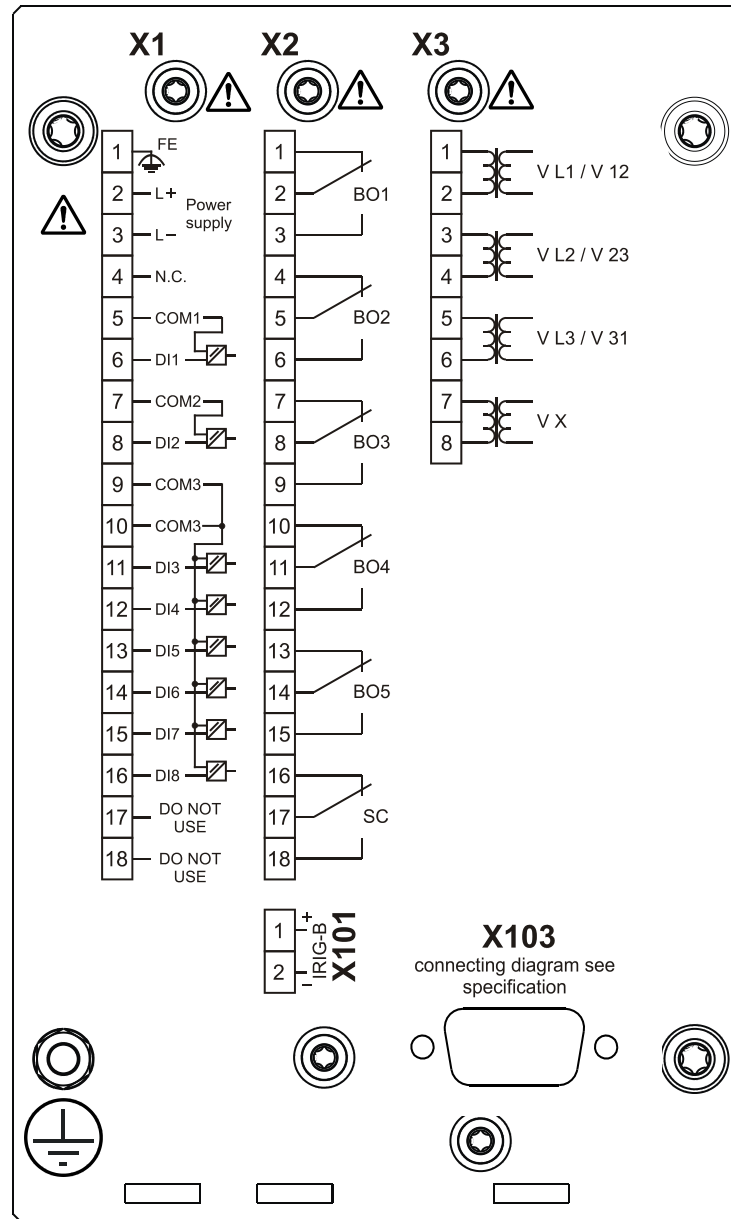
# MRU4-2A0AFA



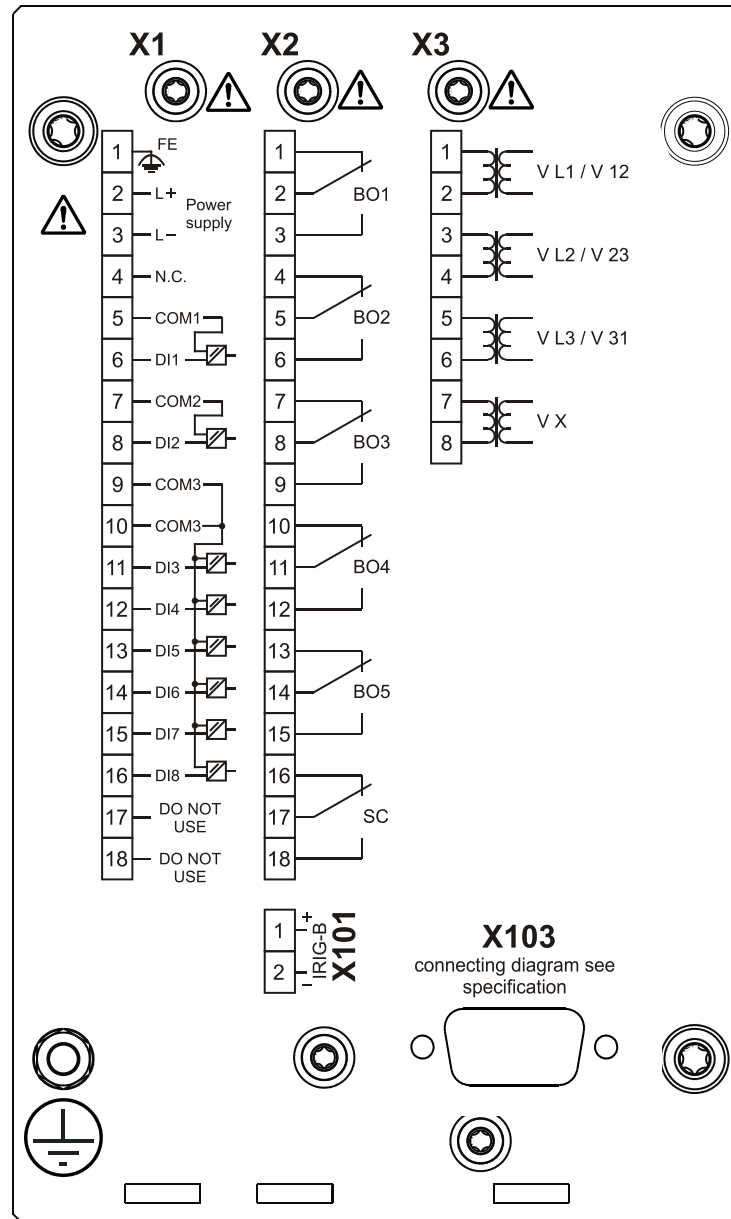
# MRU4-2A0AFB



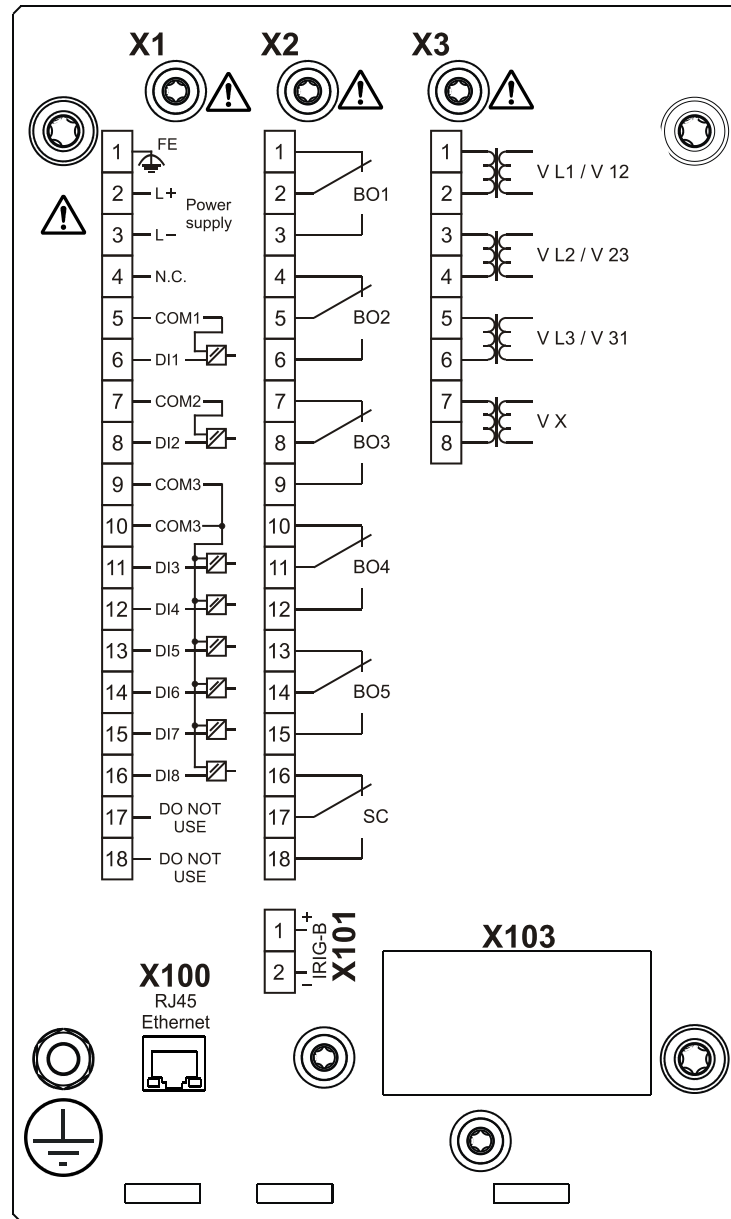
# MRU4-2A0AGA



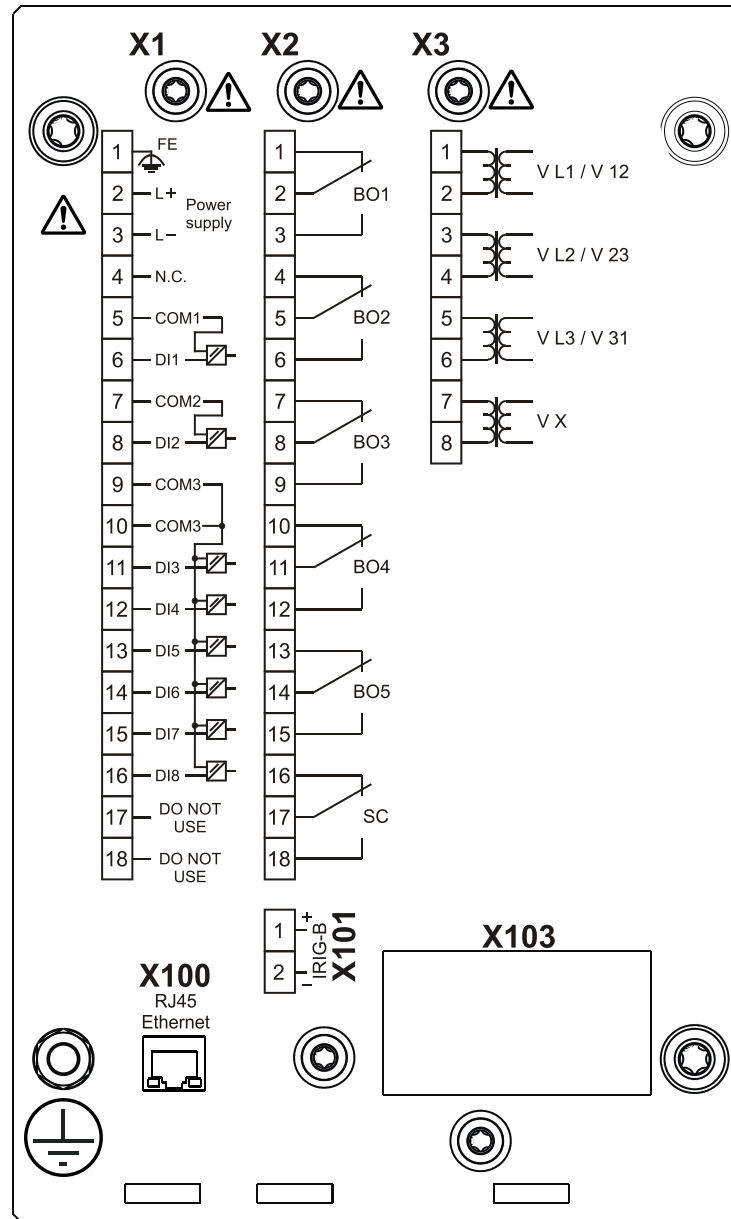
# MRU4-2A0AGB



# MRU4-2A0AHA

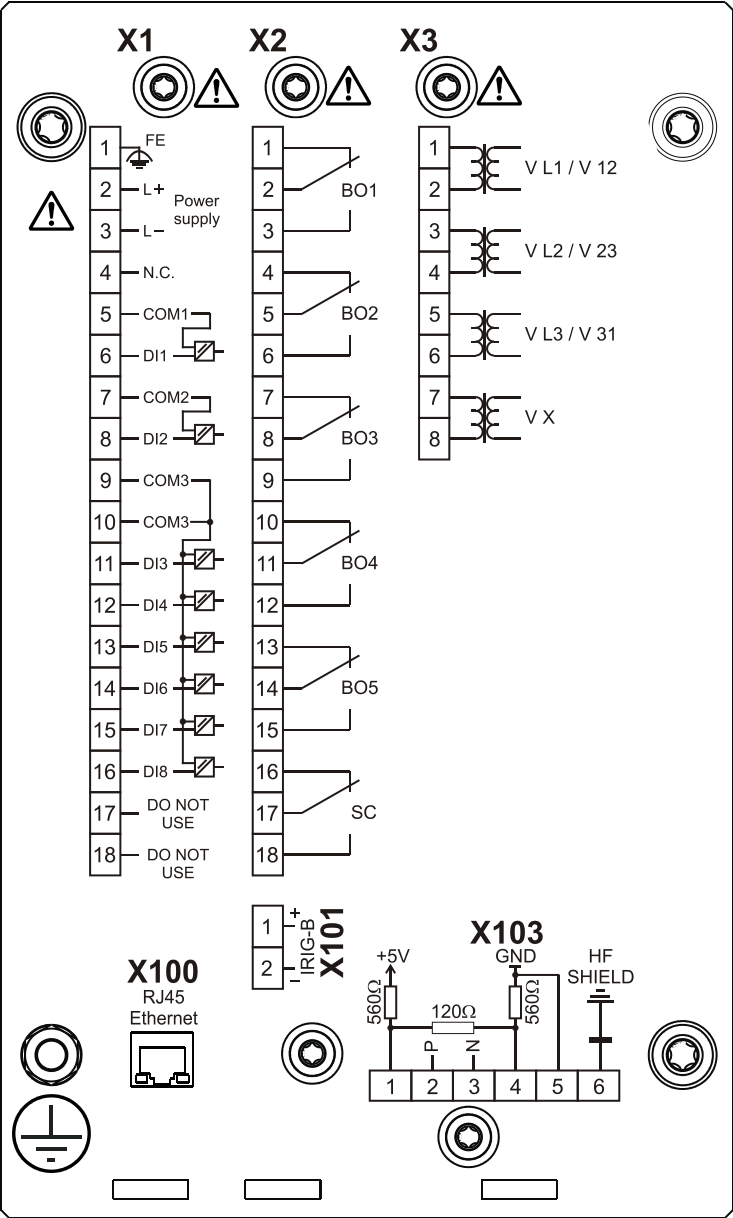


# MRU4-2A0AHB

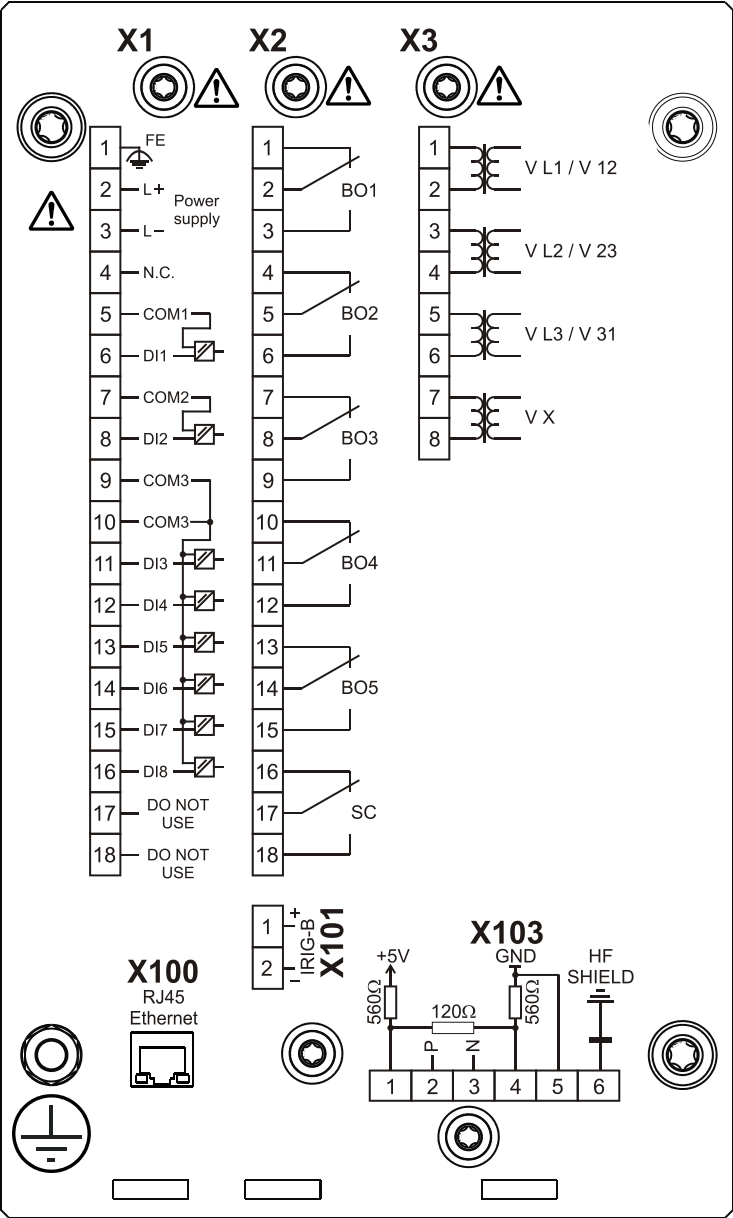




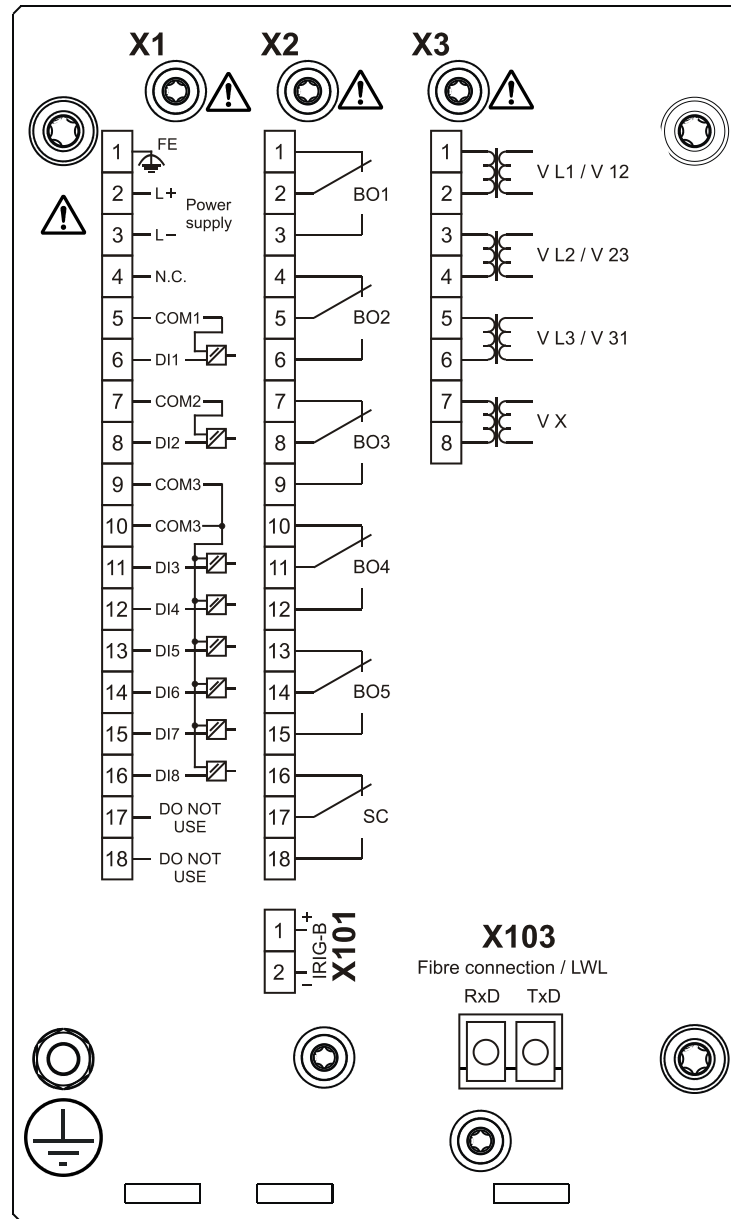
# MRU4-2A0AIA



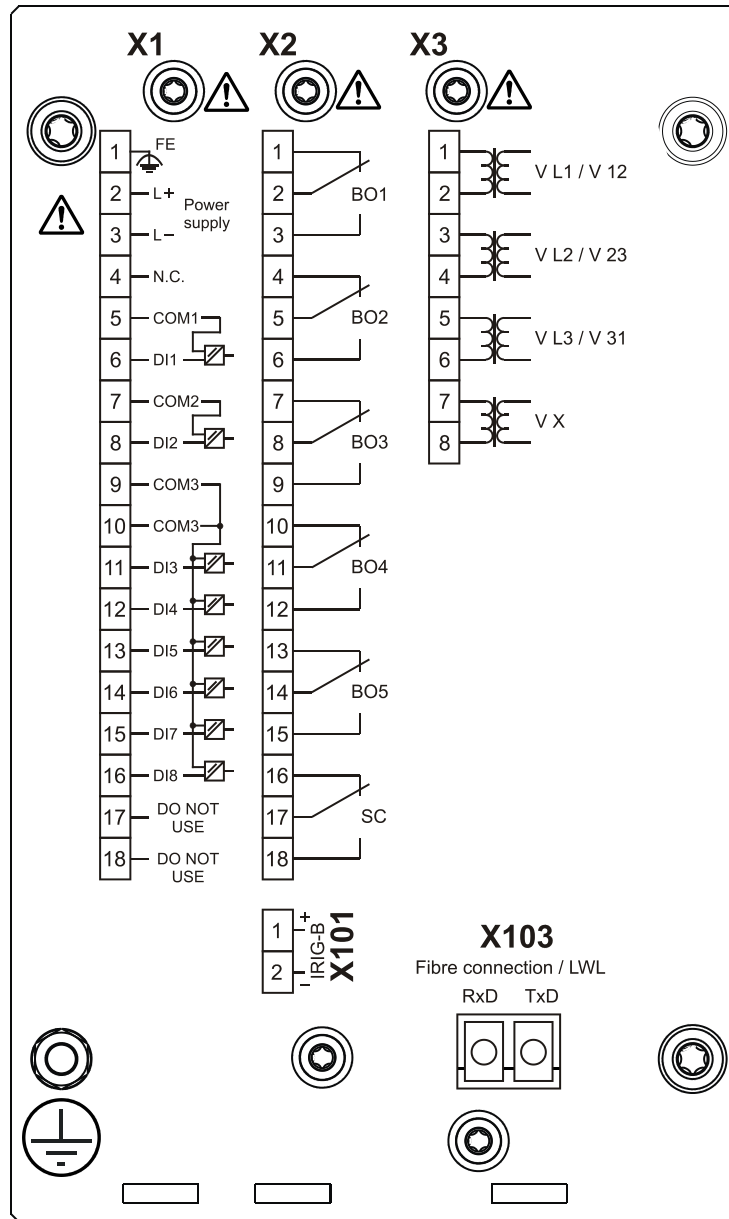
# MRU4-2A0AIB



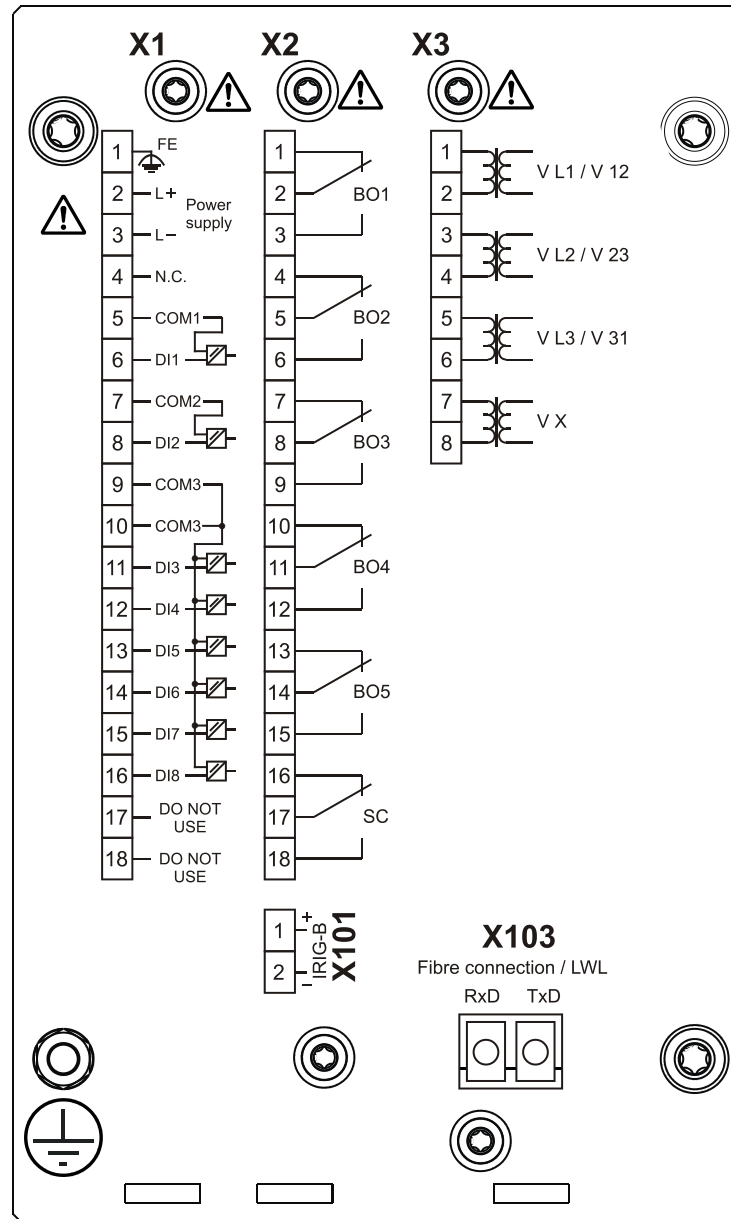
# MRU4-2A0AKA



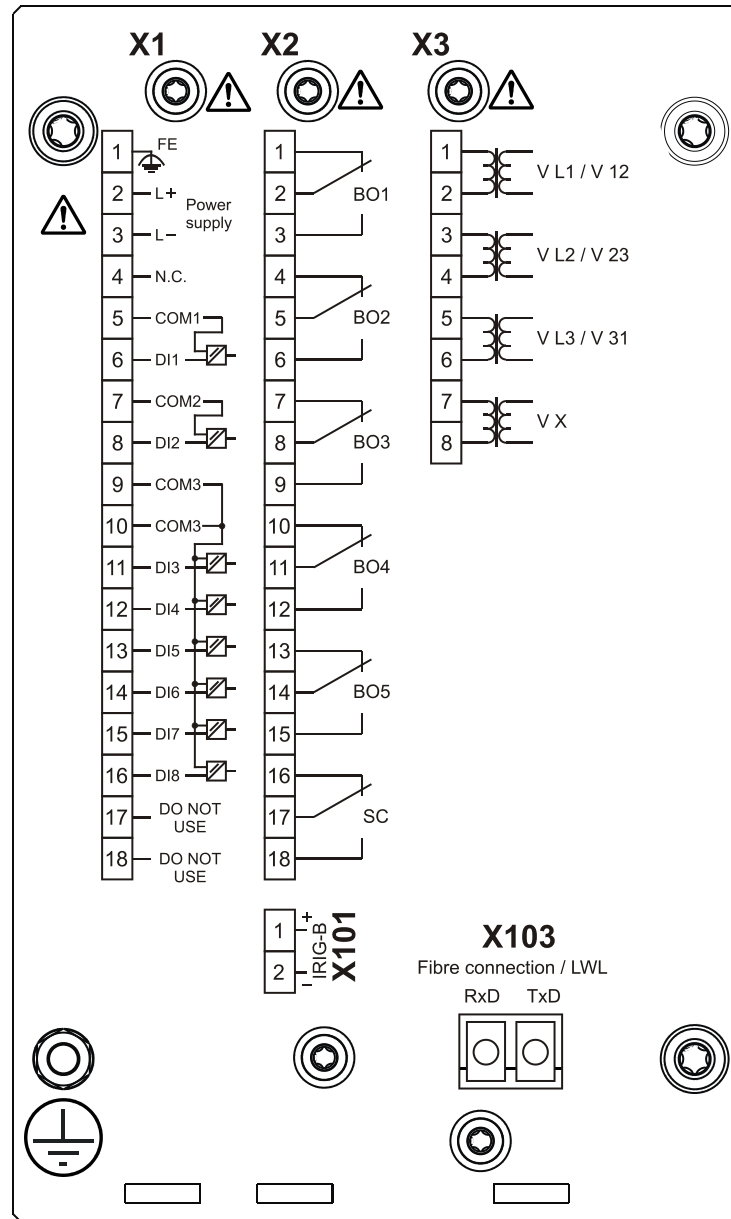
# MRU4-2A0AKB



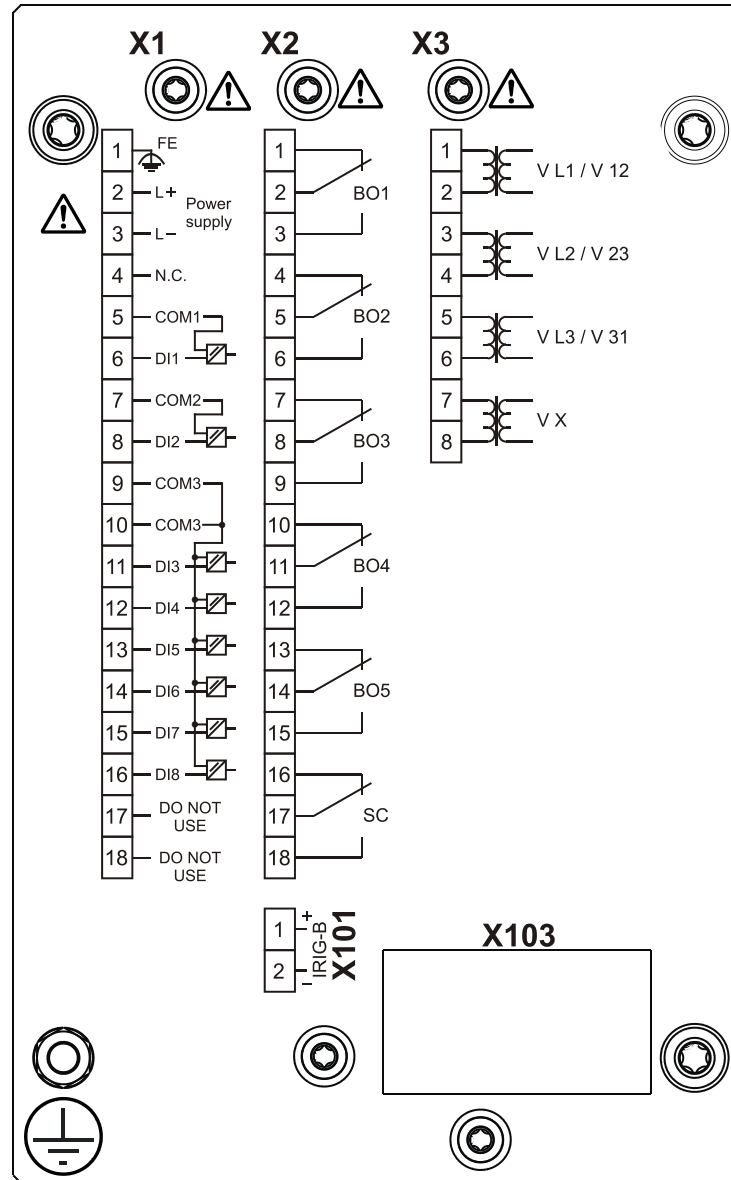
# MRU4-2A0ALA



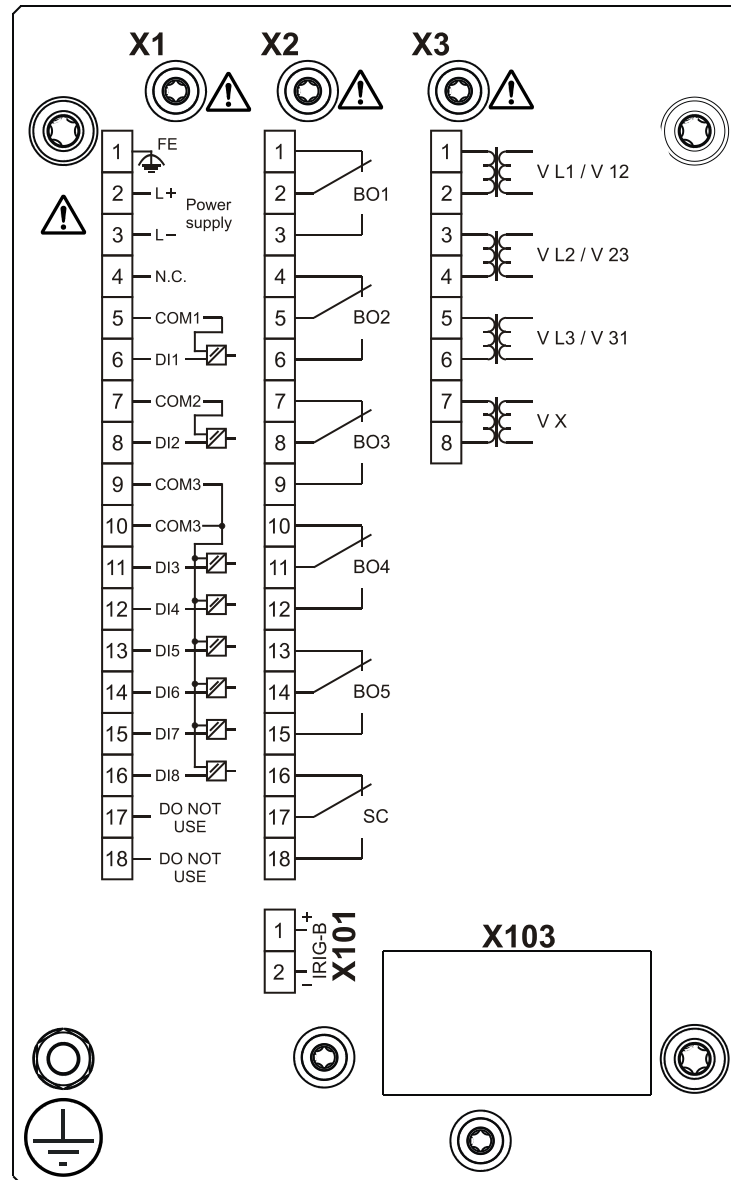
# MRU4-2A0ALB



# MRU4-2A0BAA

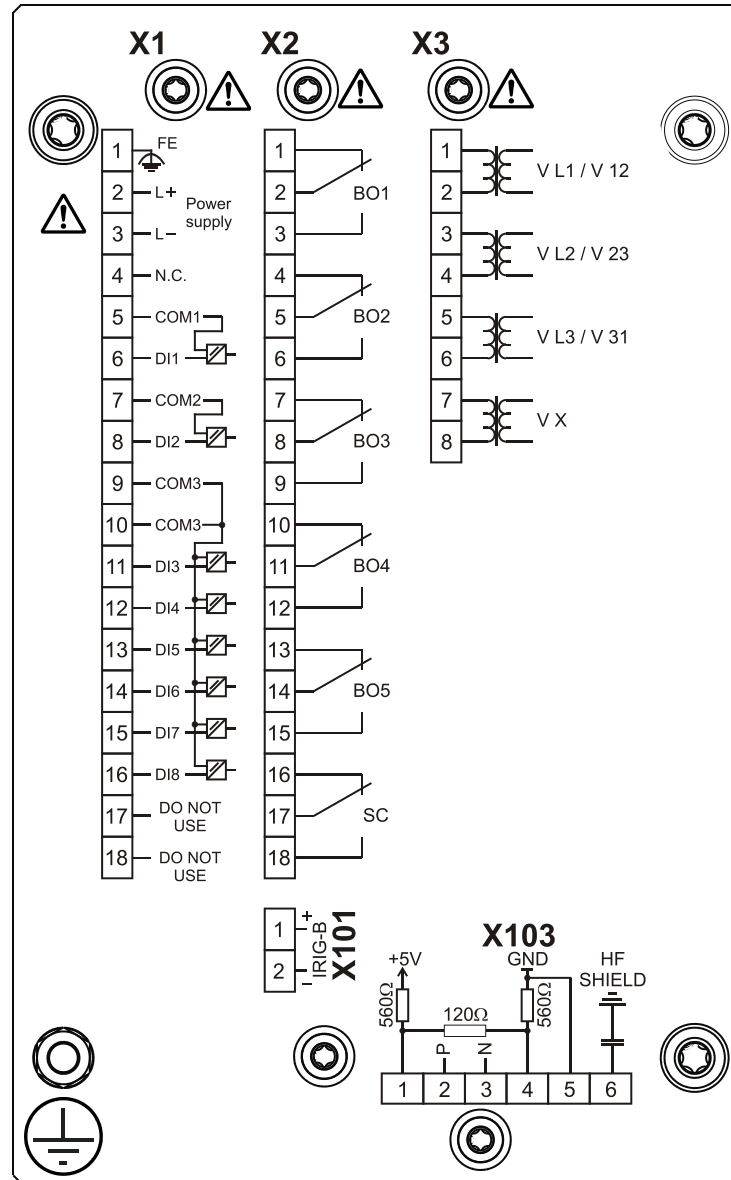


# MRU4-2A0BAB

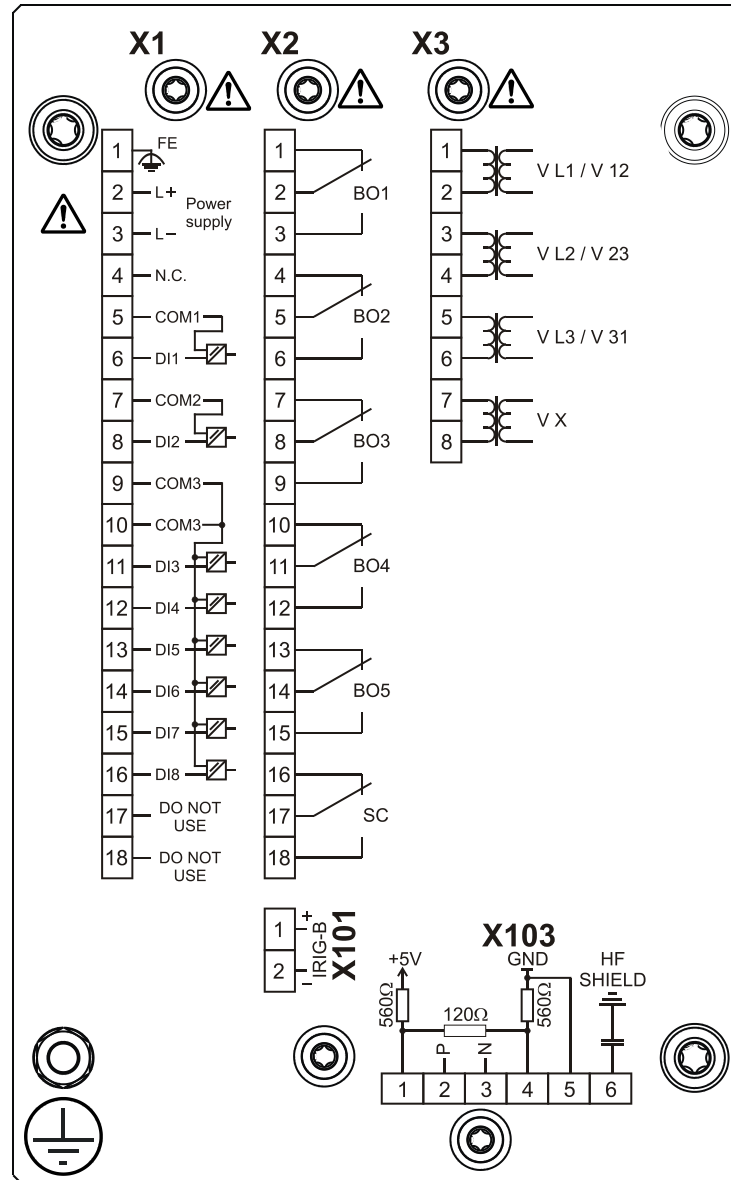




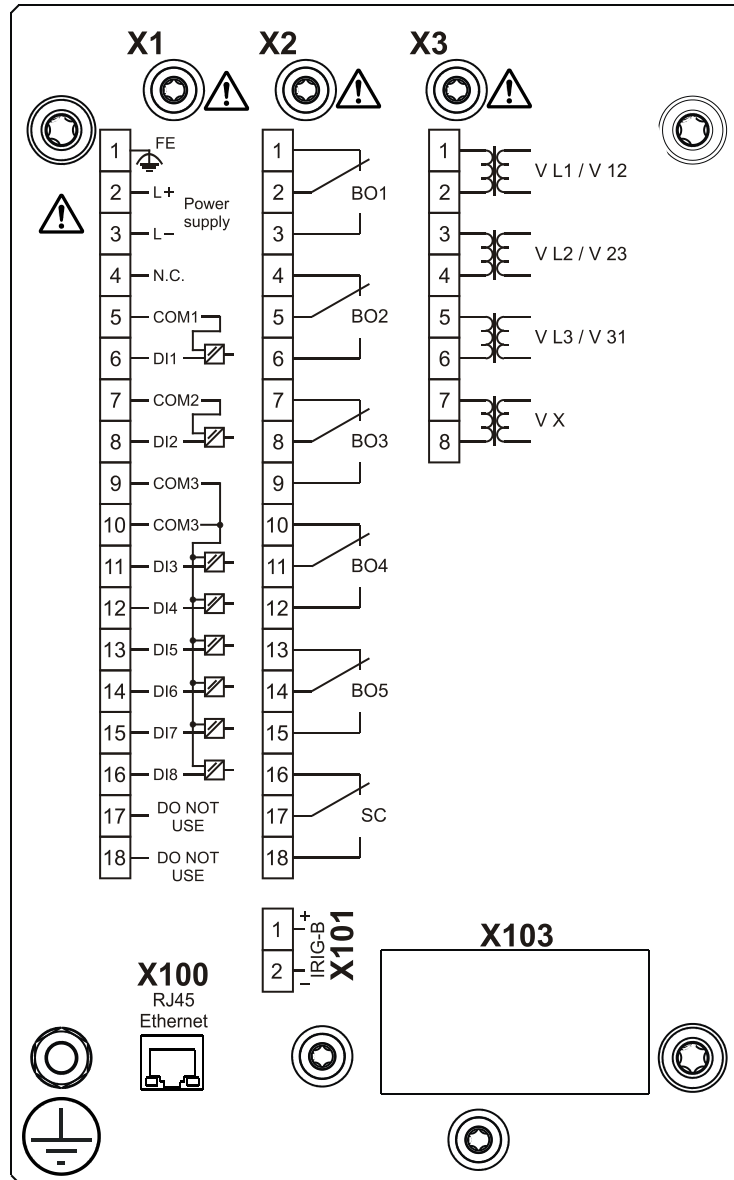
# MRU4-2A0BBA



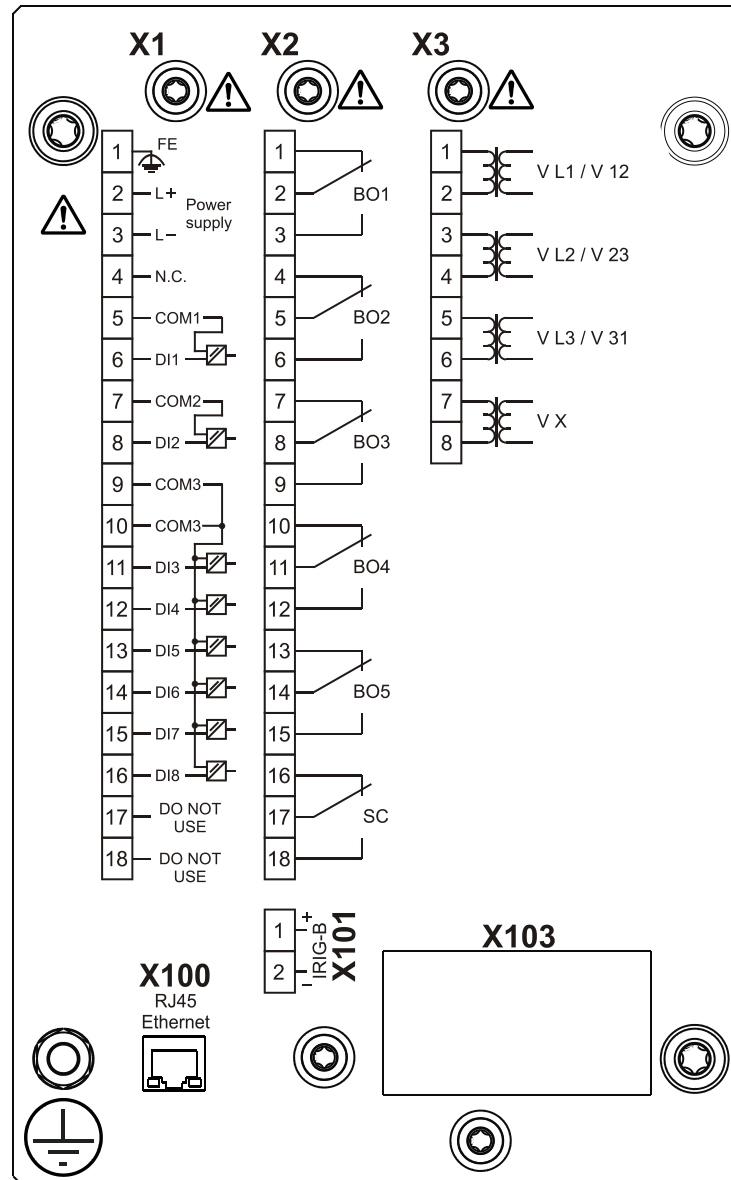
# MRU4-2A0BBB



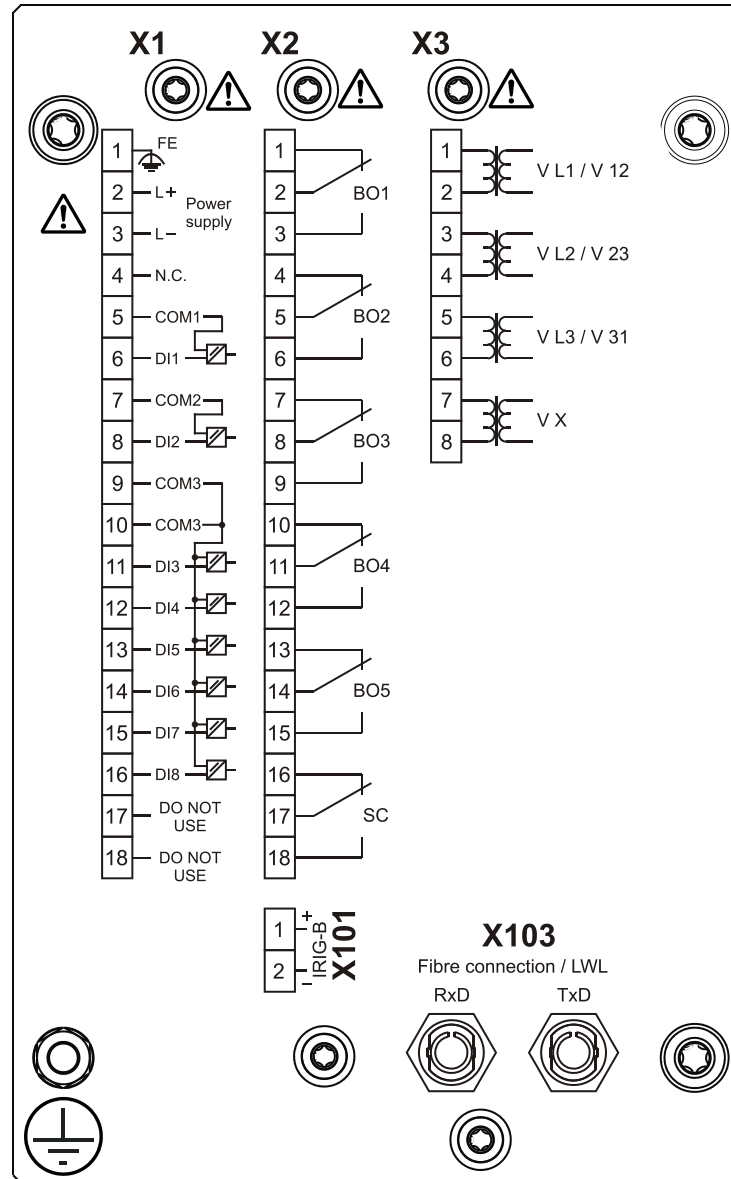
# MRU4-2A0BCA



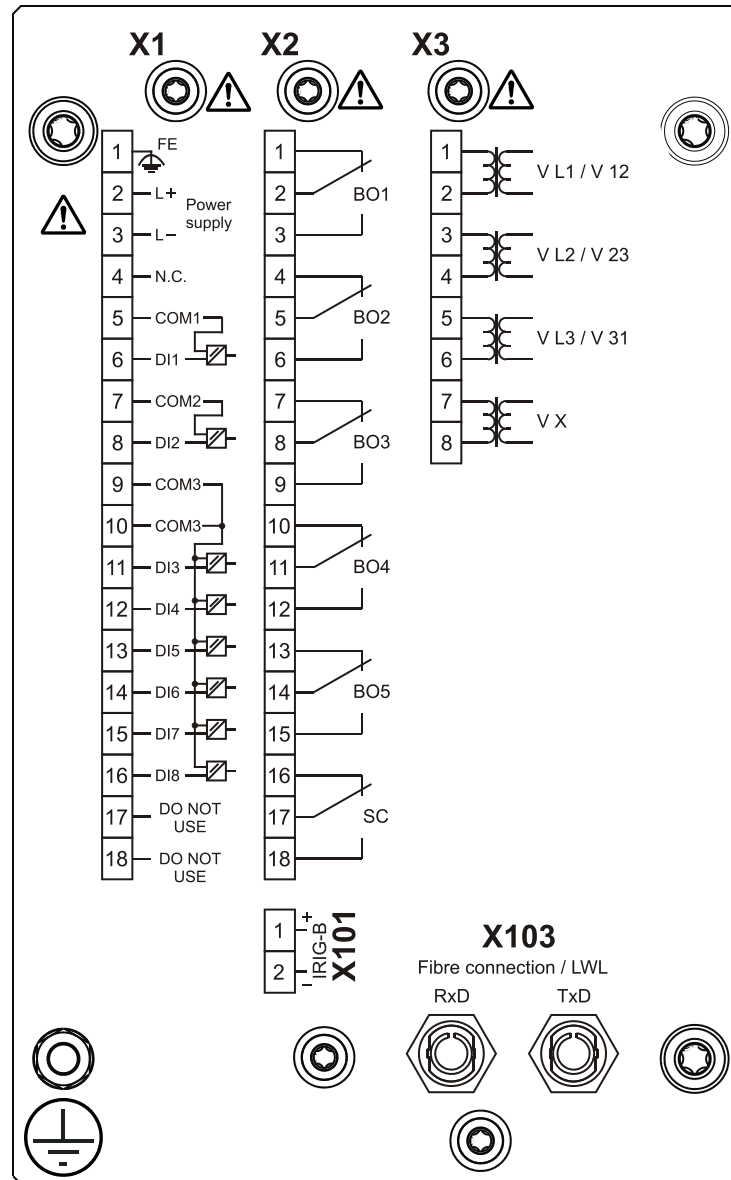
# MRU4-2A0BCB



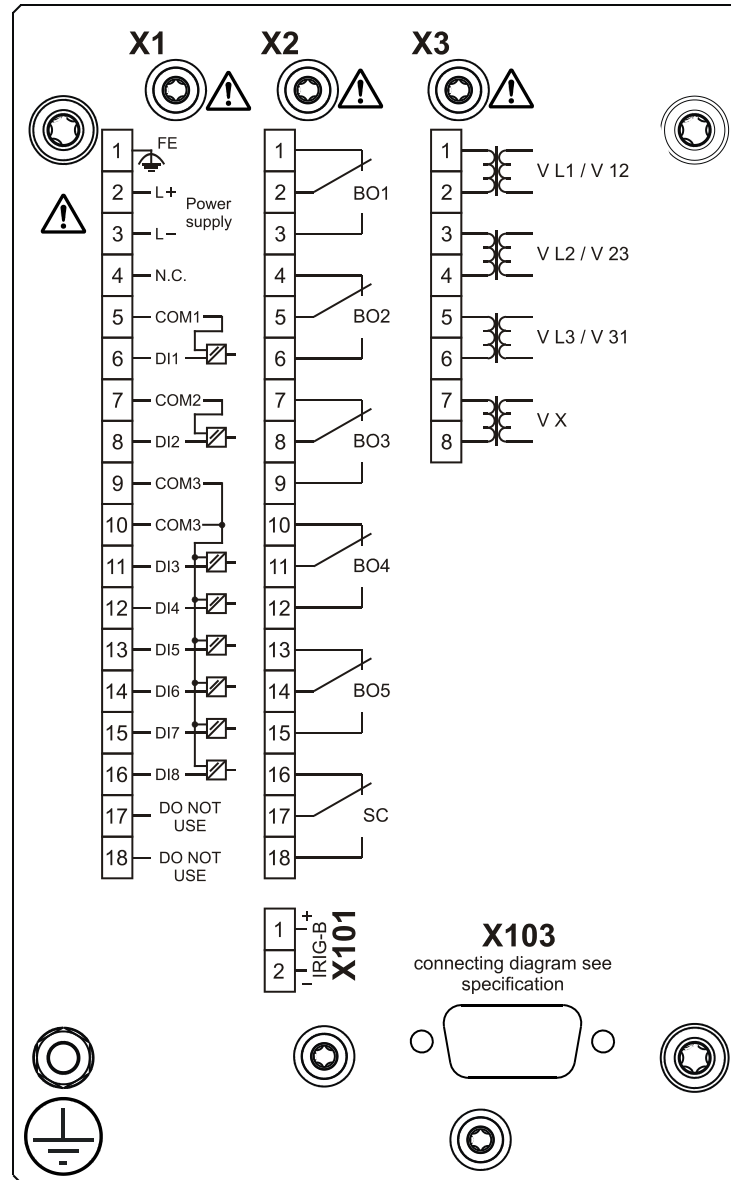
# MRU4-2A0BDA



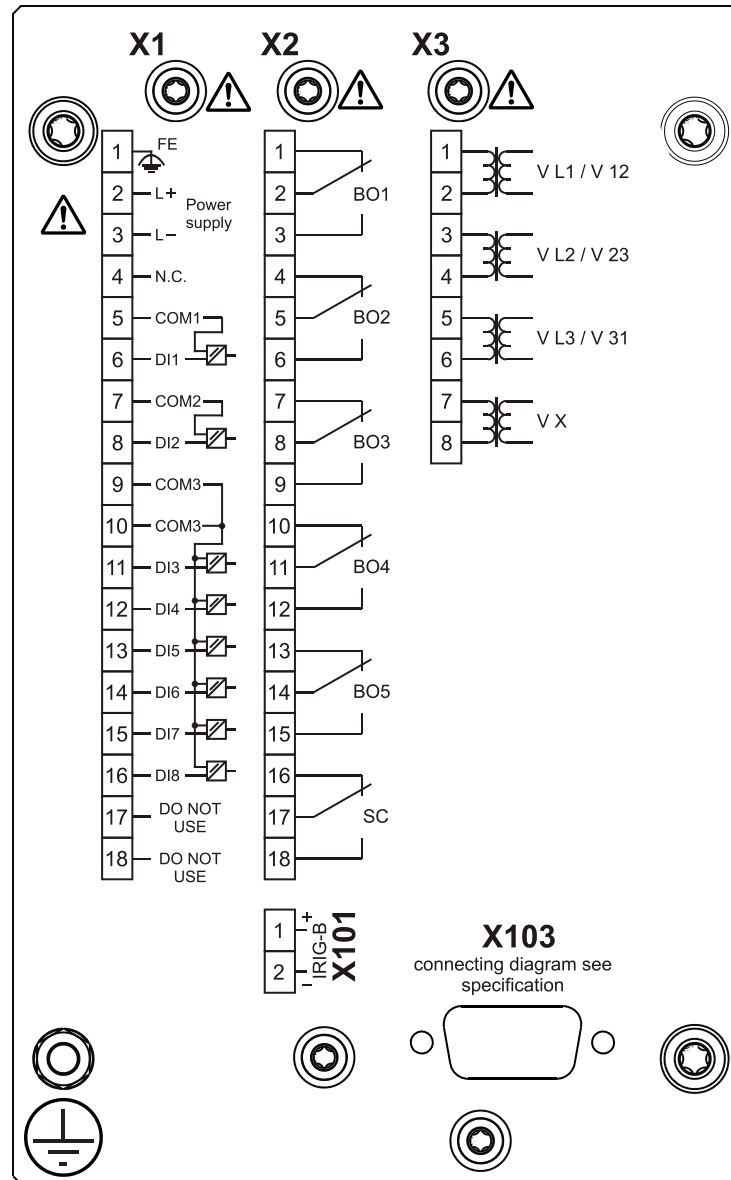
# MRU4-2A0BDB



# MRU4-2A0BEA

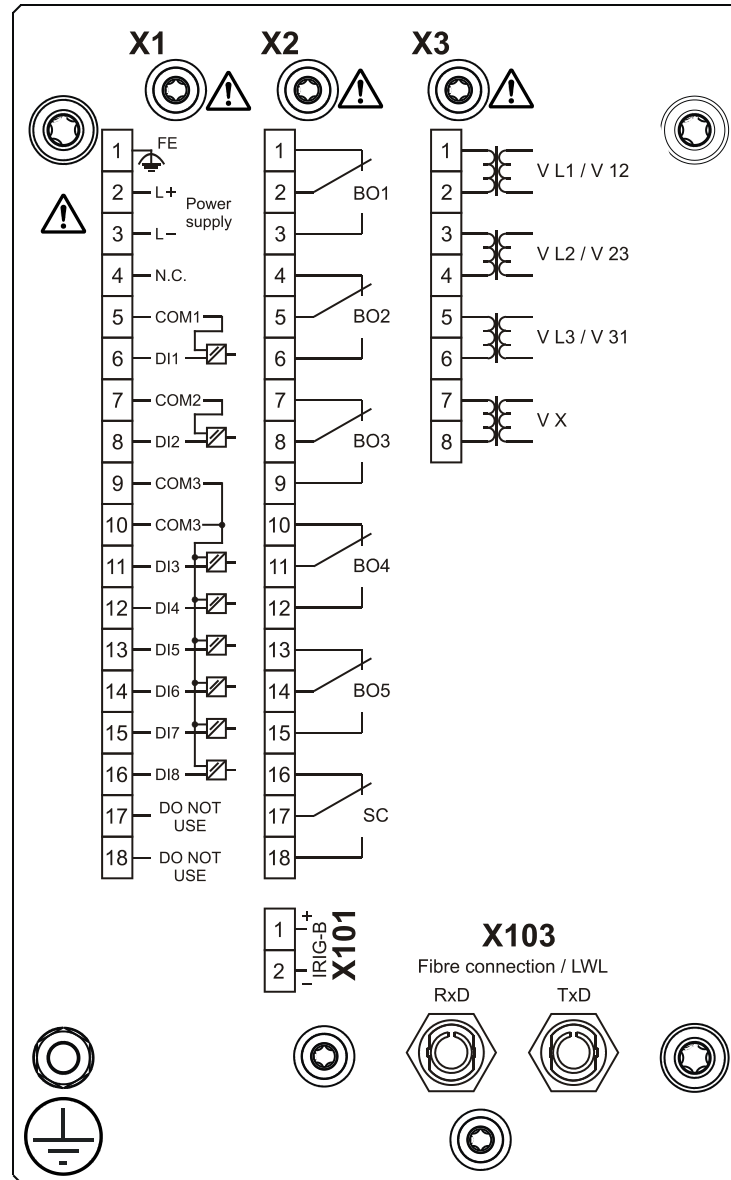


# MRU4-2A0BEB

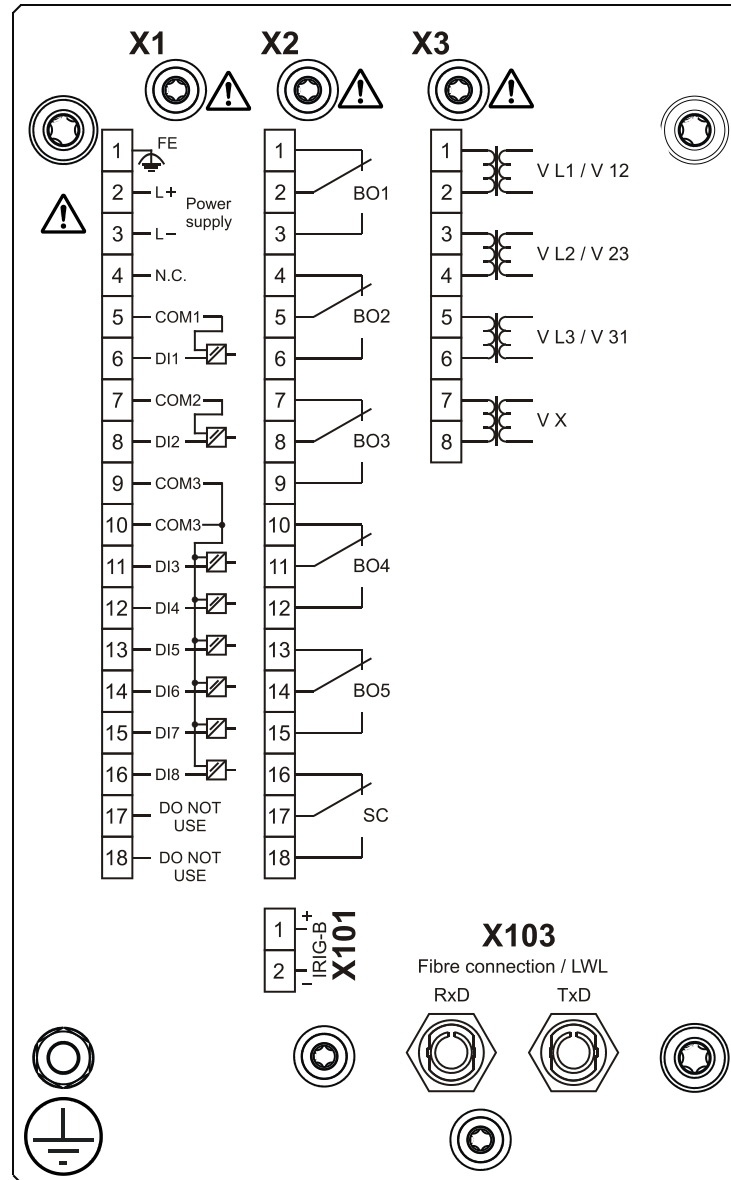




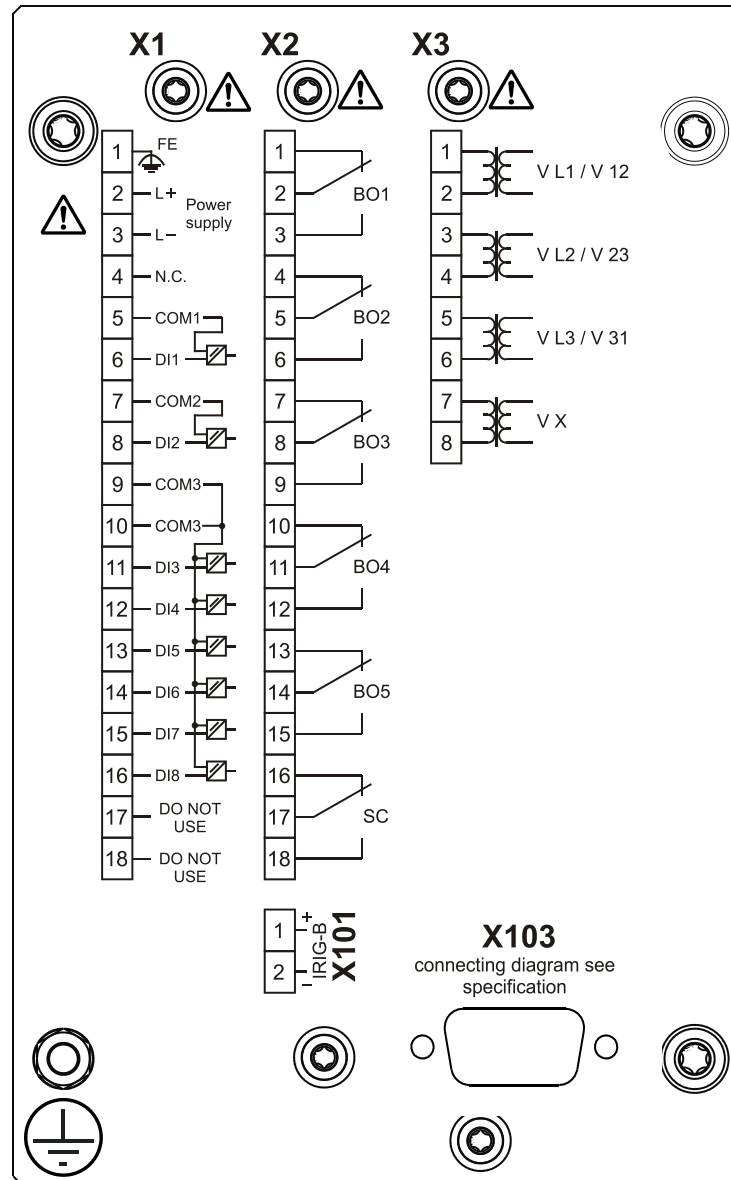
# MRU4-2A0BFA



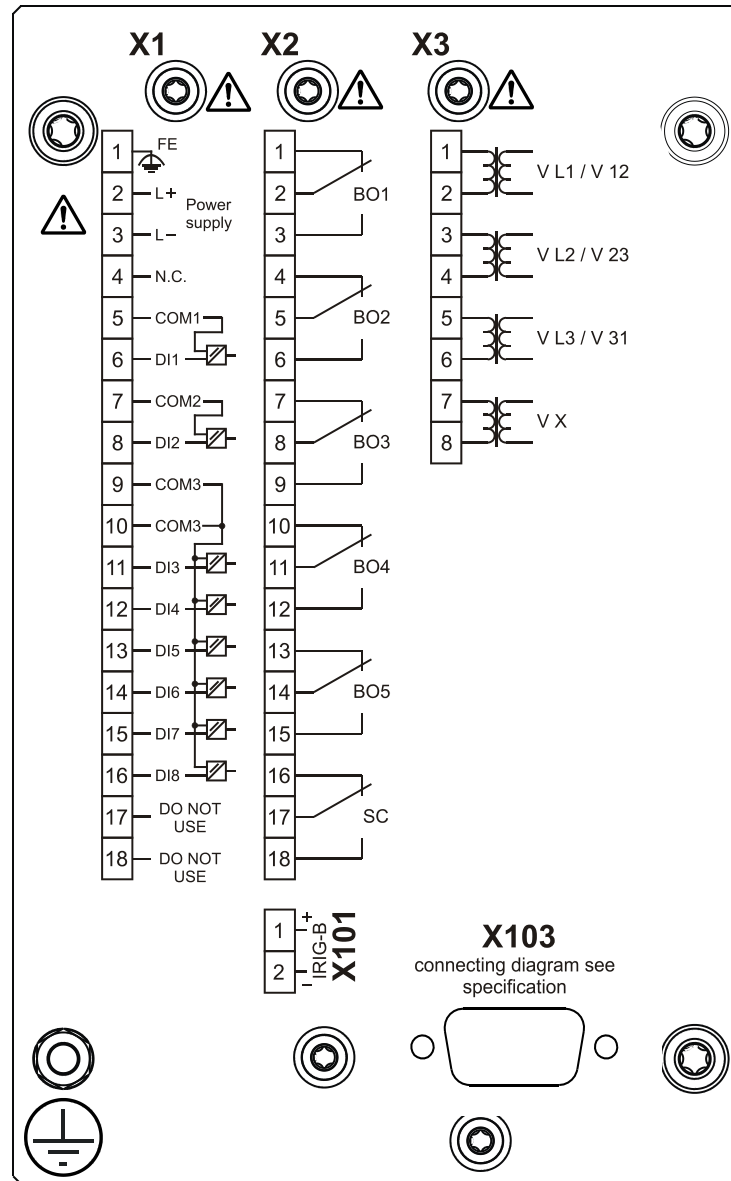
# MRU4-2A0BFB



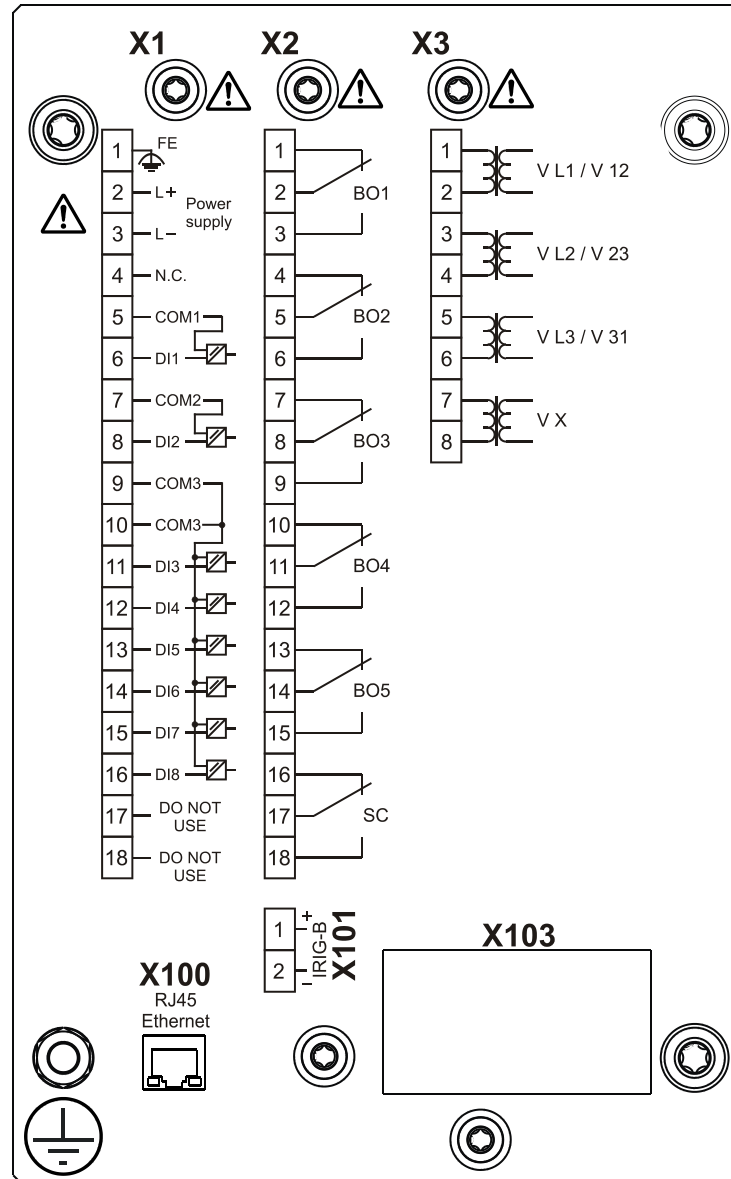
# MRU4-2A0BGA



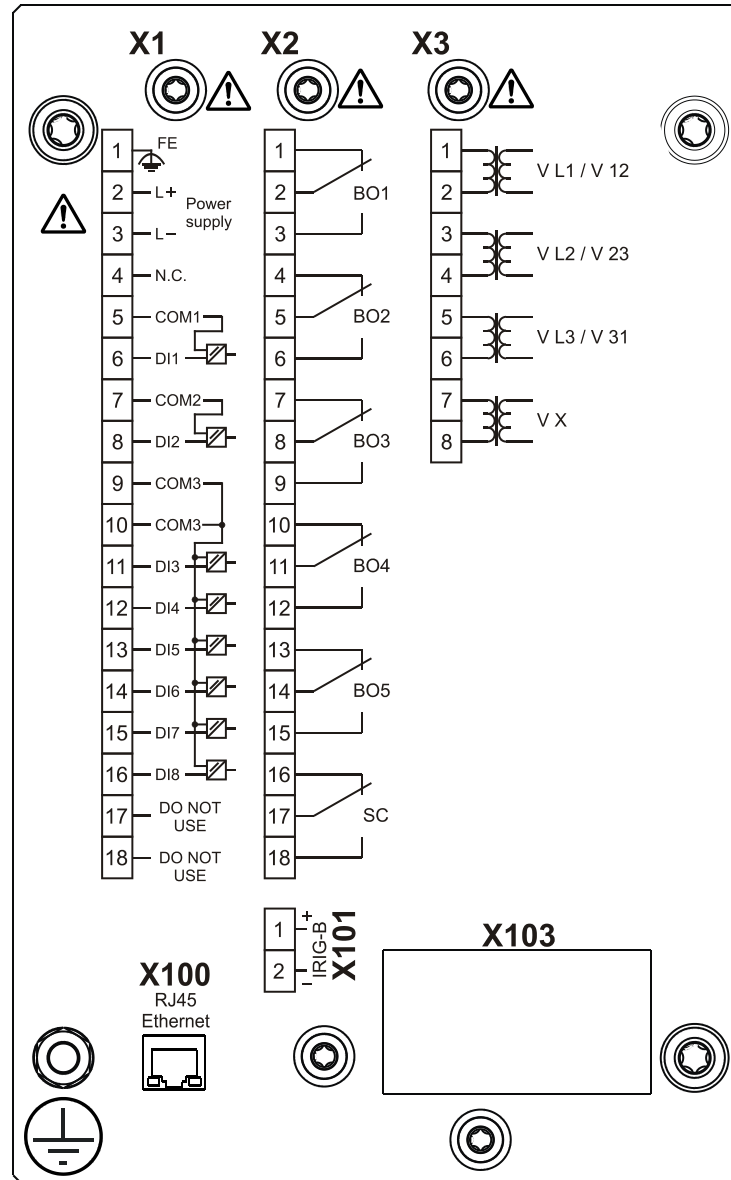
# MRU4-2A0BGB



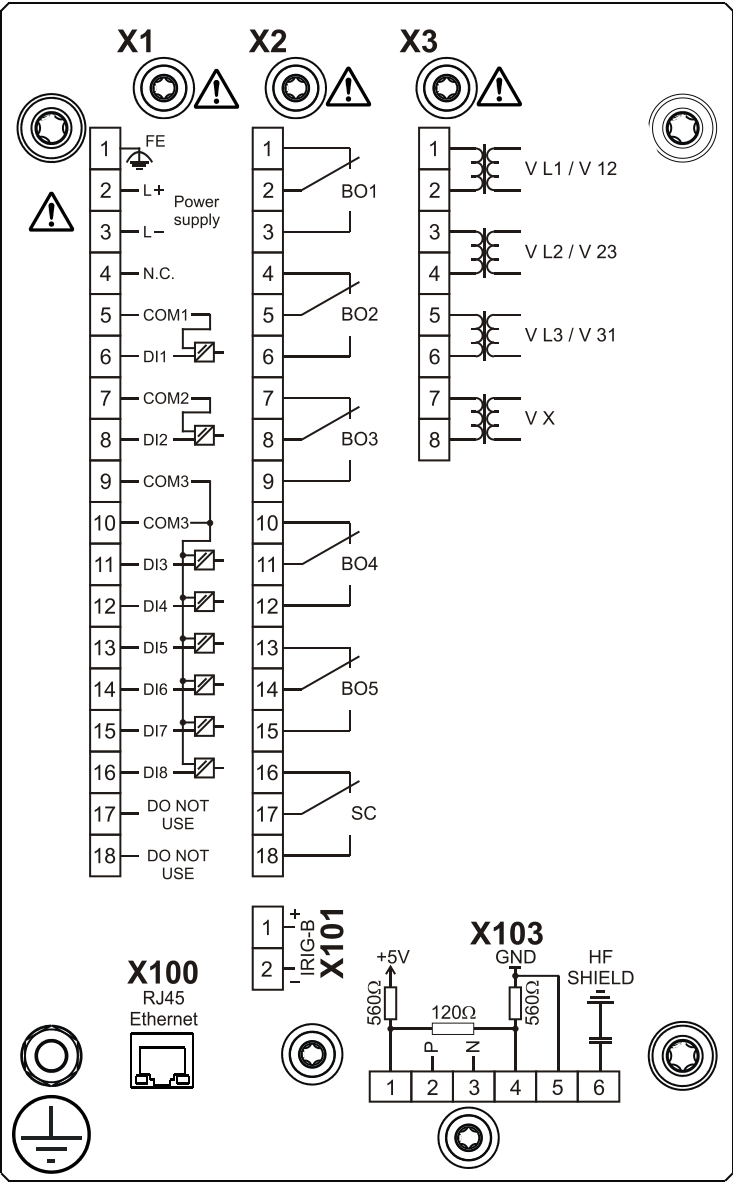
# MRU4-2A0BHA



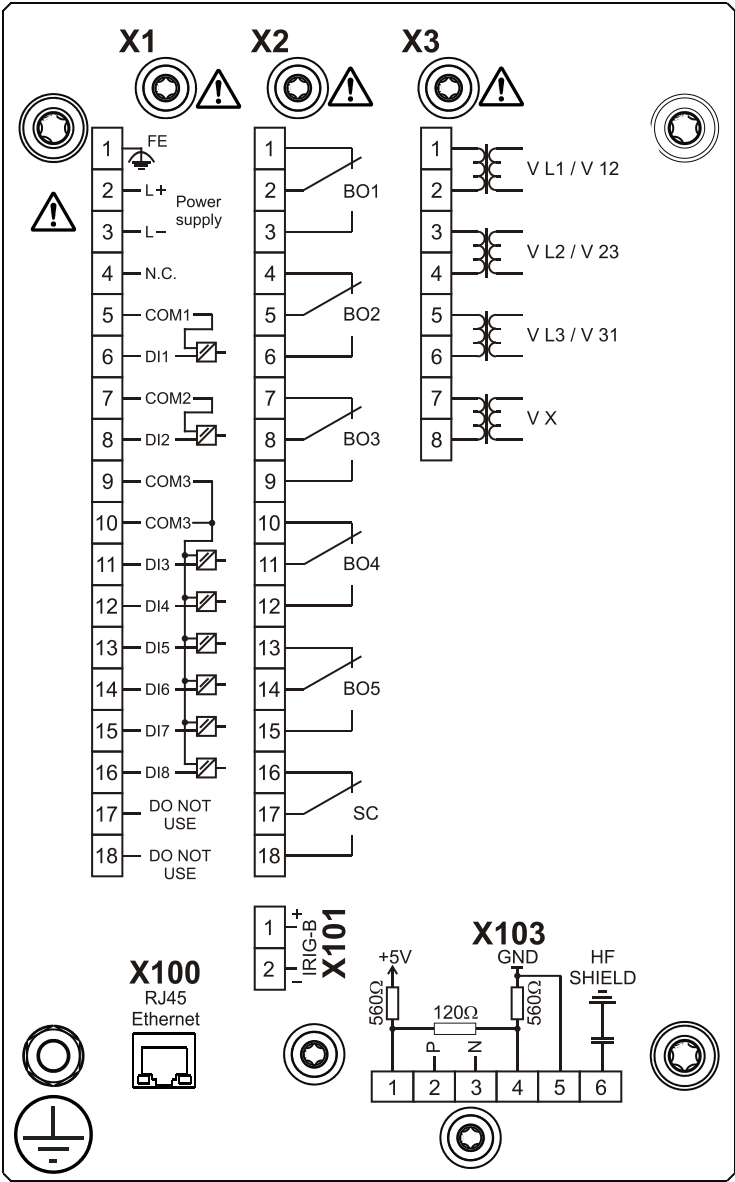
# MRU4-2A0BHB



# MRU4-2A0BIA

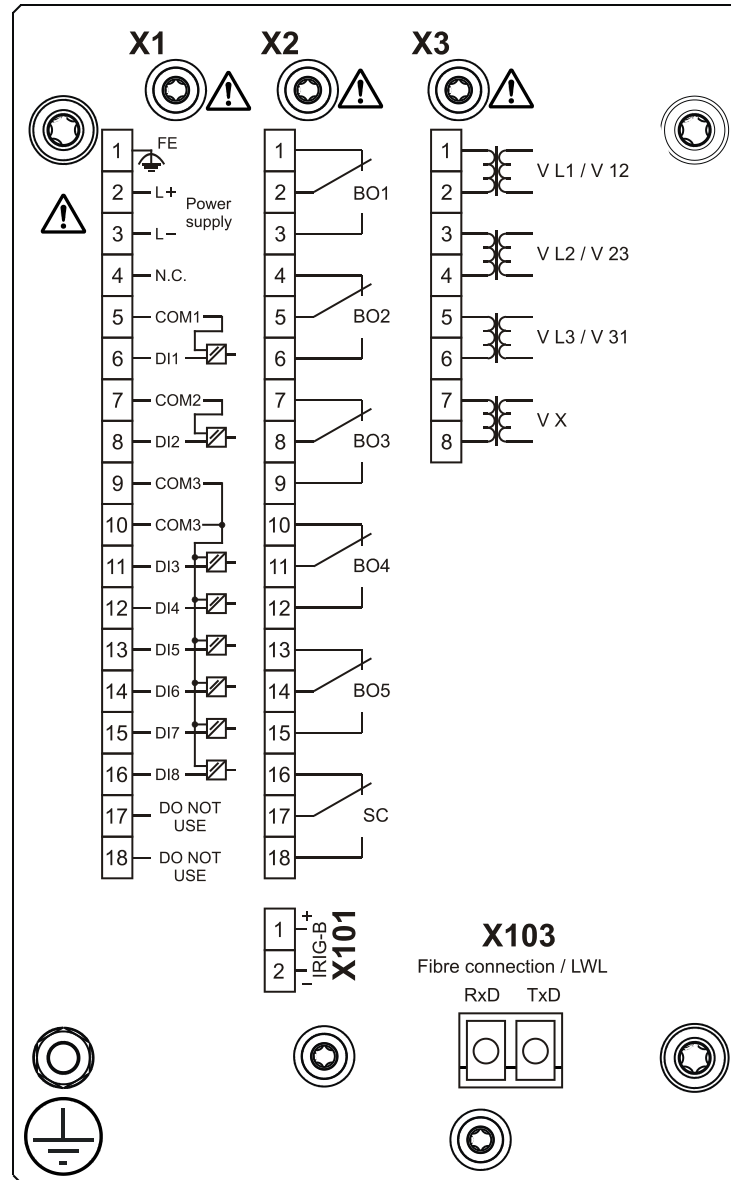


# MRU4-2A0BIB

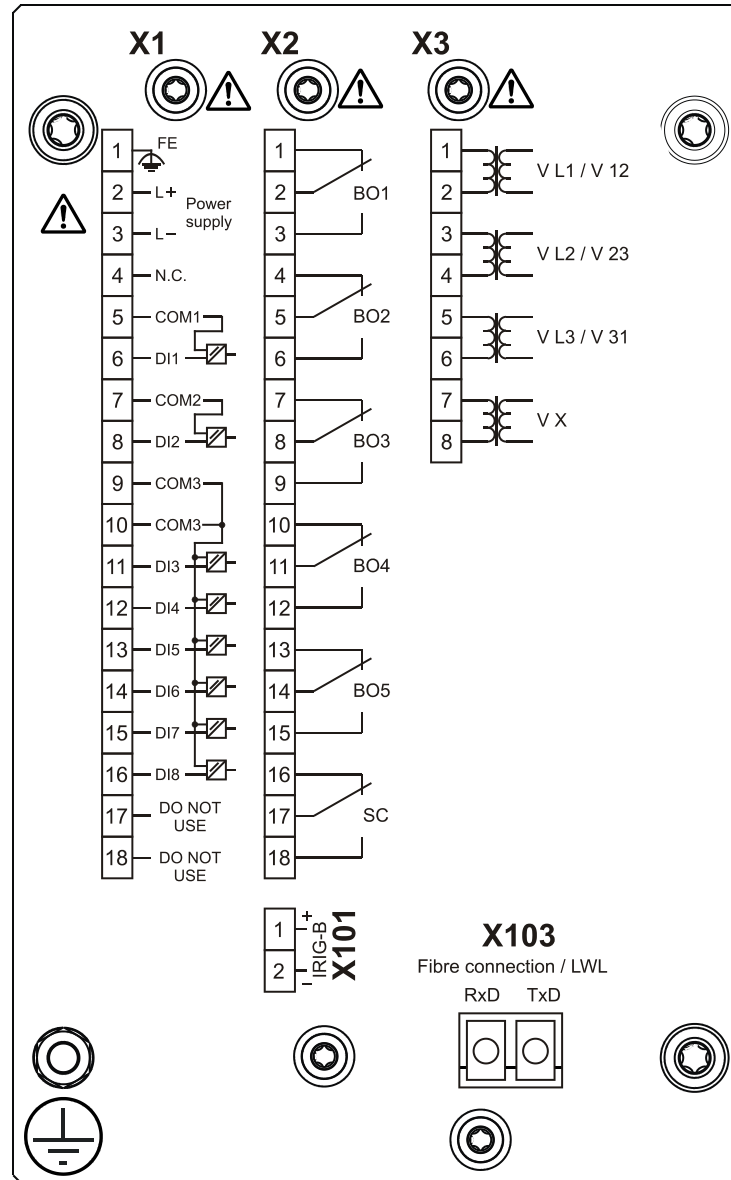




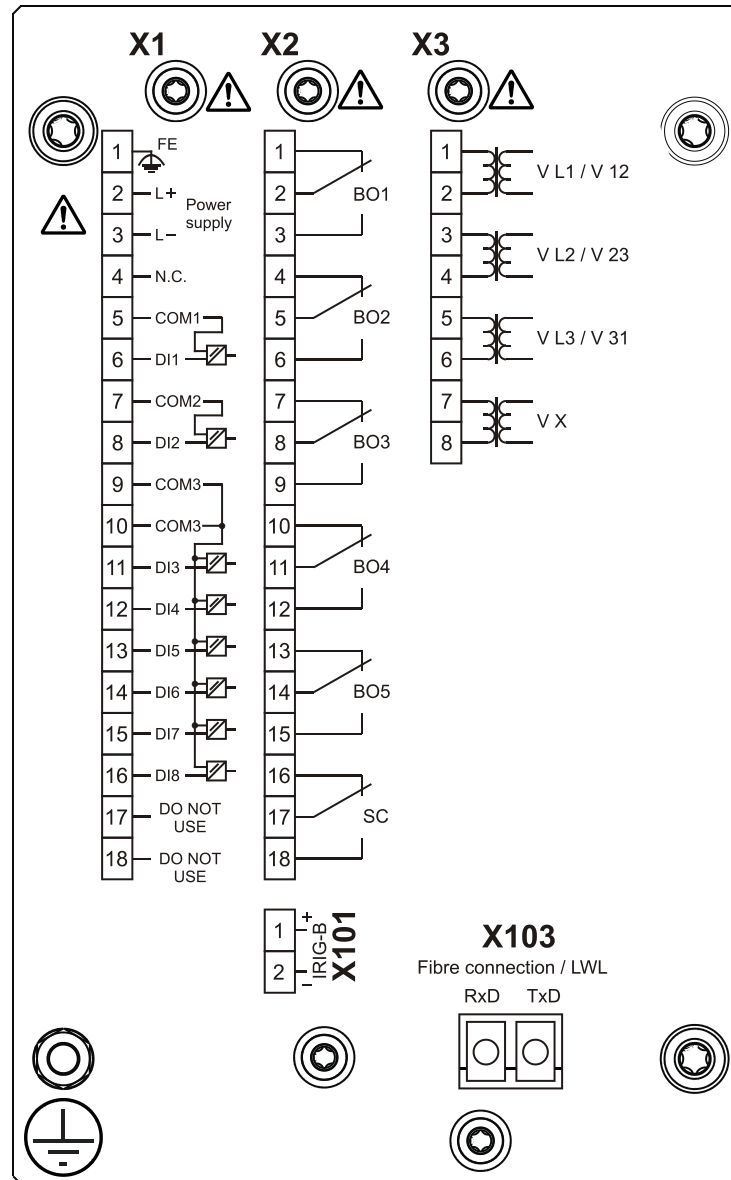
# MRU4-2A0BKA



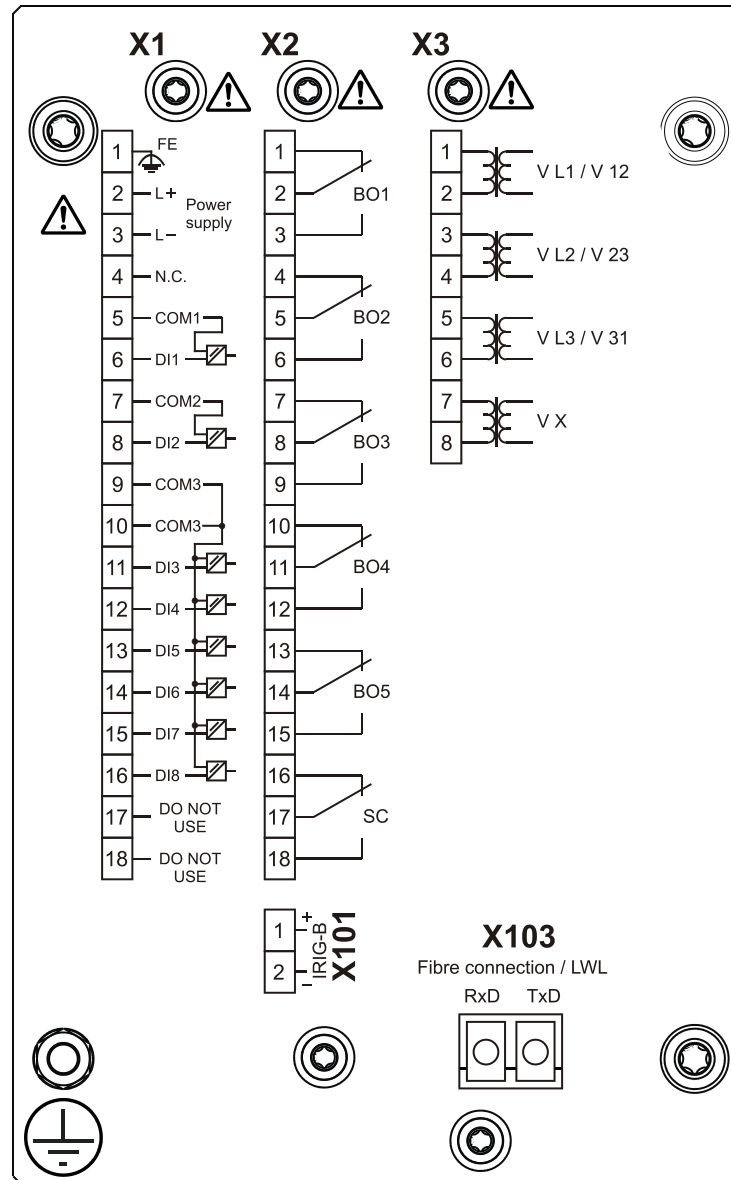
# MRU4-2A0BKB



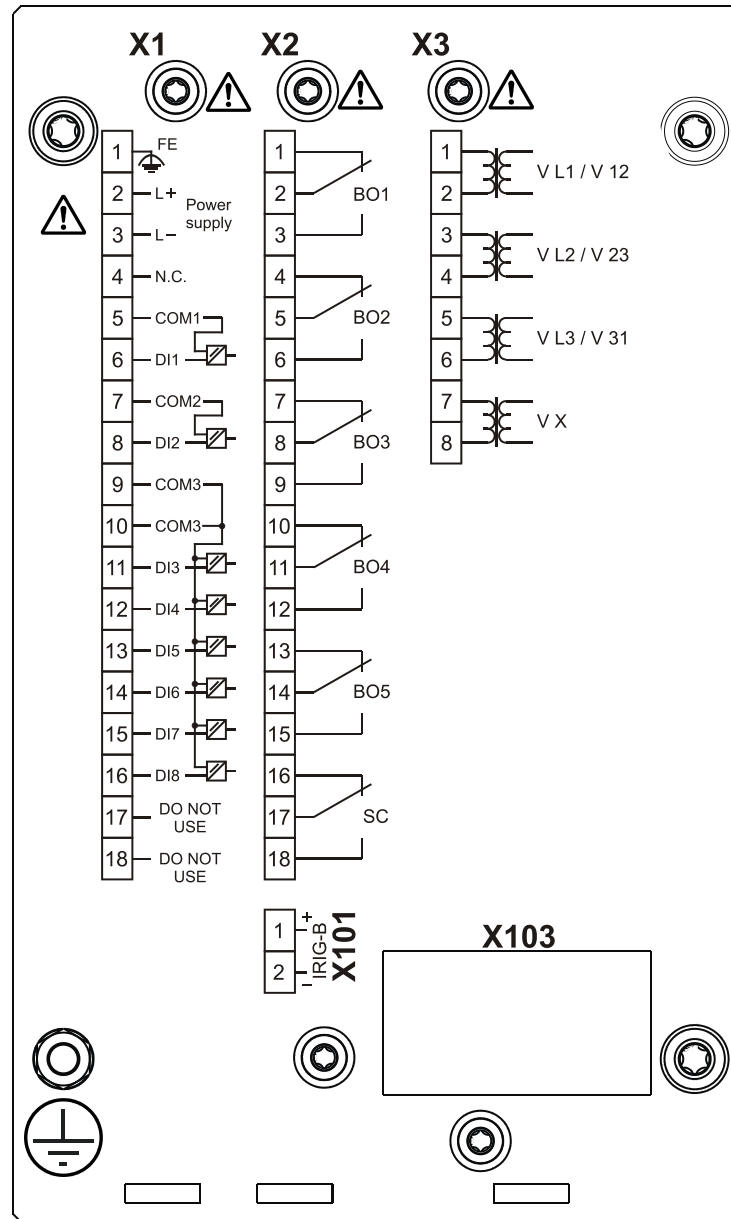
# MRU4-2A0BLA



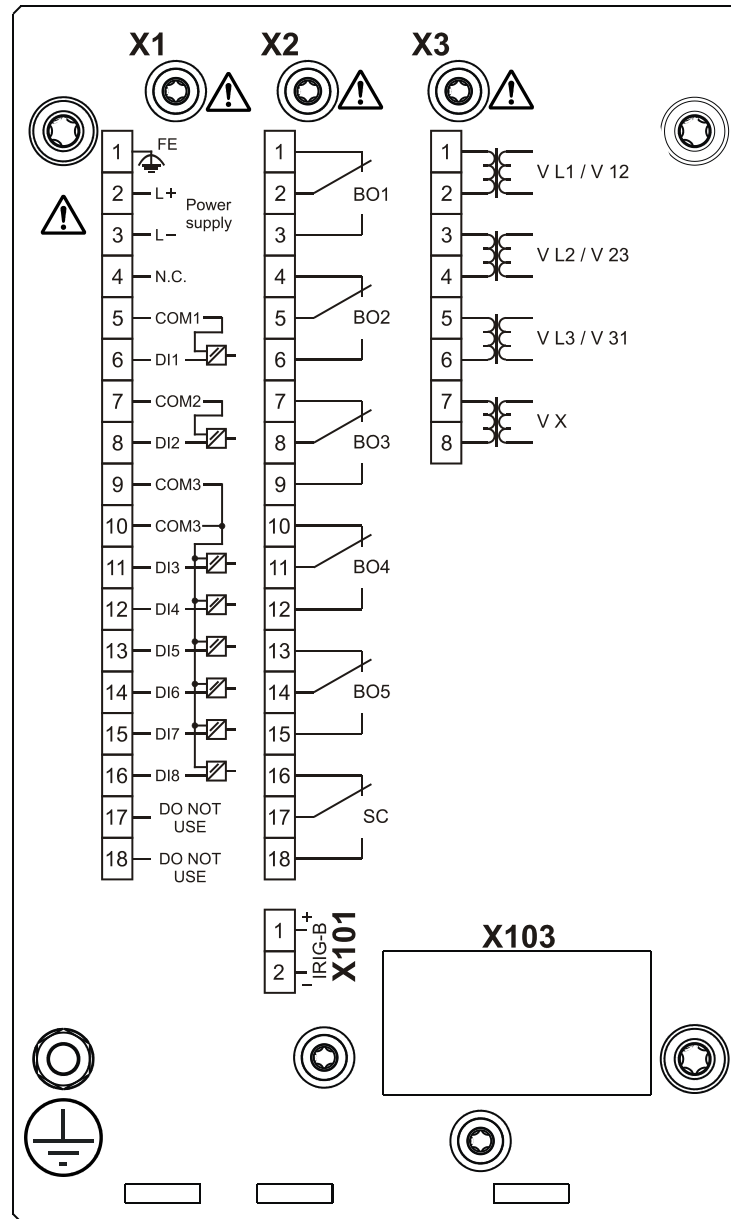
# MRU4-2A0BLB



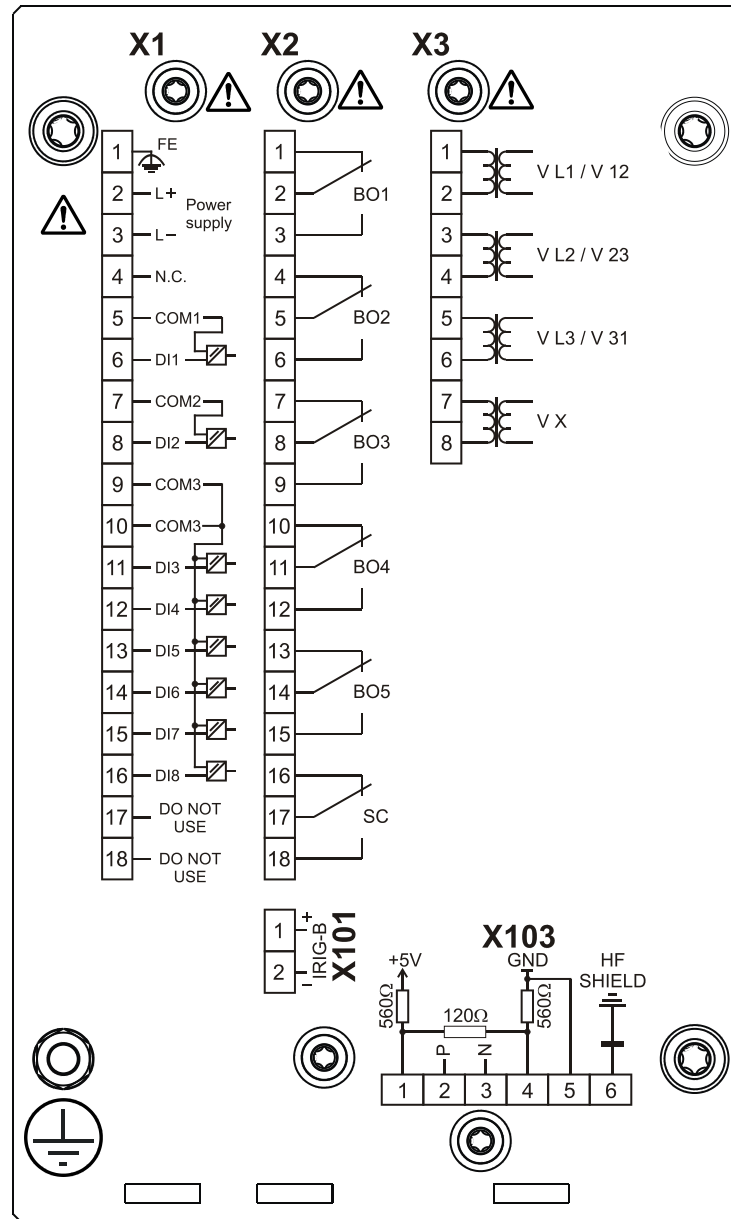
# MRU4-2A0HAA



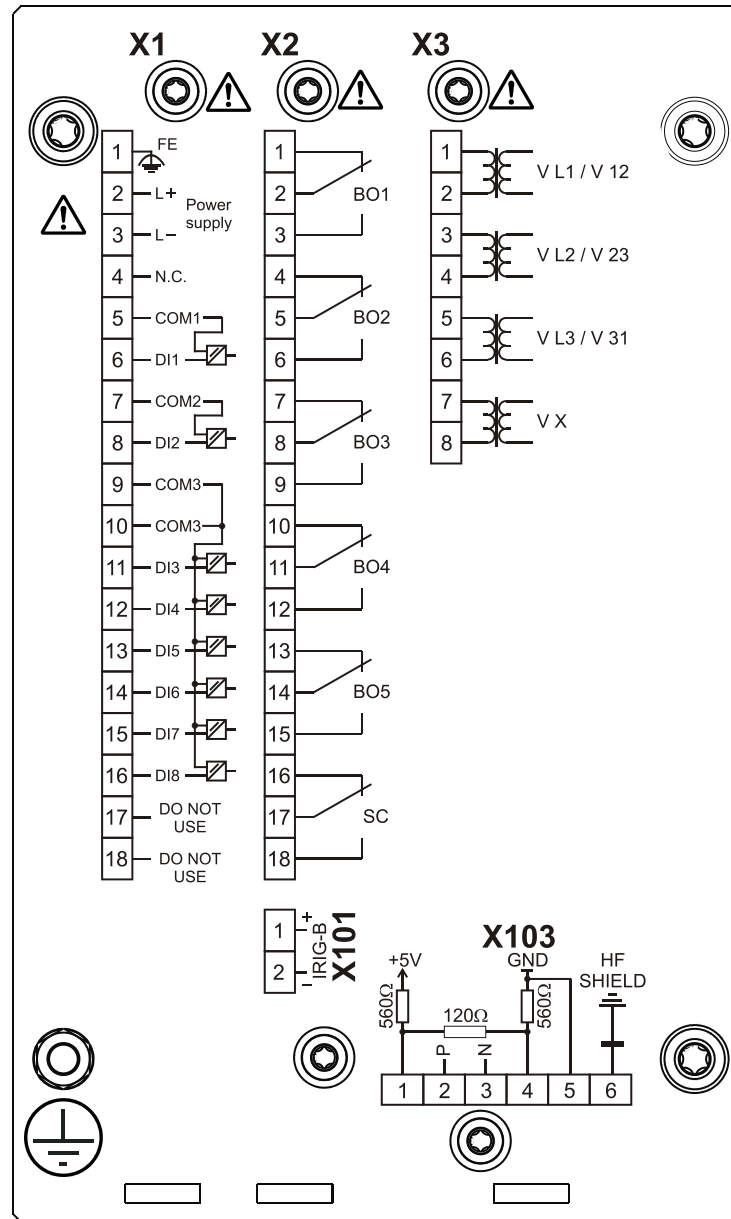
# MRU4-2A0HAB



# MRU4-2A0HBA

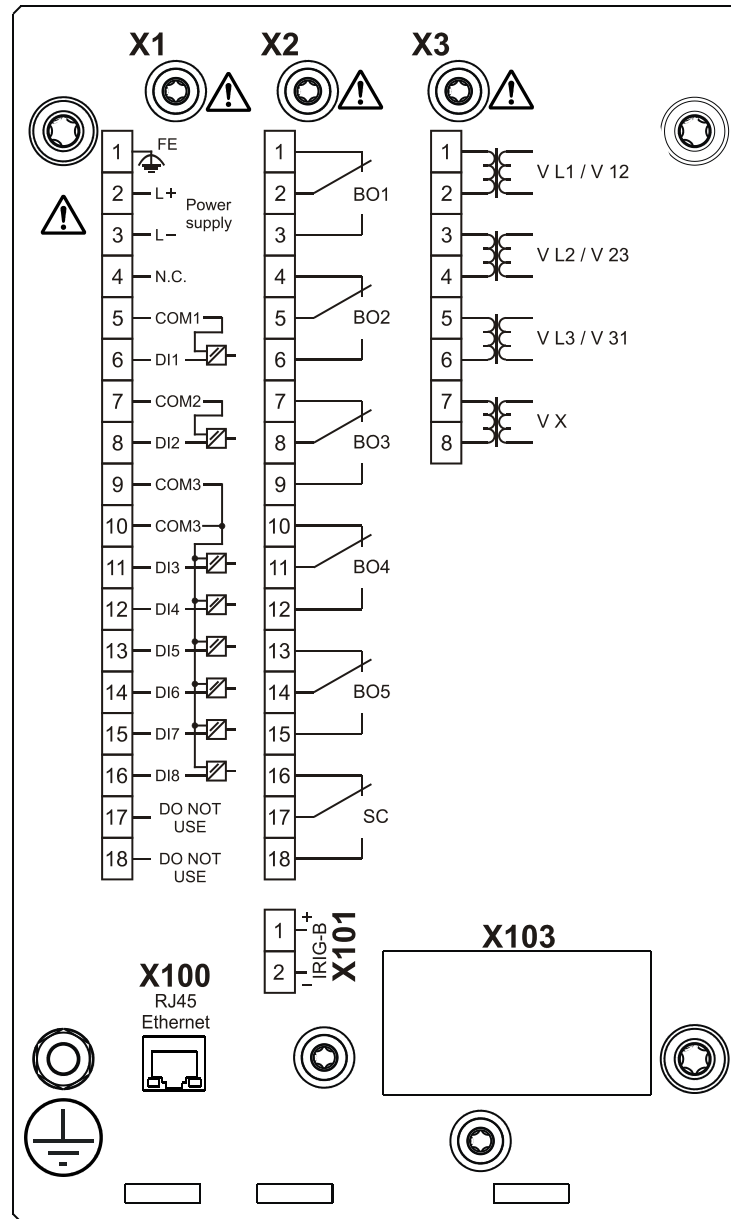


# MRU4-2A0HBB

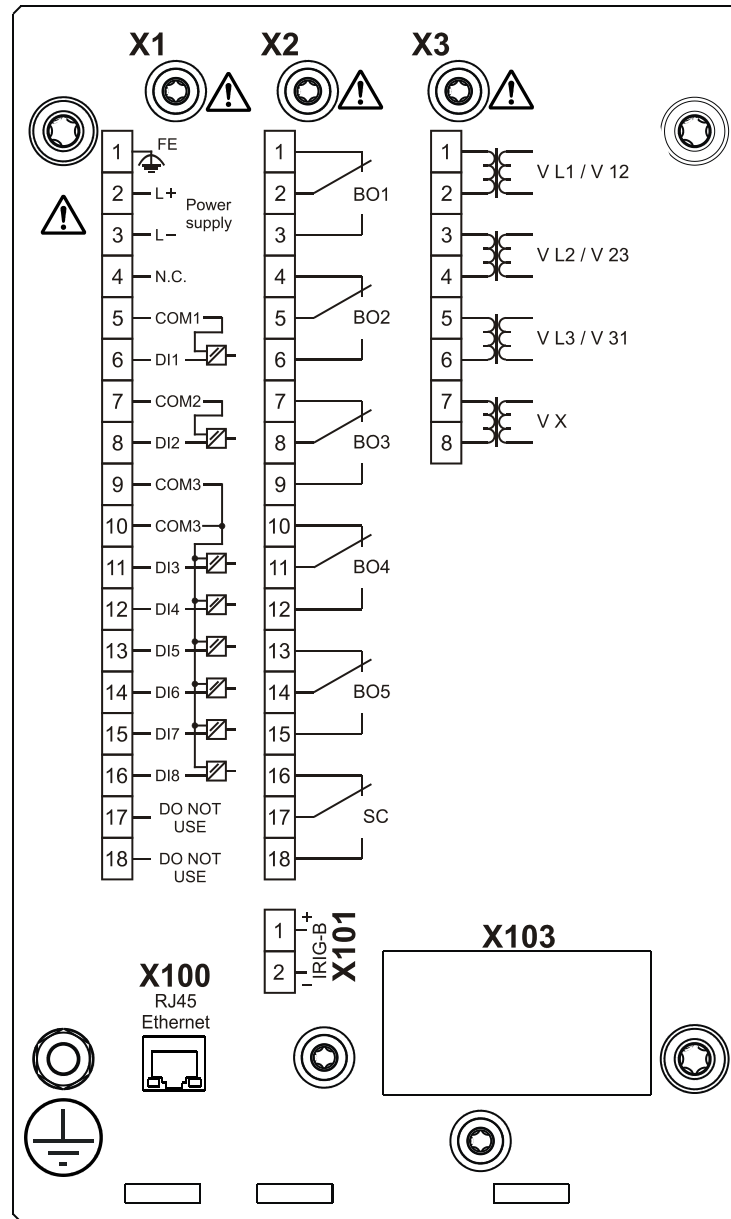




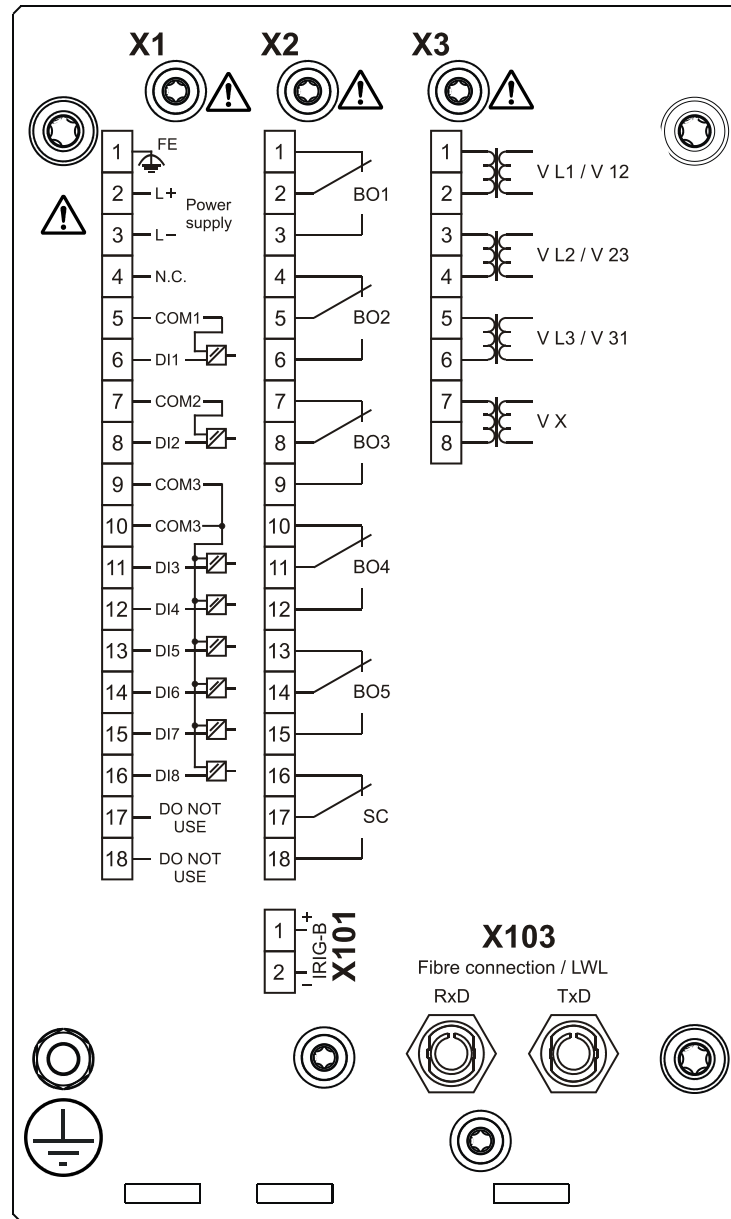
# MRU4-2A0HCA



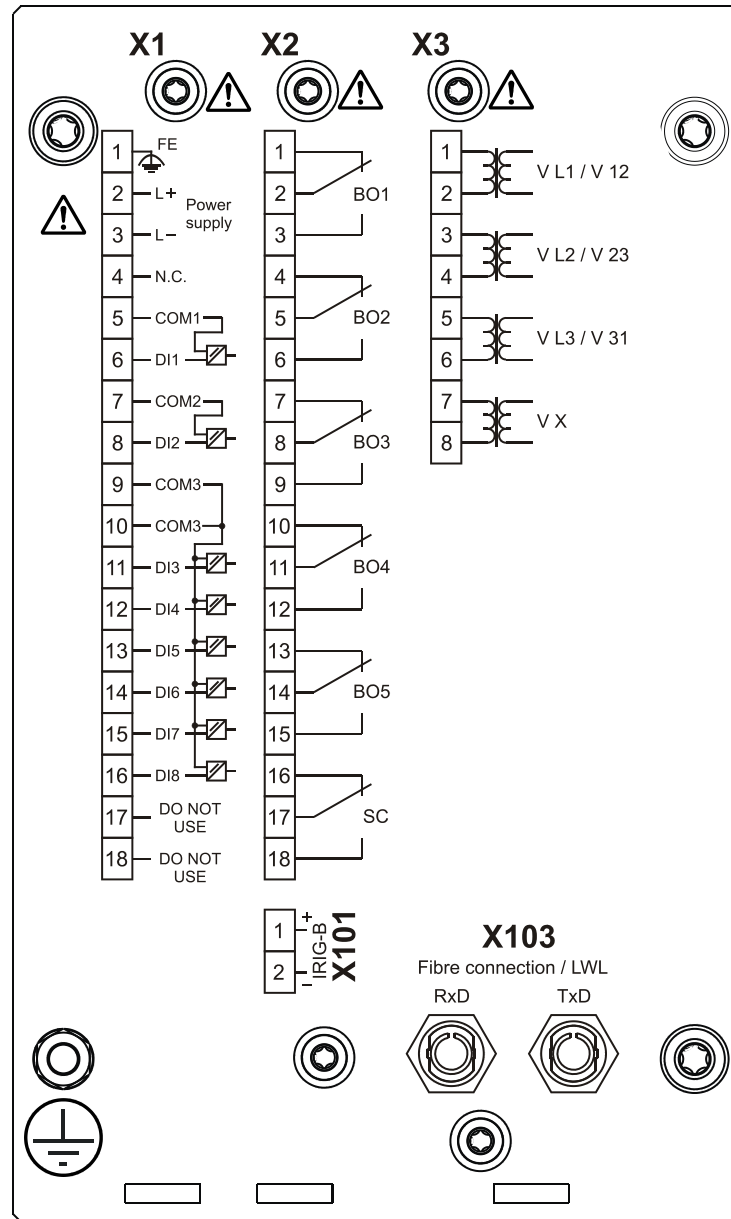
# MRU4-2A0HCB



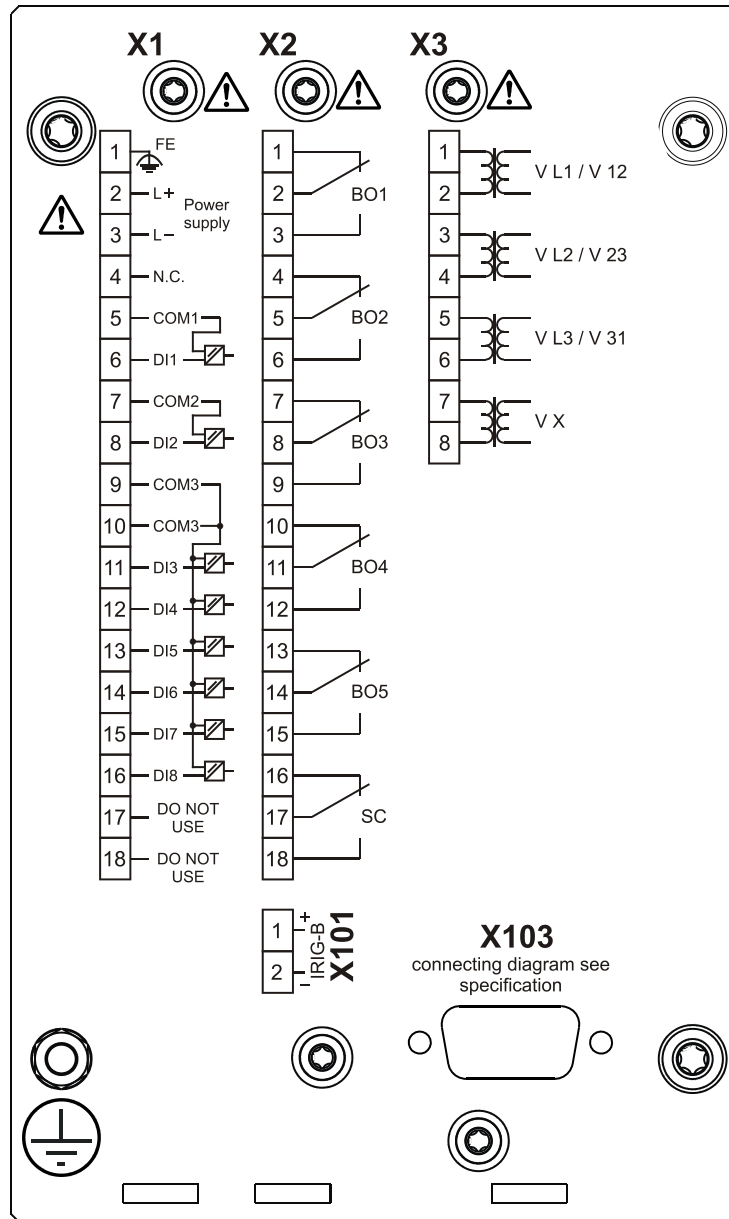
# MRU4-2A0HDA



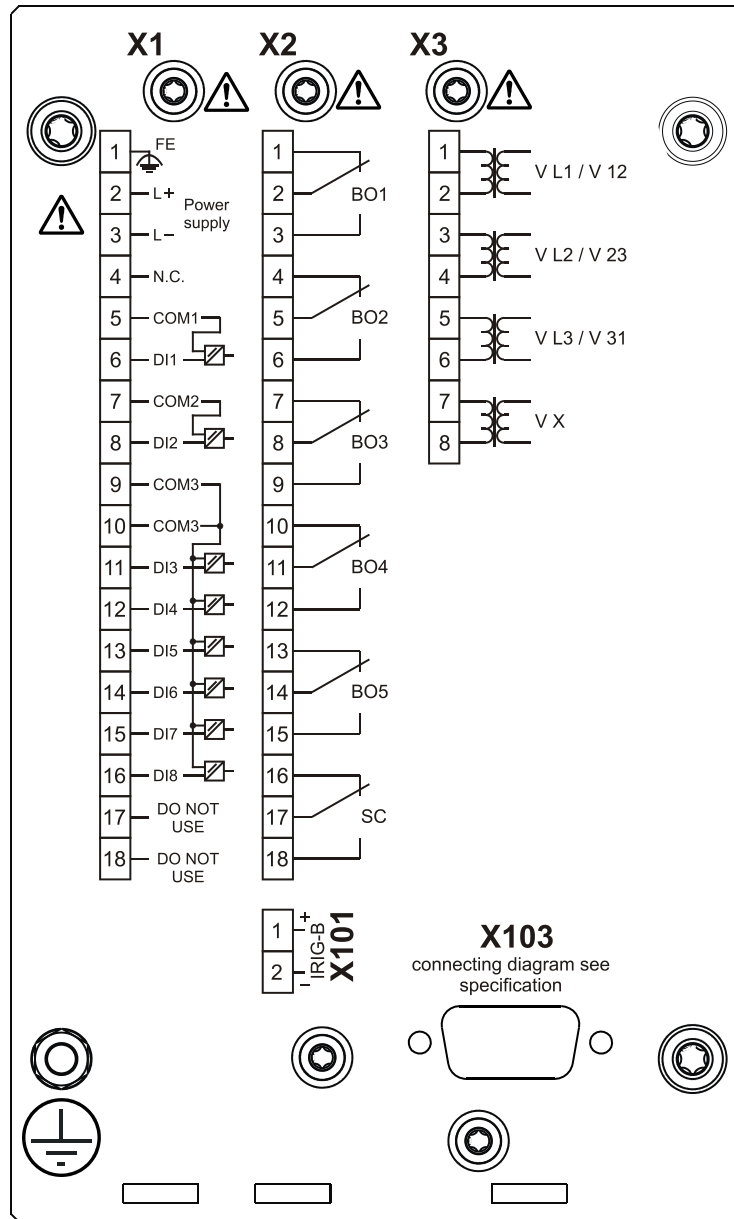
# MRU4-2A0HDB



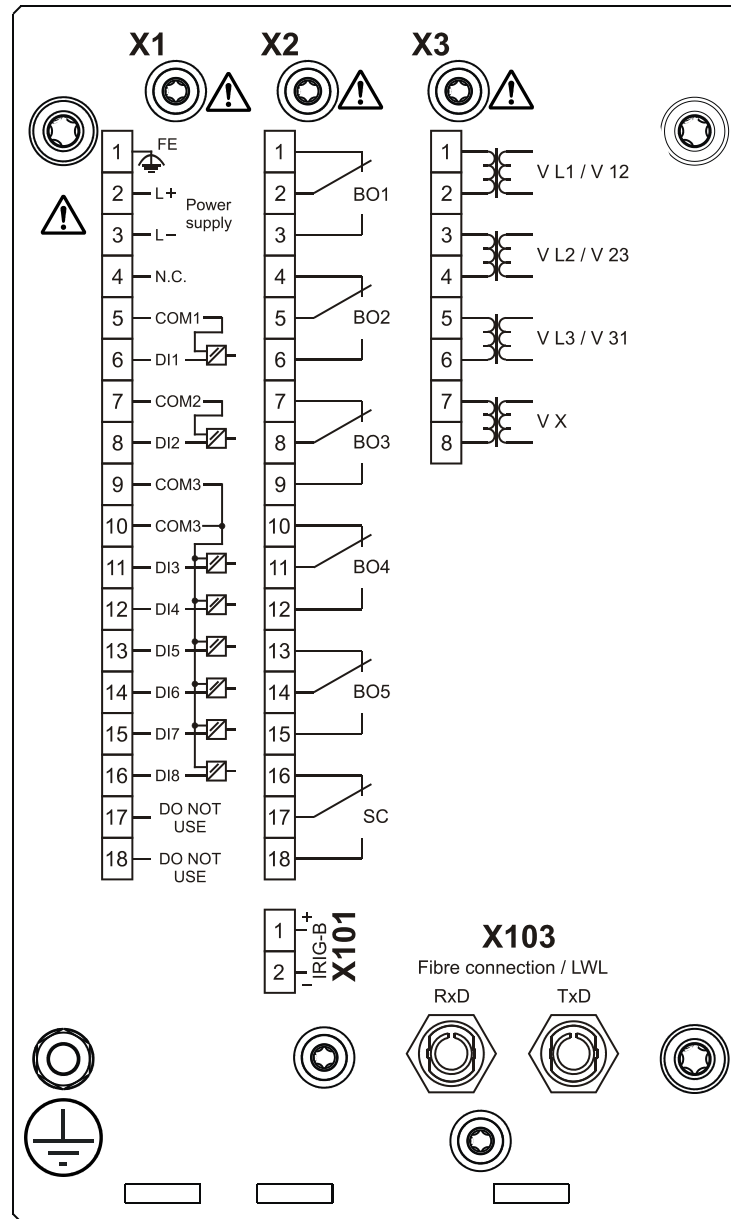
# MRU4-2A0HEA



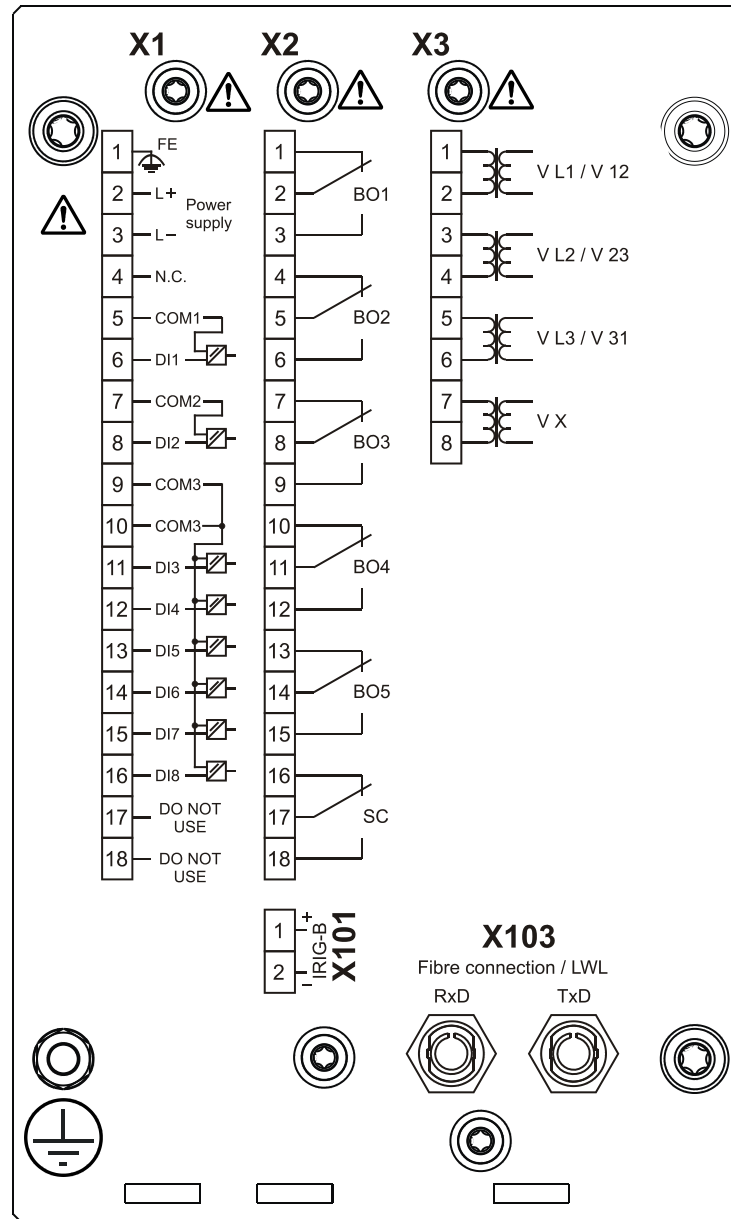
# MRU4-2A0HEB



# MRU4-2A0HFA

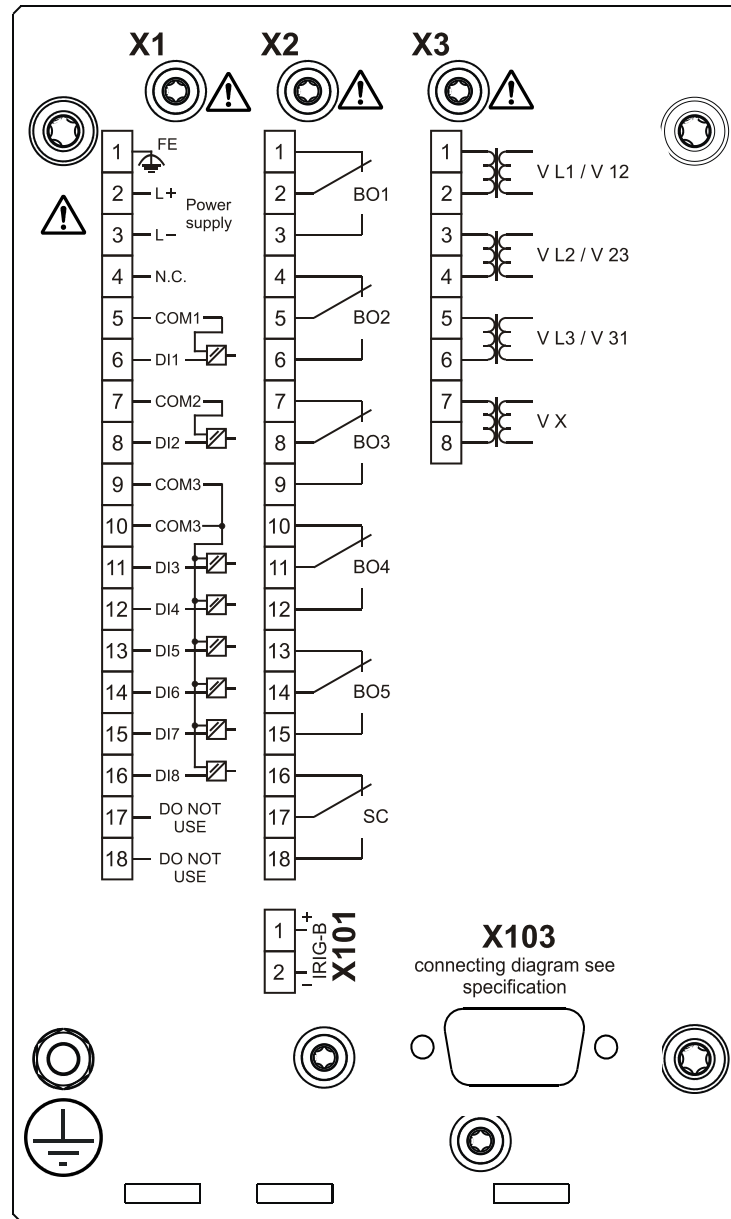


# MRU4-2A0HFB

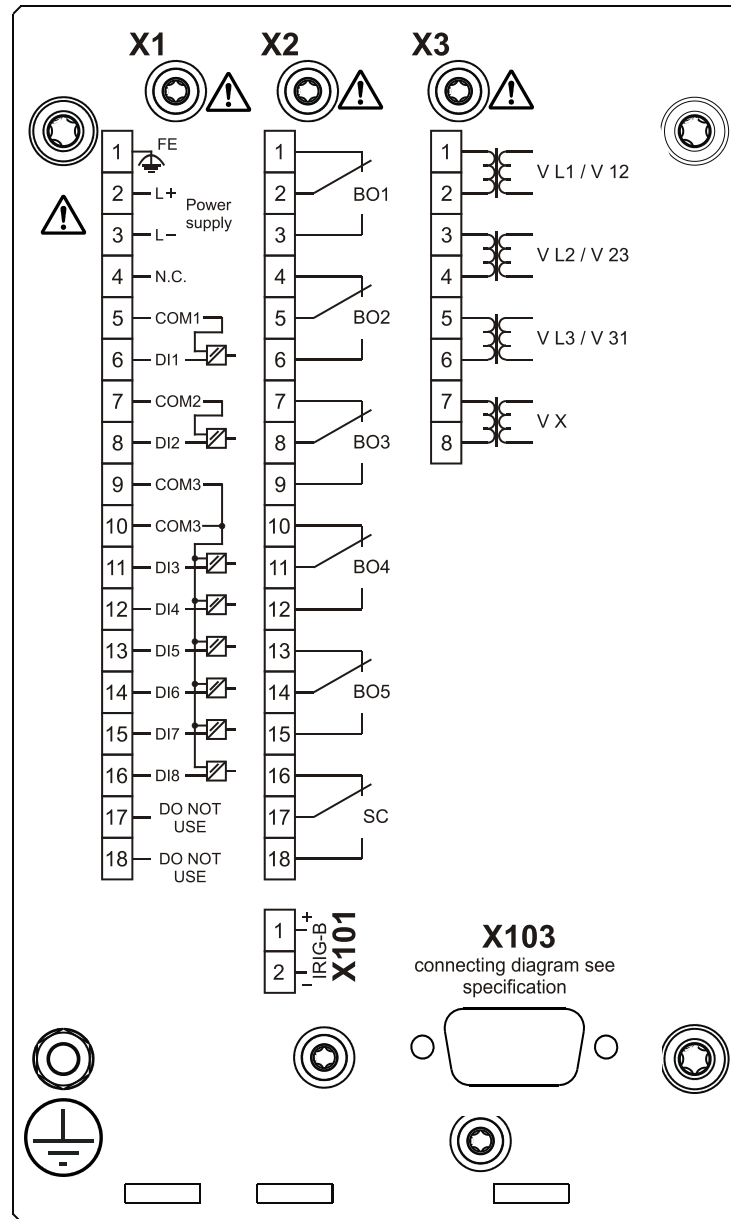




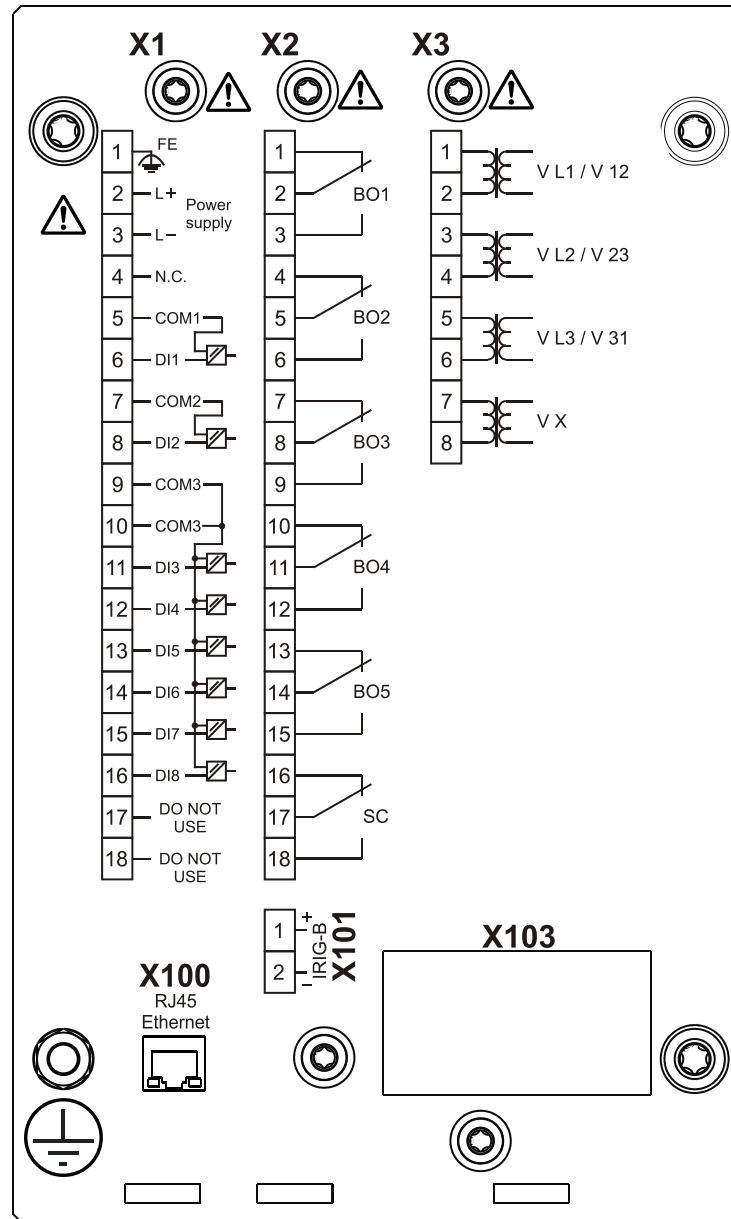
# MRU4-2A0HGA



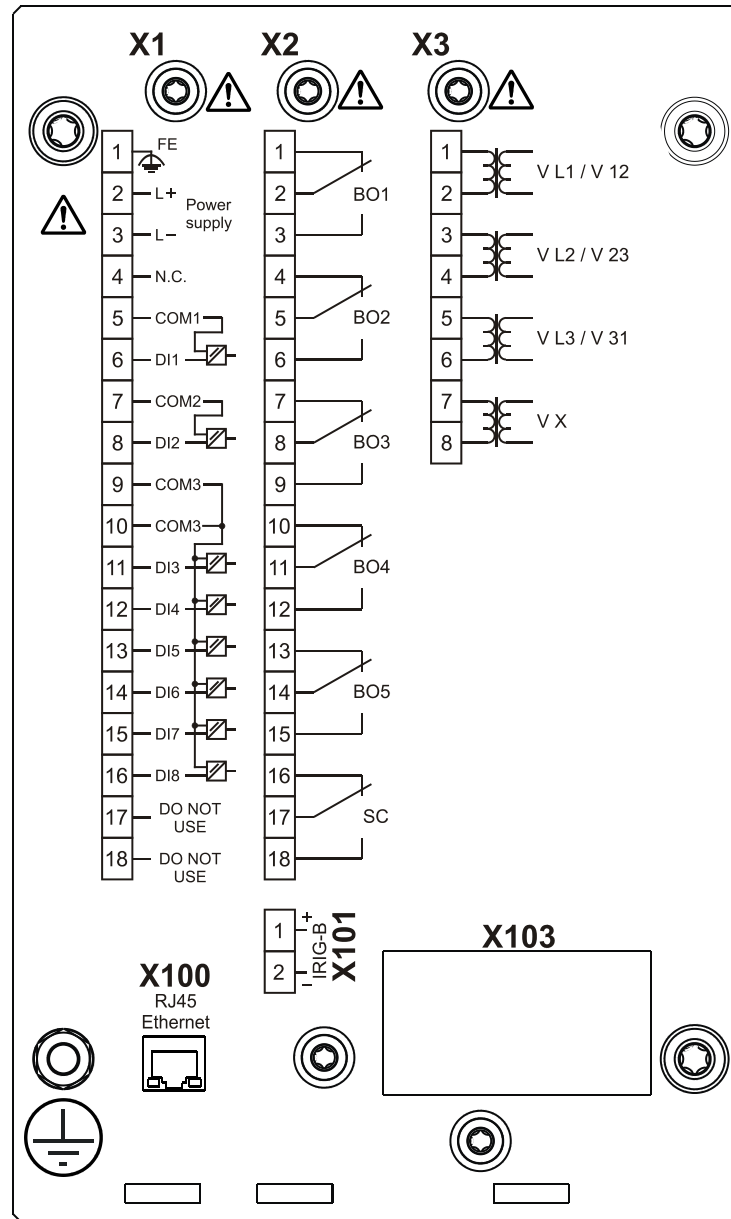
# MRU4-2A0HGB



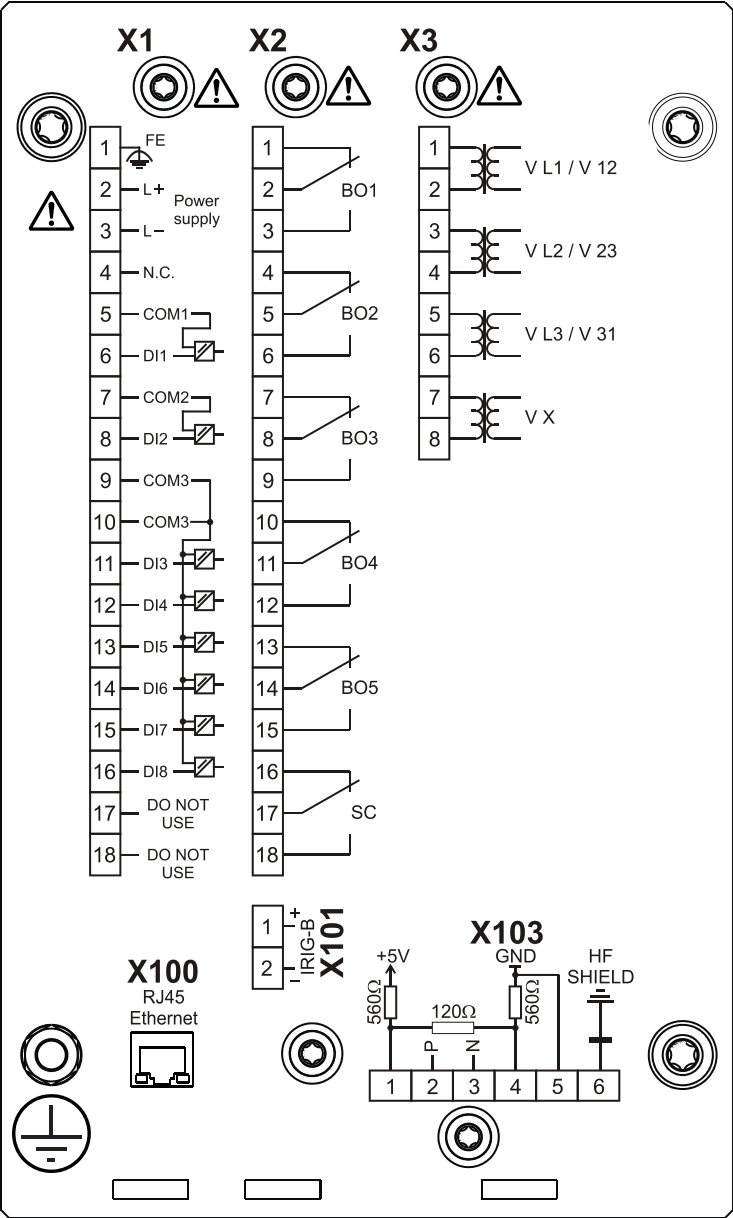
# MRU4-2A0HHA



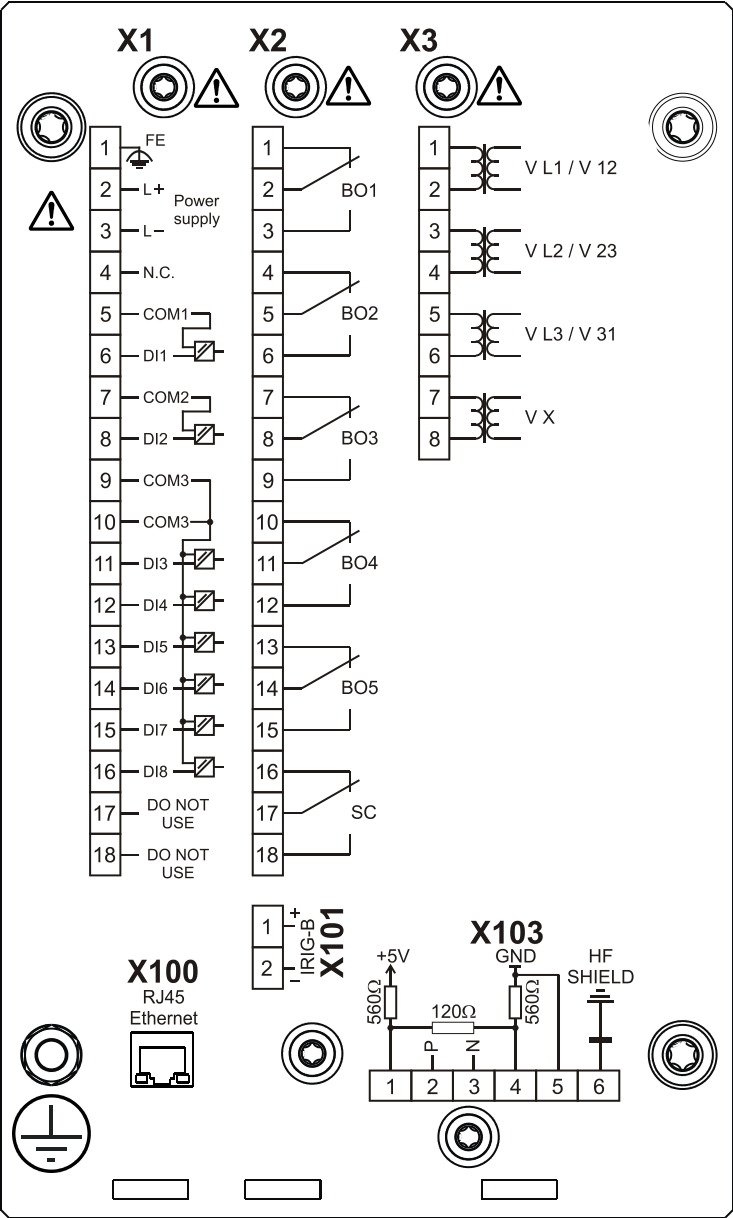
# MRU4-2A0HHB



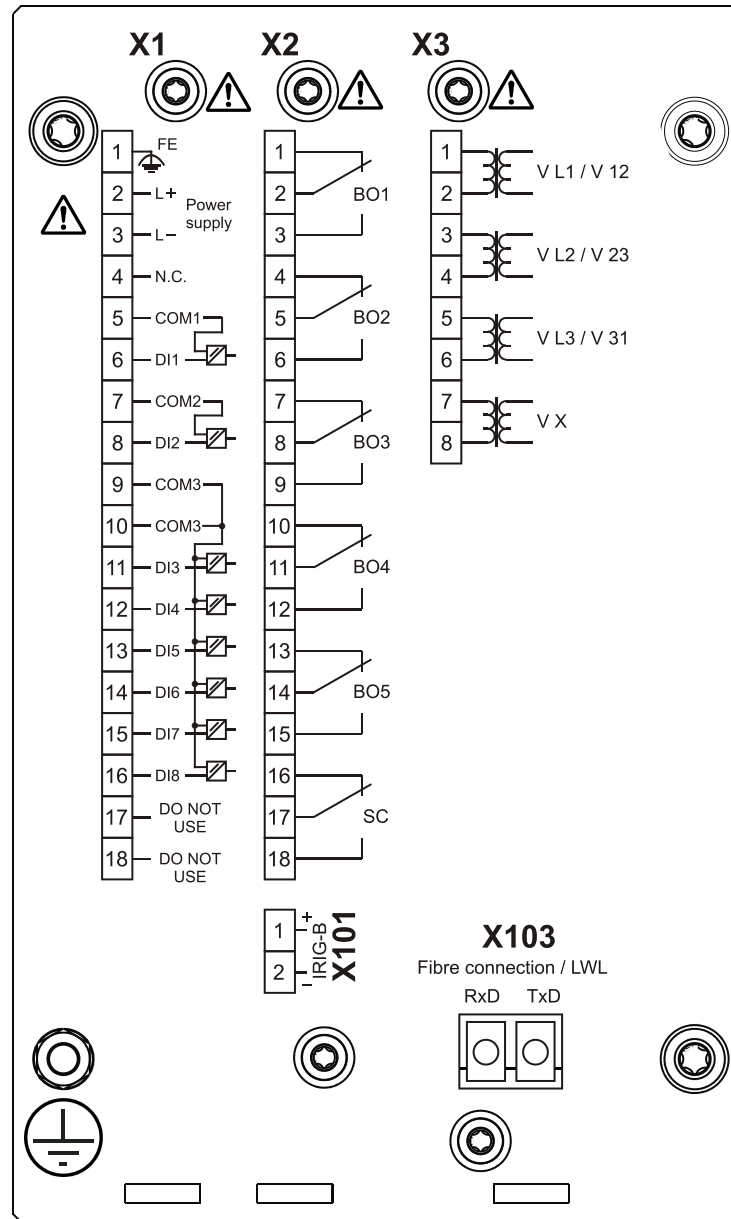
# MRU4-2A0HIA



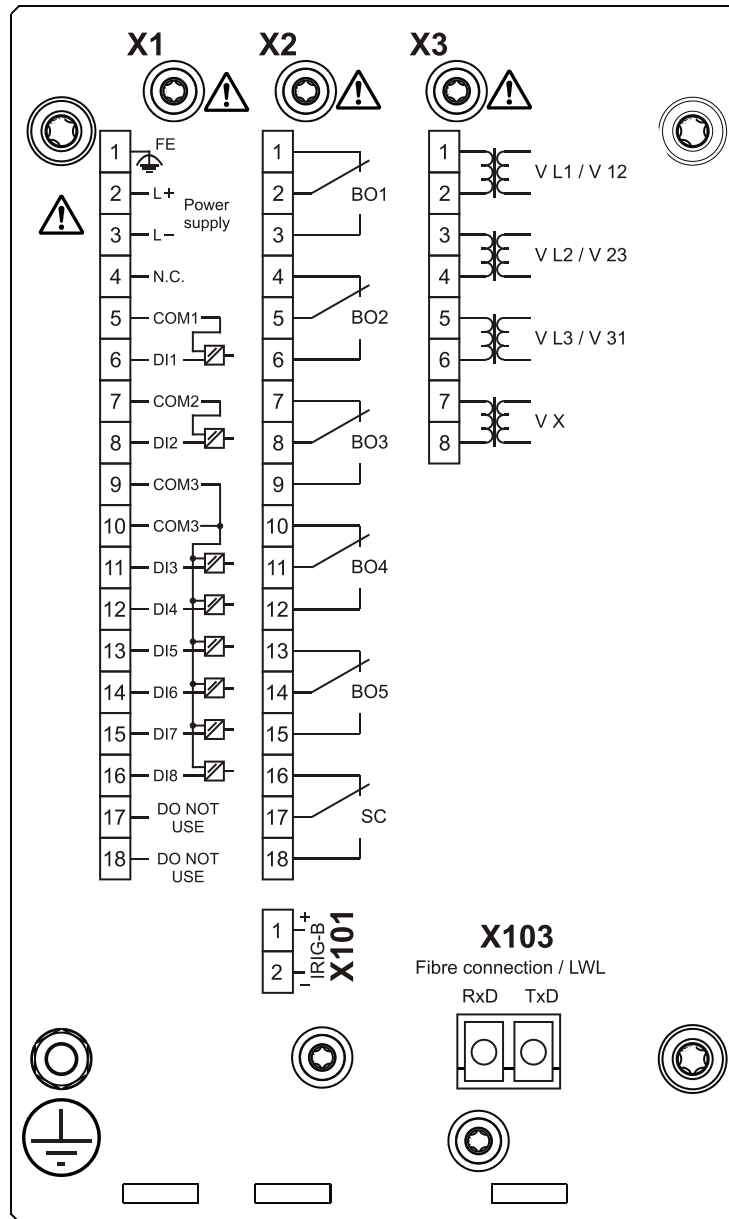
# MRU4-2A0HIB



# MRU4-2A0HKA

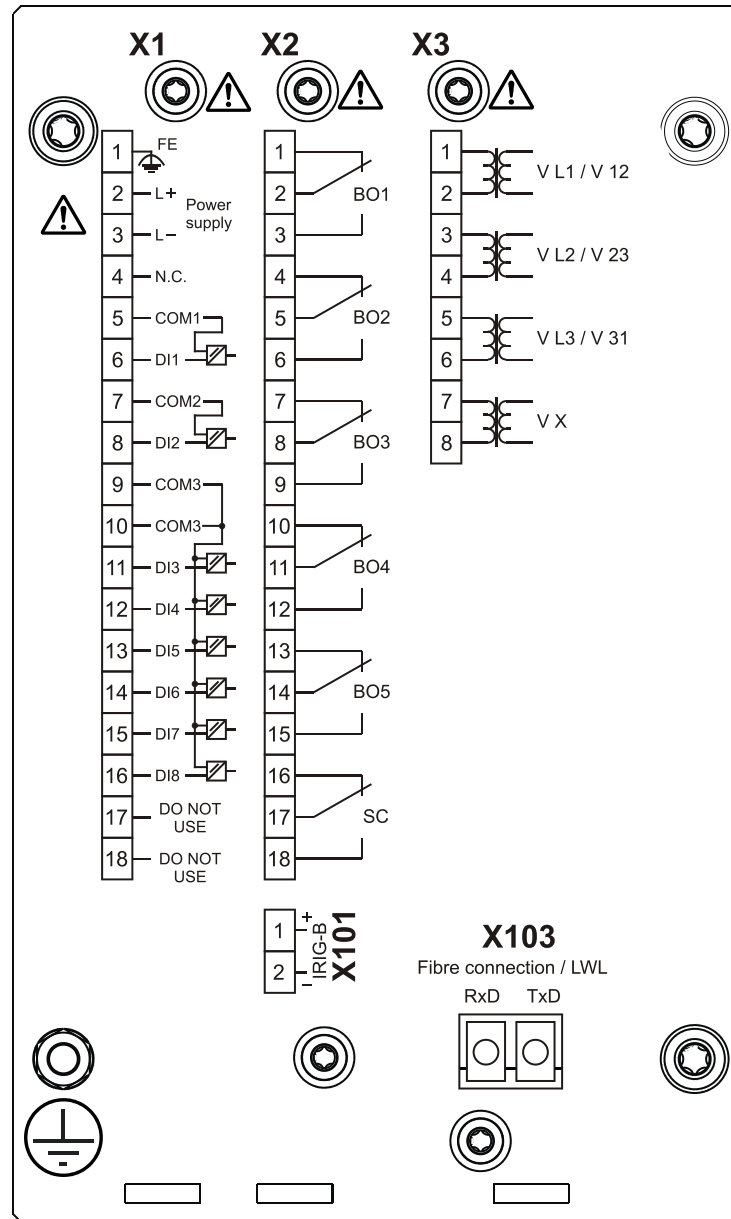


# MRU4-2A0HKB





# MRU4-2A0HLA



# MRU4-2A0HLB

