

WIRING DIAGRAMS

High PROTEC | PROTECTION TECHNOLOGY
MADE SIMPLE

MRDT4 | Transformer Differential Protection

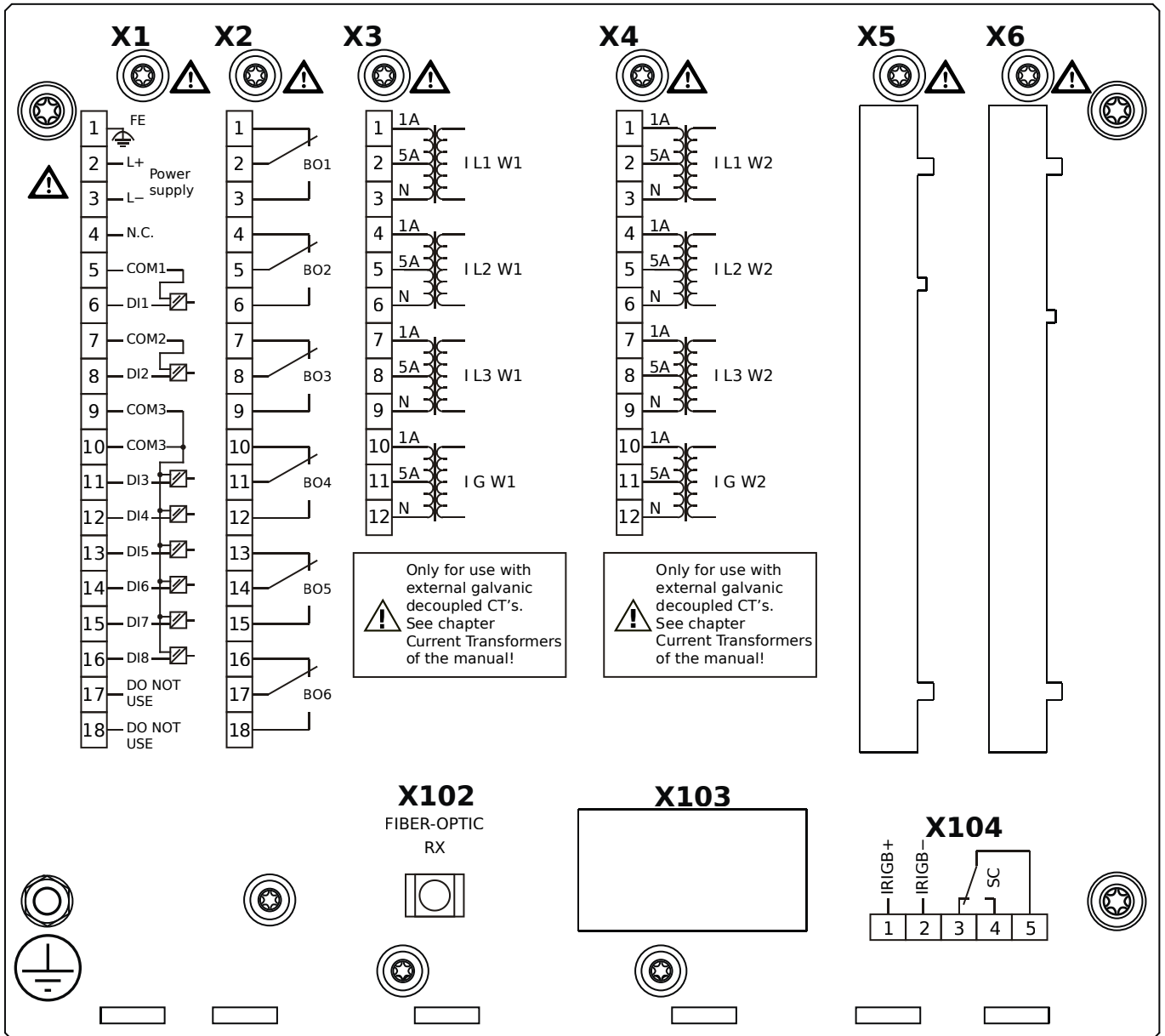
Version: 3.11

Original document

English

This document does not replace the Technical Manual.

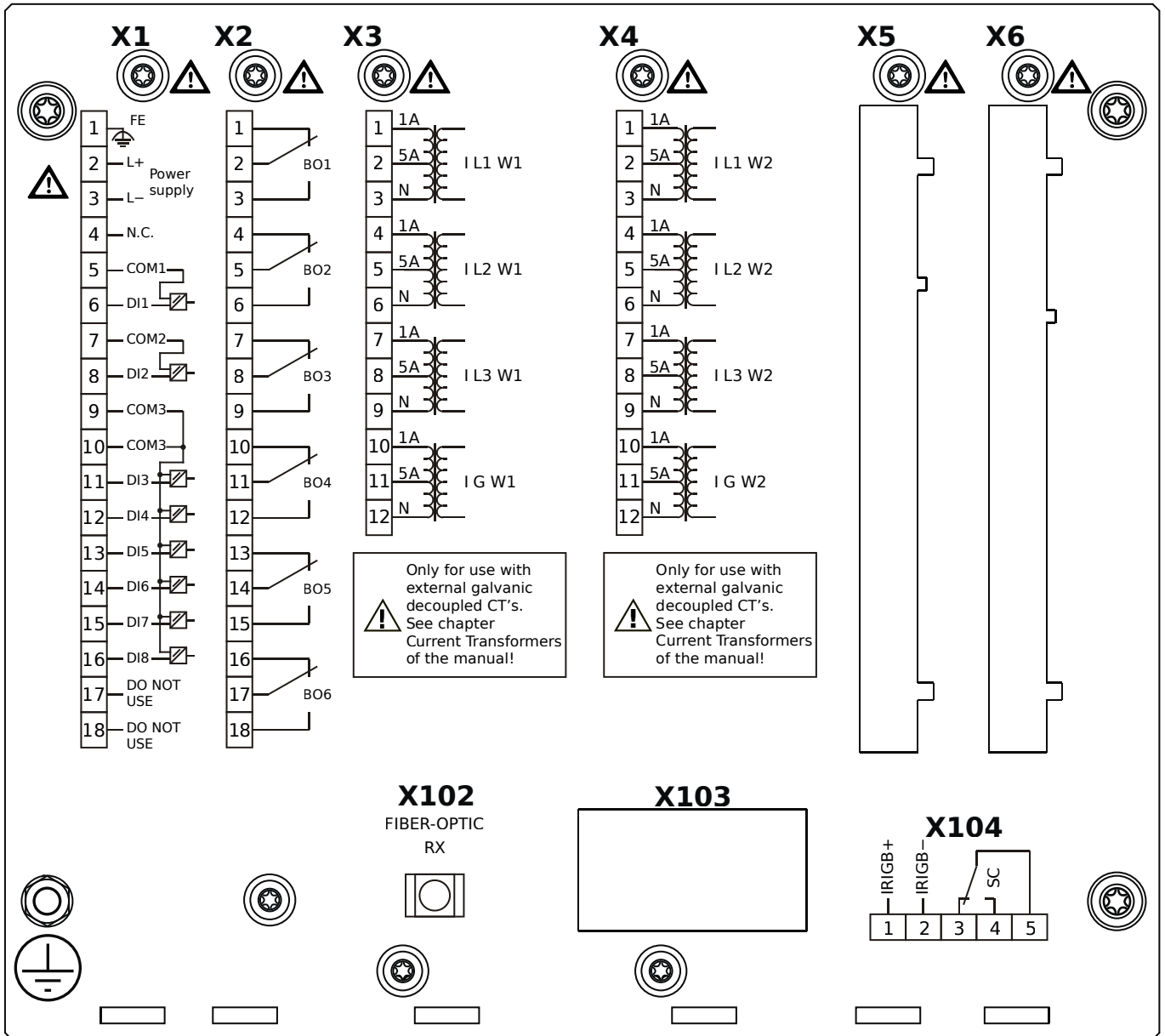
MRDT4-2A0AAA



Housing B2, small display, door mounting

- X1** – DI8-X1: Wide-range power supply unit, incl. 2 non-grouped digital inputs and 6 grouped digital inputs
- X2** – OR6: Assembly Group with 6 Output Relays (Changeover / Form C)
- X3** – TI: Standard current measuring card (for the winding side 1)
- X4** – TI: Standard current measuring card (for the winding side 2)
- X102** – Universal Resistance-Temperature Detector (URTD) input, Fiber optics interface, Versatile Link
- X104** – IRIG-B00X, incl. System Contact (Supervision Contact)

MRDT4-2A0AAB

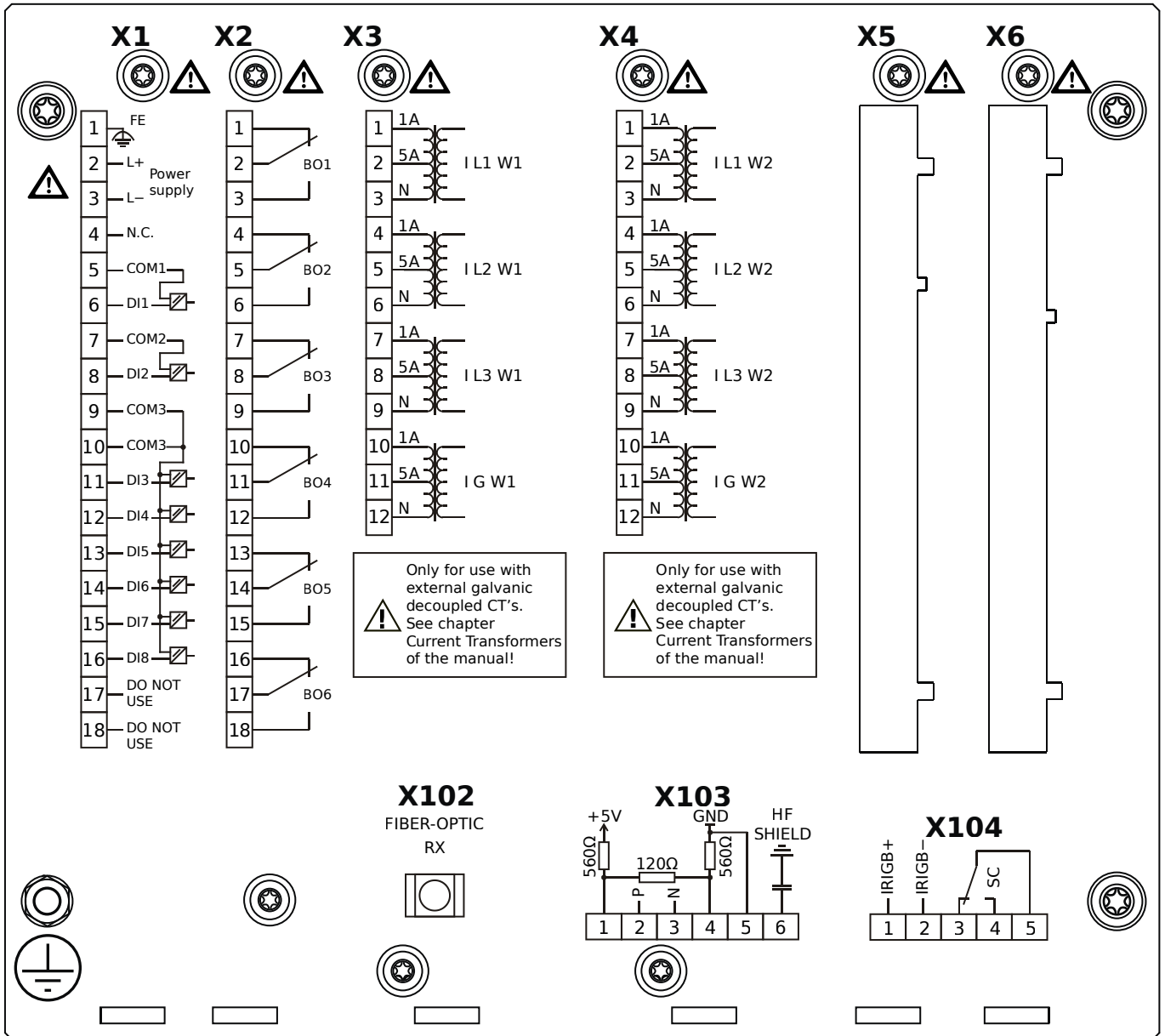


Housing B2, small display, door mounting

+ Conformal Coating (for installations in harsh environment)

- X1** – DI8-X1: Wide-range power supply unit, incl. 2 non-grouped digital inputs and 6 grouped digital inputs
- X2** – OR6: Assembly Group with 6 Output Relays (Changeover / Form C)
- X3** – TI: Standard current measuring card (for the winding side 1)
- X4** – TI: Standard current measuring card (for the winding side 2)
- X102** – Universal Resistance-Temperature Detector (URTD) input, Fiber optics interface, Versatile Link
- X104** – IRIG-B00X, incl. System Contact (Supervision Contact)

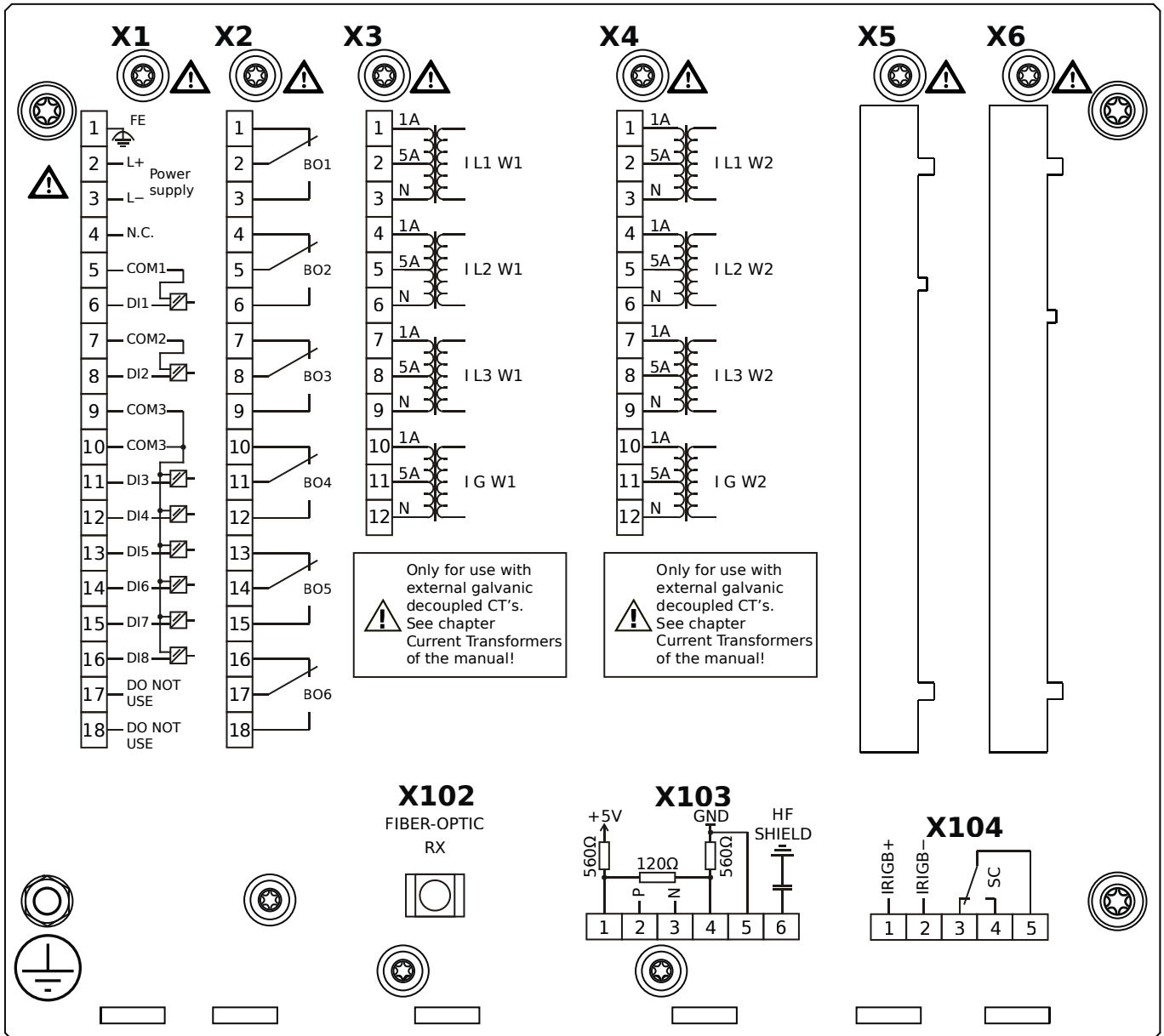
MRDT4-2A0ABA



Housing B2, small display, door mounting

- X1** – DI8-X1: Wide-range power supply unit, incl. 2 non-grouped digital inputs and 6 grouped digital inputs
- X2** – OR6: Assembly Group with 6 Output Relays (Changeover / Form C)
- X3** – TI: Standard current measuring card (for the winding side 1)
- X4** – TI: Standard current measuring card (for the winding side 2)
- X102** – Universal Resistance-Temperature Detector (URTD) input, Fiber optics interface, Versatile Link
- X103** – Modbus RTU / IEC 60870-5-103 / DNP3.0 RTU, RS485, Terminals
- X104** – IRIG-B00X, incl. System Contact (Supervision Contact)

MRDT4-2A0ABB

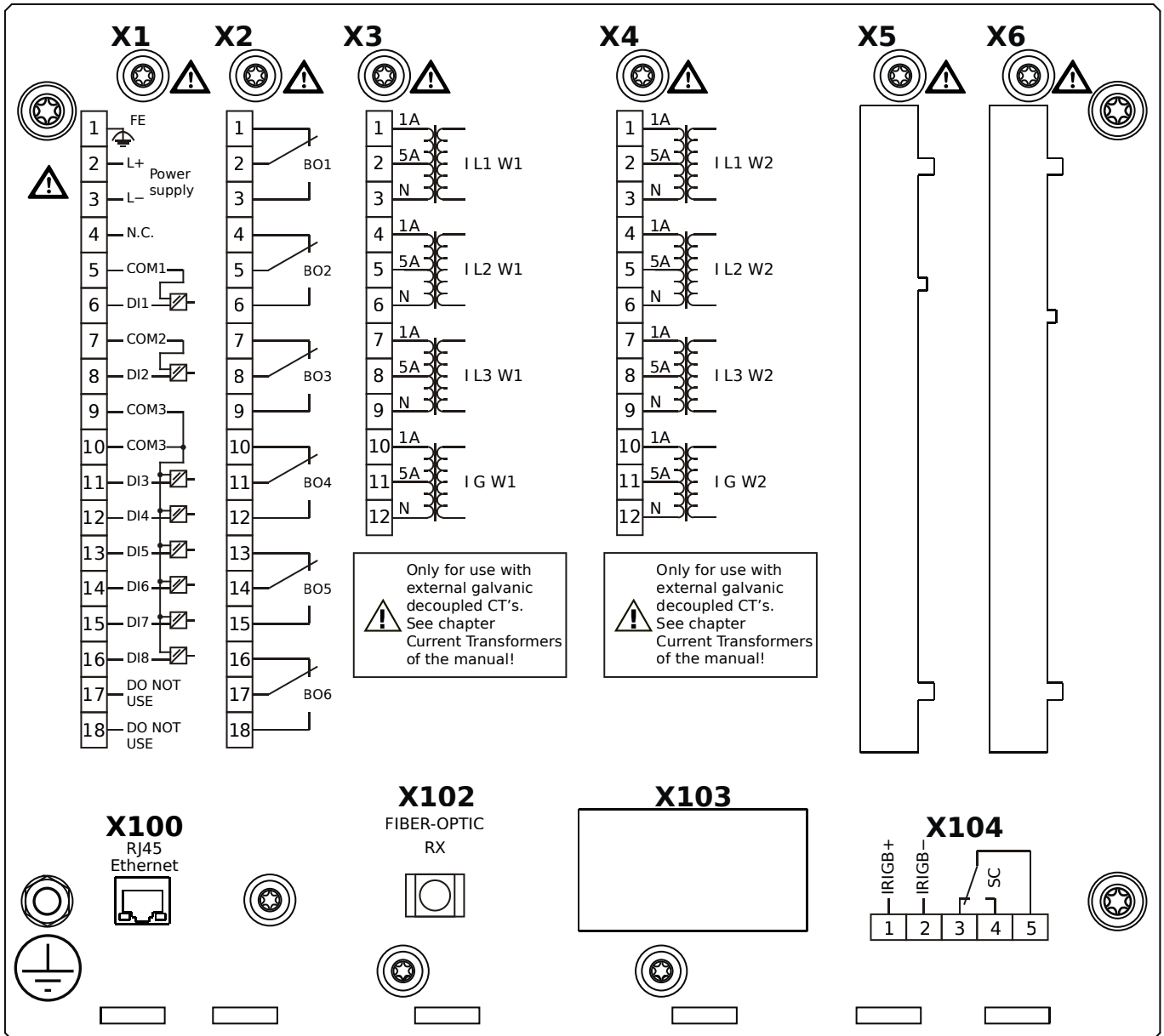


Housing B2, small display, door mounting

+ Conformal Coating (for installations in harsh environment)

- X1** – DI8-X1: Wide-range power supply unit, incl. 2 non-grouped digital inputs and 6 grouped digital inputs
- X2** – OR6: Assembly Group with 6 Output Relays (Changeover / Form C)
- X3** – TI: Standard current measuring card (for the winding side 1)
- X4** – TI: Standard current measuring card (for the winding side 2)
- X102** – Universal Resistance-Temperature Detector (URTD) input, Fiber optics interface, Versatile Link
- X103** – Modbus RTU / IEC 60870-5-103 / DNP3.0 RTU, RS485, Terminals
- X104** – IRIG-B00X, incl. System Contact (Supervision Contact)

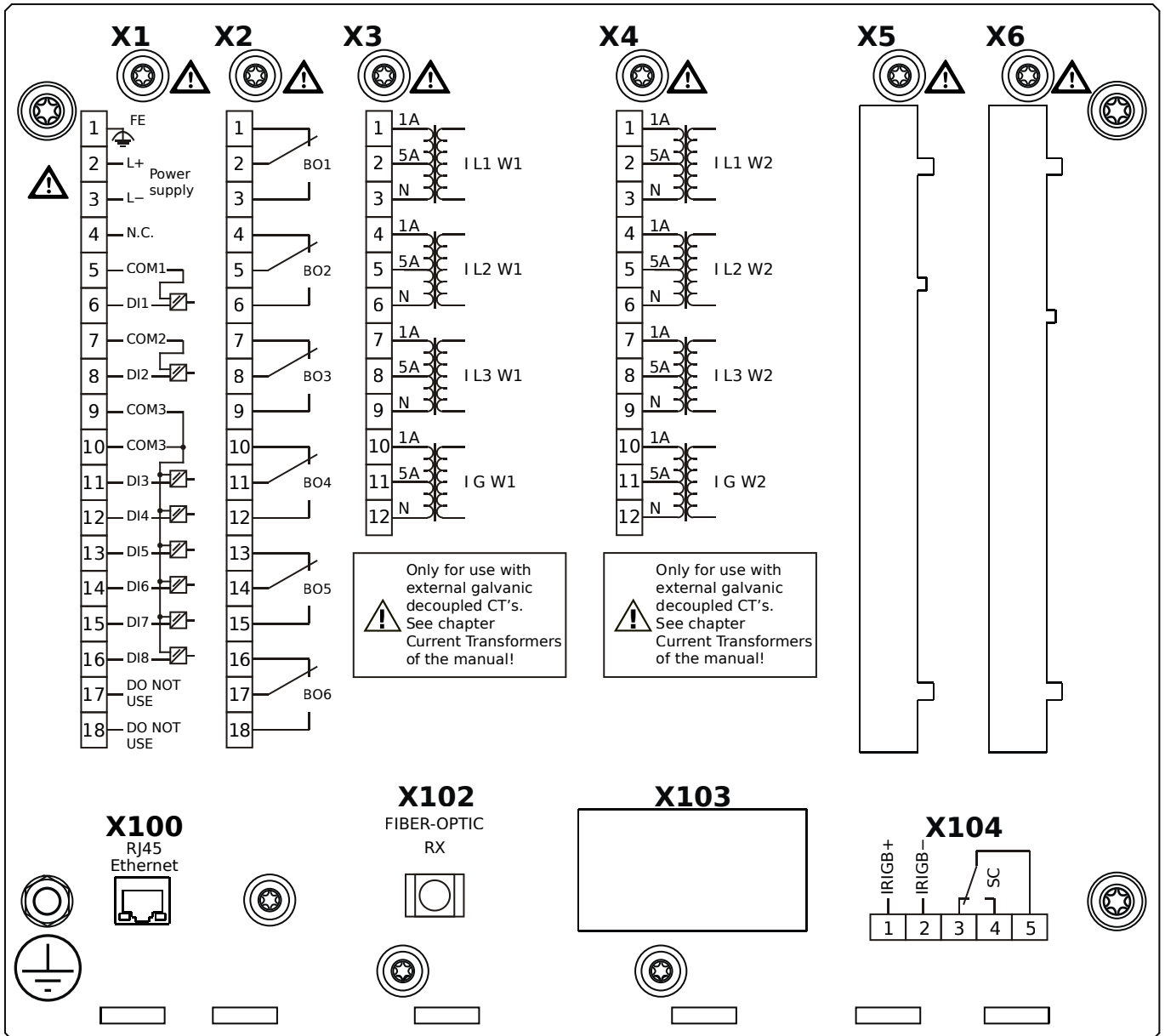
MRDT4-2A0ACA



Housing B2, small display, door mounting

- X1** – DI8-X1: Wide-range power supply unit, incl. 2 non-grouped digital inputs and 6 grouped digital inputs
- X2** – OR6: Assembly Group with 6 Output Relays (Changeover / Form C)
- X3** – TI: Standard current measuring card (for the winding side 1)
- X4** – TI: Standard current measuring card (for the winding side 2)
- X100** – Modbus TCP / IEC 60870-5-104 / DNP3.0 TCP/UDP, Ethernet interface, 100 Mbit/s, RJ45 (BASE100-FX)
- X102** – Universal Resistance-Temperature Detector (URTD) input, Fiber optics interface, Versatile Link
- X104** – IRIG-B00X, incl. System Contact (Supervision Contact)

MRDT4-2A0ACB

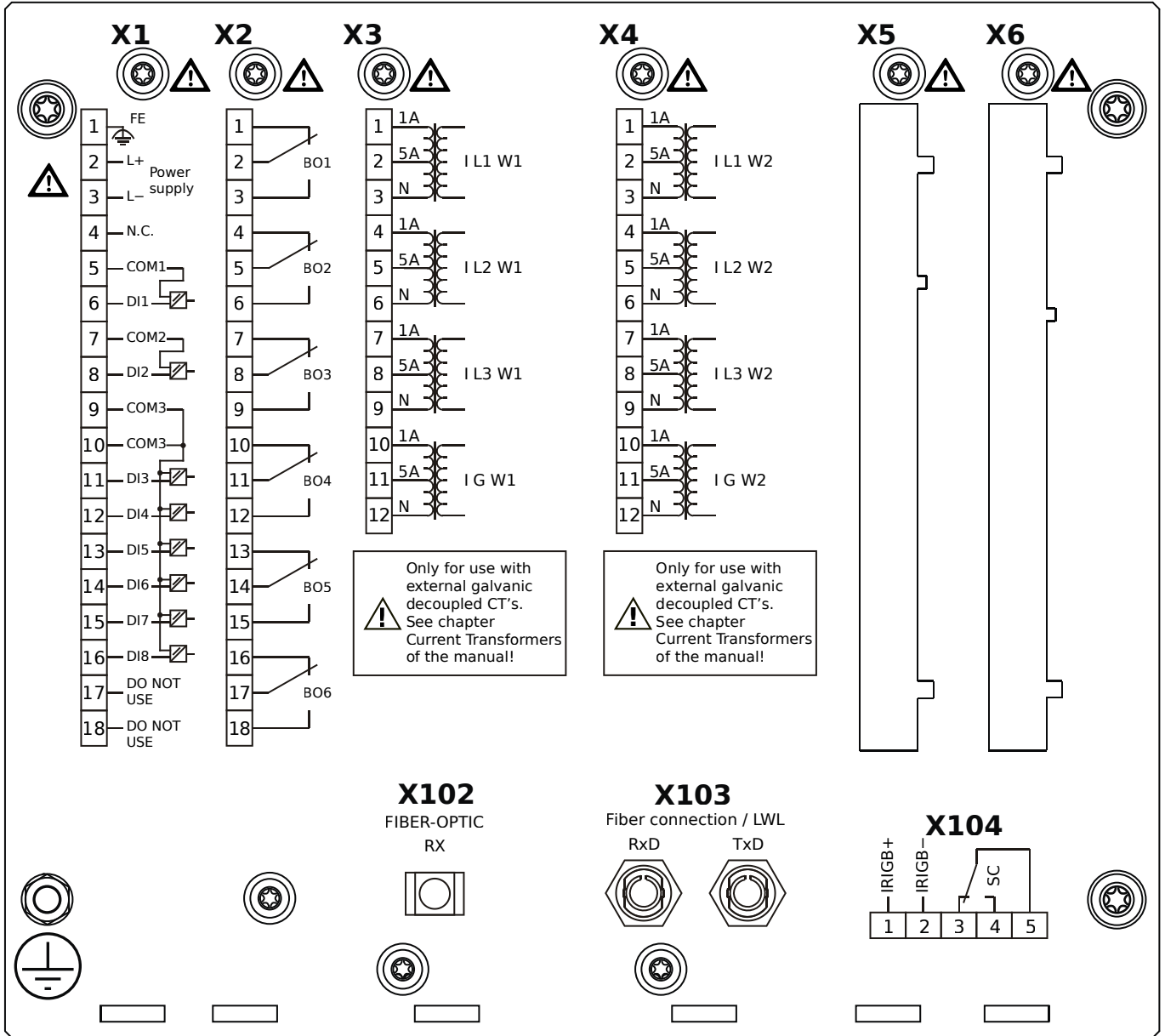


Housing B2, small display, door mounting

+ Conformal Coating (for installations in harsh environment)

- X1** – DI8-X1: Wide-range power supply unit, incl. 2 non-grouped digital inputs and 6 grouped digital inputs
- X2** – OR6: Assembly Group with 6 Output Relays (Changeover / Form C)
- X3** – TI: Standard current measuring card (for the winding side 1)
- X4** – TI: Standard current measuring card (for the winding side 2)
- X100** – Modbus TCP / IEC 60870-5-104 / DNP3.0 TCP/UDP, Ethernet interface, 100 Mbit/s, RJ45 (BASE100-FX)
- X102** – Universal Resistance-Temperature Detector (URTD) input, Fiber optics interface, Versatile Link
- X104** – IRIG-B00X, incl. System Contact (Supervision Contact)

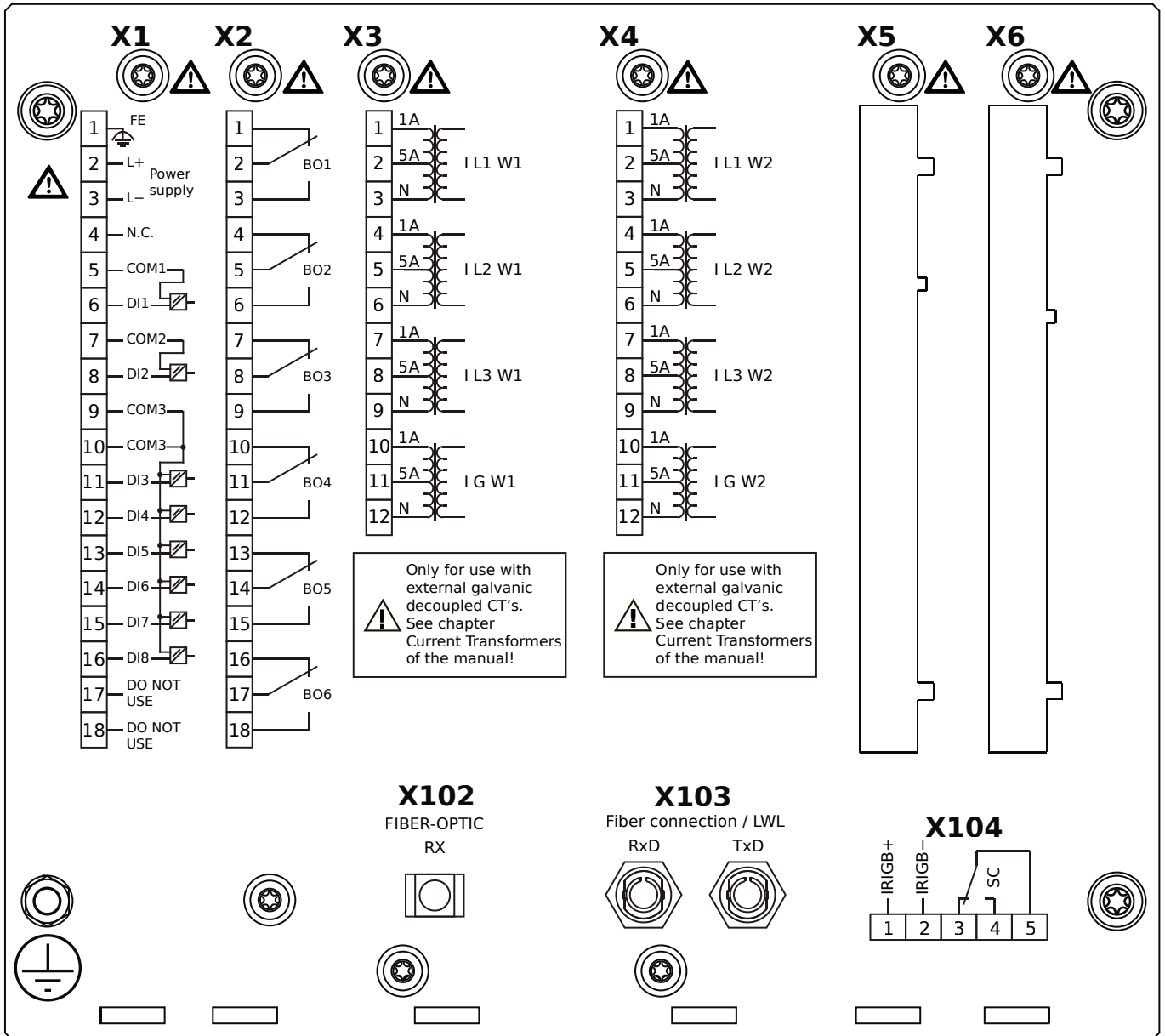
MRDT4-2A0ADA



Housing B2, small display, door mounting

- X1** – DI8-X1: Wide-range power supply unit, incl. 2 non-grouped digital inputs and 6 grouped digital inputs
- X2** – OR6: Assembly Group with 6 Output Relays (Changeover / Form C)
- X3** – TI: Standard current measuring card (for the winding side 1)
- X4** – TI: Standard current measuring card (for the winding side 2)
- X102** – Universal Resistance-Temperature Detector (URTD) input, Fiber optics interface, Versatile Link
- X103** – Profibus-DP, Fiber optics interface, ST Connector
- X104** – IRIG-B00X, incl. System Contact (Supervision Contact)

MRDT4-2A0ADB

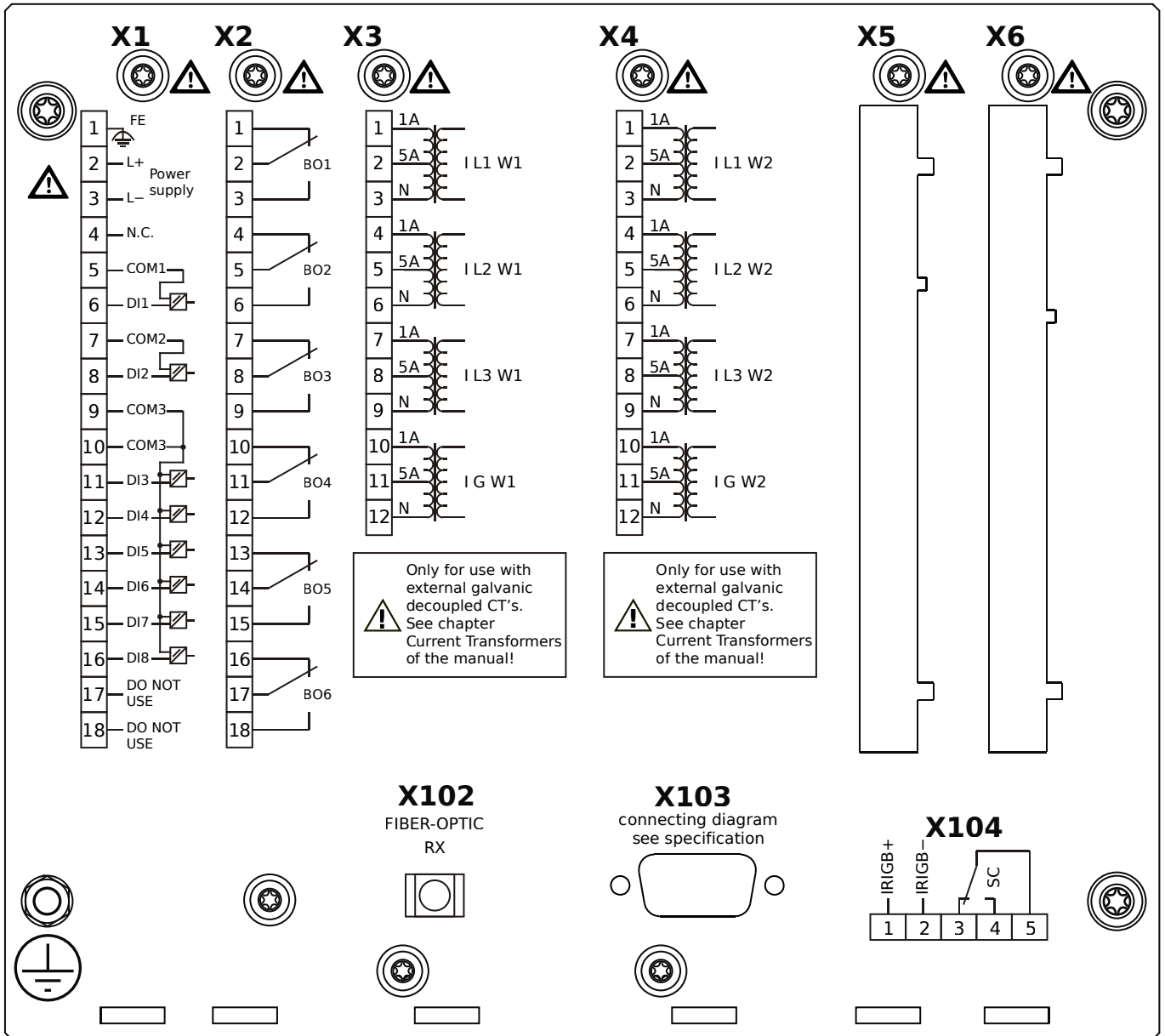


Housing B2, small display, door mounting

+ Conformal Coating (for installations in harsh environment)

- X1** – DI8-X1: Wide-range power supply unit, incl. 2 non-grouped digital inputs and 6 grouped digital inputs
- X2** – OR6: Assembly Group with 6 Output Relays (Changeover / Form C)
- X3** – TI: Standard current measuring card (for the winding side 1)
- X4** – TI: Standard current measuring card (for the winding side 2)
- X102** – Universal Resistance-Temperature Detector (URTD) input, Fiber optics interface, Versatile Link
- X103** – Profibus-DP, Fiber optics interface, ST Connector
- X104** – IRIG-B00X, incl. System Contact (Supervision Contact)

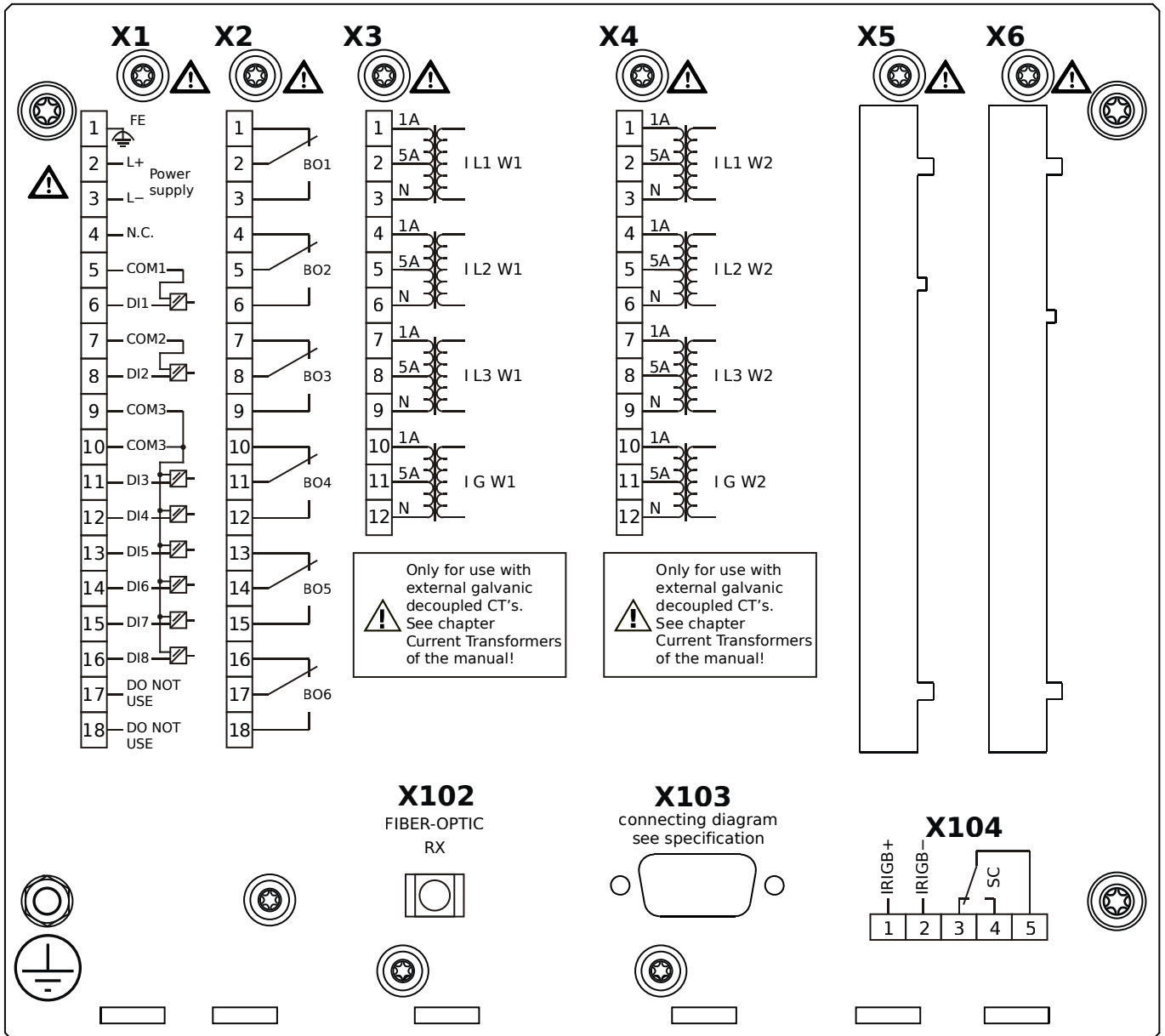
MRDT4-2A0AEA



Housing B2, small display, door mounting

- X1** – DI8-X1: Wide-range power supply unit, incl. 2 non-grouped digital inputs and 6 grouped digital inputs
- X2** – OR6: Assembly Group with 6 Output Relays (Changeover / Form C)
- X3** – TI: Standard current measuring card (for the winding side 1)
- X4** – TI: Standard current measuring card (for the winding side 2)
- X102** – Universal Resistance-Temperature Detector (URTD) input, Fiber optics interface, Versatile Link
- X103** – Profibus-DP, RS485, D-SUB
- X104** – IRIG-B00X, incl. System Contact (Supervision Contact)

MRDT4-2A0AEB

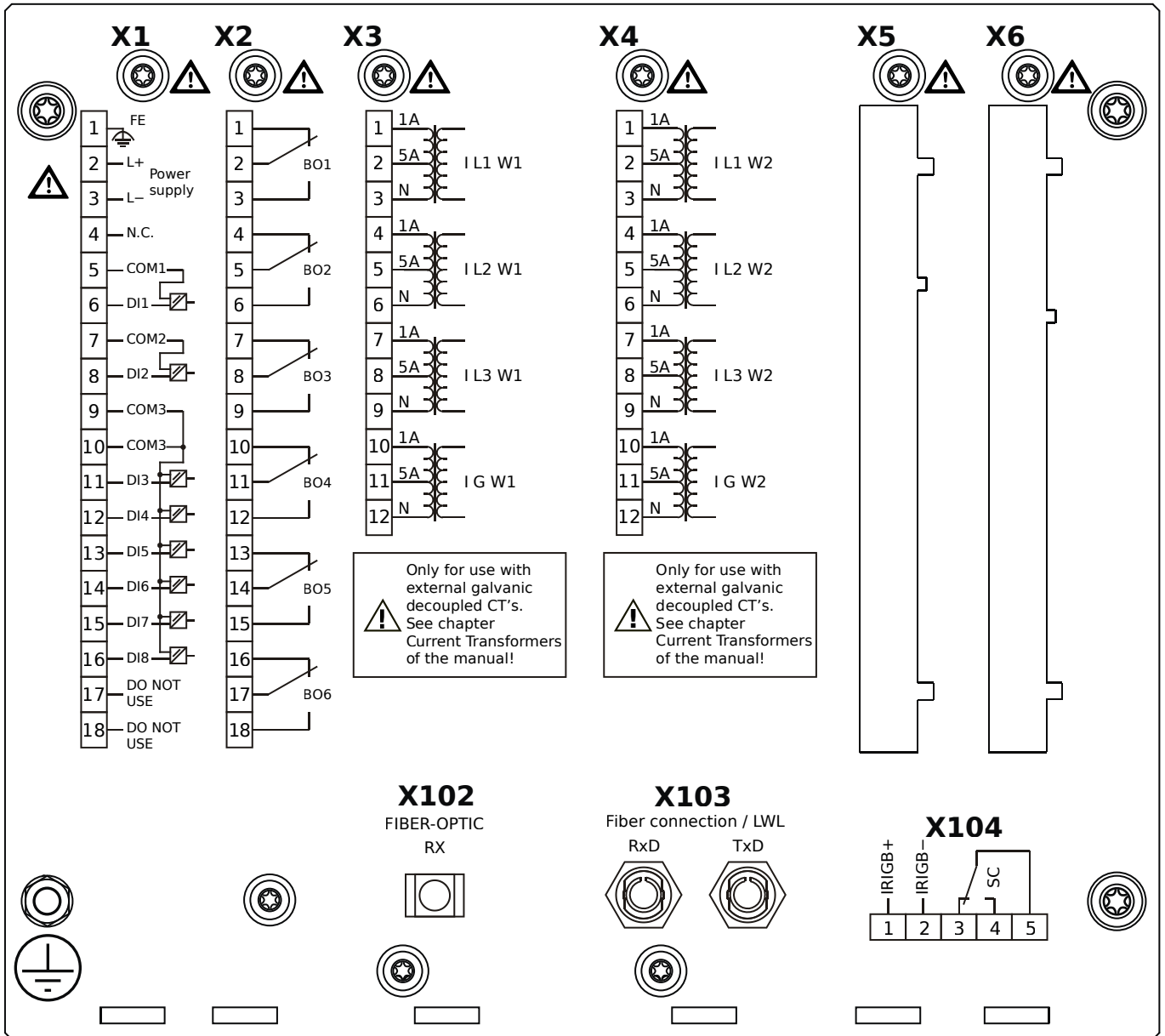


Housing B2, small display, door mounting

+ Conformal Coating (for installations in harsh environment)

- X1** – DI8-X1: Wide-range power supply unit, incl. 2 non-grouped digital inputs and 6 grouped digital inputs
- X2** – OR6: Assembly Group with 6 Output Relays (Changeover / Form C)
- X3** – TI: Standard current measuring card (for the winding side 1)
- X4** – TI: Standard current measuring card (for the winding side 2)
- X102** – Universal Resistance-Temperature Detector (URTD) input, Fiber optics interface, Versatile Link
- X103** – Profibus-DP, RS485, D-SUB
- X104** – IRIG-B00X, incl. System Contact (Supervision Contact)

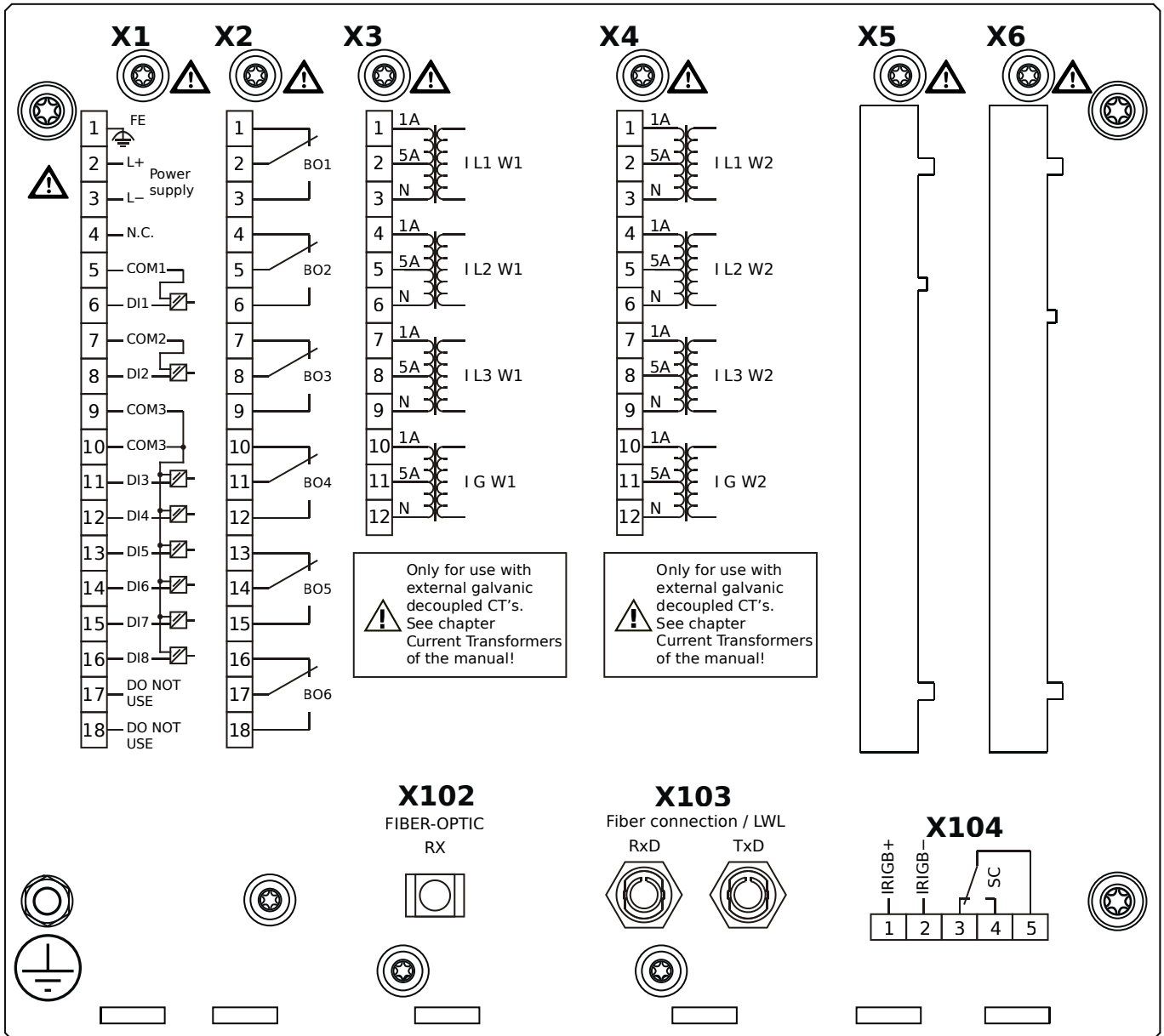
MRDT4-2A0AFA



Housing B2, small display, door mounting

- X1** – DI8-X1: Wide-range power supply unit, incl. 2 non-grouped digital inputs and 6 grouped digital inputs
- X2** – OR6: Assembly Group with 6 Output Relays (Changeover / Form C)
- X3** – TI: Standard current measuring card (for the winding side 1)
- X4** – TI: Standard current measuring card (for the winding side 2)
- X102** – Universal Resistance-Temperature Detector (URTD) input, Fiber optics interface, Versatile Link
- X103** – Modbus RTU / IEC 60870-5-103 / DNP3.0 RTU, Fiber optics interface, ST Connector
- X104** – IRIG-B00X, incl. System Contact (Supervision Contact)

MRDT4-2A0AFB

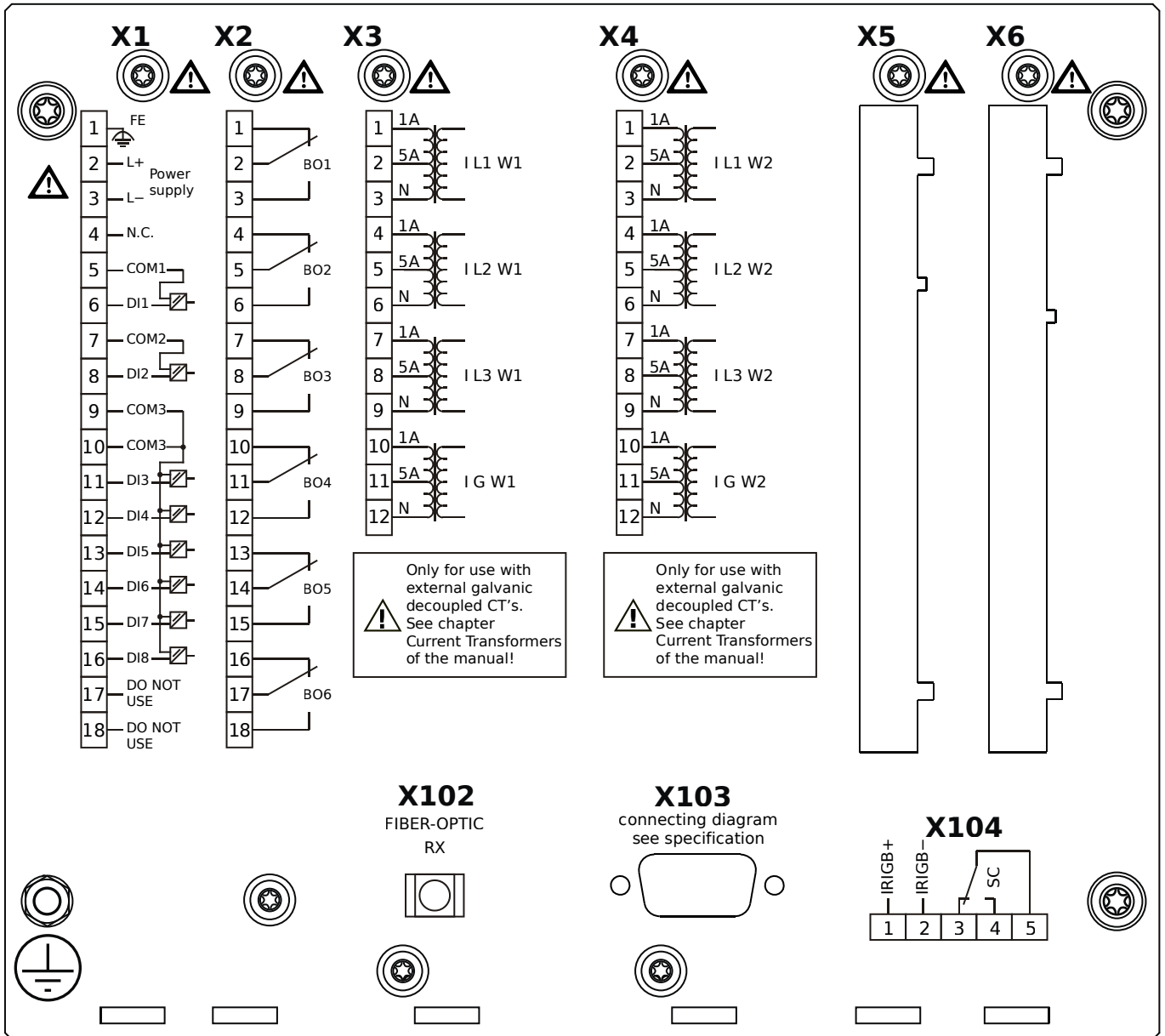


Housing B2, small display, door mounting

+ Conformal Coating (for installations in harsh environment)

- X1** – DI8-X1: Wide-range power supply unit, incl. 2 non-grouped digital inputs and 6 grouped digital inputs
- X2** – OR6: Assembly Group with 6 Output Relays (Changeover / Form C)
- X3** – TI: Standard current measuring card (for the winding side 1)
- X4** – TI: Standard current measuring card (for the winding side 2)
- X102** – Universal Resistance-Temperature Detector (URTD) input, Fiber optics interface, Versatile Link
- X103** – Modbus RTU / IEC 60870-5-103 / DNP3.0 RTU, Fiber optics interface, ST Connector
- X104** – IRIG-B00X, incl. System Contact (Supervision Contact)

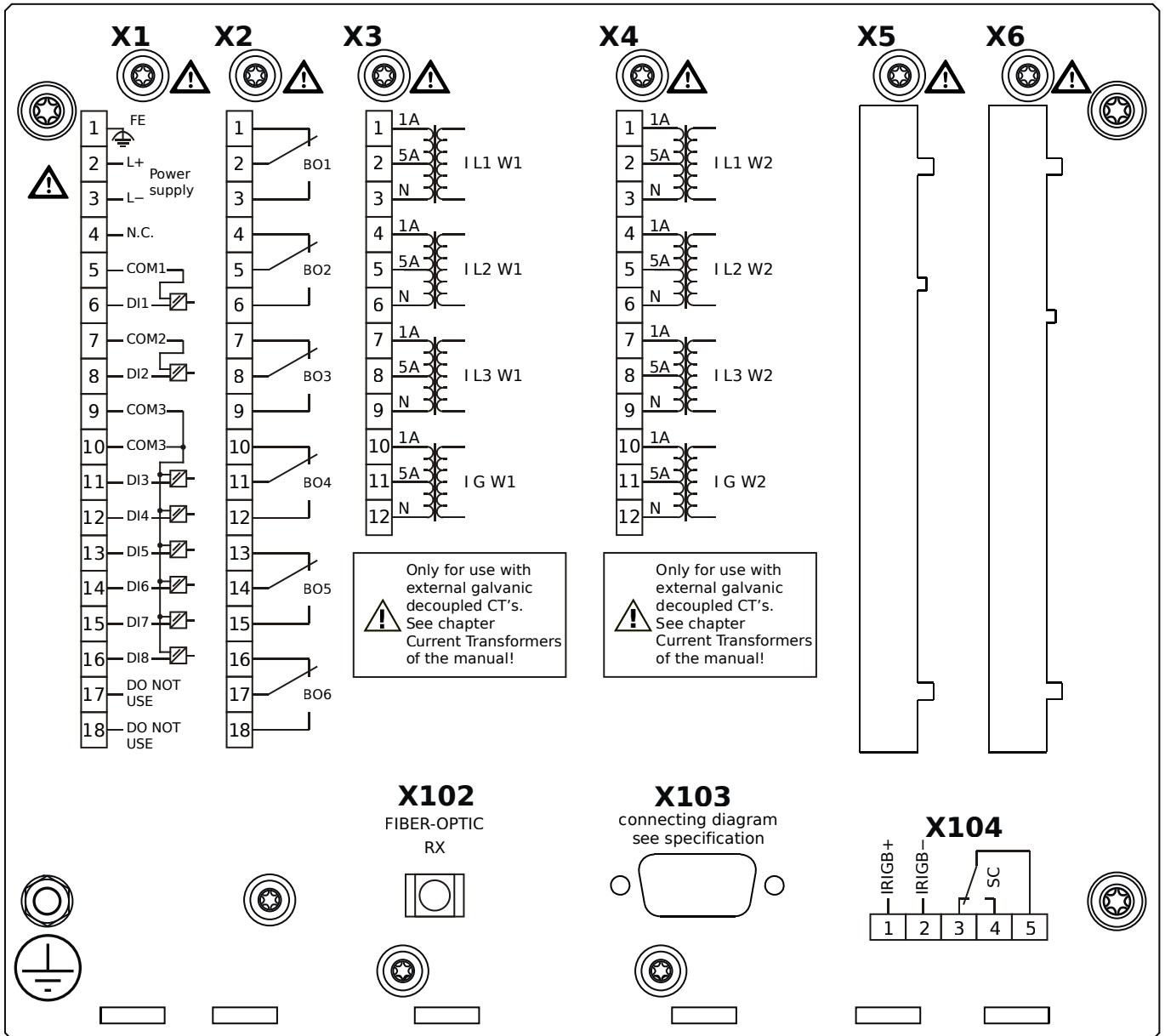
MRDT4-2A0AGA



Housing B2, small display, door mounting

- X1** – DI8-X1: Wide-range power supply unit, incl. 2 non-grouped digital inputs and 6 grouped digital inputs
- X2** – OR6: Assembly Group with 6 Output Relays (Changeover / Form C)
- X3** – TI: Standard current measuring card (for the winding side 1)
- X4** – TI: Standard current measuring card (for the winding side 2)
- X102** – Universal Resistance-Temperature Detector (URTD) input, Fiber optics interface, Versatile Link
- X103** – Modbus RTU / IEC 60870-5-103 / DNP3.0 RTU, RS485, D-SUB
- X104** – IRIG-B00X, incl. System Contact (Supervision Contact)

MRDT4-2A0AGB

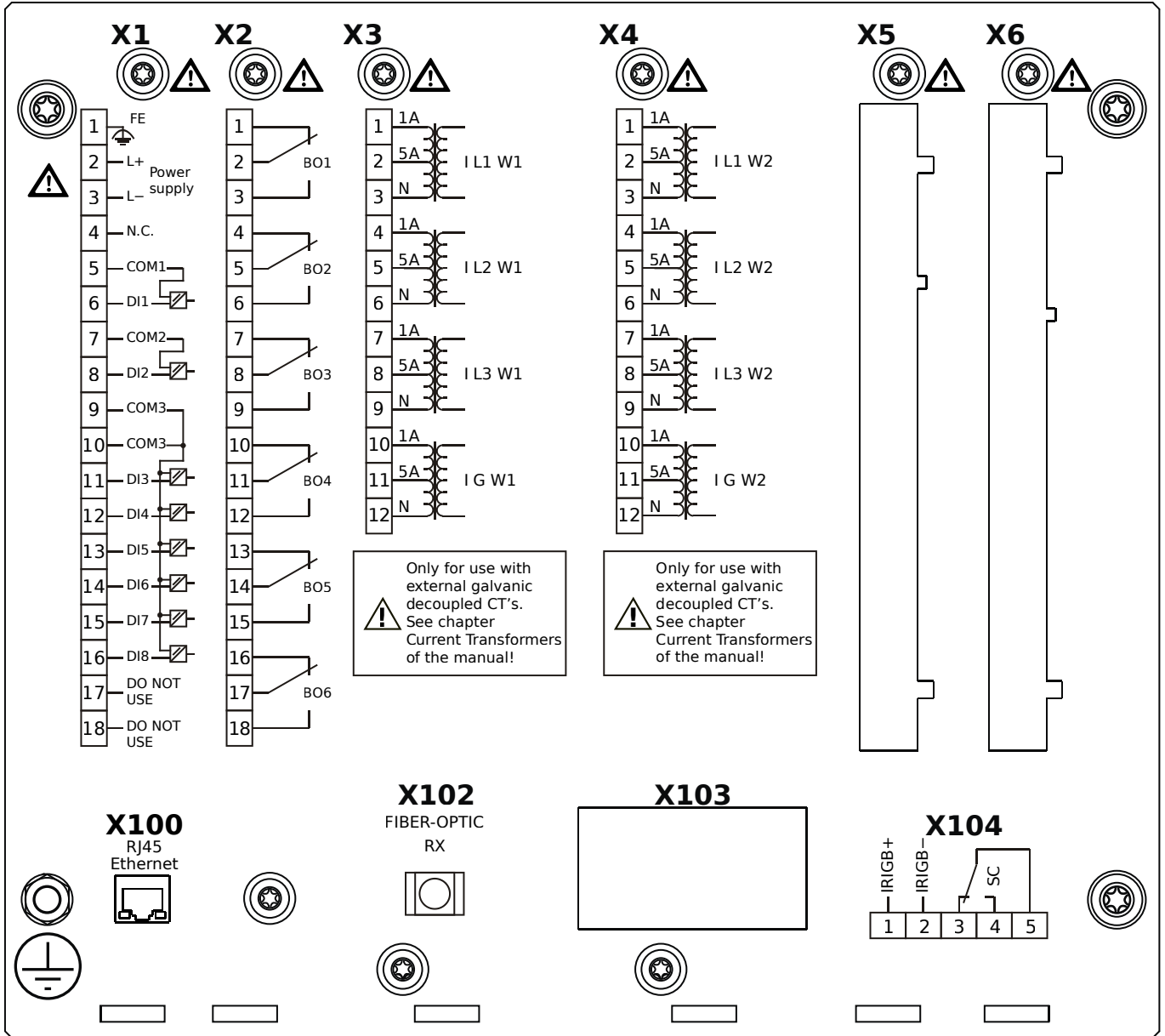


Housing B2, small display, door mounting

+ Conformal Coating (for installations in harsh environment)

- X1** – DI8-X1: Wide-range power supply unit, incl. 2 non-grouped digital inputs and 6 grouped digital inputs
- X2** – OR6: Assembly Group with 6 Output Relays (Changeover / Form C)
- X3** – TI: Standard current measuring card (for the winding side 1)
- X4** – TI: Standard current measuring card (for the winding side 2)
- X102** – Universal Resistance-Temperature Detector (URTD) input, Fiber optics interface, Versatile Link
- X103** – Modbus RTU / IEC 60870-5-103 / DNP3.0 RTU, RS485, D-SUB
- X104** – IRIG-B00X, incl. System Contact (Supervision Contact)

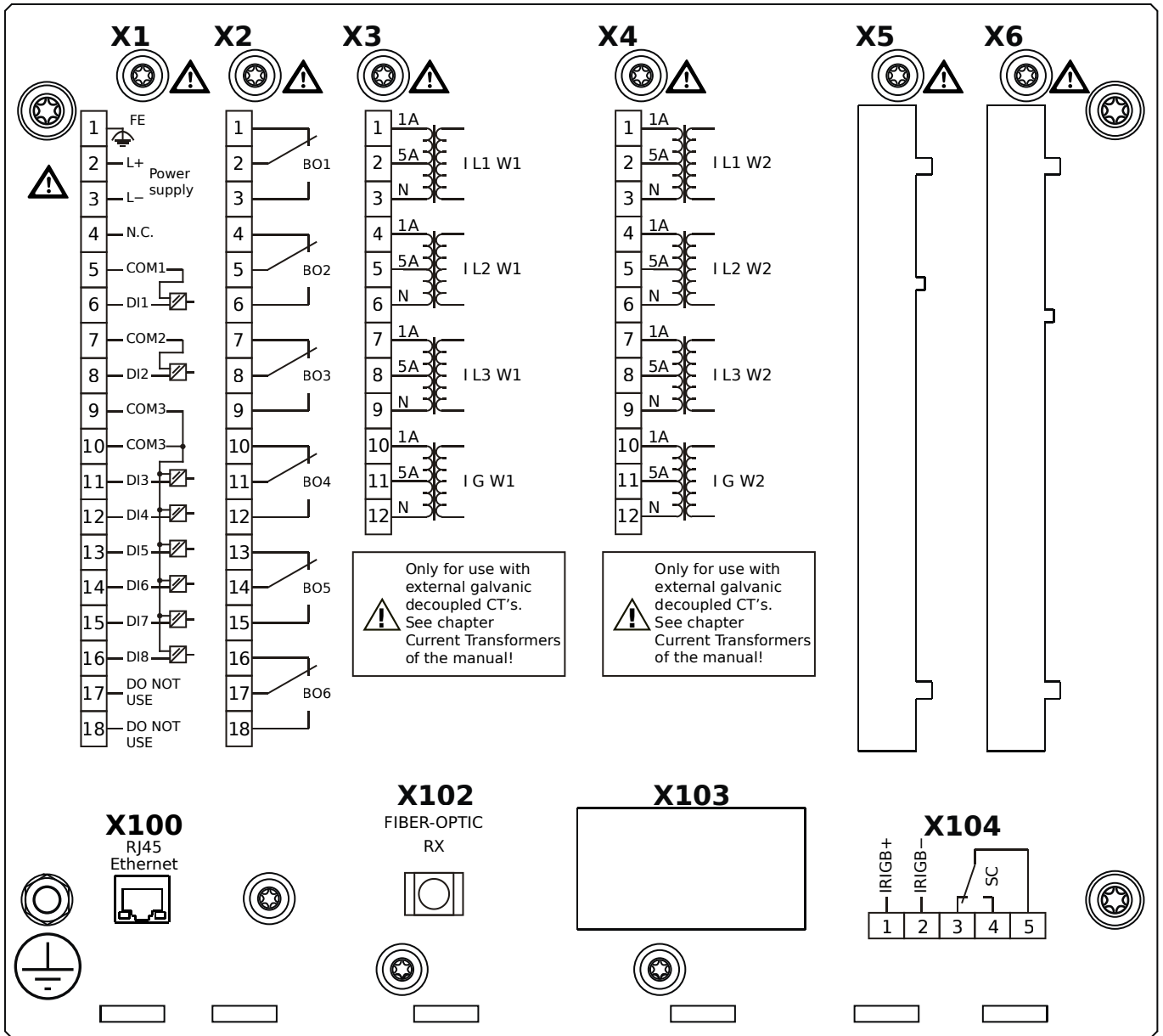
MRDT4-2A0AHA



Housing B2, small display, door mounting

- X1** – DI8-X1: Wide-range power supply unit, incl. 2 non-grouped digital inputs and 6 grouped digital inputs
- X2** – OR6: Assembly Group with 6 Output Relays (Changeover / Form C)
- X3** – TI: Standard current measuring card (for the winding side 1)
- X4** – TI: Standard current measuring card (for the winding side 2)
- X100** – IEC 61850 / Modbus TCP / IEC 60870-5-104 / DNP3.0 TCP/UDP, Ethernet interface, 100 Mbit/s, RJ45 (BASE100-FX)
- X102** – Universal Resistance-Temperature Detector (URTD) input, Fiber optics interface, Versatile Link
- X104** – IRIG-B00X, incl. System Contact (Supervision Contact)

MRDT4-2A0AHB



Housing B2, small display, door mounting

+ Conformal Coating (for installations in harsh environment)

X1 – DI8-X1: Wide-range power supply unit, incl. 2 non-grouped digital inputs and 6 grouped digital inputs

X2 – OR6: Assembly Group with 6 Output Relays (Changeover / Form C)

X3 – TI: Standard current measuring card (for the winding side 1)

X4 – TI: Standard current measuring card (for the winding side 2)

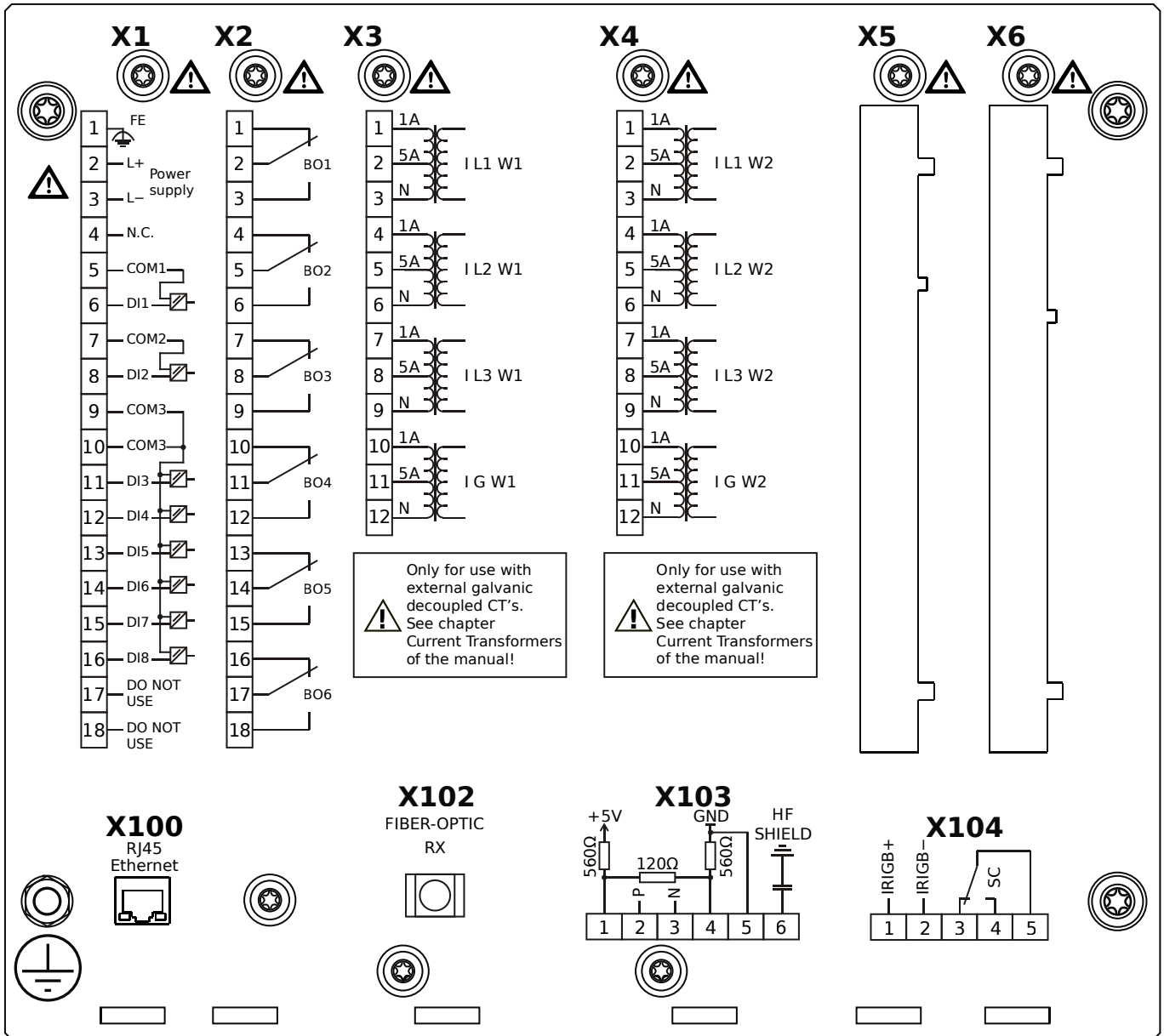
X100 – IEC 61850 / Modbus TCP / IEC 60870-5-104 / DNP3.0 TCP/UDP, Ethernet interface, 100 Mbit/s, RJ45 (BASE100-

X102 – Universal Resistance-Temperature Detector (URTD) input, Fiber optics interface, Versatile Link

X104 – IRIG-B00X, incl. System Contact (Supervision Contact)

FX)

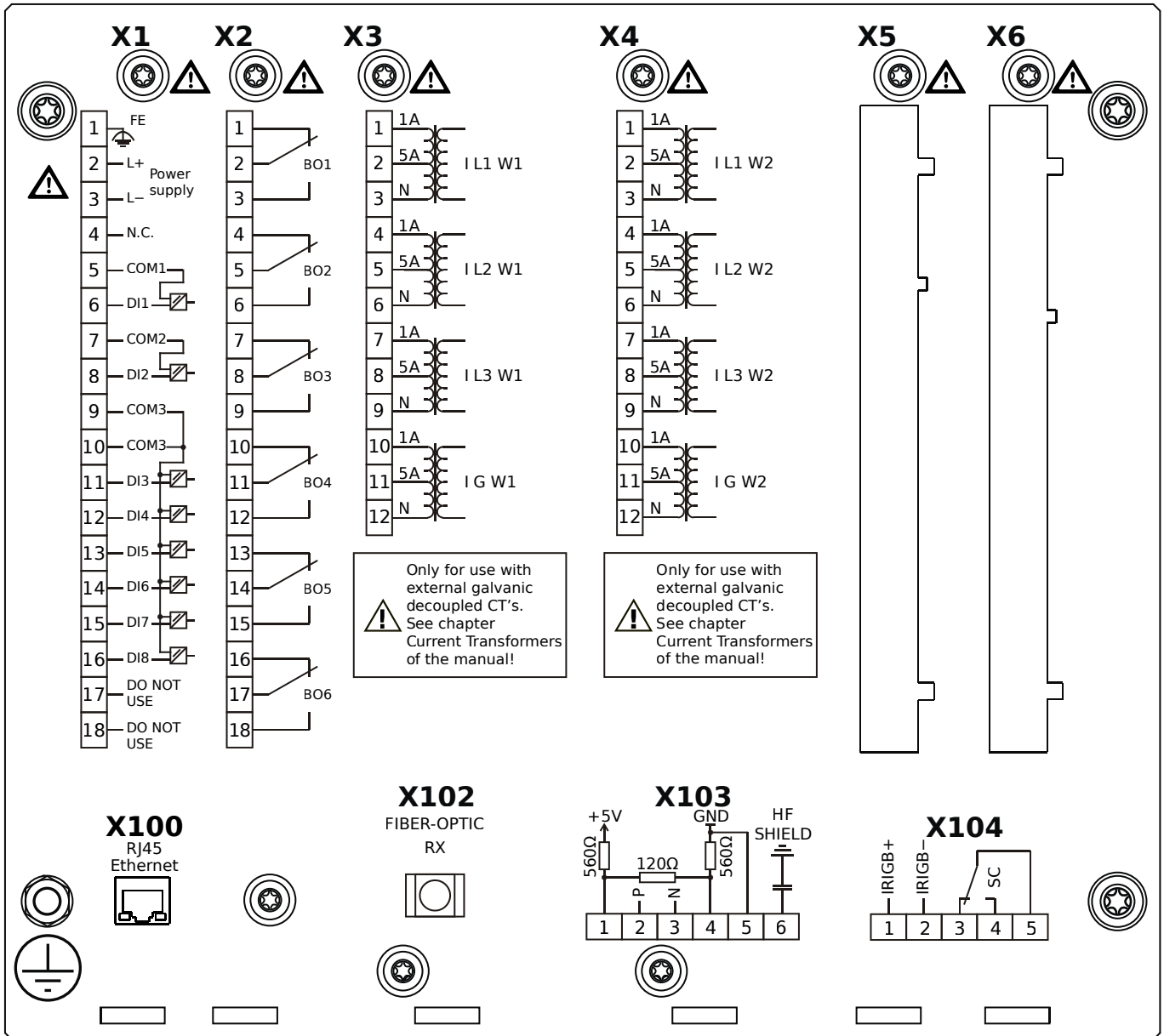
MRDT4-2A0AIA



Housing B2, small display, door mounting

- X1** – DI8-X1: Wide-range power supply unit, incl. 2 non-grouped digital inputs and 6 grouped digital inputs
- X2** – OR6: Assembly Group with 6 Output Relays (Changeover / Form C)
- X3** – TI: Standard current measuring card (for the winding side 1)
- X4** – TI: Standard current measuring card (for the winding side 2)
- X100** – Modbus TCP / IEC 60870-5-104 / DNP3.0 TCP/UDP, Ethernet interface, 100 Mbit/s, RJ45 (BASE100-FX)
- X102** – Universal Resistance-Temperature Detector (URTD) input, Fiber optics interface, Versatile Link
- X103** – IEC 60870-5-103 / Modbus RTU / DNP3.0 RTU, RS485, Terminals
- X104** – IRIG-B00X, incl. System Contact (Supervision Contact)

MRDT4-2A0AIB

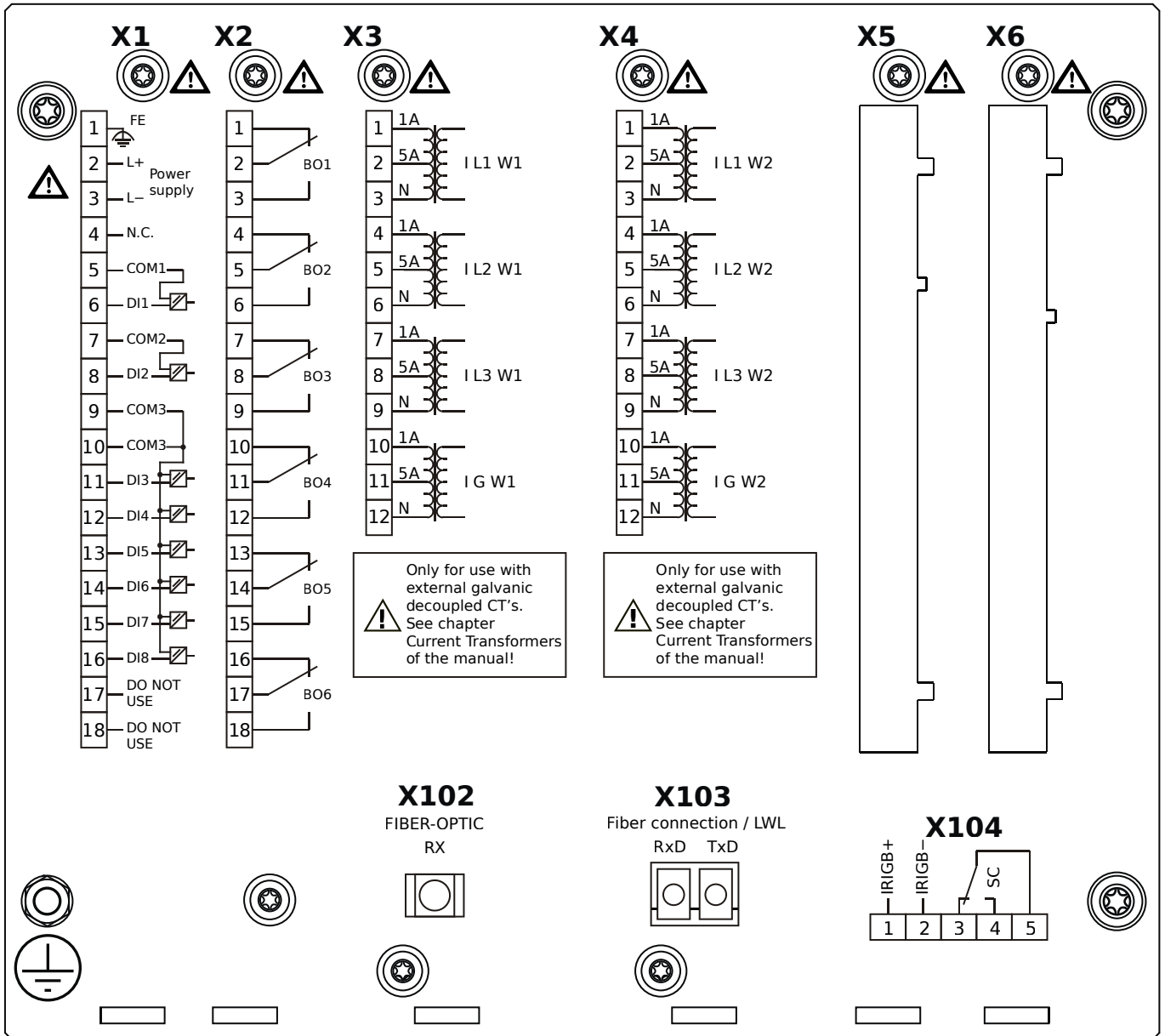


Housing B2, small display, door mounting

+ Conformal Coating (for installations in harsh environment)

- X1** – DI8-X1: Wide-range power supply unit, incl. 2 non-grouped digital inputs and 6 grouped digital inputs
- X2** – OR6: Assembly Group with 6 Output Relays (Changeover / Form C)
- X3** – TI: Standard current measuring card (for the winding side 1)
- X4** – TI: Standard current measuring card (for the winding side 2)
- X100** – Modbus TCP / IEC 60870-5-104 / DNP3.0 TCP/UDP, Ethernet interface, 100 Mbit/s, RJ45 (BASE100-FX)
- X102** – Universal Resistance-Temperature Detector (URTD) input, Fiber optics interface, Versatile Link
- X103** – IEC 60870-5-103 / Modbus RTU / DNP3.0 RTU, RS485, Terminals
- X104** – IRIG-B00X, incl. System Contact (Supervision Contact)

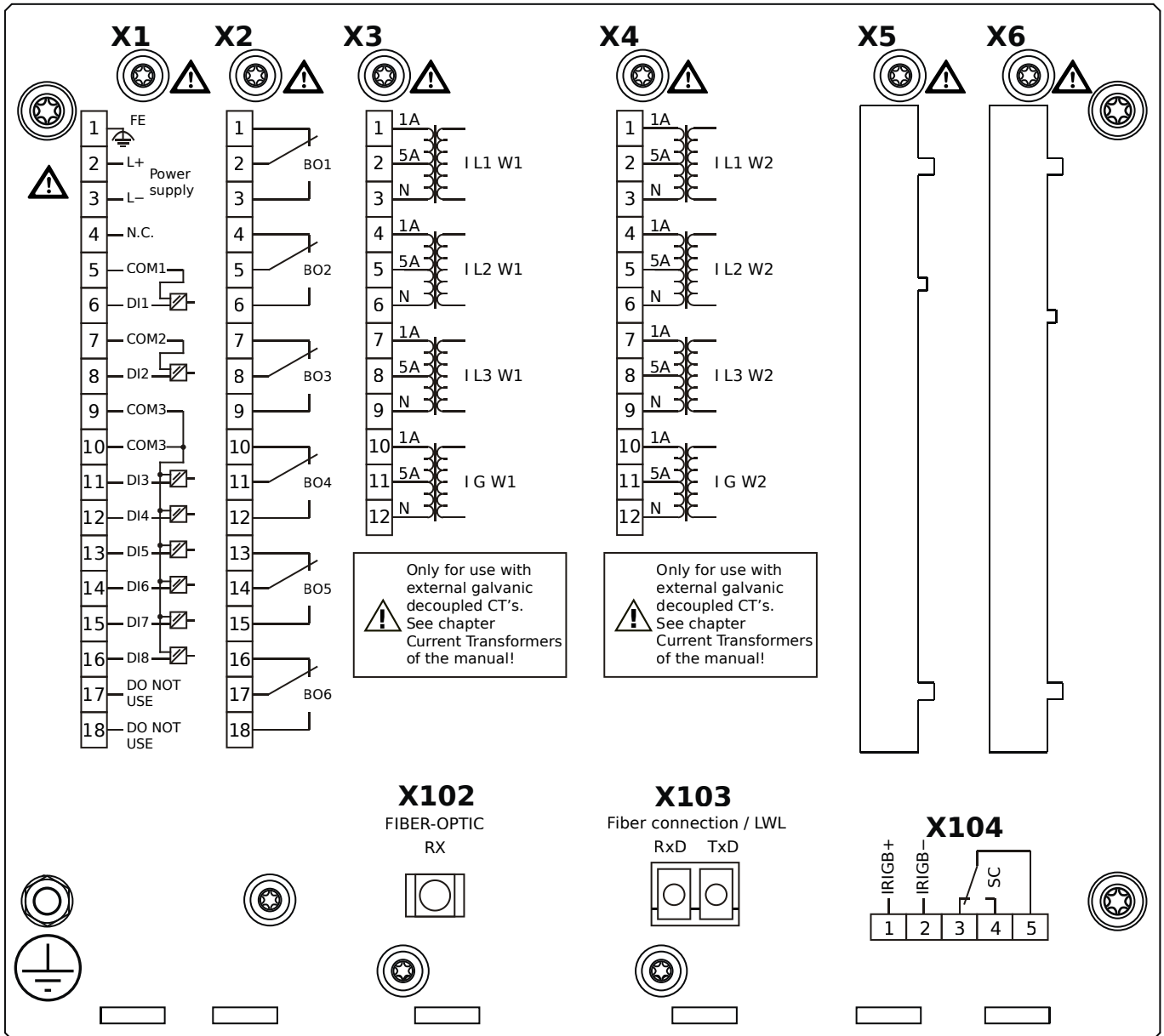
MRDT4-2A0AKA



Housing B2, small display, door mounting

- X1** – DI8-X1: Wide-range power supply unit, incl. 2 non-grouped digital inputs and 6 grouped digital inputs
- X2** – OR6: Assembly Group with 6 Output Relays (Changeover / Form C)
- X3** – TI: Standard current measuring card (for the winding side 1)
- X4** – TI: Standard current measuring card (for the winding side 2)
- X102** – Universal Resistance-Temperature Detector (URTD) input, Fiber optics interface, Versatile Link
- X103** – IEC 61850 / Modbus TCP / IEC 60870-5-104 / DNP3.0 TCP/UDP, Fiber optics interface, LC Connector
- X104** – IRIG-B00X, incl. System Contact (Supervision Contact)

MRDT4-2A0AKB

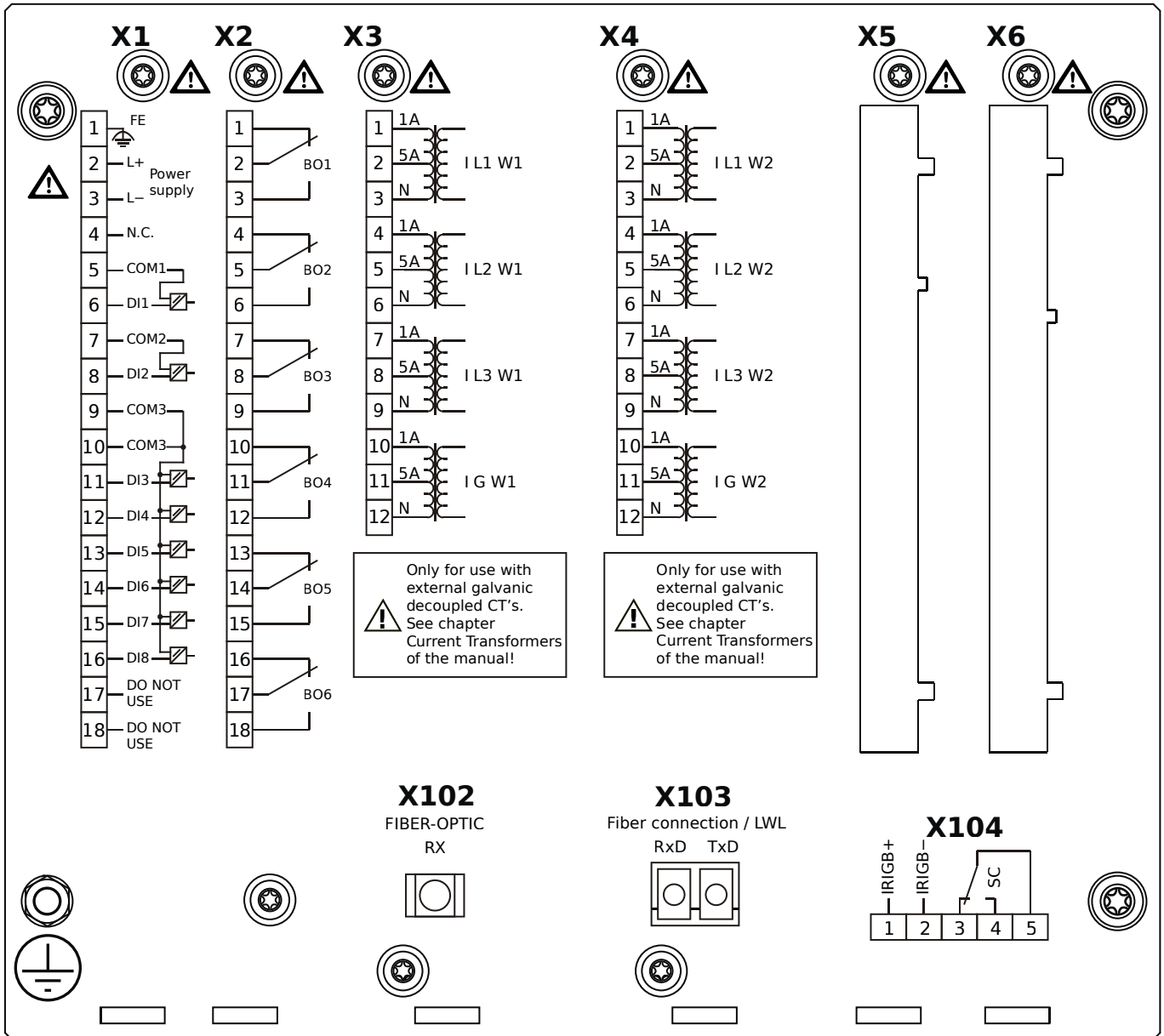


Housing B2, small display, door mounting

+ Conformal Coating (for installations in harsh environment)

- X1** – DI8-X1: Wide-range power supply unit, incl. 2 non-grouped digital inputs and 6 grouped digital inputs
- X2** – OR6: Assembly Group with 6 Output Relays (Changeover / Form C)
- X3** – TI: Standard current measuring card (for the winding side 1)
- X4** – TI: Standard current measuring card (for the winding side 2)
- X102** – Universal Resistance-Temperature Detector (URTD) input, Fiber optics interface, Versatile Link
- X103** – IEC 61850 / Modbus TCP / IEC 60870-5-104 / DNP3.0 TCP/UDP, Fiber optics interface, LC Connector
- X104** – IRIG-B00X, incl. System Contact (Supervision Contact)

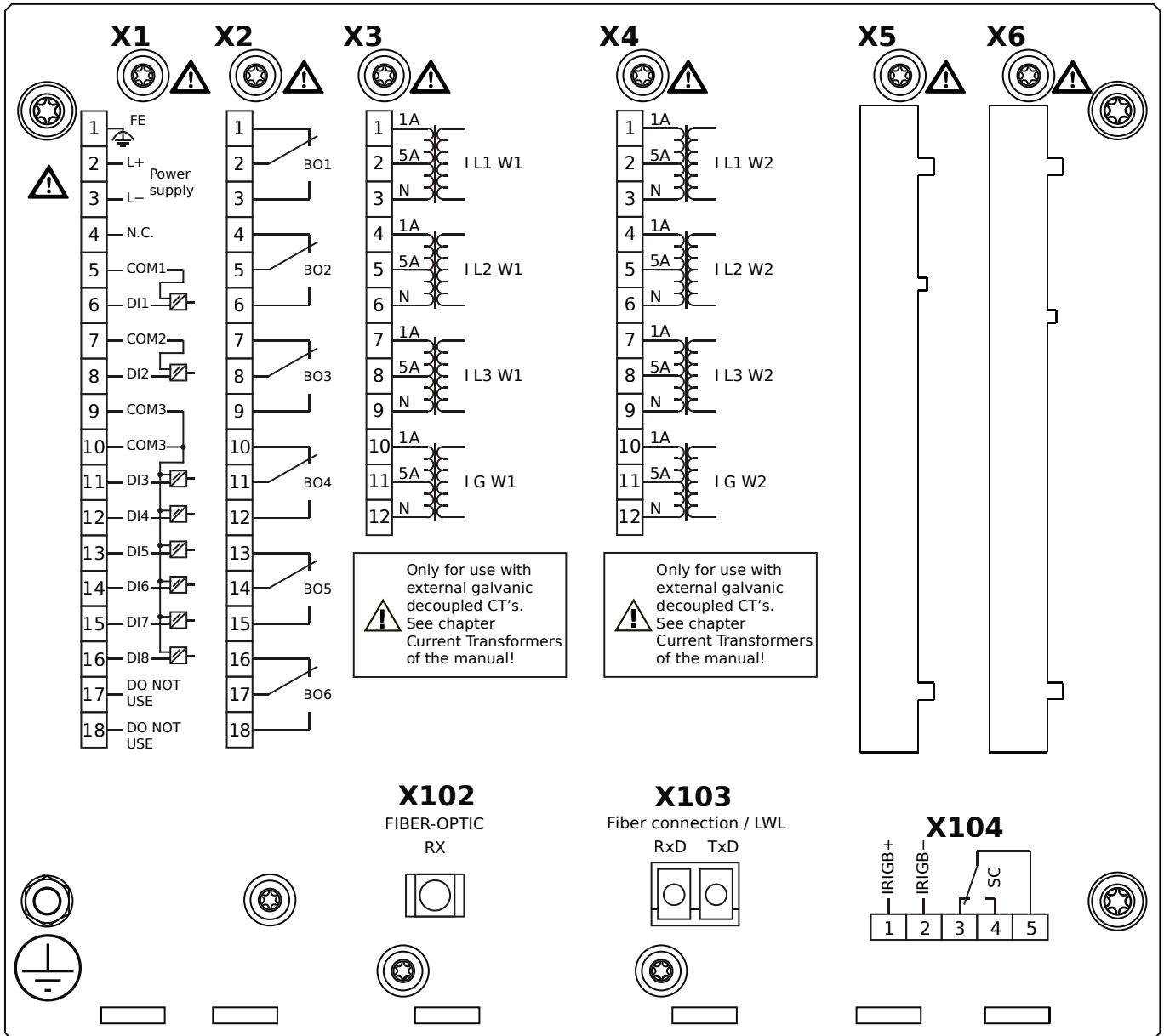
MRDT4-2A0ALA



Housing B2, small display, door mounting

- X1** – DI8-X1: Wide-range power supply unit, incl. 2 non-grouped digital inputs and 6 grouped digital inputs
- X2** – OR6: Assembly Group with 6 Output Relays (Changeover / Form C)
- X3** – TI: Standard current measuring card (for the winding side 1)
- X4** – TI: Standard current measuring card (for the winding side 2)
- X102** – Universal Resistance-Temperature Detector (URTD) input, Fiber optics interface, Versatile Link
- X103** – Modbus TCP / IEC 60870-5-104 / DNP3.0 TCP/UDP, Fiber optics interface, LC Connector
- X104** – IRIG-B00X, incl. System Contact (Supervision Contact)

MRDT4-2A0ALB

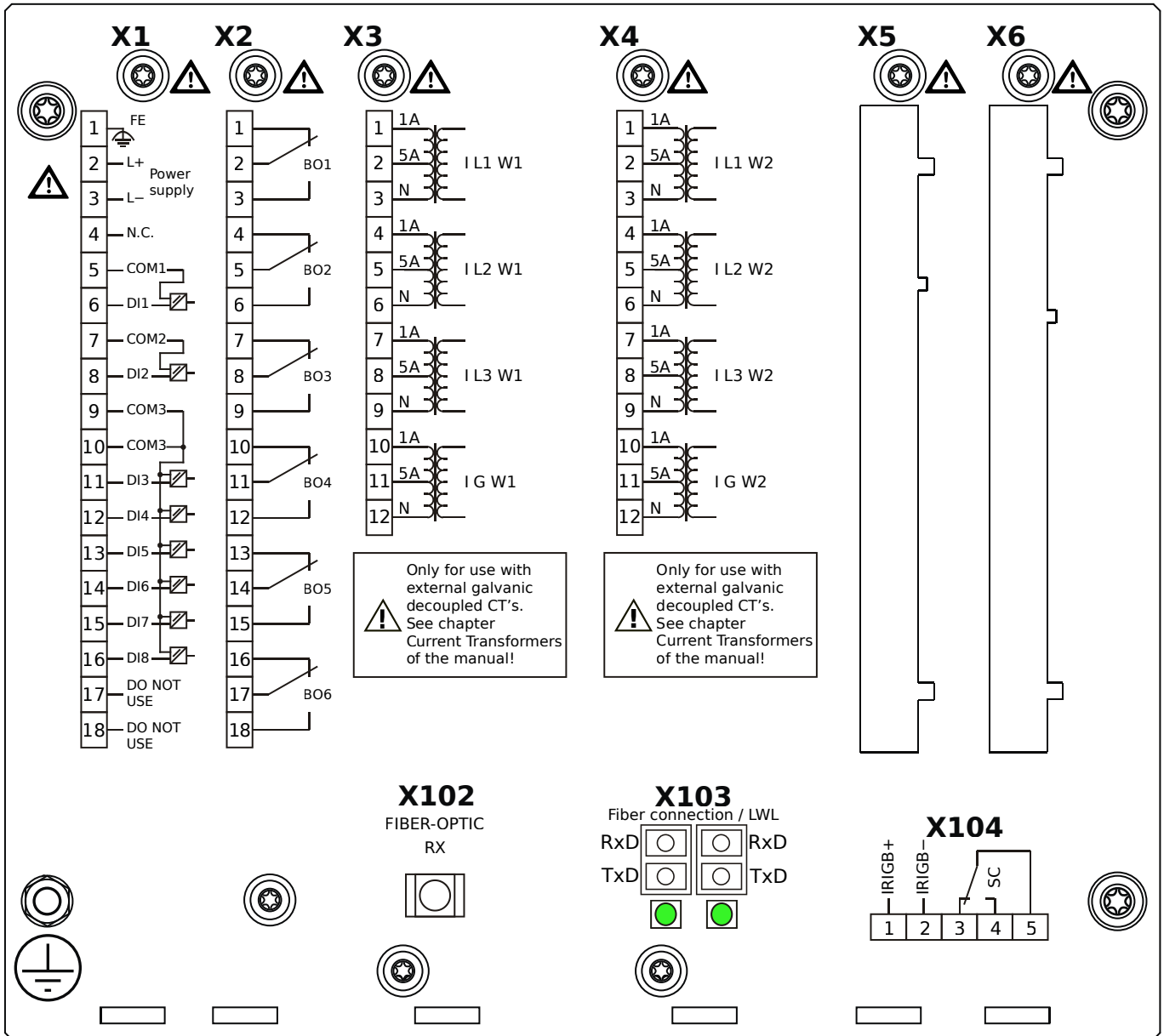


Housing B2, small display, door mounting

+ Conformal Coating (for installations in harsh environment)

- X1** – DI8-X1: Wide-range power supply unit, incl. 2 non-grouped digital inputs and 6 grouped digital inputs
- X2** – OR6: Assembly Group with 6 Output Relays (Changeover / Form C)
- X3** – TI: Standard current measuring card (for the winding side 1)
- X4** – TI: Standard current measuring card (for the winding side 2)
- X102** – Universal Resistance-Temperature Detector (URTD) input, Fiber optics interface, Versatile Link
- X103** – Modbus TCP / IEC 60870-5-104 / DNP3.0 TCP/UDP, Fiber optics interface, LC Connector
- X104** – IRIG-B00X, incl. System Contact (Supervision Contact)

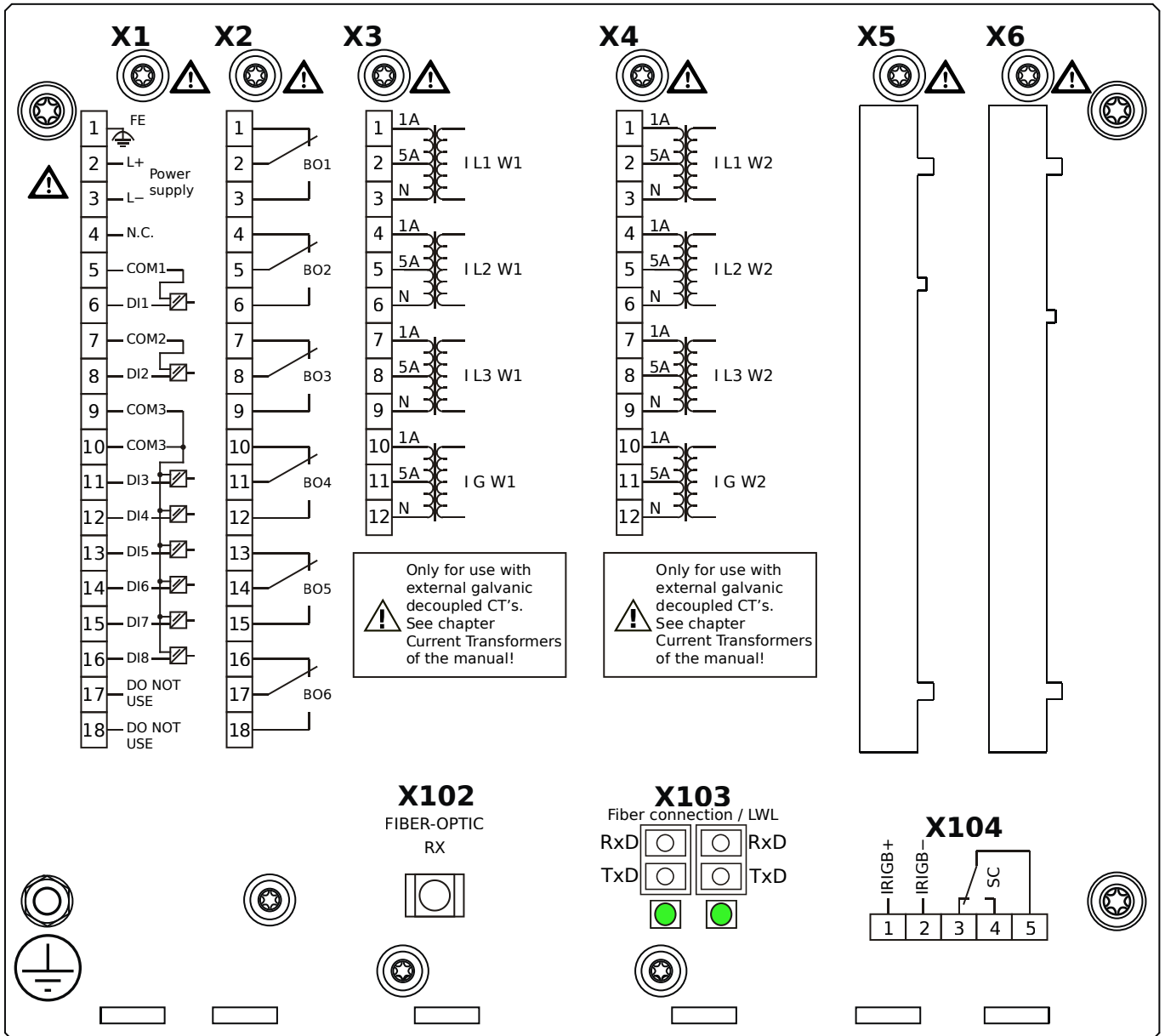
MRDT4-2A0AOA



Housing B2, small display, door mounting

- X1** – DI8-X1: Wide-range power supply unit, incl. 2 non-grouped digital inputs and 6 grouped digital inputs
- X2** – OR6: Assembly Group with 6 Output Relays (Changeover / Form C)
- X3** – TI: Standard current measuring card (for the winding side 1)
- X4** – TI: Standard current measuring card (for the winding side 2)
- X102** – Universal Resistance-Temperature Detector (URTD) input, Fiber optics interface, Versatile Link
- X103** – Modbus TCP / IEC 60870-5-104 / DNP3.0 TCP/UDP, Redundant Fiber optics interface, LC Connector
- X104** – IRIG-B00X, incl. System Contact (Supervision Contact)

MRDT4-2A0A0B

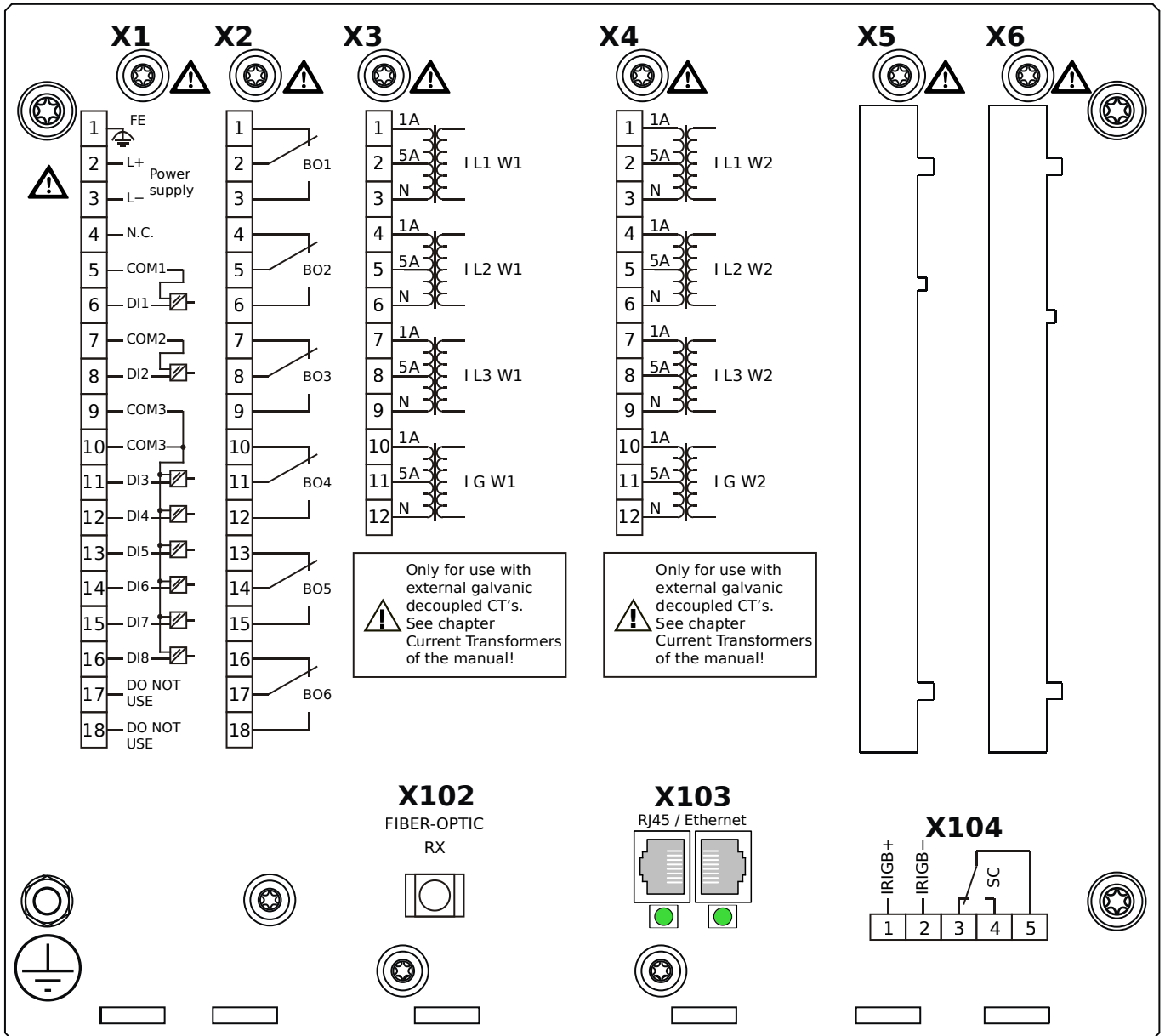


Housing B2, small display, door mounting

- + Conformal Coating (for installations in harsh environment)

- X1** – DI8-X1: Wide-range power supply unit, incl. 2 non-grouped digital inputs and 6 grouped digital inputs
- X2** – OR6: Assembly Group with 6 Output Relays (Changeover / Form C)
- X3** – TI: Standard current measuring card (for the winding side 1)
- X4** – TI: Standard current measuring card (for the winding side 2)
- X102** – Universal Resistance-Temperature Detector (URTD) input, Fiber optics interface, Versatile Link
- X103** – Modbus TCP / IEC 60870-5-104 / DNP3.0 TCP/UDP, Redundant Fiber optics interface, LC Connector
- X104** – IRIG-B00X, incl. System Contact (Supervision Contact)

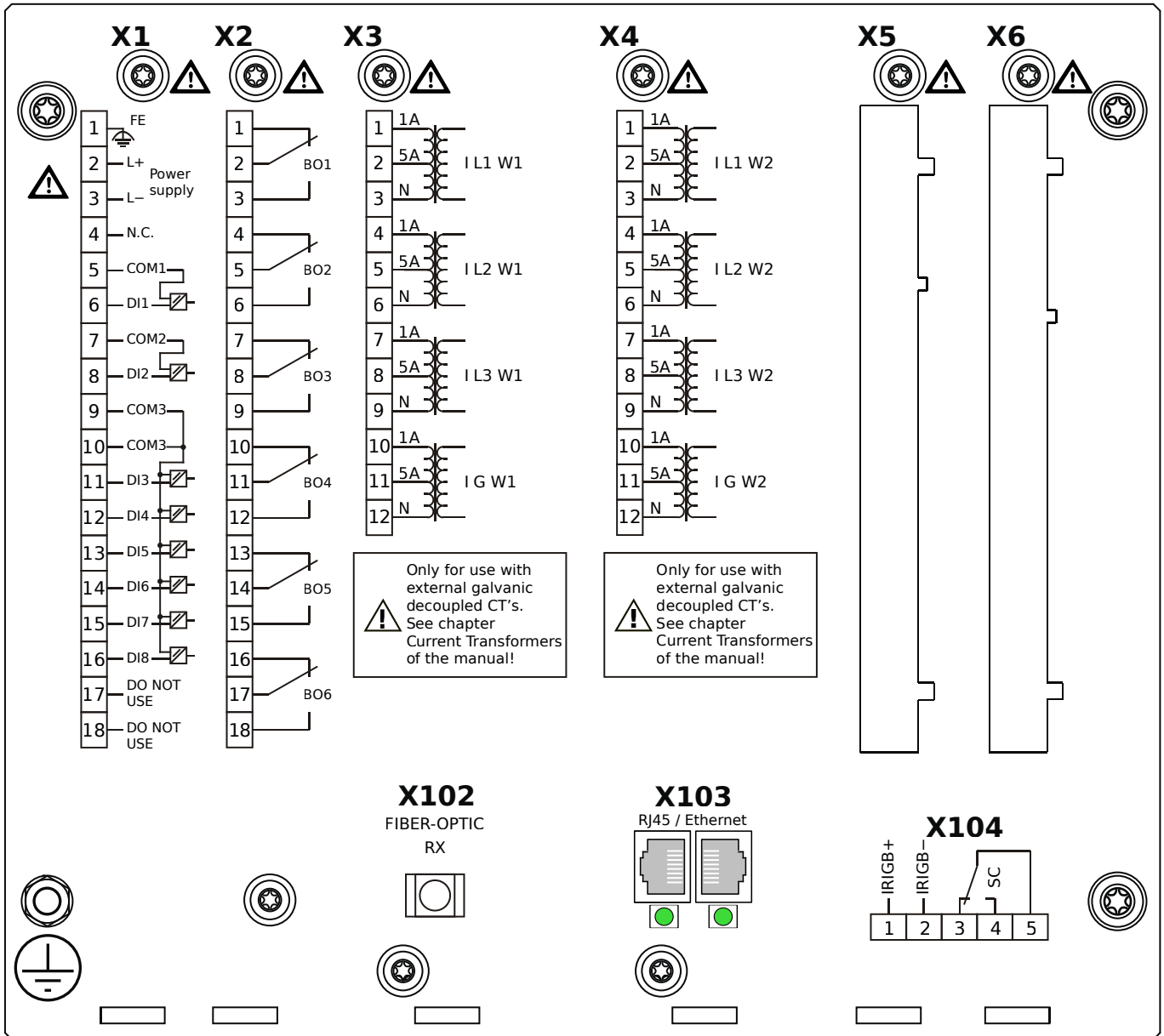
MRDT4-2A0APA



Housing B2, small display, door mounting

- X1** – DI8-X1: Wide-range power supply unit, incl. 2 non-grouped digital inputs and 6 grouped digital inputs
- X2** – OR6: Assembly Group with 6 Output Relays (Changeover / Form C)
- X3** – TI: Standard current measuring card (for the winding side 1)
- X4** – TI: Standard current measuring card (for the winding side 2)
- X102** – Universal Resistance-Temperature Detector (URTD) input, Fiber optics interface, Versatile Link
- X103** – Modbus TCP / IEC 60870-5-104 / DNP3.0 TCP/UDP, Redundant Ethernet interface, 100 Mbit/s, RJ45 (BASE100-FX)
- X104** – IRIG-B00X, incl. System Contact (Supervision Contact)

MRDT4-2A0APB



Housing B2, small display, door mounting

+ Conformal Coating (for installations in harsh environment)

X1 – DI8-X1: Wide-range power supply unit, incl. 2 non-grouped digital inputs and 6 grouped digital inputs

X2 – OR6: Assembly Group with 6 Output Relays (Changeover / Form C)

X3 – TI: Standard current measuring card (for the winding side 1)

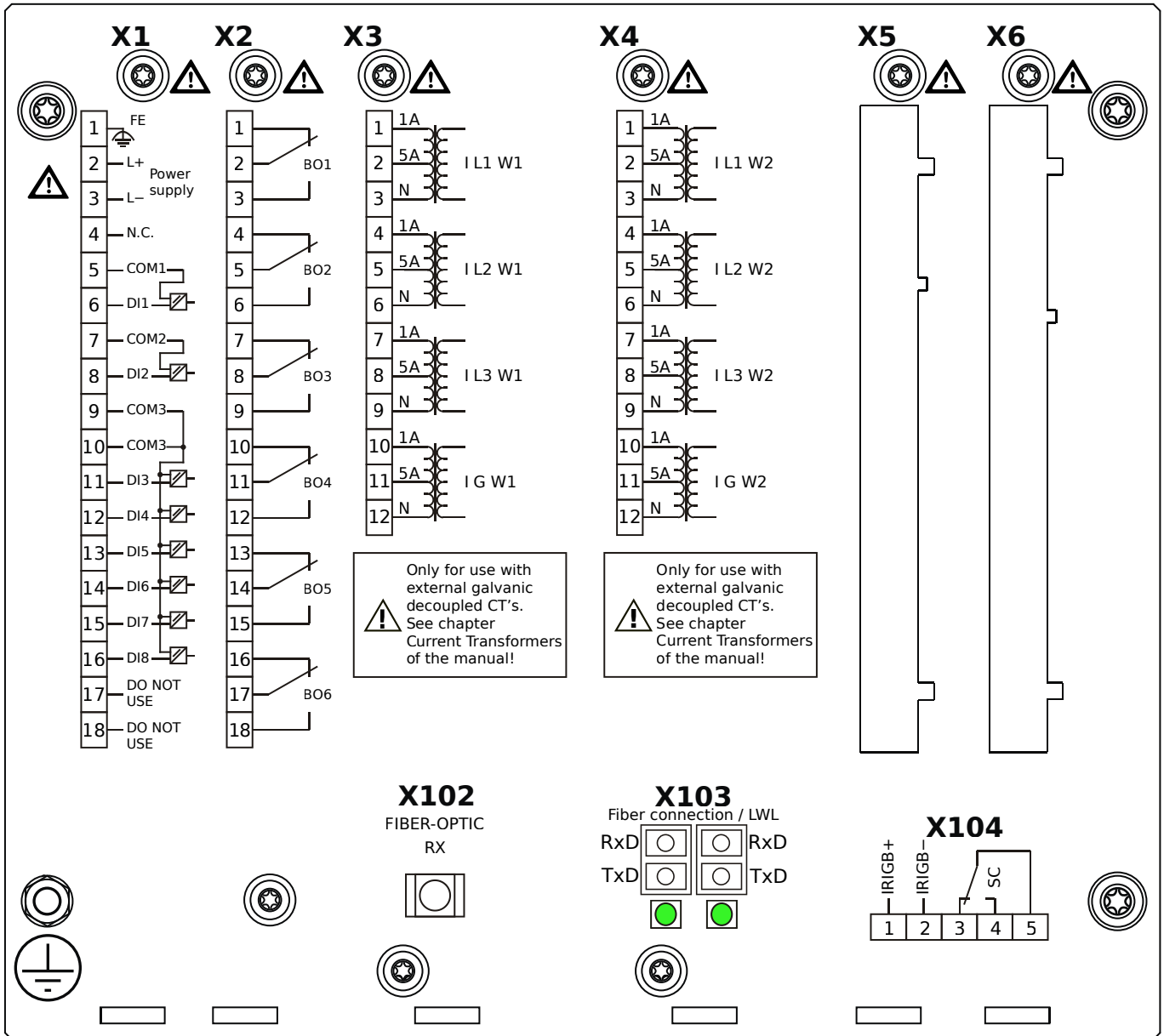
X4 – TI: Standard current measuring card (for the winding side 2)

X102 – Universal Resistance-Temperature Detector (URTD) input, Fiber optics interface, Versatile Link

X103 – Modbus TCP / IEC 60870-5-104 / DNP3.0 TCP/UDP, Redundant Ethernet interface, 100 Mbit/s, RJ45 (BASE100-FX)

X104 – IRIG-B00X, incl. System Contact (Supervision Contact)

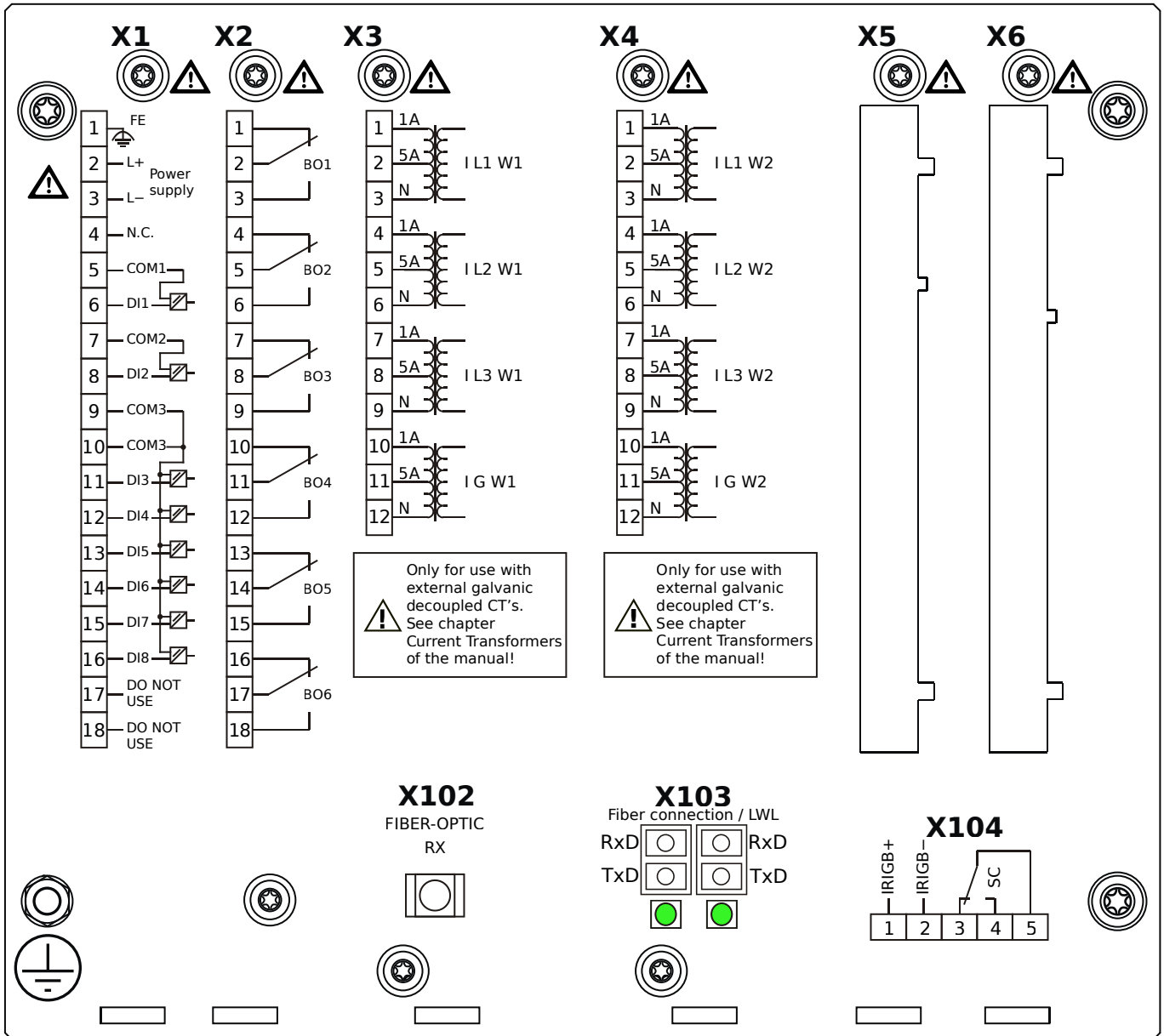
MRDT4-2A0AQA



Housing B2, small display, door mounting

- X1** – DI8-X1: Wide-range power supply unit, incl. 2 non-grouped digital inputs and 6 grouped digital inputs
- X2** – OR6: Assembly Group with 6 Output Relays (Changeover / Form C)
- X3** – TI: Standard current measuring card (for the winding side 1)
- X4** – TI: Standard current measuring card (for the winding side 2)
- X102** – Universal Resistance-Temperature Detector (URTD) input, Fiber optics interface, Versatile Link
- X103** – IEC 61850 / Modbus TCP / IEC 60870-5-104 / DNP3.0 TCP/UDP, Redundant Fiber optics interface, LC Connector
- X104** – IRIG-B00X, incl. System Contact (Supervision Contact)

MRDT4-2A0AQB



Housing B2, small display, door mounting

+ Conformal Coating (for installations in harsh environment)

X1 – DI8-X1: Wide-range power supply unit, incl. 2 non-grouped digital inputs and 6 grouped digital inputs

X2 – OR6: Assembly Group with 6 Output Relays (Changeover / Form C)

X3 – TI: Standard current measuring card (for the winding side 1)

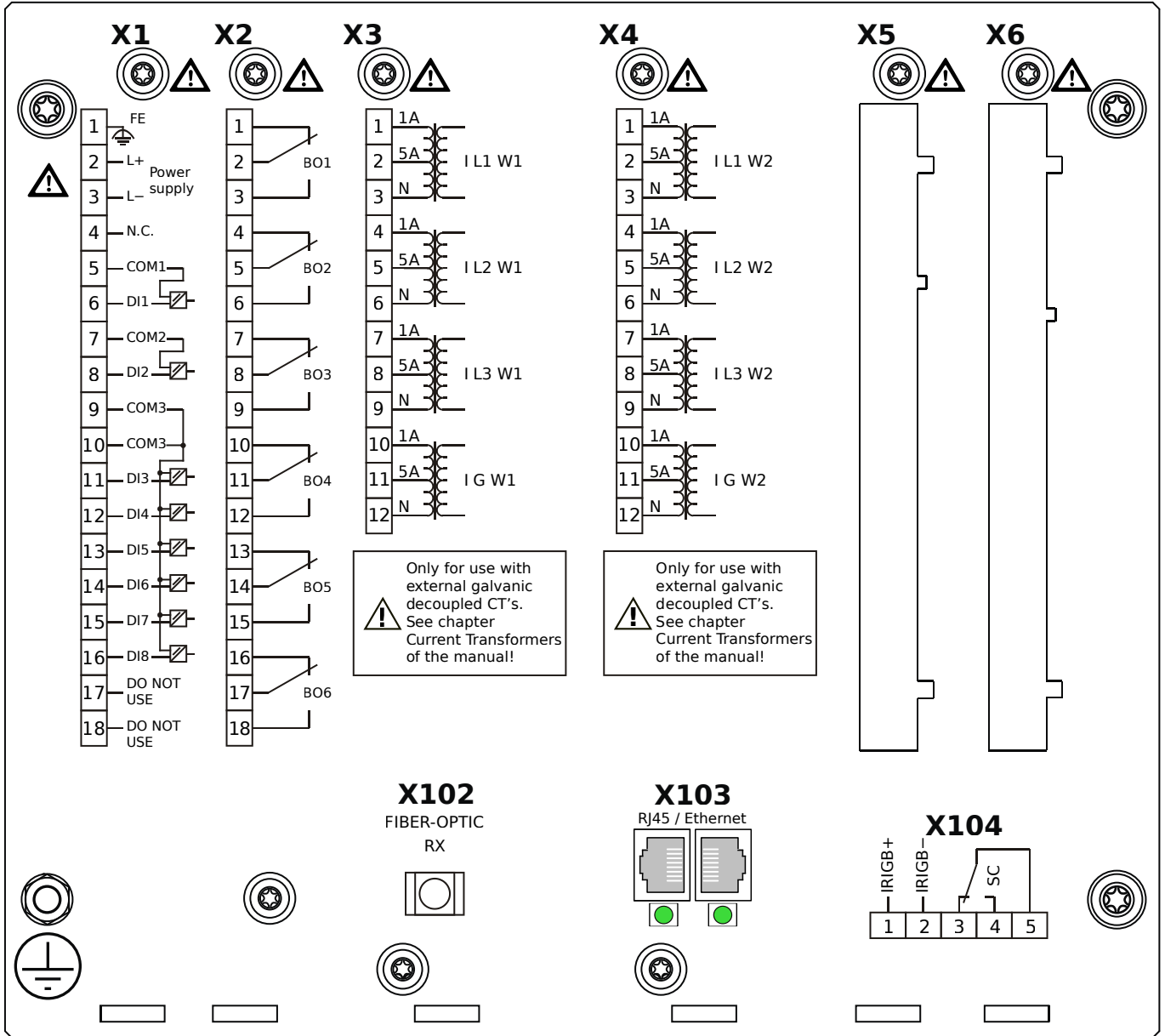
X4 – TI: Standard current measuring card (for the winding side 2)

X102 – Universal Resistance-Temperature Detector (URTD) input, Fiber optics interface, Versatile Link

X103 – IEC 61850 / Modbus TCP / IEC 60870-5-104 / DNP3.0 TCP/UDP, Redundant Fiber optics interface, LC Connector

X104 – IRIG-B00X, incl. System Contact (Supervision Contact)

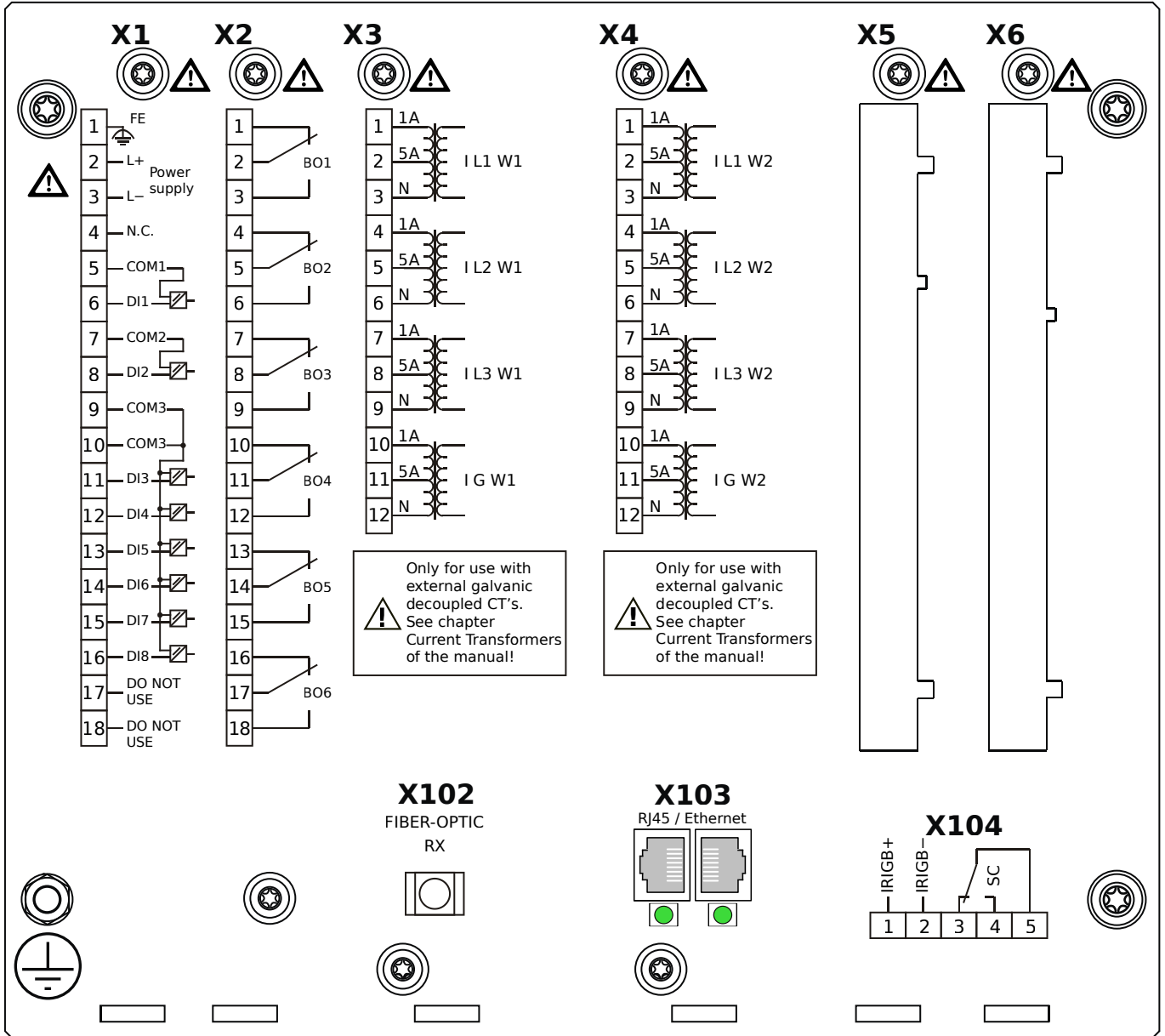
MRDT4-2A0ARA



Housing B2, small display, door mounting

- X1** – DI8-X1: Wide-range power supply unit, incl. 2 non-grouped digital inputs and 6 grouped digital inputs
- X2** – OR6: Assembly Group with 6 Output Relays (Changeover / Form C)
- X3** – TI: Standard current measuring card (for the winding side 1)
- X4** – TI: Standard current measuring card (for the winding side 2)
- X102** – Universal Resistance-Temperature Detector (URTD) input, Fiber optics interface, Versatile Link
- X103** – IEC 61850 / Modbus TCP / IEC 60870-5-104 / DNP3.0 TCP/UDP, Redundant Ethernet interface, 100 Mbit/s, RJ45 (BASE100-FX)
- X104** – IRIG-B00X, incl. System Contact (Supervision Contact)

MRDT4-2A0ARB



Housing B2, small display, door mounting

+ Conformal Coating (for installations in harsh environment)

X1 – DI8-X1: Wide-range power supply unit, incl. 2 non-grouped digital inputs and 6 grouped digital inputs

X2 – OR6: Assembly Group with 6 Output Relays (Changeover / Form C)

X3 – TI: Standard current measuring card (for the winding side 1)

X4 – TI: Standard current measuring card (for the winding side 2)

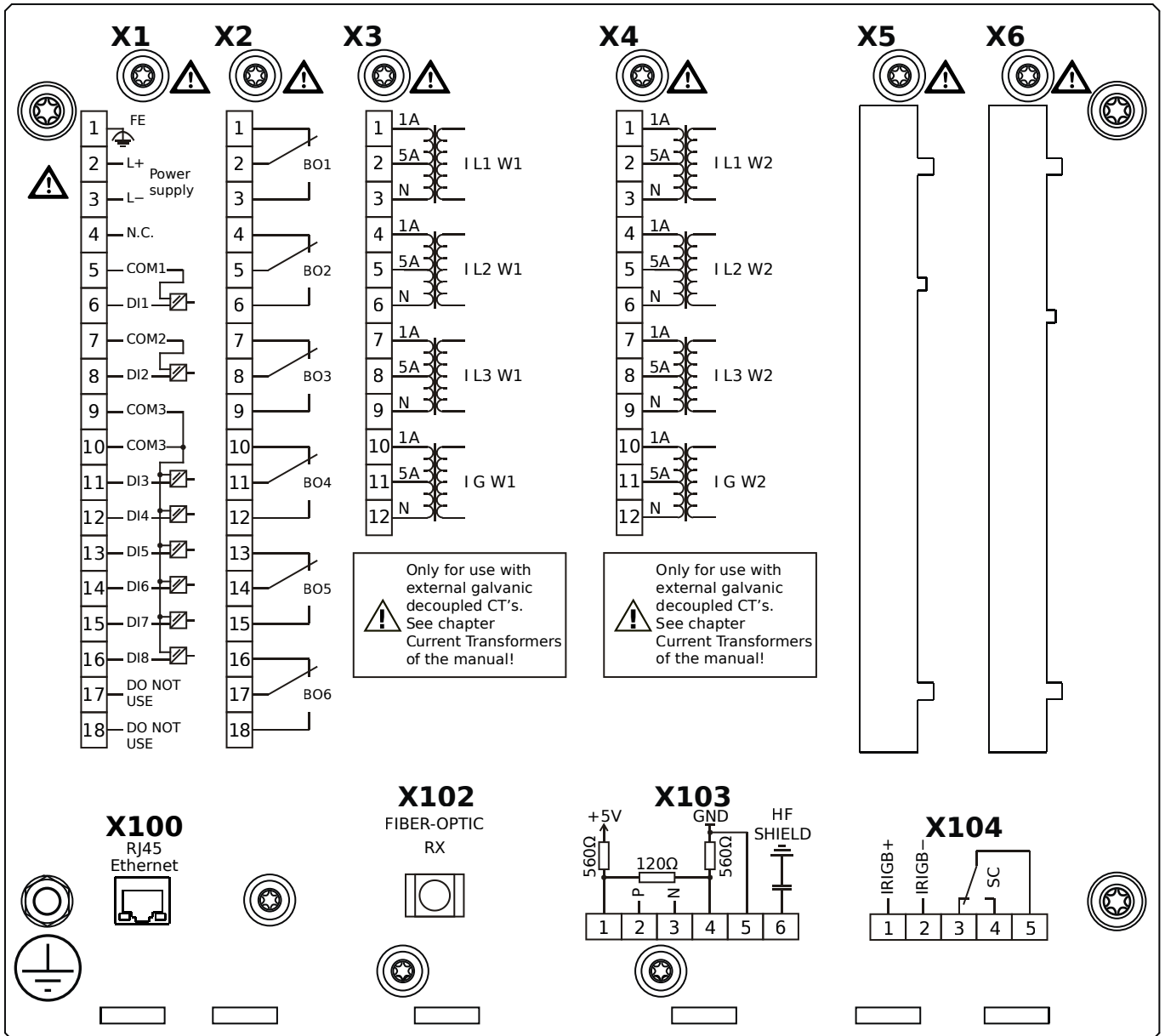
X102 – Universal Resistance-Temperature Detector (URTD) input, Fiber optics interface, Versatile Link

X103 – IEC 61850 / Modbus TCP / IEC 60870-5-104 / DNP3.0 TCP/UDP, Redundant Ethernet interface, 100 Mbit/s, RJ45

(BASE100-FX)

X104 – IRIG-B00X, incl. System Contact (Supervision Contact)

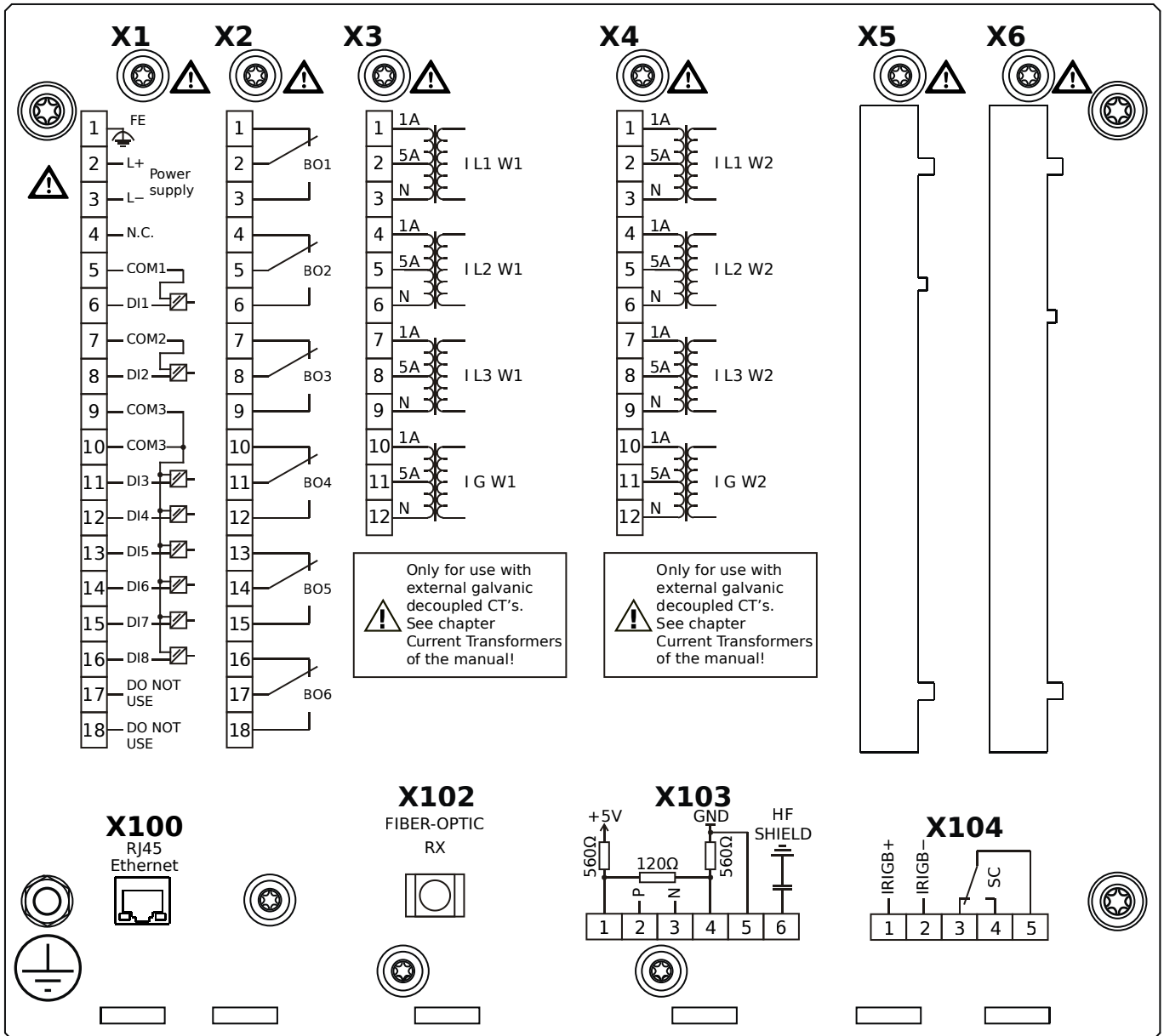
MRDT4-2A0ATA



Housing B2, small display, door mounting

- X1** – DI8-X1: Wide-range power supply unit, incl. 2 non-grouped digital inputs and 6 grouped digital inputs
- X2** – OR6: Assembly Group with 6 Output Relays (Changeover / Form C)
- X3** – TI: Standard current measuring card (for the winding side 1)
- X4** – TI: Standard current measuring card (for the winding side 2)
- X100** – IEC 61850 / Modbus TCP / IEC 60870-5-104 / DNP3.0 TCP/UDP, Ethernet interface, 100 Mbit/s, RJ45 (BASE100-FX)
- X102** – Universal Resistance-Temperature Detector (URTD) input, Fiber optics interface, Versatile Link
- X103** – IEC 60870-5-103 / Modbus RTU / DNP3.0 RTU, RS485, Terminals
- X104** – IRIG-B00X, incl. System Contact (Supervision Contact)

MRDT4-2A0ATB



Housing B2, small display, door mounting

+ Conformal Coating (for installations in harsh environment)

X1 – DI8-X1: Wide-range power supply unit, incl. 2 non-grouped digital inputs and 6 grouped digital inputs

X2 – OR6: Assembly Group with 6 Output Relays (Changeover / Form C)

X3 – TI: Standard current measuring card (for the winding side 1)

X4 – TI: Standard current measuring card (for the winding side 2)

X100 – IEC 61850 / Modbus TCP / IEC 60870-5-104 / DNP3.0 TCP/UDP, Ethernet interface, 100 Mbit/s, RJ45 (BASE100-

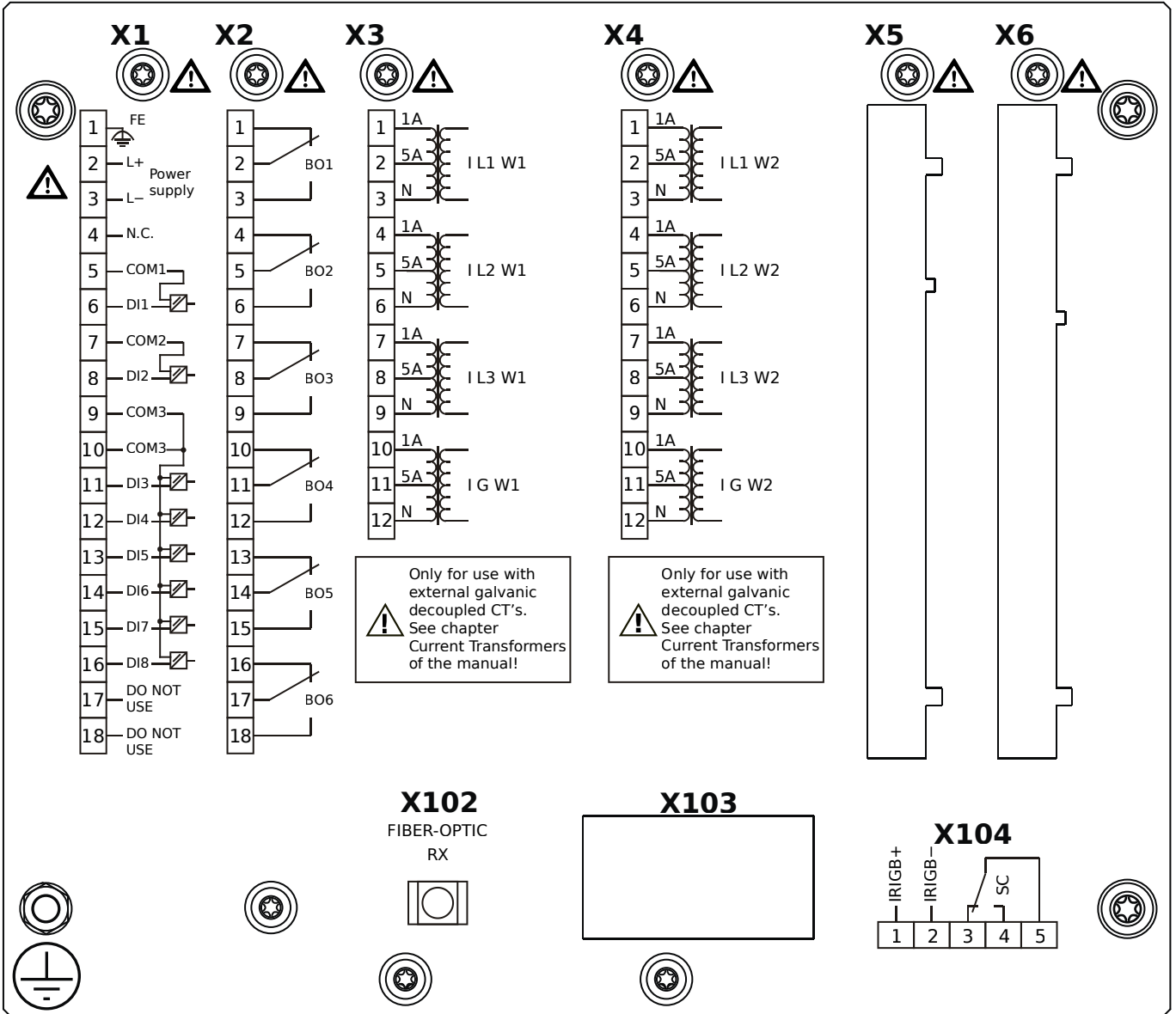
FX)

X102 – Universal Resistance-Temperature Detector (URTD) input, Fiber optics interface, Versatile Link

X103 – IEC 60870-5-103 / Modbus RTU / DNP3.0 RTU, RS485, Terminals

X104 – IRIG-B00X, incl. System Contact (Supervision Contact)

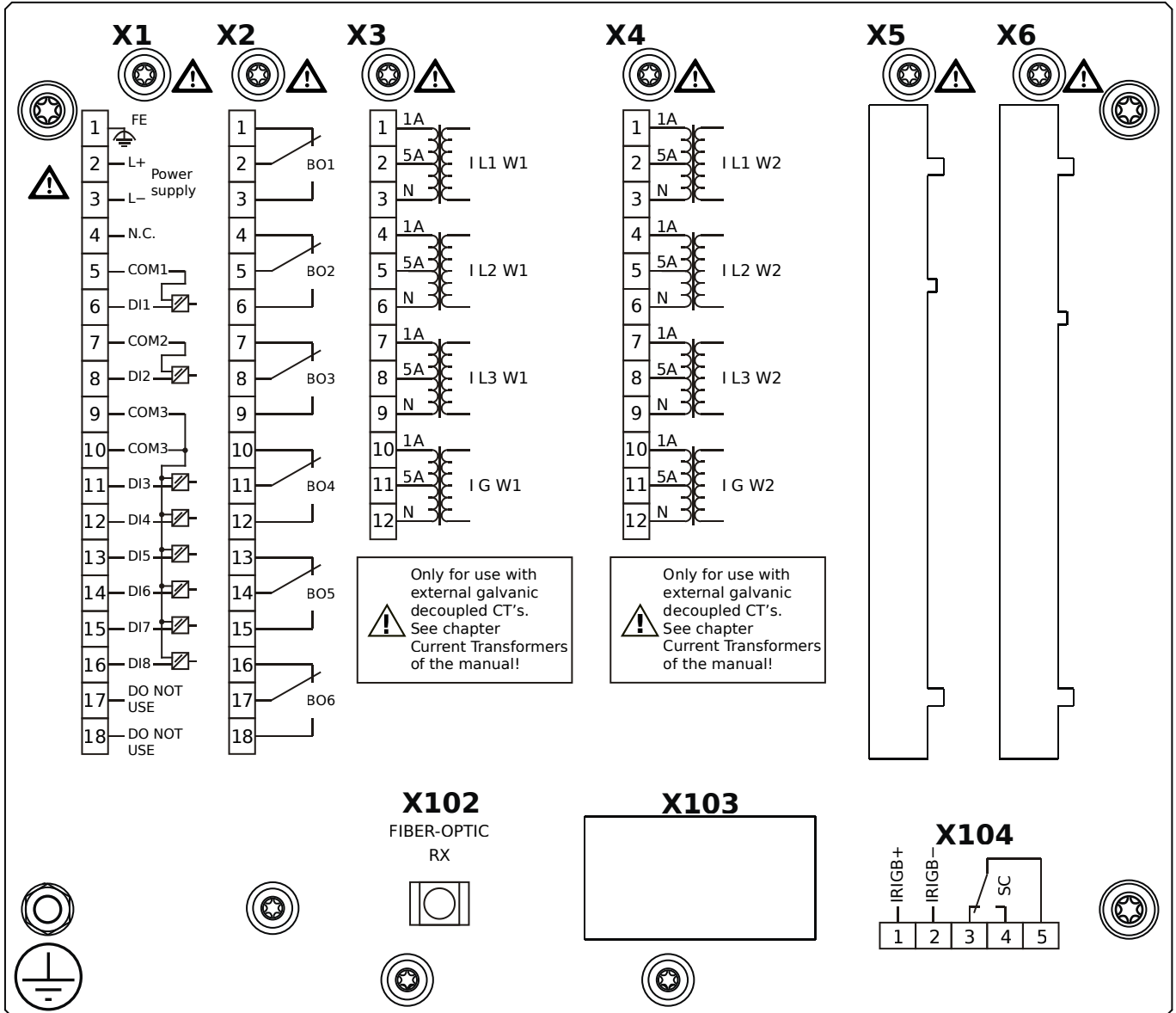
MRDT4-2A0BAA



Housing B2, small display, 19" rack mounting

- X1** – DI8-X1: Wide-range power supply unit, incl. 2 non-grouped digital inputs and 6 grouped digital inputs
- X2** – OR6: Assembly Group with 6 Output Relays (Changeover / Form C)
- X3** – TI: Standard current measuring card (for the winding side 1)
- X4** – TI: Standard current measuring card (for the winding side 2)
- X102** – Universal Resistance-Temperature Detector (URTD) input, Fiber optics interface, Versatile Link
- X104** – IRIG-B00X, incl. System Contact (Supervision Contact)

MRDT4-2A0BAB

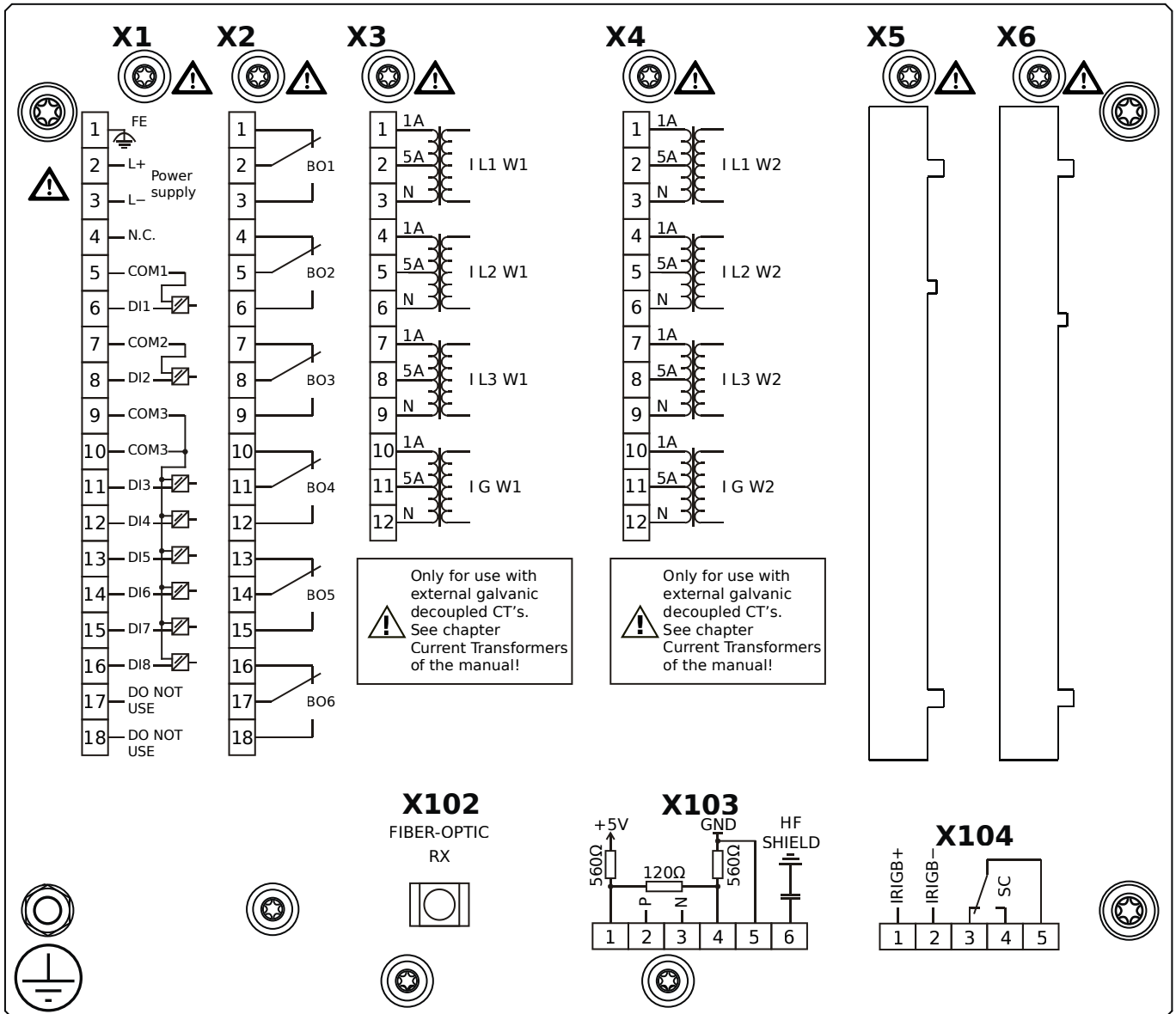


Housing B2, small display, 19" rack mounting

+ Conformal Coating (for installations in harsh environment)

- X1** – DI8-X1: Wide-range power supply unit, incl. 2 non-grouped digital inputs and 6 grouped digital inputs
- X2** – OR6: Assembly Group with 6 Output Relays (Changeover / Form C)
- X3** – TI: Standard current measuring card (for the winding side 1)
- X4** – TI: Standard current measuring card (for the winding side 2)
- X102** – Universal Resistance-Temperature Detector (URTD) input, Fiber optics interface, Versatile Link
- X104** – IRIG-B00X, incl. System Contact (Supervision Contact)

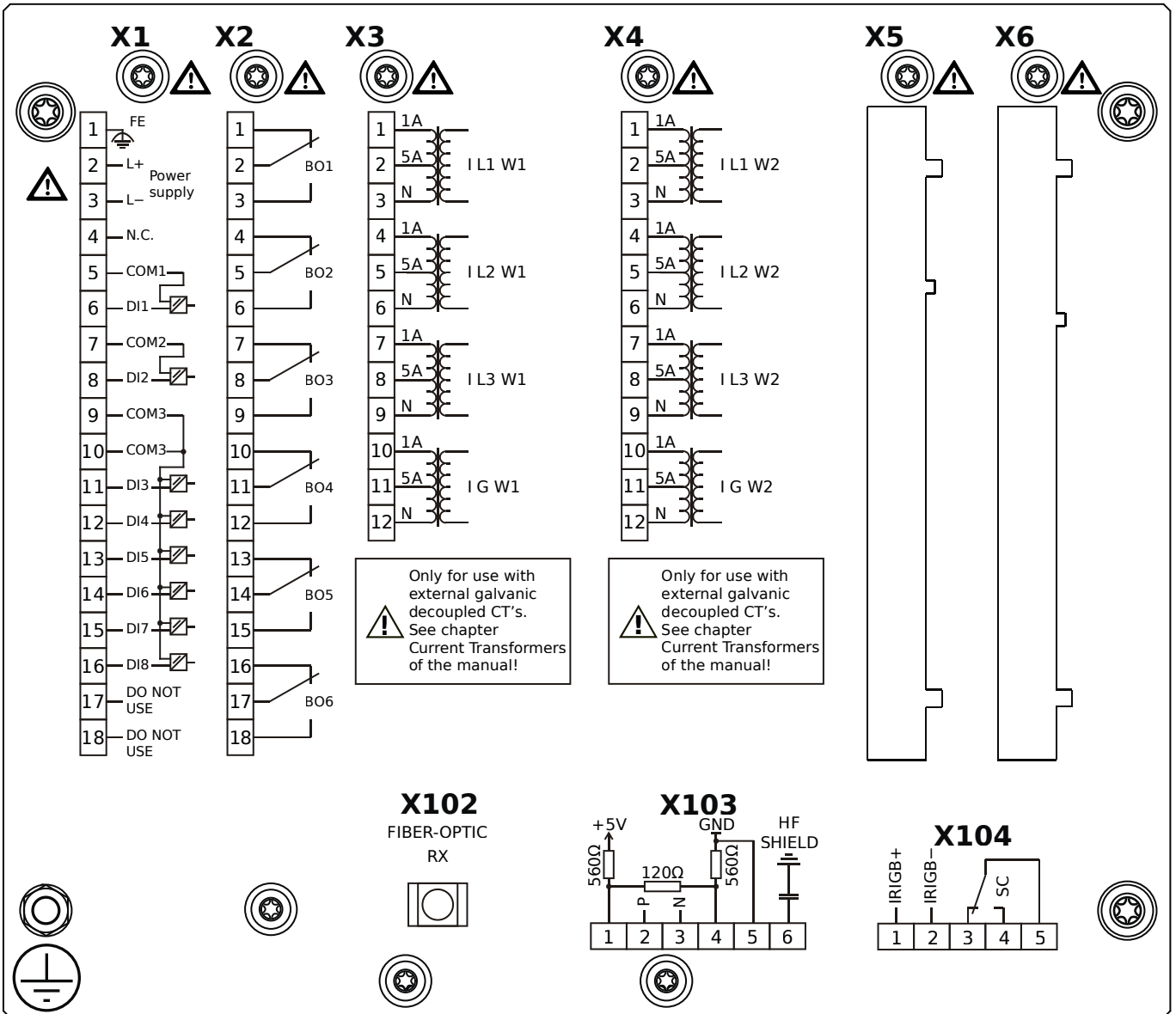
MRDT4-2A0BBA



Housing B2, small display, 19" rack mounting

- X1** – DI8-X1: Wide-range power supply unit, incl. 2 non-grouped digital inputs and 6 grouped digital inputs
- X2** – OR6: Assembly Group with 6 Output Relays (Changeover / Form C)
- X3** – TI: Standard current measuring card (for the winding side 1)
- X4** – TI: Standard current measuring card (for the winding side 2)
- X102** – Universal Resistance-Temperature Detector (URTD) input, Fiber optics interface, Versatile Link
- X103** – Modbus RTU / IEC 60870-5-103 / DNP3.0 RTU, RS485, Terminals
- X104** – IRIG-B00X, incl. System Contact (Supervision Contact)

MRDT4-2A0BBB

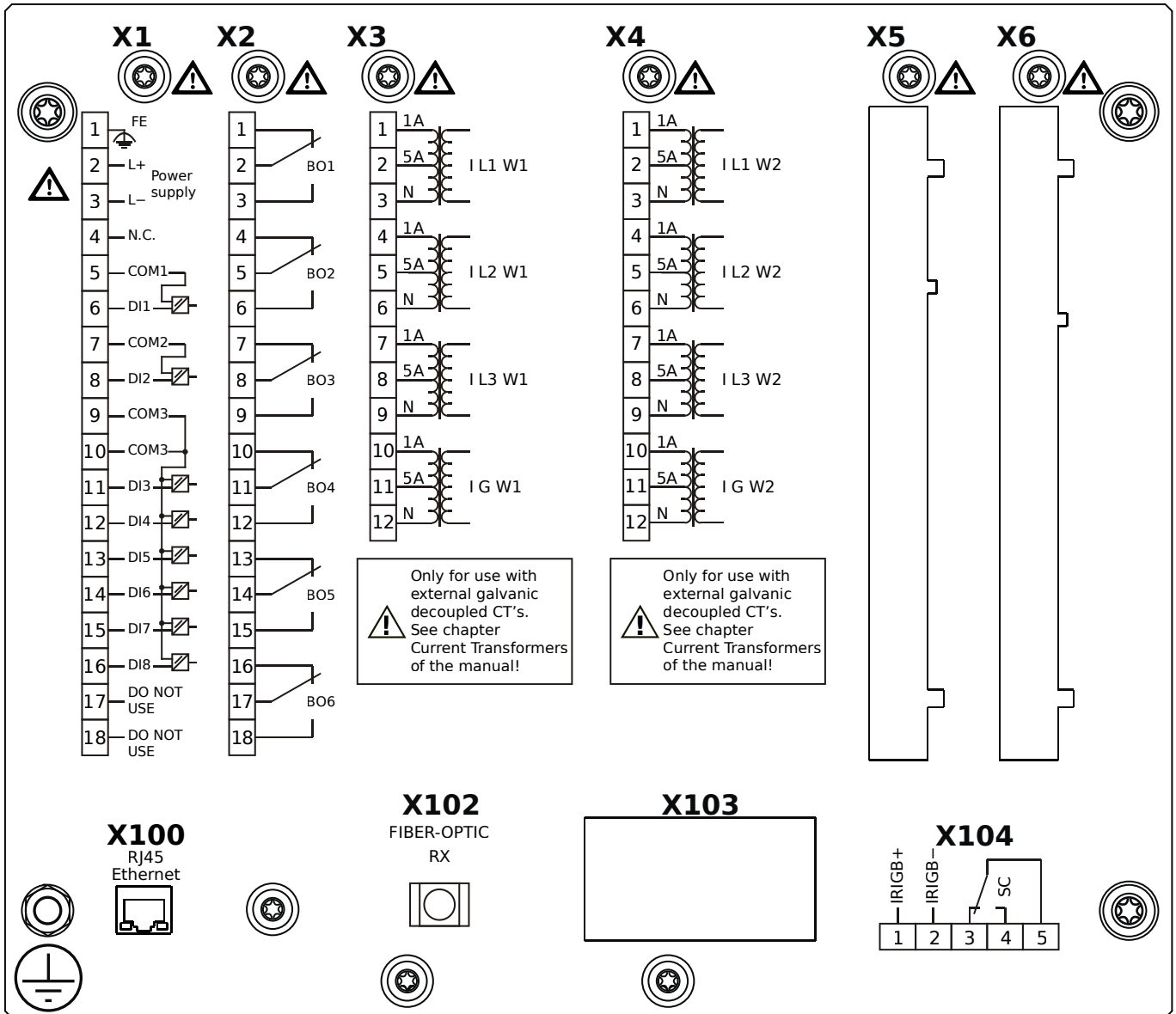


Housing B2, small display, 19" rack mounting

+ Conformal Coating (for installations in harsh environment)

- X1** – DI8-X1: Wide-range power supply unit, incl. 2 non-grouped digital inputs and 6 grouped digital inputs
- X2** – OR6: Assembly Group with 6 Output Relays (Changeover / Form C)
- X3** – TI: Standard current measuring card (for the winding side 1)
- X4** – TI: Standard current measuring card (for the winding side 2)
- X102** – Universal Resistance-Temperature Detector (URTD) input, Fiber optics interface, Versatile Link
- X103** – Modbus RTU / IEC 60870-5-103 / DNP3.0 RTU, RS485, Terminals
- X104** – IRIG-B00X, incl. System Contact (Supervision Contact)

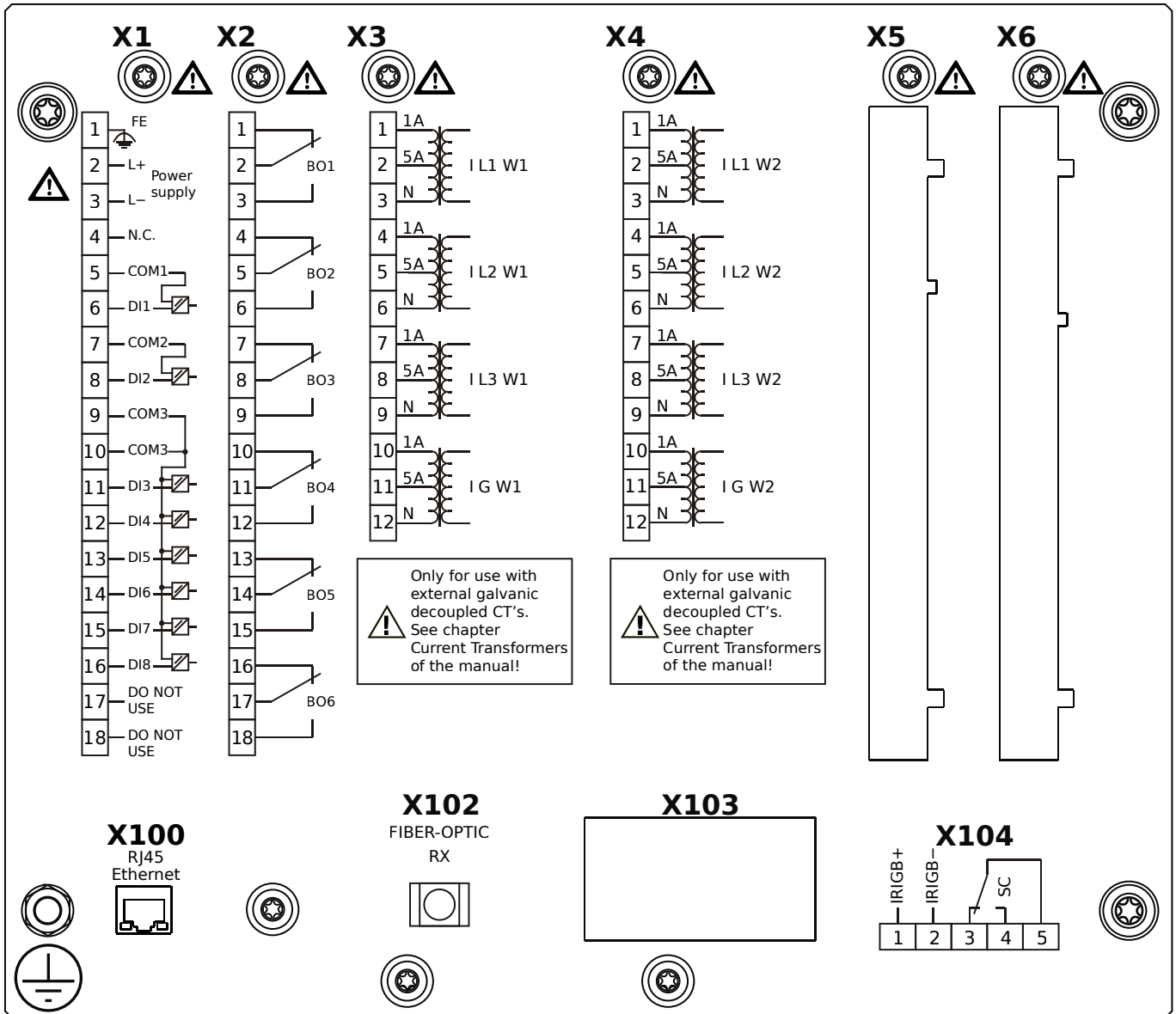
MRDT4-2A0BCA



Housing B2, small display, 19" rack mounting

- X1** – DI8-X1: Wide-range power supply unit, incl. 2 non-grouped digital inputs and 6 grouped digital inputs
- X2** – OR6: Assembly Group with 6 Output Relays (Changeover / Form C)
- X3** – TI: Standard current measuring card (for the winding side 1)
- X4** – TI: Standard current measuring card (for the winding side 2)
- X100** – Modbus TCP / IEC 60870-5-104 / DNP3.0 TCP/UDP, Ethernet interface, 100 Mbit/s, RJ45 (BASE100-FX)
- X102** – Universal Resistance-Temperature Detector (URTD) input, Fiber optics interface, Versatile Link
- X104** – IRIG-B00X, incl. System Contact (Supervision Contact)

MRDT4-2A0BCB

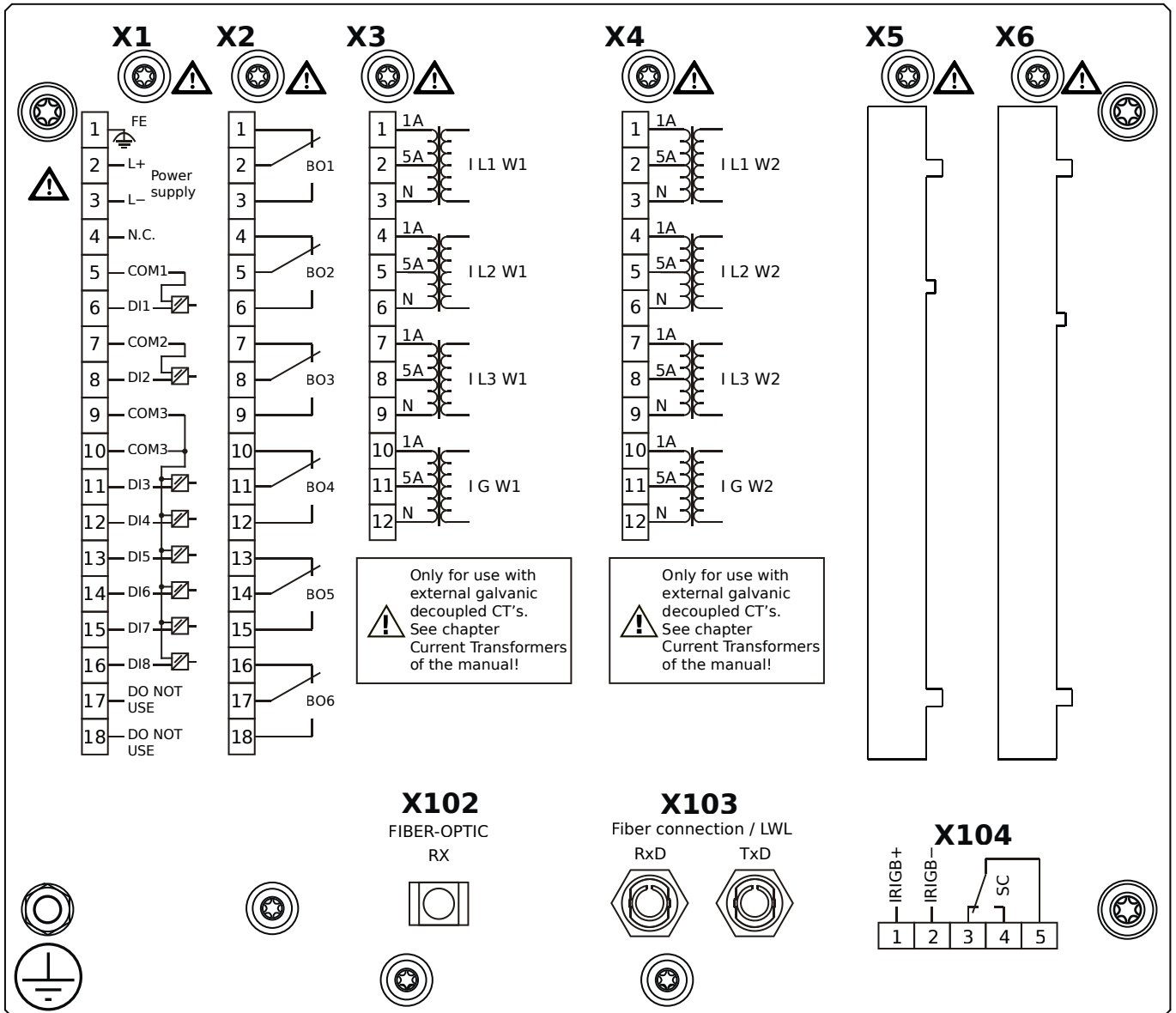


Housing B2, small display, 19" rack mounting

+ Conformal Coating (for installations in harsh environment)

- X1** – DI8-X1: Wide-range power supply unit, incl. 2 non-grouped digital inputs and 6 grouped digital inputs
- X2** – OR6: Assembly Group with 6 Output Relays (Changeover / Form C)
- X3** – TI: Standard current measuring card (for the winding side 1)
- X4** – TI: Standard current measuring card (for the winding side 2)
- X100** – Modbus TCP / IEC 60870-5-104 / DNP3.0 TCP/UDP, Ethernet interface, 100 Mbit/s, RJ45 (BASE100-FX)
- X102** – Universal Resistance-Temperature Detector (URTD) input, Fiber optics interface, Versatile Link
- X104** – IRIG-B00X, incl. System Contact (Supervision Contact)

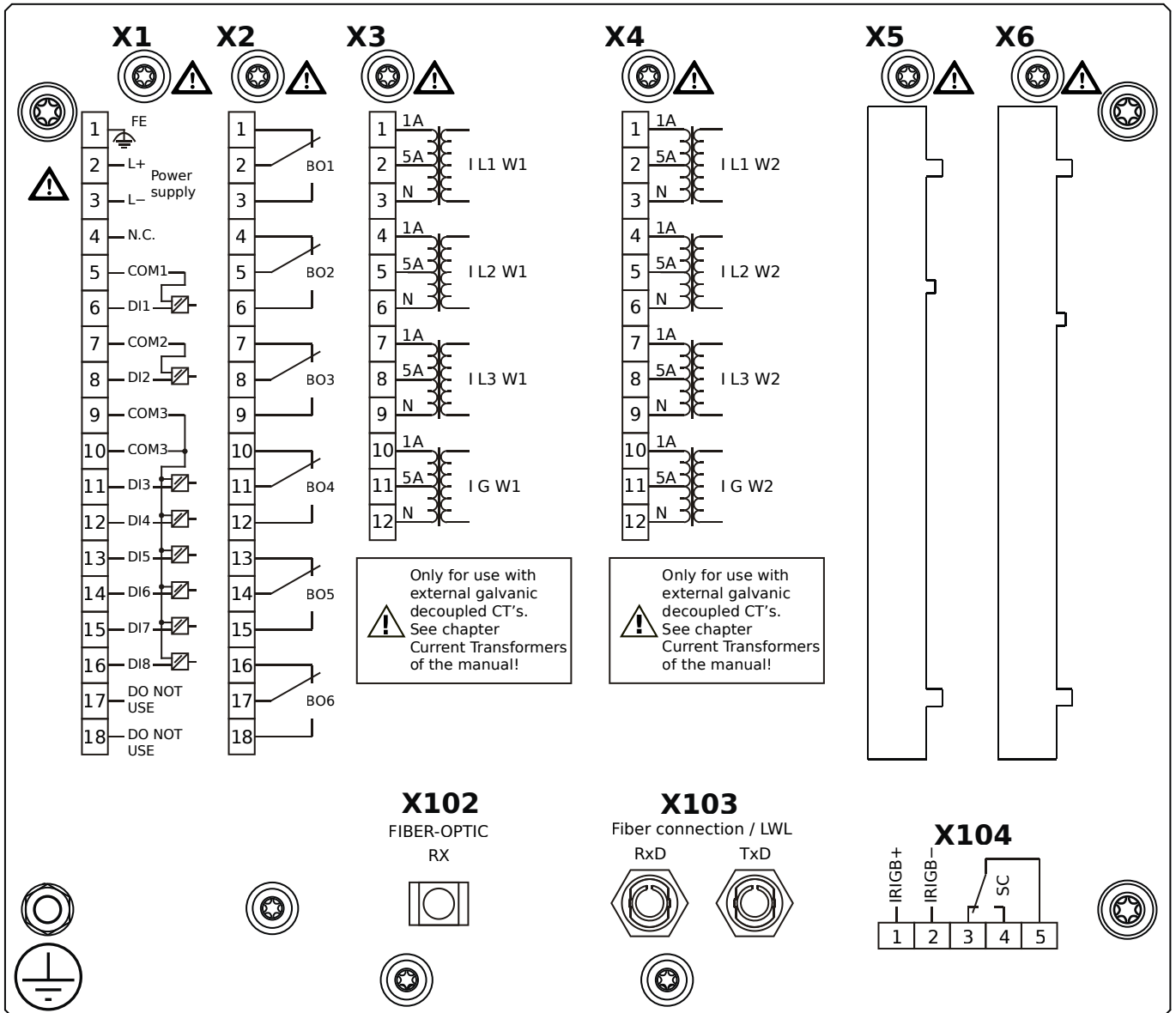
MRDT4-2A0BDA



Housing B2, small display, 19" rack mounting

- X1** – DI8-X1: Wide-range power supply unit, incl. 2 non-grouped digital inputs and 6 grouped digital inputs
- X2** – OR6: Assembly Group with 6 Output Relays (Changeover / Form C)
- X3** – TI: Standard current measuring card (for the winding side 1)
- X4** – TI: Standard current measuring card (for the winding side 2)
- X102** – Universal Resistance-Temperature Detector (URTD) input, Fiber optics interface, Versatile Link
- X103** – Profibus-DP, Fiber optics interface, ST Connector
- X104** – IRIG-B00X, incl. System Contact (Supervision Contact)

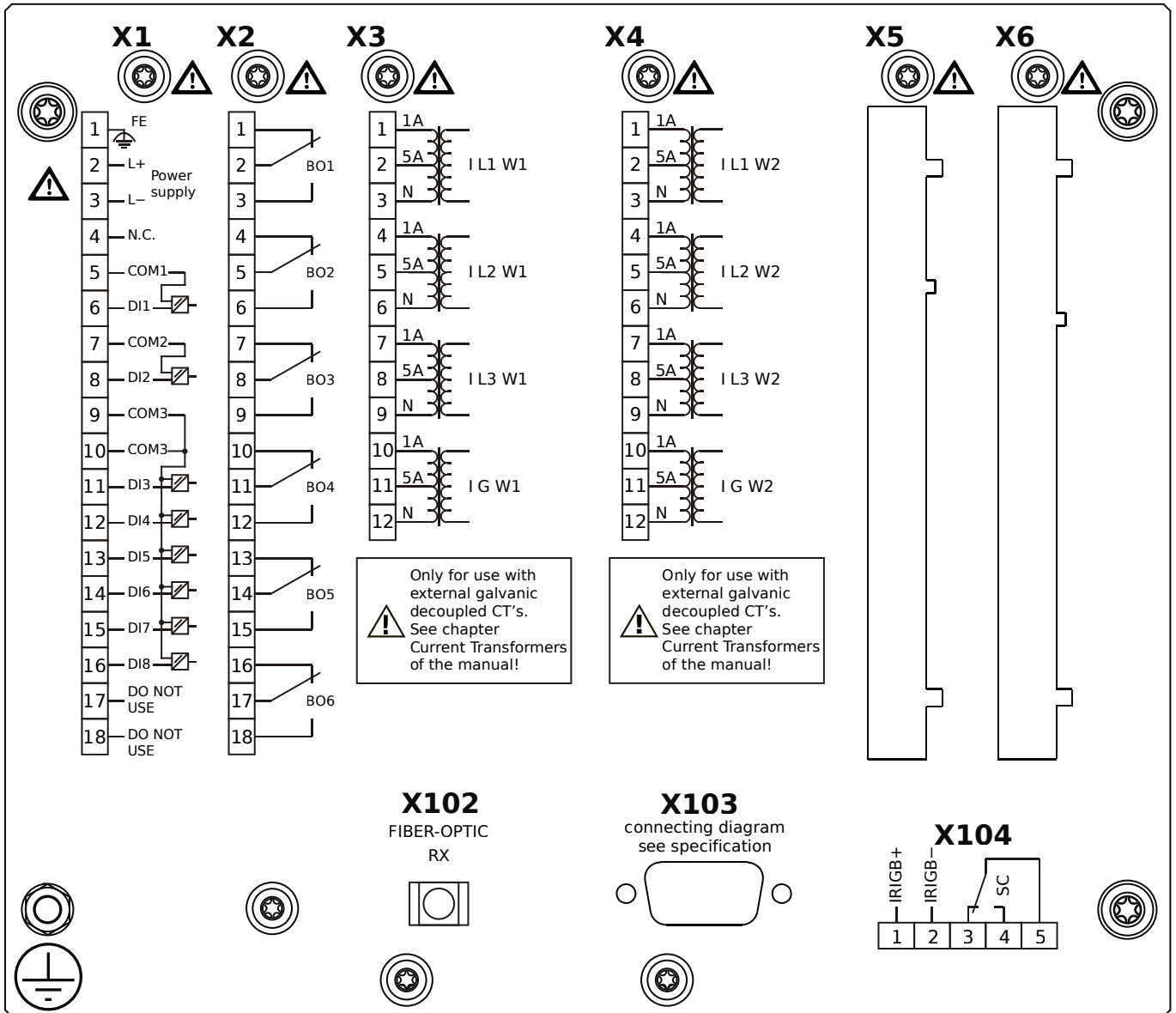
MRDT4-2A0BDB



Housing B2, small display, 19" rack mounting

- + Conformal Coating (for installations in harsh environment)
- X1** – DI8-X1: Wide-range power supply unit, incl. 2 non-grouped digital inputs and 6 grouped digital inputs
- X2** – OR6: Assembly Group with 6 Output Relays (Changeover / Form C)
- X3** – TI: Standard current measuring card (for the winding side 1)
- X4** – TI: Standard current measuring card (for the winding side 2)
- X102** – Universal Resistance-Temperature Detector (URTD) input, Fiber optics interface, Versatile Link
- X103** – Profibus-DP, Fiber optics interface, ST Connector
- X104** – IRIG-B00X, incl. System Contact (Supervision Contact)

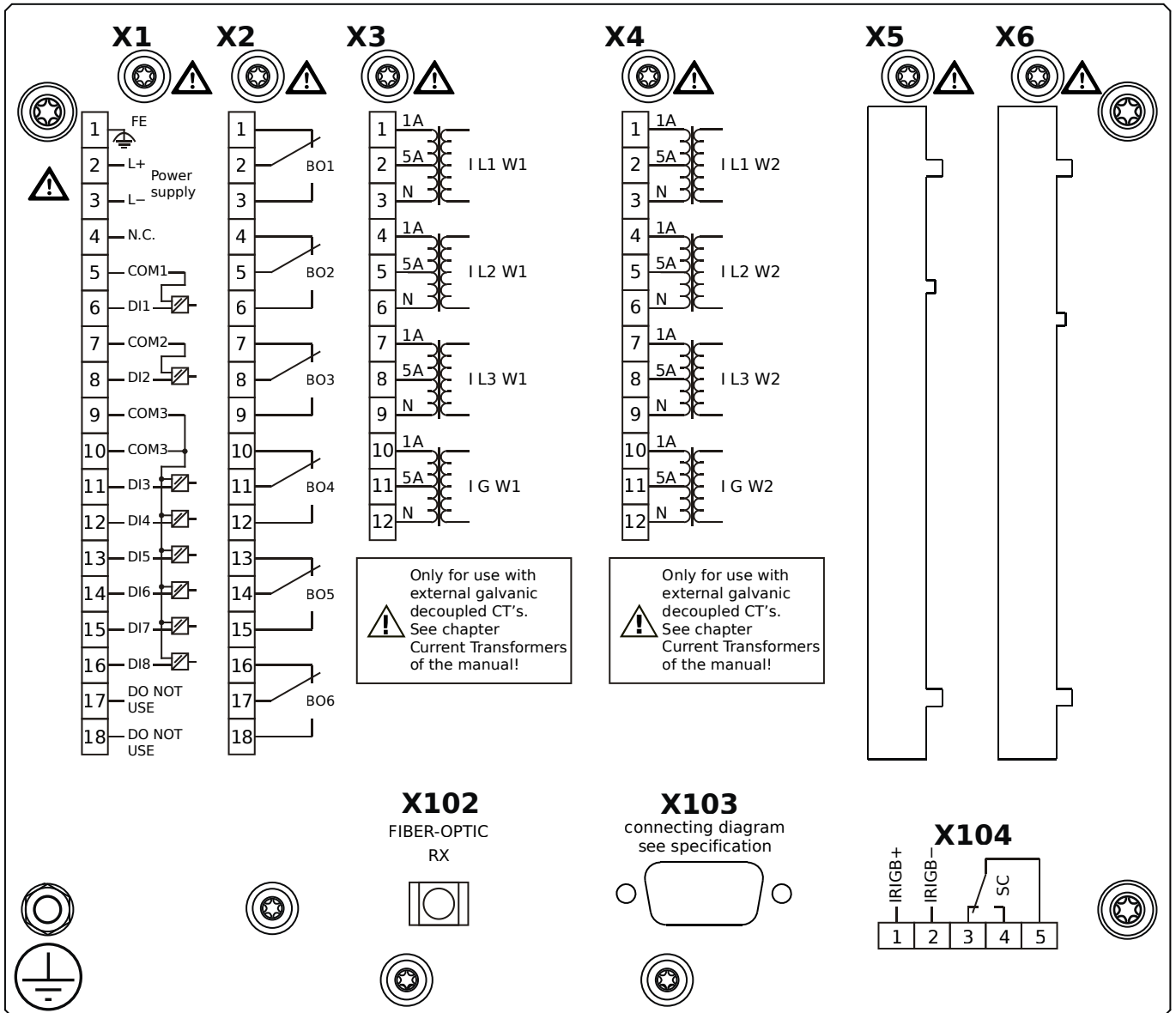
MRDT4-2A0BEA



Housing B2, small display, 19" rack mounting

- X1** – DI8-X1: Wide-range power supply unit, incl. 2 non-grouped digital inputs and 6 grouped digital inputs
- X2** – OR6: Assembly Group with 6 Output Relays (Changeover / Form C)
- X3** – TI: Standard current measuring card (for the winding side 1)
- X4** – TI: Standard current measuring card (for the winding side 2)
- X102** – Universal Resistance-Temperature Detector (URTD) input, Fiber optics interface, Versatile Link
- X103** – Profibus-DP, RS485, D-SUB
- X104** – IRIG-B00X, incl. System Contact (Supervision Contact)

MRDT4-2A0BEB

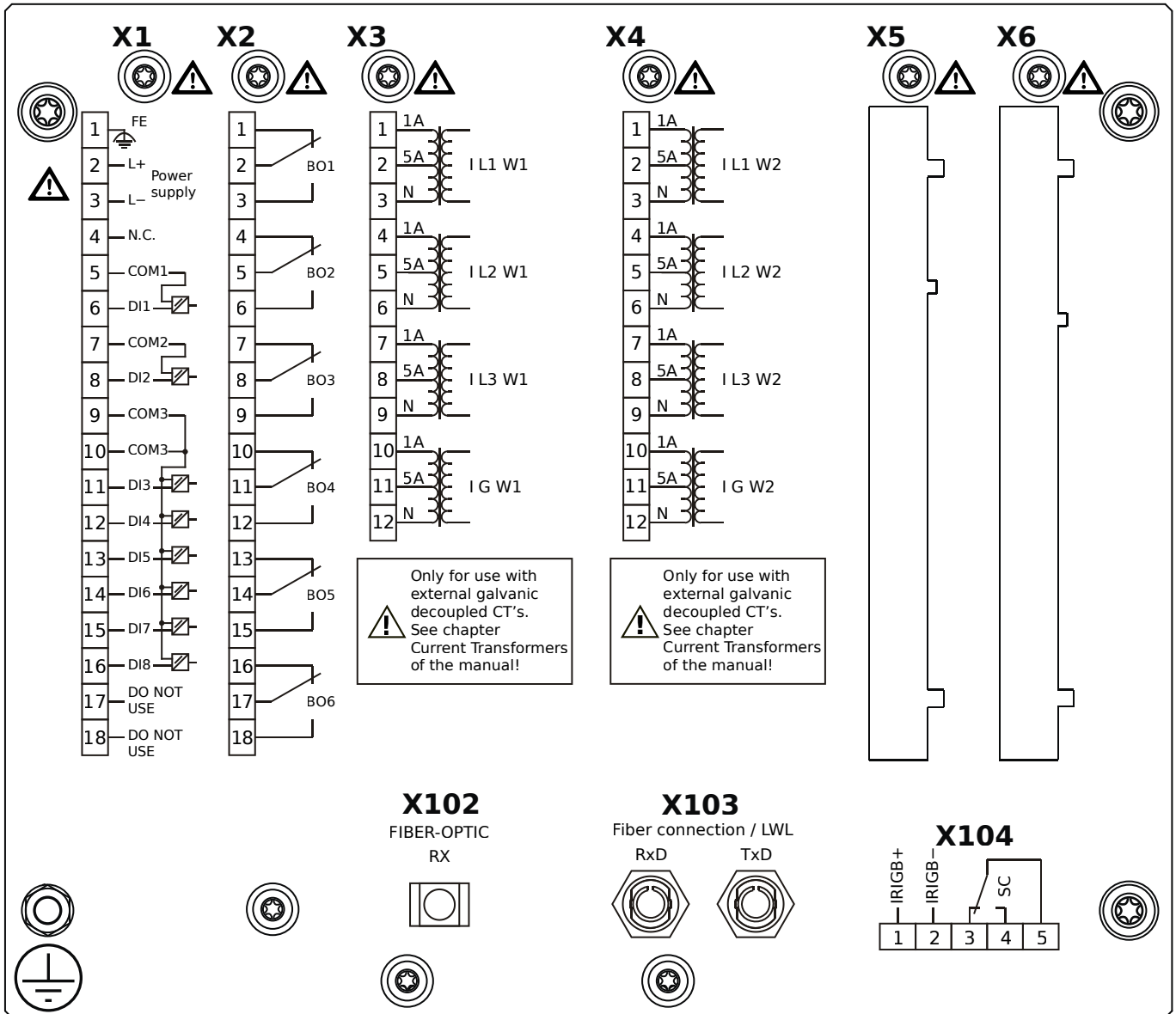


Housing B2, small display, 19" rack mounting

+ Conformal Coating (for installations in harsh environment)

- X1** – DI8-X1: Wide-range power supply unit, incl. 2 non-grouped digital inputs and 6 grouped digital inputs
- X2** – OR6: Assembly Group with 6 Output Relays (Changeover / Form C)
- X3** – TI: Standard current measuring card (for the winding side 1)
- X4** – TI: Standard current measuring card (for the winding side 2)
- X102** – Universal Resistance-Temperature Detector (URTD) input, Fiber optics interface, Versatile Link
- X103** – Profibus-DP, RS485, D-SUB
- X104** – IRIG-B00X, incl. System Contact (Supervision Contact)

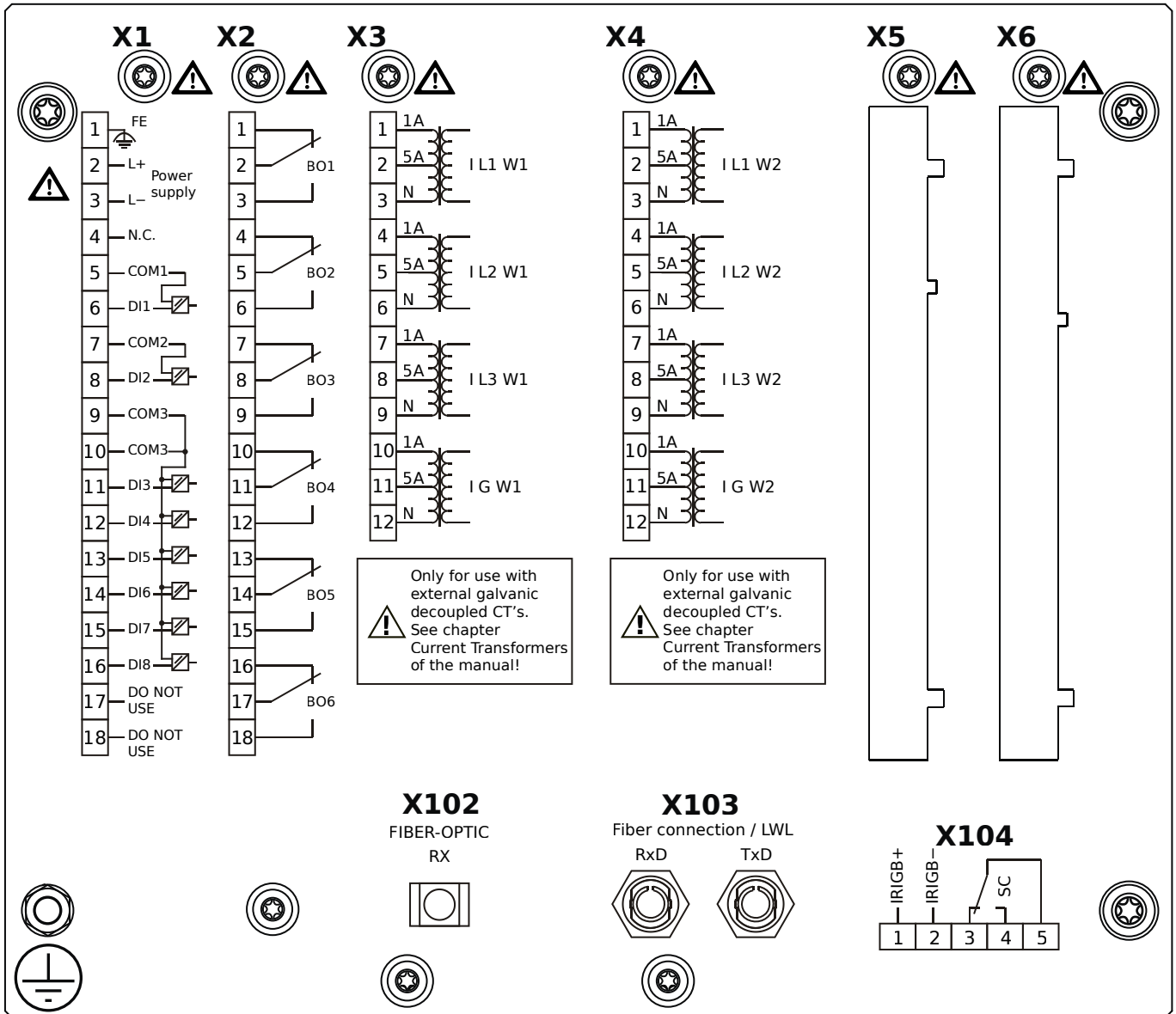
MRDT4-2A0BFA



Housing B2, small display, 19" rack mounting

- X1** – DI8-X1: Wide-range power supply unit, incl. 2 non-grouped digital inputs and 6 grouped digital inputs
- X2** – OR6: Assembly Group with 6 Output Relays (Changeover / Form C)
- X3** – TI: Standard current measuring card (for the winding side 1)
- X4** – TI: Standard current measuring card (for the winding side 2)
- X102** – Universal Resistance-Temperature Detector (URTD) input, Fiber optics interface, Versatile Link
- X103** – Modbus RTU / IEC 60870-5-103 / DNP3.0 RTU, Fiber optics interface, ST Connector
- X104** – IRIG-B00X, incl. System Contact (Supervision Contact)

MRDT4-2A0BFB

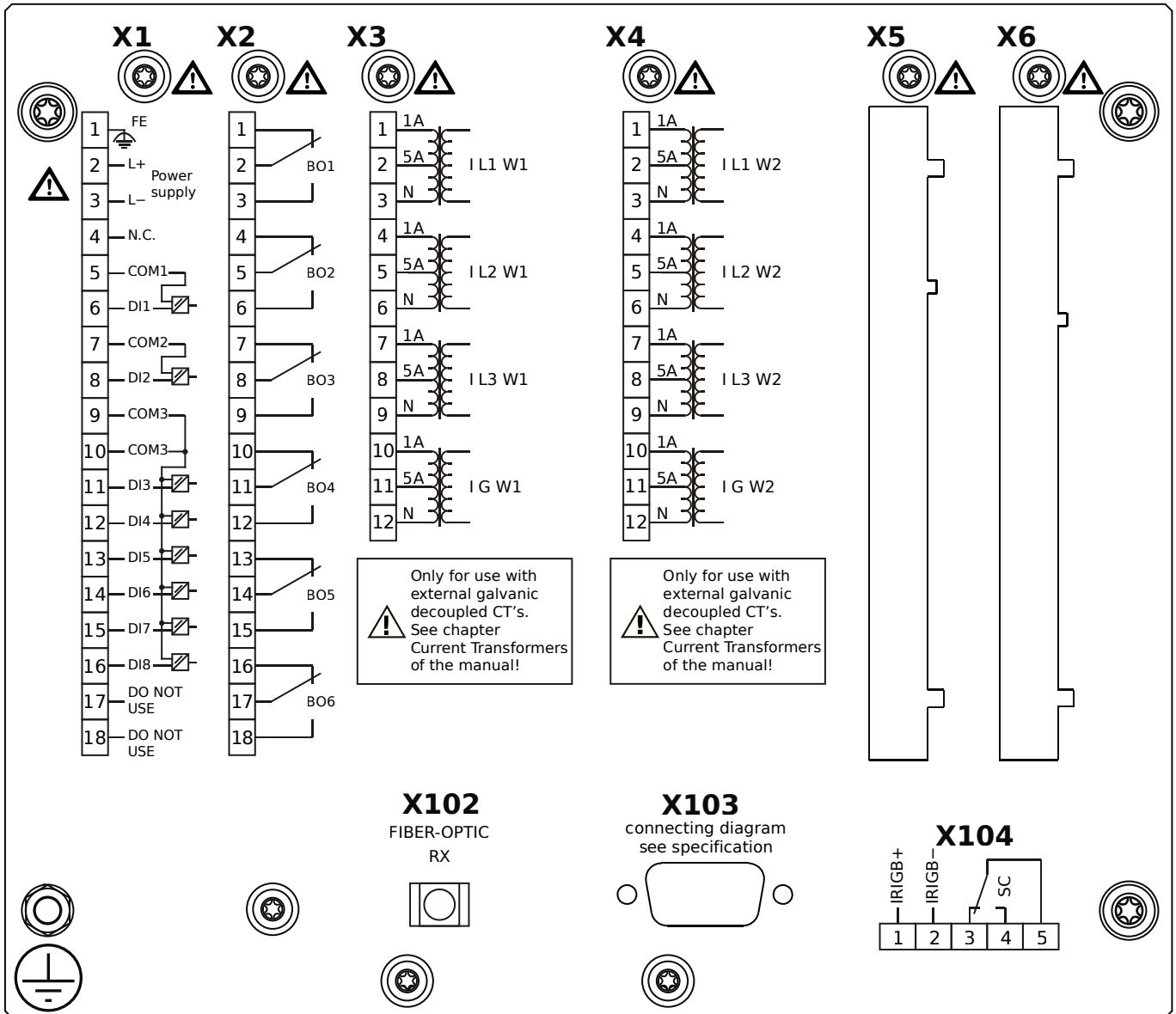


Housing B2, small display, 19" rack mounting

+ Conformal Coating (for installations in harsh environment)

- X1** – DI8-X1: Wide-range power supply unit, incl. 2 non-grouped digital inputs and 6 grouped digital inputs
- X2** – OR6: Assembly Group with 6 Output Relays (Changeover / Form C)
- X3** – TI: Standard current measuring card (for the winding side 1)
- X4** – TI: Standard current measuring card (for the winding side 2)
- X102** – Universal Resistance-Temperature Detector (URTD) input, Fiber optics interface, Versatile Link
- X103** – Modbus RTU / IEC 60870-5-103 / DNP3.0 RTU, Fiber optics interface, ST Connector
- X104** – IRIG-B00X, incl. System Contact (Supervision Contact)

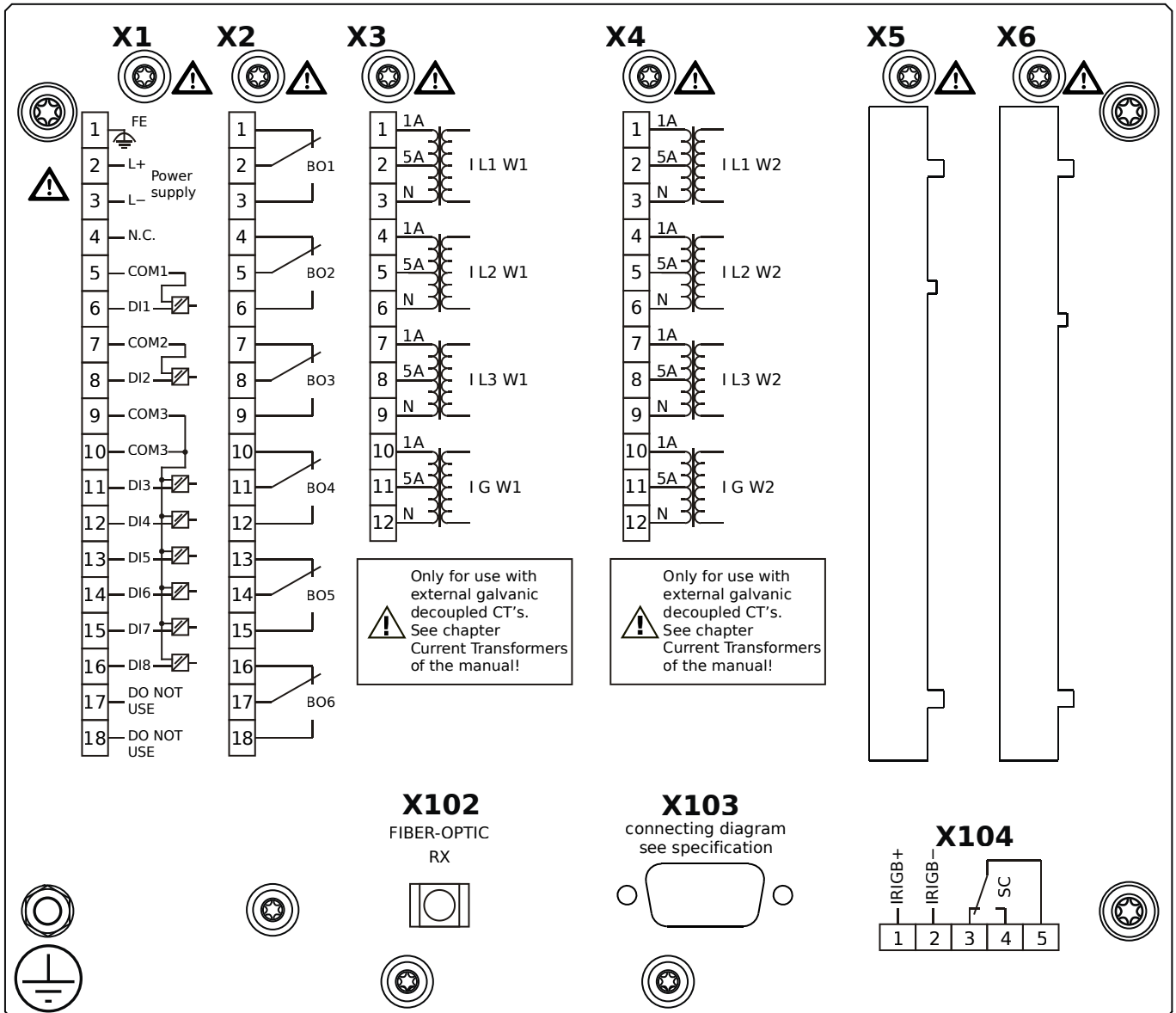
MRDT4-2A0BGA



Housing B2, small display, 19" rack mounting

- X1** – DI8-X1: Wide-range power supply unit, incl. 2 non-grouped digital inputs and 6 grouped digital inputs
- X2** – OR6: Assembly Group with 6 Output Relays (Changeover / Form C)
- X3** – TI: Standard current measuring card (for the winding side 1)
- X4** – TI: Standard current measuring card (for the winding side 2)
- X102** – Universal Resistance-Temperature Detector (URTD) input, Fiber optics interface, Versatile Link
- X103** – Modbus RTU / IEC 60870-5-103 / DNP3.0 RTU, RS485, D-SUB
- X104** – IRIG-B00X, incl. System Contact (Supervision Contact)

MRDT4-2A0BGB

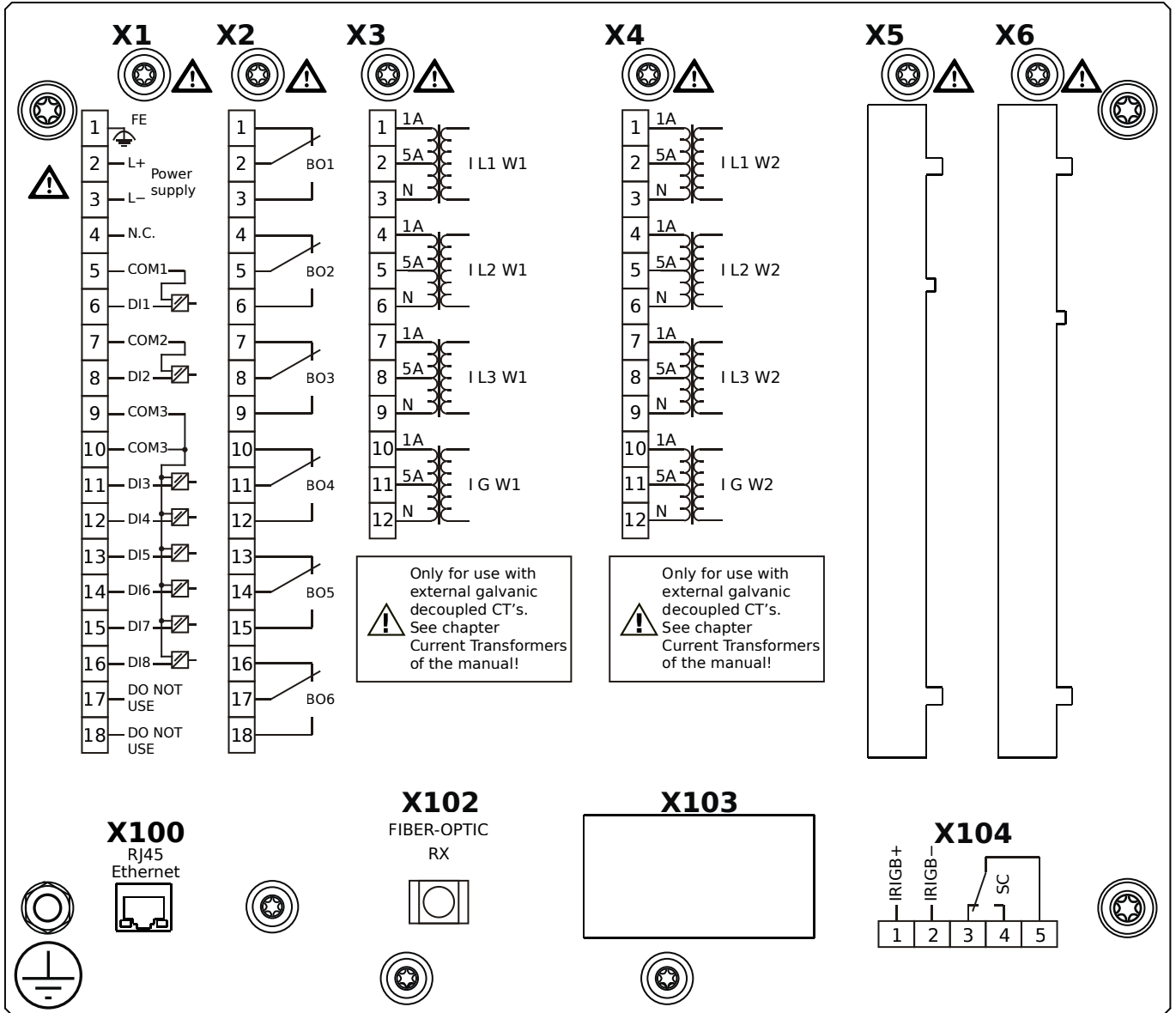


Housing B2, small display, 19" rack mounting

+ Conformal Coating (for installations in harsh environment)

- X1** – DI8-X1: Wide-range power supply unit, incl. 2 non-grouped digital inputs and 6 grouped digital inputs
- X2** – OR6: Assembly Group with 6 Output Relays (Changeover / Form C)
- X3** – TI: Standard current measuring card (for the winding side 1)
- X4** – TI: Standard current measuring card (for the winding side 2)
- X102** – Universal Resistance-Temperature Detector (URTD) input, Fiber optics interface, Versatile Link
- X103** – Modbus RTU / IEC 60870-5-103 / DNP3.0 RTU, RS485, D-SUB
- X104** – IRIG-B00X, incl. System Contact (Supervision Contact)

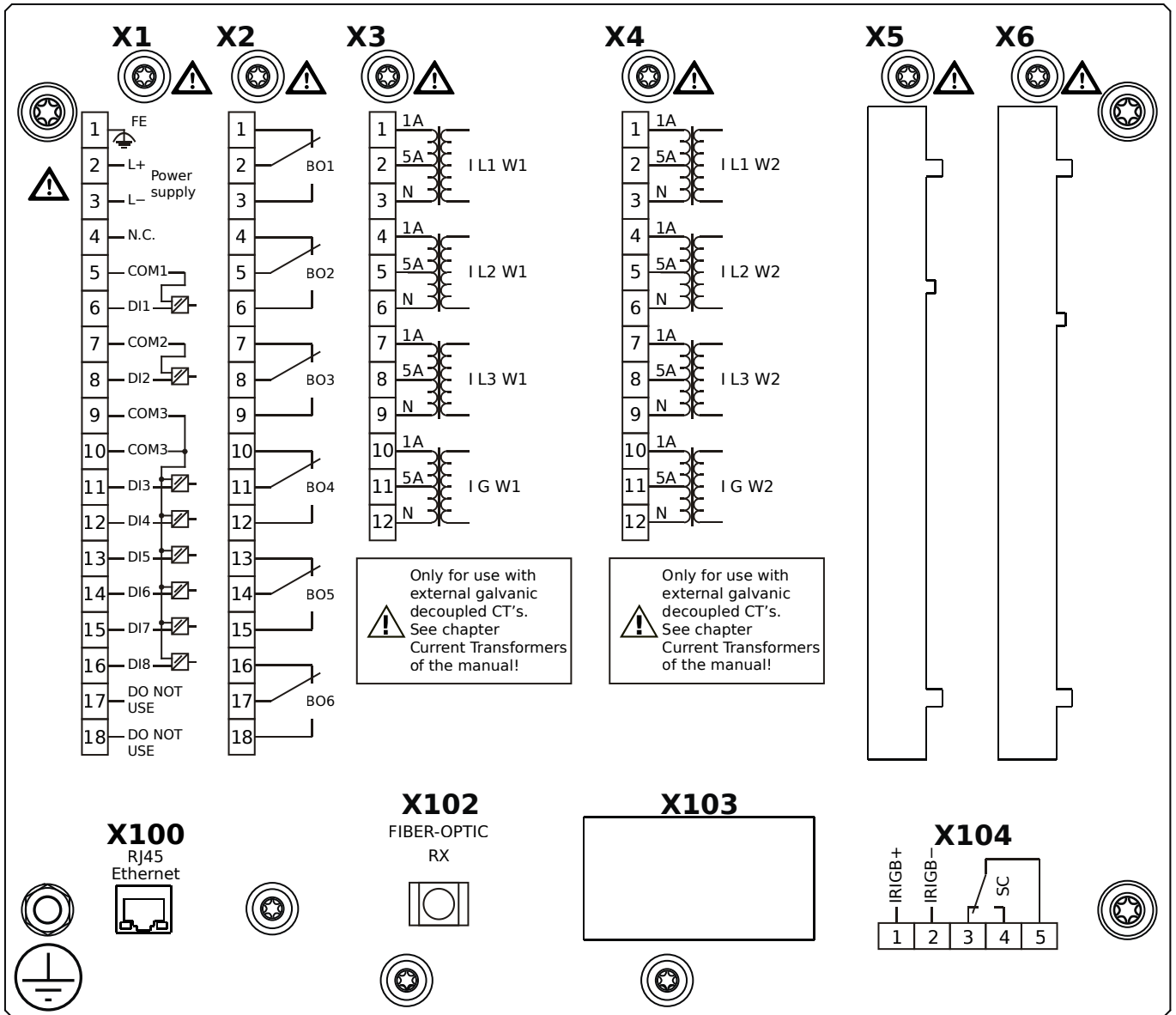
MRDT4-2A0BHA



Housing B2, small display, 19" rack mounting

- X1** – DI8-X1: Wide-range power supply unit, incl. 2 non-grouped digital inputs and 6 grouped digital inputs
- X2** – OR6: Assembly Group with 6 Output Relays (Changeover / Form C)
- X3** – TI: Standard current measuring card (for the winding side 1)
- X4** – TI: Standard current measuring card (for the winding side 2)
- X100** – IEC 61850 / Modbus TCP / IEC 60870-5-104 / DNP3.0 TCP/UDP, Ethernet interface, 100 Mbit/s, RJ45 (BASE100-FX)
- X102** – Universal Resistance-Temperature Detector (URTD) input, Fiber optics interface, Versatile Link
- X104** – IRIG-B00X, incl. System Contact (Supervision Contact)

MRDT4-2A0BHB



Housing B2, small display, 19" rack mounting

+ Conformal Coating (for installations in harsh environment)

X1 – DI8-X1: Wide-range power supply unit, incl. 2 non-grouped digital inputs and 6 grouped digital inputs

X2 – OR6: Assembly Group with 6 Output Relays (Changeover / Form C)

X3 – TI: Standard current measuring card (for the winding side 1)

X4 – TI: Standard current measuring card (for the winding side 2)

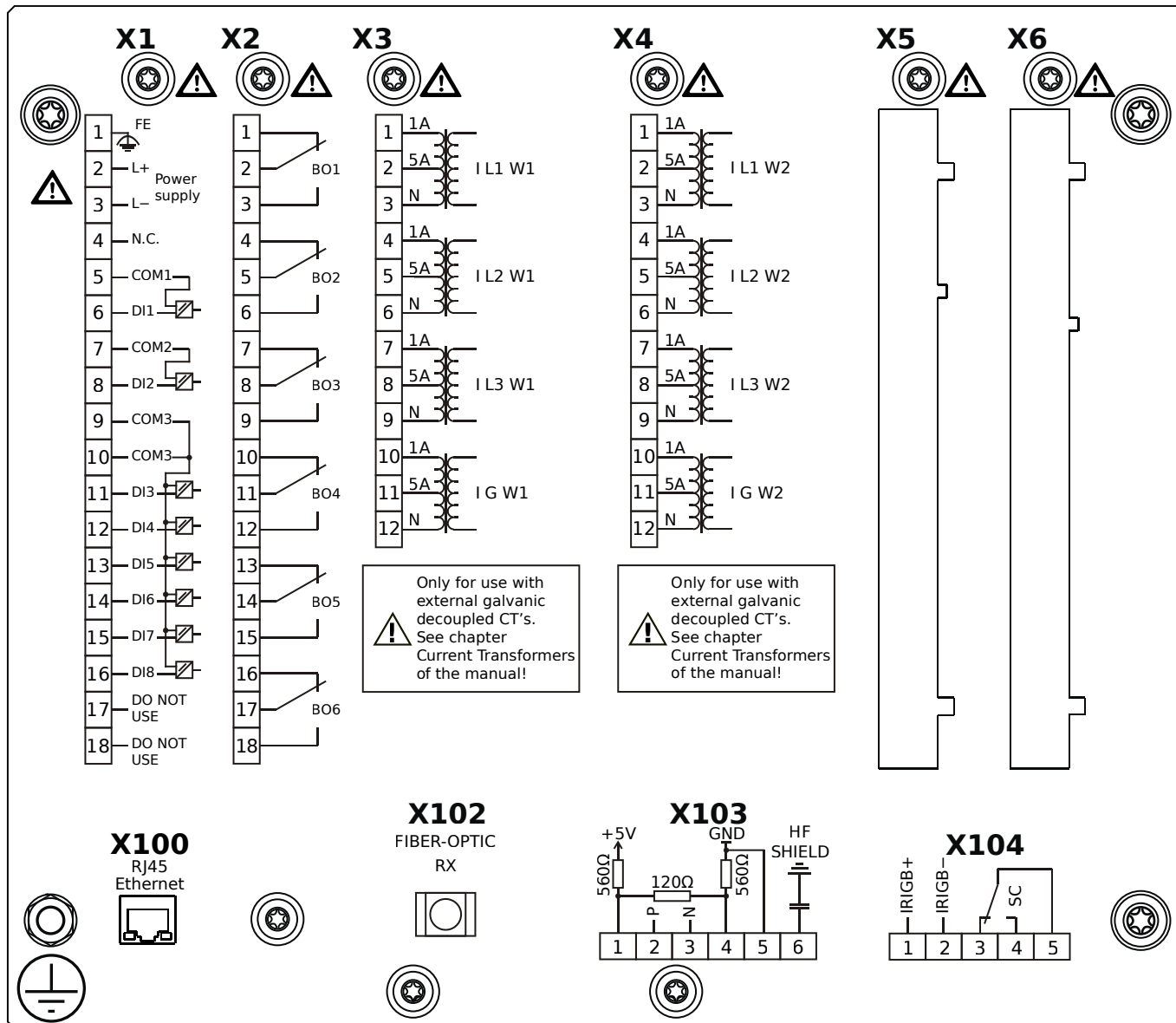
X100 – IEC 61850 / Modbus TCP / IEC 60870-5-104 / DNP3.0 TCP/UDP, Ethernet interface, 100 Mbit/s, RJ45 (BASE100-

X102 – Universal Resistance-Temperature Detector (URTD) input, Fiber optics interface, Versatile Link

X104 – IRIG-B00X, incl. System Contact (Supervision Contact)

FX)

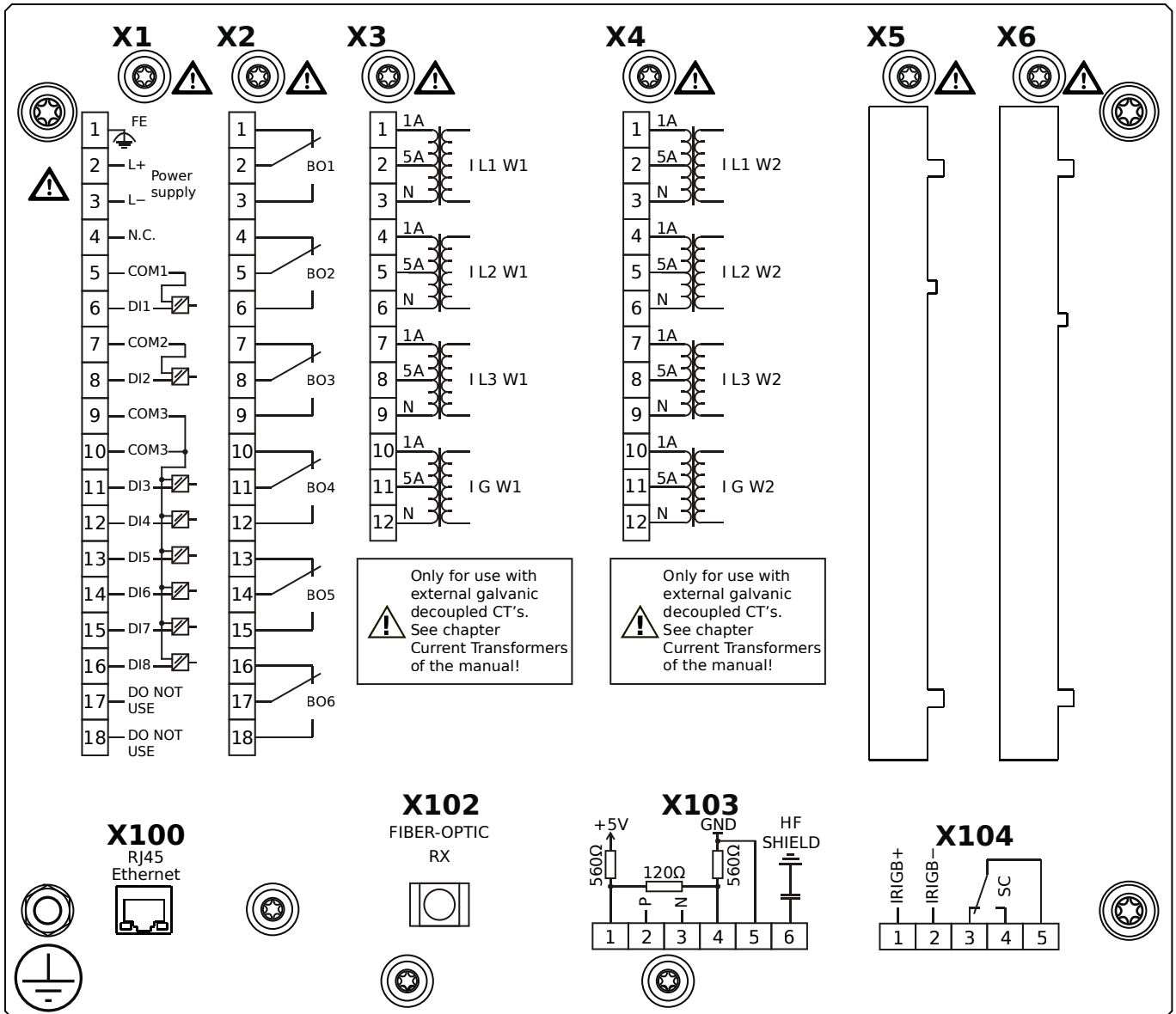
MRDT4-2A0BIA



Housing B2, small display, 19" rack mounting

- X1** – DI8-X1: Wide-range power supply unit, incl. 2 non-grouped digital inputs and 6 grouped digital inputs
- X2** – OR6: Assembly Group with 6 Output Relays (Changeover / Form C)
- X3** – TI: Standard current measuring card (for the winding side 1)
- X4** – TI: Standard current measuring card (for the winding side 2)
- X100** – Modbus TCP / IEC 60870-5-104 / DNP3.0 TCP/UDP, Ethernet interface, 100 Mbit/s, RJ45 (BASE100-FX)
- X102** – Universal Resistance-Temperature Detector (URTD) input, Fiber optics interface, Versatile Link
- X103** – IEC 60870-5-103 / Modbus RTU / DNP3.0 RTU, RS485, Terminals
- X104** – IRIG-B00X, incl. System Contact (Supervision Contact)

MRDT4-2A0BIB

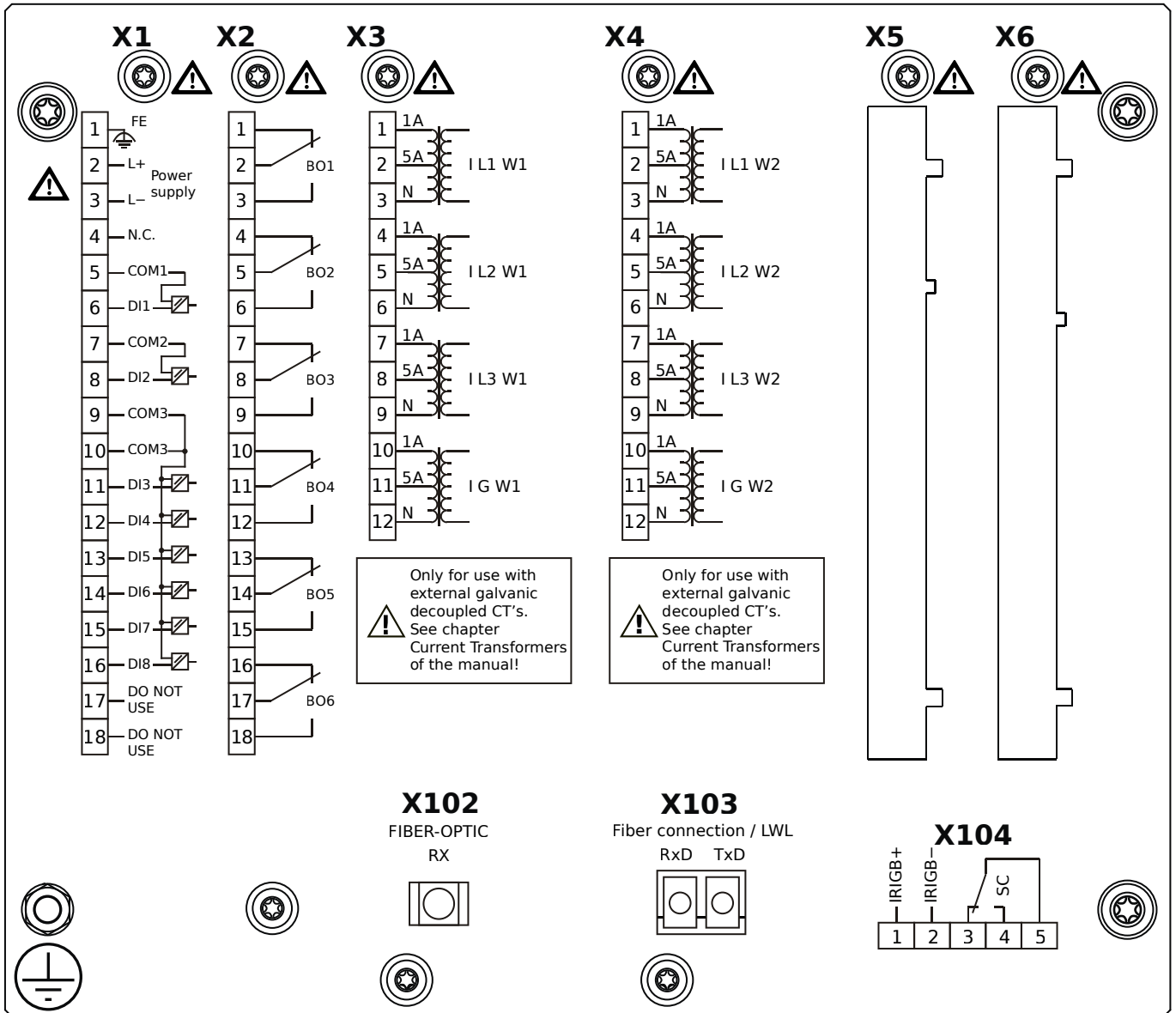


Housing B2, small display, 19" rack mounting

+ Conformal Coating (for installations in harsh environment)

- X1** – DI8-X1: Wide-range power supply unit, incl. 2 non-grouped digital inputs and 6 grouped digital inputs
- X2** – OR6: Assembly Group with 6 Output Relays (Changeover / Form C)
- X3** – TI: Standard current measuring card (for the winding side 1)
- X4** – TI: Standard current measuring card (for the winding side 2)
- X100** – Modbus TCP / IEC 60870-5-104 / DNP3.0 TCP/UDP, Ethernet interface, 100 Mbit/s, RJ45 (BASE100-FX)
- X102** – Universal Resistance-Temperature Detector (URTD) input, Fiber optics interface, Versatile Link
- X103** – IEC 60870-5-103 / Modbus RTU / DNP3.0 RTU, RS485, Terminals
- X104** – IRIG-B00X, incl. System Contact (Supervision Contact)

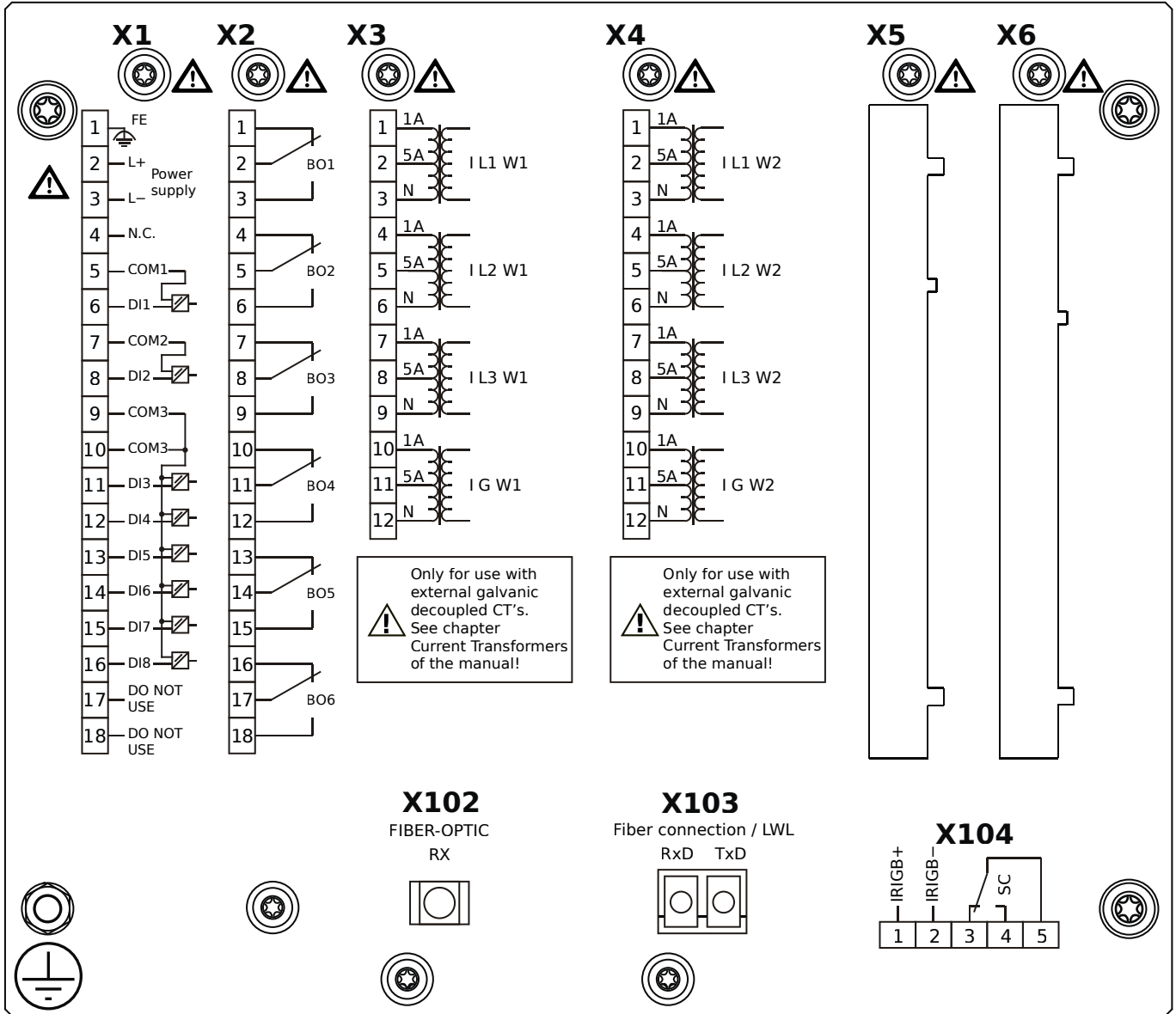
MRDT4-2A0BKA



Housing B2, small display, 19" rack mounting

- X1** – DI8-X1: Wide-range power supply unit, incl. 2 non-grouped digital inputs and 6 grouped digital inputs
- X2** – OR6: Assembly Group with 6 Output Relays (Changeover / Form C)
- X3** – TI: Standard current measuring card (for the winding side 1)
- X4** – TI: Standard current measuring card (for the winding side 2)
- X102** – Universal Resistance-Temperature Detector (URTD) input, Fiber optics interface, Versatile Link
- X103** – IEC 61850 / Modbus TCP / IEC 60870-5-104 / DNP3.0 TCP/UDP, Fiber optics interface, LC Connector
- X104** – IRIG-B00X, incl. System Contact (Supervision Contact)

MRDT4-2A0BKB

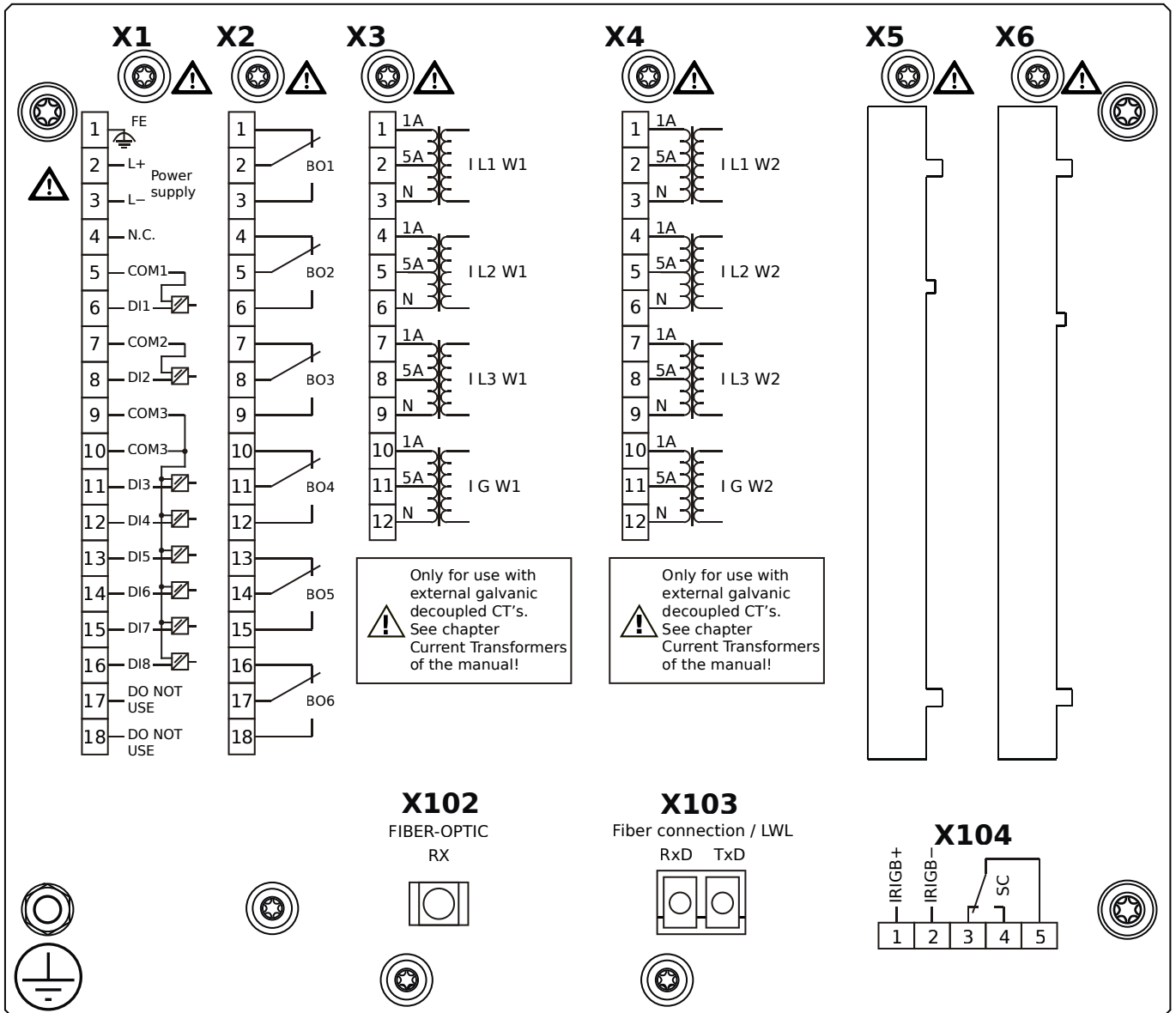


Housing B2, small display, 19" rack mounting

+ Conformal Coating (for installations in harsh environment)

- X1** – DI8-X1: Wide-range power supply unit, incl. 2 non-grouped digital inputs and 6 grouped digital inputs
- X2** – OR6: Assembly Group with 6 Output Relays (Changeover / Form C)
- X3** – TI: Standard current measuring card (for the winding side 1)
- X4** – TI: Standard current measuring card (for the winding side 2)
- X102** – Universal Resistance-Temperature Detector (URTD) input, Fiber optics interface, Versatile Link
- X103** – IEC 61850 / Modbus TCP / IEC 60870-5-104 / DNP3.0 TCP/UDP, Fiber optics interface, LC Connector
- X104** – IRIG-B00X, incl. System Contact (Supervision Contact)

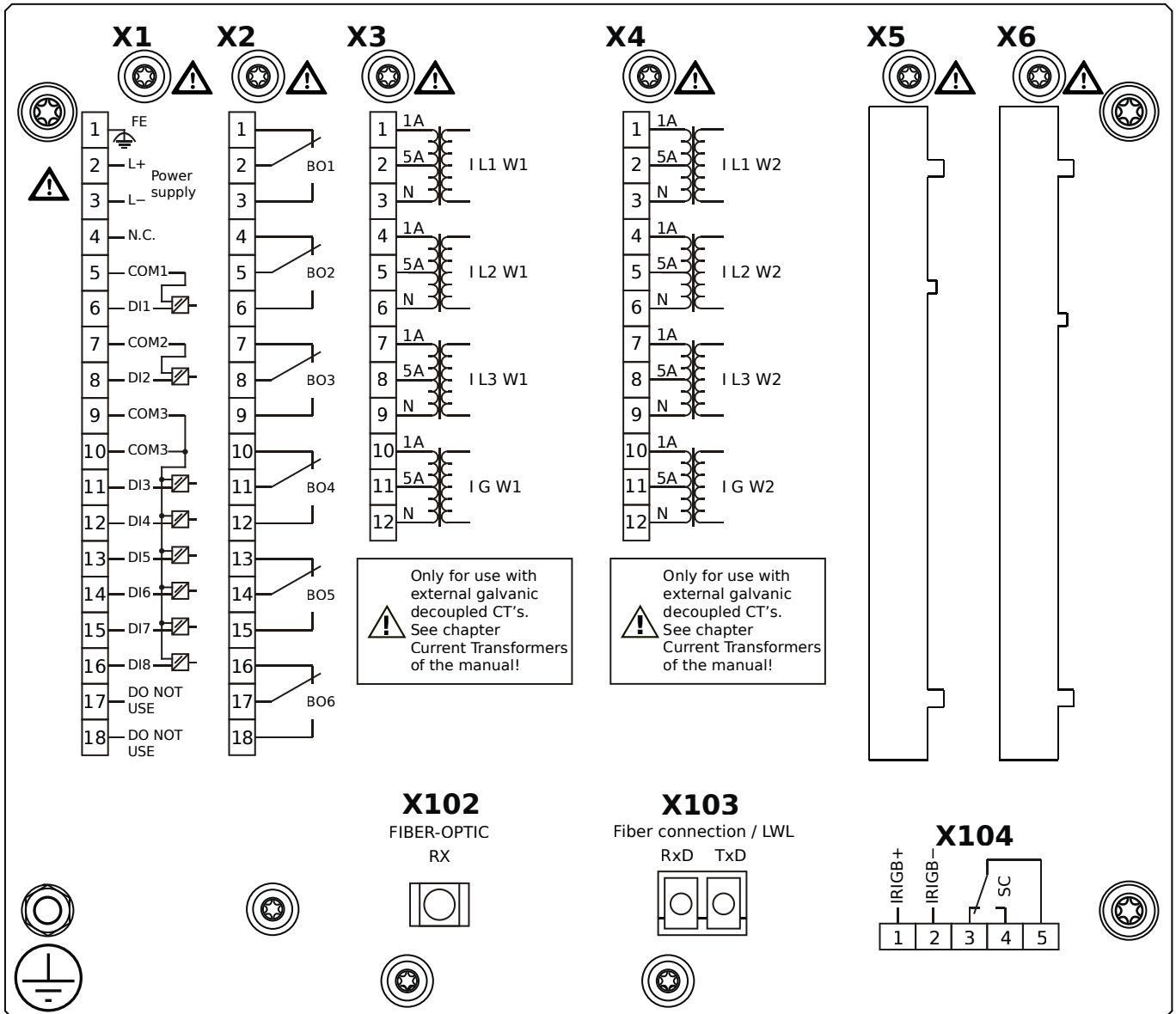
MRDT4-2A0BLA



Housing B2, small display, 19" rack mounting

- X1** – DI8-X1: Wide-range power supply unit, incl. 2 non-grouped digital inputs and 6 grouped digital inputs
- X2** – OR6: Assembly Group with 6 Output Relays (Changeover / Form C)
- X3** – TI: Standard current measuring card (for the winding side 1)
- X4** – TI: Standard current measuring card (for the winding side 2)
- X102** – Universal Resistance-Temperature Detector (URTD) input, Fiber optics interface, Versatile Link
- X103** – Modbus TCP / IEC 60870-5-104 / DNP3.0 TCP/UDP, Fiber optics interface, LC Connector
- X104** – IRIG-B00X, incl. System Contact (Supervision Contact)

MRDT4-2A0BLB

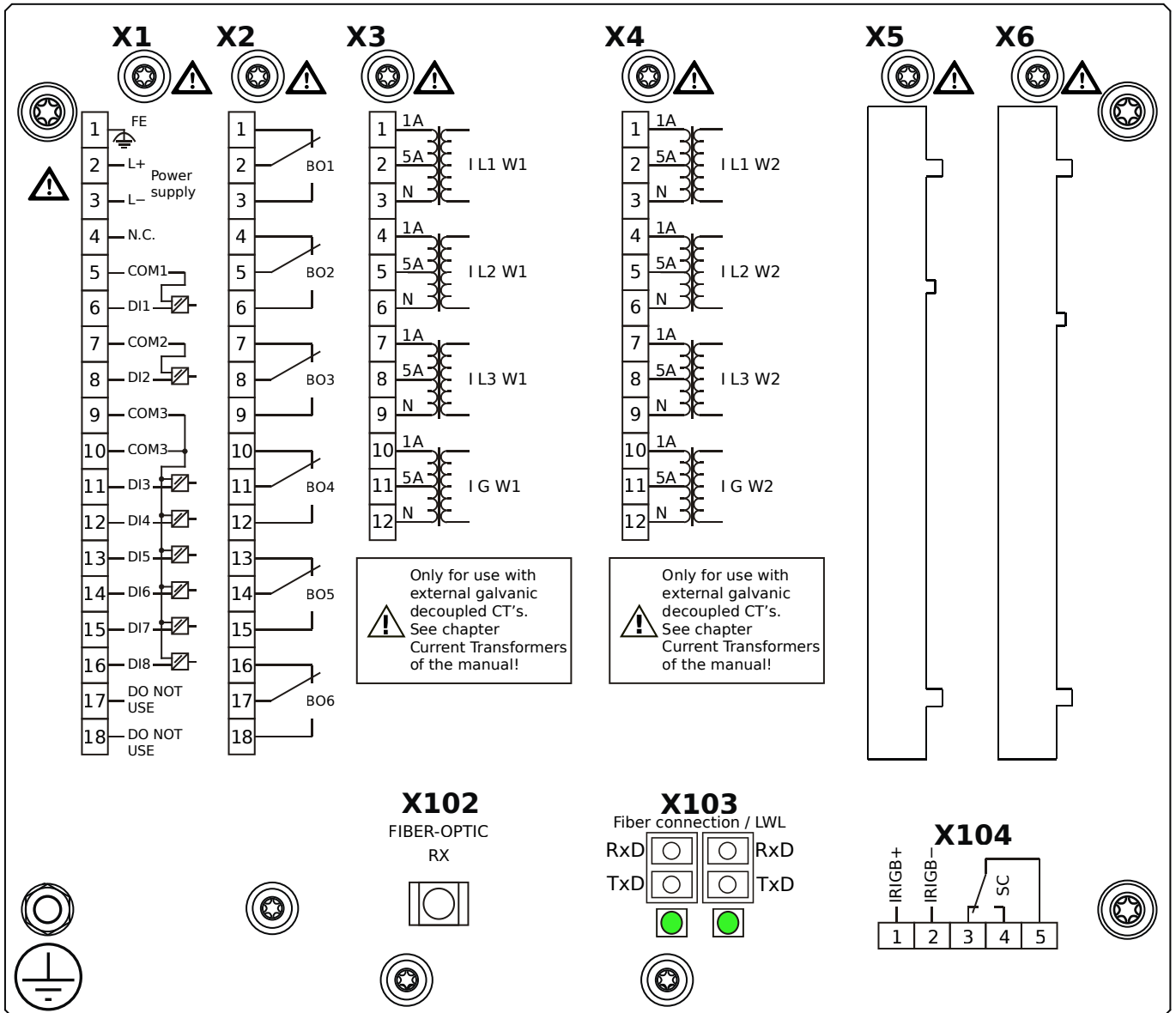


Housing B2, small display, 19" rack mounting

- + Conformal Coating (for installations in harsh environment)

- X1** – DI8-X1: Wide-range power supply unit, incl. 2 non-grouped digital inputs and 6 grouped digital inputs
- X2** – OR6: Assembly Group with 6 Output Relays (Changeover / Form C)
- X3** – TI: Standard current measuring card (for the winding side 1)
- X4** – TI: Standard current measuring card (for the winding side 2)
- X102** – Universal Resistance-Temperature Detector (URTD) input, Fiber optics interface, Versatile Link
- X103** – Modbus TCP / IEC 60870-5-104 / DNP3.0 TCP/UDP, Fiber optics interface, LC Connector
- X104** – IRIG-B00X, incl. System Contact (Supervision Contact)

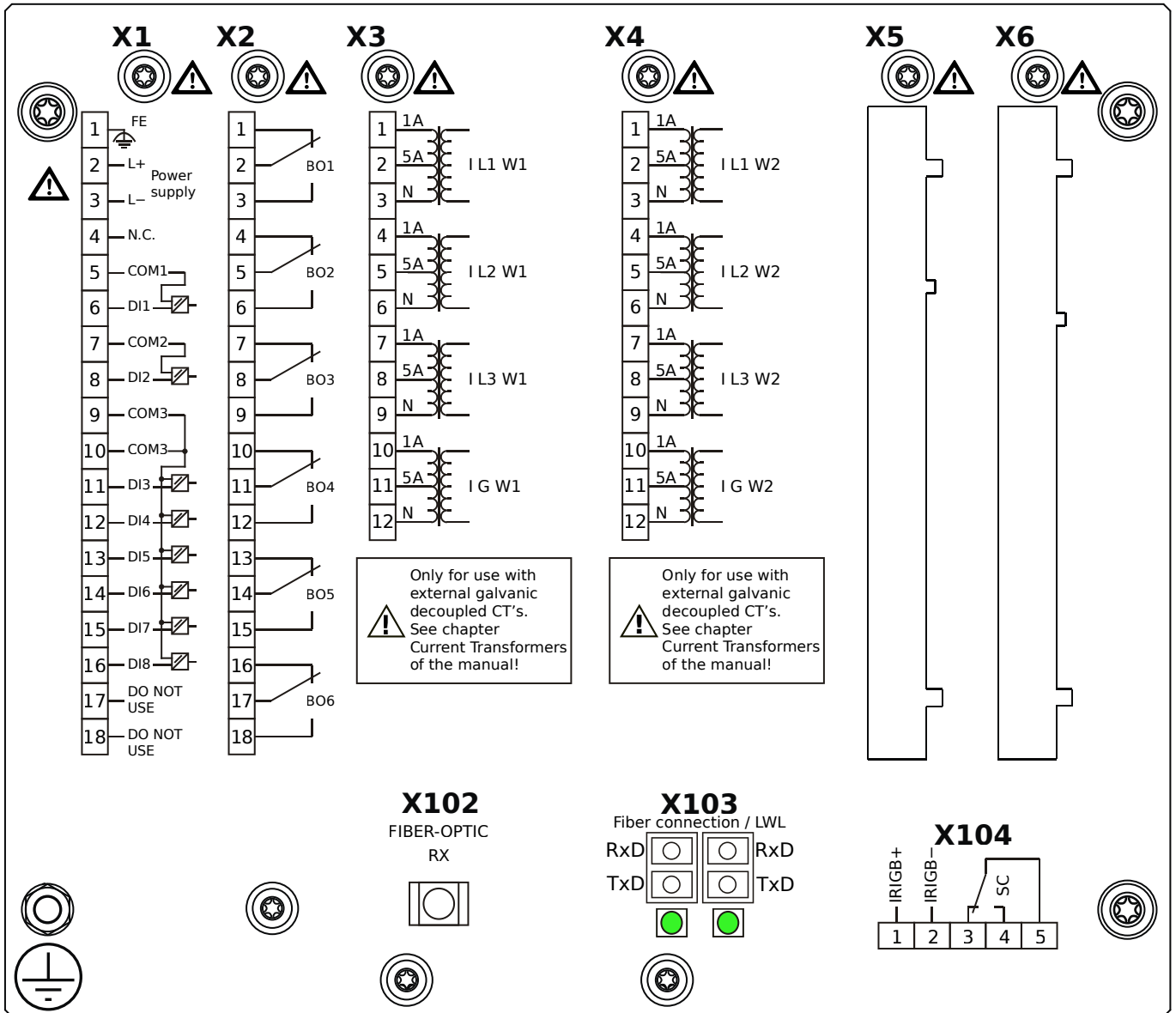
MRDT4-2A0BOA



Housing B2, small display, 19" rack mounting

- X1** – DI8-X1: Wide-range power supply unit, incl. 2 non-grouped digital inputs and 6 grouped digital inputs
- X2** – OR6: Assembly Group with 6 Output Relays (Changeover / Form C)
- X3** – TI: Standard current measuring card (for the winding side 1)
- X4** – TI: Standard current measuring card (for the winding side 2)
- X102** – Universal Resistance-Temperature Detector (URTD) input, Fiber optics interface, Versatile Link
- X103** – Modbus TCP / IEC 60870-5-104 / DNP3.0 TCP/UDP, Redundant Fiber optics interface, LC Connector
- X104** – IRIG-B00X, incl. System Contact (Supervision Contact)

MRDT4-2A0BOB

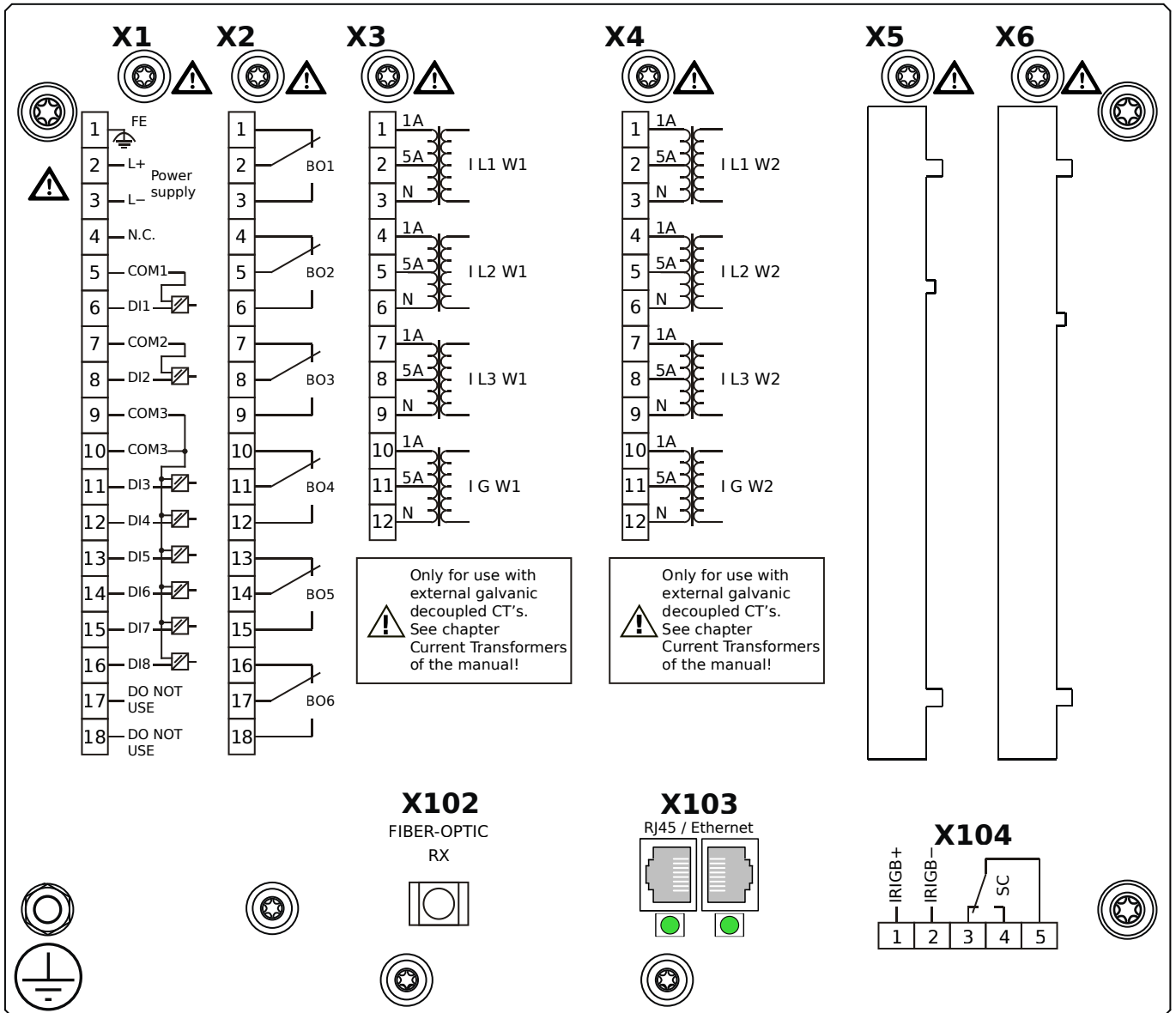


Housing B2, small display, 19" rack mounting

+ Conformal Coating (for installations in harsh environment)

- X1** – DI8-X1: Wide-range power supply unit, incl. 2 non-grouped digital inputs and 6 grouped digital inputs
- X2** – OR6: Assembly Group with 6 Output Relays (Changeover / Form C)
- X3** – TI: Standard current measuring card (for the winding side 1)
- X4** – TI: Standard current measuring card (for the winding side 2)
- X102** – Universal Resistance-Temperature Detector (URTD) input, Fiber optics interface, Versatile Link
- X103** – Modbus TCP / IEC 60870-5-104 / DNP3.0 TCP/UDP, Redundant Fiber optics interface, LC Connector
- X104** – IRIG-B00X, incl. System Contact (Supervision Contact)

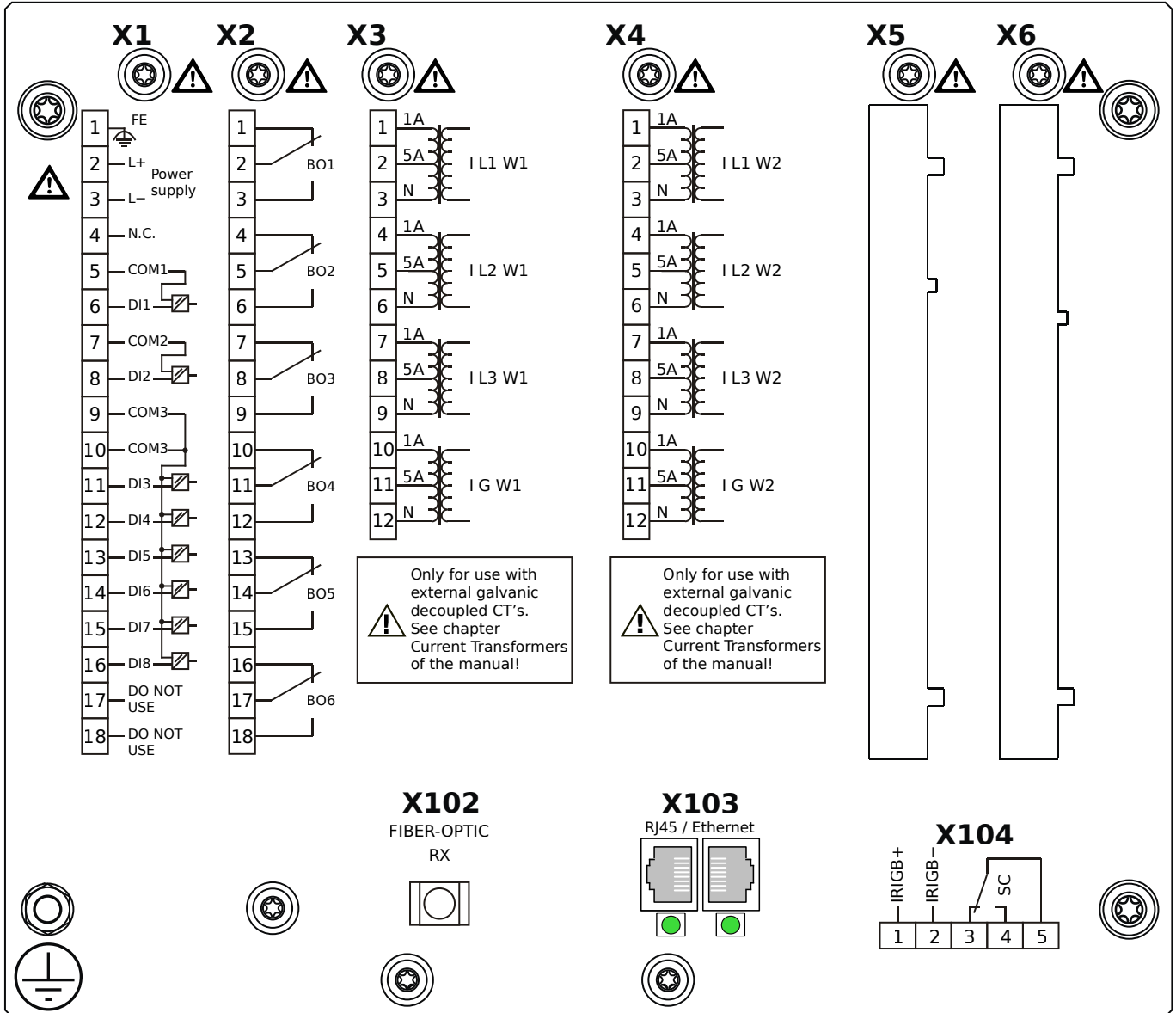
MRDT4-2A0BPA



Housing B2, small display, 19" rack mounting

- X1** – DI8-X1: Wide-range power supply unit, incl. 2 non-grouped digital inputs and 6 grouped digital inputs
- X2** – OR6: Assembly Group with 6 Output Relays (Changeover / Form C)
- X3** – TI: Standard current measuring card (for the winding side 1)
- X4** – TI: Standard current measuring card (for the winding side 2)
- X102** – Universal Resistance-Temperature Detector (URTD) input, Fiber optics interface, Versatile Link
- X103** – Modbus TCP / IEC 60870-5-104 / DNP3.0 TCP/UDP, Redundant Ethernet interface, 100 Mbit/s, RJ45 (BASE100-FX)
- X104** – IRIG-B00X, incl. System Contact (Supervision Contact)

MRDT4-2A0BPB

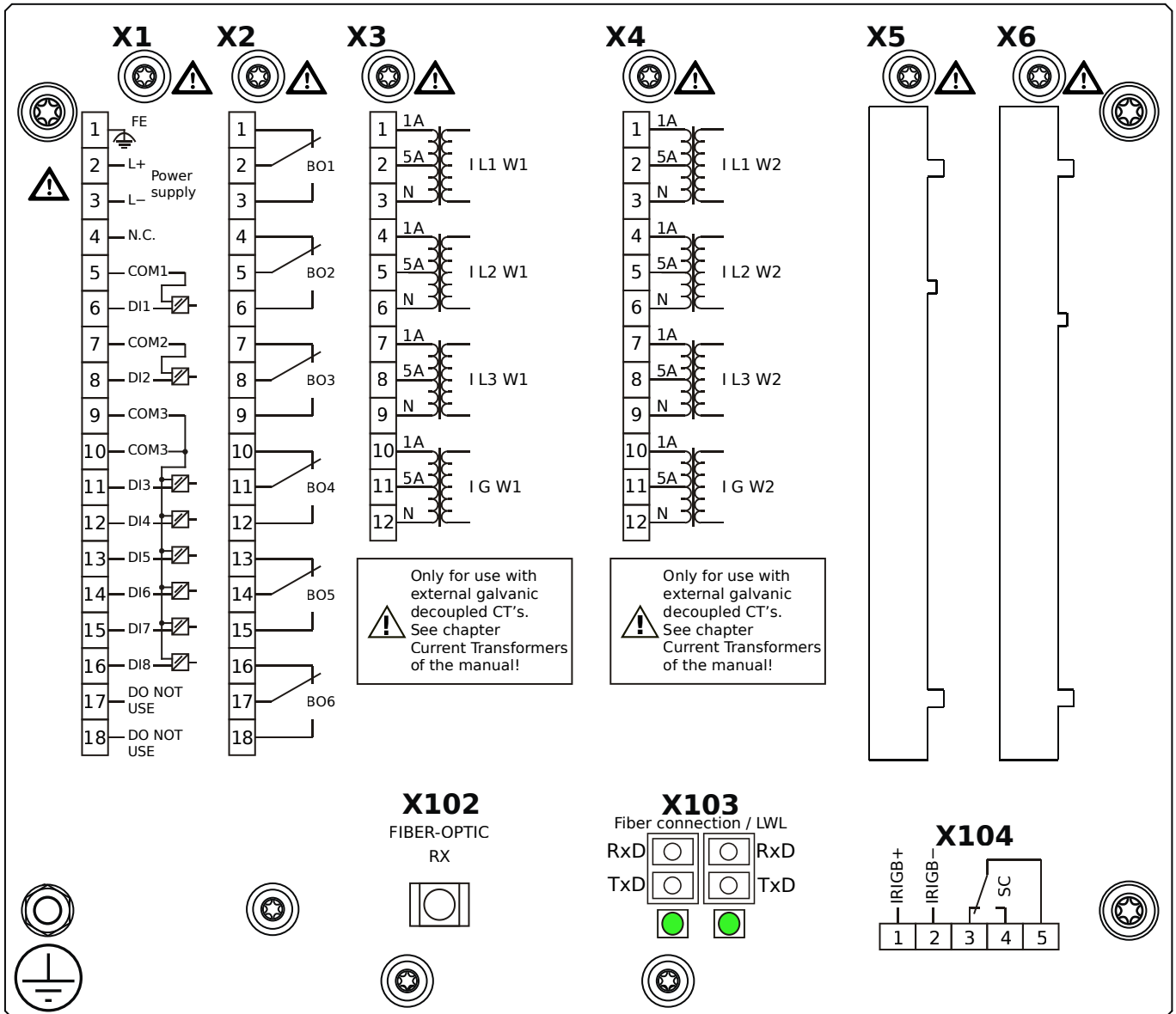


Housing B2, small display, 19" rack mounting

+ Conformal Coating (for installations in harsh environment)

- X1** – DI8-X1: Wide-range power supply unit, incl. 2 non-grouped digital inputs and 6 grouped digital inputs
- X2** – OR6: Assembly Group with 6 Output Relays (Changeover / Form C)
- X3** – TI: Standard current measuring card (for the winding side 1)
- X4** – TI: Standard current measuring card (for the winding side 2)
- X102** – Universal Resistance-Temperature Detector (URTD) input, Fiber optics interface, Versatile Link
- X103** – Modbus TCP / IEC 60870-5-104 / DNP3.0 TCP/UDP, Redundant Ethernet interface, 100 Mbit/s, RJ45 (BASE100-FX)
- X104** – IRIG-B00X, incl. System Contact (Supervision Contact)

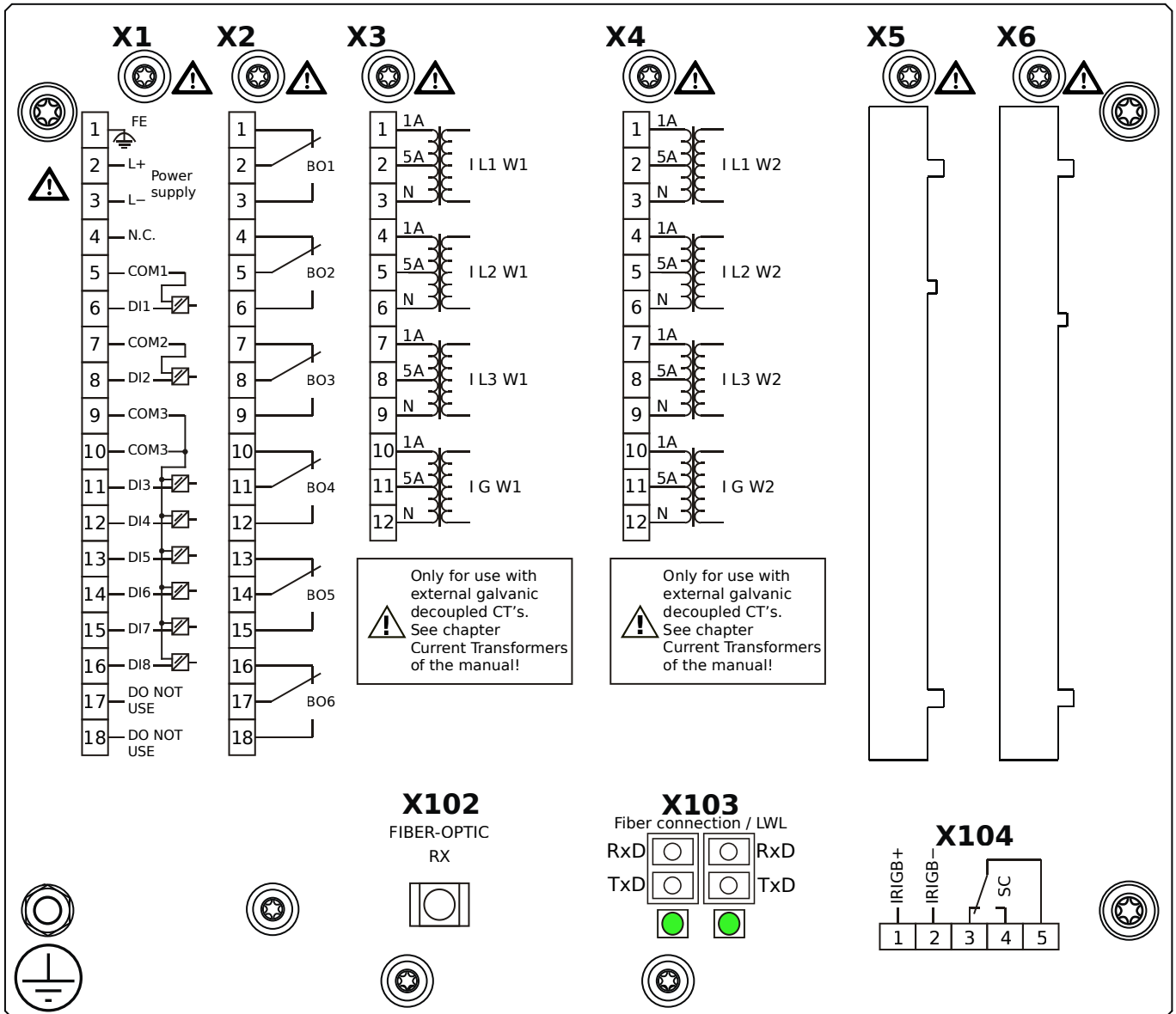
MRDT4-2A0BQA



Housing B2, small display, 19" rack mounting

- X1** – DI8-X1: Wide-range power supply unit, incl. 2 non-grouped digital inputs and 6 grouped digital inputs
- X2** – OR6: Assembly Group with 6 Output Relays (Changeover / Form C)
- X3** – TI: Standard current measuring card (for the winding side 1)
- X4** – TI: Standard current measuring card (for the winding side 2)
- X102** – Universal Resistance-Temperature Detector (URTD) input, Fiber optics interface, Versatile Link
- X103** – IEC 61850 / Modbus TCP / IEC 60870-5-104 / DNP3.0 TCP/UDP, Redundant Fiber optics interface, LC Connector
- X104** – IRIG-B00X, incl. System Contact (Supervision Contact)

MRDT4-2A0BQB



Housing B2, small display, 19" rack mounting

+ Conformal Coating (for installations in harsh environment)

X1 – DI8-X1: Wide-range power supply unit, incl. 2 non-grouped digital inputs and 6 grouped digital inputs

X2 – OR6: Assembly Group with 6 Output Relays (Changeover / Form C)

X3 – TI: Standard current measuring card (for the winding side 1)

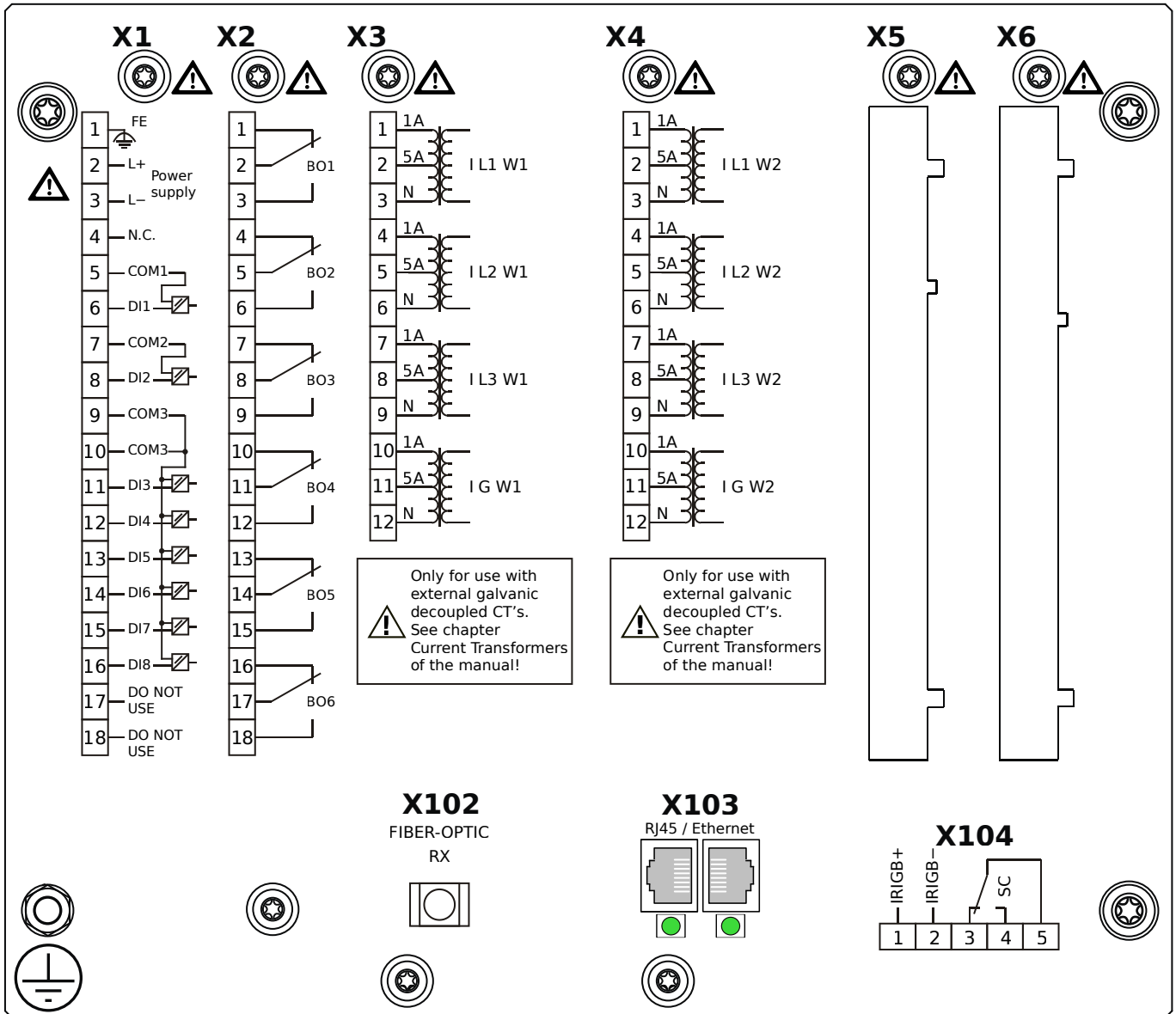
X4 – TI: Standard current measuring card (for the winding side 2)

X102 – Universal Resistance-Temperature Detector (URTD) input, Fiber optics interface, Versatile Link

X103 – IEC 61850 / Modbus TCP / IEC 60870-5-104 / DNP3.0 TCP/UDP, Redundant Fiber optics interface, LC Connector

X104 – IRIG-B00X, incl. System Contact (Supervision Contact)

MRDT4-2A0BRA



Housing B2, small display, 19" rack mounting

X1 – DI8-X1: Wide-range power supply unit, incl. 2 non-grouped digital inputs and 6 grouped digital inputs

X2 – OR6: Assembly Group with 6 Output Relays (Changeover / Form C)

X3 – TI: Standard current measuring card (for the winding side 1)

X4 – TI: Standard current measuring card (for the winding side 2)

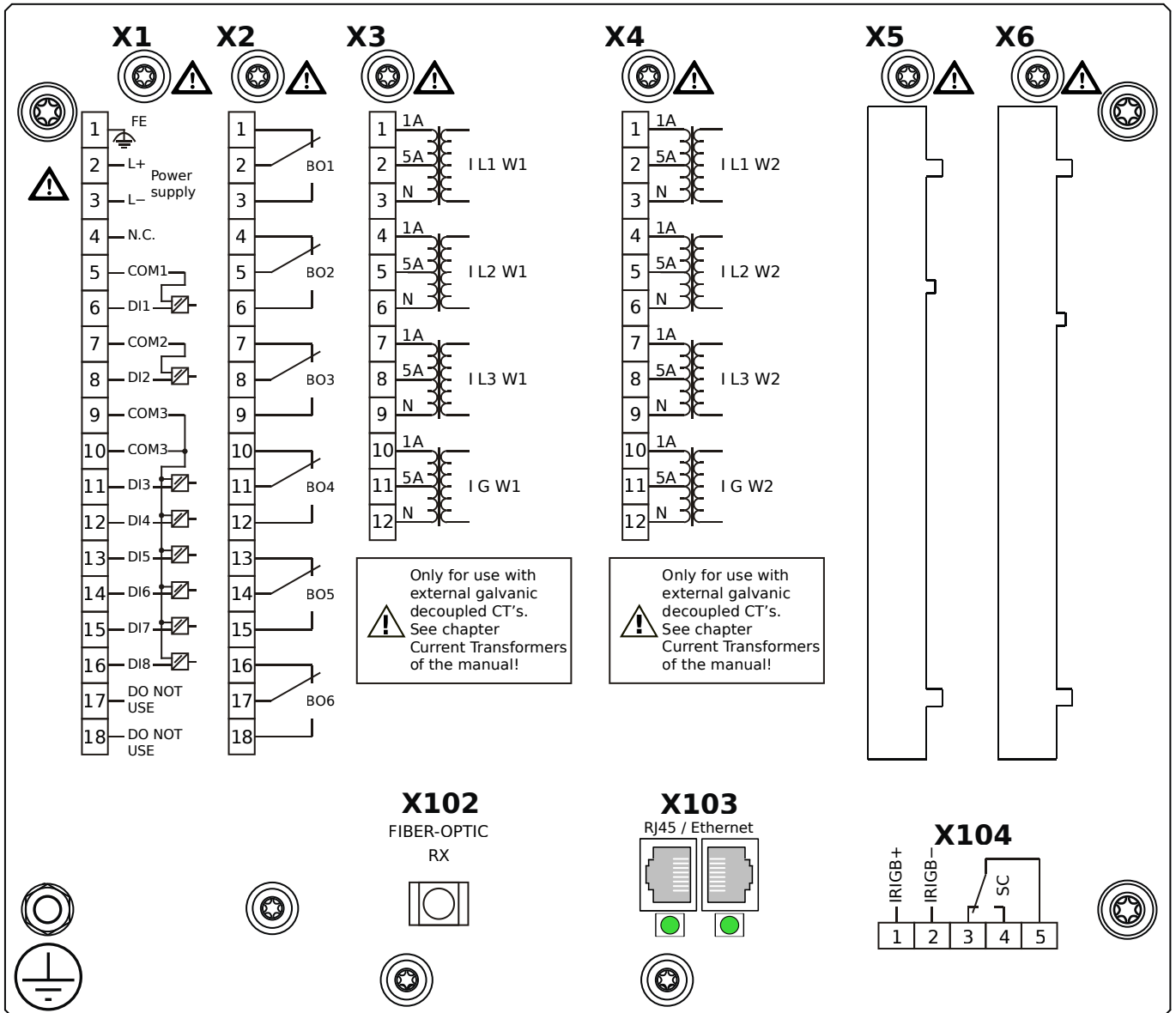
X102 – Universal Resistance-Temperature Detector (URTD) input, Fiber optics interface, Versatile Link

X103 – IEC 61850 / Modbus TCP / IEC 60870-5-104 / DNP3.0 TCP/UDP, Redundant Ethernet interface, 100 Mbit/s, RJ45

(BASE100-FX)

X104 – IRIG-B00X, incl. System Contact (Supervision Contact)

MRDT4-2A0BRB



Housing B2, small display, 19" rack mounting

+ Conformal Coating (for installations in harsh environment)

X1 – DI8-X1: Wide-range power supply unit, incl. 2 non-grouped digital inputs and 6 grouped digital inputs

X2 – OR6: Assembly Group with 6 Output Relays (Changeover / Form C)

X3 – TI: Standard current measuring card (for the winding side 1)

X4 – TI: Standard current measuring card (for the winding side 2)

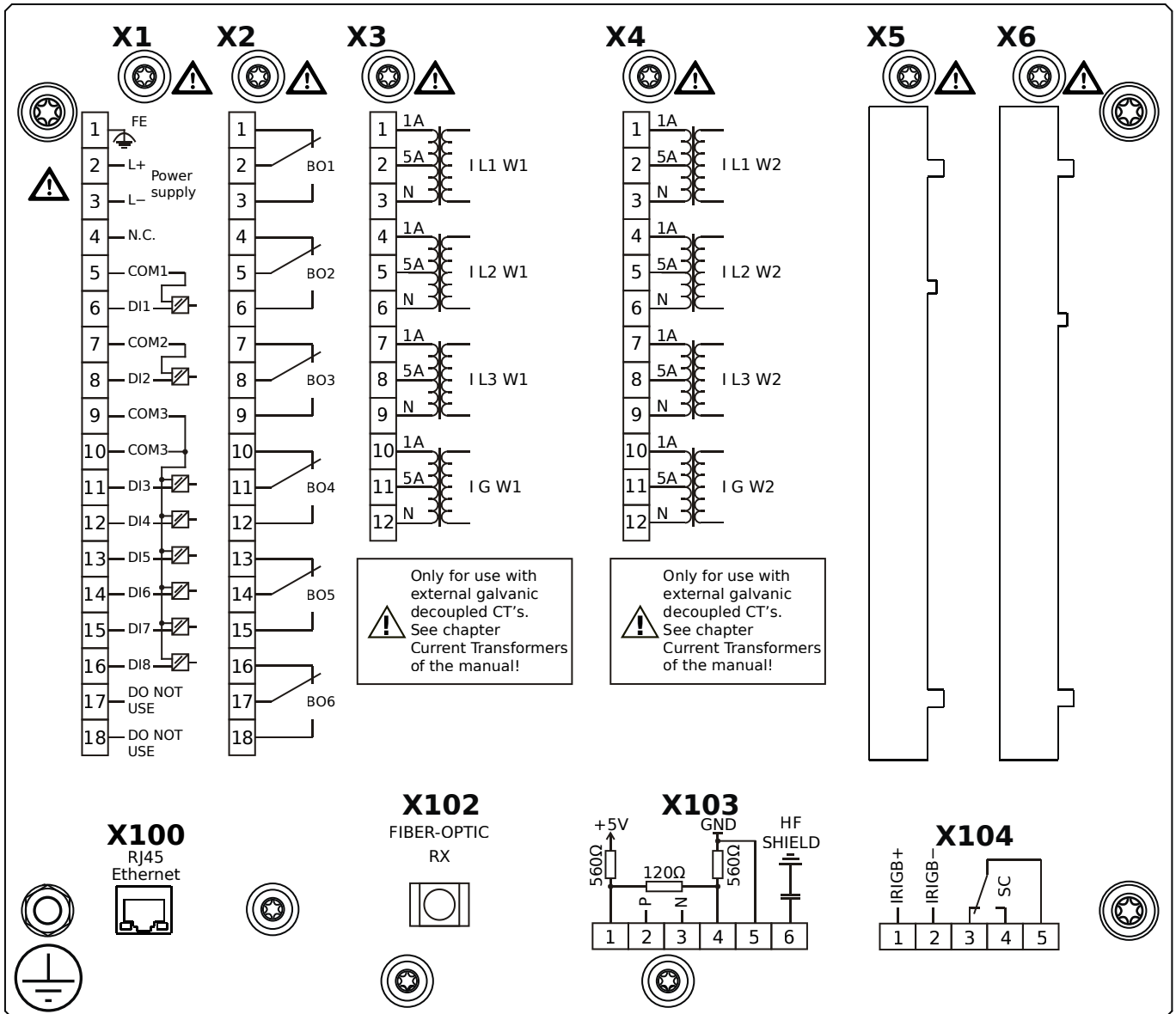
X102 – Universal Resistance-Temperature Detector (URTD) input, Fiber optics interface, Versatile Link

X103 – IEC 61850 / Modbus TCP / IEC 60870-5-104 / DNP3.0 TCP/UDP, Redundant Ethernet interface, 100 Mbit/s, RJ45

(BASE100-FX)

X104 – IRIG-B00X, incl. System Contact (Supervision Contact)

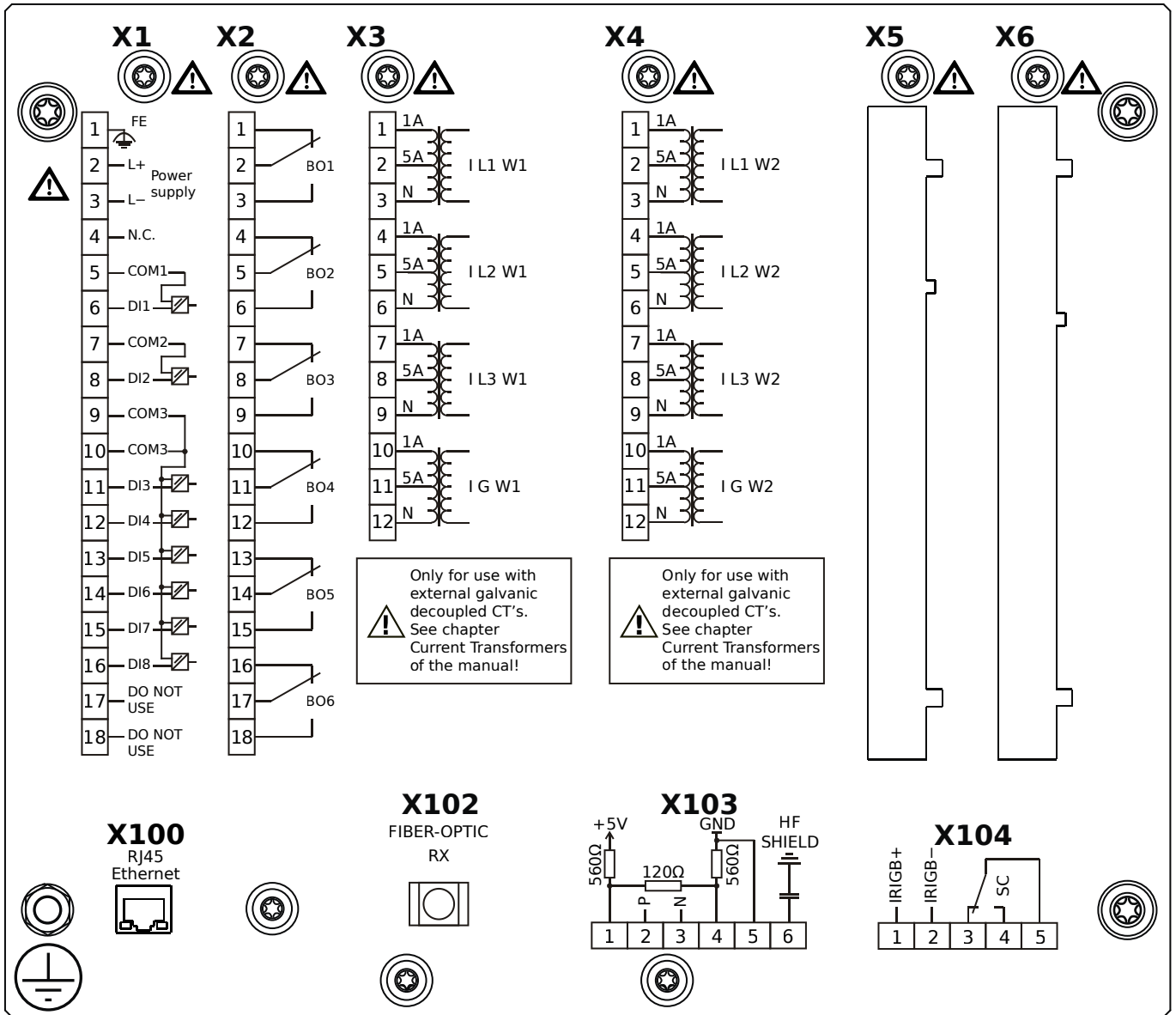
MRDT4-2A0BTA



Housing B2, small display, 19" rack mounting

- X1** – DI8-X1: Wide-range power supply unit, incl. 2 non-grouped digital inputs and 6 grouped digital inputs
- X2** – OR6: Assembly Group with 6 Output Relays (Changeover / Form C)
- X3** – TI: Standard current measuring card (for the winding side 1)
- X4** – TI: Standard current measuring card (for the winding side 2)
- X100** – IEC 61850 / Modbus TCP / IEC 60870-5-104 / DNP3.0 TCP/UDP, Ethernet interface, 100 Mbit/s, RJ45 (BASE100-FX)
- X102** – Universal Resistance-Temperature Detector (URTD) input, Fiber optics interface, Versatile Link
- X103** – IEC 60870-5-103 / Modbus RTU / DNP3.0 RTU, RS485, Terminals
- X104** – IRIG-B00X, incl. System Contact (Supervision Contact)

MRDT4-2A0BTB



Housing B2, small display, 19" rack mounting

+ Conformal Coating (for installations in harsh environment)

X1 – DI8-X1: Wide-range power supply unit, incl. 2 non-grouped digital inputs and 6 grouped digital inputs

X2 – OR6: Assembly Group with 6 Output Relays (Changeover / Form C)

X3 – TI: Standard current measuring card (for the winding side 1)

X4 – TI: Standard current measuring card (for the winding side 2)

X100 – IEC 61850 / Modbus TCP / IEC 60870-5-104 / DNP3.0 TCP/UDP, Ethernet interface, 100 Mbit/s, RJ45 (BASE100-

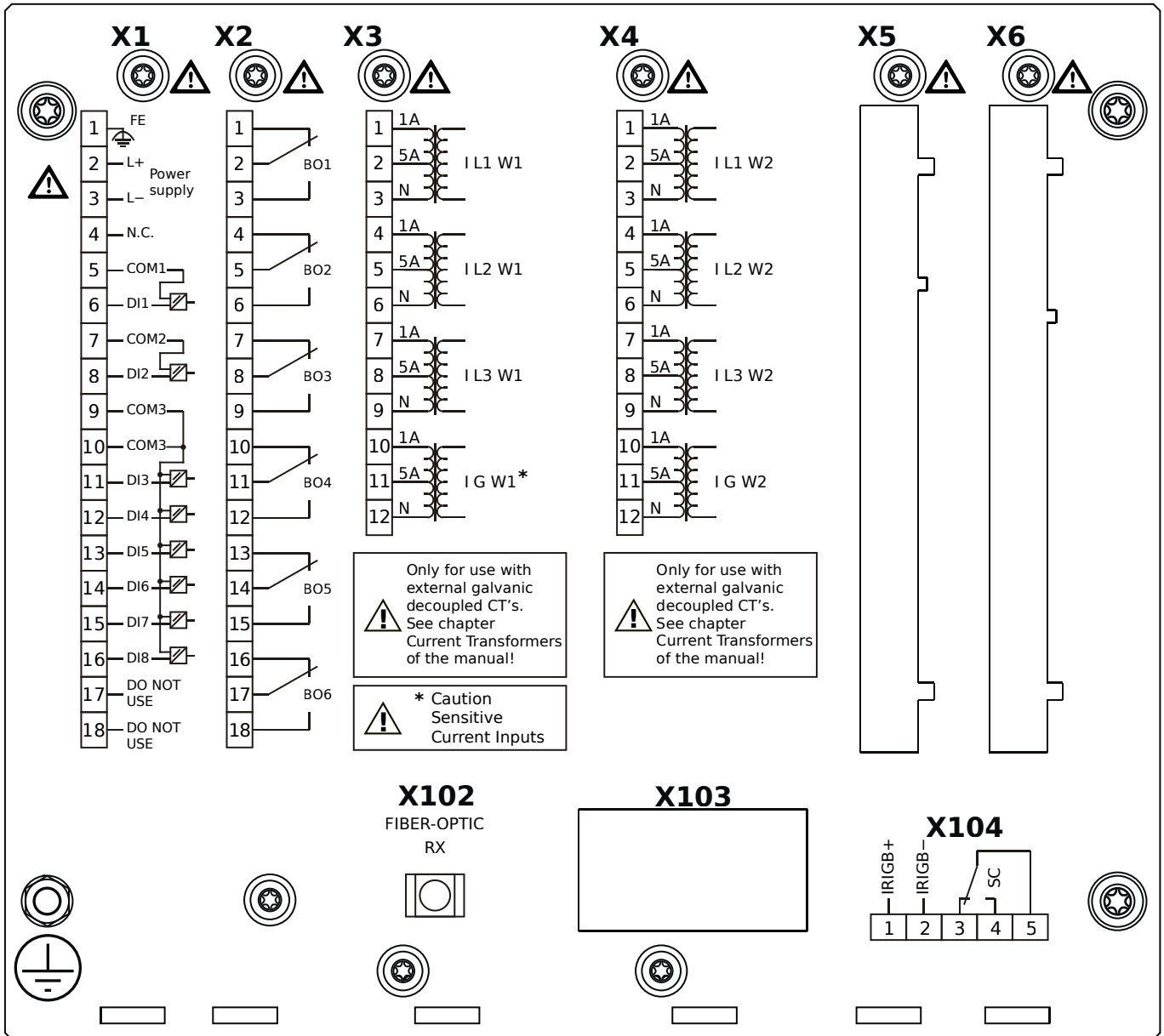
X102 – Universal Resistance-Temperature Detector (URTD) input, Fiber optics interface, Versatile Link

X103 – IEC 60870-5-103 / Modbus RTU / DNP3.0 RTU, RS485, Terminals

X104 – IRIG-B00X, incl. System Contact (Supervision Contact)

FX)

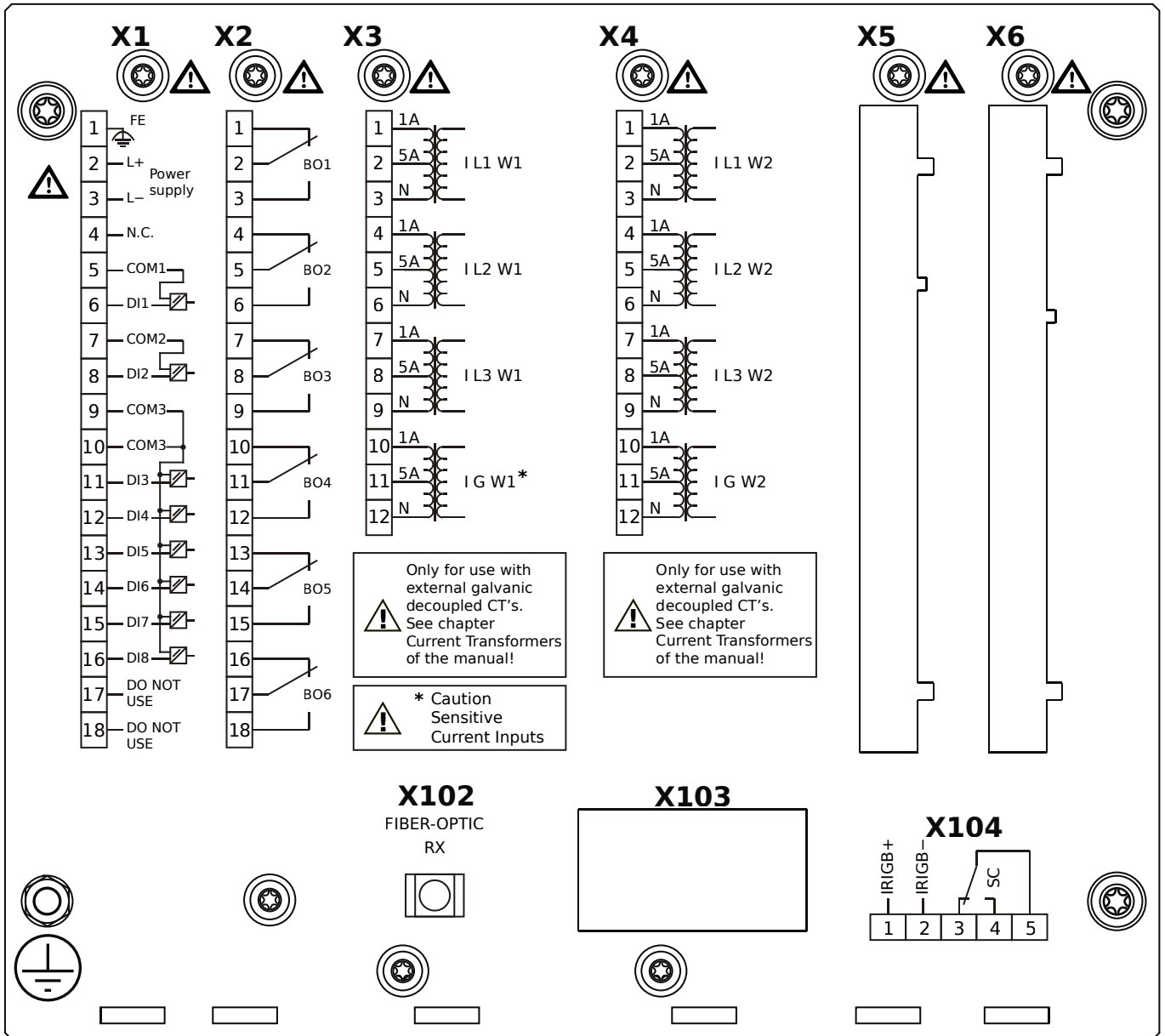
MRDT4-2A1AAA



Housing B2, small display, door mounting

- X1** – DI8-X1: Wide-range power supply unit, incl. 2 non-grouped digital inputs and 6 grouped digital inputs
- X2** – OR6: Assembly Group with 6 Output Relays (Changeover / Form C)
- X3** – TIs: Standard phase current measuring card and sensitive ground current measuring (winding side 1)
- X4** – TI: Standard current measuring card (for the winding side 2)
- X102** – Universal Resistance-Temperature Detector (URTD) input, Fiber optics interface, Versatile Link
- X104** – IRIG-B00X, incl. System Contact (Supervision Contact)

MRDT4-2A1AAB

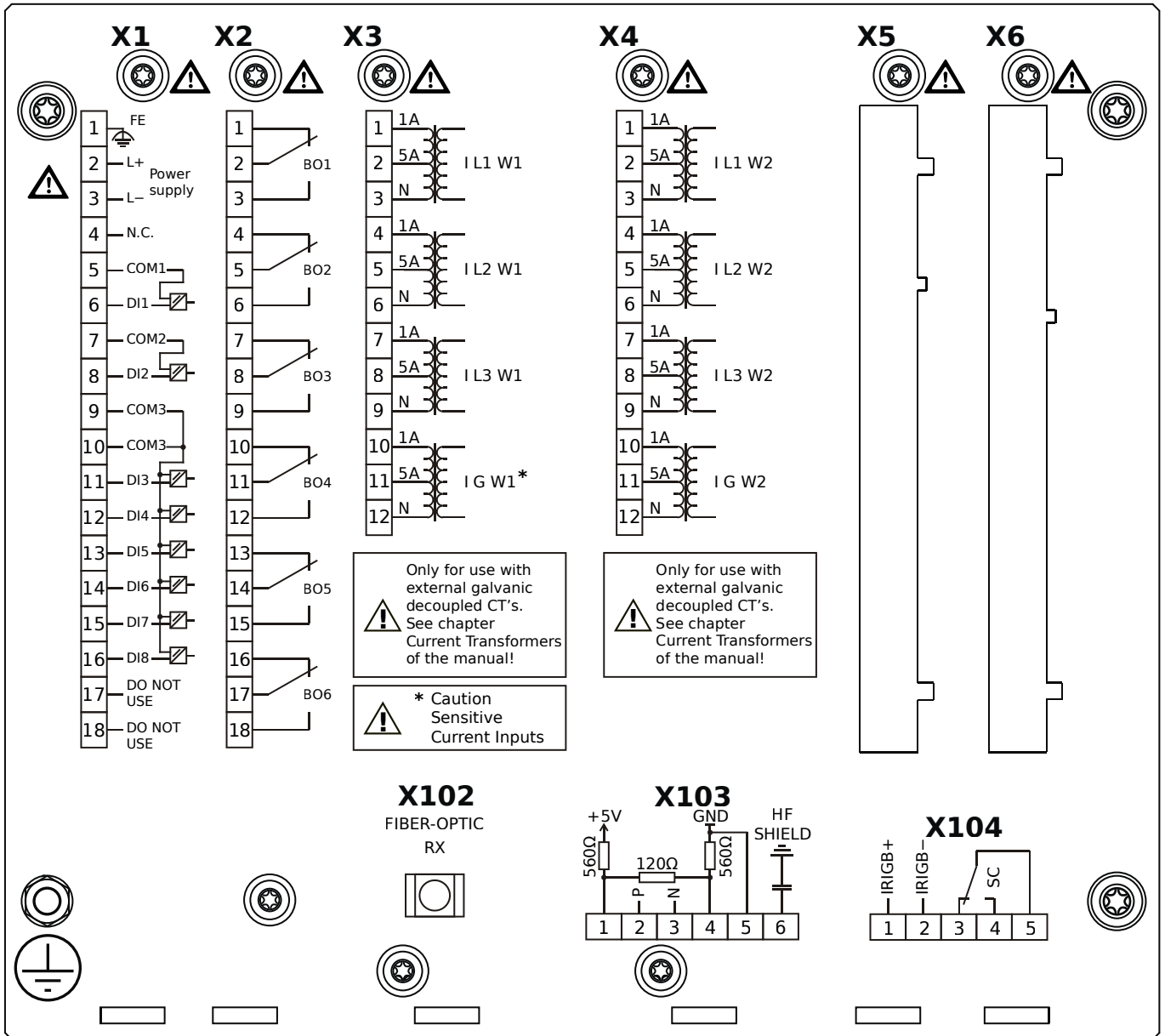


Housing B2, small display, door mounting

+ Conformal Coating (for installations in harsh environment)

- X1** – DI8-X1: Wide-range power supply unit, incl. 2 non-grouped digital inputs and 6 grouped digital inputs
- X2** – OR6: Assembly Group with 6 Output Relays (Changeover / Form C)
- X3** – TIs: Standard phase current measuring card and sensitive ground current measuring (winding side 1)
- X4** – TI: Standard current measuring card (for the winding side 2)
- X102** – Universal Resistance-Temperature Detector (URTD) input, Fiber optics interface, Versatile Link
- X104** – IRIG-B00X, incl. System Contact (Supervision Contact)

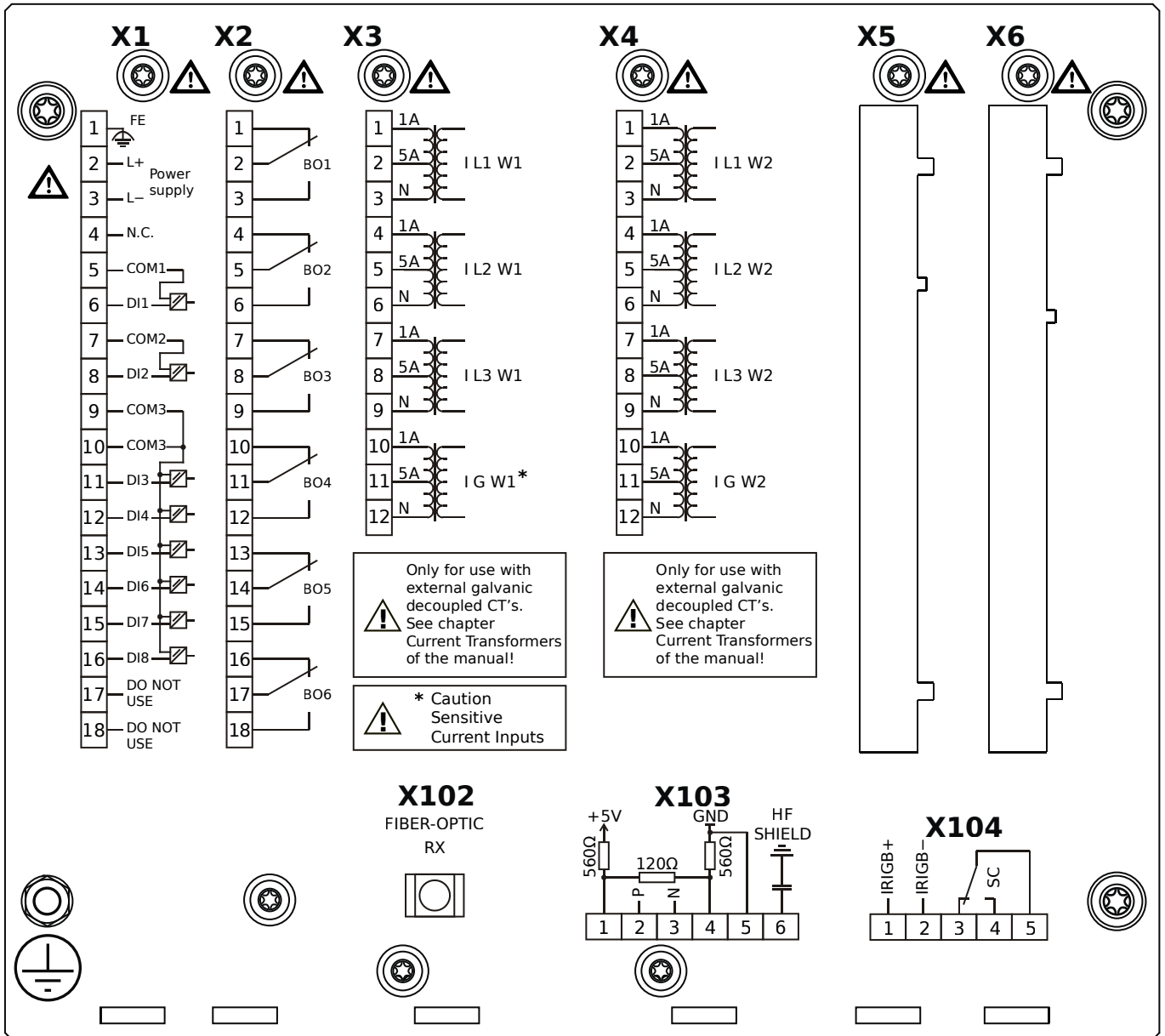
MRDT4-2A1ABA



Housing B2, small display, door mounting

- X1** – DI8-X1: Wide-range power supply unit, incl. 2 non-grouped digital inputs and 6 grouped digital inputs
- X2** – OR6: Assembly Group with 6 Output Relays (Changeover / Form C)
- X3** – TIs: Standard phase current measuring card and sensitive ground current measuring (winding side 1)
- X4** – TI: Standard current measuring card (for the winding side 2)
- X102** – Universal Resistance-Temperature Detector (URTD) input, Fiber optics interface, Versatile Link
- X103** – Modbus RTU / IEC 60870-5-103 / DNP3.0 RTU, RS485, Terminals
- X104** – IRIG-B00X, incl. System Contact (Supervision Contact)

MRDT4-2A1ABB

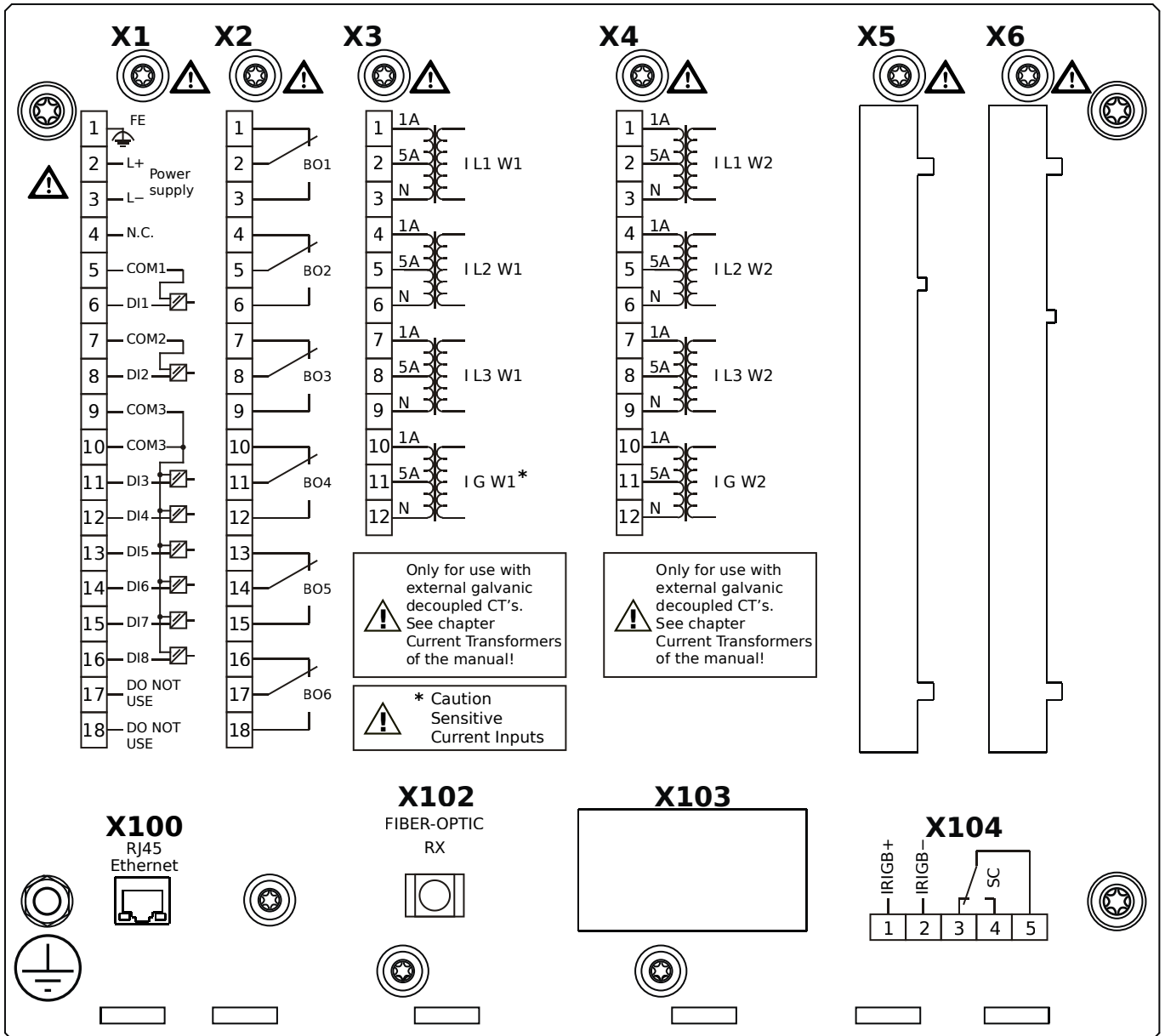


Housing B2, small display, door mounting

+ Conformal Coating (for installations in harsh environment)

- X1** – DI8-X1: Wide-range power supply unit, incl. 2 non-grouped digital inputs and 6 grouped digital inputs
- X2** – OR6: Assembly Group with 6 Output Relays (Changeover / Form C)
- X3** – TIs: Standard phase current measuring card and sensitive ground current measuring (winding side 1)
- X4** – TI: Standard current measuring card (for the winding side 2)
- X102** – Universal Resistance-Temperature Detector (URTD) input, Fiber optics interface, Versatile Link
- X103** – Modbus RTU / IEC 60870-5-103 / DNP3.0 RTU, RS485, Terminals
- X104** – IRIG-B00X, incl. System Contact (Supervision Contact)

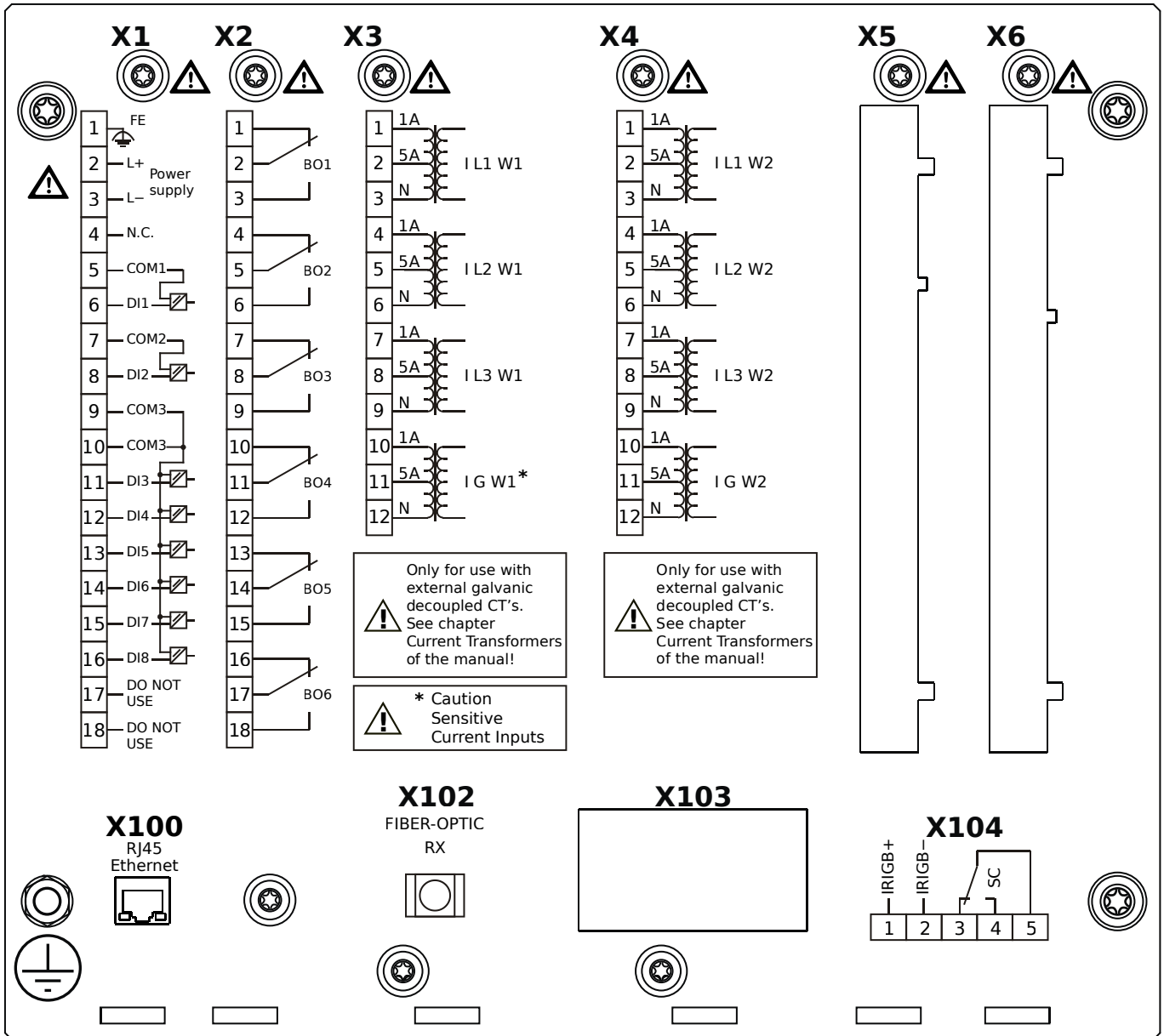
MRDT4-2A1ACA



Housing B2, small display, door mounting

- X1** – DI8-X1: Wide-range power supply unit, incl. 2 non-grouped digital inputs and 6 grouped digital inputs
- X2** – OR6: Assembly Group with 6 Output Relays (Changeover / Form C)
- X3** – TIs: Standard phase current measuring card and sensitive ground current measuring (winding side 1)
- X4** – TI: Standard current measuring card (for the winding side 2)
- X100** – Modbus TCP / IEC 60870-5-104 / DNP3.0 TCP/UDP, Ethernet interface, 100 Mbit/s, RJ45 (BASE100-FX)
- X102** – Universal Resistance-Temperature Detector (URTD) input, Fiber optics interface, Versatile Link
- X104** – IRIG-B00X, incl. System Contact (Supervision Contact)

MRDT4-2A1ACB

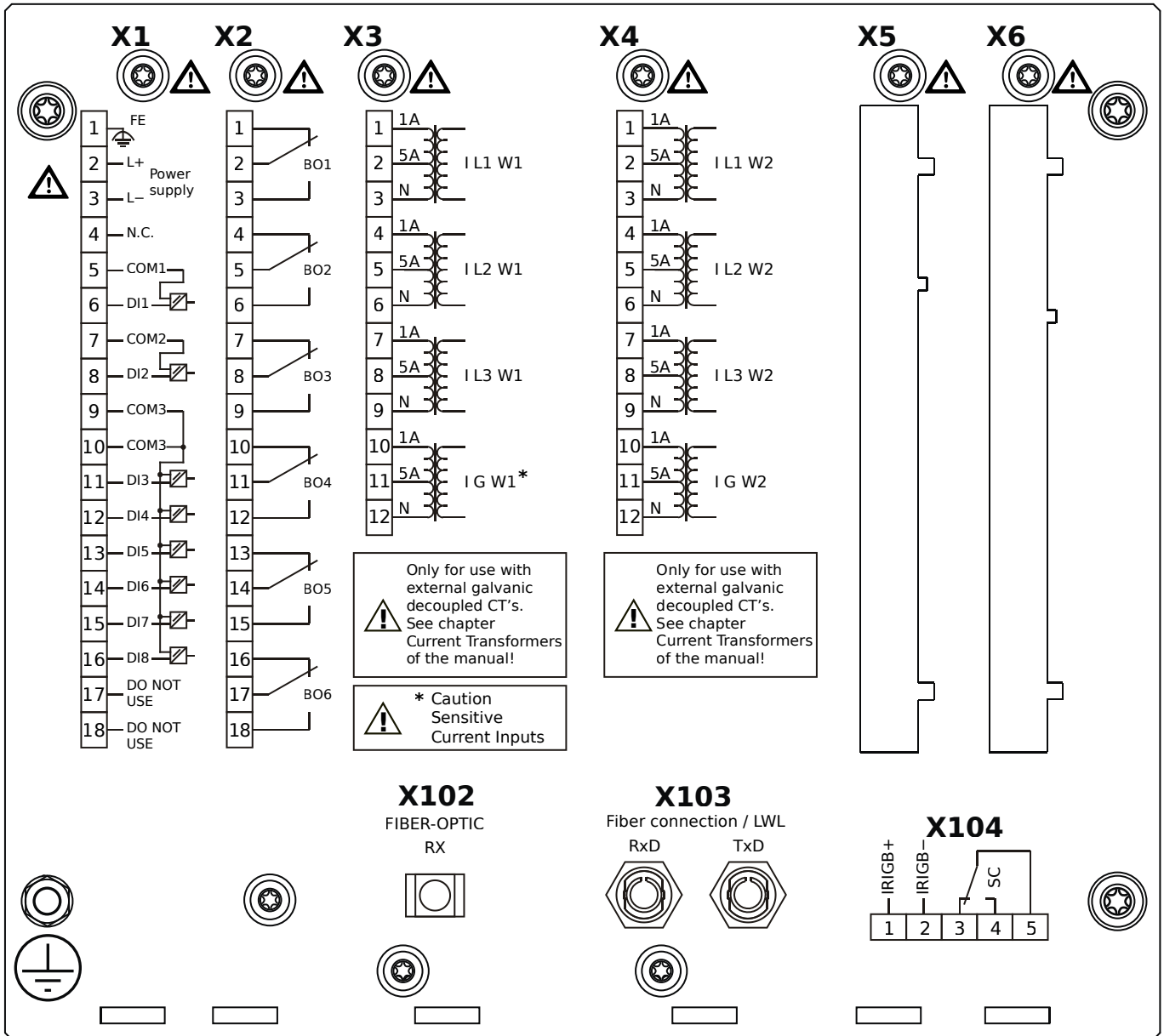


Housing B2, small display, door mounting

+ Conformal Coating (for installations in harsh environment)

- X1** – DI8-X1: Wide-range power supply unit, incl. 2 non-grouped digital inputs and 6 grouped digital inputs
- X2** – OR6: Assembly Group with 6 Output Relays (Changeover / Form C)
- X3** – TIs: Standard phase current measuring card and sensitive ground current measuring (winding side 1)
- X4** – TI: Standard current measuring card (for the winding side 2)
- X100** – Modbus TCP / IEC 60870-5-104 / DNP3.0 TCP/UDP, Ethernet interface, 100 Mbit/s, RJ45 (BASE100-FX)
- X102** – Universal Resistance-Temperature Detector (URTD) input, Fiber optics interface, Versatile Link
- X104** – IRIG-B00X, incl. System Contact (Supervision Contact)

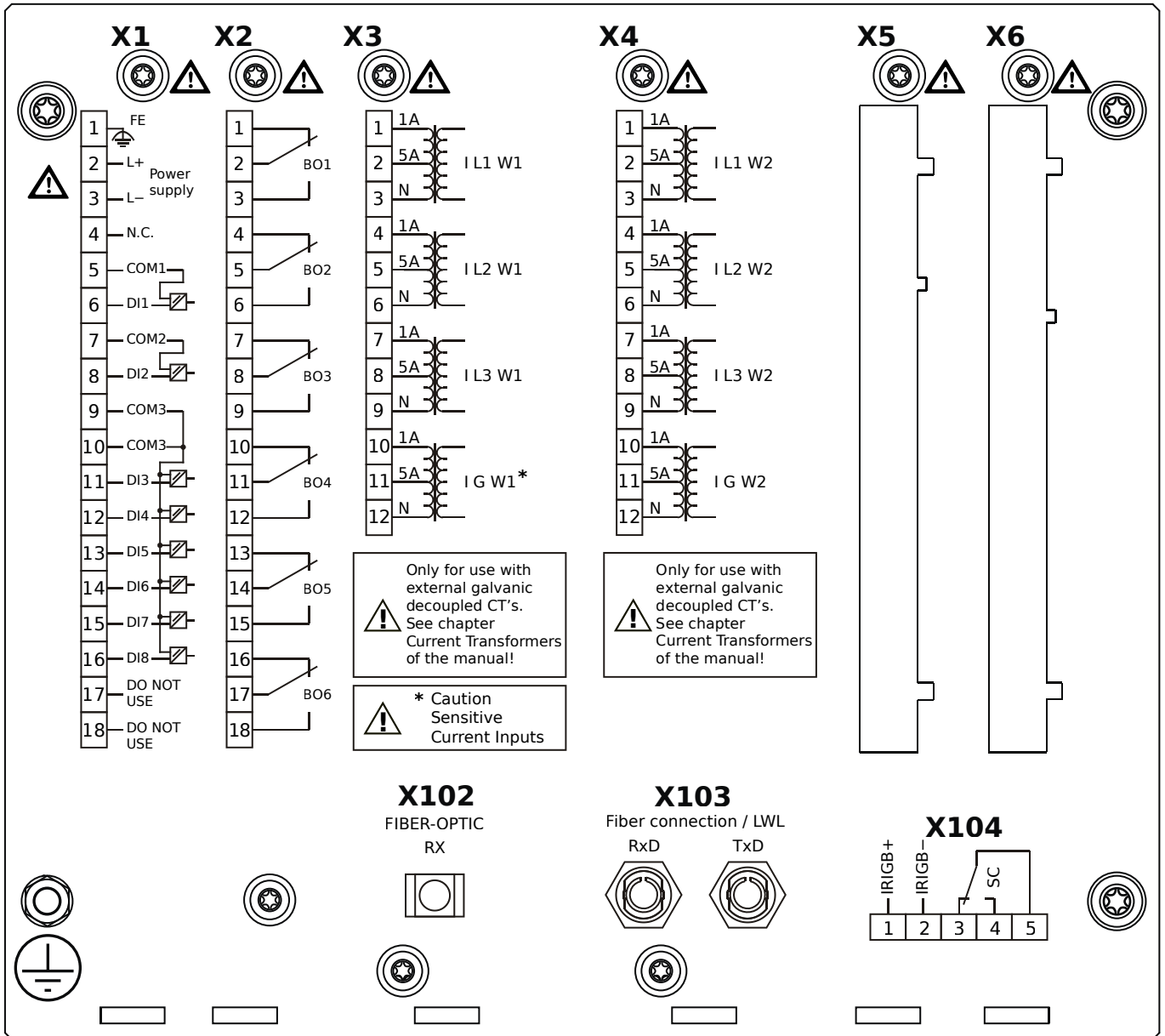
MRDT4-2A1ADA



Housing B2, small display, door mounting

- X1** – DI8-X1: Wide-range power supply unit, incl. 2 non-grouped digital inputs and 6 grouped digital inputs
- X2** – OR6: Assembly Group with 6 Output Relays (Changeover / Form C)
- X3** – TIs: Standard phase current measuring card and sensitive ground current measuring (winding side 1)
- X4** – TI: Standard current measuring card (for the winding side 2)
- X102** – Universal Resistance-Temperature Detector (URTD) input, Fiber optics interface, Versatile Link
- X103** – Profibus-DP, Fiber optics interface, ST Connector
- X104** – IRIG-B00X, incl. System Contact (Supervision Contact)

MRDT4-2A1ADB

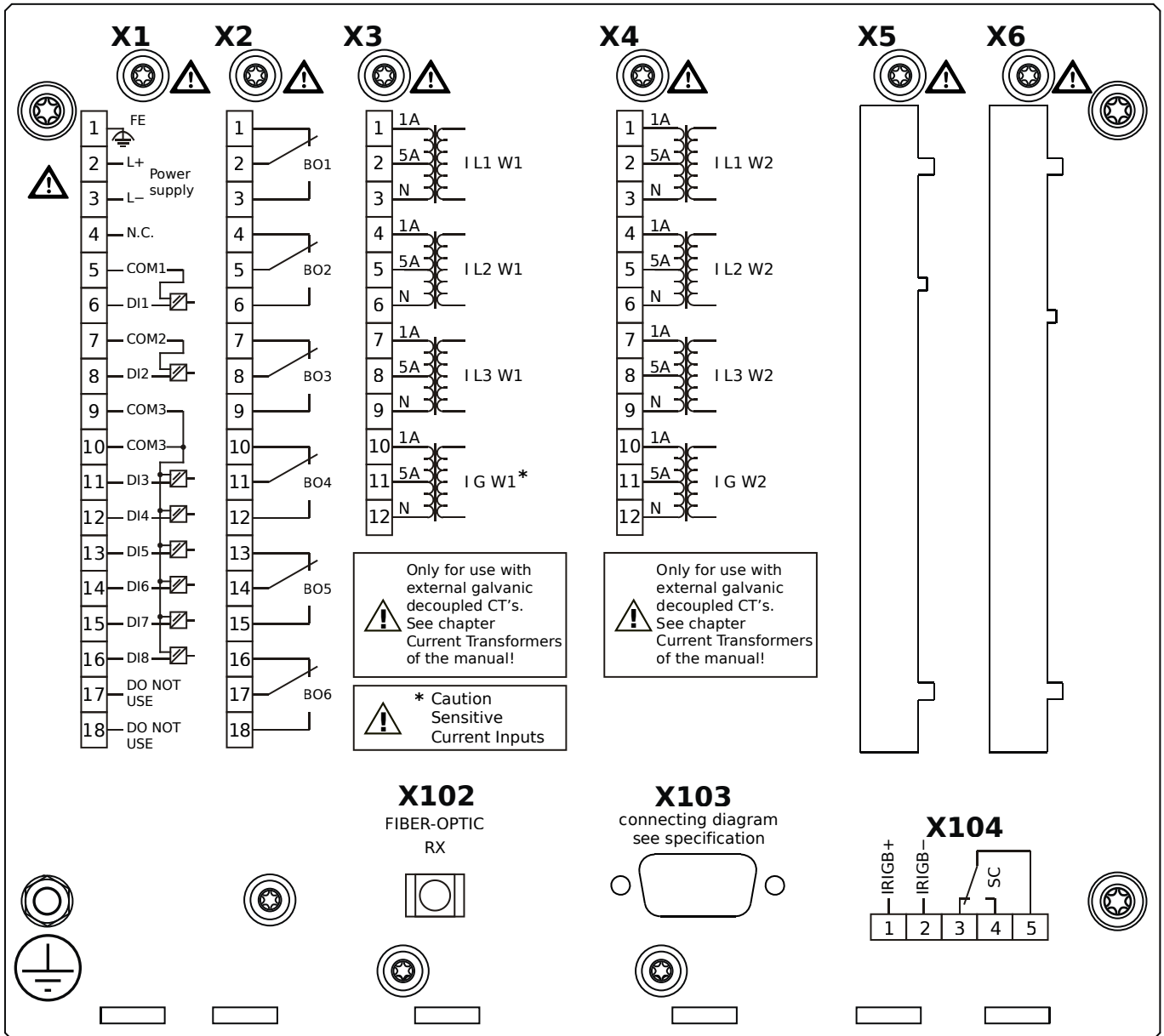


Housing B2, small display, door mounting

+ Conformal Coating (for installations in harsh environment)

- X1** – DI8-X1: Wide-range power supply unit, incl. 2 non-grouped digital inputs and 6 grouped digital inputs
- X2** – OR6: Assembly Group with 6 Output Relays (Changeover / Form C)
- X3** – TIs: Standard phase current measuring card and sensitive ground current measuring (winding side 1)
- X4** – TI: Standard current measuring card (for the winding side 2)
- X102** – Universal Resistance-Temperature Detector (URTD) input, Fiber optics interface, Versatile Link
- X103** – Profibus-DP, Fiber optics interface, ST Connector
- X104** – IRIG-B00X, incl. System Contact (Supervision Contact)

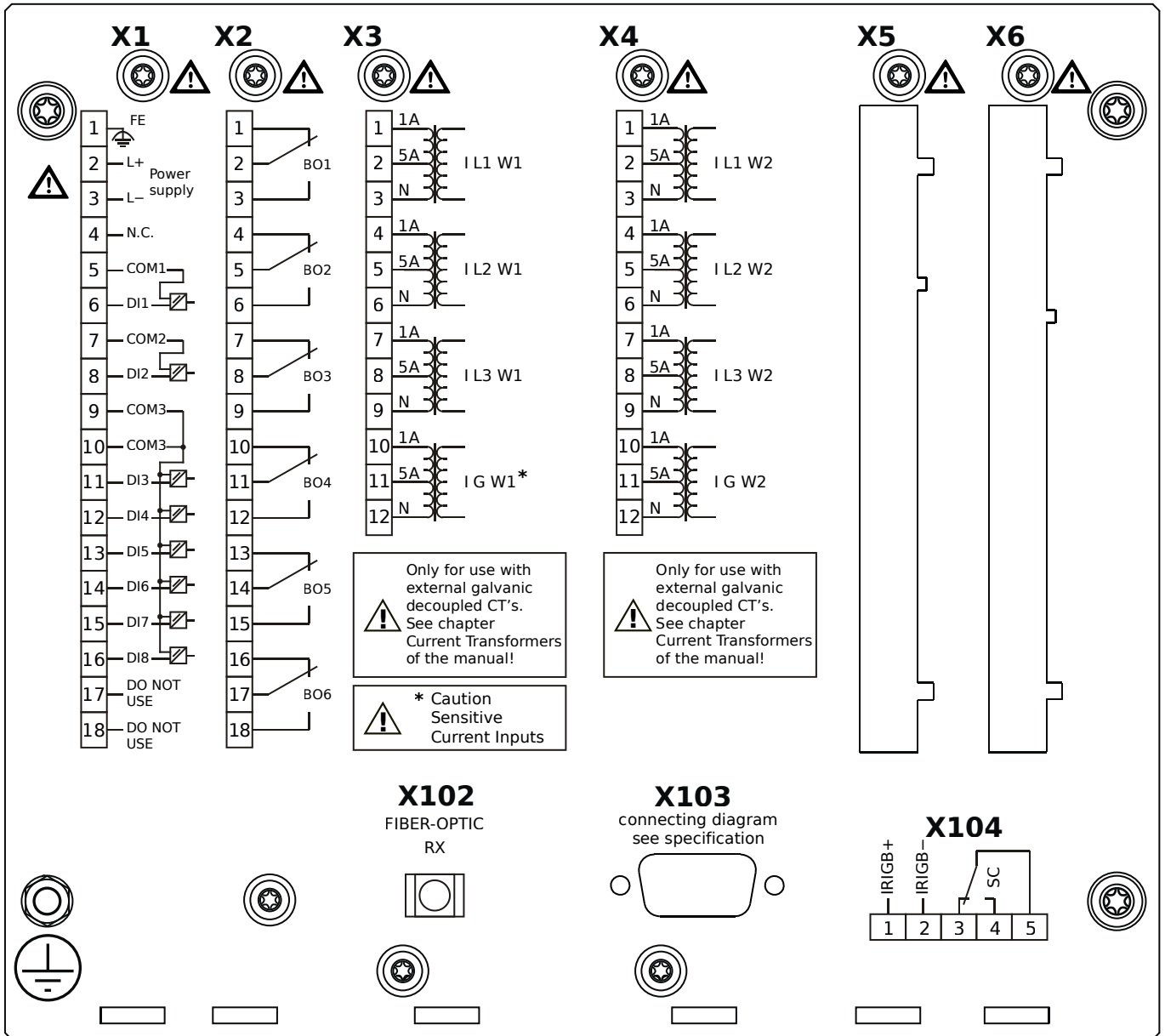
MRDT4-2A1AEA



Housing B2, small display, door mounting

- X1** – DI8-X1: Wide-range power supply unit, incl. 2 non-grouped digital inputs and 6 grouped digital inputs
- X2** – OR6: Assembly Group with 6 Output Relays (Changeover / Form C)
- X3** – TIs: Standard phase current measuring card and sensitive ground current measuring (winding side 1)
- X4** – TI: Standard current measuring card (for the winding side 2)
- X102** – Universal Resistance-Temperature Detector (URTD) input, Fiber optics interface, Versatile Link
- X103** – Profibus-DP, RS485, D-SUB
- X104** – IRIG-B00X, incl. System Contact (Supervision Contact)

MRDT4-2A1AEB

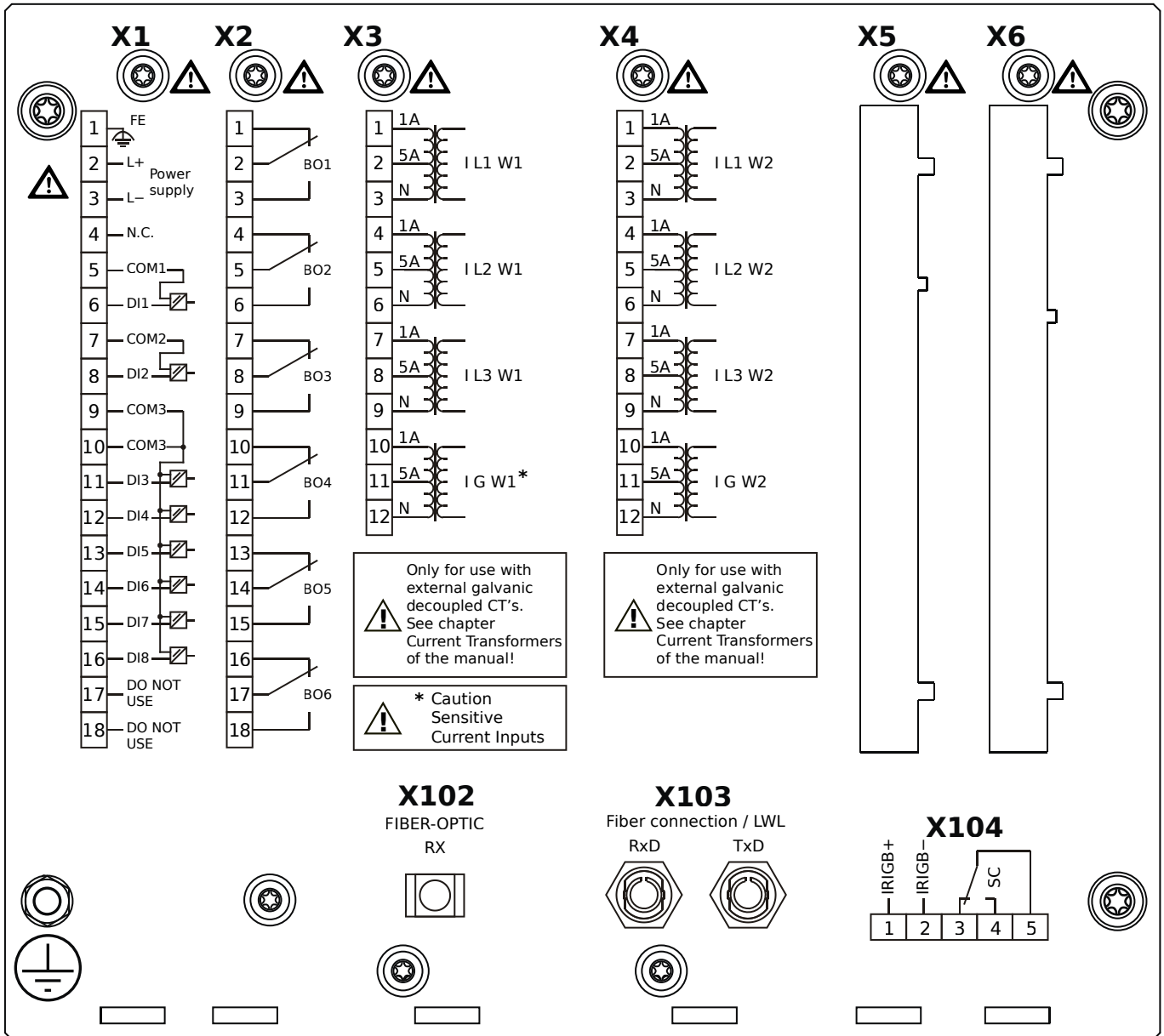


Housing B2, small display, door mounting

+ Conformal Coating (for installations in harsh environment)

- X1** – DI8-X1: Wide-range power supply unit, incl. 2 non-grouped digital inputs and 6 grouped digital inputs
- X2** – OR6: Assembly Group with 6 Output Relays (Changeover / Form C)
- X3** – TIs: Standard phase current measuring card and sensitive ground current measuring (winding side 1)
- X4** – TI: Standard current measuring card (for the winding side 2)
- X102** – Universal Resistance-Temperature Detector (URTD) input, Fiber optics interface, Versatile Link
- X103** – Profibus-DP, RS485, D-SUB
- X104** – IRIG-B00X, incl. System Contact (Supervision Contact)

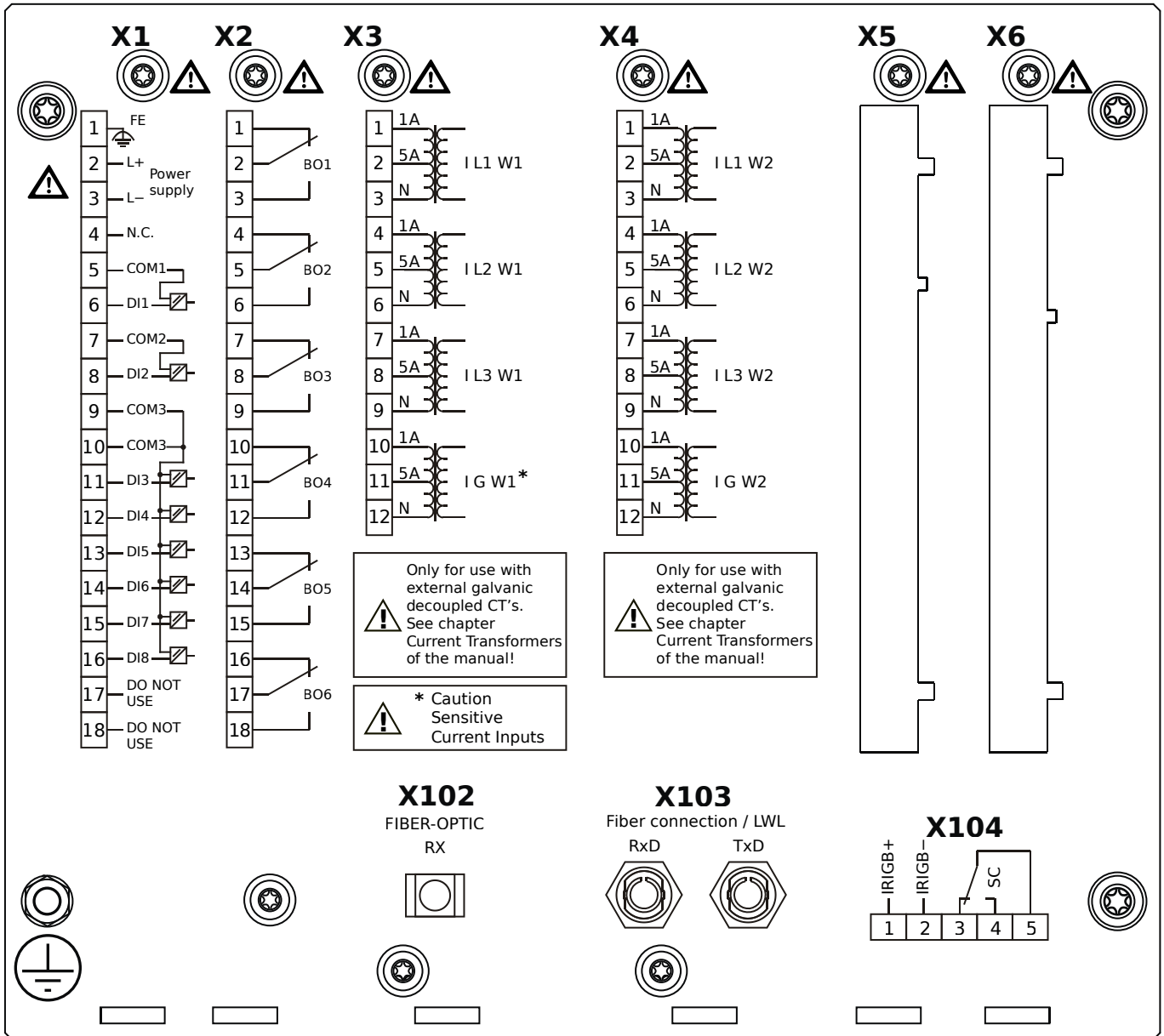
MRDT4-2A1AFA



Housing B2, small display, door mounting

- X1** – DI8-X1: Wide-range power supply unit, incl. 2 non-grouped digital inputs and 6 grouped digital inputs
- X2** – OR6: Assembly Group with 6 Output Relays (Changeover / Form C)
- X3** – TIs: Standard phase current measuring card and sensitive ground current measuring (winding side 1)
- X4** – TI: Standard current measuring card (for the winding side 2)
- X102** – Universal Resistance-Temperature Detector (URTD) input, Fiber optics interface, Versatile Link
- X103** – Modbus RTU / IEC 60870-5-103 / DNP3.0 RTU, Fiber optics interface, ST Connector
- X104** – IRIG-B00X, incl. System Contact (Supervision Contact)

MRDT4-2A1AFB

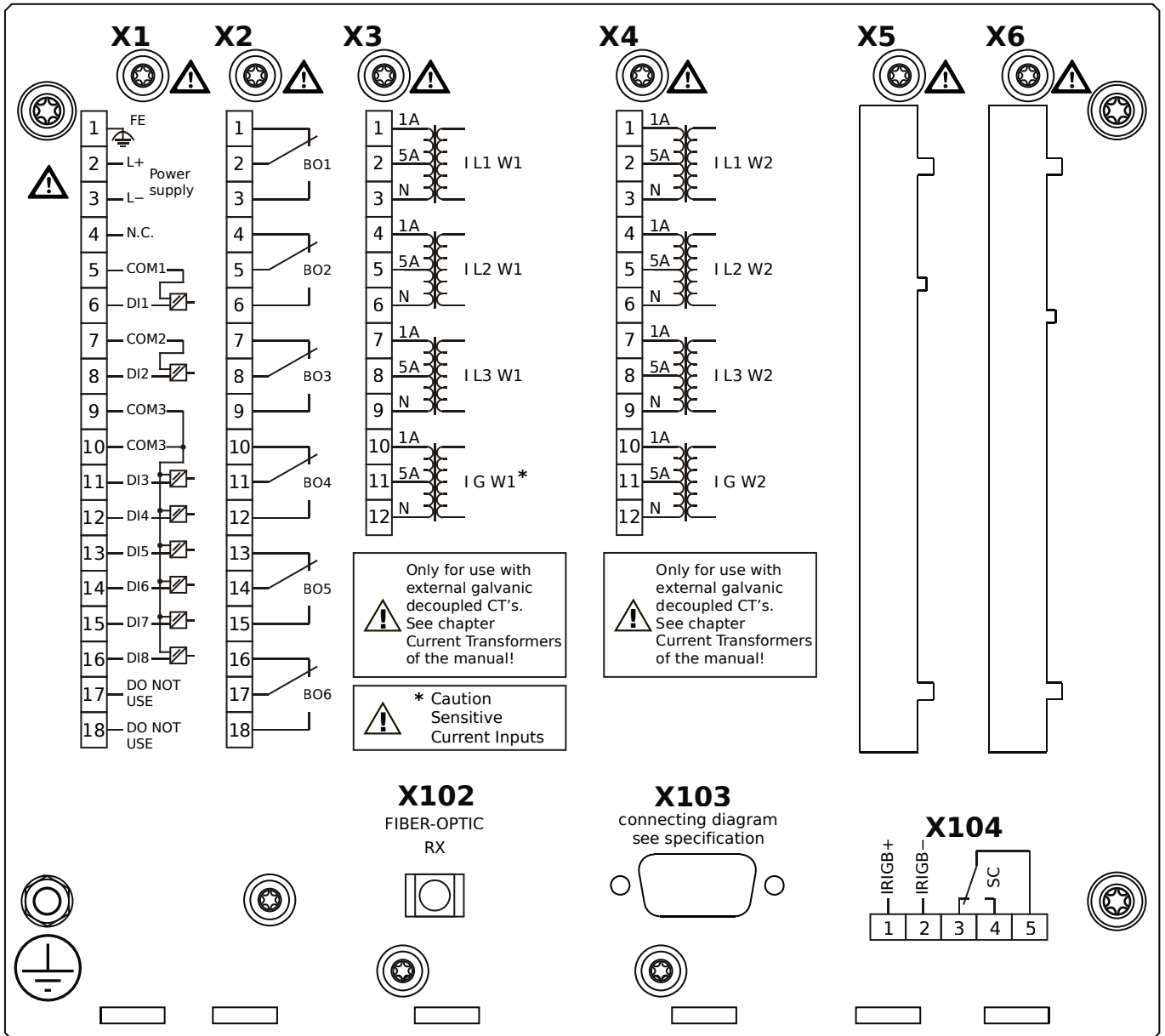


Housing B2, small display, door mounting

+ Conformal Coating (for installations in harsh environment)

- X1** – DI8-X1: Wide-range power supply unit, incl. 2 non-grouped digital inputs and 6 grouped digital inputs
- X2** – OR6: Assembly Group with 6 Output Relays (Changeover / Form C)
- X3** – TIs: Standard phase current measuring card and sensitive ground current measuring (winding side 1)
- X4** – TI: Standard current measuring card (for the winding side 2)
- X102** – Universal Resistance-Temperature Detector (URTD) input, Fiber optics interface, Versatile Link
- X103** – Modbus RTU / IEC 60870-5-103 / DNP3.0 RTU, Fiber optics interface, ST Connector
- X104** – IRIG-B00X, incl. System Contact (Supervision Contact)

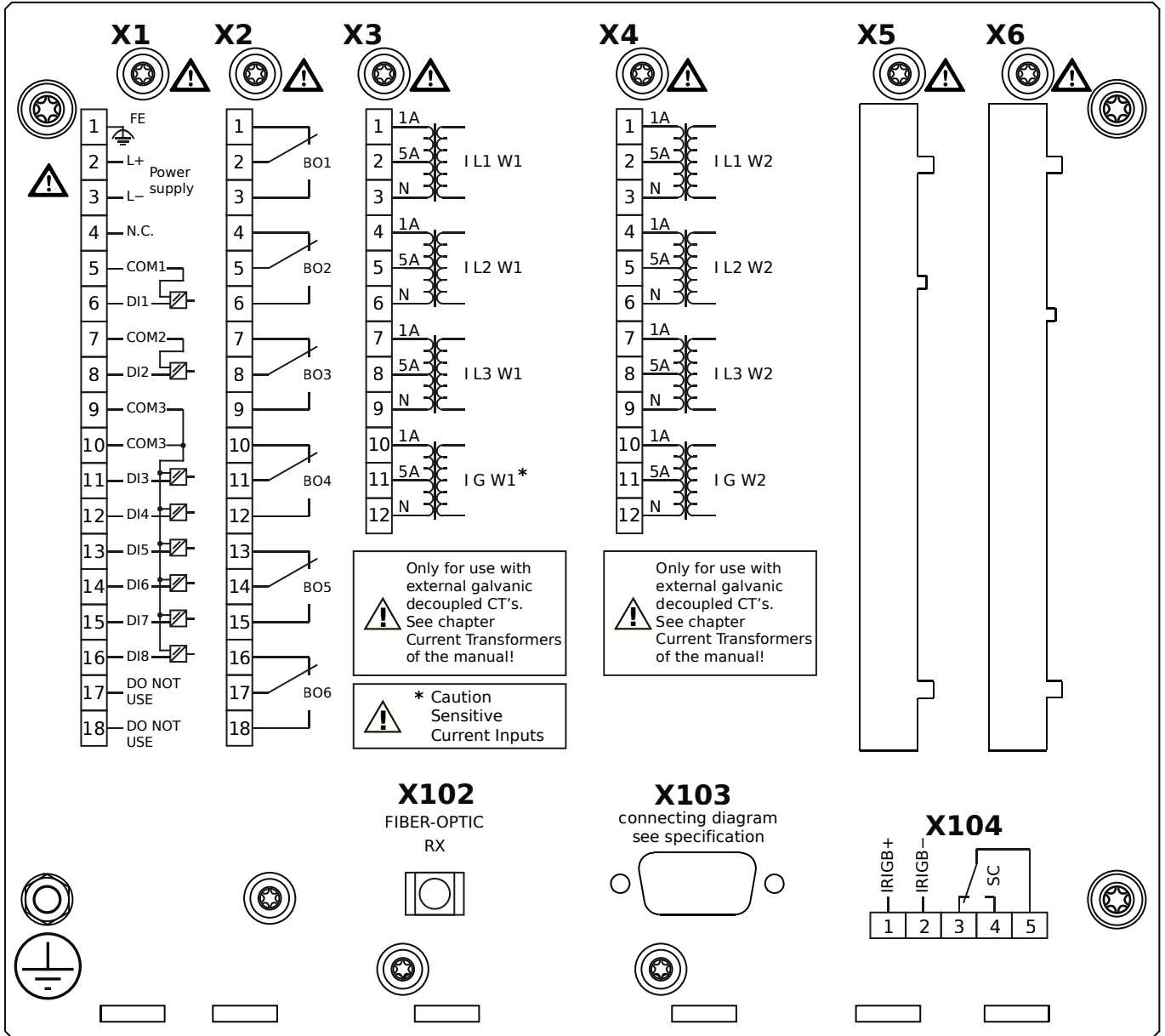
MRDT4-2A1AGA



Housing B2, small display, door mounting

- X1** – DI8-X1: Wide-range power supply unit, incl. 2 non-grouped digital inputs and 6 grouped digital inputs
- X2** – OR6: Assembly Group with 6 Output Relays (Changeover / Form C)
- X3** – TIs: Standard phase current measuring card and sensitive ground current measuring (winding side 1)
- X4** – TI: Standard current measuring card (for the winding side 2)
- X102** – Universal Resistance-Temperature Detector (URTD) input, Fiber optics interface, Versatile Link
- X103** – Modbus RTU / IEC 60870-5-103 / DNP3.0 RTU, RS485, D-SUB
- X104** – IRIG-B00X, incl. System Contact (Supervision Contact)

MRDT4-2A1AGB

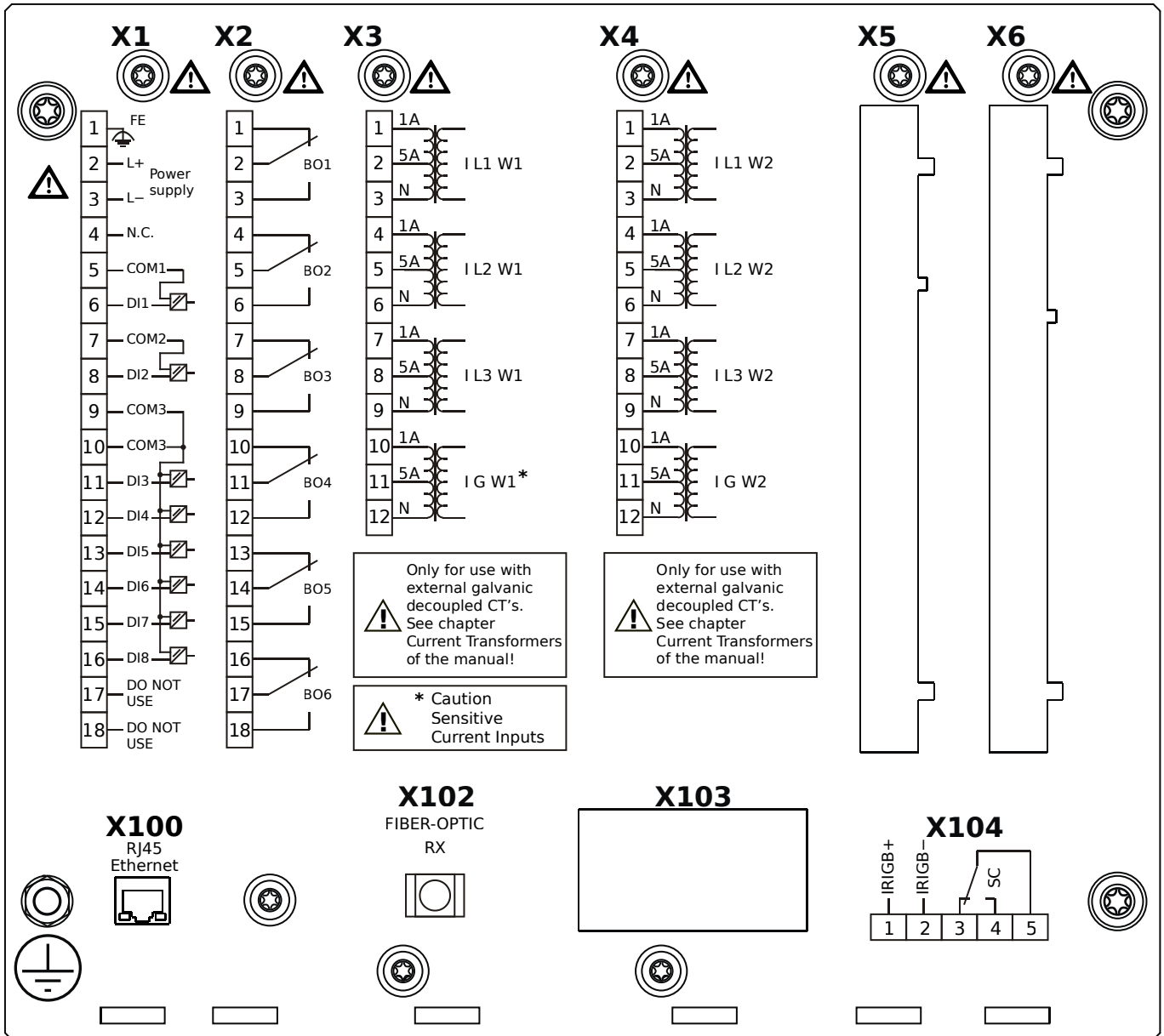


Housing B2, small display, door mounting

+ Conformal Coating (for installations in harsh environment)

- X1** – DI8-X1: Wide-range power supply unit, incl. 2 non-grouped digital inputs and 6 grouped digital inputs
- X2** – OR6: Assembly Group with 6 Output Relays (Changeover / Form C)
- X3** – TIs: Standard phase current measuring card and sensitive ground current measuring (winding side 1)
- X4** – TI: Standard current measuring card (for the winding side 2)
- X102** – Universal Resistance-Temperature Detector (URTD) input, Fiber optics interface, Versatile Link
- X103** – Modbus RTU / IEC 60870-5-103 / DNP3.0 RTU, RS485, D-SUB
- X104** – IRIG-B00X, incl. System Contact (Supervision Contact)

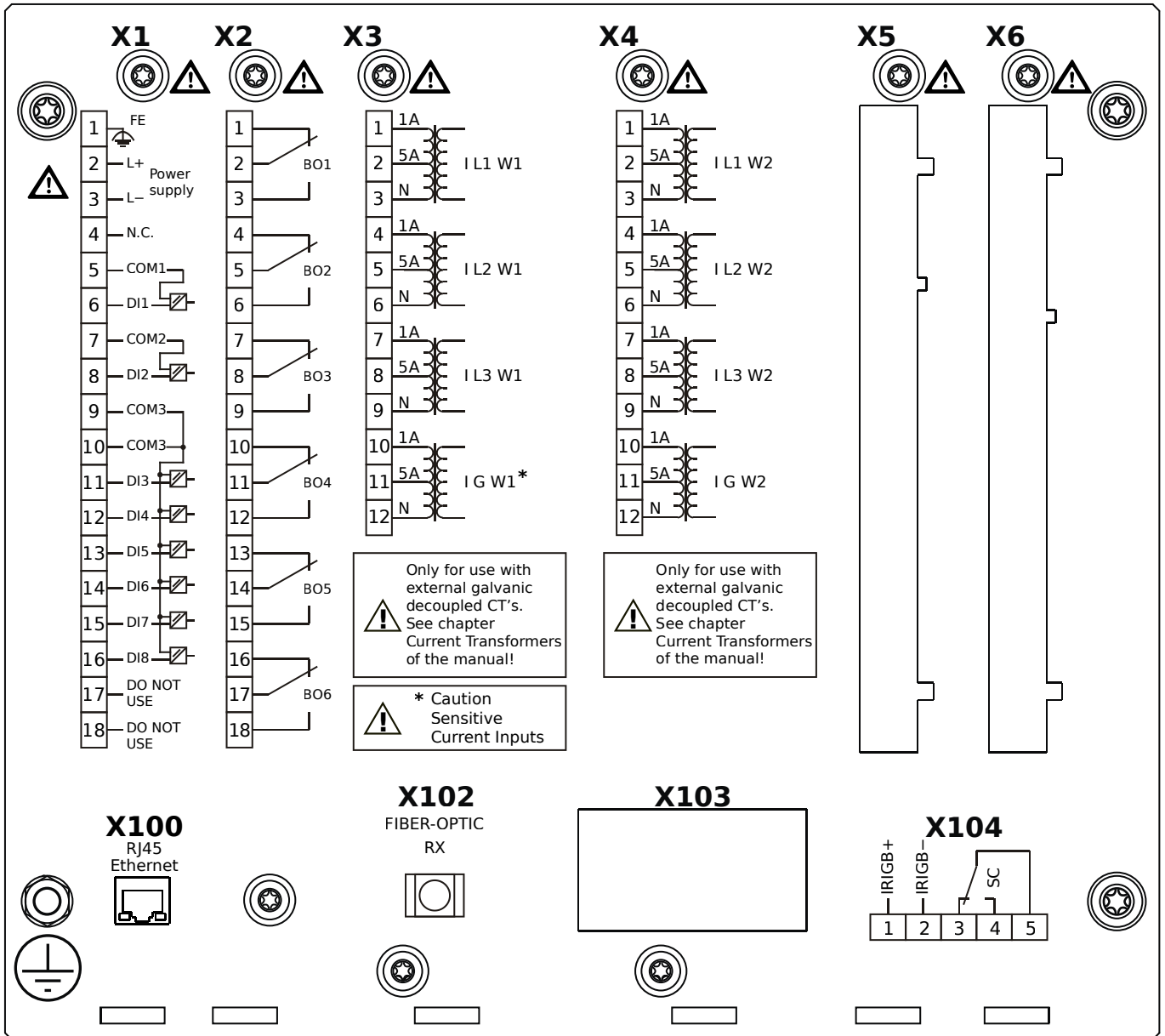
MRDT4-2A1AHA



Housing B2, small display, door mounting

- X1** – DI8-X1: Wide-range power supply unit, incl. 2 non-grouped digital inputs and 6 grouped digital inputs
- X2** – OR6: Assembly Group with 6 Output Relays (Changeover / Form C)
- X3** – TIs: Standard phase current measuring card and sensitive ground current measuring (winding side 1)
- X4** – TI: Standard current measuring card (for the winding side 2)
- X100** – IEC 61850 / Modbus TCP / IEC 60870-5-104 / DNP3.0 TCP/UDP, Ethernet interface, 100 Mbit/s, RJ45 (BASE100-FX)
- X102** – Universal Resistance-Temperature Detector (URTD) input, Fiber optics interface, Versatile Link
- X104** – IRIG-B00X, incl. System Contact (Supervision Contact)

MRDT4-2A1AHB



Housing B2, small display, door mounting

+ Conformal Coating (for installations in harsh environment)

X1 – DI8-X1: Wide-range power supply unit, incl. 2 non-grouped digital inputs and 6 grouped digital inputs

X2 – OR6: Assembly Group with 6 Output Relays (Changeover / Form C)

X3 – TIs: Standard phase current measuring card and sensitive ground current measuring (winding side 1)

X4 – TI: Standard current measuring card (for the winding side 2)

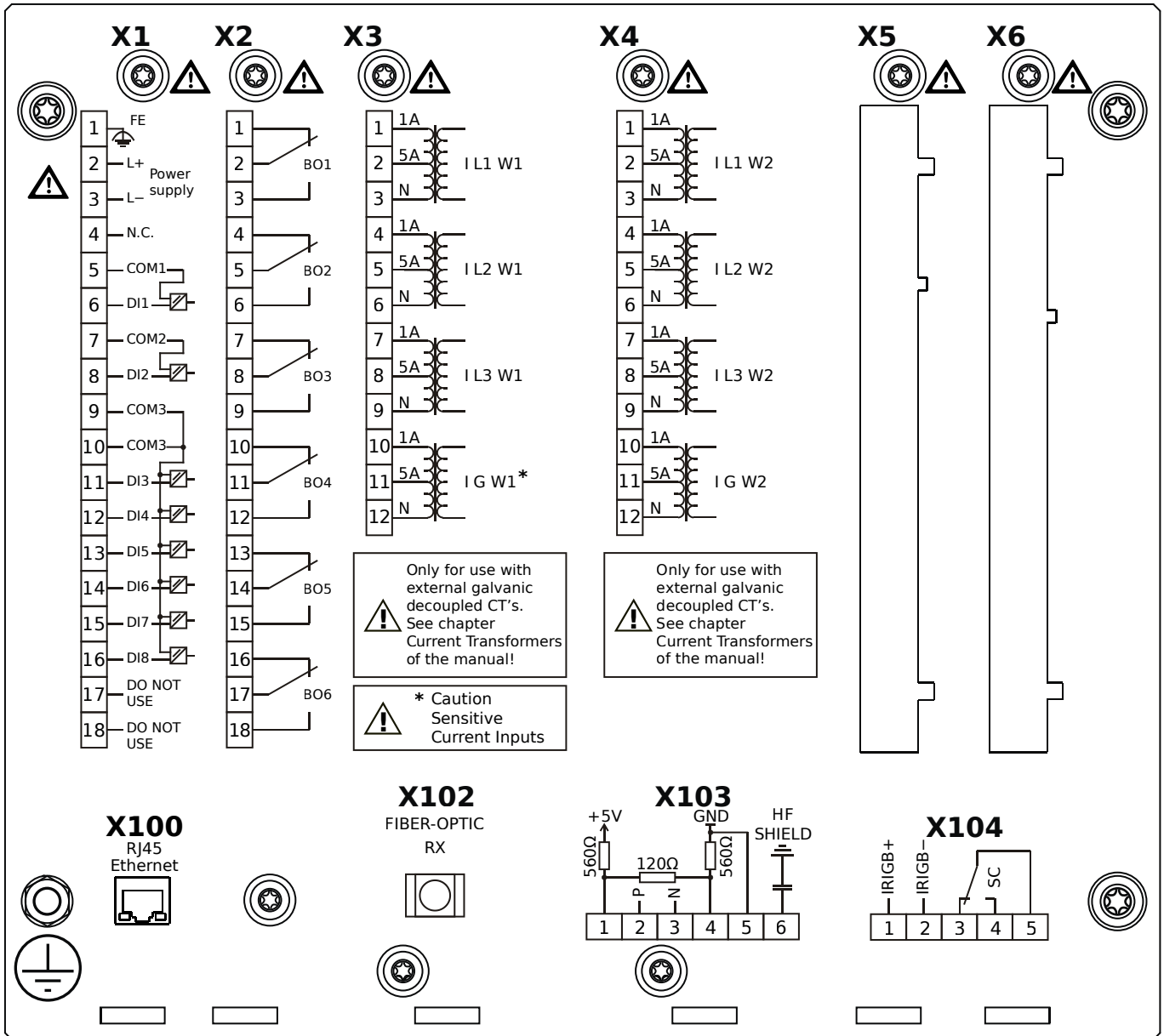
X100 – IEC 61850 / Modbus TCP / IEC 60870-5-104 / DNP3.0 TCP/UDP, Ethernet interface, 100 Mbit/s, RJ45 (BASE100-

X102 – Universal Resistance-Temperature Detector (URTD) input, Fiber optics interface, Versatile Link

X104 – IRIG-B00X, incl. System Contact (Supervision Contact)

FX)

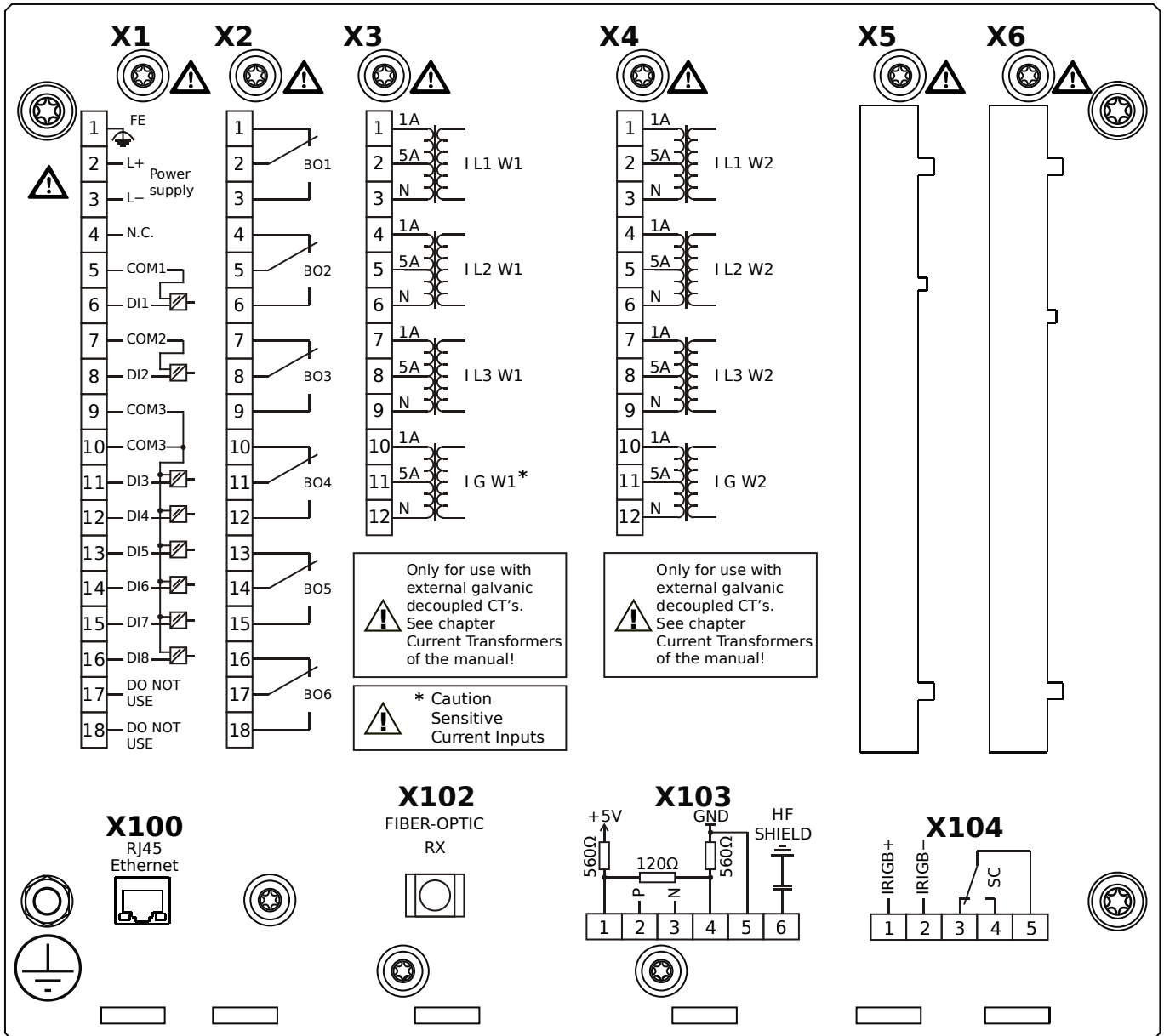
MRDT4-2A1AIA



Housing B2, small display, door mounting

- X1** – DI8-X1: Wide-range power supply unit, incl. 2 non-grouped digital inputs and 6 grouped digital inputs
- X2** – OR6: Assembly Group with 6 Output Relays (Changeover / Form C)
- X3** – TIs: Standard phase current measuring card and sensitive ground current measuring (winding side 1)
- X4** – TI: Standard current measuring card (for the winding side 2)
- X100** – Modbus TCP / IEC 60870-5-104 / DNP3.0 TCP/UDP, Ethernet interface, 100 Mbit/s, RJ45 (BASE100-FX)
- X102** – Universal Resistance-Temperature Detector (URTD) input, Fiber optics interface, Versatile Link
- X103** – IEC 60870-5-103 / Modbus RTU / DNP3.0 RTU, RS485, Terminals
- X104** – IRIG-B00X, incl. System Contact (Supervision Contact)

MRDT4-2A1AIB

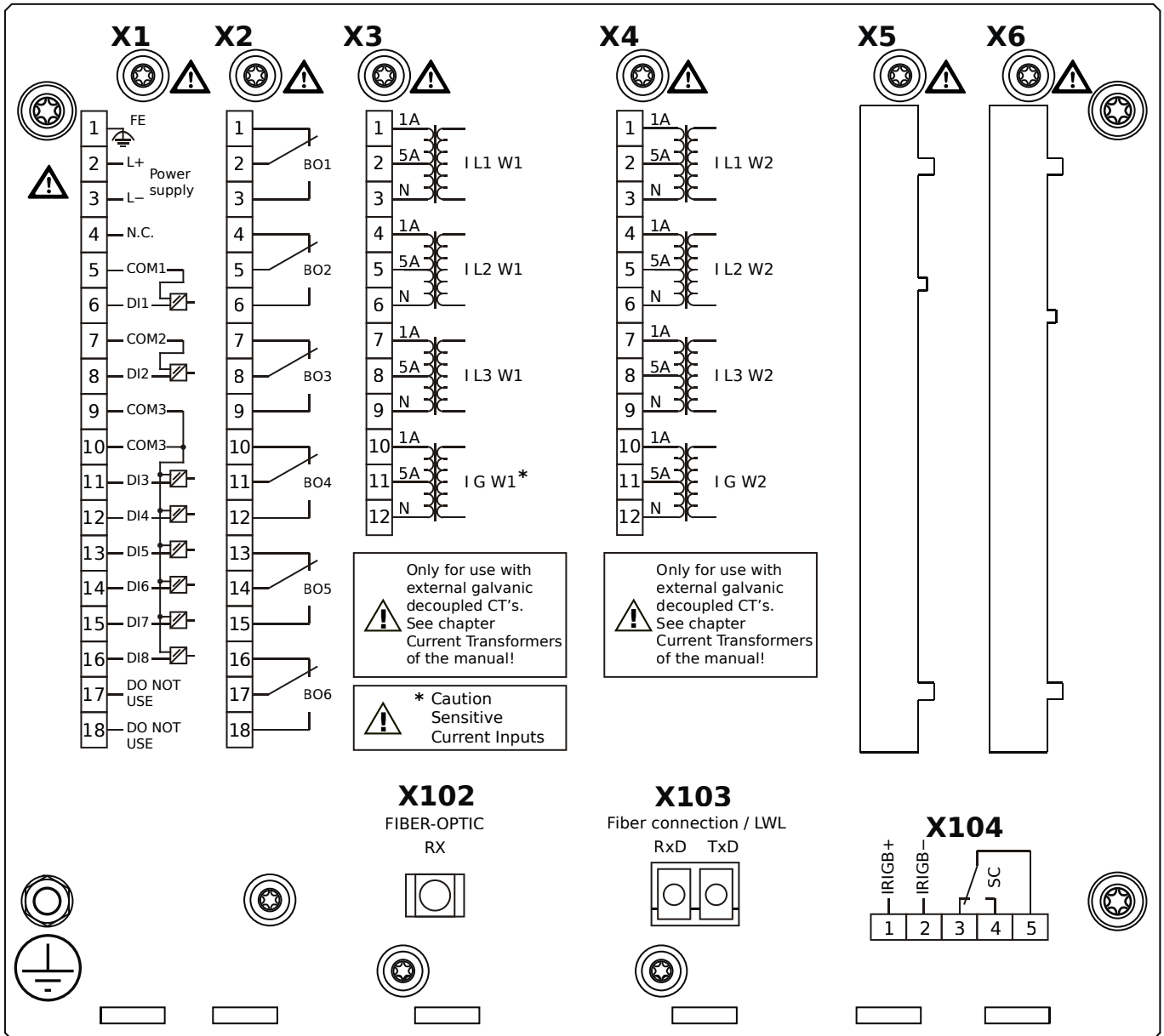


Housing B2, small display, door mounting

+ Conformal Coating (for installations in harsh environment)

- X1** – DI8-X1: Wide-range power supply unit, incl. 2 non-grouped digital inputs and 6 grouped digital inputs
- X2** – OR6: Assembly Group with 6 Output Relays (Changeover / Form C)
- X3** – TIs: Standard phase current measuring card and sensitive ground current measuring (winding side 1)
- X4** – TI: Standard current measuring card (for the winding side 2)
- X100** – Modbus TCP / IEC 60870-5-104 / DNP3.0 TCP/UDP, Ethernet interface, 100 Mbit/s, RJ45 (BASE100-FX)
- X102** – Universal Resistance-Temperature Detector (URTD) input, Fiber optics interface, Versatile Link
- X103** – IEC 60870-5-103 / Modbus RTU / DNP3.0 RTU, RS485, Terminals
- X104** – IRIG-B00X, incl. System Contact (Supervision Contact)

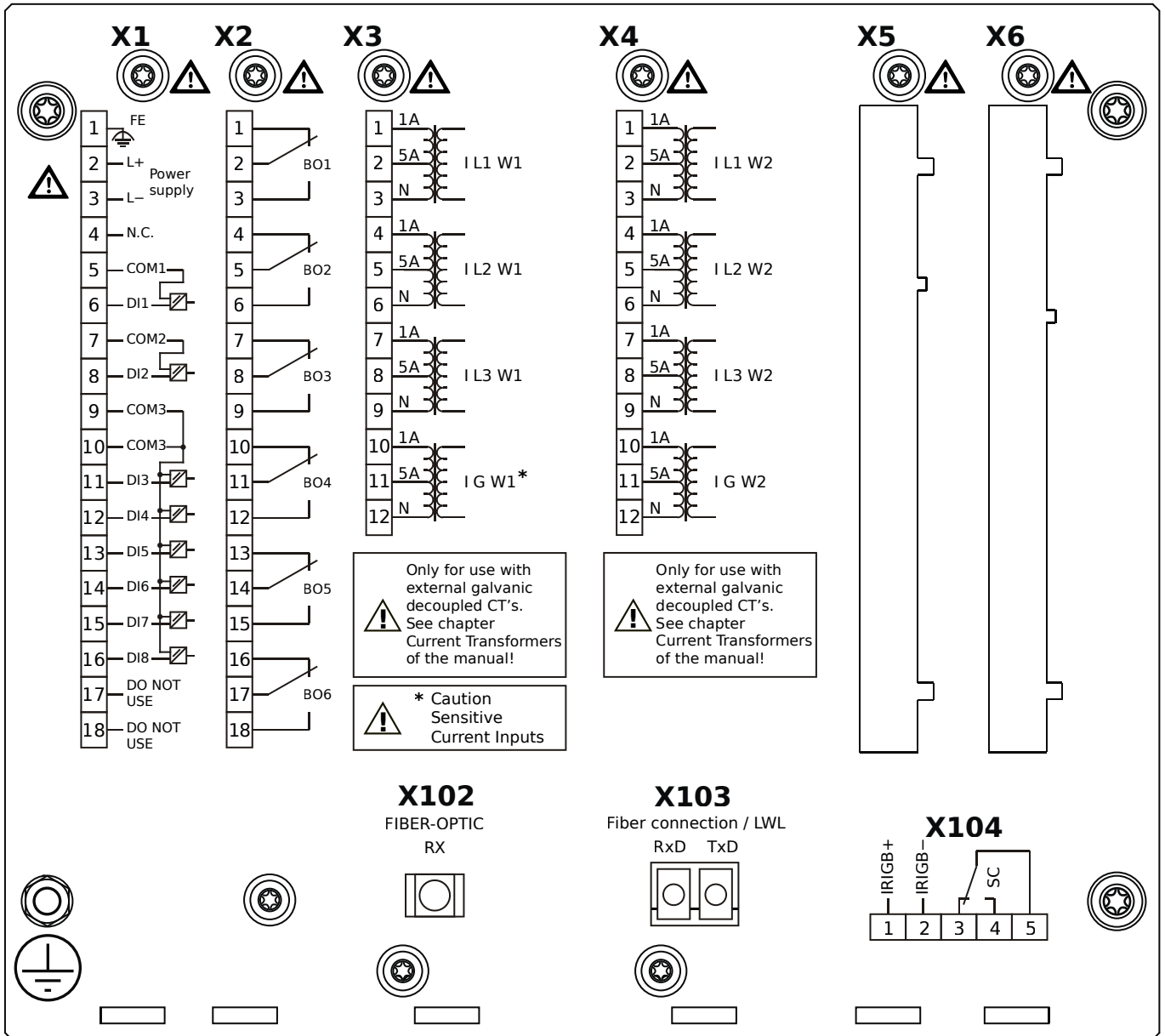
MRDT4-2A1AKA



Housing B2, small display, door mounting

- X1** – DI8-X1: Wide-range power supply unit, incl. 2 non-grouped digital inputs and 6 grouped digital inputs
- X2** – OR6: Assembly Group with 6 Output Relays (Changeover / Form C)
- X3** – TIs: Standard phase current measuring card and sensitive ground current measuring (winding side 1)
- X4** – TI: Standard current measuring card (for the winding side 2)
- X102** – Universal Resistance-Temperature Detector (URTD) input, Fiber optics interface, Versatile Link
- X103** – IEC 61850 / Modbus TCP / IEC 60870-5-104 / DNP3.0 TCP/UDP, Fiber optics interface, LC Connector
- X104** – IRIG-B00X, incl. System Contact (Supervision Contact)

MRDT4-2A1AKB

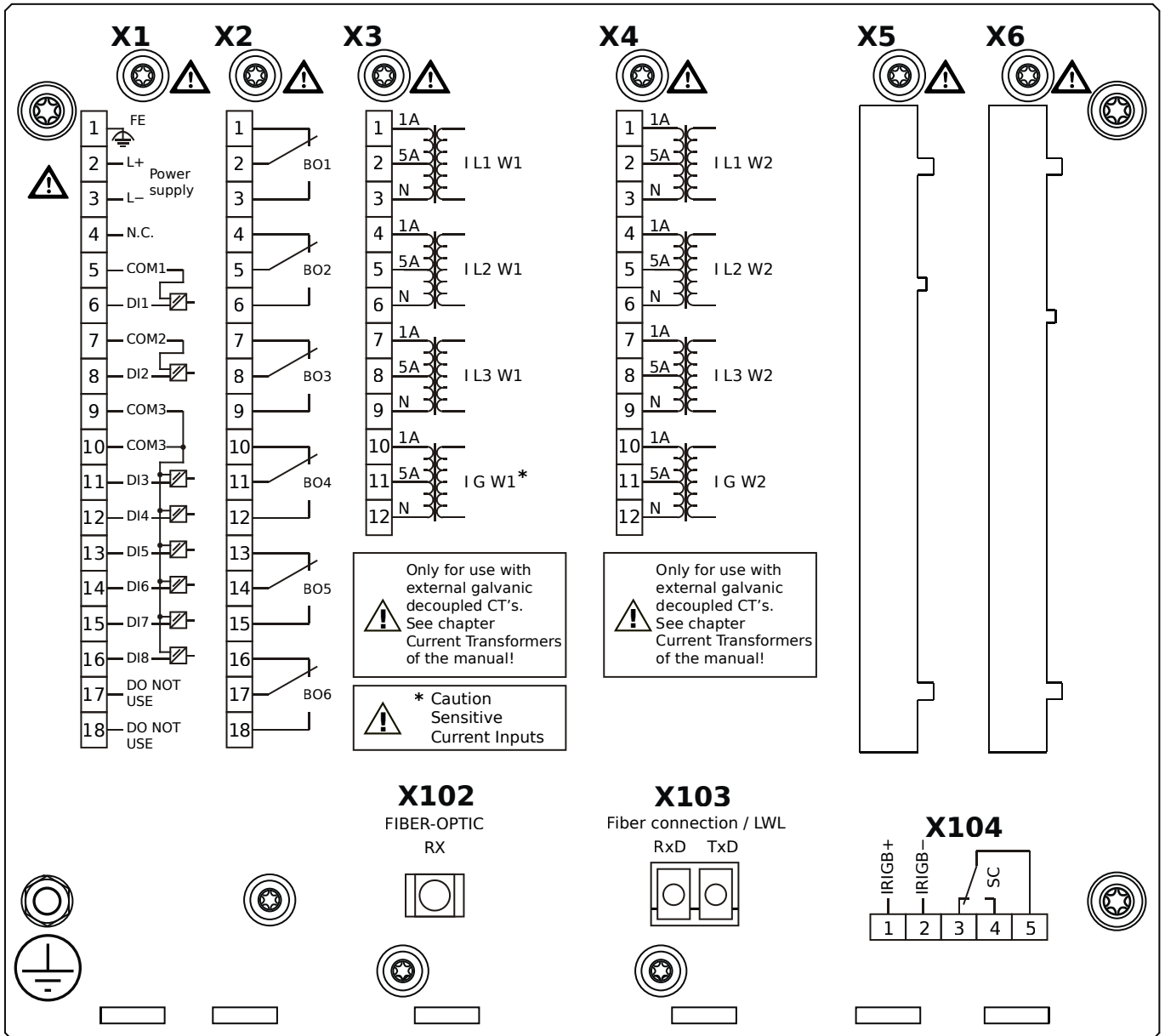


Housing B2, small display, door mounting

+ Conformal Coating (for installations in harsh environment)

- X1** – DI8-X1: Wide-range power supply unit, incl. 2 non-grouped digital inputs and 6 grouped digital inputs
- X2** – OR6: Assembly Group with 6 Output Relays (Changeover / Form C)
- X3** – TIs: Standard phase current measuring card and sensitive ground current measuring (winding side 1)
- X4** – TI: Standard current measuring card (for the winding side 2)
- X102** – Universal Resistance-Temperature Detector (URTD) input, Fiber optics interface, Versatile Link
- X103** – IEC 61850 / Modbus TCP / IEC 60870-5-104 / DNP3.0 TCP/UDP, Fiber optics interface, LC Connector
- X104** – IRIG-B00X, incl. System Contact (Supervision Contact)

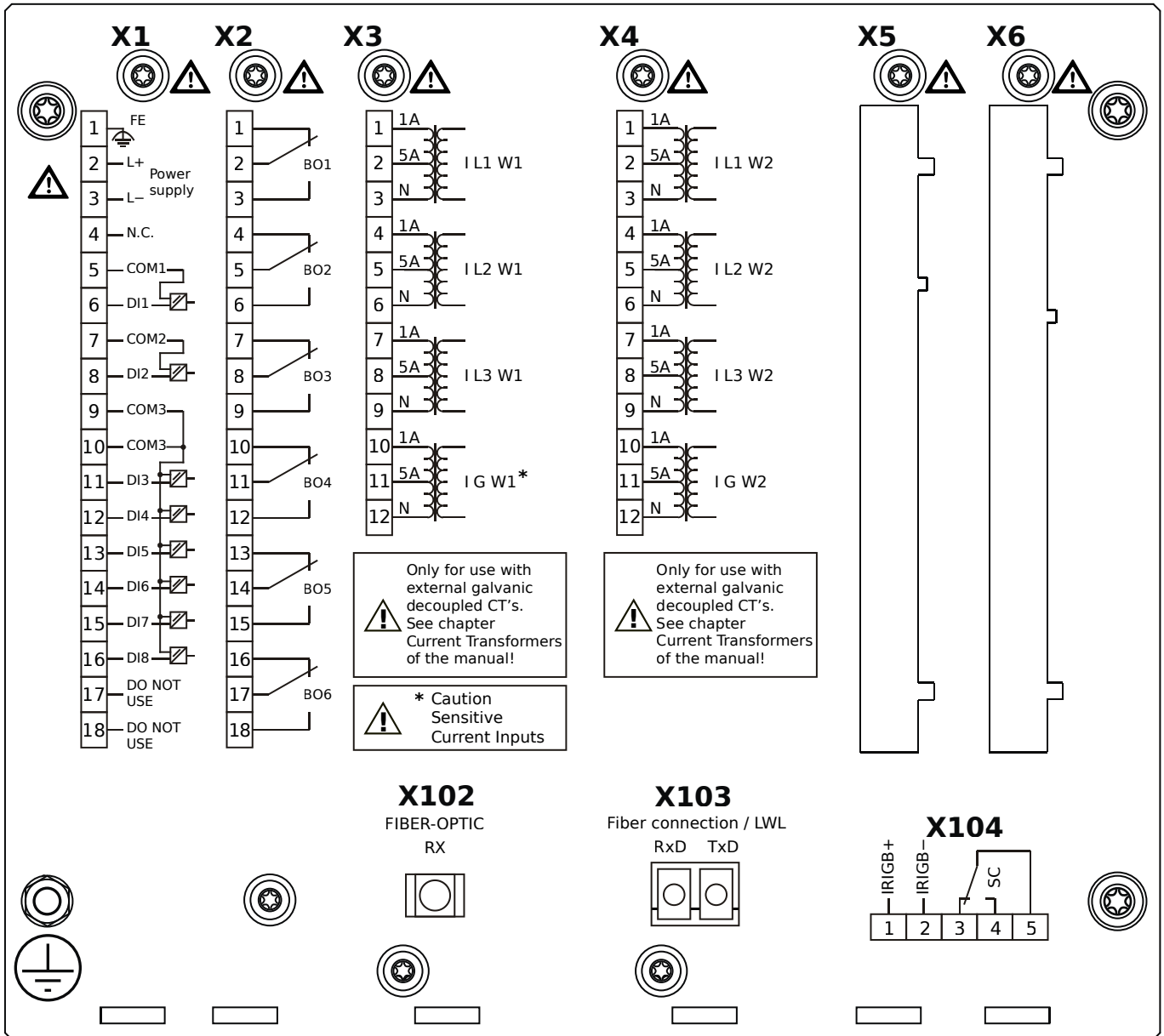
MRDT4-2A1ALA



Housing B2, small display, door mounting

- X1** – DI8-X1: Wide-range power supply unit, incl. 2 non-grouped digital inputs and 6 grouped digital inputs
- X2** – OR6: Assembly Group with 6 Output Relays (Changeover / Form C)
- X3** – TIs: Standard phase current measuring card and sensitive ground current measuring (winding side 1)
- X4** – TI: Standard current measuring card (for the winding side 2)
- X102** – Universal Resistance-Temperature Detector (URTD) input, Fiber optics interface, Versatile Link
- X103** – Modbus TCP / IEC 60870-5-104 / DNP3.0 TCP/UDP, Fiber optics interface, LC Connector
- X104** – IRIG-B00X, incl. System Contact (Supervision Contact)

MRDT4-2A1ALB

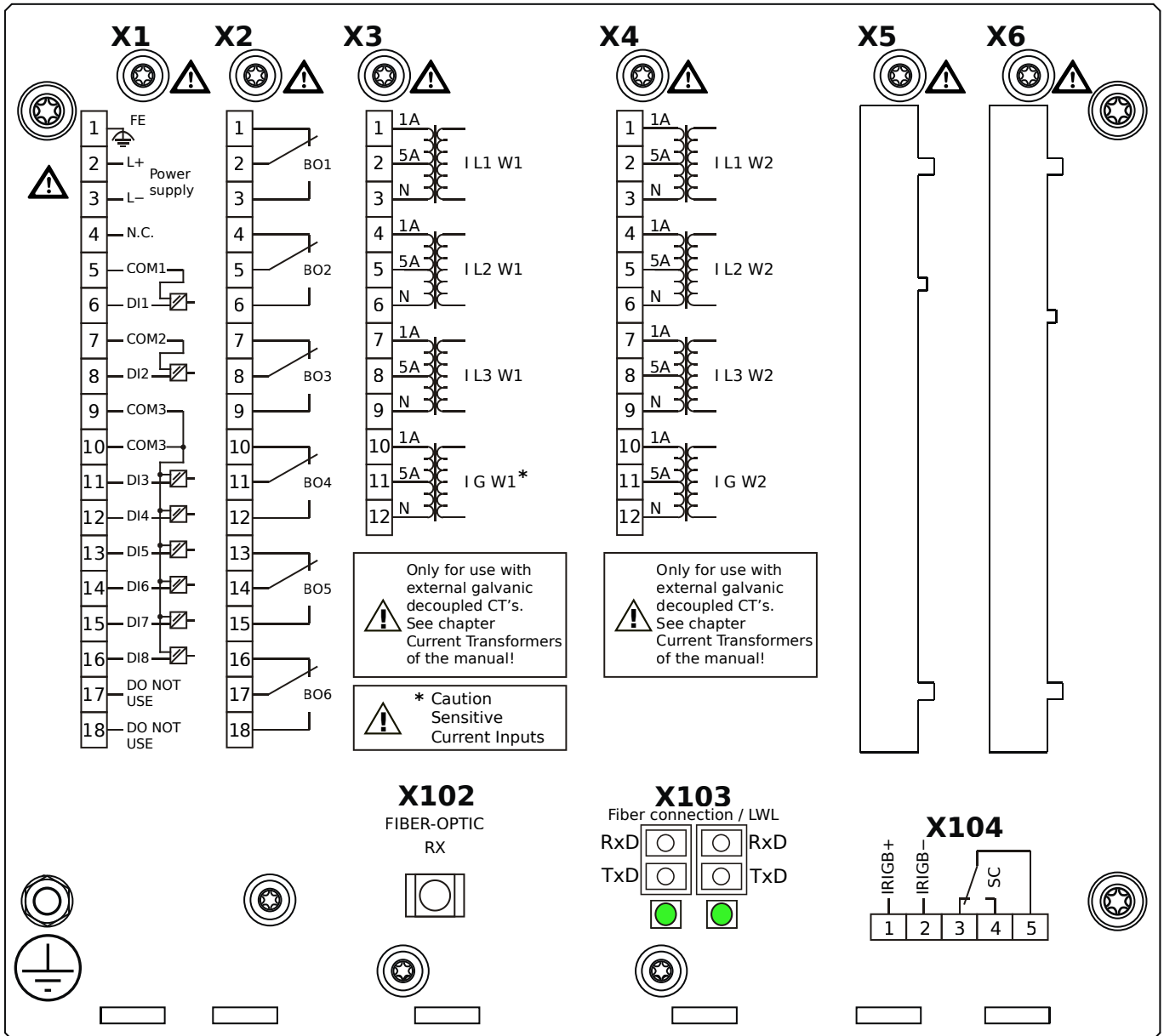


Housing B2, small display, door mounting

+ Conformal Coating (for installations in harsh environment)

- X1** – DI8-X1: Wide-range power supply unit, incl. 2 non-grouped digital inputs and 6 grouped digital inputs
- X2** – OR6: Assembly Group with 6 Output Relays (Changeover / Form C)
- X3** – TIs: Standard phase current measuring card and sensitive ground current measuring (winding side 1)
- X4** – TI: Standard current measuring card (for the winding side 2)
- X102** – Universal Resistance-Temperature Detector (URTD) input, Fiber optics interface, Versatile Link
- X103** – Modbus TCP / IEC 60870-5-104 / DNP3.0 TCP/UDP, Fiber optics interface, LC Connector
- X104** – IRIG-B00X, incl. System Contact (Supervision Contact)

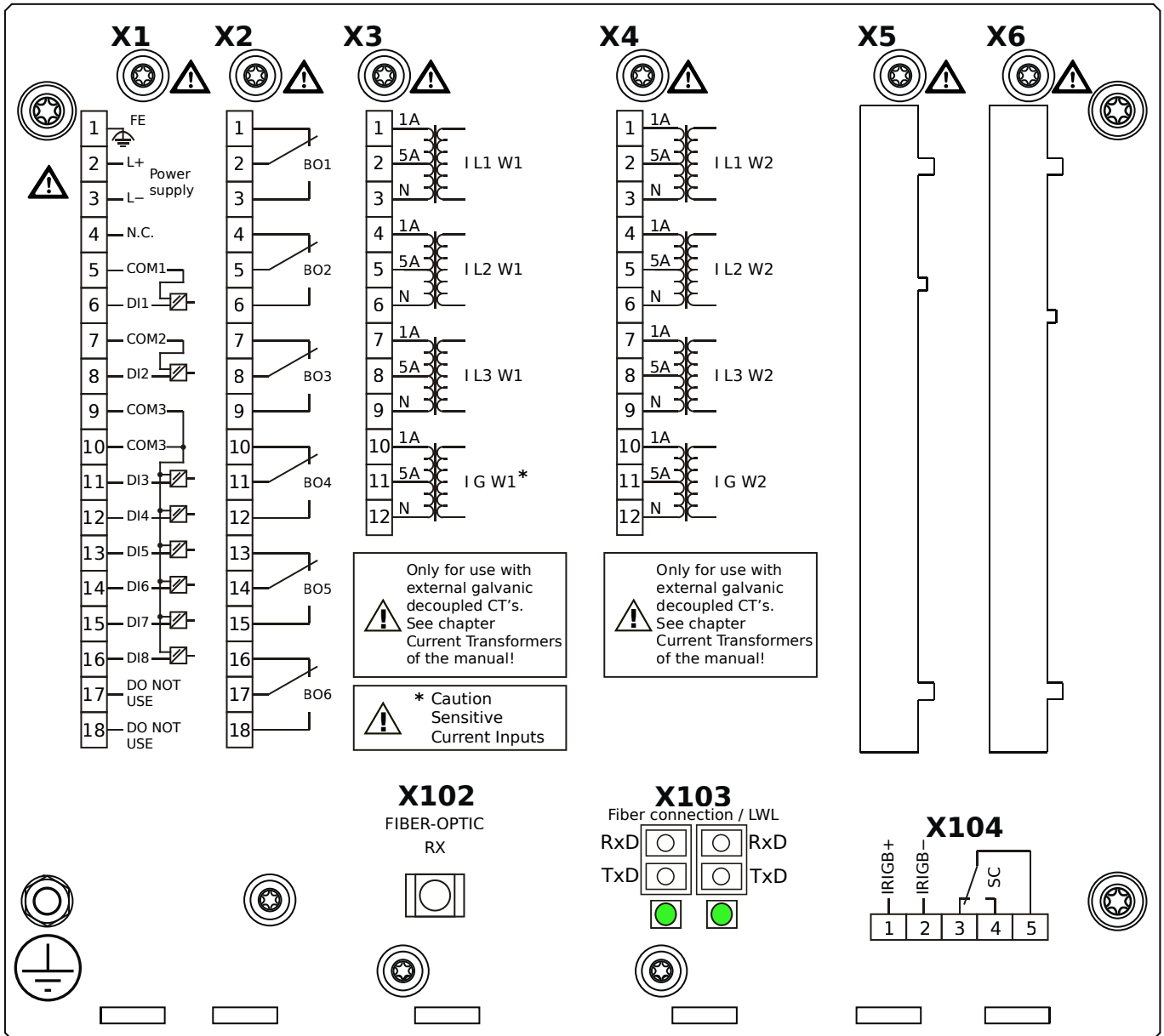
MRDT4-2A1AOA



Housing B2, small display, door mounting

- X1** – DI8-X1: Wide-range power supply unit, incl. 2 non-grouped digital inputs and 6 grouped digital inputs
- X2** – OR6: Assembly Group with 6 Output Relays (Changeover / Form C)
- X3** – TIs: Standard phase current measuring card and sensitive ground current measuring (winding side 1)
- X4** – TI: Standard current measuring card (for the winding side 2)
- X102** – Universal Resistance-Temperature Detector (URTD) input, Fiber optics interface, Versatile Link
- X103** – Modbus TCP / IEC 60870-5-104 / DNP3.0 TCP/UDP, Redundant Fiber optics interface, LC Connector
- X104** – IRIG-B00X, incl. System Contact (Supervision Contact)

MRDT4-2A1AOB

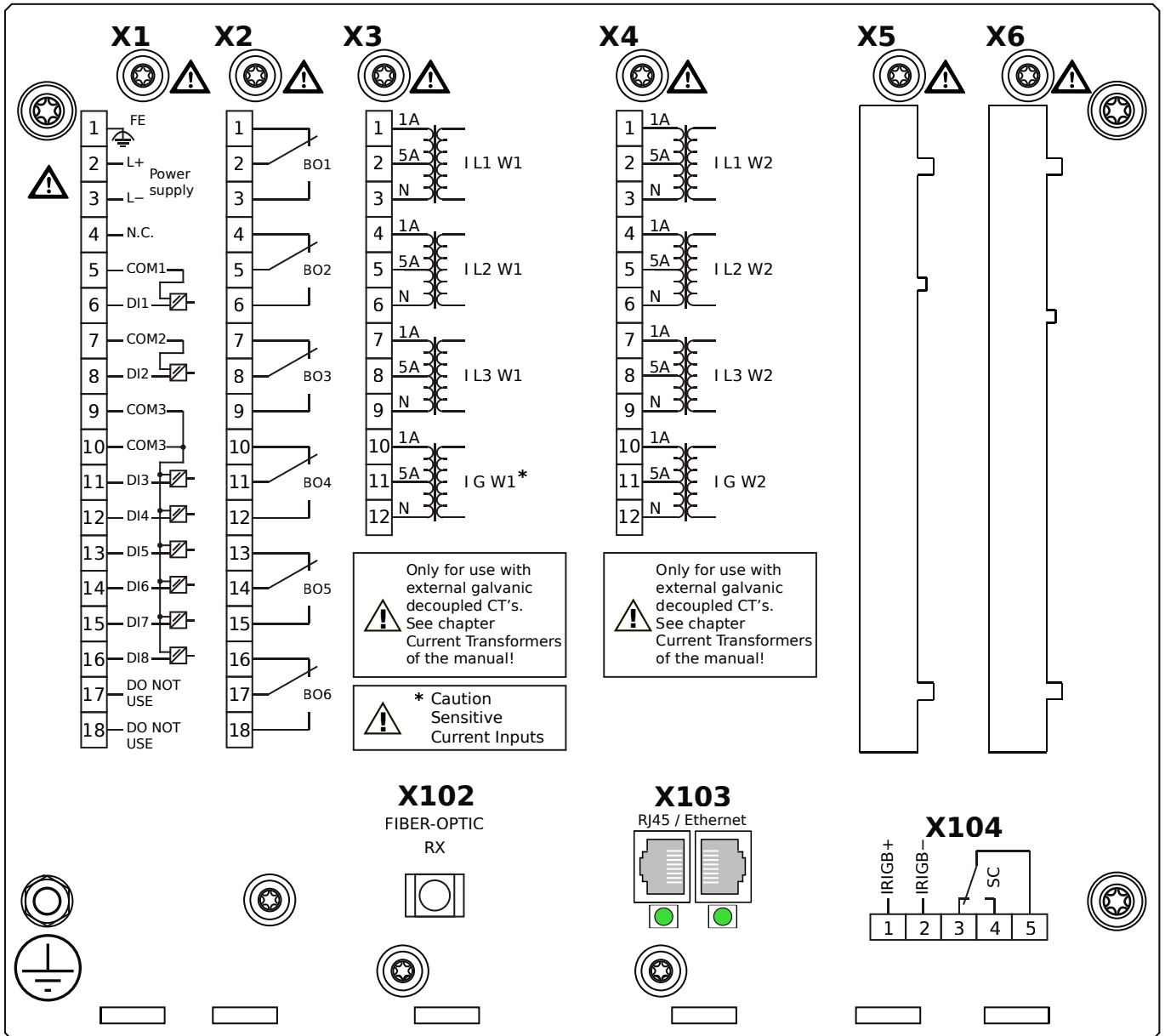


Housing B2, small display, door mounting

+ Conformal Coating (for installations in harsh environment)

- X1** – DI8-X1: Wide-range power supply unit, incl. 2 non-grouped digital inputs and 6 grouped digital inputs
- X2** – OR6: Assembly Group with 6 Output Relays (Changeover / Form C)
- X3** – TIs: Standard phase current measuring card and sensitive ground current measuring (winding side 1)
- X4** – TI: Standard current measuring card (for the winding side 2)
- X102** – Universal Resistance-Temperature Detector (URTD) input, Fiber optics interface, Versatile Link
- X103** – Modbus TCP / IEC 60870-5-104 / DNP3.0 TCP/UDP, Redundant Fiber optics interface, LC Connector
- X104** – IRIG-B00X, incl. System Contact (Supervision Contact)

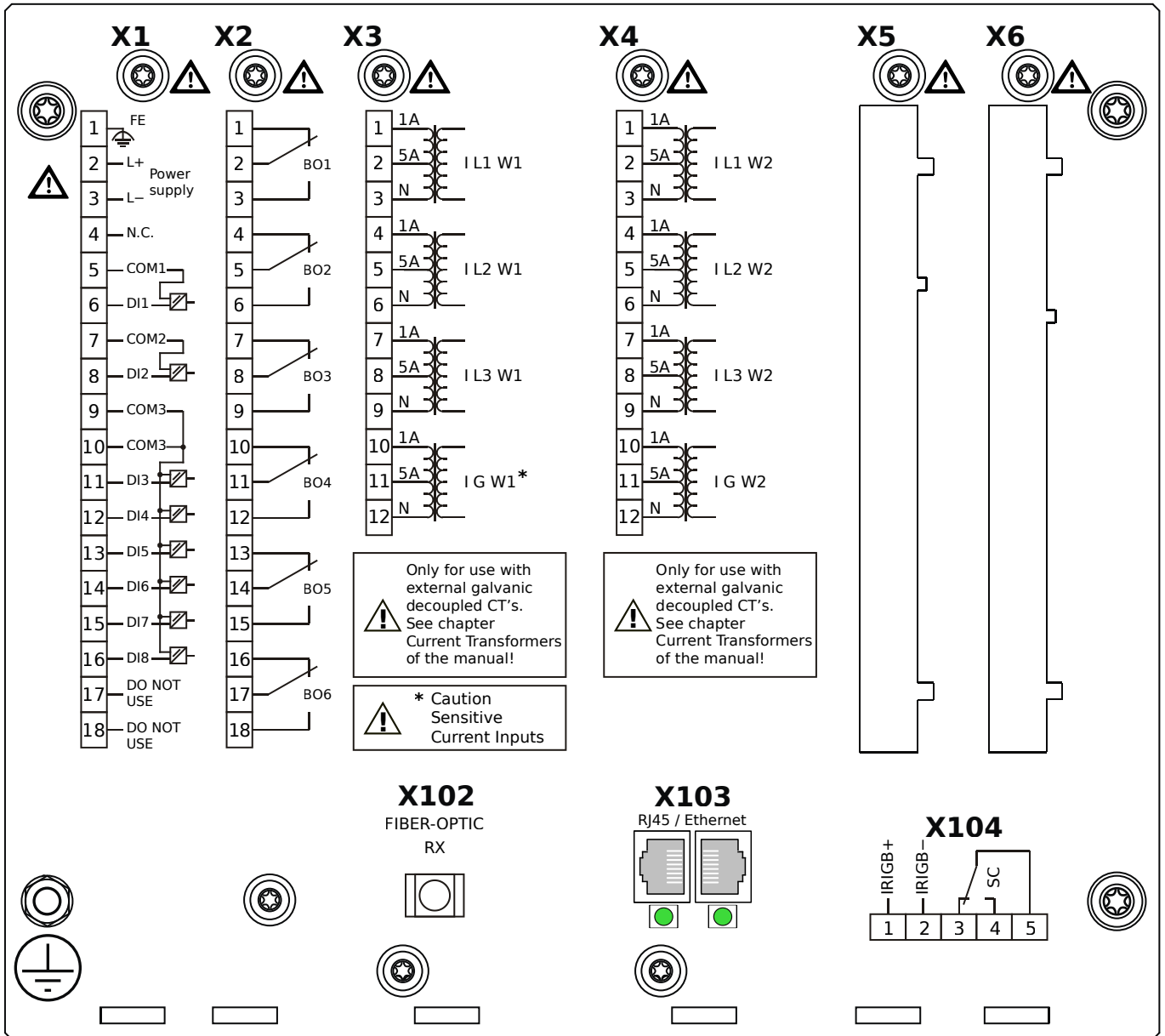
MRDT4-2A1APA



Housing B2, small display, door mounting

- X1** – DI8-X1: Wide-range power supply unit, incl. 2 non-grouped digital inputs and 6 grouped digital inputs
- X2** – OR6: Assembly Group with 6 Output Relays (Changeover / Form C)
- X3** – TIs: Standard phase current measuring card and sensitive ground current measuring (winding side 1)
- X4** – TI: Standard current measuring card (for the winding side 2)
- X102** – Universal Resistance-Temperature Detector (URTD) input, Fiber optics interface, Versatile Link
- X103** – Modbus TCP / IEC 60870-5-104 / DNP3.0 TCP/UDP, Redundant Ethernet interface, 100 Mbit/s, RJ45 (BASE100-FX)
- X104** – IRIG-B00X, incl. System Contact (Supervision Contact)

MRDT4-2A1APB



Housing B2, small display, door mounting

+ Conformal Coating (for installations in harsh environment)

X1 – DI8-X1: Wide-range power supply unit, incl. 2 non-grouped digital inputs and 6 grouped digital inputs

X2 – OR6: Assembly Group with 6 Output Relays (Changeover / Form C)

X3 – TIs: Standard phase current measuring card and sensitive ground current measuring (winding side 1)

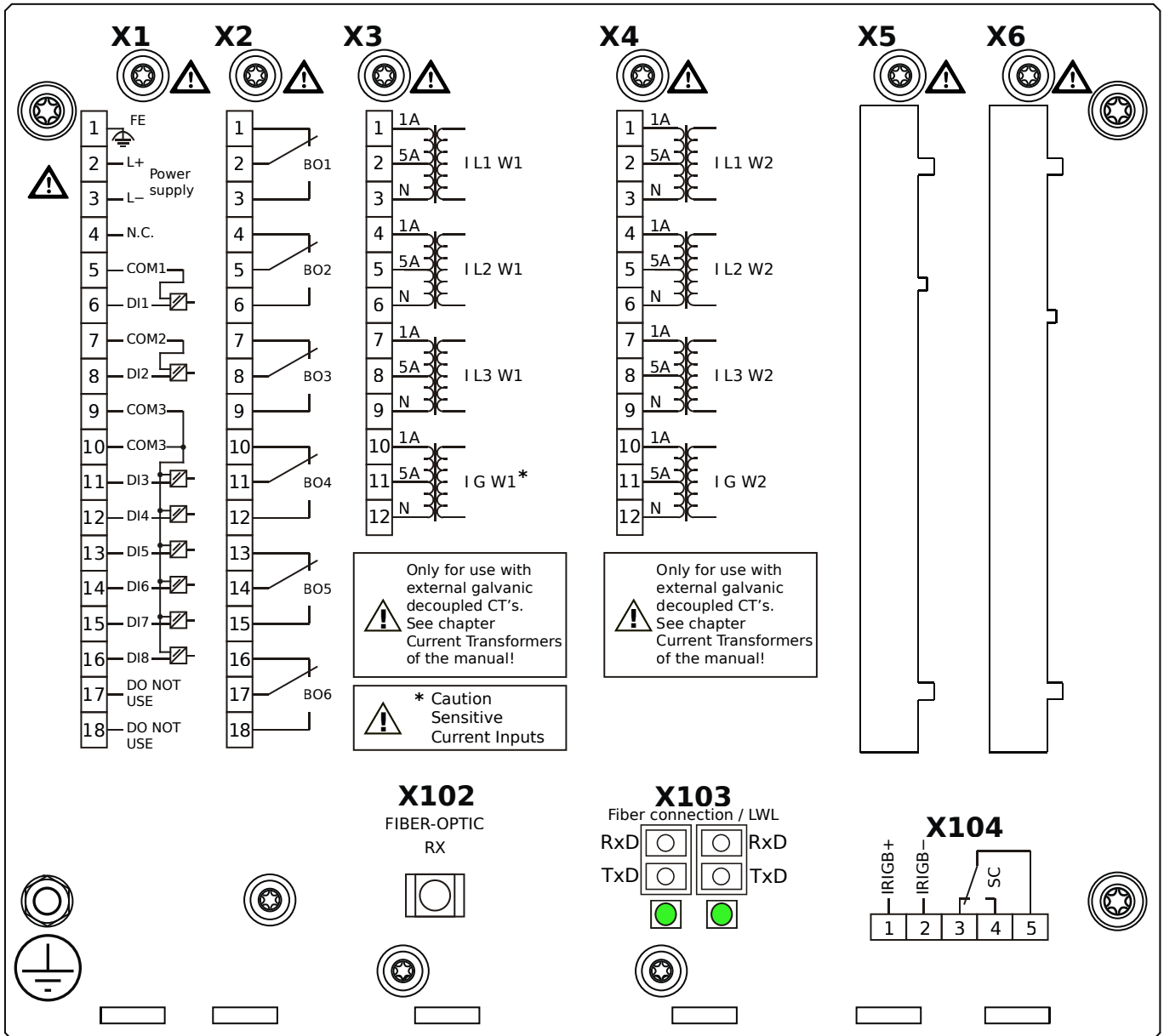
X4 – TI: Standard current measuring card (for the winding side 2)

X102 – Universal Resistance-Temperature Detector (URTD) input, Fiber optics interface, Versatile Link

X103 – Modbus TCP / IEC 60870-5-104 / DNP3.0 TCP/UDP, Redundant Ethernet interface, 100 Mbit/s, RJ45 (BASE100-FX)

X104 – IRIG-B00X, incl. System Contact (Supervision Contact)

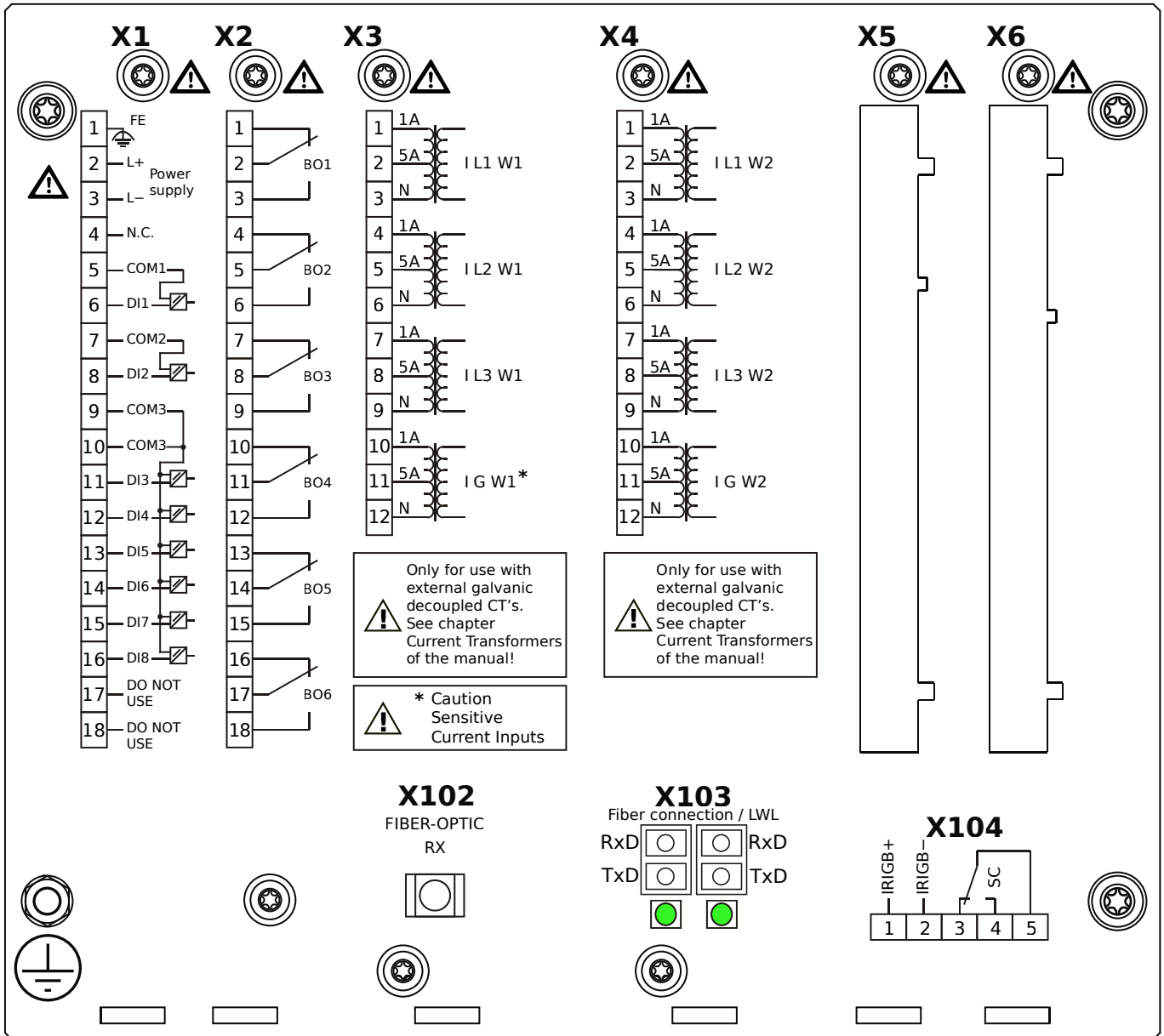
MRDT4-2A1QA



Housing B2, small display, door mounting

- X1** – DI8-X1: Wide-range power supply unit, incl. 2 non-grouped digital inputs and 6 grouped digital inputs
- X2** – OR6: Assembly Group with 6 Output Relays (Changeover / Form C)
- X3** – TIs: Standard phase current measuring card and sensitive ground current measuring (winding side 1)
- X4** – TI: Standard current measuring card (for the winding side 2)
- X102** – Universal Resistance-Temperature Detector (URTD) input, Fiber optics interface, Versatile Link
- X103** – IEC 61850 / Modbus TCP / IEC 60870-5-104 / DNP3.0 TCP/UDP, Redundant Fiber optics interface, LC Connector
- X104** – IRIG-B00X, incl. System Contact (Supervision Contact)

MRDT4-2A1AQB



Housing B2, small display, door mounting

+ Conformal Coating (for installations in harsh environment)

X1 – DI8-X1: Wide-range power supply unit, incl. 2 non-grouped digital inputs and 6 grouped digital inputs

X2 – OR6: Assembly Group with 6 Output Relays (Changeover / Form C)

X3 – TIs: Standard phase current measuring card and sensitive ground current measuring (winding side 1)

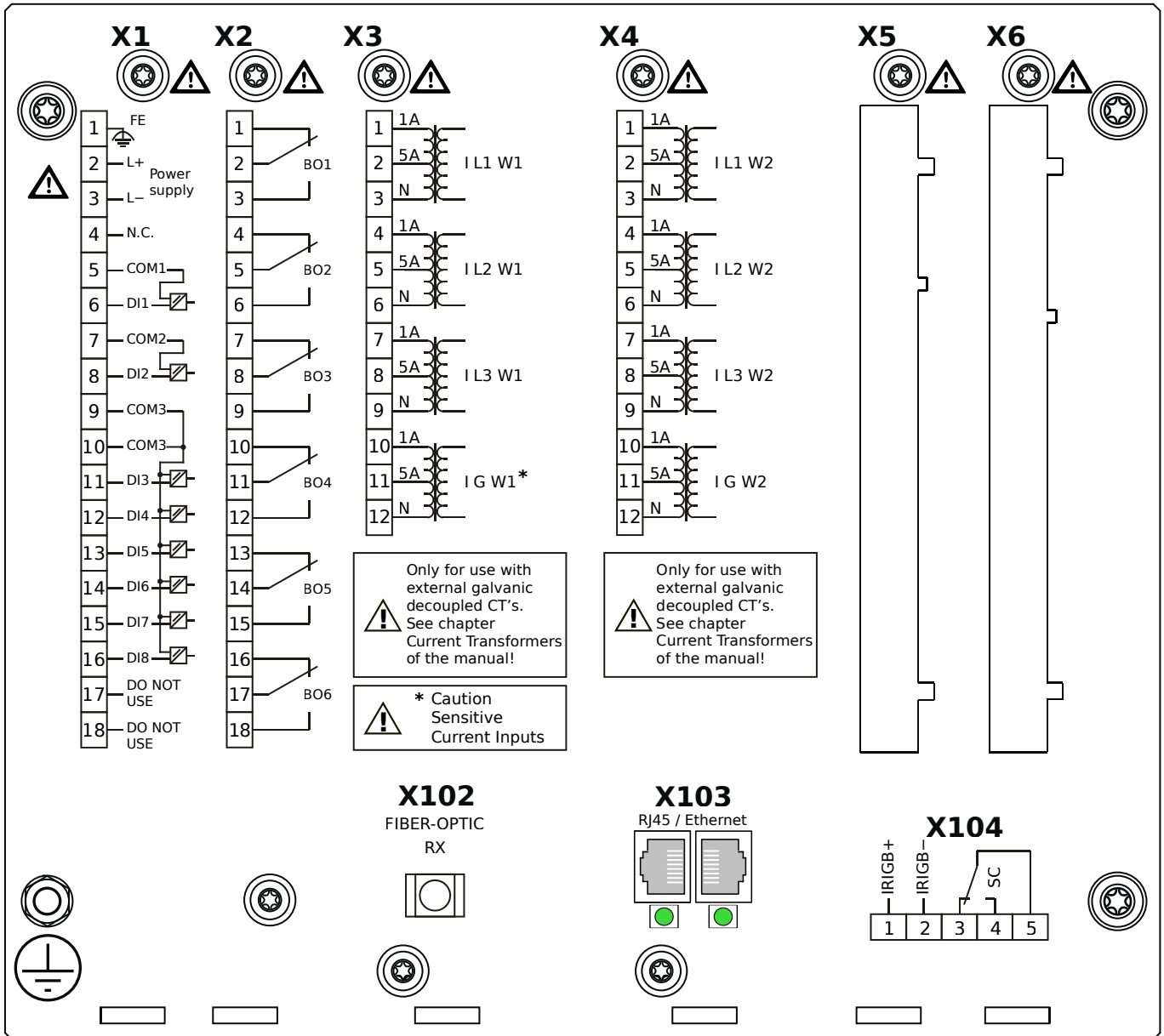
X4 – TI: Standard current measuring card (for the winding side 2)

X102 – Universal Resistance-Temperature Detector (URTD) input, Fiber optics interface, Versatile Link

X103 – IEC 61850 / Modbus TCP / IEC 60870-5-104 / DNP3.0 TCP/UDP, Redundant Fiber optics interface, LC Connector

X104 – IRIG-B00X, incl. System Contact (Supervision Contact)

MRDT4-2A1ARA



Housing B2, small display, door mounting

X1 – DI8-X1: Wide-range power supply unit, incl. 2 non-grouped digital inputs and 6 grouped digital inputs

X2 – OR6: Assembly Group with 6 Output Relays (Changeover / Form C)

X3 – TIs: Standard phase current measuring card and sensitive ground current measuring (winding side 1)

X4 – TI: Standard current measuring card (for the winding side 2)

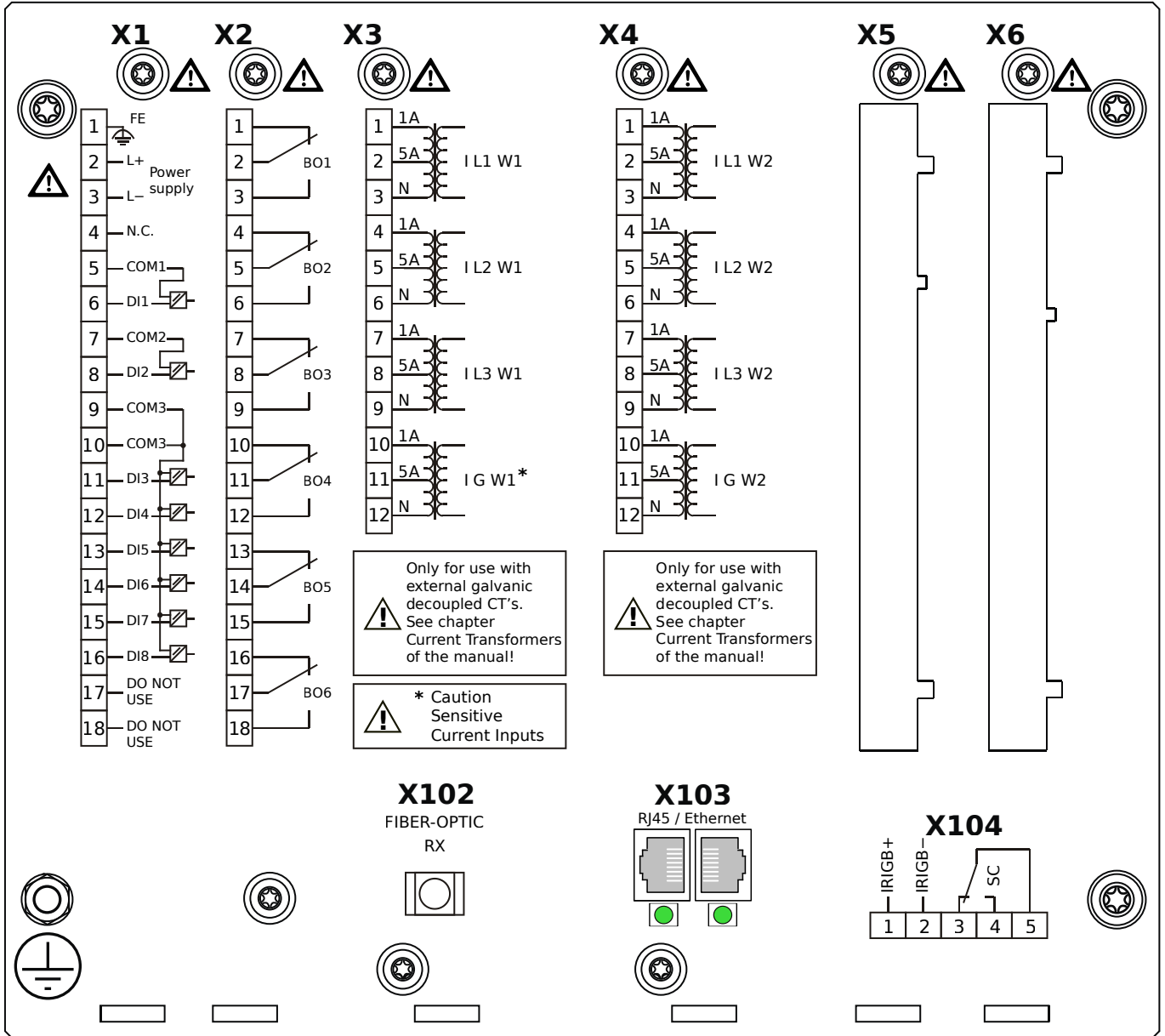
X102 – Universal Resistance-Temperature Detector (URTD) input, Fiber optics interface, Versatile Link

X103 – IEC 61850 / Modbus TCP / IEC 60870-5-104 / DNP3.0 TCP/UDP, Redundant Ethernet interface, 100 Mbit/s, RJ45

(BASE100-FX)

X104 – IRIG-B00X, incl. System Contact (Supervision Contact)

MRDT4-2A1ARB



Housing B2, small display, door mounting

+ Conformal Coating (for installations in harsh environment)

X1 – DI8-X1: Wide-range power supply unit, incl. 2 non-grouped digital inputs and 6 grouped digital inputs

X2 – OR6: Assembly Group with 6 Output Relays (Changeover / Form C)

X3 – TIs: Standard phase current measuring card and sensitive ground current measuring (winding side 1)

X4 – TI: Standard current measuring card (for the winding side 2)

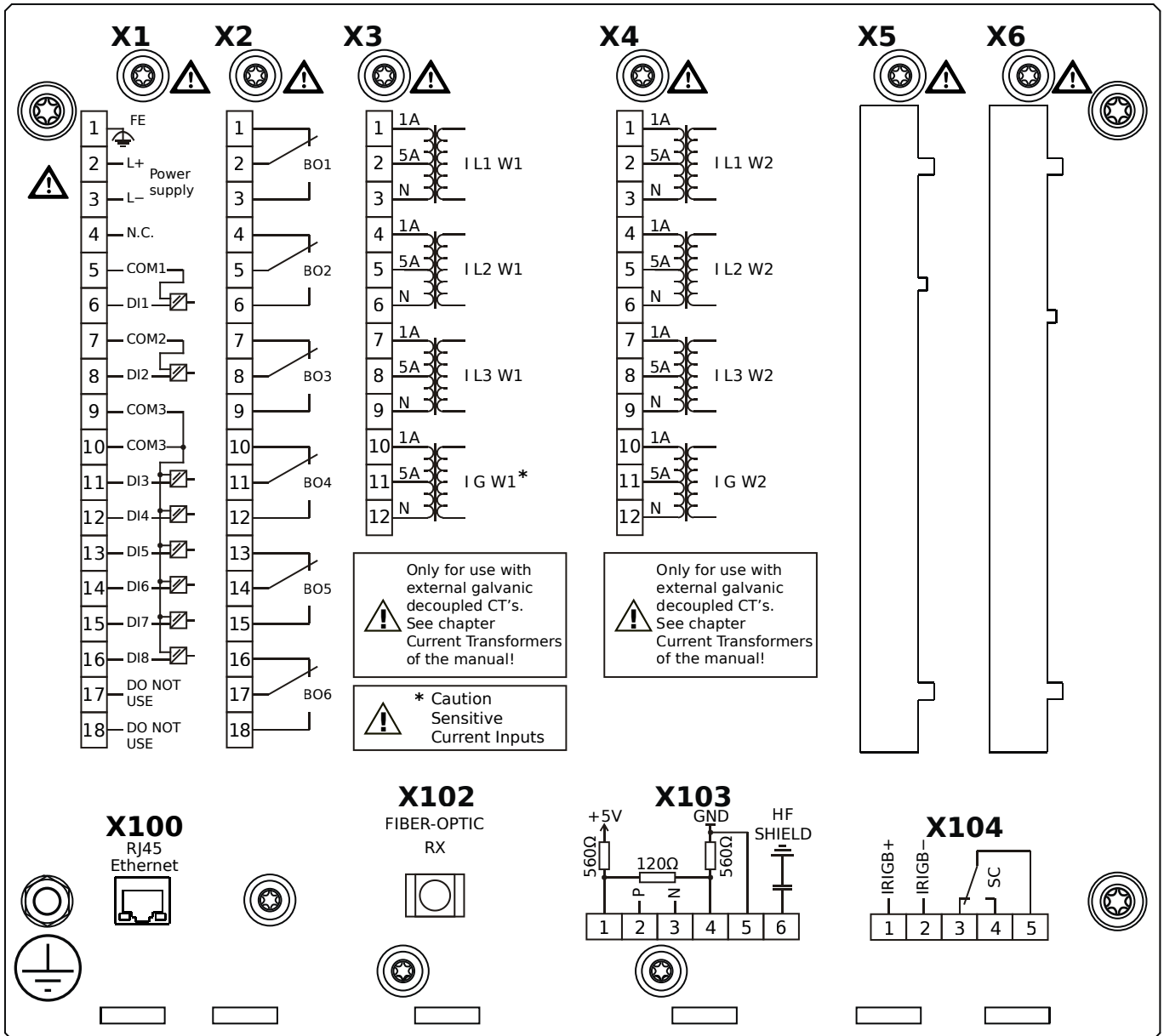
X102 – Universal Resistance-Temperature Detector (URTD) input, Fiber optics interface, Versatile Link

X103 – IEC 61850 / Modbus TCP / IEC 60870-5-104 / DNP3.0 TCP/UDP, Redundant Ethernet interface, 100 Mbit/s, RJ45

(BASE100-FX)

X104 – IRIG-B00X, incl. System Contact (Supervision Contact)

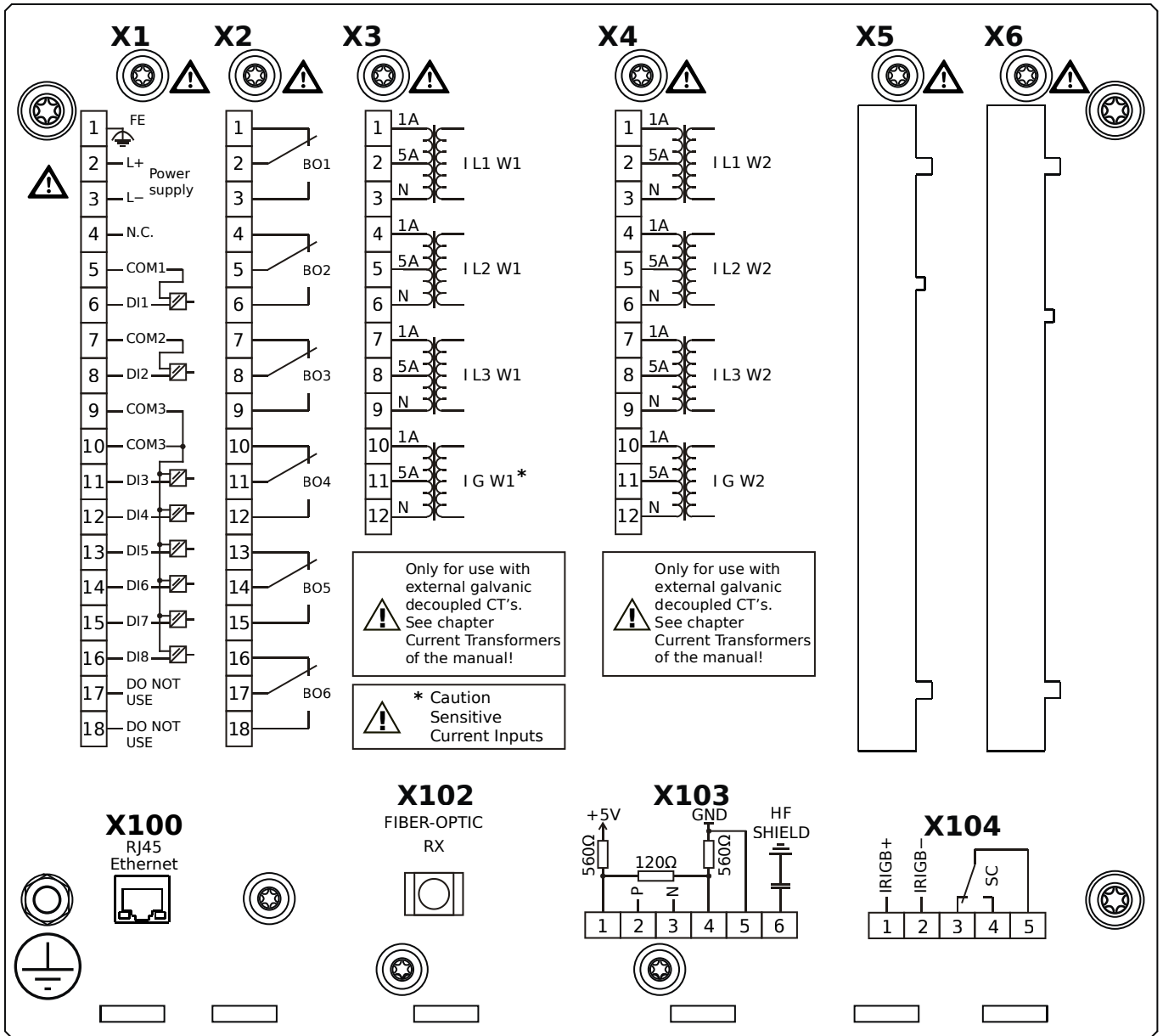
MRDT4-2A1ATA



Housing B2, small display, door mounting

- X1** – DI8-X1: Wide-range power supply unit, incl. 2 non-grouped digital inputs and 6 grouped digital inputs
- X2** – OR6: Assembly Group with 6 Output Relays (Changeover / Form C)
- X3** – TIs: Standard phase current measuring card and sensitive ground current measuring (winding side 1)
- X4** – TI: Standard current measuring card (for the winding side 2)
- X100** – IEC 61850 / Modbus TCP / IEC 60870-5-104 / DNP3.0 TCP/UDP, Ethernet interface, 100 Mbit/s, RJ45 (BASE100-FX)
- X102** – Universal Resistance-Temperature Detector (URTD) input, Fiber optics interface, Versatile Link
- X103** – IEC 60870-5-103 / Modbus RTU / DNP3.0 RTU, RS485, Terminals
- X104** – IRIG-B00X, incl. System Contact (Supervision Contact)

MRDT4-2A1ATB



Housing B2, small display, door mounting

+ Conformal Coating (for installations in harsh environment)

X1 – DI8-X1: Wide-range power supply unit, incl. 2 non-grouped digital inputs and 6 grouped digital inputs

X2 – OR6: Assembly Group with 6 Output Relays (Changeover / Form C)

X3 – TIs: Standard phase current measuring card and sensitive ground current measuring (winding side 1)

X4 – TI: Standard current measuring card (for the winding side 2)

X100 – IEC 61850 / Modbus TCP / IEC 60870-5-104 / DNP3.0 TCP/UDP, Ethernet interface, 100 Mbit/s, RJ45 (BASE100-

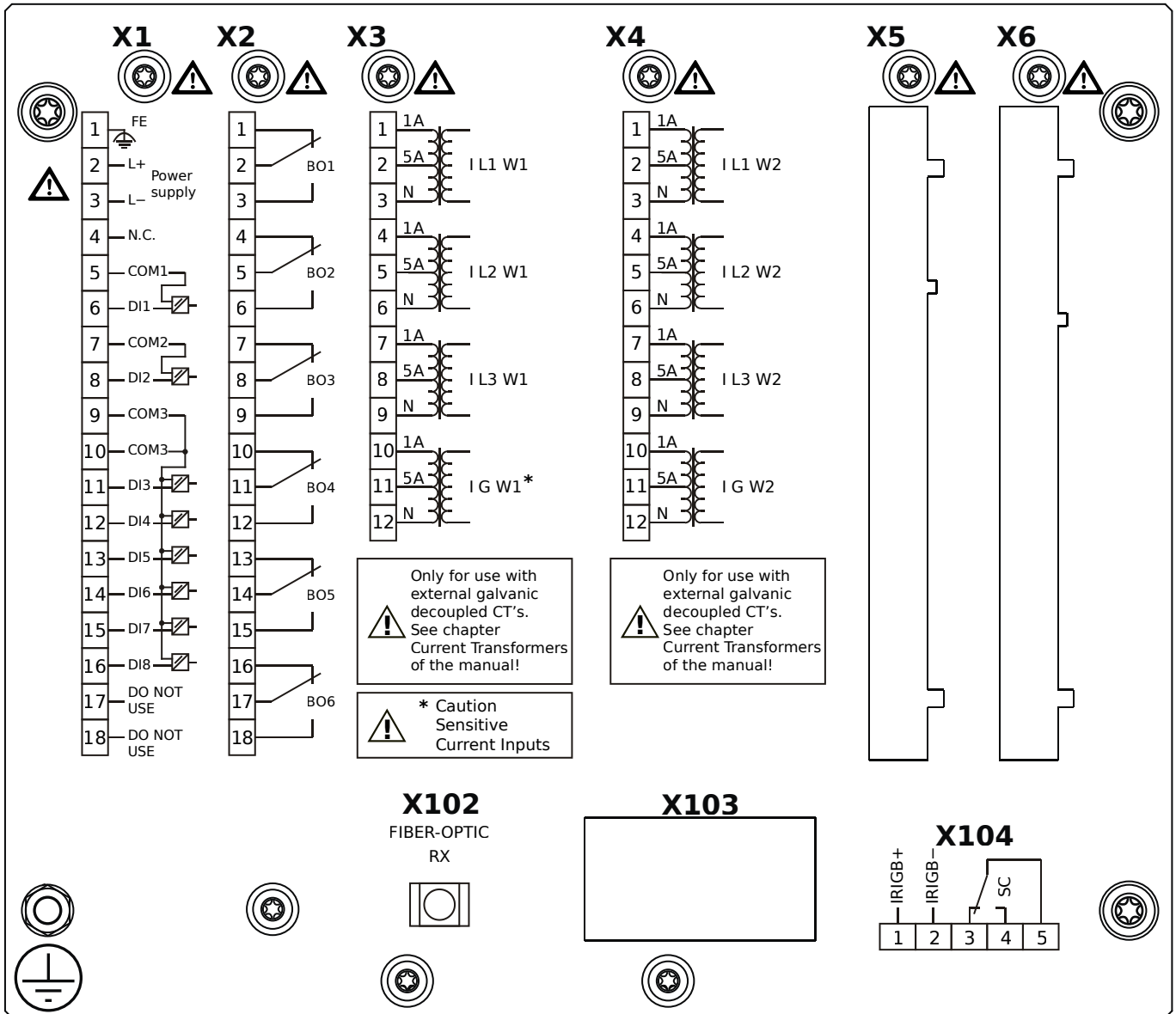
FX)

X102 – Universal Resistance-Temperature Detector (URTD) input, Fiber optics interface, Versatile Link

X103 – IEC 60870-5-103 / Modbus RTU / DNP3.0 RTU, RS485, Terminals

X104 – IRIG-B00X, incl. System Contact (Supervision Contact)

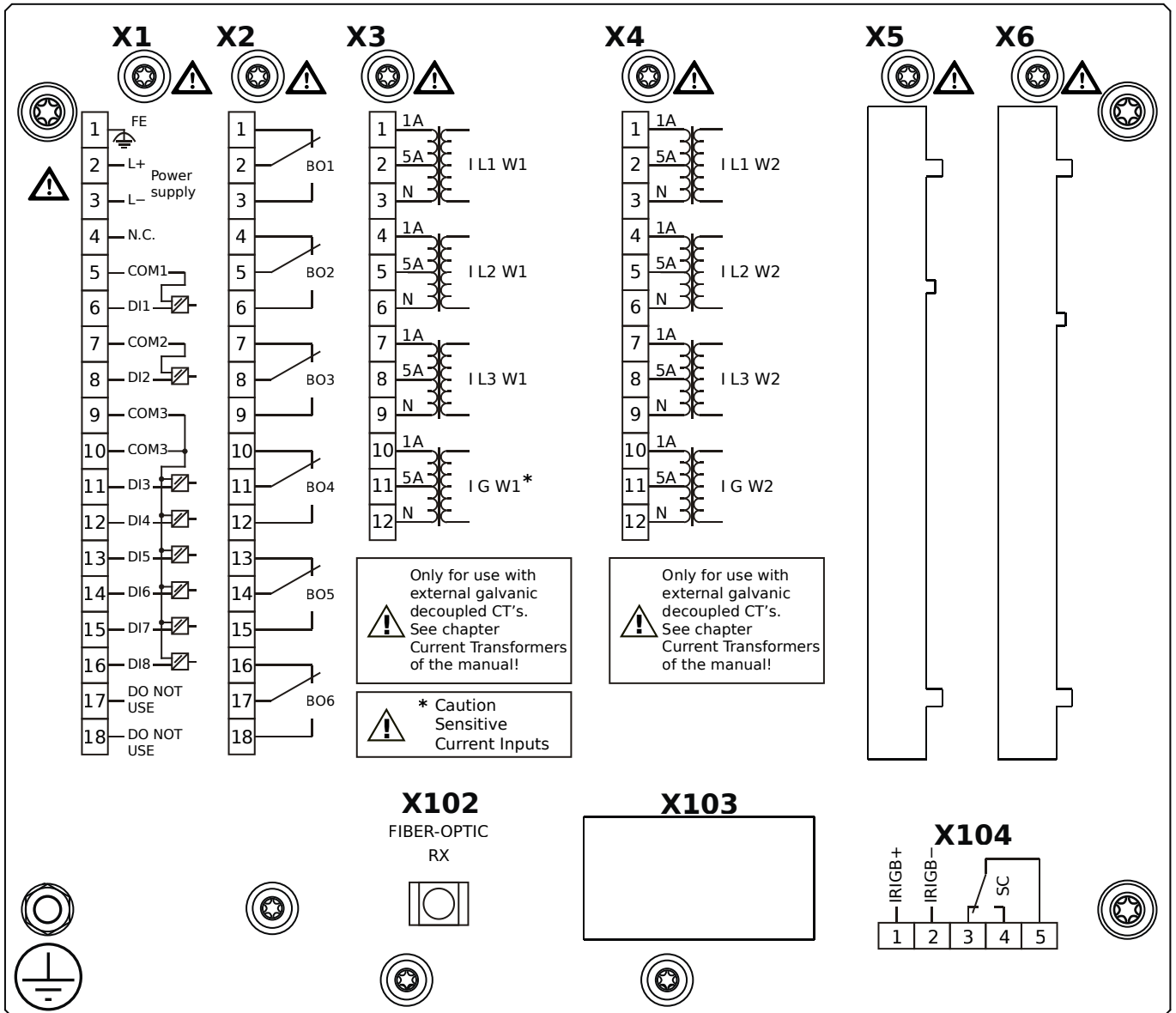
MRDT4-2A1BAA



Housing B2, small display, 19" rack mounting

- X1** – DI8-X1: Wide-range power supply unit, incl. 2 non-grouped digital inputs and 6 grouped digital inputs
- X2** – OR6: Assembly Group with 6 Output Relays (Changeover / Form C)
- X3** – TIs: Standard phase current measuring card and sensitive ground current measuring (winding side 1)
- X4** – TI: Standard current measuring card (for the winding side 2)
- X102** – Universal Resistance-Temperature Detector (URTD) input, Fiber optics interface, Versatile Link
- X104** – IRIG-B00X, incl. System Contact (Supervision Contact)

MRDT4-2A1BAB

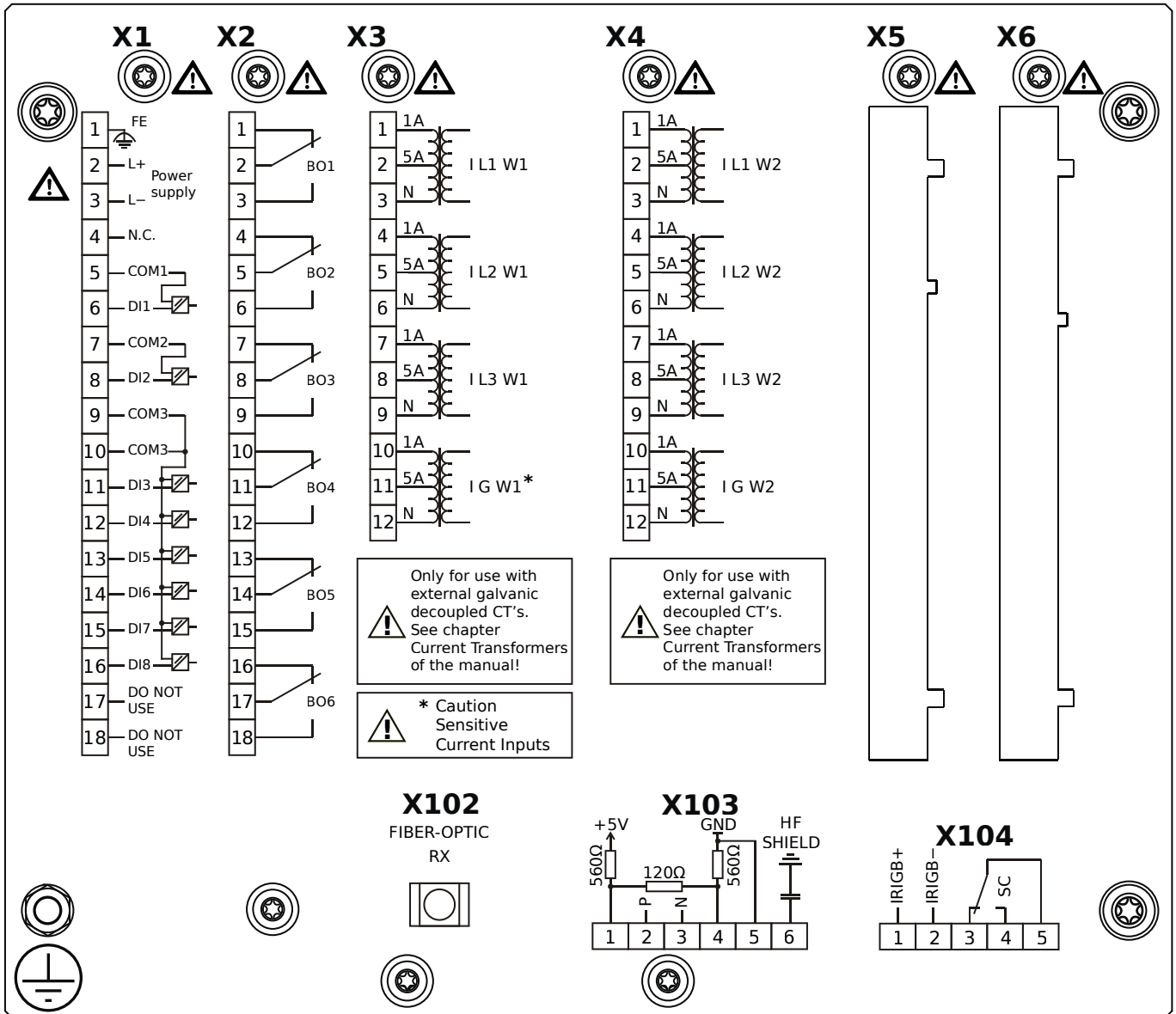


Housing B2, small display, 19" rack mounting

+ Conformal Coating (for installations in harsh environment)

- X1** – DI8-X1: Wide-range power supply unit, incl. 2 non-grouped digital inputs and 6 grouped digital inputs
- X2** – OR6: Assembly Group with 6 Output Relays (Changeover / Form C)
- X3** – TIs: Standard phase current measuring card and sensitive ground current measuring (winding side 1)
- X4** – TI: Standard current measuring card (for the winding side 2)
- X102** – Universal Resistance-Temperature Detector (URTD) input, Fiber optics interface, Versatile Link
- X104** – IRIG-B00X, incl. System Contact (Supervision Contact)

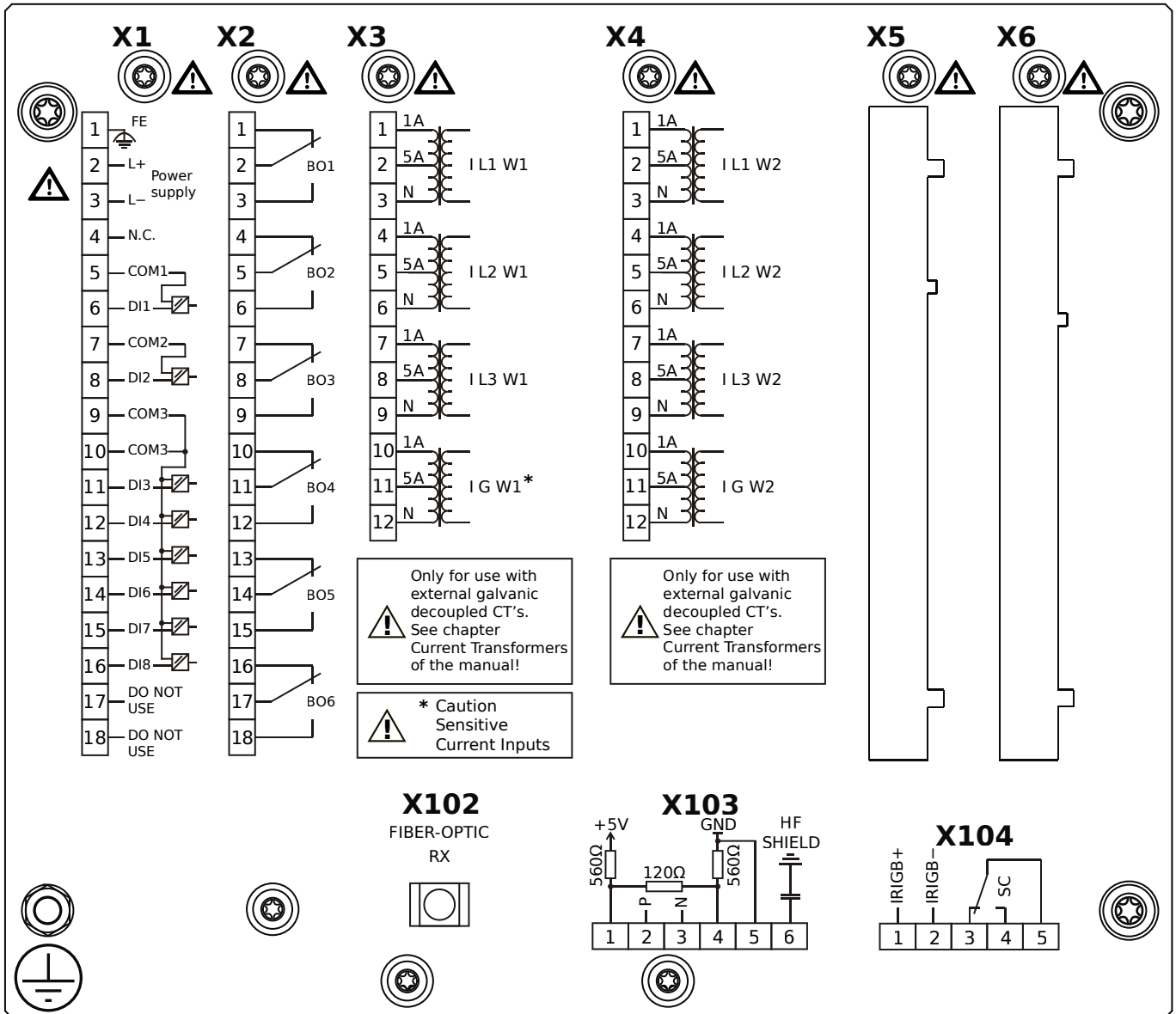
MRDT4-2A1BBA



Housing B2, small display, 19" rack mounting

- X1** – DI8-X1: Wide-range power supply unit, incl. 2 non-grouped digital inputs and 6 grouped digital inputs
- X2** – OR6: Assembly Group with 6 Output Relays (Changeover / Form C)
- X3** – TIs: Standard phase current measuring card and sensitive ground current measuring (winding side 1)
- X4** – TI: Standard current measuring card (for the winding side 2)
- X102** – Universal Resistance-Temperature Detector (URTD) input, Fiber optics interface, Versatile Link
- X103** – Modbus RTU / IEC 60870-5-103 / DNP3.0 RTU, RS485, Terminals
- X104** – IRIG-B00X, incl. System Contact (Supervision Contact)

MRDT4-2A1BBB

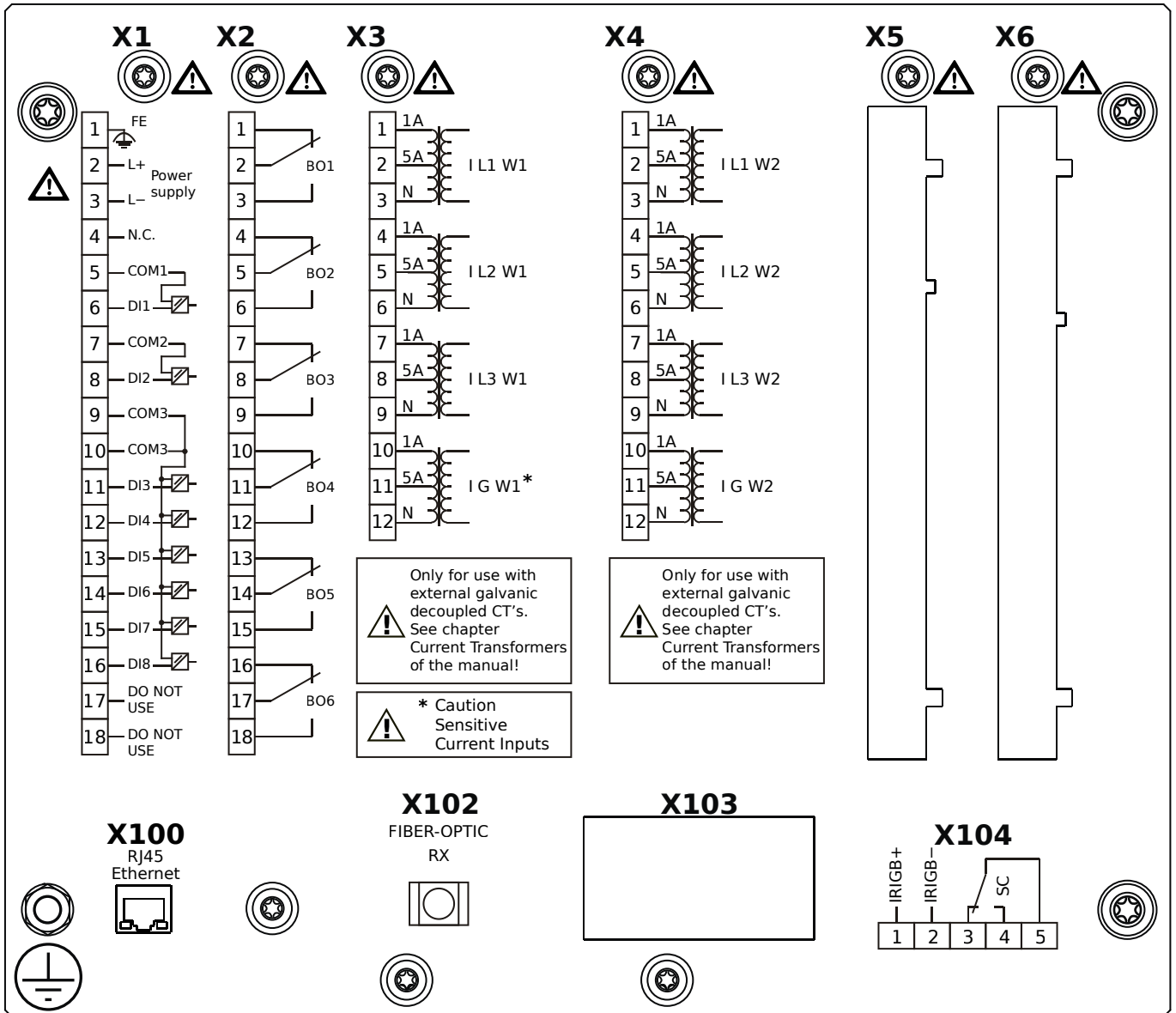


Housing B2, small display, 19" rack mounting

+ Conformal Coating (for installations in harsh environment)

- X1** – DI8-X1: Wide-range power supply unit, incl. 2 non-grouped digital inputs and 6 grouped digital inputs
- X2** – OR6: Assembly Group with 6 Output Relays (Changeover / Form C)
- X3** – TIs: Standard phase current measuring card and sensitive ground current measuring (winding side 1)
- X4** – TI: Standard current measuring card (for the winding side 2)
- X102** – Universal Resistance-Temperature Detector (URTD) input, Fiber optics interface, Versatile Link
- X103** – Modbus RTU / IEC 60870-5-103 / DNP3.0 RTU, RS485, Terminals
- X104** – IRIG-B00X, incl. System Contact (Supervision Contact)

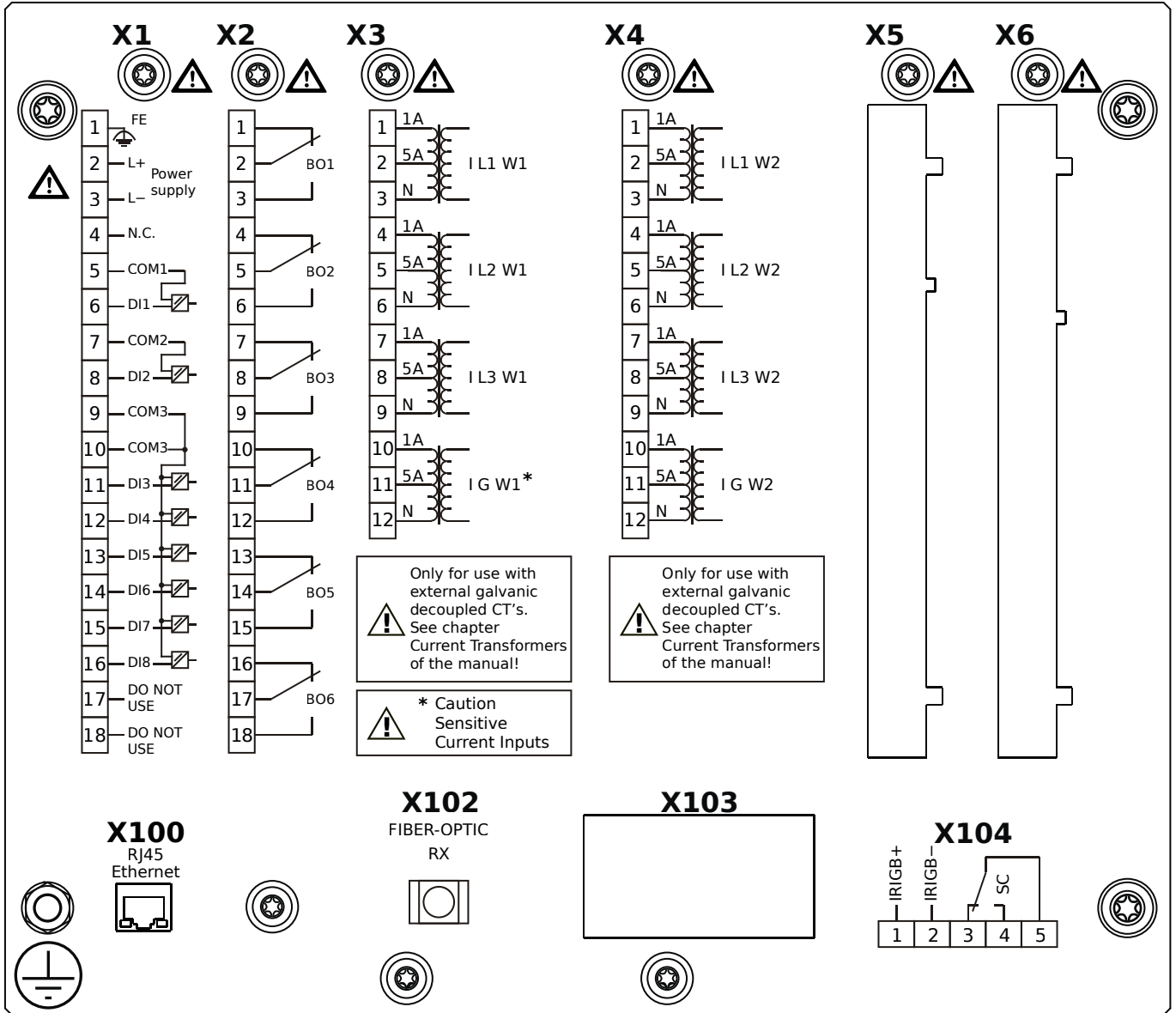
MRDT4-2A1BCA



Housing B2, small display, 19" rack mounting

- X1** – DI8-X1: Wide-range power supply unit, incl. 2 non-grouped digital inputs and 6 grouped digital inputs
- X2** – OR6: Assembly Group with 6 Output Relays (Changeover / Form C)
- X3** – TIs: Standard phase current measuring card and sensitive ground current measuring (winding side 1)
- X4** – TI: Standard current measuring card (for the winding side 2)
- X100** – Modbus TCP / IEC 60870-5-104 / DNP3.0 TCP/UDP, Ethernet interface, 100 Mbit/s, RJ45 (BASE100-FX)
- X102** – Universal Resistance-Temperature Detector (URTD) input, Fiber optics interface, Versatile Link
- X104** – IRIG-B00X, incl. System Contact (Supervision Contact)

MRDT4-2A1BCB

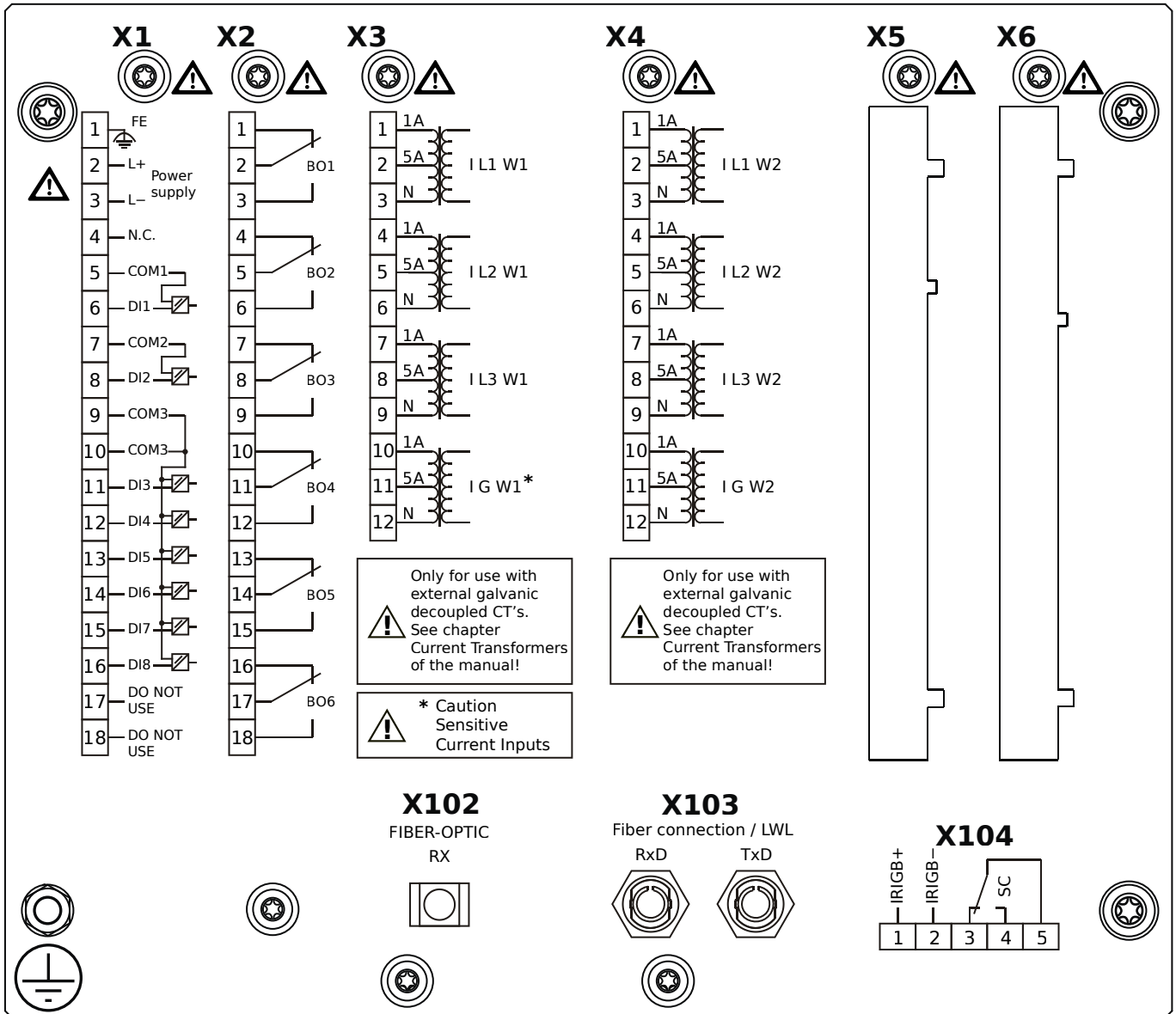


Housing B2, small display, 19" rack mounting

+ Conformal Coating (for installations in harsh environment)

- X1** – DI8-X1: Wide-range power supply unit, incl. 2 non-grouped digital inputs and 6 grouped digital inputs
- X2** – OR6: Assembly Group with 6 Output Relays (Changeover / Form C)
- X3** – TIs: Standard phase current measuring card and sensitive ground current measuring (winding side 1)
- X4** – TI: Standard current measuring card (for the winding side 2)
- X100** – Modbus TCP / IEC 60870-5-104 / DNP3.0 TCP/UDP, Ethernet interface, 100 Mbit/s, RJ45 (BASE100-FX)
- X102** – Universal Resistance-Temperature Detector (URTD) input, Fiber optics interface, Versatile Link
- X104** – IRIG-B00X, incl. System Contact (Supervision Contact)

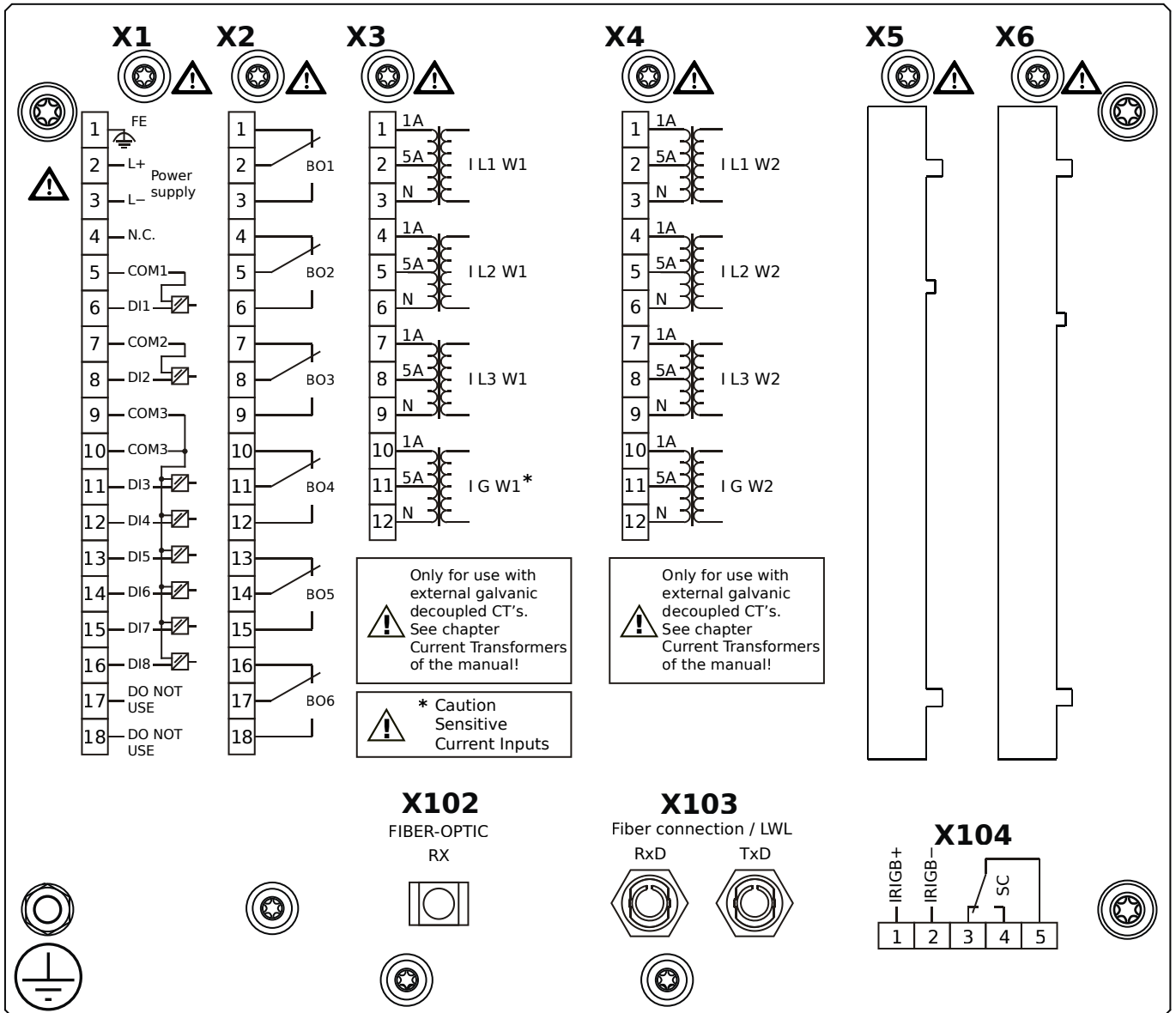
MRDT4-2A1BDA



Housing B2, small display, 19" rack mounting

- X1** – DI8-X1: Wide-range power supply unit, incl. 2 non-grouped digital inputs and 6 grouped digital inputs
- X2** – OR6: Assembly Group with 6 Output Relays (Changeover / Form C)
- X3** – TIs: Standard phase current measuring card and sensitive ground current measuring (winding side 1)
- X4** – TI: Standard current measuring card (for the winding side 2)
- X102** – Universal Resistance-Temperature Detector (URTD) input, Fiber optics interface, Versatile Link
- X103** – Profibus-DP, Fiber optics interface, ST Connector
- X104** – IRIG-B00X, incl. System Contact (Supervision Contact)

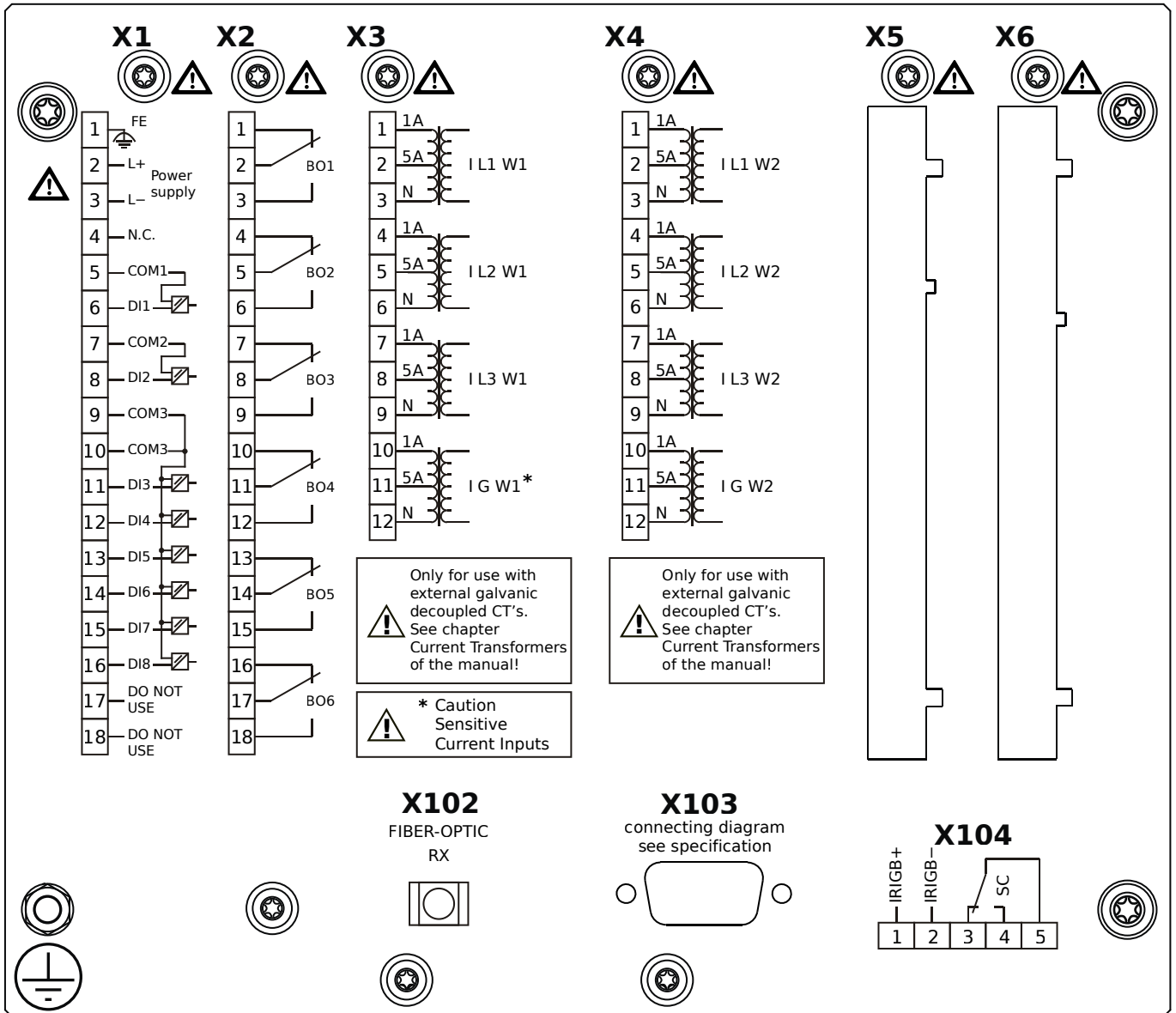
MRDT4-2A1BDB



Housing B2, small display, 19" rack mounting

- + Conformal Coating (for installations in harsh environment)
- X1** – DI8-X1: Wide-range power supply unit, incl. 2 non-grouped digital inputs and 6 grouped digital inputs
- X2** – OR6: Assembly Group with 6 Output Relays (Changeover / Form C)
- X3** – TIs: Standard phase current measuring card and sensitive ground current measuring (winding side 1)
- X4** – TI: Standard current measuring card (for the winding side 2)
- X102** – Universal Resistance-Temperature Detector (URTD) input, Fiber optics interface, Versatile Link
- X103** – Profibus-DP, Fiber optics interface, ST Connector
- X104** – IRIG-B00X, incl. System Contact (Supervision Contact)

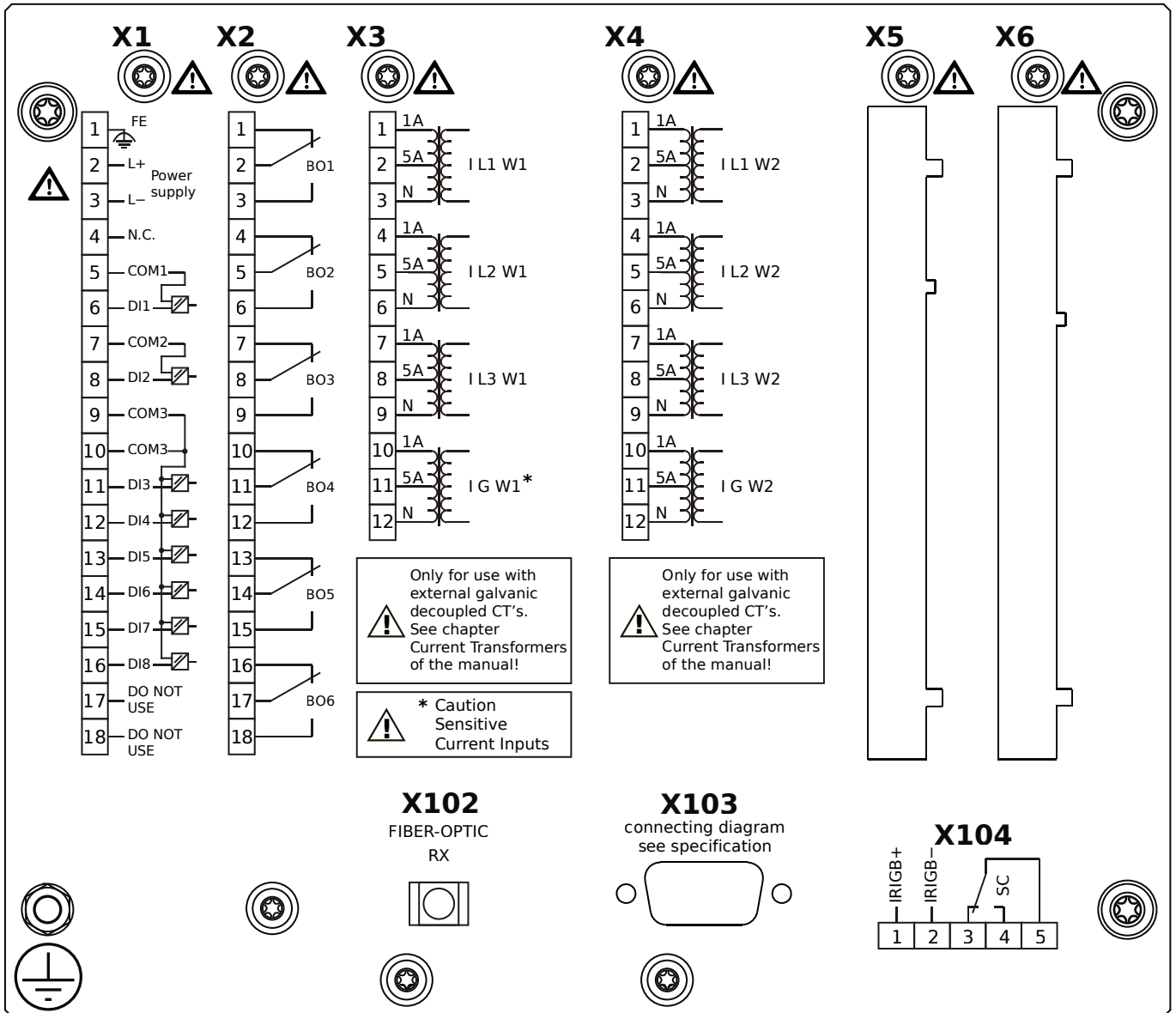
MRDT4-2A1BEA



Housing B2, small display, 19" rack mounting

- X1** – DI8-X1: Wide-range power supply unit, incl. 2 non-grouped digital inputs and 6 grouped digital inputs
- X2** – OR6: Assembly Group with 6 Output Relays (Changeover / Form C)
- X3** – TIs: Standard phase current measuring card and sensitive ground current measuring (winding side 1)
- X4** – TI: Standard current measuring card (for the winding side 2)
- X102** – Universal Resistance-Temperature Detector (URTD) input, Fiber optics interface, Versatile Link
- X103** – Profibus-DP, RS485, D-SUB
- X104** – IRIG-B00X, incl. System Contact (Supervision Contact)

MRDT4-2A1BEB

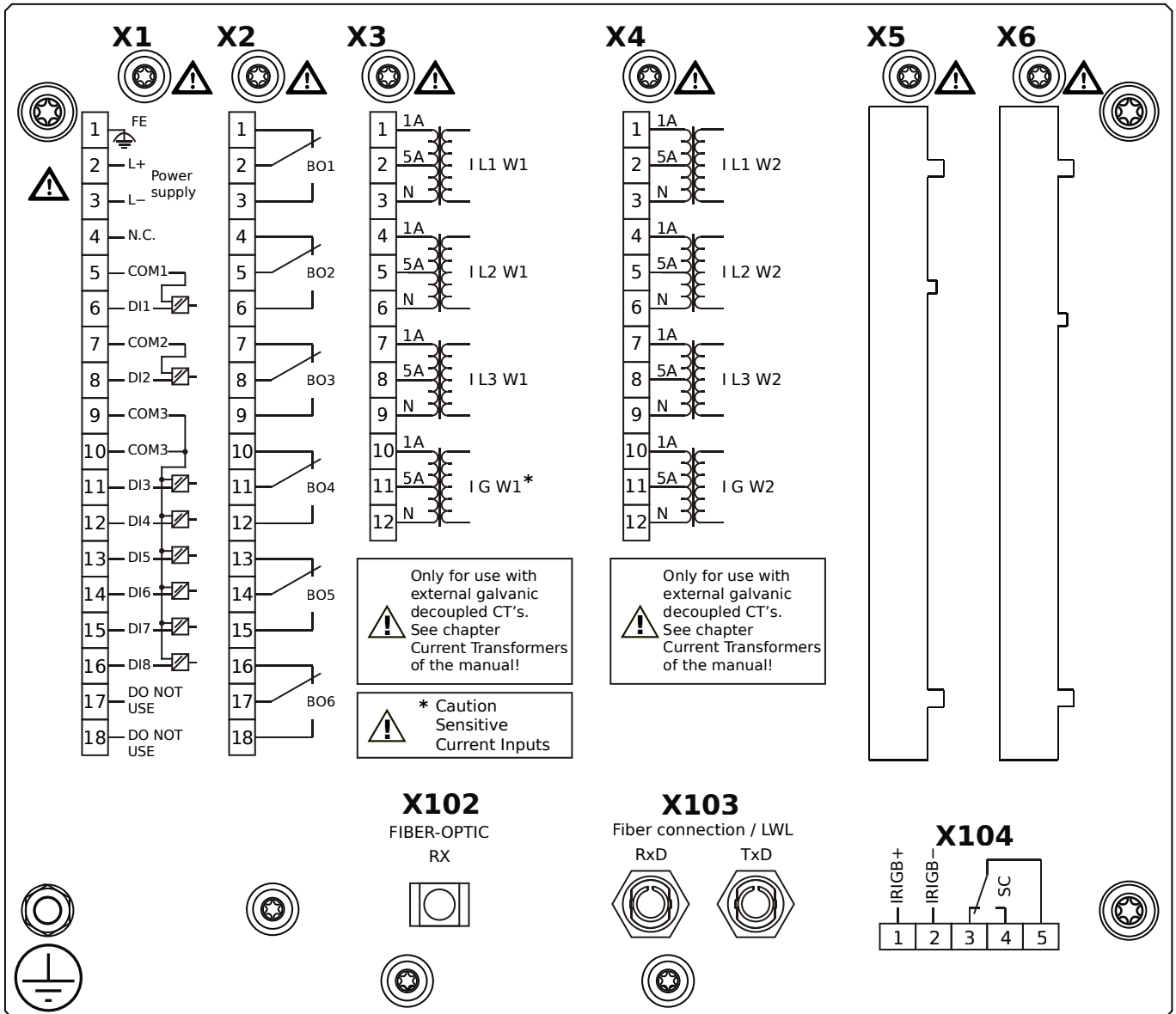


Housing B2, small display, 19" rack mounting

+ Conformal Coating (for installations in harsh environment)

- X1** – DI8-X1: Wide-range power supply unit, incl. 2 non-grouped digital inputs and 6 grouped digital inputs
- X2** – OR6: Assembly Group with 6 Output Relays (Changeover / Form C)
- X3** – TIs: Standard phase current measuring card and sensitive ground current measuring (winding side 1)
- X4** – TI: Standard current measuring card (for the winding side 2)
- X102** – Universal Resistance-Temperature Detector (URTD) input, Fiber optics interface, Versatile Link
- X103** – Profibus-DP, RS485, D-SUB
- X104** – IRIG-B00X, incl. System Contact (Supervision Contact)

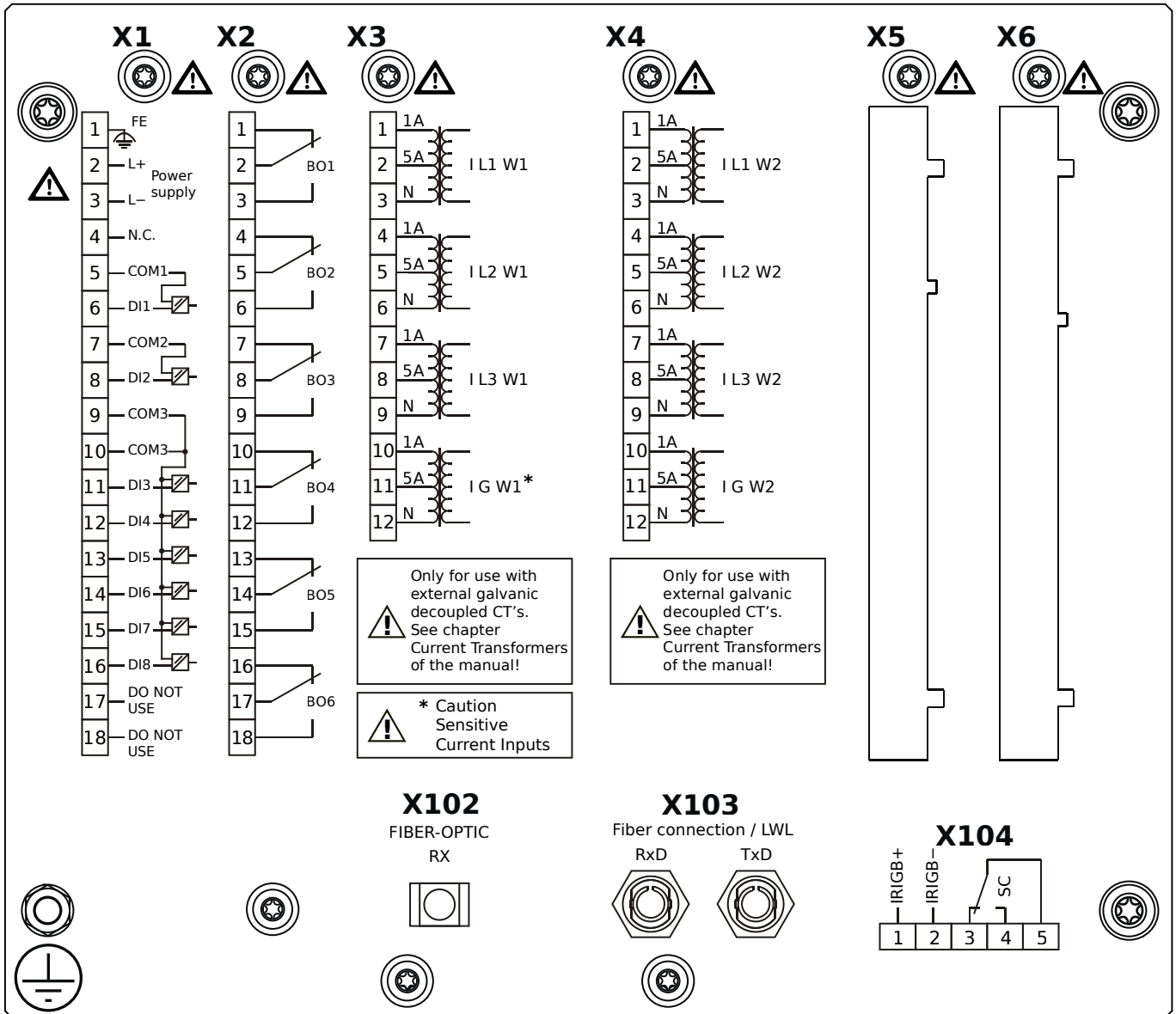
MRDT4-2A1BFA



Housing B2, small display, 19" rack mounting

- X1** – DI8-X1: Wide-range power supply unit, incl. 2 non-grouped digital inputs and 6 grouped digital inputs
- X2** – OR6: Assembly Group with 6 Output Relays (Changeover / Form C)
- X3** – TIs: Standard phase current measuring card and sensitive ground current measuring (winding side 1)
- X4** – TI: Standard current measuring card (for the winding side 2)
- X102** – Universal Resistance-Temperature Detector (URTD) input, Fiber optics interface, Versatile Link
- X103** – Modbus RTU / IEC 60870-5-103 / DNP3.0 RTU, Fiber optics interface, ST Connector
- X104** – IRIG-B00X, incl. System Contact (Supervision Contact)

MRDT4-2A1BFB

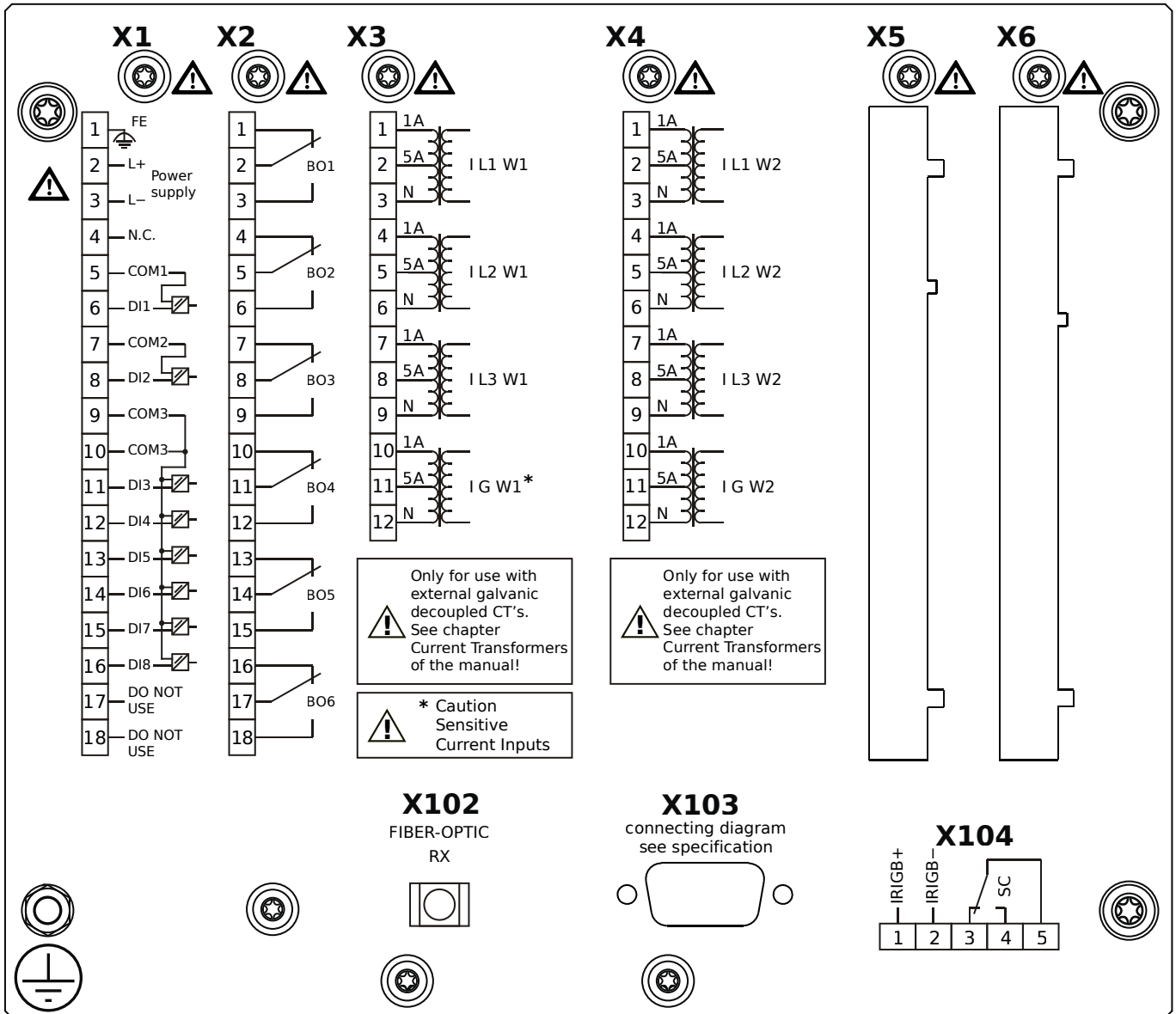


Housing B2, small display, 19" rack mounting

+ Conformal Coating (for installations in harsh environment)

- X1** – DI8-X1: Wide-range power supply unit, incl. 2 non-grouped digital inputs and 6 grouped digital inputs
- X2** – OR6: Assembly Group with 6 Output Relays (Changeover / Form C)
- X3** – TIs: Standard phase current measuring card and sensitive ground current measuring (winding side 1)
- X4** – TI: Standard current measuring card (for the winding side 2)
- X102** – Universal Resistance-Temperature Detector (URTD) input, Fiber optics interface, Versatile Link
- X103** – Modbus RTU / IEC 60870-5-103 / DNP3.0 RTU, Fiber optics interface, ST Connector
- X104** – IRIG-B00X, incl. System Contact (Supervision Contact)

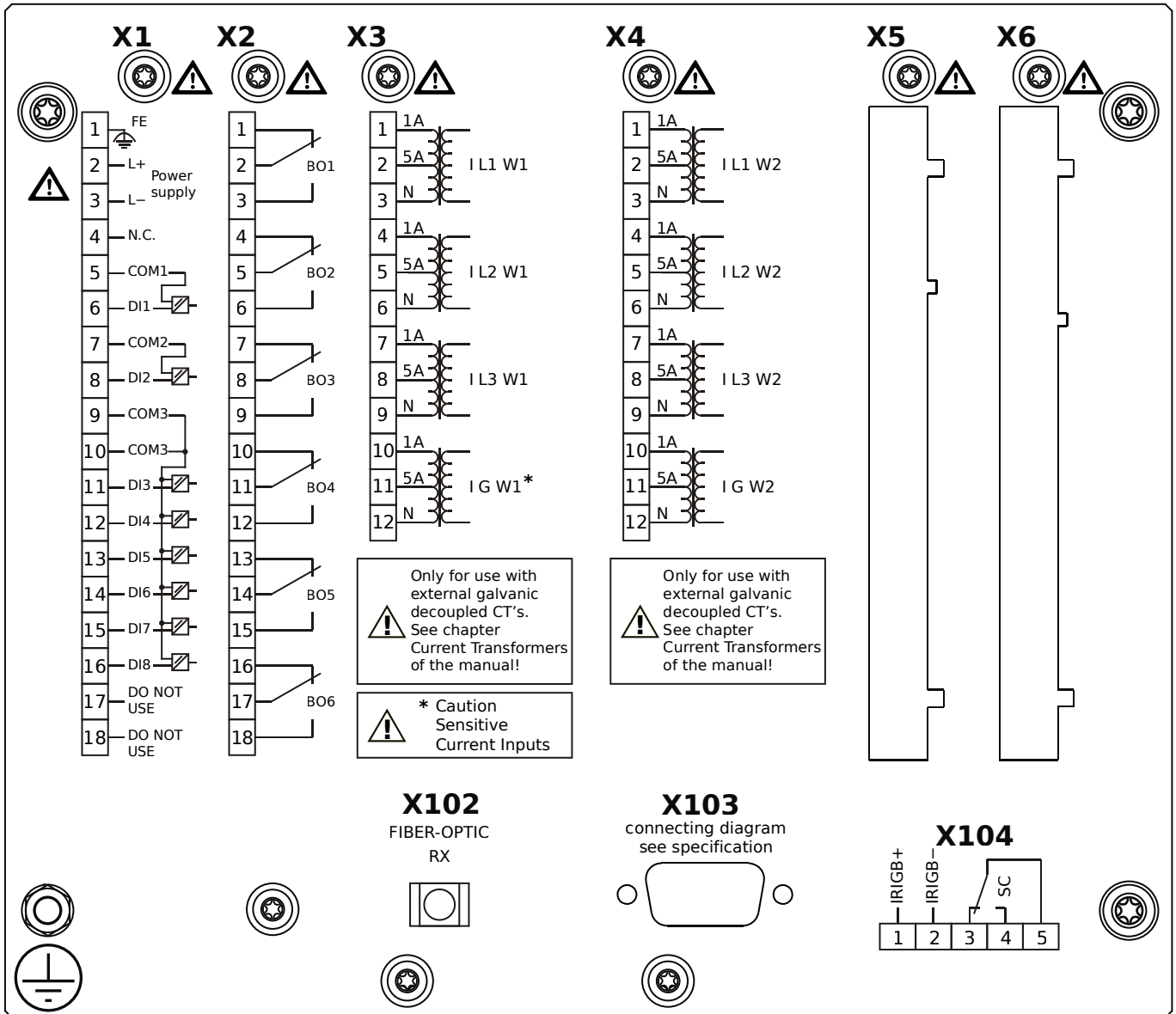
MRDT4-2A1BGA



Housing B2, small display, 19" rack mounting

- X1** – DI8-X1: Wide-range power supply unit, incl. 2 non-grouped digital inputs and 6 grouped digital inputs
- X2** – OR6: Assembly Group with 6 Output Relays (Changeover / Form C)
- X3** – TIs: Standard phase current measuring card and sensitive ground current measuring (winding side 1)
- X4** – TI: Standard current measuring card (for the winding side 2)
- X102** – Universal Resistance-Temperature Detector (URTD) input, Fiber optics interface, Versatile Link
- X103** – Modbus RTU / IEC 60870-5-103 / DNP3.0 RTU, RS485, D-SUB
- X104** – IRIG-B00X, incl. System Contact (Supervision Contact)

MRDT4-2A1BGB

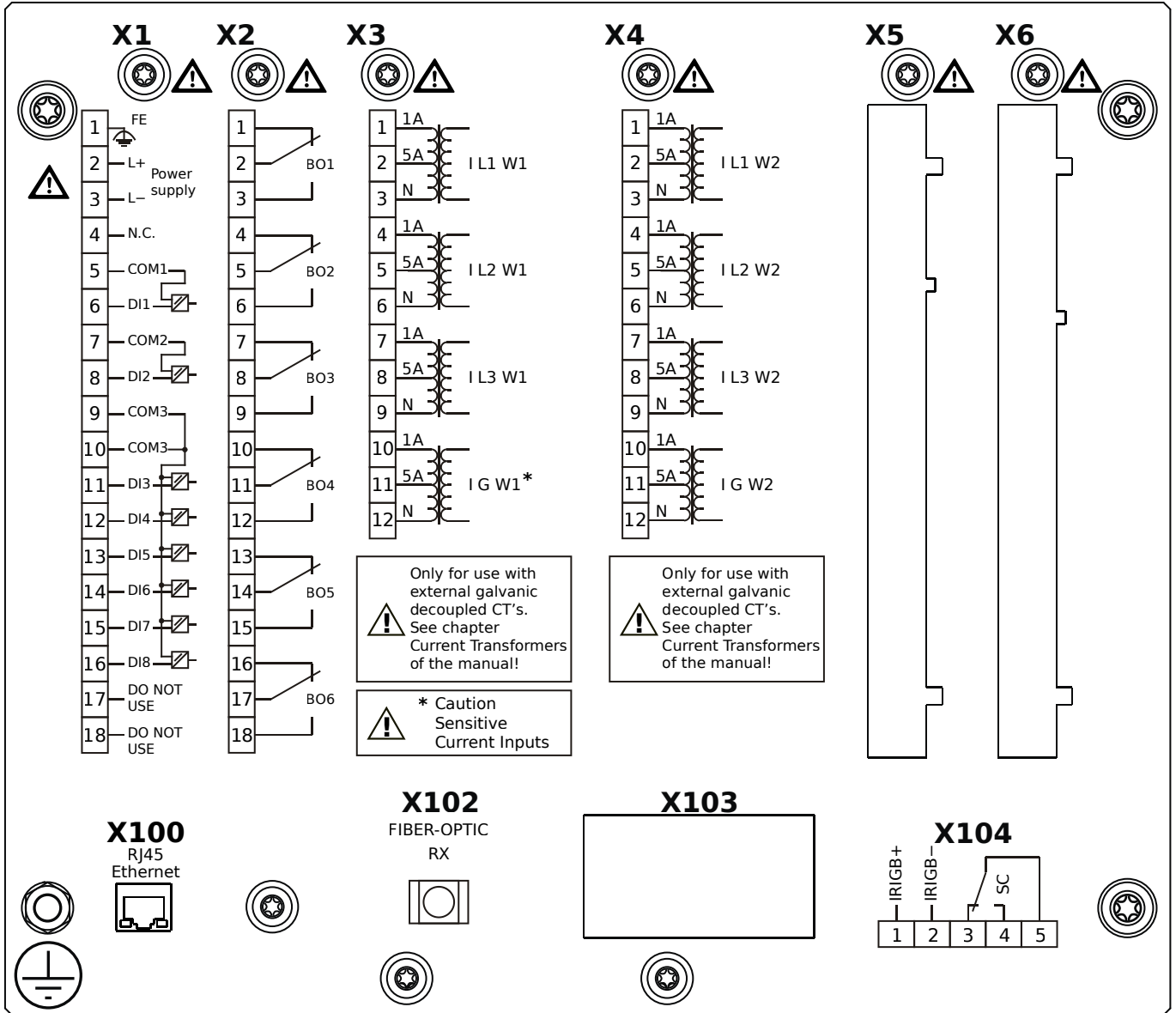


Housing B2, small display, 19" rack mounting

+ Conformal Coating (for installations in harsh environment)

- X1** – DI8-X1: Wide-range power supply unit, incl. 2 non-grouped digital inputs and 6 grouped digital inputs
- X2** – OR6: Assembly Group with 6 Output Relays (Changeover / Form C)
- X3** – TIs: Standard phase current measuring card and sensitive ground current measuring (winding side 1)
- X4** – TI: Standard current measuring card (for the winding side 2)
- X102** – Universal Resistance-Temperature Detector (URTD) input, Fiber optics interface, Versatile Link
- X103** – Modbus RTU / IEC 60870-5-103 / DNP3.0 RTU, RS485, D-SUB
- X104** – IRIG-B00X, incl. System Contact (Supervision Contact)

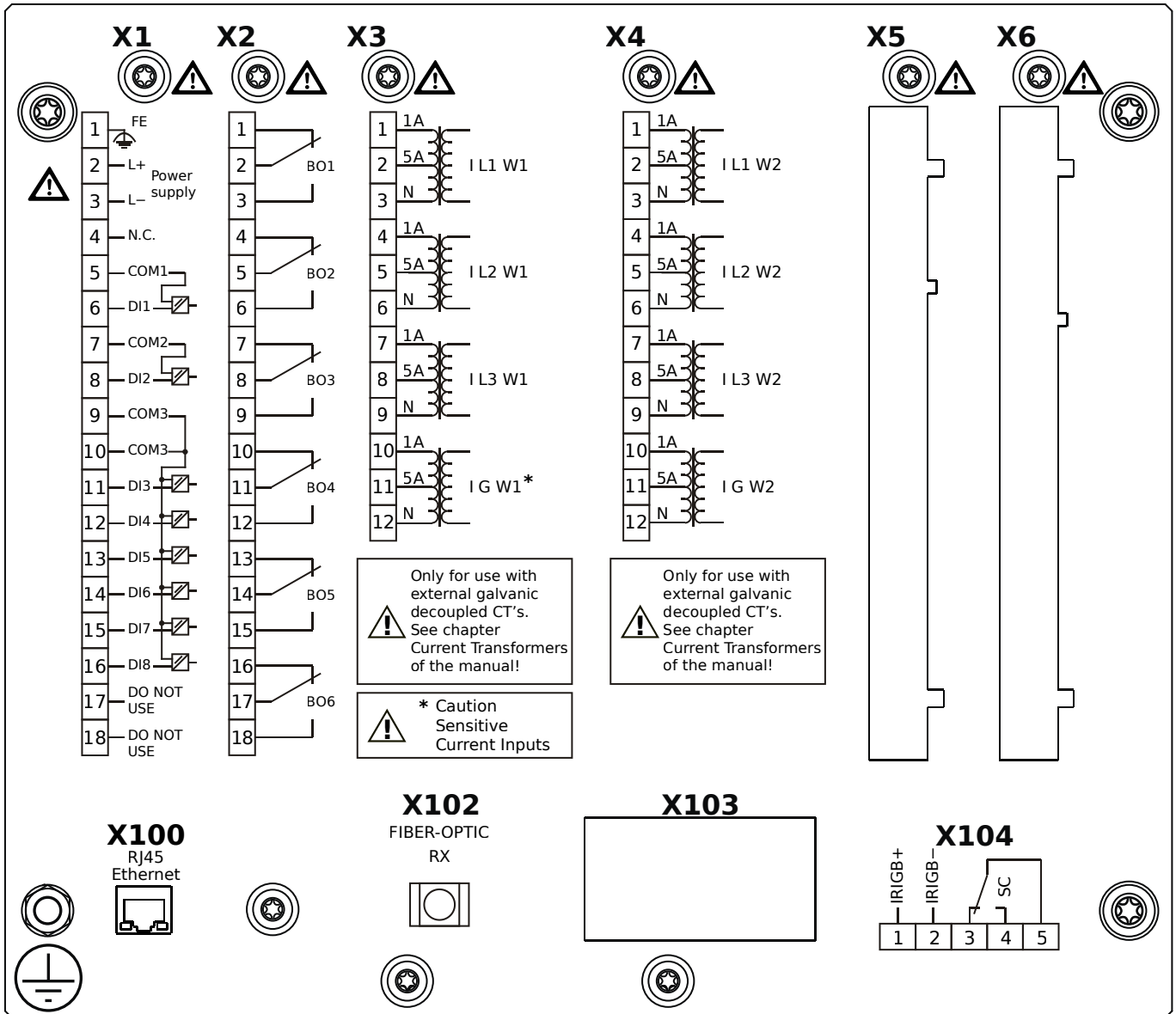
MRDT4-2A1BHA



Housing B2, small display, 19" rack mounting

- X1** – DI8-X1: Wide-range power supply unit, incl. 2 non-grouped digital inputs and 6 grouped digital inputs
- X2** – OR6: Assembly Group with 6 Output Relays (Changeover / Form C)
- X3** – TIs: Standard phase current measuring card and sensitive ground current measuring (winding side 1)
- X4** – TI: Standard current measuring card (for the winding side 2)
- X100** – IEC 61850 / Modbus TCP / IEC 60870-5-104 / DNP3.0 TCP/UDP, Ethernet interface, 100 Mbit/s, RJ45 (BASE100-FX)
- X102** – Universal Resistance-Temperature Detector (URTD) input, Fiber optics interface, Versatile Link
- X104** – IRIG-B00X, incl. System Contact (Supervision Contact)

MRDT4-2A1BHB



Housing B2, small display, 19" rack mounting

+ Conformal Coating (for installations in harsh environment)

X1 – DI8-X1: Wide-range power supply unit, incl. 2 non-grouped digital inputs and 6 grouped digital inputs

X2 – OR6: Assembly Group with 6 Output Relays (Changeover / Form C)

X3 – TIs: Standard phase current measuring card and sensitive ground current measuring (winding side 1)

X4 – TI: Standard current measuring card (for the winding side 2)

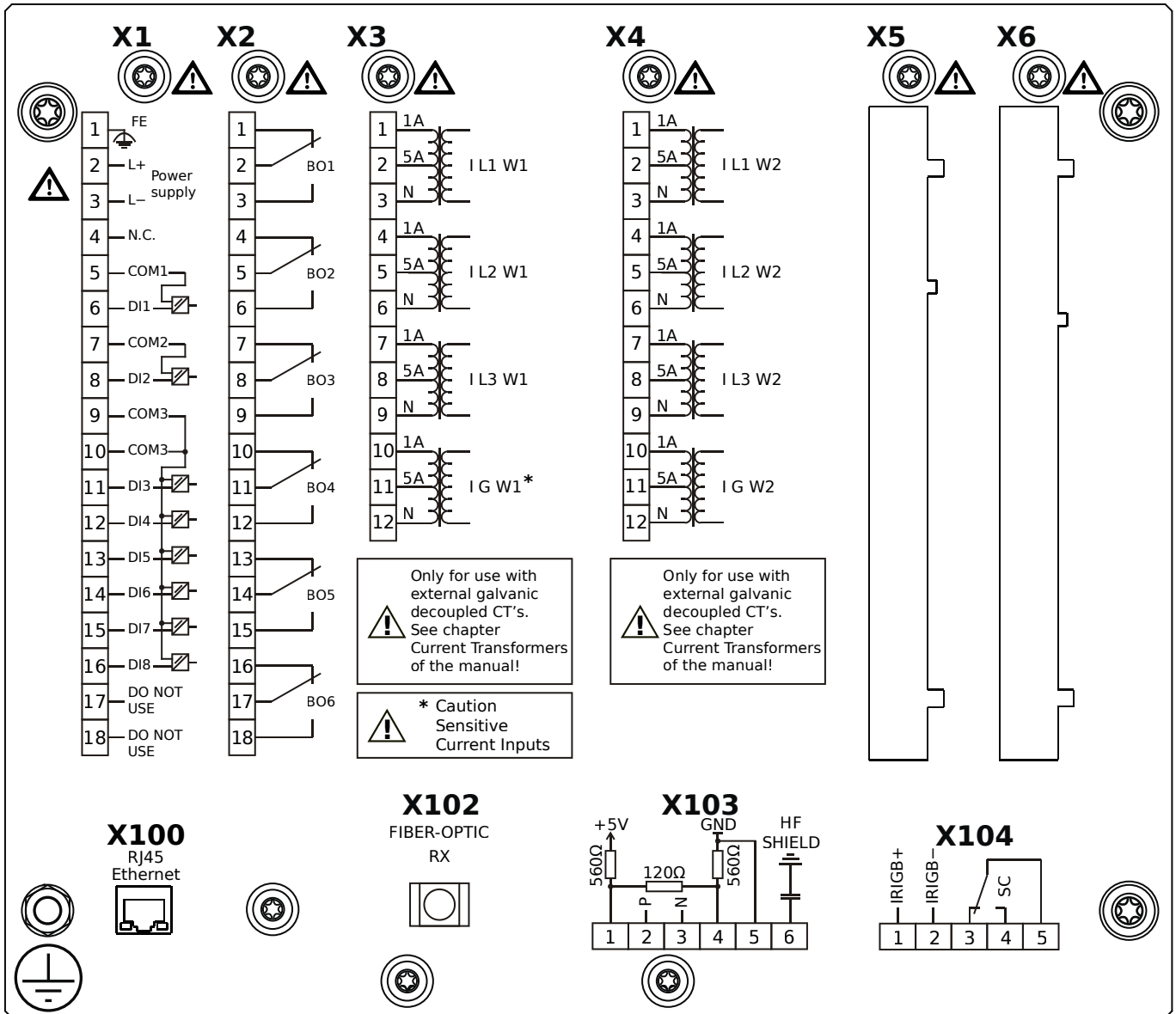
X100 – IEC 61850 / Modbus TCP / IEC 60870-5-104 / DNP3.0 TCP/UDP, Ethernet interface, 100 Mbit/s, RJ45 (BASE100-

FX)

X102 – Universal Resistance-Temperature Detector (URTD) input, Fiber optics interface, Versatile Link

X104 – IRIG-B00X, incl. System Contact (Supervision Contact)

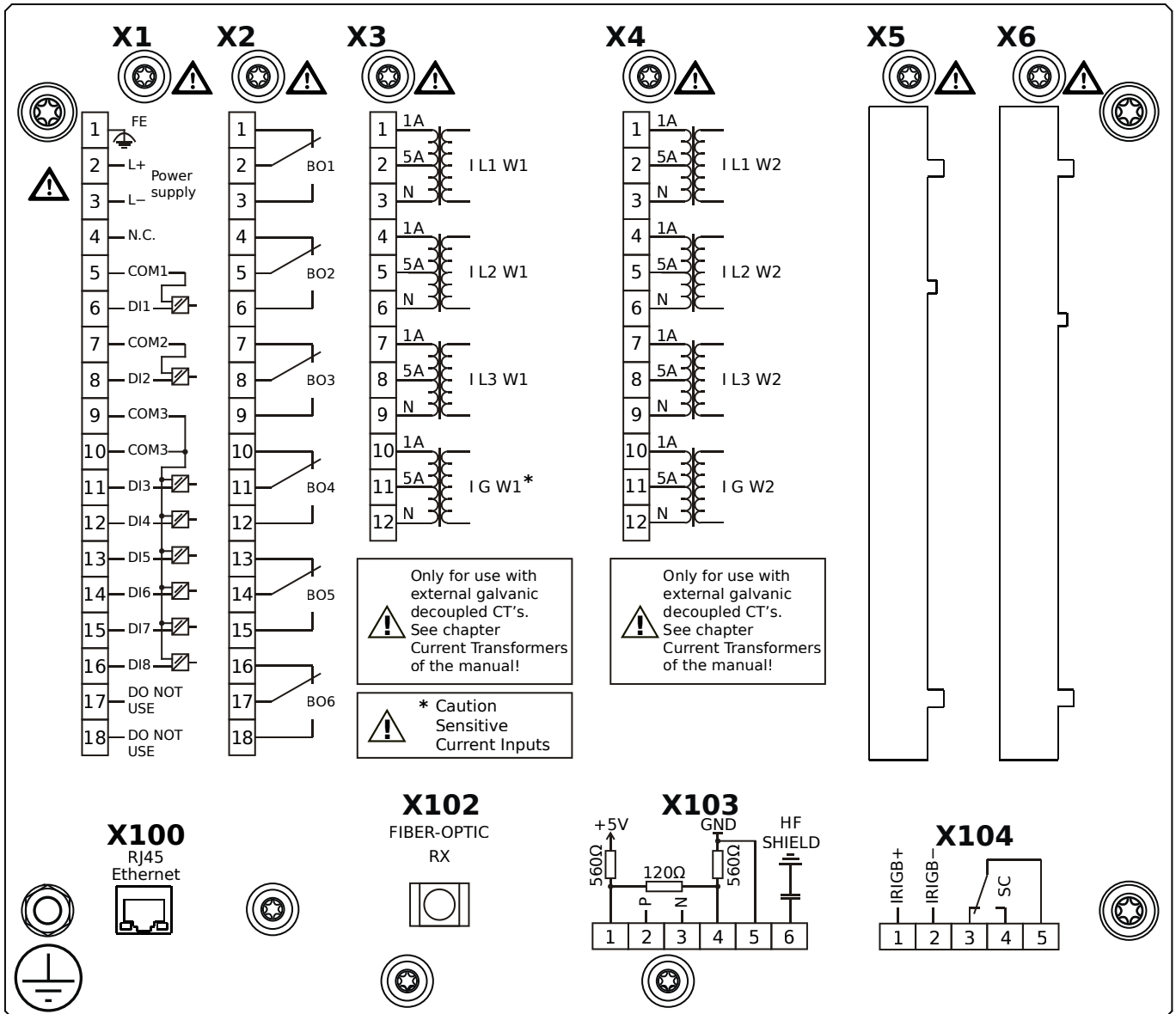
MRDT4-2A1BIA



Housing B2, small display, 19" rack mounting

- X1** – DI8-X1: Wide-range power supply unit, incl. 2 non-grouped digital inputs and 6 grouped digital inputs
- X2** – OR6: Assembly Group with 6 Output Relays (Changeover / Form C)
- X3** – TIs: Standard phase current measuring card and sensitive ground current measuring (winding side 1)
- X4** – TI: Standard current measuring card (for the winding side 2)
- X100** – Modbus TCP / IEC 60870-5-104 / DNP3.0 TCP/UDP, Ethernet interface, 100 Mbit/s, RJ45 (BASE100-FX)
- X102** – Universal Resistance-Temperature Detector (URTD) input, Fiber optics interface, Versatile Link
- X103** – IEC 60870-5-103 / Modbus RTU / DNP3.0 RTU, RS485, Terminals
- X104** – IRIG-B00X, incl. System Contact (Supervision Contact)

MRDT4-2A1BIB

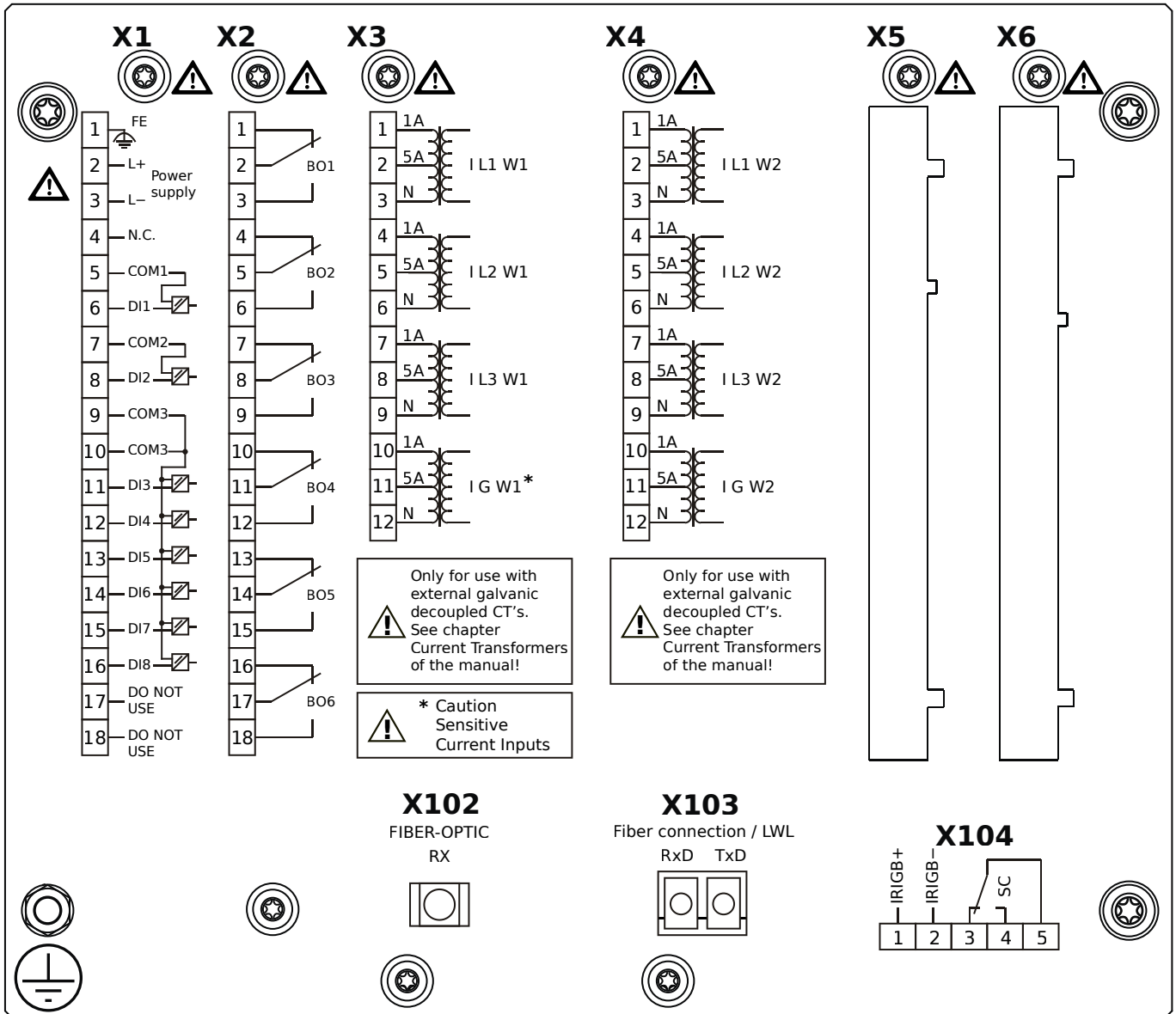


Housing B2, small display, 19" rack mounting

+ Conformal Coating (for installations in harsh environment)

- X1** – DI8-X1: Wide-range power supply unit, incl. 2 non-grouped digital inputs and 6 grouped digital inputs
- X2** – OR6: Assembly Group with 6 Output Relays (Changeover / Form C)
- X3** – TIs: Standard phase current measuring card and sensitive ground current measuring (winding side 1)
- X4** – TI: Standard current measuring card (for the winding side 2)
- X100** – Modbus TCP / IEC 60870-5-104 / DNP3.0 TCP/UDP, Ethernet interface, 100 Mbit/s, RJ45 (BASE100-FX)
- X102** – Universal Resistance-Temperature Detector (URTD) input, Fiber optics interface, Versatile Link
- X103** – IEC 60870-5-103 / Modbus RTU / DNP3.0 RTU, RS485, Terminals
- X104** – IRIG-B00X, incl. System Contact (Supervision Contact)

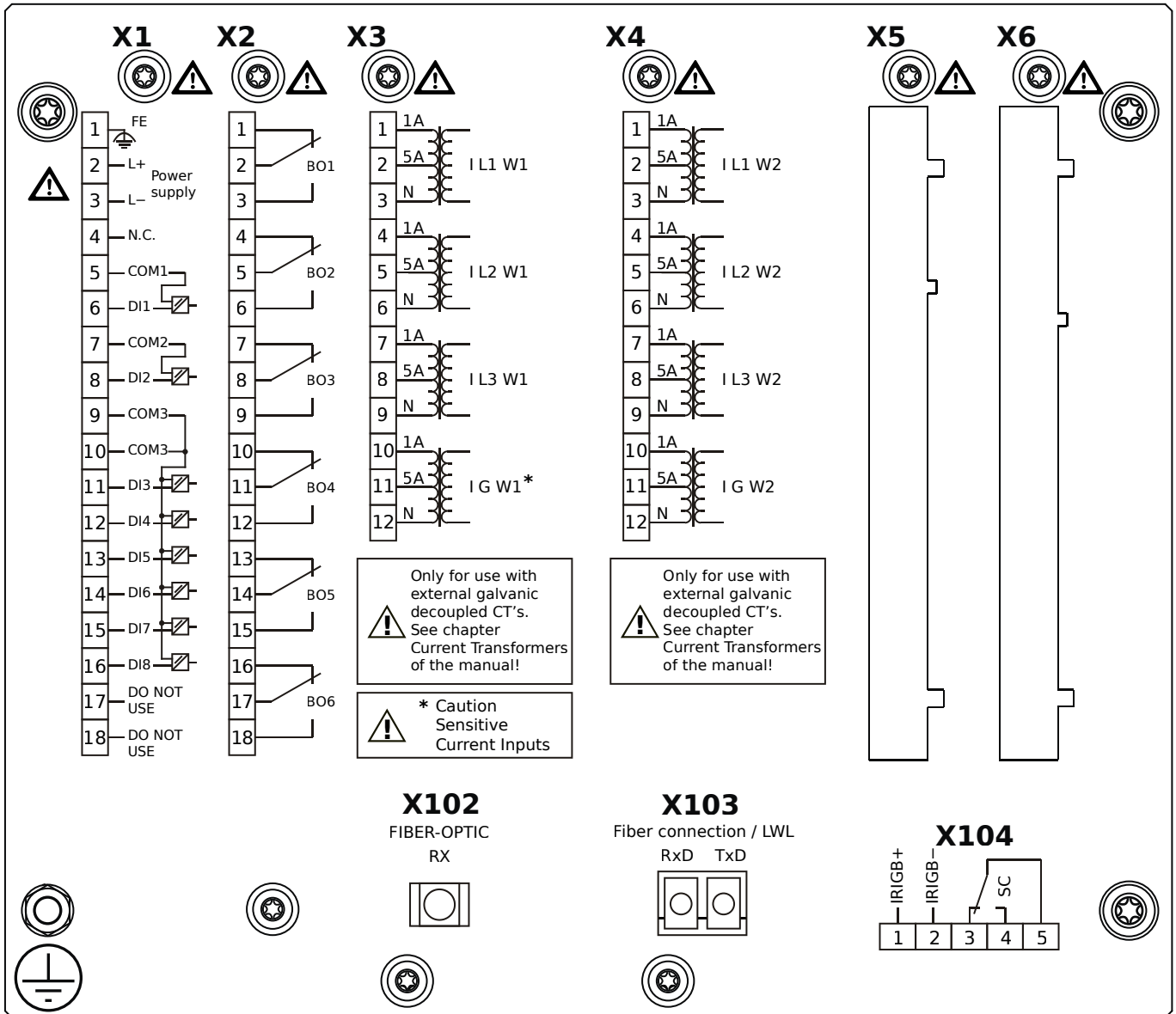
MRDT4-2A1BKA



Housing B2, small display, 19" rack mounting

- X1** – DI8-X1: Wide-range power supply unit, incl. 2 non-grouped digital inputs and 6 grouped digital inputs
- X2** – OR6: Assembly Group with 6 Output Relays (Changeover / Form C)
- X3** – TIs: Standard phase current measuring card and sensitive ground current measuring (winding side 1)
- X4** – TI: Standard current measuring card (for the winding side 2)
- X102** – Universal Resistance-Temperature Detector (URTD) input, Fiber optics interface, Versatile Link
- X103** – IEC 61850 / Modbus TCP / IEC 60870-5-104 / DNP3.0 TCP/UDP, Fiber optics interface, LC Connector
- X104** – IRIG-B00X, incl. System Contact (Supervision Contact)

MRDT4-2A1BKB

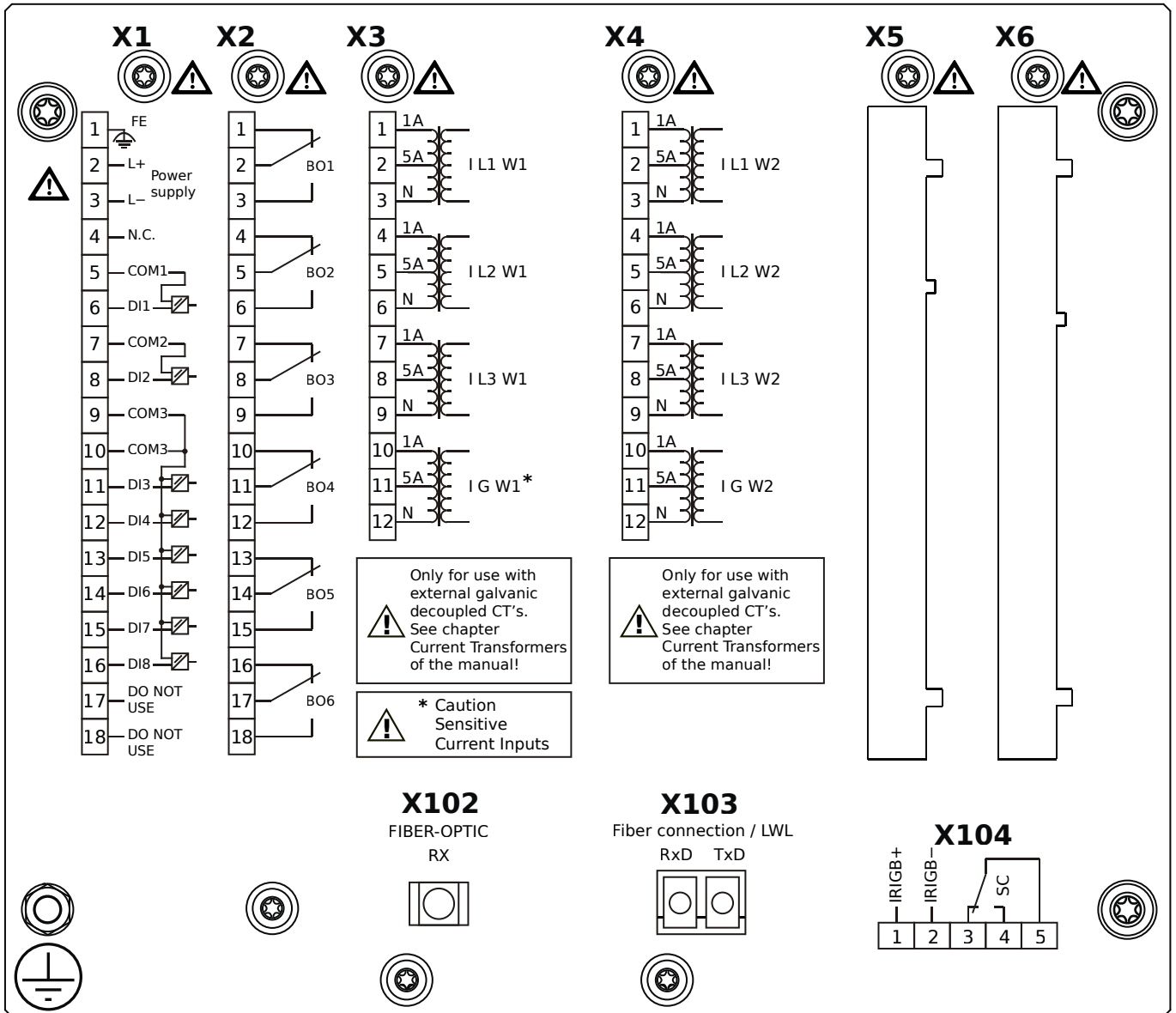


Housing B2, small display, 19" rack mounting

+ Conformal Coating (for installations in harsh environment)

- X1** – DI8-X1: Wide-range power supply unit, incl. 2 non-grouped digital inputs and 6 grouped digital inputs
- X2** – OR6: Assembly Group with 6 Output Relays (Changeover / Form C)
- X3** – TIs: Standard phase current measuring card and sensitive ground current measuring (winding side 1)
- X4** – TI: Standard current measuring card (for the winding side 2)
- X102** – Universal Resistance-Temperature Detector (URTD) input, Fiber optics interface, Versatile Link
- X103** – IEC 61850 / Modbus TCP / IEC 60870-5-104 / DNP3.0 TCP/UDP, Fiber optics interface, LC Connector
- X104** – IRIG-B00X, incl. System Contact (Supervision Contact)

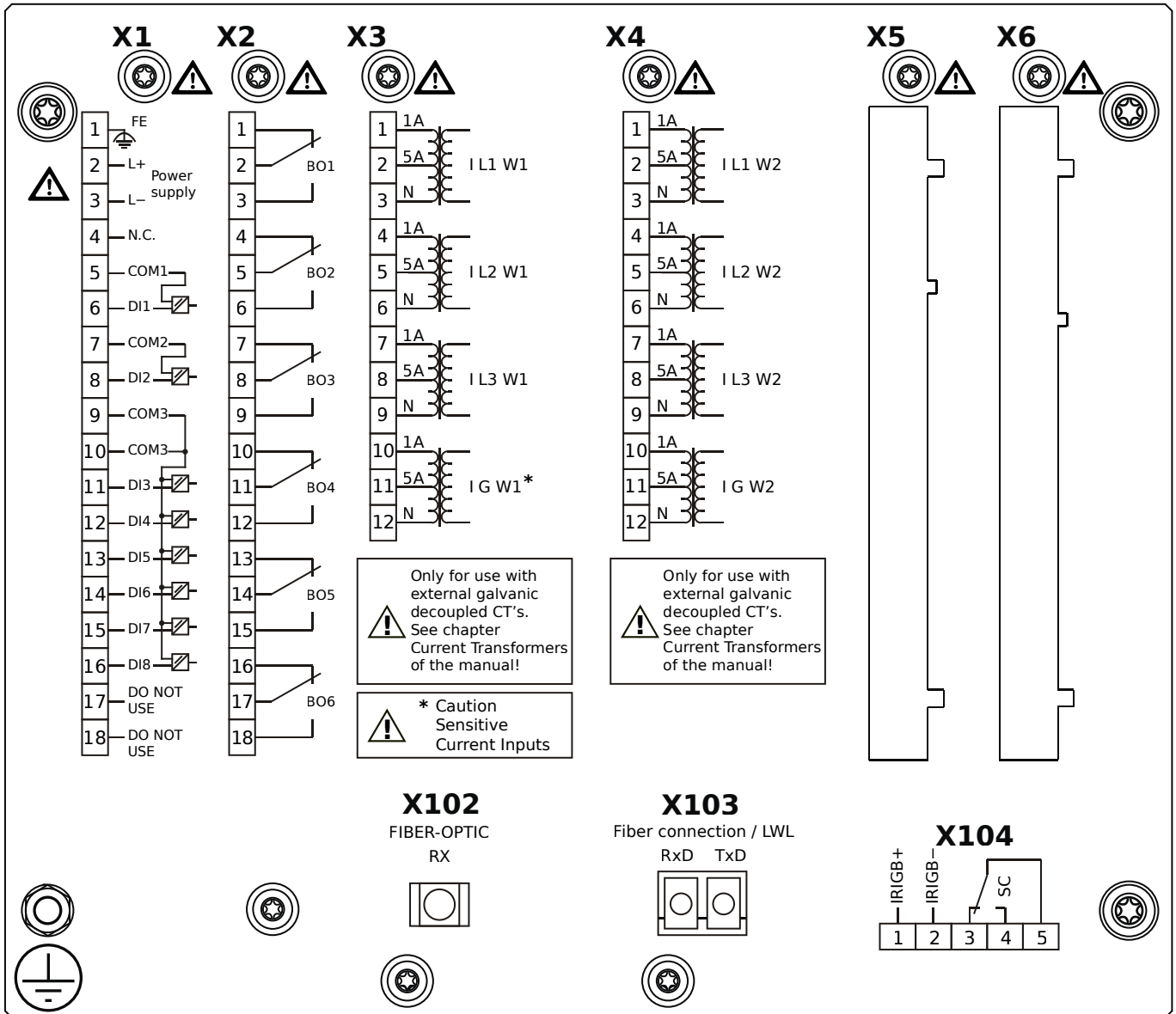
MRDT4-2A1BLA



Housing B2, small display, 19" rack mounting

- X1** – DI8-X1: Wide-range power supply unit, incl. 2 non-grouped digital inputs and 6 grouped digital inputs
- X2** – OR6: Assembly Group with 6 Output Relays (Changeover / Form C)
- X3** – TIs: Standard phase current measuring card and sensitive ground current measuring (winding side 1)
- X4** – TI: Standard current measuring card (for the winding side 2)
- X102** – Universal Resistance-Temperature Detector (URTD) input, Fiber optics interface, Versatile Link
- X103** – Modbus TCP / IEC 60870-5-104 / DNP3.0 TCP/UDP, Fiber optics interface, LC Connector
- X104** – IRIG-B00X, incl. System Contact (Supervision Contact)

MRDT4-2A1BLB

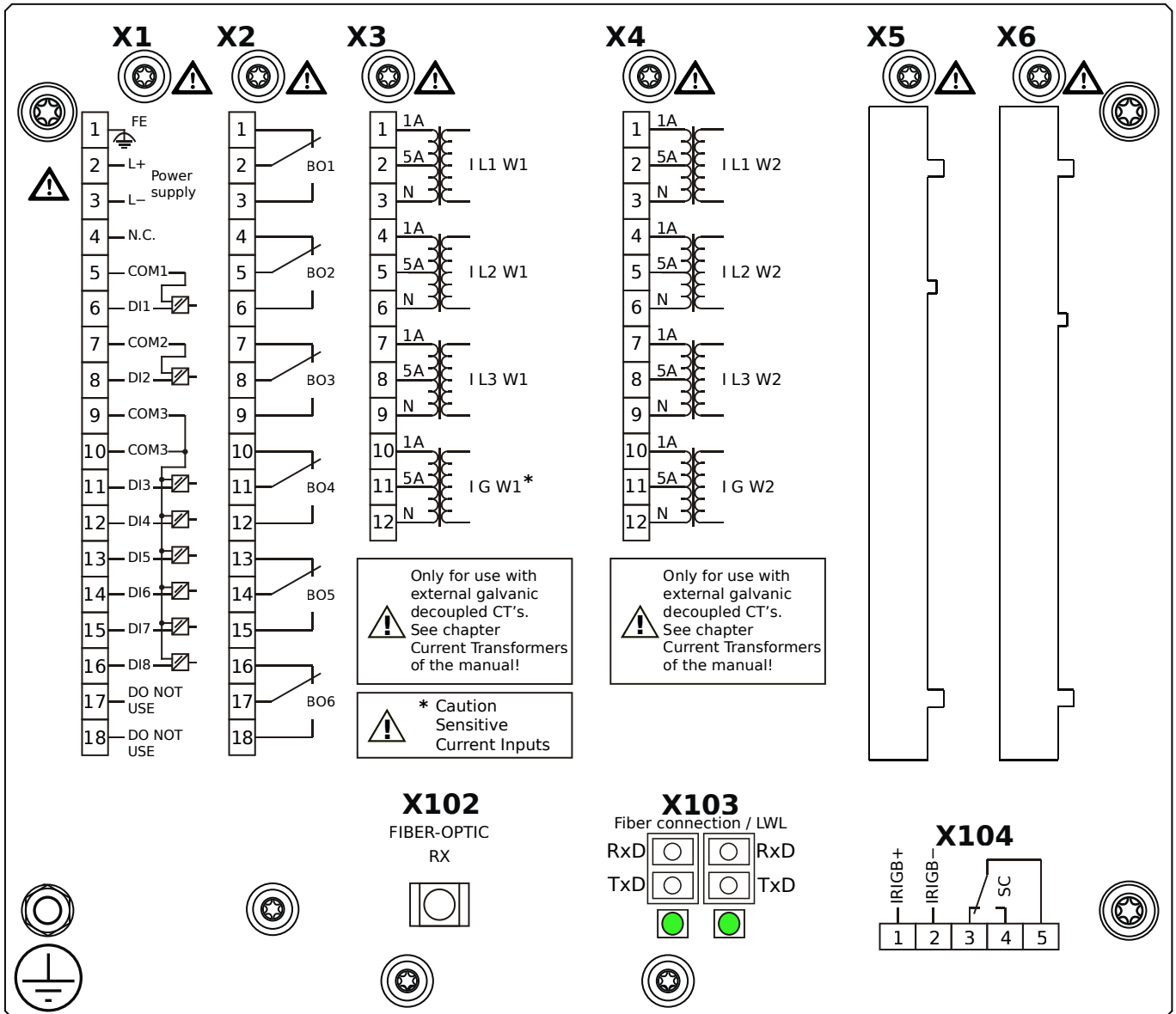


Housing B2, small display, 19" rack mounting

+ Conformal Coating (for installations in harsh environment)

- X1** – DI8-X1: Wide-range power supply unit, incl. 2 non-grouped digital inputs and 6 grouped digital inputs
- X2** – OR6: Assembly Group with 6 Output Relays (Changeover / Form C)
- X3** – TIs: Standard phase current measuring card and sensitive ground current measuring (winding side 1)
- X4** – TI: Standard current measuring card (for the winding side 2)
- X102** – Universal Resistance-Temperature Detector (URTD) input, Fiber optics interface, Versatile Link
- X103** – Modbus TCP / IEC 60870-5-104 / DNP3.0 TCP/UDP, Fiber optics interface, LC Connector
- X104** – IRIG-B00X, incl. System Contact (Supervision Contact)

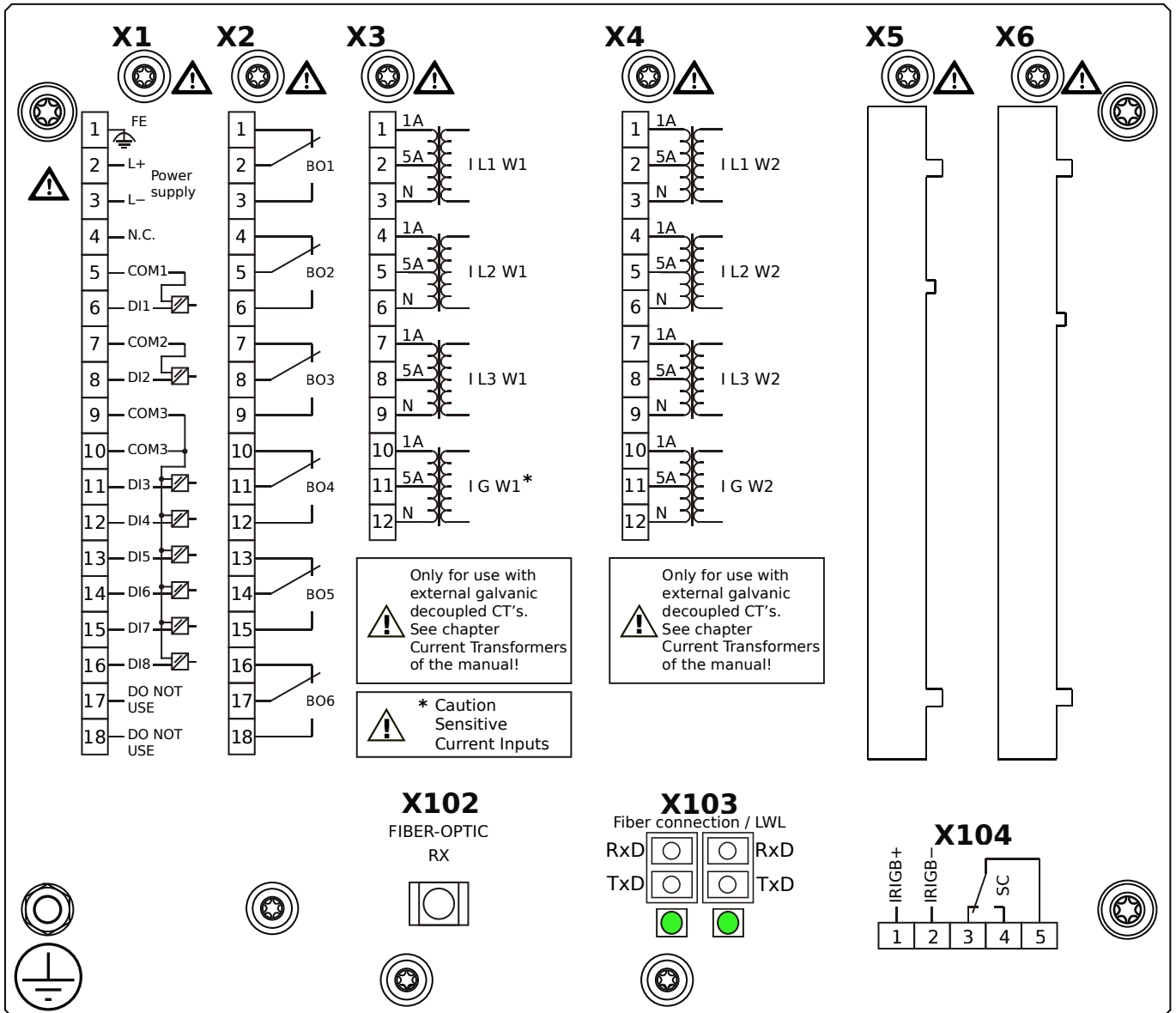
MRDT4-2A1BOA



Housing B2, small display, 19" rack mounting

- X1** – DI8-X1: Wide-range power supply unit, incl. 2 non-grouped digital inputs and 6 grouped digital inputs
- X2** – OR6: Assembly Group with 6 Output Relays (Changeover / Form C)
- X3** – TIs: Standard phase current measuring card and sensitive ground current measuring (winding side 1)
- X4** – TI: Standard current measuring card (for the winding side 2)
- X102** – Universal Resistance-Temperature Detector (URTD) input, Fiber optics interface, Versatile Link
- X103** – Modbus TCP / IEC 60870-5-104 / DNP3.0 TCP/UDP, Redundant Fiber optics interface, LC Connector
- X104** – IRIG-B00X, incl. System Contact (Supervision Contact)

MRDT4-2A1BOB

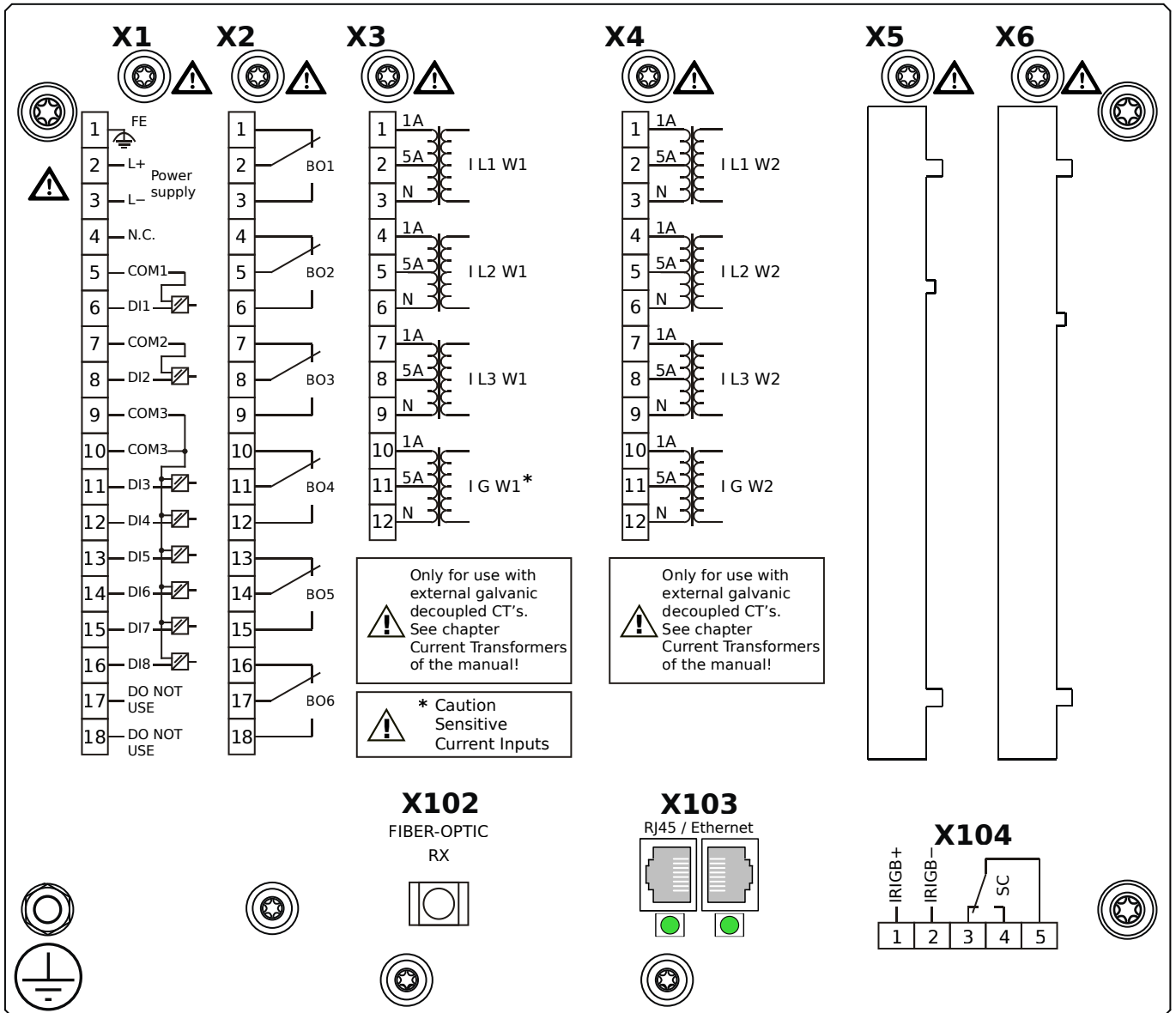


Housing B2, small display, 19" rack mounting

+ Conformal Coating (for installations in harsh environment)

- X1** – DI8-X1: Wide-range power supply unit, incl. 2 non-grouped digital inputs and 6 grouped digital inputs
- X2** – OR6: Assembly Group with 6 Output Relays (Changeover / Form C)
- X3** – TIs: Standard phase current measuring card and sensitive ground current measuring (winding side 1)
- X4** – TI: Standard current measuring card (for the winding side 2)
- X102** – Universal Resistance-Temperature Detector (URTD) input, Fiber optics interface, Versatile Link
- X103** – Modbus TCP / IEC 60870-5-104 / DNP3.0 TCP/UDP, Redundant Fiber optics interface, LC Connector
- X104** – IRIG-B00X, incl. System Contact (Supervision Contact)

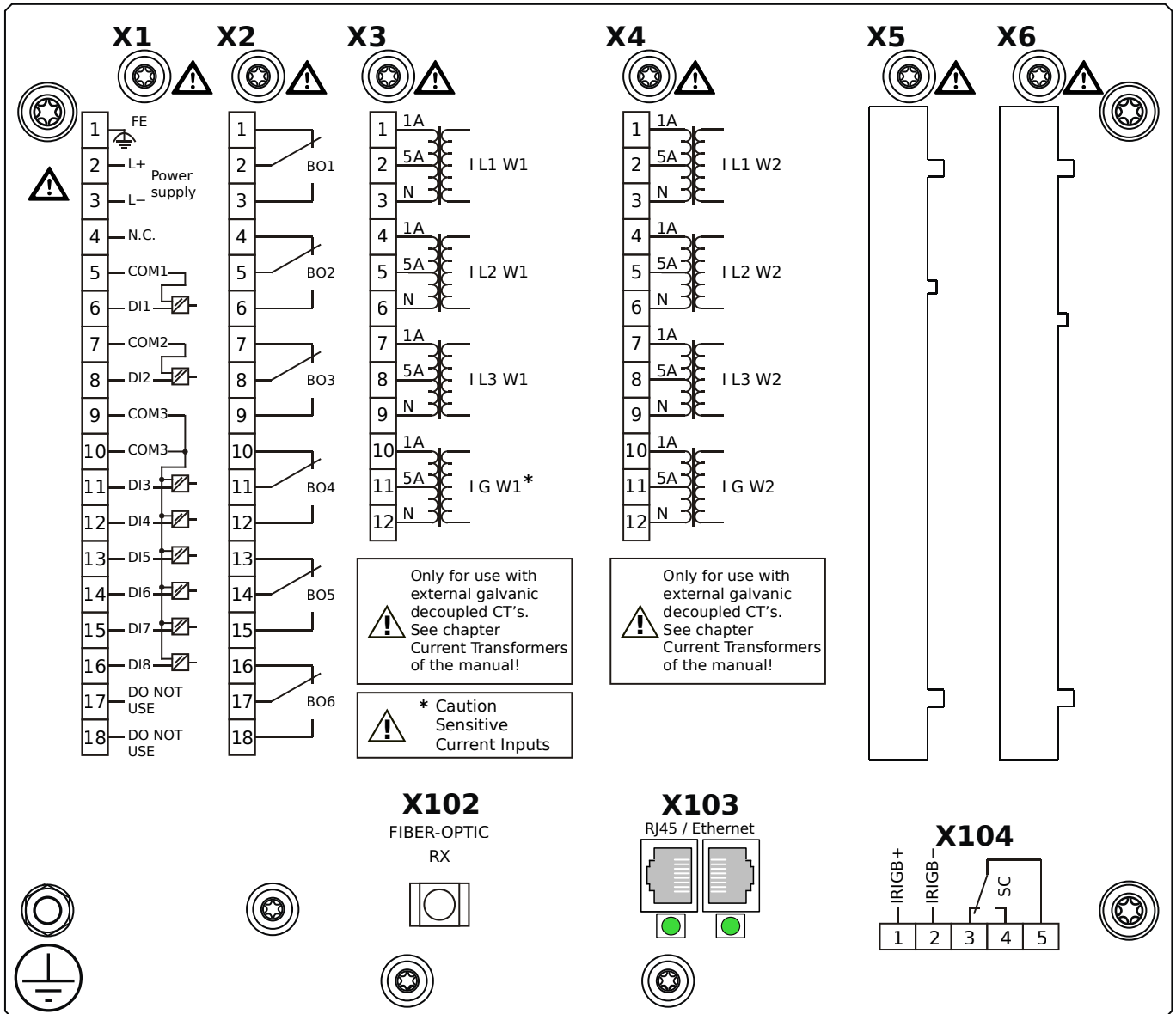
MRDT4-2A1BPA



Housing B2, small display, 19" rack mounting

- X1** – DI8-X1: Wide-range power supply unit, incl. 2 non-grouped digital inputs and 6 grouped digital inputs
- X2** – OR6: Assembly Group with 6 Output Relays (Changeover / Form C)
- X3** – TIs: Standard phase current measuring card and sensitive ground current measuring (winding side 1)
- X4** – TI: Standard current measuring card (for the winding side 2)
- X102** – Universal Resistance-Temperature Detector (URTD) input, Fiber optics interface, Versatile Link
- X103** – Modbus TCP / IEC 60870-5-104 / DNP3.0 TCP/UDP, Redundant Ethernet interface, 100 Mbit/s, RJ45 (BASE100-FX)
- X104** – IRIG-B00X, incl. System Contact (Supervision Contact)

MRDT4-2A1BPB



Housing B2, small display, 19" rack mounting

+ Conformal Coating (for installations in harsh environment)

X1 – DI8-X1: Wide-range power supply unit, incl. 2 non-grouped digital inputs and 6 grouped digital inputs

X2 – OR6: Assembly Group with 6 Output Relays (Changeover / Form C)

X3 – TIs: Standard phase current measuring card and sensitive ground current measuring (winding side 1)

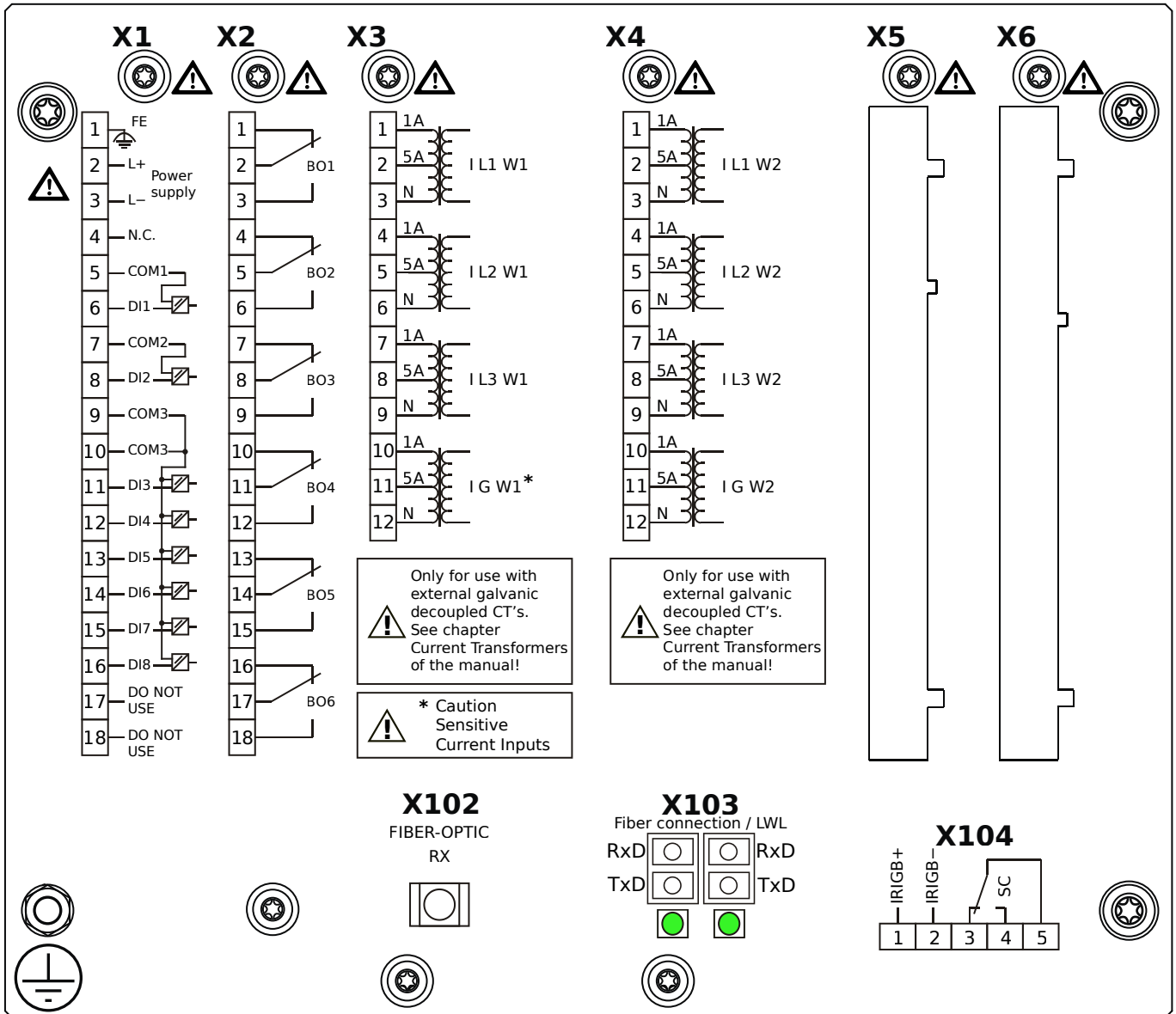
X4 – TI: Standard current measuring card (for the winding side 2)

X102 – Universal Resistance-Temperature Detector (URTD) input, Fiber optics interface, Versatile Link

X103 – Modbus TCP / IEC 60870-5-104 / DNP3.0 TCP/UDP, Redundant Ethernet interface, 100 Mbit/s, RJ45 (BASE100-FX)

X104 – IRIG-B00X, incl. System Contact (Supervision Contact)

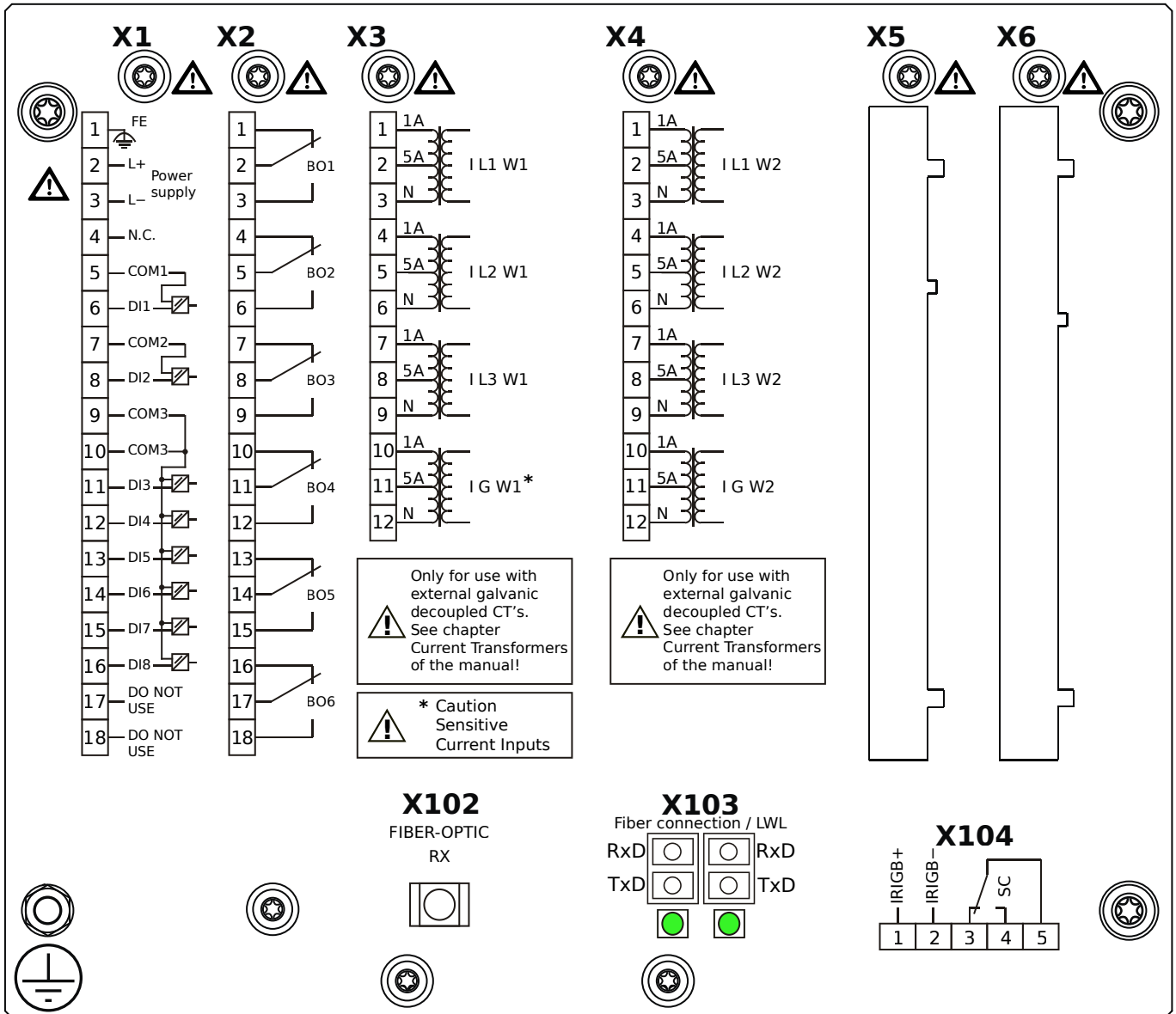
MRDT4-2A1BQA



Housing B2, small display, 19" rack mounting

- X1** – DI8-X1: Wide-range power supply unit, incl. 2 non-grouped digital inputs and 6 grouped digital inputs
- X2** – OR6: Assembly Group with 6 Output Relays (Changeover / Form C)
- X3** – TIs: Standard phase current measuring card and sensitive ground current measuring (winding side 1)
- X4** – TI: Standard current measuring card (for the winding side 2)
- X102** – Universal Resistance-Temperature Detector (URTD) input, Fiber optics interface, Versatile Link
- X103** – IEC 61850 / Modbus TCP / IEC 60870-5-104 / DNP3.0 TCP/UDP, Redundant Fiber optics interface, LC Connector
- X104** – IRIG-B00X, incl. System Contact (Supervision Contact)

MRDT4-2A1BQB



Housing B2, small display, 19" rack mounting

+ Conformal Coating (for installations in harsh environment)

X1 – DI8-X1: Wide-range power supply unit, incl. 2 non-grouped digital inputs and 6 grouped digital inputs

X2 – OR6: Assembly Group with 6 Output Relays (Changeover / Form C)

X3 – TIs: Standard phase current measuring card and sensitive ground current measuring (winding side 1)

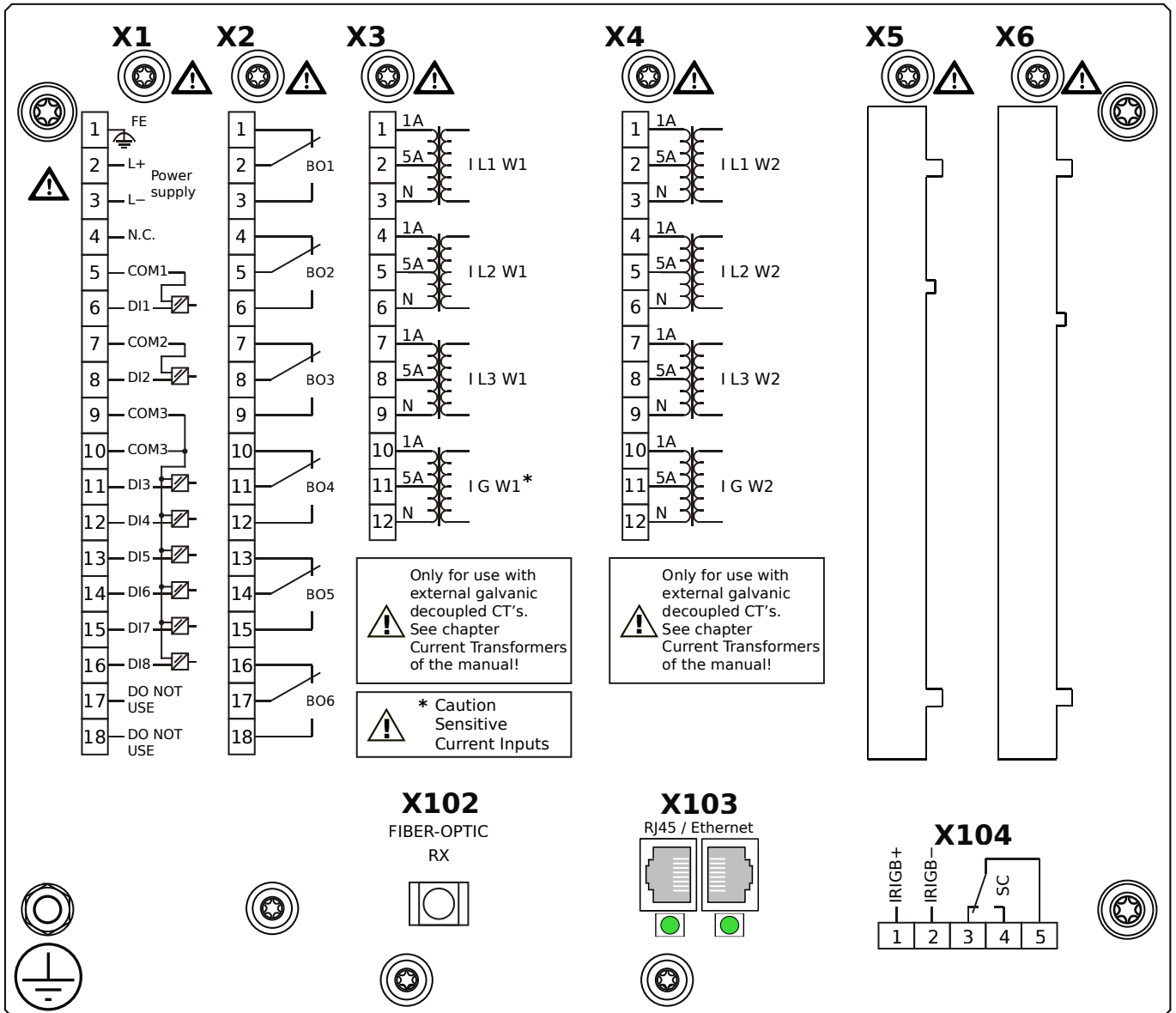
X4 – TI: Standard current measuring card (for the winding side 2)

X102 – Universal Resistance-Temperature Detector (URTD) input, Fiber optics interface, Versatile Link

X103 – IEC 61850 / Modbus TCP / IEC 60870-5-104 / DNP3.0 TCP/UDP, Redundant Fiber optics interface, LC Connector

X104 – IRIG-B00X, incl. System Contact (Supervision Contact)

MRDT4-2A1BRA



Housing B2, small display, 19" rack mounting

X1 – DI8-X1: Wide-range power supply unit, incl. 2 non-grouped digital inputs and 6 grouped digital inputs

X2 – OR6: Assembly Group with 6 Output Relays (Changeover / Form C)

X3 – TIs: Standard phase current measuring card and sensitive ground current measuring (winding side 1)

X4 – TI: Standard current measuring card (for the winding side 2)

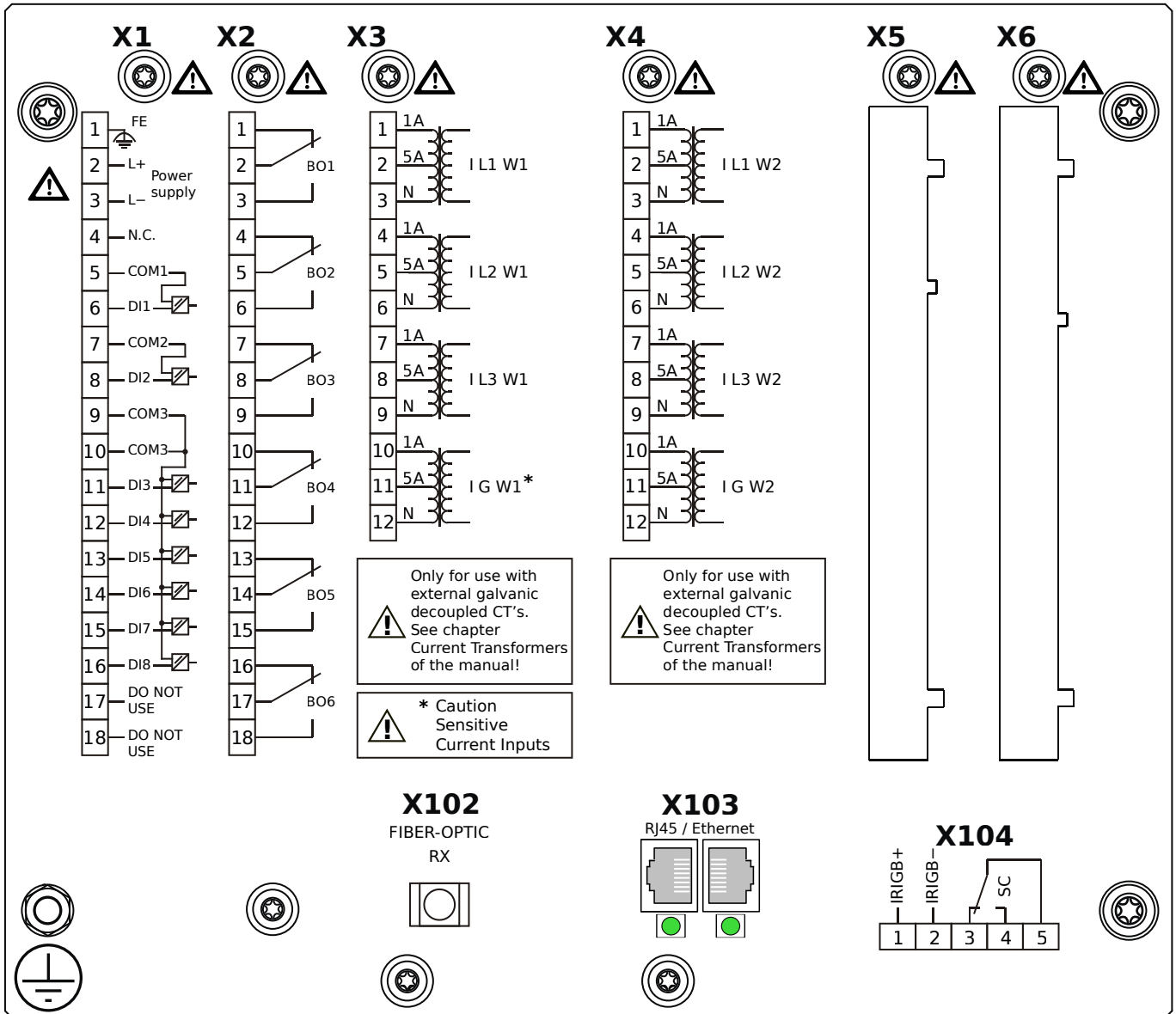
X102 – Universal Resistance-Temperature Detector (URTD) input, Fiber optics interface, Versatile Link

X103 – IEC 61850 / Modbus TCP / IEC 60870-5-104 / DNP3.0 TCP/UDP, Redundant Ethernet interface, 100 Mbit/s, RJ45

(BASE100-FX)

X104 – IRIG-B00X, incl. System Contact (Supervision Contact)

MRDT4-2A1BRB



Housing B2, small display, 19" rack mounting

+ Conformal Coating (for installations in harsh environment)

X1 – DI8-X1: Wide-range power supply unit, incl. 2 non-grouped digital inputs and 6 grouped digital inputs

X2 – OR6: Assembly Group with 6 Output Relays (Changeover / Form C)

X3 – TIs: Standard phase current measuring card and sensitive ground current measuring (winding side 1)

X4 – TI: Standard current measuring card (for the winding side 2)

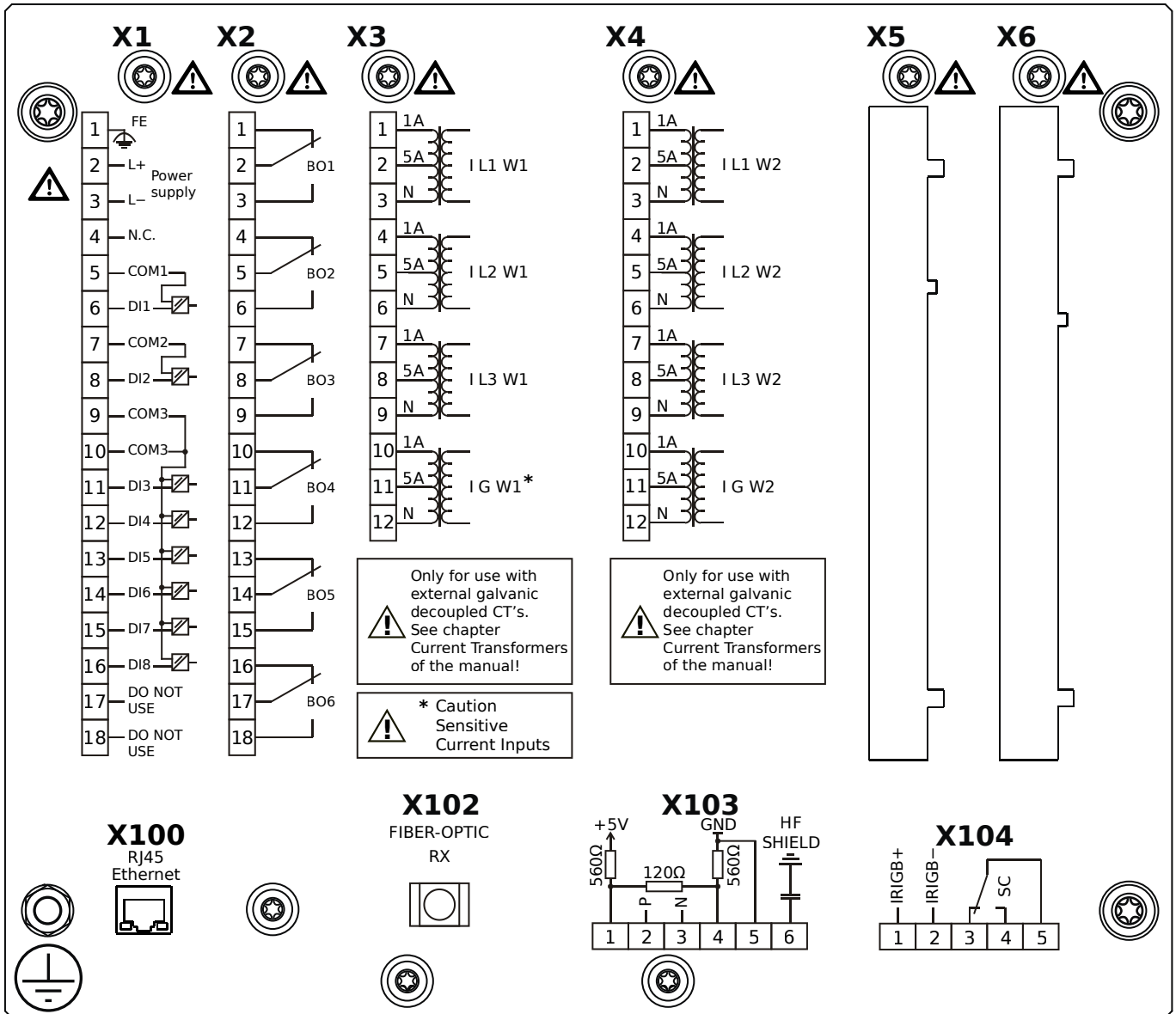
X102 – Universal Resistance-Temperature Detector (URTD) input, Fiber optics interface, Versatile Link

X103 – IEC 61850 / Modbus TCP / IEC 60870-5-104 / DNP3.0 TCP/UDP, Redundant Ethernet interface, 100 Mbit/s, RJ45

(BASE100-FX)

X104 – IRIG-B00X, incl. System Contact (Supervision Contact)

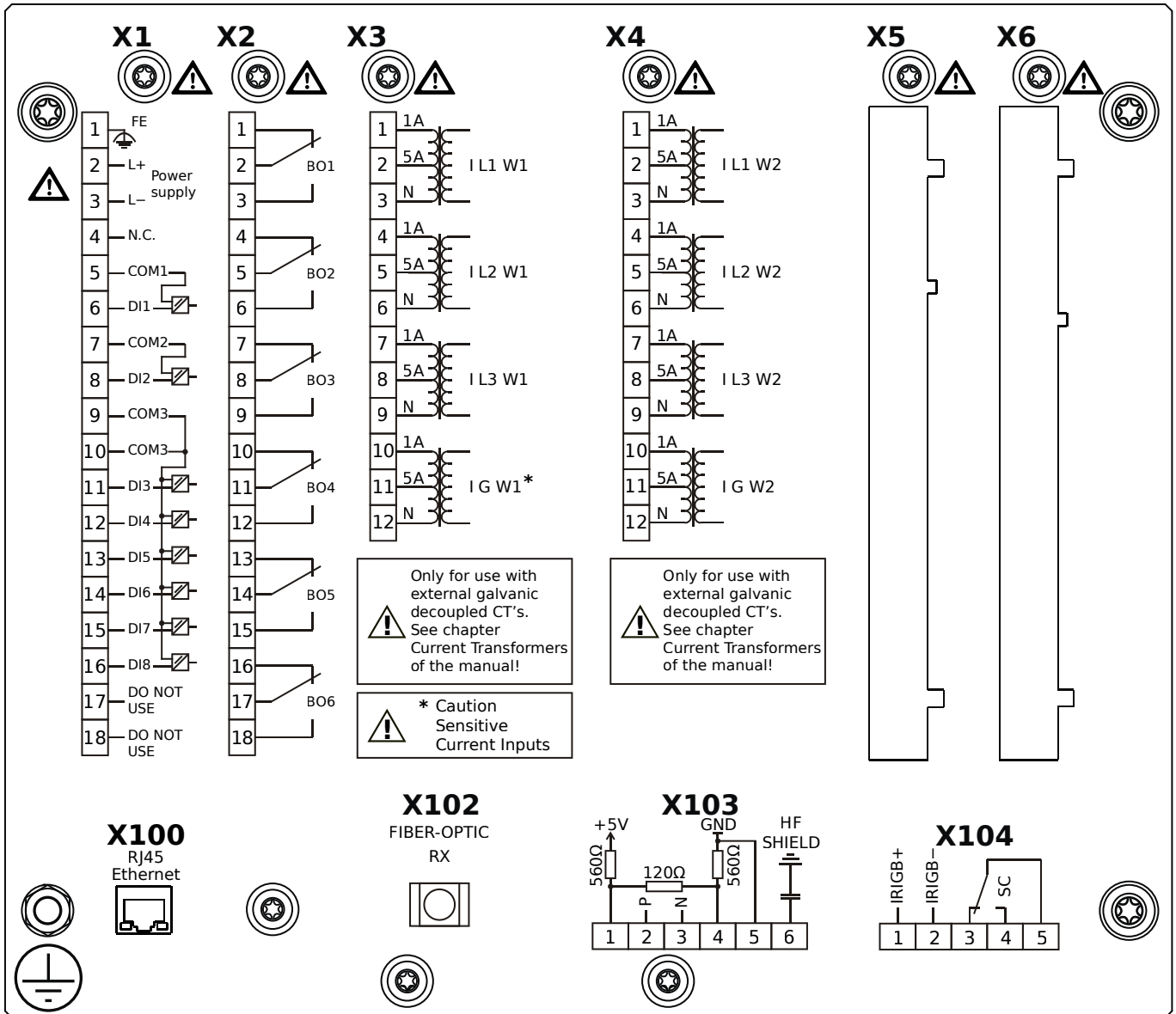
MRDT4-2A1BTA



Housing B2, small display, 19" rack mounting

- X1** – DI8-X1: Wide-range power supply unit, incl. 2 non-grouped digital inputs and 6 grouped digital inputs
- X2** – OR6: Assembly Group with 6 Output Relays (Changeover / Form C)
- X3** – TIs: Standard phase current measuring card and sensitive ground current measuring (winding side 1)
- X4** – TI: Standard current measuring card (for the winding side 2)
- X100** – IEC 61850 / Modbus TCP / IEC 60870-5-104 / DNP3.0 TCP/UDP, Ethernet interface, 100 Mbit/s, RJ45 (BASE100-FX)
- X102** – Universal Resistance-Temperature Detector (URTD) input, Fiber optics interface, Versatile Link
- X103** – IEC 60870-5-103 / Modbus RTU / DNP3.0 RTU, RS485, Terminals
- X104** – IRIG-B00X, incl. System Contact (Supervision Contact)

MRDT4-2A1BTB



Housing B2, small display, 19" rack mounting

+ Conformal Coating (for installations in harsh environment)

X1 – DI8-X1: Wide-range power supply unit, incl. 2 non-grouped digital inputs and 6 grouped digital inputs

X2 – OR6: Assembly Group with 6 Output Relays (Changeover / Form C)

X3 – TIs: Standard phase current measuring card and sensitive ground current measuring (winding side 1)

X4 – TI: Standard current measuring card (for the winding side 2)

X100 – IEC 61850 / Modbus TCP / IEC 60870-5-104 / DNP3.0 TCP/UDP, Ethernet interface, 100 Mbit/s, RJ45 (BASE100-

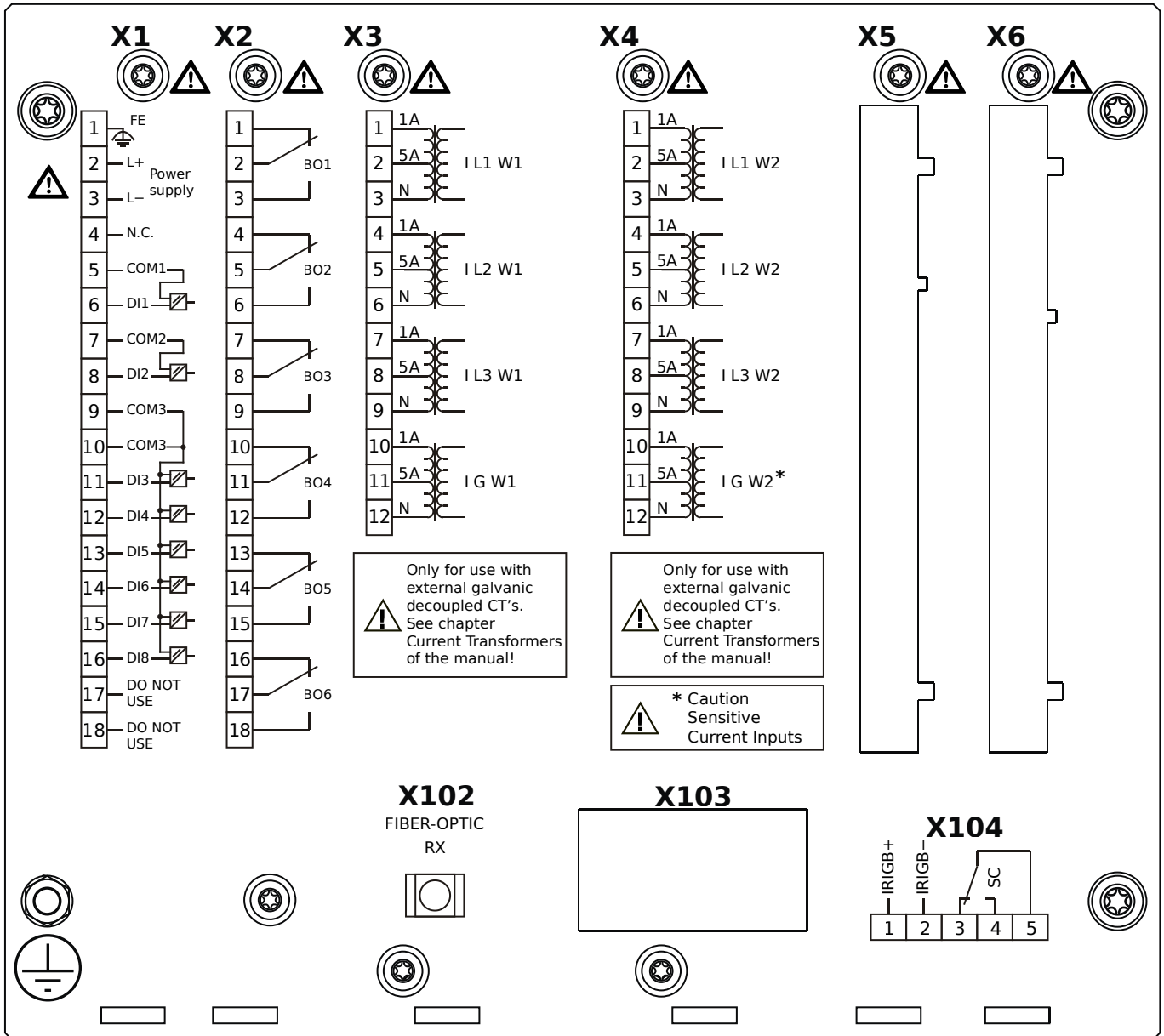
FX)

X102 – Universal Resistance-Temperature Detector (URTD) input, Fiber optics interface, Versatile Link

X103 – IEC 60870-5-103 / Modbus RTU / DNP3.0 RTU, RS485, Terminals

X104 – IRIG-B00X, incl. System Contact (Supervision Contact)

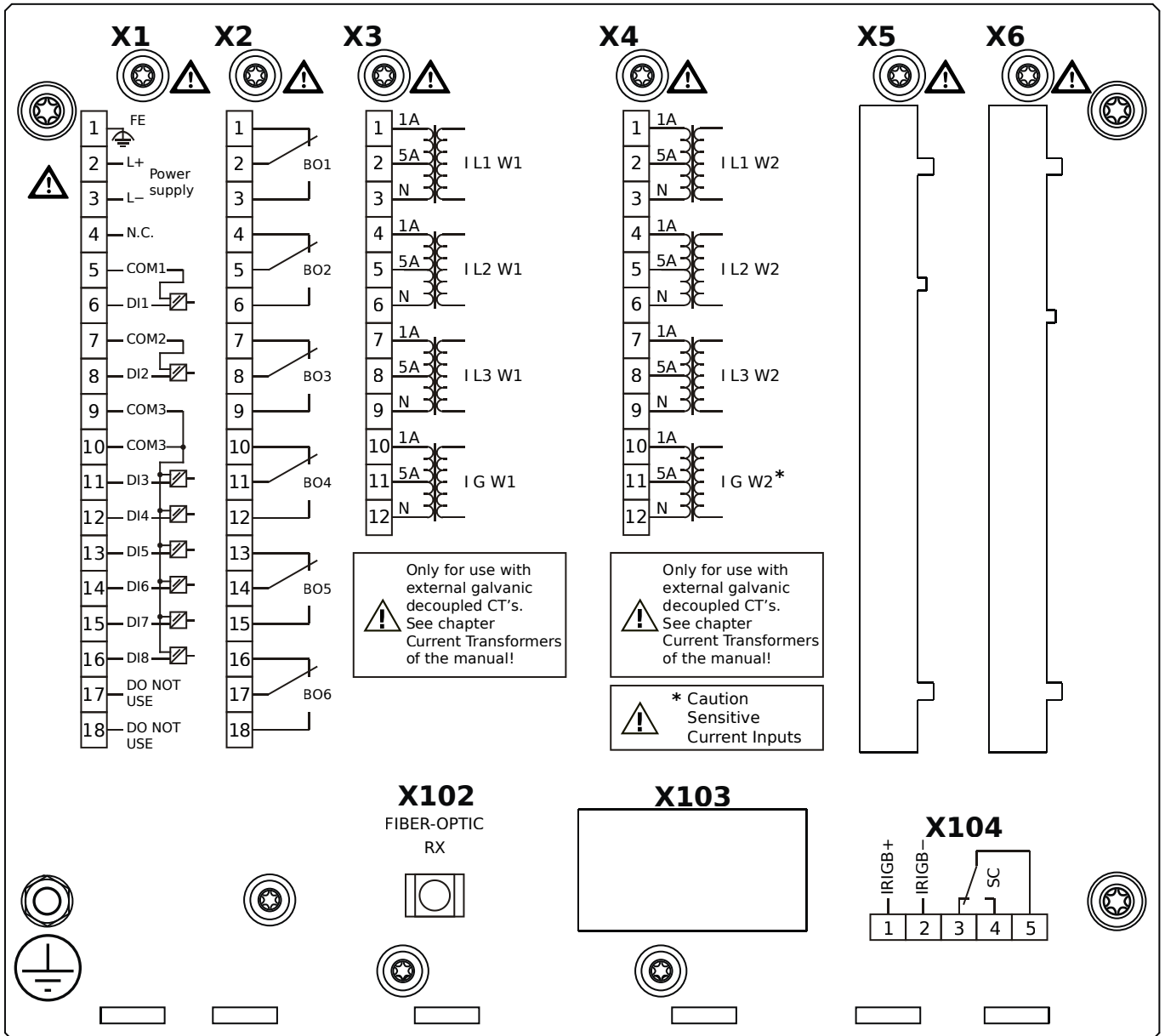
MRDT4-2A2AAA



Housing B2, small display, door mounting

- X1** – DI8-X1: Wide-range power supply unit, incl. 2 non-grouped digital inputs and 6 grouped digital inputs
- X2** – OR6: Assembly Group with 6 Output Relays (Changeover / Form C)
- X3** – TI: Standard current measuring card (for the winding side 1)
- X4** – TIs: Standard phase current measuring card and sensitive ground current measuring (winding side 2)
- X102** – Universal Resistance-Temperature Detector (URTD) input, Fiber optics interface, Versatile Link
- X104** – IRIG-B00X, incl. System Contact (Supervision Contact)

MRDT4-2A2AAB

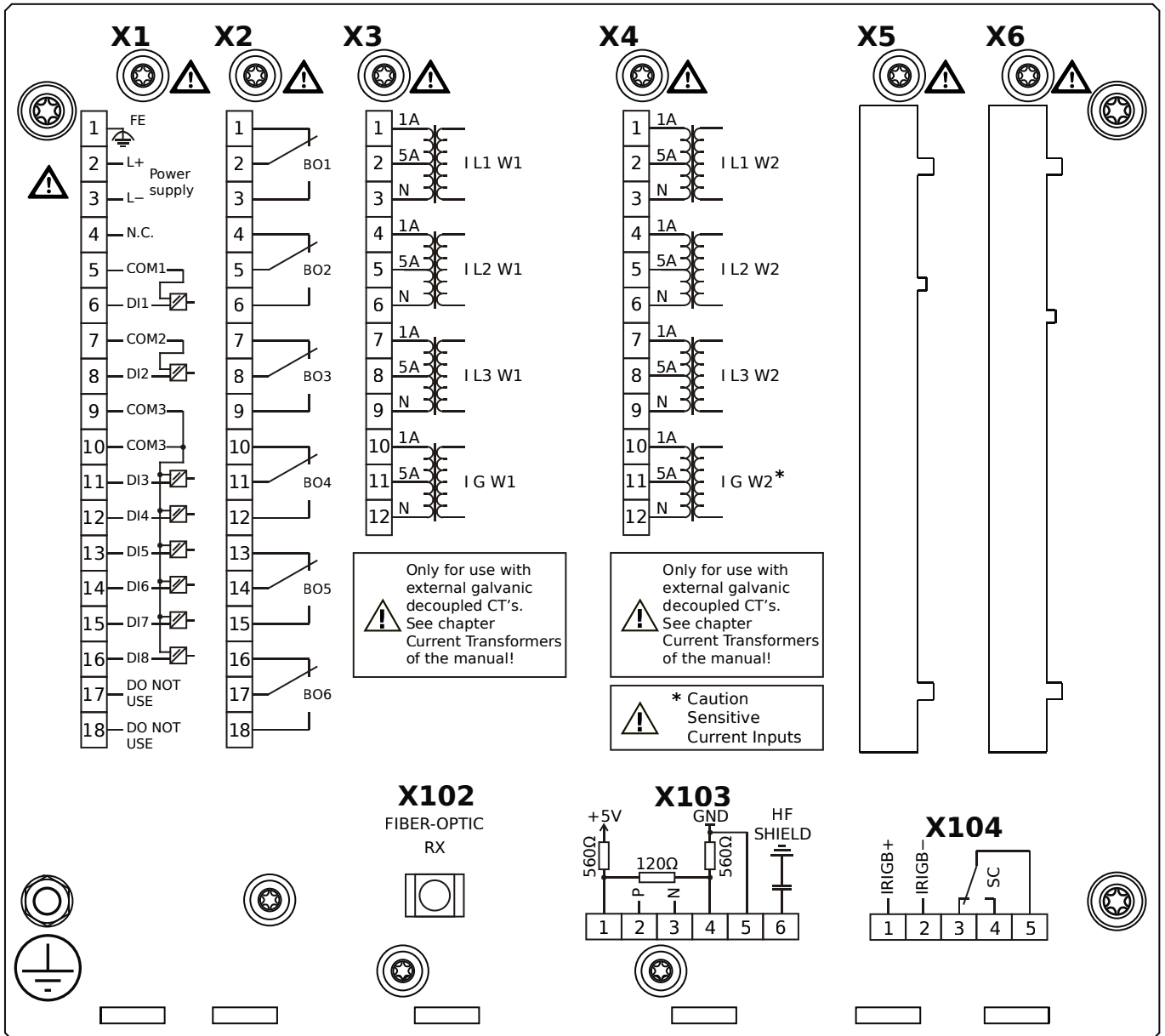


Housing B2, small display, door mounting

+ Conformal Coating (for installations in harsh environment)

- X1** – DI8-X1: Wide-range power supply unit, incl. 2 non-grouped digital inputs and 6 grouped digital inputs
- X2** – OR6: Assembly Group with 6 Output Relays (Changeover / Form C)
- X3** – TI: Standard current measuring card (for the winding side 1)
- X4** – TIs: Standard phase current measuring card and sensitive ground current measuring (winding side 2)
- X102** – Universal Resistance-Temperature Detector (URTD) input, Fiber optics interface, Versatile Link
- X104** – IRIG-B00X, incl. System Contact (Supervision Contact)

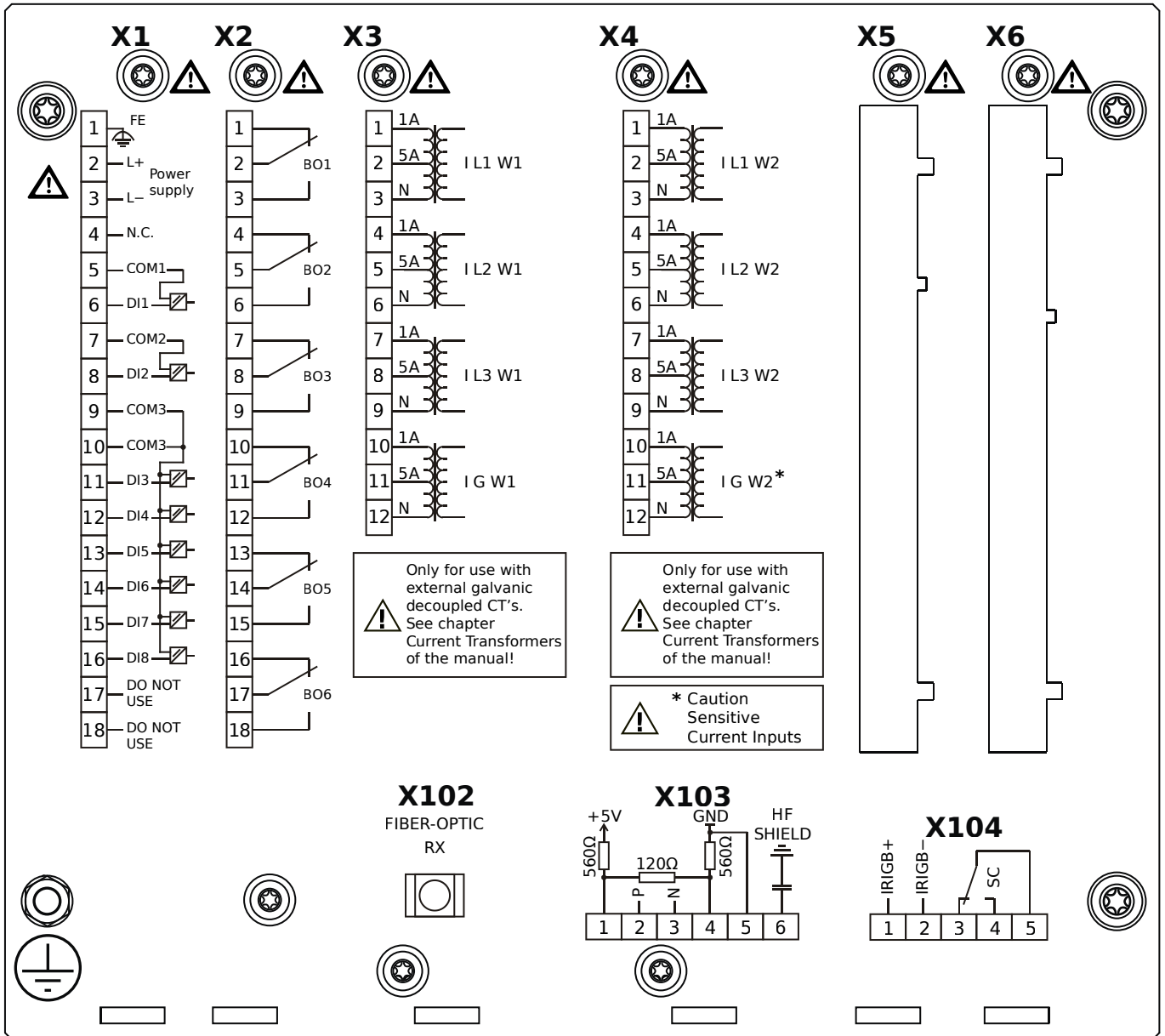
MRDT4-2A2ABA



Housing B2, small display, door mounting

- X1** – DI8-X1: Wide-range power supply unit, incl. 2 non-grouped digital inputs and 6 grouped digital inputs
- X2** – OR6: Assembly Group with 6 Output Relays (Changeover / Form C)
- X3** – TI: Standard current measuring card (for the winding side 1)
- X4** – TIs: Standard phase current measuring card and sensitive ground current measuring (winding side 2)
- X102** – Universal Resistance-Temperature Detector (URTD) input, Fiber optics interface, Versatile Link
- X103** – Modbus RTU / IEC 60870-5-103 / DNP3.0 RTU, RS485, Terminals
- X104** – IRIG-B00X, incl. System Contact (Supervision Contact)

MRDT4-2A2ABB

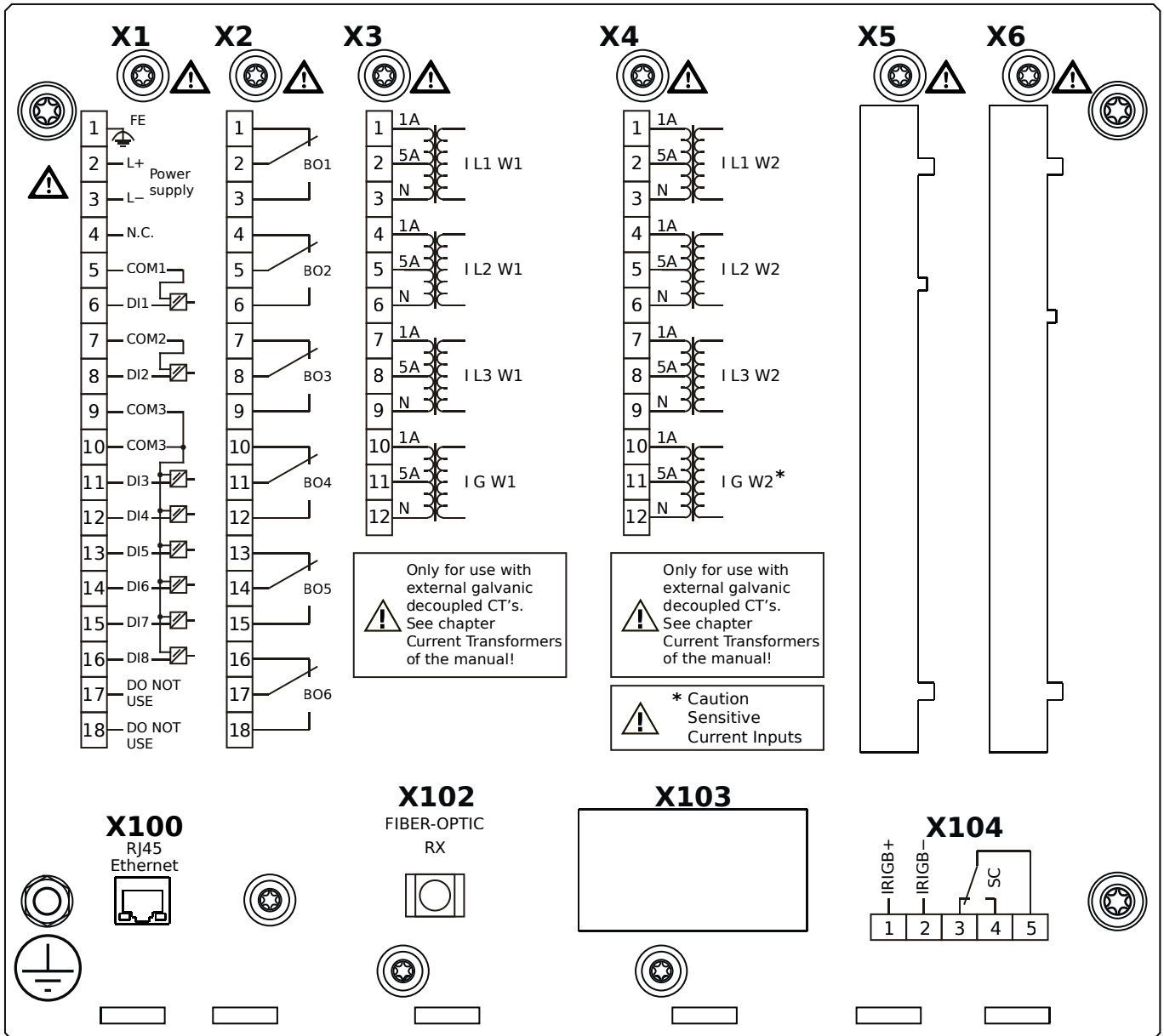


Housing B2, small display, door mounting

+ Conformal Coating (for installations in harsh environment)

- X1** – DI8-X1: Wide-range power supply unit, incl. 2 non-grouped digital inputs and 6 grouped digital inputs
- X2** – OR6: Assembly Group with 6 Output Relays (Changeover / Form C)
- X3** – TI: Standard current measuring card (for the winding side 1)
- X4** – TIs: Standard phase current measuring card and sensitive ground current measuring (winding side 2)
- X102** – Universal Resistance-Temperature Detector (URTD) input, Fiber optics interface, Versatile Link
- X103** – Modbus RTU / IEC 60870-5-103 / DNP3.0 RTU, RS485, Terminals
- X104** – IRIG-B00X, incl. System Contact (Supervision Contact)

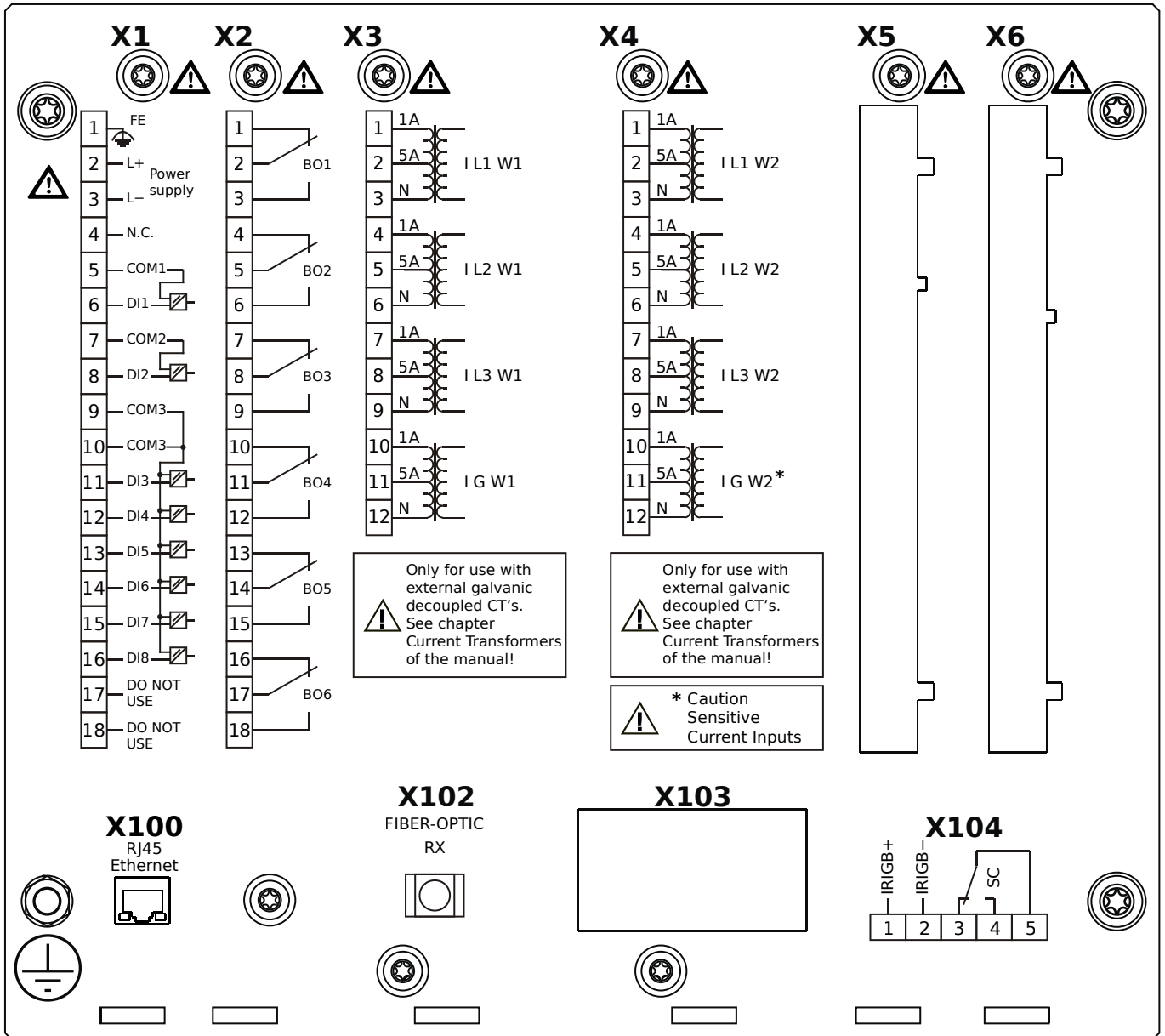
MRDT4-2A2ACA



Housing B2, small display, door mounting

- X1** – DI8-X1: Wide-range power supply unit, incl. 2 non-grouped digital inputs and 6 grouped digital inputs
- X2** – OR6: Assembly Group with 6 Output Relays (Changeover / Form C)
- X3** – TI: Standard current measuring card (for the winding side 1)
- X4** – TIs: Standard phase current measuring card and sensitive ground current measuring (winding side 2)
- X100** – Modbus TCP / IEC 60870-5-104 / DNP3.0 TCP/UDP, Ethernet interface, 100 Mbit/s, RJ45 (BASE100-FX)
- X102** – Universal Resistance-Temperature Detector (URTD) input, Fiber optics interface, Versatile Link
- X104** – IRIG-B00X, incl. System Contact (Supervision Contact)

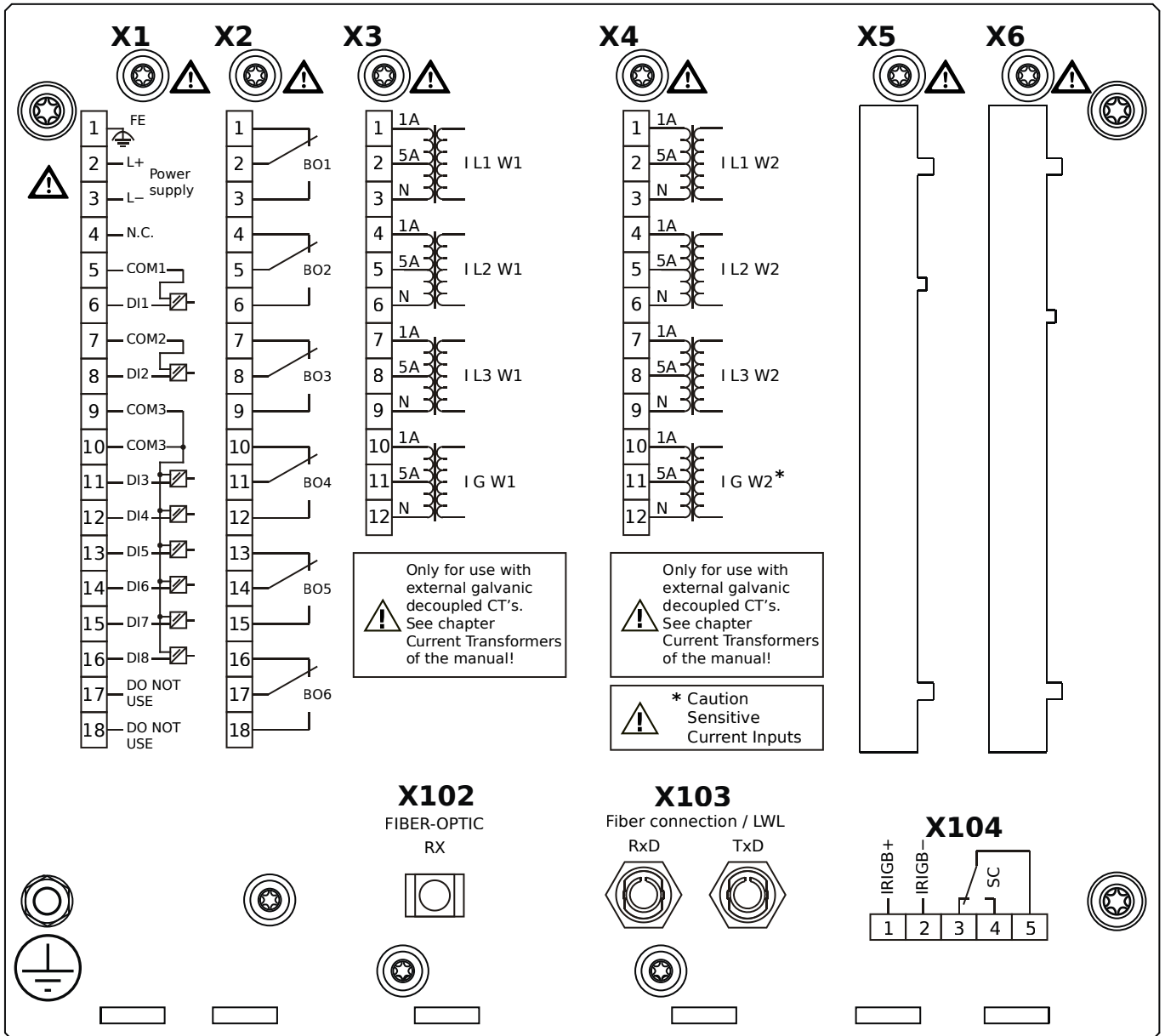
MRDT4-2A2ACB



Housing B2, small display, door mounting

- + Conformal Coating (for installations in harsh environment)
- X1** – DI8-X1: Wide-range power supply unit, incl. 2 non-grouped digital inputs and 6 grouped digital inputs
- X2** – OR6: Assembly Group with 6 Output Relays (Changeover / Form C)
- X3** – TI: Standard current measuring card (for the winding side 1)
- X4** – TIs: Standard phase current measuring card and sensitive ground current measuring (winding side 2)
- X100** – Modbus TCP / IEC 60870-5-104 / DNP3.0 TCP/UDP, Ethernet interface, 100 Mbit/s, RJ45 (BASE100-FX)
- X102** – Universal Resistance-Temperature Detector (URTD) input, Fiber optics interface, Versatile Link
- X104** – IRIG-B00X, incl. System Contact (Supervision Contact)

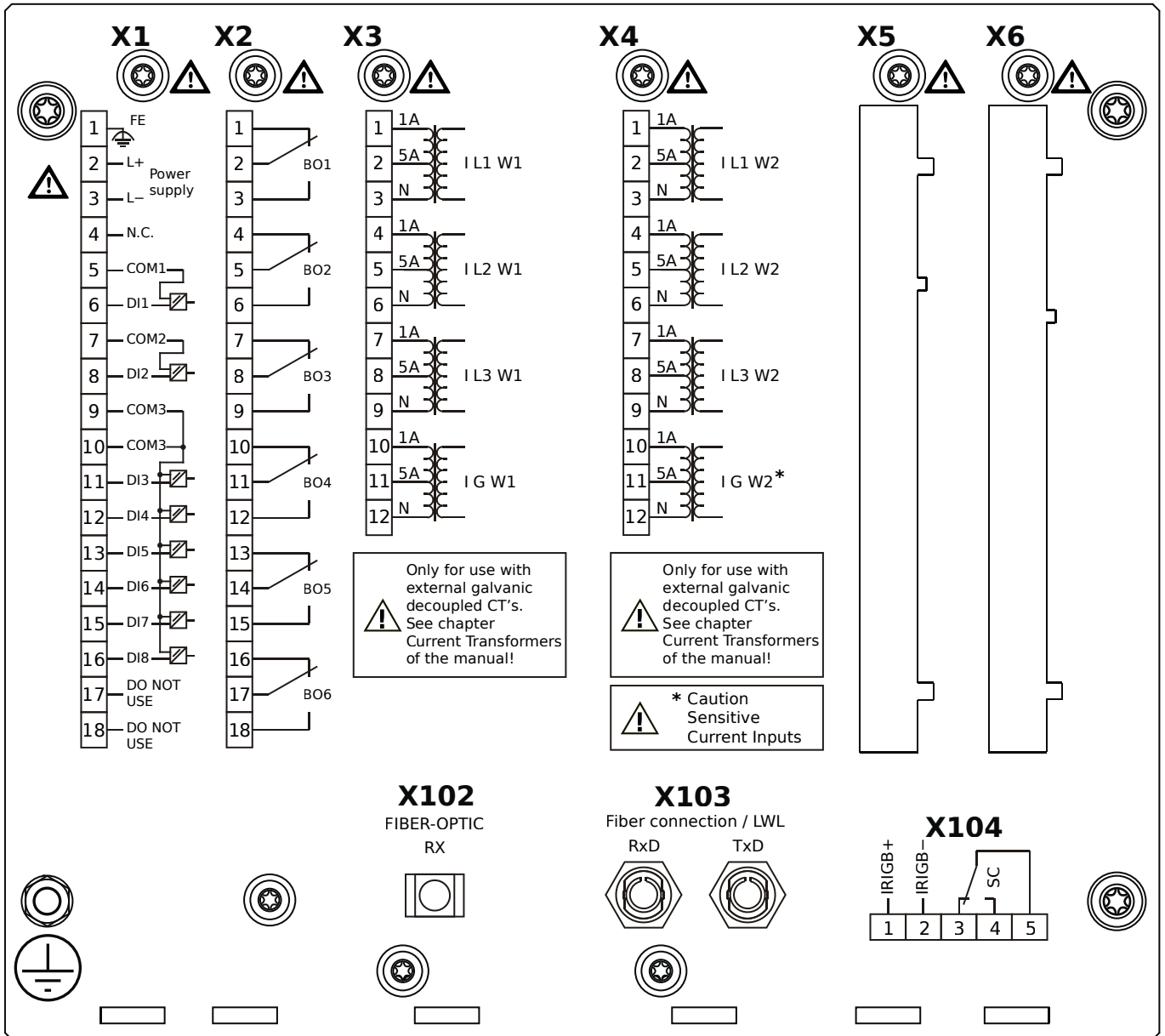
MRDT4-2A2ADA



Housing B2, small display, door mounting

- X1** – DI8-X1: Wide-range power supply unit, incl. 2 non-grouped digital inputs and 6 grouped digital inputs
- X2** – OR6: Assembly Group with 6 Output Relays (Changeover / Form C)
- X3** – TI: Standard current measuring card (for the winding side 1)
- X4** – TIs: Standard phase current measuring card and sensitive ground current measuring (winding side 2)
- X102** – Universal Resistance-Temperature Detector (URTD) input, Fiber optics interface, Versatile Link
- X103** – Profibus-DP, Fiber optics interface, ST Connector
- X104** – IRIG-B00X, incl. System Contact (Supervision Contact)

MRDT4-2A2ADB

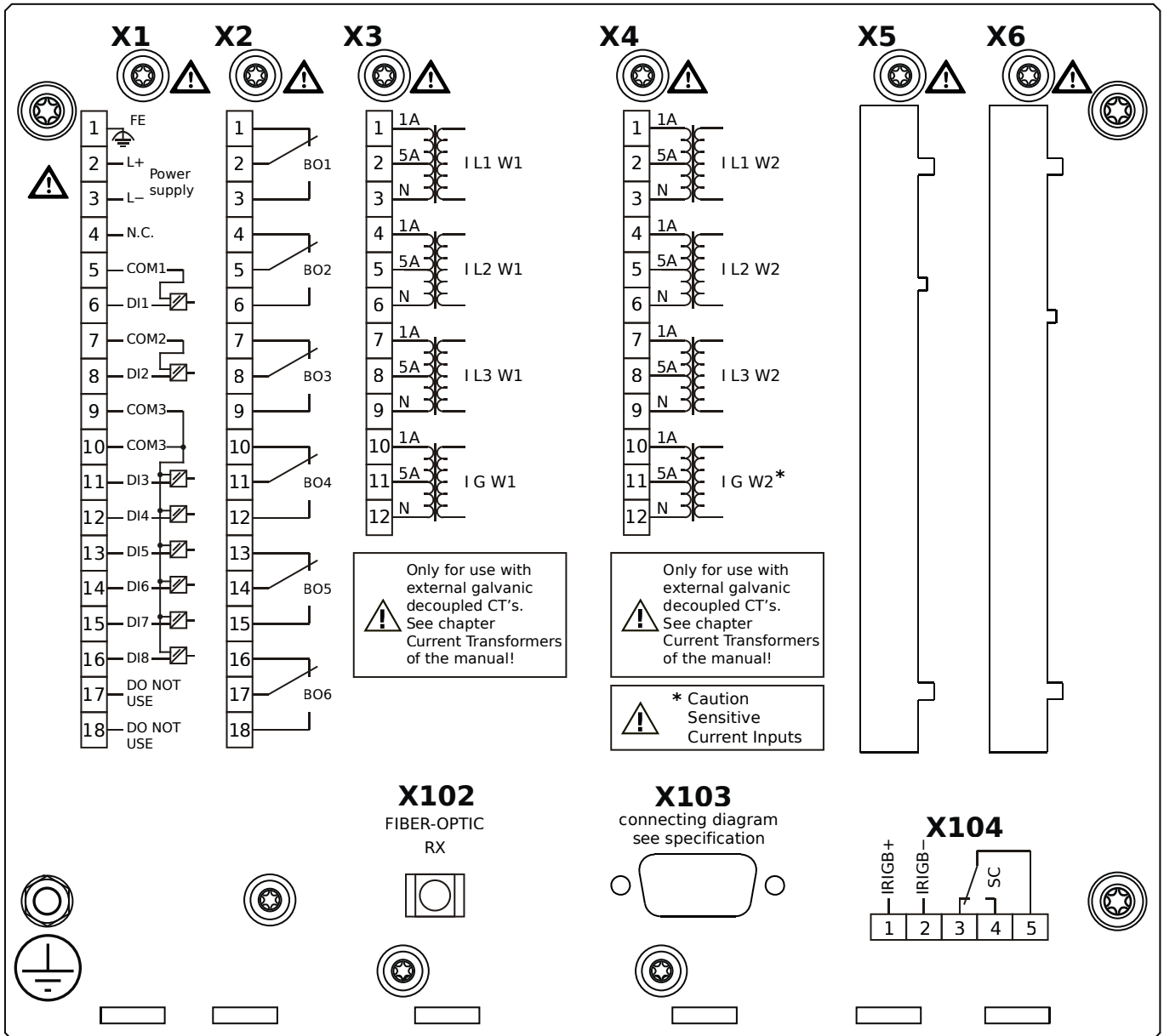


Housing B2, small display, door mounting

+ Conformal Coating (for installations in harsh environment)

- X1** – DI8-X1: Wide-range power supply unit, incl. 2 non-grouped digital inputs and 6 grouped digital inputs
- X2** – OR6: Assembly Group with 6 Output Relays (Changeover / Form C)
- X3** – TI: Standard current measuring card (for the winding side 1)
- X4** – TIs: Standard phase current measuring card and sensitive ground current measuring (winding side 2)
- X102** – Universal Resistance-Temperature Detector (URTD) input, Fiber optics interface, Versatile Link
- X103** – Profibus-DP, Fiber optics interface, ST Connector
- X104** – IRIG-B00X, incl. System Contact (Supervision Contact)

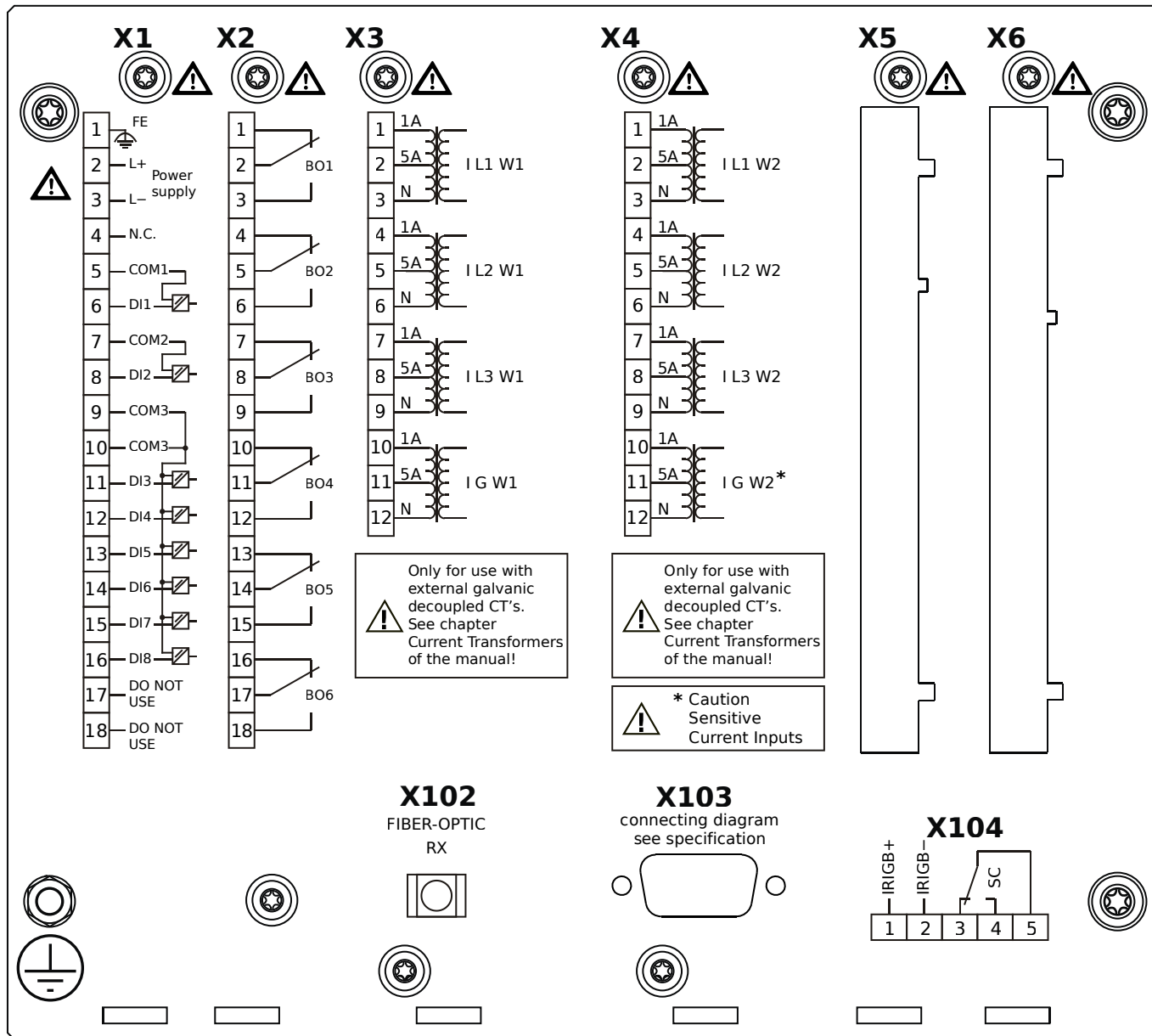
MRDT4-2A2AEA



Housing B2, small display, door mounting

- X1** – DI8-X1: Wide-range power supply unit, incl. 2 non-grouped digital inputs and 6 grouped digital inputs
- X2** – OR6: Assembly Group with 6 Output Relays (Changeover / Form C)
- X3** – TI: Standard current measuring card (for the winding side 1)
- X4** – TIs: Standard phase current measuring card and sensitive ground current measuring (winding side 2)
- X102** – Universal Resistance-Temperature Detector (URTD) input, Fiber optics interface, Versatile Link
- X103** – Profibus-DP, RS485, D-SUB
- X104** – IRIG-B00X, incl. System Contact (Supervision Contact)

MRDT4-2A2AEB

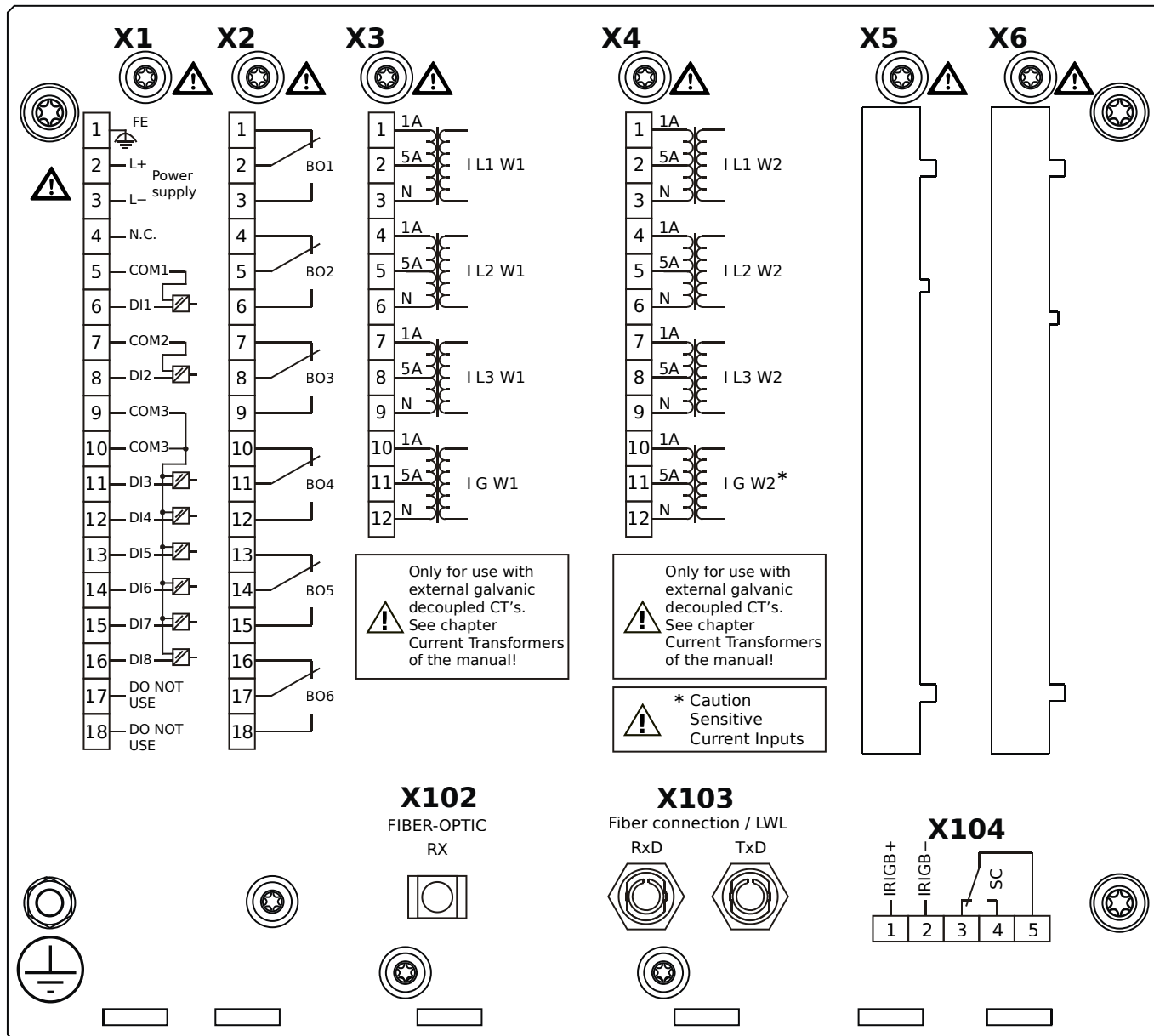


Housing B2, small display, door mounting

+ Conformal Coating (for installations in harsh environment)

- X1** – DI8-X1: Wide-range power supply unit, incl. 2 non-grouped digital inputs and 6 grouped digital inputs
- X2** – OR6: Assembly Group with 6 Output Relays (Changeover / Form C)
- X3** – TI: Standard current measuring card (for the winding side 1)
- X4** – TIs: Standard phase current measuring card and sensitive ground current measuring (winding side 2)
- X102** – Universal Resistance-Temperature Detector (URTD) input, Fiber optics interface, Versatile Link
- X103** – Profibus-DP, RS485, D-SUB
- X104** – IRIG-B00X, incl. System Contact (Supervision Contact)

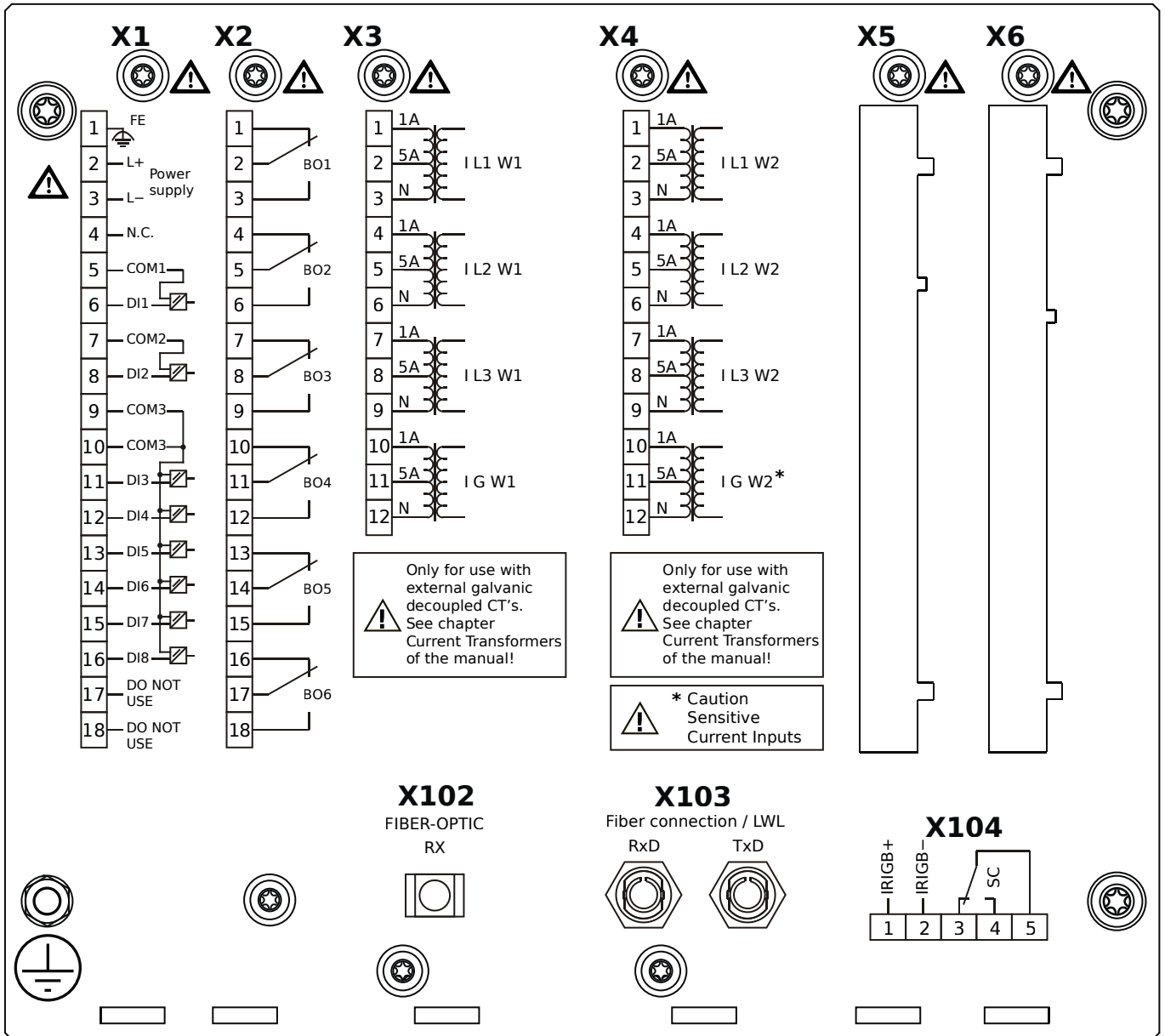
MRDT4-2A2AFA



Housing B2, small display, door mounting

- X1** – DI8-X1: Wide-range power supply unit, incl. 2 non-grouped digital inputs and 6 grouped digital inputs
- X2** – OR6: Assembly Group with 6 Output Relays (Changeover / Form C)
- X3** – TI: Standard current measuring card (for the winding side 1)
- X4** – TIs: Standard phase current measuring card and sensitive ground current measuring (winding side 2)
- X102** – Universal Resistance-Temperature Detector (URTD) input, Fiber optics interface, Versatile Link
- X103** – Modbus RTU / IEC 60870-5-103 / DNP3.0 RTU, Fiber optics interface, ST Connector
- X104** – IRIG-B00X, incl. System Contact (Supervision Contact)

MRDT4-2A2AFB

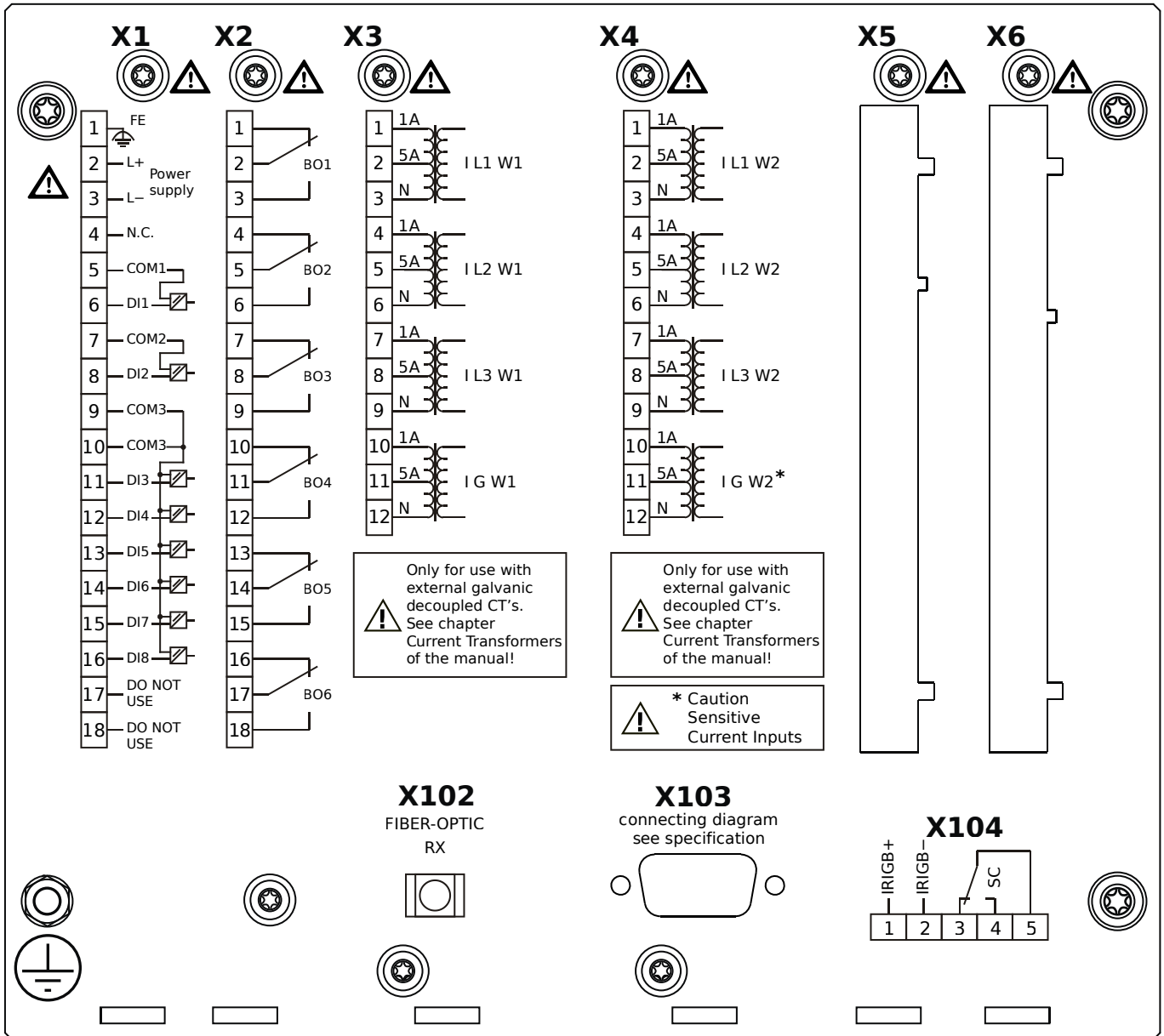


Housing B2, small display, door mounting

+ Conformal Coating (for installations in harsh environment)

- X1** – DI8-X1: Wide-range power supply unit, incl. 2 non-grouped digital inputs and 6 grouped digital inputs
- X2** – OR6: Assembly Group with 6 Output Relays (Changeover / Form C)
- X3** – TI: Standard current measuring card (for the winding side 1)
- X4** – TIs: Standard phase current measuring card and sensitive ground current measuring (winding side 2)
- X102** – Universal Resistance-Temperature Detector (URTD) input, Fiber optics interface, Versatile Link
- X103** – Modbus RTU / IEC 60870-5-103 / DNP3.0 RTU, Fiber optics interface, ST Connector
- X104** – IRIG-B00X, incl. System Contact (Supervision Contact)

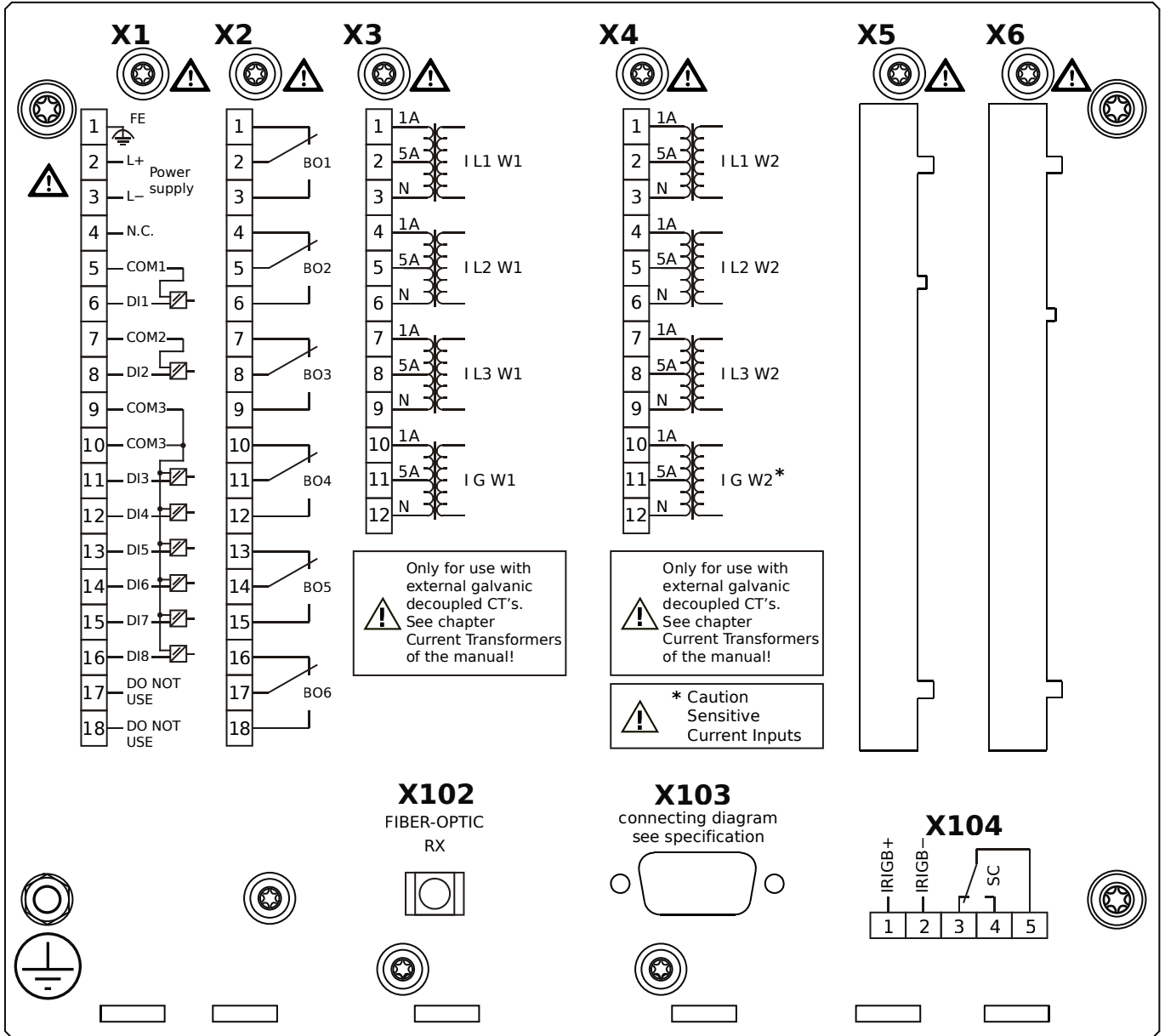
MRDT4-2A2AGA



Housing B2, small display, door mounting

- X1** – DI8-X1: Wide-range power supply unit, incl. 2 non-grouped digital inputs and 6 grouped digital inputs
- X2** – OR6: Assembly Group with 6 Output Relays (Changeover / Form C)
- X3** – TI: Standard current measuring card (for the winding side 1)
- X4** – TIs: Standard phase current measuring card and sensitive ground current measuring (winding side 2)
- X102** – Universal Resistance-Temperature Detector (URTD) input, Fiber optics interface, Versatile Link
- X103** – Modbus RTU / IEC 60870-5-103 / DNP3.0 RTU, RS485, D-SUB
- X104** – IRIG-B00X, incl. System Contact (Supervision Contact)

MRDT4-2A2AGB

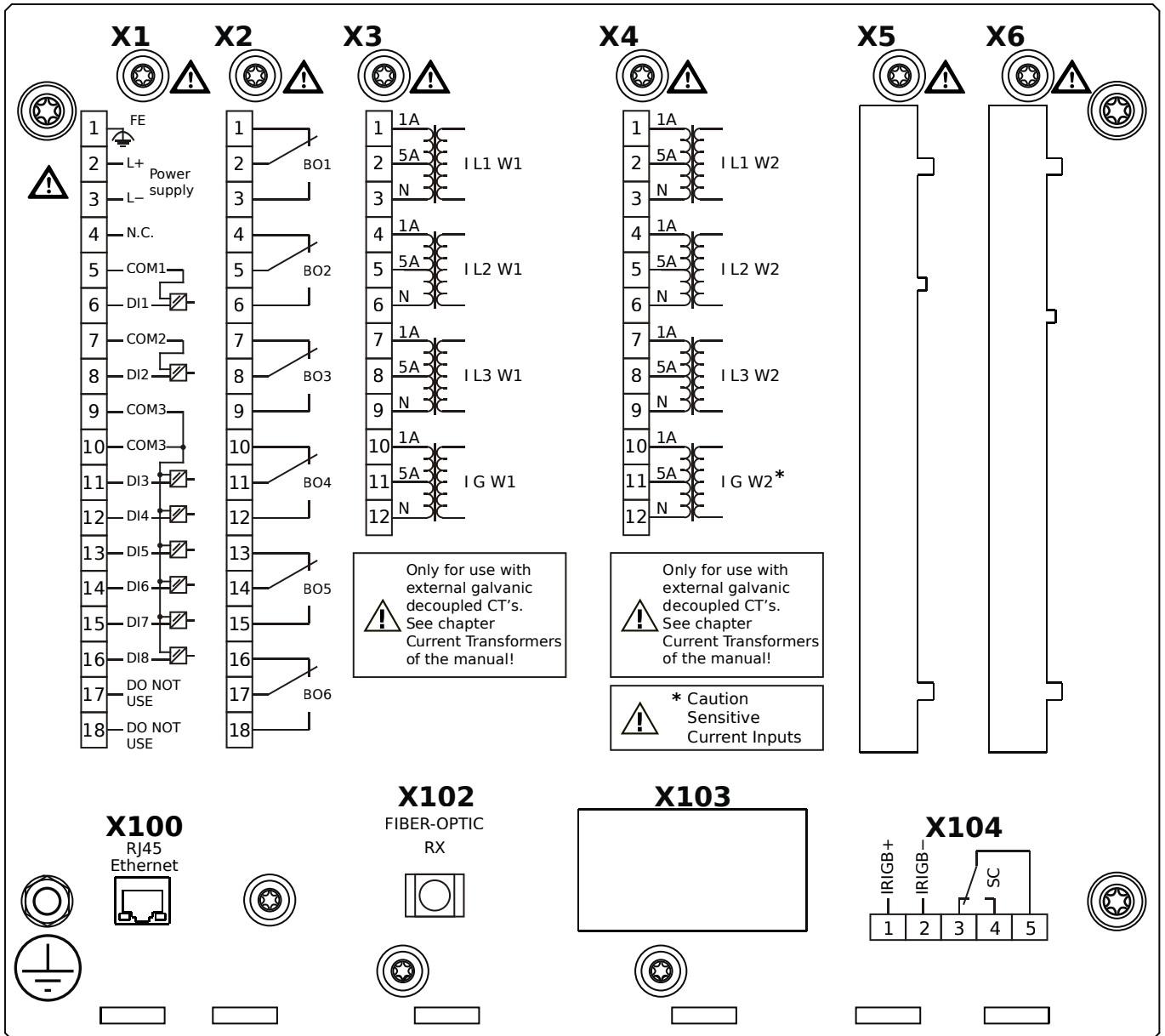


Housing B2, small display, door mounting

+ Conformal Coating (for installations in harsh environment)

- X1** – DI8-X1: Wide-range power supply unit, incl. 2 non-grouped digital inputs and 6 grouped digital inputs
- X2** – OR6: Assembly Group with 6 Output Relays (Changeover / Form C)
- X3** – TI: Standard current measuring card (for the winding side 1)
- X4** – TIs: Standard phase current measuring card and sensitive ground current measuring (winding side 2)
- X102** – Universal Resistance-Temperature Detector (URTD) input, Fiber optics interface, Versatile Link
- X103** – Modbus RTU / IEC 60870-5-103 / DNP3.0 RTU, RS485, D-SUB
- X104** – IRIG-B00X, incl. System Contact (Supervision Contact)

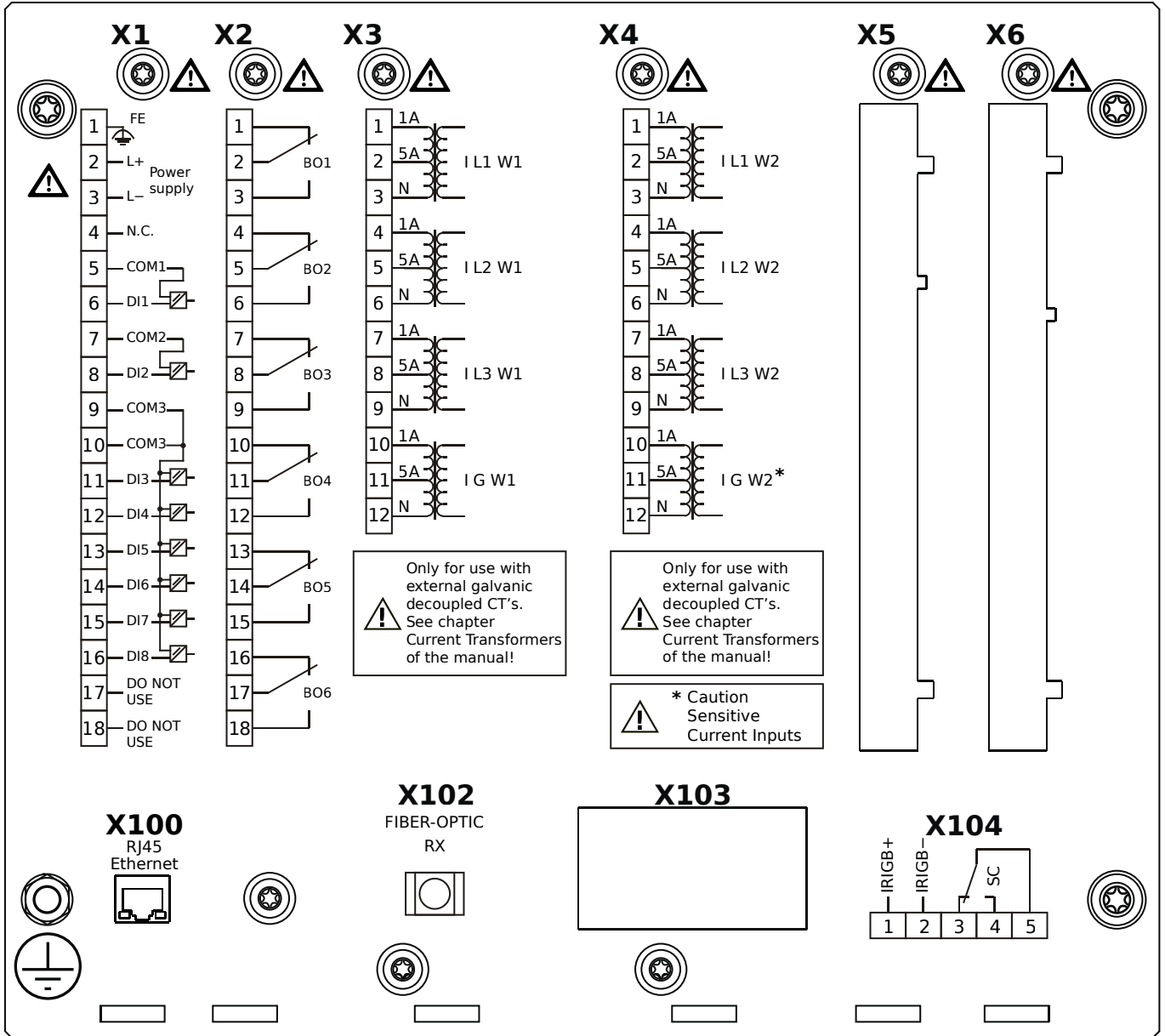
MRDT4-2A2AHA



Housing B2, small display, door mounting

- X1** – DI8-X1: Wide-range power supply unit, incl. 2 non-grouped digital inputs and 6 grouped digital inputs
- X2** – OR6: Assembly Group with 6 Output Relays (Changeover / Form C)
- X3** – TI: Standard current measuring card (for the winding side 1)
- X4** – TIs: Standard phase current measuring card and sensitive ground current measuring (winding side 2)
- X100** – IEC 61850 / Modbus TCP / IEC 60870-5-104 / DNP3.0 TCP/UDP, Ethernet interface, 100 Mbit/s, RJ45 (BASE100-FX)
- X102** – Universal Resistance-Temperature Detector (URTD) input, Fiber optics interface, Versatile Link
- X104** – IRIG-B00X, incl. System Contact (Supervision Contact)

MRDT4-2A2AHB



Housing B2, small display, door mounting

+ Conformal Coating (for installations in harsh environment)

X1 – DI8-X1: Wide-range power supply unit, incl. 2 non-grouped digital inputs and 6 grouped digital inputs

X2 – OR6: Assembly Group with 6 Output Relays (Changeover / Form C)

X3 – TI: Standard current measuring card (for the winding side 1)

X4 – TIs: Standard phase current measuring card and sensitive ground current measuring (winding side 2)

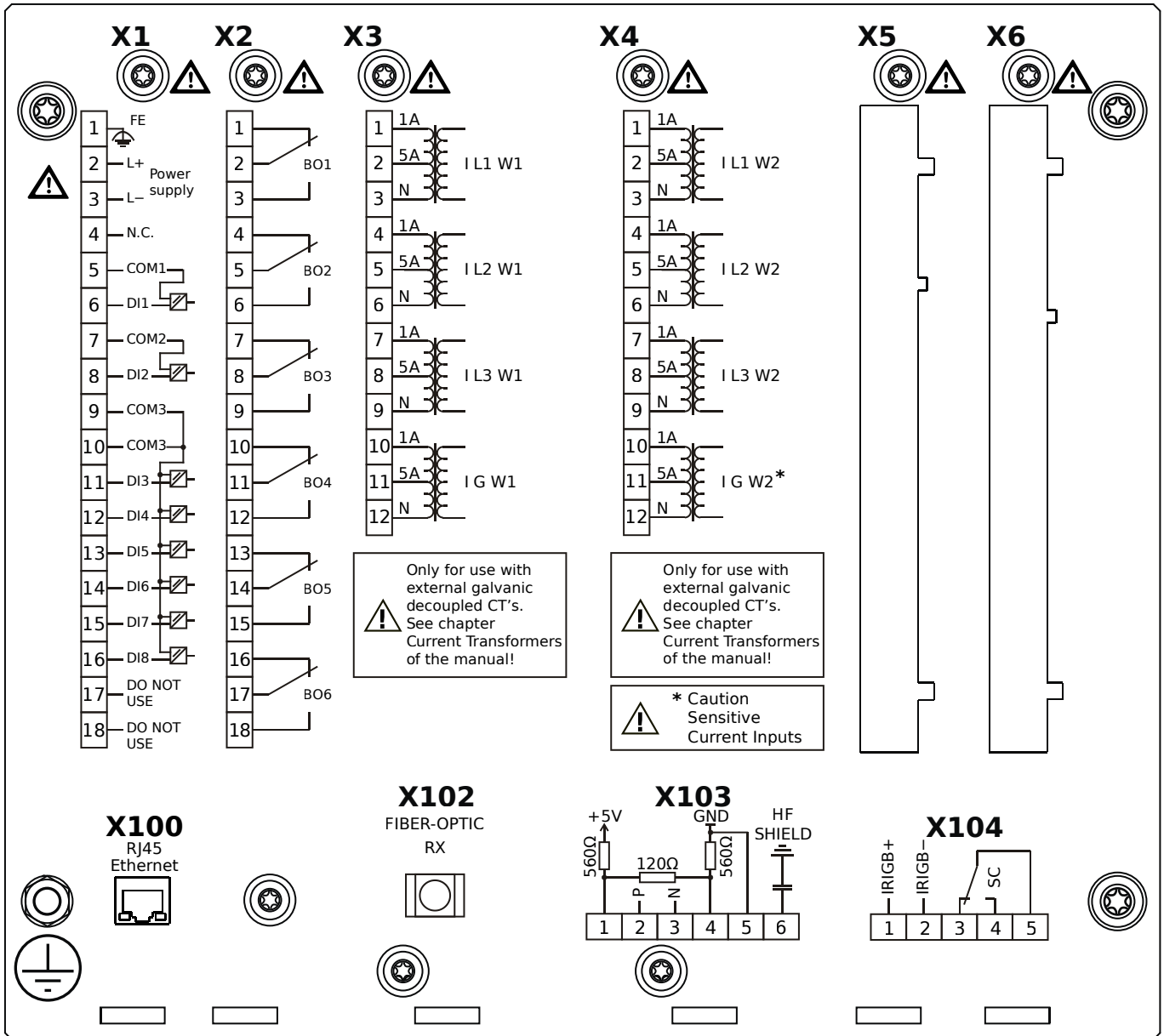
X100 – IEC 61850 / Modbus TCP / IEC 60870-5-104 / DNP3.0 TCP/UDP, Ethernet interface, 100 Mbit/s, RJ45 (BASE100-

X102 – Universal Resistance-Temperature Detector (URTD) input, Fiber optics interface, Versatile Link

X104 – IRIG-B00X, incl. System Contact (Supervision Contact)

FX)

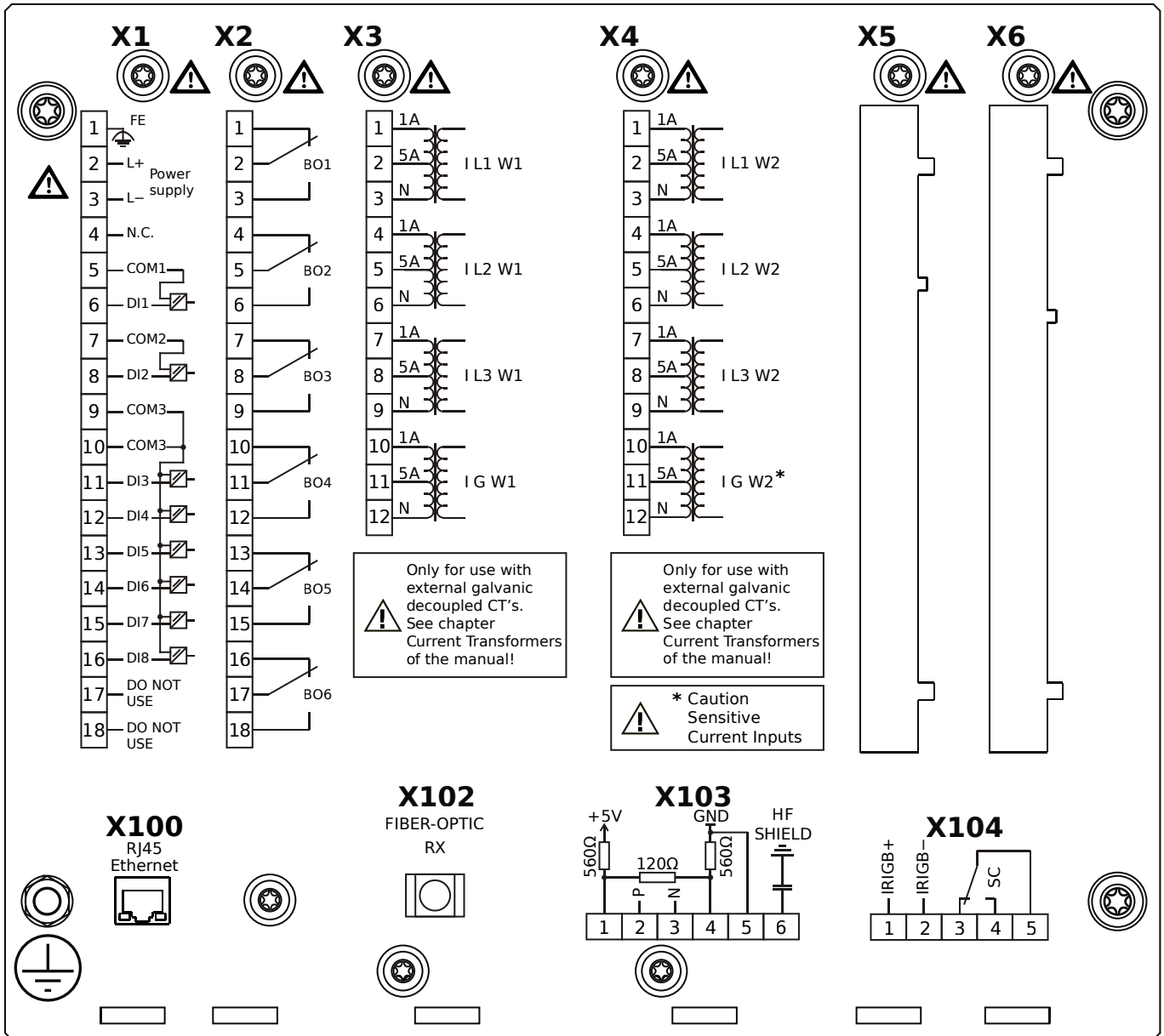
MRDT4-2A2AIA



Housing B2, small display, door mounting

- X1** – DI8-X1: Wide-range power supply unit, incl. 2 non-grouped digital inputs and 6 grouped digital inputs
- X2** – OR6: Assembly Group with 6 Output Relays (Changeover / Form C)
- X3** – TI: Standard current measuring card (for the winding side 1)
- X4** – TIs: Standard phase current measuring card and sensitive ground current measuring (winding side 2)
- X100** – Modbus TCP / IEC 60870-5-104 / DNP3.0 TCP/UDP, Ethernet interface, 100 Mbit/s, RJ45 (BASE100-FX)
- X102** – Universal Resistance-Temperature Detector (URTD) input, Fiber optics interface, Versatile Link
- X103** – IEC 60870-5-103 / Modbus RTU / DNP3.0 RTU, RS485, Terminals
- X104** – IRIG-B00X, incl. System Contact (Supervision Contact)

MRDT4-2A2AIB

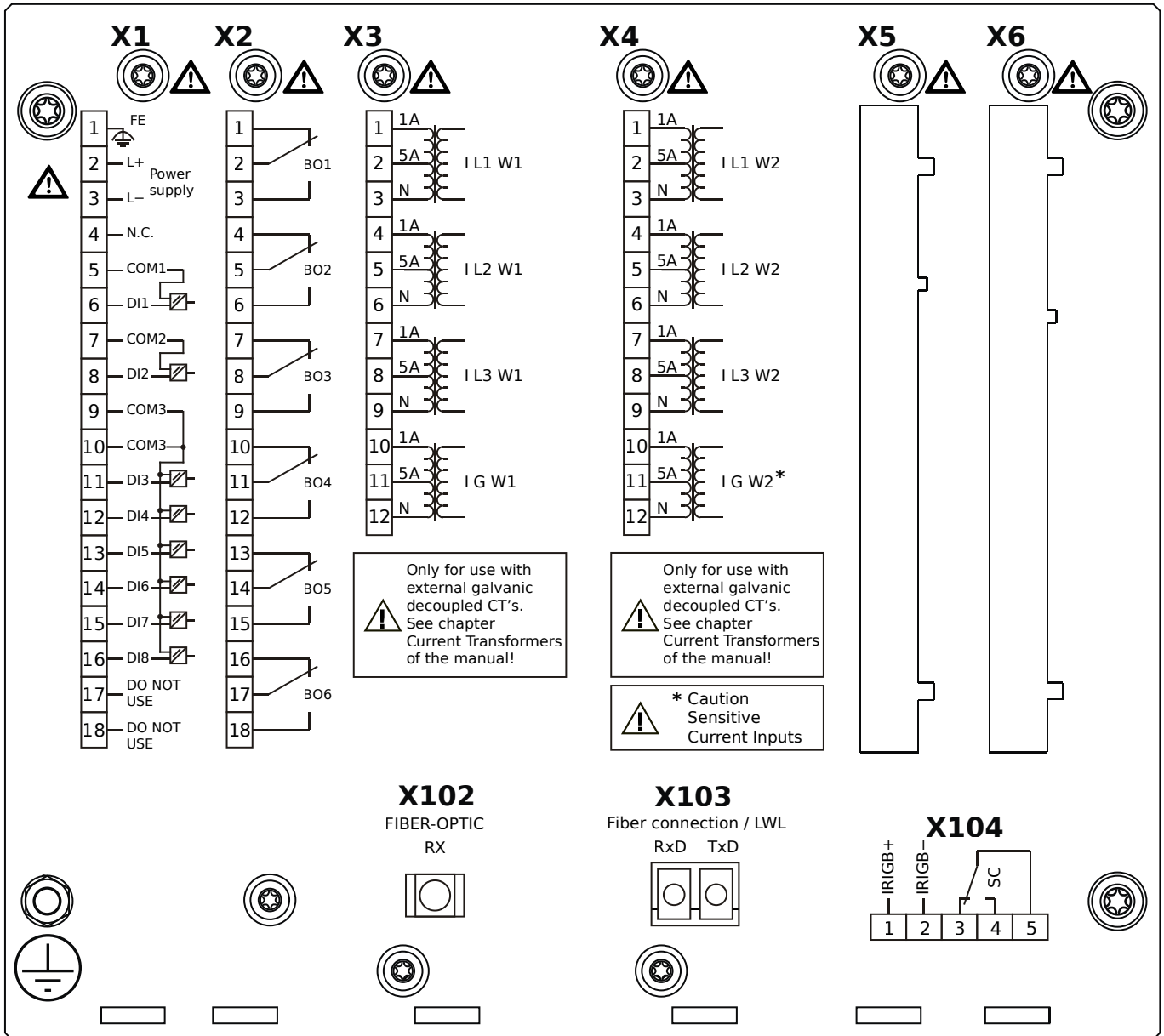


Housing B2, small display, door mounting

+ Conformal Coating (for installations in harsh environment)

- X1** – DI8-X1: Wide-range power supply unit, incl. 2 non-grouped digital inputs and 6 grouped digital inputs
- X2** – OR6: Assembly Group with 6 Output Relays (Changeover / Form C)
- X3** – TI: Standard current measuring card (for the winding side 1)
- X4** – TIs: Standard phase current measuring card and sensitive ground current measuring (winding side 2)
- X100** – Modbus TCP / IEC 60870-5-104 / DNP3.0 TCP/UDP, Ethernet interface, 100 Mbit/s, RJ45 (BASE100-FX)
- X102** – Universal Resistance-Temperature Detector (URTD) input, Fiber optics interface, Versatile Link
- X103** – IEC 60870-5-103 / Modbus RTU / DNP3.0 RTU, RS485, Terminals
- X104** – IRIG-B00X, incl. System Contact (Supervision Contact)

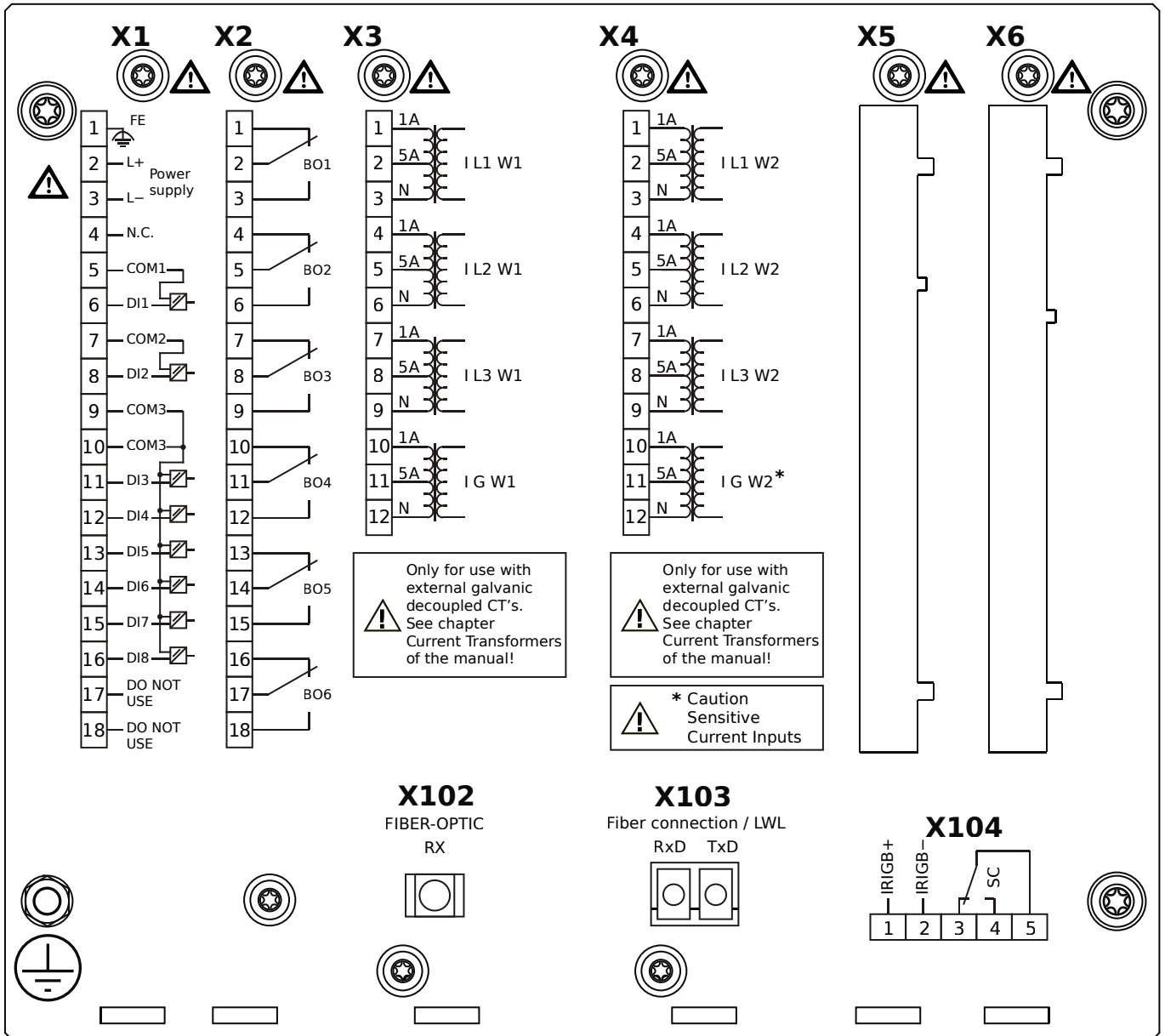
MRDT4-2A2AKA



Housing B2, small display, door mounting

- X1** – DI8-X1: Wide-range power supply unit, incl. 2 non-grouped digital inputs and 6 grouped digital inputs
- X2** – OR6: Assembly Group with 6 Output Relays (Changeover / Form C)
- X3** – TI: Standard current measuring card (for the winding side 1)
- X4** – TIs: Standard phase current measuring card and sensitive ground current measuring (winding side 2)
- X102** – Universal Resistance-Temperature Detector (URTD) input, Fiber optics interface, Versatile Link
- X103** – IEC 61850 / Modbus TCP / IEC 60870-5-104 / DNP3.0 TCP/UDP, Fiber optics interface, LC Connector
- X104** – IRIG-B00X, incl. System Contact (Supervision Contact)

MRDT4-2A2AKB

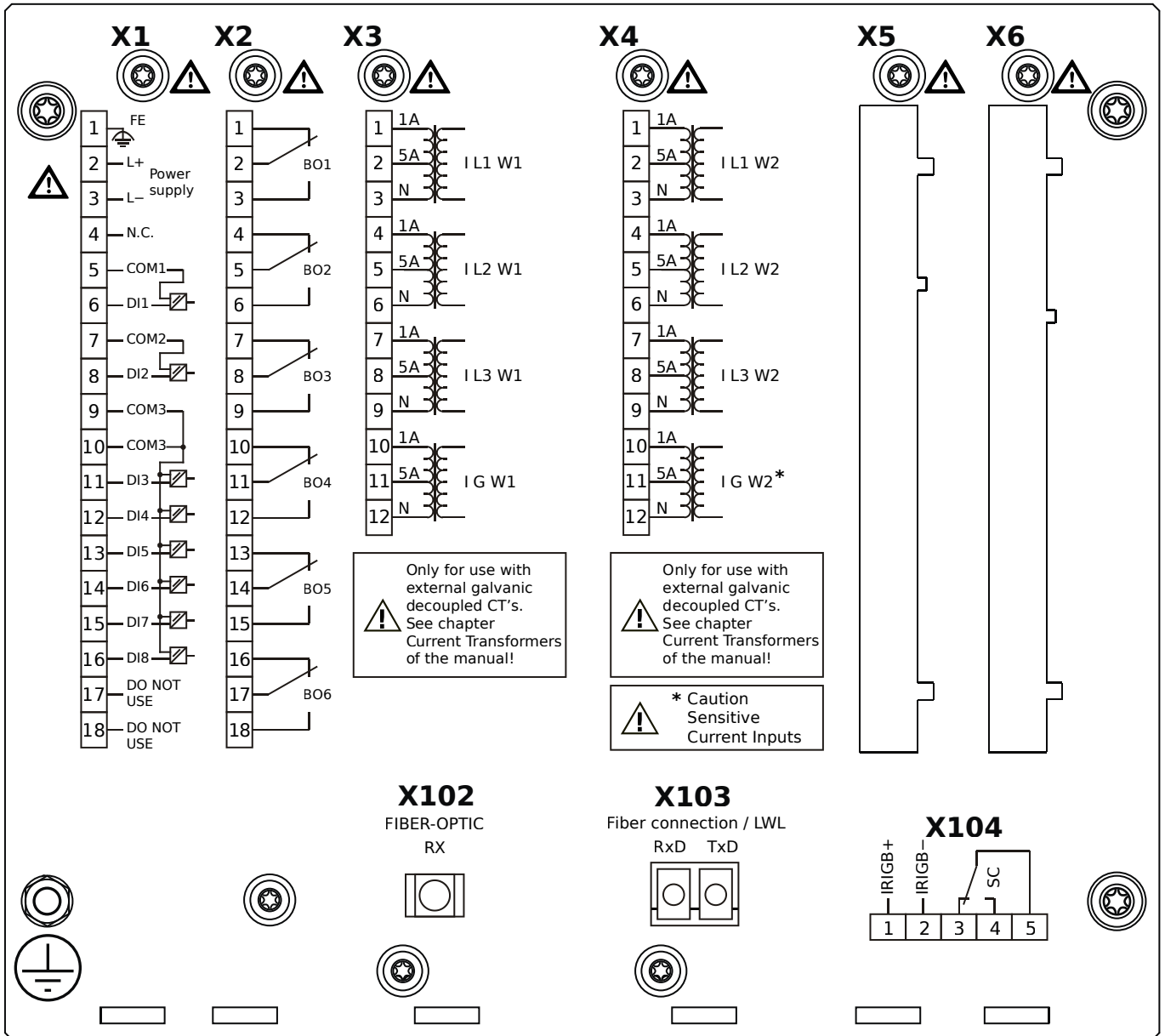


Housing B2, small display, door mounting

+ Conformal Coating (for installations in harsh environment)

- X1** – DI8-X1: Wide-range power supply unit, incl. 2 non-grouped digital inputs and 6 grouped digital inputs
- X2** – OR6: Assembly Group with 6 Output Relays (Changeover / Form C)
- X3** – TI: Standard current measuring card (for the winding side 1)
- X4** – TIs: Standard phase current measuring card and sensitive ground current measuring (winding side 2)
- X102** – Universal Resistance-Temperature Detector (URTD) input, Fiber optics interface, Versatile Link
- X103** – IEC 61850 / Modbus TCP / IEC 60870-5-104 / DNP3.0 TCP/UDP, Fiber optics interface, LC Connector
- X104** – IRIG-B00X, incl. System Contact (Supervision Contact)

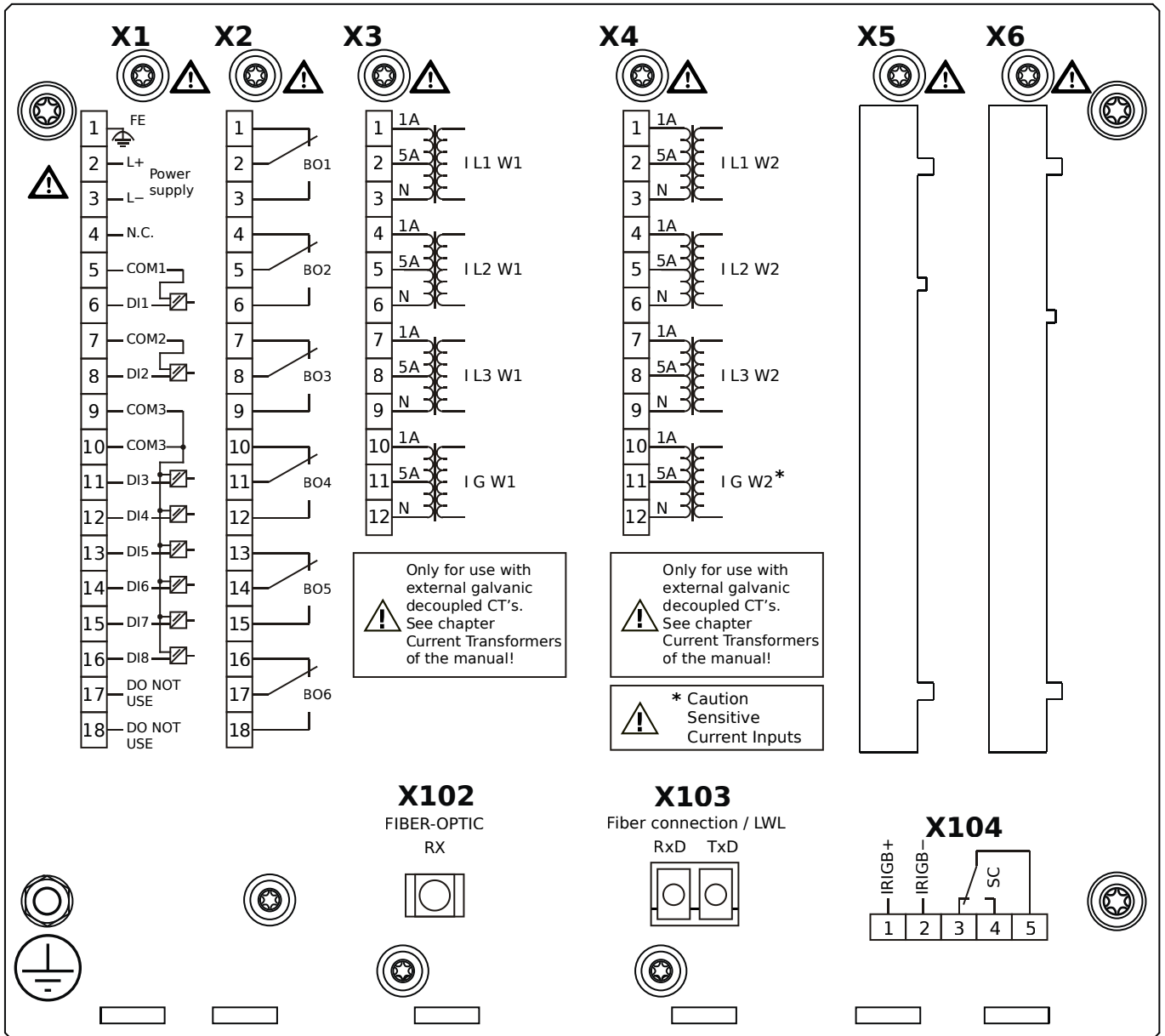
MRDT4-2A2ALA



Housing B2, small display, door mounting

- X1** – DI8-X1: Wide-range power supply unit, incl. 2 non-grouped digital inputs and 6 grouped digital inputs
- X2** – OR6: Assembly Group with 6 Output Relays (Changeover / Form C)
- X3** – TI: Standard current measuring card (for the winding side 1)
- X4** – TIs: Standard phase current measuring card and sensitive ground current measuring (winding side 2)
- X102** – Universal Resistance-Temperature Detector (URTD) input, Fiber optics interface, Versatile Link
- X103** – Modbus TCP / IEC 60870-5-104 / DNP3.0 TCP/UDP, Fiber optics interface, LC Connector
- X104** – IRIG-B00X, incl. System Contact (Supervision Contact)

MRDT4-2A2ALB

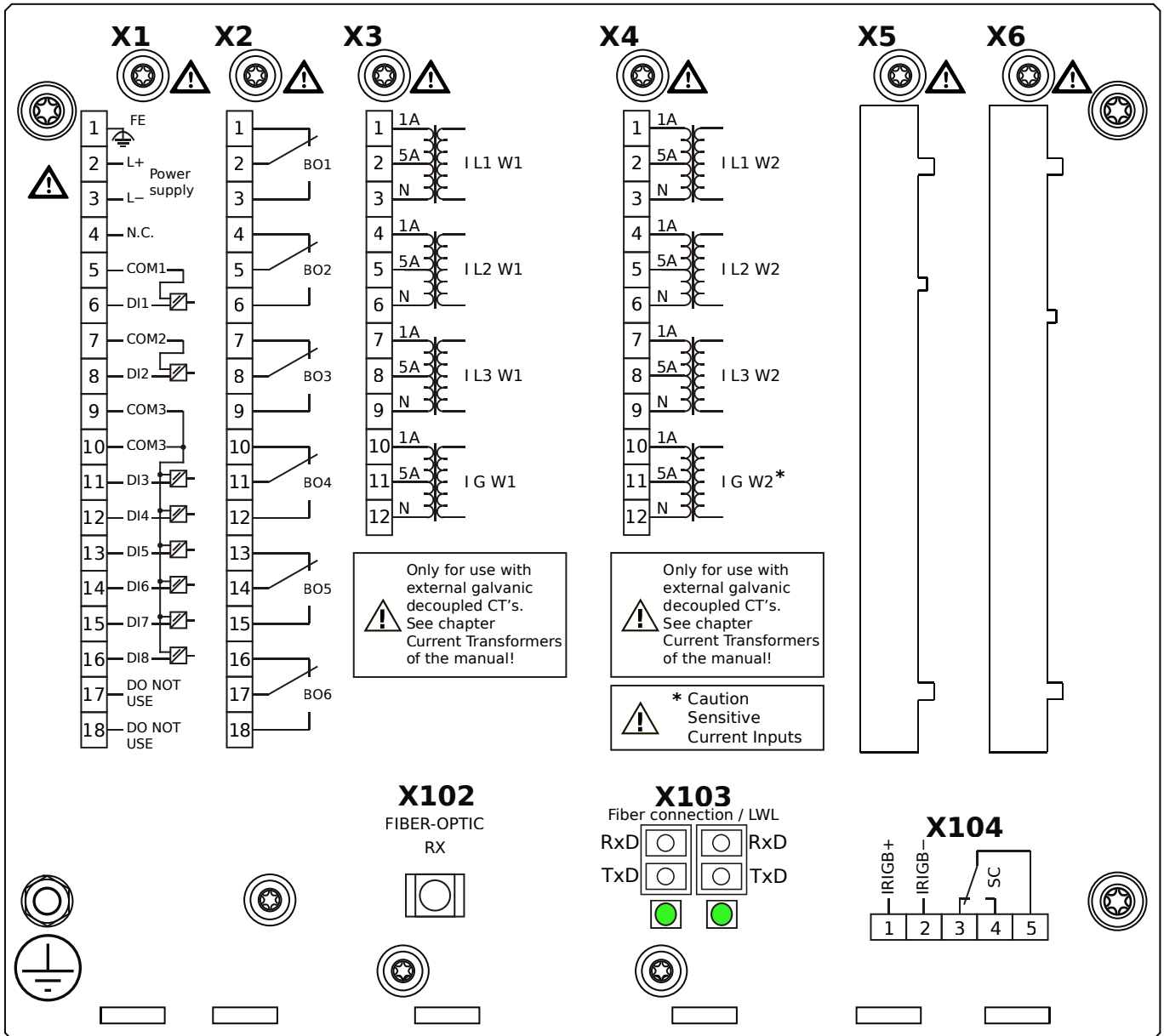


Housing B2, small display, door mounting

+ Conformal Coating (for installations in harsh environment)

- X1** – DI8-X1: Wide-range power supply unit, incl. 2 non-grouped digital inputs and 6 grouped digital inputs
- X2** – OR6: Assembly Group with 6 Output Relays (Changeover / Form C)
- X3** – TI: Standard current measuring card (for the winding side 1)
- X4** – TIs: Standard phase current measuring card and sensitive ground current measuring (winding side 2)
- X102** – Universal Resistance-Temperature Detector (URTD) input, Fiber optics interface, Versatile Link
- X103** – Modbus TCP / IEC 60870-5-104 / DNP3.0 TCP/UDP, Fiber optics interface, LC Connector
- X104** – IRIG-B00X, incl. System Contact (Supervision Contact)

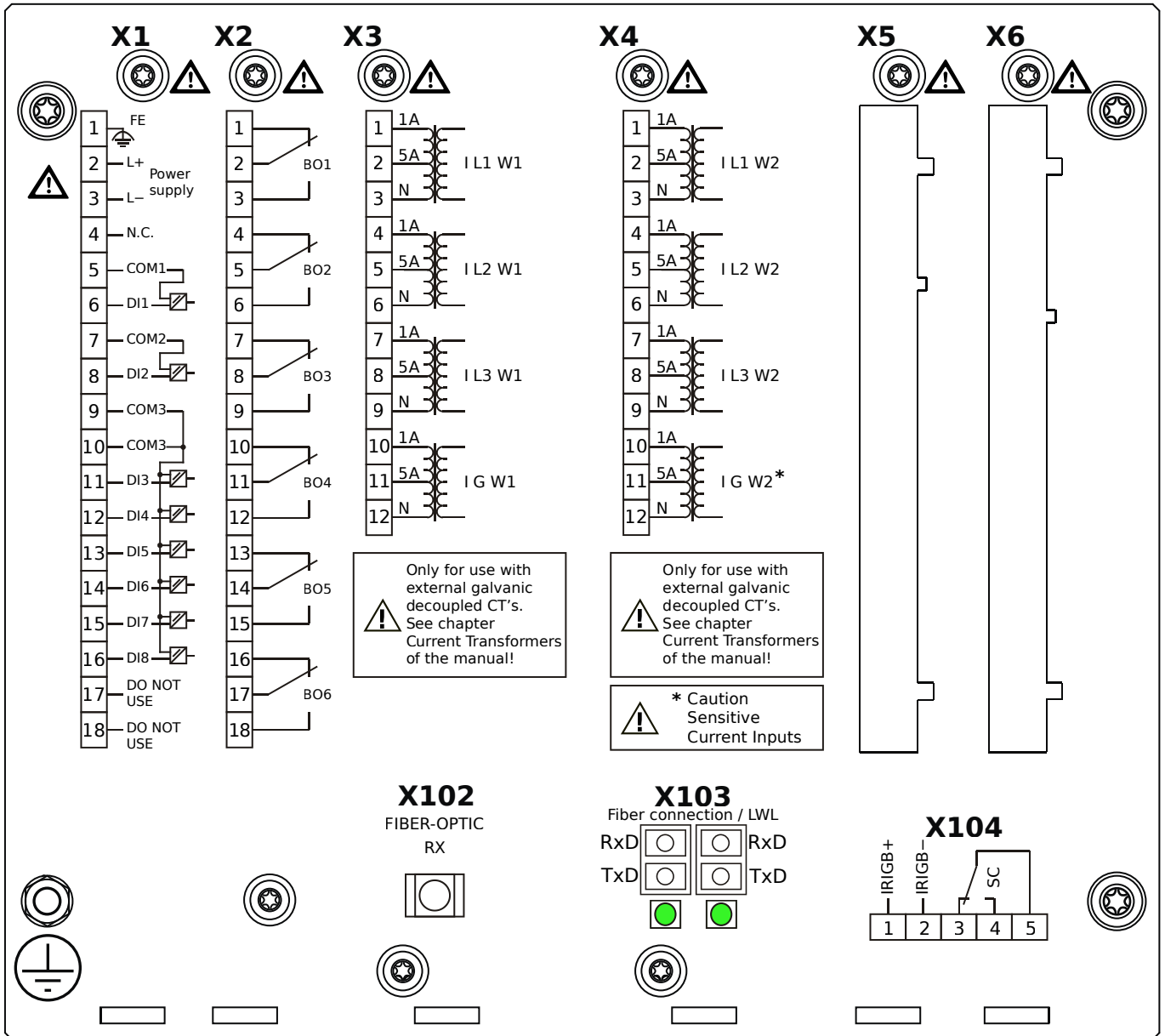
MRDT4-2A2AOA



Housing B2, small display, door mounting

- X1** – DI8-X1: Wide-range power supply unit, incl. 2 non-grouped digital inputs and 6 grouped digital inputs
- X2** – OR6: Assembly Group with 6 Output Relays (Changeover / Form C)
- X3** – TI: Standard current measuring card (for the winding side 1)
- X4** – TIs: Standard phase current measuring card and sensitive ground current measuring (winding side 2)
- X102** – Universal Resistance-Temperature Detector (URTD) input, Fiber optics interface, Versatile Link
- X103** – Modbus TCP / IEC 60870-5-104 / DNP3.0 TCP/UDP, Redundant Fiber optics interface, LC Connector
- X104** – IRIG-B00X, incl. System Contact (Supervision Contact)

MRDT4-2A2AOB

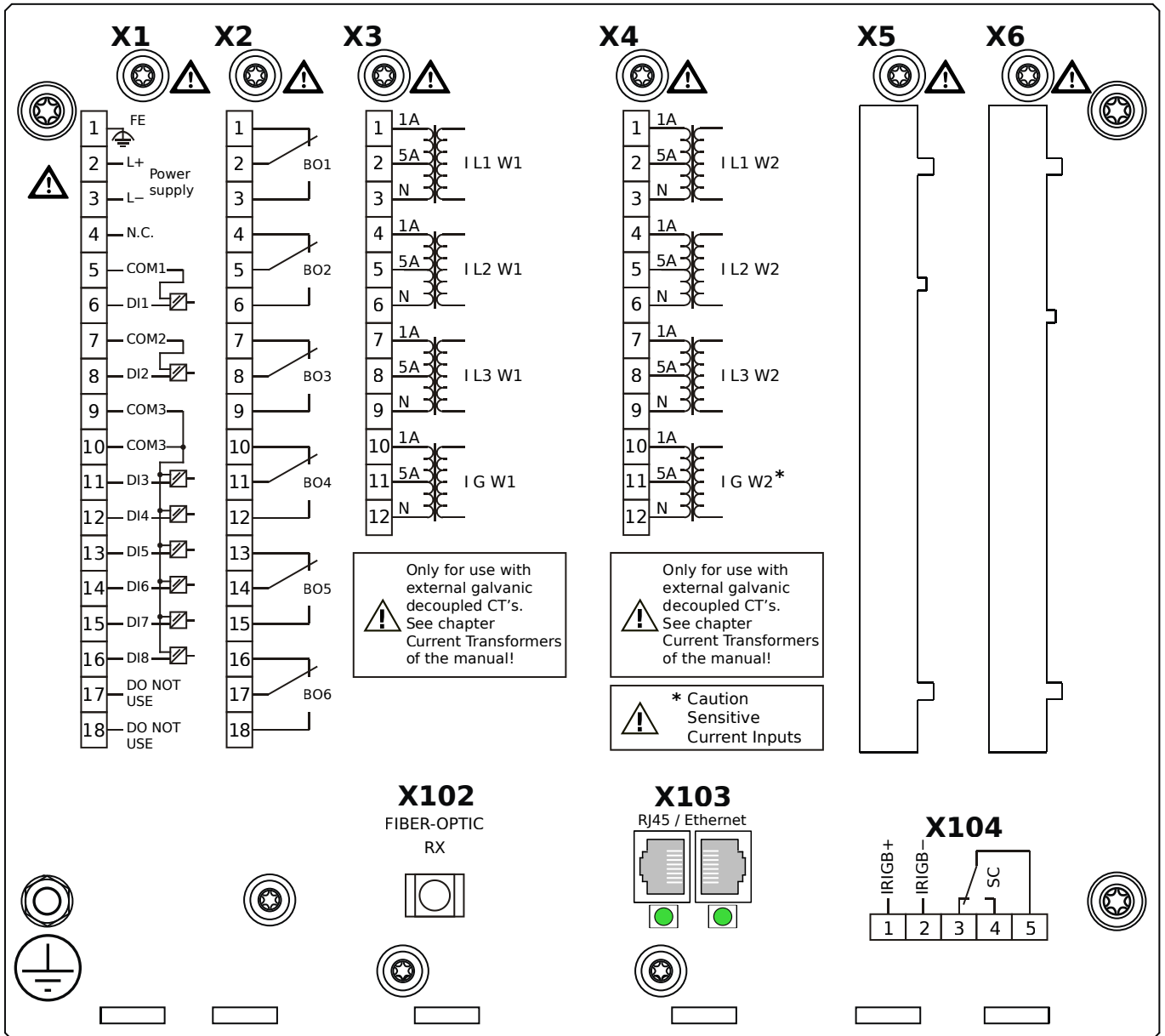


Housing B2, small display, door mounting

+ Conformal Coating (for installations in harsh environment)

- X1** – DI8-X1: Wide-range power supply unit, incl. 2 non-grouped digital inputs and 6 grouped digital inputs
- X2** – OR6: Assembly Group with 6 Output Relays (Changeover / Form C)
- X3** – TI: Standard current measuring card (for the winding side 1)
- X4** – TIs: Standard phase current measuring card and sensitive ground current measuring (winding side 2)
- X102** – Universal Resistance-Temperature Detector (URTD) input, Fiber optics interface, Versatile Link
- X103** – Modbus TCP / IEC 60870-5-104 / DNP3.0 TCP/UDP, Redundant Fiber optics interface, LC Connector
- X104** – IRIG-B00X, incl. System Contact (Supervision Contact)

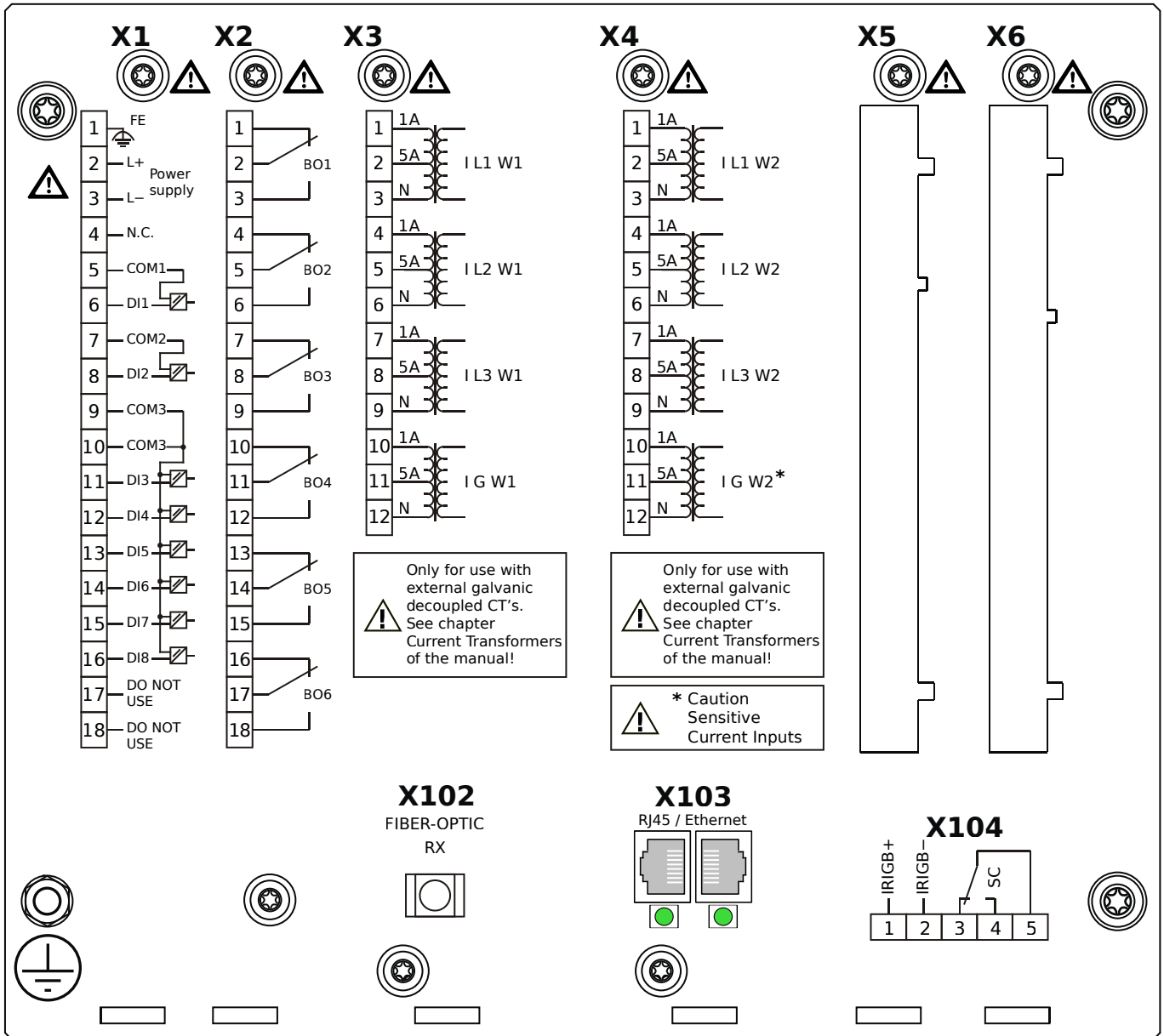
MRDT4-2A2APA



Housing B2, small display, door mounting

- X1** – DI8-X1: Wide-range power supply unit, incl. 2 non-grouped digital inputs and 6 grouped digital inputs
- X2** – OR6: Assembly Group with 6 Output Relays (Changeover / Form C)
- X3** – TI: Standard current measuring card (for the winding side 1)
- X4** – TIs: Standard phase current measuring card and sensitive ground current measuring (winding side 2)
- X102** – Universal Resistance-Temperature Detector (URTD) input, Fiber optics interface, Versatile Link
- X103** – Modbus TCP / IEC 60870-5-104 / DNP3.0 TCP/UDP, Redundant Ethernet interface, 100 Mbit/s, RJ45 (BASE100-FX)
- X104** – IRIG-B00X, incl. System Contact (Supervision Contact)

MRDT4-2A2APB



Housing B2, small display, door mounting

+ Conformal Coating (for installations in harsh environment)

X1 – DI8-X1: Wide-range power supply unit, incl. 2 non-grouped digital inputs and 6 grouped digital inputs

X2 – OR6: Assembly Group with 6 Output Relays (Changeover / Form C)

X3 – TI: Standard current measuring card (for the winding side 1)

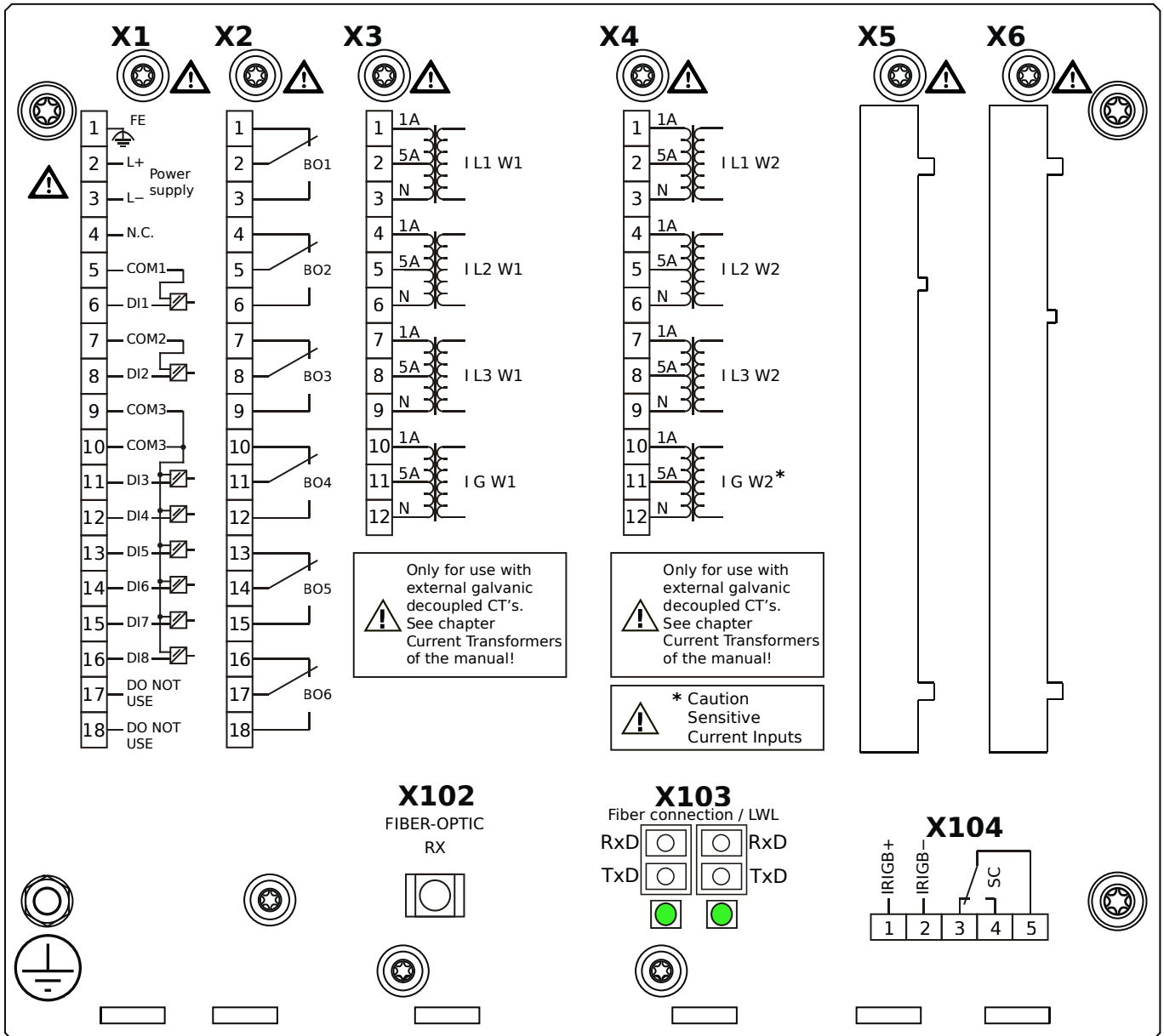
X4 – TIs: Standard phase current measuring card and sensitive ground current measuring (winding side 2)

X102 – Universal Resistance-Temperature Detector (URTD) input, Fiber optics interface, Versatile Link

X103 – Modbus TCP / IEC 60870-5-104 / DNP3.0 TCP/UDP, Redundant Ethernet interface, 100 Mbit/s, RJ45 (BASE100-FX)

X104 – IRIG-B00X, incl. System Contact (Supervision Contact)

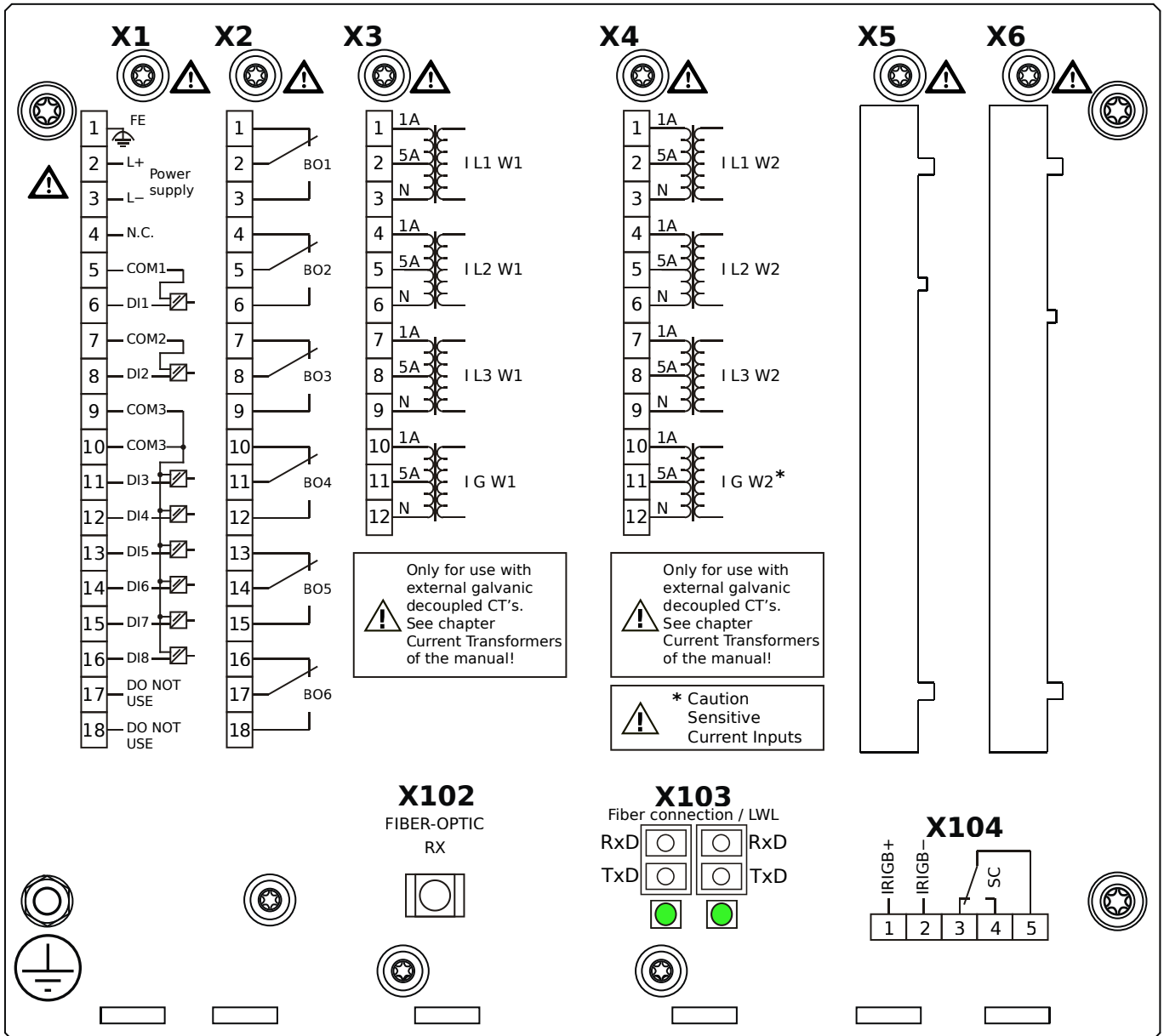
MRDT4-2A2AQA



Housing B2, small display, door mounting

- X1** – DI8-X1: Wide-range power supply unit, incl. 2 non-grouped digital inputs and 6 grouped digital inputs
- X2** – OR6: Assembly Group with 6 Output Relays (Changeover / Form C)
- X3** – TI: Standard current measuring card (for the winding side 1)
- X4** – TIs: Standard phase current measuring card and sensitive ground current measuring (winding side 2)
- X102** – Universal Resistance-Temperature Detector (URTD) input, Fiber optics interface, Versatile Link
- X103** – IEC 61850 / Modbus TCP / IEC 60870-5-104 / DNP3.0 TCP/UDP, Redundant Fiber optics interface, LC Connector
- X104** – IRIG-B00X, incl. System Contact (Supervision Contact)

MRDT4-2A2AQB

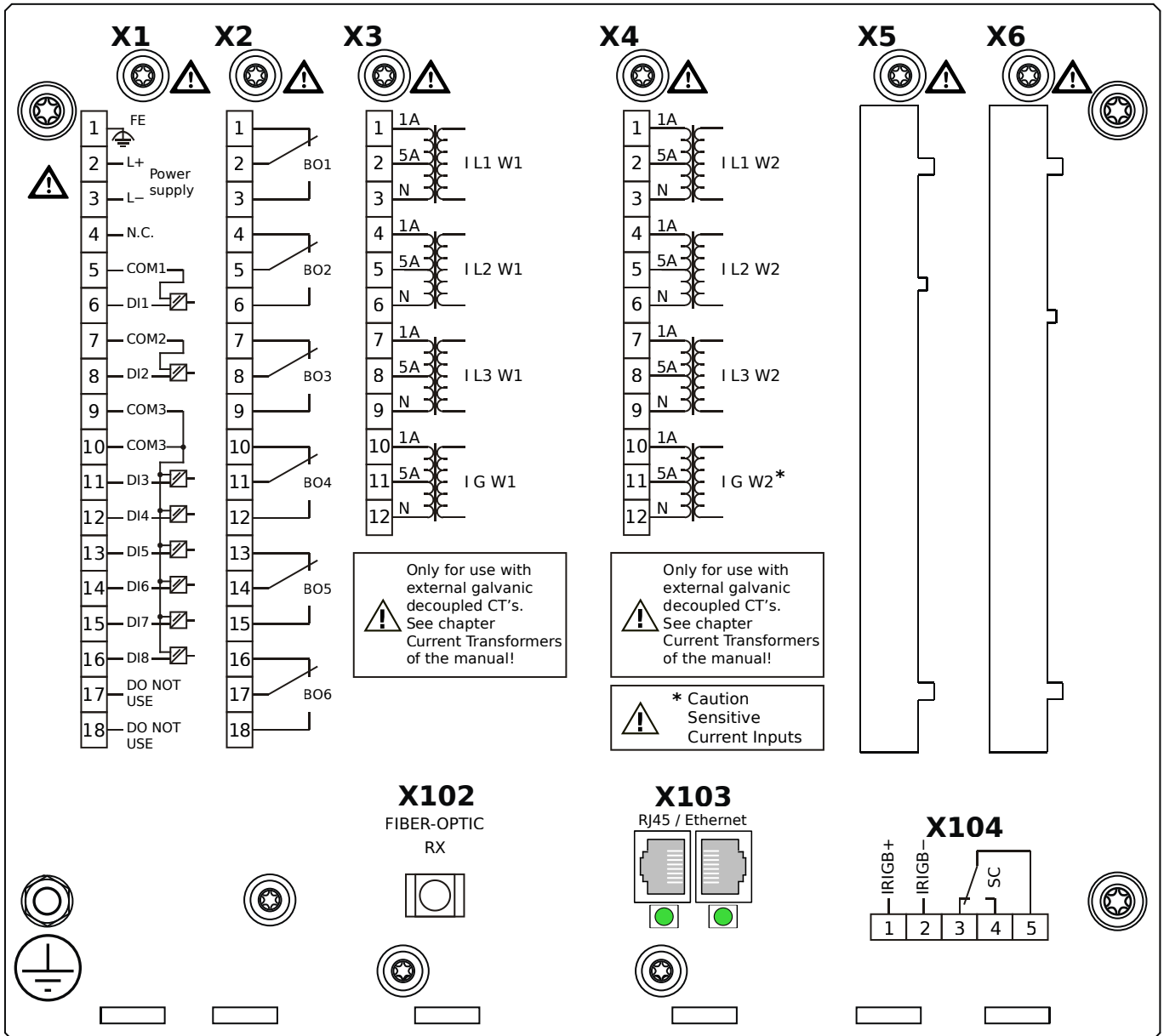


Housing B2, small display, door mounting

+ Conformal Coating (for installations in harsh environment)

- X1** – DI8-X1: Wide-range power supply unit, incl. 2 non-grouped digital inputs and 6 grouped digital inputs
- X2** – OR6: Assembly Group with 6 Output Relays (Changeover / Form C)
- X3** – TI: Standard current measuring card (for the winding side 1)
- X4** – TIs: Standard phase current measuring card and sensitive ground current measuring (winding side 2)
- X102** – Universal Resistance-Temperature Detector (URTD) input, Fiber optics interface, Versatile Link
- X103** – IEC 61850 / Modbus TCP / IEC 60870-5-104 / DNP3.0 TCP/UDP, Redundant Fiber optics interface, LC Connector
- X104** – IRIG-B00X, incl. System Contact (Supervision Contact)

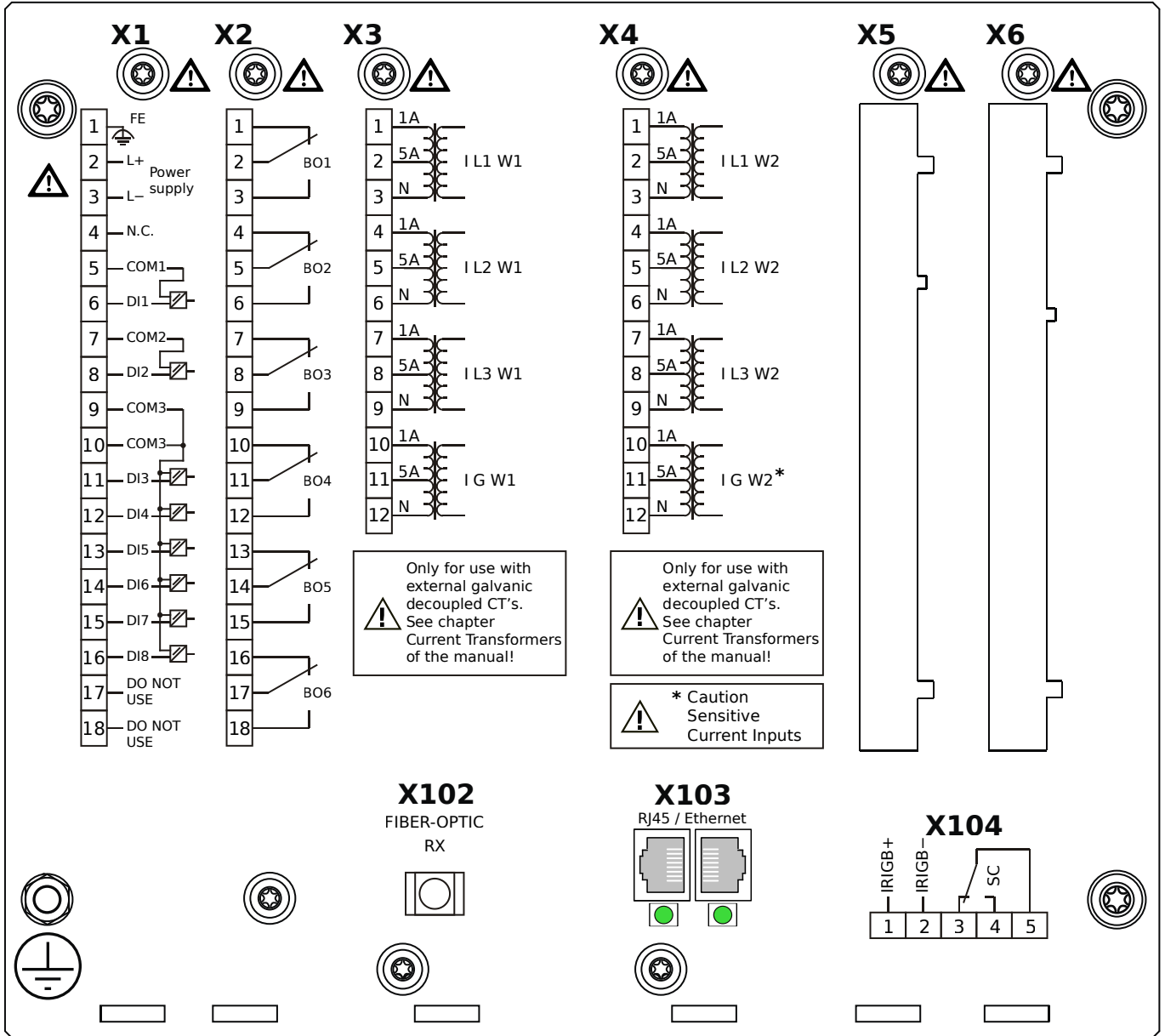
MRDT4-2A2ARA



Housing B2, small display, door mounting

- X1** – DI8-X1: Wide-range power supply unit, incl. 2 non-grouped digital inputs and 6 grouped digital inputs
- X2** – OR6: Assembly Group with 6 Output Relays (Changeover / Form C)
- X3** – TI: Standard current measuring card (for the winding side 1)
- X4** – TIs: Standard phase current measuring card and sensitive ground current measuring (winding side 2)
- X102** – Universal Resistance-Temperature Detector (URTD) input, Fiber optics interface, Versatile Link
- X103** – IEC 61850 / Modbus TCP / IEC 60870-5-104 / DNP3.0 TCP/UDP, Redundant Ethernet interface, 100 Mbit/s, RJ45 (BASE100-FX)
- X104** – IRIG-B00X, incl. System Contact (Supervision Contact)

MRDT4-2A2ARB



Housing B2, small display, door mounting

+ Conformal Coating (for installations in harsh environment)

X1 – DI8-X1: Wide-range power supply unit, incl. 2 non-grouped digital inputs and 6 grouped digital inputs

X2 – OR6: Assembly Group with 6 Output Relays (Changeover / Form C)

X3 – TI: Standard current measuring card (for the winding side 1)

X4 – TIs: Standard phase current measuring card and sensitive ground current measuring (winding side 2)

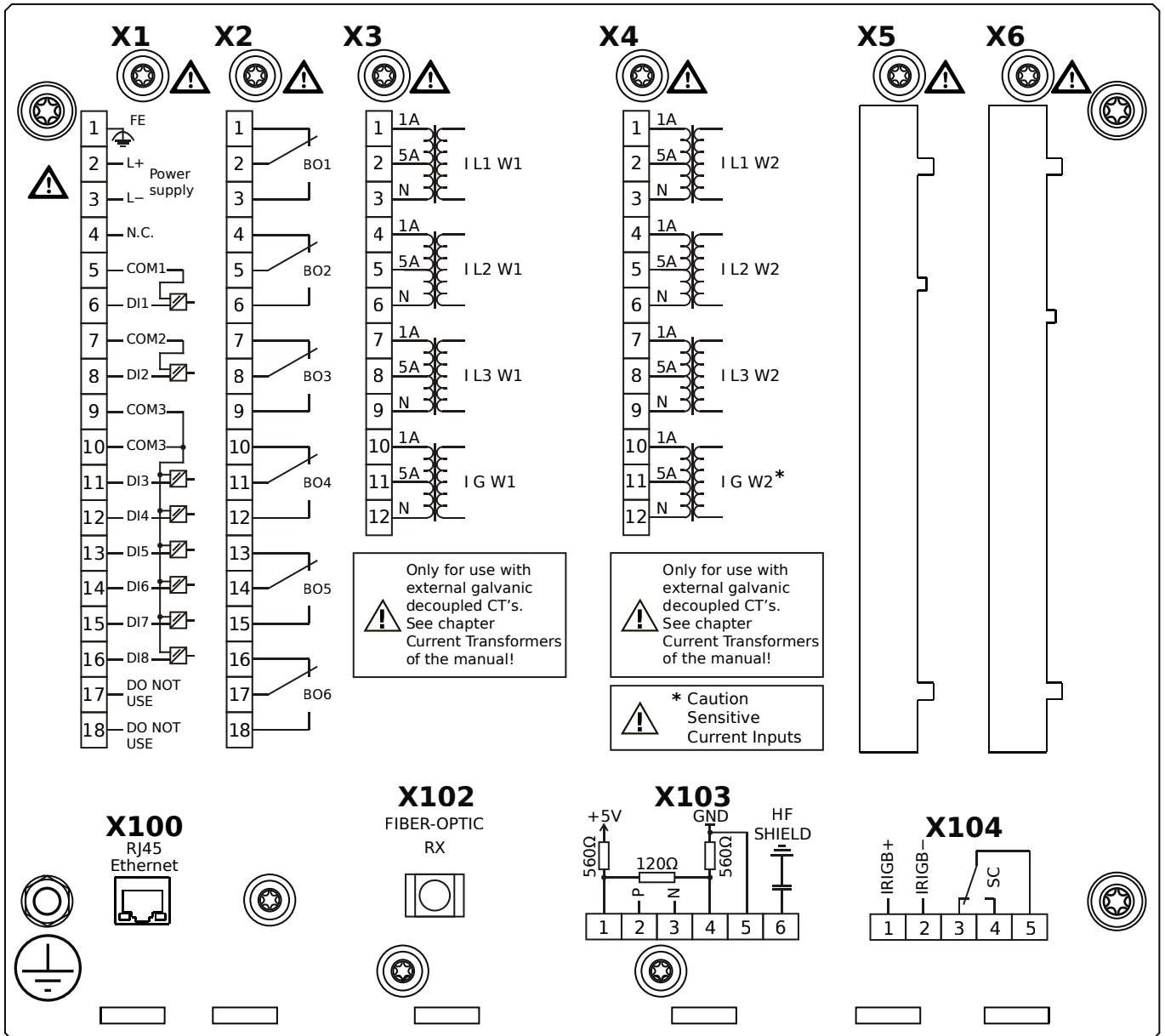
X102 – Universal Resistance-Temperature Detector (URTD) input, Fiber optics interface, Versatile Link

X103 – IEC 61850 / Modbus TCP / IEC 60870-5-104 / DNP3.0 TCP/UDP, Redundant Ethernet interface, 100 Mbit/s, RJ45

(BASE100-FX)

X104 – IRIG-B00X, incl. System Contact (Supervision Contact)

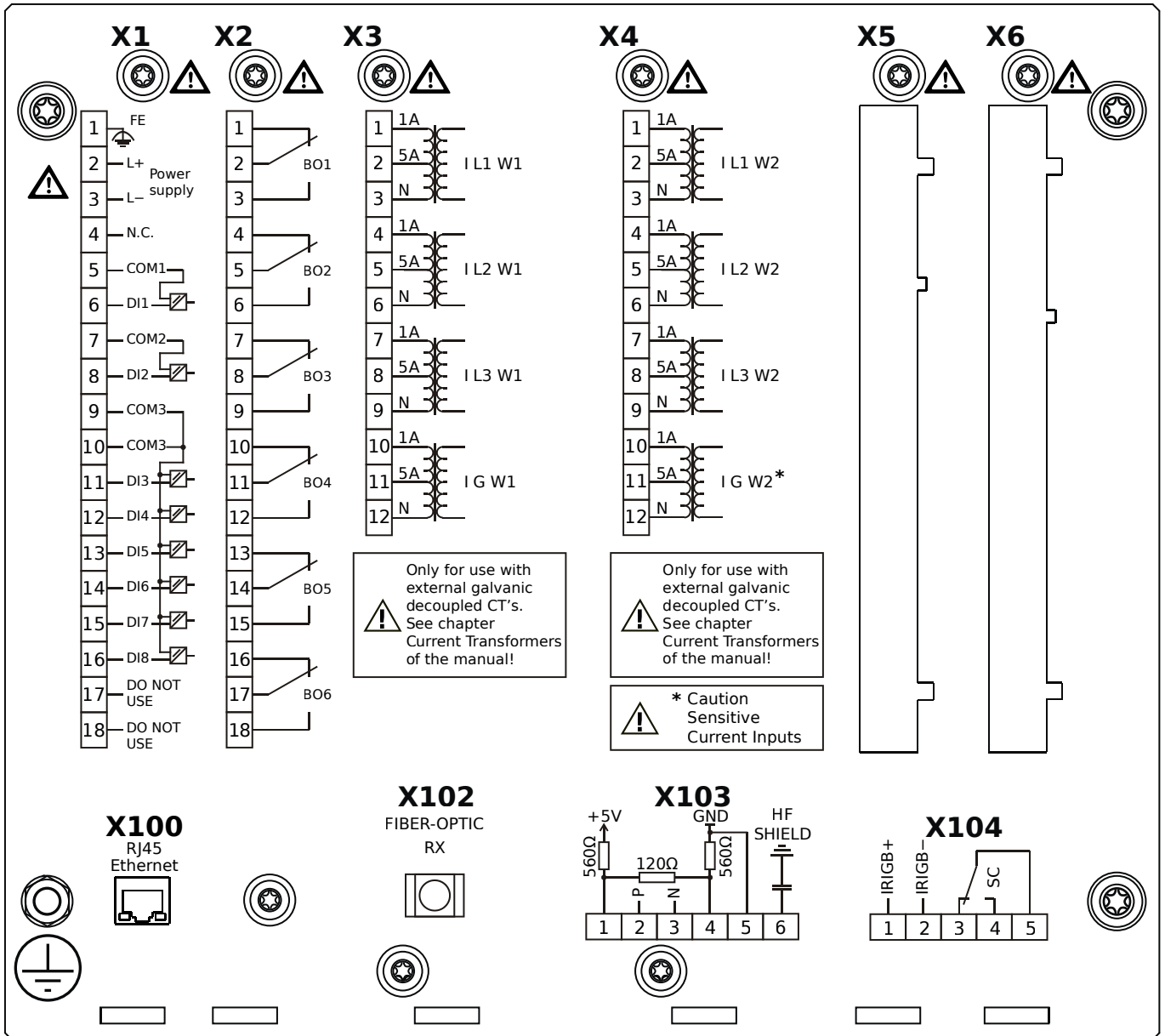
MRDT4-2A2ATA



Housing B2, small display, door mounting

- X1** – DI8-X1: Wide-range power supply unit, incl. 2 non-grouped digital inputs and 6 grouped digital inputs
- X2** – OR6: Assembly Group with 6 Output Relays (Changeover / Form C)
- X3** – TI: Standard current measuring card (for the winding side 1)
- X4** – TIs: Standard phase current measuring card and sensitive ground current measuring (winding side 2)
- X100** – IEC 61850 / Modbus TCP / IEC 60870-5-104 / DNP3.0 TCP/UDP, Ethernet interface, 100 Mbit/s, RJ45 (BASE100-FX)
- X102** – Universal Resistance-Temperature Detector (URTD) input, Fiber optics interface, Versatile Link
- X103** – IEC 60870-5-103 / Modbus RTU / DNP3.0 RTU, RS485, Terminals
- X104** – IRIG-B00X, incl. System Contact (Supervision Contact)

MRDT4-2A2ATB



Housing B2, small display, door mounting

+ Conformal Coating (for installations in harsh environment)

X1 – DI8-X1: Wide-range power supply unit, incl. 2 non-grouped digital inputs and 6 grouped digital inputs

X2 – OR6: Assembly Group with 6 Output Relays (Changeover / Form C)

X3 – TI: Standard current measuring card (for the winding side 1)

X4 – TIs: Standard phase current measuring card and sensitive ground current measuring (winding side 2)

X100 – IEC 61850 / Modbus TCP / IEC 60870-5-104 / DNP3.0 TCP/UDP, Ethernet interface, 100 Mbit/s, RJ45 (BASE100-

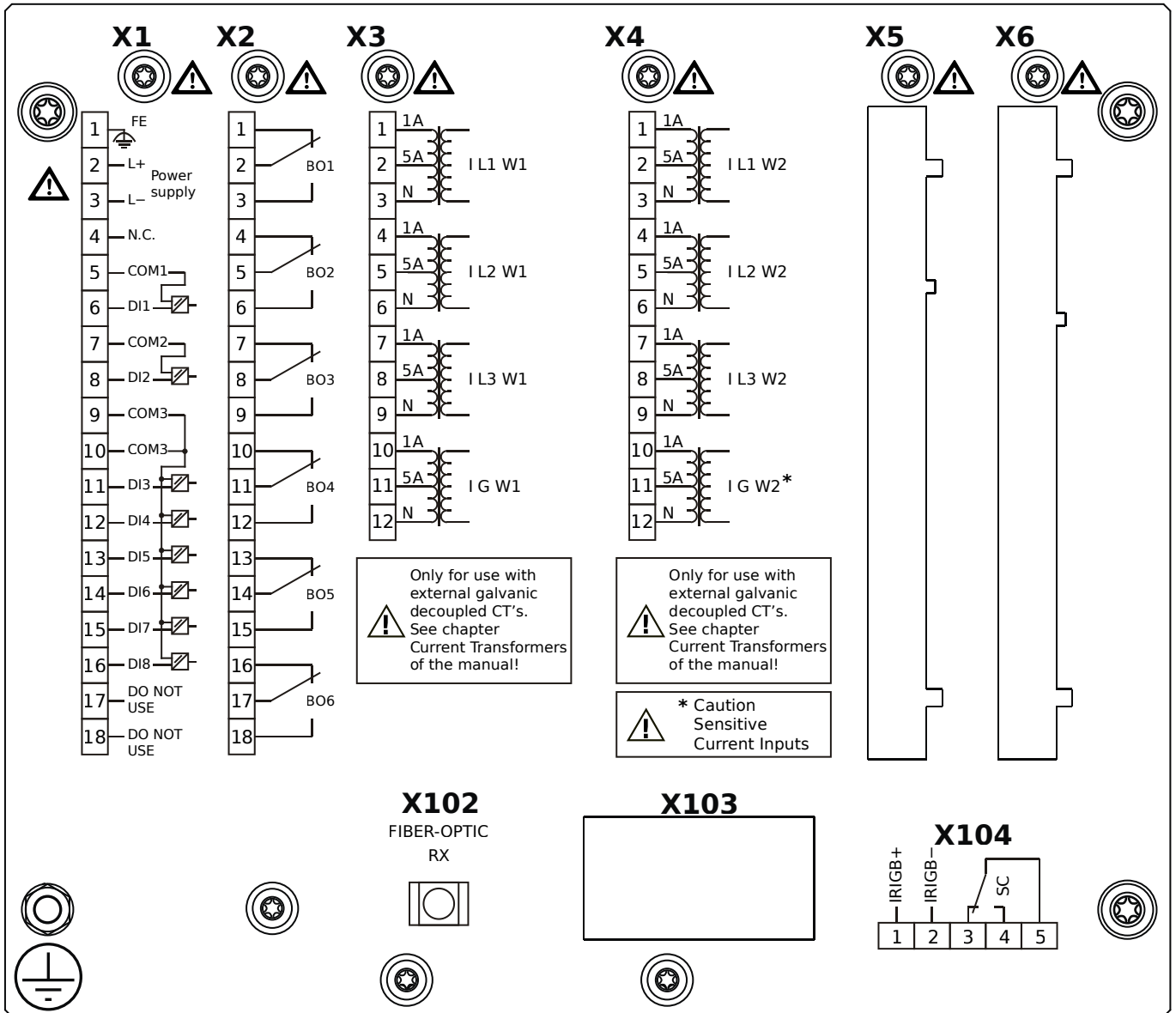
X102 – Universal Resistance-Temperature Detector (URTD) input, Fiber optics interface, Versatile Link

X103 – IEC 60870-5-103 / Modbus RTU / DNP3.0 RTU, RS485, Terminals

X104 – IRIG-B00X, incl. System Contact (Supervision Contact)

FX)

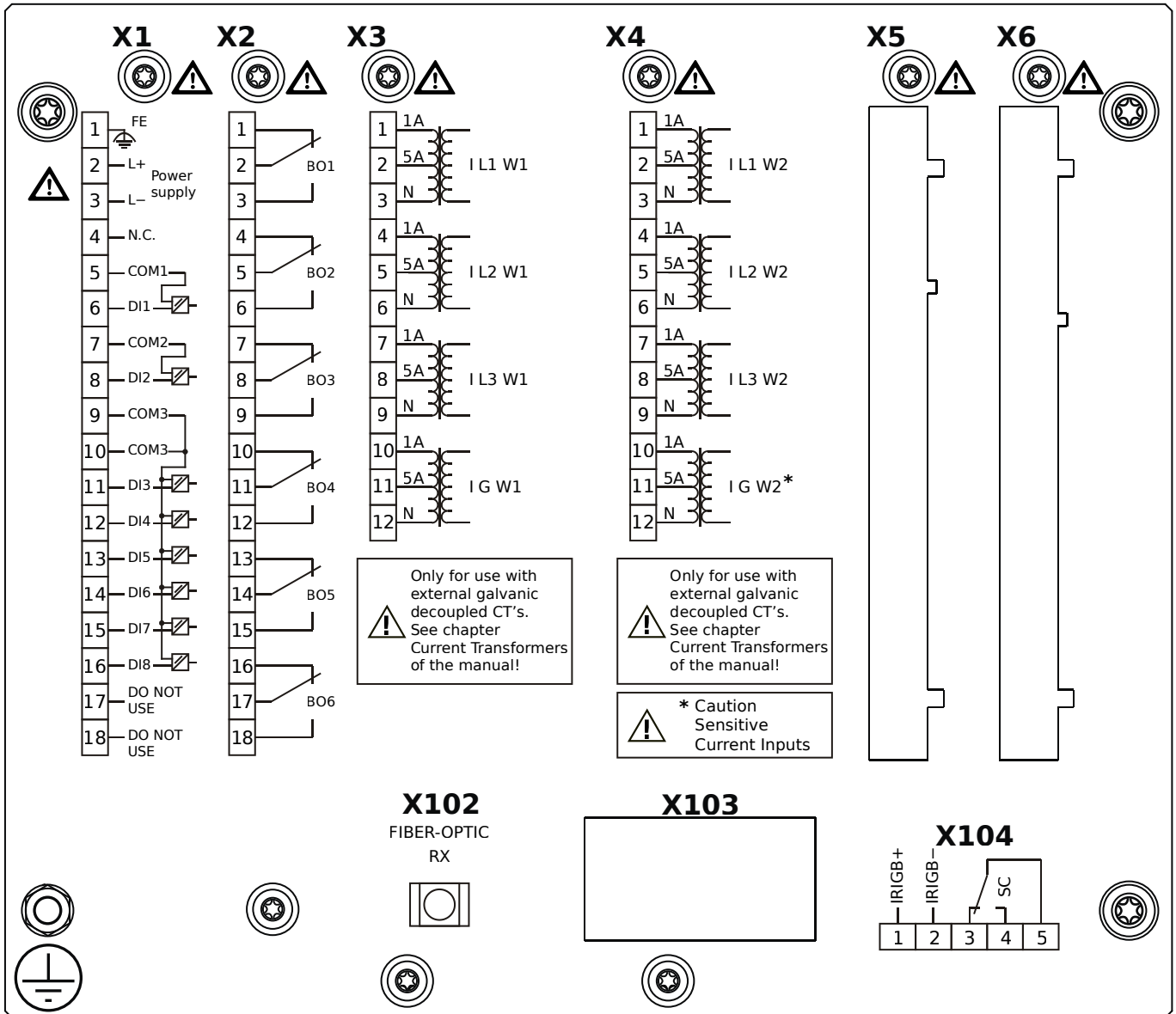
MRDT4-2A2BAA



Housing B2, small display, 19" rack mounting

- X1** – DI8-X1: Wide-range power supply unit, incl. 2 non-grouped digital inputs and 6 grouped digital inputs
- X2** – OR6: Assembly Group with 6 Output Relays (Changeover / Form C)
- X3** – TI: Standard current measuring card (for the winding side 1)
- X4** – TIs: Standard phase current measuring card and sensitive ground current measuring (winding side 2)
- X102** – Universal Resistance-Temperature Detector (URTD) input, Fiber optics interface, Versatile Link
- X104** – IRIG-B00X, incl. System Contact (Supervision Contact)

MRDT4-2A2BAB

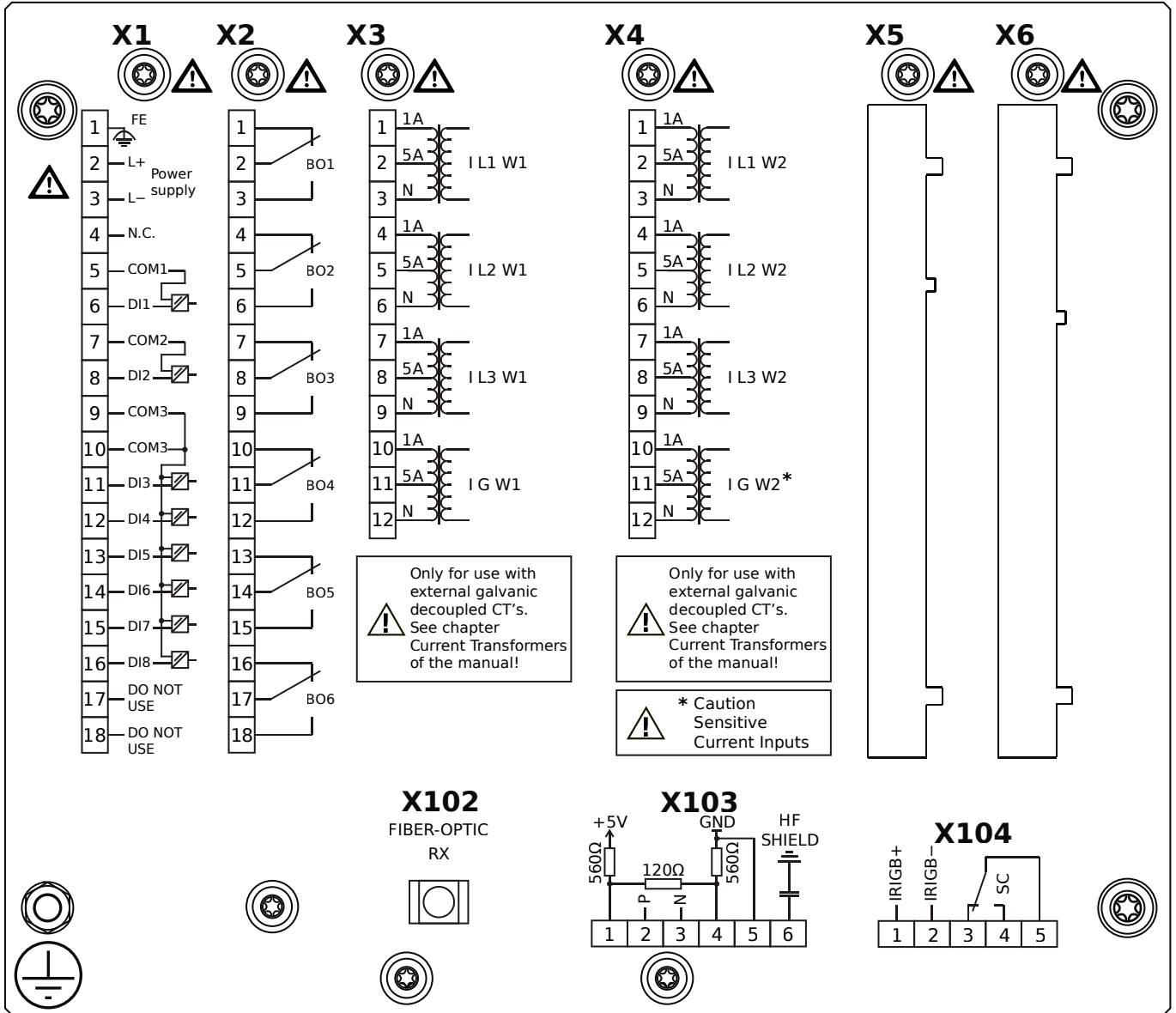


Housing B2, small display, 19" rack mounting

+ Conformal Coating (for installations in harsh environment)

- X1** – DI8-X1: Wide-range power supply unit, incl. 2 non-grouped digital inputs and 6 grouped digital inputs
- X2** – OR6: Assembly Group with 6 Output Relays (Changeover / Form C)
- X3** – TI: Standard current measuring card (for the winding side 1)
- X4** – TIs: Standard phase current measuring card and sensitive ground current measuring (winding side 2)
- X102** – Universal Resistance-Temperature Detector (URTD) input, Fiber optics interface, Versatile Link
- X104** – IRIG-B00X, incl. System Contact (Supervision Contact)

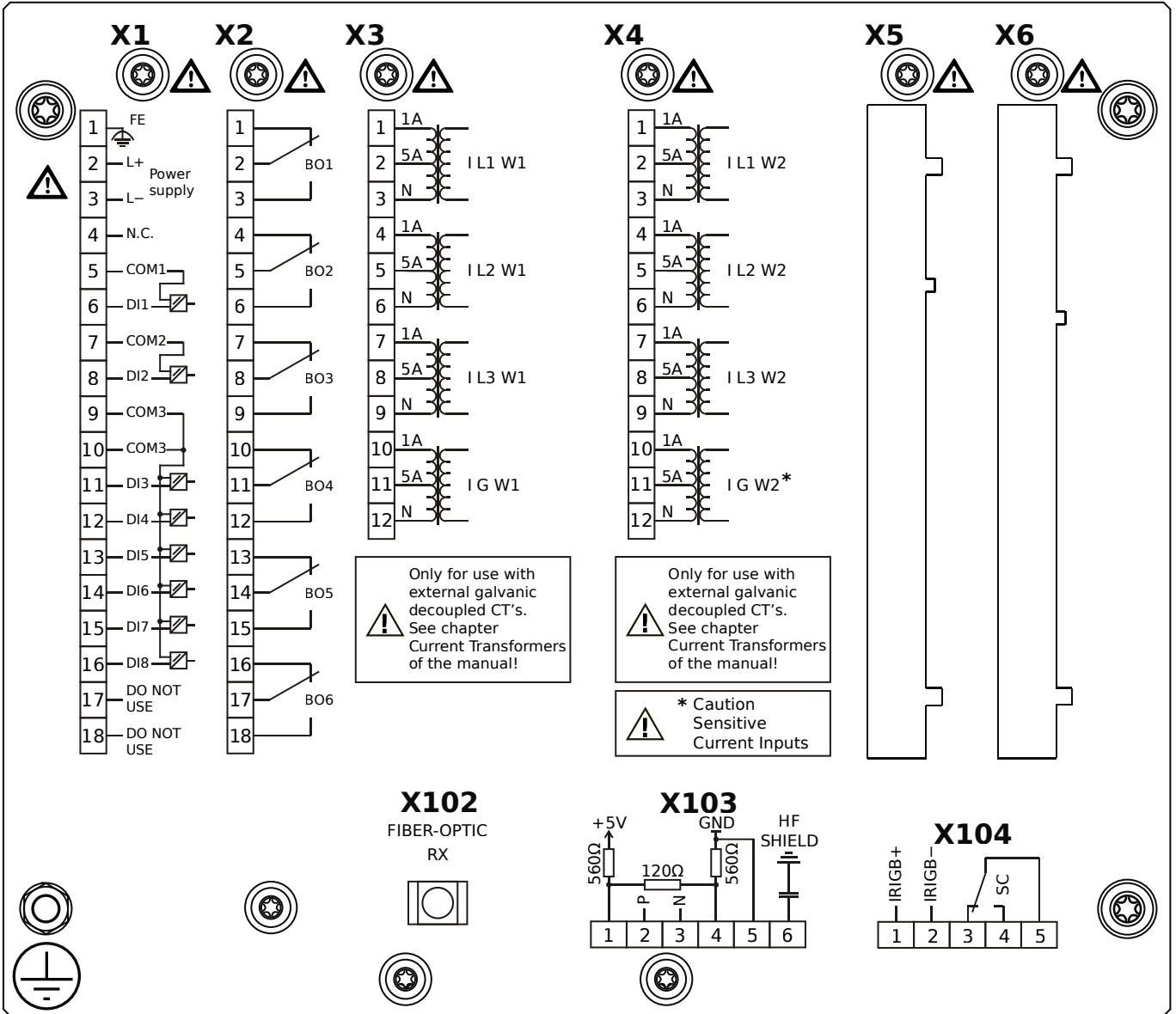
MRDT4-2A2BBA



Housing B2, small display, 19" rack mounting

- X1** – DI8-X1: Wide-range power supply unit, incl. 2 non-grouped digital inputs and 6 grouped digital inputs
- X2** – OR6: Assembly Group with 6 Output Relays (Changeover / Form C)
- X3** – TI: Standard current measuring card (for the winding side 1)
- X4** – TIs: Standard phase current measuring card and sensitive ground current measuring (winding side 2)
- X102** – Universal Resistance-Temperature Detector (URTD) input, Fiber optics interface, Versatile Link
- X103** – Modbus RTU / IEC 60870-5-103 / DNP3.0 RTU, RS485, Terminals
- X104** – IRIG-B00X, incl. System Contact (Supervision Contact)

MRDT4-2A2BBB

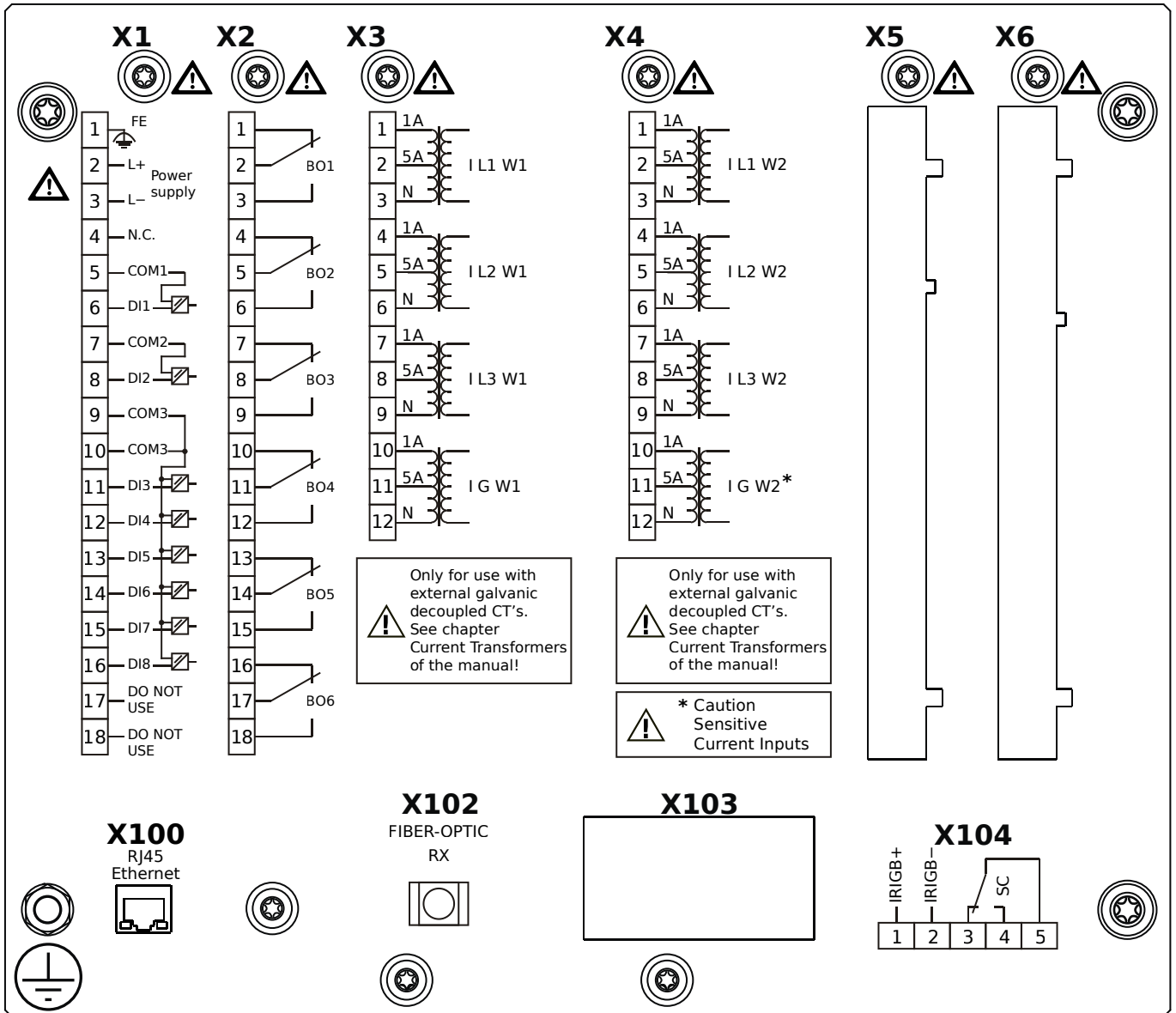


Housing B2, small display, 19" rack mounting

+ Conformal Coating (for installations in harsh environment)

- X1** – DI8-X1: Wide-range power supply unit, incl. 2 non-grouped digital inputs and 6 grouped digital inputs
- X2** – OR6: Assembly Group with 6 Output Relays (Changeover / Form C)
- X3** – TI: Standard current measuring card (for the winding side 1)
- X4** – TIs: Standard phase current measuring card and sensitive ground current measuring (winding side 2)
- X102** – Universal Resistance-Temperature Detector (URTD) input, Fiber optics interface, Versatile Link
- X103** – Modbus RTU / IEC 60870-5-103 / DNP3.0 RTU, RS485, Terminals
- X104** – IRIG-B00X, incl. System Contact (Supervision Contact)

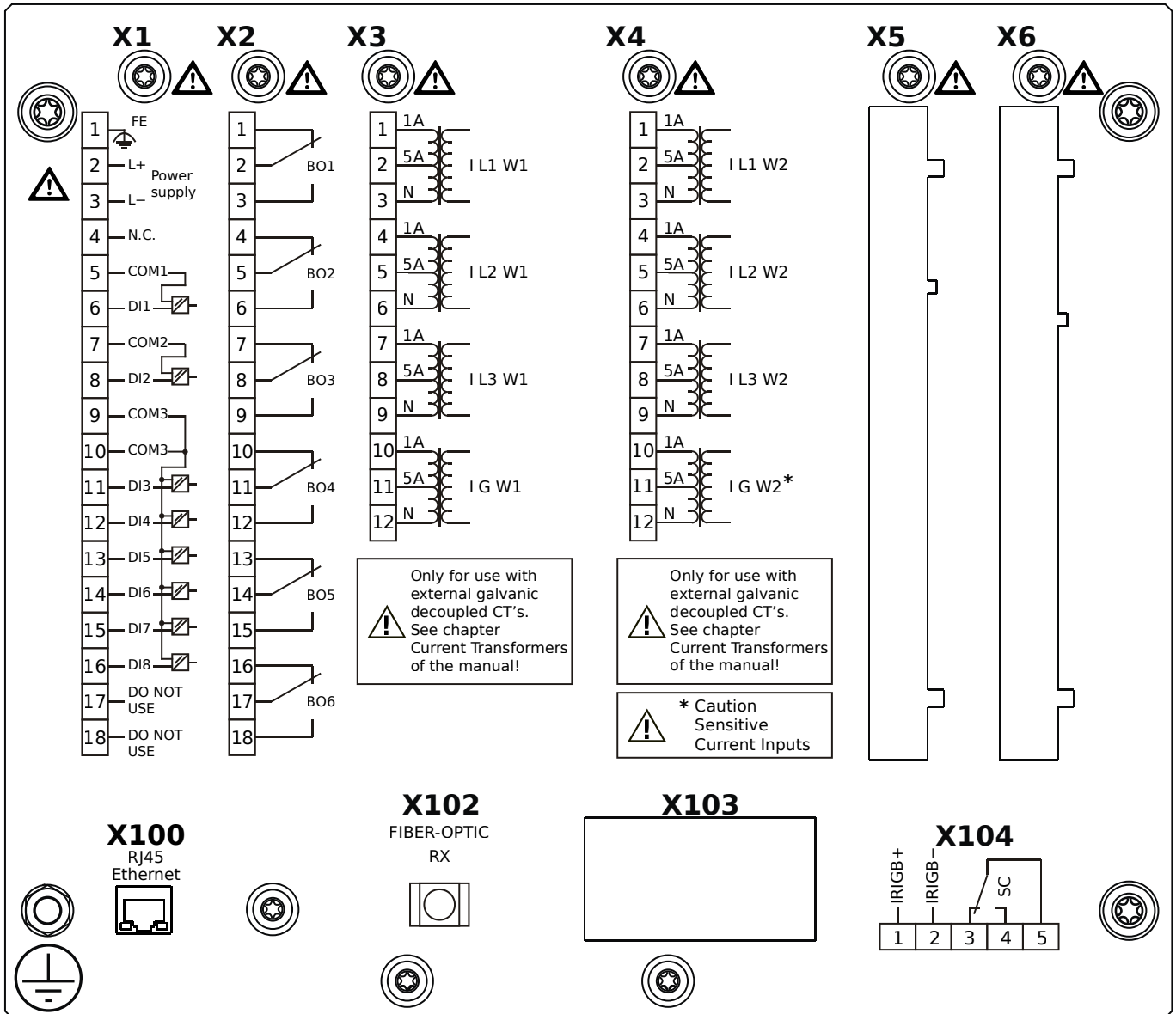
MRDT4-2A2BCA



Housing B2, small display, 19" rack mounting

- X1** – DI8-X1: Wide-range power supply unit, incl. 2 non-grouped digital inputs and 6 grouped digital inputs
- X2** – OR6: Assembly Group with 6 Output Relays (Changeover / Form C)
- X3** – TI: Standard current measuring card (for the winding side 1)
- X4** – TIs: Standard phase current measuring card and sensitive ground current measuring (winding side 2)
- X100** – Modbus TCP / IEC 60870-5-104 / DNP3.0 TCP/UDP, Ethernet interface, 100 Mbit/s, RJ45 (BASE100-FX)
- X102** – Universal Resistance-Temperature Detector (URTD) input, Fiber optics interface, Versatile Link
- X104** – IRIG-B00X, incl. System Contact (Supervision Contact)

MRDT4-2A2BCB

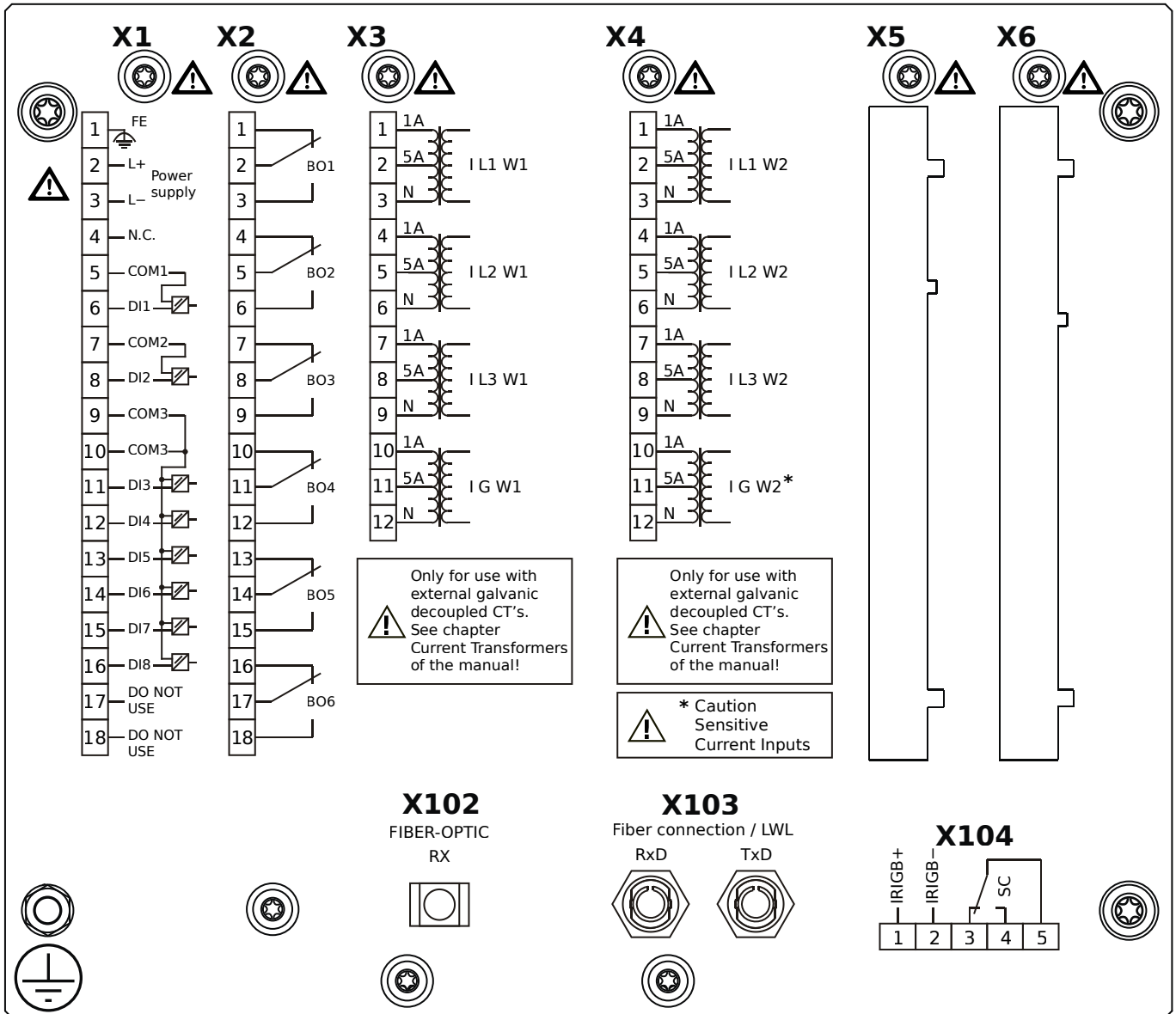


Housing B2, small display, 19" rack mounting

+ Conformal Coating (for installations in harsh environment)

- X1** – DI8-X1: Wide-range power supply unit, incl. 2 non-grouped digital inputs and 6 grouped digital inputs
- X2** – OR6: Assembly Group with 6 Output Relays (Changeover / Form C)
- X3** – TI: Standard current measuring card (for the winding side 1)
- X4** – TIs: Standard phase current measuring card and sensitive ground current measuring (winding side 2)
- X100** – Modbus TCP / IEC 60870-5-104 / DNP3.0 TCP/UDP, Ethernet interface, 100 Mbit/s, RJ45 (BASE100-FX)
- X102** – Universal Resistance-Temperature Detector (URTD) input, Fiber optics interface, Versatile Link
- X104** – IRIG-B00X, incl. System Contact (Supervision Contact)

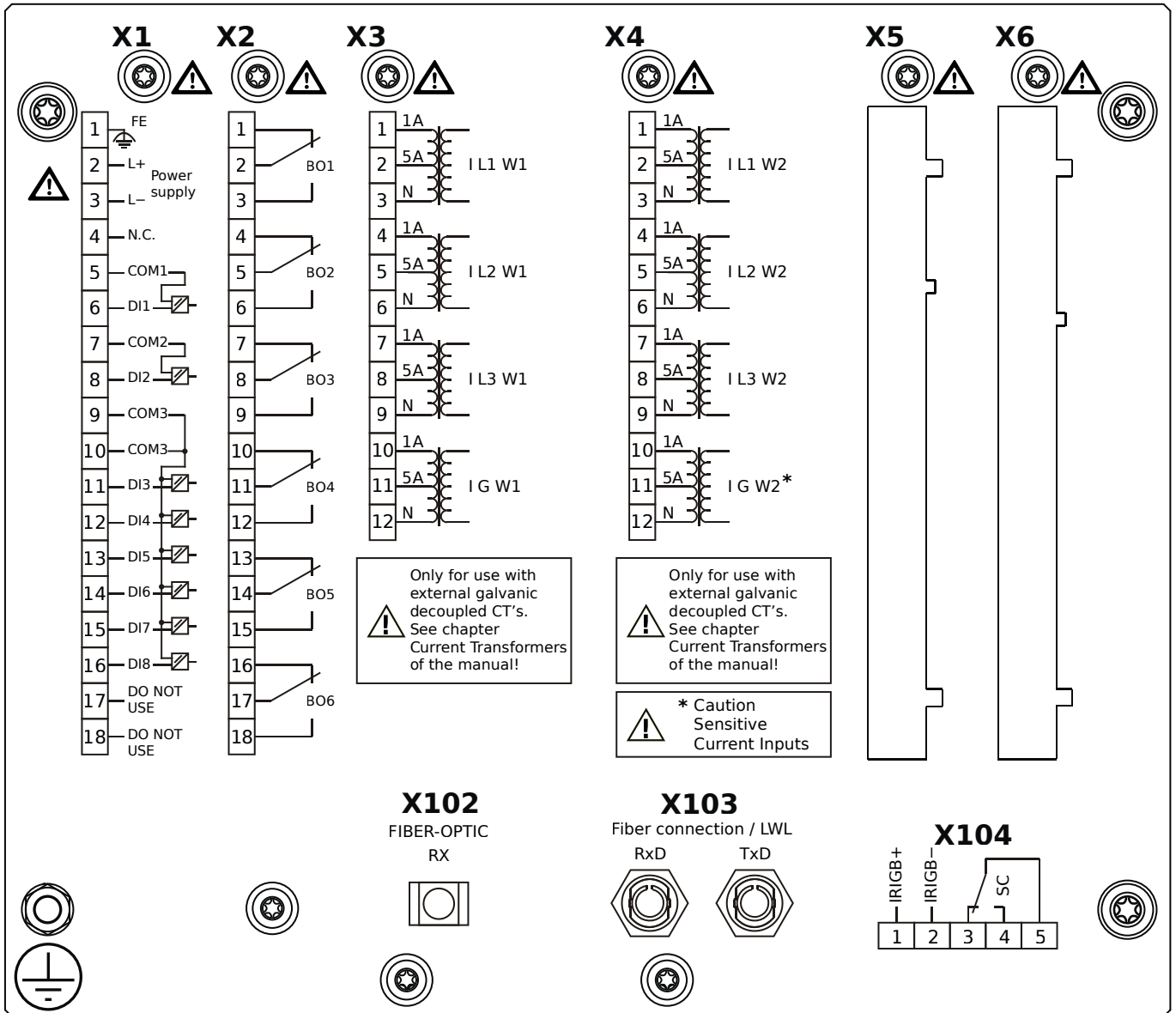
MRDT4-2A2BDA



Housing B2, small display, 19" rack mounting

- X1** – DI8-X1: Wide-range power supply unit, incl. 2 non-grouped digital inputs and 6 grouped digital inputs
- X2** – OR6: Assembly Group with 6 Output Relays (Changeover / Form C)
- X3** – TI: Standard current measuring card (for the winding side 1)
- X4** – TIs: Standard phase current measuring card and sensitive ground current measuring (winding side 2)
- X102** – Universal Resistance-Temperature Detector (URTD) input, Fiber optics interface, Versatile Link
- X103** – Profibus-DP, Fiber optics interface, ST Connector
- X104** – IRIG-B00X, incl. System Contact (Supervision Contact)

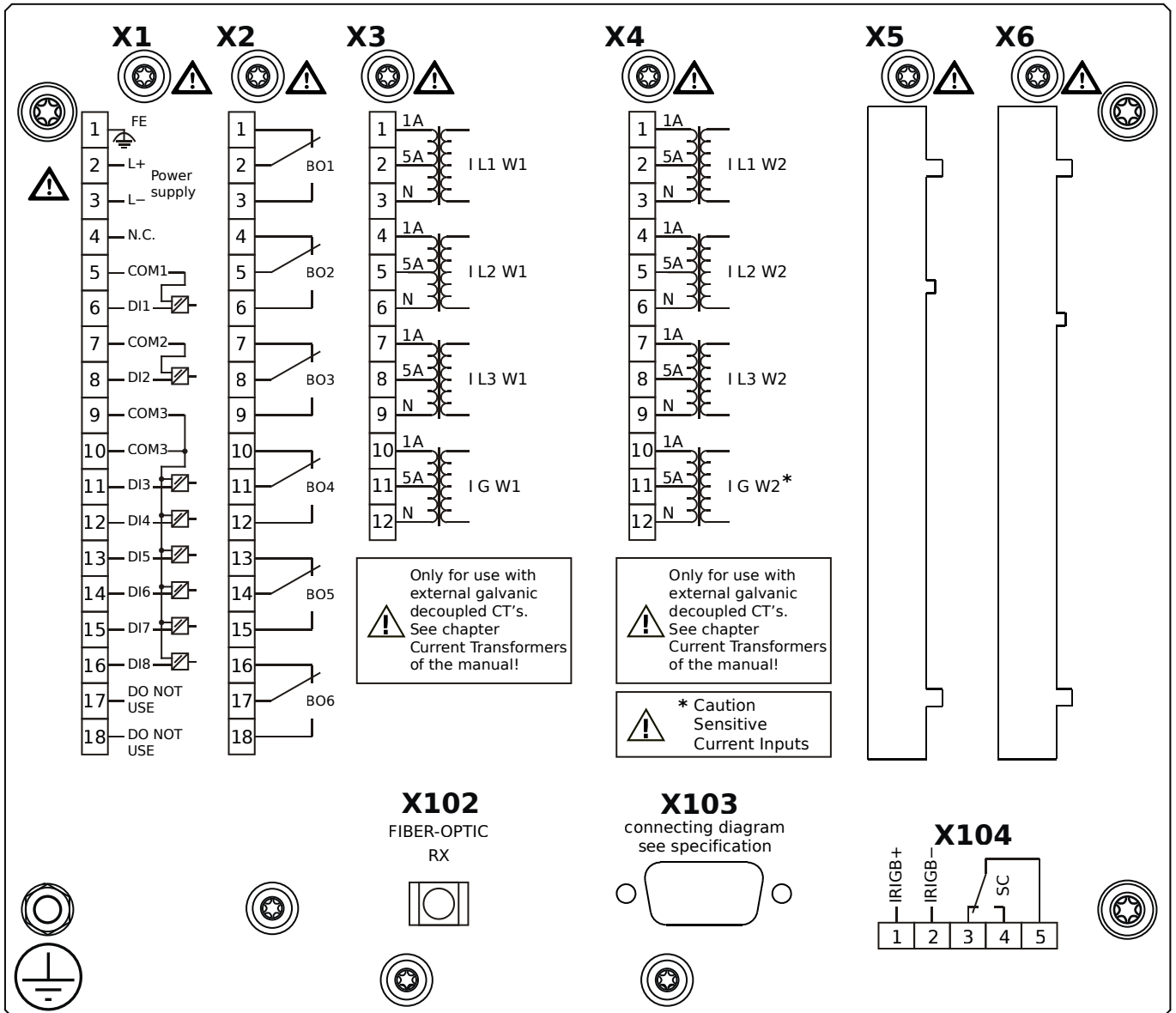
MRDT4-2A2BDB



Housing B2, small display, 19" rack mounting

- + Conformal Coating (for installations in harsh environment)
- X1** – DI8-X1: Wide-range power supply unit, incl. 2 non-grouped digital inputs and 6 grouped digital inputs
- X2** – OR6: Assembly Group with 6 Output Relays (Changeover / Form C)
- X3** – TI: Standard current measuring card (for the winding side 1)
- X4** – TIs: Standard phase current measuring card and sensitive ground current measuring (winding side 2)
- X102** – Universal Resistance-Temperature Detector (URTD) input, Fiber optics interface, Versatile Link
- X103** – Profibus-DP, Fiber optics interface, ST Connector
- X104** – IRIG-B00X, incl. System Contact (Supervision Contact)

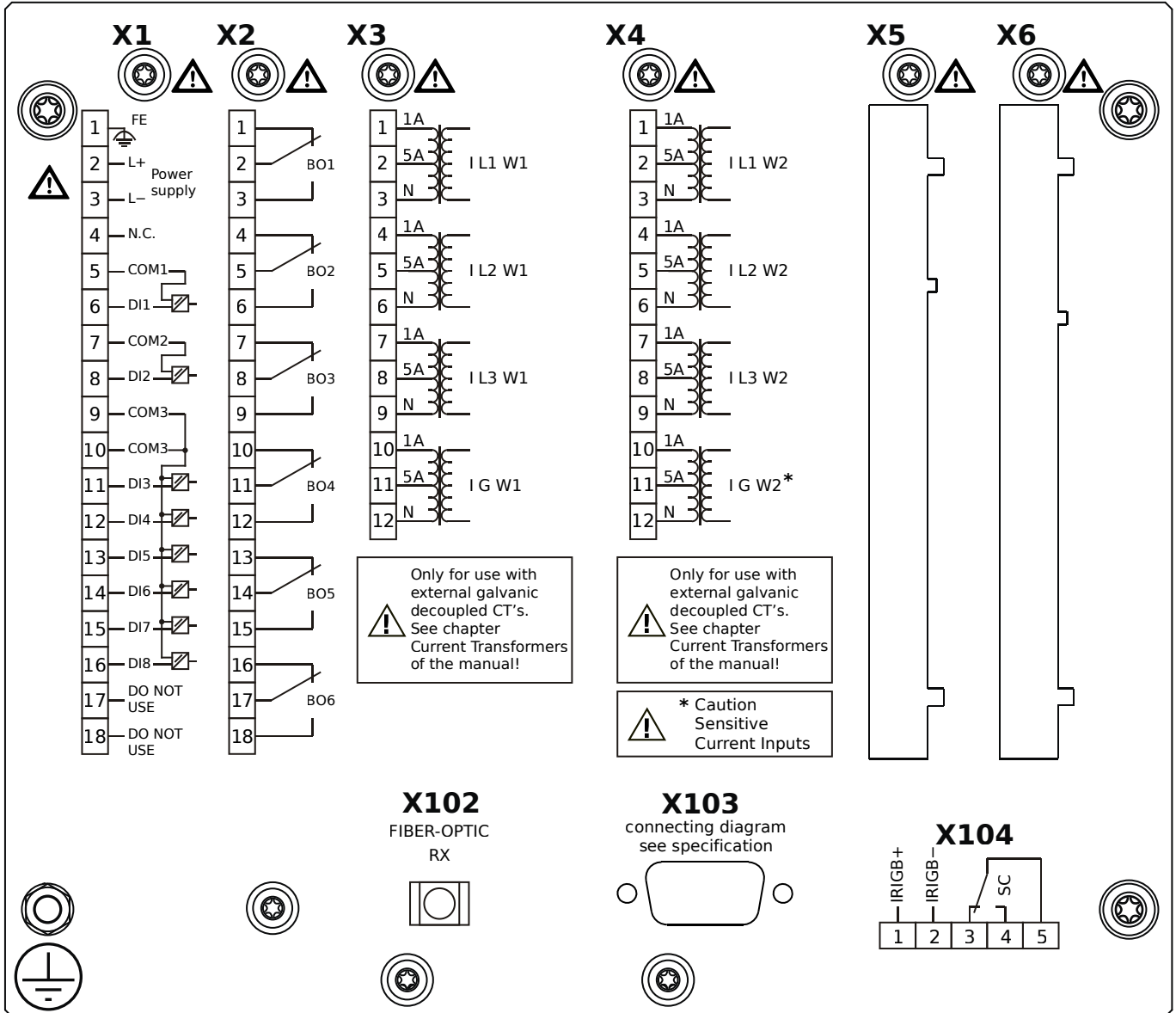
MRDT4-2A2BEA



Housing B2, small display, 19" rack mounting

- X1** – DI8-X1: Wide-range power supply unit, incl. 2 non-grouped digital inputs and 6 grouped digital inputs
- X2** – OR6: Assembly Group with 6 Output Relays (Changeover / Form C)
- X3** – TI: Standard current measuring card (for the winding side 1)
- X4** – TIs: Standard phase current measuring card and sensitive ground current measuring (winding side 2)
- X102** – Universal Resistance-Temperature Detector (URTD) input, Fiber optics interface, Versatile Link
- X103** – Profibus-DP, RS485, D-SUB
- X104** – IRIG-B00X, incl. System Contact (Supervision Contact)

MRDT4-2A2BEB

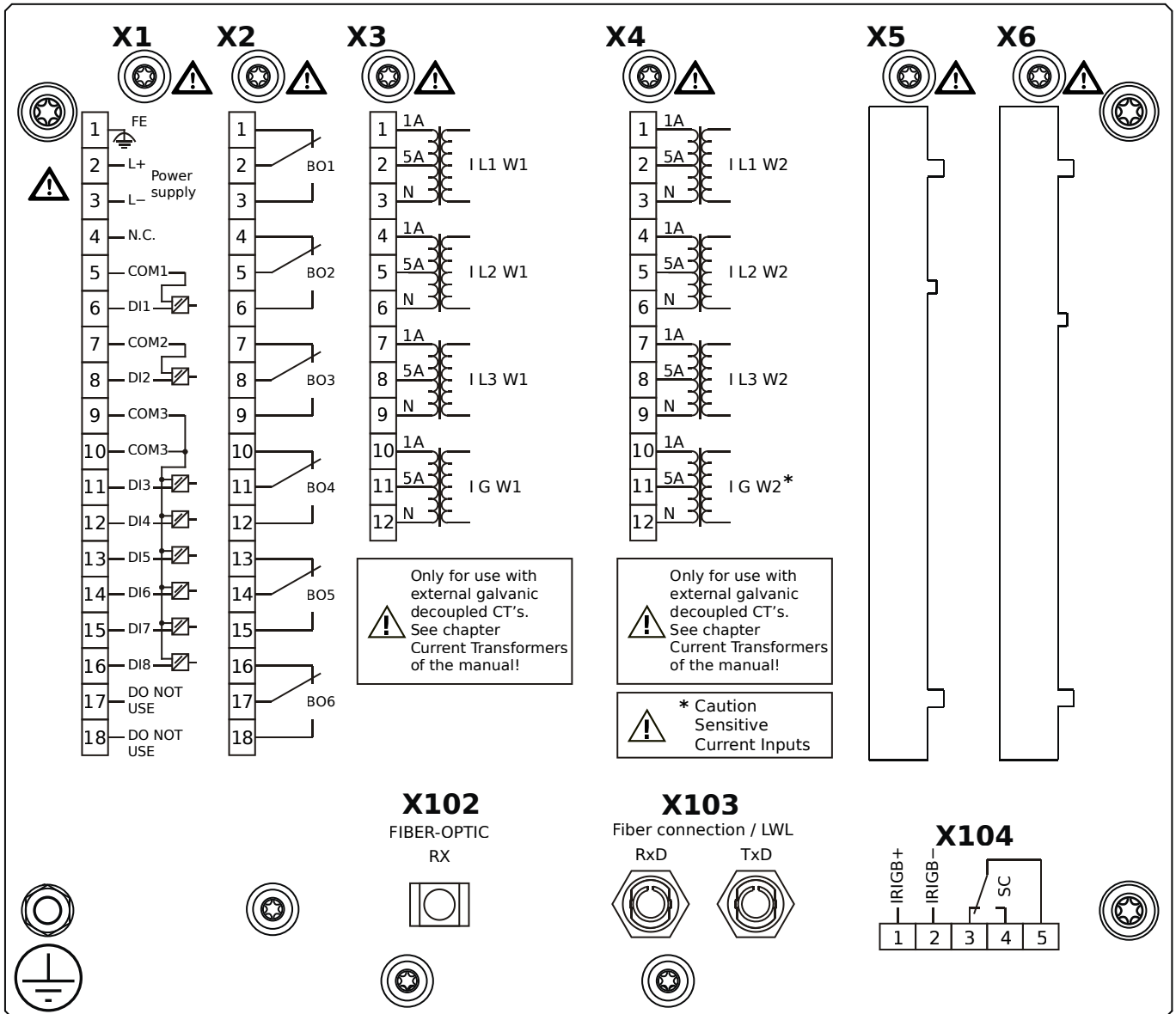


Housing B2, small display, 19" rack mounting

+ Conformal Coating (for installations in harsh environment)

- X1** – DI8-X1: Wide-range power supply unit, incl. 2 non-grouped digital inputs and 6 grouped digital inputs
- X2** – OR6: Assembly Group with 6 Output Relays (Changeover / Form C)
- X3** – TI: Standard current measuring card (for the winding side 1)
- X4** – TIs: Standard phase current measuring card and sensitive ground current measuring (winding side 2)
- X102** – Universal Resistance-Temperature Detector (URTD) input, Fiber optics interface, Versatile Link
- X103** – Profibus-DP, RS485, D-SUB
- X104** – IRIG-B00X, incl. System Contact (Supervision Contact)

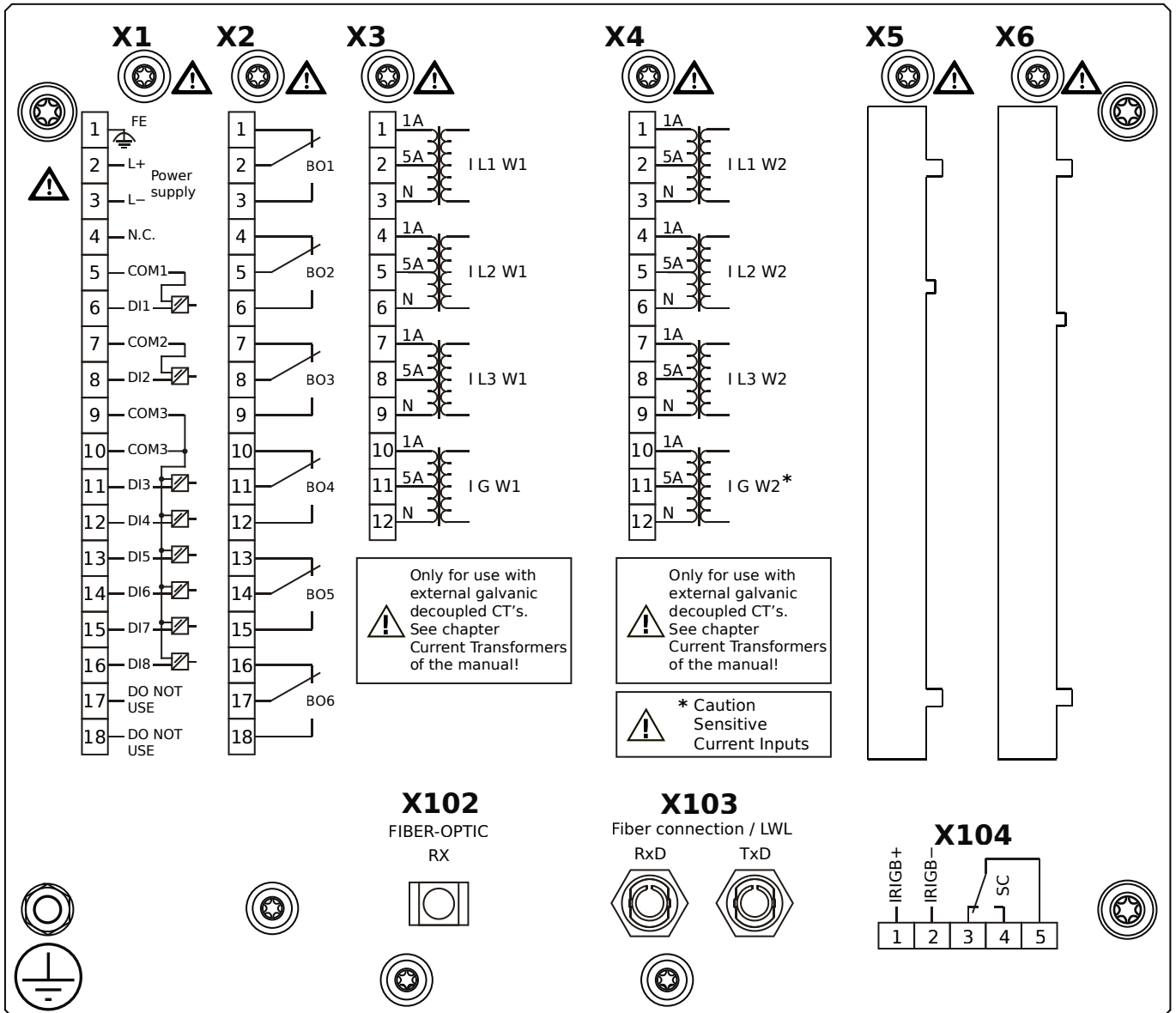
MRDT4-2A2BFA



Housing B2, small display, 19" rack mounting

- X1** – DI8-X1: Wide-range power supply unit, incl. 2 non-grouped digital inputs and 6 grouped digital inputs
- X2** – OR6: Assembly Group with 6 Output Relays (Changeover / Form C)
- X3** – TI: Standard current measuring card (for the winding side 1)
- X4** – TIs: Standard phase current measuring card and sensitive ground current measuring (winding side 2)
- X102** – Universal Resistance-Temperature Detector (URTD) input, Fiber optics interface, Versatile Link
- X103** – Modbus RTU / IEC 60870-5-103 / DNP3.0 RTU, Fiber optics interface, ST Connector
- X104** – IRIG-B00X, incl. System Contact (Supervision Contact)

MRDT4-2A2BFB

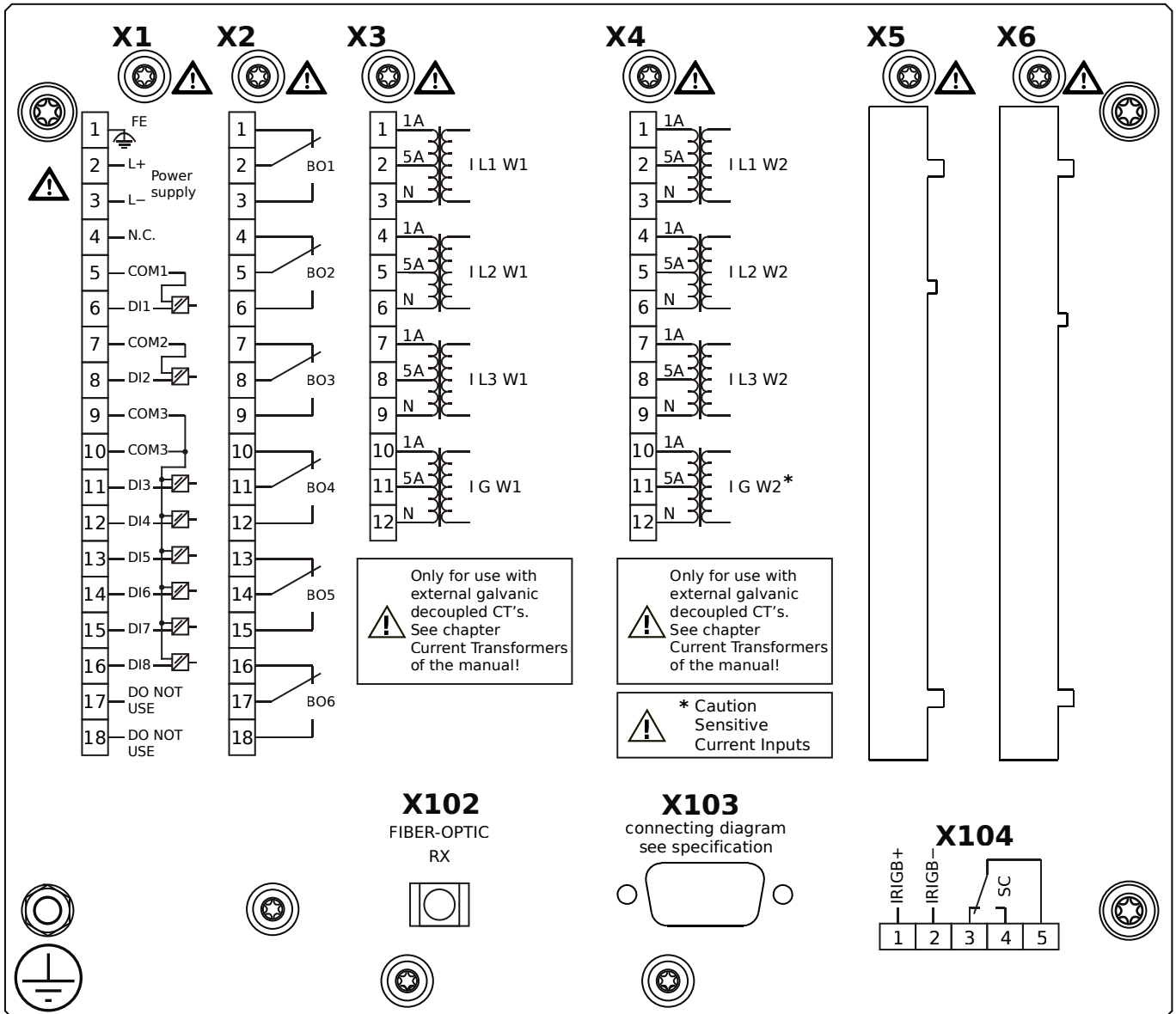


Housing B2, small display, 19" rack mounting

+ Conformal Coating (for installations in harsh environment)

- X1** – DI8-X1: Wide-range power supply unit, incl. 2 non-grouped digital inputs and 6 grouped digital inputs
- X2** – OR6: Assembly Group with 6 Output Relays (Changeover / Form C)
- X3** – TI: Standard current measuring card (for the winding side 1)
- X4** – TIs: Standard phase current measuring card and sensitive ground current measuring (winding side 2)
- X102** – Universal Resistance-Temperature Detector (URTD) input, Fiber optics interface, Versatile Link
- X103** – Modbus RTU / IEC 60870-5-103 / DNP3.0 RTU, Fiber optics interface, ST Connector
- X104** – IRIG-B00X, incl. System Contact (Supervision Contact)

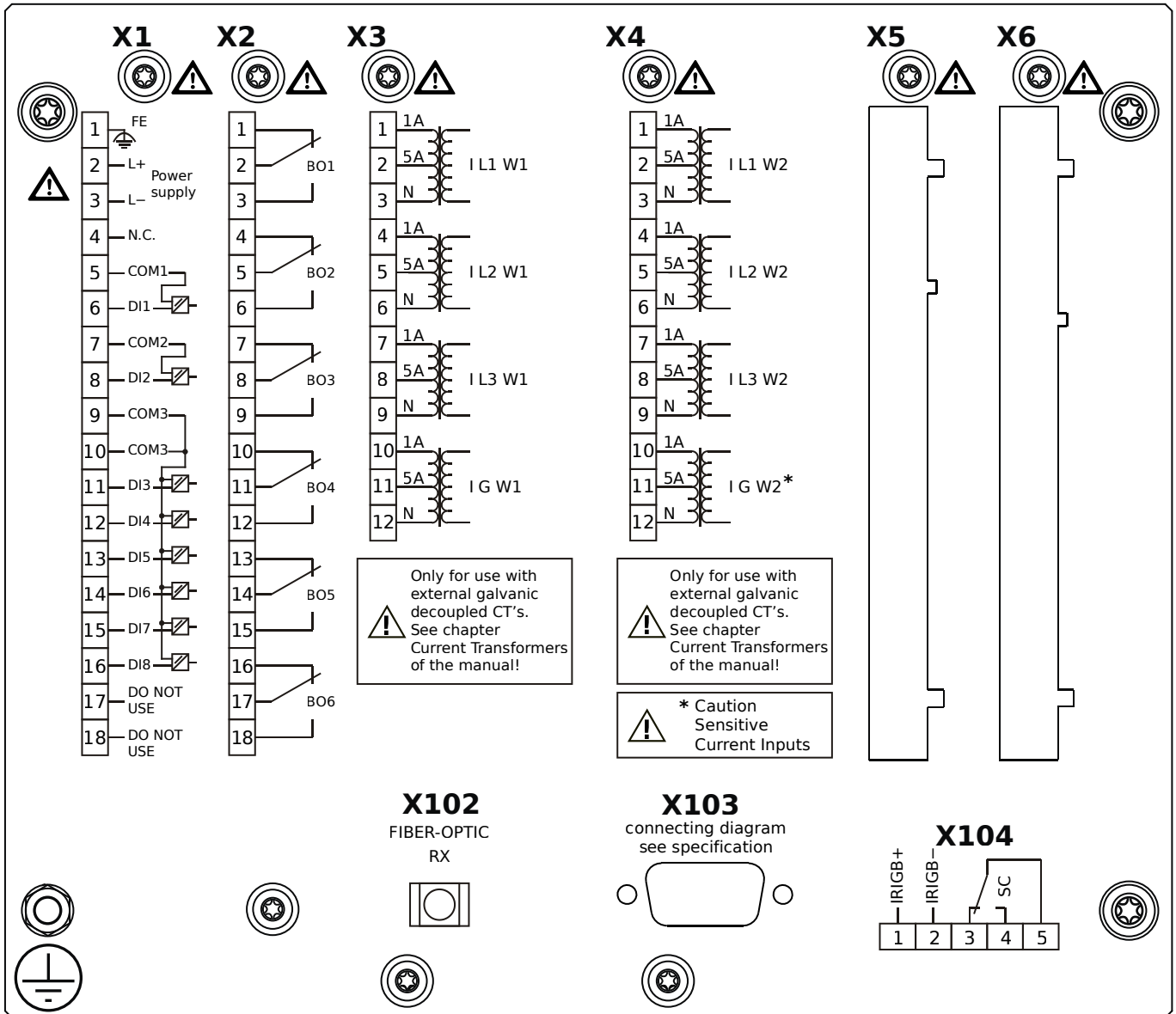
MRDT4-2A2BGA



Housing B2, small display, 19" rack mounting

- X1** – DI8-X1: Wide-range power supply unit, incl. 2 non-grouped digital inputs and 6 grouped digital inputs
- X2** – OR6: Assembly Group with 6 Output Relays (Changeover / Form C)
- X3** – TI: Standard current measuring card (for the winding side 1)
- X4** – TIs: Standard phase current measuring card and sensitive ground current measuring (winding side 2)
- X102** – Universal Resistance-Temperature Detector (URTD) input, Fiber optics interface, Versatile Link
- X103** – Modbus RTU / IEC 60870-5-103 / DNP3.0 RTU, RS485, D-SUB
- X104** – IRIG-B00X, incl. System Contact (Supervision Contact)

MRDT4-2A2BGB

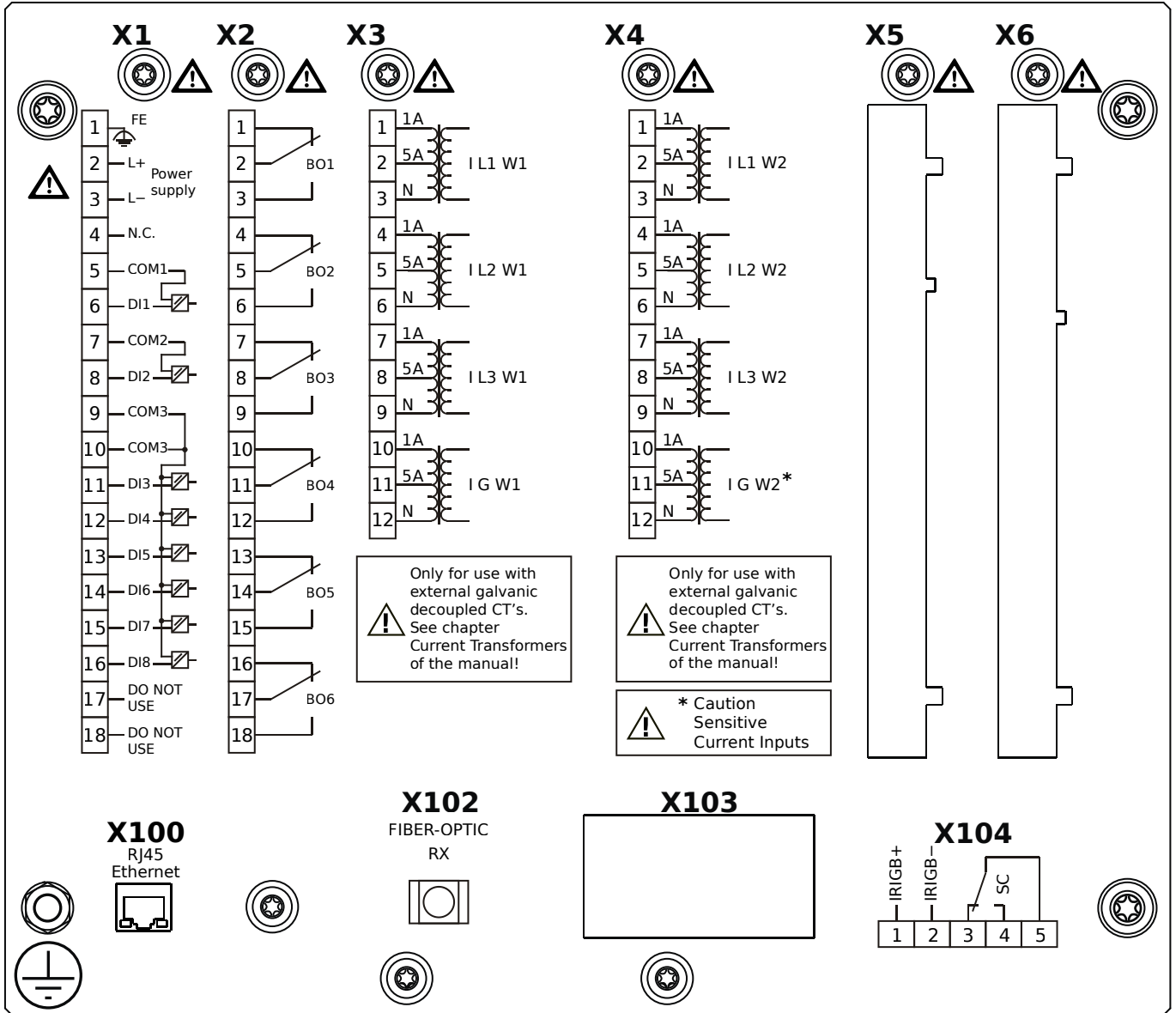


Housing B2, small display, 19" rack mounting

+ Conformal Coating (for installations in harsh environment)

- X1** – DI8-X1: Wide-range power supply unit, incl. 2 non-grouped digital inputs and 6 grouped digital inputs
- X2** – OR6: Assembly Group with 6 Output Relays (Changeover / Form C)
- X3** – TI: Standard current measuring card (for the winding side 1)
- X4** – TIs: Standard phase current measuring card and sensitive ground current measuring (winding side 2)
- X102** – Universal Resistance-Temperature Detector (URTD) input, Fiber optics interface, Versatile Link
- X103** – Modbus RTU / IEC 60870-5-103 / DNP3.0 RTU, RS485, D-SUB
- X104** – IRIG-B00X, incl. System Contact (Supervision Contact)

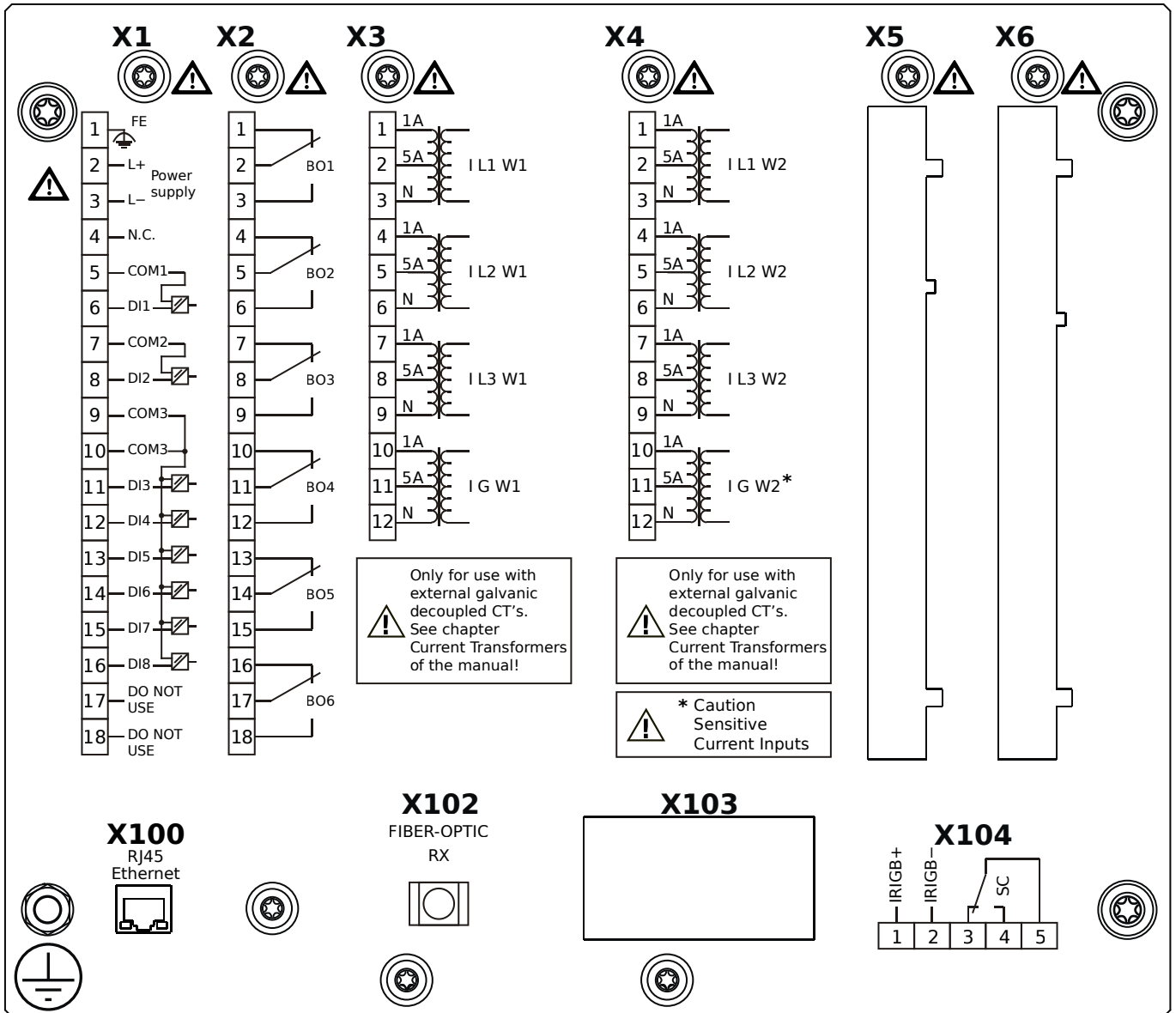
MRDT4-2A2BHA



Housing B2, small display, 19" rack mounting

- X1** – DI8-X1: Wide-range power supply unit, incl. 2 non-grouped digital inputs and 6 grouped digital inputs
- X2** – OR6: Assembly Group with 6 Output Relays (Changeover / Form C)
- X3** – TI: Standard current measuring card (for the winding side 1)
- X4** – TIs: Standard phase current measuring card and sensitive ground current measuring (winding side 2)
- X100** – IEC 61850 / Modbus TCP / IEC 60870-5-104 / DNP3.0 TCP/UDP, Ethernet interface, 100 Mbit/s, RJ45 (BASE100-FX)
- X102** – Universal Resistance-Temperature Detector (URTD) input, Fiber optics interface, Versatile Link
- X104** – IRIG-B00X, incl. System Contact (Supervision Contact)

MRDT4-2A2BHB



Housing B2, small display, 19" rack mounting

+ Conformal Coating (for installations in harsh environment)

X1 – DI8-X1: Wide-range power supply unit, incl. 2 non-grouped digital inputs and 6 grouped digital inputs

X2 – OR6: Assembly Group with 6 Output Relays (Changeover / Form C)

X3 – TI: Standard current measuring card (for the winding side 1)

X4 – TIs: Standard phase current measuring card and sensitive ground current measuring (winding side 2)

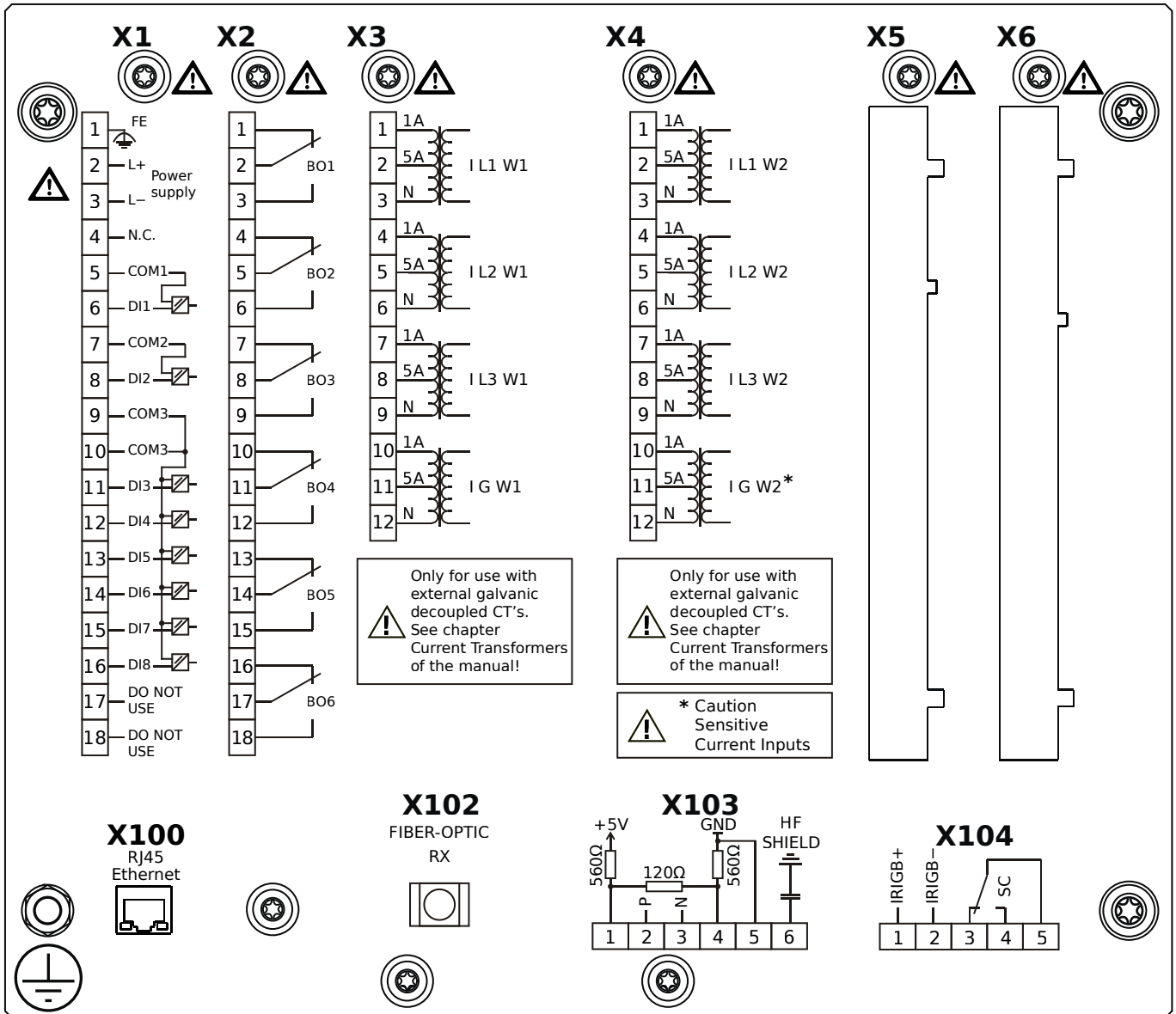
X100 – IEC 61850 / Modbus TCP / IEC 60870-5-104 / DNP3.0 TCP/UDP, Ethernet interface, 100 Mbit/s, RJ45 (BASE100-

FX)

X102 – Universal Resistance-Temperature Detector (URTD) input, Fiber optics interface, Versatile Link

X104 – IRIG-B00X, incl. System Contact (Supervision Contact)

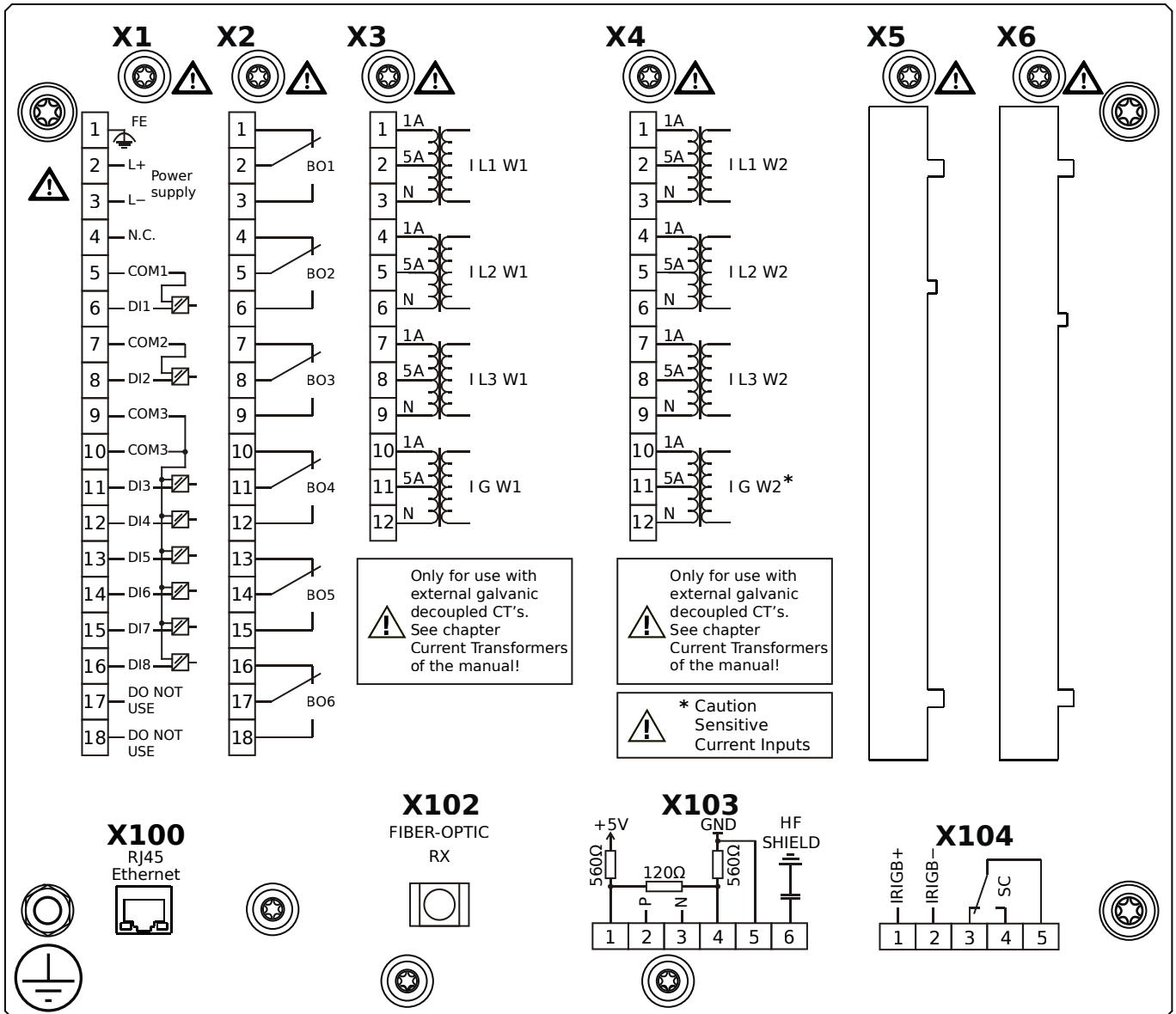
MRDT4-2A2BIA



Housing B2, small display, 19" rack mounting

- X1** – DI8-X1: Wide-range power supply unit, incl. 2 non-grouped digital inputs and 6 grouped digital inputs
- X2** – OR6: Assembly Group with 6 Output Relays (Changeover / Form C)
- X3** – TI: Standard current measuring card (for the winding side 1)
- X4** – TIs: Standard phase current measuring card and sensitive ground current measuring (winding side 2)
- X100** – Modbus TCP / IEC 60870-5-104 / DNP3.0 TCP/UDP, Ethernet interface, 100 Mbit/s, RJ45 (BASE100-FX)
- X102** – Universal Resistance-Temperature Detector (URTD) input, Fiber optics interface, Versatile Link
- X103** – IEC 60870-5-103 / Modbus RTU / DNP3.0 RTU, RS485, Terminals
- X104** – IRIG-B00X, incl. System Contact (Supervision Contact)

MRDT4-2A2BIB

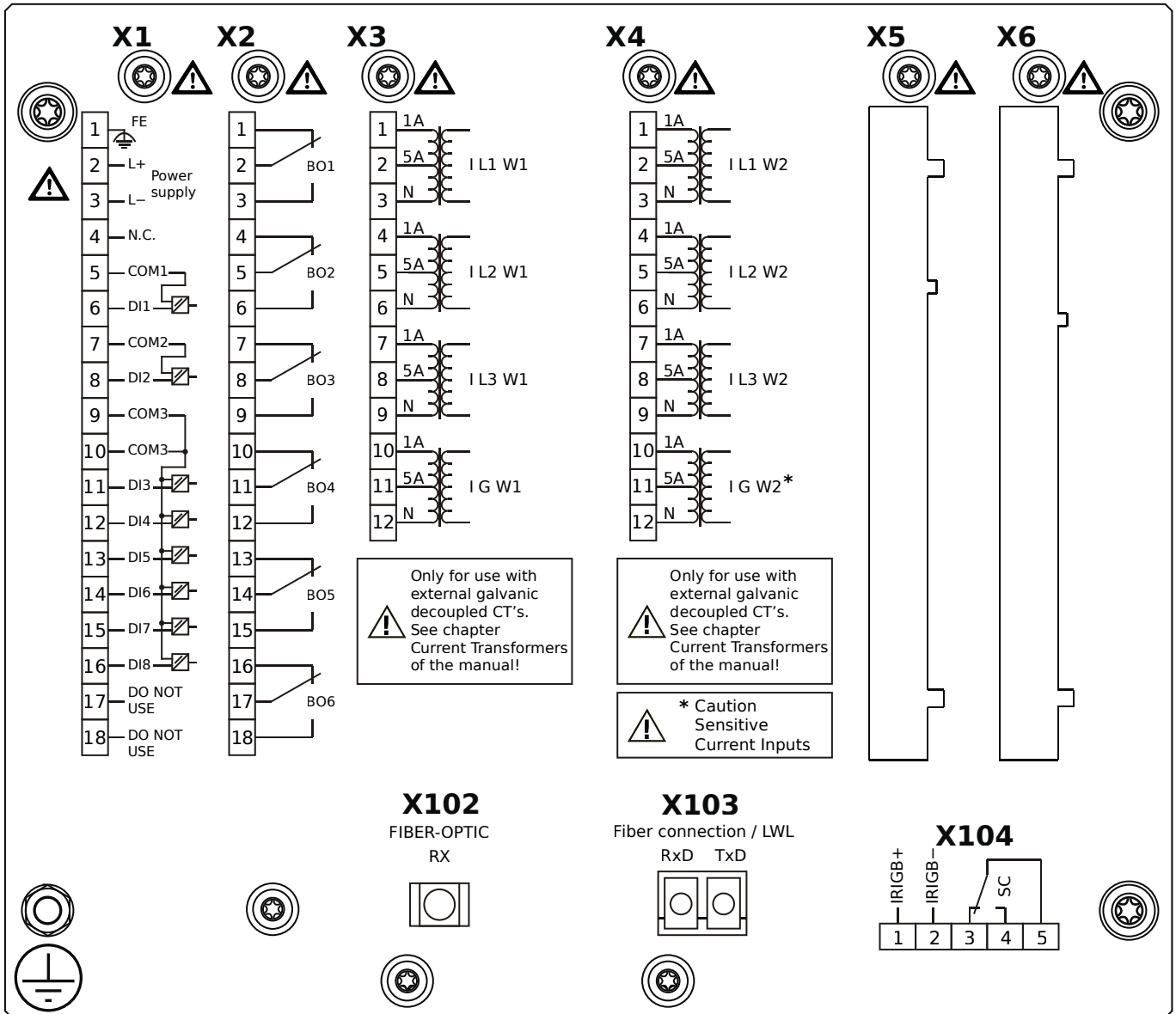


Housing B2, small display, 19" rack mounting

+ Conformal Coating (for installations in harsh environment)

- X1** – DI8-X1: Wide-range power supply unit, incl. 2 non-grouped digital inputs and 6 grouped digital inputs
- X2** – OR6: Assembly Group with 6 Output Relays (Changeover / Form C)
- X3** – TI: Standard current measuring card (for the winding side 1)
- X4** – TIs: Standard phase current measuring card and sensitive ground current measuring (winding side 2)
- X100** – Modbus TCP / IEC 60870-5-104 / DNP3.0 TCP/UDP, Ethernet interface, 100 Mbit/s, RJ45 (BASE100-FX)
- X102** – Universal Resistance-Temperature Detector (URTD) input, Fiber optics interface, Versatile Link
- X103** – IEC 60870-5-103 / Modbus RTU / DNP3.0 RTU, RS485, Terminals
- X104** – IRIG-B00X, incl. System Contact (Supervision Contact)

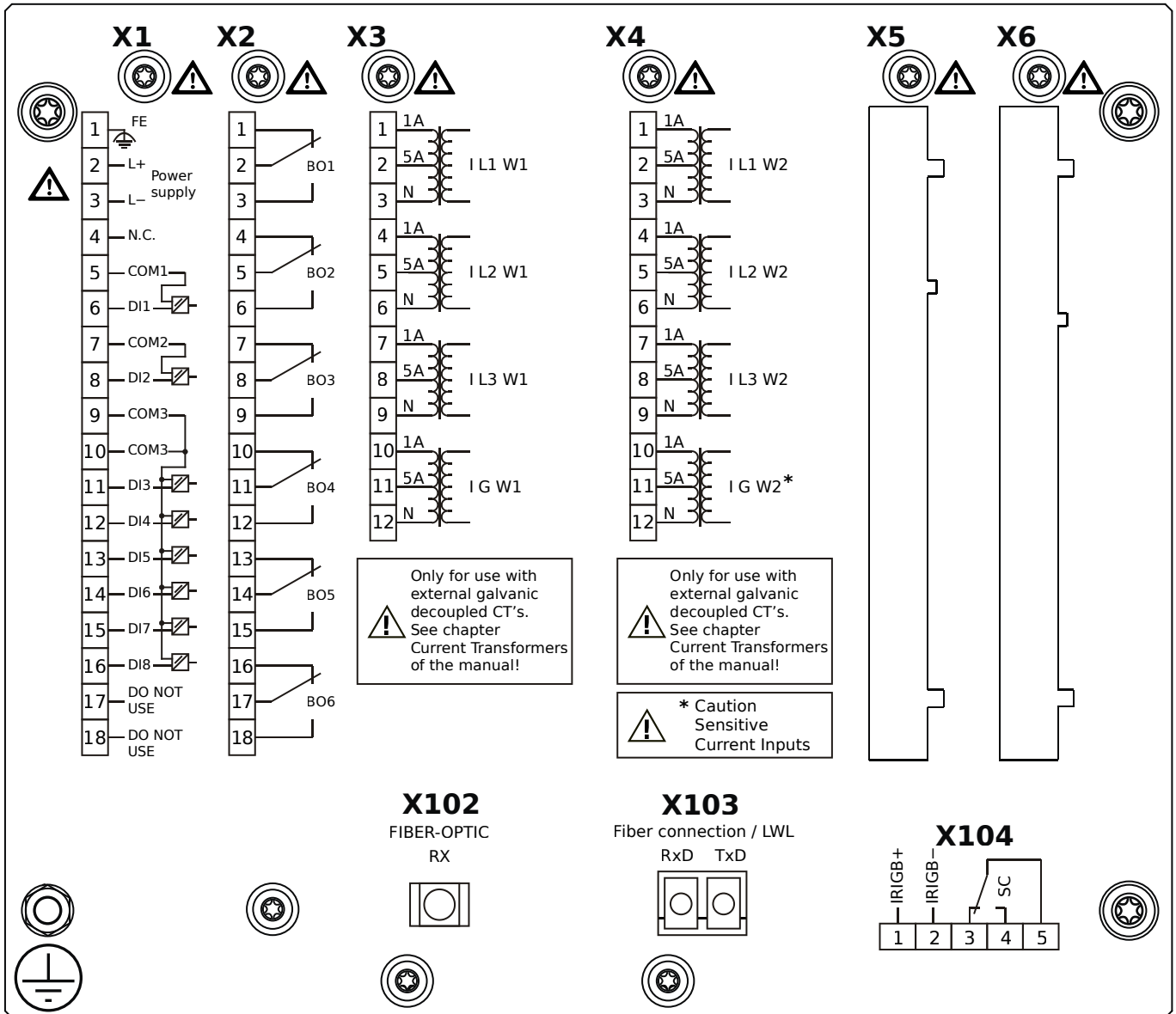
MRDT4-2A2BKA



Housing B2, small display, 19" rack mounting

- X1** – DI8-X1: Wide-range power supply unit, incl. 2 non-grouped digital inputs and 6 grouped digital inputs
- X2** – OR6: Assembly Group with 6 Output Relays (Changeover / Form C)
- X3** – TI: Standard current measuring card (for the winding side 1)
- X4** – TIs: Standard phase current measuring card and sensitive ground current measuring (winding side 2)
- X102** – Universal Resistance-Temperature Detector (URTD) input, Fiber optics interface, Versatile Link
- X103** – IEC 61850 / Modbus TCP / IEC 60870-5-104 / DNP3.0 TCP/UDP, Fiber optics interface, LC Connector
- X104** – IRIG-B00X, incl. System Contact (Supervision Contact)

MRDT4-2A2BKB

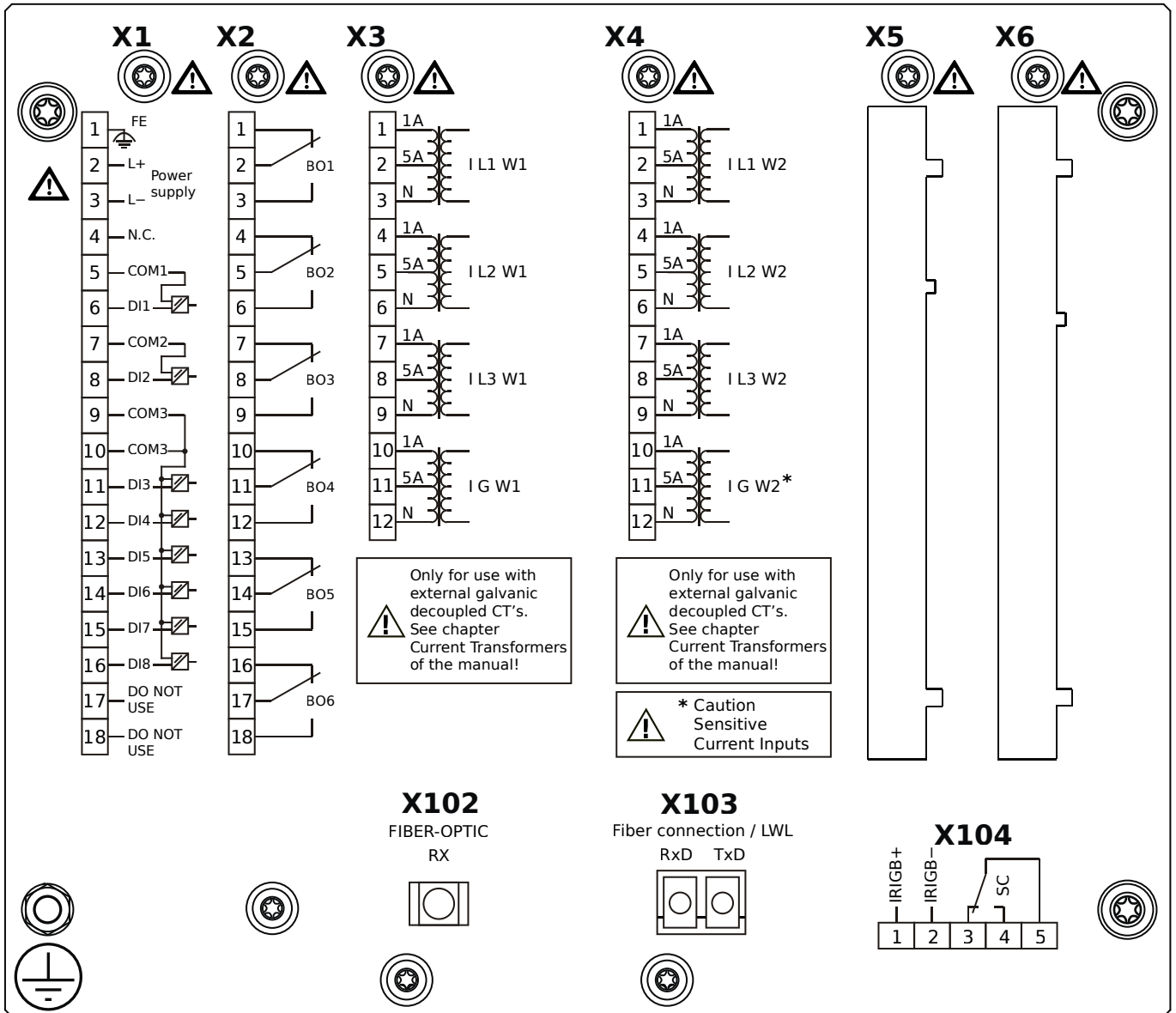


Housing B2, small display, 19" rack mounting

+ Conformal Coating (for installations in harsh environment)

- X1** – DI8-X1: Wide-range power supply unit, incl. 2 non-grouped digital inputs and 6 grouped digital inputs
- X2** – OR6: Assembly Group with 6 Output Relays (Changeover / Form C)
- X3** – TI: Standard current measuring card (for the winding side 1)
- X4** – TIs: Standard phase current measuring card and sensitive ground current measuring (winding side 2)
- X102** – Universal Resistance-Temperature Detector (URTD) input, Fiber optics interface, Versatile Link
- X103** – IEC 61850 / Modbus TCP / IEC 60870-5-104 / DNP3.0 TCP/UDP, Fiber optics interface, LC Connector
- X104** – IRIG-B00X, incl. System Contact (Supervision Contact)

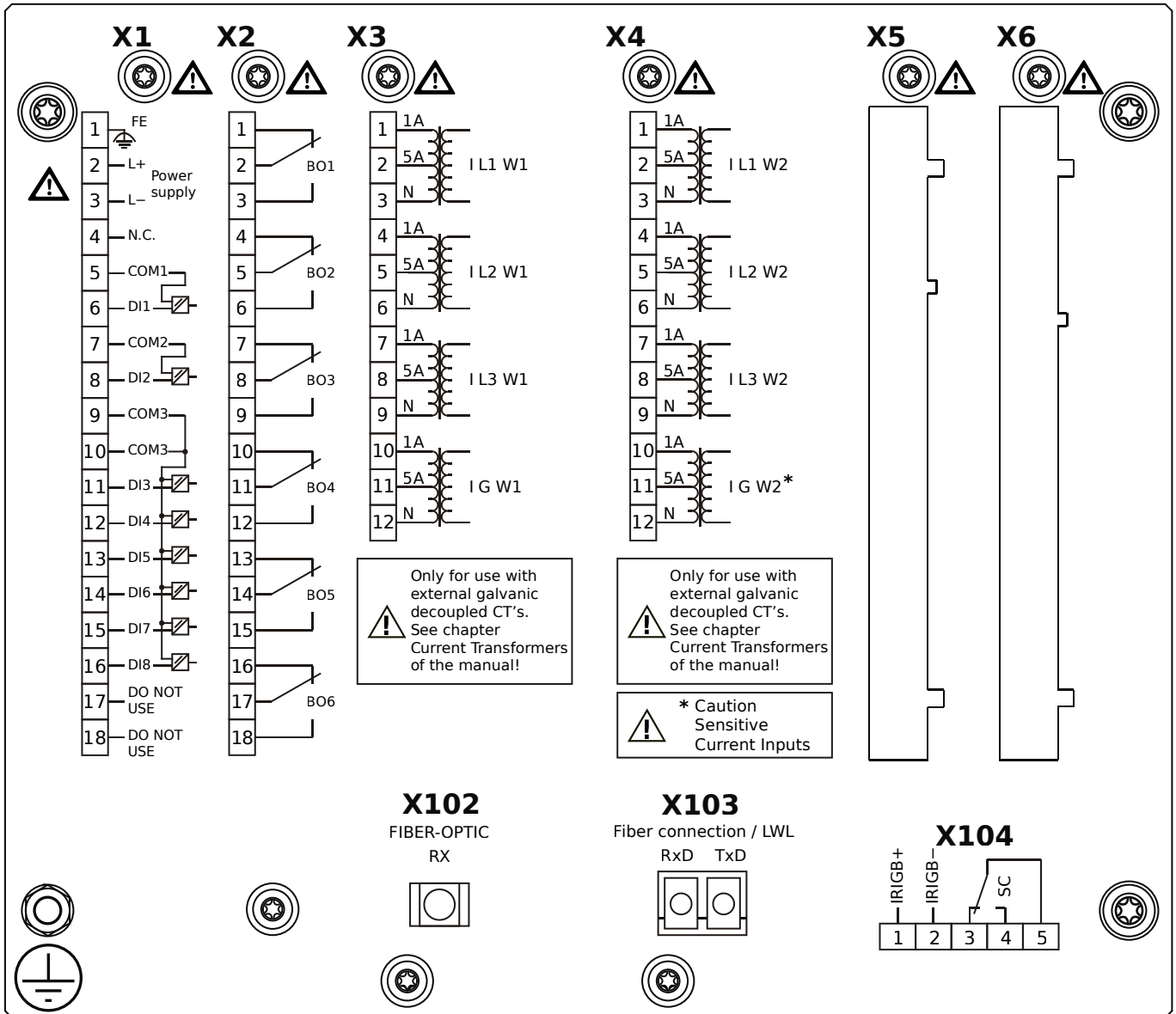
MRDT4-2A2BLA



Housing B2, small display, 19" rack mounting

- X1** – DI8-X1: Wide-range power supply unit, incl. 2 non-grouped digital inputs and 6 grouped digital inputs
- X2** – OR6: Assembly Group with 6 Output Relays (Changeover / Form C)
- X3** – TI: Standard current measuring card (for the winding side 1)
- X4** – TIs: Standard phase current measuring card and sensitive ground current measuring (winding side 2)
- X102** – Universal Resistance-Temperature Detector (URTD) input, Fiber optics interface, Versatile Link
- X103** – Modbus TCP / IEC 60870-5-104 / DNP3.0 TCP/UDP, Fiber optics interface, LC Connector
- X104** – IRIG-B00X, incl. System Contact (Supervision Contact)

MRDT4-2A2BLB

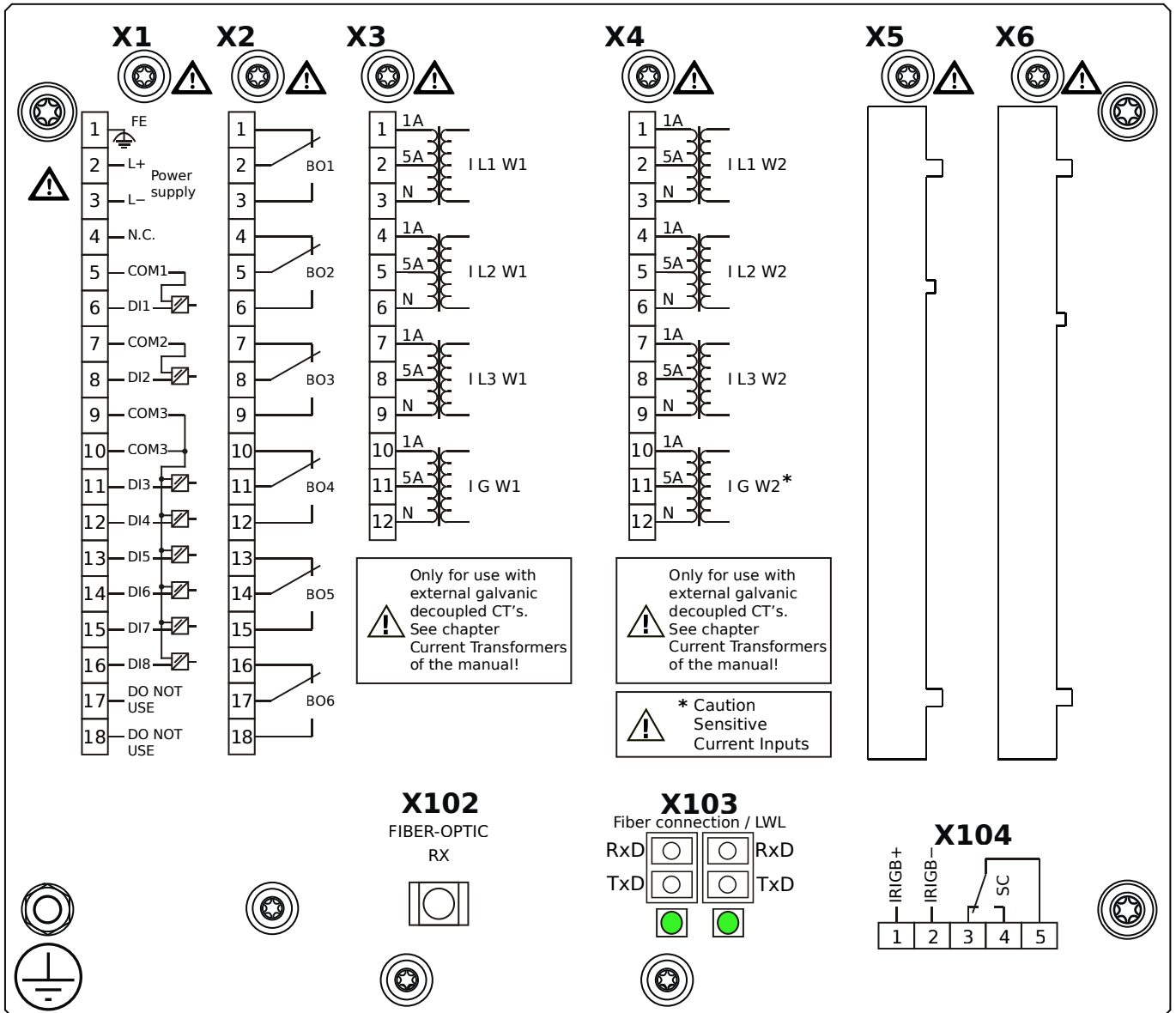


Housing B2, small display, 19" rack mounting

+ Conformal Coating (for installations in harsh environment)

- X1** – DI8-X1: Wide-range power supply unit, incl. 2 non-grouped digital inputs and 6 grouped digital inputs
- X2** – OR6: Assembly Group with 6 Output Relays (Changeover / Form C)
- X3** – TI: Standard current measuring card (for the winding side 1)
- X4** – TIs: Standard phase current measuring card and sensitive ground current measuring (winding side 2)
- X102** – Universal Resistance-Temperature Detector (URTD) input, Fiber optics interface, Versatile Link
- X103** – Modbus TCP / IEC 60870-5-104 / DNP3.0 TCP/UDP, Fiber optics interface, LC Connector
- X104** – IRIG-B00X, incl. System Contact (Supervision Contact)

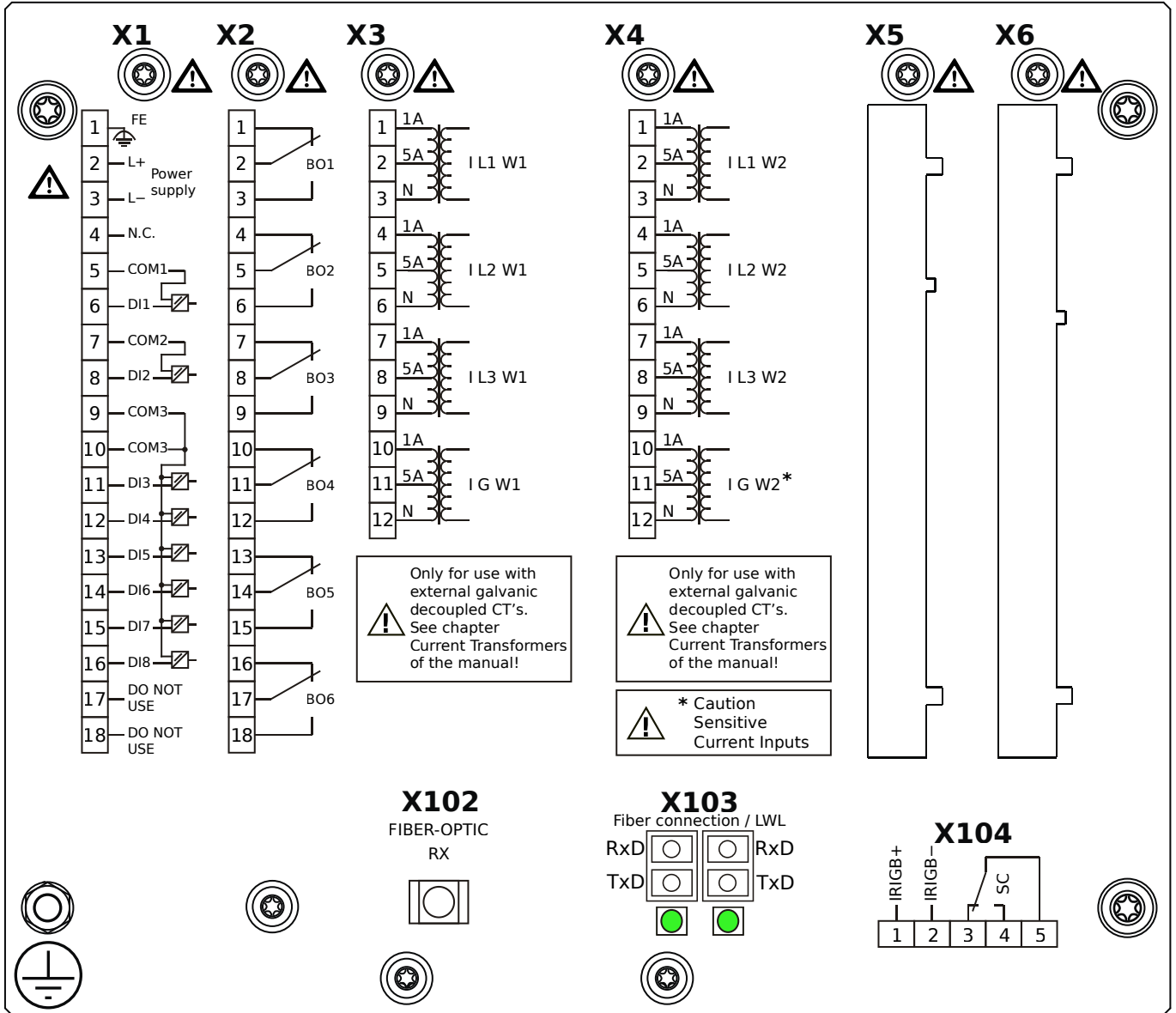
MRDT4-2A2BOA



Housing B2, small display, 19" rack mounting

- X1** – DI8-X1: Wide-range power supply unit, incl. 2 non-grouped digital inputs and 6 grouped digital inputs
- X2** – OR6: Assembly Group with 6 Output Relays (Changeover / Form C)
- X3** – TI: Standard current measuring card (for the winding side 1)
- X4** – TIs: Standard phase current measuring card and sensitive ground current measuring (winding side 2)
- X102** – Universal Resistance-Temperature Detector (URTD) input, Fiber optics interface, Versatile Link
- X103** – Modbus TCP / IEC 60870-5-104 / DNP3.0 TCP/UDP, Redundant Fiber optics interface, LC Connector
- X104** – IRIG-B00X, incl. System Contact (Supervision Contact)

MRDT4-2A2BOB

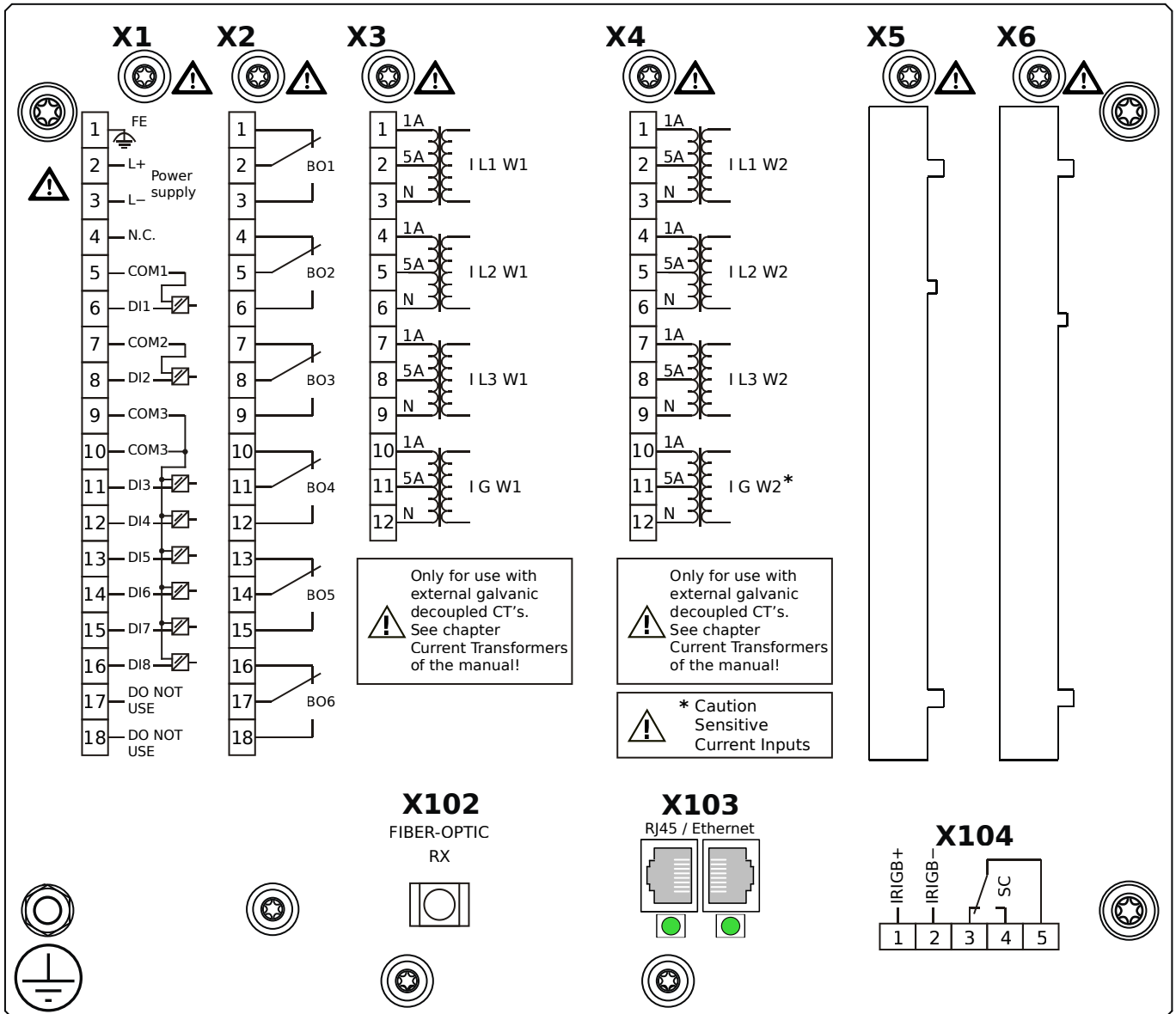


Housing B2, small display, 19" rack mounting

+ Conformal Coating (for installations in harsh environment)

- X1** – DI8-X1: Wide-range power supply unit, incl. 2 non-grouped digital inputs and 6 grouped digital inputs
- X2** – OR6: Assembly Group with 6 Output Relays (Changeover / Form C)
- X3** – TI: Standard current measuring card (for the winding side 1)
- X4** – TIs: Standard phase current measuring card and sensitive ground current measuring (winding side 2)
- X102** – Universal Resistance-Temperature Detector (URTD) input, Fiber optics interface, Versatile Link
- X103** – Modbus TCP / IEC 60870-5-104 / DNP3.0 TCP/UDP, Redundant Fiber optics interface, LC Connector
- X104** – IRIG-B00X, incl. System Contact (Supervision Contact)

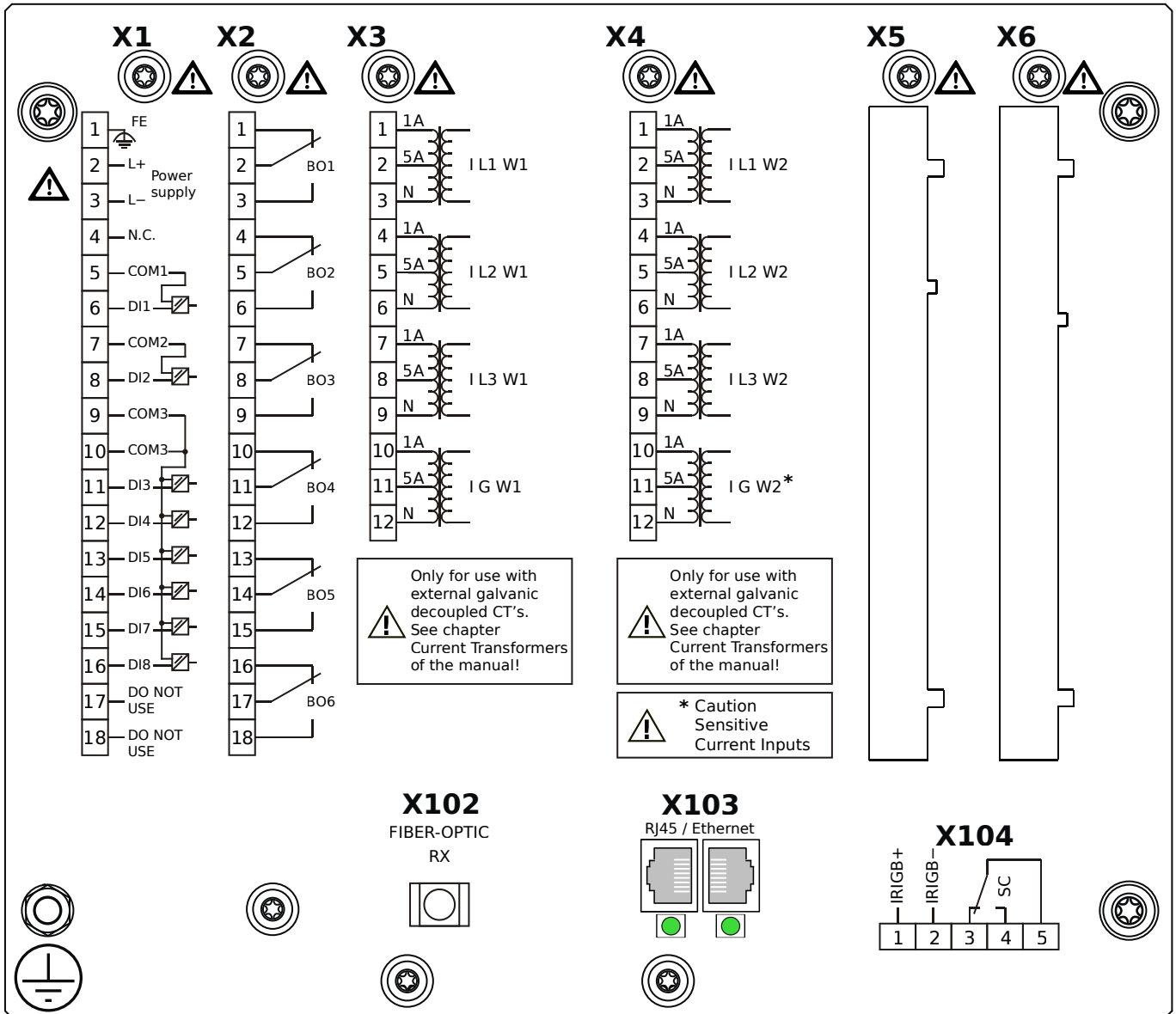
MRDT4-2A2BPA



Housing B2, small display, 19" rack mounting

- X1** – DI8-X1: Wide-range power supply unit, incl. 2 non-grouped digital inputs and 6 grouped digital inputs
- X2** – OR6: Assembly Group with 6 Output Relays (Changeover / Form C)
- X3** – TI: Standard current measuring card (for the winding side 1)
- X4** – TIs: Standard phase current measuring card and sensitive ground current measuring (winding side 2)
- X102** – Universal Resistance-Temperature Detector (URTD) input, Fiber optics interface, Versatile Link
- X103** – Modbus TCP / IEC 60870-5-104 / DNP3.0 TCP/UDP, Redundant Ethernet interface, 100 Mbit/s, RJ45 (BASE100-FX)
- X104** – IRIG-B00X, incl. System Contact (Supervision Contact)

MRDT4-2A2BPB



Housing B2, small display, 19" rack mounting

+ Conformal Coating (for installations in harsh environment)

X1 – DI8-X1: Wide-range power supply unit, incl. 2 non-grouped digital inputs and 6 grouped digital inputs

X2 – OR6: Assembly Group with 6 Output Relays (Changeover / Form C)

X3 – TI: Standard current measuring card (for the winding side 1)

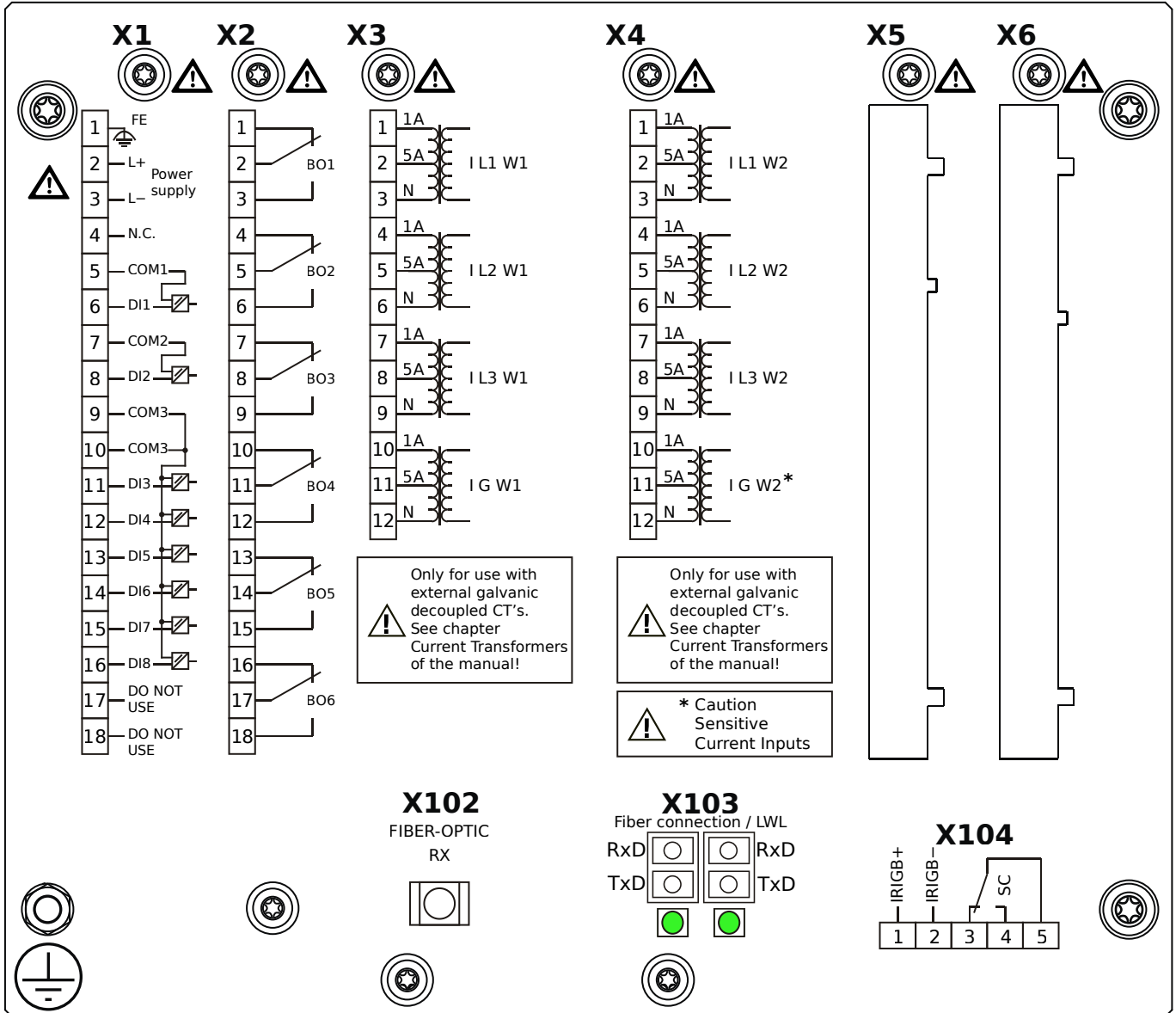
X4 – TIs: Standard phase current measuring card and sensitive ground current measuring (winding side 2)

X102 – Universal Resistance-Temperature Detector (URTD) input, Fiber optics interface, Versatile Link

X103 – Modbus TCP / IEC 60870-5-104 / DNP3.0 TCP/UDP, Redundant Ethernet interface, 100 Mbit/s, RJ45 (BASE100-FX)

X104 – IRIG-B00X, incl. System Contact (Supervision Contact)

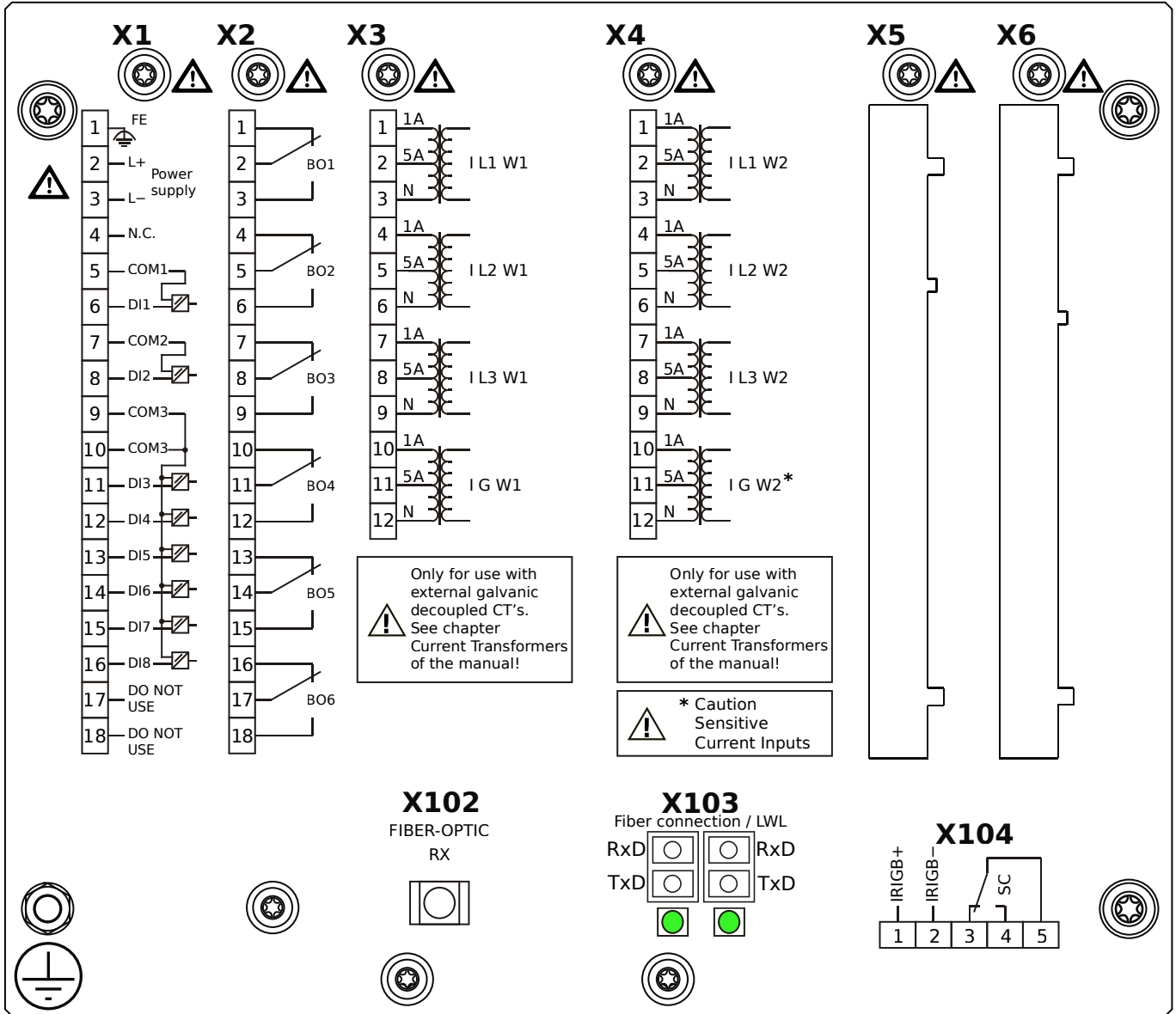
MRDT4-2A2BQA



Housing B2, small display, 19" rack mounting

- X1** – DI8-X1: Wide-range power supply unit, incl. 2 non-grouped digital inputs and 6 grouped digital inputs
- X2** – OR6: Assembly Group with 6 Output Relays (Changeover / Form C)
- X3** – TI: Standard current measuring card (for the winding side 1)
- X4** – TIs: Standard phase current measuring card and sensitive ground current measuring (winding side 2)
- X102** – Universal Resistance-Temperature Detector (URTD) input, Fiber optics interface, Versatile Link
- X103** – IEC 61850 / Modbus TCP / IEC 60870-5-104 / DNP3.0 TCP/UDP, Redundant Fiber optics interface, LC Connector
- X104** – IRIG-B00X, incl. System Contact (Supervision Contact)

MRDT4-2A2BQB

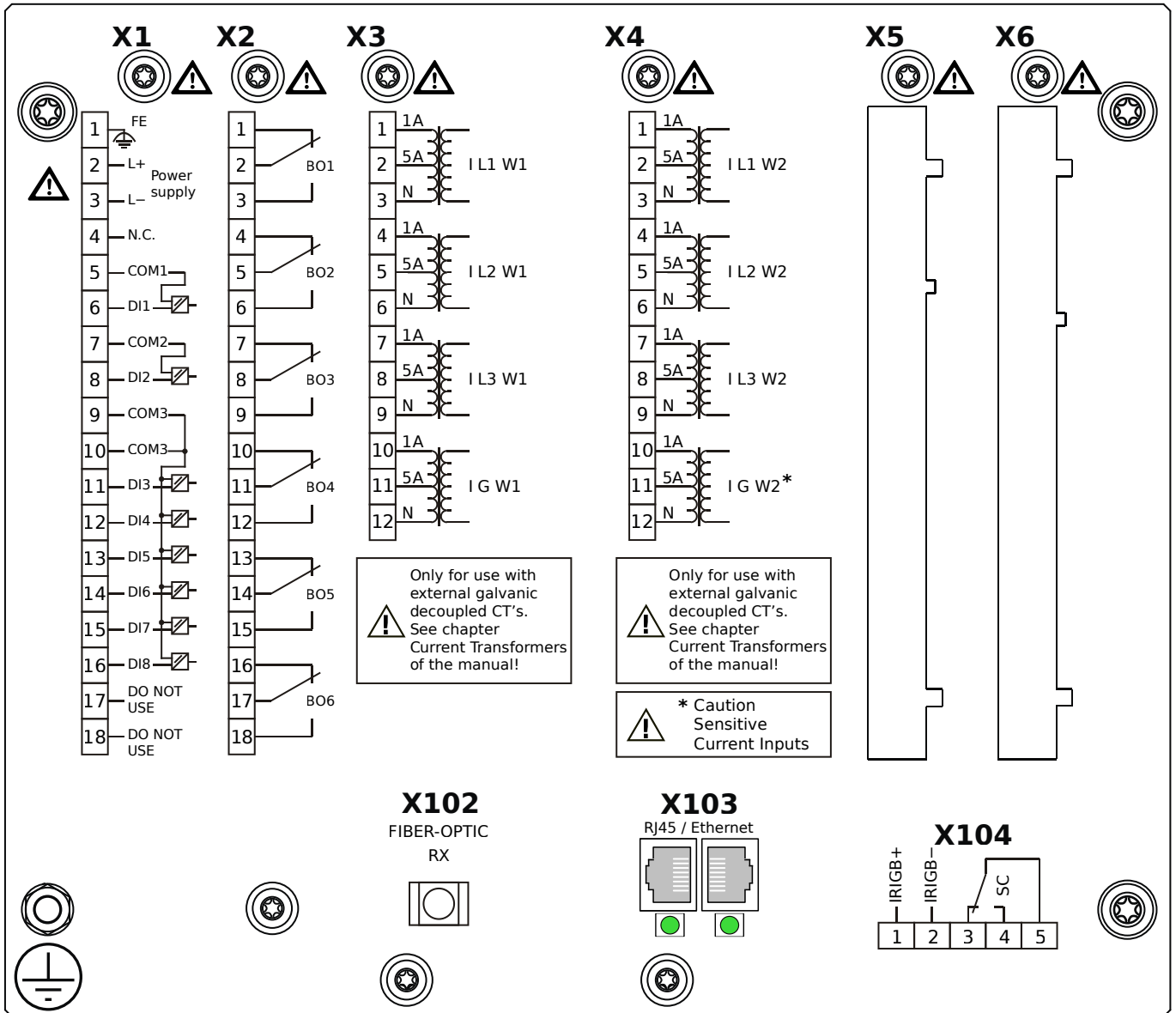


Housing B2, small display, 19" rack mounting

+ Conformal Coating (for installations in harsh environment)

- X1** – DI8-X1: Wide-range power supply unit, incl. 2 non-grouped digital inputs and 6 grouped digital inputs
- X2** – OR6: Assembly Group with 6 Output Relays (Changeover / Form C)
- X3** – TI: Standard current measuring card (for the winding side 1)
- X4** – TIs: Standard phase current measuring card and sensitive ground current measuring (winding side 2)
- X102** – Universal Resistance-Temperature Detector (URTD) input, Fiber optics interface, Versatile Link
- X103** – IEC 61850 / Modbus TCP / IEC 60870-5-104 / DNP3.0 TCP/UDP, Redundant Fiber optics interface, LC Connector
- X104** – IRIG-B00X, incl. System Contact (Supervision Contact)

MRDT4-2A2BRA



Housing B2, small display, 19" rack mounting

X1 – DI8-X1: Wide-range power supply unit, incl. 2 non-grouped digital inputs and 6 grouped digital inputs

X2 – OR6: Assembly Group with 6 Output Relays (Changeover / Form C)

X3 – TI: Standard current measuring card (for the winding side 1)

X4 – TIs: Standard phase current measuring card and sensitive ground current measuring (winding side 2)

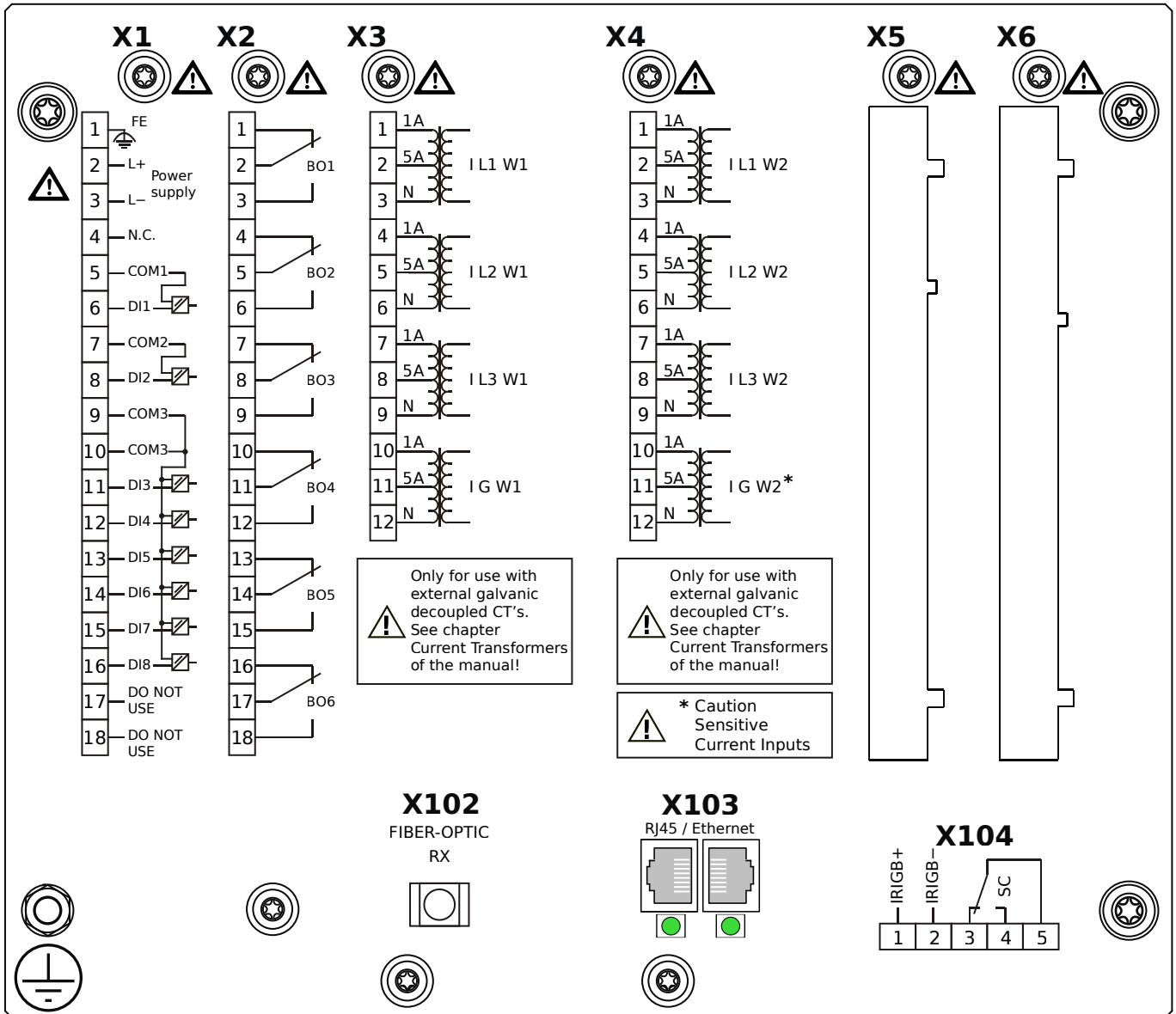
X102 – Universal Resistance-Temperature Detector (URTD) input, Fiber optics interface, Versatile Link

X103 – IEC 61850 / Modbus TCP / IEC 60870-5-104 / DNP3.0 TCP/UDP, Redundant Ethernet interface, 100 Mbit/s, RJ45

(BASE100-FX)

X104 – IRIG-B00X, incl. System Contact (Supervision Contact)

MRDT4-2A2BRB



Housing B2, small display, 19" rack mounting

+ Conformal Coating (for installations in harsh environment)

X1 – DI8-X1: Wide-range power supply unit, incl. 2 non-grouped digital inputs and 6 grouped digital inputs

X2 – OR6: Assembly Group with 6 Output Relays (Changeover / Form C)

X3 – TI: Standard current measuring card (for the winding side 1)

X4 – TIs: Standard phase current measuring card and sensitive ground current measuring (winding side 2)

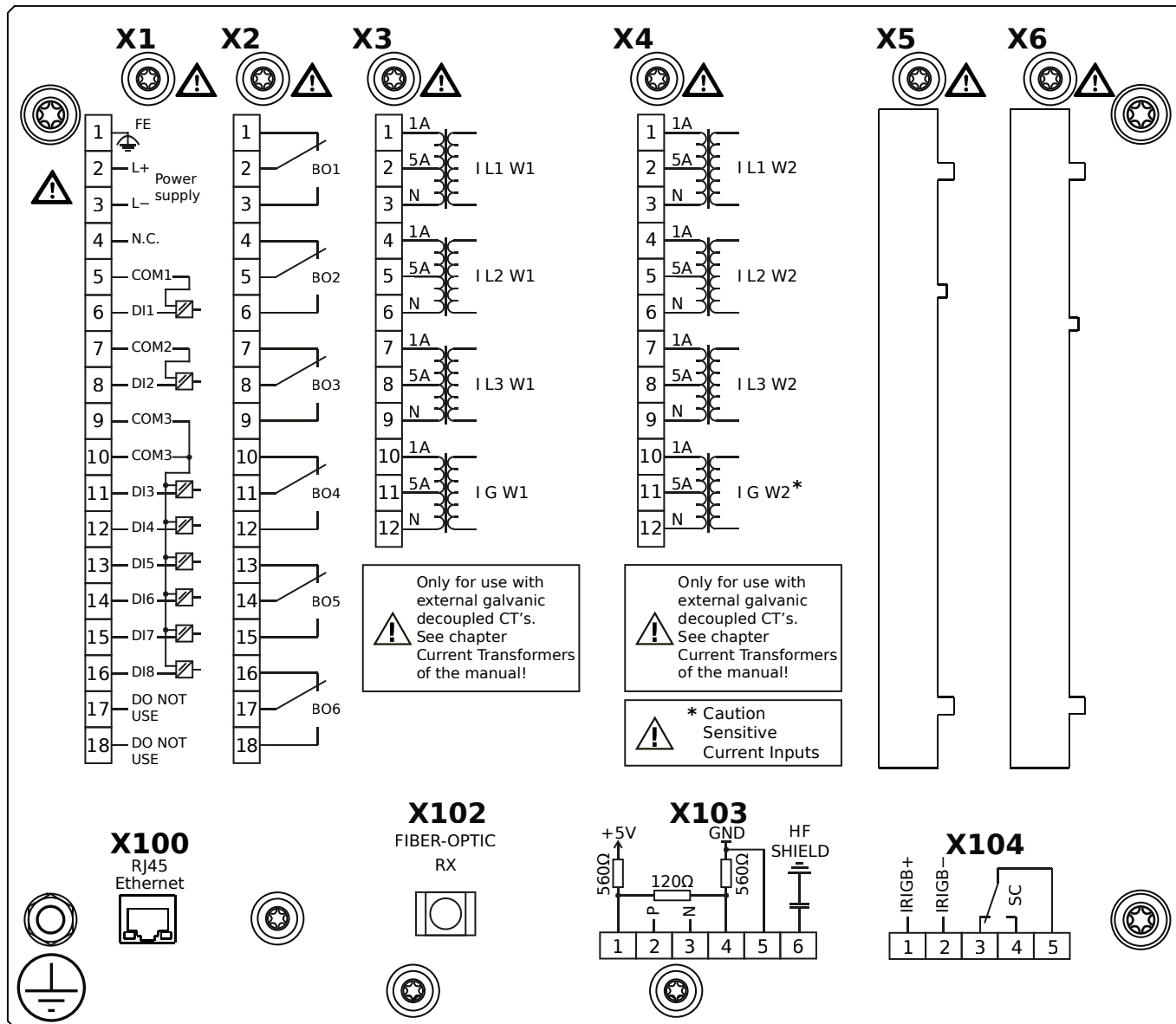
X102 – Universal Resistance-Temperature Detector (URTD) input, Fiber optics interface, Versatile Link

X103 – IEC 61850 / Modbus TCP / IEC 60870-5-104 / DNP3.0 TCP/UDP, Redundant Ethernet interface, 100 Mbit/s, RJ45

(BASE100-FX)

X104 – IRIG-B00X, incl. System Contact (Supervision Contact)

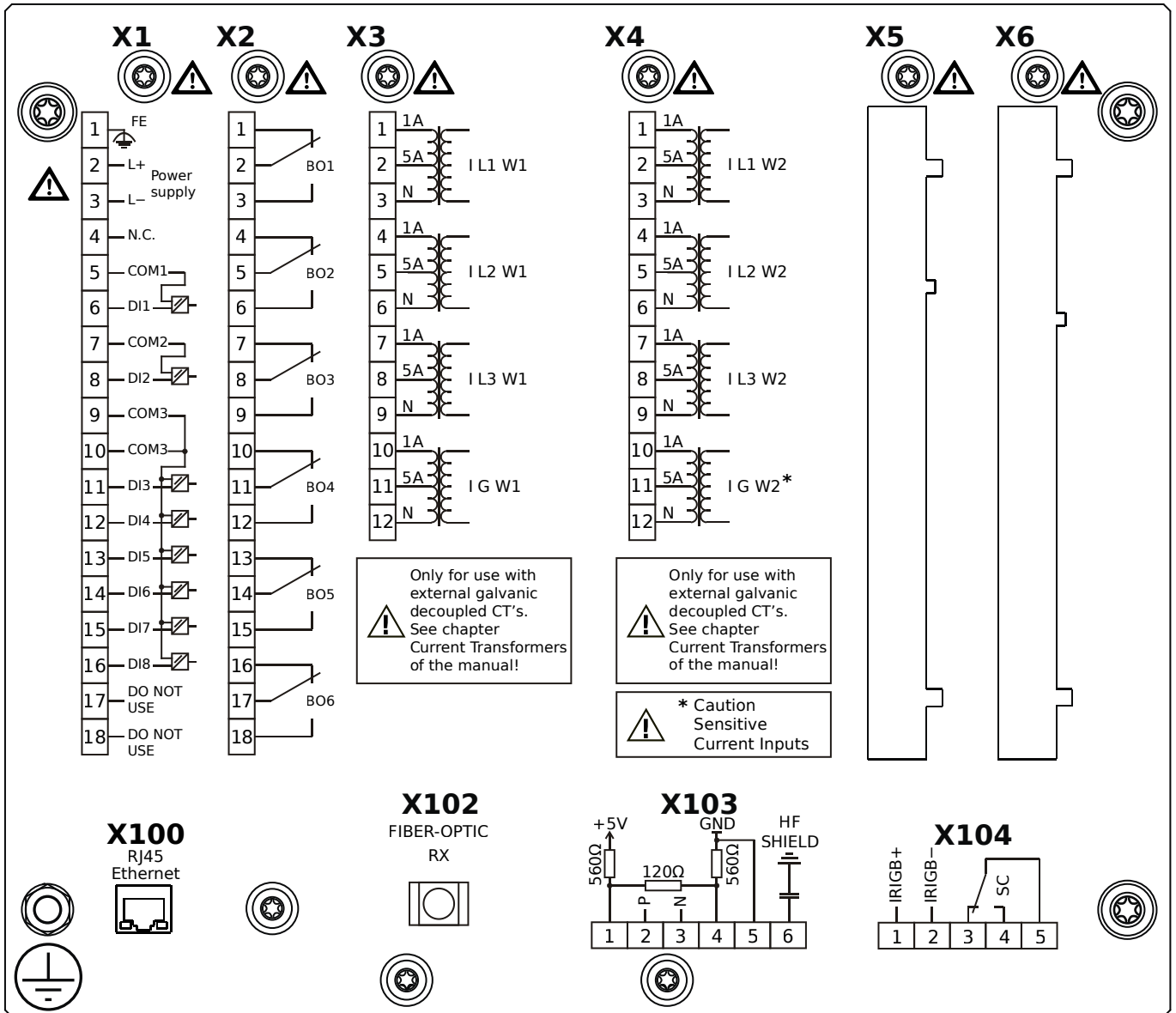
MRDT4-2A2BTA



Housing B2, small display, 19" rack mounting

- X1** – DI8-X1: Wide-range power supply unit, incl. 2 non-grouped digital inputs and 6 grouped digital inputs
- X2** – OR6: Assembly Group with 6 Output Relays (Changeover / Form C)
- X3** – TI: Standard current measuring card (for the winding side 1)
- X4** – TIs: Standard phase current measuring card and sensitive ground current measuring (winding side 2)
- X100** – IEC 61850 / Modbus TCP / IEC 60870-5-104 / DNP3.0 TCP/UDP, Ethernet interface, 100 Mbit/s, RJ45 (BASE100-FX)
- X102** – Universal Resistance-Temperature Detector (URTD) input, Fiber optics interface, Versatile Link
- X103** – IEC 60870-5-103 / Modbus RTU / DNP3.0 RTU, RS485, Terminals
- X104** – IRIG-B00X, incl. System Contact (Supervision Contact)

MRDT4-2A2BTB



Housing B2, small display, 19" rack mounting

+ Conformal Coating (for installations in harsh environment)

X1 – DI8-X1: Wide-range power supply unit, incl. 2 non-grouped digital inputs and 6 grouped digital inputs

X2 – OR6: Assembly Group with 6 Output Relays (Changeover / Form C)

X3 – TI: Standard current measuring card (for the winding side 1)

X4 – TIs: Standard phase current measuring card and sensitive ground current measuring (winding side 2)

X100 – IEC 61850 / Modbus TCP / IEC 60870-5-104 / DNP3.0 TCP/UDP, Ethernet interface, 100 Mbit/s, RJ45 (BASE100-

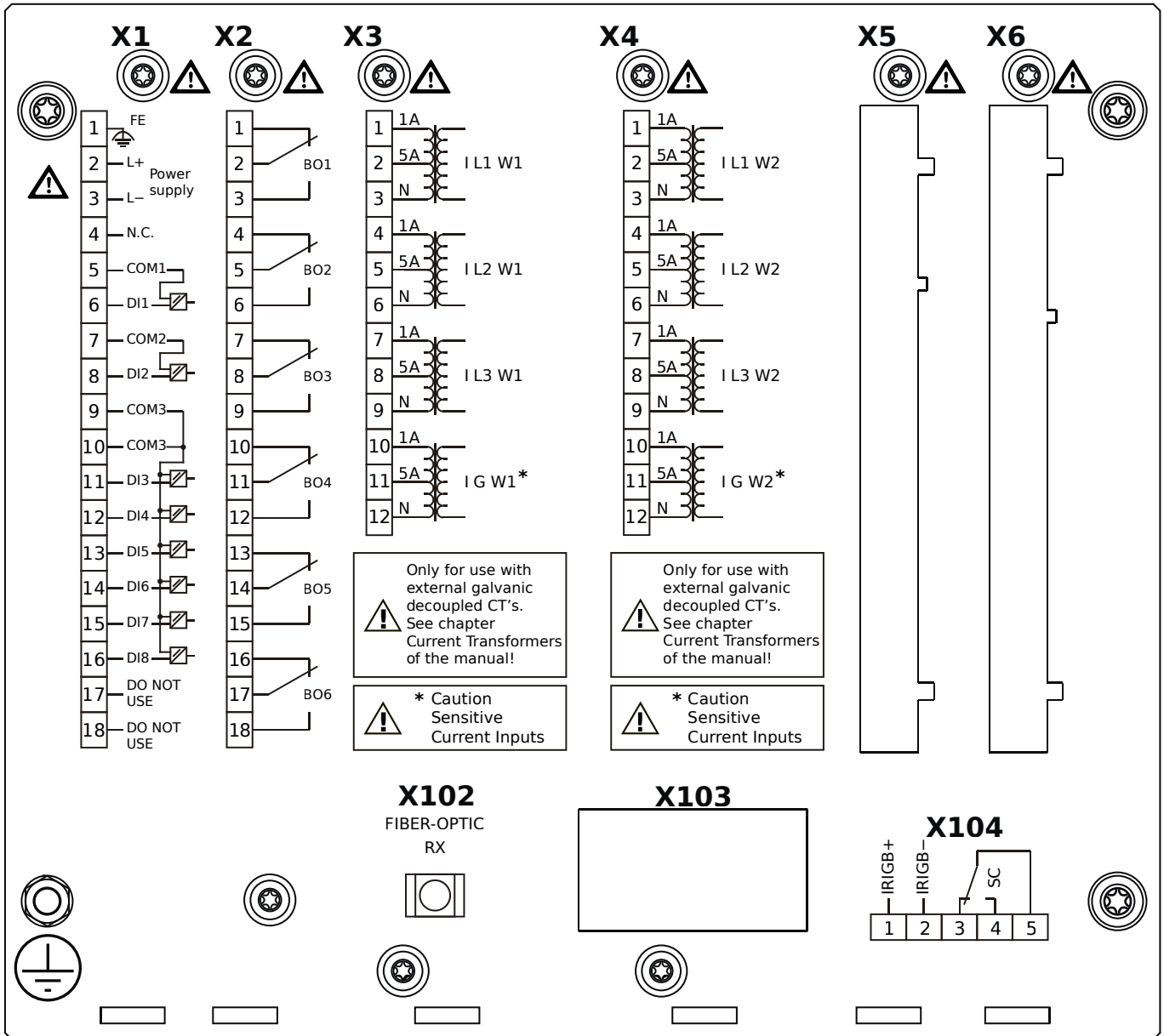
FX)

X102 – Universal Resistance-Temperature Detector (URTD) input, Fiber optics interface, Versatile Link

X103 – IEC 60870-5-103 / Modbus RTU / DNP3.0 RTU, RS485, Terminals

X104 – IRIG-B00X, incl. System Contact (Supervision Contact)

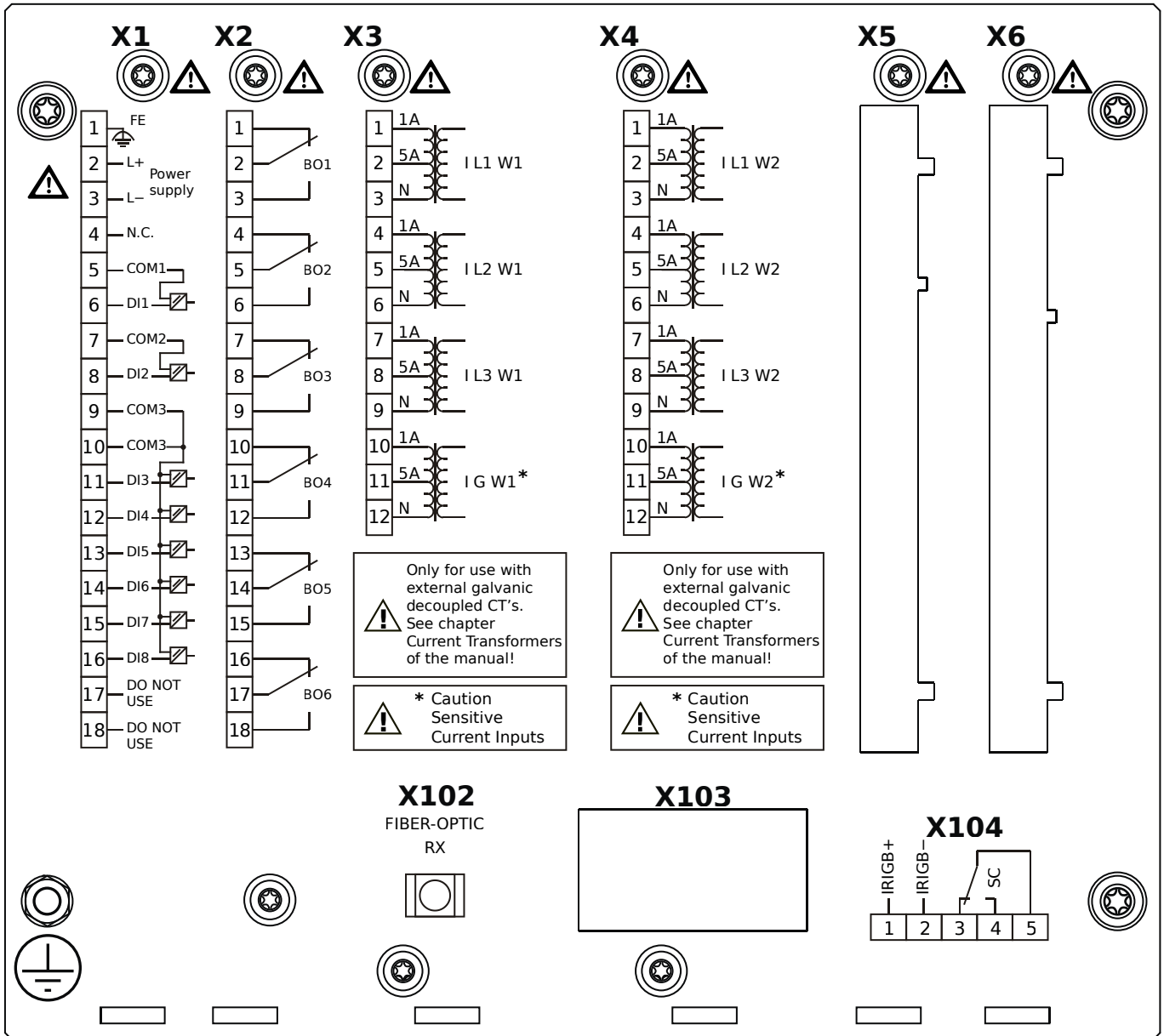
MRDT4-2A3AAA



Housing B2, small display, door mounting

- X1** – DI8-X1: Wide-range power supply unit, incl. 2 non-grouped digital inputs and 6 grouped digital inputs
- X2** – OR6: Assembly Group with 6 Output Relays (Changeover / Form C)
- X3** – TIs: Standard phase current measuring card and sensitive ground current measuring (winding side 1)
- X4** – TIs: Standard phase current measuring card and sensitive ground current measuring (winding side 2)
- X102** – Universal Resistance-Temperature Detector (URTD) input, Fiber optics interface, Versatile Link
- X104** – IRIG-B00X, incl. System Contact (Supervision Contact)

MRDT4-2A3AAB

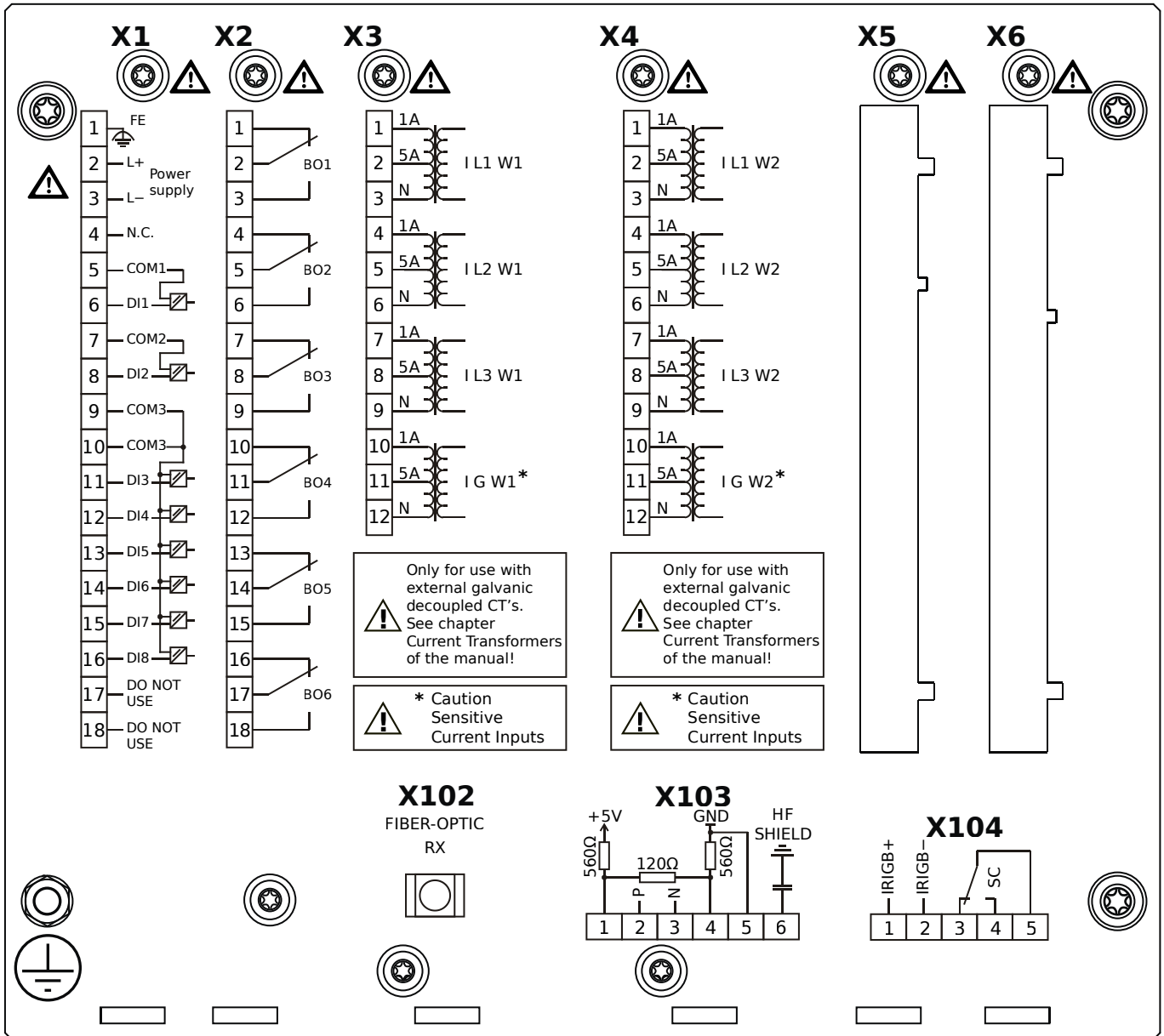


Housing B2, small display, door mounting

+ Conformal Coating (for installations in harsh environment)

- X1** – DI8-X1: Wide-range power supply unit, incl. 2 non-grouped digital inputs and 6 grouped digital inputs
- X2** – OR6: Assembly Group with 6 Output Relays (Changeover / Form C)
- X3** – TIs: Standard phase current measuring card and sensitive ground current measuring (winding side 1)
- X4** – TIs: Standard phase current measuring card and sensitive ground current measuring (winding side 2)
- X102** – Universal Resistance-Temperature Detector (URTD) input, Fiber optics interface, Versatile Link
- X104** – IRIG-B00X, incl. System Contact (Supervision Contact)

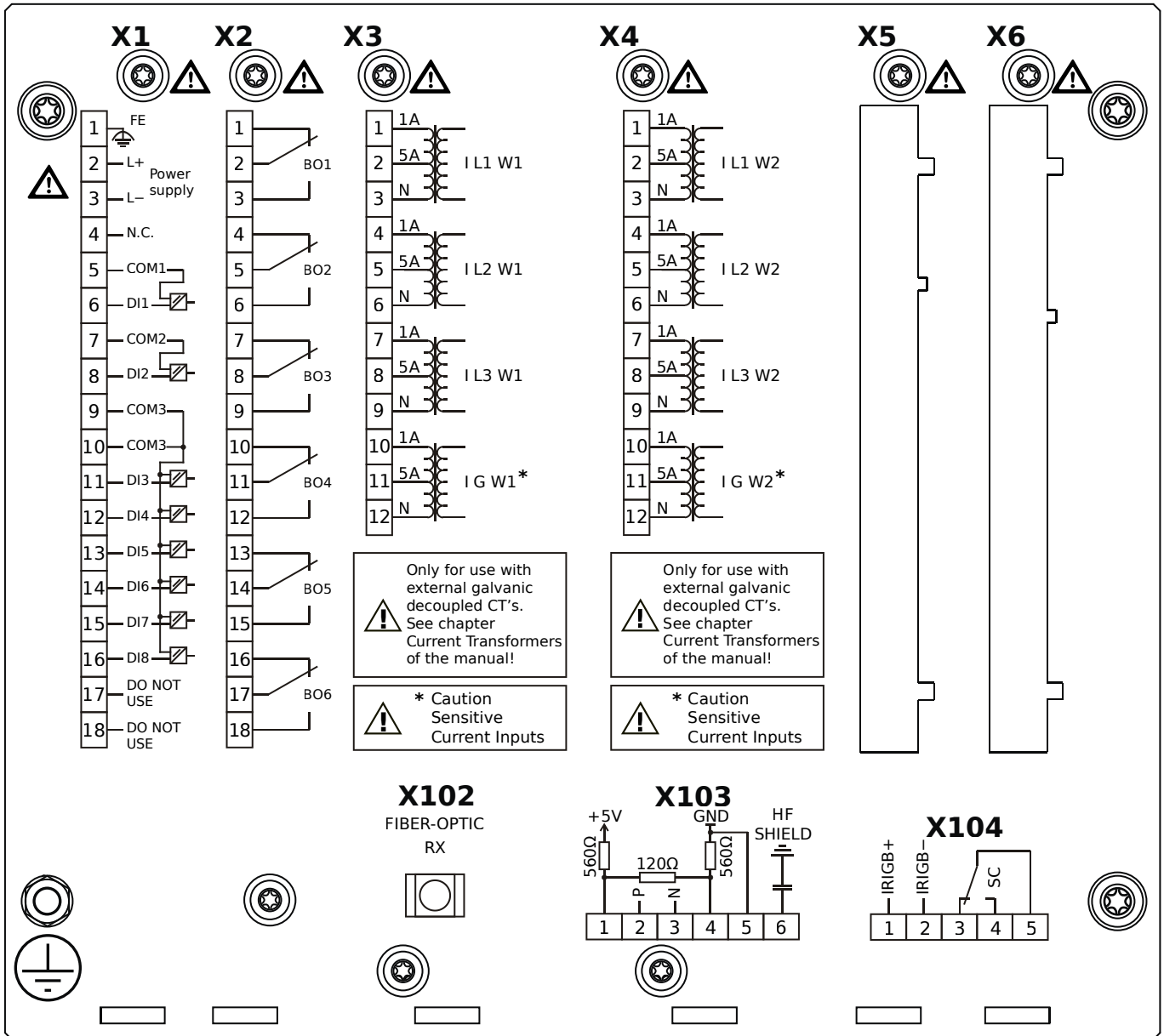
MRDT4-2A3ABA



Housing B2, small display, door mounting

- X1** – DI8-X1: Wide-range power supply unit, incl. 2 non-grouped digital inputs and 6 grouped digital inputs
- X2** – OR6: Assembly Group with 6 Output Relays (Changeover / Form C)
- X3** – TIs: Standard phase current measuring card and sensitive ground current measuring (winding side 1)
- X4** – TIs: Standard phase current measuring card and sensitive ground current measuring (winding side 2)
- X102** – Universal Resistance-Temperature Detector (URTD) input, Fiber optics interface, Versatile Link
- X103** – Modbus RTU / IEC 60870-5-103 / DNP3.0 RTU, RS485, Terminals
- X104** – IRIG-B00X, incl. System Contact (Supervision Contact)

MRDT4-2A3ABB

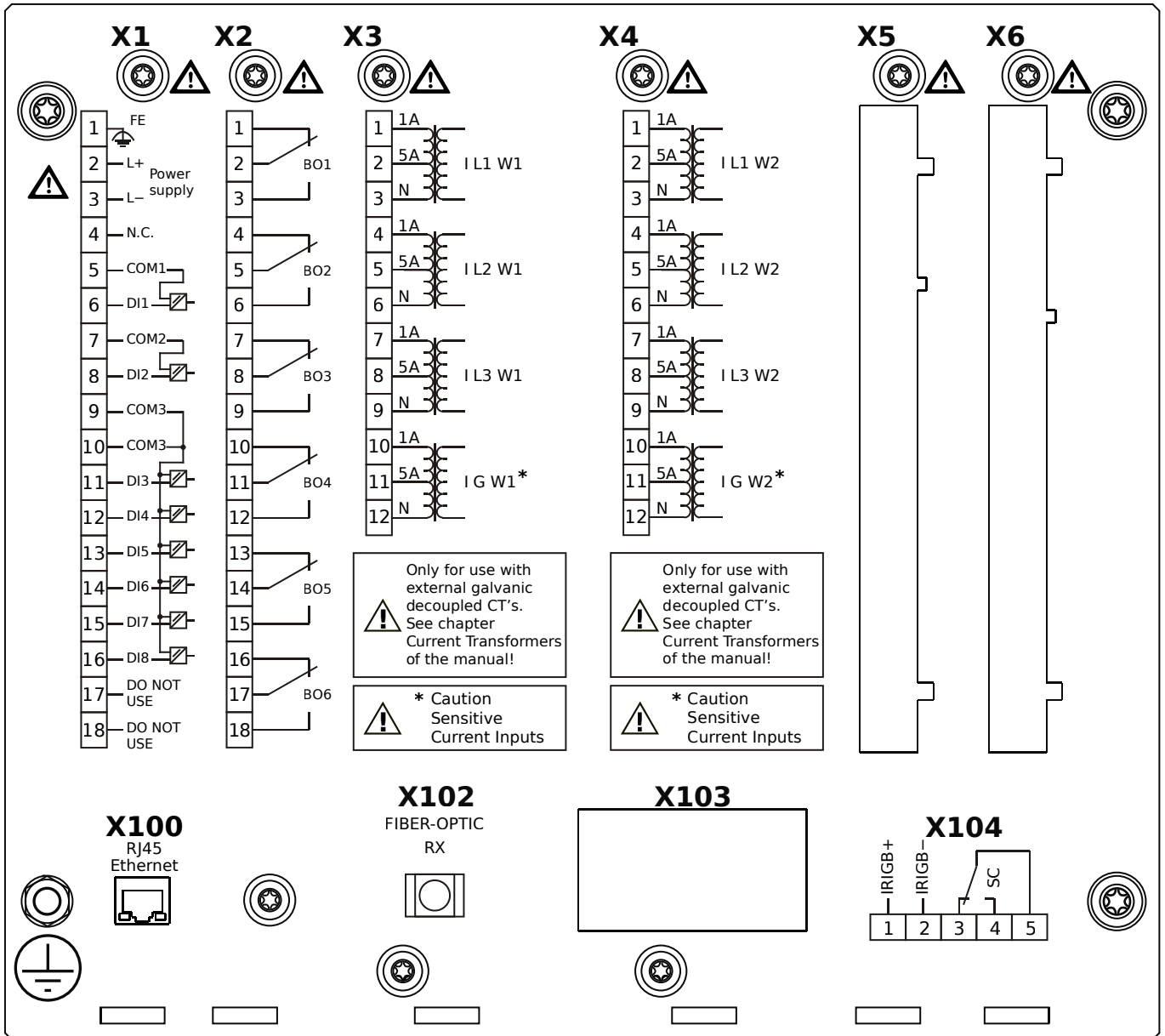


Housing B2, small display, door mounting

+ Conformal Coating (for installations in harsh environment)

- X1** – DI8-X1: Wide-range power supply unit, incl. 2 non-grouped digital inputs and 6 grouped digital inputs
- X2** – OR6: Assembly Group with 6 Output Relays (Changeover / Form C)
- X3** – TIs: Standard phase current measuring card and sensitive ground current measuring (winding side 1)
- X4** – TIs: Standard phase current measuring card and sensitive ground current measuring (winding side 2)
- X102** – Universal Resistance-Temperature Detector (URTD) input, Fiber optics interface, Versatile Link
- X103** – Modbus RTU / IEC 60870-5-103 / DNP3.0 RTU, RS485, Terminals
- X104** – IRIG-B00X, incl. System Contact (Supervision Contact)

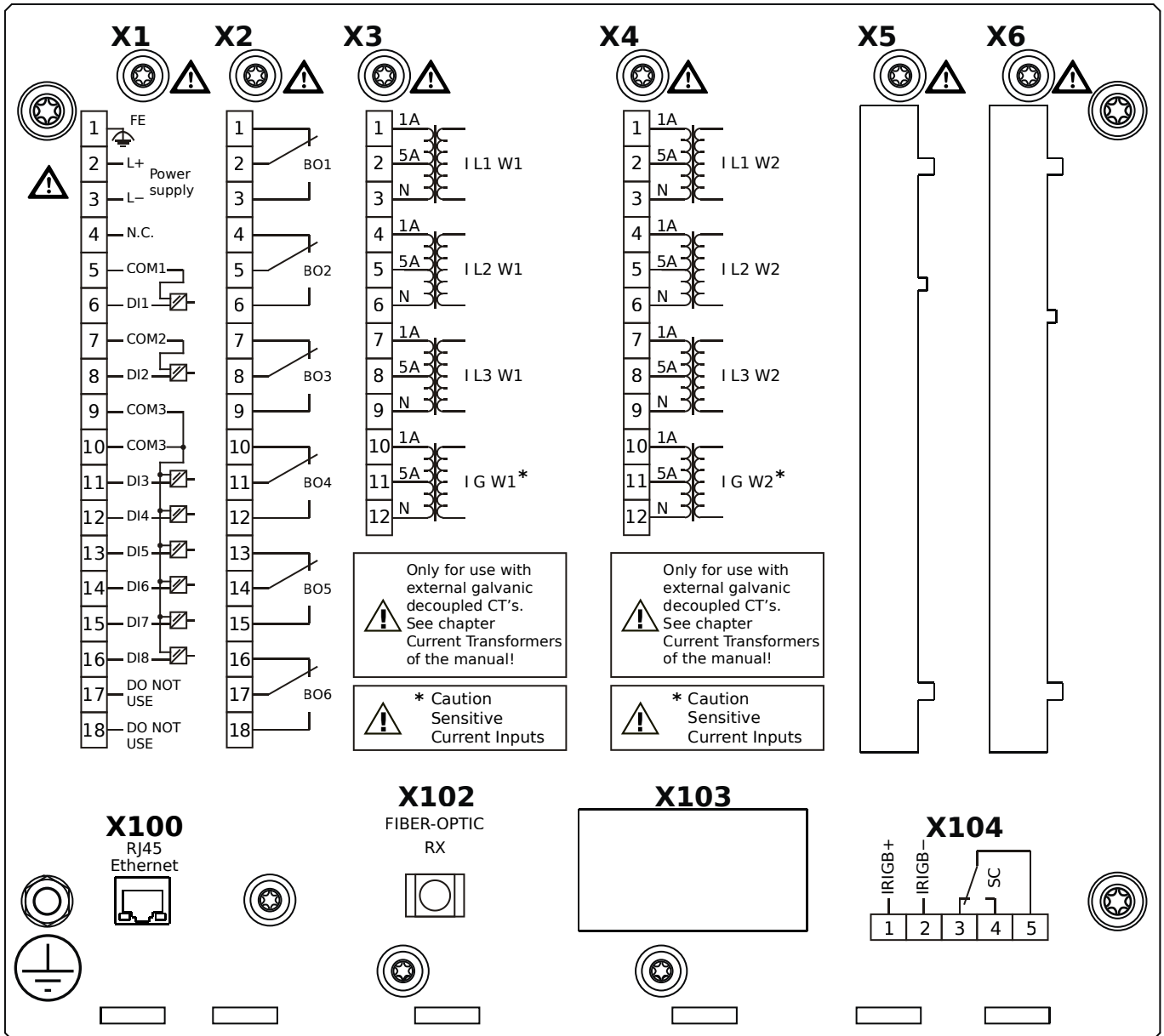
MRDT4-2A3ACA



Housing B2, small display, door mounting

- X1** – DI8-X1: Wide-range power supply unit, incl. 2 non-grouped digital inputs and 6 grouped digital inputs
- X2** – OR6: Assembly Group with 6 Output Relays (Changeover / Form C)
- X3** – TIs: Standard phase current measuring card and sensitive ground current measuring (winding side 1)
- X4** – TIs: Standard phase current measuring card and sensitive ground current measuring (winding side 2)
- X100** – Modbus TCP / IEC 60870-5-104 / DNP3.0 TCP/UDP, Ethernet interface, 100 Mbit/s, RJ45 (BASE100-FX)
- X102** – Universal Resistance-Temperature Detector (URTD) input, Fiber optics interface, Versatile Link
- X104** – IRIG-B00X, incl. System Contact (Supervision Contact)

MRDT4-2A3ACB

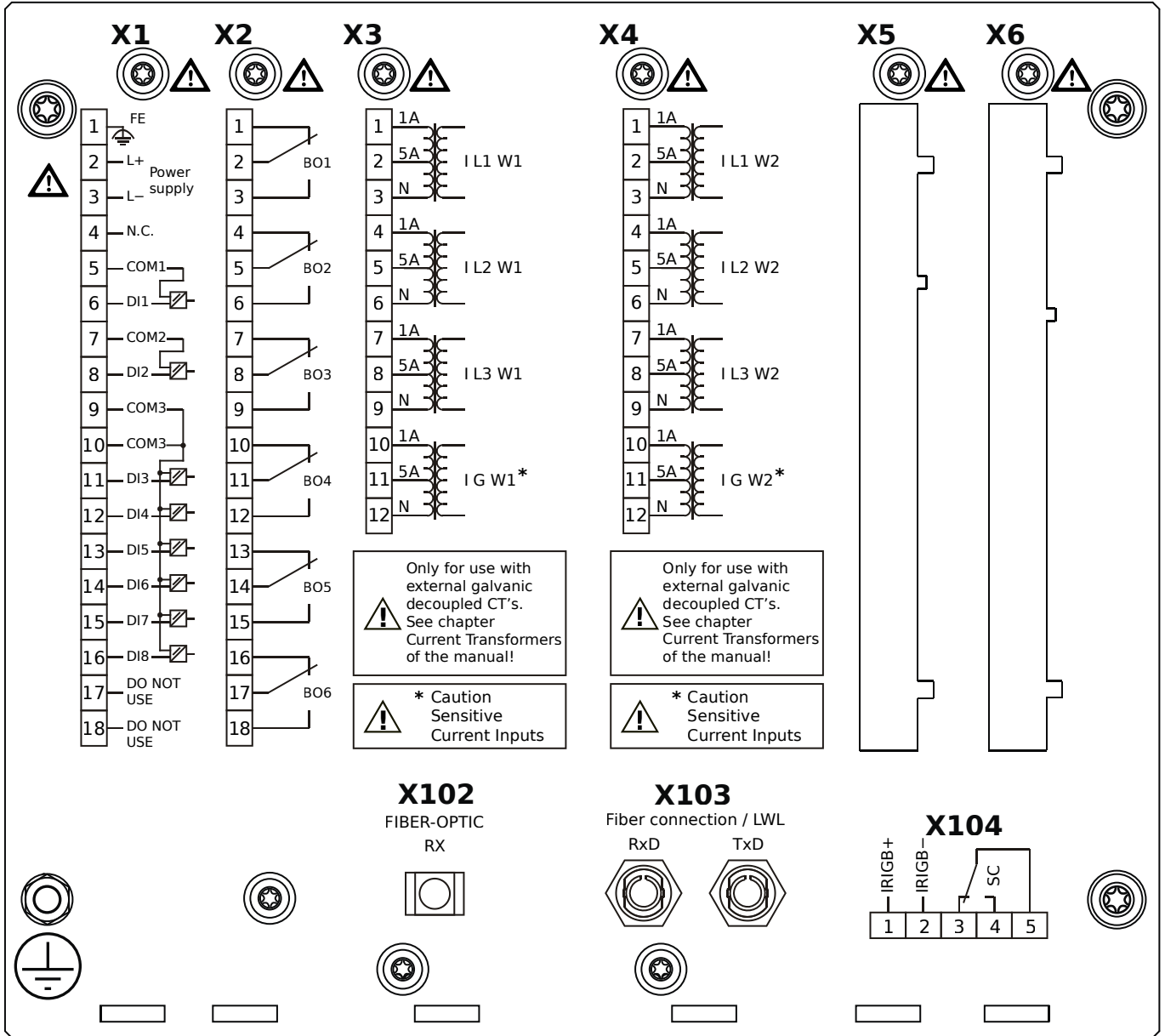


Housing B2, small display, door mounting

+ Conformal Coating (for installations in harsh environment)

- X1** – DI8-X1: Wide-range power supply unit, incl. 2 non-grouped digital inputs and 6 grouped digital inputs
- X2** – OR6: Assembly Group with 6 Output Relays (Changeover / Form C)
- X3** – TIs: Standard phase current measuring card and sensitive ground current measuring (winding side 1)
- X4** – TIs: Standard phase current measuring card and sensitive ground current measuring (winding side 2)
- X100** – Modbus TCP / IEC 60870-5-104 / DNP3.0 TCP/UDP, Ethernet interface, 100 Mbit/s, RJ45 (BASE100-FX)
- X102** – Universal Resistance-Temperature Detector (URTD) input, Fiber optics interface, Versatile Link
- X104** – IRIG-B00X, incl. System Contact (Supervision Contact)

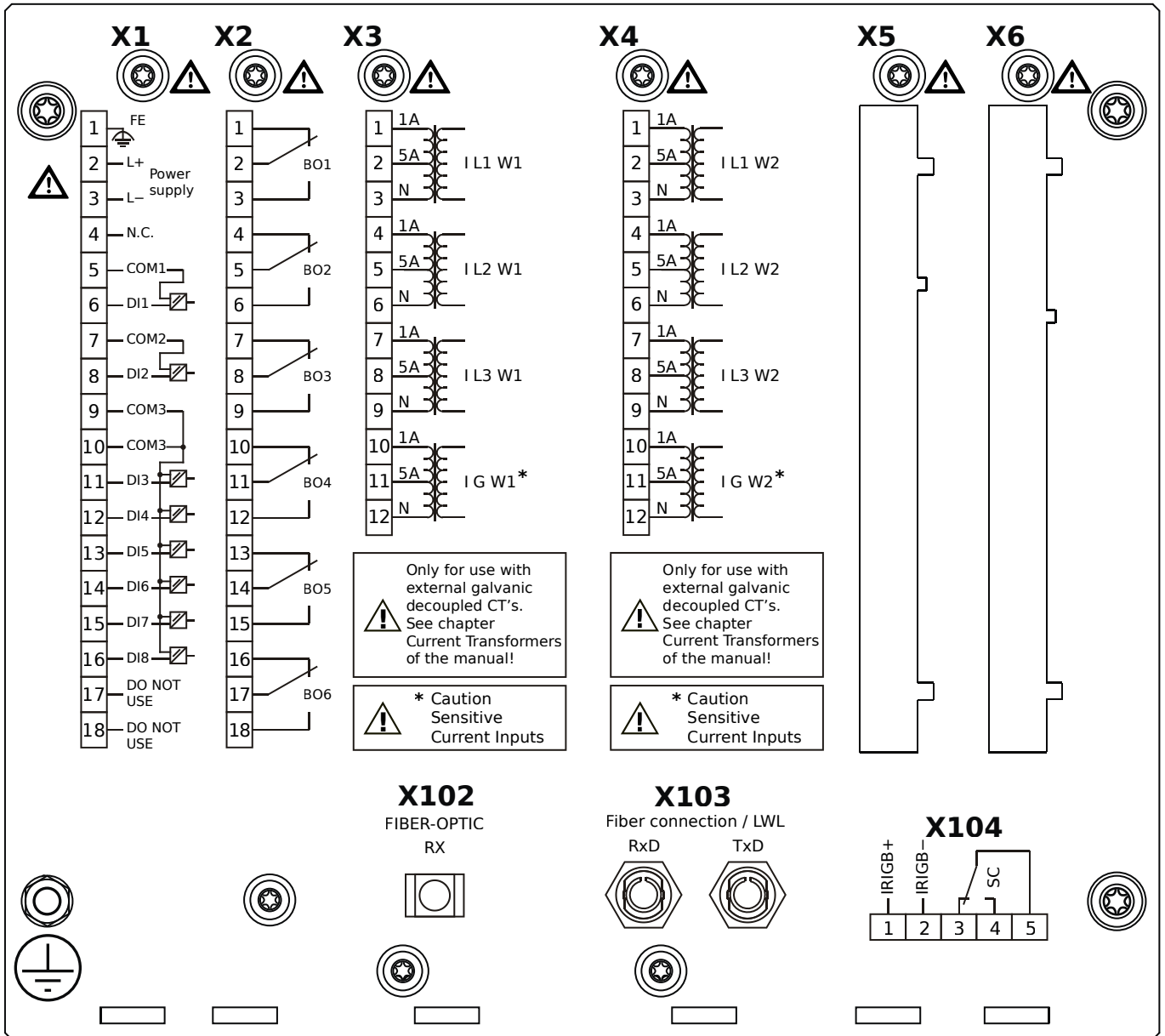
MRDT4-2A3ADA



Housing B2, small display, door mounting

- X1** – DI8-X1: Wide-range power supply unit, incl. 2 non-grouped digital inputs and 6 grouped digital inputs
- X2** – OR6: Assembly Group with 6 Output Relays (Changeover / Form C)
- X3** – TIs: Standard phase current measuring card and sensitive ground current measuring (winding side 1)
- X4** – TIs: Standard phase current measuring card and sensitive ground current measuring (winding side 2)
- X102** – Universal Resistance-Temperature Detector (URTD) input, Fiber optics interface, Versatile Link
- X103** – Profibus-DP, Fiber optics interface, ST Connector
- X104** – IRIG-B00X, incl. System Contact (Supervision Contact)

MRDT4-2A3ADB

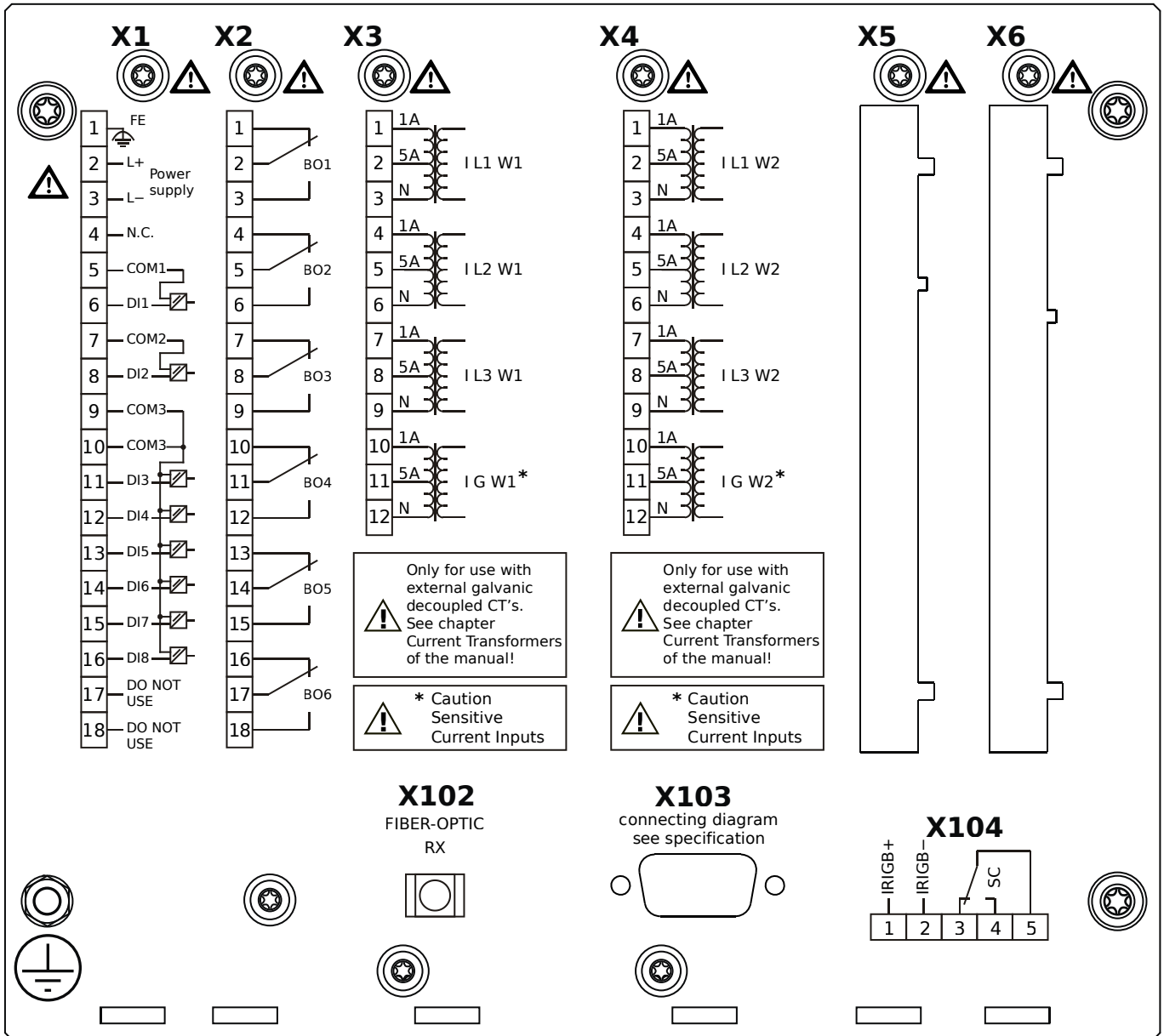


Housing B2, small display, door mounting

+ Conformal Coating (for installations in harsh environment)

- X1** – DI8-X1: Wide-range power supply unit, incl. 2 non-grouped digital inputs and 6 grouped digital inputs
- X2** – OR6: Assembly Group with 6 Output Relays (Changeover / Form C)
- X3** – TIs: Standard phase current measuring card and sensitive ground current measuring (winding side 1)
- X4** – TIs: Standard phase current measuring card and sensitive ground current measuring (winding side 2)
- X102** – Universal Resistance-Temperature Detector (URTD) input, Fiber optics interface, Versatile Link
- X103** – Profibus-DP, Fiber optics interface, ST Connector
- X104** – IRIG-B00X, incl. System Contact (Supervision Contact)

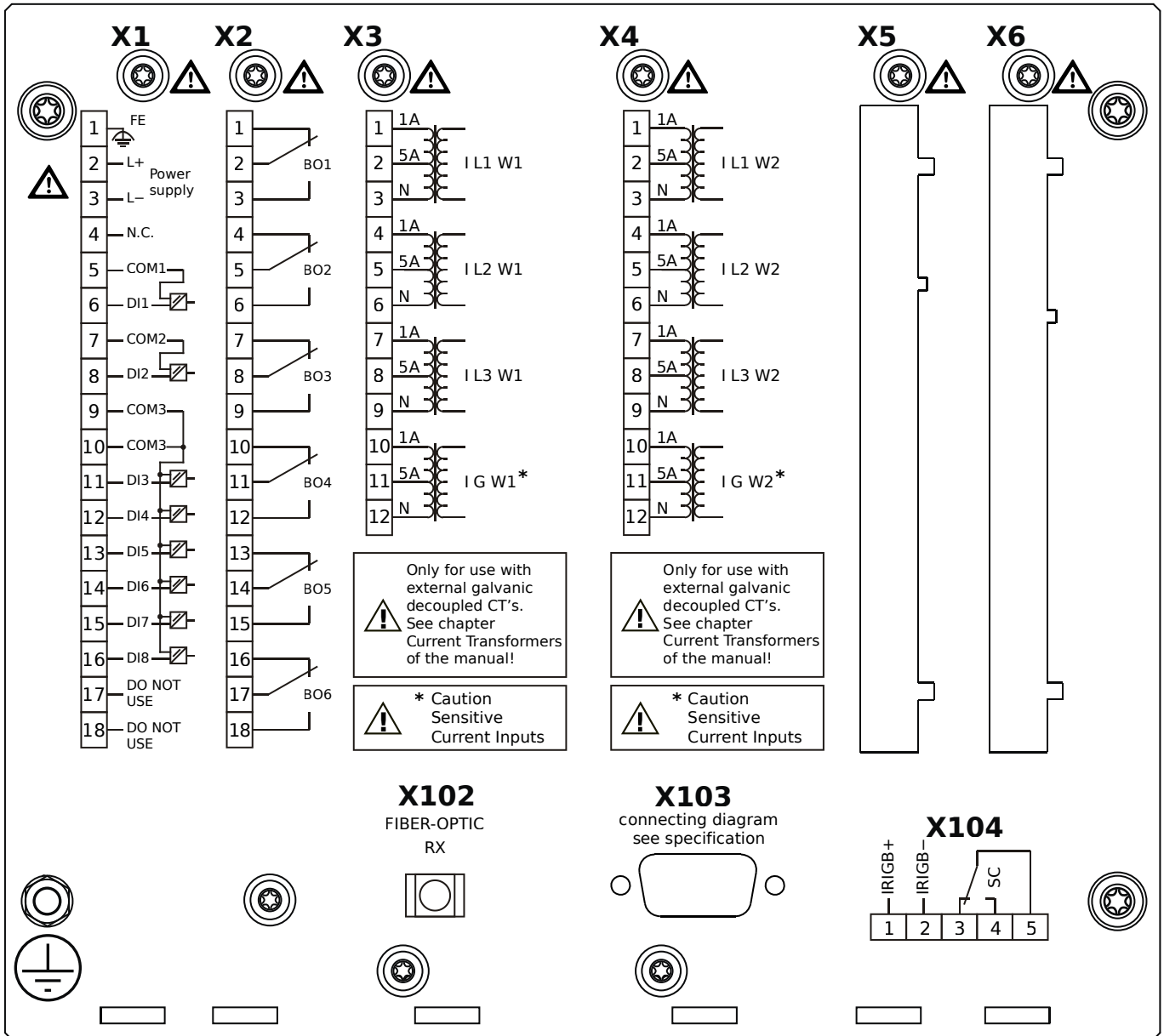
MRDT4-2A3AEA



Housing B2, small display, door mounting

- X1** – DI8-X1: Wide-range power supply unit, incl. 2 non-grouped digital inputs and 6 grouped digital inputs
- X2** – OR6: Assembly Group with 6 Output Relays (Changeover / Form C)
- X3** – TIs: Standard phase current measuring card and sensitive ground current measuring (winding side 1)
- X4** – TIs: Standard phase current measuring card and sensitive ground current measuring (winding side 2)
- X102** – Universal Resistance-Temperature Detector (URTD) input, Fiber optics interface, Versatile Link
- X103** – Profibus-DP, RS485, D-SUB
- X104** – IRIG-B00X, incl. System Contact (Supervision Contact)

MRDT4-2A3AEB

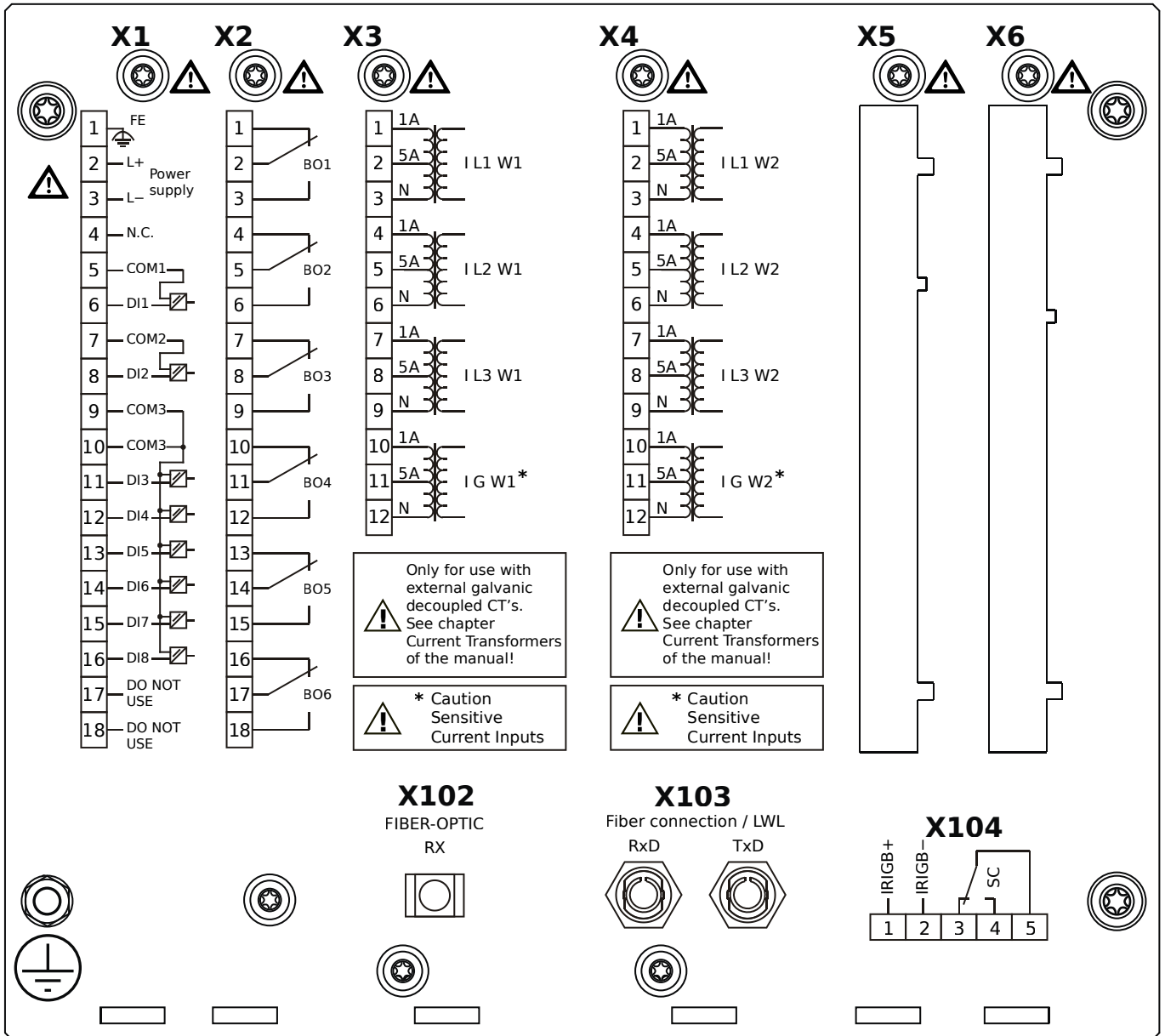


Housing B2, small display, door mounting

+ Conformal Coating (for installations in harsh environment)

- X1** – DI8-X1: Wide-range power supply unit, incl. 2 non-grouped digital inputs and 6 grouped digital inputs
- X2** – OR6: Assembly Group with 6 Output Relays (Changeover / Form C)
- X3** – TIs: Standard phase current measuring card and sensitive ground current measuring (winding side 1)
- X4** – TIs: Standard phase current measuring card and sensitive ground current measuring (winding side 2)
- X102** – Universal Resistance-Temperature Detector (URTD) input, Fiber optics interface, Versatile Link
- X103** – Profibus-DP, RS485, D-SUB
- X104** – IRIG-B00X, incl. System Contact (Supervision Contact)

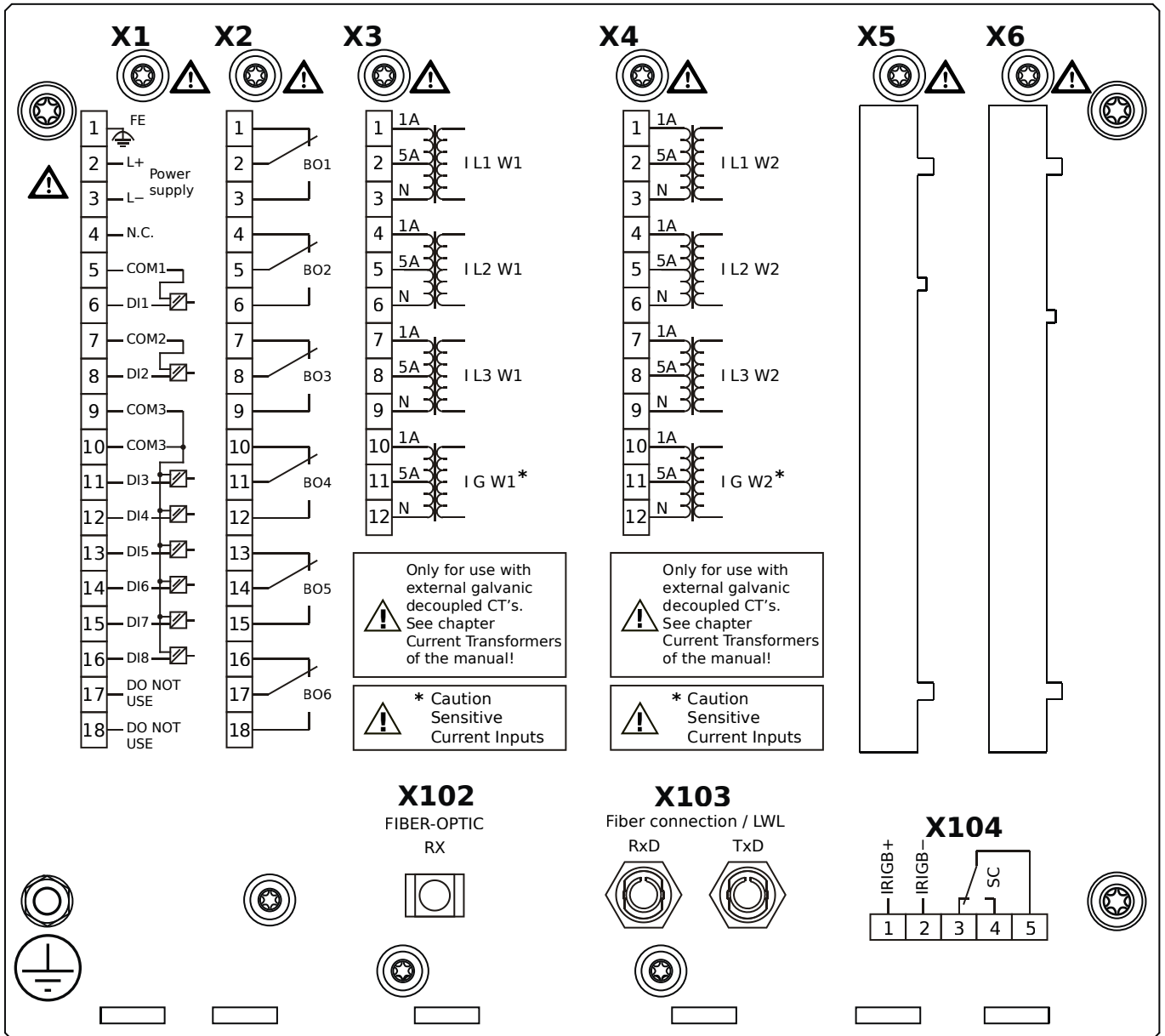
MRDT4-2A3AFA



Housing B2, small display, door mounting

- X1** – DI8-X1: Wide-range power supply unit, incl. 2 non-grouped digital inputs and 6 grouped digital inputs
- X2** – OR6: Assembly Group with 6 Output Relays (Changeover / Form C)
- X3** – TIs: Standard phase current measuring card and sensitive ground current measuring (winding side 1)
- X4** – TIs: Standard phase current measuring card and sensitive ground current measuring (winding side 2)
- X102** – Universal Resistance-Temperature Detector (URTD) input, Fiber optics interface, Versatile Link
- X103** – Modbus RTU / IEC 60870-5-103 / DNP3.0 RTU, Fiber optics interface, ST Connector
- X104** – IRIG-B00X, incl. System Contact (Supervision Contact)

MRDT4-2A3AFB

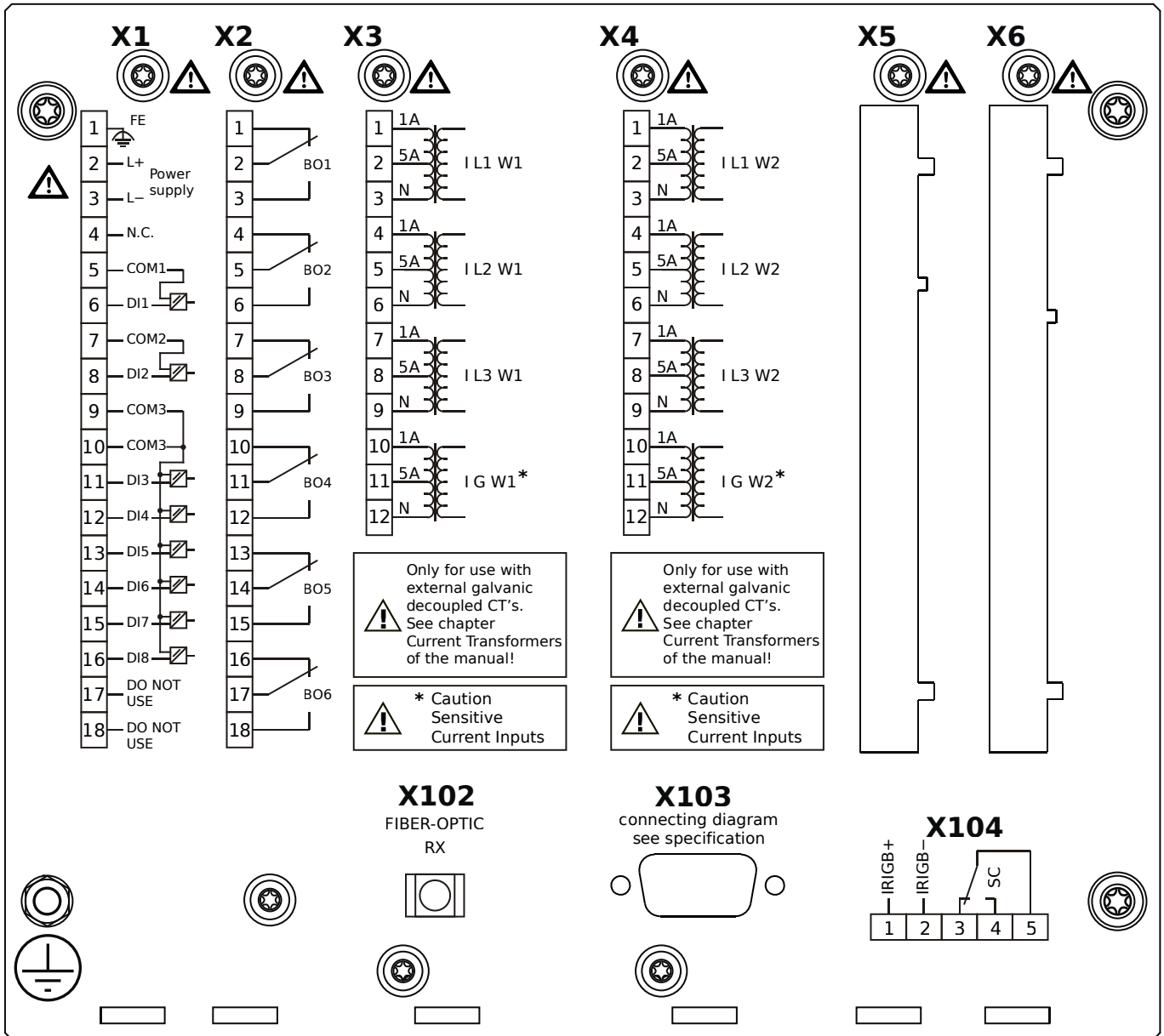


Housing B2, small display, door mounting

+ Conformal Coating (for installations in harsh environment)

- X1** – DI8-X1: Wide-range power supply unit, incl. 2 non-grouped digital inputs and 6 grouped digital inputs
- X2** – OR6: Assembly Group with 6 Output Relays (Changeover / Form C)
- X3** – TIs: Standard phase current measuring card and sensitive ground current measuring (winding side 1)
- X4** – TIs: Standard phase current measuring card and sensitive ground current measuring (winding side 2)
- X102** – Universal Resistance-Temperature Detector (URTD) input, Fiber optics interface, Versatile Link
- X103** – Modbus RTU / IEC 60870-5-103 / DNP3.0 RTU, Fiber optics interface, ST Connector
- X104** – IRIG-B00X, incl. System Contact (Supervision Contact)

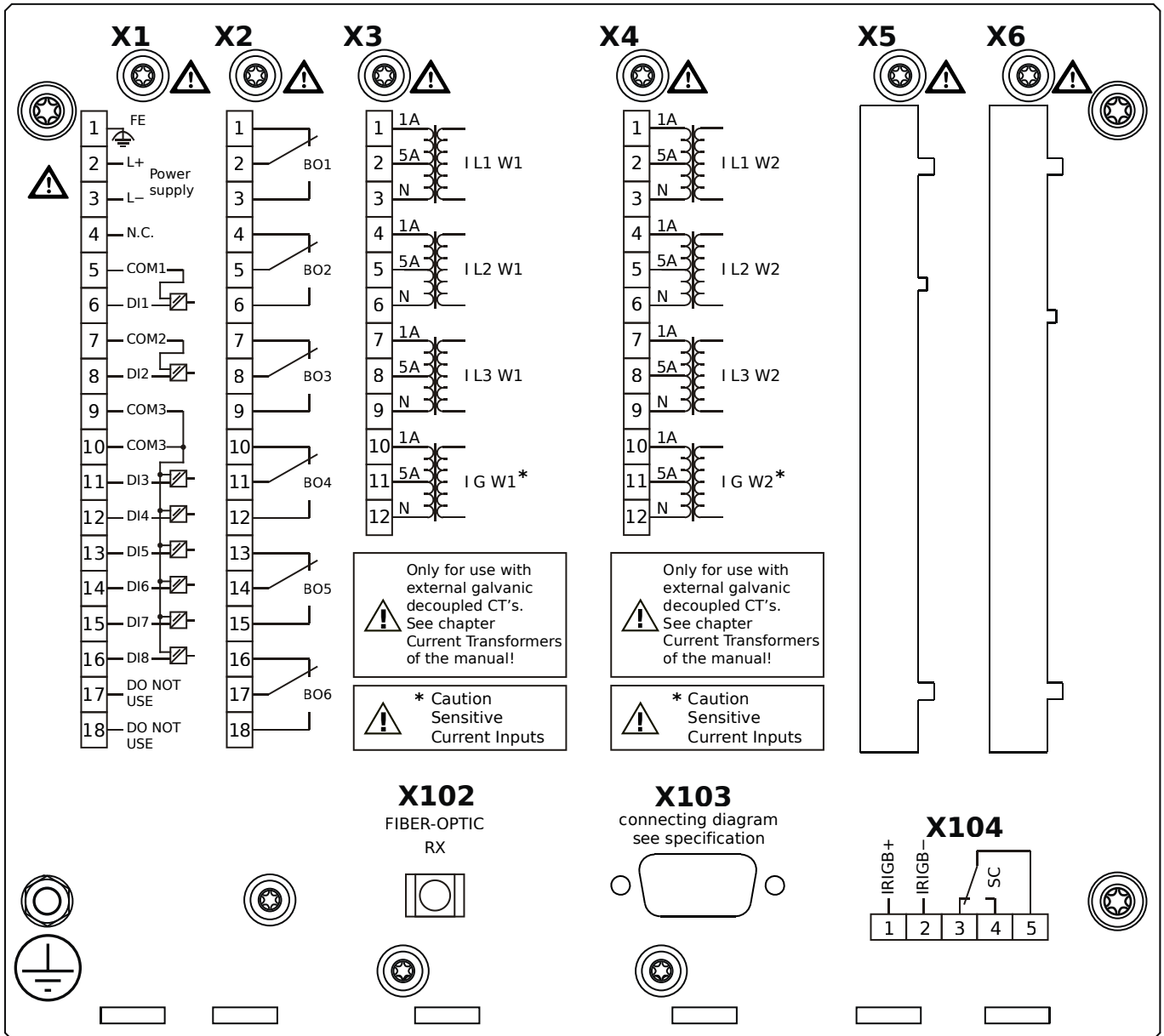
MRDT4-2A3AGA



Housing B2, small display, door mounting

- X1** – DI8-X1: Wide-range power supply unit, incl. 2 non-grouped digital inputs and 6 grouped digital inputs
- X2** – OR6: Assembly Group with 6 Output Relays (Changeover / Form C)
- X3** – TIs: Standard phase current measuring card and sensitive ground current measuring (winding side 1)
- X4** – TIs: Standard phase current measuring card and sensitive ground current measuring (winding side 2)
- X102** – Universal Resistance-Temperature Detector (URTD) input, Fiber optics interface, Versatile Link
- X103** – Modbus RTU / IEC 60870-5-103 / DNP3.0 RTU, RS485, D-SUB
- X104** – IRIG-B00X, incl. System Contact (Supervision Contact)

MRDT4-2A3AGB

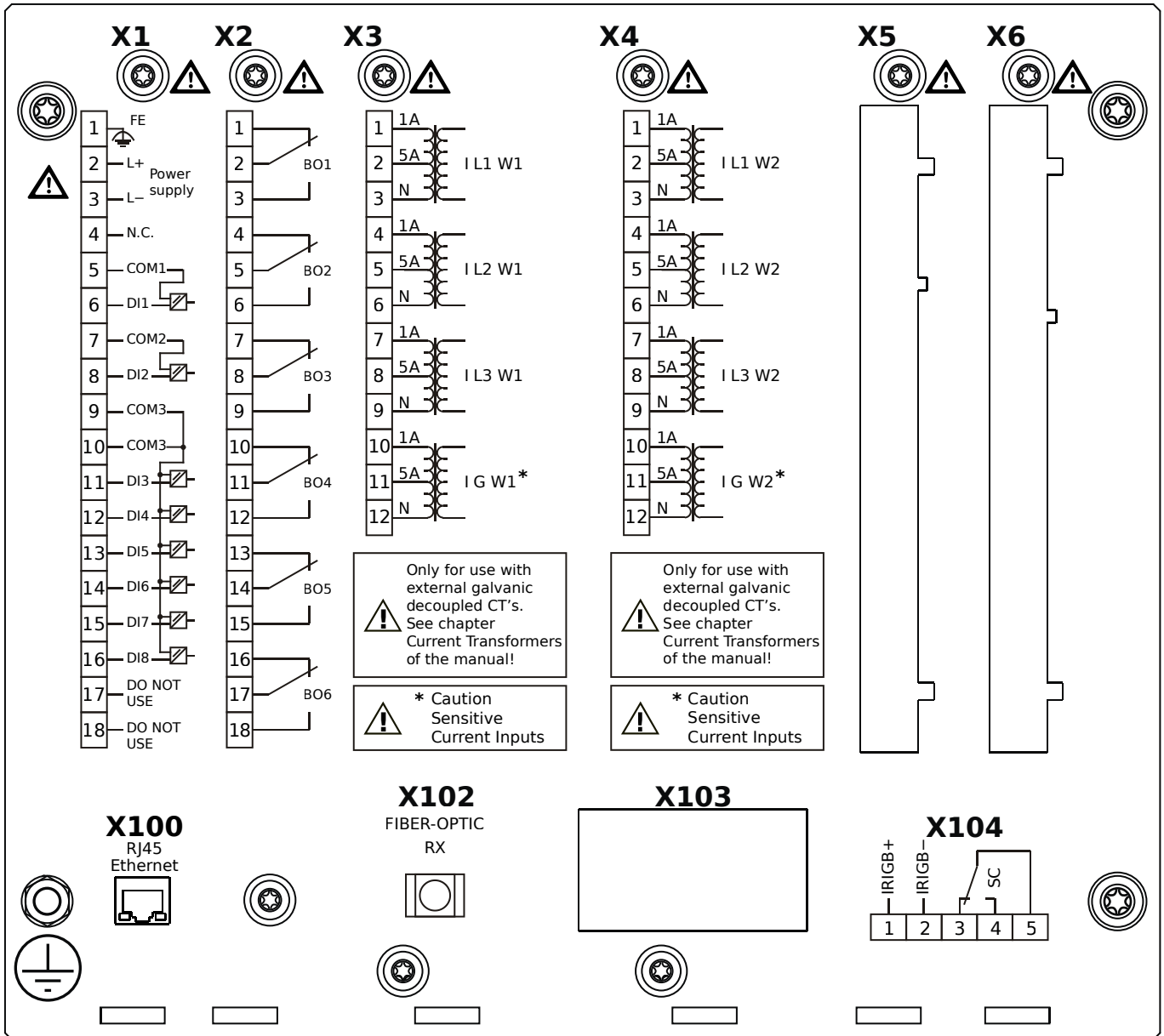


Housing B2, small display, door mounting

+ Conformal Coating (for installations in harsh environment)

- X1** – DI8-X1: Wide-range power supply unit, incl. 2 non-grouped digital inputs and 6 grouped digital inputs
- X2** – OR6: Assembly Group with 6 Output Relays (Changeover / Form C)
- X3** – TIs: Standard phase current measuring card and sensitive ground current measuring (winding side 1)
- X4** – TIs: Standard phase current measuring card and sensitive ground current measuring (winding side 2)
- X102** – Universal Resistance-Temperature Detector (URTD) input, Fiber optics interface, Versatile Link
- X103** – Modbus RTU / IEC 60870-5-103 / DNP3.0 RTU, RS485, D-SUB
- X104** – IRIG-B00X, incl. System Contact (Supervision Contact)

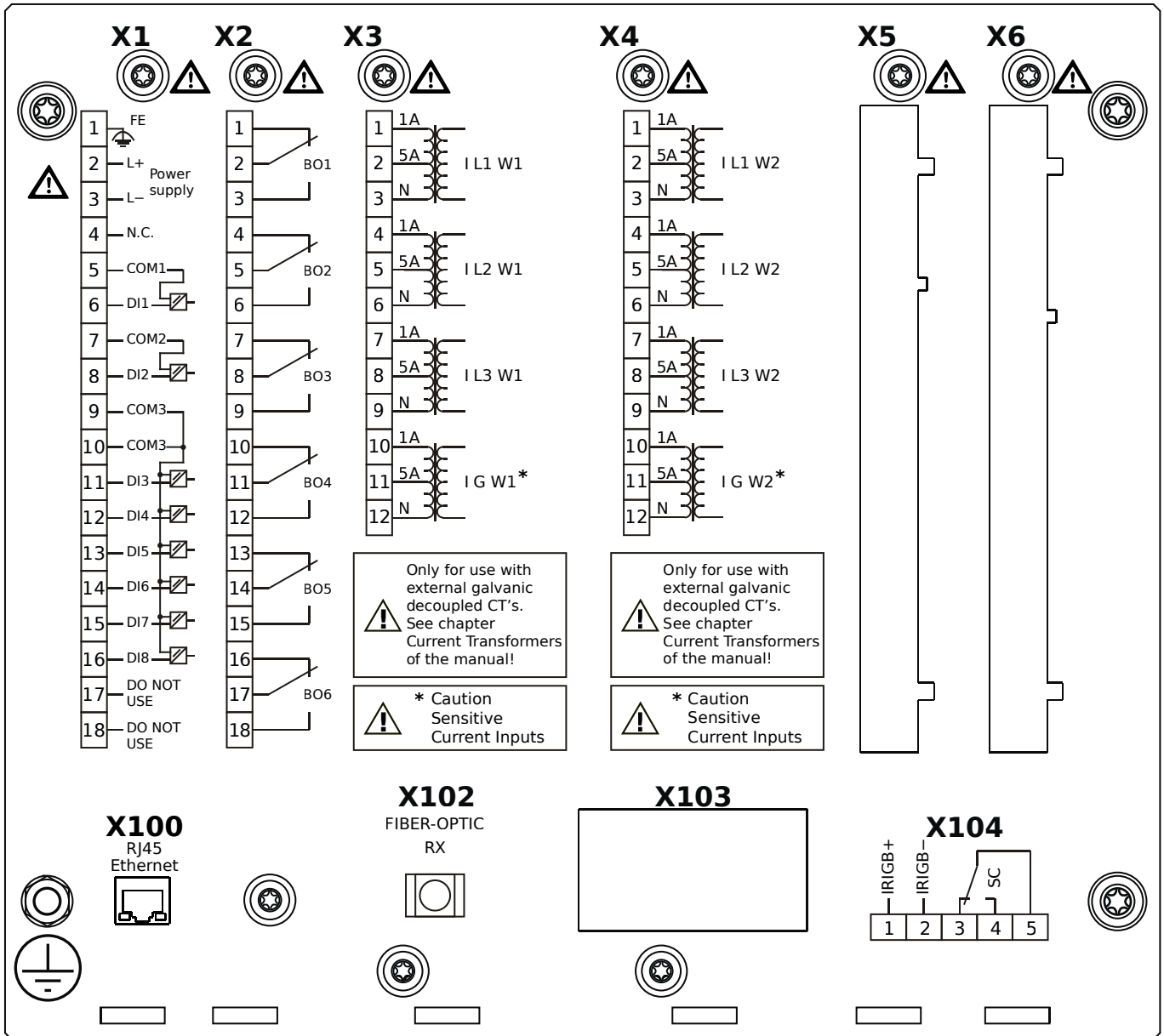
MRDT4-2A3AHA



Housing B2, small display, door mounting

- X1** – DI8-X1: Wide-range power supply unit, incl. 2 non-grouped digital inputs and 6 grouped digital inputs
- X2** – OR6: Assembly Group with 6 Output Relays (Changeover / Form C)
- X3** – TIs: Standard phase current measuring card and sensitive ground current measuring (winding side 1)
- X4** – TIs: Standard phase current measuring card and sensitive ground current measuring (winding side 2)
- X100** – IEC 61850 / Modbus TCP / IEC 60870-5-104 / DNP3.0 TCP/UDP, Ethernet interface, 100 Mbit/s, RJ45 (BASE100-FX)
- X102** – Universal Resistance-Temperature Detector (URTD) input, Fiber optics interface, Versatile Link
- X104** – IRIG-B00X, incl. System Contact (Supervision Contact)

MRDT4-2A3AHB



Housing B2, small display, door mounting

+ Conformal Coating (for installations in harsh environment)

X1 – DI8-X1: Wide-range power supply unit, incl. 2 non-grouped digital inputs and 6 grouped digital inputs

X2 – OR6: Assembly Group with 6 Output Relays (Changeover / Form C)

X3 – TIs: Standard phase current measuring card and sensitive ground current measuring (winding side 1)

X4 – TIs: Standard phase current measuring card and sensitive ground current measuring (winding side 2)

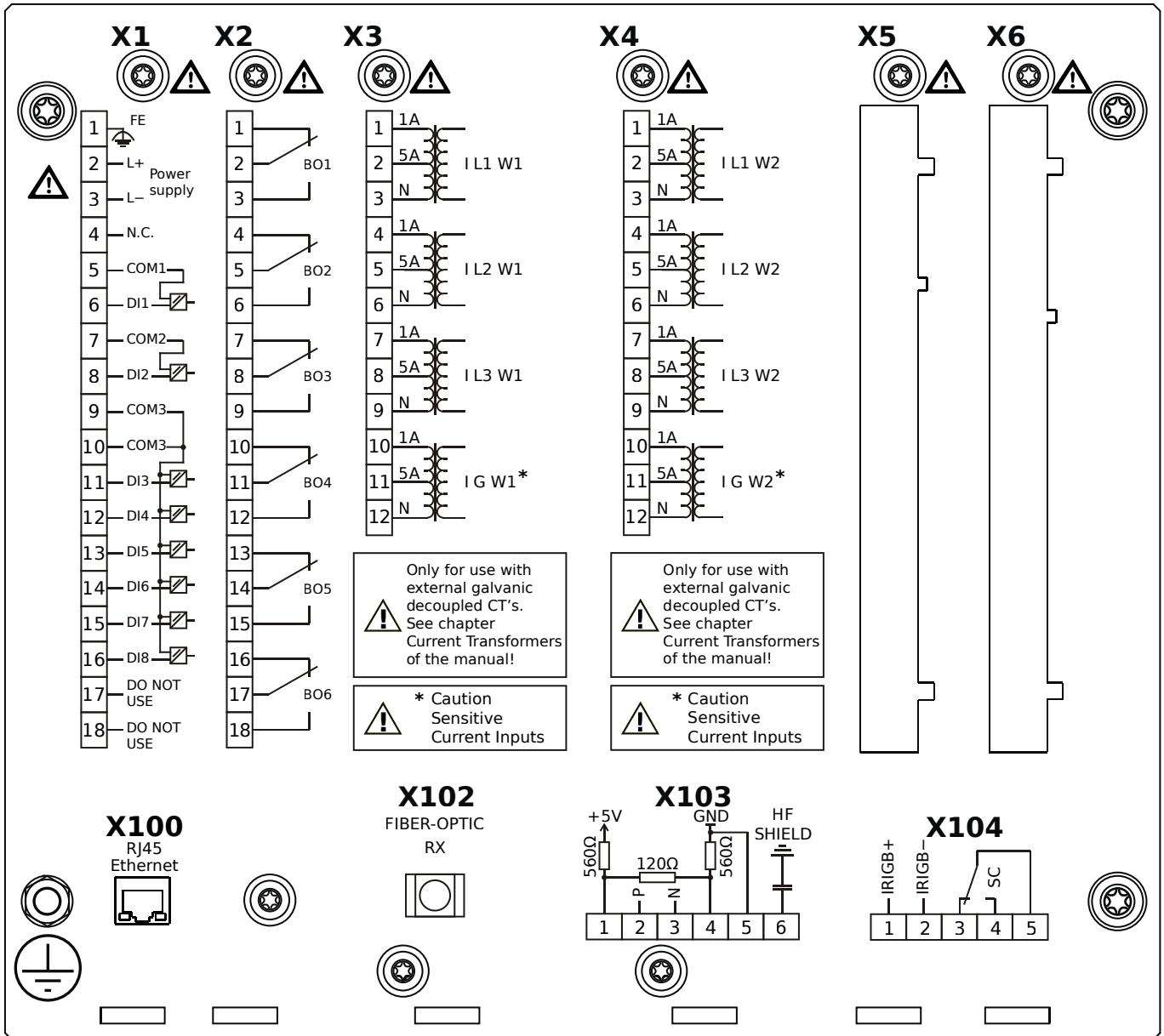
X100 – IEC 61850 / Modbus TCP / IEC 60870-5-104 / DNP3.0 TCP/UDP, Ethernet interface, 100 Mbit/s, RJ45 (BASE100-

X102 – Universal Resistance-Temperature Detector (URTD) input, Fiber optics interface, Versatile Link

X104 – IRIG-B00X, incl. System Contact (Supervision Contact)

FX)

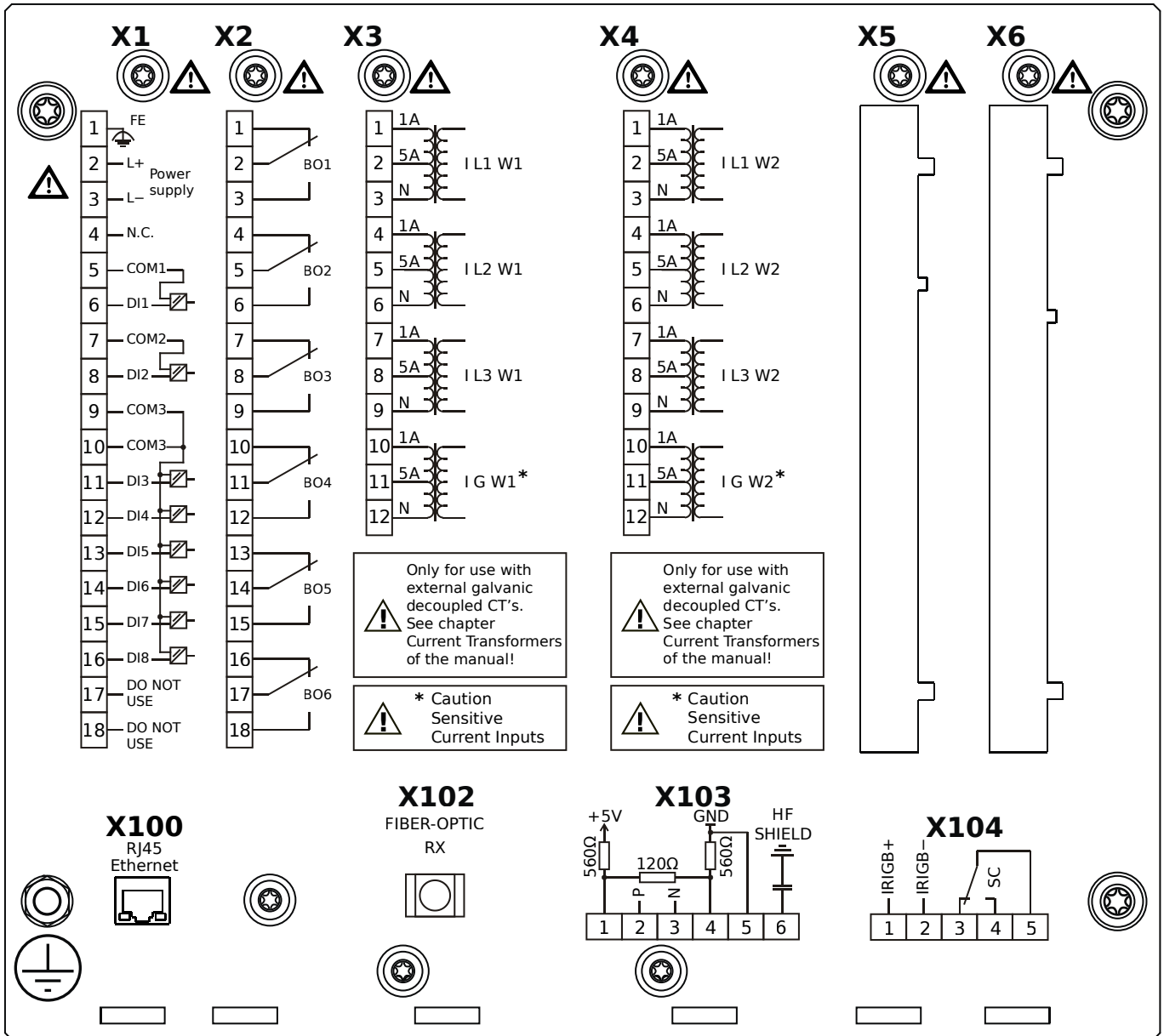
MRDT4-2A3AIA



Housing B2, small display, door mounting

- X1** – DI8-X1: Wide-range power supply unit, incl. 2 non-grouped digital inputs and 6 grouped digital inputs
- X2** – OR6: Assembly Group with 6 Output Relays (Changeover / Form C)
- X3** – TIs: Standard phase current measuring card and sensitive ground current measuring (winding side 1)
- X4** – TIs: Standard phase current measuring card and sensitive ground current measuring (winding side 2)
- X100** – Modbus TCP / IEC 60870-5-104 / DNP3.0 TCP/UDP, Ethernet interface, 100 Mbit/s, RJ45 (BASE100-FX)
- X102** – Universal Resistance-Temperature Detector (URTD) input, Fiber optics interface, Versatile Link
- X103** – IEC 60870-5-103 / Modbus RTU / DNP3.0 RTU, RS485, Terminals
- X104** – IRIG-B00X, incl. System Contact (Supervision Contact)

MRDT4-2A3AIB

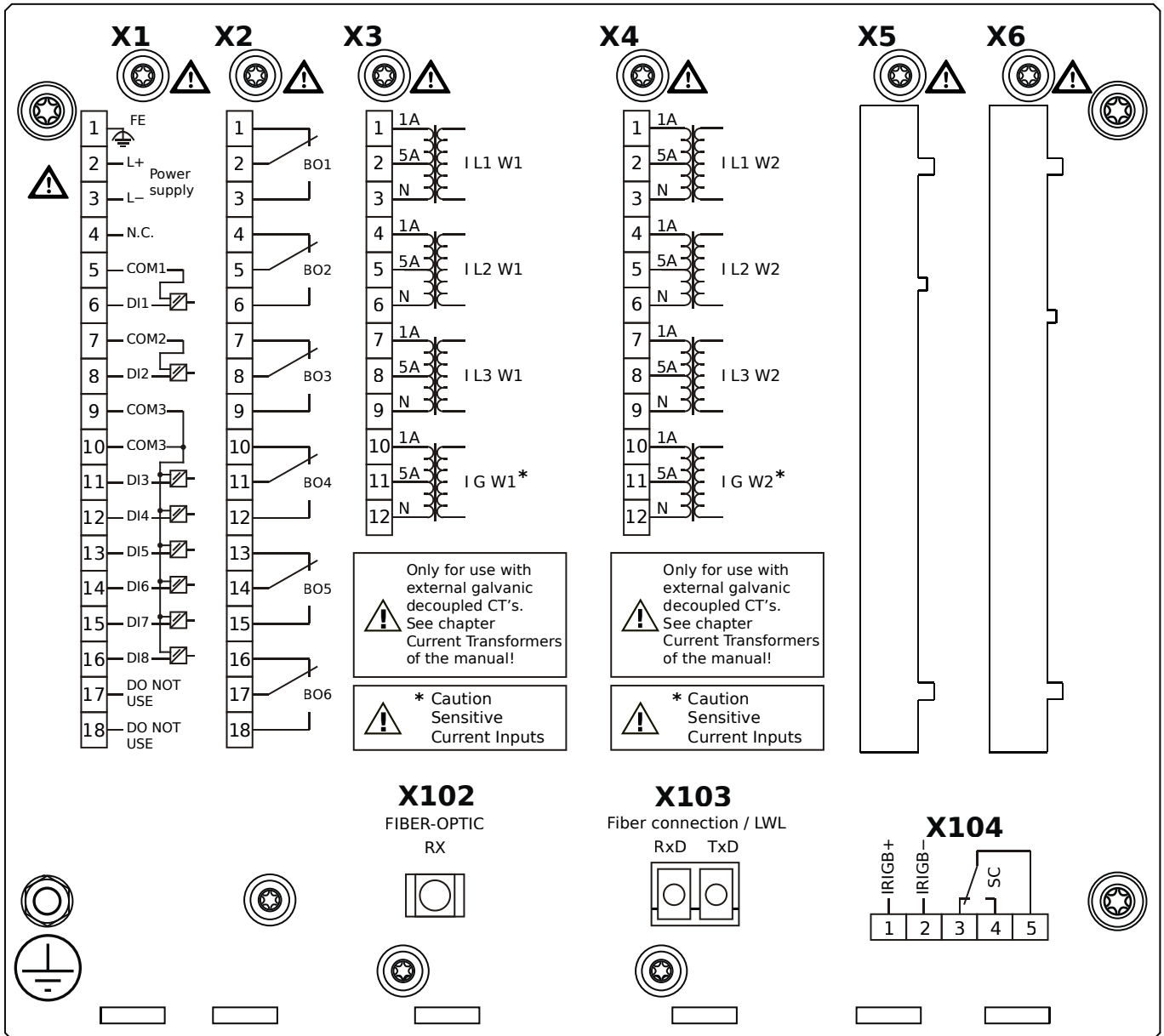


Housing B2, small display, door mounting

+ Conformal Coating (for installations in harsh environment)

- X1** – DI8-X1: Wide-range power supply unit, incl. 2 non-grouped digital inputs and 6 grouped digital inputs
- X2** – OR6: Assembly Group with 6 Output Relays (Changeover / Form C)
- X3** – TIs: Standard phase current measuring card and sensitive ground current measuring (winding side 1)
- X4** – TIs: Standard phase current measuring card and sensitive ground current measuring (winding side 2)
- X100** – Modbus TCP / IEC 60870-5-104 / DNP3.0 TCP/UDP, Ethernet interface, 100 Mbit/s, RJ45 (BASE100-FX)
- X102** – Universal Resistance-Temperature Detector (URTD) input, Fiber optics interface, Versatile Link
- X103** – IEC 60870-5-103 / Modbus RTU / DNP3.0 RTU, RS485, Terminals
- X104** – IRIG-B00X, incl. System Contact (Supervision Contact)

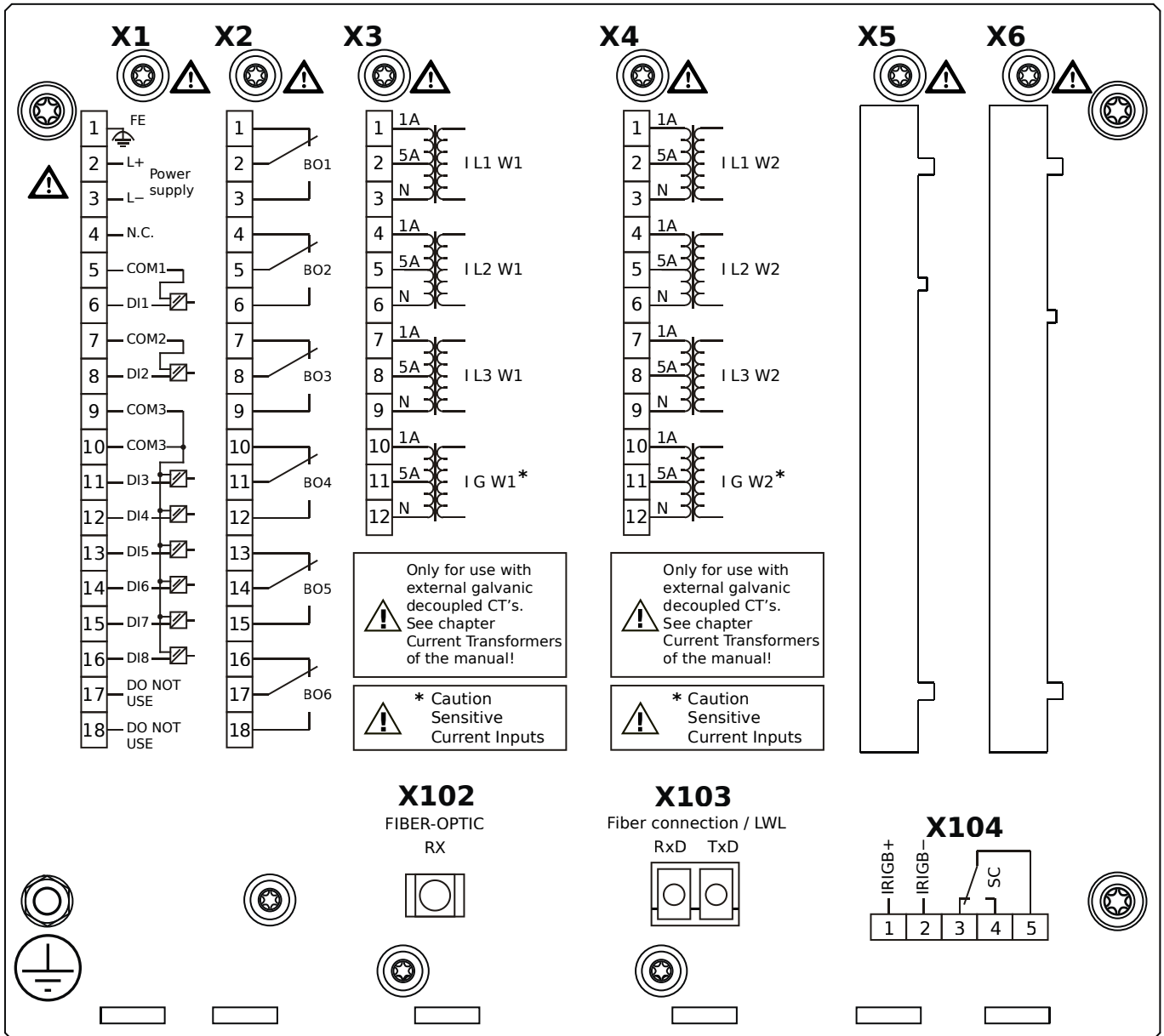
MRDT4-2A3AKA



Housing B2, small display, door mounting

- X1** – DI8-X1: Wide-range power supply unit, incl. 2 non-grouped digital inputs and 6 grouped digital inputs
- X2** – OR6: Assembly Group with 6 Output Relays (Changeover / Form C)
- X3** – TIs: Standard phase current measuring card and sensitive ground current measuring (winding side 1)
- X4** – TIs: Standard phase current measuring card and sensitive ground current measuring (winding side 2)
- X102** – Universal Resistance-Temperature Detector (URTD) input, Fiber optics interface, Versatile Link
- X103** – IEC 61850 / Modbus TCP / IEC 60870-5-104 / DNP3.0 TCP/UDP, Fiber optics interface, LC Connector
- X104** – IRIG-B00X, incl. System Contact (Supervision Contact)

MRDT4-2A3AKB

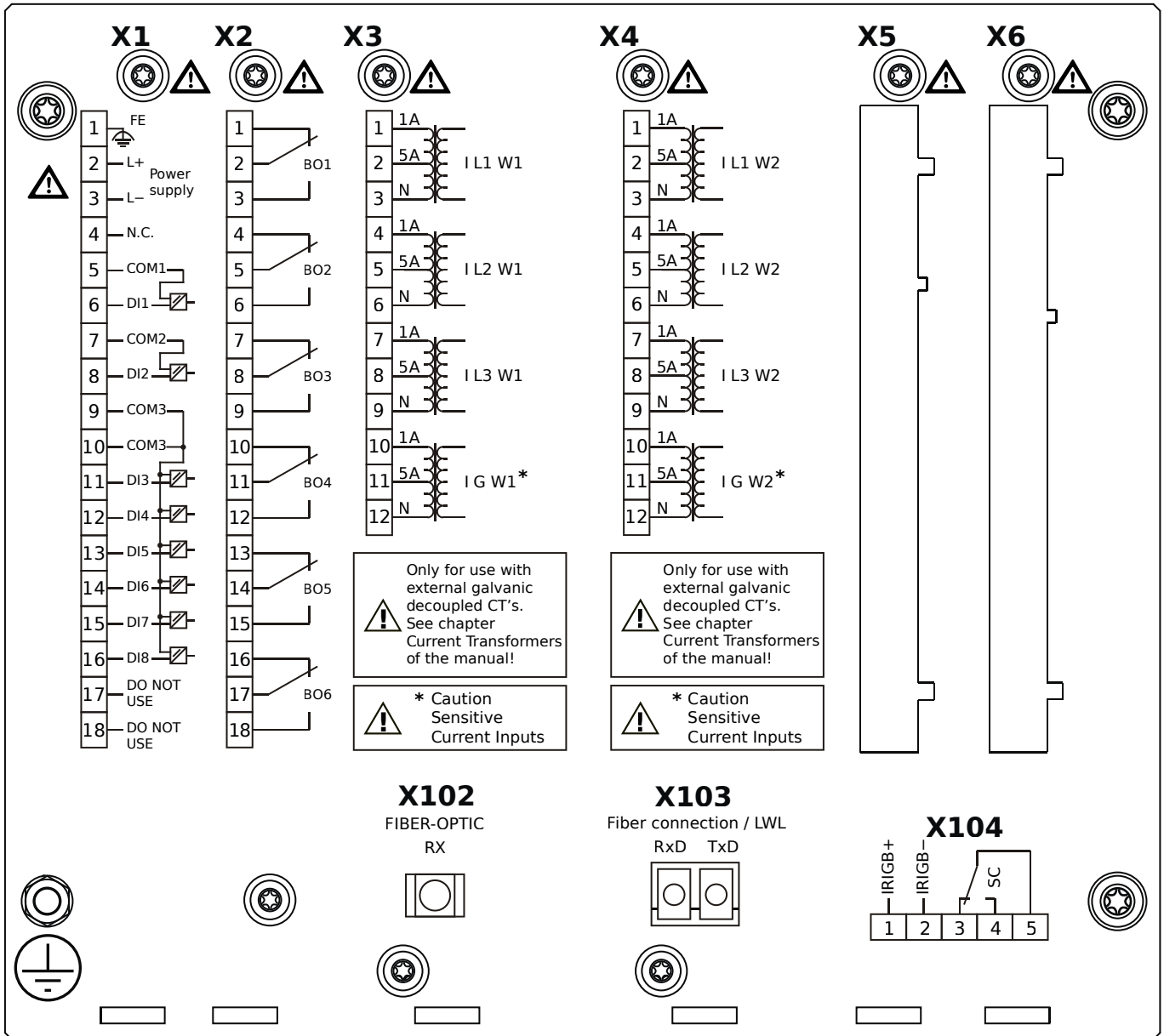


Housing B2, small display, door mounting

+ Conformal Coating (for installations in harsh environment)

- X1** – DI8-X1: Wide-range power supply unit, incl. 2 non-grouped digital inputs and 6 grouped digital inputs
- X2** – OR6: Assembly Group with 6 Output Relays (Changeover / Form C)
- X3** – TIs: Standard phase current measuring card and sensitive ground current measuring (winding side 1)
- X4** – TIs: Standard phase current measuring card and sensitive ground current measuring (winding side 2)
- X102** – Universal Resistance-Temperature Detector (URTD) input, Fiber optics interface, Versatile Link
- X103** – IEC 61850 / Modbus TCP / IEC 60870-5-104 / DNP3.0 TCP/UDP, Fiber optics interface, LC Connector
- X104** – IRIG-B00X, incl. System Contact (Supervision Contact)

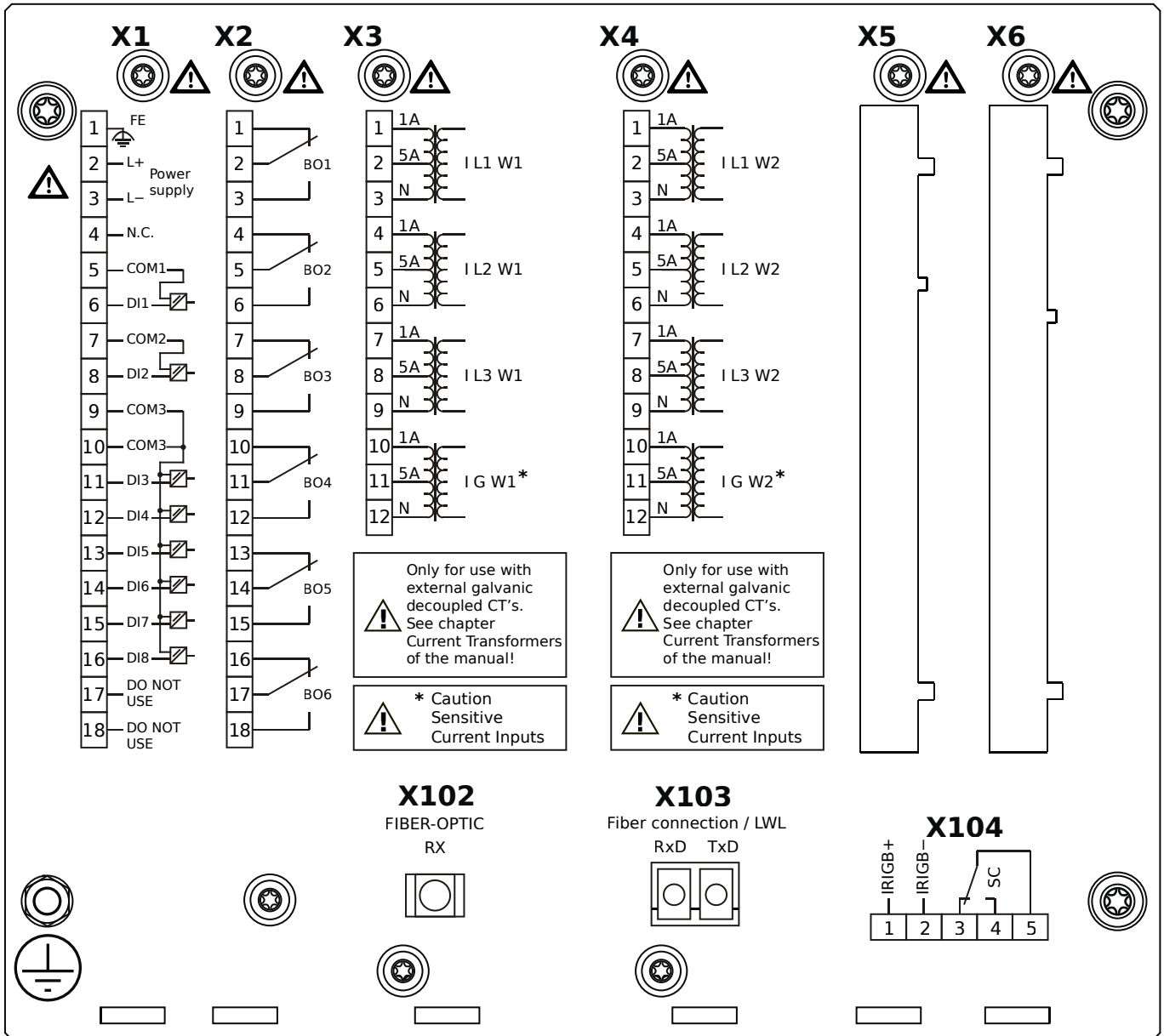
MRDT4-2A3ALA



Housing B2, small display, door mounting

- X1** – DI8-X1: Wide-range power supply unit, incl. 2 non-grouped digital inputs and 6 grouped digital inputs
- X2** – OR6: Assembly Group with 6 Output Relays (Changeover / Form C)
- X3** – TIs: Standard phase current measuring card and sensitive ground current measuring (winding side 1)
- X4** – TIs: Standard phase current measuring card and sensitive ground current measuring (winding side 2)
- X102** – Universal Resistance-Temperature Detector (URTD) input, Fiber optics interface, Versatile Link
- X103** – Modbus TCP / IEC 60870-5-104 / DNP3.0 TCP/UDP, Fiber optics interface, LC Connector
- X104** – IRIG-B00X, incl. System Contact (Supervision Contact)

MRDT4-2A3ALB

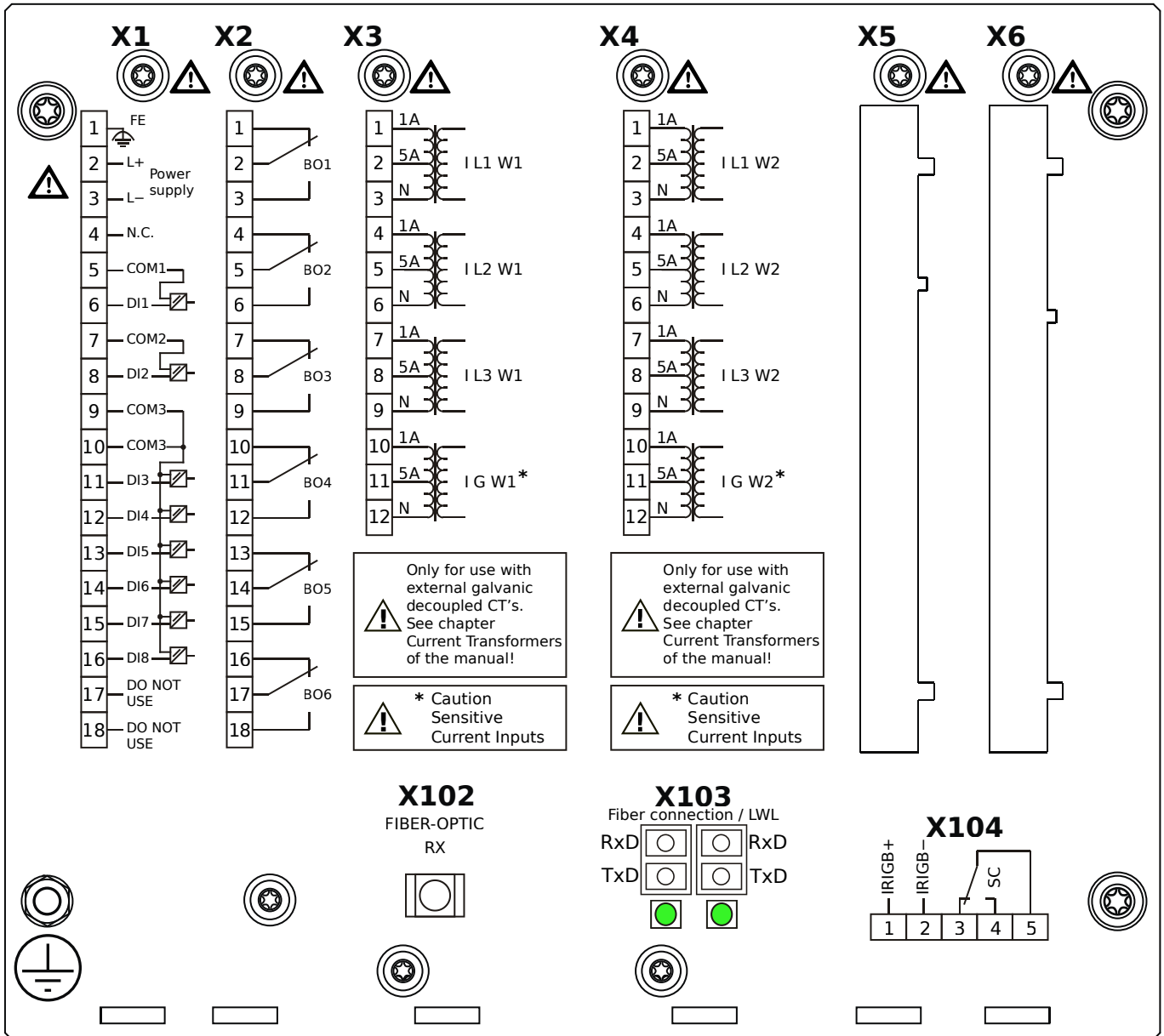


Housing B2, small display, door mounting

+ Conformal Coating (for installations in harsh environment)

- X1** – DI8-X1: Wide-range power supply unit, incl. 2 non-grouped digital inputs and 6 grouped digital inputs
- X2** – OR6: Assembly Group with 6 Output Relays (Changeover / Form C)
- X3** – TIs: Standard phase current measuring card and sensitive ground current measuring (winding side 1)
- X4** – TIs: Standard phase current measuring card and sensitive ground current measuring (winding side 2)
- X102** – Universal Resistance-Temperature Detector (URTD) input, Fiber optics interface, Versatile Link
- X103** – Modbus TCP / IEC 60870-5-104 / DNP3.0 TCP/UDP, Fiber optics interface, LC Connector
- X104** – IRIG-B00X, incl. System Contact (Supervision Contact)

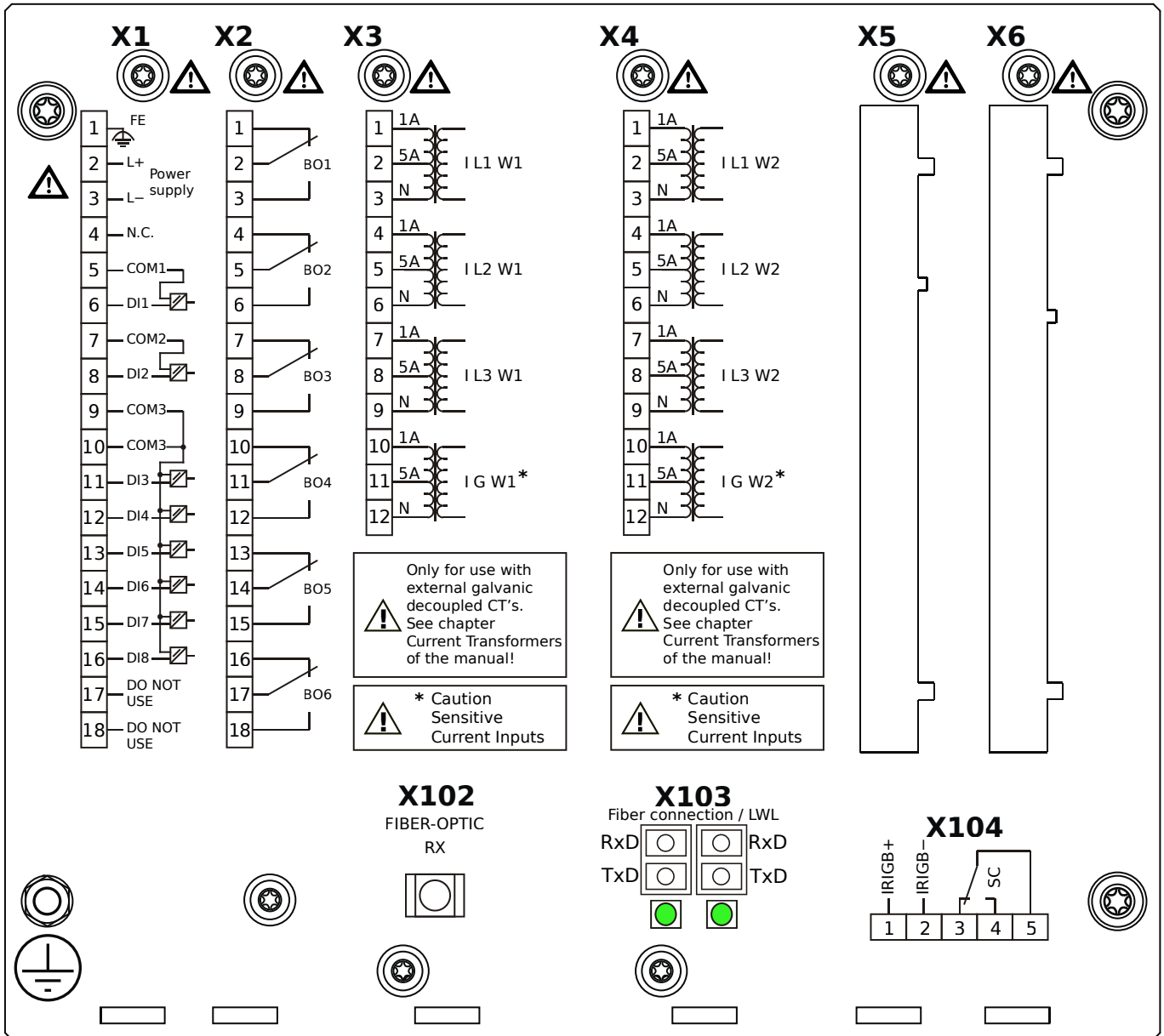
MRDT4-2A3AOA



Housing B2, small display, door mounting

- X1** – DI8-X1: Wide-range power supply unit, incl. 2 non-grouped digital inputs and 6 grouped digital inputs
- X2** – OR6: Assembly Group with 6 Output Relays (Changeover / Form C)
- X3** – TIs: Standard phase current measuring card and sensitive ground current measuring (winding side 1)
- X4** – TIs: Standard phase current measuring card and sensitive ground current measuring (winding side 2)
- X102** – Universal Resistance-Temperature Detector (URTD) input, Fiber optics interface, Versatile Link
- X103** – Modbus TCP / IEC 60870-5-104 / DNP3.0 TCP/UDP, Redundant Fiber optics interface, LC Connector
- X104** – IRIG-B00X, incl. System Contact (Supervision Contact)

MRDT4-2A3AOB

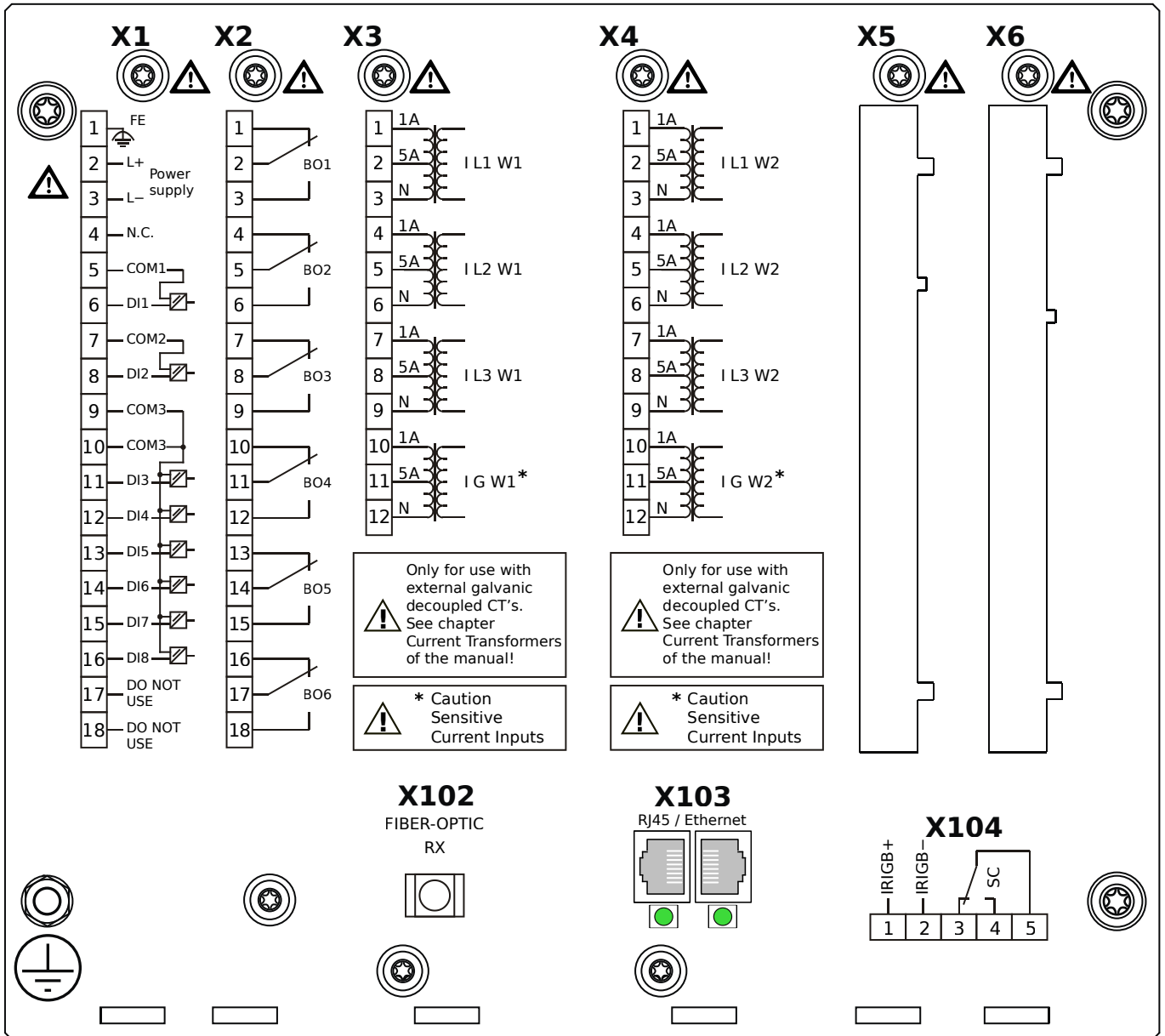


Housing B2, small display, door mounting

+ Conformal Coating (for installations in harsh environment)

- X1** – DI8-X1: Wide-range power supply unit, incl. 2 non-grouped digital inputs and 6 grouped digital inputs
- X2** – OR6: Assembly Group with 6 Output Relays (Changeover / Form C)
- X3** – TIs: Standard phase current measuring card and sensitive ground current measuring (winding side 1)
- X4** – TIs: Standard phase current measuring card and sensitive ground current measuring (winding side 2)
- X102** – Universal Resistance-Temperature Detector (URTD) input, Fiber optics interface, Versatile Link
- X103** – Modbus TCP / IEC 60870-5-104 / DNP3.0 TCP/UDP, Redundant Fiber optics interface, LC Connector
- X104** – IRIG-B00X, incl. System Contact (Supervision Contact)

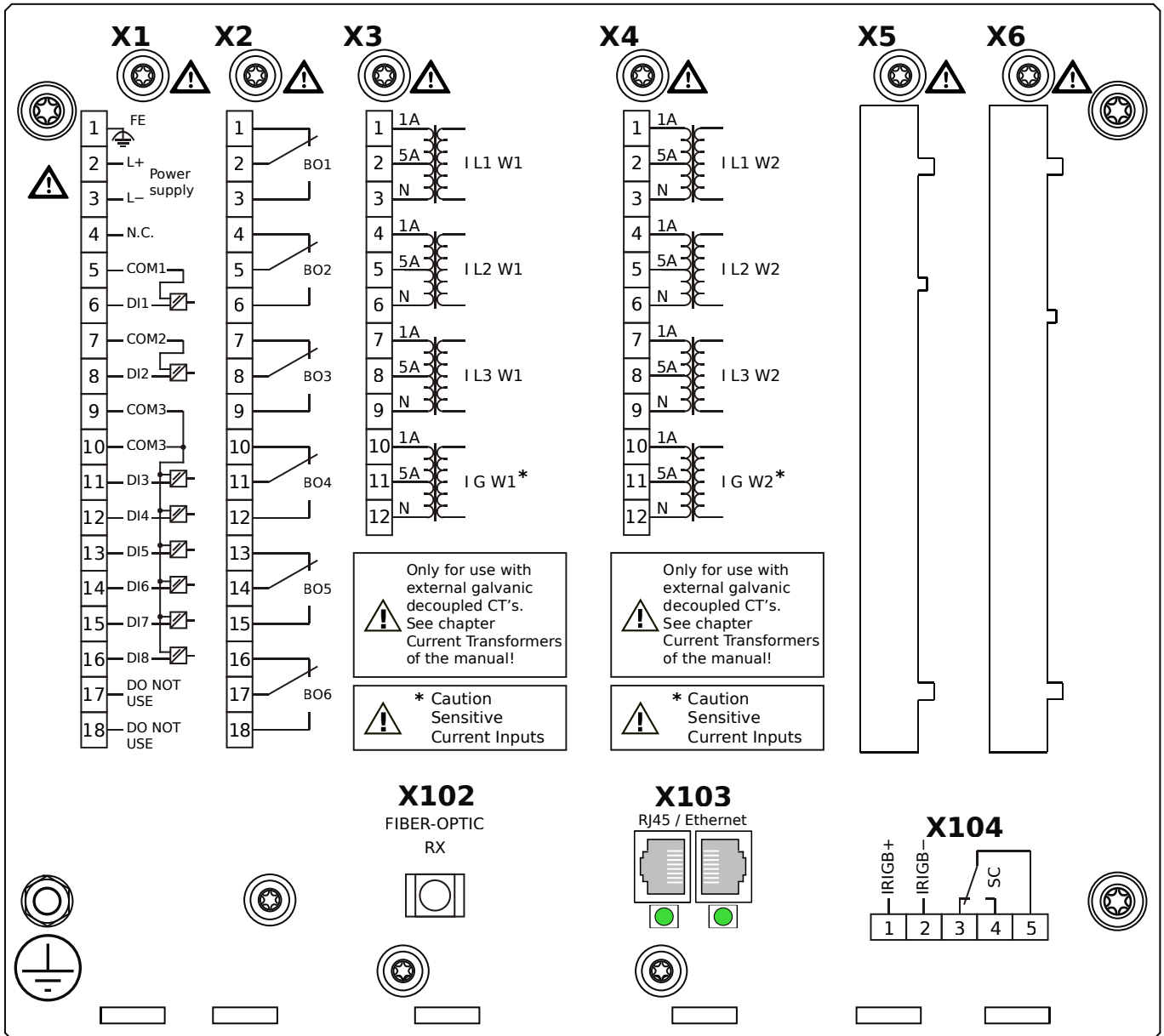
MRDT4-2A3APA



Housing B2, small display, door mounting

- X1** – DI8-X1: Wide-range power supply unit, incl. 2 non-grouped digital inputs and 6 grouped digital inputs
- X2** – OR6: Assembly Group with 6 Output Relays (Changeover / Form C)
- X3** – TIs: Standard phase current measuring card and sensitive ground current measuring (winding side 1)
- X4** – TIs: Standard phase current measuring card and sensitive ground current measuring (winding side 2)
- X102** – Universal Resistance-Temperature Detector (URTD) input, Fiber optics interface, Versatile Link
- X103** – Modbus TCP / IEC 60870-5-104 / DNP3.0 TCP/UDP, Redundant Ethernet interface, 100 Mbit/s, RJ45 (BASE100-FX)
- X104** – IRIG-B00X, incl. System Contact (Supervision Contact)

MRDT4-2A3APB



Housing B2, small display, door mounting

+ Conformal Coating (for installations in harsh environment)

X1 – DI8-X1: Wide-range power supply unit, incl. 2 non-grouped digital inputs and 6 grouped digital inputs

X2 – OR6: Assembly Group with 6 Output Relays (Changeover / Form C)

X3 – TIs: Standard phase current measuring card and sensitive ground current measuring (winding side 1)

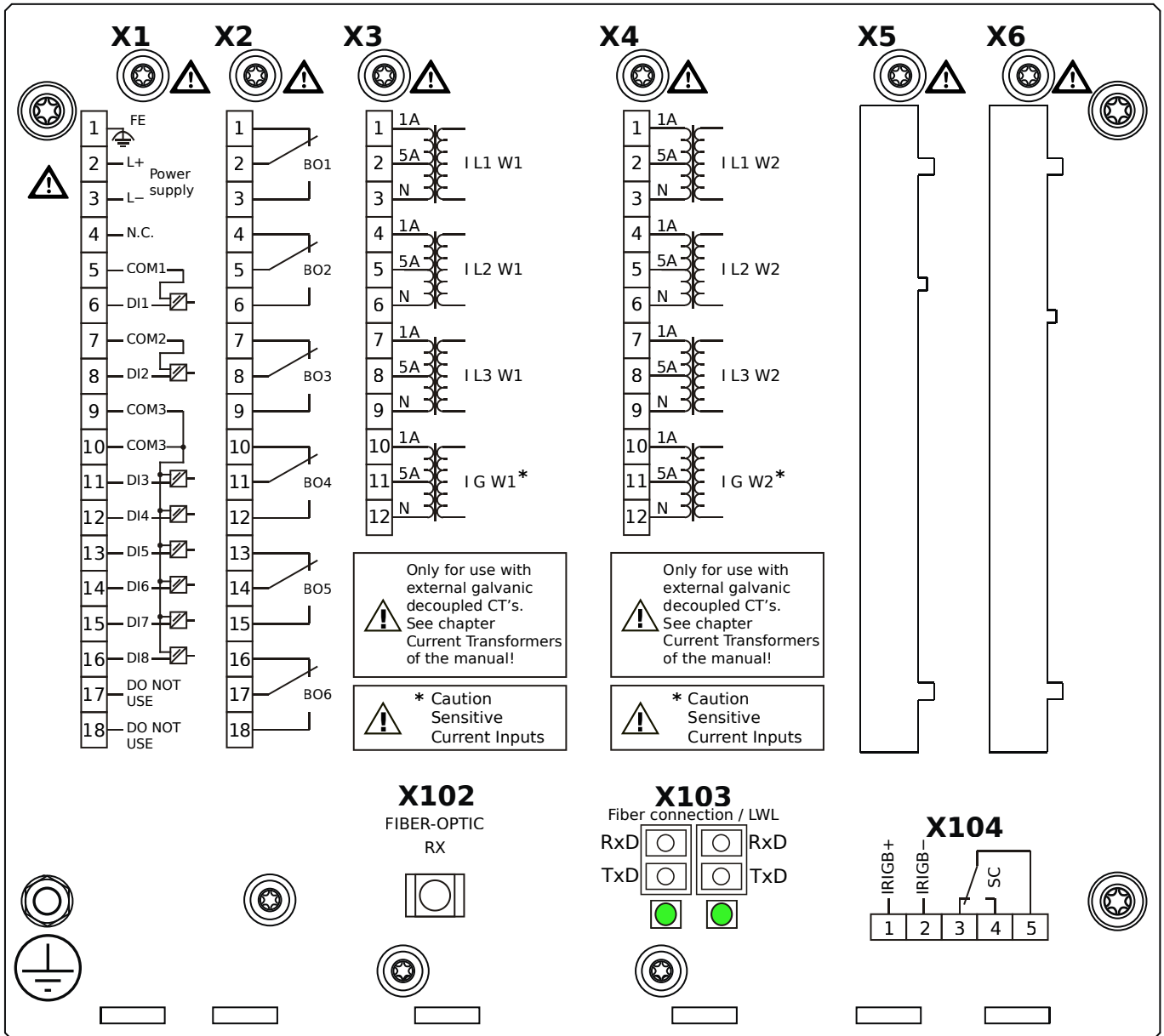
X4 – TIs: Standard phase current measuring card and sensitive ground current measuring (winding side 2)

X102 – Universal Resistance-Temperature Detector (URTD) input, Fiber optics interface, Versatile Link

X103 – Modbus TCP / IEC 60870-5-104 / DNP3.0 TCP/UDP, Redundant Ethernet interface, 100 Mbit/s, RJ45 (BASE100-FX)

X104 – IRIG-B00X, incl. System Contact (Supervision Contact)

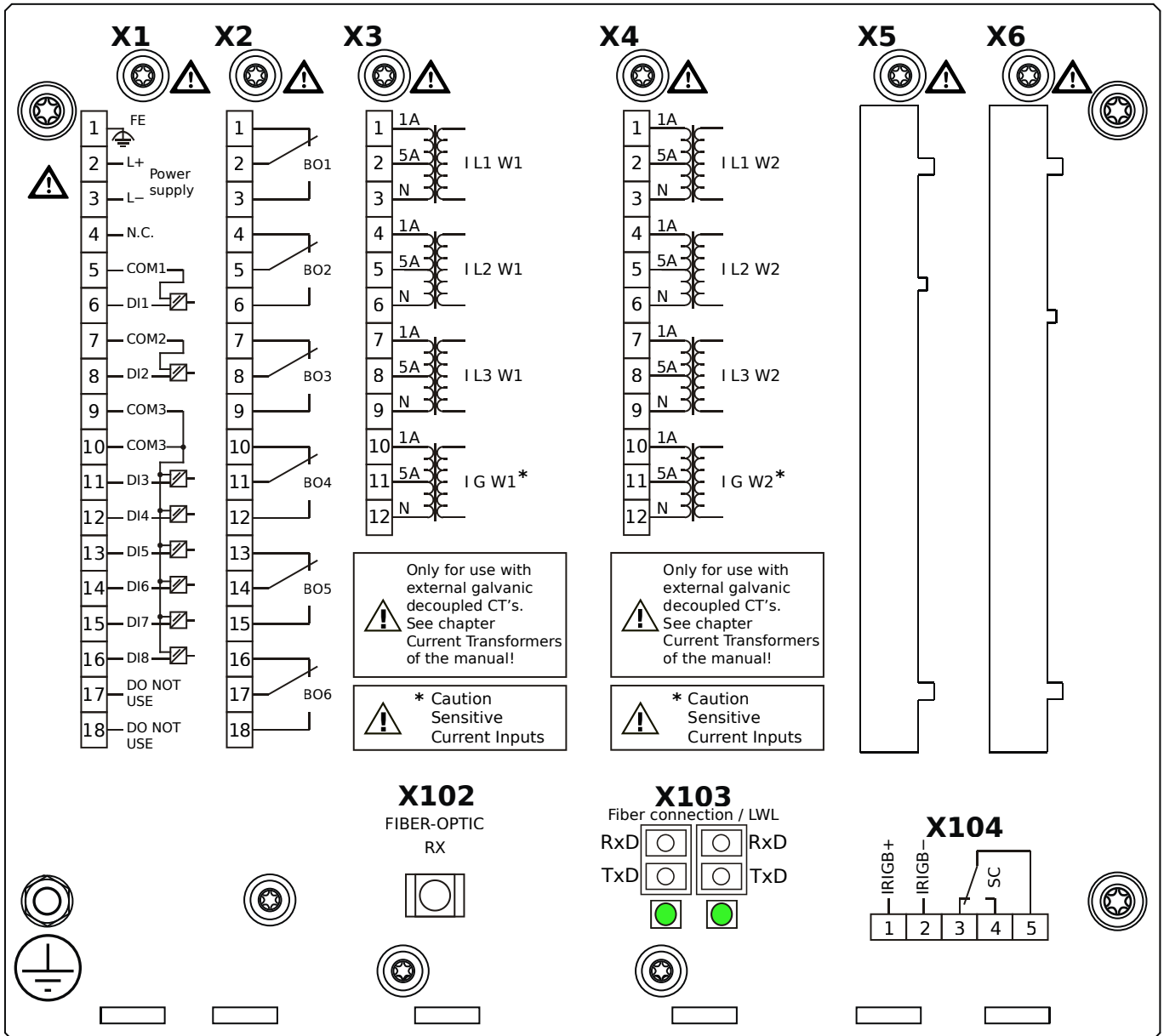
MRDT4-2A3AQA



Housing B2, small display, door mounting

- X1** – DI8-X1: Wide-range power supply unit, incl. 2 non-grouped digital inputs and 6 grouped digital inputs
- X2** – OR6: Assembly Group with 6 Output Relays (Changeover / Form C)
- X3** – TIs: Standard phase current measuring card and sensitive ground current measuring (winding side 1)
- X4** – TIs: Standard phase current measuring card and sensitive ground current measuring (winding side 2)
- X102** – Universal Resistance-Temperature Detector (URTD) input, Fiber optics interface, Versatile Link
- X103** – IEC 61850 / Modbus TCP / IEC 60870-5-104 / DNP3.0 TCP/UDP, Redundant Fiber optics interface, LC Connector
- X104** – IRIG-B00X, incl. System Contact (Supervision Contact)

MRDT4-2A3AQB

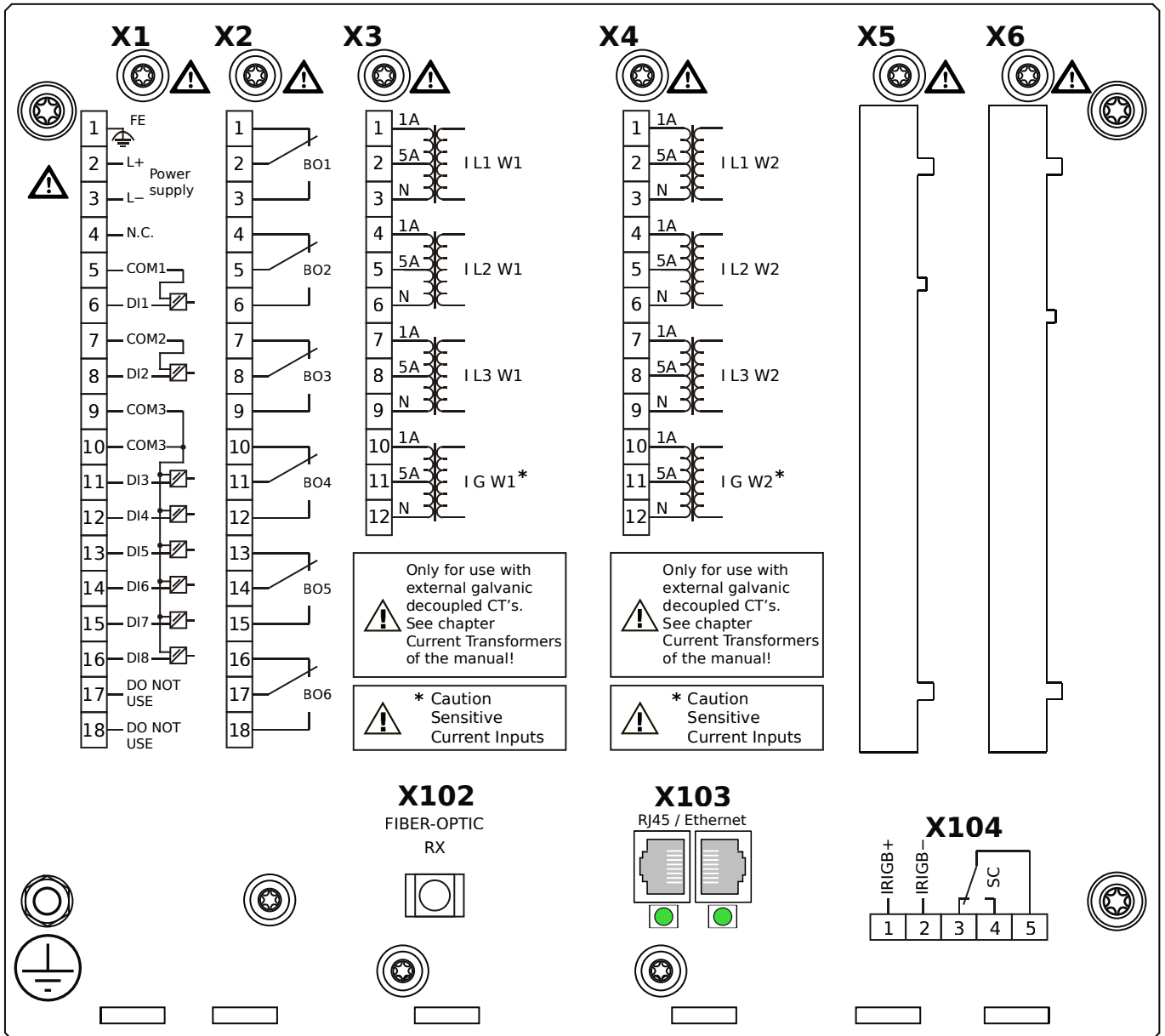


Housing B2, small display, door mounting

+ Conformal Coating (for installations in harsh environment)

- X1** – DI8-X1: Wide-range power supply unit, incl. 2 non-grouped digital inputs and 6 grouped digital inputs
- X2** – OR6: Assembly Group with 6 Output Relays (Changeover / Form C)
- X3** – TIs: Standard phase current measuring card and sensitive ground current measuring (winding side 1)
- X4** – TIs: Standard phase current measuring card and sensitive ground current measuring (winding side 2)
- X102** – Universal Resistance-Temperature Detector (URTD) input, Fiber optics interface, Versatile Link
- X103** – IEC 61850 / Modbus TCP / IEC 60870-5-104 / DNP3.0 TCP/UDP, Redundant Fiber optics interface, LC Connector
- X104** – IRIG-B00X, incl. System Contact (Supervision Contact)

MRDT4-2A3ARA



Housing B2, small display, door mounting

X1 – DI8-X1: Wide-range power supply unit, incl. 2 non-grouped digital inputs and 6 grouped digital inputs

X2 – OR6: Assembly Group with 6 Output Relays (Changeover / Form C)

X3 – TIs: Standard phase current measuring card and sensitive ground current measuring (winding side 1)

X4 – TIs: Standard phase current measuring card and sensitive ground current measuring (winding side 2)

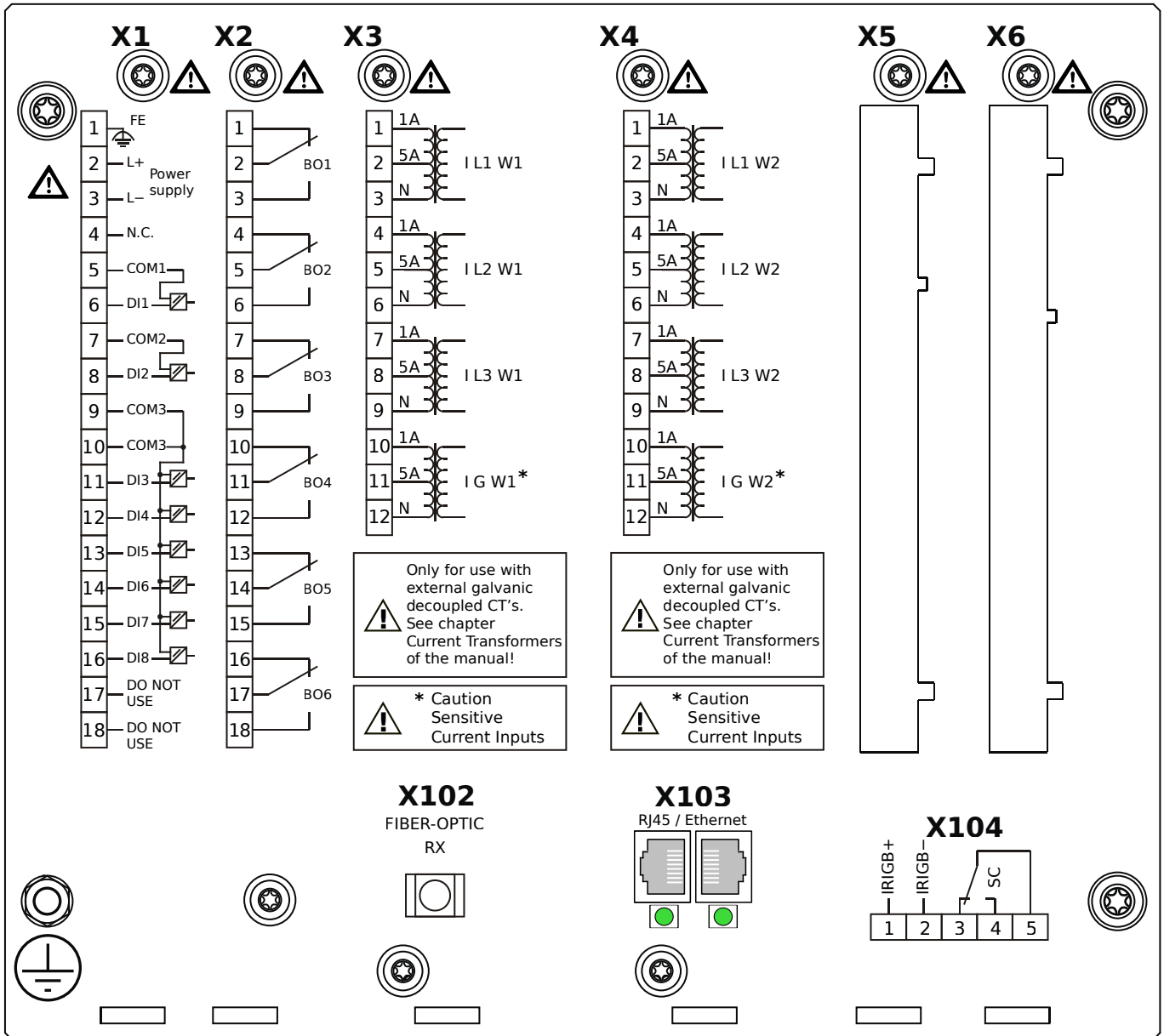
X102 – Universal Resistance-Temperature Detector (URTD) input, Fiber optics interface, Versatile Link

X103 – IEC 61850 / Modbus TCP / IEC 60870-5-104 / DNP3.0 TCP/UDP, Redundant Ethernet interface, 100 Mbit/s, RJ45

(BASE100-FX)

X104 – IRIG-B00X, incl. System Contact (Supervision Contact)

MRDT4-2A3ARB



Housing B2, small display, door mounting

+ Conformal Coating (for installations in harsh environment)

X1 – DI8-X1: Wide-range power supply unit, incl. 2 non-grouped digital inputs and 6 grouped digital inputs

X2 – OR6: Assembly Group with 6 Output Relays (Changeover / Form C)

X3 – TIs: Standard phase current measuring card and sensitive ground current measuring (winding side 1)

X4 – TIs: Standard phase current measuring card and sensitive ground current measuring (winding side 2)

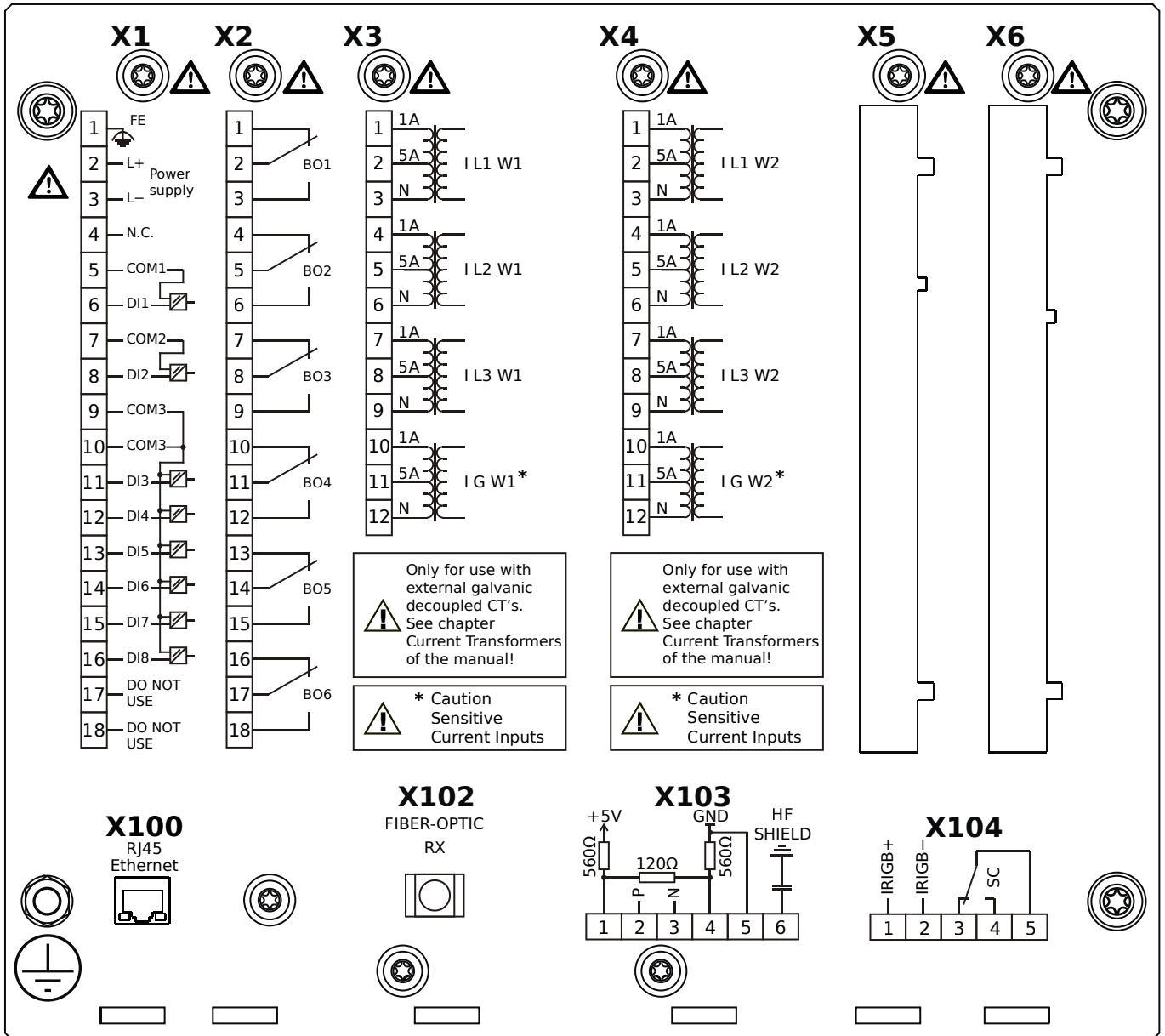
X102 – Universal Resistance-Temperature Detector (URTD) input, Fiber optics interface, Versatile Link

X103 – IEC 61850 / Modbus TCP / IEC 60870-5-104 / DNP3.0 TCP/UDP, Redundant Ethernet interface, 100 Mbit/s, RJ45

(BASE100-FX)

X104 – IRIG-B00X, incl. System Contact (Supervision Contact)

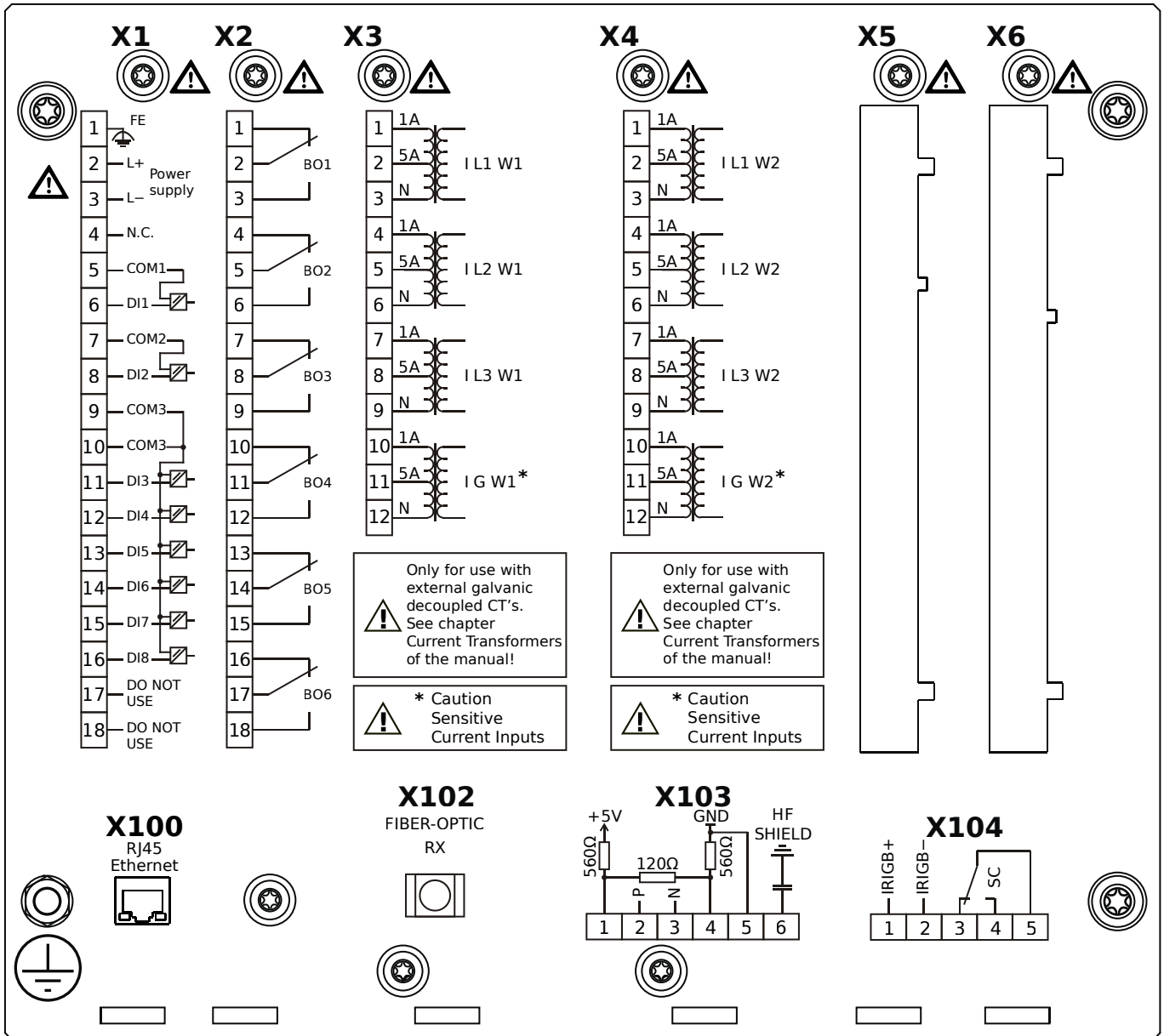
MRDT4-2A3ATA



Housing B2, small display, door mounting

- X1** – DI8-X1: Wide-range power supply unit, incl. 2 non-grouped digital inputs and 6 grouped digital inputs
- X2** – OR6: Assembly Group with 6 Output Relays (Changeover / Form C)
- X3** – TIs: Standard phase current measuring card and sensitive ground current measuring (winding side 1)
- X4** – TIs: Standard phase current measuring card and sensitive ground current measuring (winding side 2)
- X100** – IEC 61850 / Modbus TCP / IEC 60870-5-104 / DNP3.0 TCP/UDP, Ethernet interface, 100 Mbit/s, RJ45 (BASE100-FX)
- X102** – Universal Resistance-Temperature Detector (URTD) input, Fiber optics interface, Versatile Link
- X103** – IEC 60870-5-103 / Modbus RTU / DNP3.0 RTU, RS485, Terminals
- X104** – IRIG-B00X, incl. System Contact (Supervision Contact)

MRDT4-2A3ATB



Housing B2, small display, door mounting

+ Conformal Coating (for installations in harsh environment)

X1 – DI8-X1: Wide-range power supply unit, incl. 2 non-grouped digital inputs and 6 grouped digital inputs

X2 – OR6: Assembly Group with 6 Output Relays (Changeover / Form C)

X3 – TIs: Standard phase current measuring card and sensitive ground current measuring (winding side 1)

X4 – TIs: Standard phase current measuring card and sensitive ground current measuring (winding side 2)

X100 – IEC 61850 / Modbus TCP / IEC 60870-5-104 / DNP3.0 TCP/UDP, Ethernet interface, 100 Mbit/s, RJ45 (BASE100-

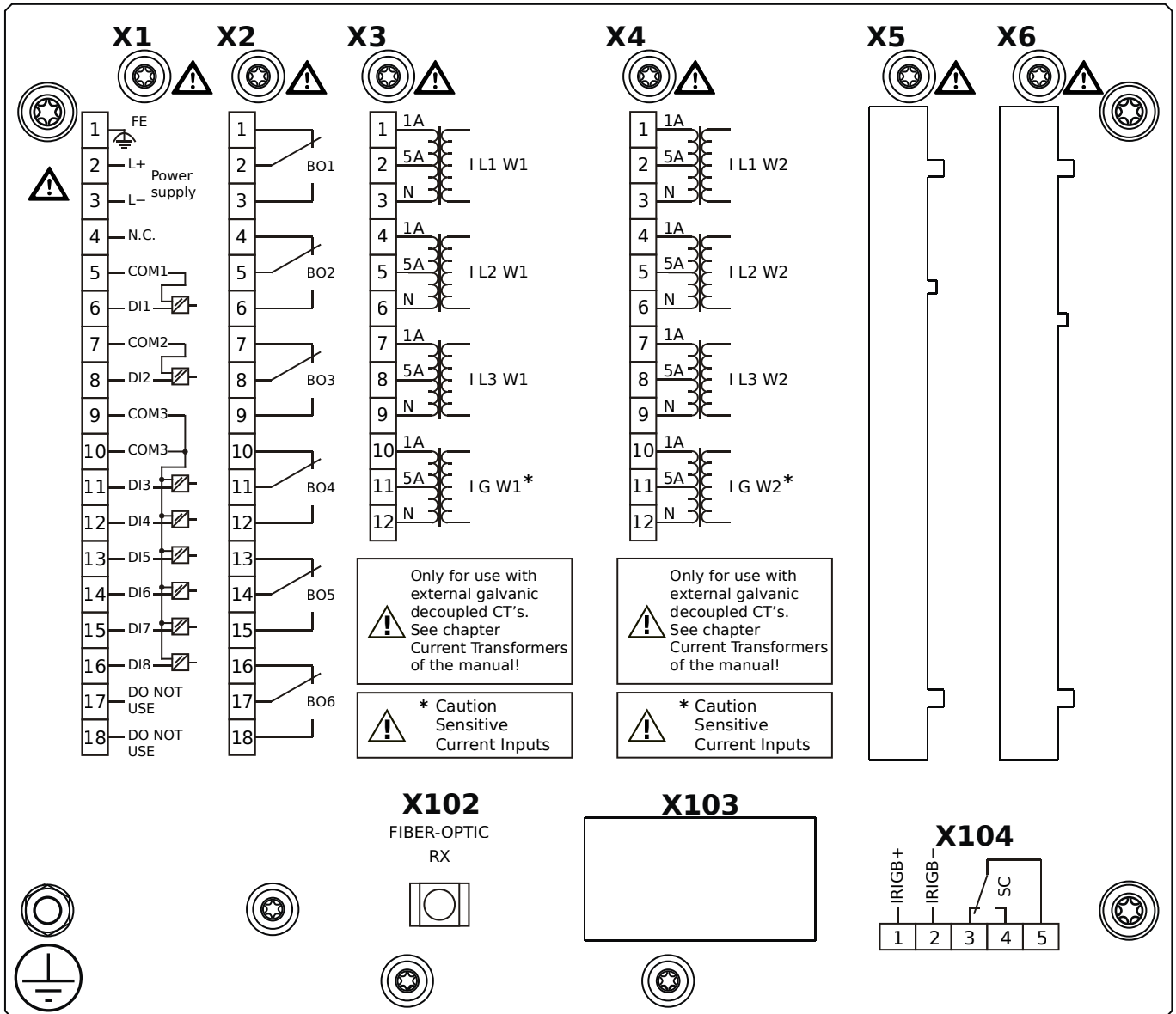
FX)

X102 – Universal Resistance-Temperature Detector (URTD) input, Fiber optics interface, Versatile Link

X103 – IEC 60870-5-103 / Modbus RTU / DNP3.0 RTU, RS485, Terminals

X104 – IRIG-B00X, incl. System Contact (Supervision Contact)

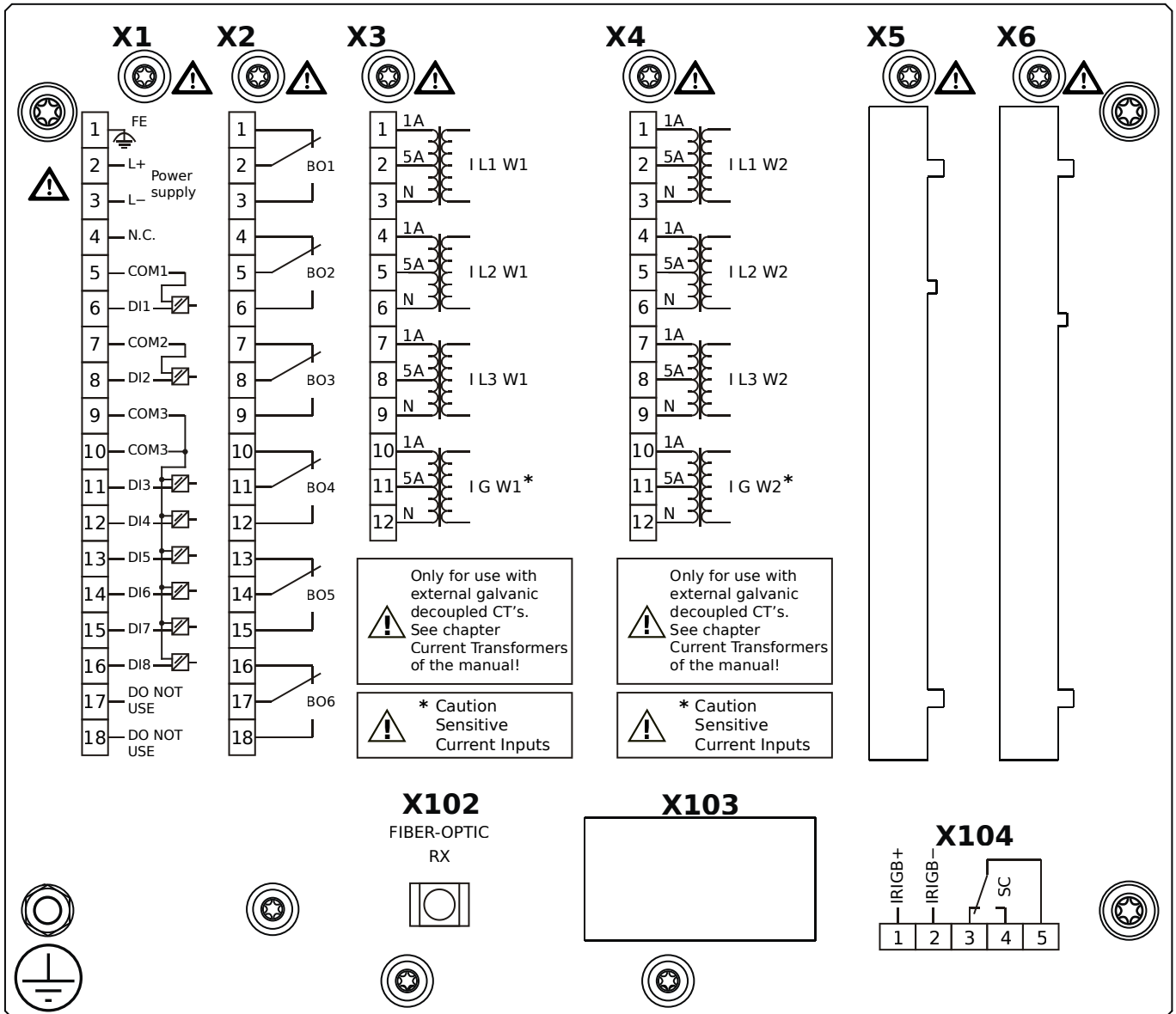
MRDT4-2A3BAA



Housing B2, small display, 19" rack mounting

- X1** – DI8-X1: Wide-range power supply unit, incl. 2 non-grouped digital inputs and 6 grouped digital inputs
- X2** – OR6: Assembly Group with 6 Output Relays (Changeover / Form C)
- X3** – TIs: Standard phase current measuring card and sensitive ground current measuring (winding side 1)
- X4** – TIs: Standard phase current measuring card and sensitive ground current measuring (winding side 2)
- X102** – Universal Resistance-Temperature Detector (URTD) input, Fiber optics interface, Versatile Link
- X104** – IRIG-B00X, incl. System Contact (Supervision Contact)

MRDT4-2A3BAB

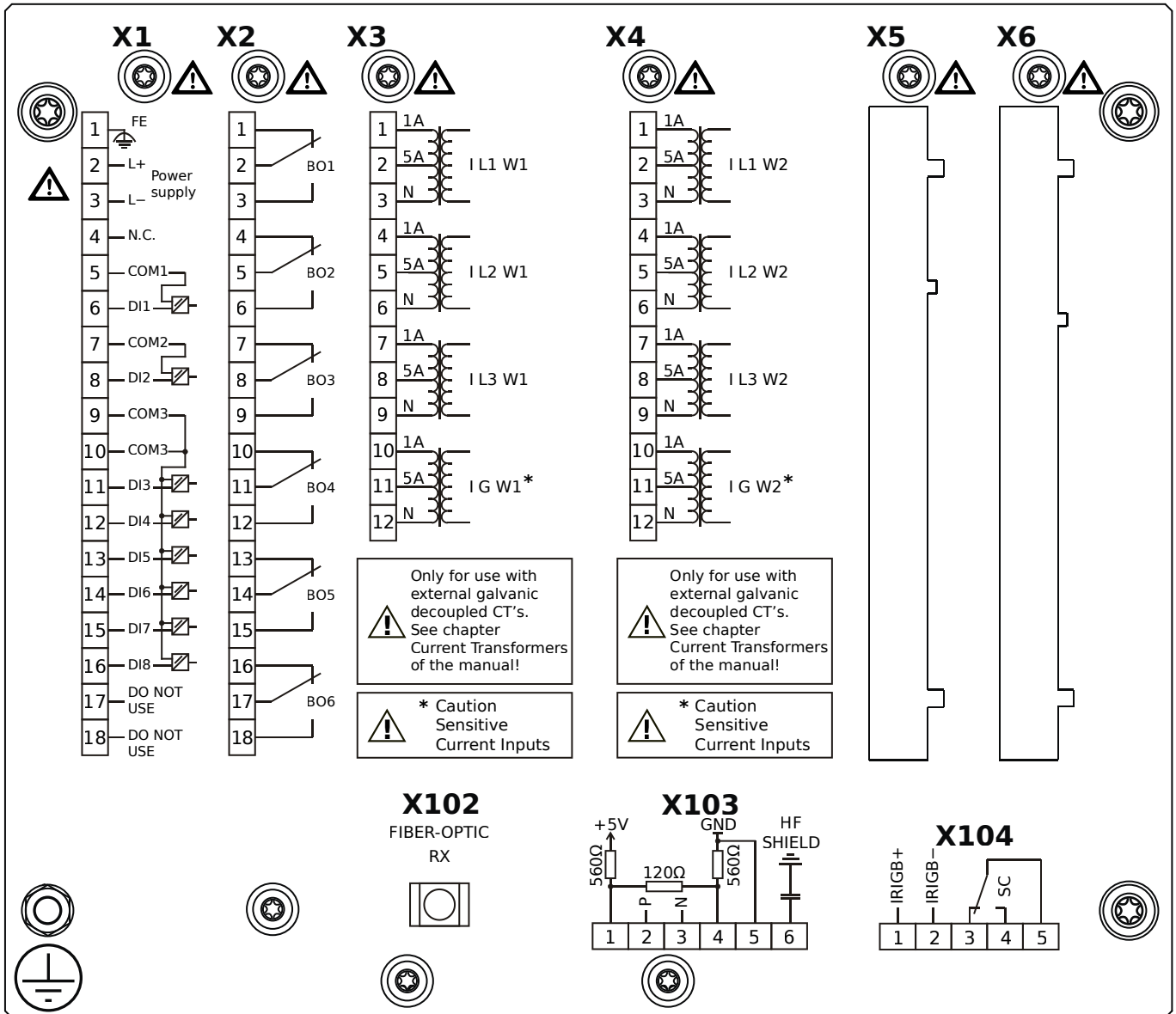


Housing B2, small display, 19" rack mounting

+ Conformal Coating (for installations in harsh environment)

- X1** – DI8-X1: Wide-range power supply unit, incl. 2 non-grouped digital inputs and 6 grouped digital inputs
- X2** – OR6: Assembly Group with 6 Output Relays (Changeover / Form C)
- X3** – TIs: Standard phase current measuring card and sensitive ground current measuring (winding side 1)
- X4** – TIs: Standard phase current measuring card and sensitive ground current measuring (winding side 2)
- X102** – Universal Resistance-Temperature Detector (URTD) input, Fiber optics interface, Versatile Link
- X104** – IRIG-B00X, incl. System Contact (Supervision Contact)

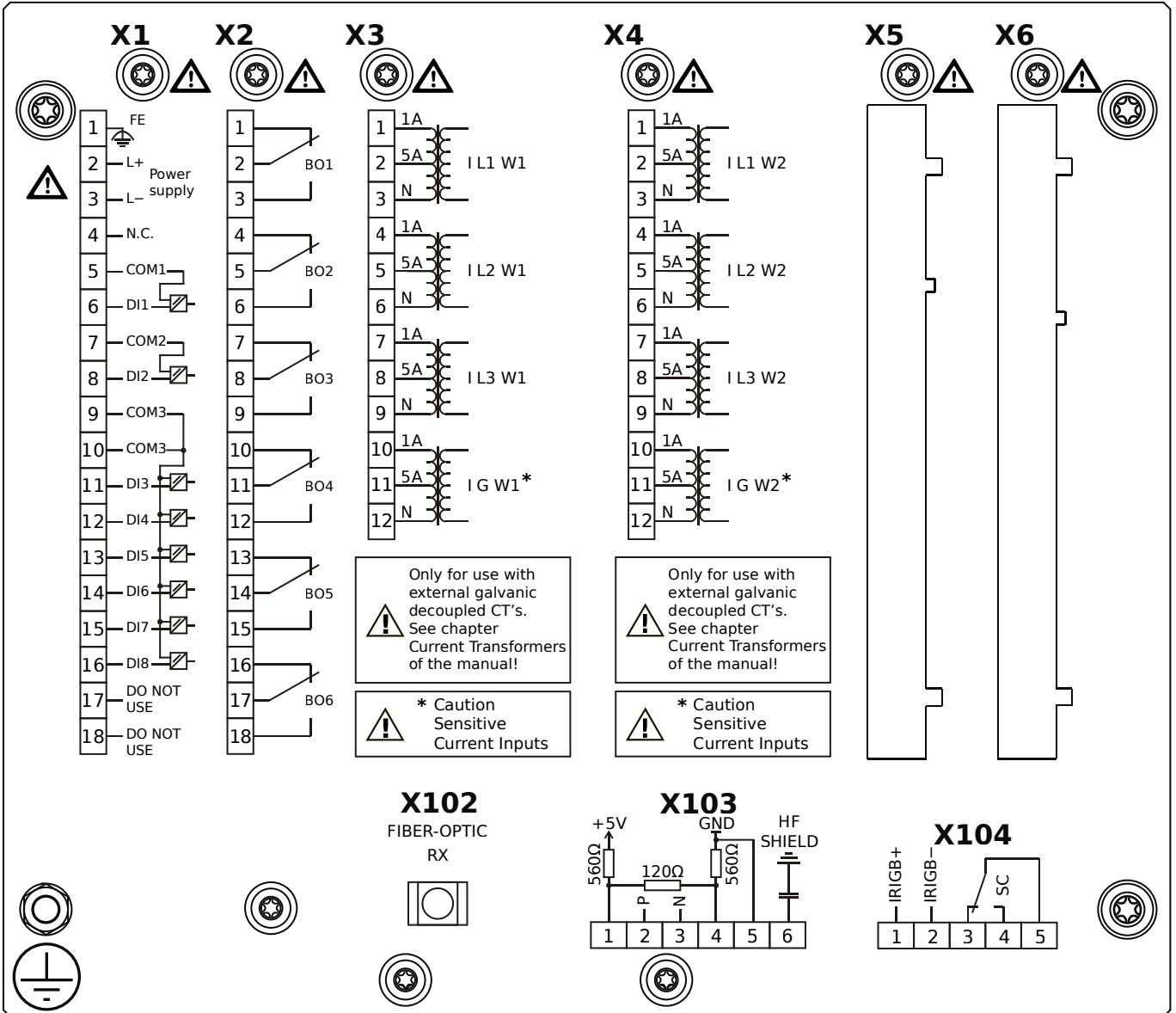
MRDT4-2A3BBA



Housing B2, small display, 19" rack mounting

- X1** – DI8-X1: Wide-range power supply unit, incl. 2 non-grouped digital inputs and 6 grouped digital inputs
- X2** – OR6: Assembly Group with 6 Output Relays (Changeover / Form C)
- X3** – TIs: Standard phase current measuring card and sensitive ground current measuring (winding side 1)
- X4** – TIs: Standard phase current measuring card and sensitive ground current measuring (winding side 2)
- X102** – Universal Resistance-Temperature Detector (URTD) input, Fiber optics interface, Versatile Link
- X103** – Modbus RTU / IEC 60870-5-103 / DNP3.0 RTU, RS485, Terminals
- X104** – IRIG-B00X, incl. System Contact (Supervision Contact)

MRDT4-2A3BBB

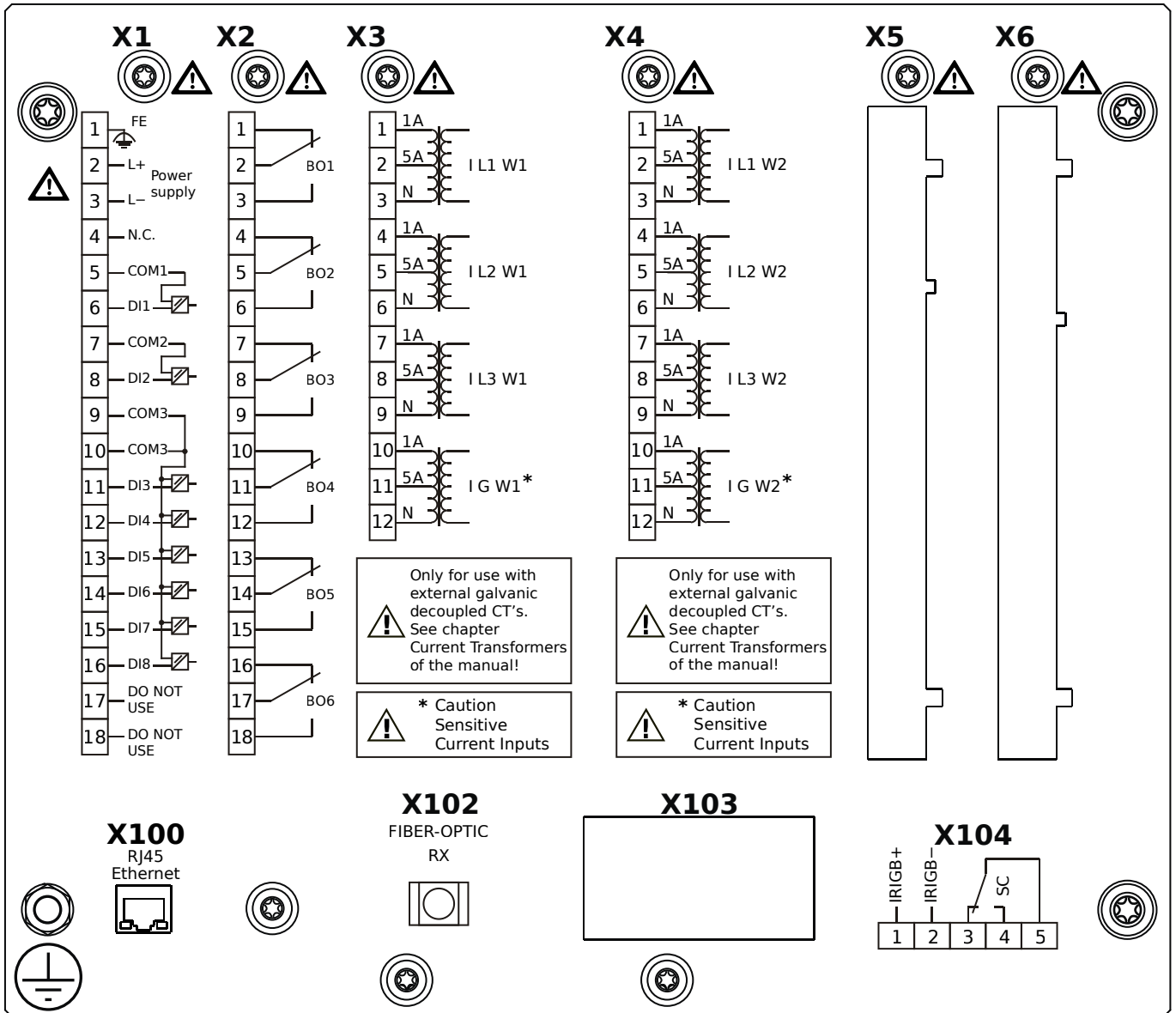


Housing B2, small display, 19" rack mounting

+ Conformal Coating (for installations in harsh environment)

- X1** – DI8-X1: Wide-range power supply unit, incl. 2 non-grouped digital inputs and 6 grouped digital inputs
- X2** – OR6: Assembly Group with 6 Output Relays (Changeover / Form C)
- X3** – TIs: Standard phase current measuring card and sensitive ground current measuring (winding side 1)
- X4** – TIs: Standard phase current measuring card and sensitive ground current measuring (winding side 2)
- X102** – Universal Resistance-Temperature Detector (URTD) input, Fiber optics interface, Versatile Link
- X103** – Modbus RTU / IEC 60870-5-103 / DNP3.0 RTU, RS485, Terminals
- X104** – IRIG-B00X, incl. System Contact (Supervision Contact)

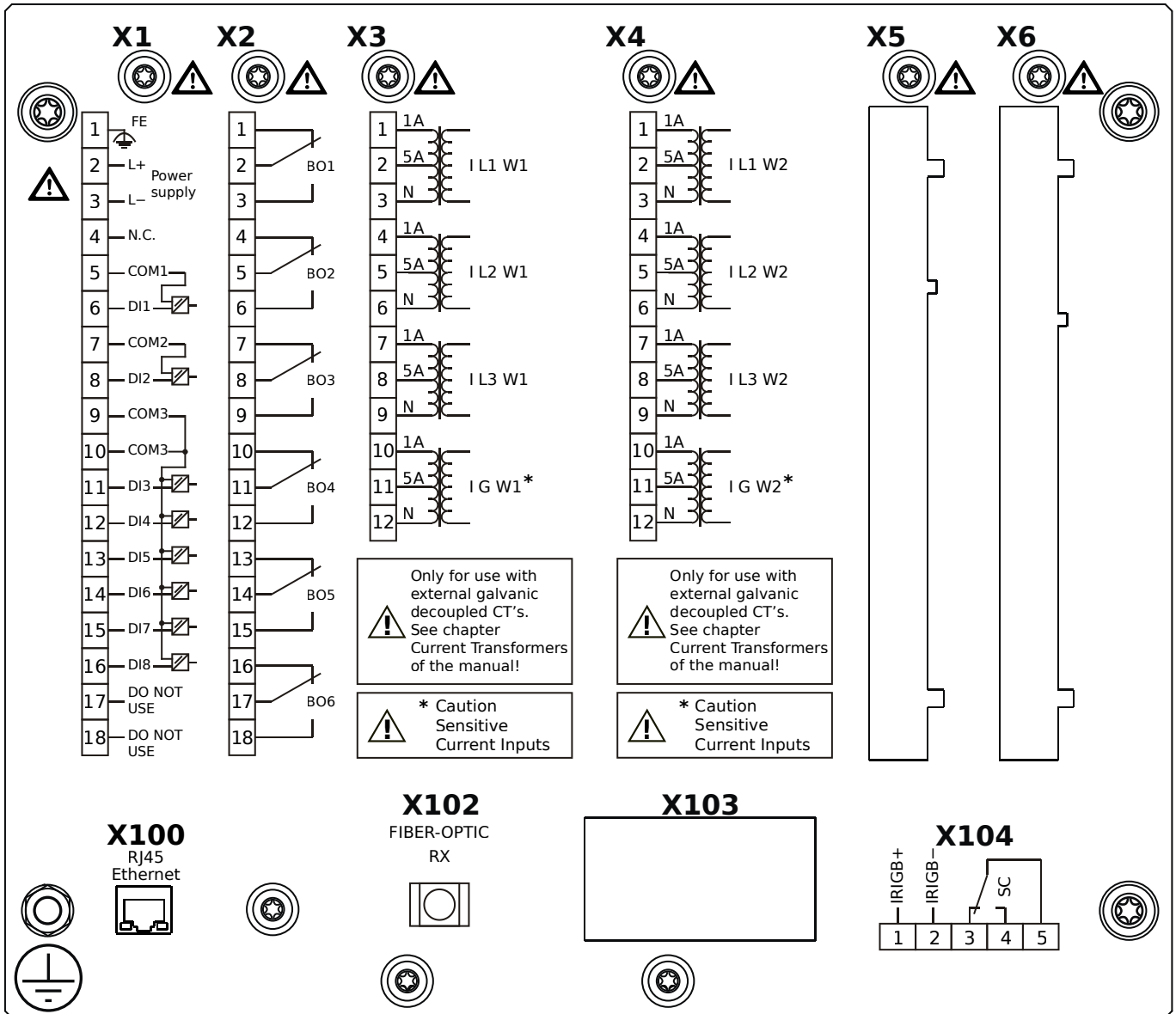
MRDT4-2A3BCA



Housing B2, small display, 19" rack mounting

- X1** – DI8-X1: Wide-range power supply unit, incl. 2 non-grouped digital inputs and 6 grouped digital inputs
- X2** – OR6: Assembly Group with 6 Output Relays (Changeover / Form C)
- X3** – TIs: Standard phase current measuring card and sensitive ground current measuring (winding side 1)
- X4** – TIs: Standard phase current measuring card and sensitive ground current measuring (winding side 2)
- X100** – Modbus TCP / IEC 60870-5-104 / DNP3.0 TCP/UDP, Ethernet interface, 100 Mbit/s, RJ45 (BASE100-FX)
- X102** – Universal Resistance-Temperature Detector (URTD) input, Fiber optics interface, Versatile Link
- X104** – IRIG-B00X, incl. System Contact (Supervision Contact)

MRDT4-2A3BCB

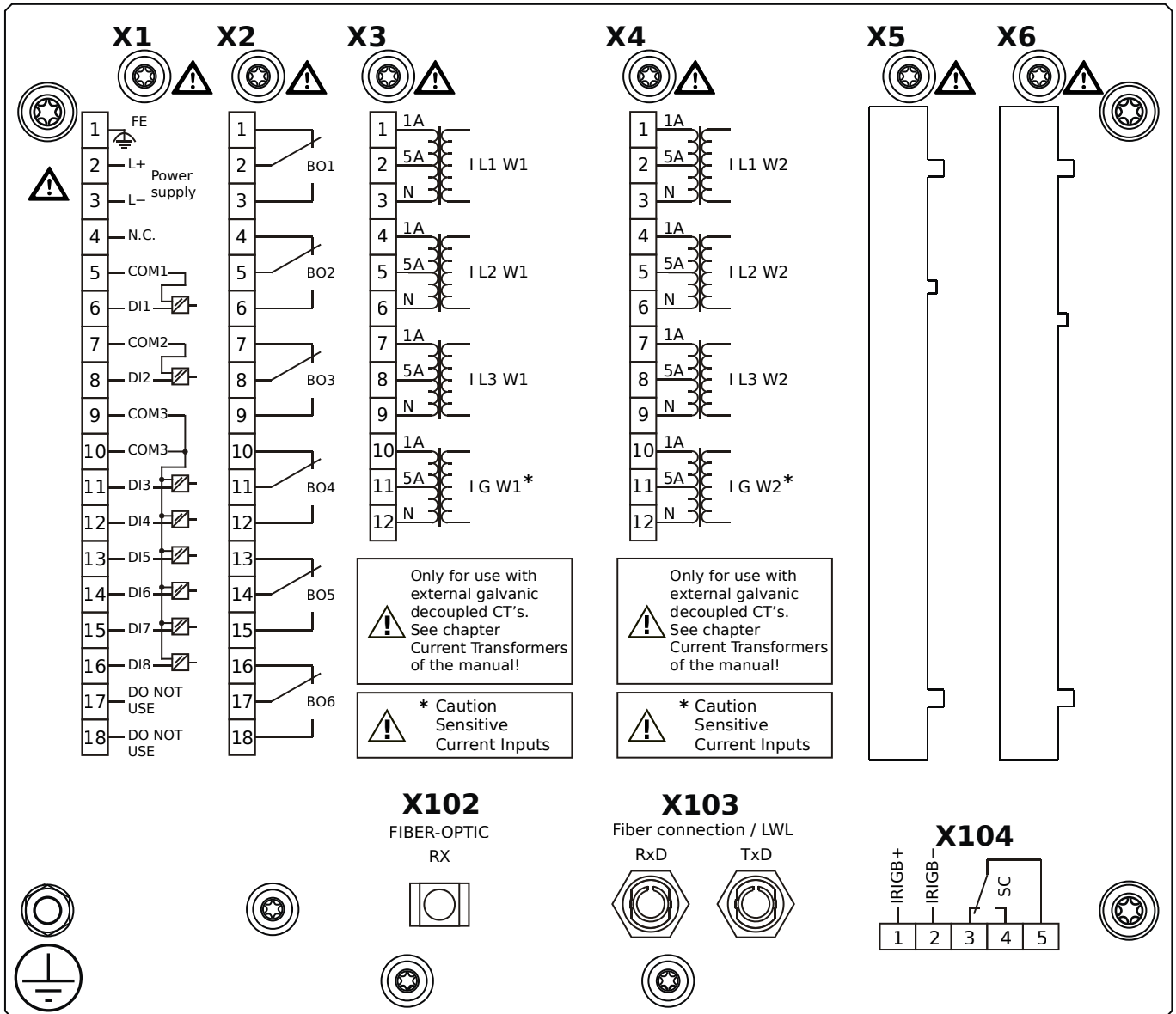


Housing B2, small display, 19" rack mounting

+ Conformal Coating (for installations in harsh environment)

- X1** – DI8-X1: Wide-range power supply unit, incl. 2 non-grouped digital inputs and 6 grouped digital inputs
- X2** – OR6: Assembly Group with 6 Output Relays (Changeover / Form C)
- X3** – TIs: Standard phase current measuring card and sensitive ground current measuring (winding side 1)
- X4** – TIs: Standard phase current measuring card and sensitive ground current measuring (winding side 2)
- X100** – Modbus TCP / IEC 60870-5-104 / DNP3.0 TCP/UDP, Ethernet interface, 100 Mbit/s, RJ45 (BASE100-FX)
- X102** – Universal Resistance-Temperature Detector (URTD) input, Fiber optics interface, Versatile Link
- X104** – IRIG-B00X, incl. System Contact (Supervision Contact)

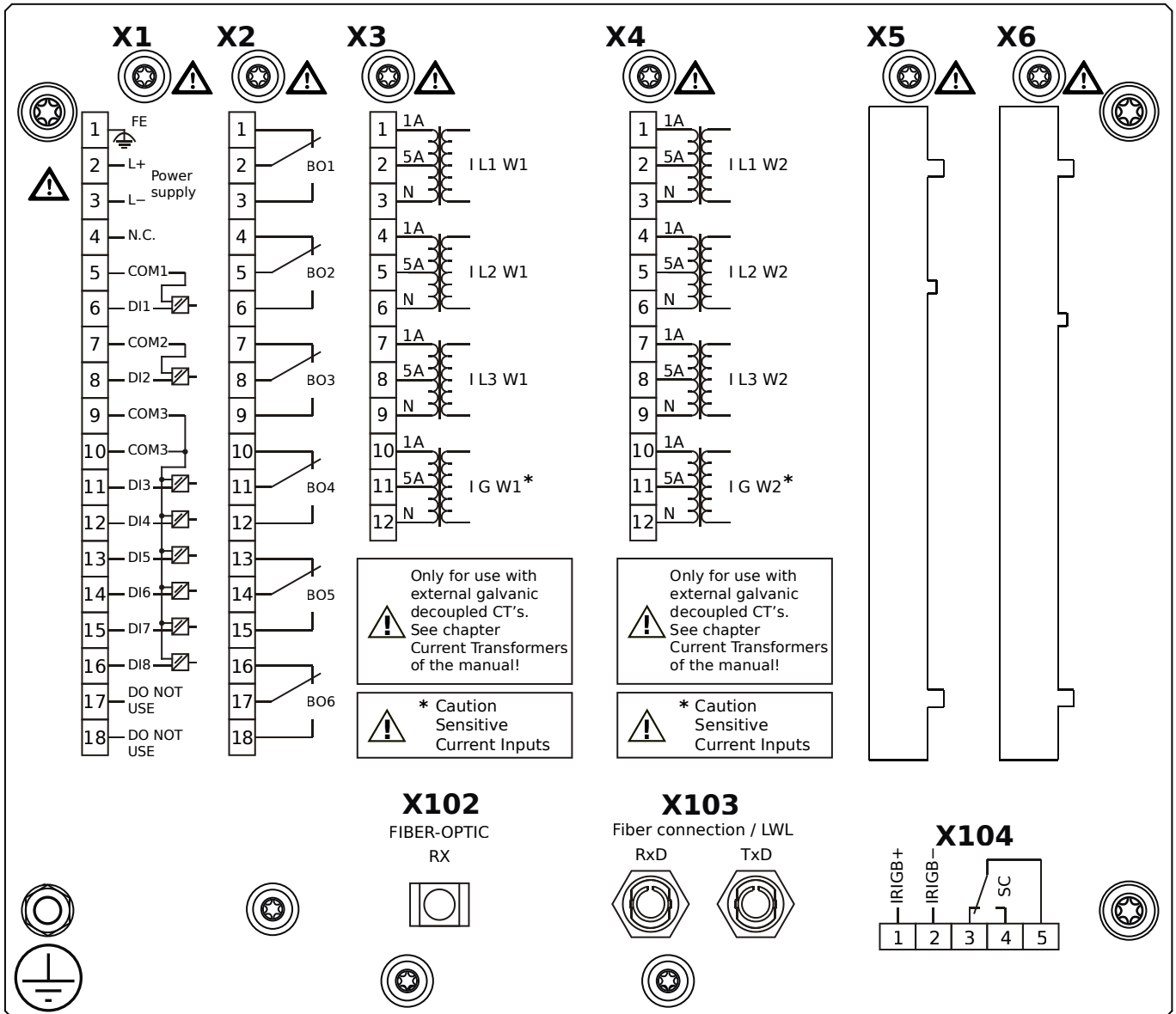
MRDT4-2A3BDA



Housing B2, small display, 19" rack mounting

- X1** – DI8-X1: Wide-range power supply unit, incl. 2 non-grouped digital inputs and 6 grouped digital inputs
- X2** – OR6: Assembly Group with 6 Output Relays (Changeover / Form C)
- X3** – TIs: Standard phase current measuring card and sensitive ground current measuring (winding side 1)
- X4** – TIs: Standard phase current measuring card and sensitive ground current measuring (winding side 2)
- X102** – Universal Resistance-Temperature Detector (URTD) input, Fiber optics interface, Versatile Link
- X103** – Profibus-DP, Fiber optics interface, ST Connector
- X104** – IRIG-B00X, incl. System Contact (Supervision Contact)

MRDT4-2A3BDB

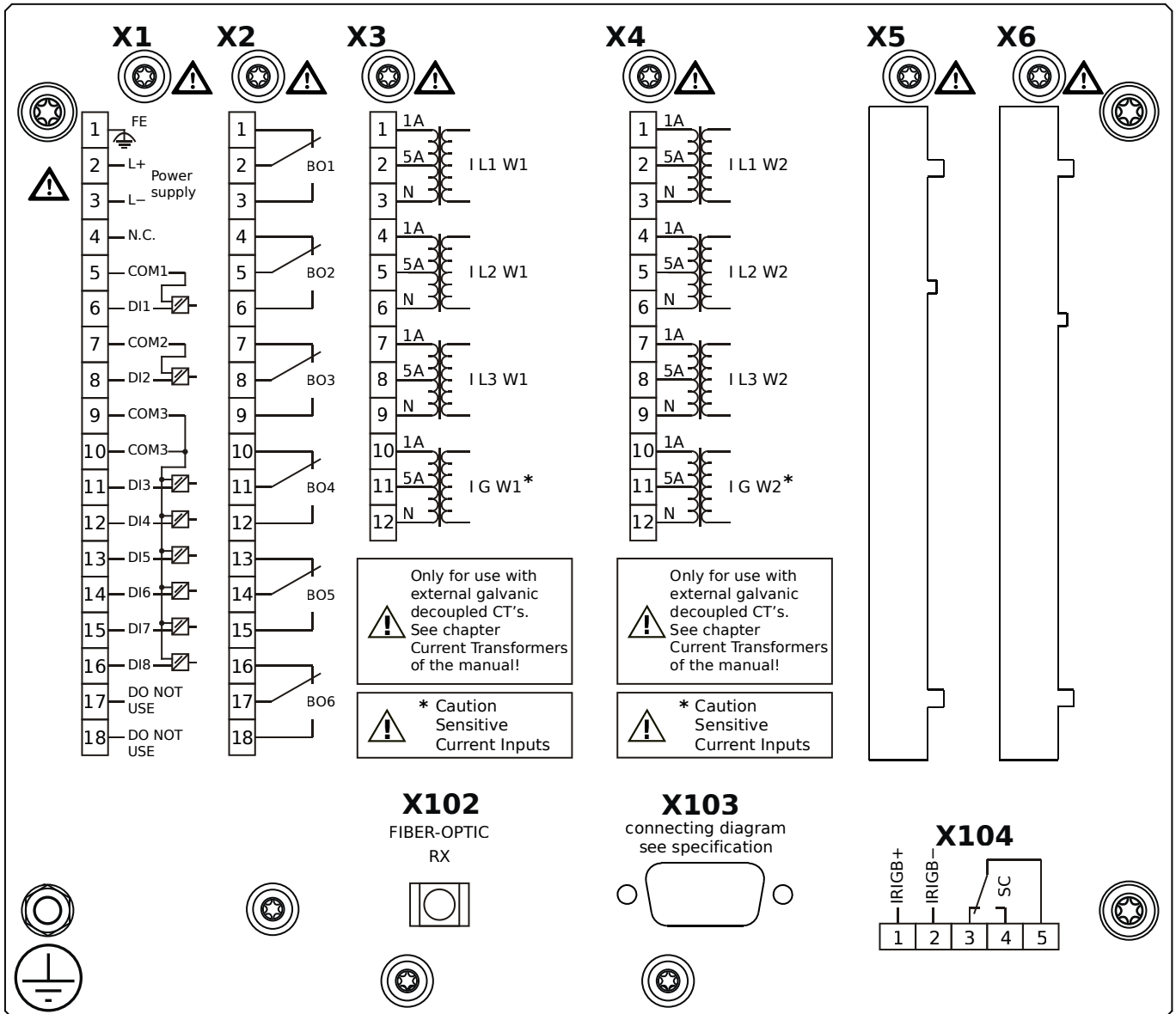


Housing B2, small display, 19" rack mounting

+ Conformal Coating (for installations in harsh environment)

- X1** – DI8-X1: Wide-range power supply unit, incl. 2 non-grouped digital inputs and 6 grouped digital inputs
- X2** – OR6: Assembly Group with 6 Output Relays (Changeover / Form C)
- X3** – TIs: Standard phase current measuring card and sensitive ground current measuring (winding side 1)
- X4** – TIs: Standard phase current measuring card and sensitive ground current measuring (winding side 2)
- X102** – Universal Resistance-Temperature Detector (URTD) input, Fiber optics interface, Versatile Link
- X103** – Profibus-DP, Fiber optics interface, ST Connector
- X104** – IRIG-B00X, incl. System Contact (Supervision Contact)

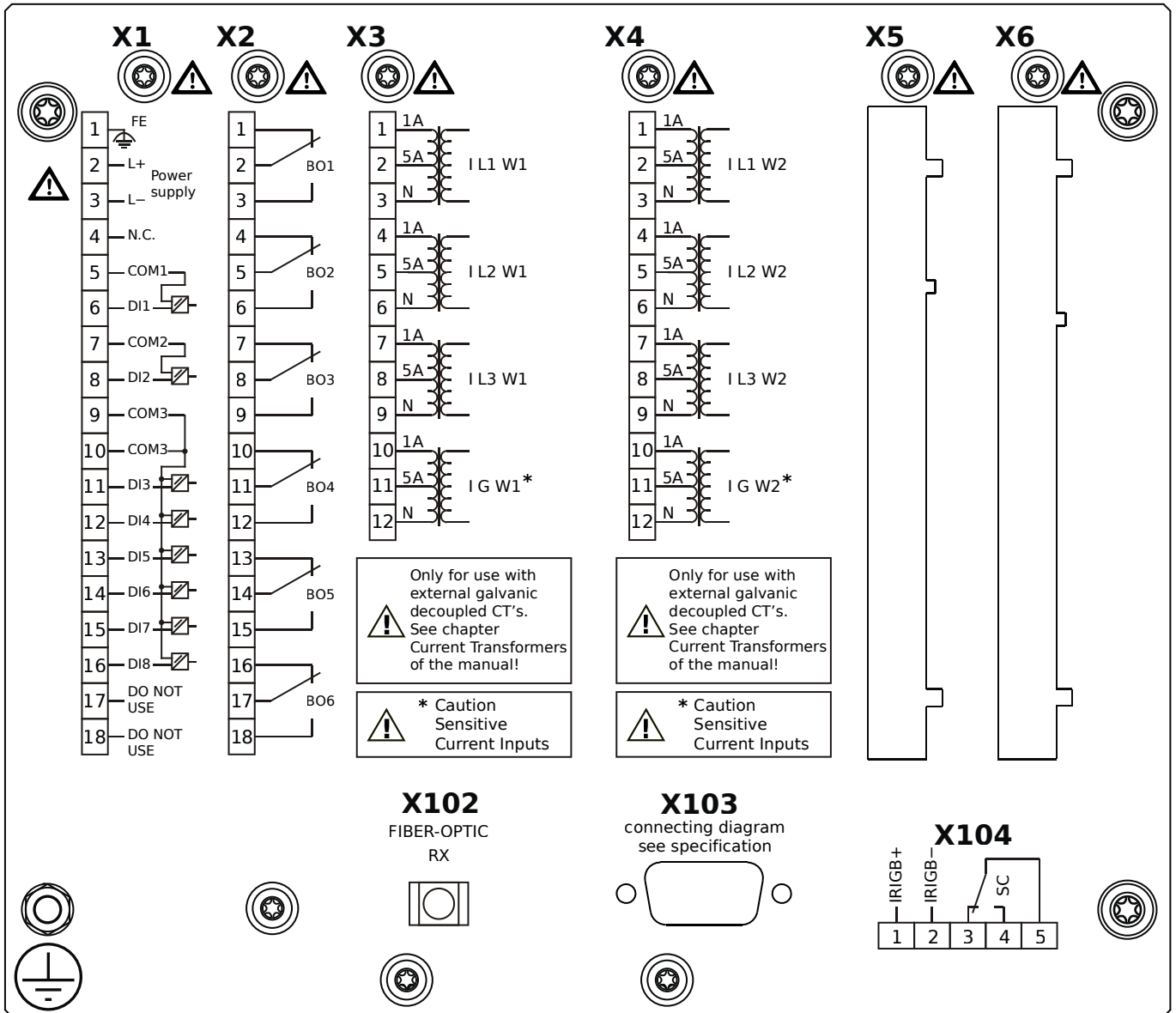
MRDT4-2A3BEA



Housing B2, small display, 19" rack mounting

- X1** – DI8-X1: Wide-range power supply unit, incl. 2 non-grouped digital inputs and 6 grouped digital inputs
- X2** – OR6: Assembly Group with 6 Output Relays (Changeover / Form C)
- X3** – TIs: Standard phase current measuring card and sensitive ground current measuring (winding side 1)
- X4** – TIs: Standard phase current measuring card and sensitive ground current measuring (winding side 2)
- X102** – Universal Resistance-Temperature Detector (URTD) input, Fiber optics interface, Versatile Link
- X103** – Profibus-DP, RS485, D-SUB
- X104** – IRIG-B00X, incl. System Contact (Supervision Contact)

MRDT4-2A3BEB

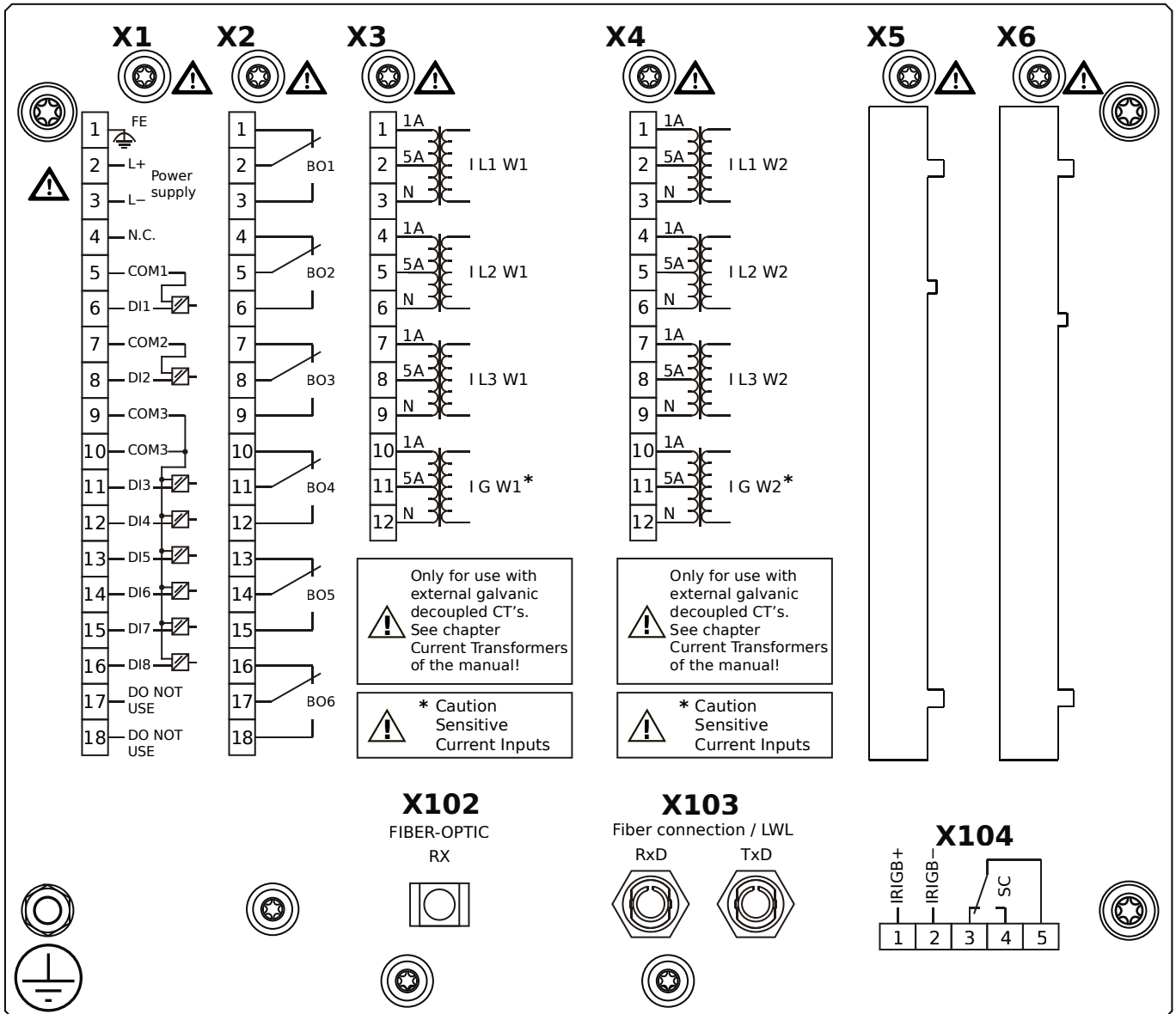


Housing B2, small display, 19" rack mounting

+ Conformal Coating (for installations in harsh environment)

- X1** – DI8-X1: Wide-range power supply unit, incl. 2 non-grouped digital inputs and 6 grouped digital inputs
- X2** – OR6: Assembly Group with 6 Output Relays (Changeover / Form C)
- X3** – TIs: Standard phase current measuring card and sensitive ground current measuring (winding side 1)
- X4** – TIs: Standard phase current measuring card and sensitive ground current measuring (winding side 2)
- X102** – Universal Resistance-Temperature Detector (URTD) input, Fiber optics interface, Versatile Link
- X103** – Profibus-DP, RS485, D-SUB
- X104** – IRIG-B00X, incl. System Contact (Supervision Contact)

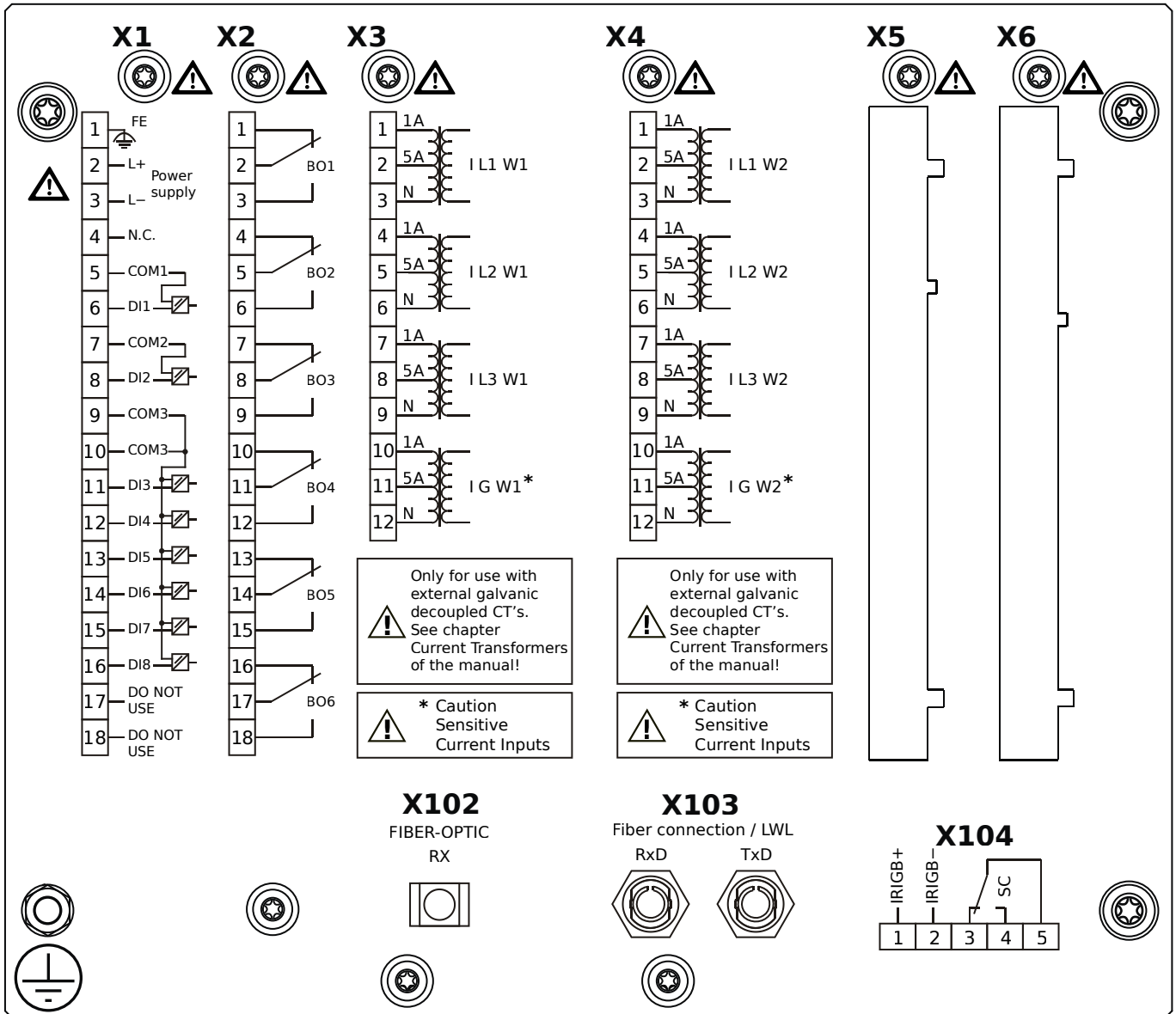
MRDT4-2A3BFA



Housing B2, small display, 19" rack mounting

- X1** – DI8-X1: Wide-range power supply unit, incl. 2 non-grouped digital inputs and 6 grouped digital inputs
- X2** – OR6: Assembly Group with 6 Output Relays (Changeover / Form C)
- X3** – TIs: Standard phase current measuring card and sensitive ground current measuring (winding side 1)
- X4** – TIs: Standard phase current measuring card and sensitive ground current measuring (winding side 2)
- X102** – Universal Resistance-Temperature Detector (URTD) input, Fiber optics interface, Versatile Link
- X103** – Modbus RTU / IEC 60870-5-103 / DNP3.0 RTU, Fiber optics interface, ST Connector
- X104** – IRIG-B00X, incl. System Contact (Supervision Contact)

MRDT4-2A3BFB

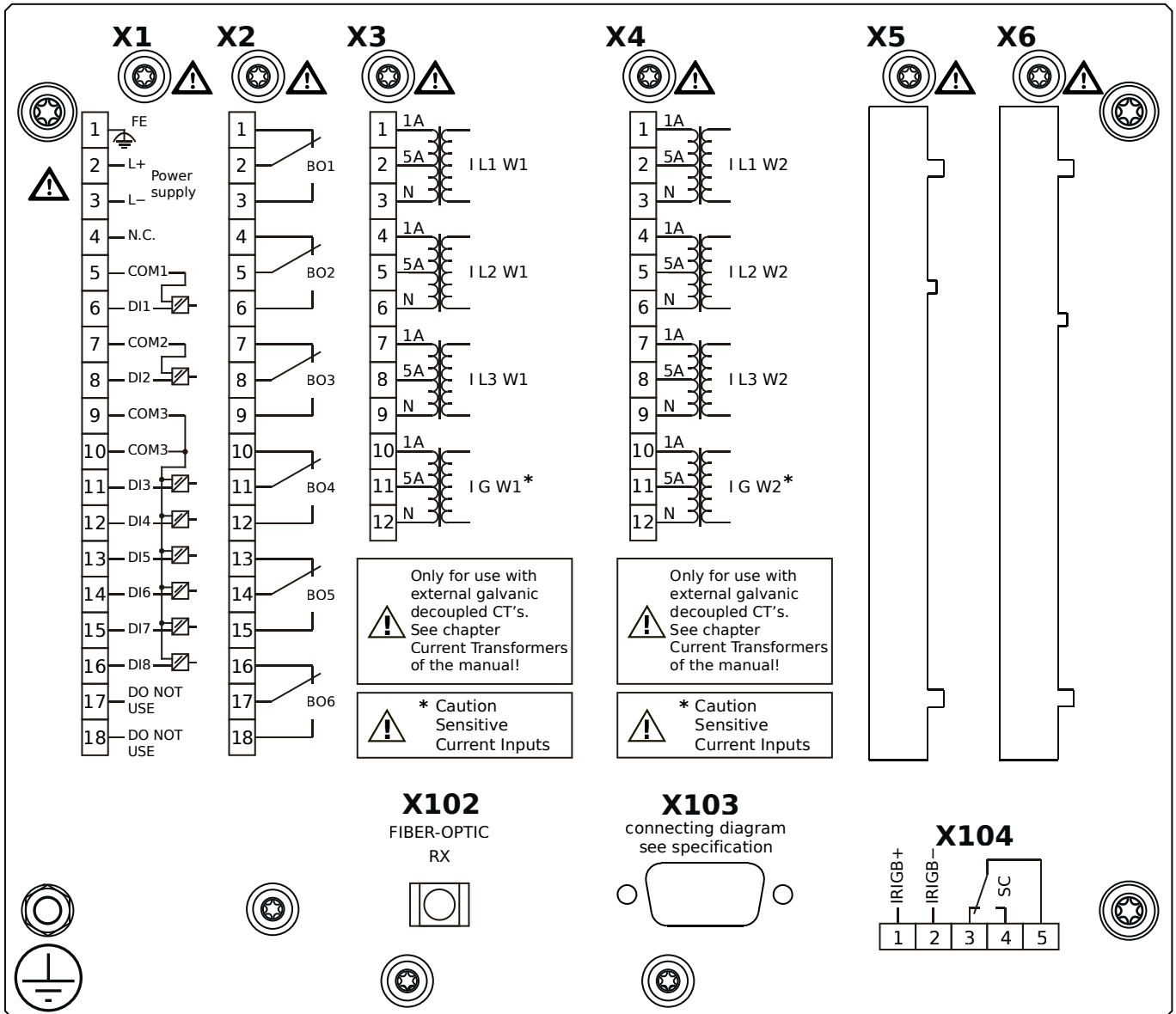


Housing B2, small display, 19" rack mounting

+ Conformal Coating (for installations in harsh environment)

- X1** – DI8-X1: Wide-range power supply unit, incl. 2 non-grouped digital inputs and 6 grouped digital inputs
- X2** – OR6: Assembly Group with 6 Output Relays (Changeover / Form C)
- X3** – TIs: Standard phase current measuring card and sensitive ground current measuring (winding side 1)
- X4** – TIs: Standard phase current measuring card and sensitive ground current measuring (winding side 2)
- X102** – Universal Resistance-Temperature Detector (URTD) input, Fiber optics interface, Versatile Link
- X103** – Modbus RTU / IEC 60870-5-103 / DNP3.0 RTU, Fiber optics interface, ST Connector
- X104** – IRIG-B00X, incl. System Contact (Supervision Contact)

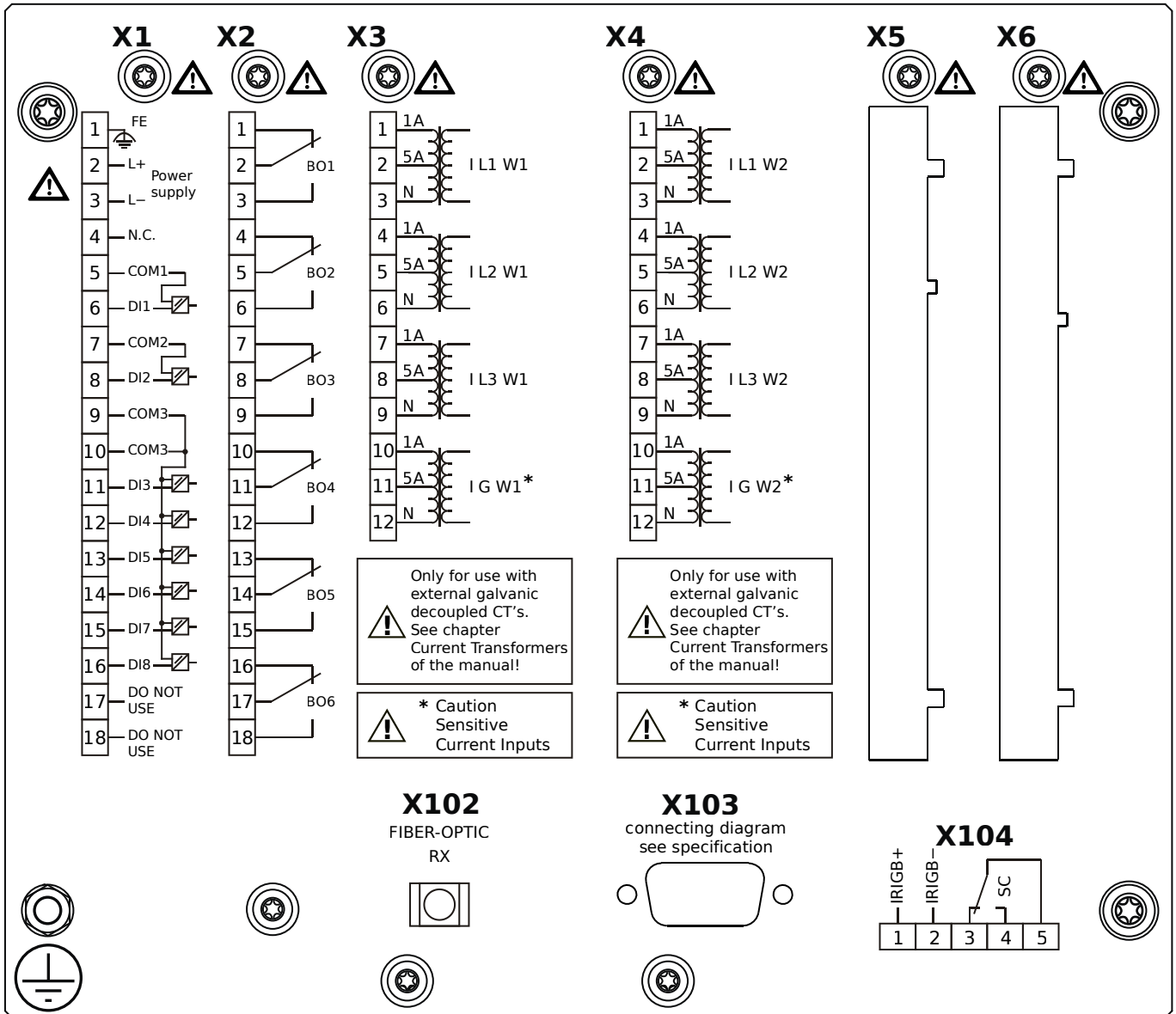
MRDT4-2A3BGA



Housing B2, small display, 19" rack mounting

- X1** – DI8-X1: Wide-range power supply unit, incl. 2 non-grouped digital inputs and 6 grouped digital inputs
- X2** – OR6: Assembly Group with 6 Output Relays (Changeover / Form C)
- X3** – TIs: Standard phase current measuring card and sensitive ground current measuring (winding side 1)
- X4** – TIs: Standard phase current measuring card and sensitive ground current measuring (winding side 2)
- X102** – Universal Resistance-Temperature Detector (URTD) input, Fiber optics interface, Versatile Link
- X103** – Modbus RTU / IEC 60870-5-103 / DNP3.0 RTU, RS485, D-SUB
- X104** – IRIG-B00X, incl. System Contact (Supervision Contact)

MRDT4-2A3BGB

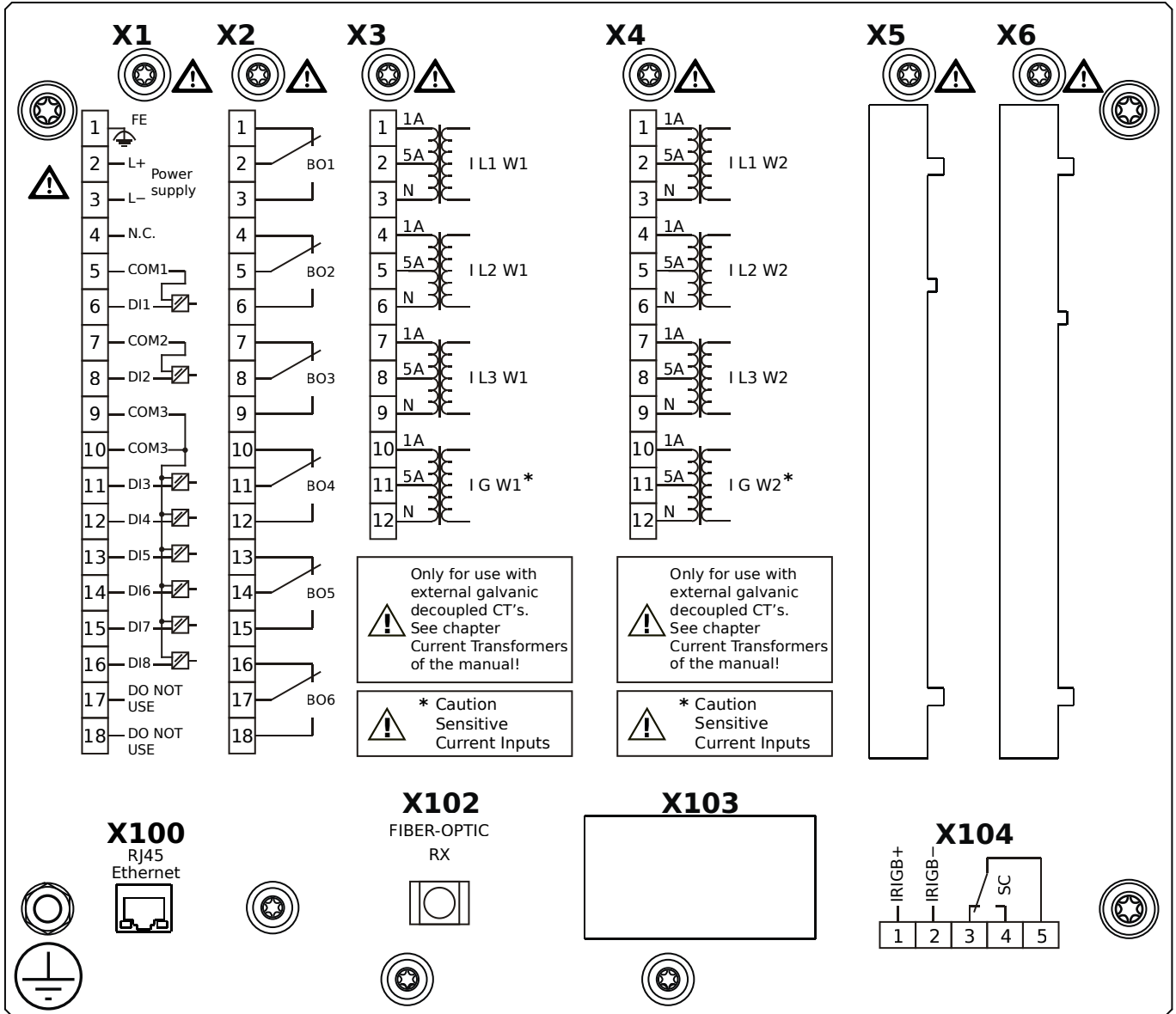


Housing B2, small display, 19" rack mounting

+ Conformal Coating (for installations in harsh environment)

- X1** – DI8-X1: Wide-range power supply unit, incl. 2 non-grouped digital inputs and 6 grouped digital inputs
- X2** – OR6: Assembly Group with 6 Output Relays (Changeover / Form C)
- X3** – TIs: Standard phase current measuring card and sensitive ground current measuring (winding side 1)
- X4** – TIs: Standard phase current measuring card and sensitive ground current measuring (winding side 2)
- X102** – Universal Resistance-Temperature Detector (URTD) input, Fiber optics interface, Versatile Link
- X103** – Modbus RTU / IEC 60870-5-103 / DNP3.0 RTU, RS485, D-SUB
- X104** – IRIG-B00X, incl. System Contact (Supervision Contact)

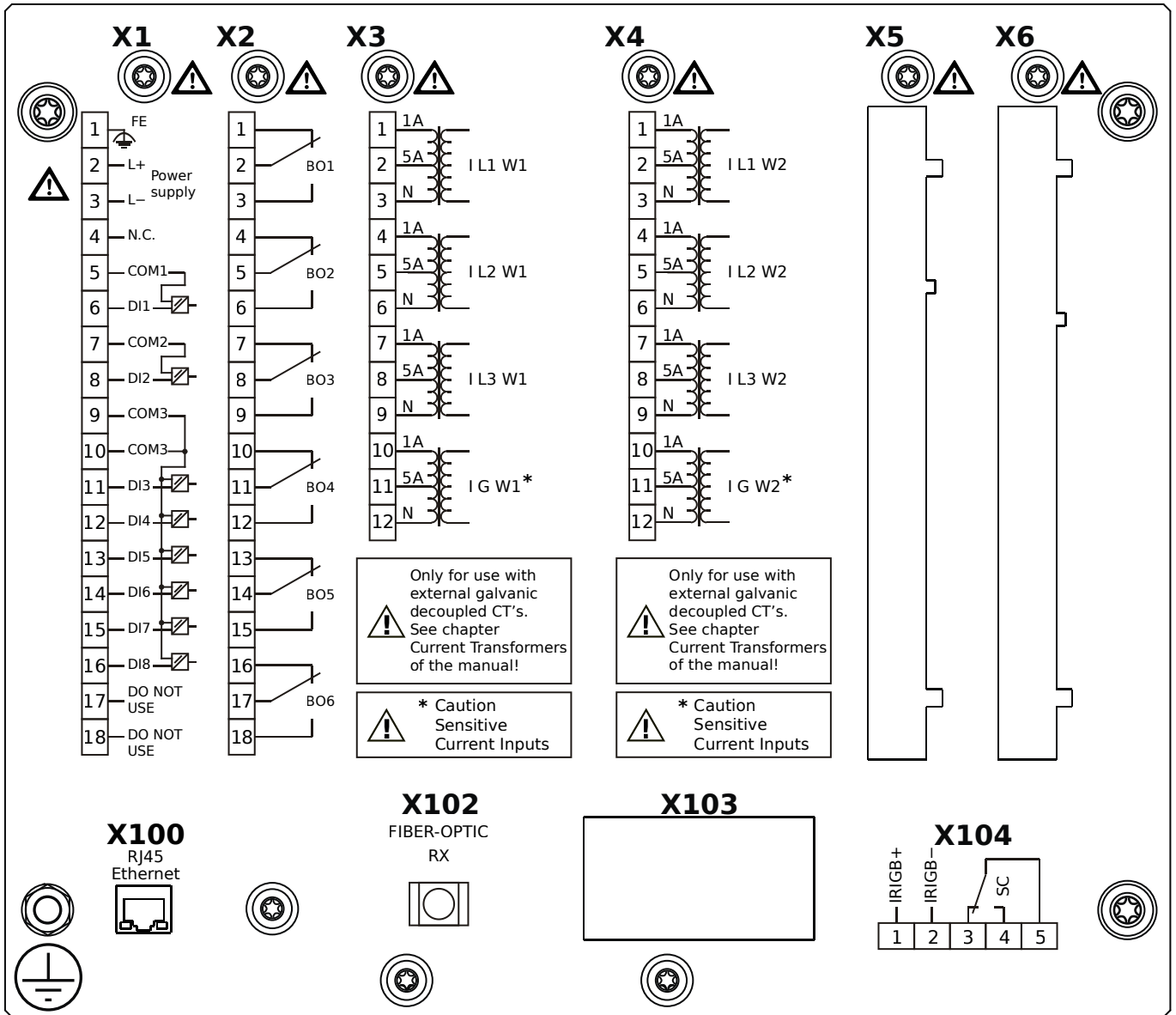
MRDT4-2A3BHA



Housing B2, small display, 19" rack mounting

- X1** – DI8-X1: Wide-range power supply unit, incl. 2 non-grouped digital inputs and 6 grouped digital inputs
- X2** – OR6: Assembly Group with 6 Output Relays (Changeover / Form C)
- X3** – TIs: Standard phase current measuring card and sensitive ground current measuring (winding side 1)
- X4** – TIs: Standard phase current measuring card and sensitive ground current measuring (winding side 2)
- X100** – IEC 61850 / Modbus TCP / IEC 60870-5-104 / DNP3.0 TCP/UDP, Ethernet interface, 100 Mbit/s, RJ45 (BASE100-FX)
- X102** – Universal Resistance-Temperature Detector (URTD) input, Fiber optics interface, Versatile Link
- X104** – IRIG-B00X, incl. System Contact (Supervision Contact)

MRDT4-2A3BHB



Housing B2, small display, 19" rack mounting

+ Conformal Coating (for installations in harsh environment)

X1 – DI8-X1: Wide-range power supply unit, incl. 2 non-grouped digital inputs and 6 grouped digital inputs

X2 – OR6: Assembly Group with 6 Output Relays (Changeover / Form C)

X3 – TIs: Standard phase current measuring card and sensitive ground current measuring (winding side 1)

X4 – TIs: Standard phase current measuring card and sensitive ground current measuring (winding side 2)

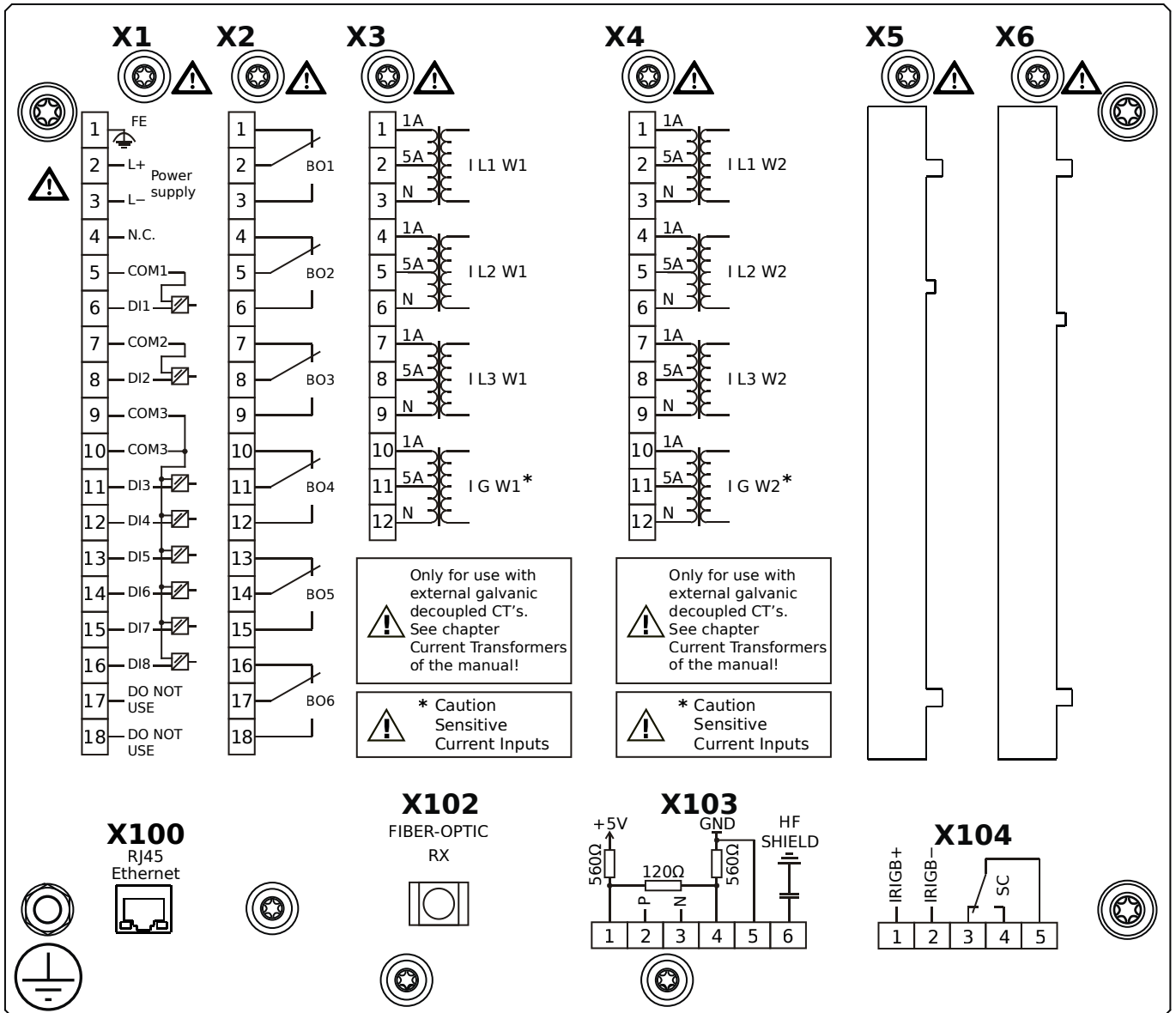
X100 – IEC 61850 / Modbus TCP / IEC 60870-5-104 / DNP3.0 TCP/UDP, Ethernet interface, 100 Mbit/s, RJ45 (BASE100-

X102 – Universal Resistance-Temperature Detector (URTD) input, Fiber optics interface, Versatile Link

X104 – IRIG-B00X, incl. System Contact (Supervision Contact)

FX)

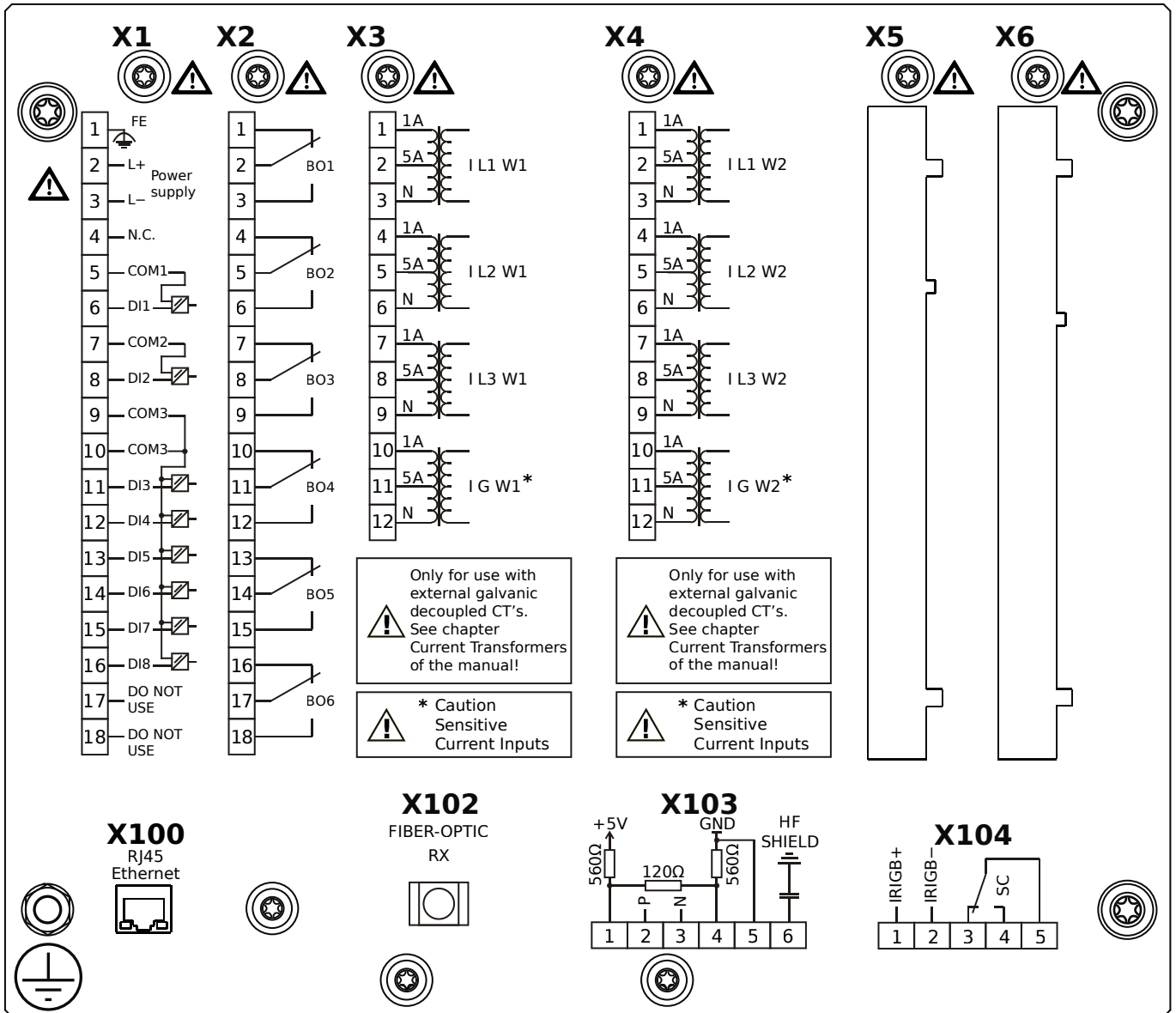
MRDT4-2A3BIA



Housing B2, small display, 19" rack mounting

- X1** – DI8-X1: Wide-range power supply unit, incl. 2 non-grouped digital inputs and 6 grouped digital inputs
- X2** – OR6: Assembly Group with 6 Output Relays (Changeover / Form C)
- X3** – TIs: Standard phase current measuring card and sensitive ground current measuring (winding side 1)
- X4** – TIs: Standard phase current measuring card and sensitive ground current measuring (winding side 2)
- X100** – Modbus TCP / IEC 60870-5-104 / DNP3.0 TCP/UDP, Ethernet interface, 100 Mbit/s, RJ45 (BASE100-FX)
- X102** – Universal Resistance-Temperature Detector (URTD) input, Fiber optics interface, Versatile Link
- X103** – IEC 60870-5-103 / Modbus RTU / DNP3.0 RTU, RS485, Terminals
- X104** – IRIG-B00X, incl. System Contact (Supervision Contact)

MRDT4-2A3BIB

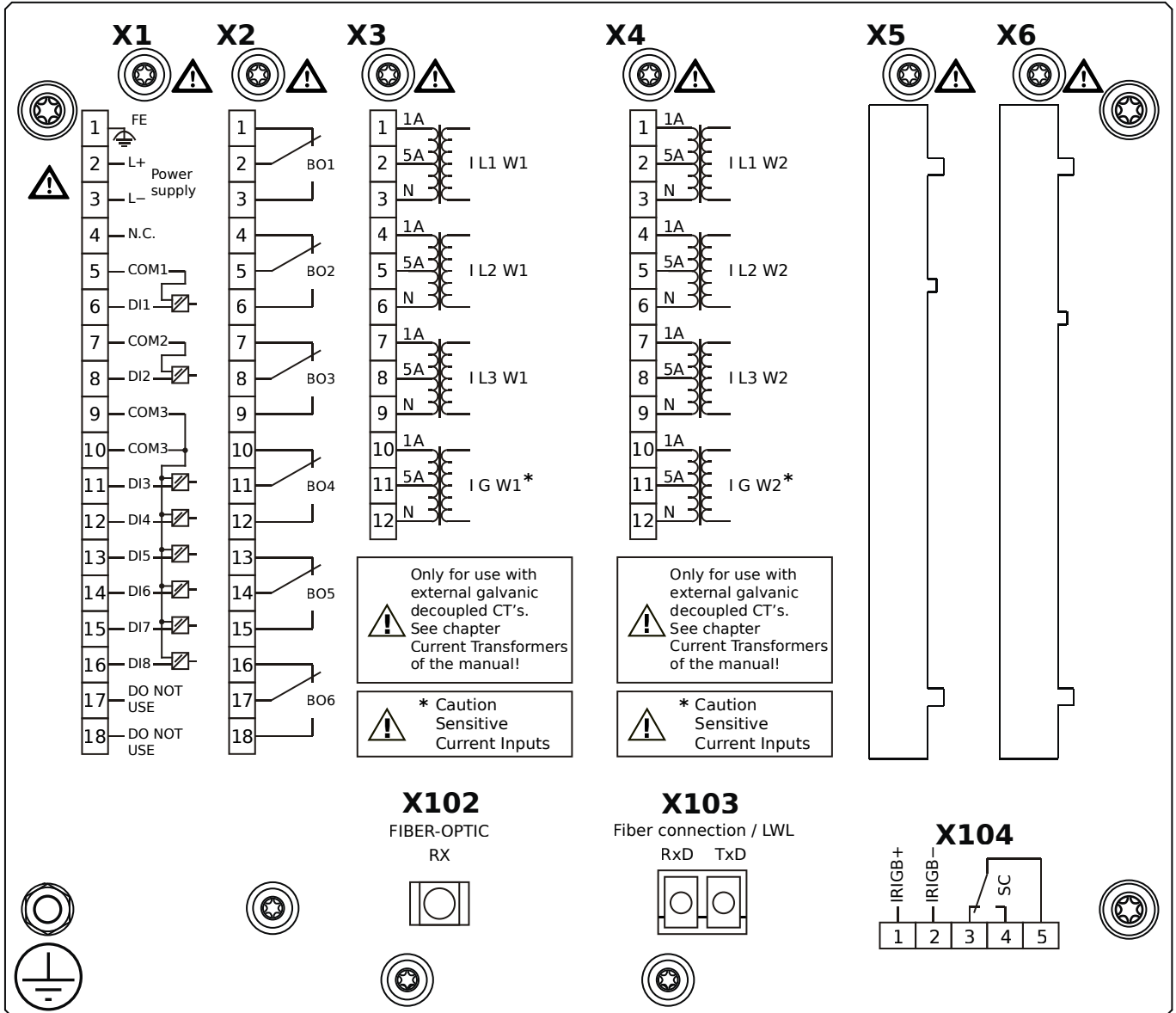


Housing B2, small display, 19" rack mounting

+ Conformal Coating (for installations in harsh environment)

- X1** – DI8-X1: Wide-range power supply unit, incl. 2 non-grouped digital inputs and 6 grouped digital inputs
- X2** – OR6: Assembly Group with 6 Output Relays (Changeover / Form C)
- X3** – TIs: Standard phase current measuring card and sensitive ground current measuring (winding side 1)
- X4** – TIs: Standard phase current measuring card and sensitive ground current measuring (winding side 2)
- X100** – Modbus TCP / IEC 60870-5-104 / DNP3.0 TCP/UDP, Ethernet interface, 100 Mbit/s, RJ45 (BASE100-FX)
- X102** – Universal Resistance-Temperature Detector (URTD) input, Fiber optics interface, Versatile Link
- X103** – IEC 60870-5-103 / Modbus RTU / DNP3.0 RTU, RS485, Terminals
- X104** – IRIG-B00X, incl. System Contact (Supervision Contact)

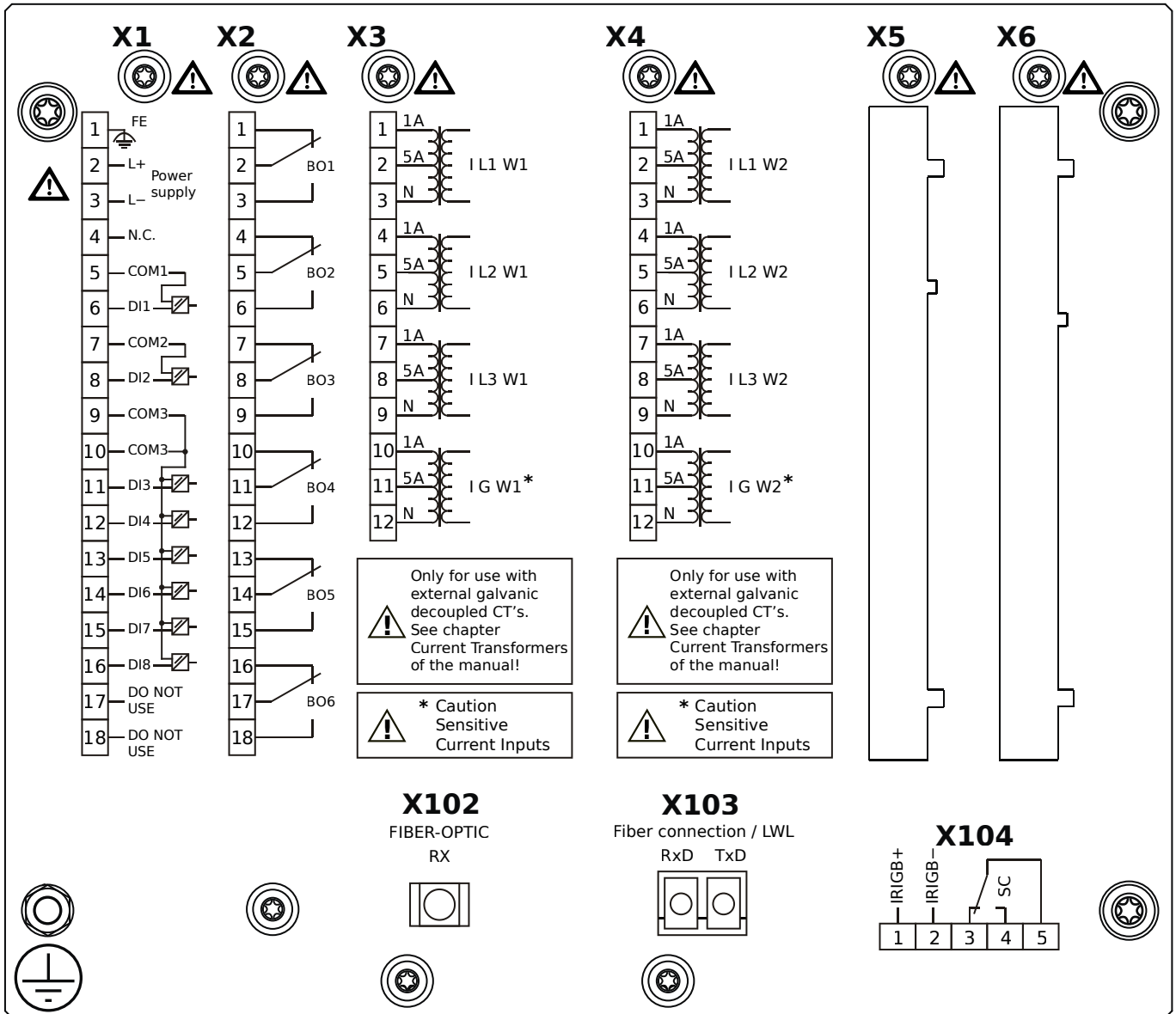
MRDT4-2A3BKA



Housing B2, small display, 19" rack mounting

- X1** – DI8-X1: Wide-range power supply unit, incl. 2 non-grouped digital inputs and 6 grouped digital inputs
- X2** – OR6: Assembly Group with 6 Output Relays (Changeover / Form C)
- X3** – TIs: Standard phase current measuring card and sensitive ground current measuring (winding side 1)
- X4** – TIs: Standard phase current measuring card and sensitive ground current measuring (winding side 2)
- X102** – Universal Resistance-Temperature Detector (URTD) input, Fiber optics interface, Versatile Link
- X103** – IEC 61850 / Modbus TCP / IEC 60870-5-104 / DNP3.0 TCP/UDP, Fiber optics interface, LC Connector
- X104** – IRIG-B00X, incl. System Contact (Supervision Contact)

MRDT4-2A3BKB

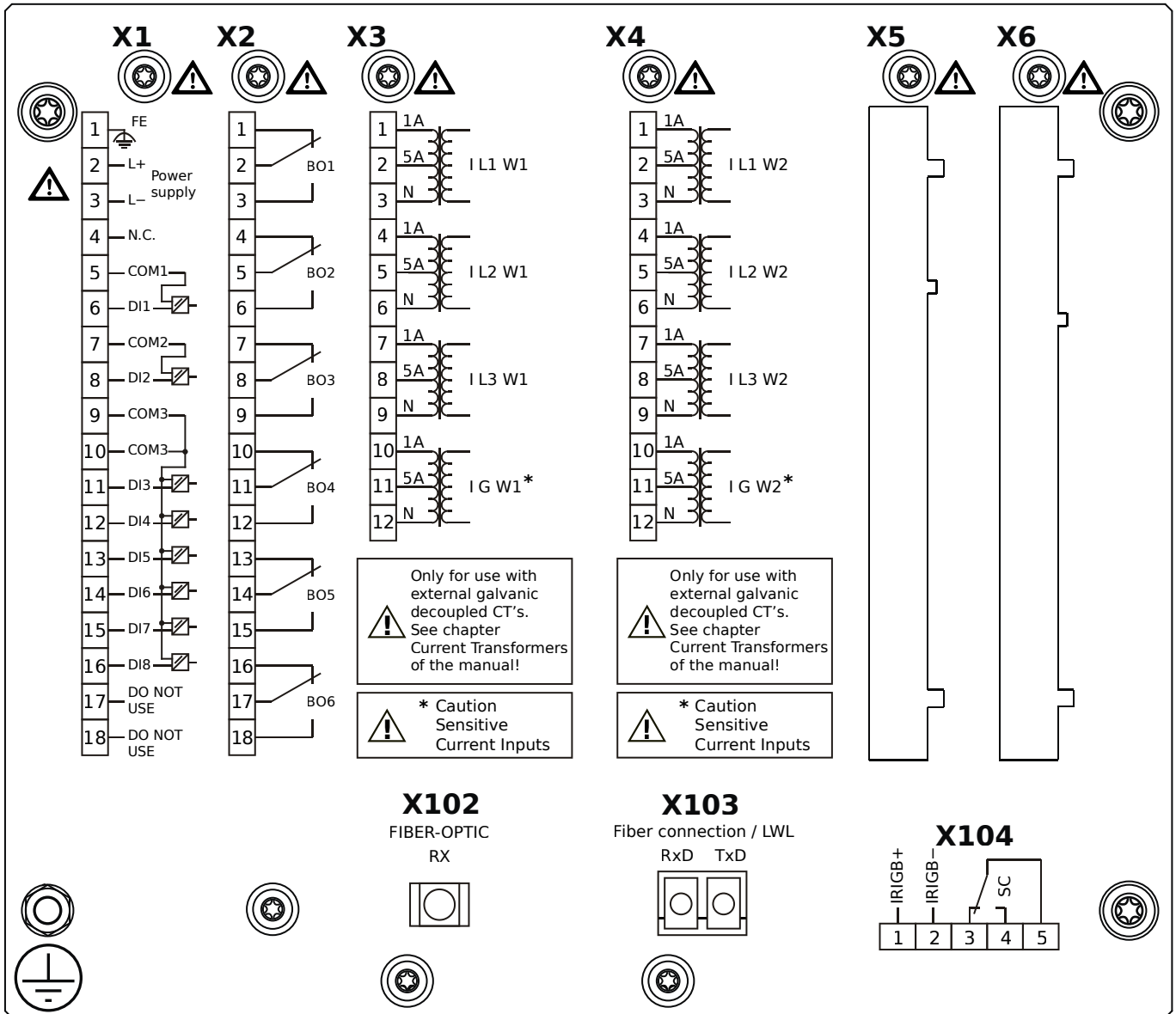


Housing B2, small display, 19" rack mounting

+ Conformal Coating (for installations in harsh environment)

- X1** – DI8-X1: Wide-range power supply unit, incl. 2 non-grouped digital inputs and 6 grouped digital inputs
- X2** – OR6: Assembly Group with 6 Output Relays (Changeover / Form C)
- X3** – TIs: Standard phase current measuring card and sensitive ground current measuring (winding side 1)
- X4** – TIs: Standard phase current measuring card and sensitive ground current measuring (winding side 2)
- X102** – Universal Resistance-Temperature Detector (URTD) input, Fiber optics interface, Versatile Link
- X103** – IEC 61850 / Modbus TCP / IEC 60870-5-104 / DNP3.0 TCP/UDP, Fiber optics interface, LC Connector
- X104** – IRIG-B00X, incl. System Contact (Supervision Contact)

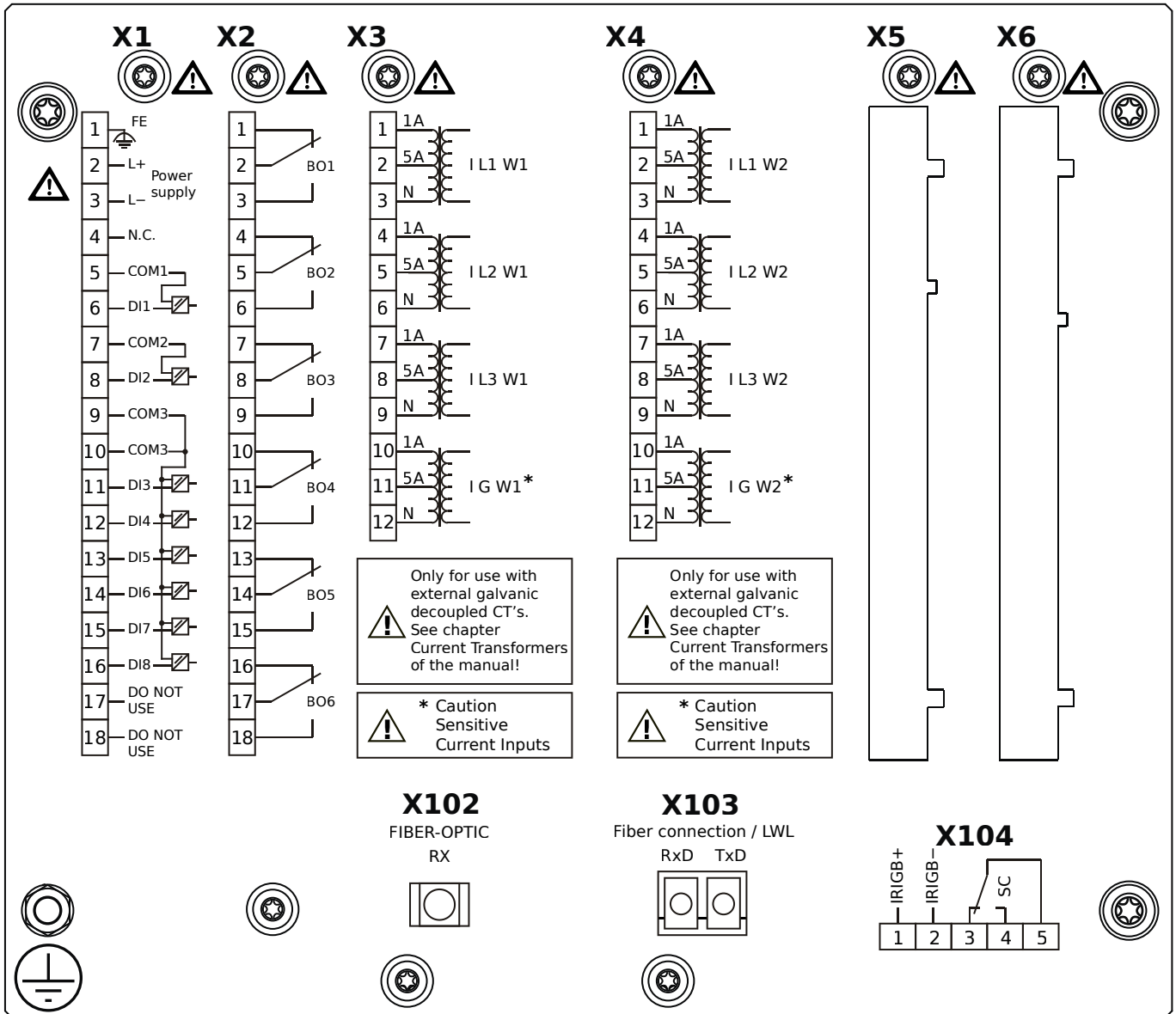
MRDT4-2A3BLA



Housing B2, small display, 19" rack mounting

- X1** – DI8-X1: Wide-range power supply unit, incl. 2 non-grouped digital inputs and 6 grouped digital inputs
- X2** – OR6: Assembly Group with 6 Output Relays (Changeover / Form C)
- X3** – TIs: Standard phase current measuring card and sensitive ground current measuring (winding side 1)
- X4** – TIs: Standard phase current measuring card and sensitive ground current measuring (winding side 2)
- X102** – Universal Resistance-Temperature Detector (URTD) input, Fiber optics interface, Versatile Link
- X103** – Modbus TCP / IEC 60870-5-104 / DNP3.0 TCP/UDP, Fiber optics interface, LC Connector
- X104** – IRIG-B00X, incl. System Contact (Supervision Contact)

MRDT4-2A3BLB

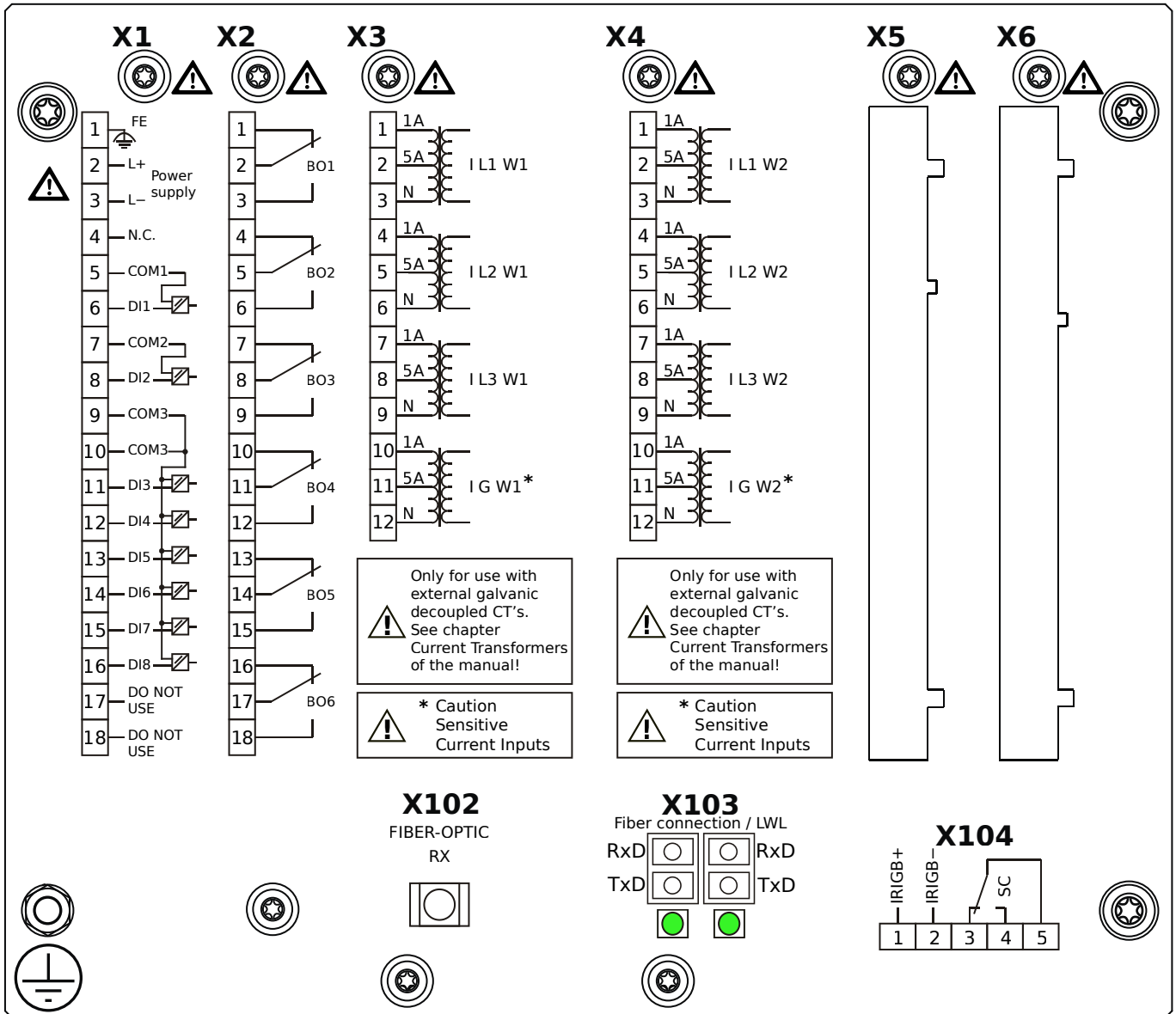


Housing B2, small display, 19" rack mounting

+ Conformal Coating (for installations in harsh environment)

- X1** – DI8-X1: Wide-range power supply unit, incl. 2 non-grouped digital inputs and 6 grouped digital inputs
- X2** – OR6: Assembly Group with 6 Output Relays (Changeover / Form C)
- X3** – TIs: Standard phase current measuring card and sensitive ground current measuring (winding side 1)
- X4** – TIs: Standard phase current measuring card and sensitive ground current measuring (winding side 2)
- X102** – Universal Resistance-Temperature Detector (URTD) input, Fiber optics interface, Versatile Link
- X103** – Modbus TCP / IEC 60870-5-104 / DNP3.0 TCP/UDP, Fiber optics interface, LC Connector
- X104** – IRIG-B00X, incl. System Contact (Supervision Contact)

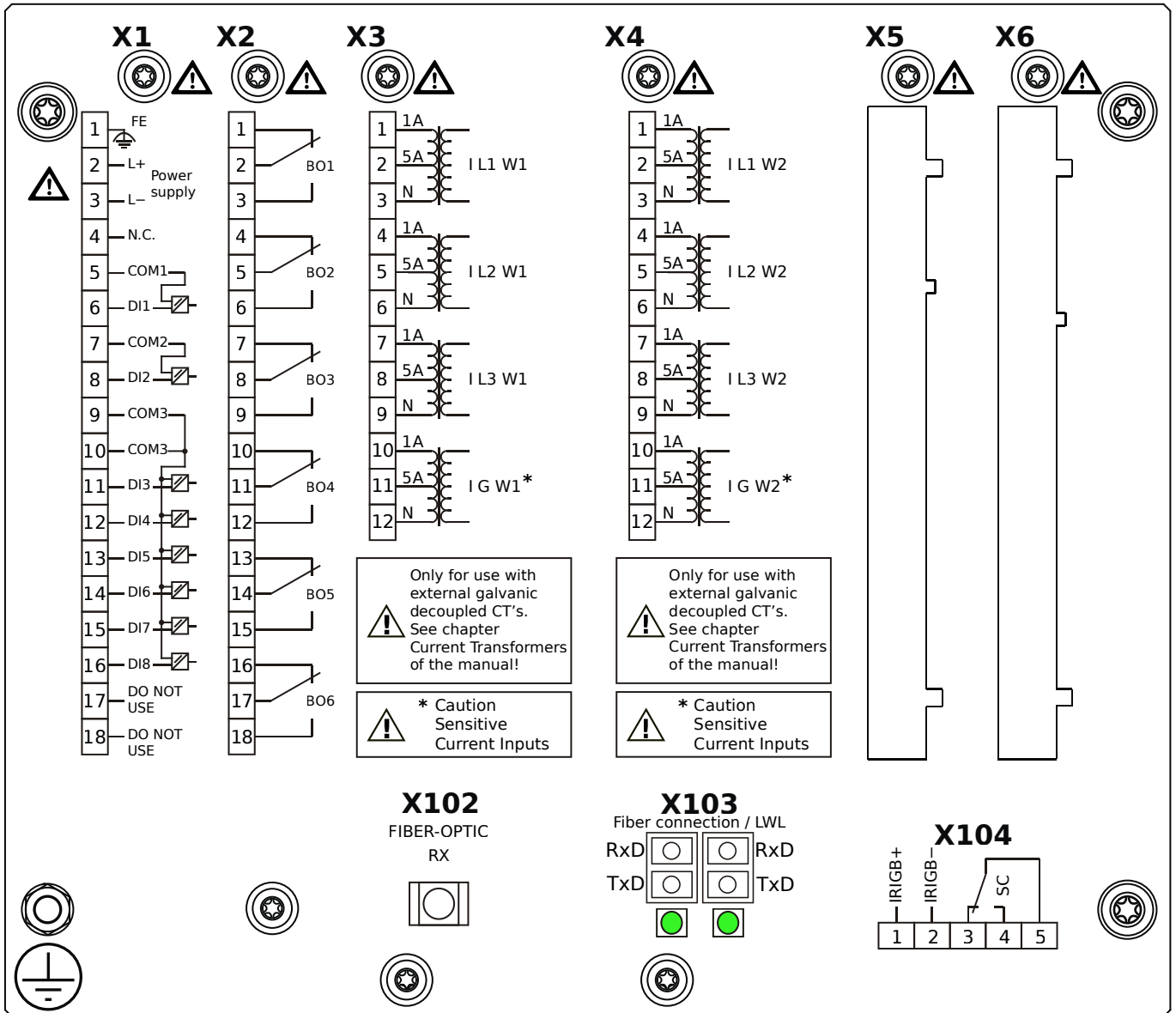
MRDT4-2A3BOA



Housing B2, small display, 19" rack mounting

- X1** – DI8-X1: Wide-range power supply unit, incl. 2 non-grouped digital inputs and 6 grouped digital inputs
- X2** – OR6: Assembly Group with 6 Output Relays (Changeover / Form C)
- X3** – TIs: Standard phase current measuring card and sensitive ground current measuring (winding side 1)
- X4** – TIs: Standard phase current measuring card and sensitive ground current measuring (winding side 2)
- X102** – Universal Resistance-Temperature Detector (URTD) input, Fiber optics interface, Versatile Link
- X103** – Modbus TCP / IEC 60870-5-104 / DNP3.0 TCP/UDP, Redundant Fiber optics interface, LC Connector
- X104** – IRIG-B00X, incl. System Contact (Supervision Contact)

MRDT4-2A3BOB

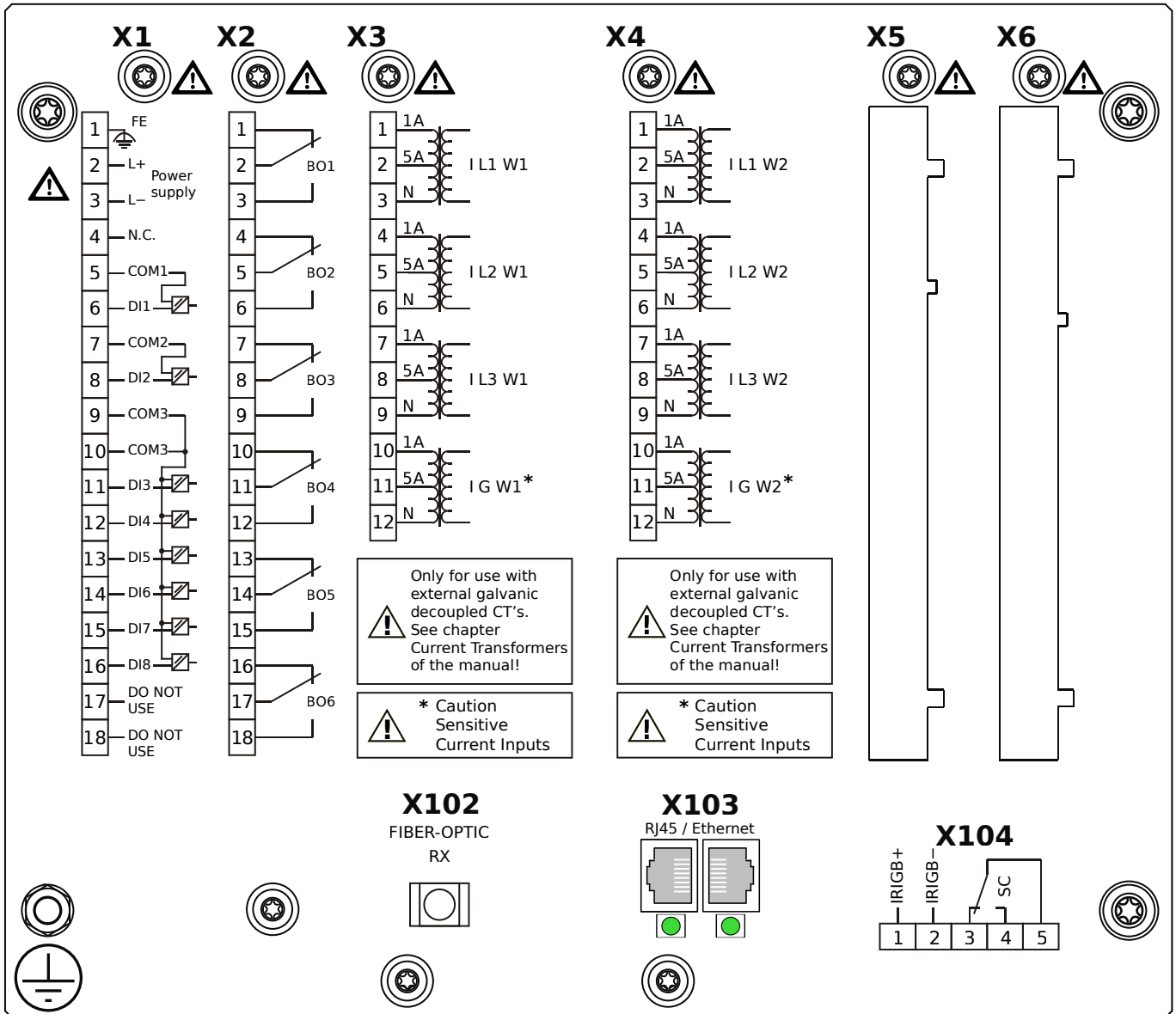


Housing B2, small display, 19" rack mounting

+ Conformal Coating (for installations in harsh environment)

- X1** – DI8-X1: Wide-range power supply unit, incl. 2 non-grouped digital inputs and 6 grouped digital inputs
- X2** – OR6: Assembly Group with 6 Output Relays (Changeover / Form C)
- X3** – TIs: Standard phase current measuring card and sensitive ground current measuring (winding side 1)
- X4** – TIs: Standard phase current measuring card and sensitive ground current measuring (winding side 2)
- X102** – Universal Resistance-Temperature Detector (URTD) input, Fiber optics interface, Versatile Link
- X103** – Modbus TCP / IEC 60870-5-104 / DNP3.0 TCP/UDP, Redundant Fiber optics interface, LC Connector
- X104** – IRIG-B00X, incl. System Contact (Supervision Contact)

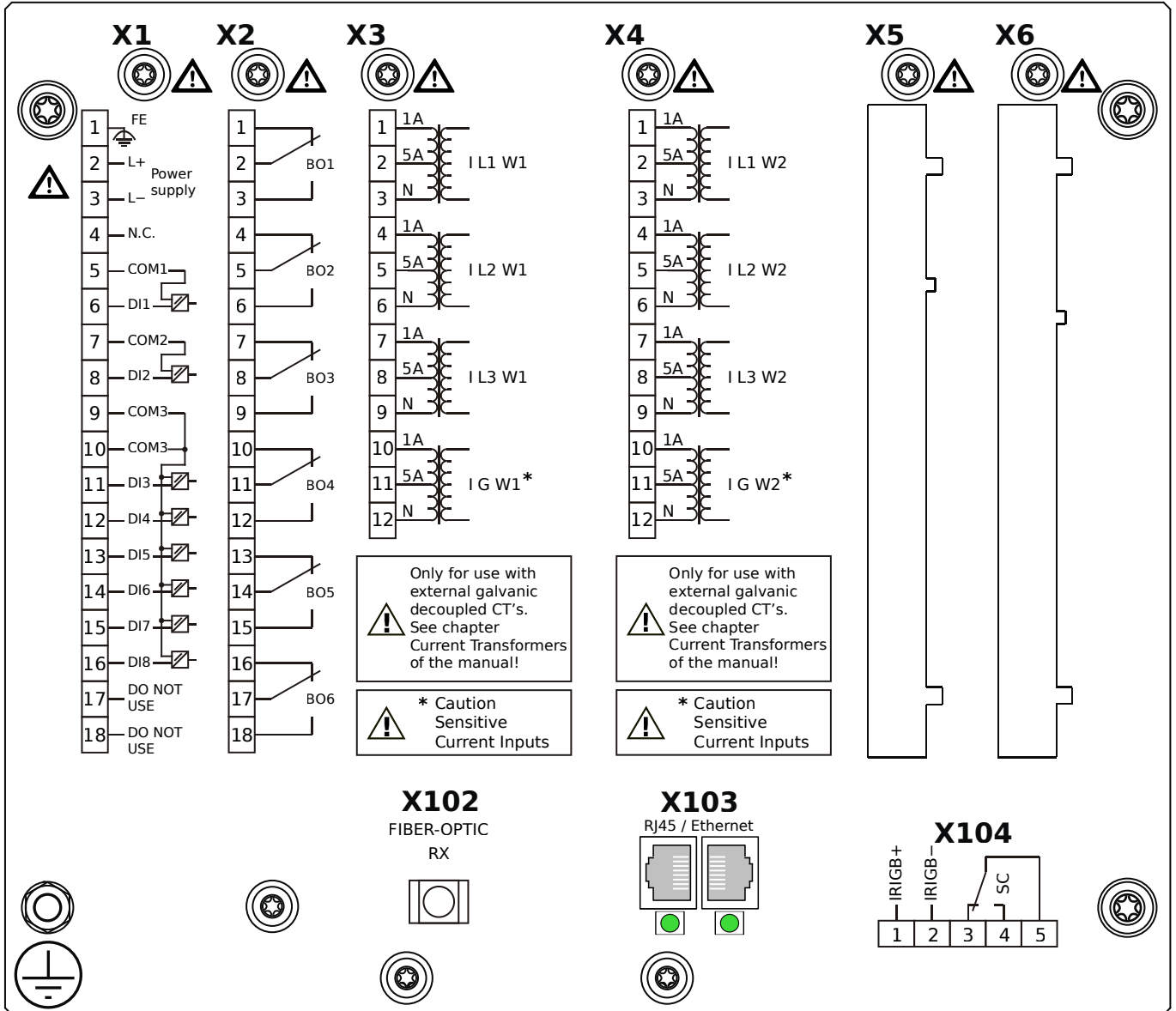
MRDT4-2A3BPA



Housing B2, small display, 19" rack mounting

- X1** – DI8-X1: Wide-range power supply unit, incl. 2 non-grouped digital inputs and 6 grouped digital inputs
- X2** – OR6: Assembly Group with 6 Output Relays (Changeover / Form C)
- X3** – TIs: Standard phase current measuring card and sensitive ground current measuring (winding side 1)
- X4** – TIs: Standard phase current measuring card and sensitive ground current measuring (winding side 2)
- X102** – Universal Resistance-Temperature Detector (URTD) input, Fiber optics interface, Versatile Link
- X103** – Modbus TCP / IEC 60870-5-104 / DNP3.0 TCP/UDP, Redundant Ethernet interface, 100 Mbit/s, RJ45 (BASE100-FX)
- X104** – IRIG-B00X, incl. System Contact (Supervision Contact)

MRDT4-2A3BPB

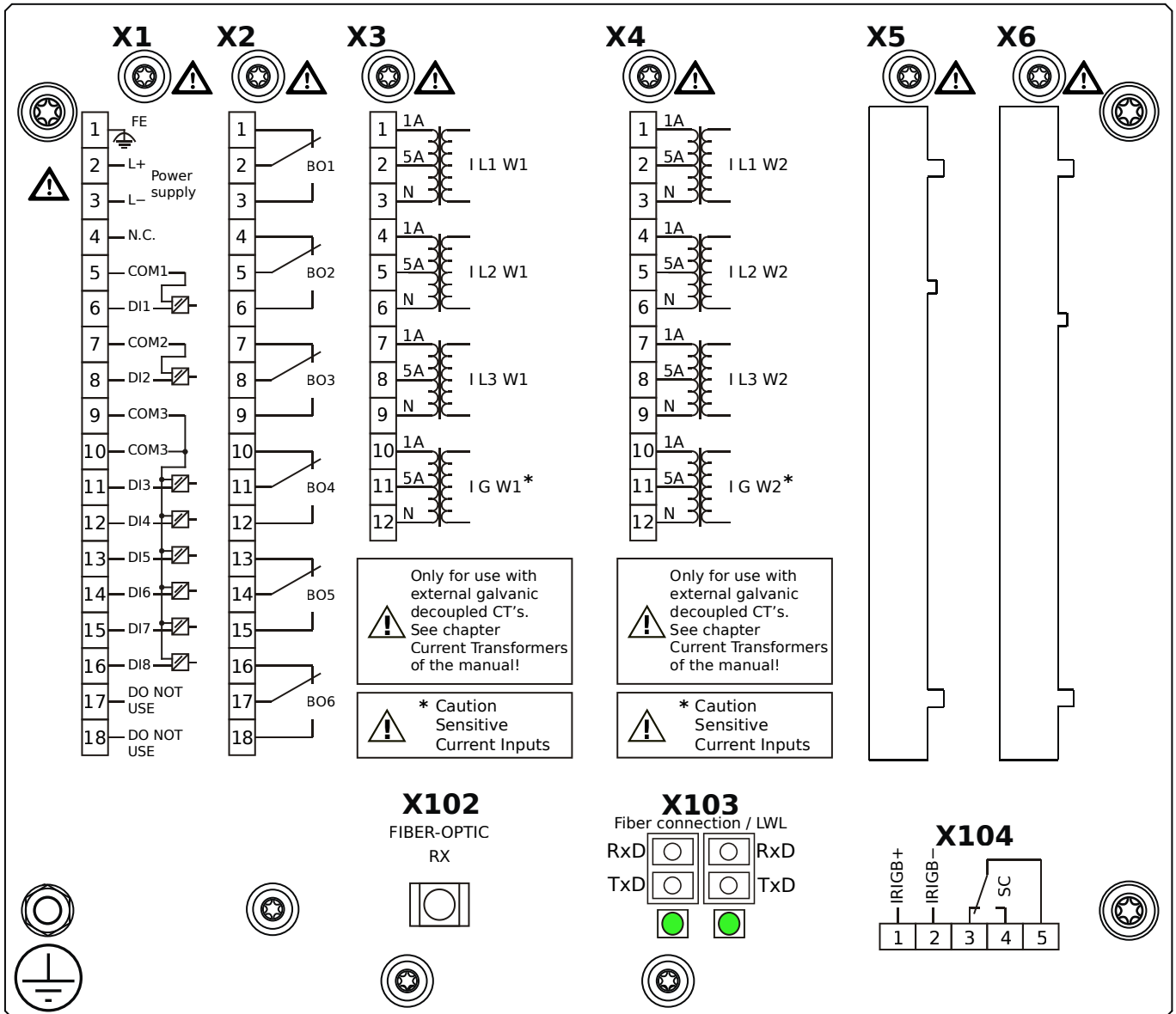


Housing B2, small display, 19" rack mounting

+ Conformal Coating (for installations in harsh environment)

- X1** – DI8-X1: Wide-range power supply unit, incl. 2 non-grouped digital inputs and 6 grouped digital inputs
- X2** – OR6: Assembly Group with 6 Output Relays (Changeover / Form C)
- X3** – TIs: Standard phase current measuring card and sensitive ground current measuring (winding side 1)
- X4** – TIs: Standard phase current measuring card and sensitive ground current measuring (winding side 2)
- X102** – Universal Resistance-Temperature Detector (URTD) input, Fiber optics interface, Versatile Link
- X103** – Modbus TCP / IEC 60870-5-104 / DNP3.0 TCP/UDP, Redundant Ethernet interface, 100 Mbit/s, RJ45 (BASE100-FX)
- X104** – IRIG-B00X, incl. System Contact (Supervision Contact)

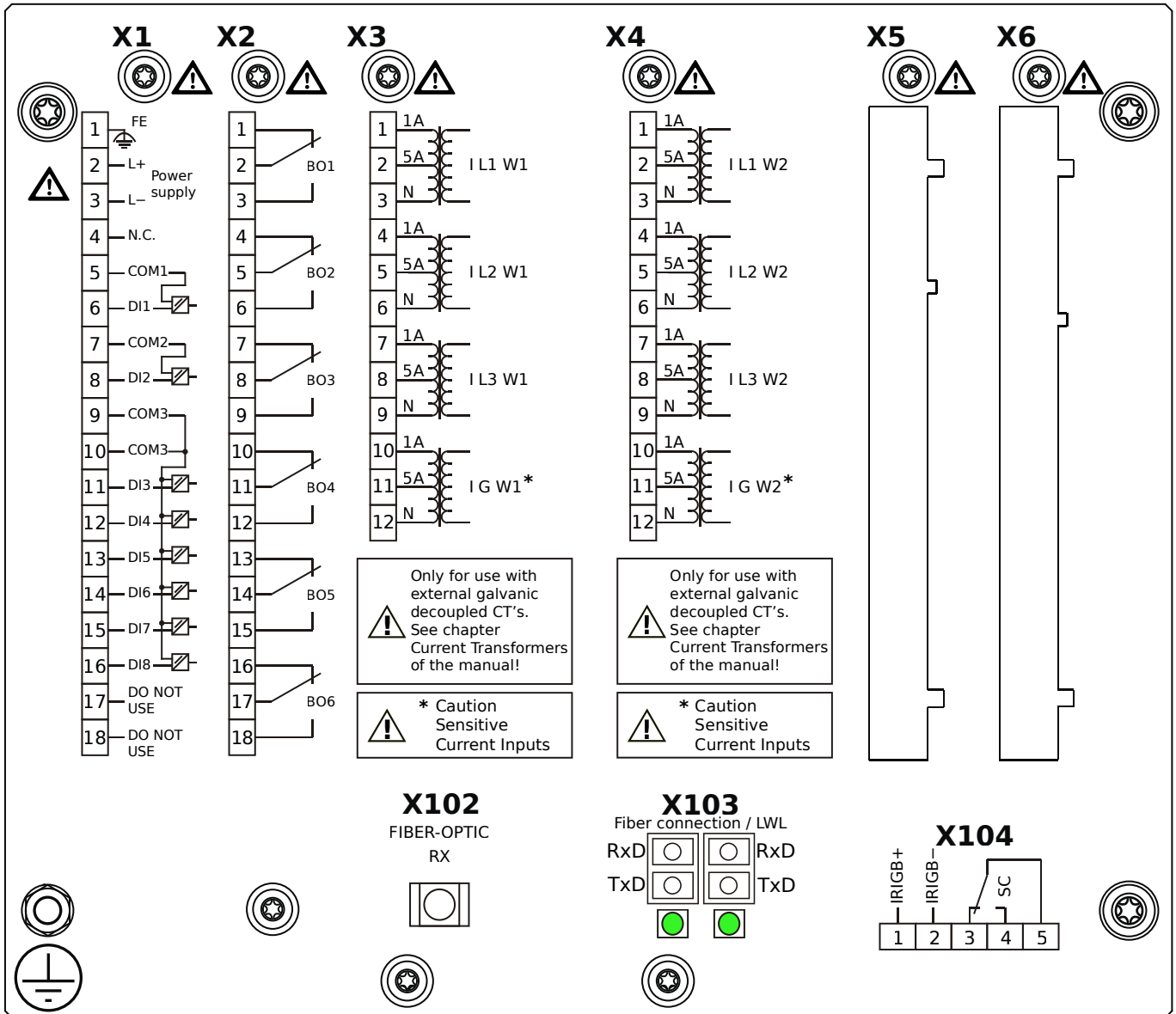
MRDT4-2A3BQA



Housing B2, small display, 19" rack mounting

- X1** – DI8-X1: Wide-range power supply unit, incl. 2 non-grouped digital inputs and 6 grouped digital inputs
- X2** – OR6: Assembly Group with 6 Output Relays (Changeover / Form C)
- X3** – TIs: Standard phase current measuring card and sensitive ground current measuring (winding side 1)
- X4** – TIs: Standard phase current measuring card and sensitive ground current measuring (winding side 2)
- X102** – Universal Resistance-Temperature Detector (URTD) input, Fiber optics interface, Versatile Link
- X103** – IEC 61850 / Modbus TCP / IEC 60870-5-104 / DNP3.0 TCP/UDP, Redundant Fiber optics interface, LC Connector
- X104** – IRIG-B00X, incl. System Contact (Supervision Contact)

MRDT4-2A3BQB



Housing B2, small display, 19" rack mounting

+ Conformal Coating (for installations in harsh environment)

X1 – DI8-X1: Wide-range power supply unit, incl. 2 non-grouped digital inputs and 6 grouped digital inputs

X2 – OR6: Assembly Group with 6 Output Relays (Changeover / Form C)

X3 – TIs: Standard phase current measuring card and sensitive ground current measuring (winding side 1)

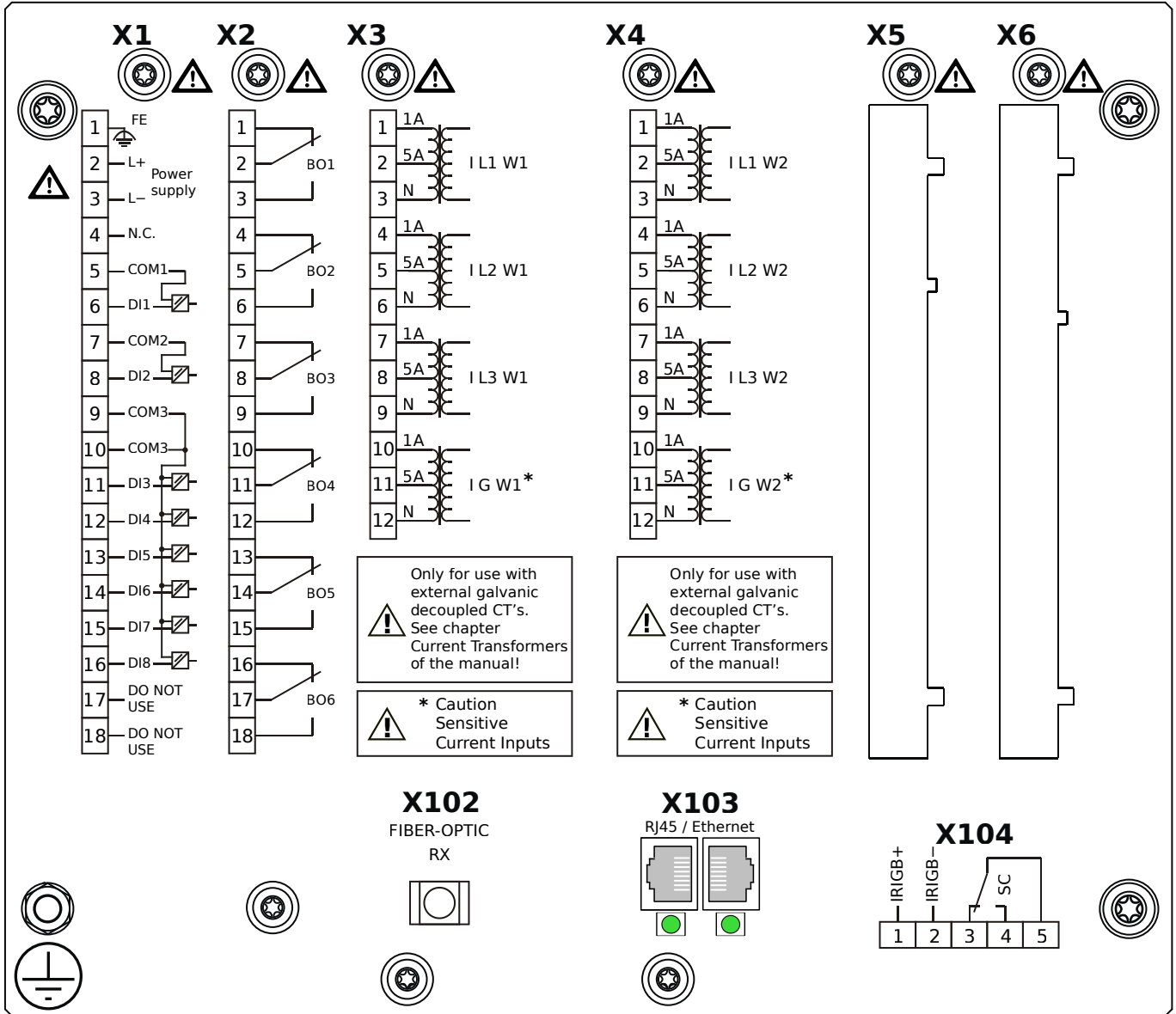
X4 – TIs: Standard phase current measuring card and sensitive ground current measuring (winding side 2)

X102 – Universal Resistance-Temperature Detector (URTD) input, Fiber optics interface, Versatile Link

X103 – IEC 61850 / Modbus TCP / IEC 60870-5-104 / DNP3.0 TCP/UDP, Redundant Fiber optics interface, LC Connector

X104 – IRIG-B00X, incl. System Contact (Supervision Contact)

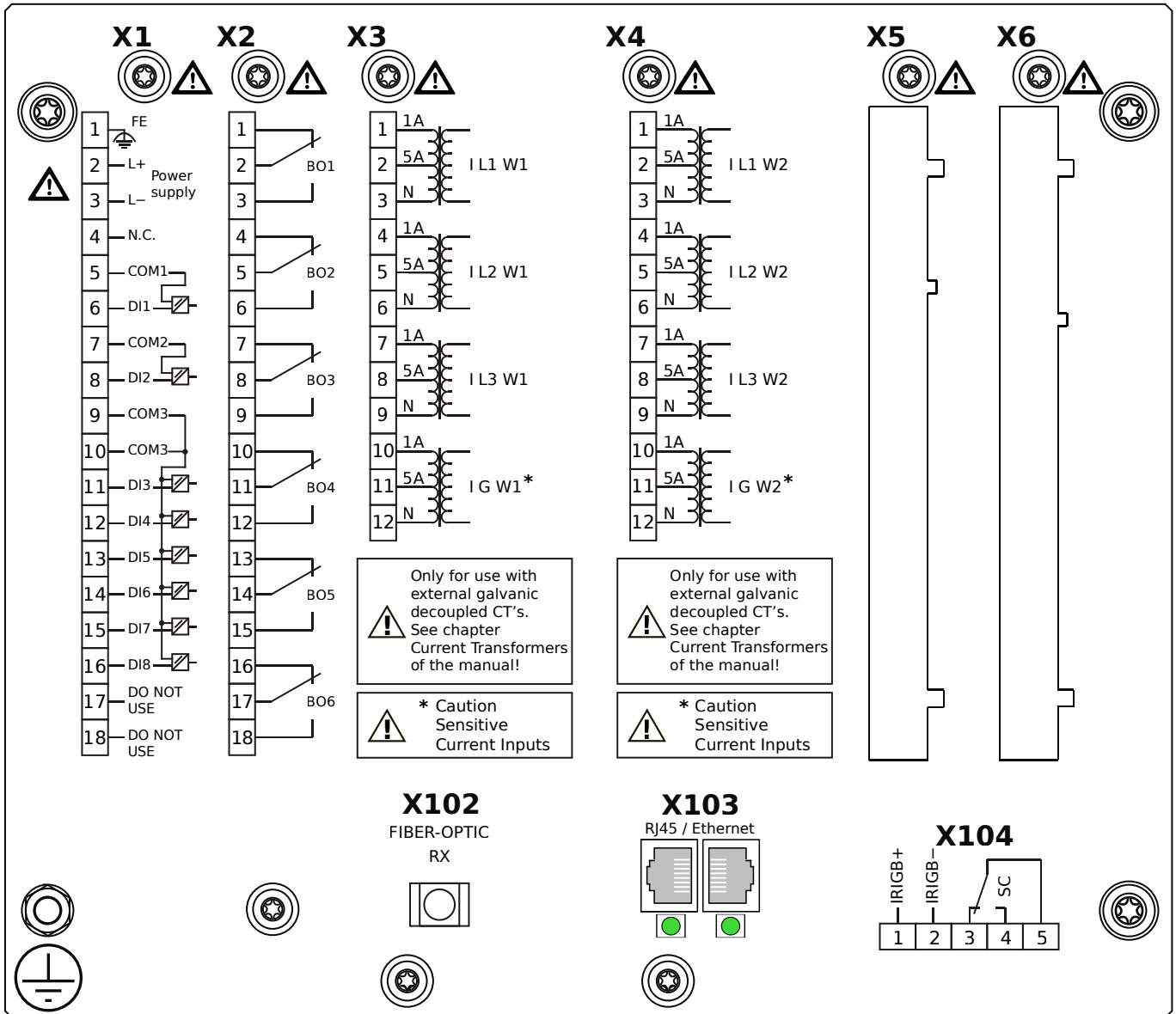
MRDT4-2A3BRA



Housing B2, small display, 19" rack mounting

- X1** – DI8-X1: Wide-range power supply unit, incl. 2 non-grouped digital inputs and 6 grouped digital inputs
- X2** – OR6: Assembly Group with 6 Output Relays (Changeover / Form C)
- X3** – TIs: Standard phase current measuring card and sensitive ground current measuring (winding side 1)
- X4** – TIs: Standard phase current measuring card and sensitive ground current measuring (winding side 2)
- X102** – Universal Resistance-Temperature Detector (URTD) input, Fiber optics interface, Versatile Link
- X103** – IEC 61850 / Modbus TCP / IEC 60870-5-104 / DNP3.0 TCP/UDP, Redundant Ethernet interface, 100 Mbit/s, RJ45 (BASE100-FX)
- X104** – IRIG-B00X, incl. System Contact (Supervision Contact)

MRDT4-2A3BRB



Housing B2, small display, 19" rack mounting

+ Conformal Coating (for installations in harsh environment)

X1 – DI8-X1: Wide-range power supply unit, incl. 2 non-grouped digital inputs and 6 grouped digital inputs

X2 – OR6: Assembly Group with 6 Output Relays (Changeover / Form C)

X3 – TIs: Standard phase current measuring card and sensitive ground current measuring (winding side 1)

X4 – TIs: Standard phase current measuring card and sensitive ground current measuring (winding side 2)

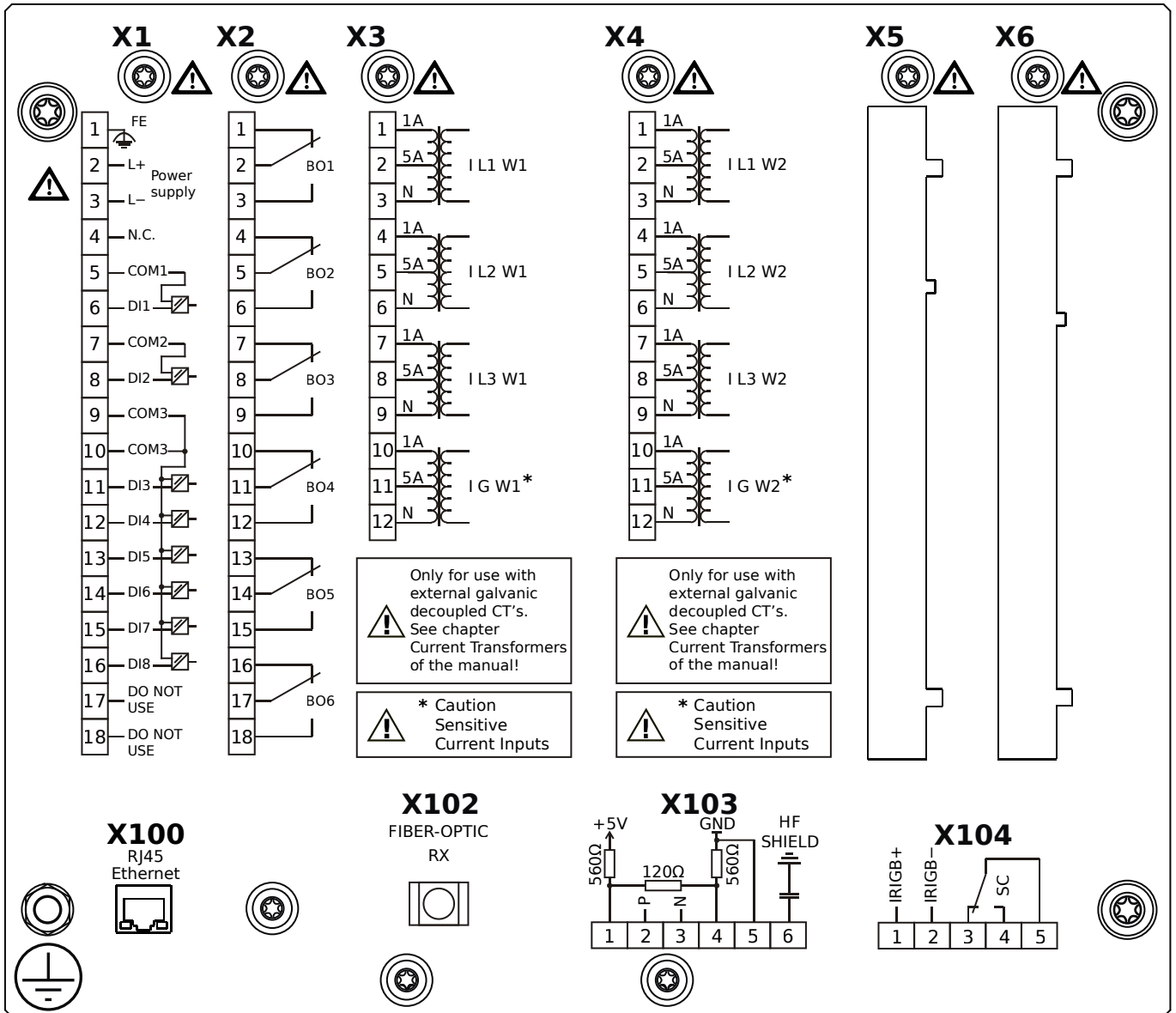
X102 – Universal Resistance-Temperature Detector (URTD) input, Fiber optics interface, Versatile Link

X103 – IEC 61850 / Modbus TCP / IEC 60870-5-104 / DNP3.0 TCP/UDP, Redundant Ethernet interface, 100 Mbit/s, RJ45

(BASE100-FX)

X104 – IRIG-B00X, incl. System Contact (Supervision Contact)

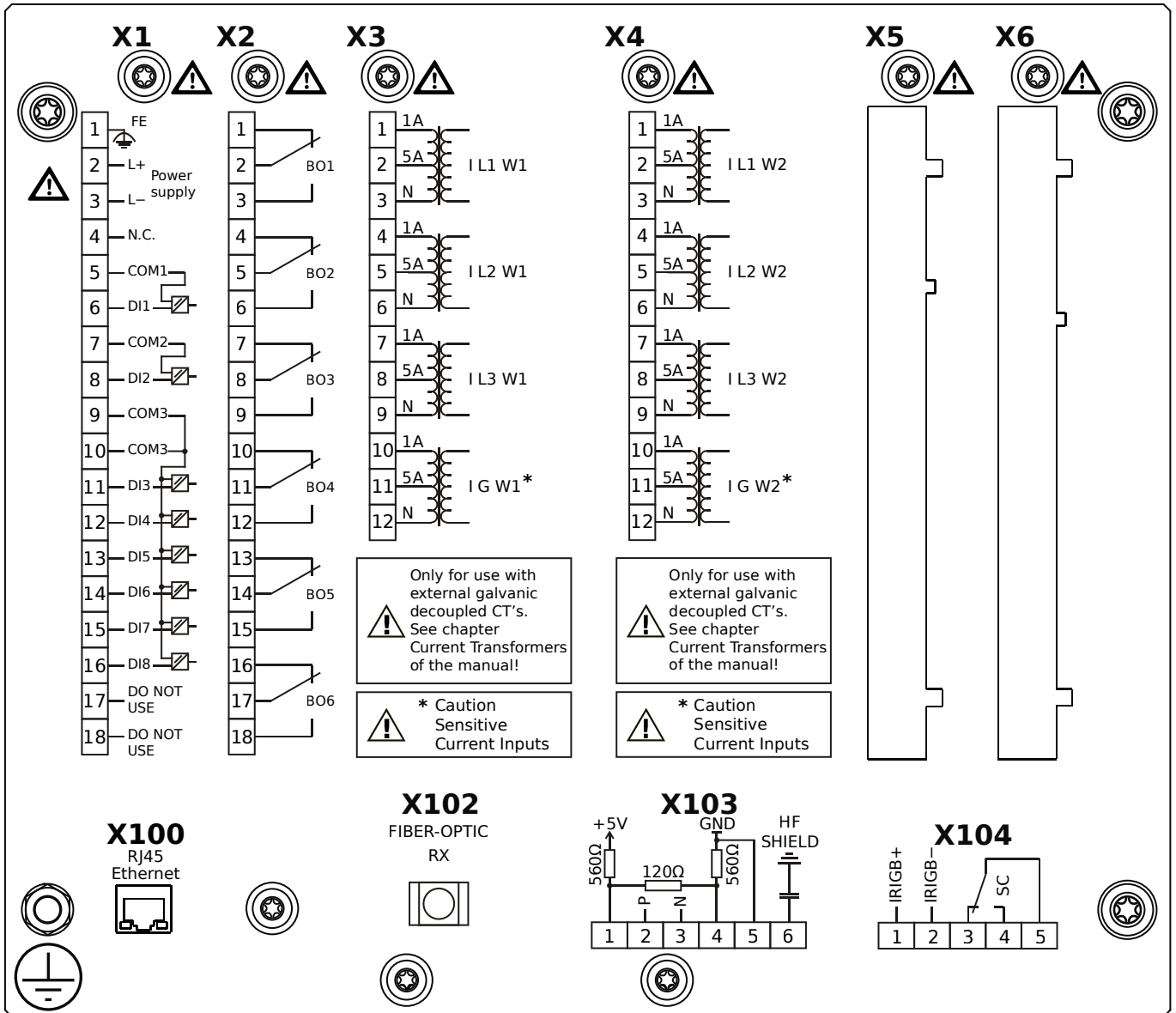
MRDT4-2A3BTA



Housing B2, small display, 19" rack mounting

- X1** – DI8-X1: Wide-range power supply unit, incl. 2 non-grouped digital inputs and 6 grouped digital inputs
- X2** – OR6: Assembly Group with 6 Output Relays (Changeover / Form C)
- X3** – TIs: Standard phase current measuring card and sensitive ground current measuring (winding side 1)
- X4** – TIs: Standard phase current measuring card and sensitive ground current measuring (winding side 2)
- X100** – IEC 61850 / Modbus TCP / IEC 60870-5-104 / DNP3.0 TCP/UDP, Ethernet interface, 100 Mbit/s, RJ45 (BASE100-FX)
- X102** – Universal Resistance-Temperature Detector (URTD) input, Fiber optics interface, Versatile Link
- X103** – IEC 60870-5-103 / Modbus RTU / DNP3.0 RTU, RS485, Terminals
- X104** – IRIG-B00X, incl. System Contact (Supervision Contact)

MRDT4-2A3BTB



Housing B2, small display, 19" rack mounting

+ Conformal Coating (for installations in harsh environment)

X1 – DI8-X1: Wide-range power supply unit, incl. 2 non-grouped digital inputs and 6 grouped digital inputs

X2 – OR6: Assembly Group with 6 Output Relays (Changeover / Form C)

X3 – TIs: Standard phase current measuring card and sensitive ground current measuring (winding side 1)

X4 – TIs: Standard phase current measuring card and sensitive ground current measuring (winding side 2)

X100 – IEC 61850 / Modbus TCP / IEC 60870-5-104 / DNP3.0 TCP/UDP, Ethernet interface, 100 Mbit/s, RJ45 (BASE100-

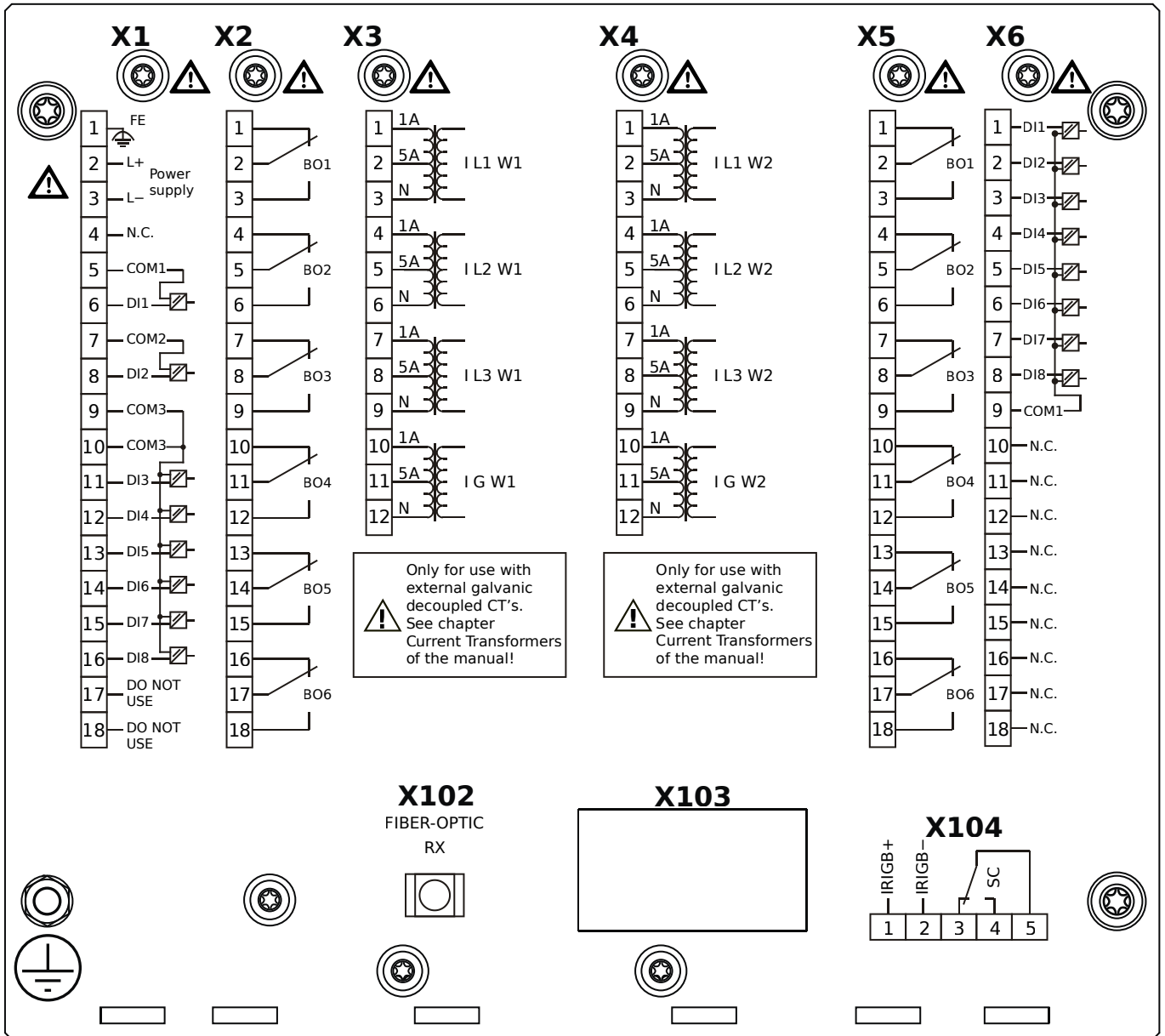
FX)

X102 – Universal Resistance-Temperature Detector (URTD) input, Fiber optics interface, Versatile Link

X103 – IEC 60870-5-103 / Modbus RTU / DNP3.0 RTU, RS485, Terminals

X104 – IRIG-B00X, incl. System Contact (Supervision Contact)

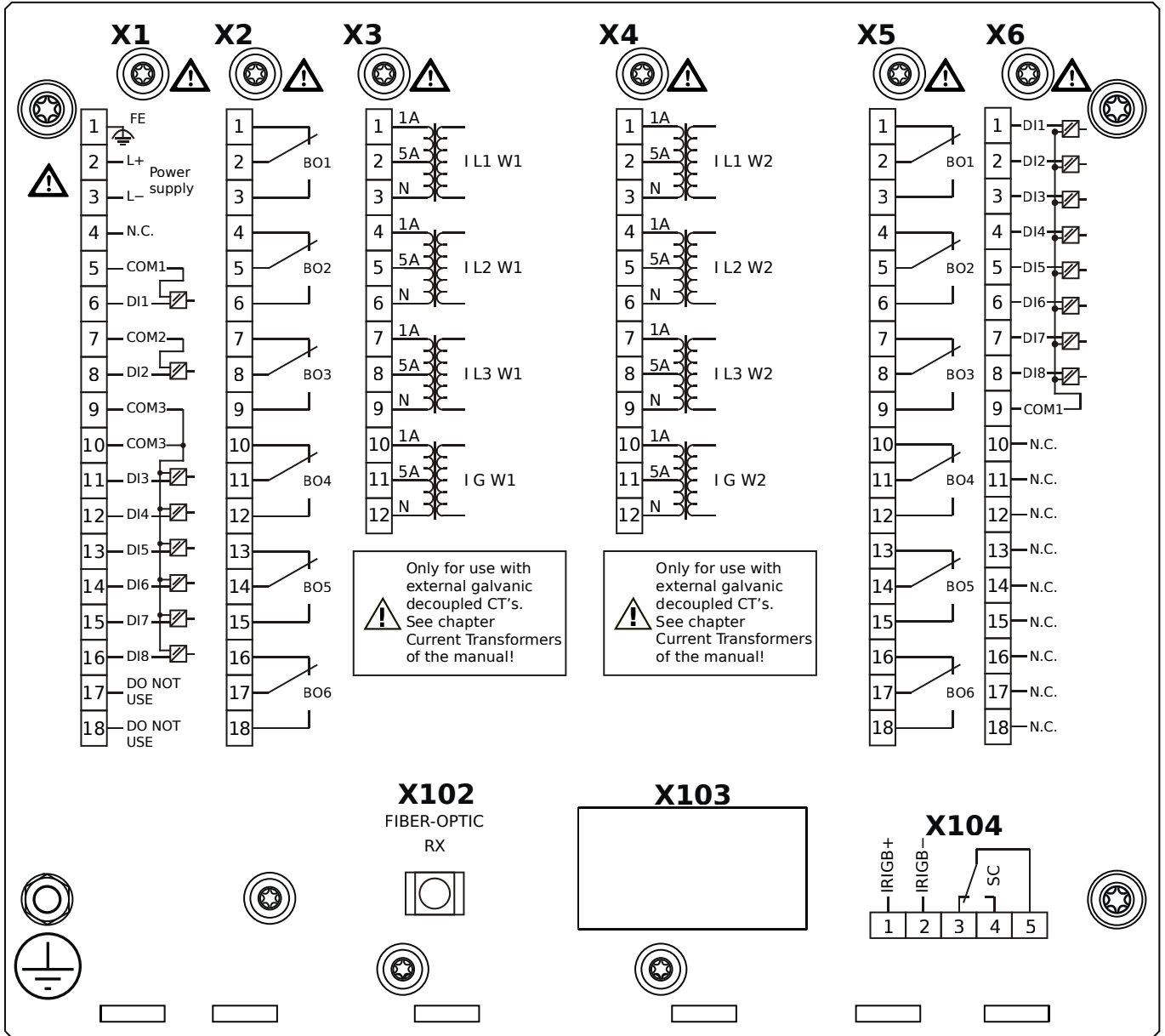
MRDT4-2D0AAA



Housing B2, small display, door mounting

- X1** – DI8-X1: Wide-range power supply unit, incl. 2 non-grouped digital inputs and 6 grouped digital inputs
- X2** – OR6: Assembly Group with 6 Output Relays (Changeover / Form C)
- X3** – TI: Standard current measuring card (for the winding side 1)
- X4** – TI: Standard current measuring card (for the winding side 2)
- X5** – OR6: Assembly Group with 6 Output Relays (Changeover / Form C)
- X6** – DI8: Assembly Group with 8 Digital Inputs
- X102** – Universal Resistance-Temperature Detector (URTD) input, Fiber optics interface, Versatile Link
- X104** – IRIG-B00X, incl. System Contact (Supervision Contact)

MRDT4-2D0AAB

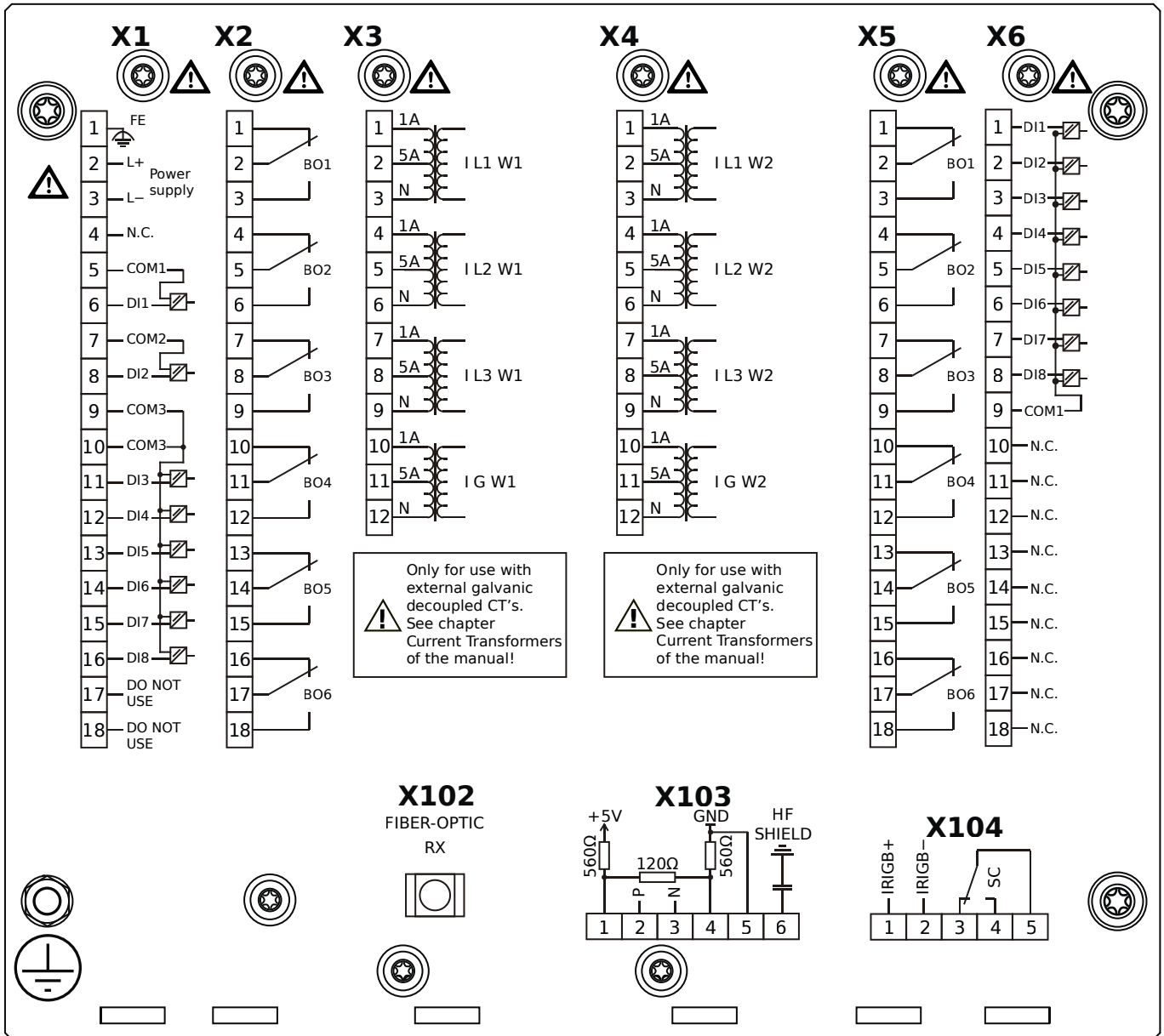


Housing B2, small display, door mounting

+ Conformal Coating (for installations in harsh environment)

- X1** – DI8-X1: Wide-range power supply unit, incl. 2 non-grouped digital inputs and 6 grouped digital inputs
- X2** – OR6: Assembly Group with 6 Output Relays (Changeover / Form C)
- X3** – TI: Standard current measuring card (for the winding side 1)
- X4** – TI: Standard current measuring card (for the winding side 2)
- X5** – OR6: Assembly Group with 6 Output Relays (Changeover / Form C)
- X6** – DI8: Assembly Group with 8 Digital Inputs
- X102** – Universal Resistance-Temperature Detector (URTD) input, Fiber optics interface, Versatile Link
- X104** – IRIG-B00X, incl. System Contact (Supervision Contact)

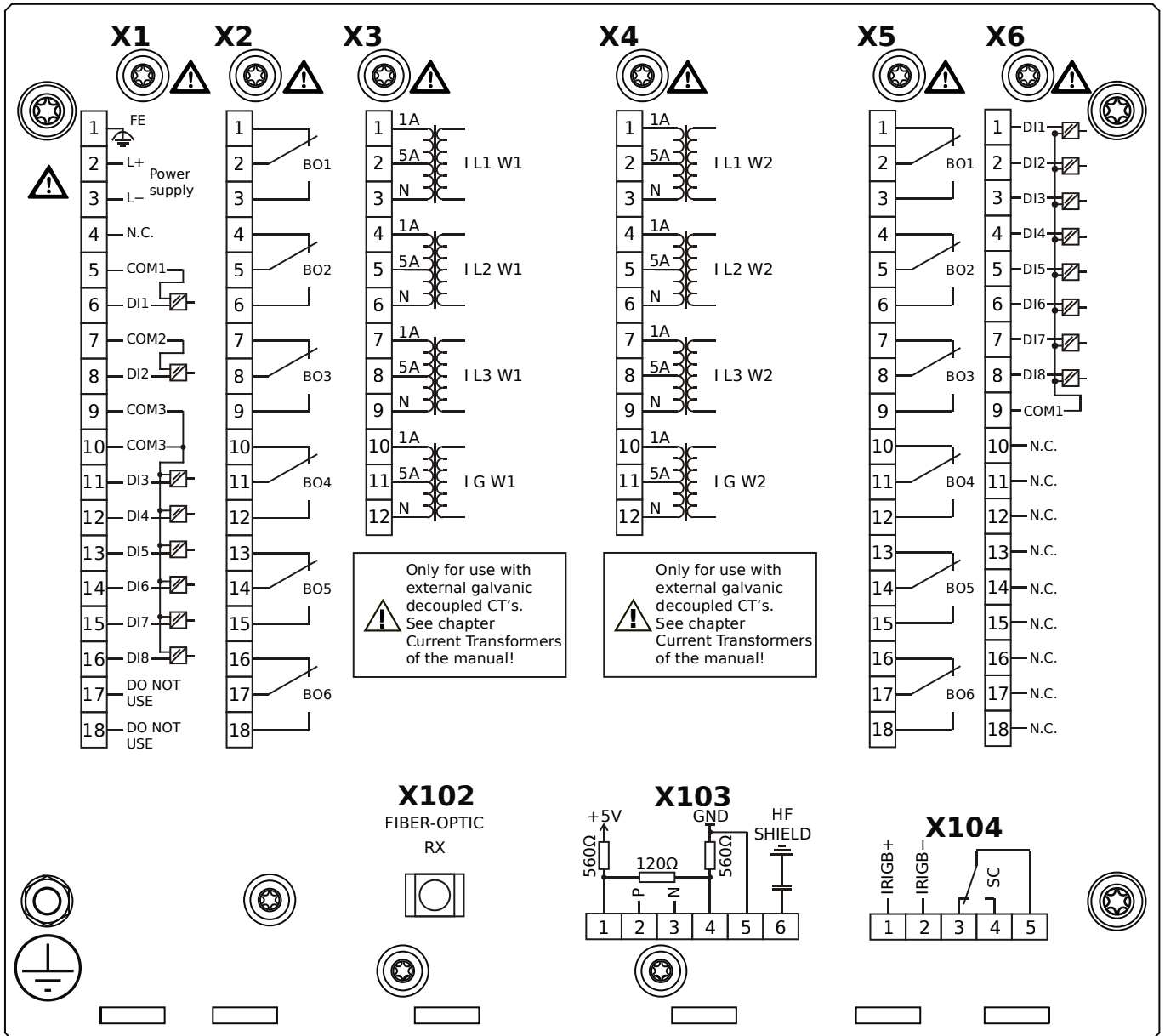
MRDT4-2D0ABA



Housing B2, small display, door mounting

- X1** – DI8-X1: Wide-range power supply unit, incl. 2 non-grouped digital inputs and 6 grouped digital inputs
- X2** – OR6: Assembly Group with 6 Output Relays (Changeover / Form C)
- X3** – TI: Standard current measuring card (for the winding side 1)
- X4** – TI: Standard current measuring card (for the winding side 2)
- X5** – OR6: Assembly Group with 6 Output Relays (Changeover / Form C)
- X6** – DI8: Assembly Group with 8 Digital Inputs
- X102** – Universal Resistance-Temperature Detector (URTD) input, Fiber optics interface, Versatile Link
- X103** – Modbus RTU / IEC 60870-5-103 / DNP3.0 RTU, RS485, Terminals
- X104** – IRIG-B00X, incl. System Contact (Supervision Contact)

MRDT4-2D0ABB

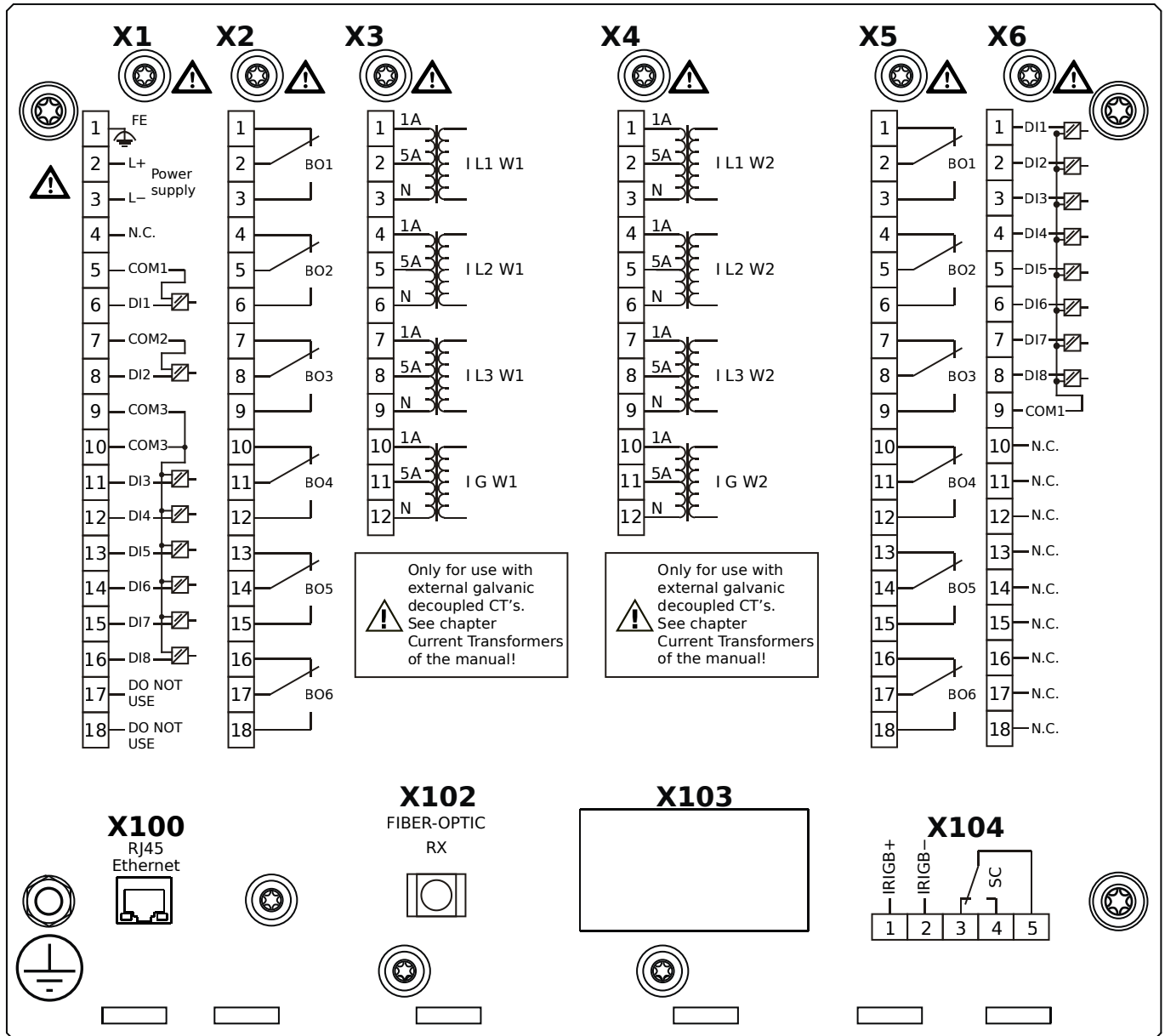


Housing B2, small display, door mounting

+ Conformal Coating (for installations in harsh environment)

- X1** – DI8-X1: Wide-range power supply unit, incl. 2 non-grouped digital inputs and 6 grouped digital inputs
- X2** – OR6: Assembly Group with 6 Output Relays (Changeover / Form C)
- X3** – TI: Standard current measuring card (for the winding side 1)
- X4** – TI: Standard current measuring card (for the winding side 2)
- X5** – OR6: Assembly Group with 6 Output Relays (Changeover / Form C)
- X6** – DI8: Assembly Group with 8 Digital Inputs
- X102** – Universal Resistance-Temperature Detector (URTD) input, Fiber optics interface, Versatile Link
- X103** – Modbus RTU / IEC 60870-5-103 / DNP3.0 RTU, RS485, Terminals
- X104** – IRIG-B00X, incl. System Contact (Supervision Contact)

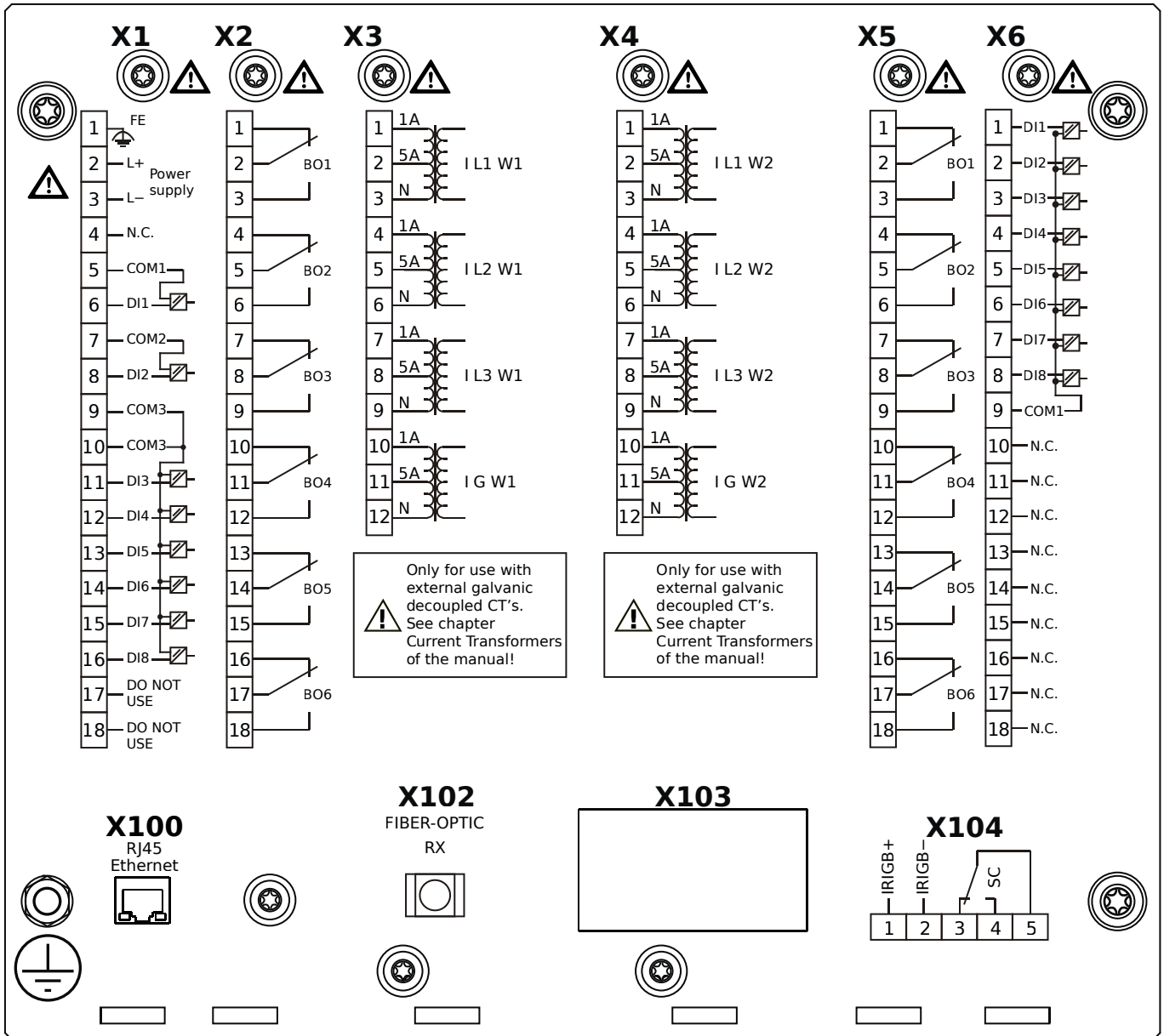
MRDT4-2D0ACA



Housing B2, small display, door mounting

- X1** – DI8-X1: Wide-range power supply unit, incl. 2 non-grouped digital inputs and 6 grouped digital inputs
- X2** – OR6: Assembly Group with 6 Output Relays (Changeover / Form C)
- X3** – TI: Standard current measuring card (for the winding side 1)
- X4** – TI: Standard current measuring card (for the winding side 2)
- X5** – OR6: Assembly Group with 6 Output Relays (Changeover / Form C)
- X6** – DI8: Assembly Group with 8 Digital Inputs
- X100** – Modbus TCP / IEC 60870-5-104 / DNP3.0 TCP/UDP, Ethernet interface, 100 Mbit/s, RJ45 (BASE100-FX)
- X102** – Universal Resistance-Temperature Detector (URTD) input, Fiber optics interface, Versatile Link
- X104** – IRIG-B00X, incl. System Contact (Supervision Contact)

MRDT4-2D0ACB

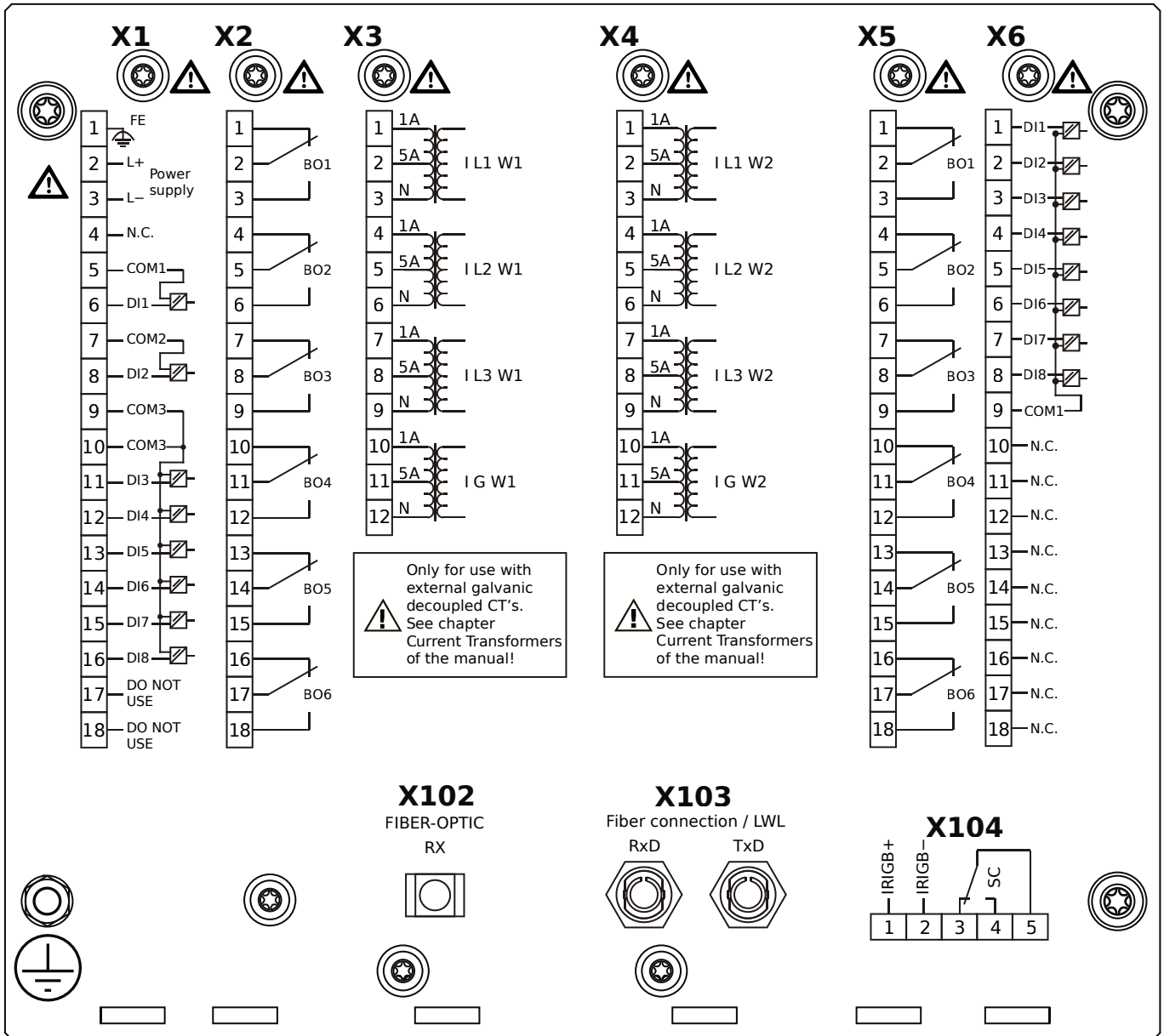


Housing B2, small display, door mounting

+ Conformal Coating (for installations in harsh environment)

- X1** – DI8-X1: Wide-range power supply unit, incl. 2 non-grouped digital inputs and 6 grouped digital inputs
- X2** – OR6: Assembly Group with 6 Output Relays (Changeover / Form C)
- X3** – TI: Standard current measuring card (for the winding side 1)
- X4** – TI: Standard current measuring card (for the winding side 2)
- X5** – OR6: Assembly Group with 6 Output Relays (Changeover / Form C)
- X6** – DI8: Assembly Group with 8 Digital Inputs
- X100** – Modbus TCP / IEC 60870-5-104 / DNP3.0 TCP/UDP, Ethernet interface, 100 Mbit/s, RJ45 (BASE100-FX)
- X102** – Universal Resistance-Temperature Detector (URTD) input, Fiber optics interface, Versatile Link
- X104** – IRIG-B00X, incl. System Contact (Supervision Contact)

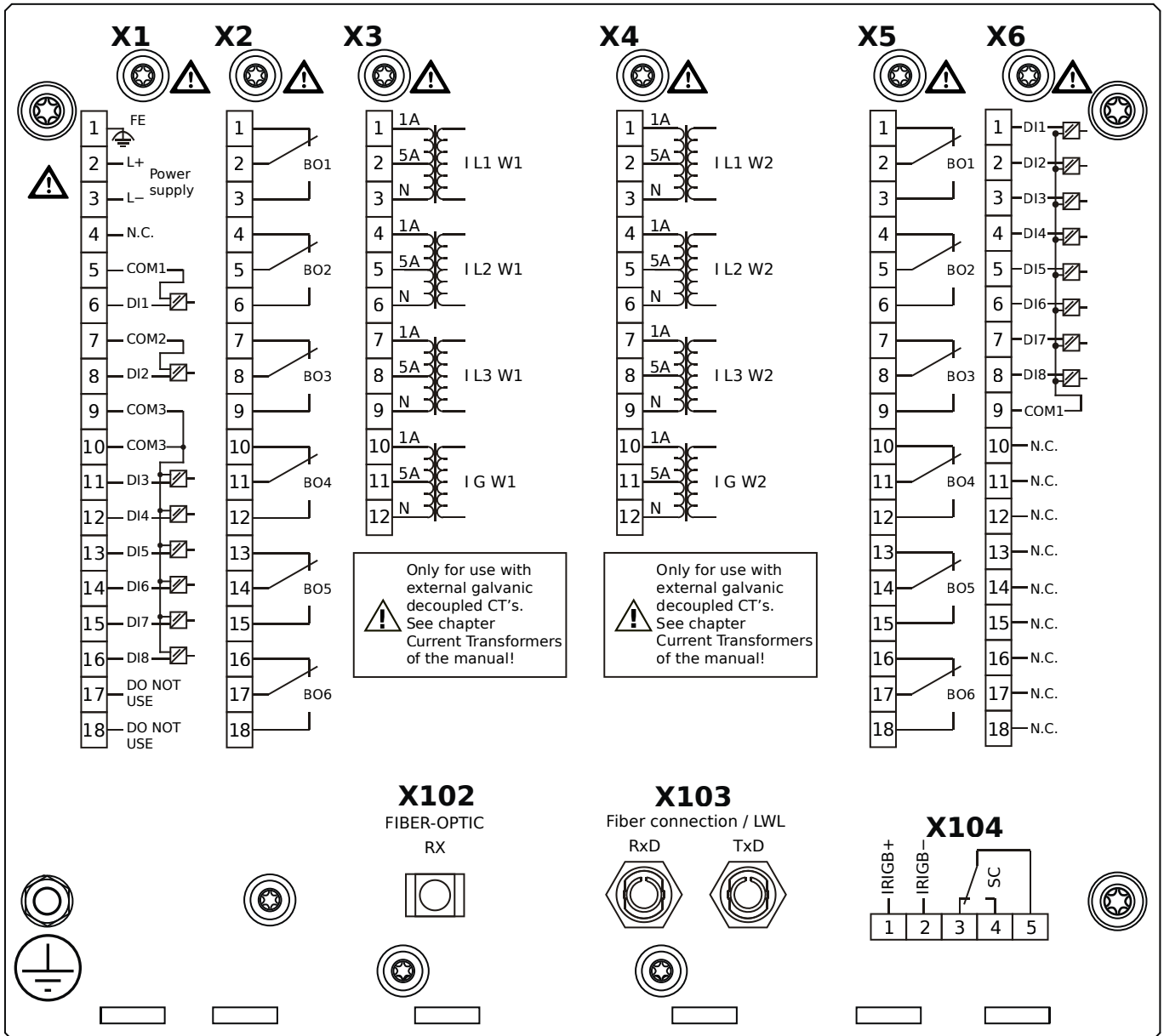
MRDT4-2D0ADA



Housing B2, small display, door mounting

- X1** – DI8-X1: Wide-range power supply unit, incl. 2 non-grouped digital inputs and 6 grouped digital inputs
- X2** – OR6: Assembly Group with 6 Output Relays (Changeover / Form C)
- X3** – TI: Standard current measuring card (for the winding side 1)
- X4** – TI: Standard current measuring card (for the winding side 2)
- X5** – OR6: Assembly Group with 6 Output Relays (Changeover / Form C)
- X6** – DI8: Assembly Group with 8 Digital Inputs
- X102** – Universal Resistance-Temperature Detector (URTD) input, Fiber optics interface, Versatile Link
- X103** – Profibus-DP, Fiber optics interface, ST Connector
- X104** – IRIG-B00X, incl. System Contact (Supervision Contact)

MRDT4-2D0ADB

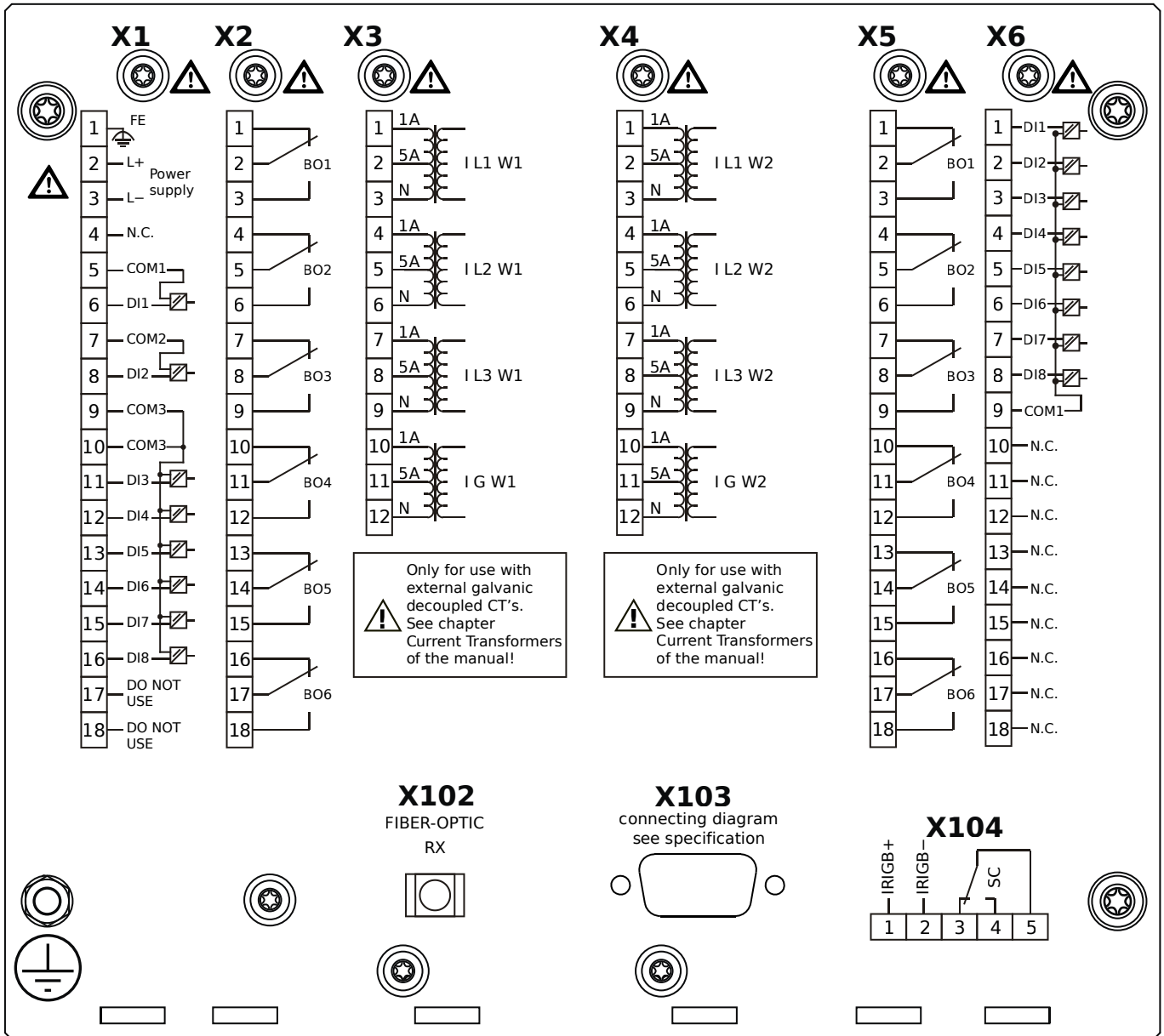


Housing B2, small display, door mounting

+ Conformal Coating (for installations in harsh environment)

- X1** – DI8-X1: Wide-range power supply unit, incl. 2 non-grouped digital inputs and 6 grouped digital inputs
- X2** – OR6: Assembly Group with 6 Output Relays (Changeover / Form C)
- X3** – TI: Standard current measuring card (for the winding side 1)
- X4** – TI: Standard current measuring card (for the winding side 2)
- X5** – OR6: Assembly Group with 6 Output Relays (Changeover / Form C)
- X6** – DI8: Assembly Group with 8 Digital Inputs
- X102** – Universal Resistance-Temperature Detector (URTD) input, Fiber optics interface, Versatile Link
- X103** – Profibus-DP, Fiber optics interface, ST Connector
- X104** – IRIG-B00X, incl. System Contact (Supervision Contact)

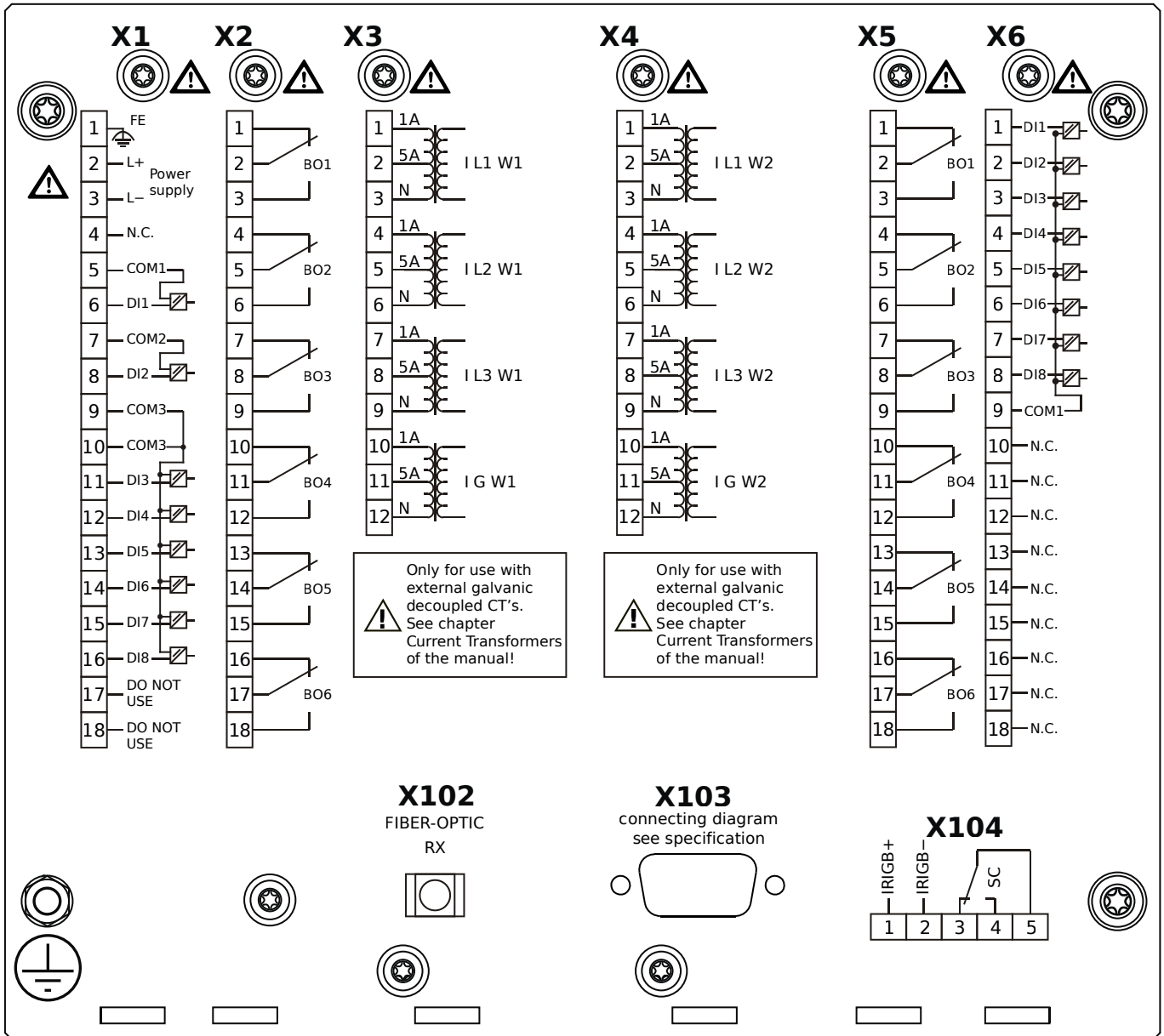
MRDT4-2D0AEA



Housing B2, small display, door mounting

- X1** – DI8-X1: Wide-range power supply unit, incl. 2 non-grouped digital inputs and 6 grouped digital inputs
- X2** – OR6: Assembly Group with 6 Output Relays (Changeover / Form C)
- X3** – TI: Standard current measuring card (for the winding side 1)
- X4** – TI: Standard current measuring card (for the winding side 2)
- X5** – OR6: Assembly Group with 6 Output Relays (Changeover / Form C)
- X6** – DI8: Assembly Group with 8 Digital Inputs
- X102** – Universal Resistance-Temperature Detector (URTD) input, Fiber optics interface, Versatile Link
- X103** – Profibus-DP, RS485, D-SUB
- X104** – IRIG-B00X, incl. System Contact (Supervision Contact)

MRDT4-2D0AEB

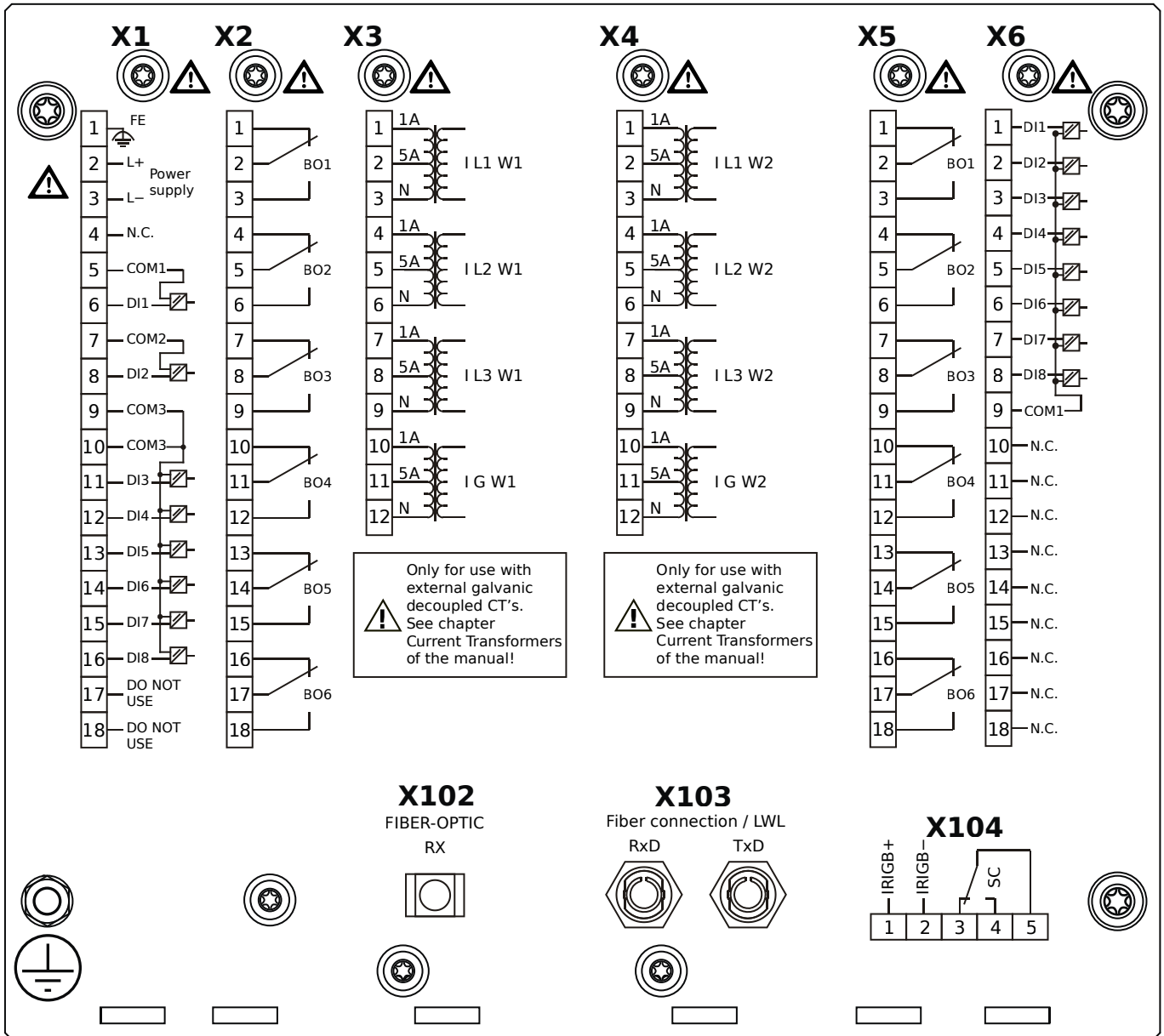


Housing B2, small display, door mounting

+ Conformal Coating (for installations in harsh environment)

- X1** – DI8-X1: Wide-range power supply unit, incl. 2 non-grouped digital inputs and 6 grouped digital inputs
- X2** – OR6: Assembly Group with 6 Output Relays (Changeover / Form C)
- X3** – TI: Standard current measuring card (for the winding side 1)
- X4** – TI: Standard current measuring card (for the winding side 2)
- X5** – OR6: Assembly Group with 6 Output Relays (Changeover / Form C)
- X6** – DI8: Assembly Group with 8 Digital Inputs
- X102** – Universal Resistance-Temperature Detector (URTD) input, Fiber optics interface, Versatile Link
- X103** – Profibus-DP, RS485, D-SUB
- X104** – IRIG-B00X, incl. System Contact (Supervision Contact)

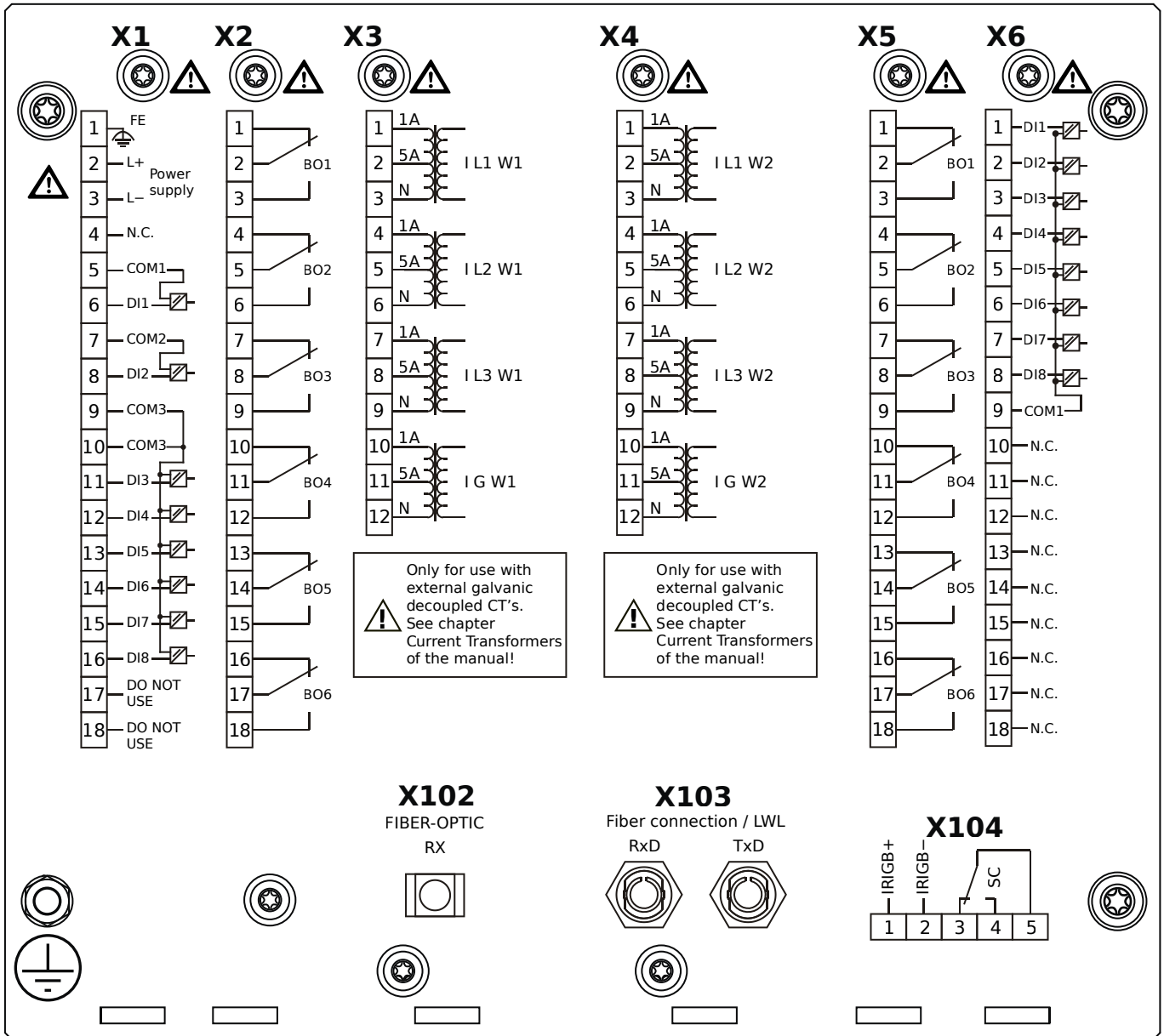
MRDT4-2D0AFA



Housing B2, small display, door mounting

- X1** – DI8-X1: Wide-range power supply unit, incl. 2 non-grouped digital inputs and 6 grouped digital inputs
- X2** – OR6: Assembly Group with 6 Output Relays (Changeover / Form C)
- X3** – TI: Standard current measuring card (for the winding side 1)
- X4** – TI: Standard current measuring card (for the winding side 2)
- X5** – OR6: Assembly Group with 6 Output Relays (Changeover / Form C)
- X6** – DI8: Assembly Group with 8 Digital Inputs
- X102** – Universal Resistance-Temperature Detector (URTD) input, Fiber optics interface, Versatile Link
- X103** – Modbus RTU / IEC 60870-5-103 / DNP3.0 RTU, Fiber optics interface, ST Connector
- X104** – IRIG-B00X, incl. System Contact (Supervision Contact)

MRDT4-2D0AFB

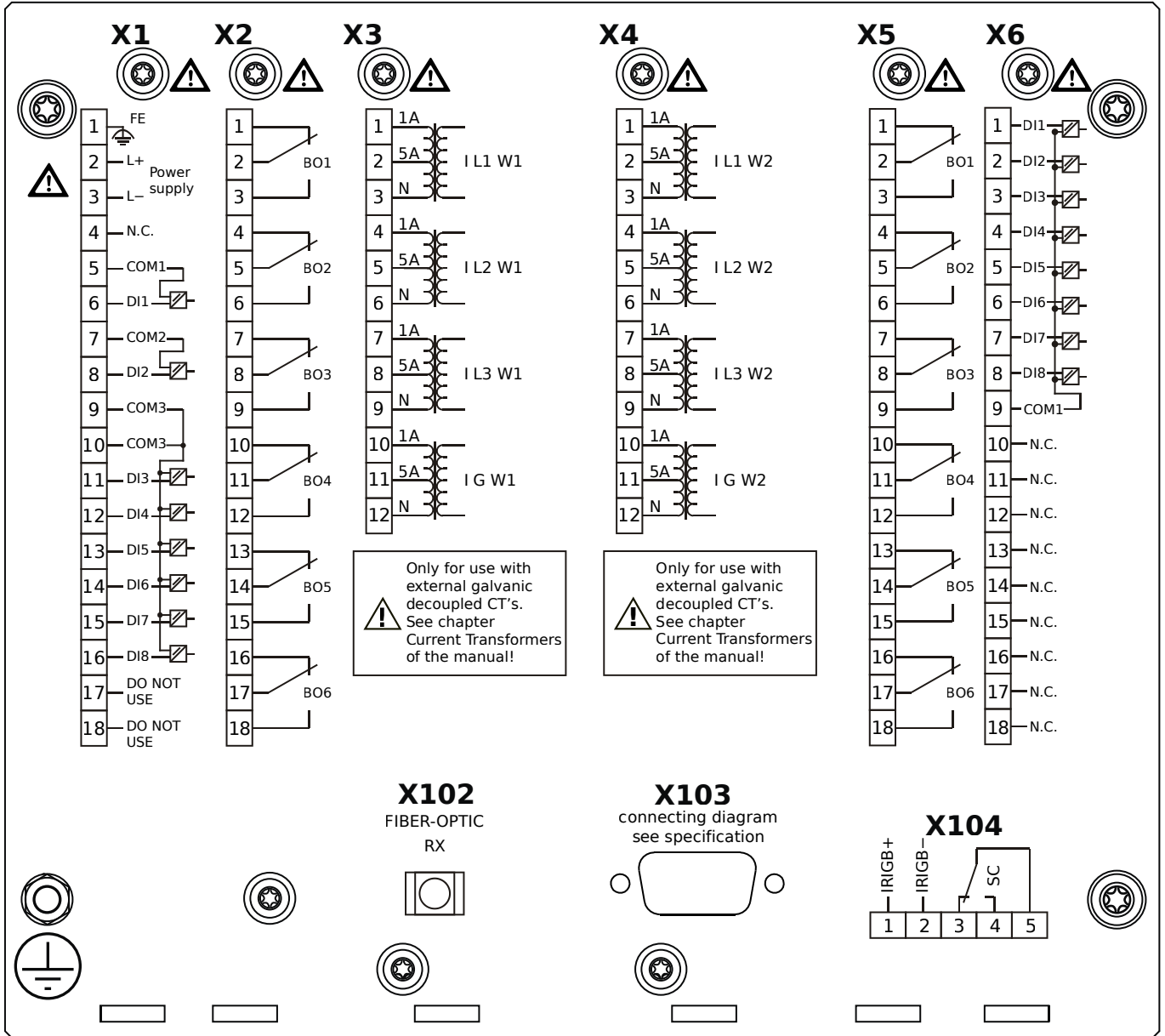


Housing B2, small display, door mounting

+ Conformal Coating (for installations in harsh environment)

- X1** – DI8-X1: Wide-range power supply unit, incl. 2 non-grouped digital inputs and 6 grouped digital inputs
- X2** – OR6: Assembly Group with 6 Output Relays (Changeover / Form C)
- X3** – TI: Standard current measuring card (for the winding side 1)
- X4** – TI: Standard current measuring card (for the winding side 2)
- X5** – OR6: Assembly Group with 6 Output Relays (Changeover / Form C)
- X6** – DI8: Assembly Group with 8 Digital Inputs
- X102** – Universal Resistance-Temperature Detector (URTD) input, Fiber optics interface, Versatile Link
- X103** – Modbus RTU / IEC 60870-5-103 / DNP3.0 RTU, Fiber optics interface, ST Connector
- X104** – IRIG-B00X, incl. System Contact (Supervision Contact)

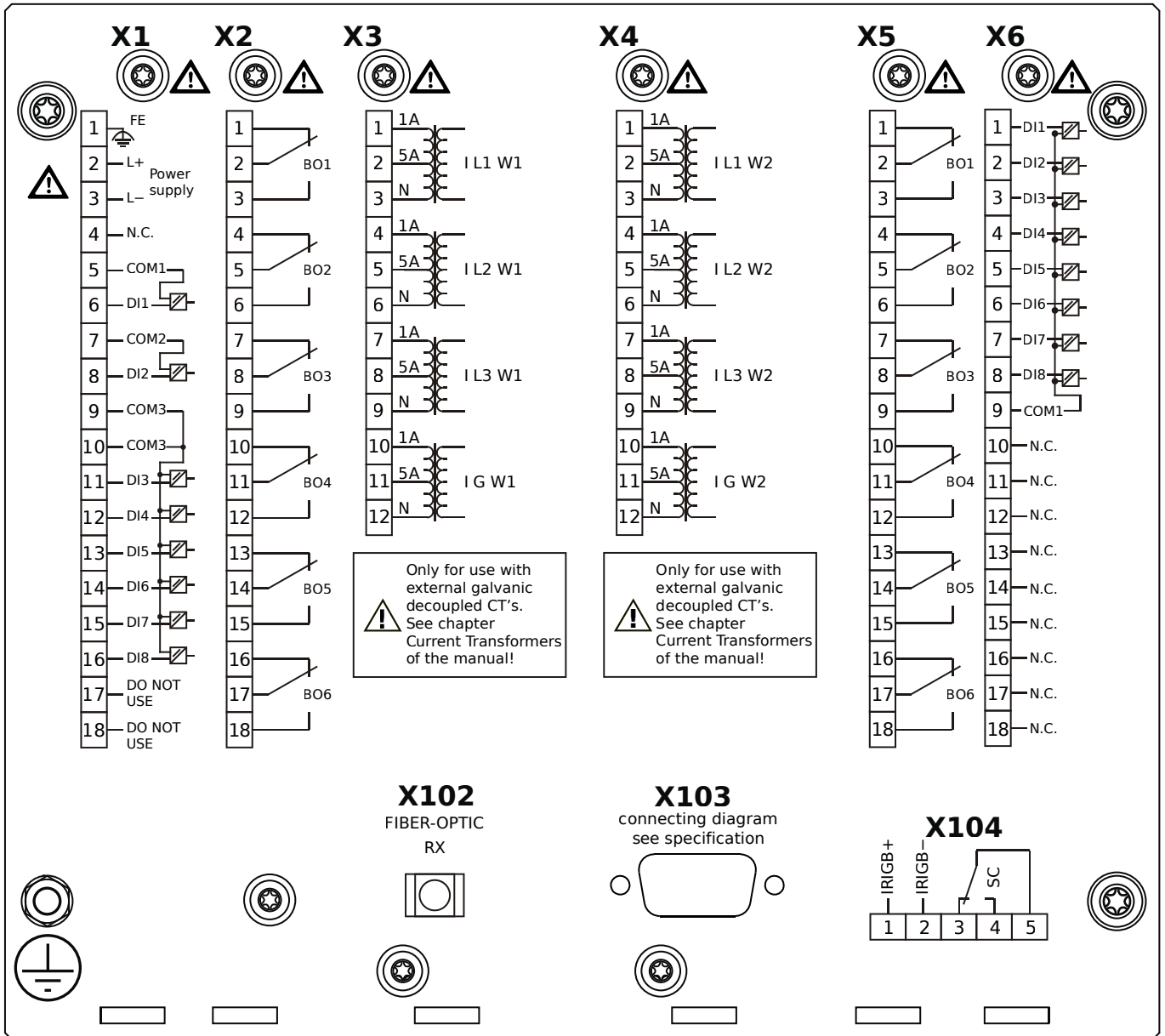
MRDT4-2D0AGA



Housing B2, small display, door mounting

- X1** – DI8-X1: Wide-range power supply unit, incl. 2 non-grouped digital inputs and 6 grouped digital inputs
- X2** – OR6: Assembly Group with 6 Output Relays (Changeover / Form C)
- X3** – TI: Standard current measuring card (for the winding side 1)
- X4** – TI: Standard current measuring card (for the winding side 2)
- X5** – OR6: Assembly Group with 6 Output Relays (Changeover / Form C)
- X6** – DI8: Assembly Group with 8 Digital Inputs
- X102** – Universal Resistance-Temperature Detector (URTD) input, Fiber optics interface, Versatile Link
- X103** – Modbus RTU / IEC 60870-5-103 / DNP3.0 RTU, RS485, D-SUB
- X104** – IRIG-B00X, incl. System Contact (Supervision Contact)

MRDT4-2D0AGB

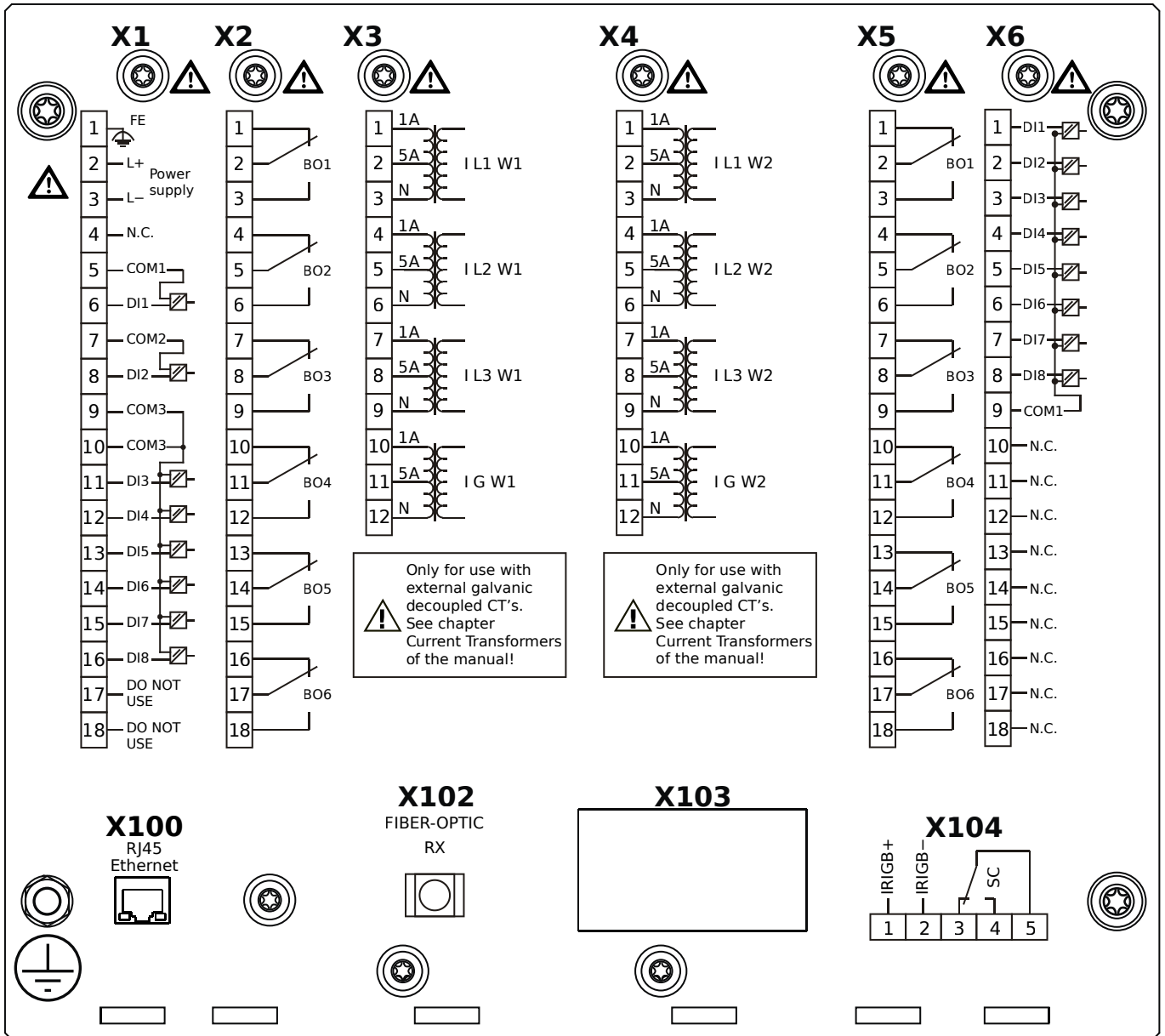


Housing B2, small display, door mounting

- + Conformal Coating (for installations in harsh environment)

- X1** – DI8-X1: Wide-range power supply unit, incl. 2 non-grouped digital inputs and 6 grouped digital inputs
- X2** – OR6: Assembly Group with 6 Output Relays (Changeover / Form C)
- X3** – TI: Standard current measuring card (for the winding side 1)
- X4** – TI: Standard current measuring card (for the winding side 2)
- X5** – OR6: Assembly Group with 6 Output Relays (Changeover / Form C)
- X6** – DI8: Assembly Group with 8 Digital Inputs
- X102** – Universal Resistance-Temperature Detector (URTD) input, Fiber optics interface, Versatile Link
- X103** – Modbus RTU / IEC 60870-5-103 / DNP3.0 RTU, RS485, D-SUB
- X104** – IRIG-B00X, incl. System Contact (Supervision Contact)

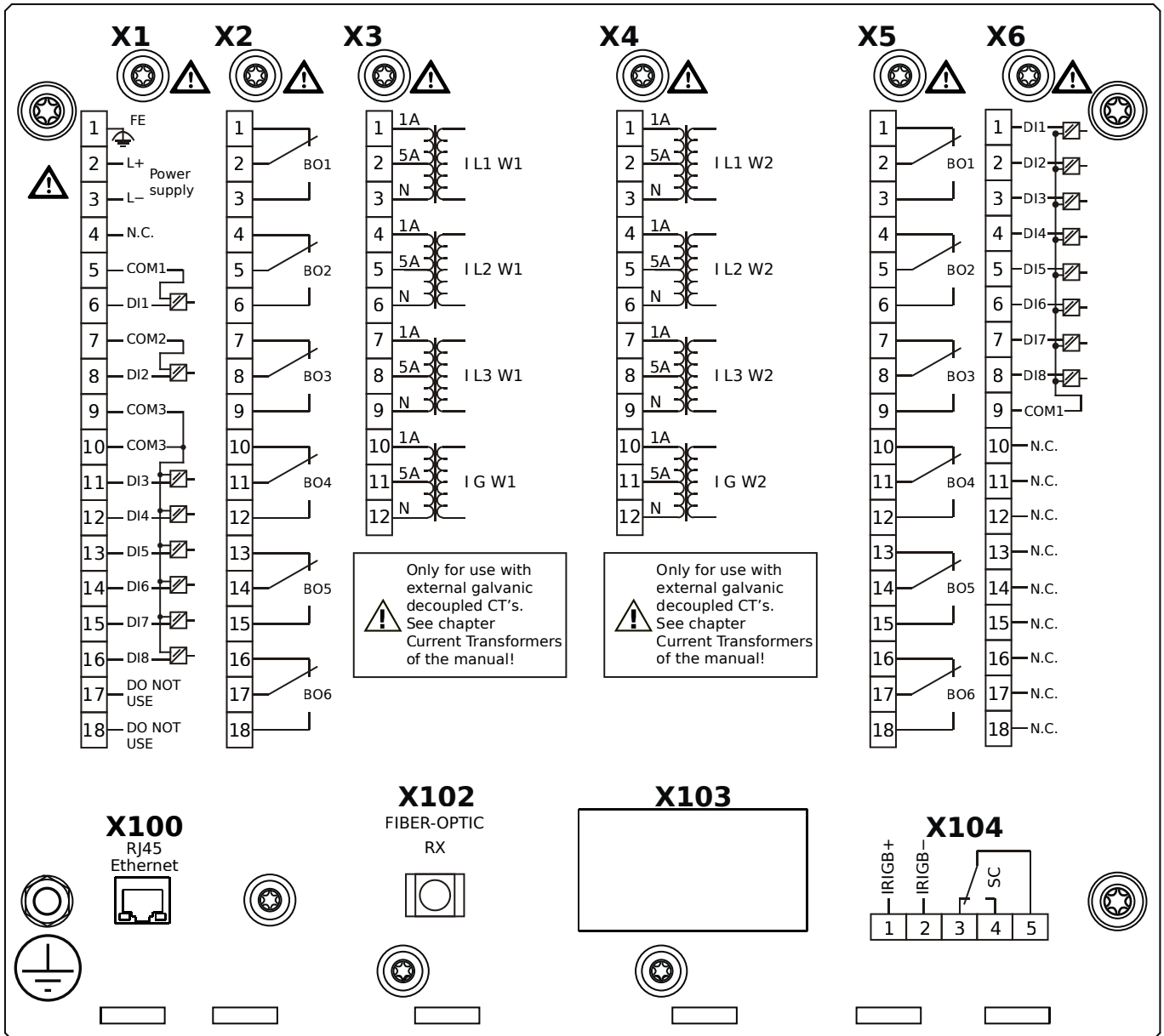
MRDT4-2D0AHA



Housing B2, small display, door mounting

- X1** – DI8-X1: Wide-range power supply unit, incl. 2 non-grouped digital inputs and 6 grouped digital inputs
- X2** – OR6: Assembly Group with 6 Output Relays (Changeover / Form C)
- X3** – TI: Standard current measuring card (for the winding side 1)
- X4** – TI: Standard current measuring card (for the winding side 2)
- X5** – OR6: Assembly Group with 6 Output Relays (Changeover / Form C)
- X6** – DI8: Assembly Group with 8 Digital Inputs
- X100** – IEC 61850 / Modbus TCP / IEC 60870-5-104 / DNP3.0 TCP/UDP, Ethernet interface, 100 Mbit/s, RJ45 (BASE100-FX)
- X102** – Universal Resistance-Temperature Detector (URTD) input, Fiber optics interface, Versatile Link
- X104** – IRIG-B00X, incl. System Contact (Supervision Contact)

MRDT4-2D0AHB



Housing B2, small display, door mounting

+ Conformal Coating (for installations in harsh environment)

X1 – DI8-X1: Wide-range power supply unit, incl. 2 non-grouped digital inputs and 6 grouped digital inputs

X2 – OR6: Assembly Group with 6 Output Relays (Changeover / Form C)

X3 – TI: Standard current measuring card (for the winding side 1)

X4 – TI: Standard current measuring card (for the winding side 2)

X5 – OR6: Assembly Group with 6 Output Relays (Changeover / Form C)

X6 – DI8: Assembly Group with 8 Digital Inputs

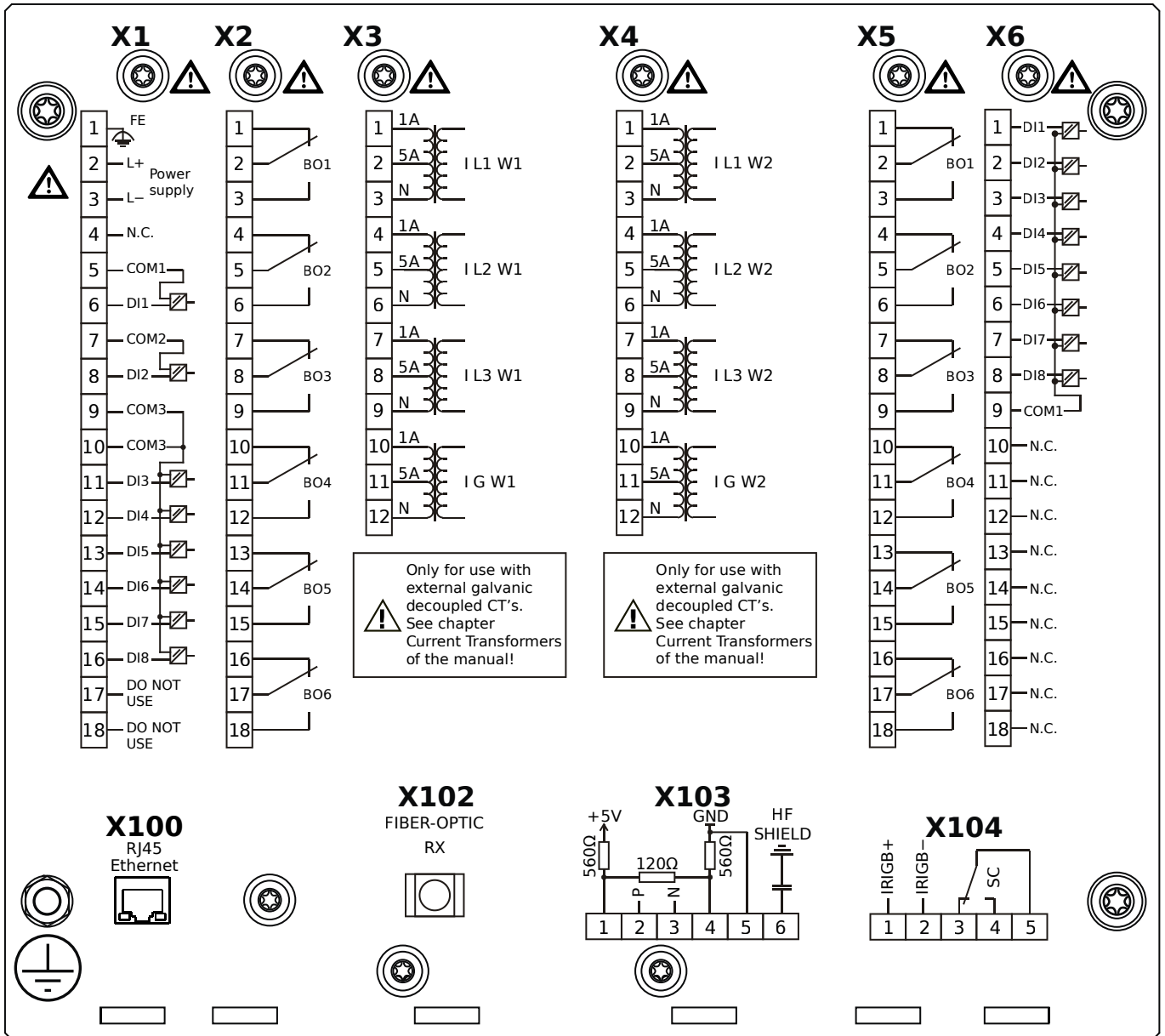
X100 – IEC 61850 / Modbus TCP / IEC 60870-5-104 / DNP3.0 TCP/UDP, Ethernet interface, 100 Mbit/s, RJ45 (BASE100-

FX)

X102 – Universal Resistance-Temperature Detector (URTD) input, Fiber optics interface, Versatile Link

X104 – IRIG-B00X, incl. System Contact (Supervision Contact)

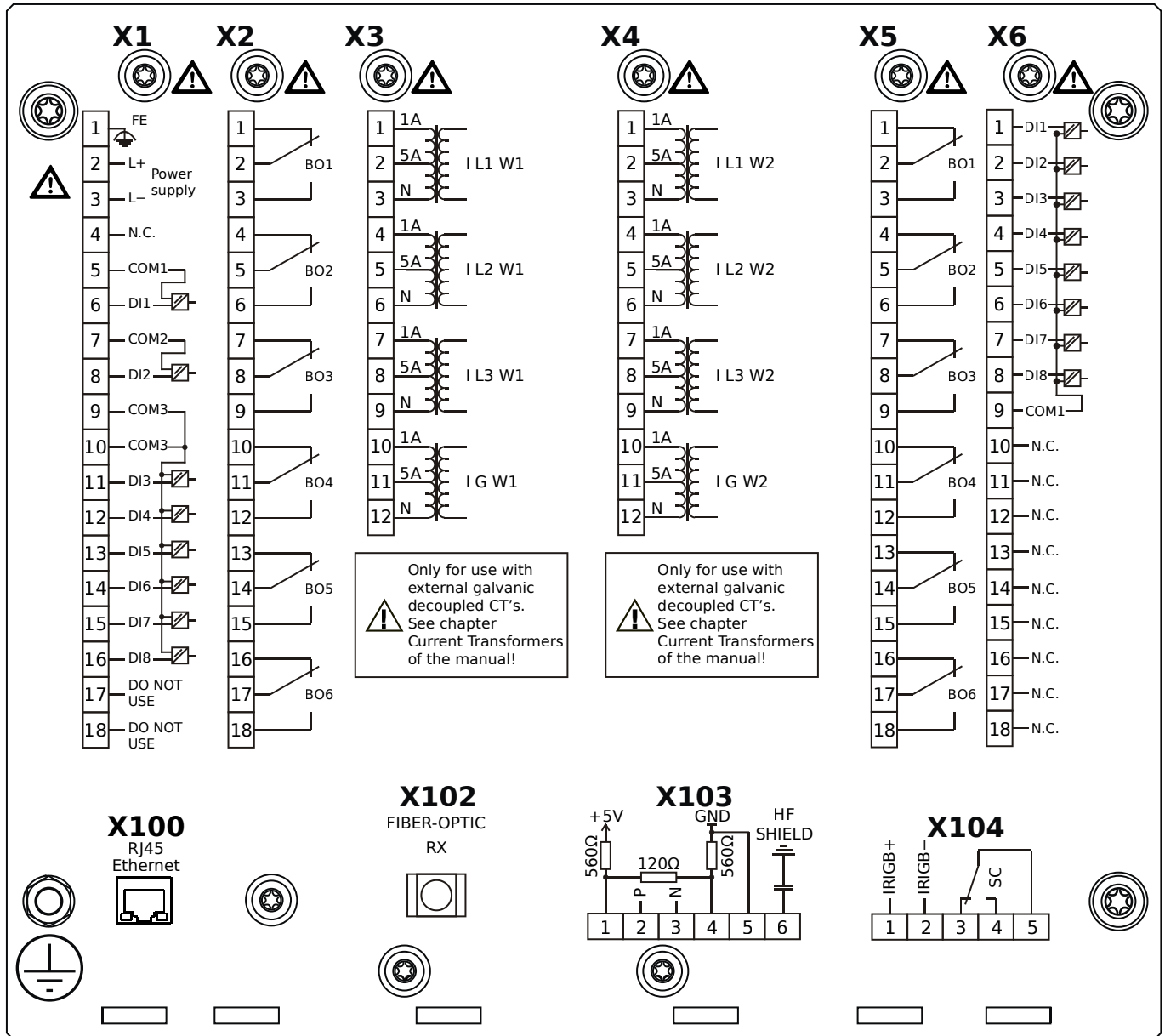
MRDT4-2D0AIA



Housing B2, small display, door mounting

- X1** – DI8-X1: Wide-range power supply unit, incl. 2 non-grouped digital inputs and 6 grouped digital inputs
- X2** – OR6: Assembly Group with 6 Output Relays (Changeover / Form C)
- X3** – TI: Standard current measuring card (for the winding side 1)
- X4** – TI: Standard current measuring card (for the winding side 2)
- X5** – OR6: Assembly Group with 6 Output Relays (Changeover / Form C)
- X6** – DI8: Assembly Group with 8 Digital Inputs
- X100** – Modbus TCP / IEC 60870-5-104 / DNP3.0 TCP/UDP, Ethernet interface, 100 Mbit/s, RJ45 (BASE100-FX)
- X102** – Universal Resistance-Temperature Detector (URTD) input, Fiber optics interface, Versatile Link
- X103** – IEC 60870-5-103 / Modbus RTU / DNP3.0 RTU, RS485, Terminals
- X104** – IRIG-B00X, incl. System Contact (Supervision Contact)

MRDT4-2D0AIB

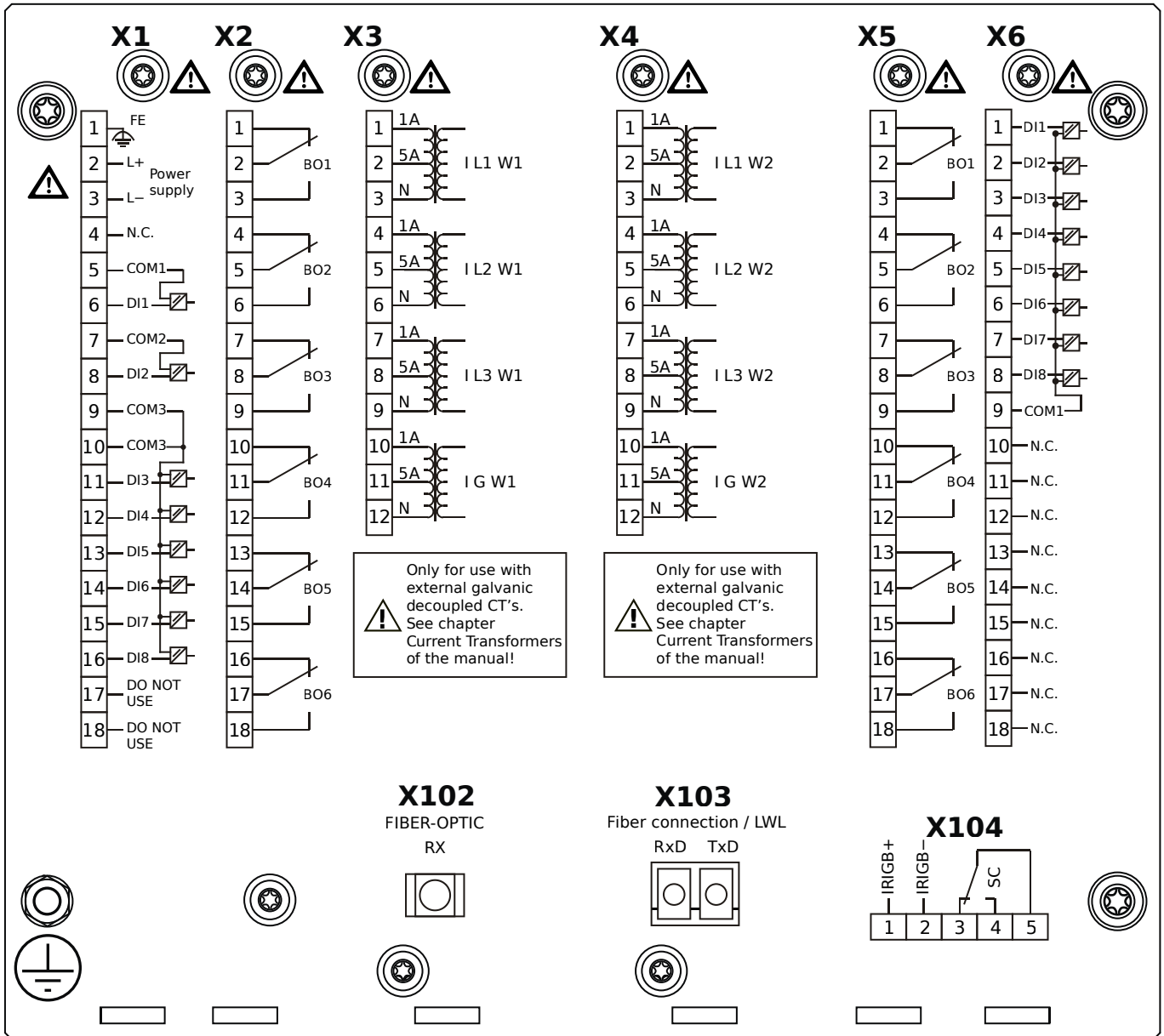


Housing B2, small display, door mounting

+ Conformal Coating (for installations in harsh environment)

- X1** – DI8-X1: Wide-range power supply unit, incl. 2 non-grouped digital inputs and 6 grouped digital inputs
- X2** – OR6: Assembly Group with 6 Output Relays (Changeover / Form C)
- X3** – TI: Standard current measuring card (for the winding side 1)
- X4** – TI: Standard current measuring card (for the winding side 2)
- X5** – OR6: Assembly Group with 6 Output Relays (Changeover / Form C)
- X6** – DI8: Assembly Group with 8 Digital Inputs
- X100** – Modbus TCP / IEC 60870-5-104 / DNP3.0 TCP/UDP, Ethernet interface, 100 Mbit/s, RJ45 (BASE100-FX)
- X102** – Universal Resistance-Temperature Detector (URTD) input, Fiber optics interface, Versatile Link
- X103** – IEC 60870-5-103 / Modbus RTU / DNP3.0 RTU, RS485, Terminals
- X104** – IRIG-B00X, incl. System Contact (Supervision Contact)

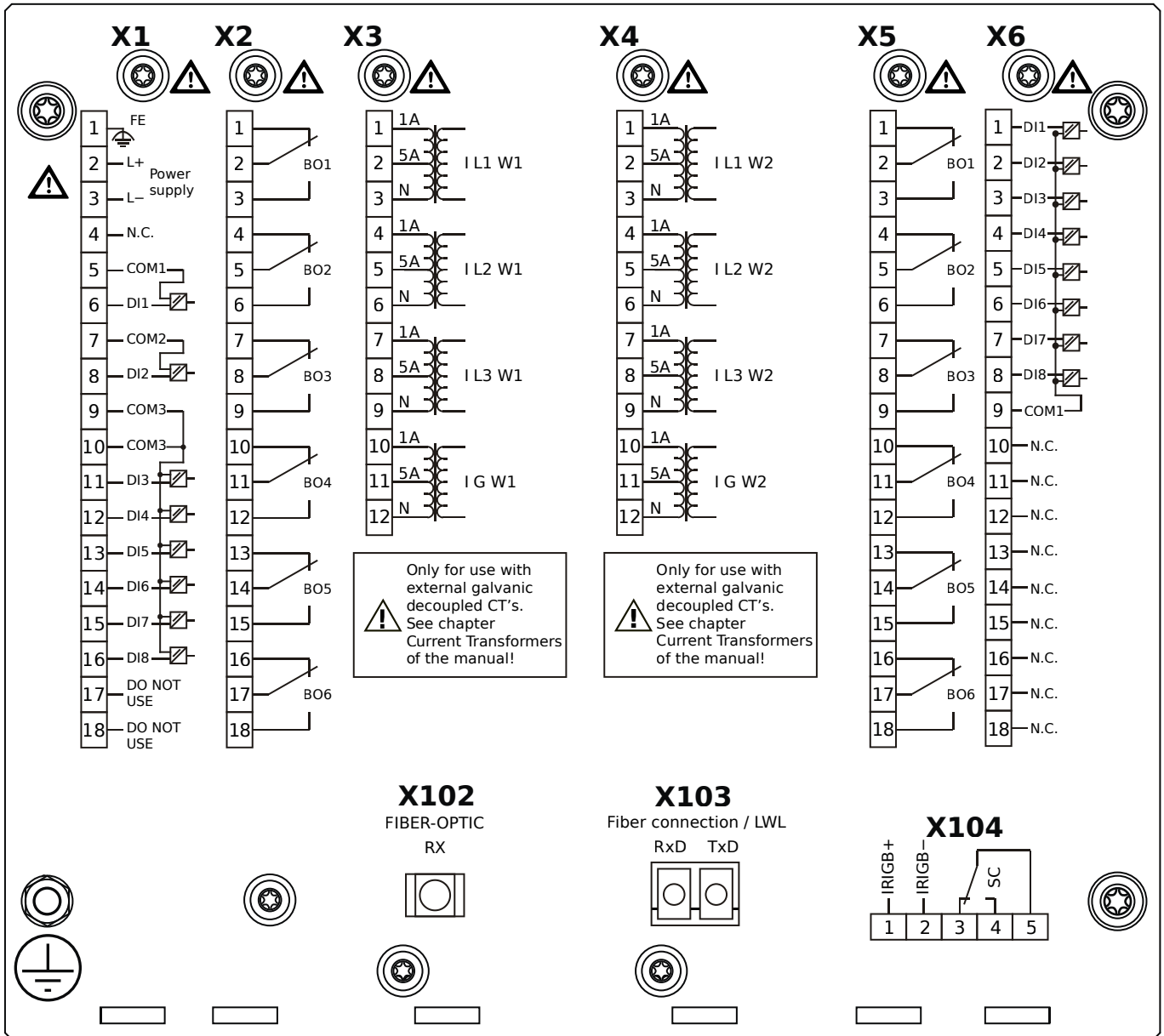
MRDT4-2D0AKA



Housing B2, small display, door mounting

- X1** – DI8-X1: Wide-range power supply unit, incl. 2 non-grouped digital inputs and 6 grouped digital inputs
- X2** – OR6: Assembly Group with 6 Output Relays (Changeover / Form C)
- X3** – TI: Standard current measuring card (for the winding side 1)
- X4** – TI: Standard current measuring card (for the winding side 2)
- X5** – OR6: Assembly Group with 6 Output Relays (Changeover / Form C)
- X6** – DI8: Assembly Group with 8 Digital Inputs
- X102** – Universal Resistance-Temperature Detector (URTD) input, Fiber optics interface, Versatile Link
- X103** – IEC 61850 / Modbus TCP / IEC 60870-5-104 / DNP3.0 TCP/UDP, Fiber optics interface, LC Connector
- X104** – IRIG-B00X, incl. System Contact (Supervision Contact)

MRDT4-2D0AKB

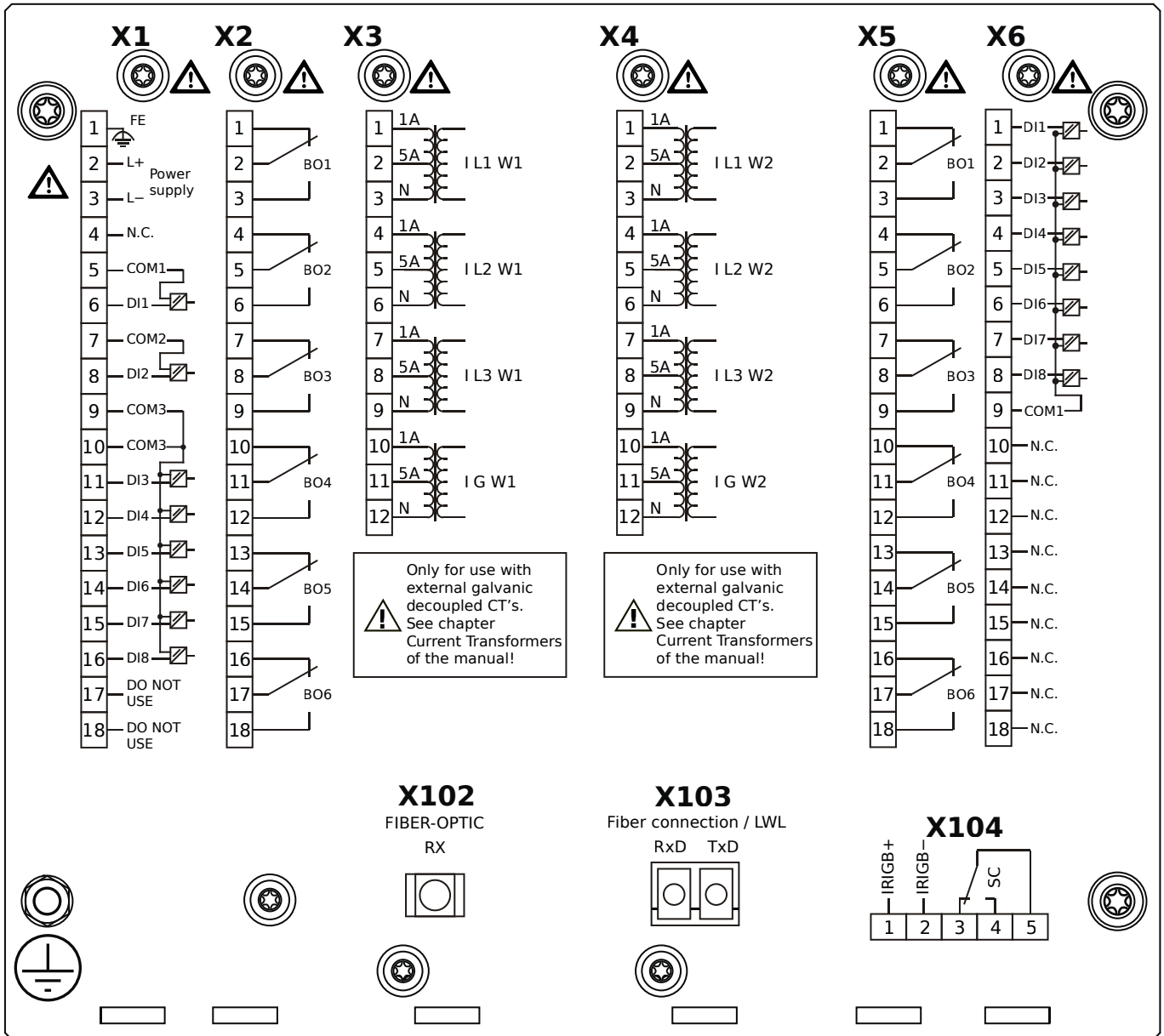


Housing B2, small display, door mounting

+ Conformal Coating (for installations in harsh environment)

- X1** – DI8-X1: Wide-range power supply unit, incl. 2 non-grouped digital inputs and 6 grouped digital inputs
- X2** – OR6: Assembly Group with 6 Output Relays (Changeover / Form C)
- X3** – TI: Standard current measuring card (for the winding side 1)
- X4** – TI: Standard current measuring card (for the winding side 2)
- X5** – OR6: Assembly Group with 6 Output Relays (Changeover / Form C)
- X6** – DI8: Assembly Group with 8 Digital Inputs
- X102** – Universal Resistance-Temperature Detector (URTD) input, Fiber optics interface, Versatile Link
- X103** – IEC 61850 / Modbus TCP / IEC 60870-5-104 / DNP3.0 TCP/UDP, Fiber optics interface, LC Connector
- X104** – IRIG-B00X, incl. System Contact (Supervision Contact)

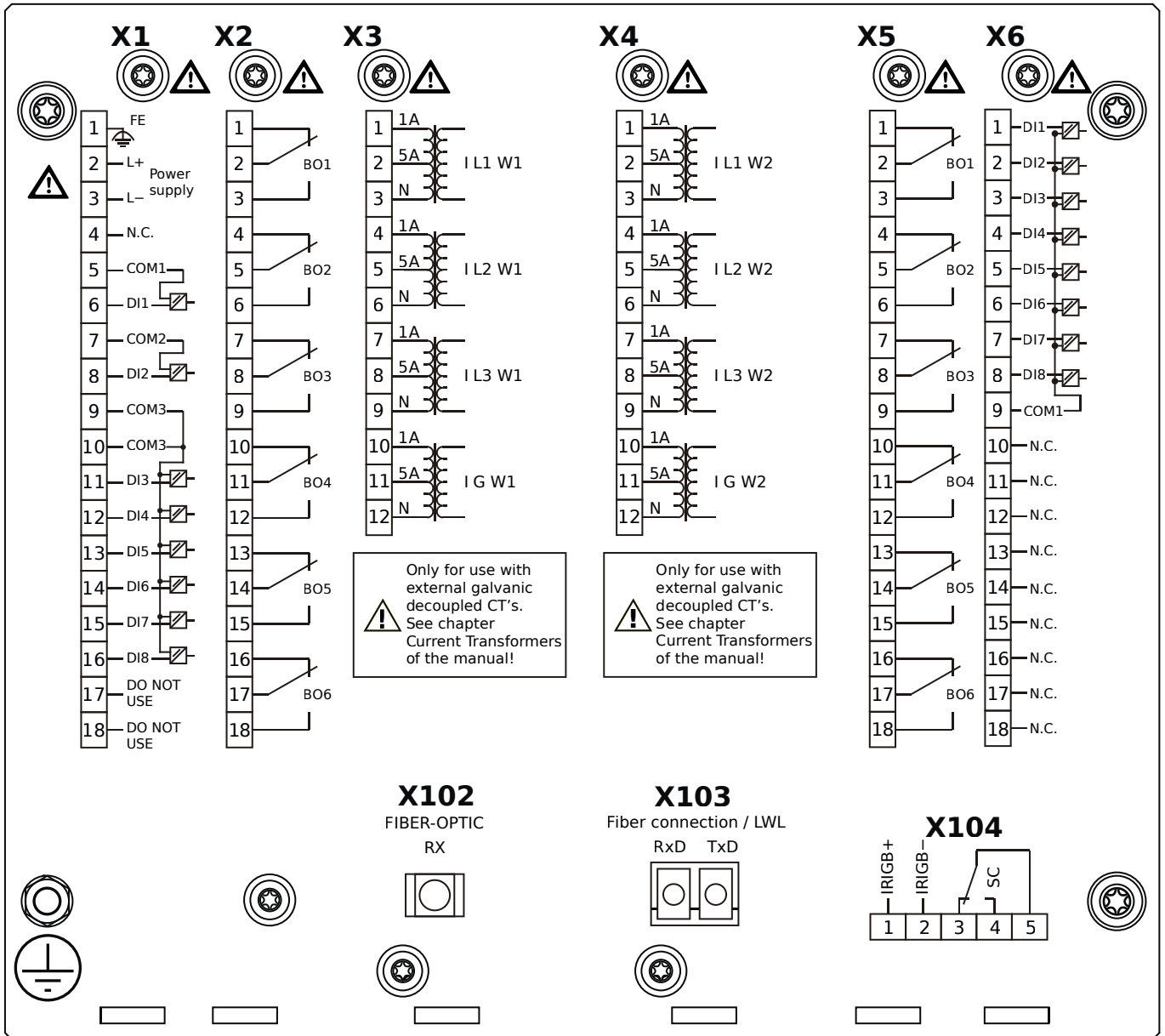
MRDT4-2D0ALA



Housing B2, small display, door mounting

- X1** – DI8-X1: Wide-range power supply unit, incl. 2 non-grouped digital inputs and 6 grouped digital inputs
- X2** – OR6: Assembly Group with 6 Output Relays (Changeover / Form C)
- X3** – TI: Standard current measuring card (for the winding side 1)
- X4** – TI: Standard current measuring card (for the winding side 2)
- X5** – OR6: Assembly Group with 6 Output Relays (Changeover / Form C)
- X6** – DI8: Assembly Group with 8 Digital Inputs
- X102** – Universal Resistance-Temperature Detector (URTD) input, Fiber optics interface, Versatile Link
- X103** – Modbus TCP / IEC 60870-5-104 / DNP3.0 TCP/UDP, Fiber optics interface, LC Connector
- X104** – IRIG-B00X, incl. System Contact (Supervision Contact)

MRDT4-2D0ALB

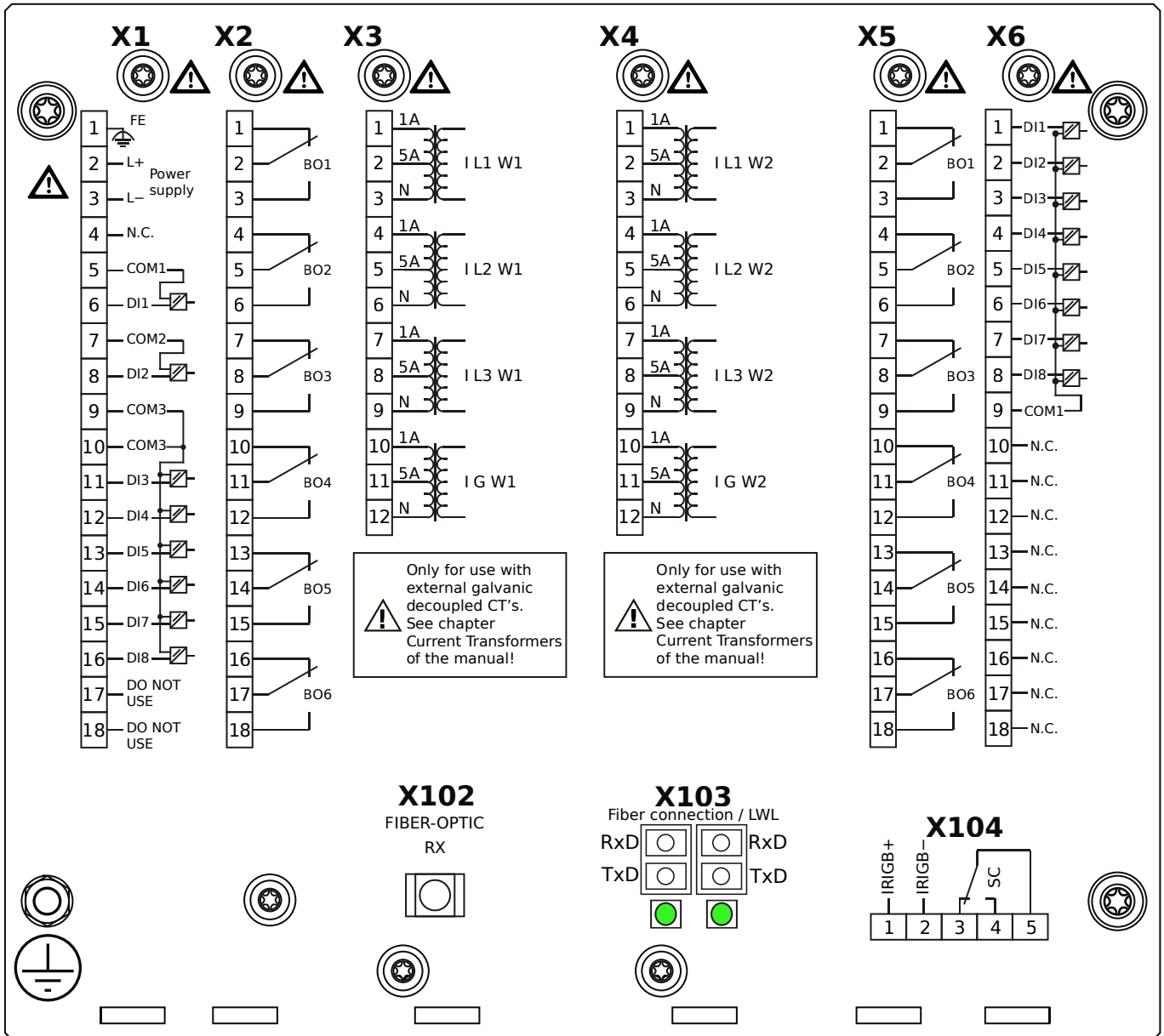


Housing B2, small display, door mounting

+ Conformal Coating (for installations in harsh environment)

- X1** – DI8-X1: Wide-range power supply unit, incl. 2 non-grouped digital inputs and 6 grouped digital inputs
- X2** – OR6: Assembly Group with 6 Output Relays (Changeover / Form C)
- X3** – TI: Standard current measuring card (for the winding side 1)
- X4** – TI: Standard current measuring card (for the winding side 2)
- X5** – OR6: Assembly Group with 6 Output Relays (Changeover / Form C)
- X6** – DI8: Assembly Group with 8 Digital Inputs
- X102** – Universal Resistance-Temperature Detector (URTD) input, Fiber optics interface, Versatile Link
- X103** – Modbus TCP / IEC 60870-5-104 / DNP3.0 TCP/UDP, Fiber optics interface, LC Connector
- X104** – IRIG-B00X, incl. System Contact (Supervision Contact)

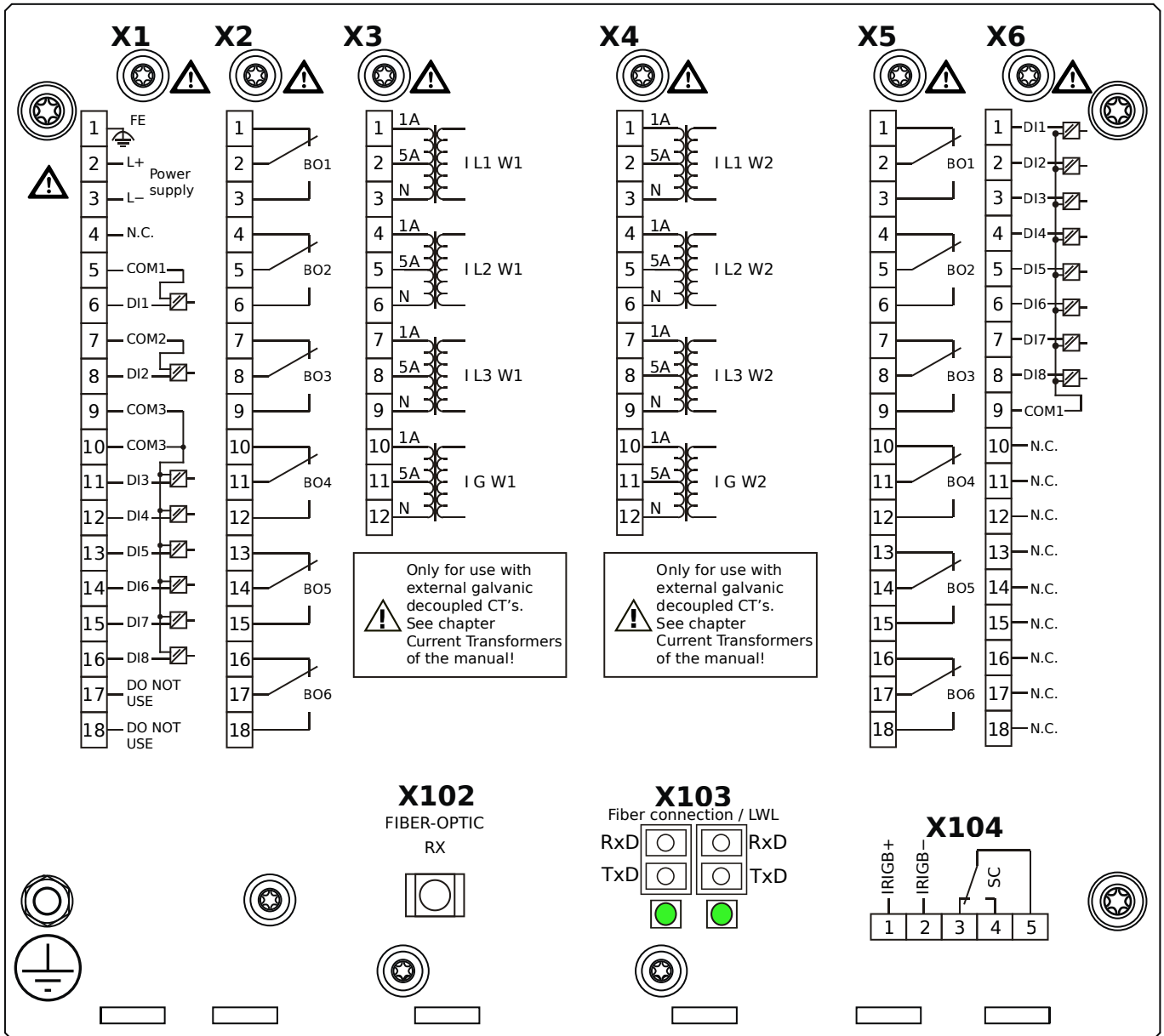
MRDT4-2D0AOA



Housing B2, small display, door mounting

- X1** – DI8-X1: Wide-range power supply unit, incl. 2 non-grouped digital inputs and 6 grouped digital inputs
- X2** – OR6: Assembly Group with 6 Output Relays (Changeover / Form C)
- X3** – TI: Standard current measuring card (for the winding side 1)
- X4** – TI: Standard current measuring card (for the winding side 2)
- X5** – OR6: Assembly Group with 6 Output Relays (Changeover / Form C)
- X6** – DI8: Assembly Group with 8 Digital Inputs
- X102** – Universal Resistance-Temperature Detector (URTD) input, Fiber optics interface, Versatile Link
- X103** – Modbus TCP / IEC 60870-5-104 / DNP3.0 TCP/UDP, Redundant Fiber optics interface, LC Connector
- X104** – IRIG-B00X, incl. System Contact (Supervision Contact)

MRDT4-2D0AOB

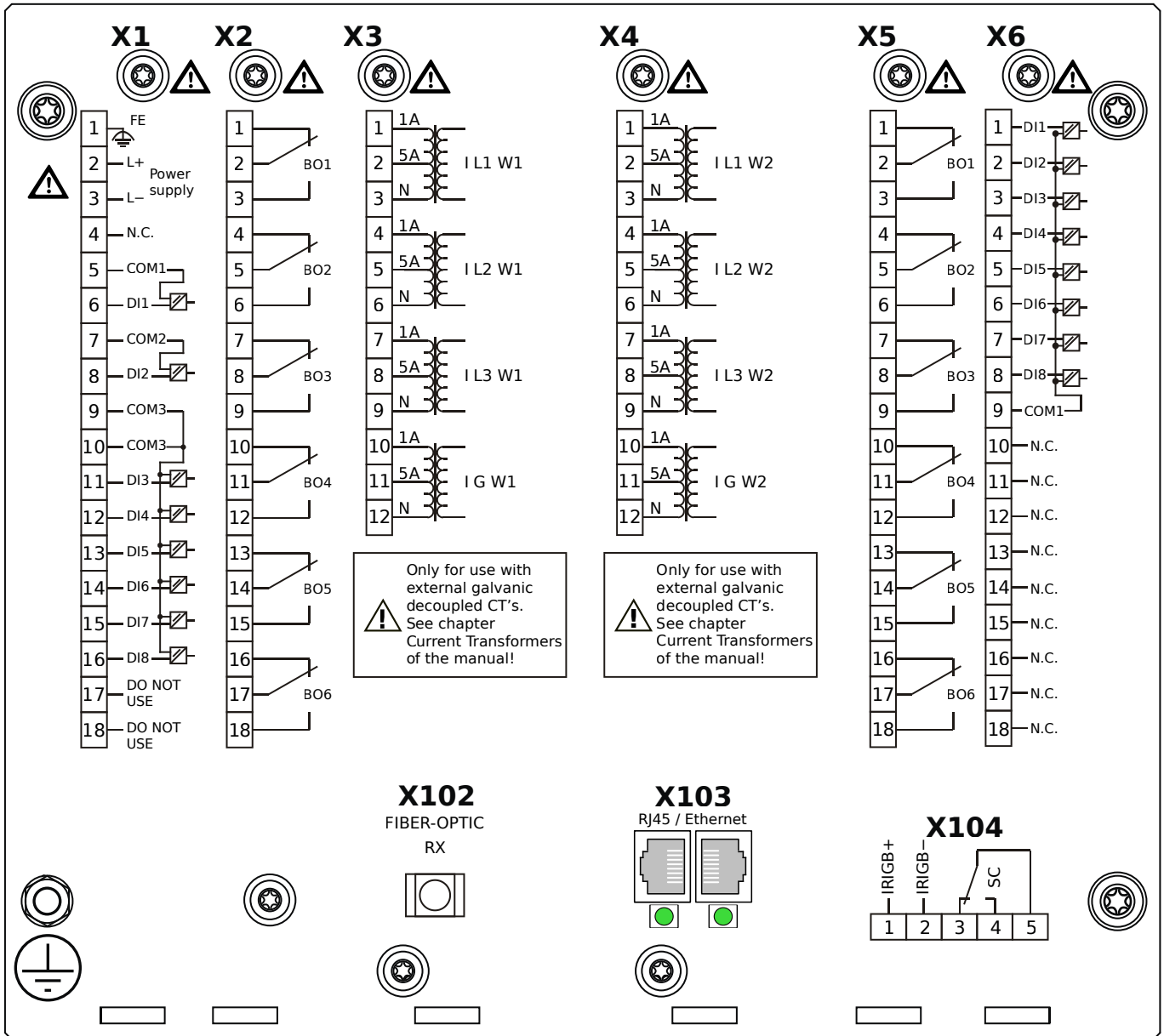


Housing B2, small display, door mounting

- + Conformal Coating (for installations in harsh environment)

- X1** – DI8-X1: Wide-range power supply unit, incl. 2 non-grouped digital inputs and 6 grouped digital inputs
- X2** – OR6: Assembly Group with 6 Output Relays (Changeover / Form C)
- X3** – TI: Standard current measuring card (for the winding side 1)
- X4** – TI: Standard current measuring card (for the winding side 2)
- X5** – OR6: Assembly Group with 6 Output Relays (Changeover / Form C)
- X6** – DI8: Assembly Group with 8 Digital Inputs
- X102** – Universal Resistance-Temperature Detector (URTD) input, Fiber optics interface, Versatile Link
- X103** – Modbus TCP / IEC 60870-5-104 / DNP3.0 TCP/UDP, Redundant Fiber optics interface, LC Connector
- X104** – IRIG-B00X, incl. System Contact (Supervision Contact)

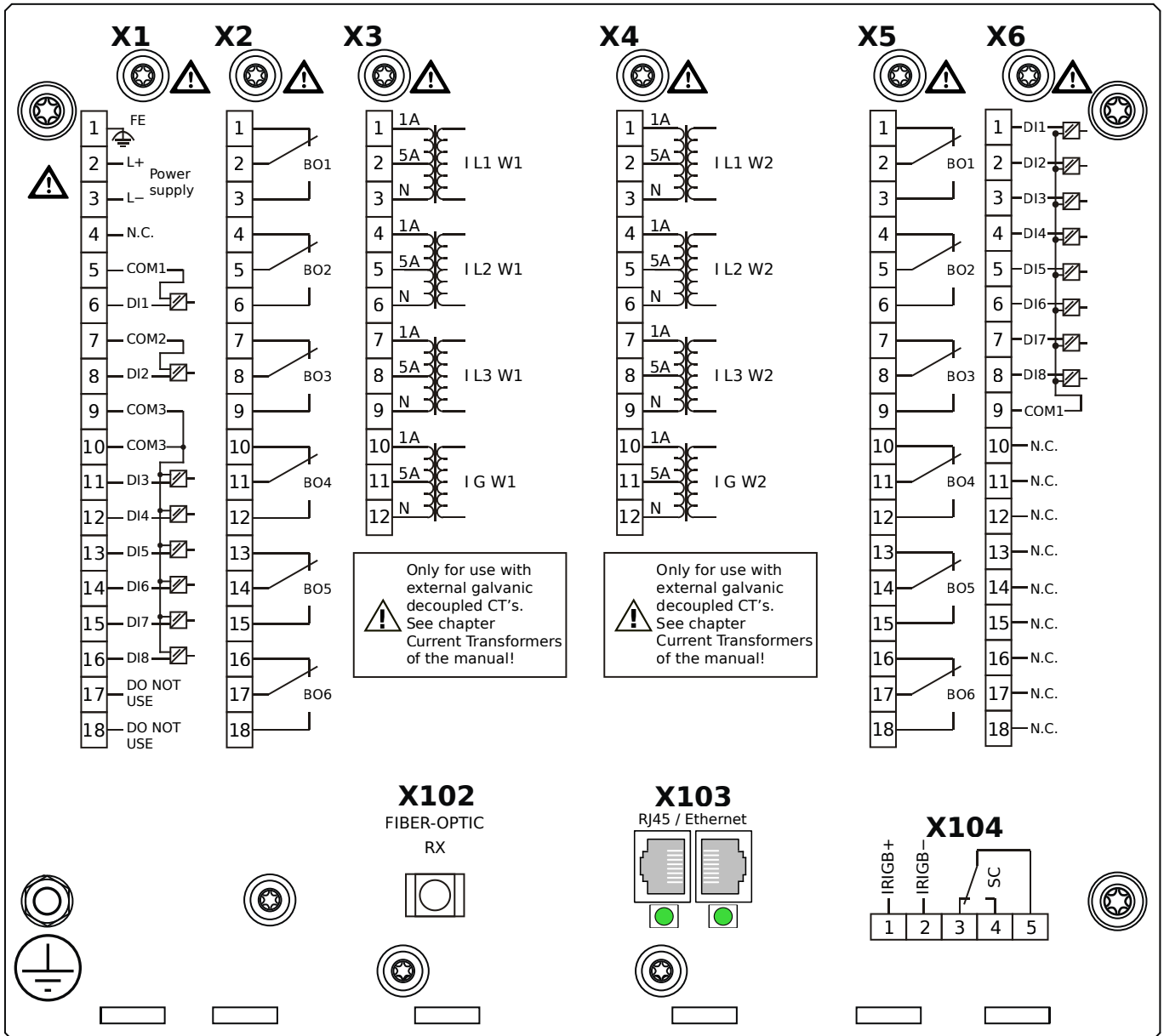
MRDT4-2D0APA



Housing B2, small display, door mounting

- X1** – DI8-X1: Wide-range power supply unit, incl. 2 non-grouped digital inputs and 6 grouped digital inputs
- X2** – OR6: Assembly Group with 6 Output Relays (Changeover / Form C)
- X3** – TI: Standard current measuring card (for the winding side 1)
- X4** – TI: Standard current measuring card (for the winding side 2)
- X5** – OR6: Assembly Group with 6 Output Relays (Changeover / Form C)
- X6** – DI8: Assembly Group with 8 Digital Inputs
- X102** – Universal Resistance-Temperature Detector (URTD) input, Fiber optics interface, Versatile Link
- X103** – Modbus TCP / IEC 60870-5-104 / DNP3.0 TCP/UDP, Redundant Ethernet interface, 100 Mbit/s, RJ45 (BASE100-FX)
- X104** – IRIG-B00X, incl. System Contact (Supervision Contact)

MRDT4-2D0APB

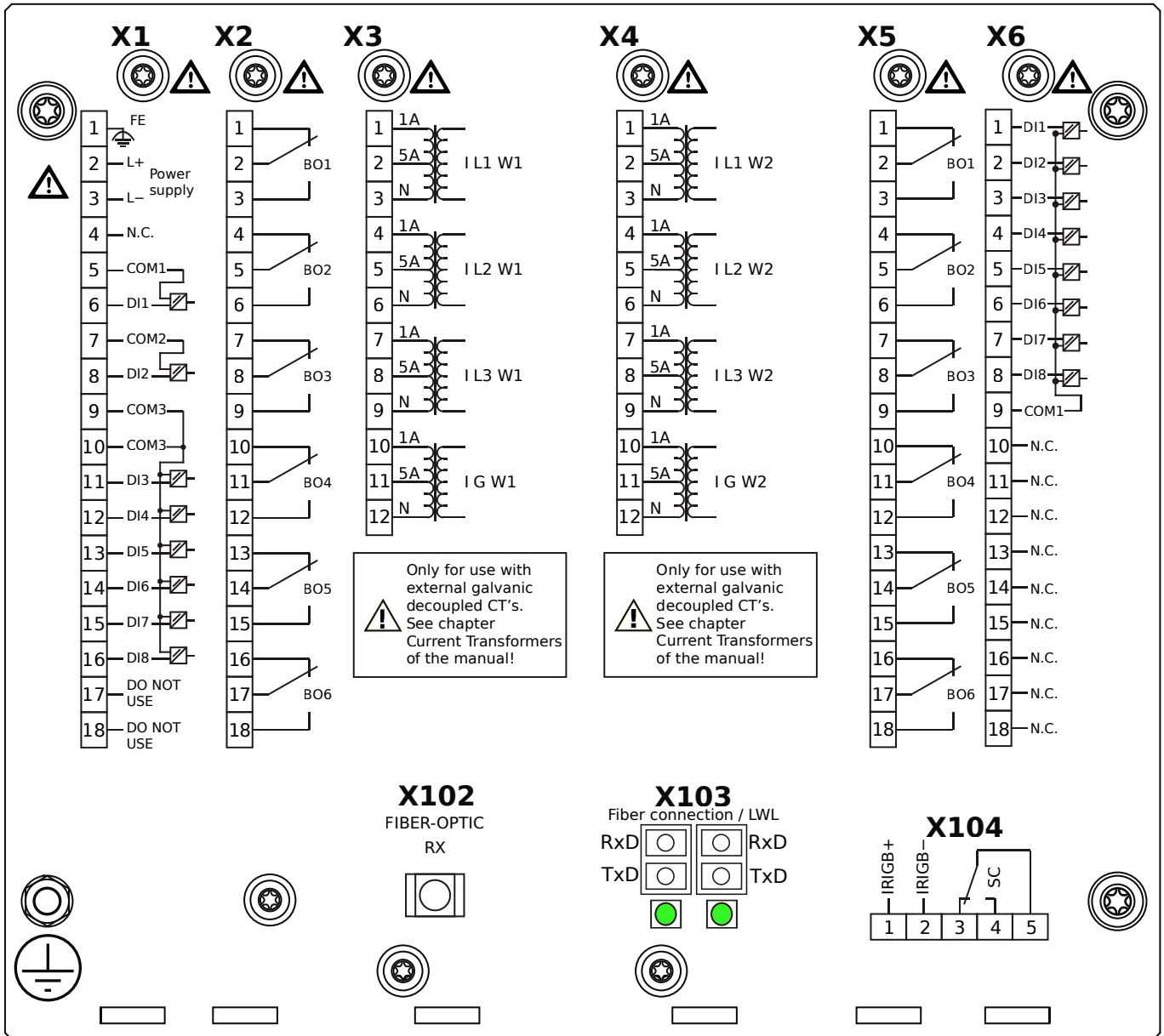


Housing B2, small display, door mounting

- + Conformal Coating (for installations in harsh environment)

- X1** – DI8-X1: Wide-range power supply unit, incl. 2 non-grouped digital inputs and 6 grouped digital inputs
- X2** – OR6: Assembly Group with 6 Output Relays (Changeover / Form C)
- X3** – TI: Standard current measuring card (for the winding side 1)
- X4** – TI: Standard current measuring card (for the winding side 2)
- X5** – OR6: Assembly Group with 6 Output Relays (Changeover / Form C)
- X6** – DI8: Assembly Group with 8 Digital Inputs
- X102** – Universal Resistance-Temperature Detector (URTD) input, Fiber optics interface, Versatile Link
- X103** – Modbus TCP / IEC 60870-5-104 / DNP3.0 TCP/UDP, Redundant Ethernet interface, 100 Mbit/s, RJ45 (BASE100-FX)
- X104** – IRIG-B00X, incl. System Contact (Supervision Contact)

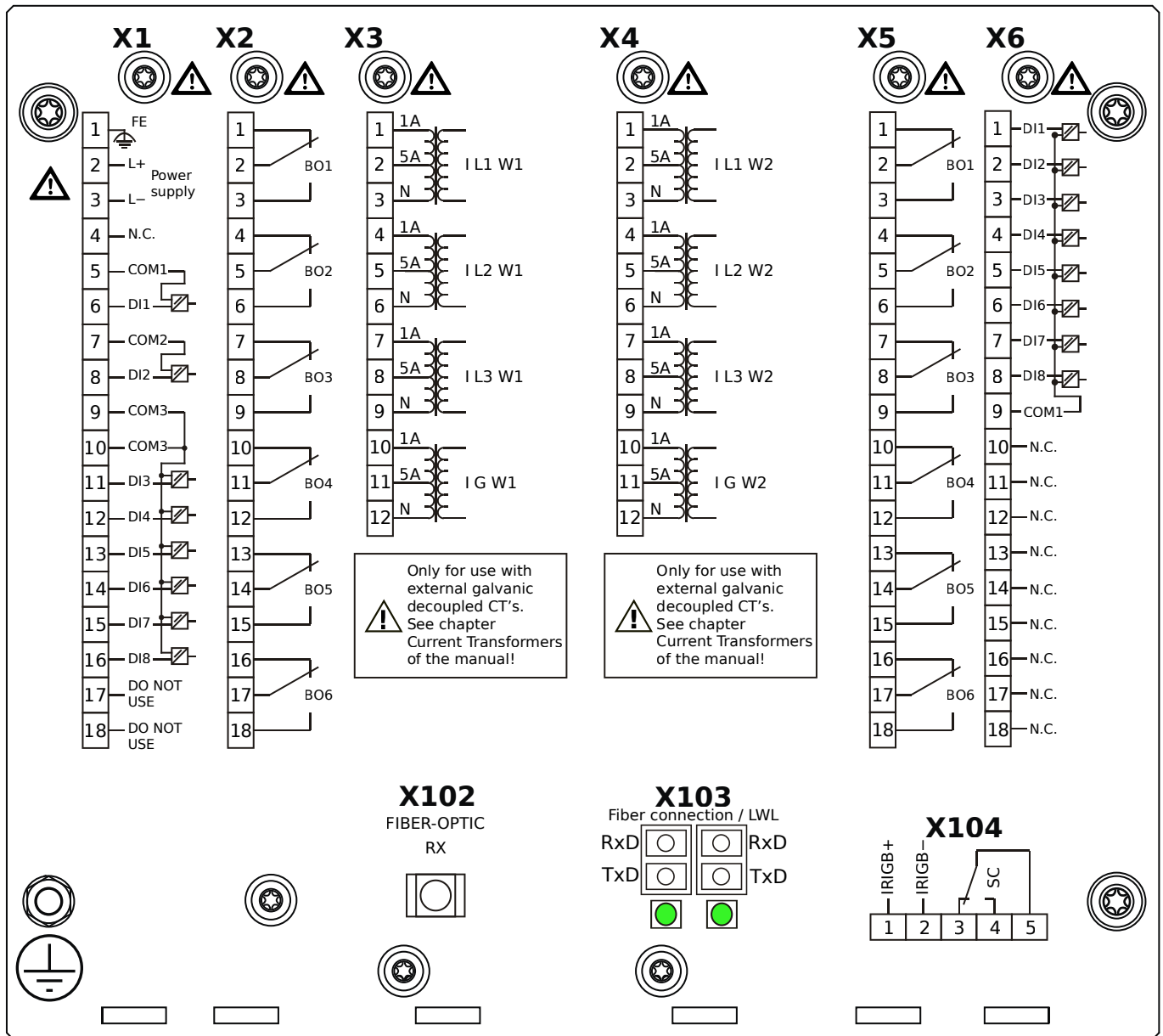
MRDT4-2D0AQA



Housing B2, small display, door mounting

- X1** – DI8-X1: Wide-range power supply unit, incl. 2 non-grouped digital inputs and 6 grouped digital inputs
- X2** – OR6: Assembly Group with 6 Output Relays (Changeover / Form C)
- X3** – TI: Standard current measuring card (for the winding side 1)
- X4** – TI: Standard current measuring card (for the winding side 2)
- X5** – OR6: Assembly Group with 6 Output Relays (Changeover / Form C)
- X6** – DI8: Assembly Group with 8 Digital Inputs
- X102** – Universal Resistance-Temperature Detector (URTD) input, Fiber optics interface, Versatile Link
- X103** – IEC 61850 / Modbus TCP / IEC 60870-5-104 / DNP3.0 TCP/UDP, Redundant Fiber optics interface, LC Connector
- X104** – IRIG-B00X, incl. System Contact (Supervision Contact)

MRDT4-2D0AQB

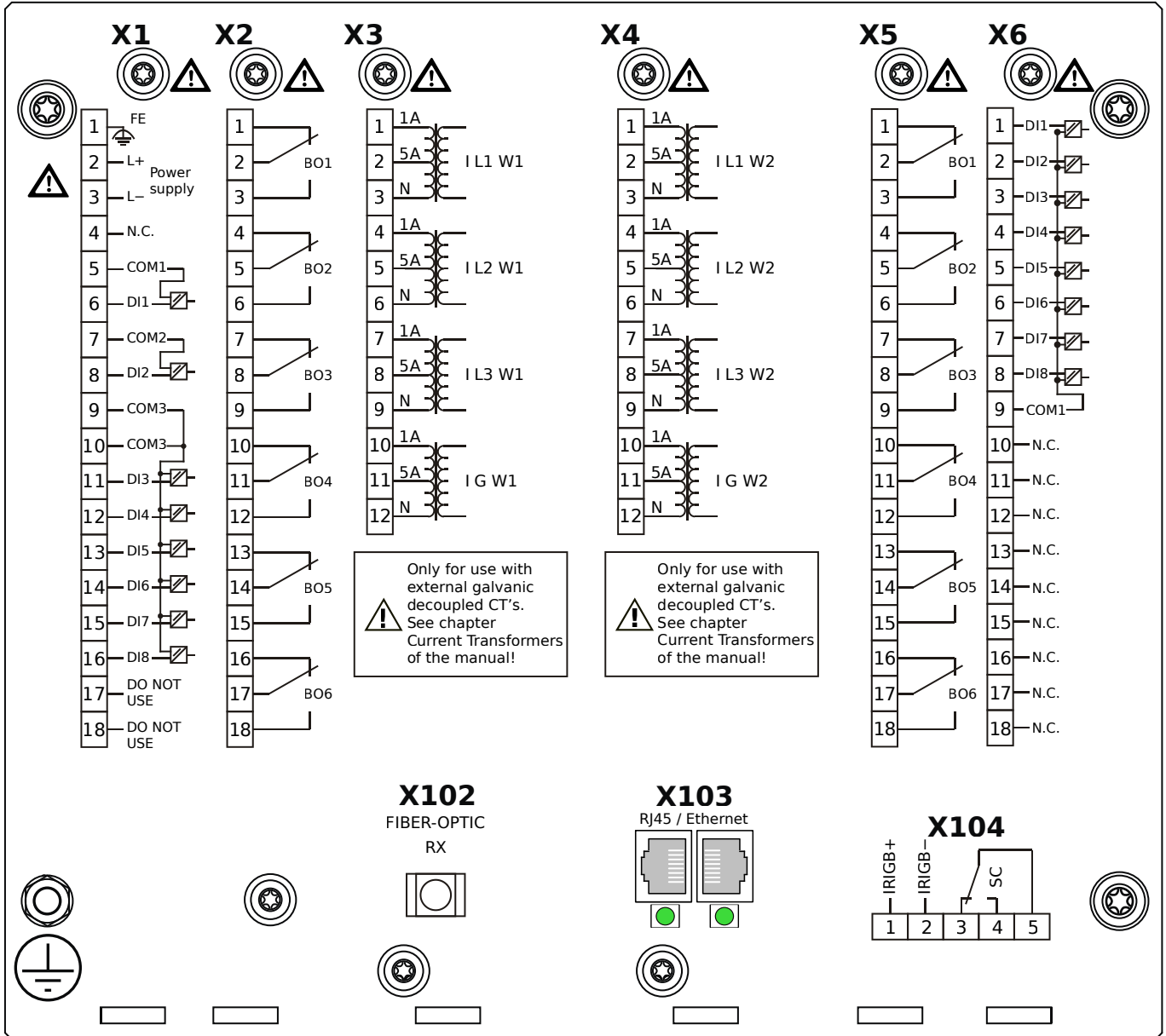


Housing B2, small display, door mounting

+ Conformal Coating (for installations in harsh environment)

- X1** – DI8-X1: Wide-range power supply unit, incl. 2 non-grouped digital inputs and 6 grouped digital inputs
- X2** – OR6: Assembly Group with 6 Output Relays (Changeover / Form C)
- X3** – TI: Standard current measuring card (for the winding side 1)
- X4** – TI: Standard current measuring card (for the winding side 2)
- X5** – OR6: Assembly Group with 6 Output Relays (Changeover / Form C)
- X6** – DI8: Assembly Group with 8 Digital Inputs
- X102** – Universal Resistance-Temperature Detector (URTD) input, Fiber optics interface, Versatile Link
- X103** – IEC 61850 / Modbus TCP / IEC 60870-5-104 / DNP3.0 TCP/UDP, Redundant Fiber optics interface, LC Connector
- X104** – IRIG-B00X, incl. System Contact (Supervision Contact)

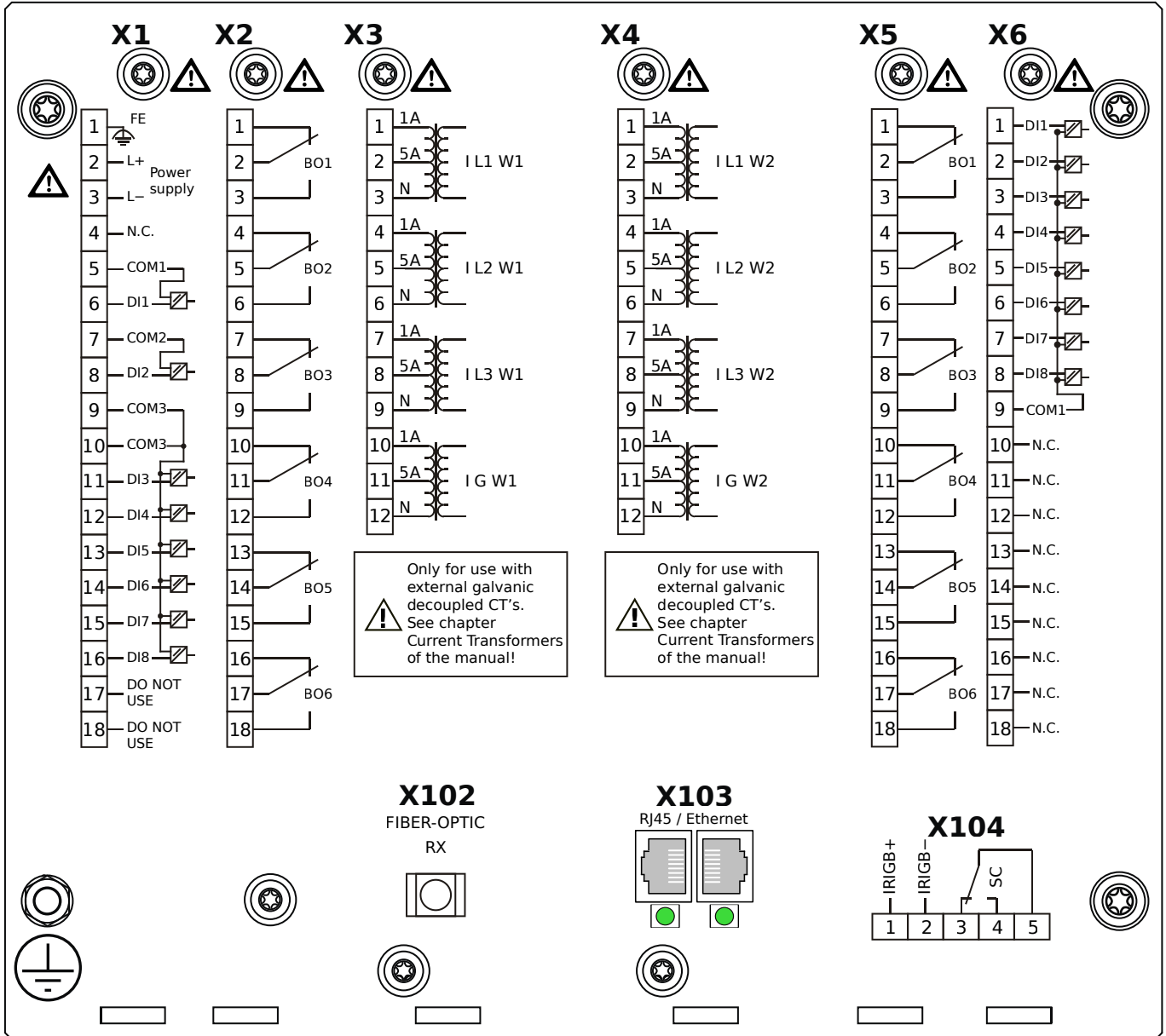
MRDT4-2D0ARA



Housing B2, small display, door mounting

- X1** – DI8-X1: Wide-range power supply unit, incl. 2 non-grouped digital inputs and 6 grouped digital inputs
- X2** – OR6: Assembly Group with 6 Output Relays (Changeover / Form C)
- X3** – TI: Standard current measuring card (for the winding side 1)
- X4** – TI: Standard current measuring card (for the winding side 2)
- X5** – OR6: Assembly Group with 6 Output Relays (Changeover / Form C)
- X6** – DI8: Assembly Group with 8 Digital Inputs
- X102** – Universal Resistance-Temperature Detector (URTD) input, Fiber optics interface, Versatile Link
- X103** – IEC 61850 / Modbus TCP / IEC 60870-5-104 / DNP3.0 TCP/UDP, Redundant Ethernet interface, 100 Mbit/s, RJ45 (BASE100-FX)
- X104** – IRIG-B00X, incl. System Contact (Supervision Contact)

MRDT4-2D0ARB



Housing B2, small display, door mounting

+ Conformal Coating (for installations in harsh environment)

X1 – DI8-X1: Wide-range power supply unit, incl. 2 non-grouped digital inputs and 6 grouped digital inputs

X2 – OR6: Assembly Group with 6 Output Relays (Changeover / Form C)

X3 – TI: Standard current measuring card (for the winding side 1)

X4 – TI: Standard current measuring card (for the winding side 2)

X5 – OR6: Assembly Group with 6 Output Relays (Changeover / Form C)

X6 – DI8: Assembly Group with 8 Digital Inputs

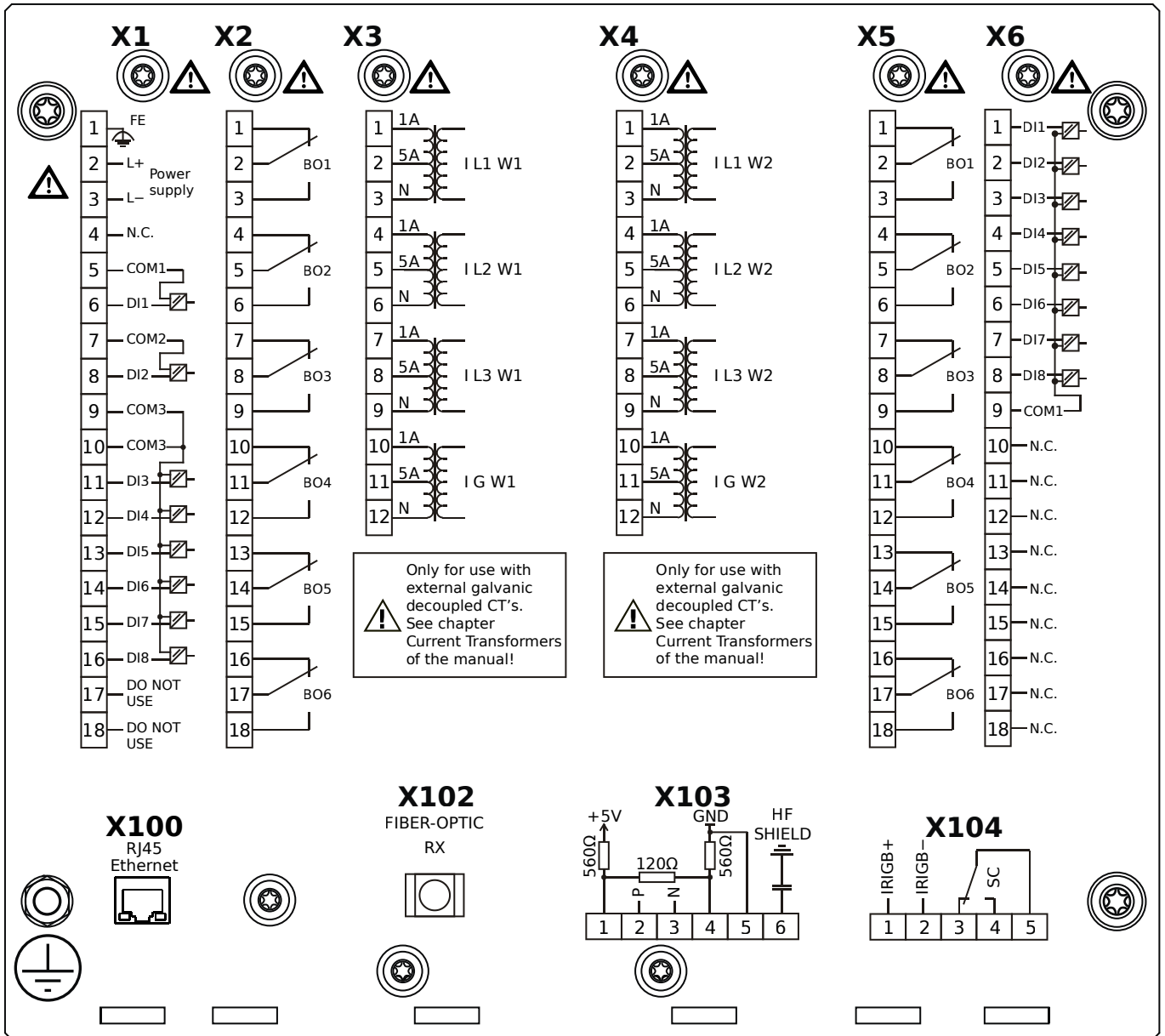
X102 – Universal Resistance-Temperature Detector (URTD) input, Fiber optics interface, Versatile Link

X103 – IEC 61850 / Modbus TCP / IEC 60870-5-104 / DNP3.0 TCP/UDP, Redundant Ethernet interface, 100 Mbit/s, RJ45

(BASE100-FX)

X104 – IRIG-B00X, incl. System Contact (Supervision Contact)

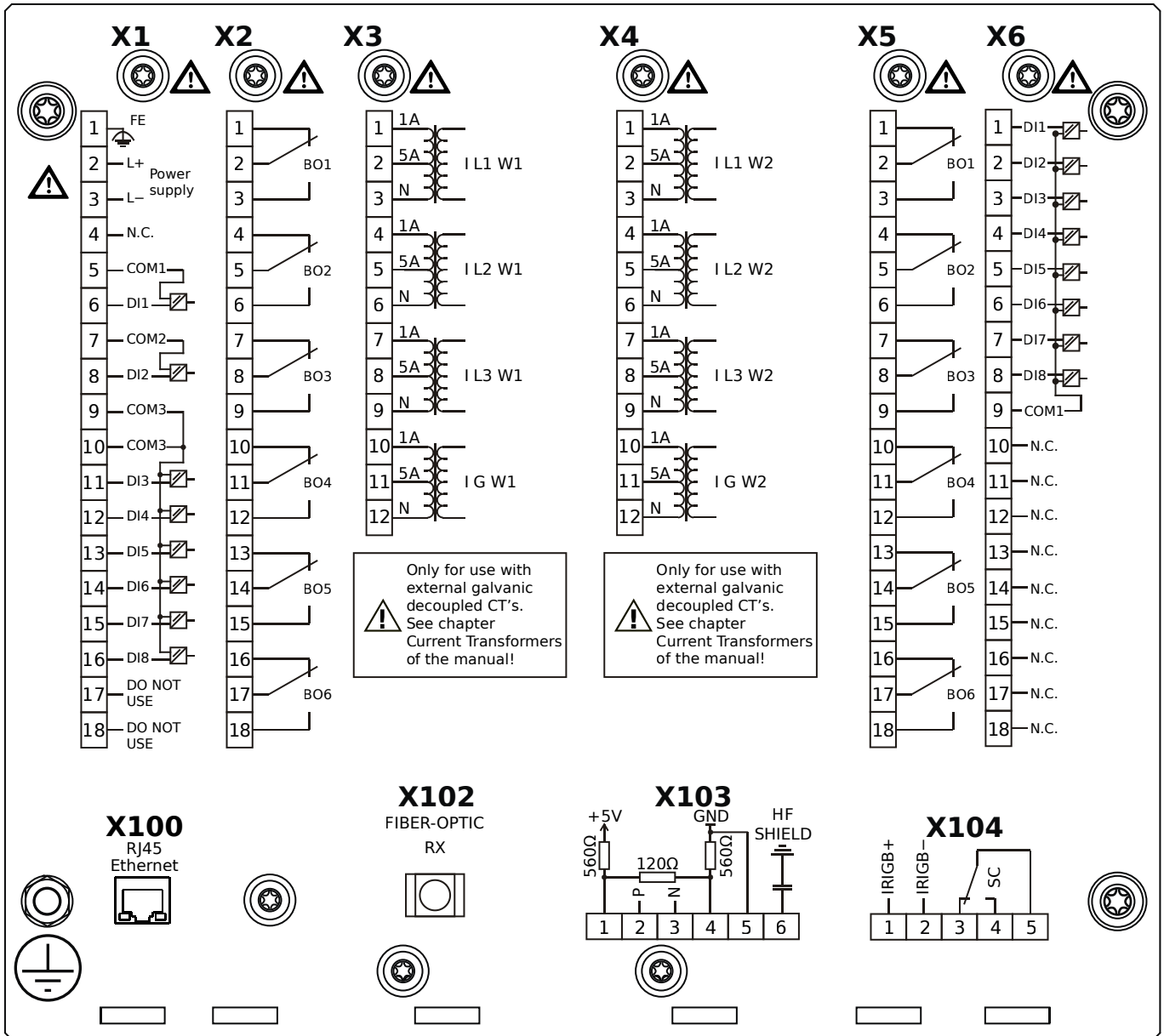
MRDT4-2D0ATA



Housing B2, small display, door mounting

- X1** – DI8-X1: Wide-range power supply unit, incl. 2 non-grouped digital inputs and 6 grouped digital inputs
- X2** – OR6: Assembly Group with 6 Output Relays (Changeover / Form C)
- X3** – TI: Standard current measuring card (for the winding side 1)
- X4** – TI: Standard current measuring card (for the winding side 2)
- X5** – OR6: Assembly Group with 6 Output Relays (Changeover / Form C)
- X6** – DI8: Assembly Group with 8 Digital Inputs
- X100** – IEC 61850 / Modbus TCP / IEC 60870-5-104 / DNP3.0 TCP/UDP, Ethernet interface, 100 Mbit/s, RJ45 (BASE100-FX)
- X102** – Universal Resistance-Temperature Detector (URTD) input, Fiber optics interface, Versatile Link
- X103** – IEC 60870-5-103 / Modbus RTU / DNP3.0 RTU, RS485, Terminals
- X104** – IRIG-B00X, incl. System Contact (Supervision Contact)

MRDT4-2D0ATB



Housing B2, small display, door mounting

+ Conformal Coating (for installations in harsh environment)

X1 – DI8-X1: Wide-range power supply unit, incl. 2 non-grouped digital inputs and 6 grouped digital inputs

X2 – OR6: Assembly Group with 6 Output Relays (Changeover / Form C)

X3 – TI: Standard current measuring card (for the winding side 1)

X4 – TI: Standard current measuring card (for the winding side 2)

X5 – OR6: Assembly Group with 6 Output Relays (Changeover / Form C)

X6 – DI8: Assembly Group with 8 Digital Inputs

X100 – IEC 61850 / Modbus TCP / IEC 60870-5-104 / DNP3.0 TCP/UDP, Ethernet interface, 100 Mbit/s, RJ45 (BASE100-

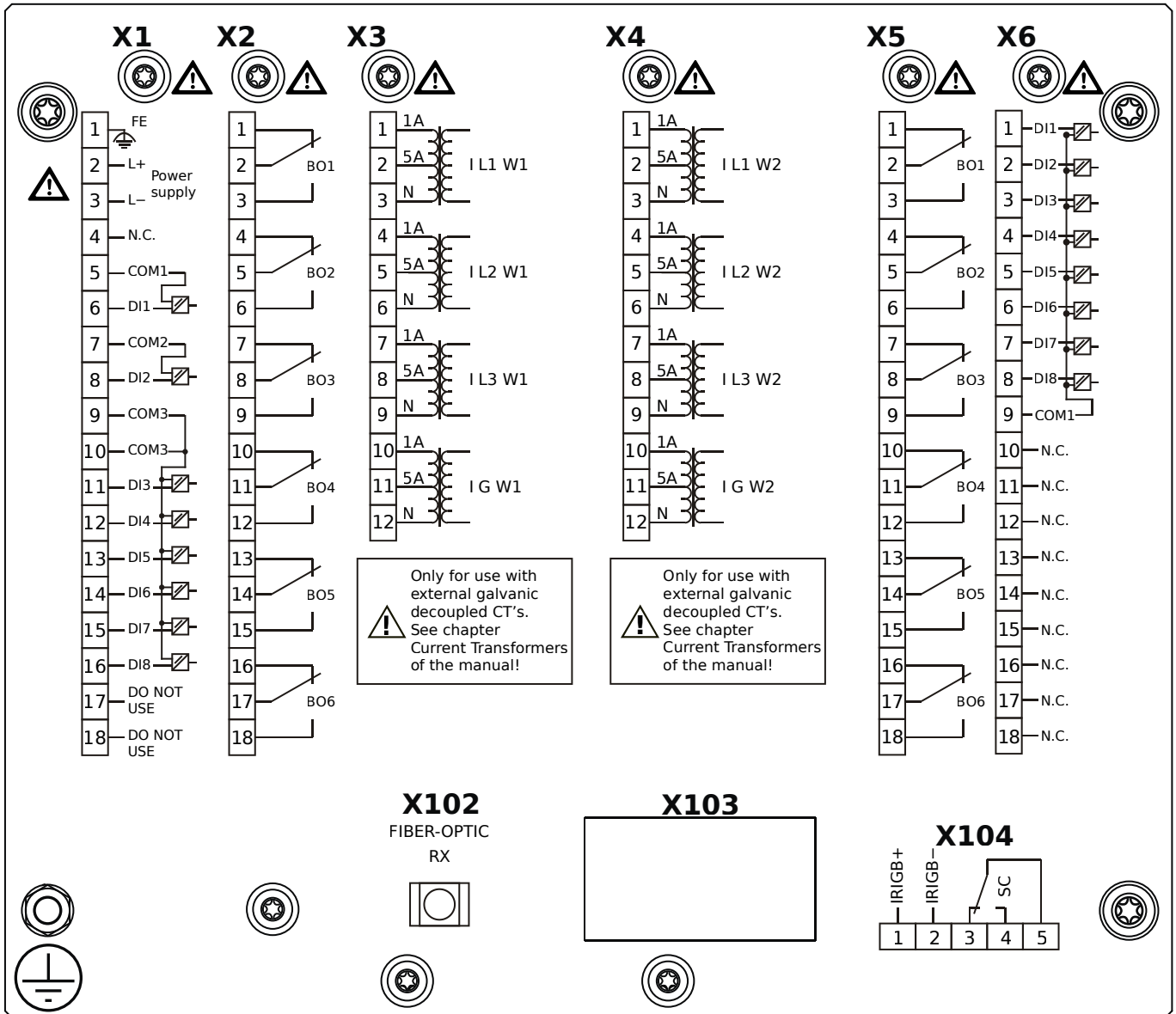
FX)

X102 – Universal Resistance-Temperature Detector (URTD) input, Fiber optics interface, Versatile Link

X103 – IEC 60870-5-103 / Modbus RTU / DNP3.0 RTU, RS485, Terminals

X104 – IRIG-B00X, incl. System Contact (Supervision Contact)

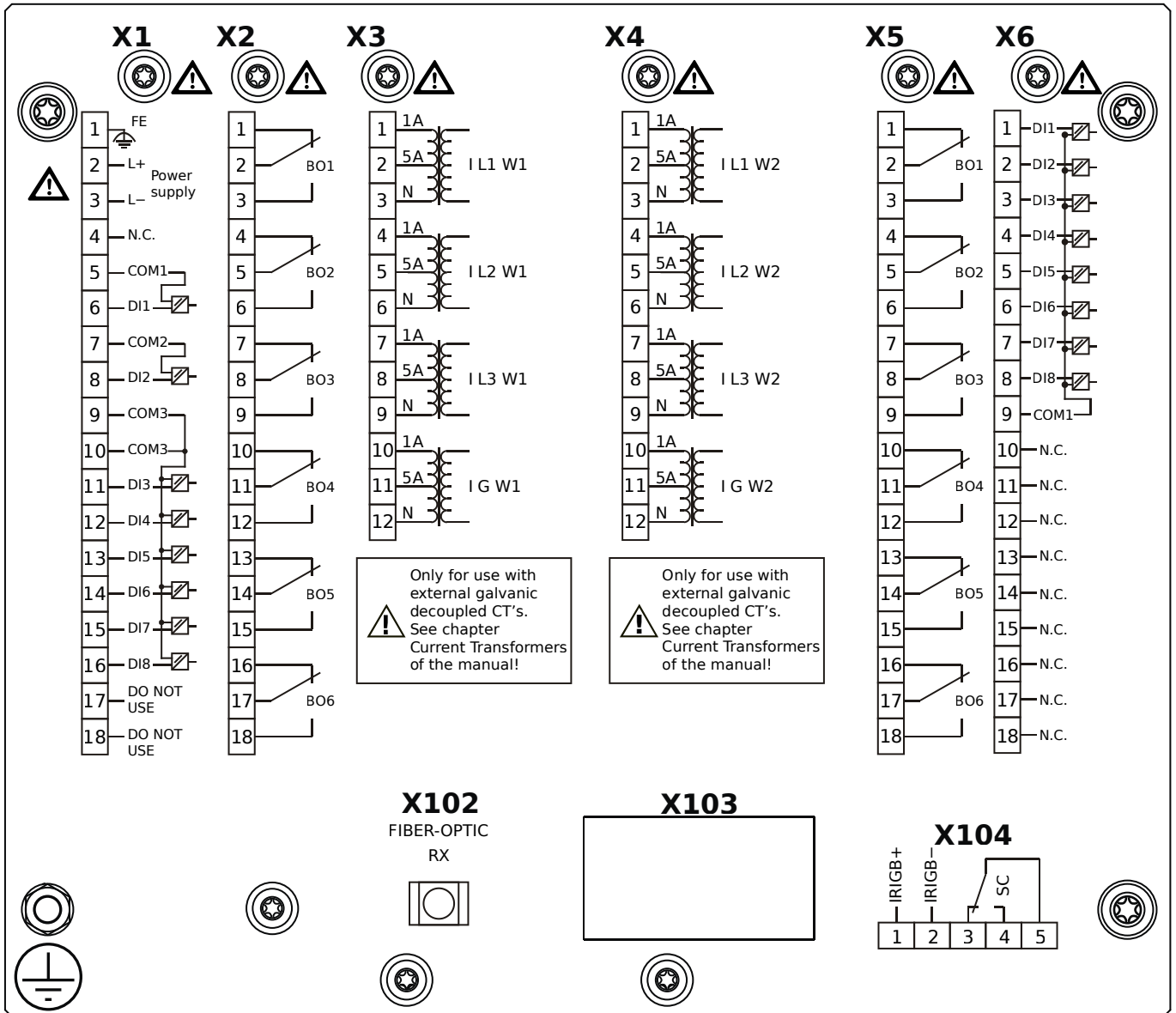
MRDT4-2D0BAA



Housing B2, small display, 19" rack mounting

- X1** – DI8-X1: Wide-range power supply unit, incl. 2 non-grouped digital inputs and 6 grouped digital inputs
- X2** – OR6: Assembly Group with 6 Output Relays (Changeover / Form C)
- X3** – TI: Standard current measuring card (for the winding side 1)
- X4** – TI: Standard current measuring card (for the winding side 2)
- X5** – OR6: Assembly Group with 6 Output Relays (Changeover / Form C)
- X6** – DI8: Assembly Group with 8 Digital Inputs
- X102** – Universal Resistance-Temperature Detector (URTD) input, Fiber optics interface, Versatile Link
- X104** – IRIG-B00X, incl. System Contact (Supervision Contact)

MRDT4-2D0BAB

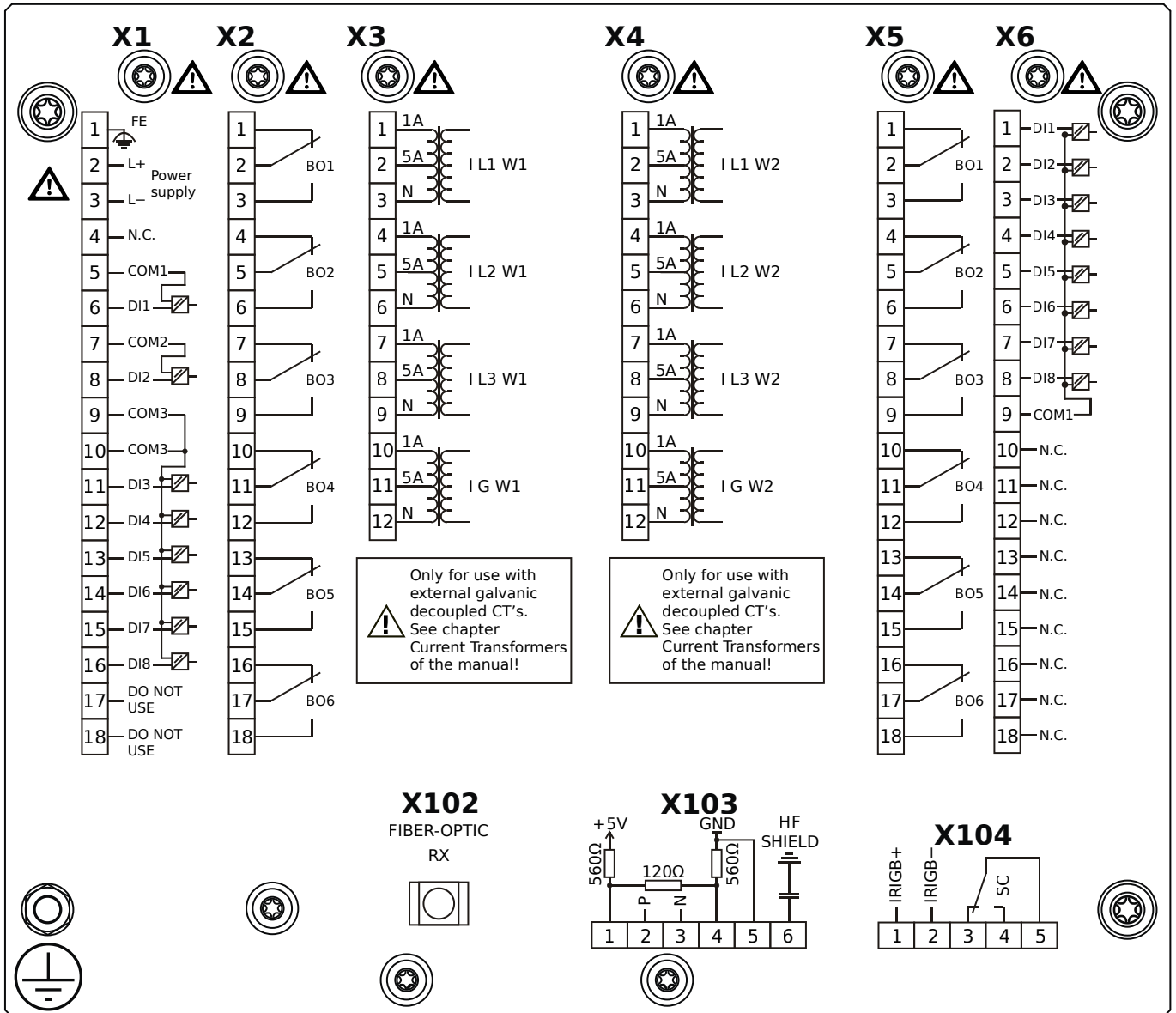


Housing B2, small display, 19" rack mounting

+ Conformal Coating (for installations in harsh environment)

- X1** – DI8-X1: Wide-range power supply unit, incl. 2 non-grouped digital inputs and 6 grouped digital inputs
- X2** – OR6: Assembly Group with 6 Output Relays (Changeover / Form C)
- X3** – TI: Standard current measuring card (for the winding side 1)
- X4** – TI: Standard current measuring card (for the winding side 2)
- X5** – OR6: Assembly Group with 6 Output Relays (Changeover / Form C)
- X6** – DI8: Assembly Group with 8 Digital Inputs
- X102** – Universal Resistance-Temperature Detector (URTD) input, Fiber optics interface, Versatile Link
- X104** – IRIG-B00X, incl. System Contact (Supervision Contact)

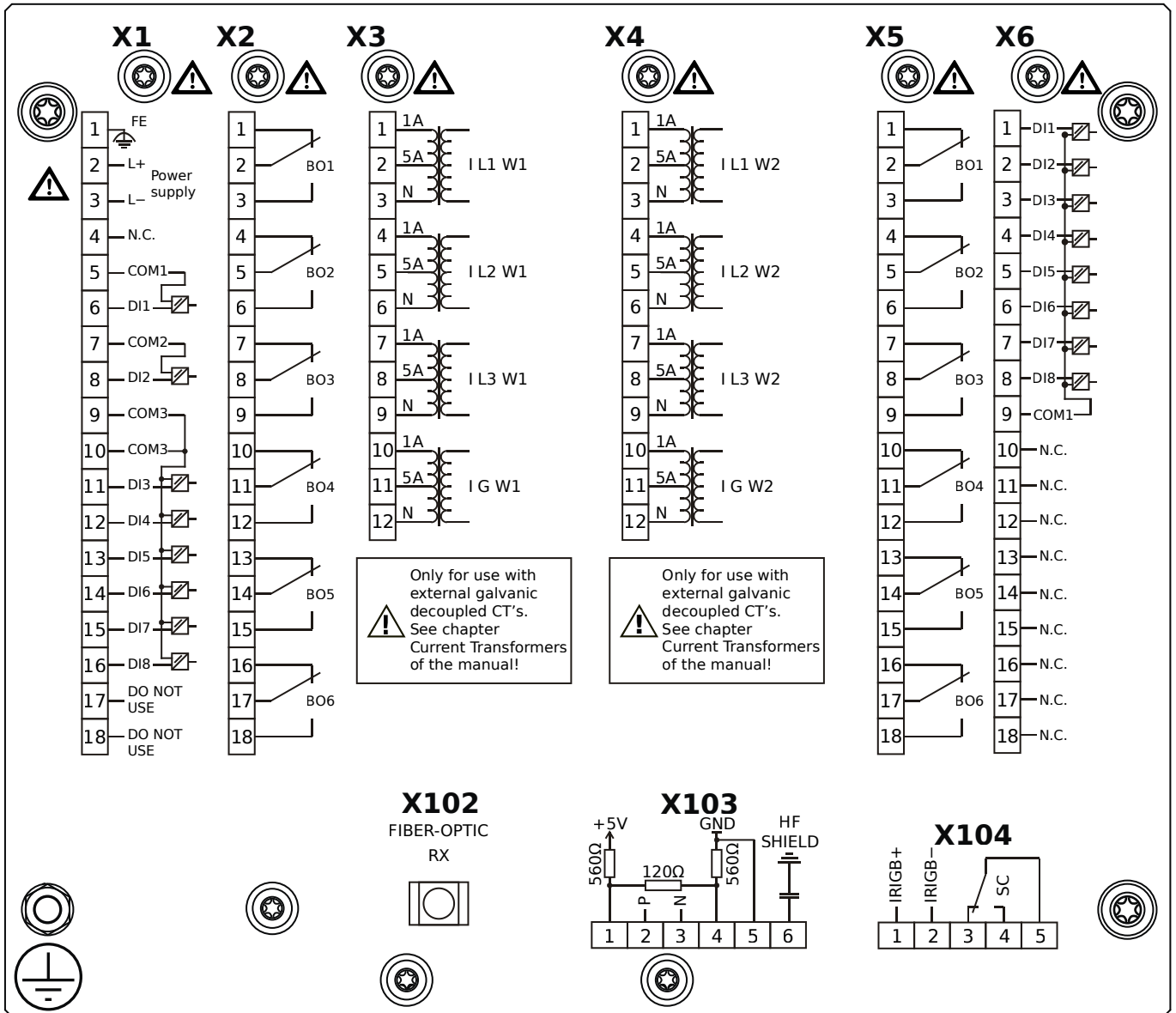
MRDT4-2D0BBA



Housing B2, small display, 19" rack mounting

- X1** – DI8-X1: Wide-range power supply unit, incl. 2 non-grouped digital inputs and 6 grouped digital inputs
- X2** – OR6: Assembly Group with 6 Output Relays (Changeover / Form C)
- X3** – TI: Standard current measuring card (for the winding side 1)
- X4** – TI: Standard current measuring card (for the winding side 2)
- X5** – OR6: Assembly Group with 6 Output Relays (Changeover / Form C)
- X6** – DI8: Assembly Group with 8 Digital Inputs
- X102** – Universal Resistance-Temperature Detector (URTD) input, Fiber optics interface, Versatile Link
- X103** – Modbus RTU / IEC 60870-5-103 / DNP3.0 RTU, RS485, Terminals
- X104** – IRIG-B00X, incl. System Contact (Supervision Contact)

MRDT4-2D0BBB

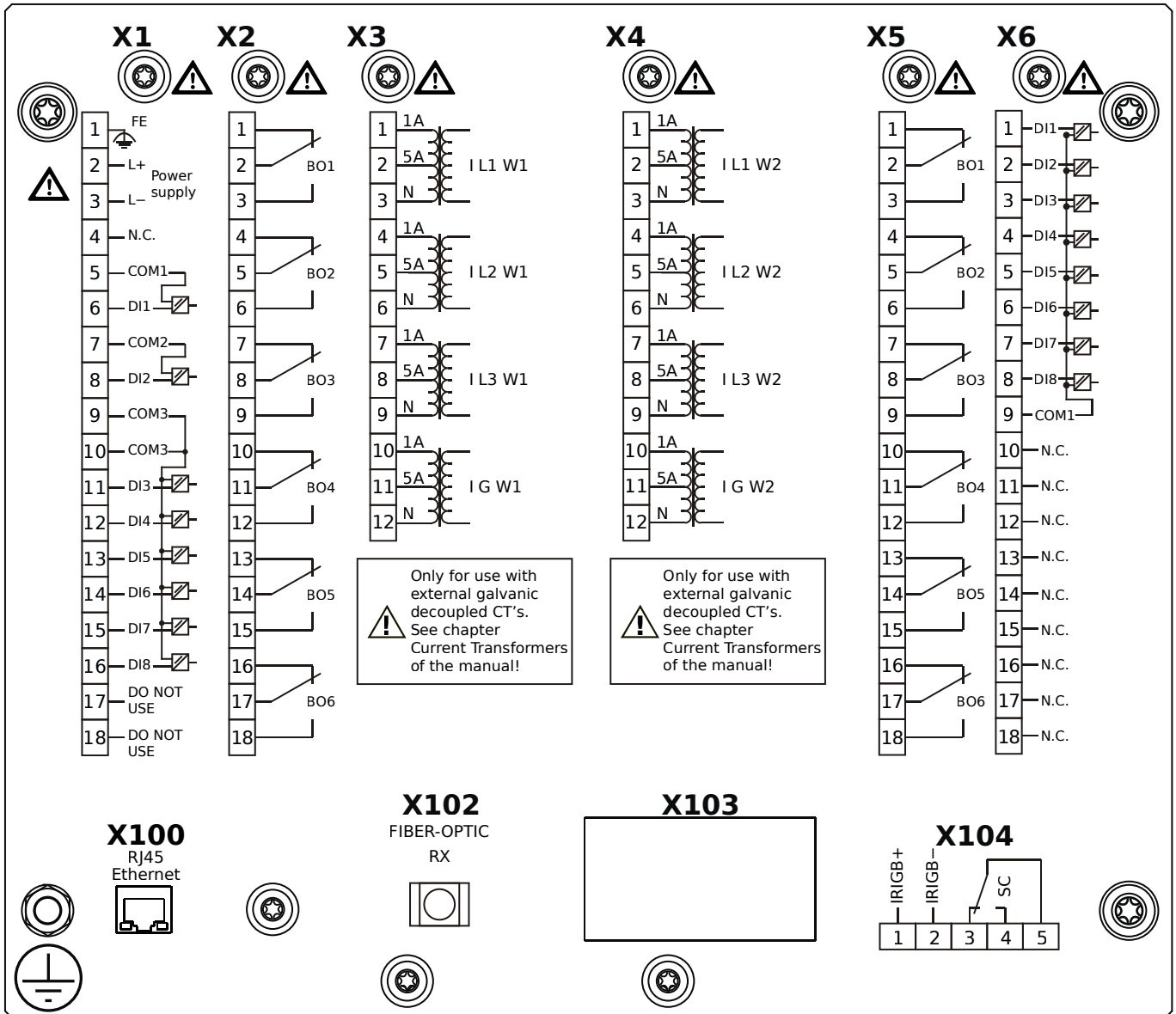


Housing B2, small display, 19" rack mounting

+ Conformal Coating (for installations in harsh environment)

- X1** – DI8-X1: Wide-range power supply unit, incl. 2 non-grouped digital inputs and 6 grouped digital inputs
- X2** – OR6: Assembly Group with 6 Output Relays (Changeover / Form C)
- X3** – TI: Standard current measuring card (for the winding side 1)
- X4** – TI: Standard current measuring card (for the winding side 2)
- X5** – OR6: Assembly Group with 6 Output Relays (Changeover / Form C)
- X6** – DI8: Assembly Group with 8 Digital Inputs
- X102** – Universal Resistance-Temperature Detector (URTD) input, Fiber optics interface, Versatile Link
- X103** – Modbus RTU / IEC 60870-5-103 / DNP3.0 RTU, RS485, Terminals
- X104** – IRIG-B00X, incl. System Contact (Supervision Contact)

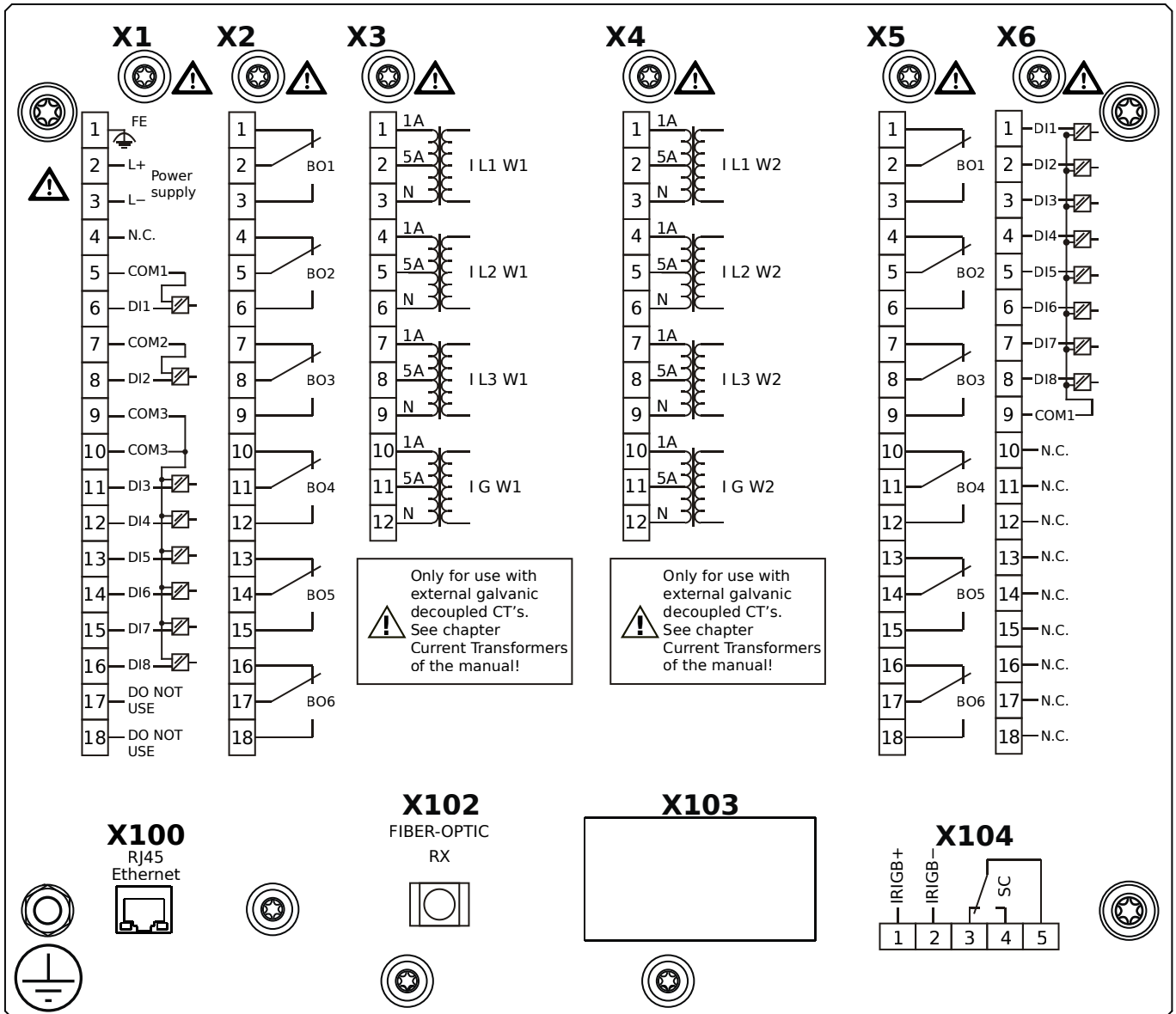
MRDT4-2D0BCA



Housing B2, small display, 19" rack mounting

- X1** – DI8-X1: Wide-range power supply unit, incl. 2 non-grouped digital inputs and 6 grouped digital inputs
- X2** – OR6: Assembly Group with 6 Output Relays (Changeover / Form C)
- X3** – TI: Standard current measuring card (for the winding side 1)
- X4** – TI: Standard current measuring card (for the winding side 2)
- X5** – OR6: Assembly Group with 6 Output Relays (Changeover / Form C)
- X6** – DI8: Assembly Group with 8 Digital Inputs
- X100** – Modbus TCP / IEC 60870-5-104 / DNP3.0 TCP/UDP, Ethernet interface, 100 Mbit/s, RJ45 (BASE100-FX)
- X102** – Universal Resistance-Temperature Detector (URTD) input, Fiber optics interface, Versatile Link
- X104** – IRIG-B00X, incl. System Contact (Supervision Contact)

MRDT4-2D0BCB

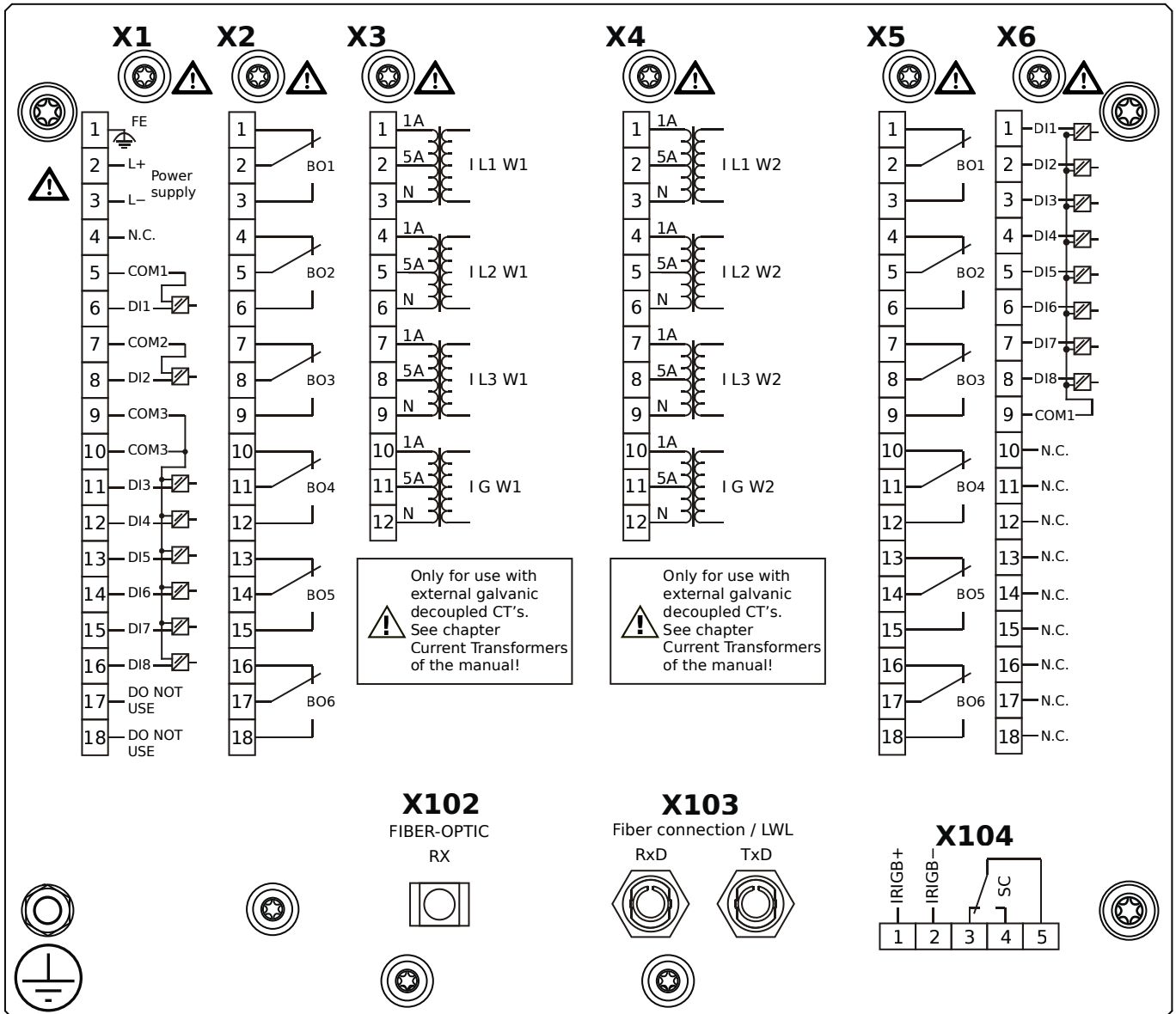


Housing B2, small display, 19" rack mounting

+ Conformal Coating (for installations in harsh environment)

- X1** – DI8-X1: Wide-range power supply unit, incl. 2 non-grouped digital inputs and 6 grouped digital inputs
- X2** – OR6: Assembly Group with 6 Output Relays (Changeover / Form C)
- X3** – TI: Standard current measuring card (for the winding side 1)
- X4** – TI: Standard current measuring card (for the winding side 2)
- X5** – OR6: Assembly Group with 6 Output Relays (Changeover / Form C)
- X6** – DI8: Assembly Group with 8 Digital Inputs
- X100** – Modbus TCP / IEC 60870-5-104 / DNP3.0 TCP/UDP, Ethernet interface, 100 Mbit/s, RJ45 (BASE100-FX)
- X102** – Universal Resistance-Temperature Detector (URTD) input, Fiber optics interface, Versatile Link
- X104** – IRIG-B00X, incl. System Contact (Supervision Contact)

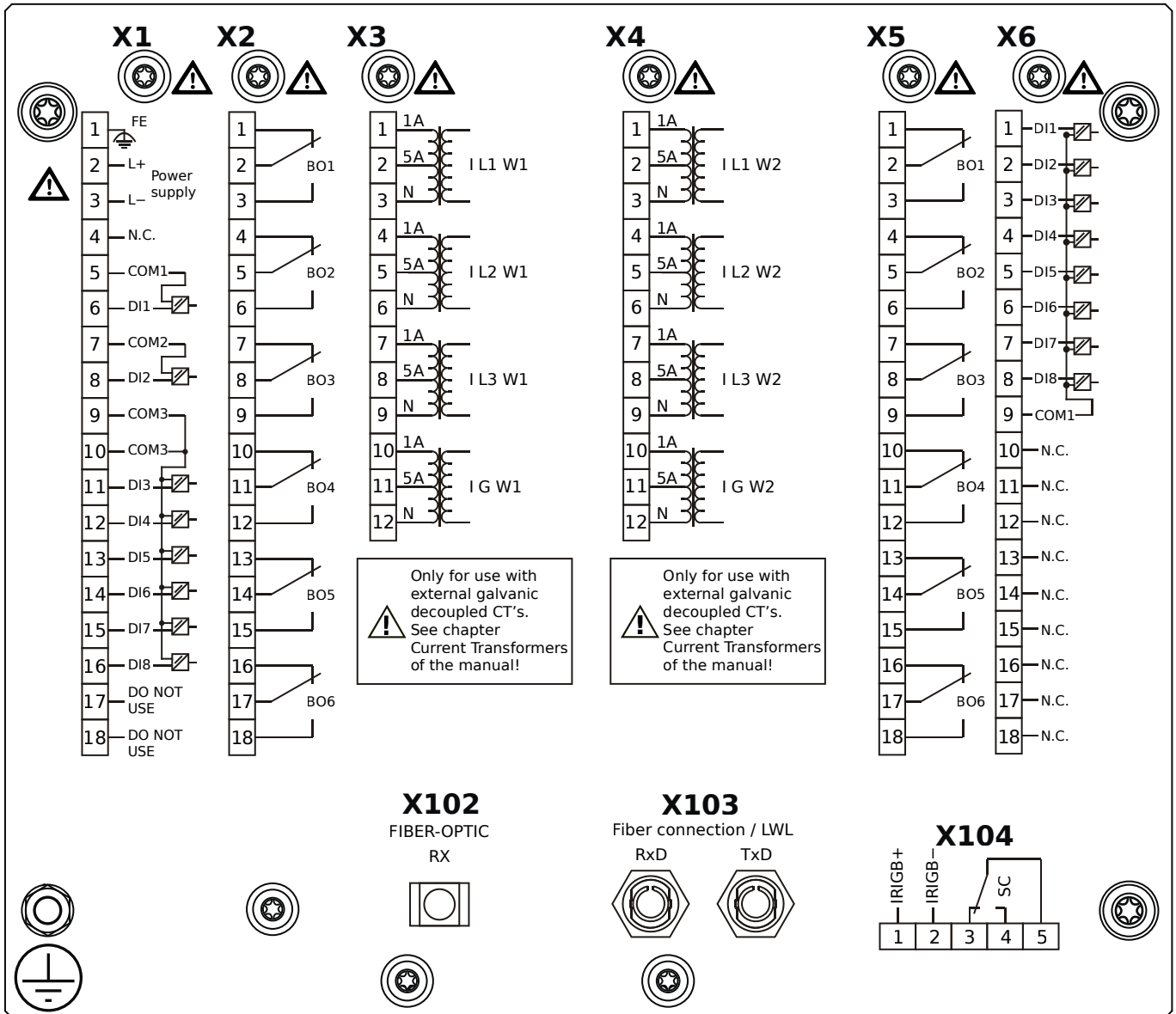
MRDT4-2D0BDA



Housing B2, small display, 19" rack mounting

- X1** – DI8-X1: Wide-range power supply unit, incl. 2 non-grouped digital inputs and 6 grouped digital inputs
- X2** – OR6: Assembly Group with 6 Output Relays (Changeover / Form C)
- X3** – TI: Standard current measuring card (for the winding side 1)
- X4** – TI: Standard current measuring card (for the winding side 2)
- X5** – OR6: Assembly Group with 6 Output Relays (Changeover / Form C)
- X6** – DI8: Assembly Group with 8 Digital Inputs
- X102** – Universal Resistance-Temperature Detector (URTD) input, Fiber optics interface, Versatile Link
- X103** – Profibus-DP, Fiber optics interface, ST Connector
- X104** – IRIG-B00X, incl. System Contact (Supervision Contact)

MRDT4-2D0BDB

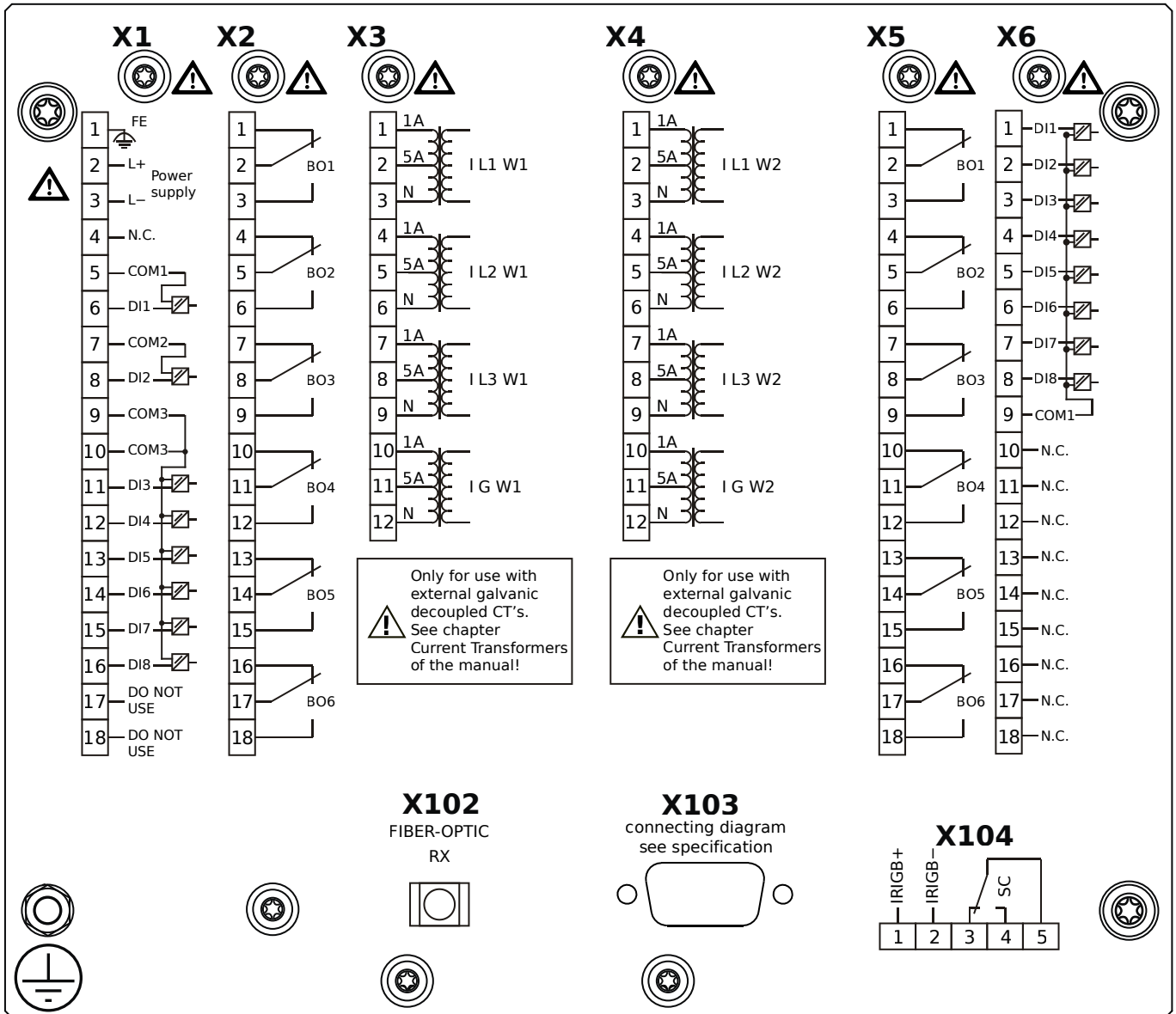


Housing B2, small display, 19" rack mounting

+ Conformal Coating (for installations in harsh environment)

- X1** – DI8-X1: Wide-range power supply unit, incl. 2 non-grouped digital inputs and 6 grouped digital inputs
- X2** – OR6: Assembly Group with 6 Output Relays (Changeover / Form C)
- X3** – TI: Standard current measuring card (for the winding side 1)
- X4** – TI: Standard current measuring card (for the winding side 2)
- X5** – OR6: Assembly Group with 6 Output Relays (Changeover / Form C)
- X6** – DI8: Assembly Group with 8 Digital Inputs
- X102** – Universal Resistance-Temperature Detector (URTD) input, Fiber optics interface, Versatile Link
- X103** – Profibus-DP, Fiber optics interface, ST Connector
- X104** – IRIG-B00X, incl. System Contact (Supervision Contact)

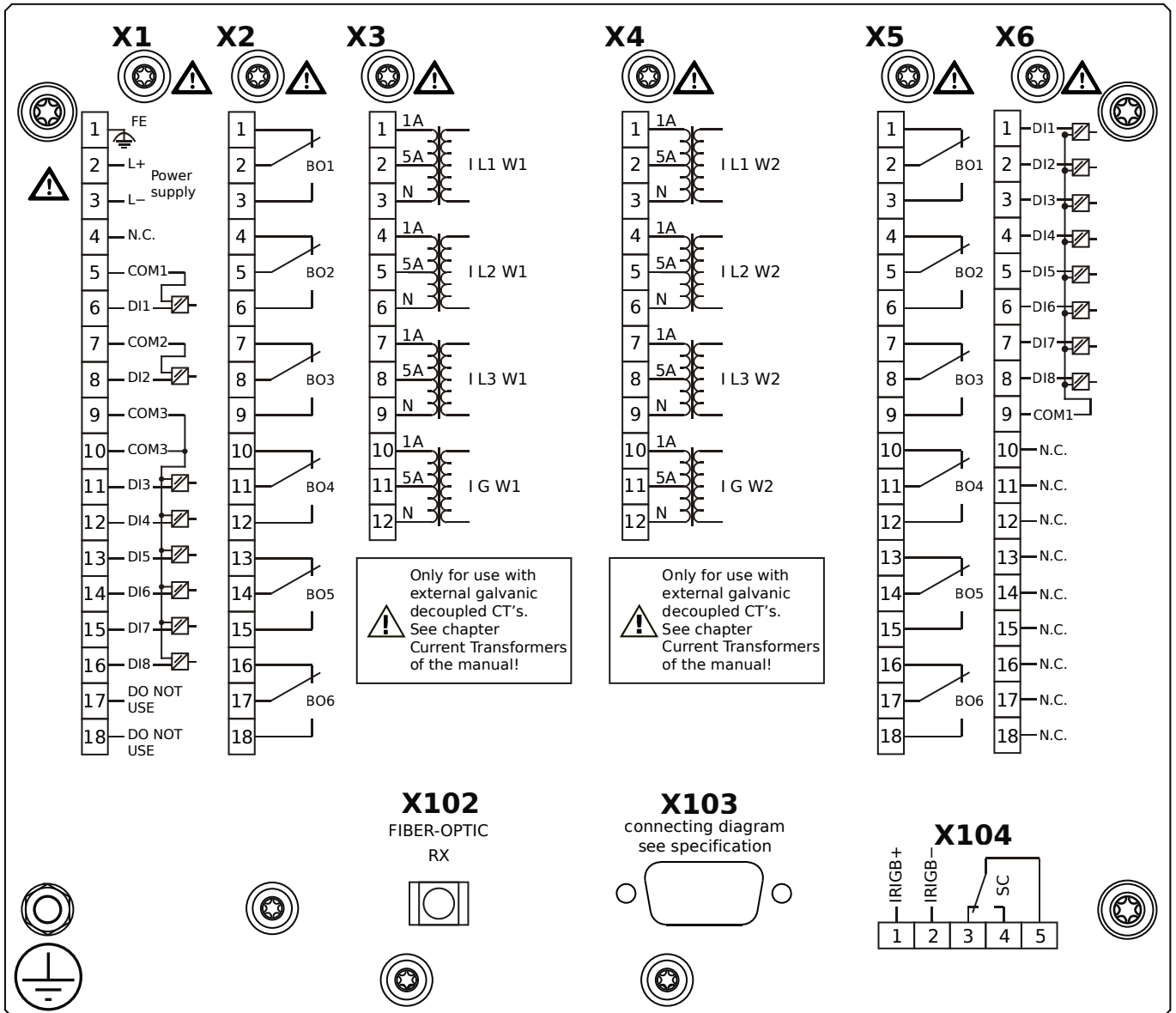
MRDT4-2D0BEA



Housing B2, small display, 19" rack mounting

- X1** – DI8-X1: Wide-range power supply unit, incl. 2 non-grouped digital inputs and 6 grouped digital inputs
- X2** – OR6: Assembly Group with 6 Output Relays (Changeover / Form C)
- X3** – TI: Standard current measuring card (for the winding side 1)
- X4** – TI: Standard current measuring card (for the winding side 2)
- X5** – OR6: Assembly Group with 6 Output Relays (Changeover / Form C)
- X6** – DI8: Assembly Group with 8 Digital Inputs
- X102** – Universal Resistance-Temperature Detector (URTD) input, Fiber optics interface, Versatile Link
- X103** – Profibus-DP, RS485, D-SUB
- X104** – IRIG-B00X, incl. System Contact (Supervision Contact)

MRDT4-2D0BEB

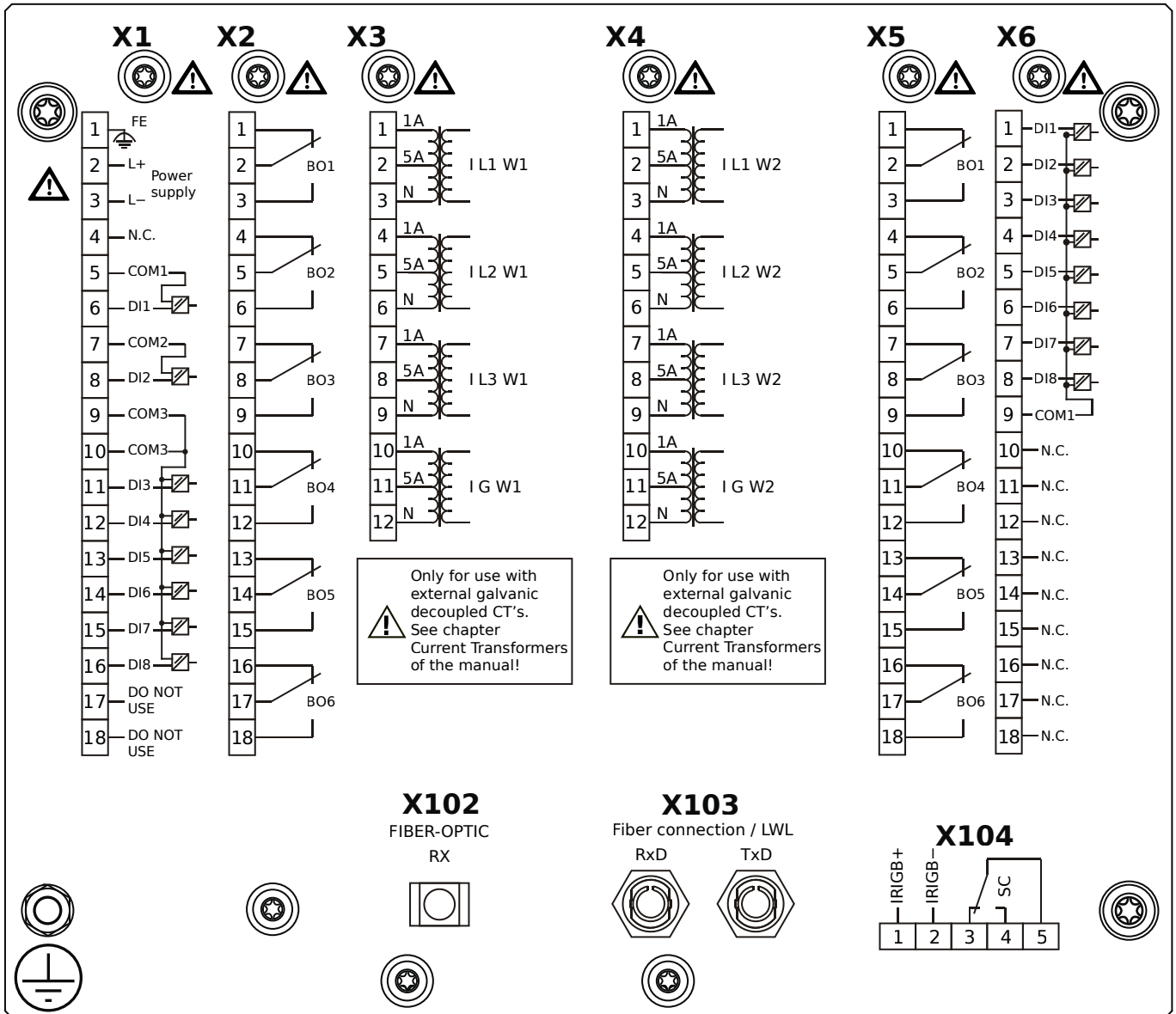


Housing B2, small display, 19" rack mounting

+ Conformal Coating (for installations in harsh environment)

- X1** – DI8-X1: Wide-range power supply unit, incl. 2 non-grouped digital inputs and 6 grouped digital inputs
- X2** – OR6: Assembly Group with 6 Output Relays (Changeover / Form C)
- X3** – TI: Standard current measuring card (for the winding side 1)
- X4** – TI: Standard current measuring card (for the winding side 2)
- X5** – OR6: Assembly Group with 6 Output Relays (Changeover / Form C)
- X6** – DI8: Assembly Group with 8 Digital Inputs
- X102** – Universal Resistance-Temperature Detector (URTD) input, Fiber optics interface, Versatile Link
- X103** – Profibus-DP, RS485, D-SUB
- X104** – IRIG-B00X, incl. System Contact (Supervision Contact)

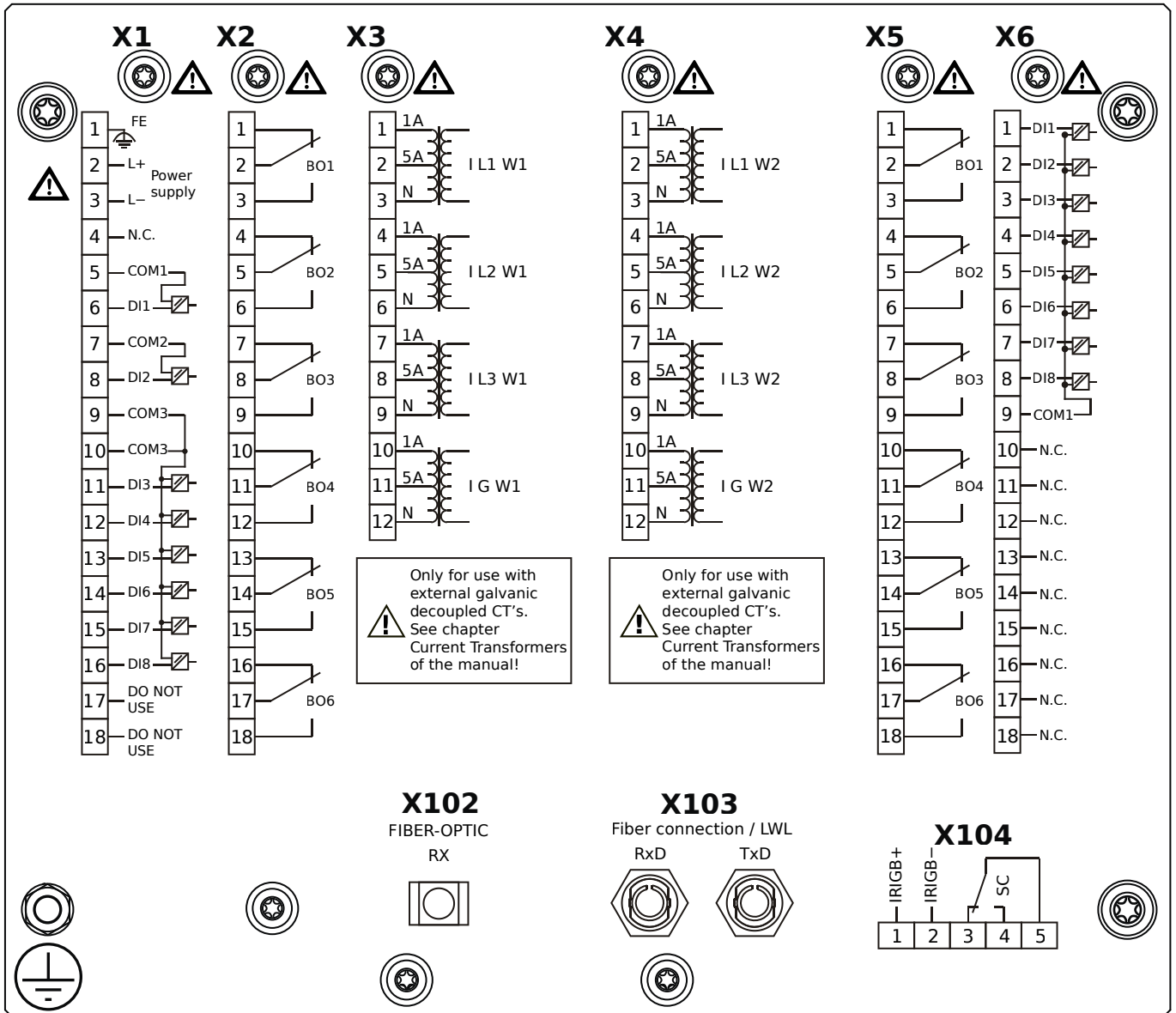
MRDT4-2D0BFA



Housing B2, small display, 19" rack mounting

- X1** – DI8-X1: Wide-range power supply unit, incl. 2 non-grouped digital inputs and 6 grouped digital inputs
- X2** – OR6: Assembly Group with 6 Output Relays (Changeover / Form C)
- X3** – TI: Standard current measuring card (for the winding side 1)
- X4** – TI: Standard current measuring card (for the winding side 2)
- X5** – OR6: Assembly Group with 6 Output Relays (Changeover / Form C)
- X6** – DI8: Assembly Group with 8 Digital Inputs
- X102** – Universal Resistance-Temperature Detector (URTD) input, Fiber optics interface, Versatile Link
- X103** – Modbus RTU / IEC 60870-5-103 / DNP3.0 RTU, Fiber optics interface, ST Connector
- X104** – IRIG-B00X, incl. System Contact (Supervision Contact)

MRDT4-2D0BFB

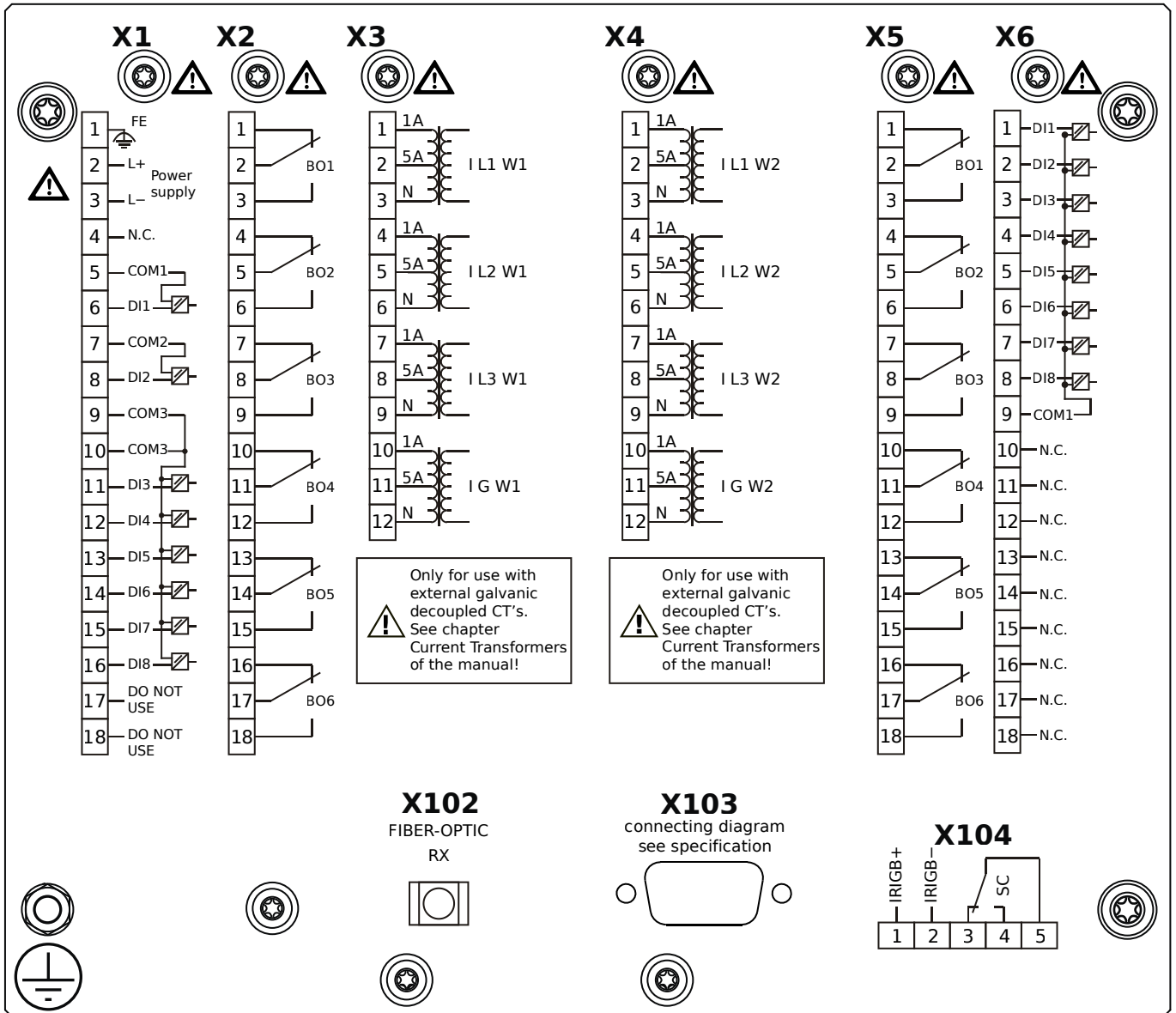


Housing B2, small display, 19" rack mounting

+ Conformal Coating (for installations in harsh environment)

- X1** – DI8-X1: Wide-range power supply unit, incl. 2 non-grouped digital inputs and 6 grouped digital inputs
- X2** – OR6: Assembly Group with 6 Output Relays (Changeover / Form C)
- X3** – TI: Standard current measuring card (for the winding side 1)
- X4** – TI: Standard current measuring card (for the winding side 2)
- X5** – OR6: Assembly Group with 6 Output Relays (Changeover / Form C)
- X6** – DI8: Assembly Group with 8 Digital Inputs
- X102** – Universal Resistance-Temperature Detector (URTD) input, Fiber optics interface, Versatile Link
- X103** – Modbus RTU / IEC 60870-5-103 / DNP3.0 RTU, Fiber optics interface, ST Connector
- X104** – IRIG-B00X, incl. System Contact (Supervision Contact)

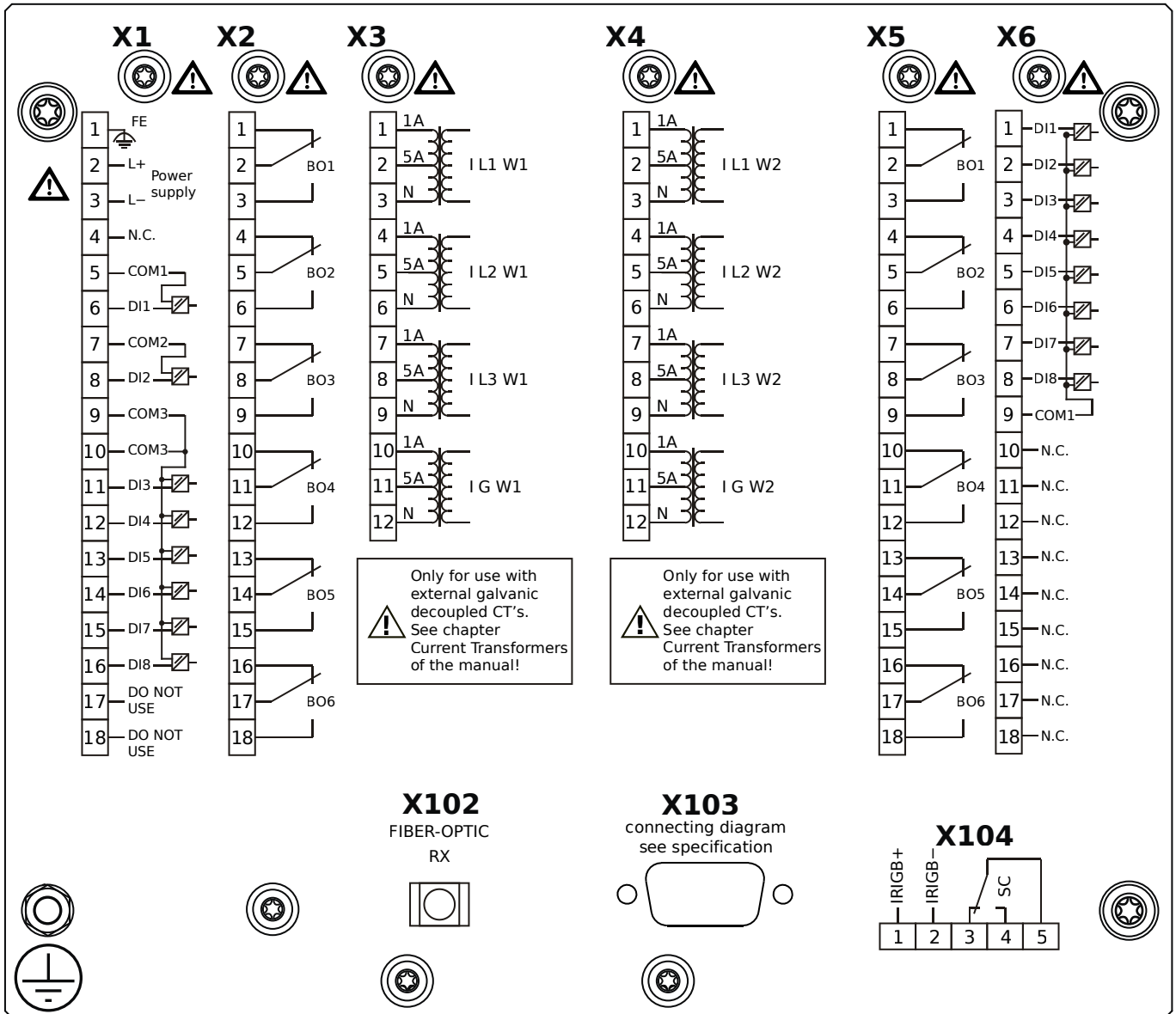
MRDT4-2D0BGA



Housing B2, small display, 19" rack mounting

- X1** – DI8-X1: Wide-range power supply unit, incl. 2 non-grouped digital inputs and 6 grouped digital inputs
- X2** – OR6: Assembly Group with 6 Output Relays (Changeover / Form C)
- X3** – TI: Standard current measuring card (for the winding side 1)
- X4** – TI: Standard current measuring card (for the winding side 2)
- X5** – OR6: Assembly Group with 6 Output Relays (Changeover / Form C)
- X6** – DI8: Assembly Group with 8 Digital Inputs
- X102** – Universal Resistance-Temperature Detector (URTD) input, Fiber optics interface, Versatile Link
- X103** – Modbus RTU / IEC 60870-5-103 / DNP3.0 RTU, RS485, D-SUB
- X104** – IRIG-B00X, incl. System Contact (Supervision Contact)

MRDT4-2D0BGB

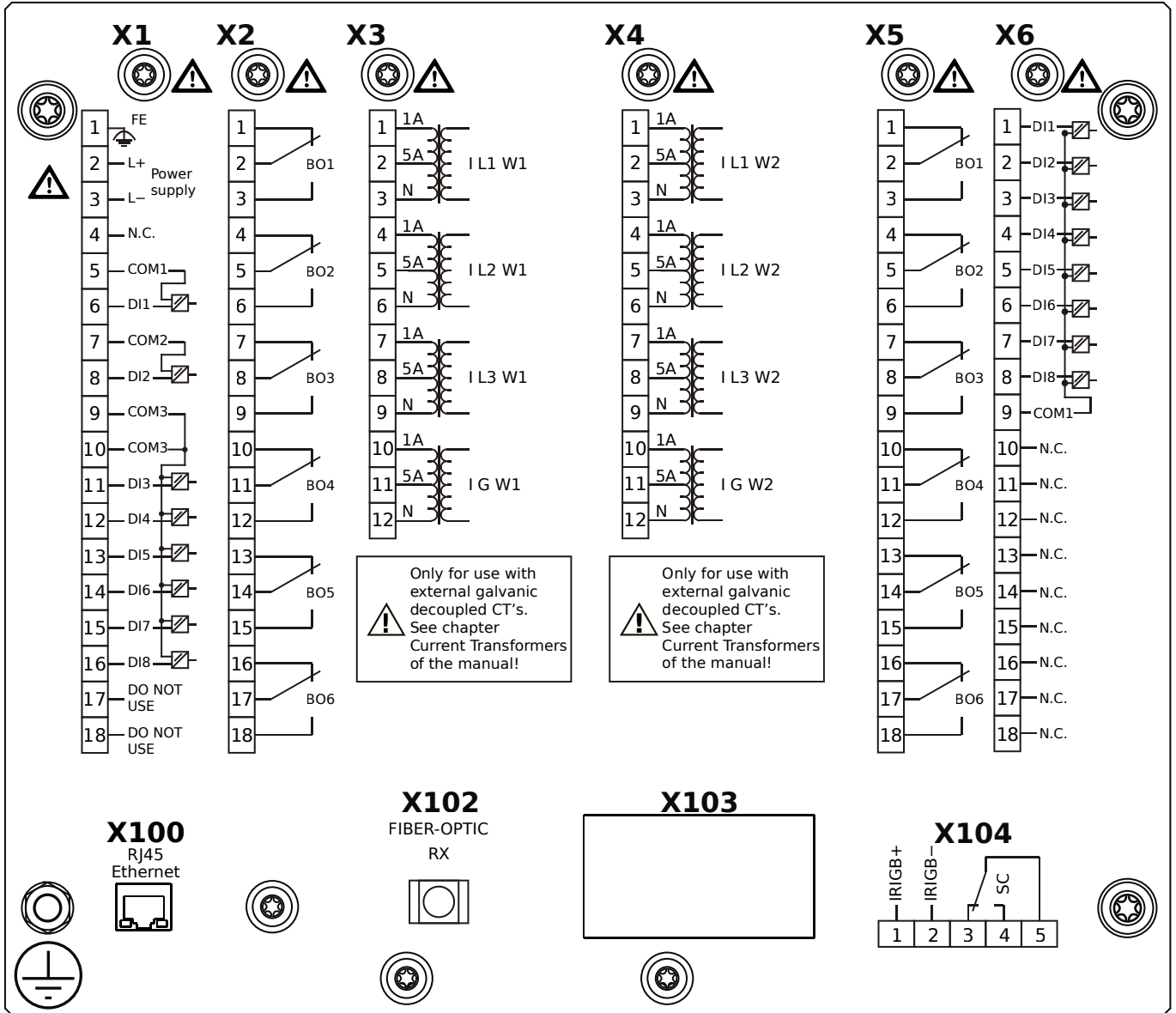


Housing B2, small display, 19" rack mounting

+ Conformal Coating (for installations in harsh environment)

- X1** – DI8-X1: Wide-range power supply unit, incl. 2 non-grouped digital inputs and 6 grouped digital inputs
- X2** – OR6: Assembly Group with 6 Output Relays (Changeover / Form C)
- X3** – TI: Standard current measuring card (for the winding side 1)
- X4** – TI: Standard current measuring card (for the winding side 2)
- X5** – OR6: Assembly Group with 6 Output Relays (Changeover / Form C)
- X6** – DI8: Assembly Group with 8 Digital Inputs
- X102** – Universal Resistance-Temperature Detector (URTD) input, Fiber optics interface, Versatile Link
- X103** – Modbus RTU / IEC 60870-5-103 / DNP3.0 RTU, RS485, D-SUB
- X104** – IRIG-B00X, incl. System Contact (Supervision Contact)

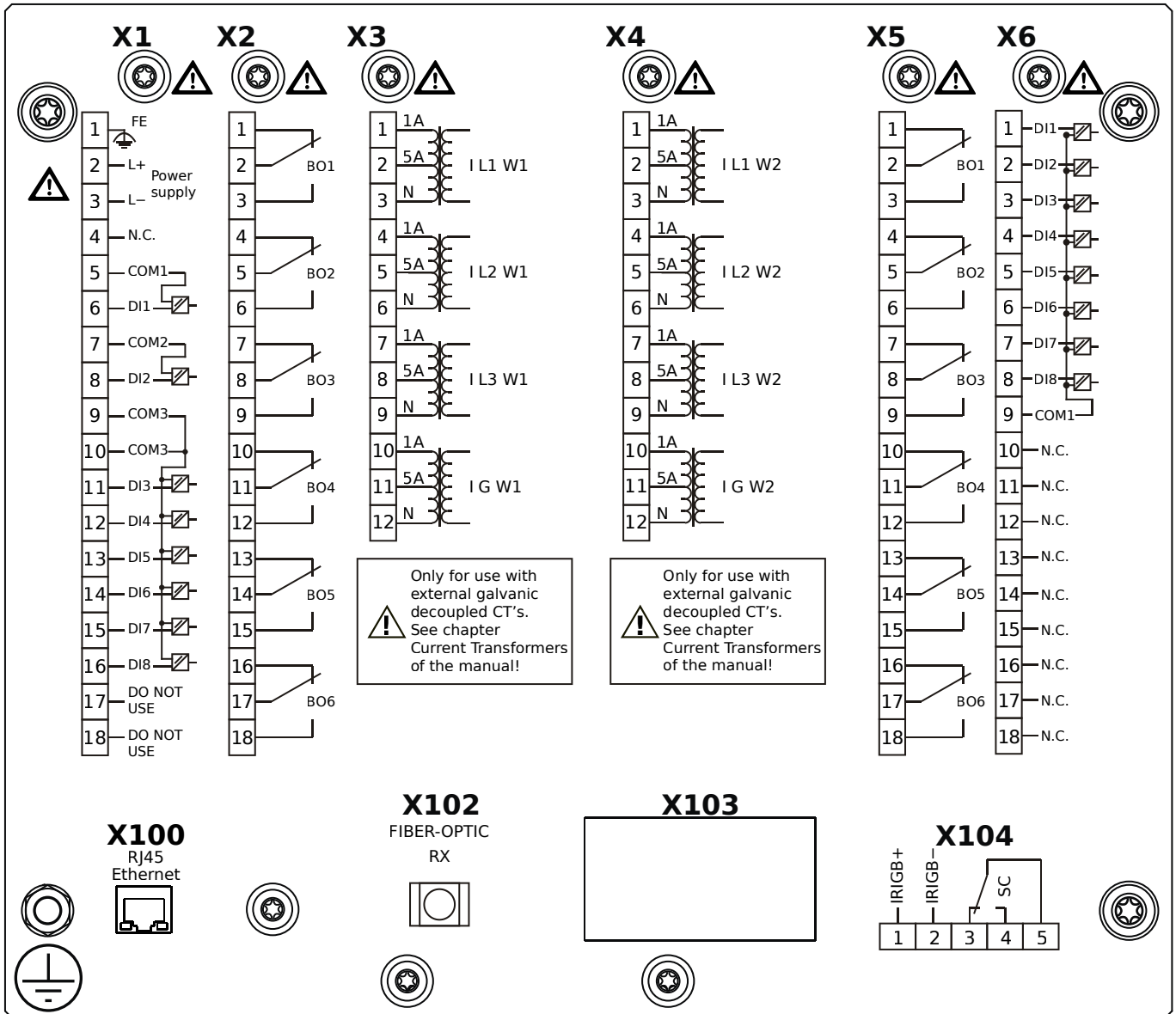
MRDT4-2D0BHA



Housing B2, small display, 19" rack mounting

- X1** – DI8-X1: Wide-range power supply unit, incl. 2 non-grouped digital inputs and 6 grouped digital inputs
- X2** – OR6: Assembly Group with 6 Output Relays (Changeover / Form C)
- X3** – TI: Standard current measuring card (for the winding side 1)
- X4** – TI: Standard current measuring card (for the winding side 2)
- X5** – OR6: Assembly Group with 6 Output Relays (Changeover / Form C)
- X6** – DI8: Assembly Group with 8 Digital Inputs
- X100** – IEC 61850 / Modbus TCP / IEC 60870-5-104 / DNP3.0 TCP/UDP, Ethernet interface, 100 Mbit/s, RJ45 (BASE100-FX)
- X102** – Universal Resistance-Temperature Detector (URTD) input, Fiber optics interface, Versatile Link
- X104** – IRIG-B00X, incl. System Contact (Supervision Contact)

MRDT4-2D0BHB

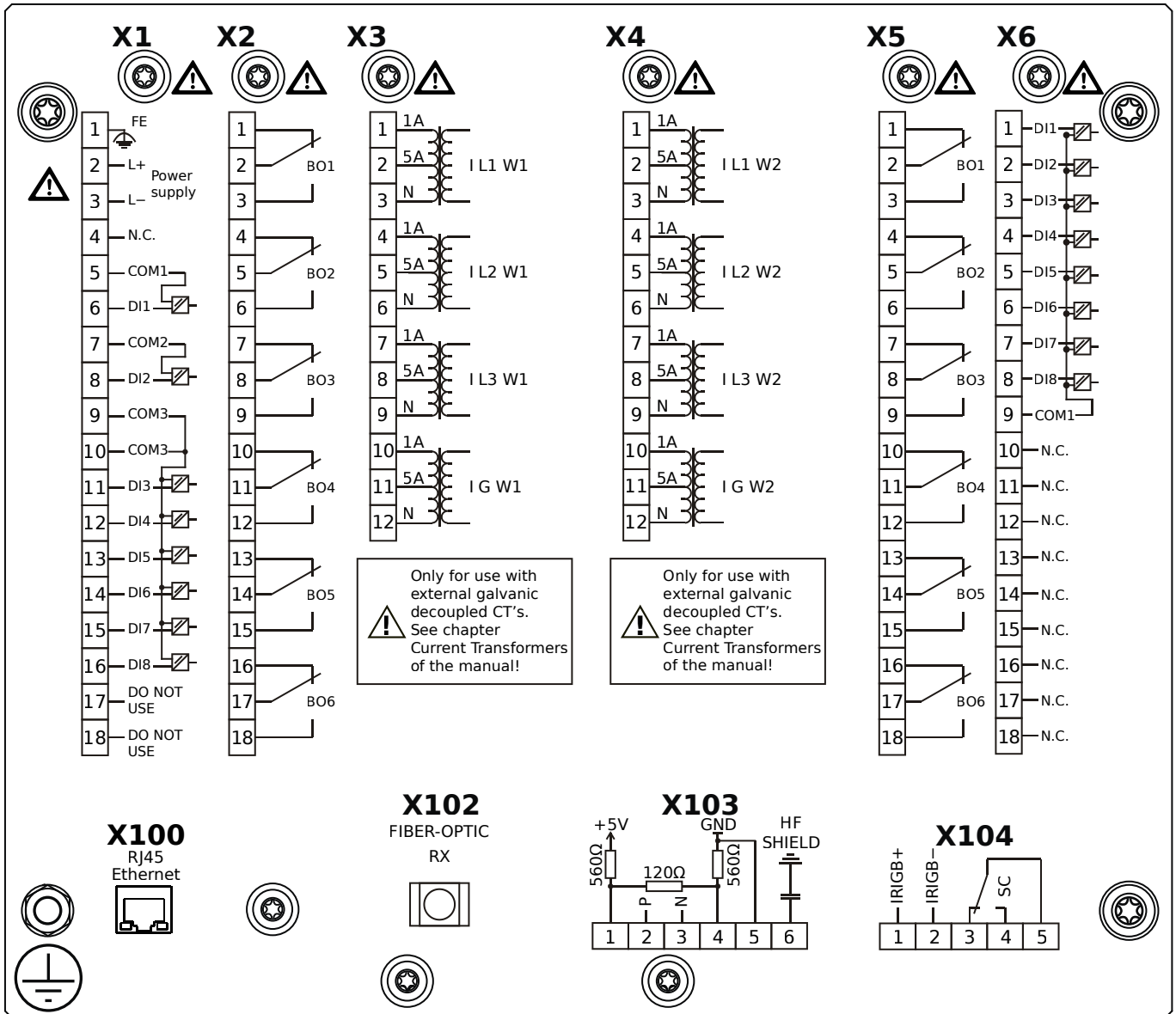


Housing B2, small display, 19" rack mounting

+ Conformal Coating (for installations in harsh environment)

- X1** – DI8-X1: Wide-range power supply unit, incl. 2 non-grouped digital inputs and 6 grouped digital inputs
- X2** – OR6: Assembly Group with 6 Output Relays (Changeover / Form C)
- X3** – TI: Standard current measuring card (for the winding side 1)
- X4** – TI: Standard current measuring card (for the winding side 2)
- X5** – OR6: Assembly Group with 6 Output Relays (Changeover / Form C)
- X6** – DI8: Assembly Group with 8 Digital Inputs
- X100** – IEC 61850 / Modbus TCP / IEC 60870-5-104 / DNP3.0 TCP/UDP, Ethernet interface, 100 Mbit/s, RJ45 (BASE100-FX)
- X102** – Universal Resistance-Temperature Detector (URTD) input, Fiber optics interface, Versatile Link
- X104** – IRIG-B00X, incl. System Contact (Supervision Contact)

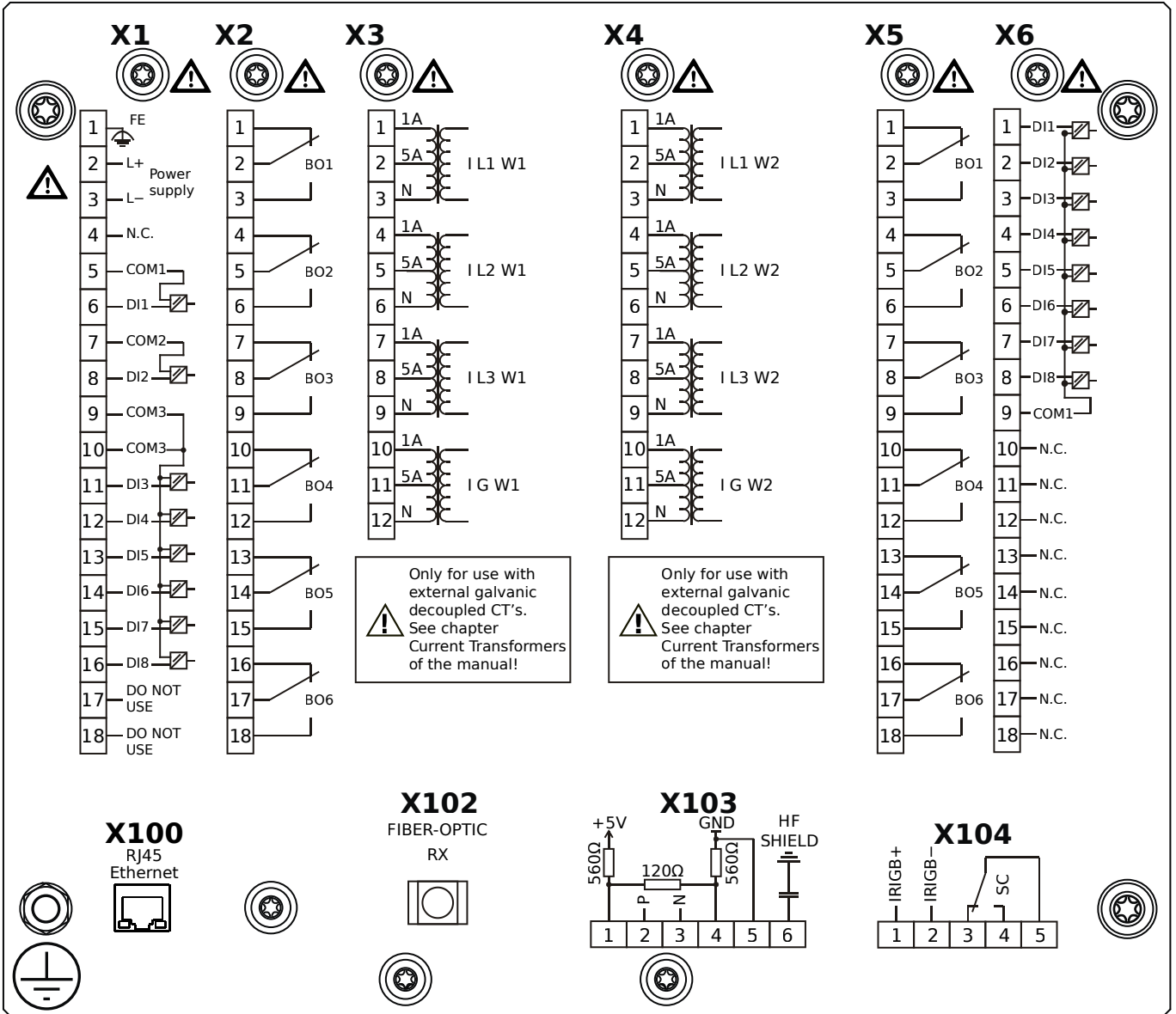
MRDT4-2D0BIA



Housing B2, small display, 19" rack mounting

- X1** – DI8-X1: Wide-range power supply unit, incl. 2 non-grouped digital inputs and 6 grouped digital inputs
- X2** – OR6: Assembly Group with 6 Output Relays (Changeover / Form C)
- X3** – TI: Standard current measuring card (for the winding side 1)
- X4** – TI: Standard current measuring card (for the winding side 2)
- X5** – OR6: Assembly Group with 6 Output Relays (Changeover / Form C)
- X6** – DI8: Assembly Group with 8 Digital Inputs
- X100** – Modbus TCP / IEC 60870-5-104 / DNP3.0 TCP/UDP, Ethernet interface, 100 Mbit/s, RJ45 (BASE100-FX)
- X102** – Universal Resistance-Temperature Detector (URTD) input, Fiber optics interface, Versatile Link
- X103** – IEC 60870-5-103 / Modbus RTU / DNP3.0 RTU, RS485, Terminals
- X104** – IRIG-B00X, incl. System Contact (Supervision Contact)

MRDT4-2D0BIB

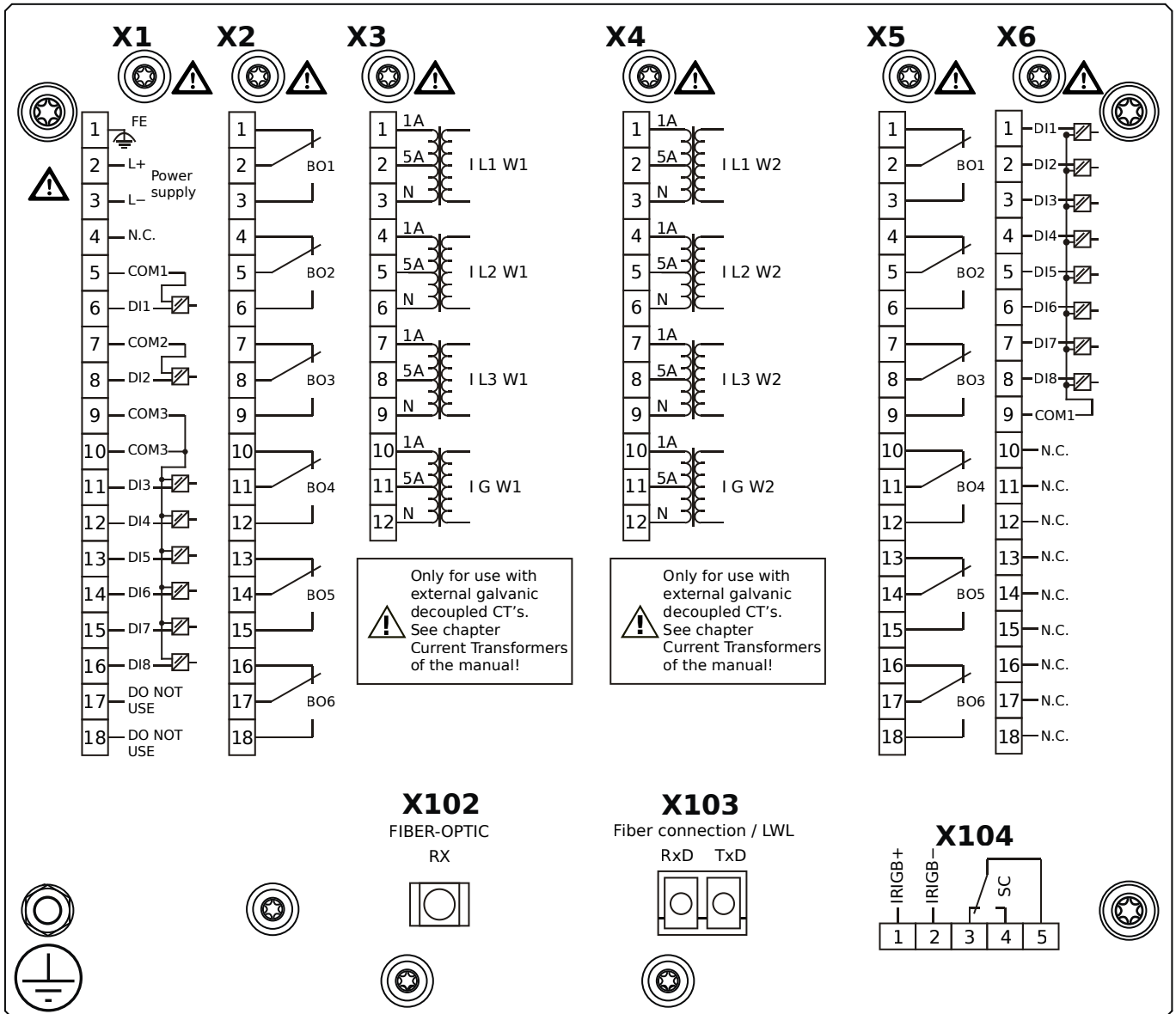


Housing B2, small display, 19" rack mounting

+ Conformal Coating (for installations in harsh environment)

- X1** – DI8-X1: Wide-range power supply unit, incl. 2 non-grouped digital inputs and 6 grouped digital inputs
- X2** – OR6: Assembly Group with 6 Output Relays (Changeover / Form C)
- X3** – TI: Standard current measuring card (for the winding side 1)
- X4** – TI: Standard current measuring card (for the winding side 2)
- X5** – OR6: Assembly Group with 6 Output Relays (Changeover / Form C)
- X6** – DI8: Assembly Group with 8 Digital Inputs
- X100** – Modbus TCP / IEC 60870-5-104 / DNP3.0 TCP/UDP, Ethernet interface, 100 Mbit/s, RJ45 (BASE100-FX)
- X102** – Universal Resistance-Temperature Detector (URTD) input, Fiber optics interface, Versatile Link
- X103** – IEC 60870-5-103 / Modbus RTU / DNP3.0 RTU, RS485, Terminals
- X104** – IRIG-B00X, incl. System Contact (Supervision Contact)

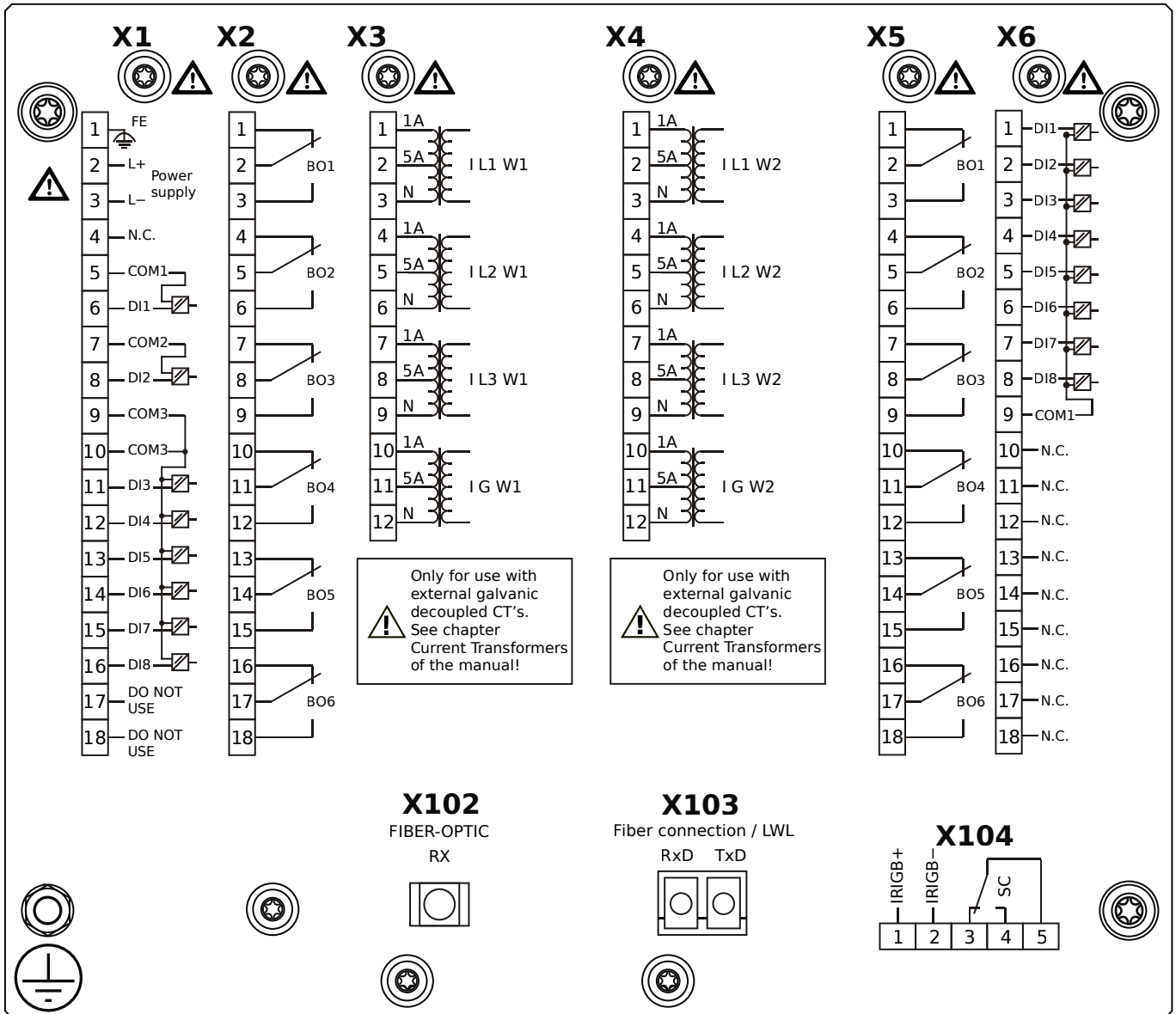
MRDT4-2D0BKA



Housing B2, small display, 19" rack mounting

- X1** – DI8-X1: Wide-range power supply unit, incl. 2 non-grouped digital inputs and 6 grouped digital inputs
- X2** – OR6: Assembly Group with 6 Output Relays (Changeover / Form C)
- X3** – TI: Standard current measuring card (for the winding side 1)
- X4** – TI: Standard current measuring card (for the winding side 2)
- X5** – OR6: Assembly Group with 6 Output Relays (Changeover / Form C)
- X6** – DI8: Assembly Group with 8 Digital Inputs
- X102** – Universal Resistance-Temperature Detector (URTD) input, Fiber optics interface, Versatile Link
- X103** – IEC 61850 / Modbus TCP / IEC 60870-5-104 / DNP3.0 TCP/UDP, Fiber optics interface, LC Connector
- X104** – IRIG-B00X, incl. System Contact (Supervision Contact)

MRDT4-2D0BK

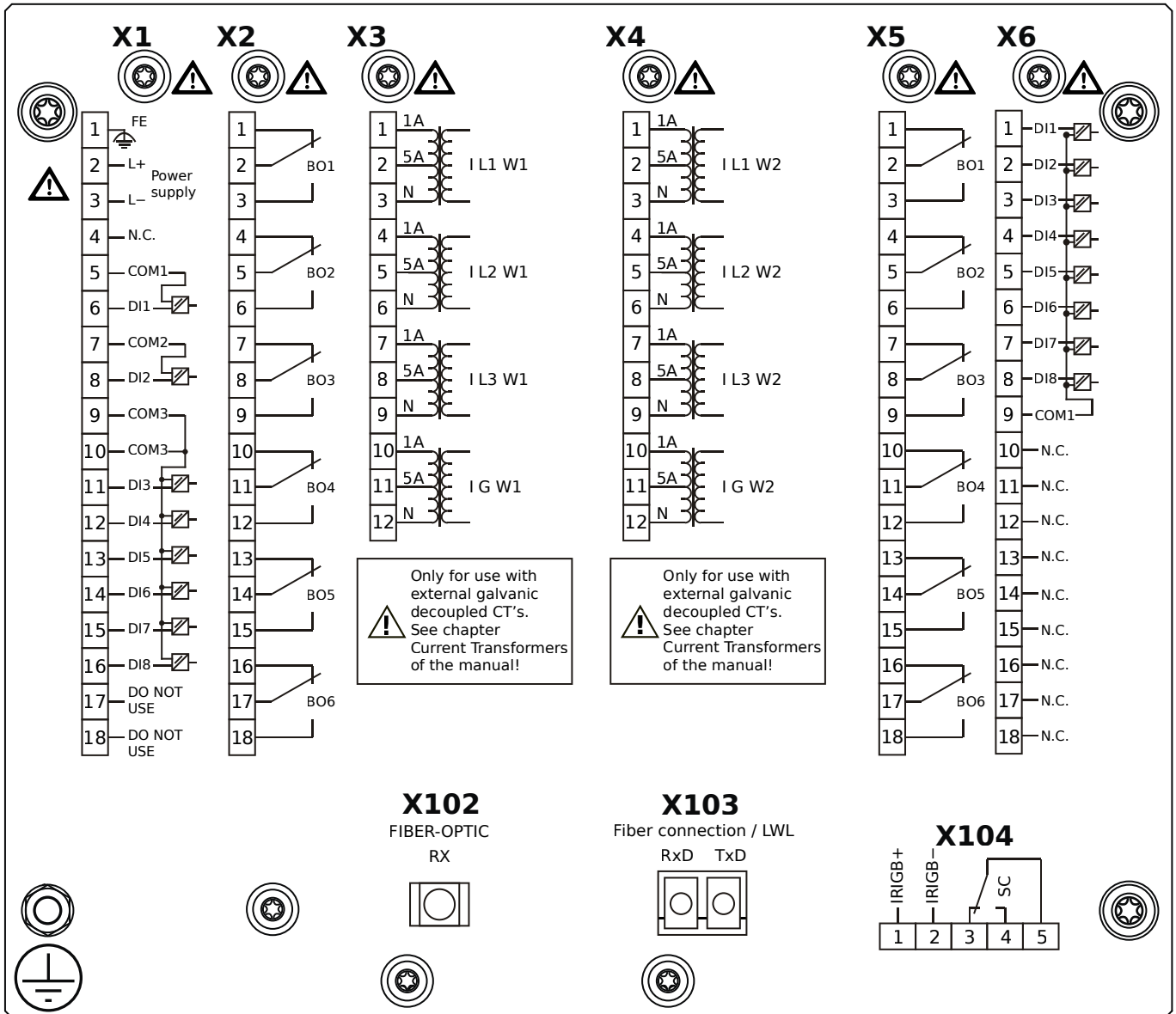


Housing B2, small display, 19" rack mounting

+ Conformal Coating (for installations in harsh environment)

- X1** – DI8-X1: Wide-range power supply unit, incl. 2 non-grouped digital inputs and 6 grouped digital inputs
- X2** – OR6: Assembly Group with 6 Output Relays (Changeover / Form C)
- X3** – TI: Standard current measuring card (for the winding side 1)
- X4** – TI: Standard current measuring card (for the winding side 2)
- X5** – OR6: Assembly Group with 6 Output Relays (Changeover / Form C)
- X6** – DI8: Assembly Group with 8 Digital Inputs
- X102** – Universal Resistance-Temperature Detector (URTD) input, Fiber optics interface, Versatile Link
- X103** – IEC 61850 / Modbus TCP / IEC 60870-5-104 / DNP3.0 TCP/UDP, Fiber optics interface, LC Connector
- X104** – IRIG-B00X, incl. System Contact (Supervision Contact)

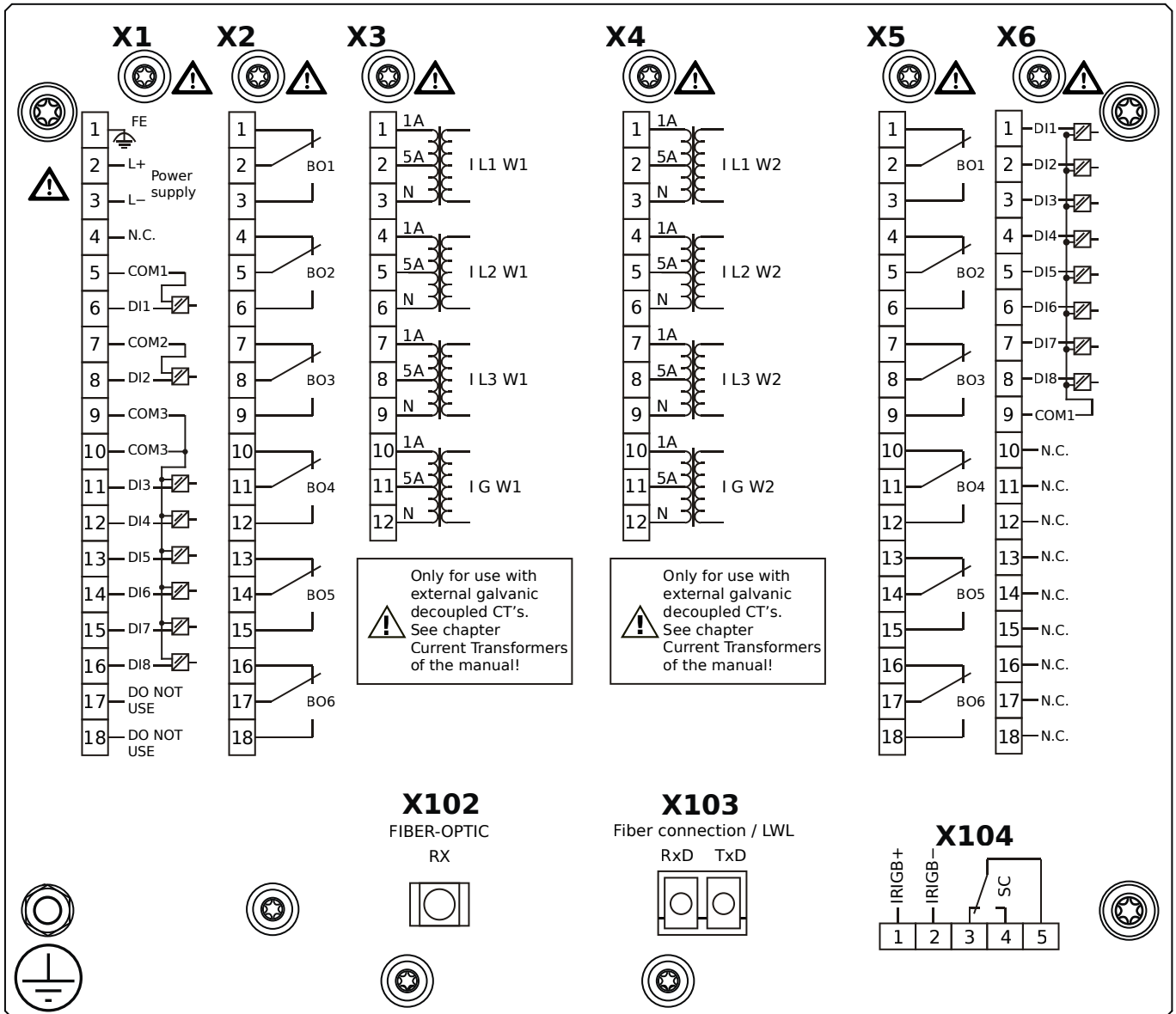
MRDT4-2D0BLA



Housing B2, small display, 19" rack mounting

- X1** – DI8-X1: Wide-range power supply unit, incl. 2 non-grouped digital inputs and 6 grouped digital inputs
- X2** – OR6: Assembly Group with 6 Output Relays (Changeover / Form C)
- X3** – TI: Standard current measuring card (for the winding side 1)
- X4** – TI: Standard current measuring card (for the winding side 2)
- X5** – OR6: Assembly Group with 6 Output Relays (Changeover / Form C)
- X6** – DI8: Assembly Group with 8 Digital Inputs
- X102** – Universal Resistance-Temperature Detector (URTD) input, Fiber optics interface, Versatile Link
- X103** – Modbus TCP / IEC 60870-5-104 / DNP3.0 TCP/UDP, Fiber optics interface, LC Connector
- X104** – IRIG-B00X, incl. System Contact (Supervision Contact)

MRDT4-2D0BLB

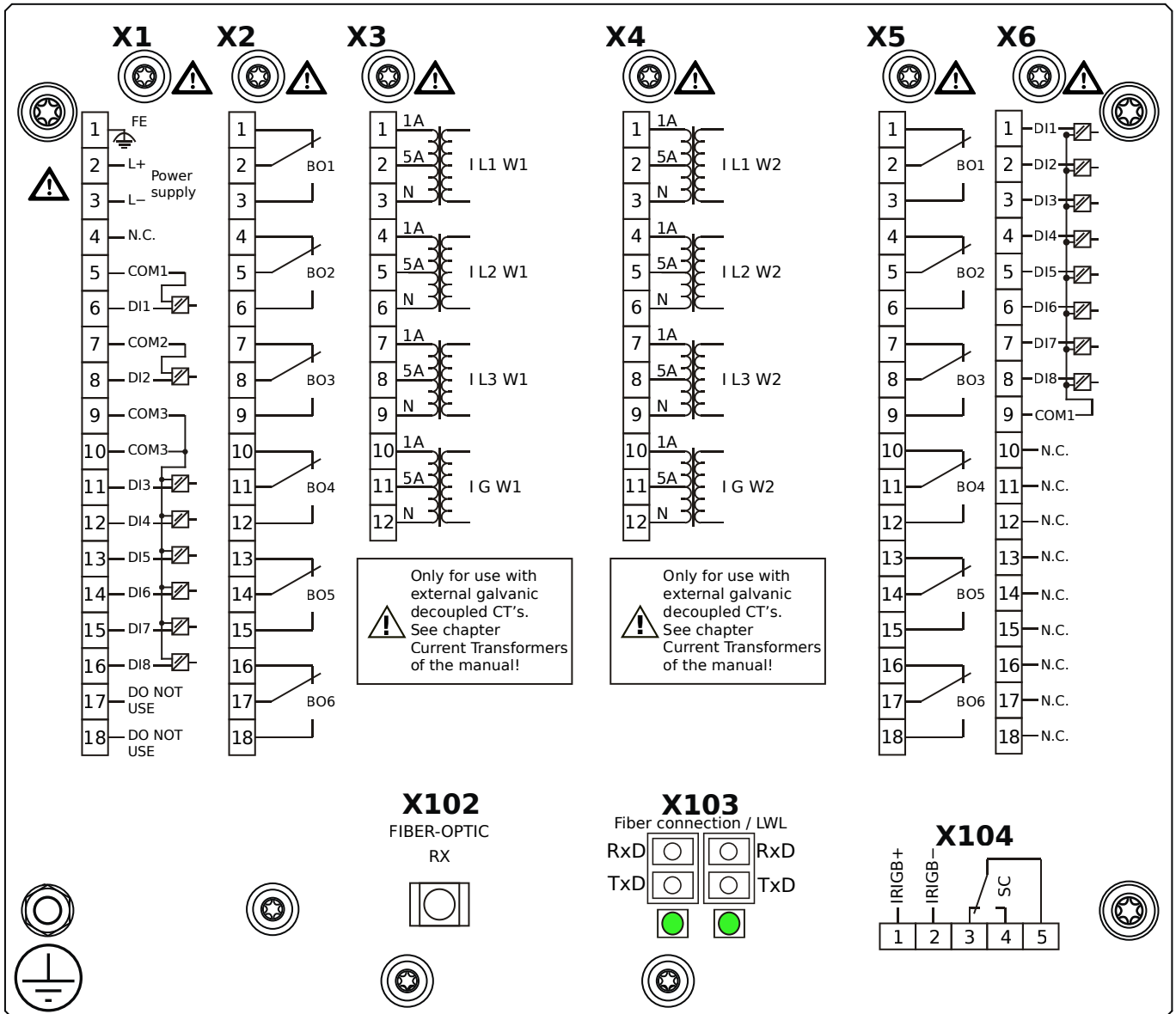


Housing B2, small display, 19" rack mounting

+ Conformal Coating (for installations in harsh environment)

- X1** – DI8-X1: Wide-range power supply unit, incl. 2 non-grouped digital inputs and 6 grouped digital inputs
- X2** – OR6: Assembly Group with 6 Output Relays (Changeover / Form C)
- X3** – TI: Standard current measuring card (for the winding side 1)
- X4** – TI: Standard current measuring card (for the winding side 2)
- X5** – OR6: Assembly Group with 6 Output Relays (Changeover / Form C)
- X6** – DI8: Assembly Group with 8 Digital Inputs
- X102** – Universal Resistance-Temperature Detector (URTD) input, Fiber optics interface, Versatile Link
- X103** – Modbus TCP / IEC 60870-5-104 / DNP3.0 TCP/UDP, Fiber optics interface, LC Connector
- X104** – IRIG-B00X, incl. System Contact (Supervision Contact)

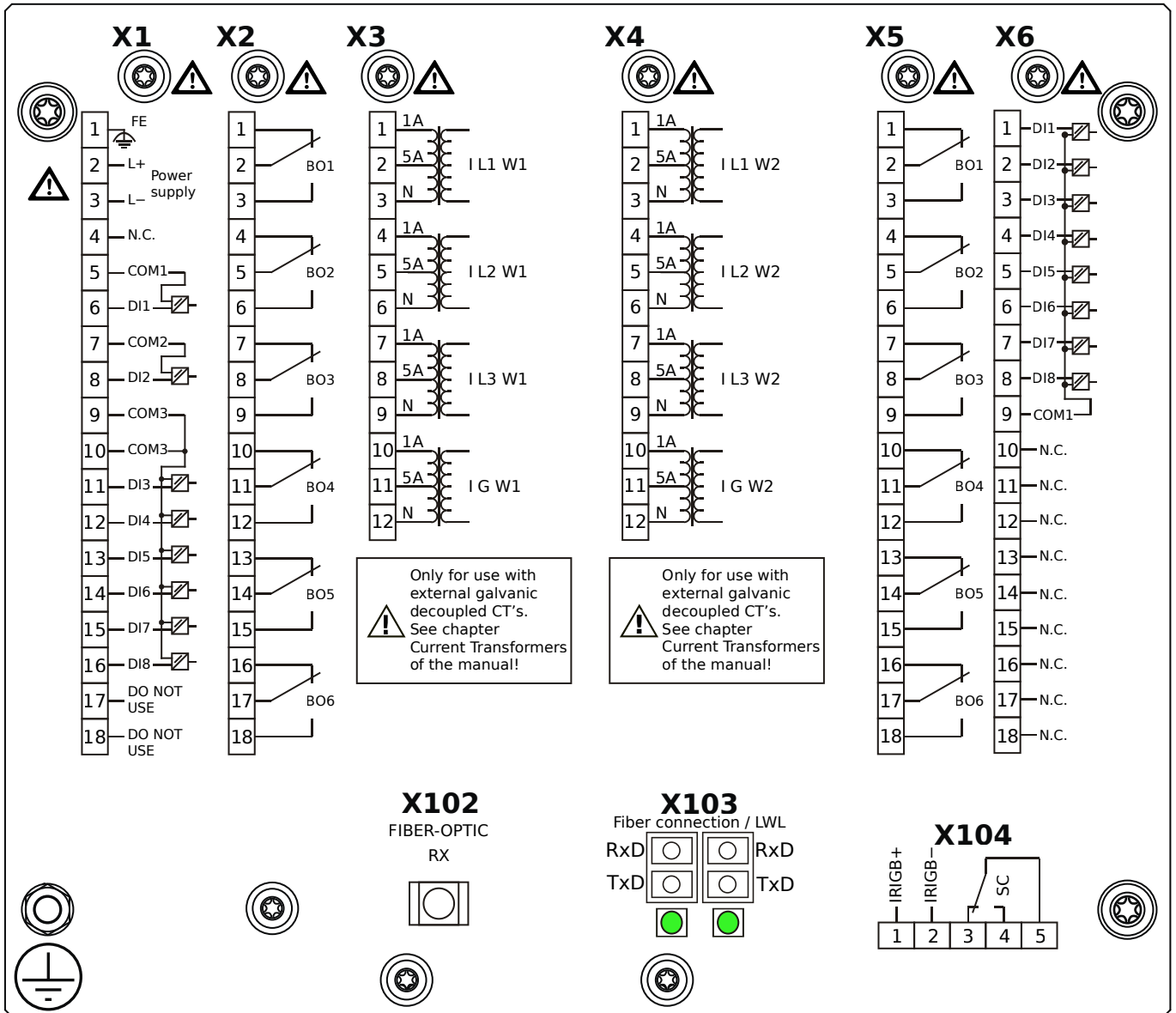
MRDT4-2D0BOA



Housing B2, small display, 19" rack mounting

- X1** – DI8-X1: Wide-range power supply unit, incl. 2 non-grouped digital inputs and 6 grouped digital inputs
- X2** – OR6: Assembly Group with 6 Output Relays (Changeover / Form C)
- X3** – TI: Standard current measuring card (for the winding side 1)
- X4** – TI: Standard current measuring card (for the winding side 2)
- X5** – OR6: Assembly Group with 6 Output Relays (Changeover / Form C)
- X6** – DI8: Assembly Group with 8 Digital Inputs
- X102** – Universal Resistance-Temperature Detector (URTD) input, Fiber optics interface, Versatile Link
- X103** – Modbus TCP / IEC 60870-5-104 / DNP3.0 TCP/UDP, Redundant Fiber optics interface, LC Connector
- X104** – IRIG-B00X, incl. System Contact (Supervision Contact)

MRDT4-2D0BOB

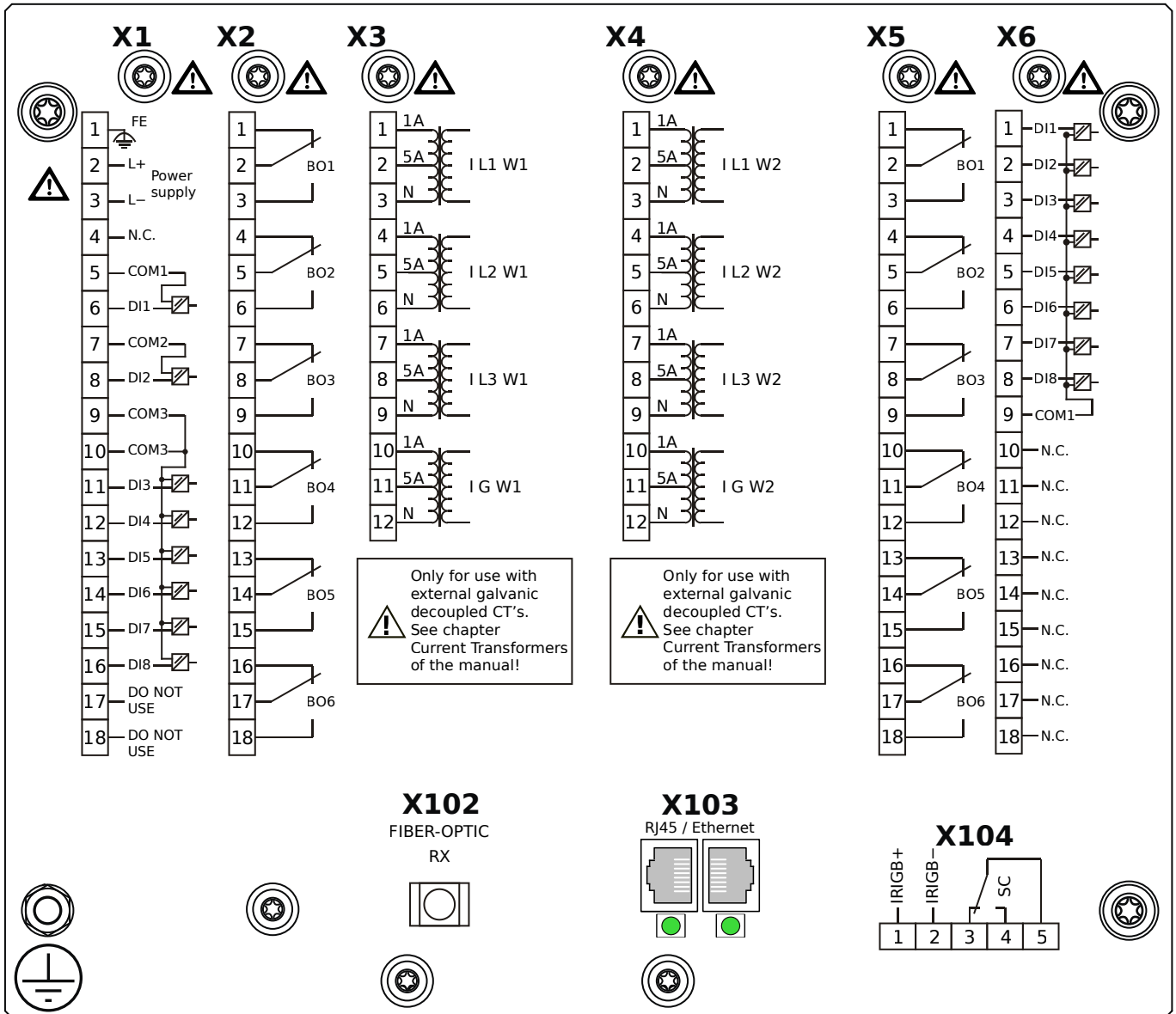


Housing B2, small display, 19" rack mounting

+ Conformal Coating (for installations in harsh environment)

- X1** – DI8-X1: Wide-range power supply unit, incl. 2 non-grouped digital inputs and 6 grouped digital inputs
- X2** – OR6: Assembly Group with 6 Output Relays (Changeover / Form C)
- X3** – TI: Standard current measuring card (for the winding side 1)
- X4** – TI: Standard current measuring card (for the winding side 2)
- X5** – OR6: Assembly Group with 6 Output Relays (Changeover / Form C)
- X6** – DI8: Assembly Group with 8 Digital Inputs
- X102** – Universal Resistance-Temperature Detector (URTD) input, Fiber optics interface, Versatile Link
- X103** – Modbus TCP / IEC 60870-5-104 / DNP3.0 TCP/UDP, Redundant Fiber optics interface, LC Connector
- X104** – IRIG-B00X, incl. System Contact (Supervision Contact)

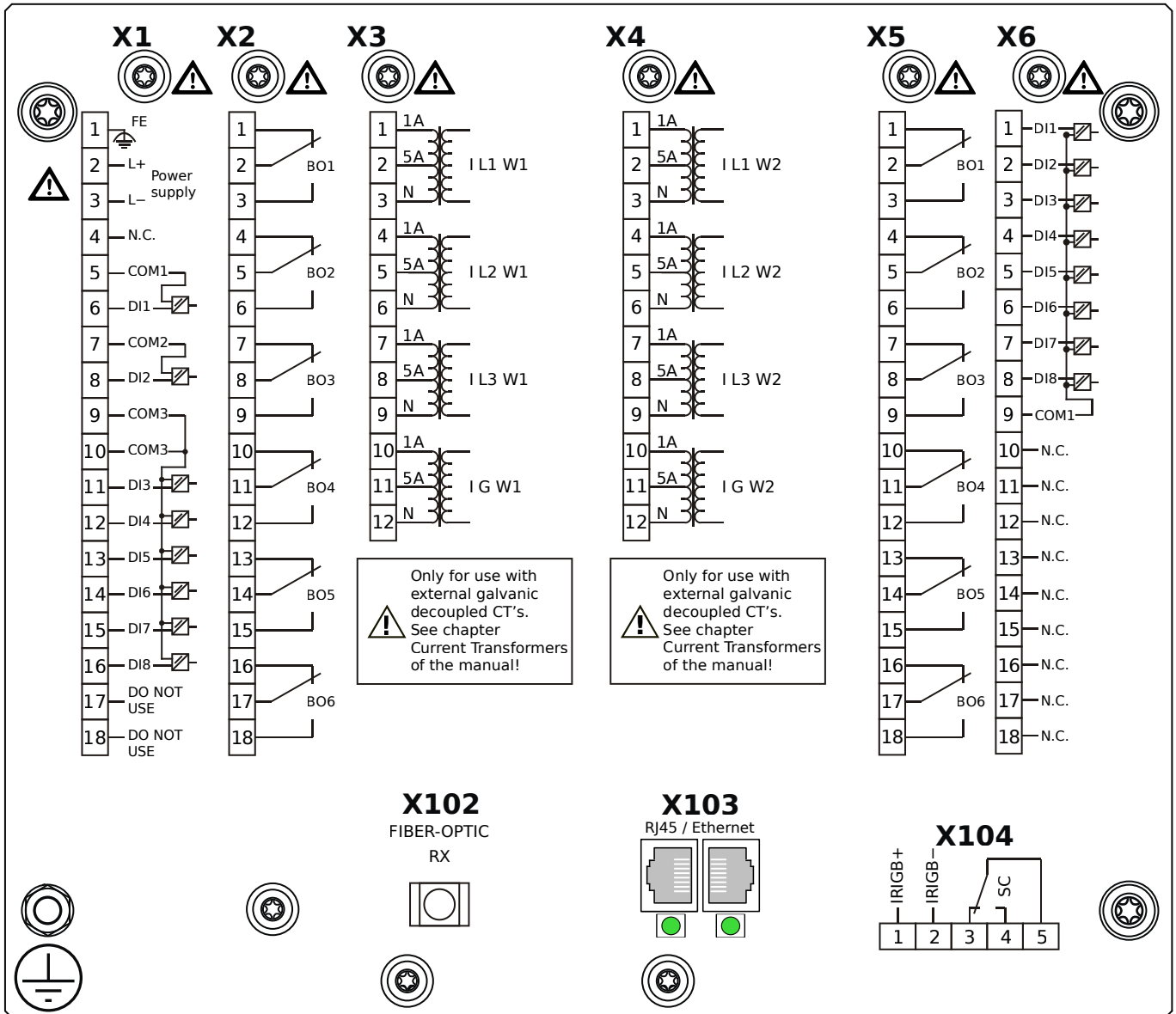
MRDT4-2D0BPA



Housing B2, small display, 19" rack mounting

- X1** – DI8-X1: Wide-range power supply unit, incl. 2 non-grouped digital inputs and 6 grouped digital inputs
- X2** – OR6: Assembly Group with 6 Output Relays (Changeover / Form C)
- X3** – TI: Standard current measuring card (for the winding side 1)
- X4** – TI: Standard current measuring card (for the winding side 2)
- X5** – OR6: Assembly Group with 6 Output Relays (Changeover / Form C)
- X6** – DI8: Assembly Group with 8 Digital Inputs
- X102** – Universal Resistance-Temperature Detector (URTD) input, Fiber optics interface, Versatile Link
- X103** – Modbus TCP / IEC 60870-5-104 / DNP3.0 TCP/UDP, Redundant Ethernet interface, 100 Mbit/s, RJ45 (BASE100-FX)
- X104** – IRIG-B00X, incl. System Contact (Supervision Contact)

MRDT4-2D0BPB

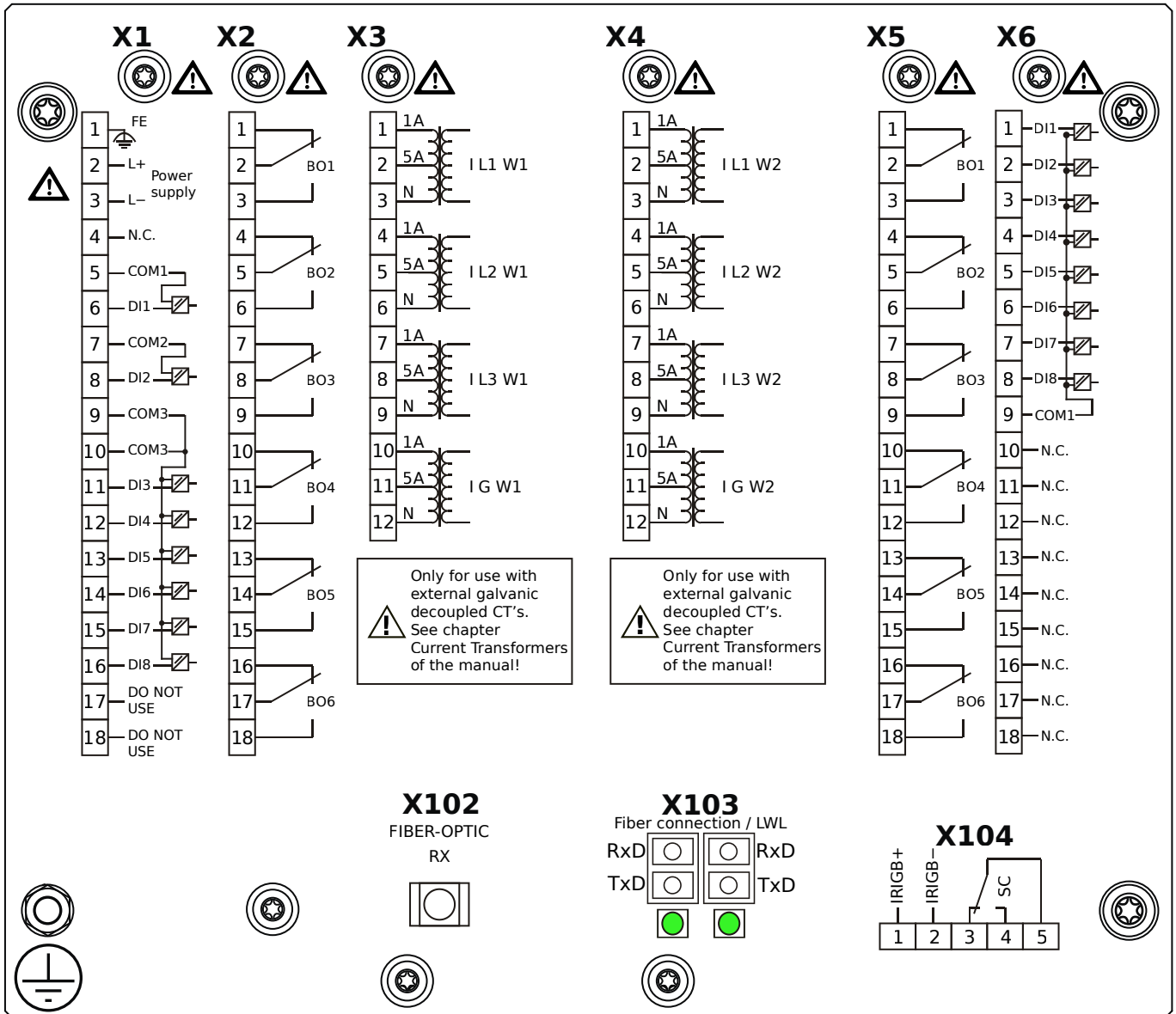


Housing B2, small display, 19" rack mounting

- + Conformal Coating (for installations in harsh environment)

- X1** – DI8-X1: Wide-range power supply unit, incl. 2 non-grouped digital inputs and 6 grouped digital inputs
- X2** – OR6: Assembly Group with 6 Output Relays (Changeover / Form C)
- X3** – TI: Standard current measuring card (for the winding side 1)
- X4** – TI: Standard current measuring card (for the winding side 2)
- X5** – OR6: Assembly Group with 6 Output Relays (Changeover / Form C)
- X6** – DI8: Assembly Group with 8 Digital Inputs
- X102** – Universal Resistance-Temperature Detector (URTD) input, Fiber optics interface, Versatile Link
- X103** – Modbus TCP / IEC 60870-5-104 / DNP3.0 TCP/UDP, Redundant Ethernet interface, 100 Mbit/s, RJ45 (BASE100-FX)
- X104** – IRIG-B00X, incl. System Contact (Supervision Contact)

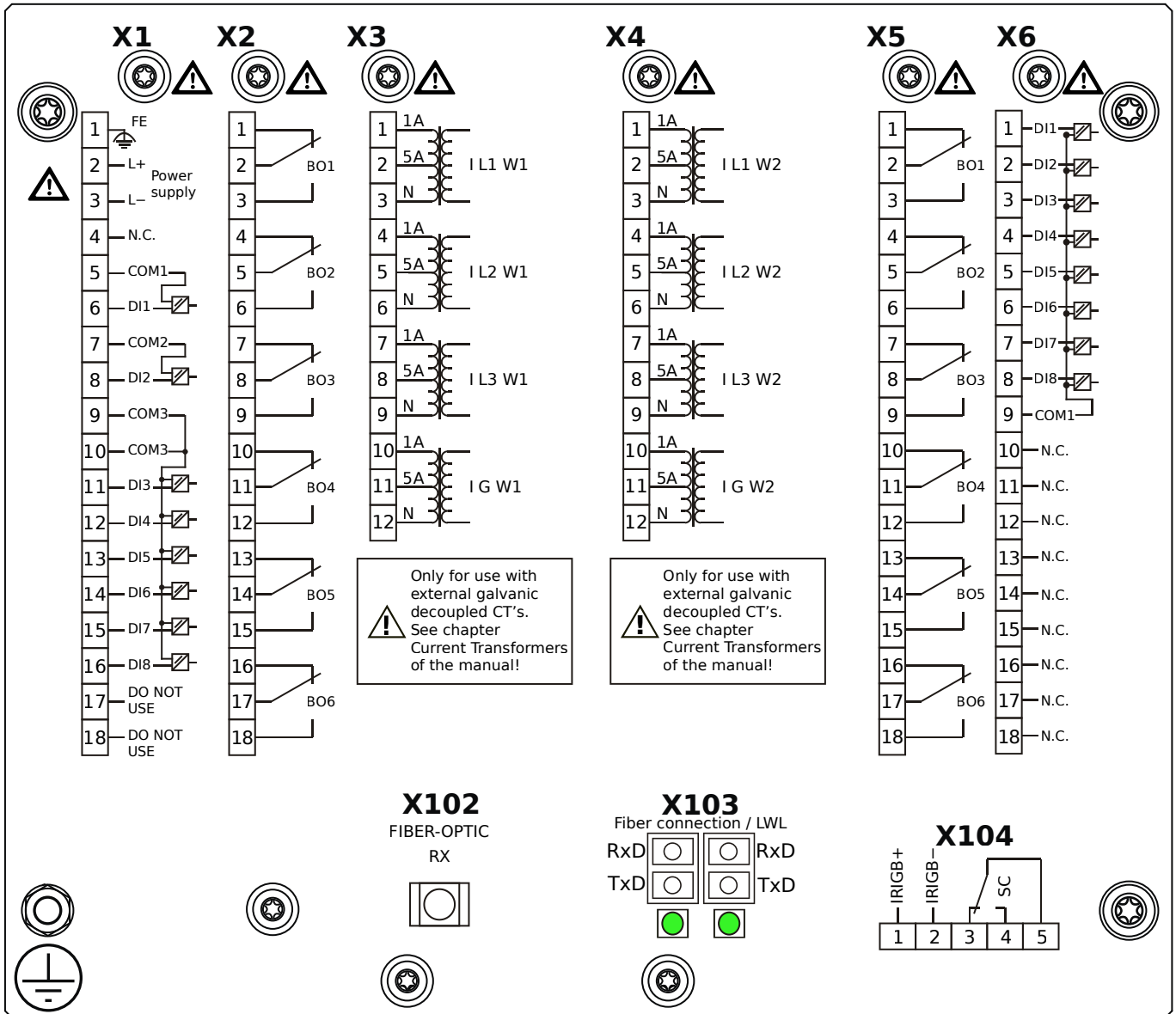
MRDT4-2D0BQA



Housing B2, small display, 19" rack mounting

- X1** – DI8-X1: Wide-range power supply unit, incl. 2 non-grouped digital inputs and 6 grouped digital inputs
- X2** – OR6: Assembly Group with 6 Output Relays (Changeover / Form C)
- X3** – TI: Standard current measuring card (for the winding side 1)
- X4** – TI: Standard current measuring card (for the winding side 2)
- X5** – OR6: Assembly Group with 6 Output Relays (Changeover / Form C)
- X6** – DI8: Assembly Group with 8 Digital Inputs
- X102** – Universal Resistance-Temperature Detector (URTD) input, Fiber optics interface, Versatile Link
- X103** – IEC 61850 / Modbus TCP / IEC 60870-5-104 / DNP3.0 TCP/UDP, Redundant Fiber optics interface, LC Connector
- X104** – IRIG-B00X, incl. System Contact (Supervision Contact)

MRDT4-2D0BQB



Housing B2, small display, 19" rack mounting

+ Conformal Coating (for installations in harsh environment)

X1 – DI8-X1: Wide-range power supply unit, incl. 2 non-grouped digital inputs and 6 grouped digital inputs

X2 – OR6: Assembly Group with 6 Output Relays (Changeover / Form C)

X3 – TI: Standard current measuring card (for the winding side 1)

X4 – TI: Standard current measuring card (for the winding side 2)

X5 – OR6: Assembly Group with 6 Output Relays (Changeover / Form C)

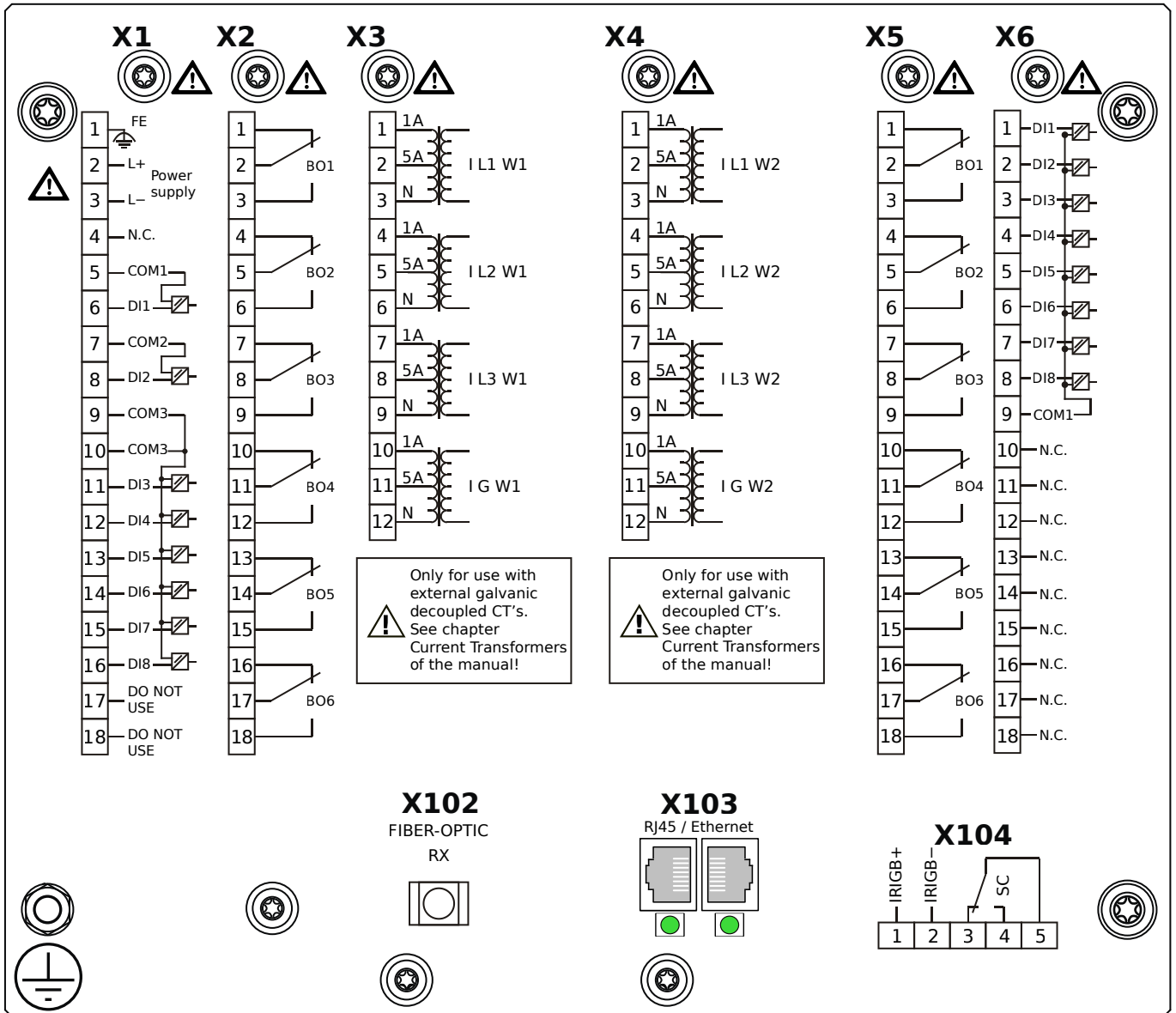
X6 – DI8: Assembly Group with 8 Digital Inputs

X102 – Universal Resistance-Temperature Detector (URTD) input, Fiber optics interface, Versatile Link

X103 – IEC 61850 / Modbus TCP / IEC 60870-5-104 / DNP3.0 TCP/UDP, Redundant Fiber optics interface, LC Connector

X104 – IRIG-B00X, incl. System Contact (Supervision Contact)

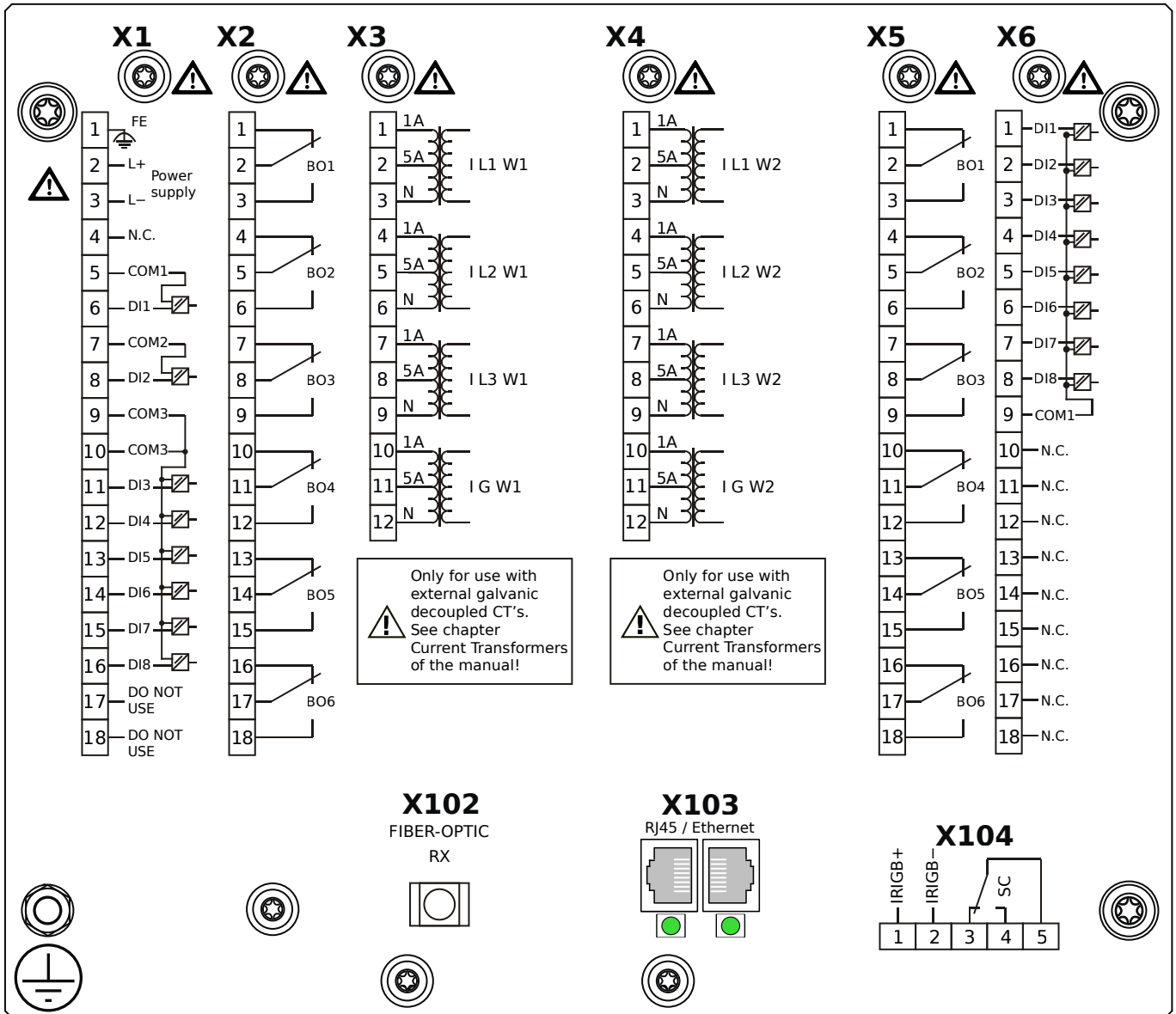
MRDT4-2D0BRA



Housing B2, small display, 19" rack mounting

- X1** – DI8-X1: Wide-range power supply unit, incl. 2 non-grouped digital inputs and 6 grouped digital inputs
- X2** – OR6: Assembly Group with 6 Output Relays (Changeover / Form C)
- X3** – TI: Standard current measuring card (for the winding side 1)
- X4** – TI: Standard current measuring card (for the winding side 2)
- X5** – OR6: Assembly Group with 6 Output Relays (Changeover / Form C)
- X6** – DI8: Assembly Group with 8 Digital Inputs
- X102** – Universal Resistance-Temperature Detector (URTD) input, Fiber optics interface, Versatile Link
- X103** – IEC 61850 / Modbus TCP / IEC 60870-5-104 / DNP3.0 TCP/UDP, Redundant Ethernet interface, 100 Mbit/s, RJ45 (BASE100-FX)
- X104** – IRIG-B00X, incl. System Contact (Supervision Contact)

MRDT4-2D0BRB



Housing B2, small display, 19" rack mounting

+ Conformal Coating (for installations in harsh environment)

X1 – DI8-X1: Wide-range power supply unit, incl. 2 non-grouped digital inputs and 6 grouped digital inputs

X2 – OR6: Assembly Group with 6 Output Relays (Changeover / Form C)

X3 – TI: Standard current measuring card (for the winding side 1)

X4 – TI: Standard current measuring card (for the winding side 2)

X5 – OR6: Assembly Group with 6 Output Relays (Changeover / Form C)

X6 – DI8: Assembly Group with 8 Digital Inputs

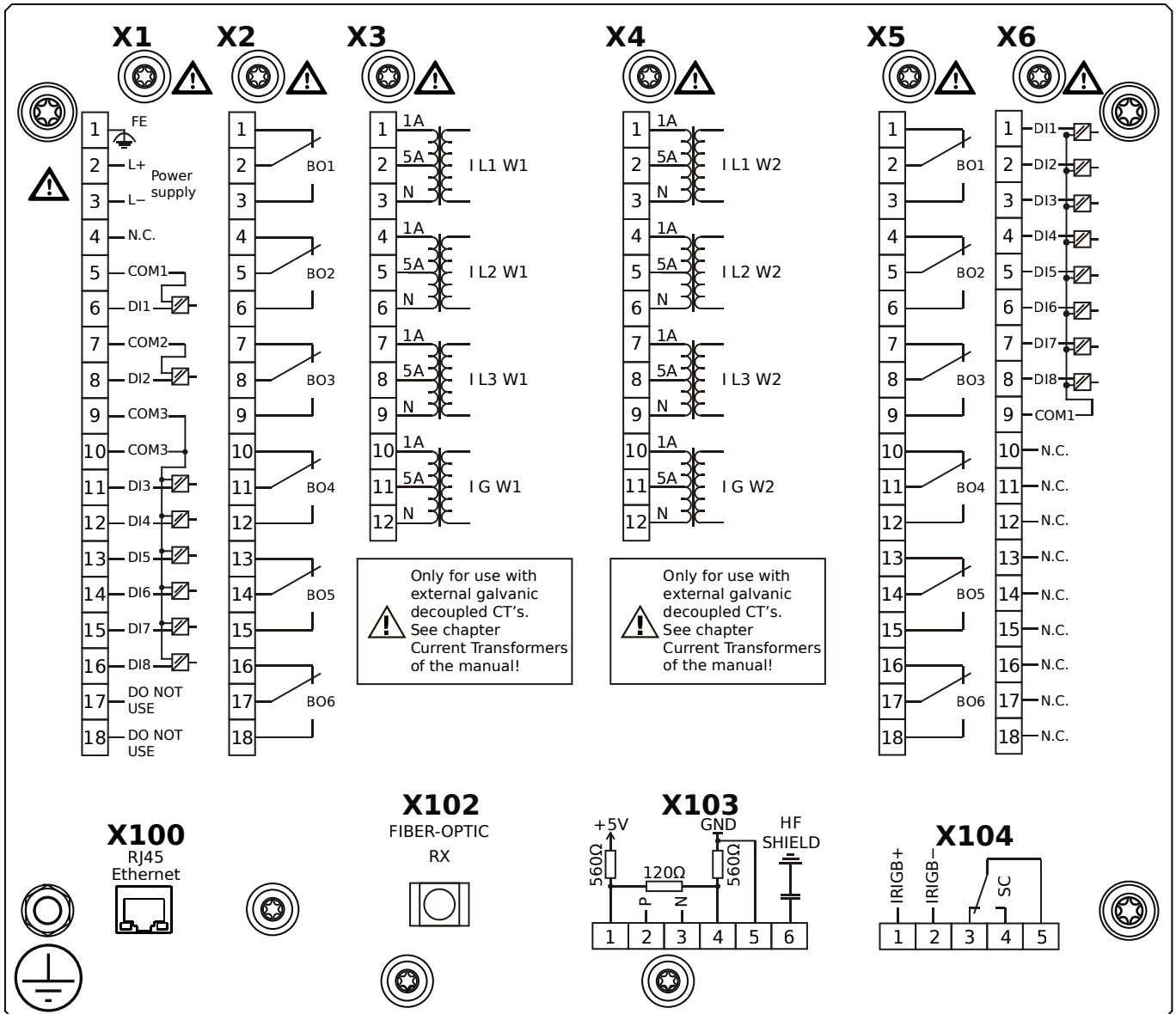
X102 – Universal Resistance-Temperature Detector (URTD) input, Fiber optics interface, Versatile Link

X103 – IEC 61850 / Modbus TCP / IEC 60870-5-104 / DNP3.0 TCP/UDP, Redundant Ethernet interface, 100 Mbit/s, RJ45

(BASE100-FX)

X104 – IRIG-B00X, incl. System Contact (Supervision Contact)

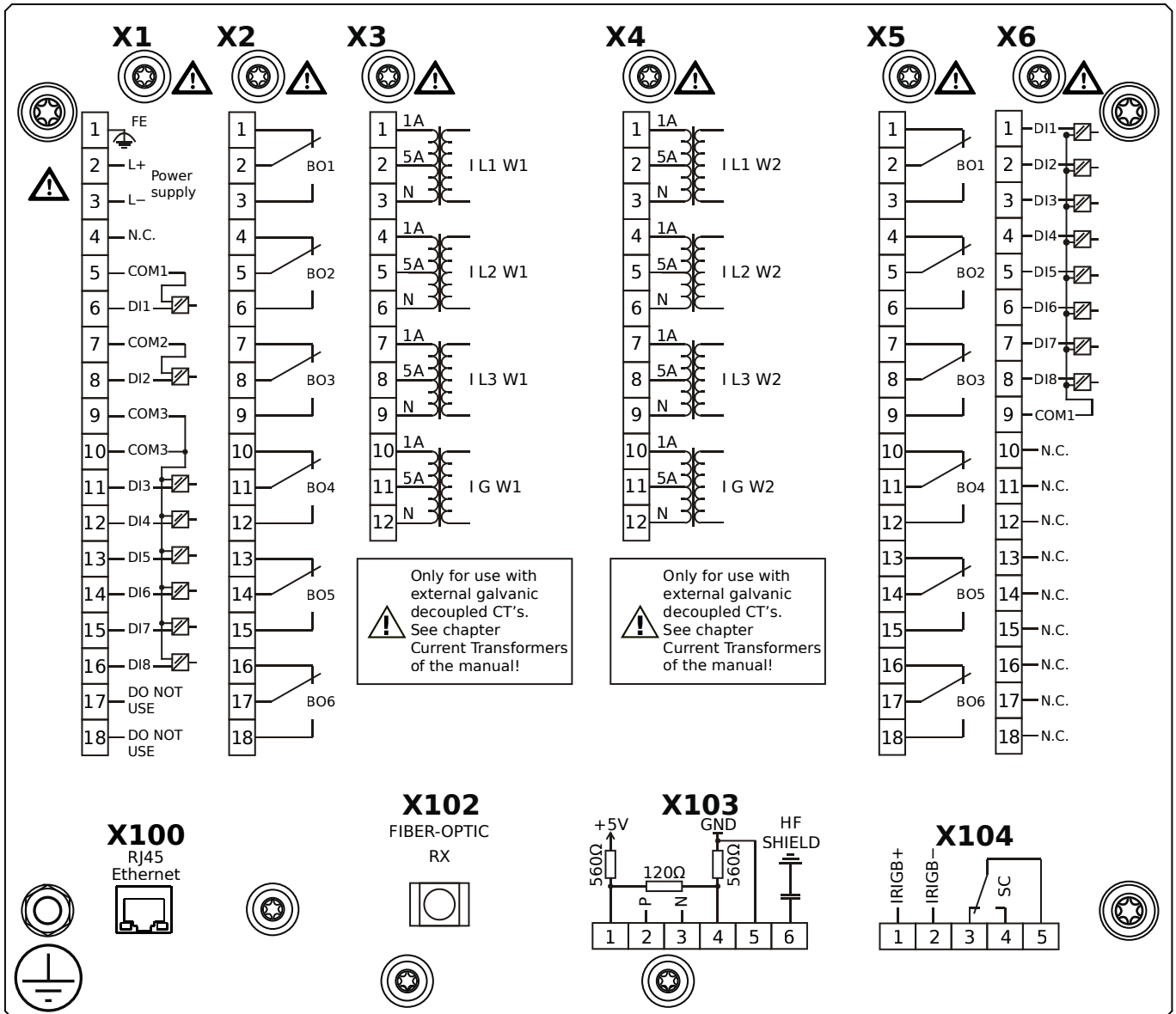
MRDT4-2D0BTA



Housing B2, small display, 19" rack mounting

- X1** – DI8-X1: Wide-range power supply unit, incl. 2 non-grouped digital inputs and 6 grouped digital inputs
- X2** – OR6: Assembly Group with 6 Output Relays (Changeover / Form C)
- X3** – TI: Standard current measuring card (for the winding side 1)
- X4** – TI: Standard current measuring card (for the winding side 2)
- X5** – OR6: Assembly Group with 6 Output Relays (Changeover / Form C)
- X6** – DI8: Assembly Group with 8 Digital Inputs
- X100** – IEC 61850 / Modbus TCP / IEC 60870-5-104 / DNP3.0 TCP/UDP, Ethernet interface, 100 Mbit/s, RJ45 (BASE100-FX)
- X102** – Universal Resistance-Temperature Detector (URTD) input, Fiber optics interface, Versatile Link
- X103** – IEC 60870-5-103 / Modbus RTU / DNP3.0 RTU, RS485, Terminals
- X104** – IRIG-B00X, incl. System Contact (Supervision Contact)

MRDT4-2D0BTB

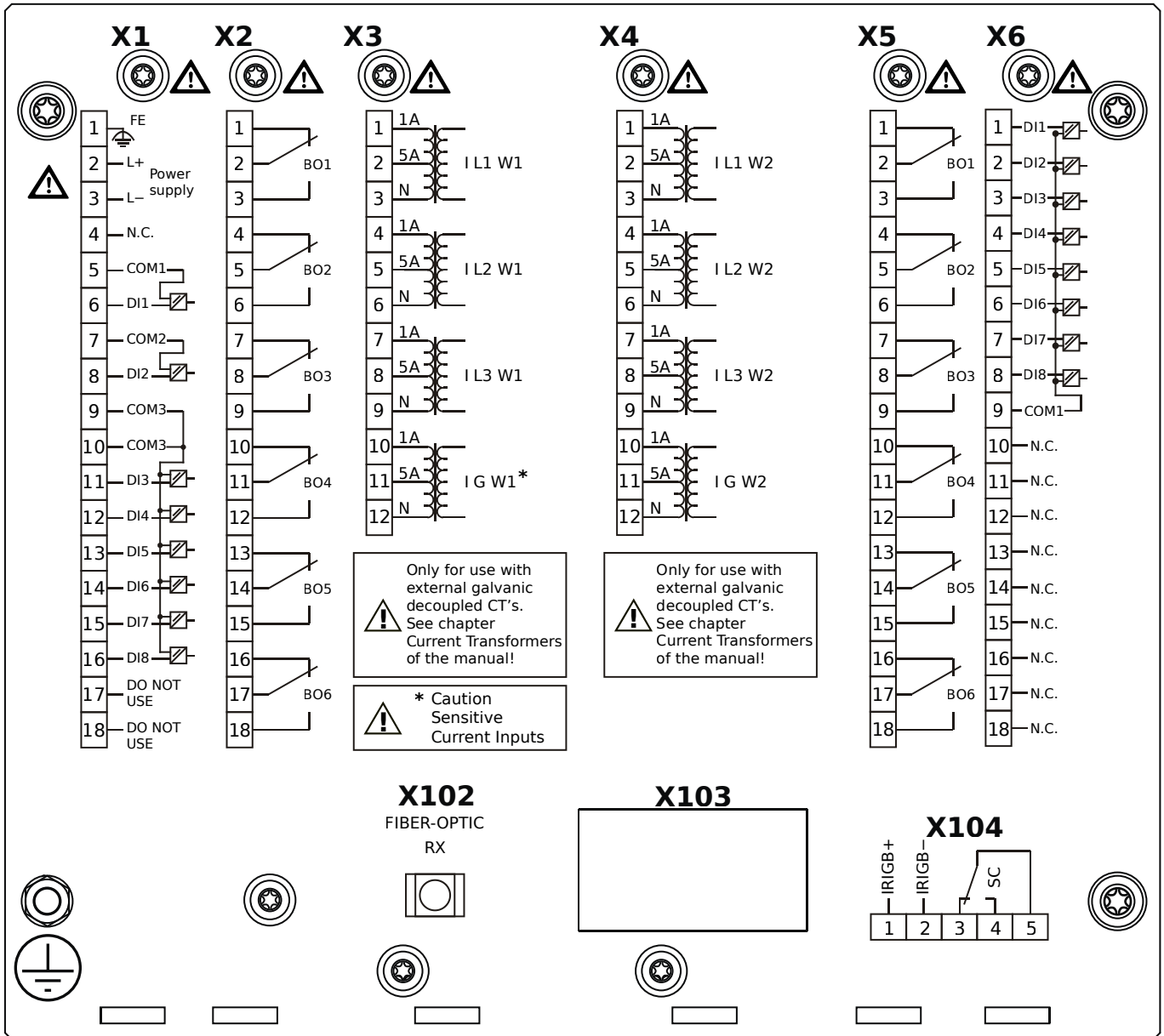


Housing B2, small display, 19" rack mounting

+ Conformal Coating (for installations in harsh environment)

- X1** – DI8-X1: Wide-range power supply unit, incl. 2 non-grouped digital inputs and 6 grouped digital inputs
- X2** – OR6: Assembly Group with 6 Output Relays (Changeover / Form C)
- X3** – TI: Standard current measuring card (for the winding side 1)
- X4** – TI: Standard current measuring card (for the winding side 2)
- X5** – OR6: Assembly Group with 6 Output Relays (Changeover / Form C)
- X6** – DI8: Assembly Group with 8 Digital Inputs
- X100** – IEC 61850 / Modbus TCP / IEC 60870-5-104 / DNP3.0 TCP/UDP, Ethernet interface, 100 Mbit/s, RJ45 (BASE100-FX)
- X102** – Universal Resistance-Temperature Detector (URTD) input, Fiber optics interface, Versatile Link
- X103** – IEC 60870-5-103 / Modbus RTU / DNP3.0 RTU, RS485, Terminals
- X104** – IRIG-B00X, incl. System Contact (Supervision Contact)

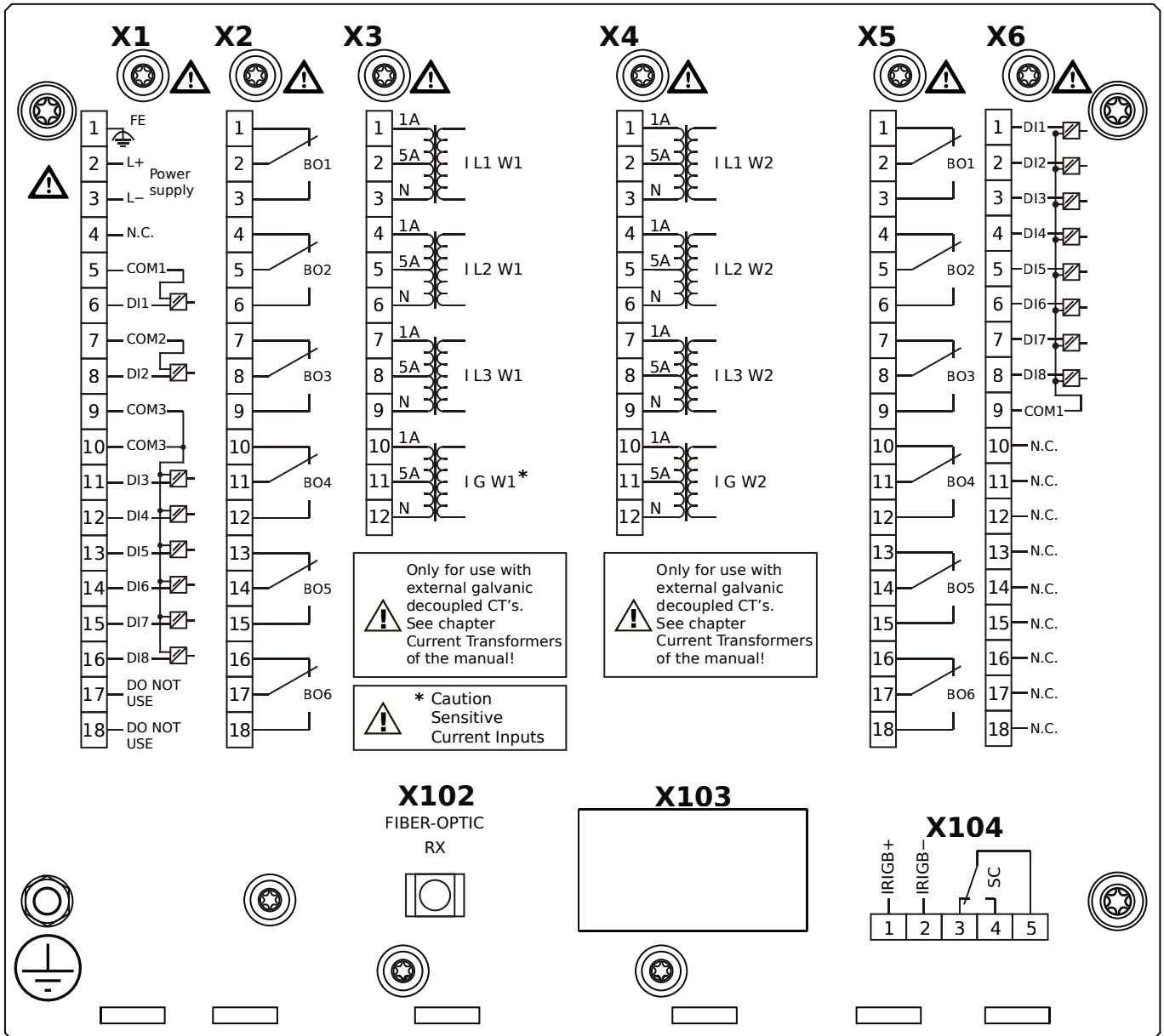
MRDT4-2D1AAA



Housing B2, small display, door mounting

- X1** – DI8-X1: Wide-range power supply unit, incl. 2 non-grouped digital inputs and 6 grouped digital inputs
- X2** – OR6: Assembly Group with 6 Output Relays (Changeover / Form C)
- X3** – TIs: Standard phase current measuring card and sensitive ground current measuring (winding side 1)
- X4** – TI: Standard current measuring card (for the winding side 2)
- X5** – OR6: Assembly Group with 6 Output Relays (Changeover / Form C)
- X6** – DI8: Assembly Group with 8 Digital Inputs
- X102** – Universal Resistance-Temperature Detector (URTD) input, Fiber optics interface, Versatile Link
- X104** – IRIG-B00X, incl. System Contact (Supervision Contact)

MRDT4-2D1AAB

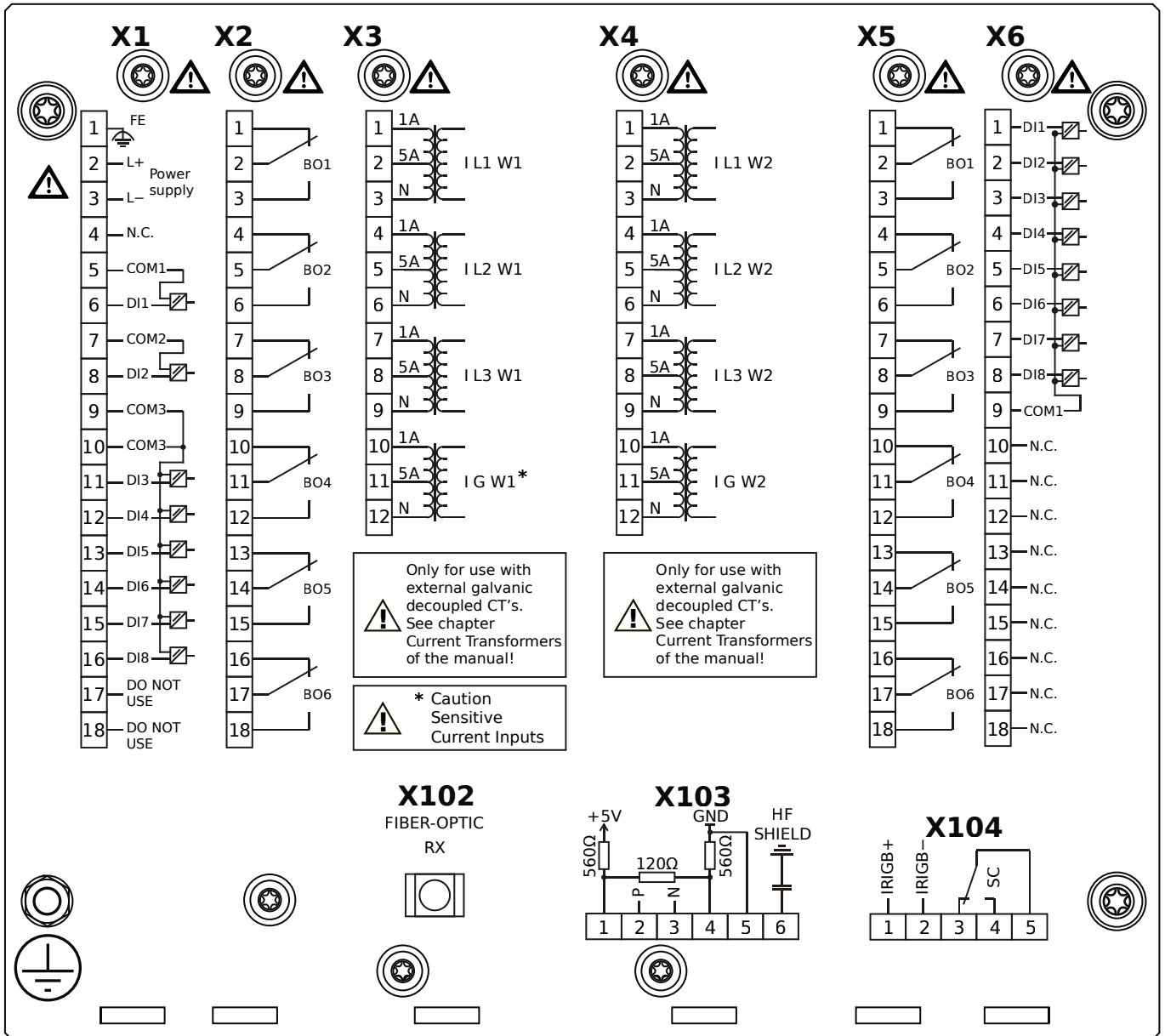


Housing B2, small display, door mounting

+ Conformal Coating (for installations in harsh environment)

- X1** – DI8-X1: Wide-range power supply unit, incl. 2 non-grouped digital inputs and 6 grouped digital inputs
- X2** – OR6: Assembly Group with 6 Output Relays (Changeover / Form C)
- X3** – TIs: Standard phase current measuring card and sensitive ground current measuring (winding side 1)
- X4** – TI: Standard current measuring card (for the winding side 2)
- X5** – OR6: Assembly Group with 6 Output Relays (Changeover / Form C)
- X6** – DI8: Assembly Group with 8 Digital Inputs
- X102** – Universal Resistance-Temperature Detector (URTD) input, Fiber optics interface, Versatile Link
- X104** – IRIG-B00X, incl. System Contact (Supervision Contact)

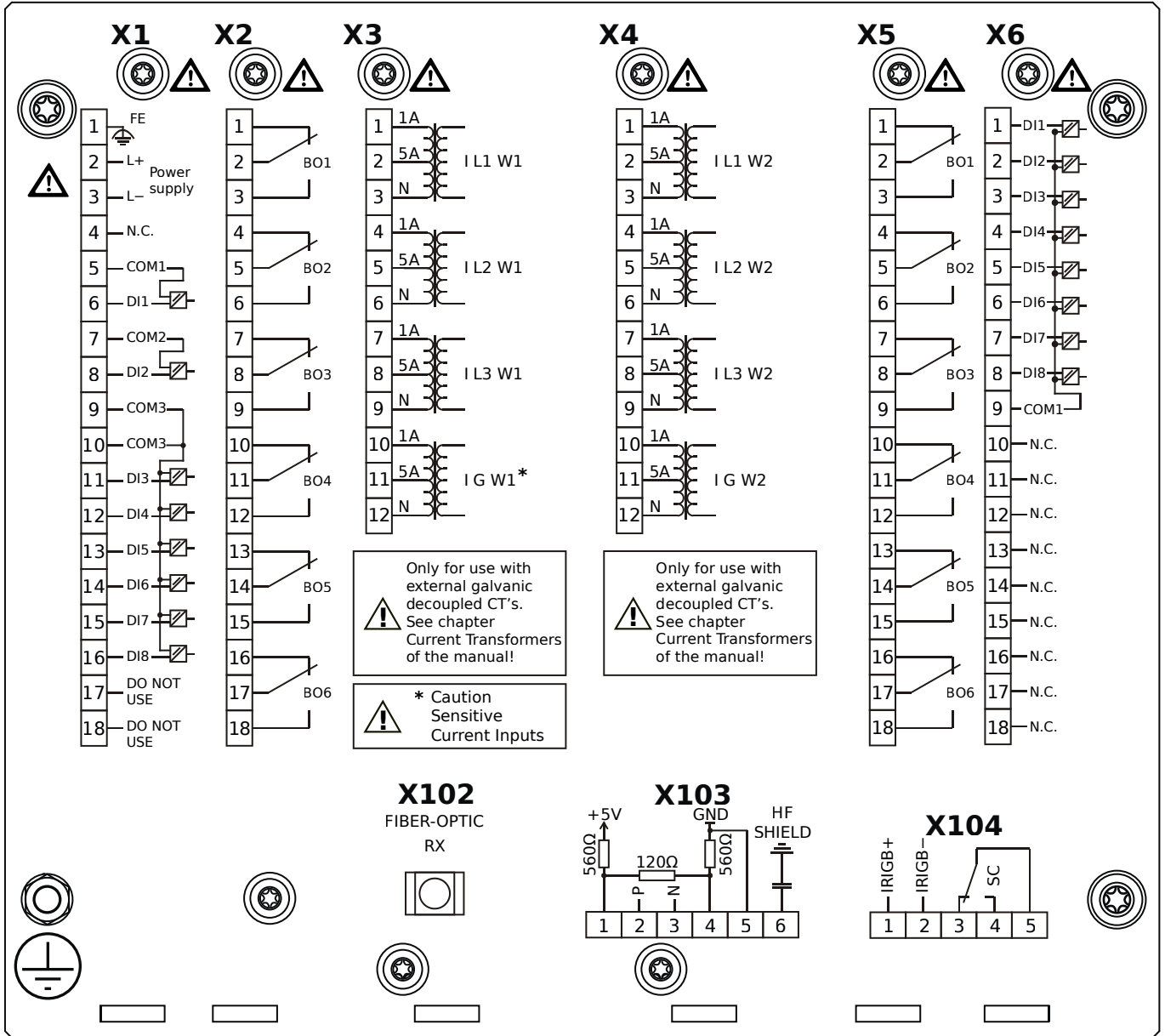
MRDT4-2D1ABA



Housing B2, small display, door mounting

- X1** – DI8-X1: Wide-range power supply unit, incl. 2 non-grouped digital inputs and 6 grouped digital inputs
- X2** – OR6: Assembly Group with 6 Output Relays (Changeover / Form C)
- X3** – TIs: Standard phase current measuring card and sensitive ground current measuring (winding side 1)
- X4** – TI: Standard current measuring card (for the winding side 2)
- X5** – OR6: Assembly Group with 6 Output Relays (Changeover / Form C)
- X6** – DI8: Assembly Group with 8 Digital Inputs
- X102** – Universal Resistance-Temperature Detector (URTD) input, Fiber optics interface, Versatile Link
- X103** – Modbus RTU / IEC 60870-5-103 / DNP3.0 RTU, RS485, Terminals
- X104** – IRIG-B00X, incl. System Contact (Supervision Contact)

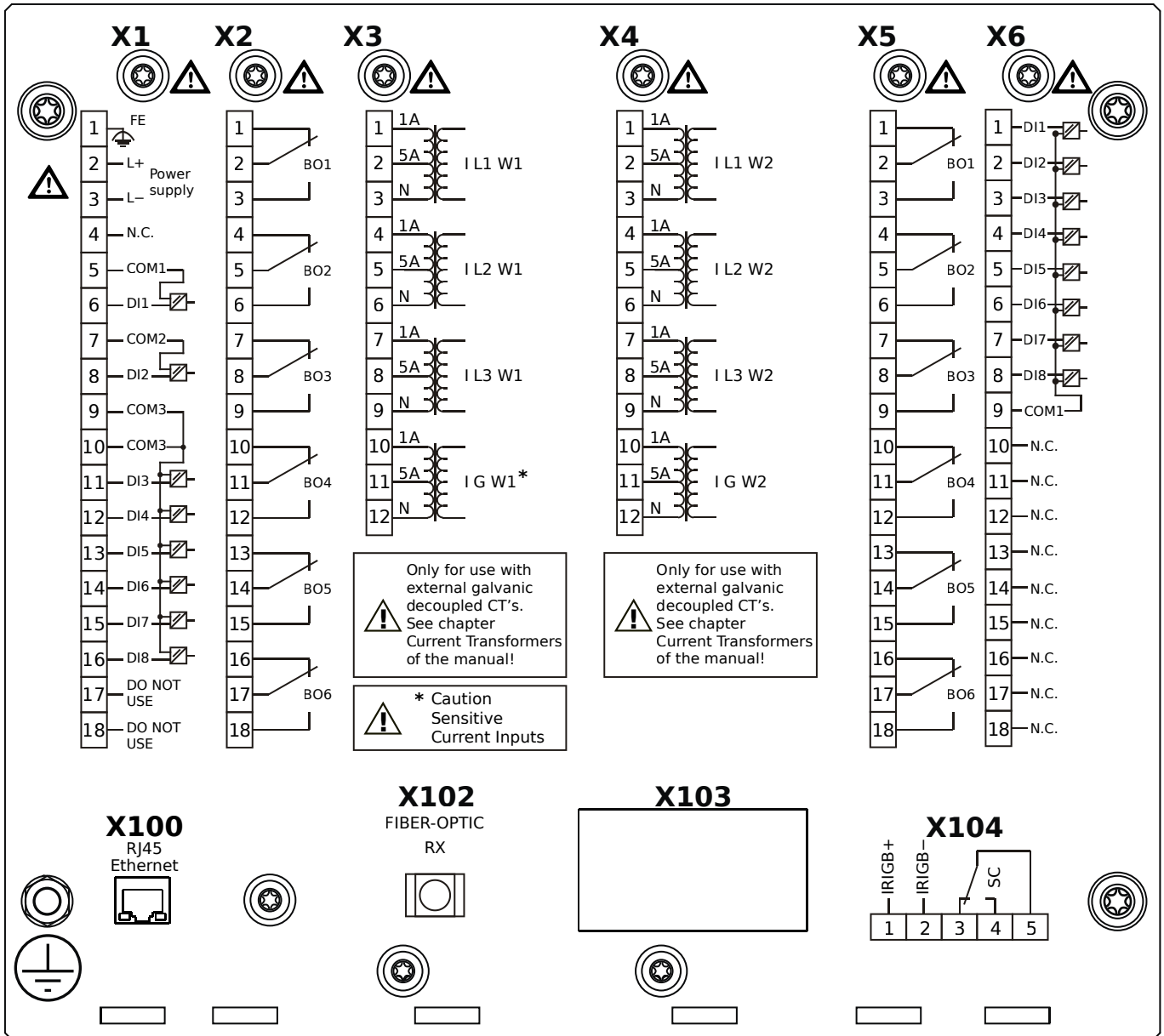
MRDT4-2D1ABB



Housing B2, small display, door mounting

- + Conformal Coating (for installations in harsh environment)
- X1** – DI8-X1: Wide-range power supply unit, incl. 2 non-grouped digital inputs and 6 grouped digital inputs
- X2** – OR6: Assembly Group with 6 Output Relays (Changeover / Form C)
- X3** – TIs: Standard phase current measuring card and sensitive ground current measuring (winding side 1)
- X4** – TI: Standard current measuring card (for the winding side 2)
- X5** – OR6: Assembly Group with 6 Output Relays (Changeover / Form C)
- X6** – DI8: Assembly Group with 8 Digital Inputs
- X102** – Universal Resistance-Temperature Detector (URTD) input, Fiber optics interface, Versatile Link
- X103** – Modbus RTU / IEC 60870-5-103 / DNP3.0 RTU, RS485, Terminals
- X104** – IRIG-B00X, incl. System Contact (Supervision Contact)

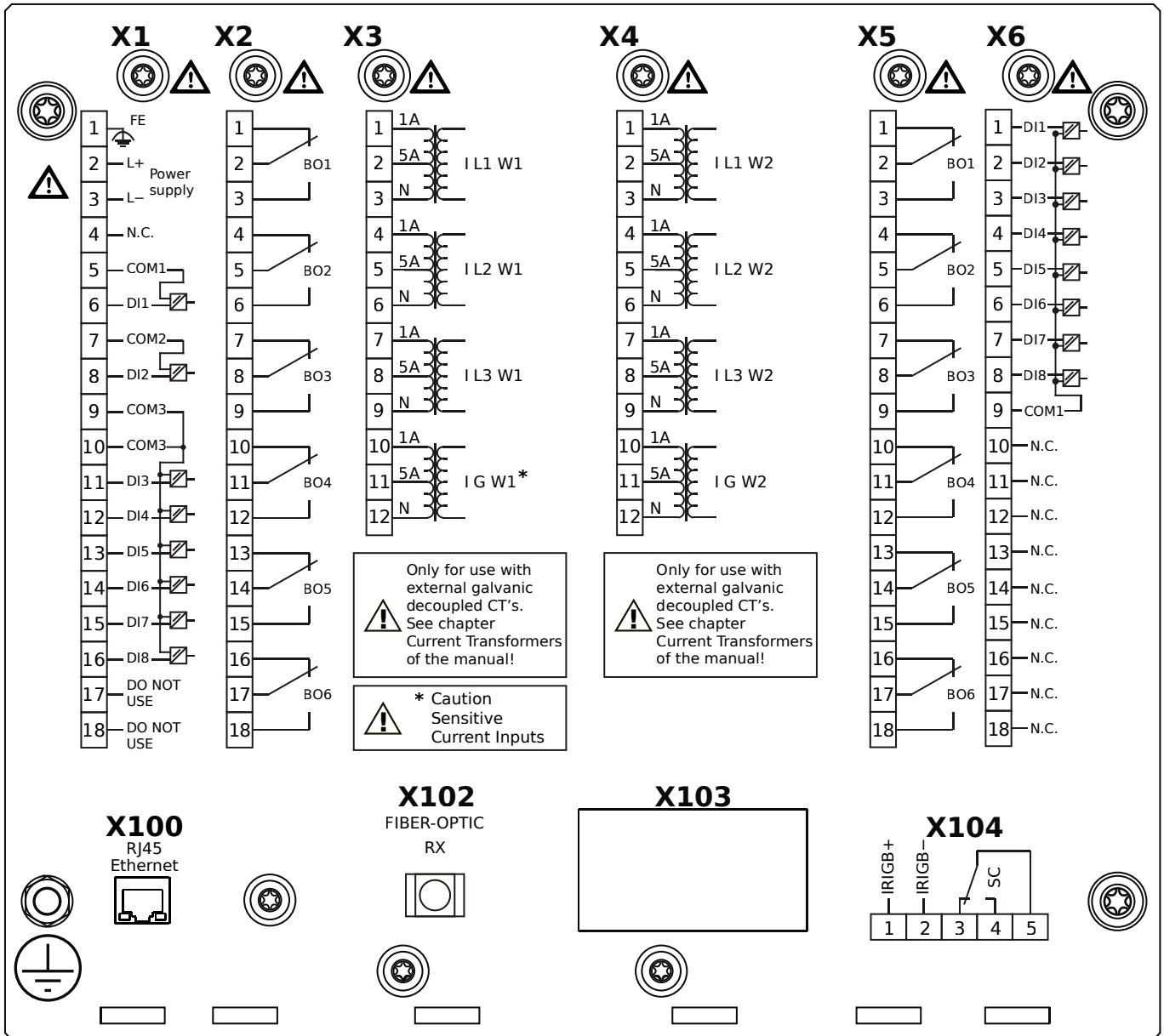
MRDT4-2D1ACA



Housing B2, small display, door mounting

- X1** – DI8-X1: Wide-range power supply unit, incl. 2 non-grouped digital inputs and 6 grouped digital inputs
- X2** – OR6: Assembly Group with 6 Output Relays (Changeover / Form C)
- X3** – TIs: Standard phase current measuring card and sensitive ground current measuring (winding side 1)
- X4** – TI: Standard current measuring card (for the winding side 2)
- X5** – OR6: Assembly Group with 6 Output Relays (Changeover / Form C)
- X6** – DI8: Assembly Group with 8 Digital Inputs
- X100** – Modbus TCP / IEC 60870-5-104 / DNP3.0 TCP/UDP, Ethernet interface, 100 Mbit/s, RJ45 (BASE100-FX)
- X102** – Universal Resistance-Temperature Detector (URTD) input, Fiber optics interface, Versatile Link
- X104** – IRIG-B00X, incl. System Contact (Supervision Contact)

MRDT4-2D1ACB

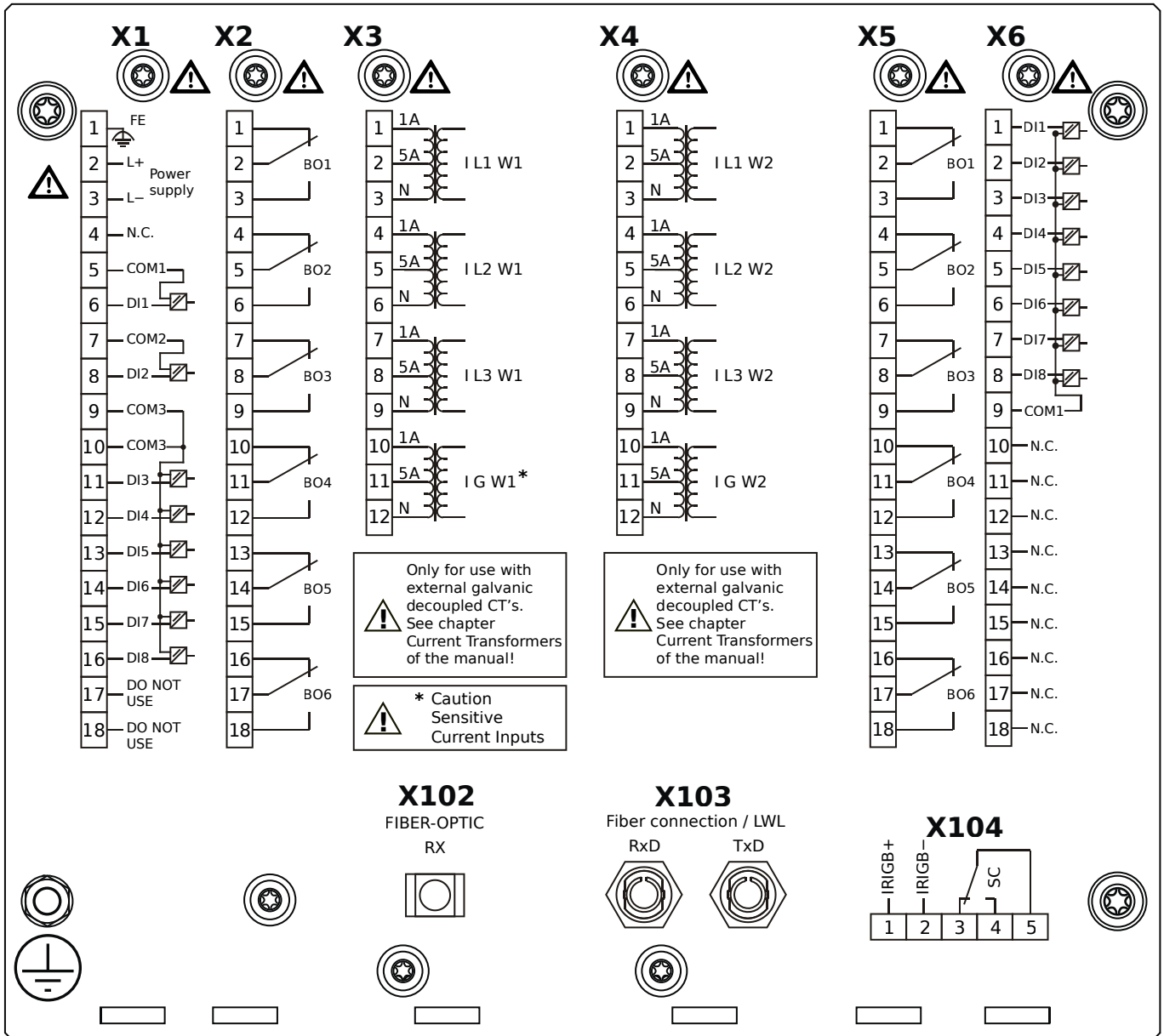


Housing B2, small display, door mounting

+ Conformal Coating (for installations in harsh environment)

- X1** – DI8-X1: Wide-range power supply unit, incl. 2 non-grouped digital inputs and 6 grouped digital inputs
- X2** – OR6: Assembly Group with 6 Output Relays (Changeover / Form C)
- X3** – TIs: Standard phase current measuring card and sensitive ground current measuring (winding side 1)
- X4** – TI: Standard current measuring card (for the winding side 2)
- X5** – OR6: Assembly Group with 6 Output Relays (Changeover / Form C)
- X6** – DI8: Assembly Group with 8 Digital Inputs
- X100** – Modbus TCP / IEC 60870-5-104 / DNP3.0 TCP/UDP, Ethernet interface, 100 Mbit/s, RJ45 (BASE100-FX)
- X102** – Universal Resistance-Temperature Detector (URTD) input, Fiber optics interface, Versatile Link
- X104** – IRIG-B00X, incl. System Contact (Supervision Contact)

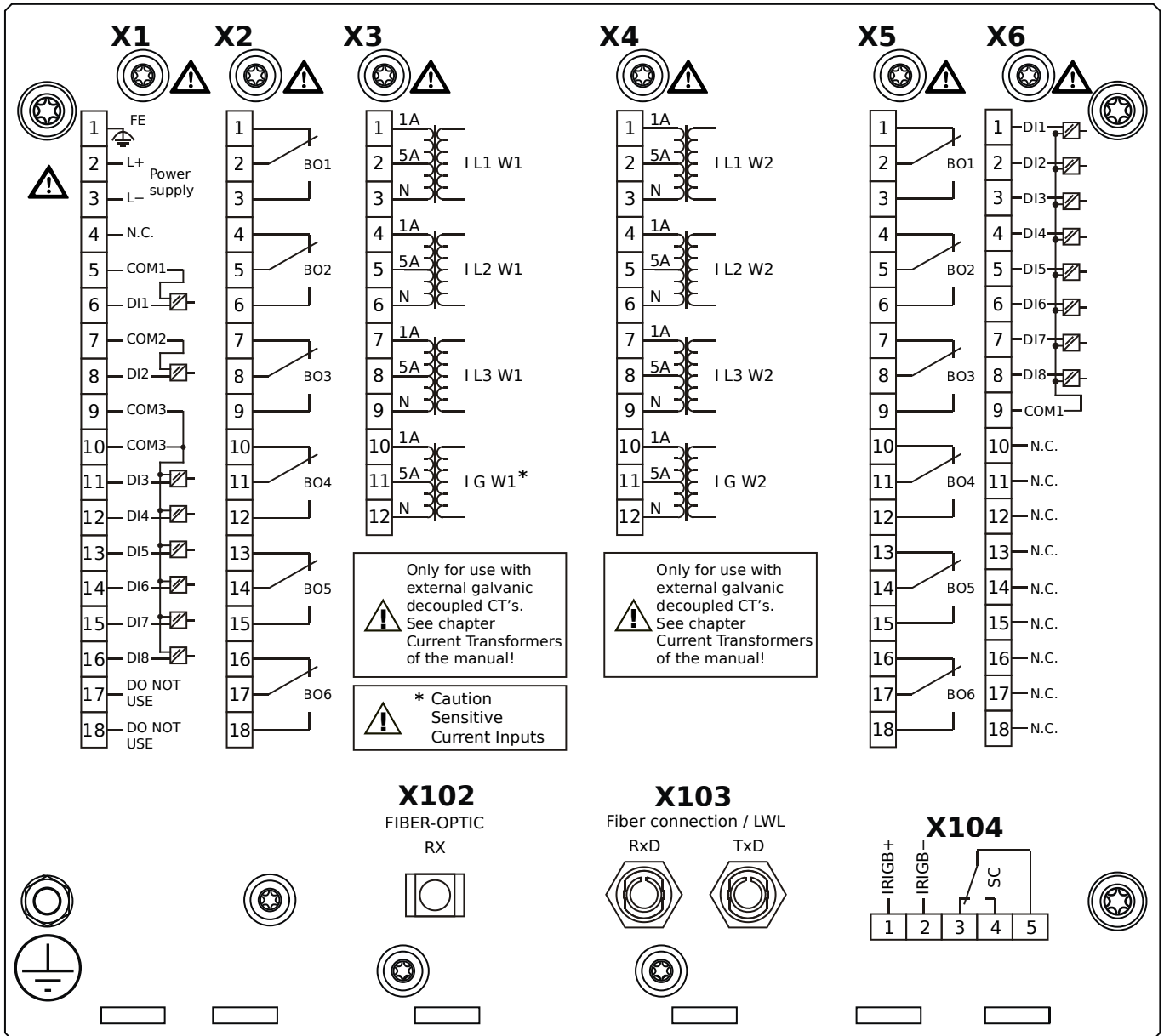
MRDT4-2D1ADA



Housing B2, small display, door mounting

- X1** – DI8-X1: Wide-range power supply unit, incl. 2 non-grouped digital inputs and 6 grouped digital inputs
- X2** – OR6: Assembly Group with 6 Output Relays (Changeover / Form C)
- X3** – TIs: Standard phase current measuring card and sensitive ground current measuring (winding side 1)
- X4** – TI: Standard current measuring card (for the winding side 2)
- X5** – OR6: Assembly Group with 6 Output Relays (Changeover / Form C)
- X6** – DI8: Assembly Group with 8 Digital Inputs
- X102** – Universal Resistance-Temperature Detector (URTD) input, Fiber optics interface, Versatile Link
- X103** – Profibus-DP, Fiber optics interface, ST Connector
- X104** – IRIG-B00X, incl. System Contact (Supervision Contact)

MRDT4-2D1ADB

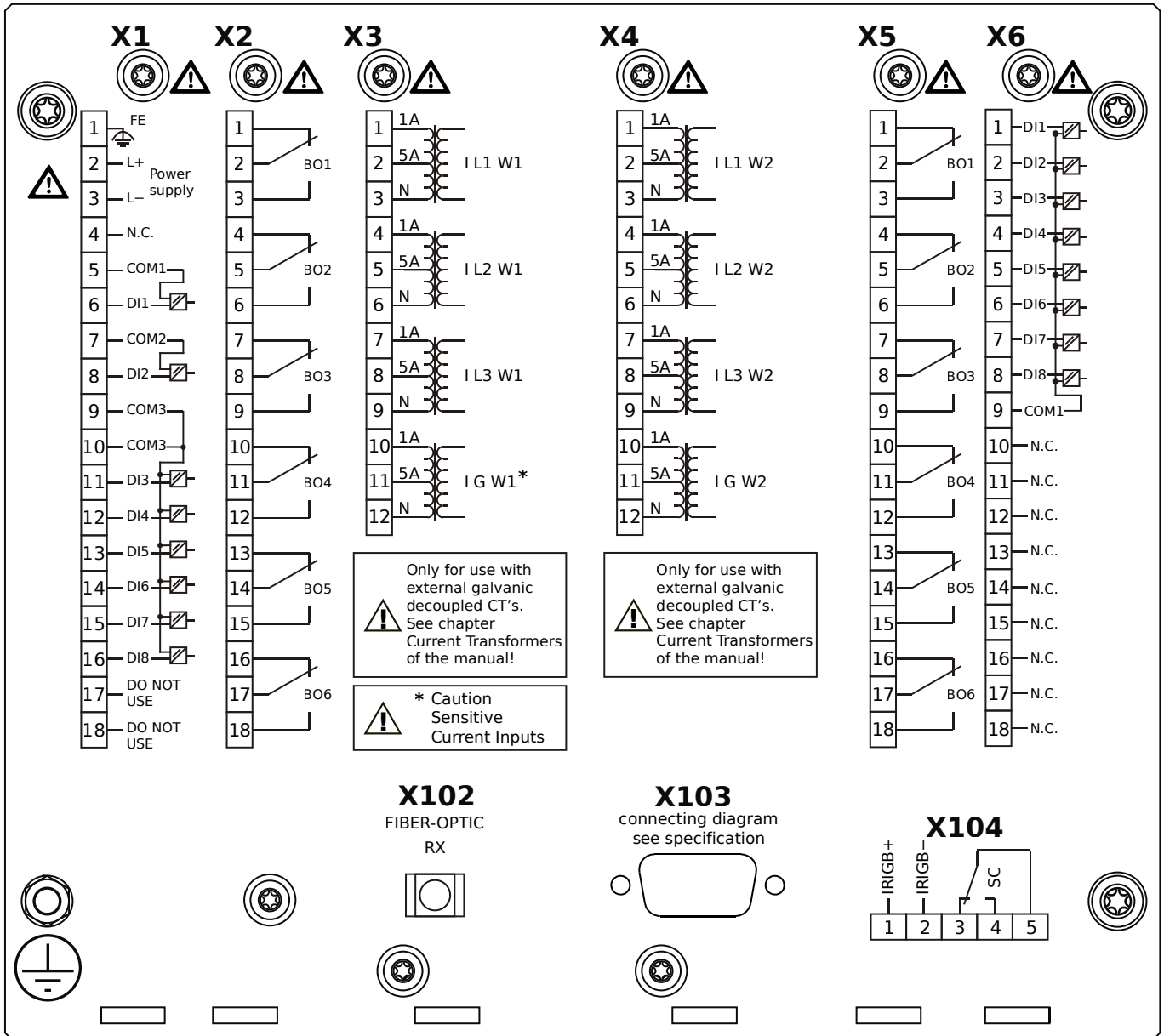


Housing B2, small display, door mounting

+ Conformal Coating (for installations in harsh environment)

- X1** – DI8-X1: Wide-range power supply unit, incl. 2 non-grouped digital inputs and 6 grouped digital inputs
- X2** – OR6: Assembly Group with 6 Output Relays (Changeover / Form C)
- X3** – TIs: Standard phase current measuring card and sensitive ground current measuring (winding side 1)
- X4** – TI: Standard current measuring card (for the winding side 2)
- X5** – OR6: Assembly Group with 6 Output Relays (Changeover / Form C)
- X6** – DI8: Assembly Group with 8 Digital Inputs
- X102** – Universal Resistance-Temperature Detector (URTD) input, Fiber optics interface, Versatile Link
- X103** – Profibus-DP, Fiber optics interface, ST Connector
- X104** – IRIG-B00X, incl. System Contact (Supervision Contact)

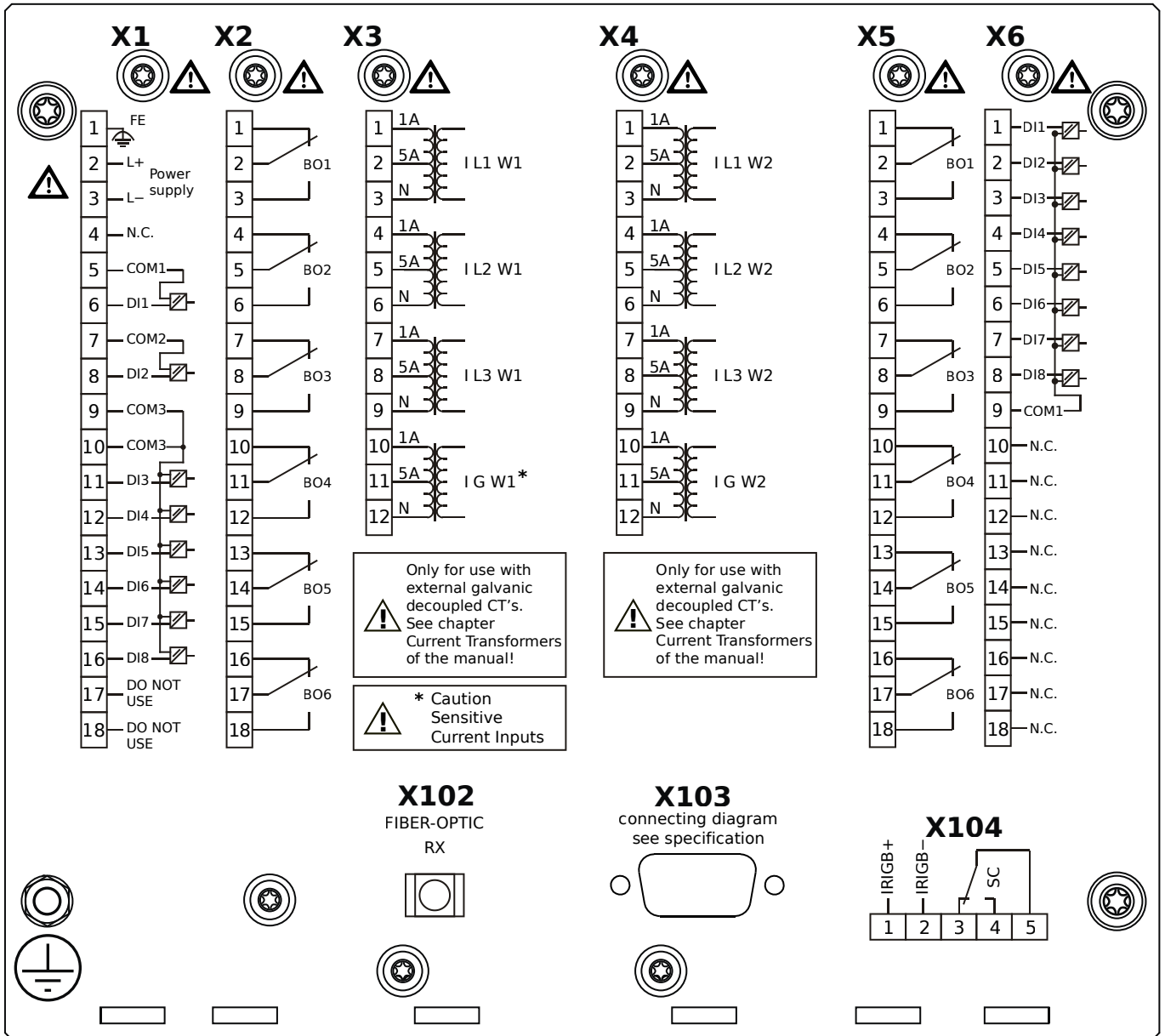
MRDT4-2D1AEA



Housing B2, small display, door mounting

- X1** – DI8-X1: Wide-range power supply unit, incl. 2 non-grouped digital inputs and 6 grouped digital inputs
- X2** – OR6: Assembly Group with 6 Output Relays (Changeover / Form C)
- X3** – TIs: Standard phase current measuring card and sensitive ground current measuring (winding side 1)
- X4** – TI: Standard current measuring card (for the winding side 2)
- X5** – OR6: Assembly Group with 6 Output Relays (Changeover / Form C)
- X6** – DI8: Assembly Group with 8 Digital Inputs
- X102** – Universal Resistance-Temperature Detector (URTD) input, Fiber optics interface, Versatile Link
- X103** – Profibus-DP, RS485, D-SUB
- X104** – IRIG-B00X, incl. System Contact (Supervision Contact)

MRDT4-2D1AEB

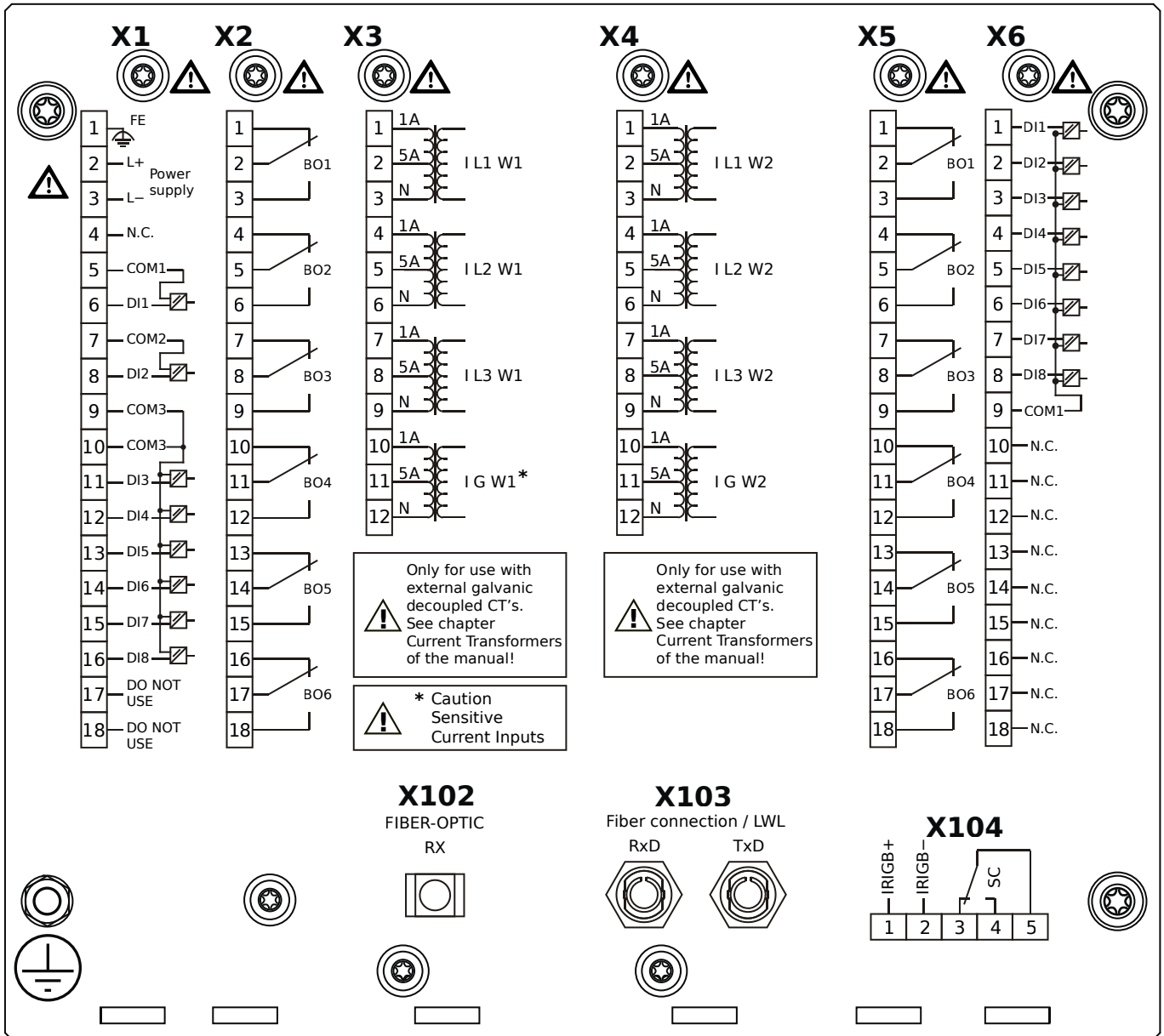


Housing B2, small display, door mounting

+ Conformal Coating (for installations in harsh environment)

- X1** – DI8-X1: Wide-range power supply unit, incl. 2 non-grouped digital inputs and 6 grouped digital inputs
- X2** – OR6: Assembly Group with 6 Output Relays (Changeover / Form C)
- X3** – TIs: Standard phase current measuring card and sensitive ground current measuring (winding side 1)
- X4** – TI: Standard current measuring card (for the winding side 2)
- X5** – OR6: Assembly Group with 6 Output Relays (Changeover / Form C)
- X6** – DI8: Assembly Group with 8 Digital Inputs
- X102** – Universal Resistance-Temperature Detector (URTD) input, Fiber optics interface, Versatile Link
- X103** – Profibus-DP, RS485, D-SUB
- X104** – IRIG-B00X, incl. System Contact (Supervision Contact)

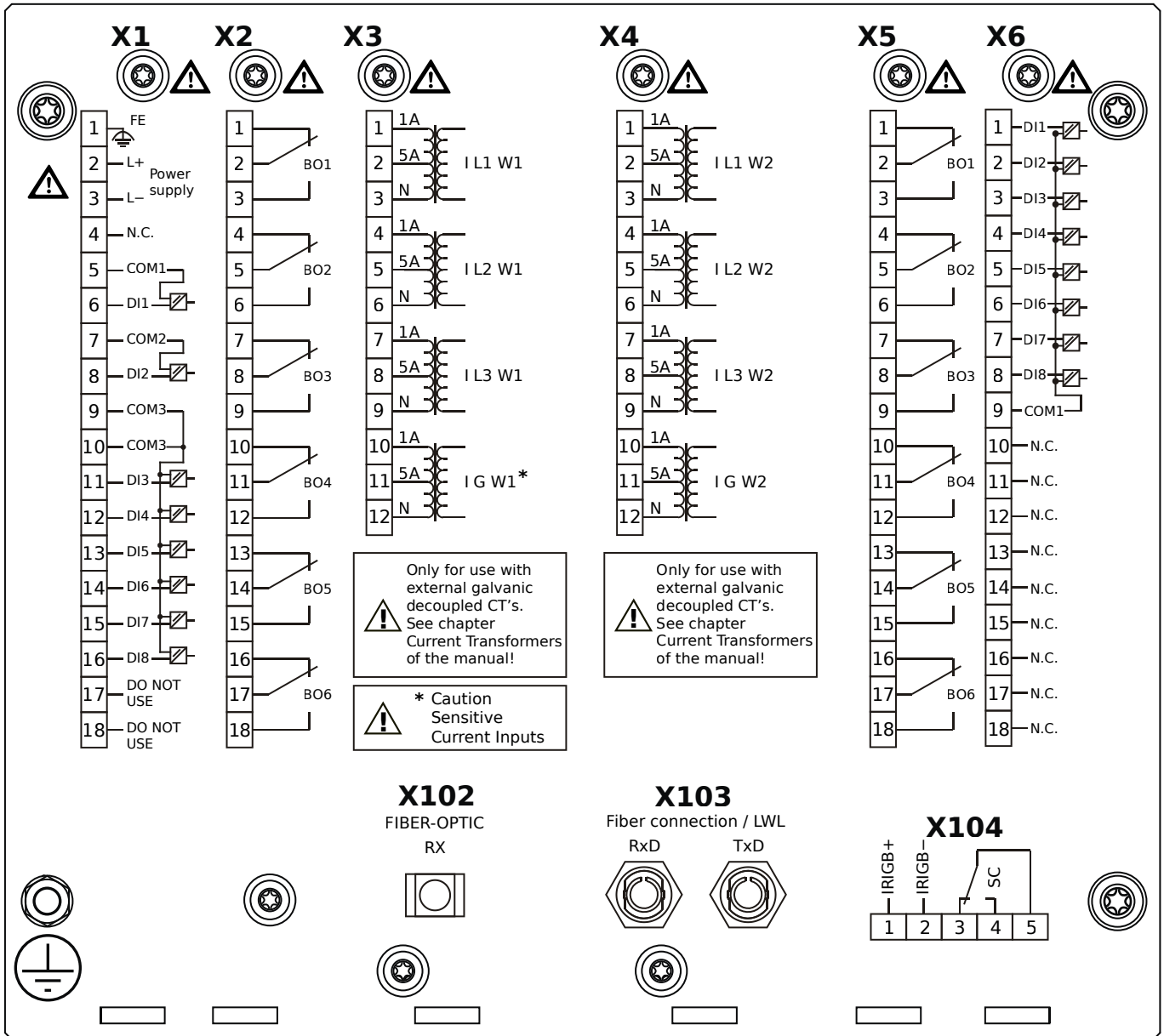
MRDT4-2D1AFA



Housing B2, small display, door mounting

- X1** – DI8-X1: Wide-range power supply unit, incl. 2 non-grouped digital inputs and 6 grouped digital inputs
- X2** – OR6: Assembly Group with 6 Output Relays (Changeover / Form C)
- X3** – TIs: Standard phase current measuring card and sensitive ground current measuring (winding side 1)
- X4** – TI: Standard current measuring card (for the winding side 2)
- X5** – OR6: Assembly Group with 6 Output Relays (Changeover / Form C)
- X6** – DI8: Assembly Group with 8 Digital Inputs
- X102** – Universal Resistance-Temperature Detector (URTD) input, Fiber optics interface, Versatile Link
- X103** – Modbus RTU / IEC 60870-5-103 / DNP3.0 RTU, Fiber optics interface, ST Connector
- X104** – IRIG-B00X, incl. System Contact (Supervision Contact)

MRDT4-2D1AFB

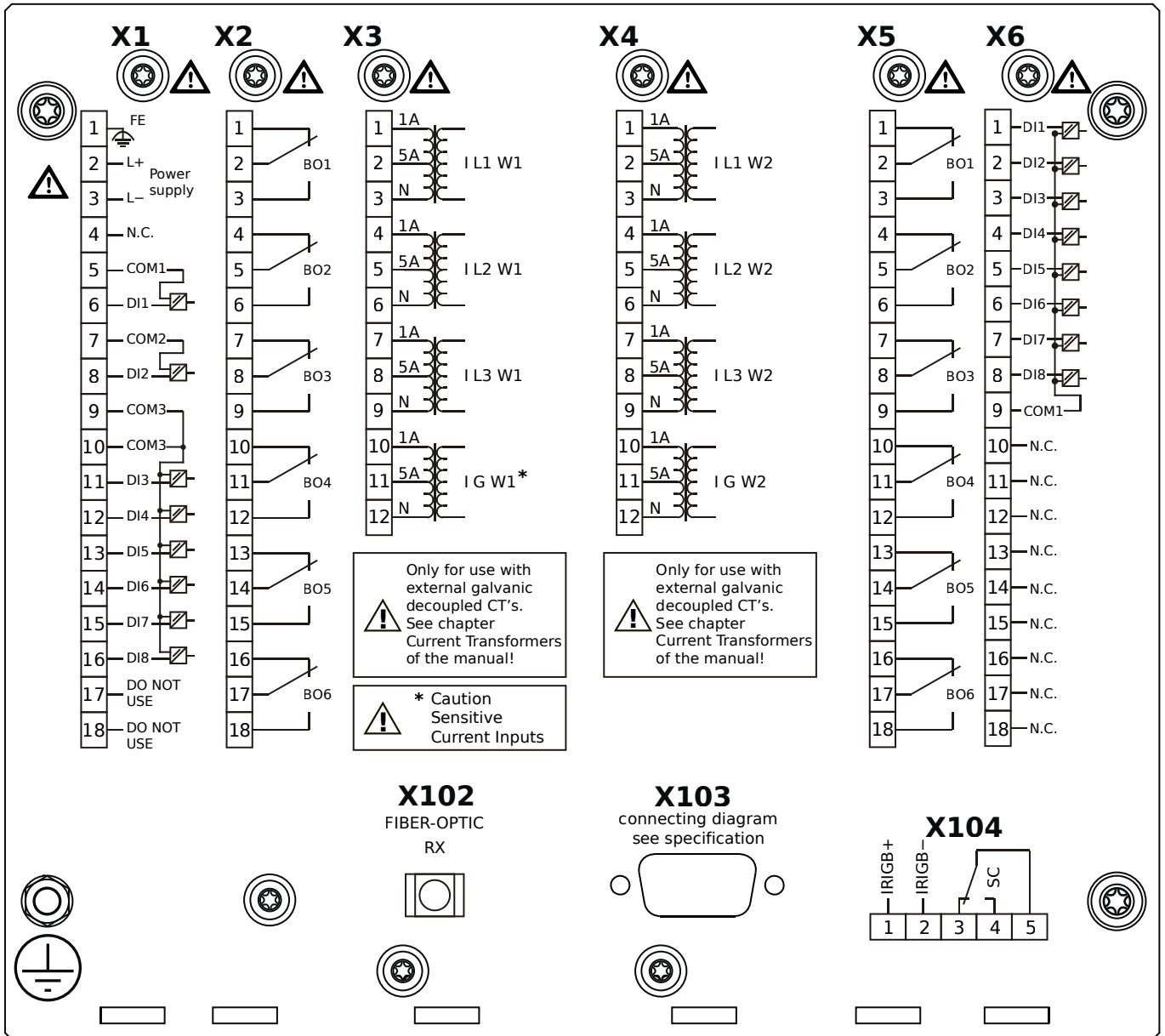


Housing B2, small display, door mounting

+ Conformal Coating (for installations in harsh environment)

- X1** – DI8-X1: Wide-range power supply unit, incl. 2 non-grouped digital inputs and 6 grouped digital inputs
- X2** – OR6: Assembly Group with 6 Output Relays (Changeover / Form C)
- X3** – TIs: Standard phase current measuring card and sensitive ground current measuring (winding side 1)
- X4** – TI: Standard current measuring card (for the winding side 2)
- X5** – OR6: Assembly Group with 6 Output Relays (Changeover / Form C)
- X6** – DI8: Assembly Group with 8 Digital Inputs
- X102** – Universal Resistance-Temperature Detector (URTD) input, Fiber optics interface, Versatile Link
- X103** – Modbus RTU / IEC 60870-5-103 / DNP3.0 RTU, Fiber optics interface, ST Connector
- X104** – IRIG-B00X, incl. System Contact (Supervision Contact)

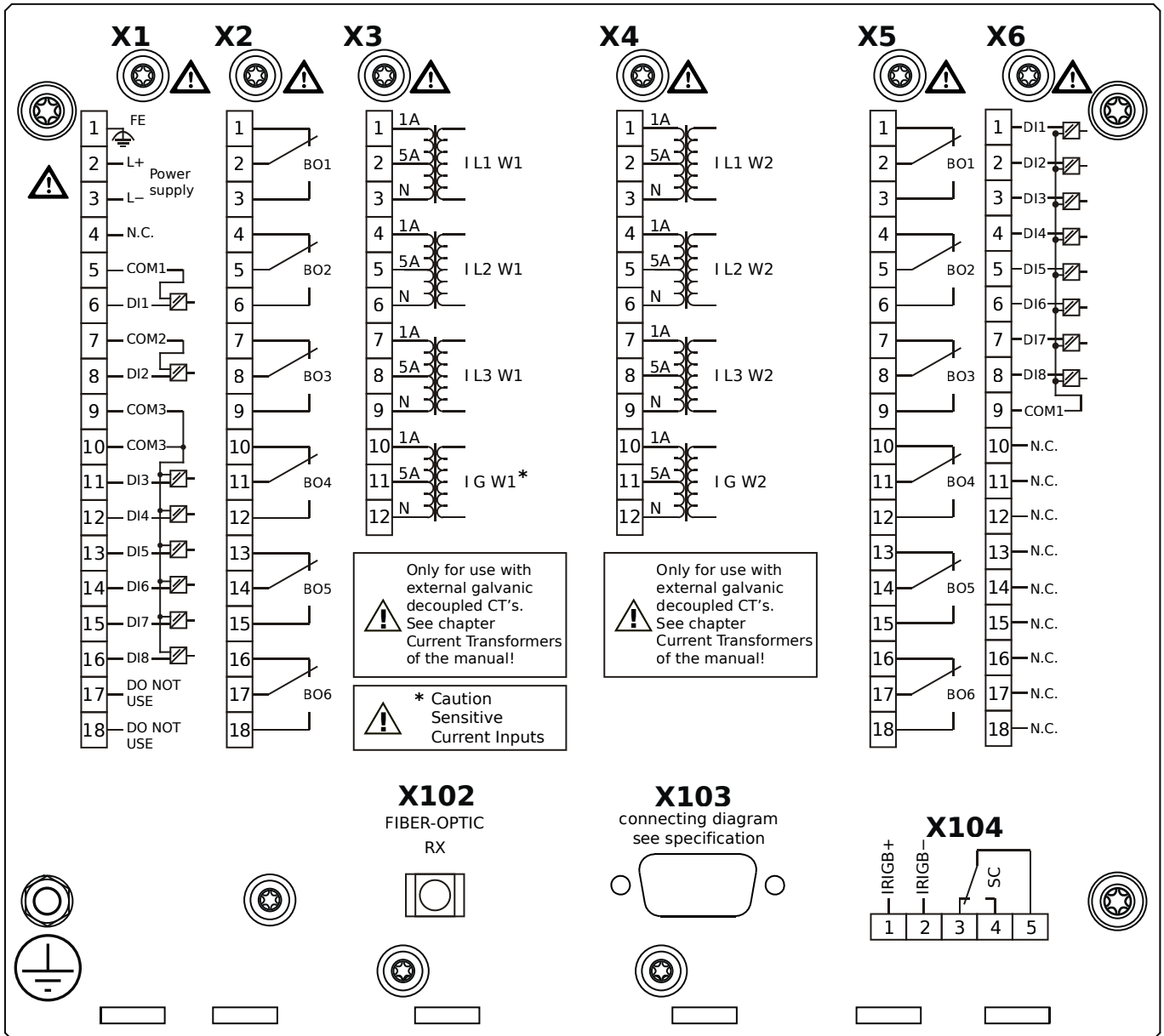
MRDT4-2D1AGA



Housing B2, small display, door mounting

- X1** – DI8-X1: Wide-range power supply unit, incl. 2 non-grouped digital inputs and 6 grouped digital inputs
- X2** – OR6: Assembly Group with 6 Output Relays (Changeover / Form C)
- X3** – TIs: Standard phase current measuring card and sensitive ground current measuring (winding side 1)
- X4** – TI: Standard current measuring card (for the winding side 2)
- X5** – OR6: Assembly Group with 6 Output Relays (Changeover / Form C)
- X6** – DI8: Assembly Group with 8 Digital Inputs
- X102** – Universal Resistance-Temperature Detector (URTD) input, Fiber optics interface, Versatile Link
- X103** – Modbus RTU / IEC 60870-5-103 / DNP3.0 RTU, RS485, D-SUB
- X104** – IRIG-B00X, incl. System Contact (Supervision Contact)

MRDT4-2D1AGB

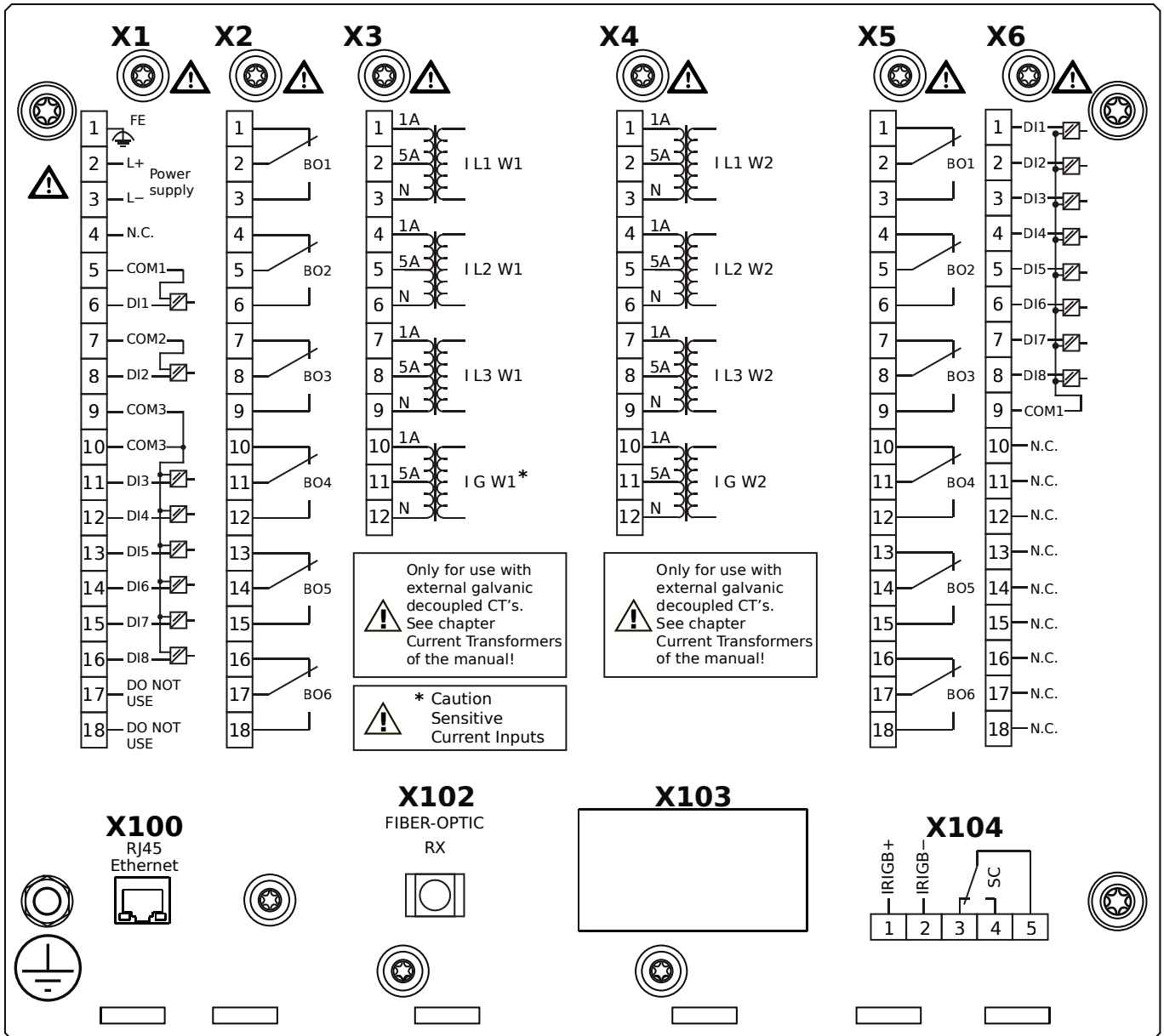


Housing B2, small display, door mounting

+ Conformal Coating (for installations in harsh environment)

- X1** – DI8-X1: Wide-range power supply unit, incl. 2 non-grouped digital inputs and 6 grouped digital inputs
- X2** – OR6: Assembly Group with 6 Output Relays (Changeover / Form C)
- X3** – TIs: Standard phase current measuring card and sensitive ground current measuring (winding side 1)
- X4** – TI: Standard current measuring card (for the winding side 2)
- X5** – OR6: Assembly Group with 6 Output Relays (Changeover / Form C)
- X6** – DI8: Assembly Group with 8 Digital Inputs
- X102** – Universal Resistance-Temperature Detector (URTD) input, Fiber optics interface, Versatile Link
- X103** – Modbus RTU / IEC 60870-5-103 / DNP3.0 RTU, RS485, D-SUB
- X104** – IRIG-B00X, incl. System Contact (Supervision Contact)

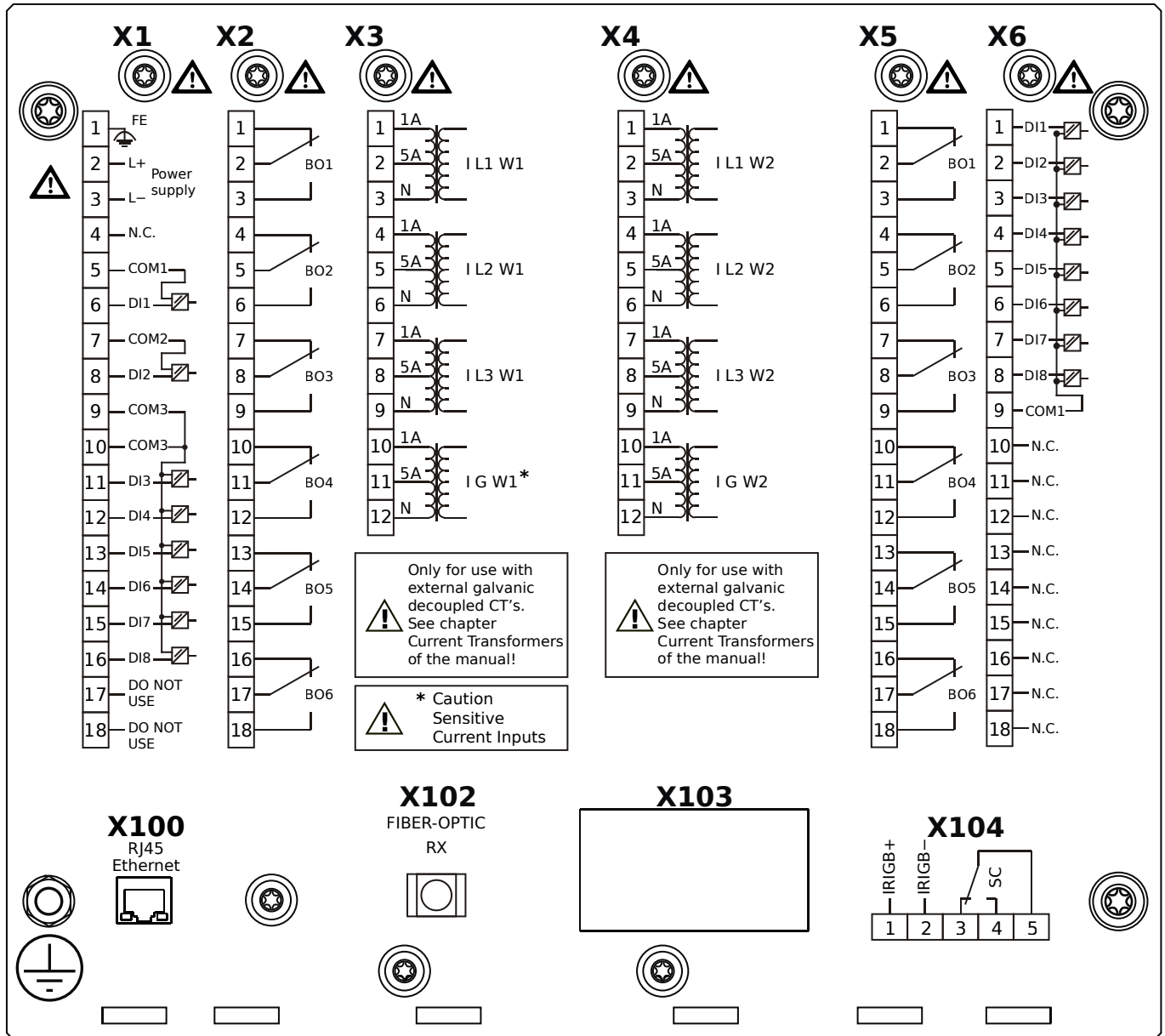
MRDT4-2D1AHA



Housing B2, small display, door mounting

- X1** – DI8-X1: Wide-range power supply unit, incl. 2 non-grouped digital inputs and 6 grouped digital inputs
- X2** – OR6: Assembly Group with 6 Output Relays (Changeover / Form C)
- X3** – TIs: Standard phase current measuring card and sensitive ground current measuring (winding side 1)
- X4** – TI: Standard current measuring card (for the winding side 2)
- X5** – OR6: Assembly Group with 6 Output Relays (Changeover / Form C)
- X6** – DI8: Assembly Group with 8 Digital Inputs
- X100** – IEC 61850 / Modbus TCP / IEC 60870-5-104 / DNP3.0 TCP/UDP, Ethernet interface, 100 Mbit/s, RJ45 (BASE100-FX)
- X102** – Universal Resistance-Temperature Detector (URTD) input, Fiber optics interface, Versatile Link
- X104** – IRIG-B00X, incl. System Contact (Supervision Contact)

MRDT4-2D1AHB

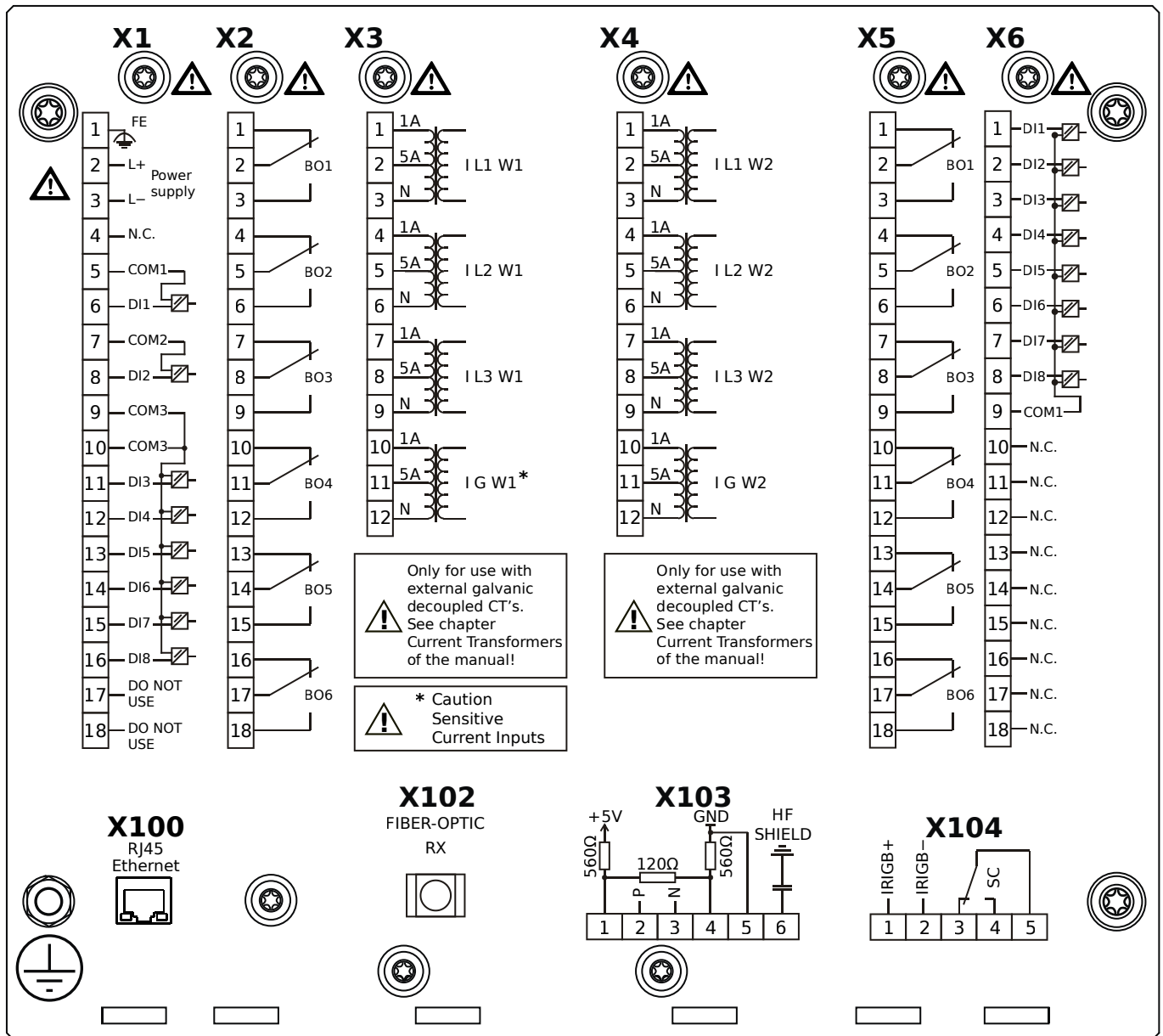


Housing B2, small display, door mounting

+ Conformal Coating (for installations in harsh environment)

- X1** – DI8-X1: Wide-range power supply unit, incl. 2 non-grouped digital inputs and 6 grouped digital inputs
- X2** – OR6: Assembly Group with 6 Output Relays (Changeover / Form C)
- X3** – TIs: Standard phase current measuring card and sensitive ground current measuring (winding side 1)
- X4** – TI: Standard current measuring card (for the winding side 2)
- X5** – OR6: Assembly Group with 6 Output Relays (Changeover / Form C)
- X6** – DI8: Assembly Group with 8 Digital Inputs
- X100** – IEC 61850 / Modbus TCP / IEC 60870-5-104 / DNP3.0 TCP/UDP, Ethernet interface, 100 Mbit/s, RJ45 (BASE100-FX)
- X102** – Universal Resistance-Temperature Detector (URTD) input, Fiber optics interface, Versatile Link
- X104** – IRIG-B00X, incl. System Contact (Supervision Contact)

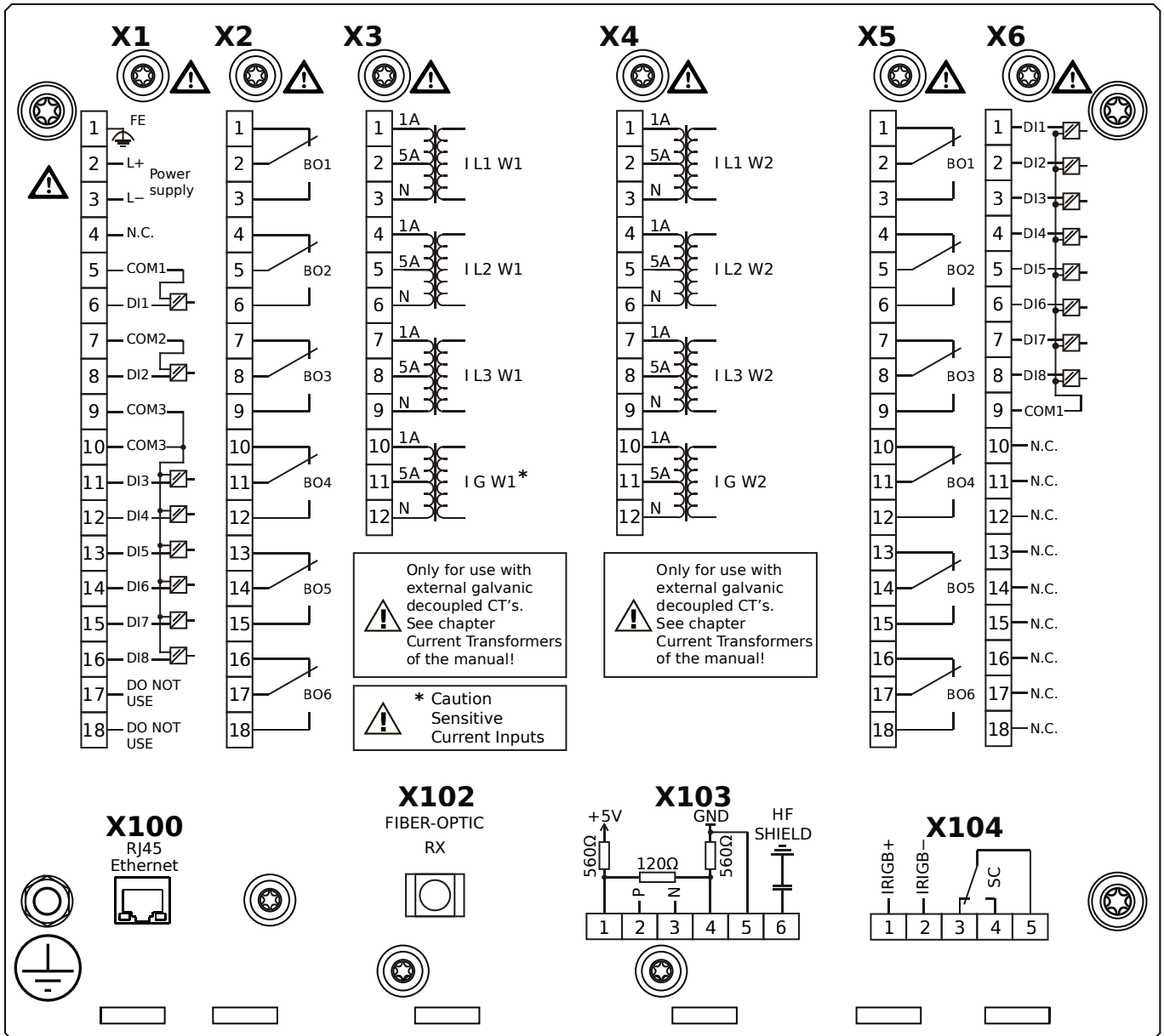
MRDT4-2D1AIA



Housing B2, small display, door mounting

- X1** – DI8-X1: Wide-range power supply unit, incl. 2 non-grouped digital inputs and 6 grouped digital inputs
- X2** – OR6: Assembly Group with 6 Output Relays (Changeover / Form C)
- X3** – TIs: Standard phase current measuring card and sensitive ground current measuring (winding side 1)
- X4** – TI: Standard current measuring card (for the winding side 2)
- X5** – OR6: Assembly Group with 6 Output Relays (Changeover / Form C)
- X6** – DI8: Assembly Group with 8 Digital Inputs
- X100** – Modbus TCP / IEC 60870-5-104 / DNP3.0 TCP/UDP, Ethernet interface, 100 Mbit/s, RJ45 (BASE100-FX)
- X102** – Universal Resistance-Temperature Detector (URTD) input, Fiber optics interface, Versatile Link
- X103** – IEC 60870-5-103 / Modbus RTU / DNP3.0 RTU, RS485, Terminals
- X104** – IRIG-B00X, incl. System Contact (Supervision Contact)

MRDT4-2D1AIB

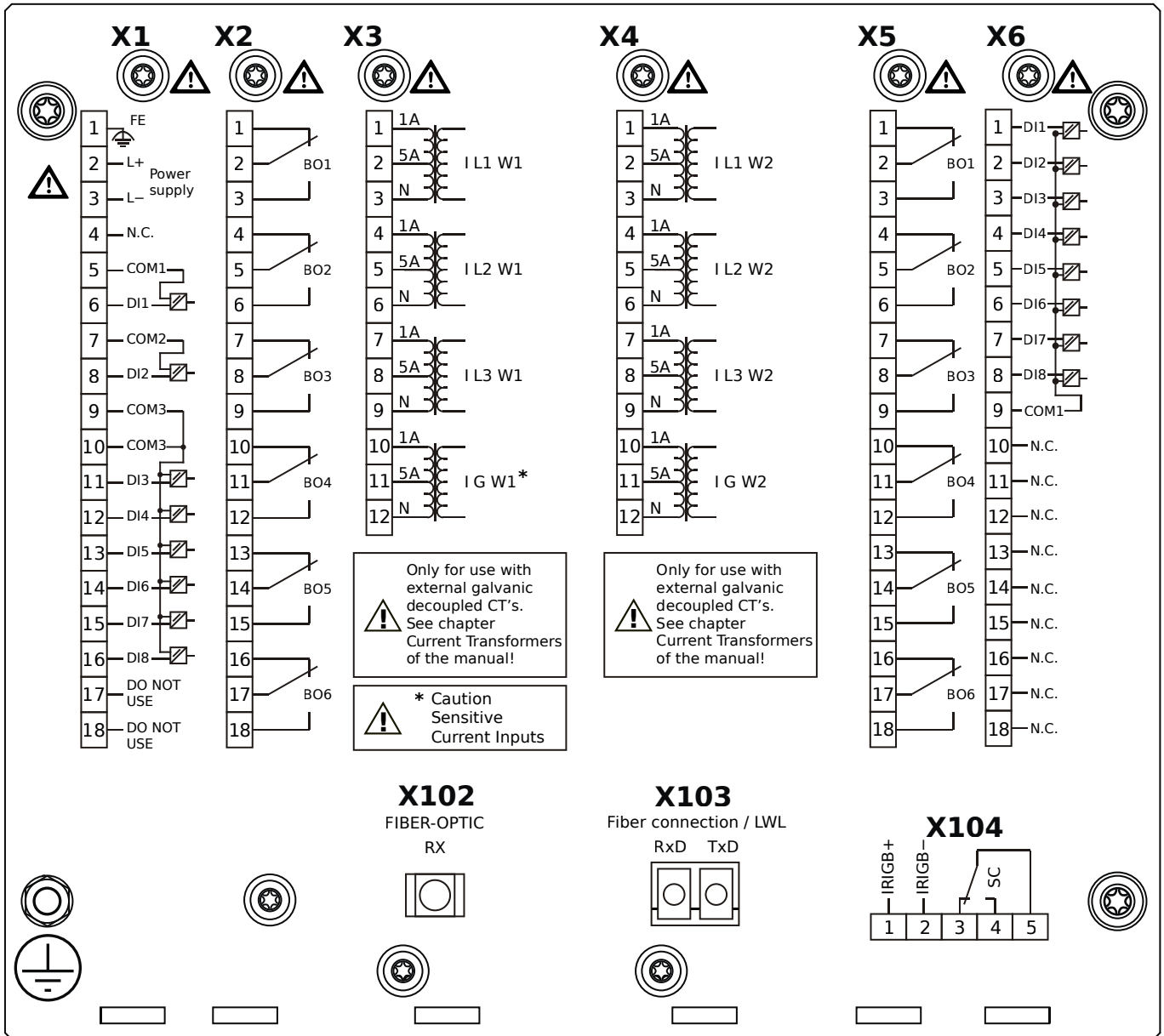


Housing B2, small display, door mounting

+ Conformal Coating (for installations in harsh environment)

- X1** – DI8-X1: Wide-range power supply unit, incl. 2 non-grouped digital inputs and 6 grouped digital inputs
- X2** – OR6: Assembly Group with 6 Output Relays (Changeover / Form C)
- X3** – TIs: Standard phase current measuring card and sensitive ground current measuring (winding side 1)
- X4** – TI: Standard current measuring card (for the winding side 2)
- X5** – OR6: Assembly Group with 6 Output Relays (Changeover / Form C)
- X6** – DI8: Assembly Group with 8 Digital Inputs
- X100** – Modbus TCP / IEC 60870-5-104 / DNP3.0 TCP/UDP, Ethernet interface, 100 Mbit/s, RJ45 (BASE100-FX)
- X102** – Universal Resistance-Temperature Detector (URTD) input, Fiber optics interface, Versatile Link
- X103** – IEC 60870-5-103 / Modbus RTU / DNP3.0 RTU, RS485, Terminals
- X104** – IRIG-B00X, incl. System Contact (Supervision Contact)

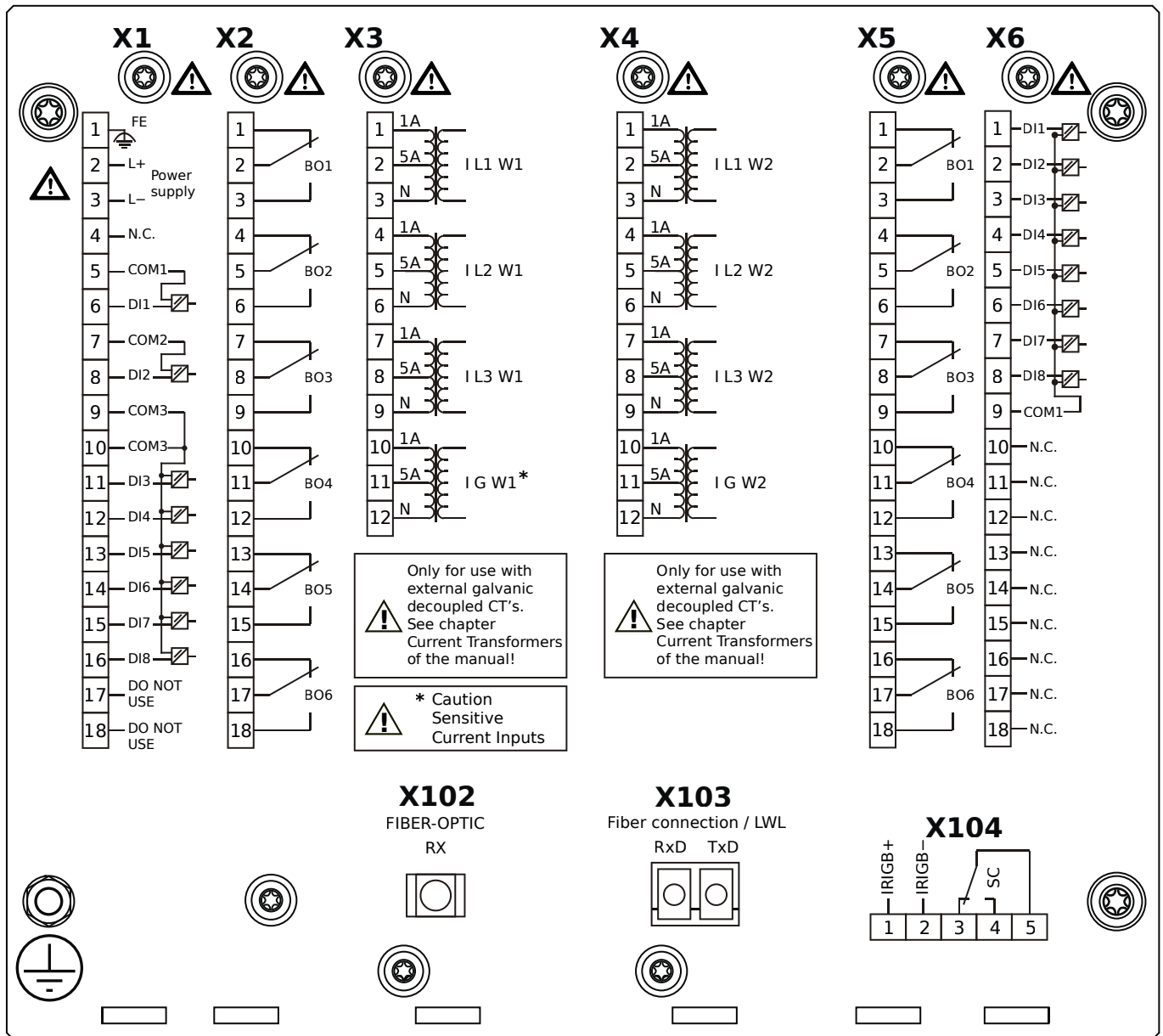
MRDT4-2D1AKA



Housing B2, small display, door mounting

- X1** – DI8-X1: Wide-range power supply unit, incl. 2 non-grouped digital inputs and 6 grouped digital inputs
- X2** – OR6: Assembly Group with 6 Output Relays (Changeover / Form C)
- X3** – TIs: Standard phase current measuring card and sensitive ground current measuring (winding side 1)
- X4** – TI: Standard current measuring card (for the winding side 2)
- X5** – OR6: Assembly Group with 6 Output Relays (Changeover / Form C)
- X6** – DI8: Assembly Group with 8 Digital Inputs
- X102** – Universal Resistance-Temperature Detector (URTD) input, Fiber optics interface, Versatile Link
- X103** – IEC 61850 / Modbus TCP / IEC 60870-5-104 / DNP3.0 TCP/UDP, Fiber optics interface, LC Connector
- X104** – IRIG-B00X, incl. System Contact (Supervision Contact)

MRDT4-2D1AKB

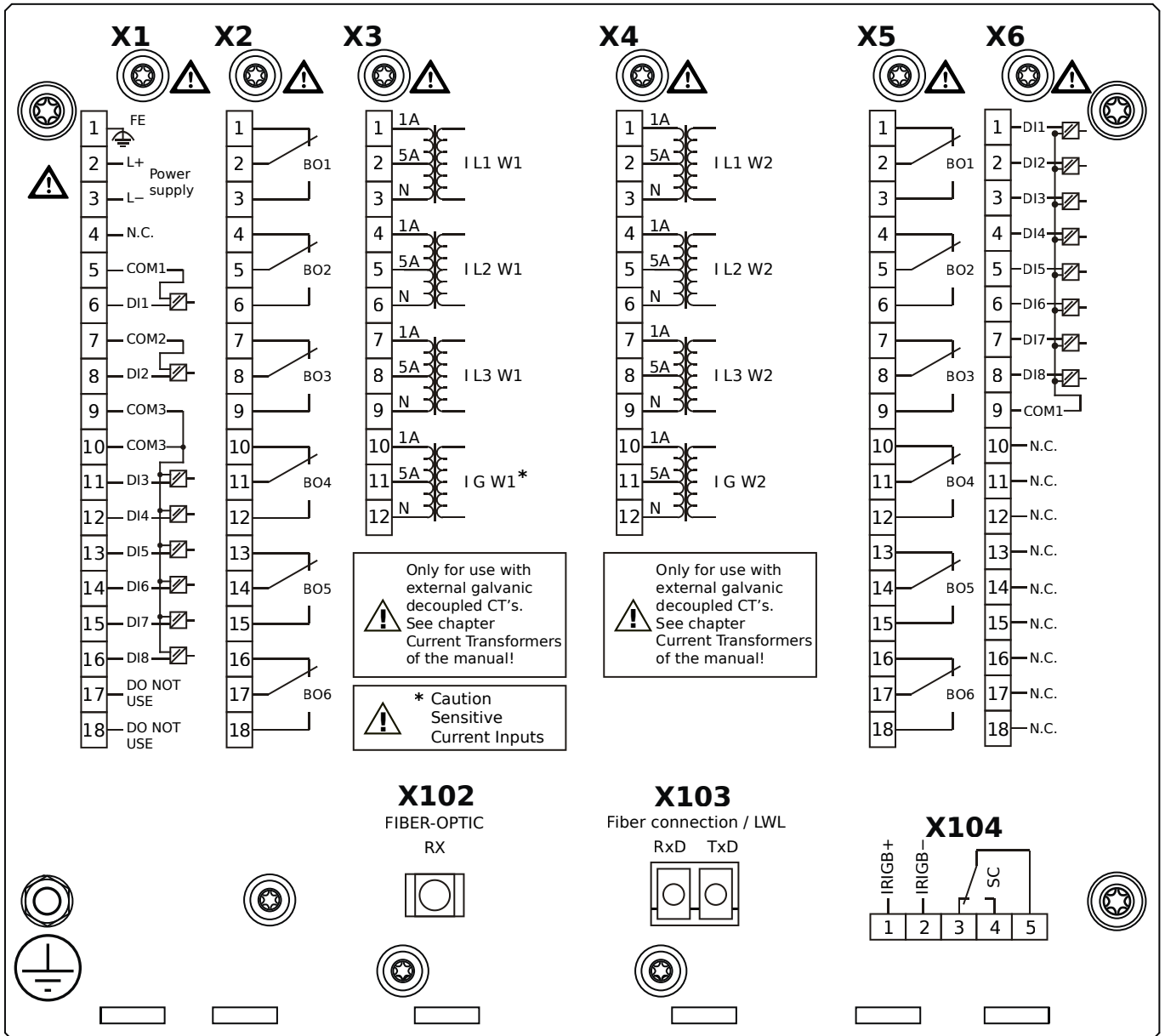


Housing B2, small display, door mounting

+ Conformal Coating (for installations in harsh environment)

- X1** – DI8-X1: Wide-range power supply unit, incl. 2 non-grouped digital inputs and 6 grouped digital inputs
- X2** – OR6: Assembly Group with 6 Output Relays (Changeover / Form C)
- X3** – TIs: Standard phase current measuring card and sensitive ground current measuring (winding side 1)
- X4** – TI: Standard current measuring card (for the winding side 2)
- X5** – OR6: Assembly Group with 6 Output Relays (Changeover / Form C)
- X6** – DI8: Assembly Group with 8 Digital Inputs
- X102** – Universal Resistance-Temperature Detector (URTD) input, Fiber optics interface, Versatile Link
- X103** – IEC 61850 / Modbus TCP / IEC 60870-5-104 / DNP3.0 TCP/UDP, Fiber optics interface, LC Connector
- X104** – IRIG-B00X, incl. System Contact (Supervision Contact)

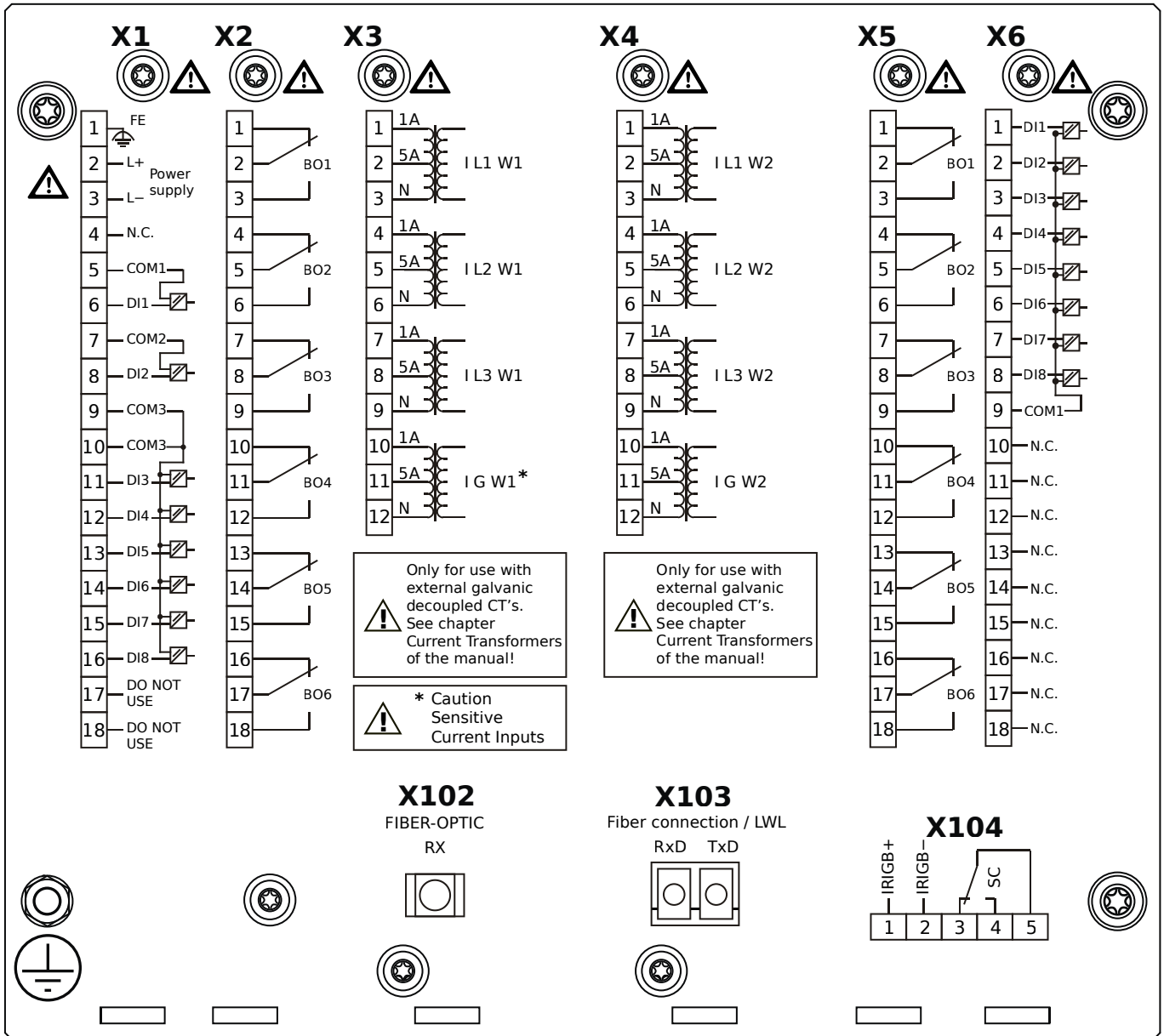
MRDT4-2D1ALA



Housing B2, small display, door mounting

- X1** – DI8-X1: Wide-range power supply unit, incl. 2 non-grouped digital inputs and 6 grouped digital inputs
- X2** – OR6: Assembly Group with 6 Output Relays (Changeover / Form C)
- X3** – TIs: Standard phase current measuring card and sensitive ground current measuring (winding side 1)
- X4** – TI: Standard current measuring card (for the winding side 2)
- X5** – OR6: Assembly Group with 6 Output Relays (Changeover / Form C)
- X6** – DI8: Assembly Group with 8 Digital Inputs
- X102** – Universal Resistance-Temperature Detector (URTD) input, Fiber optics interface, Versatile Link
- X103** – Modbus TCP / IEC 60870-5-104 / DNP3.0 TCP/UDP, Fiber optics interface, LC Connector
- X104** – IRIG-B00X, incl. System Contact (Supervision Contact)

MRDT4-2D1ALB

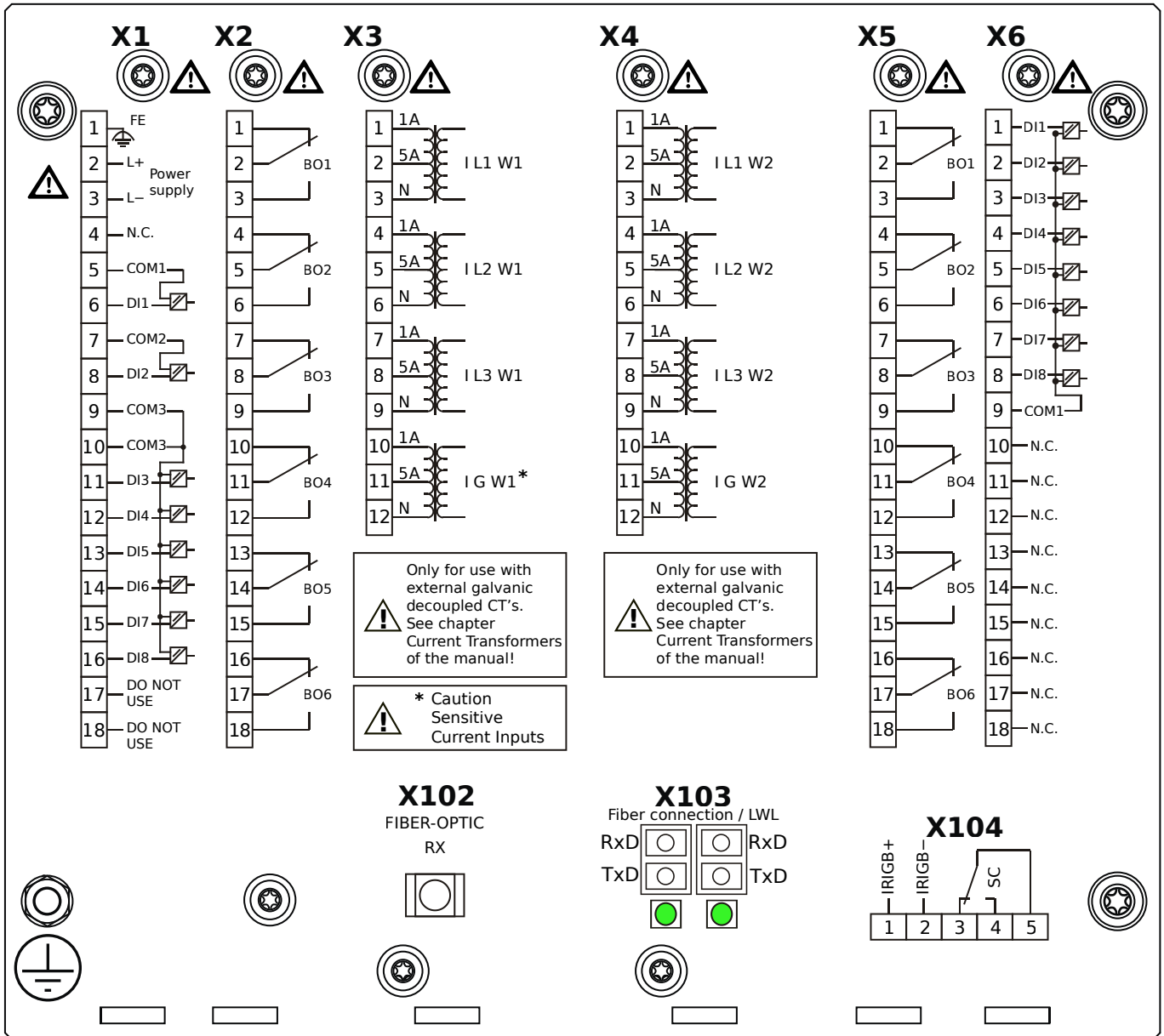


Housing B2, small display, door mounting

+ Conformal Coating (for installations in harsh environment)

- X1** – DI8-X1: Wide-range power supply unit, incl. 2 non-grouped digital inputs and 6 grouped digital inputs
- X2** – OR6: Assembly Group with 6 Output Relays (Changeover / Form C)
- X3** – TIs: Standard phase current measuring card and sensitive ground current measuring (winding side 1)
- X4** – TI: Standard current measuring card (for the winding side 2)
- X5** – OR6: Assembly Group with 6 Output Relays (Changeover / Form C)
- X6** – DI8: Assembly Group with 8 Digital Inputs
- X102** – Universal Resistance-Temperature Detector (URTD) input, Fiber optics interface, Versatile Link
- X103** – Modbus TCP / IEC 60870-5-104 / DNP3.0 TCP/UDP, Fiber optics interface, LC Connector
- X104** – IRIG-B00X, incl. System Contact (Supervision Contact)

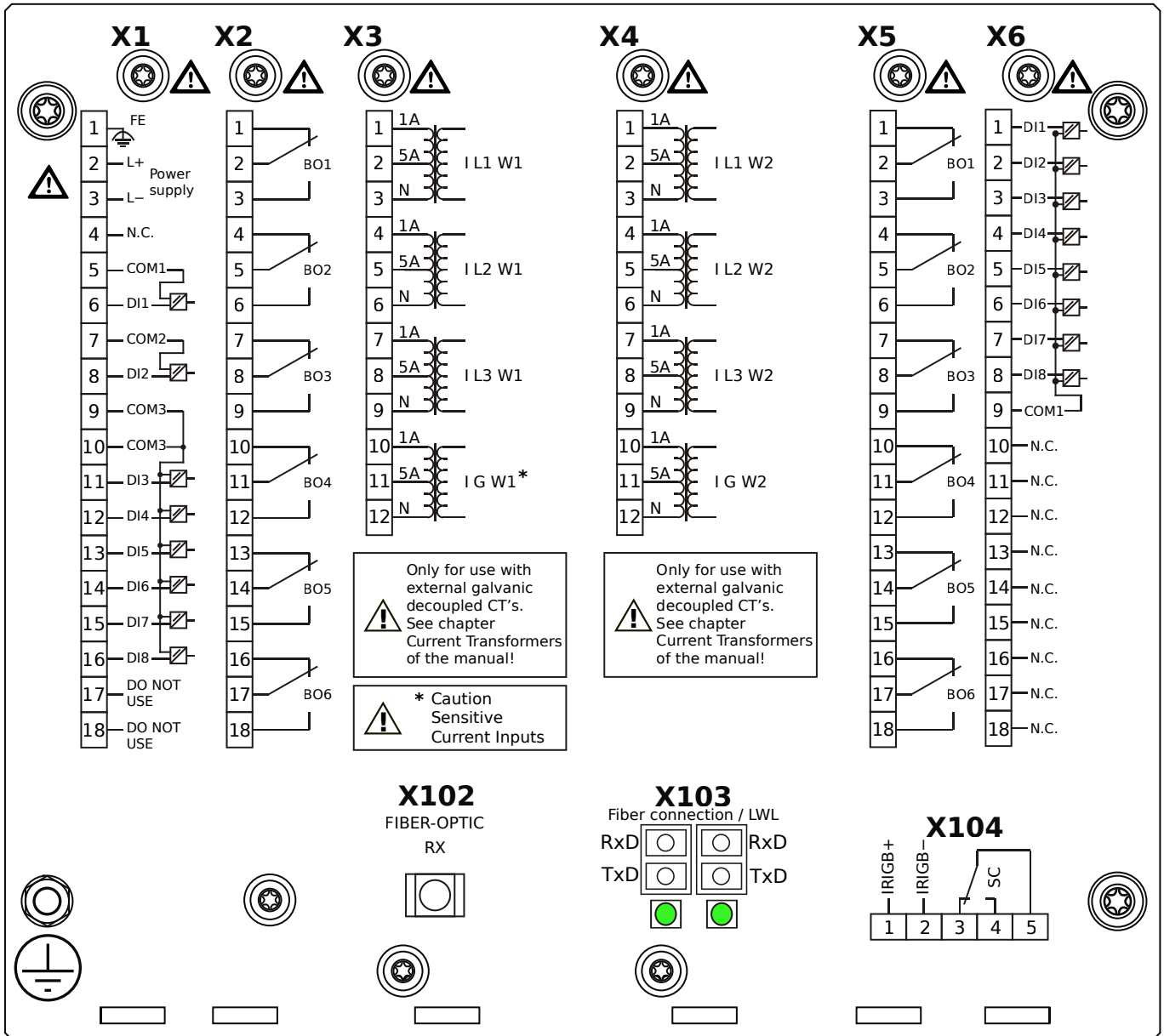
MRDT4-2D1AOA



Housing B2, small display, door mounting

- X1** – DI8-X1: Wide-range power supply unit, incl. 2 non-grouped digital inputs and 6 grouped digital inputs
- X2** – OR6: Assembly Group with 6 Output Relays (Changeover / Form C)
- X3** – TIs: Standard phase current measuring card and sensitive ground current measuring (winding side 1)
- X4** – TI: Standard current measuring card (for the winding side 2)
- X5** – OR6: Assembly Group with 6 Output Relays (Changeover / Form C)
- X6** – DI8: Assembly Group with 8 Digital Inputs
- X102** – Universal Resistance-Temperature Detector (URTD) input, Fiber optics interface, Versatile Link
- X103** – Modbus TCP / IEC 60870-5-104 / DNP3.0 TCP/UDP, Redundant Fiber optics interface, LC Connector
- X104** – IRIG-B00X, incl. System Contact (Supervision Contact)

MRDT4-2D1AOB

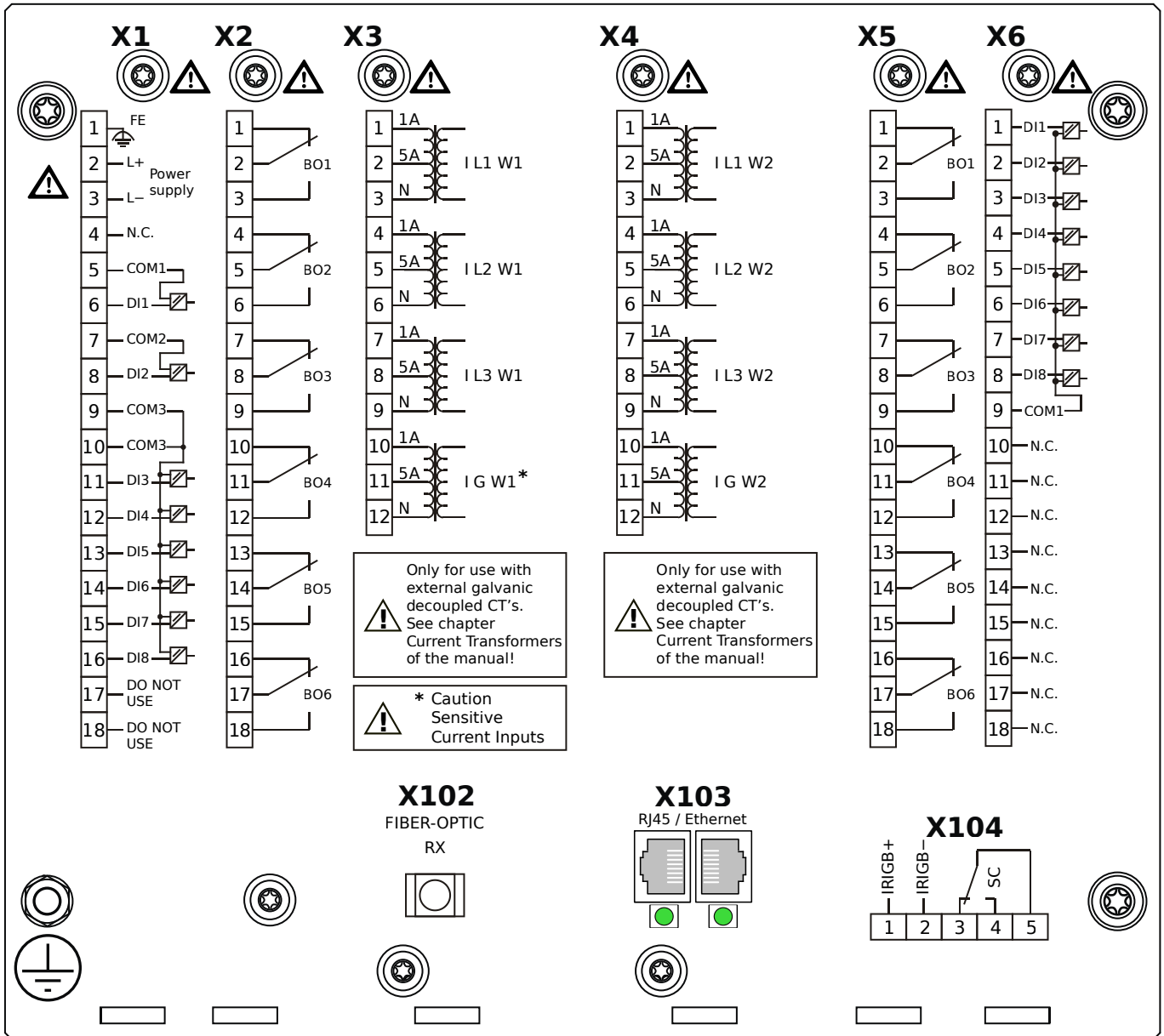


Housing B2, small display, door mounting

+ Conformal Coating (for installations in harsh environment)

- X1** – DI8-X1: Wide-range power supply unit, incl. 2 non-grouped digital inputs and 6 grouped digital inputs
- X2** – OR6: Assembly Group with 6 Output Relays (Changeover / Form C)
- X3** – TIs: Standard phase current measuring card and sensitive ground current measuring (winding side 1)
- X4** – TI: Standard current measuring card (for the winding side 2)
- X5** – OR6: Assembly Group with 6 Output Relays (Changeover / Form C)
- X6** – DI8: Assembly Group with 8 Digital Inputs
- X102** – Universal Resistance-Temperature Detector (URTD) input, Fiber optics interface, Versatile Link
- X103** – Modbus TCP / IEC 60870-5-104 / DNP3.0 TCP/UDP, Redundant Fiber optics interface, LC Connector
- X104** – IRIG-B00X, incl. System Contact (Supervision Contact)

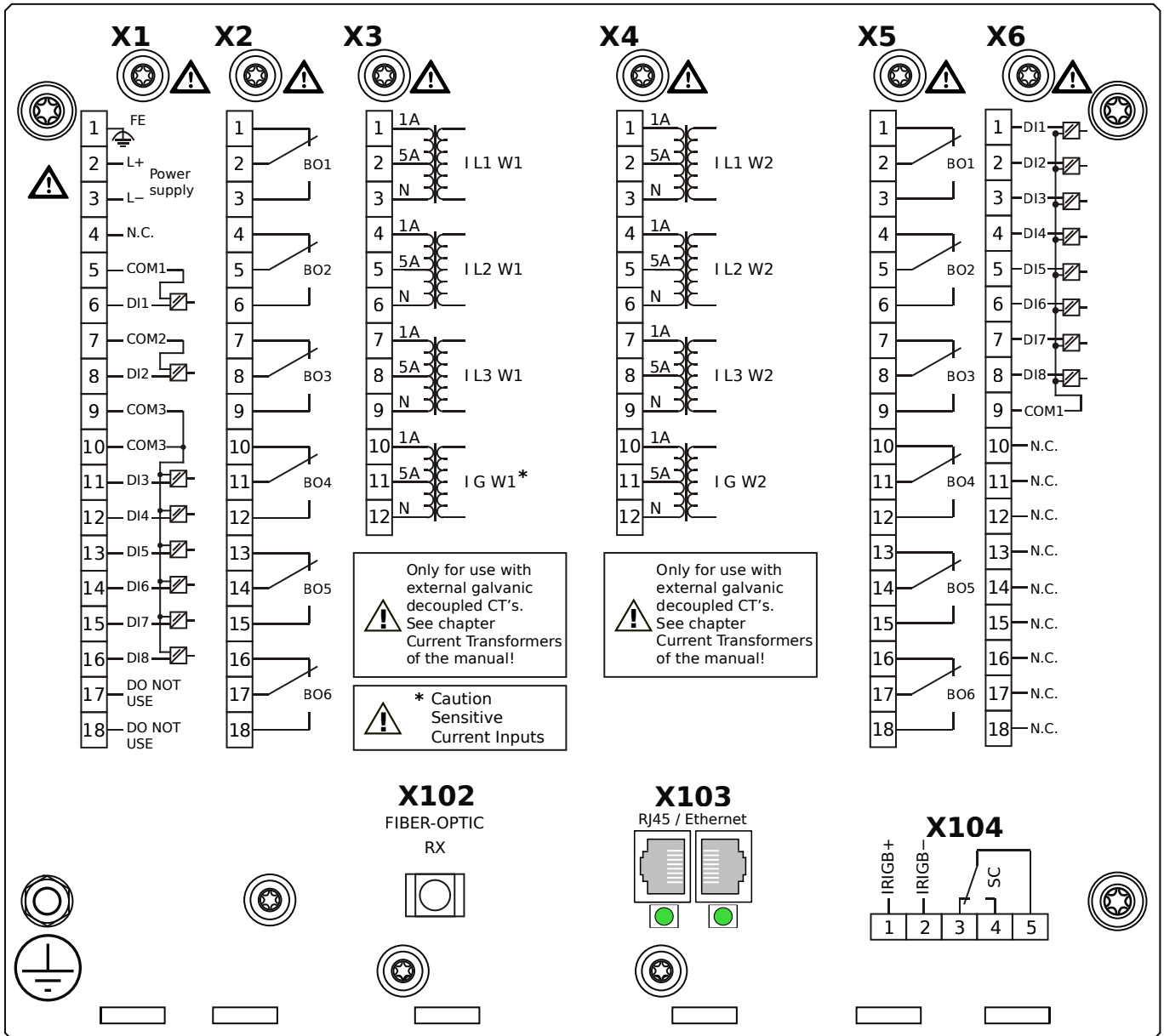
MRDT4-2D1APA



Housing B2, small display, door mounting

- X1** – DI8-X1: Wide-range power supply unit, incl. 2 non-grouped digital inputs and 6 grouped digital inputs
- X2** – OR6: Assembly Group with 6 Output Relays (Changeover / Form C)
- X3** – TIs: Standard phase current measuring card and sensitive ground current measuring (winding side 1)
- X4** – TI: Standard current measuring card (for the winding side 2)
- X5** – OR6: Assembly Group with 6 Output Relays (Changeover / Form C)
- X6** – DI8: Assembly Group with 8 Digital Inputs
- X102** – Universal Resistance-Temperature Detector (URTD) input, Fiber optics interface, Versatile Link
- X103** – Modbus TCP / IEC 60870-5-104 / DNP3.0 TCP/UDP, Redundant Ethernet interface, 100 Mbit/s, RJ45 (BASE100-FX)
- X104** – IRIG-B00X, incl. System Contact (Supervision Contact)

MRDT4-2D1APB

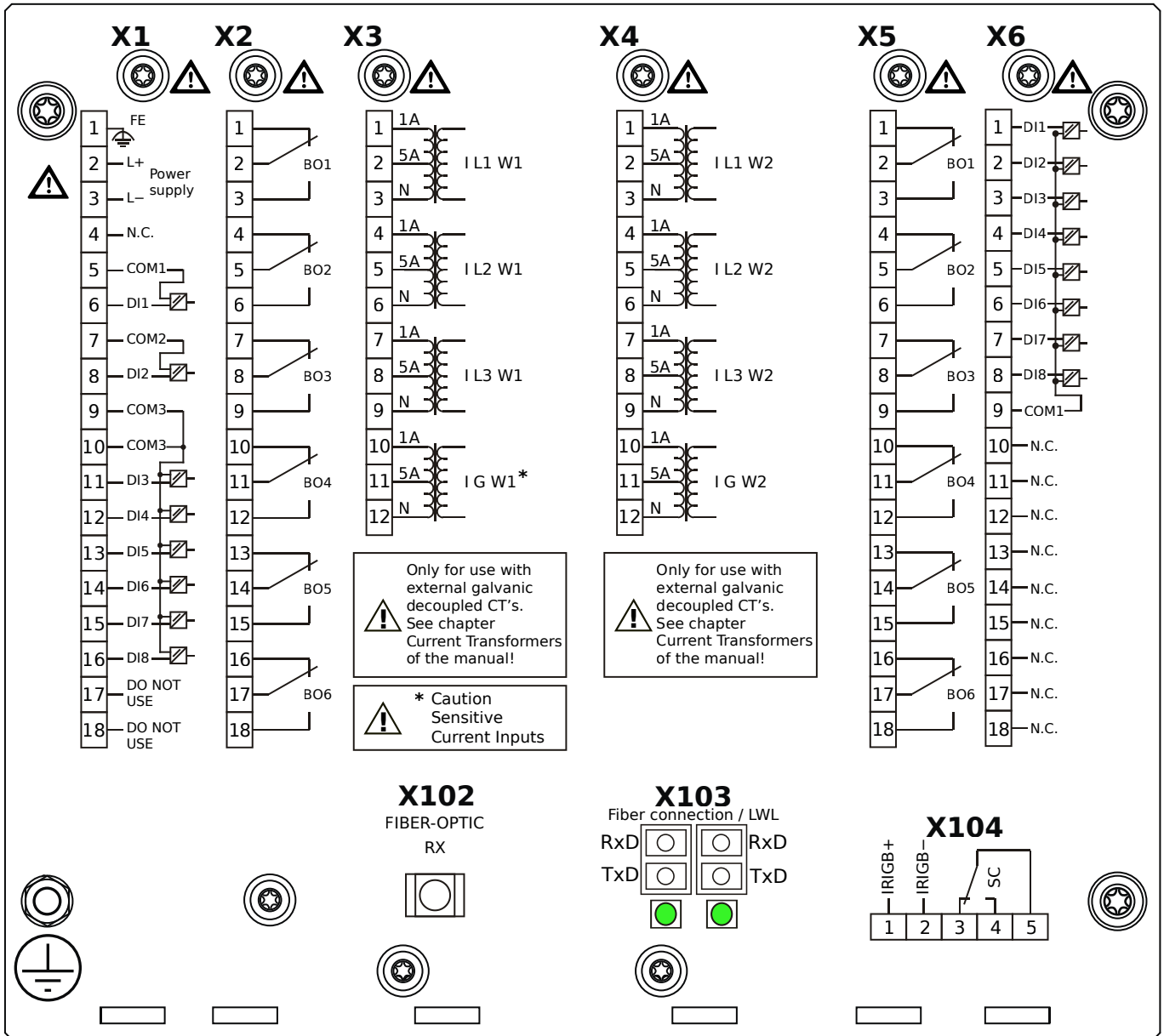


Housing B2, small display, door mounting

+ Conformal Coating (for installations in harsh environment)

- X1** – DI8-X1: Wide-range power supply unit, incl. 2 non-grouped digital inputs and 6 grouped digital inputs
- X2** – OR6: Assembly Group with 6 Output Relays (Changeover / Form C)
- X3** – TIs: Standard phase current measuring card and sensitive ground current measuring (winding side 1)
- X4** – TI: Standard current measuring card (for the winding side 2)
- X5** – OR6: Assembly Group with 6 Output Relays (Changeover / Form C)
- X6** – DI8: Assembly Group with 8 Digital Inputs
- X102** – Universal Resistance-Temperature Detector (URTD) input, Fiber optics interface, Versatile Link
- X103** – Modbus TCP / IEC 60870-5-104 / DNP3.0 TCP/UDP, Redundant Ethernet interface, 100 Mbit/s, RJ45 (BASE100-FX)
- X104** – IRIG-B00X, incl. System Contact (Supervision Contact)

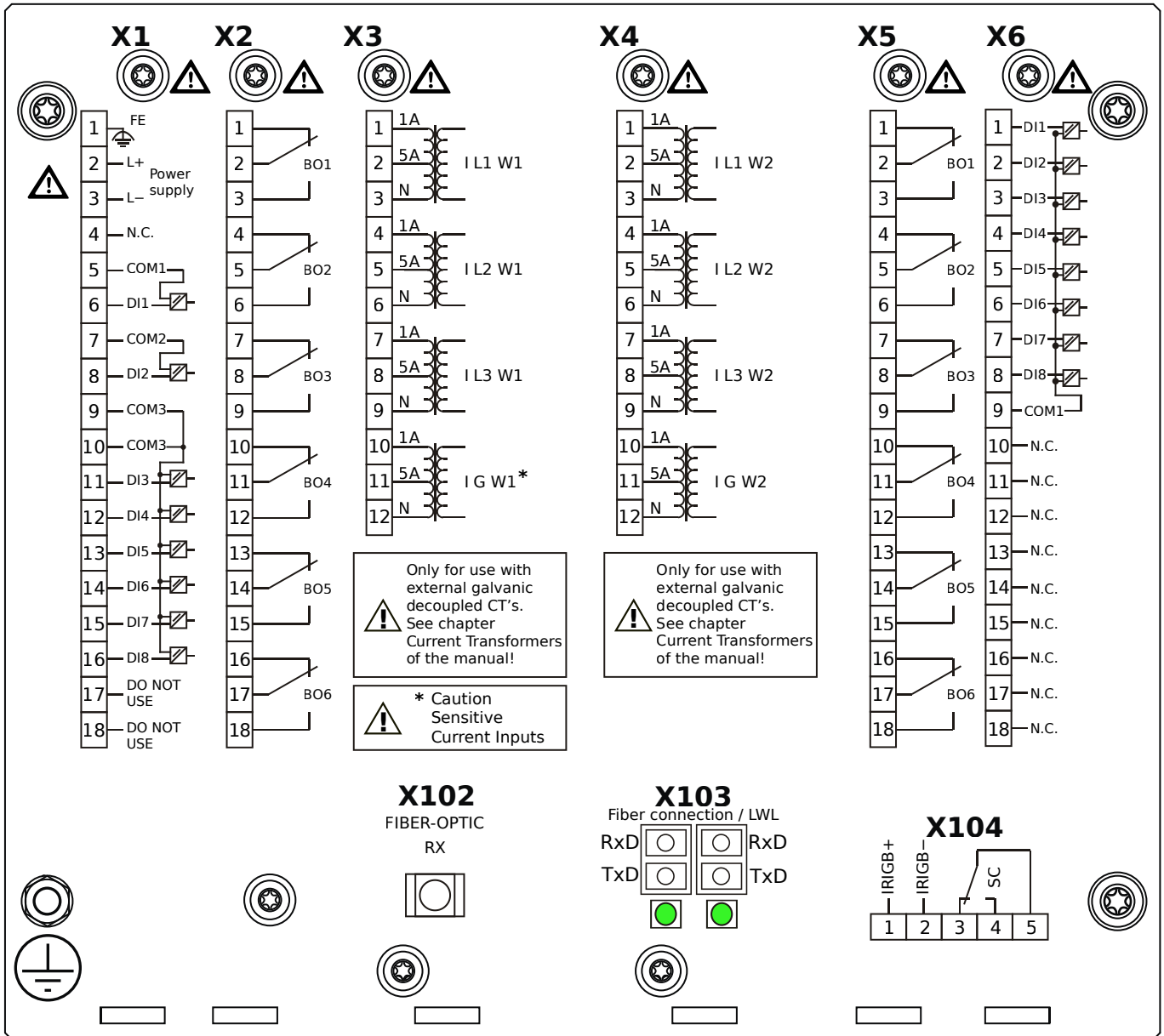
MRDT4-2D1AQA



Housing B2, small display, door mounting

- X1** – DI8-X1: Wide-range power supply unit, incl. 2 non-grouped digital inputs and 6 grouped digital inputs
- X2** – OR6: Assembly Group with 6 Output Relays (Changeover / Form C)
- X3** – TIs: Standard phase current measuring card and sensitive ground current measuring (winding side 1)
- X4** – TI: Standard current measuring card (for the winding side 2)
- X5** – OR6: Assembly Group with 6 Output Relays (Changeover / Form C)
- X6** – DI8: Assembly Group with 8 Digital Inputs
- X102** – Universal Resistance-Temperature Detector (URTD) input, Fiber optics interface, Versatile Link
- X103** – IEC 61850 / Modbus TCP / IEC 60870-5-104 / DNP3.0 TCP/UDP, Redundant Fiber optics interface, LC Connector
- X104** – IRIG-B00X, incl. System Contact (Supervision Contact)

MRDT4-2D1AQB

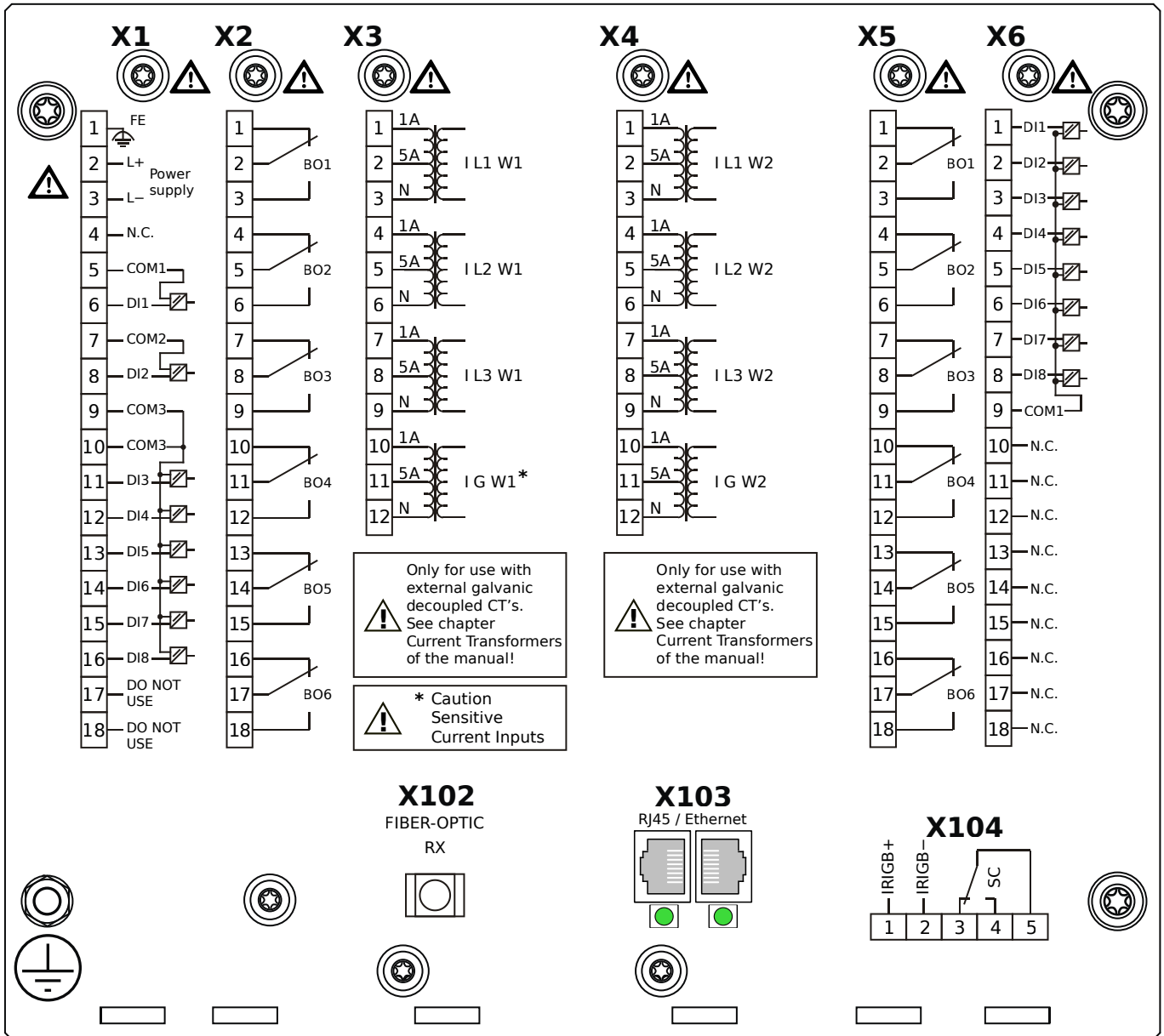


Housing B2, small display, door mounting

+ Conformal Coating (for installations in harsh environment)

- X1** – DI8-X1: Wide-range power supply unit, incl. 2 non-grouped digital inputs and 6 grouped digital inputs
- X2** – OR6: Assembly Group with 6 Output Relays (Changeover / Form C)
- X3** – TIs: Standard phase current measuring card and sensitive ground current measuring (winding side 1)
- X4** – TI: Standard current measuring card (for the winding side 2)
- X5** – OR6: Assembly Group with 6 Output Relays (Changeover / Form C)
- X6** – DI8: Assembly Group with 8 Digital Inputs
- X102** – Universal Resistance-Temperature Detector (URTD) input, Fiber optics interface, Versatile Link
- X103** – IEC 61850 / Modbus TCP / IEC 60870-5-104 / DNP3.0 TCP/UDP, Redundant Fiber optics interface, LC Connector
- X104** – IRIG-B00X, incl. System Contact (Supervision Contact)

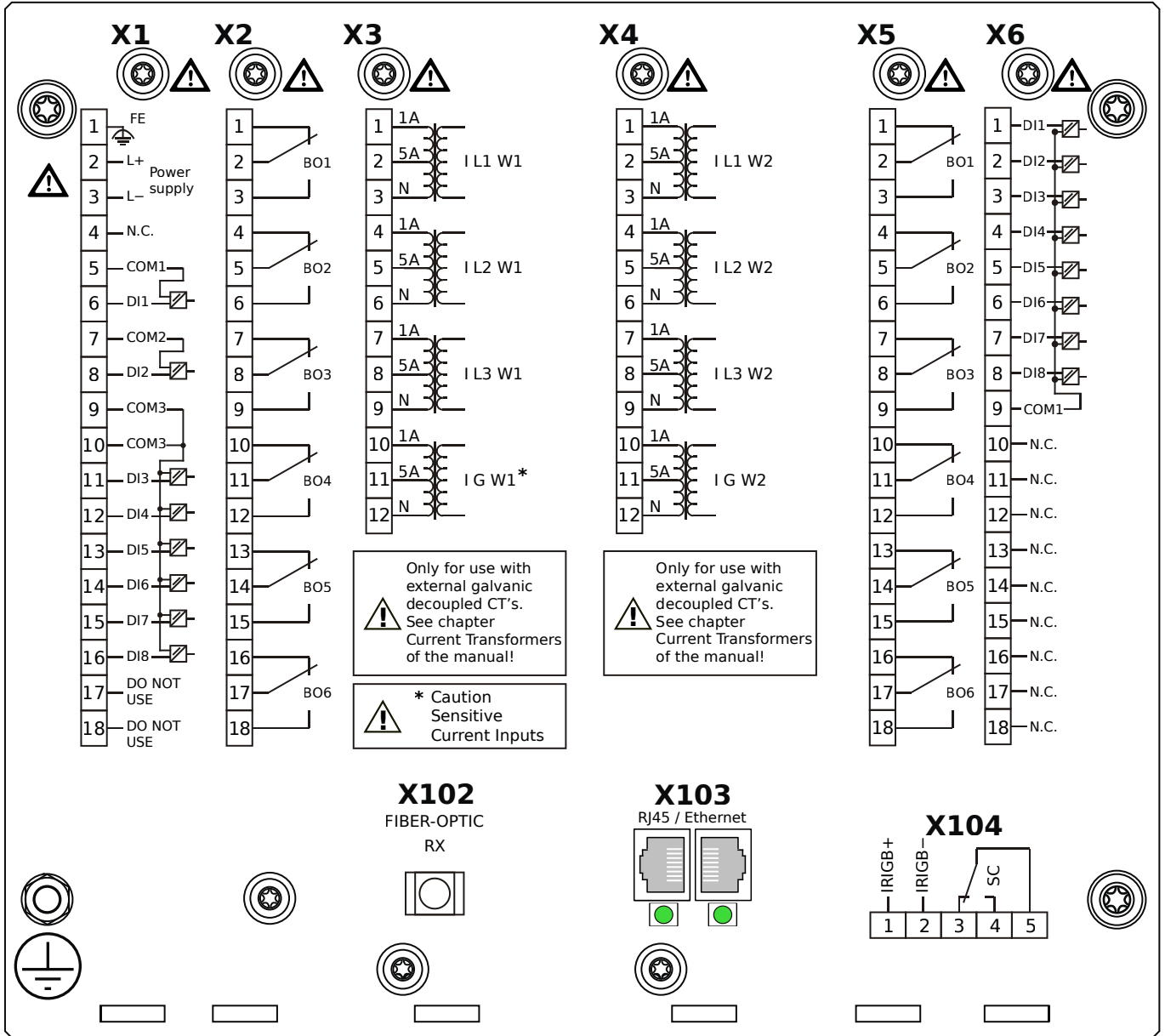
MRDT4-2D1ARA



Housing B2, small display, door mounting

- X1** – DI8-X1: Wide-range power supply unit, incl. 2 non-grouped digital inputs and 6 grouped digital inputs
- X2** – OR6: Assembly Group with 6 Output Relays (Changeover / Form C)
- X3** – TIs: Standard phase current measuring card and sensitive ground current measuring (winding side 1)
- X4** – TI: Standard current measuring card (for the winding side 2)
- X5** – OR6: Assembly Group with 6 Output Relays (Changeover / Form C)
- X6** – DI8: Assembly Group with 8 Digital Inputs
- X102** – Universal Resistance-Temperature Detector (URTD) input, Fiber optics interface, Versatile Link
- X103** – IEC 61850 / Modbus TCP / IEC 60870-5-104 / DNP3.0 TCP/UDP, Redundant Ethernet interface, 100 Mbit/s, RJ45 (BASE100-FX)
- X104** – IRIG-B00X, incl. System Contact (Supervision Contact)

MRDT4-2D1ARB



Housing B2, small display, door mounting

+ Conformal Coating (for installations in harsh environment)

X1 – DI8-X1: Wide-range power supply unit, incl. 2 non-grouped digital inputs and 6 grouped digital inputs

X2 – OR6: Assembly Group with 6 Output Relays (Changeover / Form C)

X3 – TIs: Standard phase current measuring card and sensitive ground current measuring (winding side 1)

X4 – TI: Standard current measuring card (for the winding side 2)

X5 – OR6: Assembly Group with 6 Output Relays (Changeover / Form C)

X6 – DI8: Assembly Group with 8 Digital Inputs

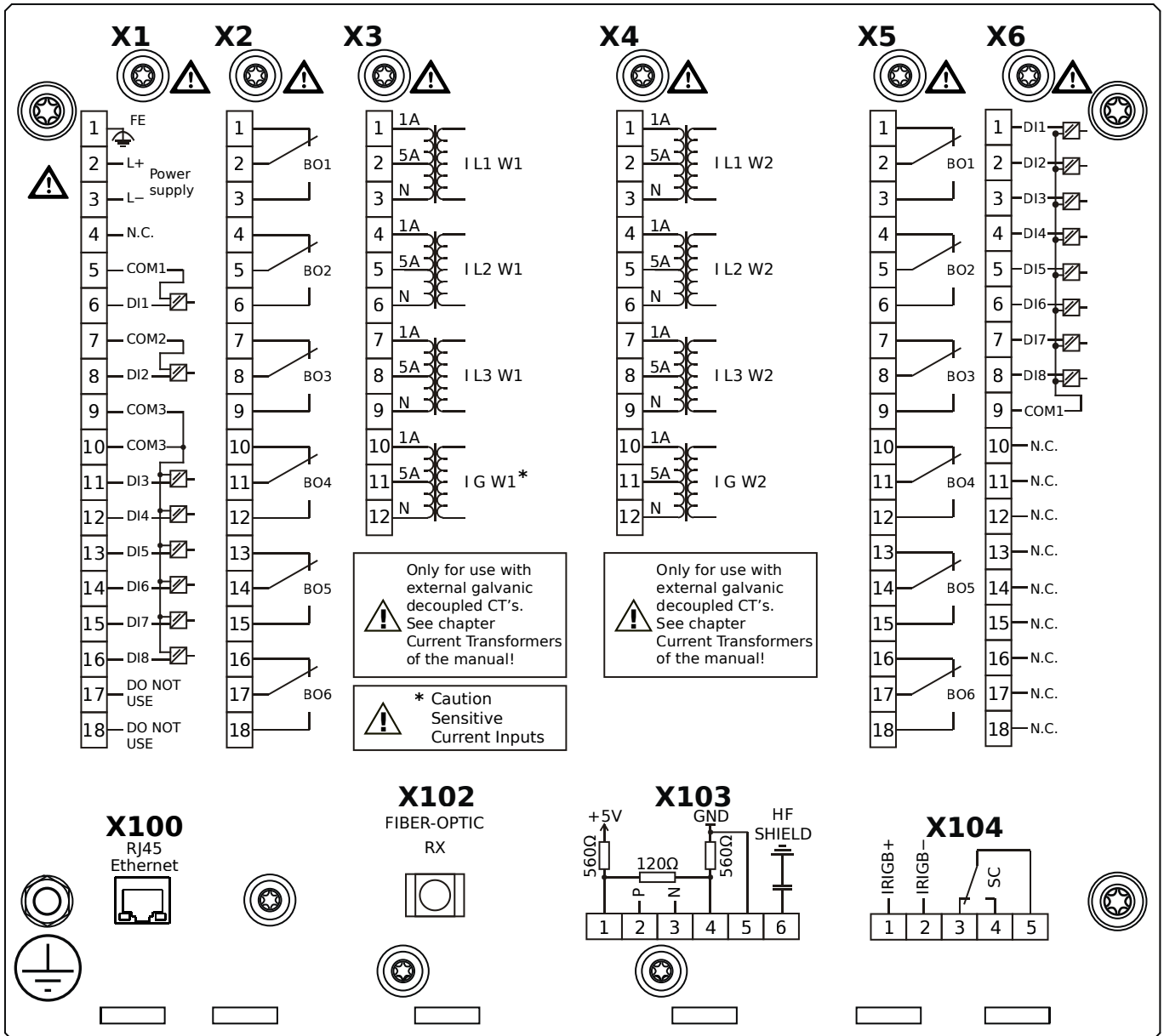
X102 – Universal Resistance-Temperature Detector (URTD) input, Fiber optics interface, Versatile Link

X103 – IEC 61850 / Modbus TCP / IEC 60870-5-104 / DNP3.0 TCP/UDP, Redundant Ethernet interface, 100 Mbit/s, RJ45

(BASE100-FX)

X104 – IRIG-B00X, incl. System Contact (Supervision Contact)

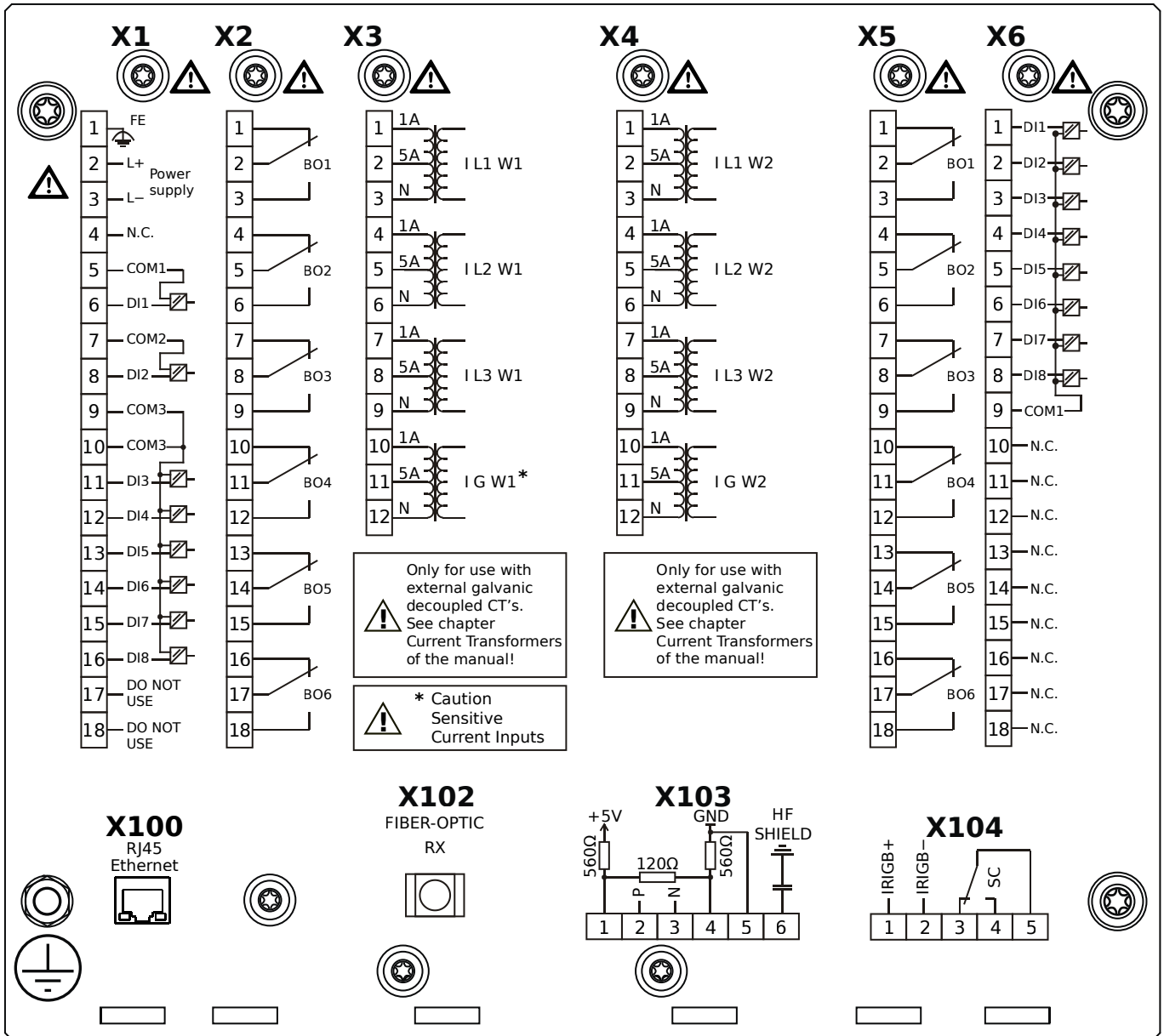
MRDT4-2D1ATA



Housing B2, small display, door mounting

- X1** – DI8-X1: Wide-range power supply unit, incl. 2 non-grouped digital inputs and 6 grouped digital inputs
- X2** – OR6: Assembly Group with 6 Output Relays (Changeover / Form C)
- X3** – TIs: Standard phase current measuring card and sensitive ground current measuring (winding side 1)
- X4** – TI: Standard current measuring card (for the winding side 2)
- X5** – OR6: Assembly Group with 6 Output Relays (Changeover / Form C)
- X6** – DI8: Assembly Group with 8 Digital Inputs
- X100** – IEC 61850 / Modbus TCP / IEC 60870-5-104 / DNP3.0 TCP/UDP, Ethernet interface, 100 Mbit/s, RJ45 (BASE100-FX)
- X102** – Universal Resistance-Temperature Detector (URTD) input, Fiber optics interface, Versatile Link
- X103** – IEC 60870-5-103 / Modbus RTU / DNP3.0 RTU, RS485, Terminals
- X104** – IRIG-B00X, incl. System Contact (Supervision Contact)

MRDT4-2D1ATB



Housing B2, small display, door mounting

+ Conformal Coating (for installations in harsh environment)

X1 – DI8-X1: Wide-range power supply unit, incl. 2 non-grouped digital inputs and 6 grouped digital inputs

X2 – OR6: Assembly Group with 6 Output Relays (Changeover / Form C)

X3 – TIs: Standard phase current measuring card and sensitive ground current measuring (winding side 1)

X4 – TI: Standard current measuring card (for the winding side 2)

X5 – OR6: Assembly Group with 6 Output Relays (Changeover / Form C)

X6 – DI8: Assembly Group with 8 Digital Inputs

X100 – IEC 61850 / Modbus TCP / IEC 60870-5-104 / DNP3.0 TCP/UDP, Ethernet interface, 100 Mbit/s, RJ45 (BASE100-

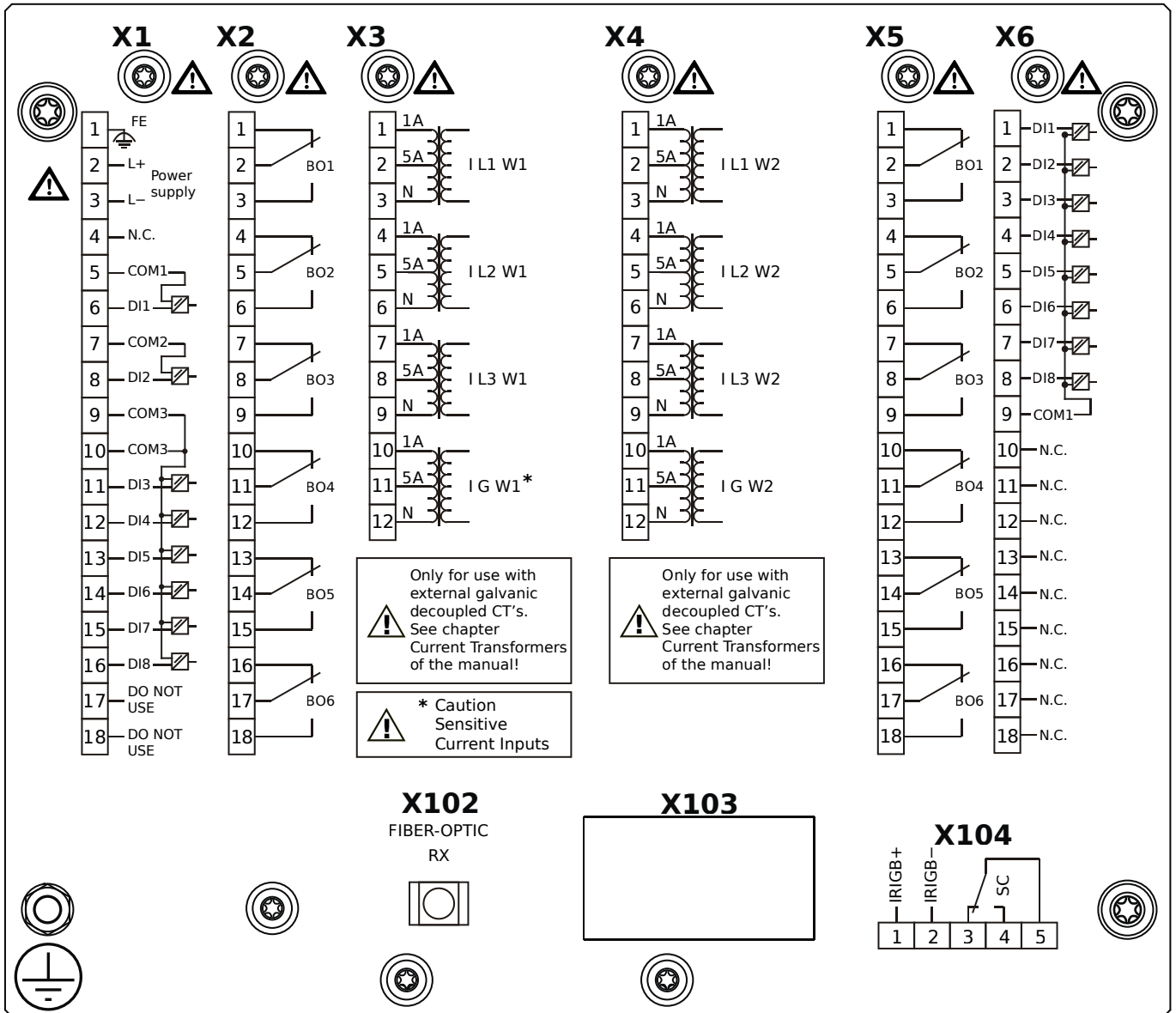
FX)

X102 – Universal Resistance-Temperature Detector (URTD) input, Fiber optics interface, Versatile Link

X103 – IEC 60870-5-103 / Modbus RTU / DNP3.0 RTU, RS485, Terminals

X104 – IRIG-B00X, incl. System Contact (Supervision Contact)

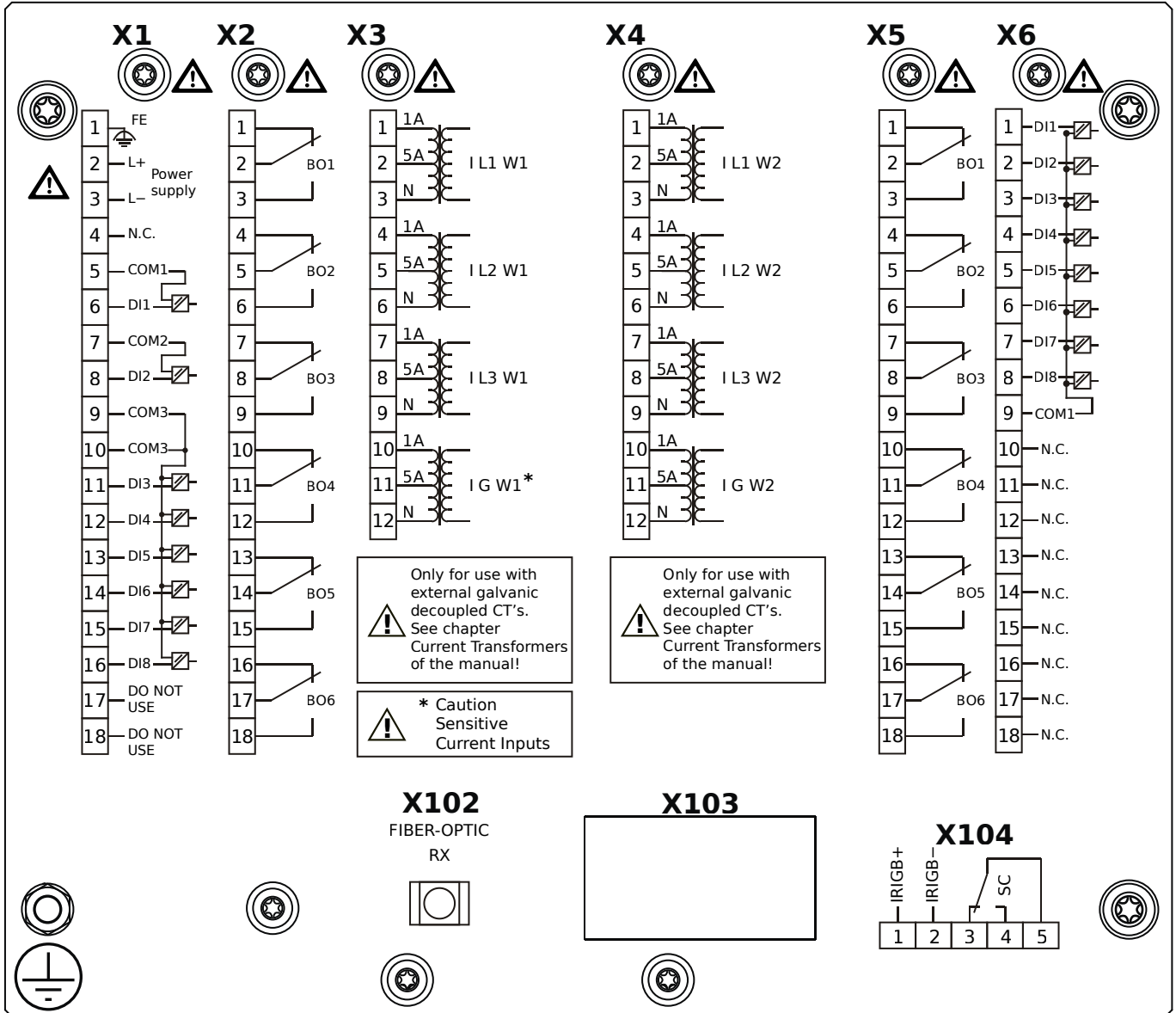
MRDT4-2D1BAA



Housing B2, small display, 19" rack mounting

- X1** – DI8-X1: Wide-range power supply unit, incl. 2 non-grouped digital inputs and 6 grouped digital inputs
- X2** – OR6: Assembly Group with 6 Output Relays (Changeover / Form C)
- X3** – TIs: Standard phase current measuring card and sensitive ground current measuring (winding side 1)
- X4** – TI: Standard current measuring card (for the winding side 2)
- X5** – OR6: Assembly Group with 6 Output Relays (Changeover / Form C)
- X6** – DI8: Assembly Group with 8 Digital Inputs
- X102** – Universal Resistance-Temperature Detector (URTD) input, Fiber optics interface, Versatile Link
- X104** – IRIG-B00X, incl. System Contact (Supervision Contact)

MRDT4-2D1BAB

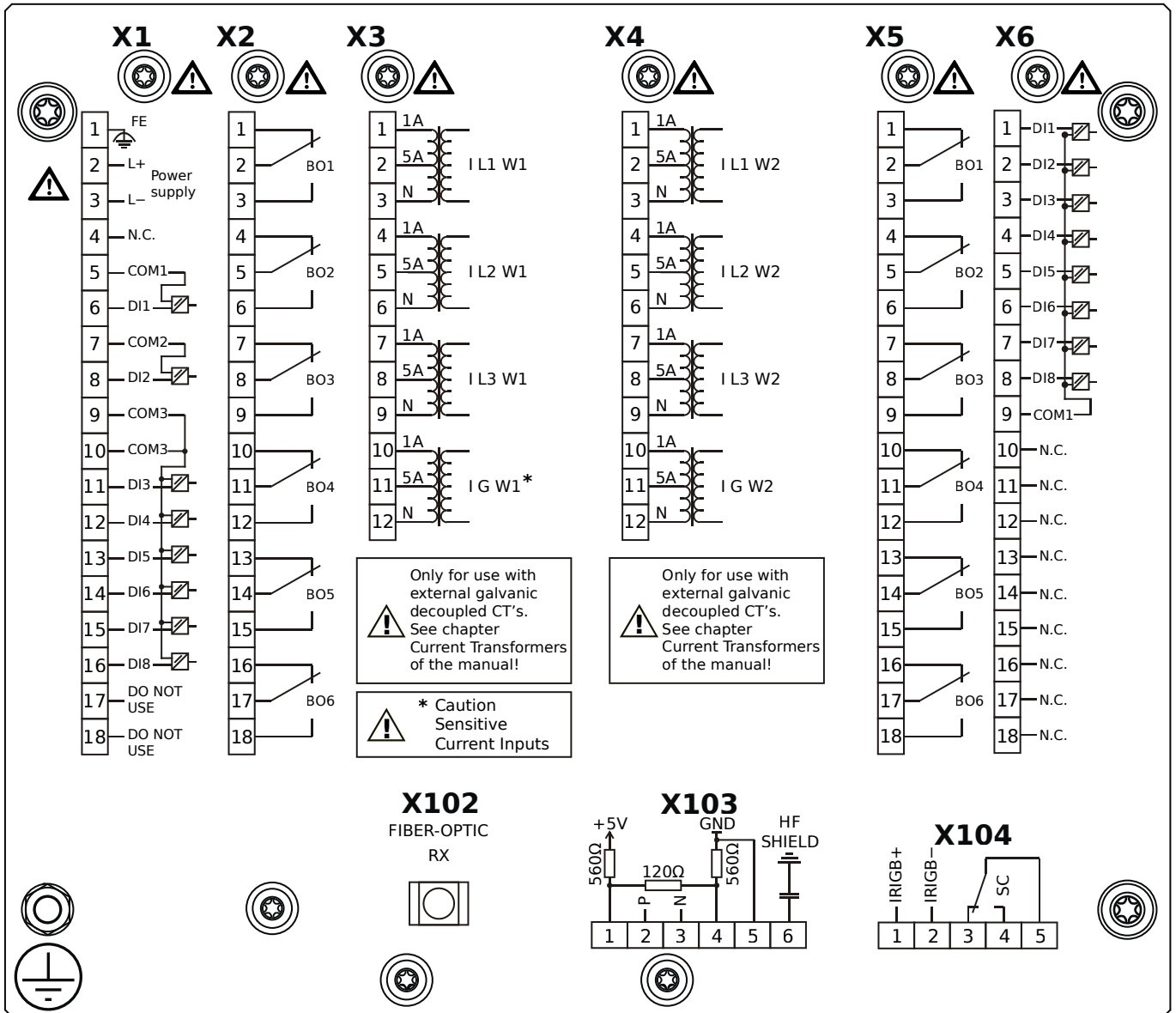


Housing B2, small display, 19" rack mounting

+ Conformal Coating (for installations in harsh environment)

- X1** – DI8-X1: Wide-range power supply unit, incl. 2 non-grouped digital inputs and 6 grouped digital inputs
- X2** – OR6: Assembly Group with 6 Output Relays (Changeover / Form C)
- X3** – TIs: Standard phase current measuring card and sensitive ground current measuring (winding side 1)
- X4** – TI: Standard current measuring card (for the winding side 2)
- X5** – OR6: Assembly Group with 6 Output Relays (Changeover / Form C)
- X6** – DI8: Assembly Group with 8 Digital Inputs
- X102** – Universal Resistance-Temperature Detector (URTD) input, Fiber optics interface, Versatile Link
- X104** – IRIG-B00X, incl. System Contact (Supervision Contact)

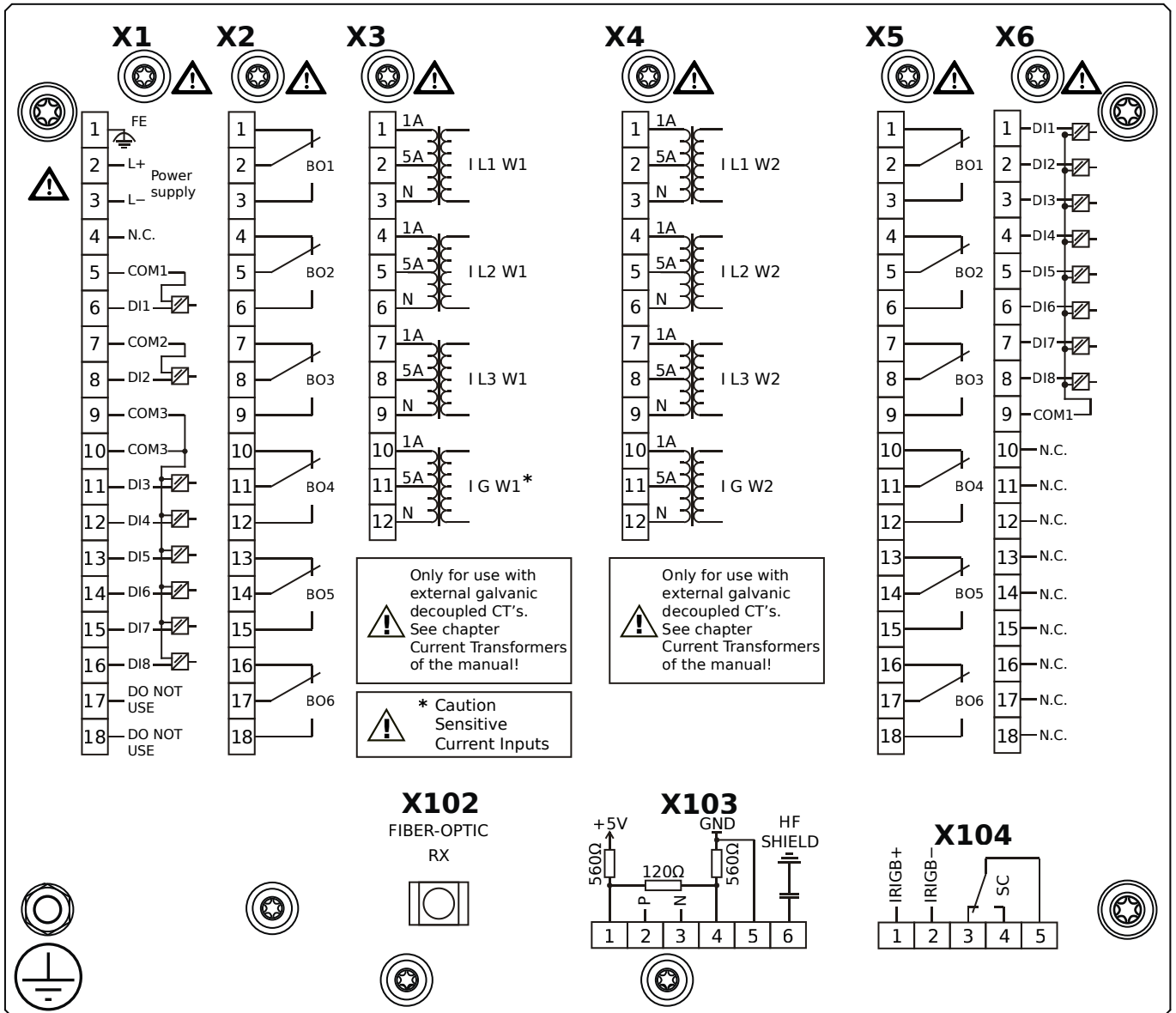
MRDT4-2D1BBA



Housing B2, small display, 19" rack mounting

- X1** – DI8-X1: Wide-range power supply unit, incl. 2 non-grouped digital inputs and 6 grouped digital inputs
- X2** – OR6: Assembly Group with 6 Output Relays (Changeover / Form C)
- X3** – TIs: Standard phase current measuring card and sensitive ground current measuring (winding side 1)
- X4** – TI: Standard current measuring card (for the winding side 2)
- X5** – OR6: Assembly Group with 6 Output Relays (Changeover / Form C)
- X6** – DI8: Assembly Group with 8 Digital Inputs
- X102** – Universal Resistance-Temperature Detector (URTD) input, Fiber optics interface, Versatile Link
- X103** – Modbus RTU / IEC 60870-5-103 / DNP3.0 RTU, RS485, Terminals
- X104** – IRIG-B00X, incl. System Contact (Supervision Contact)

MRDT4-2D1BBB

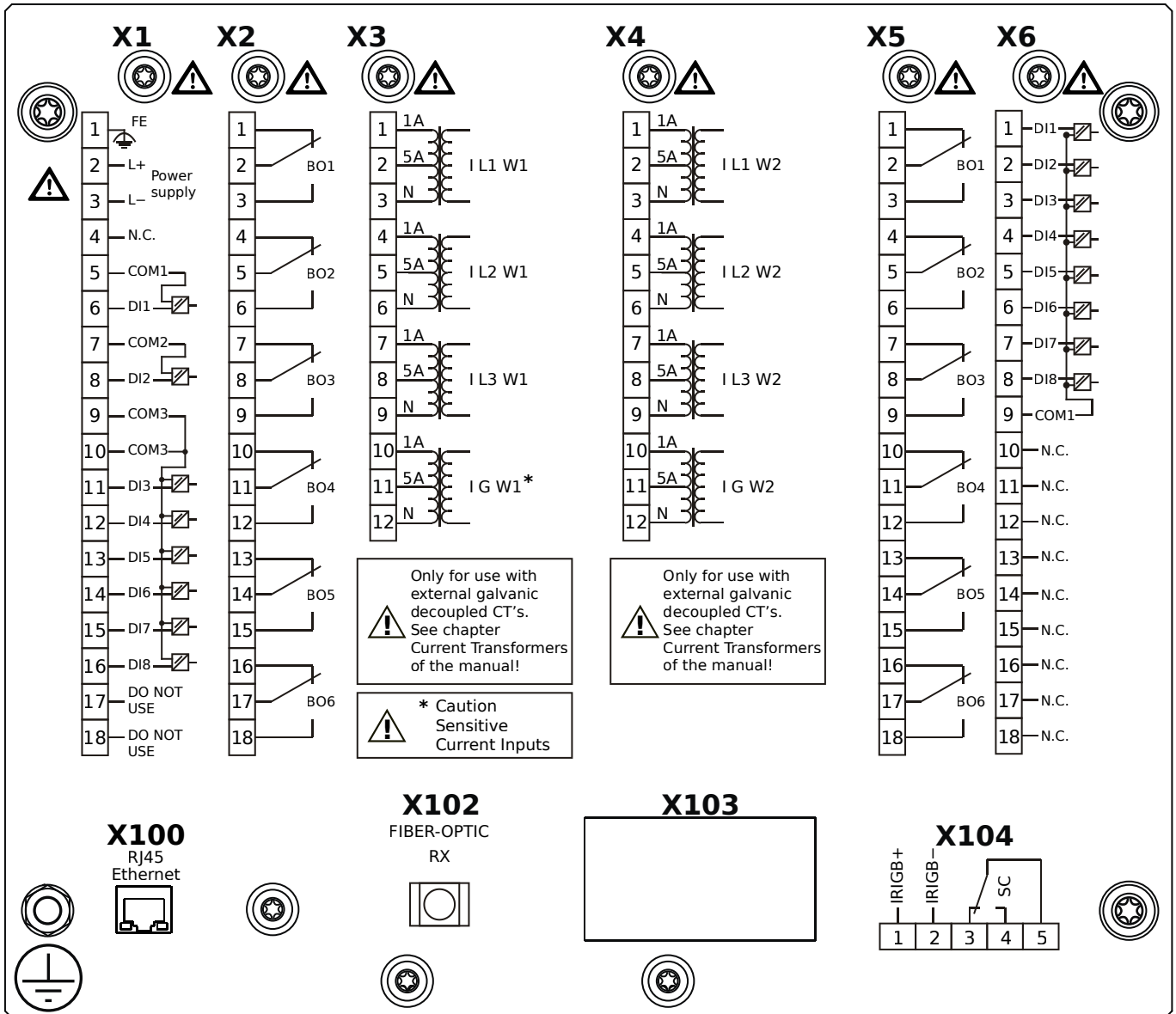


Housing B2, small display, 19" rack mounting

+ Conformal Coating (for installations in harsh environment)

- X1** – DI8-X1: Wide-range power supply unit, incl. 2 non-grouped digital inputs and 6 grouped digital inputs
- X2** – OR6: Assembly Group with 6 Output Relays (Changeover / Form C)
- X3** – TIs: Standard phase current measuring card and sensitive ground current measuring (winding side 1)
- X4** – TI: Standard current measuring card (for the winding side 2)
- X5** – OR6: Assembly Group with 6 Output Relays (Changeover / Form C)
- X6** – DI8: Assembly Group with 8 Digital Inputs
- X102** – Universal Resistance-Temperature Detector (URTD) input, Fiber optics interface, Versatile Link
- X103** – Modbus RTU / IEC 60870-5-103 / DNP3.0 RTU, RS485, Terminals
- X104** – IRIG-B00X, incl. System Contact (Supervision Contact)

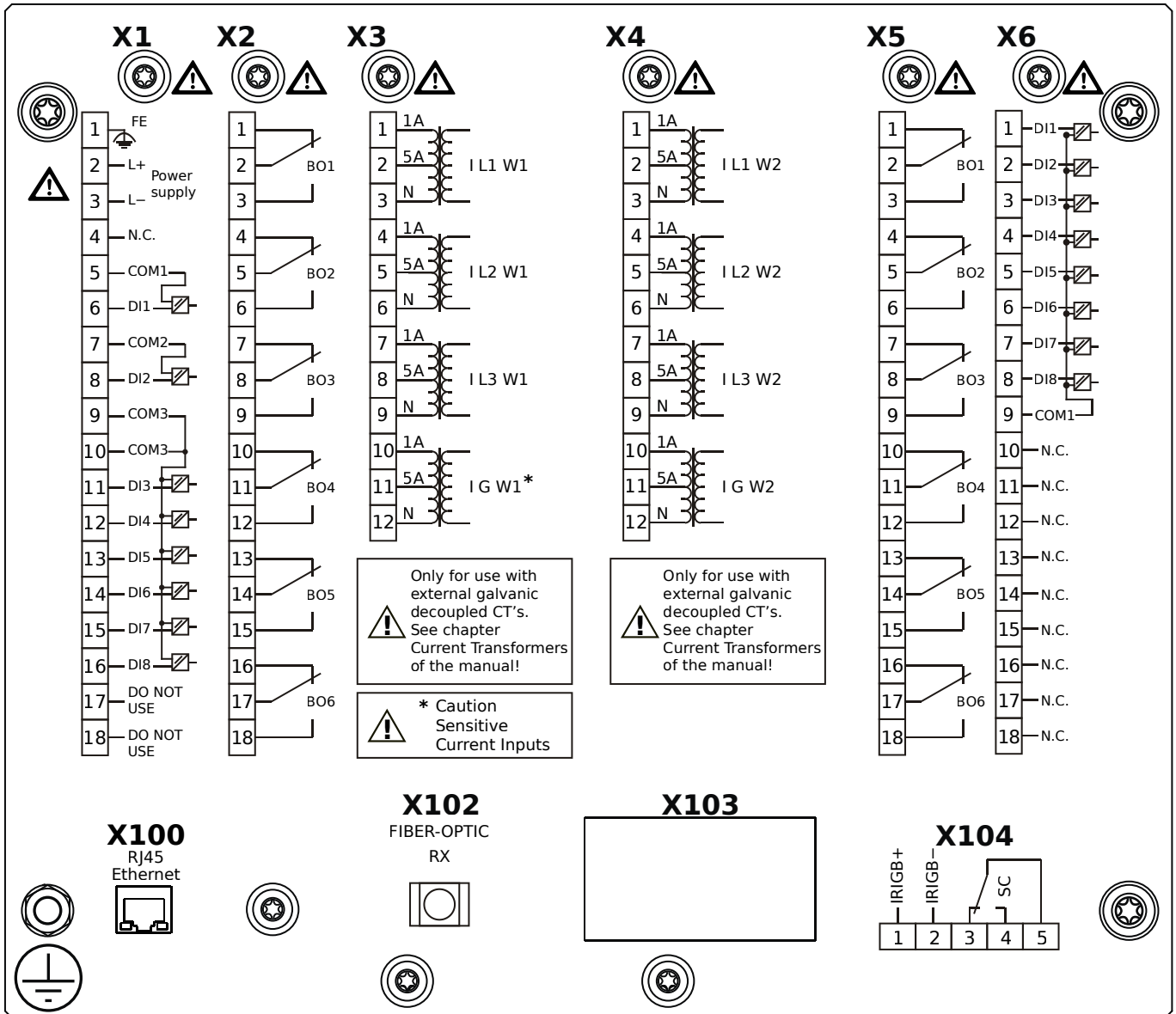
MRDT4-2D1BCA



Housing B2, small display, 19" rack mounting

- X1** – DI8-X1: Wide-range power supply unit, incl. 2 non-grouped digital inputs and 6 grouped digital inputs
- X2** – OR6: Assembly Group with 6 Output Relays (Changeover / Form C)
- X3** – TIs: Standard phase current measuring card and sensitive ground current measuring (winding side 1)
- X4** – TI: Standard current measuring card (for the winding side 2)
- X5** – OR6: Assembly Group with 6 Output Relays (Changeover / Form C)
- X6** – DI8: Assembly Group with 8 Digital Inputs
- X100** – Modbus TCP / IEC 60870-5-104 / DNP3.0 TCP/UDP, Ethernet interface, 100 Mbit/s, RJ45 (BASE100-FX)
- X102** – Universal Resistance-Temperature Detector (URTD) input, Fiber optics interface, Versatile Link
- X104** – IRIG-B00X, incl. System Contact (Supervision Contact)

MRDT4-2D1BCB

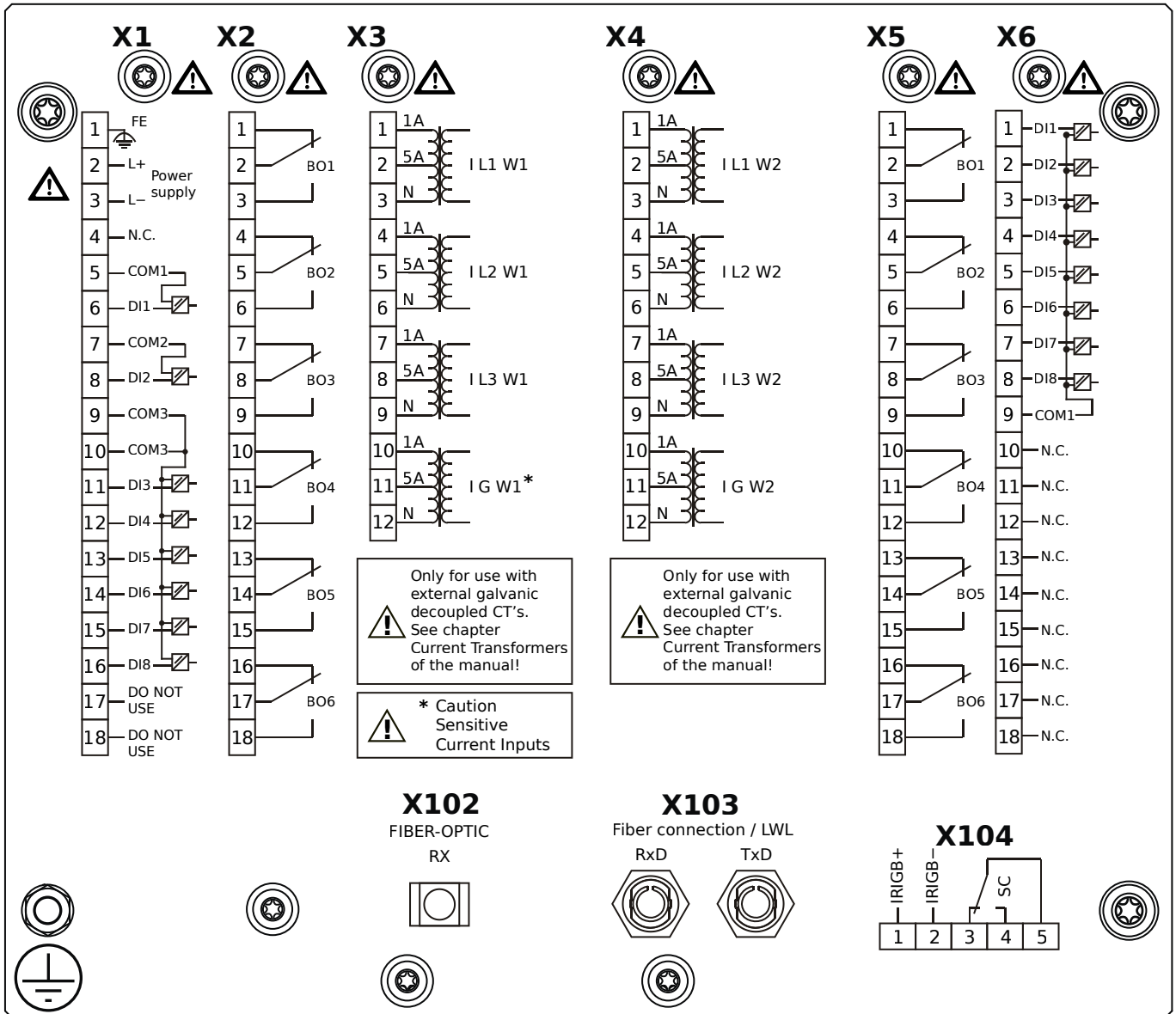


Housing B2, small display, 19" rack mounting

+ Conformal Coating (for installations in harsh environment)

- X1** – DI8-X1: Wide-range power supply unit, incl. 2 non-grouped digital inputs and 6 grouped digital inputs
- X2** – OR6: Assembly Group with 6 Output Relays (Changeover / Form C)
- X3** – TIs: Standard phase current measuring card and sensitive ground current measuring (winding side 1)
- X4** – TI: Standard current measuring card (for the winding side 2)
- X5** – OR6: Assembly Group with 6 Output Relays (Changeover / Form C)
- X6** – DI8: Assembly Group with 8 Digital Inputs
- X100** – Modbus TCP / IEC 60870-5-104 / DNP3.0 TCP/UDP, Ethernet interface, 100 Mbit/s, RJ45 (BASE100-FX)
- X102** – Universal Resistance-Temperature Detector (URTD) input, Fiber optics interface, Versatile Link
- X104** – IRIG-B00X, incl. System Contact (Supervision Contact)

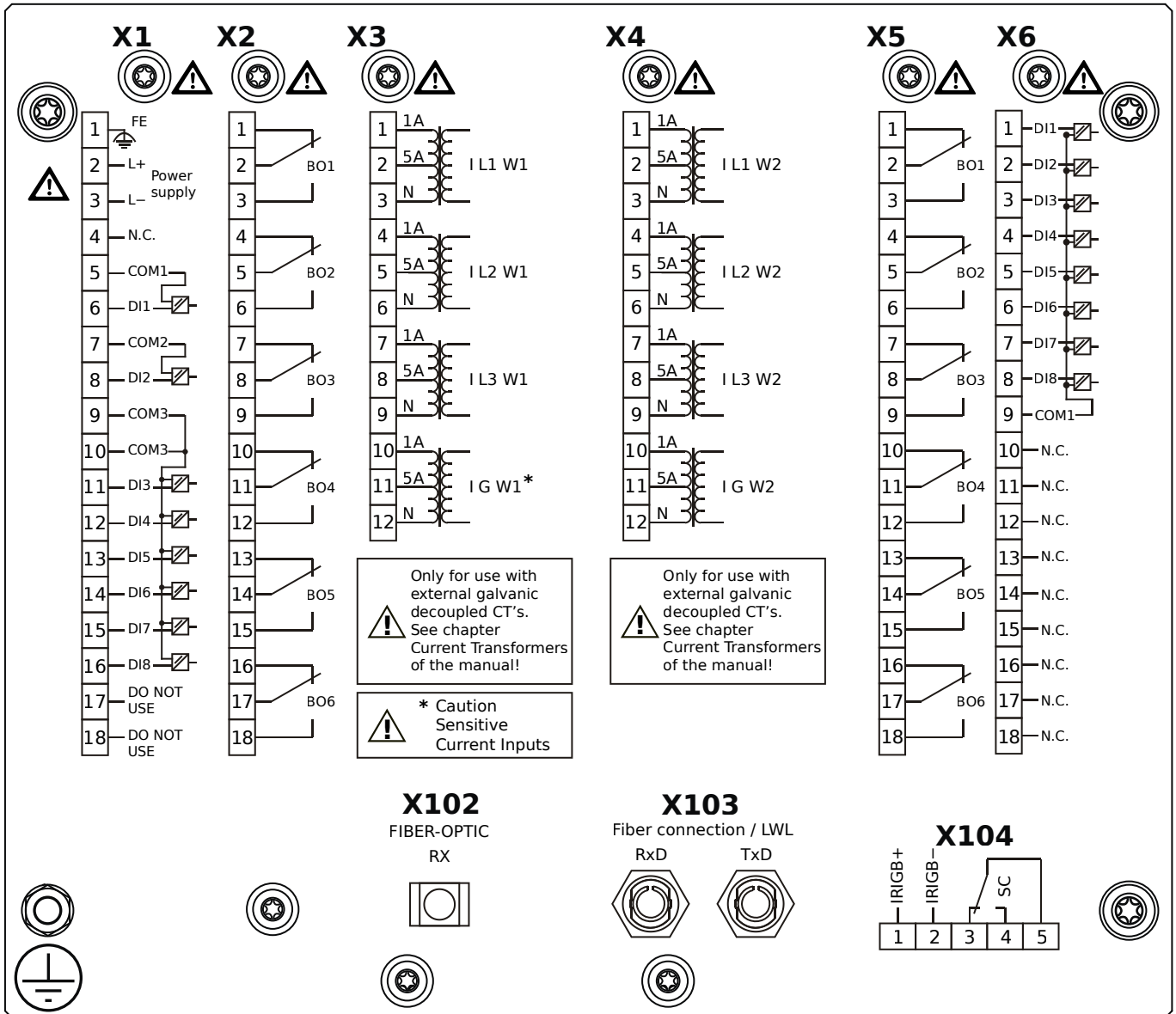
MRDT4-2D1BDA



Housing B2, small display, 19" rack mounting

- X1** – DI8-X1: Wide-range power supply unit, incl. 2 non-grouped digital inputs and 6 grouped digital inputs
- X2** – OR6: Assembly Group with 6 Output Relays (Changeover / Form C)
- X3** – TIs: Standard phase current measuring card and sensitive ground current measuring (winding side 1)
- X4** – TI: Standard current measuring card (for the winding side 2)
- X5** – OR6: Assembly Group with 6 Output Relays (Changeover / Form C)
- X6** – DI8: Assembly Group with 8 Digital Inputs
- X102** – Universal Resistance-Temperature Detector (URTD) input, Fiber optics interface, Versatile Link
- X103** – Profibus-DP, Fiber optics interface, ST Connector
- X104** – IRIG-B00X, incl. System Contact (Supervision Contact)

MRDT4-2D1BDB

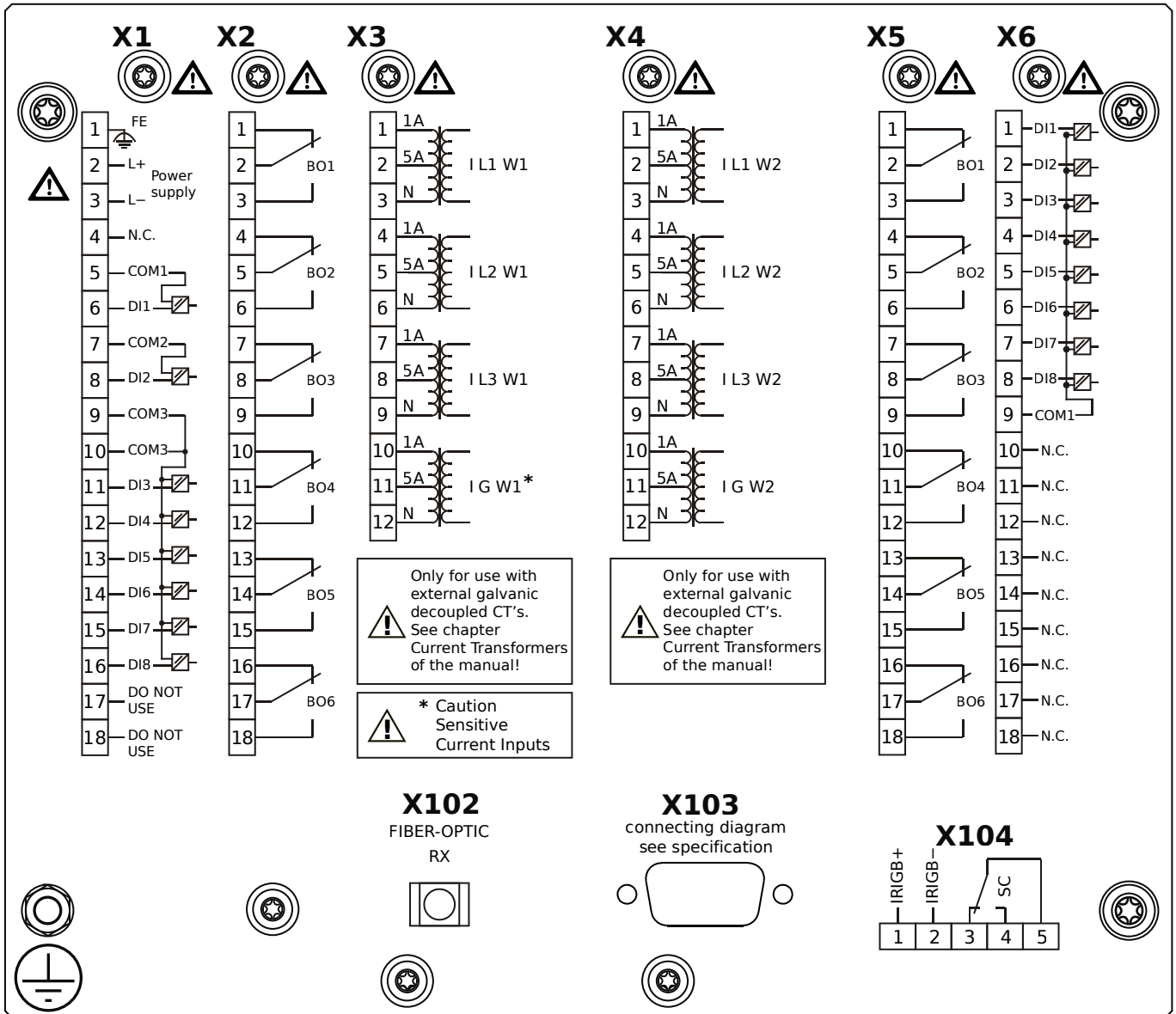


Housing B2, small display, 19" rack mounting

+ Conformal Coating (for installations in harsh environment)

- X1** – DI8-X1: Wide-range power supply unit, incl. 2 non-grouped digital inputs and 6 grouped digital inputs
- X2** – OR6: Assembly Group with 6 Output Relays (Changeover / Form C)
- X3** – TIs: Standard phase current measuring card and sensitive ground current measuring (winding side 1)
- X4** – TI: Standard current measuring card (for the winding side 2)
- X5** – OR6: Assembly Group with 6 Output Relays (Changeover / Form C)
- X6** – DI8: Assembly Group with 8 Digital Inputs
- X102** – Universal Resistance-Temperature Detector (URTD) input, Fiber optics interface, Versatile Link
- X103** – Profibus-DP, Fiber optics interface, ST Connector
- X104** – IRIG-B00X, incl. System Contact (Supervision Contact)

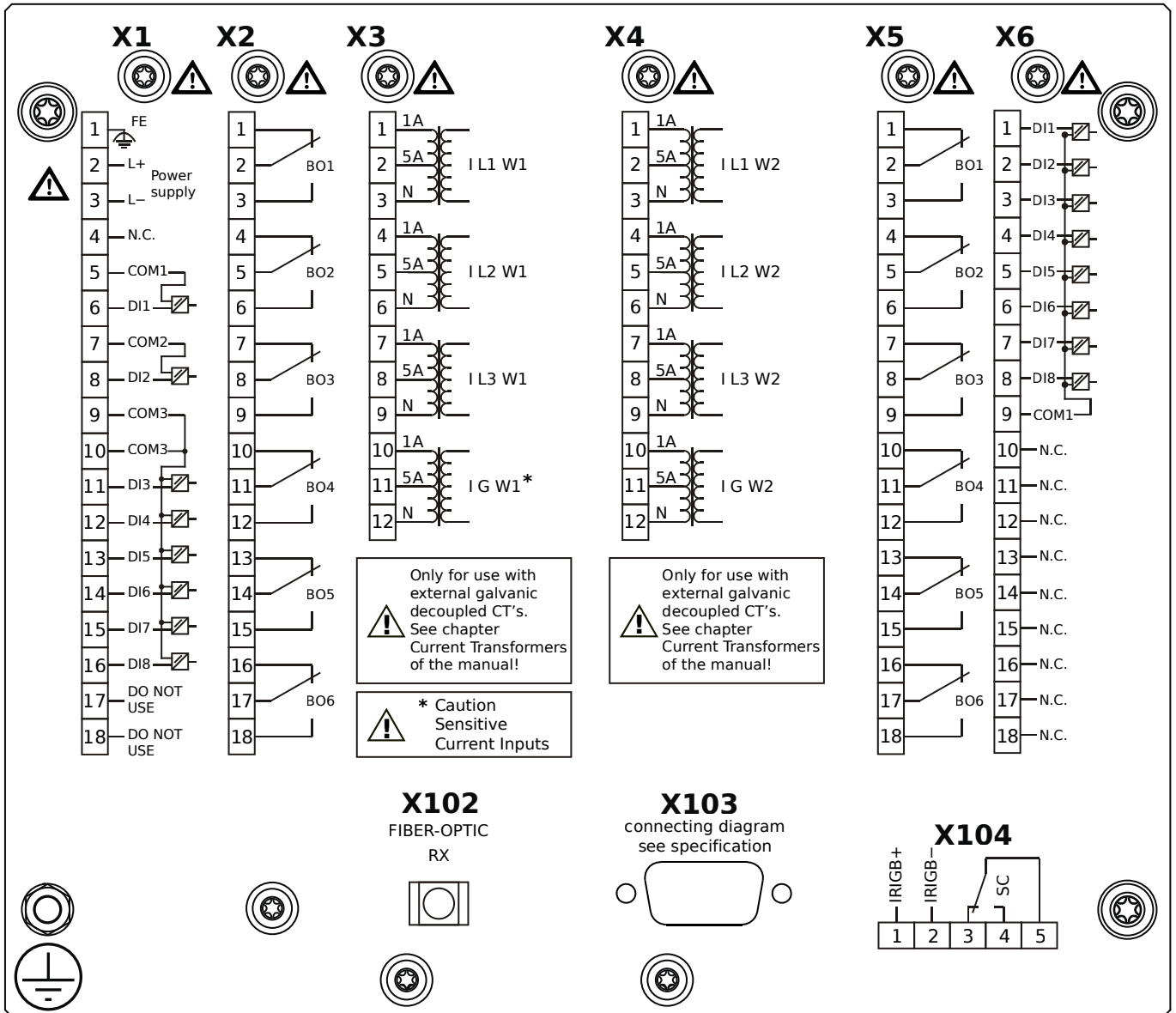
MRDT4-2D1BEA



Housing B2, small display, 19" rack mounting

- X1** – DI8-X1: Wide-range power supply unit, incl. 2 non-grouped digital inputs and 6 grouped digital inputs
- X2** – OR6: Assembly Group with 6 Output Relays (Changeover / Form C)
- X3** – TIs: Standard phase current measuring card and sensitive ground current measuring (winding side 1)
- X4** – TI: Standard current measuring card (for the winding side 2)
- X5** – OR6: Assembly Group with 6 Output Relays (Changeover / Form C)
- X6** – DI8: Assembly Group with 8 Digital Inputs
- X102** – Universal Resistance-Temperature Detector (URTD) input, Fiber optics interface, Versatile Link
- X103** – Profibus-DP, RS485, D-SUB
- X104** – IRIG-B00X, incl. System Contact (Supervision Contact)

MRDT4-2D1BEB

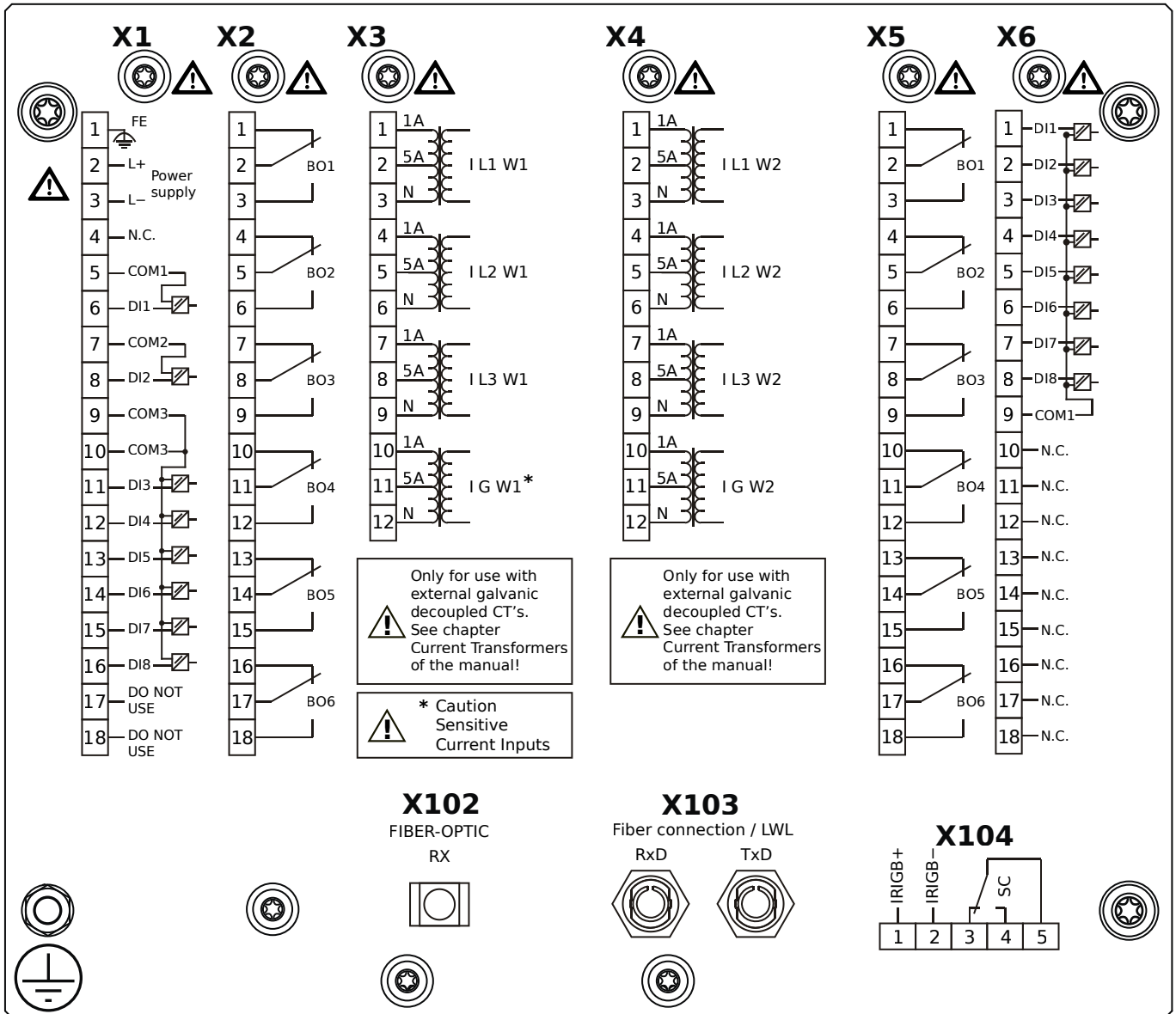


Housing B2, small display, 19" rack mounting

+ Conformal Coating (for installations in harsh environment)

- X1** – DI8-X1: Wide-range power supply unit, incl. 2 non-grouped digital inputs and 6 grouped digital inputs
- X2** – OR6: Assembly Group with 6 Output Relays (Changeover / Form C)
- X3** – TIs: Standard phase current measuring card and sensitive ground current measuring (winding side 1)
- X4** – TI: Standard current measuring card (for the winding side 2)
- X5** – OR6: Assembly Group with 6 Output Relays (Changeover / Form C)
- X6** – DI8: Assembly Group with 8 Digital Inputs
- X102** – Universal Resistance-Temperature Detector (URTD) input, Fiber optics interface, Versatile Link
- X103** – Profibus-DP, RS485, D-SUB
- X104** – IRIG-B00X, incl. System Contact (Supervision Contact)

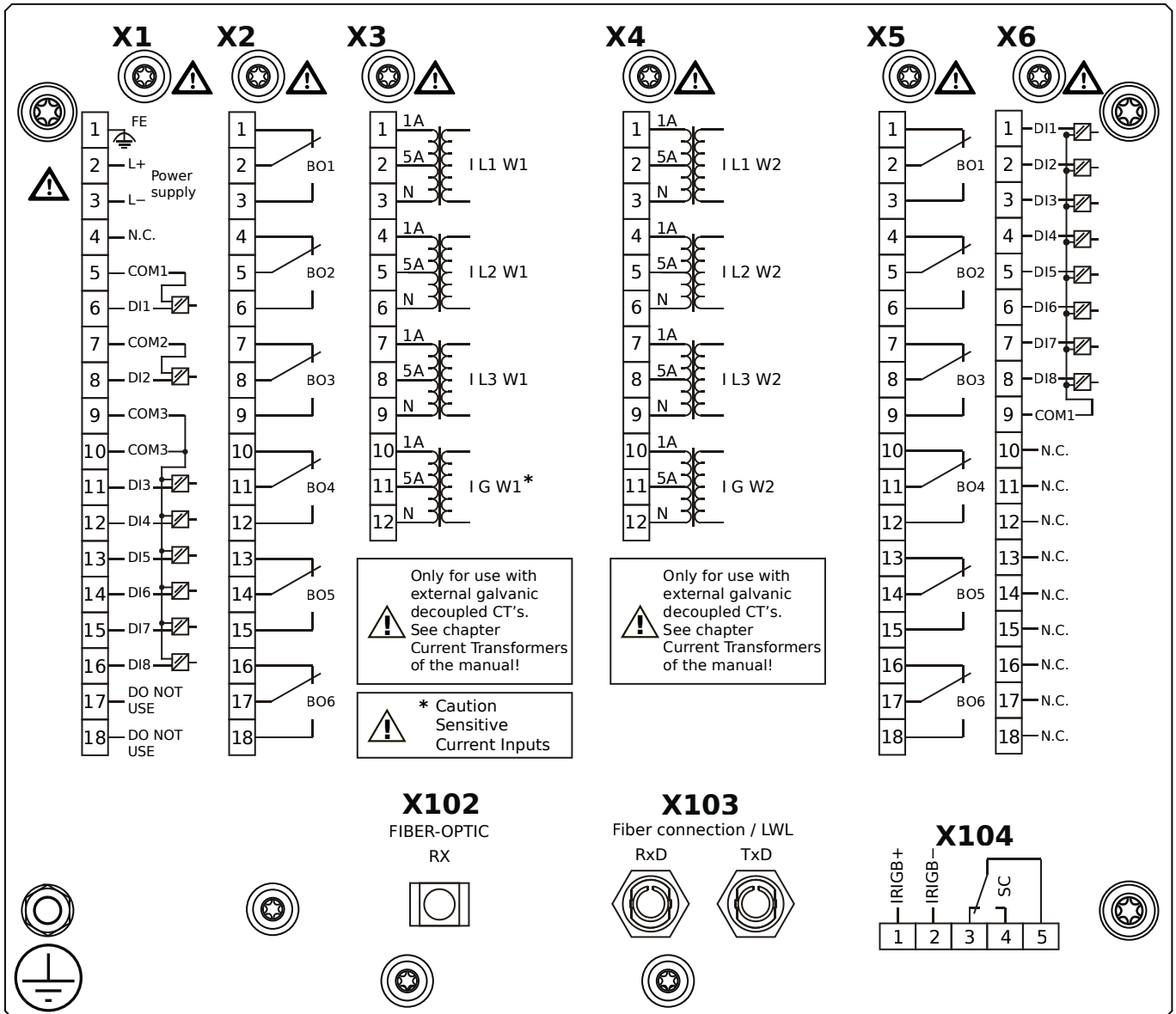
MRDT4-2D1BFA



Housing B2, small display, 19" rack mounting

- X1** – DI8-X1: Wide-range power supply unit, incl. 2 non-grouped digital inputs and 6 grouped digital inputs
- X2** – OR6: Assembly Group with 6 Output Relays (Changeover / Form C)
- X3** – TIs: Standard phase current measuring card and sensitive ground current measuring (winding side 1)
- X4** – TI: Standard current measuring card (for the winding side 2)
- X5** – OR6: Assembly Group with 6 Output Relays (Changeover / Form C)
- X6** – DI8: Assembly Group with 8 Digital Inputs
- X102** – Universal Resistance-Temperature Detector (URTD) input, Fiber optics interface, Versatile Link
- X103** – Modbus RTU / IEC 60870-5-103 / DNP3.0 RTU, Fiber optics interface, ST Connector
- X104** – IRIG-B00X, incl. System Contact (Supervision Contact)

MRDT4-2D1BFB

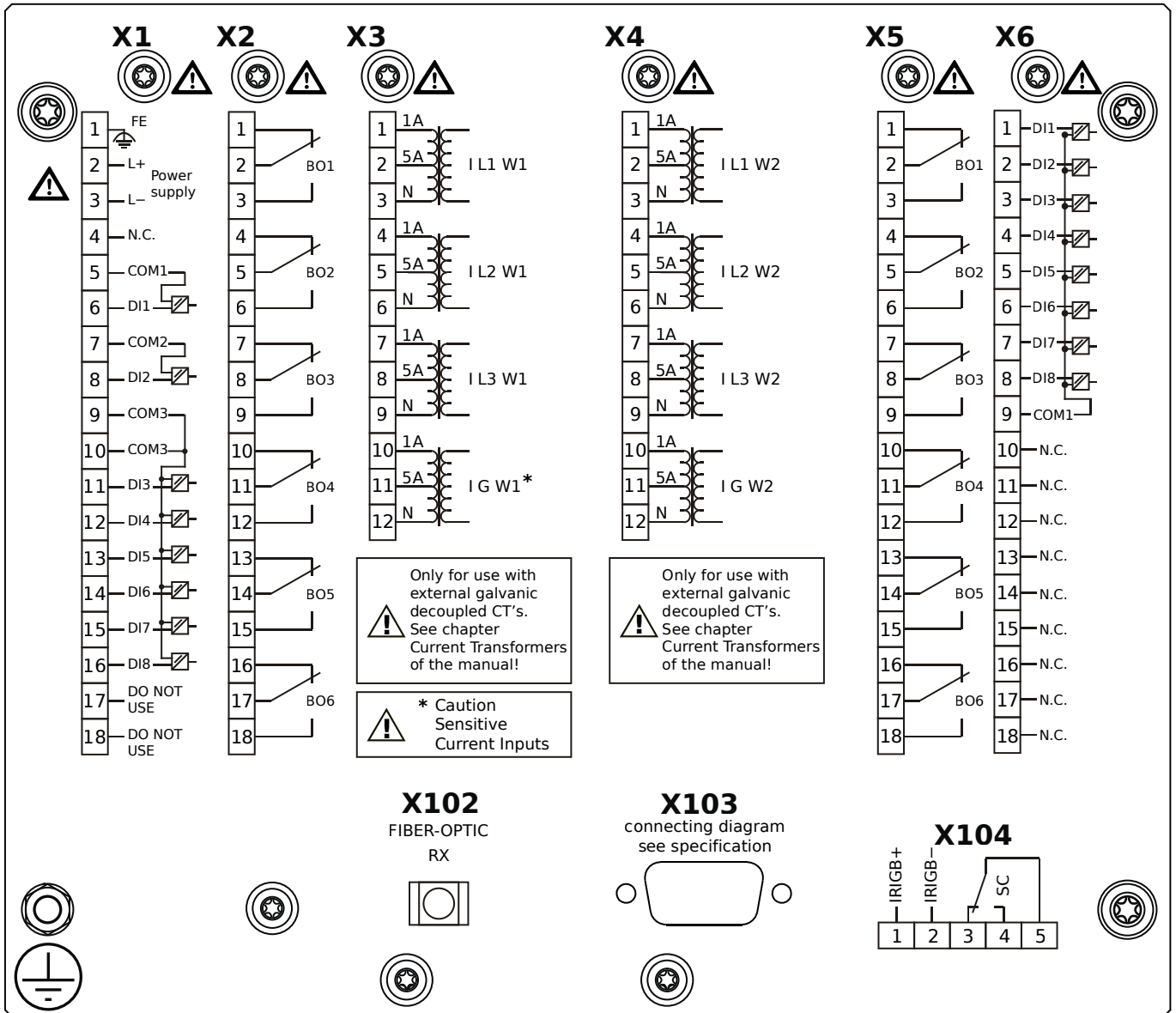


Housing B2, small display, 19" rack mounting

+ Conformal Coating (for installations in harsh environment)

- X1** – DI8-X1: Wide-range power supply unit, incl. 2 non-grouped digital inputs and 6 grouped digital inputs
- X2** – OR6: Assembly Group with 6 Output Relays (Changeover / Form C)
- X3** – TIs: Standard phase current measuring card and sensitive ground current measuring (winding side 1)
- X4** – TI: Standard current measuring card (for the winding side 2)
- X5** – OR6: Assembly Group with 6 Output Relays (Changeover / Form C)
- X6** – DI8: Assembly Group with 8 Digital Inputs
- X102** – Universal Resistance-Temperature Detector (URTD) input, Fiber optics interface, Versatile Link
- X103** – Modbus RTU / IEC 60870-5-103 / DNP3.0 RTU, Fiber optics interface, ST Connector
- X104** – IRIG-B00X, incl. System Contact (Supervision Contact)

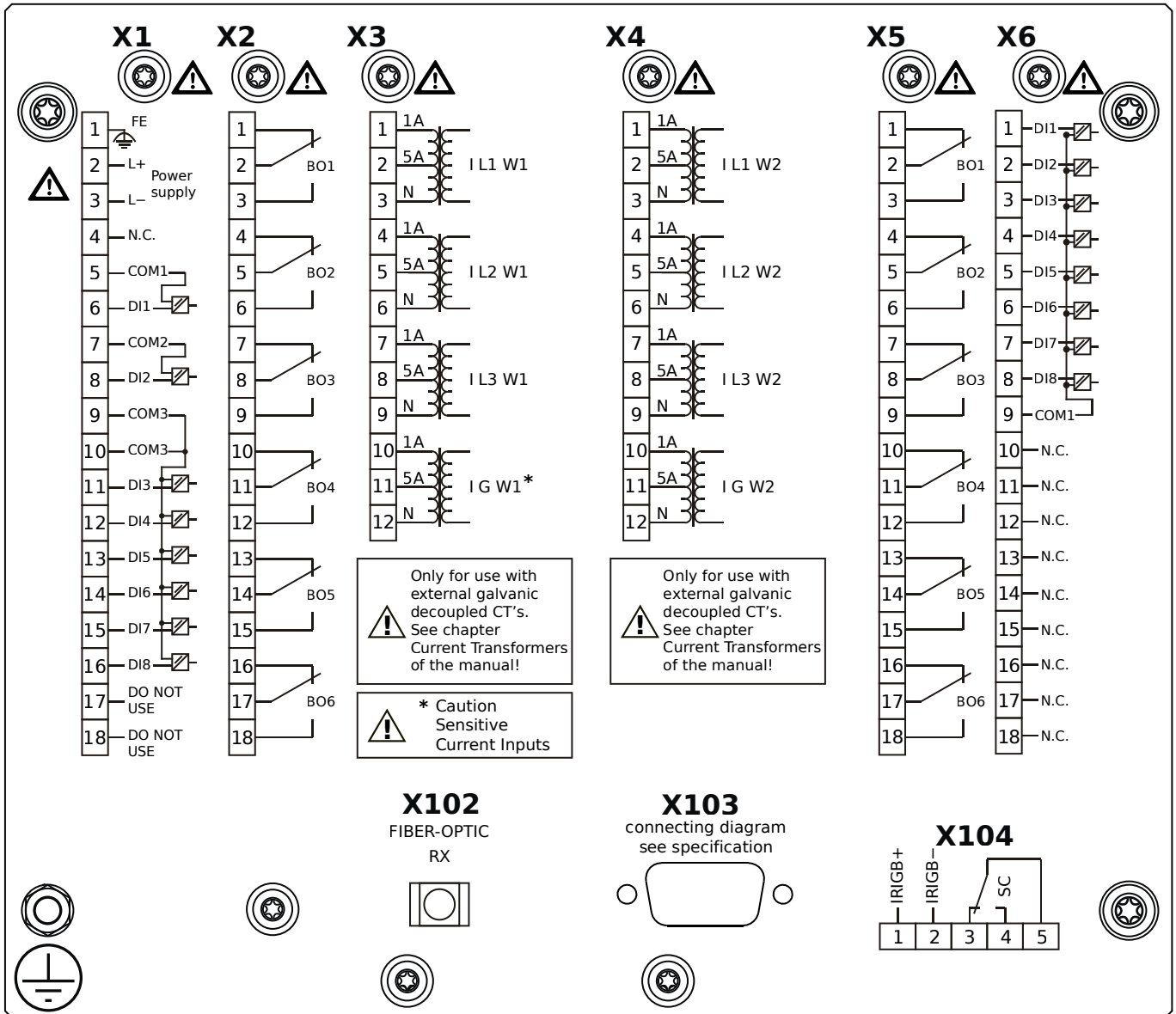
MRDT4-2D1BGA



Housing B2, small display, 19" rack mounting

- X1** – DI8-X1: Wide-range power supply unit, incl. 2 non-grouped digital inputs and 6 grouped digital inputs
- X2** – OR6: Assembly Group with 6 Output Relays (Changeover / Form C)
- X3** – TIs: Standard phase current measuring card and sensitive ground current measuring (winding side 1)
- X4** – TI: Standard current measuring card (for the winding side 2)
- X5** – OR6: Assembly Group with 6 Output Relays (Changeover / Form C)
- X6** – DI8: Assembly Group with 8 Digital Inputs
- X102** – Universal Resistance-Temperature Detector (URTD) input, Fiber optics interface, Versatile Link
- X103** – Modbus RTU / IEC 60870-5-103 / DNP3.0 RTU, RS485, D-SUB
- X104** – IRIG-B00X, incl. System Contact (Supervision Contact)

MRDT4-2D1BGB

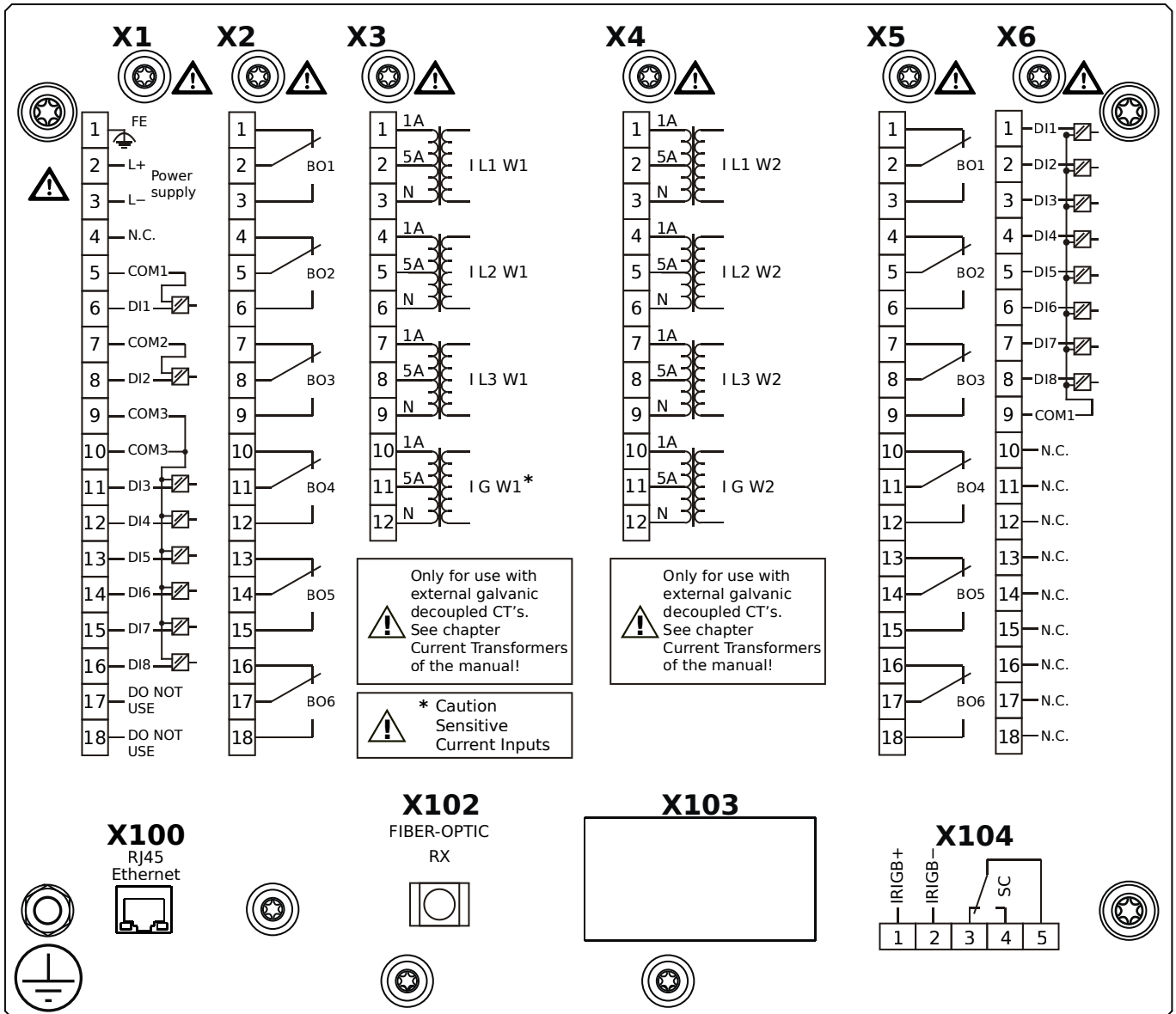


Housing B2, small display, 19" rack mounting

+ Conformal Coating (for installations in harsh environment)

- X1** – DI8-X1: Wide-range power supply unit, incl. 2 non-grouped digital inputs and 6 grouped digital inputs
- X2** – OR6: Assembly Group with 6 Output Relays (Changeover / Form C)
- X3** – TIs: Standard phase current measuring card and sensitive ground current measuring (winding side 1)
- X4** – TI: Standard current measuring card (for the winding side 2)
- X5** – OR6: Assembly Group with 6 Output Relays (Changeover / Form C)
- X6** – DI8: Assembly Group with 8 Digital Inputs
- X102** – Universal Resistance-Temperature Detector (URTD) input, Fiber optics interface, Versatile Link
- X103** – Modbus RTU / IEC 60870-5-103 / DNP3.0 RTU, RS485, D-SUB
- X104** – IRIG-B00X, incl. System Contact (Supervision Contact)

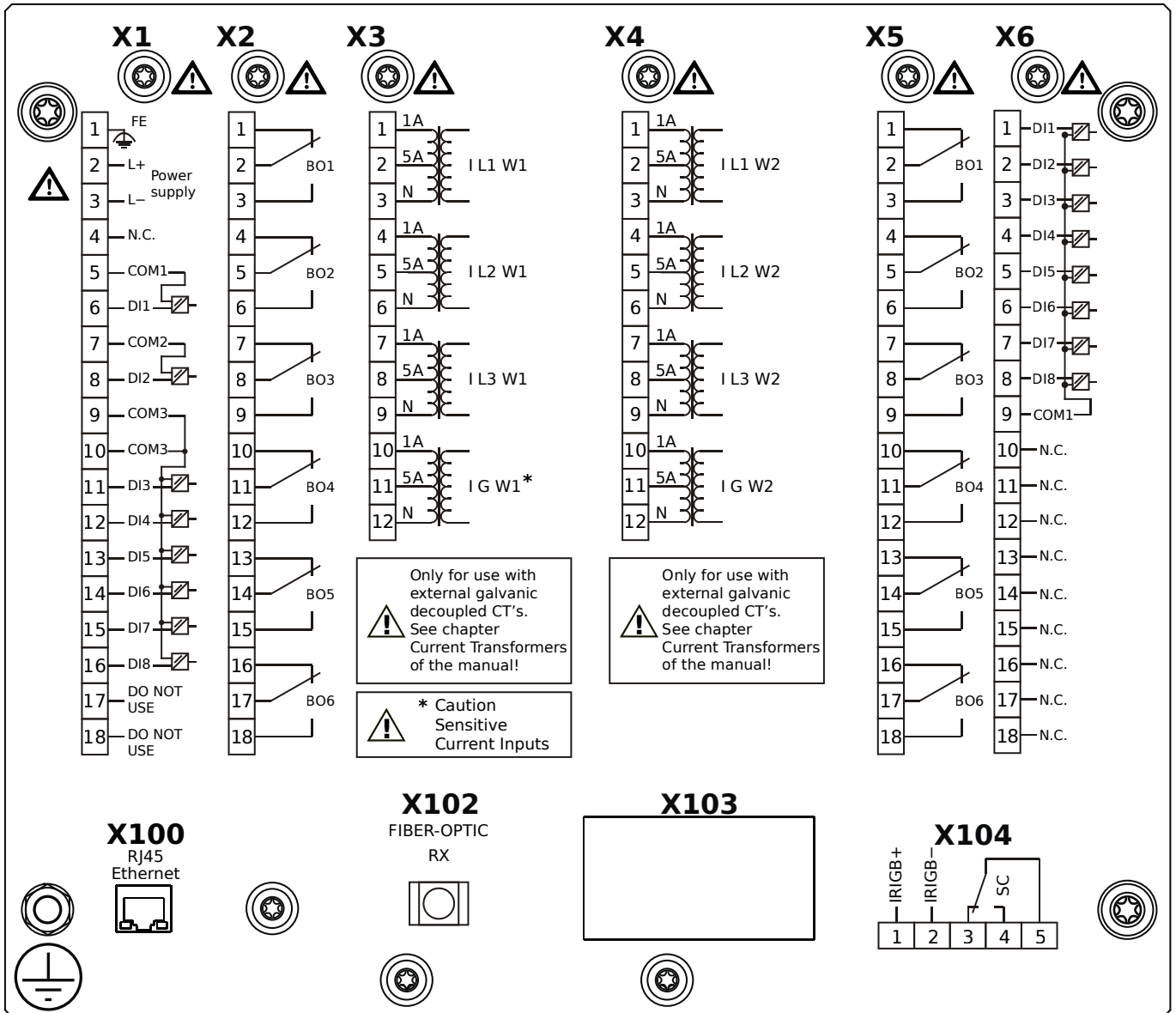
MRDT4-2D1BHA



Housing B2, small display, 19" rack mounting

- X1** – DI8-X1: Wide-range power supply unit, incl. 2 non-grouped digital inputs and 6 grouped digital inputs
- X2** – OR6: Assembly Group with 6 Output Relays (Changeover / Form C)
- X3** – TIs: Standard phase current measuring card and sensitive ground current measuring (winding side 1)
- X4** – TI: Standard current measuring card (for the winding side 2)
- X5** – OR6: Assembly Group with 6 Output Relays (Changeover / Form C)
- X6** – DI8: Assembly Group with 8 Digital Inputs
- X100** – IEC 61850 / Modbus TCP / IEC 60870-5-104 / DNP3.0 TCP/UDP, Ethernet interface, 100 Mbit/s, RJ45 (BASE100-FX)
- X102** – Universal Resistance-Temperature Detector (URTD) input, Fiber optics interface, Versatile Link
- X104** – IRIG-B00X, incl. System Contact (Supervision Contact)

MRDT4-2D1BHB

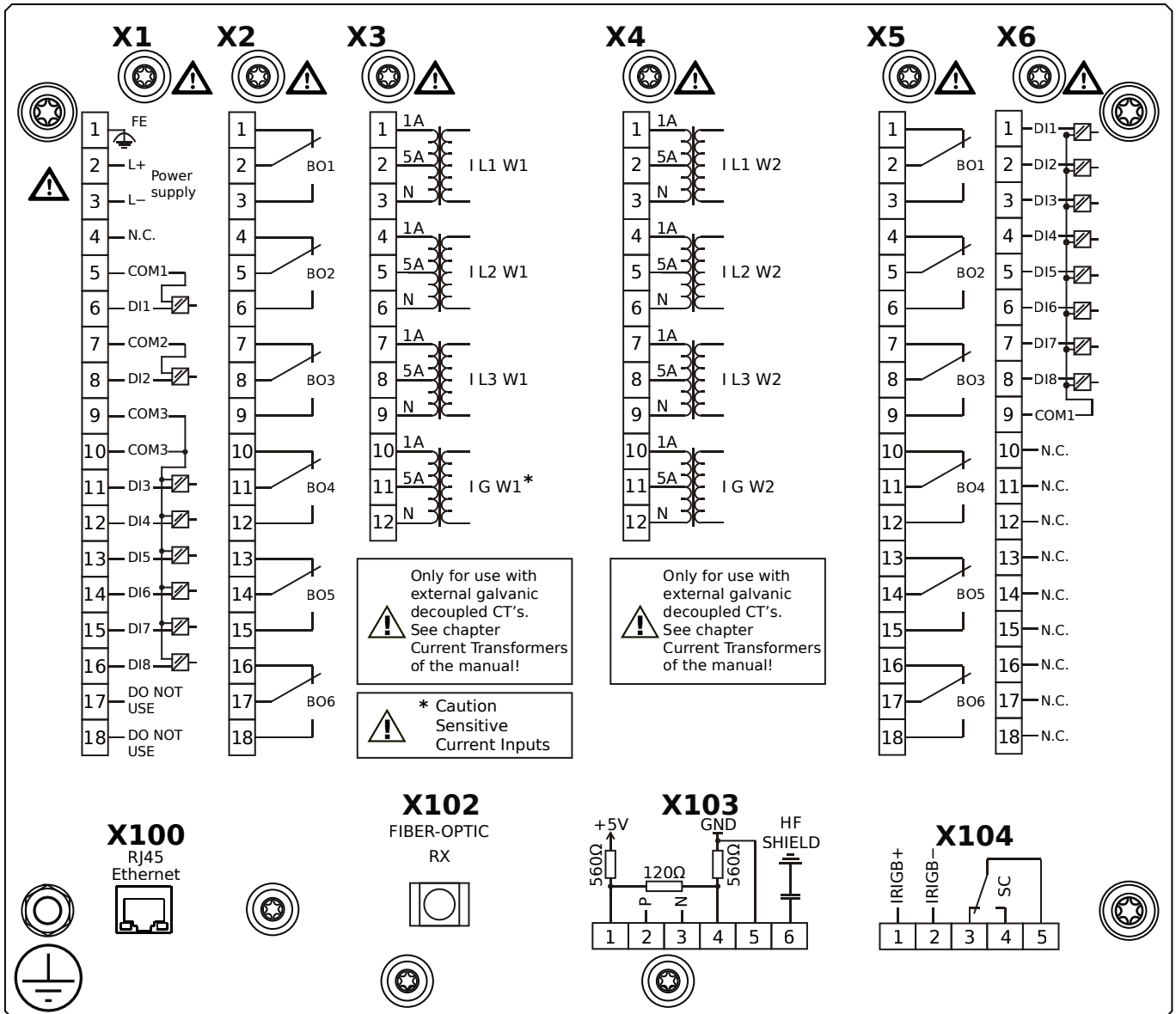


Housing B2, small display, 19" rack mounting

+ Conformal Coating (for installations in harsh environment)

- X1** – DI8-X1: Wide-range power supply unit, incl. 2 non-grouped digital inputs and 6 grouped digital inputs
- X2** – OR6: Assembly Group with 6 Output Relays (Changeover / Form C)
- X3** – TIs: Standard phase current measuring card and sensitive ground current measuring (winding side 1)
- X4** – TI: Standard current measuring card (for the winding side 2)
- X5** – OR6: Assembly Group with 6 Output Relays (Changeover / Form C)
- X6** – DI8: Assembly Group with 8 Digital Inputs
- X100** – IEC 61850 / Modbus TCP / IEC 60870-5-104 / DNP3.0 TCP/UDP, Ethernet interface, 100 Mbit/s, RJ45 (BASE100-FX)
- X102** – Universal Resistance-Temperature Detector (URTD) input, Fiber optics interface, Versatile Link
- X104** – IRIG-B00X, incl. System Contact (Supervision Contact)

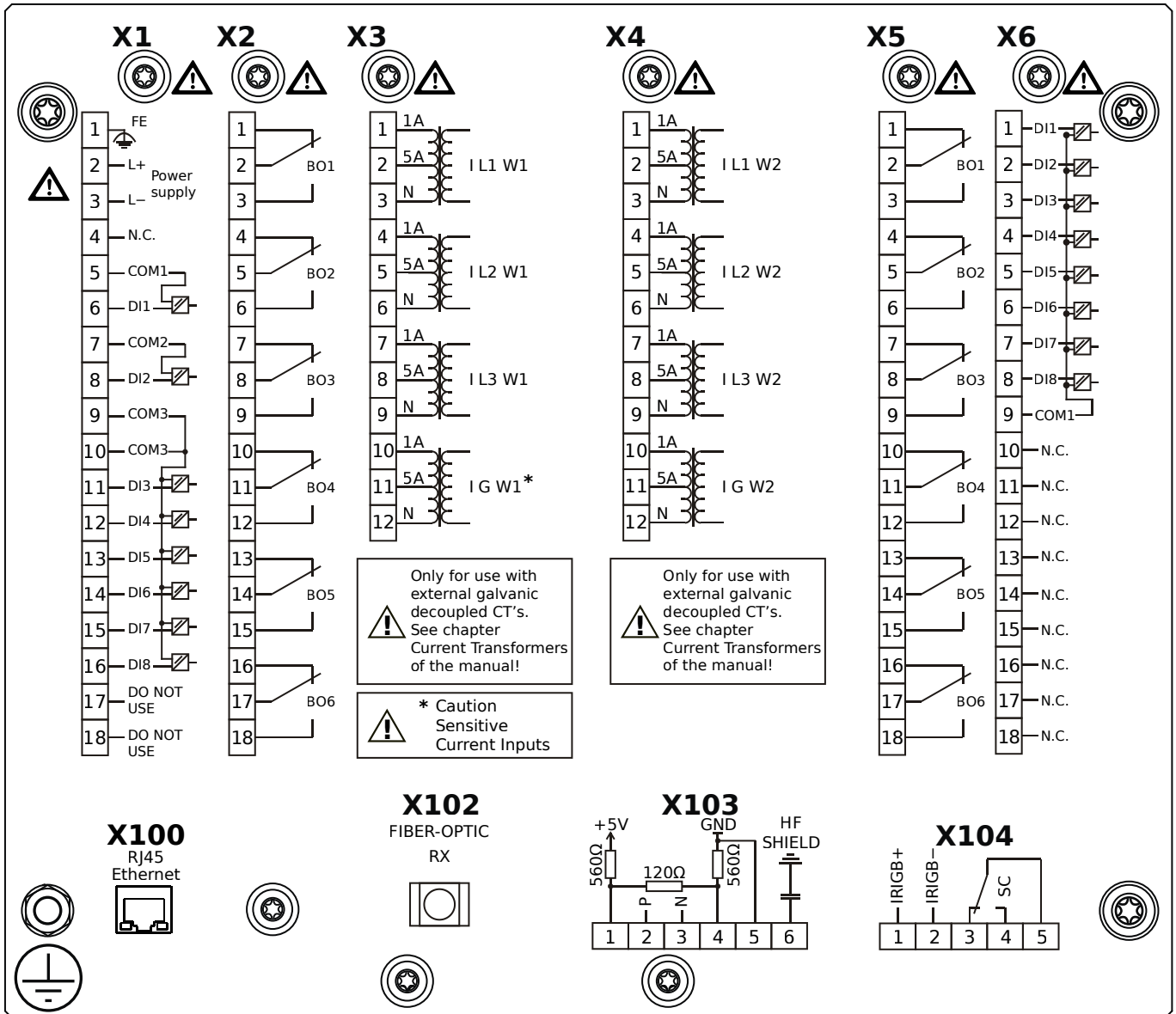
MRDT4-2D1BIA



Housing B2, small display, 19" rack mounting

- X1** – DI8-X1: Wide-range power supply unit, incl. 2 non-grouped digital inputs and 6 grouped digital inputs
- X2** – OR6: Assembly Group with 6 Output Relays (Changeover / Form C)
- X3** – TIs: Standard phase current measuring card and sensitive ground current measuring (winding side 1)
- X4** – TI: Standard current measuring card (for the winding side 2)
- X5** – OR6: Assembly Group with 6 Output Relays (Changeover / Form C)
- X6** – DI8: Assembly Group with 8 Digital Inputs
- X100** – Modbus TCP / IEC 60870-5-104 / DNP3.0 TCP/UDP, Ethernet interface, 100 Mbit/s, RJ45 (BASE100-FX)
- X102** – Universal Resistance-Temperature Detector (URTD) input, Fiber optics interface, Versatile Link
- X103** – IEC 60870-5-103 / Modbus RTU / DNP3.0 RTU, RS485, Terminals
- X104** – IRIG-B00X, incl. System Contact (Supervision Contact)

MRDT4-2D1BIB

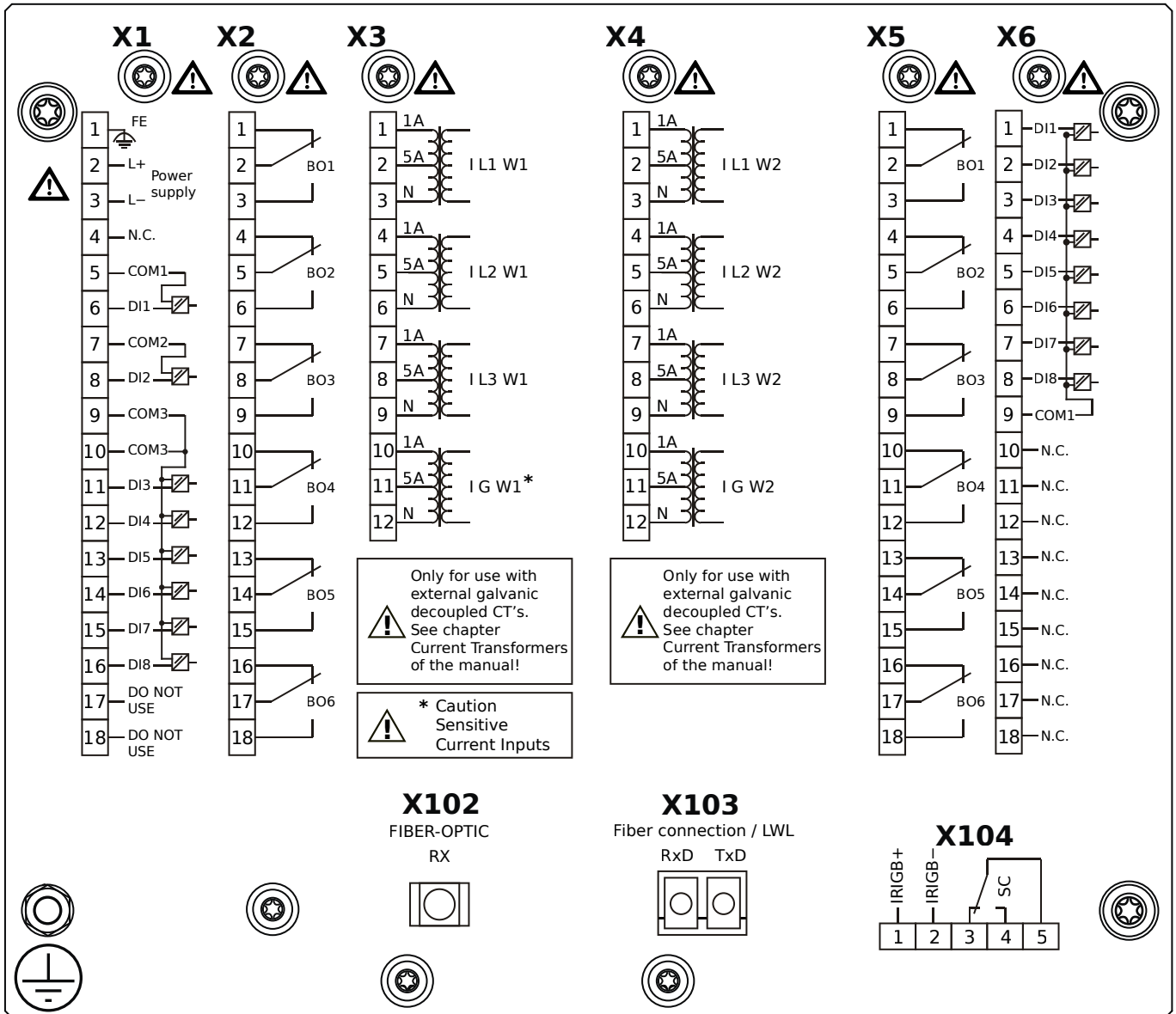


Housing B2, small display, 19" rack mounting

+ Conformal Coating (for installations in harsh environment)

- X1** – DI8-X1: Wide-range power supply unit, incl. 2 non-grouped digital inputs and 6 grouped digital inputs
- X2** – OR6: Assembly Group with 6 Output Relays (Changeover / Form C)
- X3** – TIs: Standard phase current measuring card and sensitive ground current measuring (winding side 1)
- X4** – TI: Standard current measuring card (for the winding side 2)
- X5** – OR6: Assembly Group with 6 Output Relays (Changeover / Form C)
- X6** – DI8: Assembly Group with 8 Digital Inputs
- X100** – Modbus TCP / IEC 60870-5-104 / DNP3.0 TCP/UDP, Ethernet interface, 100 Mbit/s, RJ45 (BASE100-FX)
- X102** – Universal Resistance-Temperature Detector (URTD) input, Fiber optics interface, Versatile Link
- X103** – IEC 60870-5-103 / Modbus RTU / DNP3.0 RTU, RS485, Terminals
- X104** – IRIG-B00X, incl. System Contact (Supervision Contact)

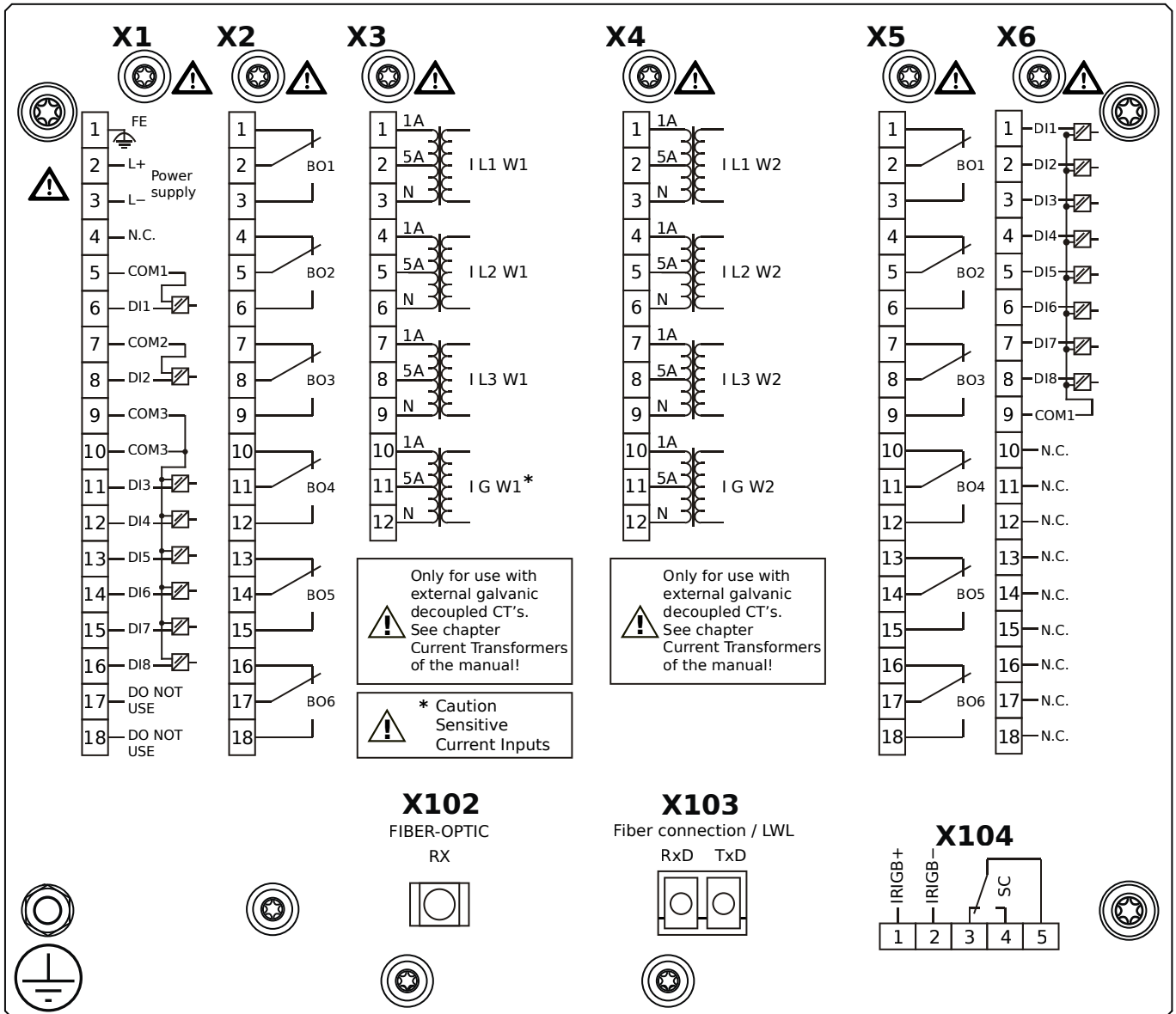
MRDT4-2D1BKA



Housing B2, small display, 19" rack mounting

- X1** – DI8-X1: Wide-range power supply unit, incl. 2 non-grouped digital inputs and 6 grouped digital inputs
- X2** – OR6: Assembly Group with 6 Output Relays (Changeover / Form C)
- X3** – TIs: Standard phase current measuring card and sensitive ground current measuring (winding side 1)
- X4** – TI: Standard current measuring card (for the winding side 2)
- X5** – OR6: Assembly Group with 6 Output Relays (Changeover / Form C)
- X6** – DI8: Assembly Group with 8 Digital Inputs
- X102** – Universal Resistance-Temperature Detector (URTD) input, Fiber optics interface, Versatile Link
- X103** – IEC 61850 / Modbus TCP / IEC 60870-5-104 / DNP3.0 TCP/UDP, Fiber optics interface, LC Connector
- X104** – IRIG-B00X, incl. System Contact (Supervision Contact)

MRDT4-2D1BKB

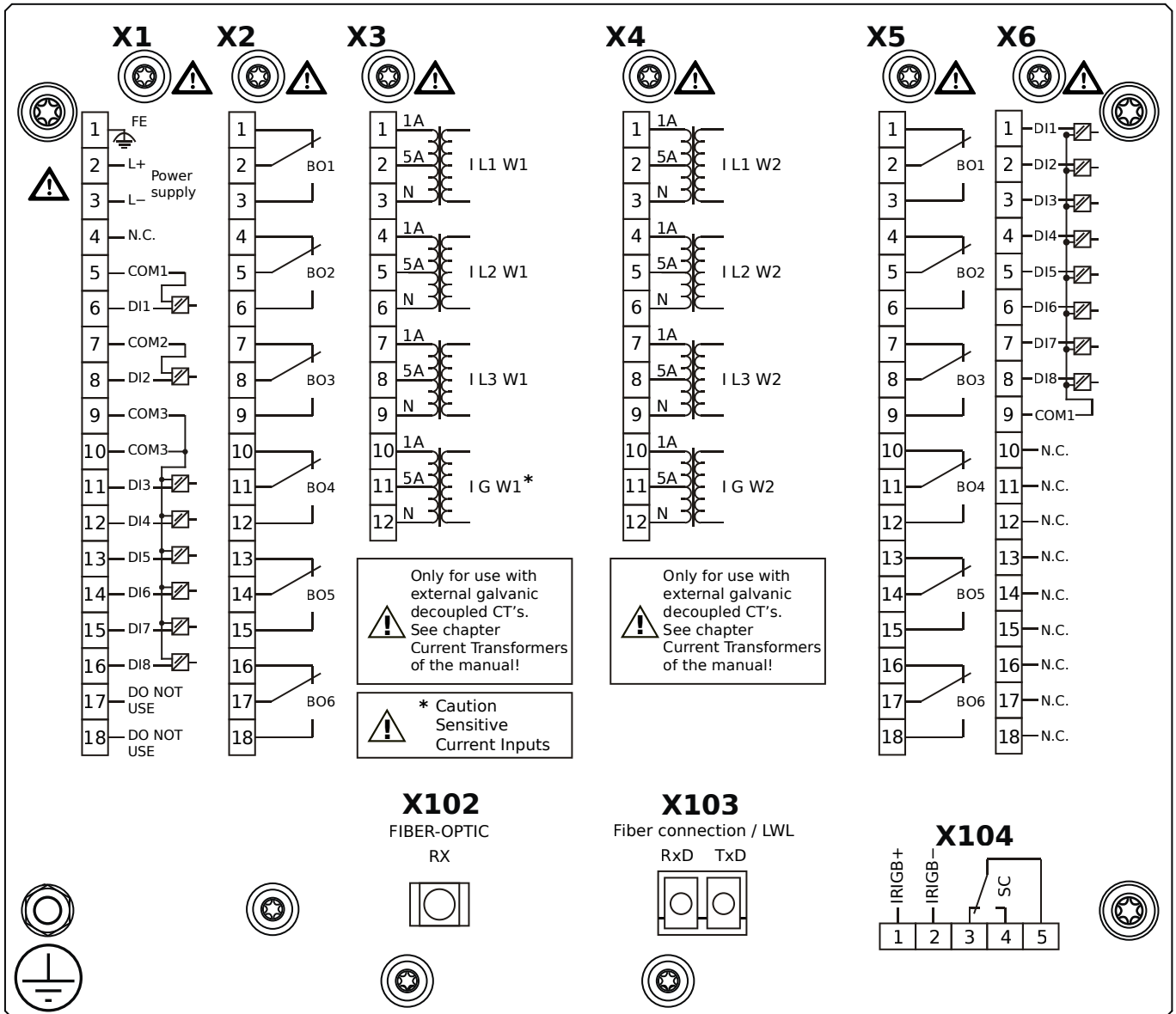


Housing B2, small display, 19" rack mounting

+ Conformal Coating (for installations in harsh environment)

- X1** – DI8-X1: Wide-range power supply unit, incl. 2 non-grouped digital inputs and 6 grouped digital inputs
- X2** – OR6: Assembly Group with 6 Output Relays (Changeover / Form C)
- X3** – TIs: Standard phase current measuring card and sensitive ground current measuring (winding side 1)
- X4** – TI: Standard current measuring card (for the winding side 2)
- X5** – OR6: Assembly Group with 6 Output Relays (Changeover / Form C)
- X6** – DI8: Assembly Group with 8 Digital Inputs
- X102** – Universal Resistance-Temperature Detector (URTD) input, Fiber optics interface, Versatile Link
- X103** – IEC 61850 / Modbus TCP / IEC 60870-5-104 / DNP3.0 TCP/UDP, Fiber optics interface, LC Connector
- X104** – IRIG-B00X, incl. System Contact (Supervision Contact)

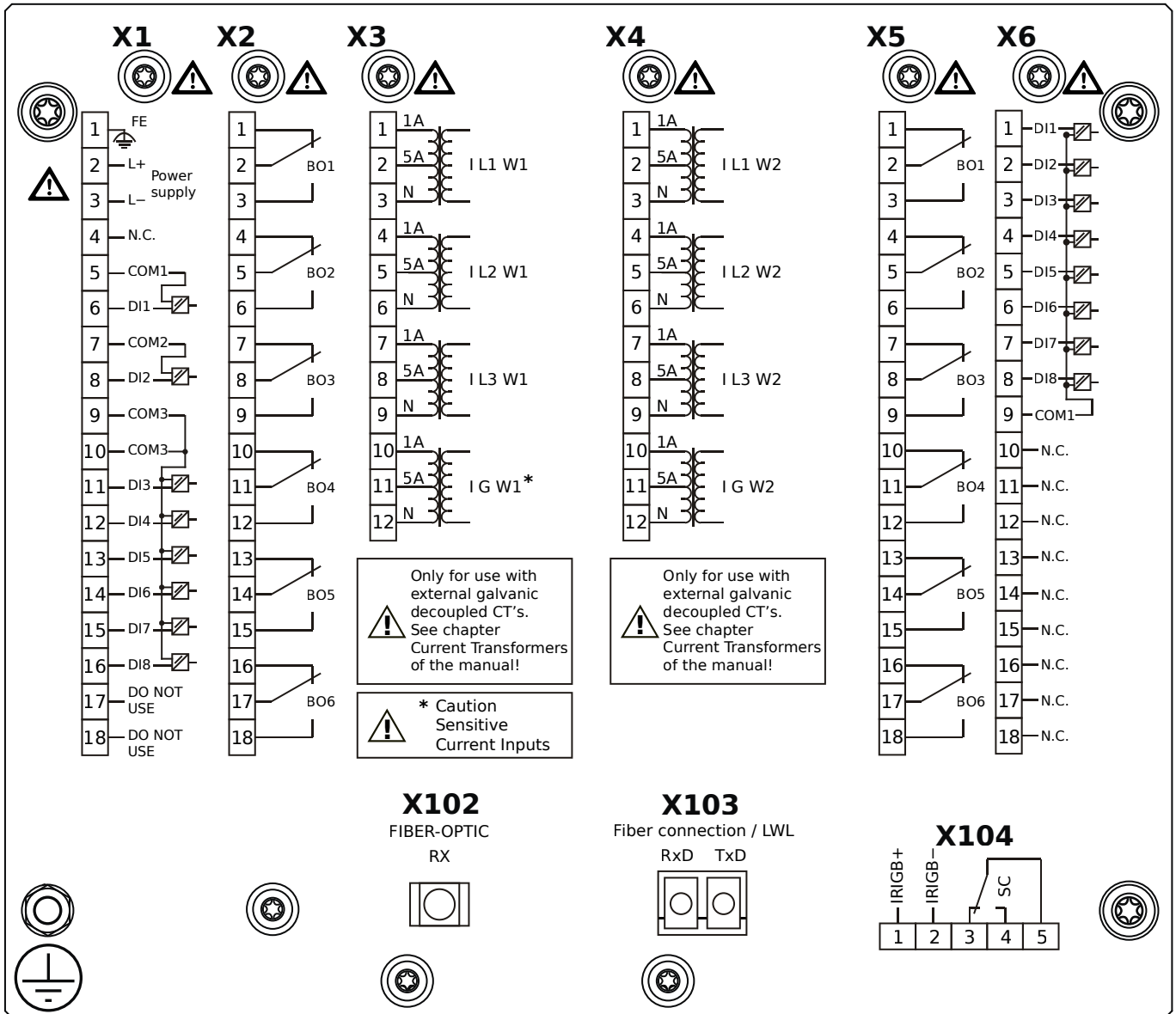
MRDT4-2D1BLA



Housing B2, small display, 19" rack mounting

- X1** – DI8-X1: Wide-range power supply unit, incl. 2 non-grouped digital inputs and 6 grouped digital inputs
- X2** – OR6: Assembly Group with 6 Output Relays (Changeover / Form C)
- X3** – TIs: Standard phase current measuring card and sensitive ground current measuring (winding side 1)
- X4** – TI: Standard current measuring card (for the winding side 2)
- X5** – OR6: Assembly Group with 6 Output Relays (Changeover / Form C)
- X6** – DI8: Assembly Group with 8 Digital Inputs
- X102** – Universal Resistance-Temperature Detector (URTD) input, Fiber optics interface, Versatile Link
- X103** – Modbus TCP / IEC 60870-5-104 / DNP3.0 TCP/UDP, Fiber optics interface, LC Connector
- X104** – IRIG-B00X, incl. System Contact (Supervision Contact)

MRDT4-2D1BLB

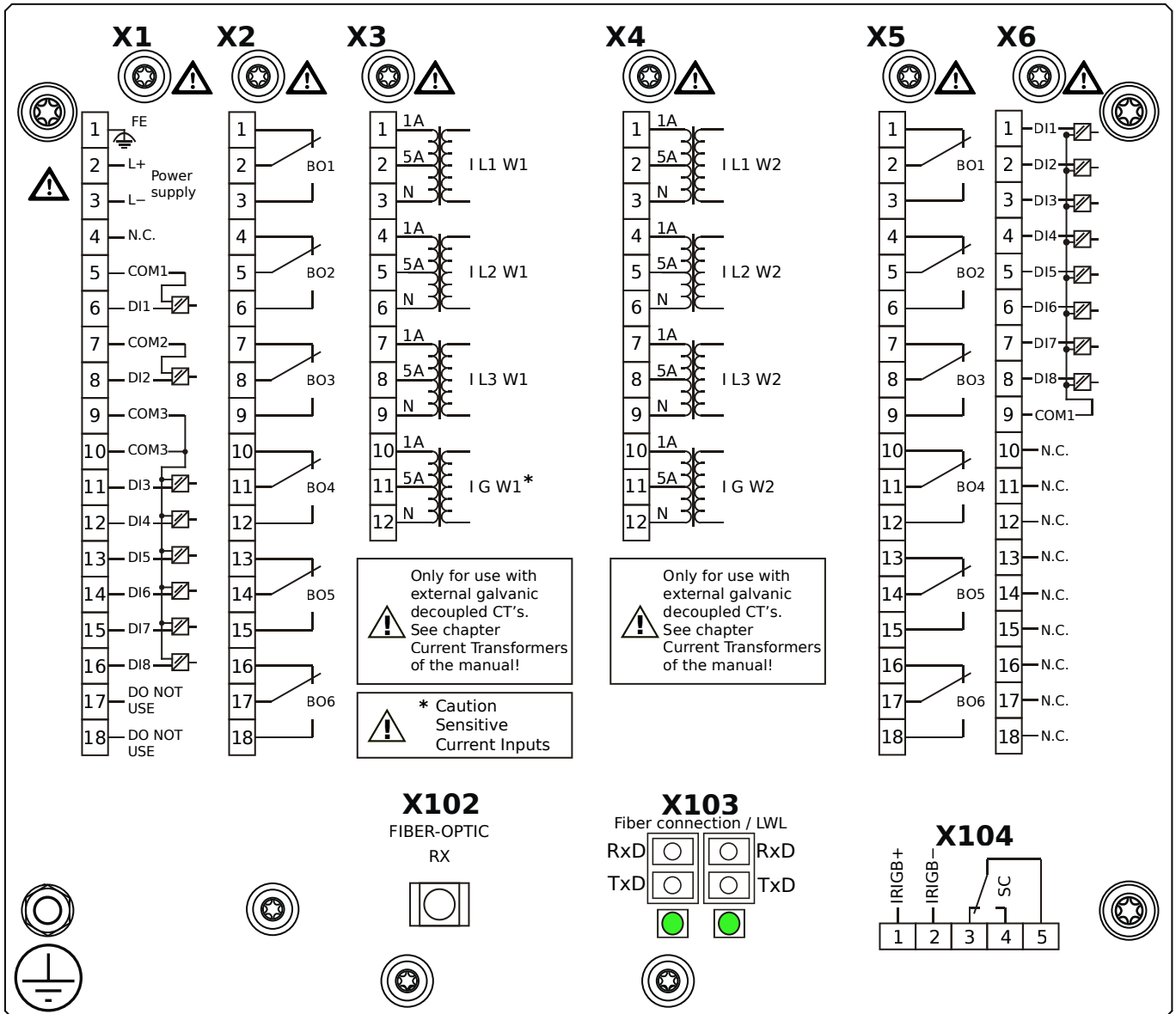


Housing B2, small display, 19" rack mounting

+ Conformal Coating (for installations in harsh environment)

- X1** – DI8-X1: Wide-range power supply unit, incl. 2 non-grouped digital inputs and 6 grouped digital inputs
- X2** – OR6: Assembly Group with 6 Output Relays (Changeover / Form C)
- X3** – TIs: Standard phase current measuring card and sensitive ground current measuring (winding side 1)
- X4** – TI: Standard current measuring card (for the winding side 2)
- X5** – OR6: Assembly Group with 6 Output Relays (Changeover / Form C)
- X6** – DI8: Assembly Group with 8 Digital Inputs
- X102** – Universal Resistance-Temperature Detector (URTD) input, Fiber optics interface, Versatile Link
- X103** – Modbus TCP / IEC 60870-5-104 / DNP3.0 TCP/UDP, Fiber optics interface, LC Connector
- X104** – IRIG-B00X, incl. System Contact (Supervision Contact)

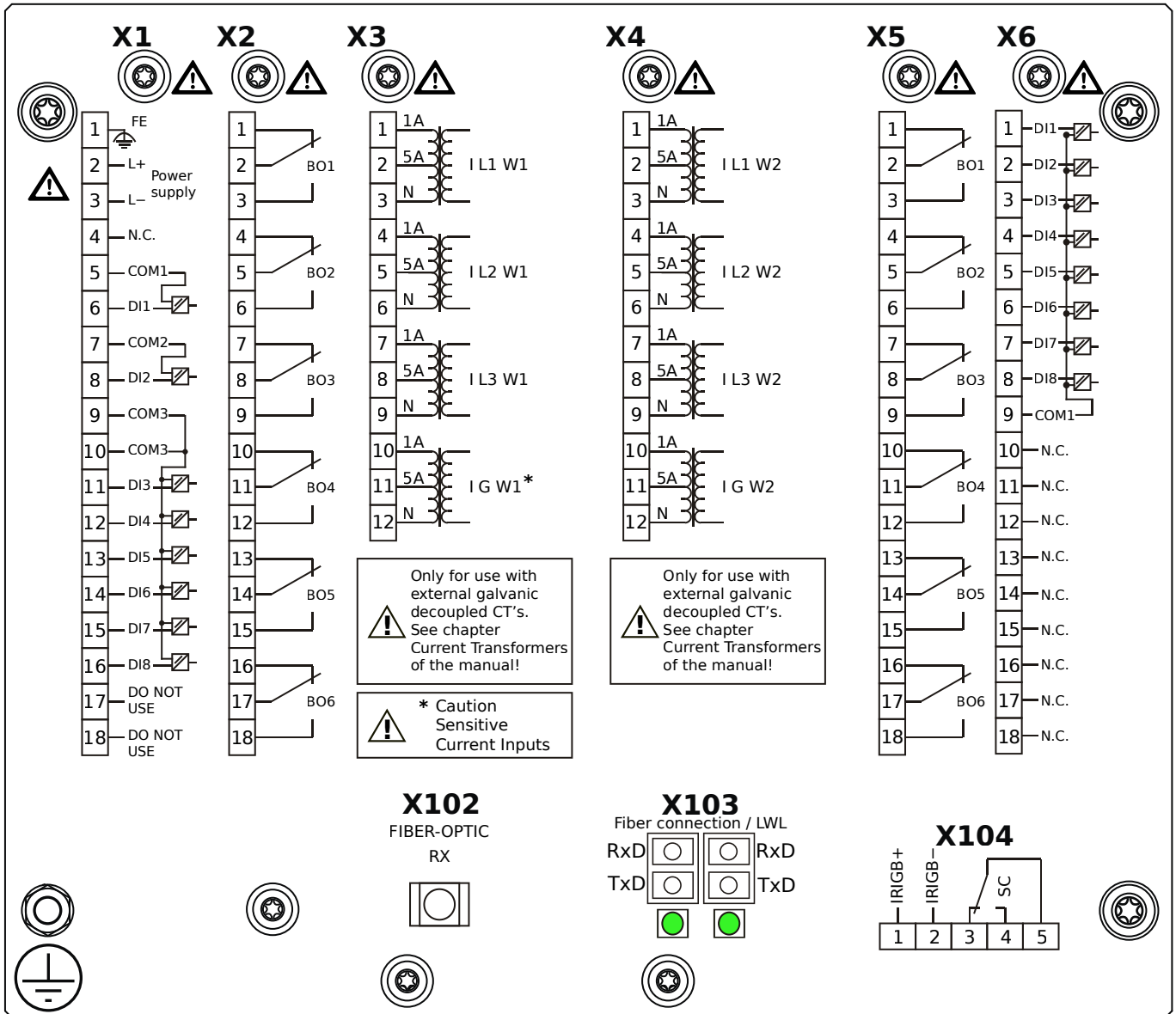
MRDT4-2D1BOA



Housing B2, small display, 19" rack mounting

- X1** – DI8-X1: Wide-range power supply unit, incl. 2 non-grouped digital inputs and 6 grouped digital inputs
- X2** – OR6: Assembly Group with 6 Output Relays (Changeover / Form C)
- X3** – TIs: Standard phase current measuring card and sensitive ground current measuring (winding side 1)
- X4** – TI: Standard current measuring card (for the winding side 2)
- X5** – OR6: Assembly Group with 6 Output Relays (Changeover / Form C)
- X6** – DI8: Assembly Group with 8 Digital Inputs
- X102** – Universal Resistance-Temperature Detector (URTD) input, Fiber optics interface, Versatile Link
- X103** – Modbus TCP / IEC 60870-5-104 / DNP3.0 TCP/UDP, Redundant Fiber optics interface, LC Connector
- X104** – IRIG-B00X, incl. System Contact (Supervision Contact)

MRDT4-2D1BOB

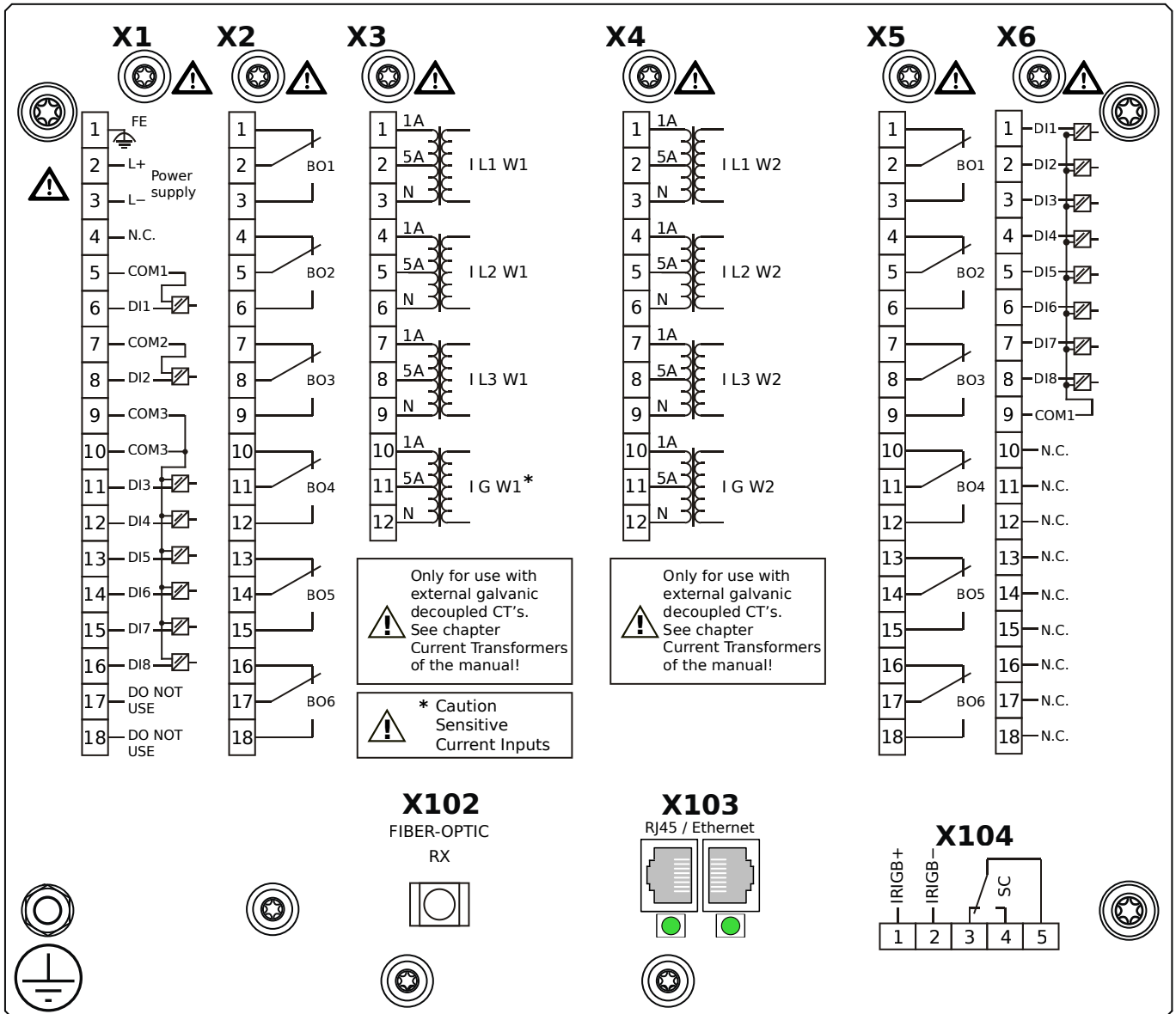


Housing B2, small display, 19" rack mounting

+ Conformal Coating (for installations in harsh environment)

- X1** – DI8-X1: Wide-range power supply unit, incl. 2 non-grouped digital inputs and 6 grouped digital inputs
- X2** – OR6: Assembly Group with 6 Output Relays (Changeover / Form C)
- X3** – TIs: Standard phase current measuring card and sensitive ground current measuring (winding side 1)
- X4** – TI: Standard current measuring card (for the winding side 2)
- X5** – OR6: Assembly Group with 6 Output Relays (Changeover / Form C)
- X6** – DI8: Assembly Group with 8 Digital Inputs
- X102** – Universal Resistance-Temperature Detector (URTD) input, Fiber optics interface, Versatile Link
- X103** – Modbus TCP / IEC 60870-5-104 / DNP3.0 TCP/UDP, Redundant Fiber optics interface, LC Connector
- X104** – IRIG-B00X, incl. System Contact (Supervision Contact)

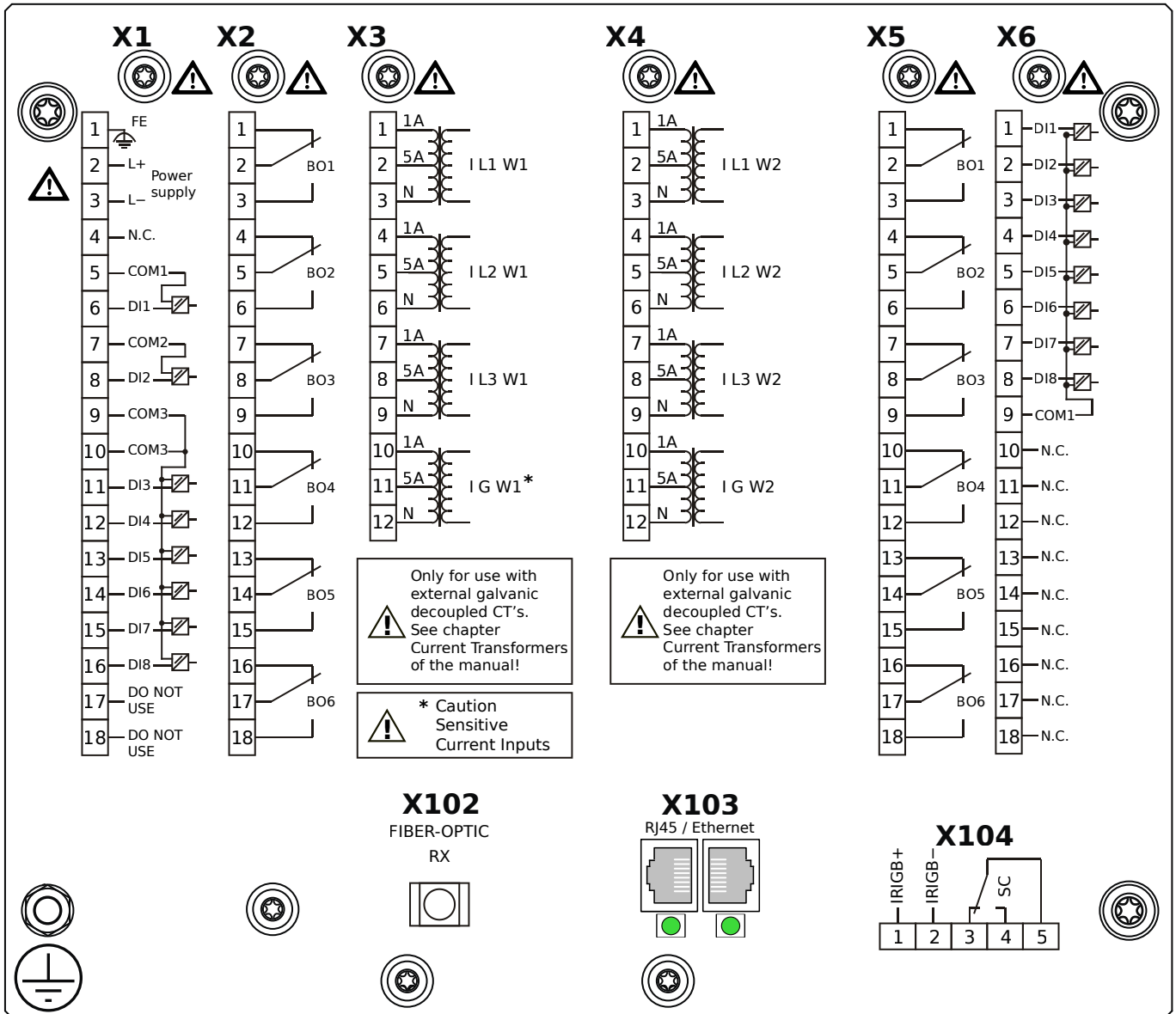
MRDT4-2D1BPA



Housing B2, small display, 19" rack mounting

- X1** – DI8-X1: Wide-range power supply unit, incl. 2 non-grouped digital inputs and 6 grouped digital inputs
- X2** – OR6: Assembly Group with 6 Output Relays (Changeover / Form C)
- X3** – TIs: Standard phase current measuring card and sensitive ground current measuring (winding side 1)
- X4** – TI: Standard current measuring card (for the winding side 2)
- X5** – OR6: Assembly Group with 6 Output Relays (Changeover / Form C)
- X6** – DI8: Assembly Group with 8 Digital Inputs
- X102** – Universal Resistance-Temperature Detector (URTD) input, Fiber optics interface, Versatile Link
- X103** – Modbus TCP / IEC 60870-5-104 / DNP3.0 TCP/UDP, Redundant Ethernet interface, 100 Mbit/s, RJ45 (BASE100-FX)
- X104** – IRIG-B00X, incl. System Contact (Supervision Contact)

MRDT4-2D1BPB

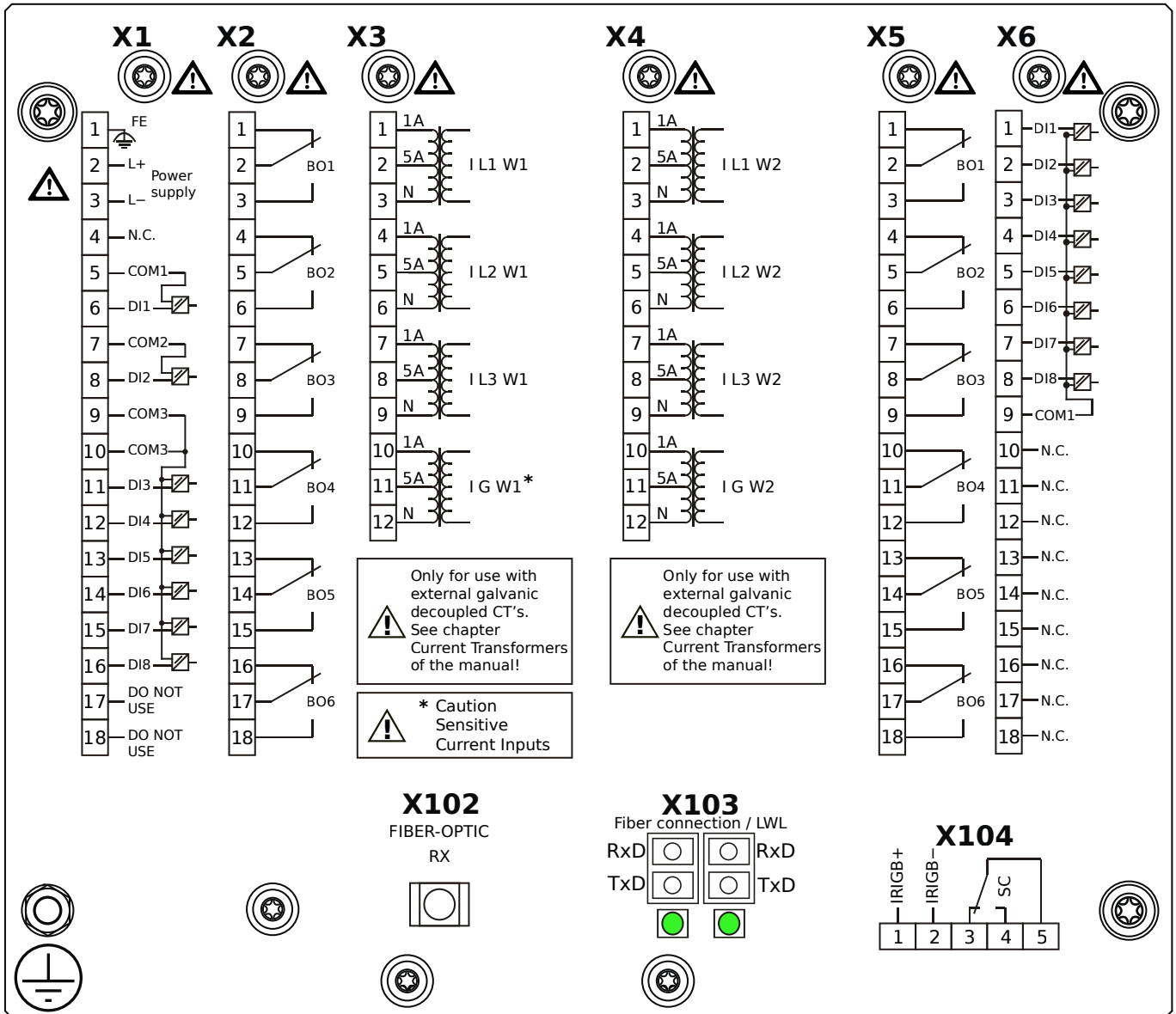


Housing B2, small display, 19" rack mounting

+ Conformal Coating (for installations in harsh environment)

- X1** – DI8-X1: Wide-range power supply unit, incl. 2 non-grouped digital inputs and 6 grouped digital inputs
- X2** – OR6: Assembly Group with 6 Output Relays (Changeover / Form C)
- X3** – TIs: Standard phase current measuring card and sensitive ground current measuring (winding side 1)
- X4** – TI: Standard current measuring card (for the winding side 2)
- X5** – OR6: Assembly Group with 6 Output Relays (Changeover / Form C)
- X6** – DI8: Assembly Group with 8 Digital Inputs
- X102** – Universal Resistance-Temperature Detector (URTD) input, Fiber optics interface, Versatile Link
- X103** – Modbus TCP / IEC 60870-5-104 / DNP3.0 TCP/UDP, Redundant Ethernet interface, 100 Mbit/s, RJ45 (BASE100-FX)
- X104** – IRIG-B00X, incl. System Contact (Supervision Contact)

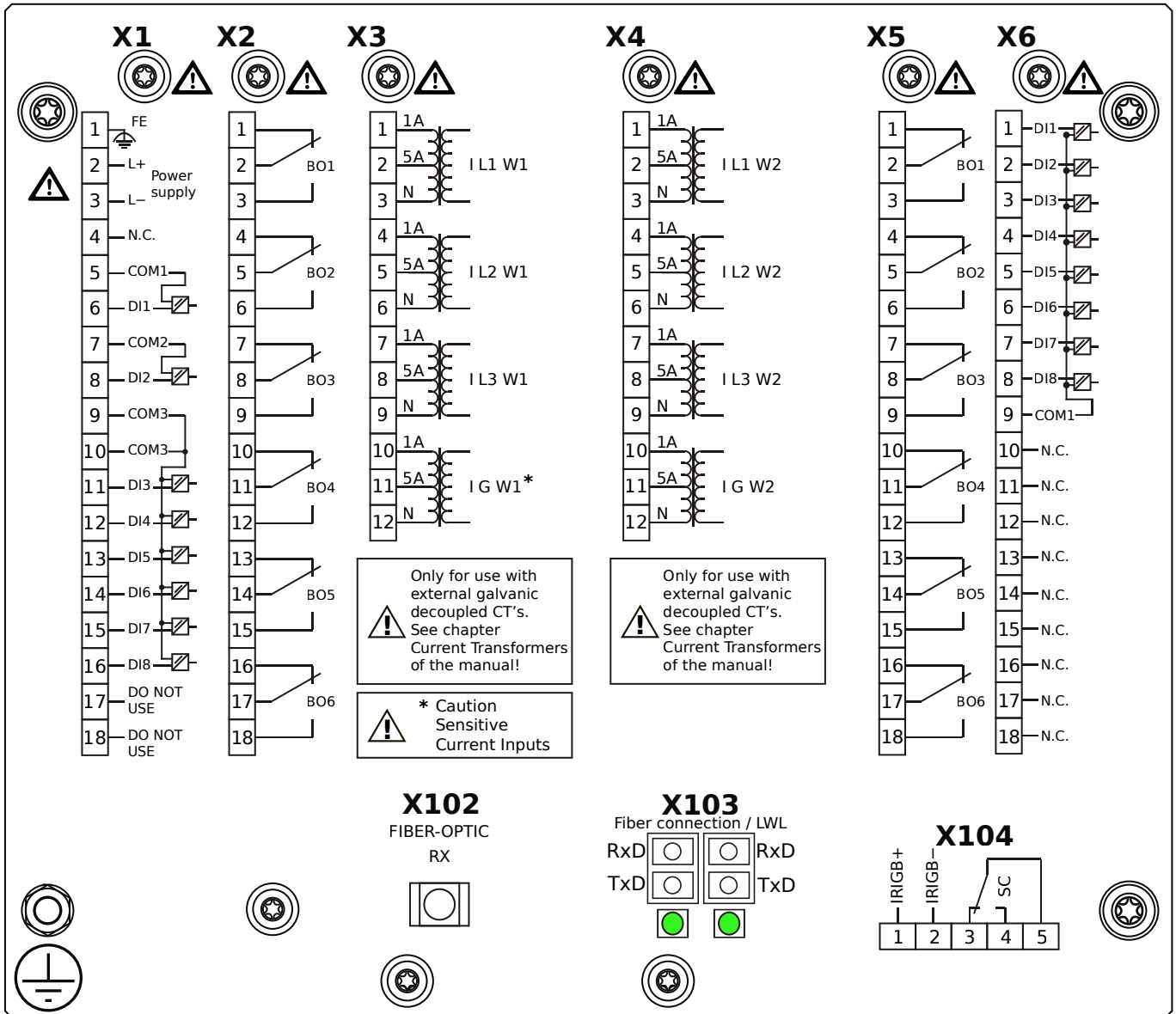
MRDT4-2D1BQA



Housing B2, small display, 19" rack mounting

- X1** – DI8-X1: Wide-range power supply unit, incl. 2 non-grouped digital inputs and 6 grouped digital inputs
- X2** – OR6: Assembly Group with 6 Output Relays (Changeover / Form C)
- X3** – TIs: Standard phase current measuring card and sensitive ground current measuring (winding side 1)
- X4** – TI: Standard current measuring card (for the winding side 2)
- X5** – OR6: Assembly Group with 6 Output Relays (Changeover / Form C)
- X6** – DI8: Assembly Group with 8 Digital Inputs
- X102** – Universal Resistance-Temperature Detector (URTD) input, Fiber optics interface, Versatile Link
- X103** – IEC 61850 / Modbus TCP / IEC 60870-5-104 / DNP3.0 TCP/UDP, Redundant Fiber optics interface, LC Connector
- X104** – IRIG-B00X, incl. System Contact (Supervision Contact)

MRDT4-2D1BQB



Housing B2, small display, 19" rack mounting

+ Conformal Coating (for installations in harsh environment)

X1 – DI8-X1: Wide-range power supply unit, incl. 2 non-grouped digital inputs and 6 grouped digital inputs

X2 – OR6: Assembly Group with 6 Output Relays (Changeover / Form C)

X3 – TIs: Standard phase current measuring card and sensitive ground current measuring (winding side 1)

X4 – TI: Standard current measuring card (for the winding side 2)

X5 – OR6: Assembly Group with 6 Output Relays (Changeover / Form C)

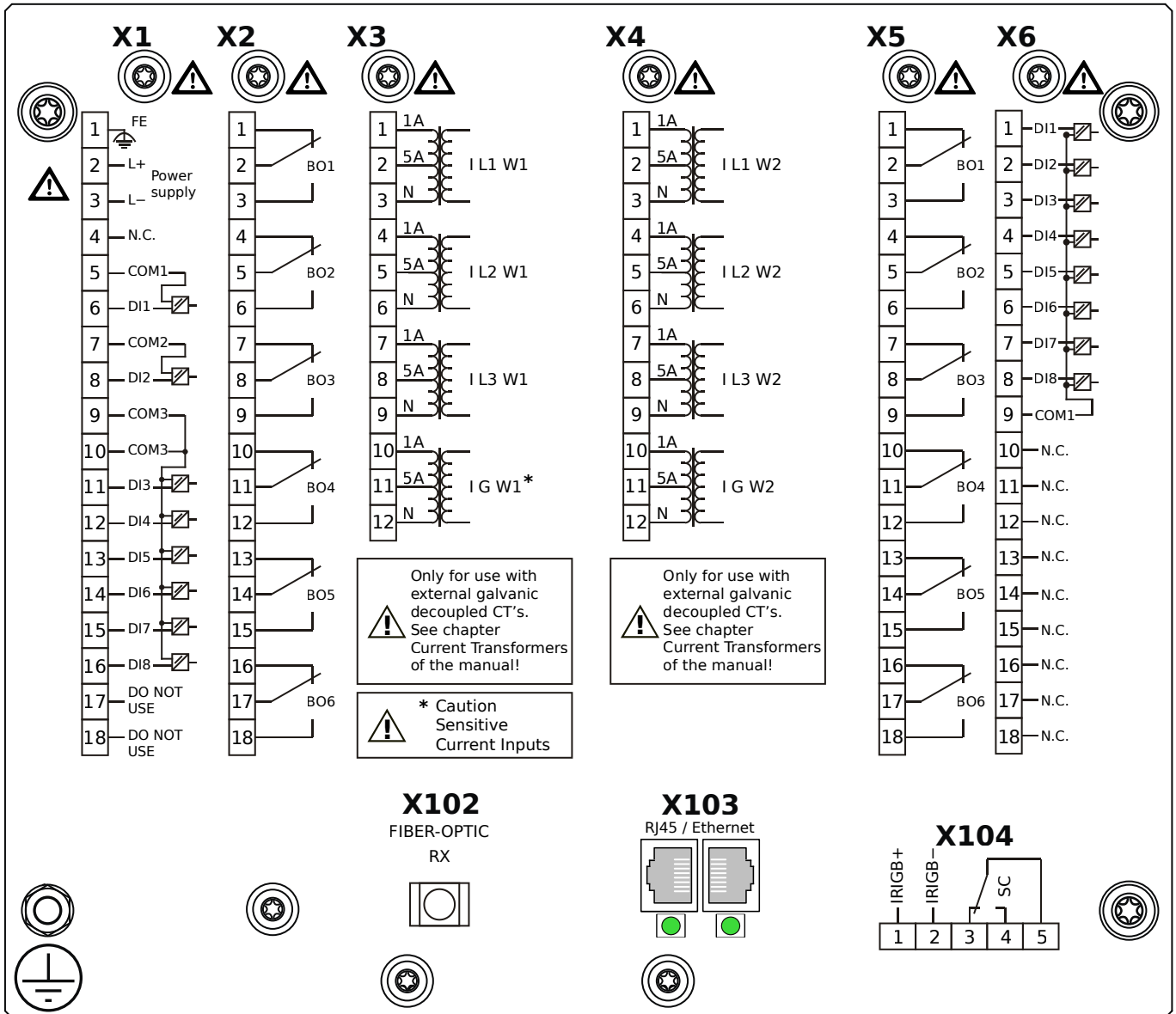
X6 – DI8: Assembly Group with 8 Digital Inputs

X102 – Universal Resistance-Temperature Detector (URTD) input, Fiber optics interface, Versatile Link

X103 – IEC 61850 / Modbus TCP / IEC 60870-5-104 / DNP3.0 TCP/UDP, Redundant Fiber optics interface, LC Connector

X104 – IRIG-B00X, incl. System Contact (Supervision Contact)

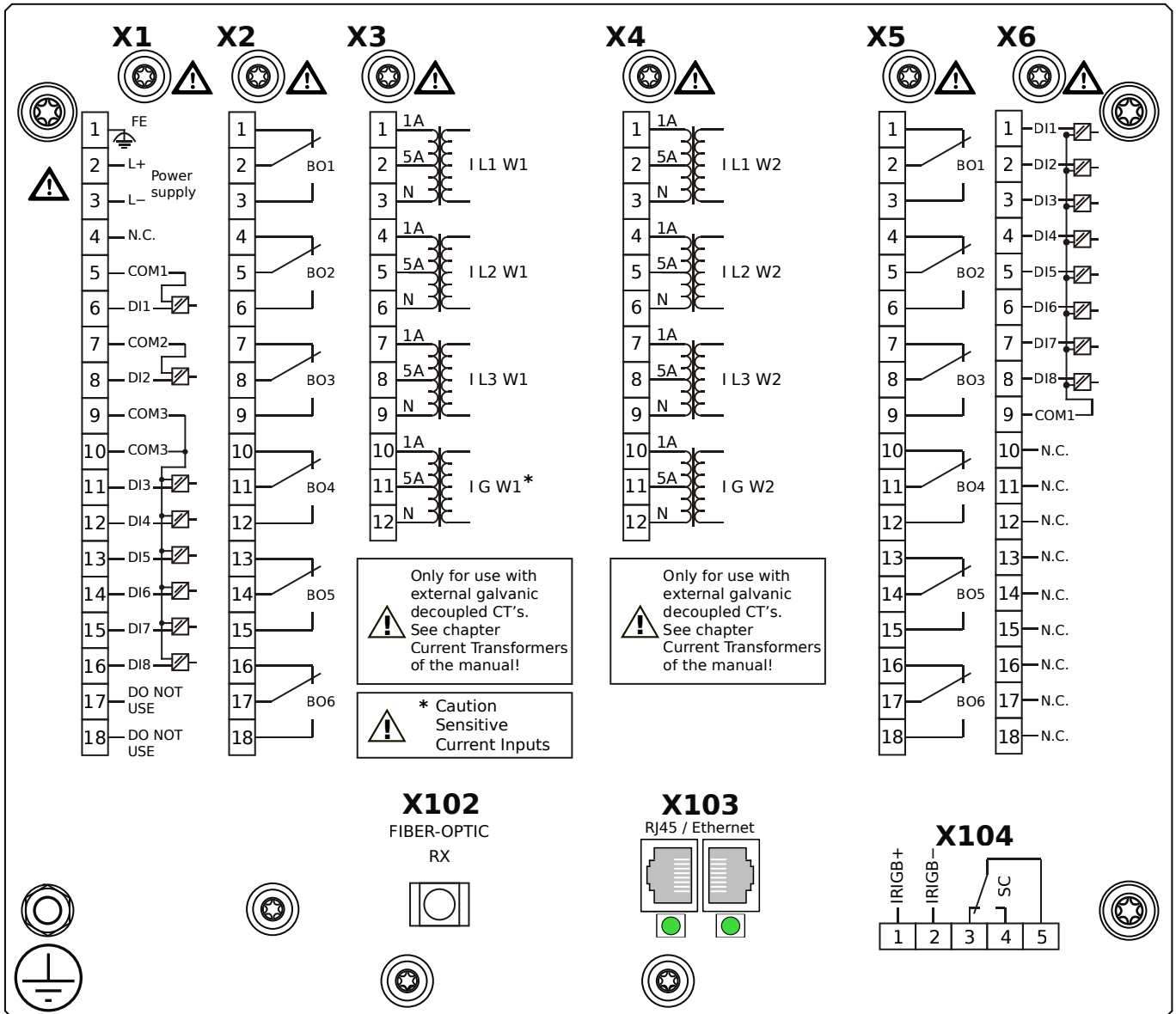
MRDT4-2D1BRA



Housing B2, small display, 19" rack mounting

- X1** – DI8-X1: Wide-range power supply unit, incl. 2 non-grouped digital inputs and 6 grouped digital inputs
- X2** – OR6: Assembly Group with 6 Output Relays (Changeover / Form C)
- X3** – TIs: Standard phase current measuring card and sensitive ground current measuring (winding side 1)
- X4** – TI: Standard current measuring card (for the winding side 2)
- X5** – OR6: Assembly Group with 6 Output Relays (Changeover / Form C)
- X6** – DI8: Assembly Group with 8 Digital Inputs
- X102** – Universal Resistance-Temperature Detector (URTD) input, Fiber optics interface, Versatile Link
- X103** – IEC 61850 / Modbus TCP / IEC 60870-5-104 / DNP3.0 TCP/UDP, Redundant Ethernet interface, 100 Mbit/s, RJ45 (BASE100-FX)
- X104** – IRIG-B00X, incl. System Contact (Supervision Contact)

MRDT4-2D1BRB



Housing B2, small display, 19" rack mounting

+ Conformal Coating (for installations in harsh environment)

X1 – DI8-X1: Wide-range power supply unit, incl. 2 non-grouped digital inputs and 6 grouped digital inputs

X2 – OR6: Assembly Group with 6 Output Relays (Changeover / Form C)

X3 – TIs: Standard phase current measuring card and sensitive ground current measuring (winding side 1)

X4 – TI: Standard current measuring card (for the winding side 2)

X5 – OR6: Assembly Group with 6 Output Relays (Changeover / Form C)

X6 – DI8: Assembly Group with 8 Digital Inputs

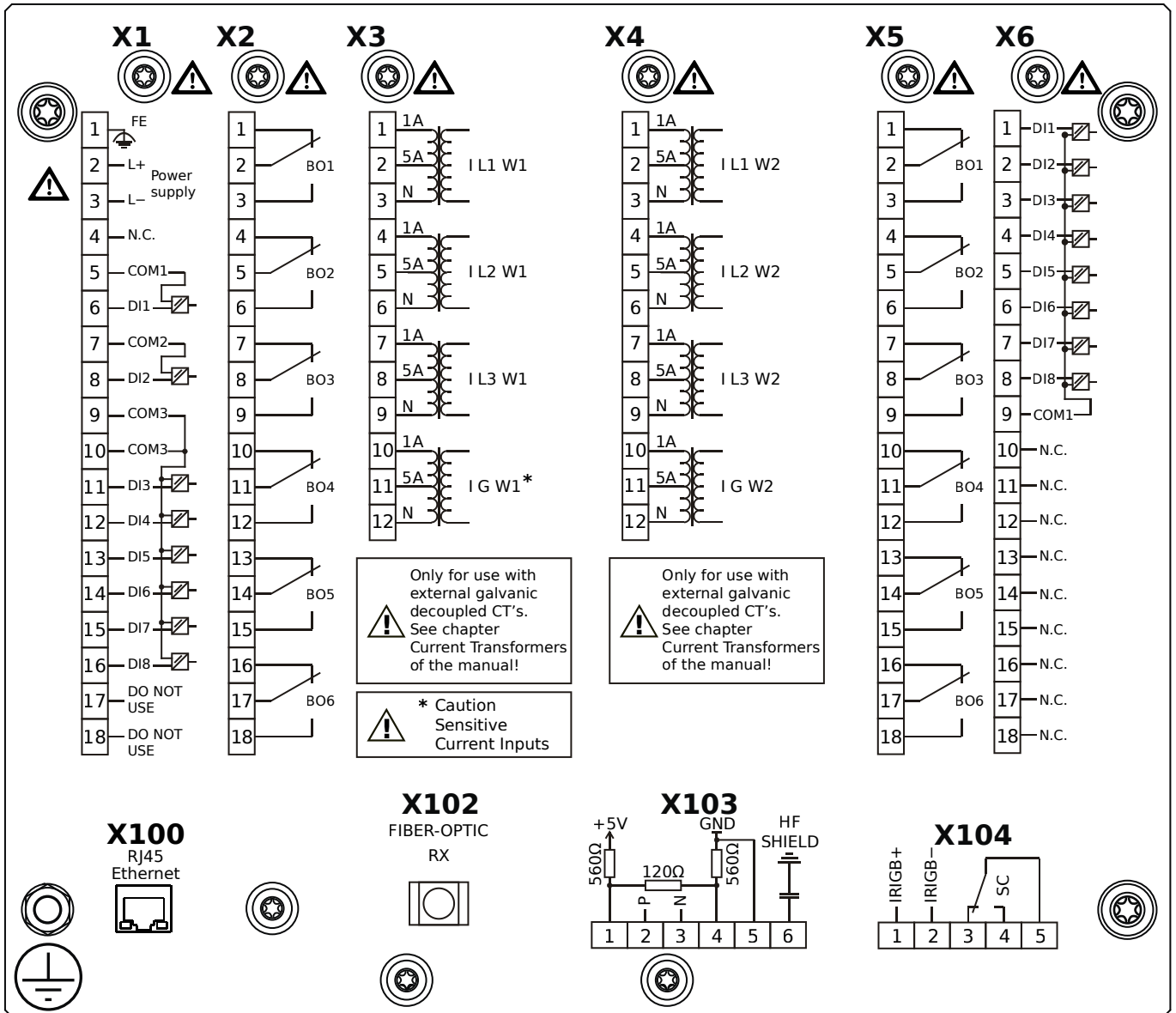
X102 – Universal Resistance-Temperature Detector (URTD) input, Fiber optics interface, Versatile Link

X103 – IEC 61850 / Modbus TCP / IEC 60870-5-104 / DNP3.0 TCP/UDP, Redundant Ethernet interface, 100 Mbit/s, RJ45

(BASE100-FX)

X104 – IRIG-B00X, incl. System Contact (Supervision Contact)

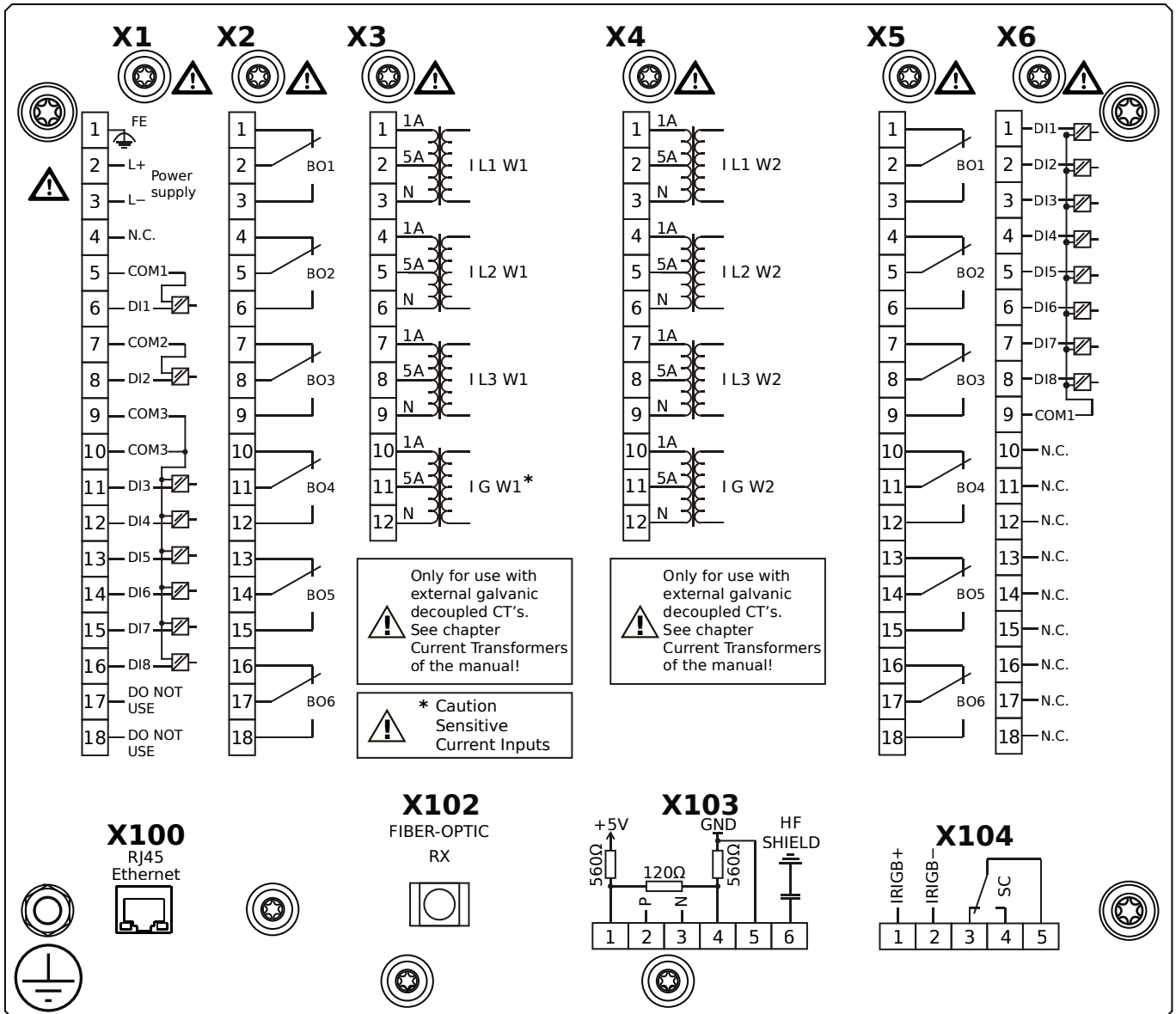
MRDT4-2D1BTA



Housing B2, small display, 19" rack mounting

- X1** – DI8-X1: Wide-range power supply unit, incl. 2 non-grouped digital inputs and 6 grouped digital inputs
- X2** – OR6: Assembly Group with 6 Output Relays (Changeover / Form C)
- X3** – TIs: Standard phase current measuring card and sensitive ground current measuring (winding side 1)
- X4** – TI: Standard current measuring card (for the winding side 2)
- X5** – OR6: Assembly Group with 6 Output Relays (Changeover / Form C)
- X6** – DI8: Assembly Group with 8 Digital Inputs
- X100** – IEC 61850 / Modbus TCP / IEC 60870-5-104 / DNP3.0 TCP/UDP, Ethernet interface, 100 Mbit/s, RJ45 (BASE100-FX)
- X102** – Universal Resistance-Temperature Detector (URTD) input, Fiber optics interface, Versatile Link
- X103** – IEC 60870-5-103 / Modbus RTU / DNP3.0 RTU, RS485, Terminals
- X104** – IRIG-B00X, incl. System Contact (Supervision Contact)

MRDT4-2D1BTB

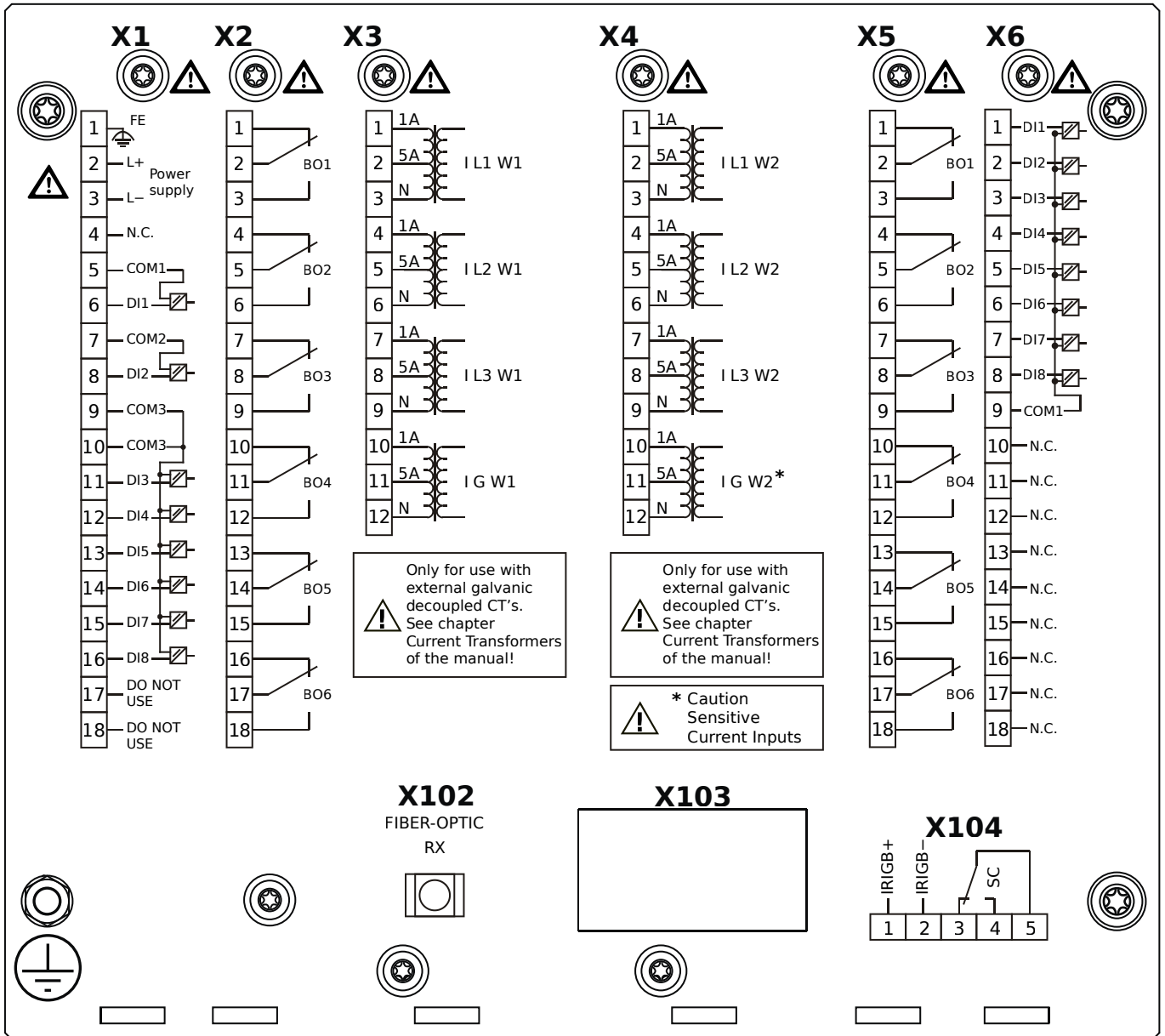


Housing B2, small display, 19" rack mounting

+ Conformal Coating (for installations in harsh environment)

- X1** – DI8-X1: Wide-range power supply unit, incl. 2 non-grouped digital inputs and 6 grouped digital inputs
- X2** – OR6: Assembly Group with 6 Output Relays (Changeover / Form C)
- X3** – TIs: Standard phase current measuring card and sensitive ground current measuring (winding side 1)
- X4** – TI: Standard current measuring card (for the winding side 2)
- X5** – OR6: Assembly Group with 6 Output Relays (Changeover / Form C)
- X6** – DI8: Assembly Group with 8 Digital Inputs
- X100** – IEC 61850 / Modbus TCP / IEC 60870-5-104 / DNP3.0 TCP/UDP, Ethernet interface, 100 Mbit/s, RJ45 (BASE100-FX)
- X102** – Universal Resistance-Temperature Detector (URTD) input, Fiber optics interface, Versatile Link
- X103** – IEC 60870-5-103 / Modbus RTU / DNP3.0 RTU, RS485, Terminals
- X104** – IRIG-B00X, incl. System Contact (Supervision Contact)

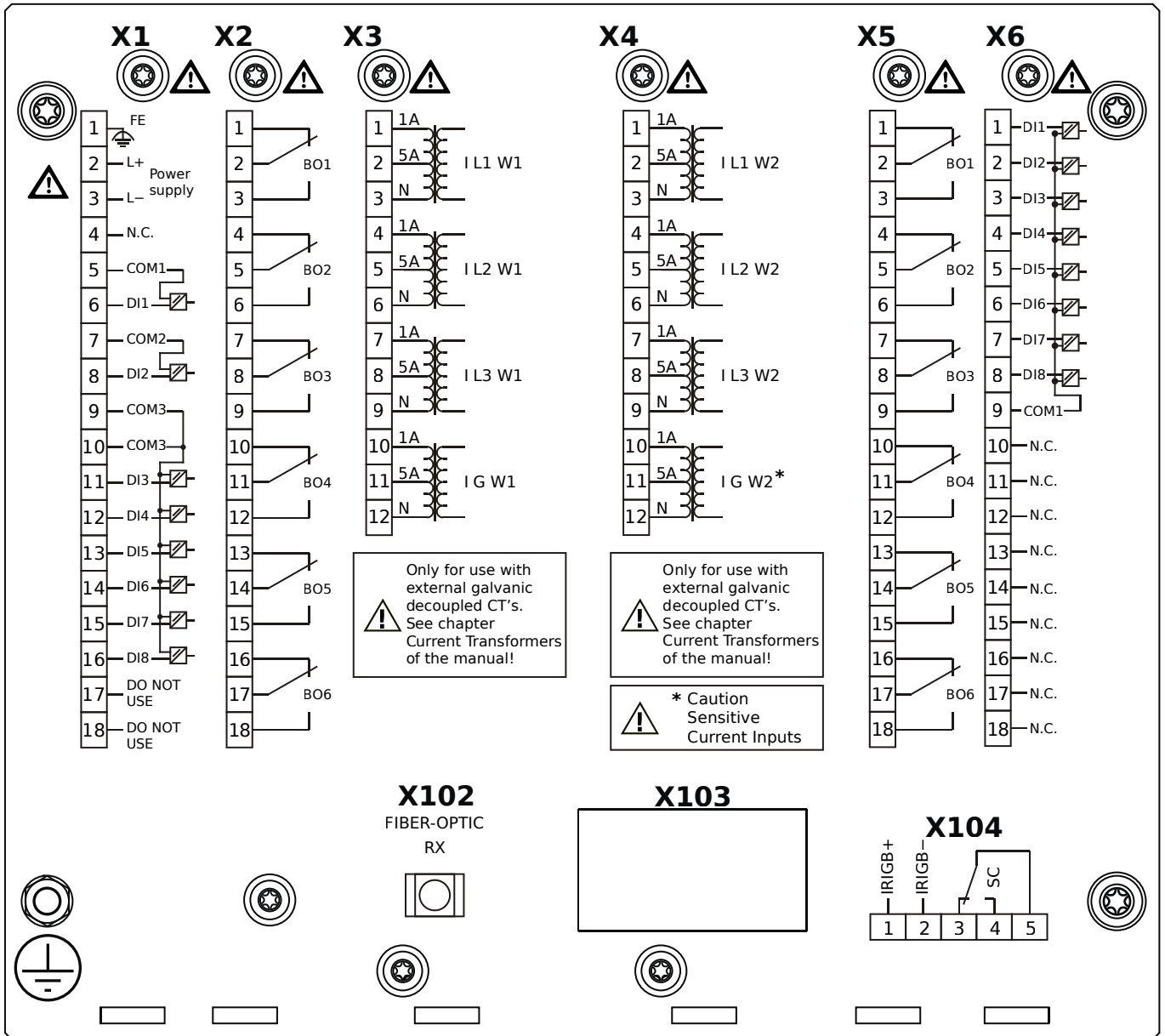
MRDT4-2D2AAA



Housing B2, small display, door mounting

- X1** – DI8-X1: Wide-range power supply unit, incl. 2 non-grouped digital inputs and 6 grouped digital inputs
- X2** – OR6: Assembly Group with 6 Output Relays (Changeover / Form C)
- X3** – TI: Standard current measuring card (for the winding side 1)
- X4** – TIs: Standard phase current measuring card and sensitive ground current measuring (winding side 2)
- X5** – OR6: Assembly Group with 6 Output Relays (Changeover / Form C)
- X6** – DI8: Assembly Group with 8 Digital Inputs
- X102** – Universal Resistance-Temperature Detector (URTD) input, Fiber optics interface, Versatile Link
- X104** – IRIG-B00X, incl. System Contact (Supervision Contact)

MRDT4-2D2AAB

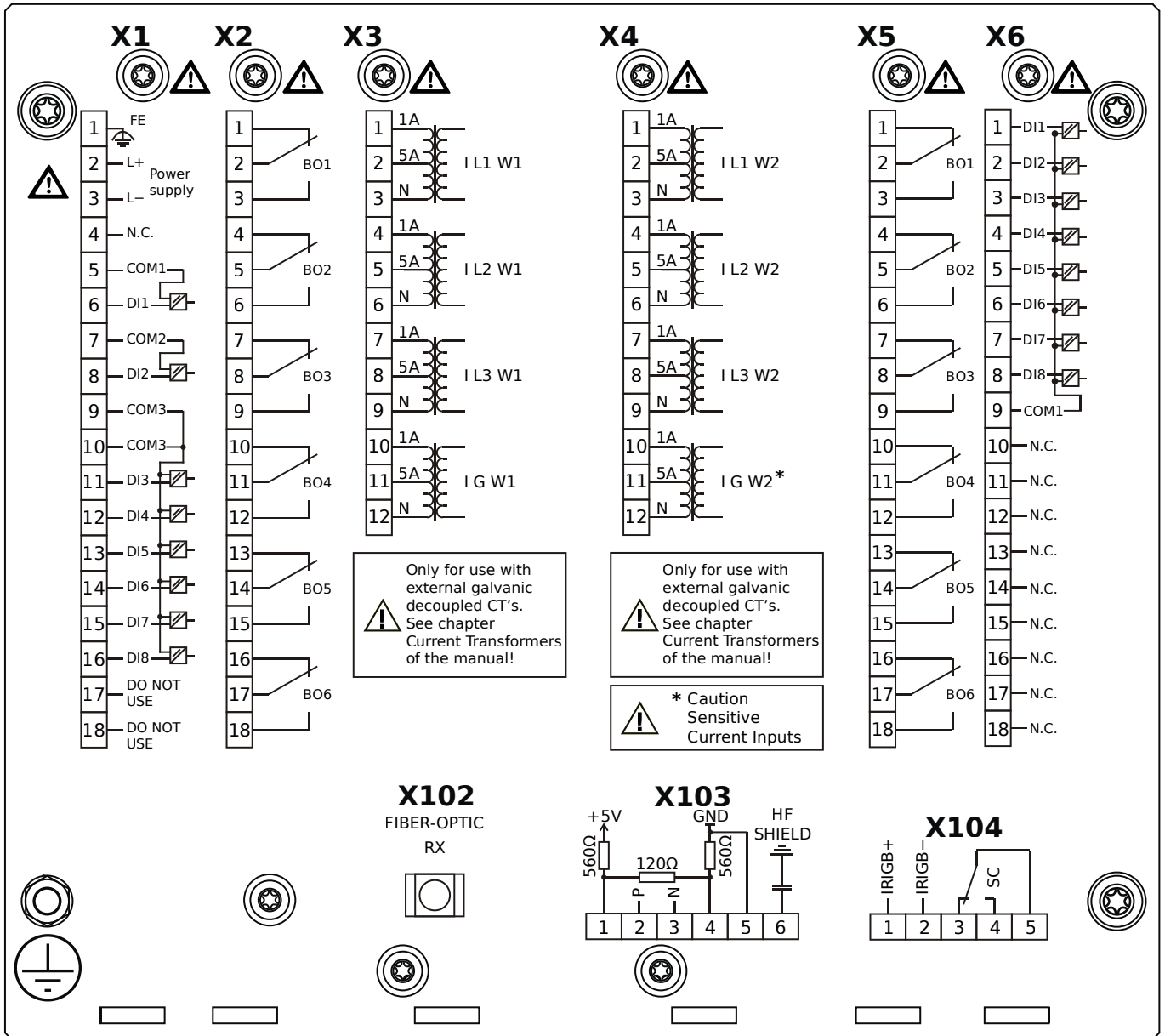


Housing B2, small display, door mounting

+ Conformal Coating (for installations in harsh environment)

- X1** – DI8-X1: Wide-range power supply unit, incl. 2 non-grouped digital inputs and 6 grouped digital inputs
- X2** – OR6: Assembly Group with 6 Output Relays (Changeover / Form C)
- X3** – TI: Standard current measuring card (for the winding side 1)
- X4** – TIs: Standard phase current measuring card and sensitive ground current measuring (winding side 2)
- X5** – OR6: Assembly Group with 6 Output Relays (Changeover / Form C)
- X6** – DI8: Assembly Group with 8 Digital Inputs
- X102** – Universal Resistance-Temperature Detector (URTD) input, Fiber optics interface, Versatile Link
- X104** – IRIG-B00X, incl. System Contact (Supervision Contact)

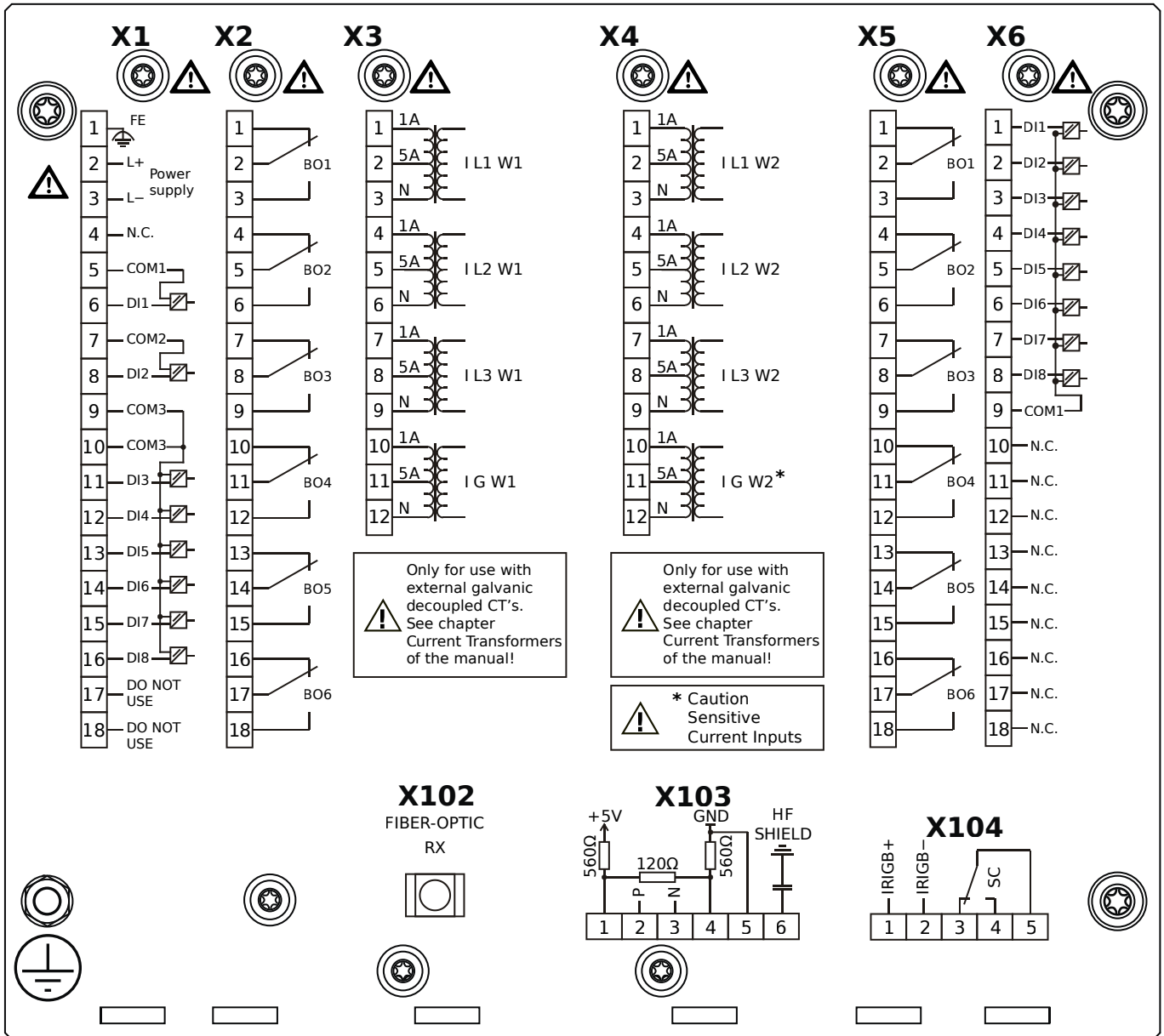
MRDT4-2D2ABA



Housing B2, small display, door mounting

- X1** – DI8-X1: Wide-range power supply unit, incl. 2 non-grouped digital inputs and 6 grouped digital inputs
- X2** – OR6: Assembly Group with 6 Output Relays (Changeover / Form C)
- X3** – TI: Standard current measuring card (for the winding side 1)
- X4** – TIs: Standard phase current measuring card and sensitive ground current measuring (winding side 2)
- X5** – OR6: Assembly Group with 6 Output Relays (Changeover / Form C)
- X6** – DI8: Assembly Group with 8 Digital Inputs
- X102** – Universal Resistance-Temperature Detector (URTD) input, Fiber optics interface, Versatile Link
- X103** – Modbus RTU / IEC 60870-5-103 / DNP3.0 RTU, RS485, Terminals
- X104** – IRIG-B00X, incl. System Contact (Supervision Contact)

MRDT4-2D2ABB

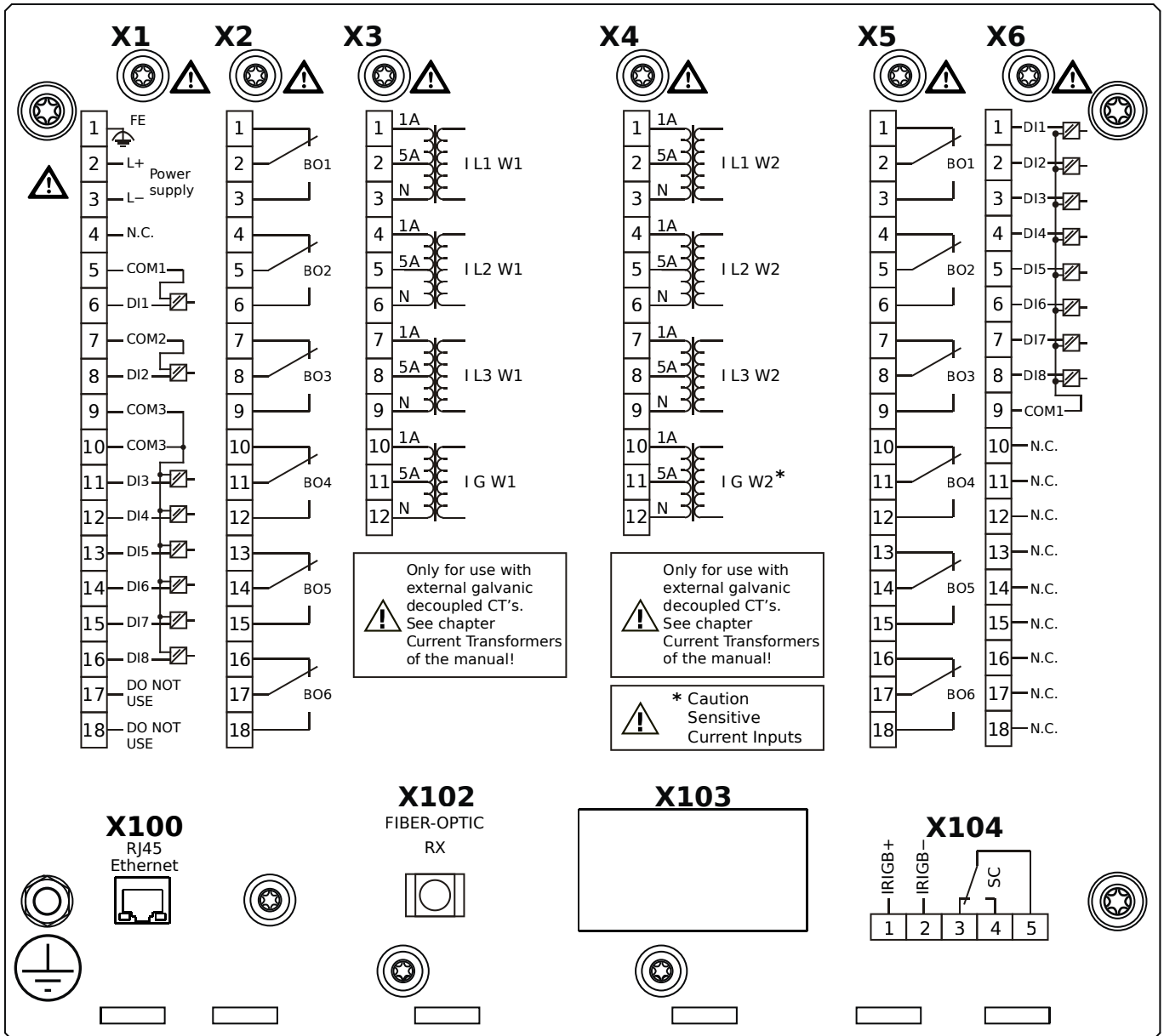


Housing B2, small display, door mounting

+ Conformal Coating (for installations in harsh environment)

- X1** – DI8-X1: Wide-range power supply unit, incl. 2 non-grouped digital inputs and 6 grouped digital inputs
- X2** – OR6: Assembly Group with 6 Output Relays (Changeover / Form C)
- X3** – TI: Standard current measuring card (for the winding side 1)
- X4** – TIs: Standard phase current measuring card and sensitive ground current measuring (winding side 2)
- X5** – OR6: Assembly Group with 6 Output Relays (Changeover / Form C)
- X6** – DI8: Assembly Group with 8 Digital Inputs
- X102** – Universal Resistance-Temperature Detector (URTD) input, Fiber optics interface, Versatile Link
- X103** – Modbus RTU / IEC 60870-5-103 / DNP3.0 RTU, RS485, Terminals
- X104** – IRIG-B00X, incl. System Contact (Supervision Contact)

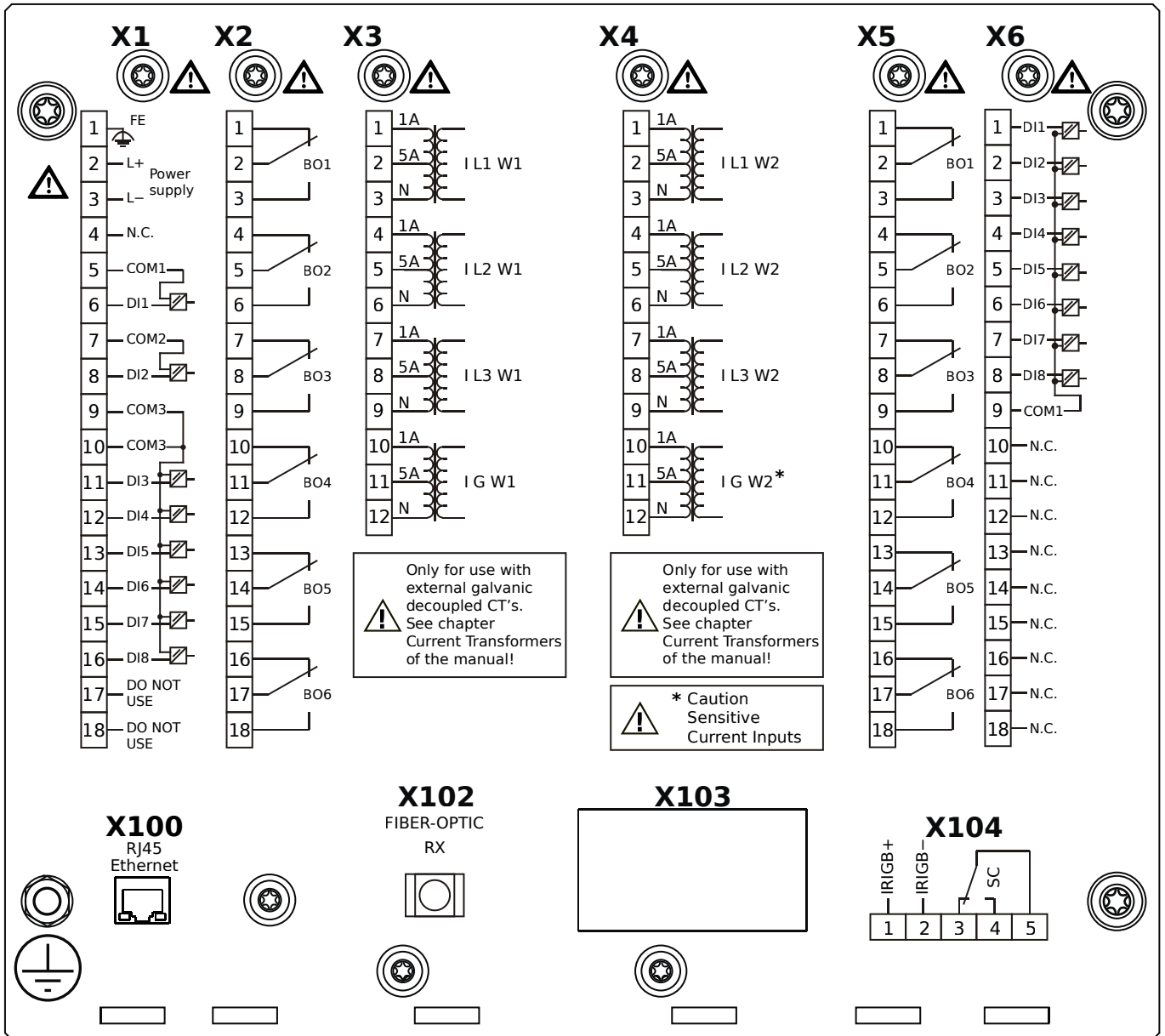
MRDT4-2D2ACA



Housing B2, small display, door mounting

- X1** – DI8-X1: Wide-range power supply unit, incl. 2 non-grouped digital inputs and 6 grouped digital inputs
- X2** – OR6: Assembly Group with 6 Output Relays (Changeover / Form C)
- X3** – TI: Standard current measuring card (for the winding side 1)
- X4** – TIs: Standard phase current measuring card and sensitive ground current measuring (winding side 2)
- X5** – OR6: Assembly Group with 6 Output Relays (Changeover / Form C)
- X6** – DI8: Assembly Group with 8 Digital Inputs
- X100** – Modbus TCP / IEC 60870-5-104 / DNP3.0 TCP/UDP, Ethernet interface, 100 Mbit/s, RJ45 (BASE100-FX)
- X102** – Universal Resistance-Temperature Detector (URTD) input, Fiber optics interface, Versatile Link
- X104** – IRIG-B00X, incl. System Contact (Supervision Contact)

MRDT4-2D2ACB

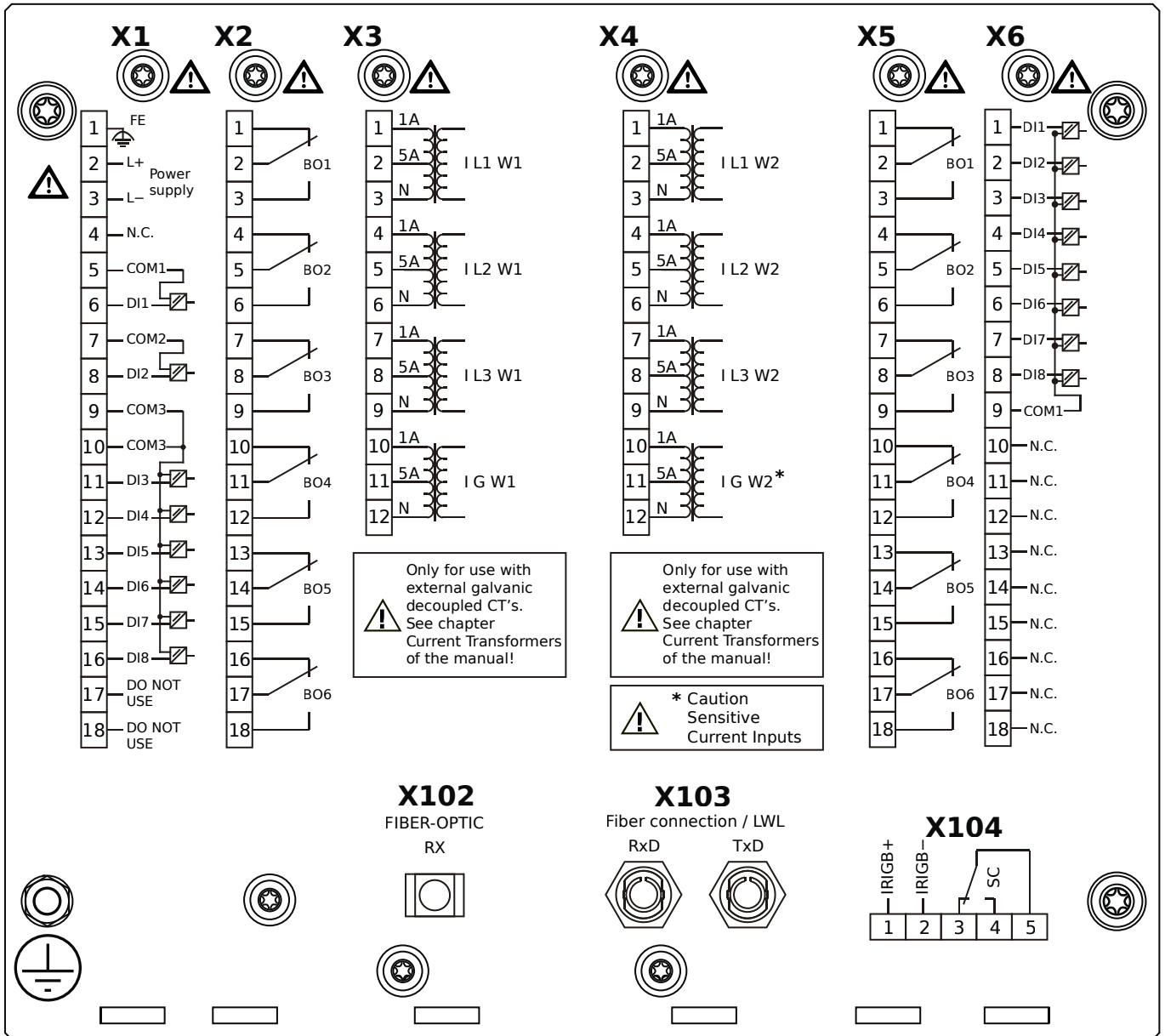


Housing B2, small display, door mounting

+ Conformal Coating (for installations in harsh environment)

- X1** – DI8-X1: Wide-range power supply unit, incl. 2 non-grouped digital inputs and 6 grouped digital inputs
- X2** – OR6: Assembly Group with 6 Output Relays (Changeover / Form C)
- X3** – TI: Standard current measuring card (for the winding side 1)
- X4** – TIs: Standard phase current measuring card and sensitive ground current measuring (winding side 2)
- X5** – OR6: Assembly Group with 6 Output Relays (Changeover / Form C)
- X6** – DI8: Assembly Group with 8 Digital Inputs
- X100** – Modbus TCP / IEC 60870-5-104 / DNP3.0 TCP/UDP, Ethernet interface, 100 Mbit/s, RJ45 (BASE100-FX)
- X102** – Universal Resistance-Temperature Detector (URTD) input, Fiber optics interface, Versatile Link
- X104** – IRIG-B00X, incl. System Contact (Supervision Contact)

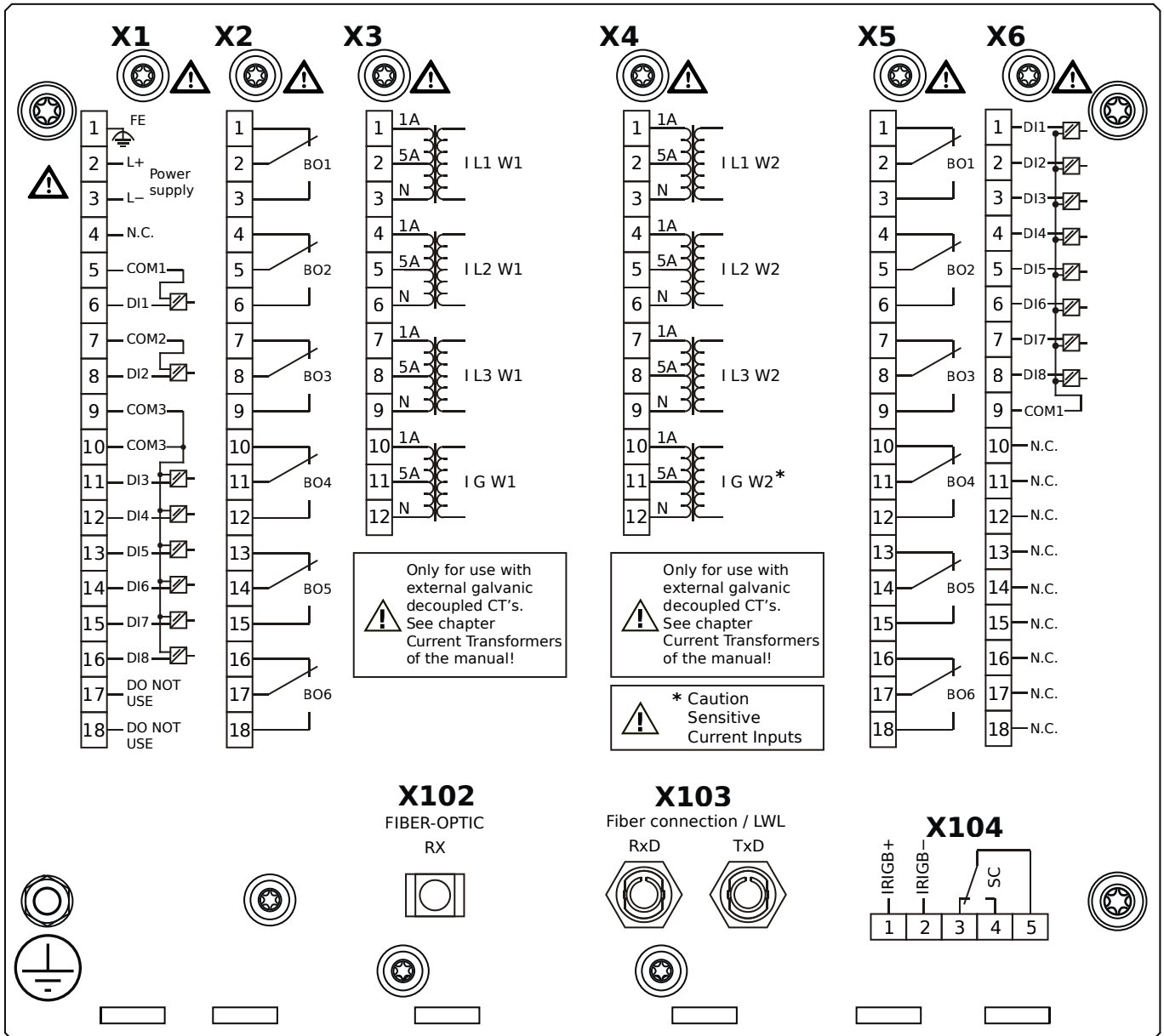
MRDT4-2D2ADA



Housing B2, small display, door mounting

- X1** – DI8-X1: Wide-range power supply unit, incl. 2 non-grouped digital inputs and 6 grouped digital inputs
- X2** – OR6: Assembly Group with 6 Output Relays (Changeover / Form C)
- X3** – TI: Standard current measuring card (for the winding side 1)
- X4** – TIs: Standard phase current measuring card and sensitive ground current measuring (winding side 2)
- X5** – OR6: Assembly Group with 6 Output Relays (Changeover / Form C)
- X6** – DI8: Assembly Group with 8 Digital Inputs
- X102** – Universal Resistance-Temperature Detector (URTD) input, Fiber optics interface, Versatile Link
- X103** – Profibus-DP, Fiber optics interface, ST Connector
- X104** – IRIG-B00X, incl. System Contact (Supervision Contact)

MRDT4-2D2ADB

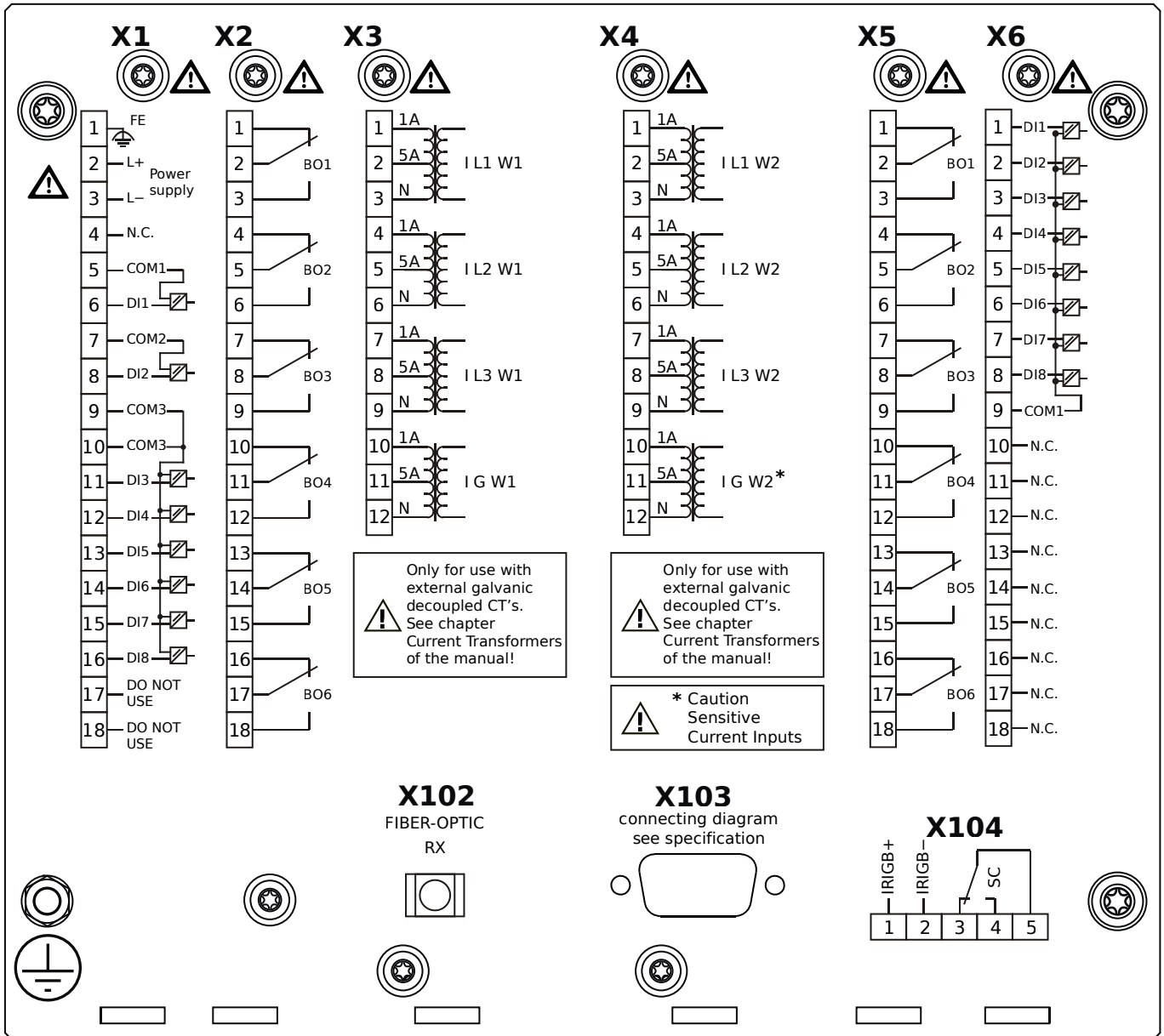


Housing B2, small display, door mounting

+ Conformal Coating (for installations in harsh environment)

- X1** – DI8-X1: Wide-range power supply unit, incl. 2 non-grouped digital inputs and 6 grouped digital inputs
- X2** – OR6: Assembly Group with 6 Output Relays (Changeover / Form C)
- X3** – TI: Standard current measuring card (for the winding side 1)
- X4** – TIs: Standard phase current measuring card and sensitive ground current measuring (winding side 2)
- X5** – OR6: Assembly Group with 6 Output Relays (Changeover / Form C)
- X6** – DI8: Assembly Group with 8 Digital Inputs
- X102** – Universal Resistance-Temperature Detector (URTD) input, Fiber optics interface, Versatile Link
- X103** – Profibus-DP, Fiber optics interface, ST Connector
- X104** – IRIG-B00X, incl. System Contact (Supervision Contact)

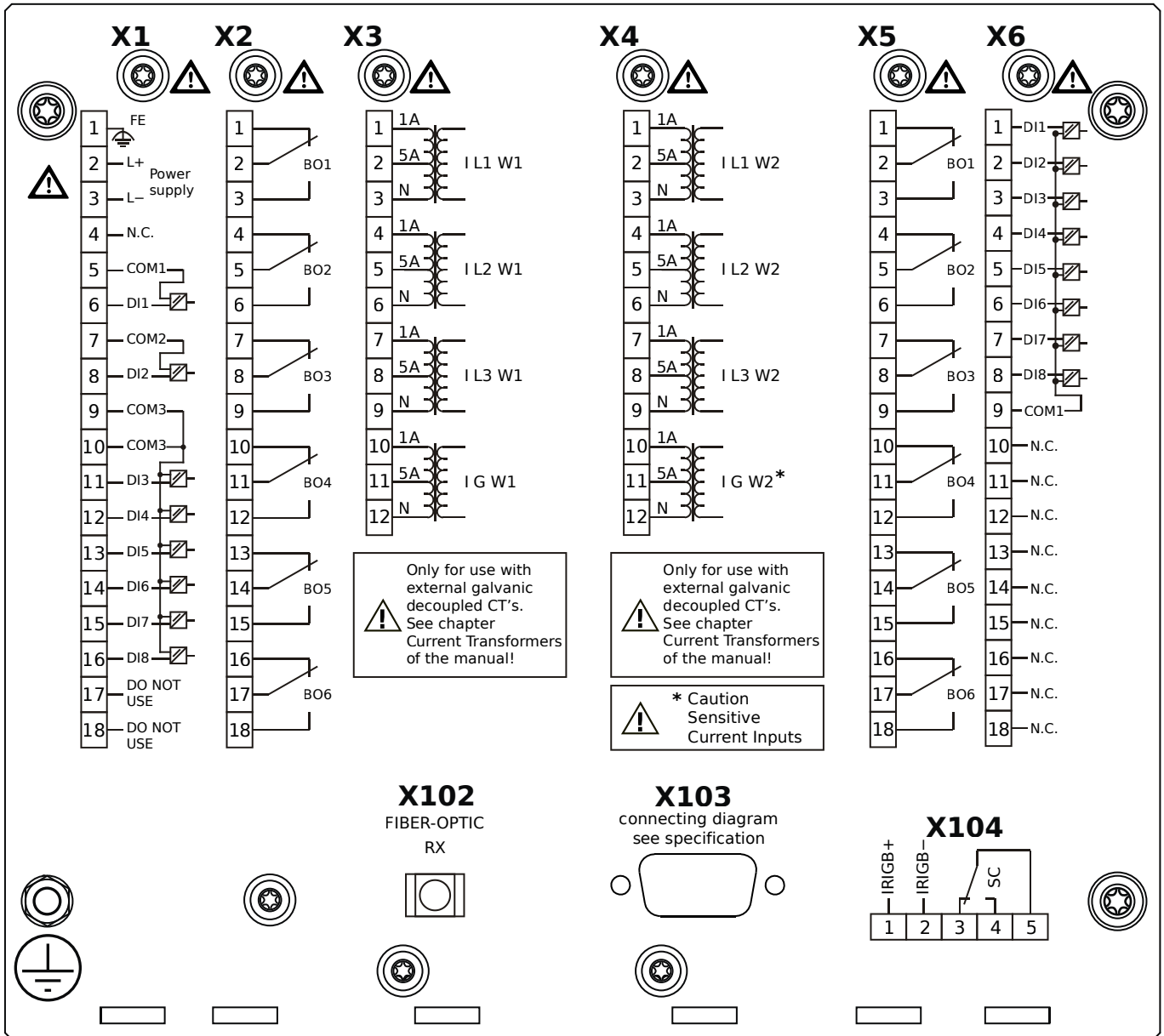
MRDT4-2D2AEA



Housing B2, small display, door mounting

- X1** – DI8-X1: Wide-range power supply unit, incl. 2 non-grouped digital inputs and 6 grouped digital inputs
- X2** – OR6: Assembly Group with 6 Output Relays (Changeover / Form C)
- X3** – TI: Standard current measuring card (for the winding side 1)
- X4** – TIs: Standard phase current measuring card and sensitive ground current measuring (winding side 2)
- X5** – OR6: Assembly Group with 6 Output Relays (Changeover / Form C)
- X6** – DI8: Assembly Group with 8 Digital Inputs
- X102** – Universal Resistance-Temperature Detector (URTD) input, Fiber optics interface, Versatile Link
- X103** – Profibus-DP, RS485, D-SUB
- X104** – IRIG-B00X, incl. System Contact (Supervision Contact)

MRDT4-2D2AEB

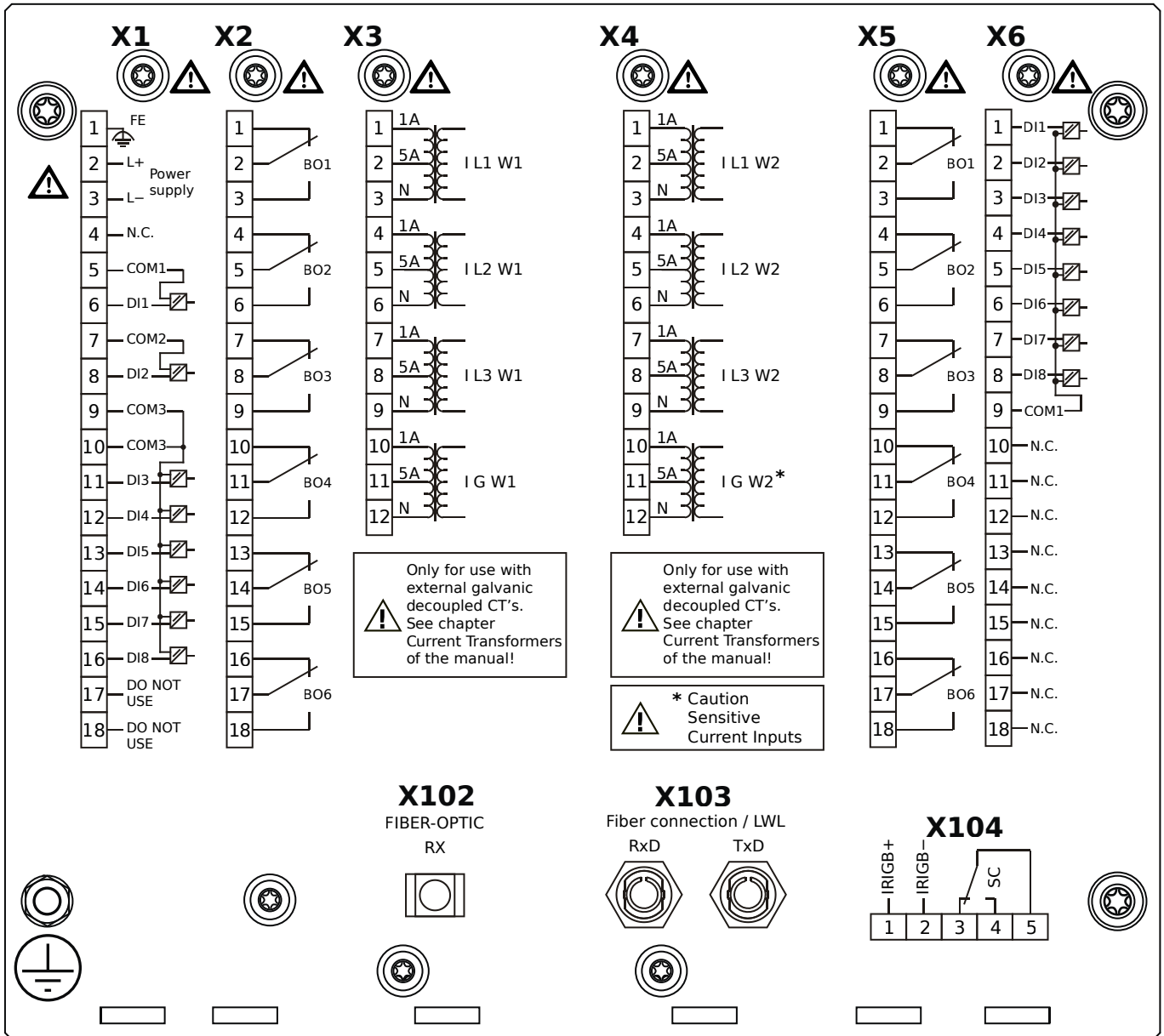


Housing B2, small display, door mounting

+ Conformal Coating (for installations in harsh environment)

- X1** – DI8-X1: Wide-range power supply unit, incl. 2 non-grouped digital inputs and 6 grouped digital inputs
- X2** – OR6: Assembly Group with 6 Output Relays (Changeover / Form C)
- X3** – TI: Standard current measuring card (for the winding side 1)
- X4** – TIs: Standard phase current measuring card and sensitive ground current measuring (winding side 2)
- X5** – OR6: Assembly Group with 6 Output Relays (Changeover / Form C)
- X6** – DI8: Assembly Group with 8 Digital Inputs
- X102** – Universal Resistance-Temperature Detector (URTD) input, Fiber optics interface, Versatile Link
- X103** – Profibus-DP, RS485, D-SUB
- X104** – IRIG-B00X, incl. System Contact (Supervision Contact)

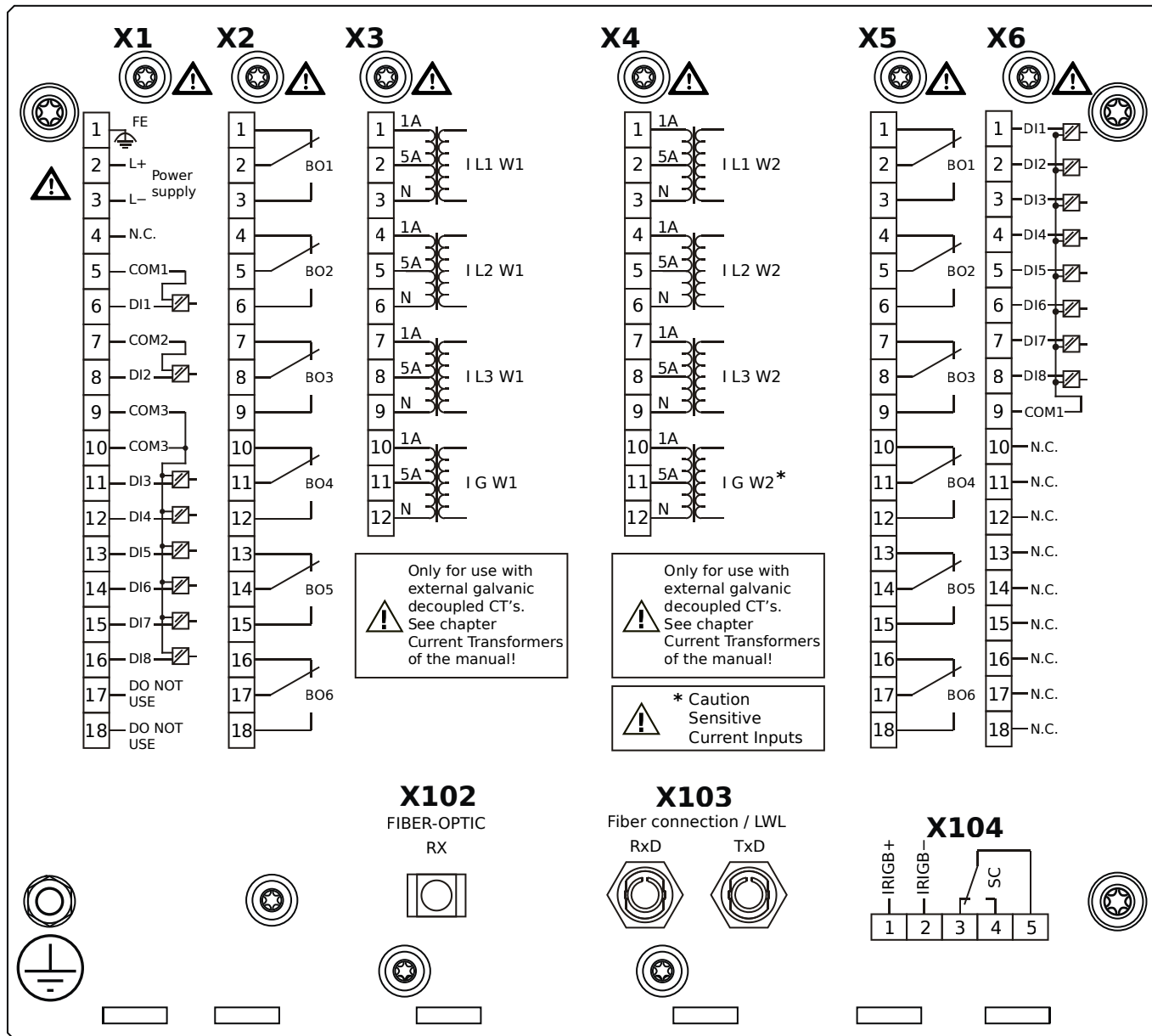
MRDT4-2D2AFA



Housing B2, small display, door mounting

- X1** – DI8-X1: Wide-range power supply unit, incl. 2 non-grouped digital inputs and 6 grouped digital inputs
- X2** – OR6: Assembly Group with 6 Output Relays (Changeover / Form C)
- X3** – TI: Standard current measuring card (for the winding side 1)
- X4** – TIs: Standard phase current measuring card and sensitive ground current measuring (winding side 2)
- X5** – OR6: Assembly Group with 6 Output Relays (Changeover / Form C)
- X6** – DI8: Assembly Group with 8 Digital Inputs
- X102** – Universal Resistance-Temperature Detector (URTD) input, Fiber optics interface, Versatile Link
- X103** – Modbus RTU / IEC 60870-5-103 / DNP3.0 RTU, Fiber optics interface, ST Connector
- X104** – IRIG-B00X, incl. System Contact (Supervision Contact)

MRDT4-2D2AFB

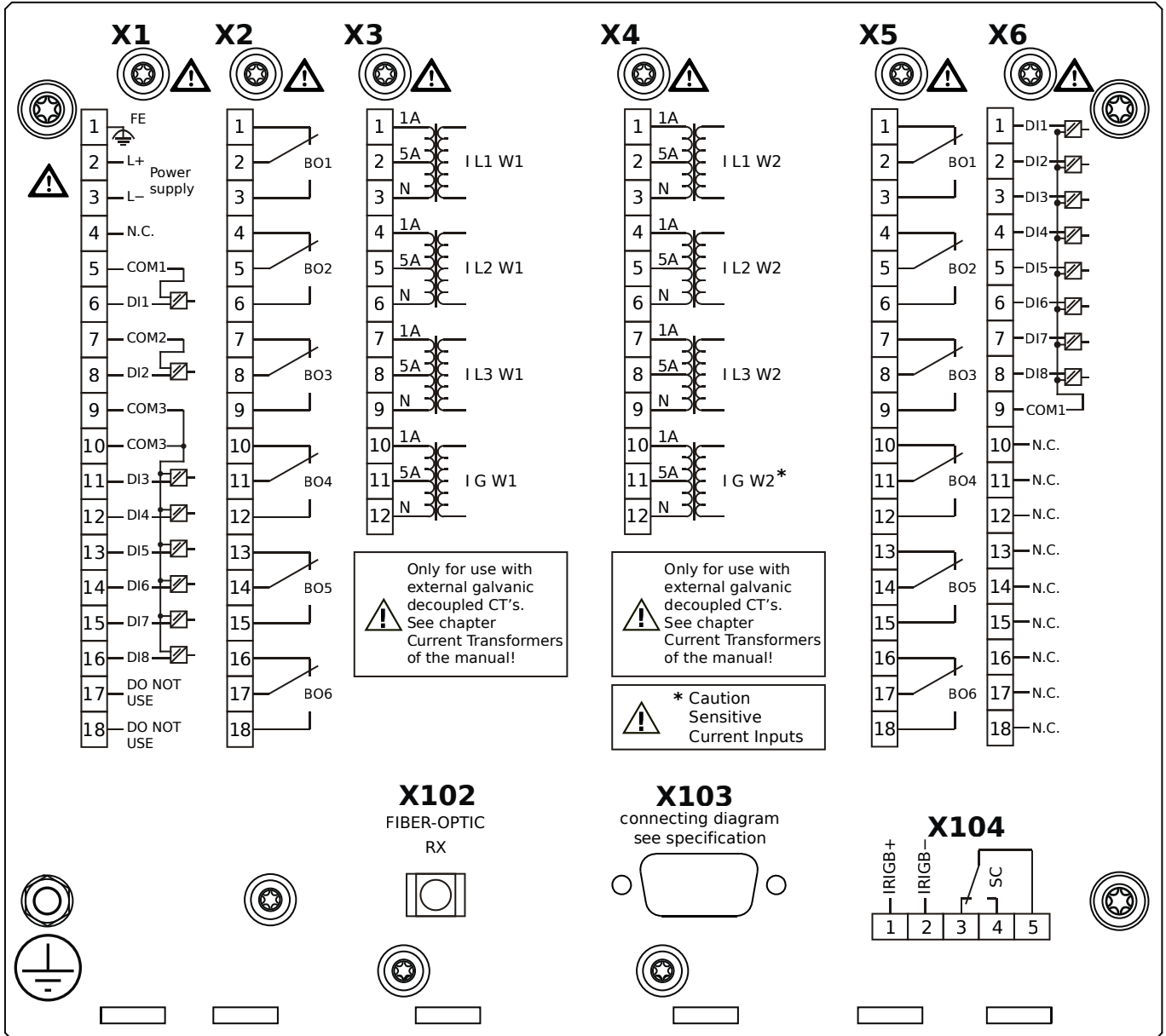


Housing B2, small display, door mounting

+ Conformal Coating (for installations in harsh environment)

- X1** – DI8-X1: Wide-range power supply unit, incl. 2 non-grouped digital inputs and 6 grouped digital inputs
- X2** – OR6: Assembly Group with 6 Output Relays (Changeover / Form C)
- X3** – TI: Standard current measuring card (for the winding side 1)
- X4** – TIs: Standard phase current measuring card and sensitive ground current measuring (winding side 2)
- X5** – OR6: Assembly Group with 6 Output Relays (Changeover / Form C)
- X6** – DI8: Assembly Group with 8 Digital Inputs
- X102** – Universal Resistance-Temperature Detector (URTD) input, Fiber optics interface, Versatile Link
- X103** – Modbus RTU / IEC 60870-5-103 / DNP3.0 RTU, Fiber optics interface, ST Connector
- X104** – IRIG-B00X, incl. System Contact (Supervision Contact)

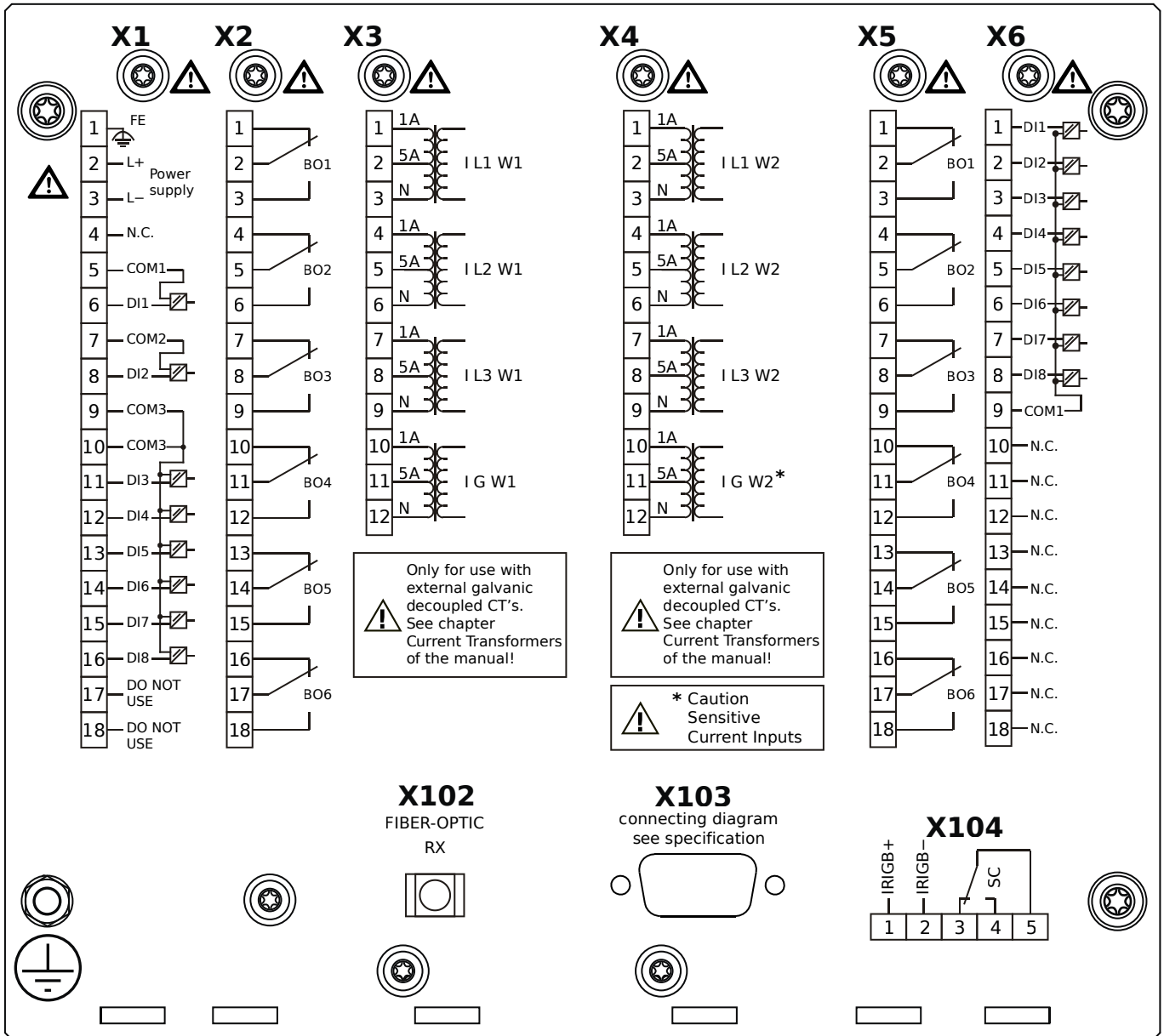
MRDT4-2D2AGA



Housing B2, small display, door mounting

- X1** – DI8-X1: Wide-range power supply unit, incl. 2 non-grouped digital inputs and 6 grouped digital inputs
- X2** – OR6: Assembly Group with 6 Output Relays (Changeover / Form C)
- X3** – TI: Standard current measuring card (for the winding side 1)
- X4** – TIs: Standard phase current measuring card and sensitive ground current measuring (winding side 2)
- X5** – OR6: Assembly Group with 6 Output Relays (Changeover / Form C)
- X6** – DI8: Assembly Group with 8 Digital Inputs
- X102** – Universal Resistance-Temperature Detector (URTD) input, Fiber optics interface, Versatile Link
- X103** – Modbus RTU / IEC 60870-5-103 / DNP3.0 RTU, RS485, D-SUB
- X104** – IRIG-B00X, incl. System Contact (Supervision Contact)

MRDT4-2D2AGB

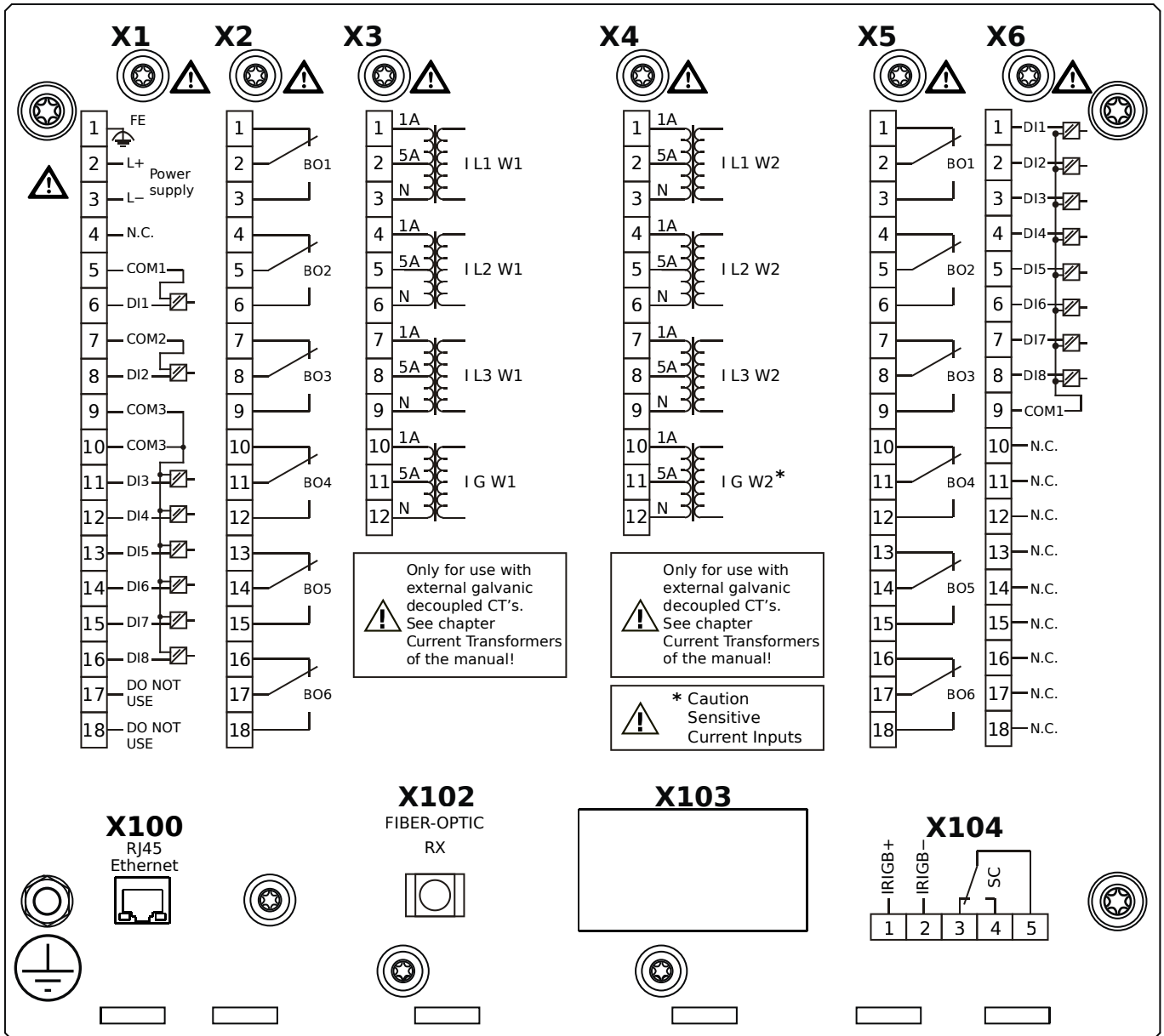


Housing B2, small display, door mounting

+ Conformal Coating (for installations in harsh environment)

- X1** – DI8-X1: Wide-range power supply unit, incl. 2 non-grouped digital inputs and 6 grouped digital inputs
- X2** – OR6: Assembly Group with 6 Output Relays (Changeover / Form C)
- X3** – TI: Standard current measuring card (for the winding side 1)
- X4** – TIs: Standard phase current measuring card and sensitive ground current measuring (winding side 2)
- X5** – OR6: Assembly Group with 6 Output Relays (Changeover / Form C)
- X6** – DI8: Assembly Group with 8 Digital Inputs
- X102** – Universal Resistance-Temperature Detector (URTD) input, Fiber optics interface, Versatile Link
- X103** – Modbus RTU / IEC 60870-5-103 / DNP3.0 RTU, RS485, D-SUB
- X104** – IRIG-B00X, incl. System Contact (Supervision Contact)

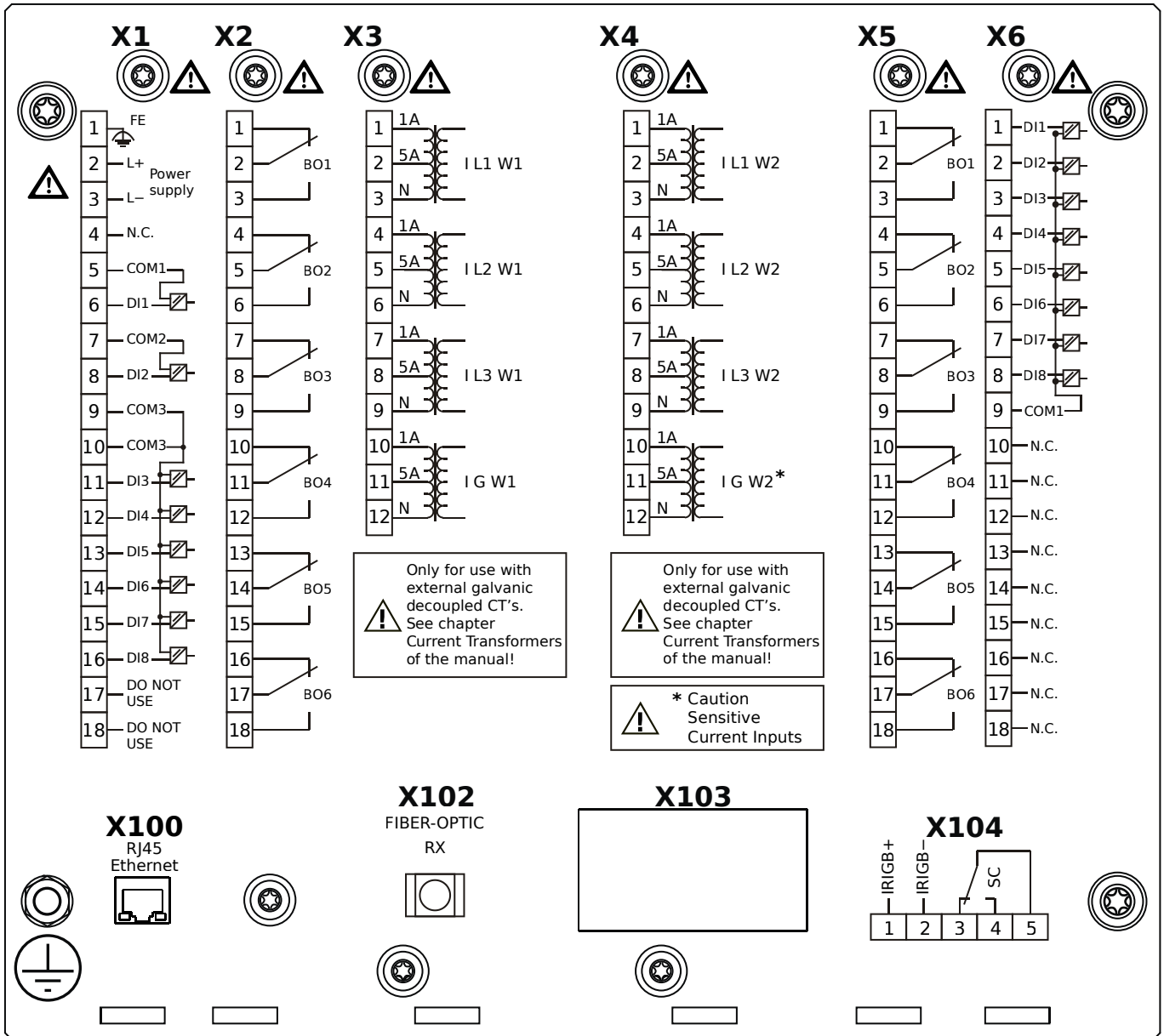
MRDT4-2D2AHA



Housing B2, small display, door mounting

- X1** – DI8-X1: Wide-range power supply unit, incl. 2 non-grouped digital inputs and 6 grouped digital inputs
- X2** – OR6: Assembly Group with 6 Output Relays (Changeover / Form C)
- X3** – TI: Standard current measuring card (for the winding side 1)
- X4** – TIs: Standard phase current measuring card and sensitive ground current measuring (winding side 2)
- X5** – OR6: Assembly Group with 6 Output Relays (Changeover / Form C)
- X6** – DI8: Assembly Group with 8 Digital Inputs
- X100** – IEC 61850 / Modbus TCP / IEC 60870-5-104 / DNP3.0 TCP/UDP, Ethernet interface, 100 Mbit/s, RJ45 (BASE100-FX)
- X102** – Universal Resistance-Temperature Detector (URTD) input, Fiber optics interface, Versatile Link
- X104** – IRIG-B00X, incl. System Contact (Supervision Contact)

MRDT4-2D2AHB

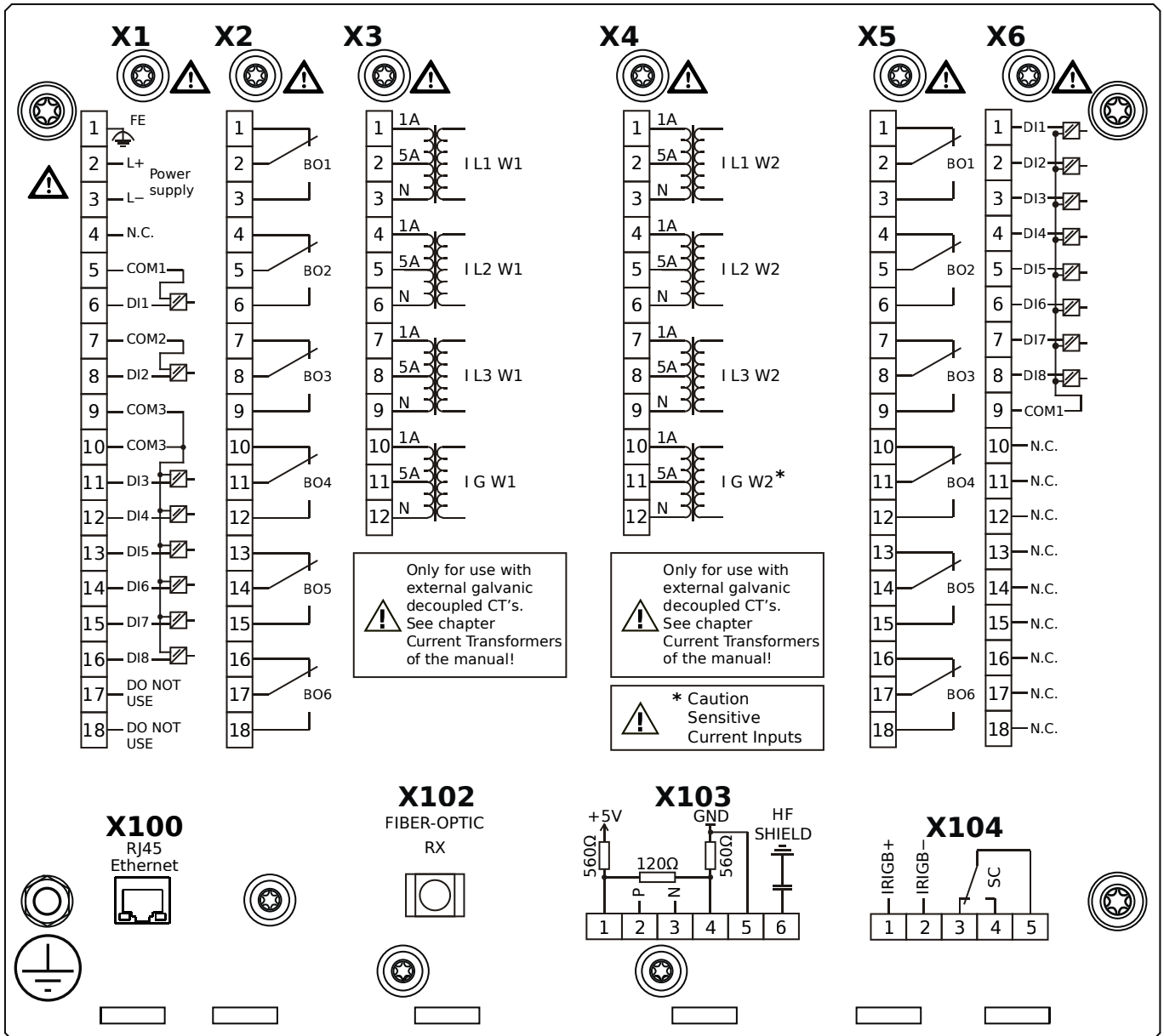


Housing B2, small display, door mounting

+ Conformal Coating (for installations in harsh environment)

- X1** – DI8-X1: Wide-range power supply unit, incl. 2 non-grouped digital inputs and 6 grouped digital inputs
- X2** – OR6: Assembly Group with 6 Output Relays (Changeover / Form C)
- X3** – TI: Standard current measuring card (for the winding side 1)
- X4** – TIs: Standard phase current measuring card and sensitive ground current measuring (winding side 2)
- X5** – OR6: Assembly Group with 6 Output Relays (Changeover / Form C)
- X6** – DI8: Assembly Group with 8 Digital Inputs
- X100** – IEC 61850 / Modbus TCP / IEC 60870-5-104 / DNP3.0 TCP/UDP, Ethernet interface, 100 Mbit/s, RJ45 (BASE100-FX)
- X102** – Universal Resistance-Temperature Detector (URTD) input, Fiber optics interface, Versatile Link
- X104** – IRIG-B00X, incl. System Contact (Supervision Contact)

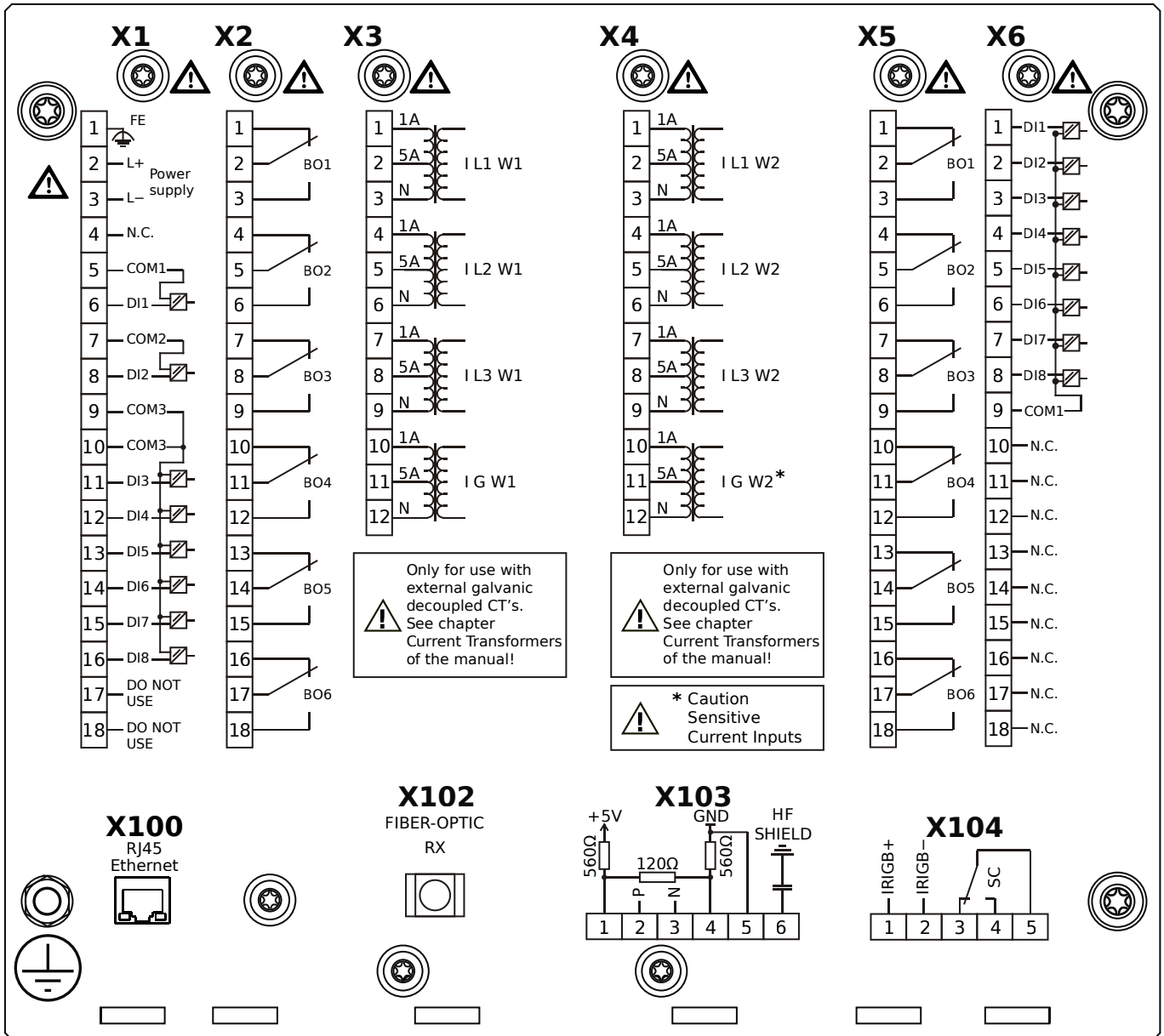
MRDT4-2D2AIA



Housing B2, small display, door mounting

- X1** – DI8-X1: Wide-range power supply unit, incl. 2 non-grouped digital inputs and 6 grouped digital inputs
- X2** – OR6: Assembly Group with 6 Output Relays (Changeover / Form C)
- X3** – TI: Standard current measuring card (for the winding side 1)
- X4** – TIs: Standard phase current measuring card and sensitive ground current measuring (winding side 2)
- X5** – OR6: Assembly Group with 6 Output Relays (Changeover / Form C)
- X6** – DI8: Assembly Group with 8 Digital Inputs
- X100** – Modbus TCP / IEC 60870-5-104 / DNP3.0 TCP/UDP, Ethernet interface, 100 Mbit/s, RJ45 (BASE100-FX)
- X102** – Universal Resistance-Temperature Detector (URTD) input, Fiber optics interface, Versatile Link
- X103** – IEC 60870-5-103 / Modbus RTU / DNP3.0 RTU, RS485, Terminals
- X104** – IRIG-B00X, incl. System Contact (Supervision Contact)

MRDT4-2D2AIB

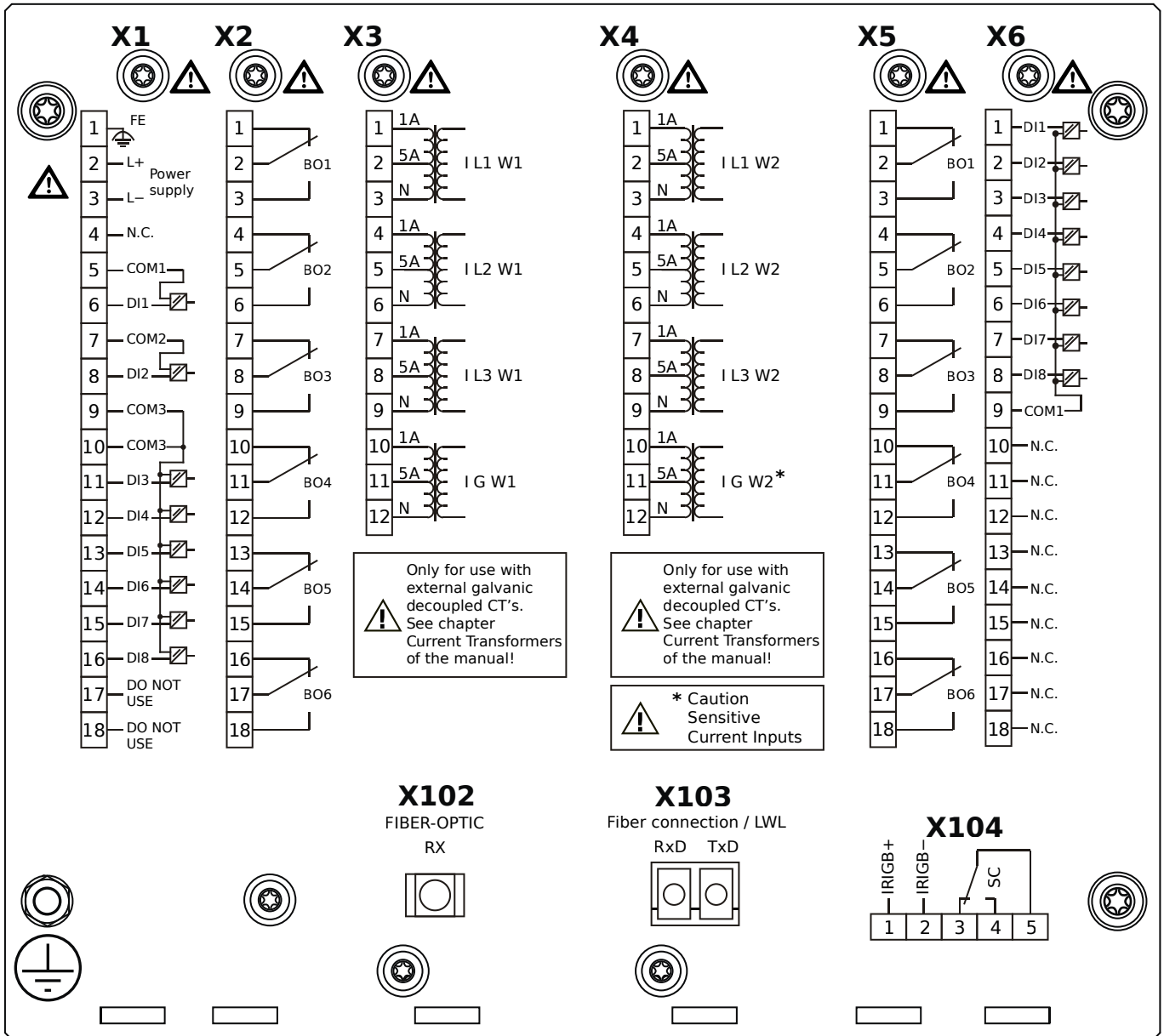


Housing B2, small display, door mounting

+ Conformal Coating (for installations in harsh environment)

- X1** – DI8-X1: Wide-range power supply unit, incl. 2 non-grouped digital inputs and 6 grouped digital inputs
- X2** – OR6: Assembly Group with 6 Output Relays (Changeover / Form C)
- X3** – TI: Standard current measuring card (for the winding side 1)
- X4** – TIs: Standard phase current measuring card and sensitive ground current measuring (winding side 2)
- X5** – OR6: Assembly Group with 6 Output Relays (Changeover / Form C)
- X6** – DI8: Assembly Group with 8 Digital Inputs
- X100** – Modbus TCP / IEC 60870-5-104 / DNP3.0 TCP/UDP, Ethernet interface, 100 Mbit/s, RJ45 (BASE100-FX)
- X102** – Universal Resistance-Temperature Detector (URTD) input, Fiber optics interface, Versatile Link
- X103** – IEC 60870-5-103 / Modbus RTU / DNP3.0 RTU, RS485, Terminals
- X104** – IRIG-B00X, incl. System Contact (Supervision Contact)

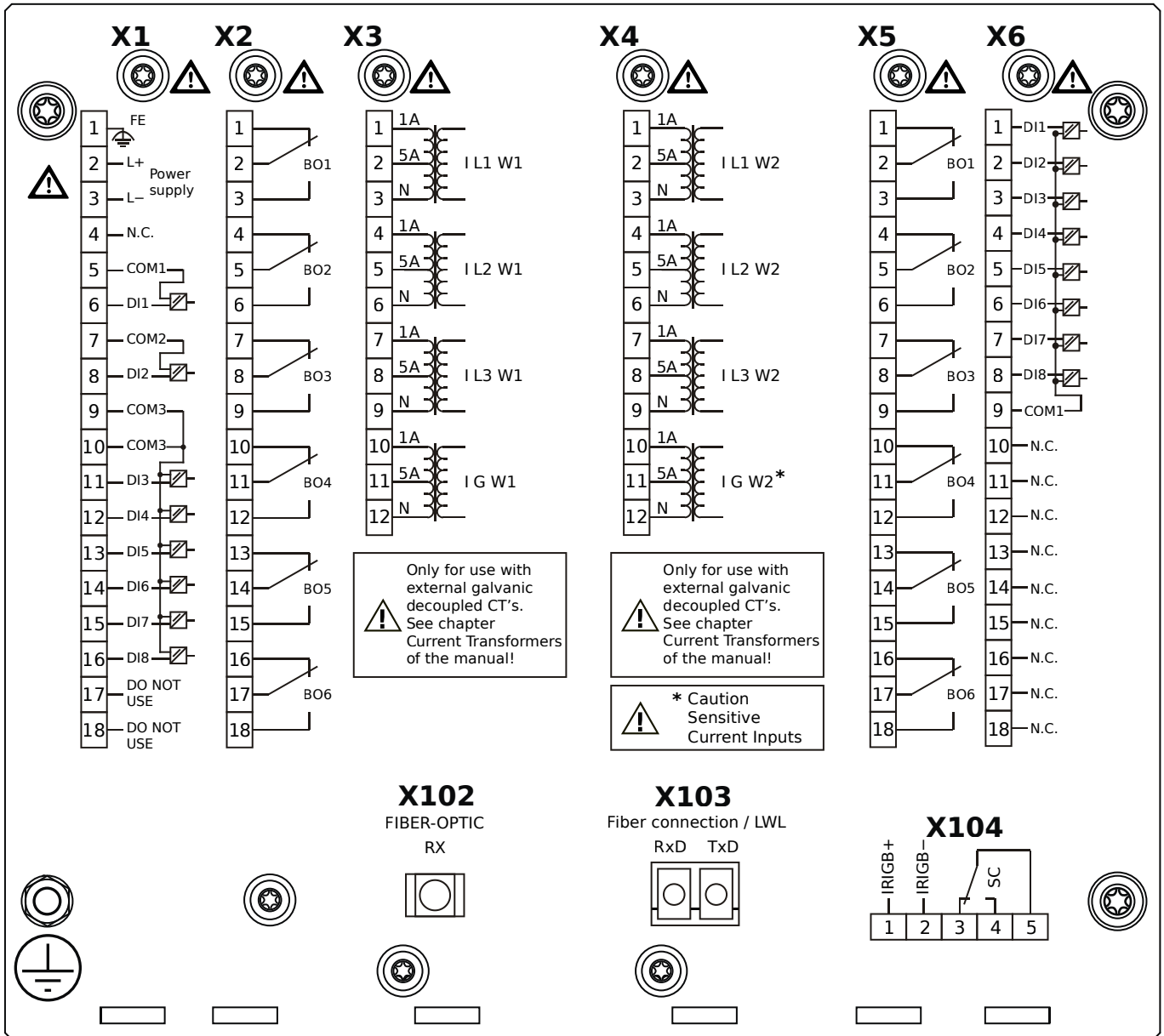
MRDT4-2D2AKA



Housing B2, small display, door mounting

- X1** – DI8-X1: Wide-range power supply unit, incl. 2 non-grouped digital inputs and 6 grouped digital inputs
- X2** – OR6: Assembly Group with 6 Output Relays (Changeover / Form C)
- X3** – TI: Standard current measuring card (for the winding side 1)
- X4** – TIs: Standard phase current measuring card and sensitive ground current measuring (winding side 2)
- X5** – OR6: Assembly Group with 6 Output Relays (Changeover / Form C)
- X6** – DI8: Assembly Group with 8 Digital Inputs
- X102** – Universal Resistance-Temperature Detector (URTD) input, Fiber optics interface, Versatile Link
- X103** – IEC 61850 / Modbus TCP / IEC 60870-5-104 / DNP3.0 TCP/UDP, Fiber optics interface, LC Connector
- X104** – IRIG-B00X, incl. System Contact (Supervision Contact)

MRDT4-2D2AKB

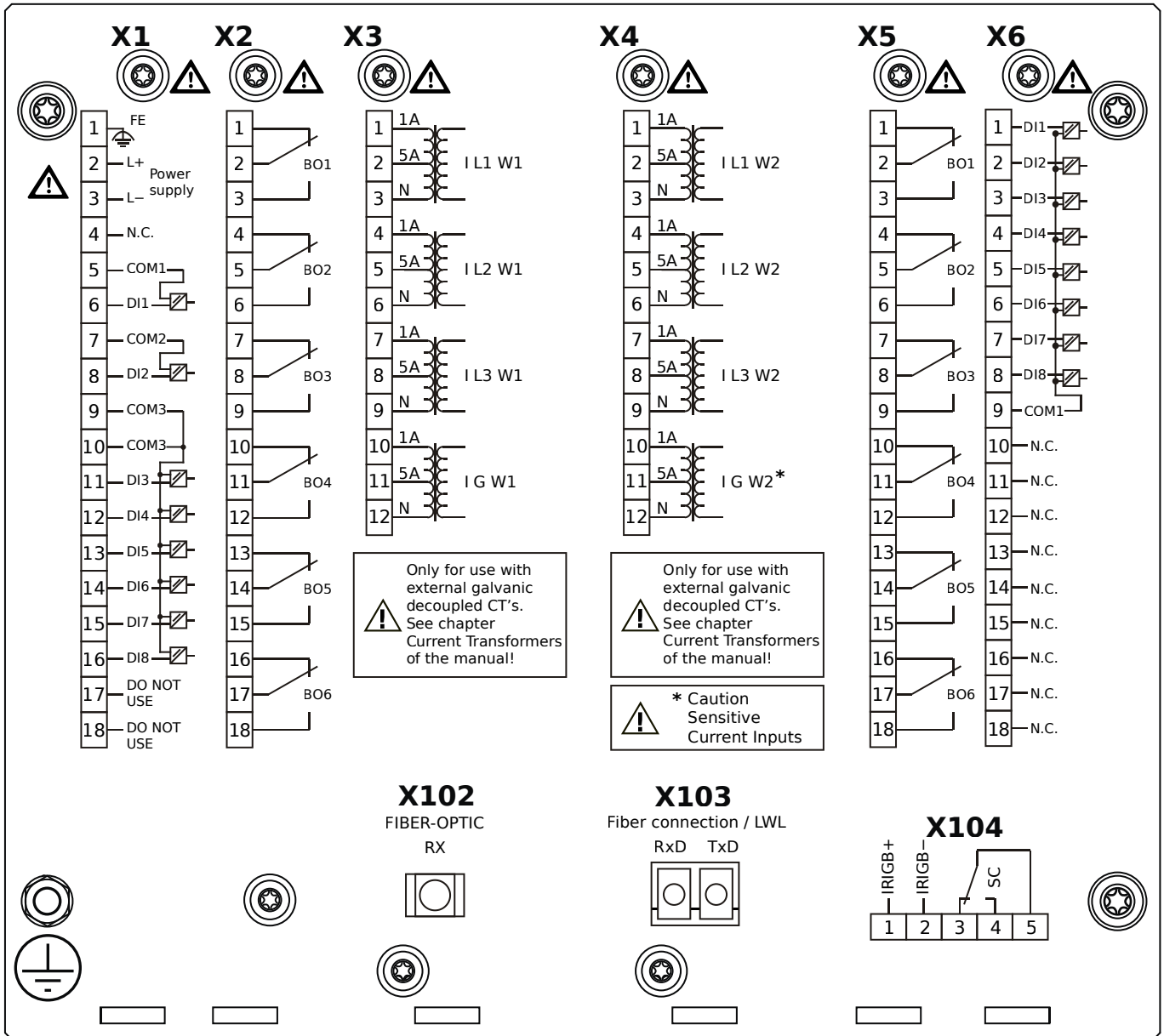


Housing B2, small display, door mounting

+ Conformal Coating (for installations in harsh environment)

- X1** – DI8-X1: Wide-range power supply unit, incl. 2 non-grouped digital inputs and 6 grouped digital inputs
- X2** – OR6: Assembly Group with 6 Output Relays (Changeover / Form C)
- X3** – TI: Standard current measuring card (for the winding side 1)
- X4** – TIs: Standard phase current measuring card and sensitive ground current measuring (winding side 2)
- X5** – OR6: Assembly Group with 6 Output Relays (Changeover / Form C)
- X6** – DI8: Assembly Group with 8 Digital Inputs
- X102** – Universal Resistance-Temperature Detector (URTD) input, Fiber optics interface, Versatile Link
- X103** – IEC 61850 / Modbus TCP / IEC 60870-5-104 / DNP3.0 TCP/UDP, Fiber optics interface, LC Connector
- X104** – IRIG-B00X, incl. System Contact (Supervision Contact)

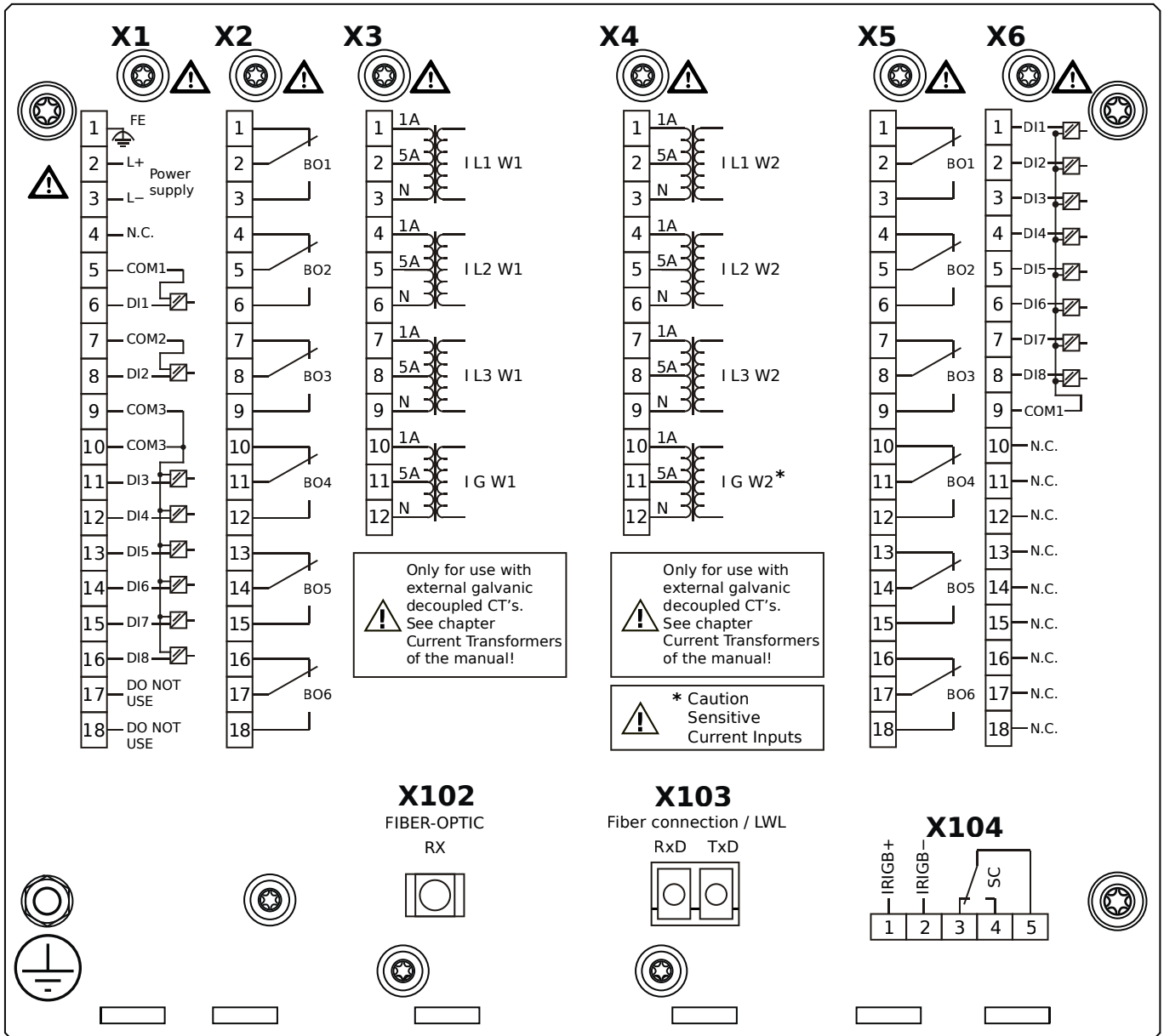
MRDT4-2D2ALA



Housing B2, small display, door mounting

- X1** – DI8-X1: Wide-range power supply unit, incl. 2 non-grouped digital inputs and 6 grouped digital inputs
- X2** – OR6: Assembly Group with 6 Output Relays (Changeover / Form C)
- X3** – TI: Standard current measuring card (for the winding side 1)
- X4** – TIs: Standard phase current measuring card and sensitive ground current measuring (winding side 2)
- X5** – OR6: Assembly Group with 6 Output Relays (Changeover / Form C)
- X6** – DI8: Assembly Group with 8 Digital Inputs
- X102** – Universal Resistance-Temperature Detector (URTD) input, Fiber optics interface, Versatile Link
- X103** – Modbus TCP / IEC 60870-5-104 / DNP3.0 TCP/UDP, Fiber optics interface, LC Connector
- X104** – IRIG-B00X, incl. System Contact (Supervision Contact)

MRDT4-2D2ALB

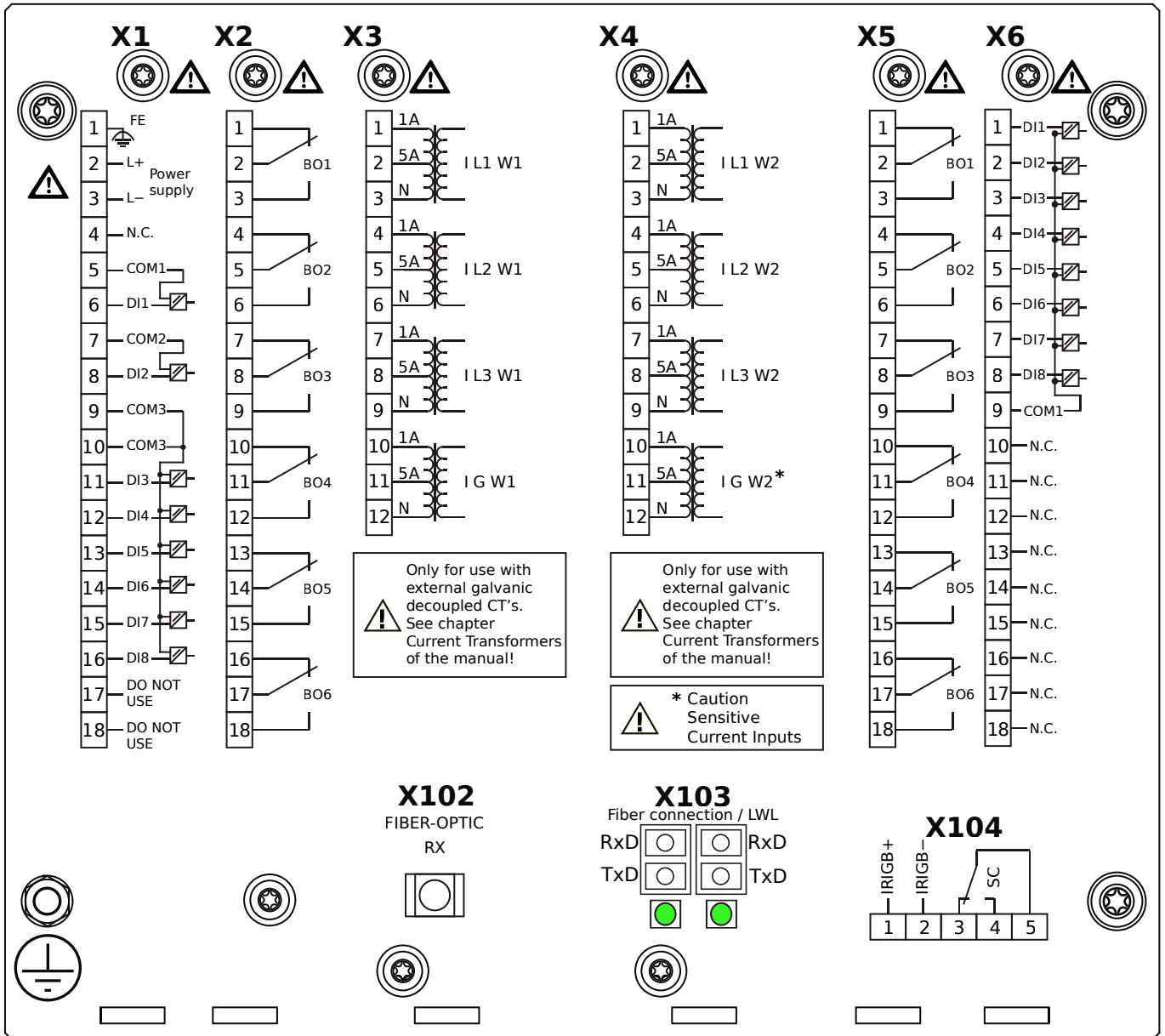


Housing B2, small display, door mounting

+ Conformal Coating (for installations in harsh environment)

- X1** – DI8-X1: Wide-range power supply unit, incl. 2 non-grouped digital inputs and 6 grouped digital inputs
- X2** – OR6: Assembly Group with 6 Output Relays (Changeover / Form C)
- X3** – TI: Standard current measuring card (for the winding side 1)
- X4** – TIs: Standard phase current measuring card and sensitive ground current measuring (winding side 2)
- X5** – OR6: Assembly Group with 6 Output Relays (Changeover / Form C)
- X6** – DI8: Assembly Group with 8 Digital Inputs
- X102** – Universal Resistance-Temperature Detector (URTD) input, Fiber optics interface, Versatile Link
- X103** – Modbus TCP / IEC 60870-5-104 / DNP3.0 TCP/UDP, Fiber optics interface, LC Connector
- X104** – IRIG-B00X, incl. System Contact (Supervision Contact)

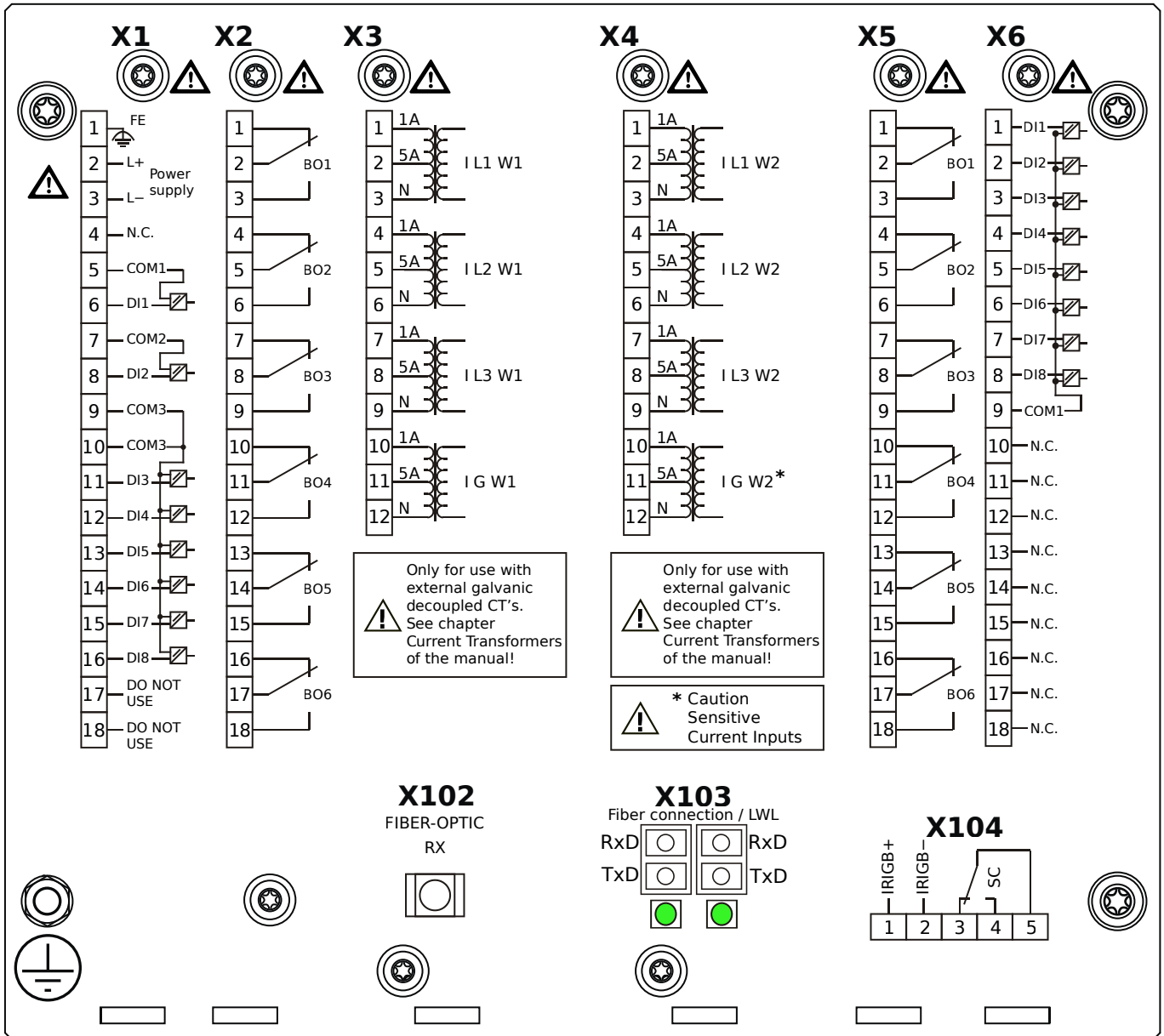
MRDT4-2D2AOA



Housing B2, small display, door mounting

- X1** – DI8-X1: Wide-range power supply unit, incl. 2 non-grouped digital inputs and 6 grouped digital inputs
- X2** – OR6: Assembly Group with 6 Output Relays (Changeover / Form C)
- X3** – TI: Standard current measuring card (for the winding side 1)
- X4** – TIs: Standard phase current measuring card and sensitive ground current measuring (winding side 2)
- X5** – OR6: Assembly Group with 6 Output Relays (Changeover / Form C)
- X6** – DI8: Assembly Group with 8 Digital Inputs
- X102** – Universal Resistance-Temperature Detector (URTD) input, Fiber optics interface, Versatile Link
- X103** – Modbus TCP / IEC 60870-5-104 / DNP3.0 TCP/UDP, Redundant Fiber optics interface, LC Connector
- X104** – IRIG-B00X, incl. System Contact (Supervision Contact)

MRDT4-2D2AOB

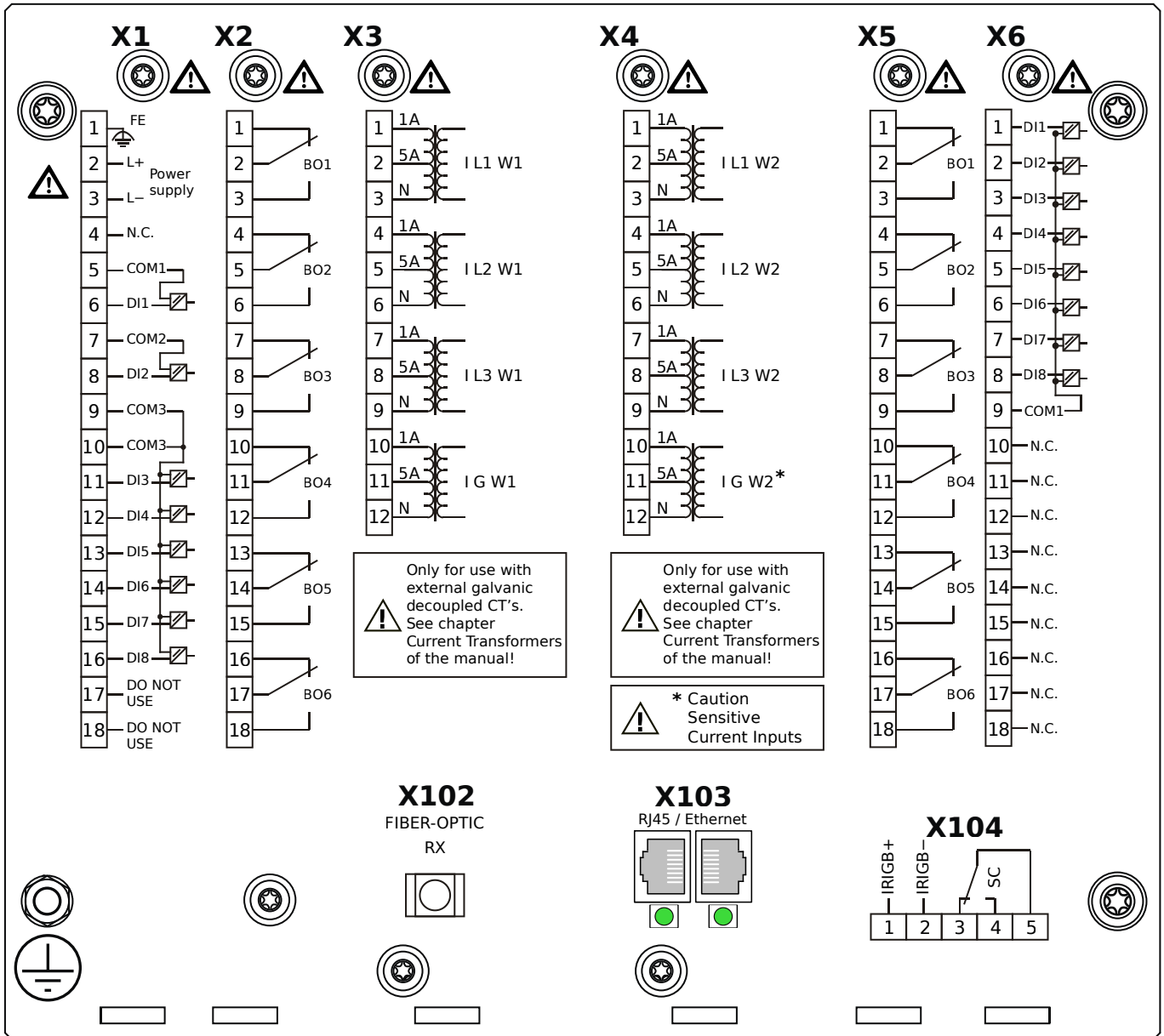


Housing B2, small display, door mounting

+ Conformal Coating (for installations in harsh environment)

- X1** – DI8-X1: Wide-range power supply unit, incl. 2 non-grouped digital inputs and 6 grouped digital inputs
- X2** – OR6: Assembly Group with 6 Output Relays (Changeover / Form C)
- X3** – TI: Standard current measuring card (for the winding side 1)
- X4** – TIs: Standard phase current measuring card and sensitive ground current measuring (winding side 2)
- X5** – OR6: Assembly Group with 6 Output Relays (Changeover / Form C)
- X6** – DI8: Assembly Group with 8 Digital Inputs
- X102** – Universal Resistance-Temperature Detector (URTD) input, Fiber optics interface, Versatile Link
- X103** – Modbus TCP / IEC 60870-5-104 / DNP3.0 TCP/UDP, Redundant Fiber optics interface, LC Connector
- X104** – IRIG-B00X, incl. System Contact (Supervision Contact)

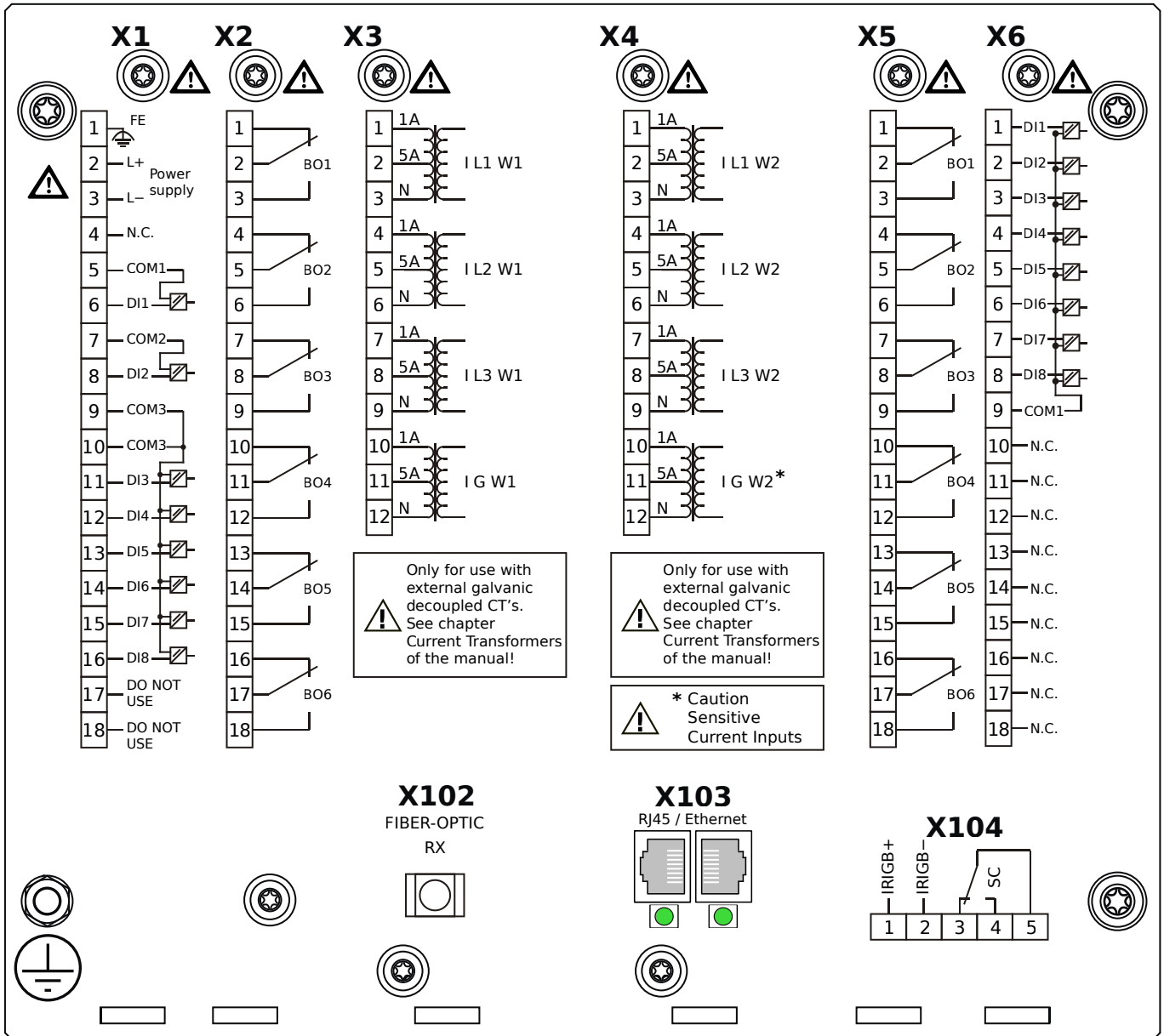
MRDT4-2D2APA



Housing B2, small display, door mounting

- X1** – DI8-X1: Wide-range power supply unit, incl. 2 non-grouped digital inputs and 6 grouped digital inputs
- X2** – OR6: Assembly Group with 6 Output Relays (Changeover / Form C)
- X3** – TI: Standard current measuring card (for the winding side 1)
- X4** – TIs: Standard phase current measuring card and sensitive ground current measuring (winding side 2)
- X5** – OR6: Assembly Group with 6 Output Relays (Changeover / Form C)
- X6** – DI8: Assembly Group with 8 Digital Inputs
- X102** – Universal Resistance-Temperature Detector (URTD) input, Fiber optics interface, Versatile Link
- X103** – Modbus TCP / IEC 60870-5-104 / DNP3.0 TCP/UDP, Redundant Ethernet interface, 100 Mbit/s, RJ45 (BASE100-FX)
- X104** – IRIG-B00X, incl. System Contact (Supervision Contact)

MRDT4-2D2APB

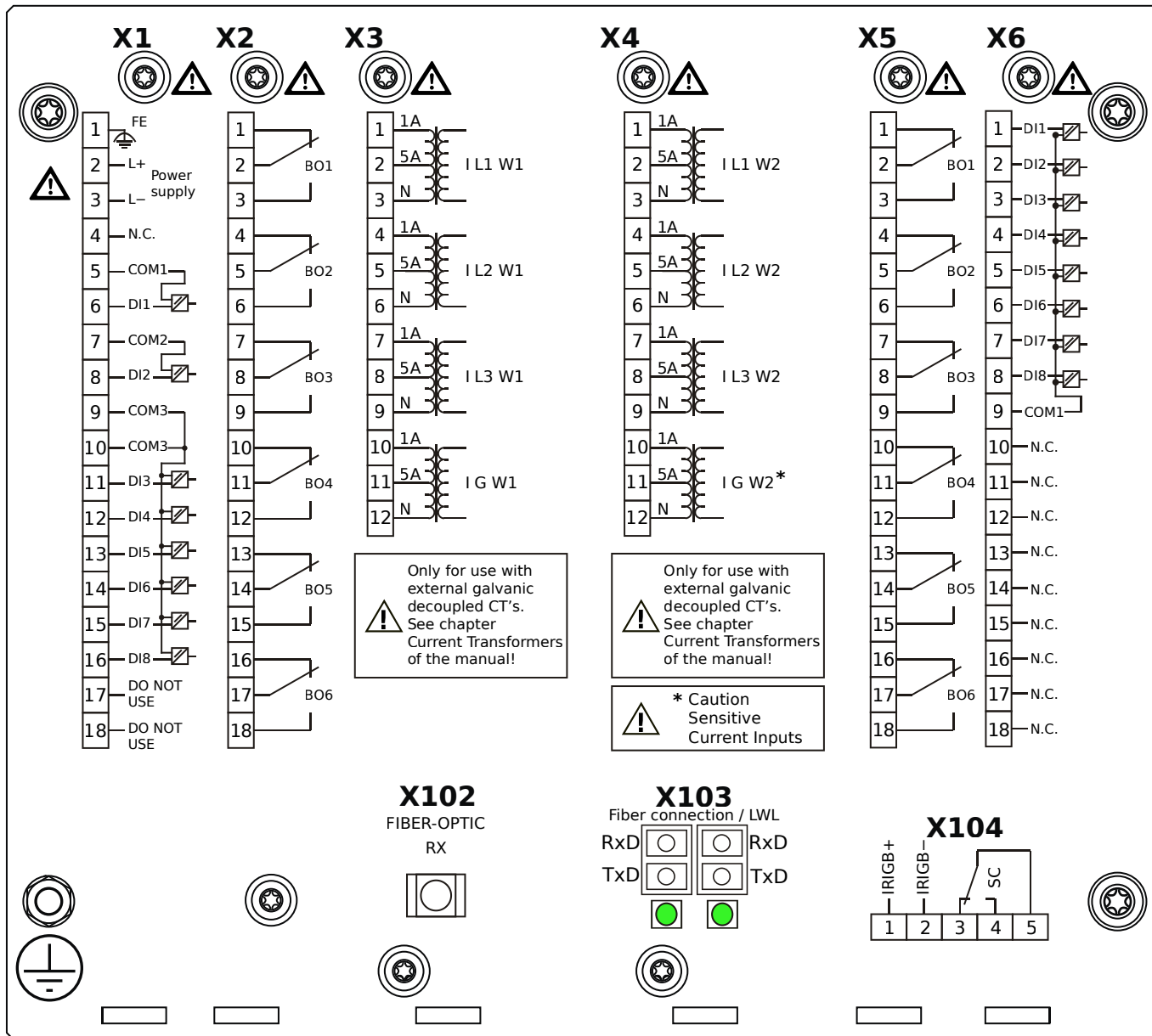


Housing B2, small display, door mounting

- + Conformal Coating (for installations in harsh environment)

- X1** – DI8-X1: Wide-range power supply unit, incl. 2 non-grouped digital inputs and 6 grouped digital inputs
- X2** – OR6: Assembly Group with 6 Output Relays (Changeover / Form C)
- X3** – TI: Standard current measuring card (for the winding side 1)
- X4** – TIs: Standard phase current measuring card and sensitive ground current measuring (winding side 2)
- X5** – OR6: Assembly Group with 6 Output Relays (Changeover / Form C)
- X6** – DI8: Assembly Group with 8 Digital Inputs
- X102** – Universal Resistance-Temperature Detector (URTD) input, Fiber optics interface, Versatile Link
- X103** – Modbus TCP / IEC 60870-5-104 / DNP3.0 TCP/UDP, Redundant Ethernet interface, 100 Mbit/s, RJ45 (BASE100-FX)
- X104** – IRIG-B00X, incl. System Contact (Supervision Contact)

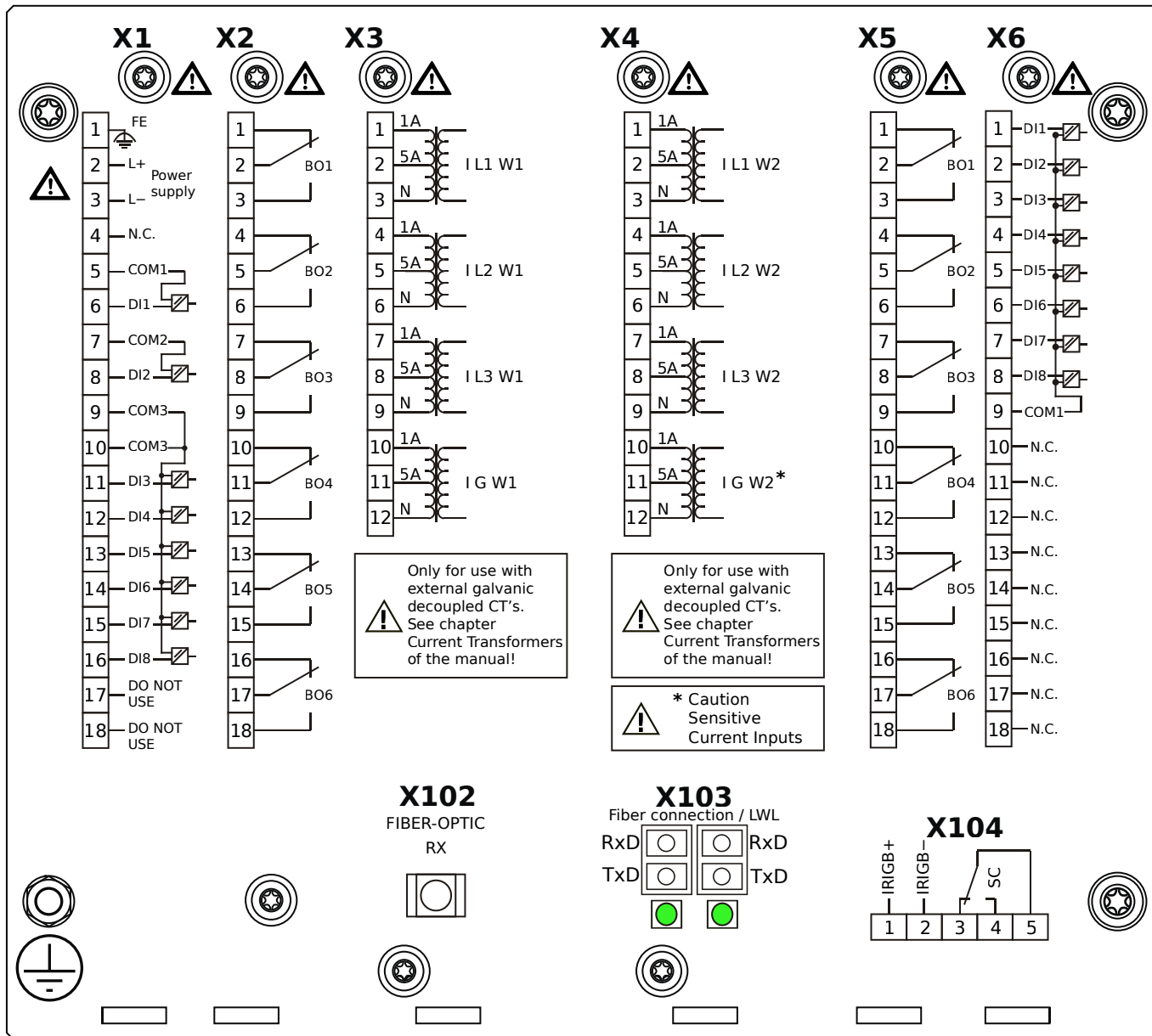
MRDT4-2D2AQA



Housing B2, small display, door mounting

- X1** – DI8-X1: Wide-range power supply unit, incl. 2 non-grouped digital inputs and 6 grouped digital inputs
- X2** – OR6: Assembly Group with 6 Output Relays (Changeover / Form C)
- X3** – TI: Standard current measuring card (for the winding side 1)
- X4** – TIs: Standard phase current measuring card and sensitive ground current measuring (winding side 2)
- X5** – OR6: Assembly Group with 6 Output Relays (Changeover / Form C)
- X6** – DI8: Assembly Group with 8 Digital Inputs
- X102** – Universal Resistance-Temperature Detector (URTD) input, Fiber optics interface, Versatile Link
- X103** – IEC 61850 / Modbus TCP / IEC 60870-5-104 / DNP3.0 TCP/UDP, Redundant Fiber optics interface, LC Connector
- X104** – IRIG-B00X, incl. System Contact (Supervision Contact)

MRDT4-2D2AQB



Housing B2, small display, door mounting

+ Conformal Coating (for installations in harsh environment)

X1 – DI8-X1: Wide-range power supply unit, incl. 2 non-grouped digital inputs and 6 grouped digital inputs

X2 – OR6: Assembly Group with 6 Output Relays (Changeover / Form C)

X3 – TI: Standard current measuring card (for the winding side 1)

X4 – TIs: Standard phase current measuring card and sensitive ground current measuring (winding side 2)

X5 – OR6: Assembly Group with 6 Output Relays (Changeover / Form C)

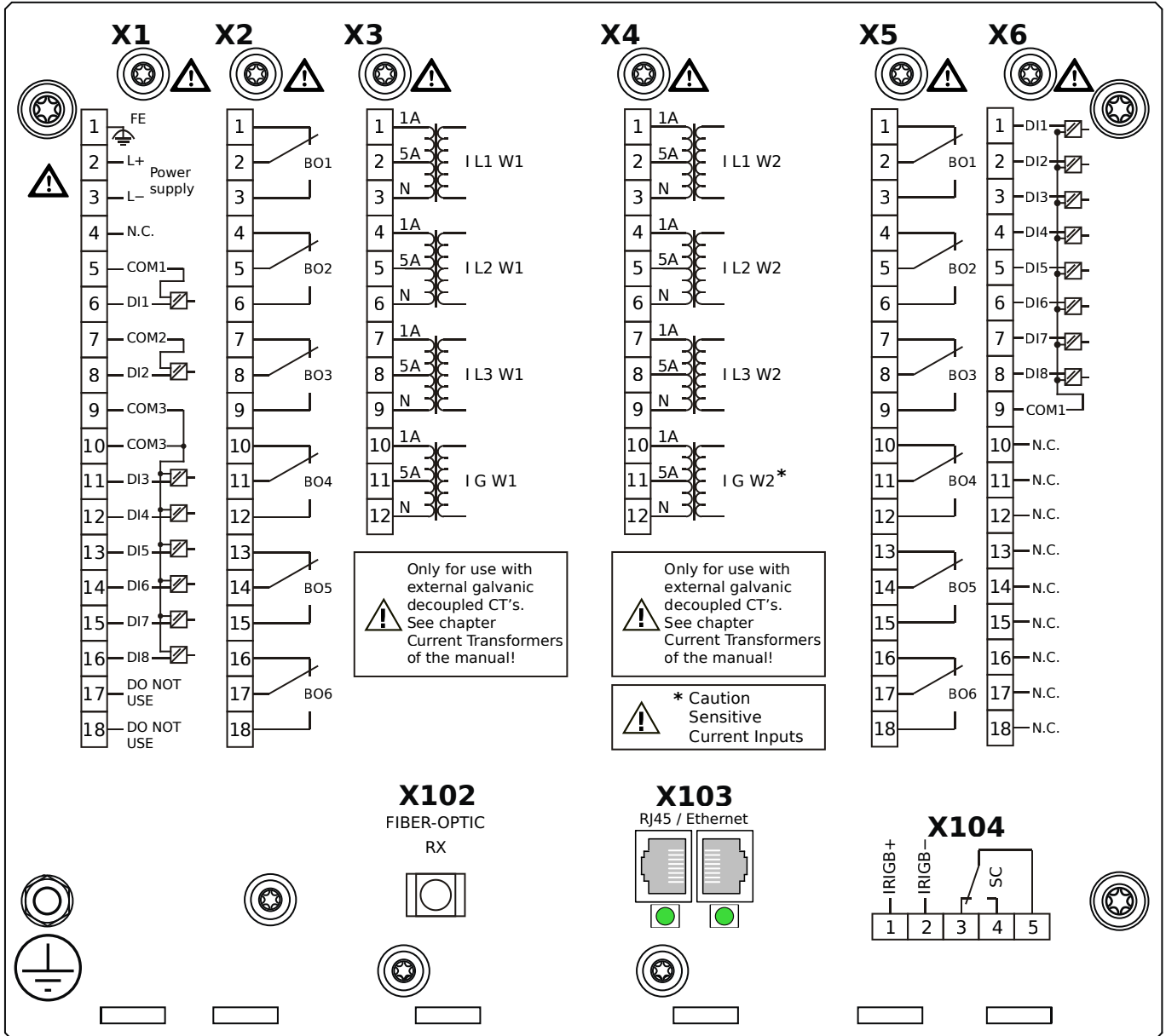
X6 – DI8: Assembly Group with 8 Digital Inputs

X102 – Universal Resistance-Temperature Detector (URTD) input, Fiber optics interface, Versatile Link

X103 – IEC 61850 / Modbus TCP / IEC 60870-5-104 / DNP3.0 TCP/UDP, Redundant Fiber optics interface, LC Connector

X104 – IRIG-B00X, incl. System Contact (Supervision Contact)

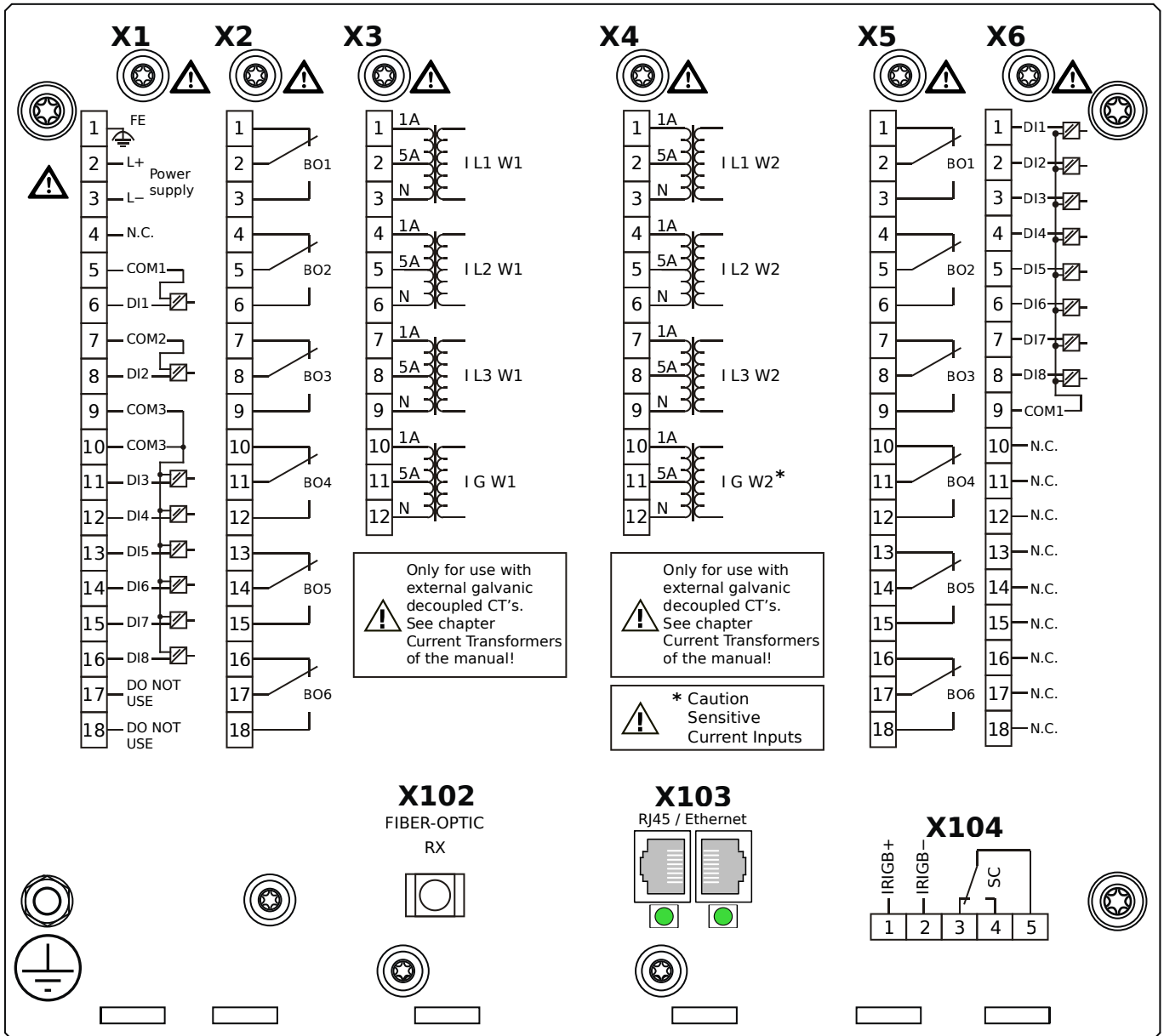
MRDT4-2D2ARA



Housing B2, small display, door mounting

- X1** – DI8-X1: Wide-range power supply unit, incl. 2 non-grouped digital inputs and 6 grouped digital inputs
- X2** – OR6: Assembly Group with 6 Output Relays (Changeover / Form C)
- X3** – TI: Standard current measuring card (for the winding side 1)
- X4** – TIs: Standard phase current measuring card and sensitive ground current measuring (winding side 2)
- X5** – OR6: Assembly Group with 6 Output Relays (Changeover / Form C)
- X6** – DI8: Assembly Group with 8 Digital Inputs
- X102** – Universal Resistance-Temperature Detector (URTD) input, Fiber optics interface, Versatile Link
- X103** – IEC 61850 / Modbus TCP / IEC 60870-5-104 / DNP3.0 TCP/UDP, Redundant Ethernet interface, 100 Mbit/s, RJ45 (BASE100-FX)
- X104** – IRIG-B00X, incl. System Contact (Supervision Contact)

MRDT4-2D2ARB



Housing B2, small display, door mounting

+ Conformal Coating (for installations in harsh environment)

X1 – DI8-X1: Wide-range power supply unit, incl. 2 non-grouped digital inputs and 6 grouped digital inputs

X2 – OR6: Assembly Group with 6 Output Relays (Changeover / Form C)

X3 – TI: Standard current measuring card (for the winding side 1)

X4 – TIs: Standard phase current measuring card and sensitive ground current measuring (winding side 2)

X5 – OR6: Assembly Group with 6 Output Relays (Changeover / Form C)

X6 – DI8: Assembly Group with 8 Digital Inputs

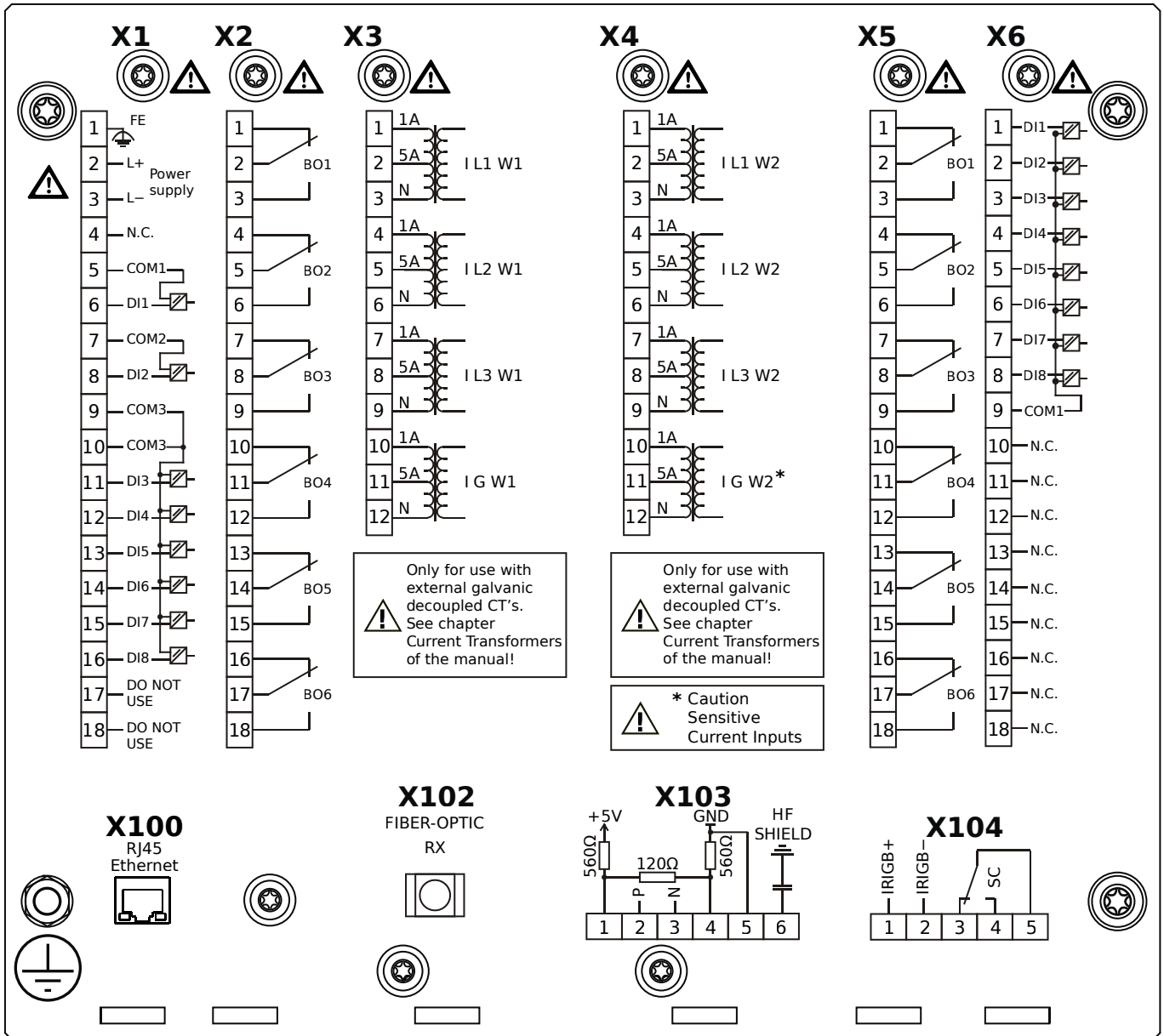
X102 – Universal Resistance-Temperature Detector (URTD) input, Fiber optics interface, Versatile Link

X103 – IEC 61850 / Modbus TCP / IEC 60870-5-104 / DNP3.0 TCP/UDP, Redundant Ethernet interface, 100 Mbit/s, RJ45

(BASE100-FX)

X104 – IRIG-B00X, incl. System Contact (Supervision Contact)

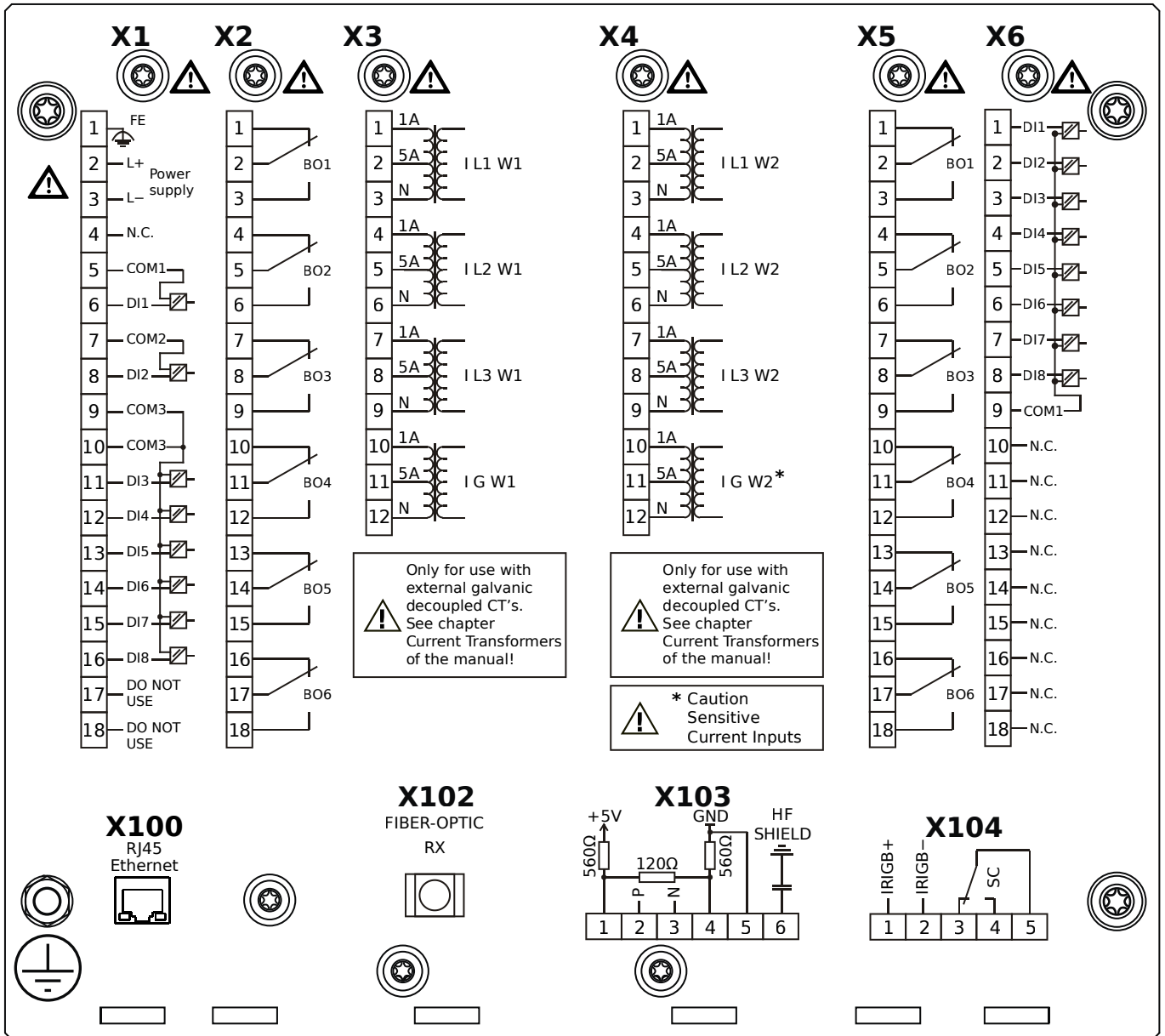
MRDT4-2D2ATA



Housing B2, small display, door mounting

- X1** – DI8-X1: Wide-range power supply unit, incl. 2 non-grouped digital inputs and 6 grouped digital inputs
- X2** – OR6: Assembly Group with 6 Output Relays (Changeover / Form C)
- X3** – TI: Standard current measuring card (for the winding side 1)
- X4** – TIs: Standard phase current measuring card and sensitive ground current measuring (winding side 2)
- X5** – OR6: Assembly Group with 6 Output Relays (Changeover / Form C)
- X6** – DI8: Assembly Group with 8 Digital Inputs
- X100** – IEC 61850 / Modbus TCP / IEC 60870-5-104 / DNP3.0 TCP/UDP, Ethernet interface, 100 Mbit/s, RJ45 (BASE100-FX)
- X102** – Universal Resistance-Temperature Detector (URTD) input, Fiber optics interface, Versatile Link
- X103** – IEC 60870-5-103 / Modbus RTU / DNP3.0 RTU, RS485, Terminals
- X104** – IRIG-B00X, incl. System Contact (Supervision Contact)

MRDT4-2D2ATB

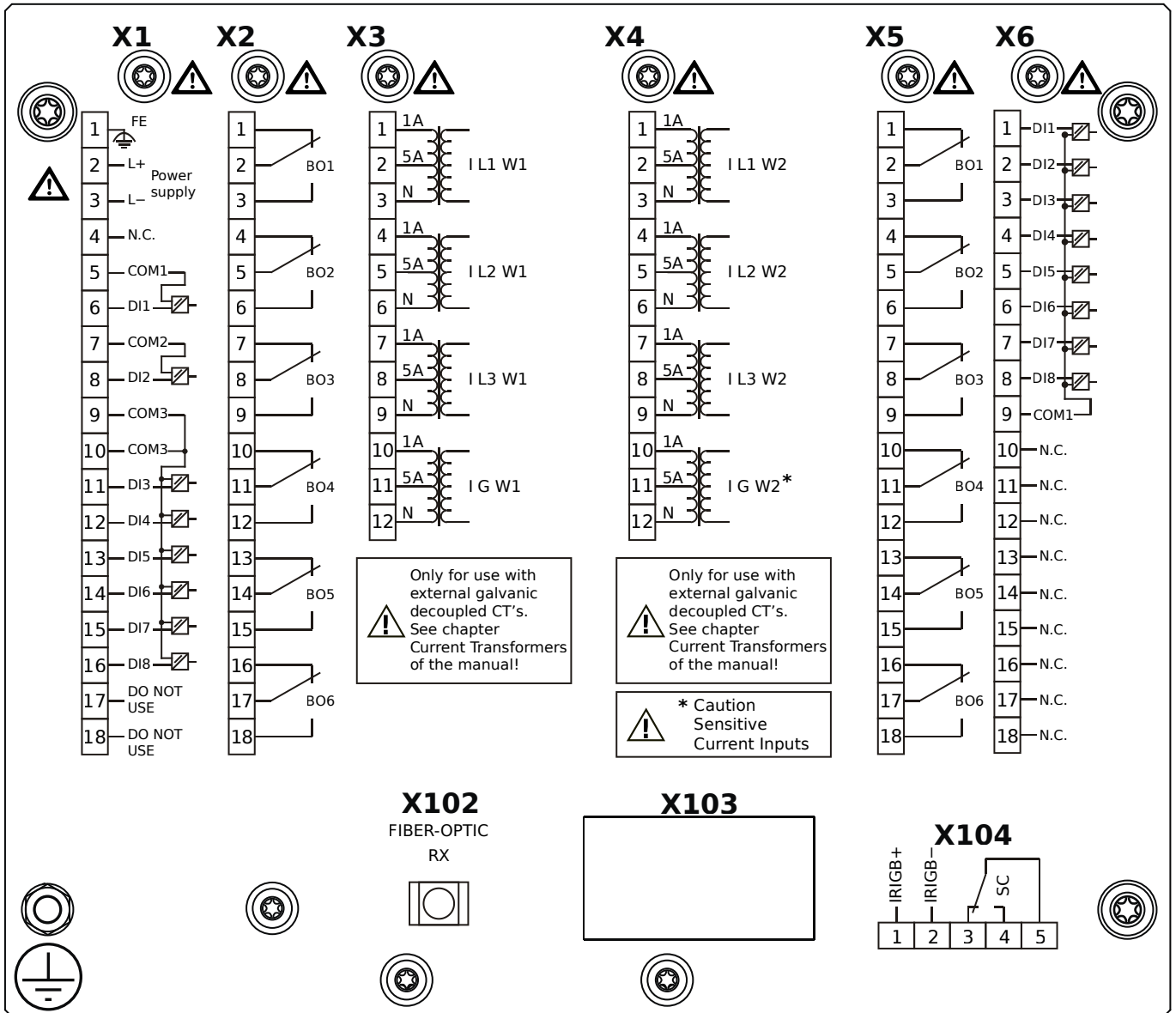


Housing B2, small display, door mounting

+ Conformal Coating (for installations in harsh environment)

- X1** – DI8-X1: Wide-range power supply unit, incl. 2 non-grouped digital inputs and 6 grouped digital inputs
- X2** – OR6: Assembly Group with 6 Output Relays (Changeover / Form C)
- X3** – TI: Standard current measuring card (for the winding side 1)
- X4** – TIs: Standard phase current measuring card and sensitive ground current measuring (winding side 2)
- X5** – OR6: Assembly Group with 6 Output Relays (Changeover / Form C)
- X6** – DI8: Assembly Group with 8 Digital Inputs
- X100** – IEC 61850 / Modbus TCP / IEC 60870-5-104 / DNP3.0 TCP/UDP, Ethernet interface, 100 Mbit/s, RJ45 (BASE100-FX)
- X102** – Universal Resistance-Temperature Detector (URTD) input, Fiber optics interface, Versatile Link
- X103** – IEC 60870-5-103 / Modbus RTU / DNP3.0 RTU, RS485, Terminals
- X104** – IRIG-B00X, incl. System Contact (Supervision Contact)

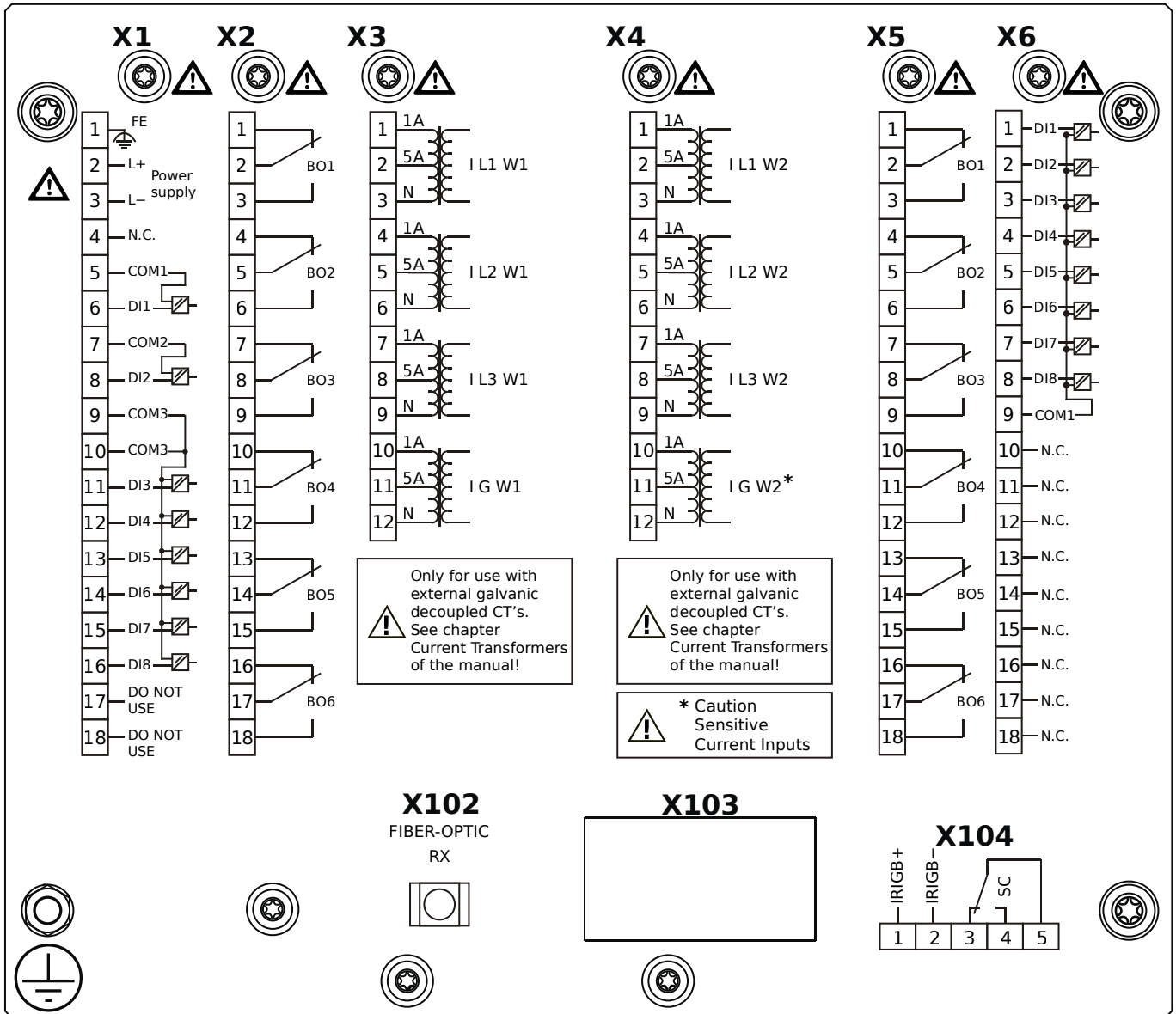
MRDT4-2D2BAA



Housing B2, small display, 19" rack mounting

- X1** – DI8-X1: Wide-range power supply unit, incl. 2 non-grouped digital inputs and 6 grouped digital inputs
- X2** – OR6: Assembly Group with 6 Output Relays (Changeover / Form C)
- X3** – TI: Standard current measuring card (for the winding side 1)
- X4** – TIs: Standard phase current measuring card and sensitive ground current measuring (winding side 2)
- X5** – OR6: Assembly Group with 6 Output Relays (Changeover / Form C)
- X6** – DI8: Assembly Group with 8 Digital Inputs
- X102** – Universal Resistance-Temperature Detector (URTD) input, Fiber optics interface, Versatile Link
- X104** – IRIG-B00X, incl. System Contact (Supervision Contact)

MRDT4-2D2BAB

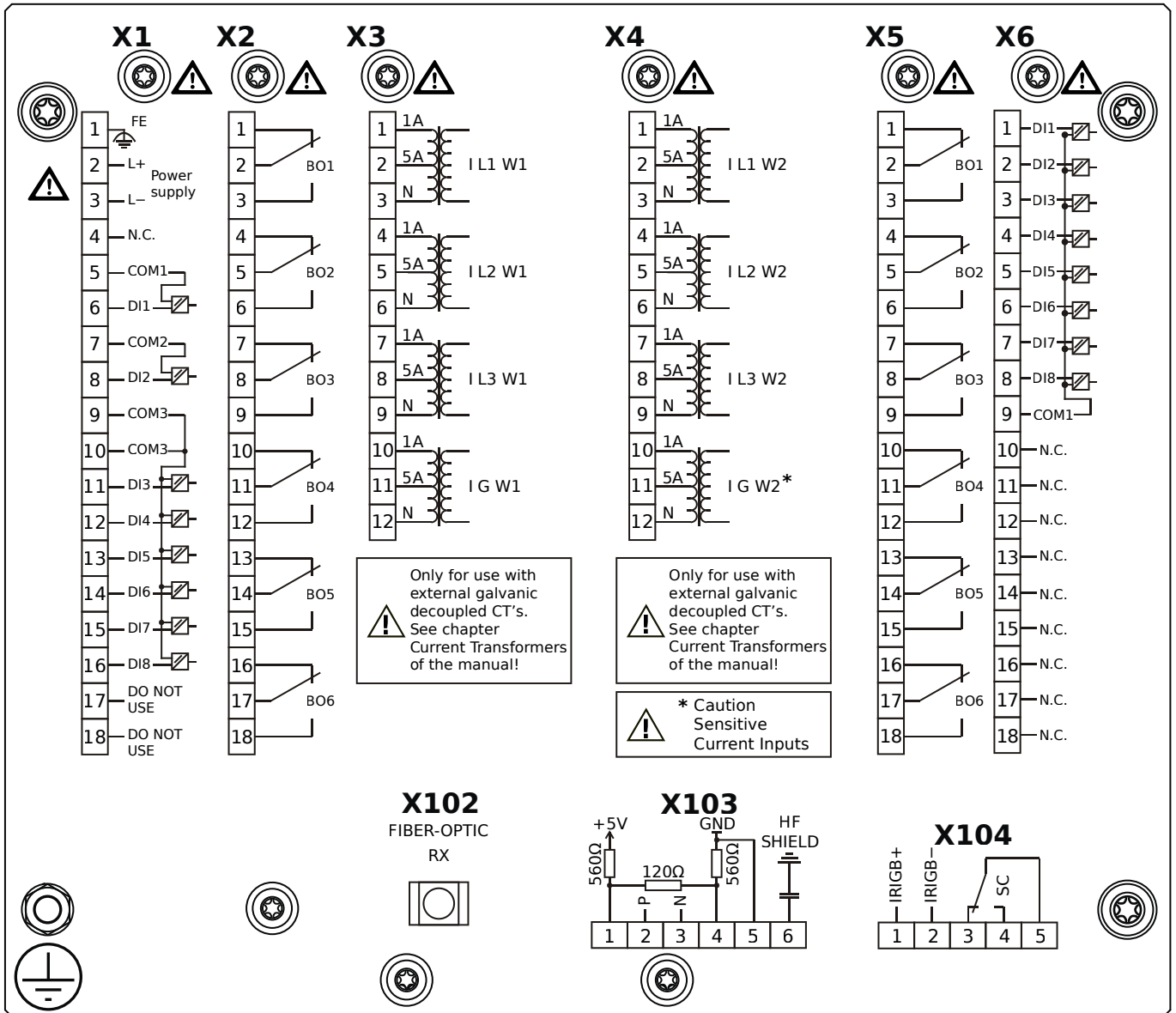


Housing B2, small display, 19" rack mounting

+ Conformal Coating (for installations in harsh environment)

- X1** – DI8-X1: Wide-range power supply unit, incl. 2 non-grouped digital inputs and 6 grouped digital inputs
- X2** – OR6: Assembly Group with 6 Output Relays (Changeover / Form C)
- X3** – TI: Standard current measuring card (for the winding side 1)
- X4** – TIs: Standard phase current measuring card and sensitive ground current measuring (winding side 2)
- X5** – OR6: Assembly Group with 6 Output Relays (Changeover / Form C)
- X6** – DI8: Assembly Group with 8 Digital Inputs
- X102** – Universal Resistance-Temperature Detector (URTD) input, Fiber optics interface, Versatile Link
- X104** – IRIG-B00X, incl. System Contact (Supervision Contact)

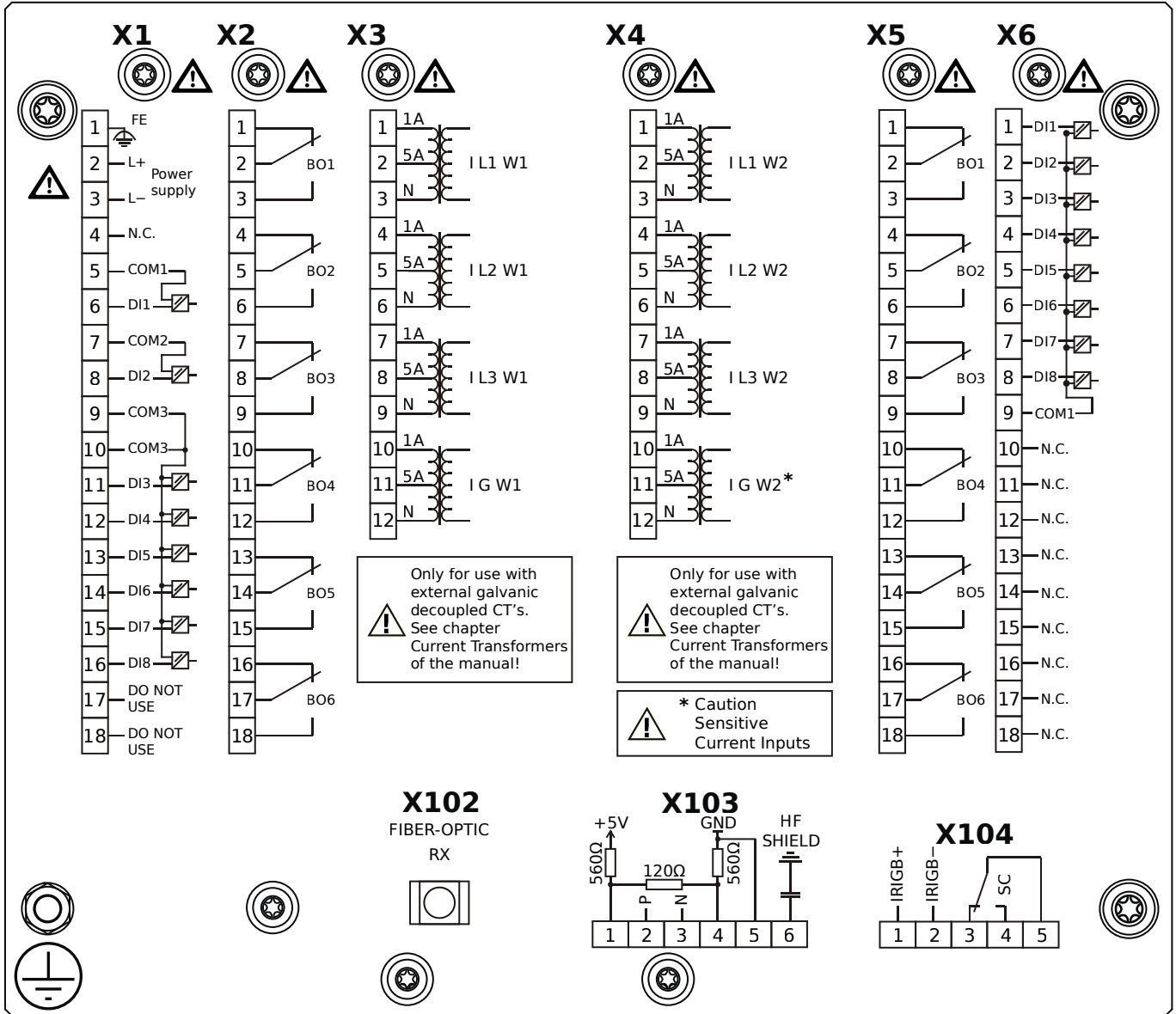
MRDT4-2D2BBA



Housing B2, small display, 19" rack mounting

- X1** – DI8-X1: Wide-range power supply unit, incl. 2 non-grouped digital inputs and 6 grouped digital inputs
- X2** – OR6: Assembly Group with 6 Output Relays (Changeover / Form C)
- X3** – TI: Standard current measuring card (for the winding side 1)
- X4** – TIs: Standard phase current measuring card and sensitive ground current measuring (winding side 2)
- X5** – OR6: Assembly Group with 6 Output Relays (Changeover / Form C)
- X6** – DI8: Assembly Group with 8 Digital Inputs
- X102** – Universal Resistance-Temperature Detector (URTD) input, Fiber optics interface, Versatile Link
- X103** – Modbus RTU / IEC 60870-5-103 / DNP3.0 RTU, RS485, Terminals
- X104** – IRIG-B00X, incl. System Contact (Supervision Contact)

MRDT4-2D2BBB

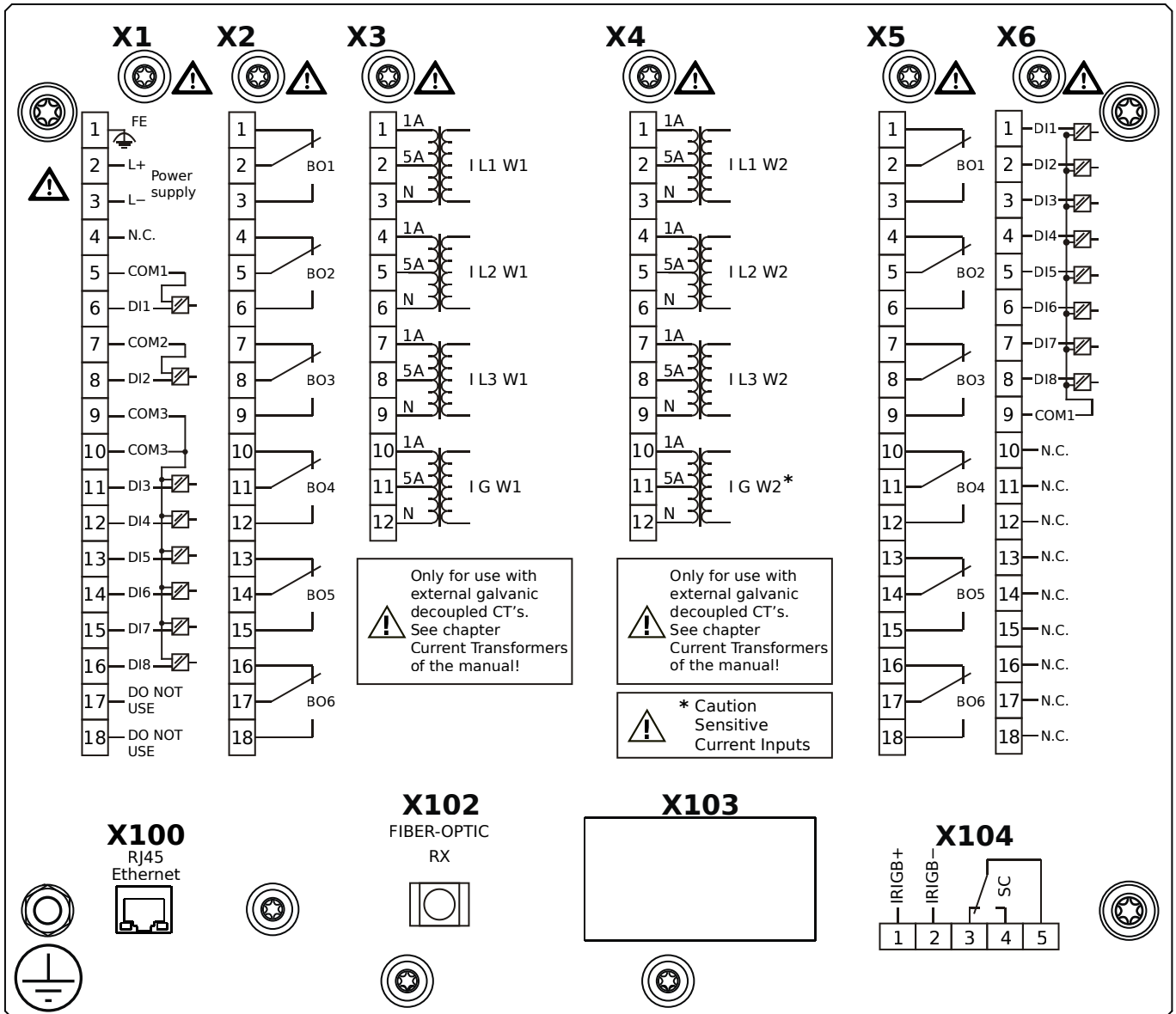


Housing B2, small display, 19" rack mounting

+ Conformal Coating (for installations in harsh environment)

- X1** – DI8-X1: Wide-range power supply unit, incl. 2 non-grouped digital inputs and 6 grouped digital inputs
- X2** – OR6: Assembly Group with 6 Output Relays (Changeover / Form C)
- X3** – TI: Standard current measuring card (for the winding side 1)
- X4** – TIs: Standard phase current measuring card and sensitive ground current measuring (winding side 2)
- X5** – OR6: Assembly Group with 6 Output Relays (Changeover / Form C)
- X6** – DI8: Assembly Group with 8 Digital Inputs
- X102** – Universal Resistance-Temperature Detector (URTD) input, Fiber optics interface, Versatile Link
- X103** – Modbus RTU / IEC 60870-5-103 / DNP3.0 RTU, RS485, Terminals
- X104** – IRIG-B00X, incl. System Contact (Supervision Contact)

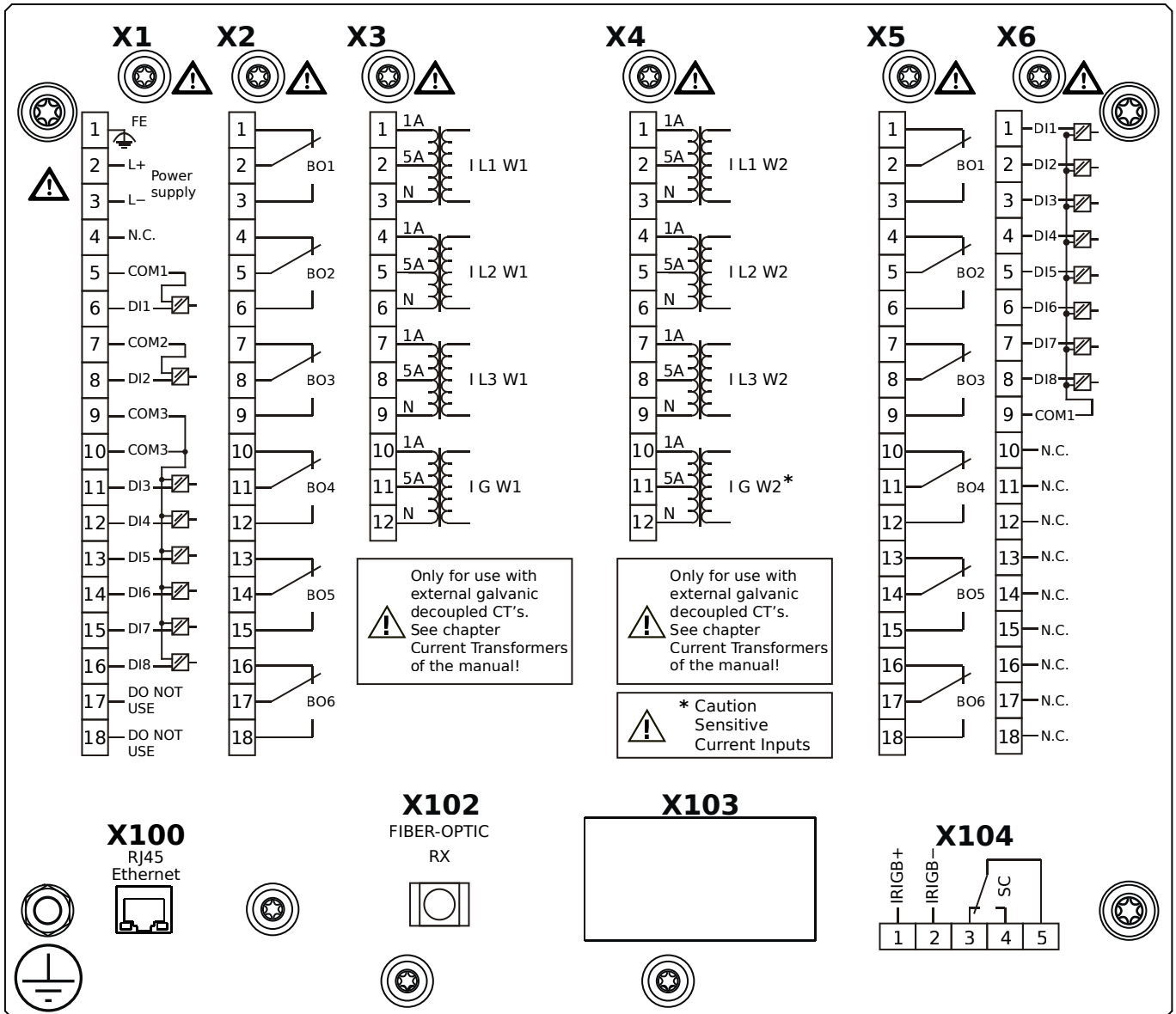
MRDT4-2D2BCA



Housing B2, small display, 19" rack mounting

- X1** – DI8-X1: Wide-range power supply unit, incl. 2 non-grouped digital inputs and 6 grouped digital inputs
- X2** – OR6: Assembly Group with 6 Output Relays (Changeover / Form C)
- X3** – TI: Standard current measuring card (for the winding side 1)
- X4** – TIs: Standard phase current measuring card and sensitive ground current measuring (winding side 2)
- X5** – OR6: Assembly Group with 6 Output Relays (Changeover / Form C)
- X6** – DI8: Assembly Group with 8 Digital Inputs
- X100** – Modbus TCP / IEC 60870-5-104 / DNP3.0 TCP/UDP, Ethernet interface, 100 Mbit/s, RJ45 (BASE100-FX)
- X102** – Universal Resistance-Temperature Detector (URTD) input, Fiber optics interface, Versatile Link
- X104** – IRIG-B00X, incl. System Contact (Supervision Contact)

MRDT4-2D2BCB

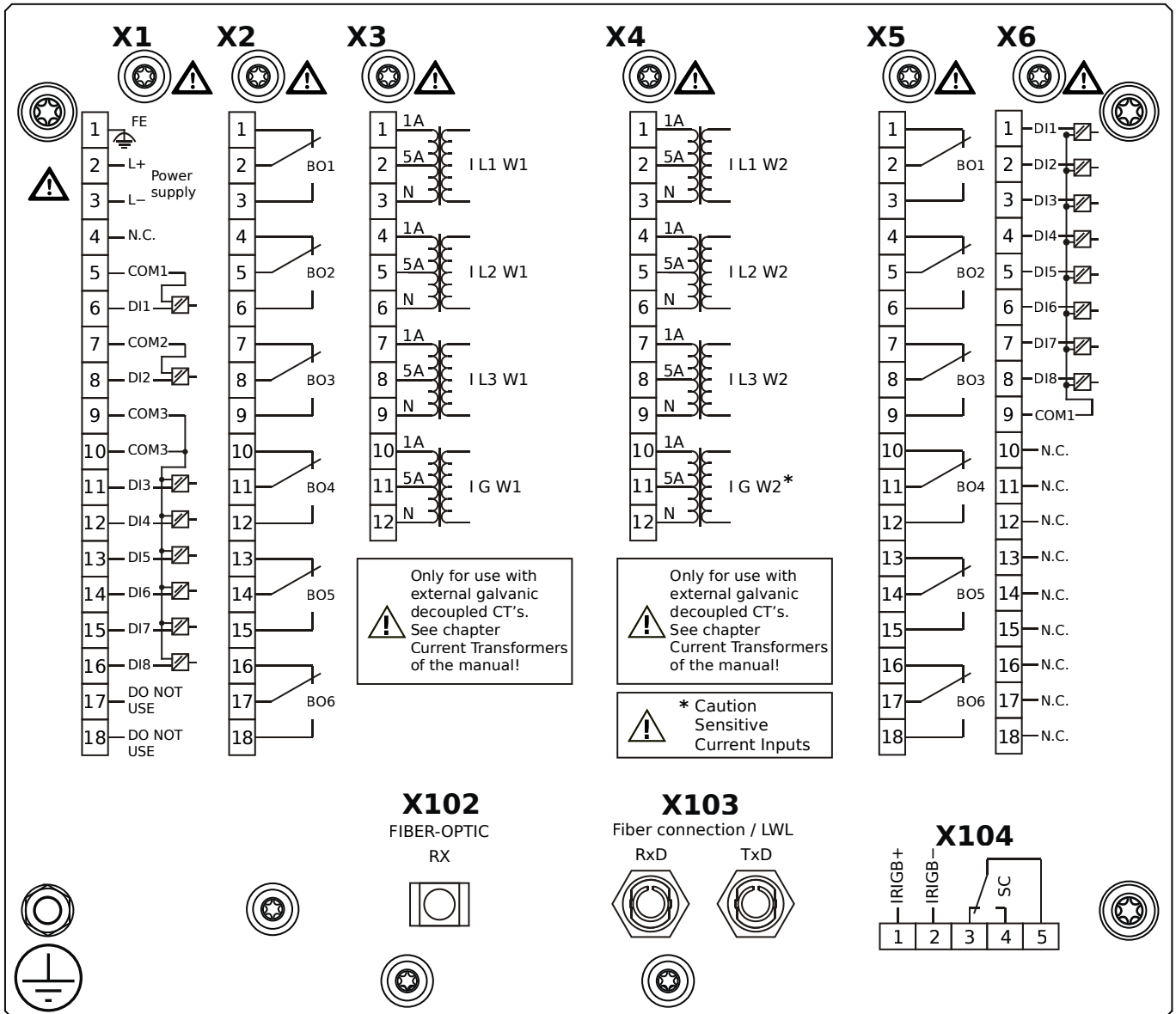


Housing B2, small display, 19" rack mounting

+ Conformal Coating (for installations in harsh environment)

- X1** – DI8-X1: Wide-range power supply unit, incl. 2 non-grouped digital inputs and 6 grouped digital inputs
- X2** – OR6: Assembly Group with 6 Output Relays (Changeover / Form C)
- X3** – TI: Standard current measuring card (for the winding side 1)
- X4** – TIs: Standard phase current measuring card and sensitive ground current measuring (winding side 2)
- X5** – OR6: Assembly Group with 6 Output Relays (Changeover / Form C)
- X6** – DI8: Assembly Group with 8 Digital Inputs
- X100** – Modbus TCP / IEC 60870-5-104 / DNP3.0 TCP/UDP, Ethernet interface, 100 Mbit/s, RJ45 (BASE100-FX)
- X102** – Universal Resistance-Temperature Detector (URTD) input, Fiber optics interface, Versatile Link
- X104** – IRIG-B00X, incl. System Contact (Supervision Contact)

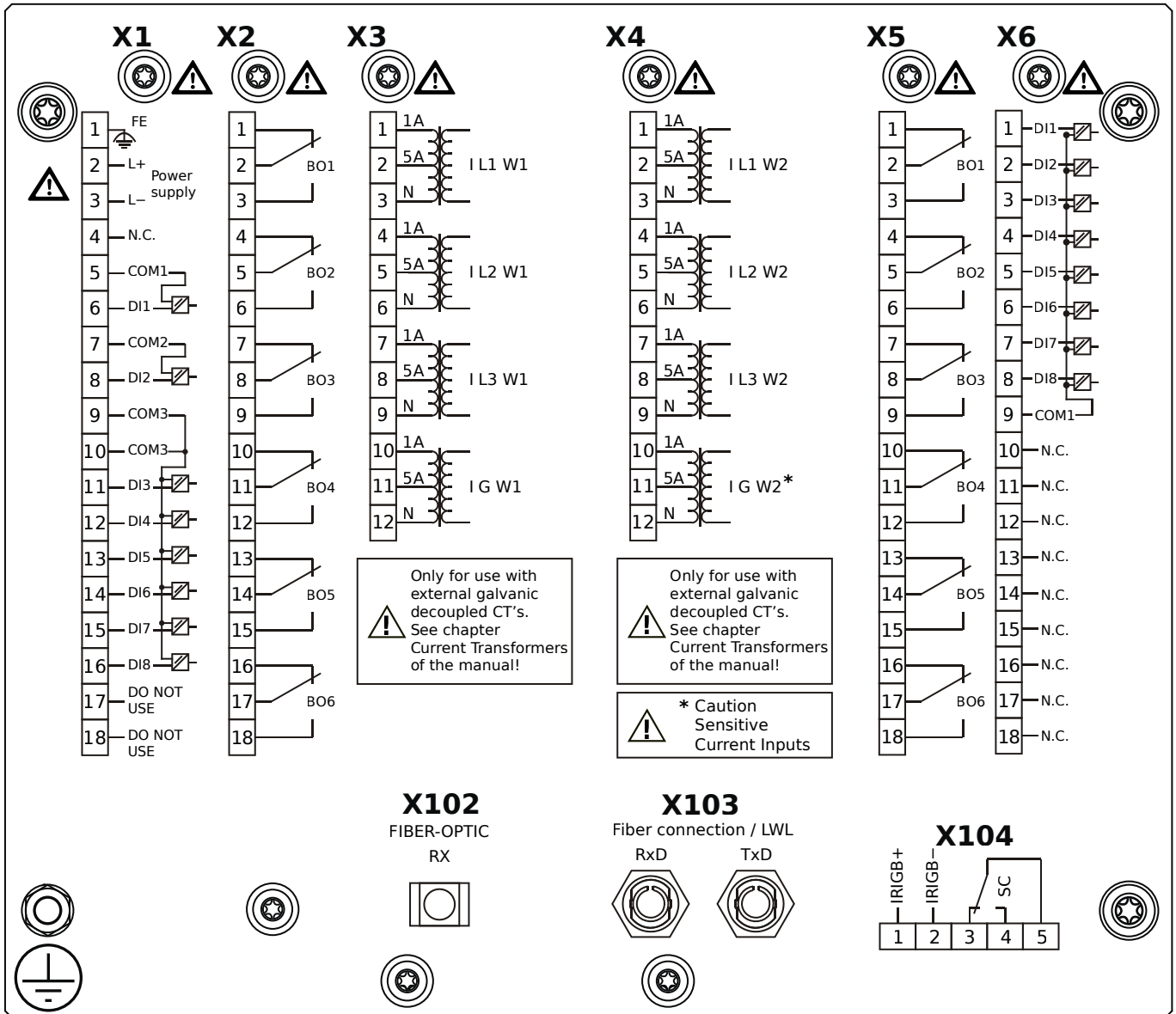
MRDT4-2D2BDA



Housing B2, small display, 19" rack mounting

- X1** – DI8-X1: Wide-range power supply unit, incl. 2 non-grouped digital inputs and 6 grouped digital inputs
- X2** – OR6: Assembly Group with 6 Output Relays (Changeover / Form C)
- X3** – TI: Standard current measuring card (for the winding side 1)
- X4** – TIs: Standard phase current measuring card and sensitive ground current measuring (winding side 2)
- X5** – OR6: Assembly Group with 6 Output Relays (Changeover / Form C)
- X6** – DI8: Assembly Group with 8 Digital Inputs
- X102** – Universal Resistance-Temperature Detector (URTD) input, Fiber optics interface, Versatile Link
- X103** – Profibus-DP, Fiber optics interface, ST Connector
- X104** – IRIG-B00X, incl. System Contact (Supervision Contact)

MRDT4-2D2BDB

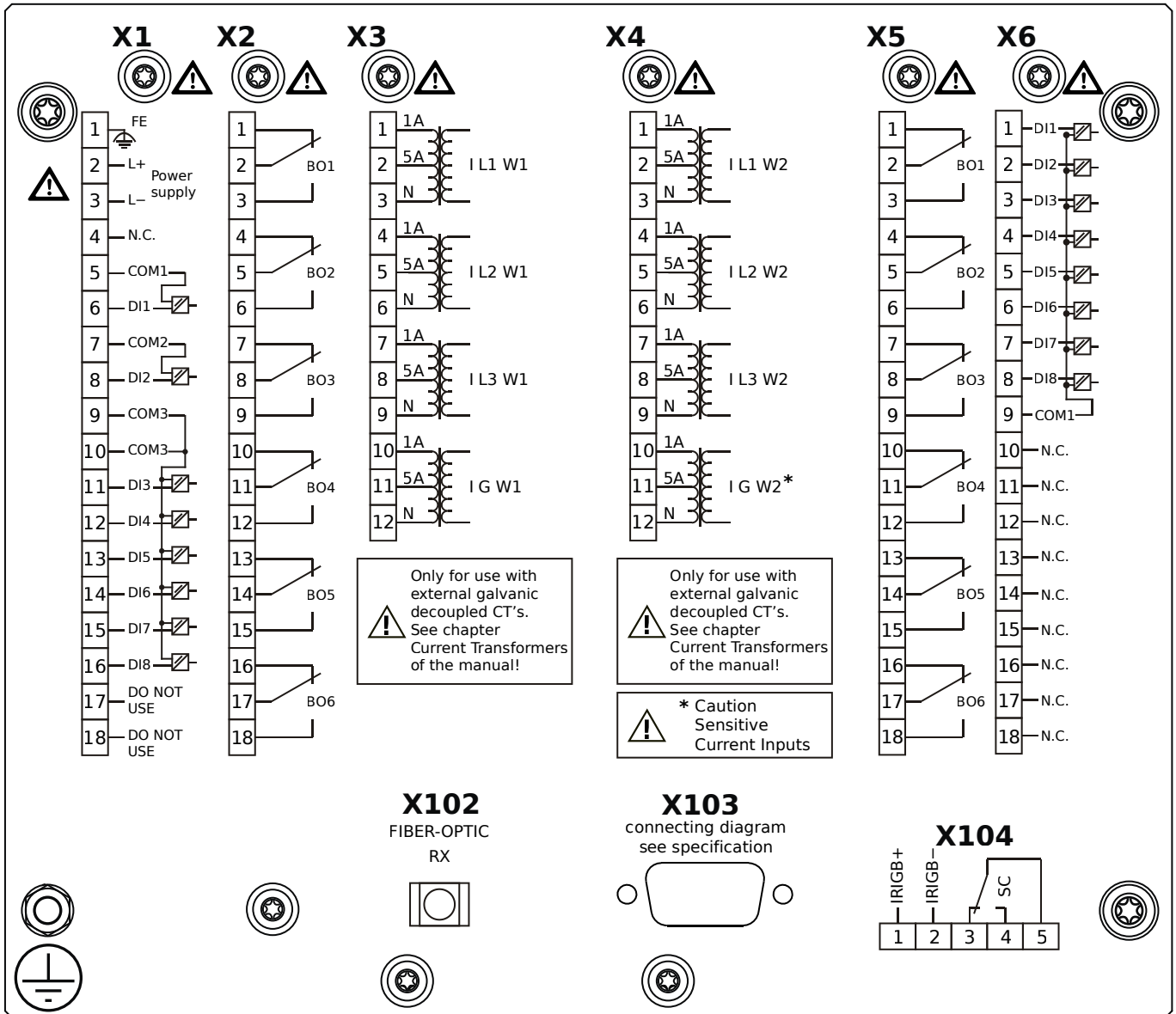


Housing B2, small display, 19" rack mounting

+ Conformal Coating (for installations in harsh environment)

- X1** – DI8-X1: Wide-range power supply unit, incl. 2 non-grouped digital inputs and 6 grouped digital inputs
- X2** – OR6: Assembly Group with 6 Output Relays (Changeover / Form C)
- X3** – TI: Standard current measuring card (for the winding side 1)
- X4** – TIs: Standard phase current measuring card and sensitive ground current measuring (winding side 2)
- X5** – OR6: Assembly Group with 6 Output Relays (Changeover / Form C)
- X6** – DI8: Assembly Group with 8 Digital Inputs
- X102** – Universal Resistance-Temperature Detector (URTD) input, Fiber optics interface, Versatile Link
- X103** – Profibus-DP, Fiber optics interface, ST Connector
- X104** – IRIG-B00X, incl. System Contact (Supervision Contact)

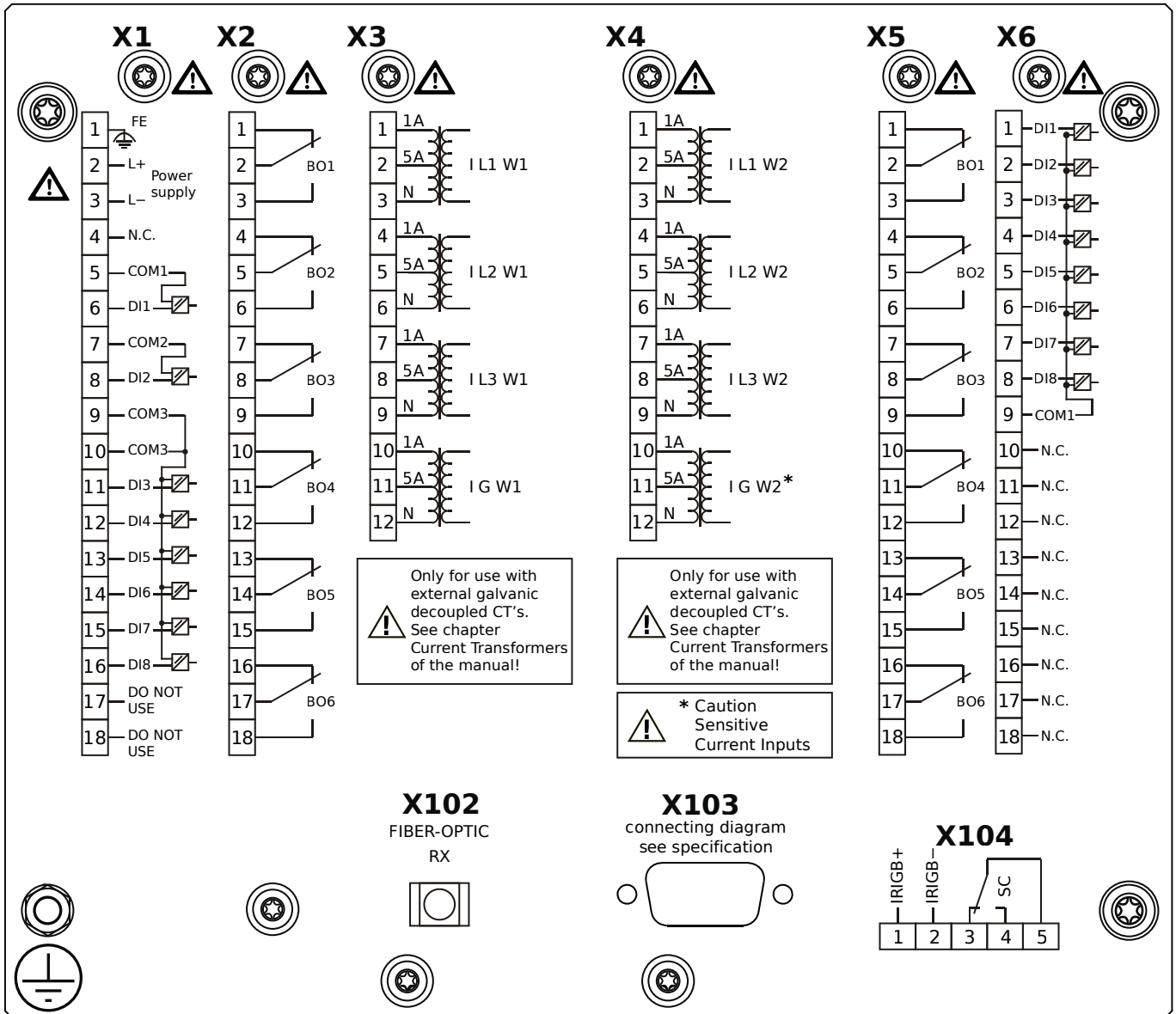
MRDT4-2D2BEA



Housing B2, small display, 19" rack mounting

- X1** – DI8-X1: Wide-range power supply unit, incl. 2 non-grouped digital inputs and 6 grouped digital inputs
- X2** – OR6: Assembly Group with 6 Output Relays (Changeover / Form C)
- X3** – TI: Standard current measuring card (for the winding side 1)
- X4** – TIs: Standard phase current measuring card and sensitive ground current measuring (winding side 2)
- X5** – OR6: Assembly Group with 6 Output Relays (Changeover / Form C)
- X6** – DI8: Assembly Group with 8 Digital Inputs
- X102** – Universal Resistance-Temperature Detector (URTD) input, Fiber optics interface, Versatile Link
- X103** – Profibus-DP, RS485, D-SUB
- X104** – IRIG-B00X, incl. System Contact (Supervision Contact)

MRDT4-2D2BEB

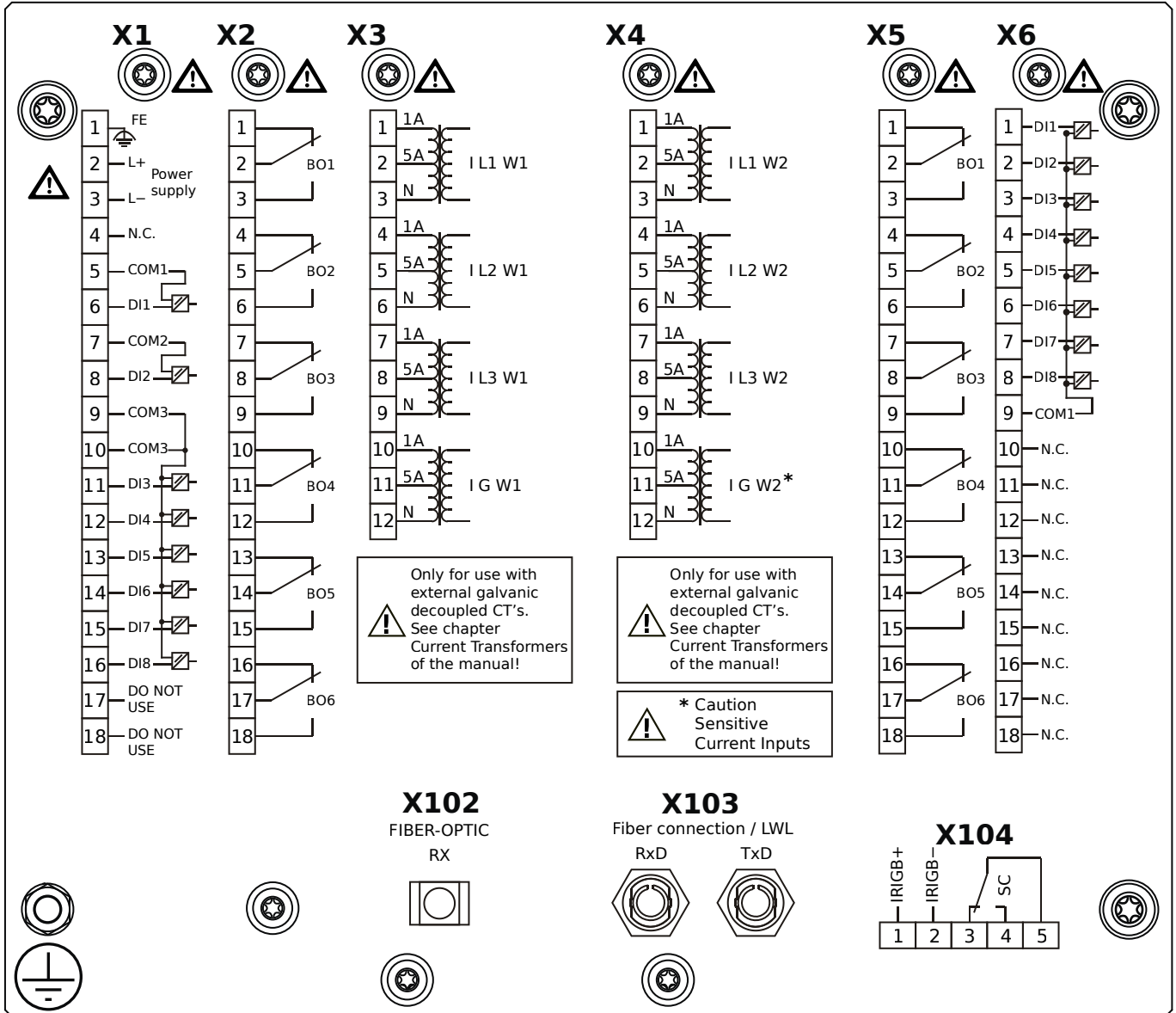


Housing B2, small display, 19" rack mounting

+ Conformal Coating (for installations in harsh environment)

- X1** – DI8-X1: Wide-range power supply unit, incl. 2 non-grouped digital inputs and 6 grouped digital inputs
- X2** – OR6: Assembly Group with 6 Output Relays (Changeover / Form C)
- X3** – TI: Standard current measuring card (for the winding side 1)
- X4** – TIs: Standard phase current measuring card and sensitive ground current measuring (winding side 2)
- X5** – OR6: Assembly Group with 6 Output Relays (Changeover / Form C)
- X6** – DI8: Assembly Group with 8 Digital Inputs
- X102** – Universal Resistance-Temperature Detector (URTD) input, Fiber optics interface, Versatile Link
- X103** – Profibus-DP, RS485, D-SUB
- X104** – IRIG-B00X, incl. System Contact (Supervision Contact)

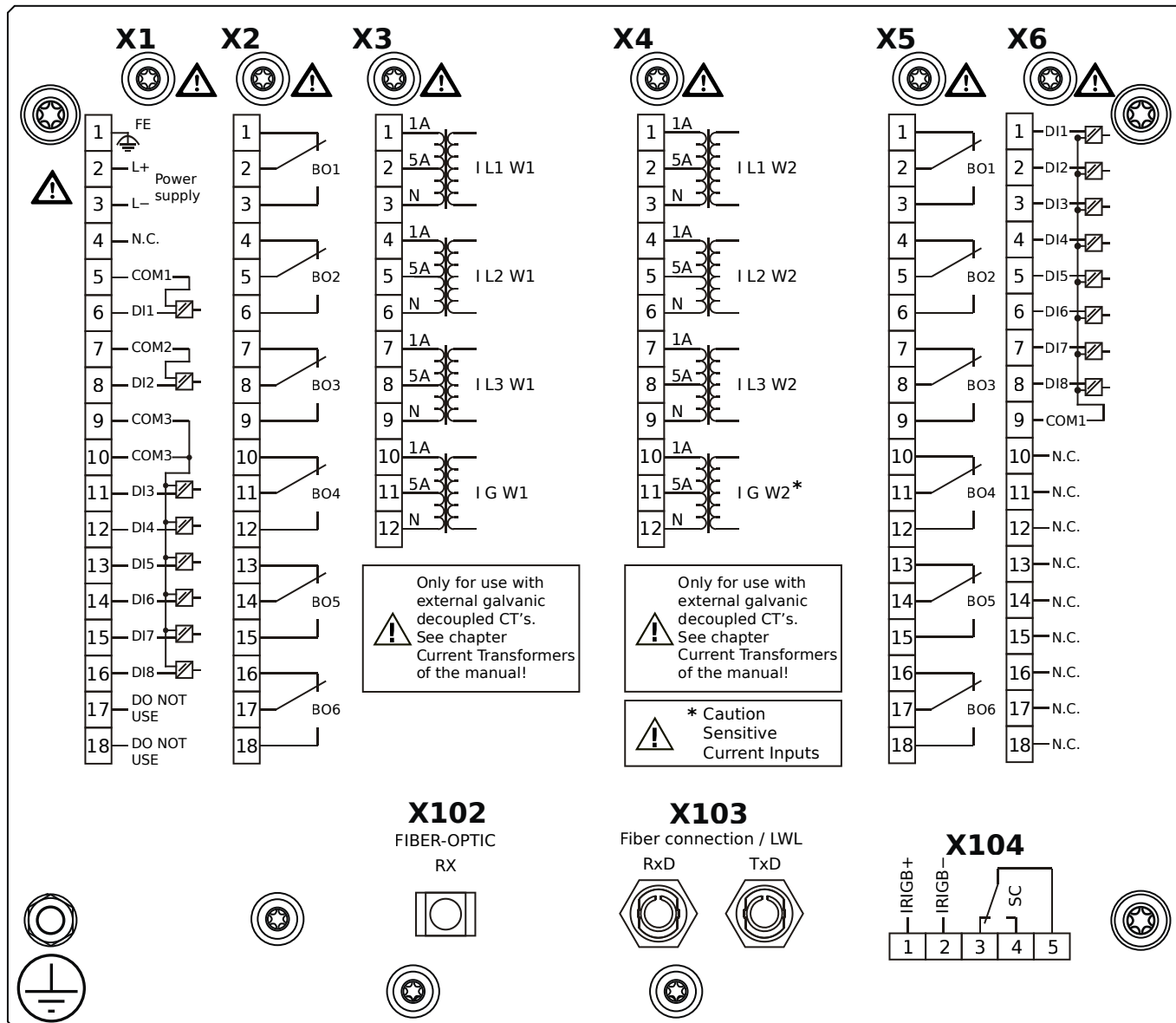
MRDT4-2D2BFA



Housing B2, small display, 19" rack mounting

- X1** – DI8-X1: Wide-range power supply unit, incl. 2 non-grouped digital inputs and 6 grouped digital inputs
- X2** – OR6: Assembly Group with 6 Output Relays (Changeover / Form C)
- X3** – TI: Standard current measuring card (for the winding side 1)
- X4** – TIs: Standard phase current measuring card and sensitive ground current measuring (winding side 2)
- X5** – OR6: Assembly Group with 6 Output Relays (Changeover / Form C)
- X6** – DI8: Assembly Group with 8 Digital Inputs
- X102** – Universal Resistance-Temperature Detector (URTD) input, Fiber optics interface, Versatile Link
- X103** – Modbus RTU / IEC 60870-5-103 / DNP3.0 RTU, Fiber optics interface, ST Connector
- X104** – IRIG-B00X, incl. System Contact (Supervision Contact)

MRDT4-2D2BFB

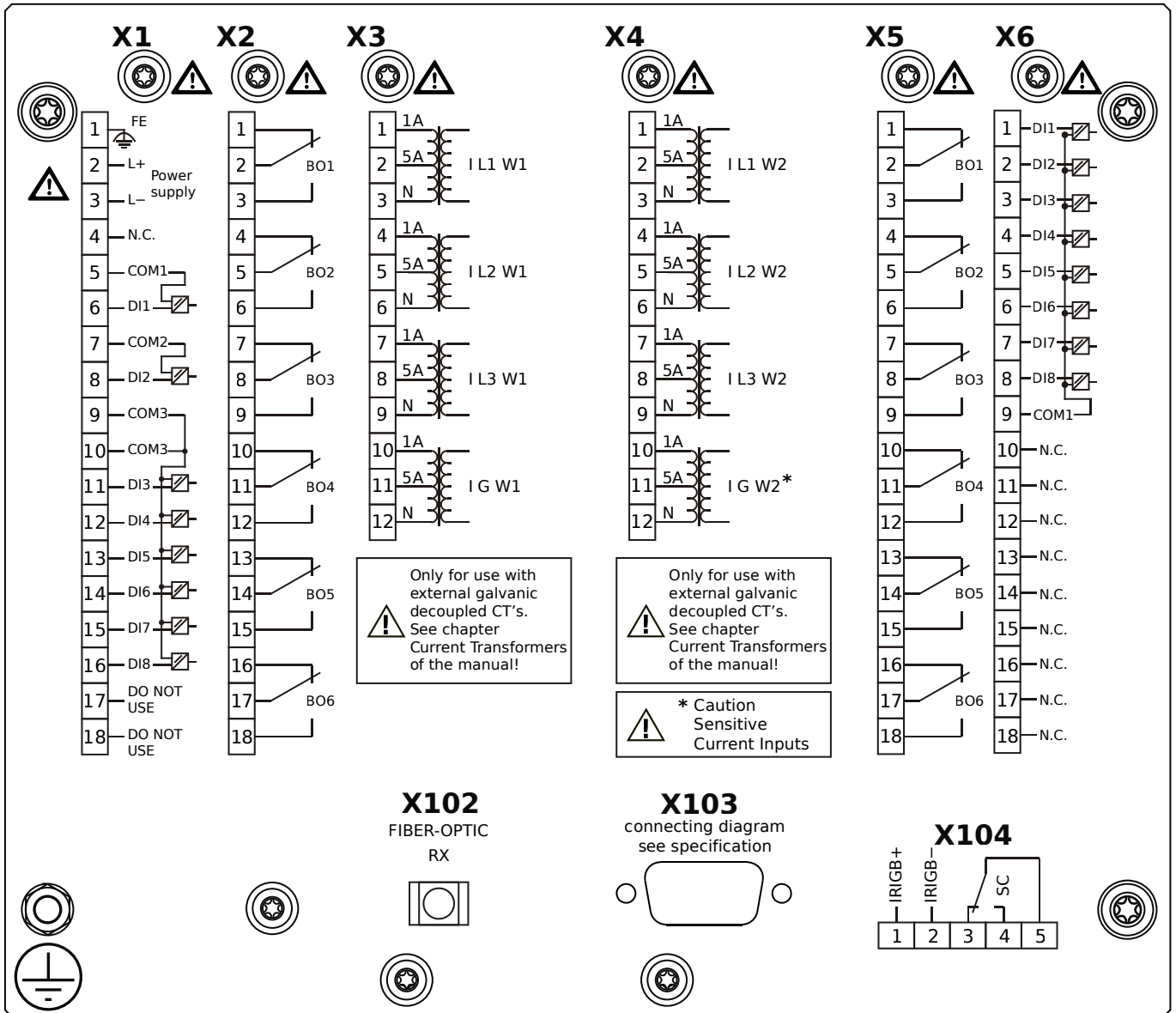


Housing B2, small display, 19" rack mounting

+ Conformal Coating (for installations in harsh environment)

- X1** – DI8-X1: Wide-range power supply unit, incl. 2 non-grouped digital inputs and 6 grouped digital inputs
- X2** – OR6: Assembly Group with 6 Output Relays (Changeover / Form C)
- X3** – TI: Standard current measuring card (for the winding side 1)
- X4** – TIs: Standard phase current measuring card and sensitive ground current measuring (winding side 2)
- X5** – OR6: Assembly Group with 6 Output Relays (Changeover / Form C)
- X6** – DI8: Assembly Group with 8 Digital Inputs
- X102** – Universal Resistance-Temperature Detector (URTD) input, Fiber optics interface, Versatile Link
- X103** – Modbus RTU / IEC 60870-5-103 / DNP3.0 RTU, Fiber optics interface, ST Connector
- X104** – IRIG-B00X, incl. System Contact (Supervision Contact)

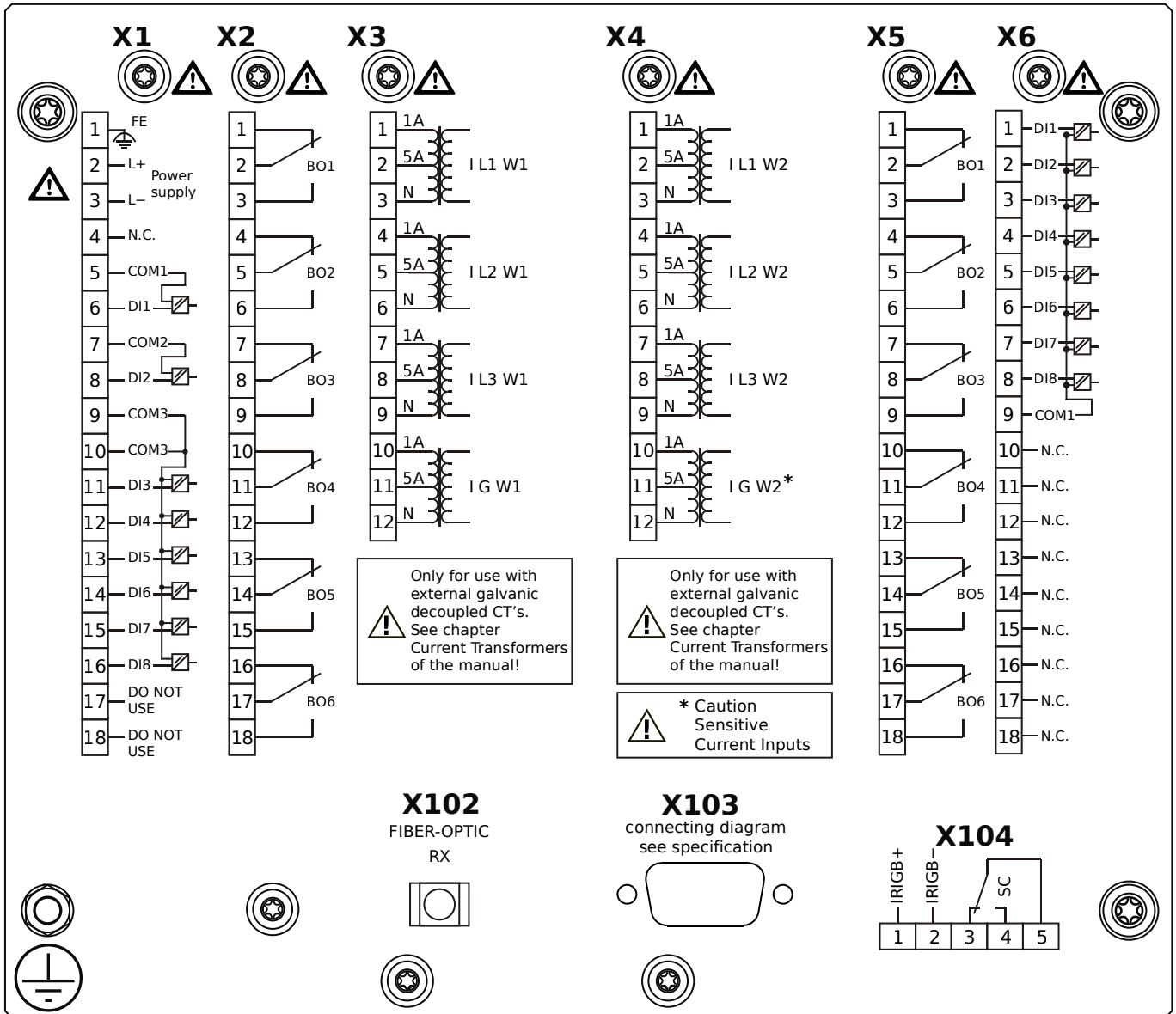
MRDT4-2D2BGA



Housing B2, small display, 19" rack mounting

- X1** – DI8-X1: Wide-range power supply unit, incl. 2 non-grouped digital inputs and 6 grouped digital inputs
- X2** – OR6: Assembly Group with 6 Output Relays (Changeover / Form C)
- X3** – TI: Standard current measuring card (for the winding side 1)
- X4** – TIs: Standard phase current measuring card and sensitive ground current measuring (winding side 2)
- X5** – OR6: Assembly Group with 6 Output Relays (Changeover / Form C)
- X6** – DI8: Assembly Group with 8 Digital Inputs
- X102** – Universal Resistance-Temperature Detector (URTD) input, Fiber optics interface, Versatile Link
- X103** – Modbus RTU / IEC 60870-5-103 / DNP3.0 RTU, RS485, D-SUB
- X104** – IRIG-B00X, incl. System Contact (Supervision Contact)

MRDT4-2D2BGB

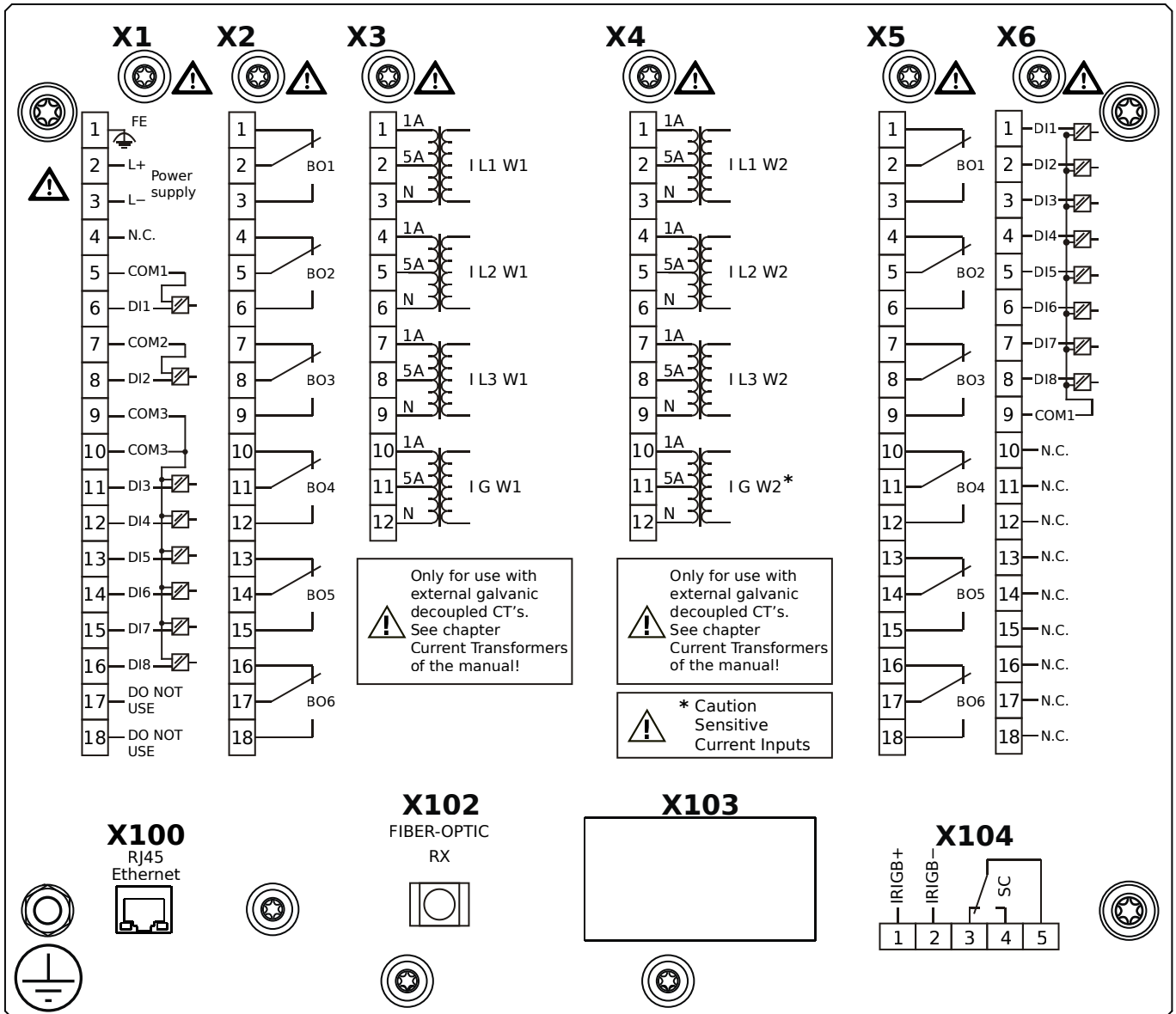


Housing B2, small display, 19" rack mounting

+ Conformal Coating (for installations in harsh environment)

- X1** – DI8-X1: Wide-range power supply unit, incl. 2 non-grouped digital inputs and 6 grouped digital inputs
- X2** – OR6: Assembly Group with 6 Output Relays (Changeover / Form C)
- X3** – TI: Standard current measuring card (for the winding side 1)
- X4** – TIs: Standard phase current measuring card and sensitive ground current measuring (winding side 2)
- X5** – OR6: Assembly Group with 6 Output Relays (Changeover / Form C)
- X6** – DI8: Assembly Group with 8 Digital Inputs
- X102** – Universal Resistance-Temperature Detector (URTD) input, Fiber optics interface, Versatile Link
- X103** – Modbus RTU / IEC 60870-5-103 / DNP3.0 RTU, RS485, D-SUB
- X104** – IRIG-B00X, incl. System Contact (Supervision Contact)

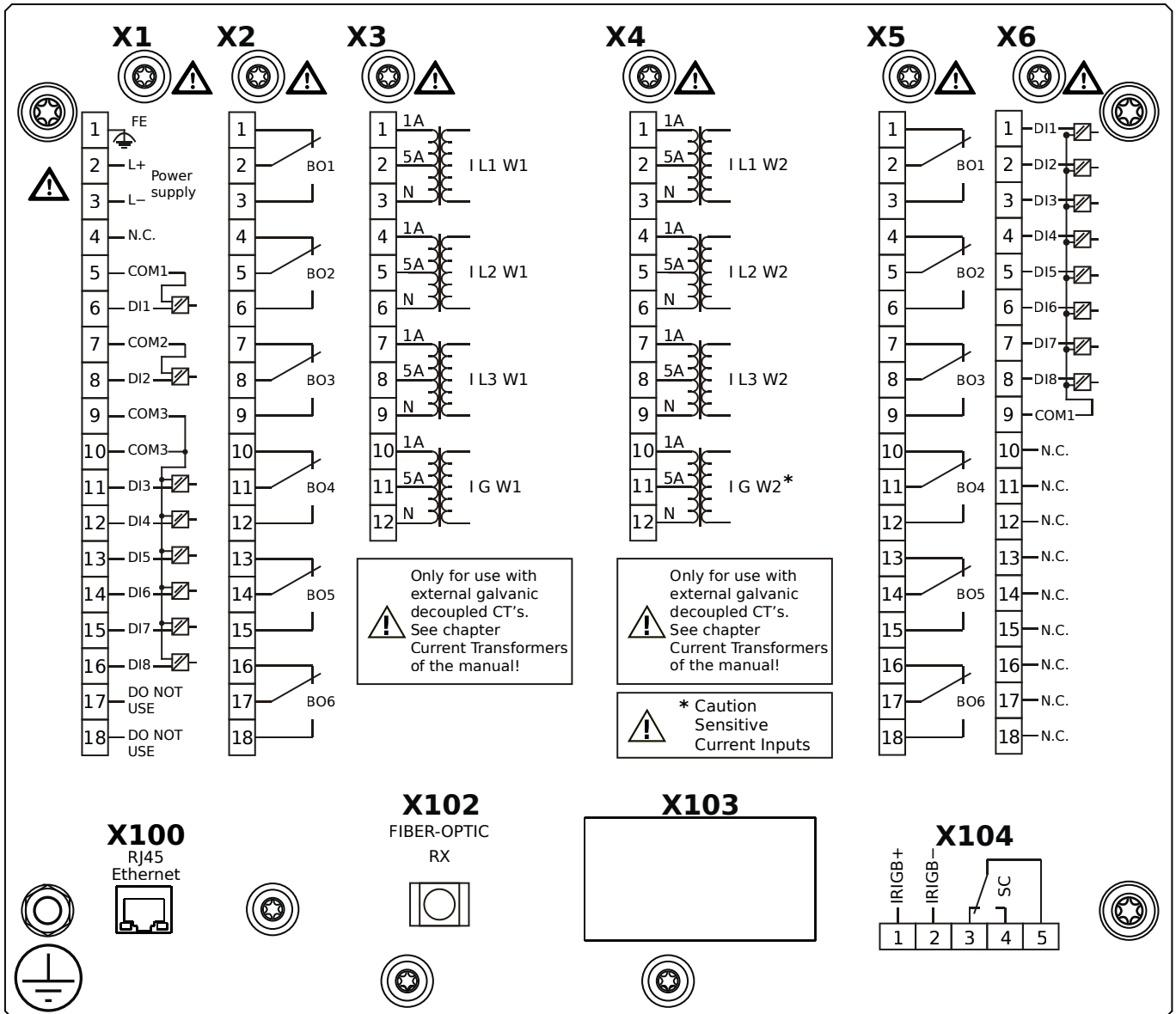
MRDT4-2D2BHA



Housing B2, small display, 19" rack mounting

- X1** – DI8-X1: Wide-range power supply unit, incl. 2 non-grouped digital inputs and 6 grouped digital inputs
- X2** – OR6: Assembly Group with 6 Output Relays (Changeover / Form C)
- X3** – TI: Standard current measuring card (for the winding side 1)
- X4** – TIs: Standard phase current measuring card and sensitive ground current measuring (winding side 2)
- X5** – OR6: Assembly Group with 6 Output Relays (Changeover / Form C)
- X6** – DI8: Assembly Group with 8 Digital Inputs
- X100** – IEC 61850 / Modbus TCP / IEC 60870-5-104 / DNP3.0 TCP/UDP, Ethernet interface, 100 Mbit/s, RJ45 (BASE100-FX)
- X102** – Universal Resistance-Temperature Detector (URTD) input, Fiber optics interface, Versatile Link
- X104** – IRIG-B00X, incl. System Contact (Supervision Contact)

MRDT4-2D2BHB

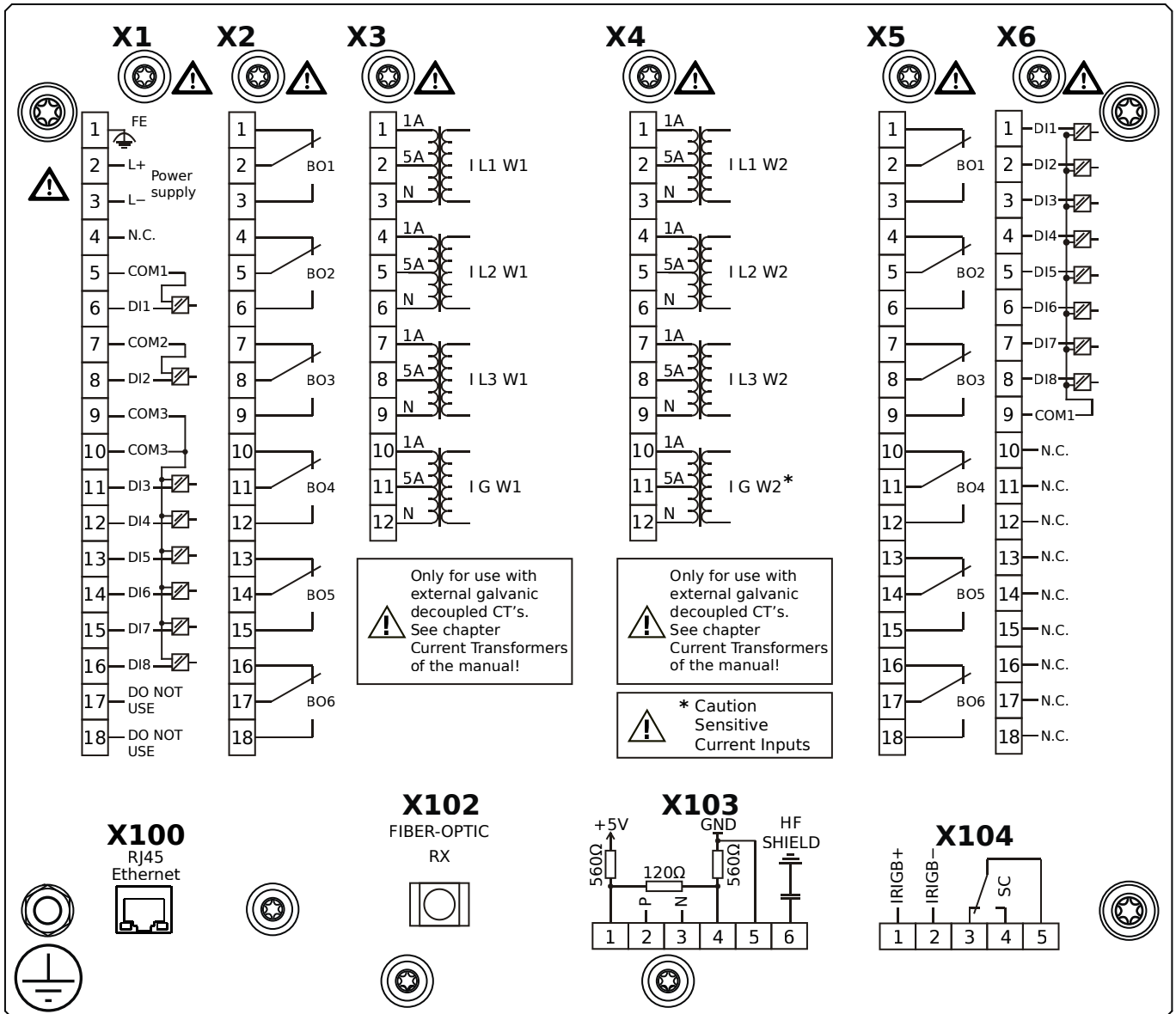


Housing B2, small display, 19" rack mounting

+ Conformal Coating (for installations in harsh environment)

- X1** – DI8-X1: Wide-range power supply unit, incl. 2 non-grouped digital inputs and 6 grouped digital inputs
- X2** – OR6: Assembly Group with 6 Output Relays (Changeover / Form C)
- X3** – TI: Standard current measuring card (for the winding side 1)
- X4** – TIs: Standard phase current measuring card and sensitive ground current measuring (winding side 2)
- X5** – OR6: Assembly Group with 6 Output Relays (Changeover / Form C)
- X6** – DI8: Assembly Group with 8 Digital Inputs
- X100** – IEC 61850 / Modbus TCP / IEC 60870-5-104 / DNP3.0 TCP/UDP, Ethernet interface, 100 Mbit/s, RJ45 (BASE100-FX)
- X102** – Universal Resistance-Temperature Detector (URTD) input, Fiber optics interface, Versatile Link
- X104** – IRIG-B00X, incl. System Contact (Supervision Contact)

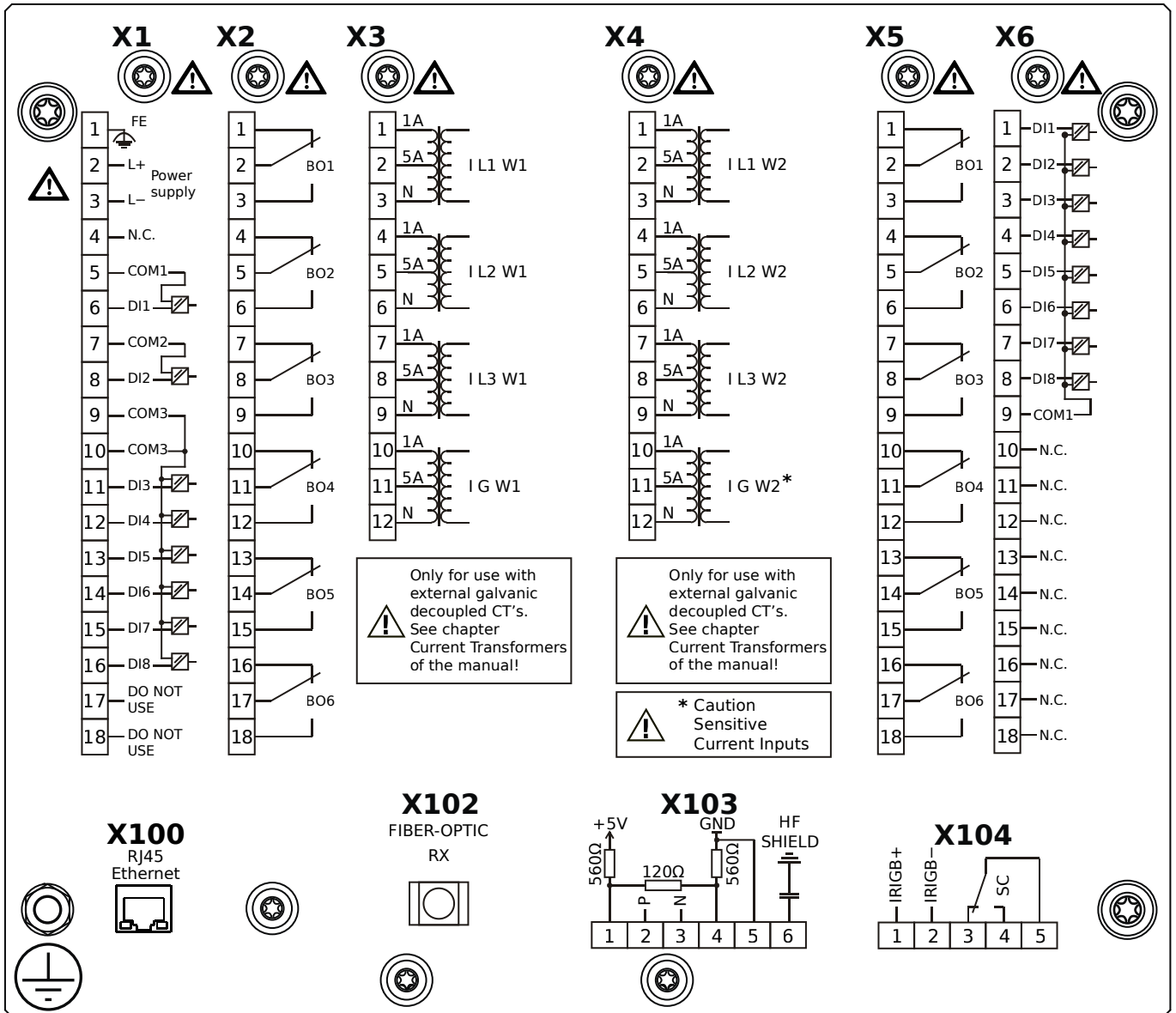
MRDT4-2D2BIA



Housing B2, small display, 19" rack mounting

- X1** – DI8-X1: Wide-range power supply unit, incl. 2 non-grouped digital inputs and 6 grouped digital inputs
- X2** – OR6: Assembly Group with 6 Output Relays (Changeover / Form C)
- X3** – TI: Standard current measuring card (for the winding side 1)
- X4** – TIs: Standard phase current measuring card and sensitive ground current measuring (winding side 2)
- X5** – OR6: Assembly Group with 6 Output Relays (Changeover / Form C)
- X6** – DI8: Assembly Group with 8 Digital Inputs
- X100** – Modbus TCP / IEC 60870-5-104 / DNP3.0 TCP/UDP, Ethernet interface, 100 Mbit/s, RJ45 (BASE100-FX)
- X102** – Universal Resistance-Temperature Detector (URTD) input, Fiber optics interface, Versatile Link
- X103** – IEC 60870-5-103 / Modbus RTU / DNP3.0 RTU, RS485, Terminals
- X104** – IRIG-B00X, incl. System Contact (Supervision Contact)

MRDT4-2D2BIB

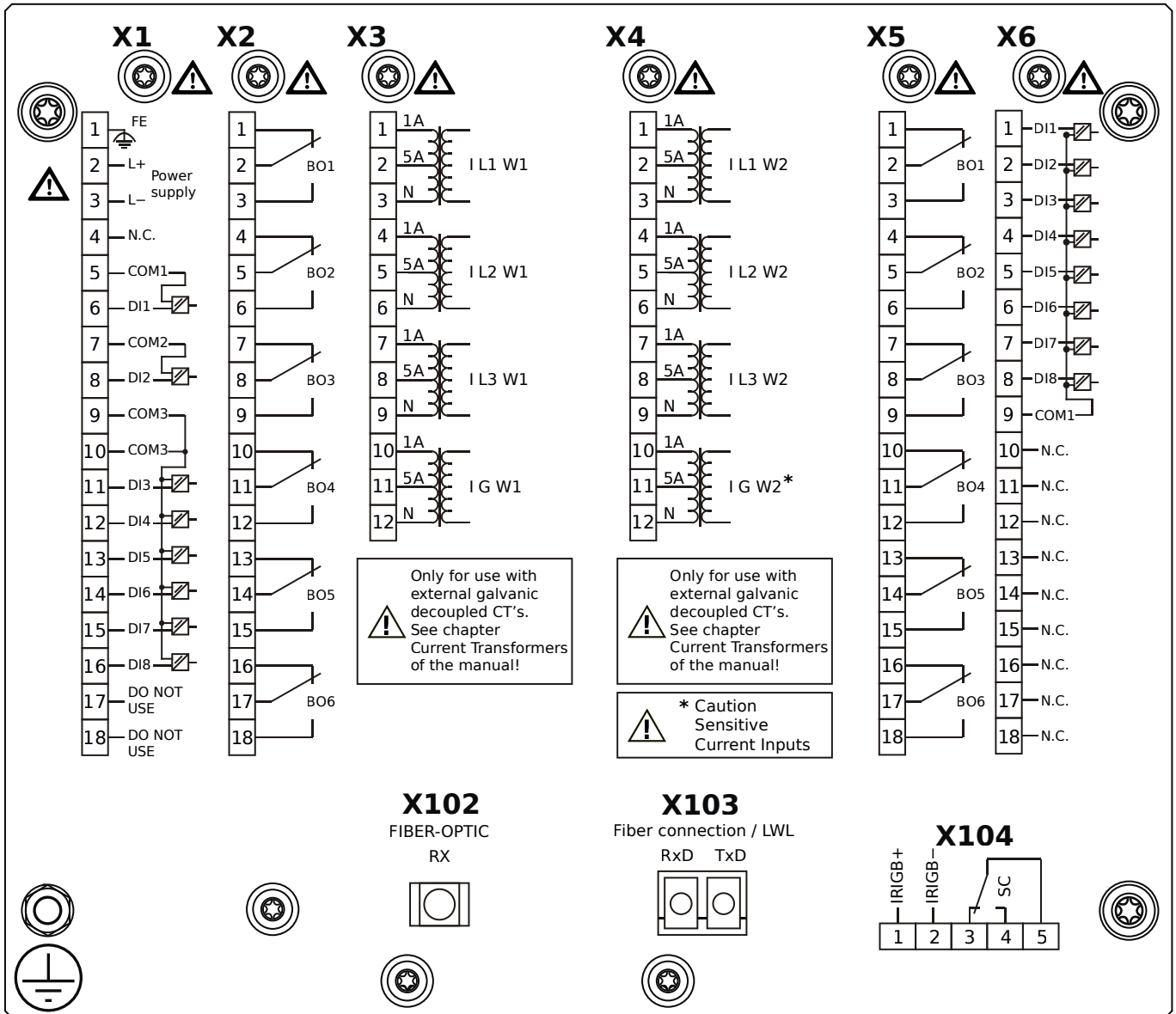


Housing B2, small display, 19" rack mounting

+ Conformal Coating (for installations in harsh environment)

- X1** – DI8-X1: Wide-range power supply unit, incl. 2 non-grouped digital inputs and 6 grouped digital inputs
- X2** – OR6: Assembly Group with 6 Output Relays (Changeover / Form C)
- X3** – TI: Standard current measuring card (for the winding side 1)
- X4** – TIs: Standard phase current measuring card and sensitive ground current measuring (winding side 2)
- X5** – OR6: Assembly Group with 6 Output Relays (Changeover / Form C)
- X6** – DI8: Assembly Group with 8 Digital Inputs
- X100** – Modbus TCP / IEC 60870-5-104 / DNP3.0 TCP/UDP, Ethernet interface, 100 Mbit/s, RJ45 (BASE100-FX)
- X102** – Universal Resistance-Temperature Detector (URTD) input, Fiber optics interface, Versatile Link
- X103** – IEC 60870-5-103 / Modbus RTU / DNP3.0 RTU, RS485, Terminals
- X104** – IRIG-B00X, incl. System Contact (Supervision Contact)

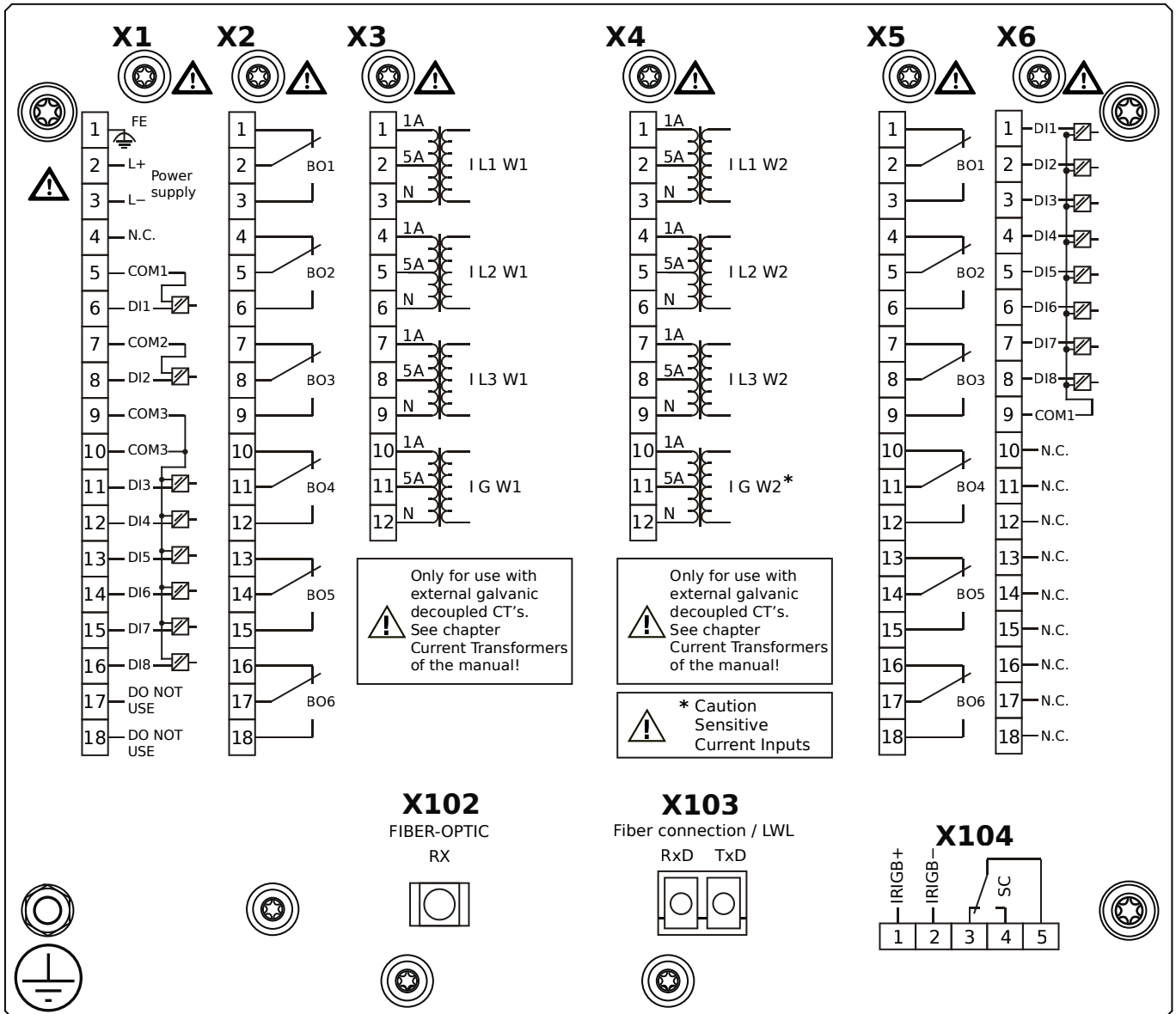
MRDT4-2D2BKA



Housing B2, small display, 19" rack mounting

- X1** – DI8-X1: Wide-range power supply unit, incl. 2 non-grouped digital inputs and 6 grouped digital inputs
- X2** – OR6: Assembly Group with 6 Output Relays (Changeover / Form C)
- X3** – TI: Standard current measuring card (for the winding side 1)
- X4** – TIs: Standard phase current measuring card and sensitive ground current measuring (winding side 2)
- X5** – OR6: Assembly Group with 6 Output Relays (Changeover / Form C)
- X6** – DI8: Assembly Group with 8 Digital Inputs
- X102** – Universal Resistance-Temperature Detector (URTD) input, Fiber optics interface, Versatile Link
- X103** – IEC 61850 / Modbus TCP / IEC 60870-5-104 / DNP3.0 TCP/UDP, Fiber optics interface, LC Connector
- X104** – IRIG-B00X, incl. System Contact (Supervision Contact)

MRDT4-2D2BKB

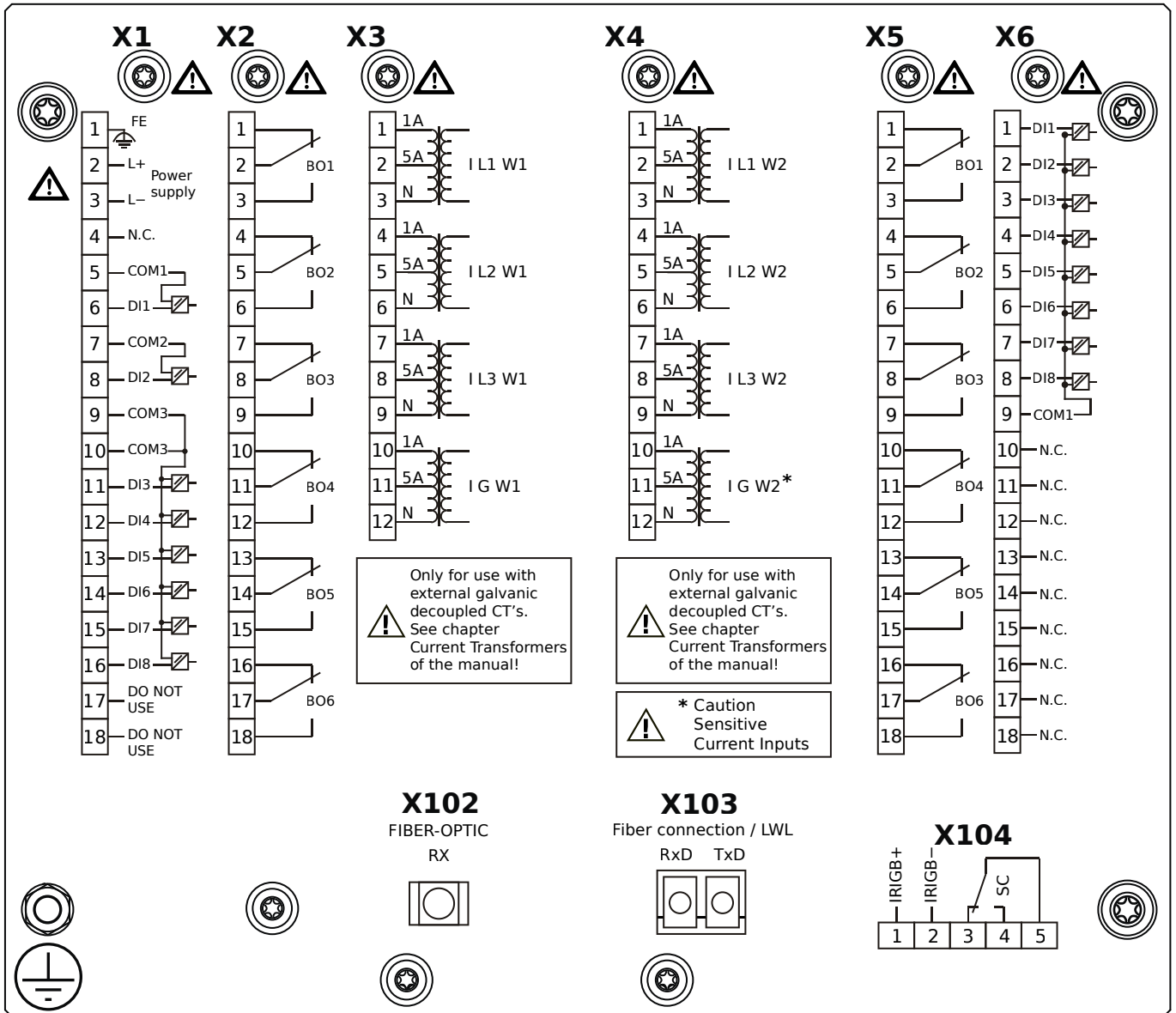


Housing B2, small display, 19" rack mounting

+ Conformal Coating (for installations in harsh environment)

- X1** – DI8-X1: Wide-range power supply unit, incl. 2 non-grouped digital inputs and 6 grouped digital inputs
- X2** – OR6: Assembly Group with 6 Output Relays (Changeover / Form C)
- X3** – TI: Standard current measuring card (for the winding side 1)
- X4** – TIs: Standard phase current measuring card and sensitive ground current measuring (winding side 2)
- X5** – OR6: Assembly Group with 6 Output Relays (Changeover / Form C)
- X6** – DI8: Assembly Group with 8 Digital Inputs
- X102** – Universal Resistance-Temperature Detector (URTD) input, Fiber optics interface, Versatile Link
- X103** – IEC 61850 / Modbus TCP / IEC 60870-5-104 / DNP3.0 TCP/UDP, Fiber optics interface, LC Connector
- X104** – IRIG-B00X, incl. System Contact (Supervision Contact)

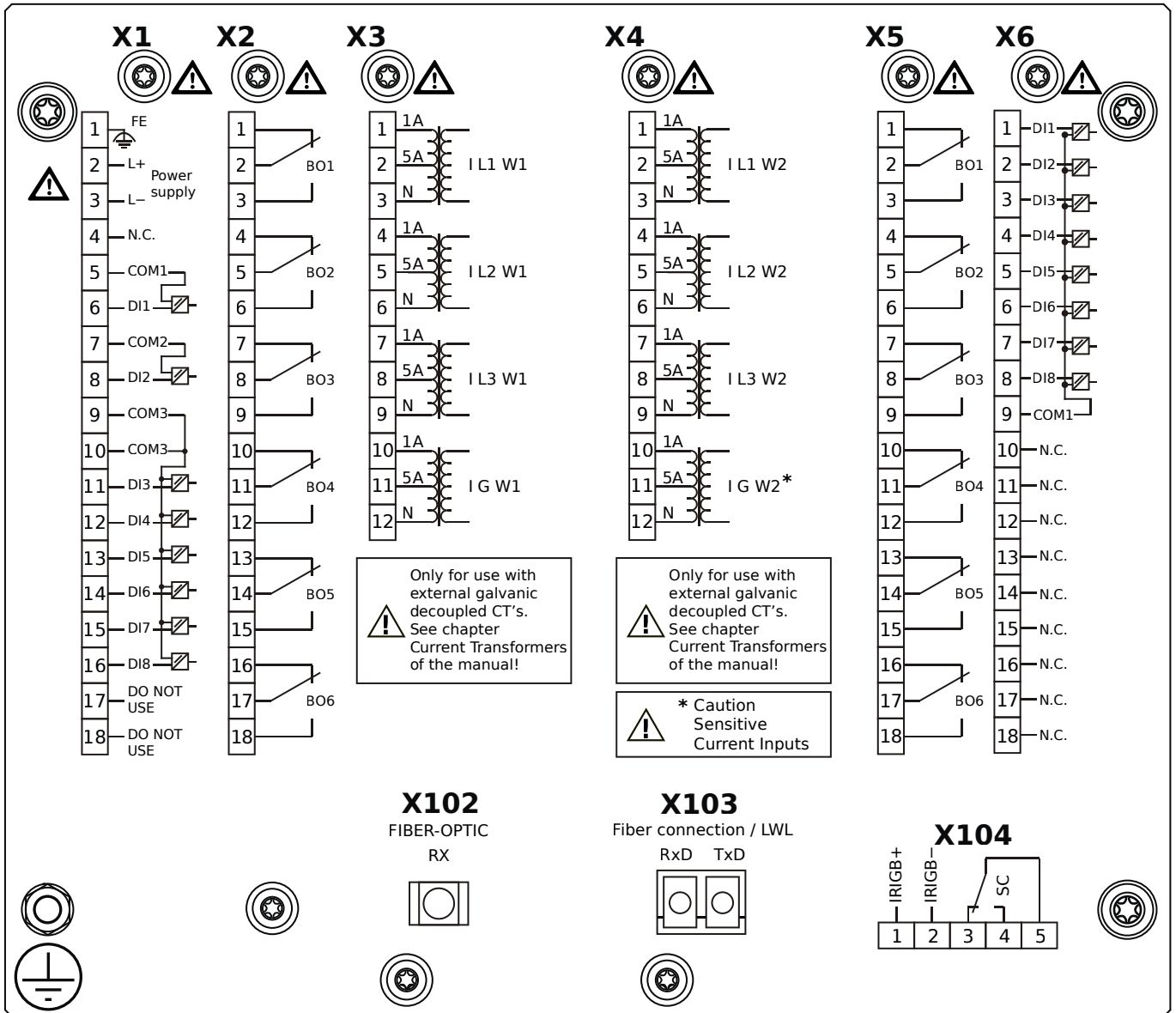
MRDT4-2D2BLA



Housing B2, small display, 19" rack mounting

- X1** – DI8-X1: Wide-range power supply unit, incl. 2 non-grouped digital inputs and 6 grouped digital inputs
- X2** – OR6: Assembly Group with 6 Output Relays (Changeover / Form C)
- X3** – TI: Standard current measuring card (for the winding side 1)
- X4** – TIs: Standard phase current measuring card and sensitive ground current measuring (winding side 2)
- X5** – OR6: Assembly Group with 6 Output Relays (Changeover / Form C)
- X6** – DI8: Assembly Group with 8 Digital Inputs
- X102** – Universal Resistance-Temperature Detector (URTD) input, Fiber optics interface, Versatile Link
- X103** – Modbus TCP / IEC 60870-5-104 / DNP3.0 TCP/UDP, Fiber optics interface, LC Connector
- X104** – IRIG-B00X, incl. System Contact (Supervision Contact)

MRDT4-2D2BLB

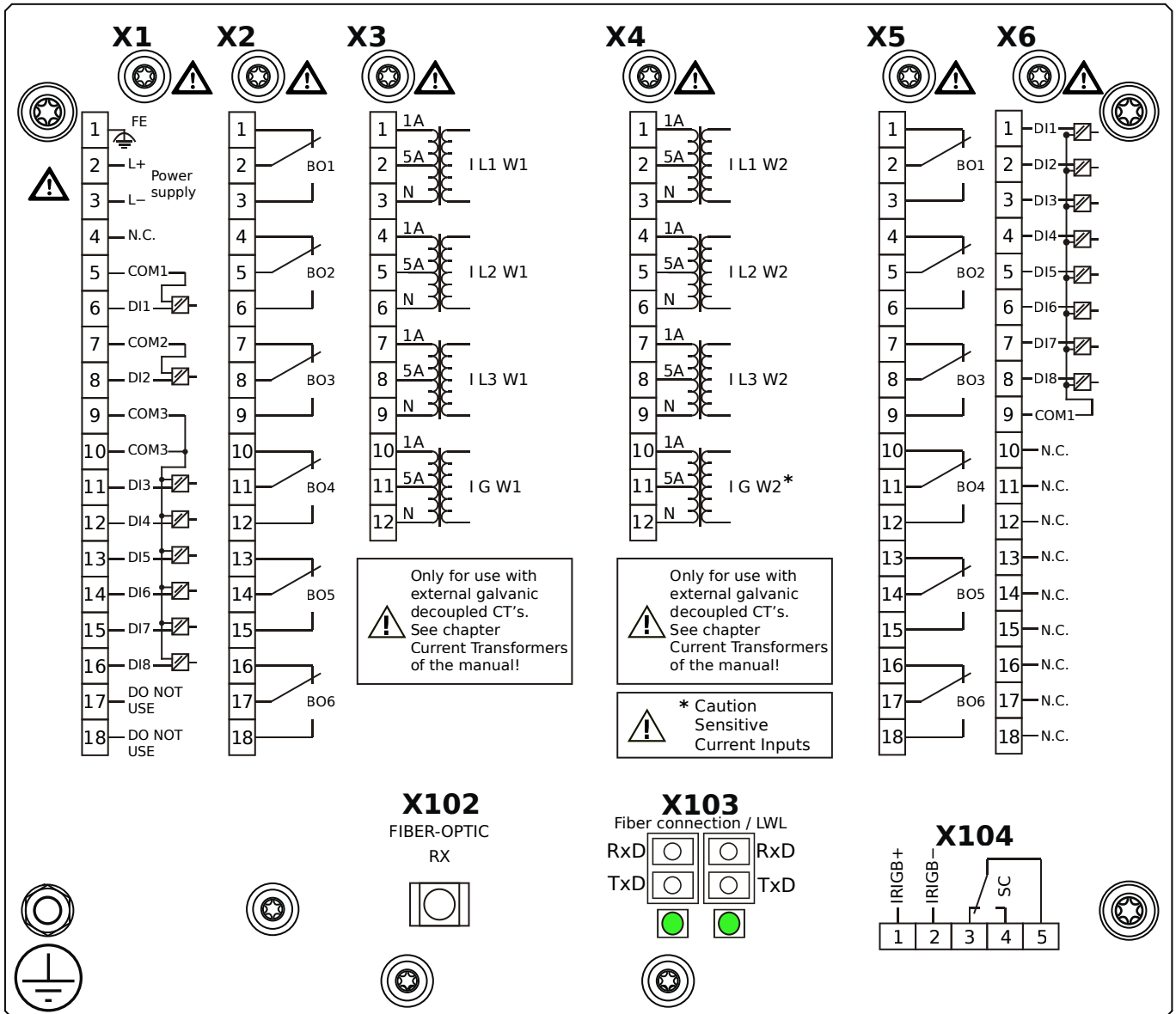


Housing B2, small display, 19" rack mounting

+ Conformal Coating (for installations in harsh environment)

- X1** – DI8-X1: Wide-range power supply unit, incl. 2 non-grouped digital inputs and 6 grouped digital inputs
- X2** – OR6: Assembly Group with 6 Output Relays (Changeover / Form C)
- X3** – TI: Standard current measuring card (for the winding side 1)
- X4** – TIs: Standard phase current measuring card and sensitive ground current measuring (winding side 2)
- X5** – OR6: Assembly Group with 6 Output Relays (Changeover / Form C)
- X6** – DI8: Assembly Group with 8 Digital Inputs
- X102** – Universal Resistance-Temperature Detector (URTD) input, Fiber optics interface, Versatile Link
- X103** – Modbus TCP / IEC 60870-5-104 / DNP3.0 TCP/UDP, Fiber optics interface, LC Connector
- X104** – IRIG-B00X, incl. System Contact (Supervision Contact)

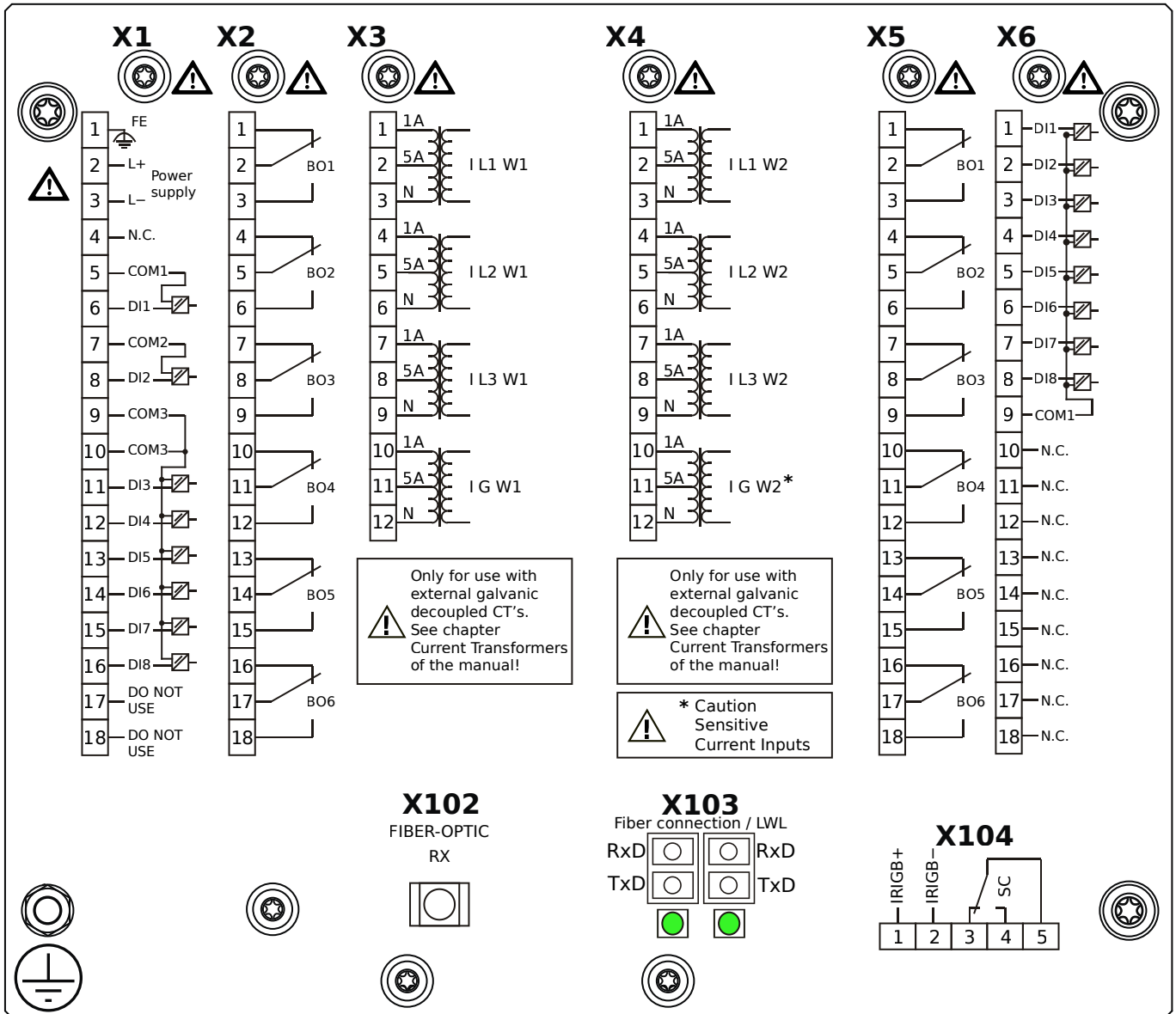
MRDT4-2D2BOA



Housing B2, small display, 19" rack mounting

- X1** – DI8-X1: Wide-range power supply unit, incl. 2 non-grouped digital inputs and 6 grouped digital inputs
- X2** – OR6: Assembly Group with 6 Output Relays (Changeover / Form C)
- X3** – TI: Standard current measuring card (for the winding side 1)
- X4** – TIs: Standard phase current measuring card and sensitive ground current measuring (winding side 2)
- X5** – OR6: Assembly Group with 6 Output Relays (Changeover / Form C)
- X6** – DI8: Assembly Group with 8 Digital Inputs
- X102** – Universal Resistance-Temperature Detector (URTD) input, Fiber optics interface, Versatile Link
- X103** – Modbus TCP / IEC 60870-5-104 / DNP3.0 TCP/UDP, Redundant Fiber optics interface, LC Connector
- X104** – IRIG-B00X, incl. System Contact (Supervision Contact)

MRDT4-2D2BOB

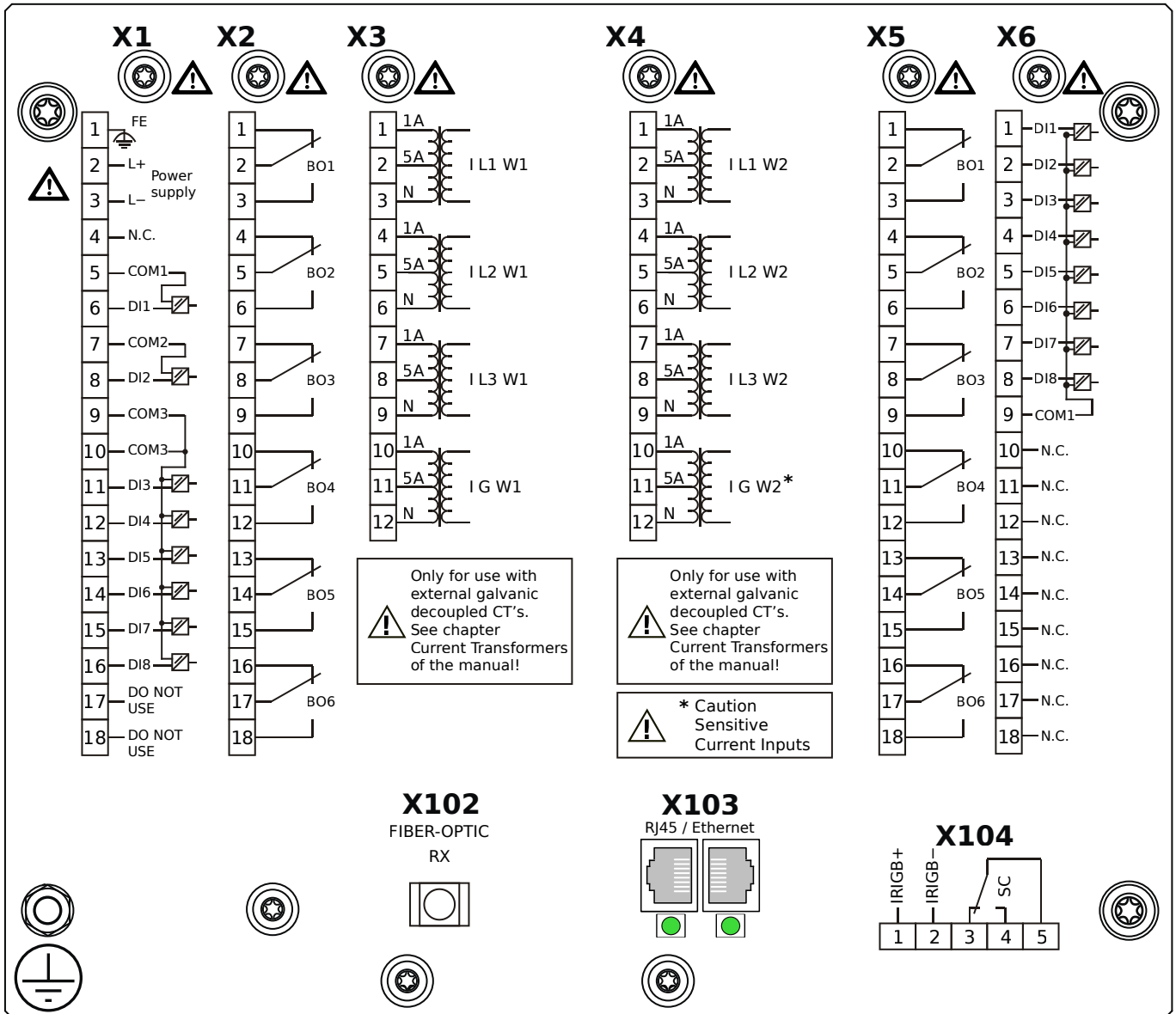


Housing B2, small display, 19" rack mounting

+ Conformal Coating (for installations in harsh environment)

- X1** – DI8-X1: Wide-range power supply unit, incl. 2 non-grouped digital inputs and 6 grouped digital inputs
- X2** – OR6: Assembly Group with 6 Output Relays (Changeover / Form C)
- X3** – TI: Standard current measuring card (for the winding side 1)
- X4** – TIs: Standard phase current measuring card and sensitive ground current measuring (winding side 2)
- X5** – OR6: Assembly Group with 6 Output Relays (Changeover / Form C)
- X6** – DI8: Assembly Group with 8 Digital Inputs
- X102** – Universal Resistance-Temperature Detector (URTD) input, Fiber optics interface, Versatile Link
- X103** – Modbus TCP / IEC 60870-5-104 / DNP3.0 TCP/UDP, Redundant Fiber optics interface, LC Connector
- X104** – IRIG-B00X, incl. System Contact (Supervision Contact)

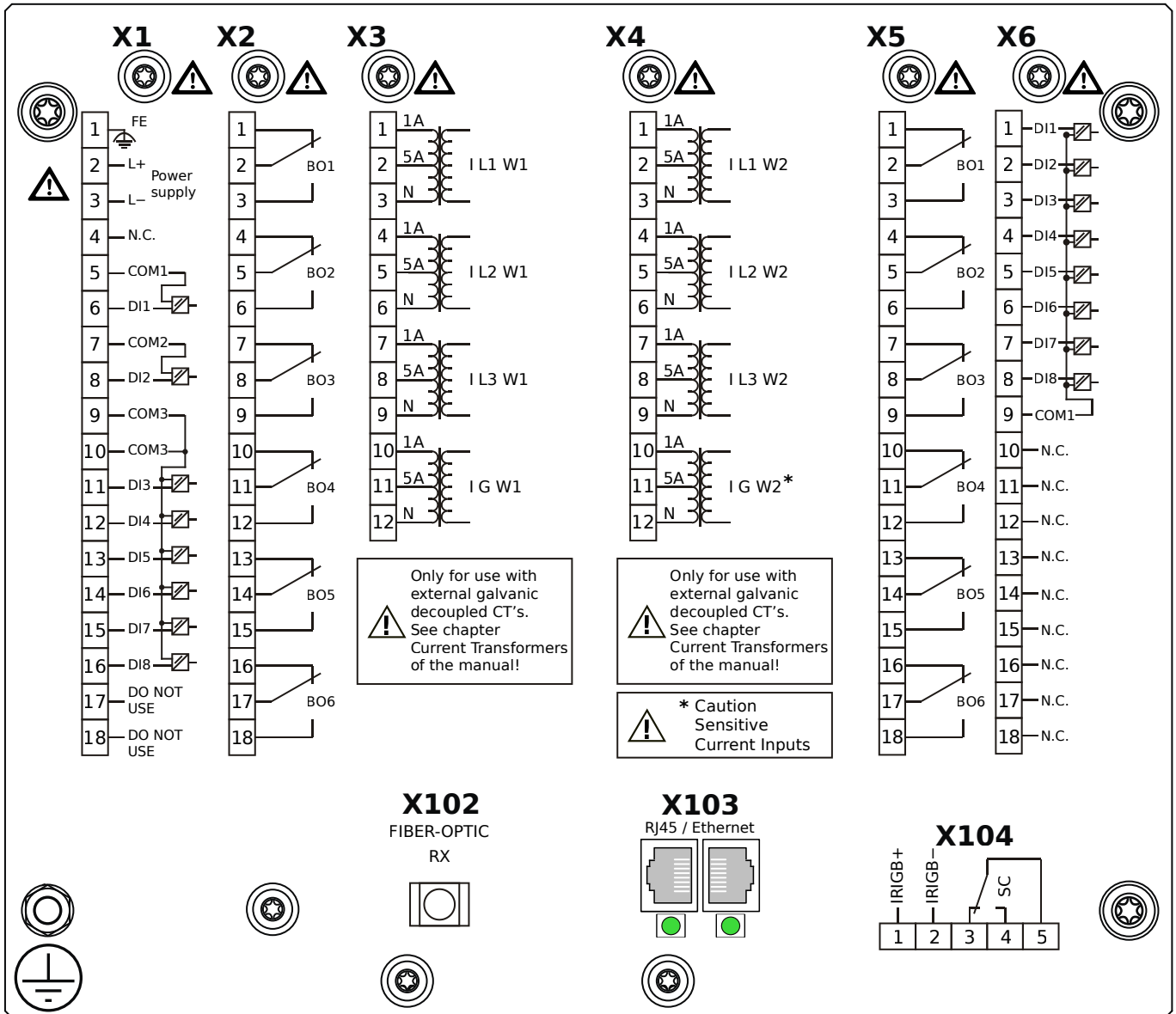
MRDT4-2D2BPA



Housing B2, small display, 19" rack mounting

- X1** – DI8-X1: Wide-range power supply unit, incl. 2 non-grouped digital inputs and 6 grouped digital inputs
- X2** – OR6: Assembly Group with 6 Output Relays (Changeover / Form C)
- X3** – TI: Standard current measuring card (for the winding side 1)
- X4** – TIs: Standard phase current measuring card and sensitive ground current measuring (winding side 2)
- X5** – OR6: Assembly Group with 6 Output Relays (Changeover / Form C)
- X6** – DI8: Assembly Group with 8 Digital Inputs
- X102** – Universal Resistance-Temperature Detector (URTD) input, Fiber optics interface, Versatile Link
- X103** – Modbus TCP / IEC 60870-5-104 / DNP3.0 TCP/UDP, Redundant Ethernet interface, 100 Mbit/s, RJ45 (BASE100-FX)
- X104** – IRIG-B00X, incl. System Contact (Supervision Contact)

MRDT4-2D2BPB

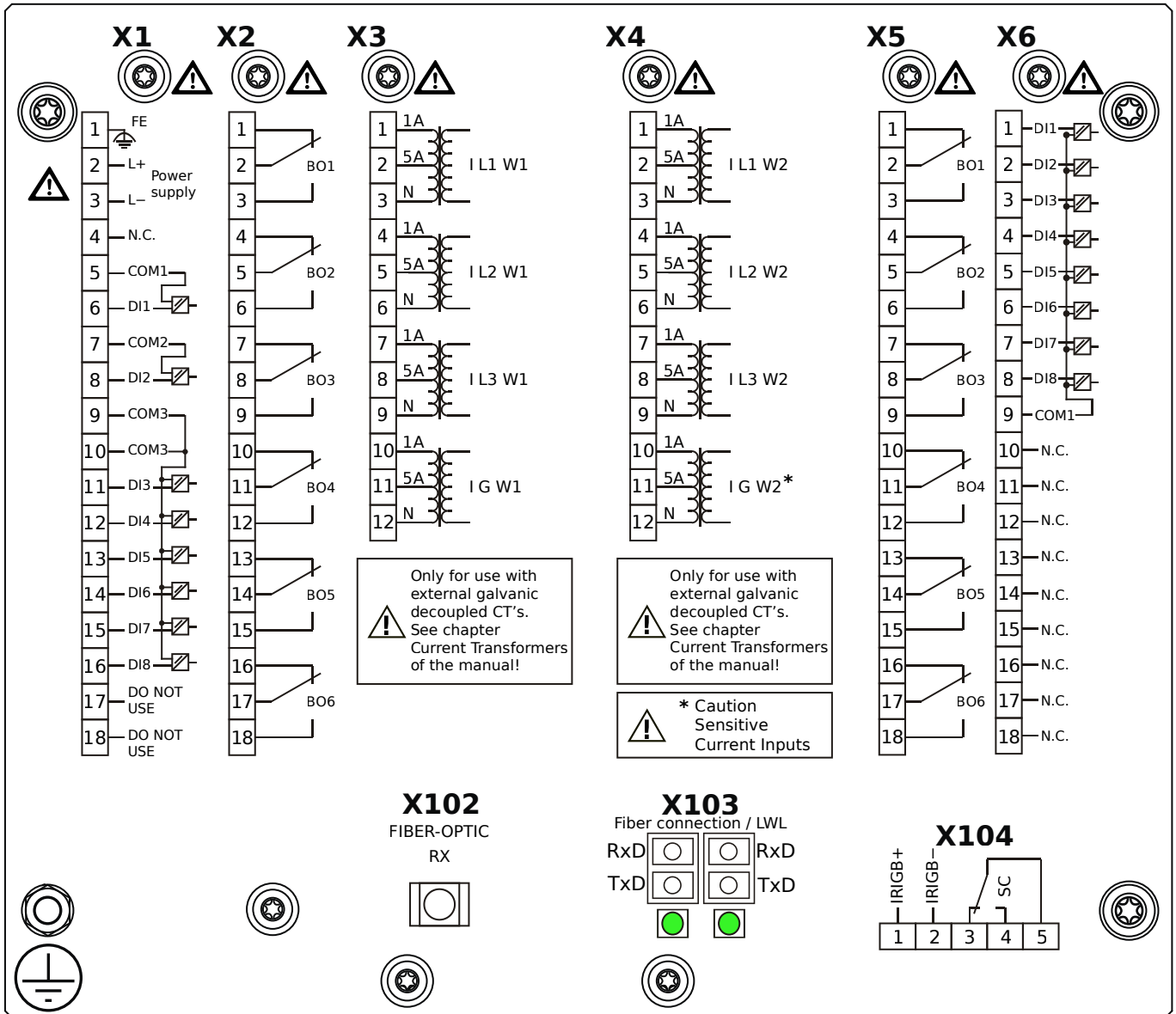


Housing B2, small display, 19" rack mounting

+ Conformal Coating (for installations in harsh environment)

- X1** – DI8-X1: Wide-range power supply unit, incl. 2 non-grouped digital inputs and 6 grouped digital inputs
- X2** – OR6: Assembly Group with 6 Output Relays (Changeover / Form C)
- X3** – TI: Standard current measuring card (for the winding side 1)
- X4** – TIs: Standard phase current measuring card and sensitive ground current measuring (winding side 2)
- X5** – OR6: Assembly Group with 6 Output Relays (Changeover / Form C)
- X6** – DI8: Assembly Group with 8 Digital Inputs
- X102** – Universal Resistance-Temperature Detector (URTD) input, Fiber optics interface, Versatile Link
- X103** – Modbus TCP / IEC 60870-5-104 / DNP3.0 TCP/UDP, Redundant Ethernet interface, 100 Mbit/s, RJ45 (BASE100-FX)
- X104** – IRIG-B00X, incl. System Contact (Supervision Contact)

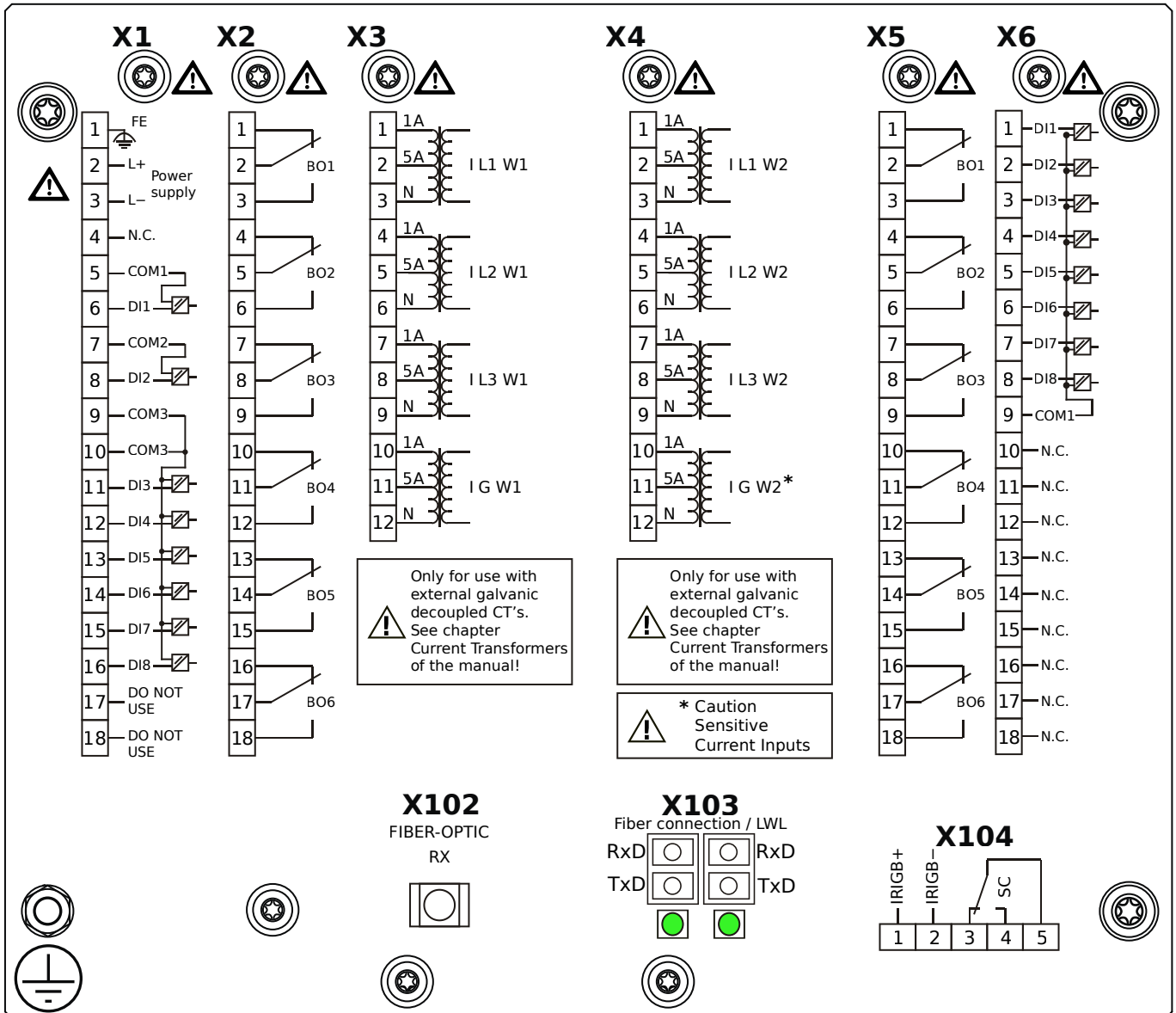
MRDT4-2D2BQA



Housing B2, small display, 19" rack mounting

- X1** – DI8-X1: Wide-range power supply unit, incl. 2 non-grouped digital inputs and 6 grouped digital inputs
- X2** – OR6: Assembly Group with 6 Output Relays (Changeover / Form C)
- X3** – TI: Standard current measuring card (for the winding side 1)
- X4** – TIs: Standard phase current measuring card and sensitive ground current measuring (winding side 2)
- X5** – OR6: Assembly Group with 6 Output Relays (Changeover / Form C)
- X6** – DI8: Assembly Group with 8 Digital Inputs
- X102** – Universal Resistance-Temperature Detector (URTD) input, Fiber optics interface, Versatile Link
- X103** – IEC 61850 / Modbus TCP / IEC 60870-5-104 / DNP3.0 TCP/UDP, Redundant Fiber optics interface, LC Connector
- X104** – IRIG-B00X, incl. System Contact (Supervision Contact)

MRDT4-2D2BQB



Housing B2, small display, 19" rack mounting

+ Conformal Coating (for installations in harsh environment)

X1 – DI8-X1: Wide-range power supply unit, incl. 2 non-grouped digital inputs and 6 grouped digital inputs

X2 – OR6: Assembly Group with 6 Output Relays (Changeover / Form C)

X3 – TI: Standard current measuring card (for the winding side 1)

X4 – TIs: Standard phase current measuring card and sensitive ground current measuring (winding side 2)

X5 – OR6: Assembly Group with 6 Output Relays (Changeover / Form C)

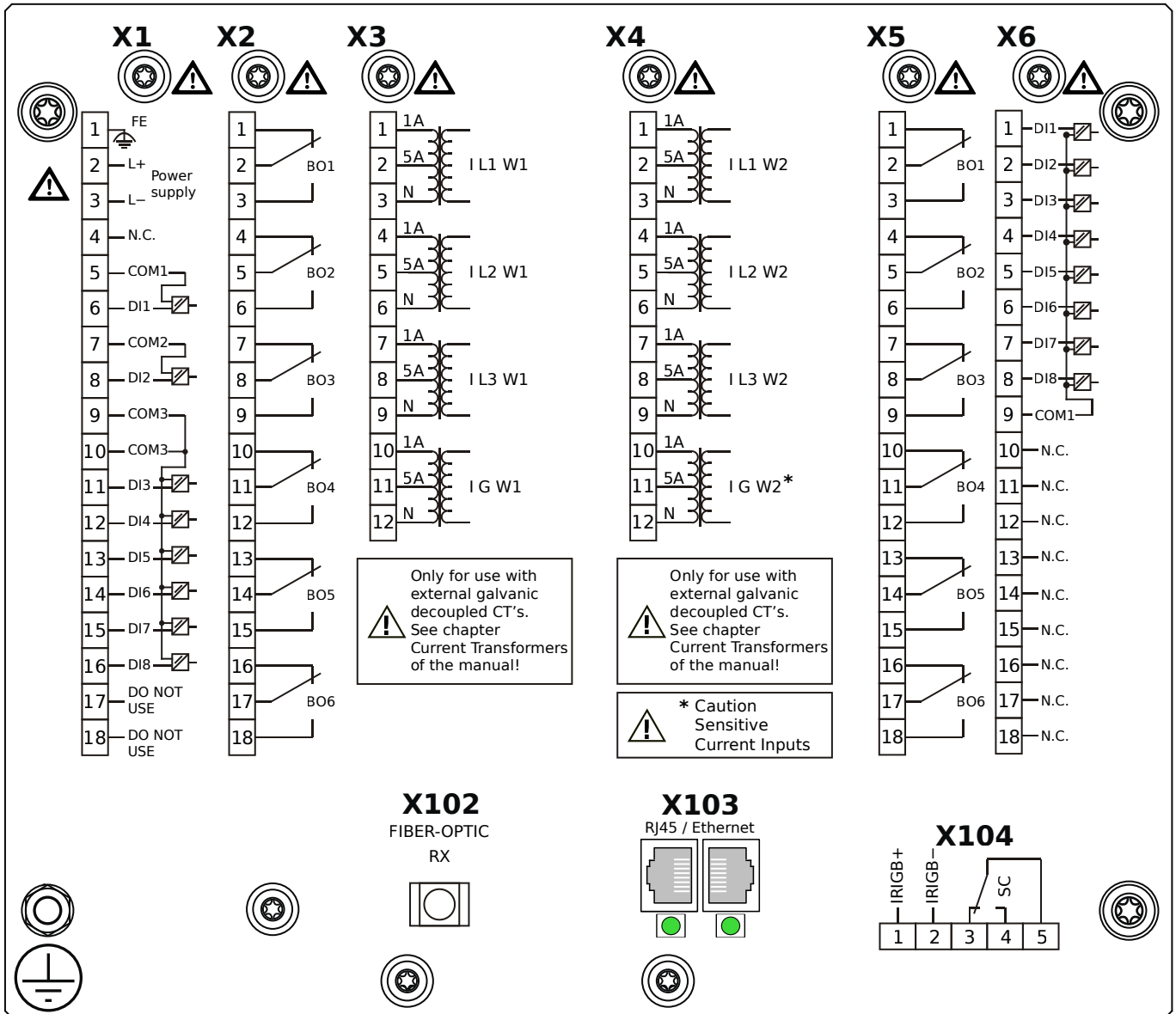
X6 – DI8: Assembly Group with 8 Digital Inputs

X102 – Universal Resistance-Temperature Detector (URTD) input, Fiber optics interface, Versatile Link

X103 – IEC 61850 / Modbus TCP / IEC 60870-5-104 / DNP3.0 TCP/UDP, Redundant Fiber optics interface, LC Connector

X104 – IRIG-B00X, incl. System Contact (Supervision Contact)

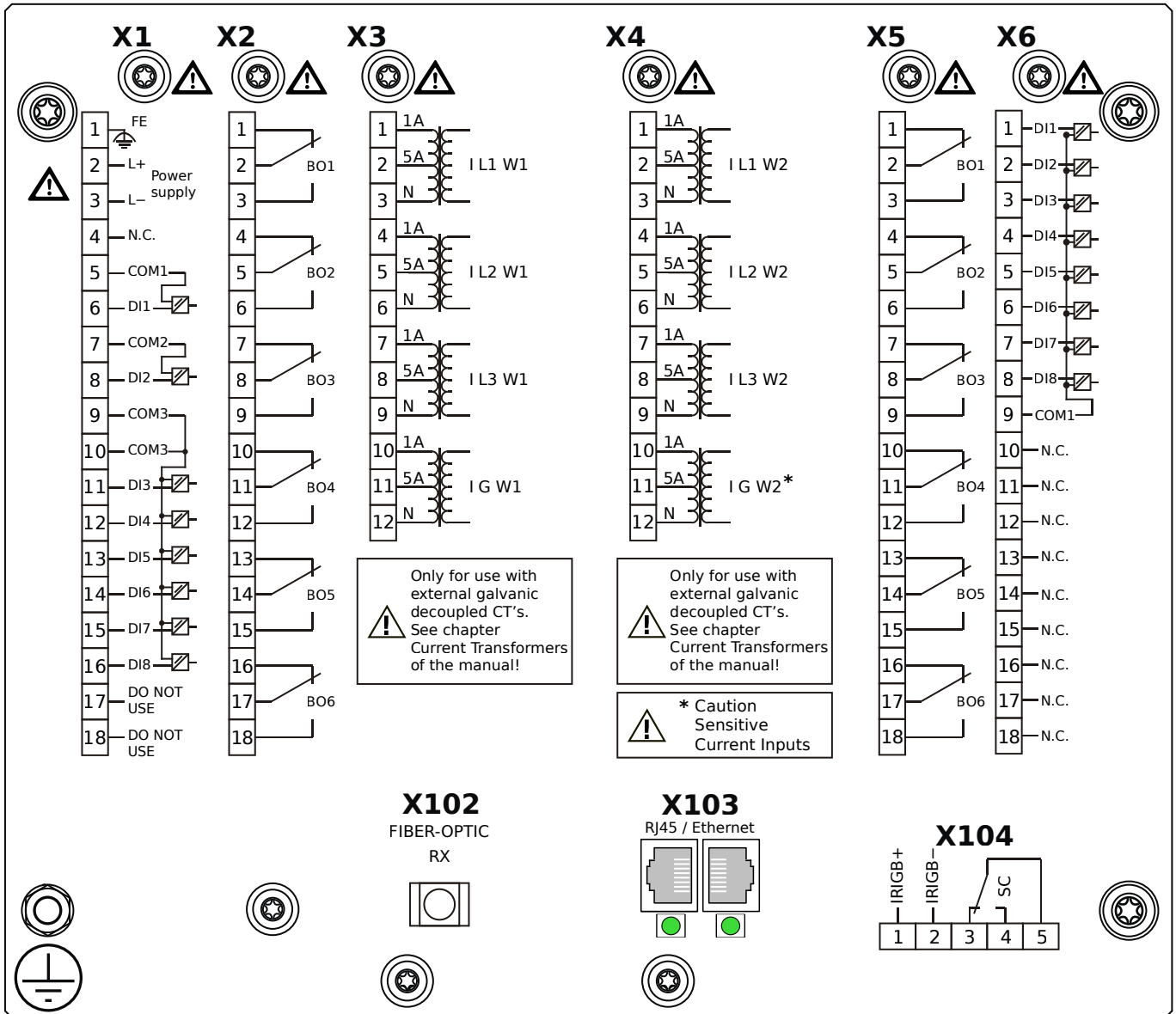
MRDT4-2D2BRA



Housing B2, small display, 19" rack mounting

- X1** – DI8-X1: Wide-range power supply unit, incl. 2 non-grouped digital inputs and 6 grouped digital inputs
- X2** – OR6: Assembly Group with 6 Output Relays (Changeover / Form C)
- X3** – TI: Standard current measuring card (for the winding side 1)
- X4** – TIs: Standard phase current measuring card and sensitive ground current measuring (winding side 2)
- X5** – OR6: Assembly Group with 6 Output Relays (Changeover / Form C)
- X6** – DI8: Assembly Group with 8 Digital Inputs
- X102** – Universal Resistance-Temperature Detector (URTD) input, Fiber optics interface, Versatile Link
- X103** – IEC 61850 / Modbus TCP / IEC 60870-5-104 / DNP3.0 TCP/UDP, Redundant Ethernet interface, 100 Mbit/s, RJ45 (BASE100-FX)
- X104** – IRIG-B00X, incl. System Contact (Supervision Contact)

MRDT4-2D2BRB



Housing B2, small display, 19" rack mounting

+ Conformal Coating (for installations in harsh environment)

X1 – DI8-X1: Wide-range power supply unit, incl. 2 non-grouped digital inputs and 6 grouped digital inputs

X2 – OR6: Assembly Group with 6 Output Relays (Changeover / Form C)

X3 – TI: Standard current measuring card (for the winding side 1)

X4 – TIs: Standard phase current measuring card and sensitive ground current measuring (winding side 2)

X5 – OR6: Assembly Group with 6 Output Relays (Changeover / Form C)

X6 – DI8: Assembly Group with 8 Digital Inputs

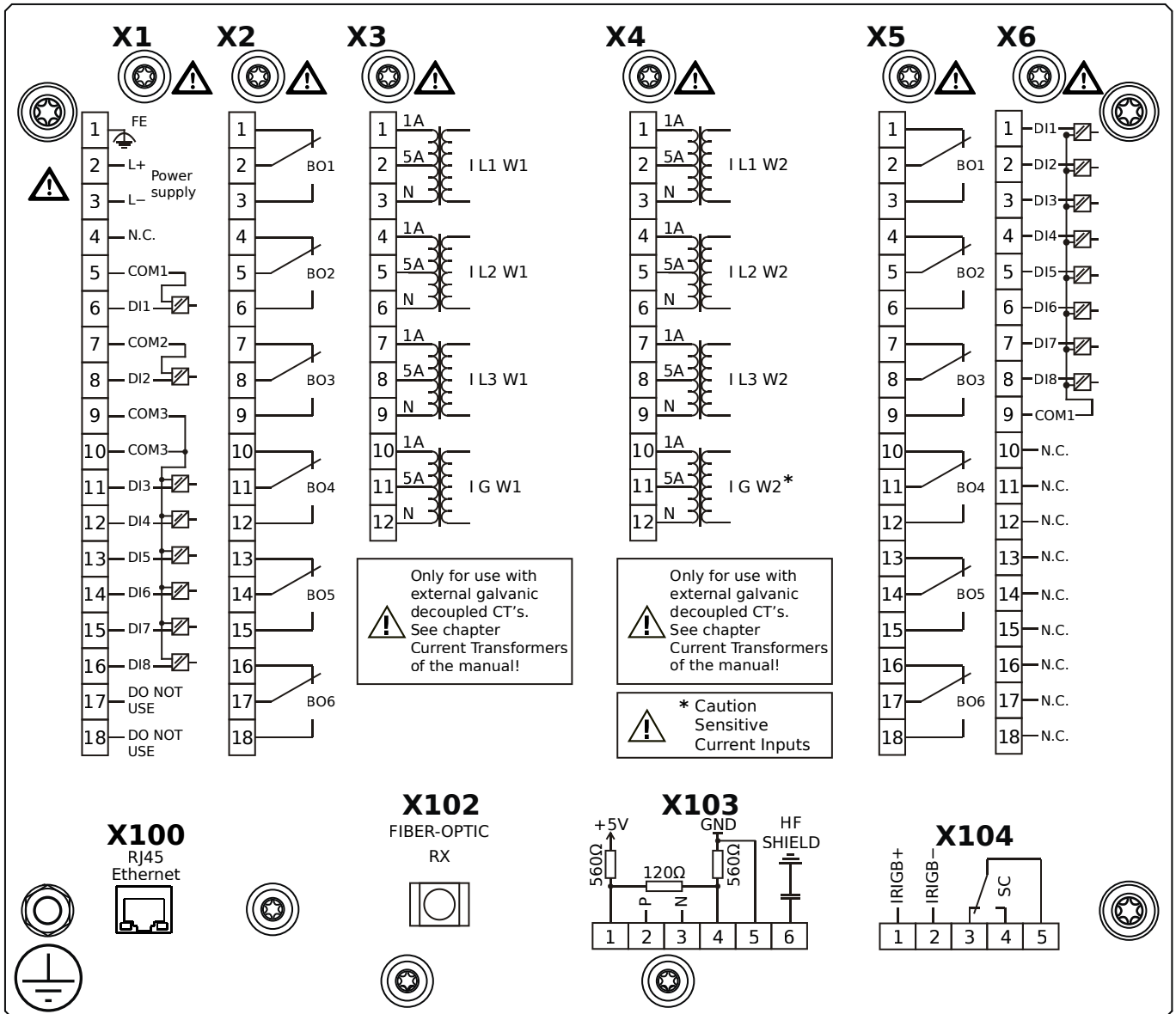
X102 – Universal Resistance-Temperature Detector (URTD) input, Fiber optics interface, Versatile Link

X103 – IEC 61850 / Modbus TCP / IEC 60870-5-104 / DNP3.0 TCP/UDP, Redundant Ethernet interface, 100 Mbit/s, RJ45

(BASE100-FX)

X104 – IRIG-B00X, incl. System Contact (Supervision Contact)

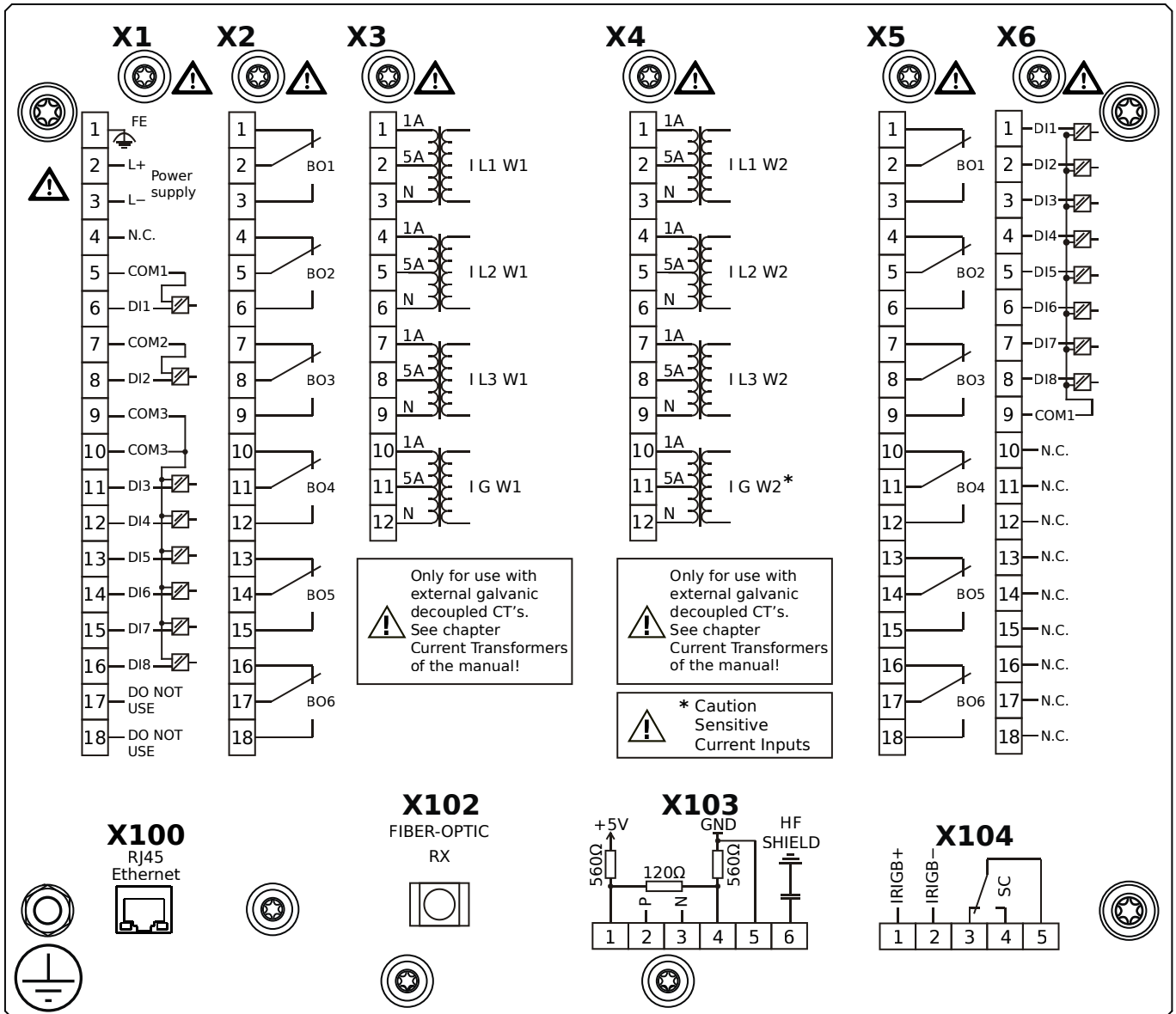
MRDT4-2D2BTA



Housing B2, small display, 19" rack mounting

- X1** – DI8-X1: Wide-range power supply unit, incl. 2 non-grouped digital inputs and 6 grouped digital inputs
- X2** – OR6: Assembly Group with 6 Output Relays (Changeover / Form C)
- X3** – TI: Standard current measuring card (for the winding side 1)
- X4** – TIs: Standard phase current measuring card and sensitive ground current measuring (winding side 2)
- X5** – OR6: Assembly Group with 6 Output Relays (Changeover / Form C)
- X6** – DI8: Assembly Group with 8 Digital Inputs
- X100** – IEC 61850 / Modbus TCP / IEC 60870-5-104 / DNP3.0 TCP/UDP, Ethernet interface, 100 Mbit/s, RJ45 (BASE100-FX)
- X102** – Universal Resistance-Temperature Detector (URTD) input, Fiber optics interface, Versatile Link
- X103** – IEC 60870-5-103 / Modbus RTU / DNP3.0 RTU, RS485, Terminals
- X104** – IRIG-B00X, incl. System Contact (Supervision Contact)

MRDT4-2D2BTB



Housing B2, small display, 19" rack mounting

+ Conformal Coating (for installations in harsh environment)

X1 – DI8-X1: Wide-range power supply unit, incl. 2 non-grouped digital inputs and 6 grouped digital inputs

X2 – OR6: Assembly Group with 6 Output Relays (Changeover / Form C)

X3 – TI: Standard current measuring card (for the winding side 1)

X4 – TIs: Standard phase current measuring card and sensitive ground current measuring (winding side 2)

X5 – OR6: Assembly Group with 6 Output Relays (Changeover / Form C)

X6 – DI8: Assembly Group with 8 Digital Inputs

X100 – IEC 61850 / Modbus TCP / IEC 60870-5-104 / DNP3.0 TCP/UDP, Ethernet interface, 100 Mbit/s, RJ45 (BASE100-

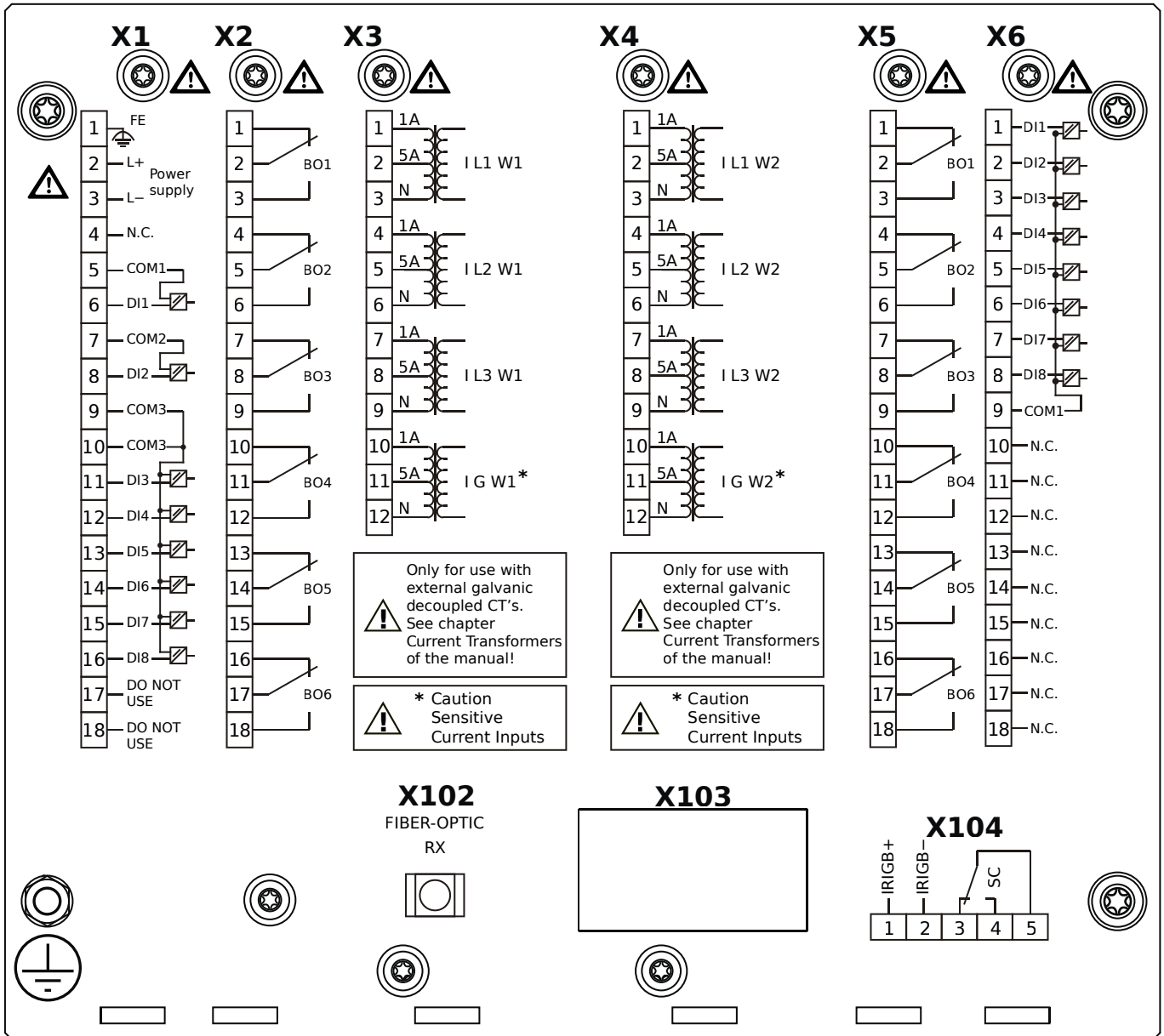
X102 – Universal Resistance-Temperature Detector (URTD) input, Fiber optics interface, Versatile Link

X103 – IEC 60870-5-103 / Modbus RTU / DNP3.0 RTU, RS485, Terminals

X104 – IRIG-B00X, incl. System Contact (Supervision Contact)

FX)

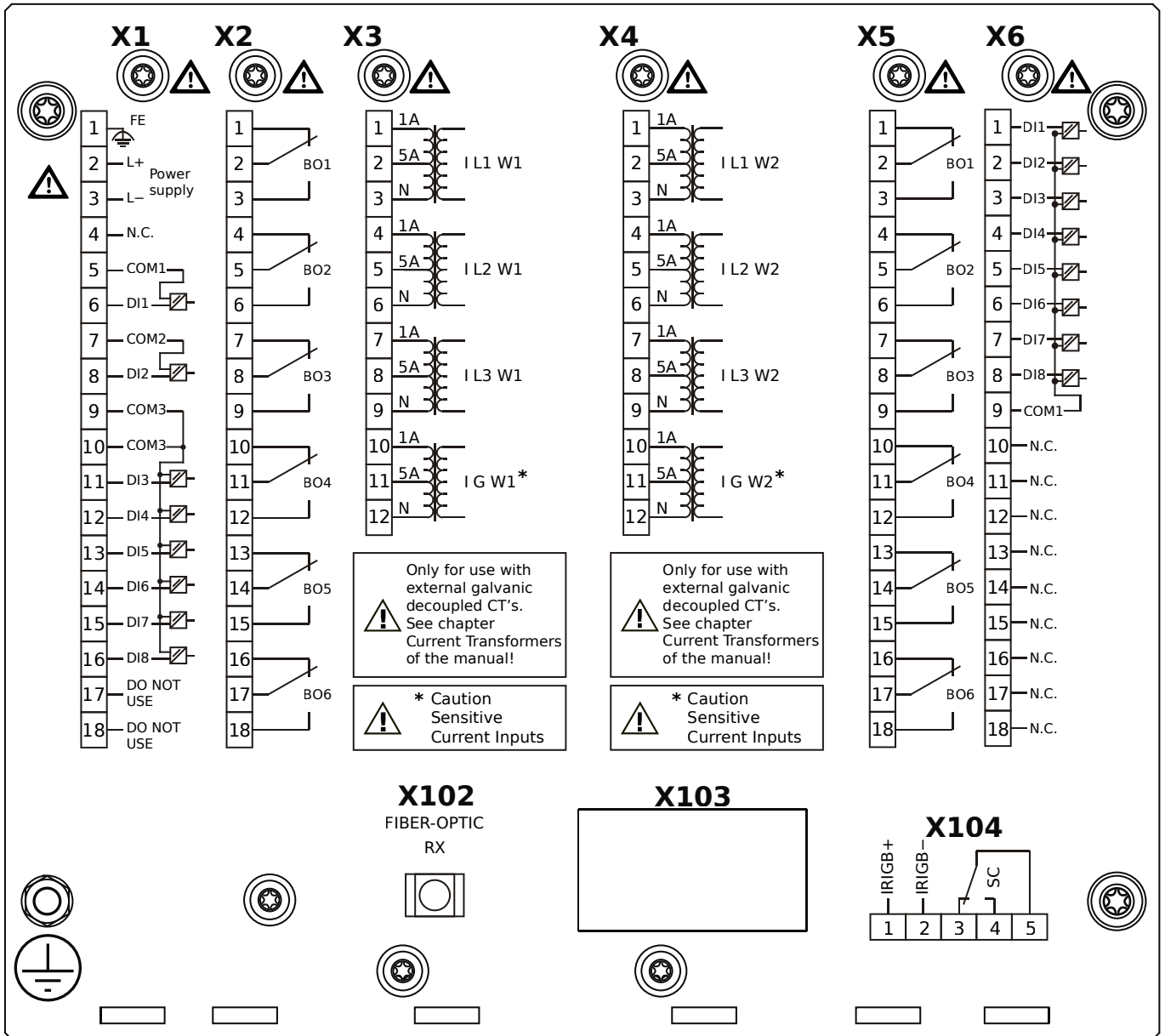
MRDT4-2D3AAA



Housing B2, small display, door mounting

- X1** – DI8-X1: Wide-range power supply unit, incl. 2 non-grouped digital inputs and 6 grouped digital inputs
- X2** – OR6: Assembly Group with 6 Output Relays (Changeover / Form C)
- X3** – TIs: Standard phase current measuring card and sensitive ground current measuring (winding side 1)
- X4** – TIs: Standard phase current measuring card and sensitive ground current measuring (winding side 2)
- X5** – OR6: Assembly Group with 6 Output Relays (Changeover / Form C)
- X6** – DI8: Assembly Group with 8 Digital Inputs
- X102** – Universal Resistance-Temperature Detector (URTD) input, Fiber optics interface, Versatile Link
- X104** – IRIG-B00X, incl. System Contact (Supervision Contact)

MRDT4-2D3AAB

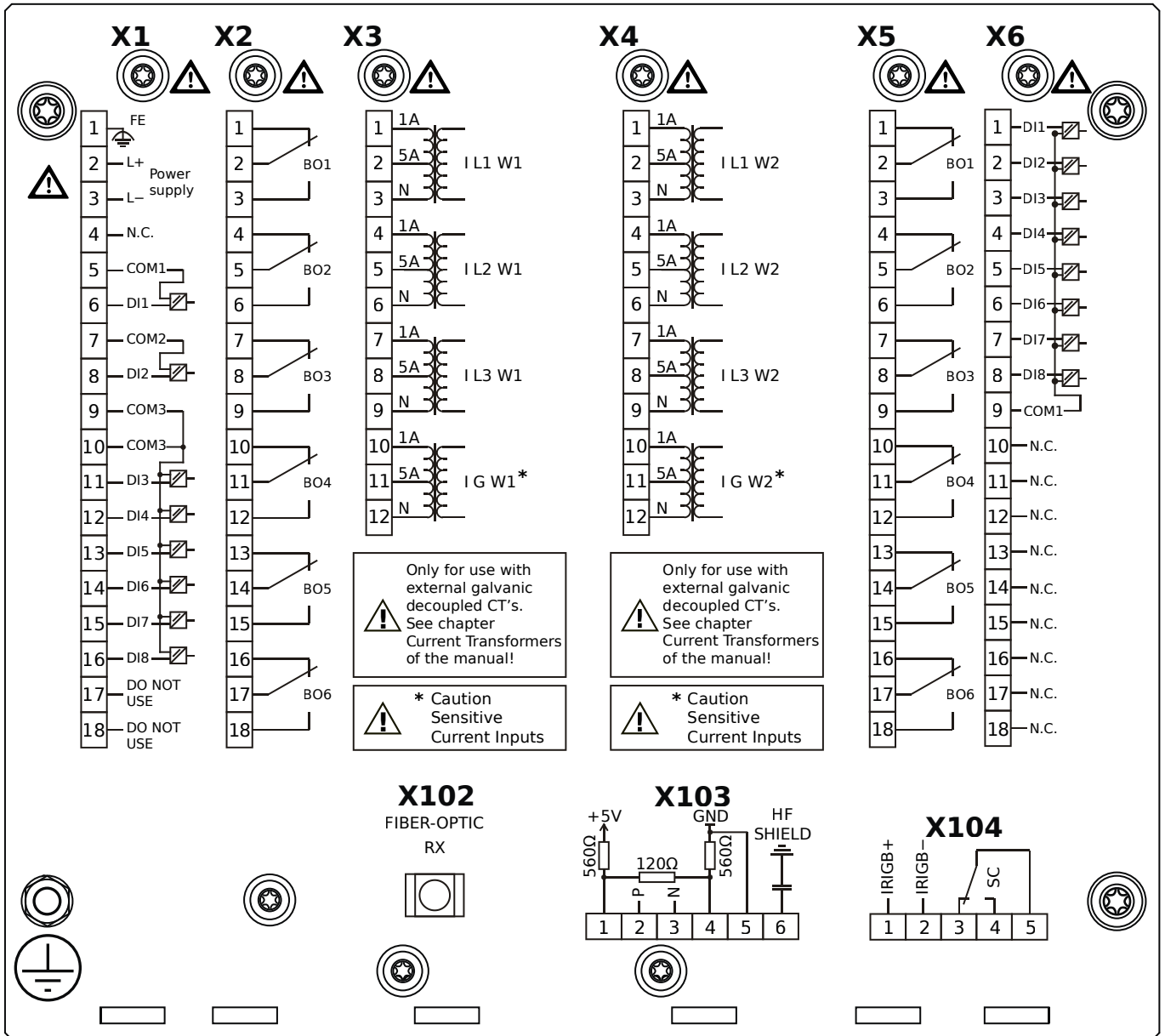


Housing B2, small display, door mounting

+ Conformal Coating (for installations in harsh environment)

- X1** – DI8-X1: Wide-range power supply unit, incl. 2 non-grouped digital inputs and 6 grouped digital inputs
- X2** – OR6: Assembly Group with 6 Output Relays (Changeover / Form C)
- X3** – TIs: Standard phase current measuring card and sensitive ground current measuring (winding side 1)
- X4** – TIs: Standard phase current measuring card and sensitive ground current measuring (winding side 2)
- X5** – OR6: Assembly Group with 6 Output Relays (Changeover / Form C)
- X6** – DI8: Assembly Group with 8 Digital Inputs
- X102** – Universal Resistance-Temperature Detector (URTD) input, Fiber optics interface, Versatile Link
- X104** – IRIG-B00X, incl. System Contact (Supervision Contact)

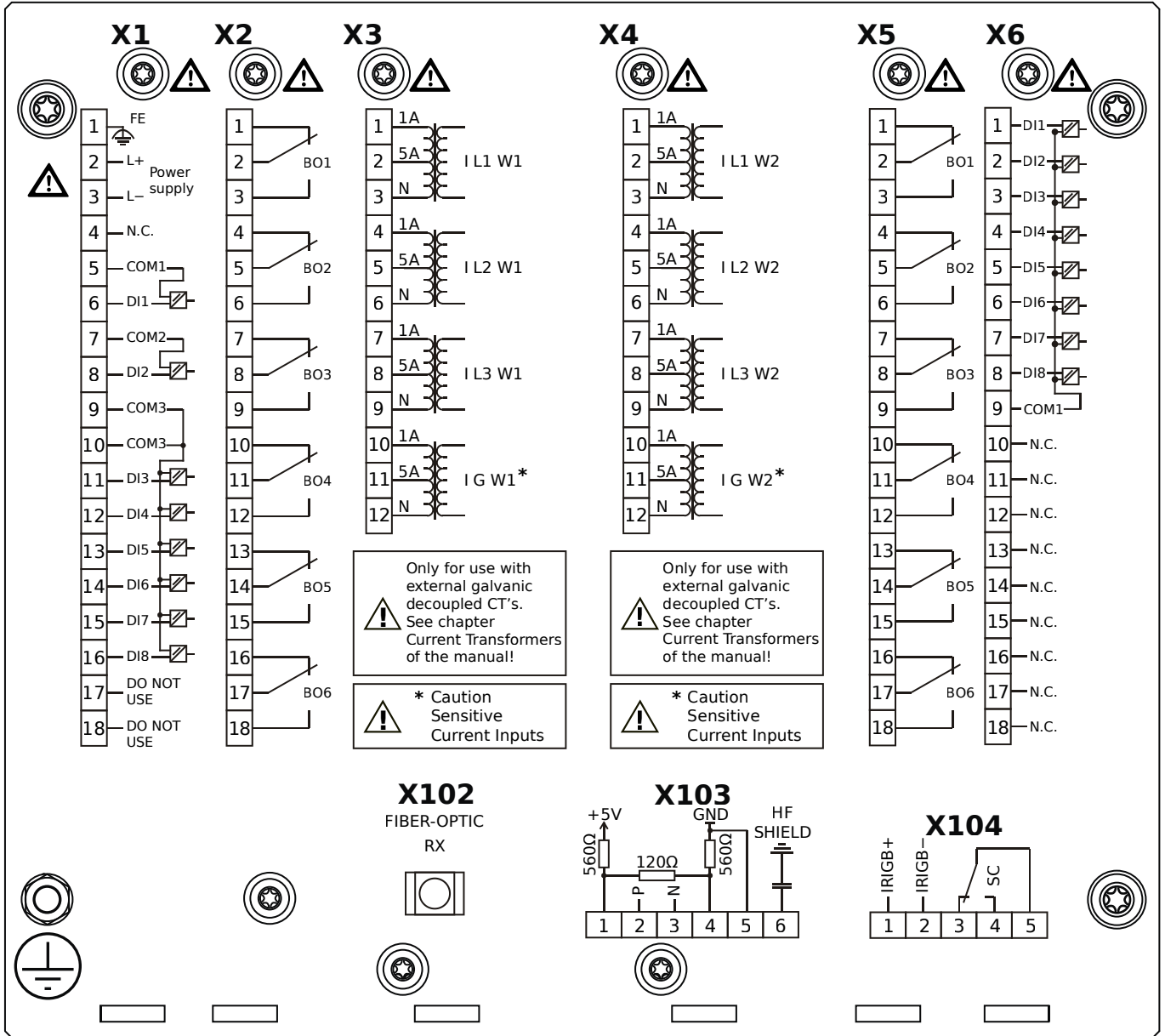
MRDT4-2D3ABA



Housing B2, small display, door mounting

- X1** – DI8-X1: Wide-range power supply unit, incl. 2 non-grouped digital inputs and 6 grouped digital inputs
- X2** – OR6: Assembly Group with 6 Output Relays (Changeover / Form C)
- X3** – TIs: Standard phase current measuring card and sensitive ground current measuring (winding side 1)
- X4** – TIs: Standard phase current measuring card and sensitive ground current measuring (winding side 2)
- X5** – OR6: Assembly Group with 6 Output Relays (Changeover / Form C)
- X6** – DI8: Assembly Group with 8 Digital Inputs
- X102** – Universal Resistance-Temperature Detector (URTD) input, Fiber optics interface, Versatile Link
- X103** – Modbus RTU / IEC 60870-5-103 / DNP3.0 RTU, RS485, Terminals
- X104** – IRIG-B00X, incl. System Contact (Supervision Contact)

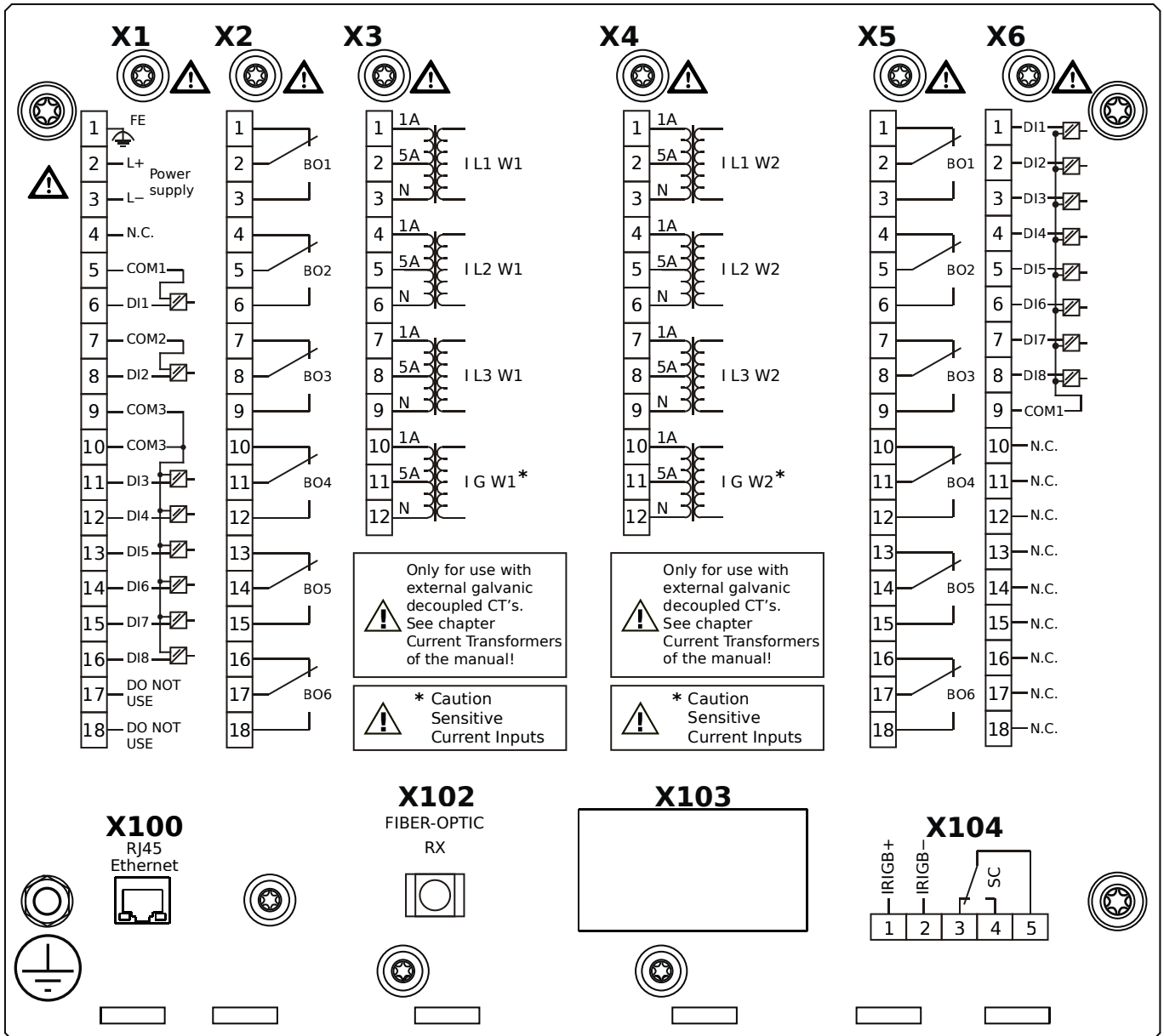
MRDT4-2D3ABB



Housing B2, small display, door mounting

- + Conformal Coating (for installations in harsh environment)
- X1** – DI8-X1: Wide-range power supply unit, incl. 2 non-grouped digital inputs and 6 grouped digital inputs
- X2** – OR6: Assembly Group with 6 Output Relays (Changeover / Form C)
- X3** – TIs: Standard phase current measuring card and sensitive ground current measuring (winding side 1)
- X4** – TIs: Standard phase current measuring card and sensitive ground current measuring (winding side 2)
- X5** – OR6: Assembly Group with 6 Output Relays (Changeover / Form C)
- X6** – DI8: Assembly Group with 8 Digital Inputs
- X102** – Universal Resistance-Temperature Detector (URTD) input, Fiber optics interface, Versatile Link
- X103** – Modbus RTU / IEC 60870-5-103 / DNP3.0 RTU, RS485, Terminals
- X104** – IRIG-B00X, incl. System Contact (Supervision Contact)

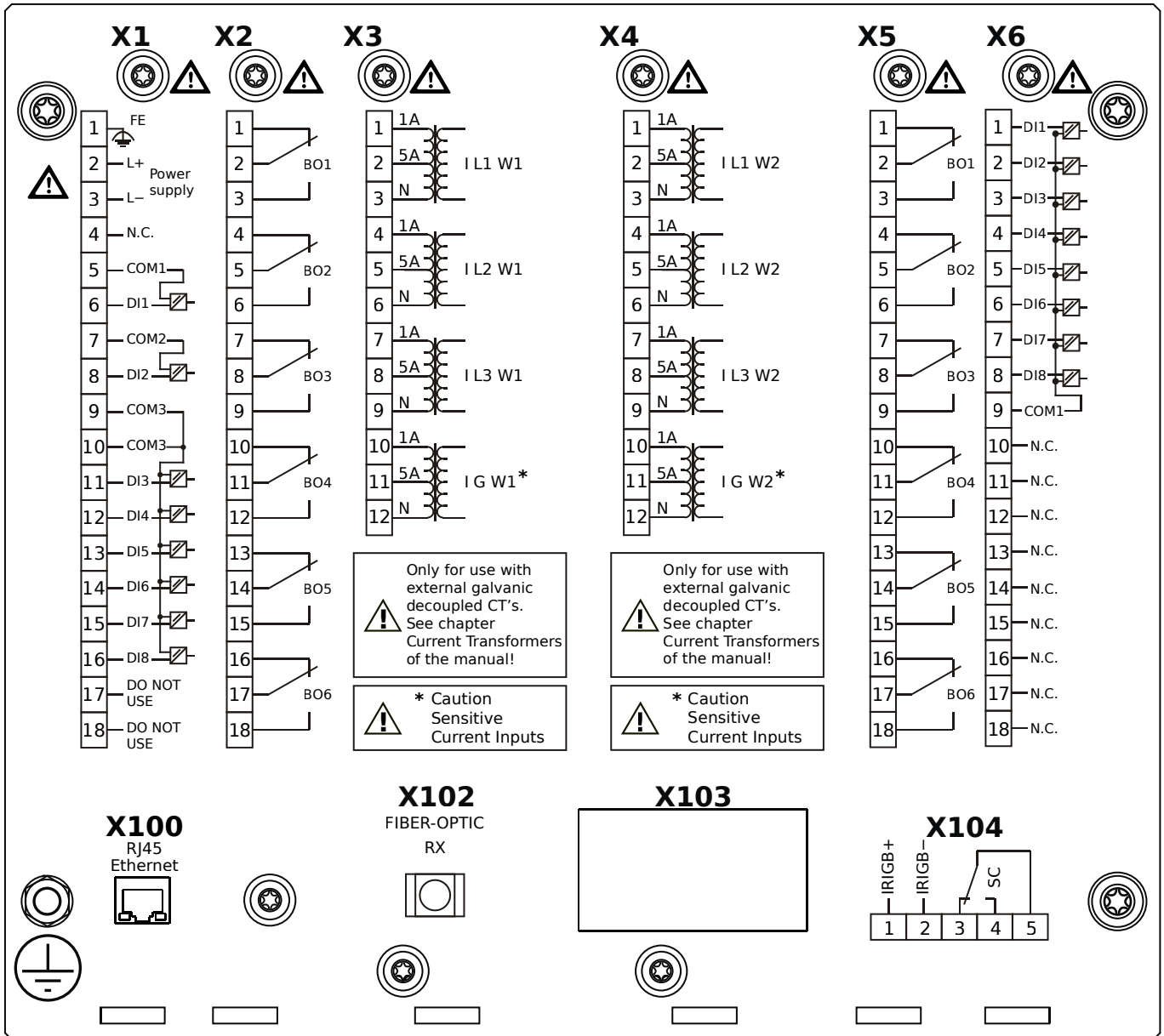
MRDT4-2D3ACA



Housing B2, small display, door mounting

- X1** – DI8-X1: Wide-range power supply unit, incl. 2 non-grouped digital inputs and 6 grouped digital inputs
- X2** – OR6: Assembly Group with 6 Output Relays (Changeover / Form C)
- X3** – TIs: Standard phase current measuring card and sensitive ground current measuring (winding side 1)
- X4** – TIs: Standard phase current measuring card and sensitive ground current measuring (winding side 2)
- X5** – OR6: Assembly Group with 6 Output Relays (Changeover / Form C)
- X6** – DI8: Assembly Group with 8 Digital Inputs
- X100** – Modbus TCP / IEC 60870-5-104 / DNP3.0 TCP/UDP, Ethernet interface, 100 Mbit/s, RJ45 (BASE100-FX)
- X102** – Universal Resistance-Temperature Detector (URTD) input, Fiber optics interface, Versatile Link
- X104** – IRIG-B00X, incl. System Contact (Supervision Contact)

MRDT4-2D3ACB

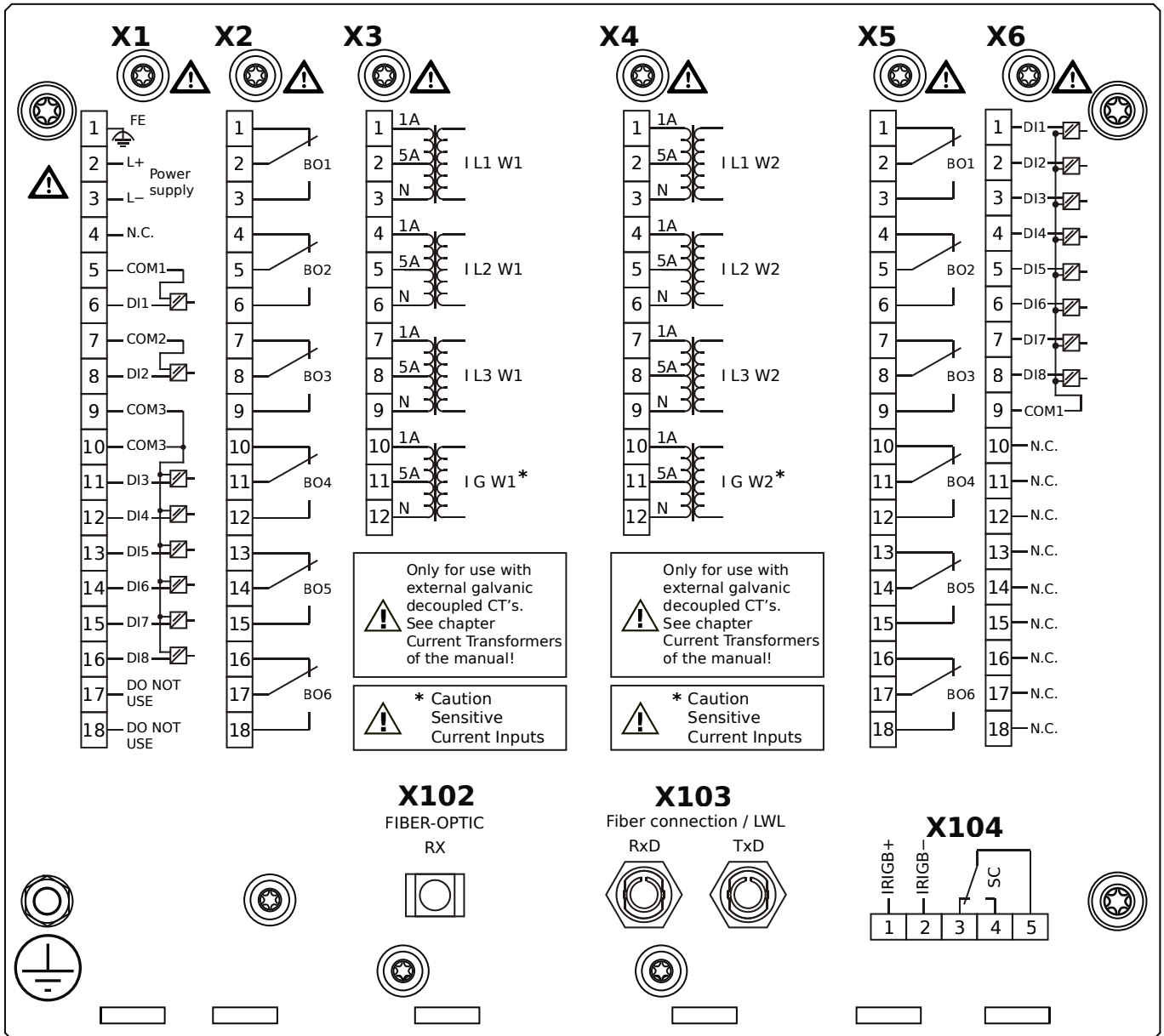


Housing B2, small display, door mounting

+ Conformal Coating (for installations in harsh environment)

- X1** – DI8-X1: Wide-range power supply unit, incl. 2 non-grouped digital inputs and 6 grouped digital inputs
- X2** – OR6: Assembly Group with 6 Output Relays (Changeover / Form C)
- X3** – TIs: Standard phase current measuring card and sensitive ground current measuring (winding side 1)
- X4** – TIs: Standard phase current measuring card and sensitive ground current measuring (winding side 2)
- X5** – OR6: Assembly Group with 6 Output Relays (Changeover / Form C)
- X6** – DI8: Assembly Group with 8 Digital Inputs
- X100** – Modbus TCP / IEC 60870-5-104 / DNP3.0 TCP/UDP, Ethernet interface, 100 Mbit/s, RJ45 (BASE100-FX)
- X102** – Universal Resistance-Temperature Detector (URTD) input, Fiber optics interface, Versatile Link
- X104** – IRIG-B00X, incl. System Contact (Supervision Contact)

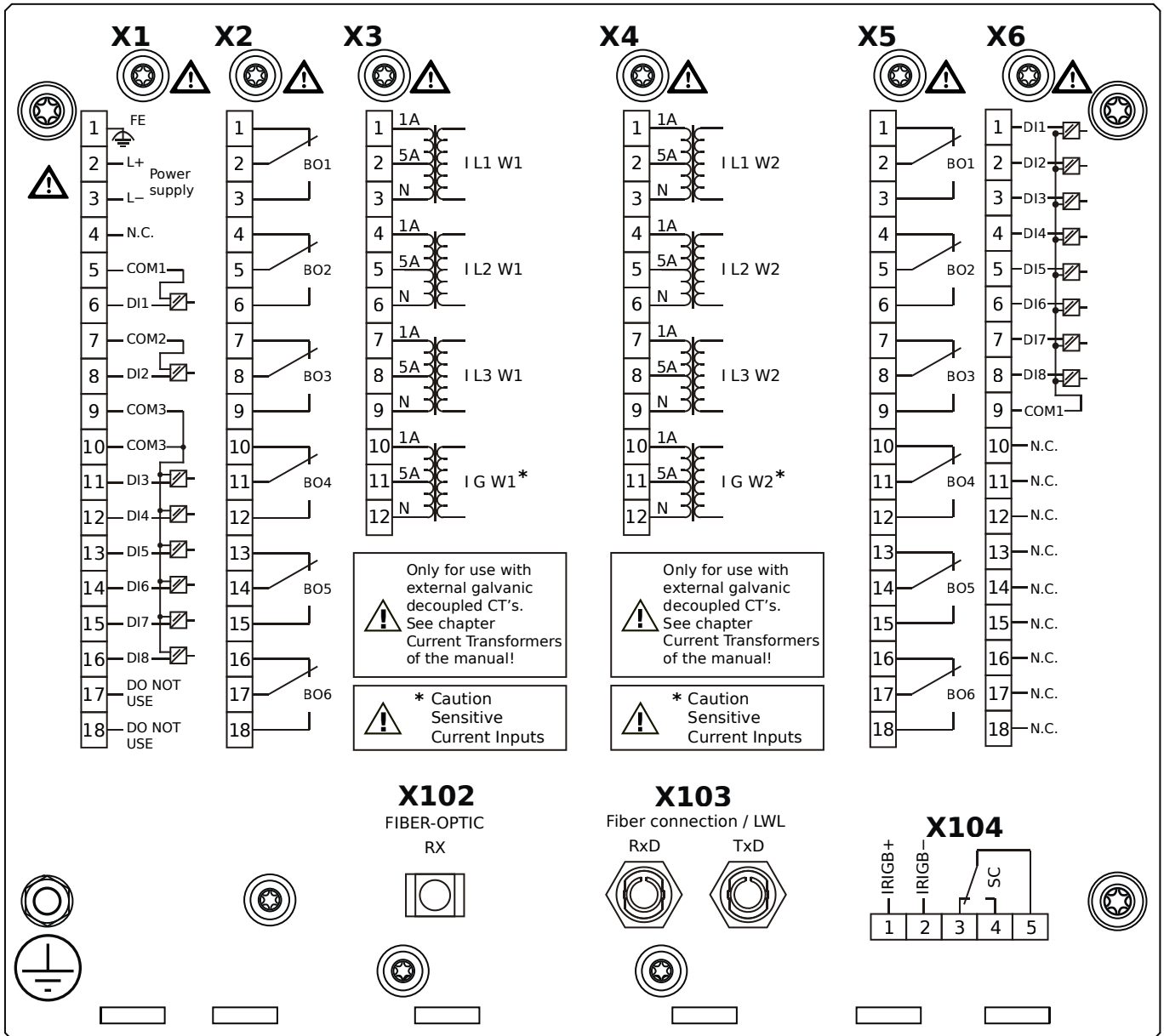
MRDT4-2D3ADA



Housing B2, small display, door mounting

- X1** – DI8-X1: Wide-range power supply unit, incl. 2 non-grouped digital inputs and 6 grouped digital inputs
- X2** – OR6: Assembly Group with 6 Output Relays (Changeover / Form C)
- X3** – TIs: Standard phase current measuring card and sensitive ground current measuring (winding side 1)
- X4** – TIs: Standard phase current measuring card and sensitive ground current measuring (winding side 2)
- X5** – OR6: Assembly Group with 6 Output Relays (Changeover / Form C)
- X6** – DI8: Assembly Group with 8 Digital Inputs
- X102** – Universal Resistance-Temperature Detector (URTD) input, Fiber optics interface, Versatile Link
- X103** – Profibus-DP, Fiber optics interface, ST Connector
- X104** – IRIG-B00X, incl. System Contact (Supervision Contact)

MRDT4-2D3ADB

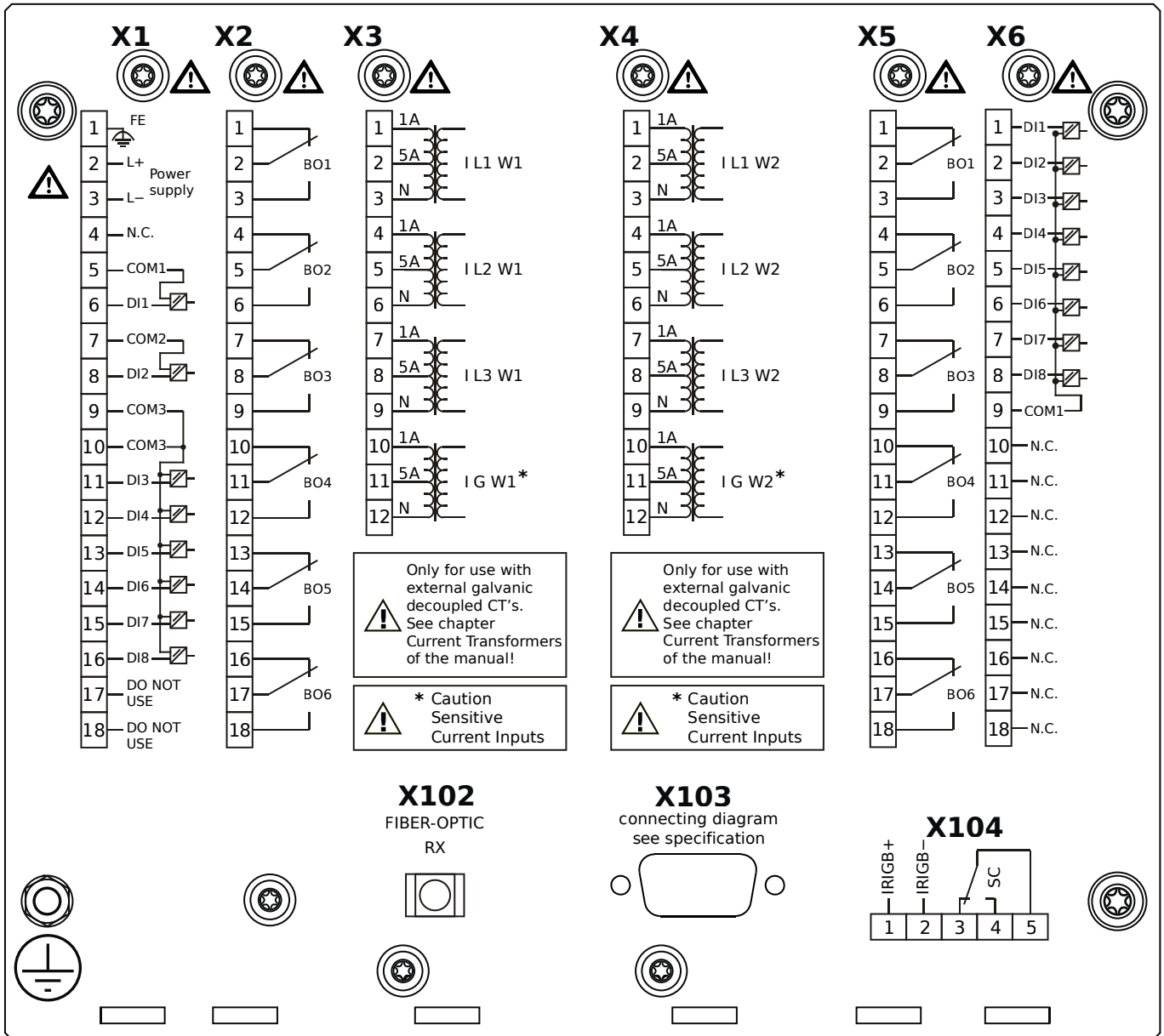


Housing B2, small display, door mounting

+ Conformal Coating (for installations in harsh environment)

- X1** – DI8-X1: Wide-range power supply unit, incl. 2 non-grouped digital inputs and 6 grouped digital inputs
- X2** – OR6: Assembly Group with 6 Output Relays (Changeover / Form C)
- X3** – TIs: Standard phase current measuring card and sensitive ground current measuring (winding side 1)
- X4** – TIs: Standard phase current measuring card and sensitive ground current measuring (winding side 2)
- X5** – OR6: Assembly Group with 6 Output Relays (Changeover / Form C)
- X6** – DI8: Assembly Group with 8 Digital Inputs
- X102** – Universal Resistance-Temperature Detector (URTD) input, Fiber optics interface, Versatile Link
- X103** – Profibus-DP, Fiber optics interface, ST Connector
- X104** – IRIG-B00X, incl. System Contact (Supervision Contact)

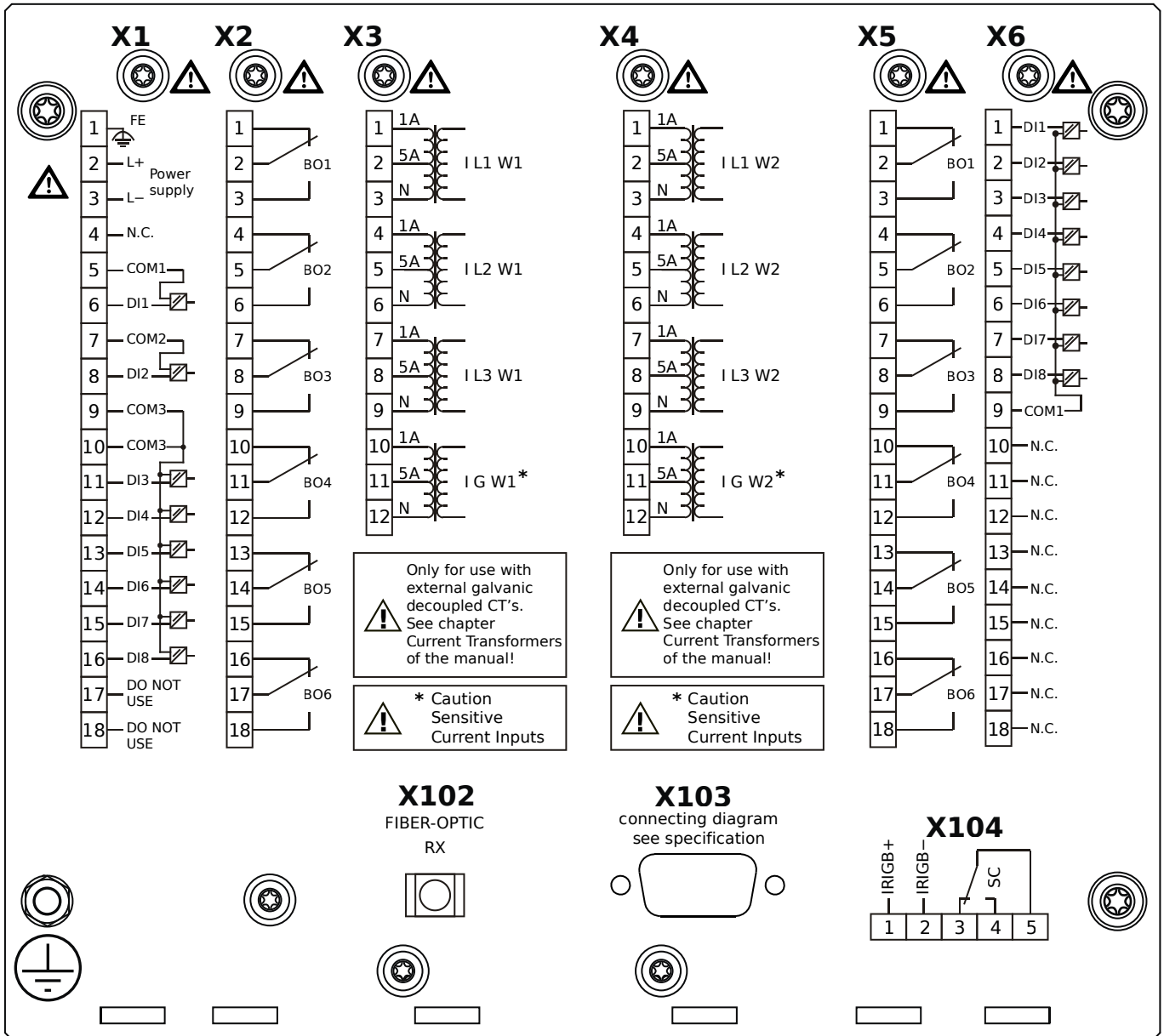
MRDT4-2D3AEA



Housing B2, small display, door mounting

- X1** – DI8-X1: Wide-range power supply unit, incl. 2 non-grouped digital inputs and 6 grouped digital inputs
- X2** – OR6: Assembly Group with 6 Output Relays (Changeover / Form C)
- X3** – TIs: Standard phase current measuring card and sensitive ground current measuring (winding side 1)
- X4** – TIs: Standard phase current measuring card and sensitive ground current measuring (winding side 2)
- X5** – OR6: Assembly Group with 6 Output Relays (Changeover / Form C)
- X6** – DI8: Assembly Group with 8 Digital Inputs
- X102** – Universal Resistance-Temperature Detector (URTD) input, Fiber optics interface, Versatile Link
- X103** – Profibus-DP, RS485, D-SUB
- X104** – IRIG-B00X, incl. System Contact (Supervision Contact)

MRDT4-2D3AEB

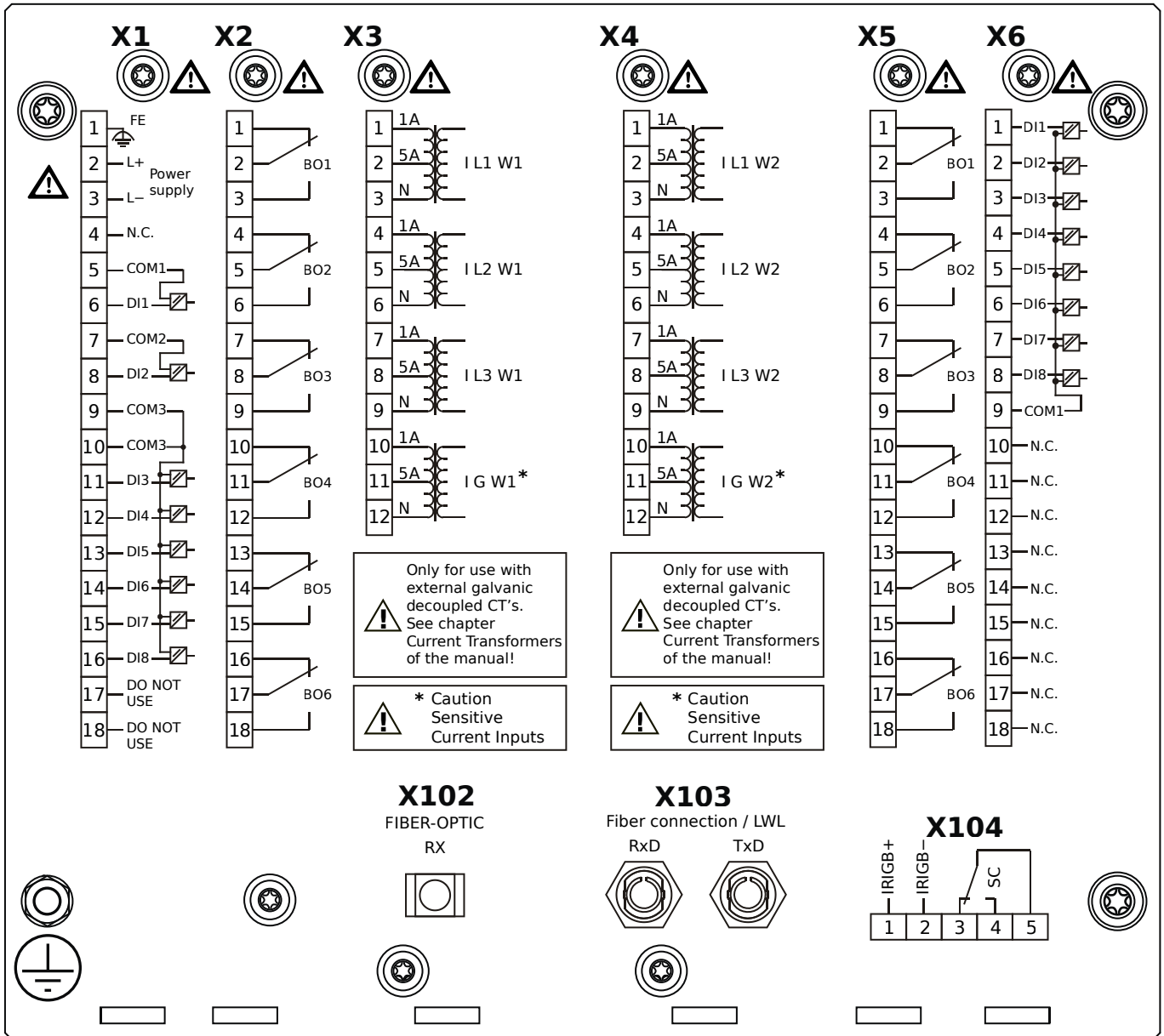


Housing B2, small display, door mounting

+ Conformal Coating (for installations in harsh environment)

- X1** – DI8-X1: Wide-range power supply unit, incl. 2 non-grouped digital inputs and 6 grouped digital inputs
- X2** – OR6: Assembly Group with 6 Output Relays (Changeover / Form C)
- X3** – TIs: Standard phase current measuring card and sensitive ground current measuring (winding side 1)
- X4** – TIs: Standard phase current measuring card and sensitive ground current measuring (winding side 2)
- X5** – OR6: Assembly Group with 6 Output Relays (Changeover / Form C)
- X6** – DI8: Assembly Group with 8 Digital Inputs
- X102** – Universal Resistance-Temperature Detector (URTD) input, Fiber optics interface, Versatile Link
- X103** – Profibus-DP, RS485, D-SUB
- X104** – IRIG-B00X, incl. System Contact (Supervision Contact)

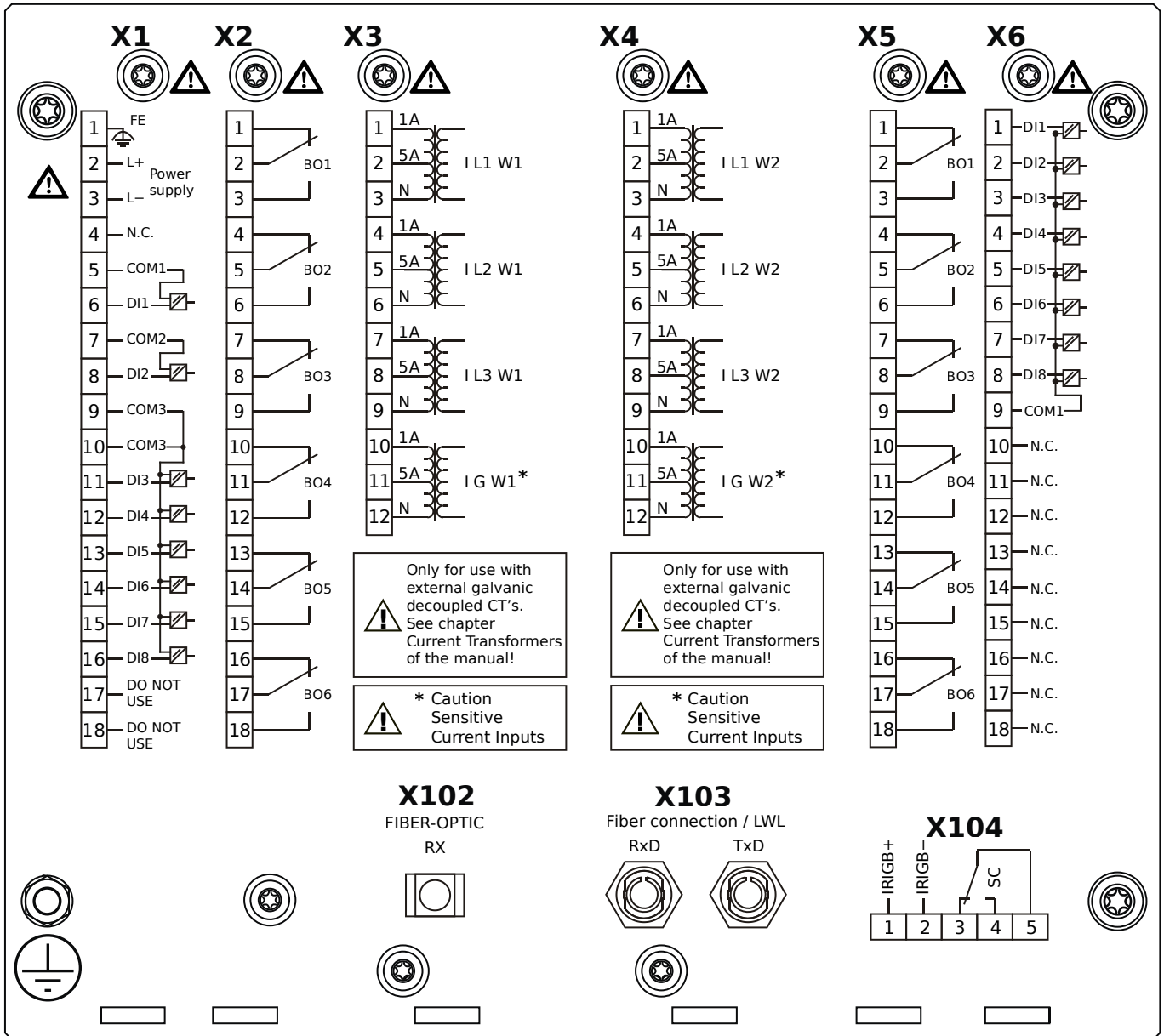
MRDT4-2D3AFA



Housing B2, small display, door mounting

- X1** – DI8-X1: Wide-range power supply unit, incl. 2 non-grouped digital inputs and 6 grouped digital inputs
- X2** – OR6: Assembly Group with 6 Output Relays (Changeover / Form C)
- X3** – TIs: Standard phase current measuring card and sensitive ground current measuring (winding side 1)
- X4** – TIs: Standard phase current measuring card and sensitive ground current measuring (winding side 2)
- X5** – OR6: Assembly Group with 6 Output Relays (Changeover / Form C)
- X6** – DI8: Assembly Group with 8 Digital Inputs
- X102** – Universal Resistance-Temperature Detector (URTD) input, Fiber optics interface, Versatile Link
- X103** – Modbus RTU / IEC 60870-5-103 / DNP3.0 RTU, Fiber optics interface, ST Connector
- X104** – IRIG-B00X, incl. System Contact (Supervision Contact)

MRDT4-2D3AFB

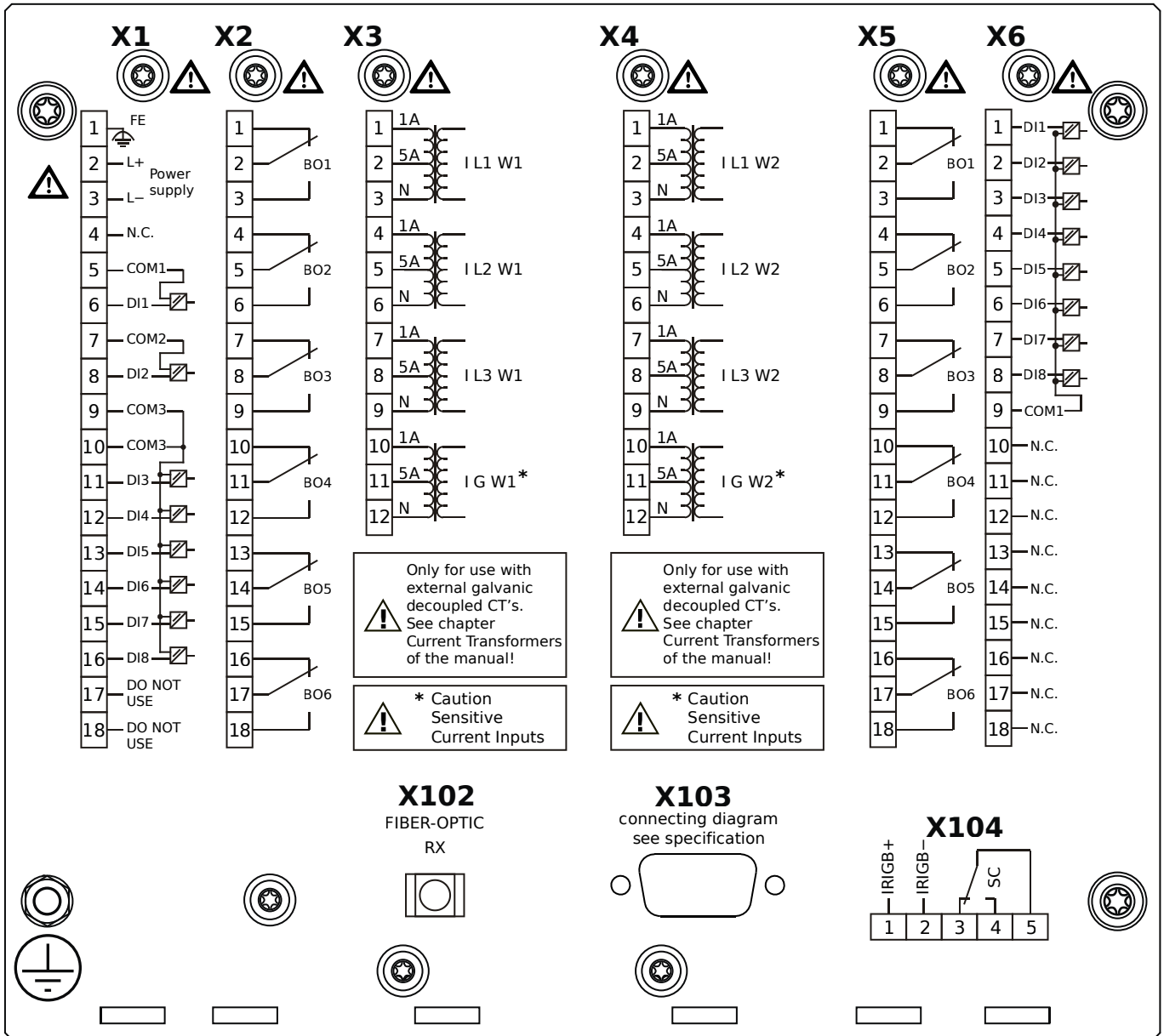


Housing B2, small display, door mounting

+ Conformal Coating (for installations in harsh environment)

- X1** – DI8-X1: Wide-range power supply unit, incl. 2 non-grouped digital inputs and 6 grouped digital inputs
- X2** – OR6: Assembly Group with 6 Output Relays (Changeover / Form C)
- X3** – TIs: Standard phase current measuring card and sensitive ground current measuring (winding side 1)
- X4** – TIs: Standard phase current measuring card and sensitive ground current measuring (winding side 2)
- X5** – OR6: Assembly Group with 6 Output Relays (Changeover / Form C)
- X6** – DI8: Assembly Group with 8 Digital Inputs
- X102** – Universal Resistance-Temperature Detector (URTD) input, Fiber optics interface, Versatile Link
- X103** – Modbus RTU / IEC 60870-5-103 / DNP3.0 RTU, Fiber optics interface, ST Connector
- X104** – IRIG-B00X, incl. System Contact (Supervision Contact)

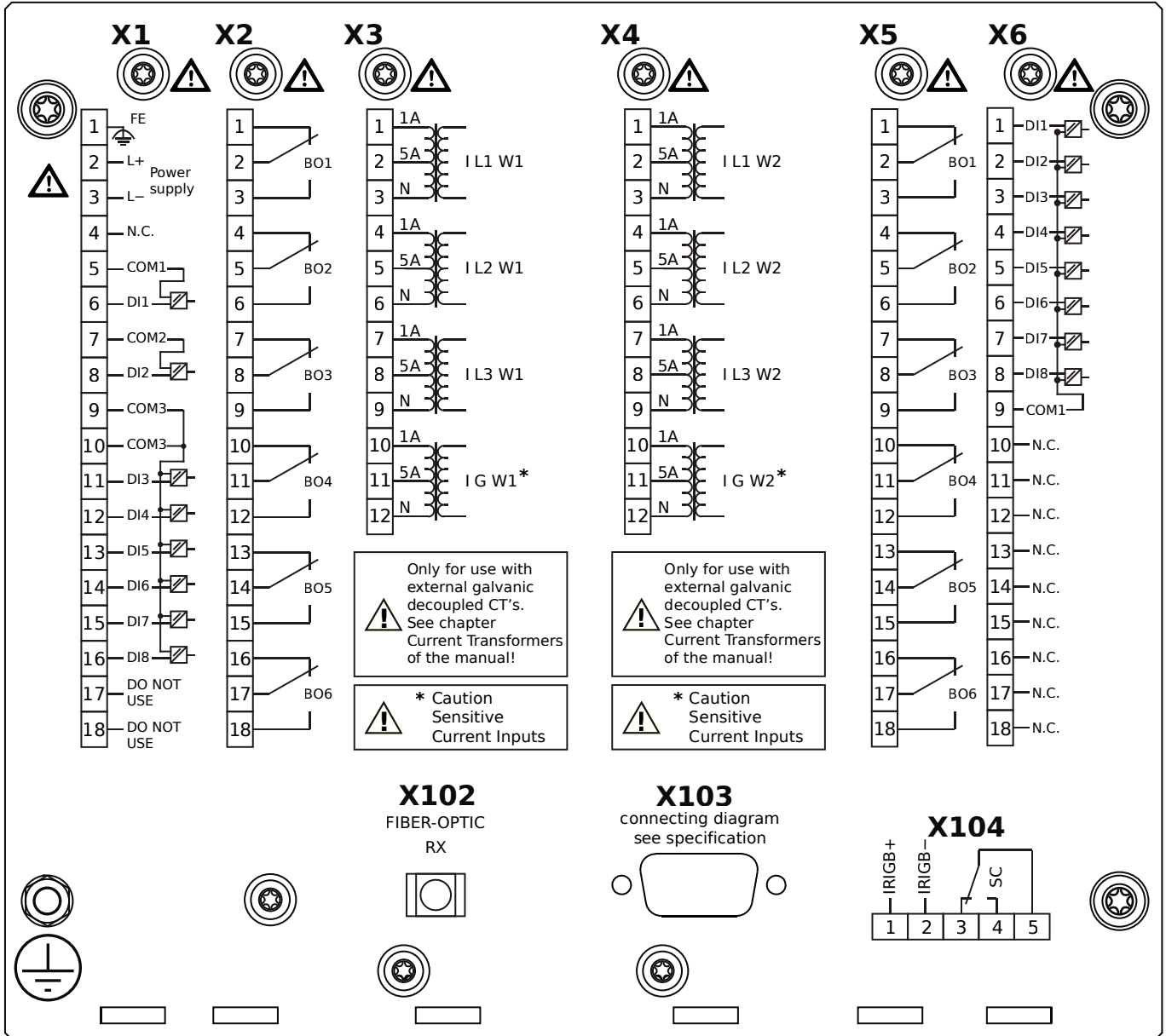
MRDT4-2D3AGA



Housing B2, small display, door mounting

- X1** – DI8-X1: Wide-range power supply unit, incl. 2 non-grouped digital inputs and 6 grouped digital inputs
- X2** – OR6: Assembly Group with 6 Output Relays (Changeover / Form C)
- X3** – TIs: Standard phase current measuring card and sensitive ground current measuring (winding side 1)
- X4** – TIs: Standard phase current measuring card and sensitive ground current measuring (winding side 2)
- X5** – OR6: Assembly Group with 6 Output Relays (Changeover / Form C)
- X6** – DI8: Assembly Group with 8 Digital Inputs
- X102** – Universal Resistance-Temperature Detector (URTD) input, Fiber optics interface, Versatile Link
- X103** – Modbus RTU / IEC 60870-5-103 / DNP3.0 RTU, RS485, D-SUB
- X104** – IRIG-B00X, incl. System Contact (Supervision Contact)

MRDT4-2D3AGB

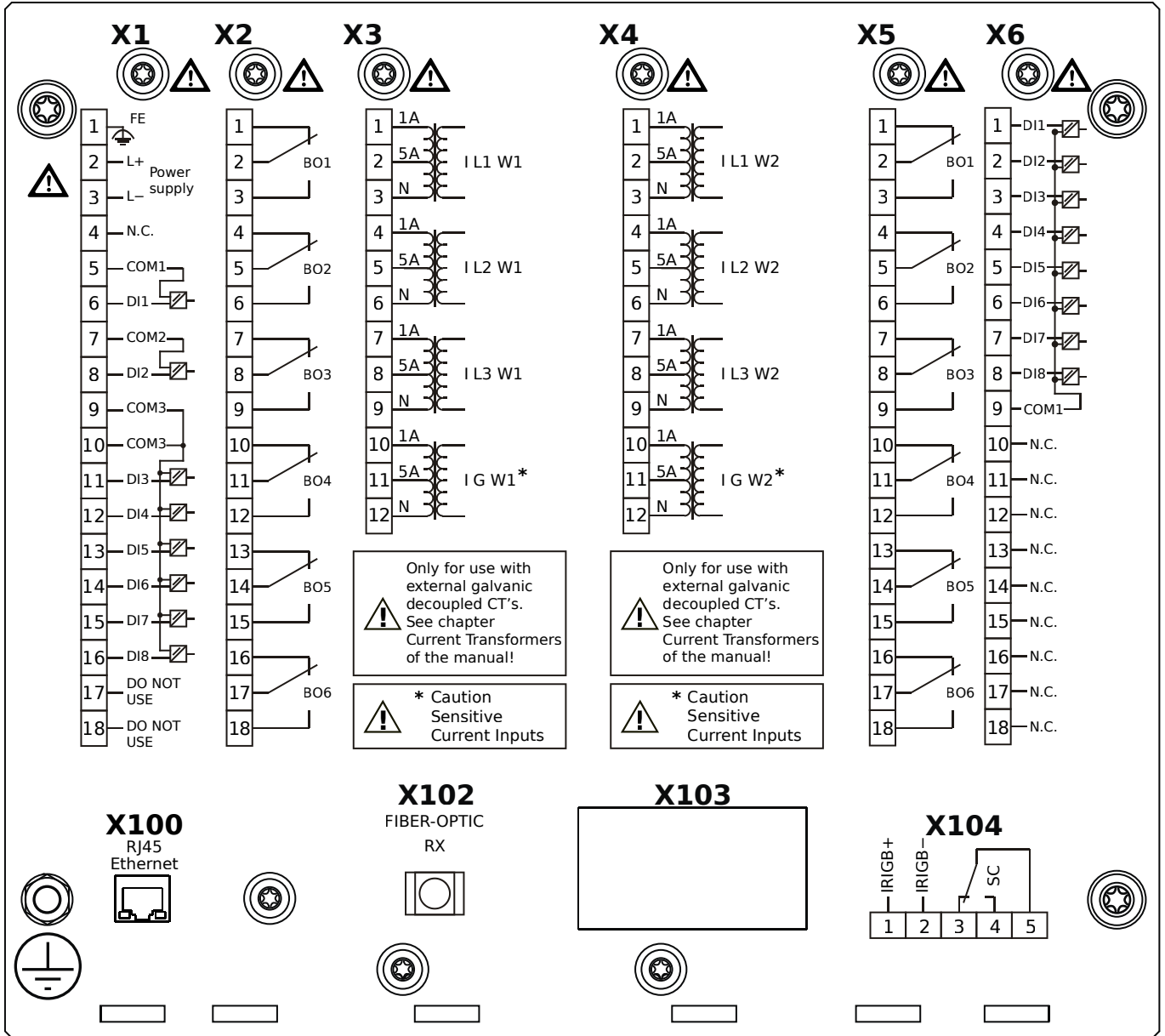


Housing B2, small display, door mounting

+ Conformal Coating (for installations in harsh environment)

- X1** – DI8-X1: Wide-range power supply unit, incl. 2 non-grouped digital inputs and 6 grouped digital inputs
- X2** – OR6: Assembly Group with 6 Output Relays (Changeover / Form C)
- X3** – TIs: Standard phase current measuring card and sensitive ground current measuring (winding side 1)
- X4** – TIs: Standard phase current measuring card and sensitive ground current measuring (winding side 2)
- X5** – OR6: Assembly Group with 6 Output Relays (Changeover / Form C)
- X6** – DI8: Assembly Group with 8 Digital Inputs
- X102** – Universal Resistance-Temperature Detector (URTD) input, Fiber optics interface, Versatile Link
- X103** – Modbus RTU / IEC 60870-5-103 / DNP3.0 RTU, RS485, D-SUB
- X104** – IRIG-B00X, incl. System Contact (Supervision Contact)

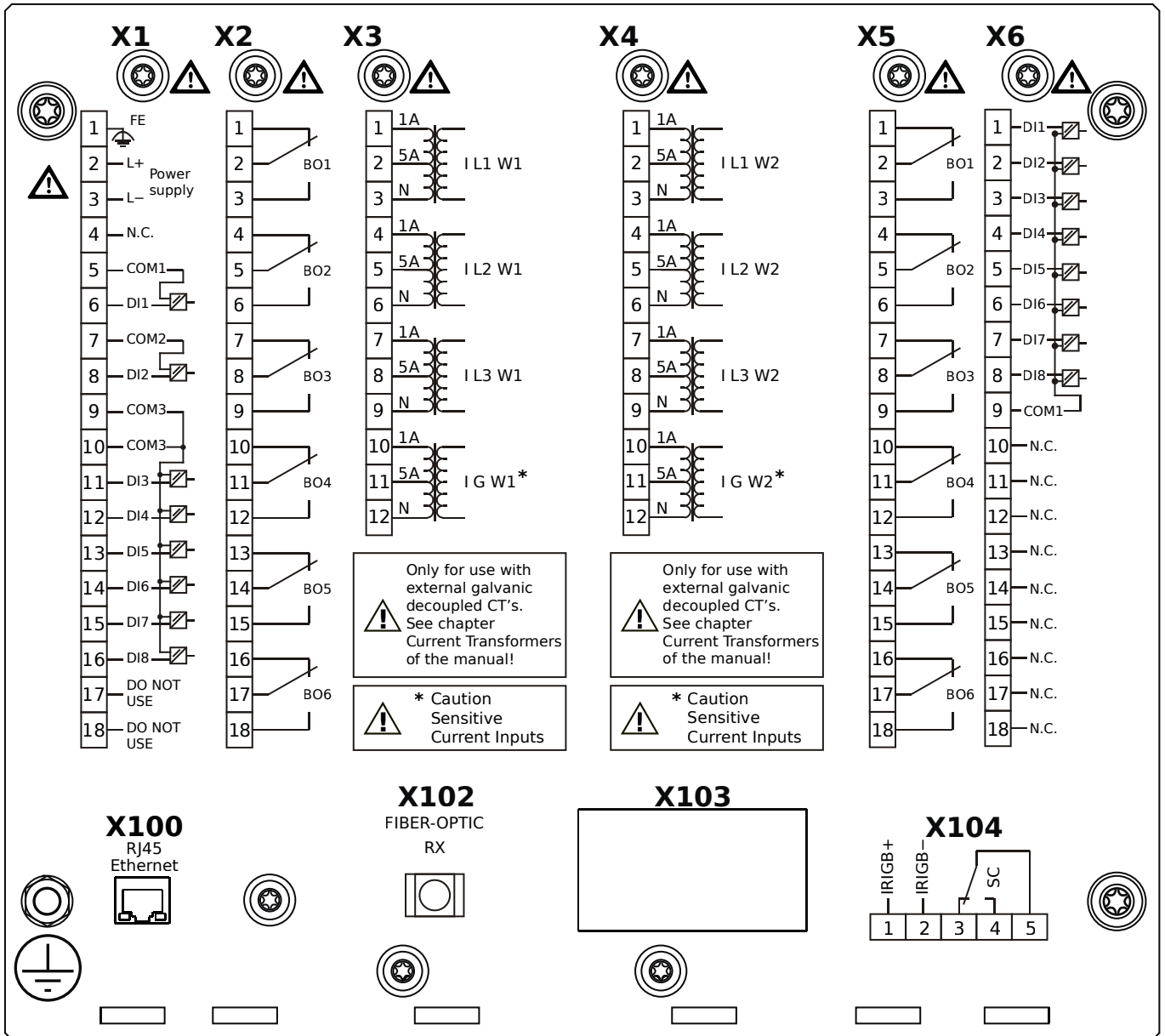
MRDT4-2D3AHA



Housing B2, small display, door mounting

- X1** – DI8-X1: Wide-range power supply unit, incl. 2 non-grouped digital inputs and 6 grouped digital inputs
- X2** – OR6: Assembly Group with 6 Output Relays (Changeover / Form C)
- X3** – TIs: Standard phase current measuring card and sensitive ground current measuring (winding side 1)
- X4** – TIs: Standard phase current measuring card and sensitive ground current measuring (winding side 2)
- X5** – OR6: Assembly Group with 6 Output Relays (Changeover / Form C)
- X6** – DI8: Assembly Group with 8 Digital Inputs
- X100** – IEC 61850 / Modbus TCP / IEC 60870-5-104 / DNP3.0 TCP/UDP, Ethernet interface, 100 Mbit/s, RJ45 (BASE100-FX)
- X102** – Universal Resistance-Temperature Detector (URTD) input, Fiber optics interface, Versatile Link
- X104** – IRIG-B00X, incl. System Contact (Supervision Contact)

MRDT4-2D3AHB

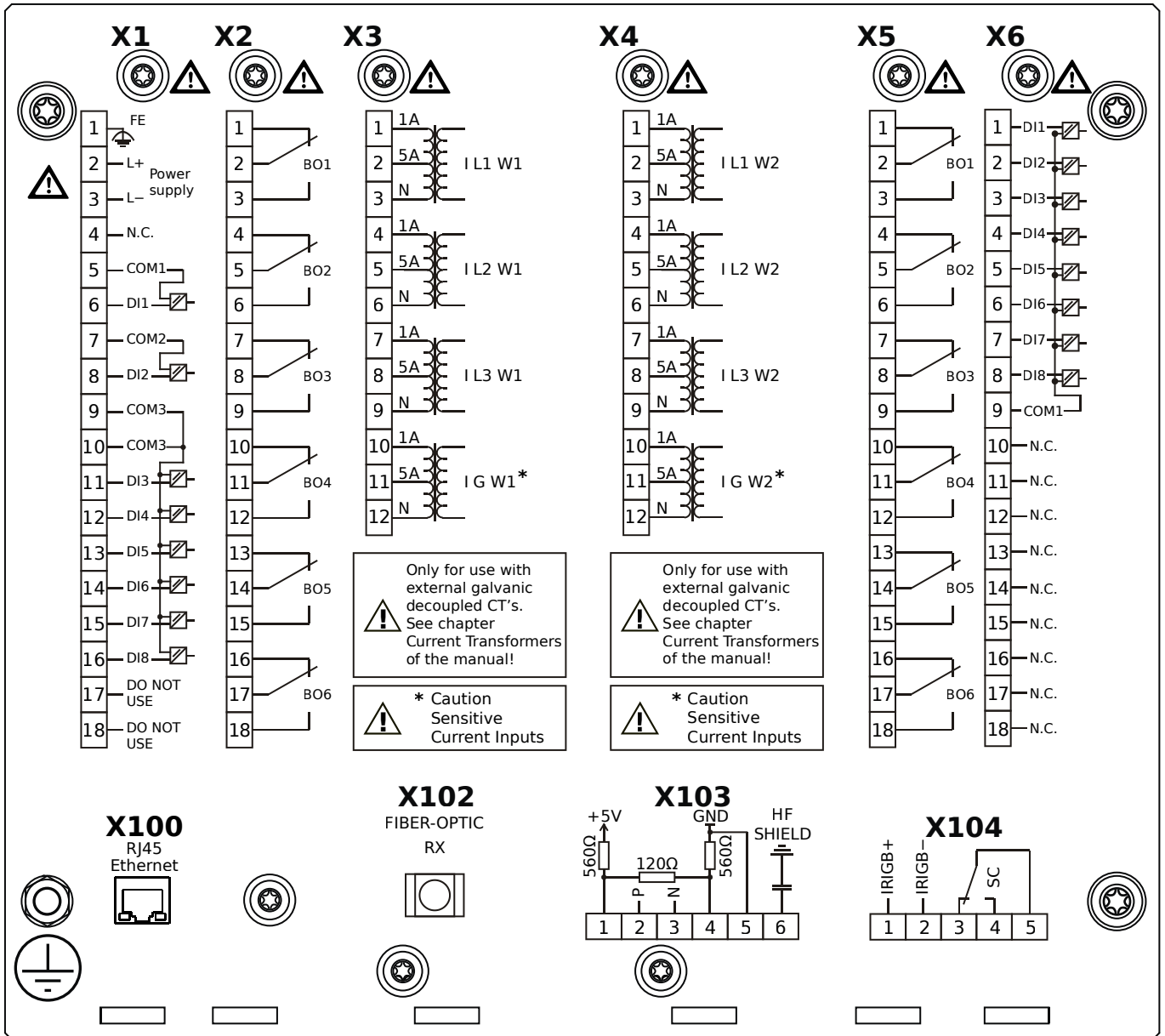


Housing B2, small display, door mounting

+ Conformal Coating (for installations in harsh environment)

- X1** – DI8-X1: Wide-range power supply unit, incl. 2 non-grouped digital inputs and 6 grouped digital inputs
- X2** – OR6: Assembly Group with 6 Output Relays (Changeover / Form C)
- X3** – TIs: Standard phase current measuring card and sensitive ground current measuring (winding side 1)
- X4** – TIs: Standard phase current measuring card and sensitive ground current measuring (winding side 2)
- X5** – OR6: Assembly Group with 6 Output Relays (Changeover / Form C)
- X6** – DI8: Assembly Group with 8 Digital Inputs
- X100** – IEC 61850 / Modbus TCP / IEC 60870-5-104 / DNP3.0 TCP/UDP, Ethernet interface, 100 Mbit/s, RJ45 (BASE100-FX)
- X102** – Universal Resistance-Temperature Detector (URTD) input, Fiber optics interface, Versatile Link
- X104** – IRIG-B00X, incl. System Contact (Supervision Contact)

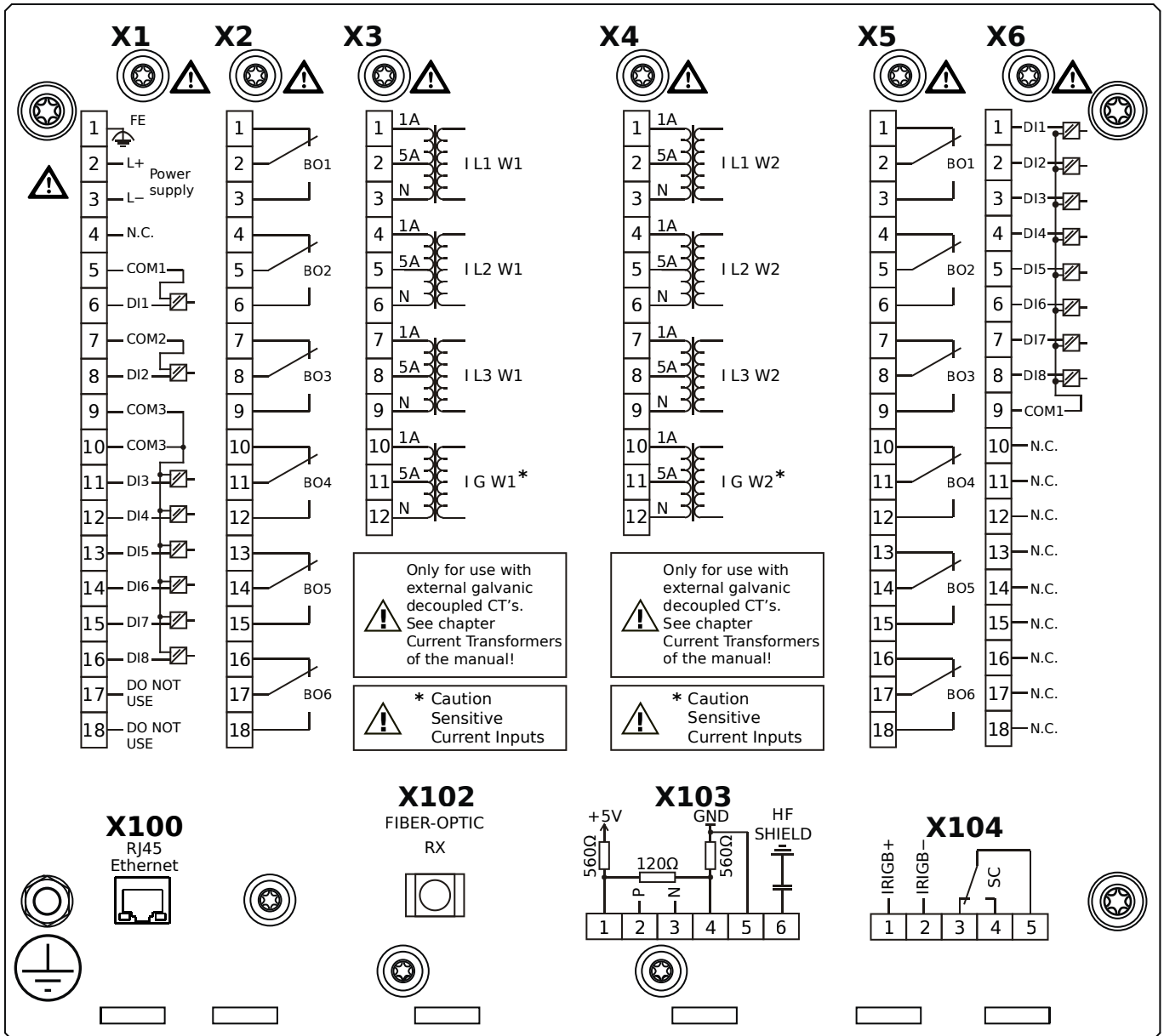
MRDT4-2D3AIA



Housing B2, small display, door mounting

- X1** – DI8-X1: Wide-range power supply unit, incl. 2 non-grouped digital inputs and 6 grouped digital inputs
- X2** – OR6: Assembly Group with 6 Output Relays (Changeover / Form C)
- X3** – TIs: Standard phase current measuring card and sensitive ground current measuring (winding side 1)
- X4** – TIs: Standard phase current measuring card and sensitive ground current measuring (winding side 2)
- X5** – OR6: Assembly Group with 6 Output Relays (Changeover / Form C)
- X6** – DI8: Assembly Group with 8 Digital Inputs
- X100** – Modbus TCP / IEC 60870-5-104 / DNP3.0 TCP/UDP, Ethernet interface, 100 Mbit/s, RJ45 (BASE100-FX)
- X102** – Universal Resistance-Temperature Detector (URTD) input, Fiber optics interface, Versatile Link
- X103** – IEC 60870-5-103 / Modbus RTU / DNP3.0 RTU, RS485, Terminals
- X104** – IRIG-B00X, incl. System Contact (Supervision Contact)

MRDT4-2D3AIB

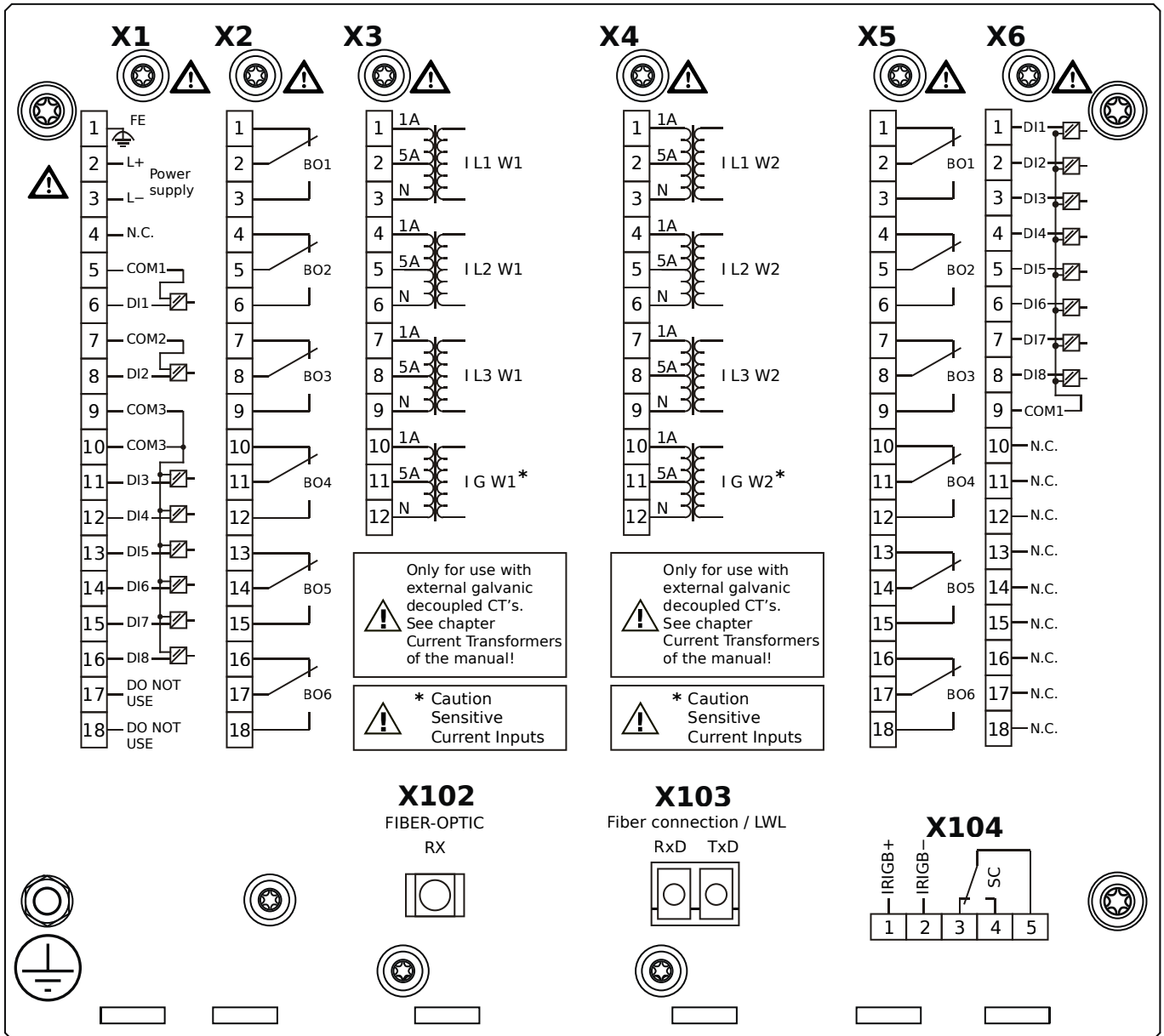


Housing B2, small display, door mounting

+ Conformal Coating (for installations in harsh environment)

- X1** – DI8-X1: Wide-range power supply unit, incl. 2 non-grouped digital inputs and 6 grouped digital inputs
- X2** – OR6: Assembly Group with 6 Output Relays (Changeover / Form C)
- X3** – TIs: Standard phase current measuring card and sensitive ground current measuring (winding side 1)
- X4** – TIs: Standard phase current measuring card and sensitive ground current measuring (winding side 2)
- X5** – OR6: Assembly Group with 6 Output Relays (Changeover / Form C)
- X6** – DI8: Assembly Group with 8 Digital Inputs
- X100** – Modbus TCP / IEC 60870-5-104 / DNP3.0 TCP/UDP, Ethernet interface, 100 Mbit/s, RJ45 (BASE100-FX)
- X102** – Universal Resistance-Temperature Detector (URTD) input, Fiber optics interface, Versatile Link
- X103** – IEC 60870-5-103 / Modbus RTU / DNP3.0 RTU, RS485, Terminals
- X104** – IRIG-B00X, incl. System Contact (Supervision Contact)

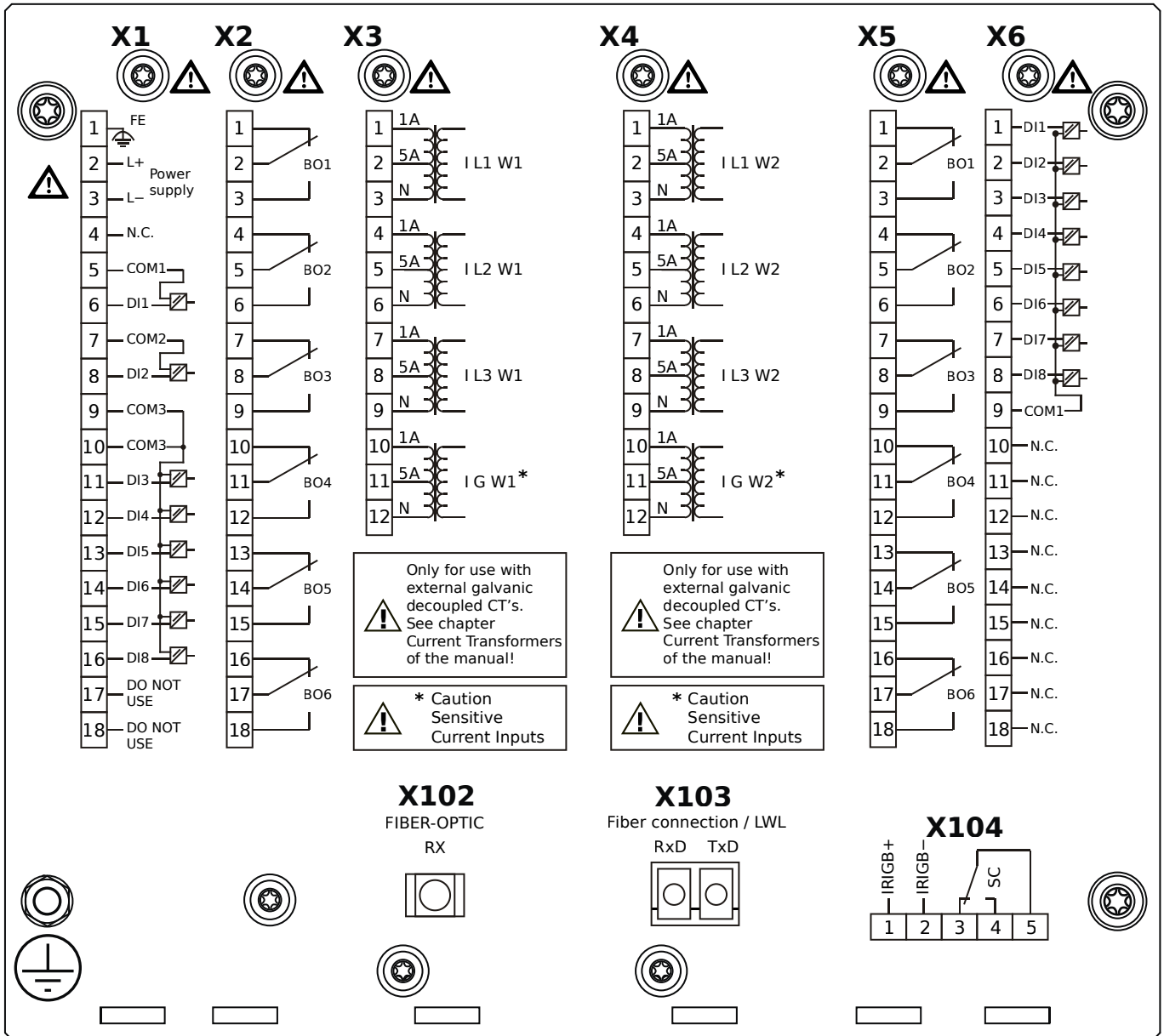
MRDT4-2D3AKA



Housing B2, small display, door mounting

- X1** – DI8-X1: Wide-range power supply unit, incl. 2 non-grouped digital inputs and 6 grouped digital inputs
- X2** – OR6: Assembly Group with 6 Output Relays (Changeover / Form C)
- X3** – TIs: Standard phase current measuring card and sensitive ground current measuring (winding side 1)
- X4** – TIs: Standard phase current measuring card and sensitive ground current measuring (winding side 2)
- X5** – OR6: Assembly Group with 6 Output Relays (Changeover / Form C)
- X6** – DI8: Assembly Group with 8 Digital Inputs
- X102** – Universal Resistance-Temperature Detector (URTD) input, Fiber optics interface, Versatile Link
- X103** – IEC 61850 / Modbus TCP / IEC 60870-5-104 / DNP3.0 TCP/UDP, Fiber optics interface, LC Connector
- X104** – IRIG-B00X, incl. System Contact (Supervision Contact)

MRDT4-2D3AKB

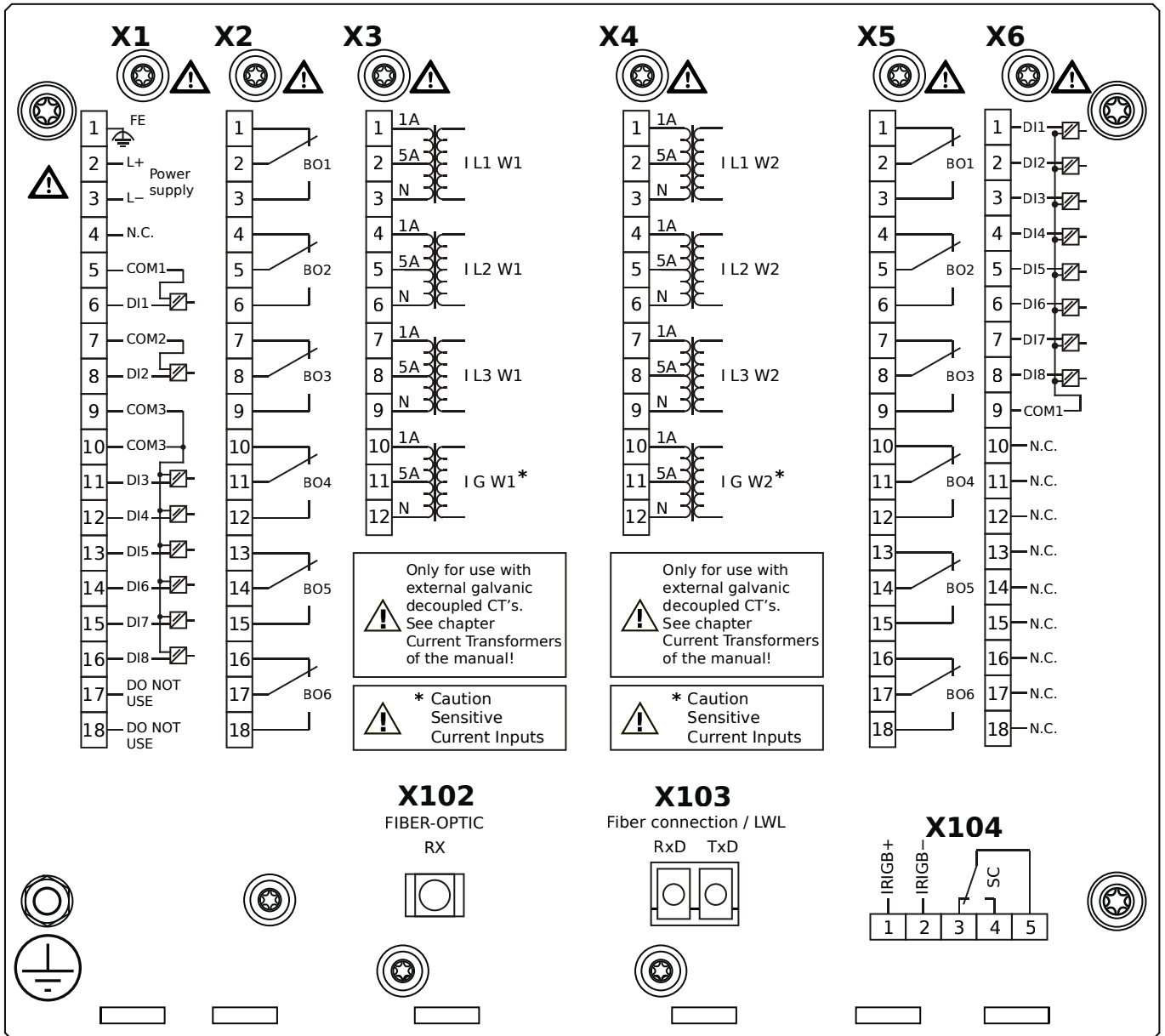


Housing B2, small display, door mounting

+ Conformal Coating (for installations in harsh environment)

- X1** – DI8-X1: Wide-range power supply unit, incl. 2 non-grouped digital inputs and 6 grouped digital inputs
- X2** – OR6: Assembly Group with 6 Output Relays (Changeover / Form C)
- X3** – TIs: Standard phase current measuring card and sensitive ground current measuring (winding side 1)
- X4** – TIs: Standard phase current measuring card and sensitive ground current measuring (winding side 2)
- X5** – OR6: Assembly Group with 6 Output Relays (Changeover / Form C)
- X6** – DI8: Assembly Group with 8 Digital Inputs
- X102** – Universal Resistance-Temperature Detector (URTD) input, Fiber optics interface, Versatile Link
- X103** – IEC 61850 / Modbus TCP / IEC 60870-5-104 / DNP3.0 TCP/UDP, Fiber optics interface, LC Connector
- X104** – IRIG-B00X, incl. System Contact (Supervision Contact)

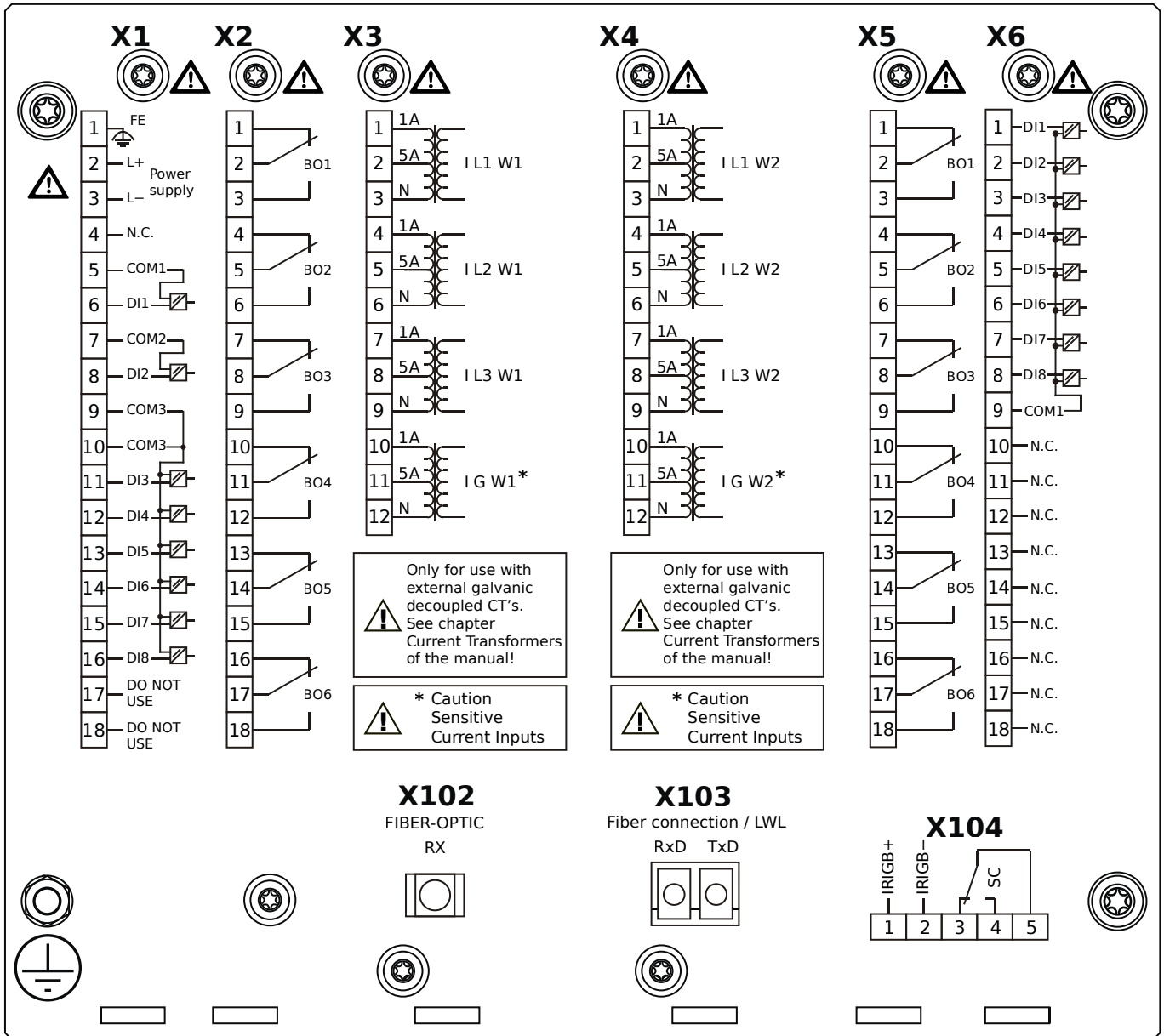
MRDT4-2D3ALA



Housing B2, small display, door mounting

- X1** – DI8-X1: Wide-range power supply unit, incl. 2 non-grouped digital inputs and 6 grouped digital inputs
- X2** – OR6: Assembly Group with 6 Output Relays (Changeover / Form C)
- X3** – TIs: Standard phase current measuring card and sensitive ground current measuring (winding side 1)
- X4** – TIs: Standard phase current measuring card and sensitive ground current measuring (winding side 2)
- X5** – OR6: Assembly Group with 6 Output Relays (Changeover / Form C)
- X6** – DI8: Assembly Group with 8 Digital Inputs
- X102** – Universal Resistance-Temperature Detector (URTD) input, Fiber optics interface, Versatile Link
- X103** – Modbus TCP / IEC 60870-5-104 / DNP3.0 TCP/UDP, Fiber optics interface, LC Connector
- X104** – IRIG-B00X, incl. System Contact (Supervision Contact)

MRDT4-2D3ALB

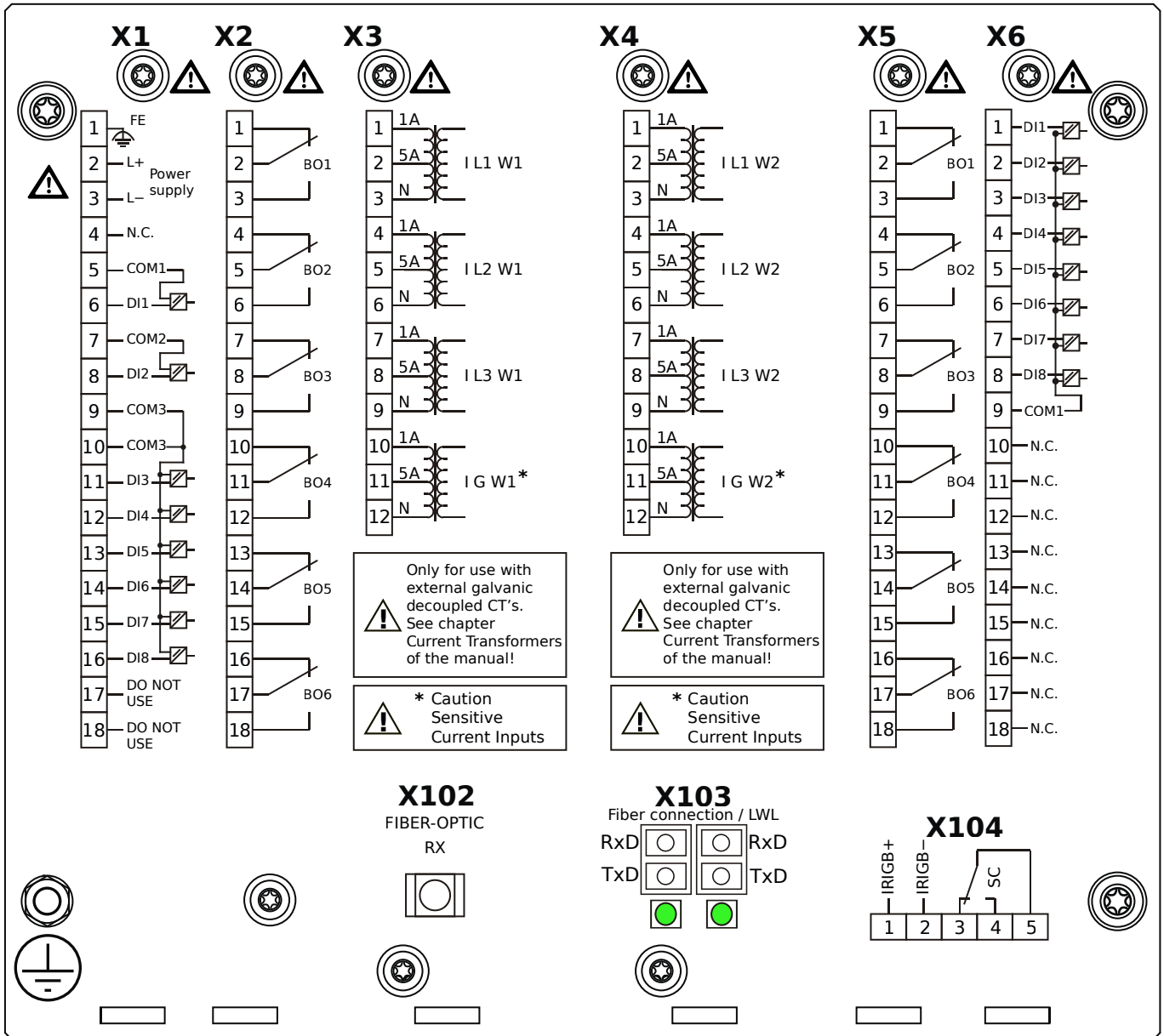


Housing B2, small display, door mounting

+ Conformal Coating (for installations in harsh environment)

- X1** – DI8-X1: Wide-range power supply unit, incl. 2 non-grouped digital inputs and 6 grouped digital inputs
- X2** – OR6: Assembly Group with 6 Output Relays (Changeover / Form C)
- X3** – TIs: Standard phase current measuring card and sensitive ground current measuring (winding side 1)
- X4** – TIs: Standard phase current measuring card and sensitive ground current measuring (winding side 2)
- X5** – OR6: Assembly Group with 6 Output Relays (Changeover / Form C)
- X6** – DI8: Assembly Group with 8 Digital Inputs
- X102** – Universal Resistance-Temperature Detector (URTD) input, Fiber optics interface, Versatile Link
- X103** – Modbus TCP / IEC 60870-5-104 / DNP3.0 TCP/UDP, Fiber optics interface, LC Connector
- X104** – IRIG-B00X, incl. System Contact (Supervision Contact)

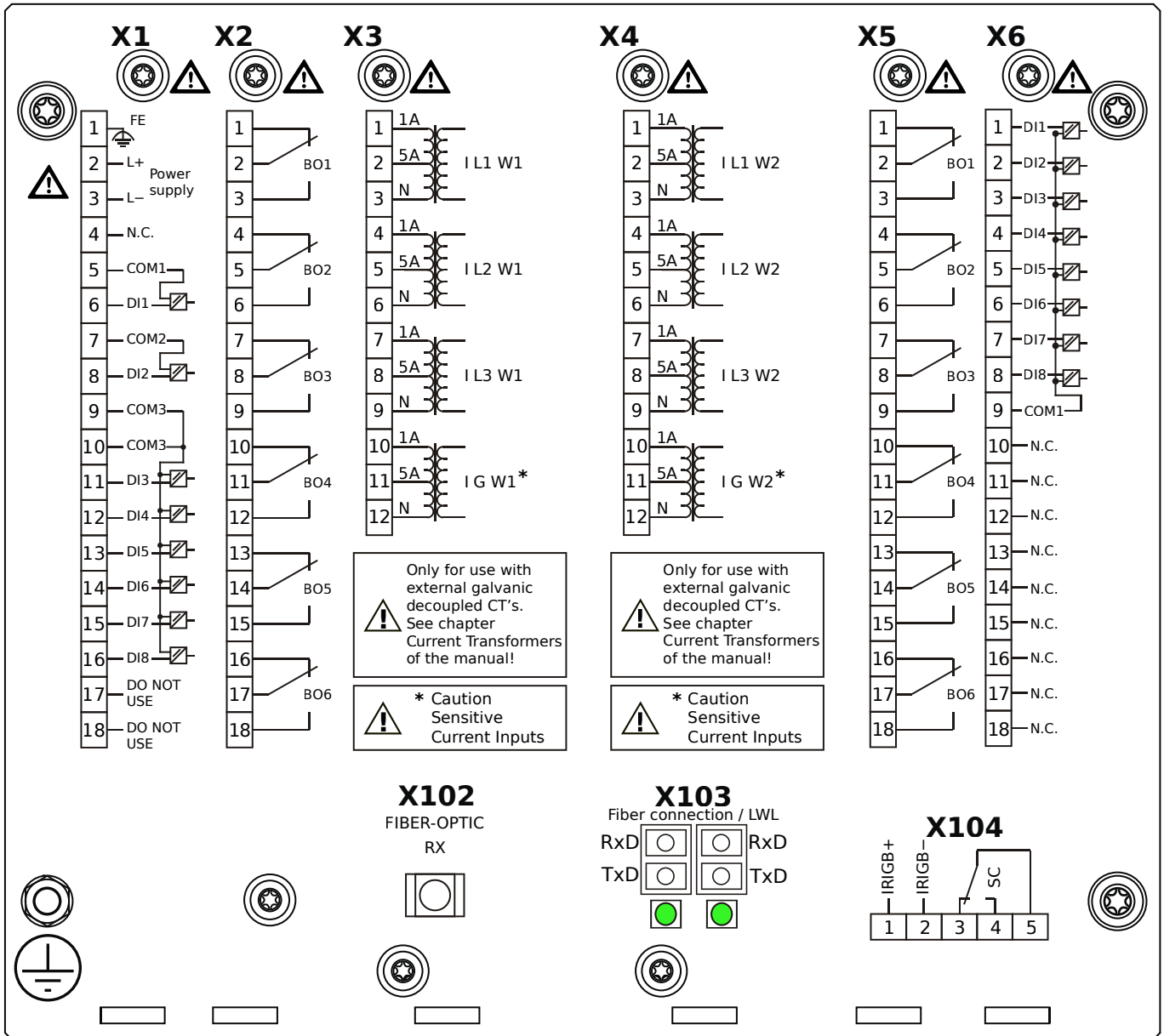
MRDT4-2D3AOA



Housing B2, small display, door mounting

- X1** – DI8-X1: Wide-range power supply unit, incl. 2 non-grouped digital inputs and 6 grouped digital inputs
- X2** – OR6: Assembly Group with 6 Output Relays (Changeover / Form C)
- X3** – TIs: Standard phase current measuring card and sensitive ground current measuring (winding side 1)
- X4** – TIs: Standard phase current measuring card and sensitive ground current measuring (winding side 2)
- X5** – OR6: Assembly Group with 6 Output Relays (Changeover / Form C)
- X6** – DI8: Assembly Group with 8 Digital Inputs
- X102** – Universal Resistance-Temperature Detector (URTD) input, Fiber optics interface, Versatile Link
- X103** – Modbus TCP / IEC 60870-5-104 / DNP3.0 TCP/UDP, Redundant Fiber optics interface, LC Connector
- X104** – IRIG-B00X, incl. System Contact (Supervision Contact)

MRDT4-2D3AOB

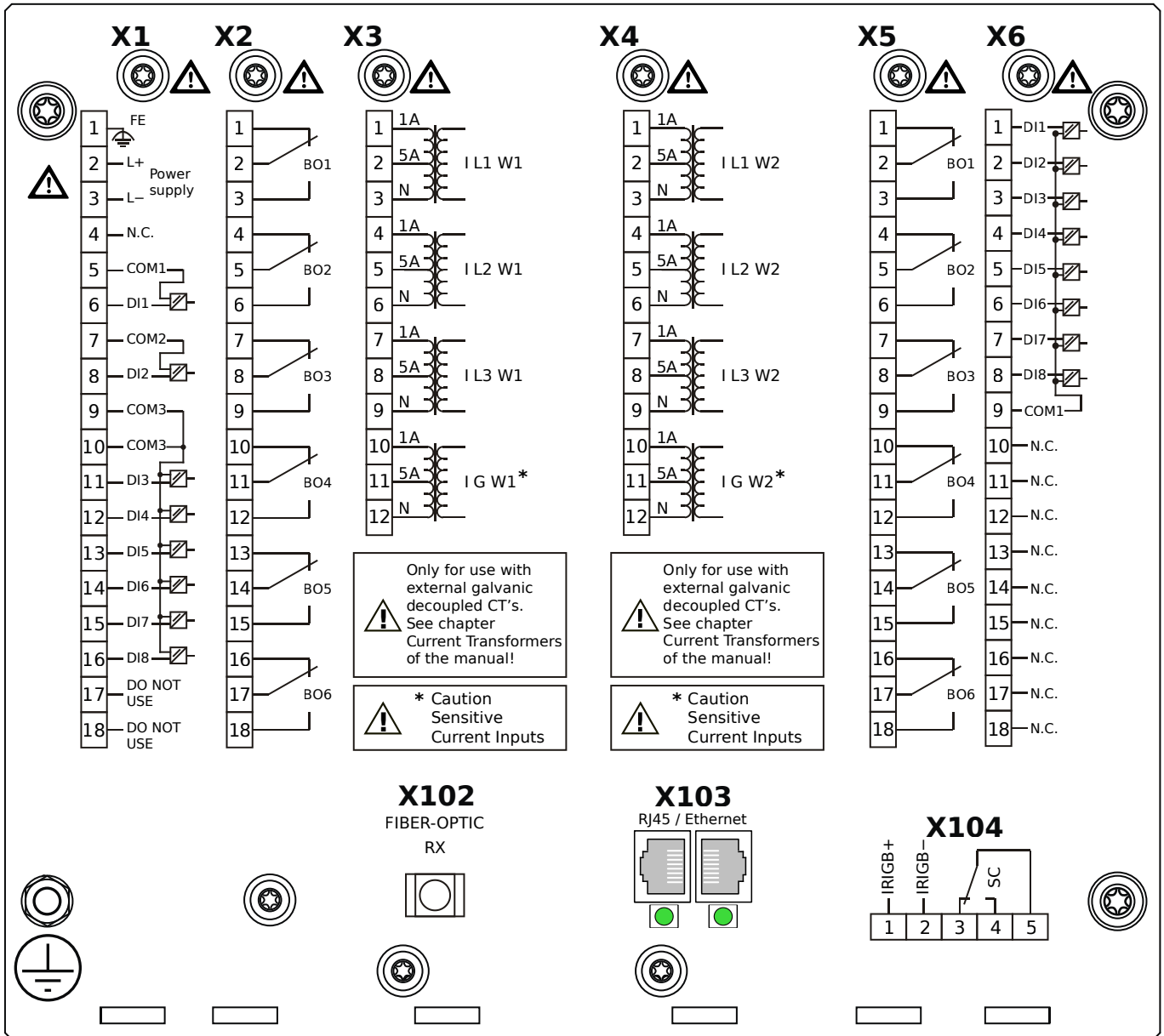


Housing B2, small display, door mounting

+ Conformal Coating (for installations in harsh environment)

- X1** – DI8-X1: Wide-range power supply unit, incl. 2 non-grouped digital inputs and 6 grouped digital inputs
- X2** – OR6: Assembly Group with 6 Output Relays (Changeover / Form C)
- X3** – TIs: Standard phase current measuring card and sensitive ground current measuring (winding side 1)
- X4** – TIs: Standard phase current measuring card and sensitive ground current measuring (winding side 2)
- X5** – OR6: Assembly Group with 6 Output Relays (Changeover / Form C)
- X6** – DI8: Assembly Group with 8 Digital Inputs
- X102** – Universal Resistance-Temperature Detector (URTD) input, Fiber optics interface, Versatile Link
- X103** – Modbus TCP / IEC 60870-5-104 / DNP3.0 TCP/UDP, Redundant Fiber optics interface, LC Connector
- X104** – IRIG-B00X, incl. System Contact (Supervision Contact)

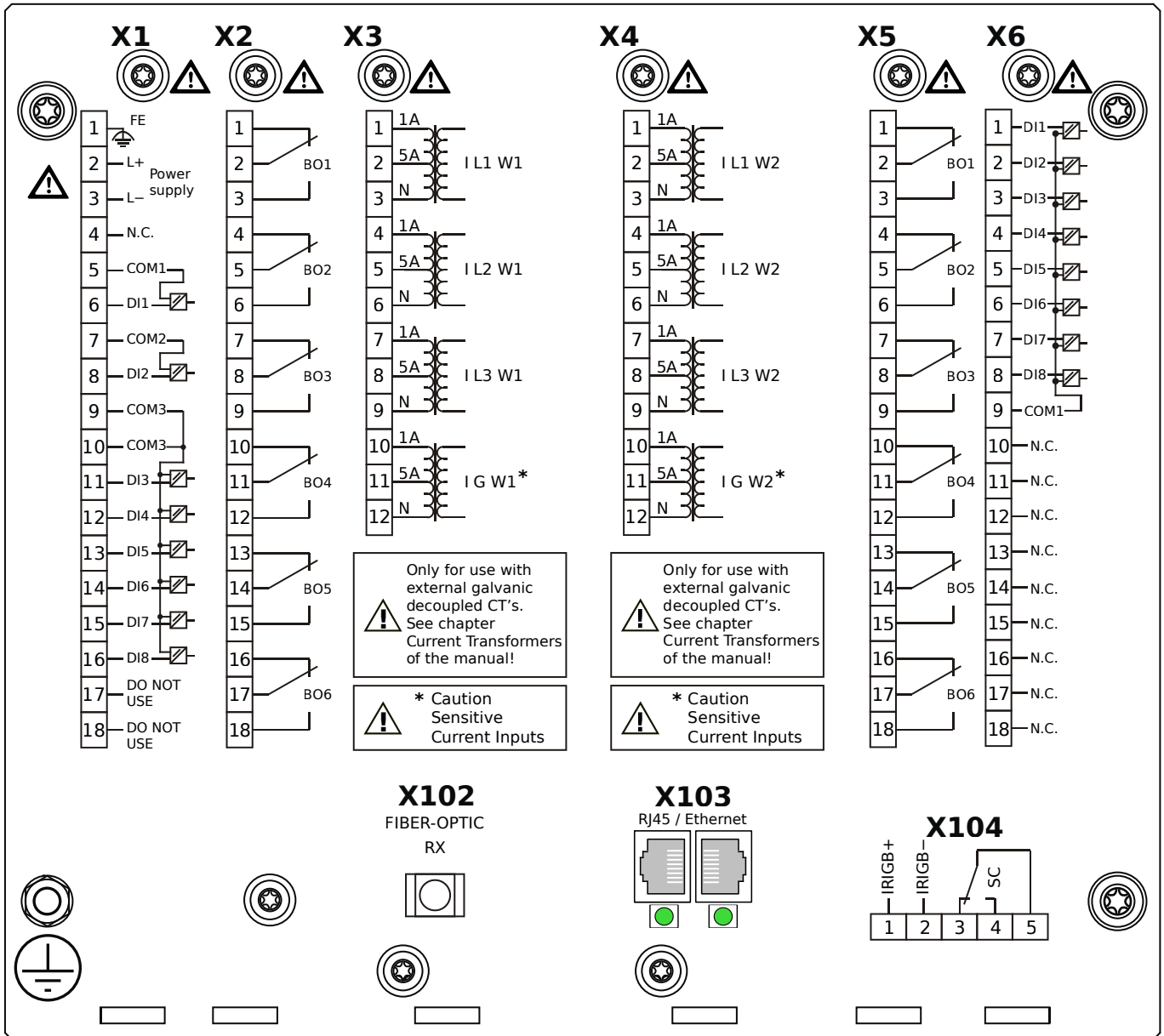
MRDT4-2D3APA



Housing B2, small display, door mounting

- X1** – DI8-X1: Wide-range power supply unit, incl. 2 non-grouped digital inputs and 6 grouped digital inputs
- X2** – OR6: Assembly Group with 6 Output Relays (Changeover / Form C)
- X3** – TIs: Standard phase current measuring card and sensitive ground current measuring (winding side 1)
- X4** – TIs: Standard phase current measuring card and sensitive ground current measuring (winding side 2)
- X5** – OR6: Assembly Group with 6 Output Relays (Changeover / Form C)
- X6** – DI8: Assembly Group with 8 Digital Inputs
- X102** – Universal Resistance-Temperature Detector (URTD) input, Fiber optics interface, Versatile Link
- X103** – Modbus TCP / IEC 60870-5-104 / DNP3.0 TCP/UDP, Redundant Ethernet interface, 100 Mbit/s, RJ45 (BASE100-FX)
- X104** – IRIG-B00X, incl. System Contact (Supervision Contact)

MRDT4-2D3APB



Housing B2, small display, door mounting

+ Conformal Coating (for installations in harsh environment)

X1 – DI8-X1: Wide-range power supply unit, incl. 2 non-grouped digital inputs and 6 grouped digital inputs

X2 – OR6: Assembly Group with 6 Output Relays (Changeover / Form C)

X3 – TIs: Standard phase current measuring card and sensitive ground current measuring (winding side 1)

X4 – TIs: Standard phase current measuring card and sensitive ground current measuring (winding side 2)

X5 – OR6: Assembly Group with 6 Output Relays (Changeover / Form C)

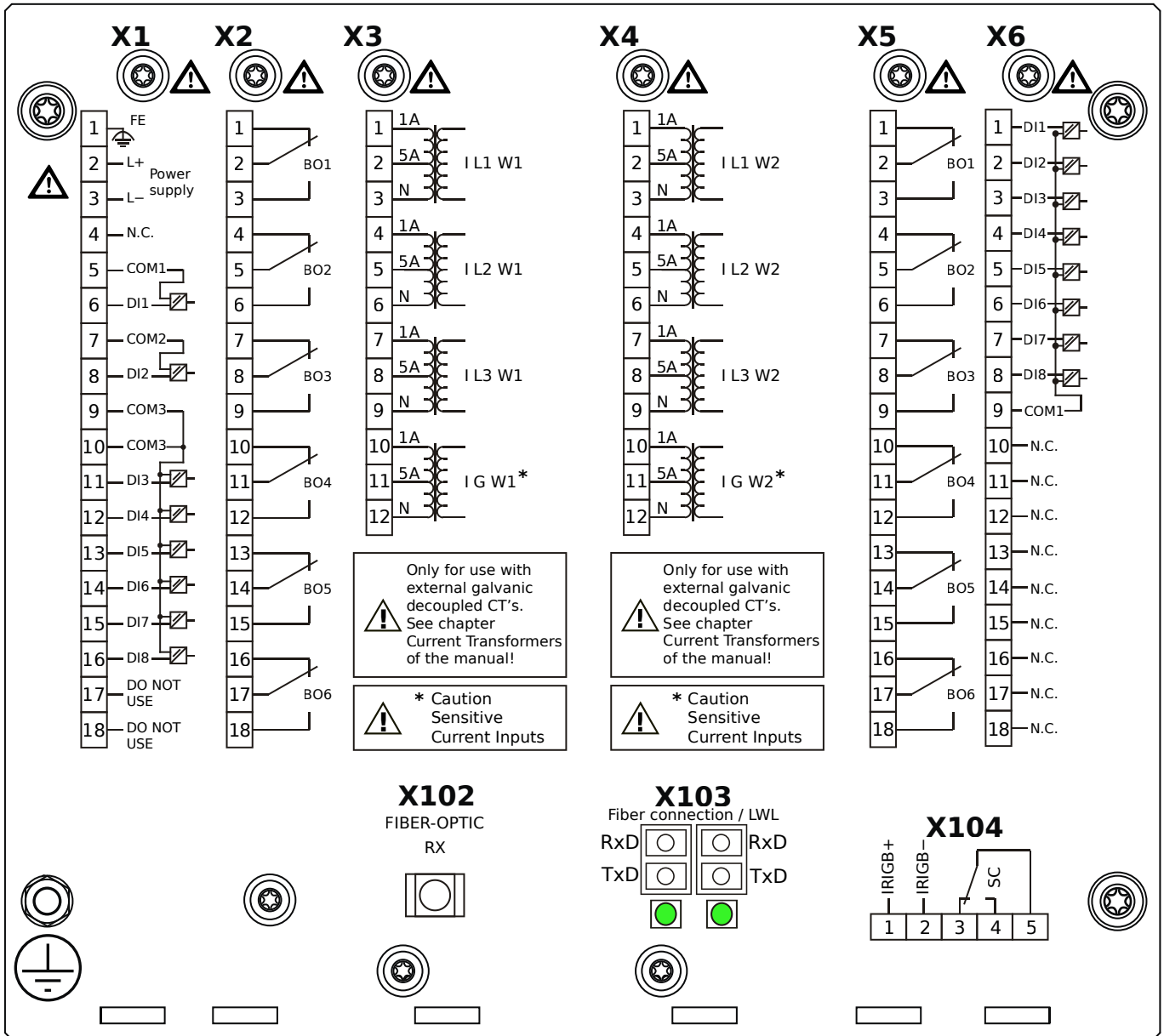
X6 – DI8: Assembly Group with 8 Digital Inputs

X102 – Universal Resistance-Temperature Detector (URTD) input, Fiber optics interface, Versatile Link

X103 – Modbus TCP / IEC 60870-5-104 / DNP3.0 TCP/UDP, Redundant Ethernet interface, 100 Mbit/s, RJ45 (BASE100-FX)

X104 – IRIG-B00X, incl. System Contact (Supervision Contact)

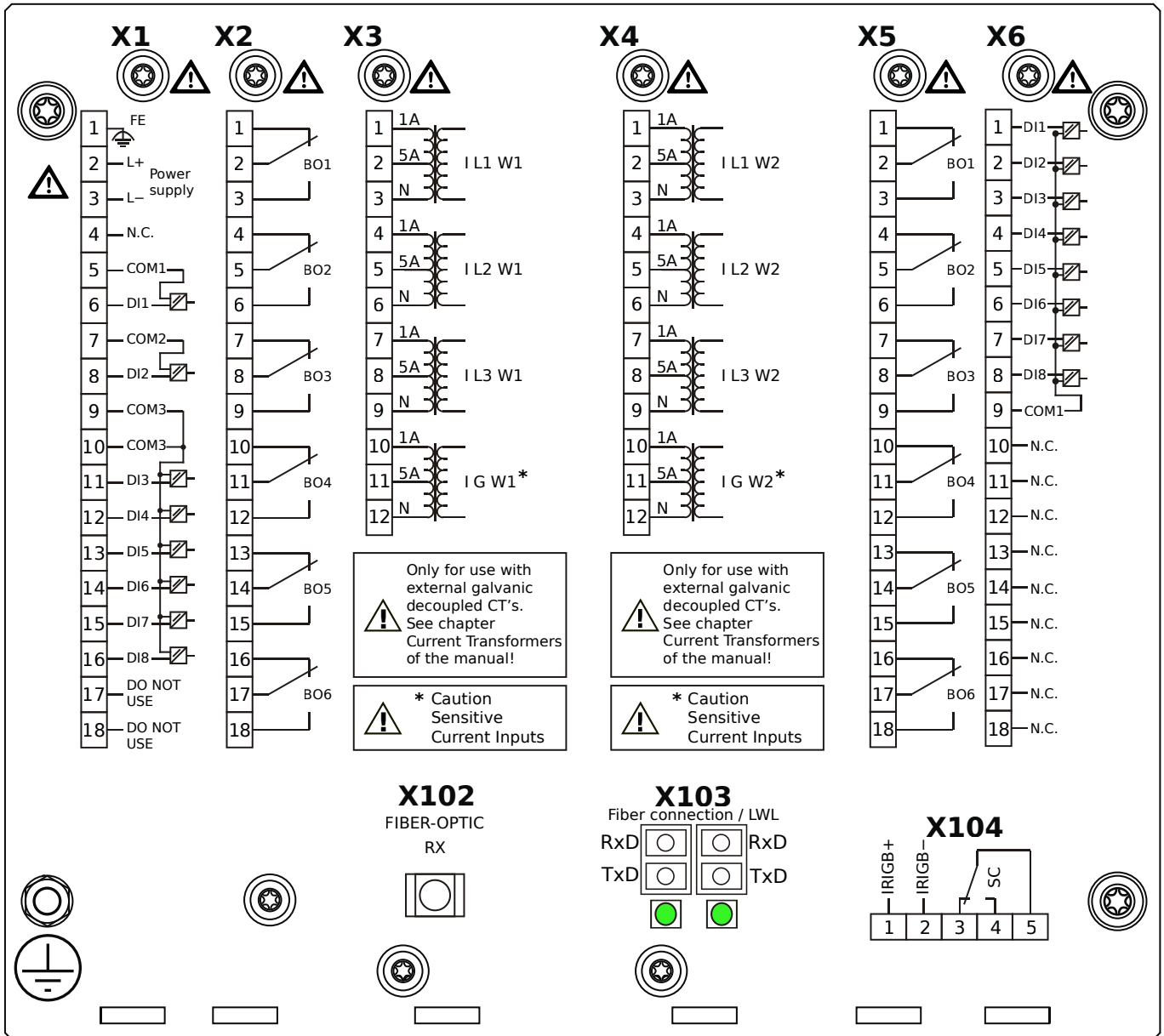
MRDT4-2D3AQA



Housing B2, small display, door mounting

- X1** – DI8-X1: Wide-range power supply unit, incl. 2 non-grouped digital inputs and 6 grouped digital inputs
- X2** – OR6: Assembly Group with 6 Output Relays (Changeover / Form C)
- X3** – TIs: Standard phase current measuring card and sensitive ground current measuring (winding side 1)
- X4** – TIs: Standard phase current measuring card and sensitive ground current measuring (winding side 2)
- X5** – OR6: Assembly Group with 6 Output Relays (Changeover / Form C)
- X6** – DI8: Assembly Group with 8 Digital Inputs
- X102** – Universal Resistance-Temperature Detector (URTD) input, Fiber optics interface, Versatile Link
- X103** – IEC 61850 / Modbus TCP / IEC 60870-5-104 / DNP3.0 TCP/UDP, Redundant Fiber optics interface, LC Connector
- X104** – IRIG-B00X, incl. System Contact (Supervision Contact)

MRDT4-2D3AQB

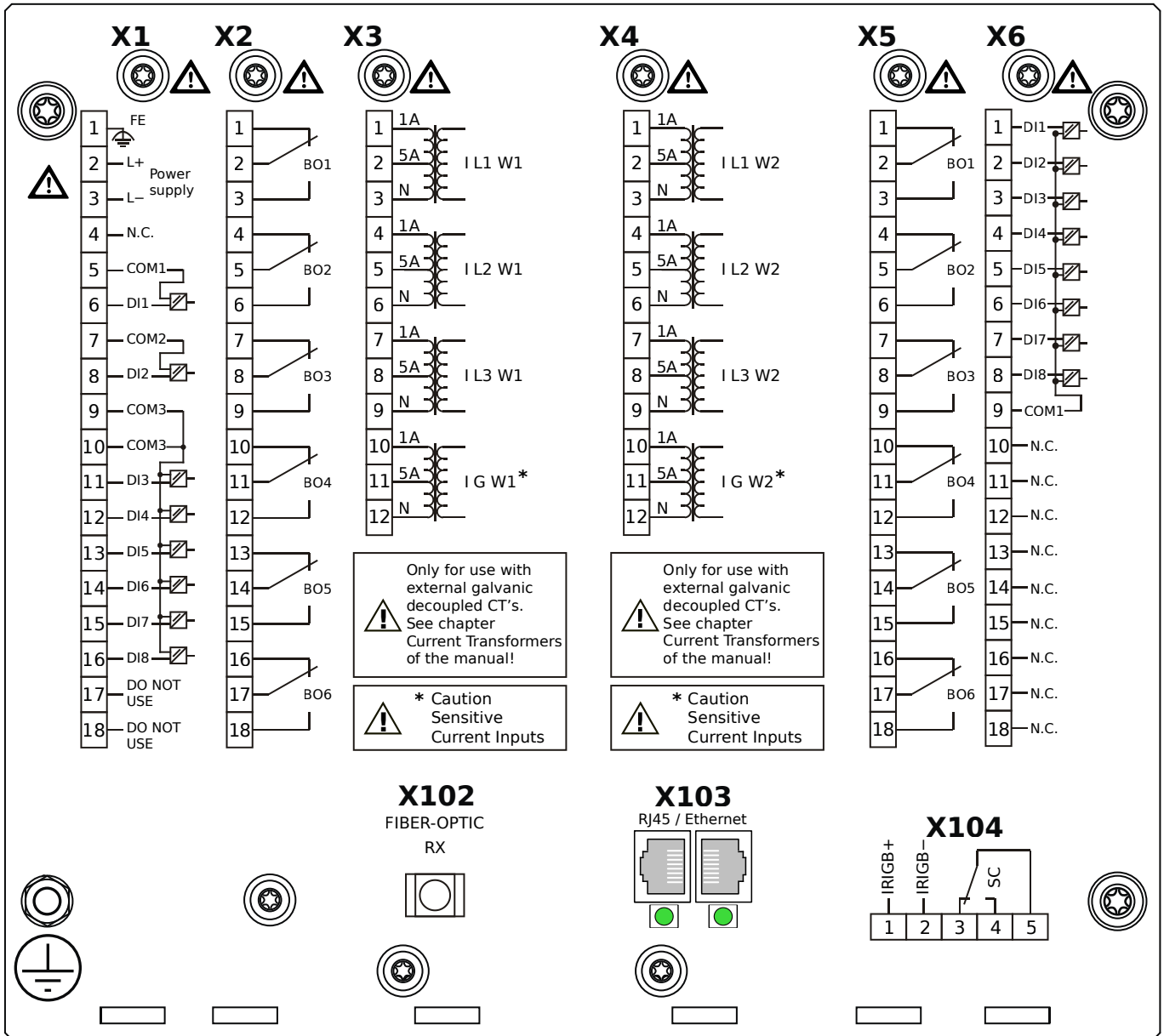


Housing B2, small display, door mounting

+ Conformal Coating (for installations in harsh environment)

- X1** – DI8-X1: Wide-range power supply unit, incl. 2 non-grouped digital inputs and 6 grouped digital inputs
- X2** – OR6: Assembly Group with 6 Output Relays (Changeover / Form C)
- X3** – TIs: Standard phase current measuring card and sensitive ground current measuring (winding side 1)
- X4** – TIs: Standard phase current measuring card and sensitive ground current measuring (winding side 2)
- X5** – OR6: Assembly Group with 6 Output Relays (Changeover / Form C)
- X6** – DI8: Assembly Group with 8 Digital Inputs
- X102** – Universal Resistance-Temperature Detector (URTD) input, Fiber optics interface, Versatile Link
- X103** – IEC 61850 / Modbus TCP / IEC 60870-5-104 / DNP3.0 TCP/UDP, Redundant Fiber optics interface, LC Connector
- X104** – IRIG-B00X, incl. System Contact (Supervision Contact)

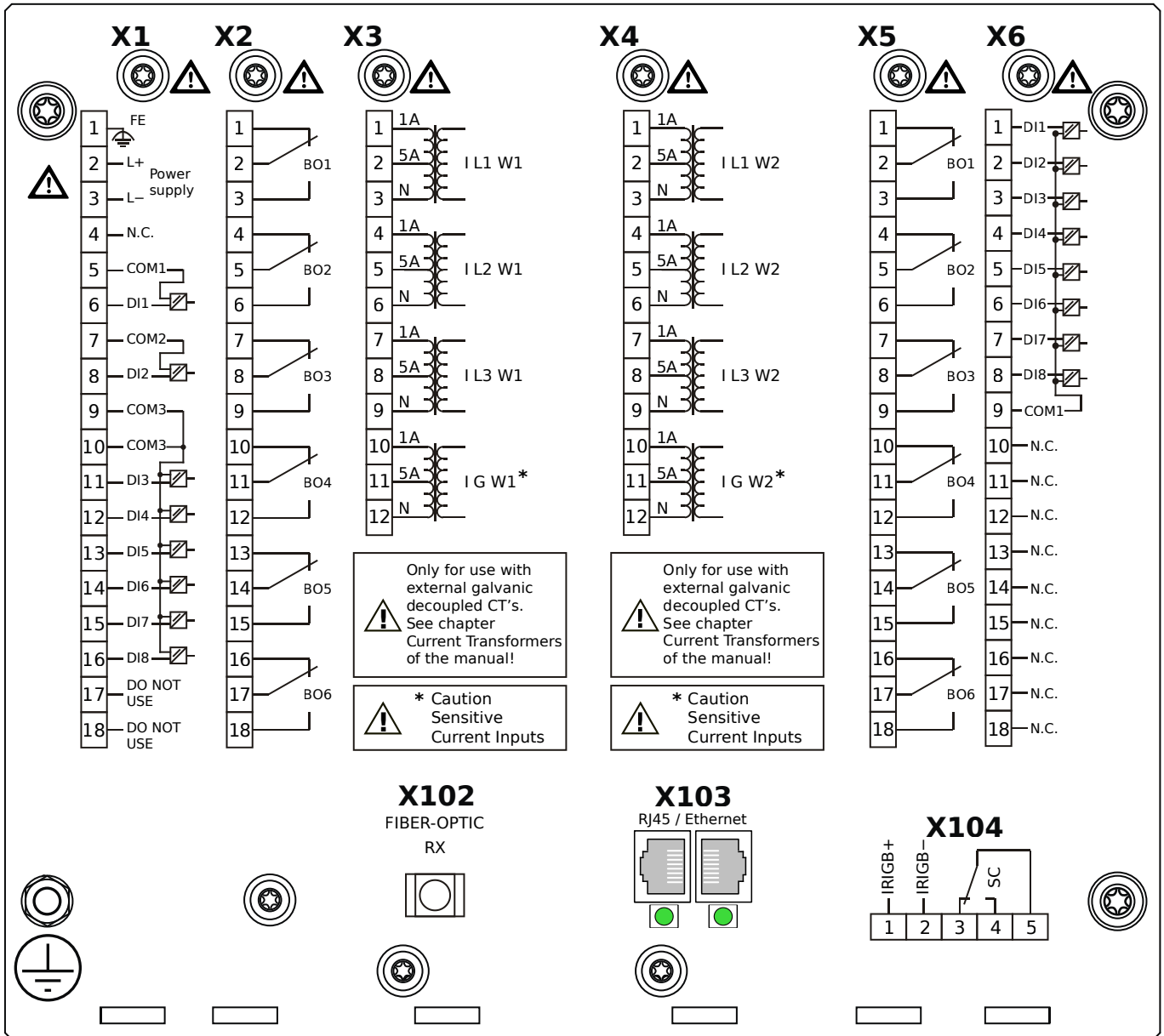
MRDT4-2D3ARA



Housing B2, small display, door mounting

- X1** – DI8-X1: Wide-range power supply unit, incl. 2 non-grouped digital inputs and 6 grouped digital inputs
- X2** – OR6: Assembly Group with 6 Output Relays (Changeover / Form C)
- X3** – TIs: Standard phase current measuring card and sensitive ground current measuring (winding side 1)
- X4** – TIs: Standard phase current measuring card and sensitive ground current measuring (winding side 2)
- X5** – OR6: Assembly Group with 6 Output Relays (Changeover / Form C)
- X6** – DI8: Assembly Group with 8 Digital Inputs
- X102** – Universal Resistance-Temperature Detector (URTD) input, Fiber optics interface, Versatile Link
- X103** – IEC 61850 / Modbus TCP / IEC 60870-5-104 / DNP3.0 TCP/UDP, Redundant Ethernet interface, 100 Mbit/s, RJ45 (BASE100-FX)
- X104** – IRIG-B00X, incl. System Contact (Supervision Contact)

MRDT4-2D3ARB



Housing B2, small display, door mounting

+ Conformal Coating (for installations in harsh environment)

X1 – DI8-X1: Wide-range power supply unit, incl. 2 non-grouped digital inputs and 6 grouped digital inputs

X2 – OR6: Assembly Group with 6 Output Relays (Changeover / Form C)

X3 – TIs: Standard phase current measuring card and sensitive ground current measuring (winding side 1)

X4 – TIs: Standard phase current measuring card and sensitive ground current measuring (winding side 2)

X5 – OR6: Assembly Group with 6 Output Relays (Changeover / Form C)

X6 – DI8: Assembly Group with 8 Digital Inputs

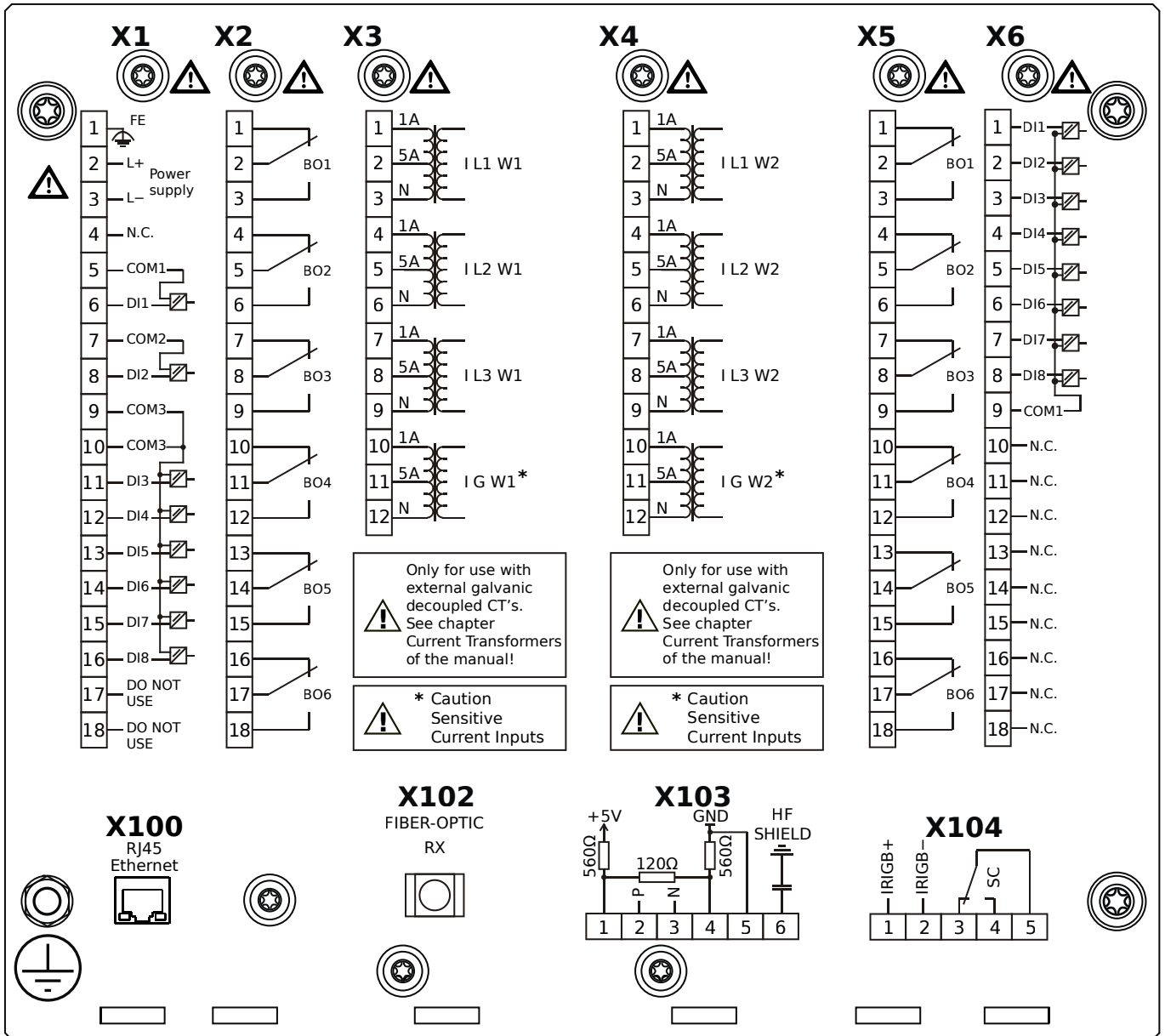
X102 – Universal Resistance-Temperature Detector (URTD) input, Fiber optics interface, Versatile Link

X103 – IEC 61850 / Modbus TCP / IEC 60870-5-104 / DNP3.0 TCP/UDP, Redundant Ethernet interface, 100 Mbit/s, RJ45

(BASE100-FX)

X104 – IRIG-B00X, incl. System Contact (Supervision Contact)

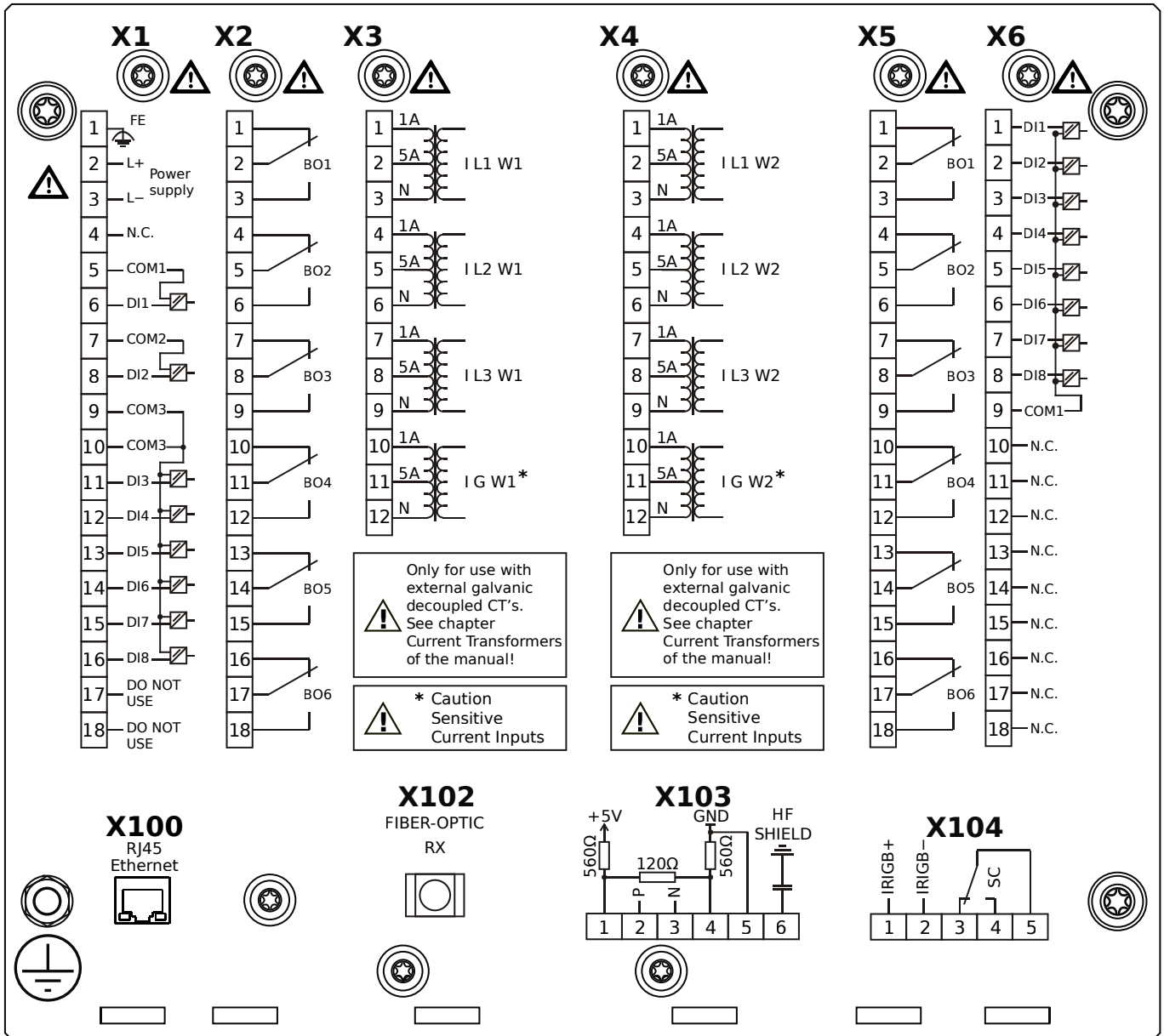
MRDT4-2D3ATA



Housing B2, small display, door mounting

- X1** – DI8-X1: Wide-range power supply unit, incl. 2 non-grouped digital inputs and 6 grouped digital inputs
- X2** – OR6: Assembly Group with 6 Output Relays (Changeover / Form C)
- X3** – TIs: Standard phase current measuring card and sensitive ground current measuring (winding side 1)
- X4** – TIs: Standard phase current measuring card and sensitive ground current measuring (winding side 2)
- X5** – OR6: Assembly Group with 6 Output Relays (Changeover / Form C)
- X6** – DI8: Assembly Group with 8 Digital Inputs
- X100** – IEC 61850 / Modbus TCP / IEC 60870-5-104 / DNP3.0 TCP/UDP, Ethernet interface, 100 Mbit/s, RJ45 (BASE100-FX)
- X102** – Universal Resistance-Temperature Detector (URTD) input, Fiber optics interface, Versatile Link
- X103** – IEC 60870-5-103 / Modbus RTU / DNP3.0 RTU, RS485, Terminals
- X104** – IRIG-B00X, incl. System Contact (Supervision Contact)

MRDT4-2D3ATB

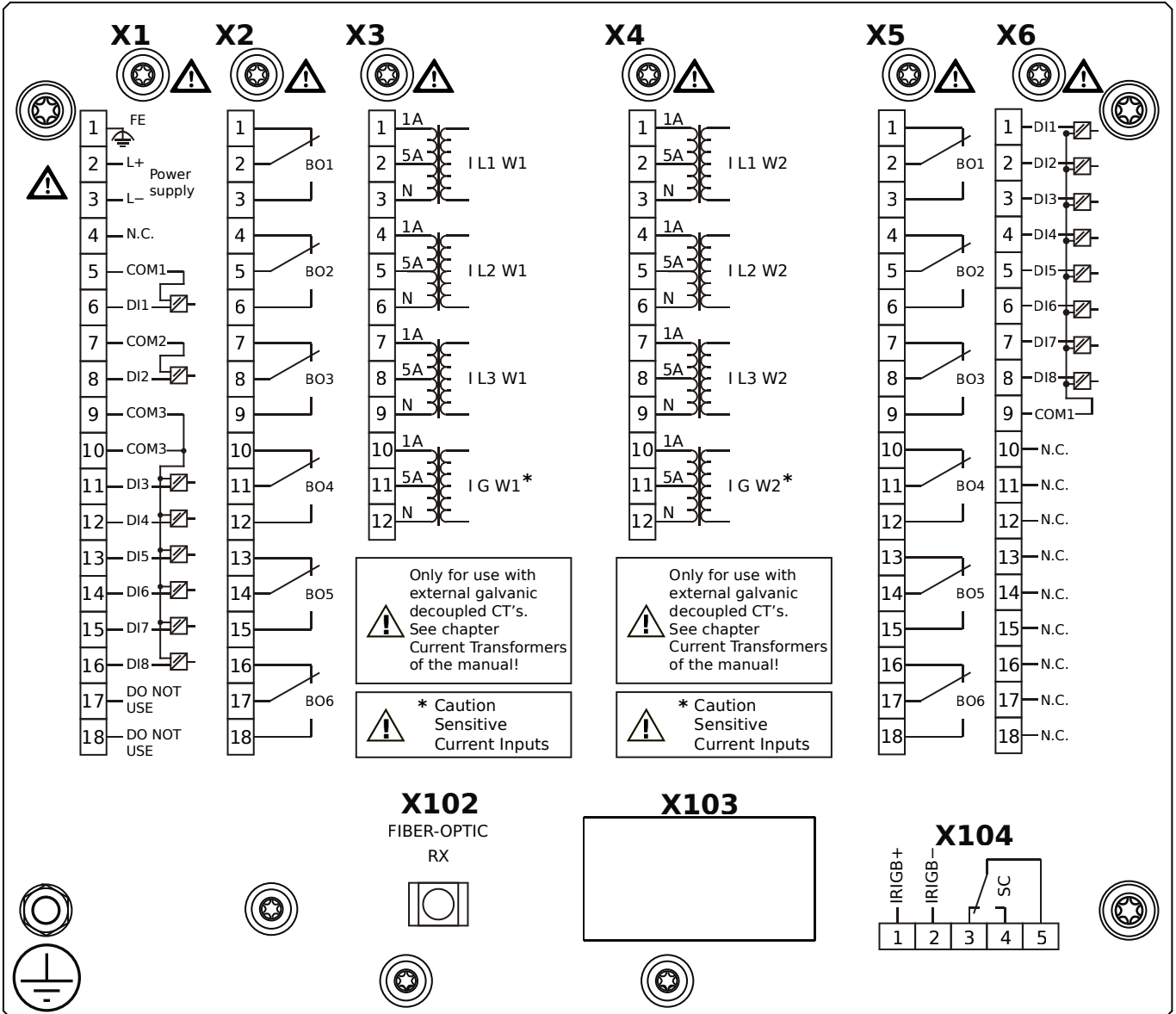


Housing B2, small display, door mounting

+ Conformal Coating (for installations in harsh environment)

- X1** – DI8-X1: Wide-range power supply unit, incl. 2 non-grouped digital inputs and 6 grouped digital inputs
- X2** – OR6: Assembly Group with 6 Output Relays (Changeover / Form C)
- X3** – TIs: Standard phase current measuring card and sensitive ground current measuring (winding side 1)
- X4** – TIs: Standard phase current measuring card and sensitive ground current measuring (winding side 2)
- X5** – OR6: Assembly Group with 6 Output Relays (Changeover / Form C)
- X6** – DI8: Assembly Group with 8 Digital Inputs
- X100** – IEC 61850 / Modbus TCP / IEC 60870-5-104 / DNP3.0 TCP/UDP, Ethernet interface, 100 Mbit/s, RJ45 (BASE100-FX)
- X102** – Universal Resistance-Temperature Detector (URTD) input, Fiber optics interface, Versatile Link
- X103** – IEC 60870-5-103 / Modbus RTU / DNP3.0 RTU, RS485, Terminals
- X104** – IRIG-B00X, incl. System Contact (Supervision Contact)

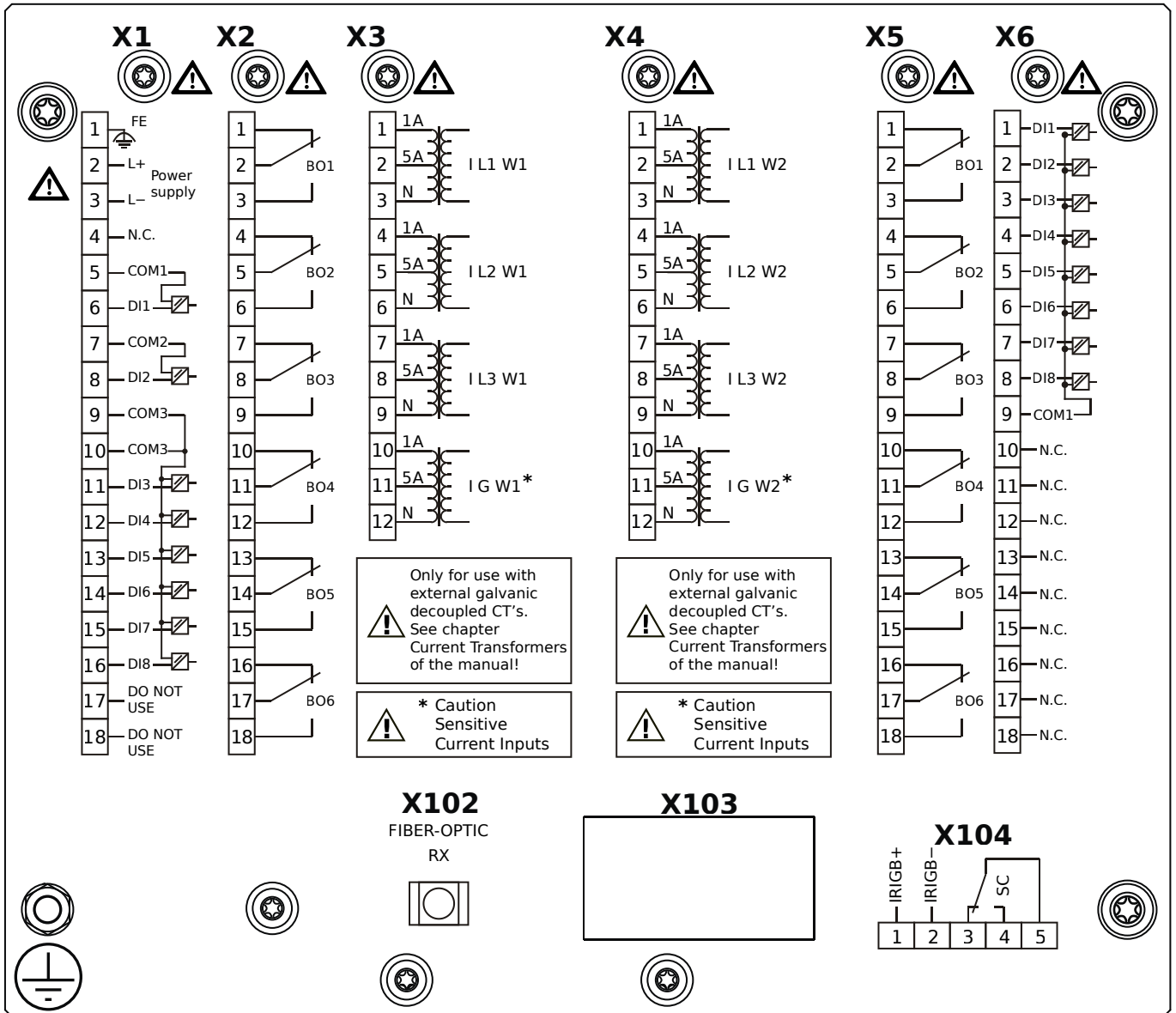
MRDT4-2D3BAA



Housing B2, small display, 19" rack mounting

- X1** – DI8-X1: Wide-range power supply unit, incl. 2 non-grouped digital inputs and 6 grouped digital inputs
- X2** – OR6: Assembly Group with 6 Output Relays (Changeover / Form C)
- X3** – TIs: Standard phase current measuring card and sensitive ground current measuring (winding side 1)
- X4** – TIs: Standard phase current measuring card and sensitive ground current measuring (winding side 2)
- X5** – OR6: Assembly Group with 6 Output Relays (Changeover / Form C)
- X6** – DI8: Assembly Group with 8 Digital Inputs
- X102** – Universal Resistance-Temperature Detector (URTD) input, Fiber optics interface, Versatile Link
- X104** – IRIG-B00X, incl. System Contact (Supervision Contact)

MRDT4-2D3BAB

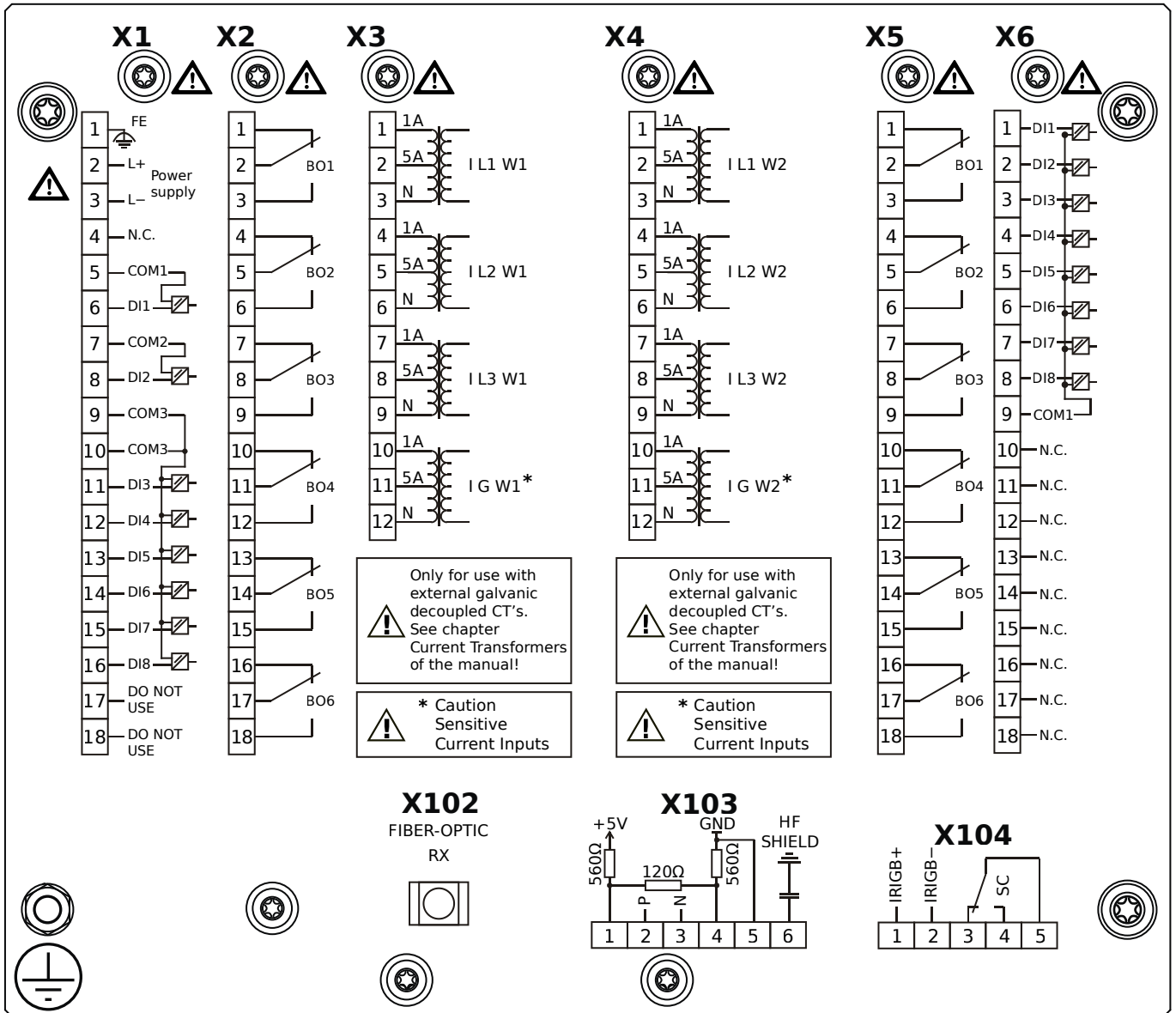


Housing B2, small display, 19" rack mounting

+ Conformal Coating (for installations in harsh environment)

- X1** – DI8-X1: Wide-range power supply unit, incl. 2 non-grouped digital inputs and 6 grouped digital inputs
- X2** – OR6: Assembly Group with 6 Output Relays (Changeover / Form C)
- X3** – TIs: Standard phase current measuring card and sensitive ground current measuring (winding side 1)
- X4** – TIs: Standard phase current measuring card and sensitive ground current measuring (winding side 2)
- X5** – OR6: Assembly Group with 6 Output Relays (Changeover / Form C)
- X6** – DI8: Assembly Group with 8 Digital Inputs
- X102** – Universal Resistance-Temperature Detector (URTD) input, Fiber optics interface, Versatile Link
- X104** – IRIG-B00X, incl. System Contact (Supervision Contact)

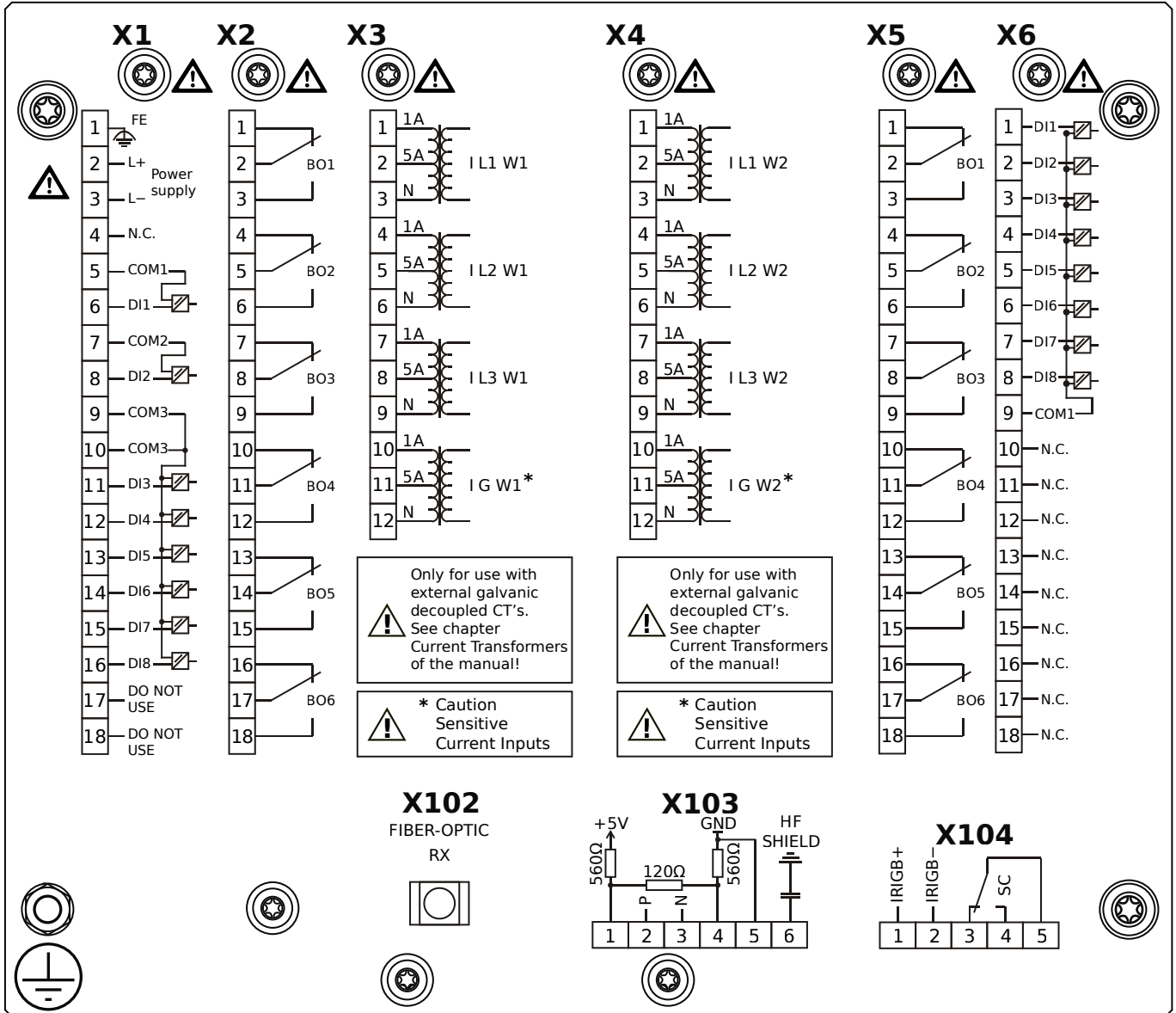
MRDT4-2D3BBA



Housing B2, small display, 19" rack mounting

- X1** – DI8-X1: Wide-range power supply unit, incl. 2 non-grouped digital inputs and 6 grouped digital inputs
- X2** – OR6: Assembly Group with 6 Output Relays (Changeover / Form C)
- X3** – TIs: Standard phase current measuring card and sensitive ground current measuring (winding side 1)
- X4** – TIs: Standard phase current measuring card and sensitive ground current measuring (winding side 2)
- X5** – OR6: Assembly Group with 6 Output Relays (Changeover / Form C)
- X6** – DI8: Assembly Group with 8 Digital Inputs
- X102** – Universal Resistance-Temperature Detector (URTD) input, Fiber optics interface, Versatile Link
- X103** – Modbus RTU / IEC 60870-5-103 / DNP3.0 RTU, RS485, Terminals
- X104** – IRIG-B00X, incl. System Contact (Supervision Contact)

MRDT4-2D3BBB

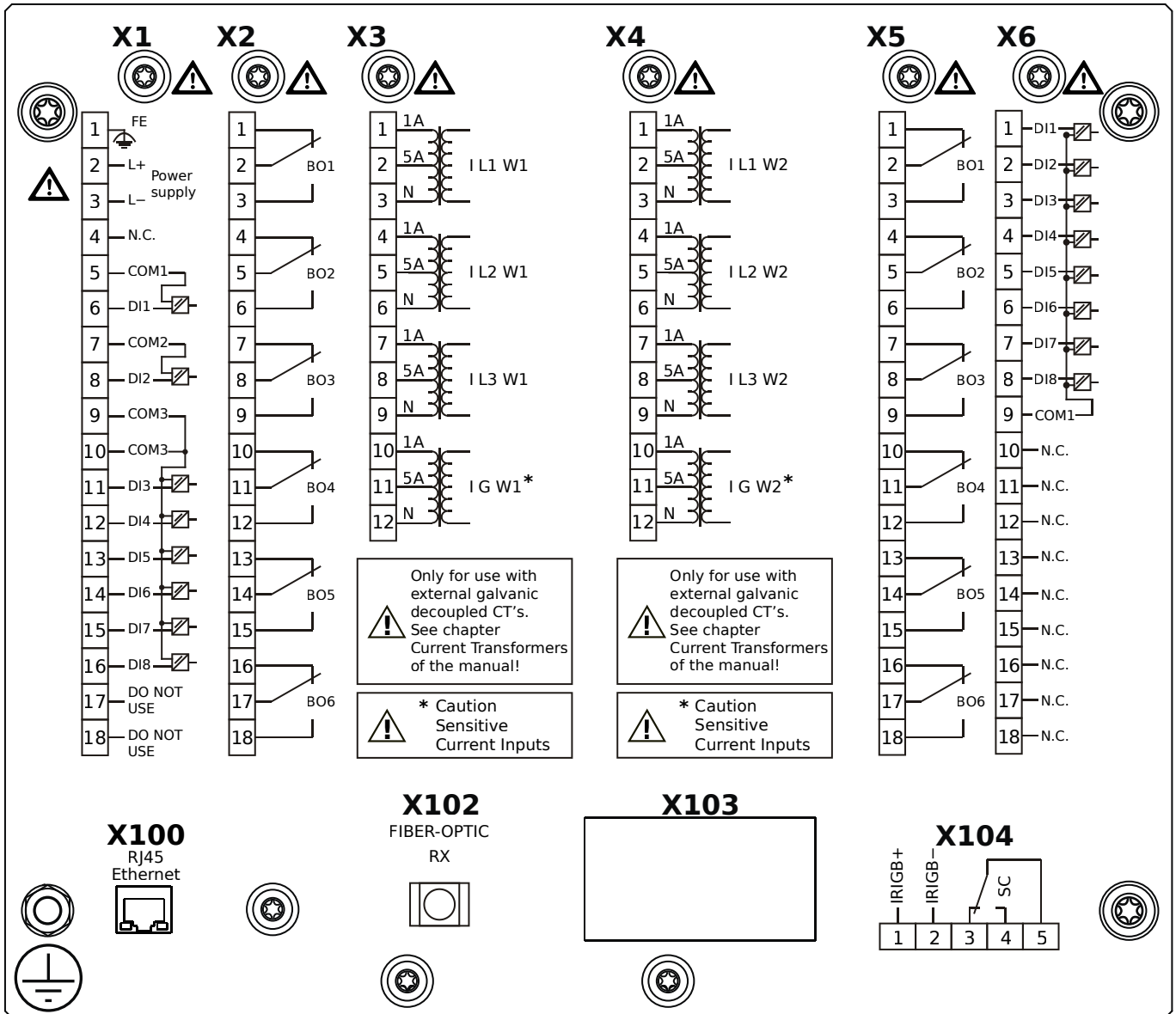


Housing B2, small display, 19" rack mounting

+ Conformal Coating (for installations in harsh environment)

- X1** – DI8-X1: Wide-range power supply unit, incl. 2 non-grouped digital inputs and 6 grouped digital inputs
- X2** – OR6: Assembly Group with 6 Output Relays (Changeover / Form C)
- X3** – TIs: Standard phase current measuring card and sensitive ground current measuring (winding side 1)
- X4** – TIs: Standard phase current measuring card and sensitive ground current measuring (winding side 2)
- X5** – OR6: Assembly Group with 6 Output Relays (Changeover / Form C)
- X6** – DI8: Assembly Group with 8 Digital Inputs
- X102** – Universal Resistance-Temperature Detector (URTD) input, Fiber optics interface, Versatile Link
- X103** – Modbus RTU / IEC 60870-5-103 / DNP3.0 RTU, RS485, Terminals
- X104** – IRIG-B00X, incl. System Contact (Supervision Contact)

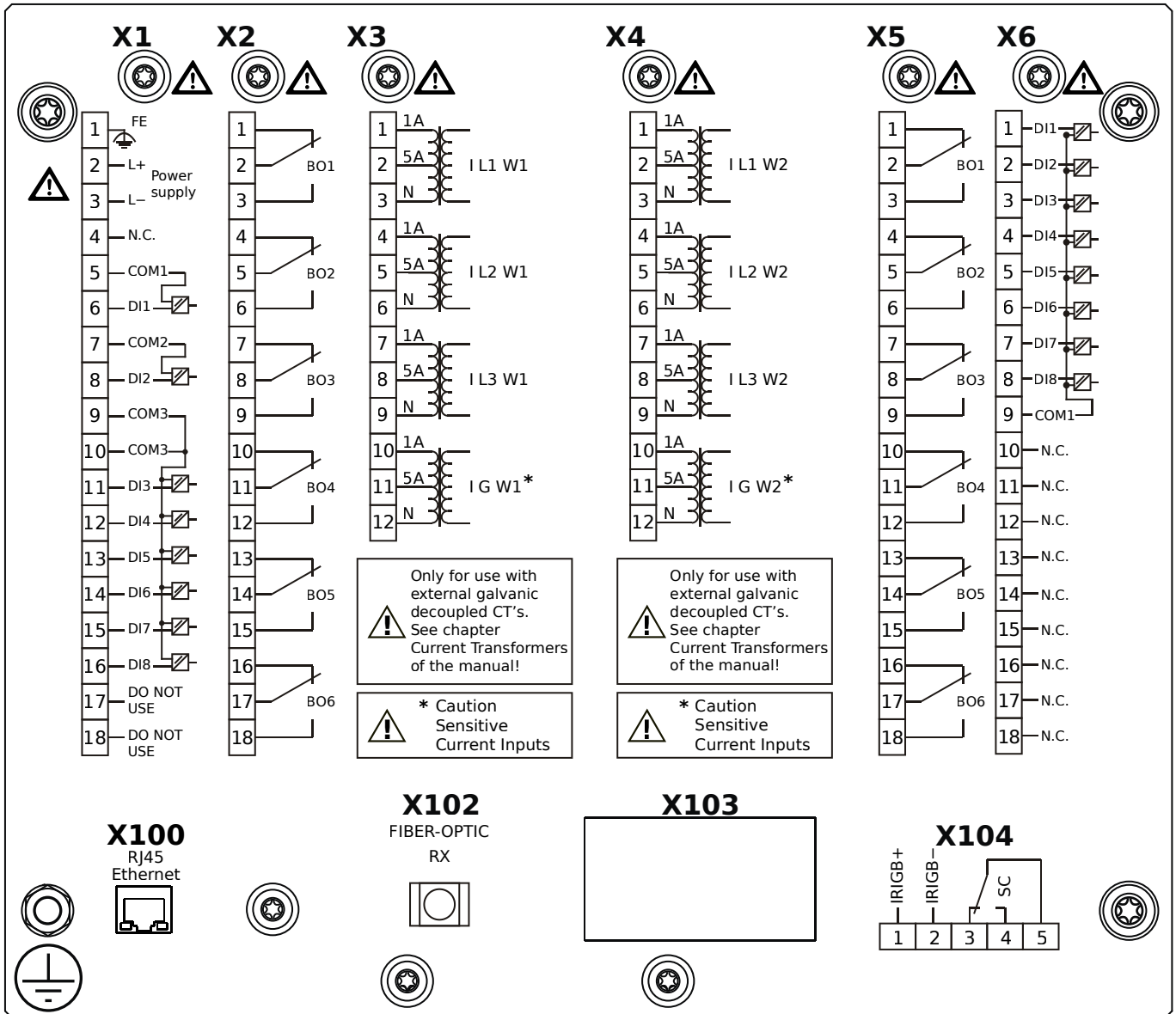
MRDT4-2D3BCA



Housing B2, small display, 19" rack mounting

- X1** – DI8-X1: Wide-range power supply unit, incl. 2 non-grouped digital inputs and 6 grouped digital inputs
- X2** – OR6: Assembly Group with 6 Output Relays (Changeover / Form C)
- X3** – TIs: Standard phase current measuring card and sensitive ground current measuring (winding side 1)
- X4** – TIs: Standard phase current measuring card and sensitive ground current measuring (winding side 2)
- X5** – OR6: Assembly Group with 6 Output Relays (Changeover / Form C)
- X6** – DI8: Assembly Group with 8 Digital Inputs
- X100** – Modbus TCP / IEC 60870-5-104 / DNP3.0 TCP/UDP, Ethernet interface, 100 Mbit/s, RJ45 (BASE100-FX)
- X102** – Universal Resistance-Temperature Detector (URTD) input, Fiber optics interface, Versatile Link
- X104** – IRIG-B00X, incl. System Contact (Supervision Contact)

MRDT4-2D3BCB

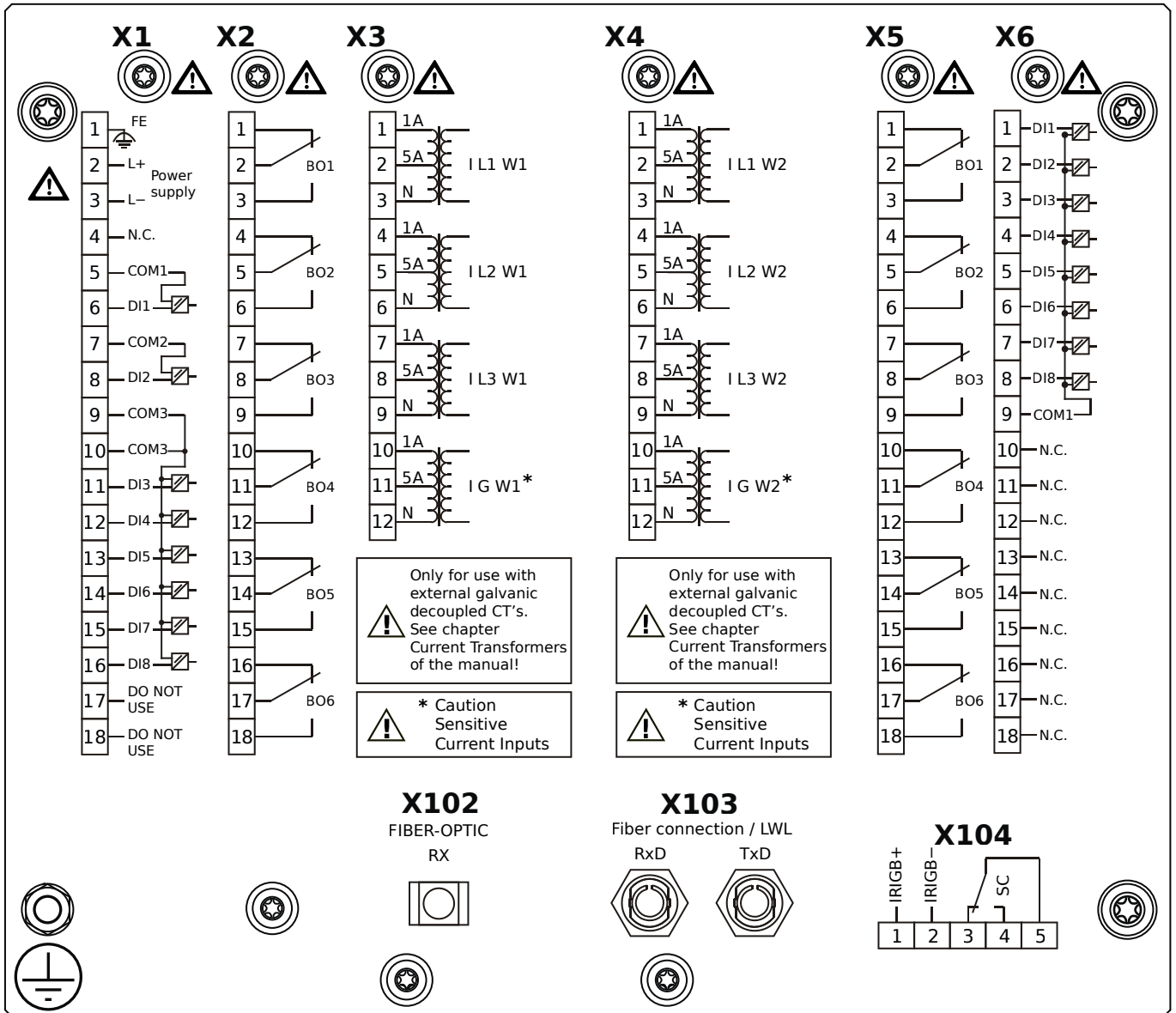


Housing B2, small display, 19" rack mounting

+ Conformal Coating (for installations in harsh environment)

- X1** – DI8-X1: Wide-range power supply unit, incl. 2 non-grouped digital inputs and 6 grouped digital inputs
- X2** – OR6: Assembly Group with 6 Output Relays (Changeover / Form C)
- X3** – TIs: Standard phase current measuring card and sensitive ground current measuring (winding side 1)
- X4** – TIs: Standard phase current measuring card and sensitive ground current measuring (winding side 2)
- X5** – OR6: Assembly Group with 6 Output Relays (Changeover / Form C)
- X6** – DI8: Assembly Group with 8 Digital Inputs
- X100** – Modbus TCP / IEC 60870-5-104 / DNP3.0 TCP/UDP, Ethernet interface, 100 Mbit/s, RJ45 (BASE100-FX)
- X102** – Universal Resistance-Temperature Detector (URTD) input, Fiber optics interface, Versatile Link
- X104** – IRIG-B00X, incl. System Contact (Supervision Contact)

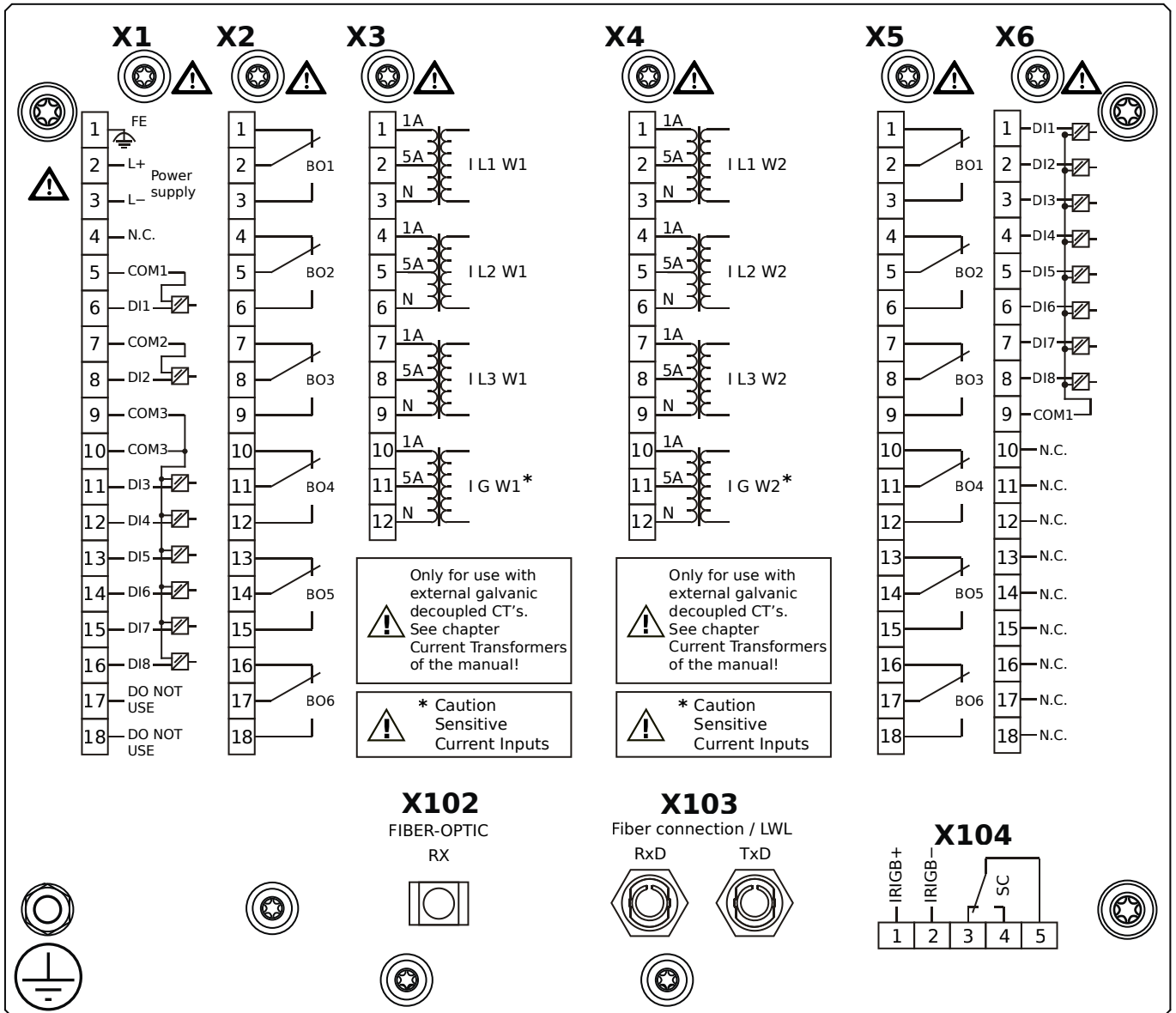
MRDT4-2D3BDA



Housing B2, small display, 19" rack mounting

- X1** – DI8-X1: Wide-range power supply unit, incl. 2 non-grouped digital inputs and 6 grouped digital inputs
- X2** – OR6: Assembly Group with 6 Output Relays (Changeover / Form C)
- X3** – TIs: Standard phase current measuring card and sensitive ground current measuring (winding side 1)
- X4** – TIs: Standard phase current measuring card and sensitive ground current measuring (winding side 2)
- X5** – OR6: Assembly Group with 6 Output Relays (Changeover / Form C)
- X6** – DI8: Assembly Group with 8 Digital Inputs
- X102** – Universal Resistance-Temperature Detector (URTD) input, Fiber optics interface, Versatile Link
- X103** – Profibus-DP, Fiber optics interface, ST Connector
- X104** – IRIG-B00X, incl. System Contact (Supervision Contact)

MRDT4-2D3BDB

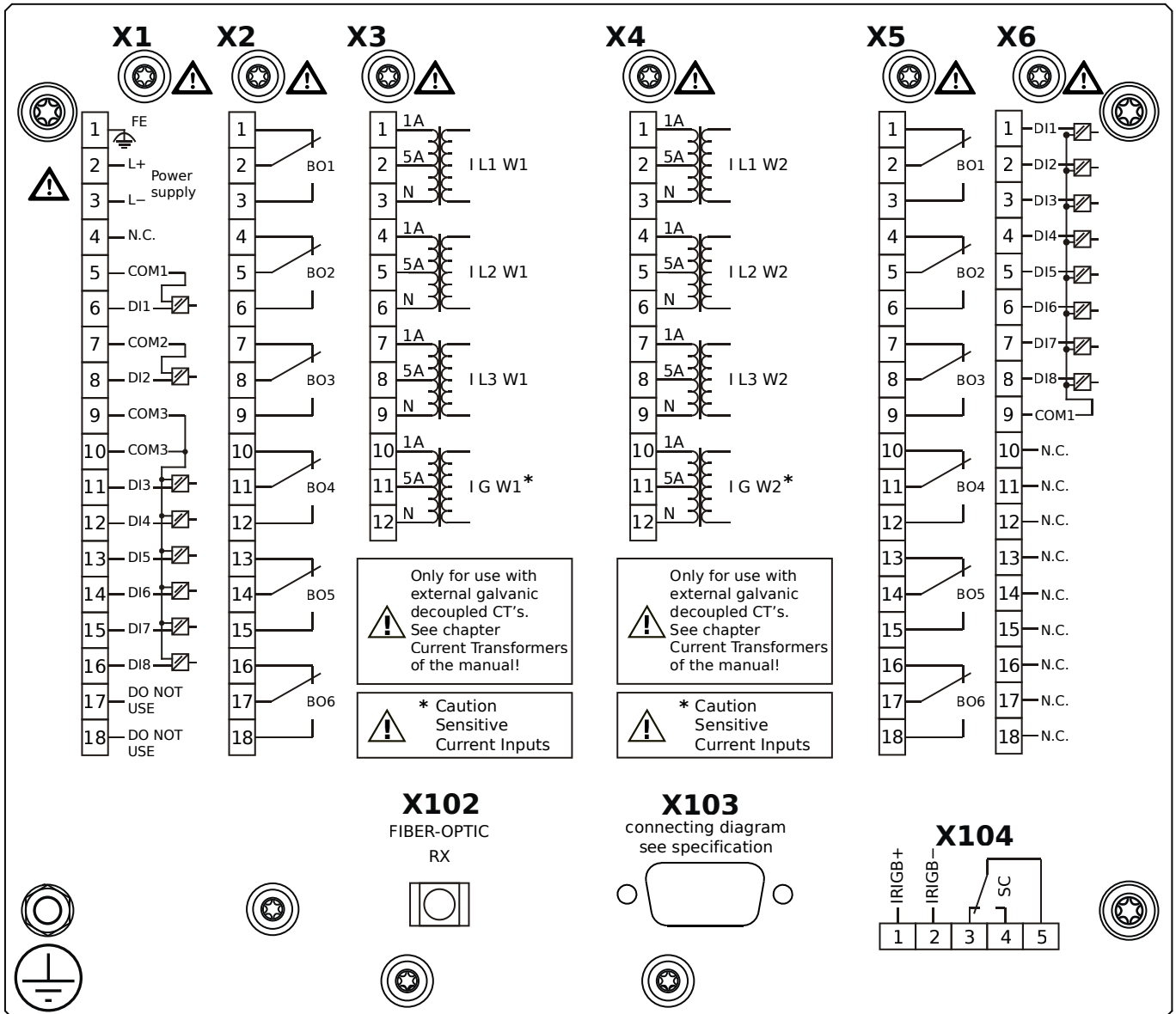


Housing B2, small display, 19" rack mounting

+ Conformal Coating (for installations in harsh environment)

- X1** – DI8-X1: Wide-range power supply unit, incl. 2 non-grouped digital inputs and 6 grouped digital inputs
- X2** – OR6: Assembly Group with 6 Output Relays (Changeover / Form C)
- X3** – TIs: Standard phase current measuring card and sensitive ground current measuring (winding side 1)
- X4** – TIs: Standard phase current measuring card and sensitive ground current measuring (winding side 2)
- X5** – OR6: Assembly Group with 6 Output Relays (Changeover / Form C)
- X6** – DI8: Assembly Group with 8 Digital Inputs
- X102** – Universal Resistance-Temperature Detector (URTD) input, Fiber optics interface, Versatile Link
- X103** – Profibus-DP, Fiber optics interface, ST Connector
- X104** – IRIG-B00X, incl. System Contact (Supervision Contact)

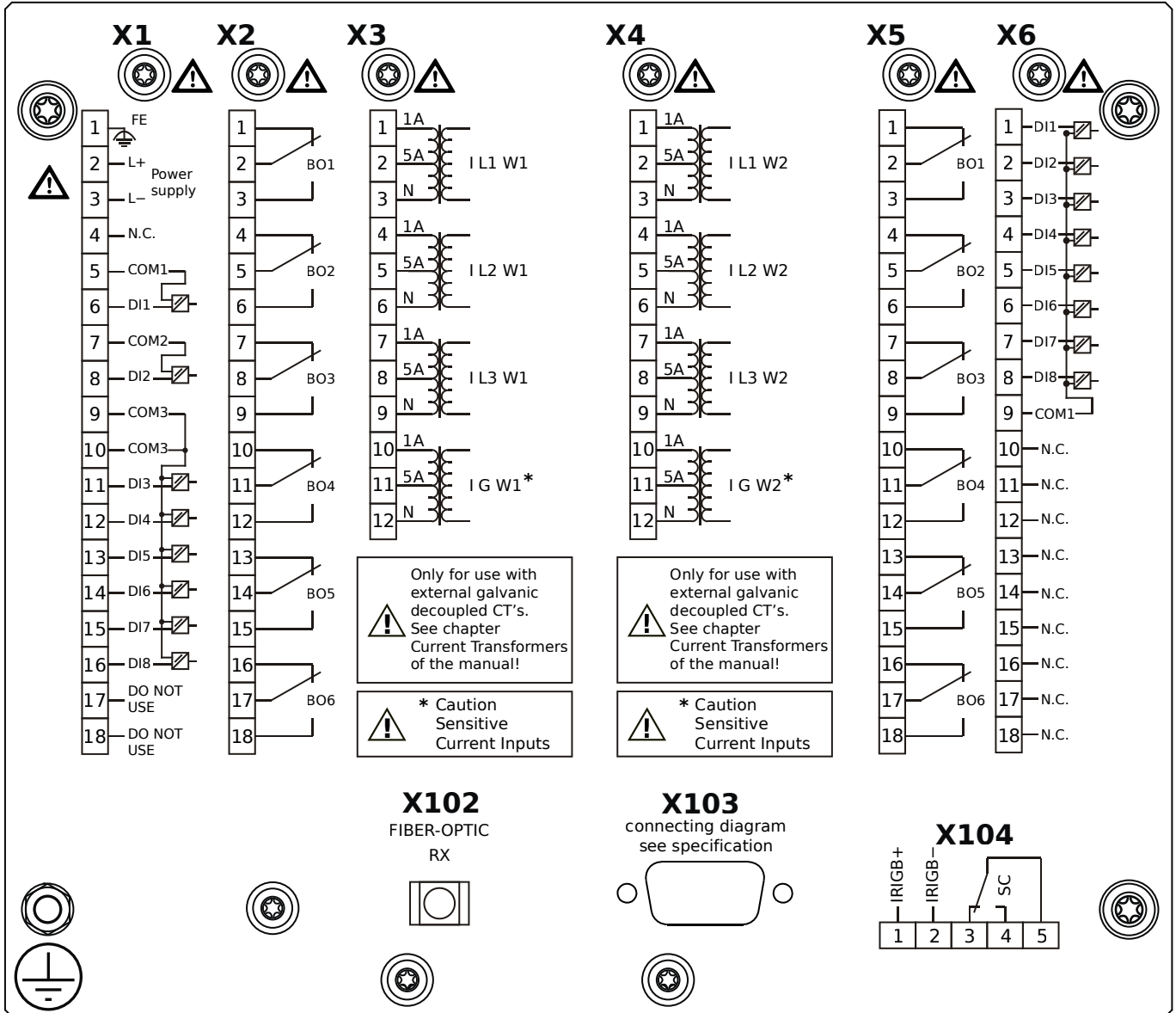
MRDT4-2D3BEA



Housing B2, small display, 19" rack mounting

- X1** – DI8-X1: Wide-range power supply unit, incl. 2 non-grouped digital inputs and 6 grouped digital inputs
- X2** – OR6: Assembly Group with 6 Output Relays (Changeover / Form C)
- X3** – TIs: Standard phase current measuring card and sensitive ground current measuring (winding side 1)
- X4** – TIs: Standard phase current measuring card and sensitive ground current measuring (winding side 2)
- X5** – OR6: Assembly Group with 6 Output Relays (Changeover / Form C)
- X6** – DI8: Assembly Group with 8 Digital Inputs
- X102** – Universal Resistance-Temperature Detector (URTD) input, Fiber optics interface, Versatile Link
- X103** – Profibus-DP, RS485, D-SUB
- X104** – IRIG-B00X, incl. System Contact (Supervision Contact)

MRDT4-2D3BEB

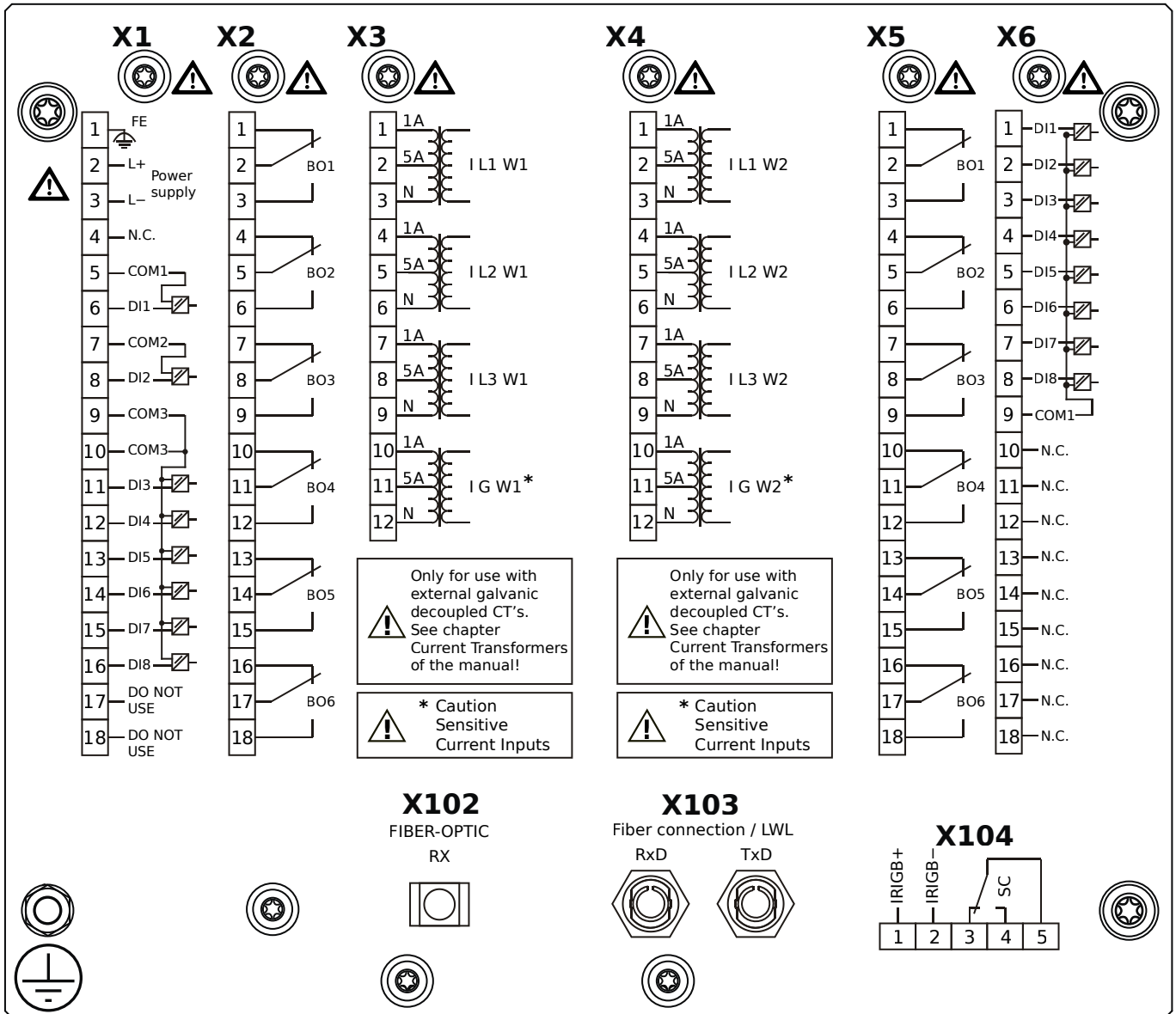


Housing B2, small display, 19" rack mounting

+ Conformal Coating (for installations in harsh environment)

- X1** – DI8-X1: Wide-range power supply unit, incl. 2 non-grouped digital inputs and 6 grouped digital inputs
- X2** – OR6: Assembly Group with 6 Output Relays (Changeover / Form C)
- X3** – TIs: Standard phase current measuring card and sensitive ground current measuring (winding side 1)
- X4** – TIs: Standard phase current measuring card and sensitive ground current measuring (winding side 2)
- X5** – OR6: Assembly Group with 6 Output Relays (Changeover / Form C)
- X6** – DI8: Assembly Group with 8 Digital Inputs
- X102** – Universal Resistance-Temperature Detector (URTD) input, Fiber optics interface, Versatile Link
- X103** – Profibus-DP, RS485, D-SUB
- X104** – IRIG-B00X, incl. System Contact (Supervision Contact)

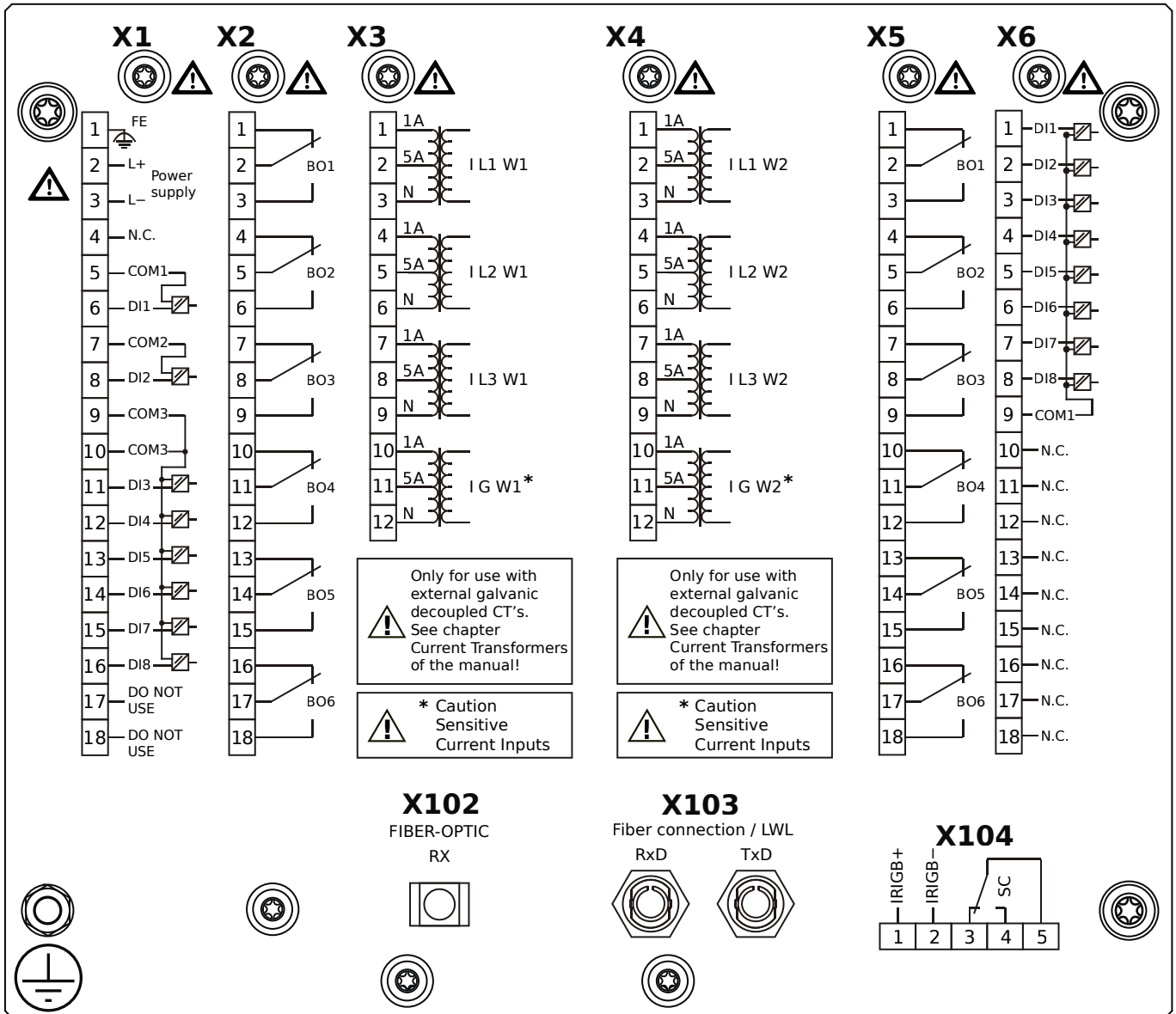
MRDT4-2D3BFA



Housing B2, small display, 19" rack mounting

- X1** – DI8-X1: Wide-range power supply unit, incl. 2 non-grouped digital inputs and 6 grouped digital inputs
- X2** – OR6: Assembly Group with 6 Output Relays (Changeover / Form C)
- X3** – TIs: Standard phase current measuring card and sensitive ground current measuring (winding side 1)
- X4** – TIs: Standard phase current measuring card and sensitive ground current measuring (winding side 2)
- X5** – OR6: Assembly Group with 6 Output Relays (Changeover / Form C)
- X6** – DI8: Assembly Group with 8 Digital Inputs
- X102** – Universal Resistance-Temperature Detector (URTD) input, Fiber optics interface, Versatile Link
- X103** – Modbus RTU / IEC 60870-5-103 / DNP3.0 RTU, Fiber optics interface, ST Connector
- X104** – IRIG-B00X, incl. System Contact (Supervision Contact)

MRDT4-2D3BFB

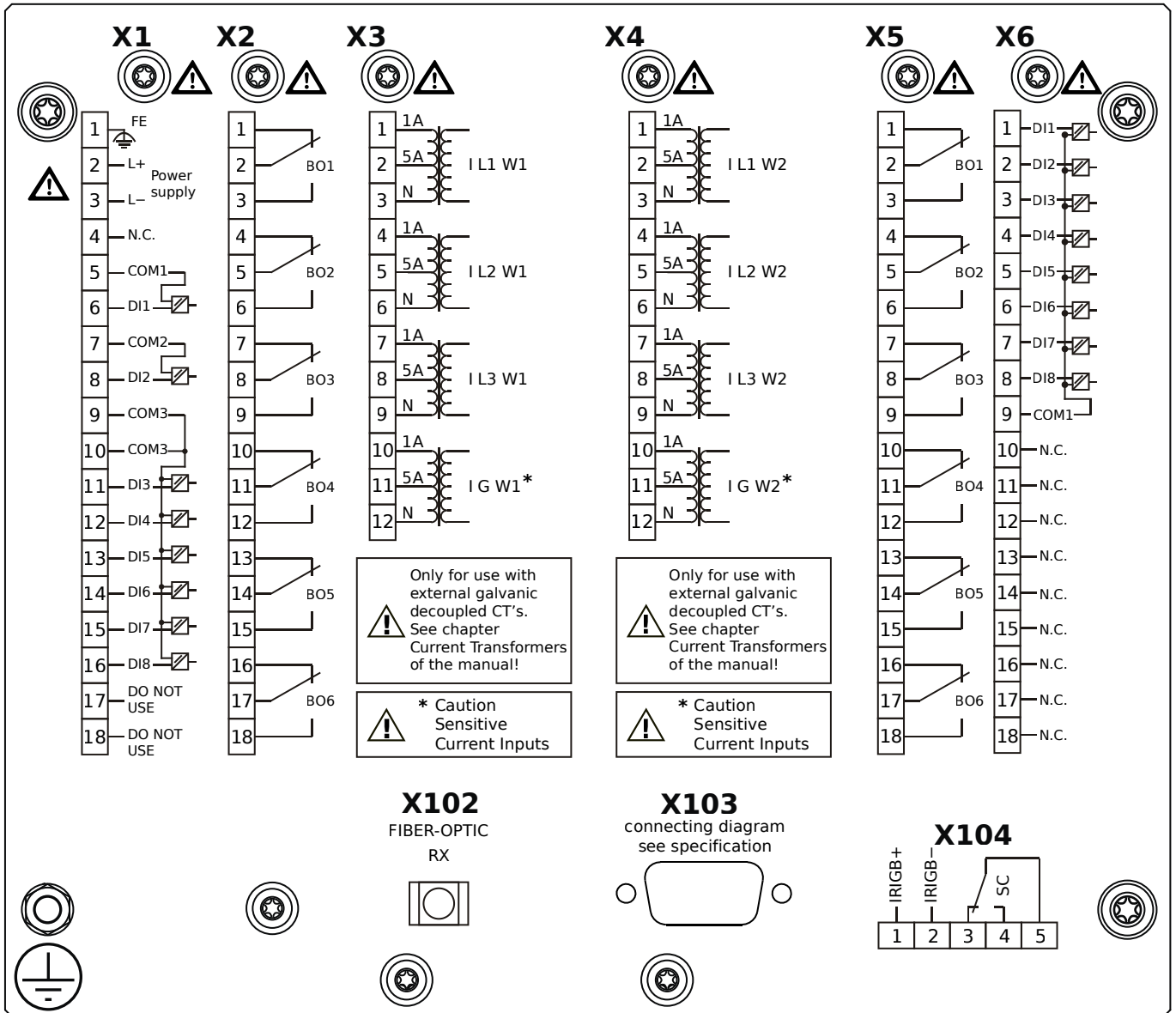


Housing B2, small display, 19" rack mounting

+ Conformal Coating (for installations in harsh environment)

- X1** – DI8-X1: Wide-range power supply unit, incl. 2 non-grouped digital inputs and 6 grouped digital inputs
- X2** – OR6: Assembly Group with 6 Output Relays (Changeover / Form C)
- X3** – TIs: Standard phase current measuring card and sensitive ground current measuring (winding side 1)
- X4** – TIs: Standard phase current measuring card and sensitive ground current measuring (winding side 2)
- X5** – OR6: Assembly Group with 6 Output Relays (Changeover / Form C)
- X6** – DI8: Assembly Group with 8 Digital Inputs
- X102** – Universal Resistance-Temperature Detector (URTD) input, Fiber optics interface, Versatile Link
- X103** – Modbus RTU / IEC 60870-5-103 / DNP3.0 RTU, Fiber optics interface, ST Connector
- X104** – IRIG-B00X, incl. System Contact (Supervision Contact)

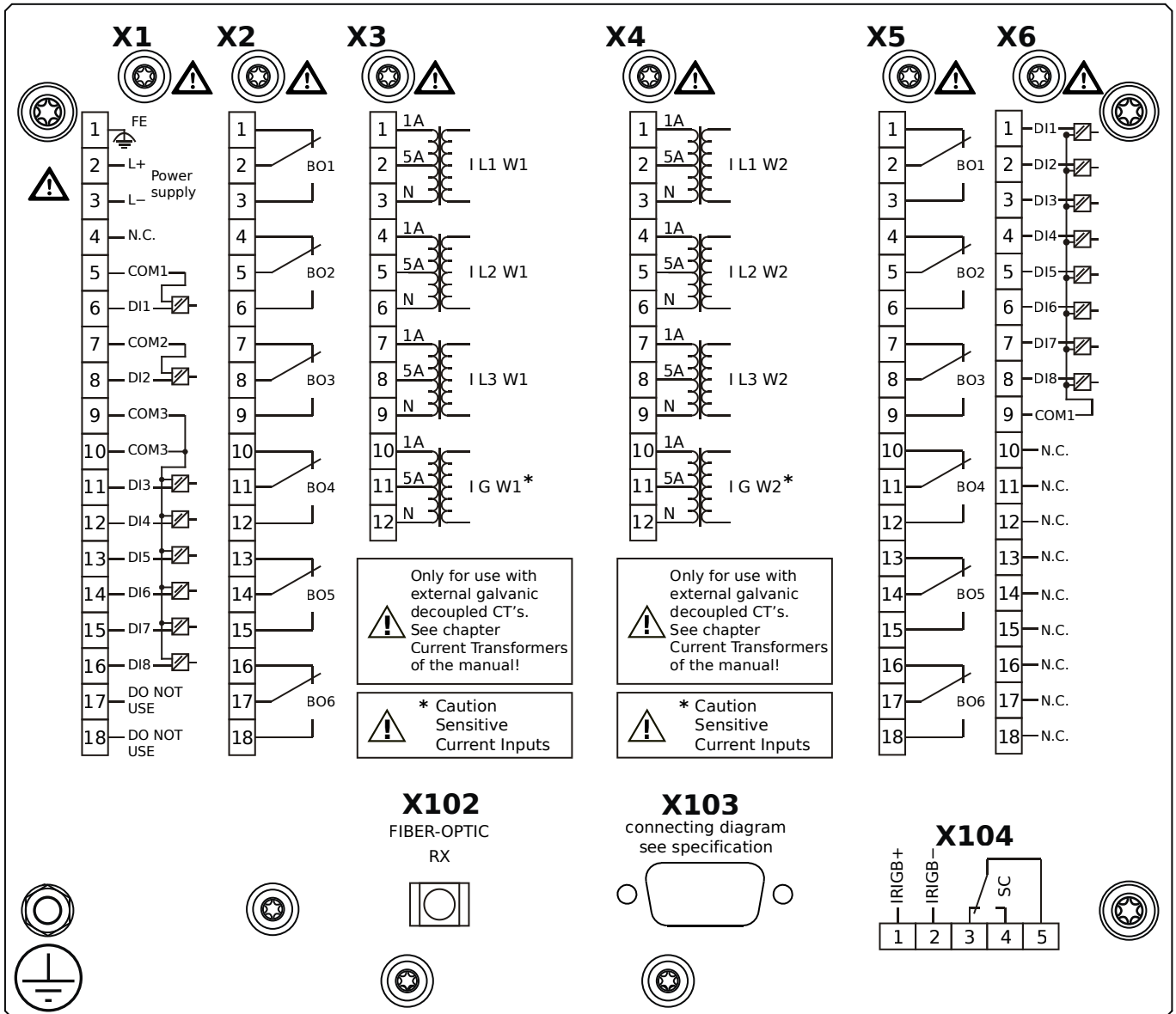
MRDT4-2D3BGA



Housing B2, small display, 19" rack mounting

- X1** – DI8-X1: Wide-range power supply unit, incl. 2 non-grouped digital inputs and 6 grouped digital inputs
- X2** – OR6: Assembly Group with 6 Output Relays (Changeover / Form C)
- X3** – TIs: Standard phase current measuring card and sensitive ground current measuring (winding side 1)
- X4** – TIs: Standard phase current measuring card and sensitive ground current measuring (winding side 2)
- X5** – OR6: Assembly Group with 6 Output Relays (Changeover / Form C)
- X6** – DI8: Assembly Group with 8 Digital Inputs
- X102** – Universal Resistance-Temperature Detector (URTD) input, Fiber optics interface, Versatile Link
- X103** – Modbus RTU / IEC 60870-5-103 / DNP3.0 RTU, RS485, D-SUB
- X104** – IRIG-B00X, incl. System Contact (Supervision Contact)

MRDT4-2D3BGB

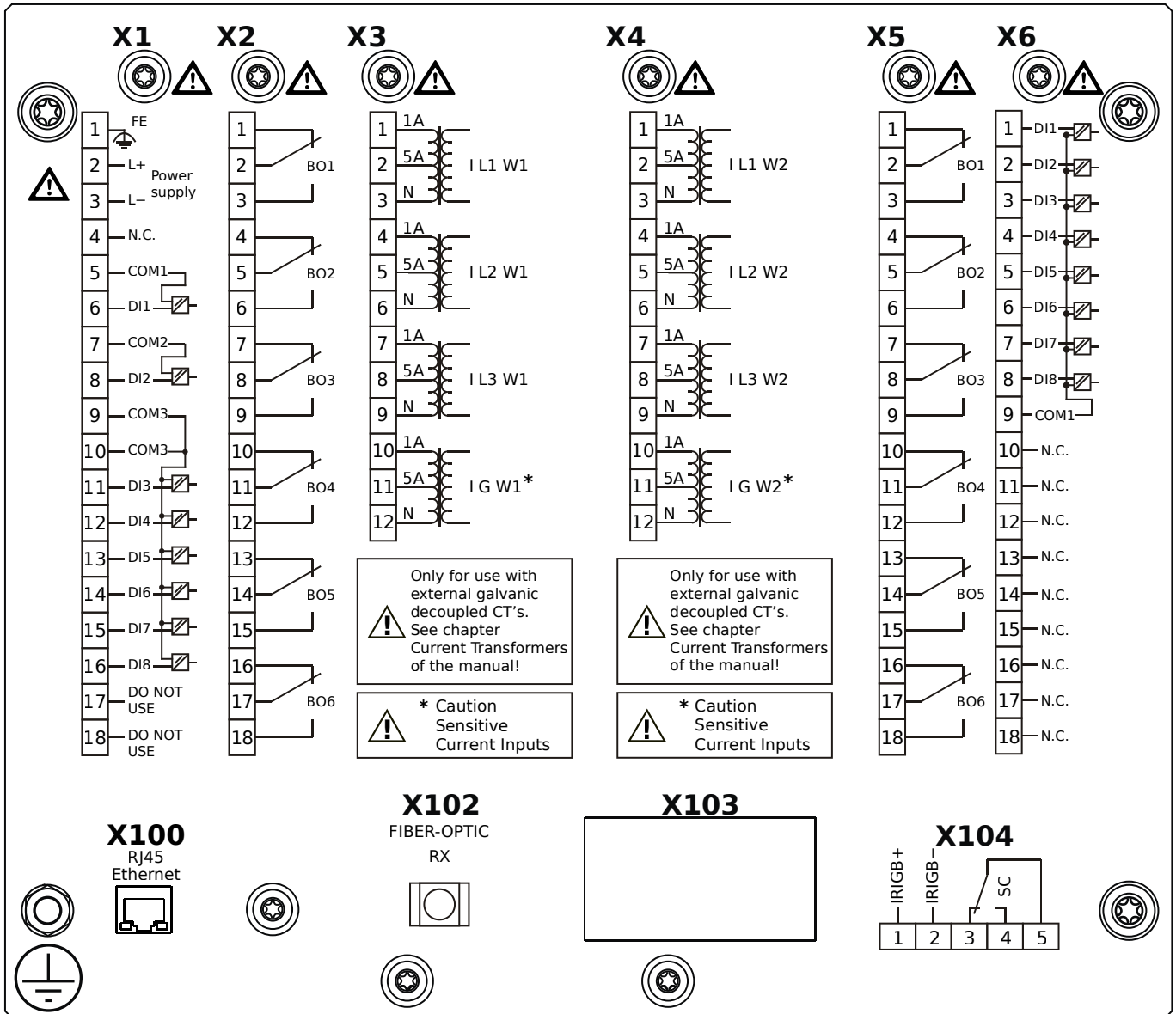


Housing B2, small display, 19" rack mounting

+ Conformal Coating (for installations in harsh environment)

- X1** – DI8-X1: Wide-range power supply unit, incl. 2 non-grouped digital inputs and 6 grouped digital inputs
- X2** – OR6: Assembly Group with 6 Output Relays (Changeover / Form C)
- X3** – TIs: Standard phase current measuring card and sensitive ground current measuring (winding side 1)
- X4** – TIs: Standard phase current measuring card and sensitive ground current measuring (winding side 2)
- X5** – OR6: Assembly Group with 6 Output Relays (Changeover / Form C)
- X6** – DI8: Assembly Group with 8 Digital Inputs
- X102** – Universal Resistance-Temperature Detector (URTD) input, Fiber optics interface, Versatile Link
- X103** – Modbus RTU / IEC 60870-5-103 / DNP3.0 RTU, RS485, D-SUB
- X104** – IRIG-B00X, incl. System Contact (Supervision Contact)

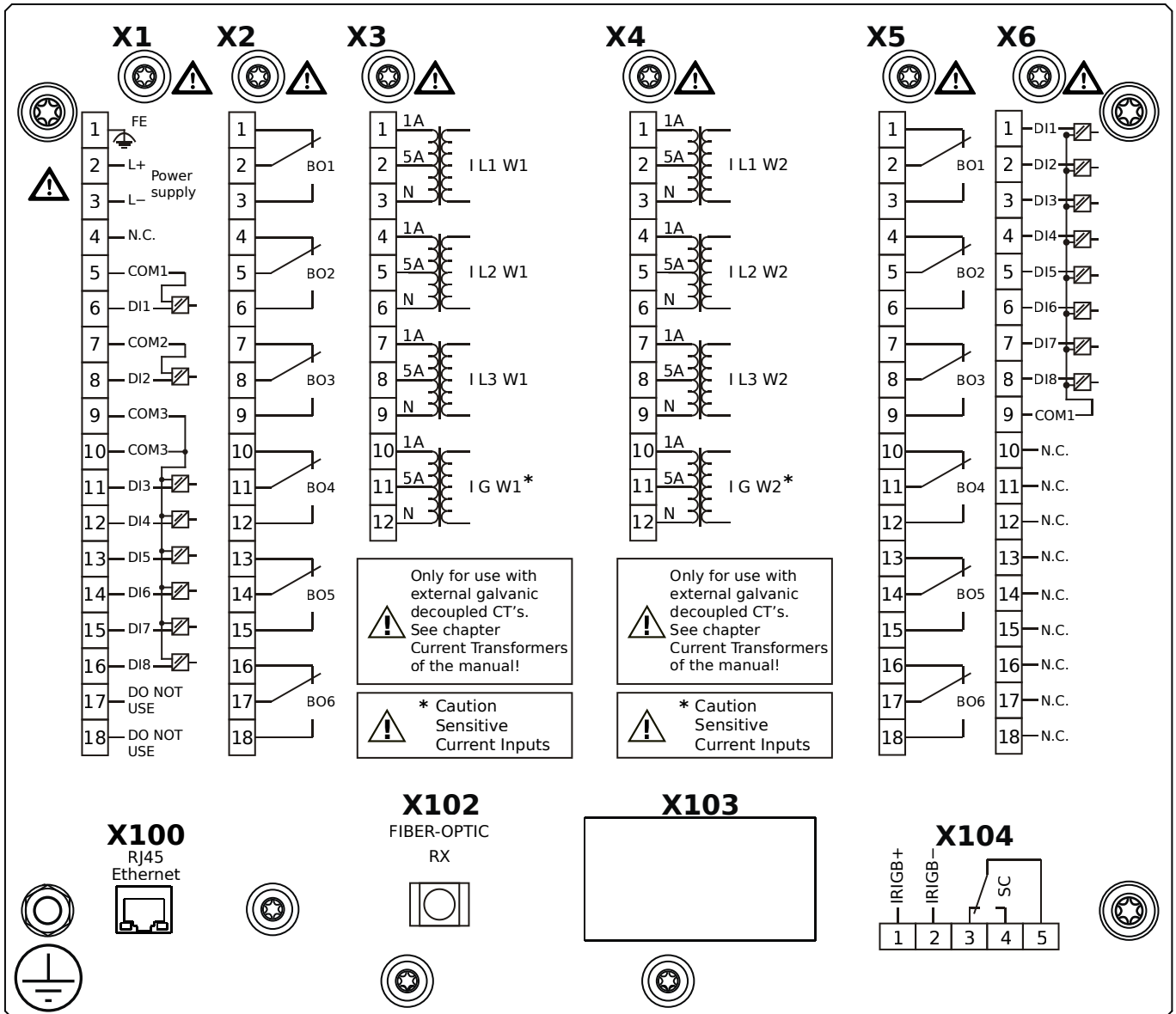
MRDT4-2D3BHA



Housing B2, small display, 19" rack mounting

- X1** – DI8-X1: Wide-range power supply unit, incl. 2 non-grouped digital inputs and 6 grouped digital inputs
- X2** – OR6: Assembly Group with 6 Output Relays (Changeover / Form C)
- X3** – TIs: Standard phase current measuring card and sensitive ground current measuring (winding side 1)
- X4** – TIs: Standard phase current measuring card and sensitive ground current measuring (winding side 2)
- X5** – OR6: Assembly Group with 6 Output Relays (Changeover / Form C)
- X6** – DI8: Assembly Group with 8 Digital Inputs
- X100** – IEC 61850 / Modbus TCP / IEC 60870-5-104 / DNP3.0 TCP/UDP, Ethernet interface, 100 Mbit/s, RJ45 (BASE100-FX)
- X102** – Universal Resistance-Temperature Detector (URTD) input, Fiber optics interface, Versatile Link
- X104** – IRIG-B00X, incl. System Contact (Supervision Contact)

MRDT4-2D3BHB

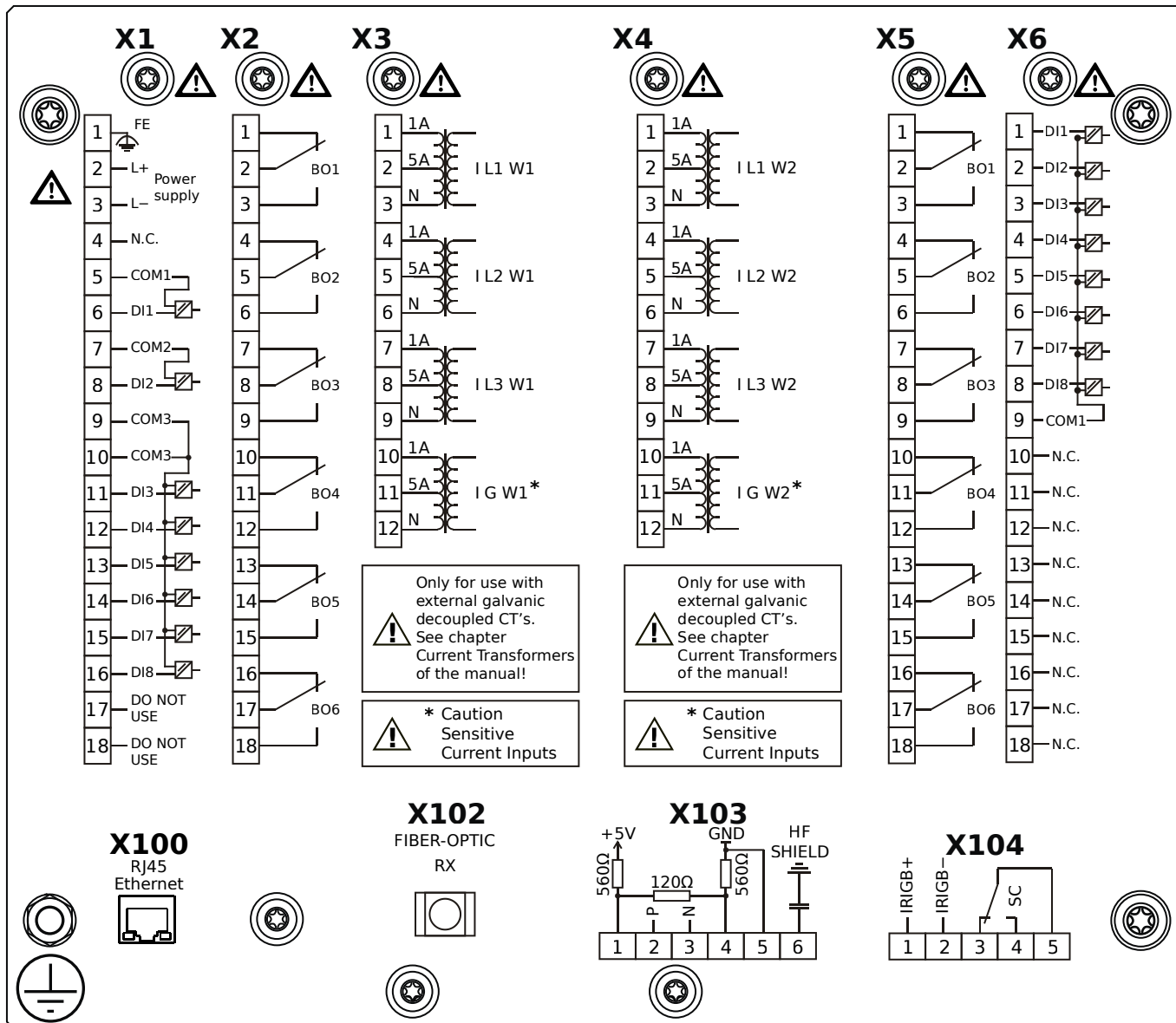


Housing B2, small display, 19" rack mounting

+ Conformal Coating (for installations in harsh environment)

- X1** – DI8-X1: Wide-range power supply unit, incl. 2 non-grouped digital inputs and 6 grouped digital inputs
- X2** – OR6: Assembly Group with 6 Output Relays (Changeover / Form C)
- X3** – TIs: Standard phase current measuring card and sensitive ground current measuring (winding side 1)
- X4** – TIs: Standard phase current measuring card and sensitive ground current measuring (winding side 2)
- X5** – OR6: Assembly Group with 6 Output Relays (Changeover / Form C)
- X6** – DI8: Assembly Group with 8 Digital Inputs
- X100** – IEC 61850 / Modbus TCP / IEC 60870-5-104 / DNP3.0 TCP/UDP, Ethernet interface, 100 Mbit/s, RJ45 (BASE100-FX)
- X102** – Universal Resistance-Temperature Detector (URTD) input, Fiber optics interface, Versatile Link
- X104** – IRIG-B00X, incl. System Contact (Supervision Contact)

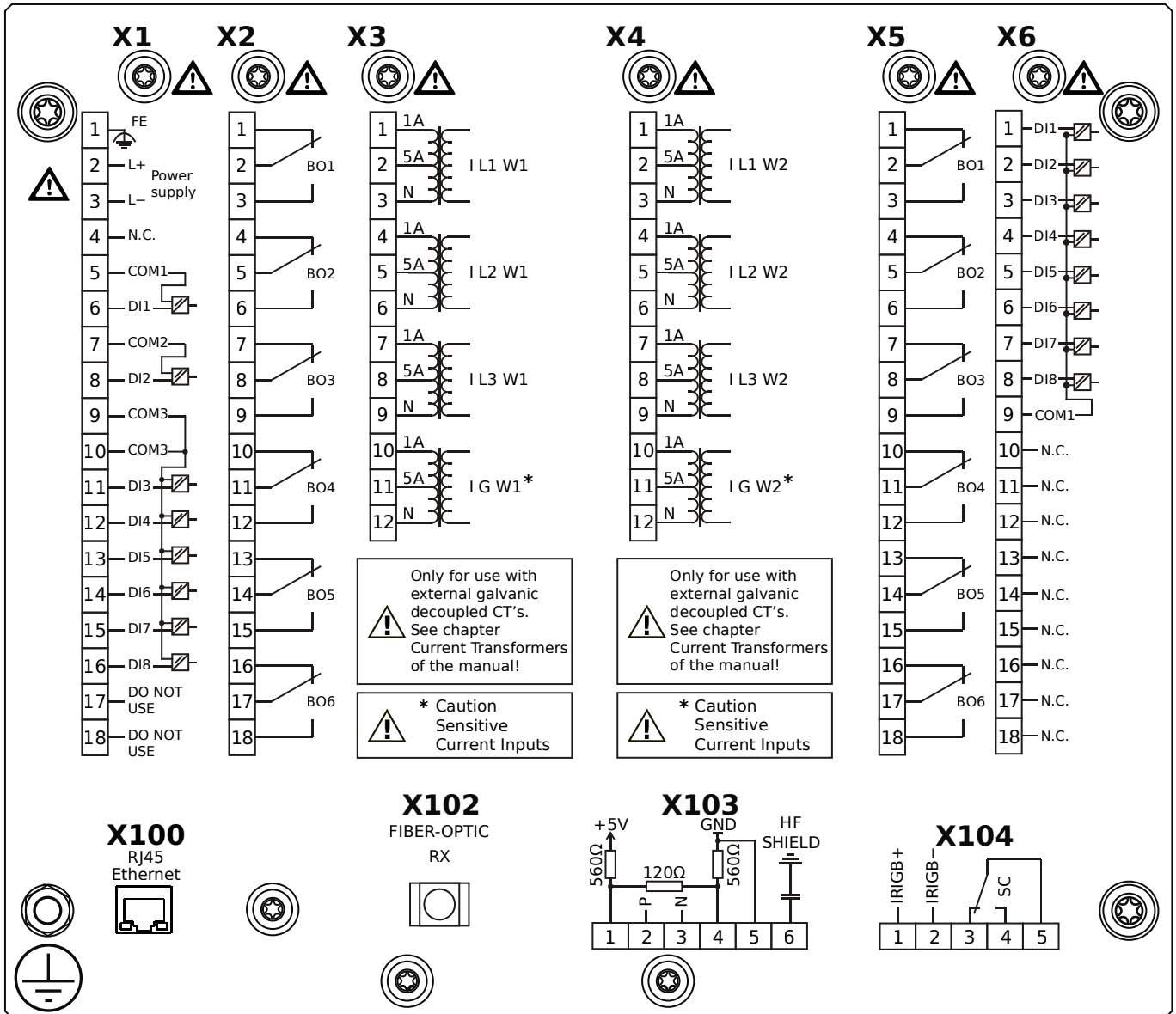
MRDT4-2D3BIA



Housing B2, small display, 19" rack mounting

- X1** – DI8-X1: Wide-range power supply unit, incl. 2 non-grouped digital inputs and 6 grouped digital inputs
- X2** – OR6: Assembly Group with 6 Output Relays (Changeover / Form C)
- X3** – TIs: Standard phase current measuring card and sensitive ground current measuring (winding side 1)
- X4** – TIs: Standard phase current measuring card and sensitive ground current measuring (winding side 2)
- X5** – OR6: Assembly Group with 6 Output Relays (Changeover / Form C)
- X6** – DI8: Assembly Group with 8 Digital Inputs
- X100** – Modbus TCP / IEC 60870-5-104 / DNP3.0 TCP/UDP, Ethernet interface, 100 Mbit/s, RJ45 (BASE100-FX)
- X102** – Universal Resistance-Temperature Detector (URTD) input, Fiber optics interface, Versatile Link
- X103** – IEC 60870-5-103 / Modbus RTU / DNP3.0 RTU, RS485, Terminals
- X104** – IRIG-B00X, incl. System Contact (Supervision Contact)

MRDT4-2D3BIB

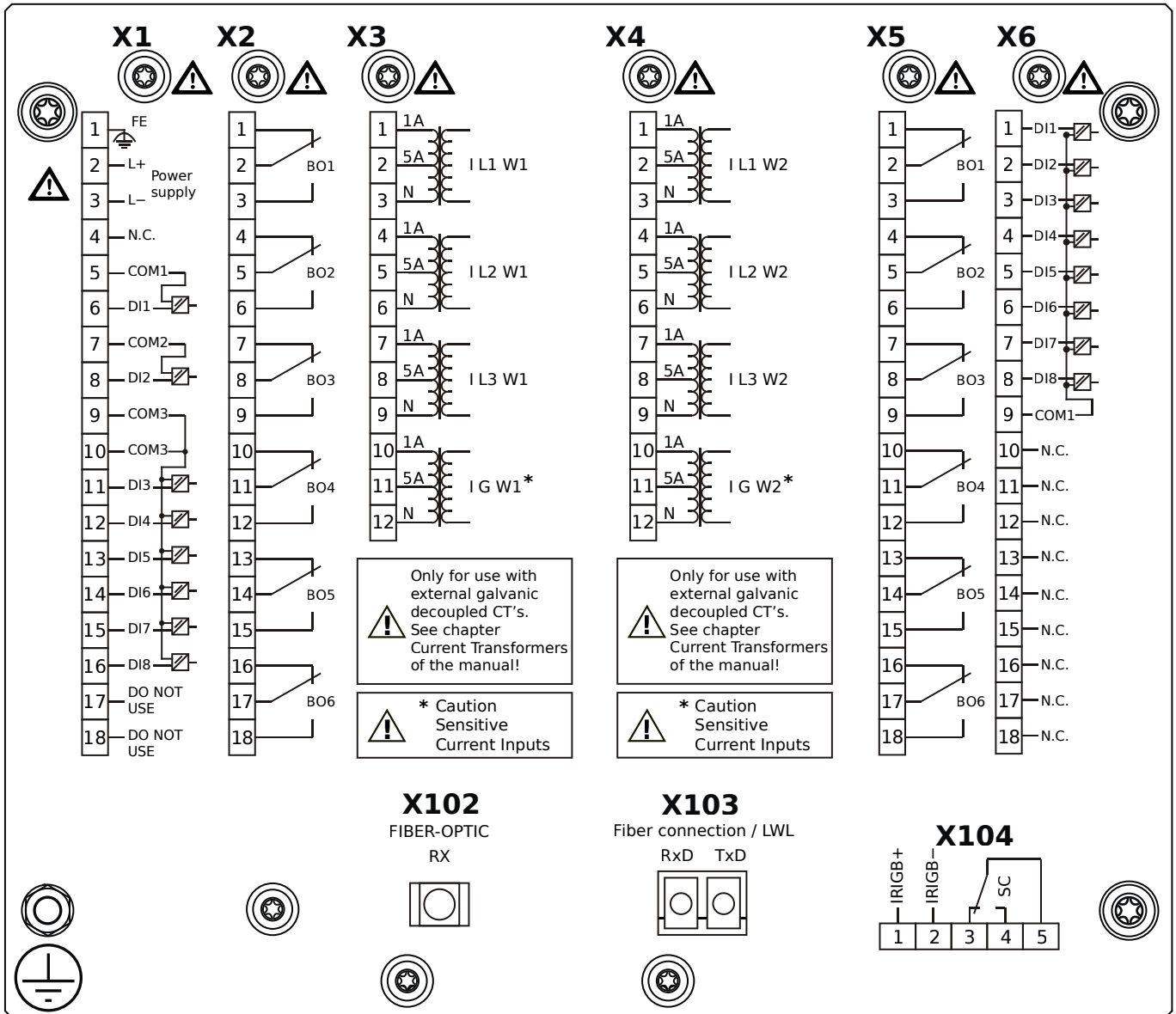


Housing B2, small display, 19" rack mounting

+ Conformal Coating (for installations in harsh environment)

- X1** – DI8-X1: Wide-range power supply unit, incl. 2 non-grouped digital inputs and 6 grouped digital inputs
- X2** – OR6: Assembly Group with 6 Output Relays (Changeover / Form C)
- X3** – TIs: Standard phase current measuring card and sensitive ground current measuring (winding side 1)
- X4** – TIs: Standard phase current measuring card and sensitive ground current measuring (winding side 2)
- X5** – OR6: Assembly Group with 6 Output Relays (Changeover / Form C)
- X6** – DI8: Assembly Group with 8 Digital Inputs
- X100** – Modbus TCP / IEC 60870-5-104 / DNP3.0 TCP/UDP, Ethernet interface, 100 Mbit/s, RJ45 (BASE100-FX)
- X102** – Universal Resistance-Temperature Detector (URTD) input, Fiber optics interface, Versatile Link
- X103** – IEC 60870-5-103 / Modbus RTU / DNP3.0 RTU, RS485, Terminals
- X104** – IRIG-B00X, incl. System Contact (Supervision Contact)

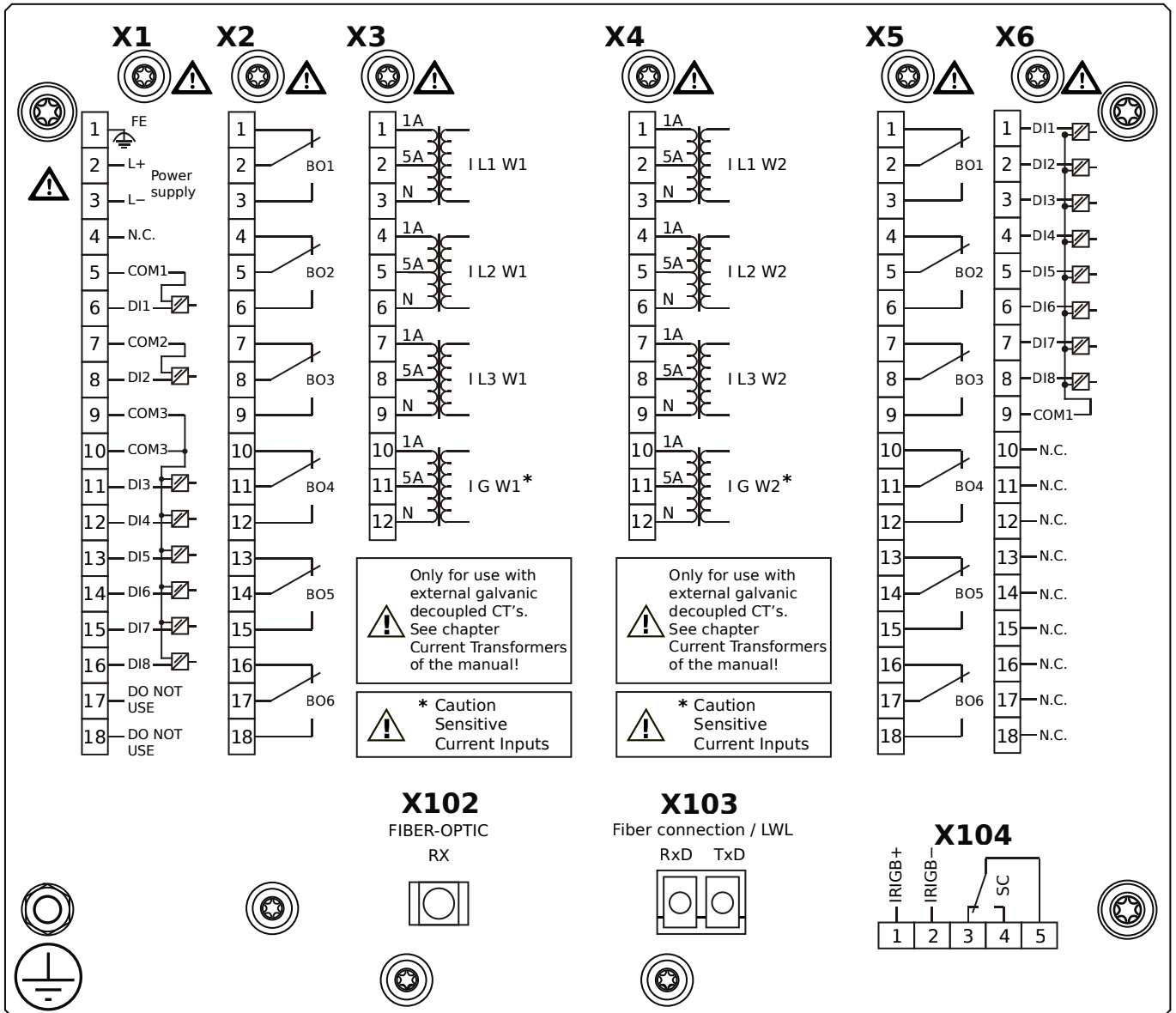
MRDT4-2D3BKA



Housing B2, small display, 19" rack mounting

- X1** – DI8-X1: Wide-range power supply unit, incl. 2 non-grouped digital inputs and 6 grouped digital inputs
- X2** – OR6: Assembly Group with 6 Output Relays (Changeover / Form C)
- X3** – TIs: Standard phase current measuring card and sensitive ground current measuring (winding side 1)
- X4** – TIs: Standard phase current measuring card and sensitive ground current measuring (winding side 2)
- X5** – OR6: Assembly Group with 6 Output Relays (Changeover / Form C)
- X6** – DI8: Assembly Group with 8 Digital Inputs
- X102** – Universal Resistance-Temperature Detector (URTD) input, Fiber optics interface, Versatile Link
- X103** – IEC 61850 / Modbus TCP / IEC 60870-5-104 / DNP3.0 TCP/UDP, Fiber optics interface, LC Connector
- X104** – IRIG-B00X, incl. System Contact (Supervision Contact)

MRDT4-2D3BKB

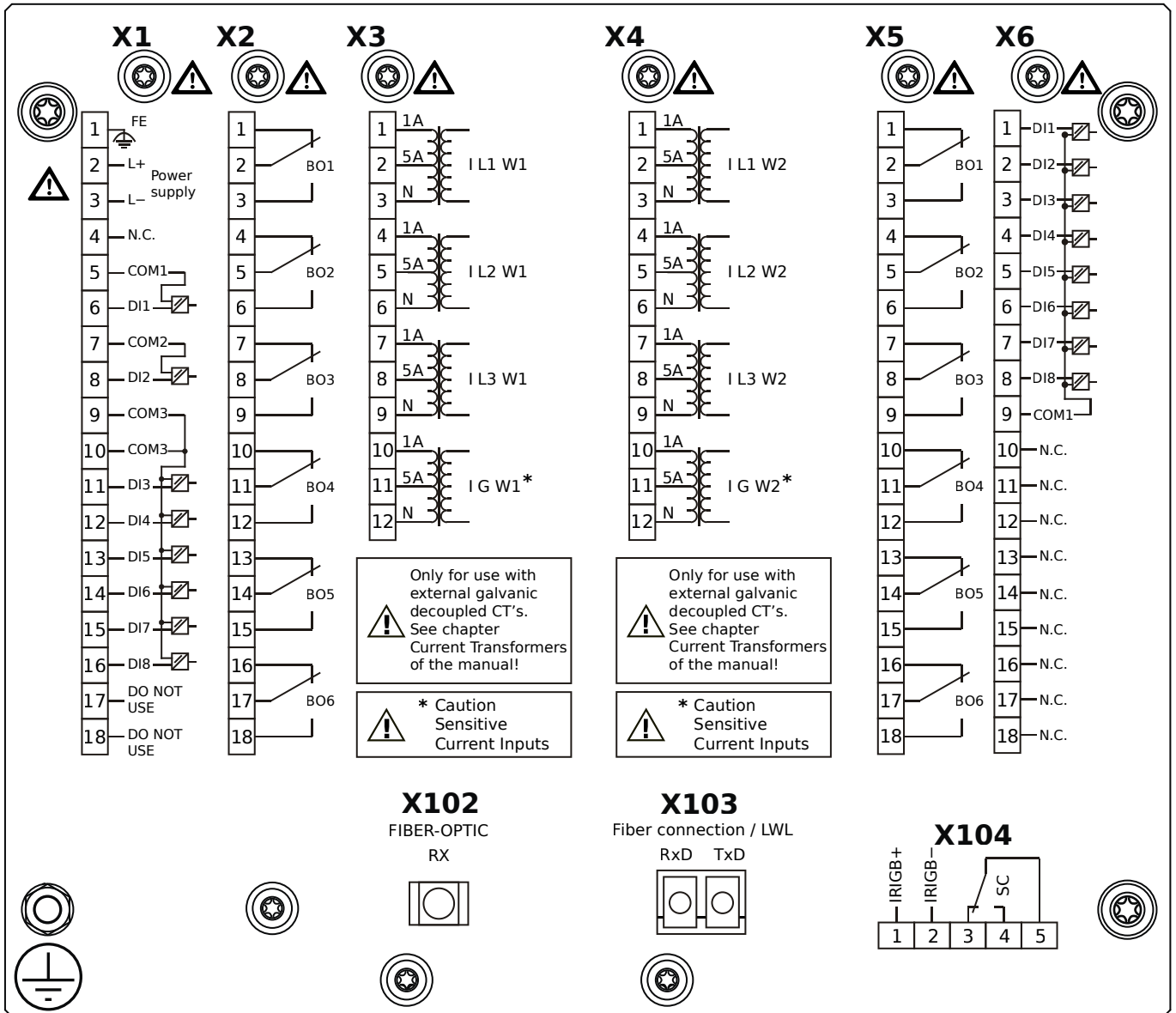


Housing B2, small display, 19" rack mounting

+ Conformal Coating (for installations in harsh environment)

- X1** – DI8-X1: Wide-range power supply unit, incl. 2 non-grouped digital inputs and 6 grouped digital inputs
- X2** – OR6: Assembly Group with 6 Output Relays (Changeover / Form C)
- X3** – TIs: Standard phase current measuring card and sensitive ground current measuring (winding side 1)
- X4** – TIs: Standard phase current measuring card and sensitive ground current measuring (winding side 2)
- X5** – OR6: Assembly Group with 6 Output Relays (Changeover / Form C)
- X6** – DI8: Assembly Group with 8 Digital Inputs
- X102** – Universal Resistance-Temperature Detector (URTD) input, Fiber optics interface, Versatile Link
- X103** – IEC 61850 / Modbus TCP / IEC 60870-5-104 / DNP3.0 TCP/UDP, Fiber optics interface, LC Connector
- X104** – IRIG-B00X, incl. System Contact (Supervision Contact)

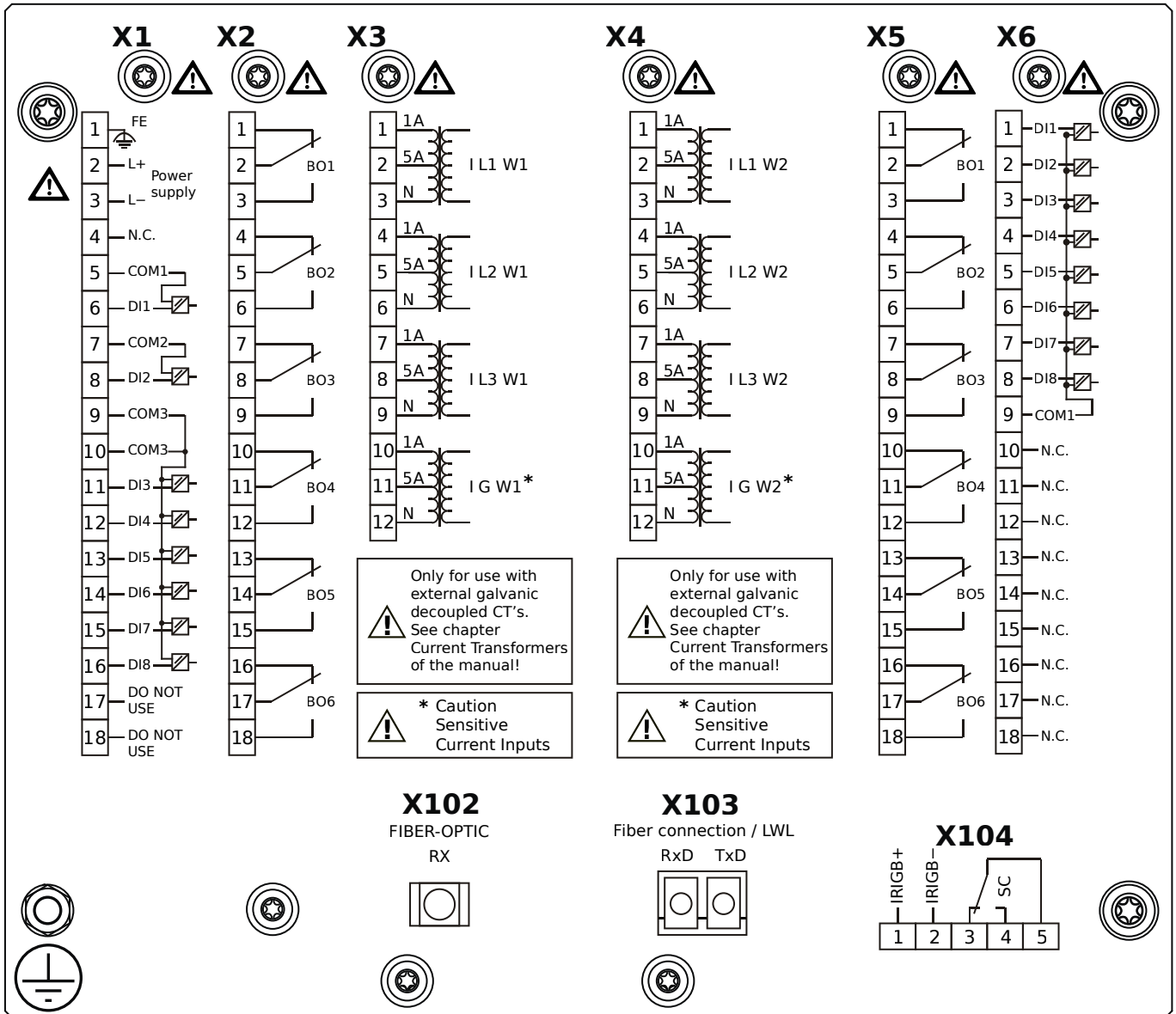
MRDT4-2D3BLA



Housing B2, small display, 19" rack mounting

- X1** – DI8-X1: Wide-range power supply unit, incl. 2 non-grouped digital inputs and 6 grouped digital inputs
- X2** – OR6: Assembly Group with 6 Output Relays (Changeover / Form C)
- X3** – TIs: Standard phase current measuring card and sensitive ground current measuring (winding side 1)
- X4** – TIs: Standard phase current measuring card and sensitive ground current measuring (winding side 2)
- X5** – OR6: Assembly Group with 6 Output Relays (Changeover / Form C)
- X6** – DI8: Assembly Group with 8 Digital Inputs
- X102** – Universal Resistance-Temperature Detector (URTD) input, Fiber optics interface, Versatile Link
- X103** – Modbus TCP / IEC 60870-5-104 / DNP3.0 TCP/UDP, Fiber optics interface, LC Connector
- X104** – IRIG-B00X, incl. System Contact (Supervision Contact)

MRDT4-2D3BLB

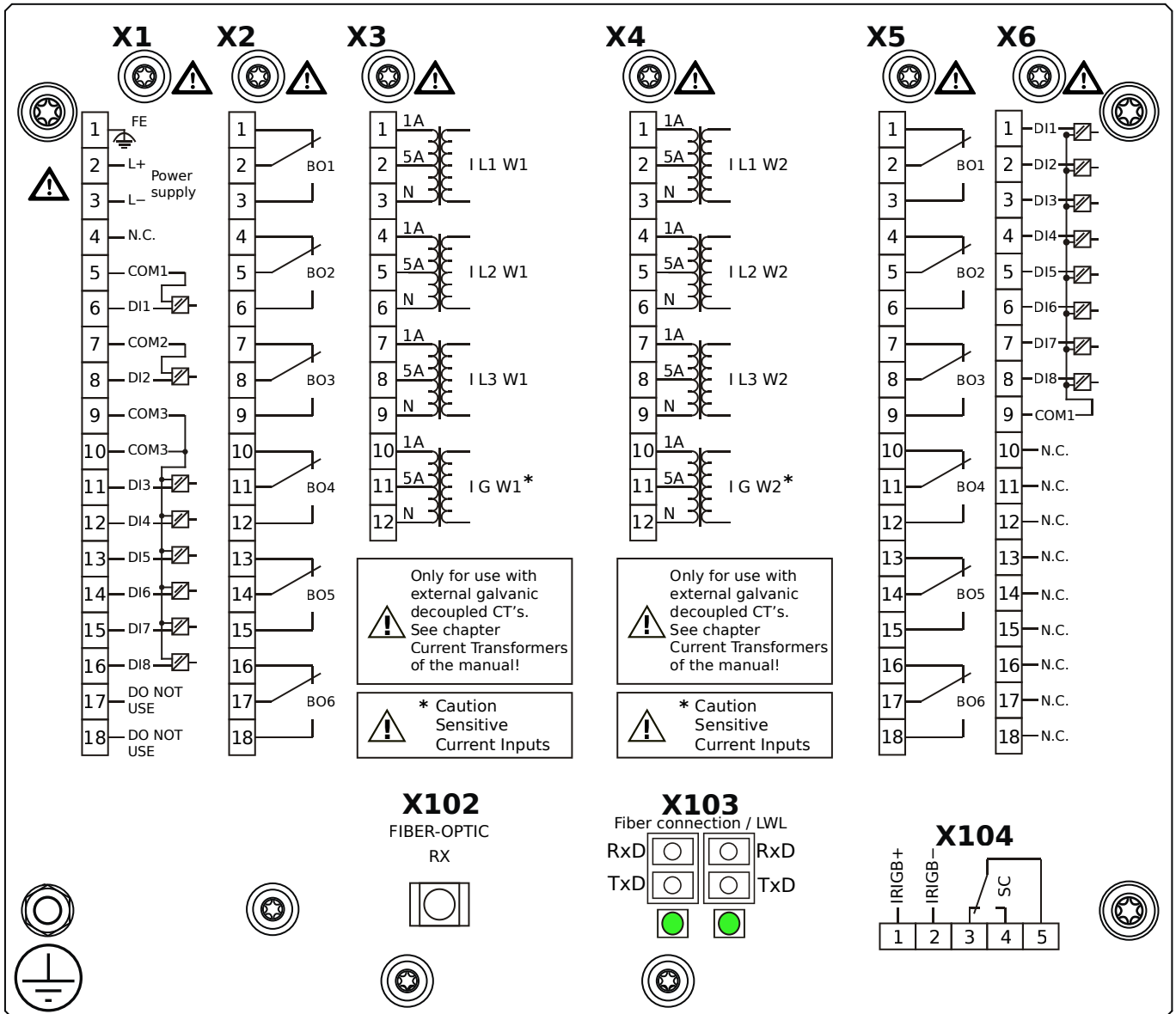


Housing B2, small display, 19" rack mounting

+ Conformal Coating (for installations in harsh environment)

- X1** – DI8-X1: Wide-range power supply unit, incl. 2 non-grouped digital inputs and 6 grouped digital inputs
- X2** – OR6: Assembly Group with 6 Output Relays (Changeover / Form C)
- X3** – TIs: Standard phase current measuring card and sensitive ground current measuring (winding side 1)
- X4** – TIs: Standard phase current measuring card and sensitive ground current measuring (winding side 2)
- X5** – OR6: Assembly Group with 6 Output Relays (Changeover / Form C)
- X6** – DI8: Assembly Group with 8 Digital Inputs
- X102** – Universal Resistance-Temperature Detector (URTD) input, Fiber optics interface, Versatile Link
- X103** – Modbus TCP / IEC 60870-5-104 / DNP3.0 TCP/UDP, Fiber optics interface, LC Connector
- X104** – IRIG-B00X, incl. System Contact (Supervision Contact)

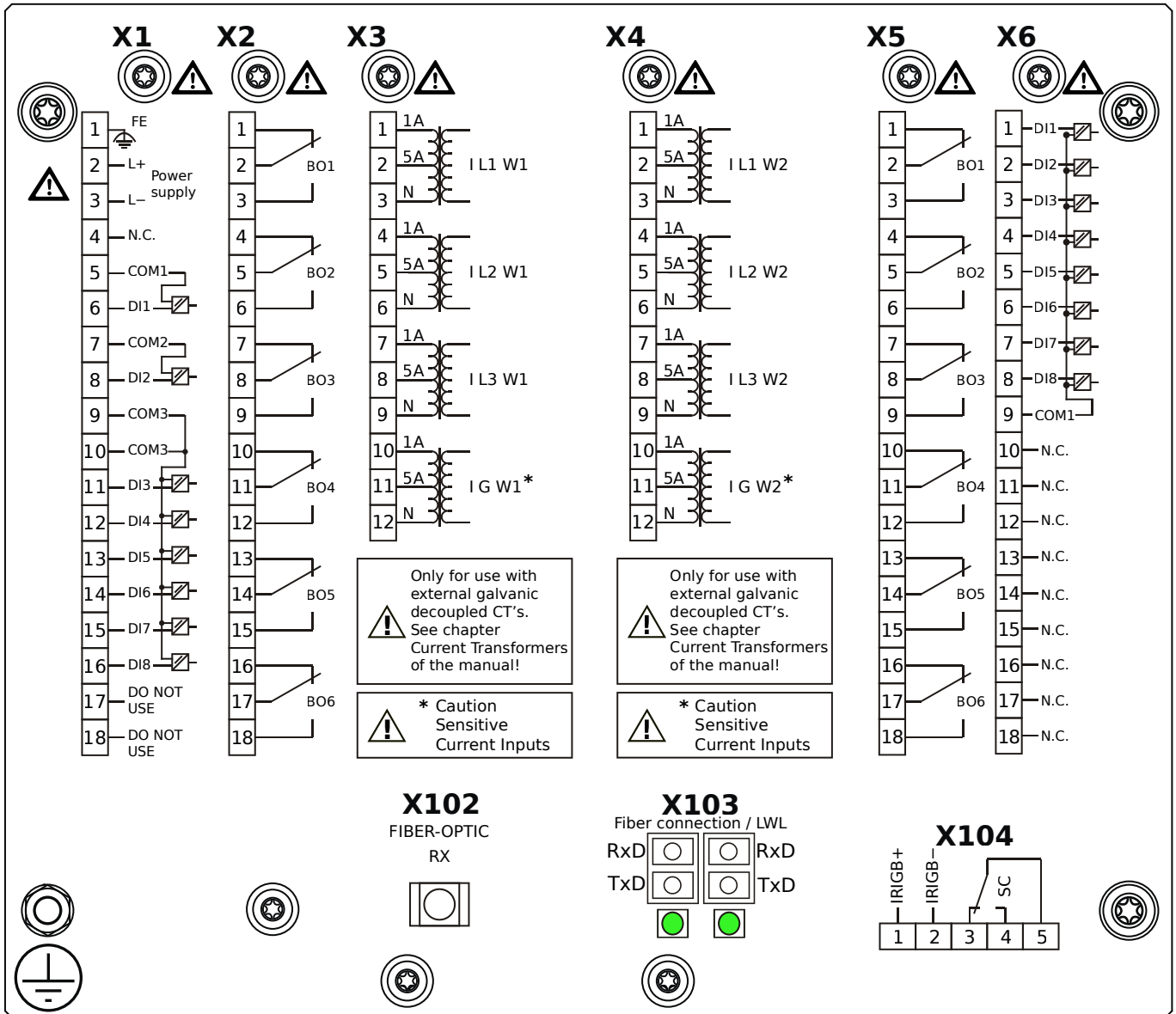
MRDT4-2D3BOA



Housing B2, small display, 19" rack mounting

- X1** – DI8-X1: Wide-range power supply unit, incl. 2 non-grouped digital inputs and 6 grouped digital inputs
- X2** – OR6: Assembly Group with 6 Output Relays (Changeover / Form C)
- X3** – TIs: Standard phase current measuring card and sensitive ground current measuring (winding side 1)
- X4** – TIs: Standard phase current measuring card and sensitive ground current measuring (winding side 2)
- X5** – OR6: Assembly Group with 6 Output Relays (Changeover / Form C)
- X6** – DI8: Assembly Group with 8 Digital Inputs
- X102** – Universal Resistance-Temperature Detector (URTD) input, Fiber optics interface, Versatile Link
- X103** – Modbus TCP / IEC 60870-5-104 / DNP3.0 TCP/UDP, Redundant Fiber optics interface, LC Connector
- X104** – IRIG-B00X, incl. System Contact (Supervision Contact)

MRDT4-2D3BOB

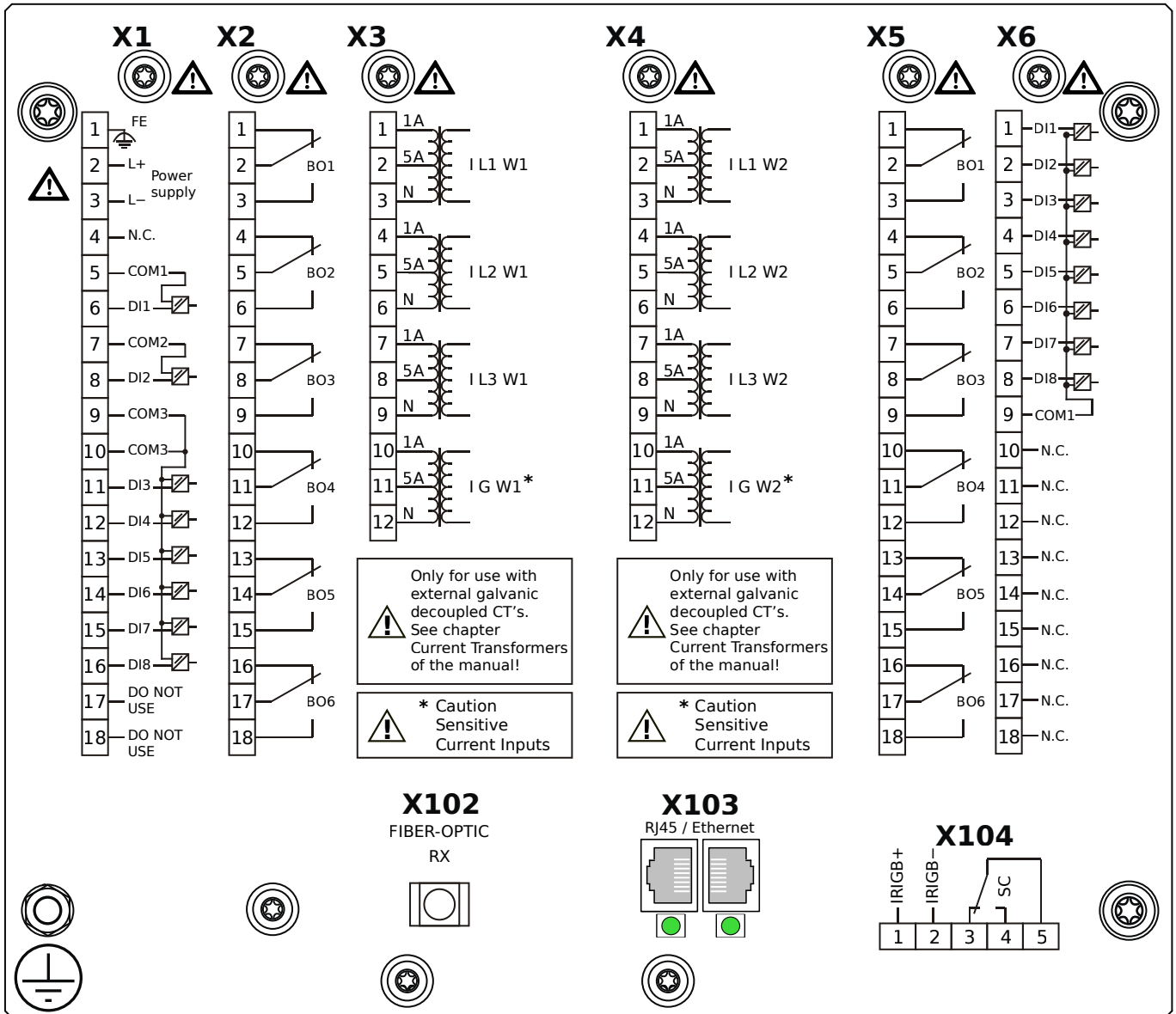


Housing B2, small display, 19" rack mounting

+ Conformal Coating (for installations in harsh environment)

- X1** – DI8-X1: Wide-range power supply unit, incl. 2 non-grouped digital inputs and 6 grouped digital inputs
- X2** – OR6: Assembly Group with 6 Output Relays (Changeover / Form C)
- X3** – TIs: Standard phase current measuring card and sensitive ground current measuring (winding side 1)
- X4** – TIs: Standard phase current measuring card and sensitive ground current measuring (winding side 2)
- X5** – OR6: Assembly Group with 6 Output Relays (Changeover / Form C)
- X6** – DI8: Assembly Group with 8 Digital Inputs
- X102** – Universal Resistance-Temperature Detector (URTD) input, Fiber optics interface, Versatile Link
- X103** – Modbus TCP / IEC 60870-5-104 / DNP3.0 TCP/UDP, Redundant Fiber optics interface, LC Connector
- X104** – IRIG-B00X, incl. System Contact (Supervision Contact)

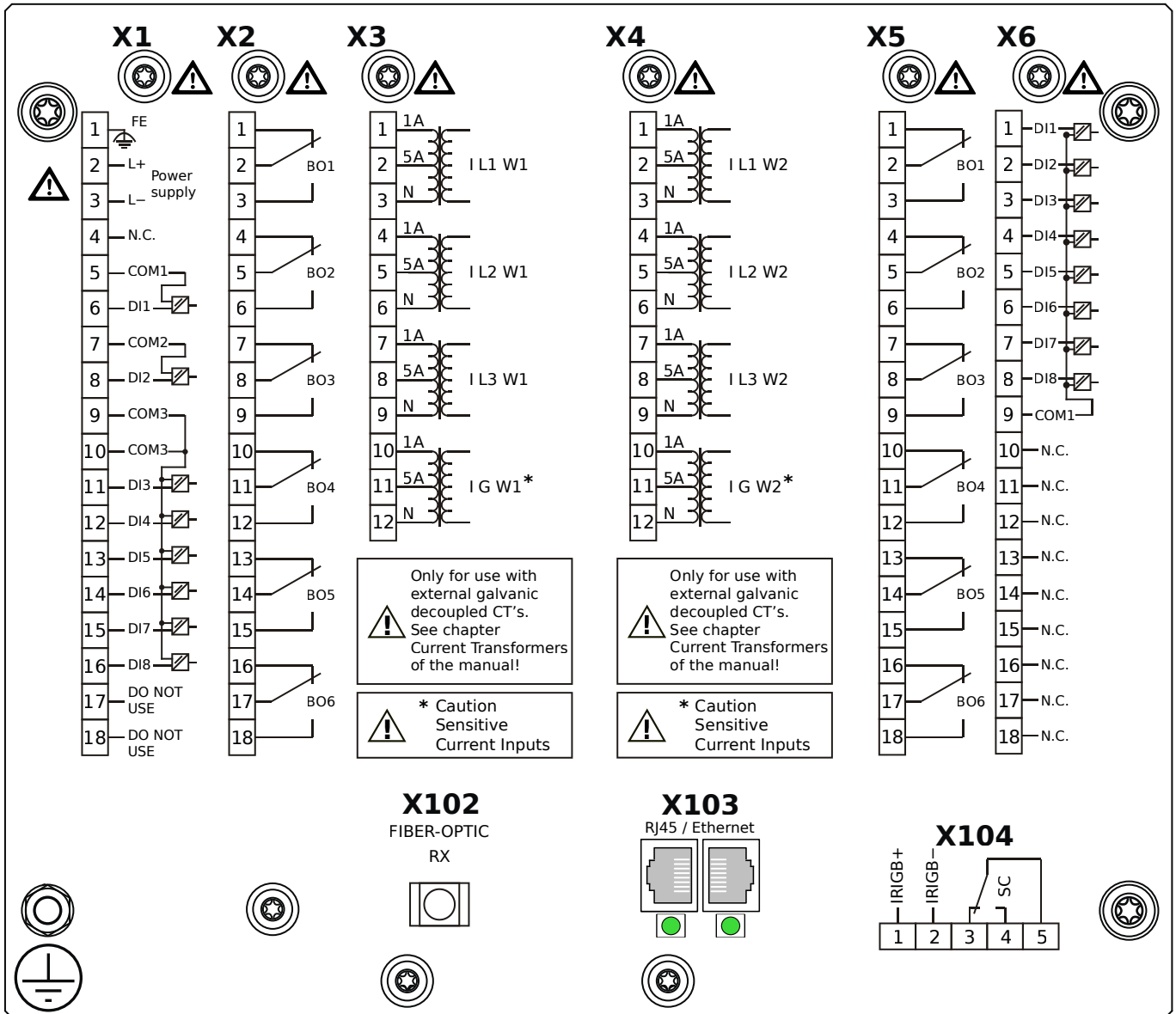
MRDT4-2D3BPA



Housing B2, small display, 19" rack mounting

- X1** – DI8-X1: Wide-range power supply unit, incl. 2 non-grouped digital inputs and 6 grouped digital inputs
- X2** – OR6: Assembly Group with 6 Output Relays (Changeover / Form C)
- X3** – TIs: Standard phase current measuring card and sensitive ground current measuring (winding side 1)
- X4** – TIs: Standard phase current measuring card and sensitive ground current measuring (winding side 2)
- X5** – OR6: Assembly Group with 6 Output Relays (Changeover / Form C)
- X6** – DI8: Assembly Group with 8 Digital Inputs
- X102** – Universal Resistance-Temperature Detector (URTD) input, Fiber optics interface, Versatile Link
- X103** – Modbus TCP / IEC 60870-5-104 / DNP3.0 TCP/UDP, Redundant Ethernet interface, 100 Mbit/s, RJ45 (BASE100-FX)
- X104** – IRIG-B00X, incl. System Contact (Supervision Contact)

MRDT4-2D3BPB

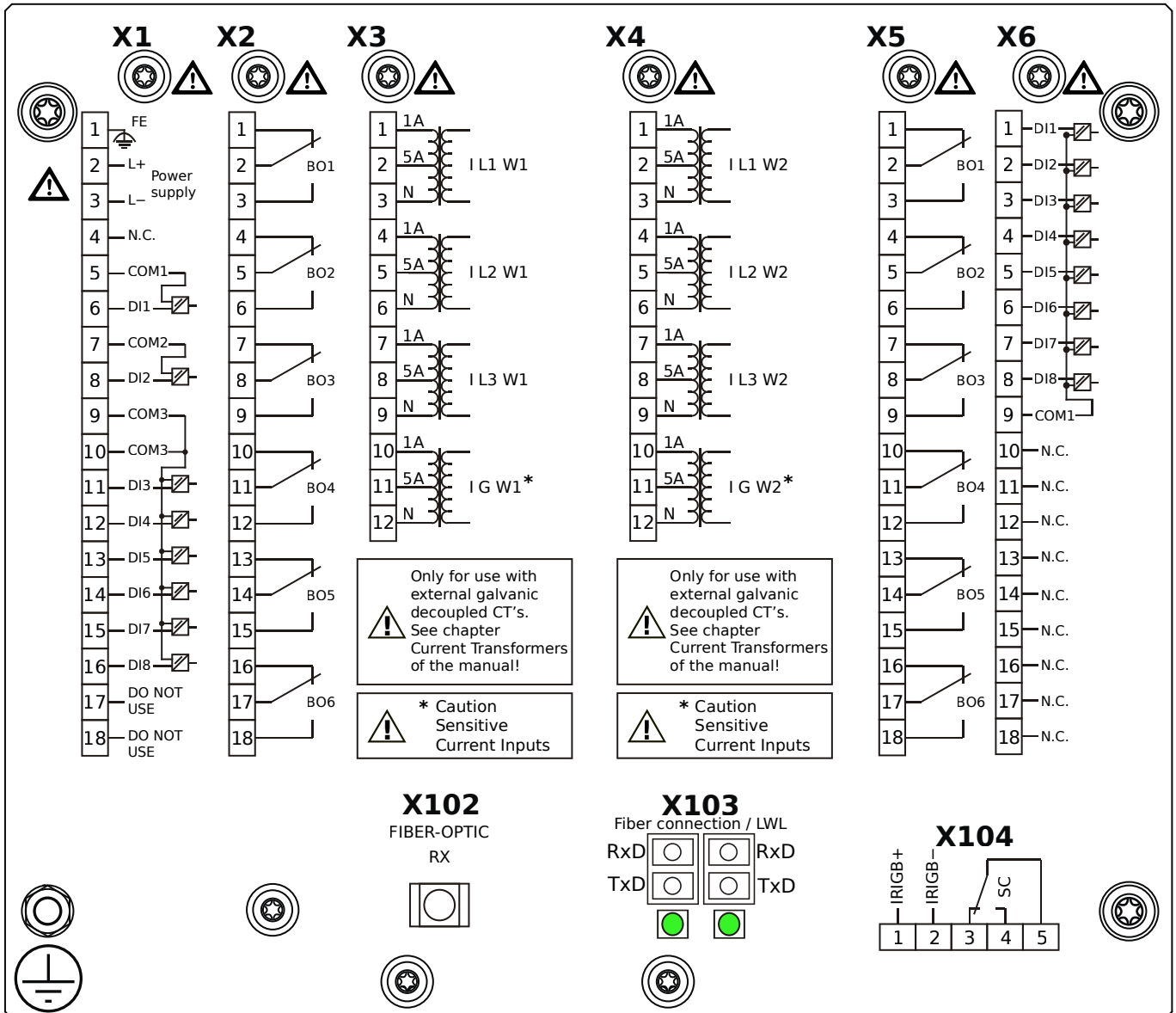


Housing B2, small display, 19" rack mounting

+ Conformal Coating (for installations in harsh environment)

- X1** – DI8-X1: Wide-range power supply unit, incl. 2 non-grouped digital inputs and 6 grouped digital inputs
- X2** – OR6: Assembly Group with 6 Output Relays (Changeover / Form C)
- X3** – TIs: Standard phase current measuring card and sensitive ground current measuring (winding side 1)
- X4** – TIs: Standard phase current measuring card and sensitive ground current measuring (winding side 2)
- X5** – OR6: Assembly Group with 6 Output Relays (Changeover / Form C)
- X6** – DI8: Assembly Group with 8 Digital Inputs
- X102** – Universal Resistance-Temperature Detector (URTD) input, Fiber optics interface, Versatile Link
- X103** – Modbus TCP / IEC 60870-5-104 / DNP3.0 TCP/UDP, Redundant Ethernet interface, 100 Mbit/s, RJ45 (BASE100-FX)
- X104** – IRIG-B00X, incl. System Contact (Supervision Contact)

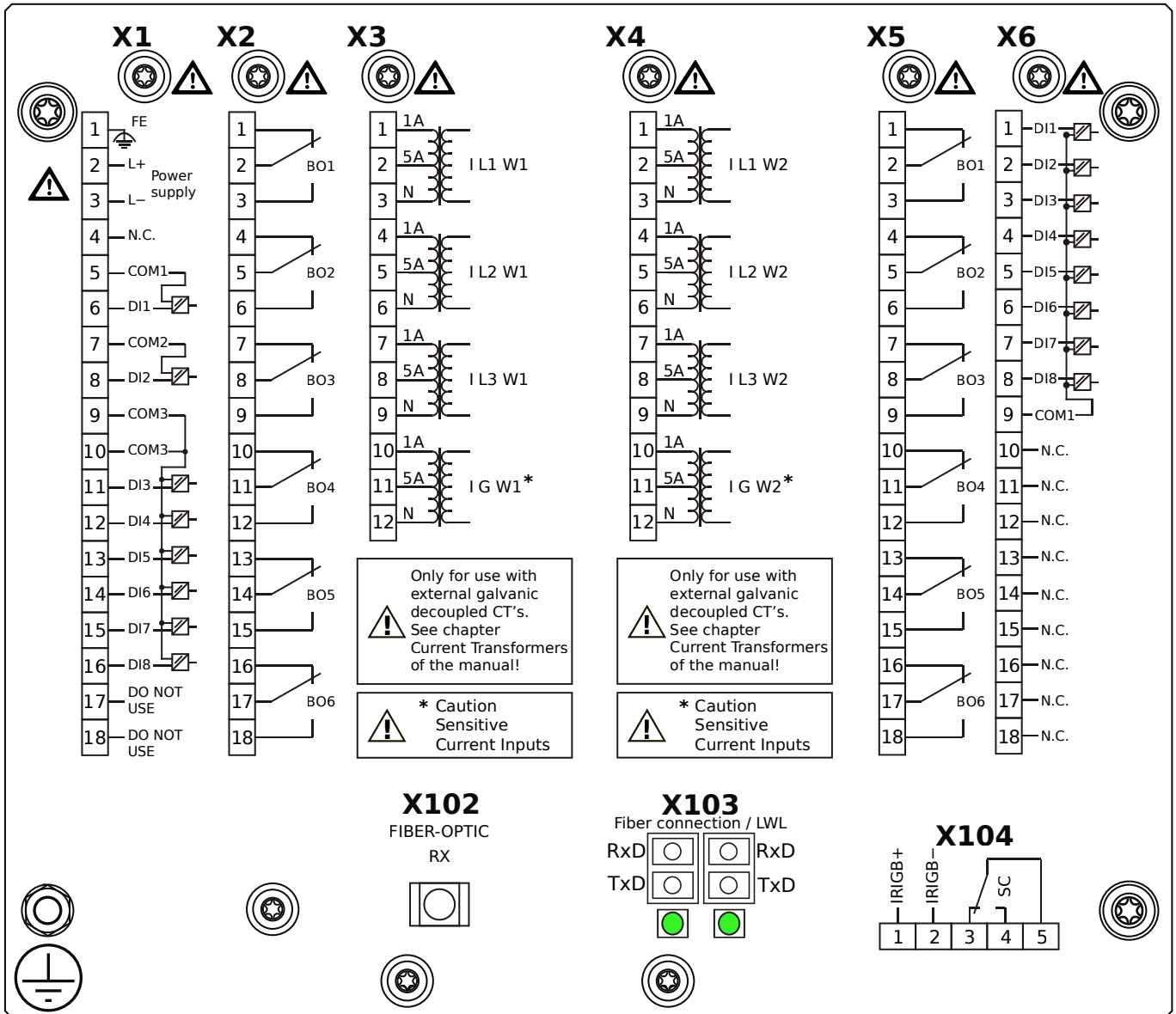
MRDT4-2D3BQA



Housing B2, small display, 19" rack mounting

- X1** – DI8-X1: Wide-range power supply unit, incl. 2 non-grouped digital inputs and 6 grouped digital inputs
- X2** – OR6: Assembly Group with 6 Output Relays (Changeover / Form C)
- X3** – TIs: Standard phase current measuring card and sensitive ground current measuring (winding side 1)
- X4** – TIs: Standard phase current measuring card and sensitive ground current measuring (winding side 2)
- X5** – OR6: Assembly Group with 6 Output Relays (Changeover / Form C)
- X6** – DI8: Assembly Group with 8 Digital Inputs
- X102** – Universal Resistance-Temperature Detector (URTD) input, Fiber optics interface, Versatile Link
- X103** – IEC 61850 / Modbus TCP / IEC 60870-5-104 / DNP3.0 TCP/UDP, Redundant Fiber optics interface, LC Connector
- X104** – IRIG-B00X, incl. System Contact (Supervision Contact)

MRDT4-2D3BQB



Housing B2, small display, 19" rack mounting

+ Conformal Coating (for installations in harsh environment)

X1 – DI8-X1: Wide-range power supply unit, incl. 2 non-grouped digital inputs and 6 grouped digital inputs

X2 – OR6: Assembly Group with 6 Output Relays (Changeover / Form C)

X3 – TIs: Standard phase current measuring card and sensitive ground current measuring (winding side 1)

X4 – TIs: Standard phase current measuring card and sensitive ground current measuring (winding side 2)

X5 – OR6: Assembly Group with 6 Output Relays (Changeover / Form C)

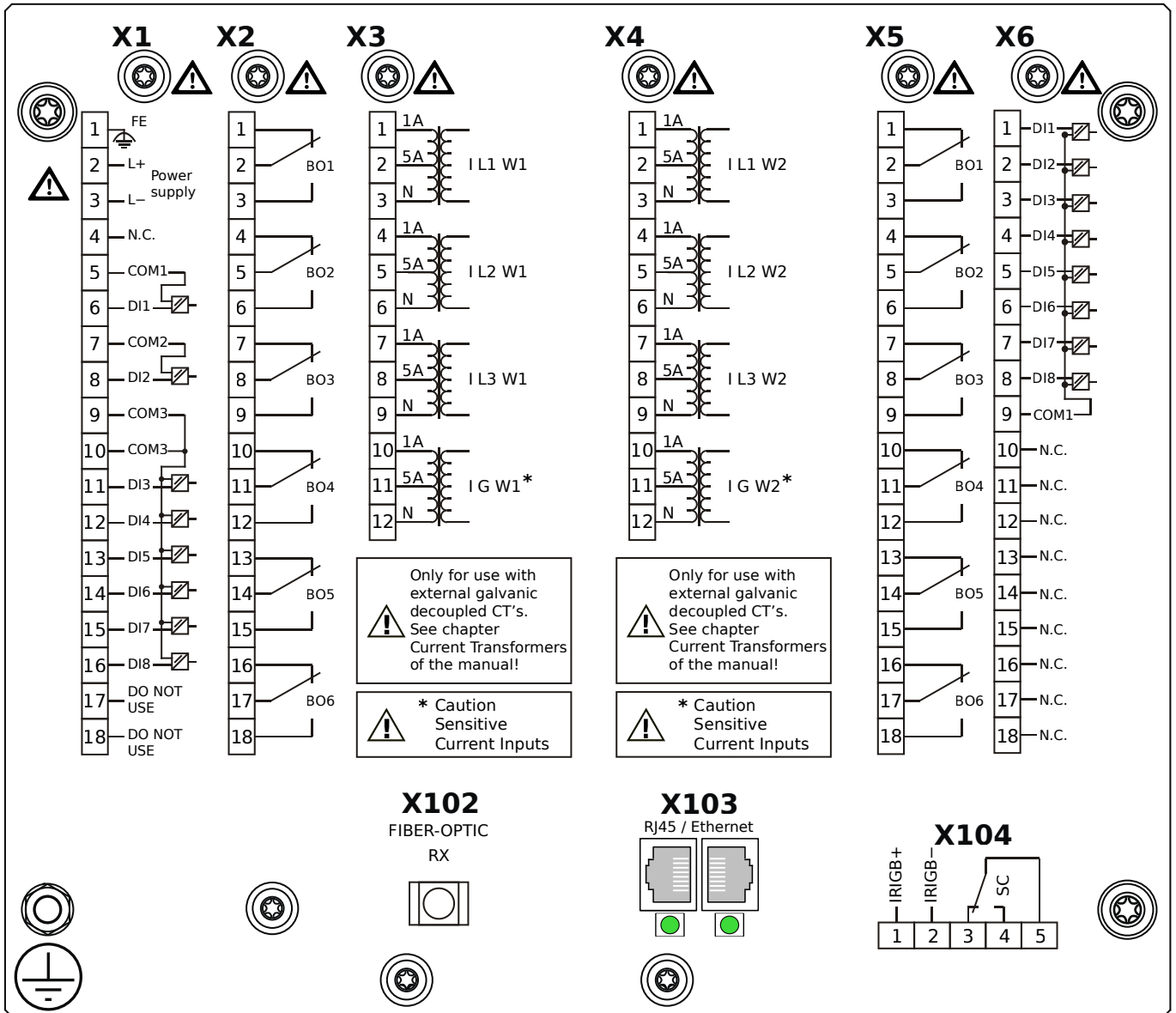
X6 – DI8: Assembly Group with 8 Digital Inputs

X102 – Universal Resistance-Temperature Detector (URTD) input, Fiber optics interface, Versatile Link

X103 – IEC 61850 / Modbus TCP / IEC 60870-5-104 / DNP3.0 TCP/UDP, Redundant Fiber optics interface, LC Connector

X104 – IRIG-B00X, incl. System Contact (Supervision Contact)

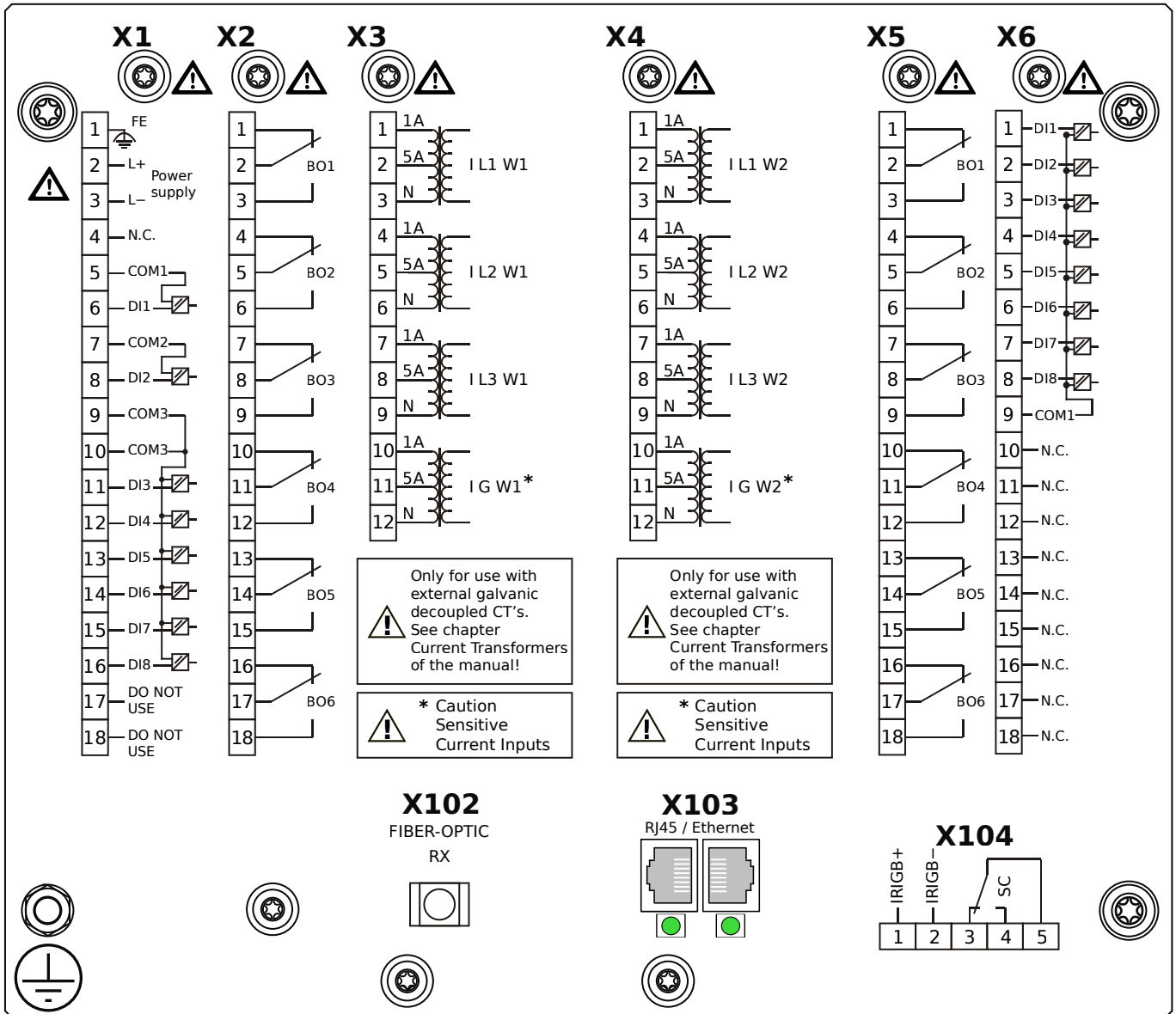
MRDT4-2D3BRA



Housing B2, small display, 19" rack mounting

- X1** – DI8-X1: Wide-range power supply unit, incl. 2 non-grouped digital inputs and 6 grouped digital inputs
- X2** – OR6: Assembly Group with 6 Output Relays (Changeover / Form C)
- X3** – TIs: Standard phase current measuring card and sensitive ground current measuring (winding side 1)
- X4** – TIs: Standard phase current measuring card and sensitive ground current measuring (winding side 2)
- X5** – OR6: Assembly Group with 6 Output Relays (Changeover / Form C)
- X6** – DI8: Assembly Group with 8 Digital Inputs
- X102** – Universal Resistance-Temperature Detector (URTD) input, Fiber optics interface, Versatile Link
- X103** – IEC 61850 / Modbus TCP / IEC 60870-5-104 / DNP3.0 TCP/UDP, Redundant Ethernet interface, 100 Mbit/s, RJ45 (BASE100-FX)
- X104** – IRIG-B00X, incl. System Contact (Supervision Contact)

MRDT4-2D3BRB



Housing B2, small display, 19" rack mounting

+ Conformal Coating (for installations in harsh environment)

X1 – DI8-X1: Wide-range power supply unit, incl. 2 non-grouped digital inputs and 6 grouped digital inputs

X2 – OR6: Assembly Group with 6 Output Relays (Changeover / Form C)

X3 – TIs: Standard phase current measuring card and sensitive ground current measuring (winding side 1)

X4 – TIs: Standard phase current measuring card and sensitive ground current measuring (winding side 2)

X5 – OR6: Assembly Group with 6 Output Relays (Changeover / Form C)

X6 – DI8: Assembly Group with 8 Digital Inputs

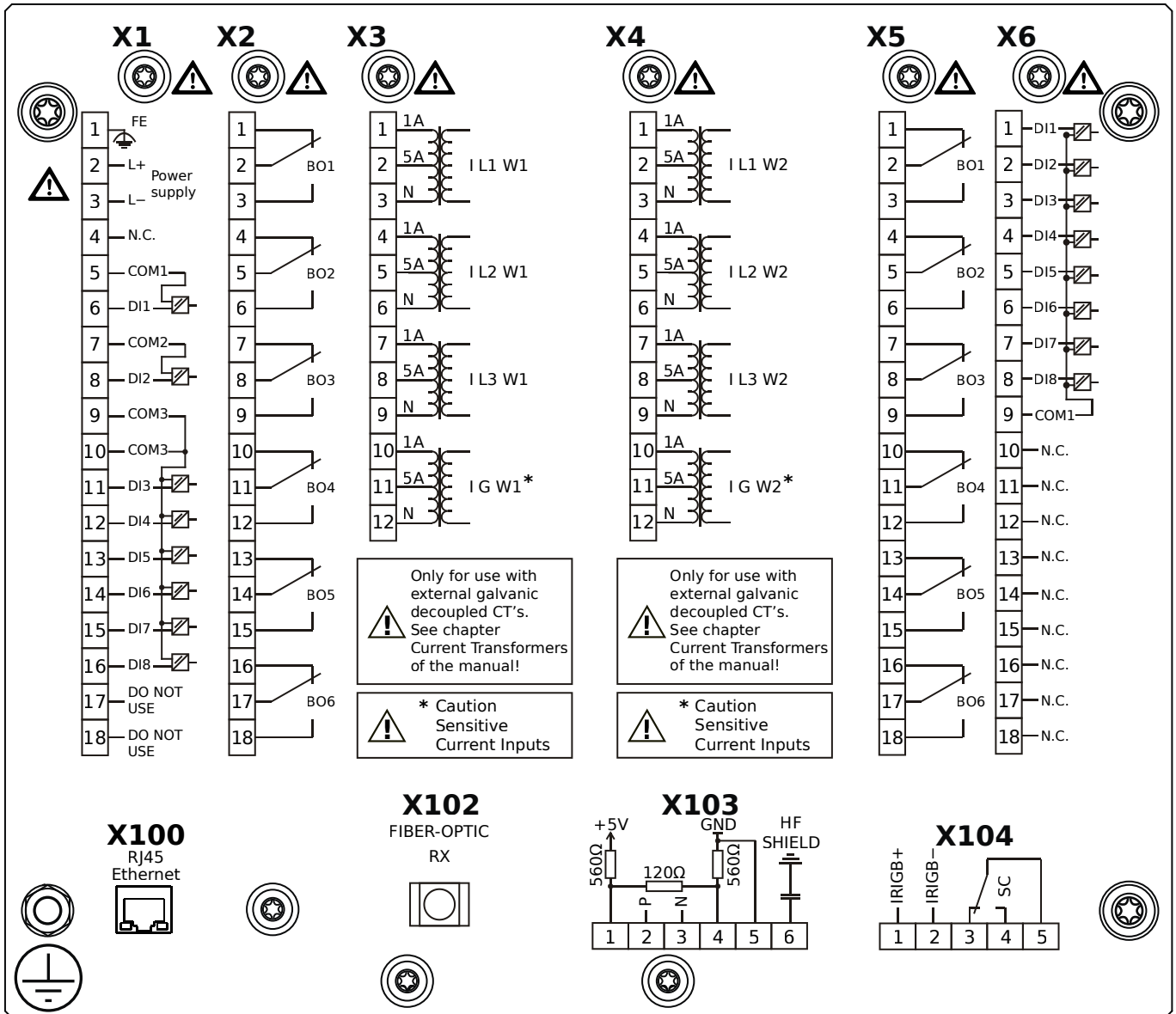
X102 – Universal Resistance-Temperature Detector (URTD) input, Fiber optics interface, Versatile Link

X103 – IEC 61850 / Modbus TCP / IEC 60870-5-104 / DNP3.0 TCP/UDP, Redundant Ethernet interface, 100 Mbit/s, RJ45

(BASE100-FX)

X104 – IRIG-B00X, incl. System Contact (Supervision Contact)

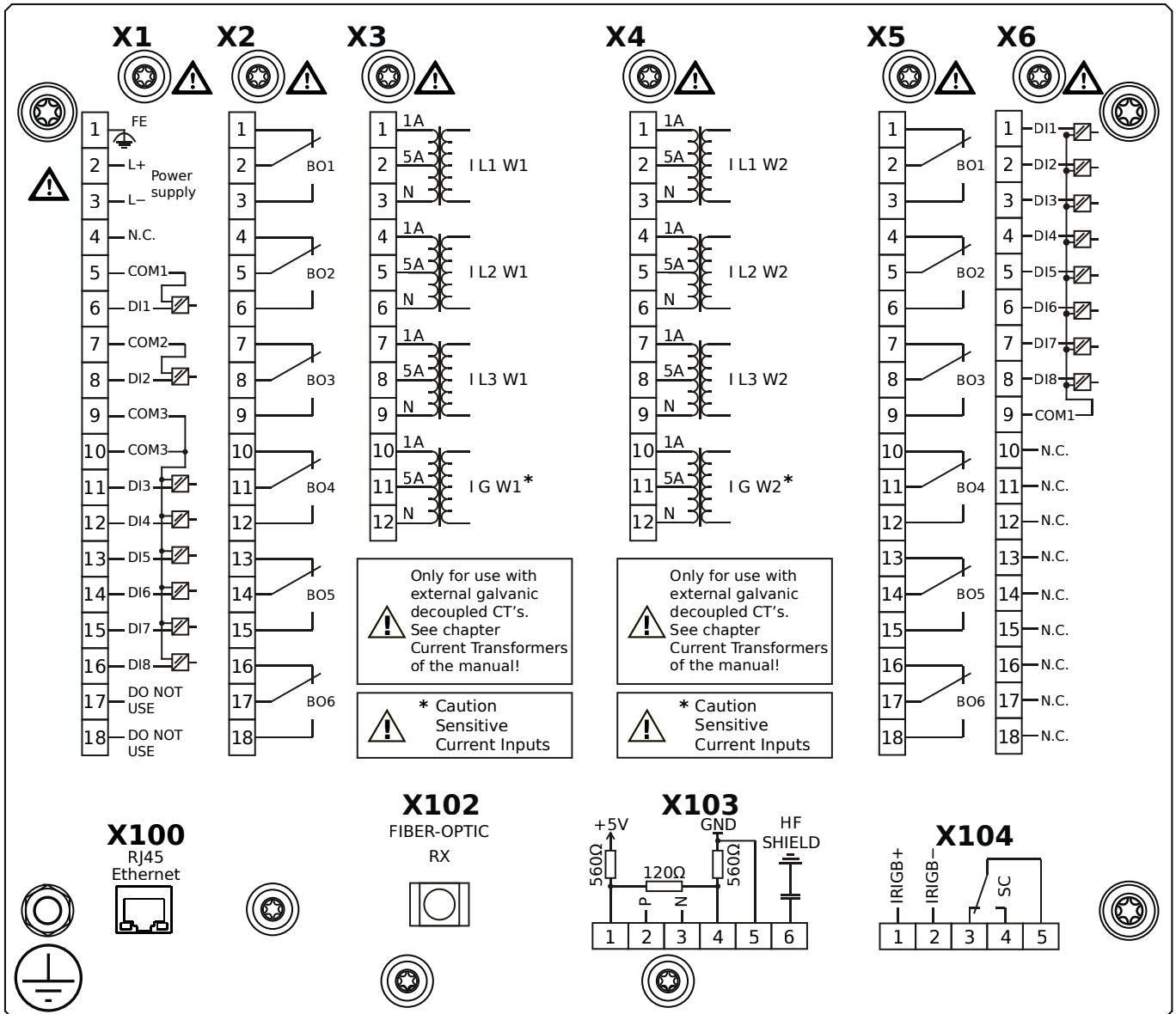
MRDT4-2D3BTA



Housing B2, small display, 19" rack mounting

- X1** – DI8-X1: Wide-range power supply unit, incl. 2 non-grouped digital inputs and 6 grouped digital inputs
- X2** – OR6: Assembly Group with 6 Output Relays (Changeover / Form C)
- X3** – TIs: Standard phase current measuring card and sensitive ground current measuring (winding side 1)
- X4** – TIs: Standard phase current measuring card and sensitive ground current measuring (winding side 2)
- X5** – OR6: Assembly Group with 6 Output Relays (Changeover / Form C)
- X6** – DI8: Assembly Group with 8 Digital Inputs
- X100** – IEC 61850 / Modbus TCP / IEC 60870-5-104 / DNP3.0 TCP/UDP, Ethernet interface, 100 Mbit/s, RJ45 (BASE100-FX)
- X102** – Universal Resistance-Temperature Detector (URTD) input, Fiber optics interface, Versatile Link
- X103** – IEC 60870-5-103 / Modbus RTU / DNP3.0 RTU, RS485, Terminals
- X104** – IRIG-B00X, incl. System Contact (Supervision Contact)

MRDT4-2D3BTB



Housing B2, small display, 19" rack mounting

+ Conformal Coating (for installations in harsh environment)

- X1** – DI8-X1: Wide-range power supply unit, incl. 2 non-grouped digital inputs and 6 grouped digital inputs
- X2** – OR6: Assembly Group with 6 Output Relays (Changeover / Form C)
- X3** – TIs: Standard phase current measuring card and sensitive ground current measuring (winding side 1)
- X4** – TIs: Standard phase current measuring card and sensitive ground current measuring (winding side 2)
- X5** – OR6: Assembly Group with 6 Output Relays (Changeover / Form C)
- X6** – DI8: Assembly Group with 8 Digital Inputs
- X100** – IEC 61850 / Modbus TCP / IEC 60870-5-104 / DNP3.0 TCP/UDP, Ethernet interface, 100 Mbit/s, RJ45 (BASE100-FX)
- X102** – Universal Resistance-Temperature Detector (URTD) input, Fiber optics interface, Versatile Link
- X103** – IEC 60870-5-103 / Modbus RTU / DNP3.0 RTU, RS485, Terminals
- X104** – IRIG-B00X, incl. System Contact (Supervision Contact)

Appendix – Legend

In this legend designations of various device types are listed, e.g. transformer protection, motor protection, generator protection, etc. Therefore it can occur that not every designation actually appears on the wiring diagram of your device.

PE	– Connection of protective earth (see chapter Grounding in the Technical Manual).
FE	– Connection of functional earth (see chapter Grounding in the Technical Manual).
Power Supply	– Connection for auxiliary power supply.
IL1	– Phase current input L1 (in some countries designated as IA).
IL2	– Phase current input L2 (in some countries designated as IB).
IL3	– Phase current input L3 (in some countries designated as IC).
ILx C–D	– WIC1 Test windings.
ILx S1–S2	– WIC1 phase current inputs.
IL1 W1 ... IL3 W1	– Phase current input L1...L3, winding side 1.
IL1 W2 ... IL3 W2	– Phase current input L1...L3, winding side 2.
IG	– Ground (earth) current input.
IG W1, IG W2	– Ground (earth) current input, winding side 1 / 2.
VL1	– Phase-to-neutral voltage L1 (in some countries designated as VA).
VL2	– Phase-to-neutral voltage L2 (in some countries designated as VB).
VL3	– Phase-to-neutral voltage L3 (in some countries designated as VC).
VL12	– Phase-to-phase voltage V12 (in some countries designated as VAB).
VL23	– Phase-to-phase voltage V23 (in some countries designated as VBC).
VL31	– Phase-to-phase voltage V31 (in some countries designated as VCA).
VX	– 4th voltage measuring input for measuring residual voltage or synchro-check.
BO	– Binary output relay.
NO / NC	– Contact output, normally open (Form A) / closed (Form B).
DI	– Digital input.
COM	– Common connection of digital inputs.
Out+, AnOut	– Analog output + (0/4...20 mA or 0...10 V).
In–, AnIn	– Analog input + (0/4...20 mA or 0...10 V).
n.c.	– Not connected.
DO NOT USE	– Do not use. (Caution: Non-usable internal wiring may exist.)
SC	– Self-supervision contact.
HF SHIELD	– Connection cable shield.
Fiber Optics / LWL	– Fiber optic connection.

High **PROTEC**

MRDT4

WIRING DIAGRAMS

