

MRDT4

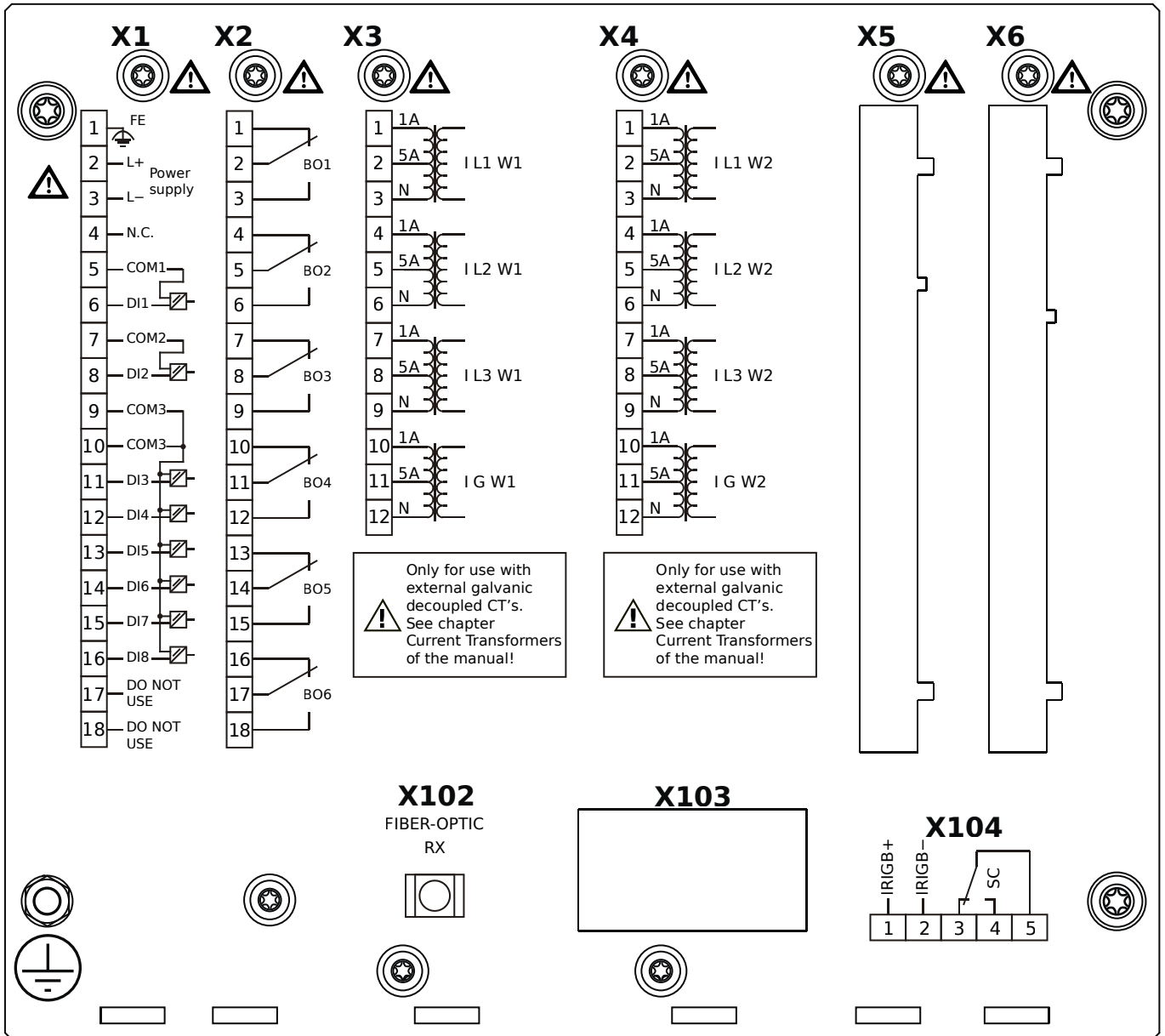
Software-Version: 3.4

DOK-WD-MRDT4-2E

Revision: D

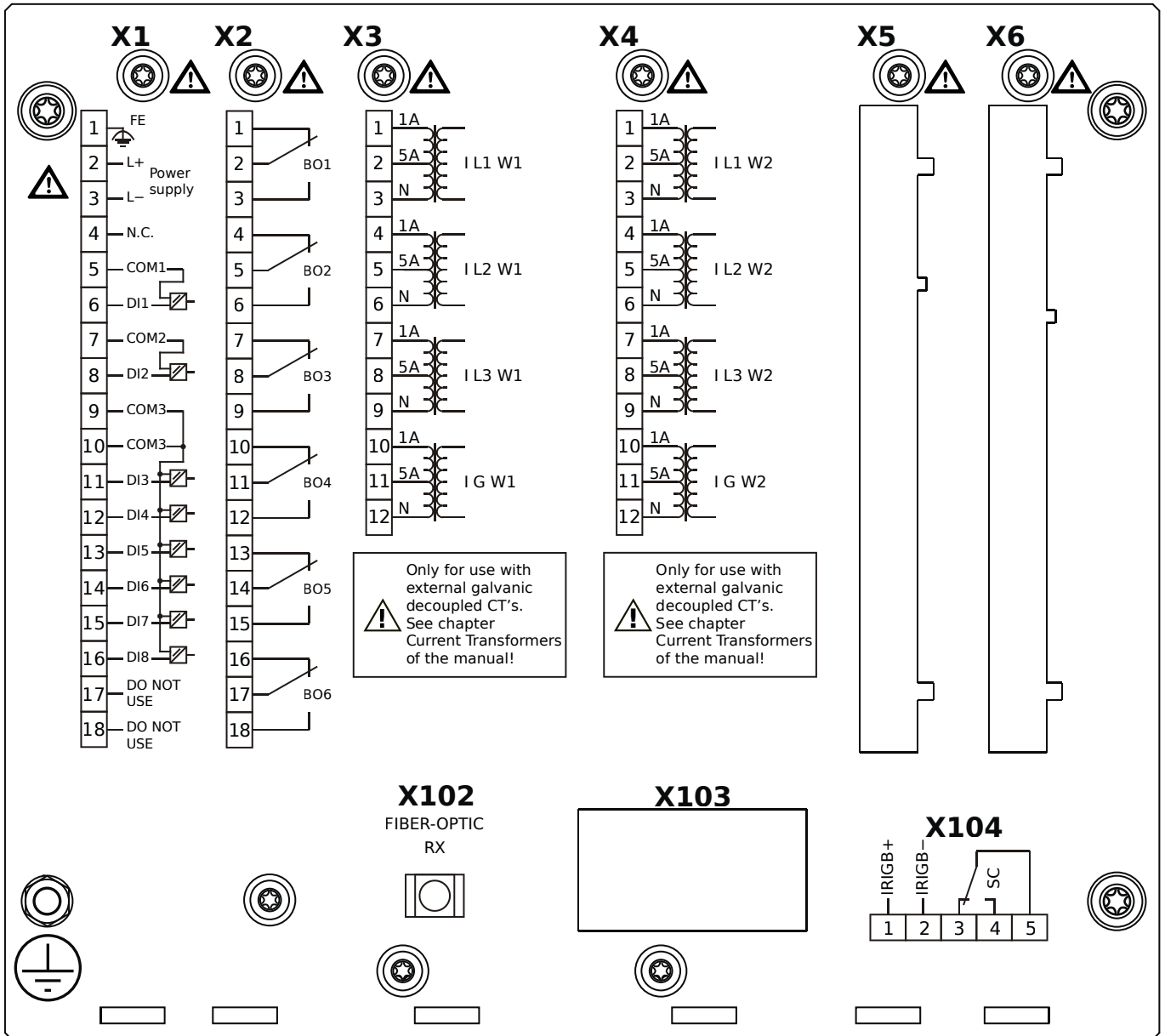
This document does not replace the Technical Manual.

MRDT4-2A0AAA



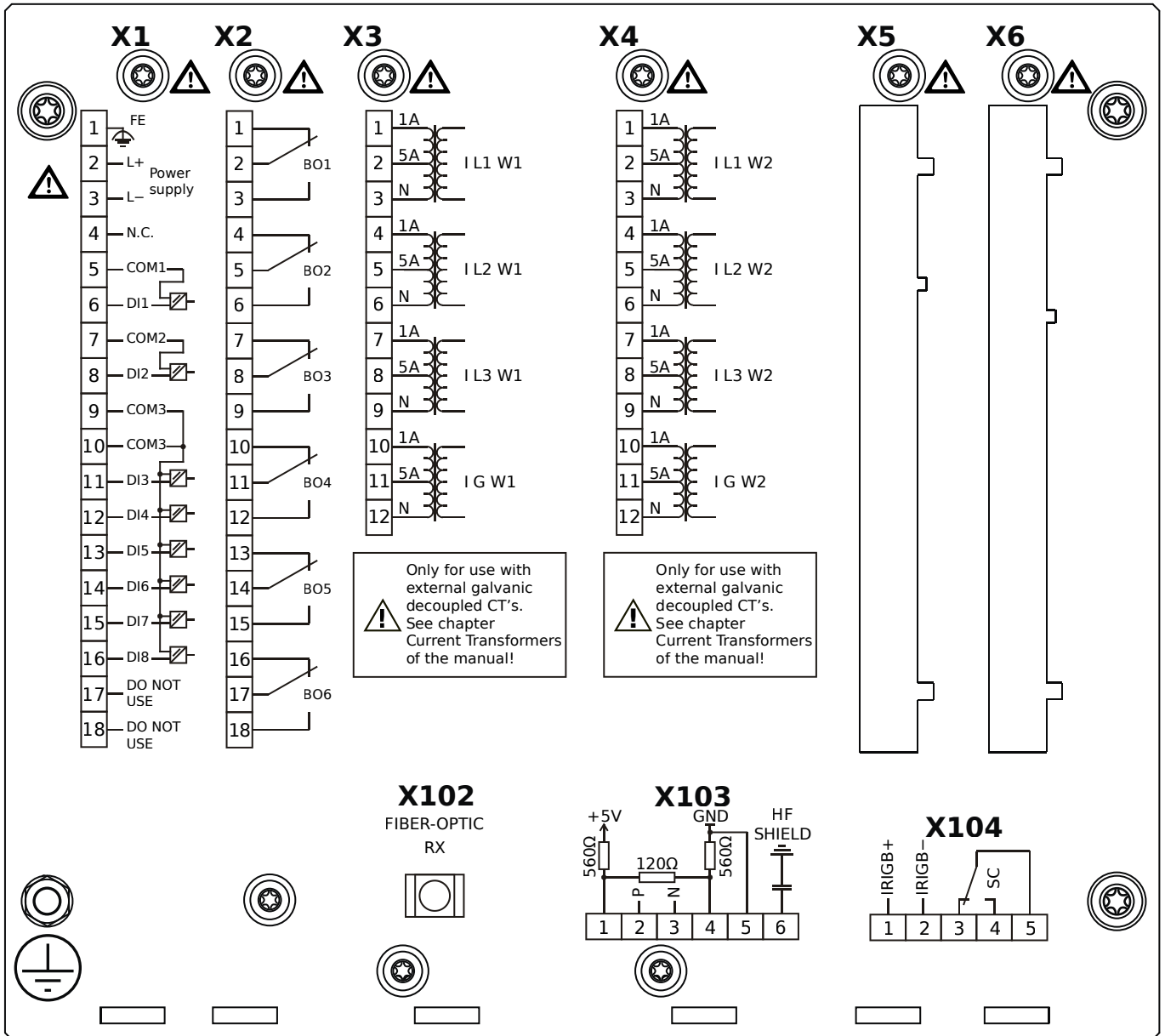
- X1** – DI8-X1: Wide-range power supply unit, incl. 2 non-grouped digital inputs and 6 grouped digital inputs
- X2** – OR-6: Assembly Group with 6 Relay Outputs
- X3** – TI-4: Standard current measuring card (for the winding side 1)
- X4** – TI-4: Standard current measuring card (for the winding side 2)
- X102** – Universal Resistance-Temperature Detector (URTD) input, Fiber optics interface, Versatile Link
- X104** – IRIG-B00X, incl. System Contact (Supervision Contact)

MRDT4-2A0AAB



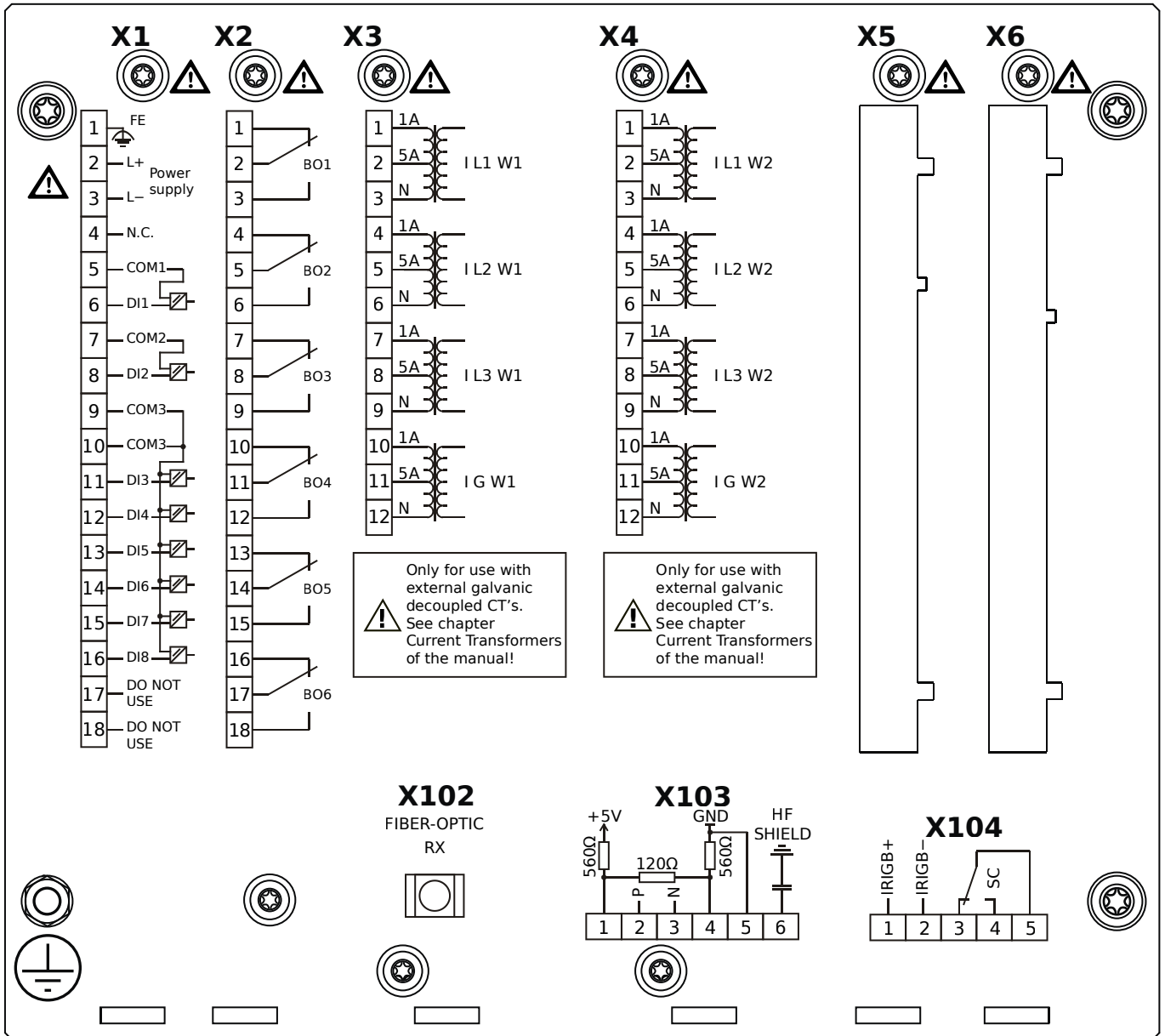
- X1** – DI8-X1: Wide-range power supply unit, incl. 2 non-grouped digital inputs and 6 grouped digital inputs
- X2** – OR-6: Assembly Group with 6 Relay Outputs
- X3** – TI-4: Standard current measuring card (for the winding side 1)
- X4** – TI-4: Standard current measuring card (for the winding side 2)
- X102** – Universal Resistance-Temperature Detector (URTD) input, Fiber optics interface, Versatile Link
- X104** – IRIG-B00X, incl. System Contact (Supervision Contact)

MRDT4-2A0ABA



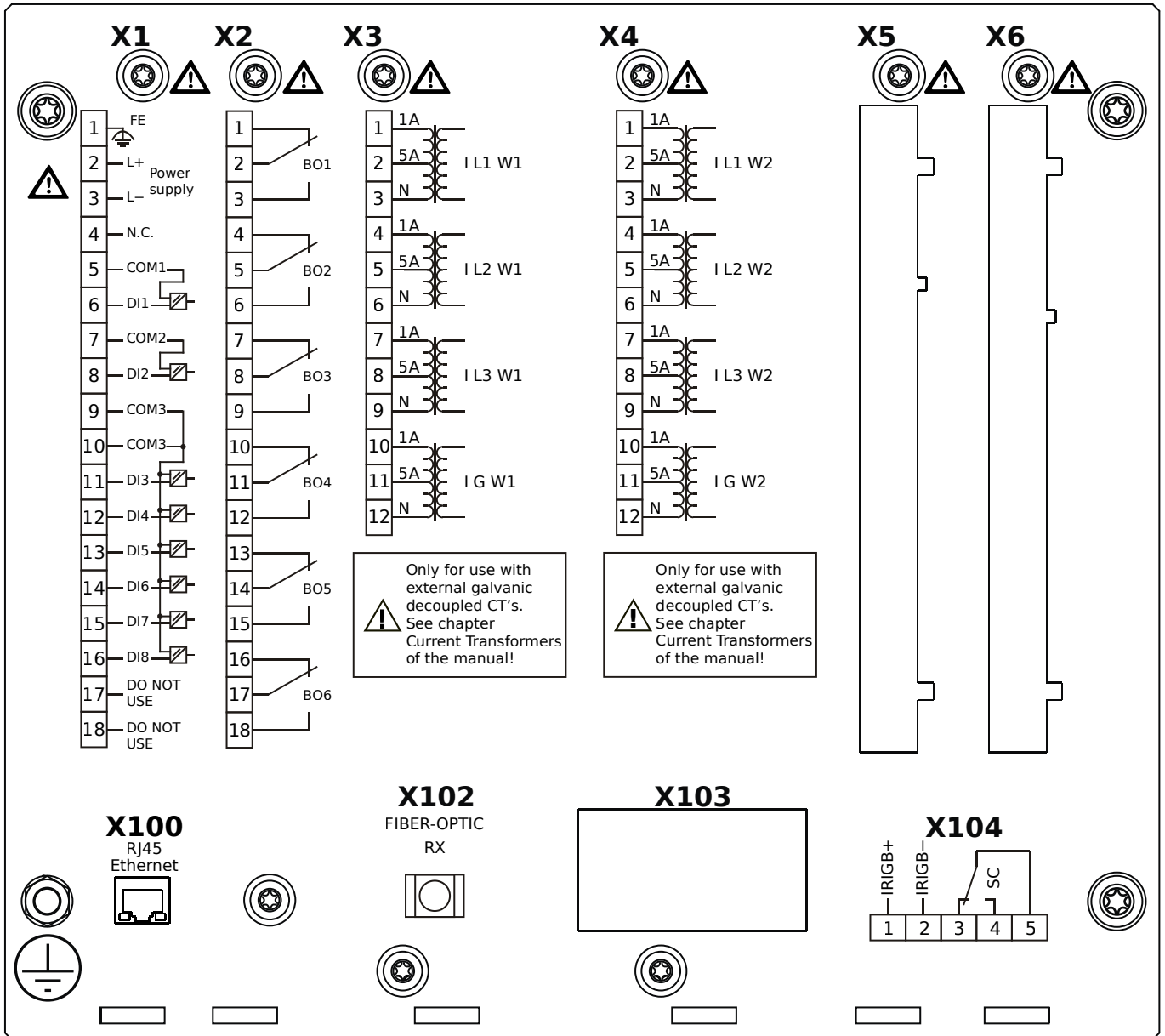
- X1** – DI8-X1: Wide-range power supply unit, incl. 2 non-grouped digital inputs and 6 grouped digital inputs
- X2** – OR-6: Assembly Group with 6 Relay Outputs
- X3** – TI-4: Standard current measuring card (for the winding side 1)
- X4** – TI-4: Standard current measuring card (for the winding side 2)
- X102** – Universal Resistance-Temperature Detector (URTD) input, Fiber optics interface, Versatile Link
- X103** – Modbus RTU / IEC 60870-5-103 / DNP3.0 RTU, RS485, Terminals
- X104** – IRIG-B00X, incl. System Contact (Supervision Contact)

MRDT4-2A0ABB



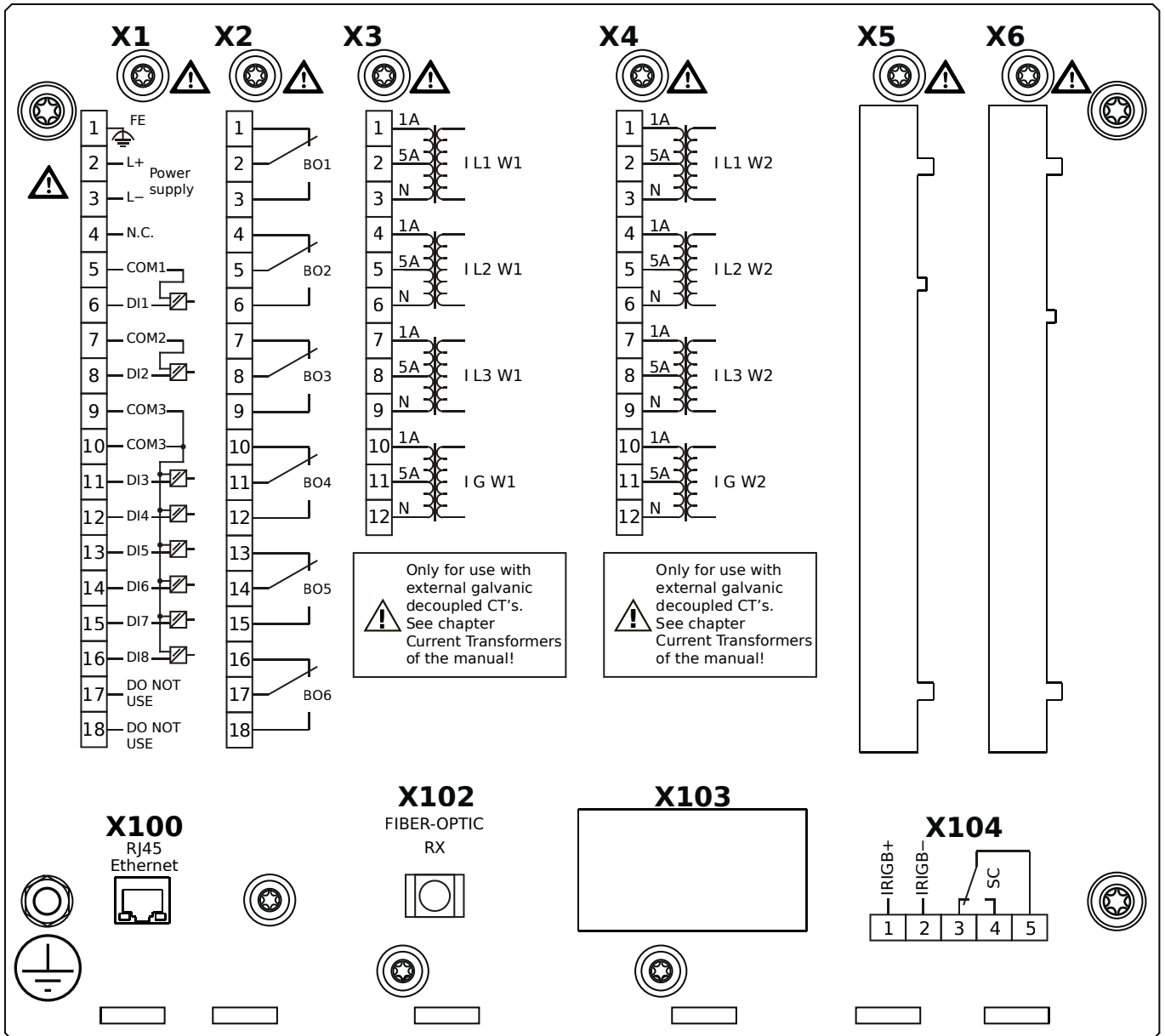
- X1** – DI8-X1: Wide-range power supply unit, incl. 2 non-grouped digital inputs and 6 grouped digital inputs
- X2** – OR-6: Assembly Group with 6 Relay Outputs
- X3** – TI-4: Standard current measuring card (for the winding side 1)
- X4** – TI-4: Standard current measuring card (for the winding side 2)
- X102** – Universal Resistance-Temperature Detector (URTD) input, Fiber optics interface, Versatile Link
- X103** – Modbus RTU / IEC 60870-5-103 / DNP3.0 RTU, RS485, Terminals
- X104** – IRIG-B00X, incl. System Contact (Supervision Contact)

MRDT4-2A0ACA



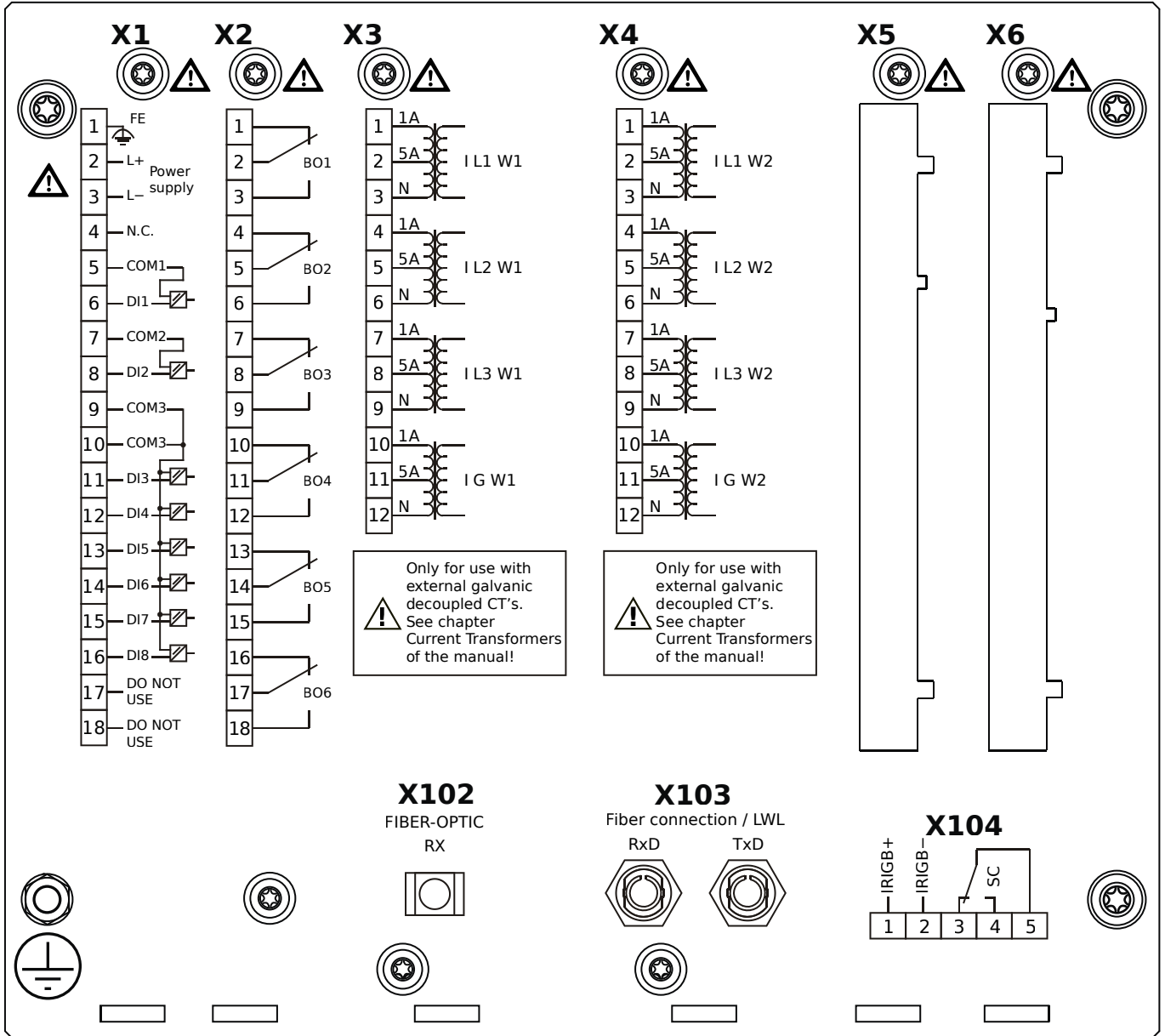
- X1** – DI8-X1: Wide-range power supply unit, incl. 2 non-grouped digital inputs and 6 grouped digital inputs
- X2** – OR-6: Assembly Group with 6 Relay Outputs
- X3** – TI-4: Standard current measuring card (for the winding side 1)
- X4** – TI-4: Standard current measuring card (for the winding side 2)
- X100** – Modbus TCP / DNP3.0 TCP/UDP, Ethernet interface, 100 Mbit/s, RJ45 (BASE100-FX)
- X102** – Universal Resistance-Temperature Detector (URTD) input, Fiber optics interface, Versatile Link
- X104** – IRIG-B00X, incl. System Contact (Supervision Contact)

MRDT4-2A0ACB



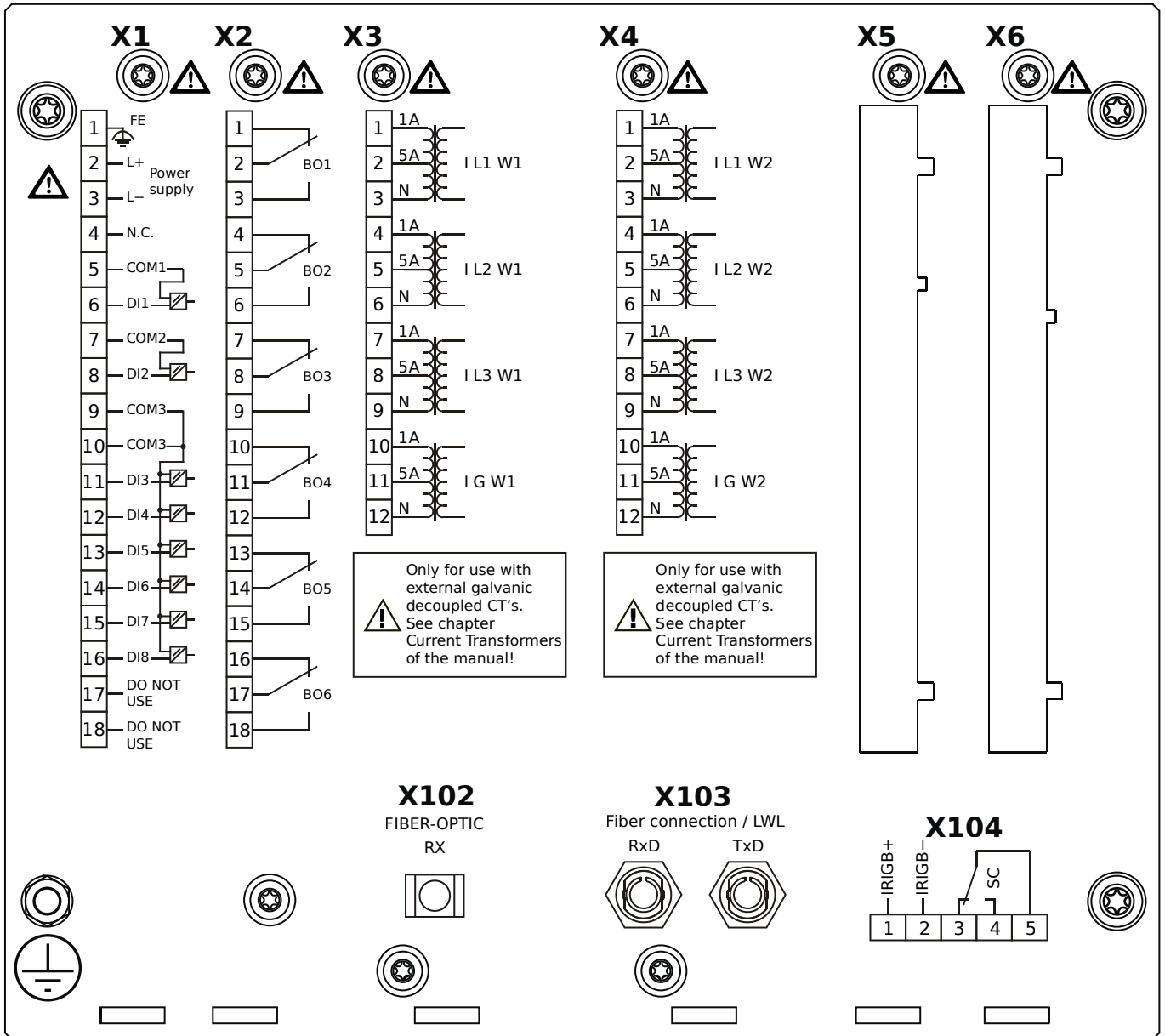
- X1** – DI8-X1: Wide-range power supply unit, incl. 2 non-grouped digital inputs and 6 grouped digital inputs
- X2** – OR-6: Assembly Group with 6 Relay Outputs
- X3** – TI-4: Standard current measuring card (for the winding side 1)
- X4** – TI-4: Standard current measuring card (for the winding side 2)
- X100** – Modbus TCP / DNP3.0 TCP/UDP, Ethernet interface, 100 Mbit/s, RJ45 (BASE100-FX)
- X102** – Universal Resistance-Temperature Detector (URTD) input, Fiber optics interface, Versatile Link
- X104** – IRIG-B00X, incl. System Contact (Supervision Contact)

MRDT4-2A0ADA



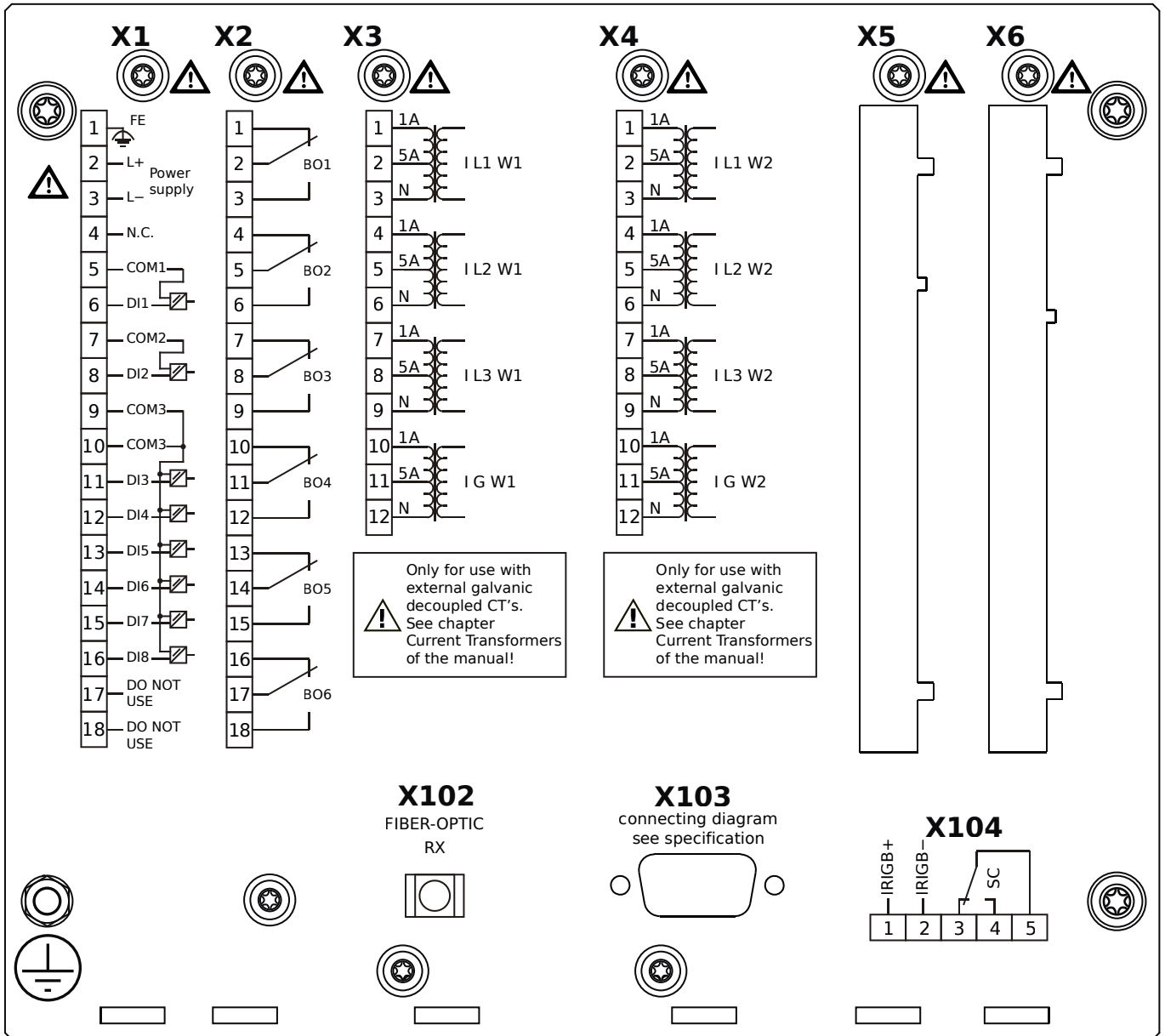
- X1** – DI8-X1: Wide-range power supply unit, incl. 2 non-grouped digital inputs and 6 grouped digital inputs
- X2** – OR-6: Assembly Group with 6 Relay Outputs
- X3** – TI-4: Standard current measuring card (for the winding side 1)
- X4** – TI-4: Standard current measuring card (for the winding side 2)
- X102** – Universal Resistance-Temperature Detector (URTD) input, Fiber optics interface, Versatile Link
- X103** – Profibus-DP, Fiber optics interface, ST Connector
- X104** – IRIG-B00X, incl. System Contact (Supervision Contact)

MRDT4-2A0ADB



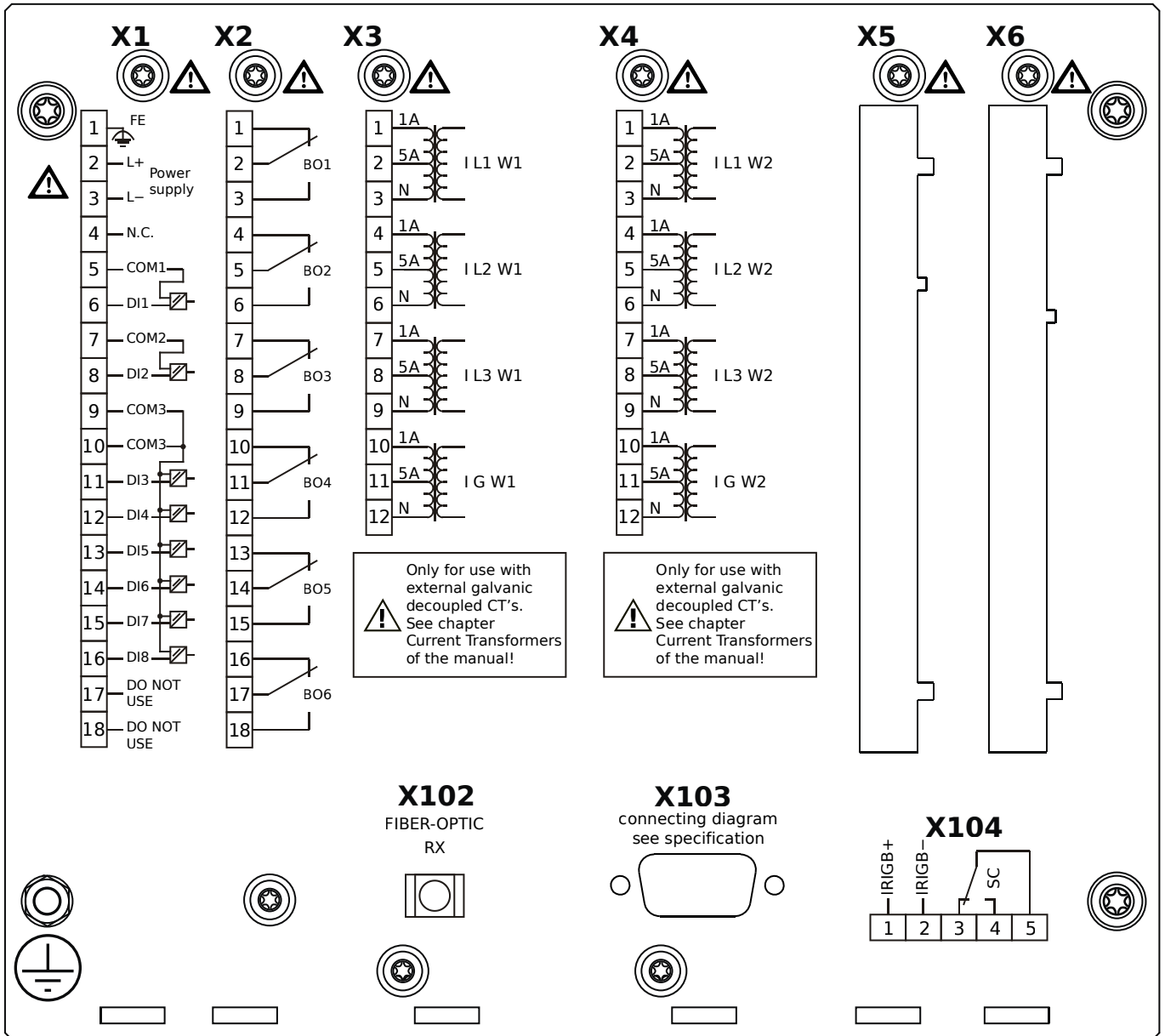
- X1** – DI8-X1: Wide-range power supply unit, incl. 2 non-grouped digital inputs and 6 grouped digital inputs
- X2** – OR-6: Assembly Group with 6 Relay Outputs
- X3** – TI-4: Standard current measuring card (for the winding side 1)
- X4** – TI-4: Standard current measuring card (for the winding side 2)
- X102** – Universal Resistance-Temperature Detector (URTD) input, Fiber optics interface, Versatile Link
- X103** – Profibus-DP, Fiber optics interface, ST Connector
- X104** – IRIG-B00X, incl. System Contact (Supervision Contact)

MRDT4-2A0AEA



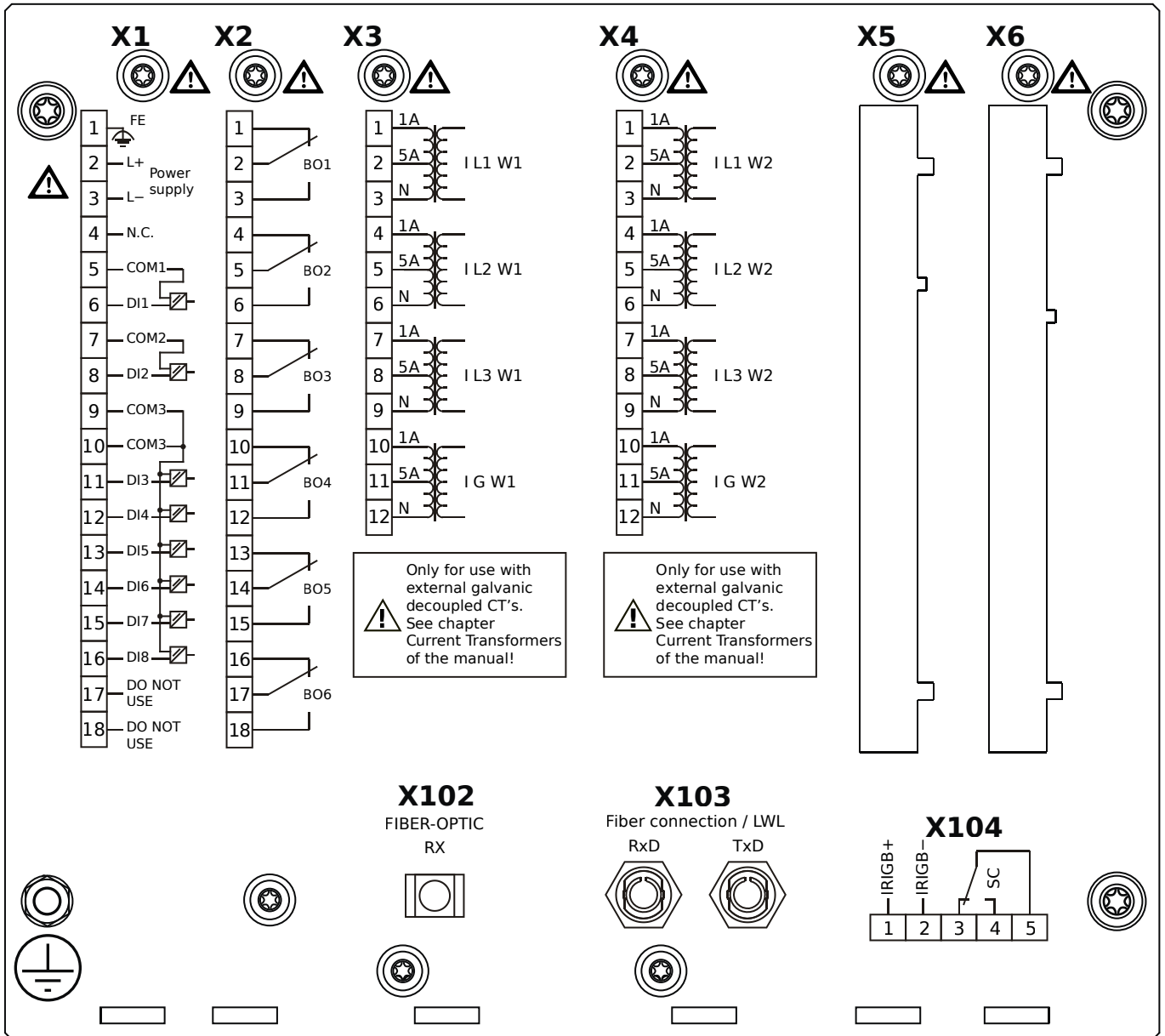
- X1** – DI8-X1: Wide-range power supply unit, incl. 2 non-grouped digital inputs and 6 grouped digital inputs
- X2** – OR-6: Assembly Group with 6 Relay Outputs
- X3** – TI-4: Standard current measuring card (for the winding side 1)
- X4** – TI-4: Standard current measuring card (for the winding side 2)
- X102** – Universal Resistance-Temperature Detector (URTD) input, Fiber optics interface, Versatile Link
- X103** – Profibus-DP, RS485, D-SUB
- X104** – IRIG-B00X, incl. System Contact (Supervision Contact)

MRDT4-2A0AEB



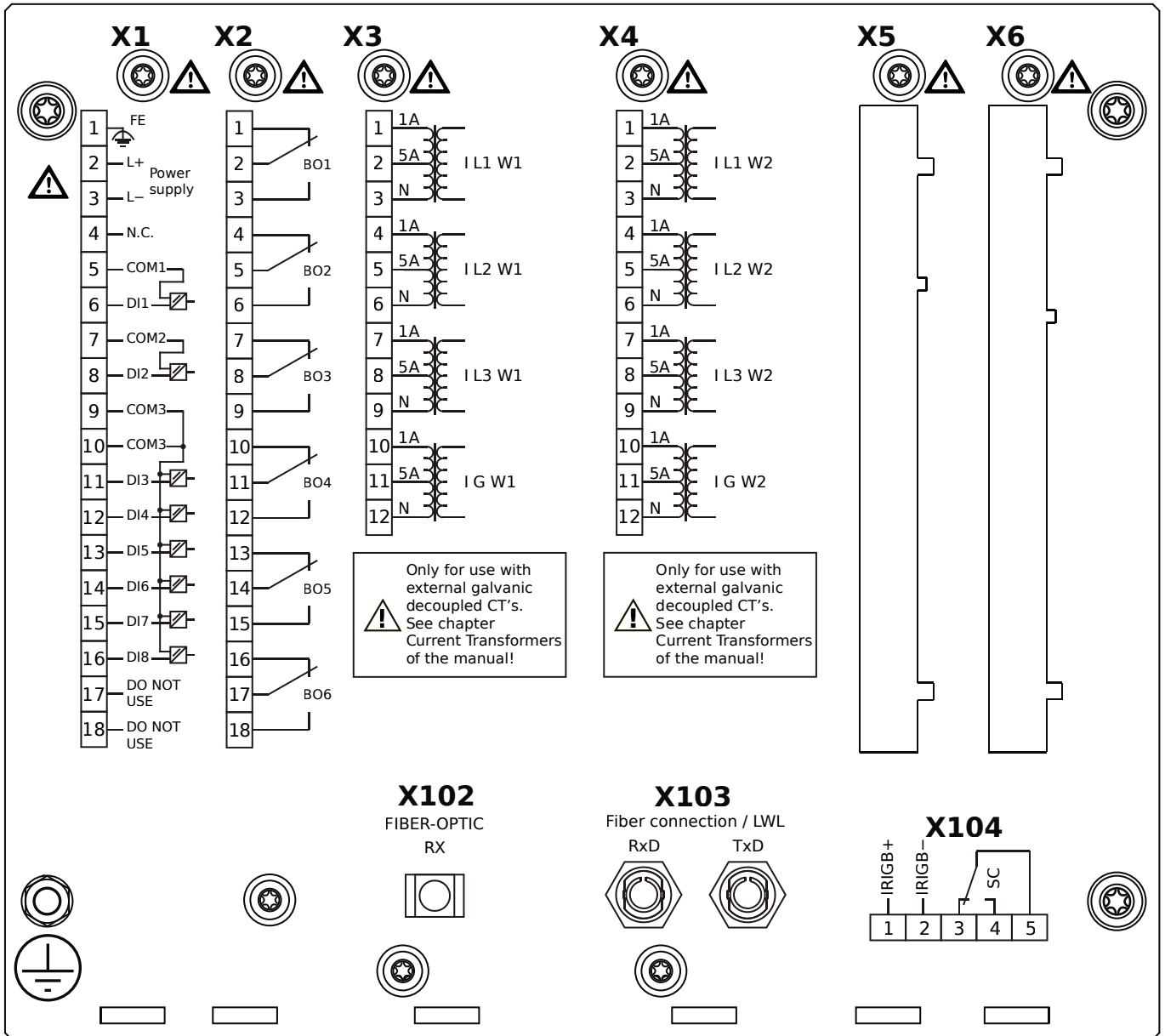
- X1** – DI8-X1: Wide-range power supply unit, incl. 2 non-grouped digital inputs and 6 grouped digital inputs
- X2** – OR-6: Assembly Group with 6 Relay Outputs
- X3** – TI-4: Standard current measuring card (for the winding side 1)
- X4** – TI-4: Standard current measuring card (for the winding side 2)
- X102** – Universal Resistance-Temperature Detector (URTD) input, Fiber optics interface, Versatile Link
- X103** – Profibus-DP, RS485, D-SUB
- X104** – IRIG-B00X, incl. System Contact (Supervision Contact)

MRDT4-2A0AFA



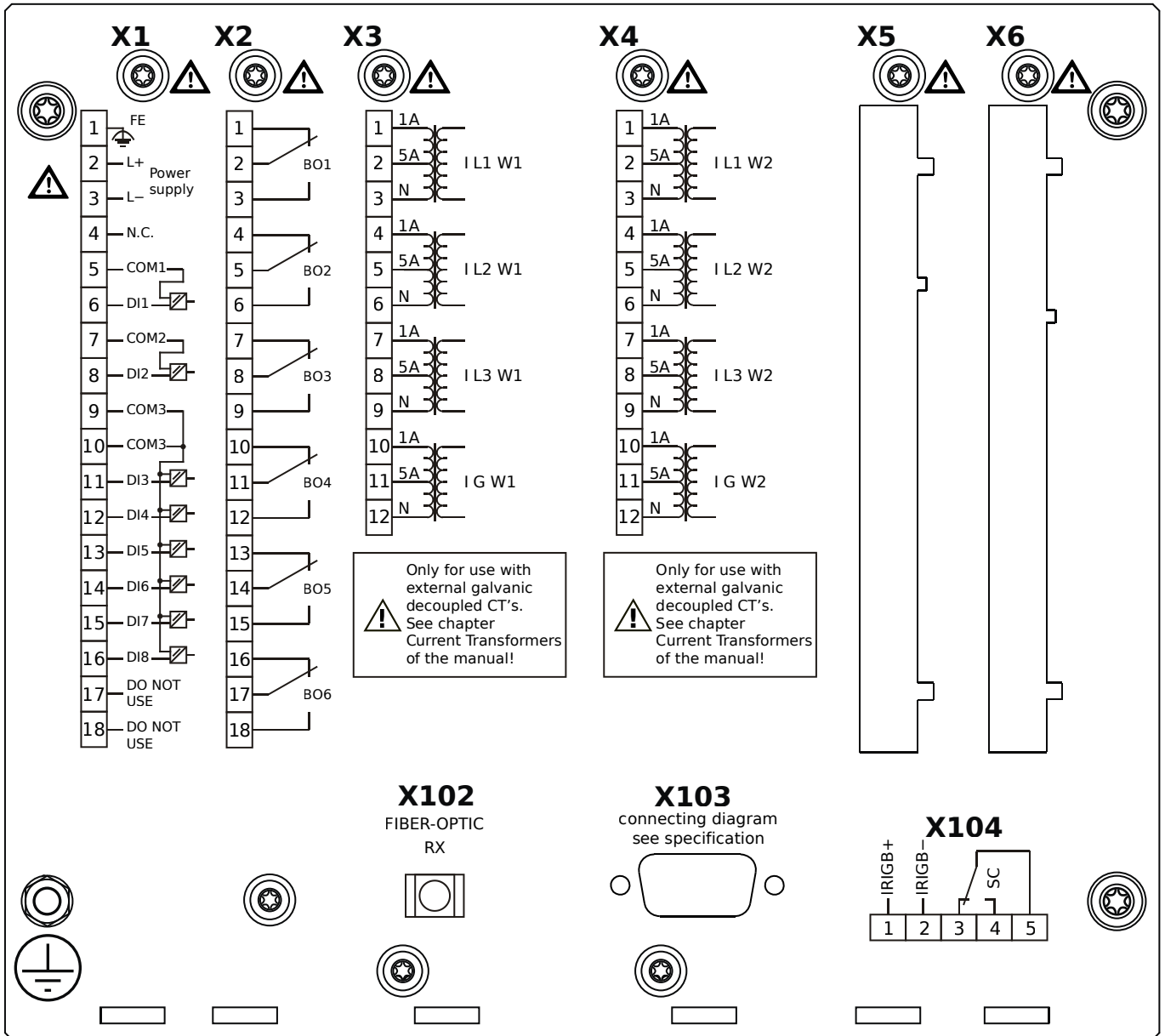
- X1** – DI8-X1: Wide-range power supply unit, incl. 2 non-grouped digital inputs and 6 grouped digital inputs
- X2** – OR-6: Assembly Group with 6 Relay Outputs
- X3** – TI-4: Standard current measuring card (for the winding side 1)
- X4** – TI-4: Standard current measuring card (for the winding side 2)
- X102** – Universal Resistance-Temperature Detector (URTD) input, Fiber optics interface, Versatile Link
- X103** – Modbus RTU / IEC 60870-5-103 / DNP3.0 RTU, Fiber optics interface, ST Connector
- X104** – IRIG-B00X, incl. System Contact (Supervision Contact)

MRDT4-2A0AFB



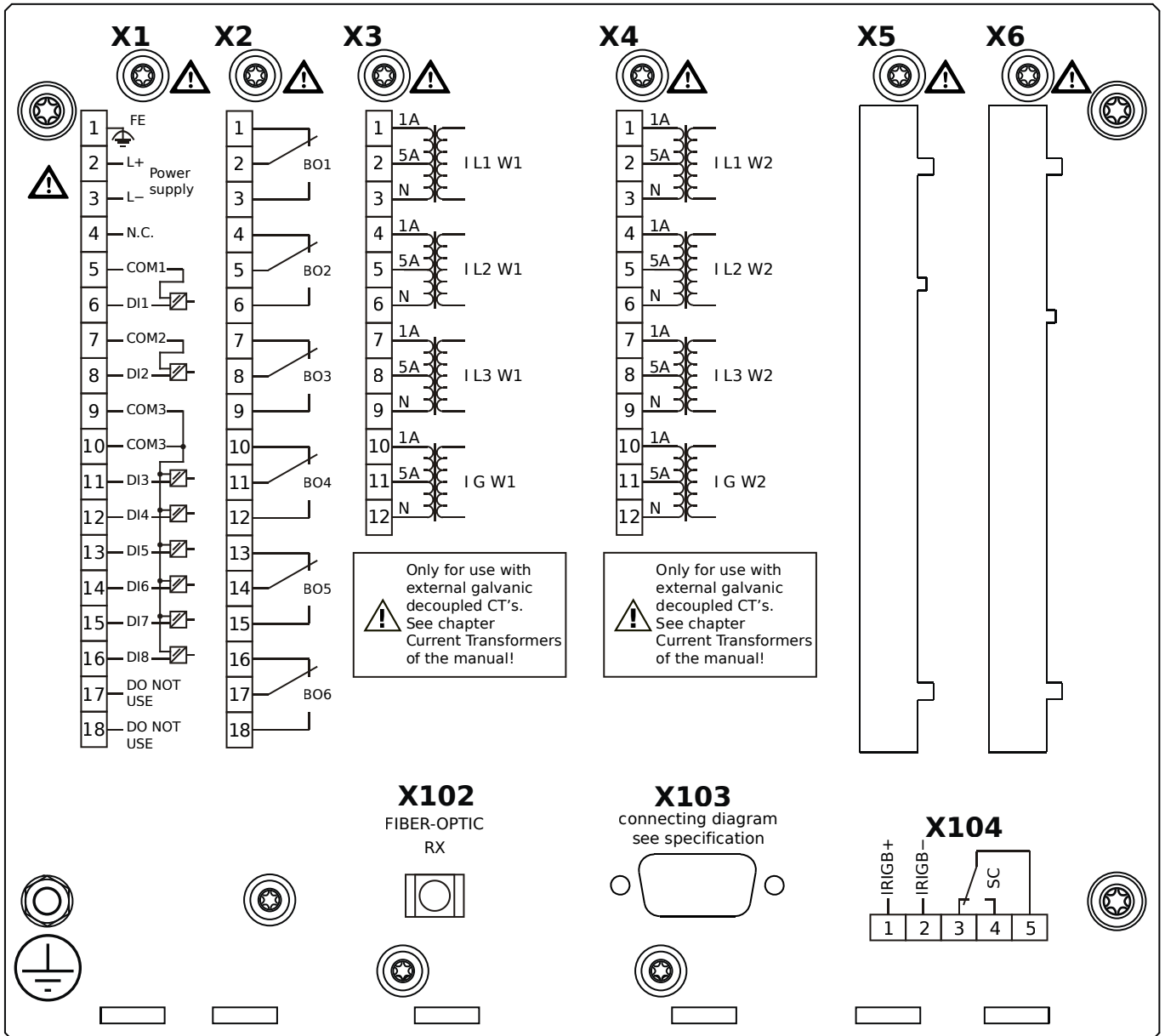
- X1** – DI8-X1: Wide-range power supply unit, incl. 2 non-grouped digital inputs and 6 grouped digital inputs
- X2** – OR-6: Assembly Group with 6 Relay Outputs
- X3** – TI-4: Standard current measuring card (for the winding side 1)
- X4** – TI-4: Standard current measuring card (for the winding side 2)
- X102** – Universal Resistance-Temperature Detector (URTD) input, Fiber optics interface, Versatile Link
- X103** – Modbus RTU / IEC 60870-5-103 / DNP3.0 RTU, Fiber optics interface, ST Connector
- X104** – IRIG-B00X, incl. System Contact (Supervision Contact)

MRDT4-2A0AGA



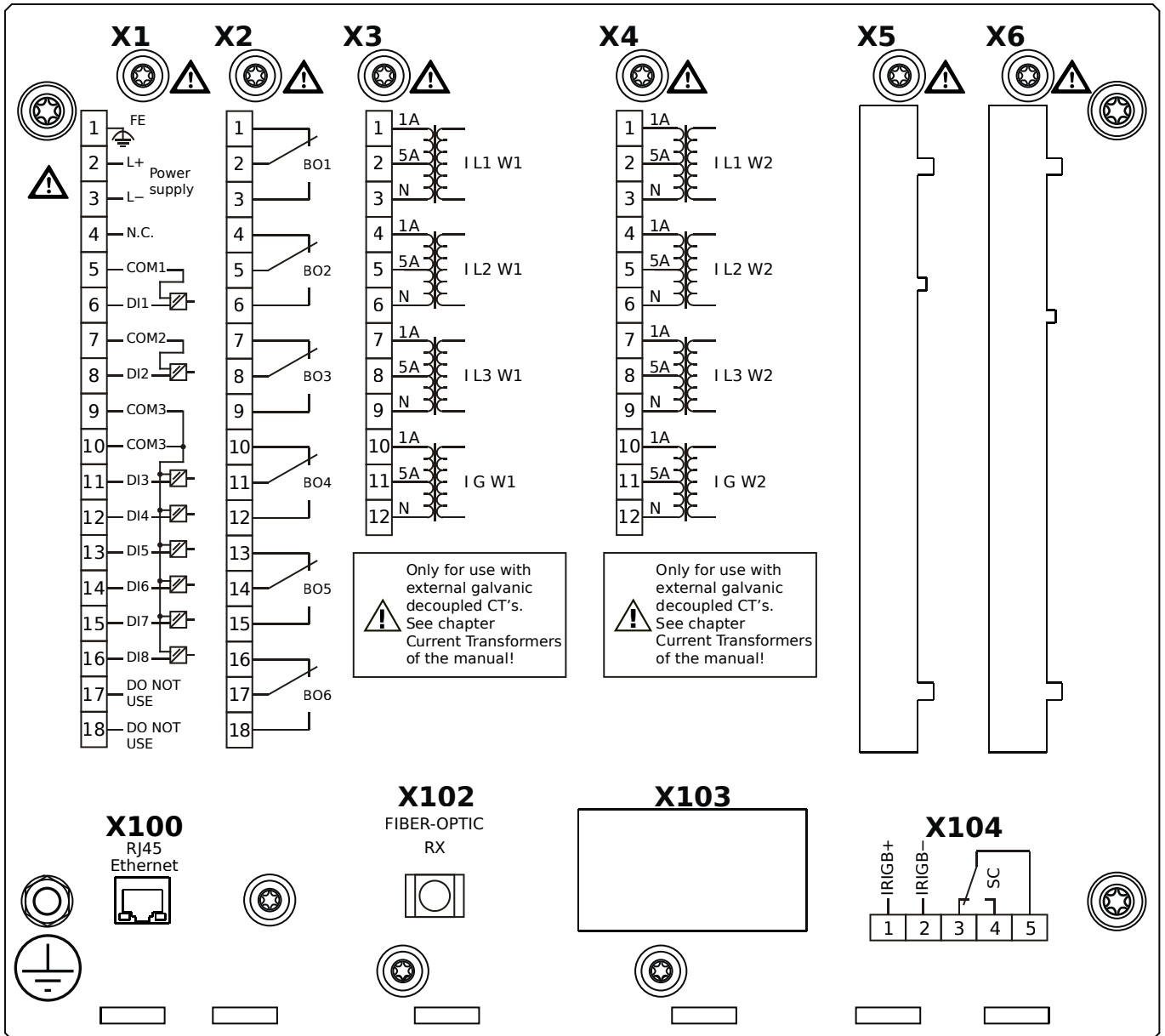
- X1** – DI8-X1: Wide-range power supply unit, incl. 2 non-grouped digital inputs and 6 grouped digital inputs
- X2** – OR-6: Assembly Group with 6 Relay Outputs
- X3** – TI-4: Standard current measuring card (for the winding side 1)
- X4** – TI-4: Standard current measuring card (for the winding side 2)
- X102** – Universal Resistance-Temperature Detector (URTD) input, Fiber optics interface, Versatile Link
- X103** – Modbus RTU / IEC 60870-5-103 / DNP3.0 RTU, RS485, D-SUB
- X104** – IRIG-B00X, incl. System Contact (Supervision Contact)

MRDT4-2A0AGB



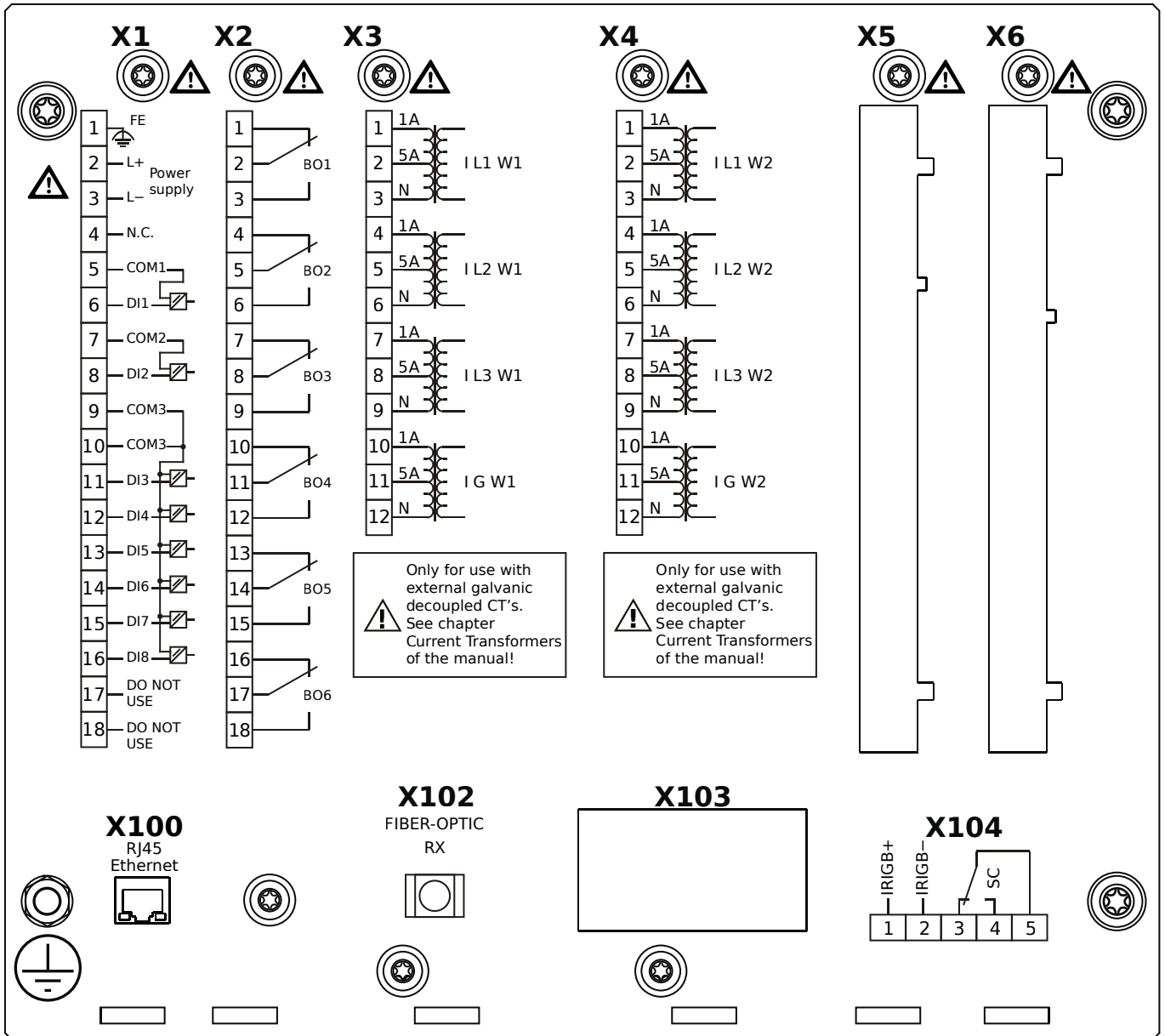
- X1** – DI8-X1: Wide-range power supply unit, incl. 2 non-grouped digital inputs and 6 grouped digital inputs
- X2** – OR-6: Assembly Group with 6 Relay Outputs
- X3** – TI-4: Standard current measuring card (for the winding side 1)
- X4** – TI-4: Standard current measuring card (for the winding side 2)
- X102** – Universal Resistance-Temperature Detector (URTD) input, Fiber optics interface, Versatile Link
- X103** – Modbus RTU / IEC 60870-5-103 / DNP3.0 RTU, RS485, D-SUB
- X104** – IRIG-B00X, incl. System Contact (Supervision Contact)

MRDT4-2A0AHA



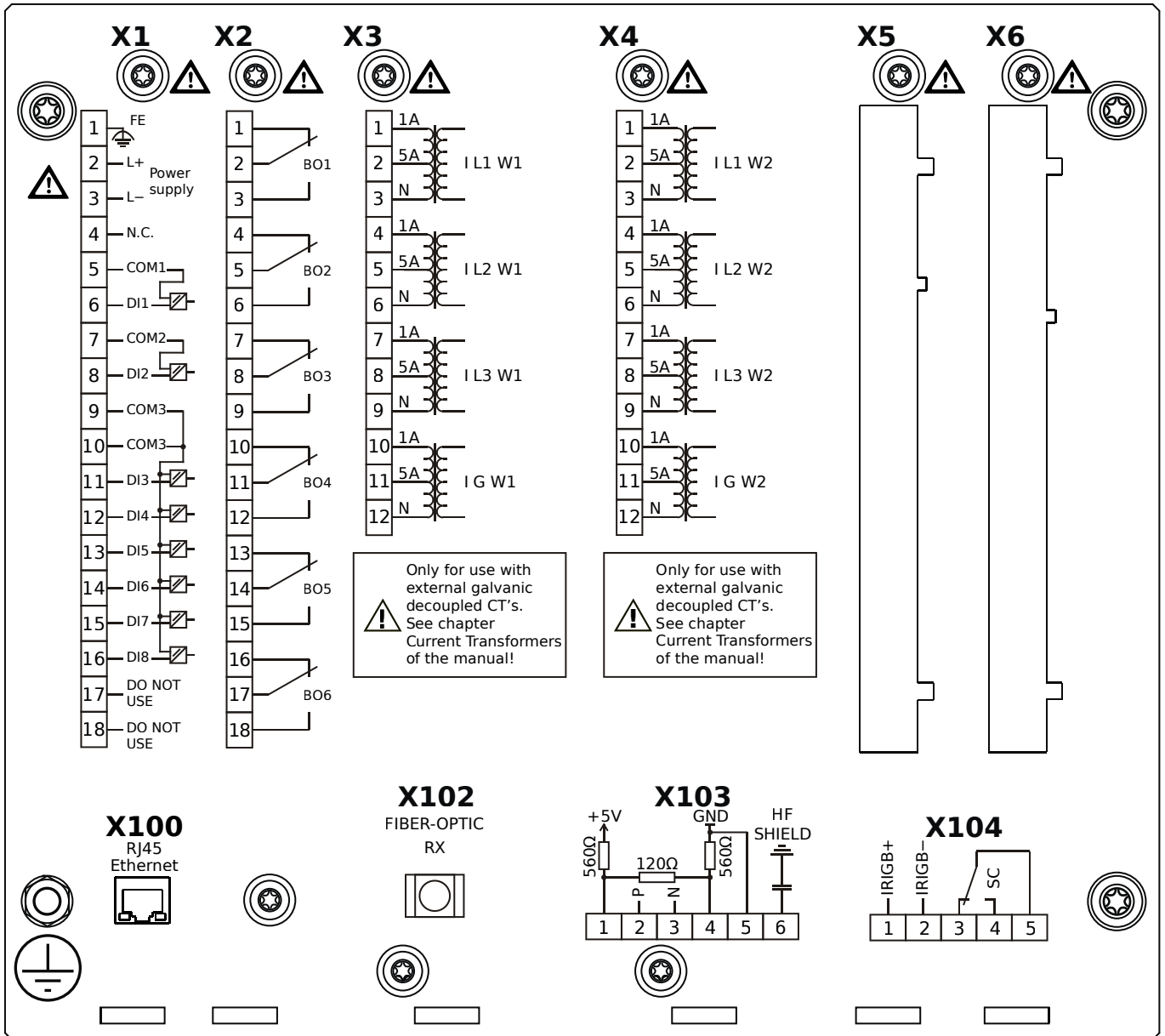
- X1** – DI8-X1: Wide-range power supply unit, incl. 2 non-grouped digital inputs and 6 grouped digital inputs
- X2** – OR-6: Assembly Group with 6 Relay Outputs
- X3** – TI-4: Standard current measuring card (for the winding side 1)
- X4** – TI-4: Standard current measuring card (for the winding side 2)
- X100** – IEC 61850 / Modbus TCP / DNP3.0 TCP/UDP, Ethernet interface, 100 Mbit/s, RJ45 (BASE100-FX)
- X102** – Universal Resistance-Temperature Detector (URTD) input, Fiber optics interface, Versatile Link
- X104** – IRIG-B00X, incl. System Contact (Supervision Contact)

MRDT4-2A0AHB



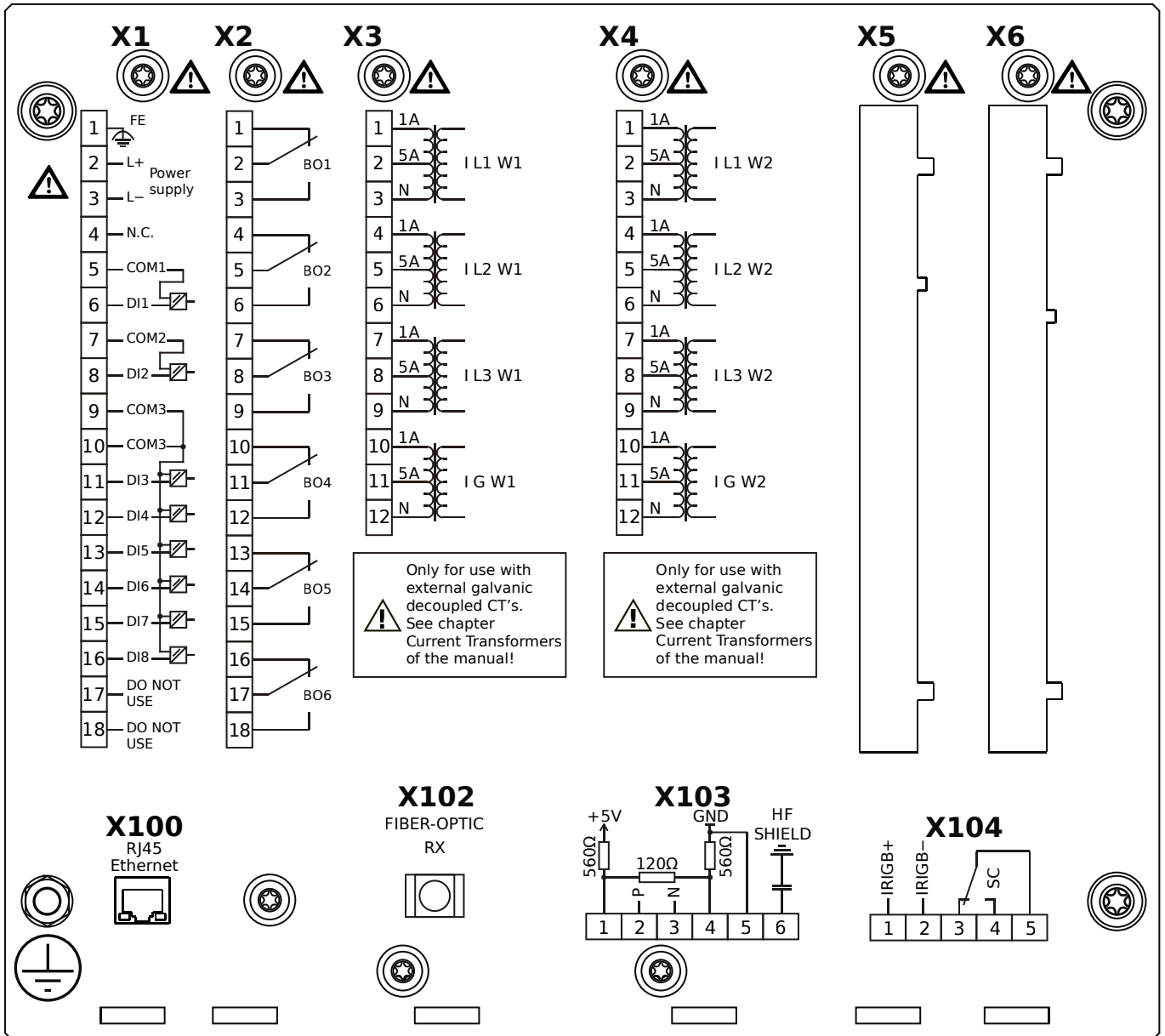
- X1** – DI8-X1: Wide-range power supply unit, incl. 2 non-grouped digital inputs and 6 grouped digital inputs
- X2** – OR-6: Assembly Group with 6 Relay Outputs
- X3** – TI-4: Standard current measuring card (for the winding side 1)
- X4** – TI-4: Standard current measuring card (for the winding side 2)
- X100** – IEC 61850 / Modbus TCP / DNP3.0 TCP/UDP, Ethernet interface, 100 Mbit/s, RJ45 (BASE100-FX)
- X102** – Universal Resistance-Temperature Detector (URTD) input, Fiber optics interface, Versatile Link
- X104** – IRIG-B00X, incl. System Contact (Supervision Contact)

MRDT4-2A0AIA



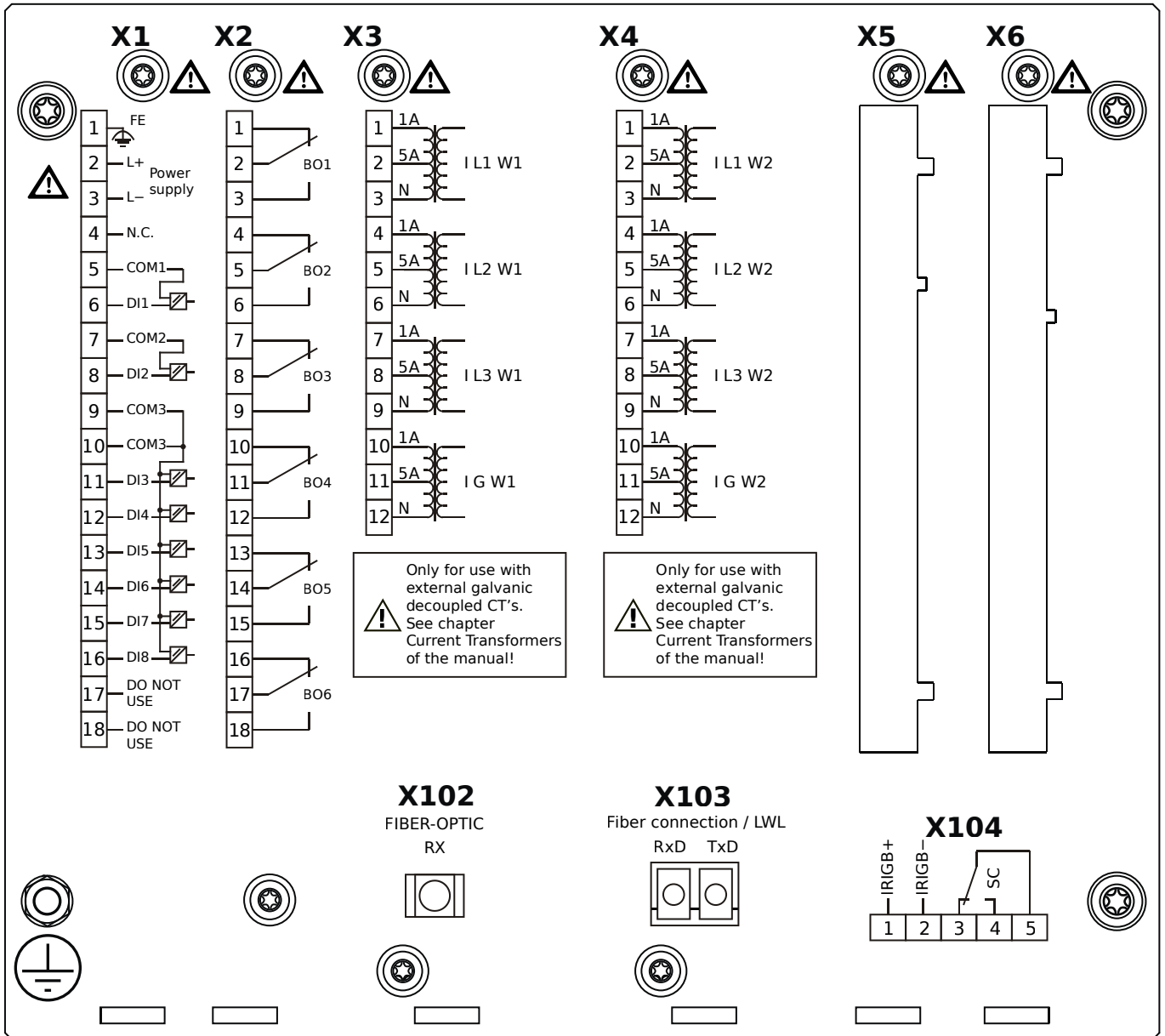
- X1** – DI8-X1: Wide-range power supply unit, incl. 2 non-grouped digital inputs and 6 grouped digital inputs
- X2** – OR-6: Assembly Group with 6 Relay Outputs
- X3** – TI-4: Standard current measuring card (for the winding side 1)
- X4** – TI-4: Standard current measuring card (for the winding side 2)
- X100** – Modbus TCP / DNP3.0 TCP/UDP, Ethernet interface, 100 Mbit/s, RJ45 (BASE100-FX)
- X102** – Universal Resistance-Temperature Detector (URTD) input, Fiber optics interface, Versatile Link
- X103** – IEC 60870-5-103 / Modbus RTU / DNP3.0 RTU, RS485, Terminals
- X104** – IRIG-B00X, incl. System Contact (Supervision Contact)

MRDT4-2A0AIB



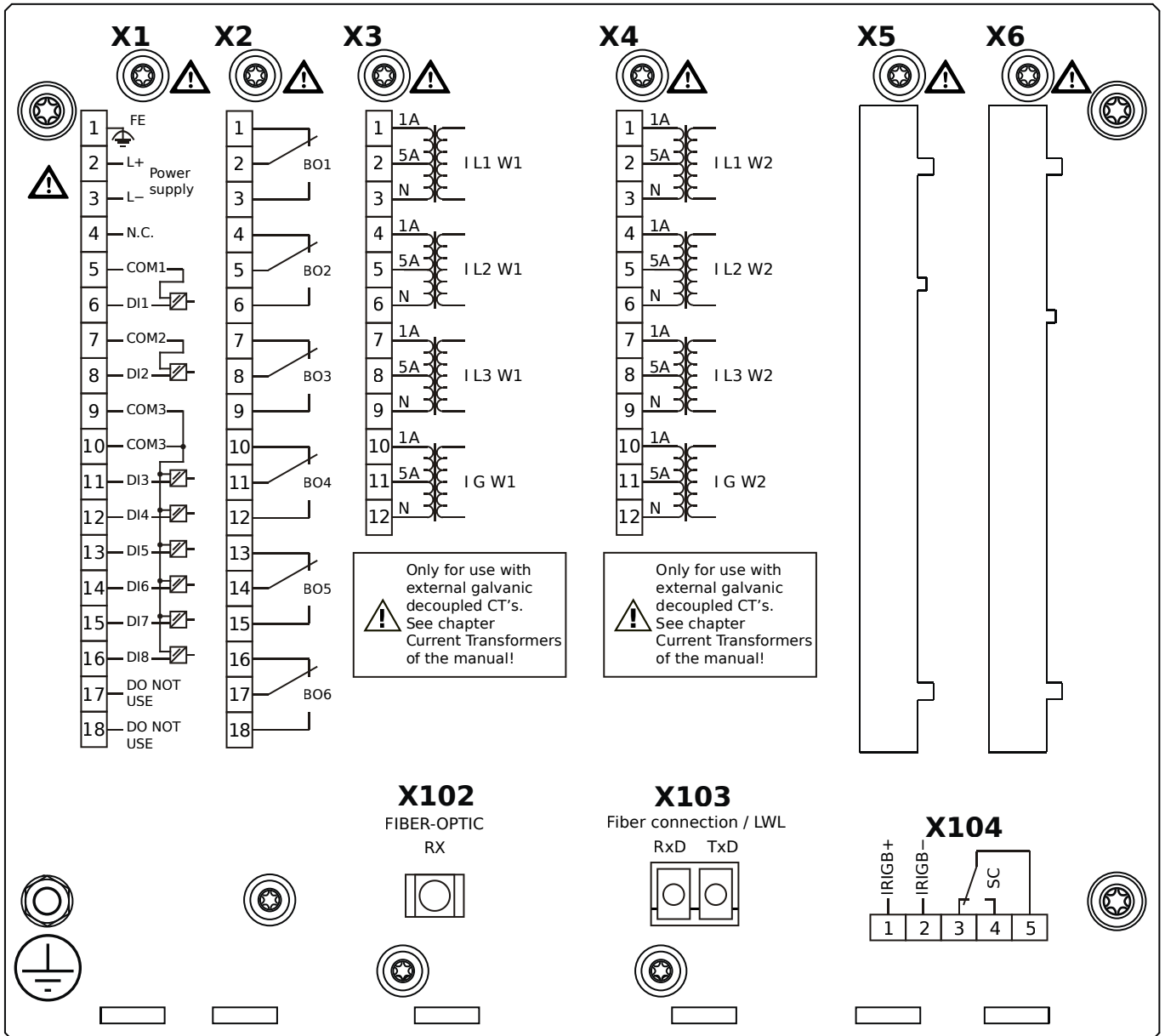
- X1** – DI8-X1: Wide-range power supply unit, incl. 2 non-grouped digital inputs and 6 grouped digital inputs
- X2** – OR-6: Assembly Group with 6 Relay Outputs
- X3** – TI-4: Standard current measuring card (for the winding side 1)
- X4** – TI-4: Standard current measuring card (for the winding side 2)
- X100** – Modbus TCP / DNP3.0 TCP/UDP, Ethernet interface, 100 Mbit/s, RJ45 (BASE100-FX)
- X102** – Universal Resistance-Temperature Detector (URTD) input, Fiber optics interface, Versatile Link
- X103** – IEC 60870-5-103 / Modbus RTU / DNP3.0 RTU, RS485, Terminals
- X104** – IRIG-B00X, incl. System Contact (Supervision Contact)

MRDT4-2A0AKA



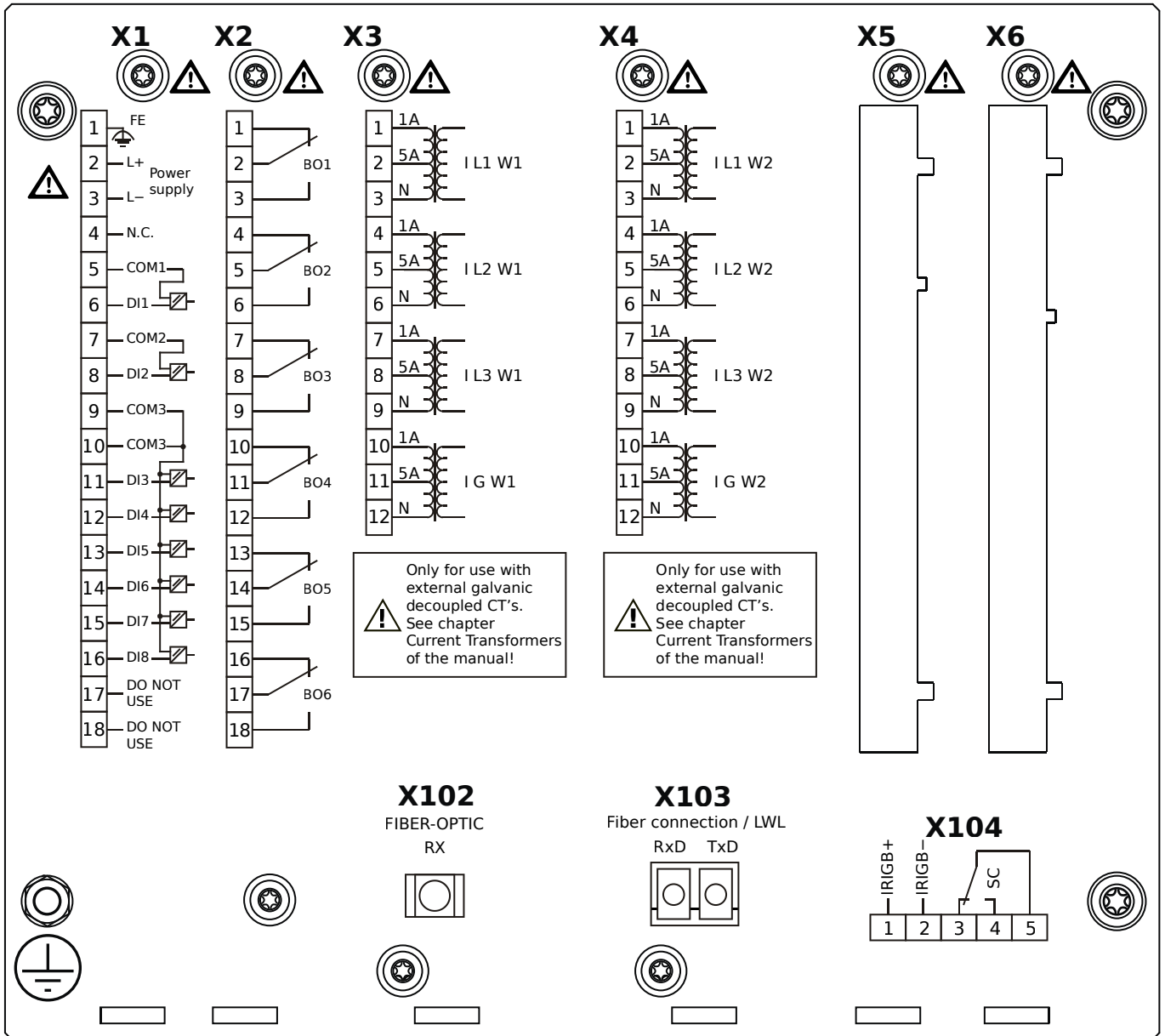
- X1** – DI8-X1: Wide-range power supply unit, incl. 2 non-grouped digital inputs and 6 grouped digital inputs
- X2** – OR-6: Assembly Group with 6 Relay Outputs
- X3** – TI-4: Standard current measuring card (for the winding side 1)
- X4** – TI-4: Standard current measuring card (for the winding side 2)
- X102** – Universal Resistance-Temperature Detector (URTD) input, Fiber optics interface, Versatile Link
- X103** – IEC 61850 / Modbus TCP / DNP3.0 TCP/UDP, Fiber optics interface, LC Connector
- X104** – IRIG-B00X, incl. System Contact (Supervision Contact)

MRDT4-2A0AKB



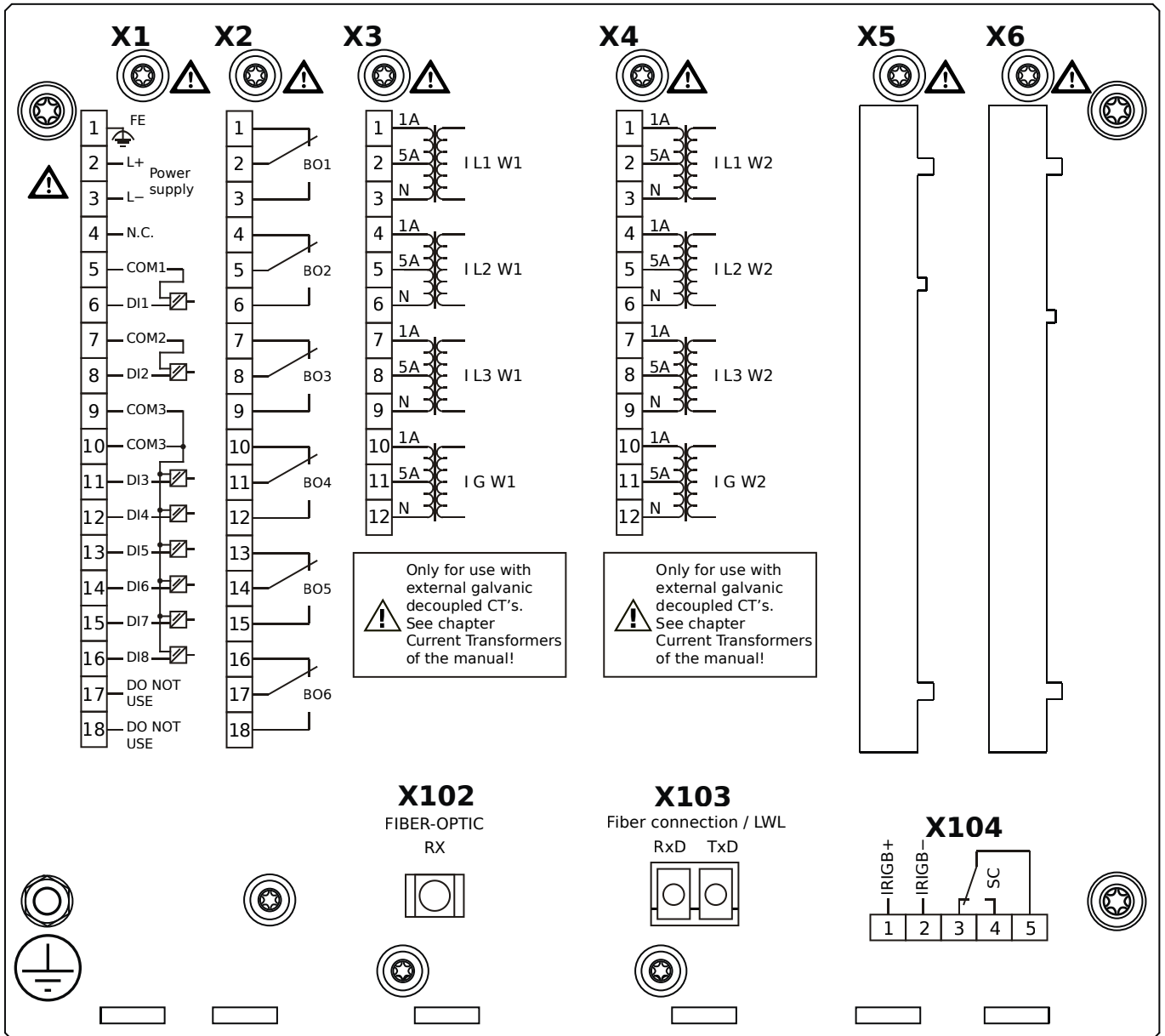
- X1** – DI8-X1: Wide-range power supply unit, incl. 2 non-grouped digital inputs and 6 grouped digital inputs
- X2** – OR-6: Assembly Group with 6 Relay Outputs
- X3** – TI-4: Standard current measuring card (for the winding side 1)
- X4** – TI-4: Standard current measuring card (for the winding side 2)
- X102** – Universal Resistance-Temperature Detector (URTD) input, Fiber optics interface, Versatile Link
- X103** – IEC 61850 / Modbus TCP / DNP3.0 TCP/UDP, Fiber optics interface, LC Connector
- X104** – IRIG-B00X, incl. System Contact (Supervision Contact)

MRDT4-2A0ALA



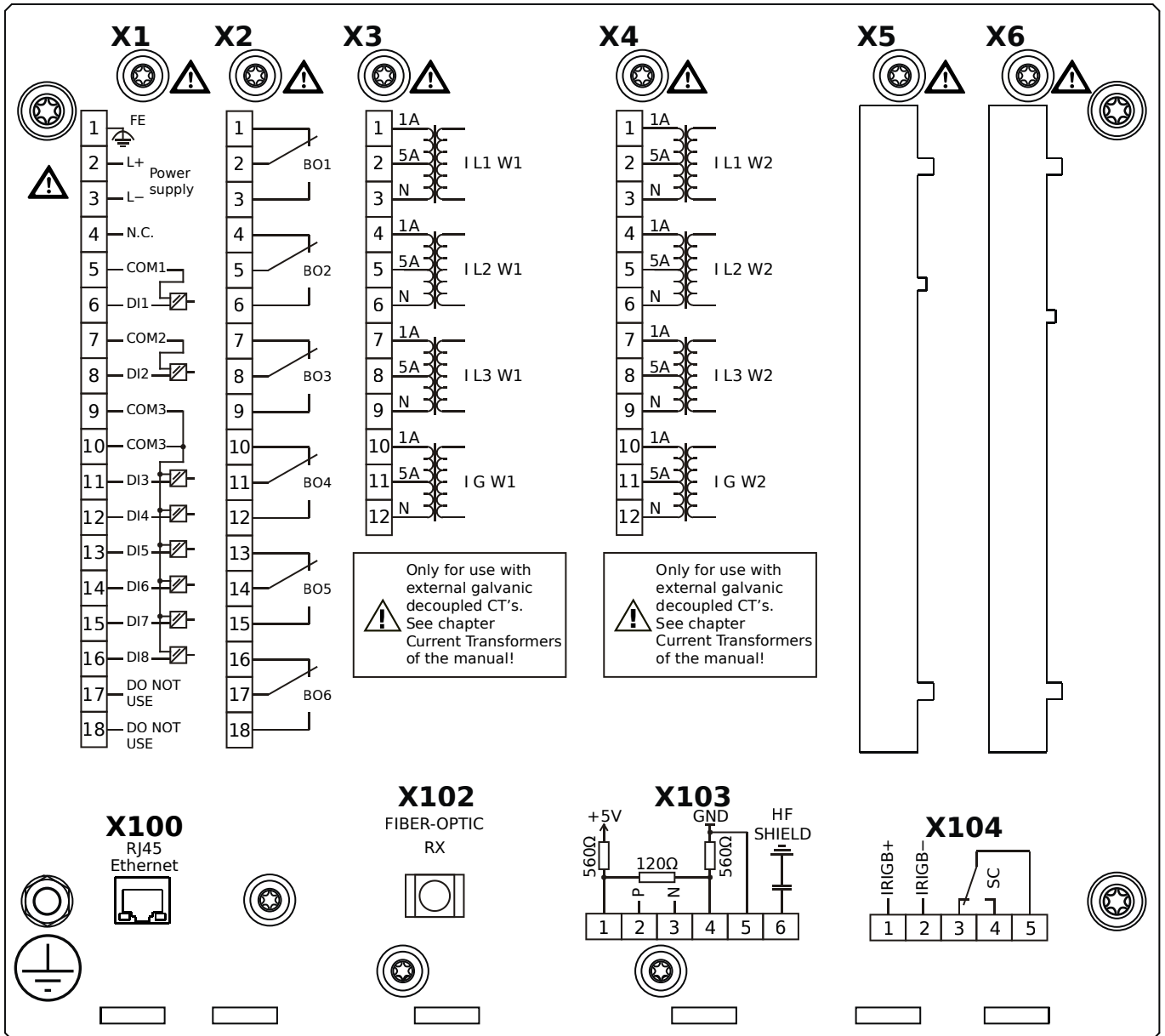
- X1** – DI8-X1: Wide-range power supply unit, incl. 2 non-grouped digital inputs and 6 grouped digital inputs
- X2** – OR-6: Assembly Group with 6 Relay Outputs
- X3** – TI-4: Standard current measuring card (for the winding side 1)
- X4** – TI-4: Standard current measuring card (for the winding side 2)
- X102** – Universal Resistance-Temperature Detector (URTD) input, Fiber optics interface, Versatile Link
- X103** – Modbus TCP / DNP3.0 TCP/UDP, Fiber optics interface, LC Connector
- X104** – IRIG-B00X, incl. System Contact (Supervision Contact)

MRDT4-2A0ALB



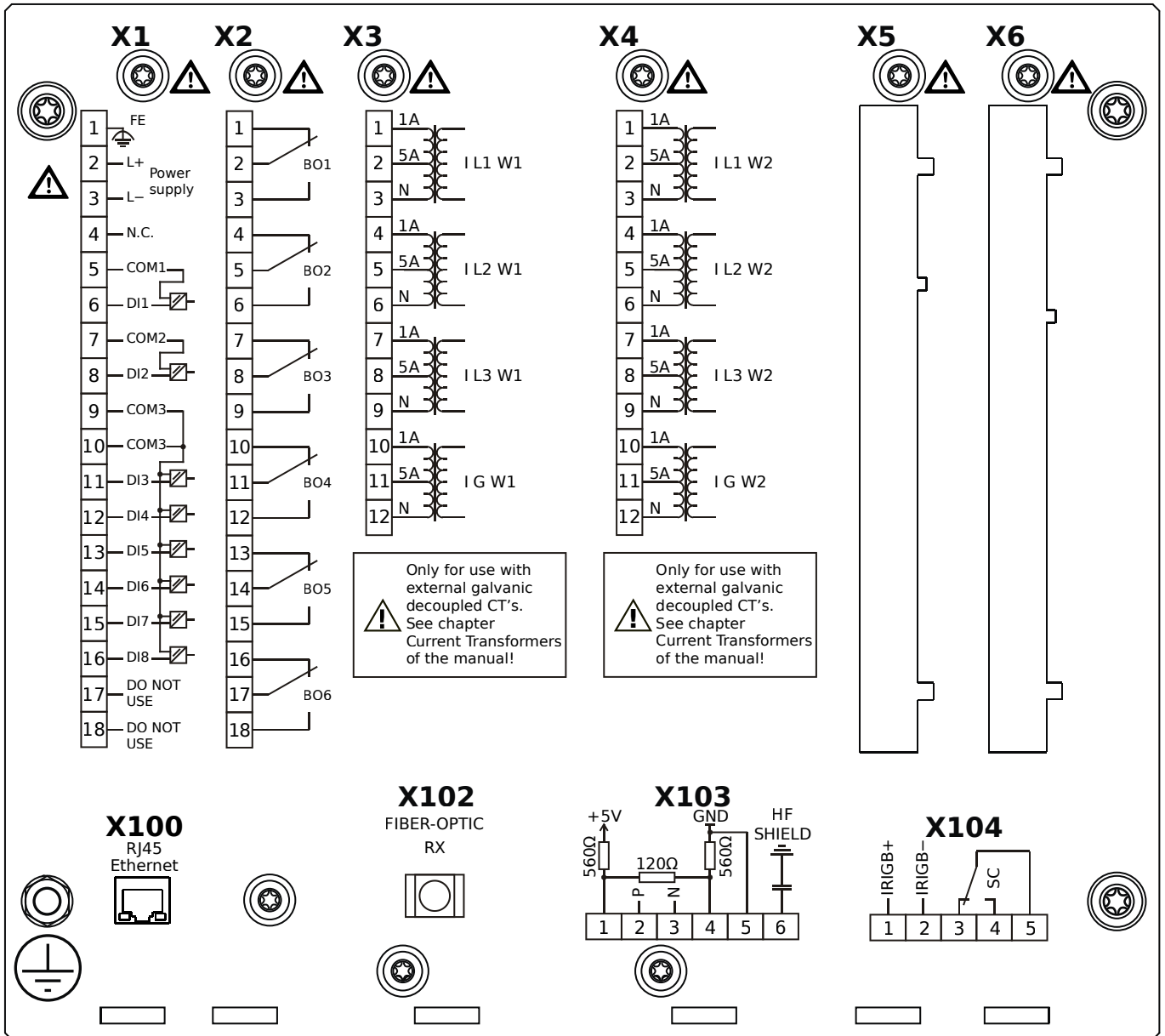
- X1** – DI8-X1: Wide-range power supply unit, incl. 2 non-grouped digital inputs and 6 grouped digital inputs
- X2** – OR-6: Assembly Group with 6 Relay Outputs
- X3** – TI-4: Standard current measuring card (for the winding side 1)
- X4** – TI-4: Standard current measuring card (for the winding side 2)
- X102** – Universal Resistance-Temperature Detector (URTD) input, Fiber optics interface, Versatile Link
- X103** – Modbus TCP / DNP3.0 TCP/UDP, Fiber optics interface, LC Connector
- X104** – IRIG-B00X, incl. System Contact (Supervision Contact)

MRDT4-2A0ATA



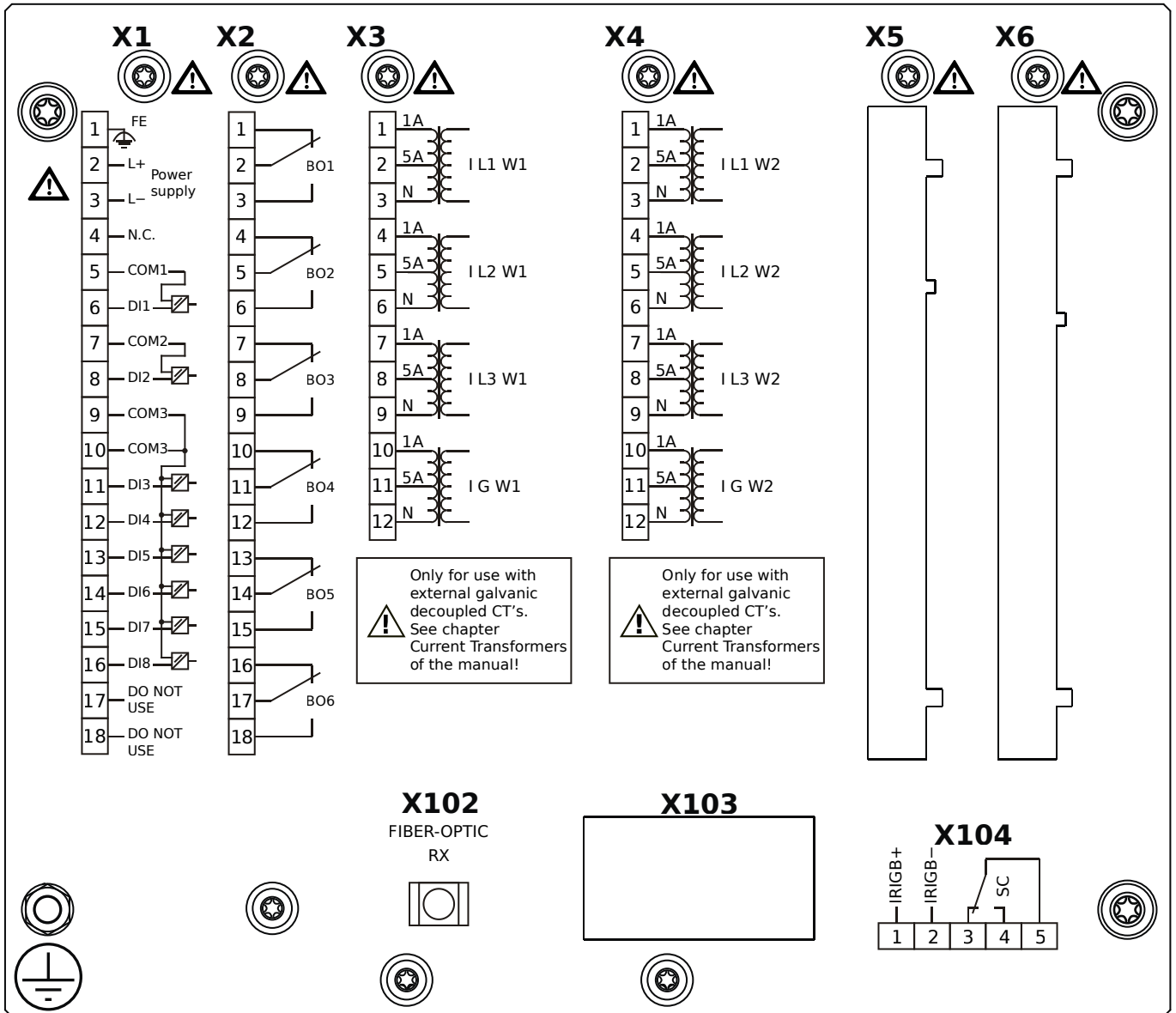
- X1** – DI8-X1: Wide-range power supply unit, incl. 2 non-grouped digital inputs and 6 grouped digital inputs
- X2** – OR-6: Assembly Group with 6 Relay Outputs
- X3** – TI-4: Standard current measuring card (for the winding side 1)
- X4** – TI-4: Standard current measuring card (for the winding side 2)
- X100** – IEC 61850 / Modbus TCP / DNP3.0 TCP/UDP, Ethernet interface, 100 Mbit/s, RJ45 (BASE100-FX)
- X102** – Universal Resistance-Temperature Detector (URTD) input, Fiber optics interface, Versatile Link
- X103** – IEC 60870-5-103 / Modbus RTU / DNP3.0 RTU, RS485, Terminals
- X104** – IRIG-B00X, incl. System Contact (Supervision Contact)

MRDT4-2A0ATB



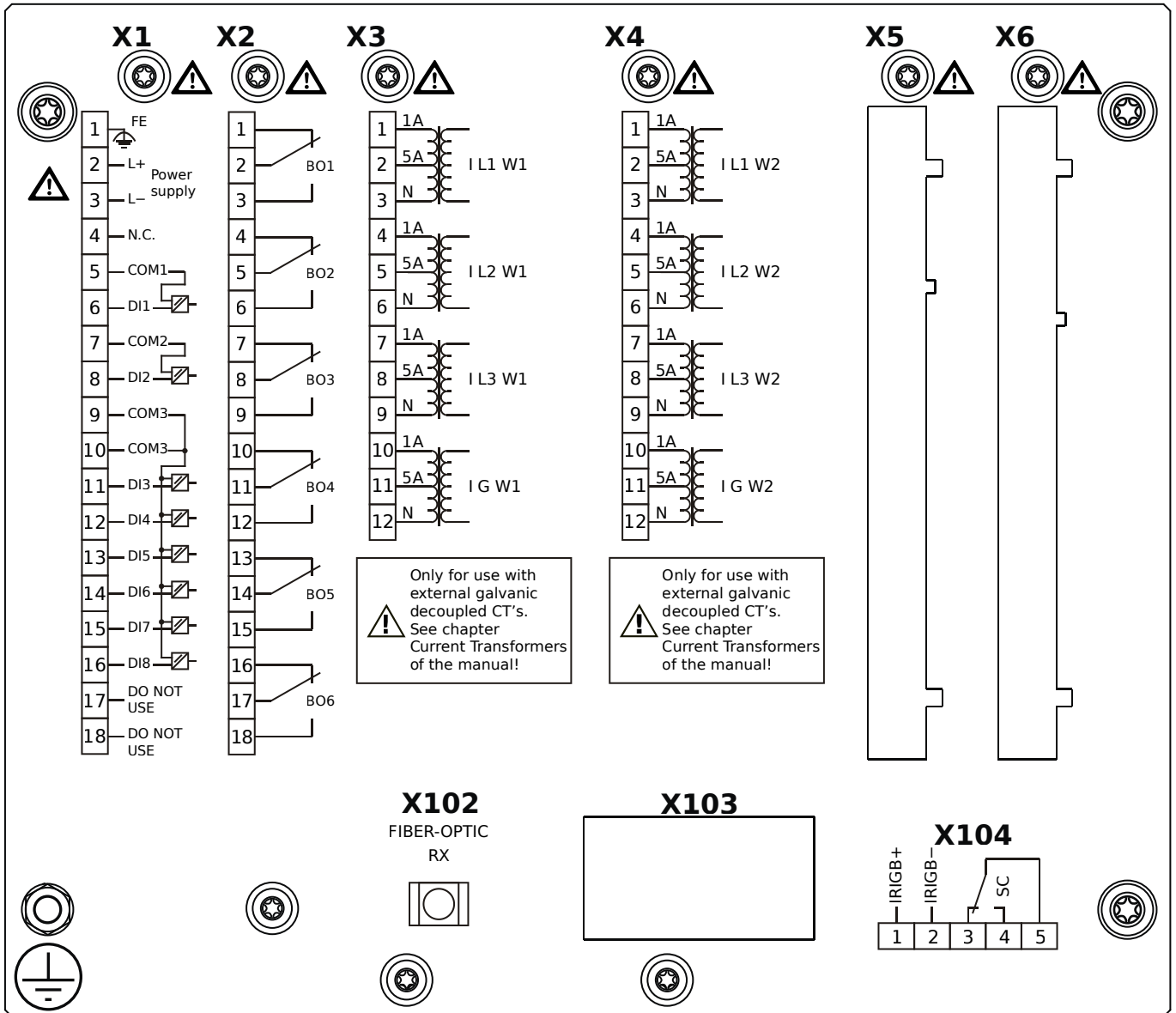
- X1** – DI8-X1: Wide-range power supply unit, incl. 2 non-grouped digital inputs and 6 grouped digital inputs
- X2** – OR-6: Assembly Group with 6 Relay Outputs
- X3** – TI-4: Standard current measuring card (for the winding side 1)
- X4** – TI-4: Standard current measuring card (for the winding side 2)
- X100** – IEC 61850 / Modbus TCP / DNP3.0 TCP/UDP, Ethernet interface, 100 Mbit/s, RJ45 (BASE100-FX)
- X102** – Universal Resistance-Temperature Detector (URTD) input, Fiber optics interface, Versatile Link
- X103** – IEC 60870-5-103 / Modbus RTU / DNP3.0 RTU, RS485, Terminals
- X104** – IRIG-B00X, incl. System Contact (Supervision Contact)

MRDT4-2A0BAA



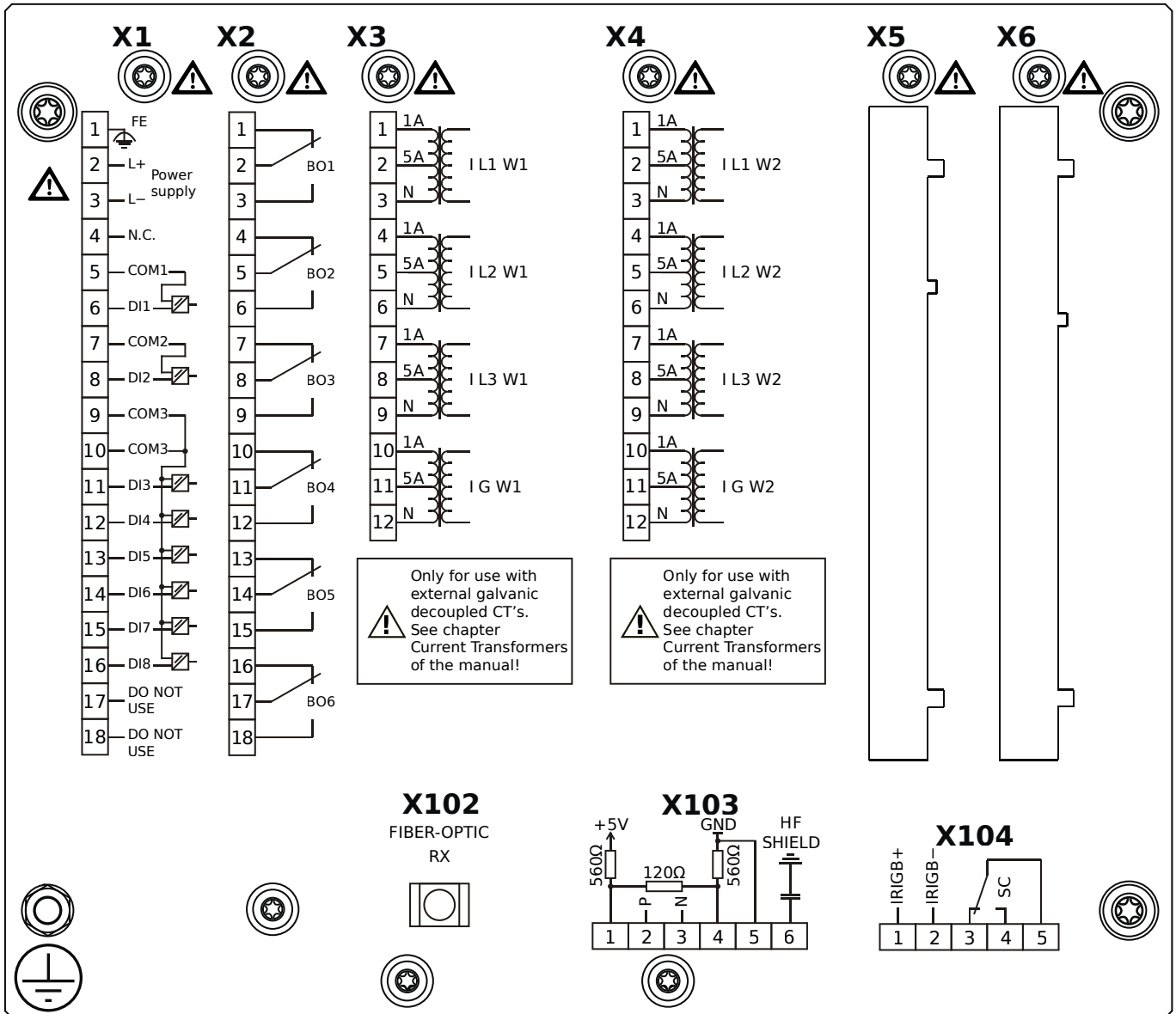
- X1** – DI8-X1: Wide-range power supply unit, incl. 2 non-grouped digital inputs and 6 grouped digital inputs
- X2** – OR-6: Assembly Group with 6 Relay Outputs
- X3** – TI-4: Standard current measuring card (for the winding side 1)
- X4** – TI-4: Standard current measuring card (for the winding side 2)
- X102** – Universal Resistance-Temperature Detector (URTD) input, Fiber optics interface, Versatile Link
- X104** – IRIG-B00X, incl. System Contact (Supervision Contact)

MRDT4-2A0BAB



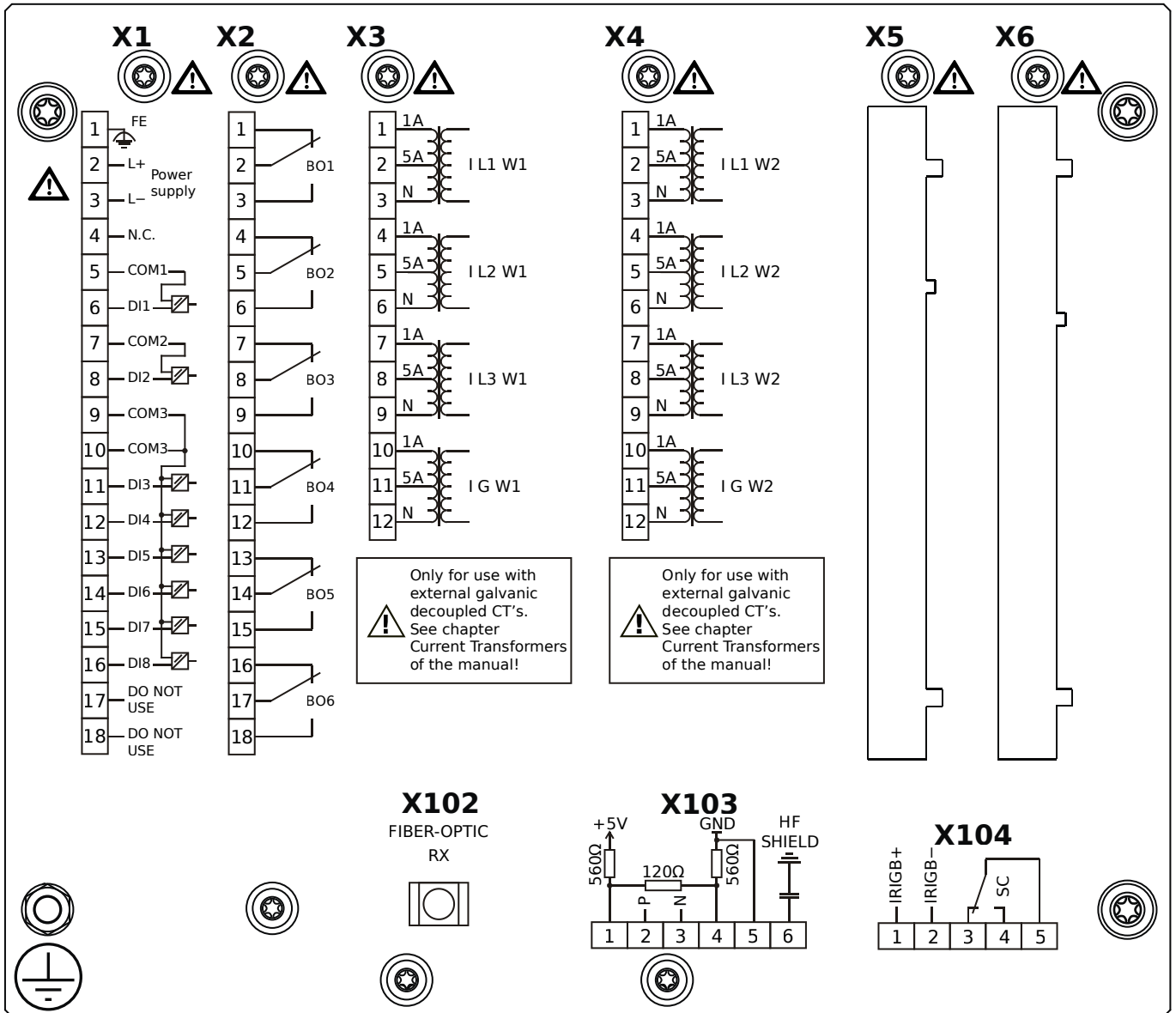
- X1** – DI8-X1: Wide-range power supply unit, incl. 2 non-grouped digital inputs and 6 grouped digital inputs
- X2** – OR-6: Assembly Group with 6 Relay Outputs
- X3** – TI-4: Standard current measuring card (for the winding side 1)
- X4** – TI-4: Standard current measuring card (for the winding side 2)
- X102** – Universal Resistance-Temperature Detector (URTD) input, Fiber optics interface, Versatile Link
- X104** – IRIG-B00X, incl. System Contact (Supervision Contact)

MRDT4-2A0BBA



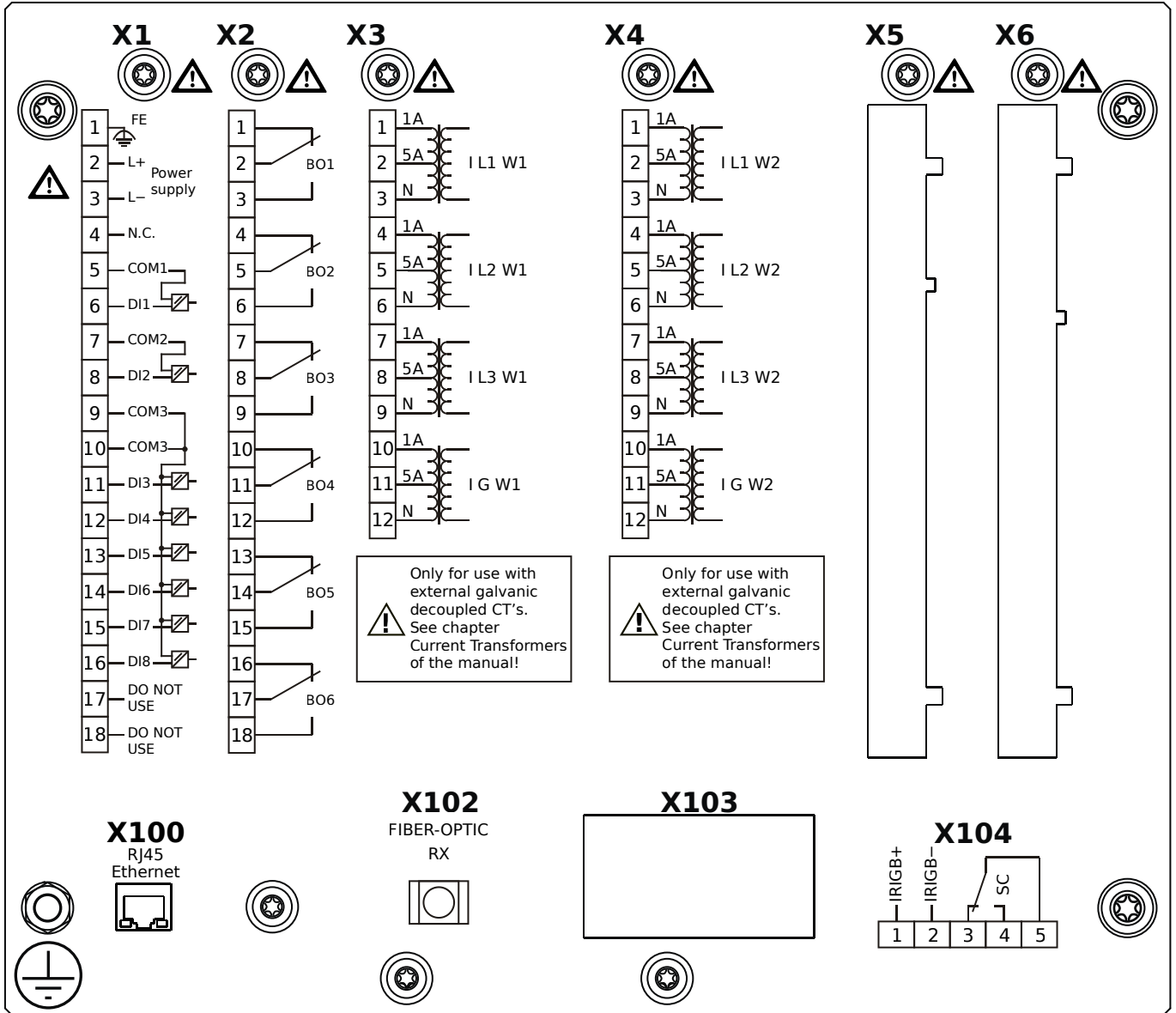
- X1** – DI8-X1: Wide-range power supply unit, incl. 2 non-grouped digital inputs and 6 grouped digital inputs
- X2** – OR-6: Assembly Group with 6 Relay Outputs
- X3** – TI-4: Standard current measuring card (for the winding side 1)
- X4** – TI-4: Standard current measuring card (for the winding side 2)
- X102** – Universal Resistance-Temperature Detector (URTD) input, Fiber optics interface, Versatile Link
- X103** – Modbus RTU / IEC 60870-5-103 / DNP3.0 RTU, RS485, Terminals
- X104** – IRIG-B00X, incl. System Contact (Supervision Contact)

MRDT4-2A0BBB



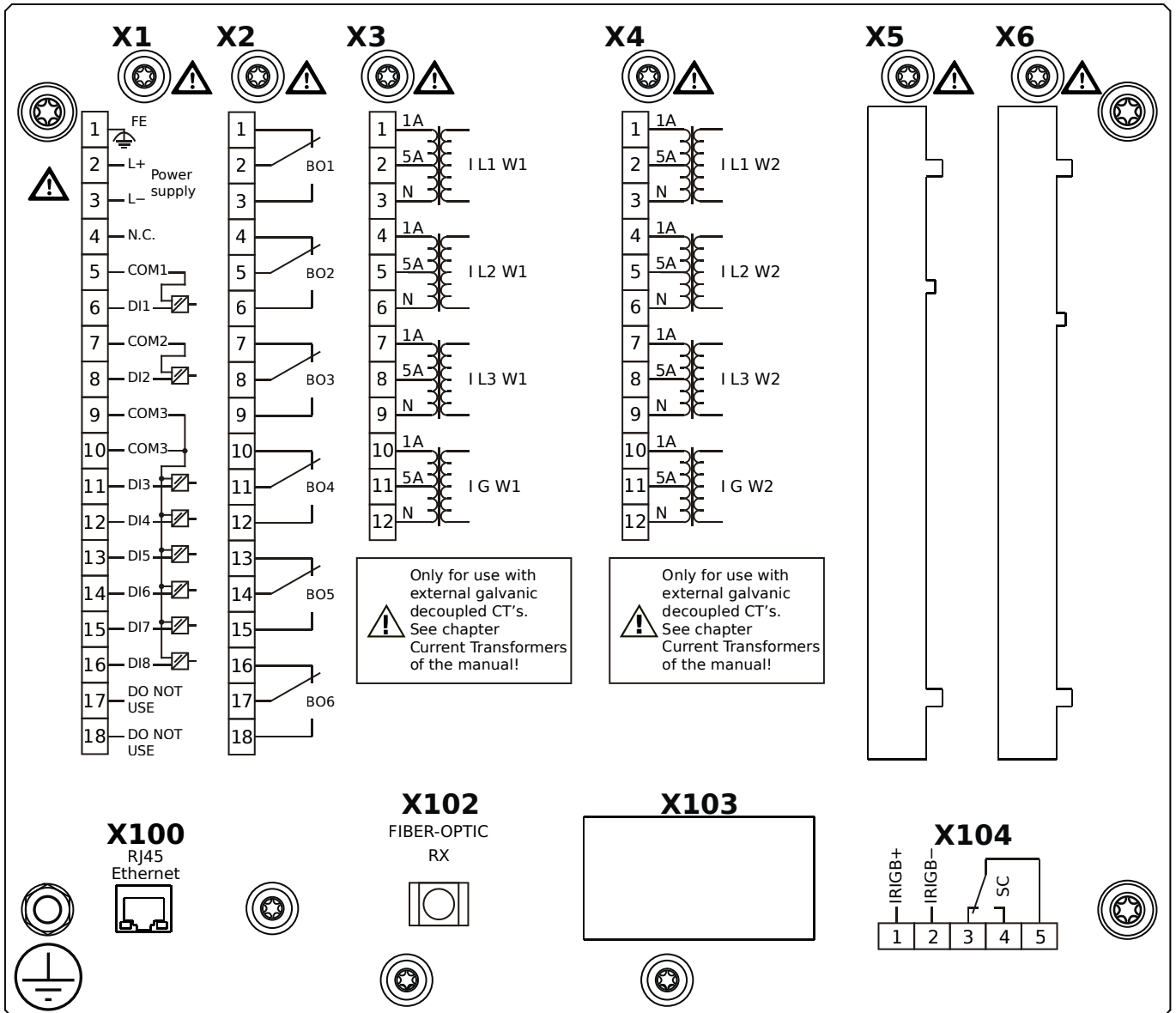
- X1** – DI8-X1: Wide-range power supply unit, incl. 2 non-grouped digital inputs and 6 grouped digital inputs
- X2** – OR-6: Assembly Group with 6 Relay Outputs
- X3** – TI-4: Standard current measuring card (for the winding side 1)
- X4** – TI-4: Standard current measuring card (for the winding side 2)
- X102** – Universal Resistance-Temperature Detector (URTD) input, Fiber optics interface, Versatile Link
- X103** – Modbus RTU / IEC 60870-5-103 / DNP3.0 RTU, RS485, Terminals
- X104** – IRIG-B00X, incl. System Contact (Supervision Contact)

MRDT4-2A0BCA



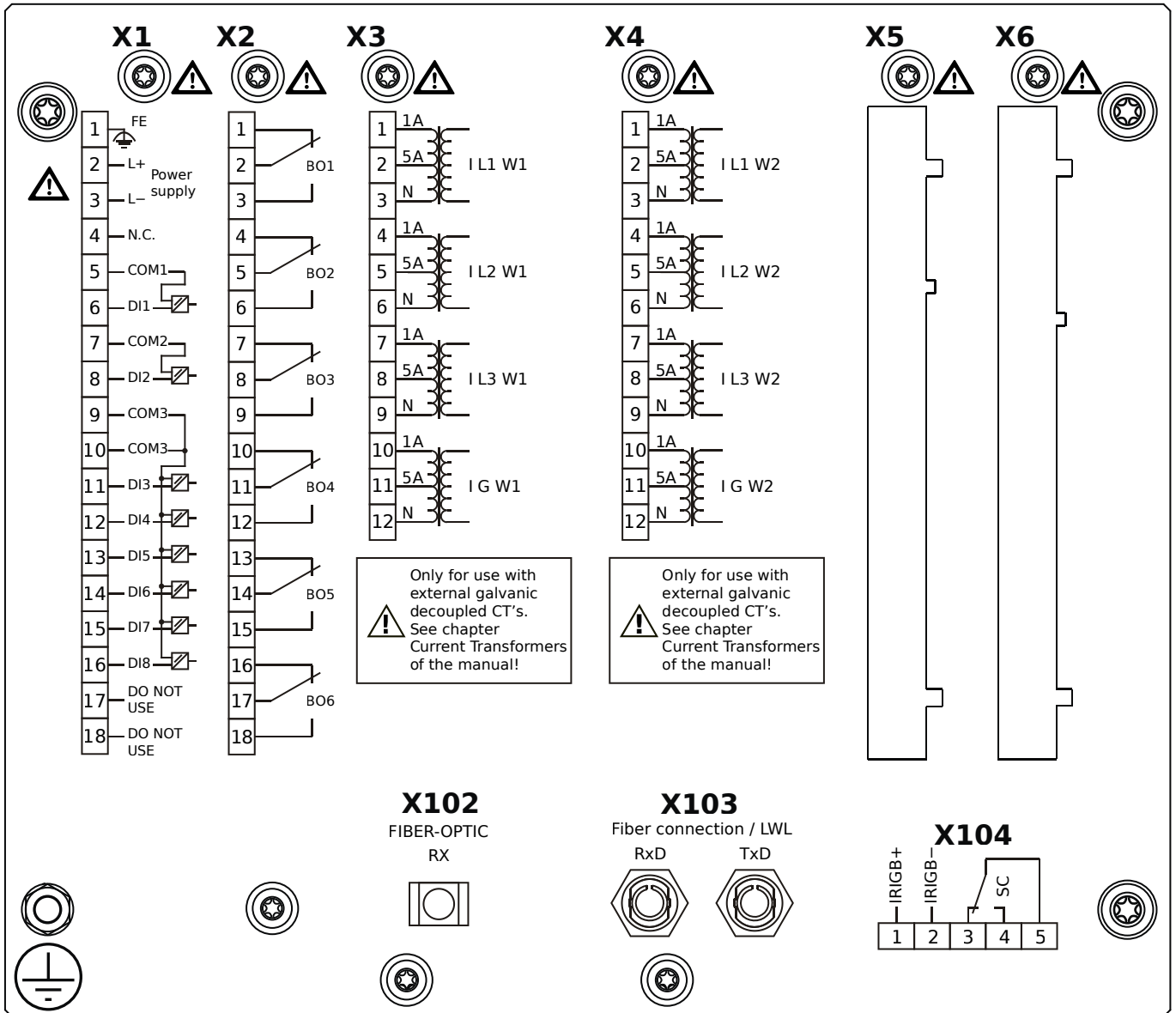
- X1** – DI8-X1: Wide-range power supply unit, incl. 2 non-grouped digital inputs and 6 grouped digital inputs
- X2** – OR-6: Assembly Group with 6 Relay Outputs
- X3** – TI-4: Standard current measuring card (for the winding side 1)
- X4** – TI-4: Standard current measuring card (for the winding side 2)
- X100** – Modbus TCP / DNP3.0 TCP/UDP, Ethernet interface, 100 Mbit/s, RJ45 (BASE100-FX)
- X102** – Universal Resistance-Temperature Detector (URTD) input, Fiber optics interface, Versatile Link
- X104** – IRIG-B00X, incl. System Contact (Supervision Contact)

MRDT4-2A0BCB



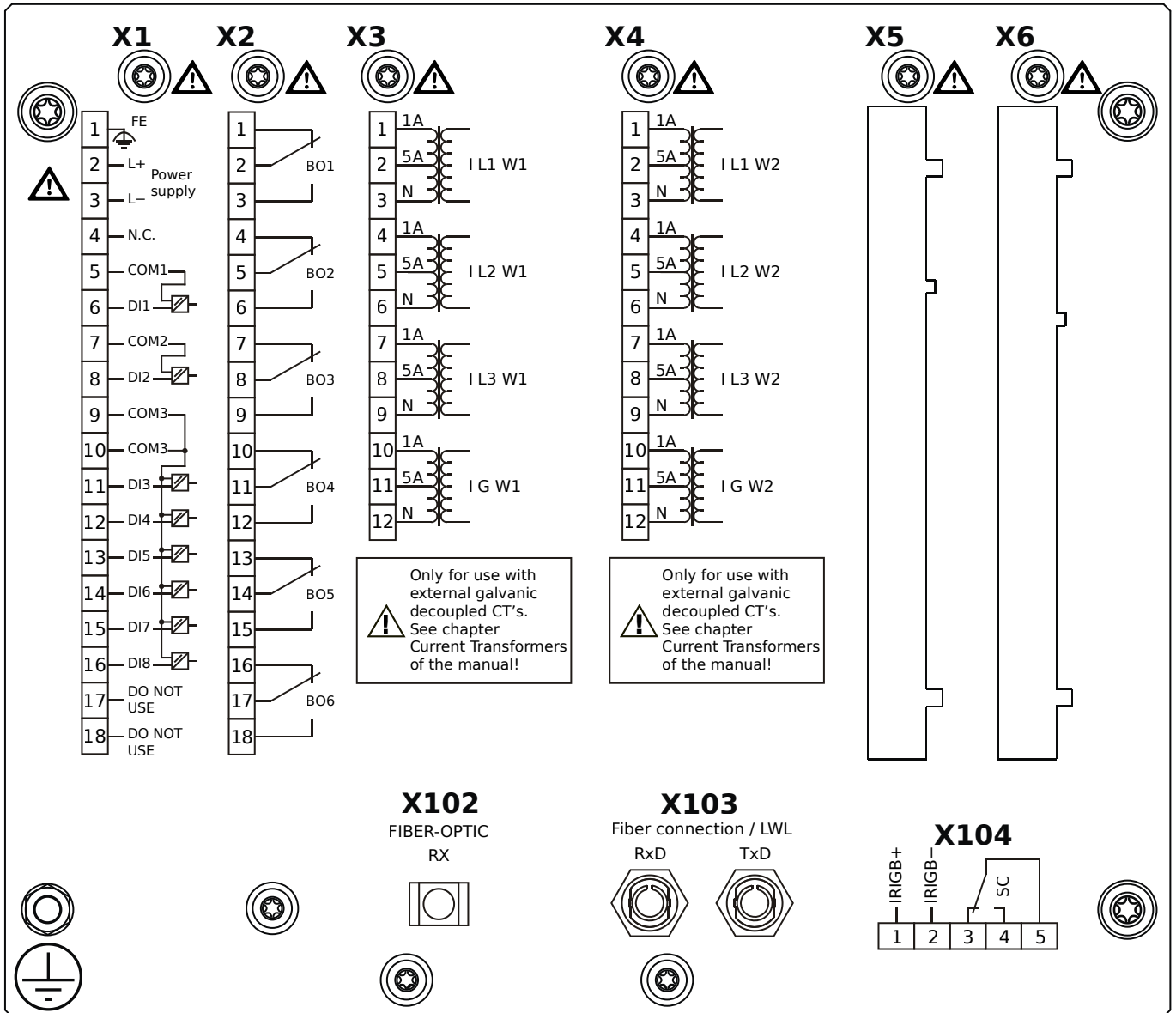
- X1** – DI8-X1: Wide-range power supply unit, incl. 2 non-grouped digital inputs and 6 grouped digital inputs
- X2** – OR-6: Assembly Group with 6 Relay Outputs
- X3** – TI-4: Standard current measuring card (for the winding side 1)
- X4** – TI-4: Standard current measuring card (for the winding side 2)
- X100** – Modbus TCP / DNP3.0 TCP/UDP, Ethernet interface, 100 Mbit/s, RJ45 (BASE100-FX)
- X102** – Universal Resistance-Temperature Detector (URTD) input, Fiber optics interface, Versatile Link
- X104** – IRIG-B00X, incl. System Contact (Supervision Contact)

MRDT4-2A0BDA



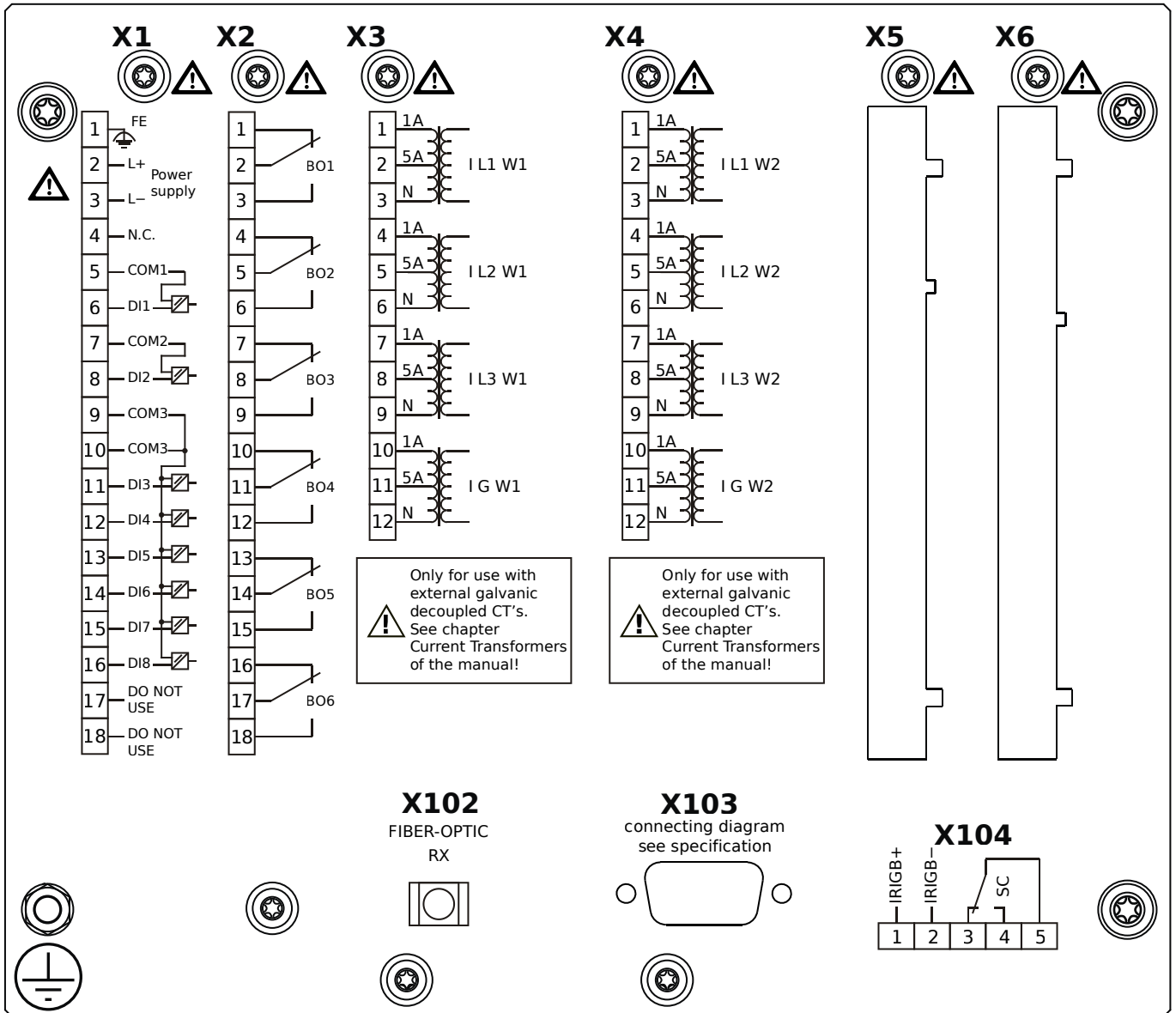
- X1** – DI8-X1: Wide-range power supply unit, incl. 2 non-grouped digital inputs and 6 grouped digital inputs
- X2** – OR-6: Assembly Group with 6 Relay Outputs
- X3** – TI-4: Standard current measuring card (for the winding side 1)
- X4** – TI-4: Standard current measuring card (for the winding side 2)
- X102** – Universal Resistance-Temperature Detector (URTD) input, Fiber optics interface, Versatile Link
- X103** – Profibus-DP, Fiber optics interface, ST Connector
- X104** – IRIG-B00X, incl. System Contact (Supervision Contact)

MRDT4-2A0BDB



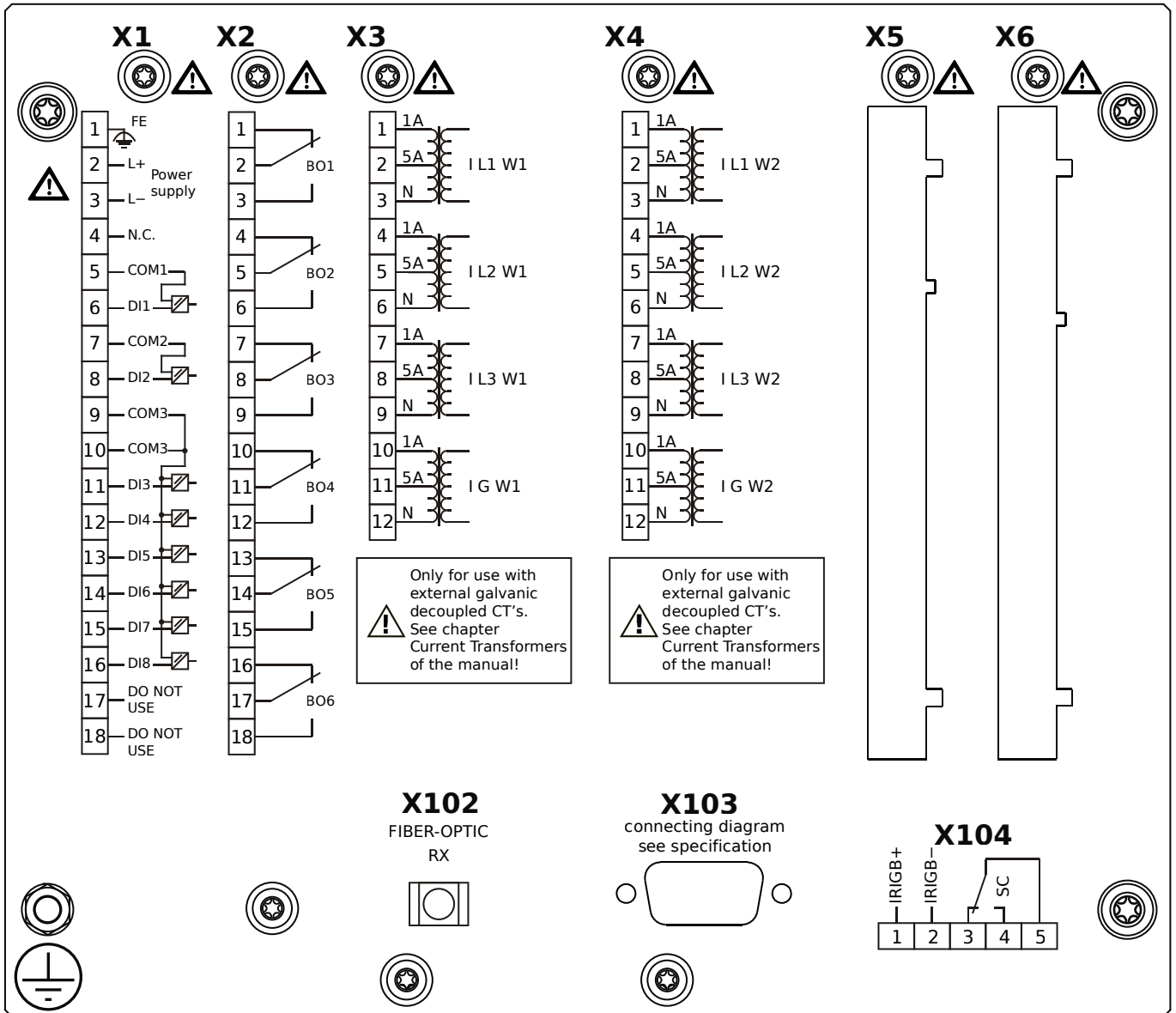
- X1** – DI8-X1: Wide-range power supply unit, incl. 2 non-grouped digital inputs and 6 grouped digital inputs
- X2** – OR-6: Assembly Group with 6 Relay Outputs
- X3** – TI-4: Standard current measuring card (for the winding side 1)
- X4** – TI-4: Standard current measuring card (for the winding side 2)
- X102** – Universal Resistance-Temperature Detector (URTD) input, Fiber optics interface, Versatile Link
- X103** – Profibus-DP, Fiber optics interface, ST Connector
- X104** – IRIG-B00X, incl. System Contact (Supervision Contact)

MRDT4-2A0BEA



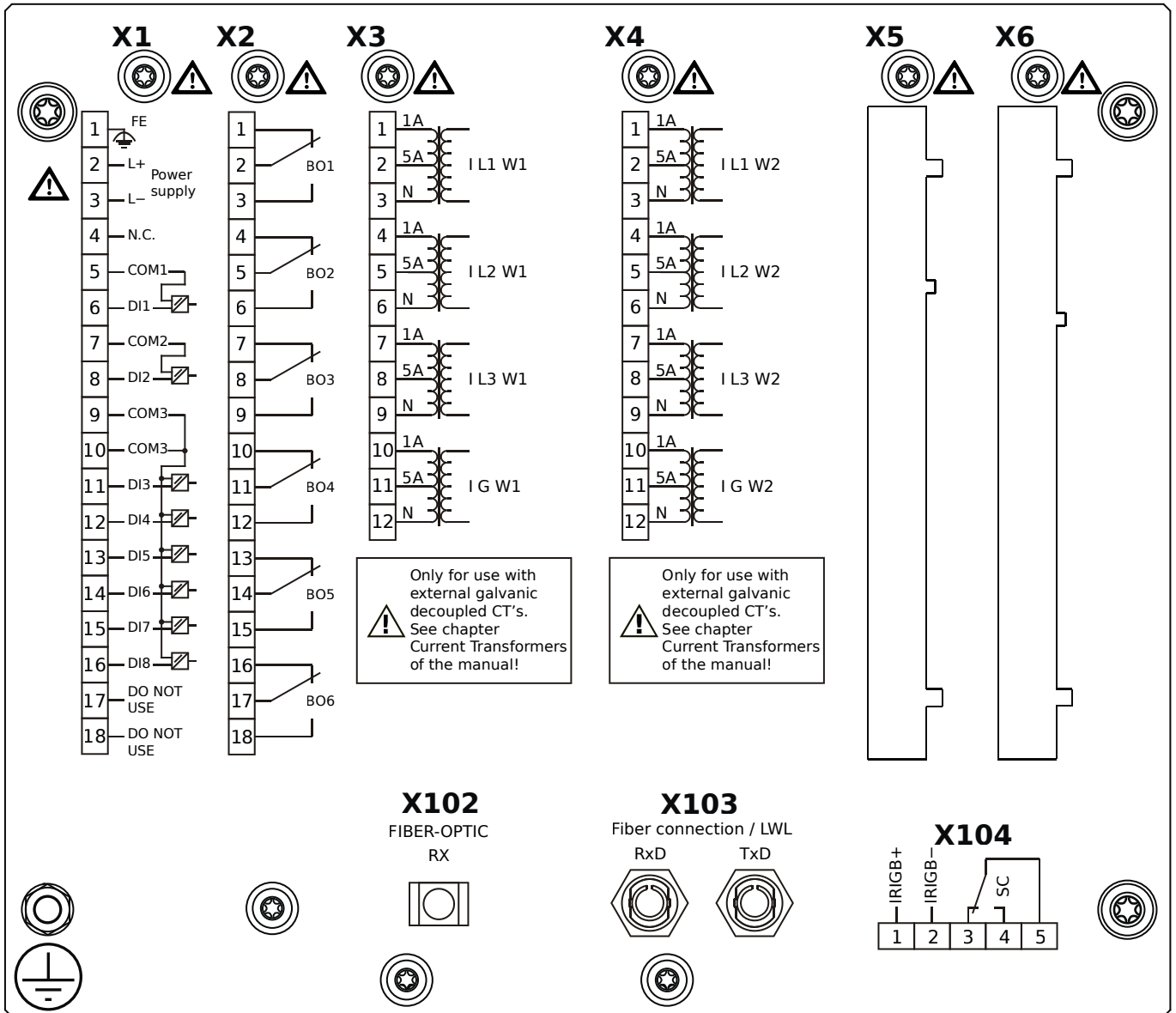
- X1** – DI8-X1: Wide-range power supply unit, incl. 2 non-grouped digital inputs and 6 grouped digital inputs
- X2** – OR-6: Assembly Group with 6 Relay Outputs
- X3** – TI-4: Standard current measuring card (for the winding side 1)
- X4** – TI-4: Standard current measuring card (for the winding side 2)
- X102** – Universal Resistance-Temperature Detector (URTD) input, Fiber optics interface, Versatile Link
- X103** – Profibus-DP, RS485, D-SUB
- X104** – IRIG-B00X, incl. System Contact (Supervision Contact)

MRDT4-2A0BEB



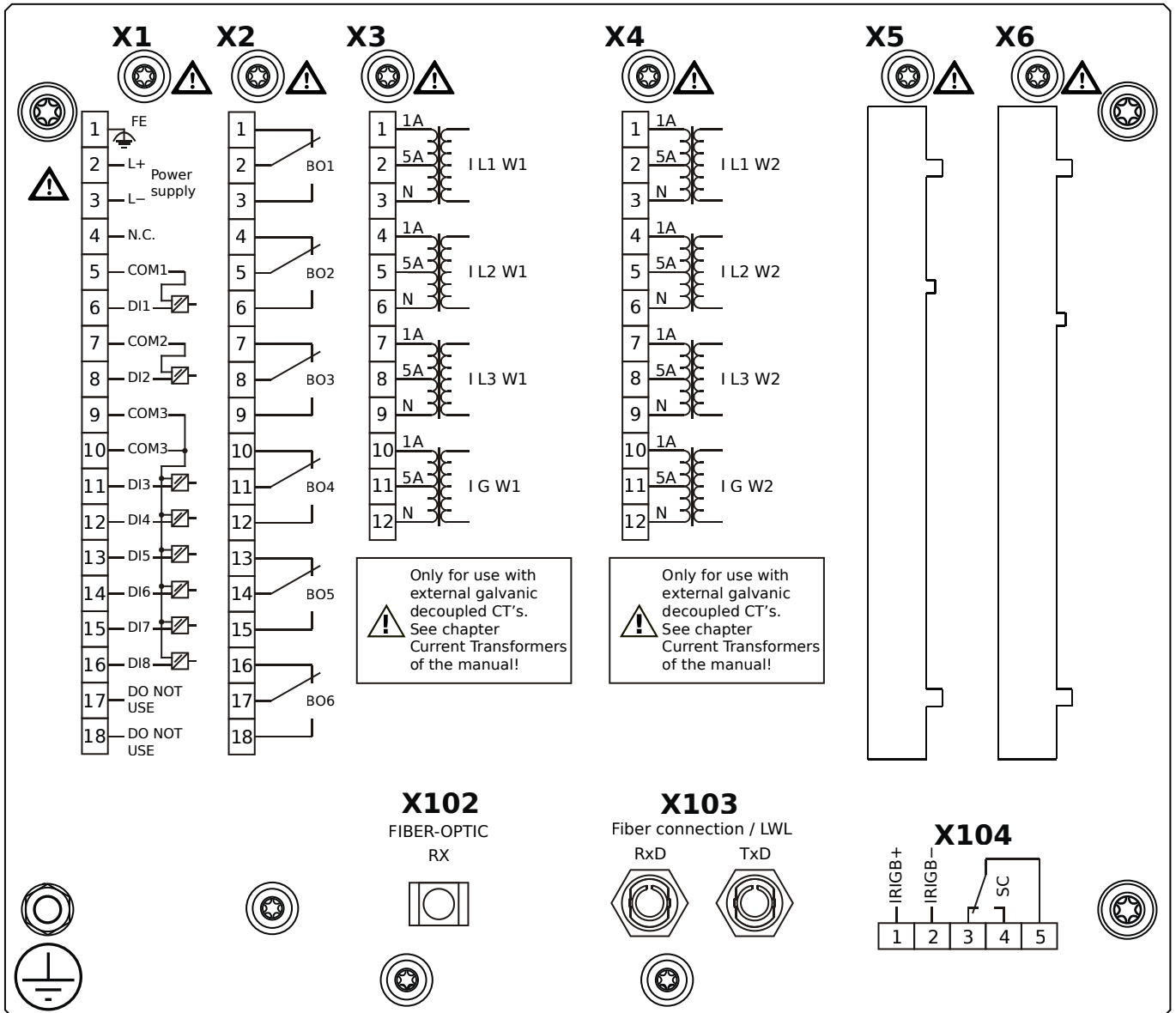
- X1** – DI8-X1: Wide-range power supply unit, incl. 2 non-grouped digital inputs and 6 grouped digital inputs
- X2** – OR-6: Assembly Group with 6 Relay Outputs
- X3** – TI-4: Standard current measuring card (for the winding side 1)
- X4** – TI-4: Standard current measuring card (for the winding side 2)
- X102** – Universal Resistance-Temperature Detector (URTD) input, Fiber optics interface, Versatile Link
- X103** – Profibus-DP, RS485, D-SUB
- X104** – IRIG-B00X, incl. System Contact (Supervision Contact)

MRDT4-2A0BFA



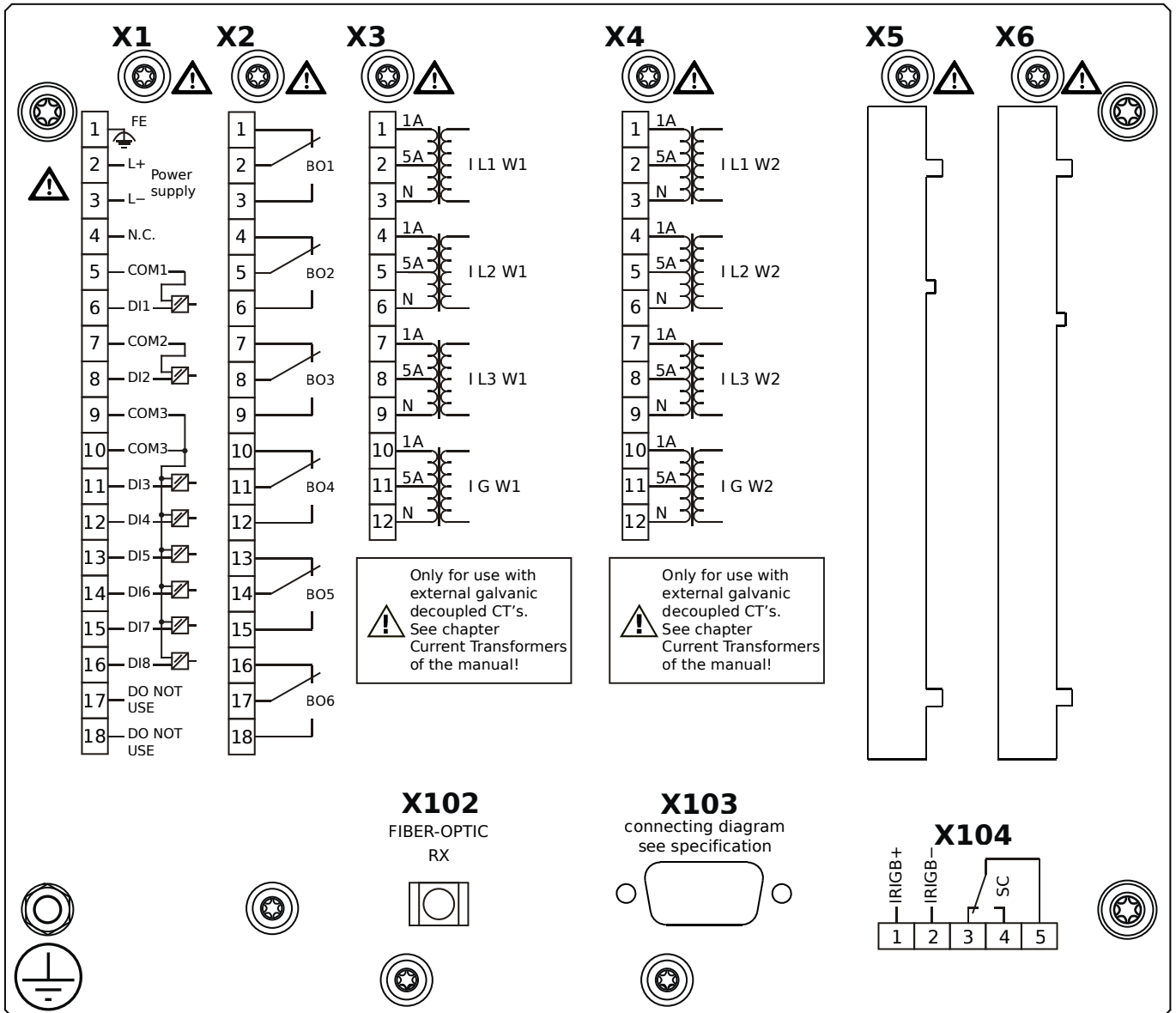
- X1** – DI8-X1: Wide-range power supply unit, incl. 2 non-grouped digital inputs and 6 grouped digital inputs
- X2** – OR-6: Assembly Group with 6 Relay Outputs
- X3** – TI-4: Standard current measuring card (for the winding side 1)
- X4** – TI-4: Standard current measuring card (for the winding side 2)
- X102** – Universal Resistance-Temperature Detector (URTD) input, Fiber optics interface, Versatile Link
- X103** – Modbus RTU / IEC 60870-5-103 / DNP3.0 RTU, Fiber optics interface, ST Connector
- X104** – IRIG-B00X, incl. System Contact (Supervision Contact)

MRDT4-2A0BFB



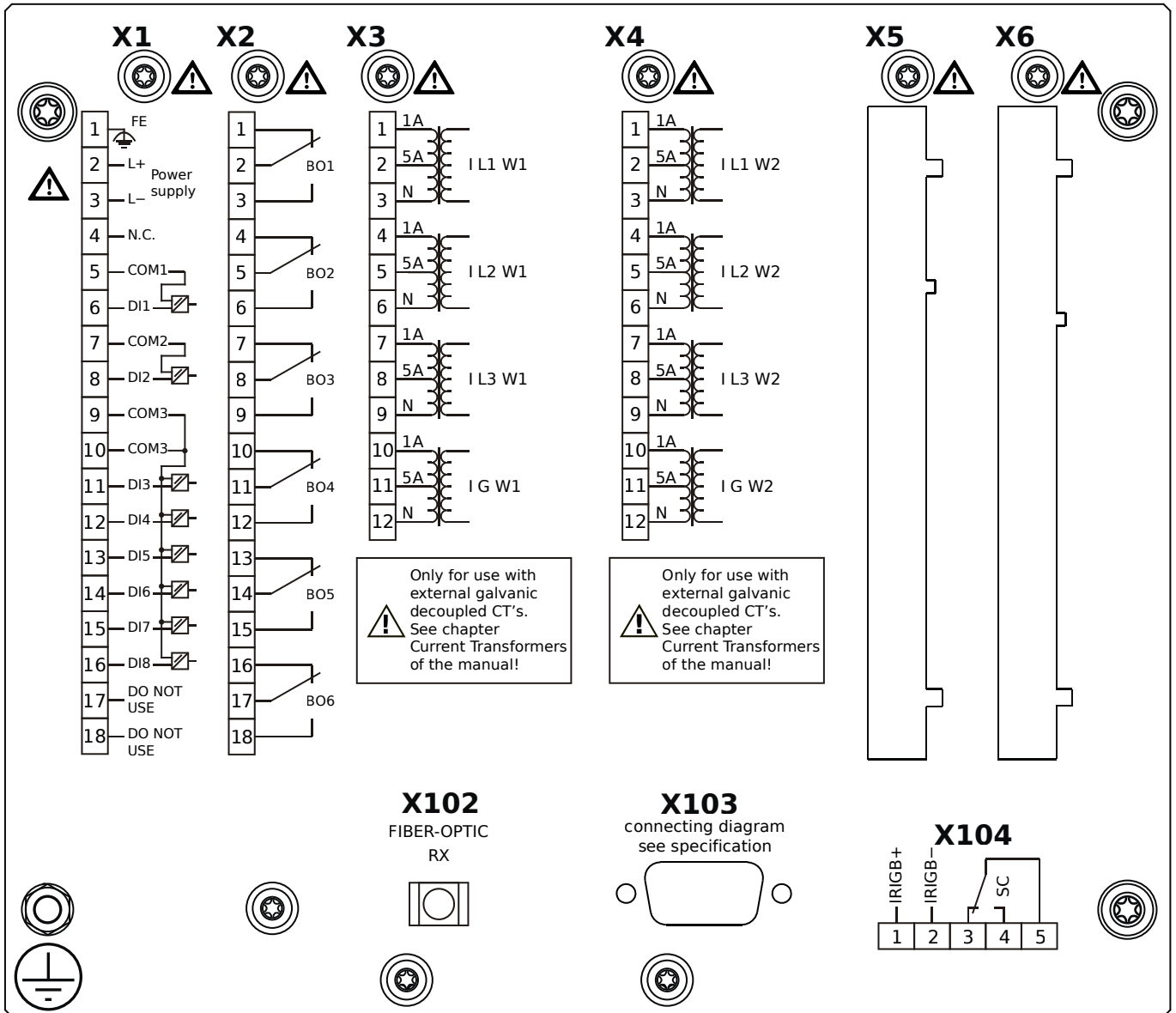
- X1** – DI8-X1: Wide-range power supply unit, incl. 2 non-grouped digital inputs and 6 grouped digital inputs
- X2** – OR-6: Assembly Group with 6 Relay Outputs
- X3** – TI-4: Standard current measuring card (for the winding side 1)
- X4** – TI-4: Standard current measuring card (for the winding side 2)
- X102** – Universal Resistance-Temperature Detector (URTD) input, Fiber optics interface, Versatile Link
- X103** – Modbus RTU / IEC 60870-5-103 / DNP3.0 RTU, Fiber optics interface, ST Connector
- X104** – IRIG-B00X, incl. System Contact (Supervision Contact)

MRDT4-2A0BGA



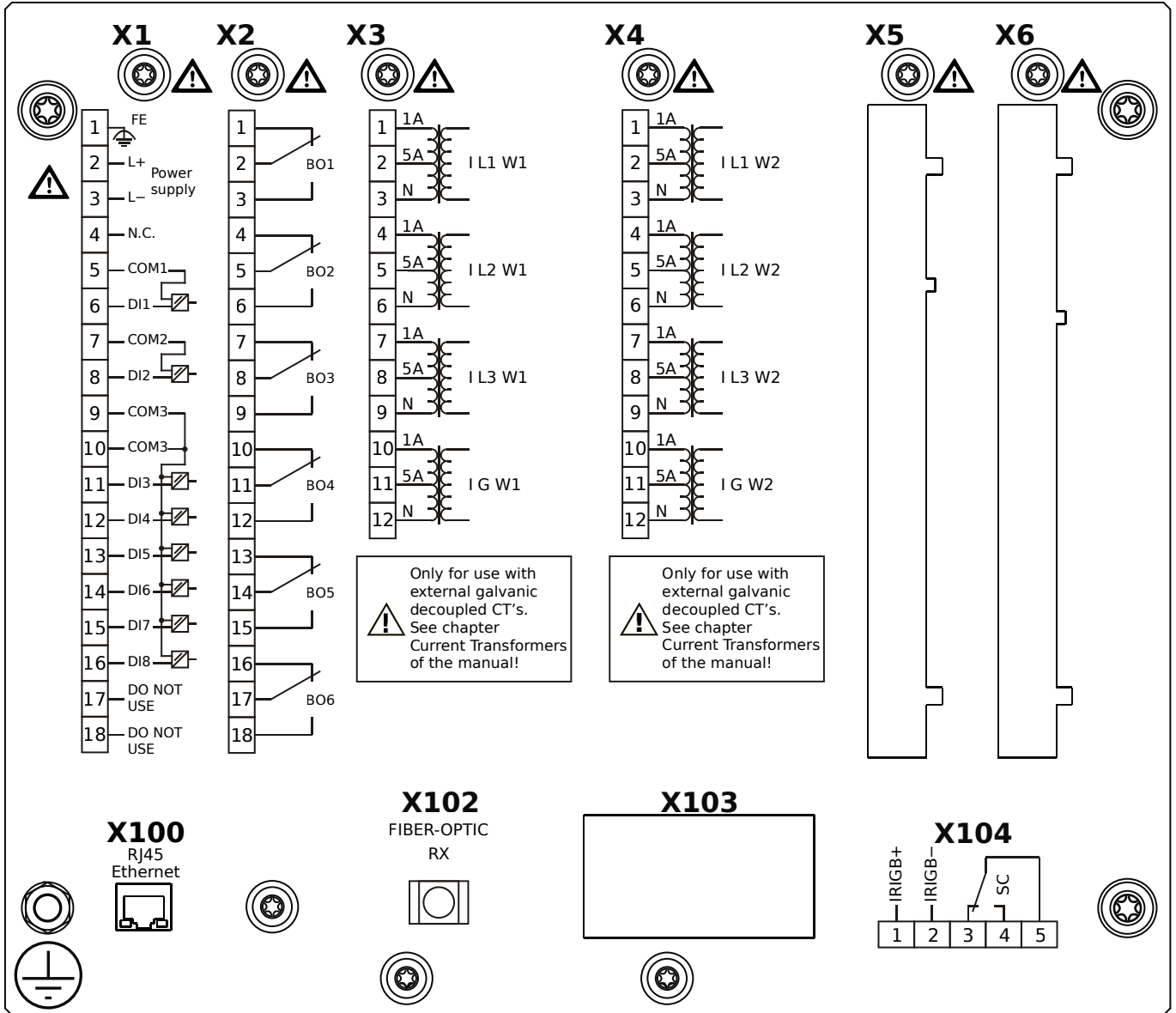
- X1** – DI8-X1: Wide-range power supply unit, incl. 2 non-grouped digital inputs and 6 grouped digital inputs
- X2** – OR-6: Assembly Group with 6 Relay Outputs
- X3** – TI-4: Standard current measuring card (for the winding side 1)
- X4** – TI-4: Standard current measuring card (for the winding side 2)
- X102** – Universal Resistance-Temperature Detector (URTD) input, Fiber optics interface, Versatile Link
- X103** – Modbus RTU / IEC 60870-5-103 / DNP3.0 RTU, RS485, D-SUB
- X104** – IRIG-B00X, incl. System Contact (Supervision Contact)

MRDT4-2A0BGB



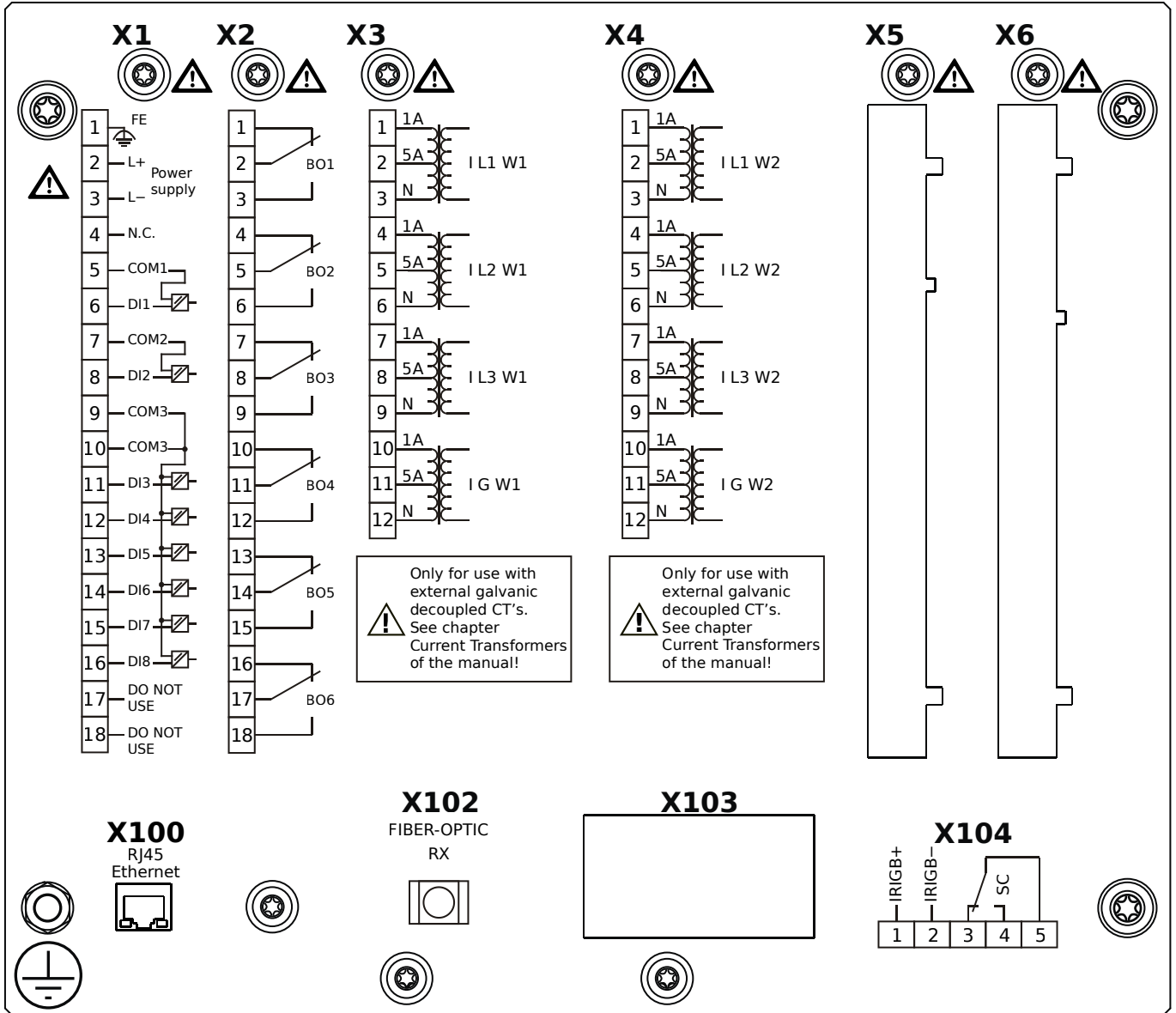
- X1** – DI8-X1: Wide-range power supply unit, incl. 2 non-grouped digital inputs and 6 grouped digital inputs
- X2** – OR-6: Assembly Group with 6 Relay Outputs
- X3** – TI-4: Standard current measuring card (for the winding side 1)
- X4** – TI-4: Standard current measuring card (for the winding side 2)
- X102** – Universal Resistance-Temperature Detector (URTD) input, Fiber optics interface, Versatile Link
- X103** – Modbus RTU / IEC 60870-5-103 / DNP3.0 RTU, RS485, D-SUB
- X104** – IRIG-B00X, incl. System Contact (Supervision Contact)

MRDT4-2A0BHA



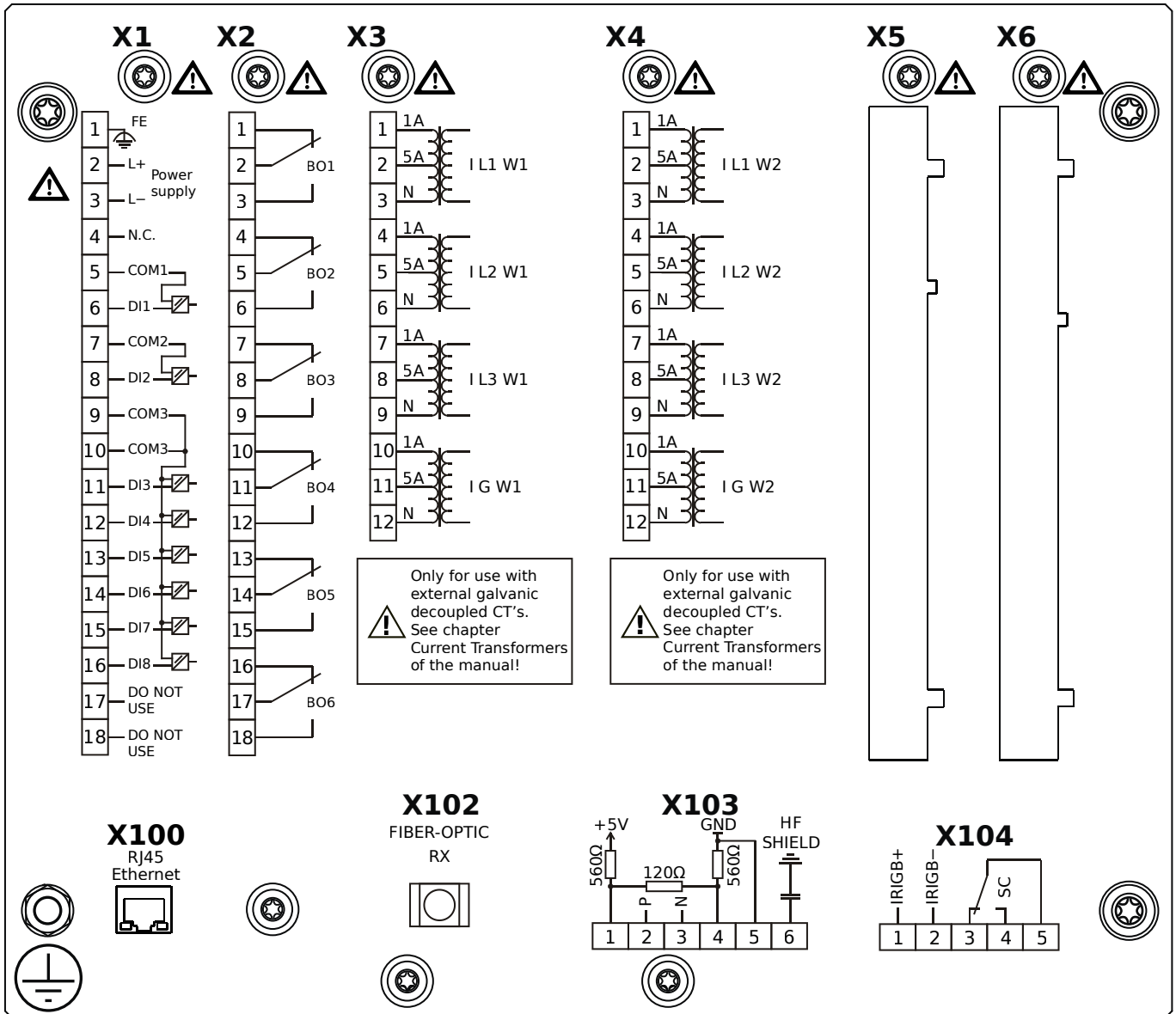
- X1** – DI8-X1: Wide-range power supply unit, incl. 2 non-grouped digital inputs and 6 grouped digital inputs
- X2** – OR-6: Assembly Group with 6 Relay Outputs
- X3** – TI-4: Standard current measuring card (for the winding side 1)
- X4** – TI-4: Standard current measuring card (for the winding side 2)
- X100** – IEC 61850 / Modbus TCP / DNP3.0 TCP/UDP, Ethernet interface, 100 Mbit/s, RJ45 (BASE100-FX)
- X102** – Universal Resistance-Temperature Detector (URTD) input, Fiber optics interface, Versatile Link
- X104** – IRIG-B00X, incl. System Contact (Supervision Contact)

MRDT4-2A0BHB



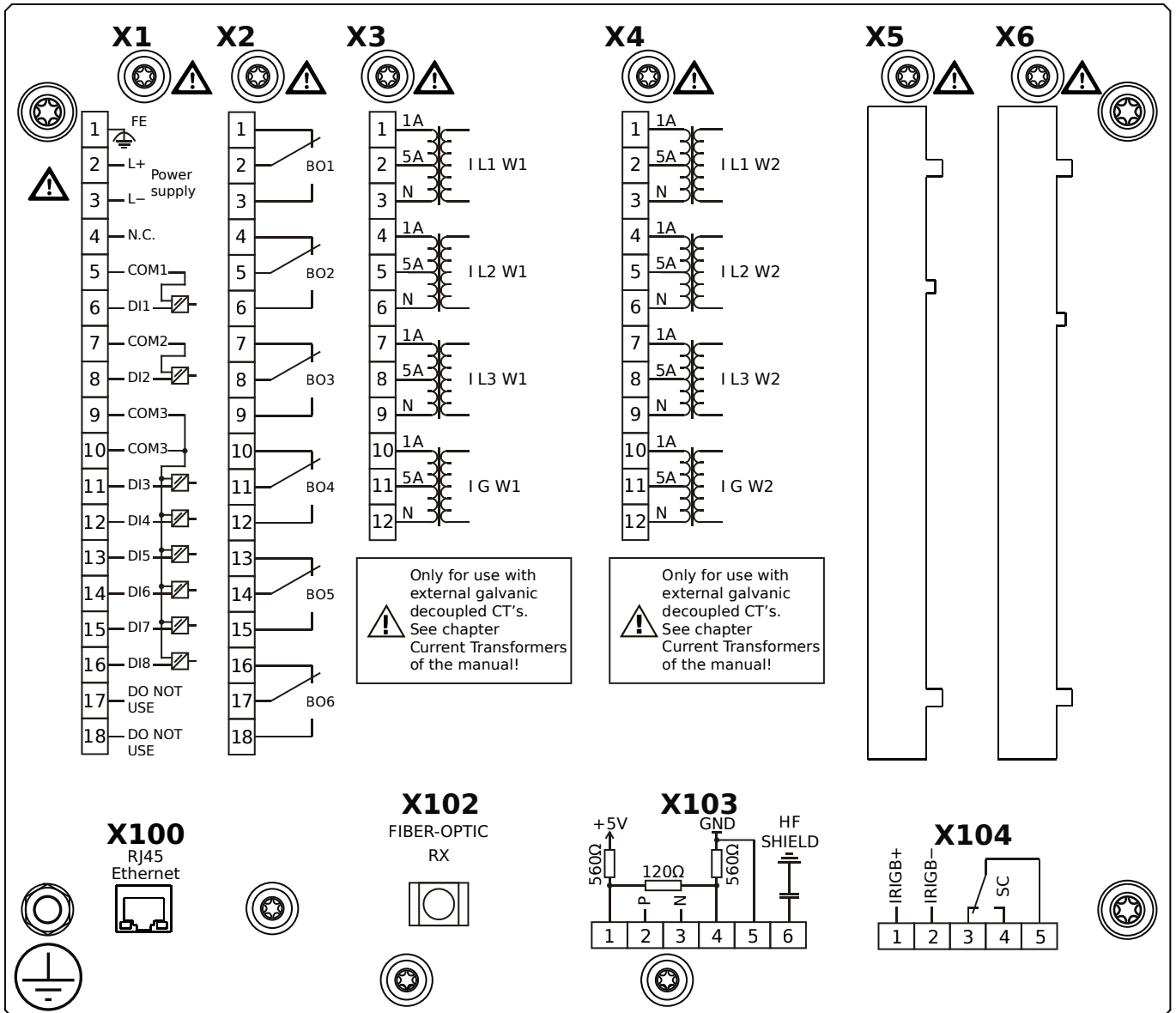
- X1** – DI8-X1: Wide-range power supply unit, incl. 2 non-grouped digital inputs and 6 grouped digital inputs
- X2** – OR-6: Assembly Group with 6 Relay Outputs
- X3** – TI-4: Standard current measuring card (for the winding side 1)
- X4** – TI-4: Standard current measuring card (for the winding side 2)
- X100** – IEC 61850 / Modbus TCP / DNP3.0 TCP/UDP, Ethernet interface, 100 Mbit/s, RJ45 (BASE100-FX)
- X102** – Universal Resistance-Temperature Detector (URTD) input, Fiber optics interface, Versatile Link
- X104** – IRIG-B00X, incl. System Contact (Supervision Contact)

MRDT4-2A0BIA



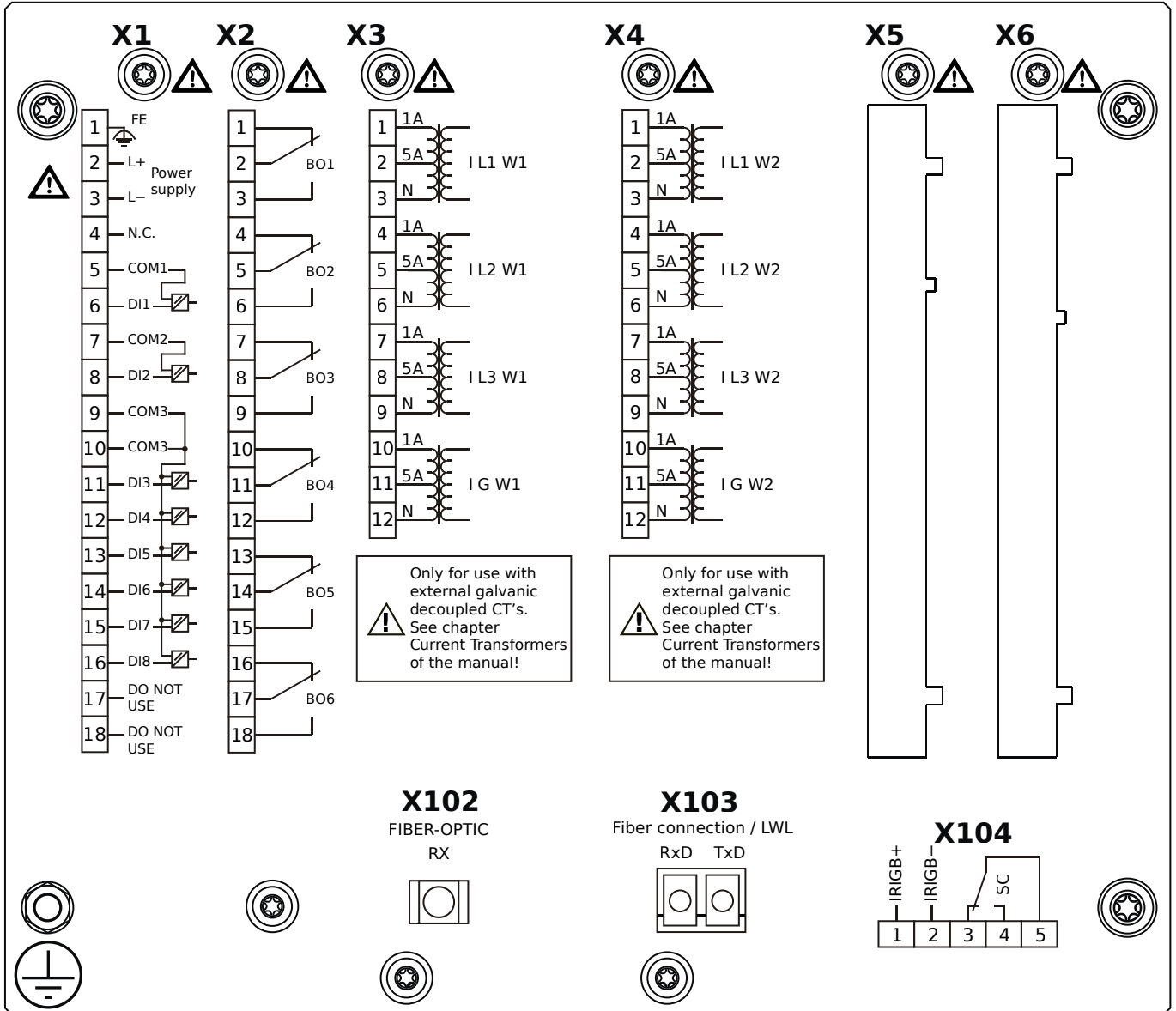
- X1** – DI8-X1: Wide-range power supply unit, incl. 2 non-grouped digital inputs and 6 grouped digital inputs
- X2** – OR-6: Assembly Group with 6 Relay Outputs
- X3** – TI-4: Standard current measuring card (for the winding side 1)
- X4** – TI-4: Standard current measuring card (for the winding side 2)
- X100** – Modbus TCP / DNP3.0 TCP/UDP, Ethernet interface, 100 Mbit/s, RJ45 (BASE100-FX)
- X102** – Universal Resistance-Temperature Detector (URTD) input, Fiber optics interface, Versatile Link
- X103** – IEC 60870-5-103 / Modbus RTU / DNP3.0 RTU, RS485, Terminals
- X104** – IRIG-B00X, incl. System Contact (Supervision Contact)

MRDT4-2A0BIB



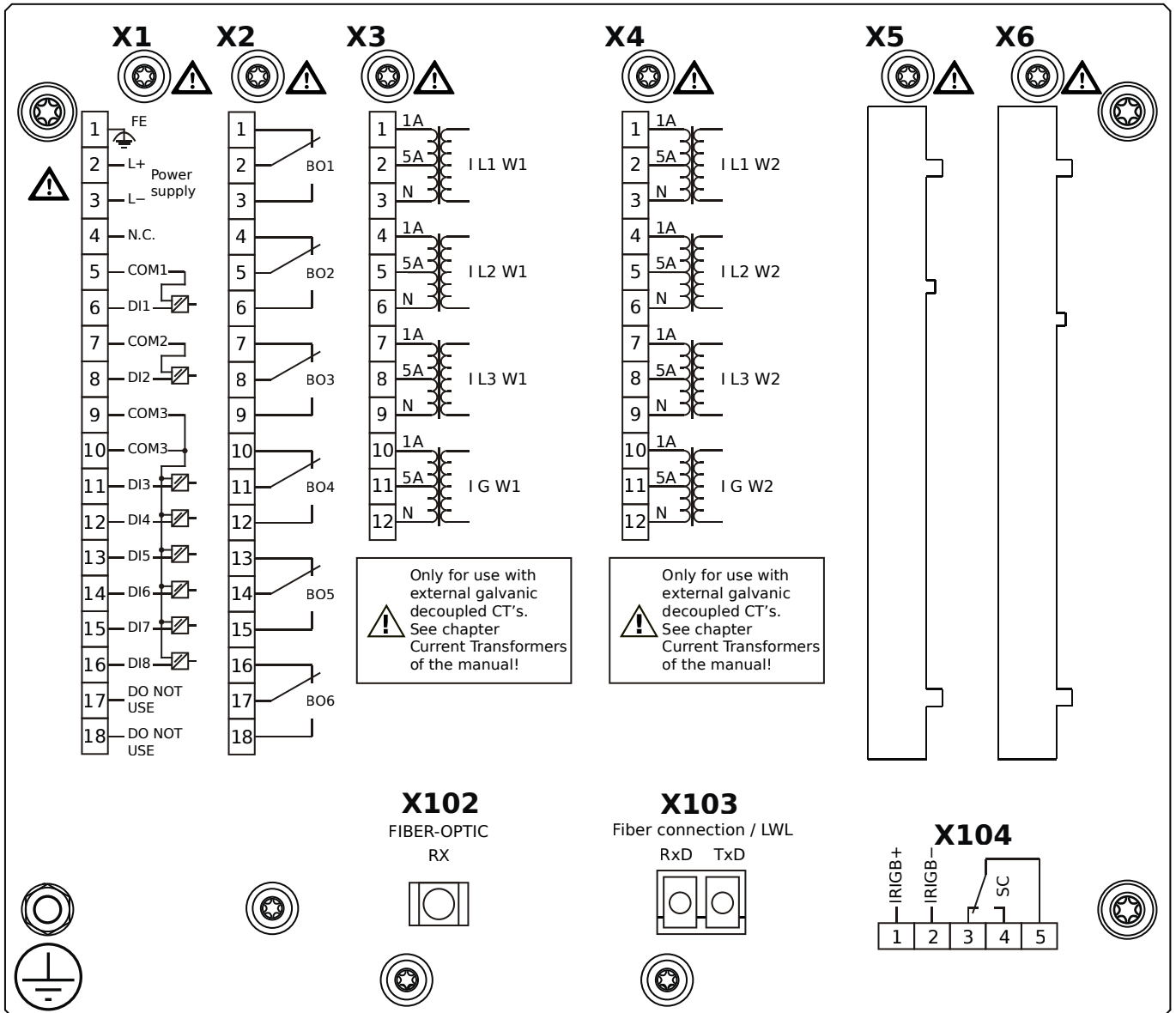
- X1** – DI8-X1: Wide-range power supply unit, incl. 2 non-grouped digital inputs and 6 grouped digital inputs
- X2** – OR-6: Assembly Group with 6 Relay Outputs
- X3** – TI-4: Standard current measuring card (for the winding side 1)
- X4** – TI-4: Standard current measuring card (for the winding side 2)
- X100** – Modbus TCP / DNP3.0 TCP/UDP, Ethernet interface, 100 Mbit/s, RJ45 (BASE100-FX)
- X102** – Universal Resistance-Temperature Detector (URTD) input, Fiber optics interface, Versatile Link
- X103** – IEC 60870-5-103 / Modbus RTU / DNP3.0 RTU, RS485, Terminals
- X104** – IRIG-B00X, incl. System Contact (Supervision Contact)

MRDT4-2A0BKA



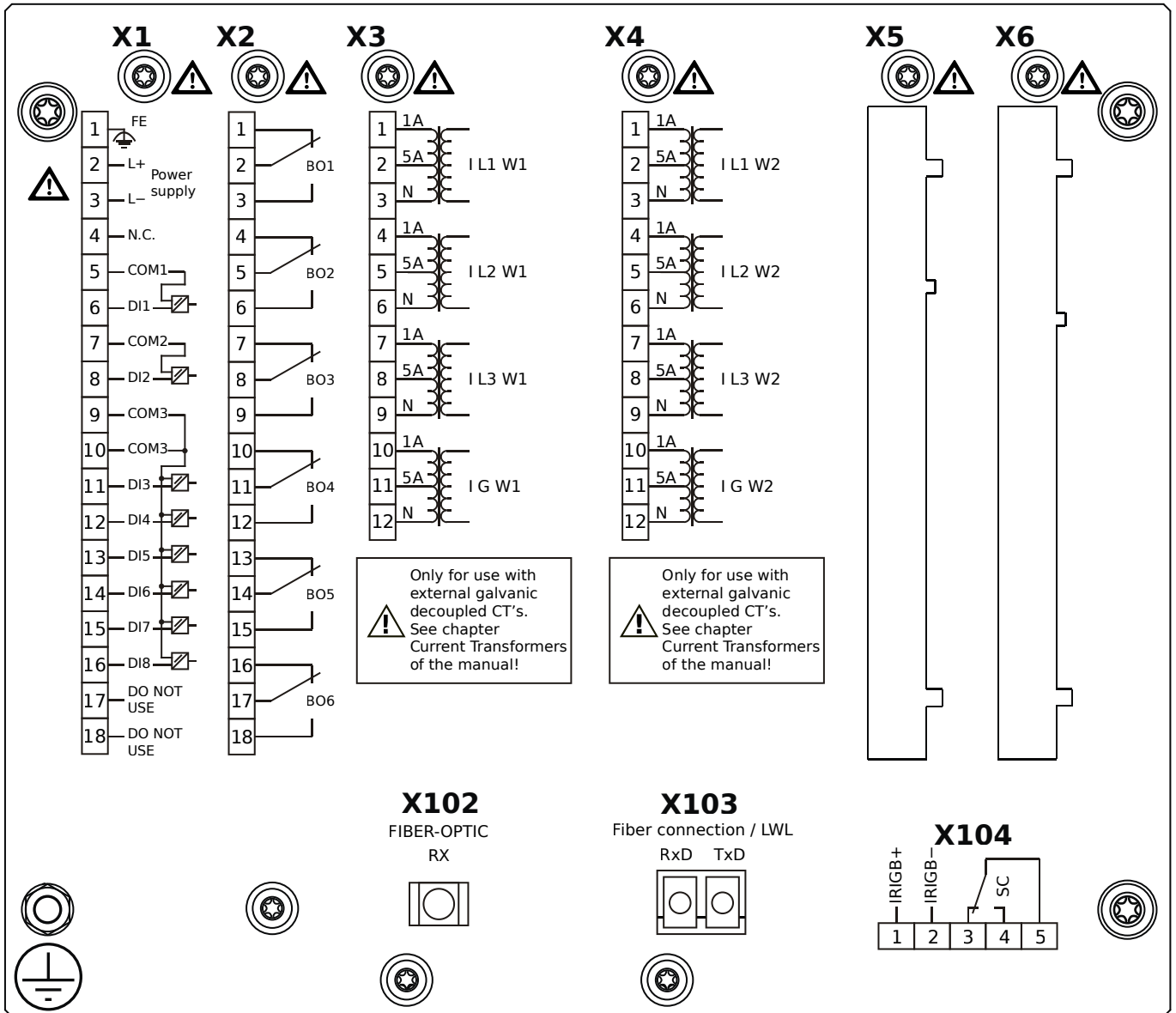
- X1** – DI8-X1: Wide-range power supply unit, incl. 2 non-grouped digital inputs and 6 grouped digital inputs
- X2** – OR-6: Assembly Group with 6 Relay Outputs
- X3** – TI-4: Standard current measuring card (for the winding side 1)
- X4** – TI-4: Standard current measuring card (for the winding side 2)
- X102** – Universal Resistance-Temperature Detector (URTD) input, Fiber optics interface, Versatile Link
- X103** – IEC 61850 / Modbus TCP / DNP3.0 TCP/UDP, Fiber optics interface, LC Connector
- X104** – IRIG-B00X, incl. System Contact (Supervision Contact)

MRDT4-2A0BKB



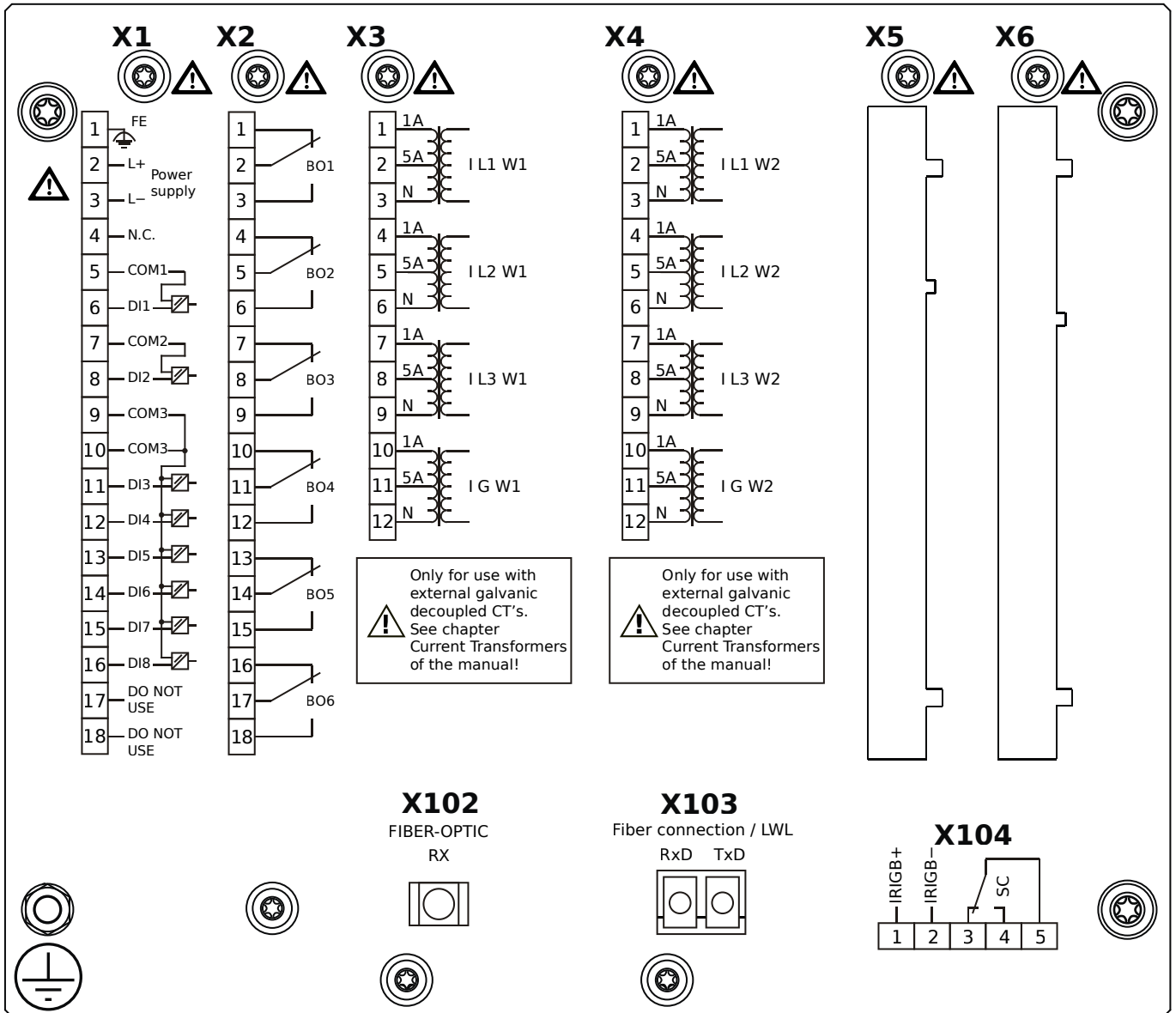
- X1** – DI8-X1: Wide-range power supply unit, incl. 2 non-grouped digital inputs and 6 grouped digital inputs
- X2** – OR-6: Assembly Group with 6 Relay Outputs
- X3** – TI-4: Standard current measuring card (for the winding side 1)
- X4** – TI-4: Standard current measuring card (for the winding side 2)
- X102** – Universal Resistance-Temperature Detector (URTD) input, Fiber optics interface, Versatile Link
- X103** – IEC 61850 / Modbus TCP / DNP3.0 TCP/UDP, Fiber optics interface, LC Connector
- X104** – IRIG-B00X, incl. System Contact (Supervision Contact)

MRDT4-2A0BLA



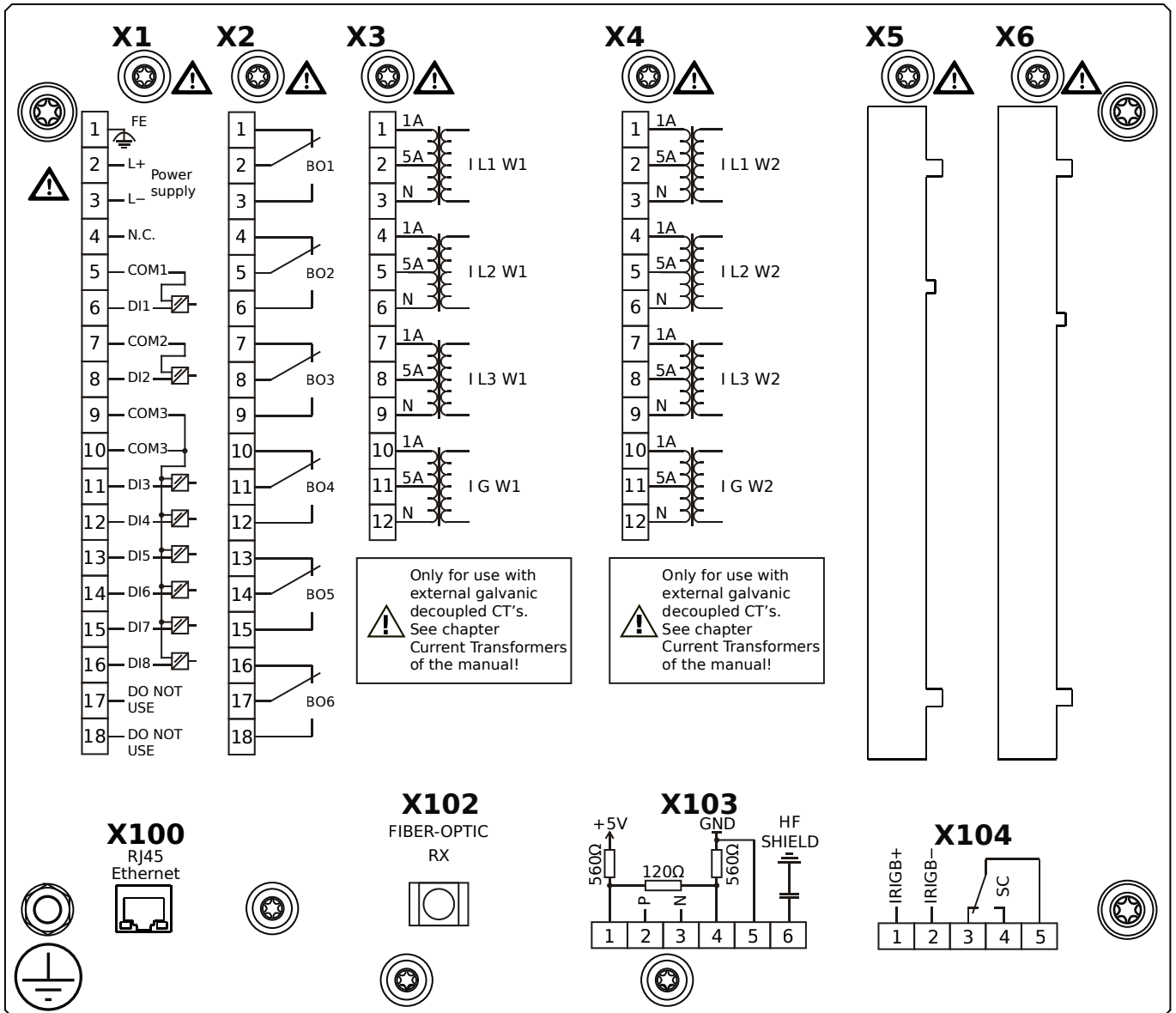
- X1** – DI8-X1: Wide-range power supply unit, incl. 2 non-grouped digital inputs and 6 grouped digital inputs
- X2** – OR-6: Assembly Group with 6 Relay Outputs
- X3** – TI-4: Standard current measuring card (for the winding side 1)
- X4** – TI-4: Standard current measuring card (for the winding side 2)
- X102** – Universal Resistance-Temperature Detector (URTD) input, Fiber optics interface, Versatile Link
- X103** – Modbus TCP / DNP3.0 TCP/UDP, Fiber optics interface, LC Connector
- X104** – IRIG-B00X, incl. System Contact (Supervision Contact)

MRDT4-2A0BLB



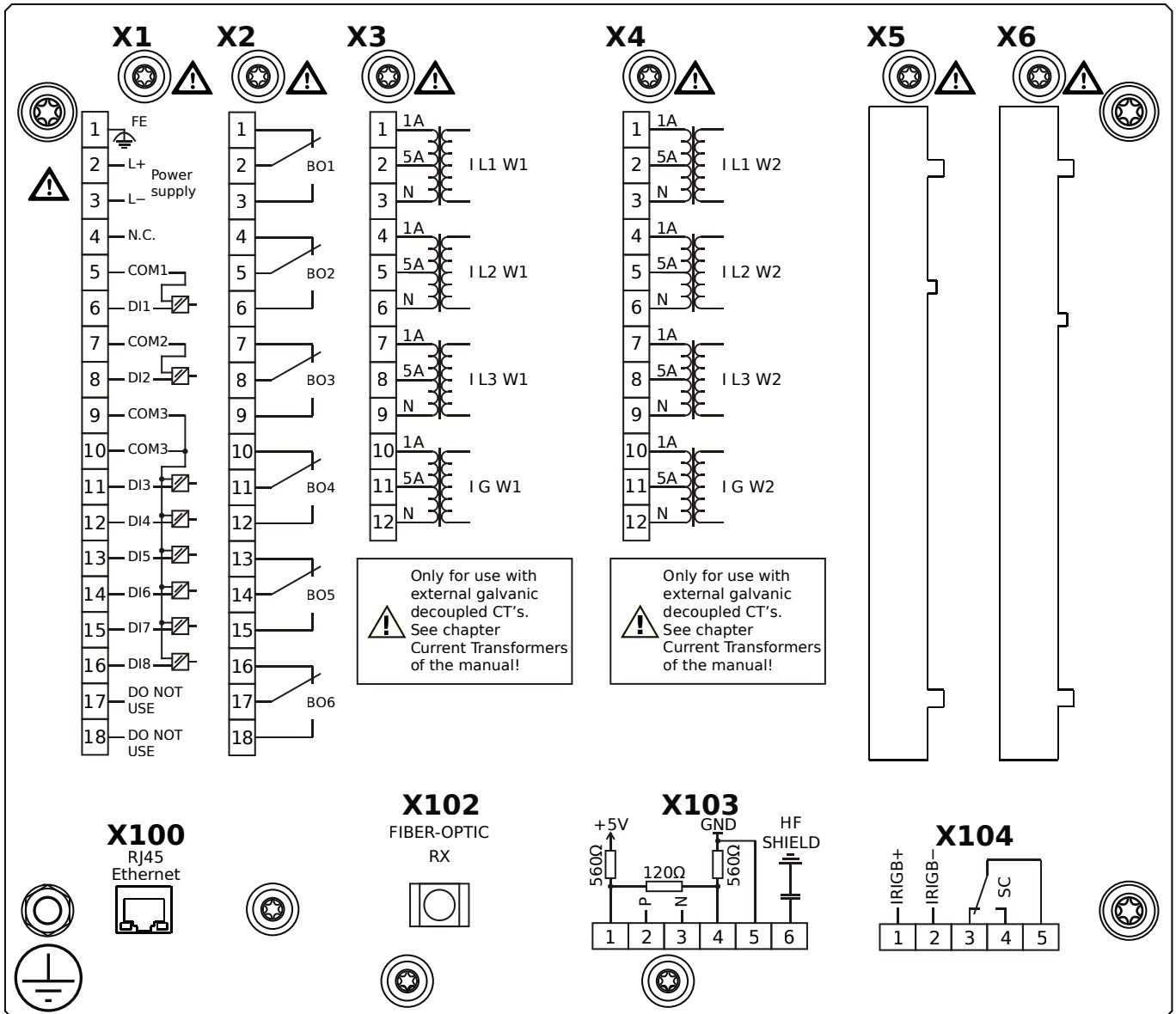
- X1** – DI8-X1: Wide-range power supply unit, incl. 2 non-grouped digital inputs and 6 grouped digital inputs
- X2** – OR-6: Assembly Group with 6 Relay Outputs
- X3** – TI-4: Standard current measuring card (for the winding side 1)
- X4** – TI-4: Standard current measuring card (for the winding side 2)
- X102** – Universal Resistance-Temperature Detector (URTD) input, Fiber optics interface, Versatile Link
- X103** – Modbus TCP / DNP3.0 TCP/UDP, Fiber optics interface, LC Connector
- X104** – IRIG-B00X, incl. System Contact (Supervision Contact)

MRDT4-2A0BTA



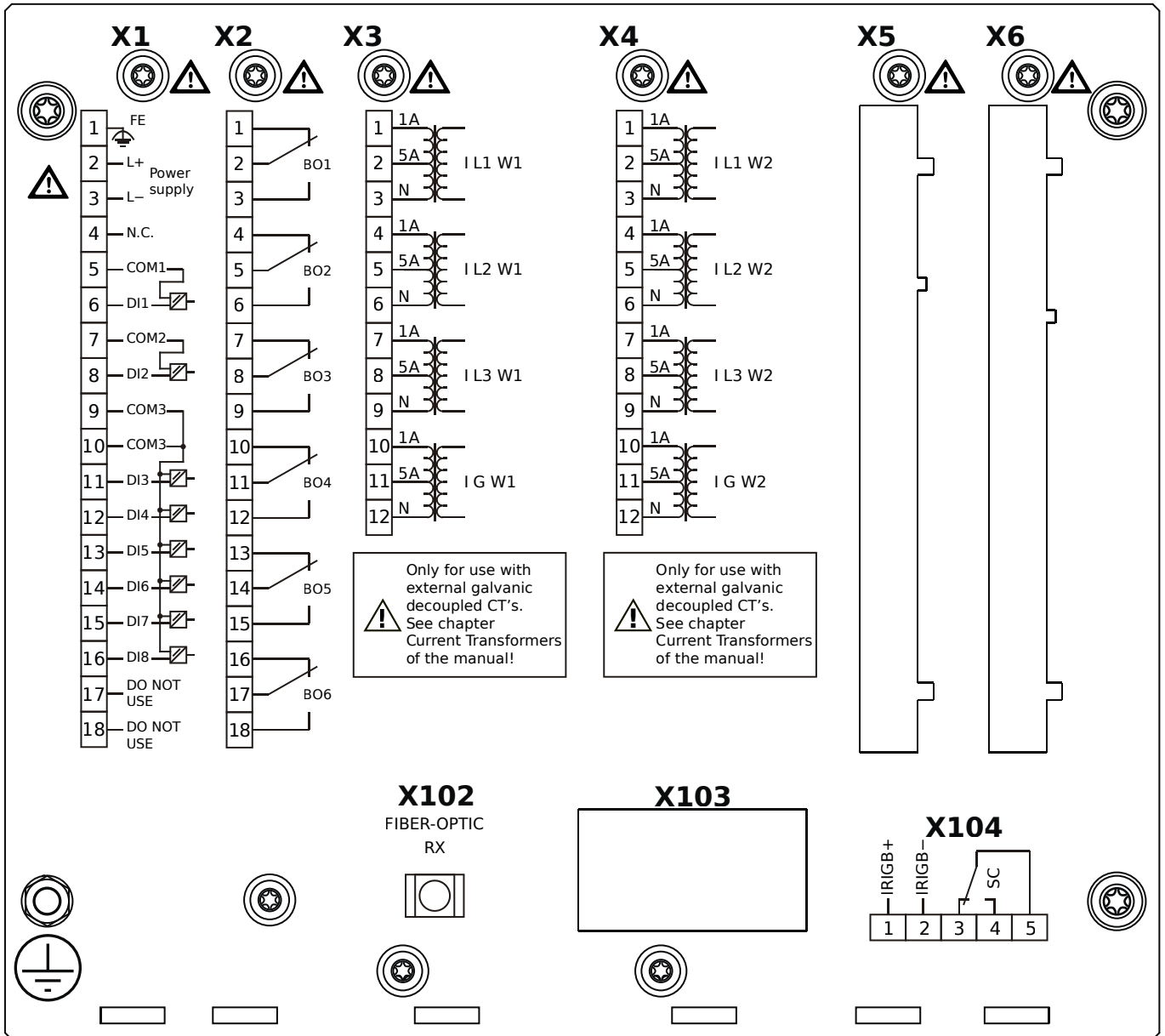
- X1** – DI8-X1: Wide-range power supply unit, incl. 2 non-grouped digital inputs and 6 grouped digital inputs
- X2** – OR-6: Assembly Group with 6 Relay Outputs
- X3** – TI-4: Standard current measuring card (for the winding side 1)
- X4** – TI-4: Standard current measuring card (for the winding side 2)
- X100** – IEC 61850 / Modbus TCP / DNP3.0 TCP/UDP, Ethernet interface, 100 Mbit/s, RJ45 (BASE100-FX)
- X102** – Universal Resistance-Temperature Detector (URTD) input, Fiber optics interface, Versatile Link
- X103** – IEC 60870-5-103 / Modbus RTU / DNP3.0 RTU, RS485, Terminals
- X104** – IRIG-B00X, incl. System Contact (Supervision Contact)

MRDT4-2A0BTB



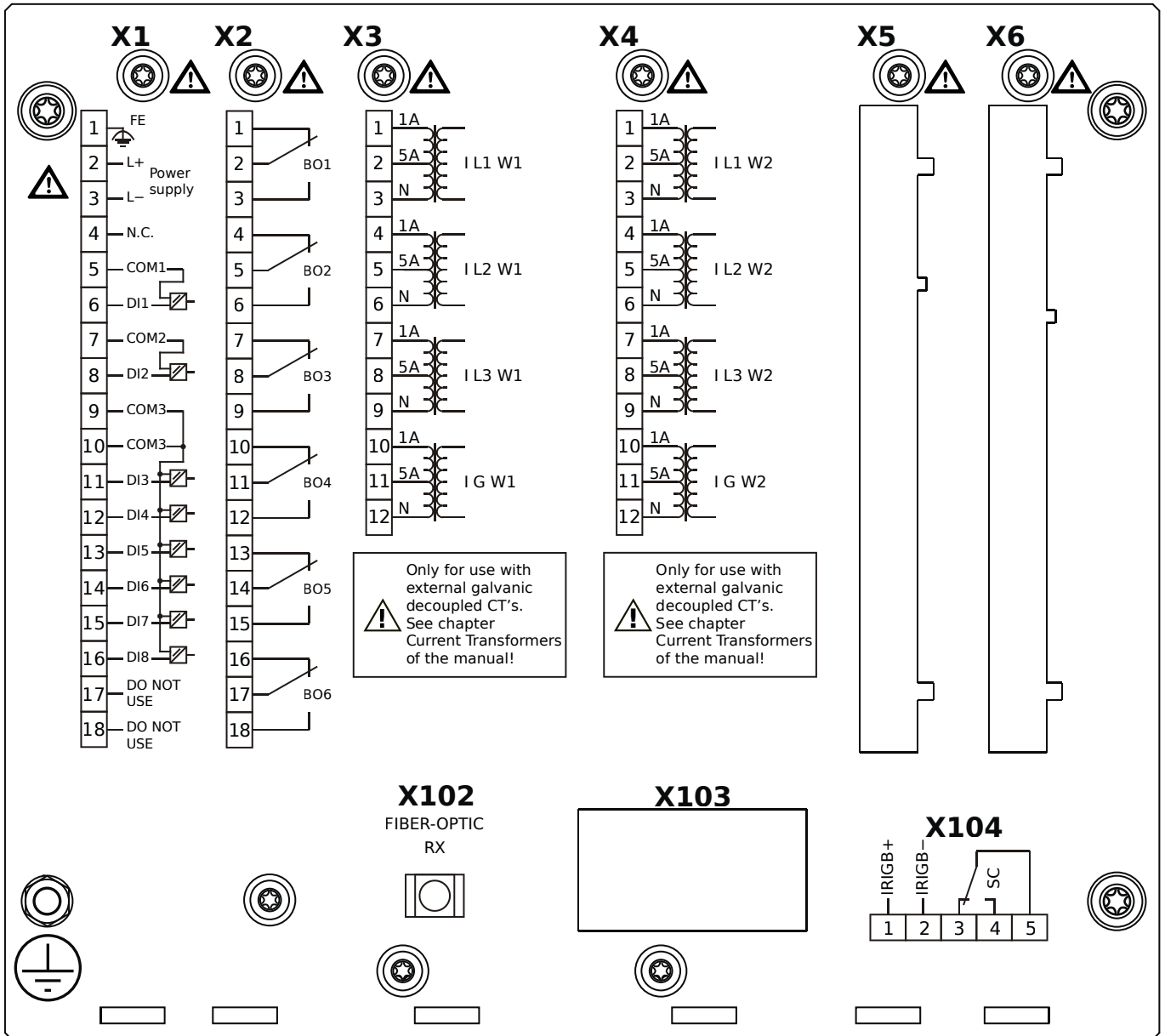
- X1** – DI8-X1: Wide-range power supply unit, incl. 2 non-grouped digital inputs and 6 grouped digital inputs
- X2** – OR-6: Assembly Group with 6 Relay Outputs
- X3** – TI-4: Standard current measuring card (for the winding side 1)
- X4** – TI-4: Standard current measuring card (for the winding side 2)
- X100** – IEC 61850 / Modbus TCP / DNP3.0 TCP/UDP, Ethernet interface, 100 Mbit/s, RJ45 (BASE100-FX)
- X102** – Universal Resistance-Temperature Detector (URTD) input, Fiber optics interface, Versatile Link
- X103** – IEC 60870-5-103 / Modbus RTU / DNP3.0 RTU, RS485, Terminals
- X104** – IRIG-B00X, incl. System Contact (Supervision Contact)

MRDT4-2A0HAA



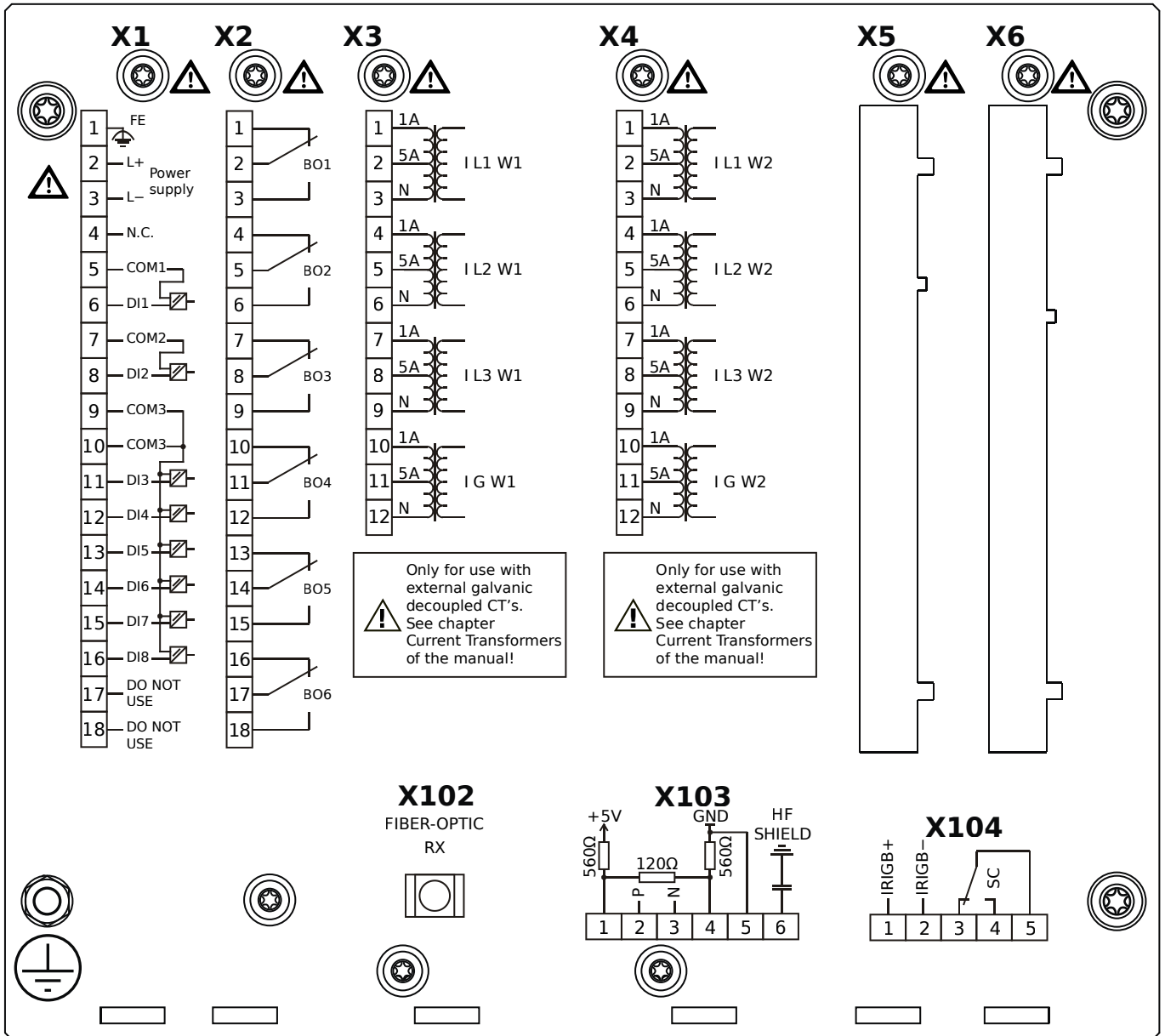
- X1** – DI8-X1: Wide-range power supply unit, incl. 2 non-grouped digital inputs and 6 grouped digital inputs
- X2** – OR-6: Assembly Group with 6 Relay Outputs
- X3** – TI-4: Standard current measuring card (for the winding side 1)
- X4** – TI-4: Standard current measuring card (for the winding side 2)
- X102** – Universal Resistance-Temperature Detector (URTD) input, Fiber optics interface, Versatile Link
- X104** – IRIG-B00X, incl. System Contact (Supervision Contact)

MRDT4-2A0HAB



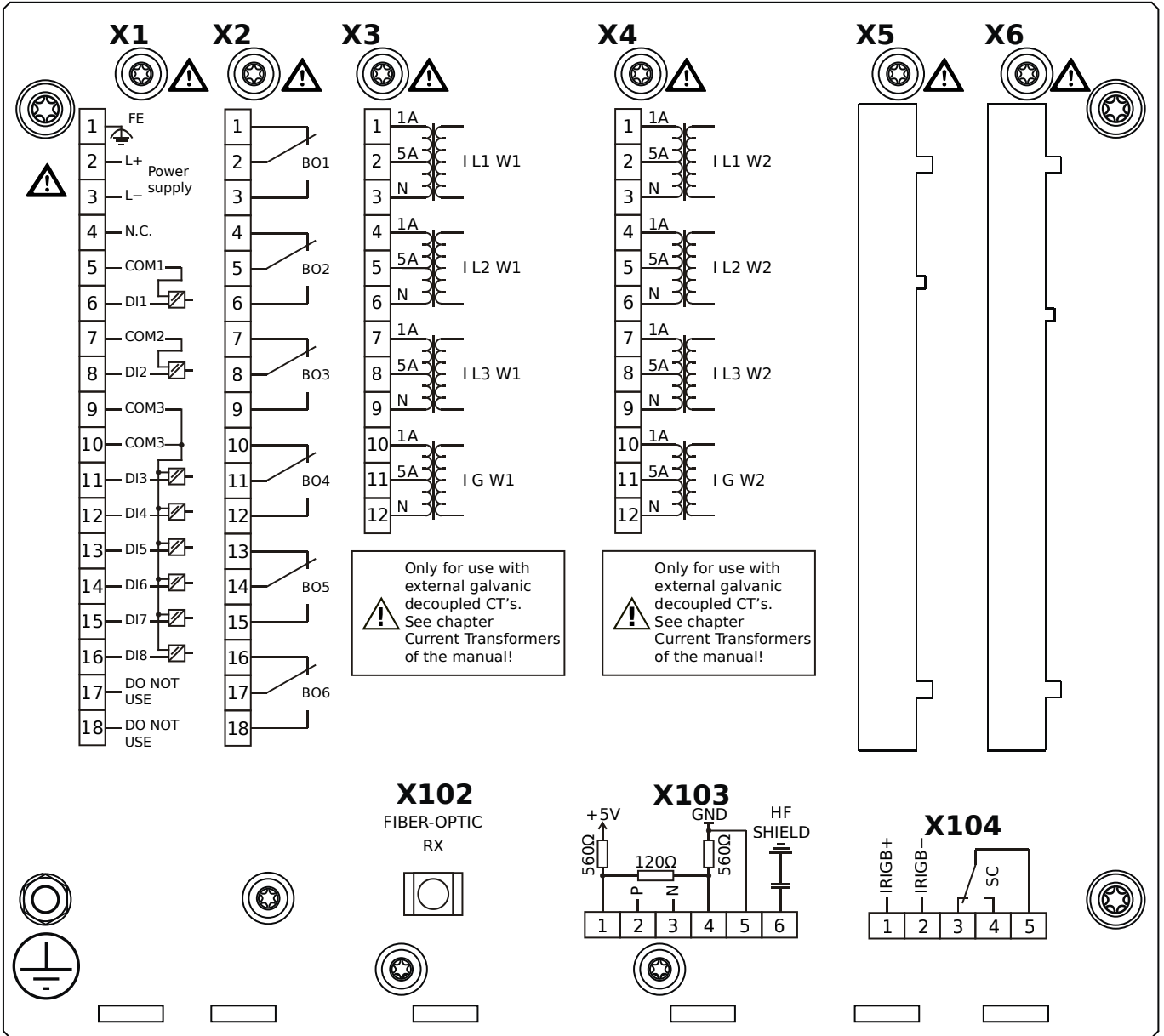
- X1** – DI8-X1: Wide-range power supply unit, incl. 2 non-grouped digital inputs and 6 grouped digital inputs
- X2** – OR-6: Assembly Group with 6 Relay Outputs
- X3** – TI-4: Standard current measuring card (for the winding side 1)
- X4** – TI-4: Standard current measuring card (for the winding side 2)
- X102** – Universal Resistance-Temperature Detector (URTD) input, Fiber optics interface, Versatile Link
- X104** – IRIG-B00X, incl. System Contact (Supervision Contact)

MRDT4-2A0HBA



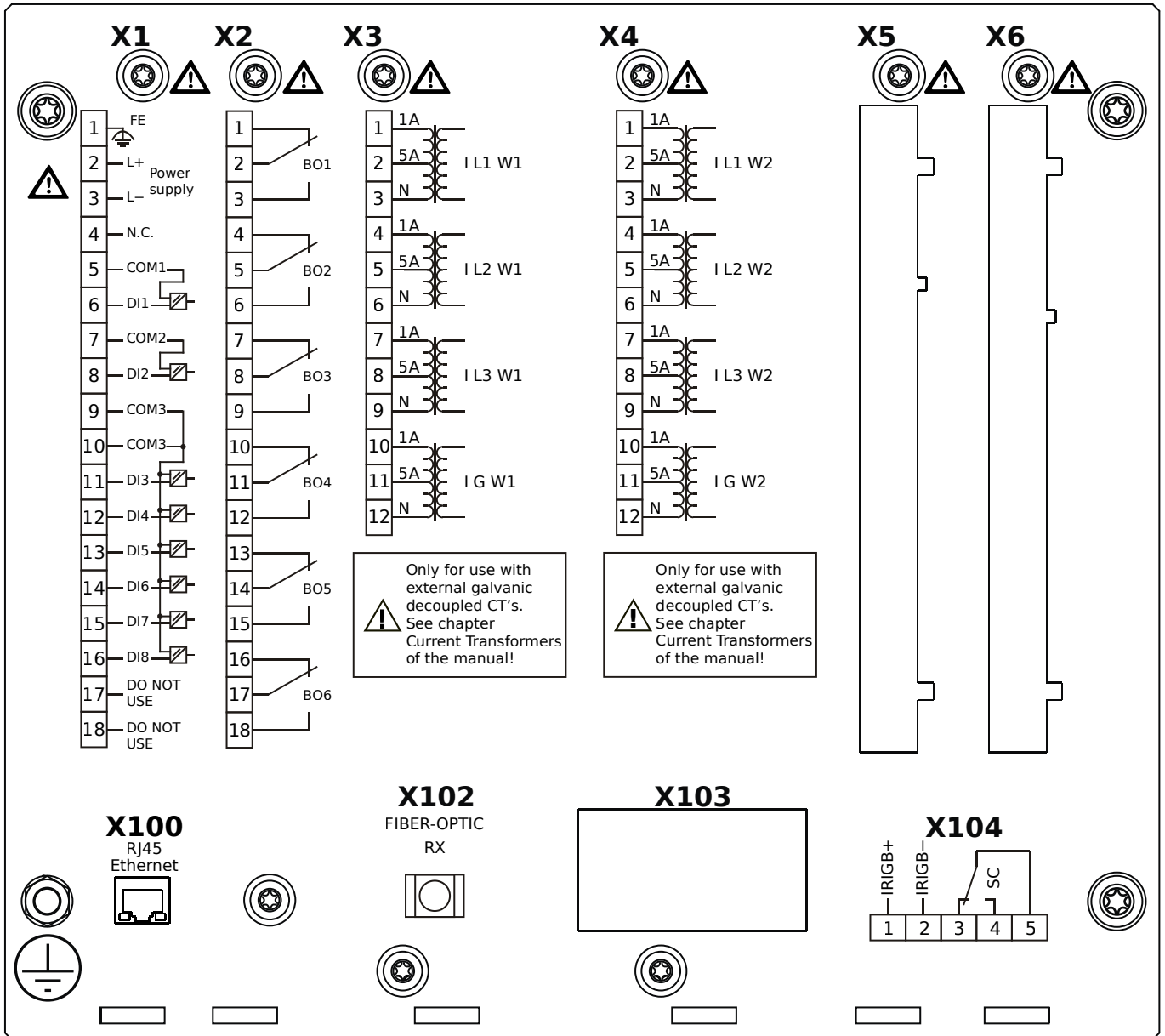
- X1** – DI8-X1: Wide-range power supply unit, incl. 2 non-grouped digital inputs and 6 grouped digital inputs
- X2** – OR-6: Assembly Group with 6 Relay Outputs
- X3** – TI-4: Standard current measuring card (for the winding side 1)
- X4** – TI-4: Standard current measuring card (for the winding side 2)
- X102** – Universal Resistance-Temperature Detector (URTD) input, Fiber optics interface, Versatile Link
- X103** – Modbus RTU / IEC 60870-5-103 / DNP3.0 RTU, RS485, Terminals
- X104** – IRIG-B00X, incl. System Contact (Supervision Contact)

MRDT4-2A0HBB



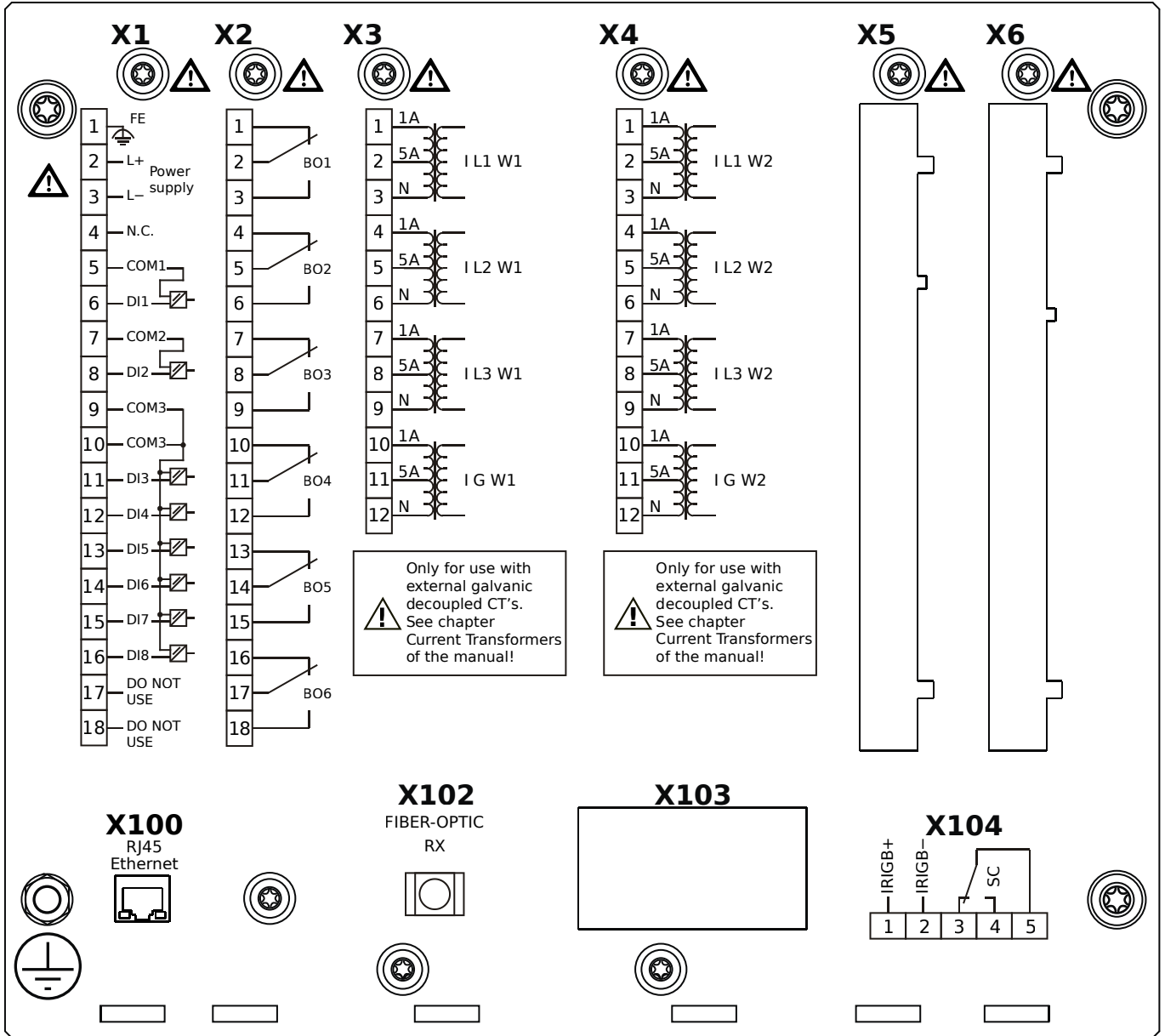
- X1** – DI8-X1: Wide-range power supply unit, incl. 2 non-grouped digital inputs and 6 grouped digital inputs
- X2** – OR-6: Assembly Group with 6 Relay Outputs
- X3** – TI-4: Standard current measuring card (for the winding side 1)
- X4** – TI-4: Standard current measuring card (for the winding side 2)
- X102** – Universal Resistance-Temperature Detector (URTD) input, Fiber optics interface, Versatile Link
- X103** – Modbus RTU / IEC 60870-5-103 / DNP3.0 RTU, RS485, Terminals
- X104** – IRIG-B00X, incl. System Contact (Supervision Contact)

MRDT4-2A0HCA



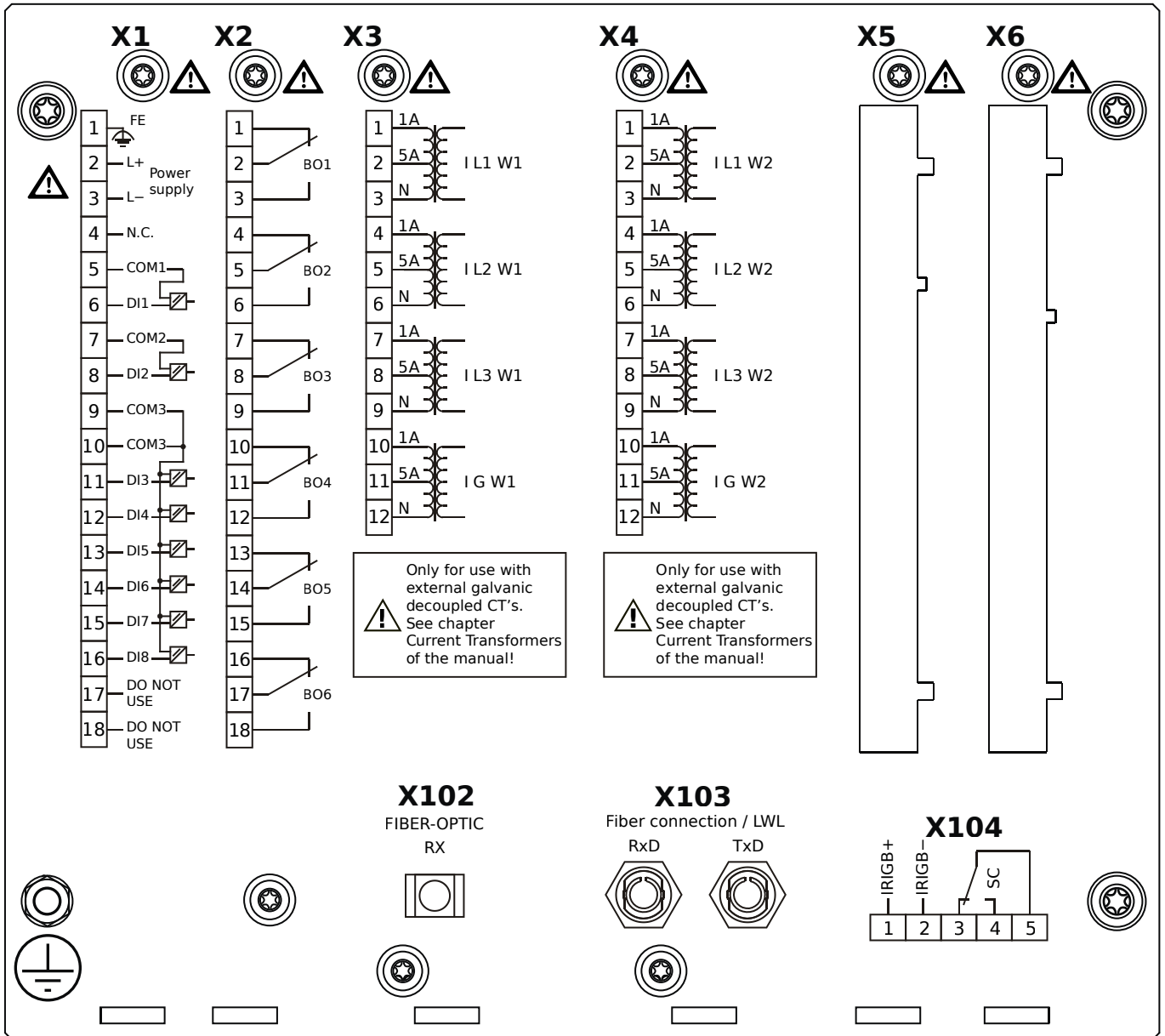
- X1** – DI8-X1: Wide-range power supply unit, incl. 2 non-grouped digital inputs and 6 grouped digital inputs
- X2** – OR-6: Assembly Group with 6 Relay Outputs
- X3** – TI-4: Standard current measuring card (for the winding side 1)
- X4** – TI-4: Standard current measuring card (for the winding side 2)
- X100** – Modbus TCP / DNP3.0 TCP/UDP, Ethernet interface, 100 Mbit/s, RJ45 (BASE100-FX)
- X102** – Universal Resistance-Temperature Detector (URTD) input, Fiber optics interface, Versatile Link
- X104** – IRIG-B00X, incl. System Contact (Supervision Contact)

MRDT4-2A0HCB



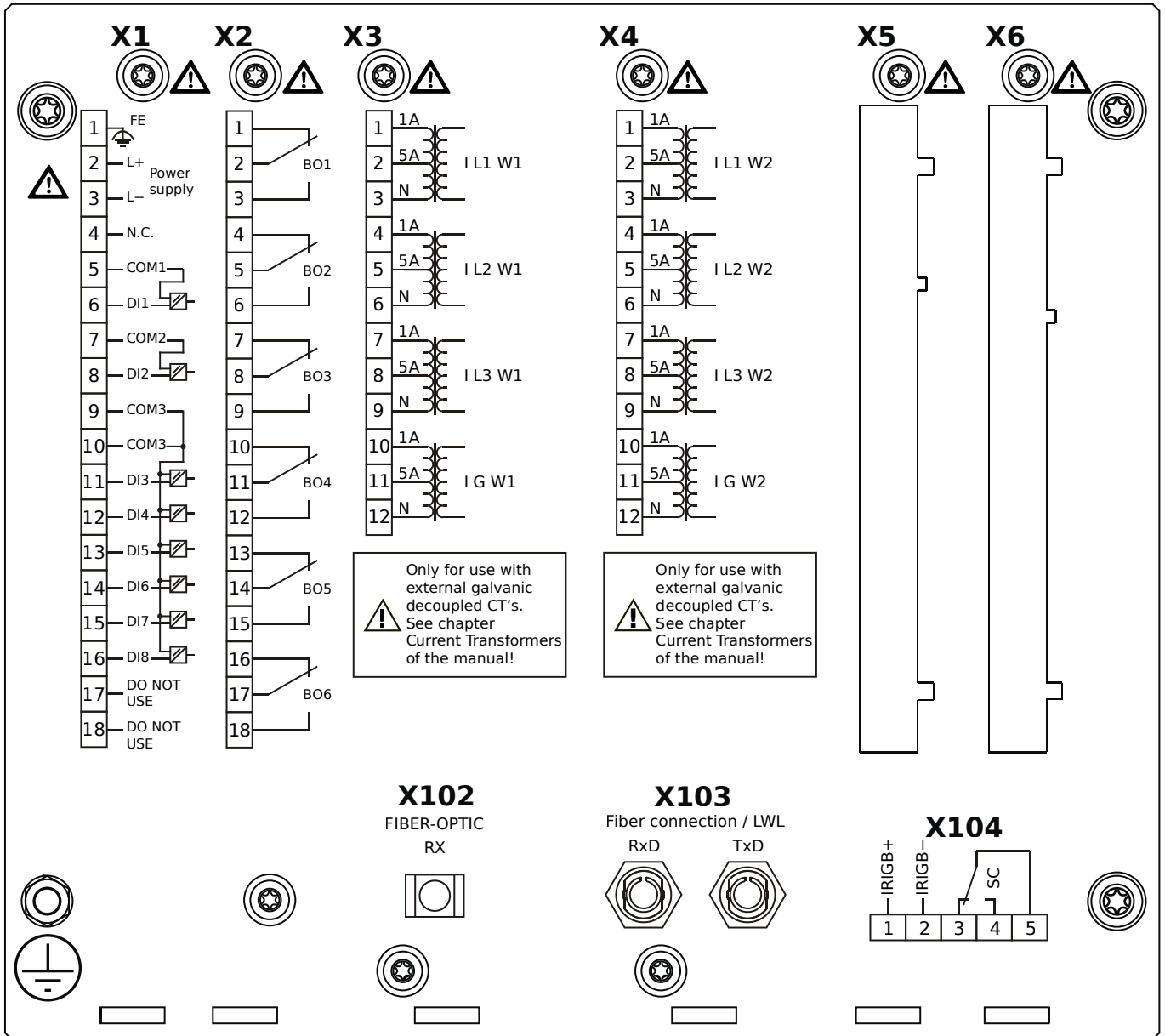
- X1** – DI8-X1: Wide-range power supply unit, incl. 2 non-grouped digital inputs and 6 grouped digital inputs
- X2** – OR-6: Assembly Group with 6 Relay Outputs
- X3** – TI-4: Standard current measuring card (for the winding side 1)
- X4** – TI-4: Standard current measuring card (for the winding side 2)
- X100** – Modbus TCP / DNP3.0 TCP/UDP, Ethernet interface, 100 Mbit/s, RJ45 (BASE100-FX)
- X102** – Universal Resistance-Temperature Detector (URTD) input, Fiber optics interface, Versatile Link
- X104** – IRIG-B00X, incl. System Contact (Supervision Contact)

MRDT4-2A0HDA



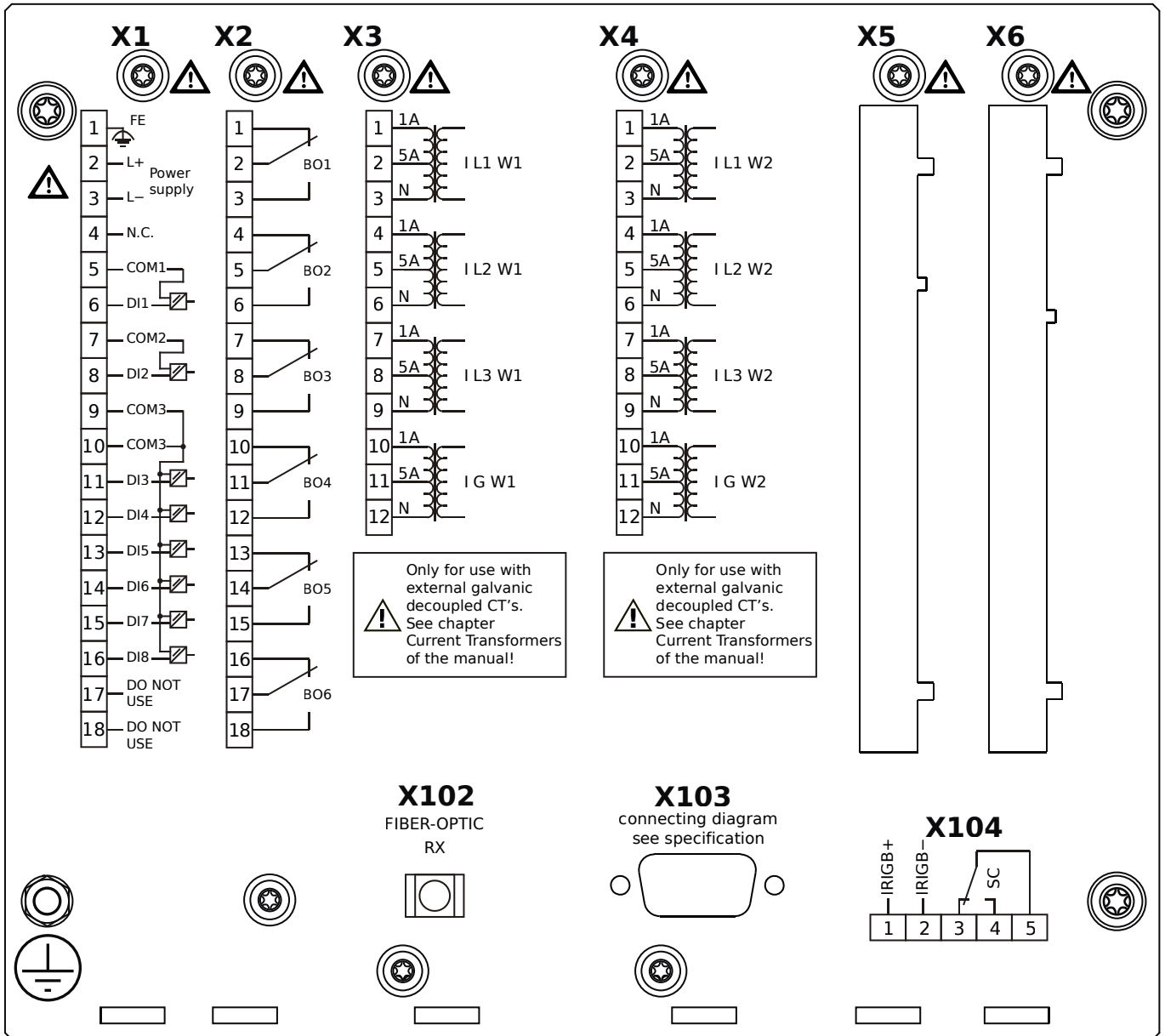
- X1** – DI8-X1: Wide-range power supply unit, incl. 2 non-grouped digital inputs and 6 grouped digital inputs
- X2** – OR-6: Assembly Group with 6 Relay Outputs
- X3** – TI-4: Standard current measuring card (for the winding side 1)
- X4** – TI-4: Standard current measuring card (for the winding side 2)
- X102** – Universal Resistance-Temperature Detector (URTD) input, Fiber optics interface, Versatile Link
- X103** – Profibus-DP, Fiber optics interface, ST Connector
- X104** – IRIG-B00X, incl. System Contact (Supervision Contact)

MRDT4-2A0HDB



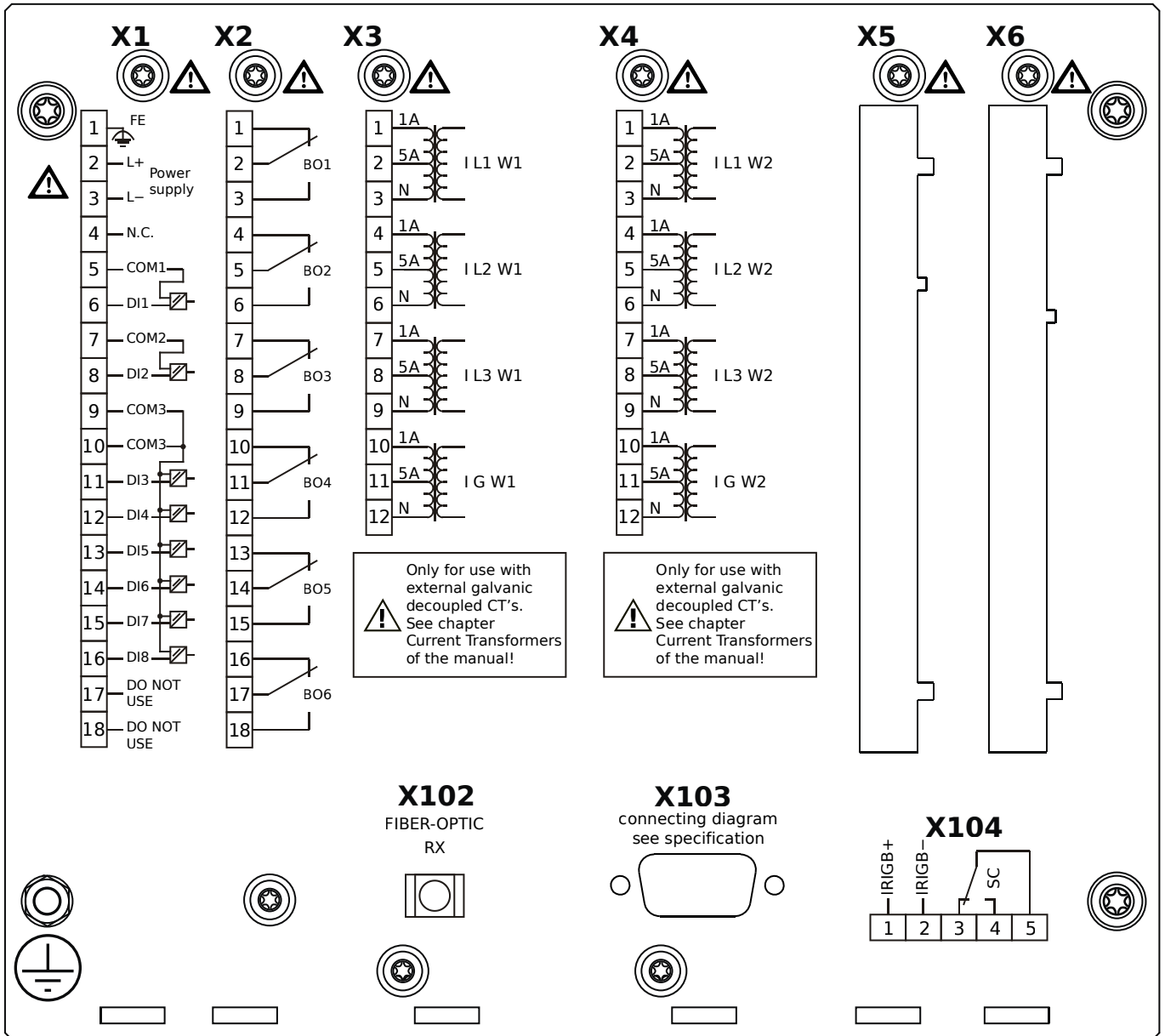
- X1** – DI8-X1: Wide-range power supply unit, incl. 2 non-grouped digital inputs and 6 grouped digital inputs
- X2** – OR-6: Assembly Group with 6 Relay Outputs
- X3** – TI-4: Standard current measuring card (for the winding side 1)
- X4** – TI-4: Standard current measuring card (for the winding side 2)
- X102** – Universal Resistance-Temperature Detector (URTD) input, Fiber optics interface, Versatile Link
- X103** – Profibus-DP, Fiber optics interface, ST Connector
- X104** – IRIG-B00X, incl. System Contact (Supervision Contact)

MRDT4-2A0HEA



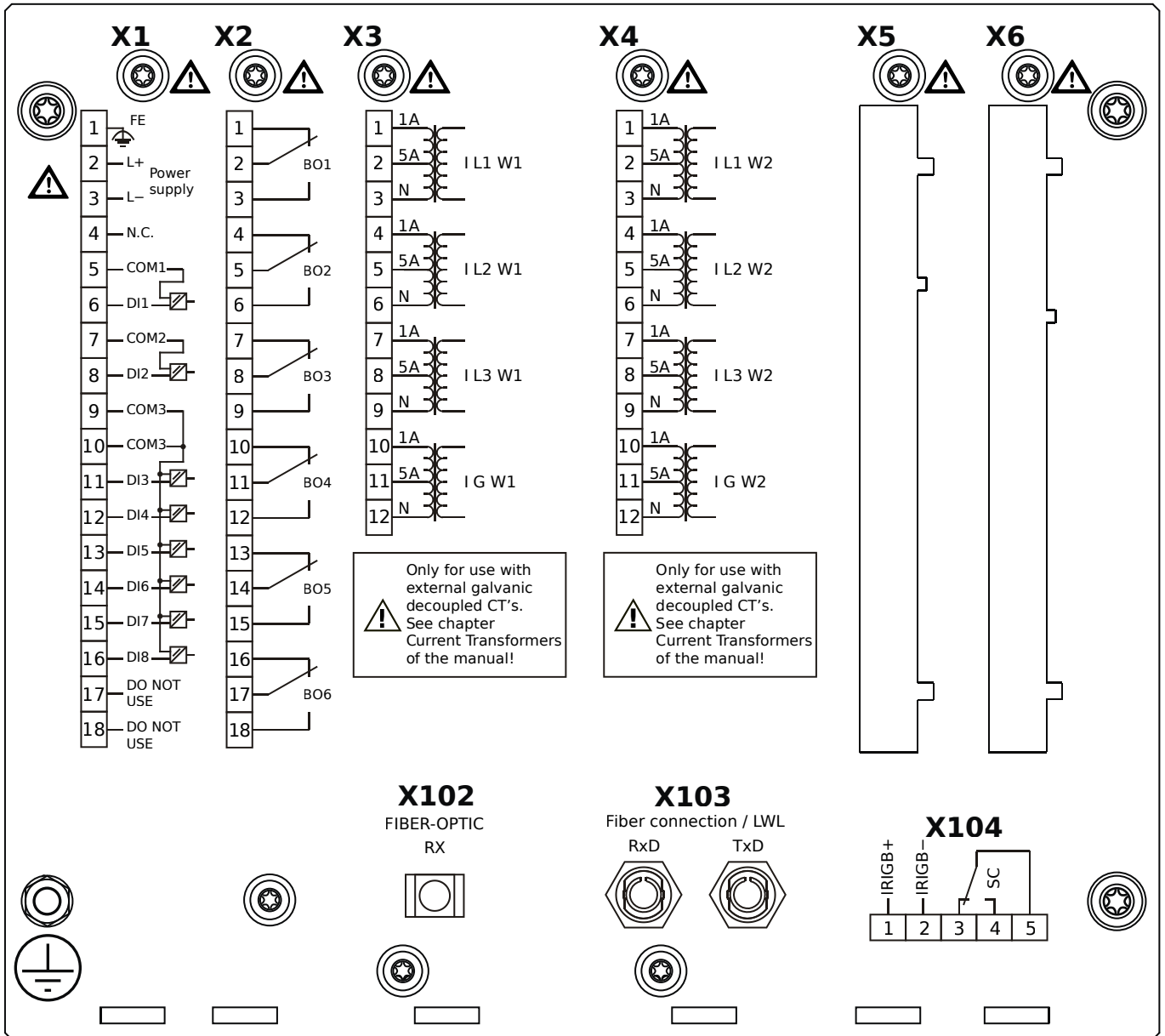
- X1** – DI8-X1: Wide-range power supply unit, incl. 2 non-grouped digital inputs and 6 grouped digital inputs
- X2** – OR-6: Assembly Group with 6 Relay Outputs
- X3** – TI-4: Standard current measuring card (for the winding side 1)
- X4** – TI-4: Standard current measuring card (for the winding side 2)
- X102** – Universal Resistance-Temperature Detector (URTD) input, Fiber optics interface, Versatile Link
- X103** – Profibus-DP, RS485, D-SUB
- X104** – IRIG-B00X, incl. System Contact (Supervision Contact)

MRDT4-2A0HEB



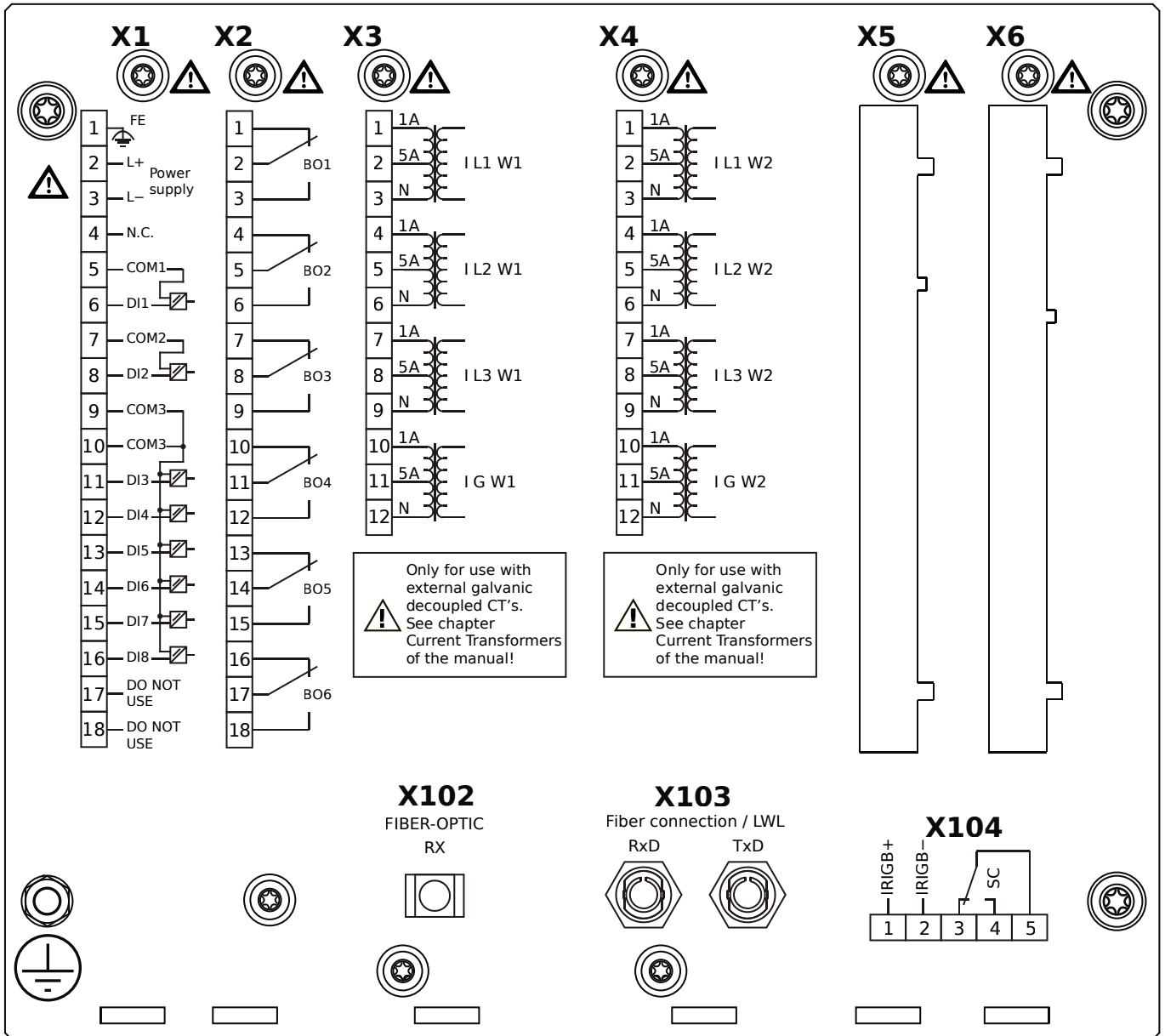
- X1** – DI8-X1: Wide-range power supply unit, incl. 2 non-grouped digital inputs and 6 grouped digital inputs
- X2** – OR-6: Assembly Group with 6 Relay Outputs
- X3** – TI-4: Standard current measuring card (for the winding side 1)
- X4** – TI-4: Standard current measuring card (for the winding side 2)
- X102** – Universal Resistance-Temperature Detector (URTD) input, Fiber optics interface, Versatile Link
- X103** – Profibus-DP, RS485, D-SUB
- X104** – IRIG-B00X, incl. System Contact (Supervision Contact)

MRDT4-2A0HFA



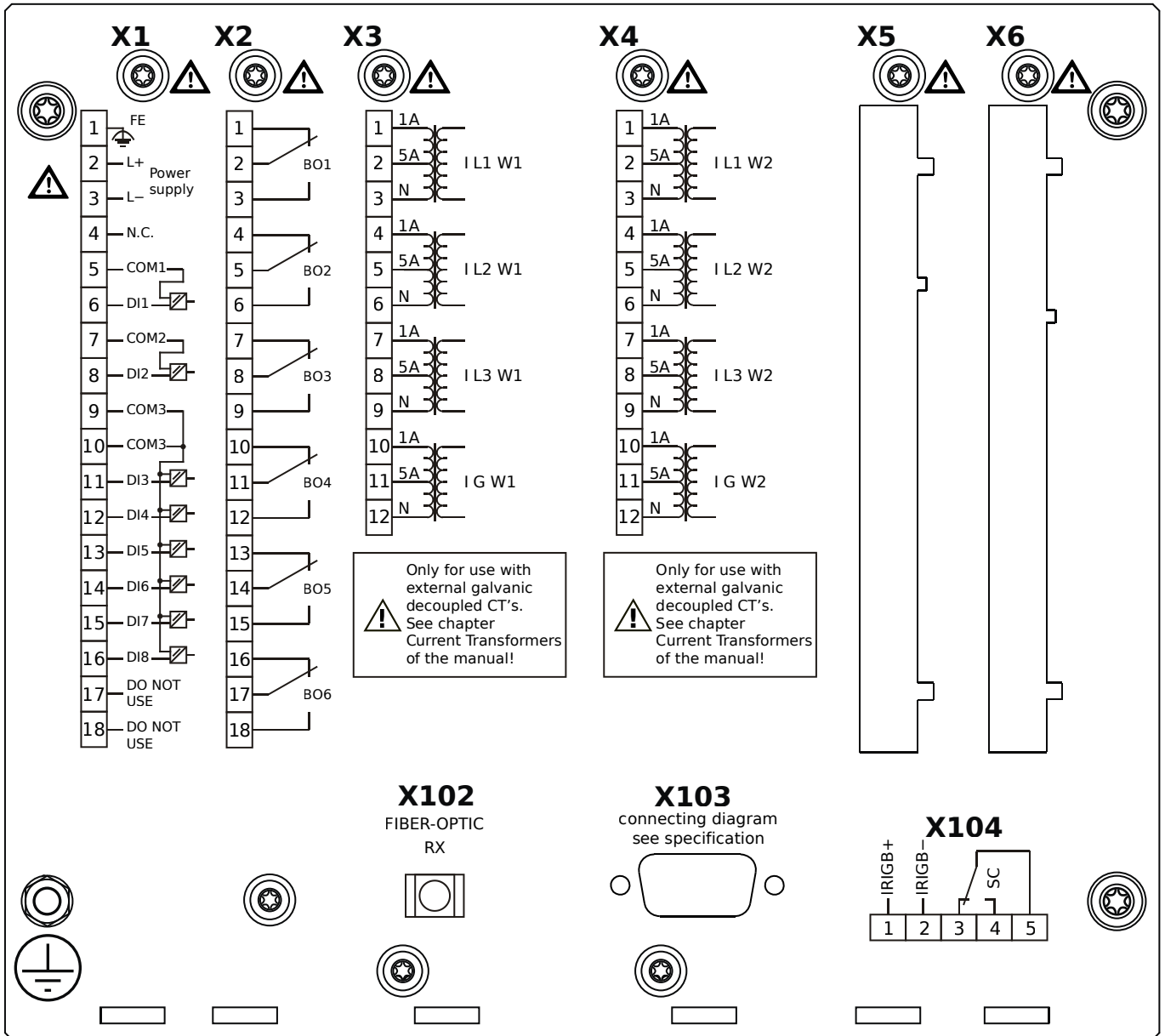
- X1** – DI8-X1: Wide-range power supply unit, incl. 2 non-grouped digital inputs and 6 grouped digital inputs
- X2** – OR-6: Assembly Group with 6 Relay Outputs
- X3** – TI-4: Standard current measuring card (for the winding side 1)
- X4** – TI-4: Standard current measuring card (for the winding side 2)
- X102** – Universal Resistance-Temperature Detector (URTD) input, Fiber optics interface, Versatile Link
- X103** – Modbus RTU / IEC 60870-5-103 / DNP3.0 RTU, Fiber optics interface, ST Connector
- X104** – IRIG-B00X, incl. System Contact (Supervision Contact)

MRDT4-2A0HFB



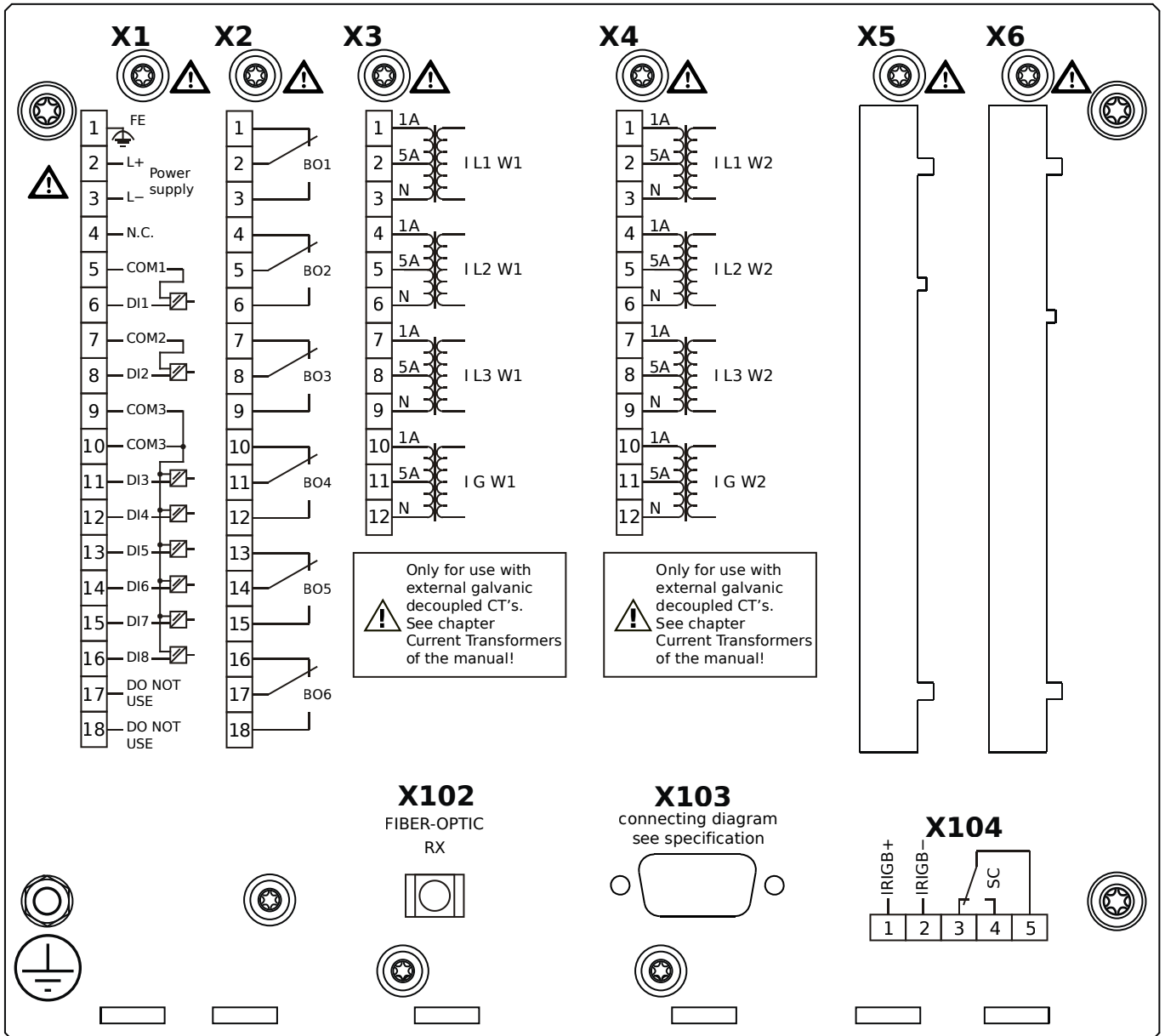
- X1** – DI8-X1: Wide-range power supply unit, incl. 2 non-grouped digital inputs and 6 grouped digital inputs
- X2** – OR-6: Assembly Group with 6 Relay Outputs
- X3** – TI-4: Standard current measuring card (for the winding side 1)
- X4** – TI-4: Standard current measuring card (for the winding side 2)
- X102** – Universal Resistance-Temperature Detector (URTD) input, Fiber optics interface, Versatile Link
- X103** – Modbus RTU / IEC 60870-5-103 / DNP3.0 RTU, Fiber optics interface, ST Connector
- X104** – IRIG-B00X, incl. System Contact (Supervision Contact)

MRDT4-2A0HGA



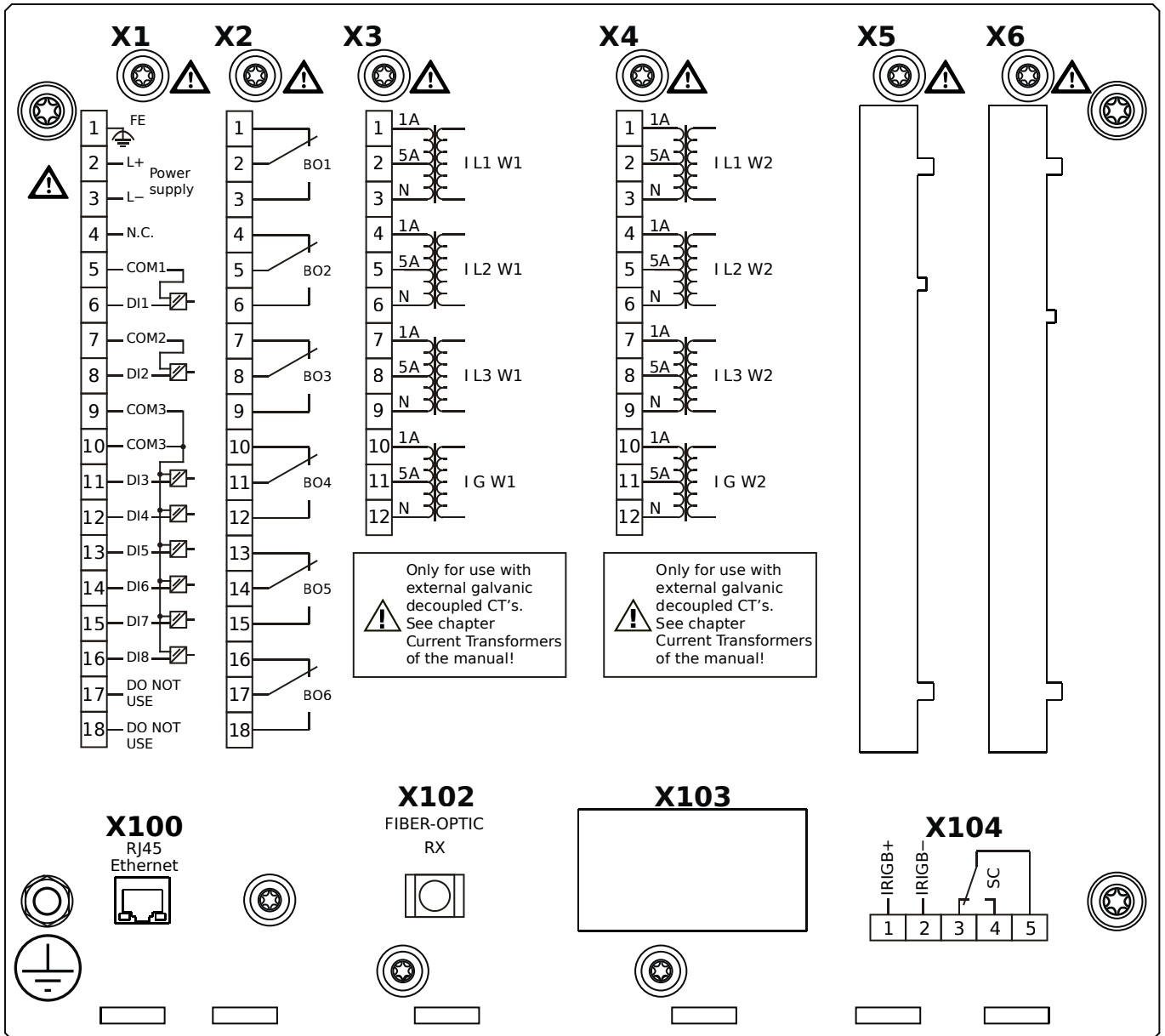
- X1** – DI8-X1: Wide-range power supply unit, incl. 2 non-grouped digital inputs and 6 grouped digital inputs
- X2** – OR-6: Assembly Group with 6 Relay Outputs
- X3** – TI-4: Standard current measuring card (for the winding side 1)
- X4** – TI-4: Standard current measuring card (for the winding side 2)
- X102** – Universal Resistance-Temperature Detector (URTD) input, Fiber optics interface, Versatile Link
- X103** – Modbus RTU / IEC 60870-5-103 / DNP3.0 RTU, RS485, D-SUB
- X104** – IRIG-B00X, incl. System Contact (Supervision Contact)

MRDT4-2A0HGB



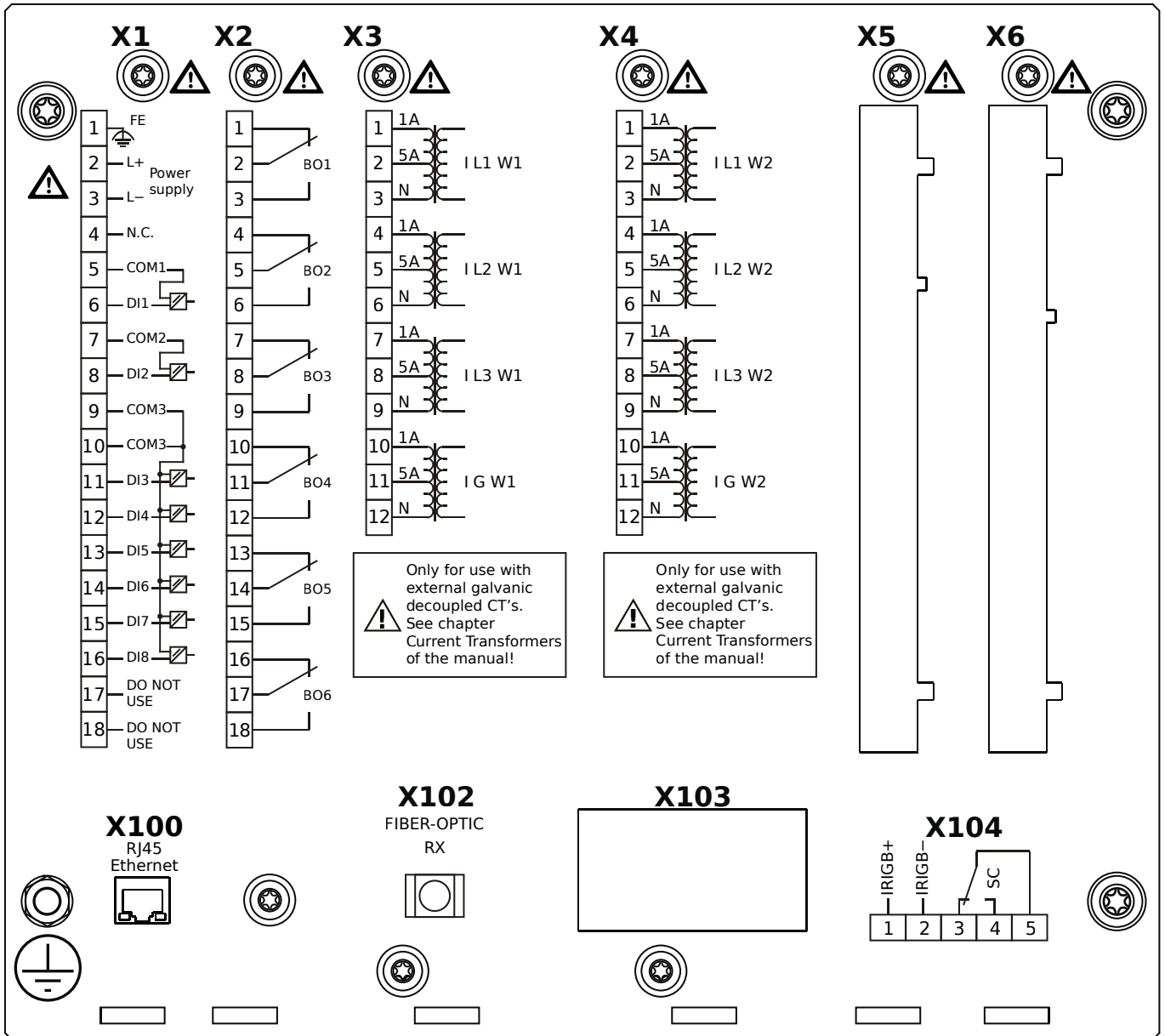
- X1** – DI8-X1: Wide-range power supply unit, incl. 2 non-grouped digital inputs and 6 grouped digital inputs
- X2** – OR-6: Assembly Group with 6 Relay Outputs
- X3** – TI-4: Standard current measuring card (for the winding side 1)
- X4** – TI-4: Standard current measuring card (for the winding side 2)
- X102** – Universal Resistance-Temperature Detector (URTD) input, Fiber optics interface, Versatile Link
- X103** – Modbus RTU / IEC 60870-5-103 / DNP3.0 RTU, RS485, D-SUB
- X104** – IRIG-B00X, incl. System Contact (Supervision Contact)

MRDT4-2A0HHA



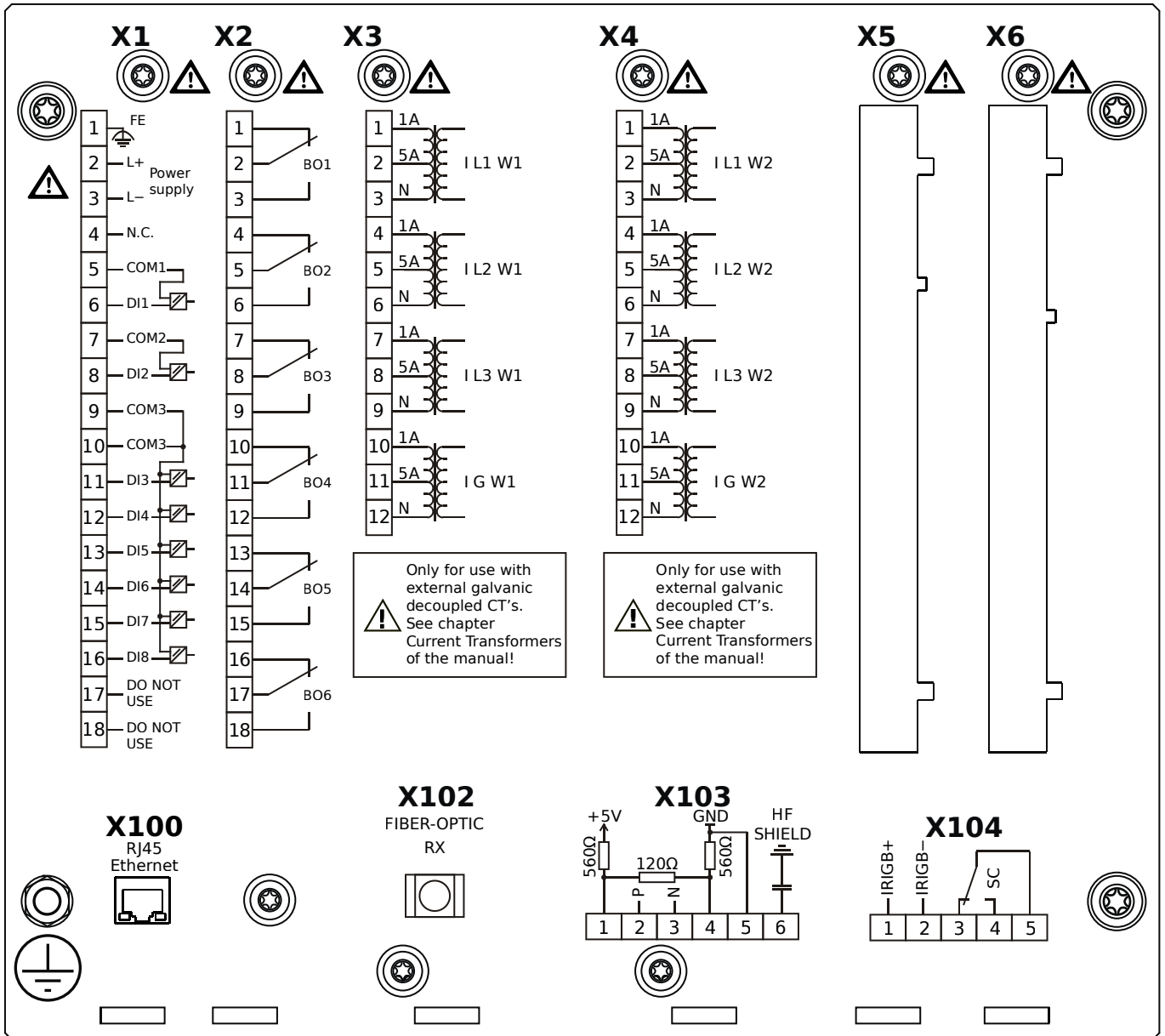
- X1** – DI8-X1: Wide-range power supply unit, incl. 2 non-grouped digital inputs and 6 grouped digital inputs
- X2** – OR-6: Assembly Group with 6 Relay Outputs
- X3** – TI-4: Standard current measuring card (for the winding side 1)
- X4** – TI-4: Standard current measuring card (for the winding side 2)
- X100** – IEC 61850 / Modbus TCP / DNP3.0 TCP/UDP, Ethernet interface, 100 Mbit/s, RJ45 (BASE100-FX)
- X102** – Universal Resistance-Temperature Detector (URTD) input, Fiber optics interface, Versatile Link
- X104** – IRIG-B00X, incl. System Contact (Supervision Contact)

MRDT4-2A0HHB



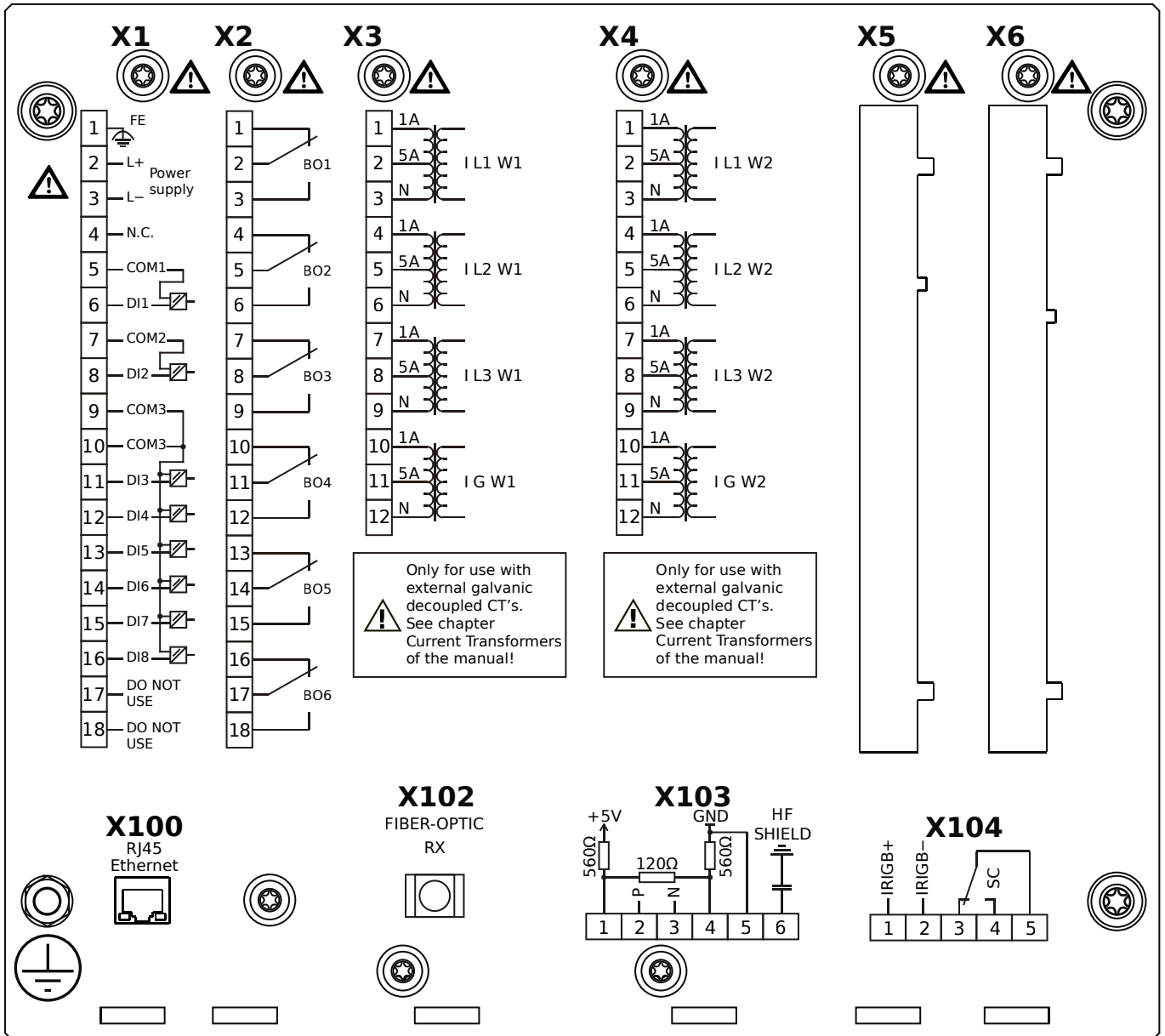
- X1** – DI8-X1: Wide-range power supply unit, incl. 2 non-grouped digital inputs and 6 grouped digital inputs
- X2** – OR-6: Assembly Group with 6 Relay Outputs
- X3** – TI-4: Standard current measuring card (for the winding side 1)
- X4** – TI-4: Standard current measuring card (for the winding side 2)
- X100** – IEC 61850 / Modbus TCP / DNP3.0 TCP/UDP, Ethernet interface, 100 Mbit/s, RJ45 (BASE100-FX)
- X102** – Universal Resistance-Temperature Detector (URTD) input, Fiber optics interface, Versatile Link
- X104** – IRIG-B00X, incl. System Contact (Supervision Contact)

MRDT4-2A0HIA



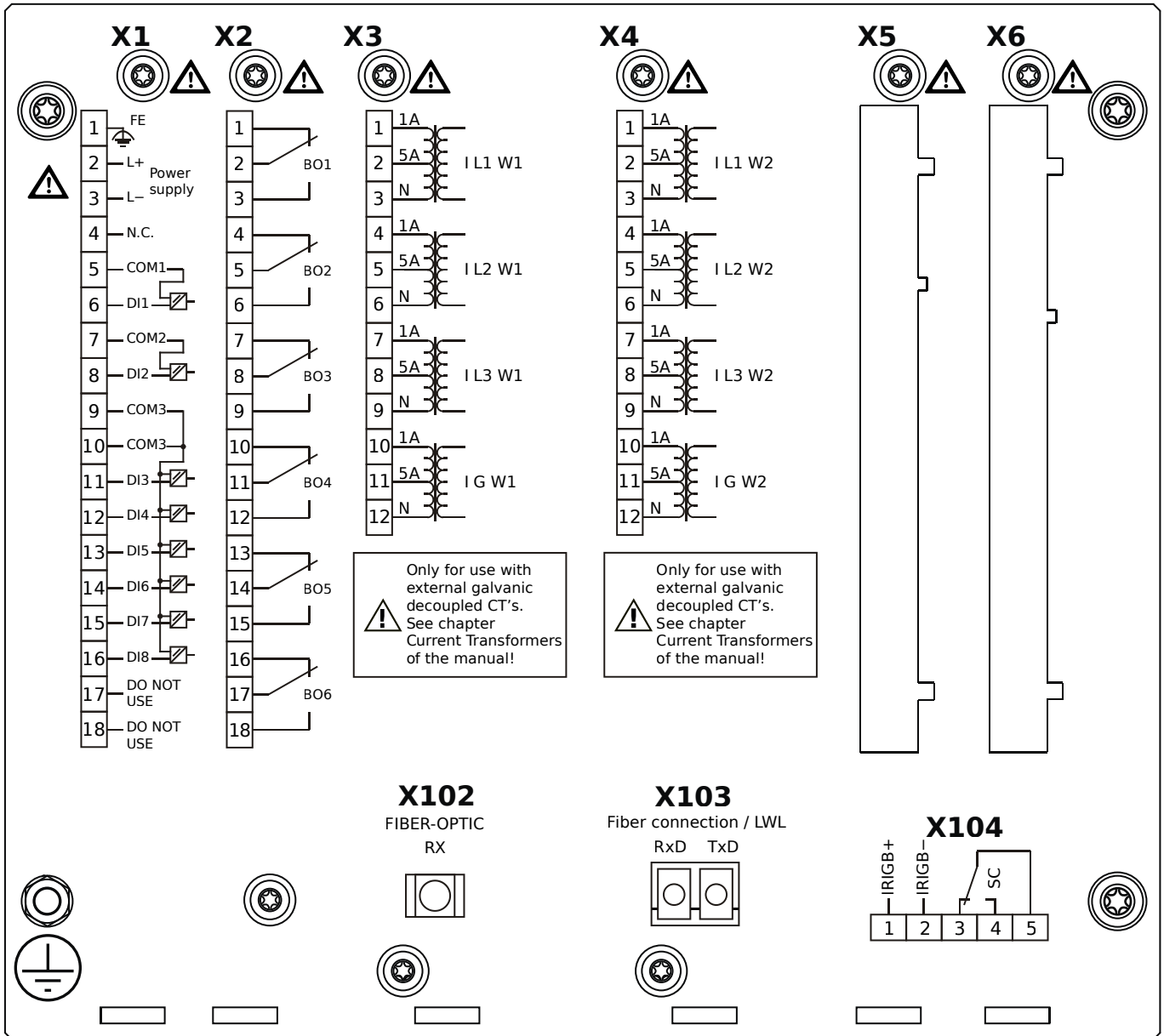
- X1** – DI8-X1: Wide-range power supply unit, incl. 2 non-grouped digital inputs and 6 grouped digital inputs
- X2** – OR-6: Assembly Group with 6 Relay Outputs
- X3** – TI-4: Standard current measuring card (for the winding side 1)
- X4** – TI-4: Standard current measuring card (for the winding side 2)
- X100** – Modbus TCP / DNP3.0 TCP/UDP, Ethernet interface, 100 Mbit/s, RJ45 (BASE100-FX)
- X102** – Universal Resistance-Temperature Detector (URTD) input, Fiber optics interface, Versatile Link
- X103** – IEC 60870-5-103 / Modbus RTU / DNP3.0 RTU, RS485, Terminals
- X104** – IRIG-B00X, incl. System Contact (Supervision Contact)

MRDT4-2A0HIB



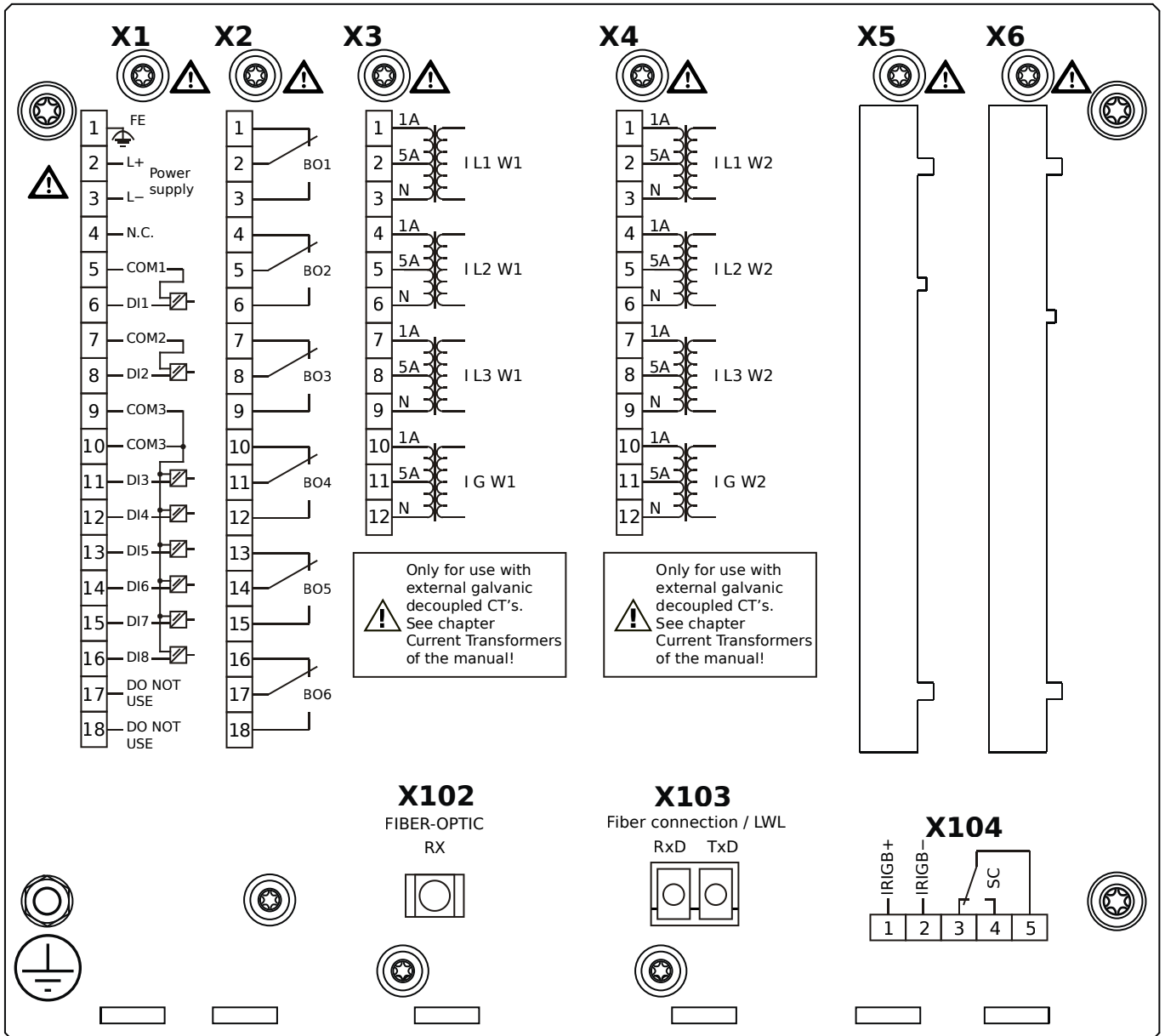
- X1** – DI8-X1: Wide-range power supply unit, incl. 2 non-grouped digital inputs and 6 grouped digital inputs
- X2** – OR-6: Assembly Group with 6 Relay Outputs
- X3** – TI-4: Standard current measuring card (for the winding side 1)
- X4** – TI-4: Standard current measuring card (for the winding side 2)
- X100** – Modbus TCP / DNP3.0 TCP/UDP, Ethernet interface, 100 Mbit/s, RJ45 (BASE100-FX)
- X102** – Universal Resistance-Temperature Detector (URTD) input, Fiber optics interface, Versatile Link
- X103** – IEC 60870-5-103 / Modbus RTU / DNP3.0 RTU, RS485, Terminals
- X104** – IRIG-B00X, incl. System Contact (Supervision Contact)

MRDT4-2A0HKA



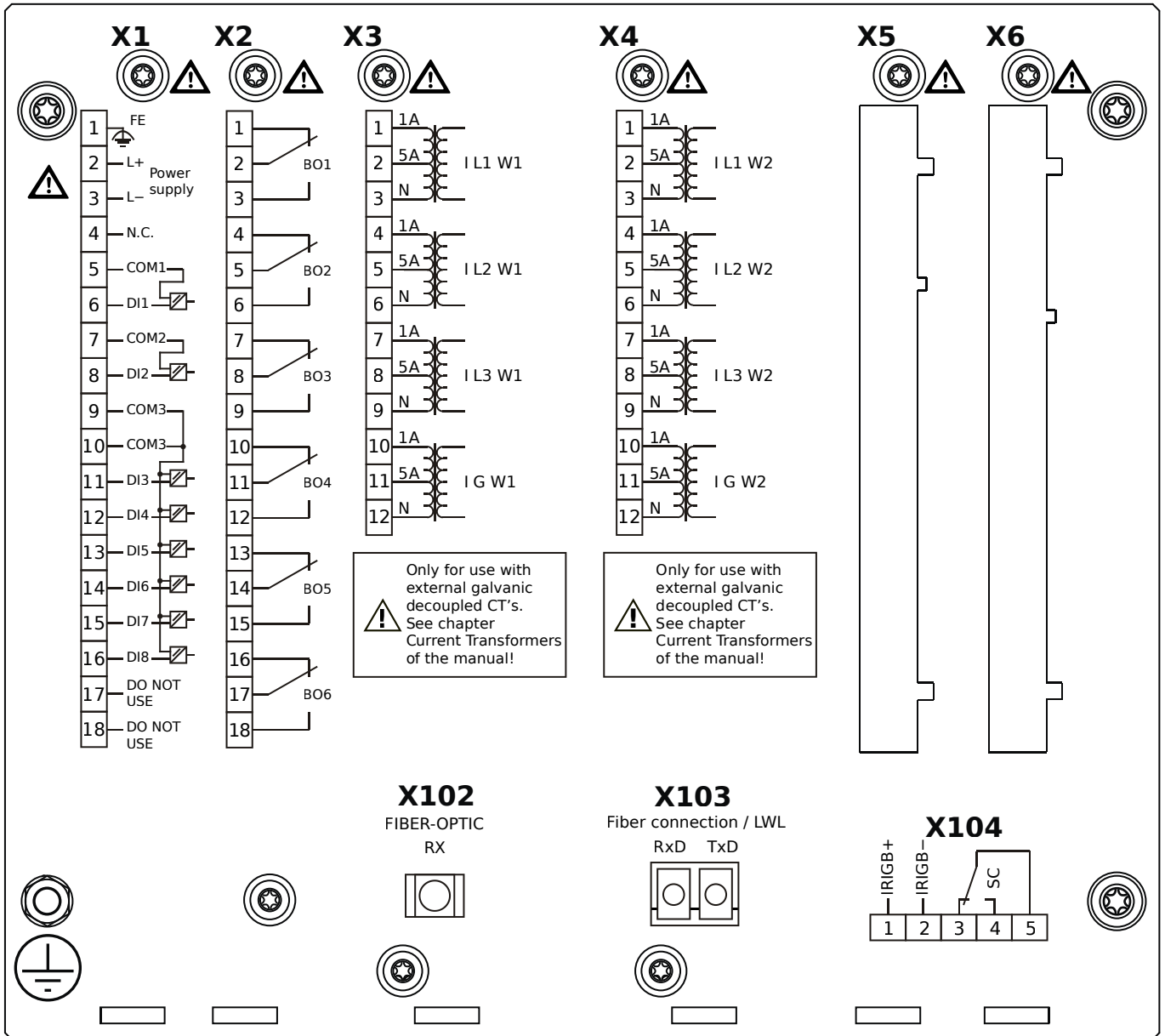
- X1** – DI8-X1: Wide-range power supply unit, incl. 2 non-grouped digital inputs and 6 grouped digital inputs
- X2** – OR-6: Assembly Group with 6 Relay Outputs
- X3** – TI-4: Standard current measuring card (for the winding side 1)
- X4** – TI-4: Standard current measuring card (for the winding side 2)
- X102** – Universal Resistance-Temperature Detector (URTD) input, Fiber optics interface, Versatile Link
- X103** – IEC 61850 / Modbus TCP / DNP3.0 TCP/UDP, Fiber optics interface, LC Connector
- X104** – IRIG-B00X, incl. System Contact (Supervision Contact)

MRDT4-2A0HKB



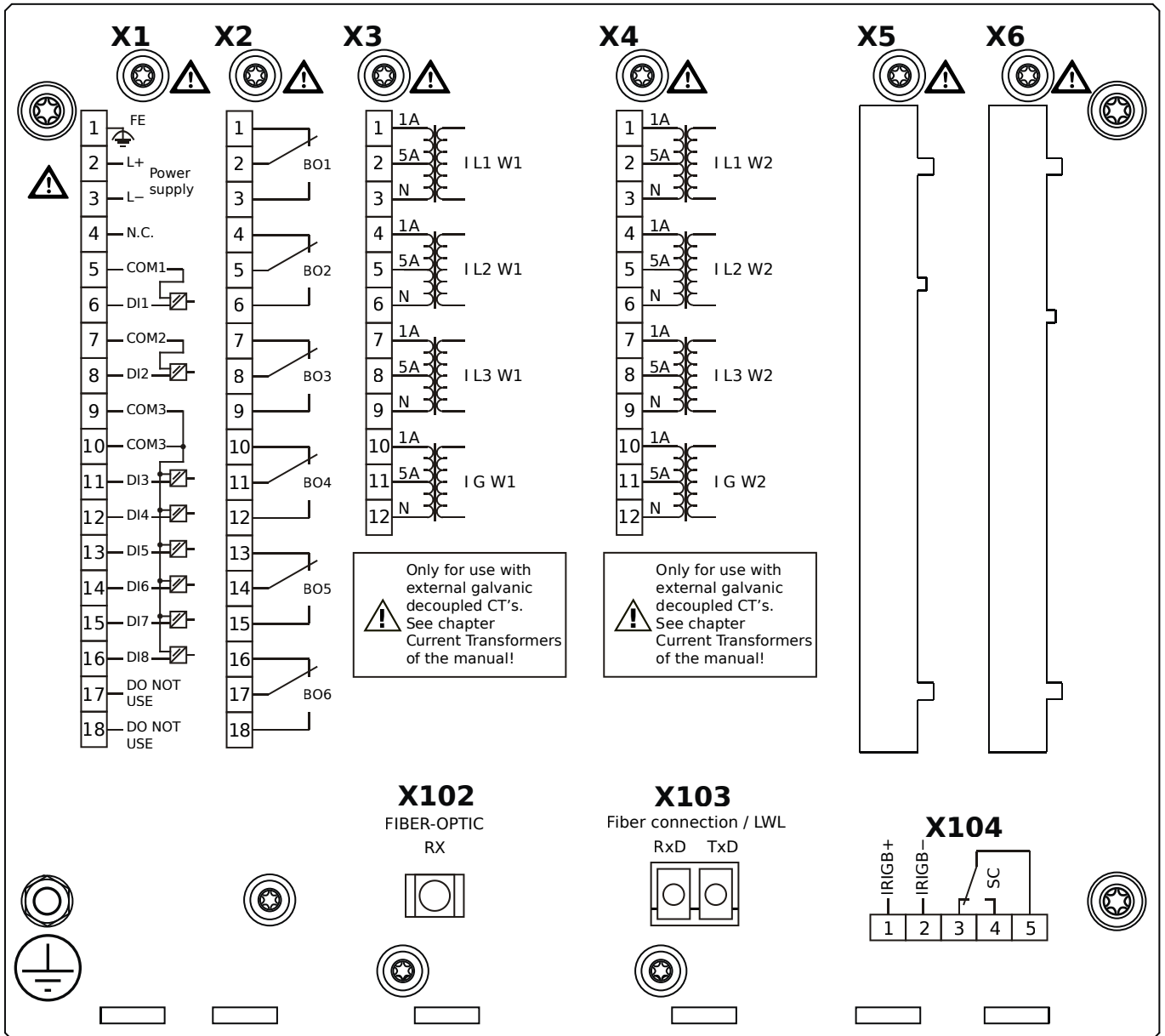
- X1** – DI8-X1: Wide-range power supply unit, incl. 2 non-grouped digital inputs and 6 grouped digital inputs
- X2** – OR-6: Assembly Group with 6 Relay Outputs
- X3** – TI-4: Standard current measuring card (for the winding side 1)
- X4** – TI-4: Standard current measuring card (for the winding side 2)
- X102** – Universal Resistance-Temperature Detector (URTD) input, Fiber optics interface, Versatile Link
- X103** – IEC 61850 / Modbus TCP / DNP3.0 TCP/UDP, Fiber optics interface, LC Connector
- X104** – IRIG-B00X, incl. System Contact (Supervision Contact)

MRDT4-2A0HLA



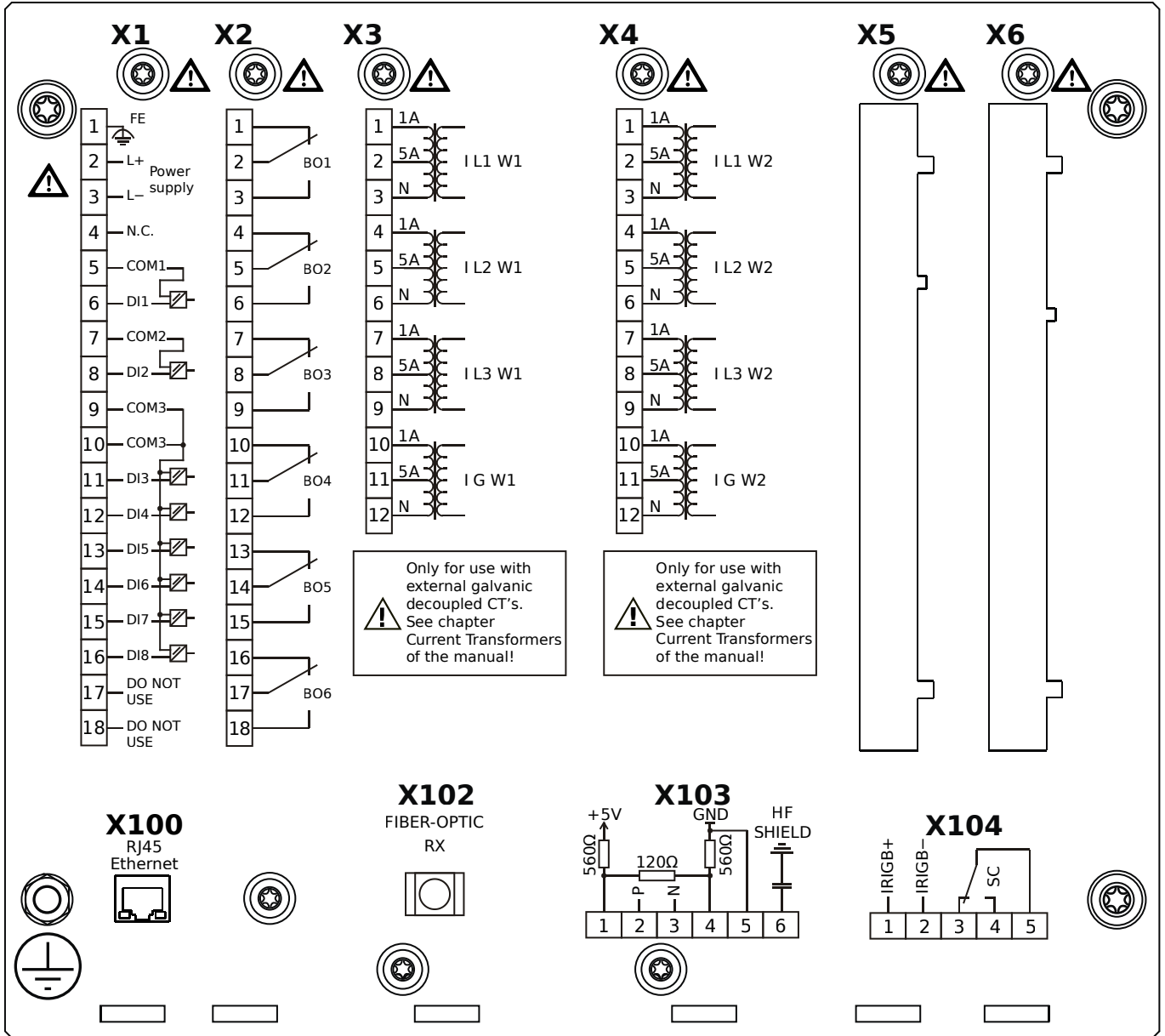
- X1** – DI8-X1: Wide-range power supply unit, incl. 2 non-grouped digital inputs and 6 grouped digital inputs
- X2** – OR-6: Assembly Group with 6 Relay Outputs
- X3** – TI-4: Standard current measuring card (for the winding side 1)
- X4** – TI-4: Standard current measuring card (for the winding side 2)
- X102** – Universal Resistance-Temperature Detector (URTD) input, Fiber optics interface, Versatile Link
- X103** – Modbus TCP / DNP3.0 TCP/UDP, Fiber optics interface, LC Connector
- X104** – IRIG-B00X, incl. System Contact (Supervision Contact)

MRDT4-2A0HLB



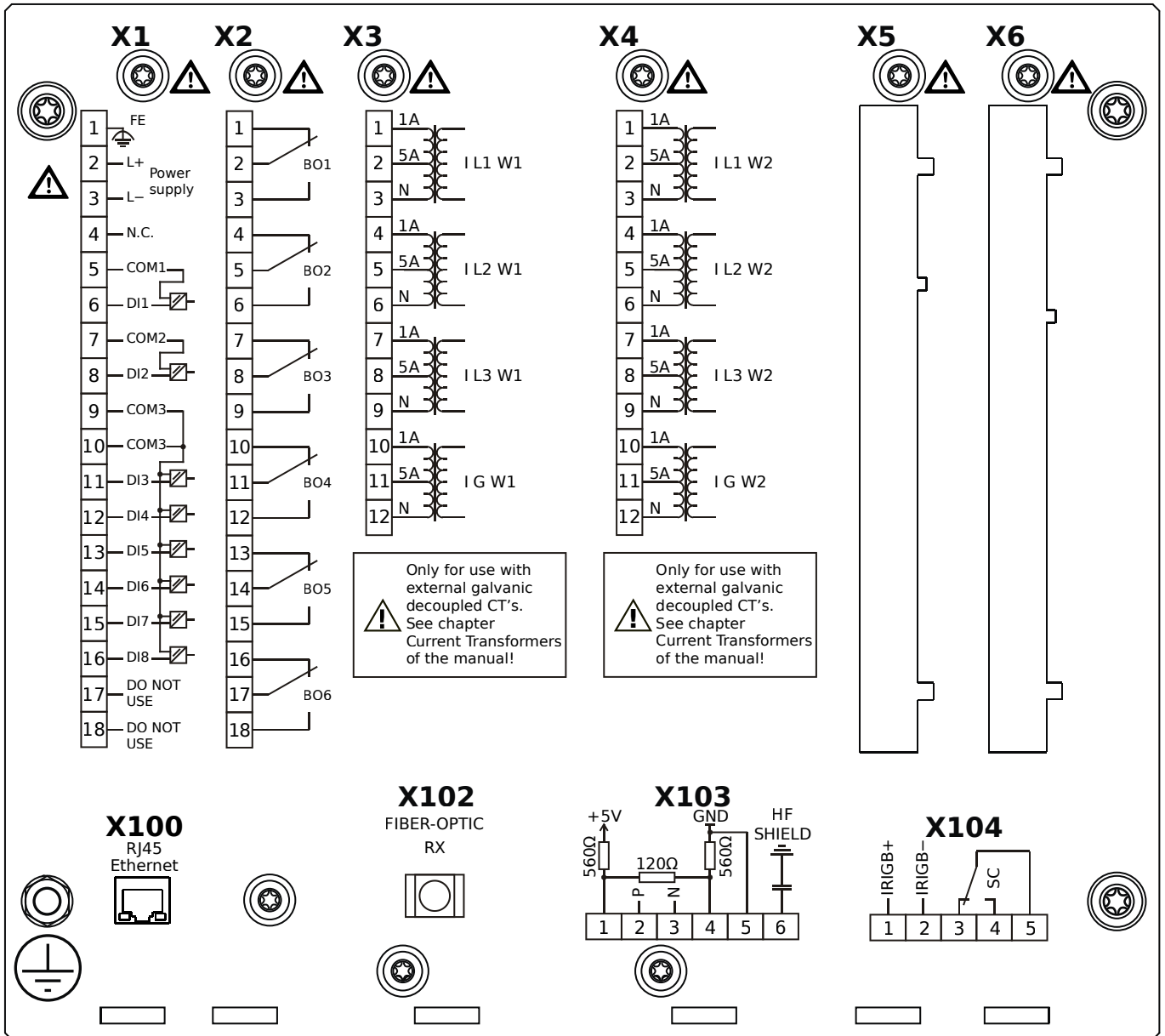
- X1** – DI8-X1: Wide-range power supply unit, incl. 2 non-grouped digital inputs and 6 grouped digital inputs
- X2** – OR-6: Assembly Group with 6 Relay Outputs
- X3** – TI-4: Standard current measuring card (for the winding side 1)
- X4** – TI-4: Standard current measuring card (for the winding side 2)
- X102** – Universal Resistance-Temperature Detector (URTD) input, Fiber optics interface, Versatile Link
- X103** – Modbus TCP / DNP3.0 TCP/UDP, Fiber optics interface, LC Connector
- X104** – IRIG-B00X, incl. System Contact (Supervision Contact)

MRDT4-2A0HTA



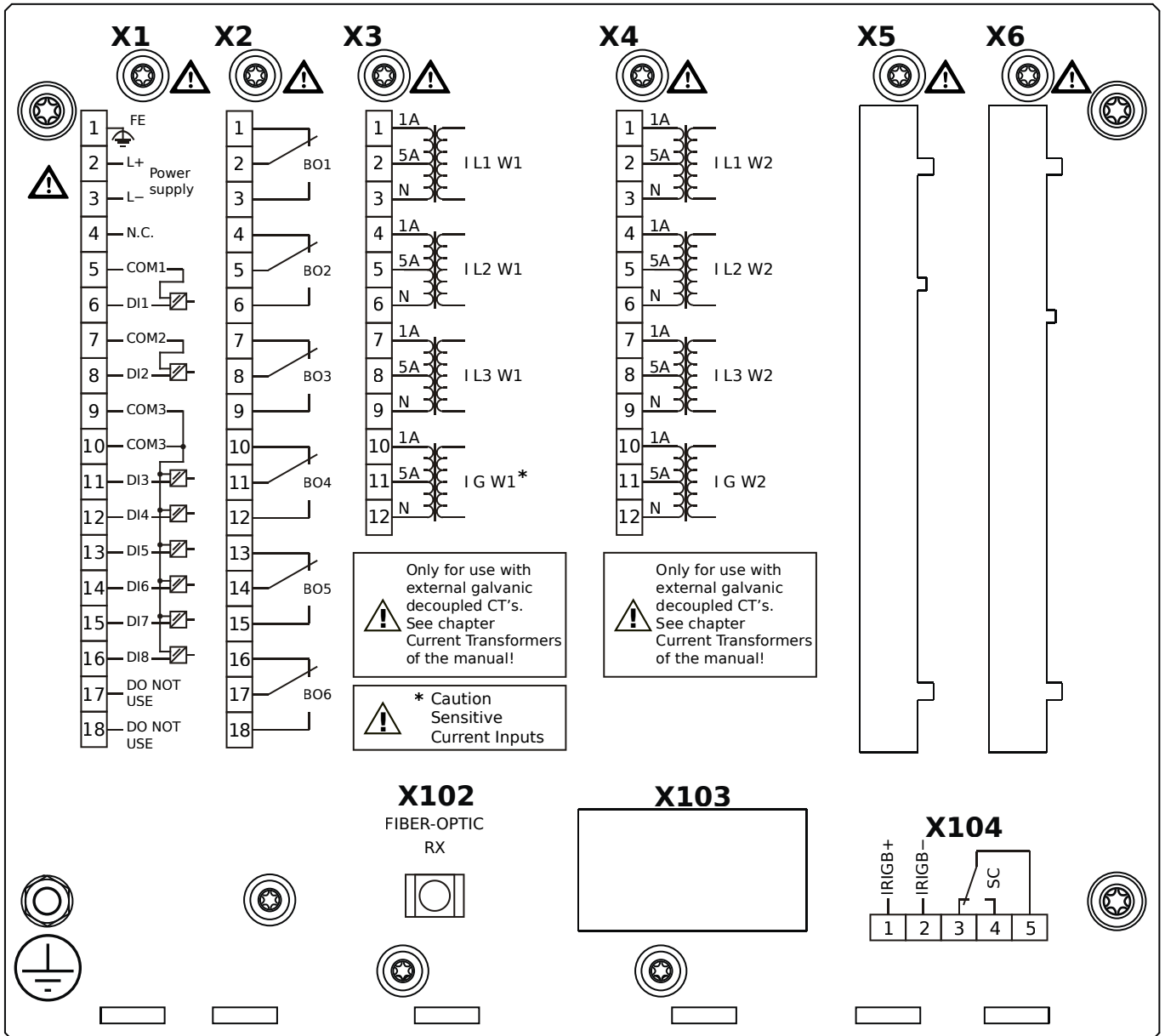
- X1** – DI8-X1: Wide-range power supply unit, incl. 2 non-grouped digital inputs and 6 grouped digital inputs
- X2** – OR-6: Assembly Group with 6 Relay Outputs
- X3** – TI-4: Standard current measuring card (for the winding side 1)
- X4** – TI-4: Standard current measuring card (for the winding side 2)
- X100** – IEC 61850 / Modbus TCP / DNP3.0 TCP/UDP, Ethernet interface, 100 Mbit/s, RJ45 (BASE100-FX)
- X102** – Universal Resistance-Temperature Detector (URTD) input, Fiber optics interface, Versatile Link
- X103** – IEC 60870-5-103 / Modbus RTU / DNP3.0 RTU, RS485, Terminals
- X104** – IRIG-B00X, incl. System Contact (Supervision Contact)

MRDT4-2A0HTB



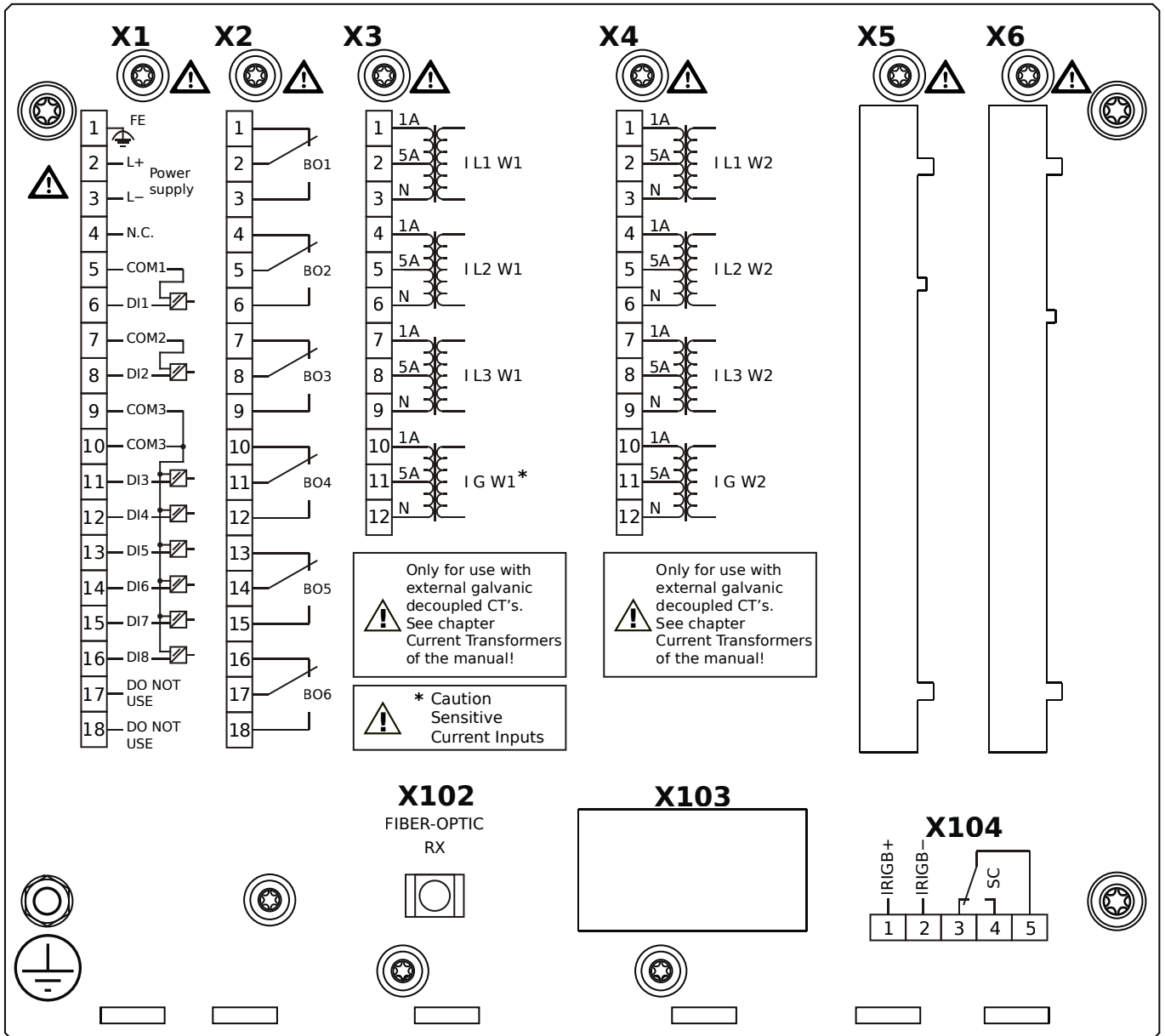
- X1** – DI8-X1: Wide-range power supply unit, incl. 2 non-grouped digital inputs and 6 grouped digital inputs
- X2** – OR-6: Assembly Group with 6 Relay Outputs
- X3** – TI-4: Standard current measuring card (for the winding side 1)
- X4** – TI-4: Standard current measuring card (for the winding side 2)
- X100** – IEC 61850 / Modbus TCP / DNP3.0 TCP/UDP, Ethernet interface, 100 Mbit/s, RJ45 (BASE100-FX)
- X102** – Universal Resistance-Temperature Detector (URTD) input, Fiber optics interface, Versatile Link
- X103** – IEC 60870-5-103 / Modbus RTU / DNP3.0 RTU, RS485, Terminals
- X104** – IRIG-B00X, incl. System Contact (Supervision Contact)

MRDT4-2A1AAA



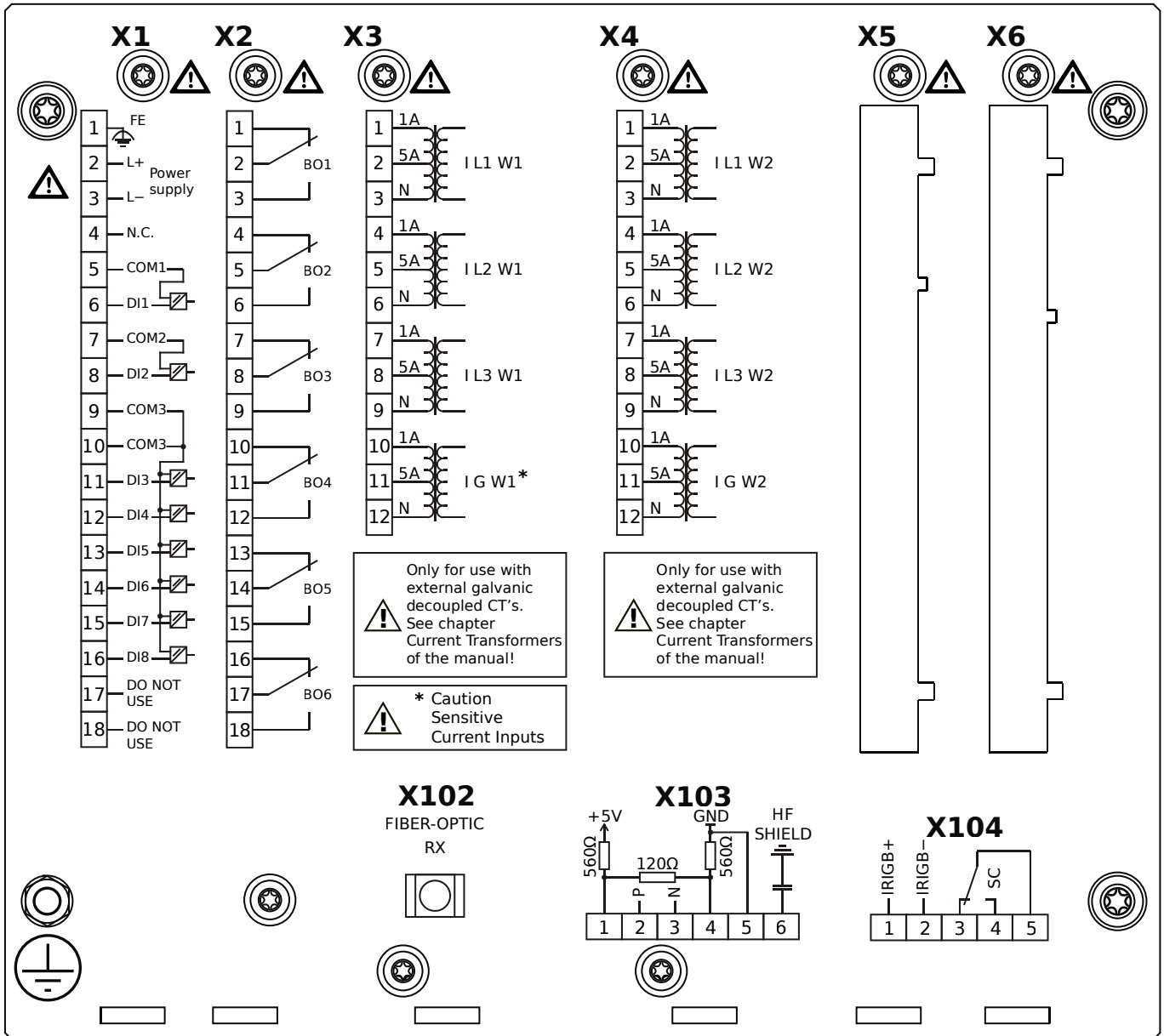
- X1** – DI8-X1: Wide-range power supply unit, incl. 2 non-grouped digital inputs and 6 grouped digital inputs
- X2** – OR-6: Assembly Group with 6 Relay Outputs
- X3** – TI-4: Standard phase current measuring card and sensitive ground current measuring (winding side 1)
- X4** – TI-4: Standard current measuring card (for the winding side 2)
- X102** – Universal Resistance-Temperature Detector (URTD) input, Fiber optics interface, Versatile Link
- X104** – IRIG-B00X, incl. System Contact (Supervision Contact)

MRDT4-2A1AAB



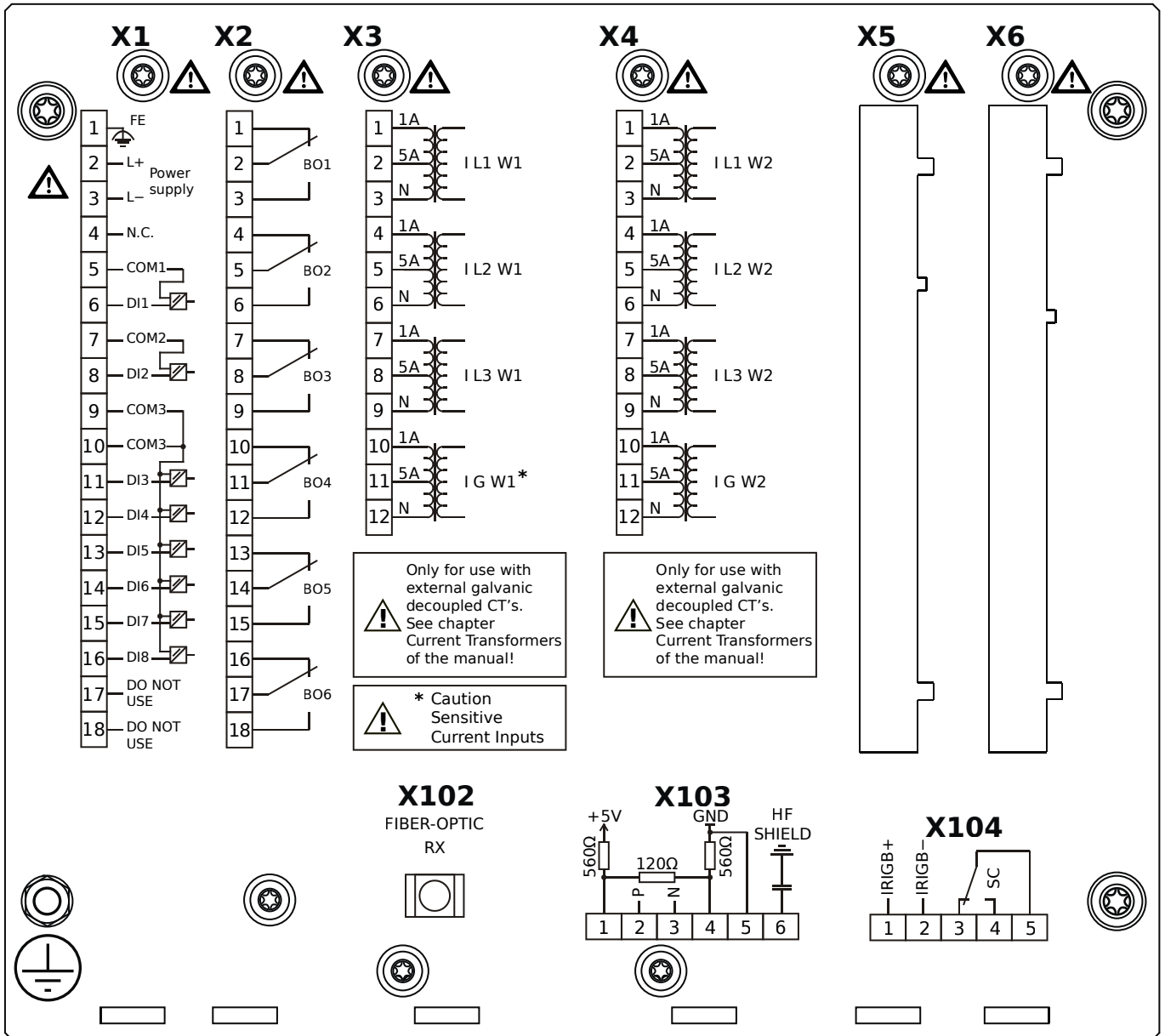
- X1** – DI8-X1: Wide-range power supply unit, incl. 2 non-grouped digital inputs and 6 grouped digital inputs
- X2** – OR-6: Assembly Group with 6 Relay Outputs
- X3** – TIs-4: Standard phase current measuring card and sensitive ground current measuring (winding side 1)
- X4** – TI-4: Standard current measuring card (for the winding side 2)
- X102** – Universal Resistance-Temperature Detector (URTD) input, Fiber optics interface, Versatile Link
- X104** – IRIG-B00X, incl. System Contact (Supervision Contact)

MRDT4-2A1ABA



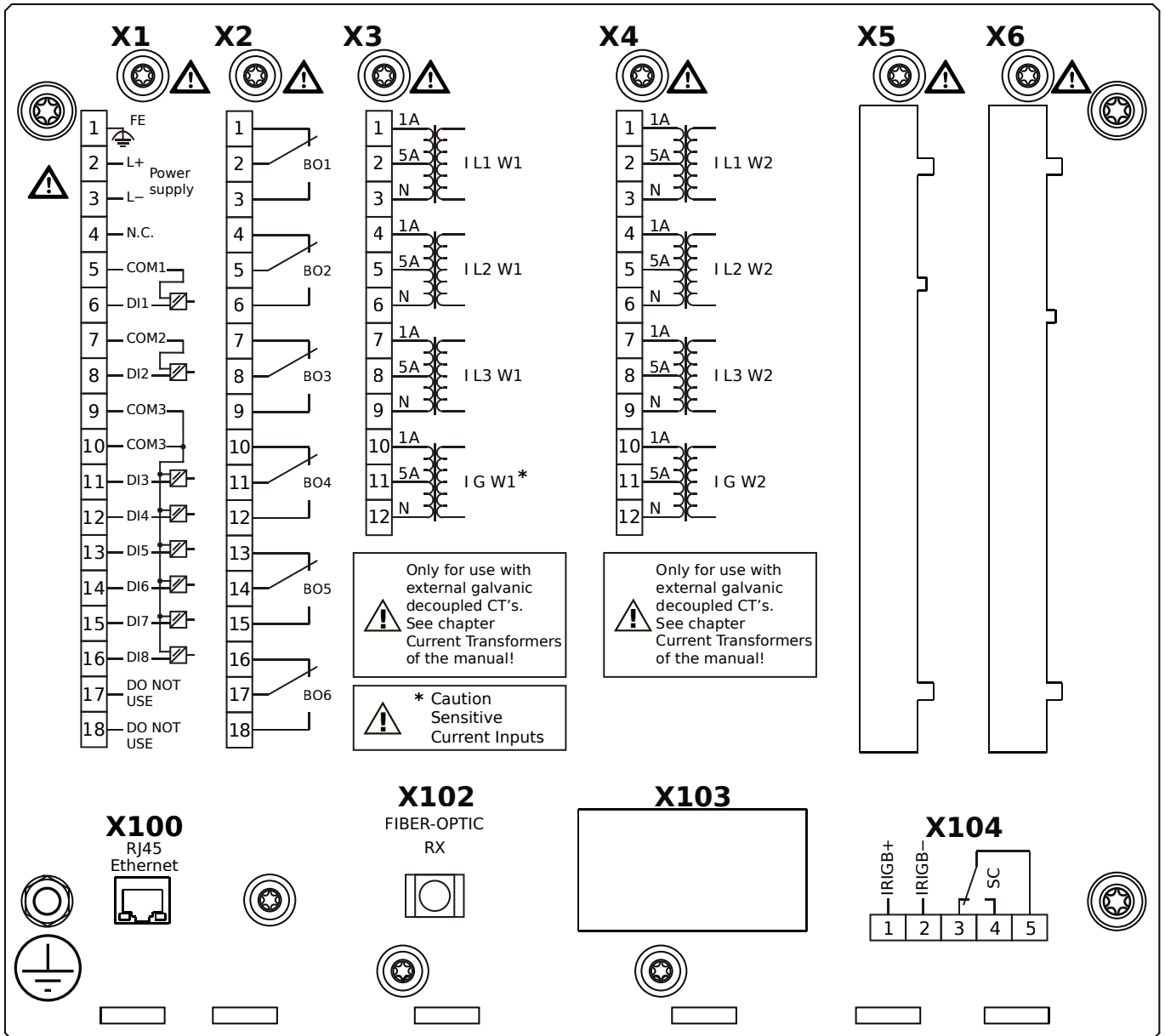
- X1** – DI8-X1: Wide-range power supply unit, incl. 2 non-grouped digital inputs and 6 grouped digital inputs
- X2** – OR-6: Assembly Group with 6 Relay Outputs
- X3** – TIs-4: Standard phase current measuring card and sensitive ground current measuring (winding side 1)
- X4** – TI-4: Standard current measuring card (for the winding side 2)
- X102** – Universal Resistance-Temperature Detector (URTD) input, Fiber optics interface, Versatile Link
- X103** – Modbus RTU / IEC 60870-5-103 / DNP3.0 RTU, RS485, Terminals
- X104** – IRIG-B00X, incl. System Contact (Supervision Contact)

MRDT4-2A1ABB



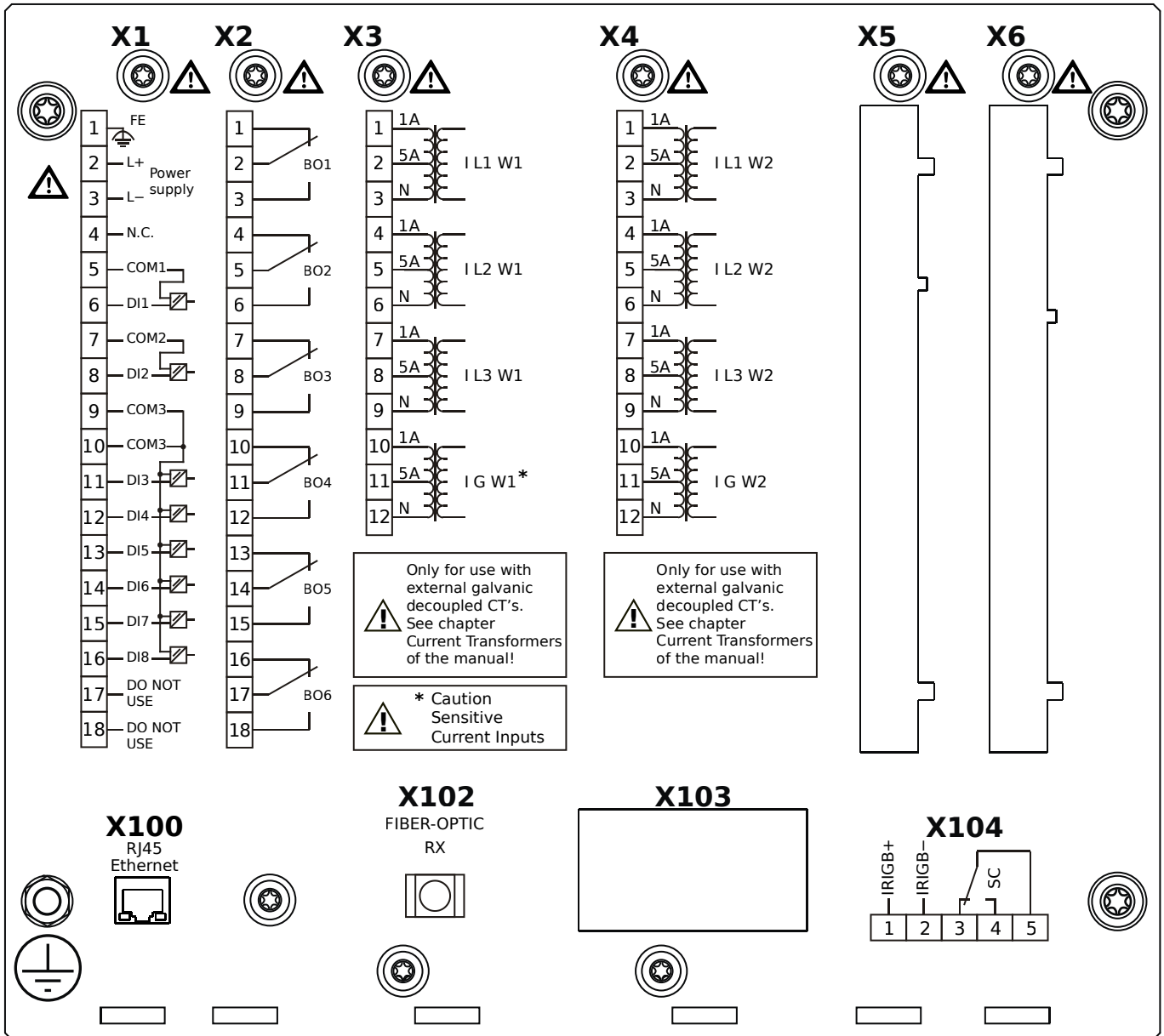
- X1** – DI8-X1: Wide-range power supply unit, incl. 2 non-grouped digital inputs and 6 grouped digital inputs
- X2** – OR-6: Assembly Group with 6 Relay Outputs
- X3** – TI-4: Standard phase current measuring card and sensitive ground current measuring (winding side 1)
- X4** – TI-4: Standard current measuring card (for the winding side 2)
- X102** – Universal Resistance-Temperature Detector (URTD) input, Fiber optics interface, Versatile Link
- X103** – Modbus RTU / IEC 60870-5-103 / DNP3.0 RTU, RS485, Terminals
- X104** – IRIG-B00X, incl. System Contact (Supervision Contact)

MRDT4-2A1ACA



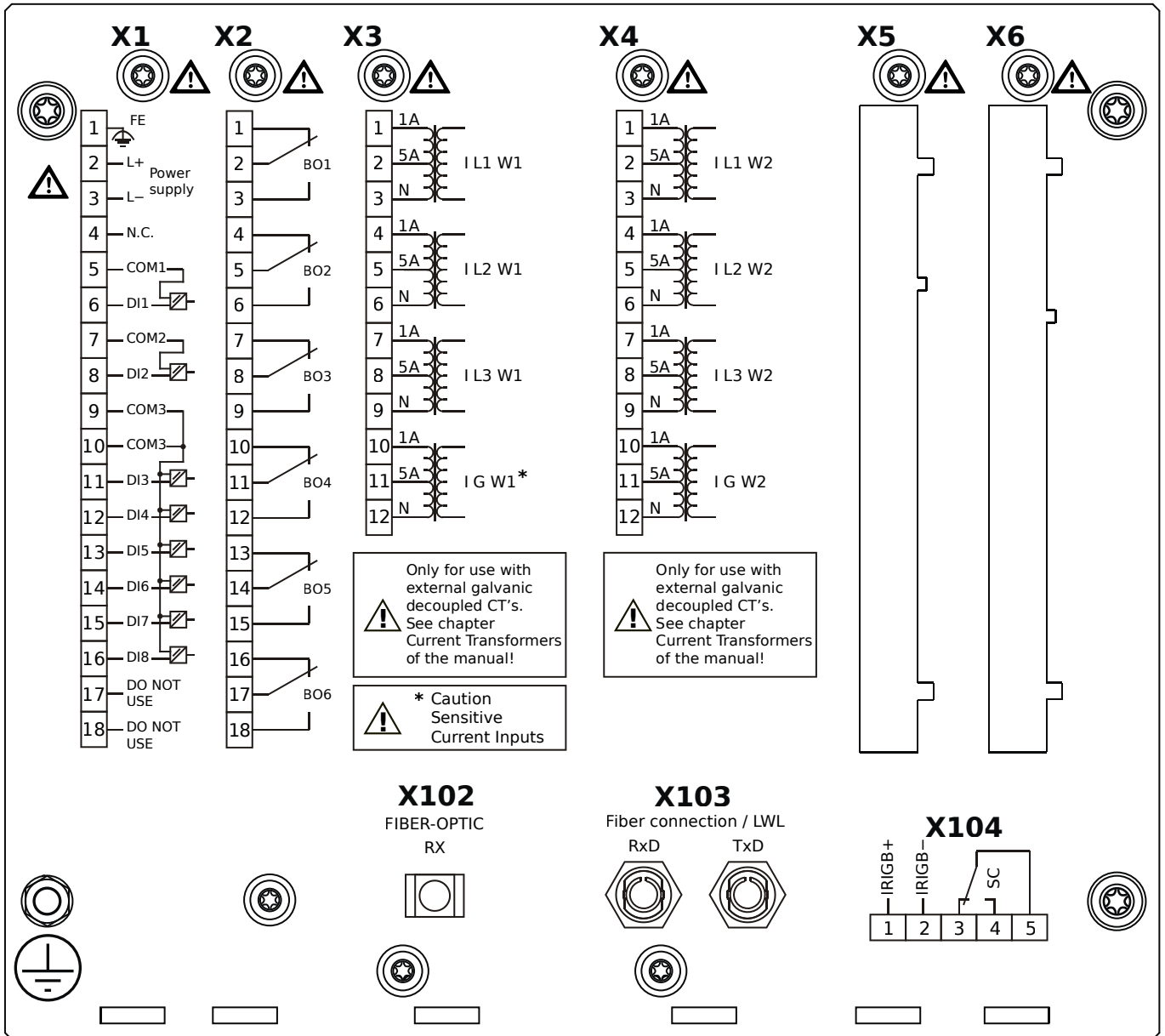
- X1** – DI8-X1: Wide-range power supply unit, incl. 2 non-grouped digital inputs and 6 grouped digital inputs
- X2** – OR-6: Assembly Group with 6 Relay Outputs
- X3** – TIs-4: Standard phase current measuring card and sensitive ground current measuring (winding side 1)
- X4** – TI-4: Standard current measuring card (for the winding side 2)
- X100** – Modbus TCP / DNP3.0 TCP/UDP, Ethernet interface, 100 Mbit/s, RJ45 (BASE100-FX)
- X102** – Universal Resistance-Temperature Detector (URTD) input, Fiber optics interface, Versatile Link
- X104** – IRIG-B00X, incl. System Contact (Supervision Contact)

MRDT4-2A1ACB



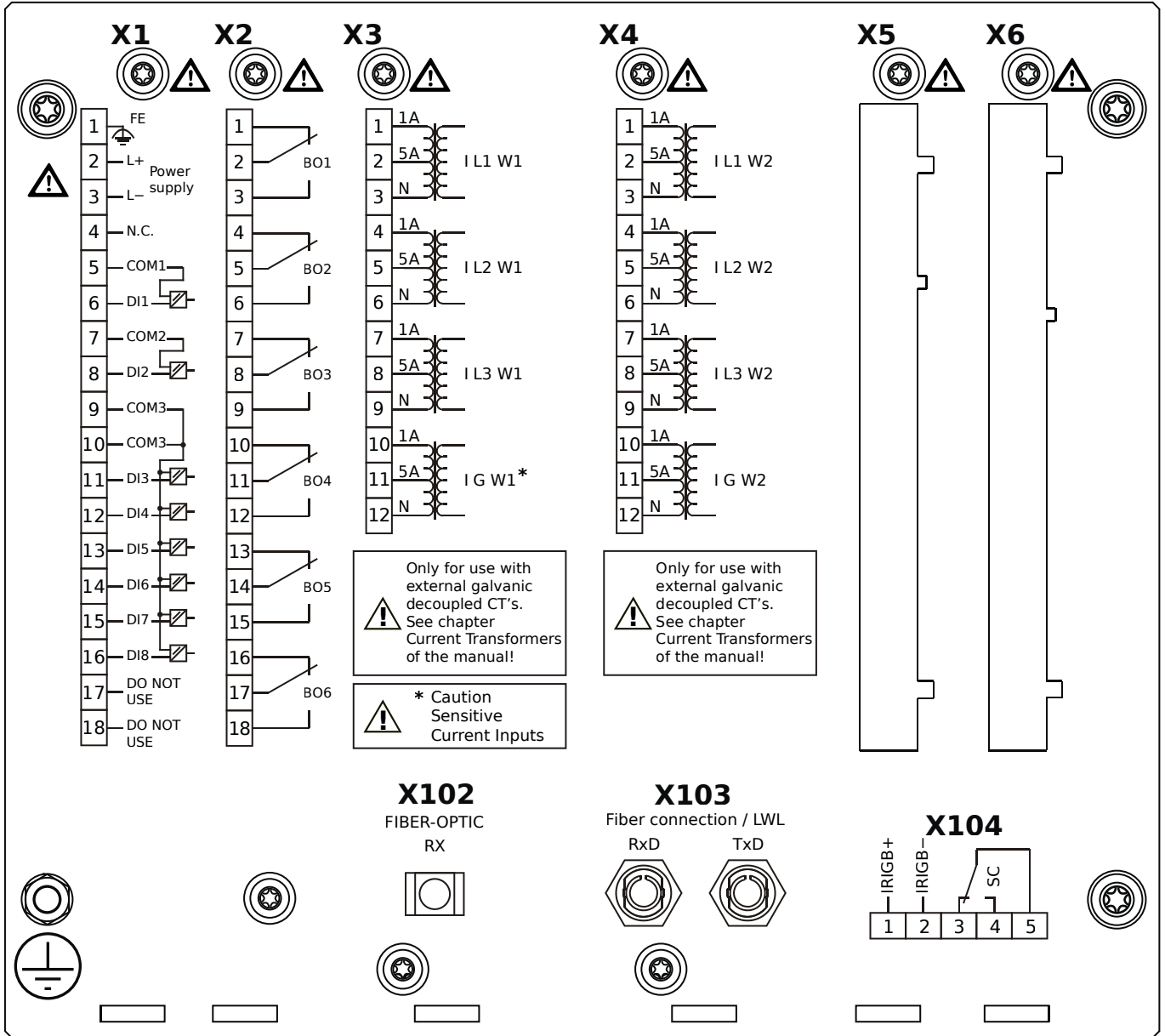
- X1** – DI8-X1: Wide-range power supply unit, incl. 2 non-grouped digital inputs and 6 grouped digital inputs
- X2** – OR-6: Assembly Group with 6 Relay Outputs
- X3** – TIs-4: Standard phase current measuring card and sensitive ground current measuring (winding side 1)
- X4** – TI-4: Standard current measuring card (for the winding side 2)
- X100** – Modbus TCP / DNP3.0 TCP/UDP, Ethernet interface, 100 Mbit/s, RJ45 (BASE100-FX)
- X102** – Universal Resistance-Temperature Detector (URTD) input, Fiber optics interface, Versatile Link
- X104** – IRIG-B00X, incl. System Contact (Supervision Contact)

MRDT4-2A1ADA



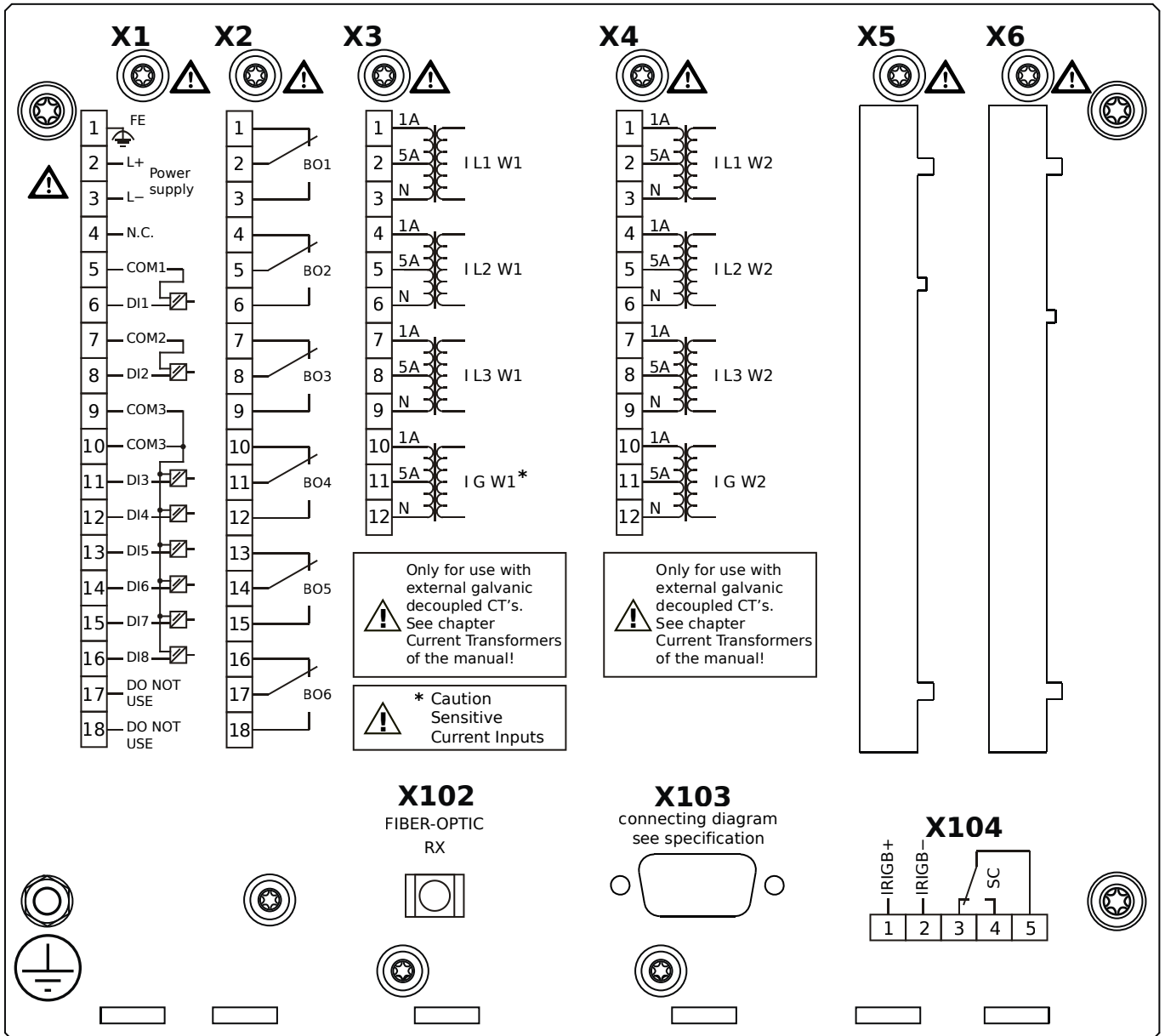
- X1** – DI8-X1: Wide-range power supply unit, incl. 2 non-grouped digital inputs and 6 grouped digital inputs
- X2** – OR-6: Assembly Group with 6 Relay Outputs
- X3** – TIs-4: Standard phase current measuring card and sensitive ground current measuring (winding side 1)
- X4** – TI-4: Standard current measuring card (for the winding side 2)
- X102** – Universal Resistance-Temperature Detector (URTD) input, Fiber optics interface, Versatile Link
- X103** – Profibus-DP, Fiber optics interface, ST Connector
- X104** – IRIG-B00X, incl. System Contact (Supervision Contact)

MRDT4-2A1ADB



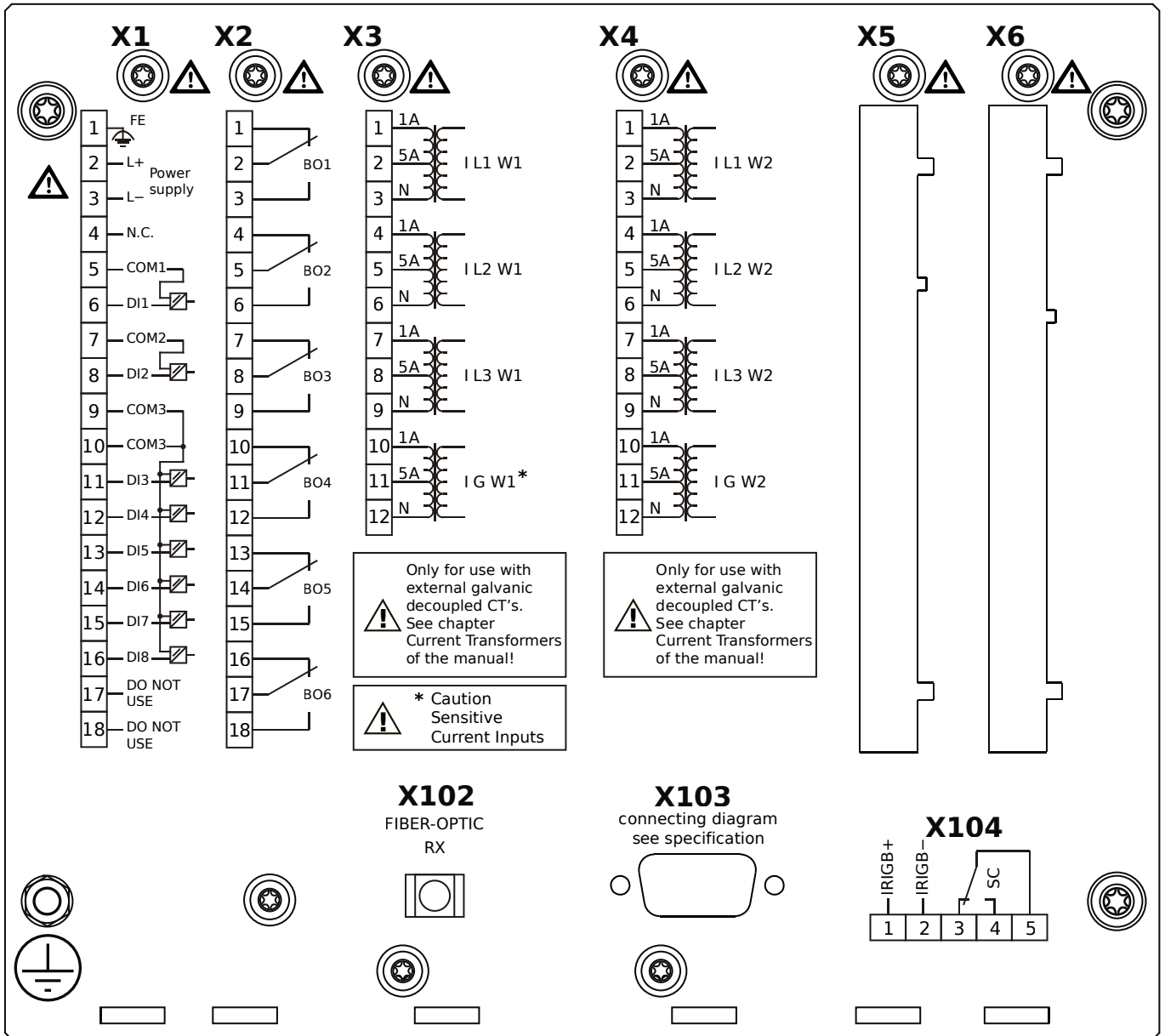
- X1** – DI8-X1: Wide-range power supply unit, incl. 2 non-grouped digital inputs and 6 grouped digital inputs
- X2** – OR-6: Assembly Group with 6 Relay Outputs
- X3** – TIs-4: Standard phase current measuring card and sensitive ground current measuring (winding side 1)
- X4** – TI-4: Standard current measuring card (for the winding side 2)
- X102** – Universal Resistance-Temperature Detector (URTD) input, Fiber optics interface, Versatile Link
- X103** – Profibus-DP, Fiber optics interface, ST Connector
- X104** – IRIG-B00X, incl. System Contact (Supervision Contact)

MRDT4-2A1AEA



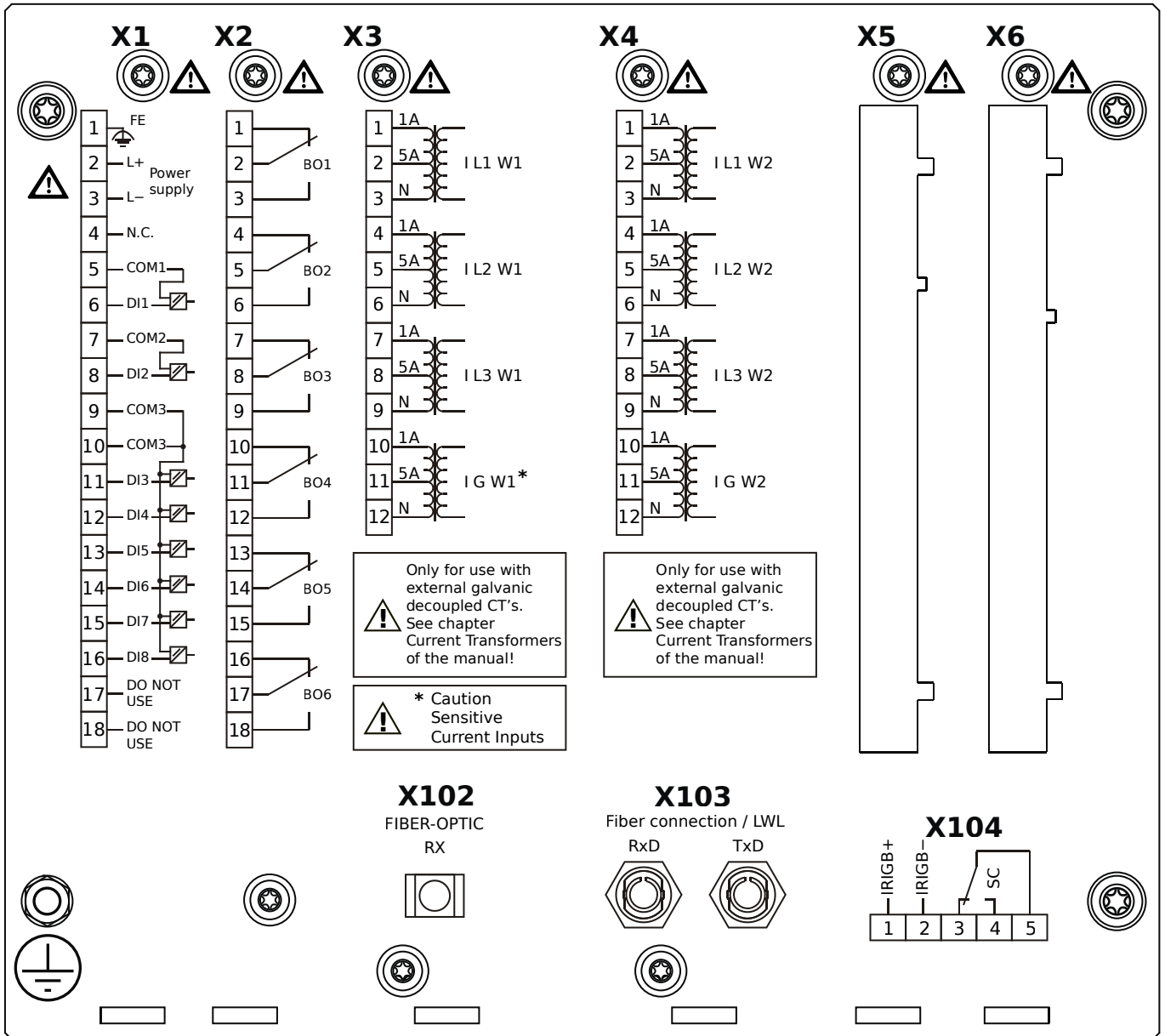
- X1** – DI8-X1: Wide-range power supply unit, incl. 2 non-grouped digital inputs and 6 grouped digital inputs
- X2** – OR-6: Assembly Group with 6 Relay Outputs
- X3** – TI-4: Standard phase current measuring card and sensitive ground current measuring (winding side 1)
- X4** – TI-4: Standard current measuring card (for the winding side 2)
- X102** – Universal Resistance-Temperature Detector (URTD) input, Fiber optics interface, Versatile Link
- X103** – Profibus-DP, RS485, D-SUB
- X104** – IRIG-B00X, incl. System Contact (Supervision Contact)

MRDT4-2A1AEB



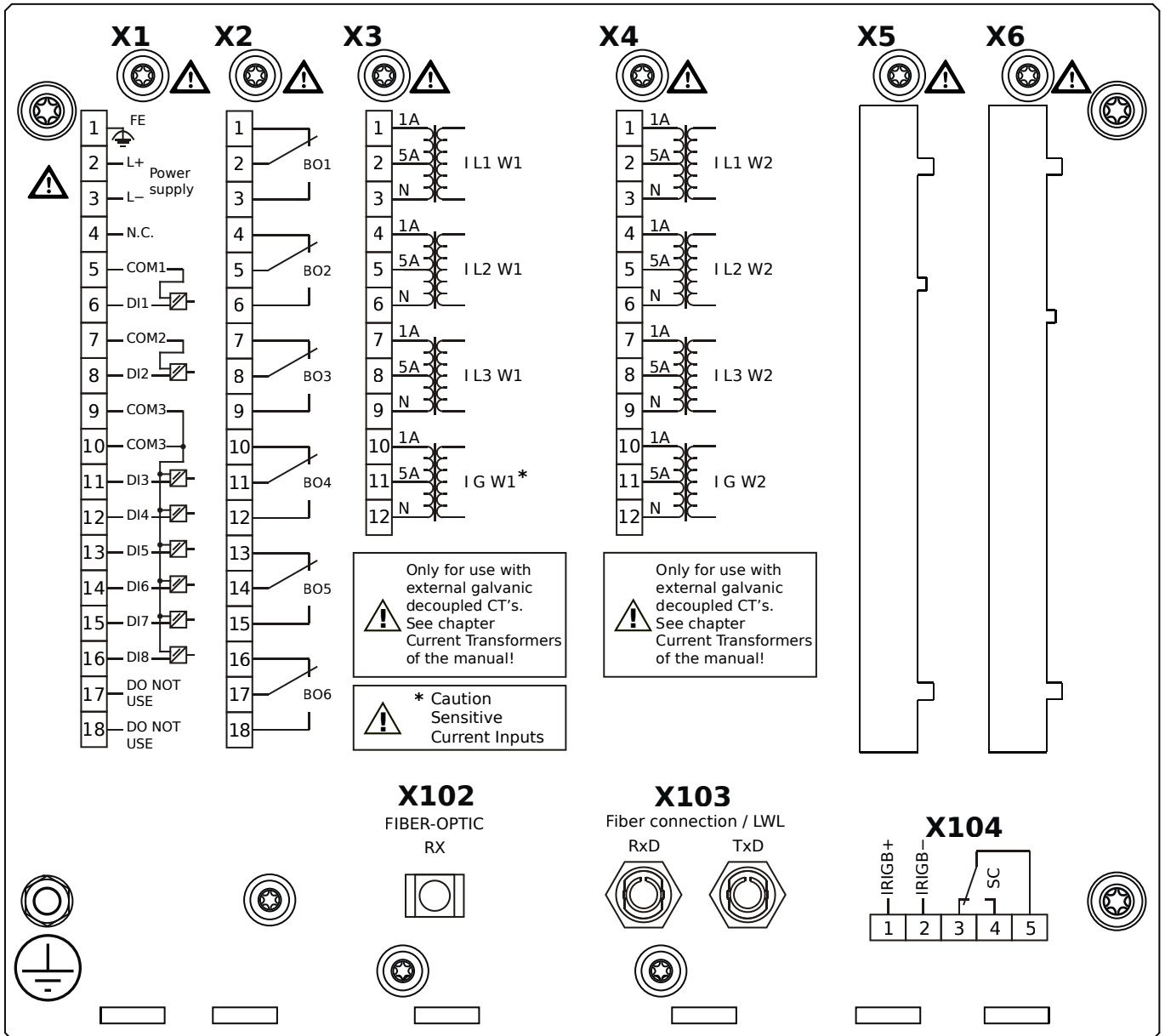
- X1** – DI8-X1: Wide-range power supply unit, incl. 2 non-grouped digital inputs and 6 grouped digital inputs
- X2** – OR-6: Assembly Group with 6 Relay Outputs
- X3** – TIs-4: Standard phase current measuring card and sensitive ground current measuring (winding side 1)
- X4** – TI-4: Standard current measuring card (for the winding side 2)
- X102** – Universal Resistance-Temperature Detector (URTD) input, Fiber optics interface, Versatile Link
- X103** – Profibus-DP, RS485, D-SUB
- X104** – IRIG-B00X, incl. System Contact (Supervision Contact)

MRDT4-2A1AFA



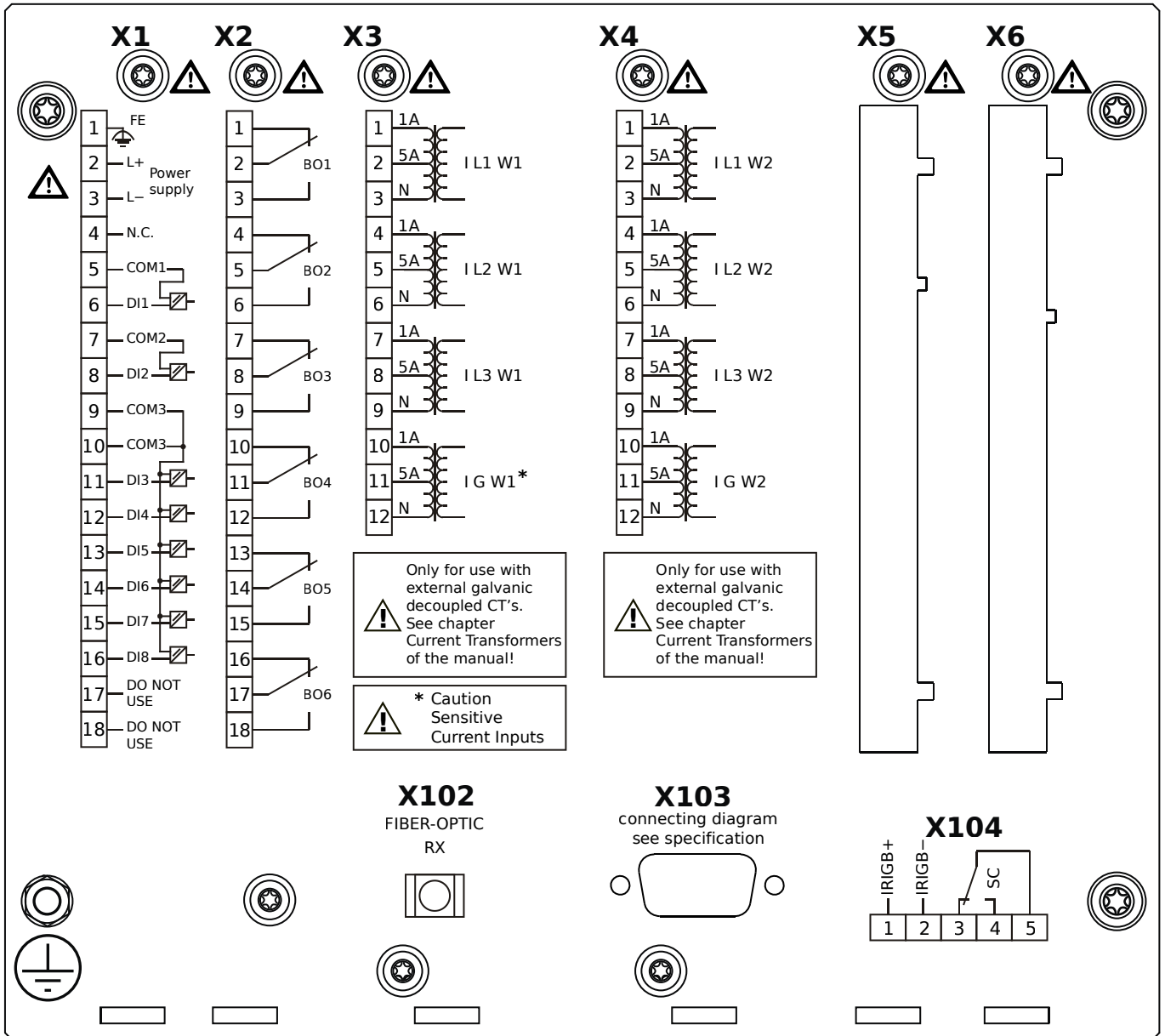
- X1** – DI8-X1: Wide-range power supply unit, incl. 2 non-grouped digital inputs and 6 grouped digital inputs
- X2** – OR-6: Assembly Group with 6 Relay Outputs
- X3** – TIs-4: Standard phase current measuring card and sensitive ground current measuring (winding side 1)
- X4** – TI-4: Standard current measuring card (for the winding side 2)
- X102** – Universal Resistance-Temperature Detector (URTD) input, Fiber optics interface, Versatile Link
- X103** – Modbus RTU / IEC 60870-5-103 / DNP3.0 RTU, Fiber optics interface, ST Connector
- X104** – IRIG-B00X, incl. System Contact (Supervision Contact)

MRDT4-2A1AFB



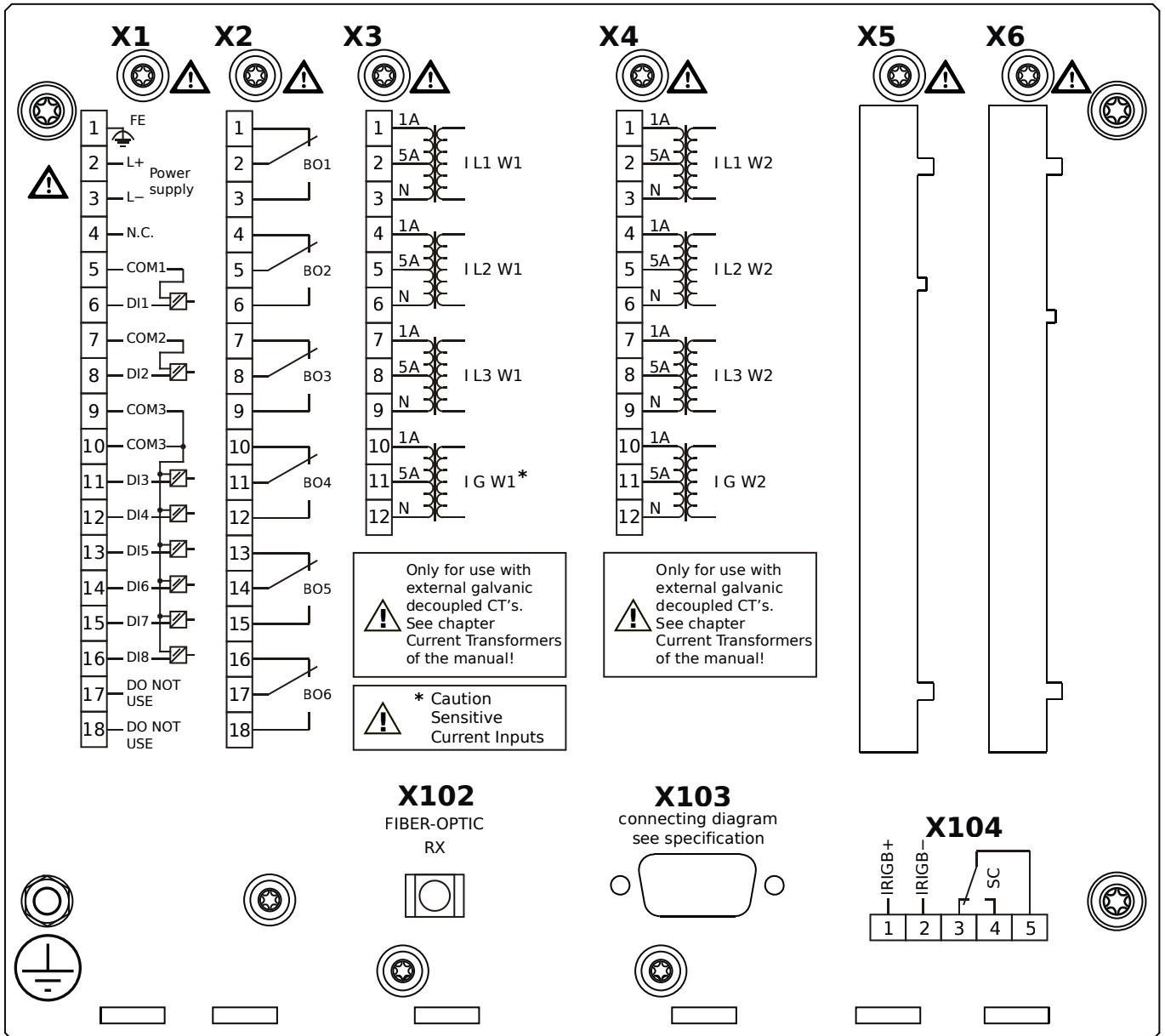
- X1** – DI8-X1: Wide-range power supply unit, incl. 2 non-grouped digital inputs and 6 grouped digital inputs
- X2** – OR-6: Assembly Group with 6 Relay Outputs
- X3** – TIs-4: Standard phase current measuring card and sensitive ground current measuring (winding side 1)
- X4** – TI-4: Standard current measuring card (for the winding side 2)
- X102** – Universal Resistance-Temperature Detector (URTD) input, Fiber optics interface, Versatile Link
- X103** – Modbus RTU / IEC 60870-5-103 / DNP3.0 RTU, Fiber optics interface, ST Connector
- X104** – IRIG-B00X, incl. System Contact (Supervision Contact)

MRDT4-2A1AGA



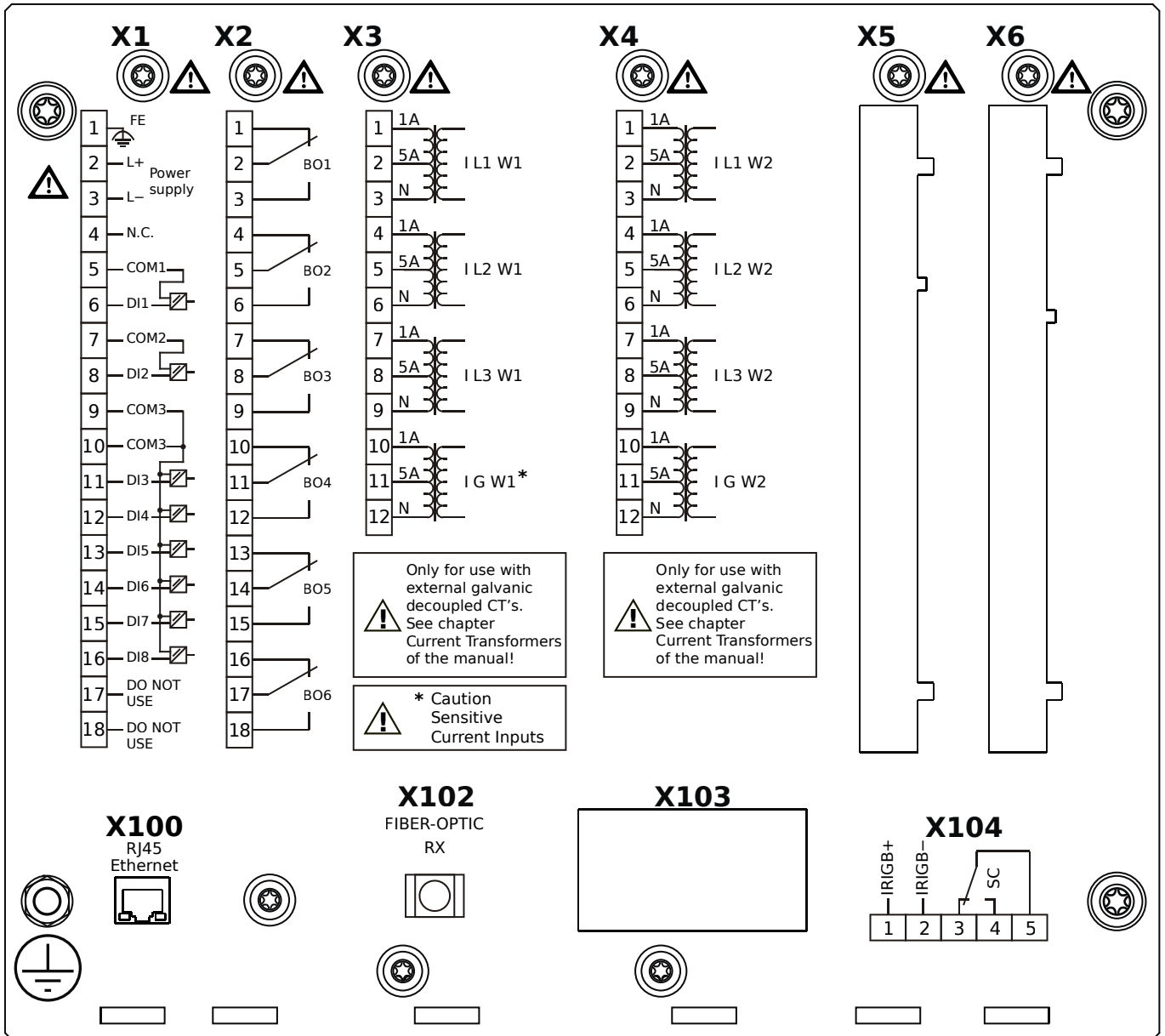
- X1** – DI8-X1: Wide-range power supply unit, incl. 2 non-grouped digital inputs and 6 grouped digital inputs
- X2** – OR-6: Assembly Group with 6 Relay Outputs
- X3** – TIs-4: Standard phase current measuring card and sensitive ground current measuring (winding side 1)
- X4** – TI-4: Standard current measuring card (for the winding side 2)
- X102** – Universal Resistance-Temperature Detector (URTD) input, Fiber optics interface, Versatile Link
- X103** – Modbus RTU / IEC 60870-5-103 / DNP3.0 RTU, RS485, D-SUB
- X104** – IRIG-B00X, incl. System Contact (Supervision Contact)

MRDT4-2A1AGB



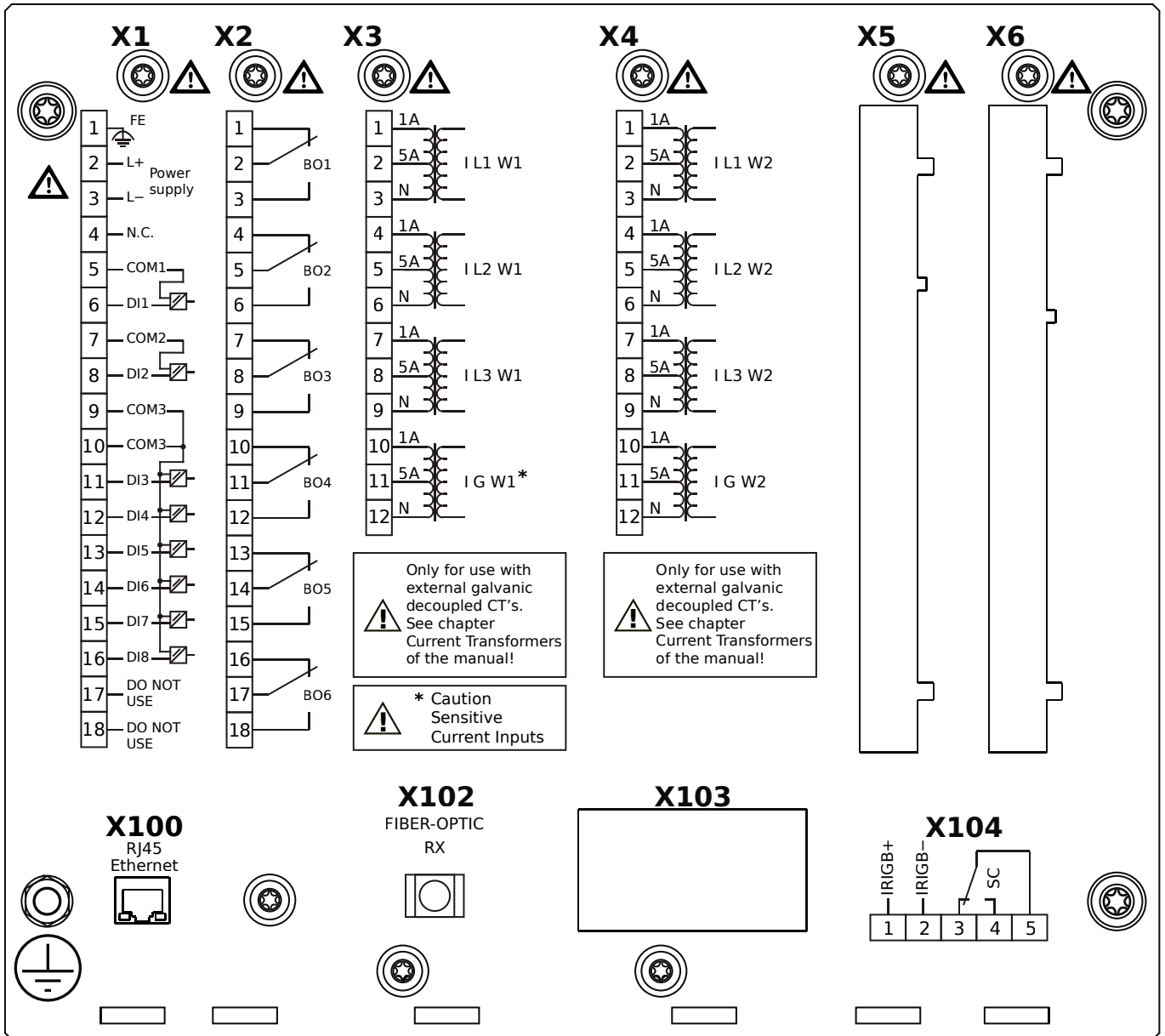
- X1** – DI8-X1: Wide-range power supply unit, incl. 2 non-grouped digital inputs and 6 grouped digital inputs
- X2** – OR-6: Assembly Group with 6 Relay Outputs
- X3** – TIs-4: Standard phase current measuring card and sensitive ground current measuring (winding side 1)
- X4** – TI-4: Standard current measuring card (for the winding side 2)
- X102** – Universal Resistance-Temperature Detector (URTD) input, Fiber optics interface, Versatile Link
- X103** – Modbus RTU / IEC 60870-5-103 / DNP3.0 RTU, RS485, D-SUB
- X104** – IRIG-B00X, incl. System Contact (Supervision Contact)

MRDT4-2A1AHA



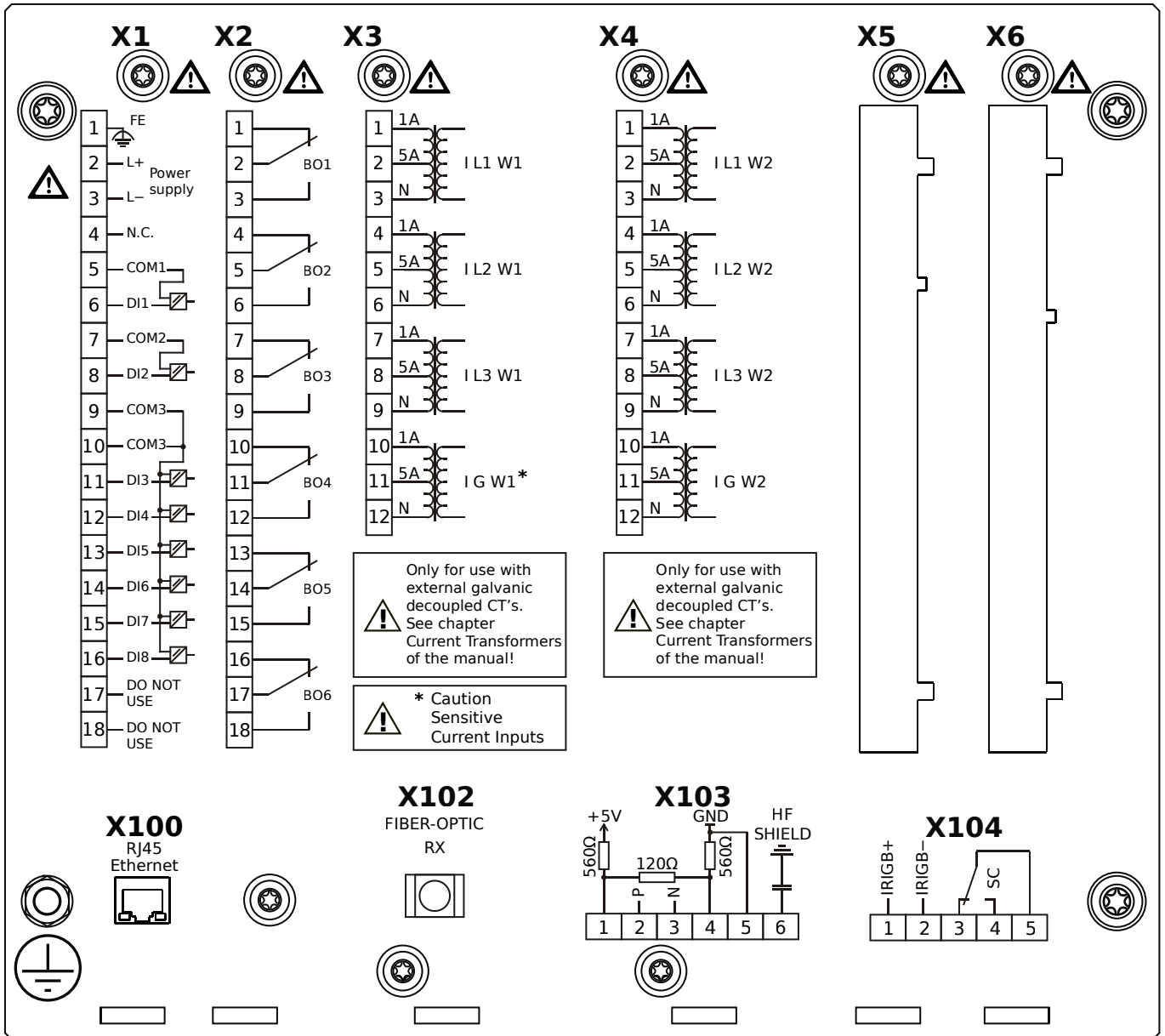
- X1** – DI8-X1: Wide-range power supply unit, incl. 2 non-grouped digital inputs and 6 grouped digital inputs
- X2** – OR-6: Assembly Group with 6 Relay Outputs
- X3** – TI-4: Standard phase current measuring card and sensitive ground current measuring (winding side 1)
- X4** – TI-4: Standard current measuring card (for the winding side 2)
- X100** – IEC 61850 / Modbus TCP / DNP3.0 TCP/UDP, Ethernet interface, 100 Mbit/s, RJ45 (BASE100-FX)
- X102** – Universal Resistance-Temperature Detector (URTD) input, Fiber optics interface, Versatile Link
- X104** – IRIG-B00X, incl. System Contact (Supervision Contact)

MRDT4-2A1AHB



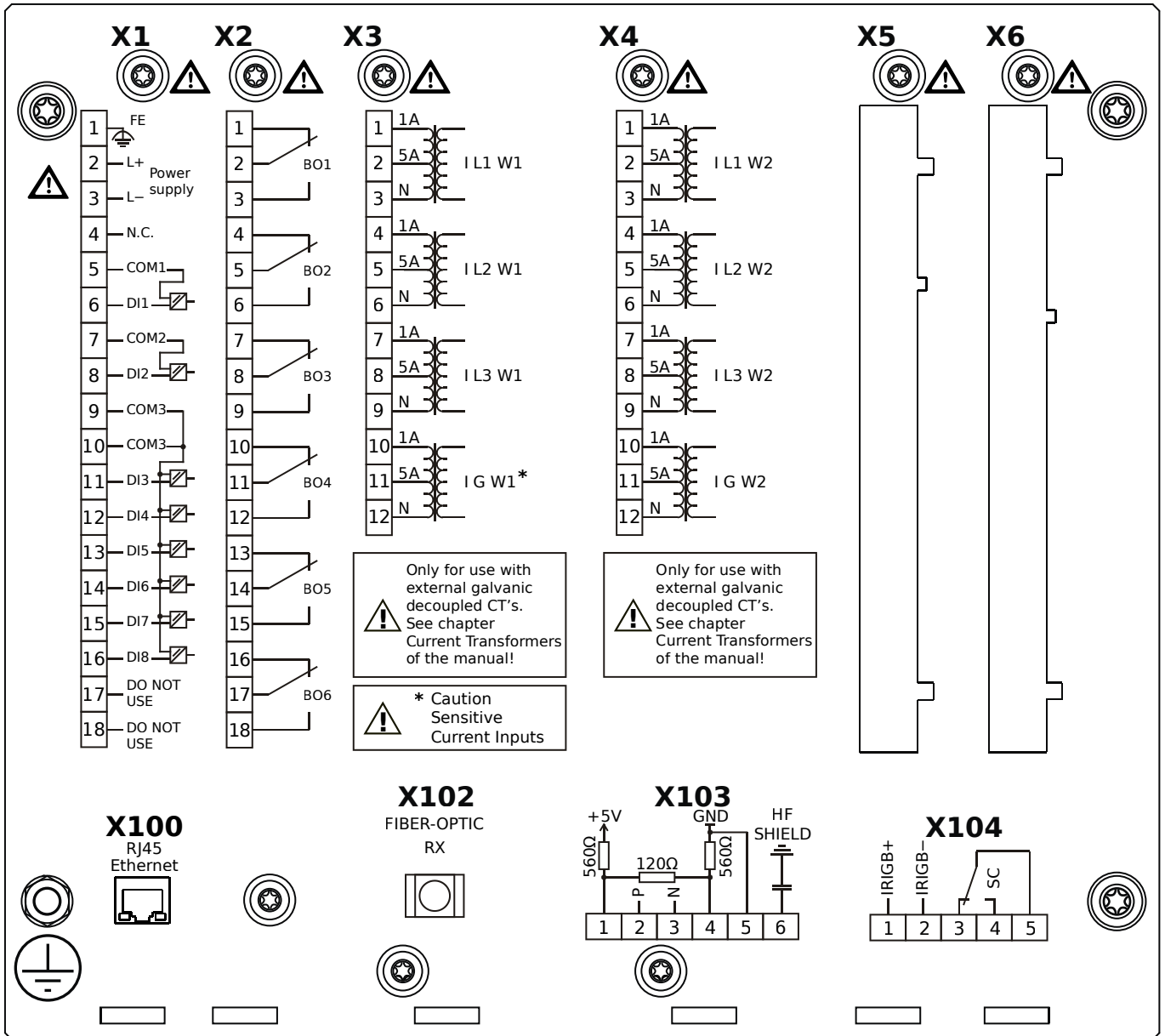
- X1** – DI8-X1: Wide-range power supply unit, incl. 2 non-grouped digital inputs and 6 grouped digital inputs
- X2** – OR-6: Assembly Group with 6 Relay Outputs
- X3** – TIs-4: Standard phase current measuring card and sensitive ground current measuring (winding side 1)
- X4** – TI-4: Standard current measuring card (for the winding side 2)
- X100** – IEC 61850 / Modbus TCP / DNP3.0 TCP/UDP, Ethernet interface, 100 Mbit/s, RJ45 (BASE100-FX)
- X102** – Universal Resistance-Temperature Detector (URTD) input, Fiber optics interface, Versatile Link
- X104** – IRIG-B00X, incl. System Contact (Supervision Contact)

MRDT4-2A1AIA



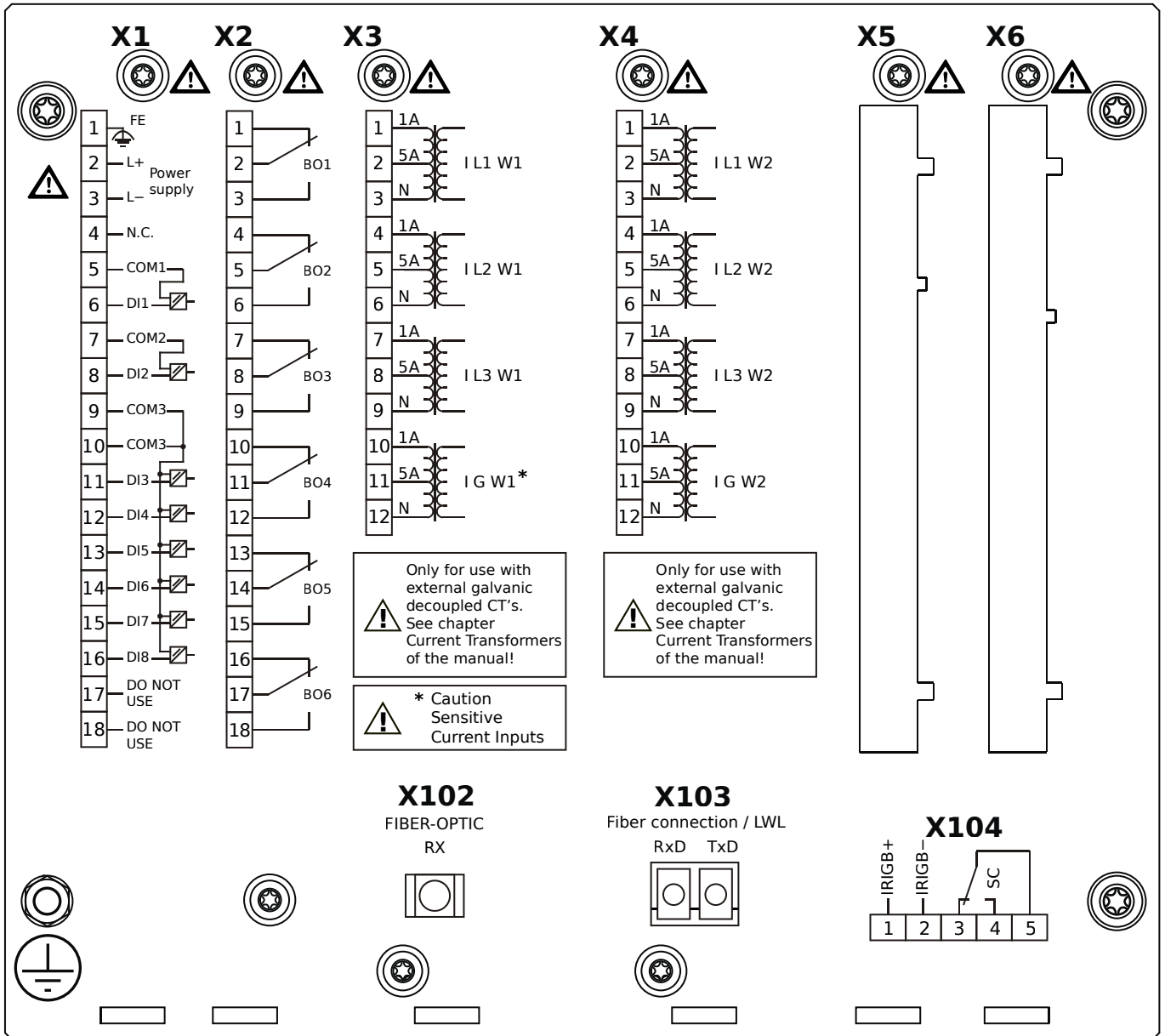
- X1** – DI8-X1: Wide-range power supply unit, incl. 2 non-grouped digital inputs and 6 grouped digital inputs
- X2** – OR-6: Assembly Group with 6 Relay Outputs
- X3** – TI-4: Standard phase current measuring card and sensitive ground current measuring (winding side 1)
- X4** – TI-4: Standard current measuring card (for the winding side 2)
- X100** – Modbus TCP / DNP3.0 TCP/UDP, Ethernet interface, 100 Mbit/s, RJ45 (BASE100-FX)
- X102** – Universal Resistance-Temperature Detector (URTD) input, Fiber optics interface, Versatile Link
- X103** – IEC 60870-5-103 / Modbus RTU / DNP3.0 RTU, RS485, Terminals
- X104** – IRIG-B00X, incl. System Contact (Supervision Contact)

MRDT4-2A1AIB



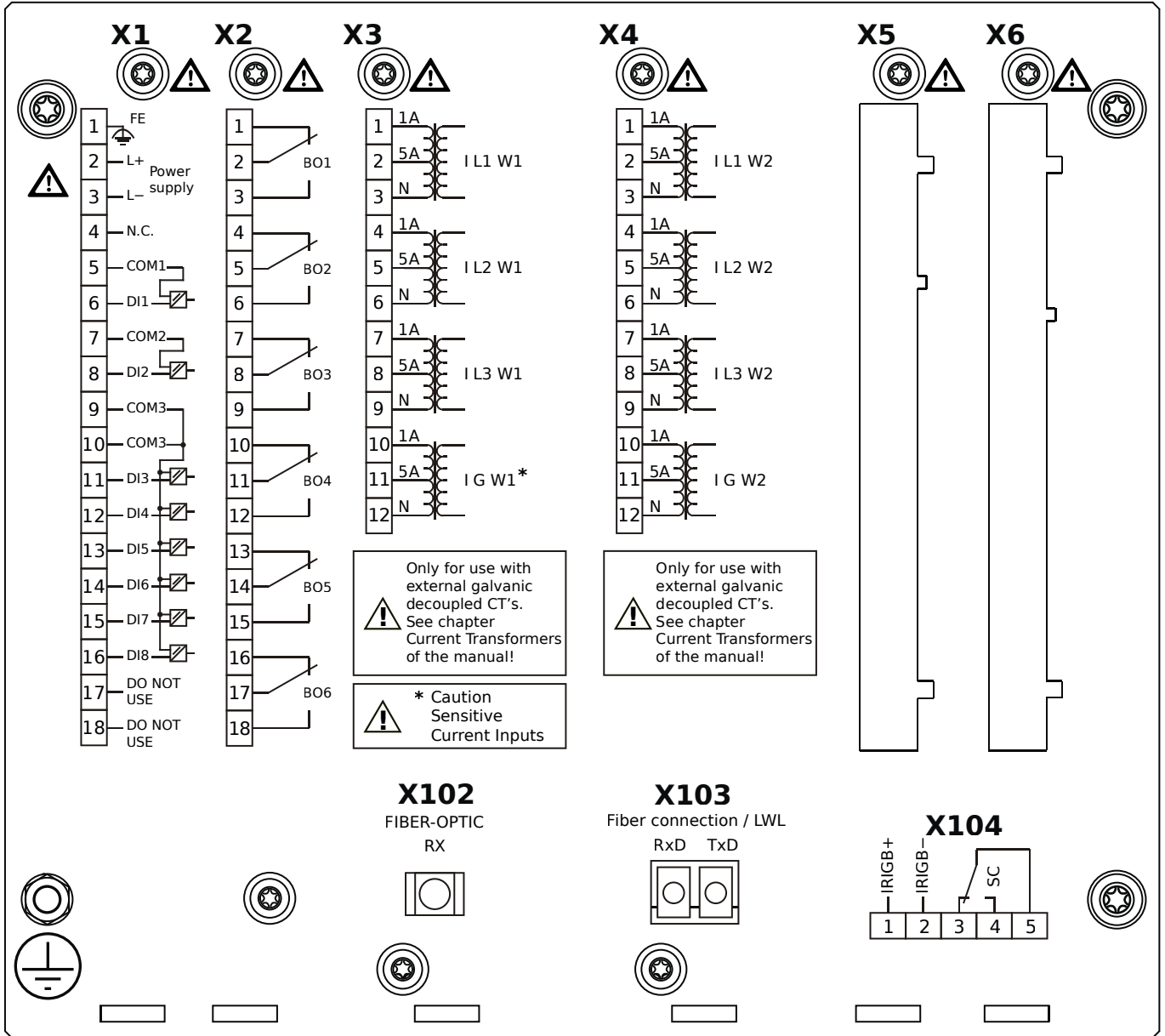
- X1** – DI8-X1: Wide-range power supply unit, incl. 2 non-grouped digital inputs and 6 grouped digital inputs
- X2** – OR-6: Assembly Group with 6 Relay Outputs
- X3** – TI-4: Standard phase current measuring card and sensitive ground current measuring (winding side 1)
- X4** – TI-4: Standard current measuring card (for the winding side 2)
- X100** – Modbus TCP / DNP3.0 TCP/UDP, Ethernet interface, 100 Mbit/s, RJ45 (BASE100-FX)
- X102** – Universal Resistance-Temperature Detector (URTD) input, Fiber optics interface, Versatile Link
- X103** – IEC 60870-5-103 / Modbus RTU / DNP3.0 RTU, RS485, Terminals
- X104** – IRIG-B00X, incl. System Contact (Supervision Contact)

MRDT4-2A1AKA



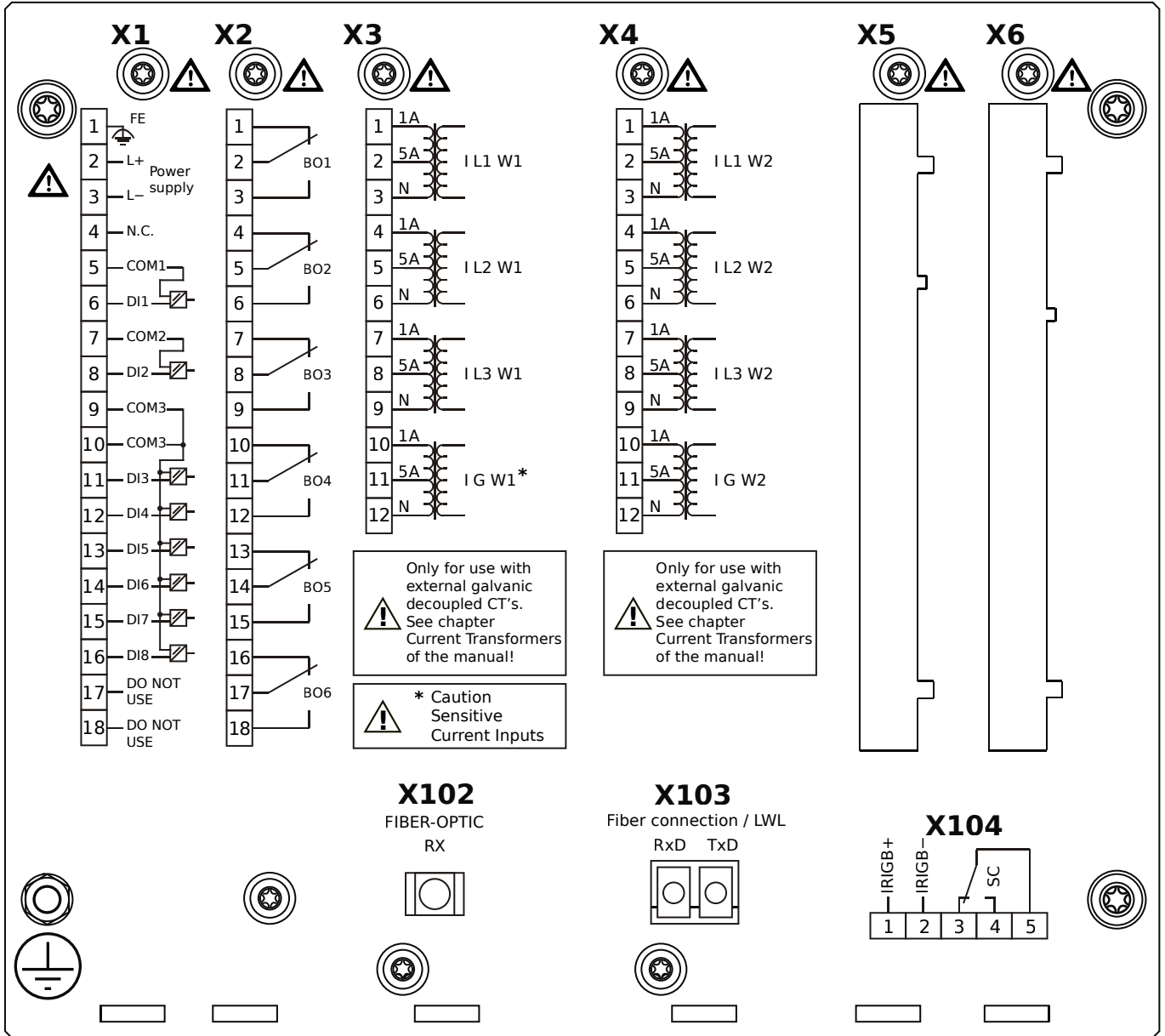
- X1** – DI8-X1: Wide-range power supply unit, incl. 2 non-grouped digital inputs and 6 grouped digital inputs
- X2** – OR-6: Assembly Group with 6 Relay Outputs
- X3** – TIs-4: Standard phase current measuring card and sensitive ground current measuring (winding side 1)
- X4** – TI-4: Standard current measuring card (for the winding side 2)
- X102** – Universal Resistance-Temperature Detector (URTD) input, Fiber optics interface, Versatile Link
- X103** – IEC 61850 / Modbus TCP / DNP3.0 TCP/UDP, Fiber optics interface, LC Connector
- X104** – IRIG-B00X, incl. System Contact (Supervision Contact)

MRDT4-2A1AKB



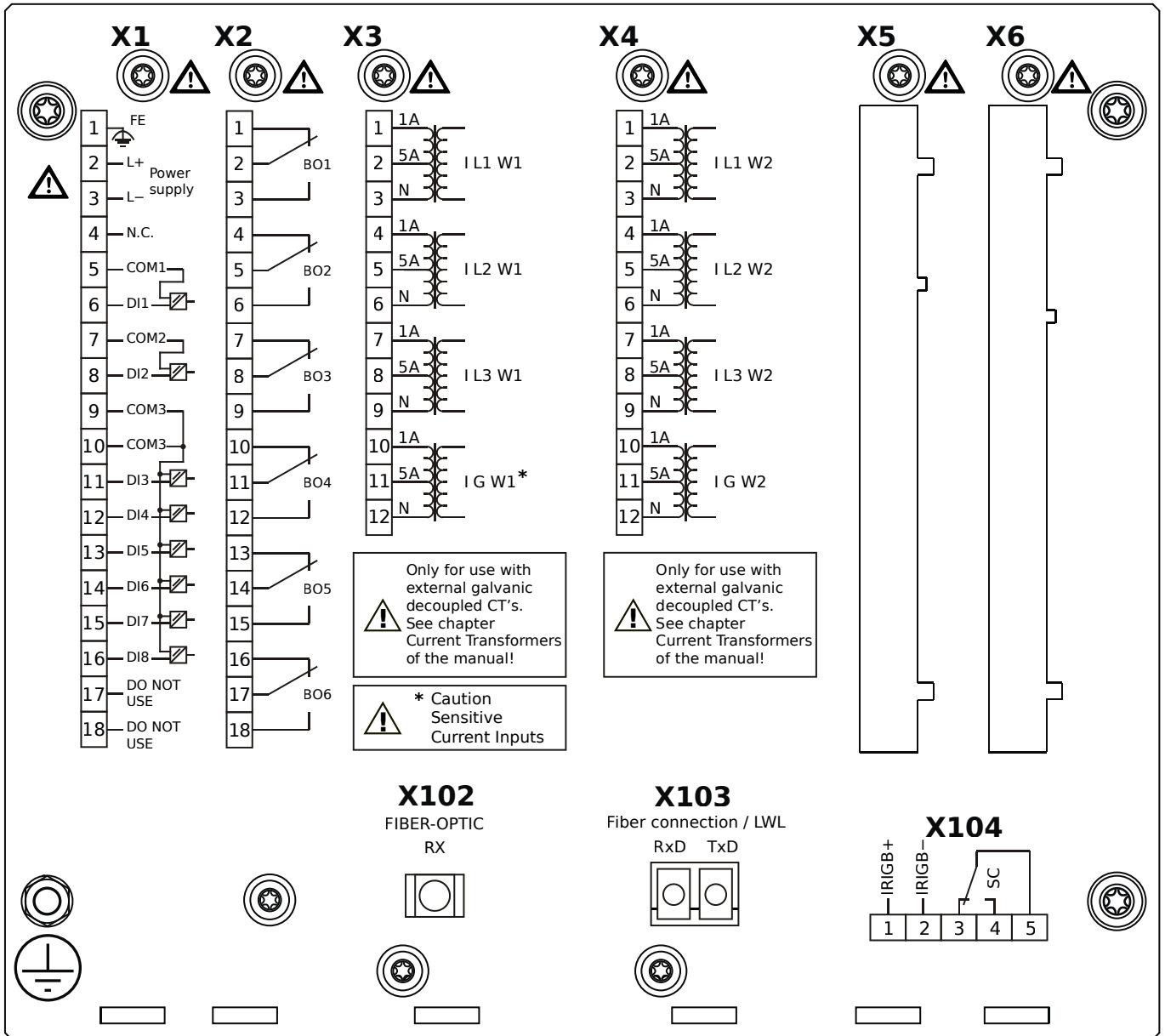
- X1** – DI8-X1: Wide-range power supply unit, incl. 2 non-grouped digital inputs and 6 grouped digital inputs
- X2** – OR-6: Assembly Group with 6 Relay Outputs
- X3** – TIs-4: Standard phase current measuring card and sensitive ground current measuring (winding side 1)
- X4** – TI-4: Standard current measuring card (for the winding side 2)
- X102** – Universal Resistance-Temperature Detector (URTD) input, Fiber optics interface, Versatile Link
- X103** – IEC 61850 / Modbus TCP / DNP3.0 TCP/UDP, Fiber optics interface, LC Connector
- X104** – IRIG-B00X, incl. System Contact (Supervision Contact)

MRDT4-2A1ALA



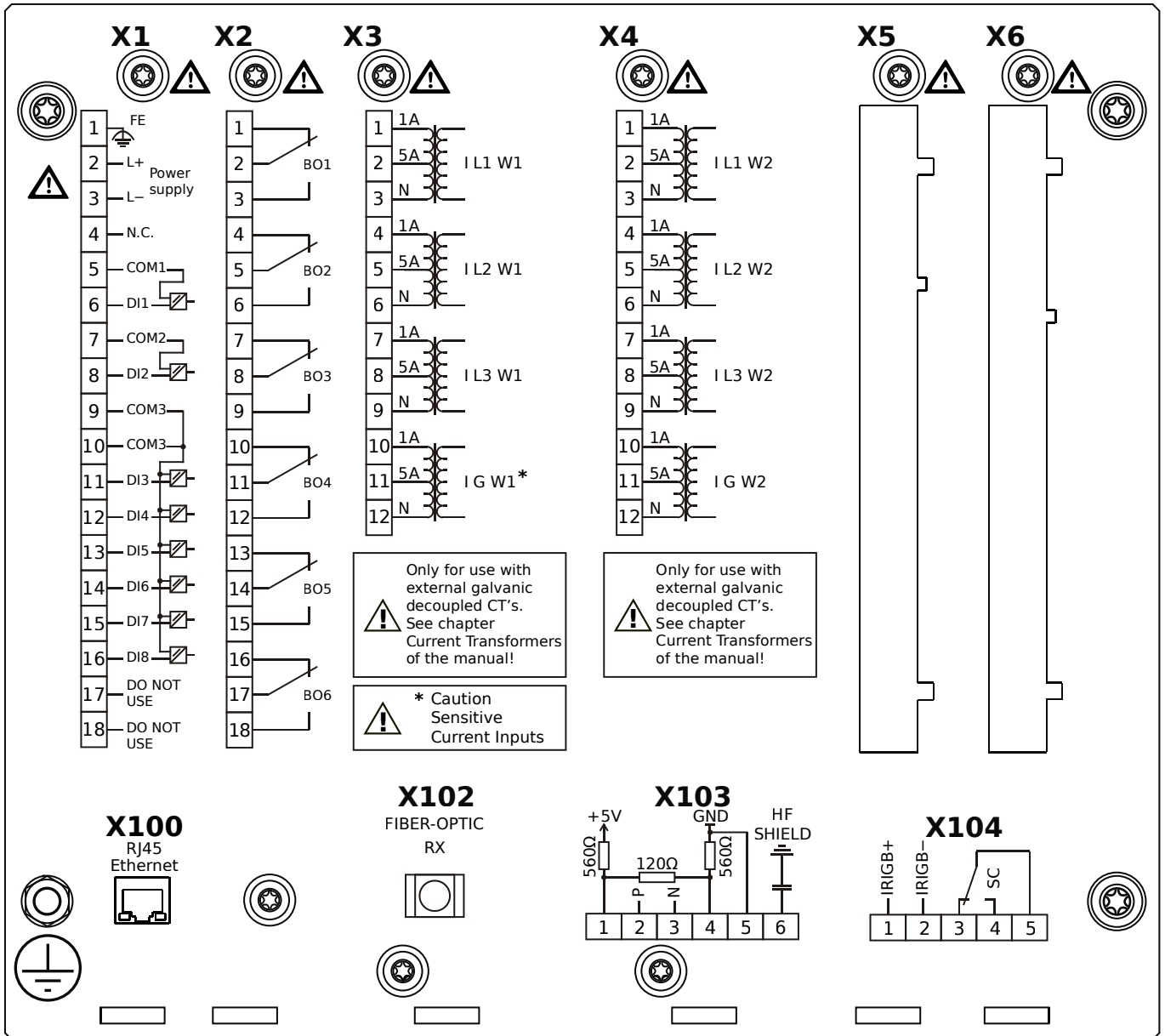
- X1** – DI8-X1: Wide-range power supply unit, incl. 2 non-grouped digital inputs and 6 grouped digital inputs
- X2** – OR-6: Assembly Group with 6 Relay Outputs
- X3** – TIs-4: Standard phase current measuring card and sensitive ground current measuring (winding side 1)
- X4** – TI-4: Standard current measuring card (for the winding side 2)
- X102** – Universal Resistance-Temperature Detector (URTD) input, Fiber optics interface, Versatile Link
- X103** – Modbus TCP / DNP3.0 TCP/UDP, Fiber optics interface, LC Connector
- X104** – IRIG-B00X, incl. System Contact (Supervision Contact)

MRDT4-2A1ALB



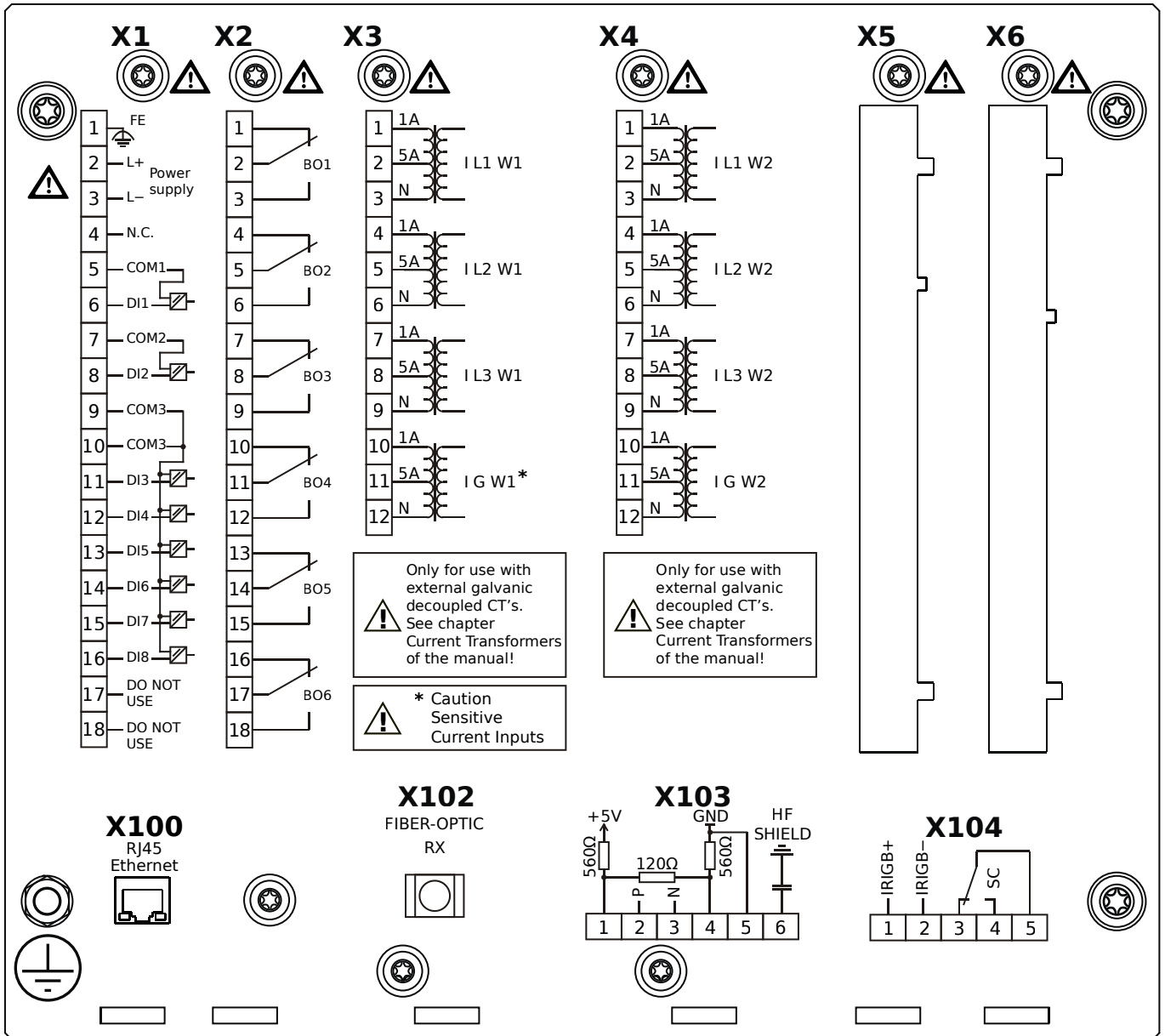
- X1** – DI8-X1: Wide-range power supply unit, incl. 2 non-grouped digital inputs and 6 grouped digital inputs
- X2** – OR-6: Assembly Group with 6 Relay Outputs
- X3** – TIs-4: Standard phase current measuring card and sensitive ground current measuring (winding side 1)
- X4** – TI-4: Standard current measuring card (for the winding side 2)
- X102** – Universal Resistance-Temperature Detector (URTD) input, Fiber optics interface, Versatile Link
- X103** – Modbus TCP / DNP3.0 TCP/UDP, Fiber optics interface, LC Connector
- X104** – IRIG-B00X, incl. System Contact (Supervision Contact)

MRDT4-2A1ATA



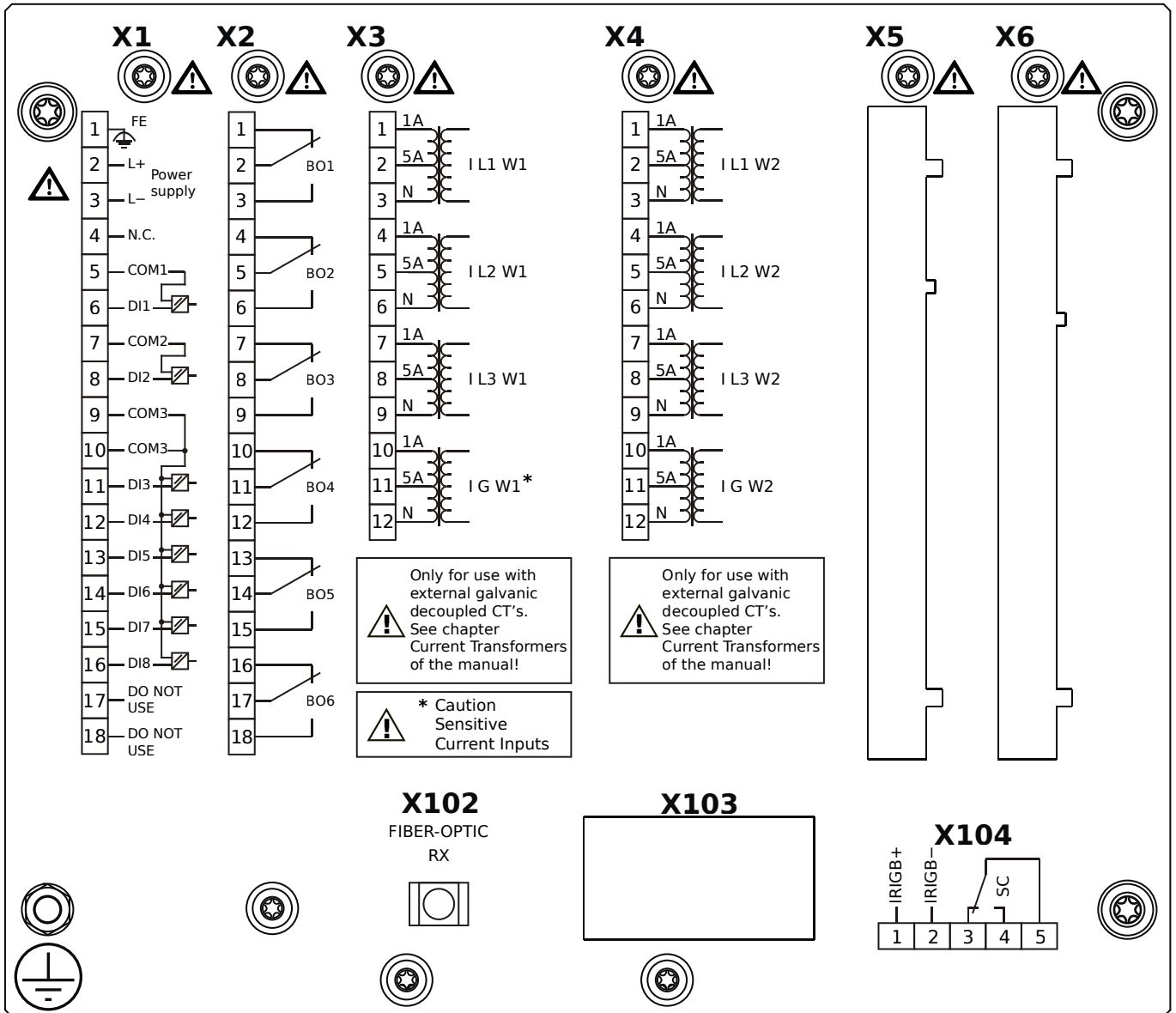
- X1** – DI8-X1: Wide-range power supply unit, incl. 2 non-grouped digital inputs and 6 grouped digital inputs
- X2** – OR-6: Assembly Group with 6 Relay Outputs
- X3** – TI-4: Standard phase current measuring card and sensitive ground current measuring (winding side 1)
- X4** – TI-4: Standard current measuring card (for the winding side 2)
- X100** – IEC 61850 / Modbus TCP / DNP3.0 TCP/UDP, Ethernet interface, 100 Mbit/s, RJ45 (BASE100-FX)
- X102** – Universal Resistance-Temperature Detector (URTD) input, Fiber optics interface, Versatile Link
- X103** – IEC 60870-5-103 / Modbus RTU / DNP3.0 RTU, RS485, Terminals
- X104** – IRIG-B00X, incl. System Contact (Supervision Contact)

MRDT4-2A1ATB



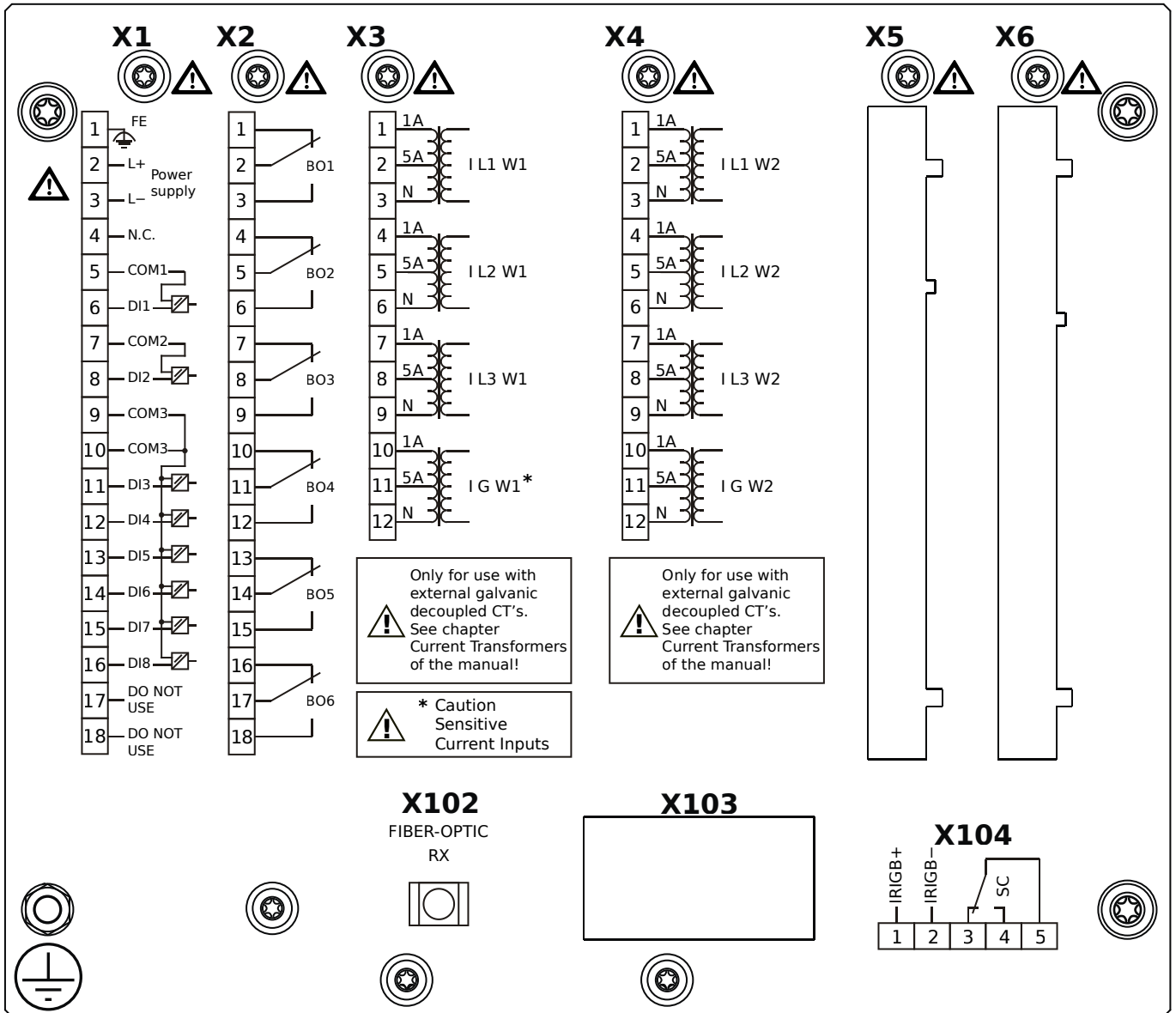
- X1** – DI8-X1: Wide-range power supply unit, incl. 2 non-grouped digital inputs and 6 grouped digital inputs
- X2** – OR-6: Assembly Group with 6 Relay Outputs
- X3** – TI-4: Standard phase current measuring card and sensitive ground current measuring (winding side 1)
- X4** – TI-4: Standard current measuring card (for the winding side 2)
- X100** – IEC 61850 / Modbus TCP / DNP3.0 TCP/UDP, Ethernet interface, 100 Mbit/s, RJ45 (BASE100-FX)
- X102** – Universal Resistance-Temperature Detector (URTD) input, Fiber optics interface, Versatile Link
- X103** – IEC 60870-5-103 / Modbus RTU / DNP3.0 RTU, RS485, Terminals
- X104** – IRIG-B00X, incl. System Contact (Supervision Contact)

MRDT4-2A1BAA



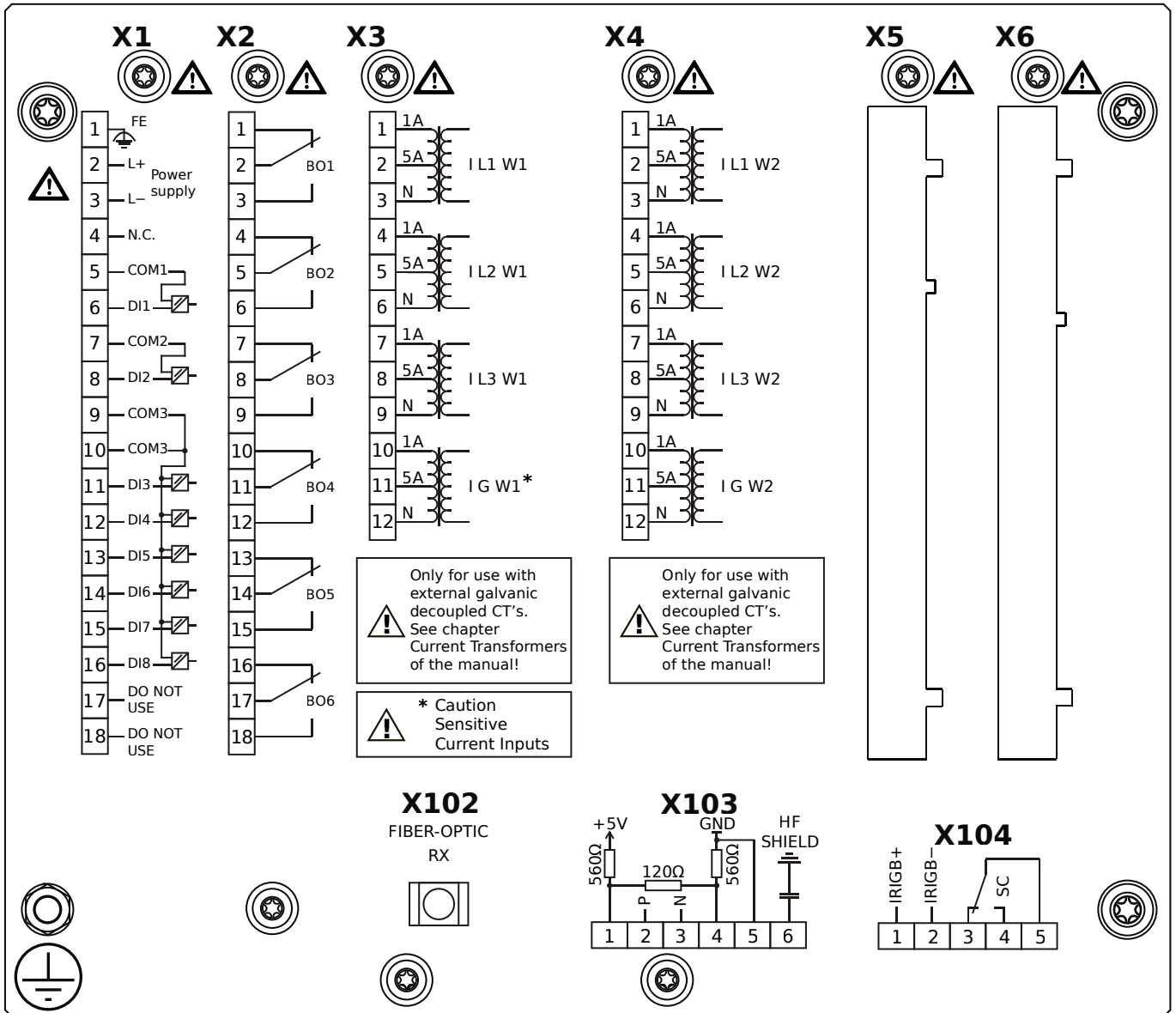
- X1** – DI8-X1: Wide-range power supply unit, incl. 2 non-grouped digital inputs and 6 grouped digital inputs
- X2** – OR-6: Assembly Group with 6 Relay Outputs
- X3** – TIs-4: Standard phase current measuring card and sensitive ground current measuring (winding side 1)
- X4** – TI-4: Standard current measuring card (for the winding side 2)
- X102** – Universal Resistance-Temperature Detector (URTD) input, Fiber optics interface, Versatile Link
- X104** – IRIG-B00X, incl. System Contact (Supervision Contact)

MRDT4-2A1BAB



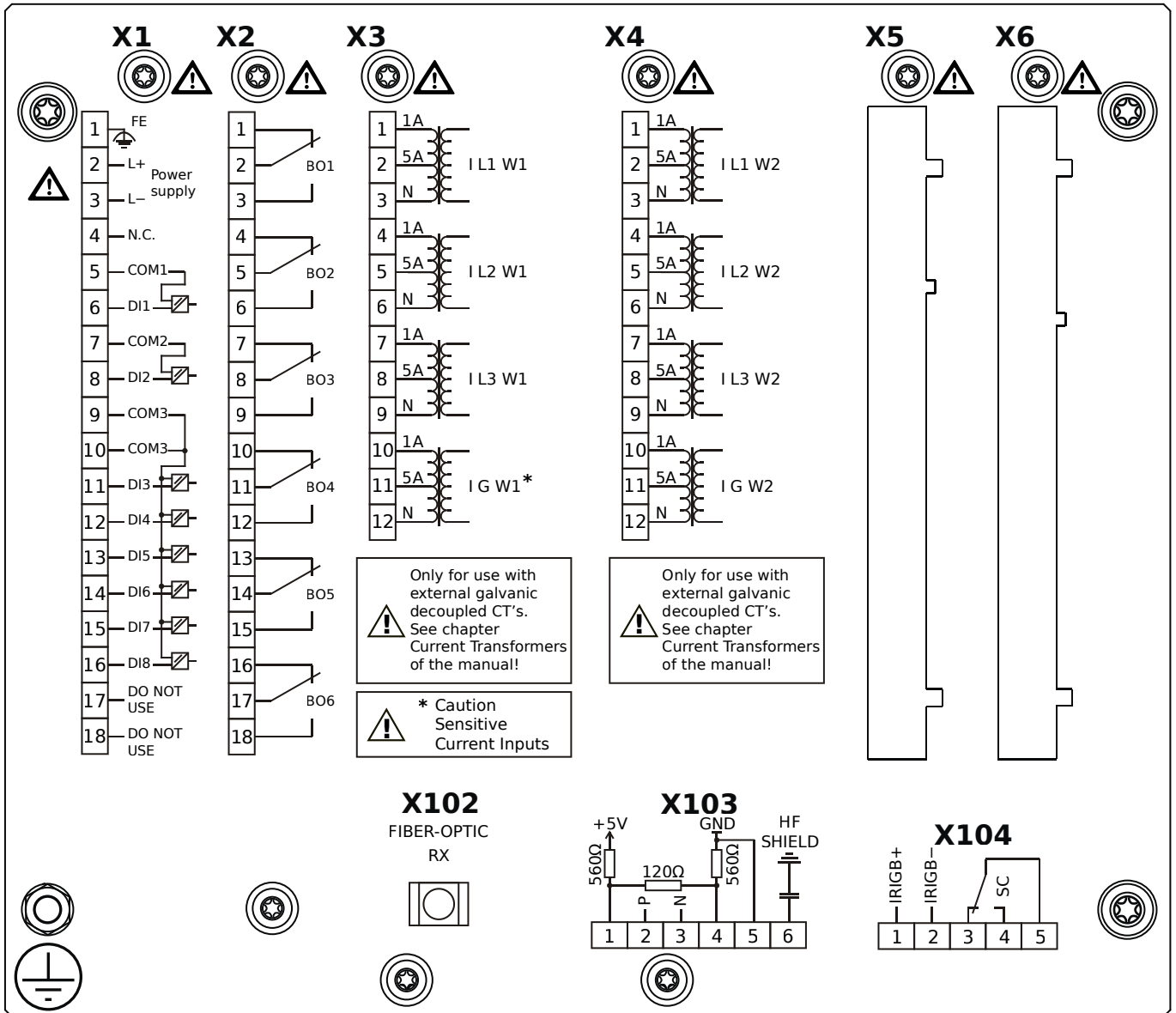
- X1** – DI8-X1: Wide-range power supply unit, incl. 2 non-grouped digital inputs and 6 grouped digital inputs
- X2** – OR-6: Assembly Group with 6 Relay Outputs
- X3** – TI-4: Standard phase current measuring card and sensitive ground current measuring (winding side 1)
- X4** – TI-4: Standard current measuring card (for the winding side 2)
- X102** – Universal Resistance-Temperature Detector (URTD) input, Fiber optics interface, Versatile Link
- X104** – IRIG-B00X, incl. System Contact (Supervision Contact)

MRDT4-2A1BBA



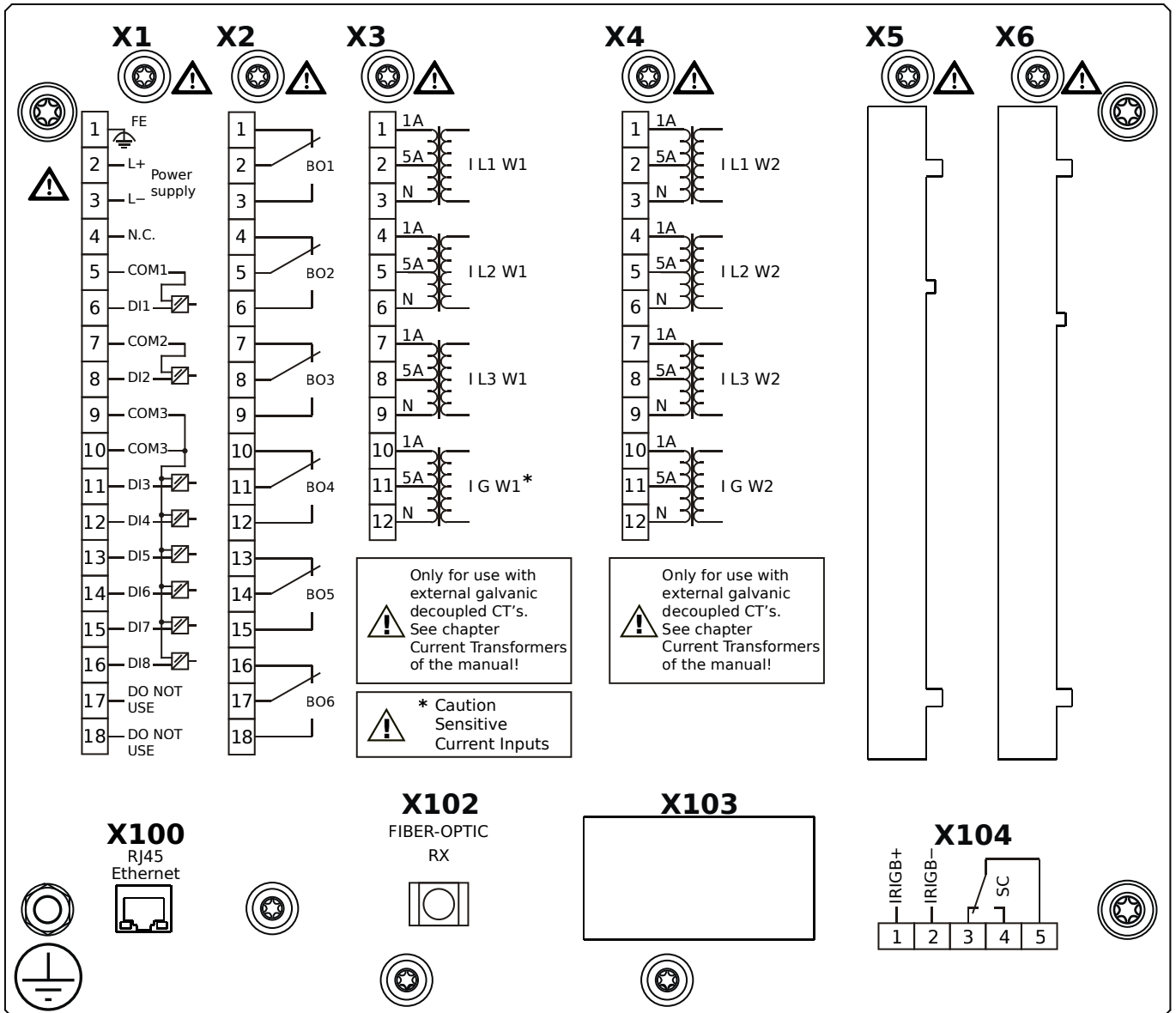
- X1** – DI8-X1: Wide-range power supply unit, incl. 2 non-grouped digital inputs and 6 grouped digital inputs
- X2** – OR-6: Assembly Group with 6 Relay Outputs
- X3** – TIs-4: Standard phase current measuring card and sensitive ground current measuring (winding side 1)
- X4** – TI-4: Standard current measuring card (for the winding side 2)
- X102** – Universal Resistance-Temperature Detector (URTD) input, Fiber optics interface, Versatile Link
- X103** – Modbus RTU / IEC 60870-5-103 / DNP3.0 RTU, RS485, Terminals
- X104** – IRIG-B00X, incl. System Contact (Supervision Contact)

MRDT4-2A1BBB



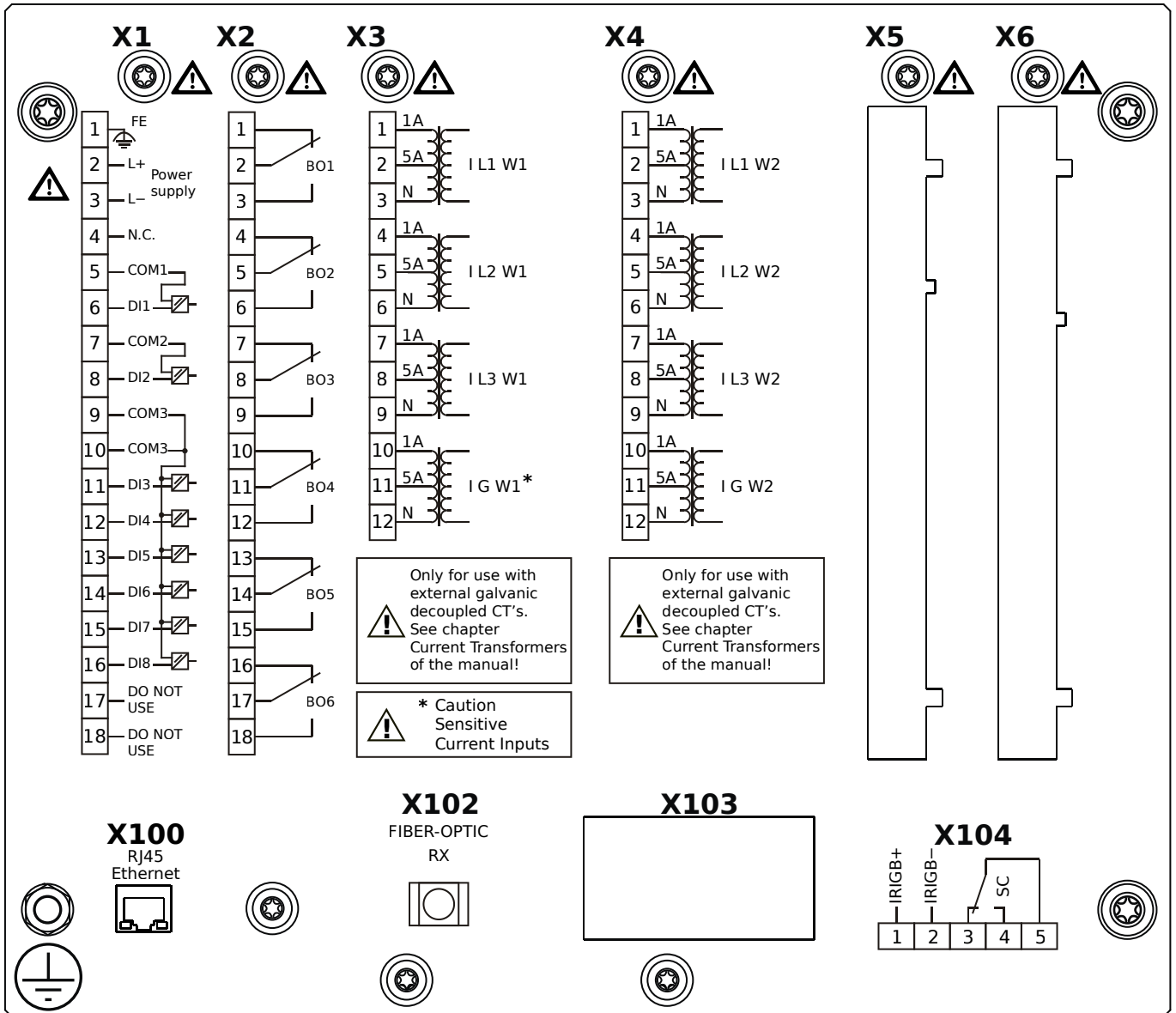
- X1** – DI8-X1: Wide-range power supply unit, incl. 2 non-grouped digital inputs and 6 grouped digital inputs
- X2** – OR-6: Assembly Group with 6 Relay Outputs
- X3** – TIs-4: Standard phase current measuring card and sensitive ground current measuring (winding side 1)
- X4** – TI-4: Standard current measuring card (for the winding side 2)
- X102** – Universal Resistance-Temperature Detector (URTD) input, Fiber optics interface, Versatile Link
- X103** – Modbus RTU / IEC 60870-5-103 / DNP3.0 RTU, RS485, Terminals
- X104** – IRIG-B00X, incl. System Contact (Supervision Contact)

MRDT4-2A1BCA



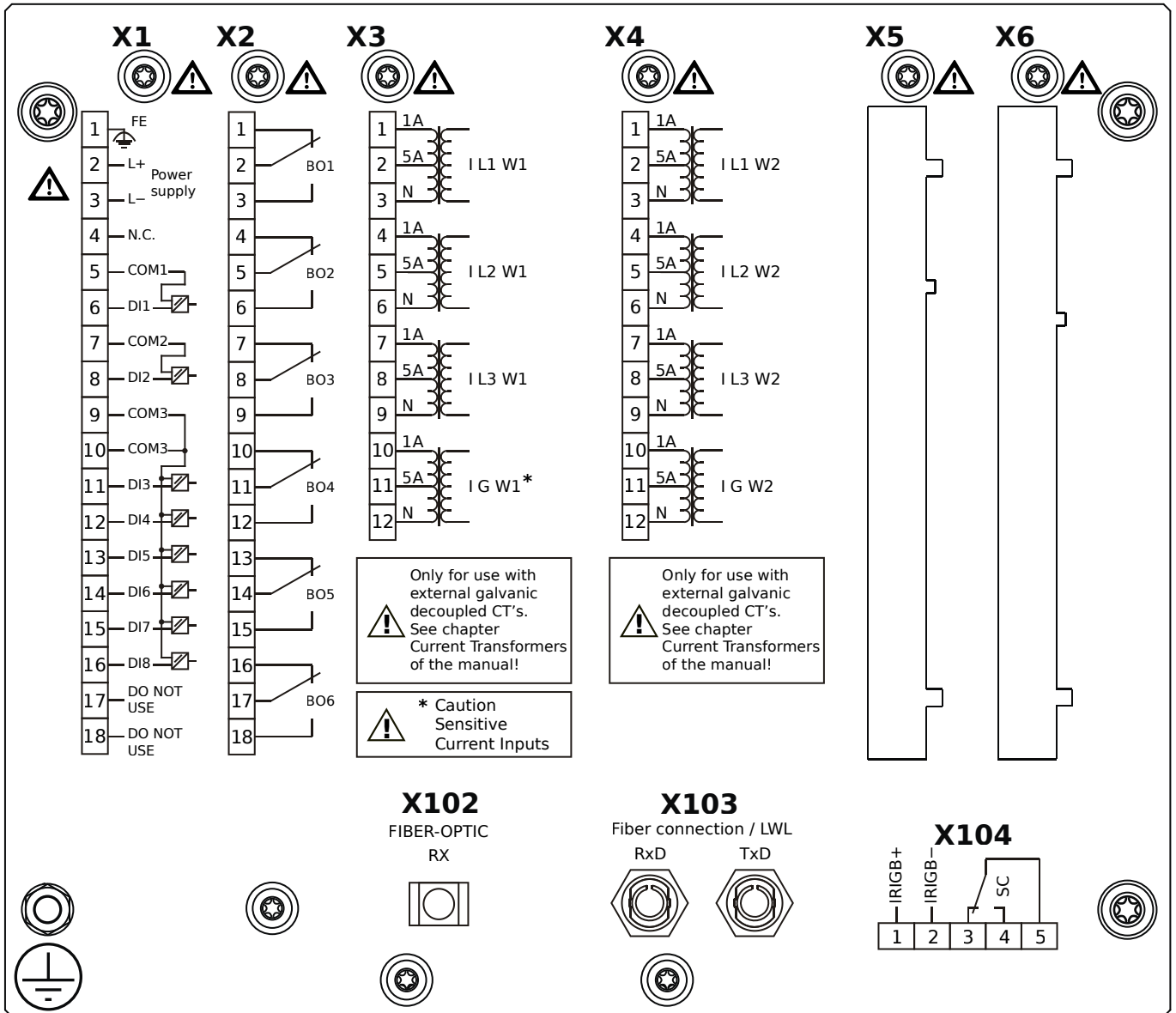
- X1** – DI8-X1: Wide-range power supply unit, incl. 2 non-grouped digital inputs and 6 grouped digital inputs
- X2** – OR-6: Assembly Group with 6 Relay Outputs
- X3** – TIs-4: Standard phase current measuring card and sensitive ground current measuring (winding side 1)
- X4** – TI-4: Standard current measuring card (for the winding side 2)
- X100** – Modbus TCP / DNP3.0 TCP/UDP, Ethernet interface, 100 Mbit/s, RJ45 (BASE100-FX)
- X102** – Universal Resistance-Temperature Detector (URTD) input, Fiber optics interface, Versatile Link
- X104** – IRIG-B00X, incl. System Contact (Supervision Contact)

MRDT4-2A1BCB



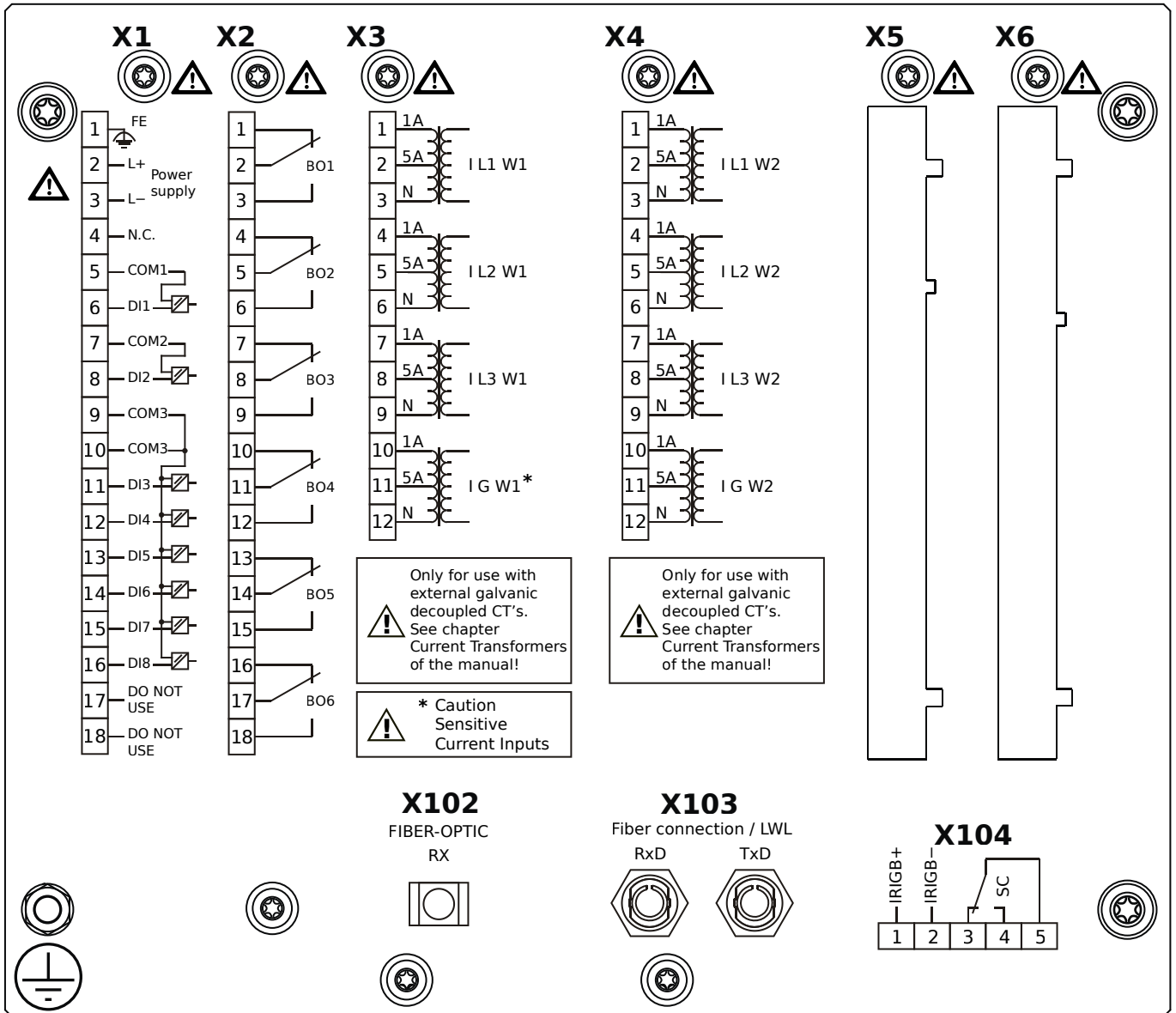
- X1** – DI8-X1: Wide-range power supply unit, incl. 2 non-grouped digital inputs and 6 grouped digital inputs
- X2** – OR-6: Assembly Group with 6 Relay Outputs
- X3** – TIs-4: Standard phase current measuring card and sensitive ground current measuring (winding side 1)
- X4** – TI-4: Standard current measuring card (for the winding side 2)
- X100** – Modbus TCP / DNP3.0 TCP/UDP, Ethernet interface, 100 Mbit/s, RJ45 (BASE100-FX)
- X102** – Universal Resistance-Temperature Detector (URTD) input, Fiber optics interface, Versatile Link
- X104** – IRIG-B00X, incl. System Contact (Supervision Contact)

MRDT4-2A1BDA



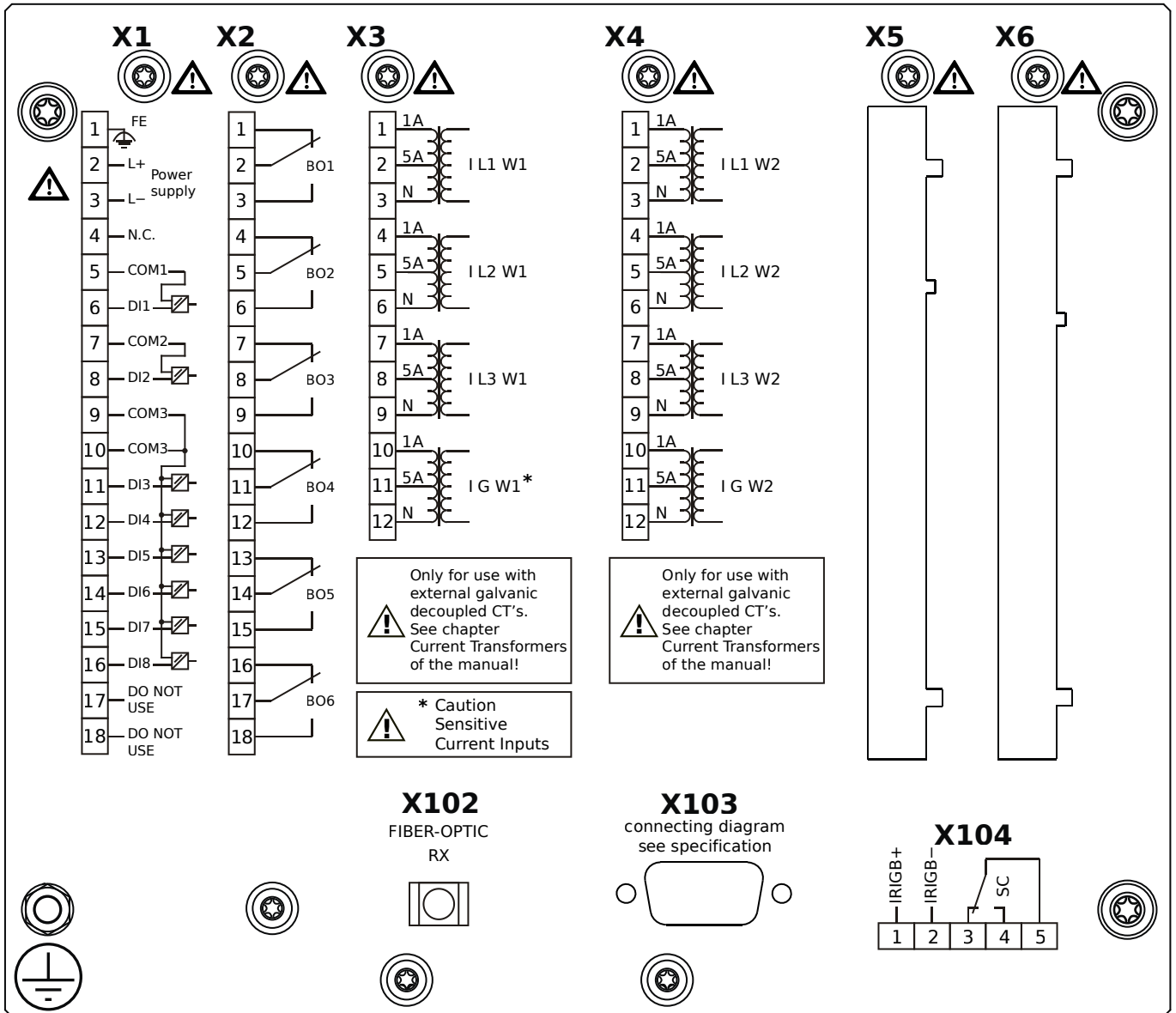
- X1** – DI8-X1: Wide-range power supply unit, incl. 2 non-grouped digital inputs and 6 grouped digital inputs
- X2** – OR-6: Assembly Group with 6 Relay Outputs
- X3** – TIs-4: Standard phase current measuring card and sensitive ground current measuring (winding side 1)
- X4** – TI-4: Standard current measuring card (for the winding side 2)
- X102** – Universal Resistance-Temperature Detector (URTD) input, Fiber optics interface, Versatile Link
- X103** – Profibus-DP, Fiber optics interface, ST Connector
- X104** – IRIG-B00X, incl. System Contact (Supervision Contact)

MRDT4-2A1BDB



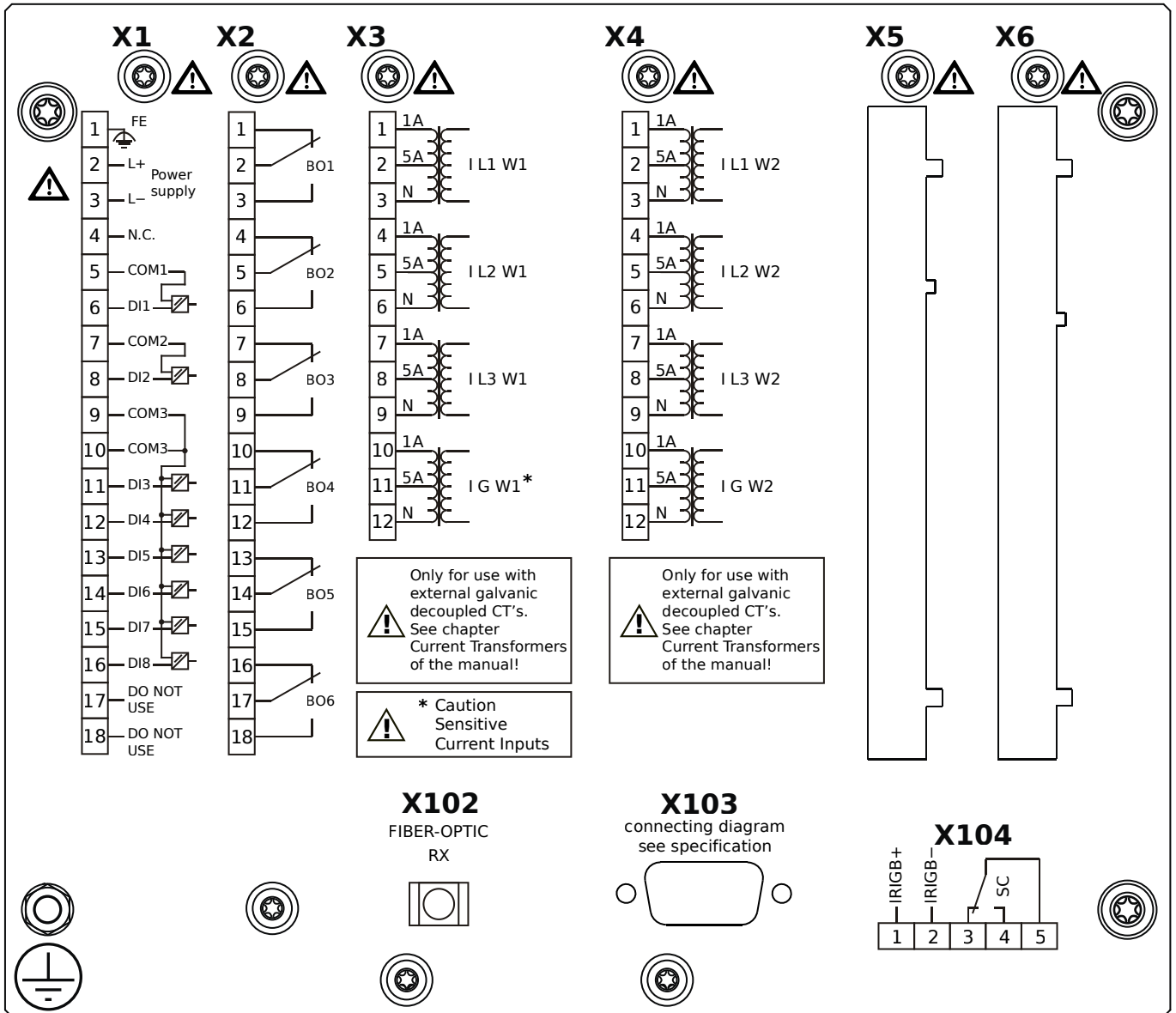
- X1** – DI8-X1: Wide-range power supply unit, incl. 2 non-grouped digital inputs and 6 grouped digital inputs
- X2** – OR-6: Assembly Group with 6 Relay Outputs
- X3** – TIs-4: Standard phase current measuring card and sensitive ground current measuring (winding side 1)
- X4** – TI-4: Standard current measuring card (for the winding side 2)
- X102** – Universal Resistance-Temperature Detector (URTD) input, Fiber optics interface, Versatile Link
- X103** – Profibus-DP, Fiber optics interface, ST Connector
- X104** – IRIG-B00X, incl. System Contact (Supervision Contact)

MRDT4-2A1BEA



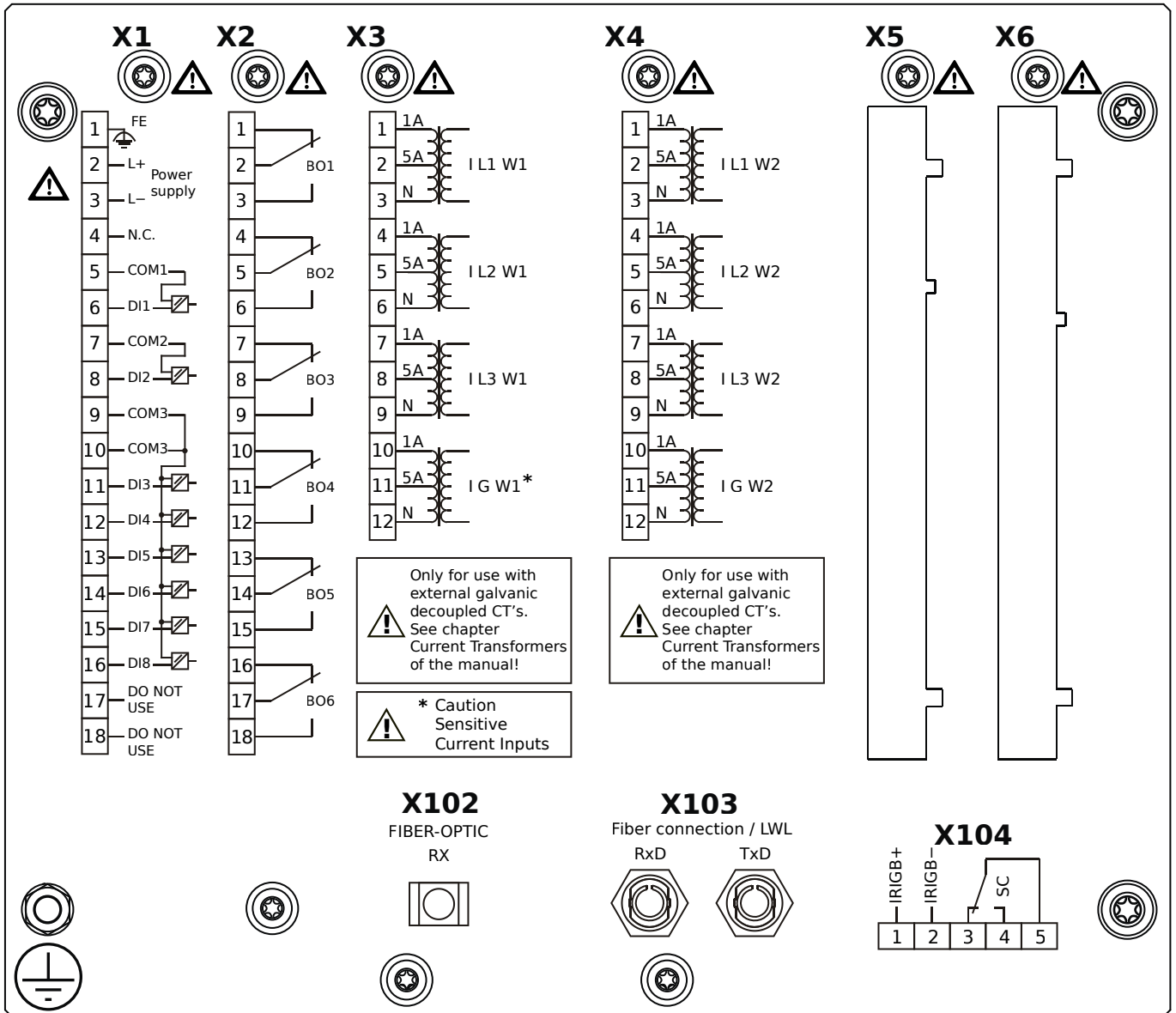
- X1** – DI8-X1: Wide-range power supply unit, incl. 2 non-grouped digital inputs and 6 grouped digital inputs
- X2** – OR-6: Assembly Group with 6 Relay Outputs
- X3** – TIs-4: Standard phase current measuring card and sensitive ground current measuring (winding side 1)
- X4** – TI-4: Standard current measuring card (for the winding side 2)
- X102** – Universal Resistance-Temperature Detector (URTD) input, Fiber optics interface, Versatile Link
- X103** – Profibus-DP, RS485, D-SUB
- X104** – IRIG-B00X, incl. System Contact (Supervision Contact)

MRDT4-2A1BEB



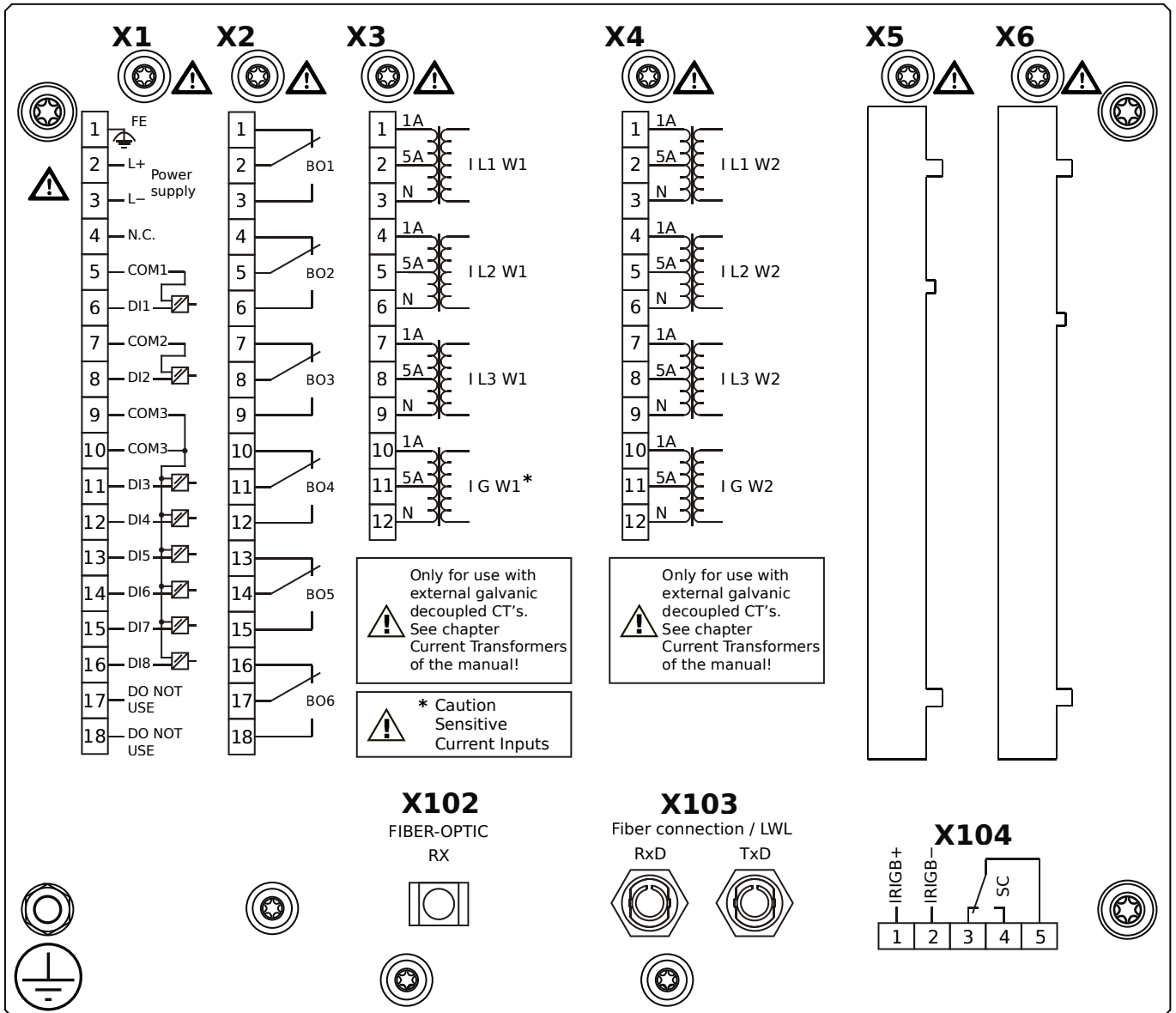
- X1** – DI8-X1: Wide-range power supply unit, incl. 2 non-grouped digital inputs and 6 grouped digital inputs
- X2** – OR-6: Assembly Group with 6 Relay Outputs
- X3** – TIs-4: Standard phase current measuring card and sensitive ground current measuring (winding side 1)
- X4** – TI-4: Standard current measuring card (for the winding side 2)
- X102** – Universal Resistance-Temperature Detector (URTD) input, Fiber optics interface, Versatile Link
- X103** – Profibus-DP, RS485, D-SUB
- X104** – IRIG-B00X, incl. System Contact (Supervision Contact)

MRDT4-2A1BFA



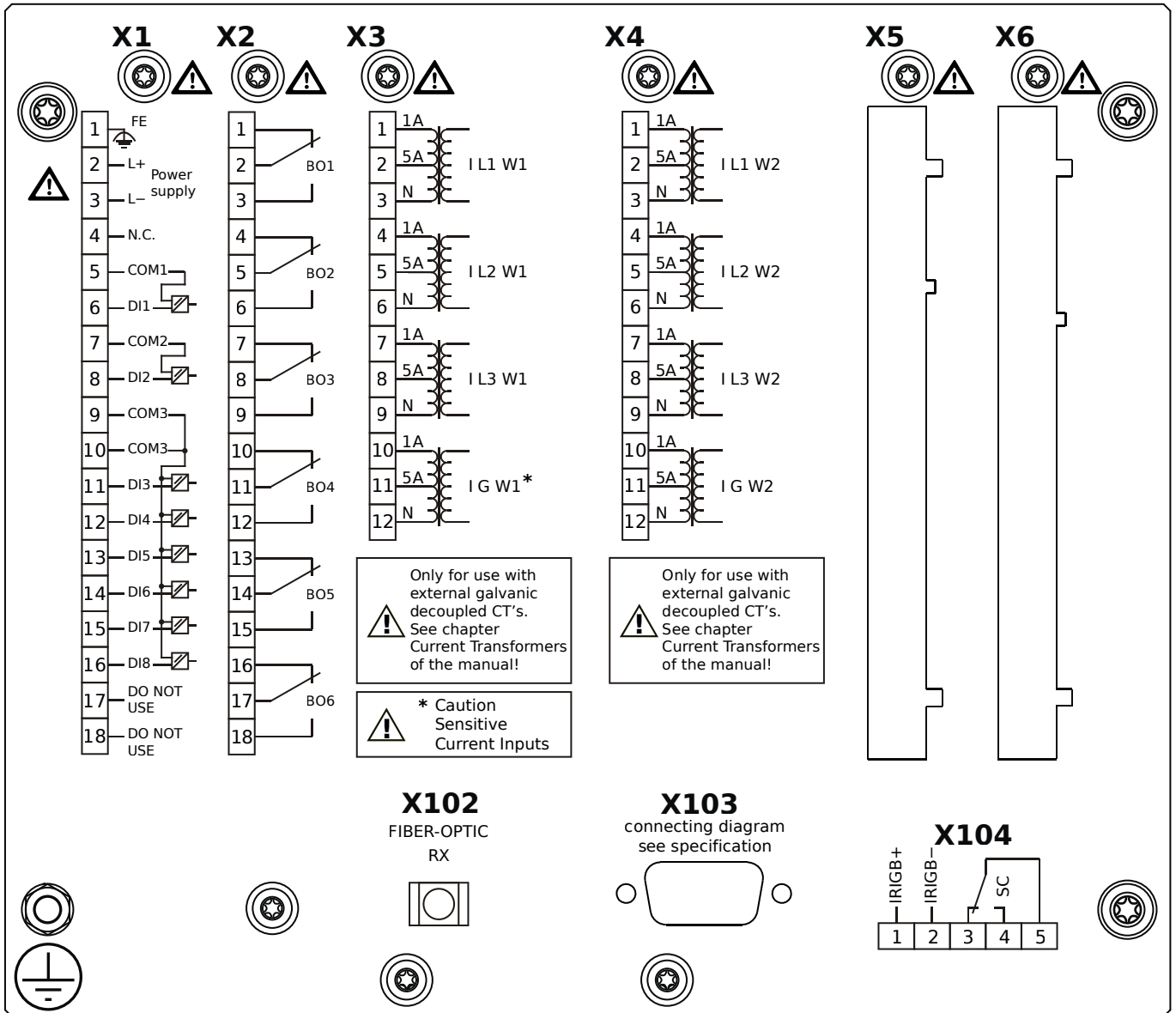
- X1** – DI8-X1: Wide-range power supply unit, incl. 2 non-grouped digital inputs and 6 grouped digital inputs
- X2** – OR-6: Assembly Group with 6 Relay Outputs
- X3** – TIs-4: Standard phase current measuring card and sensitive ground current measuring (winding side 1)
- X4** – TI-4: Standard current measuring card (for the winding side 2)
- X102** – Universal Resistance-Temperature Detector (URTD) input, Fiber optics interface, Versatile Link
- X103** – Modbus RTU / IEC 60870-5-103 / DNP3.0 RTU, Fiber optics interface, ST Connector
- X104** – IRIG-B00X, incl. System Contact (Supervision Contact)

MRDT4-2A1BFB



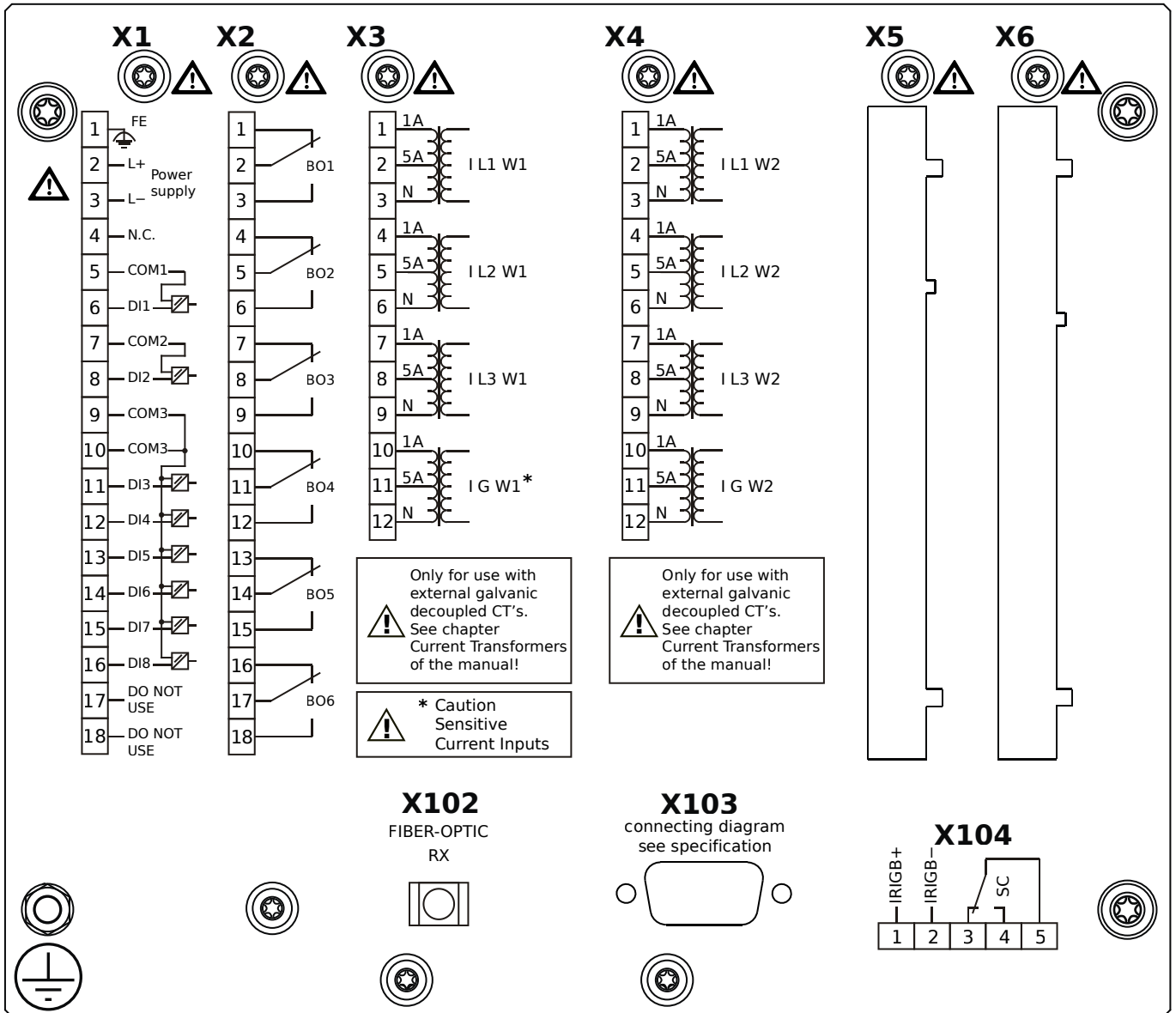
- X1** – DI8-X1: Wide-range power supply unit, incl. 2 non-grouped digital inputs and 6 grouped digital inputs
- X2** – OR-6: Assembly Group with 6 Relay Outputs
- X3** – TIs-4: Standard phase current measuring card and sensitive ground current measuring (winding side 1)
- X4** – TI-4: Standard current measuring card (for the winding side 2)
- X102** – Universal Resistance-Temperature Detector (URTD) input, Fiber optics interface, Versatile Link
- X103** – Modbus RTU / IEC 60870-5-103 / DNP3.0 RTU, Fiber optics interface, ST Connector
- X104** – IRIG-B00X, incl. System Contact (Supervision Contact)

MRDT4-2A1BGA



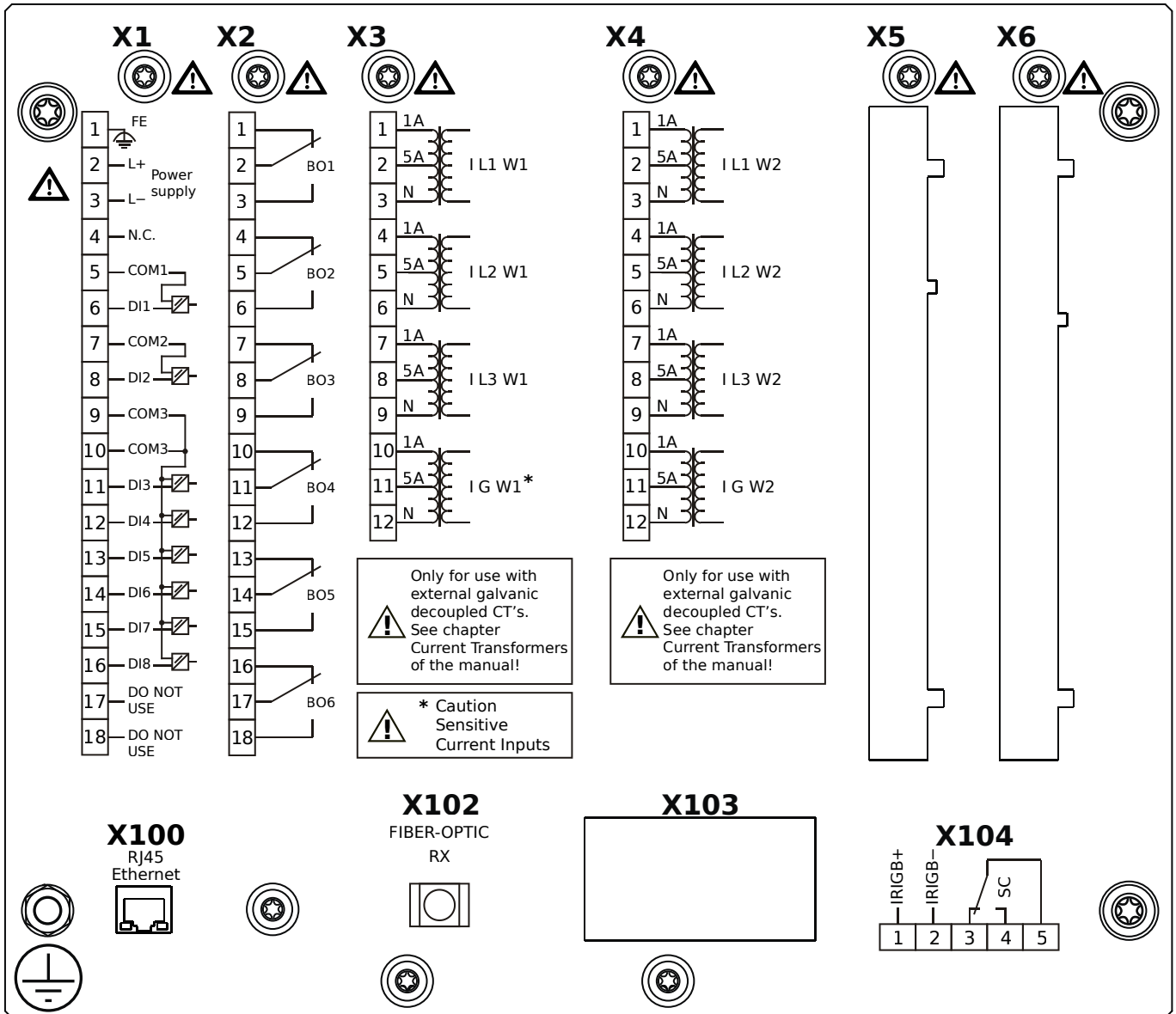
- X1** – DI8-X1: Wide-range power supply unit, incl. 2 non-grouped digital inputs and 6 grouped digital inputs
- X2** – OR-6: Assembly Group with 6 Relay Outputs
- X3** – TIs-4: Standard phase current measuring card and sensitive ground current measuring (winding side 1)
- X4** – TI-4: Standard current measuring card (for the winding side 2)
- X102** – Universal Resistance-Temperature Detector (URTD) input, Fiber optics interface, Versatile Link
- X103** – Modbus RTU / IEC 60870-5-103 / DNP3.0 RTU, RS485, D-SUB
- X104** – IRIG-B00X, incl. System Contact (Supervision Contact)

MRDT4-2A1BGB



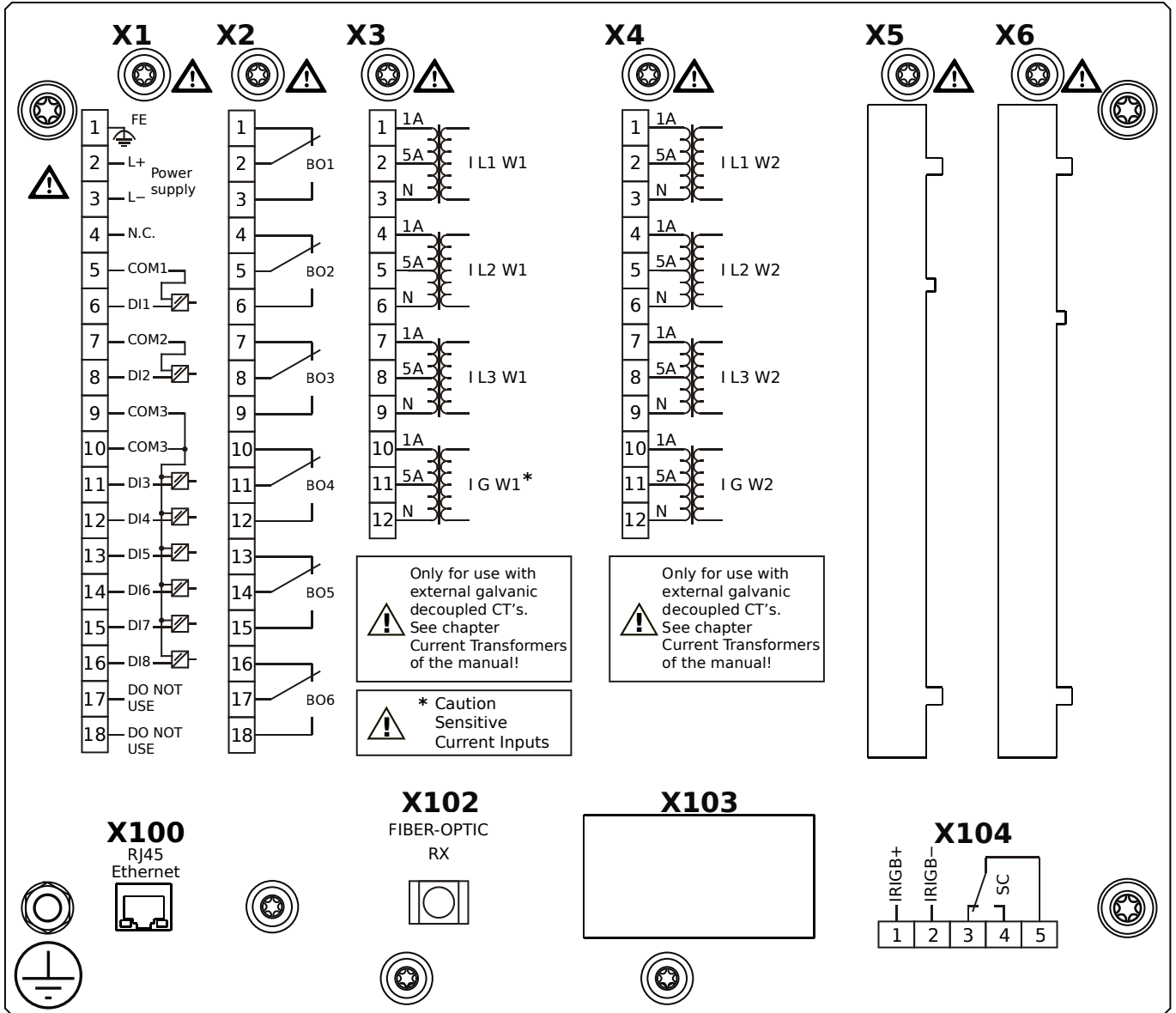
- X1** – DI8-X1: Wide-range power supply unit, incl. 2 non-grouped digital inputs and 6 grouped digital inputs
- X2** – OR-6: Assembly Group with 6 Relay Outputs
- X3** – TIs-4: Standard phase current measuring card and sensitive ground current measuring (winding side 1)
- X4** – TI-4: Standard current measuring card (for the winding side 2)
- X102** – Universal Resistance-Temperature Detector (URTD) input, Fiber optics interface, Versatile Link
- X103** – Modbus RTU / IEC 60870-5-103 / DNP3.0 RTU, RS485, D-SUB
- X104** – IRIG-B00X, incl. System Contact (Supervision Contact)

MRDT4-2A1BHA



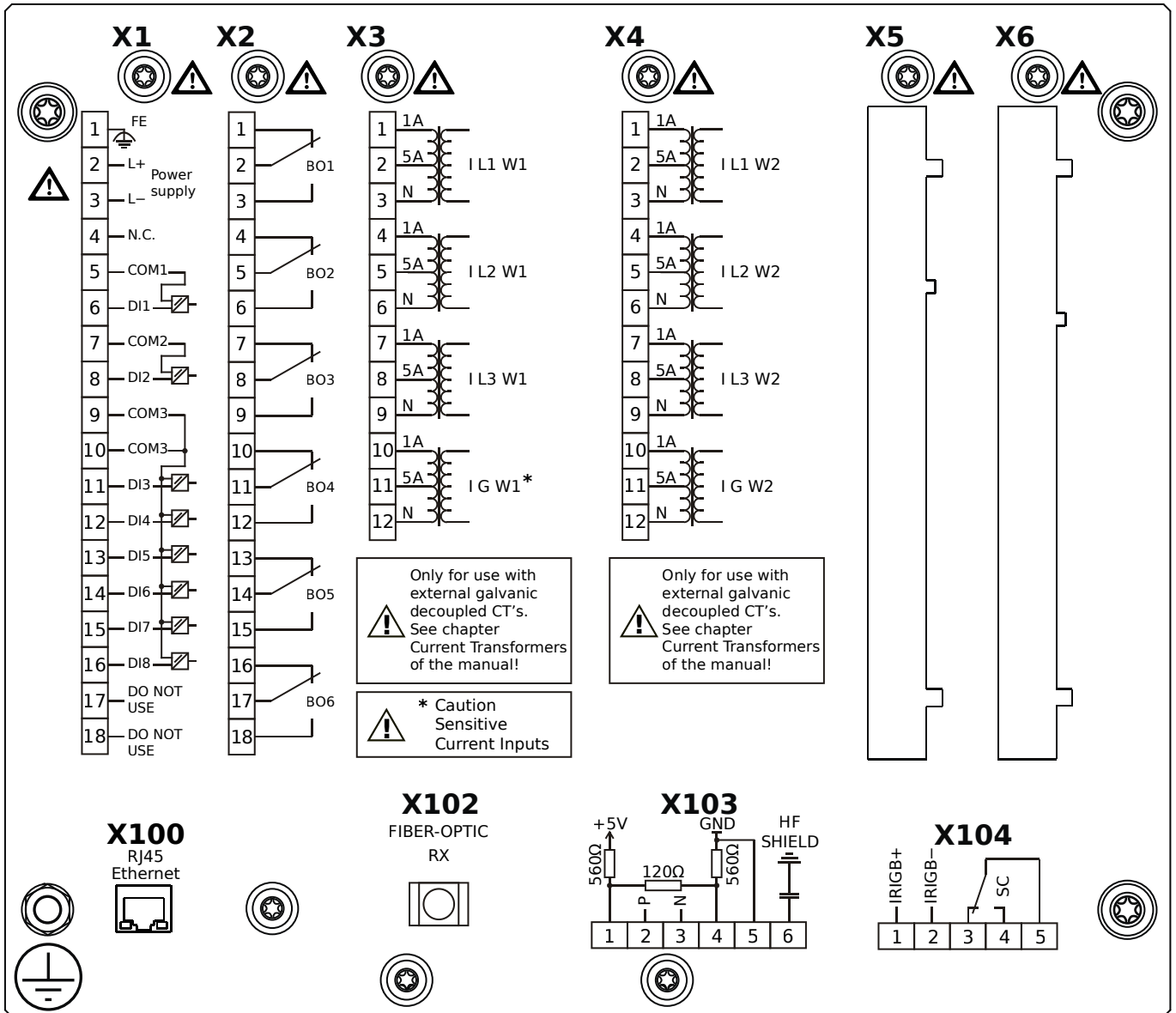
- X1** – DI8-X1: Wide-range power supply unit, incl. 2 non-grouped digital inputs and 6 grouped digital inputs
- X2** – OR-6: Assembly Group with 6 Relay Outputs
- X3** – TIs-4: Standard phase current measuring card and sensitive ground current measuring (winding side 1)
- X4** – TI-4: Standard current measuring card (for the winding side 2)
- X100** – IEC 61850 / Modbus TCP / DNP3.0 TCP/UDP, Ethernet interface, 100 Mbit/s, RJ45 (BASE100-FX)
- X102** – Universal Resistance-Temperature Detector (URTD) input, Fiber optics interface, Versatile Link
- X104** – IRIG-B00X, incl. System Contact (Supervision Contact)

MRDT4-2A1BHB



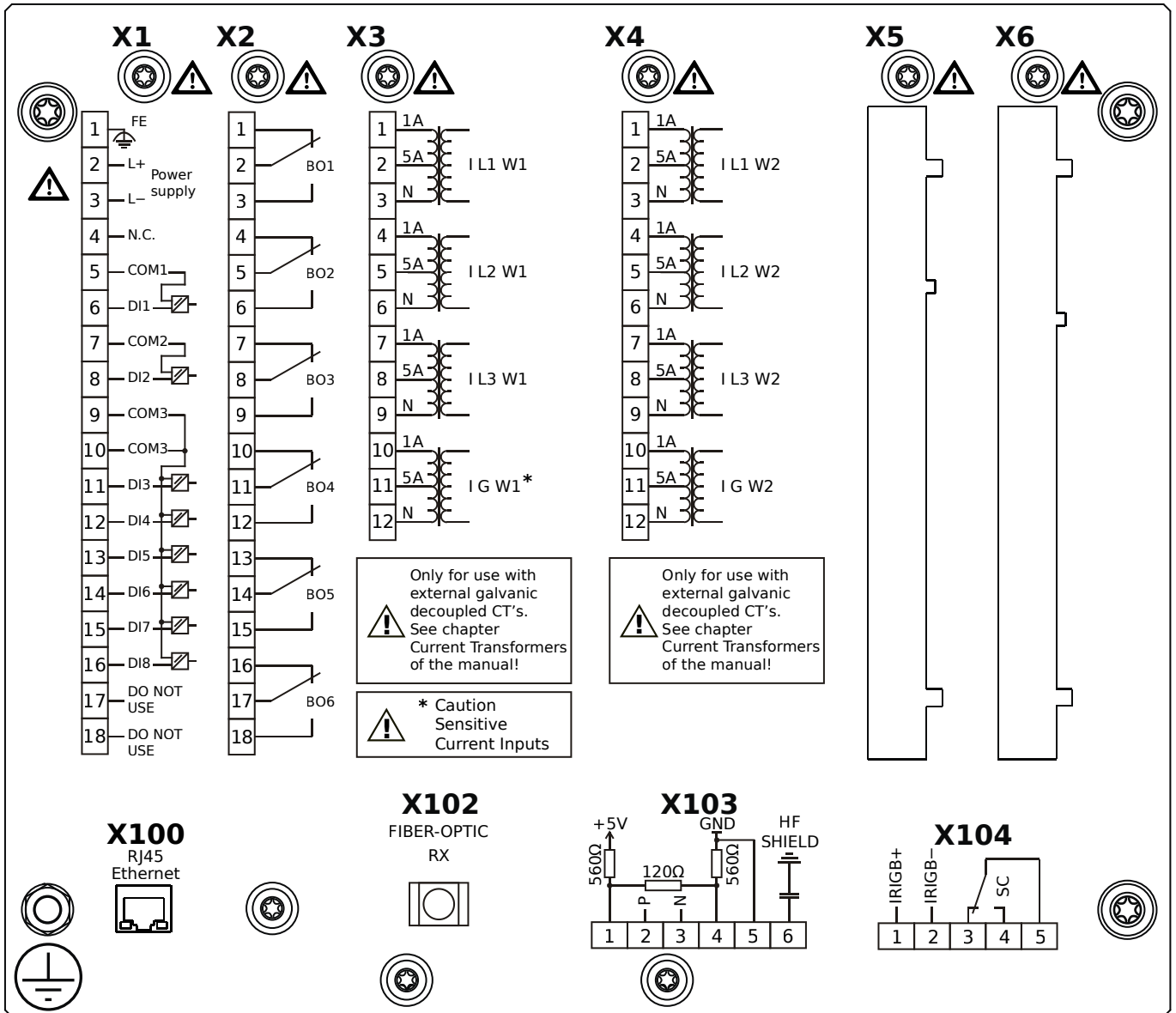
- X1** – DI8-X1: Wide-range power supply unit, incl. 2 non-grouped digital inputs and 6 grouped digital inputs
- X2** – OR-6: Assembly Group with 6 Relay Outputs
- X3** – TIs-4: Standard phase current measuring card and sensitive ground current measuring (winding side 1)
- X4** – TI-4: Standard current measuring card (for the winding side 2)
- X100** – IEC 61850 / Modbus TCP / DNP3.0 TCP/UDP, Ethernet interface, 100 Mbit/s, RJ45 (BASE100-FX)
- X102** – Universal Resistance-Temperature Detector (URTD) input, Fiber optics interface, Versatile Link
- X104** – IRIG-B00X, incl. System Contact (Supervision Contact)

MRDT4-2A1BIA



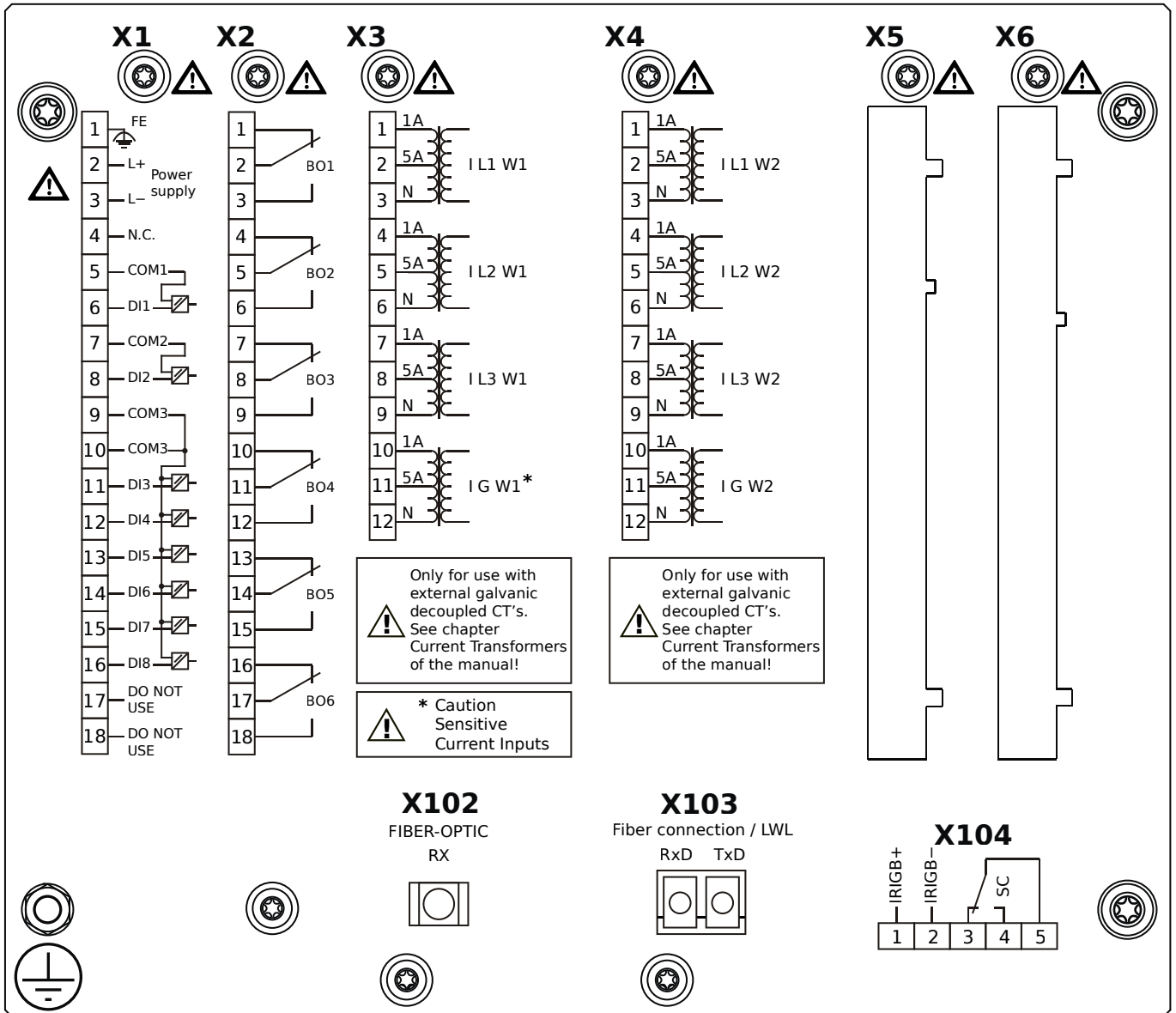
- X1** – DI8-X1: Wide-range power supply unit, incl. 2 non-grouped digital inputs and 6 grouped digital inputs
- X2** – OR-6: Assembly Group with 6 Relay Outputs
- X3** – TI-4: Standard phase current measuring card and sensitive ground current measuring (winding side 1)
- X4** – TI-4: Standard current measuring card (for the winding side 2)
- X100** – Modbus TCP / DNP3.0 TCP/UDP, Ethernet interface, 100 Mbit/s, RJ45 (BASE100-FX)
- X102** – Universal Resistance-Temperature Detector (URTD) input, Fiber optics interface, Versatile Link
- X103** – IEC 60870-5-103 / Modbus RTU / DNP3.0 RTU, RS485, Terminals
- X104** – IRIG-B00X, incl. System Contact (Supervision Contact)

MRDT4-2A1BIB



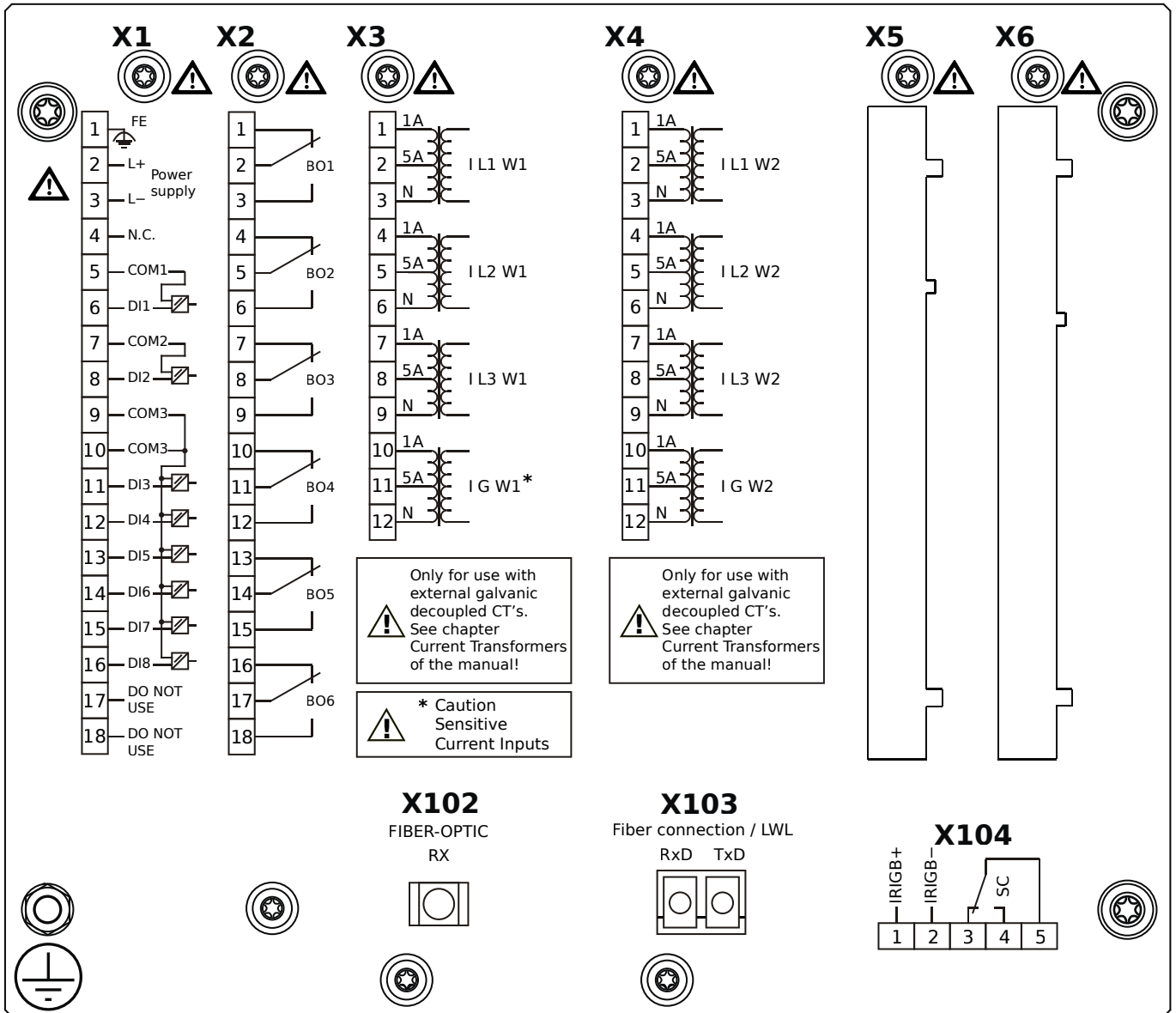
- X1** – DI8-X1: Wide-range power supply unit, incl. 2 non-grouped digital inputs and 6 grouped digital inputs
- X2** – OR-6: Assembly Group with 6 Relay Outputs
- X3** – TI-4: Standard phase current measuring card and sensitive ground current measuring (winding side 1)
- X4** – TI-4: Standard current measuring card (for the winding side 2)
- X100** – Modbus TCP / DNP3.0 TCP/UDP, Ethernet interface, 100 Mbit/s, RJ45 (BASE100-FX)
- X102** – Universal Resistance-Temperature Detector (URTD) input, Fiber optics interface, Versatile Link
- X103** – IEC 60870-5-103 / Modbus RTU / DNP3.0 RTU, RS485, Terminals
- X104** – IRIG-B00X, incl. System Contact (Supervision Contact)

MRDT4-2A1BKA



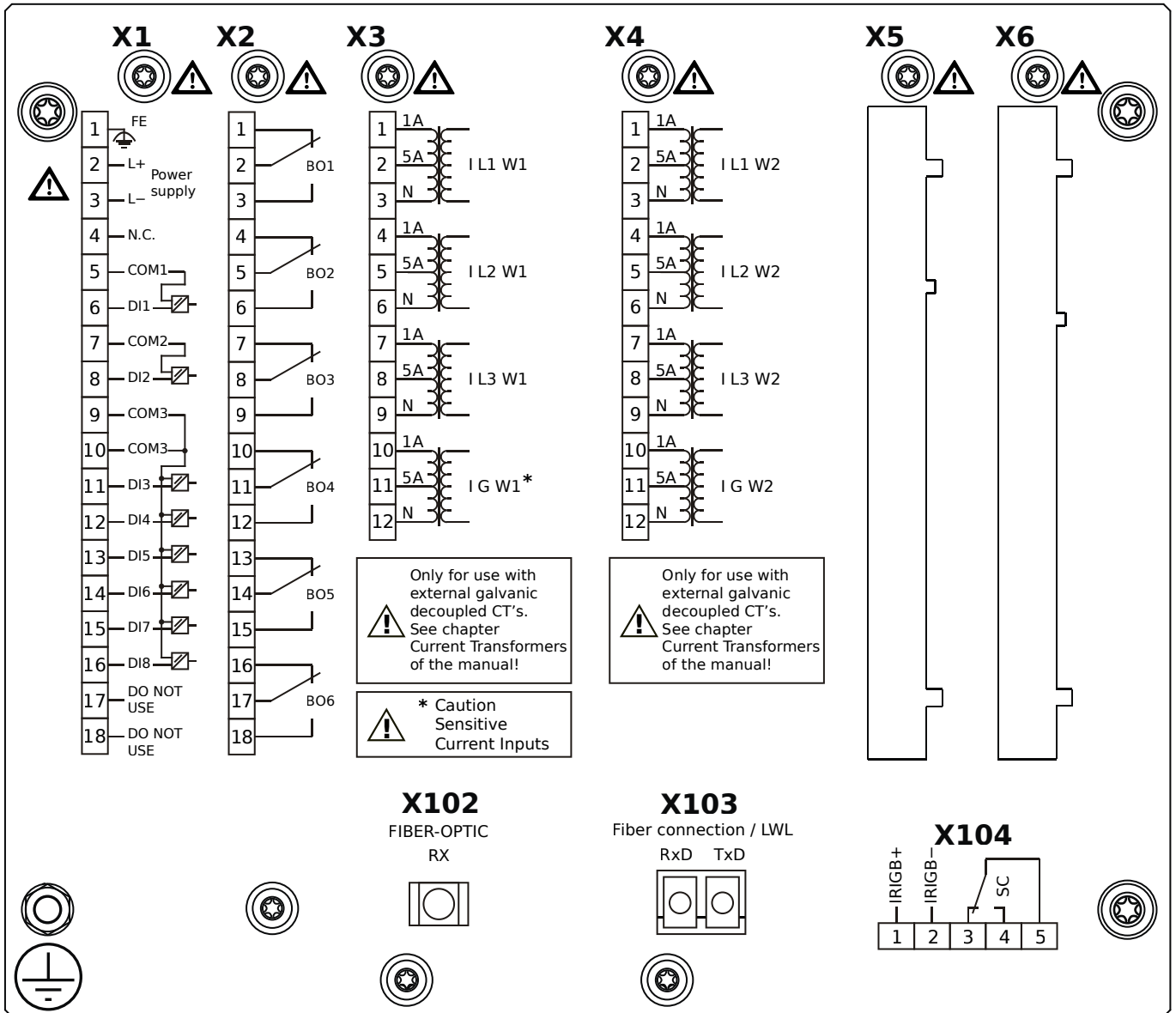
- X1** – DI8-X1: Wide-range power supply unit, incl. 2 non-grouped digital inputs and 6 grouped digital inputs
- X2** – OR-6: Assembly Group with 6 Relay Outputs
- X3** – TIs-4: Standard phase current measuring card and sensitive ground current measuring (winding side 1)
- X4** – TI-4: Standard current measuring card (for the winding side 2)
- X102** – Universal Resistance-Temperature Detector (URTD) input, Fiber optics interface, Versatile Link
- X103** – IEC 61850 / Modbus TCP / DNP3.0 TCP/UDP, Fiber optics interface, LC Connector
- X104** – IRIG-B00X, incl. System Contact (Supervision Contact)

MRDT4-2A1BKB



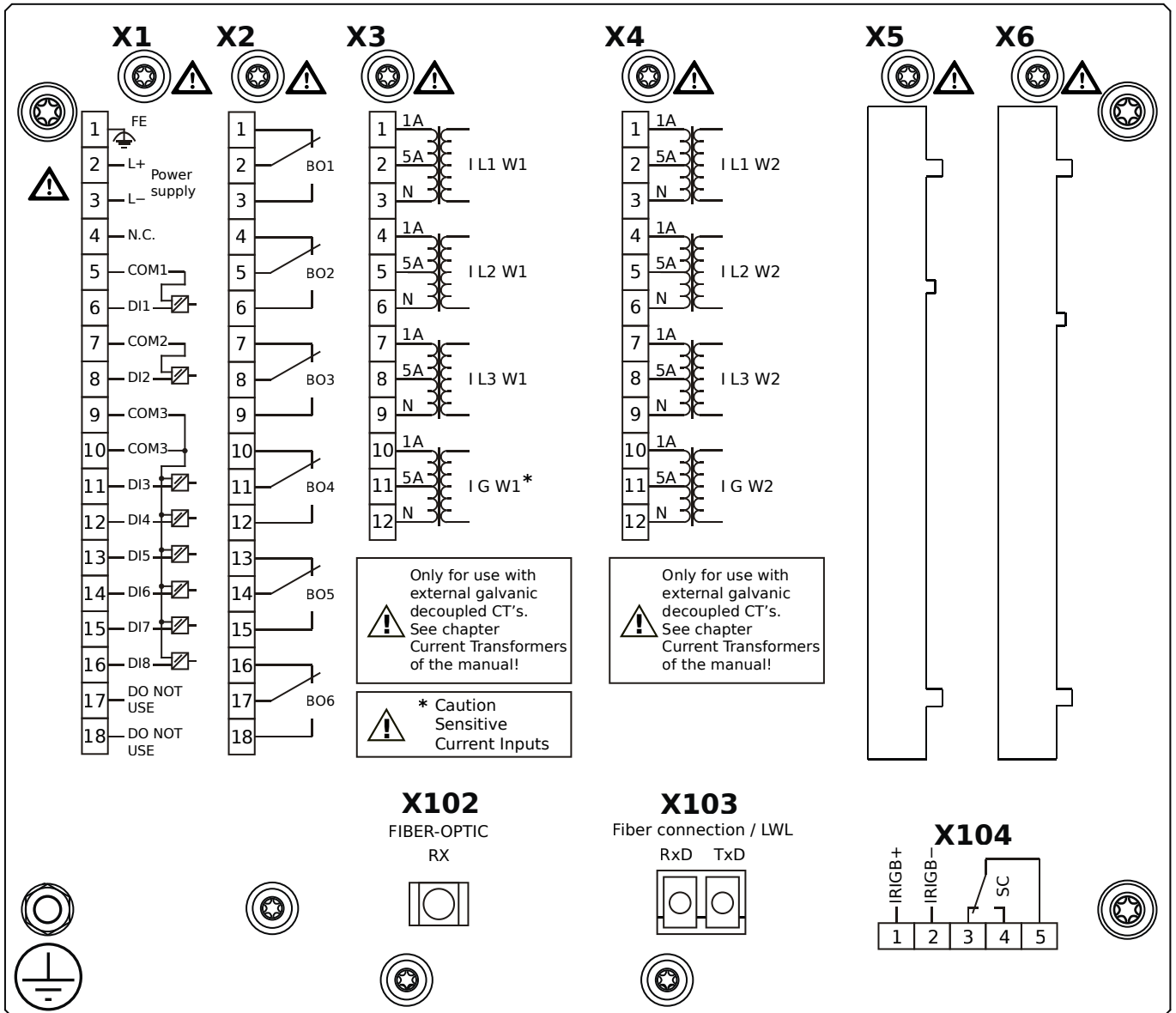
- X1** – DI8-X1: Wide-range power supply unit, incl. 2 non-grouped digital inputs and 6 grouped digital inputs
- X2** – OR-6: Assembly Group with 6 Relay Outputs
- X3** – TIs-4: Standard phase current measuring card and sensitive ground current measuring (winding side 1)
- X4** – TI-4: Standard current measuring card (for the winding side 2)
- X102** – Universal Resistance-Temperature Detector (URTD) input, Fiber optics interface, Versatile Link
- X103** – IEC 61850 / Modbus TCP / DNP3.0 TCP/UDP, Fiber optics interface, LC Connector
- X104** – IRIG-B00X, incl. System Contact (Supervision Contact)

MRDT4-2A1BLA



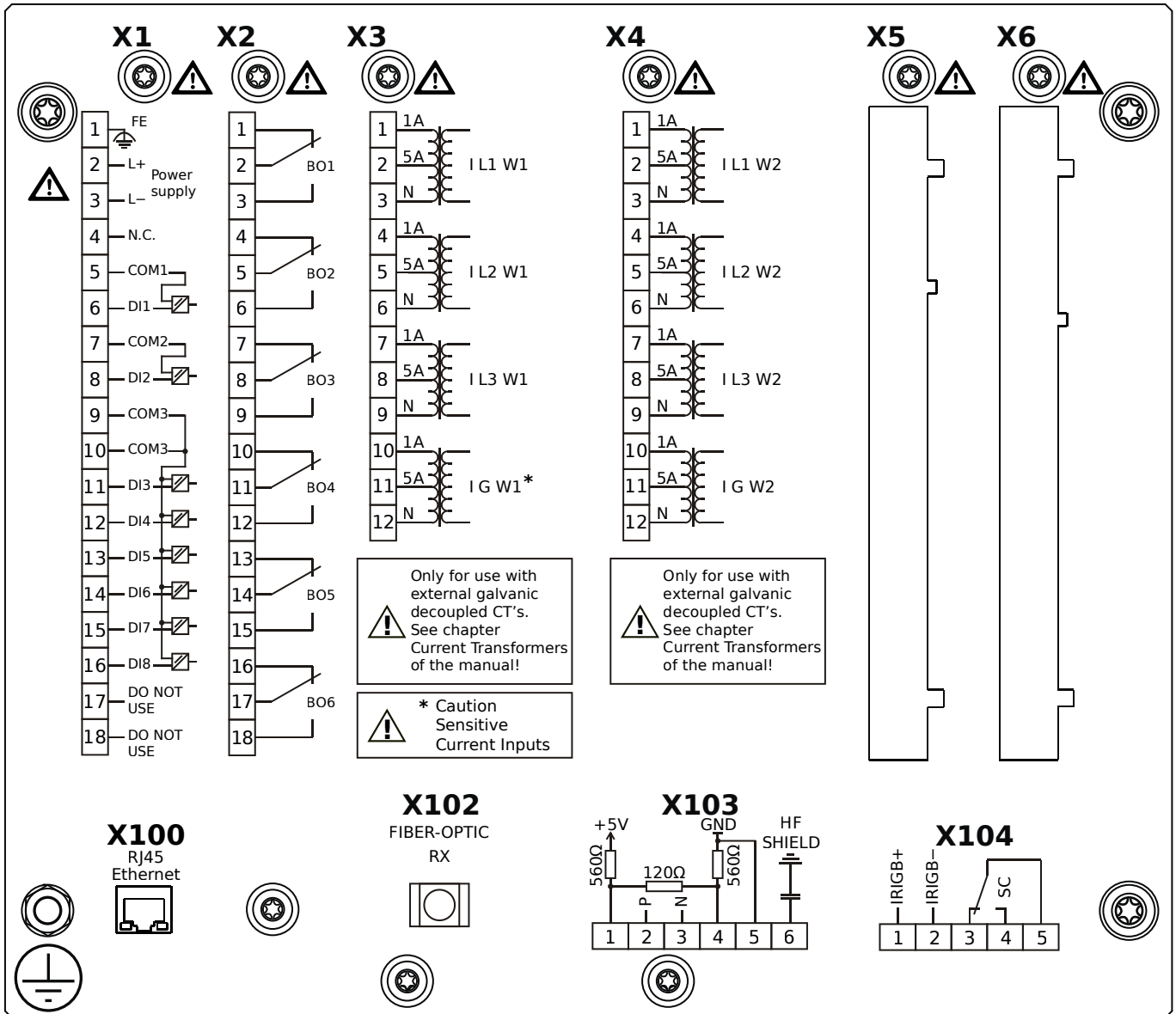
- X1** – DI8-X1: Wide-range power supply unit, incl. 2 non-grouped digital inputs and 6 grouped digital inputs
- X2** – OR-6: Assembly Group with 6 Relay Outputs
- X3** – TIs-4: Standard phase current measuring card and sensitive ground current measuring (winding side 1)
- X4** – TI-4: Standard current measuring card (for the winding side 2)
- X102** – Universal Resistance-Temperature Detector (URTD) input, Fiber optics interface, Versatile Link
- X103** – Modbus TCP / DNP3.0 TCP/UDP, Fiber optics interface, LC Connector
- X104** – IRIG-B00X, incl. System Contact (Supervision Contact)

MRDT4-2A1BLB



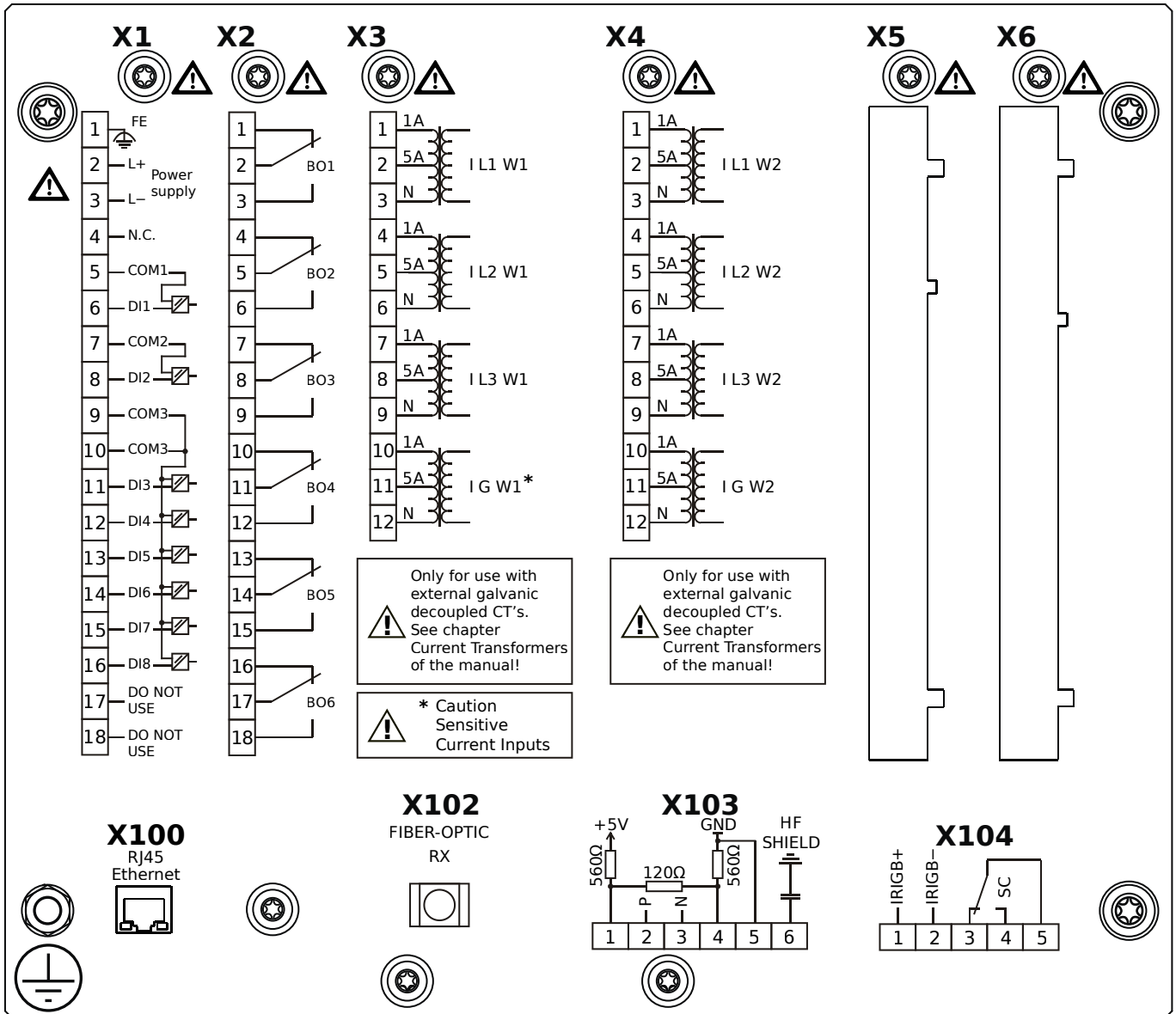
- X1** – DI8-X1: Wide-range power supply unit, incl. 2 non-grouped digital inputs and 6 grouped digital inputs
- X2** – OR-6: Assembly Group with 6 Relay Outputs
- X3** – TIs-4: Standard phase current measuring card and sensitive ground current measuring (winding side 1)
- X4** – TI-4: Standard current measuring card (for the winding side 2)
- X102** – Universal Resistance-Temperature Detector (URTD) input, Fiber optics interface, Versatile Link
- X103** – Modbus TCP / DNP3.0 TCP/UDP, Fiber optics interface, LC Connector
- X104** – IRIG-B00X, incl. System Contact (Supervision Contact)

MRDT4-2A1BTA



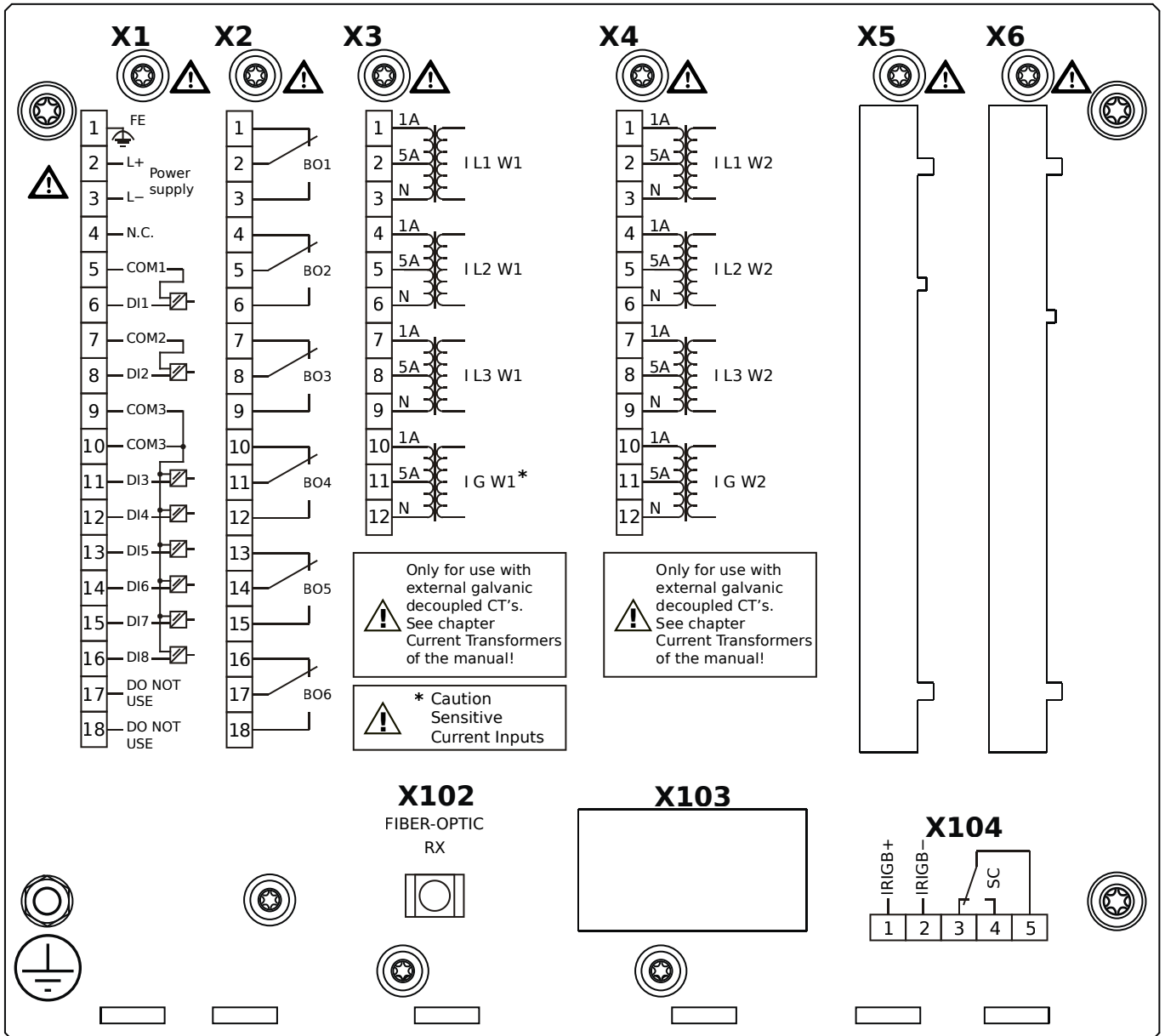
- X1** – DI8-X1: Wide-range power supply unit, incl. 2 non-grouped digital inputs and 6 grouped digital inputs
- X2** – OR-6: Assembly Group with 6 Relay Outputs
- X3** – TI-4: Standard phase current measuring card and sensitive ground current measuring (winding side 1)
- X4** – TI-4: Standard current measuring card (for the winding side 2)
- X100** – IEC 61850 / Modbus TCP / DNP3.0 TCP/UDP, Ethernet interface, 100 Mbit/s, RJ45 (BASE100-FX)
- X102** – Universal Resistance-Temperature Detector (URTD) input, Fiber optics interface, Versatile Link
- X103** – IEC 60870-5-103 / Modbus RTU / DNP3.0 RTU, RS485, Terminals
- X104** – IRIG-B00X, incl. System Contact (Supervision Contact)

MRDT4-2A1BTB



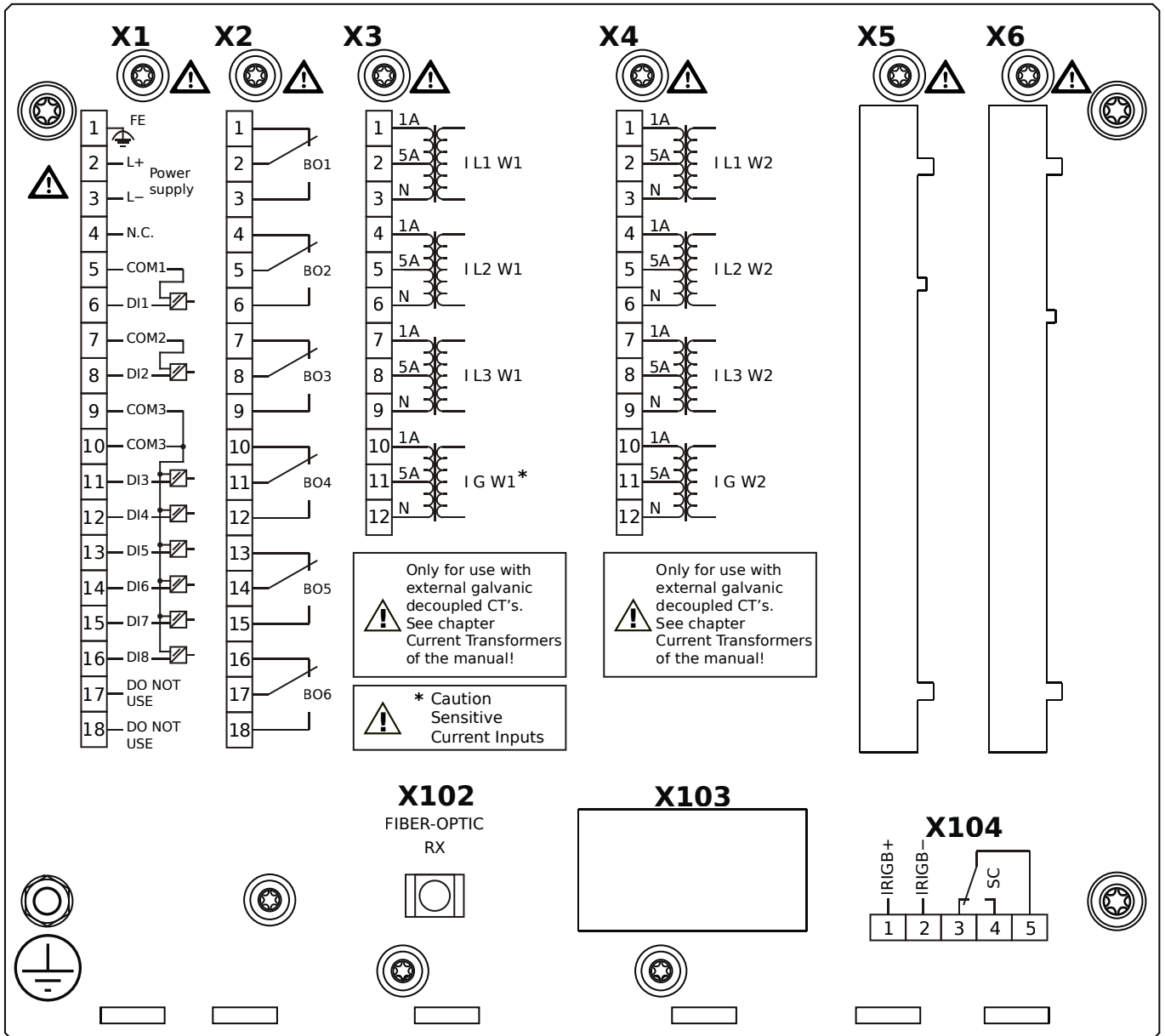
- X1** – DI8-X1: Wide-range power supply unit, incl. 2 non-grouped digital inputs and 6 grouped digital inputs
- X2** – OR-6: Assembly Group with 6 Relay Outputs
- X3** – TI-4: Standard phase current measuring card and sensitive ground current measuring (winding side 1)
- X4** – TI-4: Standard current measuring card (for the winding side 2)
- X100** – IEC 61850 / Modbus TCP / DNP3.0 TCP/UDP, Ethernet interface, 100 Mbit/s, RJ45 (BASE100-FX)
- X102** – Universal Resistance-Temperature Detector (URTD) input, Fiber optics interface, Versatile Link
- X103** – IEC 60870-5-103 / Modbus RTU / DNP3.0 RTU, RS485, Terminals
- X104** – IRIG-B00X, incl. System Contact (Supervision Contact)

MRDT4-2A1HAA



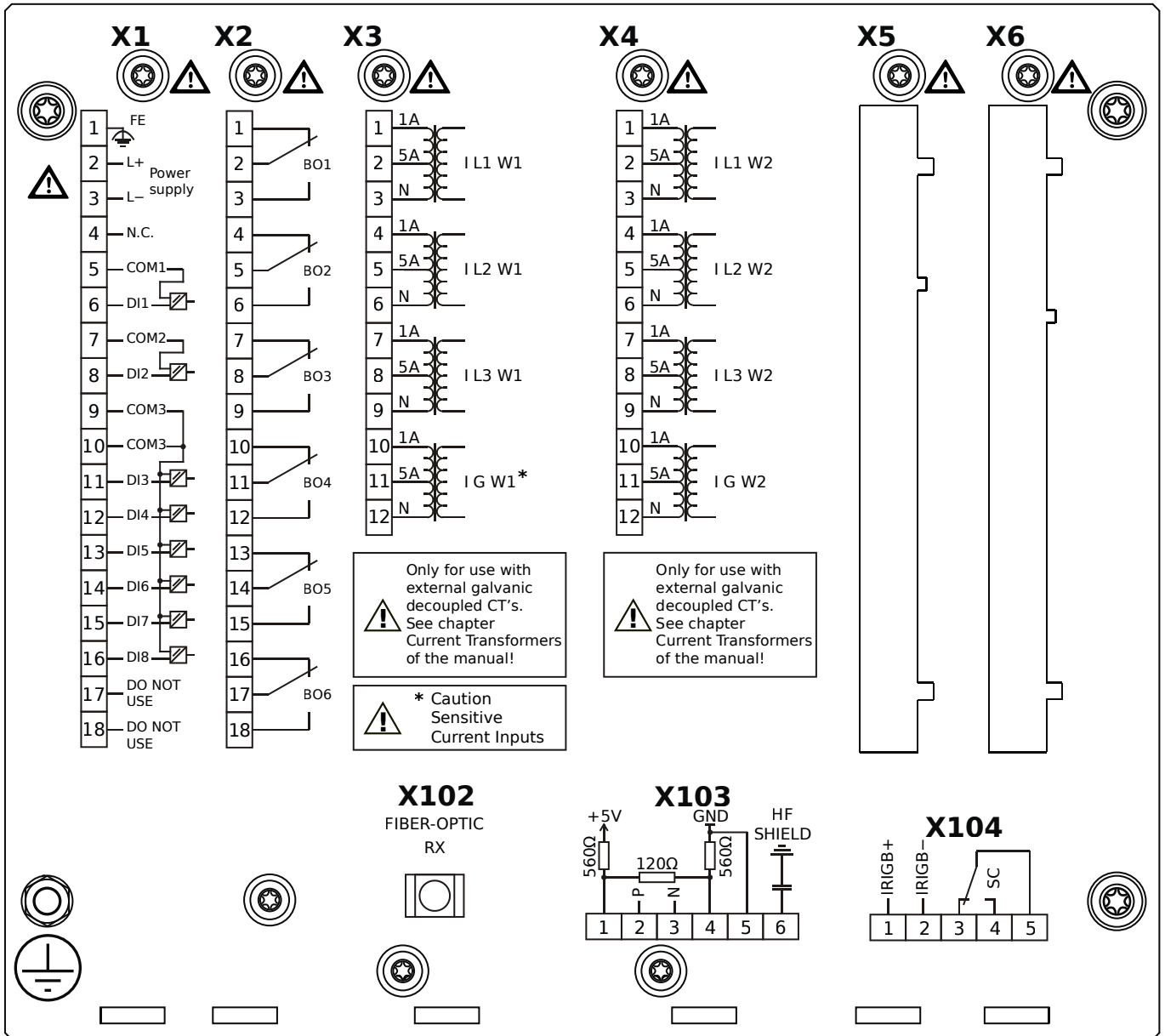
- X1** – DI8-X1: Wide-range power supply unit, incl. 2 non-grouped digital inputs and 6 grouped digital inputs
- X2** – OR-6: Assembly Group with 6 Relay Outputs
- X3** – TIs-4: Standard phase current measuring card and sensitive ground current measuring (winding side 1)
- X4** – TI-4: Standard current measuring card (for the winding side 2)
- X102** – Universal Resistance-Temperature Detector (URTD) input, Fiber optics interface, Versatile Link
- X104** – IRIG-B00X, incl. System Contact (Supervision Contact)

MRDT4-2A1HAB



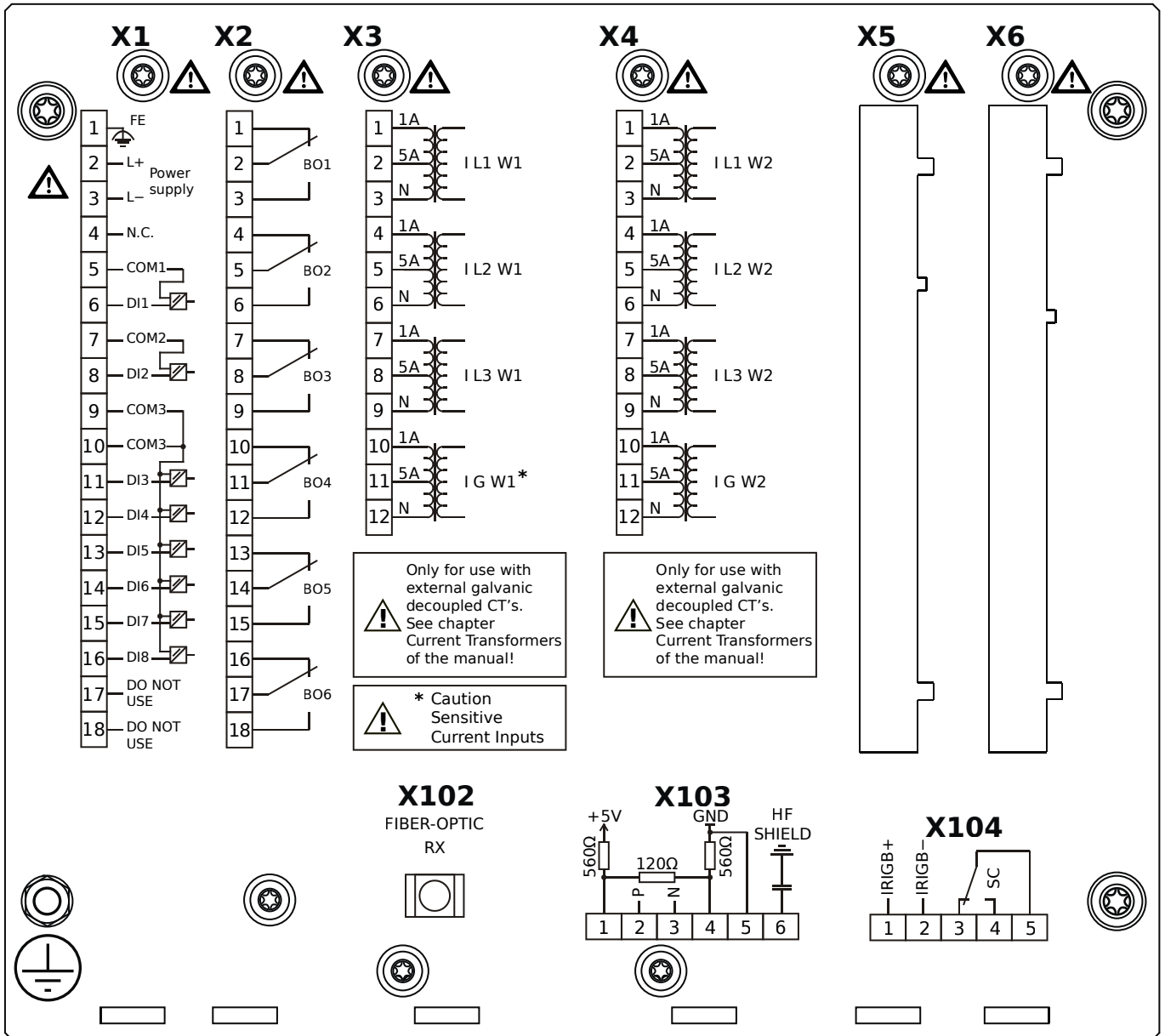
- X1** – DI8-X1: Wide-range power supply unit, incl. 2 non-grouped digital inputs and 6 grouped digital inputs
- X2** – OR-6: Assembly Group with 6 Relay Outputs
- X3** – TI-4: Standard phase current measuring card and sensitive ground current measuring (winding side 1)
- X4** – TI-4: Standard current measuring card (for the winding side 2)
- X102** – Universal Resistance-Temperature Detector (URTD) input, Fiber optics interface, Versatile Link
- X104** – IRIG-B00X, incl. System Contact (Supervision Contact)

MRDT4-2A1HBA



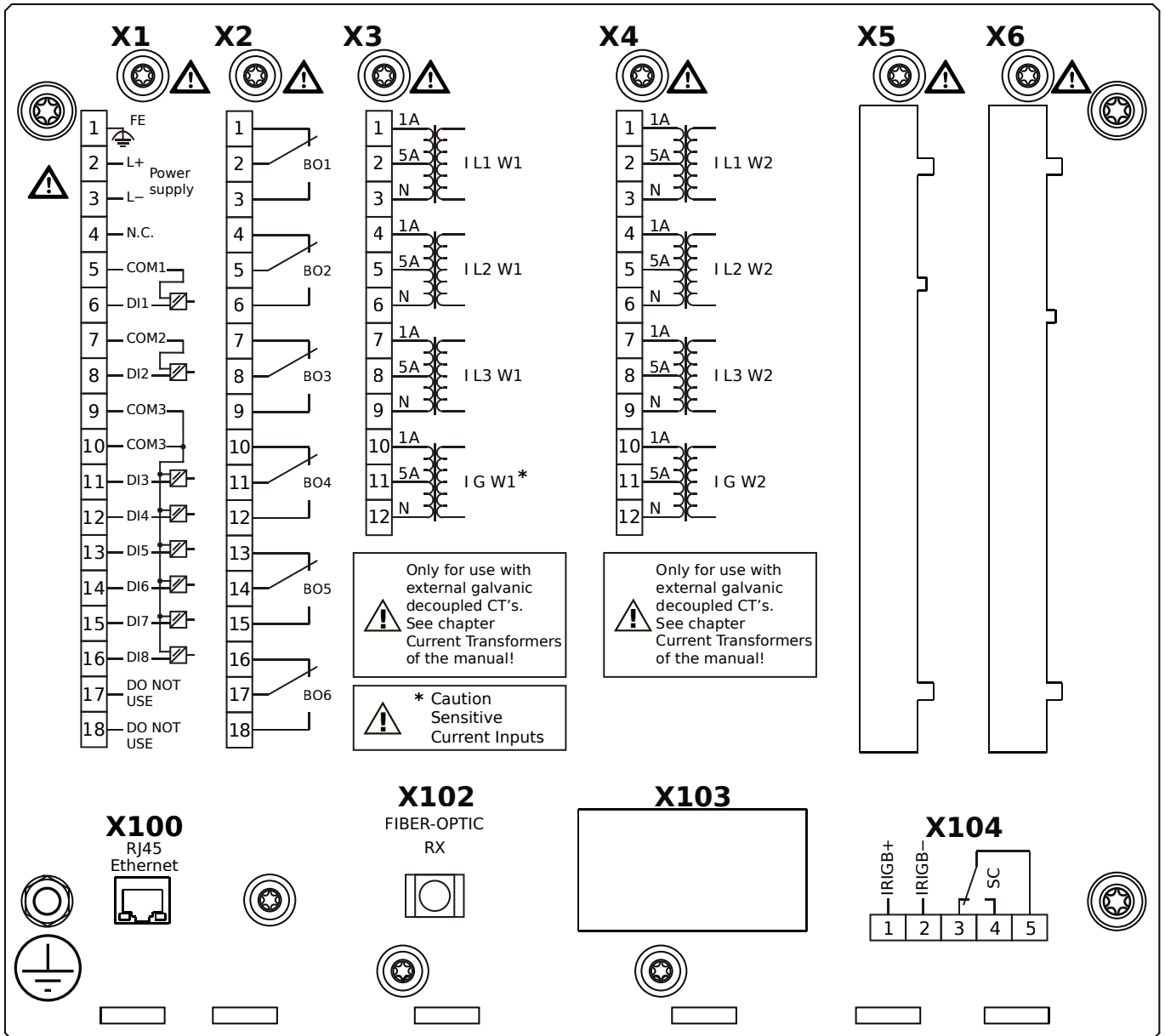
- X1** – DI8-X1: Wide-range power supply unit, incl. 2 non-grouped digital inputs and 6 grouped digital inputs
- X2** – OR-6: Assembly Group with 6 Relay Outputs
- X3** – TIs-4: Standard phase current measuring card and sensitive ground current measuring (winding side 1)
- X4** – TI-4: Standard current measuring card (for the winding side 2)
- X102** – Universal Resistance-Temperature Detector (URTD) input, Fiber optics interface, Versatile Link
- X103** – Modbus RTU / IEC 60870-5-103 / DNP3.0 RTU, RS485, Terminals
- X104** – IRIG-B00X, incl. System Contact (Supervision Contact)

MRDT4-2A1HBB



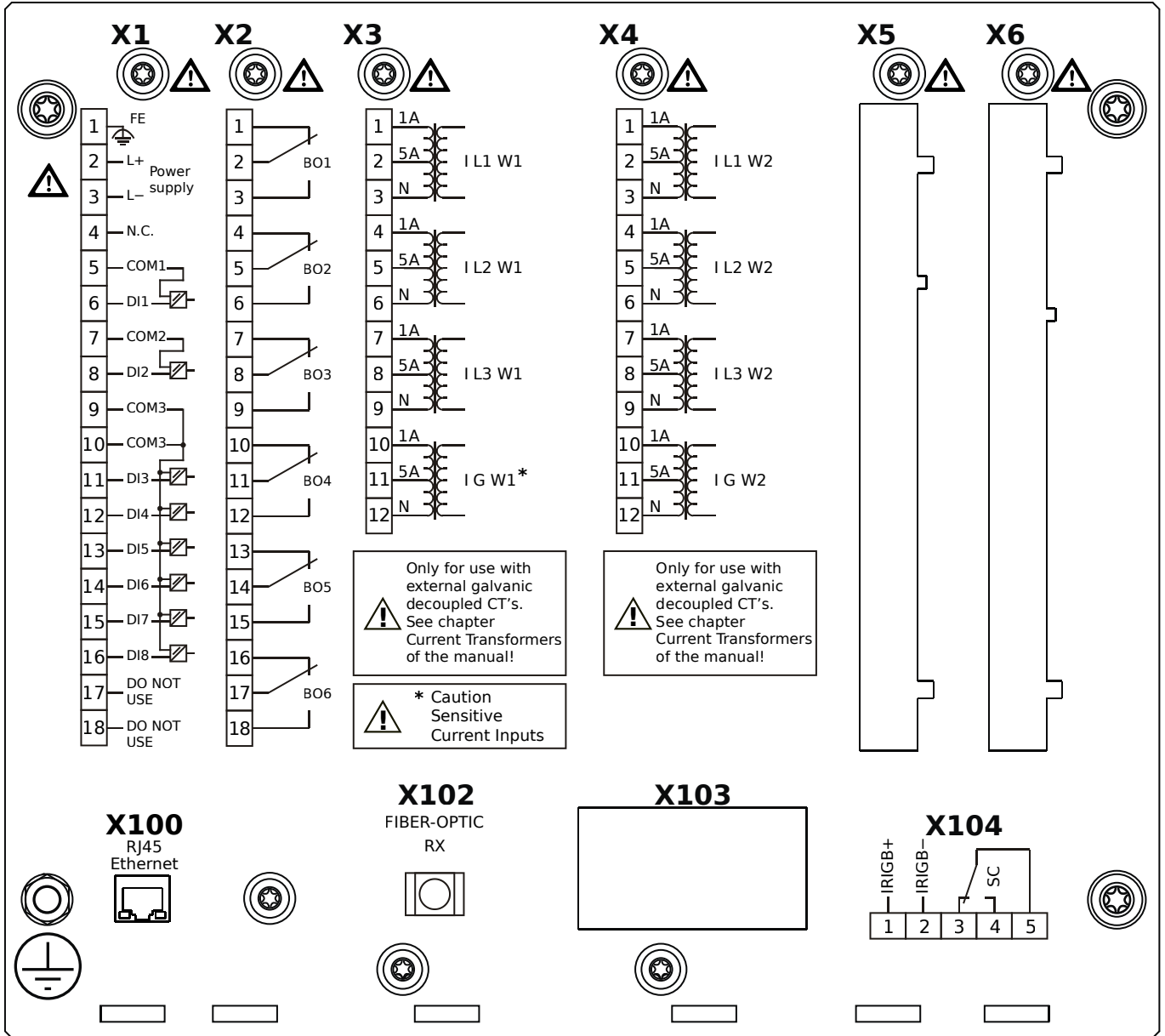
- X1** – DI8-X1: Wide-range power supply unit, incl. 2 non-grouped digital inputs and 6 grouped digital inputs
- X2** – OR-6: Assembly Group with 6 Relay Outputs
- X3** – TI-4: Standard phase current measuring card and sensitive ground current measuring (winding side 1)
- X4** – TI-4: Standard current measuring card (for the winding side 2)
- X102** – Universal Resistance-Temperature Detector (URTD) input, Fiber optics interface, Versatile Link
- X103** – Modbus RTU / IEC 60870-5-103 / DNP3.0 RTU, RS485, Terminals
- X104** – IRIG-B00X, incl. System Contact (Supervision Contact)

MRDT4-2A1HCA



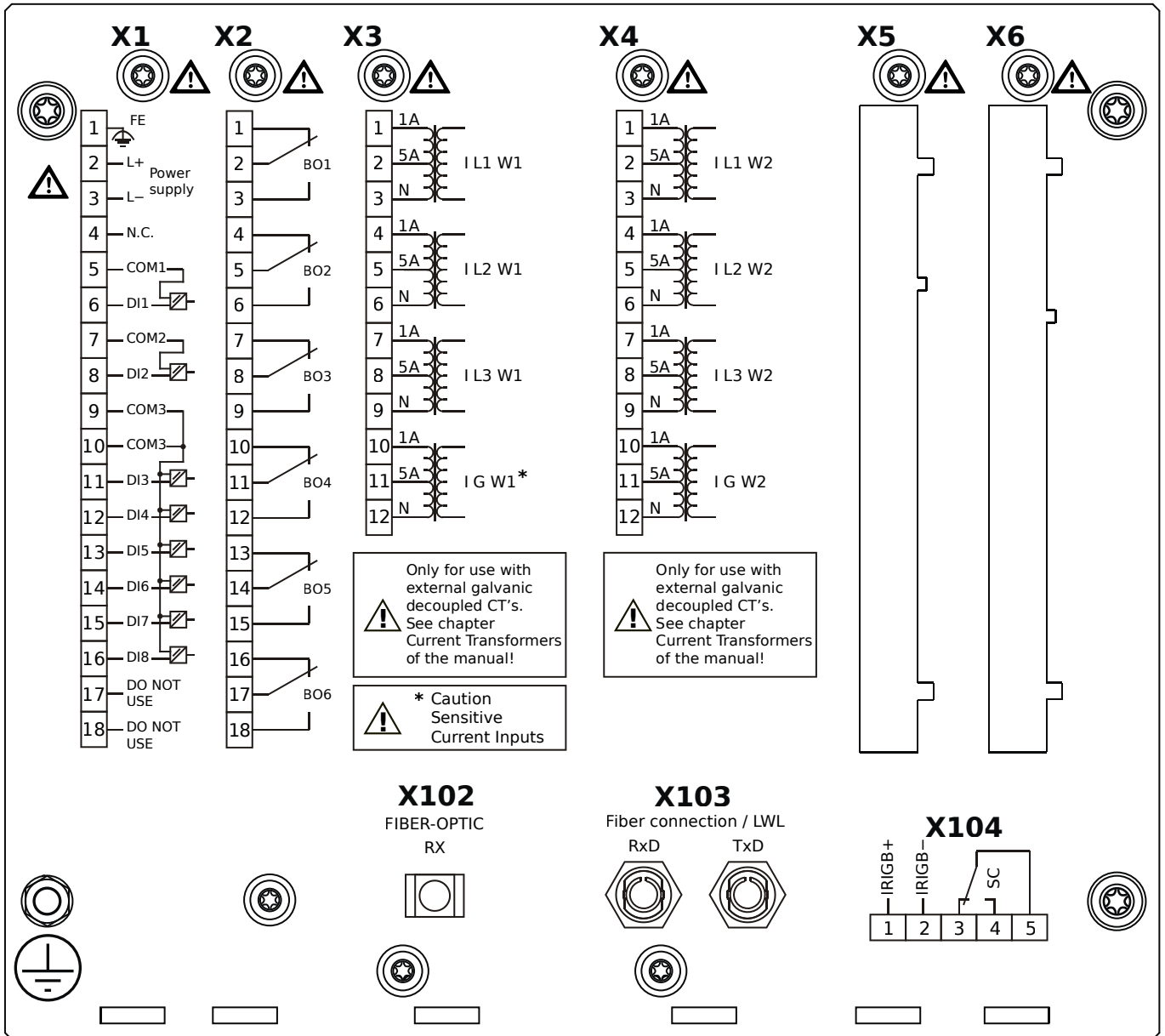
- X1** – DI8-X1: Wide-range power supply unit, incl. 2 non-grouped digital inputs and 6 grouped digital inputs
- X2** – OR-6: Assembly Group with 6 Relay Outputs
- X3** – TIs-4: Standard phase current measuring card and sensitive ground current measuring (winding side 1)
- X4** – TI-4: Standard current measuring card (for the winding side 2)
- X100** – Modbus TCP / DNP3.0 TCP/UDP, Ethernet interface, 100 Mbit/s, RJ45 (BASE100-FX)
- X102** – Universal Resistance-Temperature Detector (URTD) input, Fiber optics interface, Versatile Link
- X104** – IRIG-B00X, incl. System Contact (Supervision Contact)

MRDT4-2A1HCB



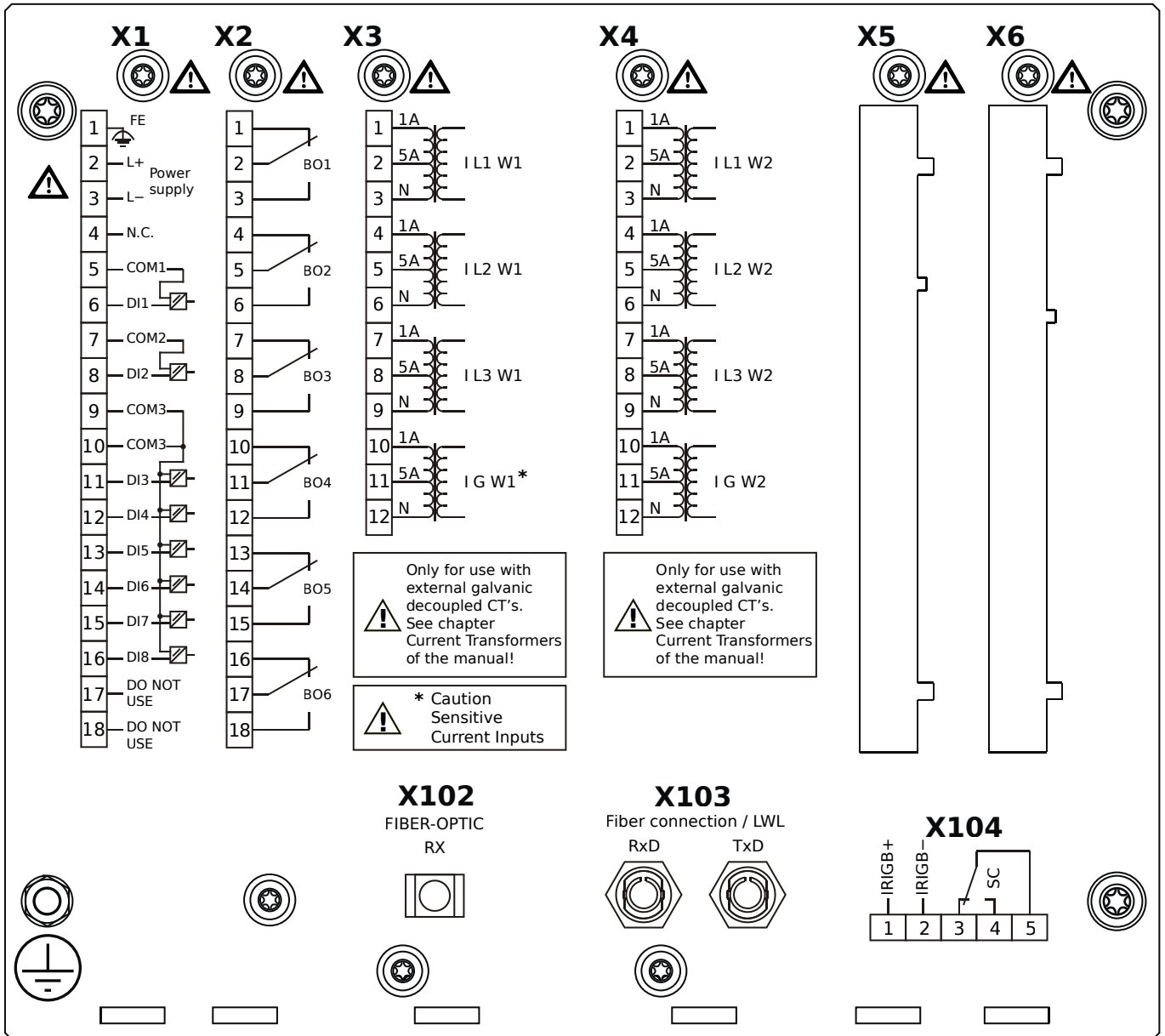
- X1** – DI8-X1: Wide-range power supply unit, incl. 2 non-grouped digital inputs and 6 grouped digital inputs
- X2** – OR-6: Assembly Group with 6 Relay Outputs
- X3** – TIs-4: Standard phase current measuring card and sensitive ground current measuring (winding side 1)
- X4** – TI-4: Standard current measuring card (for the winding side 2)
- X100** – Modbus TCP / DNP3.0 TCP/UDP, Ethernet interface, 100 Mbit/s, RJ45 (BASE100-FX)
- X102** – Universal Resistance-Temperature Detector (URTD) input, Fiber optics interface, Versatile Link
- X104** – IRIG-B00X, incl. System Contact (Supervision Contact)

MRDT4-2A1HDA



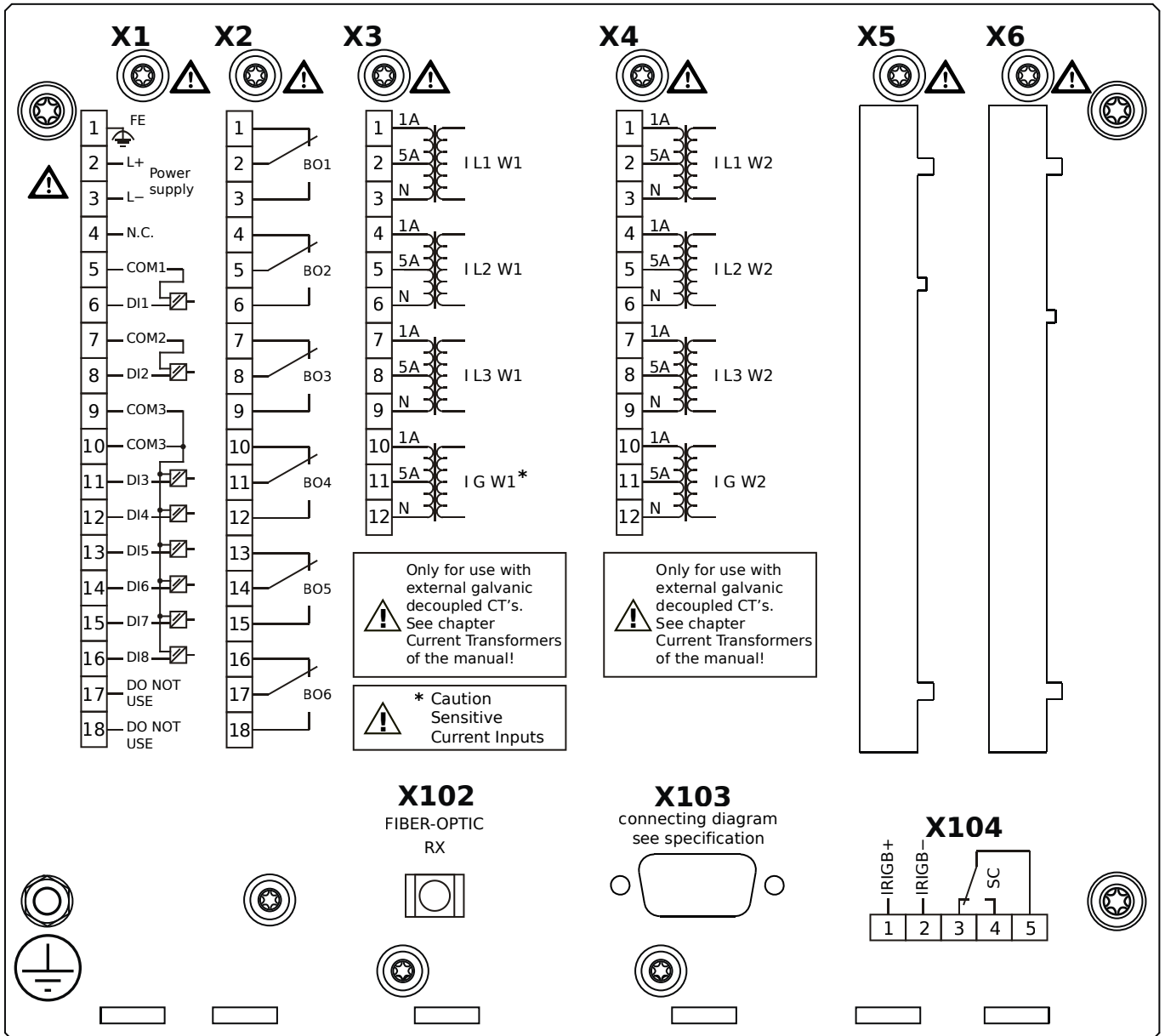
- X1** – DI8-X1: Wide-range power supply unit, incl. 2 non-grouped digital inputs and 6 grouped digital inputs
- X2** – OR-6: Assembly Group with 6 Relay Outputs
- X3** – TIs-4: Standard phase current measuring card and sensitive ground current measuring (winding side 1)
- X4** – TI-4: Standard current measuring card (for the winding side 2)
- X102** – Universal Resistance-Temperature Detector (URTD) input, Fiber optics interface, Versatile Link
- X103** – Profibus-DP, Fiber optics interface, ST Connector
- X104** – IRIG-B00X, incl. System Contact (Supervision Contact)

MRDT4-2A1HDB



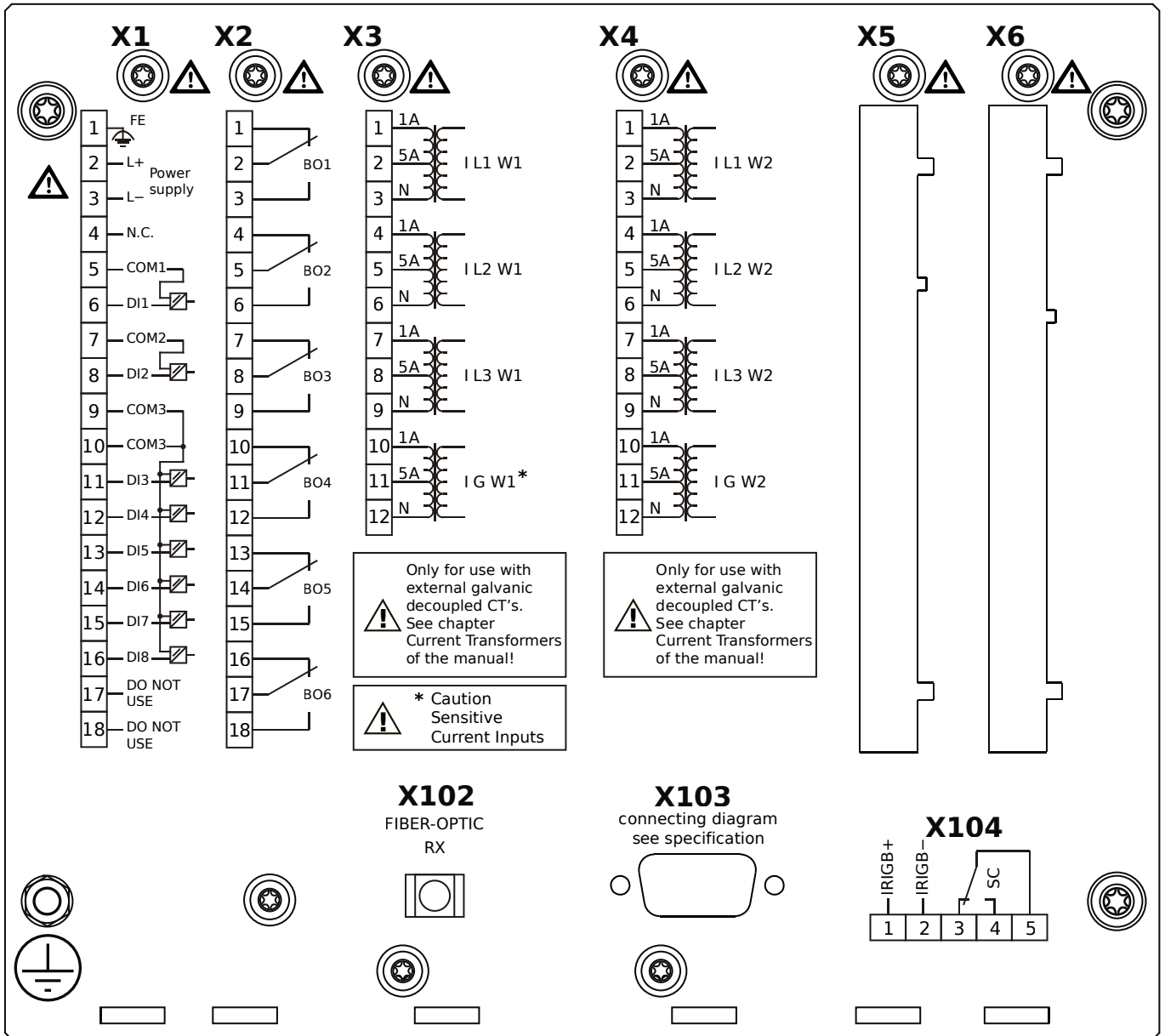
- X1** – DI8-X1: Wide-range power supply unit, incl. 2 non-grouped digital inputs and 6 grouped digital inputs
- X2** – OR-6: Assembly Group with 6 Relay Outputs
- X3** – TIs-4: Standard phase current measuring card and sensitive ground current measuring (winding side 1)
- X4** – TI-4: Standard current measuring card (for the winding side 2)
- X102** – Universal Resistance-Temperature Detector (URTD) input, Fiber optics interface, Versatile Link
- X103** – Profibus-DP, Fiber optics interface, ST Connector
- X104** – IRIG-B00X, incl. System Contact (Supervision Contact)

MRDT4-2A1HEA



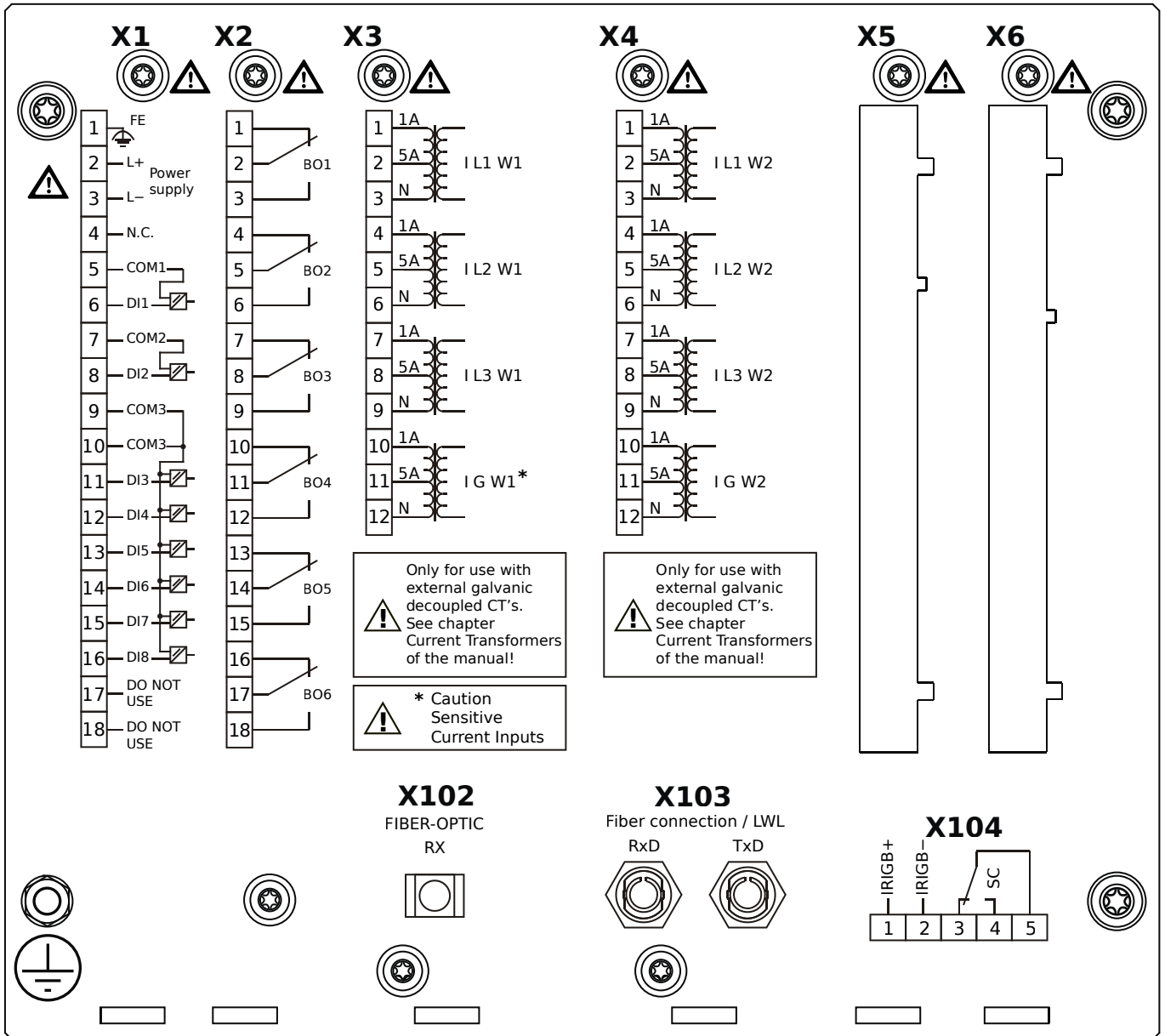
- X1** – DI8-X1: Wide-range power supply unit, incl. 2 non-grouped digital inputs and 6 grouped digital inputs
- X2** – OR-6: Assembly Group with 6 Relay Outputs
- X3** – TIs-4: Standard phase current measuring card and sensitive ground current measuring (winding side 1)
- X4** – TI-4: Standard current measuring card (for the winding side 2)
- X102** – Universal Resistance-Temperature Detector (URTD) input, Fiber optics interface, Versatile Link
- X103** – Profibus-DP, RS485, D-SUB
- X104** – IRIG-B00X, incl. System Contact (Supervision Contact)

MRDT4-2A1HEB



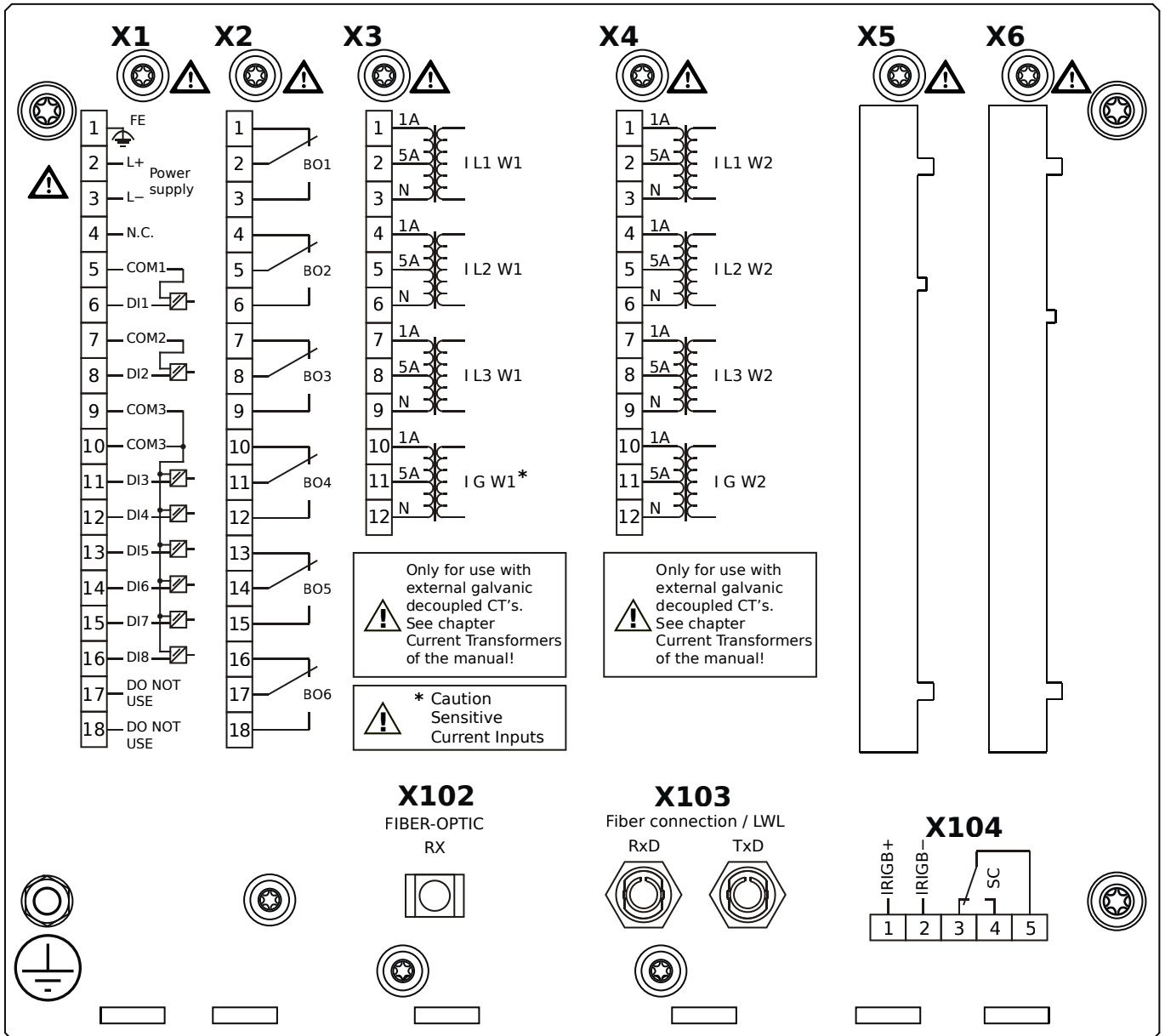
- X1** – DI8-X1: Wide-range power supply unit, incl. 2 non-grouped digital inputs and 6 grouped digital inputs
- X2** – OR-6: Assembly Group with 6 Relay Outputs
- X3** – TIs-4: Standard phase current measuring card and sensitive ground current measuring (winding side 1)
- X4** – TI-4: Standard current measuring card (for the winding side 2)
- X102** – Universal Resistance-Temperature Detector (URTD) input, Fiber optics interface, Versatile Link
- X103** – Profibus-DP, RS485, D-SUB
- X104** – IRIG-B00X, incl. System Contact (Supervision Contact)

MRDT4-2A1HFA



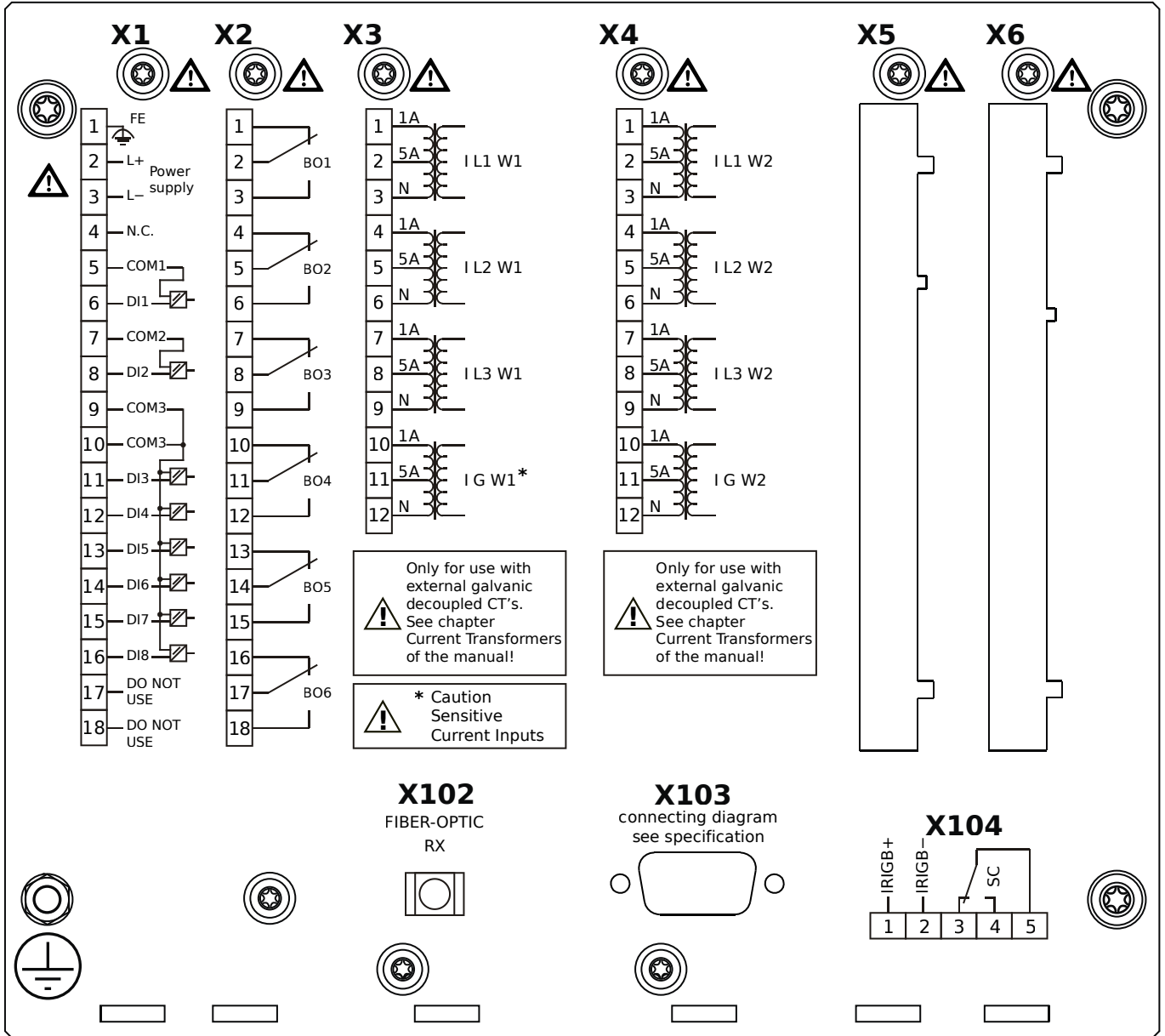
- X1** – DI8-X1: Wide-range power supply unit, incl. 2 non-grouped digital inputs and 6 grouped digital inputs
- X2** – OR-6: Assembly Group with 6 Relay Outputs
- X3** – TIs-4: Standard phase current measuring card and sensitive ground current measuring (winding side 1)
- X4** – TI-4: Standard current measuring card (for the winding side 2)
- X102** – Universal Resistance-Temperature Detector (URTD) input, Fiber optics interface, Versatile Link
- X103** – Modbus RTU / IEC 60870-5-103 / DNP3.0 RTU, Fiber optics interface, ST Connector
- X104** – IRIG-B00X, incl. System Contact (Supervision Contact)

MRDT4-2A1HFB



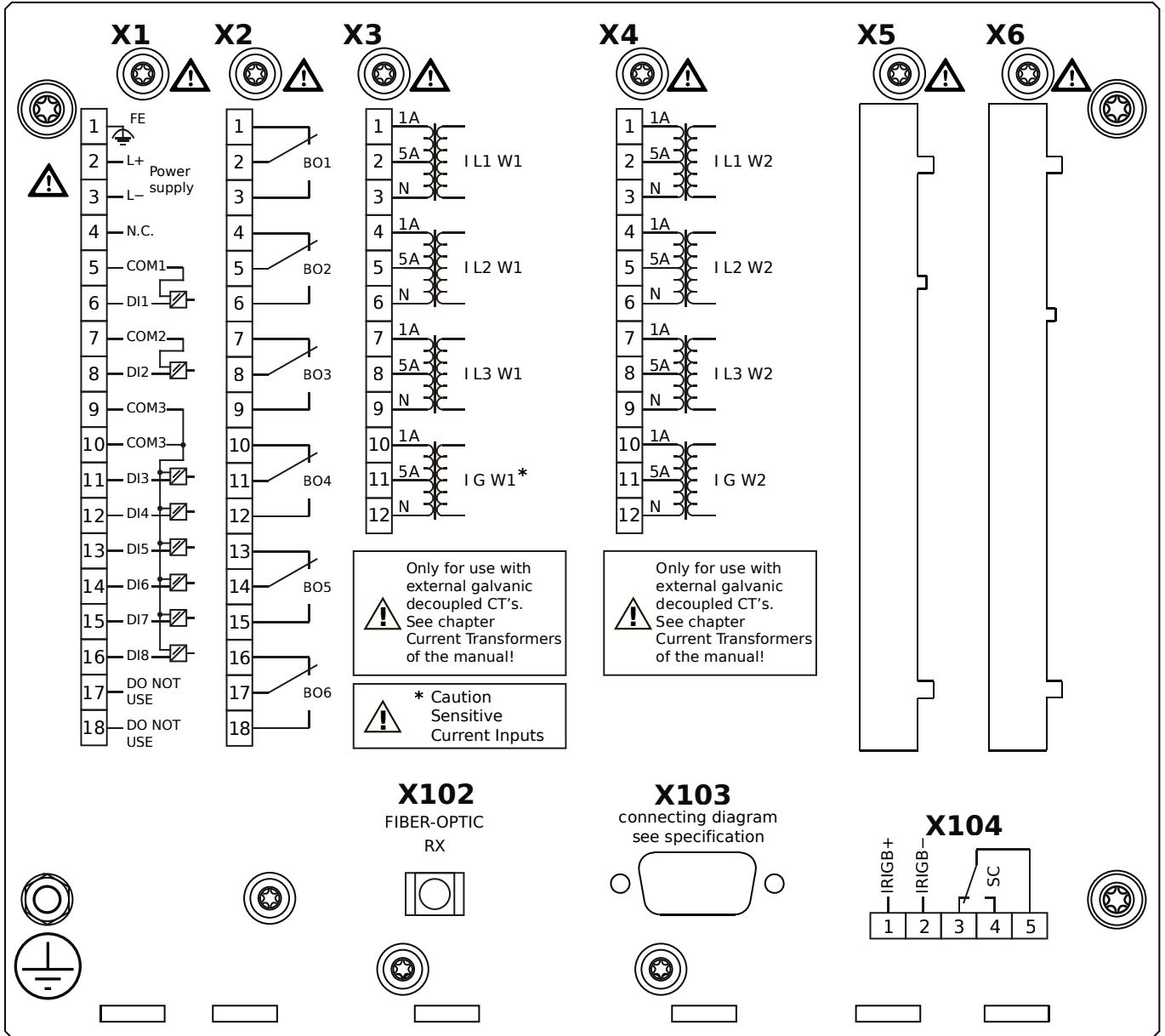
- X1** – DI8-X1: Wide-range power supply unit, incl. 2 non-grouped digital inputs and 6 grouped digital inputs
- X2** – OR-6: Assembly Group with 6 Relay Outputs
- X3** – TIs-4: Standard phase current measuring card and sensitive ground current measuring (winding side 1)
- X4** – TI-4: Standard current measuring card (for the winding side 2)
- X102** – Universal Resistance-Temperature Detector (URTD) input, Fiber optics interface, Versatile Link
- X103** – Modbus RTU / IEC 60870-5-103 / DNP3.0 RTU, Fiber optics interface, ST Connector
- X104** – IRIG-B00X, incl. System Contact (Supervision Contact)

MRDT4-2A1HGA



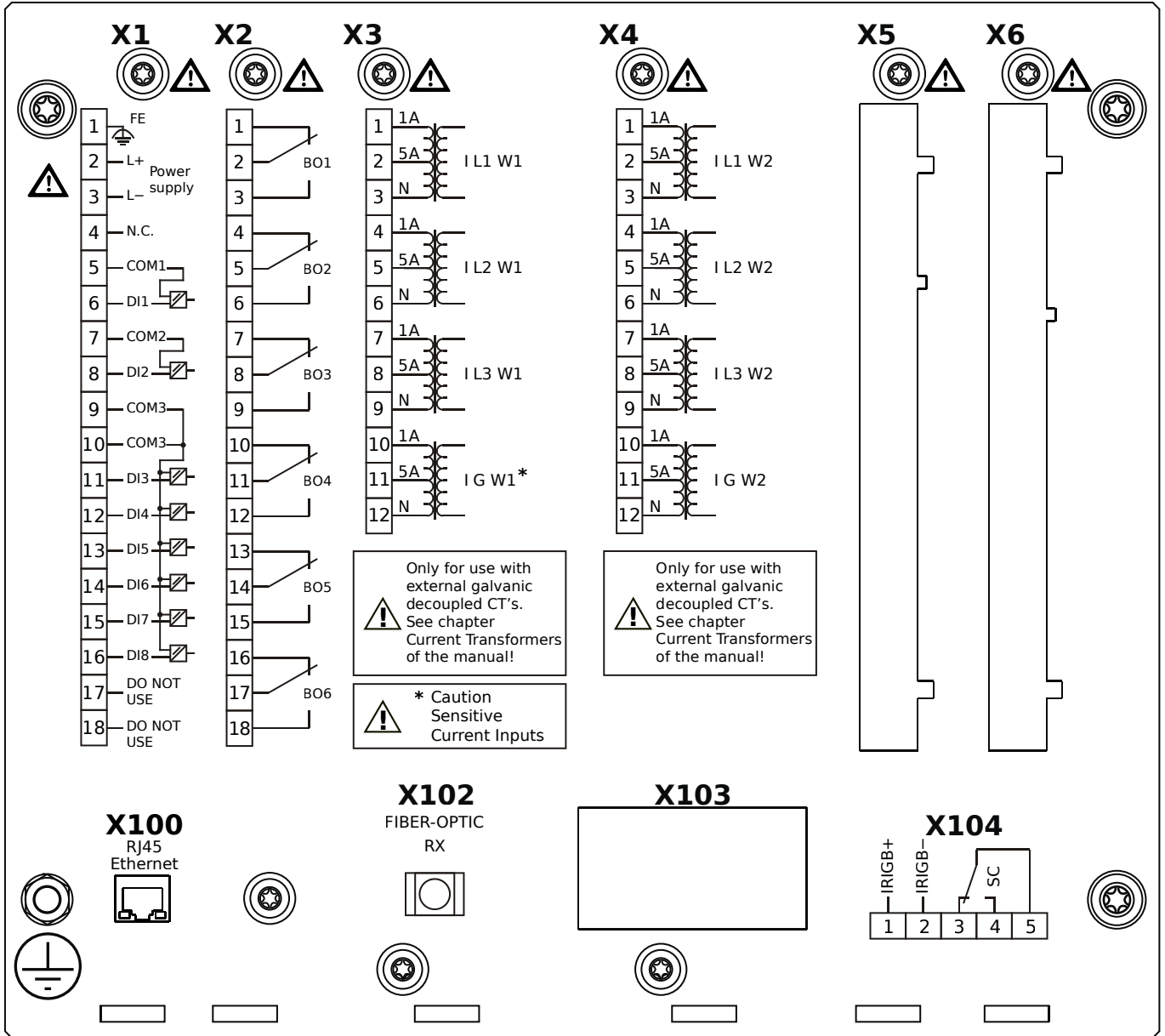
- X1** – DI8-X1: Wide-range power supply unit, incl. 2 non-grouped digital inputs and 6 grouped digital inputs
- X2** – OR-6: Assembly Group with 6 Relay Outputs
- X3** – TIs-4: Standard phase current measuring card and sensitive ground current measuring (winding side 1)
- X4** – TI-4: Standard current measuring card (for the winding side 2)
- X102** – Universal Resistance-Temperature Detector (URTD) input, Fiber optics interface, Versatile Link
- X103** – Modbus RTU / IEC 60870-5-103 / DNP3.0 RTU, RS485, D-SUB
- X104** – IRIG-B00X, incl. System Contact (Supervision Contact)

MRDT4-2A1HGB



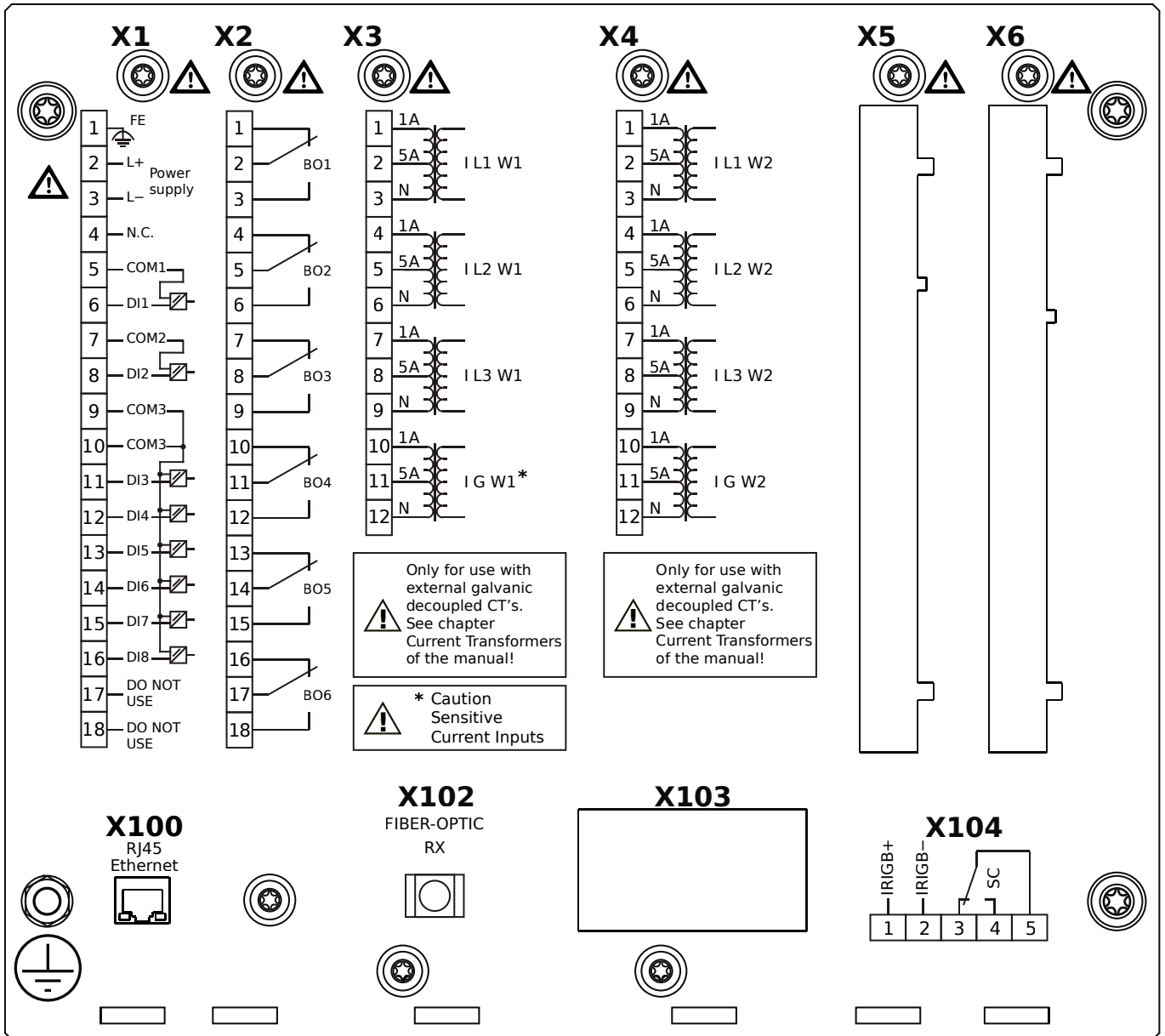
- X1** – DI8-X1: Wide-range power supply unit, incl. 2 non-grouped digital inputs and 6 grouped digital inputs
- X2** – OR-6: Assembly Group with 6 Relay Outputs
- X3** – TIs-4: Standard phase current measuring card and sensitive ground current measuring (winding side 1)
- X4** – TI-4: Standard current measuring card (for the winding side 2)
- X102** – Universal Resistance-Temperature Detector (URTD) input, Fiber optics interface, Versatile Link
- X103** – Modbus RTU / IEC 60870-5-103 / DNP3.0 RTU, RS485, D-SUB
- X104** – IRIG-B00X, incl. System Contact (Supervision Contact)

MRDT4-2A1HHA



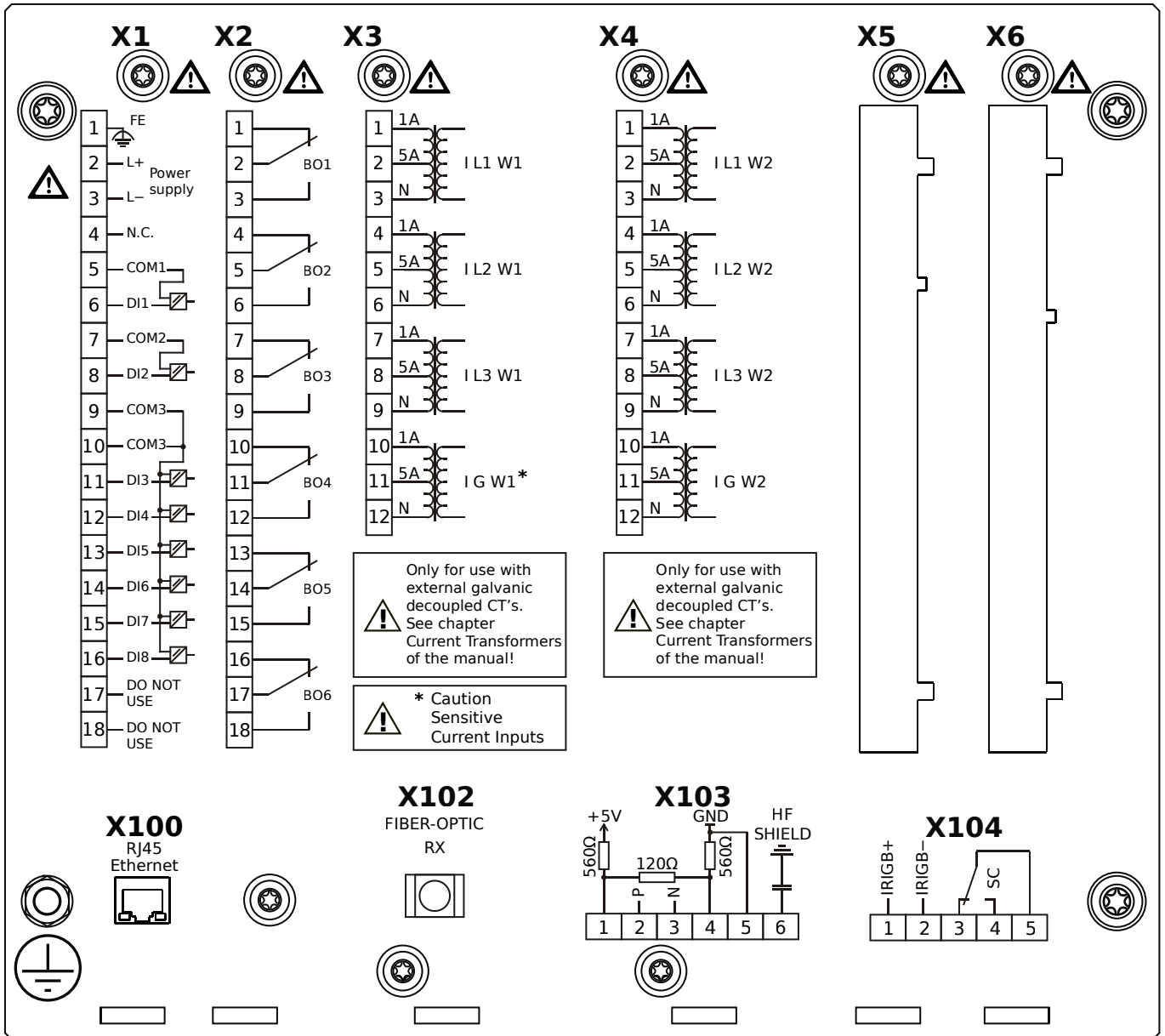
- X1** – DI8-X1: Wide-range power supply unit, incl. 2 non-grouped digital inputs and 6 grouped digital inputs
- X2** – OR-6: Assembly Group with 6 Relay Outputs
- X3** – TIs-4: Standard phase current measuring card and sensitive ground current measuring (winding side 1)
- X4** – TI-4: Standard current measuring card (for the winding side 2)
- X100** – IEC 61850 / Modbus TCP / DNP3.0 TCP/UDP, Ethernet interface, 100 Mbit/s, RJ45 (BASE100-FX)
- X102** – Universal Resistance-Temperature Detector (URTD) input, Fiber optics interface, Versatile Link
- X104** – IRIG-B00X, incl. System Contact (Supervision Contact)

MRDT4-2A1HHB



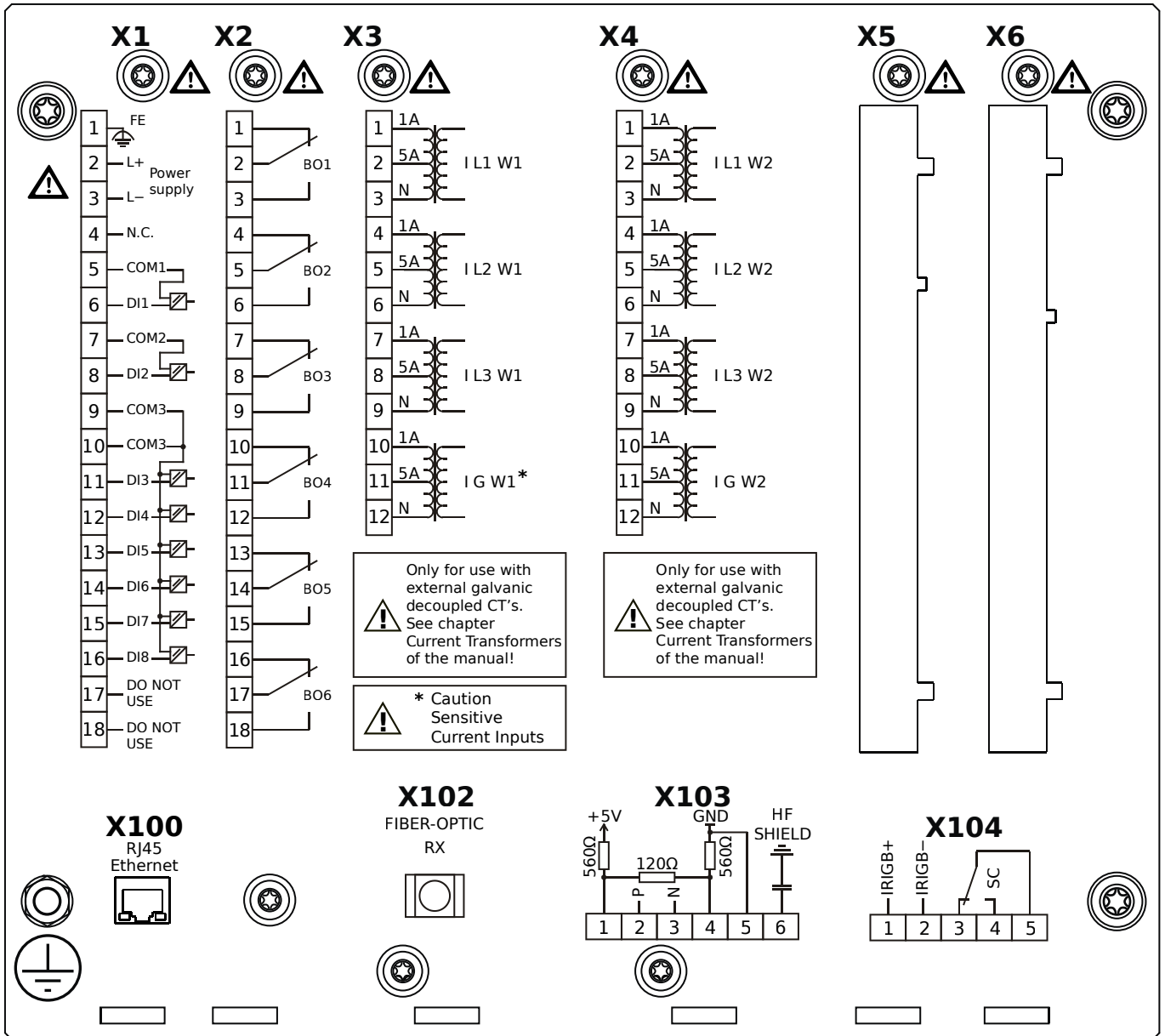
- X1** – DI8-X1: Wide-range power supply unit, incl. 2 non-grouped digital inputs and 6 grouped digital inputs
- X2** – OR-6: Assembly Group with 6 Relay Outputs
- X3** – TIs-4: Standard phase current measuring card and sensitive ground current measuring (winding side 1)
- X4** – TI-4: Standard current measuring card (for the winding side 2)
- X100** – IEC 61850 / Modbus TCP / DNP3.0 TCP/UDP, Ethernet interface, 100 Mbit/s, RJ45 (BASE100-FX)
- X102** – Universal Resistance-Temperature Detector (URTD) input, Fiber optics interface, Versatile Link
- X104** – IRIG-B00X, incl. System Contact (Supervision Contact)

MRDT4-2A1HIA



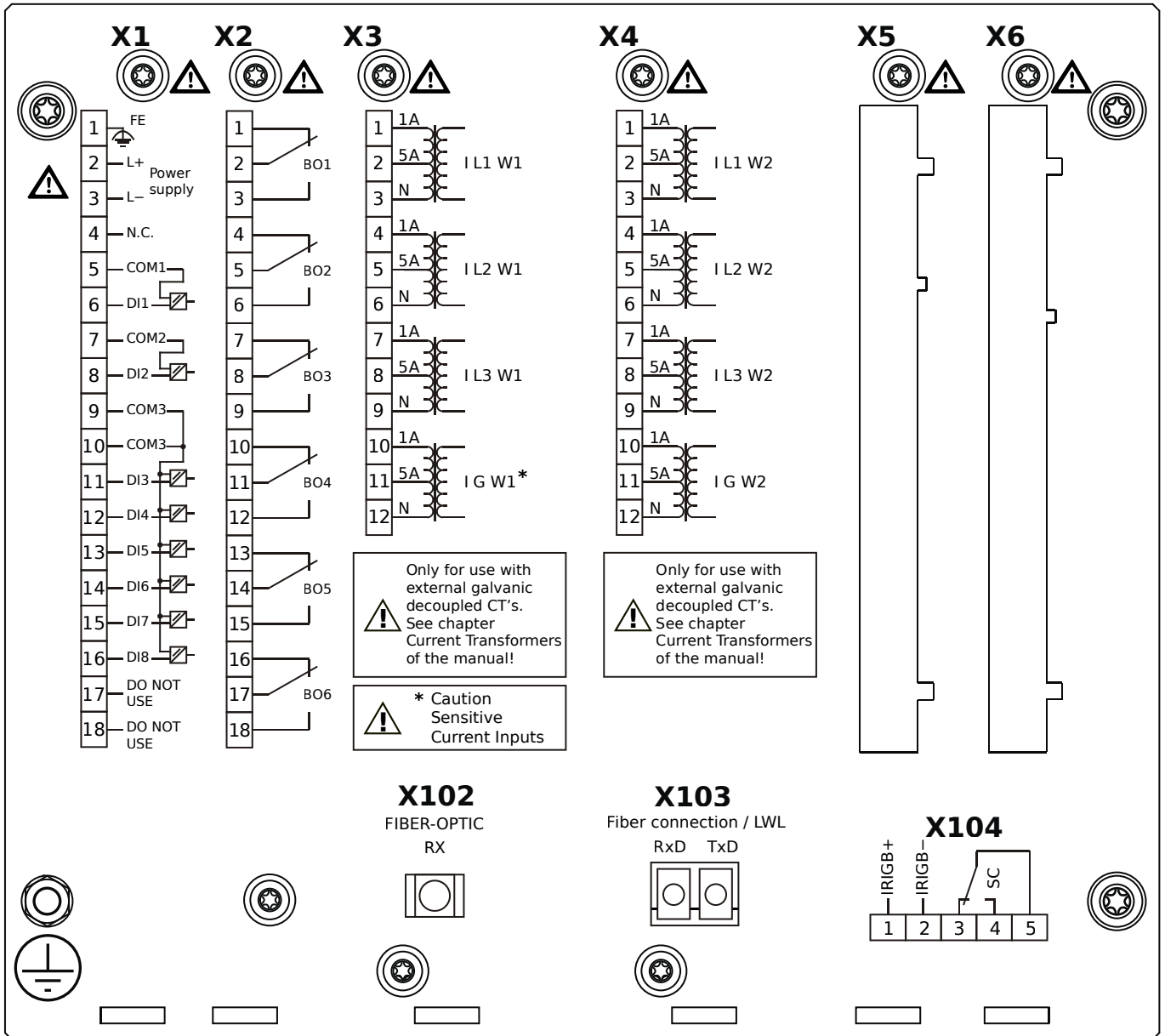
- X1** – DI8-X1: Wide-range power supply unit, incl. 2 non-grouped digital inputs and 6 grouped digital inputs
- X2** – OR-6: Assembly Group with 6 Relay Outputs
- X3** – TI-4: Standard phase current measuring card and sensitive ground current measuring (winding side 1)
- X4** – TI-4: Standard current measuring card (for the winding side 2)
- X100** – Modbus TCP / DNP3.0 TCP/UDP, Ethernet interface, 100 Mbit/s, RJ45 (BASE100-FX)
- X102** – Universal Resistance-Temperature Detector (URTD) input, Fiber optics interface, Versatile Link
- X103** – IEC 60870-5-103 / Modbus RTU / DNP3.0 RTU, RS485, Terminals
- X104** – IRIG-B00X, incl. System Contact (Supervision Contact)

MRDT4-2A1HIB



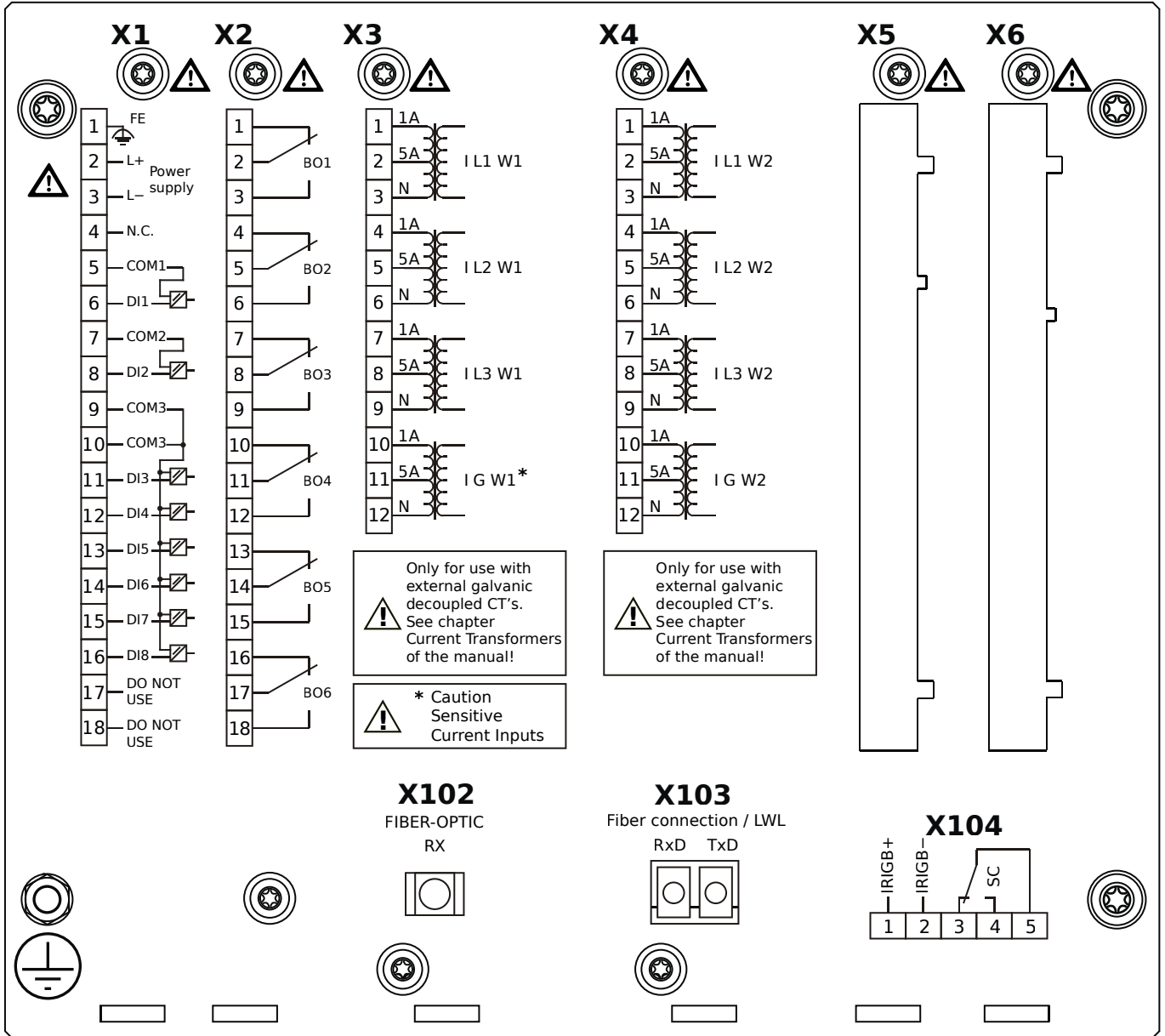
- X1** – DI8-X1: Wide-range power supply unit, incl. 2 non-grouped digital inputs and 6 grouped digital inputs
- X2** – OR-6: Assembly Group with 6 Relay Outputs
- X3** – TI-4: Standard phase current measuring card and sensitive ground current measuring (winding side 1)
- X4** – TI-4: Standard current measuring card (for the winding side 2)
- X100** – Modbus TCP / DNP3.0 TCP/UDP, Ethernet interface, 100 Mbit/s, RJ45 (BASE100-FX)
- X102** – Universal Resistance-Temperature Detector (URTD) input, Fiber optics interface, Versatile Link
- X103** – IEC 60870-5-103 / Modbus RTU / DNP3.0 RTU, RS485, Terminals
- X104** – IRIG-B00X, incl. System Contact (Supervision Contact)

MRDT4-2A1HKA



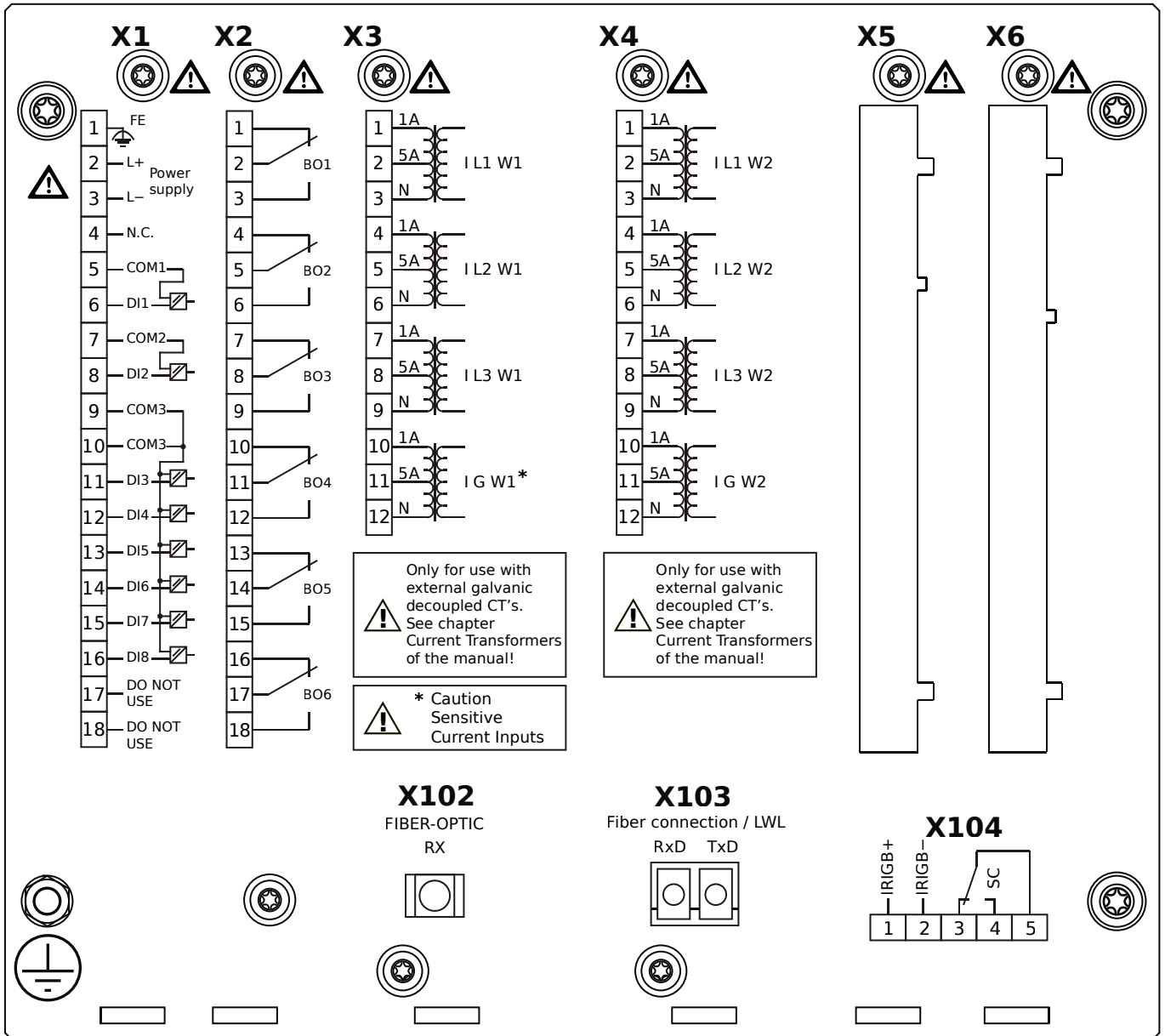
- X1** – DI8-X1: Wide-range power supply unit, incl. 2 non-grouped digital inputs and 6 grouped digital inputs
- X2** – OR-6: Assembly Group with 6 Relay Outputs
- X3** – TIs-4: Standard phase current measuring card and sensitive ground current measuring (winding side 1)
- X4** – TI-4: Standard current measuring card (for the winding side 2)
- X102** – Universal Resistance-Temperature Detector (URTD) input, Fiber optics interface, Versatile Link
- X103** – IEC 61850 / Modbus TCP / DNP3.0 TCP/UDP, Fiber optics interface, LC Connector
- X104** – IRIG-B00X, incl. System Contact (Supervision Contact)

MRDT4-2A1HKB



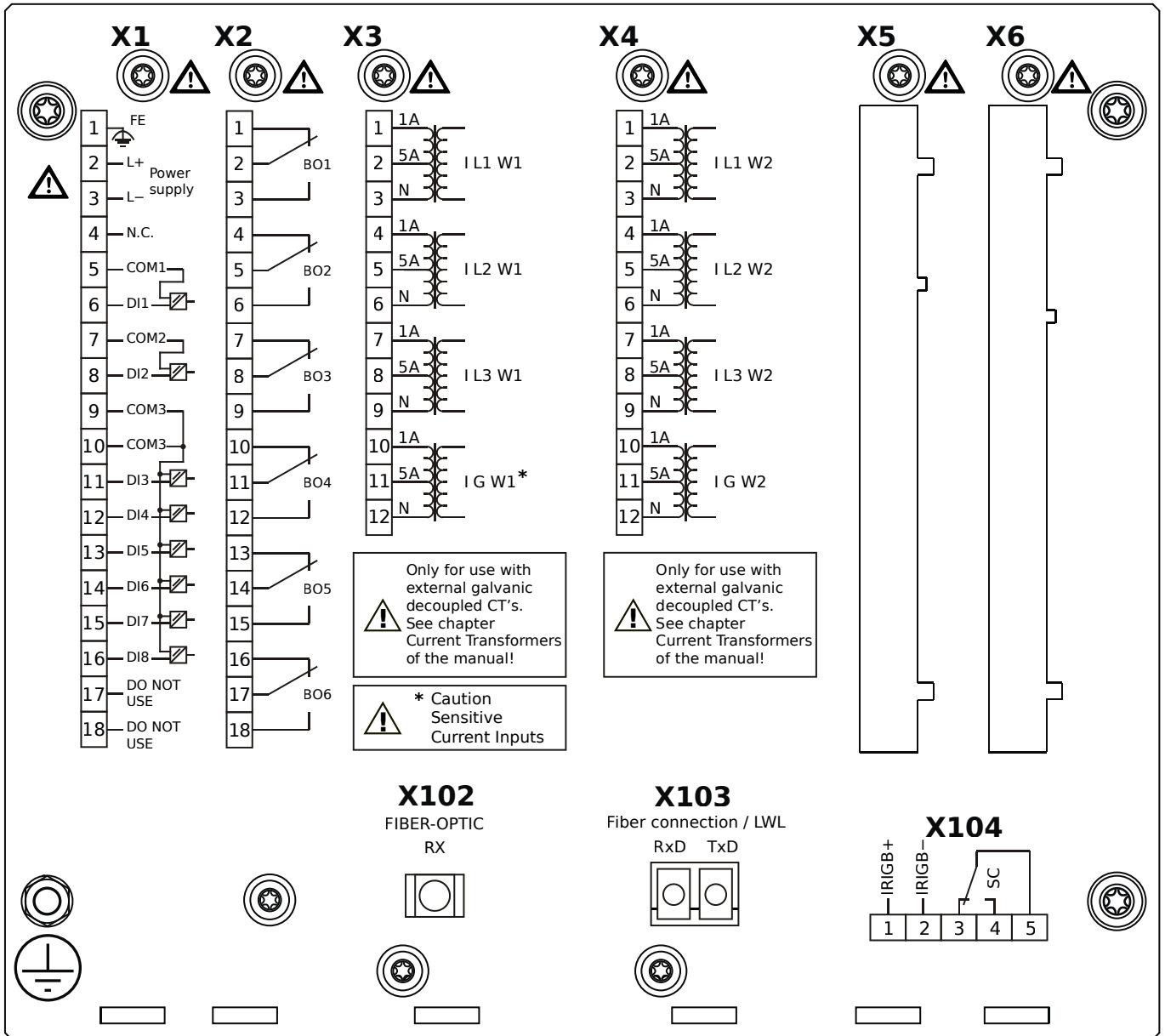
- X1** – DI8-X1: Wide-range power supply unit, incl. 2 non-grouped digital inputs and 6 grouped digital inputs
- X2** – OR-6: Assembly Group with 6 Relay Outputs
- X3** – TIs-4: Standard phase current measuring card and sensitive ground current measuring (winding side 1)
- X4** – TI-4: Standard current measuring card (for the winding side 2)
- X102** – Universal Resistance-Temperature Detector (URTD) input, Fiber optics interface, Versatile Link
- X103** – IEC 61850 / Modbus TCP / DNP3.0 TCP/UDP, Fiber optics interface, LC Connector
- X104** – IRIG-B00X, incl. System Contact (Supervision Contact)

MRDT4-2A1HLA



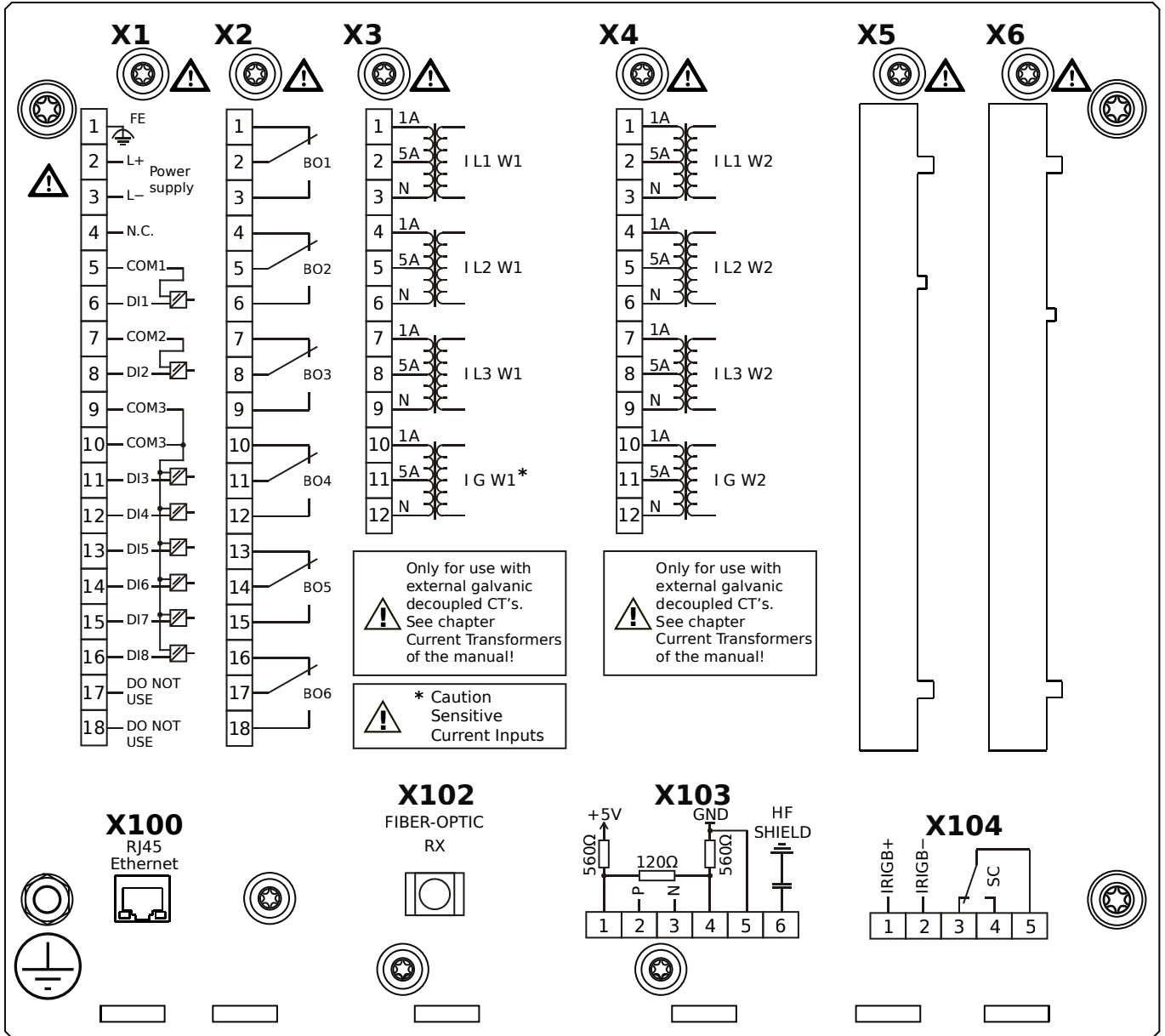
- X1** – DI8-X1: Wide-range power supply unit, incl. 2 non-grouped digital inputs and 6 grouped digital inputs
- X2** – OR-6: Assembly Group with 6 Relay Outputs
- X3** – TIs-4: Standard phase current measuring card and sensitive ground current measuring (winding side 1)
- X4** – TI-4: Standard current measuring card (for the winding side 2)
- X102** – Universal Resistance-Temperature Detector (URTD) input, Fiber optics interface, Versatile Link
- X103** – Modbus TCP / DNP3.0 TCP/UDP, Fiber optics interface, LC Connector
- X104** – IRIG-B00X, incl. System Contact (Supervision Contact)

MRDT4-2A1HLB



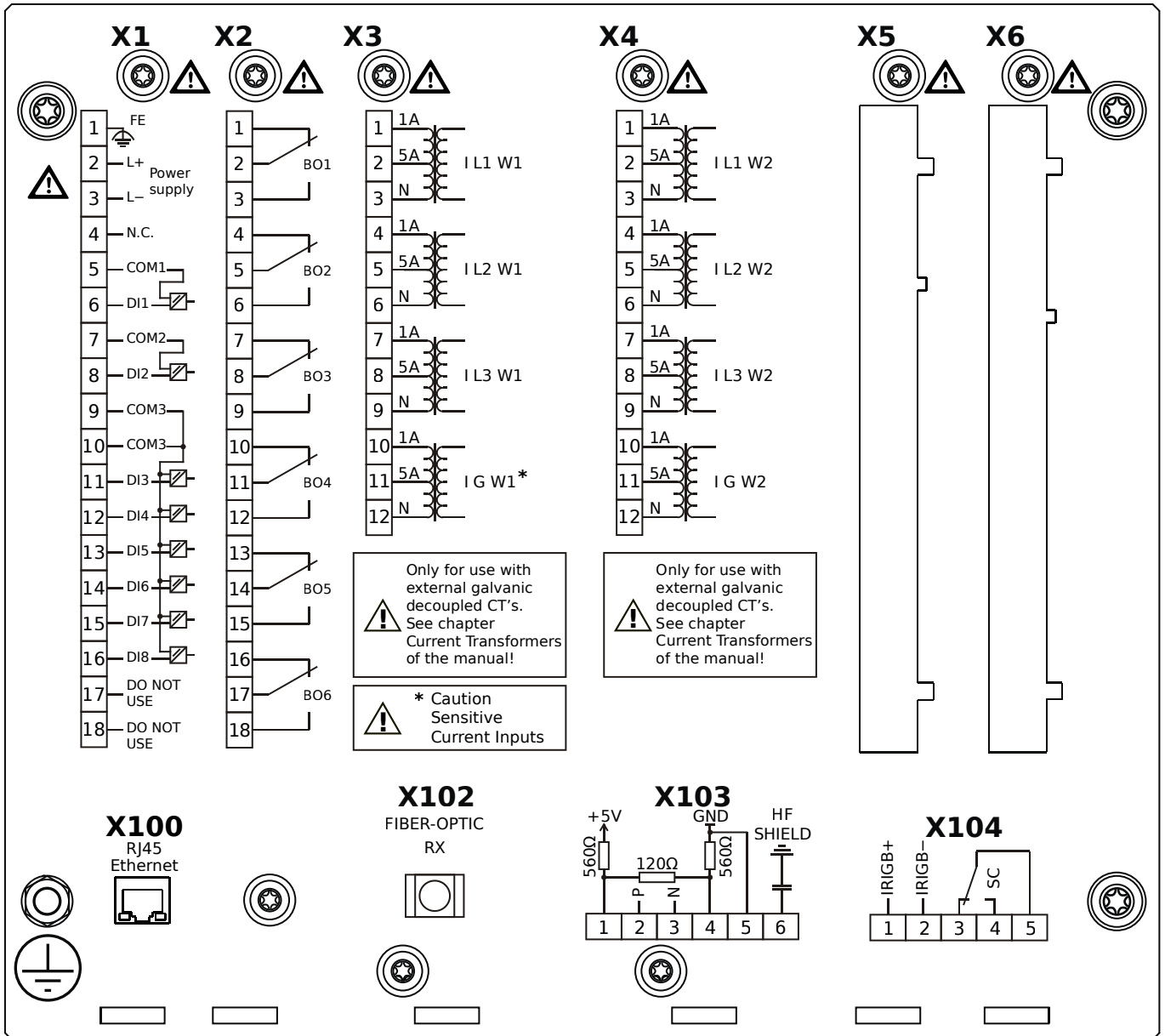
- X1** – DI8-X1: Wide-range power supply unit, incl. 2 non-grouped digital inputs and 6 grouped digital inputs
- X2** – OR-6: Assembly Group with 6 Relay Outputs
- X3** – TIs-4: Standard phase current measuring card and sensitive ground current measuring (winding side 1)
- X4** – TI-4: Standard current measuring card (for the winding side 2)
- X102** – Universal Resistance-Temperature Detector (URTD) input, Fiber optics interface, Versatile Link
- X103** – Modbus TCP / DNP3.0 TCP/UDP, Fiber optics interface, LC Connector
- X104** – IRIG-B00X, incl. System Contact (Supervision Contact)

MRDT4-2A1HTA



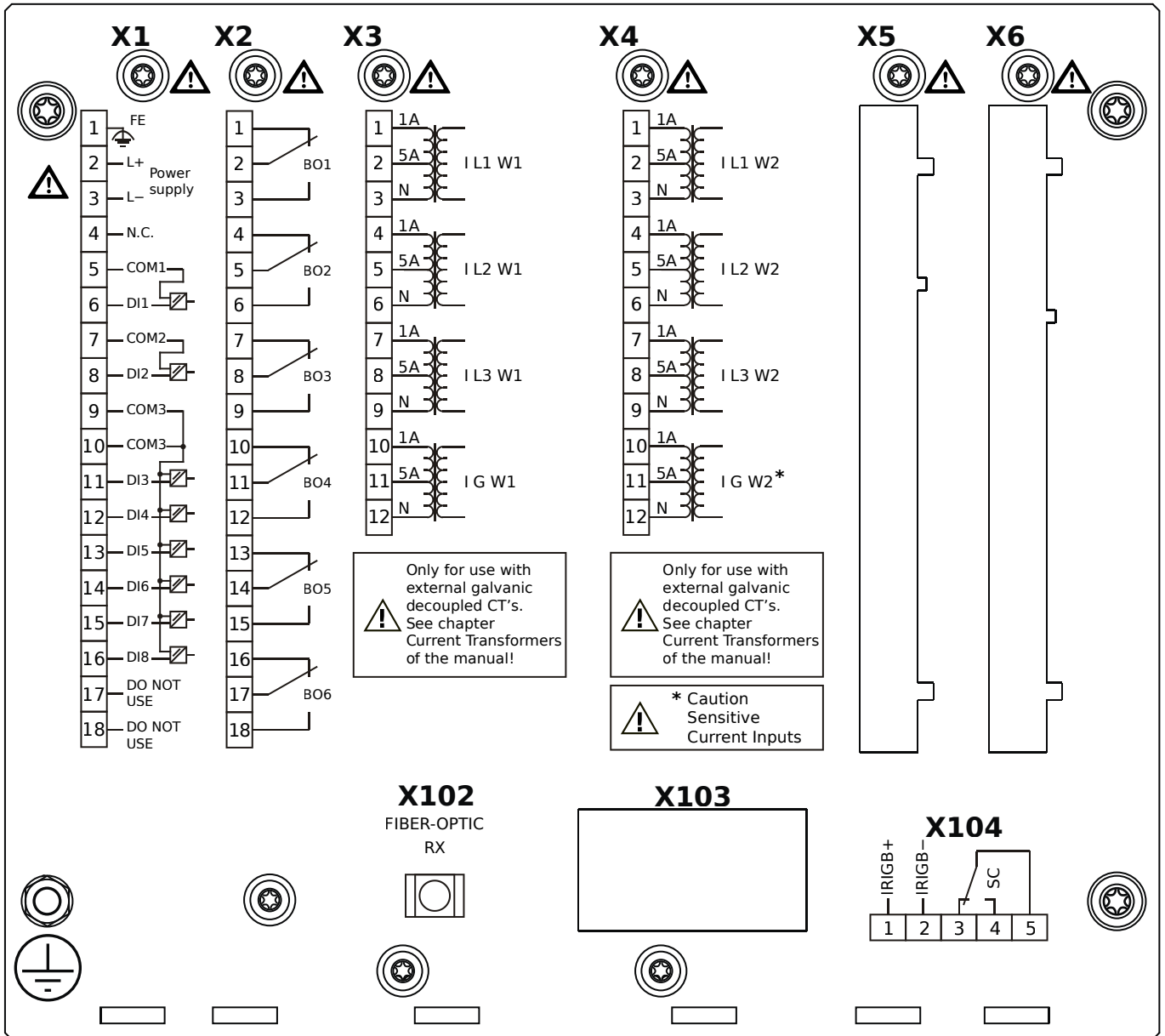
- X1** – DI8-X1: Wide-range power supply unit, incl. 2 non-grouped digital inputs and 6 grouped digital inputs
- X2** – OR-6: Assembly Group with 6 Relay Outputs
- X3** – TI-4: Standard phase current measuring card and sensitive ground current measuring (winding side 1)
- X4** – TI-4: Standard current measuring card (for the winding side 2)
- X100** – IEC 61850 / Modbus TCP / DNP3.0 TCP/UDP, Ethernet interface, 100 Mbit/s, RJ45 (BASE100-FX)
- X102** – Universal Resistance-Temperature Detector (URTD) input, Fiber optics interface, Versatile Link
- X103** – IEC 60870-5-103 / Modbus RTU / DNP3.0 RTU, RS485, Terminals
- X104** – IRIG-B00X, incl. System Contact (Supervision Contact)

MRDT4-2A1HTB



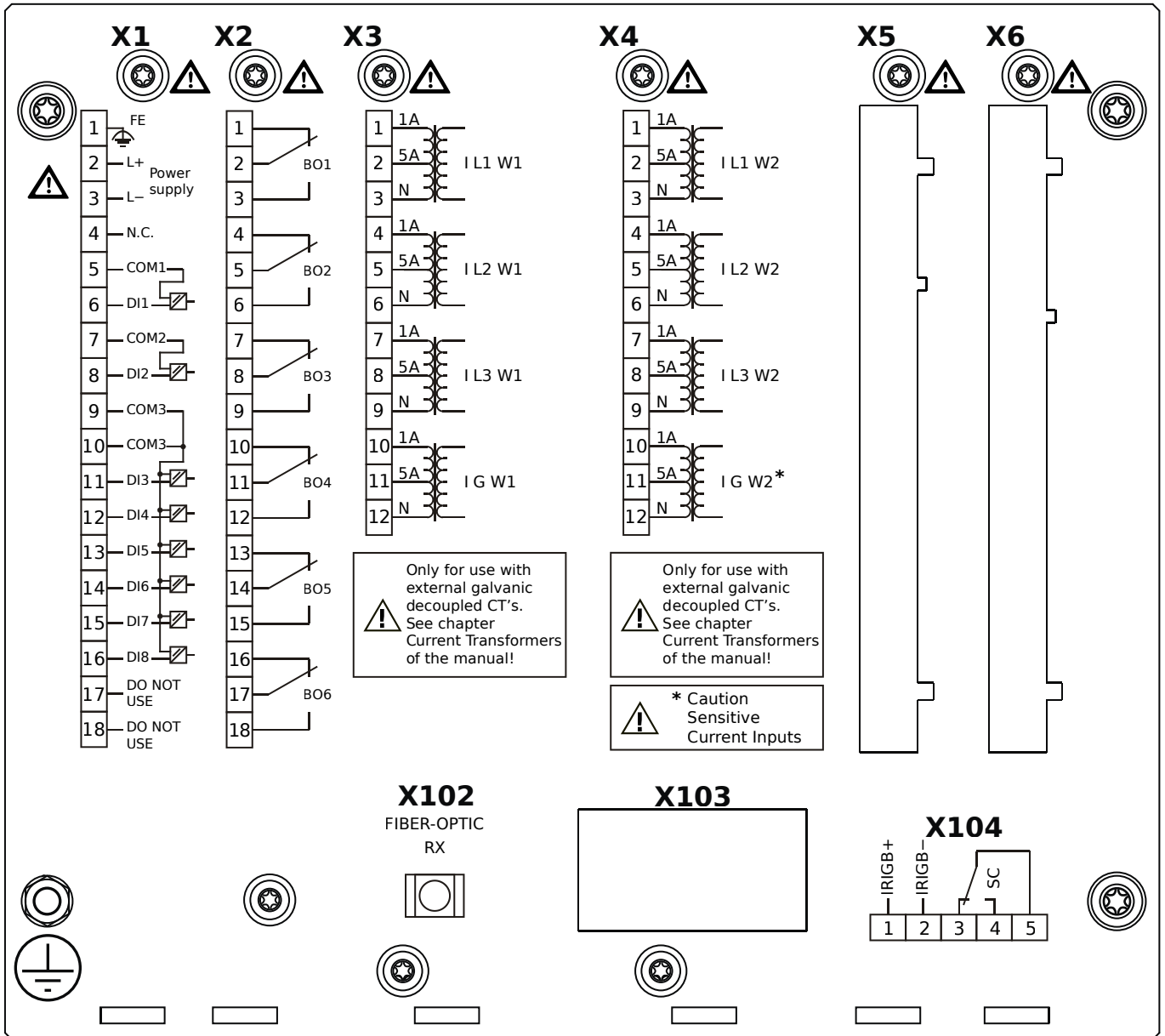
- X1** – DI8-X1: Wide-range power supply unit, incl. 2 non-grouped digital inputs and 6 grouped digital inputs
- X2** – OR-6: Assembly Group with 6 Relay Outputs
- X3** – TI-4: Standard phase current measuring card and sensitive ground current measuring (winding side 1)
- X4** – TI-4: Standard current measuring card (for the winding side 2)
- X100** – IEC 61850 / Modbus TCP / DNP3.0 TCP/UDP, Ethernet interface, 100 Mbit/s, RJ45 (BASE100-FX)
- X102** – Universal Resistance-Temperature Detector (URTD) input, Fiber optics interface, Versatile Link
- X103** – IEC 60870-5-103 / Modbus RTU / DNP3.0 RTU, RS485, Terminals
- X104** – IRIG-B00X, incl. System Contact (Supervision Contact)

MRDT4-2A2AAA



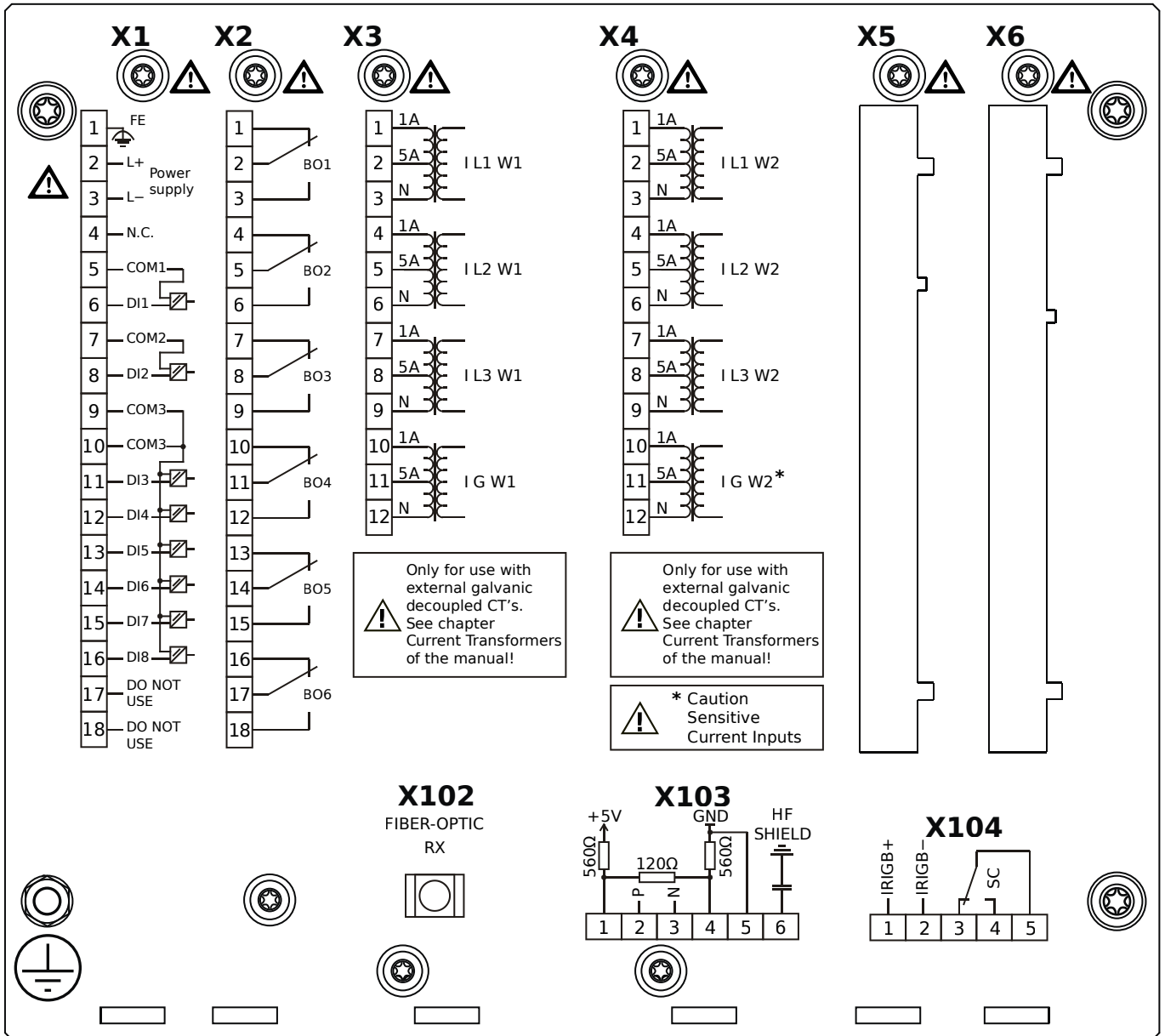
- X1** – DI8-X1: Wide-range power supply unit, incl. 2 non-grouped digital inputs and 6 grouped digital inputs
- X2** – OR-6: Assembly Group with 6 Relay Outputs
- X3** – TI-4: Standard current measuring card (for the winding side 1)
- X4** – TIs-4: Standard phase current measuring card and sensitive ground current measuring (winding side 2)
- X102** – Universal Resistance-Temperature Detector (URTD) input, Fiber optics interface, Versatile Link
- X104** – IRIG-B00X, incl. System Contact (Supervision Contact)

MRDT4-2A2AAB



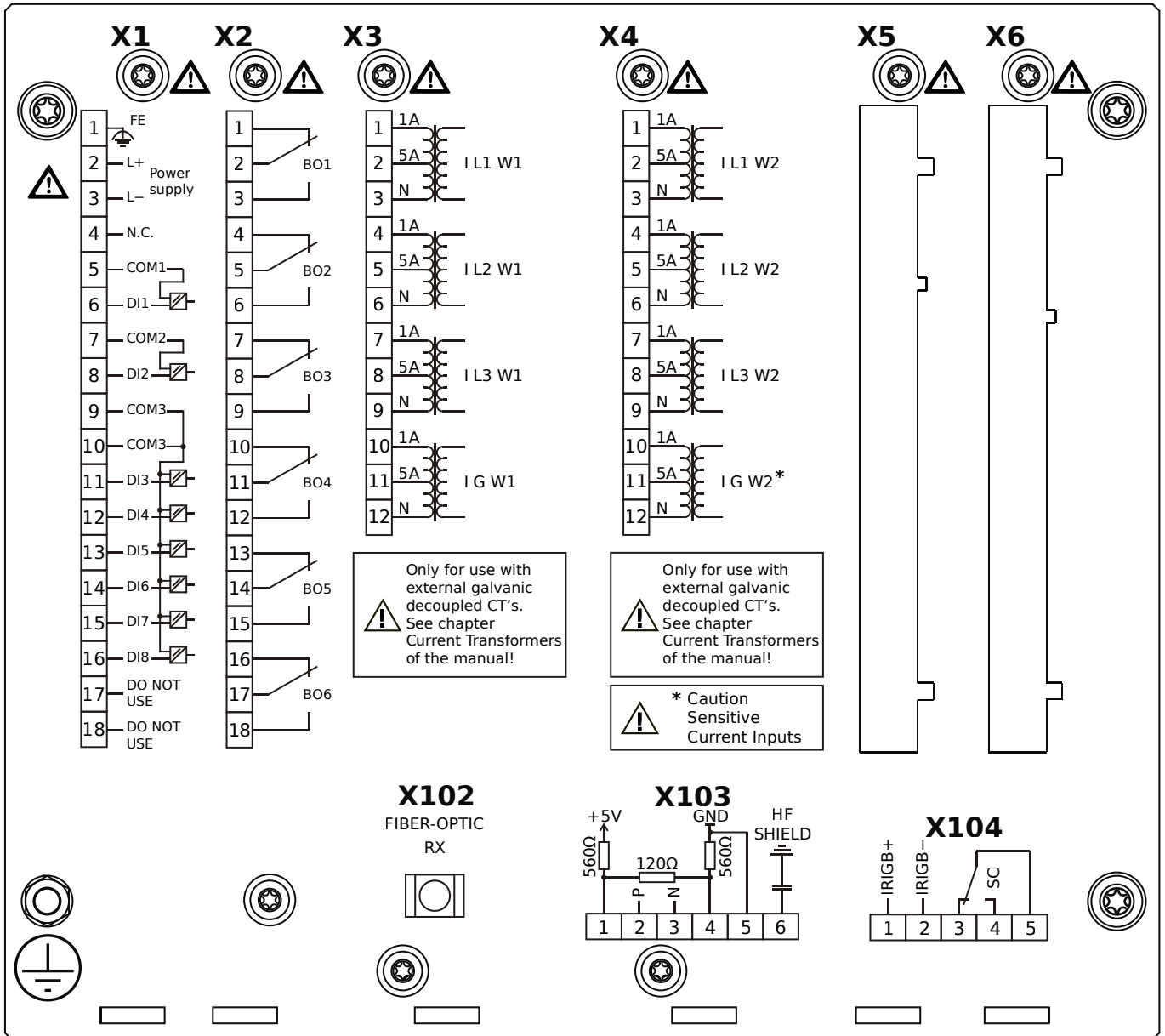
- X1** – DI8-X1: Wide-range power supply unit, incl. 2 non-grouped digital inputs and 6 grouped digital inputs
- X2** – OR-6: Assembly Group with 6 Relay Outputs
- X3** – TI-4: Standard current measuring card (for the winding side 1)
- X4** – TIs-4: Standard phase current measuring card and sensitive ground current measuring (winding side 2)
- X102** – Universal Resistance-Temperature Detector (URTD) input, Fiber optics interface, Versatile Link
- X104** – IRIG-B00X, incl. System Contact (Supervision Contact)

MRDT4-2A2ABA



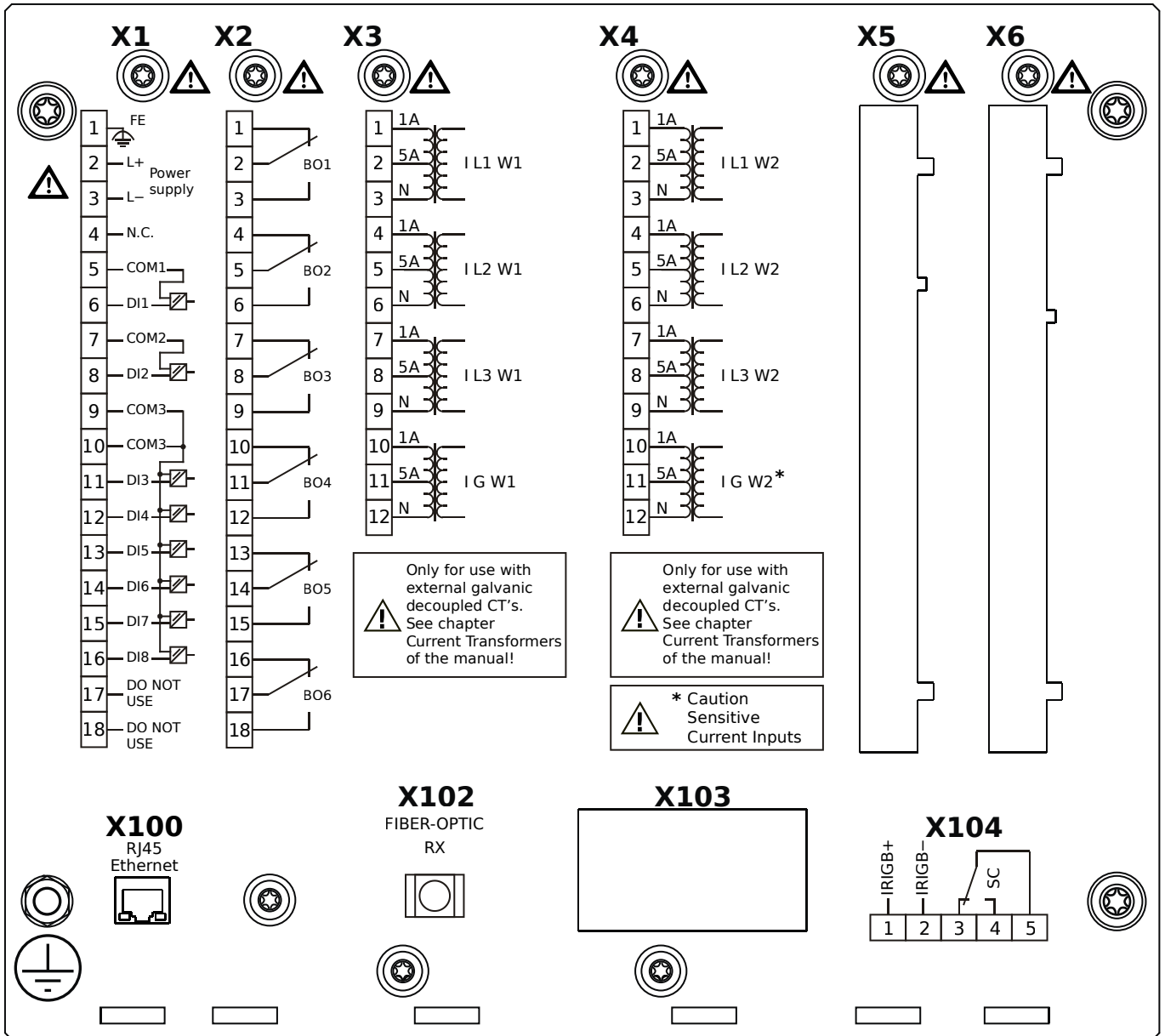
- X1** – DI8-X1: Wide-range power supply unit, incl. 2 non-grouped digital inputs and 6 grouped digital inputs
- X2** – OR-6: Assembly Group with 6 Relay Outputs
- X3** – TI-4: Standard current measuring card (for the winding side 1)
- X4** – TIs-4: Standard phase current measuring card and sensitive ground current measuring (winding side 2)
- X102** – Universal Resistance-Temperature Detector (URTD) input, Fiber optics interface, Versatile Link
- X103** – Modbus RTU / IEC 60870-5-103 / DNP3.0 RTU, RS485, Terminals
- X104** – IRIG-B00X, incl. System Contact (Supervision Contact)

MRDT4-2A2ABB



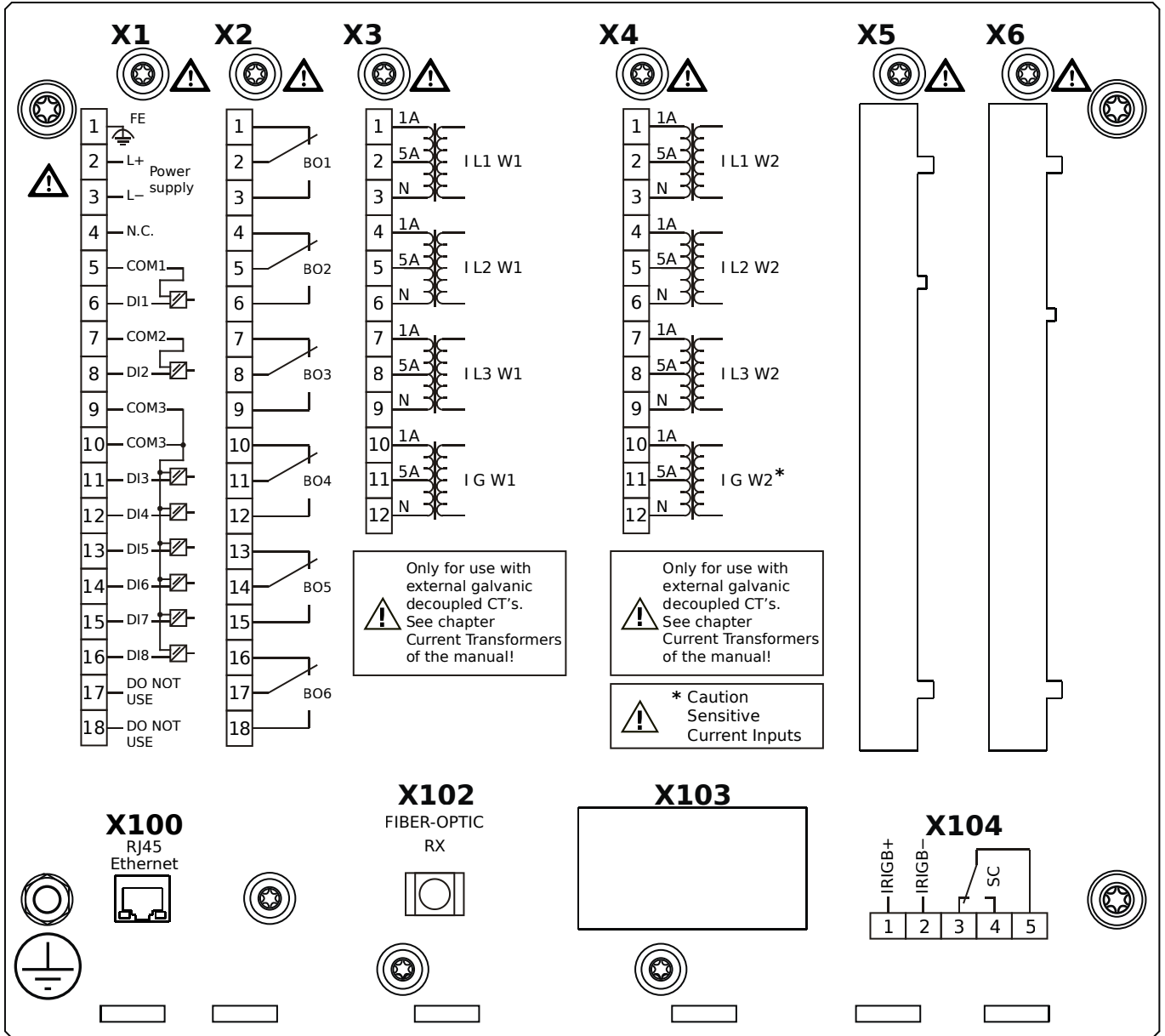
- X1** – DI8-X1: Wide-range power supply unit, incl. 2 non-grouped digital inputs and 6 grouped digital inputs
- X2** – OR-6: Assembly Group with 6 Relay Outputs
- X3** – TI-4: Standard current measuring card (for the winding side 1)
- X4** – TIs-4: Standard phase current measuring card and sensitive ground current measuring (winding side 2)
- X102** – Universal Resistance-Temperature Detector (URTD) input, Fiber optics interface, Versatile Link
- X103** – Modbus RTU / IEC 60870-5-103 / DNP3.0 RTU, RS485, Terminals
- X104** – IRIG-B00X, incl. System Contact (Supervision Contact)

MRDT4-2A2ACA



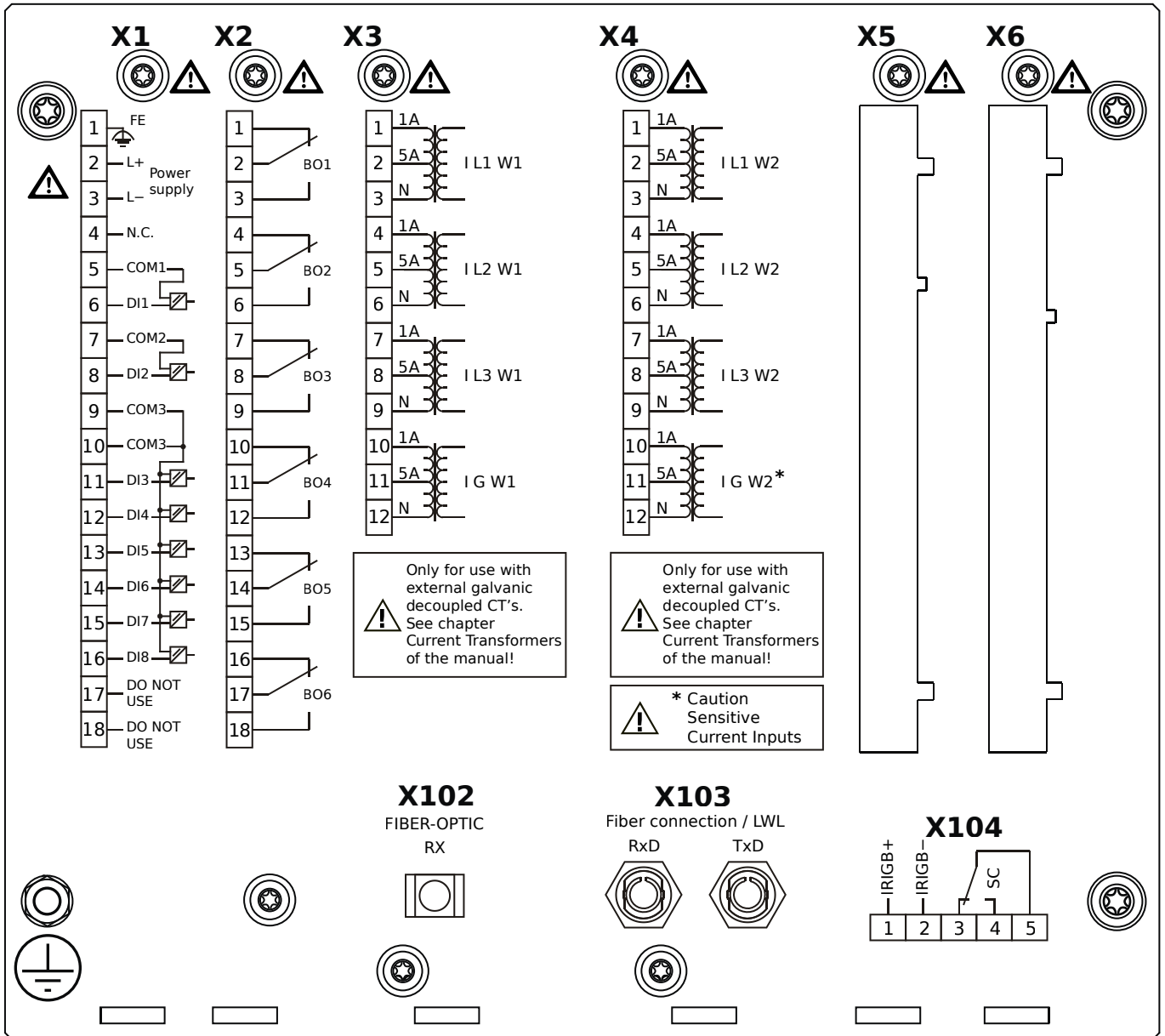
- X1** – DI8-X1: Wide-range power supply unit, incl. 2 non-grouped digital inputs and 6 grouped digital inputs
- X2** – OR-6: Assembly Group with 6 Relay Outputs
- X3** – TI-4: Standard current measuring card (for the winding side 1)
- X4** – TIs-4: Standard phase current measuring card and sensitive ground current measuring (winding side 2)
- X100** – Modbus TCP / DNP3.0 TCP/UDP, Ethernet interface, 100 Mbit/s, RJ45 (BASE100-FX)
- X102** – Universal Resistance-Temperature Detector (URTD) input, Fiber optics interface, Versatile Link
- X104** – IRIG-B00X, incl. System Contact (Supervision Contact)

MRDT4-2A2ACB



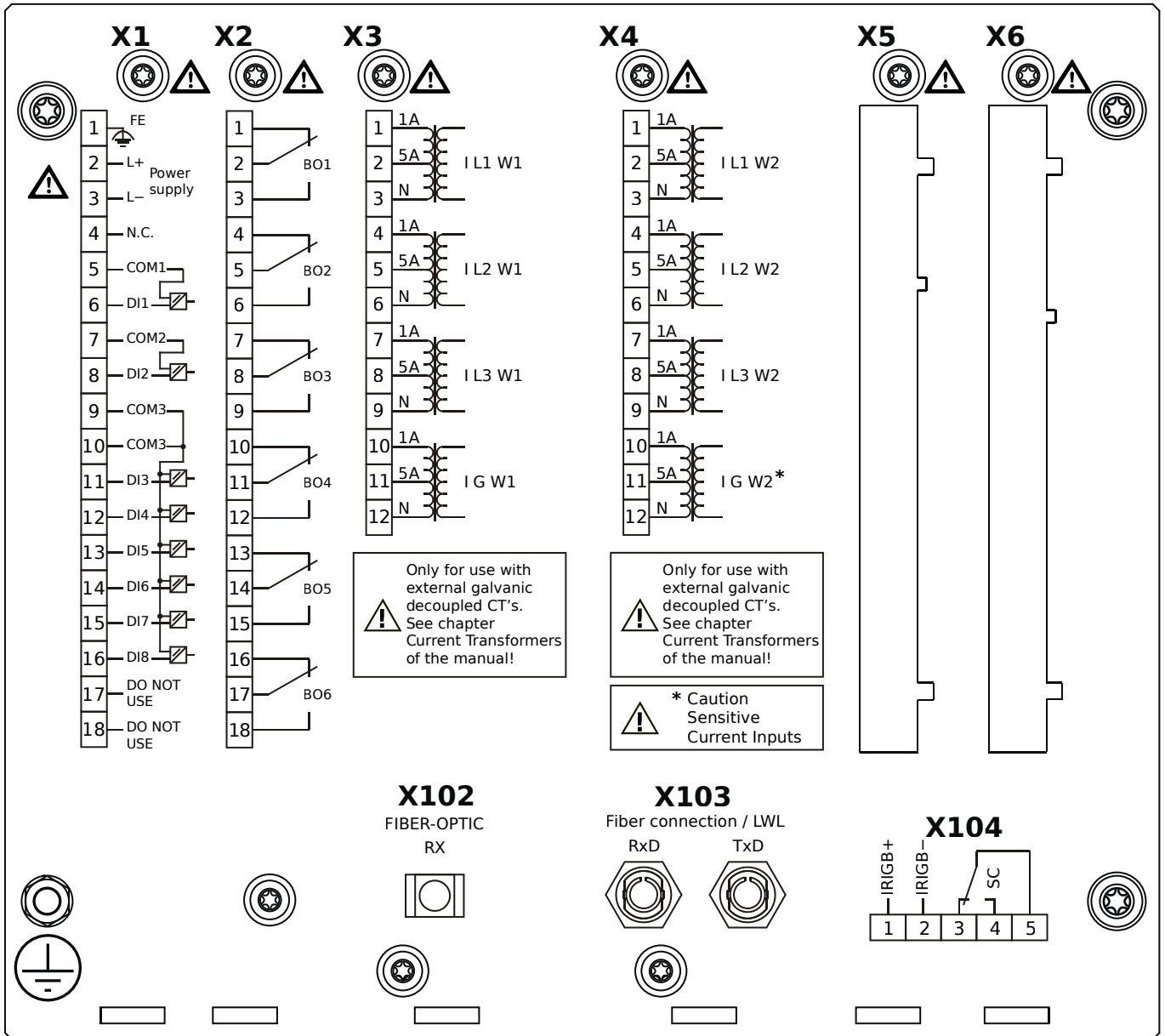
- X1** – DI8-X1: Wide-range power supply unit, incl. 2 non-grouped digital inputs and 6 grouped digital inputs
- X2** – OR-6: Assembly Group with 6 Relay Outputs
- X3** – TI-4: Standard current measuring card (for the winding side 1)
- X4** – TIs-4: Standard phase current measuring card and sensitive ground current measuring (winding side 2)
- X100** – Modbus TCP / DNP3.0 TCP/UDP, Ethernet interface, 100 Mbit/s, RJ45 (BASE100-FX)
- X102** – Universal Resistance-Temperature Detector (URTD) input, Fiber optics interface, Versatile Link
- X104** – IRIG-B00X, incl. System Contact (Supervision Contact)

MRDT4-2A2ADA



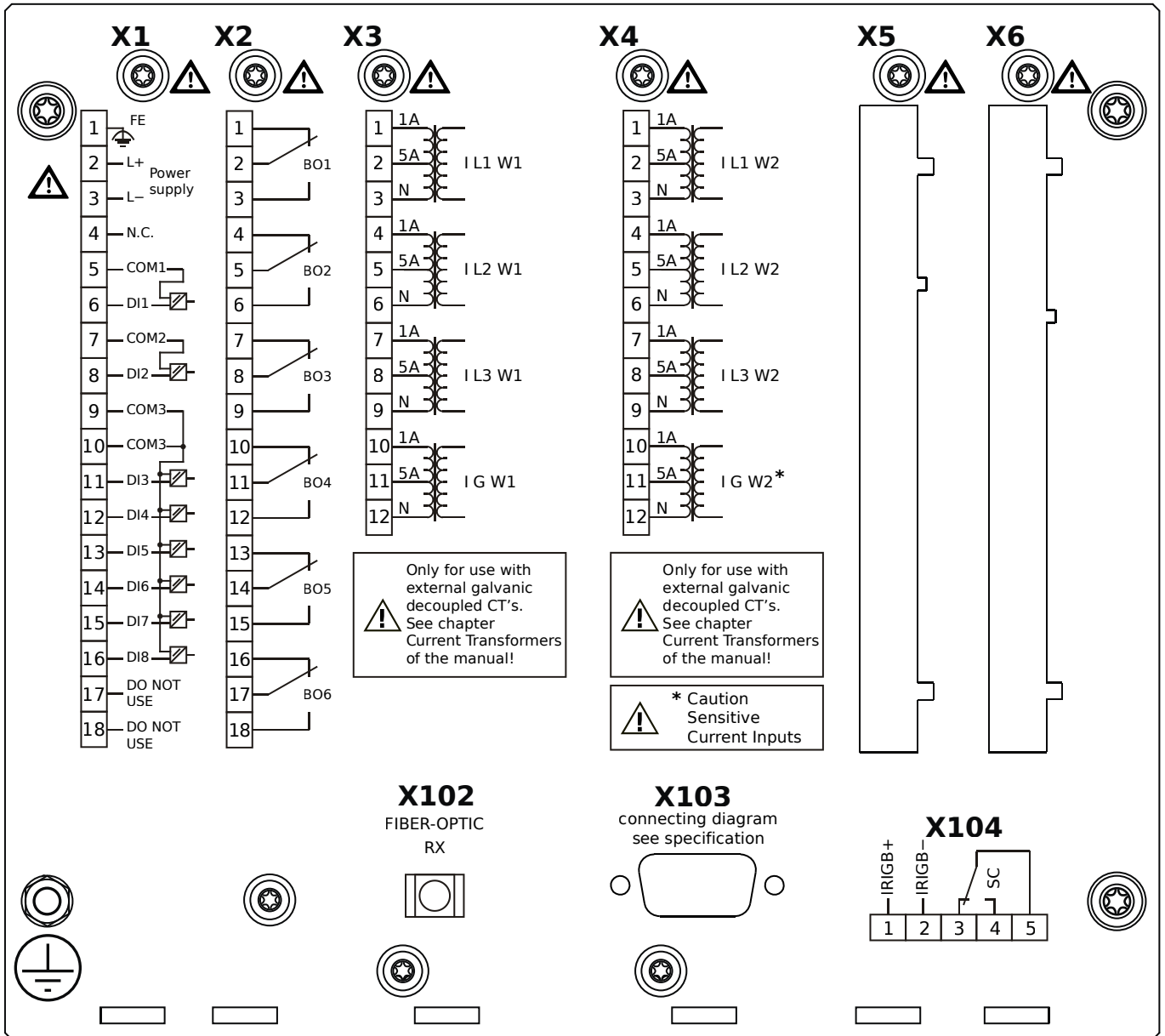
- X1** – DI8-X1: Wide-range power supply unit, incl. 2 non-grouped digital inputs and 6 grouped digital inputs
- X2** – OR-6: Assembly Group with 6 Relay Outputs
- X3** – TI-4: Standard current measuring card (for the winding side 1)
- X4** – TIs-4: Standard phase current measuring card and sensitive ground current measuring (winding side 2)
- X102** – Universal Resistance-Temperature Detector (URTD) input, Fiber optics interface, Versatile Link
- X103** – Profibus-DP, Fiber optics interface, ST Connector
- X104** – IRIG-B00X, incl. System Contact (Supervision Contact)

MRDT4-2A2ADB



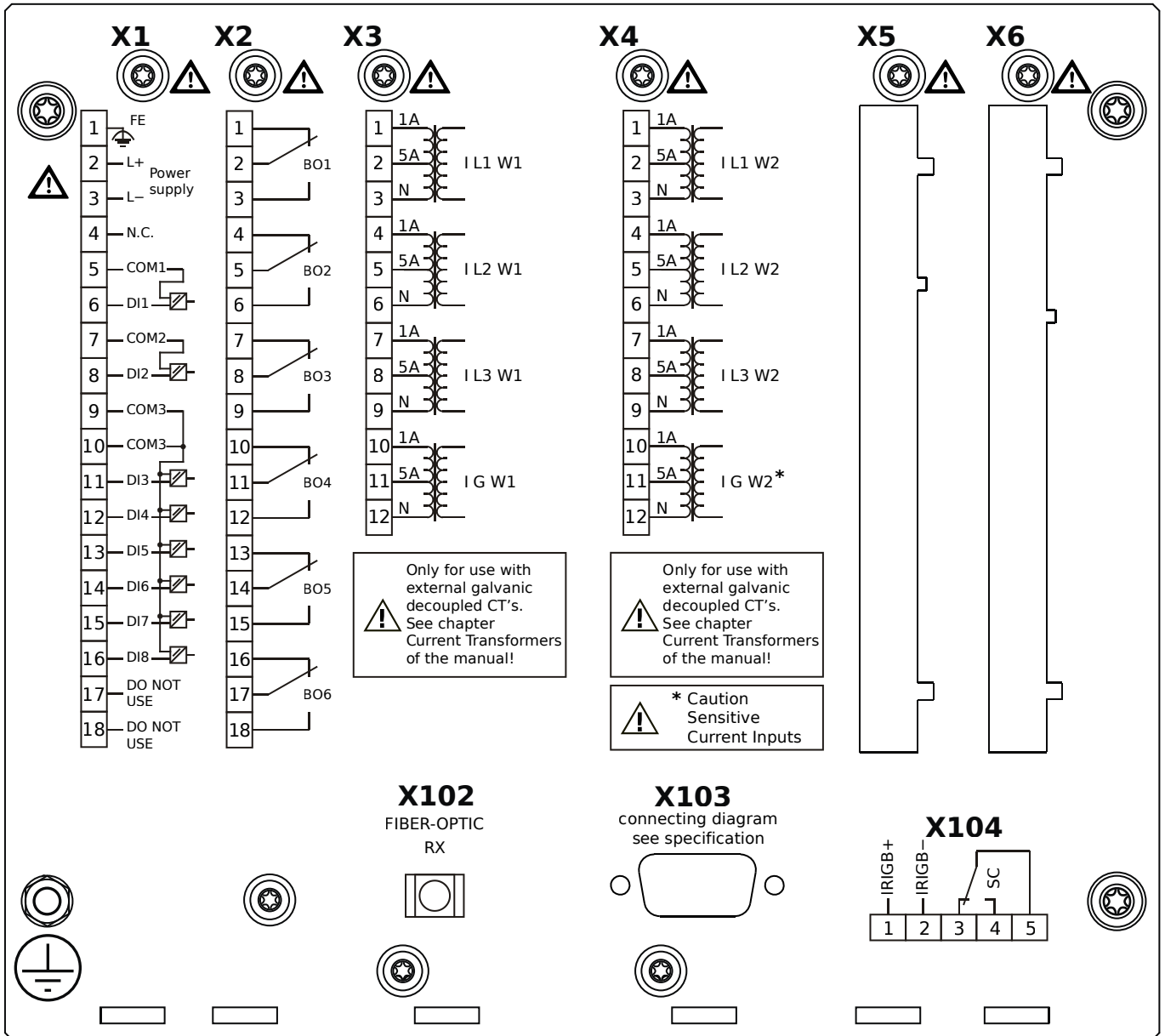
- X1** – DI8-X1: Wide-range power supply unit, incl. 2 non-grouped digital inputs and 6 grouped digital inputs
- X2** – OR-6: Assembly Group with 6 Relay Outputs
- X3** – TI-4: Standard current measuring card (for the winding side 1)
- X4** – TIs-4: Standard phase current measuring card and sensitive ground current measuring (winding side 2)
- X102** – Universal Resistance-Temperature Detector (URTD) input, Fiber optics interface, Versatile Link
- X103** – Profibus-DP, Fiber optics interface, ST Connector
- X104** – IRIG-B00X, incl. System Contact (Supervision Contact)

MRDT4-2A2AEA



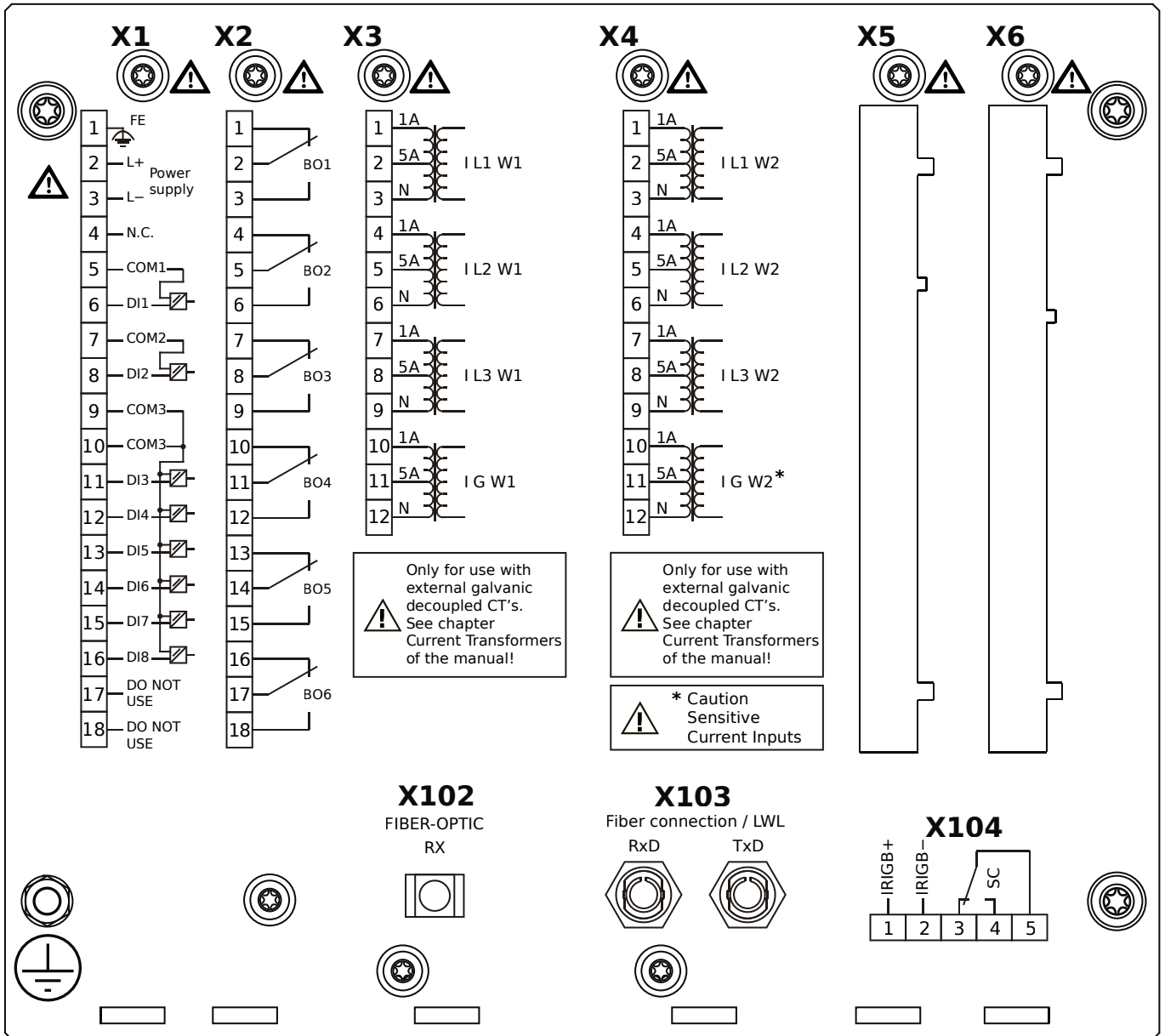
- X1** – DI8-X1: Wide-range power supply unit, incl. 2 non-grouped digital inputs and 6 grouped digital inputs
- X2** – OR-6: Assembly Group with 6 Relay Outputs
- X3** – TI-4: Standard current measuring card (for the winding side 1)
- X4** – TIs-4: Standard phase current measuring card and sensitive ground current measuring (winding side 2)
- X102** – Universal Resistance-Temperature Detector (URTD) input, Fiber optics interface, Versatile Link
- X103** – Profibus-DP, RS485, D-SUB
- X104** – IRIG-B00X, incl. System Contact (Supervision Contact)

MRDT4-2A2AEB



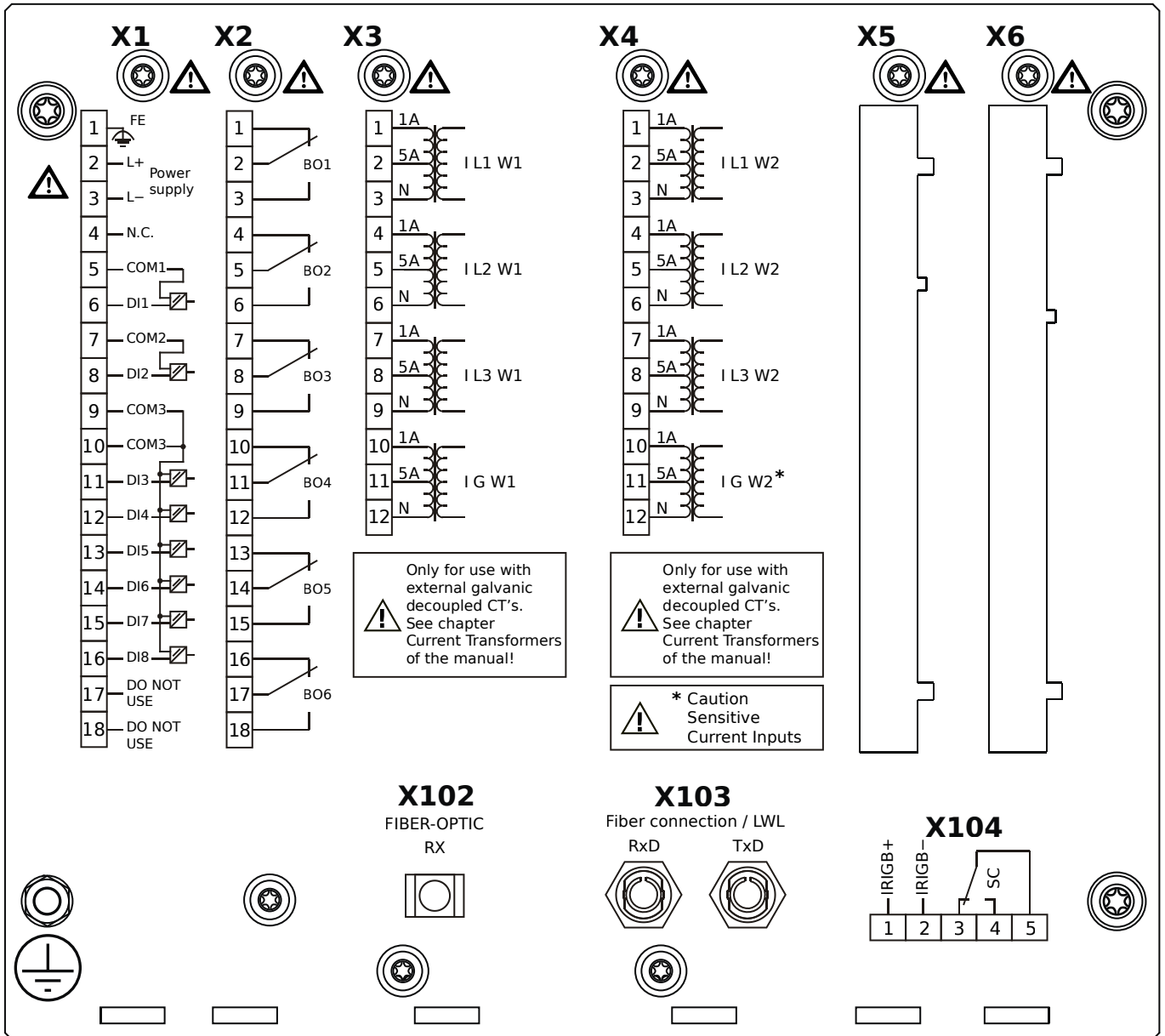
- X1** – DI8-X1: Wide-range power supply unit, incl. 2 non-grouped digital inputs and 6 grouped digital inputs
- X2** – OR-6: Assembly Group with 6 Relay Outputs
- X3** – TI-4: Standard current measuring card (for the winding side 1)
- X4** – TIs-4: Standard phase current measuring card and sensitive ground current measuring (winding side 2)
- X102** – Universal Resistance-Temperature Detector (URTD) input, Fiber optics interface, Versatile Link
- X103** – Profibus-DP, RS485, D-SUB
- X104** – IRIG-B00X, incl. System Contact (Supervision Contact)

MRDT4-2A2AFA



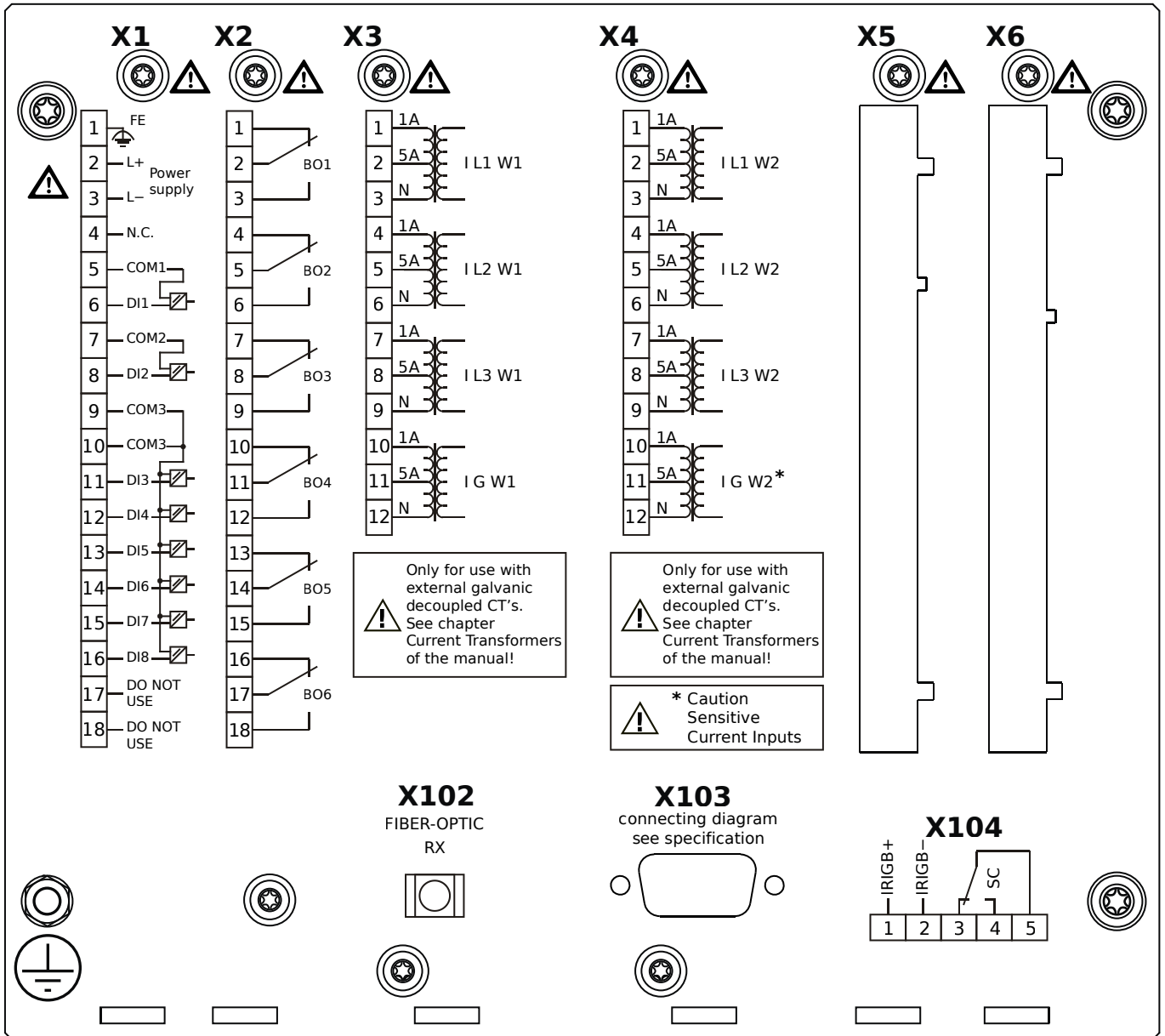
- X1** – DI8-X1: Wide-range power supply unit, incl. 2 non-grouped digital inputs and 6 grouped digital inputs
- X2** – OR-6: Assembly Group with 6 Relay Outputs
- X3** – TI-4: Standard current measuring card (for the winding side 1)
- X4** – TIs-4: Standard phase current measuring card and sensitive ground current measuring (winding side 2)
- X102** – Universal Resistance-Temperature Detector (URTD) input, Fiber optics interface, Versatile Link
- X103** – Modbus RTU / IEC 60870-5-103 / DNP3.0 RTU, Fiber optics interface, ST Connector
- X104** – IRIG-B00X, incl. System Contact (Supervision Contact)

MRDT4-2A2AFB



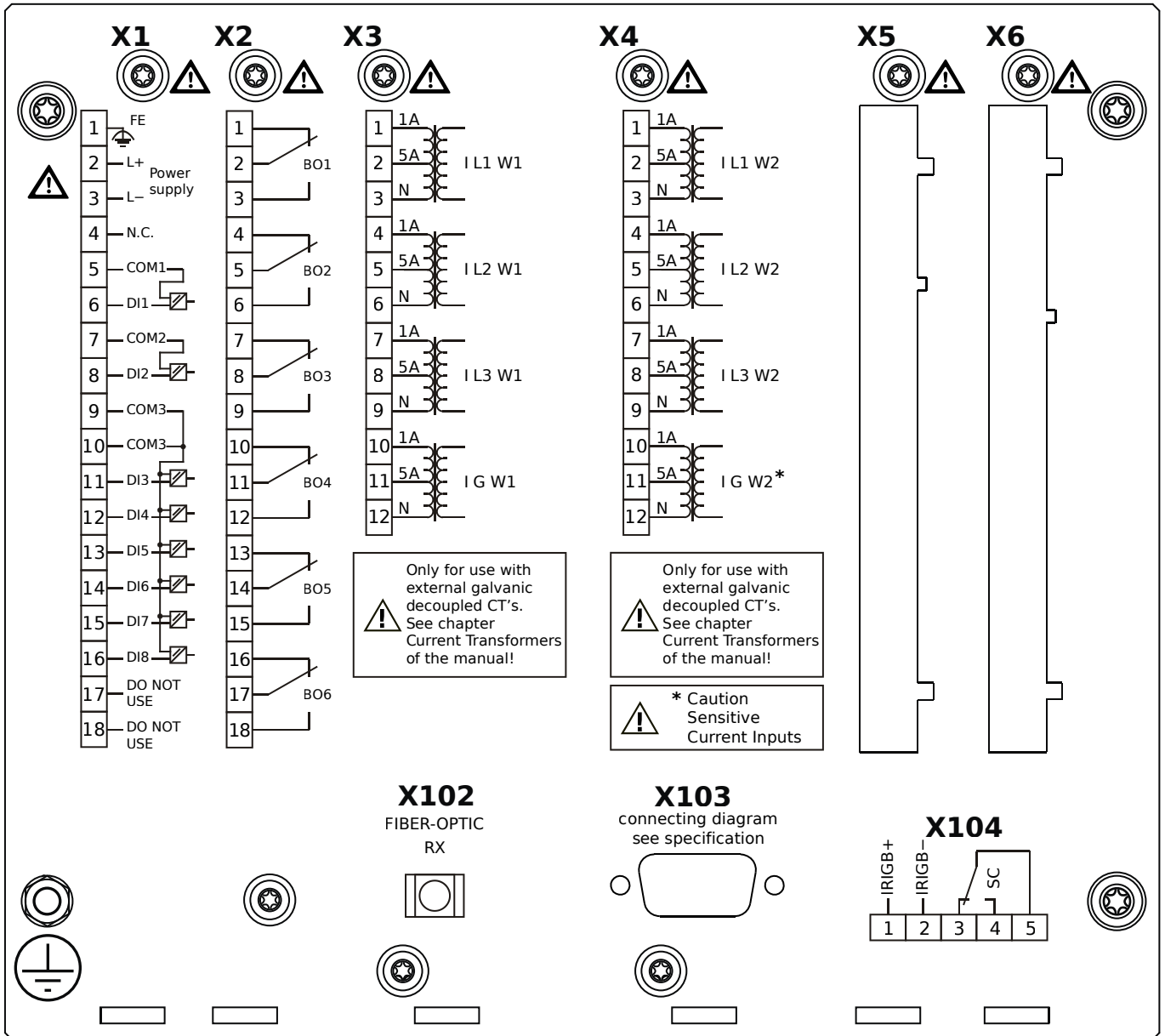
- X1** – DI8-X1: Wide-range power supply unit, incl. 2 non-grouped digital inputs and 6 grouped digital inputs
- X2** – OR-6: Assembly Group with 6 Relay Outputs
- X3** – TI-4: Standard current measuring card (for the winding side 1)
- X4** – TIs-4: Standard phase current measuring card and sensitive ground current measuring (winding side 2)
- X102** – Universal Resistance-Temperature Detector (URTD) input, Fiber optics interface, Versatile Link
- X103** – Modbus RTU / IEC 60870-5-103 / DNP3.0 RTU, Fiber optics interface, ST Connector
- X104** – IRIG-B00X, incl. System Contact (Supervision Contact)

MRDT4-2A2AGA



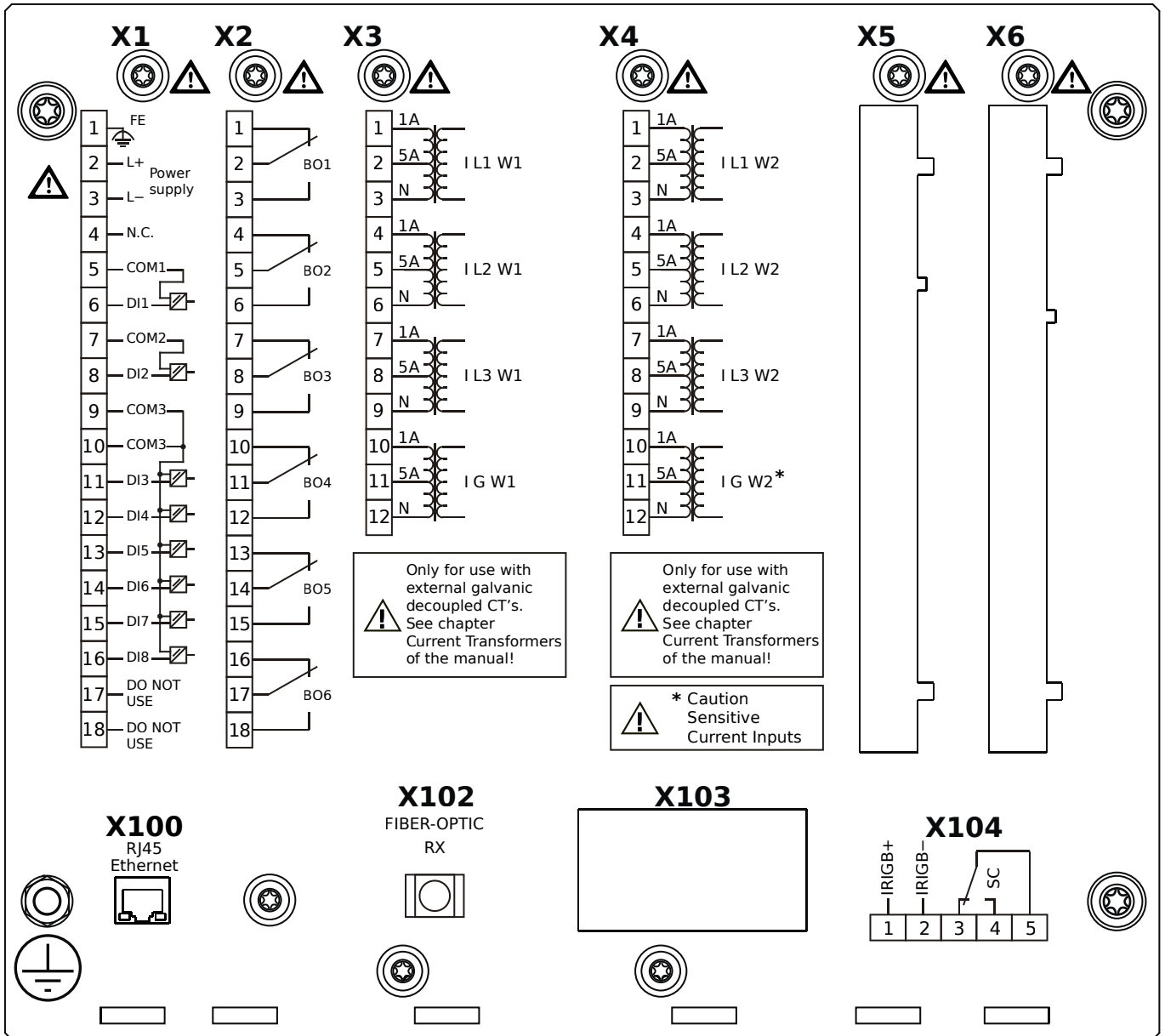
- X1** – DI8-X1: Wide-range power supply unit, incl. 2 non-grouped digital inputs and 6 grouped digital inputs
- X2** – OR-6: Assembly Group with 6 Relay Outputs
- X3** – TI-4: Standard current measuring card (for the winding side 1)
- X4** – TIs-4: Standard phase current measuring card and sensitive ground current measuring (winding side 2)
- X102** – Universal Resistance-Temperature Detector (URTD) input, Fiber optics interface, Versatile Link
- X103** – Modbus RTU / IEC 60870-5-103 / DNP3.0 RTU, RS485, D-SUB
- X104** – IRIG-B00X, incl. System Contact (Supervision Contact)

MRDT4-2A2AGB



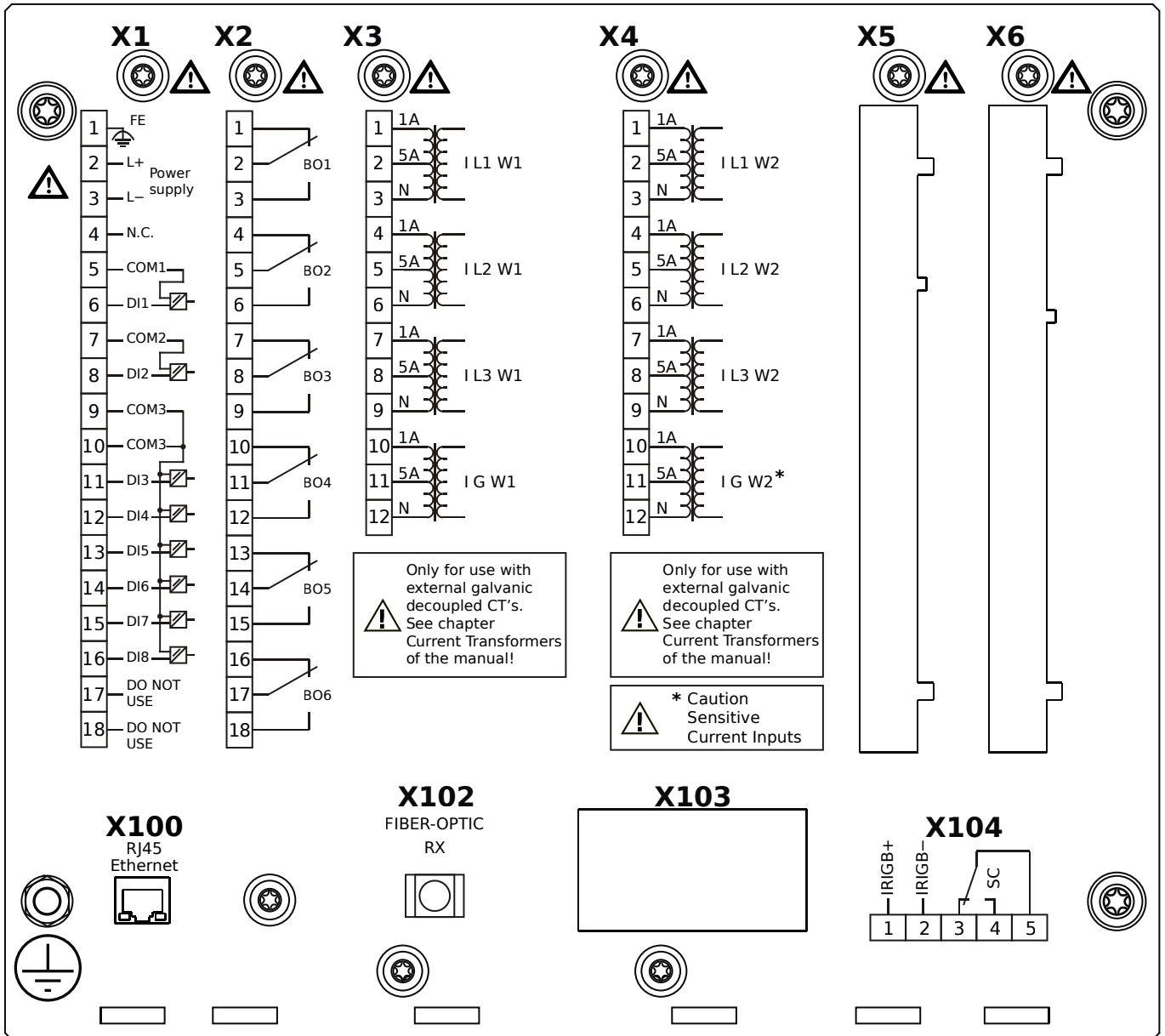
- X1** – DI8-X1: Wide-range power supply unit, incl. 2 non-grouped digital inputs and 6 grouped digital inputs
- X2** – OR-6: Assembly Group with 6 Relay Outputs
- X3** – TI-4: Standard current measuring card (for the winding side 1)
- X4** – TIs-4: Standard phase current measuring card and sensitive ground current measuring (winding side 2)
- X102** – Universal Resistance-Temperature Detector (URTD) input, Fiber optics interface, Versatile Link
- X103** – Modbus RTU / IEC 60870-5-103 / DNP3.0 RTU, RS485, D-SUB
- X104** – IRIG-B00X, incl. System Contact (Supervision Contact)

MRDT4-2A2AHA



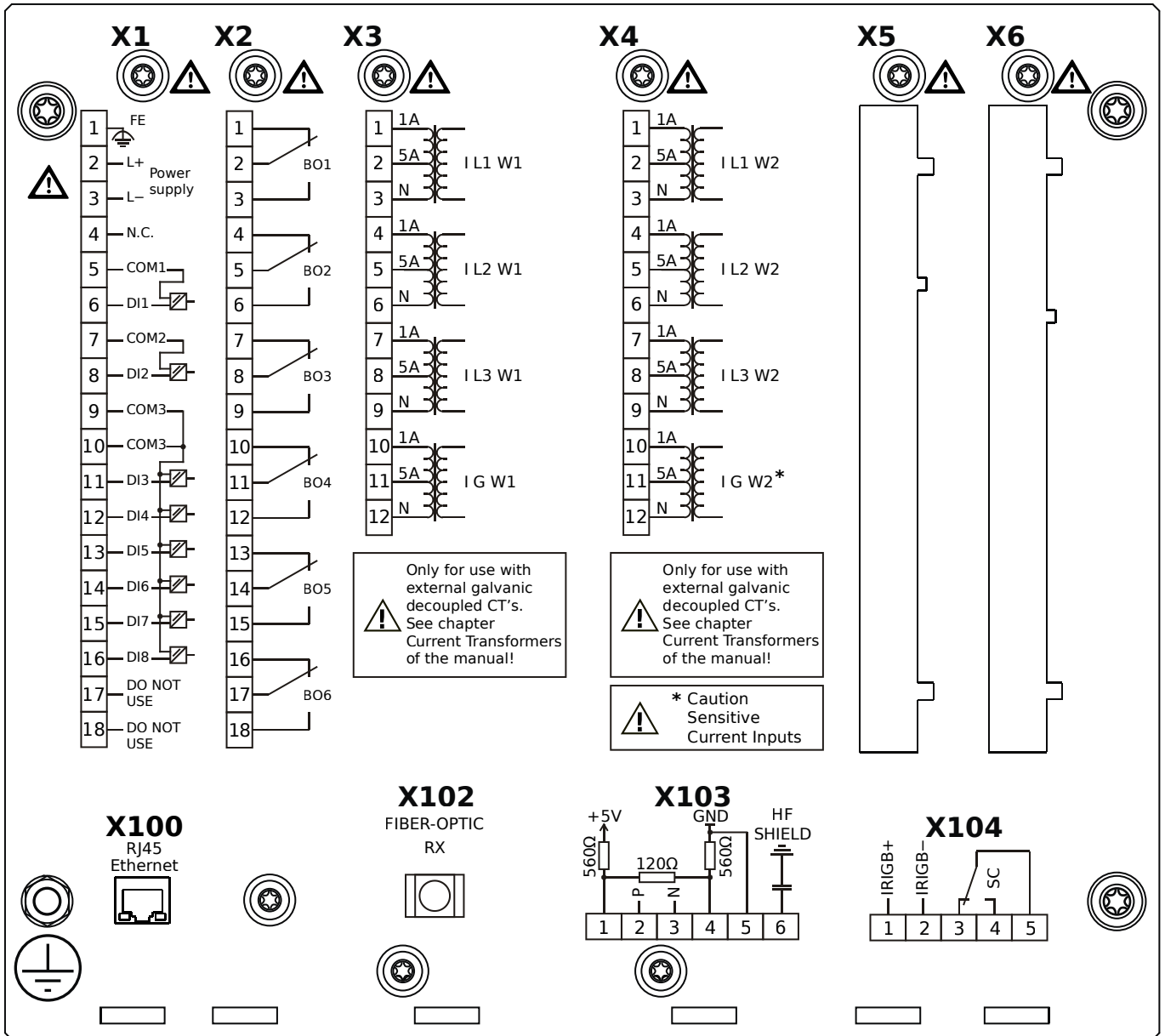
- X1** – DI8-X1: Wide-range power supply unit, incl. 2 non-grouped digital inputs and 6 grouped digital inputs
- X2** – OR-6: Assembly Group with 6 Relay Outputs
- X3** – TI-4: Standard current measuring card (for the winding side 1)
- X4** – TIs-4: Standard phase current measuring card and sensitive ground current measuring (winding side 2)
- X100** – IEC 61850 / Modbus TCP / DNP3.0 TCP/UDP, Ethernet interface, 100 Mbit/s, RJ45 (BASE100-FX)
- X102** – Universal Resistance-Temperature Detector (URTD) input, Fiber optics interface, Versatile Link
- X104** – IRIG-B00X, incl. System Contact (Supervision Contact)

MRDT4-2A2AHB



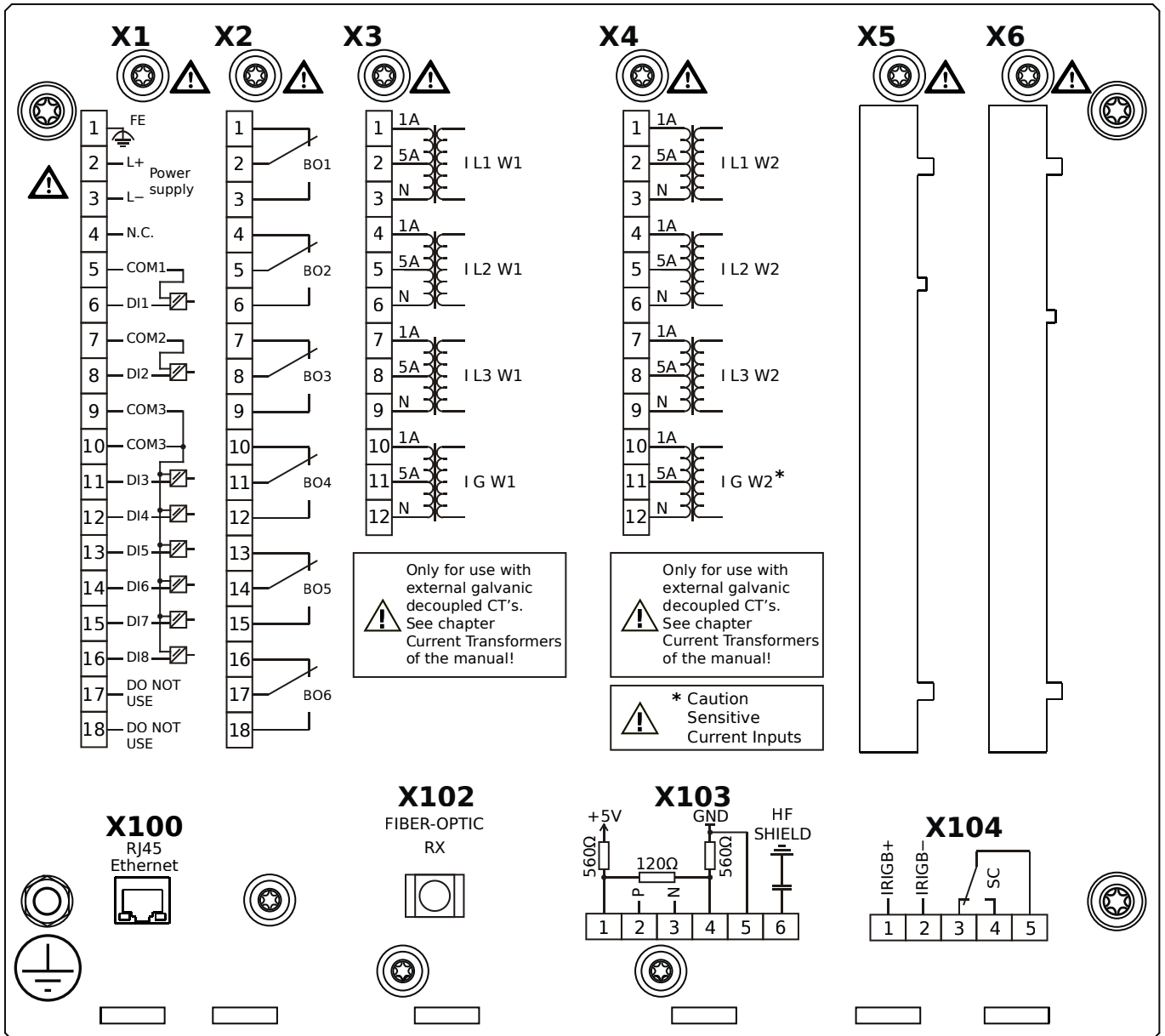
- X1** – DI8-X1: Wide-range power supply unit, incl. 2 non-grouped digital inputs and 6 grouped digital inputs
- X2** – OR-6: Assembly Group with 6 Relay Outputs
- X3** – TI-4: Standard current measuring card (for the winding side 1)
- X4** – TIs-4: Standard phase current measuring card and sensitive ground current measuring (winding side 2)
- X100** – IEC 61850 / Modbus TCP / DNP3.0 TCP/UDP, Ethernet interface, 100 Mbit/s, RJ45 (BASE100-FX)
- X102** – Universal Resistance-Temperature Detector (URTD) input, Fiber optics interface, Versatile Link
- X104** – IRIG-B00X, incl. System Contact (Supervision Contact)

MRDT4-2A2AIA



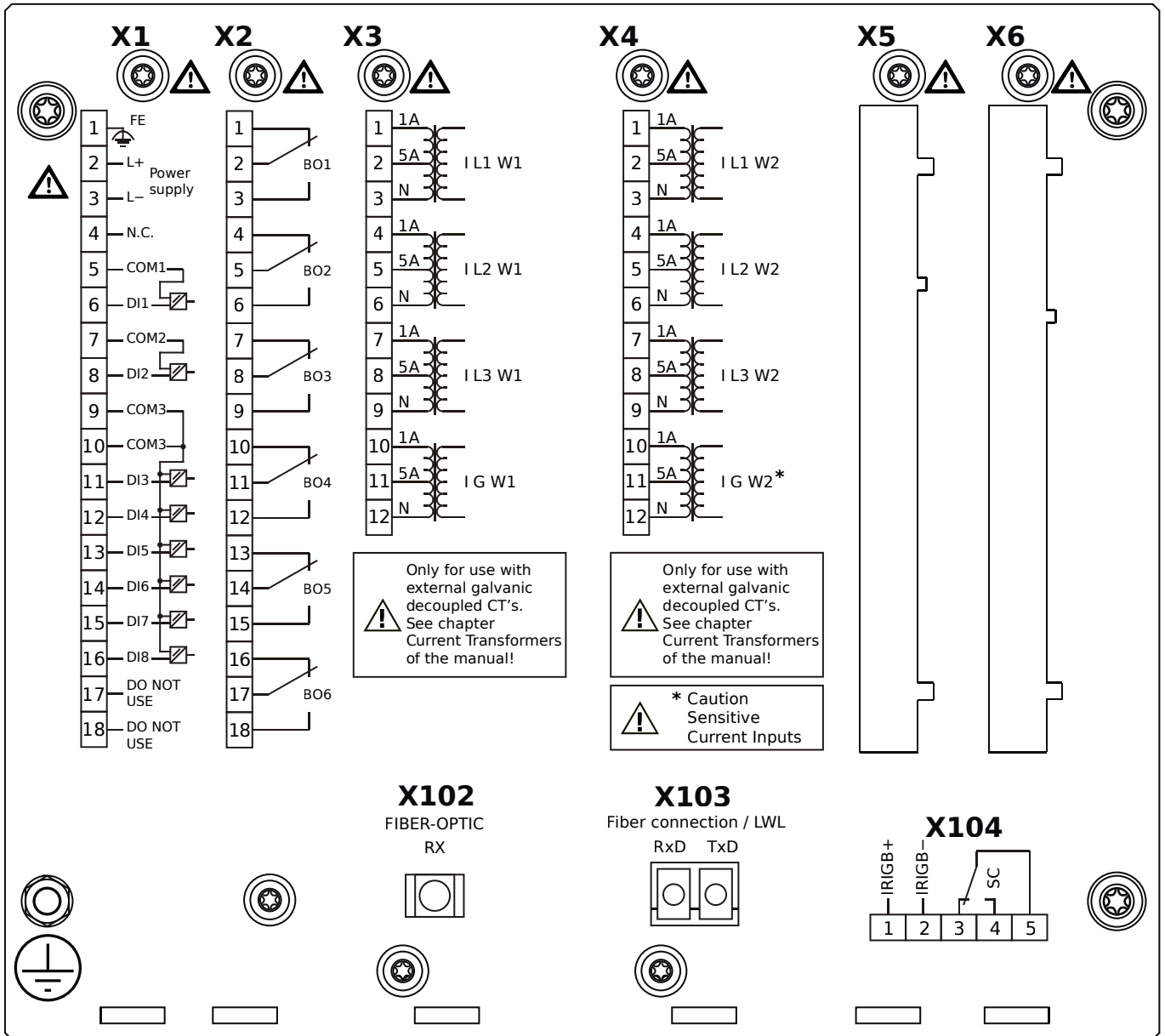
- X1** – DI8-X1: Wide-range power supply unit, incl. 2 non-grouped digital inputs and 6 grouped digital inputs
- X2** – OR-6: Assembly Group with 6 Relay Outputs
- X3** – TI-4: Standard current measuring card (for the winding side 1)
- X4** – TIs-4: Standard phase current measuring card and sensitive ground current measuring (winding side 2)
- X100** – Modbus TCP / DNP3.0 TCP/UDP, Ethernet interface, 100 Mbit/s, RJ45 (BASE100-FX)
- X102** – Universal Resistance-Temperature Detector (URTD) input, Fiber optics interface, Versatile Link
- X103** – IEC 60870-5-103 / Modbus RTU / DNP3.0 RTU, RS485, Terminals
- X104** – IRIG-B00X, incl. System Contact (Supervision Contact)

MRDT4-2A2AIB



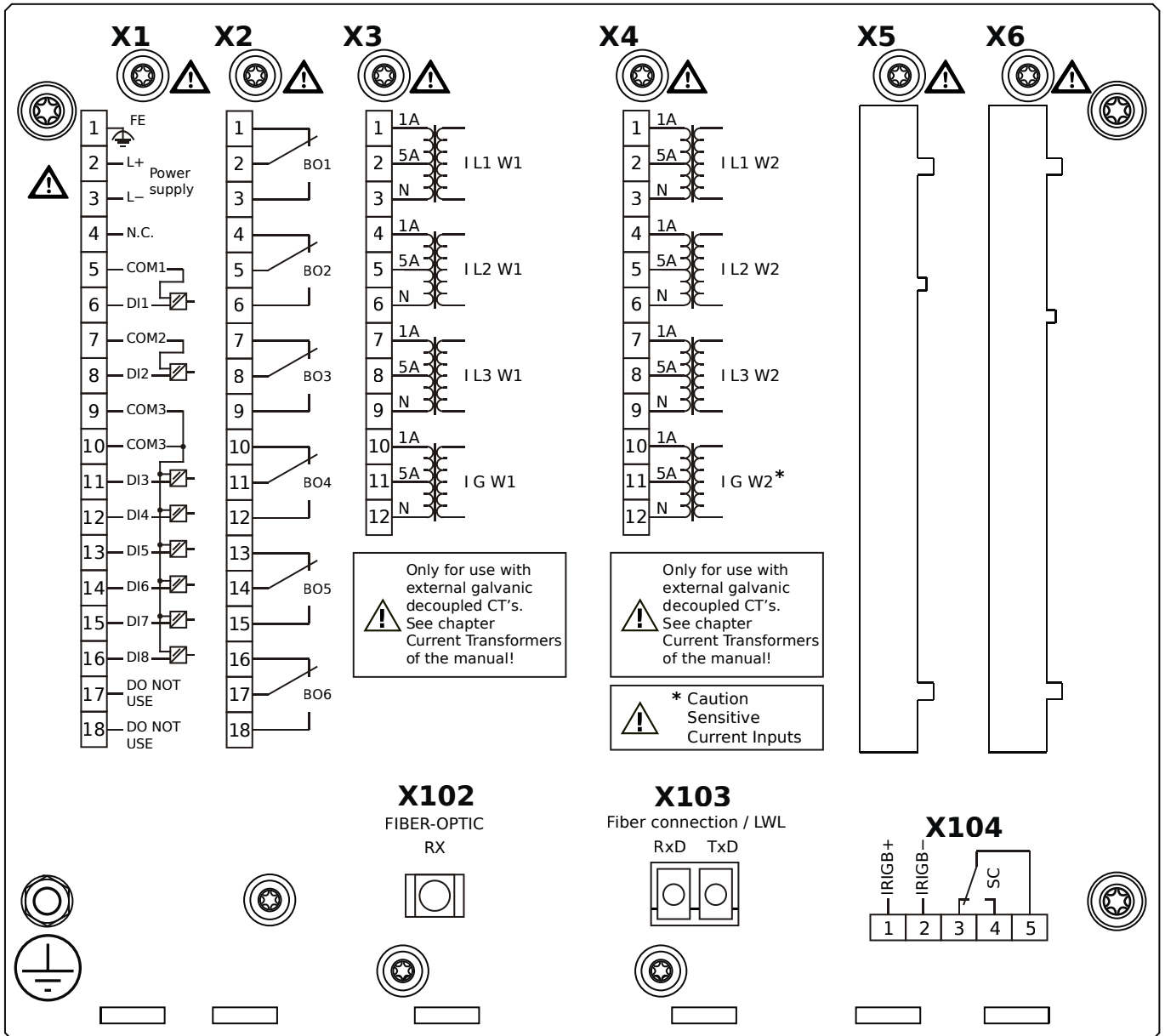
- X1** – DI8-X1: Wide-range power supply unit, incl. 2 non-grouped digital inputs and 6 grouped digital inputs
- X2** – OR-6: Assembly Group with 6 Relay Outputs
- X3** – TI-4: Standard current measuring card (for the winding side 1)
- X4** – TIs-4: Standard phase current measuring card and sensitive ground current measuring (winding side 2)
- X100** – Modbus TCP / DNP3.0 TCP/UDP, Ethernet interface, 100 Mbit/s, RJ45 (BASE100-FX)
- X102** – Universal Resistance-Temperature Detector (URTD) input, Fiber optics interface, Versatile Link
- X103** – IEC 60870-5-103 / Modbus RTU / DNP3.0 RTU, RS485, Terminals
- X104** – IRIG-B00X, incl. System Contact (Supervision Contact)

MRDT4-2A2AKA



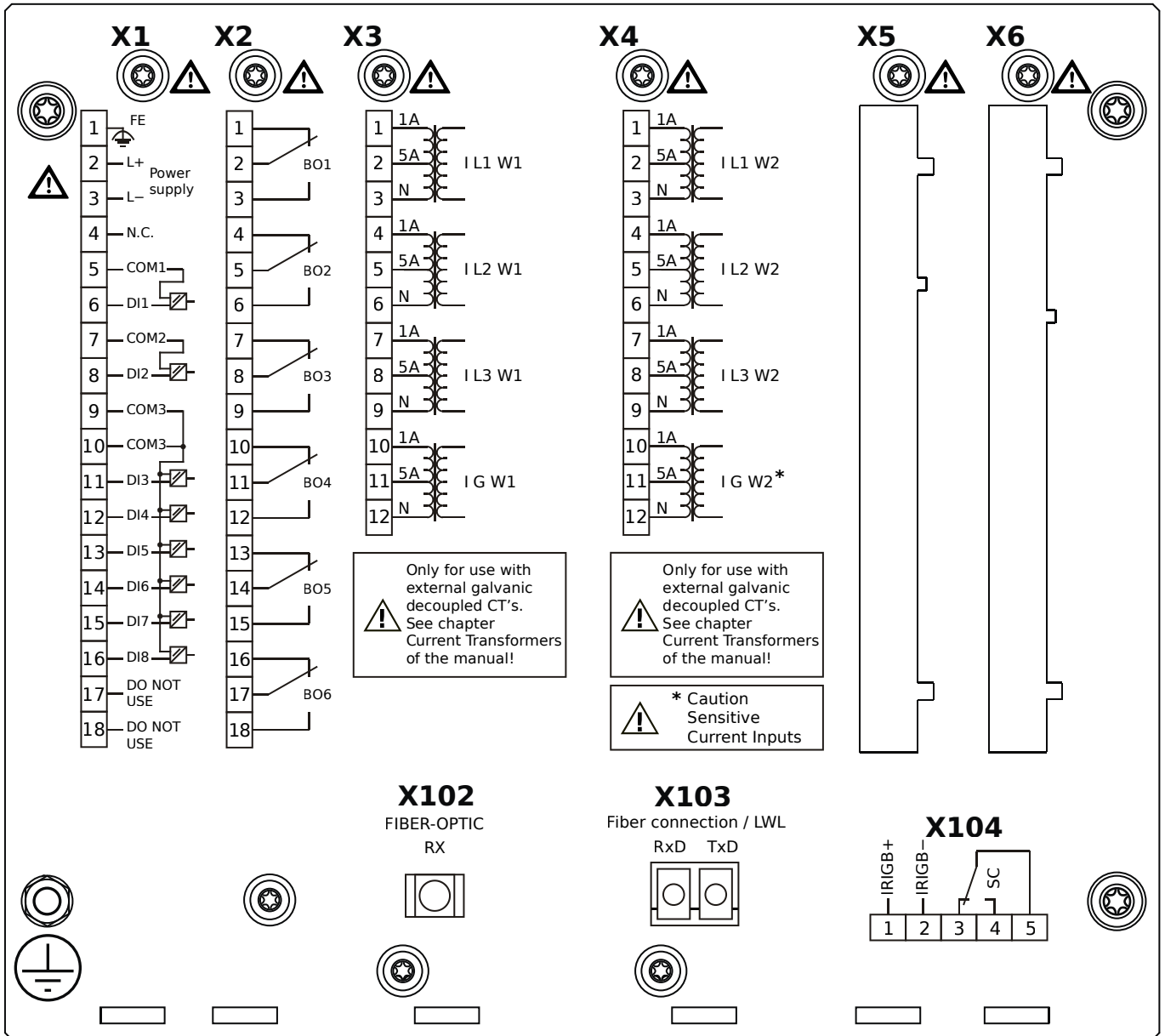
- X1** – DI8-X1: Wide-range power supply unit, incl. 2 non-grouped digital inputs and 6 grouped digital inputs
- X2** – OR-6: Assembly Group with 6 Relay Outputs
- X3** – TI-4: Standard current measuring card (for the winding side 1)
- X4** – TIs-4: Standard phase current measuring card and sensitive ground current measuring (winding side 2)
- X102** – Universal Resistance-Temperature Detector (URTD) input, Fiber optics interface, Versatile Link
- X103** – IEC 61850 / Modbus TCP / DNP3.0 TCP/UDP, Fiber optics interface, LC Connector
- X104** – IRIG-B00X, incl. System Contact (Supervision Contact)

MRDT4-2A2AKB



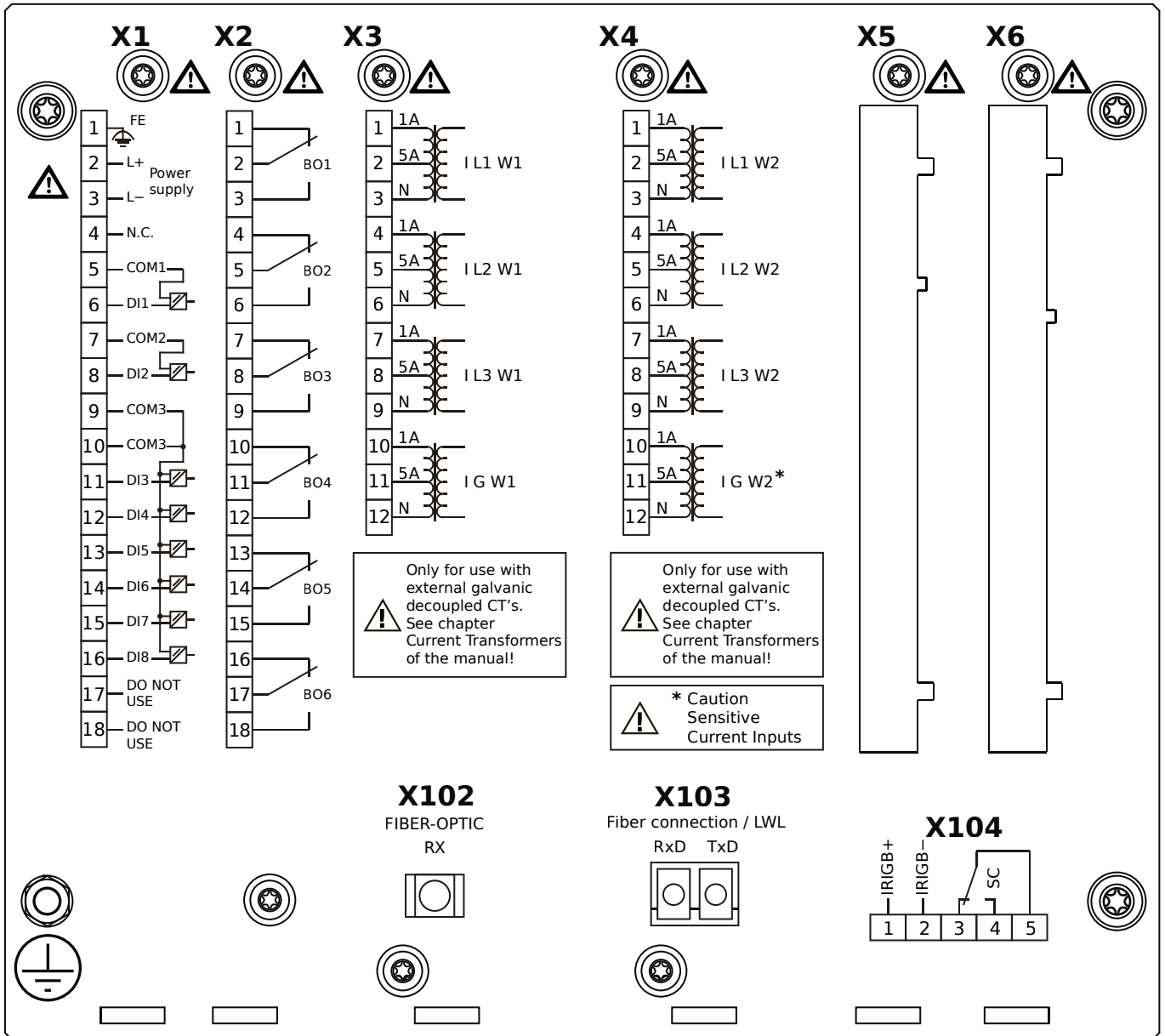
- X1** – DI8-X1: Wide-range power supply unit, incl. 2 non-grouped digital inputs and 6 grouped digital inputs
- X2** – OR-6: Assembly Group with 6 Relay Outputs
- X3** – TI-4: Standard current measuring card (for the winding side 1)
- X4** – TIs-4: Standard phase current measuring card and sensitive ground current measuring (winding side 2)
- X102** – Universal Resistance-Temperature Detector (URTD) input, Fiber optics interface, Versatile Link
- X103** – IEC 61850 / Modbus TCP / DNP3.0 TCP/UDP, Fiber optics interface, LC Connector
- X104** – IRIG-B00X, incl. System Contact (Supervision Contact)

MRDT4-2A2ALA



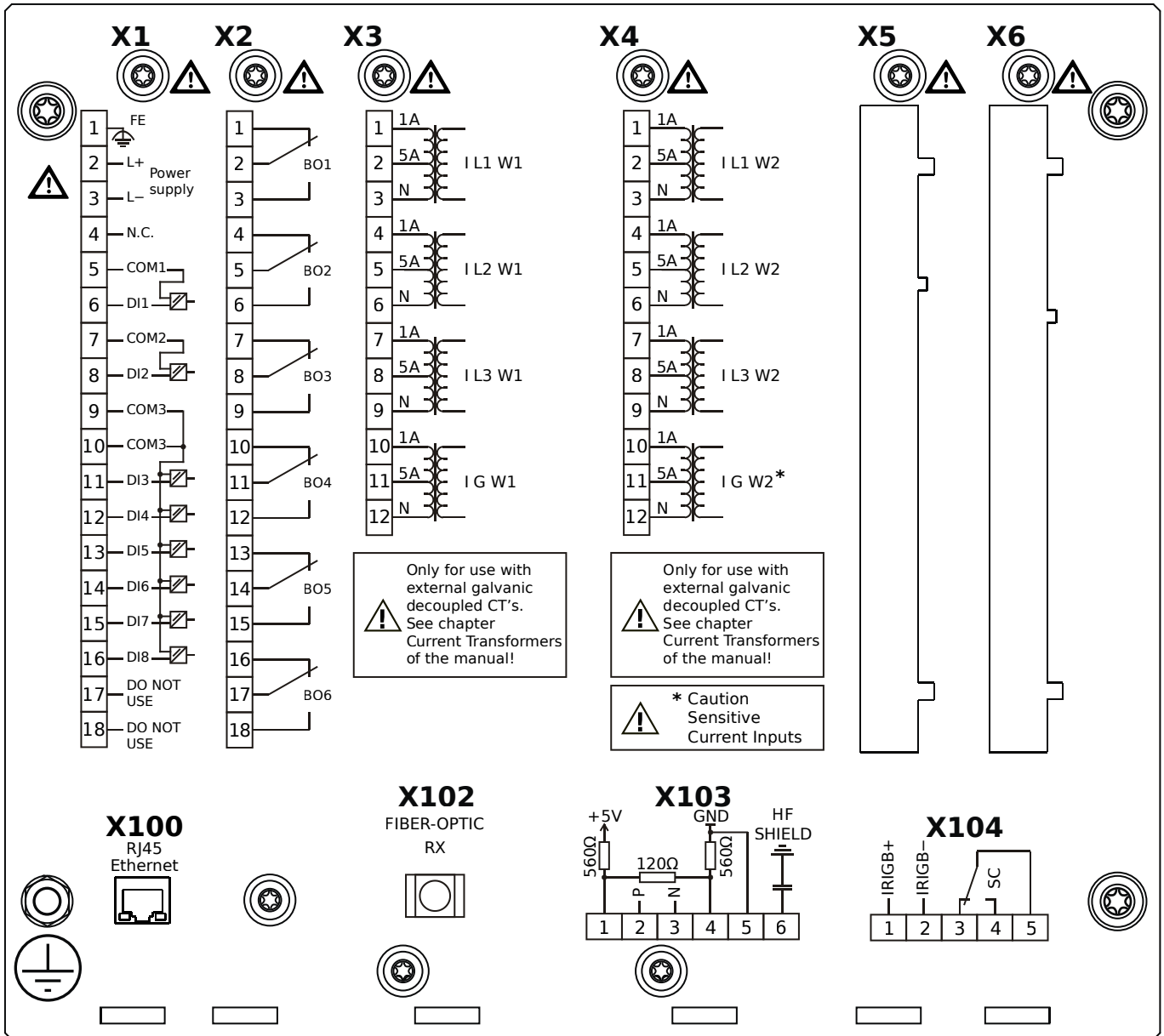
- X1** – DI8-X1: Wide-range power supply unit, incl. 2 non-grouped digital inputs and 6 grouped digital inputs
- X2** – OR-6: Assembly Group with 6 Relay Outputs
- X3** – TI-4: Standard current measuring card (for the winding side 1)
- X4** – TIs-4: Standard phase current measuring card and sensitive ground current measuring (winding side 2)
- X102** – Universal Resistance-Temperature Detector (URTD) input, Fiber optics interface, Versatile Link
- X103** – Modbus TCP / DNP3.0 TCP/UDP, Fiber optics interface, LC Connector
- X104** – IRIG-B00X, incl. System Contact (Supervision Contact)

MRDT4-2A2ALB



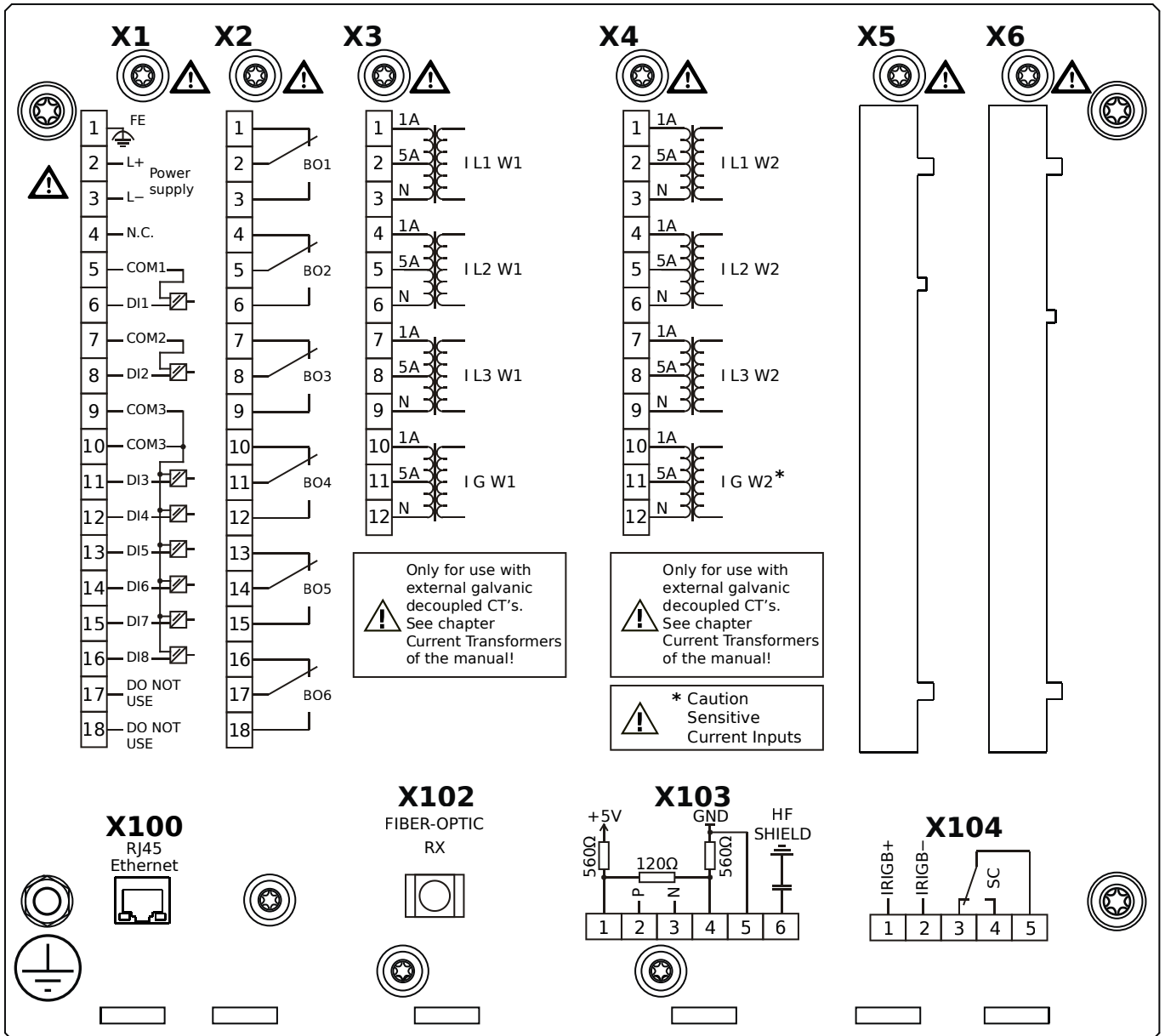
- X1** – DI8-X1: Wide-range power supply unit, incl. 2 non-grouped digital inputs and 6 grouped digital inputs
- X2** – OR-6: Assembly Group with 6 Relay Outputs
- X3** – TI-4: Standard current measuring card (for the winding side 1)
- X4** – TIs-4: Standard phase current measuring card and sensitive ground current measuring (winding side 2)
- X102** – Universal Resistance-Temperature Detector (URTD) input, Fiber optics interface, Versatile Link
- X103** – Modbus TCP / DNP3.0 TCP/UDP, Fiber optics interface, LC Connector
- X104** – IRIG-B00X, incl. System Contact (Supervision Contact)

MRDT4-2A2ATA



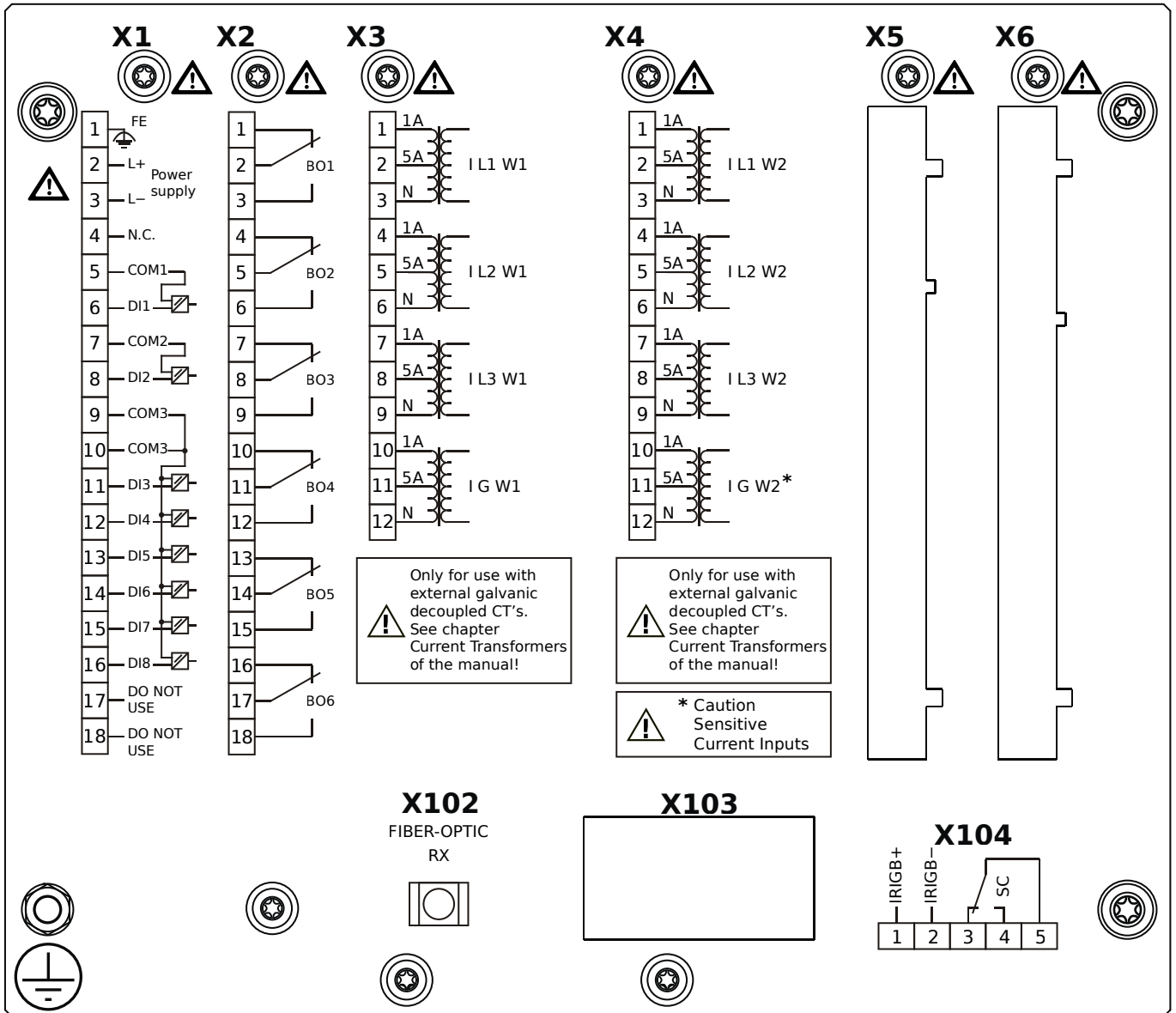
- X1** – DI8-X1: Wide-range power supply unit, incl. 2 non-grouped digital inputs and 6 grouped digital inputs
- X2** – OR-6: Assembly Group with 6 Relay Outputs
- X3** – TI-4: Standard current measuring card (for the winding side 1)
- X4** – TIs-4: Standard phase current measuring card and sensitive ground current measuring (winding side 2)
- X100** – IEC 61850 / Modbus TCP / DNP3.0 TCP/UDP, Ethernet interface, 100 Mbit/s, RJ45 (BASE100-FX)
- X102** – Universal Resistance-Temperature Detector (URTD) input, Fiber optics interface, Versatile Link
- X103** – IEC 60870-5-103 / Modbus RTU / DNP3.0 RTU, RS485, Terminals
- X104** – IRIG-B00X, incl. System Contact (Supervision Contact)

MRDT4-2A2ATB



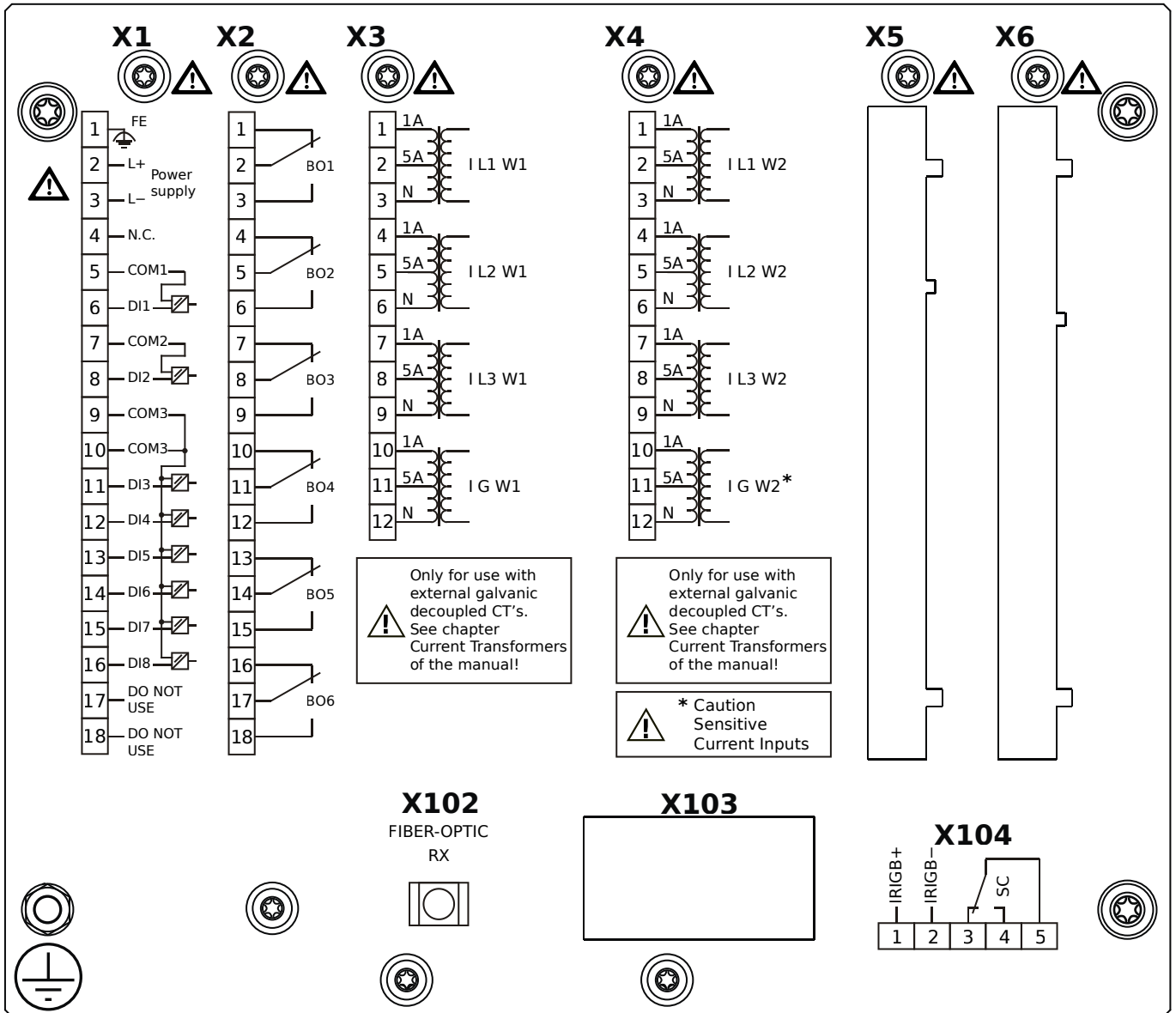
- X1** – DI8-X1: Wide-range power supply unit, incl. 2 non-grouped digital inputs and 6 grouped digital inputs
- X2** – OR-6: Assembly Group with 6 Relay Outputs
- X3** – TI-4: Standard current measuring card (for the winding side 1)
- X4** – TIs-4: Standard phase current measuring card and sensitive ground current measuring (winding side 2)
- X100** – IEC 61850 / Modbus TCP / DNP3.0 TCP/UDP, Ethernet interface, 100 Mbit/s, RJ45 (BASE100-FX)
- X102** – Universal Resistance-Temperature Detector (URTD) input, Fiber optics interface, Versatile Link
- X103** – IEC 60870-5-103 / Modbus RTU / DNP3.0 RTU, RS485, Terminals
- X104** – IRIG-B00X, incl. System Contact (Supervision Contact)

MRDT4-2A2BAA



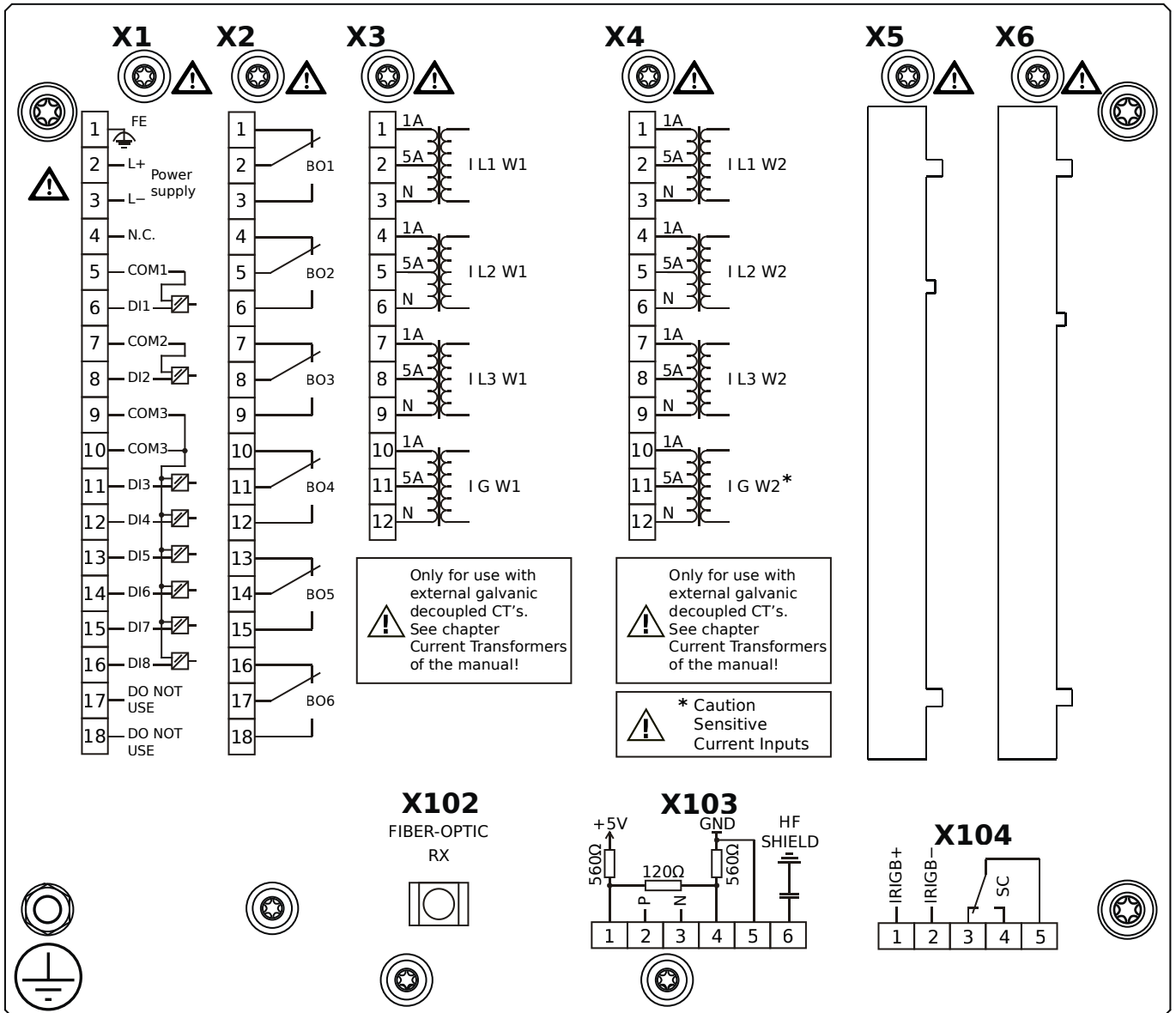
- X1** – DI8-X1: Wide-range power supply unit, incl. 2 non-grouped digital inputs and 6 grouped digital inputs
- X2** – OR-6: Assembly Group with 6 Relay Outputs
- X3** – TI-4: Standard current measuring card (for the winding side 1)
- X4** – TIs-4: Standard phase current measuring card and sensitive ground current measuring (winding side 2)
- X102** – Universal Resistance-Temperature Detector (URTD) input, Fiber optics interface, Versatile Link
- X104** – IRIG-B00X, incl. System Contact (Supervision Contact)

MRDT4-2A2BAB



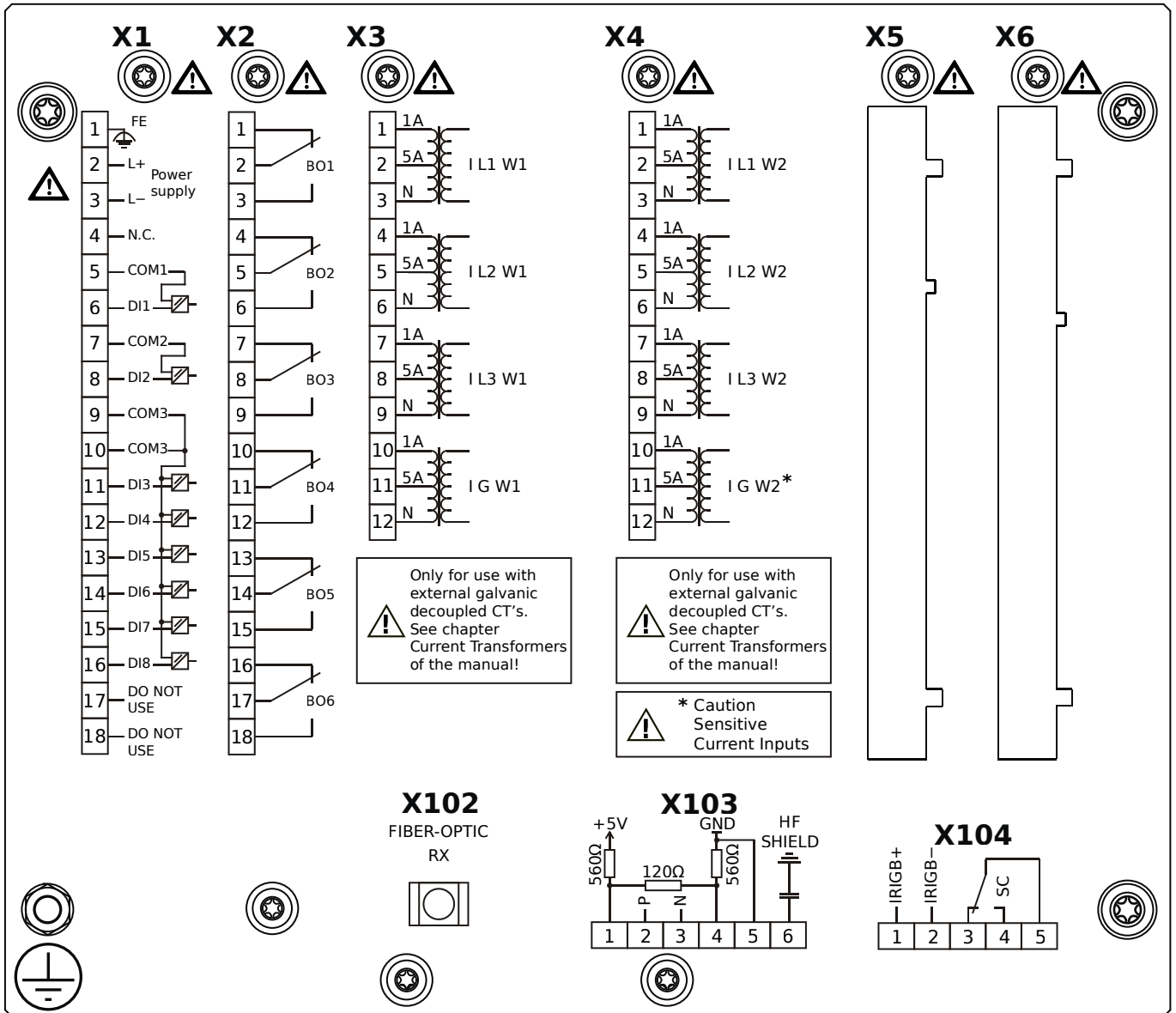
- X1** – DI8-X1: Wide-range power supply unit, incl. 2 non-grouped digital inputs and 6 grouped digital inputs
- X2** – OR-6: Assembly Group with 6 Relay Outputs
- X3** – TI-4: Standard current measuring card (for the winding side 1)
- X4** – TIs-4: Standard phase current measuring card and sensitive ground current measuring (winding side 2)
- X102** – Universal Resistance-Temperature Detector (URTD) input, Fiber optics interface, Versatile Link
- X104** – IRIG-B00X, incl. System Contact (Supervision Contact)

MRDT4-2A2BBA



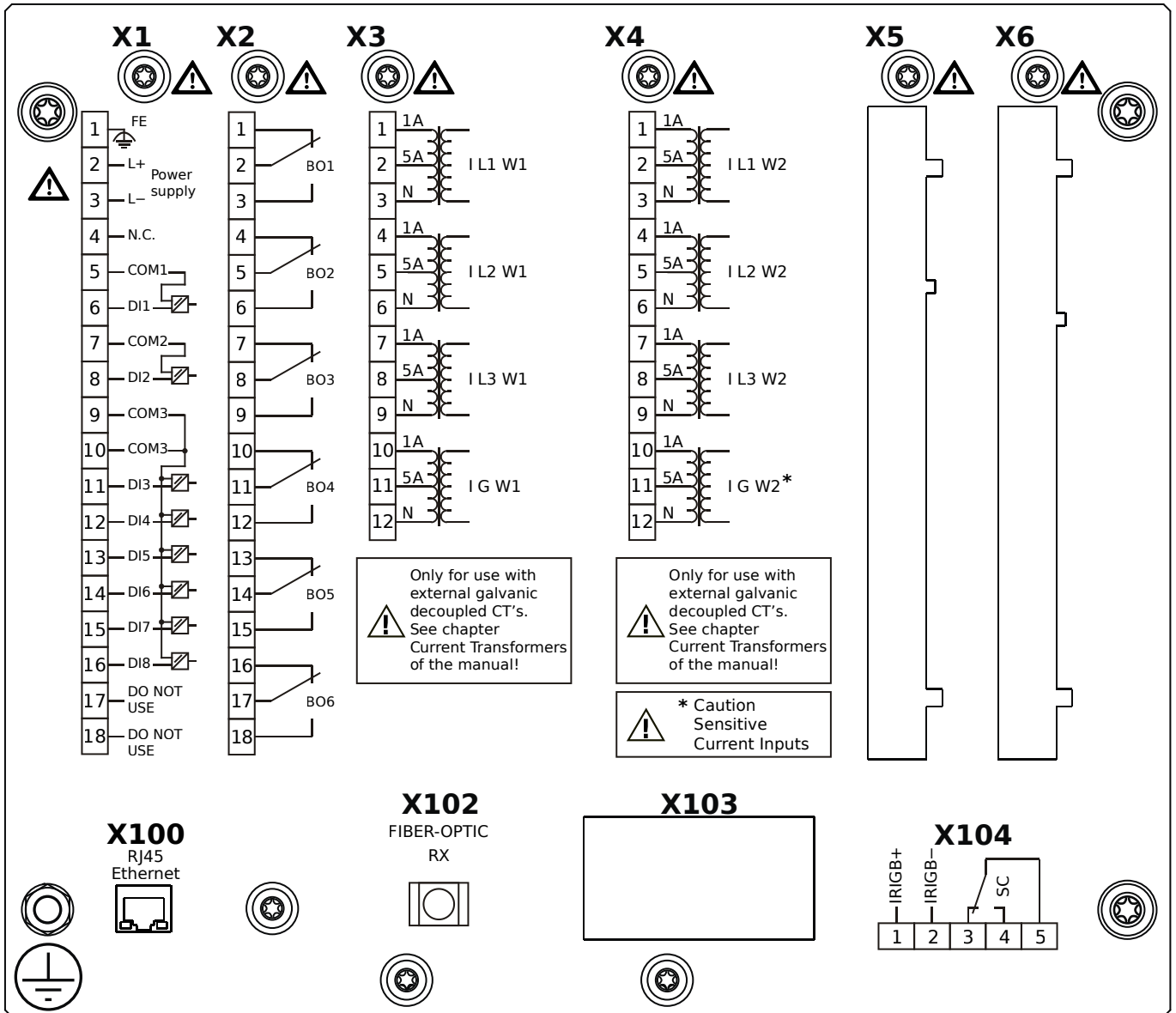
- X1** – DI8-X1: Wide-range power supply unit, incl. 2 non-grouped digital inputs and 6 grouped digital inputs
- X2** – OR-6: Assembly Group with 6 Relay Outputs
- X3** – TI-4: Standard current measuring card (for the winding side 1)
- X4** – TIs-4: Standard phase current measuring card and sensitive ground current measuring (winding side 2)
- X102** – Universal Resistance-Temperature Detector (URTD) input, Fiber optics interface, Versatile Link
- X103** – Modbus RTU / IEC 60870-5-103 / DNP3.0 RTU, RS485, Terminals
- X104** – IRIG-B00X, incl. System Contact (Supervision Contact)

MRDT4-2A2BBB



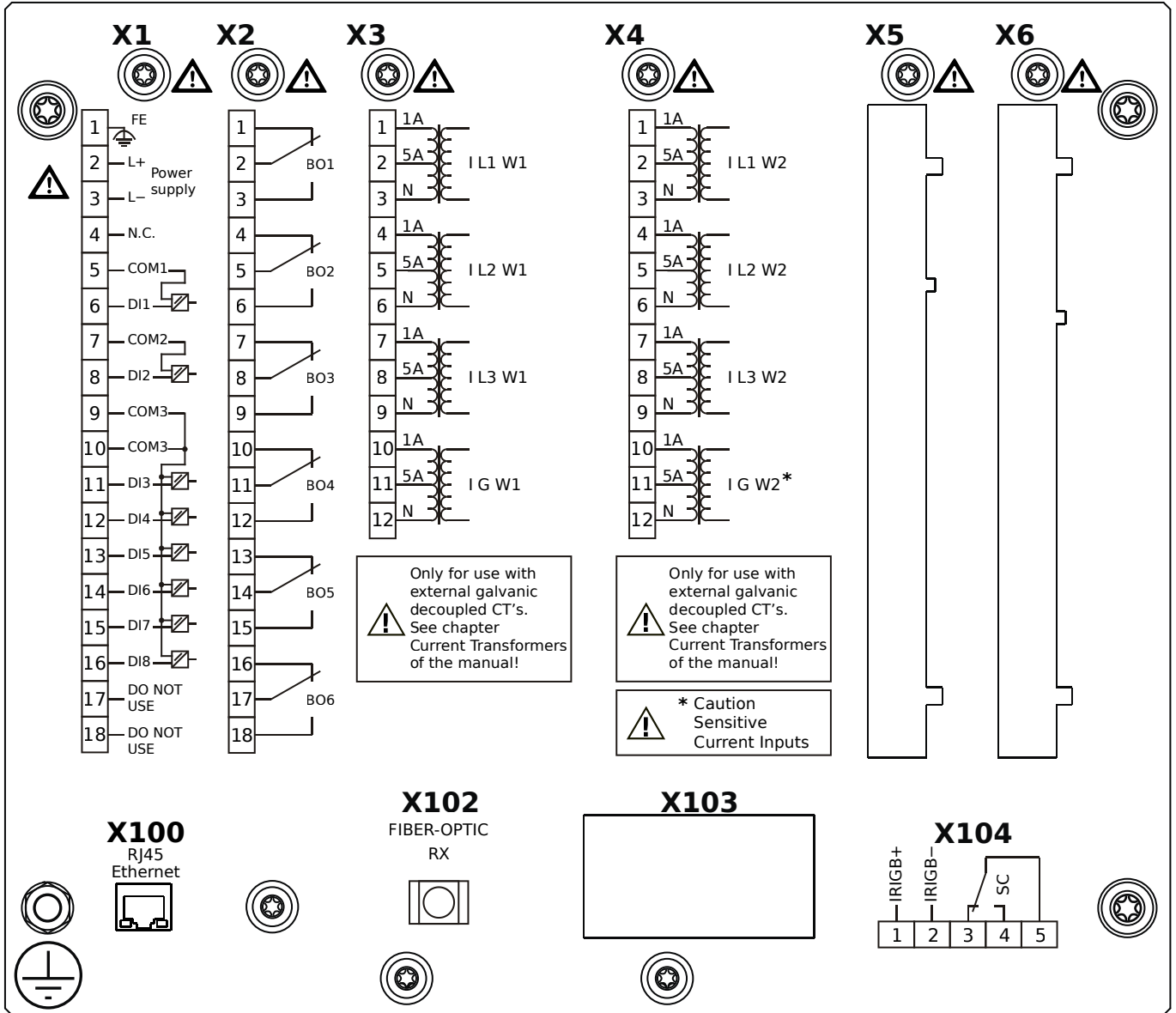
- X1** – DI8-X1: Wide-range power supply unit, incl. 2 non-grouped digital inputs and 6 grouped digital inputs
- X2** – OR-6: Assembly Group with 6 Relay Outputs
- X3** – TI-4: Standard current measuring card (for the winding side 1)
- X4** – TIs-4: Standard phase current measuring card and sensitive ground current measuring (winding side 2)
- X102** – Universal Resistance-Temperature Detector (URTD) input, Fiber optics interface, Versatile Link
- X103** – Modbus RTU / IEC 60870-5-103 / DNP3.0 RTU, RS485, Terminals
- X104** – IRIG-B00X, incl. System Contact (Supervision Contact)

MRDT4-2A2BCA



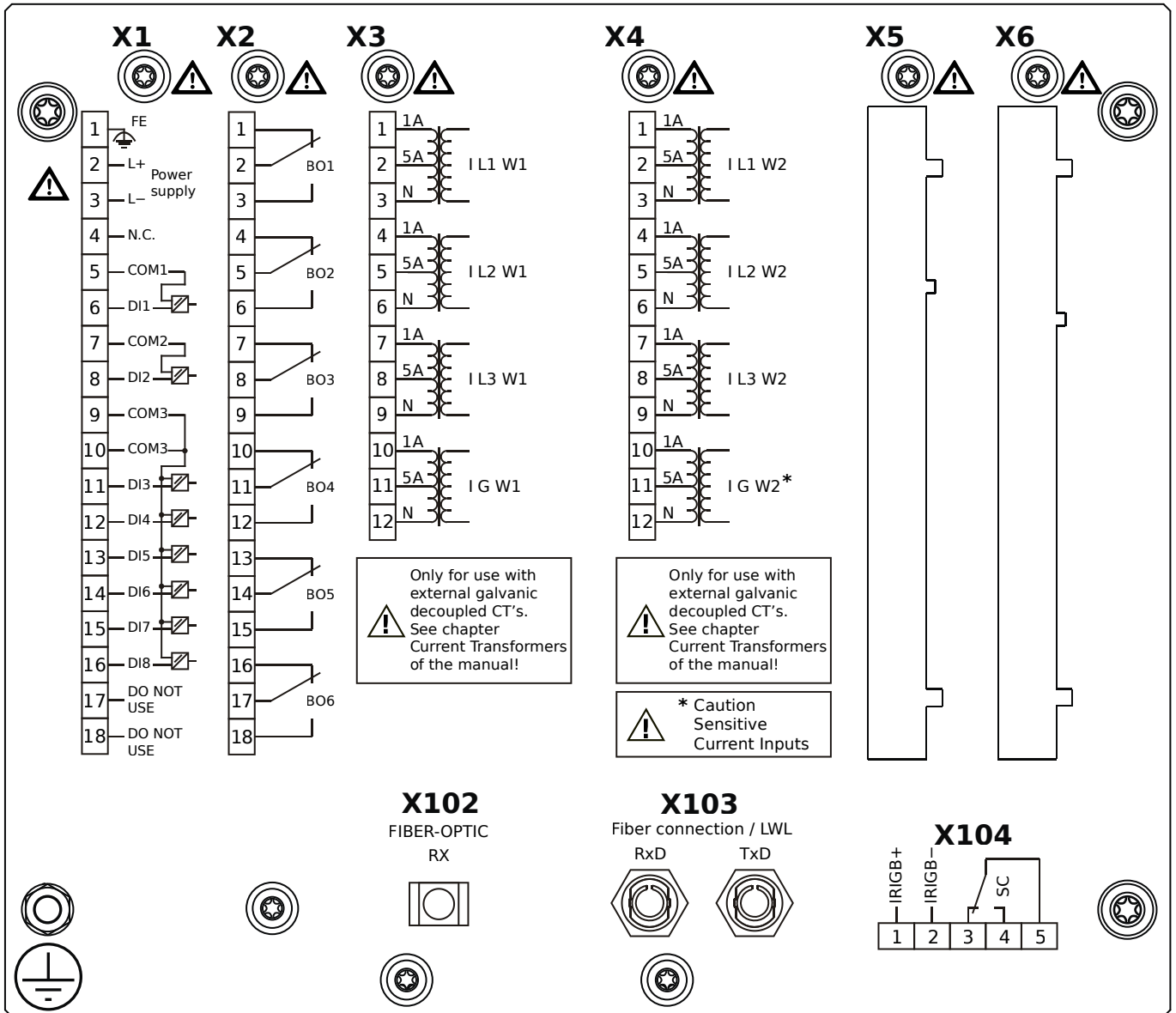
- X1** – DI8-X1: Wide-range power supply unit, incl. 2 non-grouped digital inputs and 6 grouped digital inputs
- X2** – OR-6: Assembly Group with 6 Relay Outputs
- X3** – TI-4: Standard current measuring card (for the winding side 1)
- X4** – TIs-4: Standard phase current measuring card and sensitive ground current measuring (winding side 2)
- X100** – Modbus TCP / DNP3.0 TCP/UDP, Ethernet interface, 100 Mbit/s, RJ45 (BASE100-FX)
- X102** – Universal Resistance-Temperature Detector (URTD) input, Fiber optics interface, Versatile Link
- X104** – IRIG-B00X, incl. System Contact (Supervision Contact)

MRDT4-2A2BCB



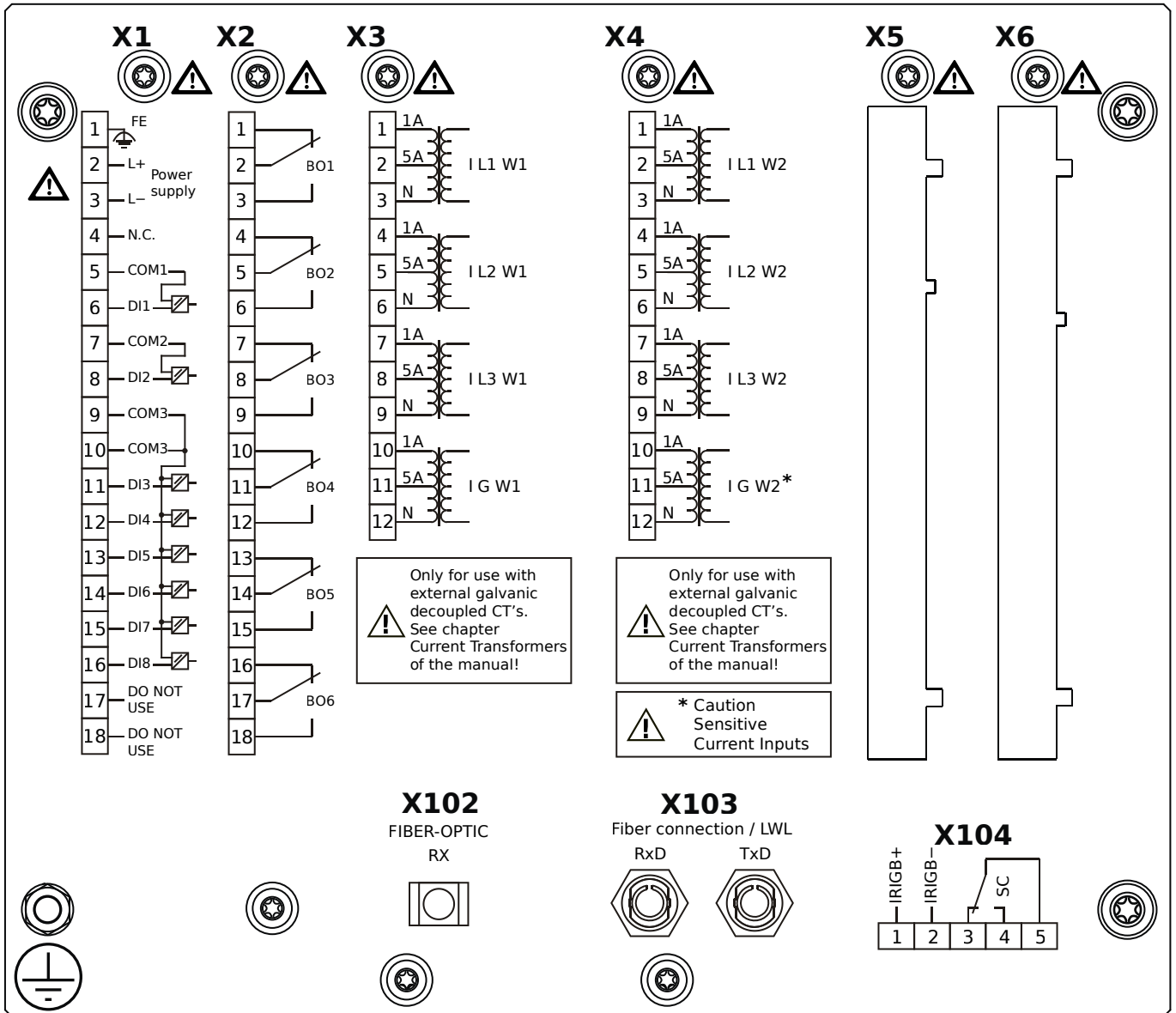
- X1** – DI8-X1: Wide-range power supply unit, incl. 2 non-grouped digital inputs and 6 grouped digital inputs
- X2** – OR-6: Assembly Group with 6 Relay Outputs
- X3** – TI-4: Standard current measuring card (for the winding side 1)
- X4** – TIs-4: Standard phase current measuring card and sensitive ground current measuring (winding side 2)
- X100** – Modbus TCP / DNP3.0 TCP/UDP, Ethernet interface, 100 Mbit/s, RJ45 (BASE100-FX)
- X102** – Universal Resistance-Temperature Detector (URTD) input, Fiber optics interface, Versatile Link
- X104** – IRIG-B00X, incl. System Contact (Supervision Contact)

MRDT4-2A2BDA



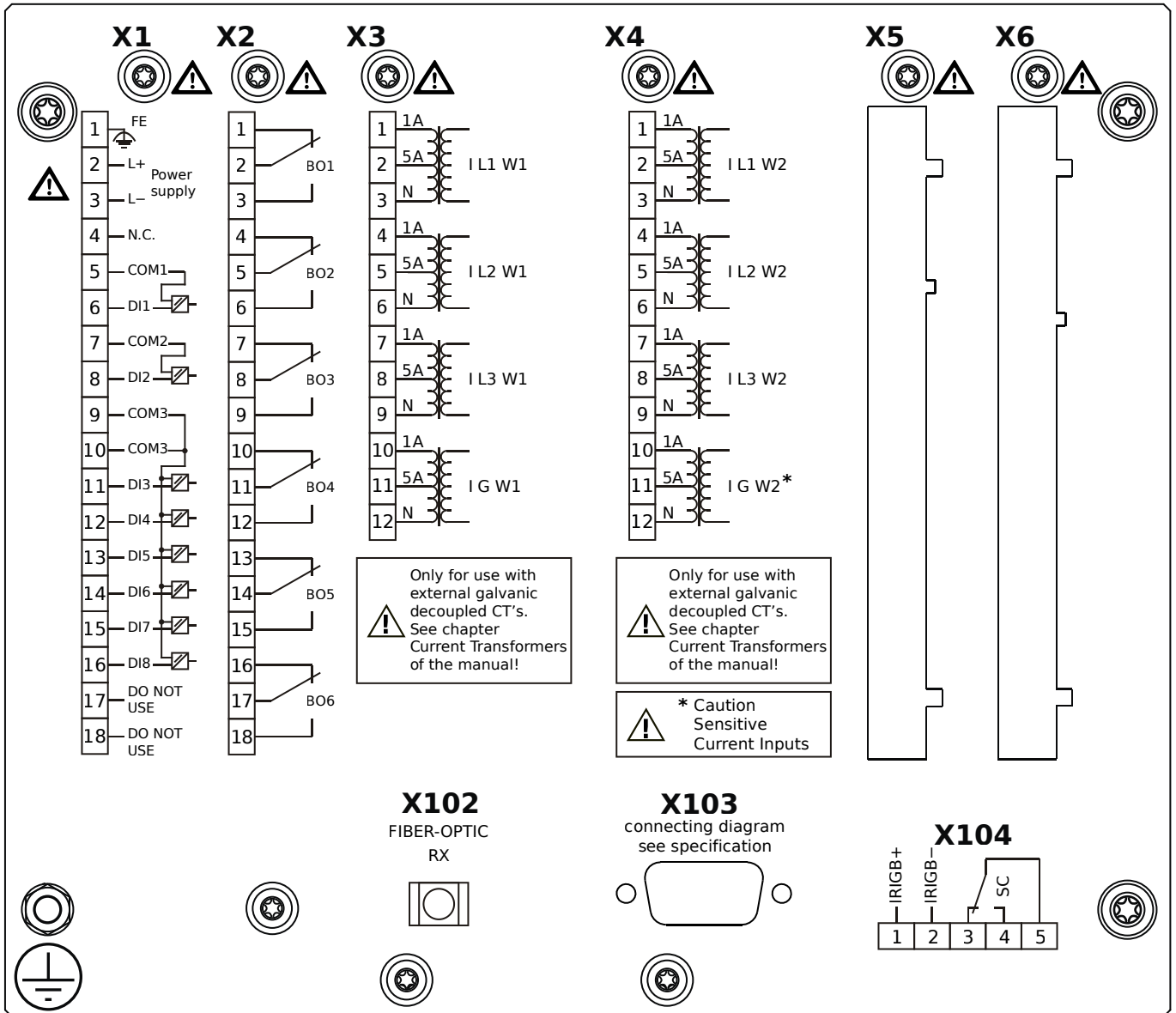
- X1** – DI8-X1: Wide-range power supply unit, incl. 2 non-grouped digital inputs and 6 grouped digital inputs
- X2** – OR-6: Assembly Group with 6 Relay Outputs
- X3** – TI-4: Standard current measuring card (for the winding side 1)
- X4** – TIs-4: Standard phase current measuring card and sensitive ground current measuring (winding side 2)
- X102** – Universal Resistance-Temperature Detector (URTD) input, Fiber optics interface, Versatile Link
- X103** – Profibus-DP, Fiber optics interface, ST Connector
- X104** – IRIG-B00X, incl. System Contact (Supervision Contact)

MRDT4-2A2BDB



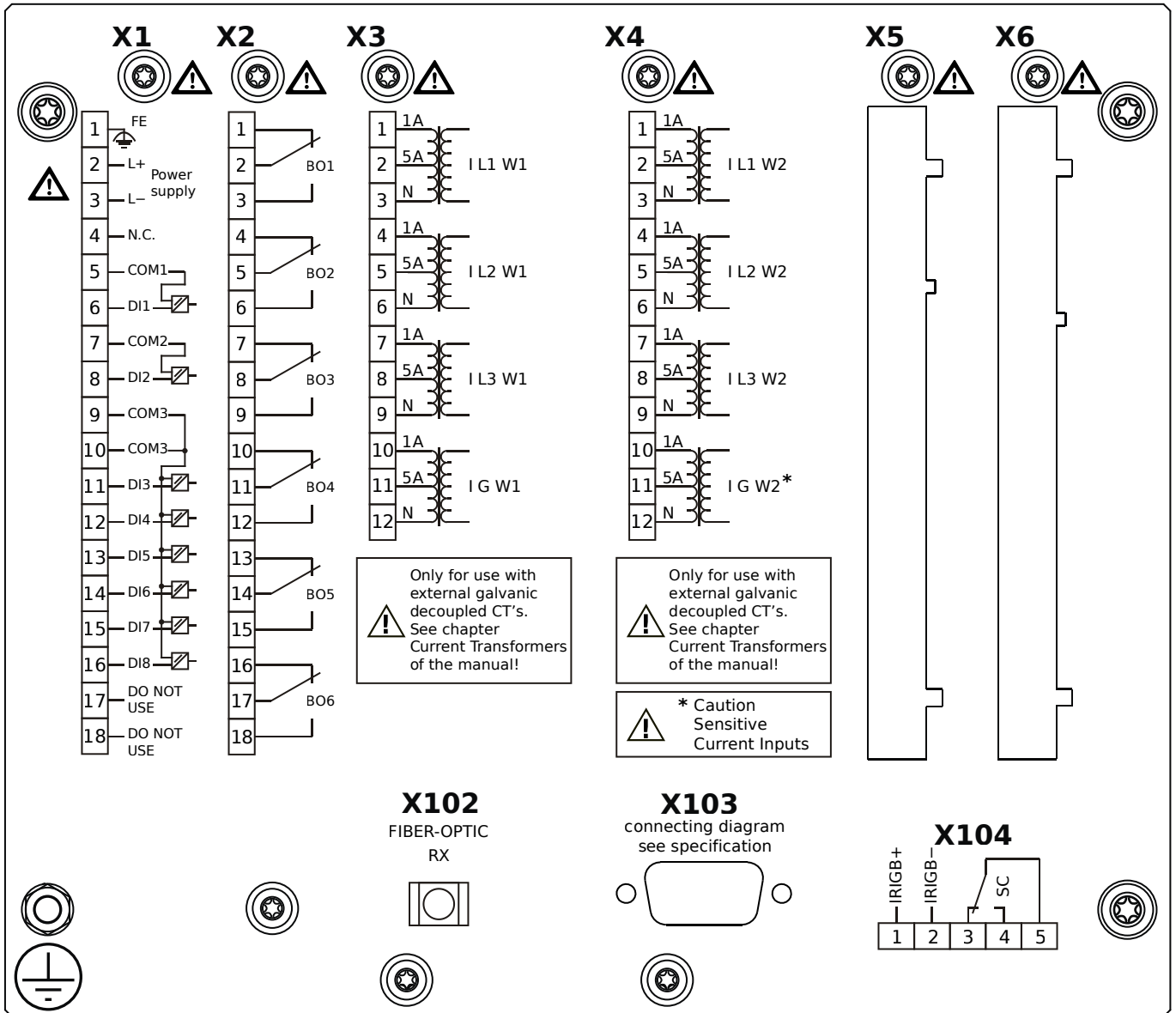
- X1** – DI8-X1: Wide-range power supply unit, incl. 2 non-grouped digital inputs and 6 grouped digital inputs
- X2** – OR-6: Assembly Group with 6 Relay Outputs
- X3** – TI-4: Standard current measuring card (for the winding side 1)
- X4** – TIs-4: Standard phase current measuring card and sensitive ground current measuring (winding side 2)
- X102** – Universal Resistance-Temperature Detector (URTD) input, Fiber optics interface, Versatile Link
- X103** – Profibus-DP, Fiber optics interface, ST Connector
- X104** – IRIG-B00X, incl. System Contact (Supervision Contact)

MRDT4-2A2BEA



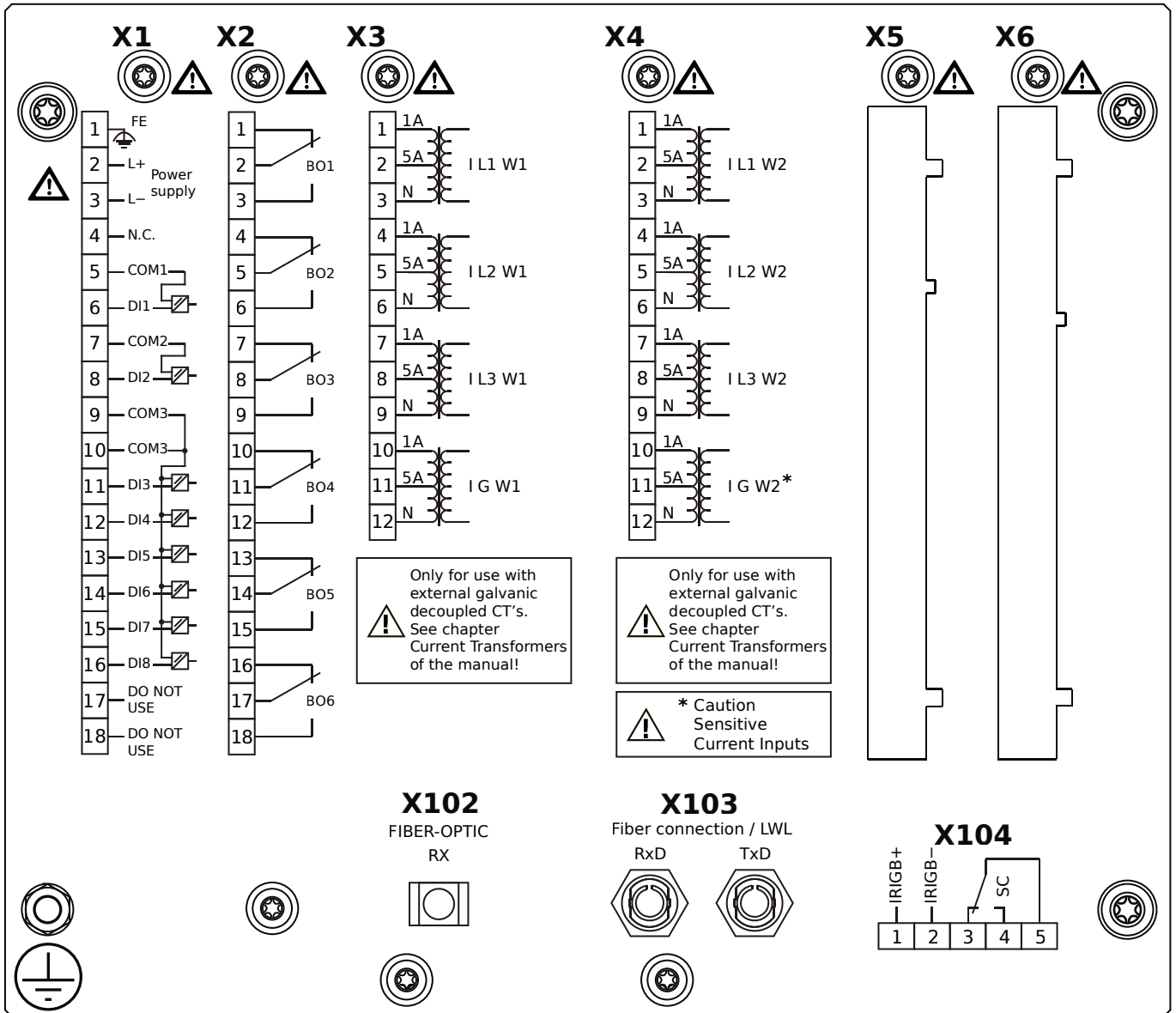
- X1** – DI8-X1: Wide-range power supply unit, incl. 2 non-grouped digital inputs and 6 grouped digital inputs
- X2** – OR-6: Assembly Group with 6 Relay Outputs
- X3** – TI-4: Standard current measuring card (for the winding side 1)
- X4** – TIs-4: Standard phase current measuring card and sensitive ground current measuring (winding side 2)
- X102** – Universal Resistance-Temperature Detector (URTD) input, Fiber optics interface, Versatile Link
- X103** – Profibus-DP, RS485, D-SUB
- X104** – IRIG-B00X, incl. System Contact (Supervision Contact)

MRDT4-2A2BEB



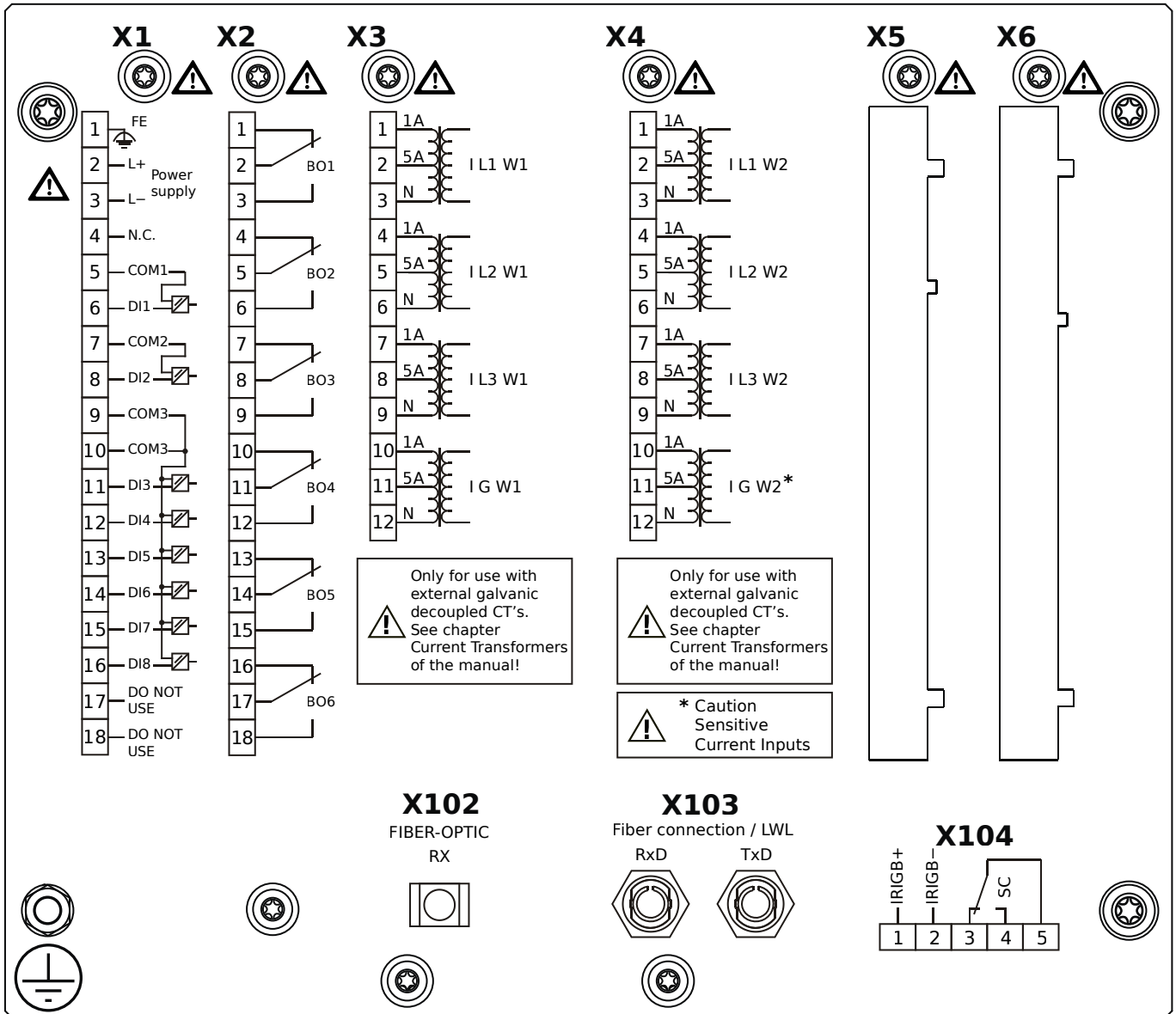
- X1** – DI8-X1: Wide-range power supply unit, incl. 2 non-grouped digital inputs and 6 grouped digital inputs
- X2** – OR-6: Assembly Group with 6 Relay Outputs
- X3** – TI-4: Standard current measuring card (for the winding side 1)
- X4** – TIs-4: Standard phase current measuring card and sensitive ground current measuring (winding side 2)
- X102** – Universal Resistance-Temperature Detector (URTD) input, Fiber optics interface, Versatile Link
- X103** – Profibus-DP, RS485, D-SUB
- X104** – IRIG-B00X, incl. System Contact (Supervision Contact)

MRDT4-2A2BFA



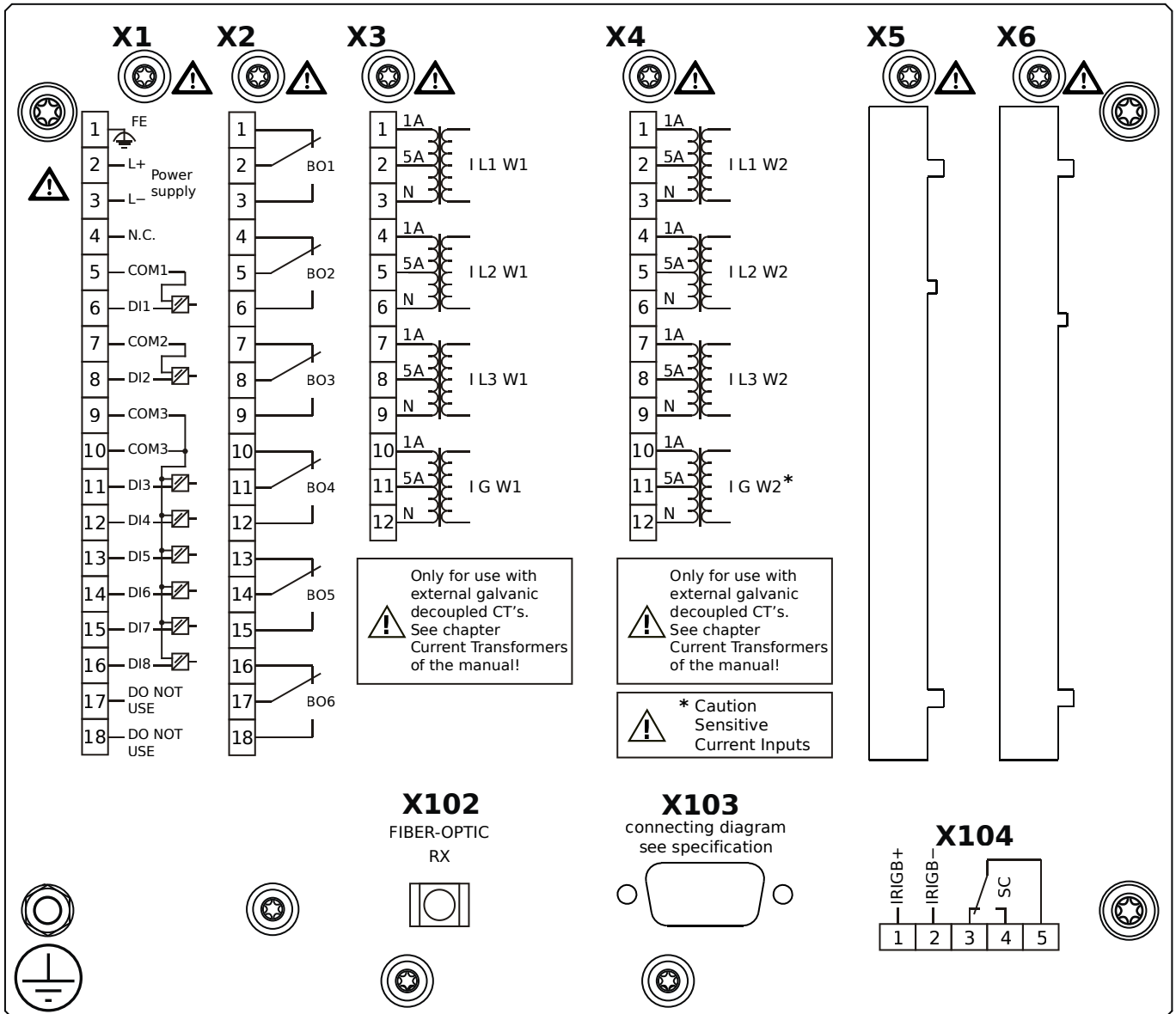
- X1** – DI8-X1: Wide-range power supply unit, incl. 2 non-grouped digital inputs and 6 grouped digital inputs
- X2** – OR-6: Assembly Group with 6 Relay Outputs
- X3** – TI-4: Standard current measuring card (for the winding side 1)
- X4** – TIs-4: Standard phase current measuring card and sensitive ground current measuring (winding side 2)
- X102** – Universal Resistance-Temperature Detector (URTD) input, Fiber optics interface, Versatile Link
- X103** – Modbus RTU / IEC 60870-5-103 / DNP3.0 RTU, Fiber optics interface, ST Connector
- X104** – IRIG-B00X, incl. System Contact (Supervision Contact)

MRDT4-2A2BFB



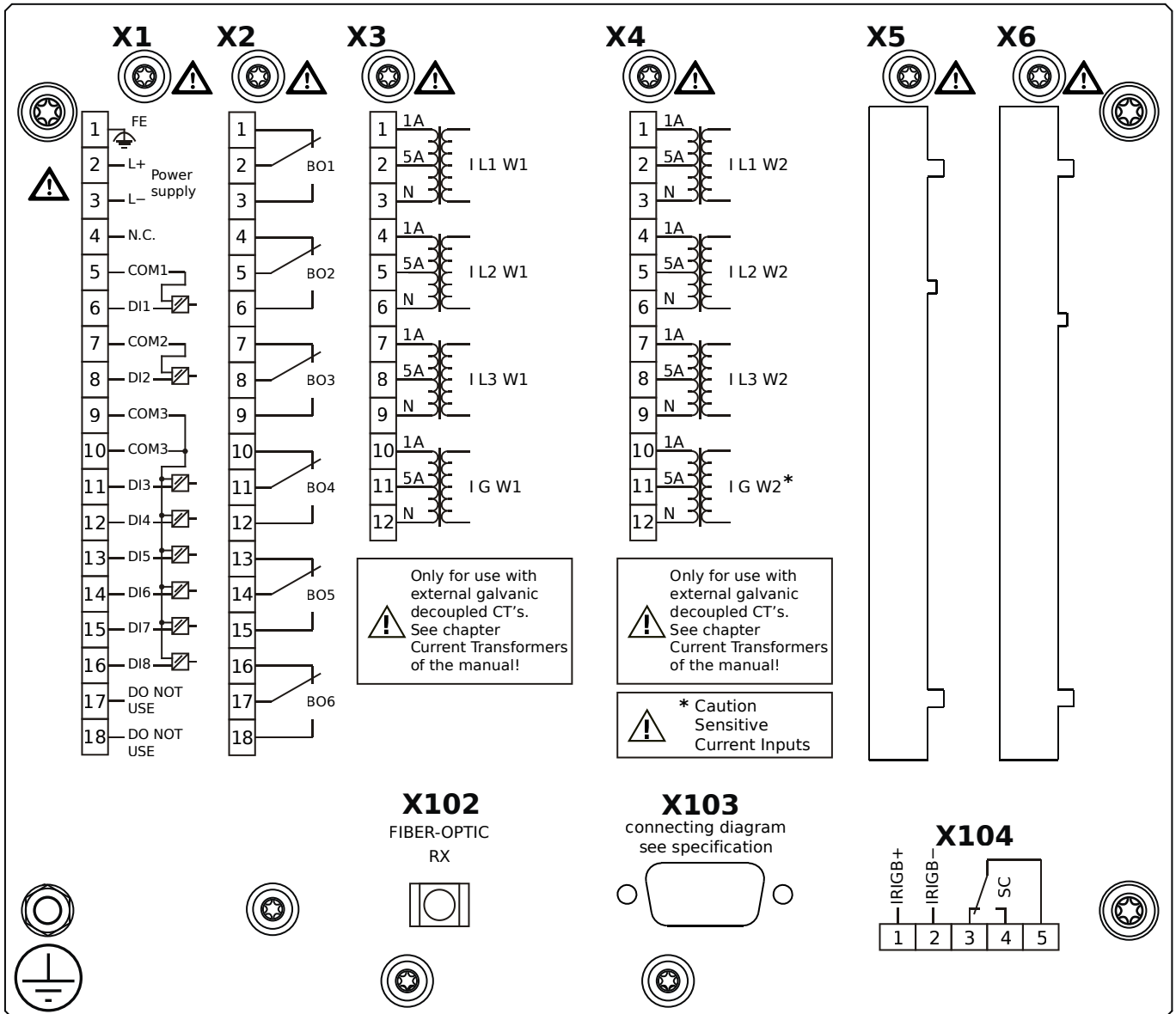
- X1** – DI8-X1: Wide-range power supply unit, incl. 2 non-grouped digital inputs and 6 grouped digital inputs
- X2** – OR-6: Assembly Group with 6 Relay Outputs
- X3** – TI-4: Standard current measuring card (for the winding side 1)
- X4** – TIs-4: Standard phase current measuring card and sensitive ground current measuring (winding side 2)
- X102** – Universal Resistance-Temperature Detector (URTD) input, Fiber optics interface, Versatile Link
- X103** – Modbus RTU / IEC 60870-5-103 / DNP3.0 RTU, Fiber optics interface, ST Connector
- X104** – IRIG-B00X, incl. System Contact (Supervision Contact)

MRDT4-2A2BGA



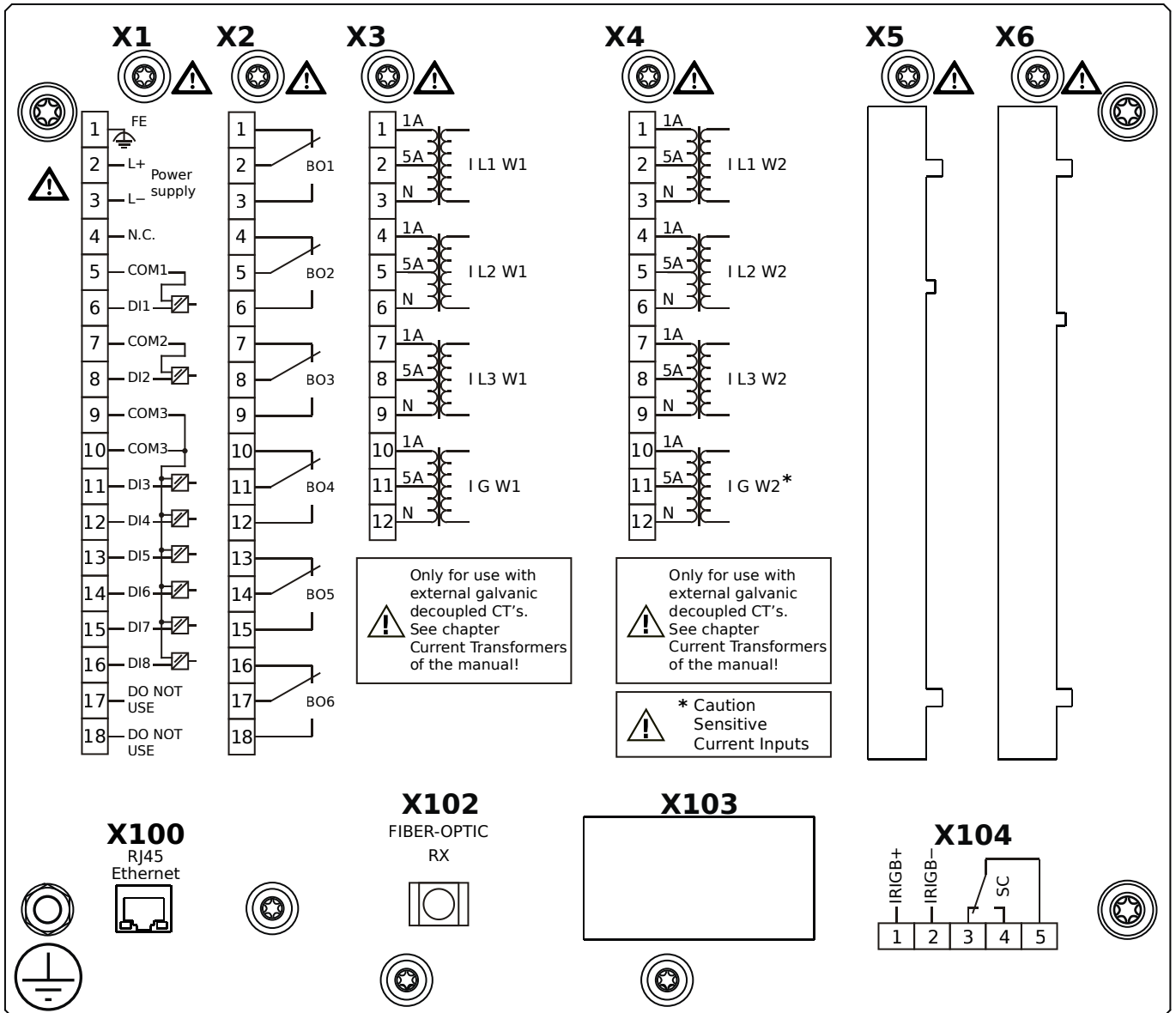
- X1** – DI8-X1: Wide-range power supply unit, incl. 2 non-grouped digital inputs and 6 grouped digital inputs
- X2** – OR-6: Assembly Group with 6 Relay Outputs
- X3** – TI-4: Standard current measuring card (for the winding side 1)
- X4** – TIs-4: Standard phase current measuring card and sensitive ground current measuring (winding side 2)
- X102** – Universal Resistance-Temperature Detector (URTD) input, Fiber optics interface, Versatile Link
- X103** – Modbus RTU / IEC 60870-5-103 / DNP3.0 RTU, RS485, D-SUB
- X104** – IRIG-B00X, incl. System Contact (Supervision Contact)

MRDT4-2A2BGB



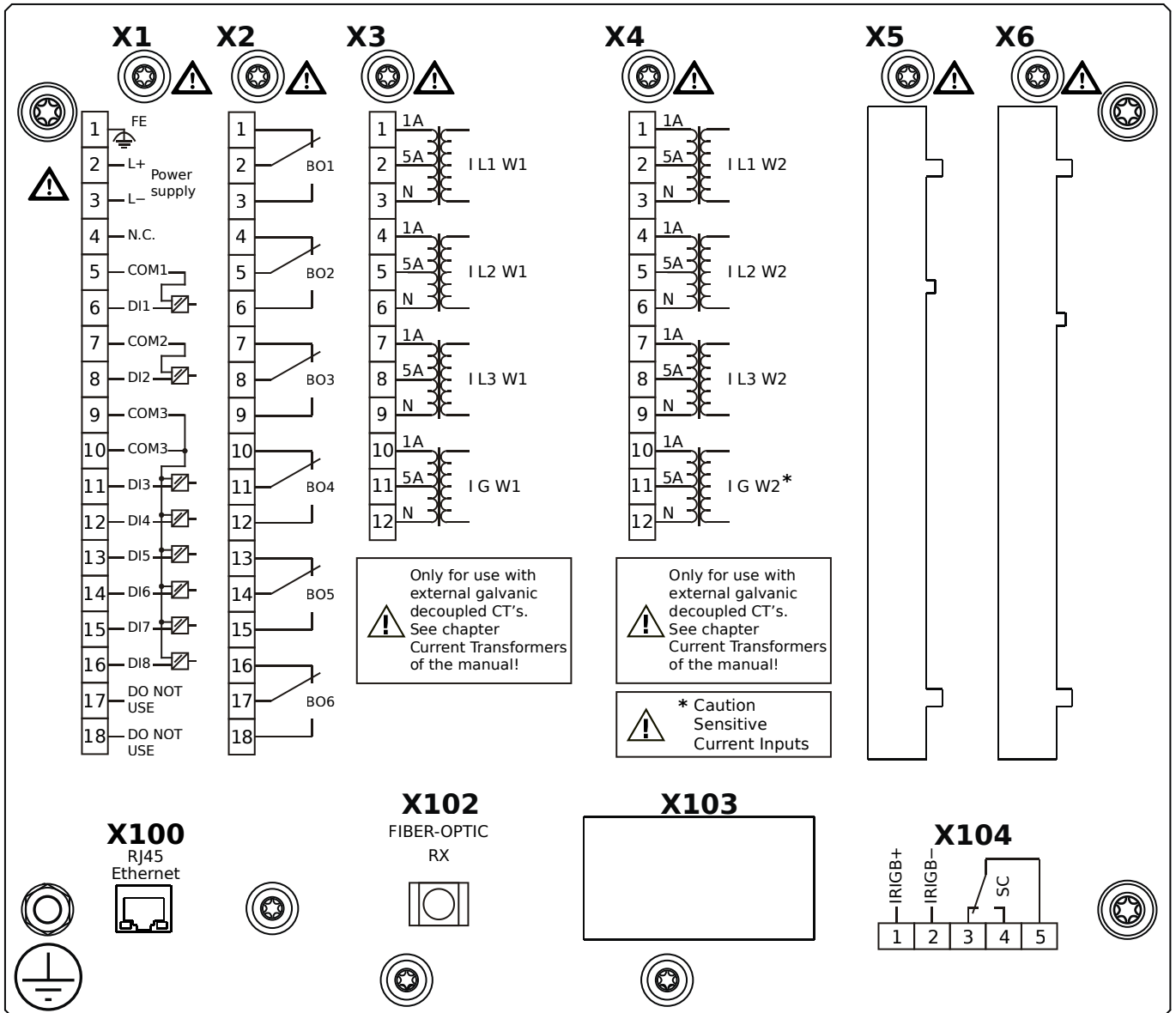
- X1** – DI8-X1: Wide-range power supply unit, incl. 2 non-grouped digital inputs and 6 grouped digital inputs
- X2** – OR-6: Assembly Group with 6 Relay Outputs
- X3** – TI-4: Standard current measuring card (for the winding side 1)
- X4** – TIs-4: Standard phase current measuring card and sensitive ground current measuring (winding side 2)
- X102** – Universal Resistance-Temperature Detector (URTD) input, Fiber optics interface, Versatile Link
- X103** – Modbus RTU / IEC 60870-5-103 / DNP3.0 RTU, RS485, D-SUB
- X104** – IRIG-B00X, incl. System Contact (Supervision Contact)

MRDT4-2A2BHA



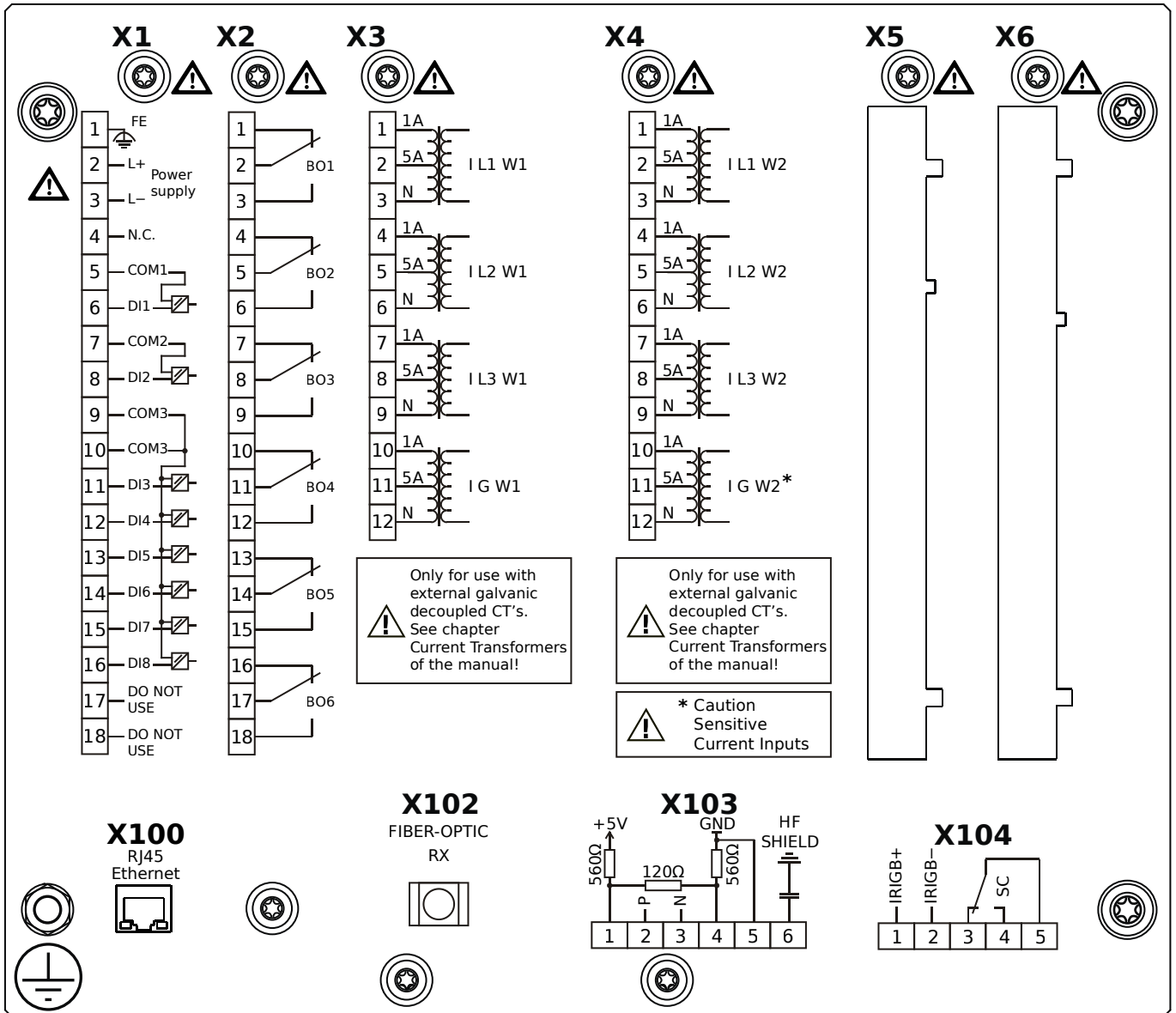
- X1** – DI8-X1: Wide-range power supply unit, incl. 2 non-grouped digital inputs and 6 grouped digital inputs
- X2** – OR-6: Assembly Group with 6 Relay Outputs
- X3** – TI-4: Standard current measuring card (for the winding side 1)
- X4** – TIs-4: Standard phase current measuring card and sensitive ground current measuring (winding side 2)
- X100** – IEC 61850 / Modbus TCP / DNP3.0 TCP/UDP, Ethernet interface, 100 Mbit/s, RJ45 (BASE100-FX)
- X102** – Universal Resistance-Temperature Detector (URTD) input, Fiber optics interface, Versatile Link
- X104** – IRIG-B00X, incl. System Contact (Supervision Contact)

MRDT4-2A2BHB



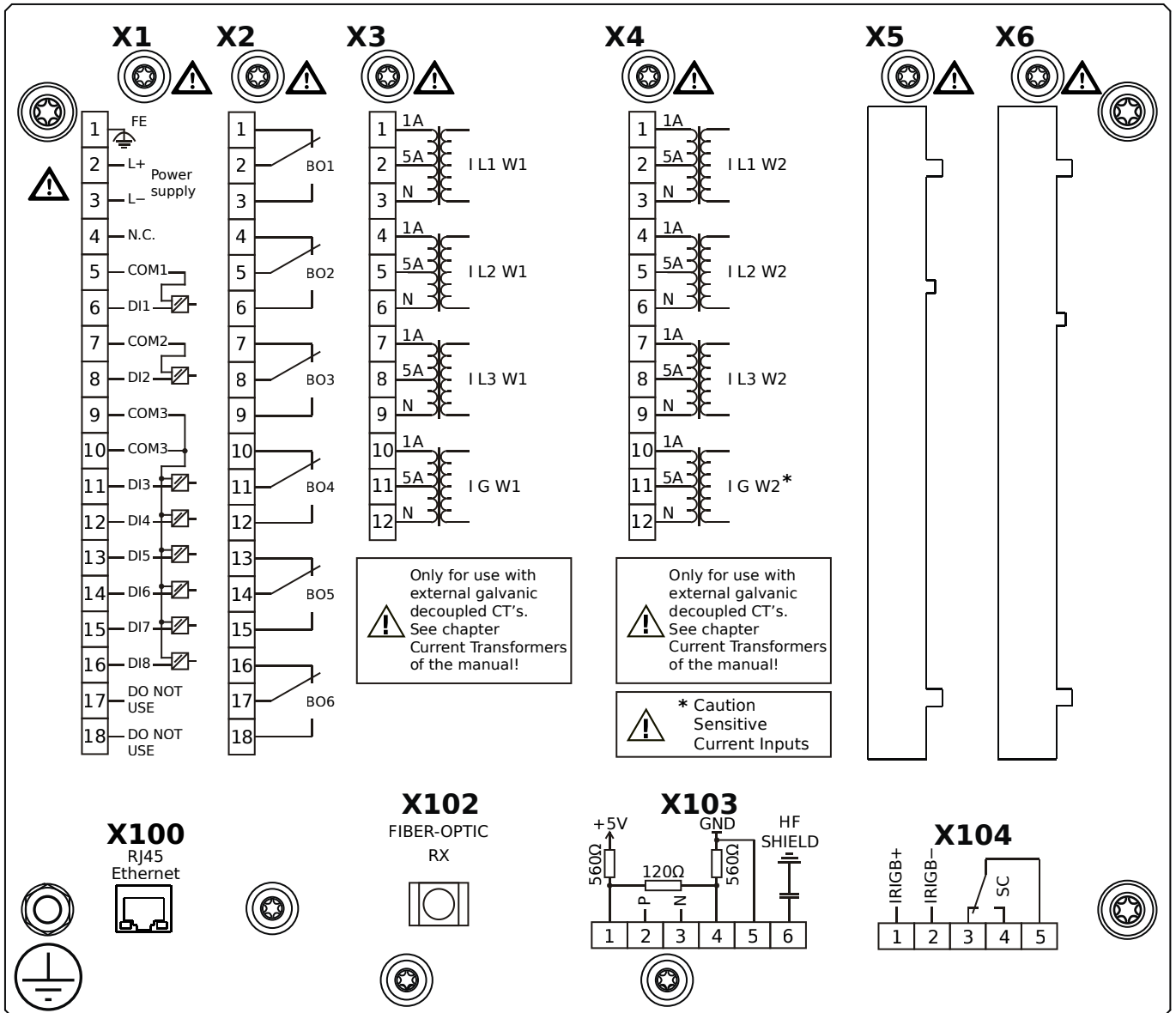
- X1** – DI8-X1: Wide-range power supply unit, incl. 2 non-grouped digital inputs and 6 grouped digital inputs
- X2** – OR-6: Assembly Group with 6 Relay Outputs
- X3** – TI-4: Standard current measuring card (for the winding side 1)
- X4** – TIs-4: Standard phase current measuring card and sensitive ground current measuring (winding side 2)
- X100** – IEC 61850 / Modbus TCP / DNP3.0 TCP/UDP, Ethernet interface, 100 Mbit/s, RJ45 (BASE100-FX)
- X102** – Universal Resistance-Temperature Detector (URTD) input, Fiber optics interface, Versatile Link
- X104** – IRIG-B00X, incl. System Contact (Supervision Contact)

MRDT4-2A2BIA



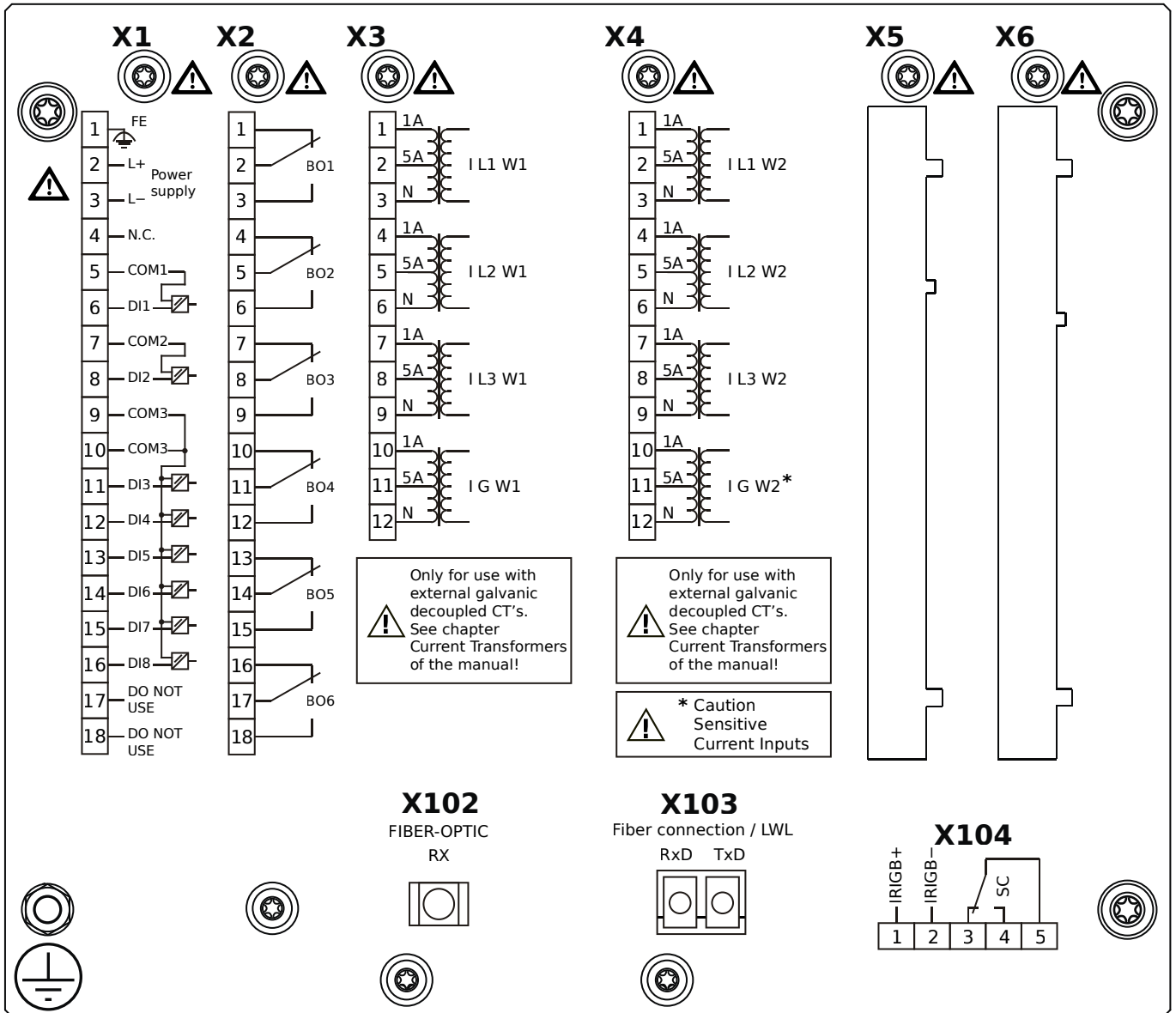
- X1** – DI8-X1: Wide-range power supply unit, incl. 2 non-grouped digital inputs and 6 grouped digital inputs
- X2** – OR-6: Assembly Group with 6 Relay Outputs
- X3** – TI-4: Standard current measuring card (for the winding side 1)
- X4** – TIs-4: Standard phase current measuring card and sensitive ground current measuring (winding side 2)
- X100** – Modbus TCP / DNP3.0 TCP/UDP, Ethernet interface, 100 Mbit/s, RJ45 (BASE100-FX)
- X102** – Universal Resistance-Temperature Detector (URTD) input, Fiber optics interface, Versatile Link
- X103** – IEC 60870-5-103 / Modbus RTU / DNP3.0 RTU, RS485, Terminals
- X104** – IRIG-B00X, incl. System Contact (Supervision Contact)

MRDT4-2A2BIB



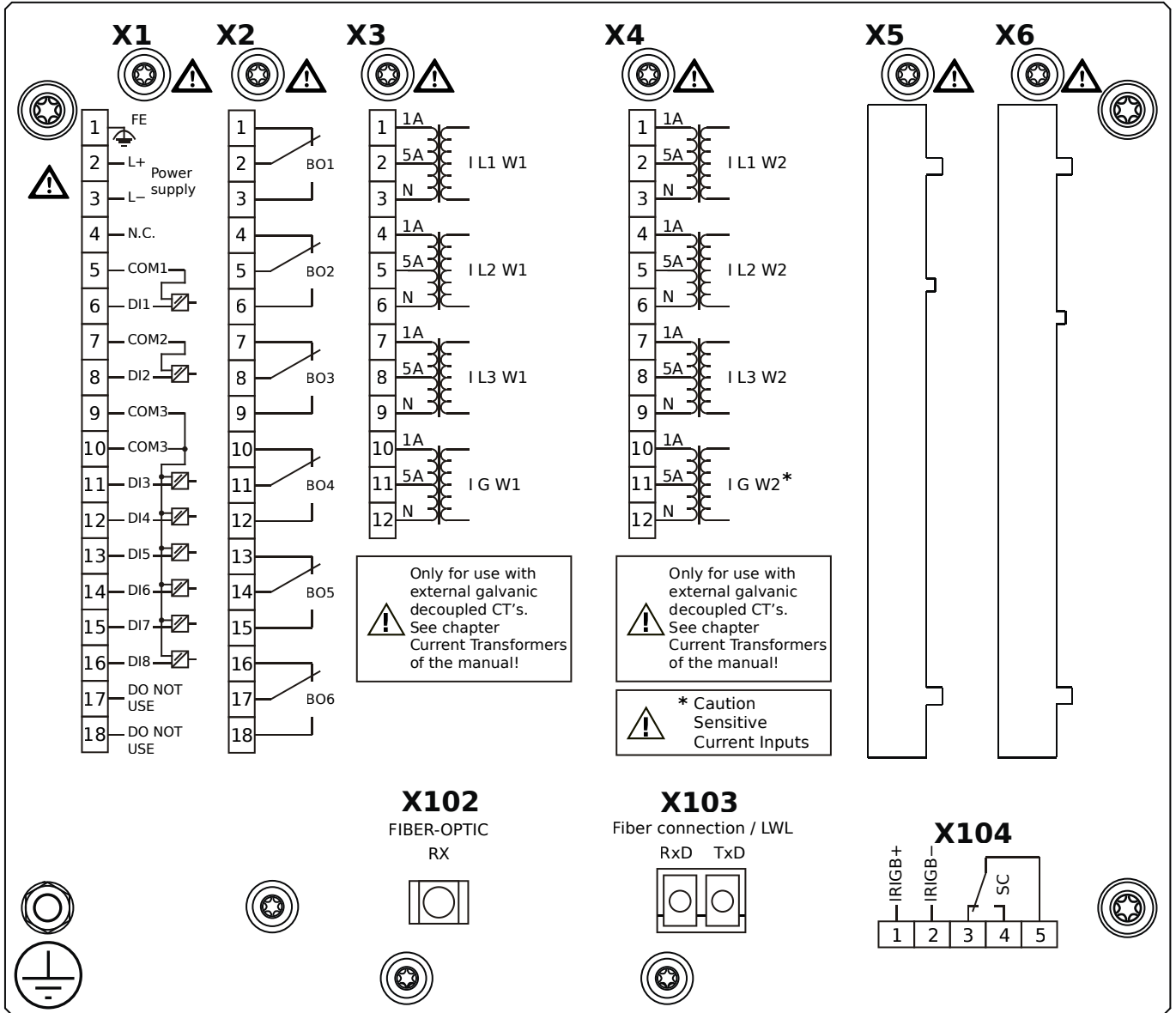
- X1** – DI8-X1: Wide-range power supply unit, incl. 2 non-grouped digital inputs and 6 grouped digital inputs
- X2** – OR-6: Assembly Group with 6 Relay Outputs
- X3** – TI-4: Standard current measuring card (for the winding side 1)
- X4** – TIs-4: Standard phase current measuring card and sensitive ground current measuring (winding side 2)
- X100** – Modbus TCP / DNP3.0 TCP/UDP, Ethernet interface, 100 Mbit/s, RJ45 (BASE100-FX)
- X102** – Universal Resistance-Temperature Detector (URTD) input, Fiber optics interface, Versatile Link
- X103** – IEC 60870-5-103 / Modbus RTU / DNP3.0 RTU, RS485, Terminals
- X104** – IRIG-B00X, incl. System Contact (Supervision Contact)

MRDT4-2A2BKA



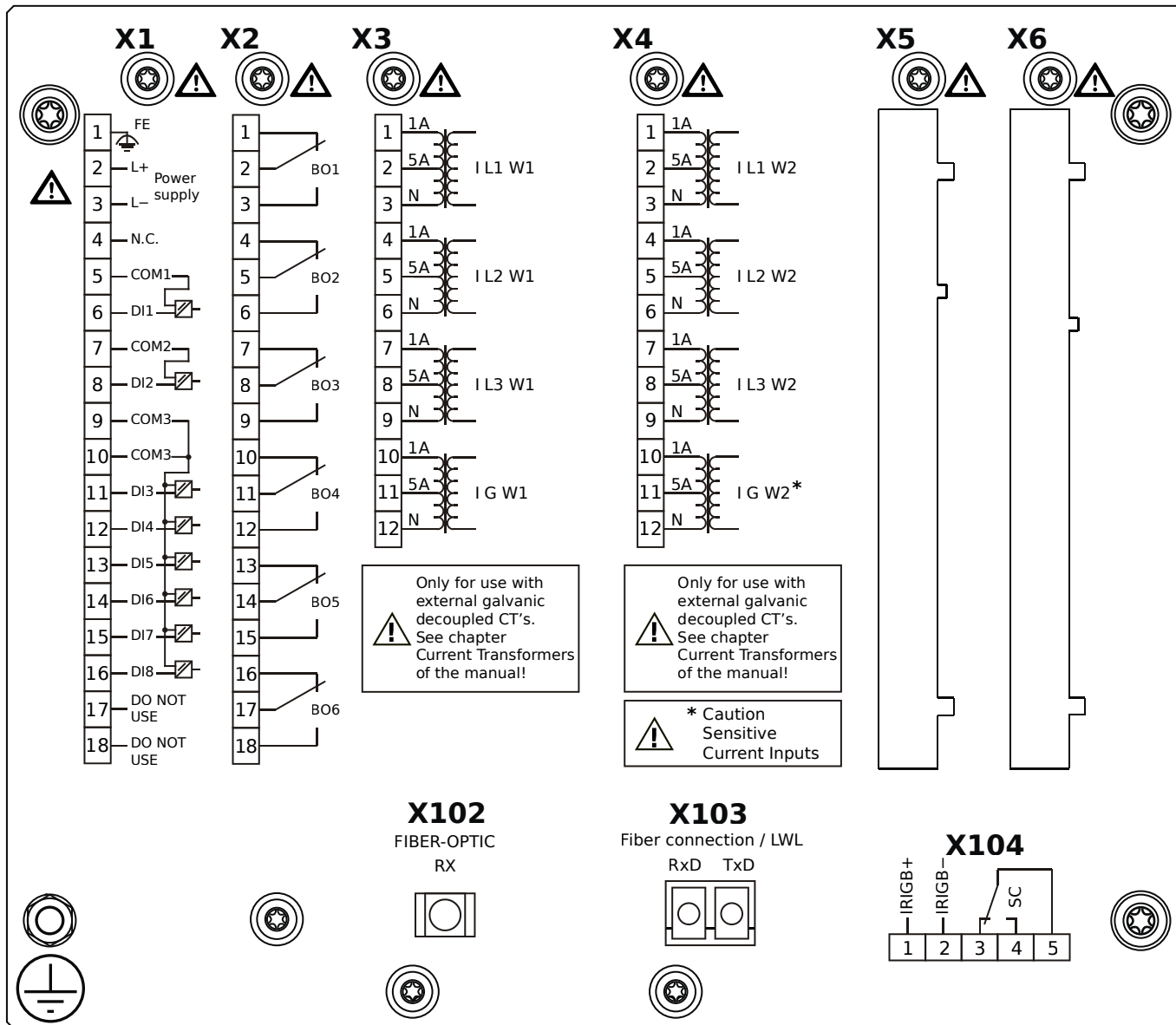
- X1** – DI8-X1: Wide-range power supply unit, incl. 2 non-grouped digital inputs and 6 grouped digital inputs
- X2** – OR-6: Assembly Group with 6 Relay Outputs
- X3** – TI-4: Standard current measuring card (for the winding side 1)
- X4** – TIs-4: Standard phase current measuring card and sensitive ground current measuring (winding side 2)
- X102** – Universal Resistance-Temperature Detector (URTD) input, Fiber optics interface, Versatile Link
- X103** – IEC 61850 / Modbus TCP / DNP3.0 TCP/UDP, Fiber optics interface, LC Connector
- X104** – IRIG-B00X, incl. System Contact (Supervision Contact)

MRDT4-2A2BKB



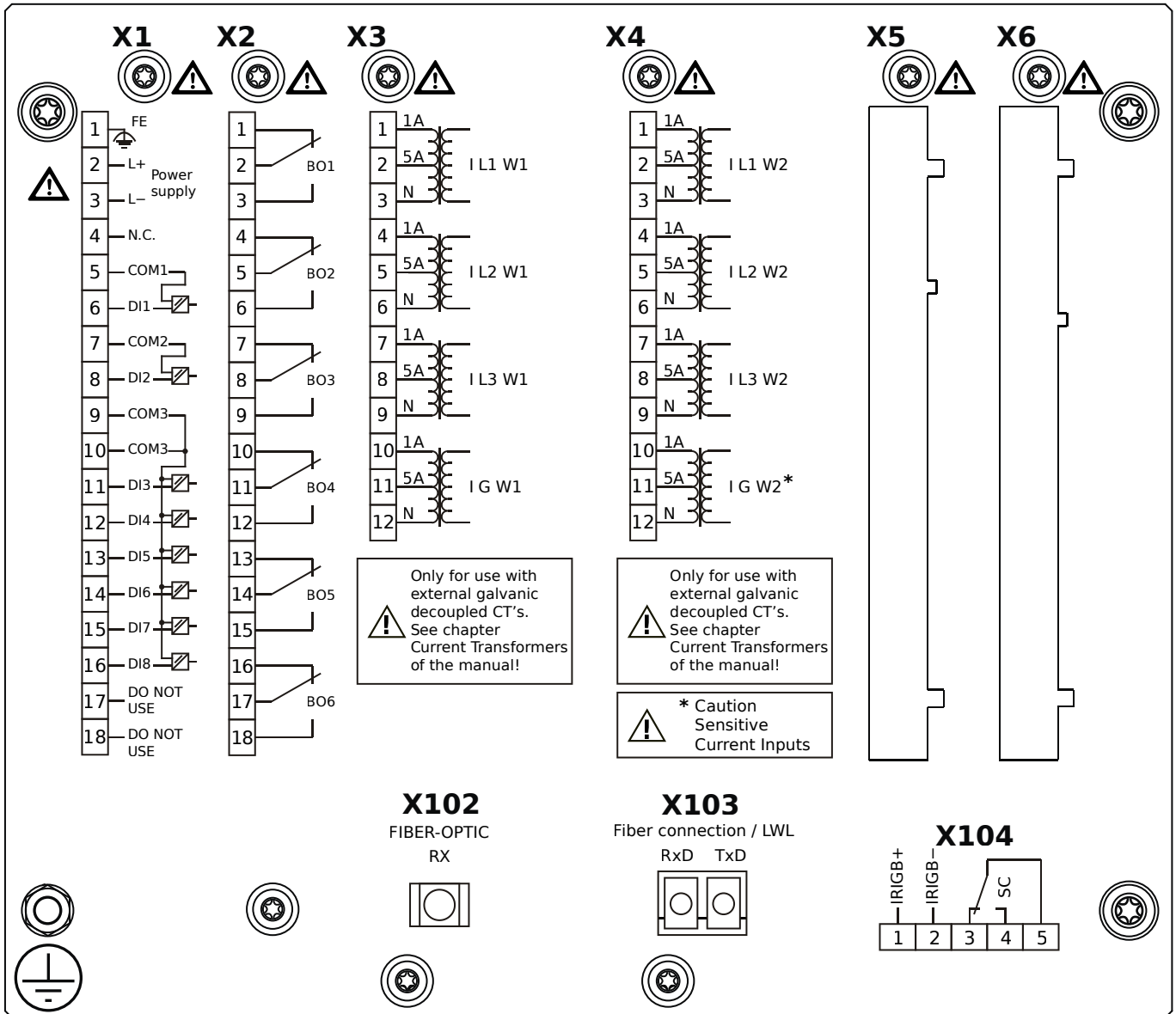
- X1** – DI8-X1: Wide-range power supply unit, incl. 2 non-grouped digital inputs and 6 grouped digital inputs
- X2** – OR-6: Assembly Group with 6 Relay Outputs
- X3** – TI-4: Standard current measuring card (for the winding side 1)
- X4** – TIs-4: Standard phase current measuring card and sensitive ground current measuring (winding side 2)
- X102** – Universal Resistance-Temperature Detector (URTD) input, Fiber optics interface, Versatile Link
- X103** – IEC 61850 / Modbus TCP / DNP3.0 TCP/UDP, Fiber optics interface, LC Connector
- X104** – IRIG-B00X, incl. System Contact (Supervision Contact)

MRDT4-2A2BLA



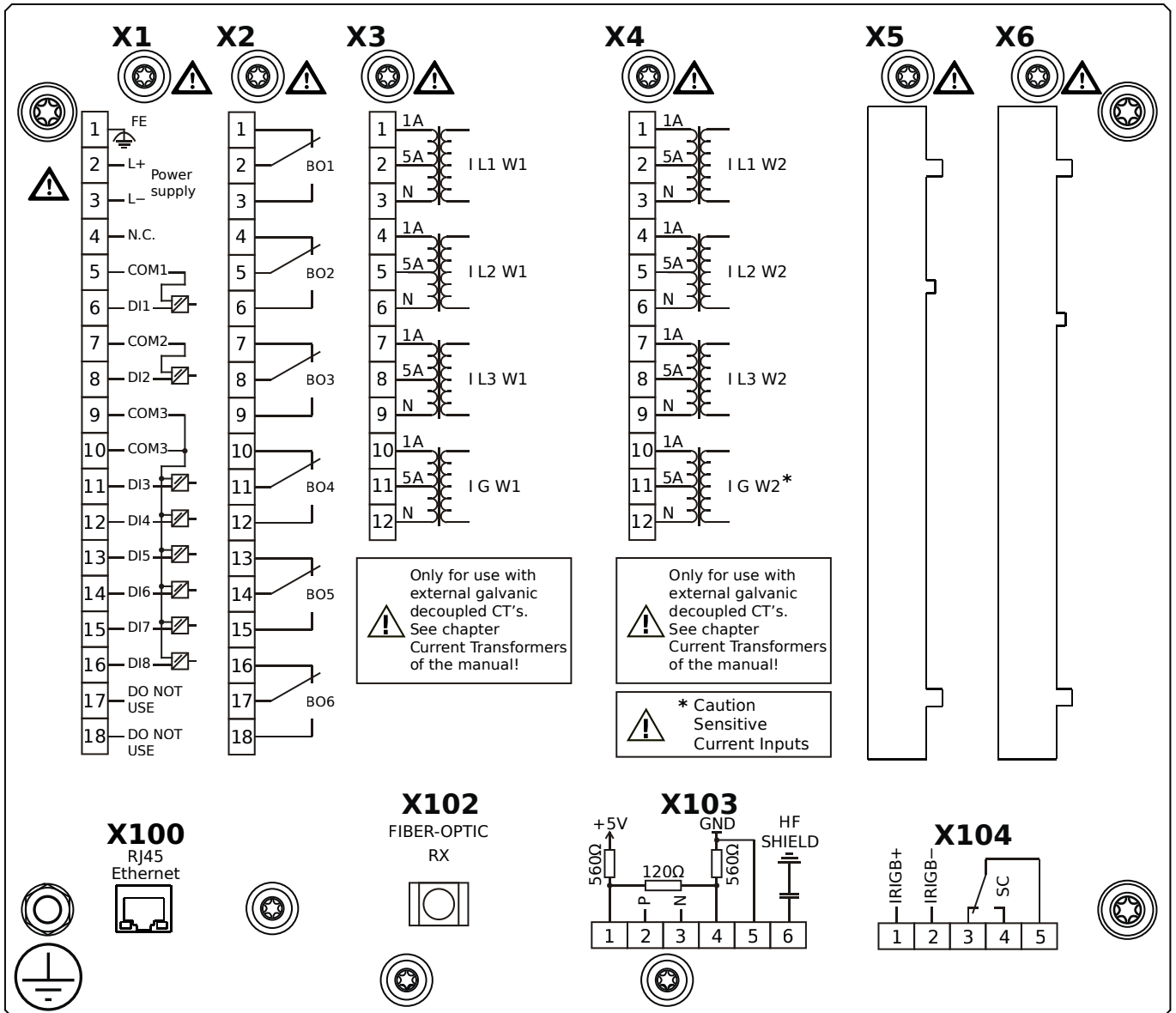
- X1** – DI8-X1: Wide-range power supply unit, incl. 2 non-grouped digital inputs and 6 grouped digital inputs
- X2** – OR-6: Assembly Group with 6 Relay Outputs
- X3** – TI-4: Standard current measuring card (for the winding side 1)
- X4** – TIs-4: Standard phase current measuring card and sensitive ground current measuring (winding side 2)
- X102** – Universal Resistance-Temperature Detector (URTD) input, Fiber optics interface, Versatile Link
- X103** – Modbus TCP / DNP3.0 TCP/UDP, Fiber optics interface, LC Connector
- X104** – IRIG-B00X, incl. System Contact (Supervision Contact)

MRDT4-2A2BLB



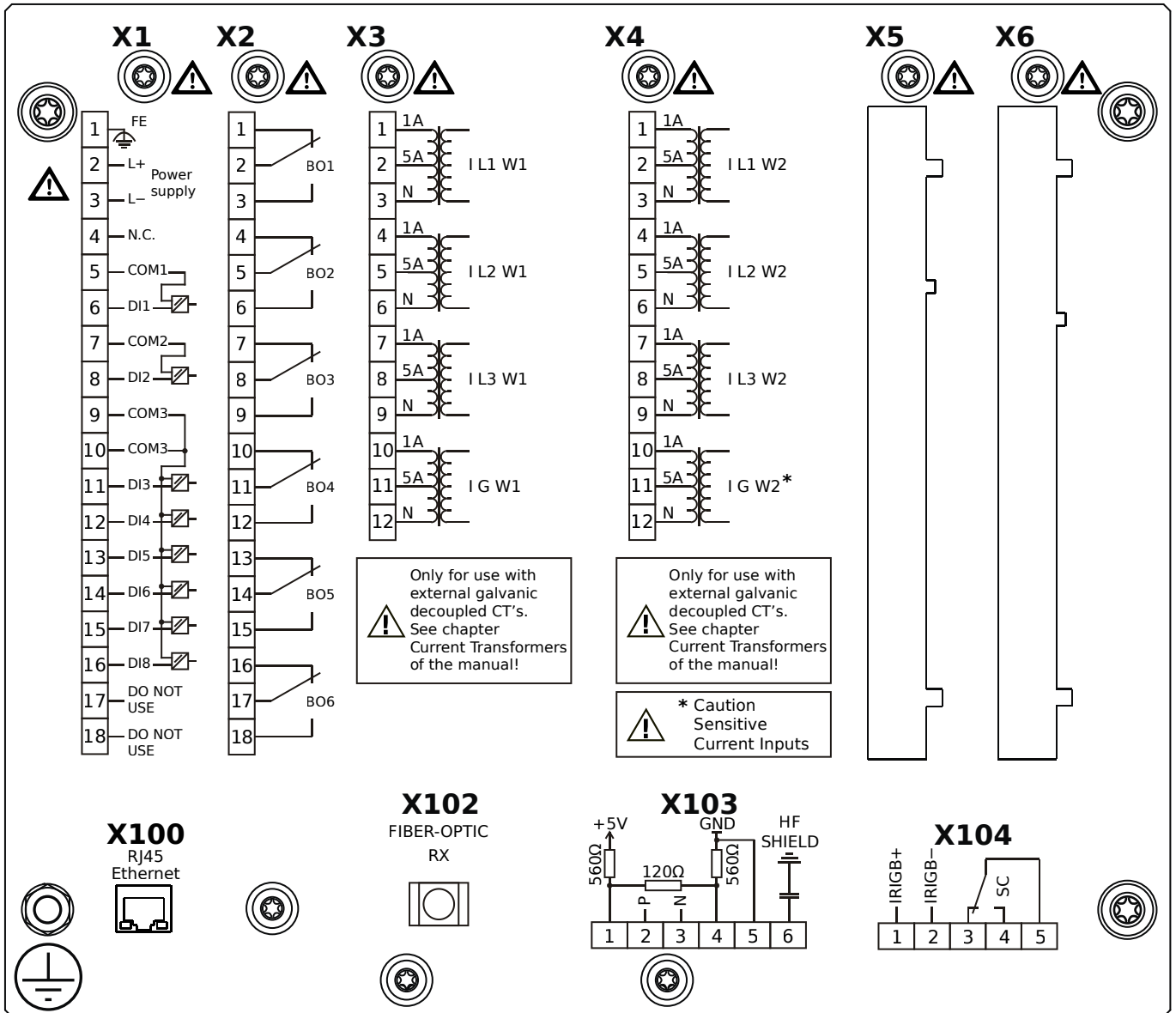
- X1** – DI8-X1: Wide-range power supply unit, incl. 2 non-grouped digital inputs and 6 grouped digital inputs
- X2** – OR-6: Assembly Group with 6 Relay Outputs
- X3** – TI-4: Standard current measuring card (for the winding side 1)
- X4** – TIs-4: Standard phase current measuring card and sensitive ground current measuring (winding side 2)
- X102** – Universal Resistance-Temperature Detector (URTD) input, Fiber optics interface, Versatile Link
- X103** – Modbus TCP / DNP3.0 TCP/UDP, Fiber optics interface, LC Connector
- X104** – IRIG-B00X, incl. System Contact (Supervision Contact)

MRDT4-2A2BTA



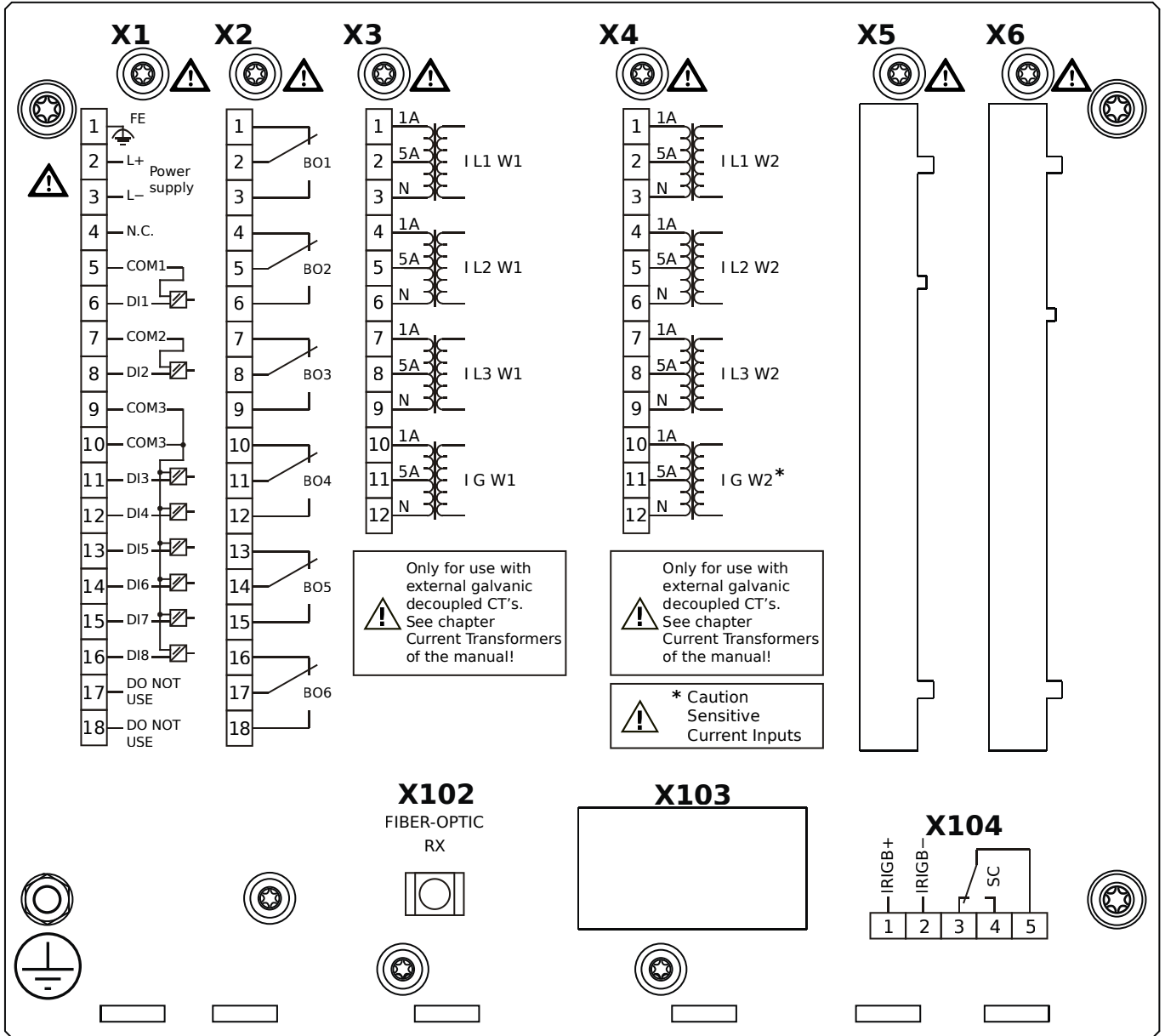
- X1** – DI8-X1: Wide-range power supply unit, incl. 2 non-grouped digital inputs and 6 grouped digital inputs
- X2** – OR-6: Assembly Group with 6 Relay Outputs
- X3** – TI-4: Standard current measuring card (for the winding side 1)
- X4** – TIs-4: Standard phase current measuring card and sensitive ground current measuring (winding side 2)
- X100** – IEC 61850 / Modbus TCP / DNP3.0 TCP/UDP, Ethernet interface, 100 Mbit/s, RJ45 (BASE100-FX)
- X102** – Universal Resistance-Temperature Detector (URTD) input, Fiber optics interface, Versatile Link
- X103** – IEC 60870-5-103 / Modbus RTU / DNP3.0 RTU, RS485, Terminals
- X104** – IRIG-B00X, incl. System Contact (Supervision Contact)

MRDT4-2A2BTB



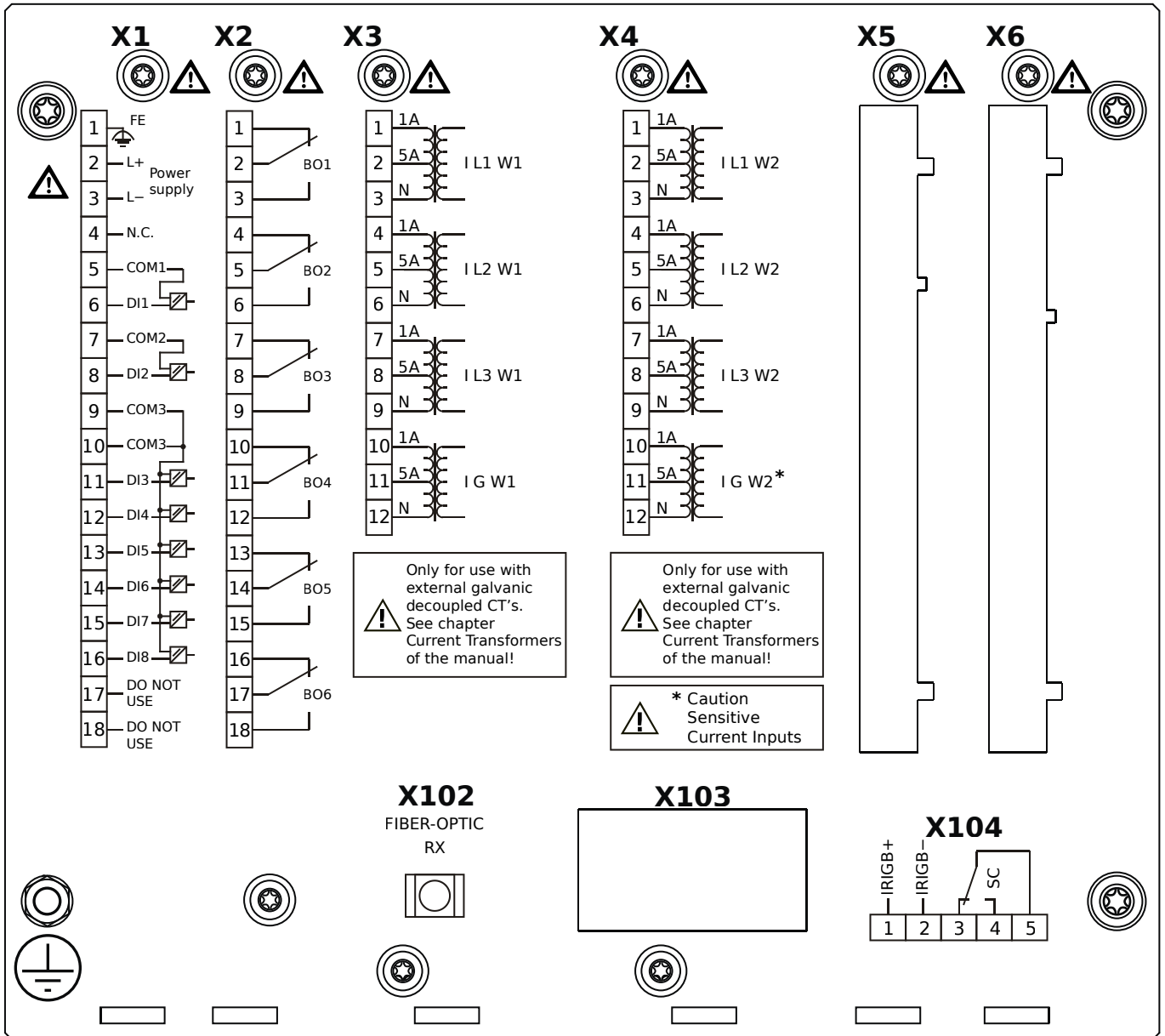
- X1** – DI8-X1: Wide-range power supply unit, incl. 2 non-grouped digital inputs and 6 grouped digital inputs
- X2** – OR-6: Assembly Group with 6 Relay Outputs
- X3** – TI-4: Standard current measuring card (for the winding side 1)
- X4** – TIs-4: Standard phase current measuring card and sensitive ground current measuring (winding side 2)
- X100** – IEC 61850 / Modbus TCP / DNP3.0 TCP/UDP, Ethernet interface, 100 Mbit/s, RJ45 (BASE100-FX)
- X102** – Universal Resistance-Temperature Detector (URTD) input, Fiber optics interface, Versatile Link
- X103** – IEC 60870-5-103 / Modbus RTU / DNP3.0 RTU, RS485, Terminals
- X104** – IRIG-B00X, incl. System Contact (Supervision Contact)

MRDT4-2A2HAA



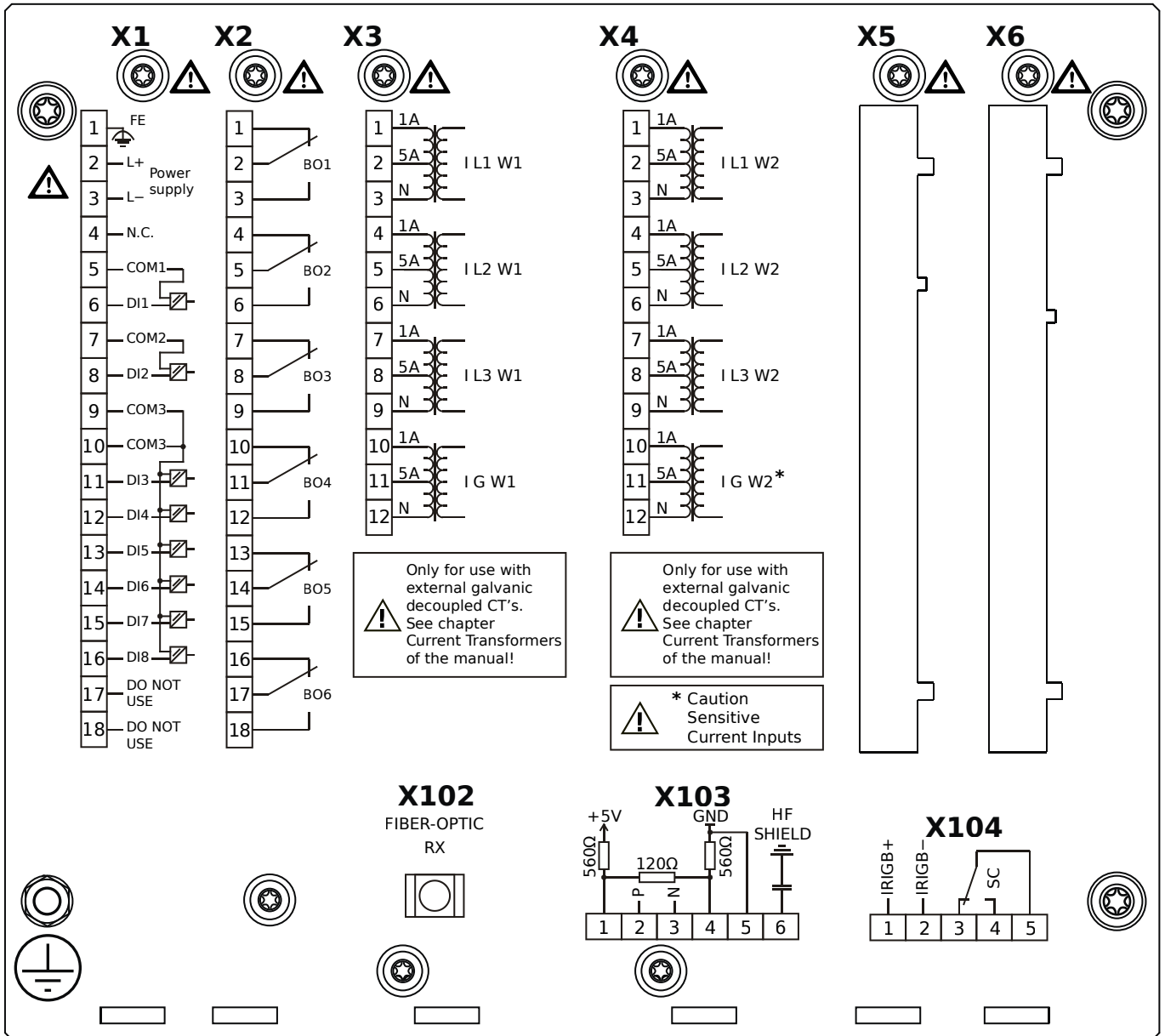
- X1** – DI8-X1: Wide-range power supply unit, incl. 2 non-grouped digital inputs and 6 grouped digital inputs
- X2** – OR-6: Assembly Group with 6 Relay Outputs
- X3** – TI-4: Standard current measuring card (for the winding side 1)
- X4** – TIs-4: Standard phase current measuring card and sensitive ground current measuring (winding side 2)
- X102** – Universal Resistance-Temperature Detector (URTD) input, Fiber optics interface, Versatile Link
- X104** – IRIG-B00X, incl. System Contact (Supervision Contact)

MRDT4-2A2HAB



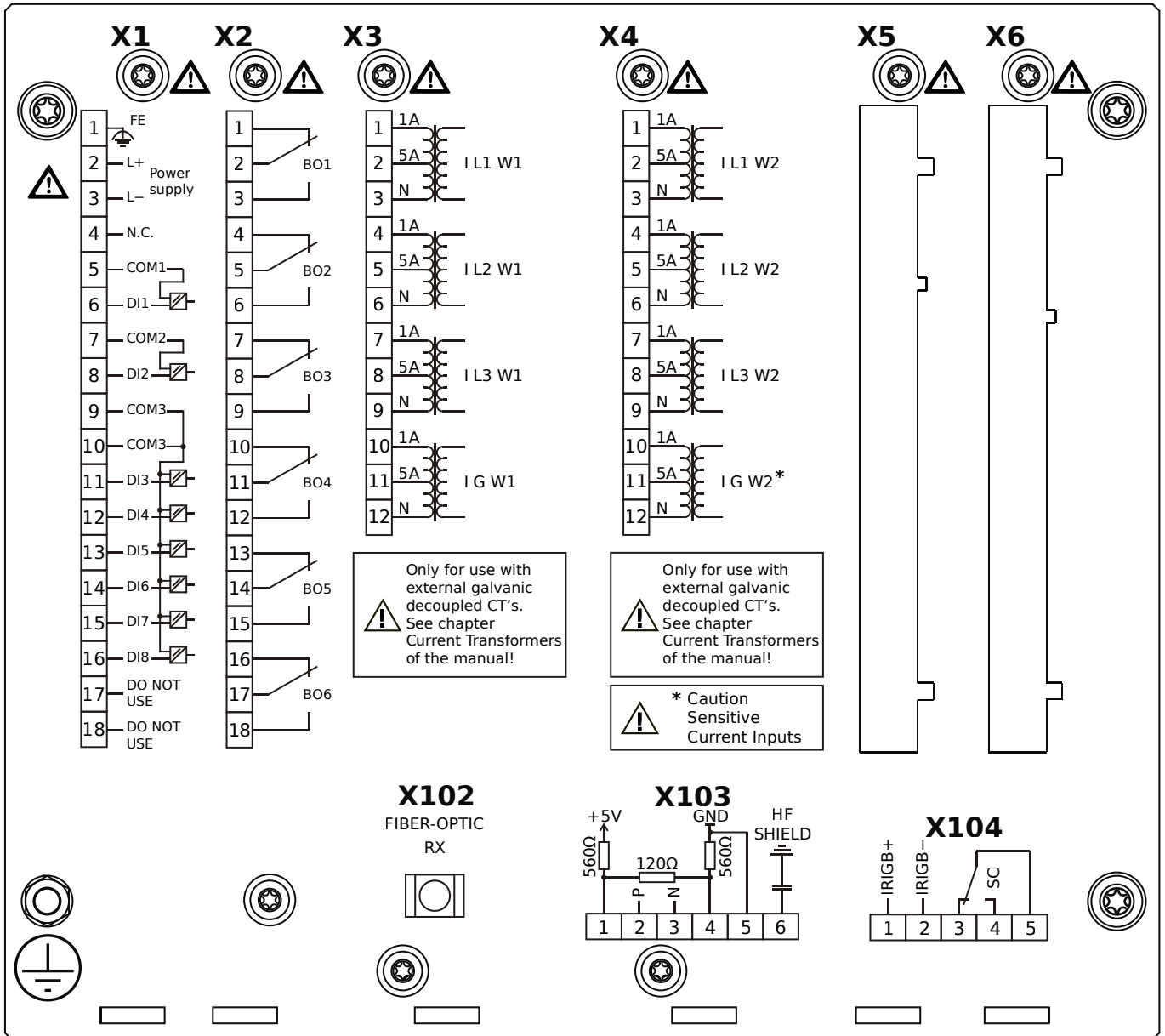
- X1** – DI8-X1: Wide-range power supply unit, incl. 2 non-grouped digital inputs and 6 grouped digital inputs
- X2** – OR-6: Assembly Group with 6 Relay Outputs
- X3** – TI-4: Standard current measuring card (for the winding side 1)
- X4** – TIs-4: Standard phase current measuring card and sensitive ground current measuring (winding side 2)
- X102** – Universal Resistance-Temperature Detector (URTD) input, Fiber optics interface, Versatile Link
- X104** – IRIG-B00X, incl. System Contact (Supervision Contact)

MRDT4-2A2HBA



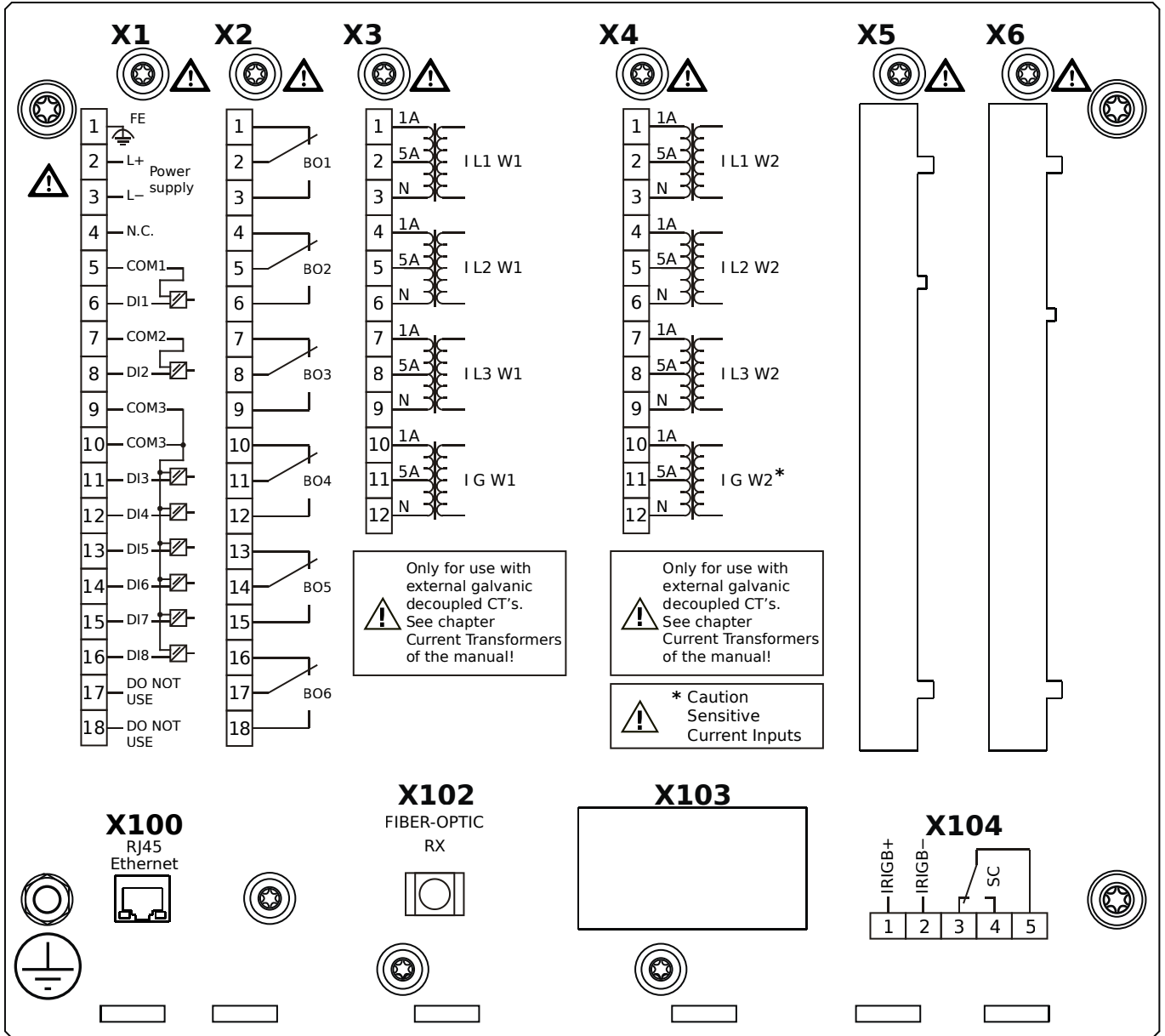
- X1** – DI8-X1: Wide-range power supply unit, incl. 2 non-grouped digital inputs and 6 grouped digital inputs
- X2** – OR-6: Assembly Group with 6 Relay Outputs
- X3** – TI-4: Standard current measuring card (for the winding side 1)
- X4** – TIs-4: Standard phase current measuring card and sensitive ground current measuring (winding side 2)
- X102** – Universal Resistance-Temperature Detector (URTD) input, Fiber optics interface, Versatile Link
- X103** – Modbus RTU / IEC 60870-5-103 / DNP3.0 RTU, RS485, Terminals
- X104** – IRIG-B00X, incl. System Contact (Supervision Contact)

MRDT4-2A2HBB



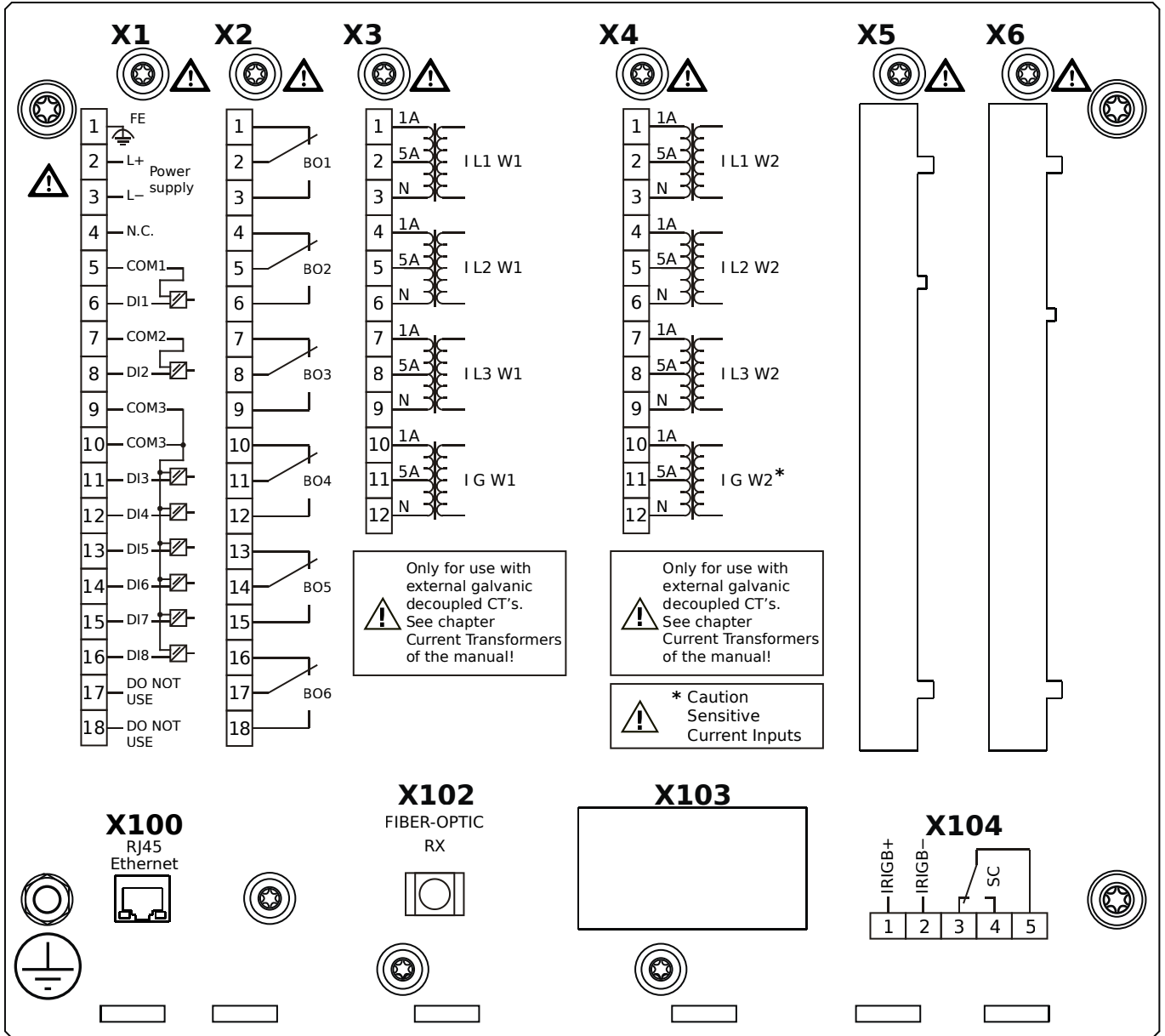
- X1** – DI8-X1: Wide-range power supply unit, incl. 2 non-grouped digital inputs and 6 grouped digital inputs
- X2** – OR-6: Assembly Group with 6 Relay Outputs
- X3** – TI-4: Standard current measuring card (for the winding side 1)
- X4** – TIs-4: Standard phase current measuring card and sensitive ground current measuring (winding side 2)
- X102** – Universal Resistance-Temperature Detector (URTD) input, Fiber optics interface, Versatile Link
- X103** – Modbus RTU / IEC 60870-5-103 / DNP3.0 RTU, RS485, Terminals
- X104** – IRIG-B00X, incl. System Contact (Supervision Contact)

MRDT4-2A2HCA



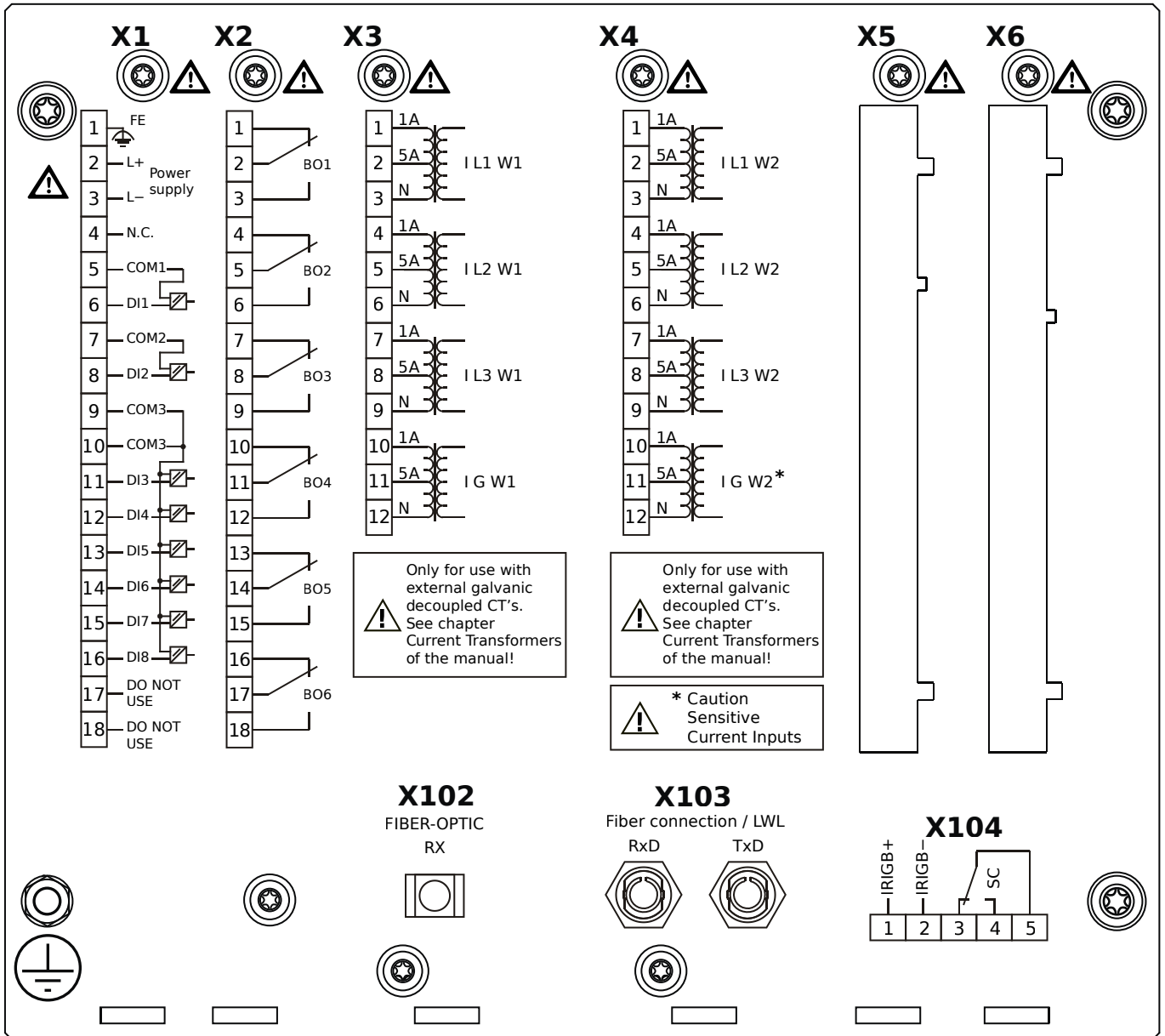
- X1** – DI8-X1: Wide-range power supply unit, incl. 2 non-grouped digital inputs and 6 grouped digital inputs
- X2** – OR-6: Assembly Group with 6 Relay Outputs
- X3** – TI-4: Standard current measuring card (for the winding side 1)
- X4** – TIs-4: Standard phase current measuring card and sensitive ground current measuring (winding side 2)
- X100** – Modbus TCP / DNP3.0 TCP/UDP, Ethernet interface, 100 Mbit/s, RJ45 (BASE100-FX)
- X102** – Universal Resistance-Temperature Detector (URTD) input, Fiber optics interface, Versatile Link
- X104** – IRIG-B00X, incl. System Contact (Supervision Contact)

MRDT4-2A2HCB



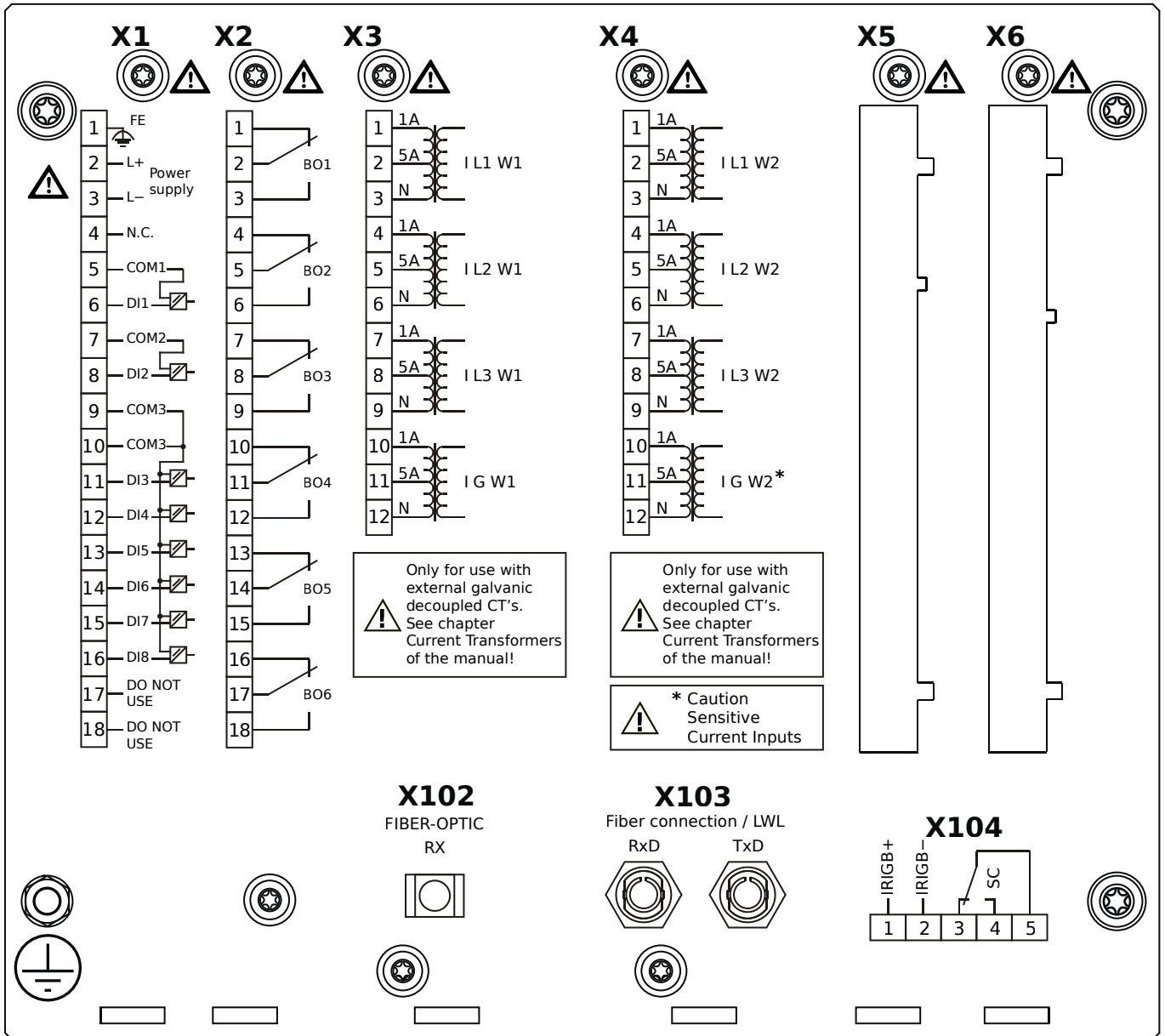
- X1** – DI8-X1: Wide-range power supply unit, incl. 2 non-grouped digital inputs and 6 grouped digital inputs
- X2** – OR-6: Assembly Group with 6 Relay Outputs
- X3** – TI-4: Standard current measuring card (for the winding side 1)
- X4** – TIs-4: Standard phase current measuring card and sensitive ground current measuring (winding side 2)
- X100** – Modbus TCP / DNP3.0 TCP/UDP, Ethernet interface, 100 Mbit/s, RJ45 (BASE100-FX)
- X102** – Universal Resistance-Temperature Detector (URTD) input, Fiber optics interface, Versatile Link
- X104** – IRIG-B00X, incl. System Contact (Supervision Contact)

MRDT4-2A2HDA



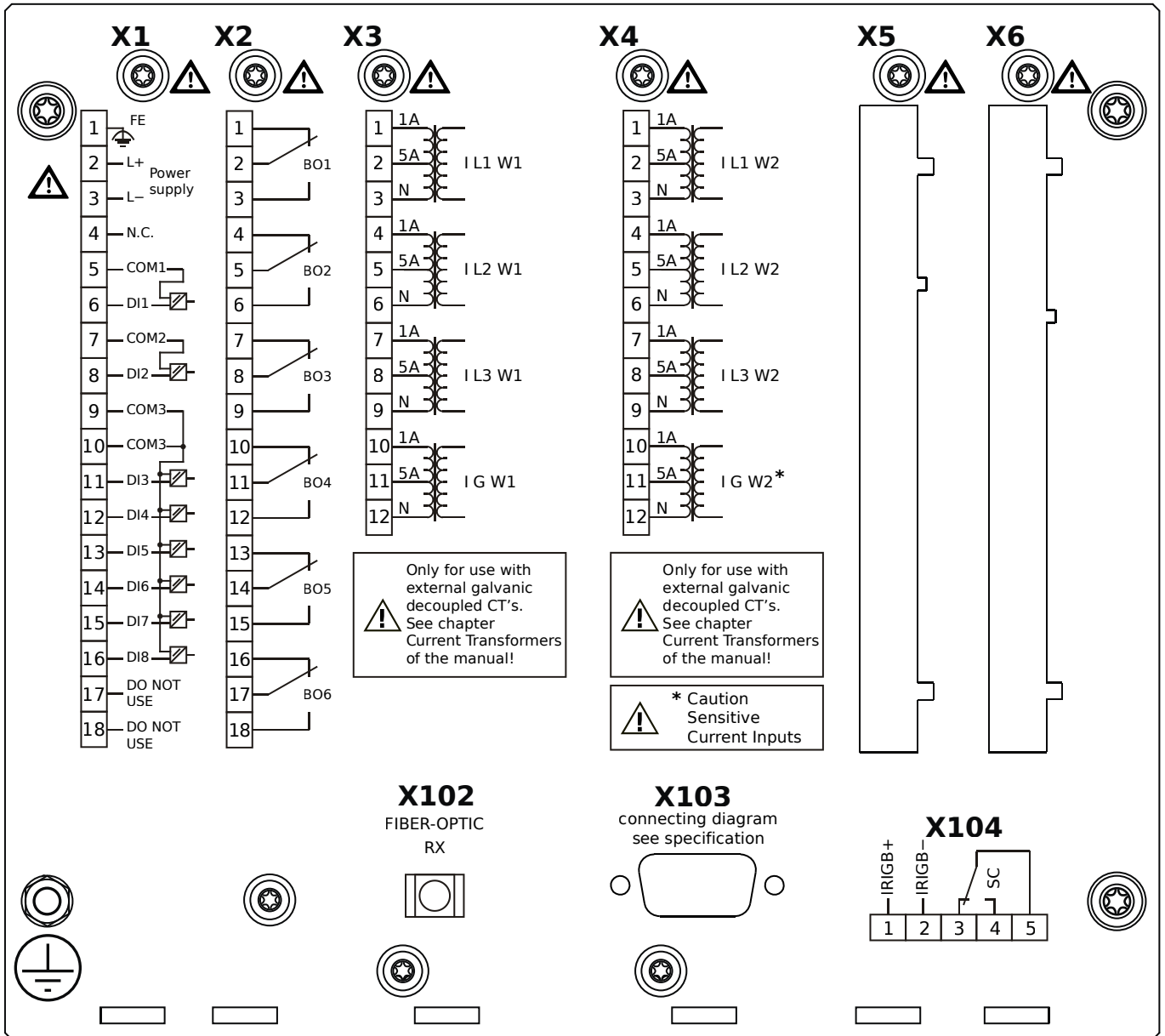
- X1** – DI8-X1: Wide-range power supply unit, incl. 2 non-grouped digital inputs and 6 grouped digital inputs
- X2** – OR-6: Assembly Group with 6 Relay Outputs
- X3** – TI-4: Standard current measuring card (for the winding side 1)
- X4** – TIs-4: Standard phase current measuring card and sensitive ground current measuring (winding side 2)
- X102** – Universal Resistance-Temperature Detector (URTD) input, Fiber optics interface, Versatile Link
- X103** – Profibus-DP, Fiber optics interface, ST Connector
- X104** – IRIG-B00X, incl. System Contact (Supervision Contact)

MRDT4-2A2HDB



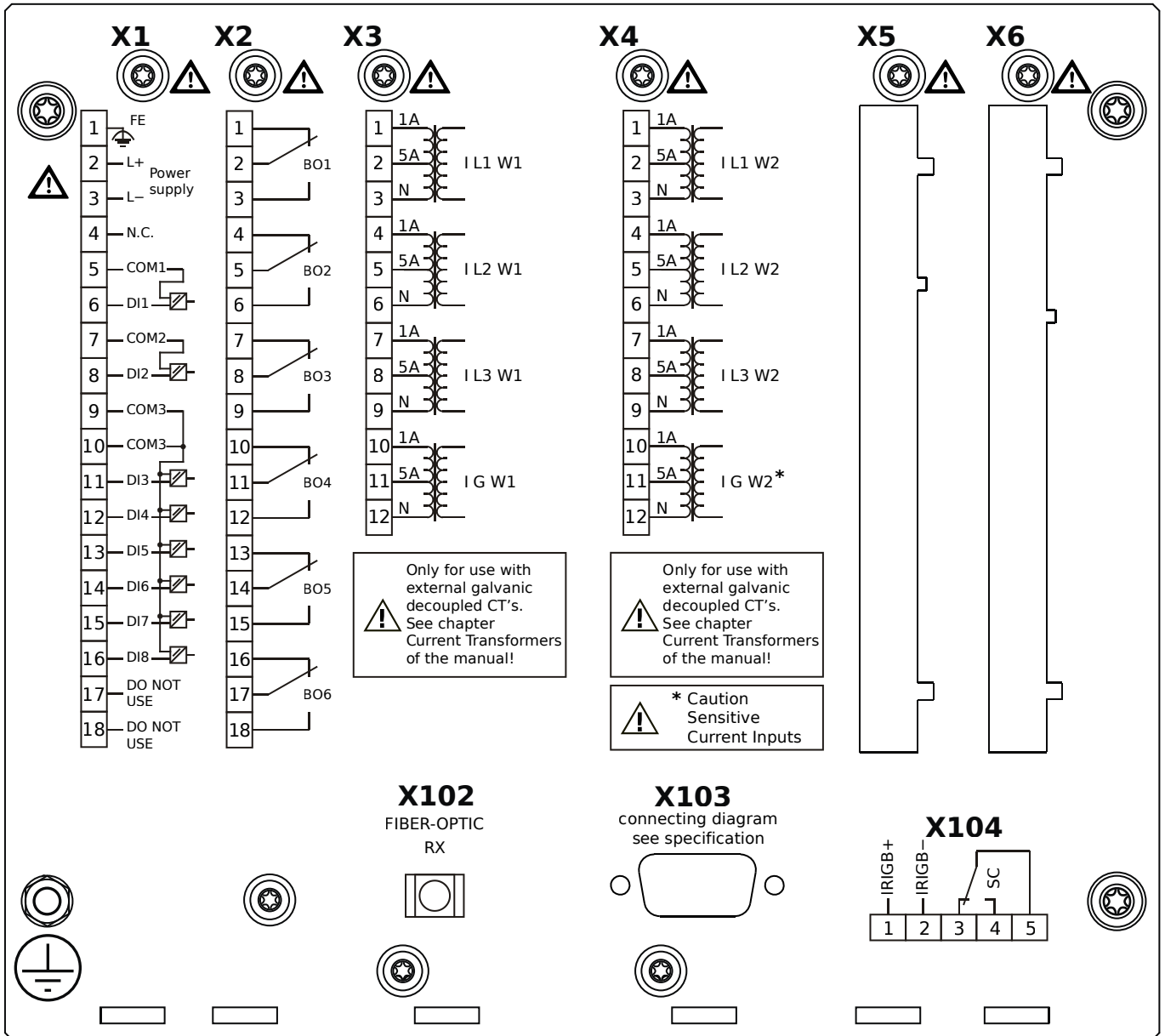
- X1** – DI8-X1: Wide-range power supply unit, incl. 2 non-grouped digital inputs and 6 grouped digital inputs
- X2** – OR-6: Assembly Group with 6 Relay Outputs
- X3** – TI-4: Standard current measuring card (for the winding side 1)
- X4** – TIs-4: Standard phase current measuring card and sensitive ground current measuring (winding side 2)
- X102** – Universal Resistance-Temperature Detector (URTD) input, Fiber optics interface, Versatile Link
- X103** – Profibus-DP, Fiber optics interface, ST Connector
- X104** – IRIG-B00X, incl. System Contact (Supervision Contact)

MRDT4-2A2HEA



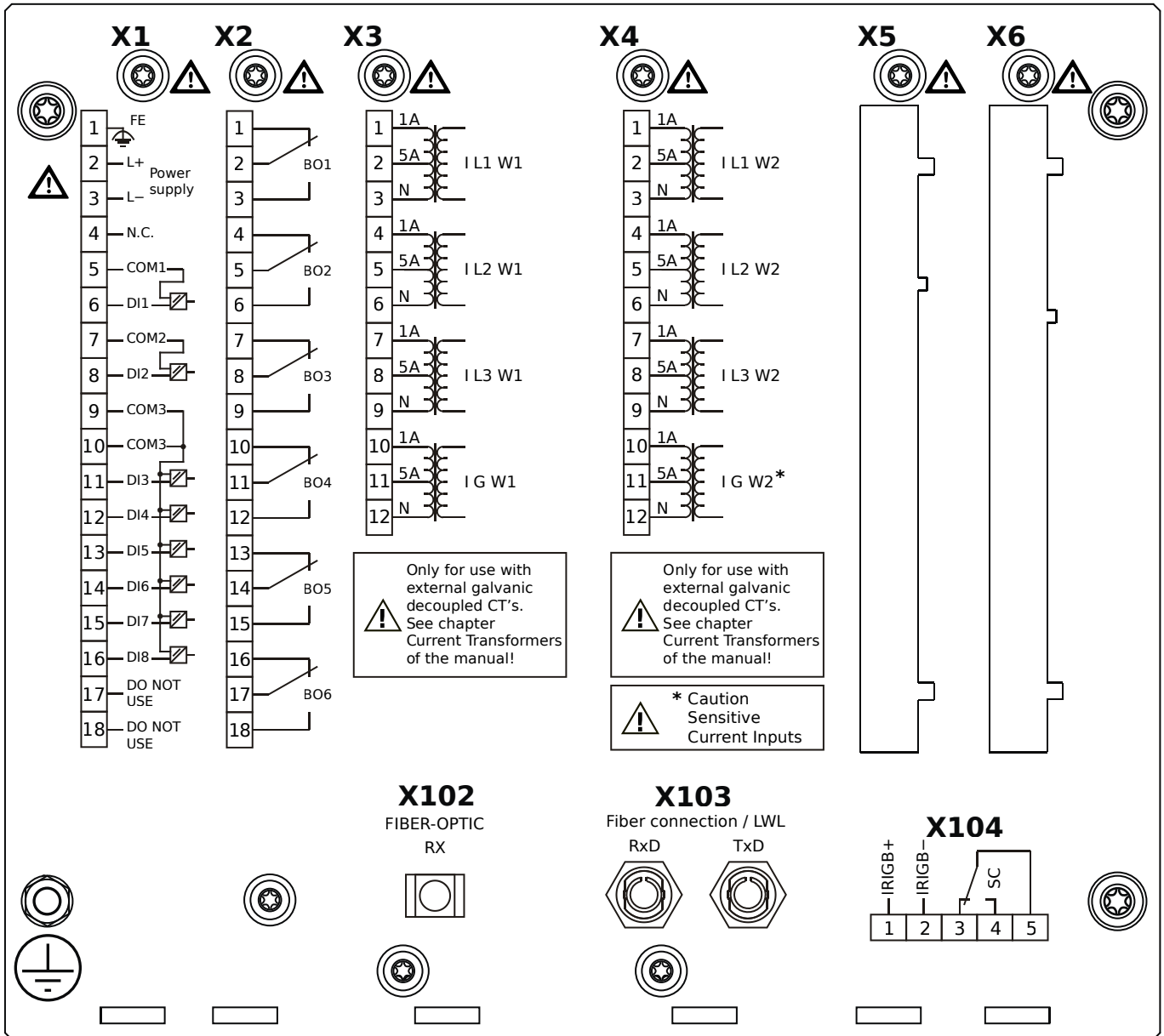
- X1** – DI8-X1: Wide-range power supply unit, incl. 2 non-grouped digital inputs and 6 grouped digital inputs
- X2** – OR-6: Assembly Group with 6 Relay Outputs
- X3** – TI-4: Standard current measuring card (for the winding side 1)
- X4** – TIs-4: Standard phase current measuring card and sensitive ground current measuring (winding side 2)
- X102** – Universal Resistance-Temperature Detector (URTD) input, Fiber optics interface, Versatile Link
- X103** – Profibus-DP, RS485, D-SUB
- X104** – IRIG-B00X, incl. System Contact (Supervision Contact)

MRDT4-2A2HEB



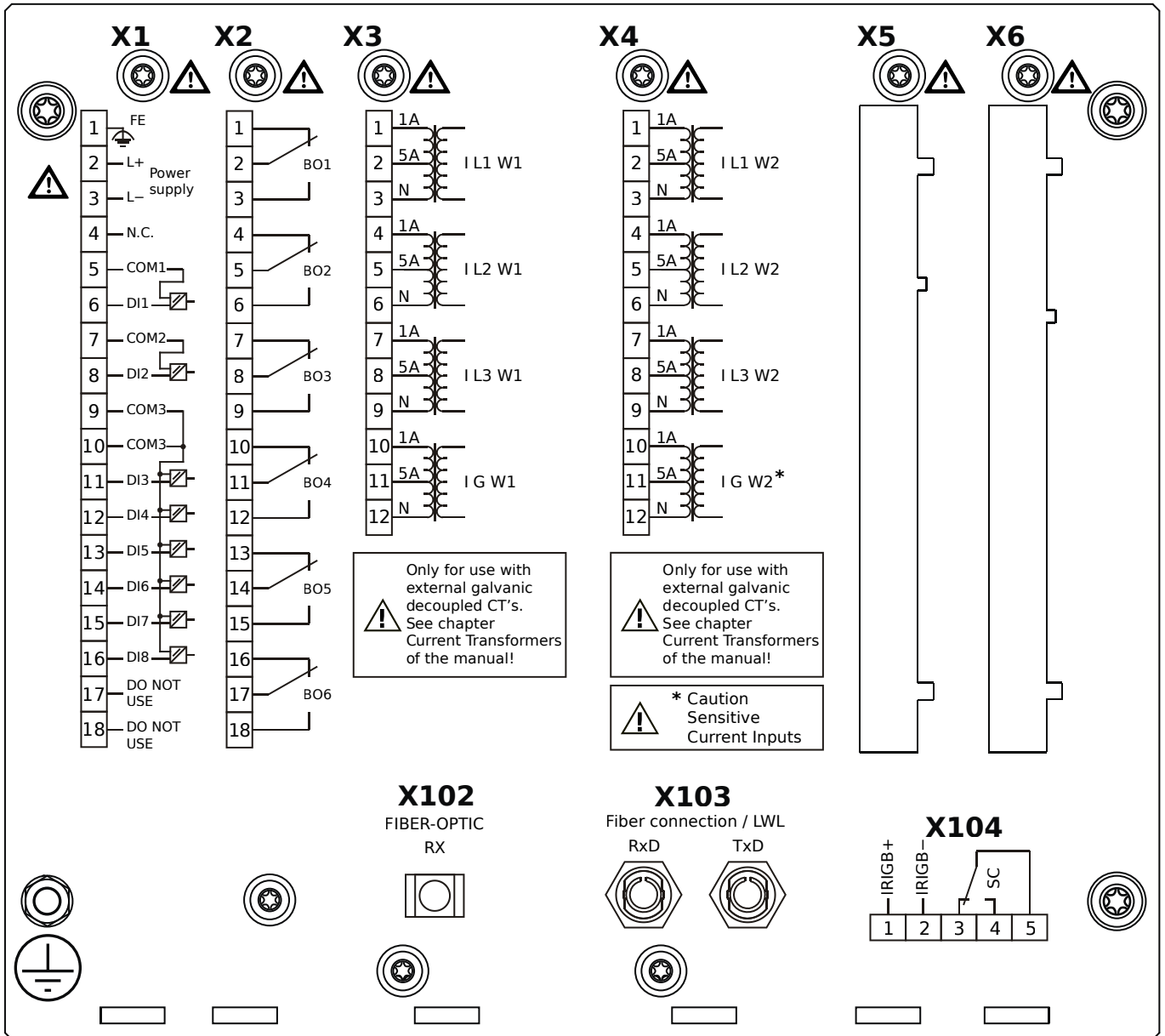
- X1** – DI8-X1: Wide-range power supply unit, incl. 2 non-grouped digital inputs and 6 grouped digital inputs
- X2** – OR-6: Assembly Group with 6 Relay Outputs
- X3** – TI-4: Standard current measuring card (for the winding side 1)
- X4** – TIs-4: Standard phase current measuring card and sensitive ground current measuring (winding side 2)
- X102** – Universal Resistance-Temperature Detector (URTD) input, Fiber optics interface, Versatile Link
- X103** – Profibus-DP, RS485, D-SUB
- X104** – IRIG-B00X, incl. System Contact (Supervision Contact)

MRDT4-2A2HFA



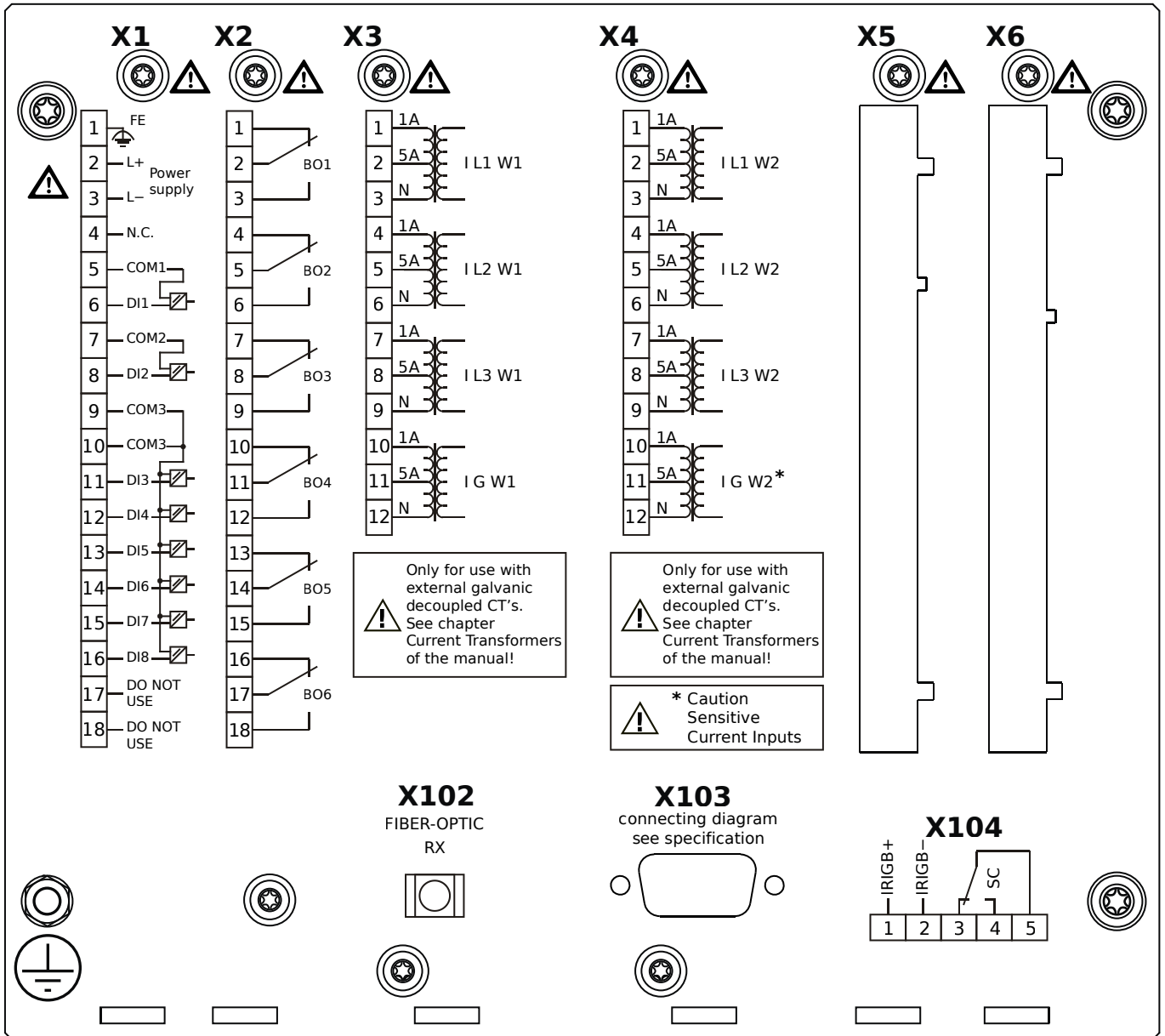
- X1** – DI8-X1: Wide-range power supply unit, incl. 2 non-grouped digital inputs and 6 grouped digital inputs
- X2** – OR-6: Assembly Group with 6 Relay Outputs
- X3** – TI-4: Standard current measuring card (for the winding side 1)
- X4** – TIs-4: Standard phase current measuring card and sensitive ground current measuring (winding side 2)
- X102** – Universal Resistance-Temperature Detector (URTD) input, Fiber optics interface, Versatile Link
- X103** – Modbus RTU / IEC 60870-5-103 / DNP3.0 RTU, Fiber optics interface, ST Connector
- X104** – IRIG-B00X, incl. System Contact (Supervision Contact)

MRDT4-2A2HFB



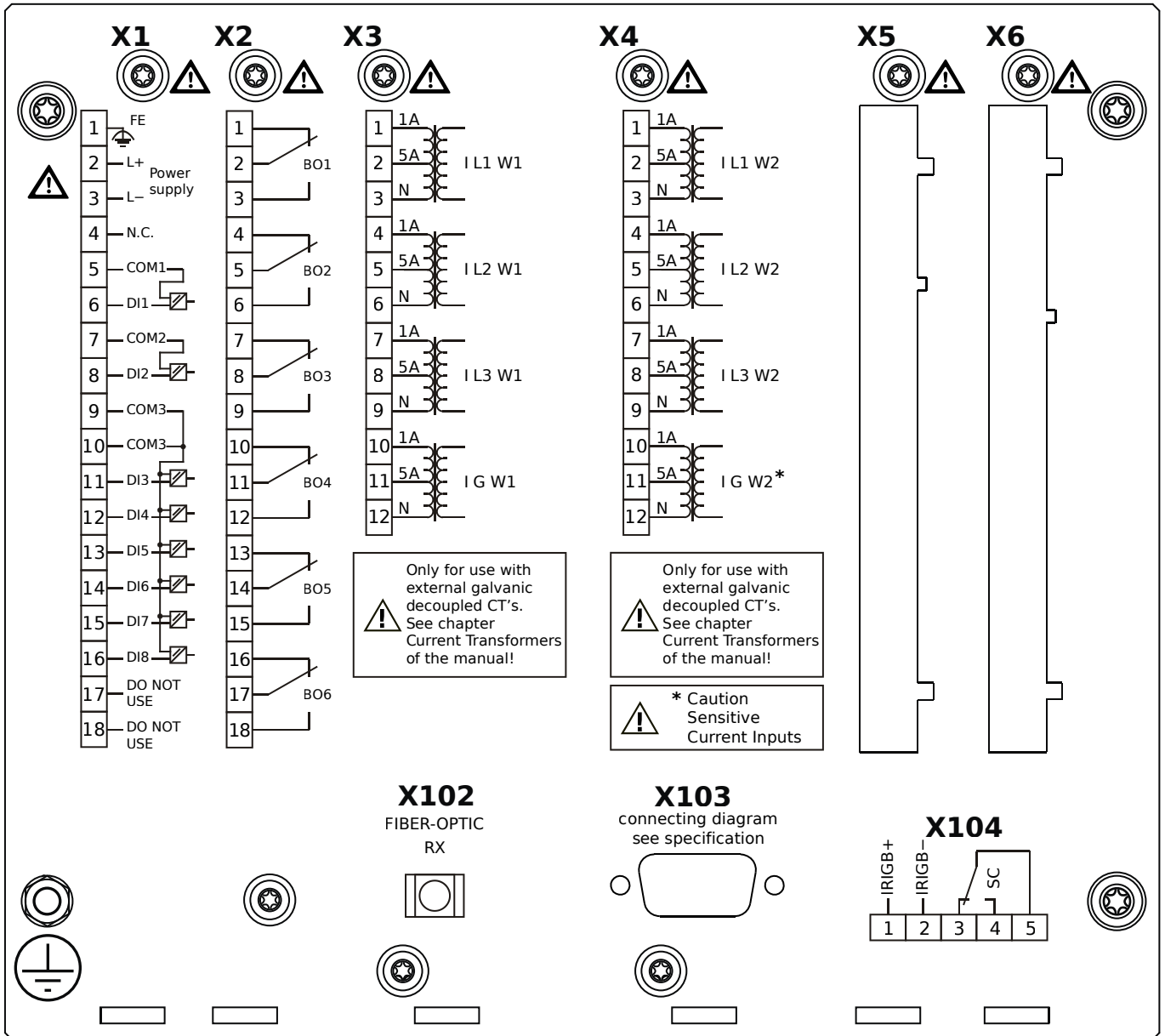
- X1** – DI8-X1: Wide-range power supply unit, incl. 2 non-grouped digital inputs and 6 grouped digital inputs
- X2** – OR-6: Assembly Group with 6 Relay Outputs
- X3** – TI-4: Standard current measuring card (for the winding side 1)
- X4** – TIs-4: Standard phase current measuring card and sensitive ground current measuring (winding side 2)
- X102** – Universal Resistance-Temperature Detector (URTD) input, Fiber optics interface, Versatile Link
- X103** – Modbus RTU / IEC 60870-5-103 / DNP3.0 RTU, Fiber optics interface, ST Connector
- X104** – IRIG-B00X, incl. System Contact (Supervision Contact)

MRDT4-2A2HGA



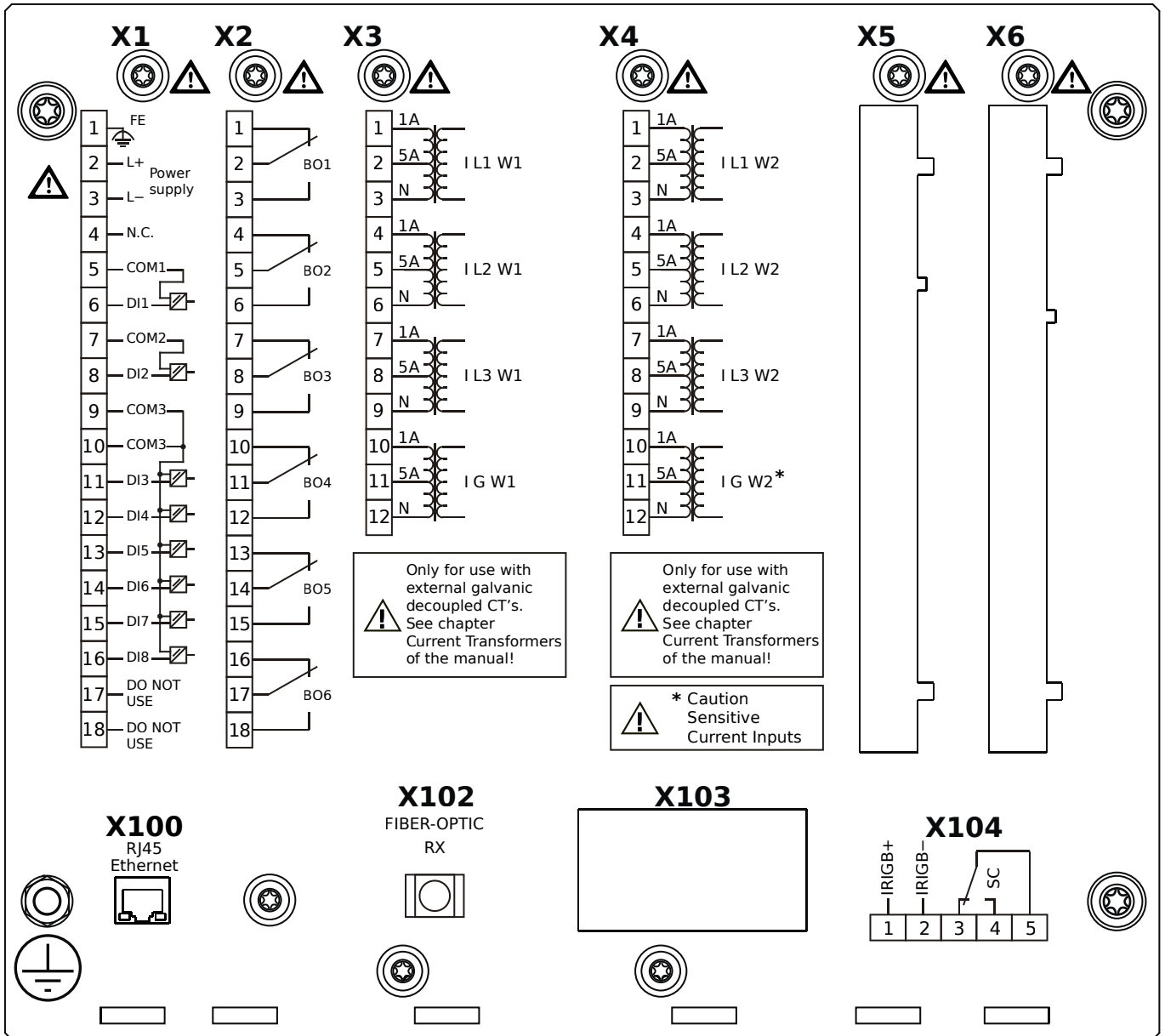
- X1** – DI8-X1: Wide-range power supply unit, incl. 2 non-grouped digital inputs and 6 grouped digital inputs
- X2** – OR-6: Assembly Group with 6 Relay Outputs
- X3** – TI-4: Standard current measuring card (for the winding side 1)
- X4** – TIs-4: Standard phase current measuring card and sensitive ground current measuring (winding side 2)
- X102** – Universal Resistance-Temperature Detector (URTD) input, Fiber optics interface, Versatile Link
- X103** – Modbus RTU / IEC 60870-5-103 / DNP3.0 RTU, RS485, D-SUB
- X104** – IRIG-B00X, incl. System Contact (Supervision Contact)

MRDT4-2A2HGB



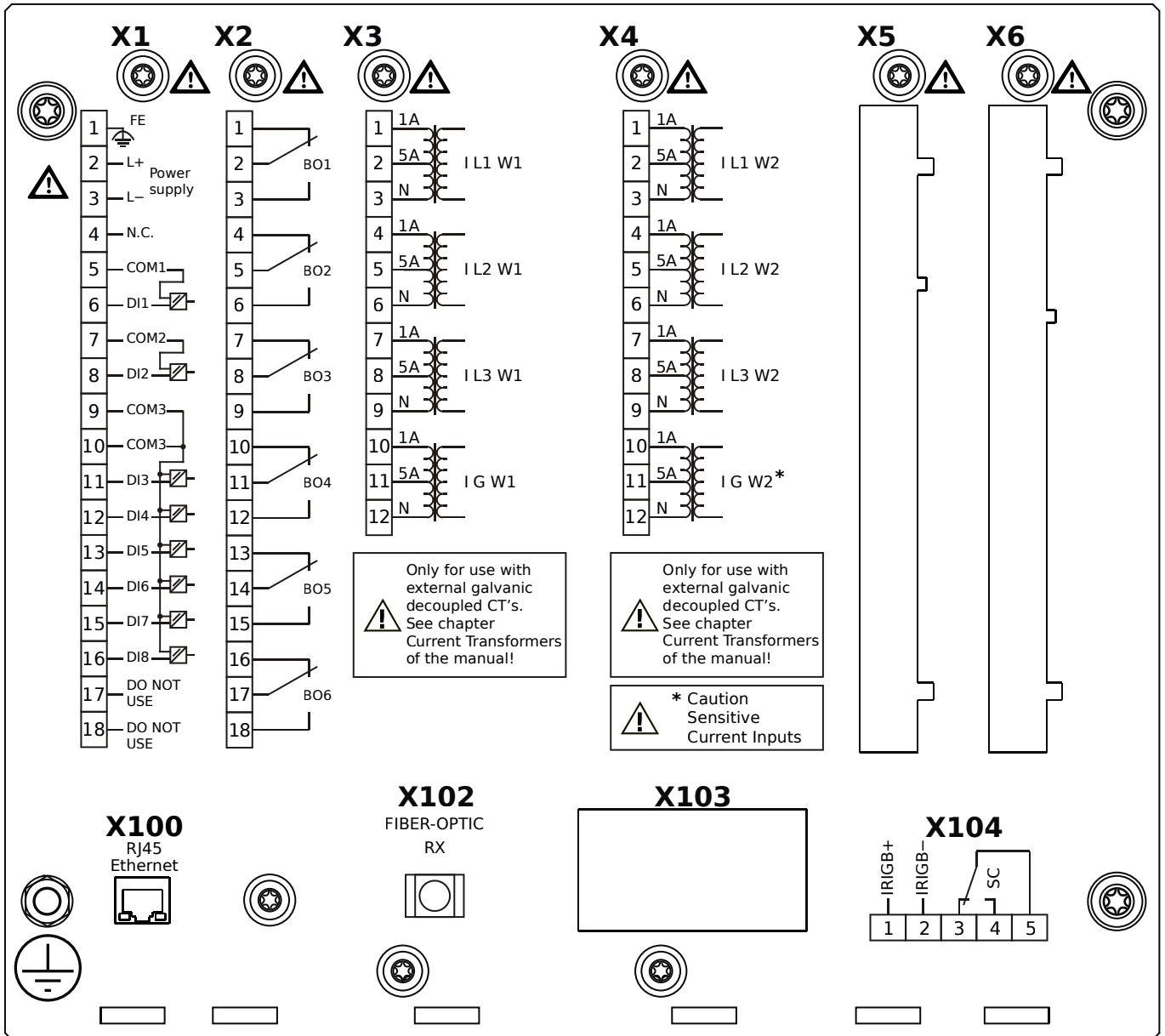
- X1** – DI8-X1: Wide-range power supply unit, incl. 2 non-grouped digital inputs and 6 grouped digital inputs
- X2** – OR-6: Assembly Group with 6 Relay Outputs
- X3** – TI-4: Standard current measuring card (for the winding side 1)
- X4** – TIs-4: Standard phase current measuring card and sensitive ground current measuring (winding side 2)
- X102** – Universal Resistance-Temperature Detector (URTD) input, Fiber optics interface, Versatile Link
- X103** – Modbus RTU / IEC 60870-5-103 / DNP3.0 RTU, RS485, D-SUB
- X104** – IRIG-B00X, incl. System Contact (Supervision Contact)

MRDT4-2A2HHA



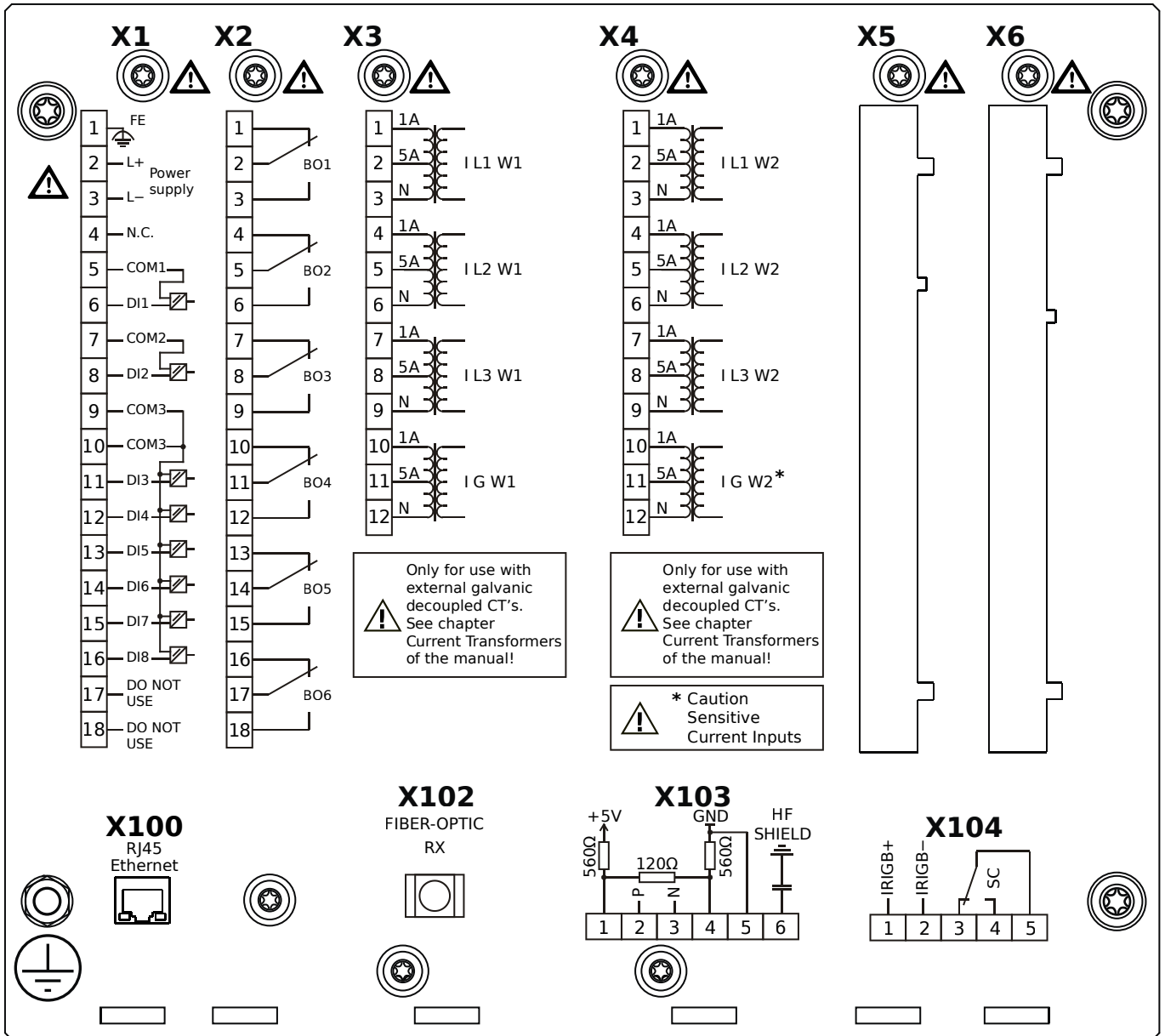
- X1** – DI8-X1: Wide-range power supply unit, incl. 2 non-grouped digital inputs and 6 grouped digital inputs
- X2** – OR-6: Assembly Group with 6 Relay Outputs
- X3** – TI-4: Standard current measuring card (for the winding side 1)
- X4** – TIs-4: Standard phase current measuring card and sensitive ground current measuring (winding side 2)
- X100** – IEC 61850 / Modbus TCP / DNP3.0 TCP/UDP, Ethernet interface, 100 Mbit/s, RJ45 (BASE100-FX)
- X102** – Universal Resistance-Temperature Detector (URTD) input, Fiber optics interface, Versatile Link
- X104** – IRIG-B00X, incl. System Contact (Supervision Contact)

MRDT4-2A2HHB



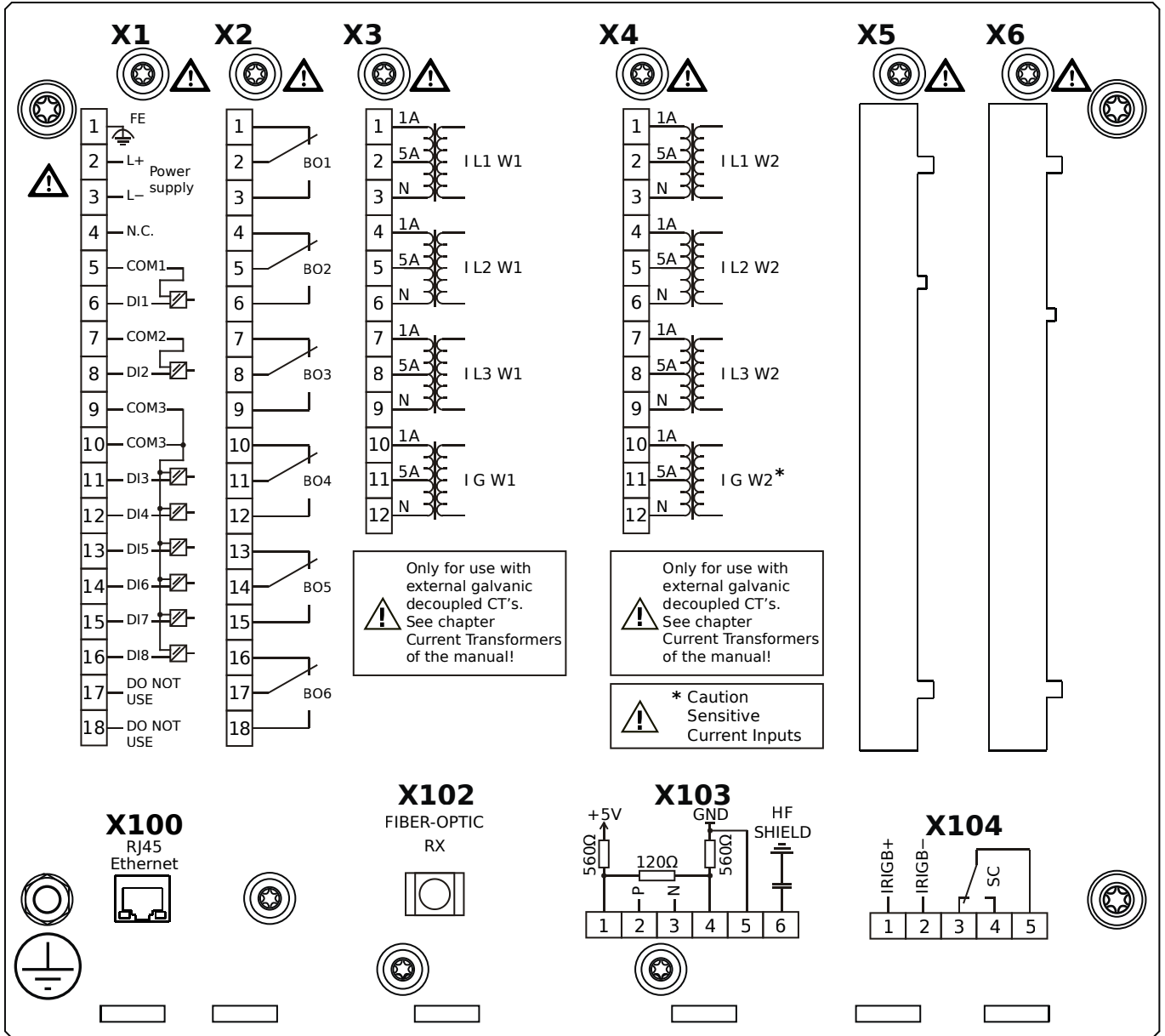
- X1** – DI8-X1: Wide-range power supply unit, incl. 2 non-grouped digital inputs and 6 grouped digital inputs
- X2** – OR-6: Assembly Group with 6 Relay Outputs
- X3** – TI-4: Standard current measuring card (for the winding side 1)
- X4** – TIs-4: Standard phase current measuring card and sensitive ground current measuring (winding side 2)
- X100** – IEC 61850 / Modbus TCP / DNP3.0 TCP/UDP, Ethernet interface, 100 Mbit/s, RJ45 (BASE100-FX)
- X102** – Universal Resistance-Temperature Detector (URTD) input, Fiber optics interface, Versatile Link
- X104** – IRIG-B00X, incl. System Contact (Supervision Contact)

MRDT4-2A2HIA



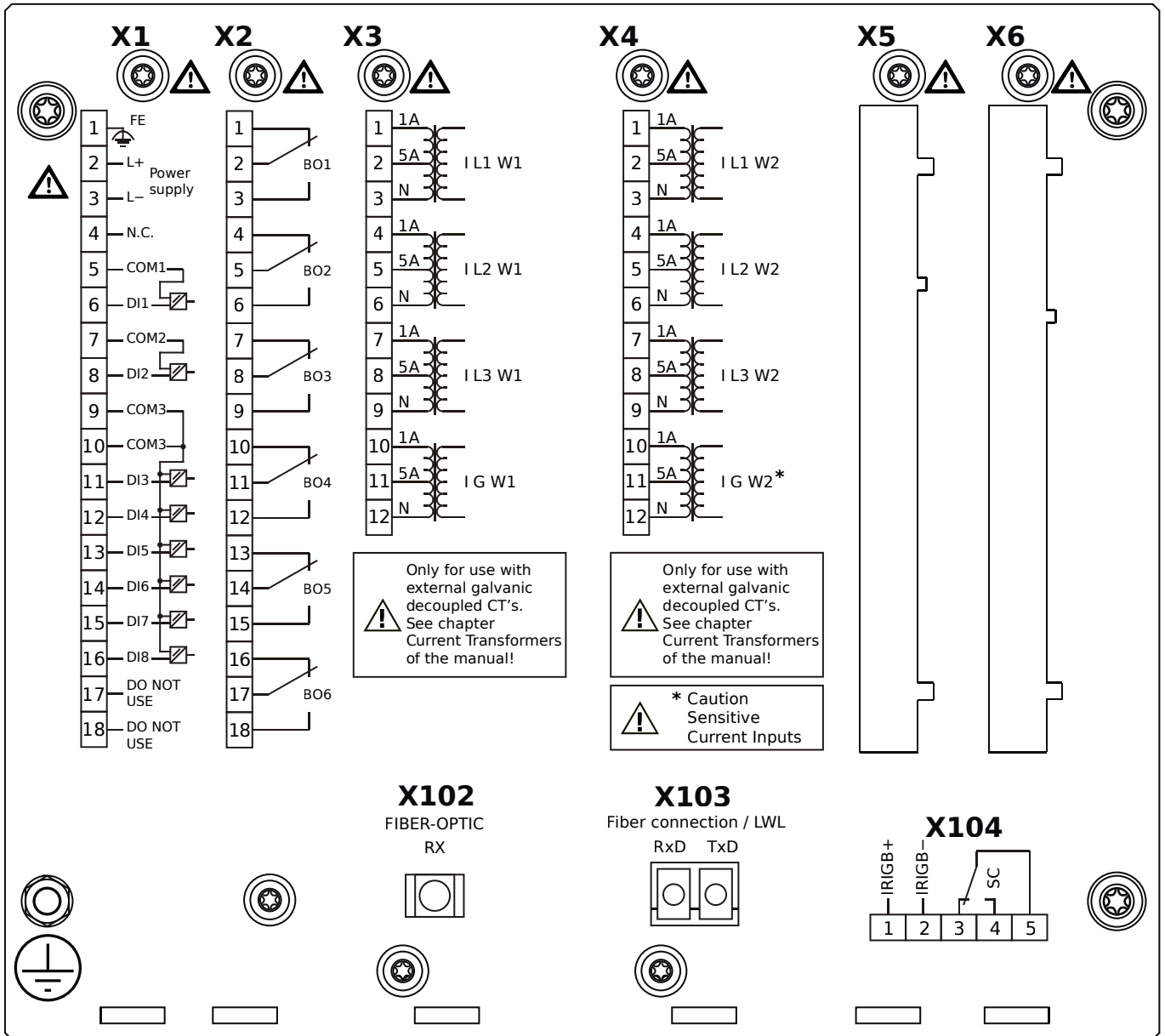
- X1** – DI8-X1: Wide-range power supply unit, incl. 2 non-grouped digital inputs and 6 grouped digital inputs
- X2** – OR-6: Assembly Group with 6 Relay Outputs
- X3** – TI-4: Standard current measuring card (for the winding side 1)
- X4** – TIs-4: Standard phase current measuring card and sensitive ground current measuring (winding side 2)
- X100** – Modbus TCP / DNP3.0 TCP/UDP, Ethernet interface, 100 Mbit/s, RJ45 (BASE100-FX)
- X102** – Universal Resistance-Temperature Detector (URTD) input, Fiber optics interface, Versatile Link
- X103** – IEC 60870-5-103 / Modbus RTU / DNP3.0 RTU, RS485, Terminals
- X104** – IRIG-B00X, incl. System Contact (Supervision Contact)

MRDT4-2A2HIB



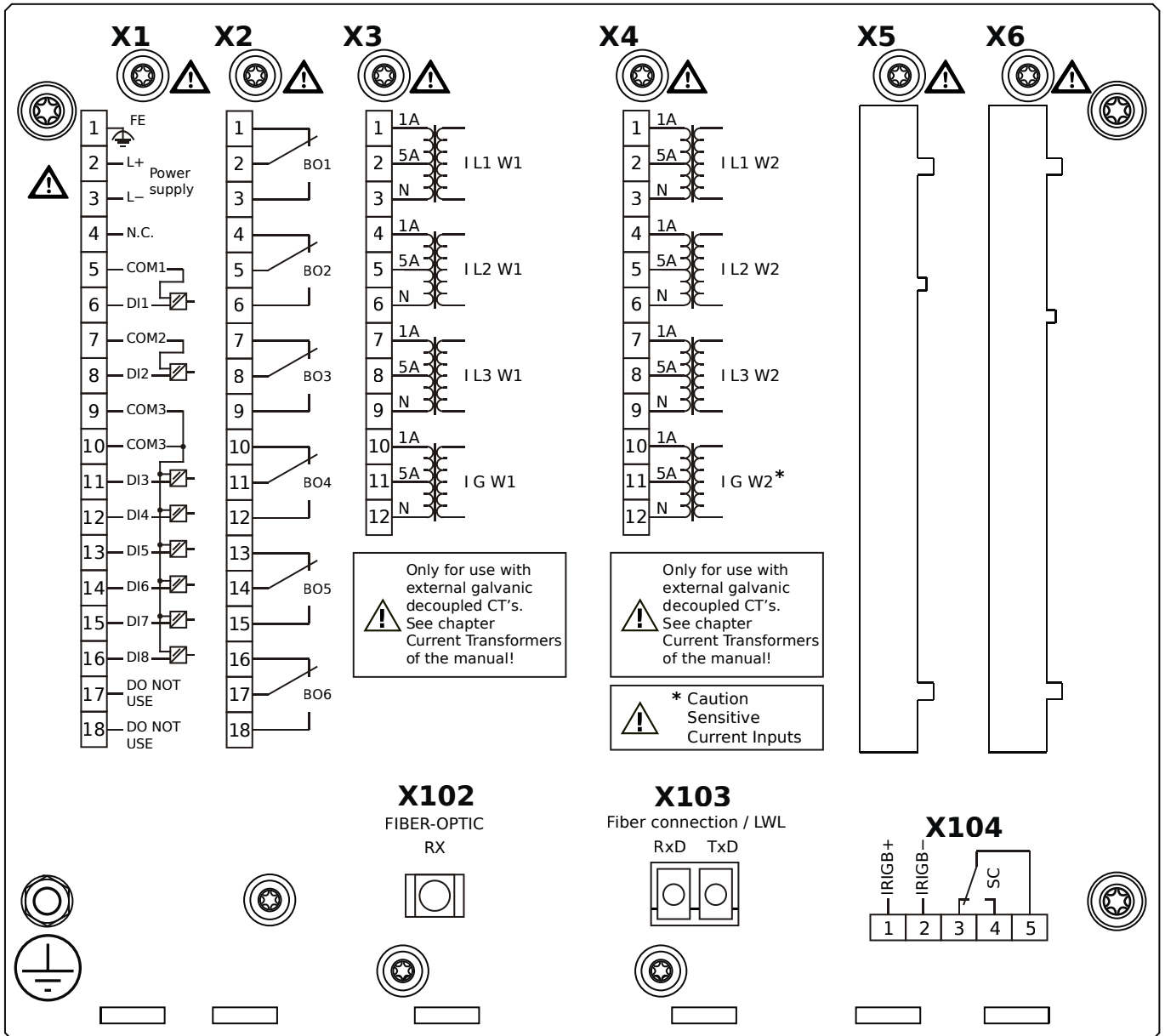
- X1** – DI8-X1: Wide-range power supply unit, incl. 2 non-grouped digital inputs and 6 grouped digital inputs
- X2** – OR-6: Assembly Group with 6 Relay Outputs
- X3** – TI-4: Standard current measuring card (for the winding side 1)
- X4** – TIs-4: Standard phase current measuring card and sensitive ground current measuring (winding side 2)
- X100** – Modbus TCP / DNP3.0 TCP/UDP, Ethernet interface, 100 Mbit/s, RJ45 (BASE100-FX)
- X102** – Universal Resistance-Temperature Detector (URTD) input, Fiber optics interface, Versatile Link
- X103** – IEC 60870-5-103 / Modbus RTU / DNP3.0 RTU, RS485, Terminals
- X104** – IRIG-B00X, incl. System Contact (Supervision Contact)

MRDT4-2A2HKA



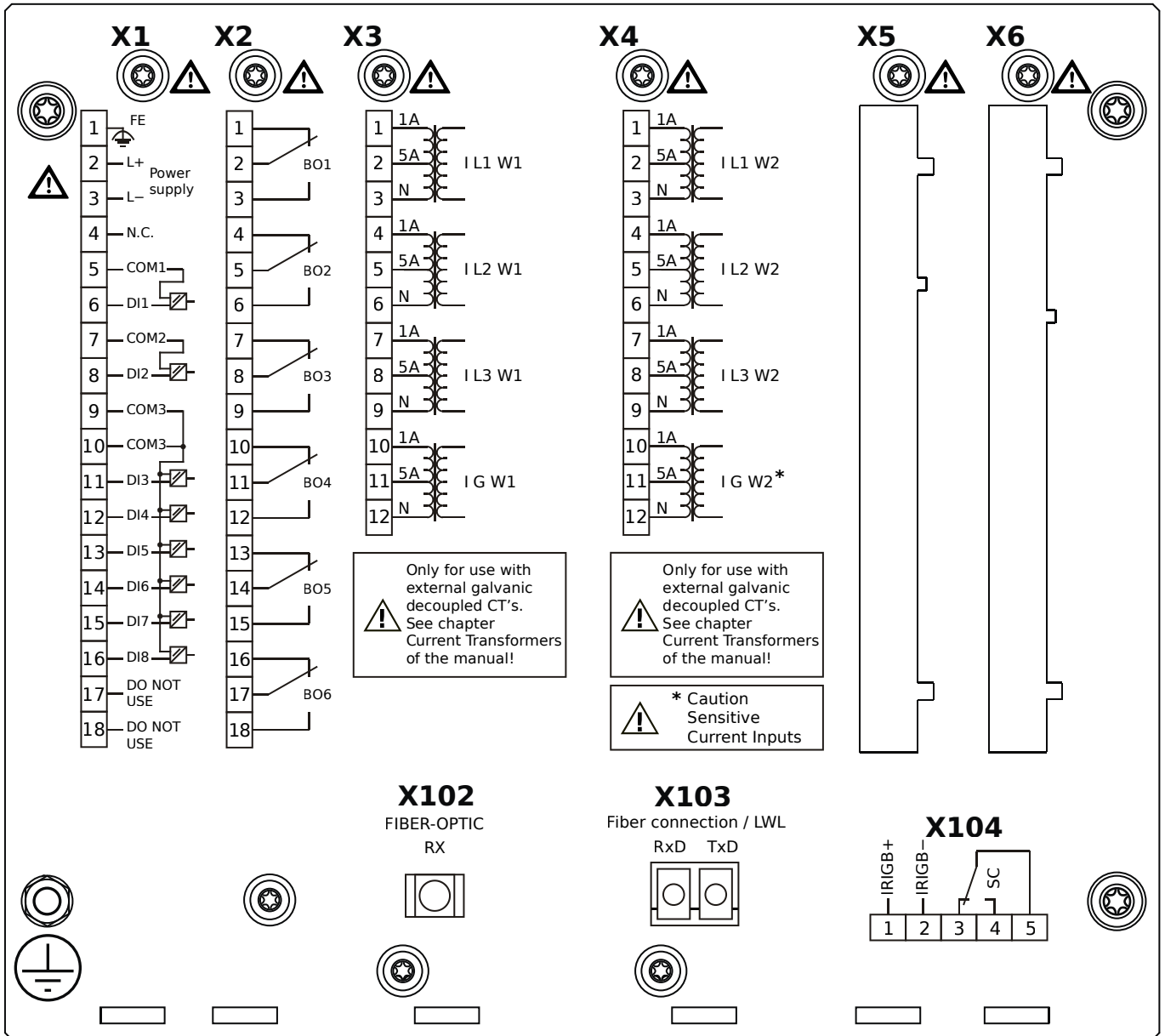
- X1** – DI8-X1: Wide-range power supply unit, incl. 2 non-grouped digital inputs and 6 grouped digital inputs
- X2** – OR-6: Assembly Group with 6 Relay Outputs
- X3** – TI-4: Standard current measuring card (for the winding side 1)
- X4** – TIs-4: Standard phase current measuring card and sensitive ground current measuring (winding side 2)
- X102** – Universal Resistance-Temperature Detector (URTD) input, Fiber optics interface, Versatile Link
- X103** – IEC 61850 / Modbus TCP / DNP3.0 TCP/UDP, Fiber optics interface, LC Connector
- X104** – IRIG-B00X, incl. System Contact (Supervision Contact)

MRDT4-2A2HKB



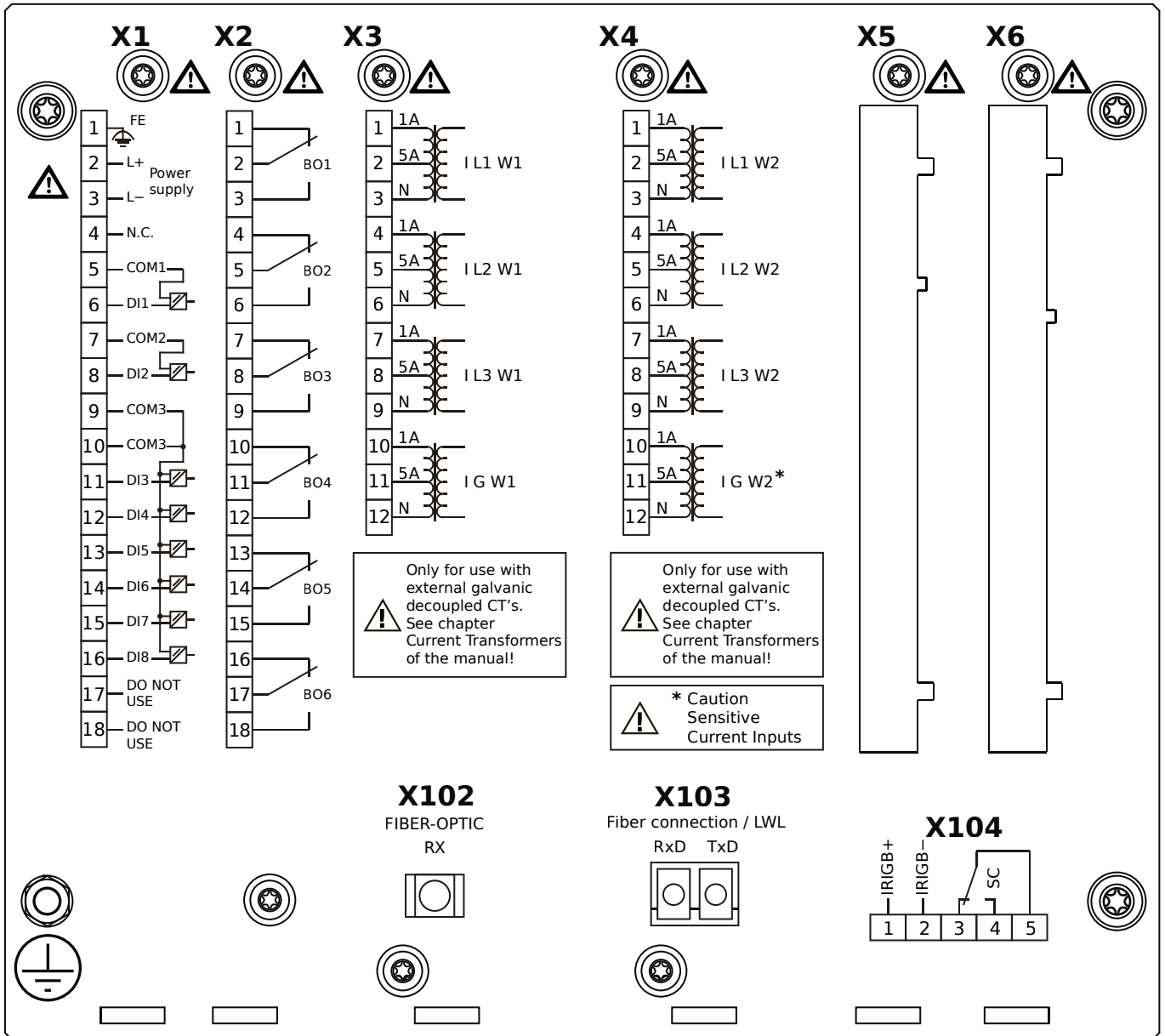
- X1** – DI8-X1: Wide-range power supply unit, incl. 2 non-grouped digital inputs and 6 grouped digital inputs
- X2** – OR-6: Assembly Group with 6 Relay Outputs
- X3** – TI-4: Standard current measuring card (for the winding side 1)
- X4** – TIs-4: Standard phase current measuring card and sensitive ground current measuring (winding side 2)
- X102** – Universal Resistance-Temperature Detector (URTD) input, Fiber optics interface, Versatile Link
- X103** – IEC 61850 / Modbus TCP / DNP3.0 TCP/UDP, Fiber optics interface, LC Connector
- X104** – IRIG-B00X, incl. System Contact (Supervision Contact)

MRDT4-2A2HLA



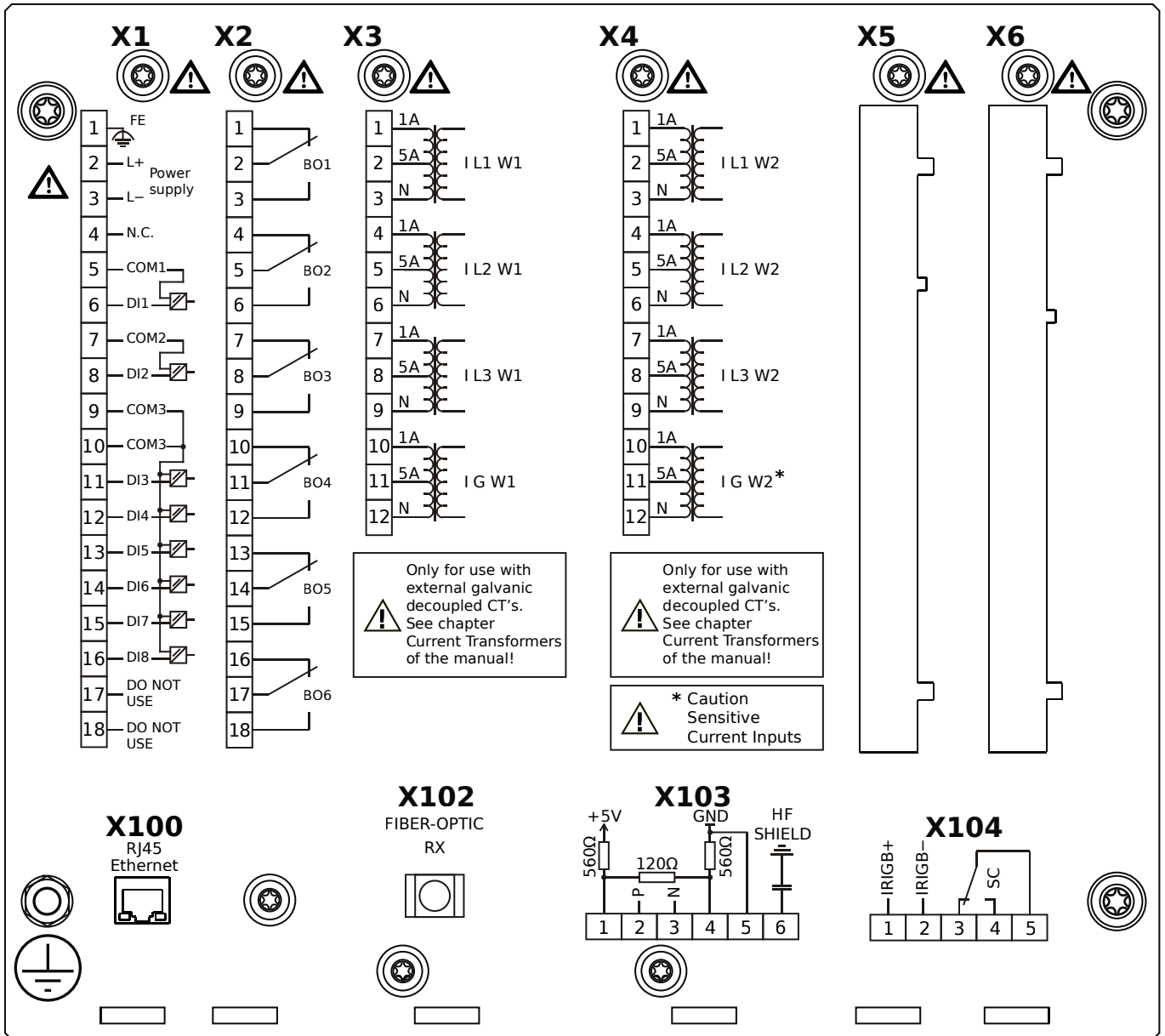
- X1** – DI8-X1: Wide-range power supply unit, incl. 2 non-grouped digital inputs and 6 grouped digital inputs
- X2** – OR-6: Assembly Group with 6 Relay Outputs
- X3** – TI-4: Standard current measuring card (for the winding side 1)
- X4** – TIs-4: Standard phase current measuring card and sensitive ground current measuring (winding side 2)
- X102** – Universal Resistance-Temperature Detector (URTD) input, Fiber optics interface, Versatile Link
- X103** – Modbus TCP / DNP3.0 TCP/UDP, Fiber optics interface, LC Connector
- X104** – IRIG-B00X, incl. System Contact (Supervision Contact)

MRDT4-2A2HLB



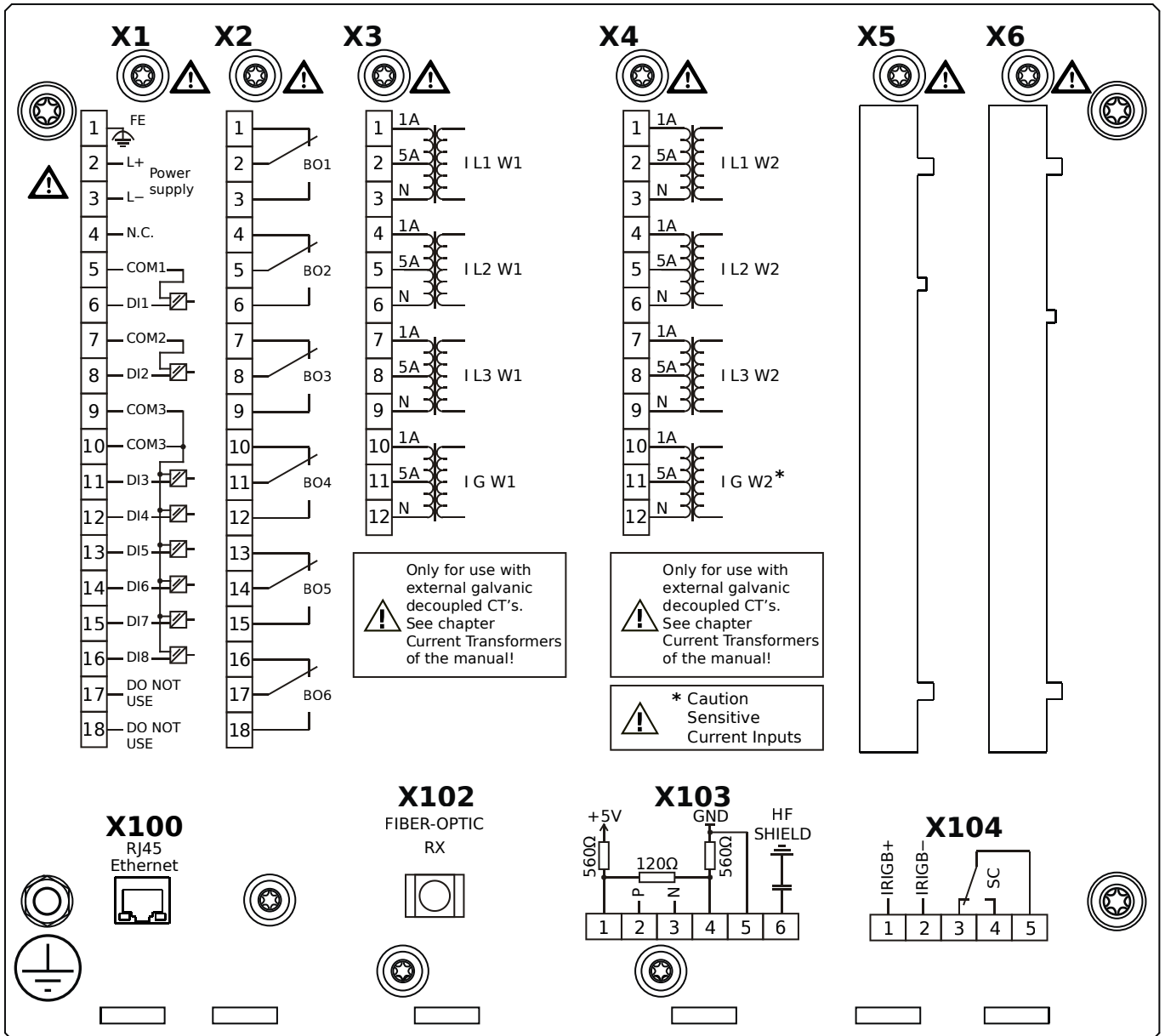
- X1** – DI8-X1: Wide-range power supply unit, incl. 2 non-grouped digital inputs and 6 grouped digital inputs
- X2** – OR-6: Assembly Group with 6 Relay Outputs
- X3** – TI-4: Standard current measuring card (for the winding side 1)
- X4** – TIs-4: Standard phase current measuring card and sensitive ground current measuring (winding side 2)
- X102** – Universal Resistance-Temperature Detector (URTD) input, Fiber optics interface, Versatile Link
- X103** – Modbus TCP / DNP3.0 TCP/UDP, Fiber optics interface, LC Connector
- X104** – IRIG-B00X, incl. System Contact (Supervision Contact)

MRDT4-2A2HTA



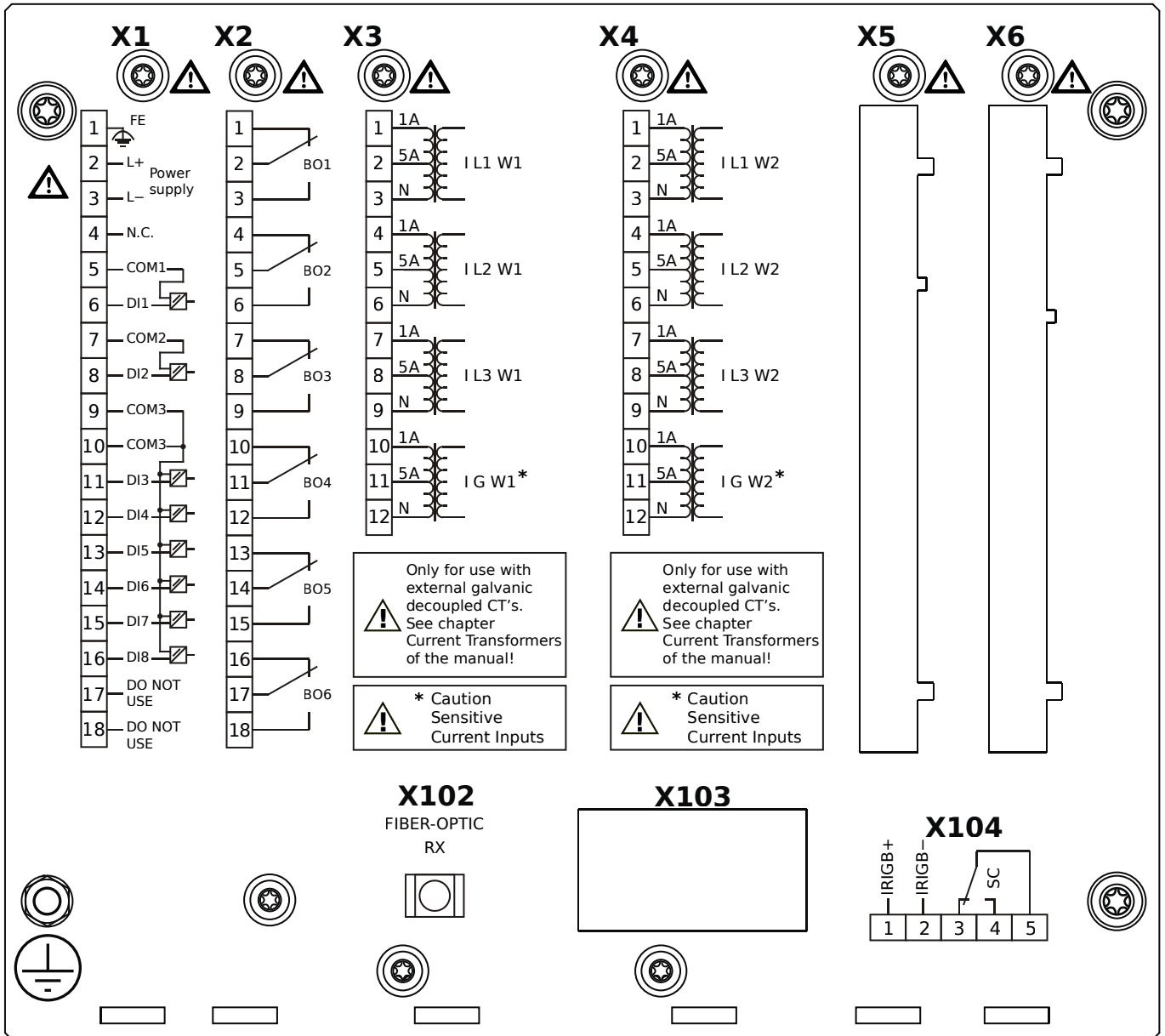
- X1** – DI8-X1: Wide-range power supply unit, incl. 2 non-grouped digital inputs and 6 grouped digital inputs
- X2** – OR-6: Assembly Group with 6 Relay Outputs
- X3** – TI-4: Standard current measuring card (for the winding side 1)
- X4** – TIs-4: Standard phase current measuring card and sensitive ground current measuring (winding side 2)
- X100** – IEC 61850 / Modbus TCP / DNP3.0 TCP/UDP, Ethernet interface, 100 Mbit/s, RJ45 (BASE100-FX)
- X102** – Universal Resistance-Temperature Detector (URTD) input, Fiber optics interface, Versatile Link
- X103** – IEC 60870-5-103 / Modbus RTU / DNP3.0 RTU, RS485, Terminals
- X104** – IRIG-B00X, incl. System Contact (Supervision Contact)

MRDT4-2A2HTB



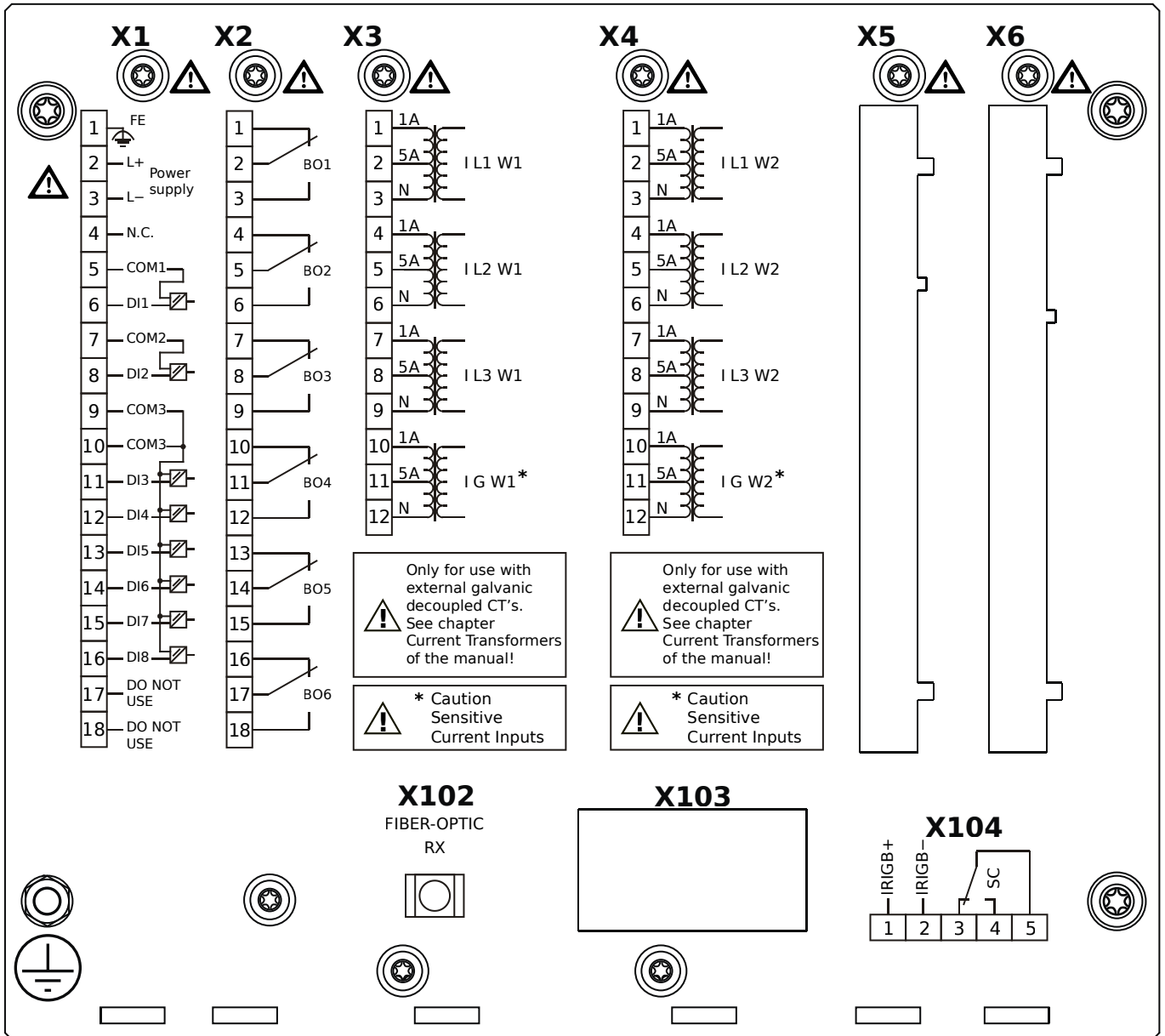
- X1** – DI8-X1: Wide-range power supply unit, incl. 2 non-grouped digital inputs and 6 grouped digital inputs
- X2** – OR-6: Assembly Group with 6 Relay Outputs
- X3** – TI-4: Standard current measuring card (for the winding side 1)
- X4** – TIs-4: Standard phase current measuring card and sensitive ground current measuring (winding side 2)
- X100** – IEC 61850 / Modbus TCP / DNP3.0 TCP/UDP, Ethernet interface, 100 Mbit/s, RJ45 (BASE100-FX)
- X102** – Universal Resistance-Temperature Detector (URTD) input, Fiber optics interface, Versatile Link
- X103** – IEC 60870-5-103 / Modbus RTU / DNP3.0 RTU, RS485, Terminals
- X104** – IRIG-B00X, incl. System Contact (Supervision Contact)

MRDT4-2A3AAA



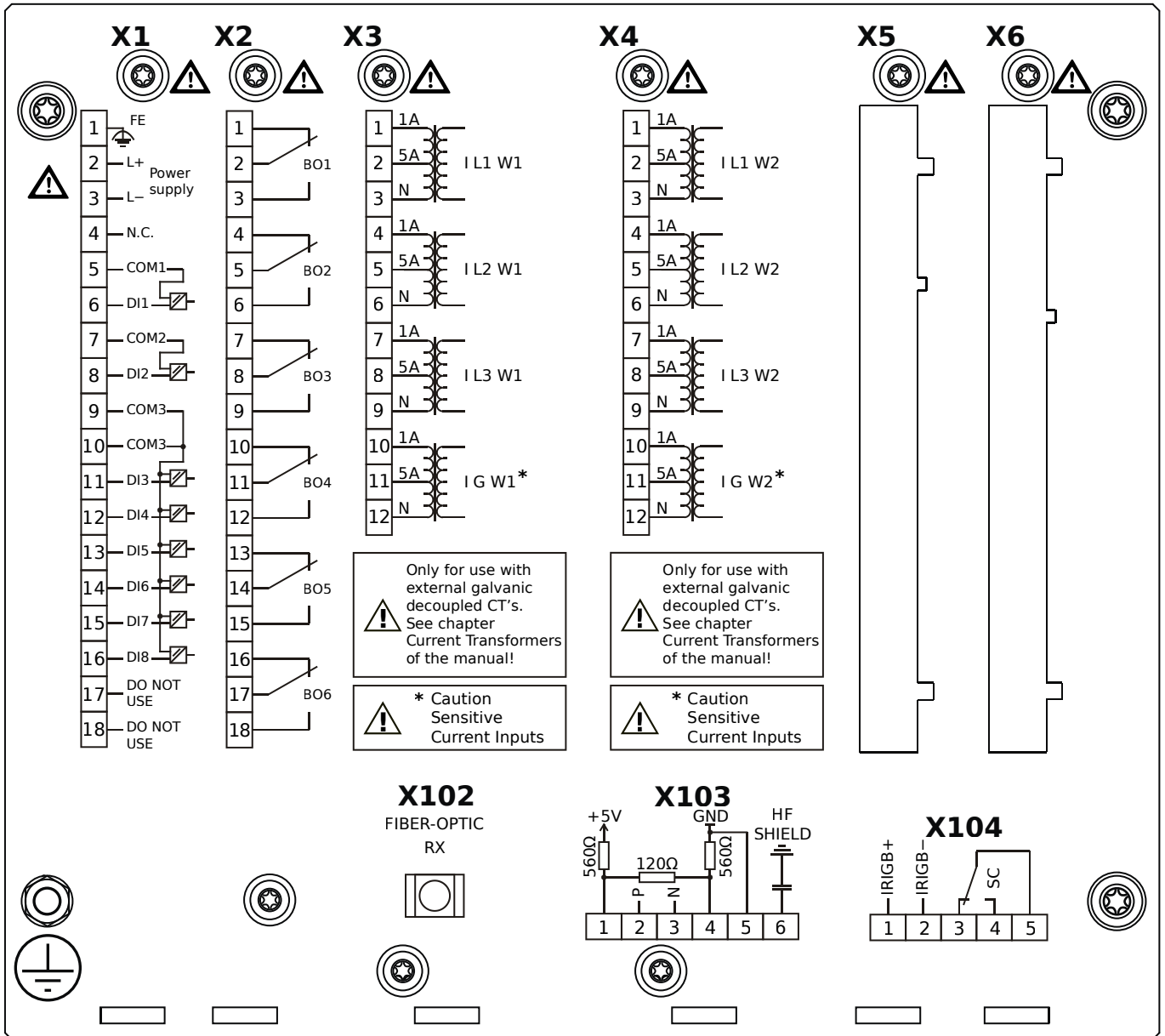
- X1** – DI8-X1: Wide-range power supply unit, incl. 2 non-grouped digital inputs and 6 grouped digital inputs
- X2** – OR-6: Assembly Group with 6 Relay Outputs
- X3** – TIs-4: Standard phase current measuring card and sensitive ground current measuring (winding side 1)
- X4** – TIs-4: Standard phase current measuring card and sensitive ground current measuring (winding side 2)
- X102** – Universal Resistance-Temperature Detector (URTD) input, Fiber optics interface, Versatile Link
- X104** – IRIG-B00X, incl. System Contact (Supervision Contact)

MRDT4-2A3AAB



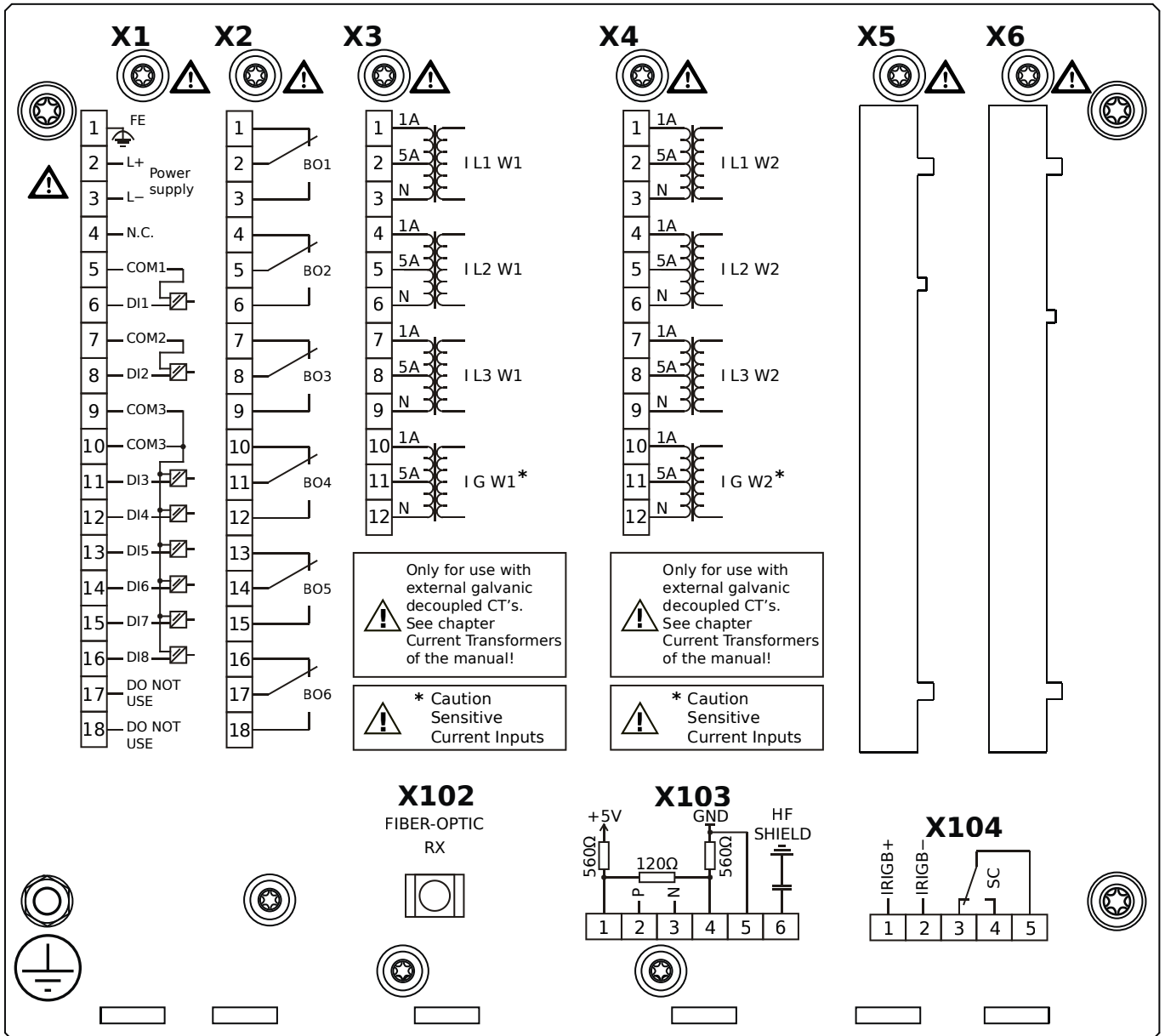
- X1** – DI8-X1: Wide-range power supply unit, incl. 2 non-grouped digital inputs and 6 grouped digital inputs
- X2** – OR-6: Assembly Group with 6 Relay Outputs
- X3** – TIs-4: Standard phase current measuring card and sensitive ground current measuring (winding side 1)
- X4** – TIs-4: Standard phase current measuring card and sensitive ground current measuring (winding side 2)
- X102** – Universal Resistance-Temperature Detector (URTD) input, Fiber optics interface, Versatile Link
- X104** – IRIG-B00X, incl. System Contact (Supervision Contact)

MRDT4-2A3ABA



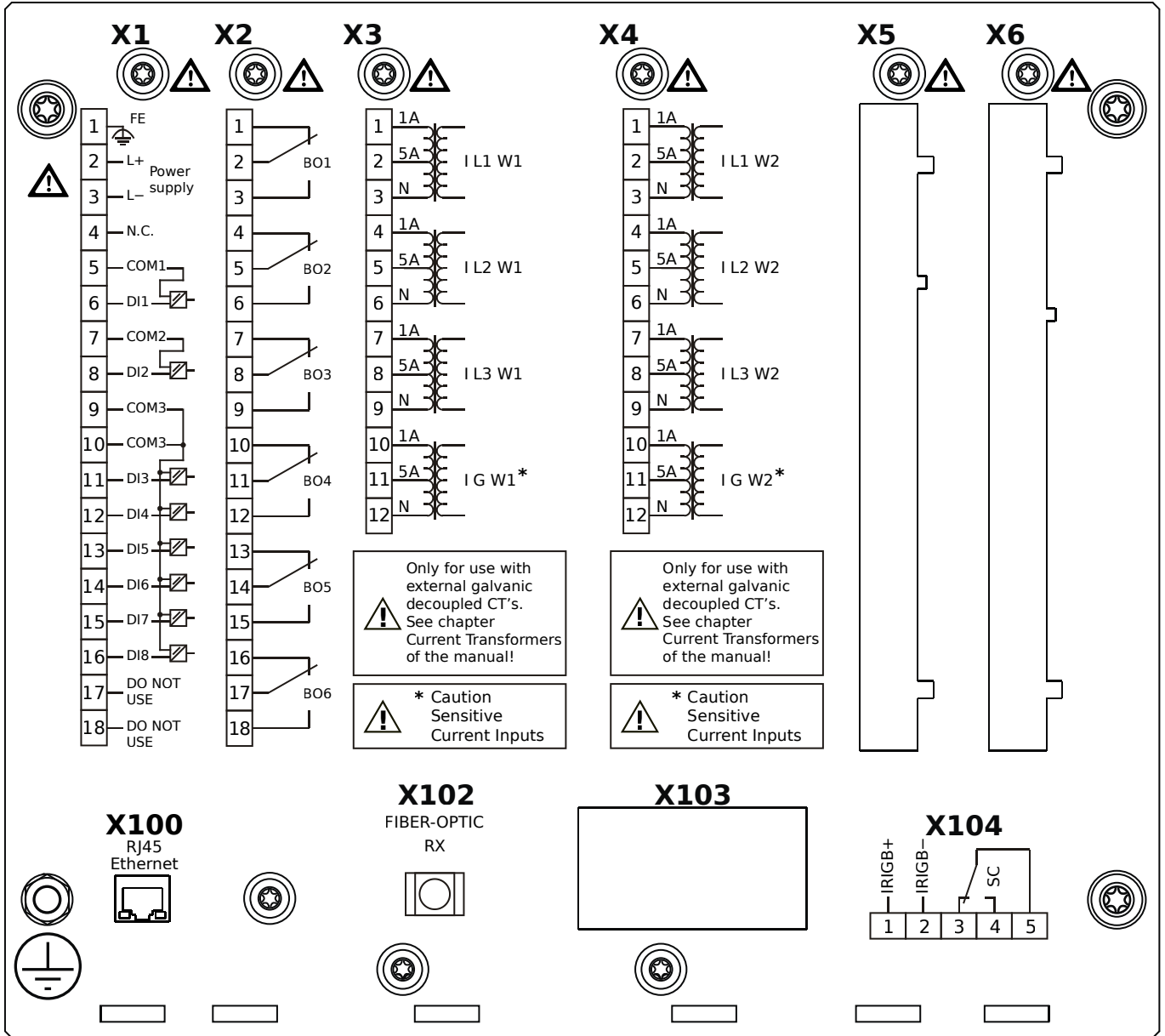
- X1** – DI8-X1: Wide-range power supply unit, incl. 2 non-grouped digital inputs and 6 grouped digital inputs
- X2** – OR-6: Assembly Group with 6 Relay Outputs
- X3** – TIs-4: Standard phase current measuring card and sensitive ground current measuring (winding side 1)
- X4** – TIs-4: Standard phase current measuring card and sensitive ground current measuring (winding side 2)
- X102** – Universal Resistance-Temperature Detector (URTD) input, Fiber optics interface, Versatile Link
- X103** – Modbus RTU / IEC 60870-5-103 / DNP3.0 RTU, RS485, Terminals
- X104** – IRIG-B00X, incl. System Contact (Supervision Contact)

MRDT4-2A3ABB



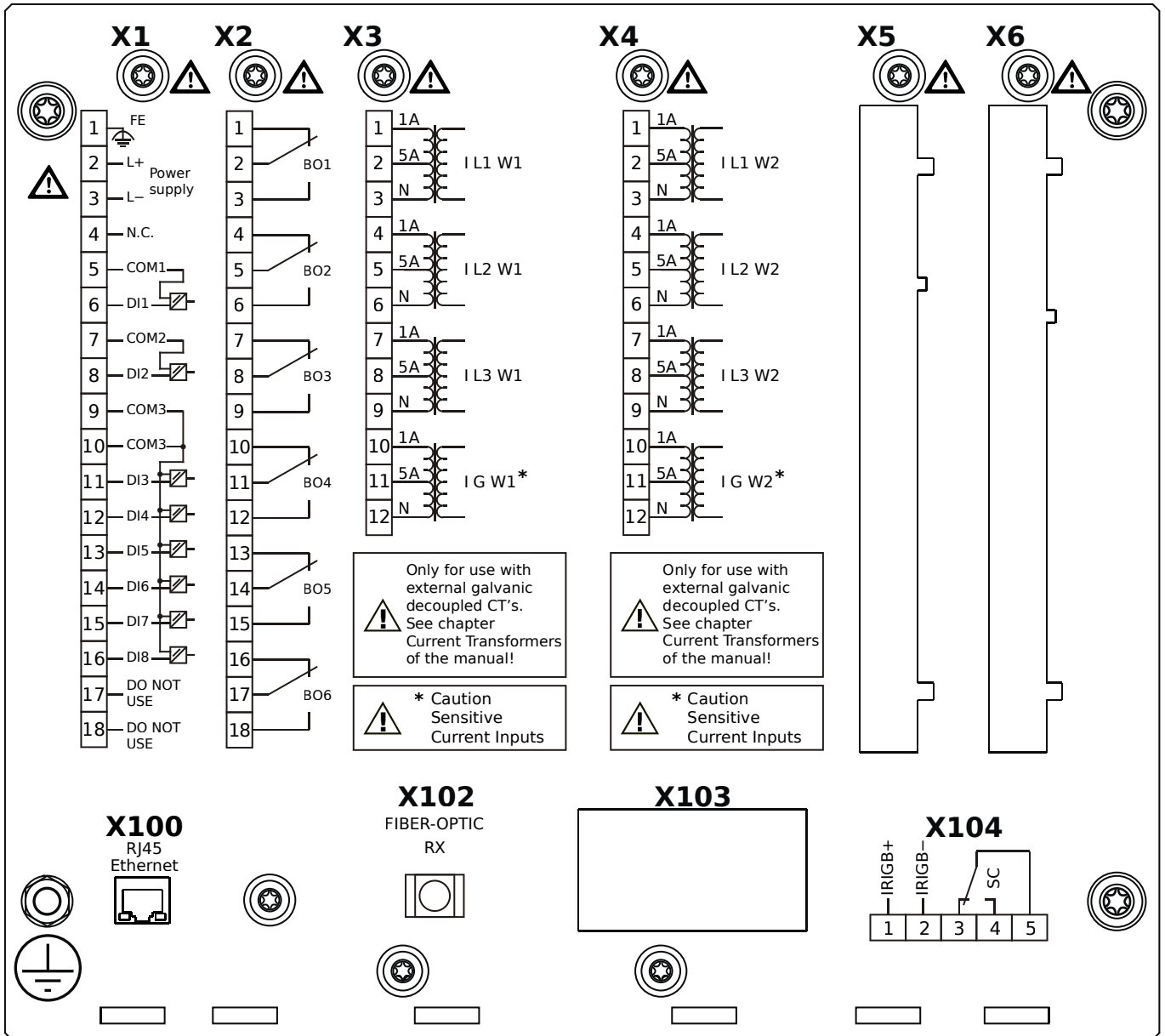
- X1** – DI8-X1: Wide-range power supply unit, incl. 2 non-grouped digital inputs and 6 grouped digital inputs
- X2** – OR-6: Assembly Group with 6 Relay Outputs
- X3** – TIs-4: Standard phase current measuring card and sensitive ground current measuring (winding side 1)
- X4** – TIs-4: Standard phase current measuring card and sensitive ground current measuring (winding side 2)
- X102** – Universal Resistance-Temperature Detector (URTD) input, Fiber optics interface, Versatile Link
- X103** – Modbus RTU / IEC 60870-5-103 / DNP3.0 RTU, RS485, Terminals
- X104** – IRIG-B00X, incl. System Contact (Supervision Contact)

MRDT4-2A3ACA



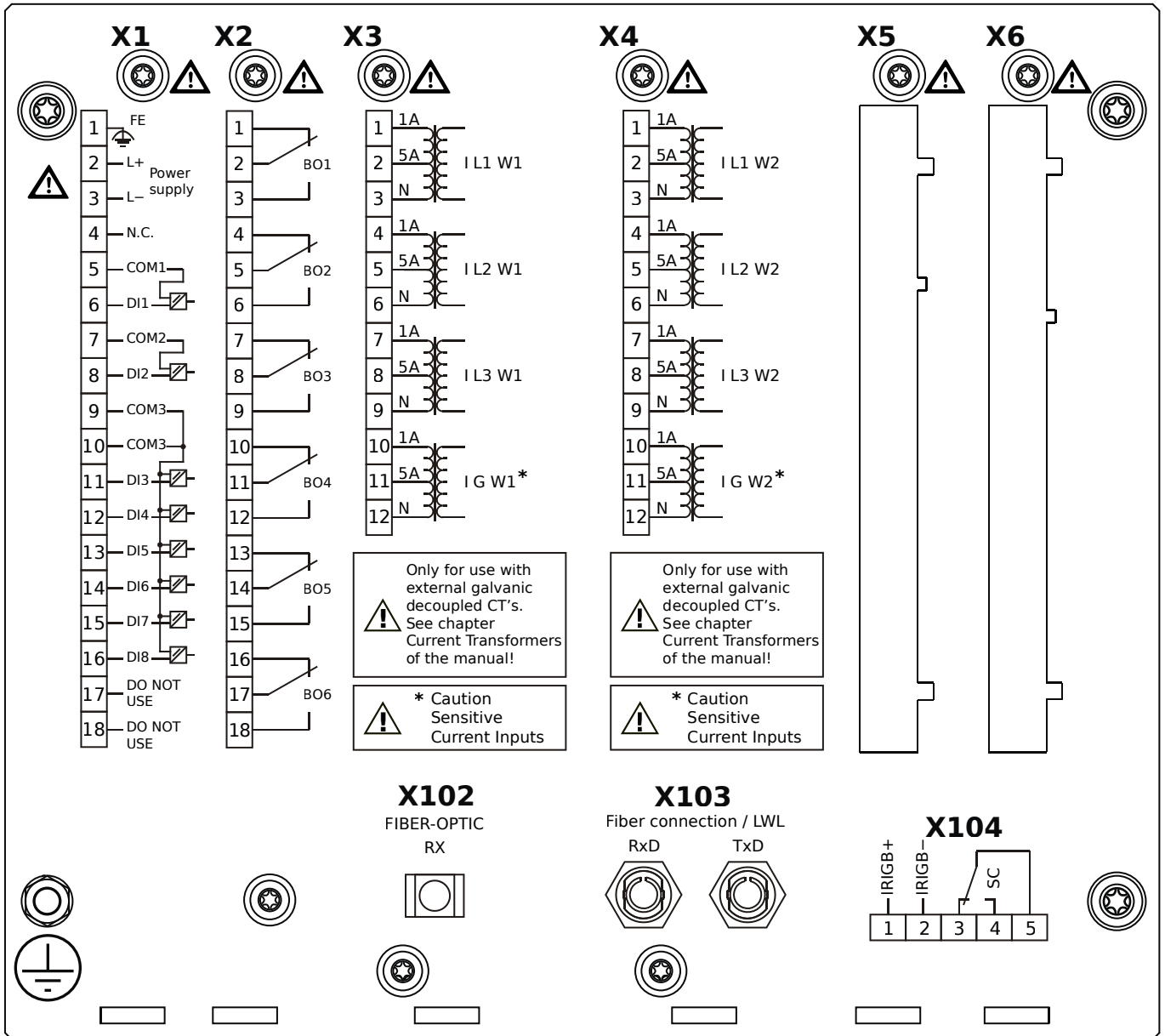
- X1** – DI8-X1: Wide-range power supply unit, incl. 2 non-grouped digital inputs and 6 grouped digital inputs
- X2** – OR-6: Assembly Group with 6 Relay Outputs
- X3** – TIs-4: Standard phase current measuring card and sensitive ground current measuring (winding side 1)
- X4** – TIs-4: Standard phase current measuring card and sensitive ground current measuring (winding side 2)
- X100** – Modbus TCP / DNP3.0 TCP/UDP, Ethernet interface, 100 Mbit/s, RJ45 (BASE100-FX)
- X102** – Universal Resistance-Temperature Detector (URTD) input, Fiber optics interface, Versatile Link
- X104** – IRIG-B00X, incl. System Contact (Supervision Contact)

MRDT4-2A3ACB



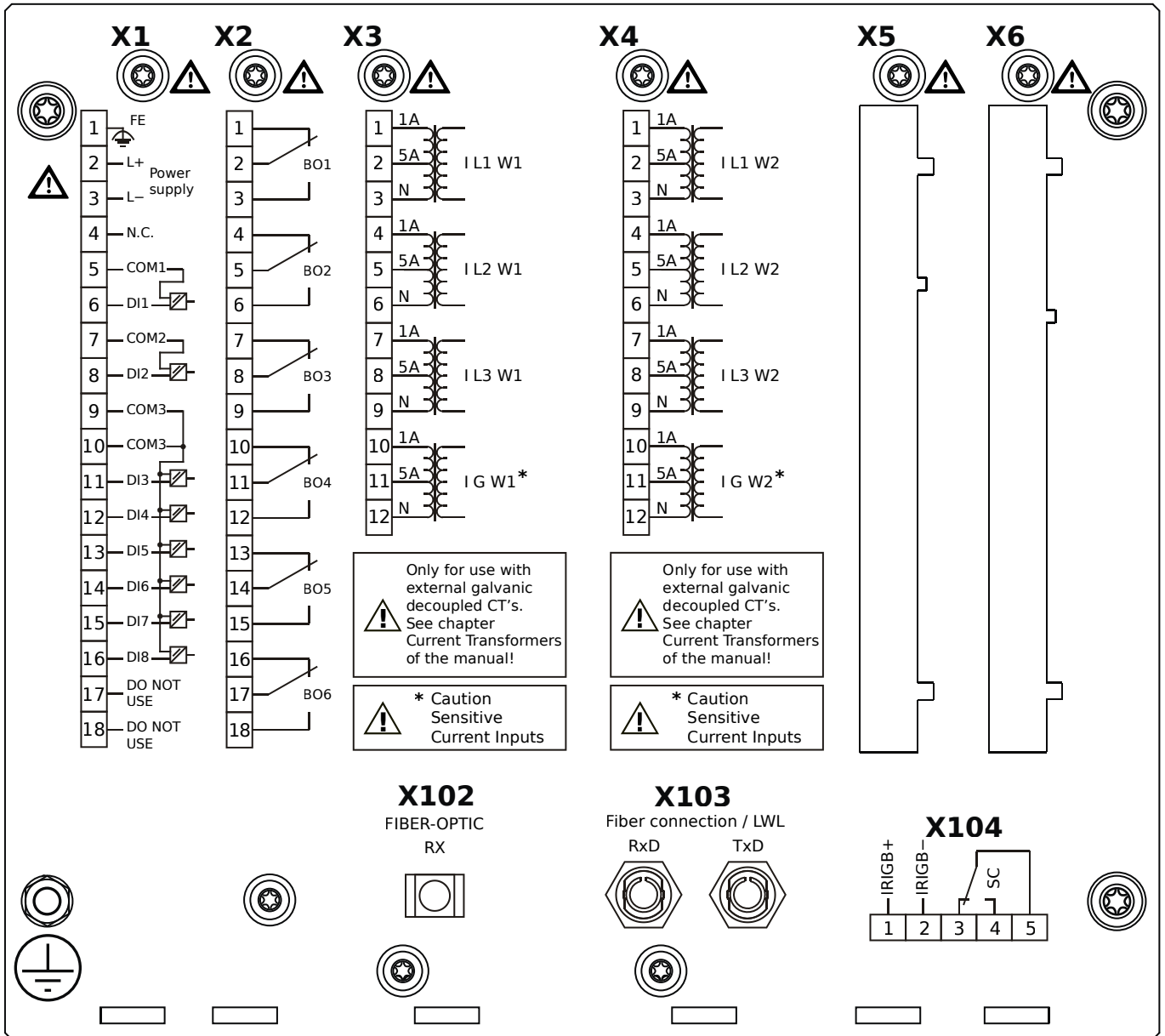
- X1** – DI8-X1: Wide-range power supply unit, incl. 2 non-grouped digital inputs and 6 grouped digital inputs
- X2** – OR-6: Assembly Group with 6 Relay Outputs
- X3** – TIs-4: Standard phase current measuring card and sensitive ground current measuring (winding side 1)
- X4** – TIs-4: Standard phase current measuring card and sensitive ground current measuring (winding side 2)
- X100** – Modbus TCP / DNP3.0 TCP/UDP, Ethernet interface, 100 Mbit/s, RJ45 (BASE100-FX)
- X102** – Universal Resistance-Temperature Detector (URTD) input, Fiber optics interface, Versatile Link
- X104** – IRIG-B00X, incl. System Contact (Supervision Contact)

MRDT4-2A3ADA



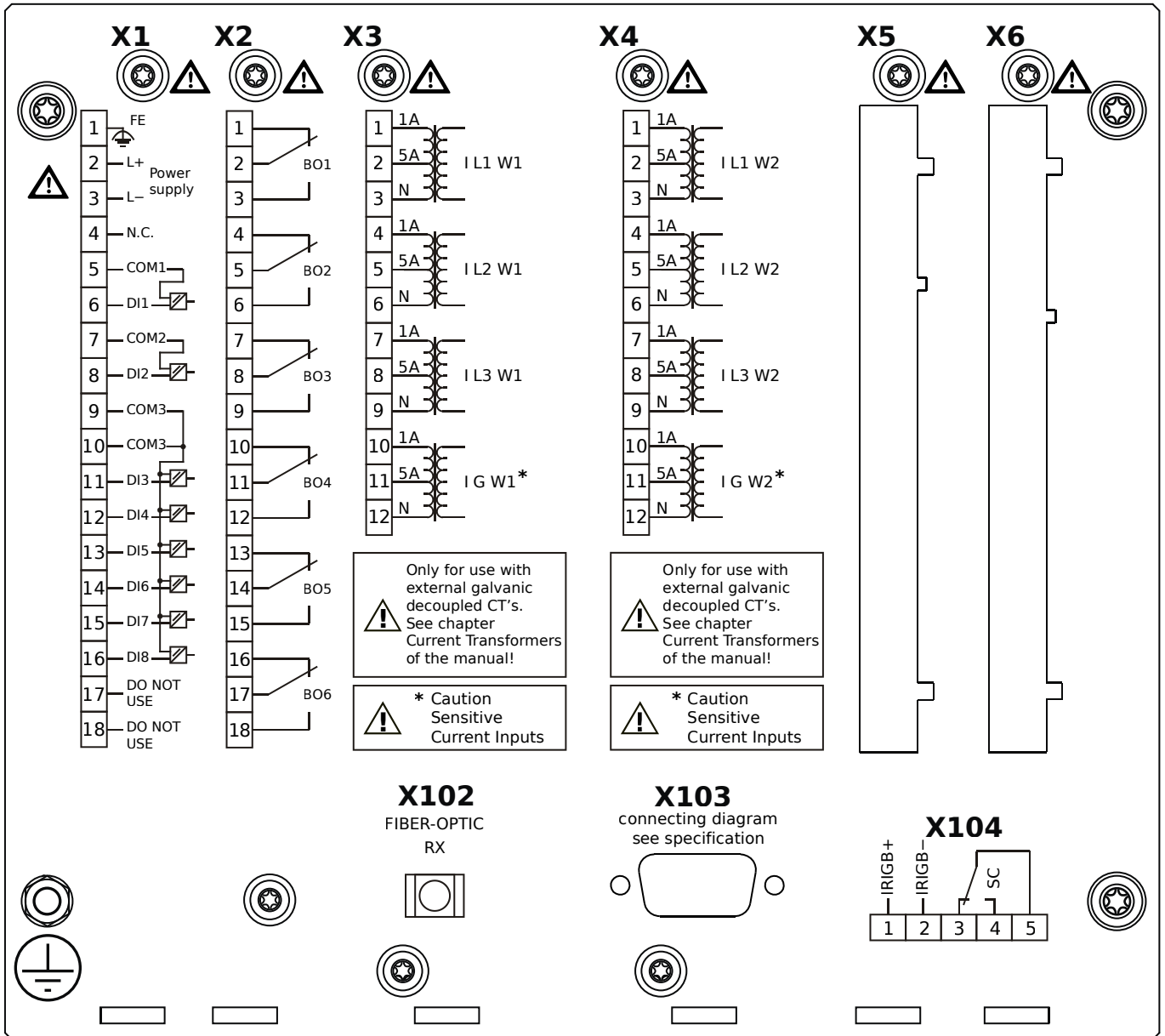
- X1** – DI8-X1: Wide-range power supply unit, incl. 2 non-grouped digital inputs and 6 grouped digital inputs
- X2** – OR-6: Assembly Group with 6 Relay Outputs
- X3** – TIs-4: Standard phase current measuring card and sensitive ground current measuring (winding side 1)
- X4** – TIs-4: Standard phase current measuring card and sensitive ground current measuring (winding side 2)
- X102** – Universal Resistance-Temperature Detector (URTD) input, Fiber optics interface, Versatile Link
- X103** – Profibus-DP, Fiber optics interface, ST Connector
- X104** – IRIG-B00X, incl. System Contact (Supervision Contact)

MRDT4-2A3ADB



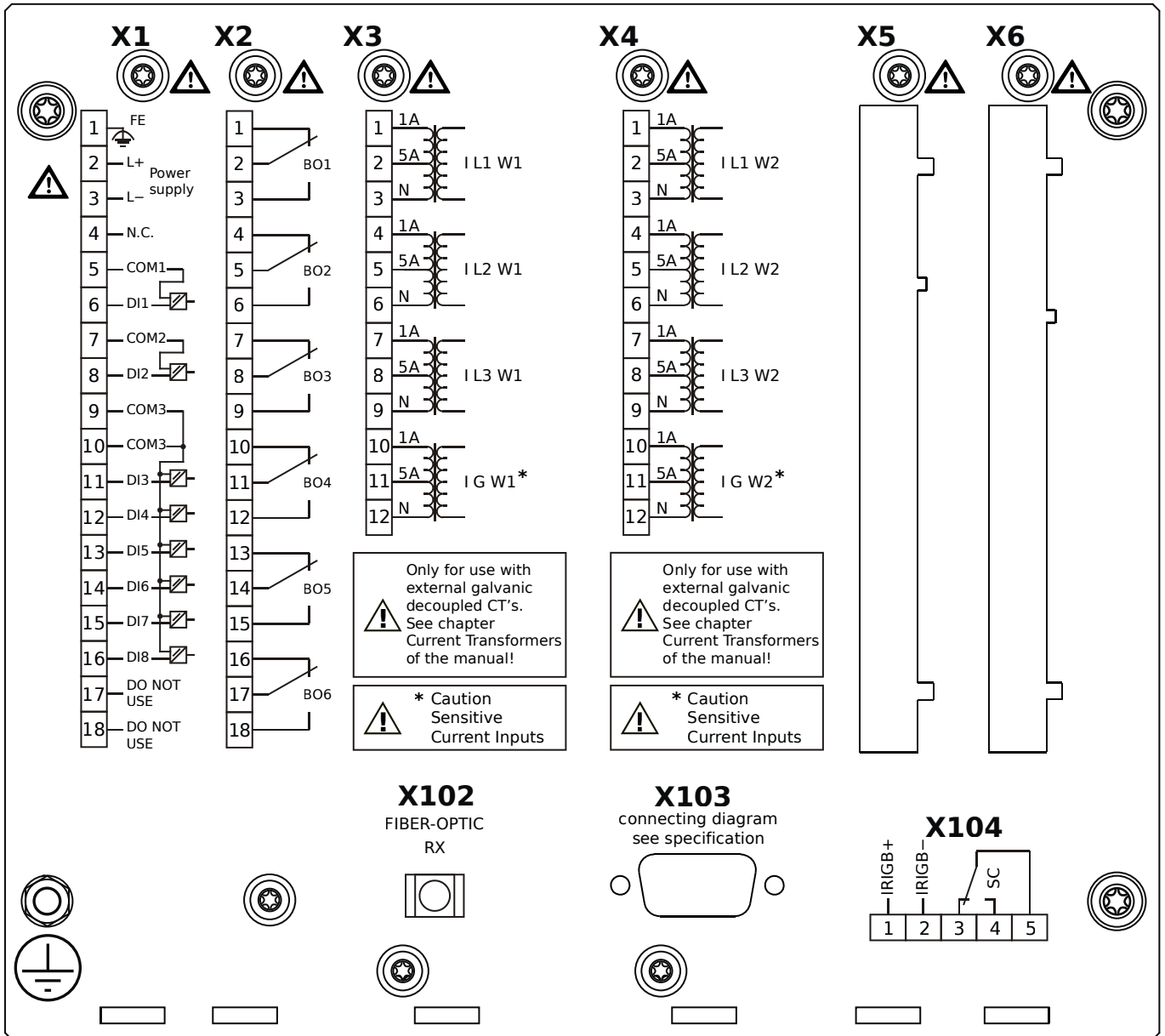
- X1** – DI8-X1: Wide-range power supply unit, incl. 2 non-grouped digital inputs and 6 grouped digital inputs
- X2** – OR-6: Assembly Group with 6 Relay Outputs
- X3** – TIs-4: Standard phase current measuring card and sensitive ground current measuring (winding side 1)
- X4** – TIs-4: Standard phase current measuring card and sensitive ground current measuring (winding side 2)
- X102** – Universal Resistance-Temperature Detector (URTD) input, Fiber optics interface, Versatile Link
- X103** – Profibus-DP, Fiber optics interface, ST Connector
- X104** – IRIG-B00X, incl. System Contact (Supervision Contact)

MRDT4-2A3AEA



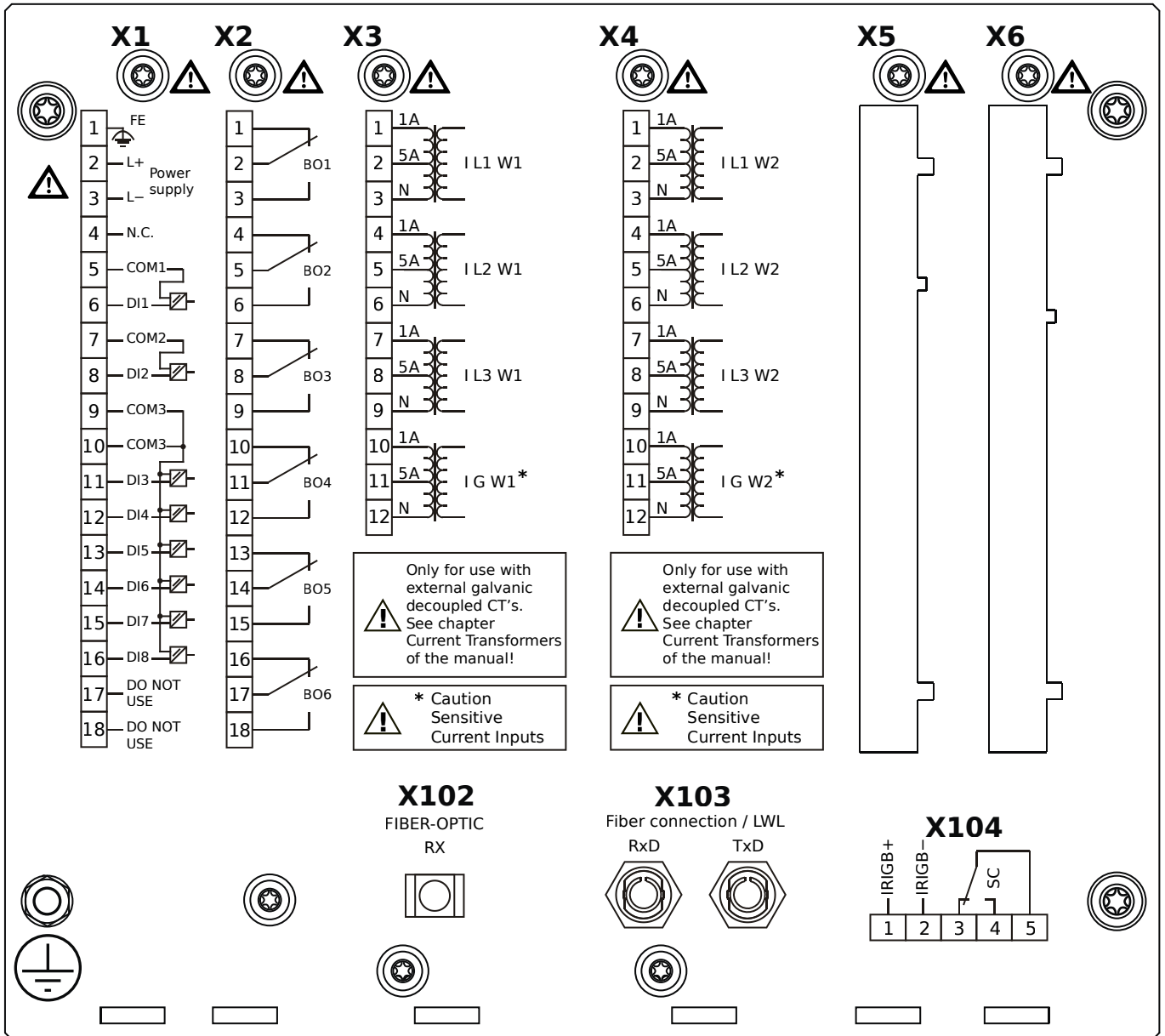
- X1** – DI8-X1: Wide-range power supply unit, incl. 2 non-grouped digital inputs and 6 grouped digital inputs
- X2** – OR-6: Assembly Group with 6 Relay Outputs
- X3** – TIs-4: Standard phase current measuring card and sensitive ground current measuring (winding side 1)
- X4** – TIs-4: Standard phase current measuring card and sensitive ground current measuring (winding side 2)
- X102** – Universal Resistance-Temperature Detector (URTD) input, Fiber optics interface, Versatile Link
- X103** – Profibus-DP, RS485, D-SUB
- X104** – IRIG-B00X, incl. System Contact (Supervision Contact)

MRDT4-2A3AEB



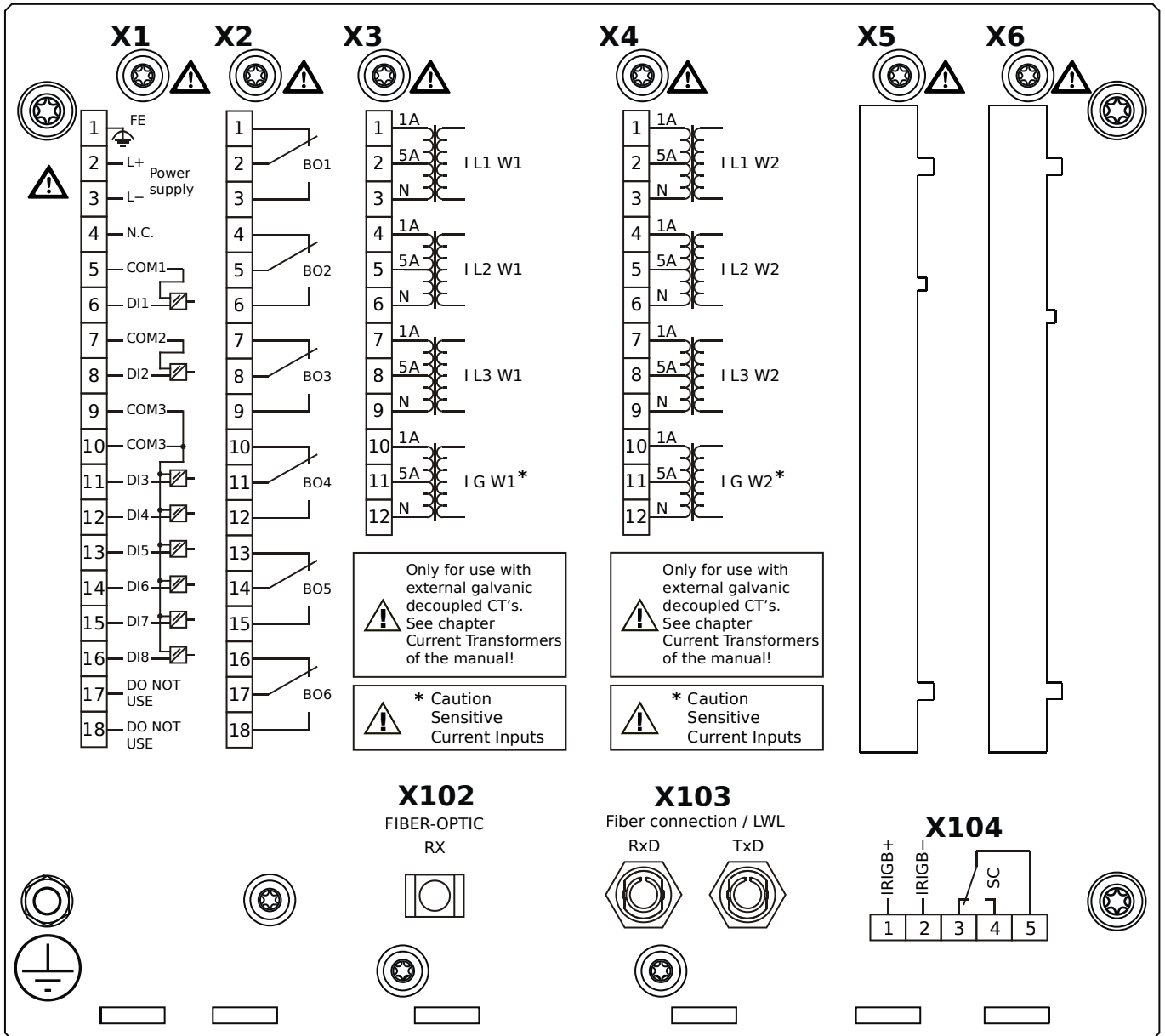
- X1** – DI8-X1: Wide-range power supply unit, incl. 2 non-grouped digital inputs and 6 grouped digital inputs
- X2** – OR-6: Assembly Group with 6 Relay Outputs
- X3** – TIs-4: Standard phase current measuring card and sensitive ground current measuring (winding side 1)
- X4** – TIs-4: Standard phase current measuring card and sensitive ground current measuring (winding side 2)
- X102** – Universal Resistance-Temperature Detector (URTD) input, Fiber optics interface, Versatile Link
- X103** – Profibus-DP, RS485, D-SUB
- X104** – IRIG-B00X, incl. System Contact (Supervision Contact)

MRDT4-2A3AFA



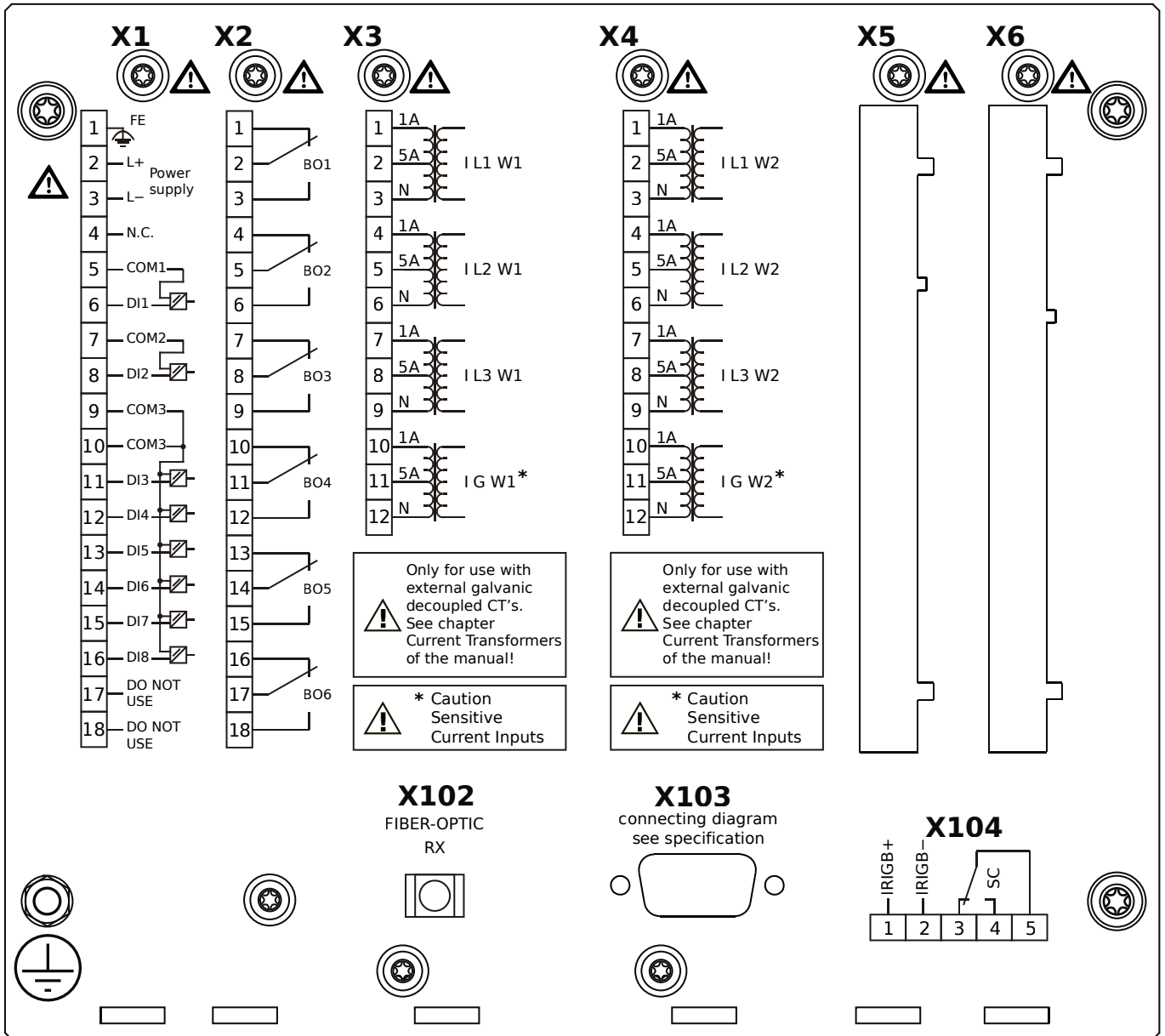
- X1** – DI8-X1: Wide-range power supply unit, incl. 2 non-grouped digital inputs and 6 grouped digital inputs
- X2** – OR-6: Assembly Group with 6 Relay Outputs
- X3** – TIs-4: Standard phase current measuring card and sensitive ground current measuring (winding side 1)
- X4** – TIs-4: Standard phase current measuring card and sensitive ground current measuring (winding side 2)
- X102** – Universal Resistance-Temperature Detector (URTD) input, Fiber optics interface, Versatile Link
- X103** – Modbus RTU / IEC 60870-5-103 / DNP3.0 RTU, Fiber optics interface, ST Connector
- X104** – IRIG-B00X, incl. System Contact (Supervision Contact)

MRDT4-2A3AFB



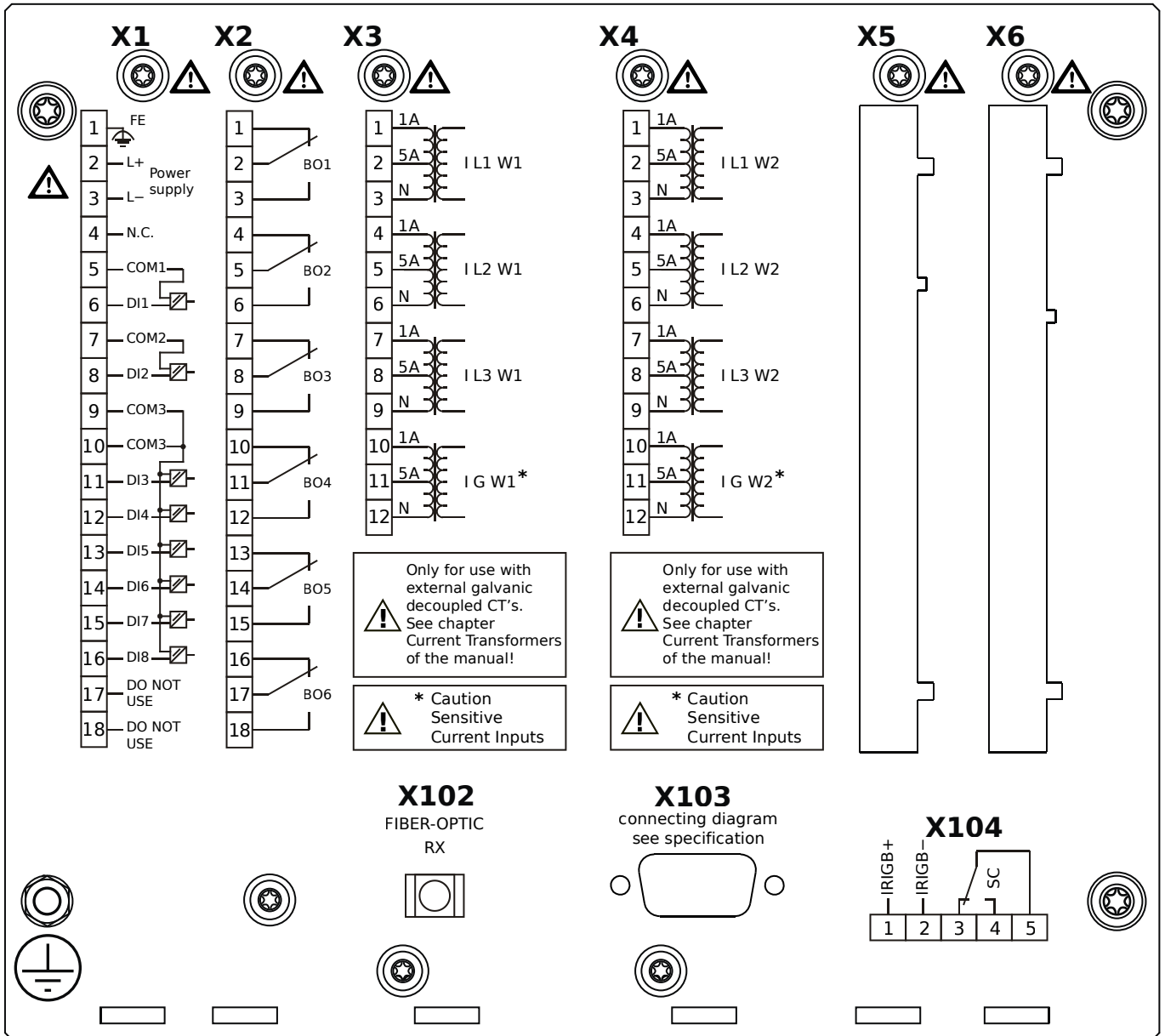
- X1** – DI8-X1: Wide-range power supply unit, incl. 2 non-grouped digital inputs and 6 grouped digital inputs
- X2** – OR-6: Assembly Group with 6 Relay Outputs
- X3** – TIs-4: Standard phase current measuring card and sensitive ground current measuring (winding side 1)
- X4** – TIs-4: Standard phase current measuring card and sensitive ground current measuring (winding side 2)
- X102** – Universal Resistance-Temperature Detector (URTD) input, Fiber optics interface, Versatile Link
- X103** – Modbus RTU / IEC 60870-5-103 / DNP3.0 RTU, Fiber optics interface, ST Connector
- X104** – IRIG-B00X, incl. System Contact (Supervision Contact)

MRDT4-2A3AGA



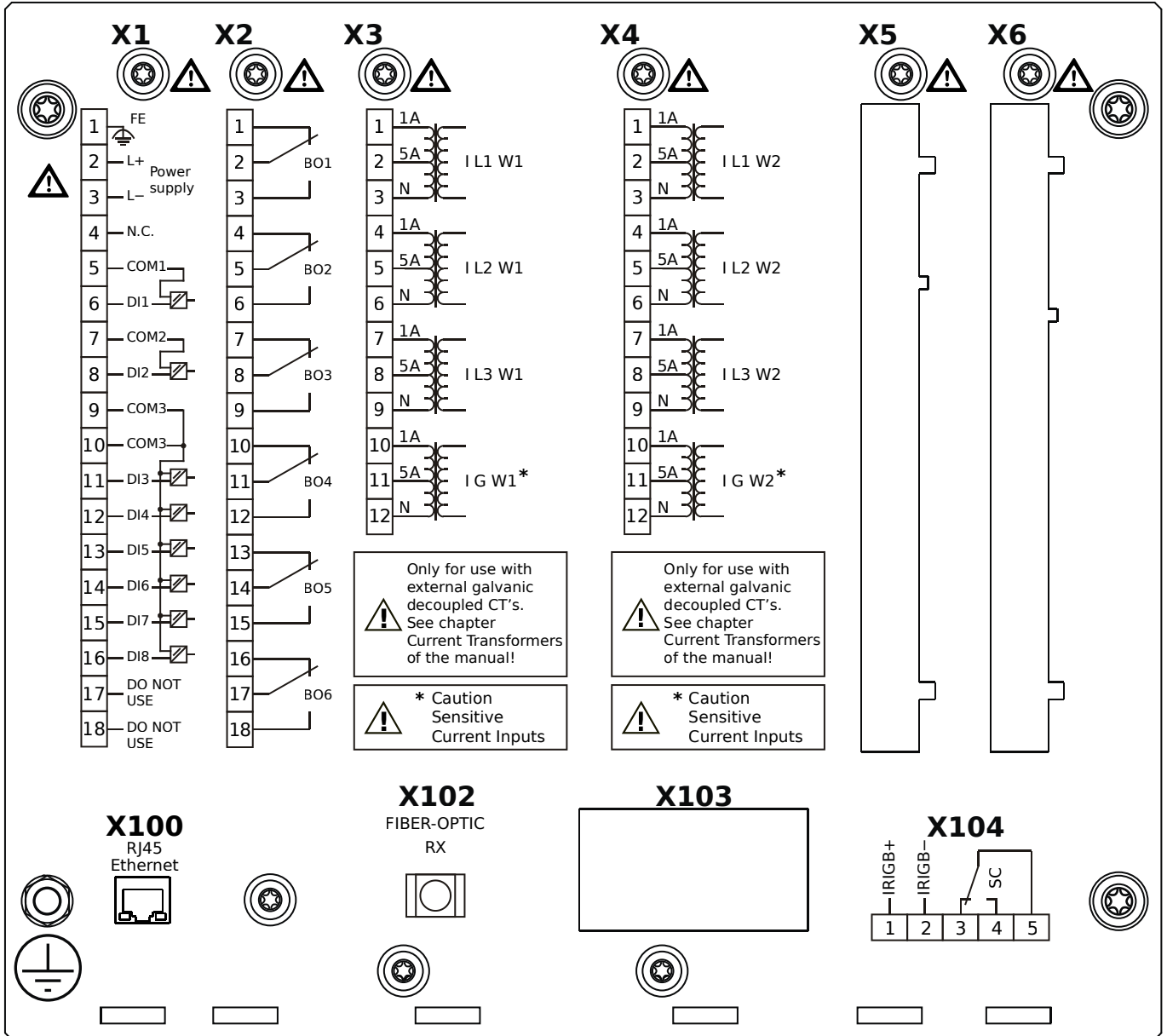
- X1** – DI8-X1: Wide-range power supply unit, incl. 2 non-grouped digital inputs and 6 grouped digital inputs
- X2** – OR-6: Assembly Group with 6 Relay Outputs
- X3** – TIs-4: Standard phase current measuring card and sensitive ground current measuring (winding side 1)
- X4** – TIs-4: Standard phase current measuring card and sensitive ground current measuring (winding side 2)
- X102** – Universal Resistance-Temperature Detector (URTD) input, Fiber optics interface, Versatile Link
- X103** – Modbus RTU / IEC 60870-5-103 / DNP3.0 RTU, RS485, D-SUB
- X104** – IRIG-B00X, incl. System Contact (Supervision Contact)

MRDT4-2A3AGB



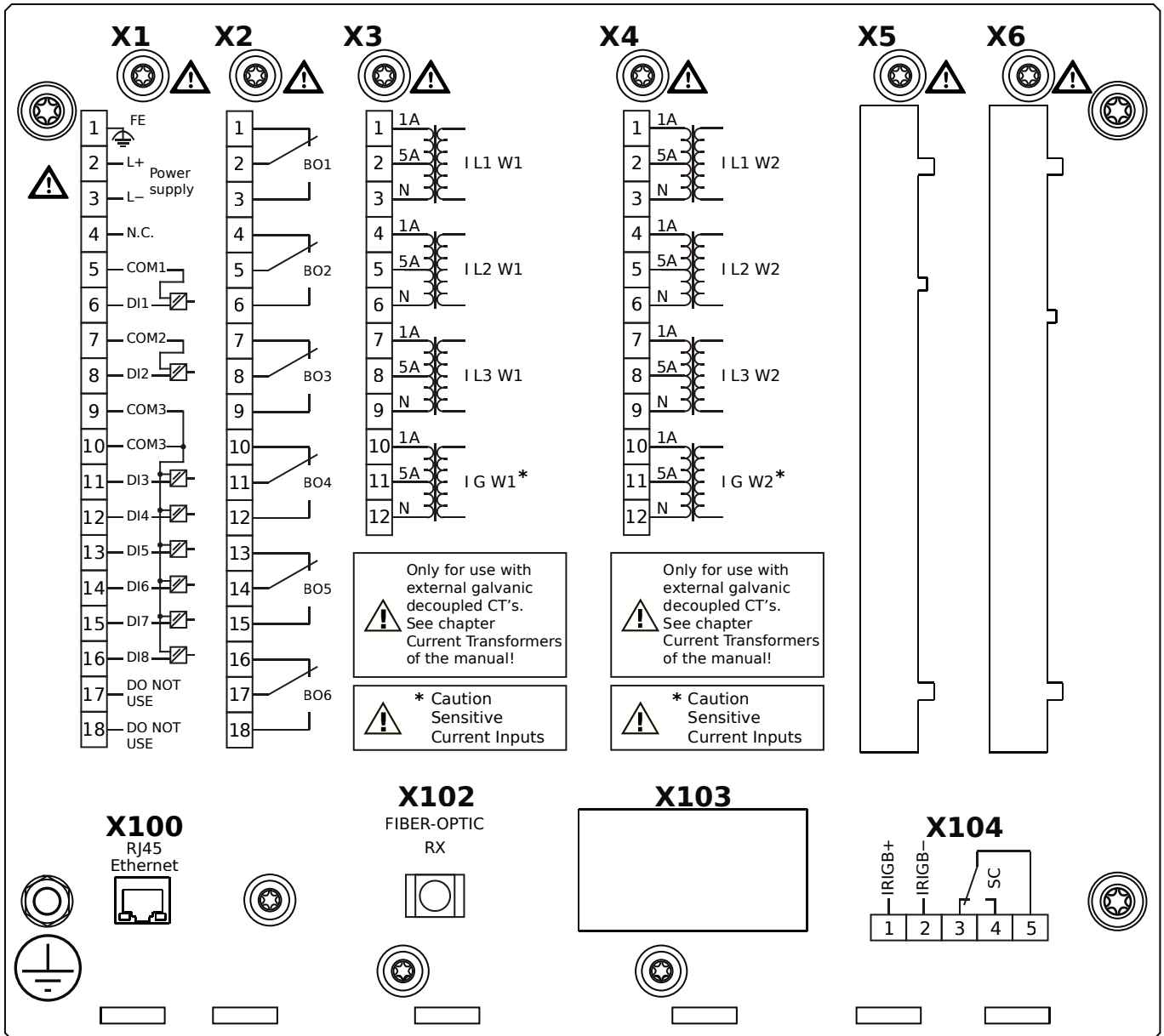
- X1** – DI8-X1: Wide-range power supply unit, incl. 2 non-grouped digital inputs and 6 grouped digital inputs
- X2** – OR-6: Assembly Group with 6 Relay Outputs
- X3** – TIs-4: Standard phase current measuring card and sensitive ground current measuring (winding side 1)
- X4** – TIs-4: Standard phase current measuring card and sensitive ground current measuring (winding side 2)
- X102** – Universal Resistance-Temperature Detector (URTD) input, Fiber optics interface, Versatile Link
- X103** – Modbus RTU / IEC 60870-5-103 / DNP3.0 RTU, RS485, D-SUB
- X104** – IRIG-B00X, incl. System Contact (Supervision Contact)

MRDT4-2A3AHA



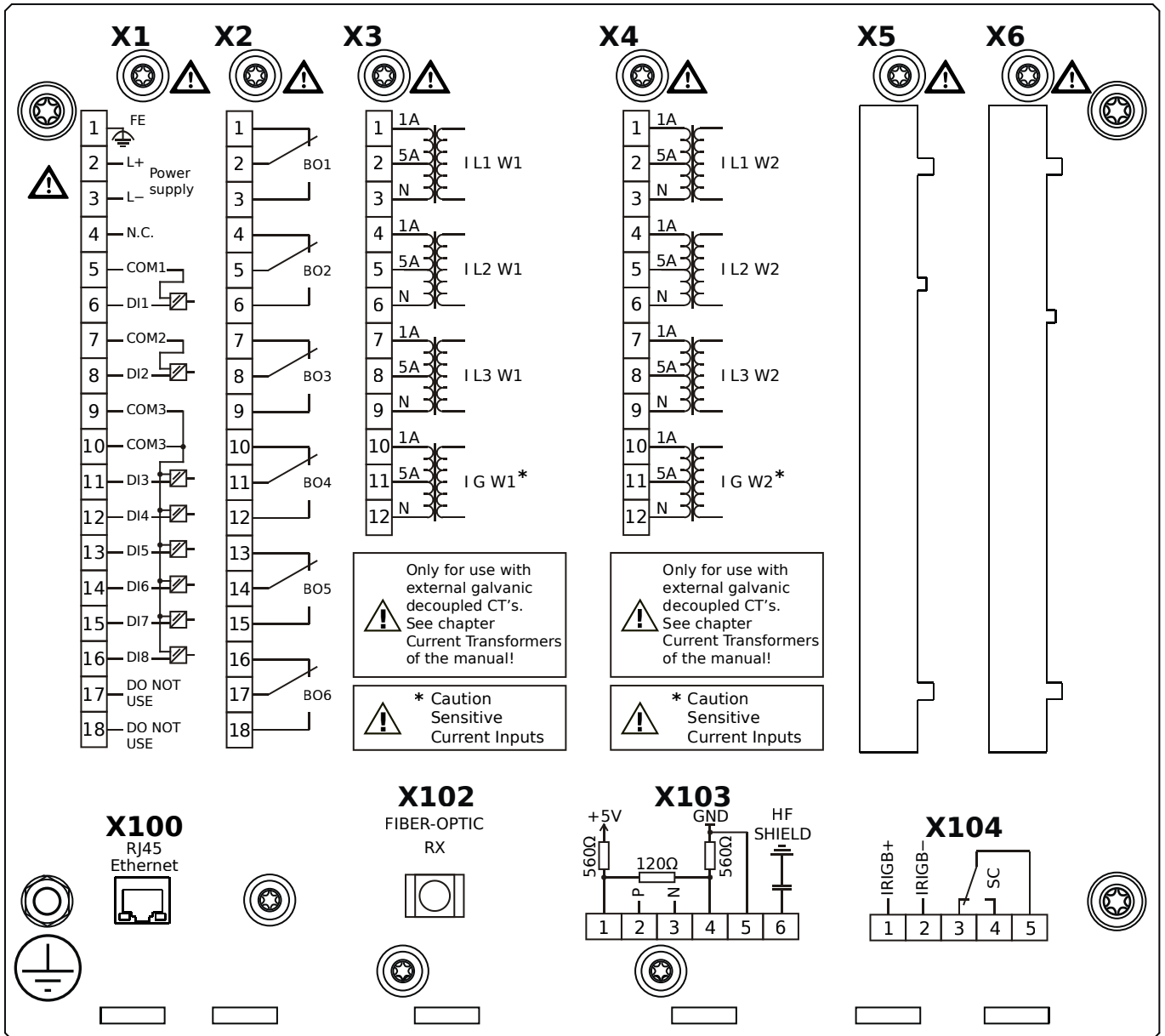
- X1** – DI8-X1: Wide-range power supply unit, incl. 2 non-grouped digital inputs and 6 grouped digital inputs
- X2** – OR-6: Assembly Group with 6 Relay Outputs
- X3** – TIs-4: Standard phase current measuring card and sensitive ground current measuring (winding side 1)
- X4** – TIs-4: Standard phase current measuring card and sensitive ground current measuring (winding side 2)
- X100** – IEC 61850 / Modbus TCP / DNP3.0 TCP/UDP, Ethernet interface, 100 Mbit/s, RJ45 (BASE100-FX)
- X102** – Universal Resistance-Temperature Detector (URTD) input, Fiber optics interface, Versatile Link
- X104** – IRIG-B00X, incl. System Contact (Supervision Contact)

MRDT4-2A3AHB



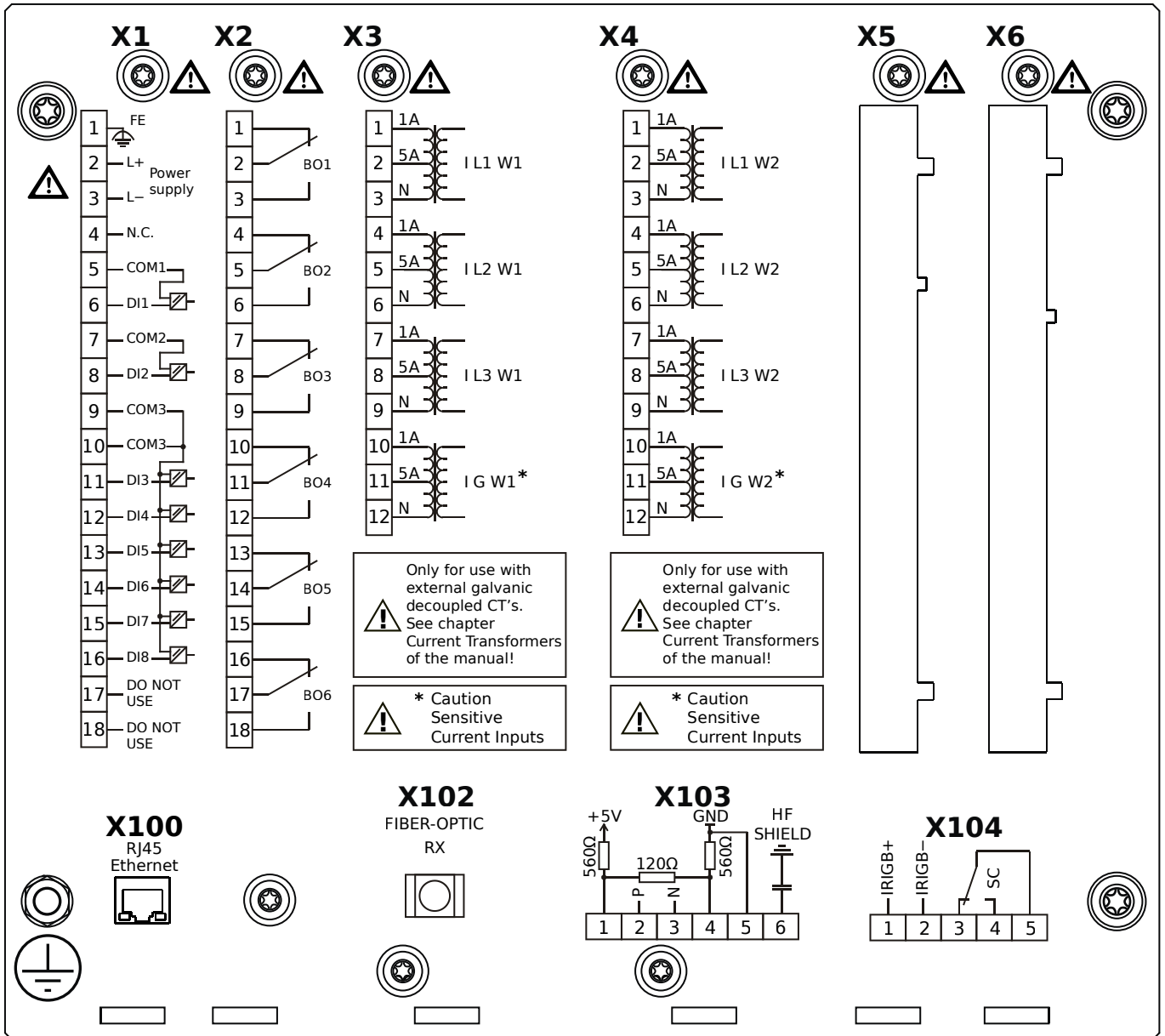
- X1** – DI8-X1: Wide-range power supply unit, incl. 2 non-grouped digital inputs and 6 grouped digital inputs
- X2** – OR-6: Assembly Group with 6 Relay Outputs
- X3** – TIs-4: Standard phase current measuring card and sensitive ground current measuring (winding side 1)
- X4** – TIs-4: Standard phase current measuring card and sensitive ground current measuring (winding side 2)
- X100** – IEC 61850 / Modbus TCP / DNP3.0 TCP/UDP, Ethernet interface, 100 Mbit/s, RJ45 (BASE100-FX)
- X102** – Universal Resistance-Temperature Detector (URTD) input, Fiber optics interface, Versatile Link
- X104** – IRIG-B00X, incl. System Contact (Supervision Contact)

MRDT4-2A3AIA



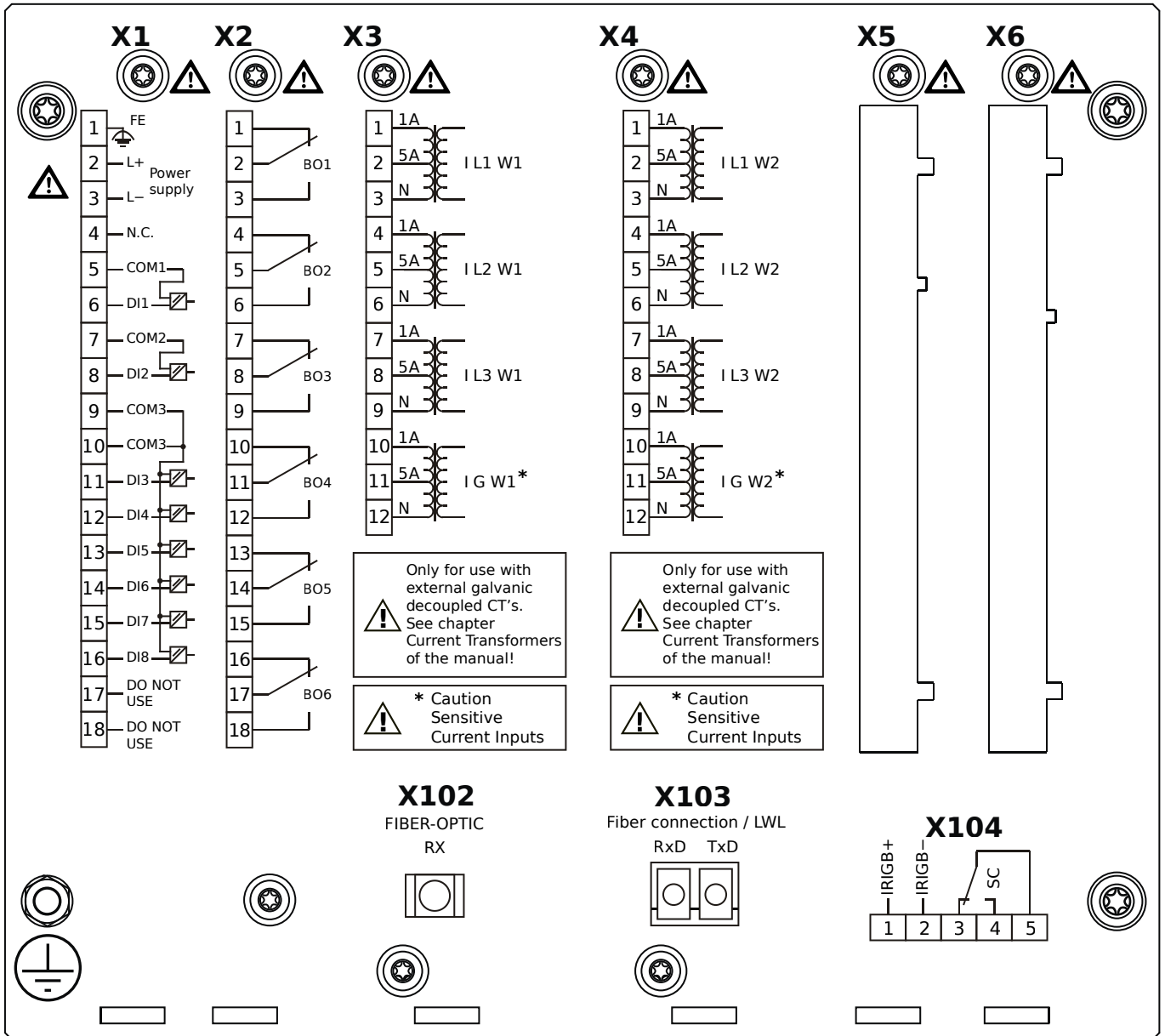
- X1** – DI8-X1: Wide-range power supply unit, incl. 2 non-grouped digital inputs and 6 grouped digital inputs
- X2** – OR-6: Assembly Group with 6 Relay Outputs
- X3** – TIs-4: Standard phase current measuring card and sensitive ground current measuring (winding side 1)
- X4** – TIs-4: Standard phase current measuring card and sensitive ground current measuring (winding side 2)
- X100** – Modbus TCP / DNP3.0 TCP/UDP, Ethernet interface, 100 Mbit/s, RJ45 (BASE100-FX)
- X102** – Universal Resistance-Temperature Detector (URTD) input, Fiber optics interface, Versatile Link
- X103** – IEC 60870-5-103 / Modbus RTU / DNP3.0 RTU, RS485, Terminals
- X104** – IRIG-B00X, incl. System Contact (Supervision Contact)

MRDT4-2A3AIB



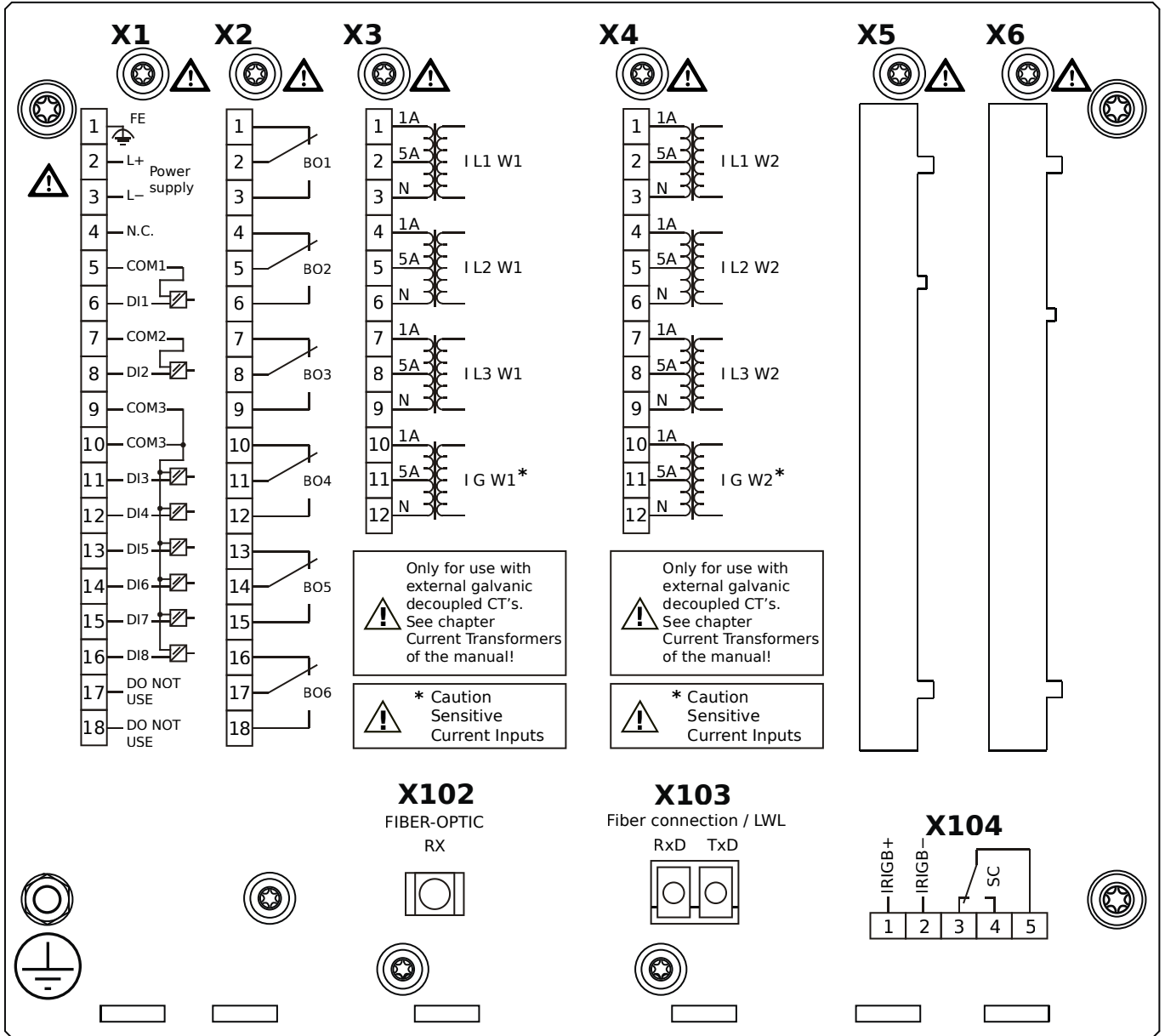
- X1** – DI8-X1: Wide-range power supply unit, incl. 2 non-grouped digital inputs and 6 grouped digital inputs
- X2** – OR-6: Assembly Group with 6 Relay Outputs
- X3** – TIs-4: Standard phase current measuring card and sensitive ground current measuring (winding side 1)
- X4** – TIs-4: Standard phase current measuring card and sensitive ground current measuring (winding side 2)
- X100** – Modbus TCP / DNP3.0 TCP/UDP, Ethernet interface, 100 Mbit/s, RJ45 (BASE100-FX)
- X102** – Universal Resistance-Temperature Detector (URTD) input, Fiber optics interface, Versatile Link
- X103** – IEC 60870-5-103 / Modbus RTU / DNP3.0 RTU, RS485, Terminals
- X104** – IRIG-B00X, incl. System Contact (Supervision Contact)

MRDT4-2A3AKA



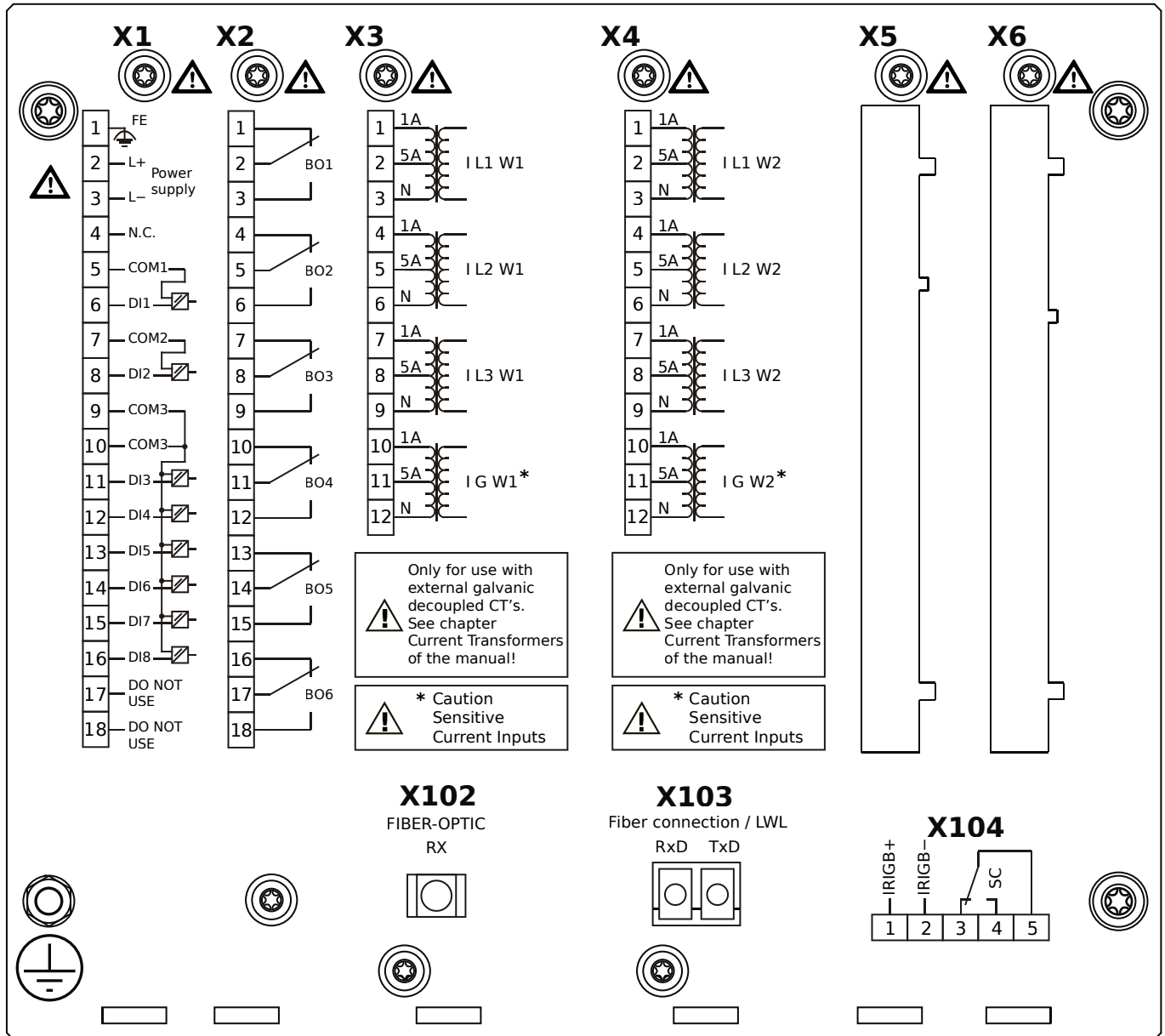
- X1** – DI8-X1: Wide-range power supply unit, incl. 2 non-grouped digital inputs and 6 grouped digital inputs
- X2** – OR-6: Assembly Group with 6 Relay Outputs
- X3** – TIs-4: Standard phase current measuring card and sensitive ground current measuring (winding side 1)
- X4** – TIs-4: Standard phase current measuring card and sensitive ground current measuring (winding side 2)
- X102** – Universal Resistance-Temperature Detector (URTD) input, Fiber optics interface, Versatile Link
- X103** – IEC 61850 / Modbus TCP / DNP3.0 TCP/UDP, Fiber optics interface, LC Connector
- X104** – IRIG-B00X, incl. System Contact (Supervision Contact)

MRDT4-2A3AKB



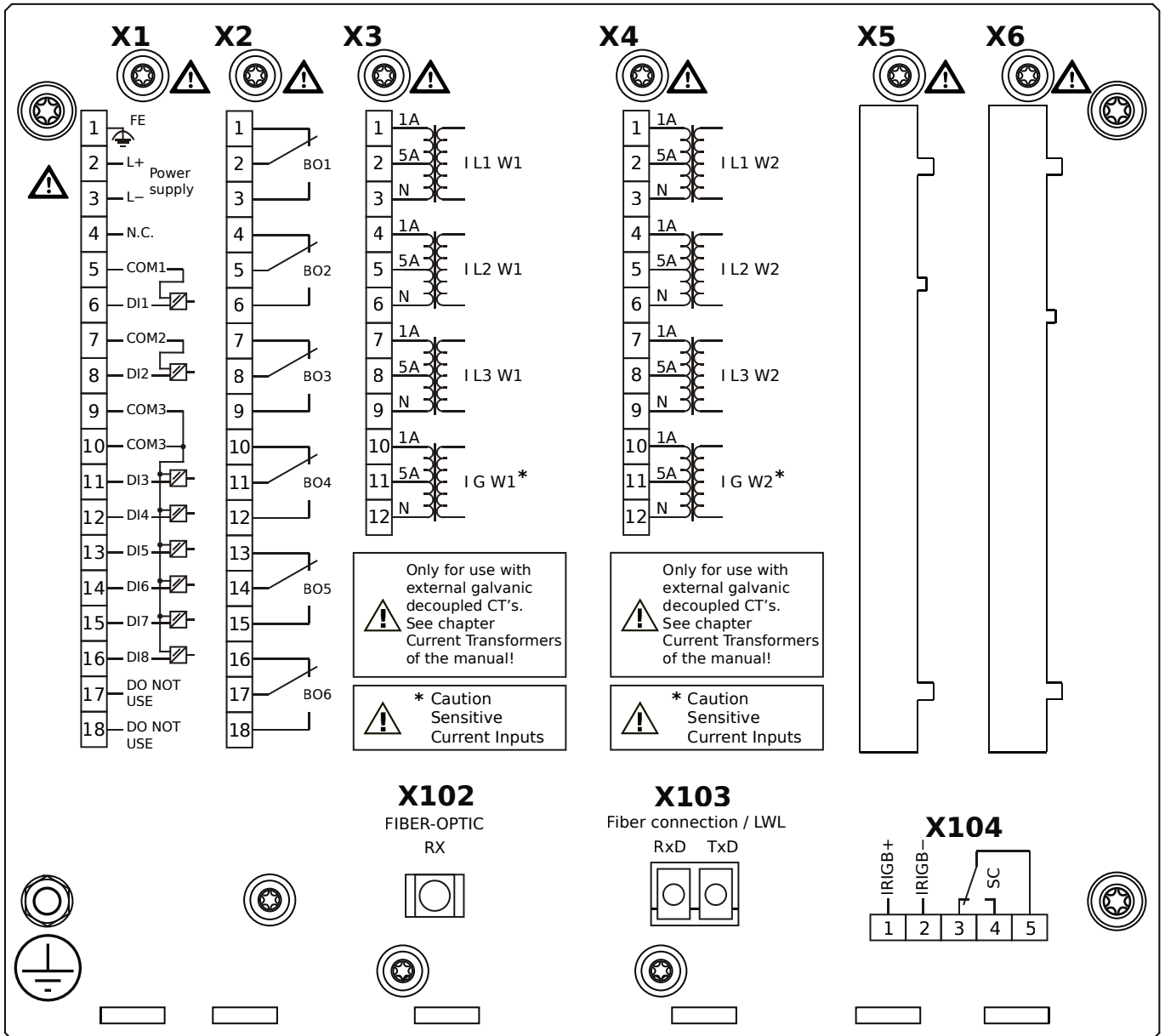
- X1** – DI8-X1: Wide-range power supply unit, incl. 2 non-grouped digital inputs and 6 grouped digital inputs
- X2** – OR-6: Assembly Group with 6 Relay Outputs
- X3** – TIs-4: Standard phase current measuring card and sensitive ground current measuring (winding side 1)
- X4** – TIs-4: Standard phase current measuring card and sensitive ground current measuring (winding side 2)
- X102** – Universal Resistance-Temperature Detector (URTD) input, Fiber optics interface, Versatile Link
- X103** – IEC 61850 / Modbus TCP / DNP3.0 TCP/UDP, Fiber optics interface, LC Connector
- X104** – IRIG-B00X, incl. System Contact (Supervision Contact)

MRDT4-2A3ALA



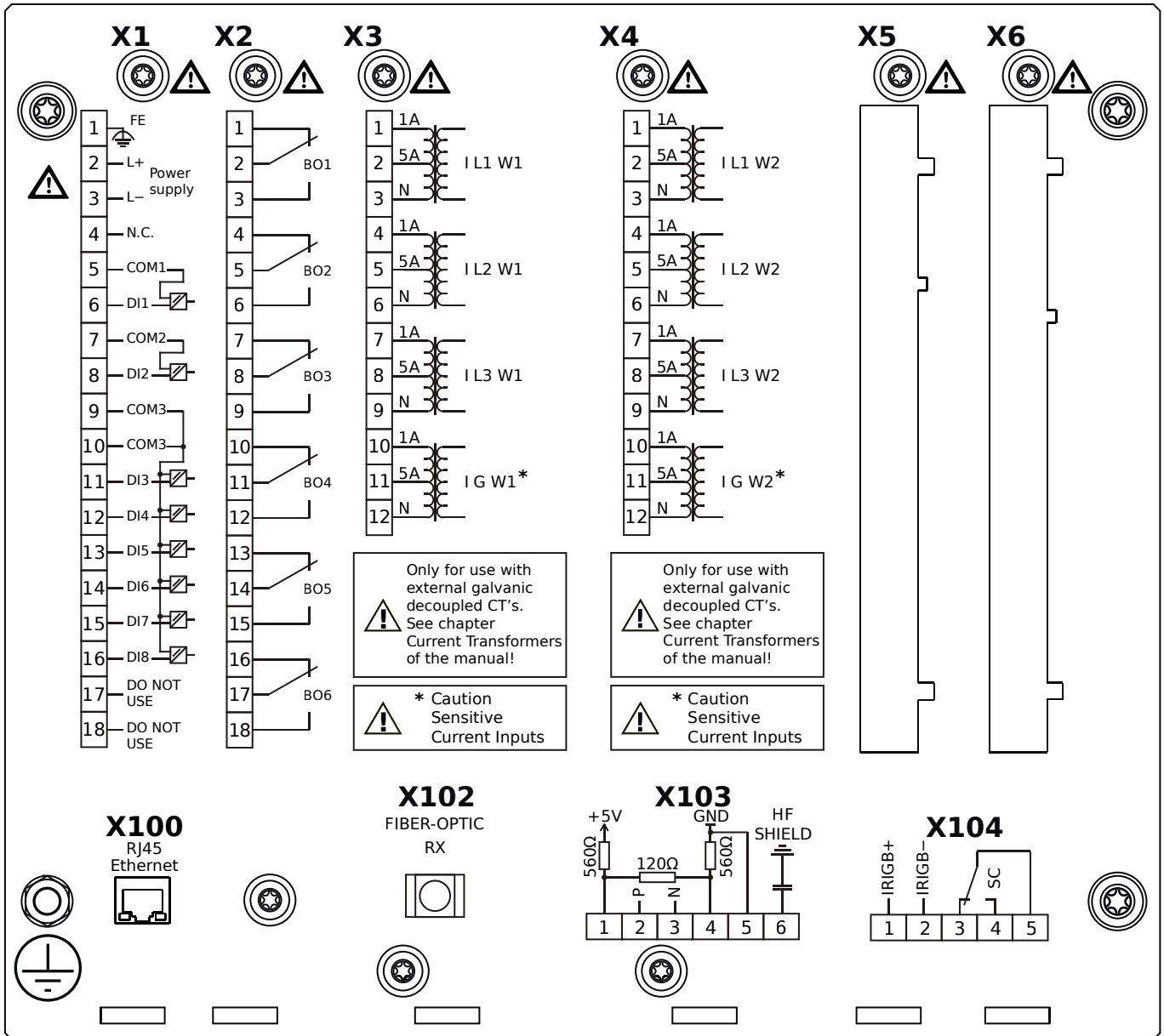
- X1** – DI8-X1: Wide-range power supply unit, incl. 2 non-grouped digital inputs and 6 grouped digital inputs
- X2** – OR-6: Assembly Group with 6 Relay Outputs
- X3** – TIs-4: Standard phase current measuring card and sensitive ground current measuring (winding side 1)
- X4** – TIs-4: Standard phase current measuring card and sensitive ground current measuring (winding side 2)
- X102** – Universal Resistance-Temperature Detector (URTD) input, Fiber optics interface, Versatile Link
- X103** – Modbus TCP / DNP3.0 TCP/UDP, Fiber optics interface, LC Connector
- X104** – IRIG-B00X, incl. System Contact (Supervision Contact)

MRDT4-2A3ALB



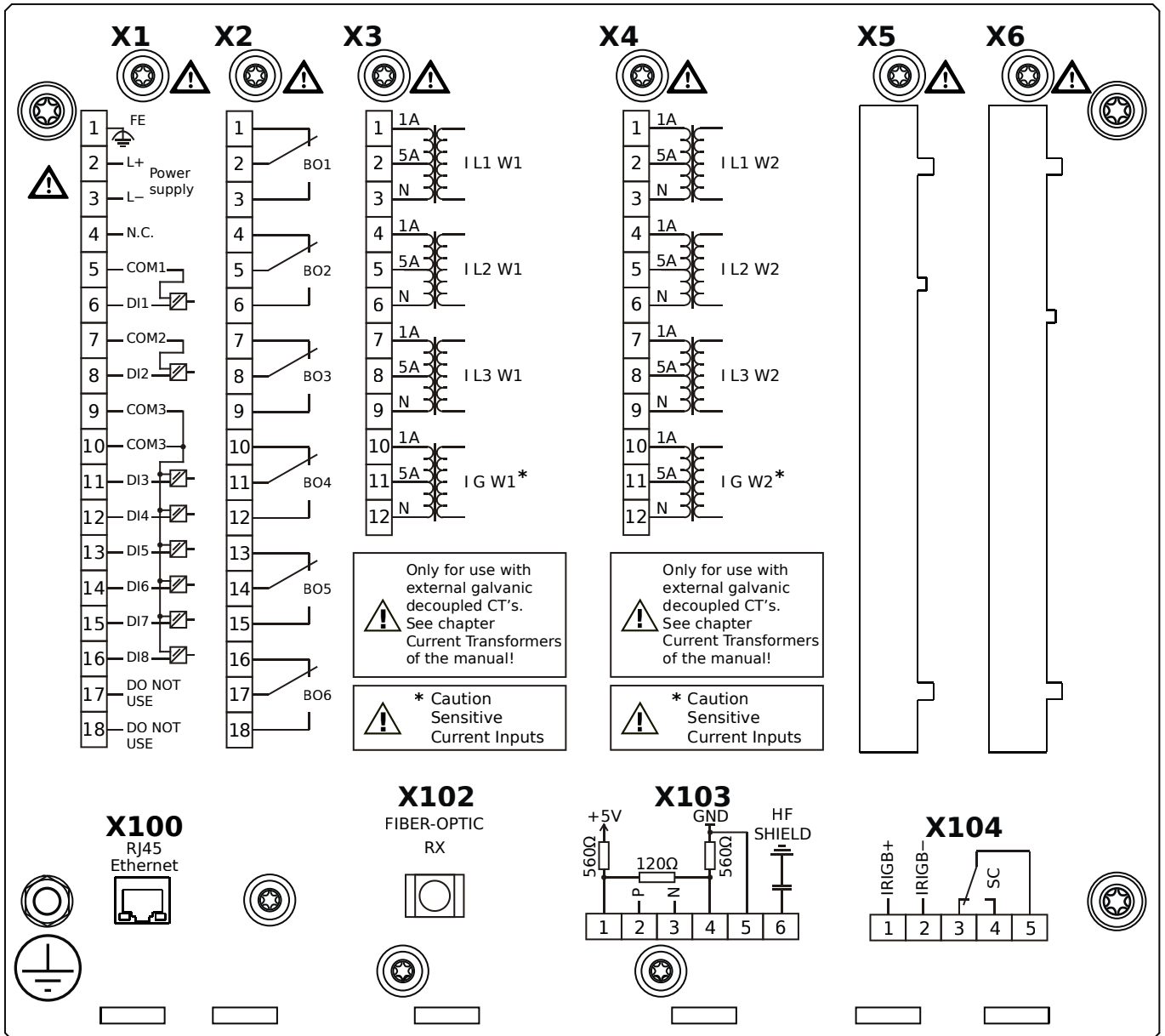
- X1** – DI8-X1: Wide-range power supply unit, incl. 2 non-grouped digital inputs and 6 grouped digital inputs
- X2** – OR-6: Assembly Group with 6 Relay Outputs
- X3** – TIs-4: Standard phase current measuring card and sensitive ground current measuring (winding side 1)
- X4** – TIs-4: Standard phase current measuring card and sensitive ground current measuring (winding side 2)
- X102** – Universal Resistance-Temperature Detector (URTD) input, Fiber optics interface, Versatile Link
- X103** – Modbus TCP / DNP3.0 TCP/UDP, Fiber optics interface, LC Connector
- X104** – IRIG-B00X, incl. System Contact (Supervision Contact)

MRDT4-2A3ATA



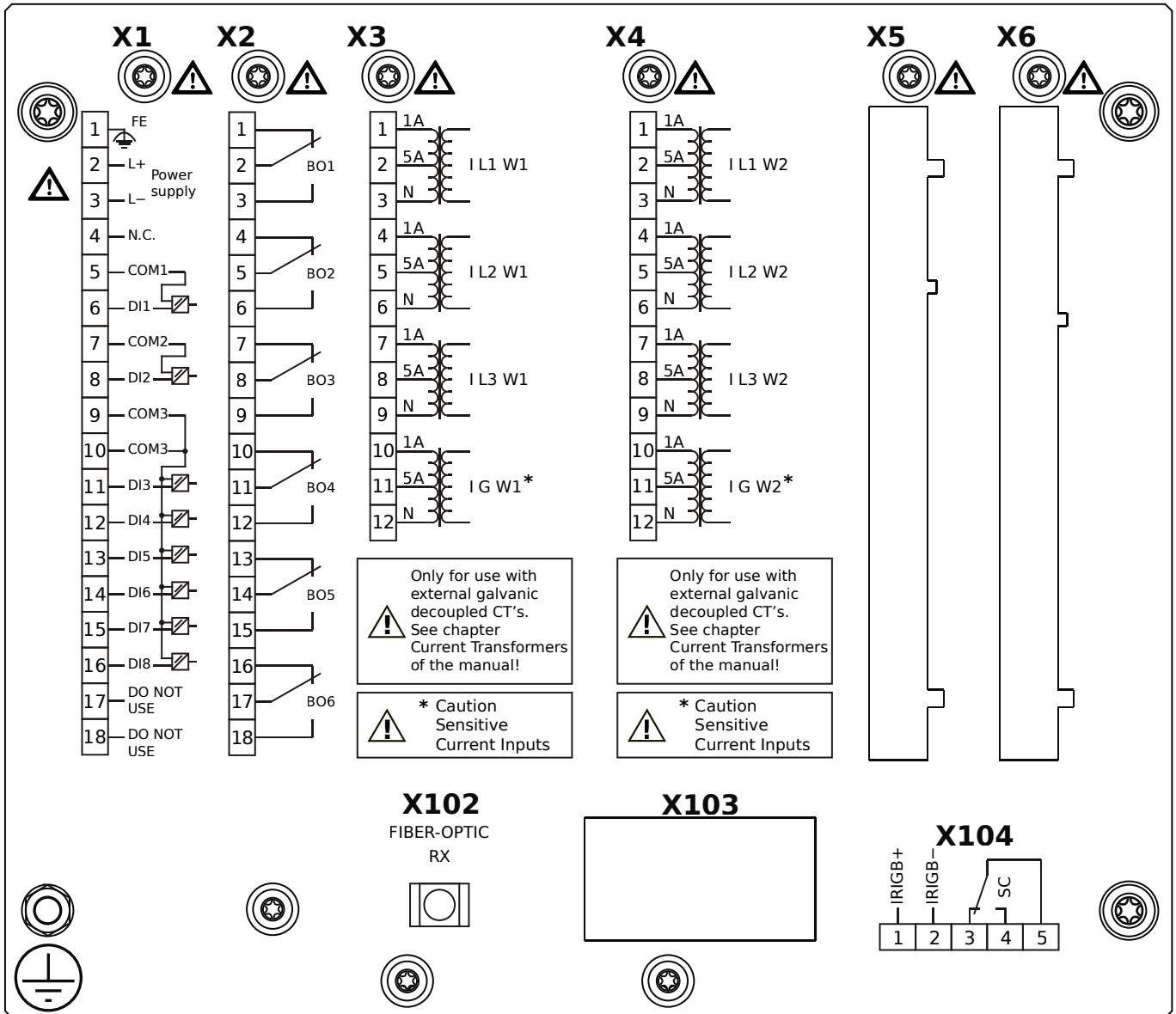
- X1** – DI8-X1: Wide-range power supply unit, incl. 2 non-grouped digital inputs and 6 grouped digital inputs
- X2** – OR-6: Assembly Group with 6 Relay Outputs
- X3** – TIs-4: Standard phase current measuring card and sensitive ground current measuring (winding side 1)
- X4** – TIs-4: Standard phase current measuring card and sensitive ground current measuring (winding side 2)
- X100** – IEC 61850 / Modbus TCP / DNP3.0 TCP/UDP, Ethernet interface, 100 Mbit/s, RJ45 (BASE100-FX)
- X102** – Universal Resistance-Temperature Detector (URTD) input, Fiber optics interface, Versatile Link
- X103** – IEC 60870-5-103 / Modbus RTU / DNP3.0 RTU, RS485, Terminals
- X104** – IRIG-B00X, incl. System Contact (Supervision Contact)

MRDT4-2A3ATB



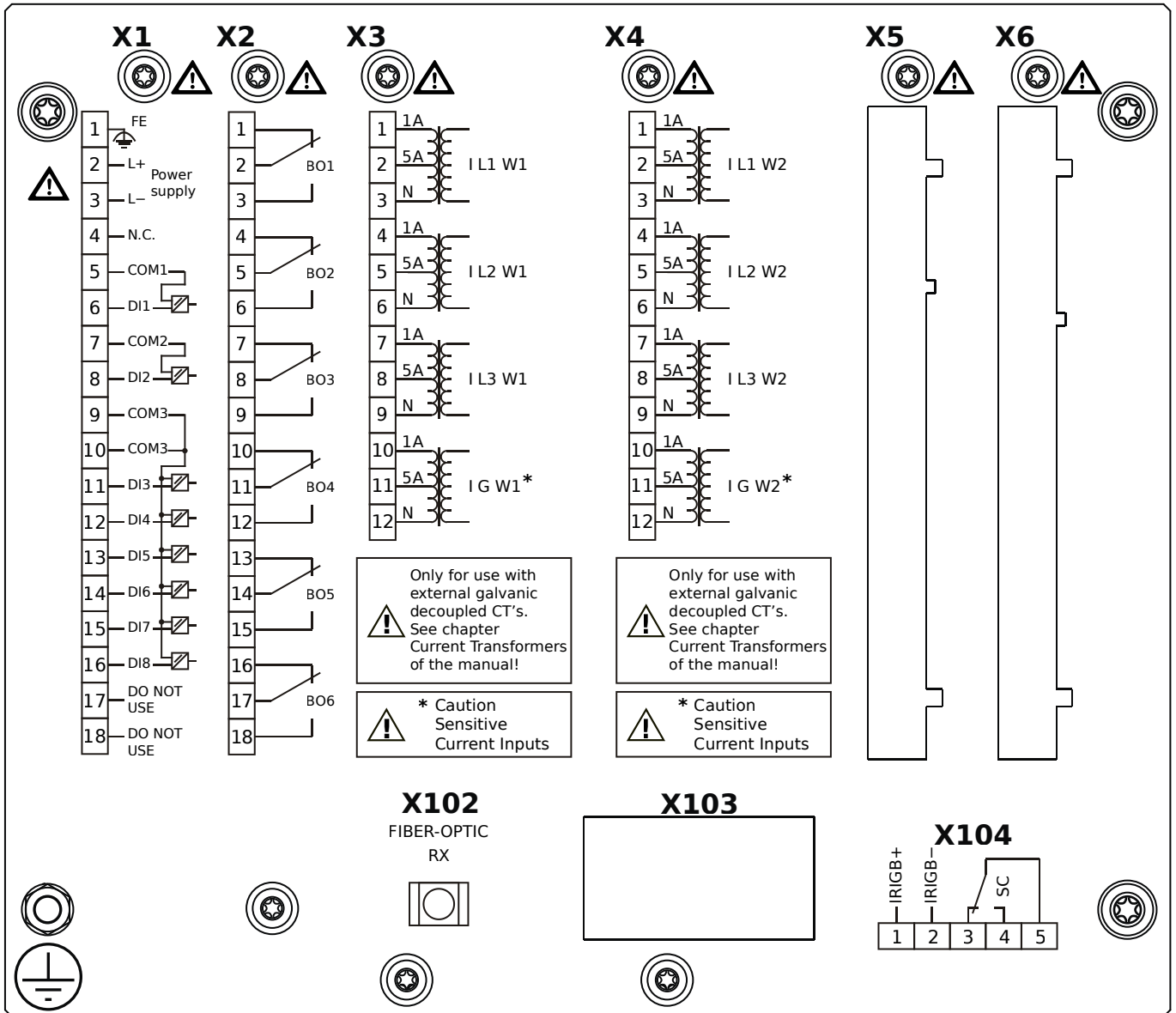
- X1** – DI8-X1: Wide-range power supply unit, incl. 2 non-grouped digital inputs and 6 grouped digital inputs
- X2** – OR-6: Assembly Group with 6 Relay Outputs
- X3** – TIs-4: Standard phase current measuring card and sensitive ground current measuring (winding side 1)
- X4** – TIs-4: Standard phase current measuring card and sensitive ground current measuring (winding side 2)
- X100** – IEC 61850 / Modbus TCP / DNP3.0 TCP/UDP, Ethernet interface, 100 Mbit/s, RJ45 (BASE100-FX)
- X102** – Universal Resistance-Temperature Detector (URTD) input, Fiber optics interface, Versatile Link
- X103** – IEC 60870-5-103 / Modbus RTU / DNP3.0 RTU, RS485, Terminals
- X104** – IRIG-B00X, incl. System Contact (Supervision Contact)

MRDT4-2A3BAA



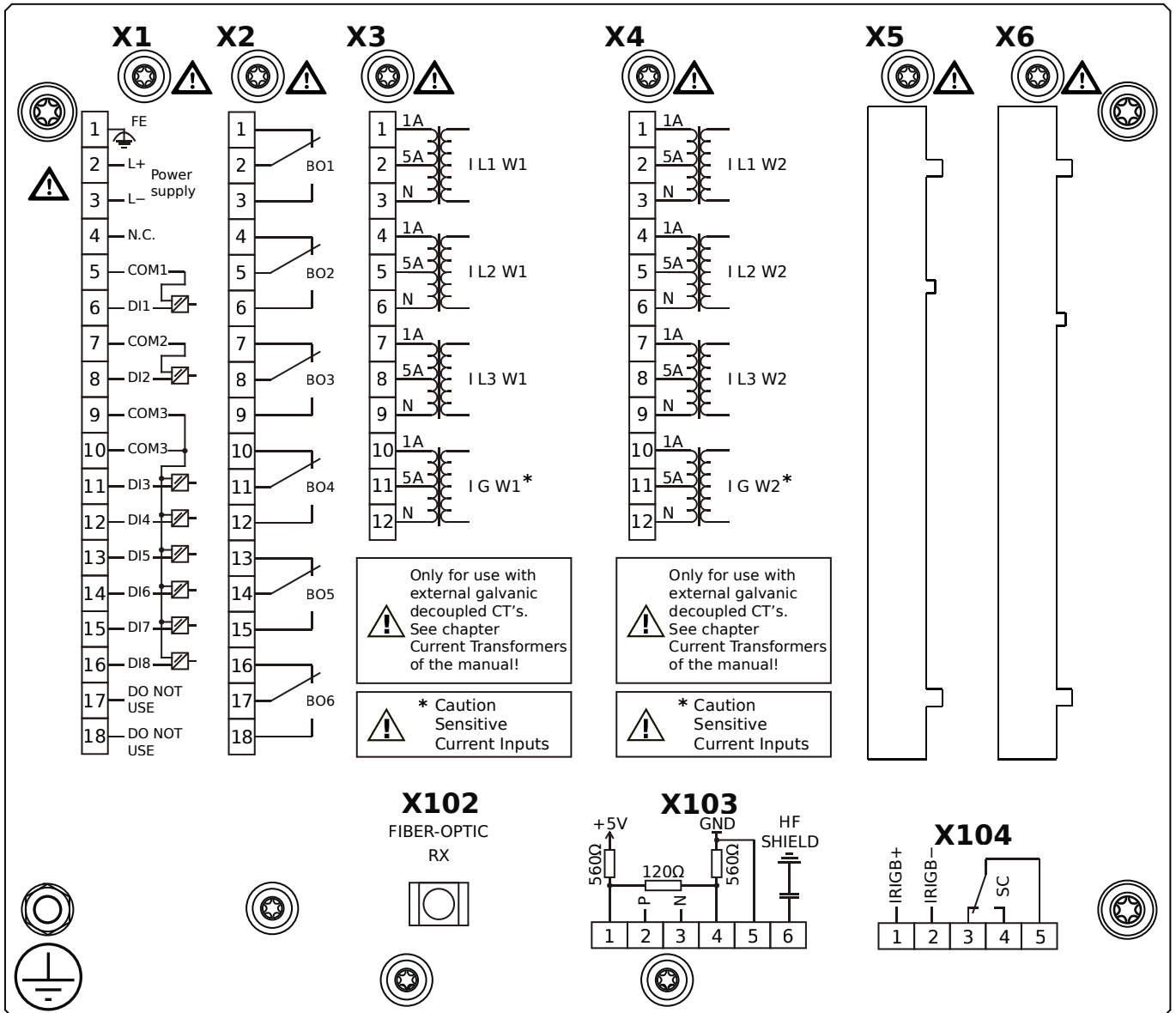
- X1** – DI8-X1: Wide-range power supply unit, incl. 2 non-grouped digital inputs and 6 grouped digital inputs
- X2** – OR-6: Assembly Group with 6 Relay Outputs
- X3** – TIs-4: Standard phase current measuring card and sensitive ground current measuring (winding side 1)
- X4** – TIs-4: Standard phase current measuring card and sensitive ground current measuring (winding side 2)
- X102** – Universal Resistance-Temperature Detector (URTD) input, Fiber optics interface, Versatile Link
- X104** – IRIG-B00X, incl. System Contact (Supervision Contact)

MRDT4-2A3BAB



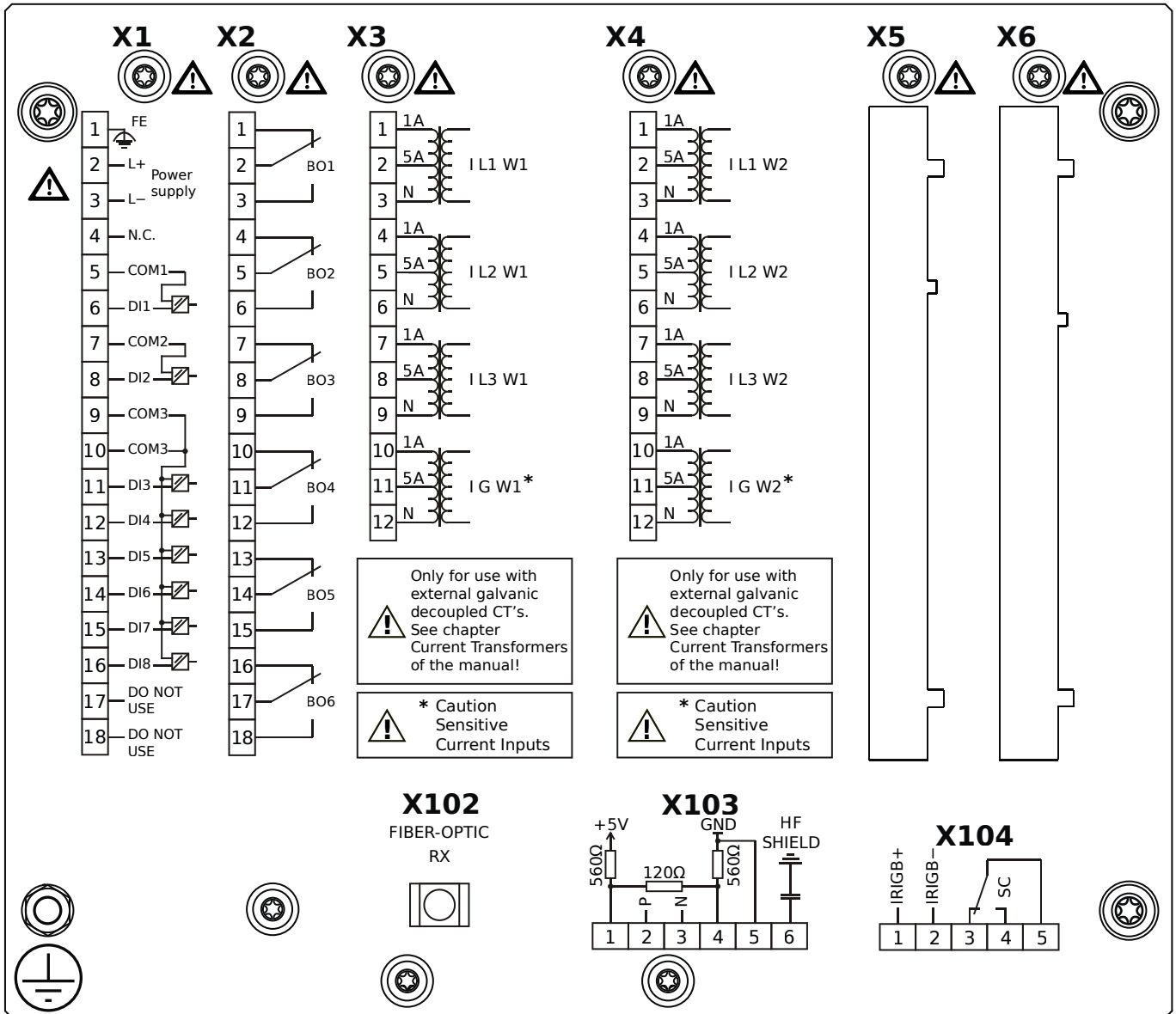
- X1** – DI8-X1: Wide-range power supply unit, incl. 2 non-grouped digital inputs and 6 grouped digital inputs
- X2** – OR-6: Assembly Group with 6 Relay Outputs
- X3** – TIs-4: Standard phase current measuring card and sensitive ground current measuring (winding side 1)
- X4** – TIs-4: Standard phase current measuring card and sensitive ground current measuring (winding side 2)
- X102** – Universal Resistance-Temperature Detector (URTD) input, Fiber optics interface, Versatile Link
- X104** – IRIG-B00X, incl. System Contact (Supervision Contact)

MRDT4-2A3BBA



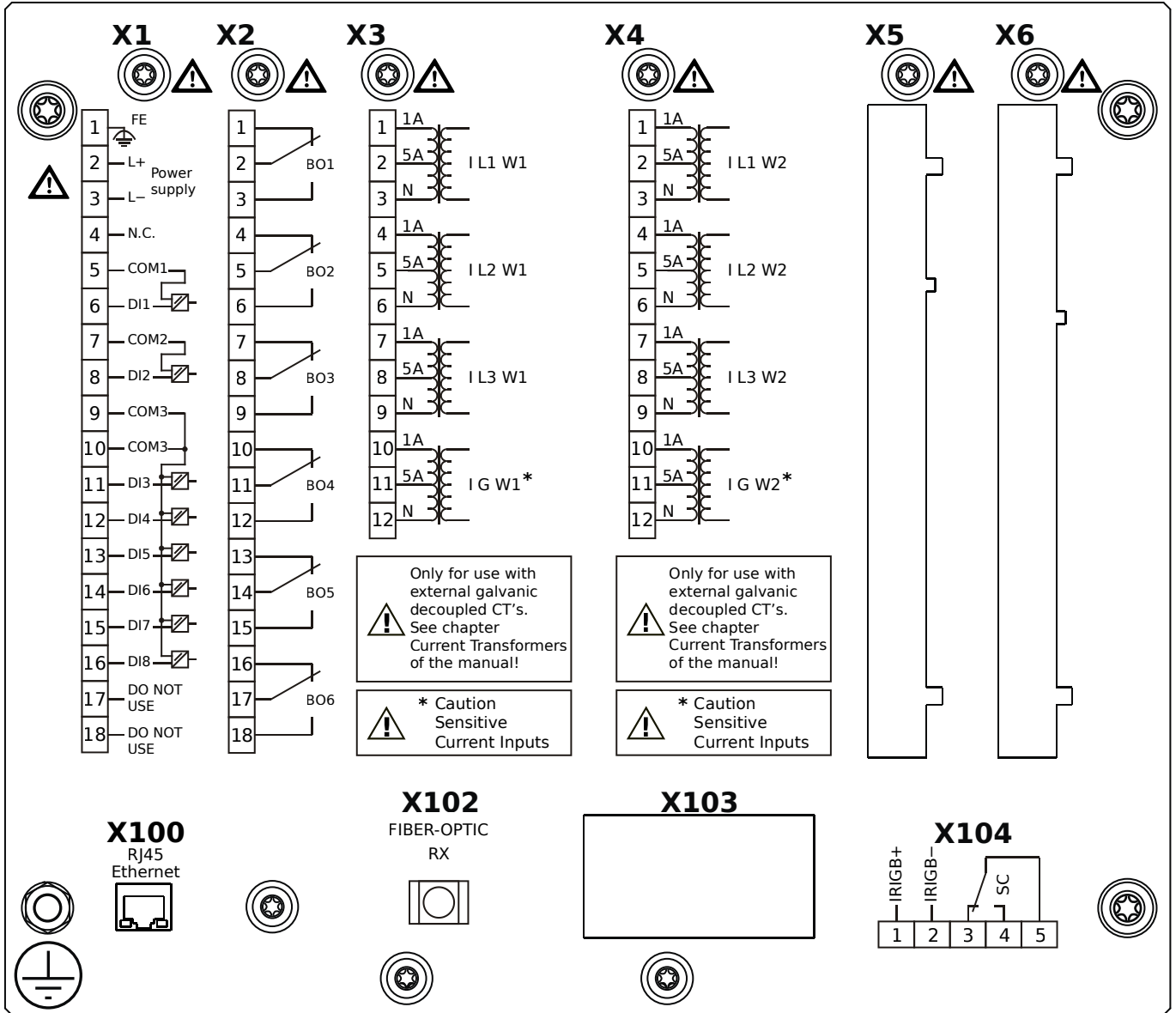
- X1** – DI8-X1: Wide-range power supply unit, incl. 2 non-grouped digital inputs and 6 grouped digital inputs
- X2** – OR-6: Assembly Group with 6 Relay Outputs
- X3** – TIs-4: Standard phase current measuring card and sensitive ground current measuring (winding side 1)
- X4** – TIs-4: Standard phase current measuring card and sensitive ground current measuring (winding side 2)
- X102** – Universal Resistance-Temperature Detector (URTD) input, Fiber optics interface, Versatile Link
- X103** – Modbus RTU / IEC 60870-5-103 / DNP3.0 RTU, RS485, Terminals
- X104** – IRIG-B00X, incl. System Contact (Supervision Contact)

MRDT4-2A3BBB



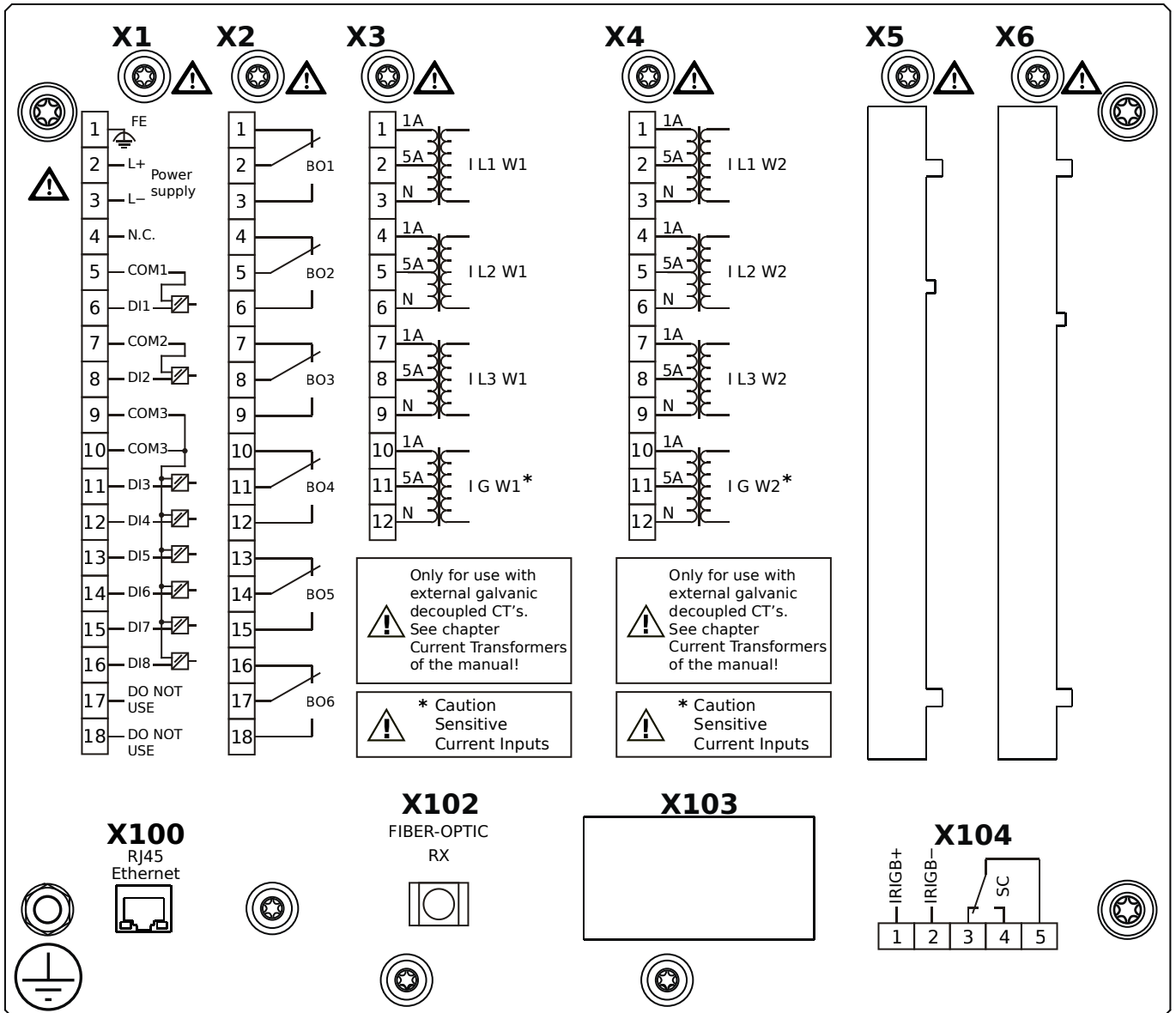
- X1** – DI8-X1: Wide-range power supply unit, incl. 2 non-grouped digital inputs and 6 grouped digital inputs
- X2** – OR-6: Assembly Group with 6 Relay Outputs
- X3** – TIs-4: Standard phase current measuring card and sensitive ground current measuring (winding side 1)
- X4** – TIs-4: Standard phase current measuring card and sensitive ground current measuring (winding side 2)
- X102** – Universal Resistance-Temperature Detector (URTD) input, Fiber optics interface, Versatile Link
- X103** – Modbus RTU / IEC 60870-5-103 / DNP3.0 RTU, RS485, Terminals
- X104** – IRIG-B00X, incl. System Contact (Supervision Contact)

MRDT4-2A3BCA



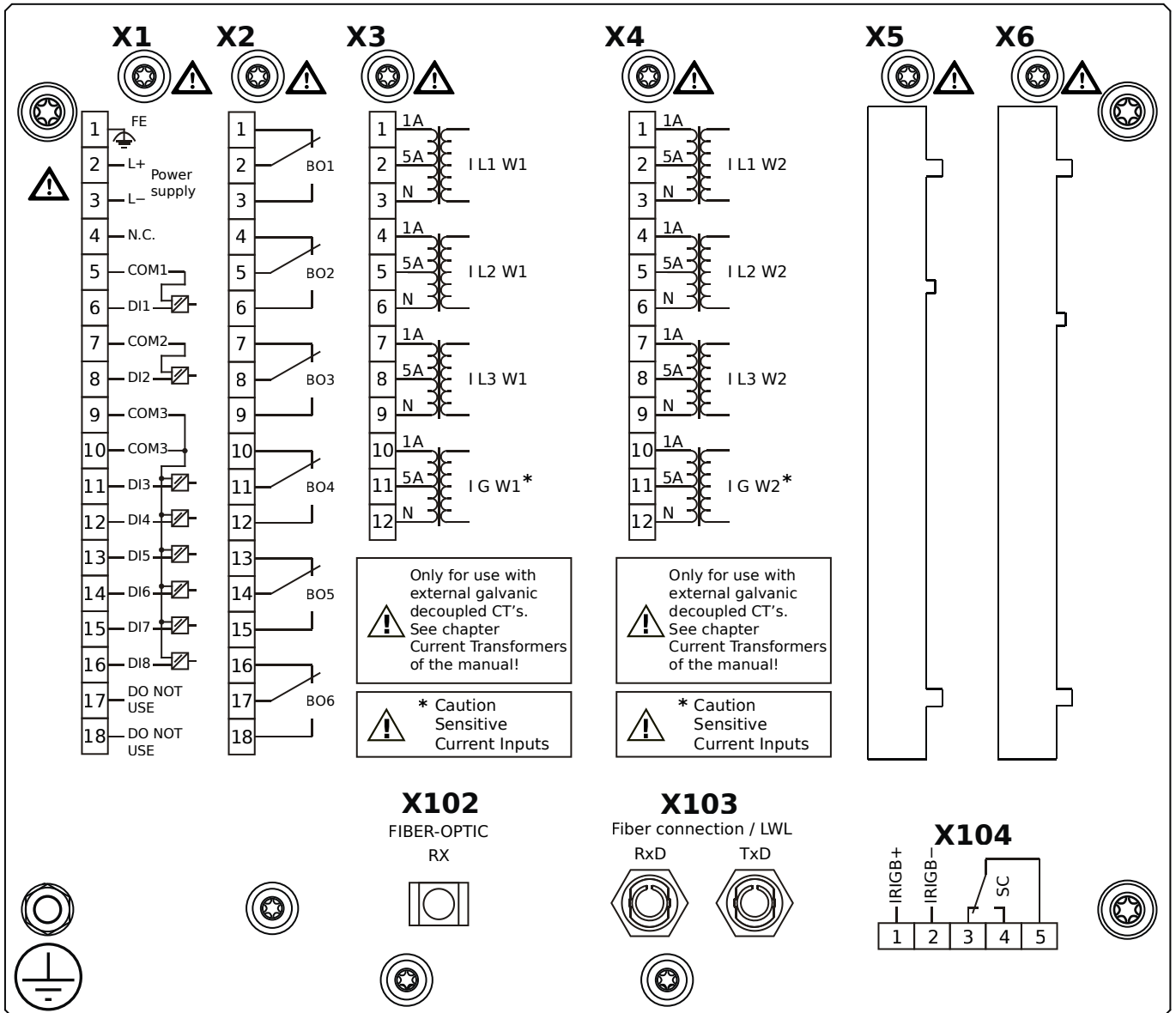
- X1** – DI8-X1: Wide-range power supply unit, incl. 2 non-grouped digital inputs and 6 grouped digital inputs
- X2** – OR-6: Assembly Group with 6 Relay Outputs
- X3** – TIs-4: Standard phase current measuring card and sensitive ground current measuring (winding side 1)
- X4** – TIs-4: Standard phase current measuring card and sensitive ground current measuring (winding side 2)
- X100** – Modbus TCP / DNP3.0 TCP/UDP, Ethernet interface, 100 Mbit/s, RJ45 (BASE100-FX)
- X102** – Universal Resistance-Temperature Detector (URTD) input, Fiber optics interface, Versatile Link
- X104** – IRIG-B00X, incl. System Contact (Supervision Contact)

MRDT4-2A3BCB



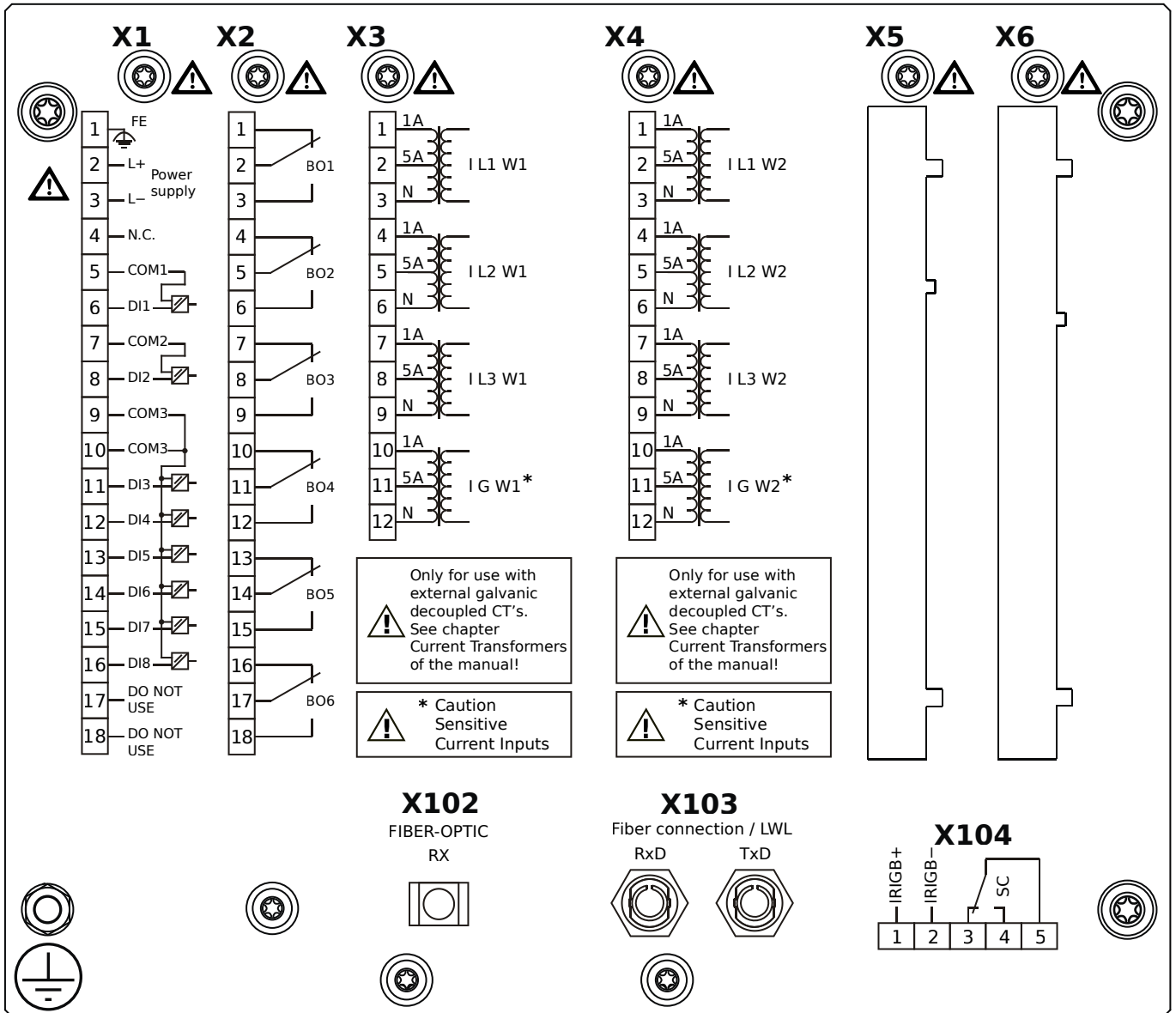
- X1** – DI8-X1: Wide-range power supply unit, incl. 2 non-grouped digital inputs and 6 grouped digital inputs
- X2** – OR-6: Assembly Group with 6 Relay Outputs
- X3** – TIs-4: Standard phase current measuring card and sensitive ground current measuring (winding side 1)
- X4** – TIs-4: Standard phase current measuring card and sensitive ground current measuring (winding side 2)
- X100** – Modbus TCP / DNP3.0 TCP/UDP, Ethernet interface, 100 Mbit/s, RJ45 (BASE100-FX)
- X102** – Universal Resistance-Temperature Detector (URTD) input, Fiber optics interface, Versatile Link
- X104** – IRIG-B00X, incl. System Contact (Supervision Contact)

MRDT4-2A3BDA



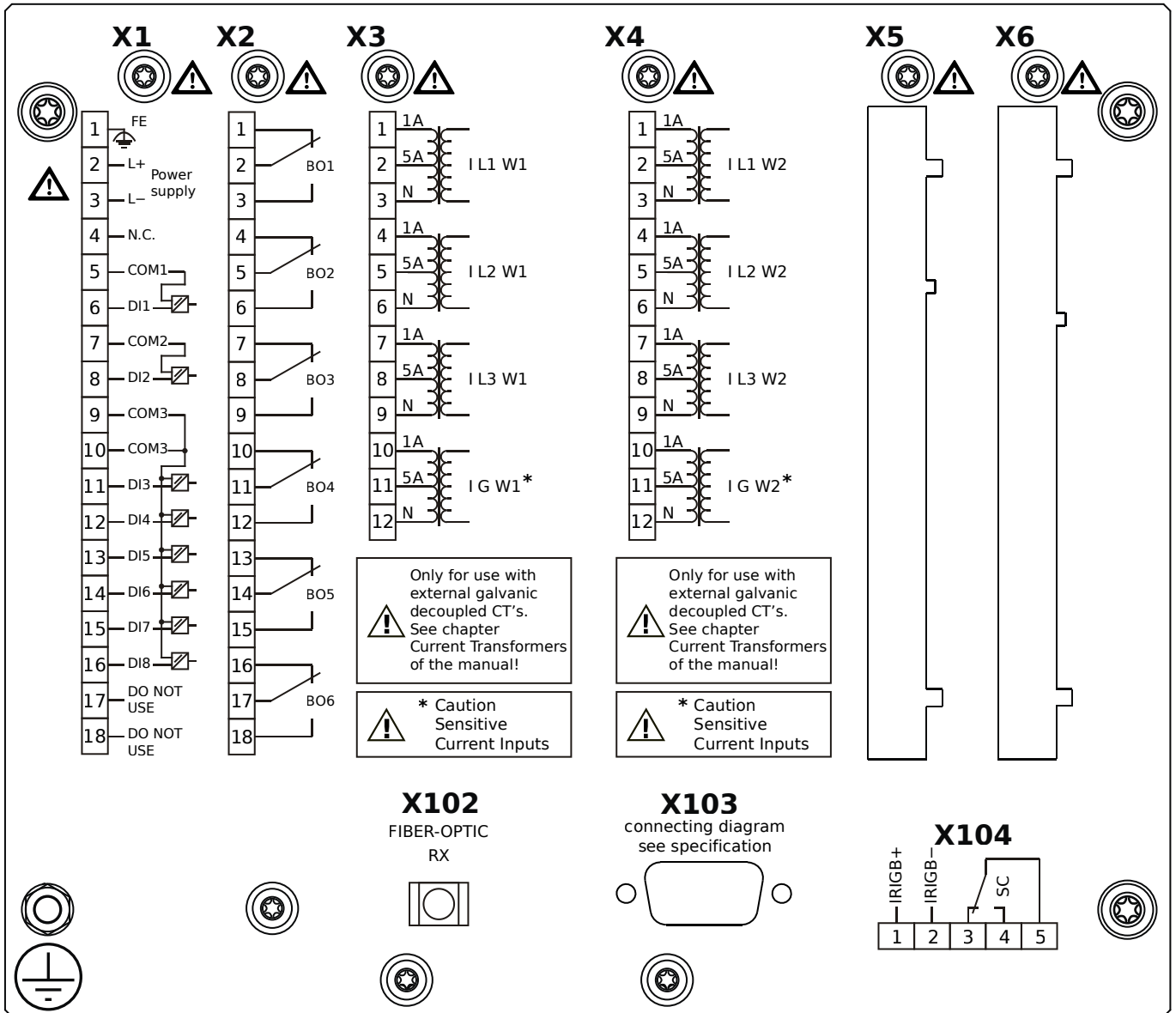
- X1** – DI8-X1: Wide-range power supply unit, incl. 2 non-grouped digital inputs and 6 grouped digital inputs
- X2** – OR-6: Assembly Group with 6 Relay Outputs
- X3** – TIs-4: Standard phase current measuring card and sensitive ground current measuring (winding side 1)
- X4** – TIs-4: Standard phase current measuring card and sensitive ground current measuring (winding side 2)
- X102** – Universal Resistance-Temperature Detector (URTD) input, Fiber optics interface, Versatile Link
- X103** – Profibus-DP, Fiber optics interface, ST Connector
- X104** – IRIG-B00X, incl. System Contact (Supervision Contact)

MRDT4-2A3BDB



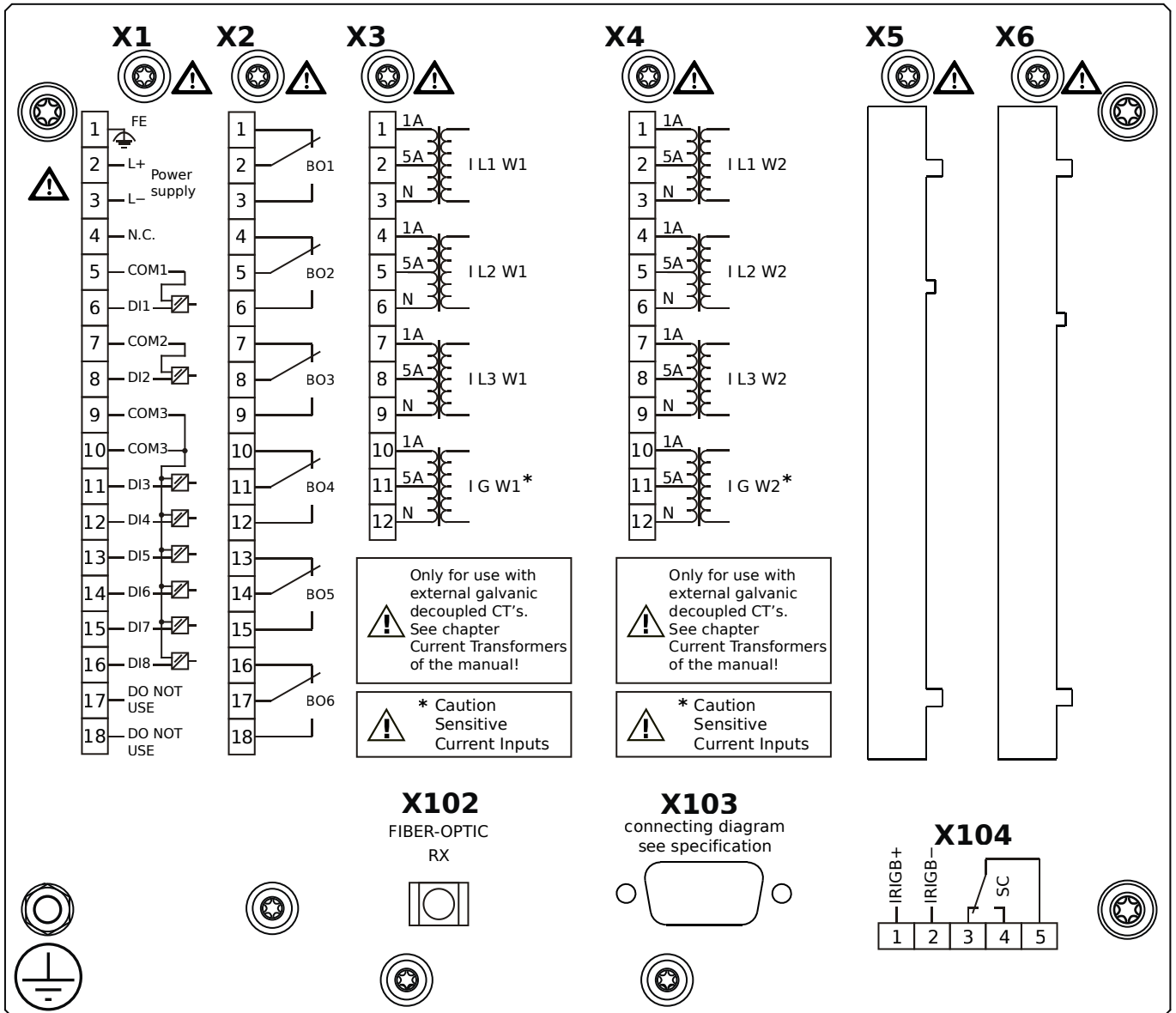
- X1** – DI8-X1: Wide-range power supply unit, incl. 2 non-grouped digital inputs and 6 grouped digital inputs
- X2** – OR-6: Assembly Group with 6 Relay Outputs
- X3** – TIs-4: Standard phase current measuring card and sensitive ground current measuring (winding side 1)
- X4** – TIs-4: Standard phase current measuring card and sensitive ground current measuring (winding side 2)
- X102** – Universal Resistance-Temperature Detector (URTD) input, Fiber optics interface, Versatile Link
- X103** – Profibus-DP, Fiber optics interface, ST Connector
- X104** – IRIG-B00X, incl. System Contact (Supervision Contact)

MRDT4-2A3BEA



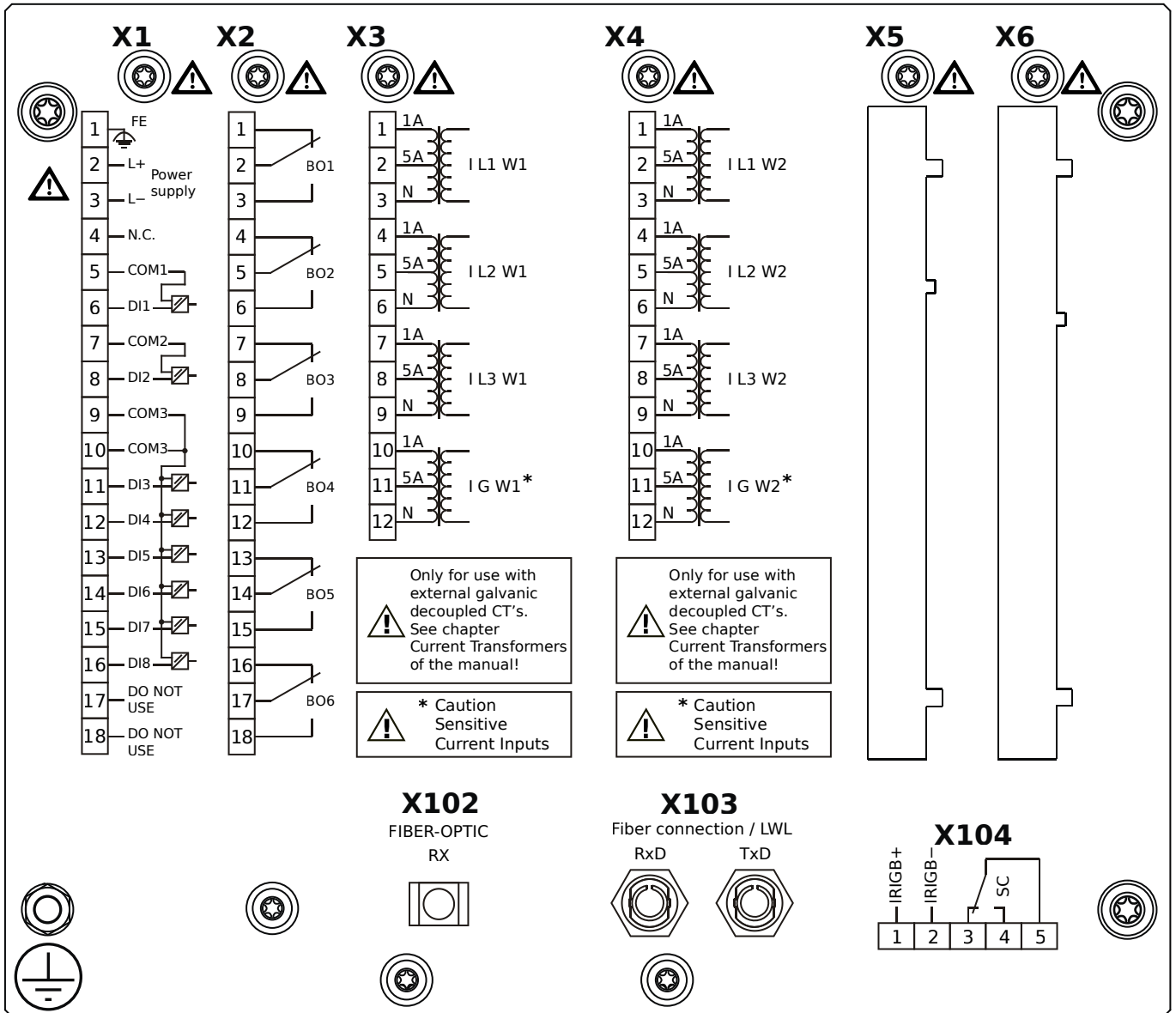
- X1** – DI8-X1: Wide-range power supply unit, incl. 2 non-grouped digital inputs and 6 grouped digital inputs
- X2** – OR-6: Assembly Group with 6 Relay Outputs
- X3** – TIs-4: Standard phase current measuring card and sensitive ground current measuring (winding side 1)
- X4** – TIs-4: Standard phase current measuring card and sensitive ground current measuring (winding side 2)
- X102** – Universal Resistance-Temperature Detector (URTD) input, Fiber optics interface, Versatile Link
- X103** – Profibus-DP, RS485, D-SUB
- X104** – IRIG-B00X, incl. System Contact (Supervision Contact)

MRDT4-2A3BEB



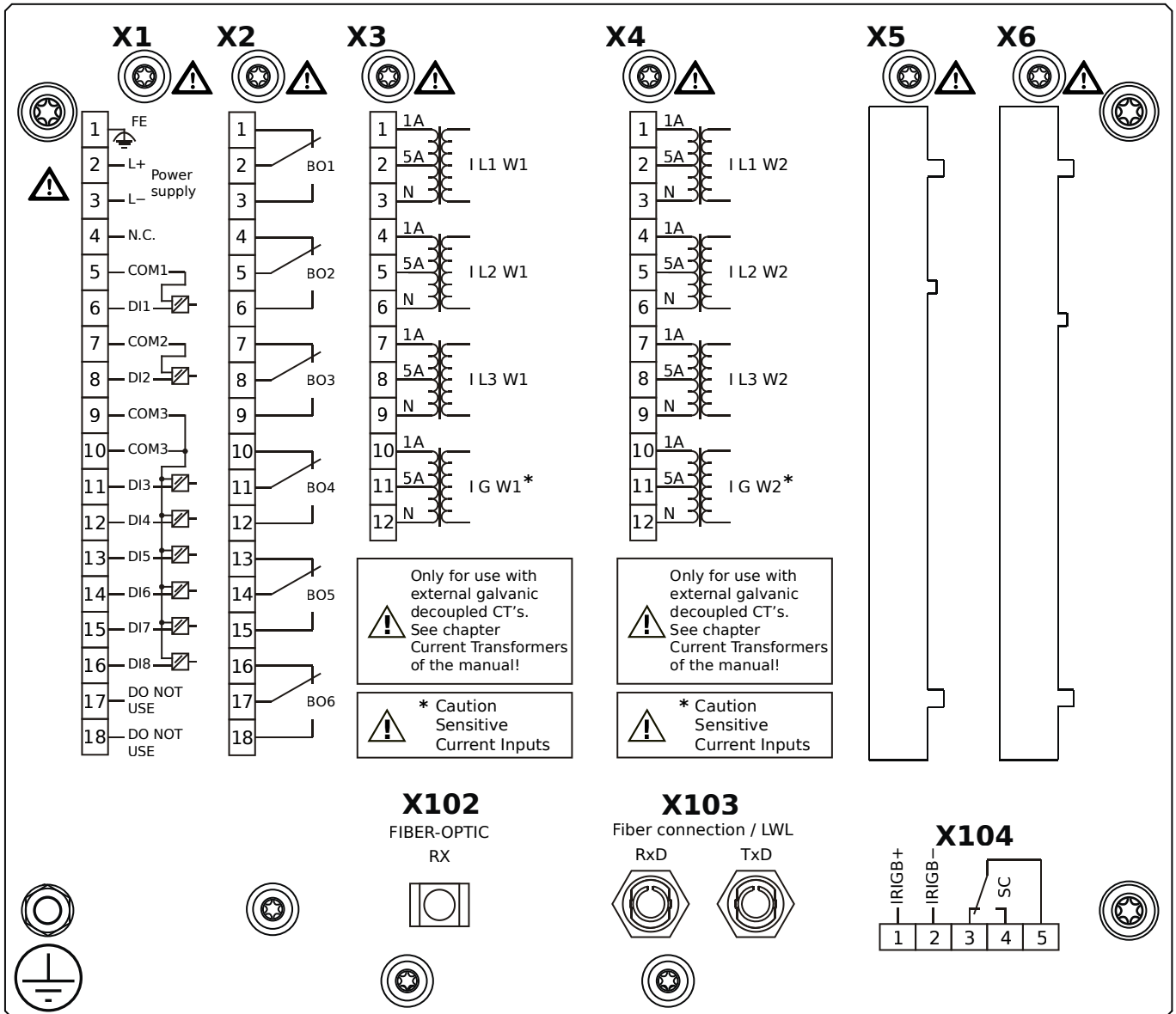
- X1** – DI8-X1: Wide-range power supply unit, incl. 2 non-grouped digital inputs and 6 grouped digital inputs
- X2** – OR-6: Assembly Group with 6 Relay Outputs
- X3** – TIs-4: Standard phase current measuring card and sensitive ground current measuring (winding side 1)
- X4** – TIs-4: Standard phase current measuring card and sensitive ground current measuring (winding side 2)
- X102** – Universal Resistance-Temperature Detector (URTD) input, Fiber optics interface, Versatile Link
- X103** – Profibus-DP, RS485, D-SUB
- X104** – IRIG-B00X, incl. System Contact (Supervision Contact)

MRDT4-2A3BFA



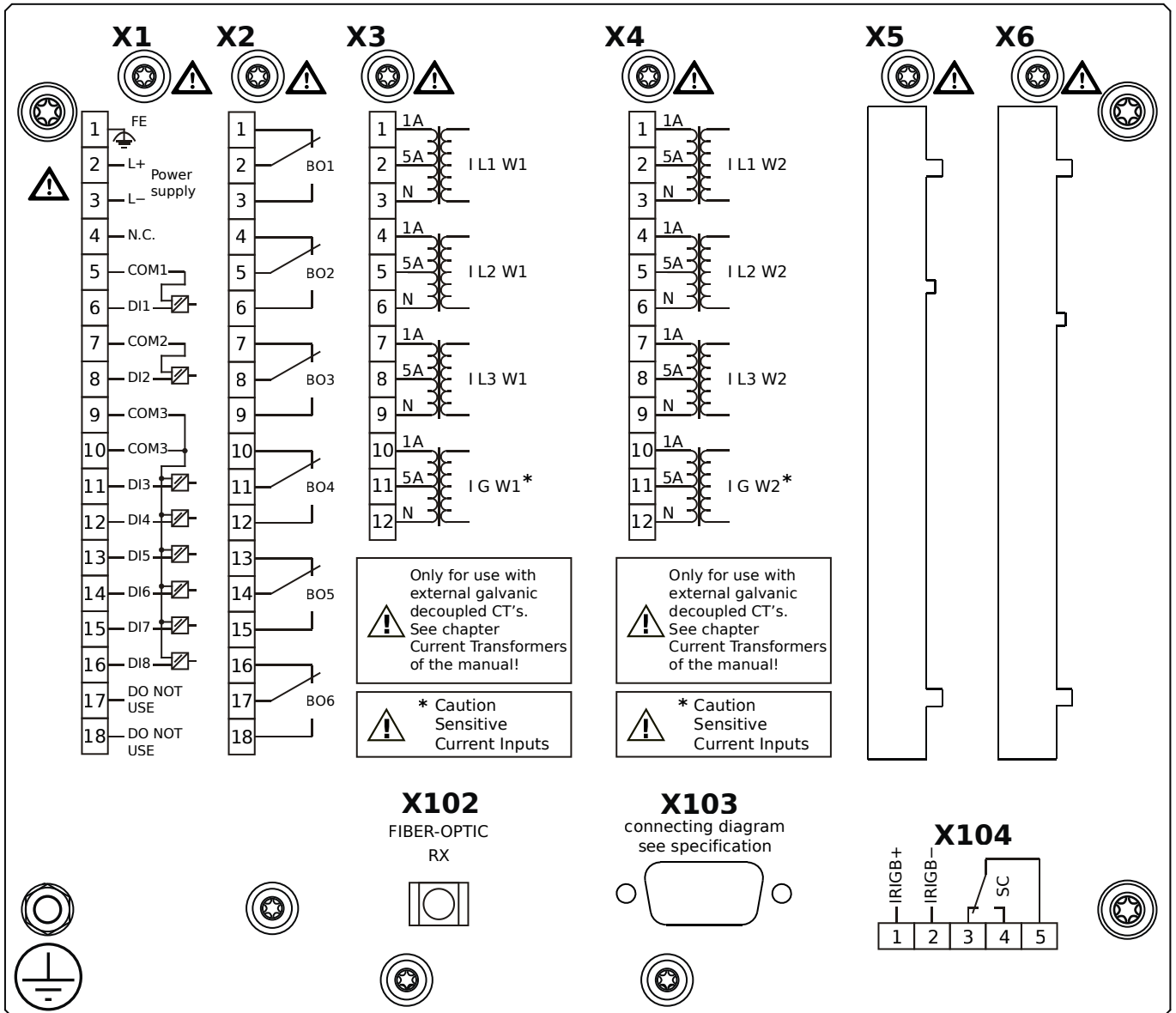
- X1** – DI8-X1: Wide-range power supply unit, incl. 2 non-grouped digital inputs and 6 grouped digital inputs
- X2** – OR-6: Assembly Group with 6 Relay Outputs
- X3** – TIs-4: Standard phase current measuring card and sensitive ground current measuring (winding side 1)
- X4** – TIs-4: Standard phase current measuring card and sensitive ground current measuring (winding side 2)
- X102** – Universal Resistance-Temperature Detector (URTD) input, Fiber optics interface, Versatile Link
- X103** – Modbus RTU / IEC 60870-5-103 / DNP3.0 RTU, Fiber optics interface, ST Connector
- X104** – IRIG-B00X, incl. System Contact (Supervision Contact)

MRDT4-2A3BFB



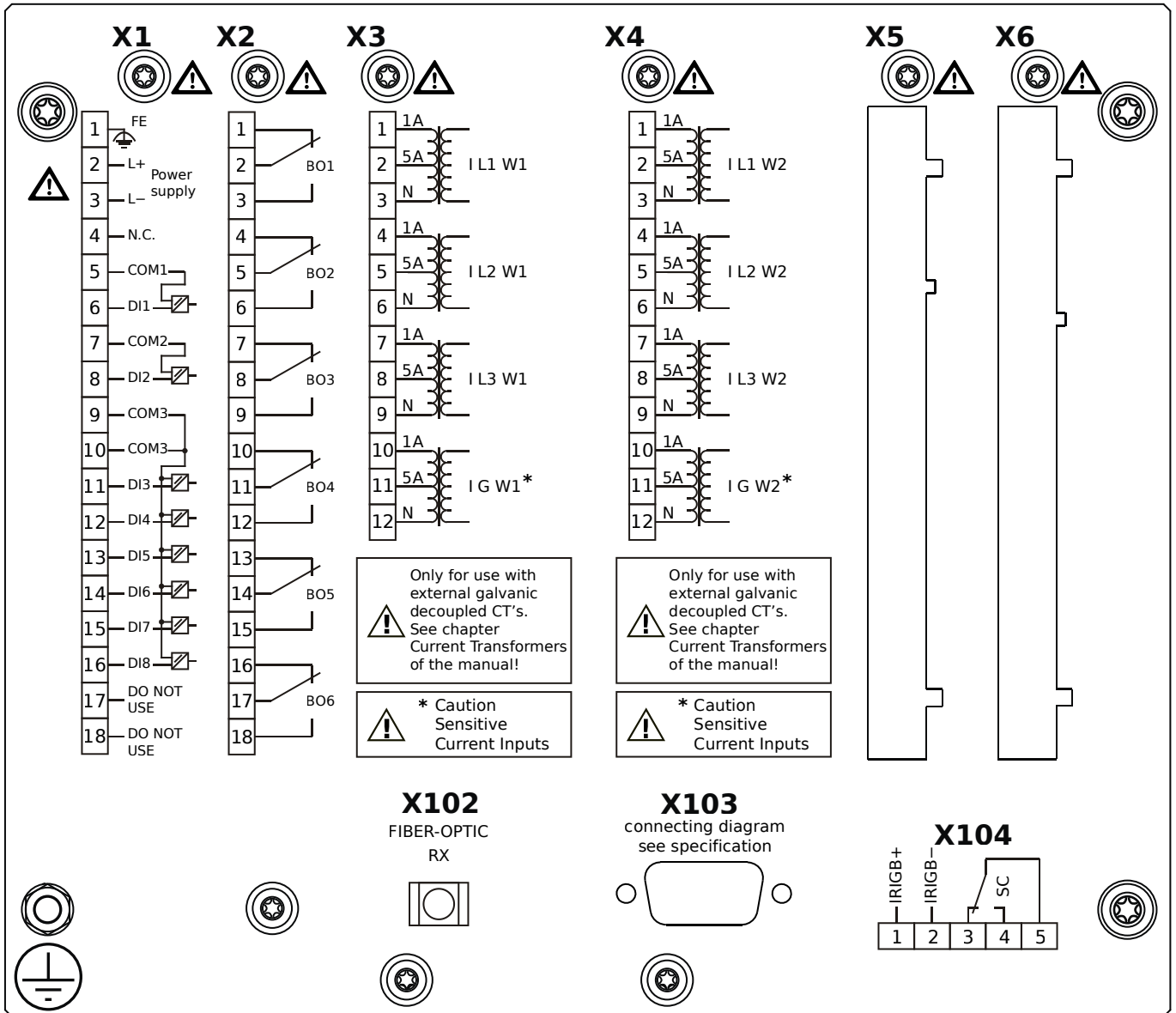
- X1** – DI8-X1: Wide-range power supply unit, incl. 2 non-grouped digital inputs and 6 grouped digital inputs
- X2** – OR-6: Assembly Group with 6 Relay Outputs
- X3** – TIs-4: Standard phase current measuring card and sensitive ground current measuring (winding side 1)
- X4** – TIs-4: Standard phase current measuring card and sensitive ground current measuring (winding side 2)
- X102** – Universal Resistance-Temperature Detector (URTD) input, Fiber optics interface, Versatile Link
- X103** – Modbus RTU / IEC 60870-5-103 / DNP3.0 RTU, Fiber optics interface, ST Connector
- X104** – IRIG-B00X, incl. System Contact (Supervision Contact)

MRDT4-2A3BGA



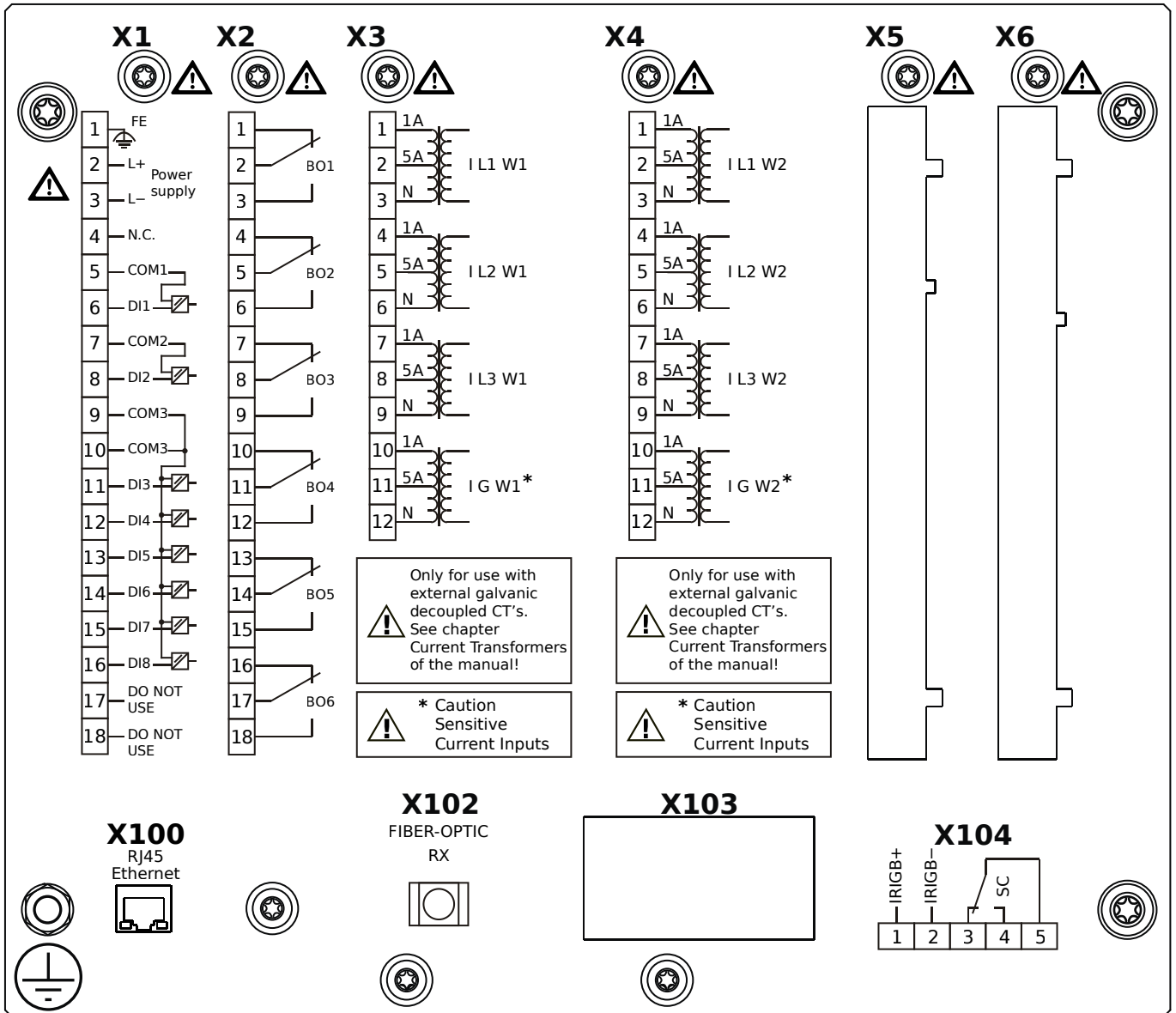
- X1** – DI8-X1: Wide-range power supply unit, incl. 2 non-grouped digital inputs and 6 grouped digital inputs
- X2** – OR-6: Assembly Group with 6 Relay Outputs
- X3** – TIs-4: Standard phase current measuring card and sensitive ground current measuring (winding side 1)
- X4** – TIs-4: Standard phase current measuring card and sensitive ground current measuring (winding side 2)
- X102** – Universal Resistance-Temperature Detector (URTD) input, Fiber optics interface, Versatile Link
- X103** – Modbus RTU / IEC 60870-5-103 / DNP3.0 RTU, RS485, D-SUB
- X104** – IRIG-B00X, incl. System Contact (Supervision Contact)

MRDT4-2A3BGB



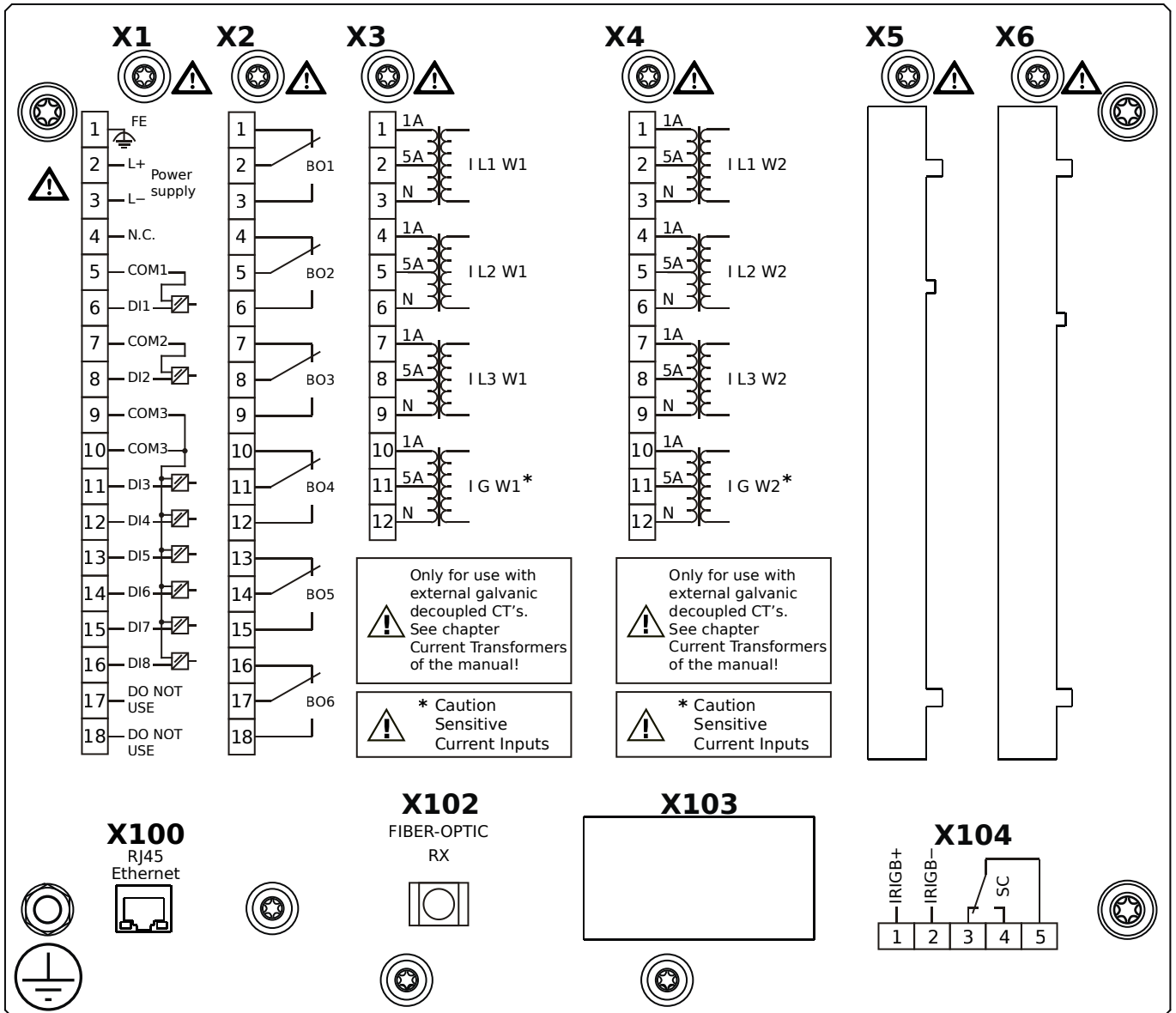
- X1** – DI8-X1: Wide-range power supply unit, incl. 2 non-grouped digital inputs and 6 grouped digital inputs
- X2** – OR-6: Assembly Group with 6 Relay Outputs
- X3** – TIs-4: Standard phase current measuring card and sensitive ground current measuring (winding side 1)
- X4** – TIs-4: Standard phase current measuring card and sensitive ground current measuring (winding side 2)
- X102** – Universal Resistance-Temperature Detector (URTD) input, Fiber optics interface, Versatile Link
- X103** – Modbus RTU / IEC 60870-5-103 / DNP3.0 RTU, RS485, D-SUB
- X104** – IRIG-B00X, incl. System Contact (Supervision Contact)

MRDT4-2A3BHA



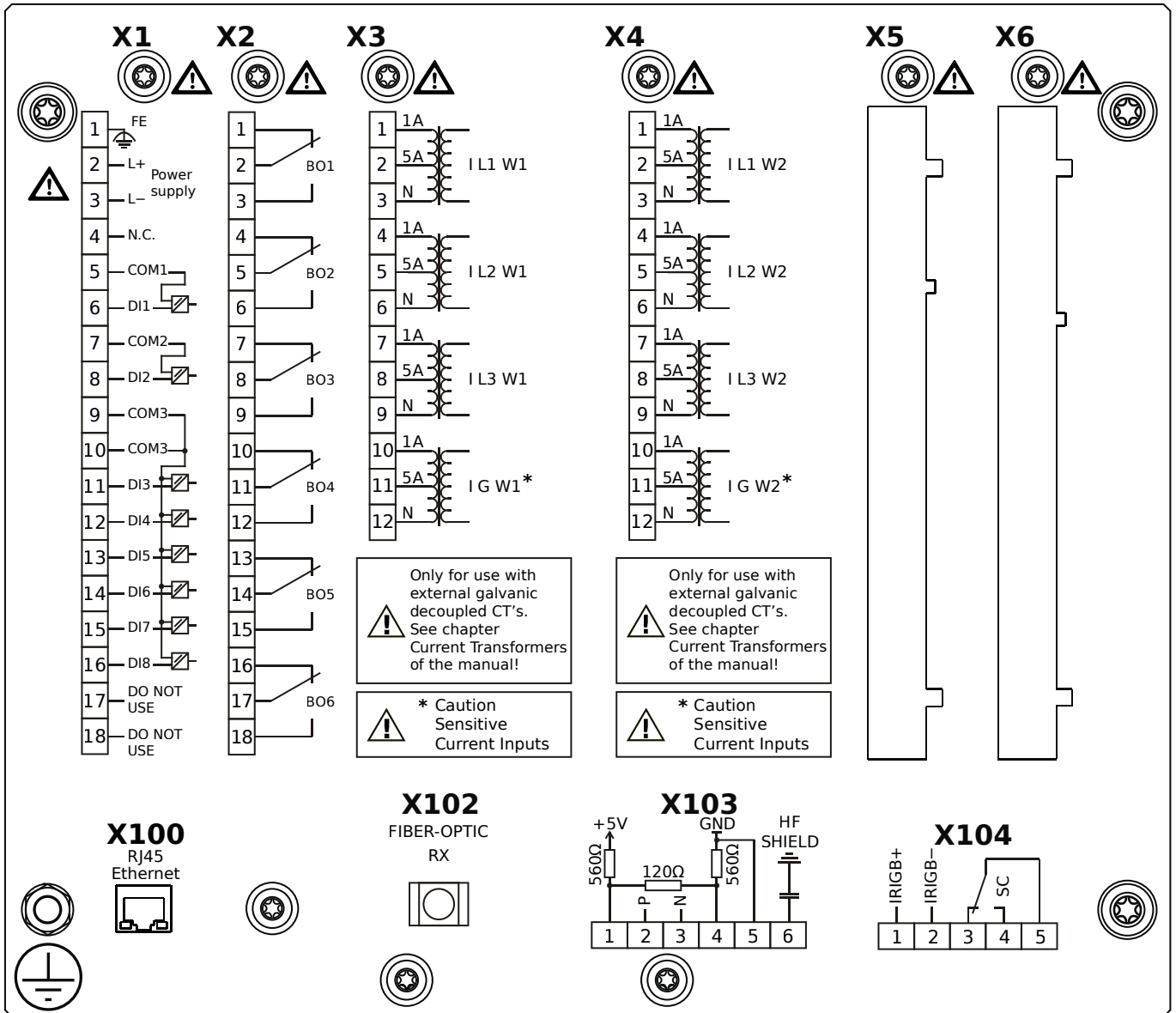
- X1** – DI8-X1: Wide-range power supply unit, incl. 2 non-grouped digital inputs and 6 grouped digital inputs
- X2** – OR-6: Assembly Group with 6 Relay Outputs
- X3** – TIs-4: Standard phase current measuring card and sensitive ground current measuring (winding side 1)
- X4** – TIs-4: Standard phase current measuring card and sensitive ground current measuring (winding side 2)
- X100** – IEC 61850 / Modbus TCP / DNP3.0 TCP/UDP, Ethernet interface, 100 Mbit/s, RJ45 (BASE100-FX)
- X102** – Universal Resistance-Temperature Detector (URTD) input, Fiber optics interface, Versatile Link
- X104** – IRIG-B00X, incl. System Contact (Supervision Contact)

MRDT4-2A3BHB



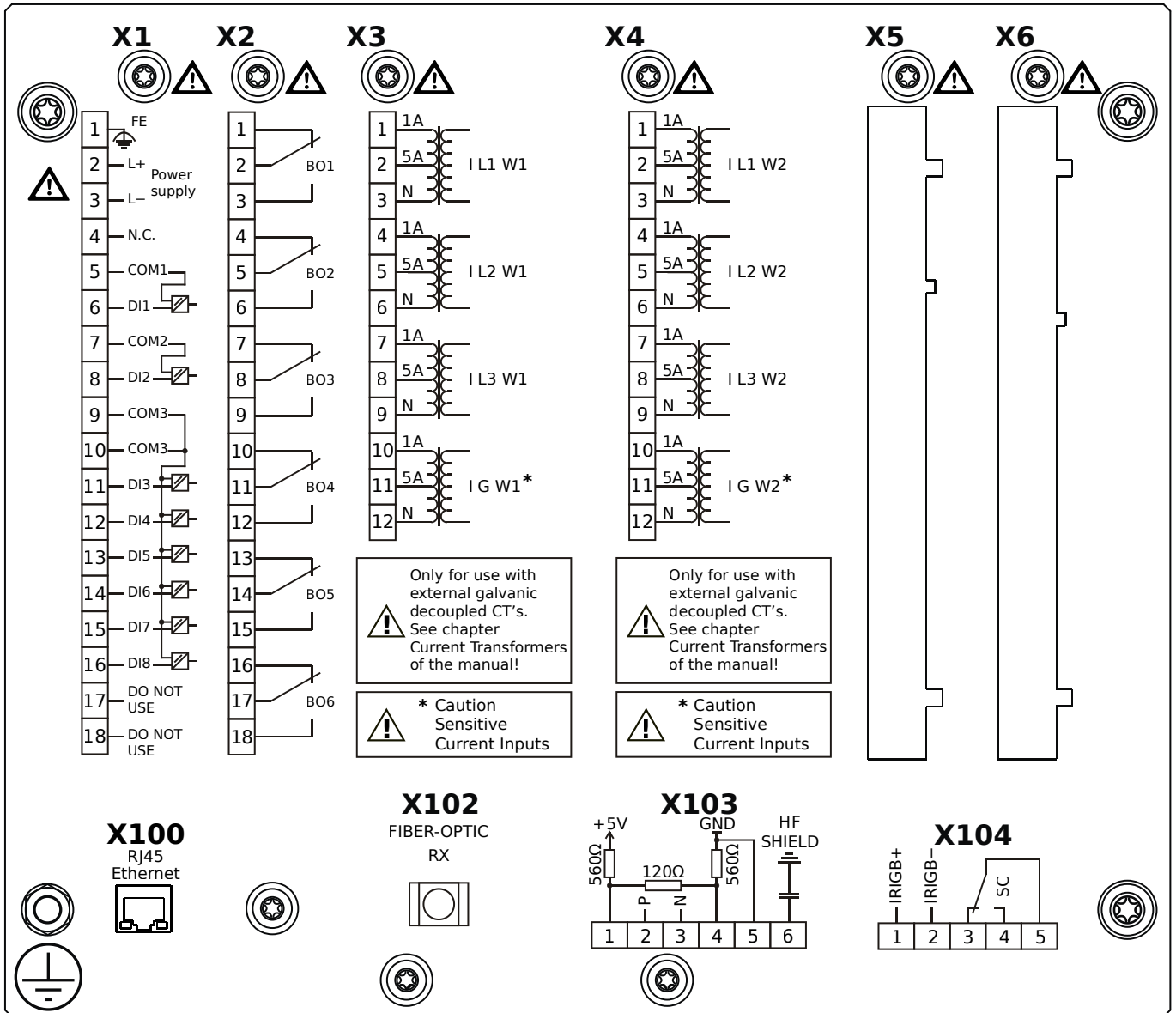
- X1** – DI8-X1: Wide-range power supply unit, incl. 2 non-grouped digital inputs and 6 grouped digital inputs
- X2** – OR-6: Assembly Group with 6 Relay Outputs
- X3** – TIs-4: Standard phase current measuring card and sensitive ground current measuring (winding side 1)
- X4** – TIs-4: Standard phase current measuring card and sensitive ground current measuring (winding side 2)
- X100** – IEC 61850 / Modbus TCP / DNP3.0 TCP/UDP, Ethernet interface, 100 Mbit/s, RJ45 (BASE100-FX)
- X102** – Universal Resistance-Temperature Detector (URTD) input, Fiber optics interface, Versatile Link
- X104** – IRIG-B00X, incl. System Contact (Supervision Contact)

MRDT4-2A3BIA



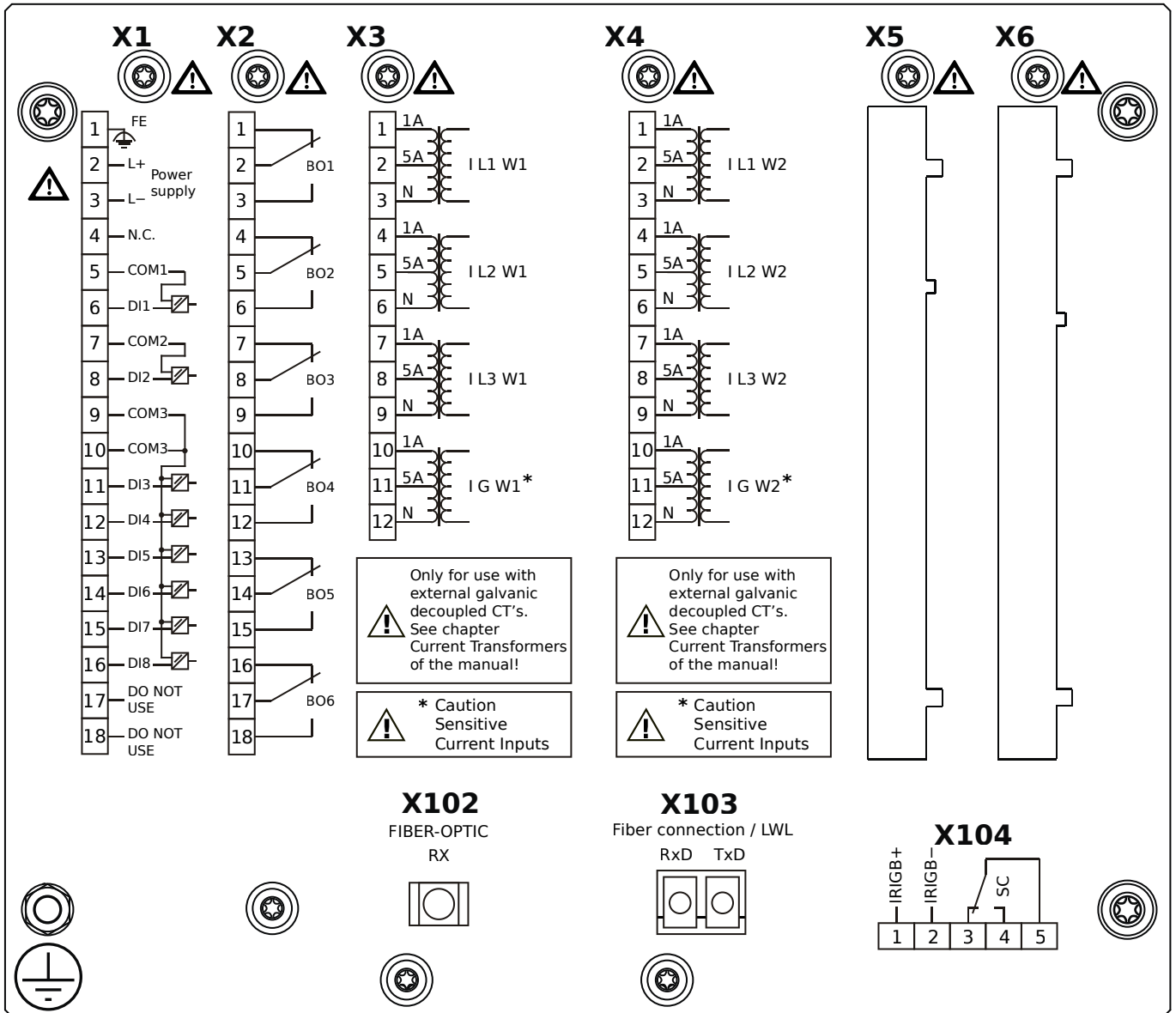
- X1** – DI8-X1: Wide-range power supply unit, incl. 2 non-grouped digital inputs and 6 grouped digital inputs
- X2** – OR-6: Assembly Group with 6 Relay Outputs
- X3** – TIs-4: Standard phase current measuring card and sensitive ground current measuring (winding side 1)
- X4** – TIs-4: Standard phase current measuring card and sensitive ground current measuring (winding side 2)
- X100** – Modbus TCP / DNP3.0 TCP/UDP, Ethernet interface, 100 Mbit/s, RJ45 (BASE100-FX)
- X102** – Universal Resistance-Temperature Detector (URTD) input, Fiber optics interface, Versatile Link
- X103** – IEC 60870-5-103 / Modbus RTU / DNP3.0 RTU, RS485, Terminals
- X104** – IRIG-B00X, incl. System Contact (Supervision Contact)

MRDT4-2A3BIB



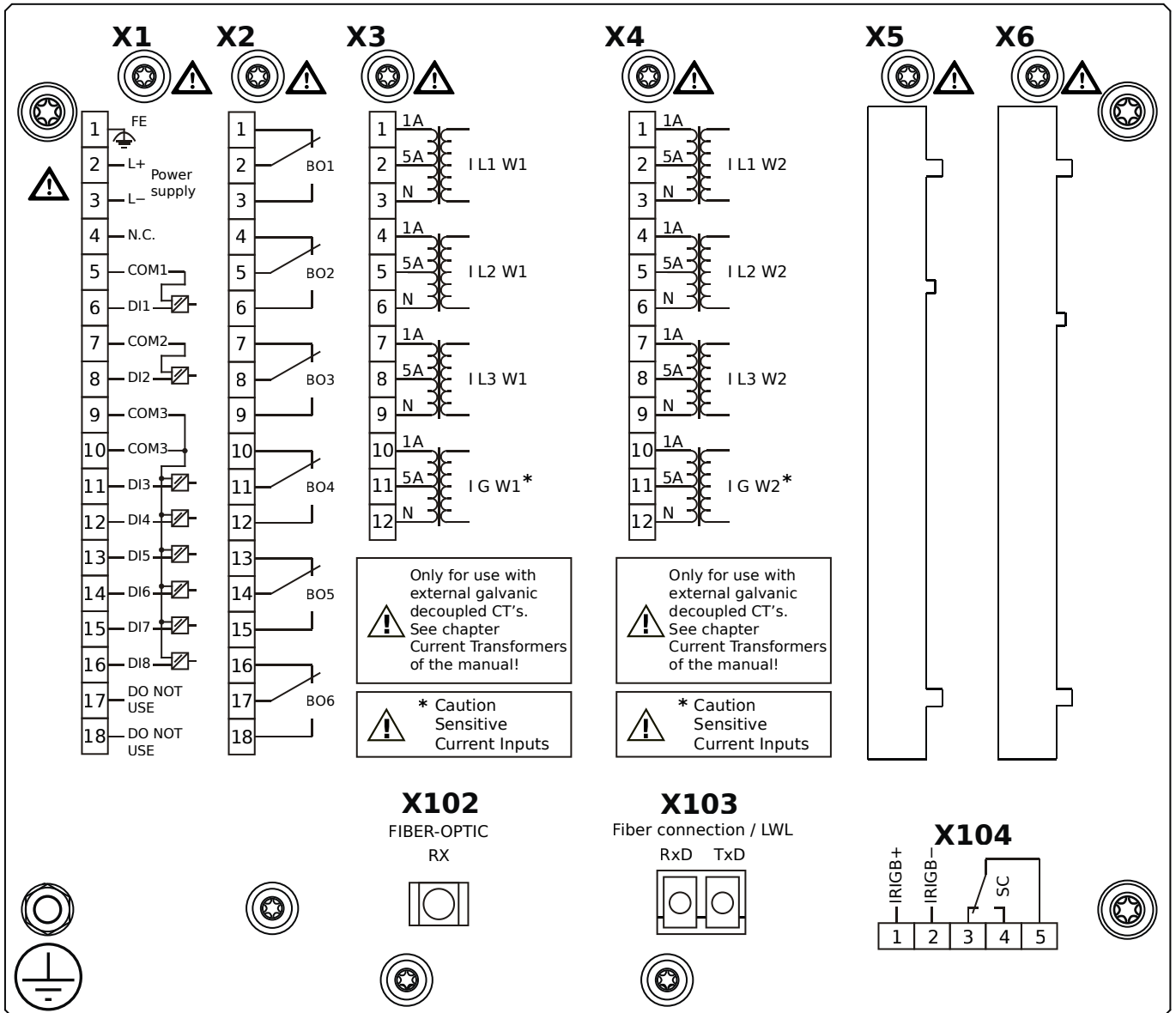
- X1** – DI8-X1: Wide-range power supply unit, incl. 2 non-grouped digital inputs and 6 grouped digital inputs
- X2** – OR-6: Assembly Group with 6 Relay Outputs
- X3** – TIs-4: Standard phase current measuring card and sensitive ground current measuring (winding side 1)
- X4** – TIs-4: Standard phase current measuring card and sensitive ground current measuring (winding side 2)
- X100** – Modbus TCP / DNP3.0 TCP/UDP, Ethernet interface, 100 Mbit/s, RJ45 (BASE100-FX)
- X102** – Universal Resistance-Temperature Detector (URTD) input, Fiber optics interface, Versatile Link
- X103** – IEC 60870-5-103 / Modbus RTU / DNP3.0 RTU, RS485, Terminals
- X104** – IRIG-B00X, incl. System Contact (Supervision Contact)

MRDT4-2A3BKA



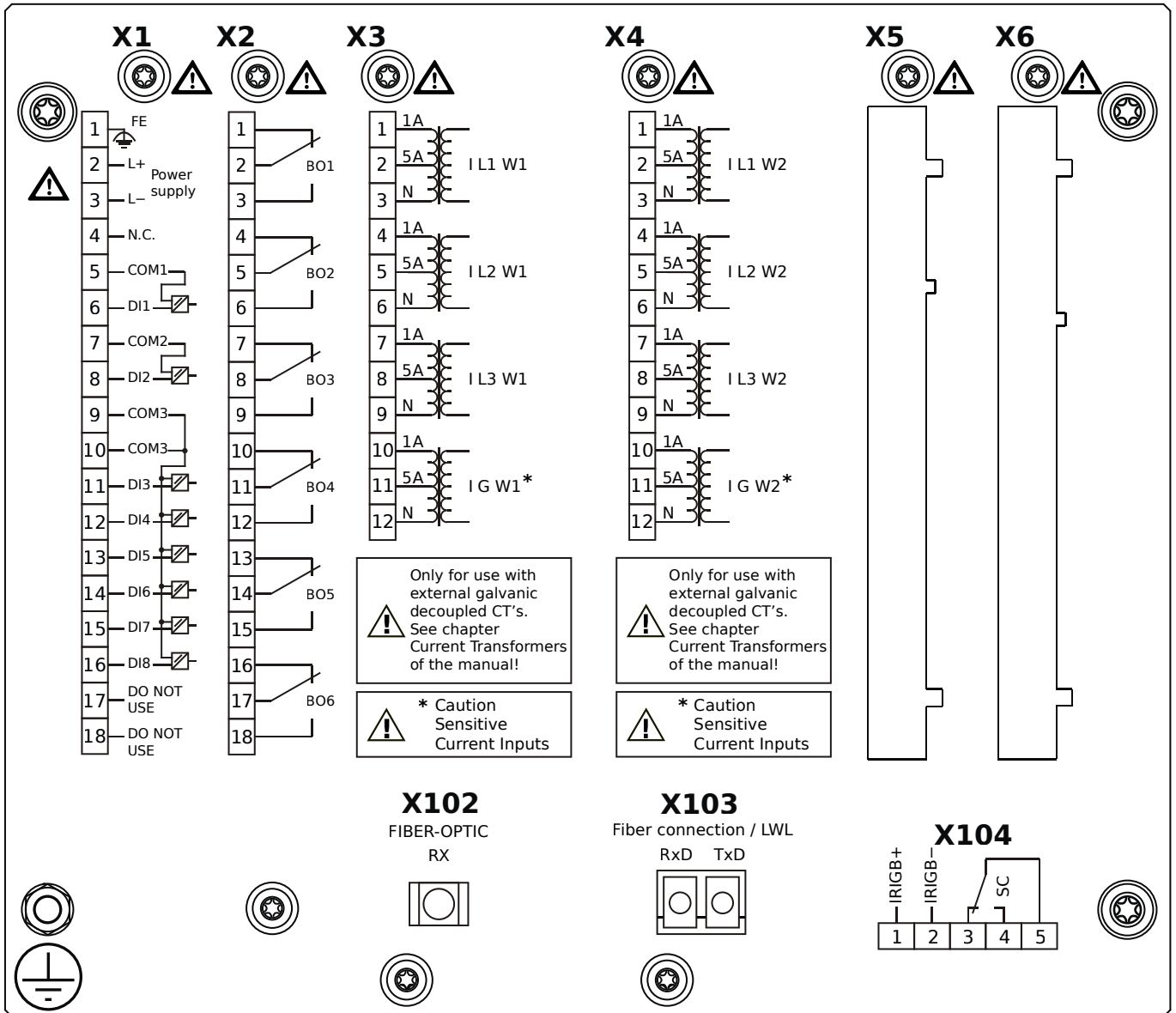
- X1** – DI8-X1: Wide-range power supply unit, incl. 2 non-grouped digital inputs and 6 grouped digital inputs
- X2** – OR-6: Assembly Group with 6 Relay Outputs
- X3** – TIs-4: Standard phase current measuring card and sensitive ground current measuring (winding side 1)
- X4** – TIs-4: Standard phase current measuring card and sensitive ground current measuring (winding side 2)
- X102** – Universal Resistance-Temperature Detector (URTD) input, Fiber optics interface, Versatile Link
- X103** – IEC 61850 / Modbus TCP / DNP3.0 TCP/UDP, Fiber optics interface, LC Connector
- X104** – IRIG-B00X, incl. System Contact (Supervision Contact)

MRDT4-2A3BKB



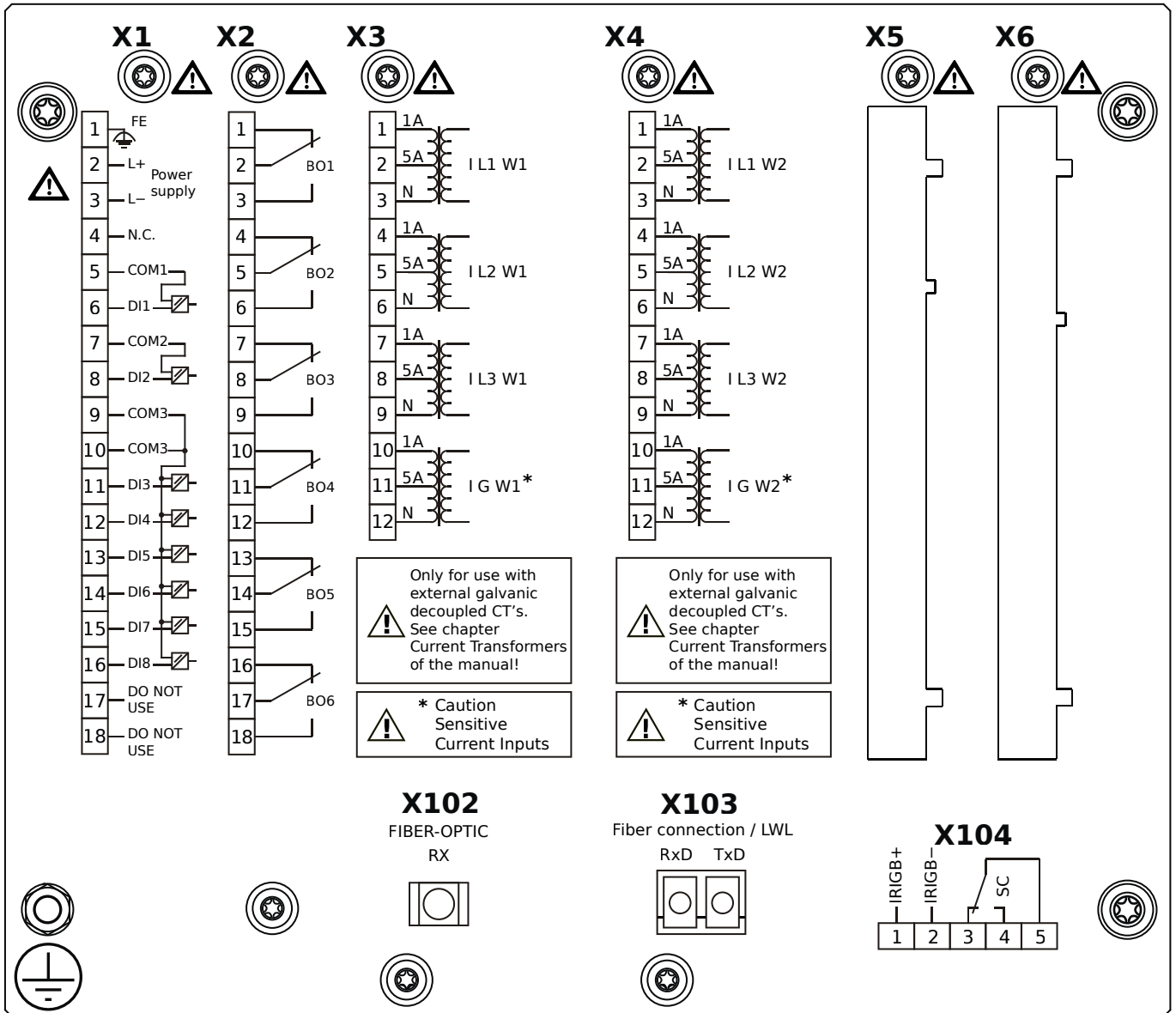
- X1** – DI8-X1: Wide-range power supply unit, incl. 2 non-grouped digital inputs and 6 grouped digital inputs
- X2** – OR-6: Assembly Group with 6 Relay Outputs
- X3** – TIs-4: Standard phase current measuring card and sensitive ground current measuring (winding side 1)
- X4** – TIs-4: Standard phase current measuring card and sensitive ground current measuring (winding side 2)
- X102** – Universal Resistance-Temperature Detector (URTD) input, Fiber optics interface, Versatile Link
- X103** – IEC 61850 / Modbus TCP / DNP3.0 TCP/UDP, Fiber optics interface, LC Connector
- X104** – IRIG-B00X, incl. System Contact (Supervision Contact)

MRDT4-2A3BLA



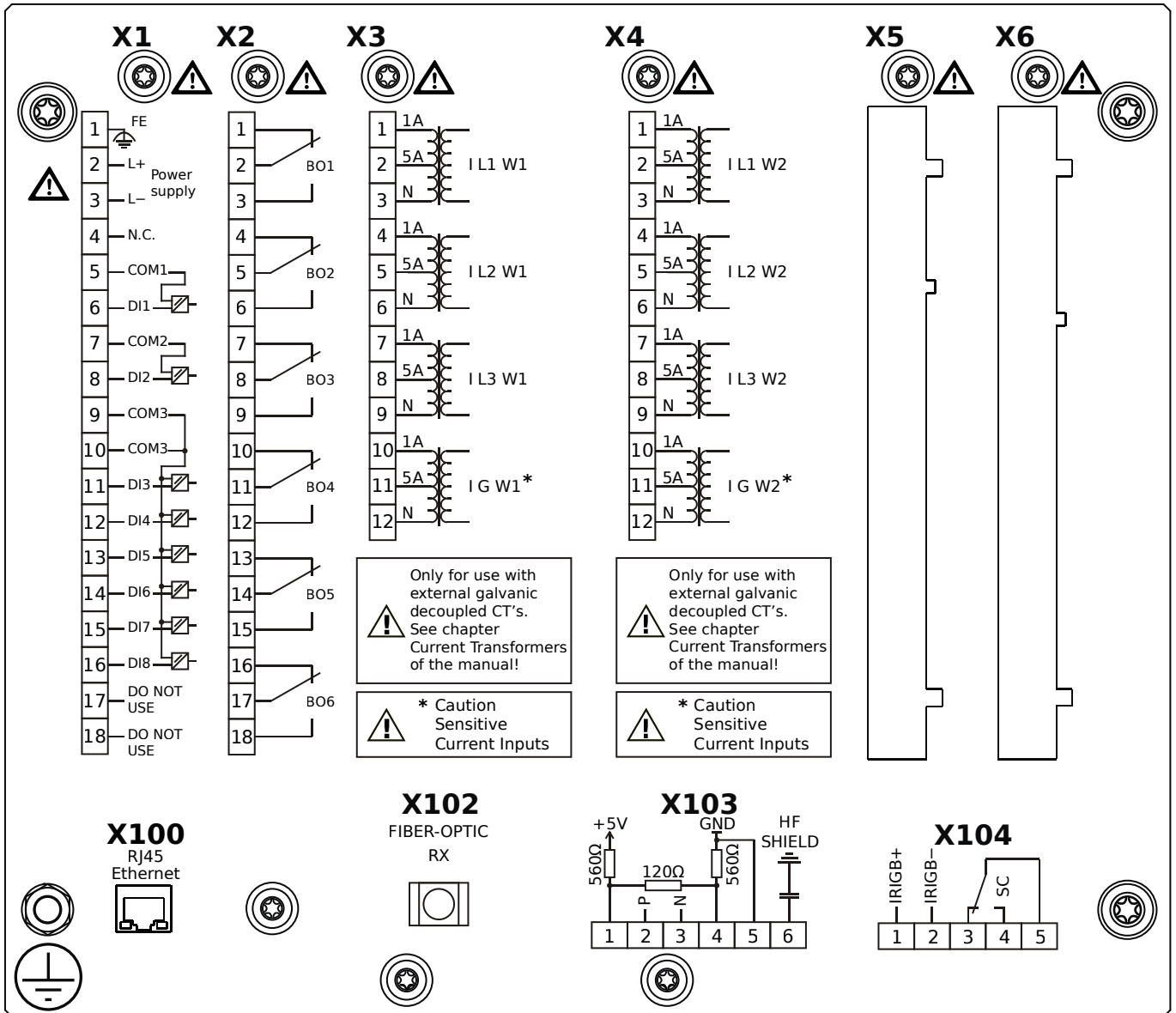
- X1** – DI8-X1: Wide-range power supply unit, incl. 2 non-grouped digital inputs and 6 grouped digital inputs
- X2** – OR-6: Assembly Group with 6 Relay Outputs
- X3** – TIs-4: Standard phase current measuring card and sensitive ground current measuring (winding side 1)
- X4** – TIs-4: Standard phase current measuring card and sensitive ground current measuring (winding side 2)
- X102** – Universal Resistance-Temperature Detector (URTD) input, Fiber optics interface, Versatile Link
- X103** – Modbus TCP / DNP3.0 TCP/UDP, Fiber optics interface, LC Connector
- X104** – IRIG-B00X, incl. System Contact (Supervision Contact)

MRDT4-2A3BLB



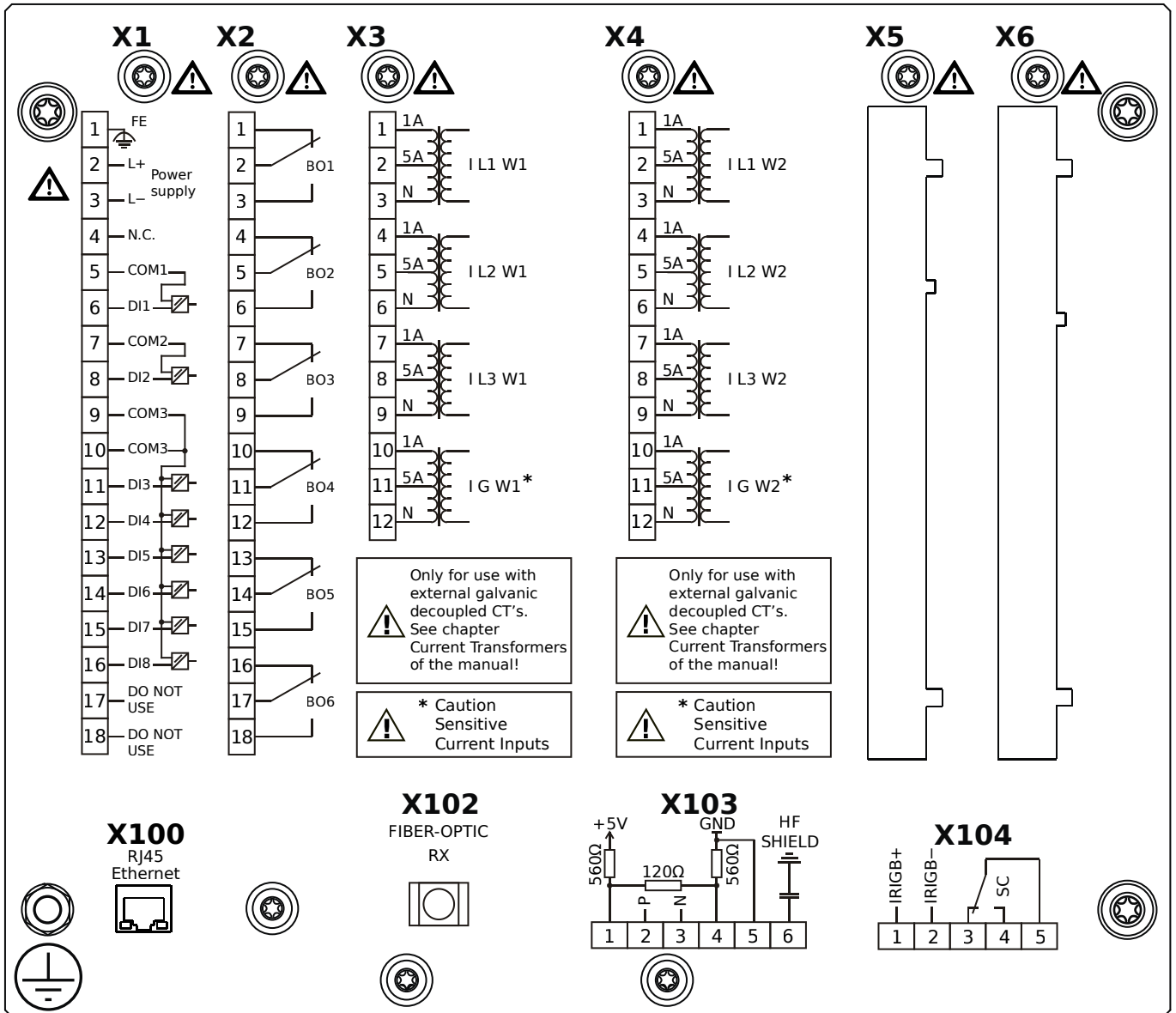
- X1** – DI8-X1: Wide-range power supply unit, incl. 2 non-grouped digital inputs and 6 grouped digital inputs
- X2** – OR-6: Assembly Group with 6 Relay Outputs
- X3** – TIs-4: Standard phase current measuring card and sensitive ground current measuring (winding side 1)
- X4** – TIs-4: Standard phase current measuring card and sensitive ground current measuring (winding side 2)
- X102** – Universal Resistance-Temperature Detector (URTD) input, Fiber optics interface, Versatile Link
- X103** – Modbus TCP / DNP3.0 TCP/UDP, Fiber optics interface, LC Connector
- X104** – IRIG-B00X, incl. System Contact (Supervision Contact)

MRDT4-2A3BTA



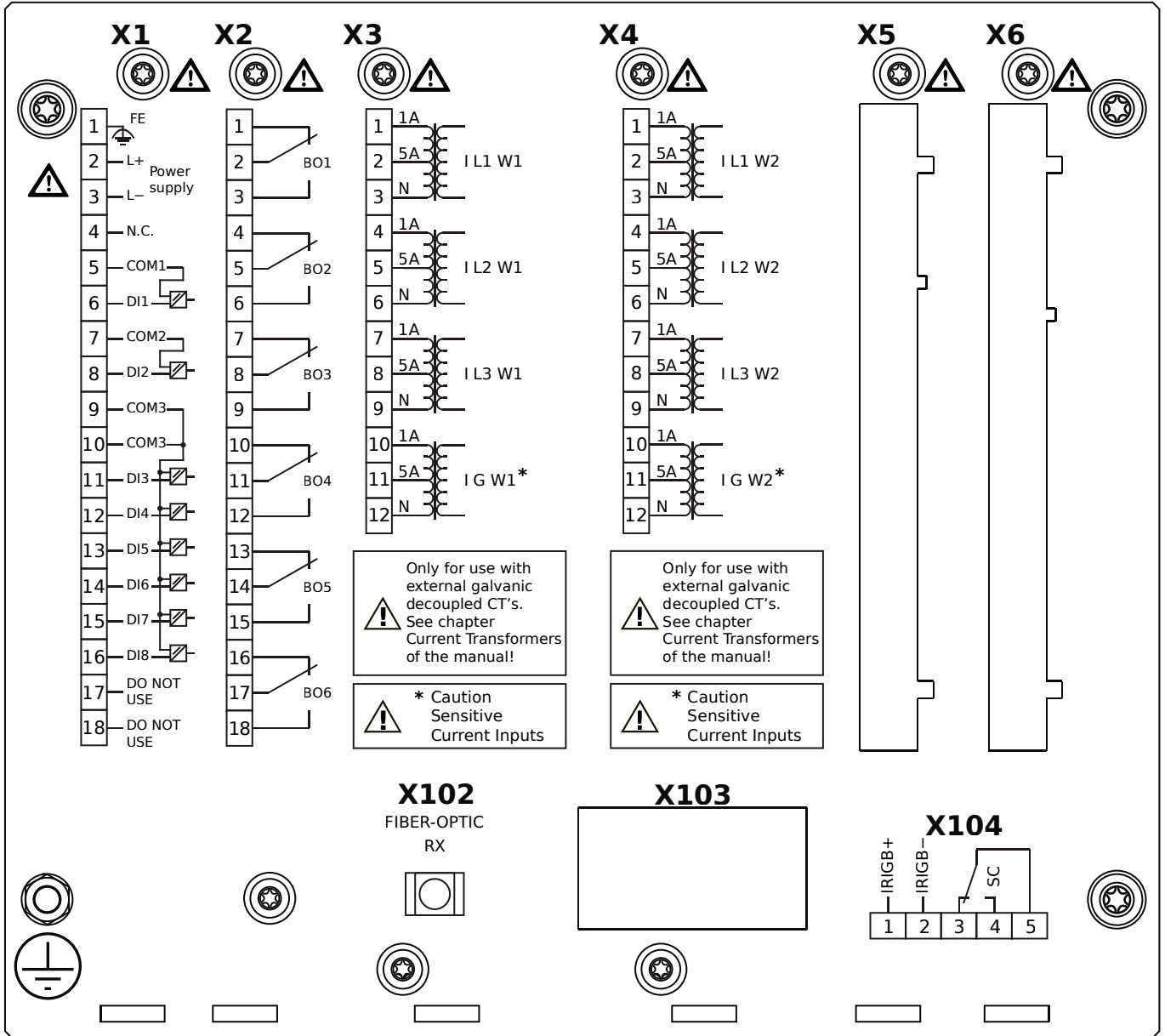
- X1** – DI8-X1: Wide-range power supply unit, incl. 2 non-grouped digital inputs and 6 grouped digital inputs
- X2** – OR-6: Assembly Group with 6 Relay Outputs
- X3** – TIs-4: Standard phase current measuring card and sensitive ground current measuring (winding side 1)
- X4** – TIs-4: Standard phase current measuring card and sensitive ground current measuring (winding side 2)
- X100** – IEC 61850 / Modbus TCP / DNP3.0 TCP/UDP, Ethernet interface, 100 Mbit/s, RJ45 (BASE100-FX)
- X102** – Universal Resistance-Temperature Detector (URTD) input, Fiber optics interface, Versatile Link
- X103** – IEC 60870-5-103 / Modbus RTU / DNP3.0 RTU, RS485, Terminals
- X104** – IRIG-B00X, incl. System Contact (Supervision Contact)

MRDT4-2A3BTB



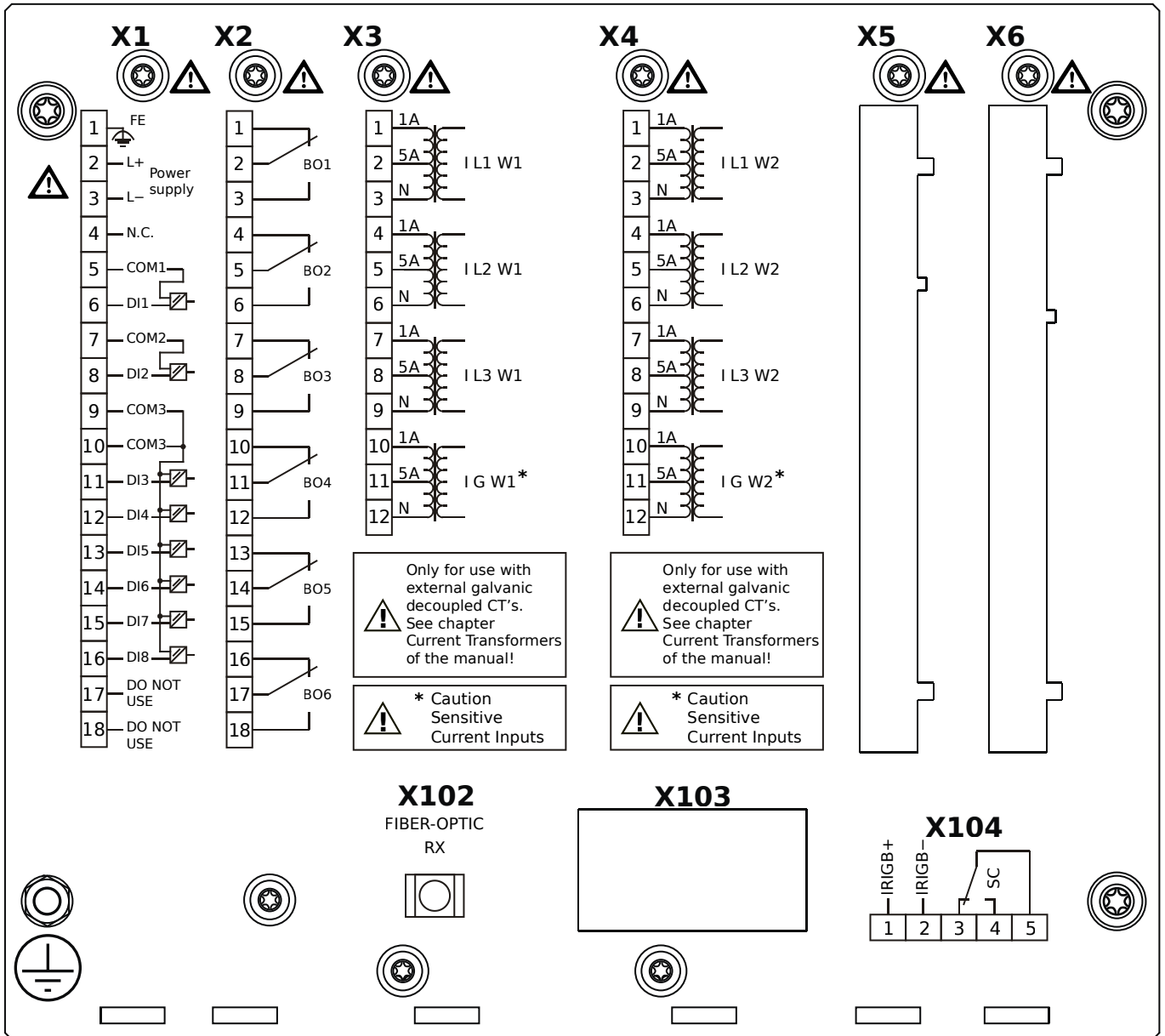
- X1** – DI8-X1: Wide-range power supply unit, incl. 2 non-grouped digital inputs and 6 grouped digital inputs
- X2** – OR-6: Assembly Group with 6 Relay Outputs
- X3** – TIs-4: Standard phase current measuring card and sensitive ground current measuring (winding side 1)
- X4** – TIs-4: Standard phase current measuring card and sensitive ground current measuring (winding side 2)
- X100** – IEC 61850 / Modbus TCP / DNP3.0 TCP/UDP, Ethernet interface, 100 Mbit/s, RJ45 (BASE100-FX)
- X102** – Universal Resistance-Temperature Detector (URTD) input, Fiber optics interface, Versatile Link
- X103** – IEC 60870-5-103 / Modbus RTU / DNP3.0 RTU, RS485, Terminals
- X104** – IRIG-B00X, incl. System Contact (Supervision Contact)

MRDT4-2A3HAA



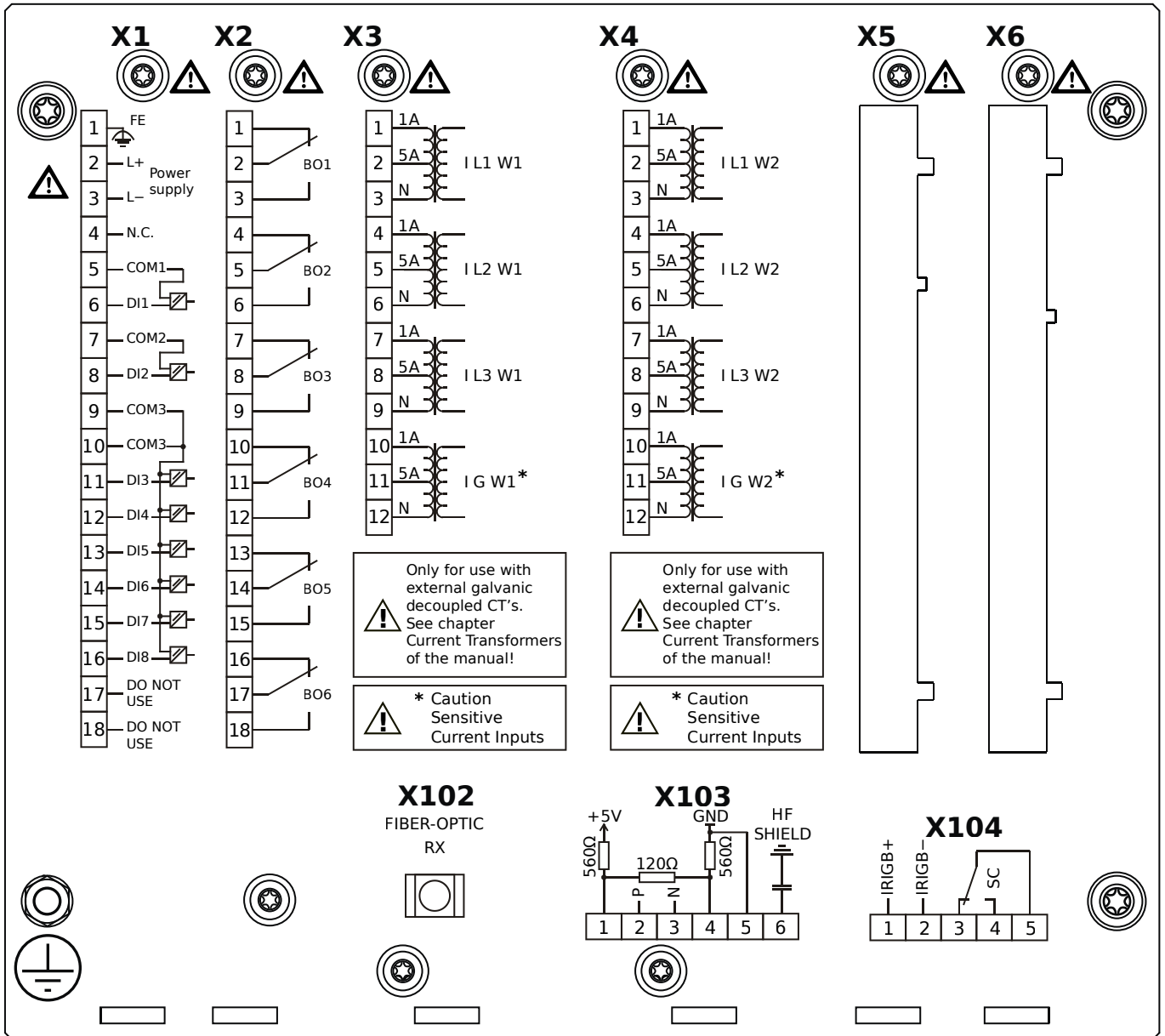
- X1** – DI8-X1: Wide-range power supply unit, incl. 2 non-grouped digital inputs and 6 grouped digital inputs
- X2** – OR-6: Assembly Group with 6 Relay Outputs
- X3** – TIs-4: Standard phase current measuring card and sensitive ground current measuring (winding side 1)
- X4** – TIs-4: Standard phase current measuring card and sensitive ground current measuring (winding side 2)
- X102** – Universal Resistance-Temperature Detector (URTD) input, Fiber optics interface, Versatile Link
- X104** – IRIG-B00X, incl. System Contact (Supervision Contact)

MRDT4-2A3HAB



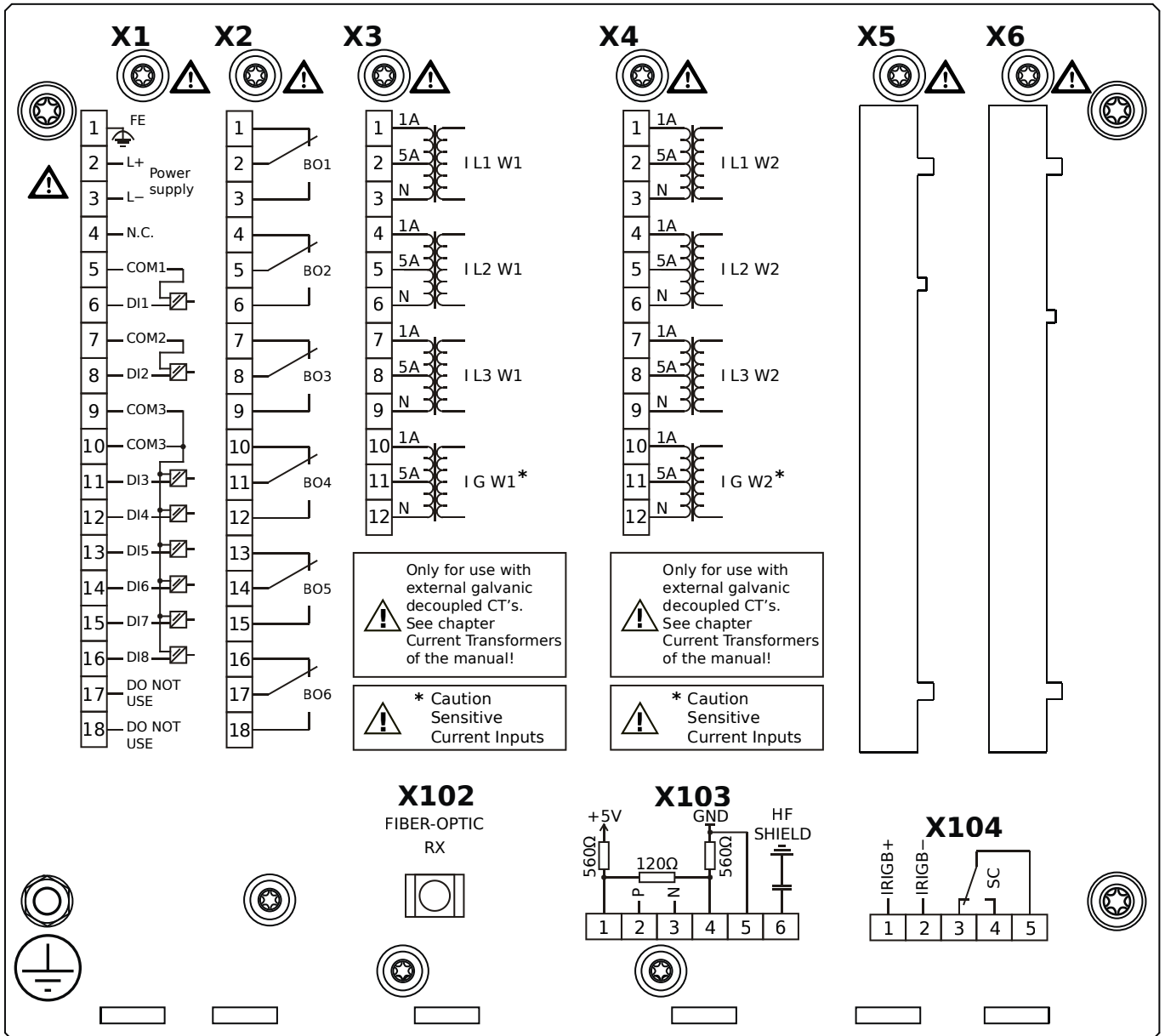
- X1** – DI8-X1: Wide-range power supply unit, incl. 2 non-grouped digital inputs and 6 grouped digital inputs
- X2** – OR-6: Assembly Group with 6 Relay Outputs
- X3** – TIs-4: Standard phase current measuring card and sensitive ground current measuring (winding side 1)
- X4** – TIs-4: Standard phase current measuring card and sensitive ground current measuring (winding side 2)
- X102** – Universal Resistance-Temperature Detector (URTD) input, Fiber optics interface, Versatile Link
- X104** – IRIG-B00X, incl. System Contact (Supervision Contact)

MRDT4-2A3HBA



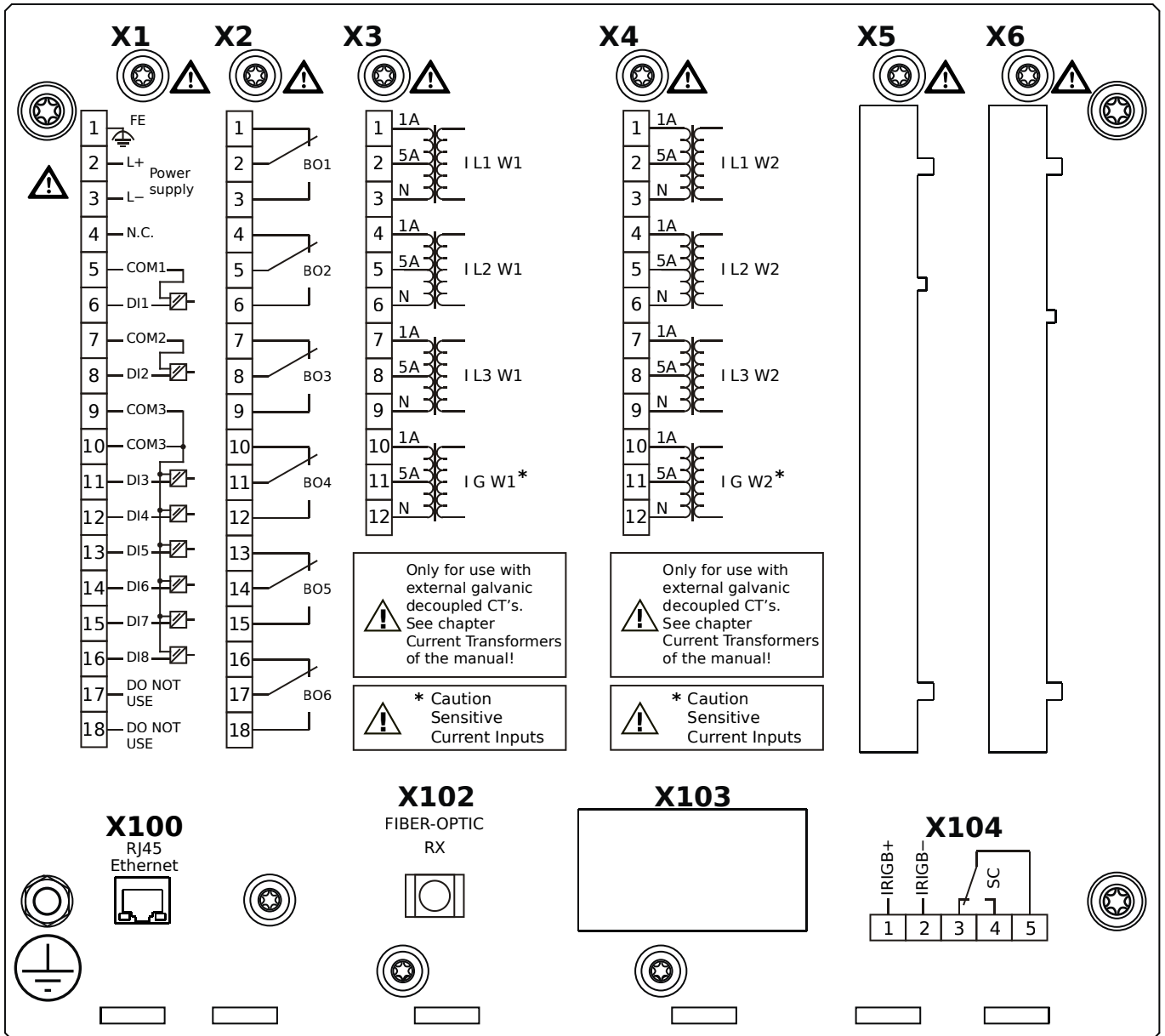
- X1** – DI8-X1: Wide-range power supply unit, incl. 2 non-grouped digital inputs and 6 grouped digital inputs
- X2** – OR-6: Assembly Group with 6 Relay Outputs
- X3** – TIs-4: Standard phase current measuring card and sensitive ground current measuring (winding side 1)
- X4** – TIs-4: Standard phase current measuring card and sensitive ground current measuring (winding side 2)
- X102** – Universal Resistance-Temperature Detector (URTD) input, Fiber optics interface, Versatile Link
- X103** – Modbus RTU / IEC 60870-5-103 / DNP3.0 RTU, RS485, Terminals
- X104** – IRIG-B00X, incl. System Contact (Supervision Contact)

MRDT4-2A3HBB



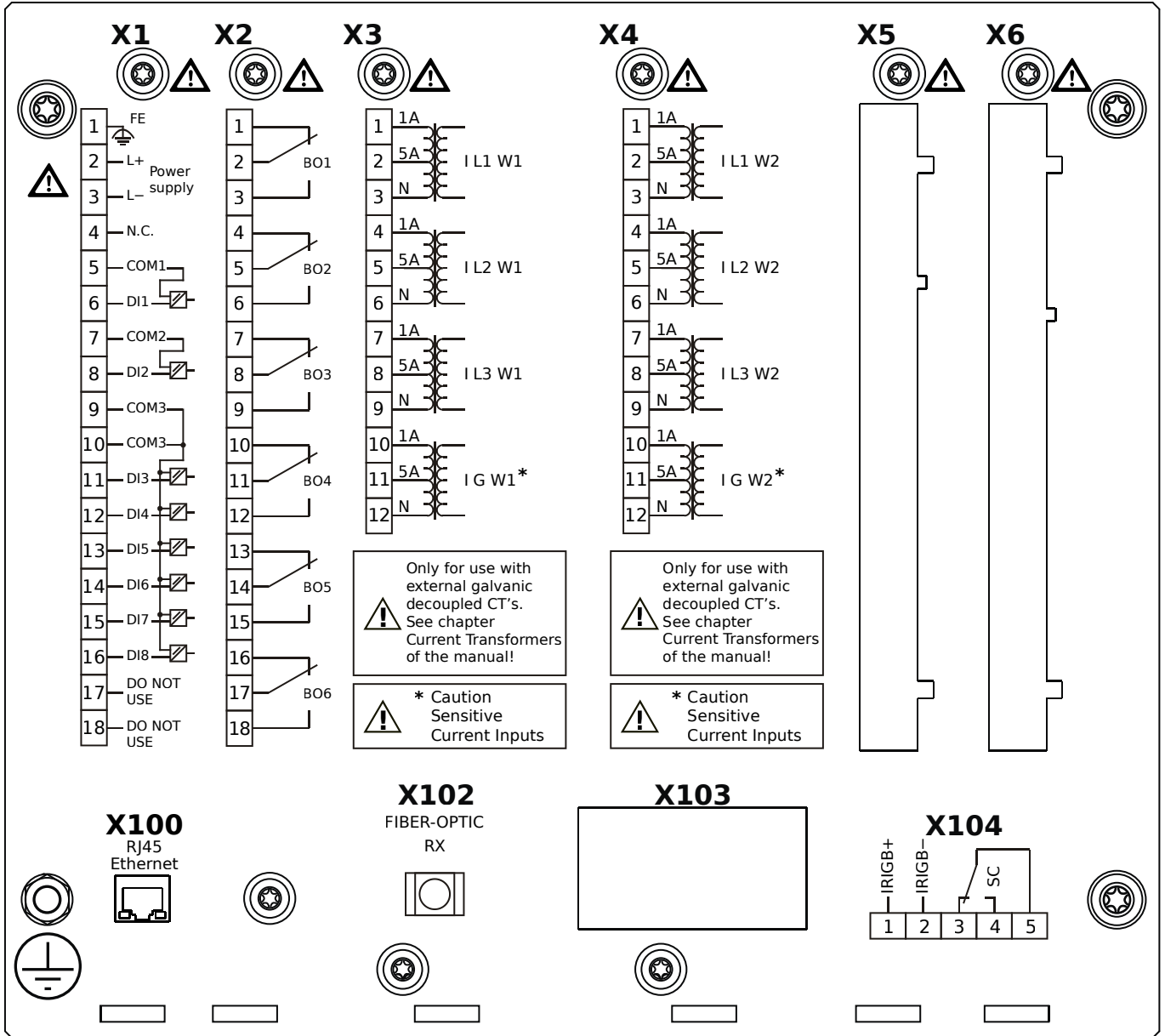
- X1** – DI8-X1: Wide-range power supply unit, incl. 2 non-grouped digital inputs and 6 grouped digital inputs
- X2** – OR-6: Assembly Group with 6 Relay Outputs
- X3** – TIs-4: Standard phase current measuring card and sensitive ground current measuring (winding side 1)
- X4** – TIs-4: Standard phase current measuring card and sensitive ground current measuring (winding side 2)
- X102** – Universal Resistance-Temperature Detector (URTD) input, Fiber optics interface, Versatile Link
- X103** – Modbus RTU / IEC 60870-5-103 / DNP3.0 RTU, RS485, Terminals
- X104** – IRIG-B00X, incl. System Contact (Supervision Contact)

MRDT4-2A3HCA



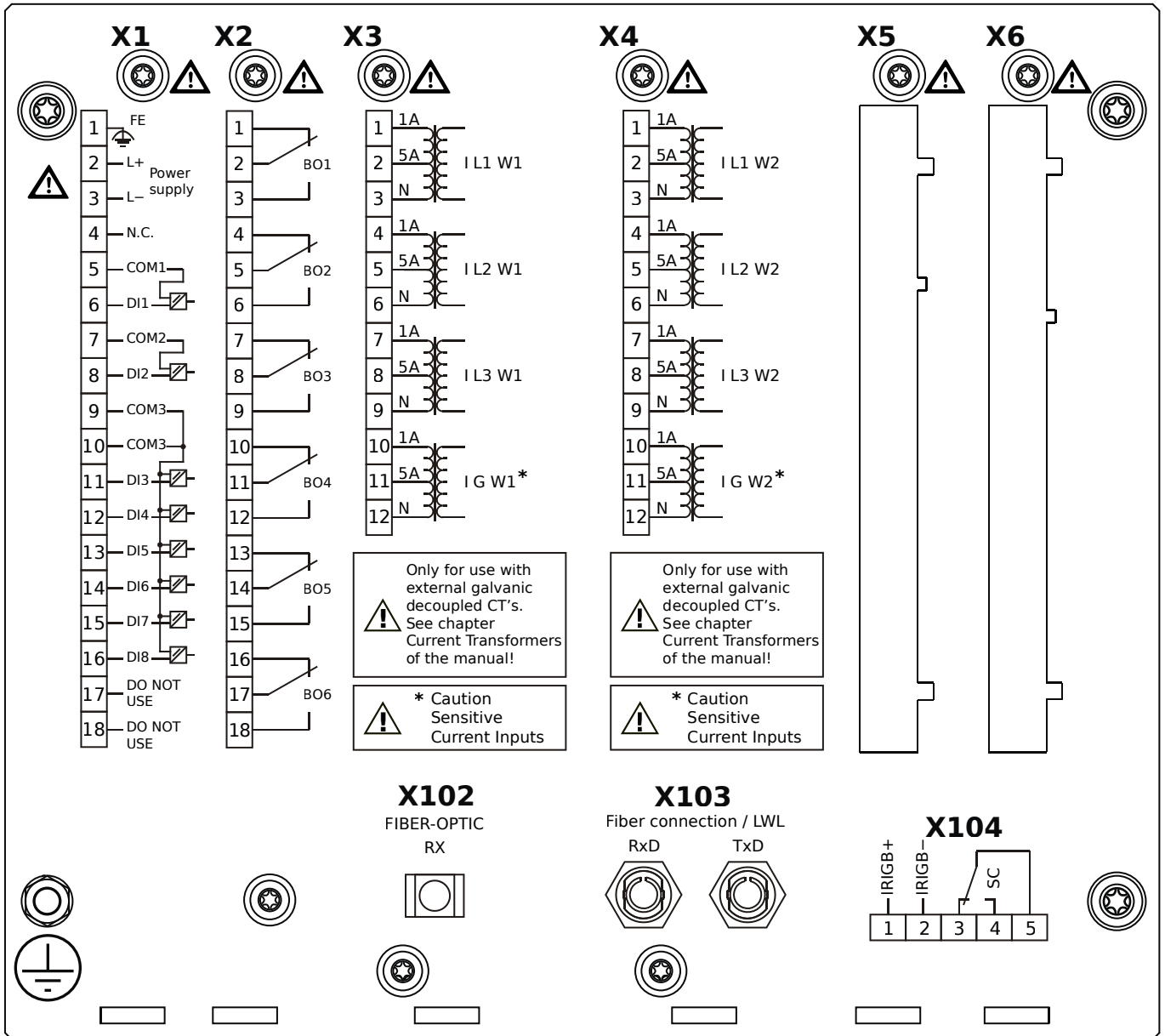
- X1** – DI8-X1: Wide-range power supply unit, incl. 2 non-grouped digital inputs and 6 grouped digital inputs
- X2** – OR-6: Assembly Group with 6 Relay Outputs
- X3** – TIs-4: Standard phase current measuring card and sensitive ground current measuring (winding side 1)
- X4** – TIs-4: Standard phase current measuring card and sensitive ground current measuring (winding side 2)
- X100** – Modbus TCP / DNP3.0 TCP/UDP, Ethernet interface, 100 Mbit/s, RJ45 (BASE100-FX)
- X102** – Universal Resistance-Temperature Detector (URTD) input, Fiber optics interface, Versatile Link
- X104** – IRIG-B00X, incl. System Contact (Supervision Contact)

MRDT4-2A3HCB



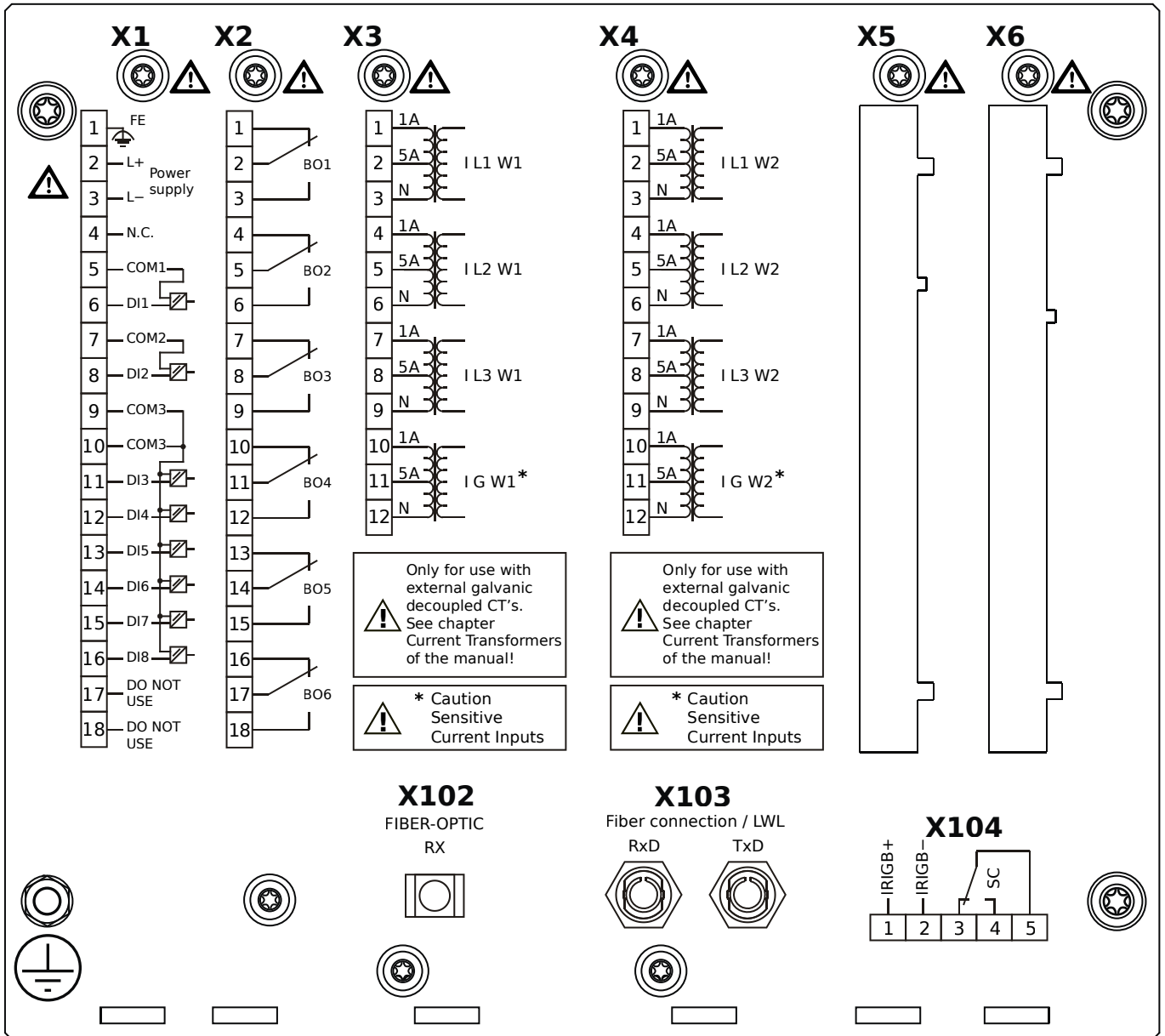
- X1** – DI8-X1: Wide-range power supply unit, incl. 2 non-grouped digital inputs and 6 grouped digital inputs
- X2** – OR-6: Assembly Group with 6 Relay Outputs
- X3** – TIs-4: Standard phase current measuring card and sensitive ground current measuring (winding side 1)
- X4** – TIs-4: Standard phase current measuring card and sensitive ground current measuring (winding side 2)
- X100** – Modbus TCP / DNP3.0 TCP/UDP, Ethernet interface, 100 Mbit/s, RJ45 (BASE100-FX)
- X102** – Universal Resistance-Temperature Detector (URTD) input, Fiber optics interface, Versatile Link
- X104** – IRIG-B00X, incl. System Contact (Supervision Contact)

MRDT4-2A3HDA



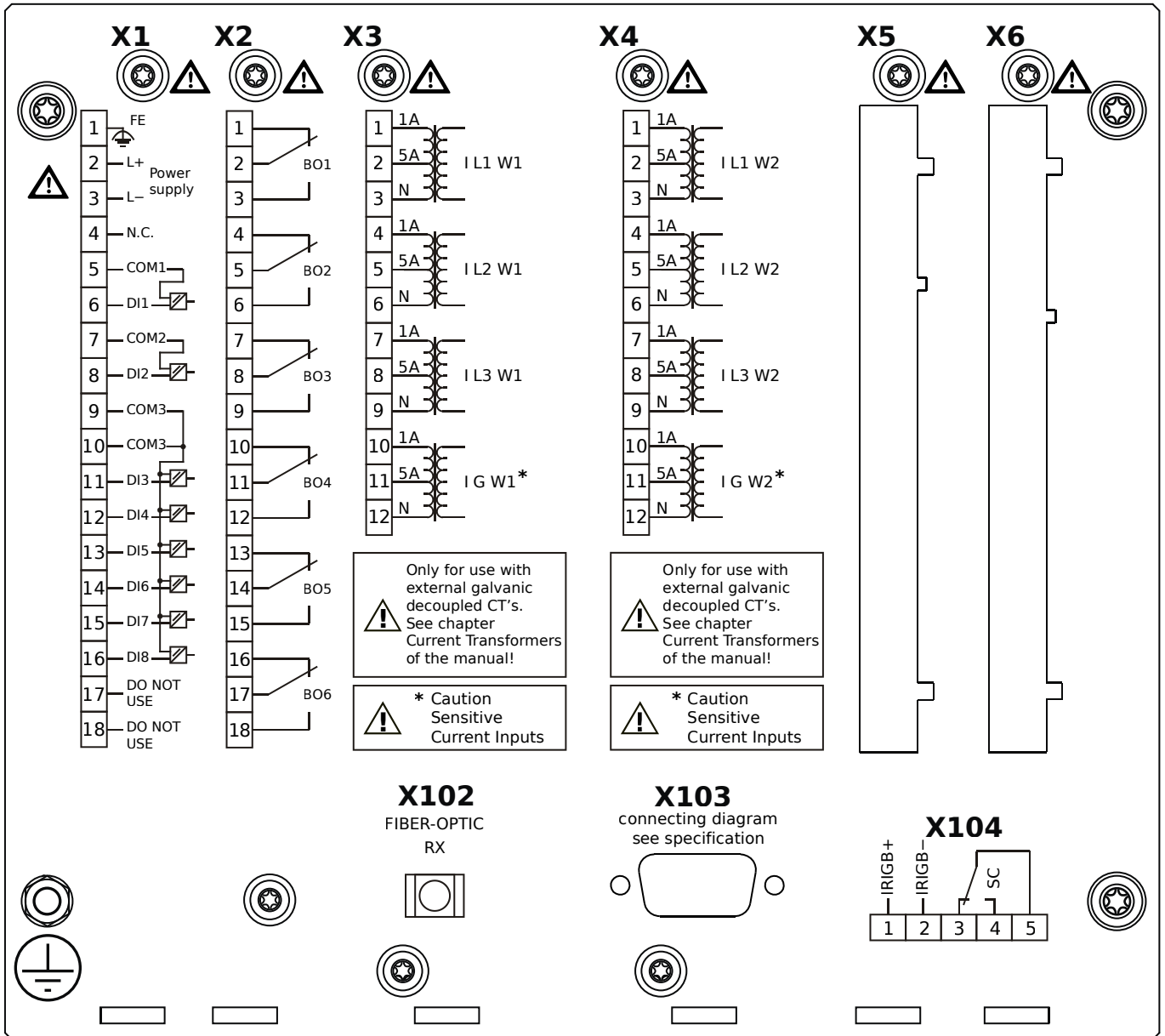
- X1** – DI8-X1: Wide-range power supply unit, incl. 2 non-grouped digital inputs and 6 grouped digital inputs
- X2** – OR-6: Assembly Group with 6 Relay Outputs
- X3** – TIs-4: Standard phase current measuring card and sensitive ground current measuring (winding side 1)
- X4** – TIs-4: Standard phase current measuring card and sensitive ground current measuring (winding side 2)
- X102** – Universal Resistance-Temperature Detector (URTD) input, Fiber optics interface, Versatile Link
- X103** – Profibus-DP, Fiber optics interface, ST Connector
- X104** – IRIG-B00X, incl. System Contact (Supervision Contact)

MRDT4-2A3HDB



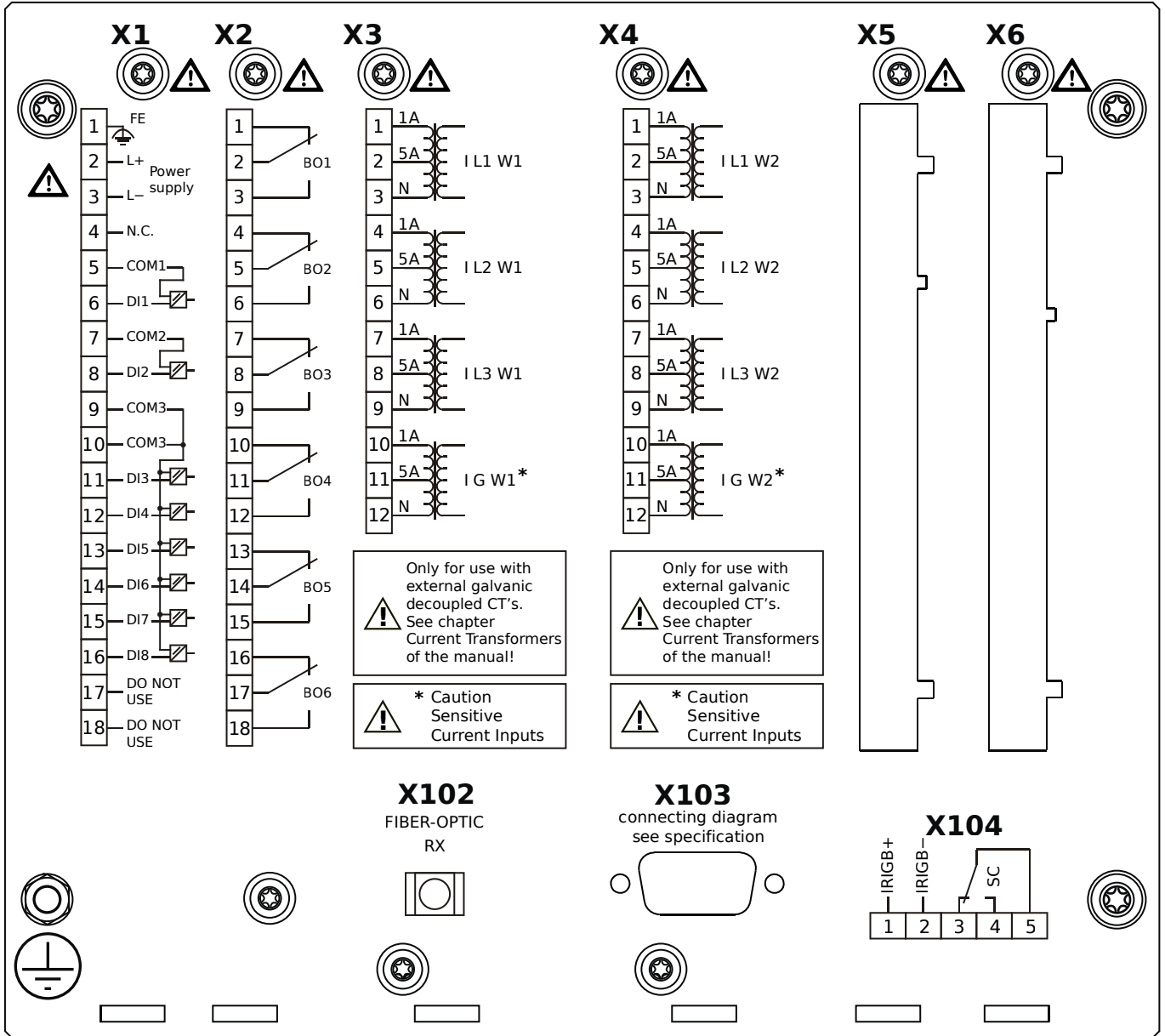
- X1** – DI8-X1: Wide-range power supply unit, incl. 2 non-grouped digital inputs and 6 grouped digital inputs
- X2** – OR-6: Assembly Group with 6 Relay Outputs
- X3** – TIs-4: Standard phase current measuring card and sensitive ground current measuring (winding side 1)
- X4** – TIs-4: Standard phase current measuring card and sensitive ground current measuring (winding side 2)
- X102** – Universal Resistance-Temperature Detector (URTD) input, Fiber optics interface, Versatile Link
- X103** – Profibus-DP, Fiber optics interface, ST Connector
- X104** – IRIG-B00X, incl. System Contact (Supervision Contact)

MRDT4-2A3HEA



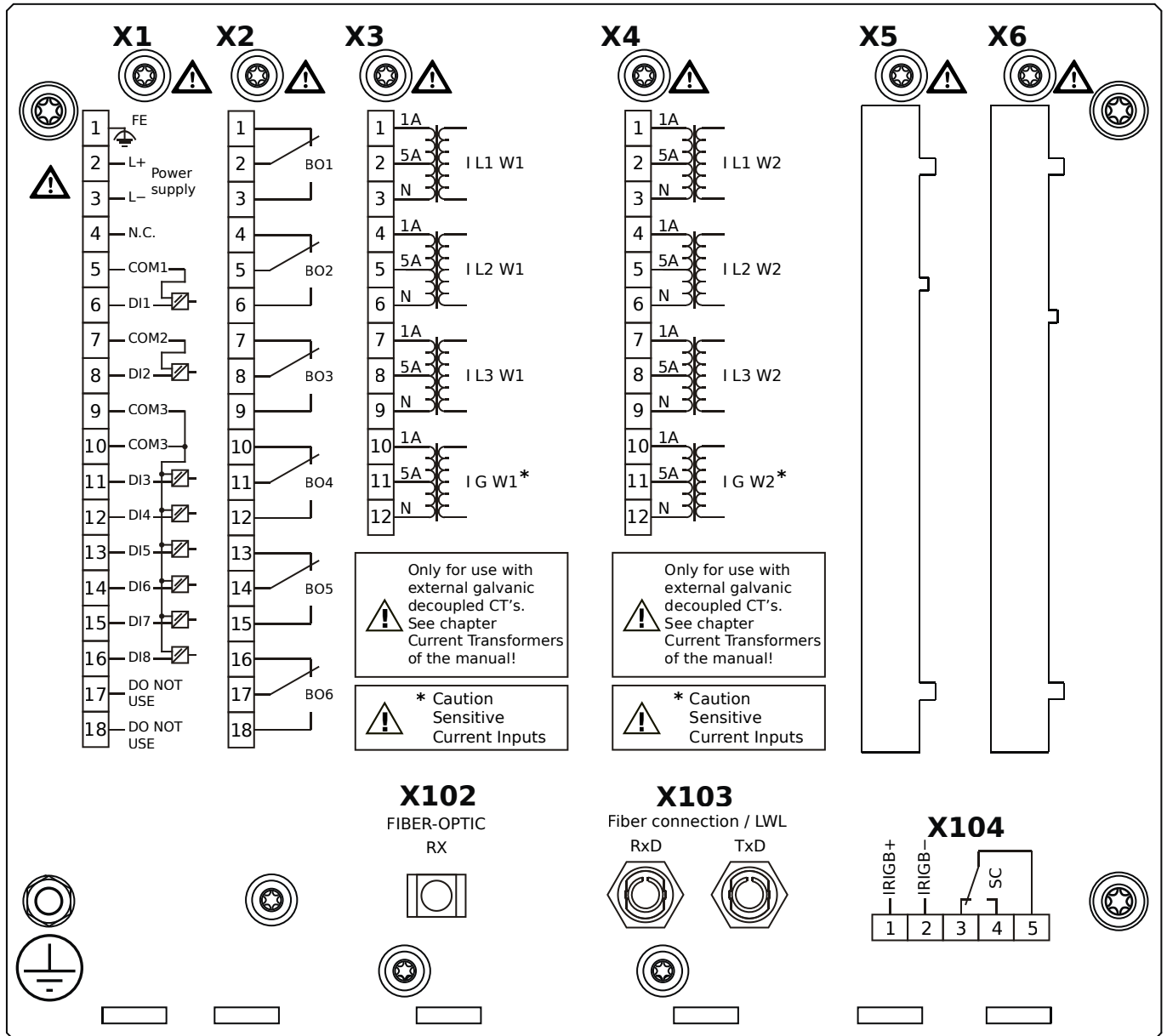
- X1** – DI8-X1: Wide-range power supply unit, incl. 2 non-grouped digital inputs and 6 grouped digital inputs
- X2** – OR-6: Assembly Group with 6 Relay Outputs
- X3** – TIs-4: Standard phase current measuring card and sensitive ground current measuring (winding side 1)
- X4** – TIs-4: Standard phase current measuring card and sensitive ground current measuring (winding side 2)
- X102** – Universal Resistance-Temperature Detector (URTD) input, Fiber optics interface, Versatile Link
- X103** – Profibus-DP, RS485, D-SUB
- X104** – IRIG-B00X, incl. System Contact (Supervision Contact)

MRDT4-2A3HEB



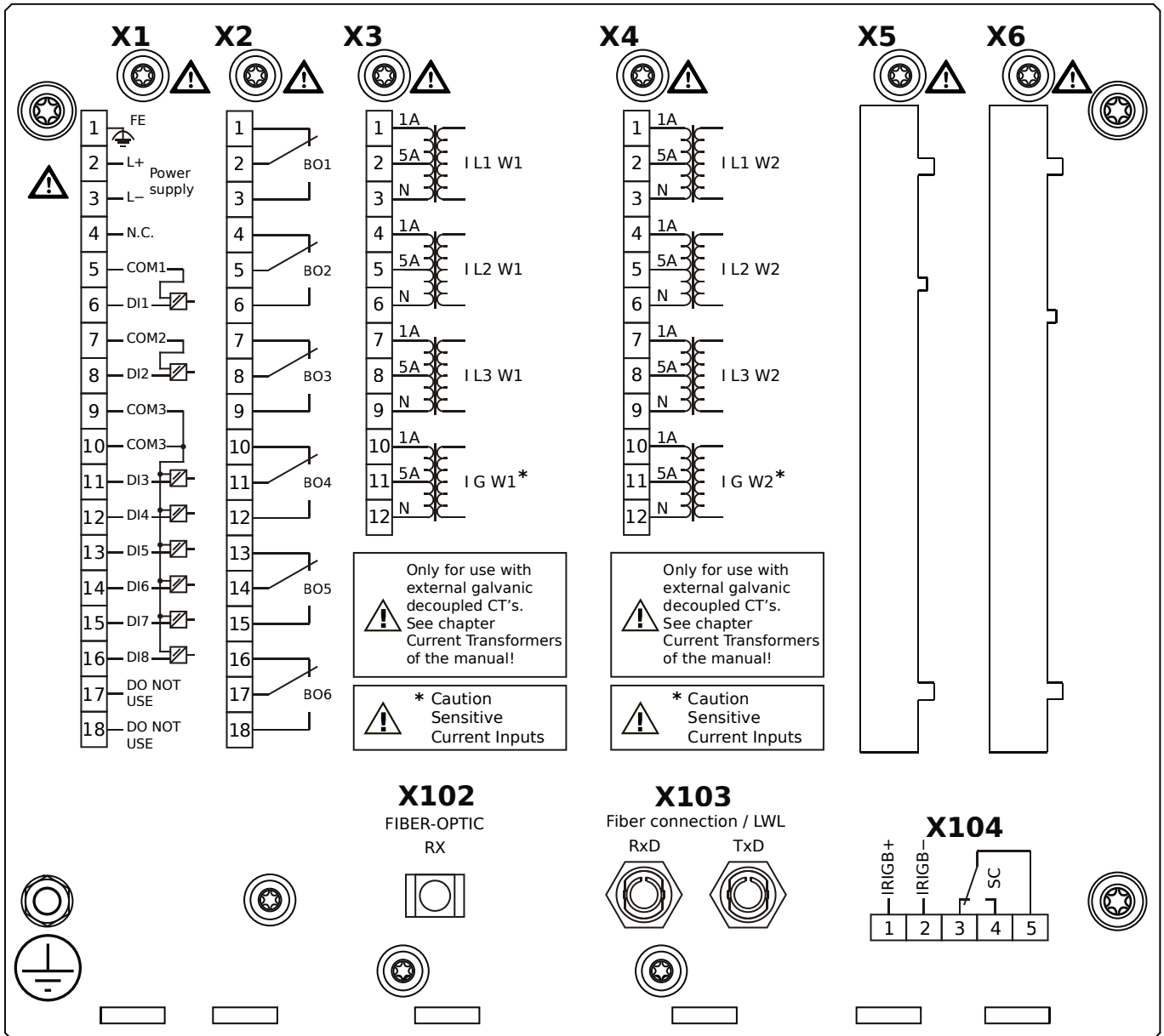
- X1** – DI8-X1: Wide-range power supply unit, incl. 2 non-grouped digital inputs and 6 grouped digital inputs
- X2** – OR-6: Assembly Group with 6 Relay Outputs
- X3** – TIs-4: Standard phase current measuring card and sensitive ground current measuring (winding side 1)
- X4** – TIs-4: Standard phase current measuring card and sensitive ground current measuring (winding side 2)
- X102** – Universal Resistance-Temperature Detector (URTD) input, Fiber optics interface, Versatile Link
- X103** – Profibus-DP, RS485, D-SUB
- X104** – IRIG-B00X, incl. System Contact (Supervision Contact)

MRDT4-2A3HFA



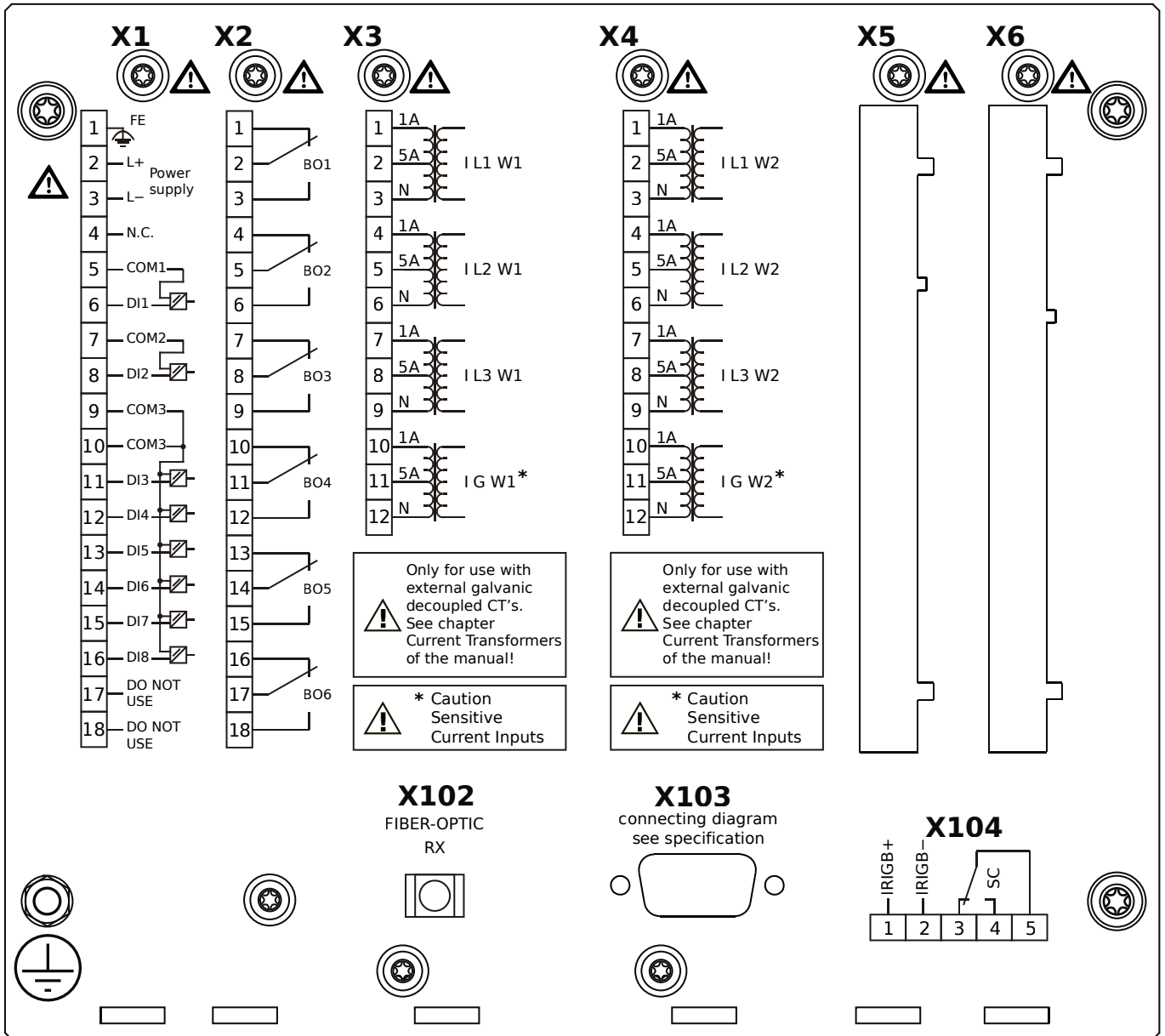
- X1** – DI8-X1: Wide-range power supply unit, incl. 2 non-grouped digital inputs and 6 grouped digital inputs
- X2** – OR-6: Assembly Group with 6 Relay Outputs
- X3** – TIs-4: Standard phase current measuring card and sensitive ground current measuring (winding side 1)
- X4** – TIs-4: Standard phase current measuring card and sensitive ground current measuring (winding side 2)
- X102** – Universal Resistance-Temperature Detector (URTD) input, Fiber optics interface, Versatile Link
- X103** – Modbus RTU / IEC 60870-5-103 / DNP3.0 RTU, Fiber optics interface, ST Connector
- X104** – IRIG-B00X, incl. System Contact (Supervision Contact)

MRDT4-2A3HFB



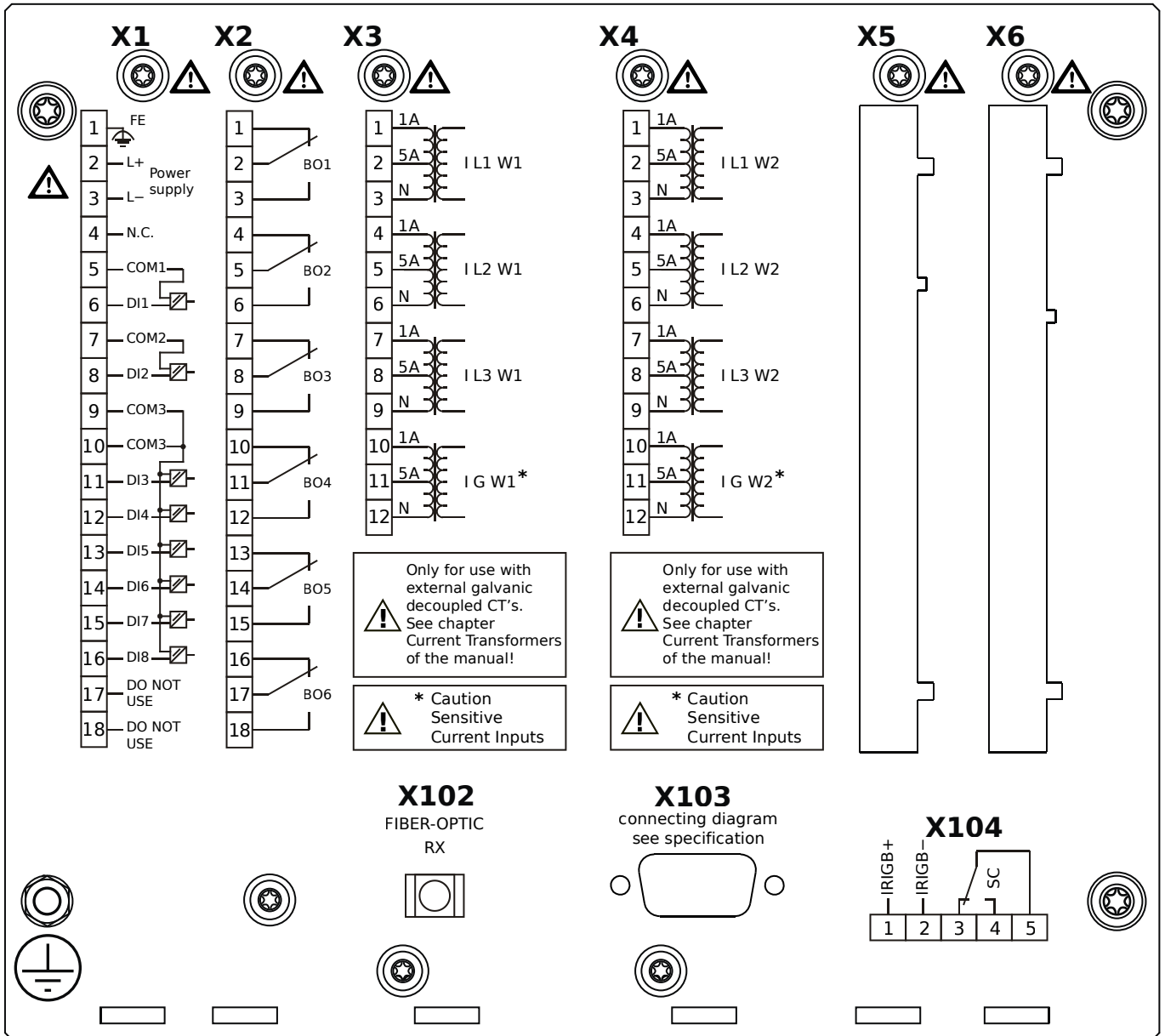
- X1** – DI8-X1: Wide-range power supply unit, incl. 2 non-grouped digital inputs and 6 grouped digital inputs
- X2** – OR-6: Assembly Group with 6 Relay Outputs
- X3** – TIs-4: Standard phase current measuring card and sensitive ground current measuring (winding side 1)
- X4** – TIs-4: Standard phase current measuring card and sensitive ground current measuring (winding side 2)
- X102** – Universal Resistance-Temperature Detector (URTD) input, Fiber optics interface, Versatile Link
- X103** – Modbus RTU / IEC 60870-5-103 / DNP3.0 RTU, Fiber optics interface, ST Connector
- X104** – IRIG-B00X, incl. System Contact (Supervision Contact)

MRDT4-2A3HGA



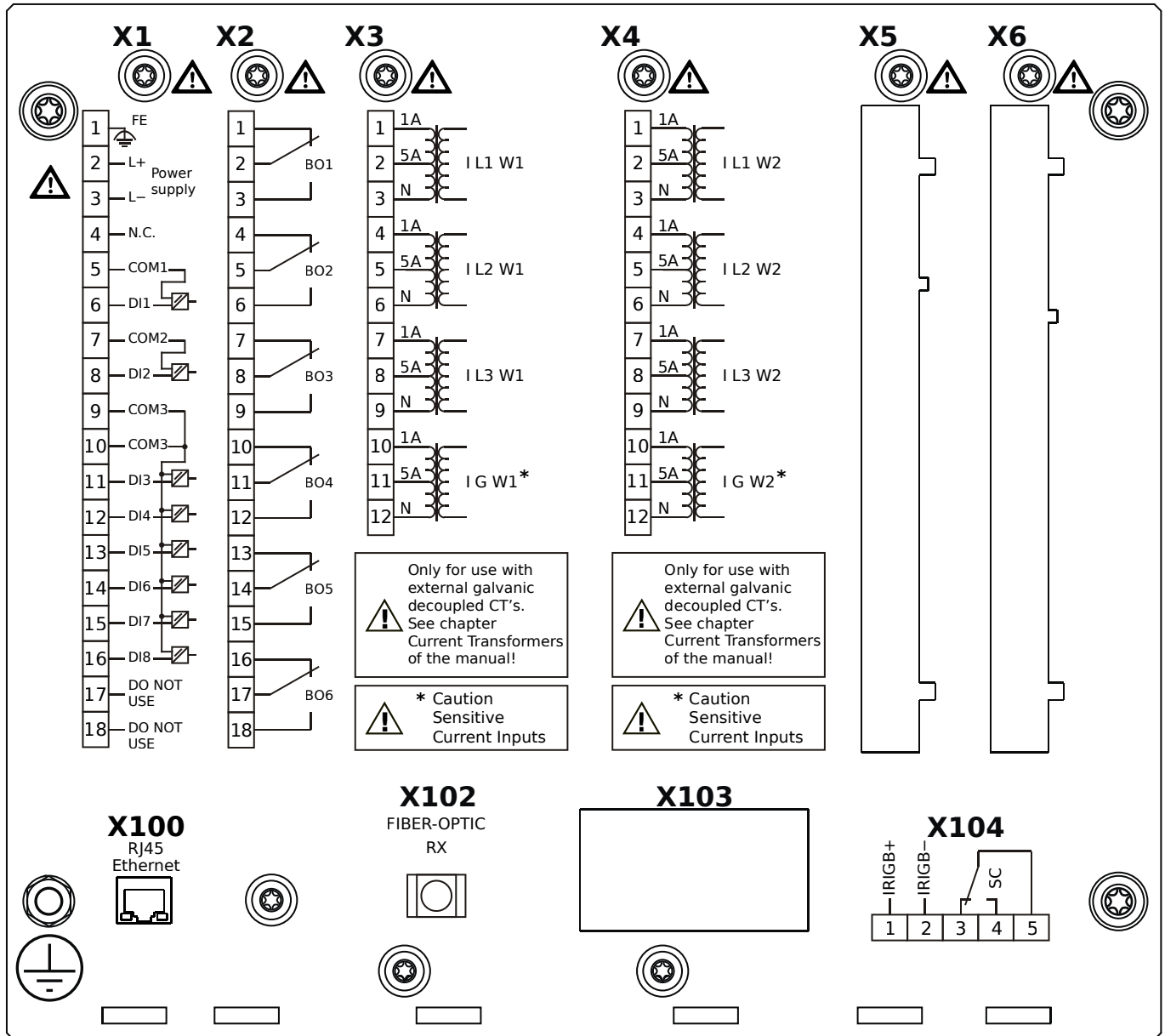
- X1** – DI8-X1: Wide-range power supply unit, incl. 2 non-grouped digital inputs and 6 grouped digital inputs
- X2** – OR-6: Assembly Group with 6 Relay Outputs
- X3** – TIs-4: Standard phase current measuring card and sensitive ground current measuring (winding side 1)
- X4** – TIs-4: Standard phase current measuring card and sensitive ground current measuring (winding side 2)
- X102** – Universal Resistance-Temperature Detector (URTD) input, Fiber optics interface, Versatile Link
- X103** – Modbus RTU / IEC 60870-5-103 / DNP3.0 RTU, RS485, D-SUB
- X104** – IRIG-B00X, incl. System Contact (Supervision Contact)

MRDT4-2A3HGB



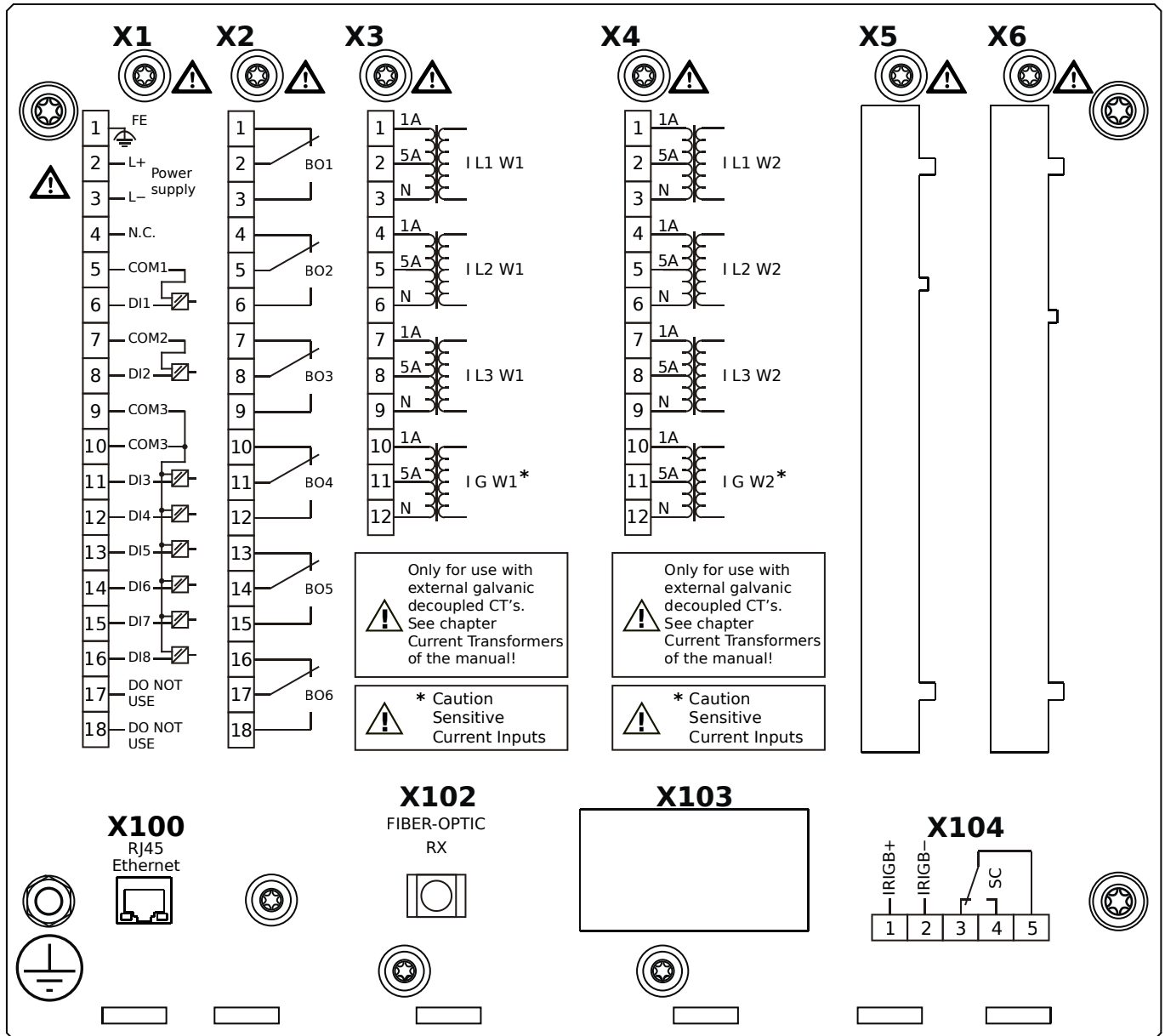
- X1** – DI8-X1: Wide-range power supply unit, incl. 2 non-grouped digital inputs and 6 grouped digital inputs
- X2** – OR-6: Assembly Group with 6 Relay Outputs
- X3** – TIs-4: Standard phase current measuring card and sensitive ground current measuring (winding side 1)
- X4** – TIs-4: Standard phase current measuring card and sensitive ground current measuring (winding side 2)
- X102** – Universal Resistance-Temperature Detector (URTD) input, Fiber optics interface, Versatile Link
- X103** – Modbus RTU / IEC 60870-5-103 / DNP3.0 RTU, RS485, D-SUB
- X104** – IRIG-B00X, incl. System Contact (Supervision Contact)

MRDT4-2A3HHA



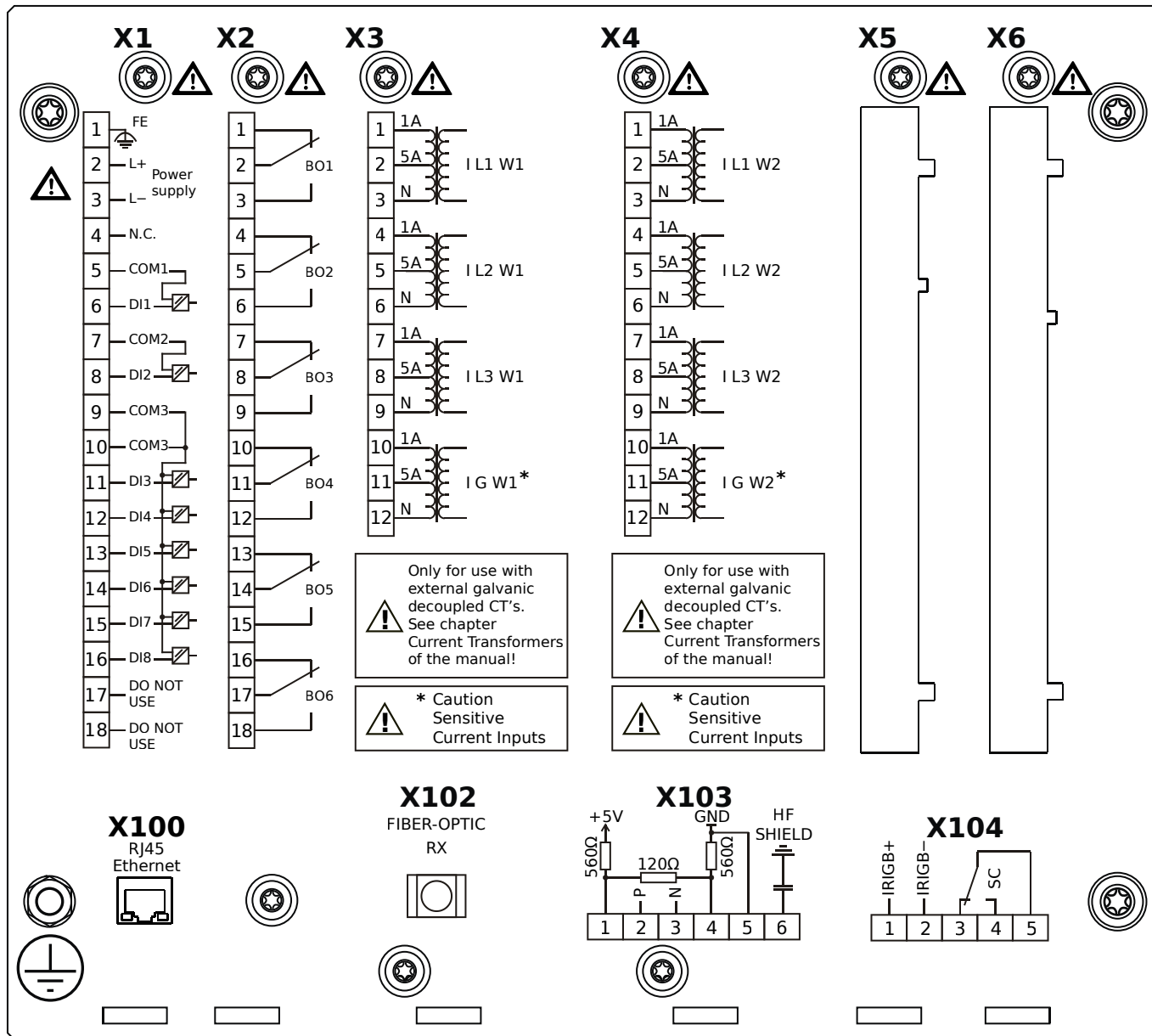
- X1** – DI8-X1: Wide-range power supply unit, incl. 2 non-grouped digital inputs and 6 grouped digital inputs
- X2** – OR-6: Assembly Group with 6 Relay Outputs
- X3** – TIs-4: Standard phase current measuring card and sensitive ground current measuring (winding side 1)
- X4** – TIs-4: Standard phase current measuring card and sensitive ground current measuring (winding side 2)
- X100** – IEC 61850 / Modbus TCP / DNP3.0 TCP/UDP, Ethernet interface, 100 Mbit/s, RJ45 (BASE100-FX)
- X102** – Universal Resistance-Temperature Detector (URTD) input, Fiber optics interface, Versatile Link
- X104** – IRIG-B00X, incl. System Contact (Supervision Contact)

MRDT4-2A3HHB



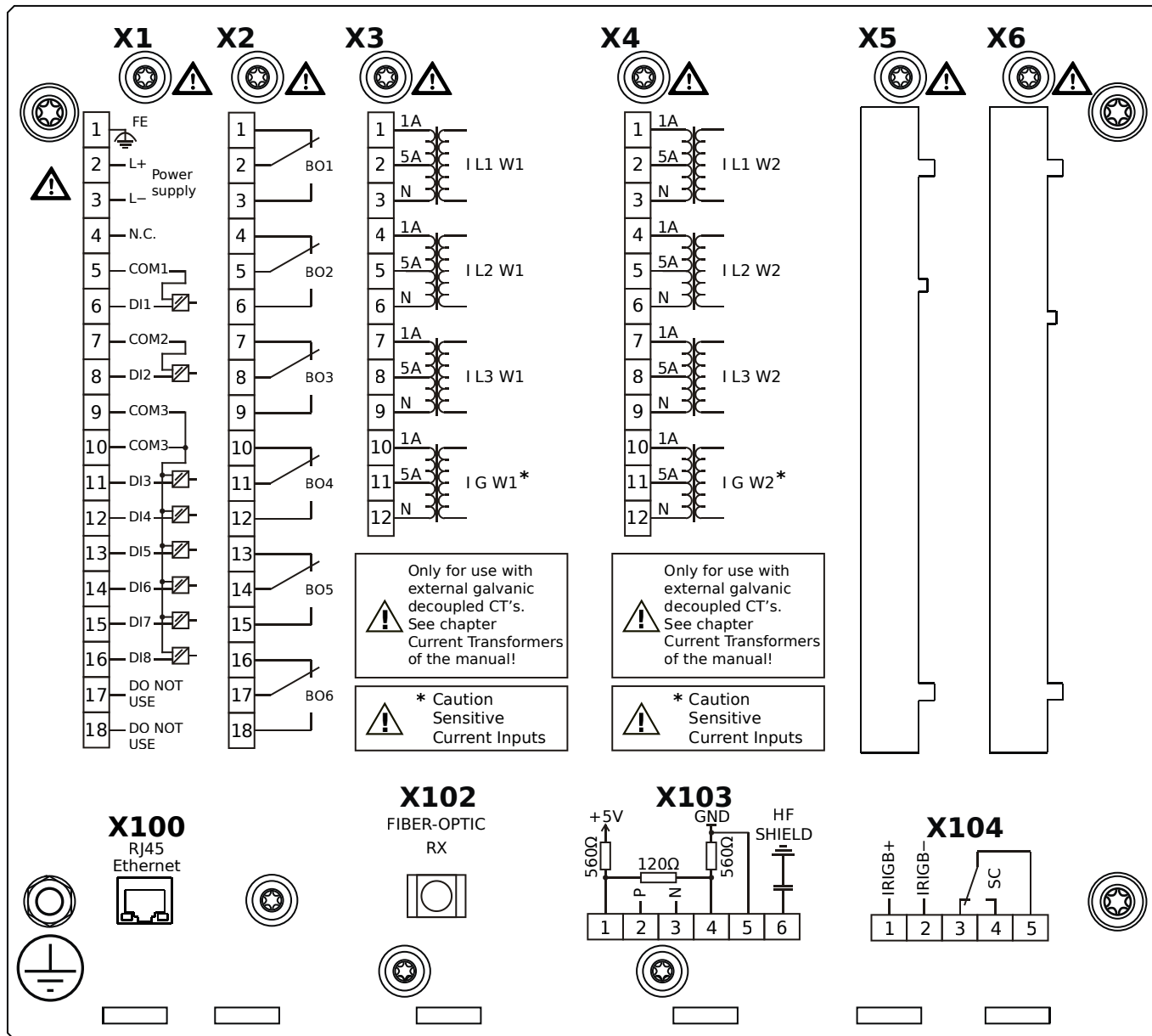
- X1** – DI8-X1: Wide-range power supply unit, incl. 2 non-grouped digital inputs and 6 grouped digital inputs
- X2** – OR-6: Assembly Group with 6 Relay Outputs
- X3** – TIs-4: Standard phase current measuring card and sensitive ground current measuring (winding side 1)
- X4** – TIs-4: Standard phase current measuring card and sensitive ground current measuring (winding side 2)
- X100** – IEC 61850 / Modbus TCP / DNP3.0 TCP/UDP, Ethernet interface, 100 Mbit/s, RJ45 (BASE100-FX)
- X102** – Universal Resistance-Temperature Detector (URTD) input, Fiber optics interface, Versatile Link
- X104** – IRIG-B00X, incl. System Contact (Supervision Contact)

MRDT4-2A3HIA



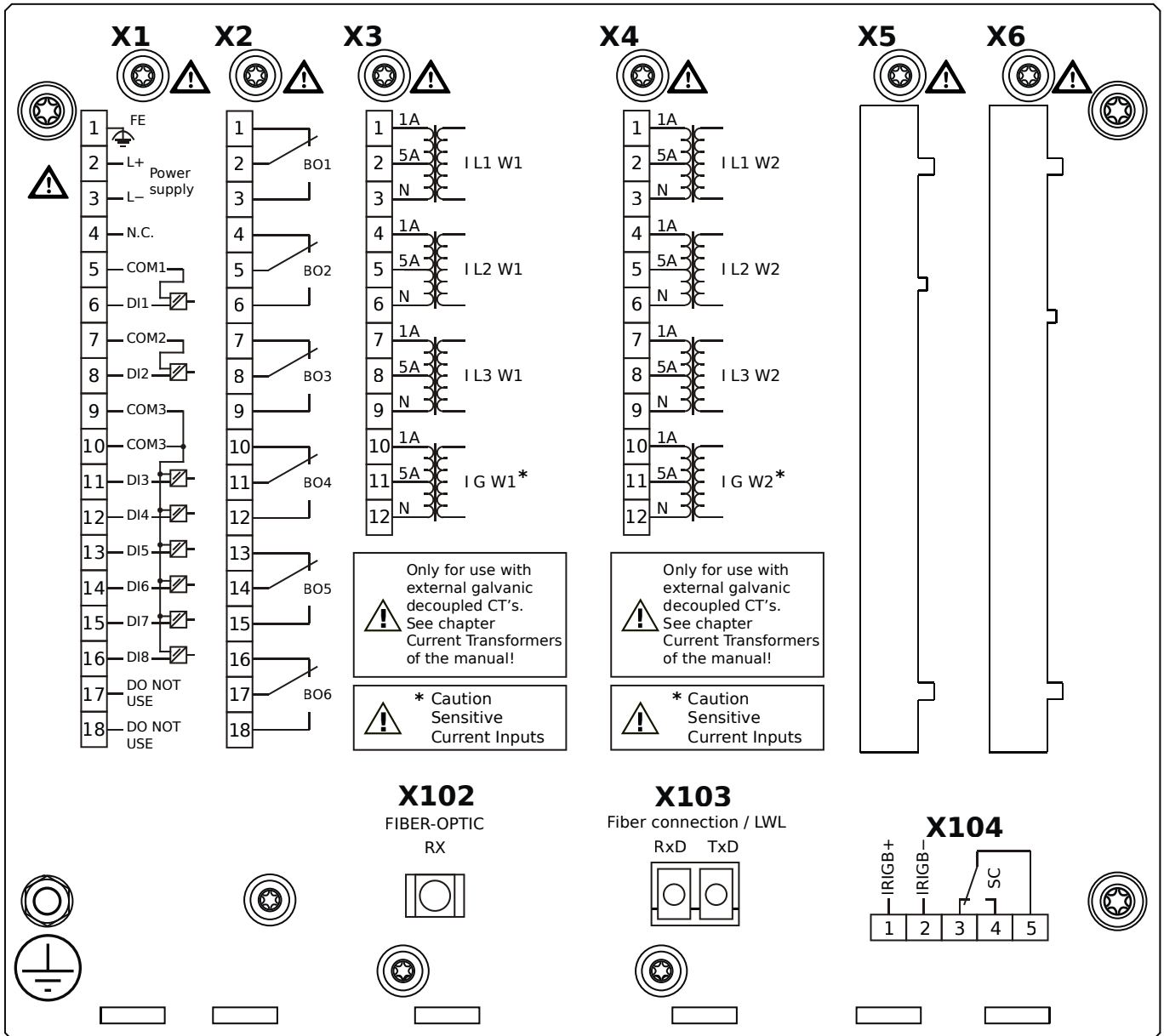
- X1** – DI8-X1: Wide-range power supply unit, incl. 2 non-grouped digital inputs and 6 grouped digital inputs
- X2** – OR-6: Assembly Group with 6 Relay Outputs
- X3** – TIs-4: Standard phase current measuring card and sensitive ground current measuring (winding side 1)
- X4** – TIs-4: Standard phase current measuring card and sensitive ground current measuring (winding side 2)
- X100** – Modbus TCP / DNP3.0 TCP/UDP, Ethernet interface, 100 Mbit/s, RJ45 (BASE100-FX)
- X102** – Universal Resistance-Temperature Detector (URTD) input, Fiber optics interface, Versatile Link
- X103** – IEC 60870-5-103 / Modbus RTU / DNP3.0 RTU, RS485, Terminals
- X104** – IRIG-B00X, incl. System Contact (Supervision Contact)

MRDT4-2A3HIB



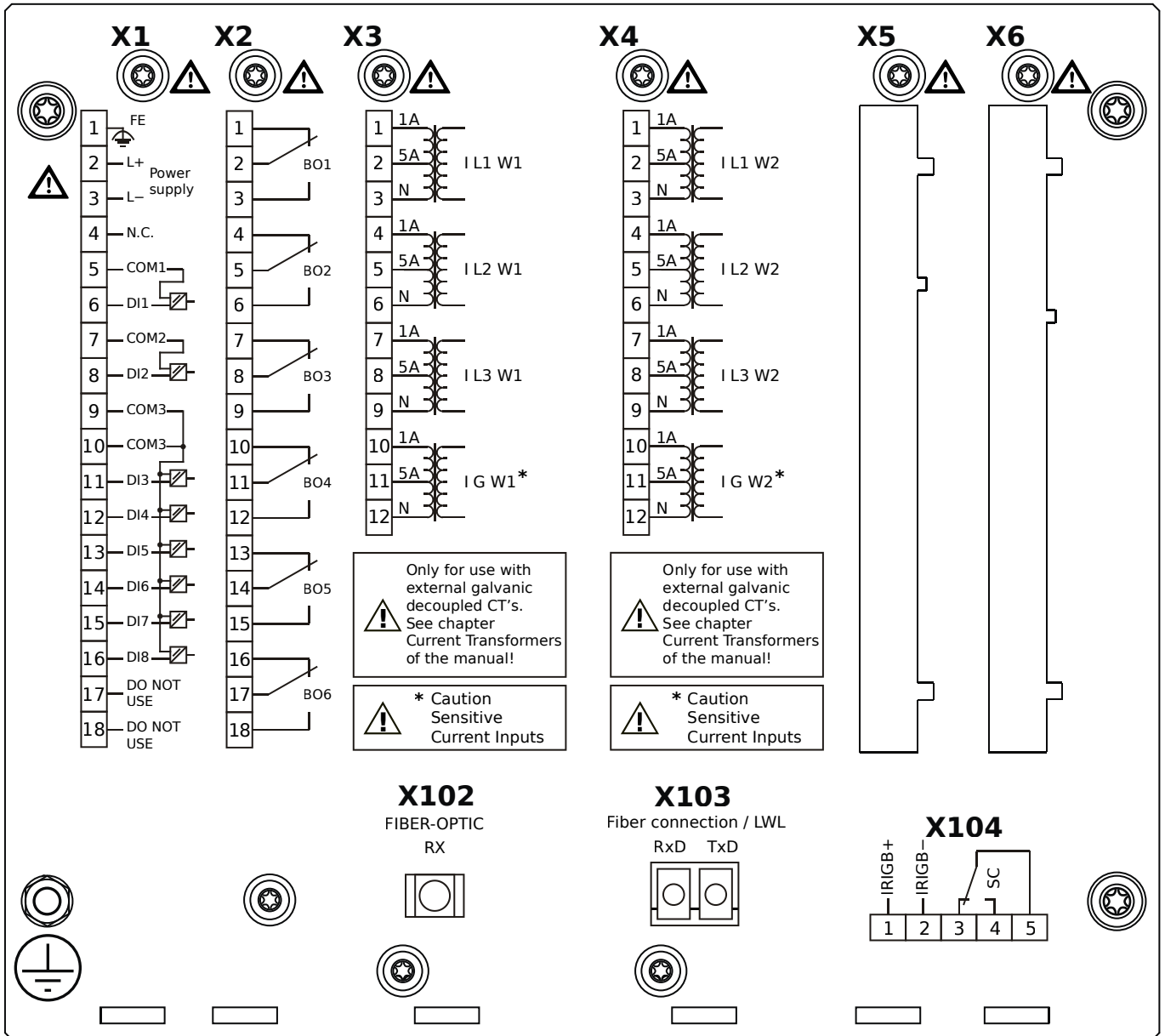
- X1** – DI8-X1: Wide-range power supply unit, incl. 2 non-grouped digital inputs and 6 grouped digital inputs
- X2** – OR-6: Assembly Group with 6 Relay Outputs
- X3** – TIs-4: Standard phase current measuring card and sensitive ground current measuring (winding side 1)
- X4** – TIs-4: Standard phase current measuring card and sensitive ground current measuring (winding side 2)
- X100** – Modbus TCP / DNP3.0 TCP/UDP, Ethernet interface, 100 Mbit/s, RJ45 (BASE100-FX)
- X102** – Universal Resistance-Temperature Detector (URTD) input, Fiber optics interface, Versatile Link
- X103** – IEC 60870-5-103 / Modbus RTU / DNP3.0 RTU, RS485, Terminals
- X104** – IRIG-B00X, incl. System Contact (Supervision Contact)

MRDT4-2A3HKA



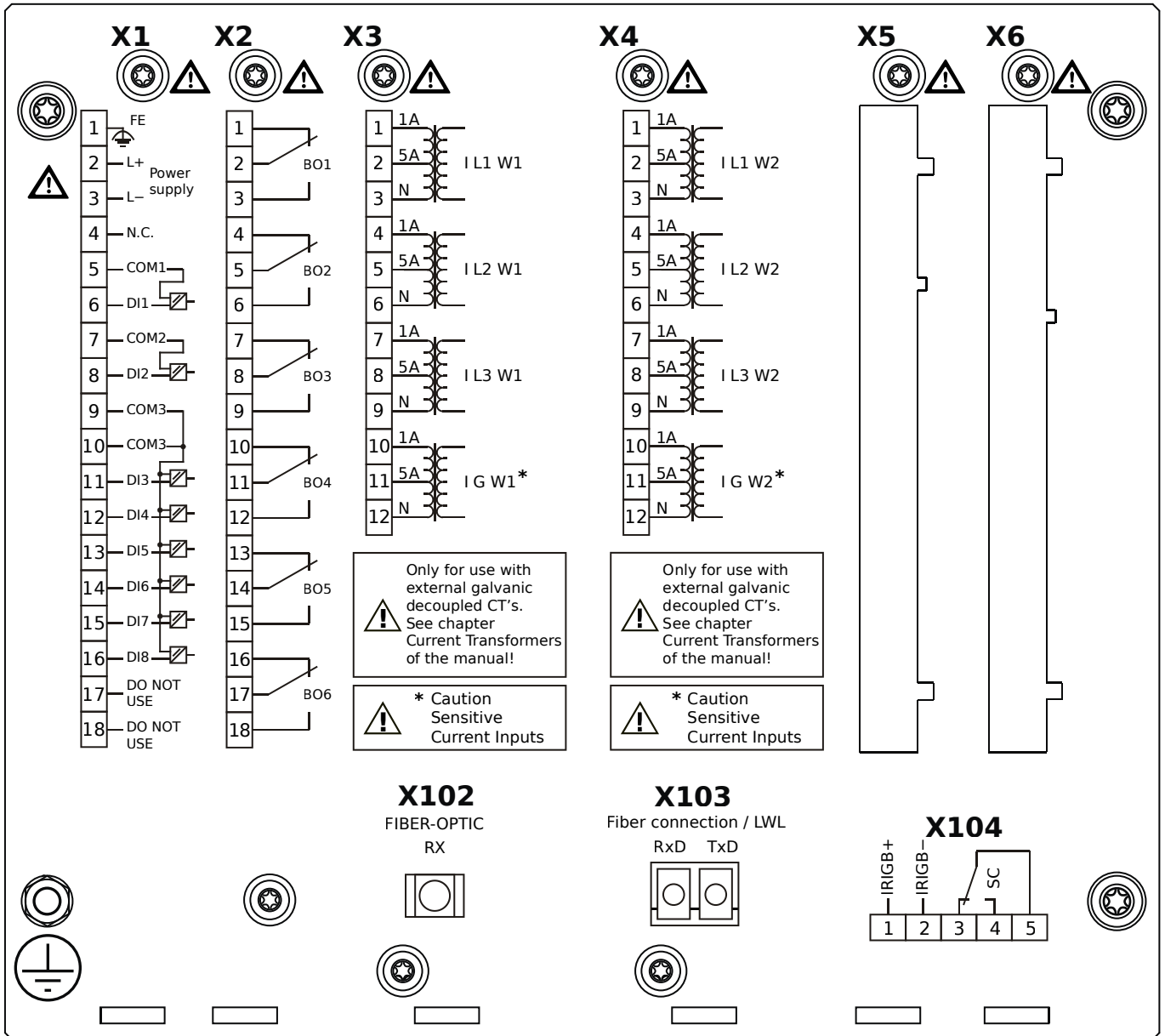
- X1** – DI8-X1: Wide-range power supply unit, incl. 2 non-grouped digital inputs and 6 grouped digital inputs
- X2** – OR-6: Assembly Group with 6 Relay Outputs
- X3** – TIs-4: Standard phase current measuring card and sensitive ground current measuring (winding side 1)
- X4** – TIs-4: Standard phase current measuring card and sensitive ground current measuring (winding side 2)
- X102** – Universal Resistance-Temperature Detector (URTD) input, Fiber optics interface, Versatile Link
- X103** – IEC 61850 / Modbus TCP / DNP3.0 TCP/UDP, Fiber optics interface, LC Connector
- X104** – IRIG-B00X, incl. System Contact (Supervision Contact)

MRDT4-2A3HKB



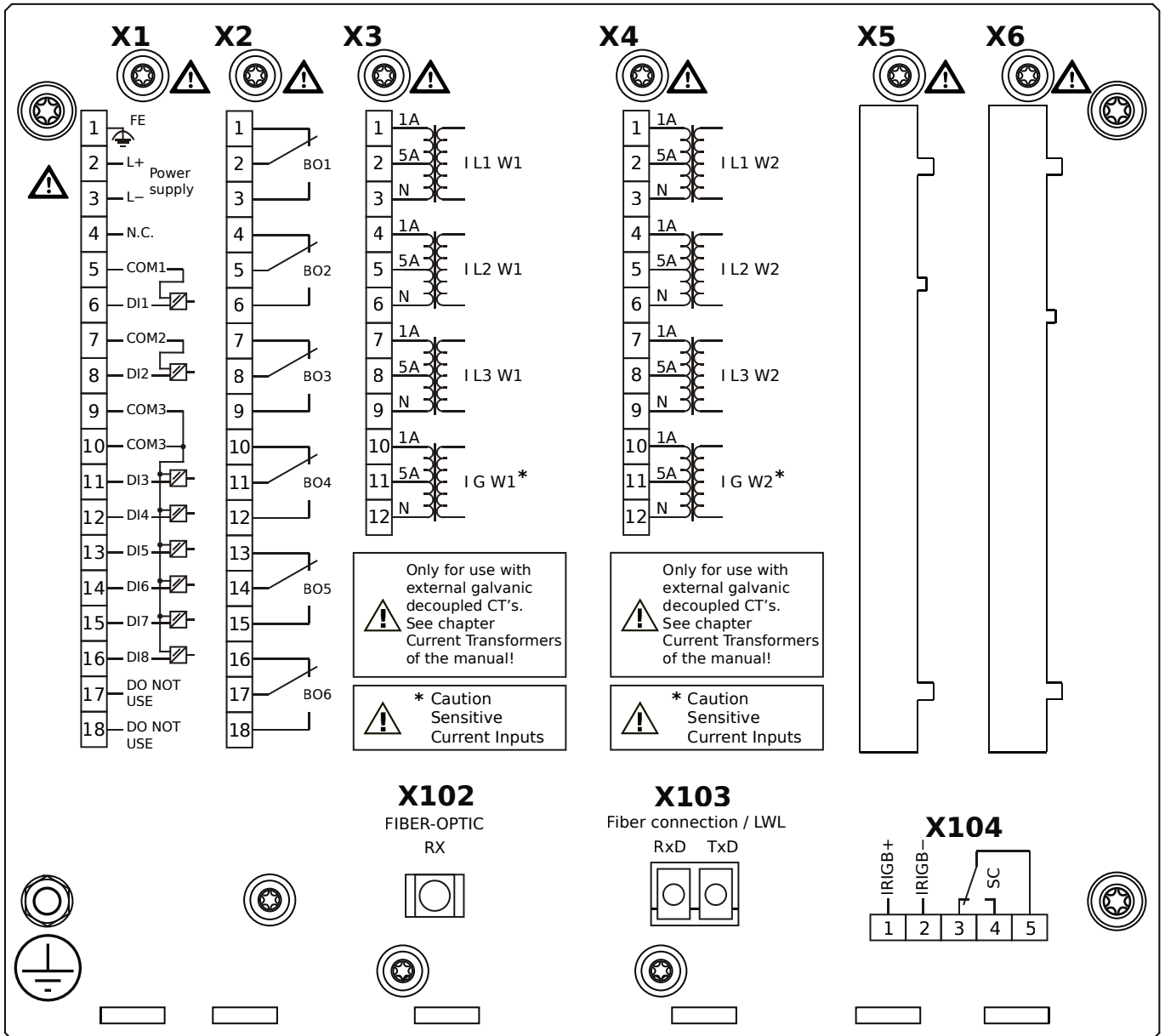
- X1** – DI8-X1: Wide-range power supply unit, incl. 2 non-grouped digital inputs and 6 grouped digital inputs
- X2** – OR-6: Assembly Group with 6 Relay Outputs
- X3** – TIs-4: Standard phase current measuring card and sensitive ground current measuring (winding side 1)
- X4** – TIs-4: Standard phase current measuring card and sensitive ground current measuring (winding side 2)
- X102** – Universal Resistance-Temperature Detector (URTD) input, Fiber optics interface, Versatile Link
- X103** – IEC 61850 / Modbus TCP / DNP3.0 TCP/UDP, Fiber optics interface, LC Connector
- X104** – IRIG-B00X, incl. System Contact (Supervision Contact)

MRDT4-2A3HLA



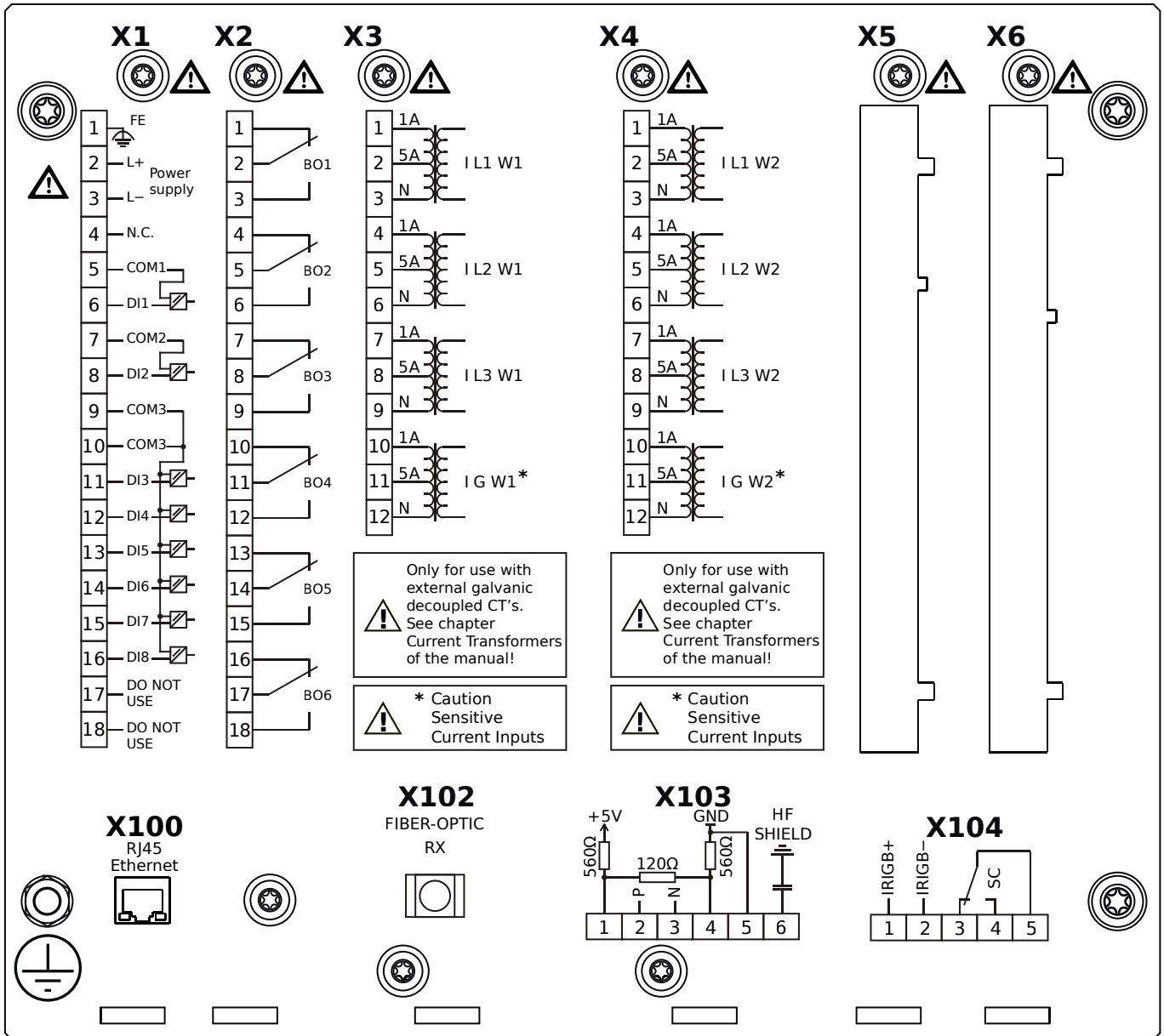
- X1** – DI8-X1: Wide-range power supply unit, incl. 2 non-grouped digital inputs and 6 grouped digital inputs
- X2** – OR-6: Assembly Group with 6 Relay Outputs
- X3** – TIs-4: Standard phase current measuring card and sensitive ground current measuring (winding side 1)
- X4** – TIs-4: Standard phase current measuring card and sensitive ground current measuring (winding side 2)
- X102** – Universal Resistance-Temperature Detector (URTD) input, Fiber optics interface, Versatile Link
- X103** – Modbus TCP / DNP3.0 TCP/UDP, Fiber optics interface, LC Connector
- X104** – IRIG-B00X, incl. System Contact (Supervision Contact)

MRDT4-2A3HLB



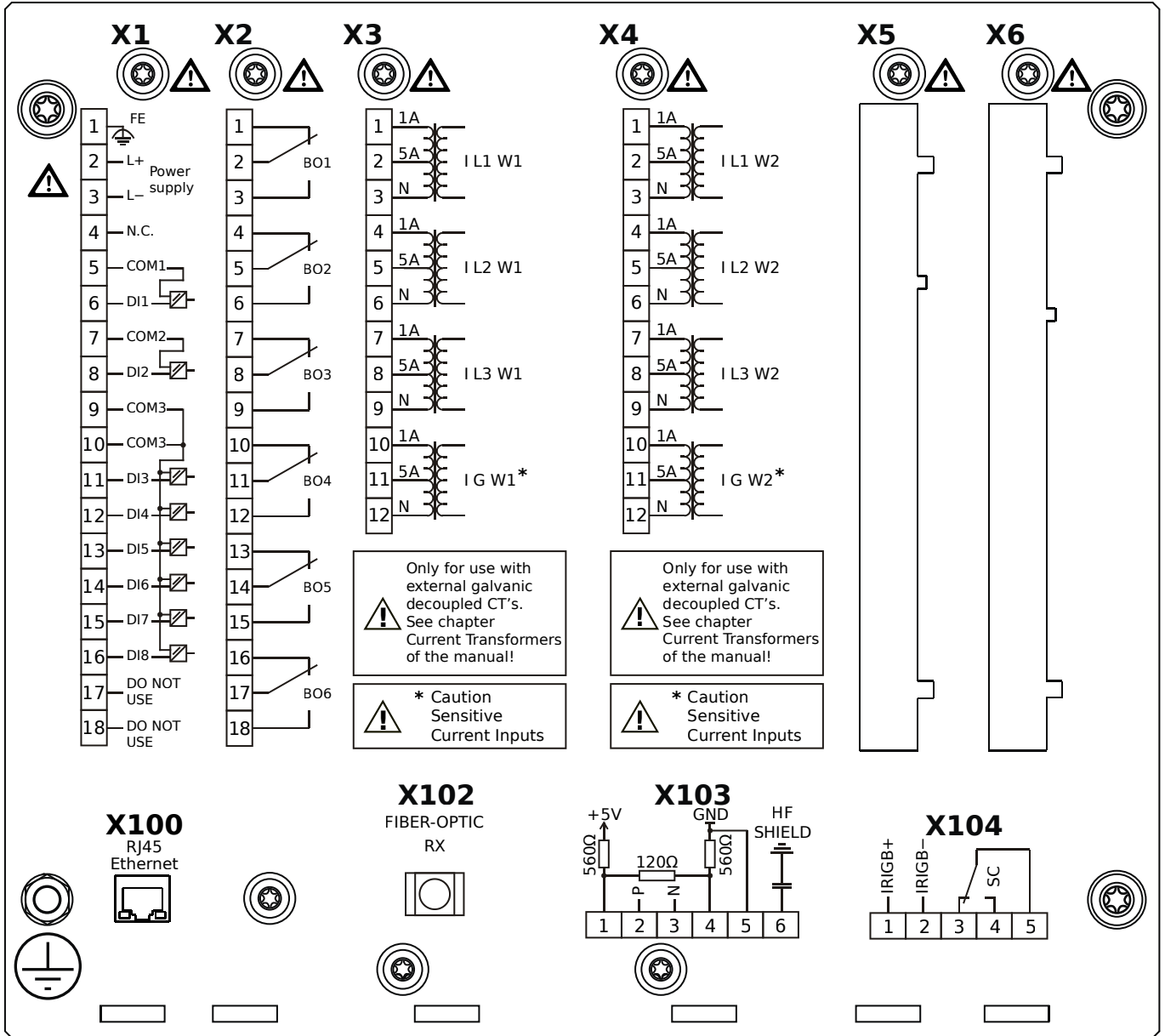
- X1** – DI8-X1: Wide-range power supply unit, incl. 2 non-grouped digital inputs and 6 grouped digital inputs
- X2** – OR-6: Assembly Group with 6 Relay Outputs
- X3** – TIs-4: Standard phase current measuring card and sensitive ground current measuring (winding side 1)
- X4** – TIs-4: Standard phase current measuring card and sensitive ground current measuring (winding side 2)
- X102** – Universal Resistance-Temperature Detector (URTD) input, Fiber optics interface, Versatile Link
- X103** – Modbus TCP / DNP3.0 TCP/UDP, Fiber optics interface, LC Connector
- X104** – IRIG-B00X, incl. System Contact (Supervision Contact)

MRDT4-2A3HTA



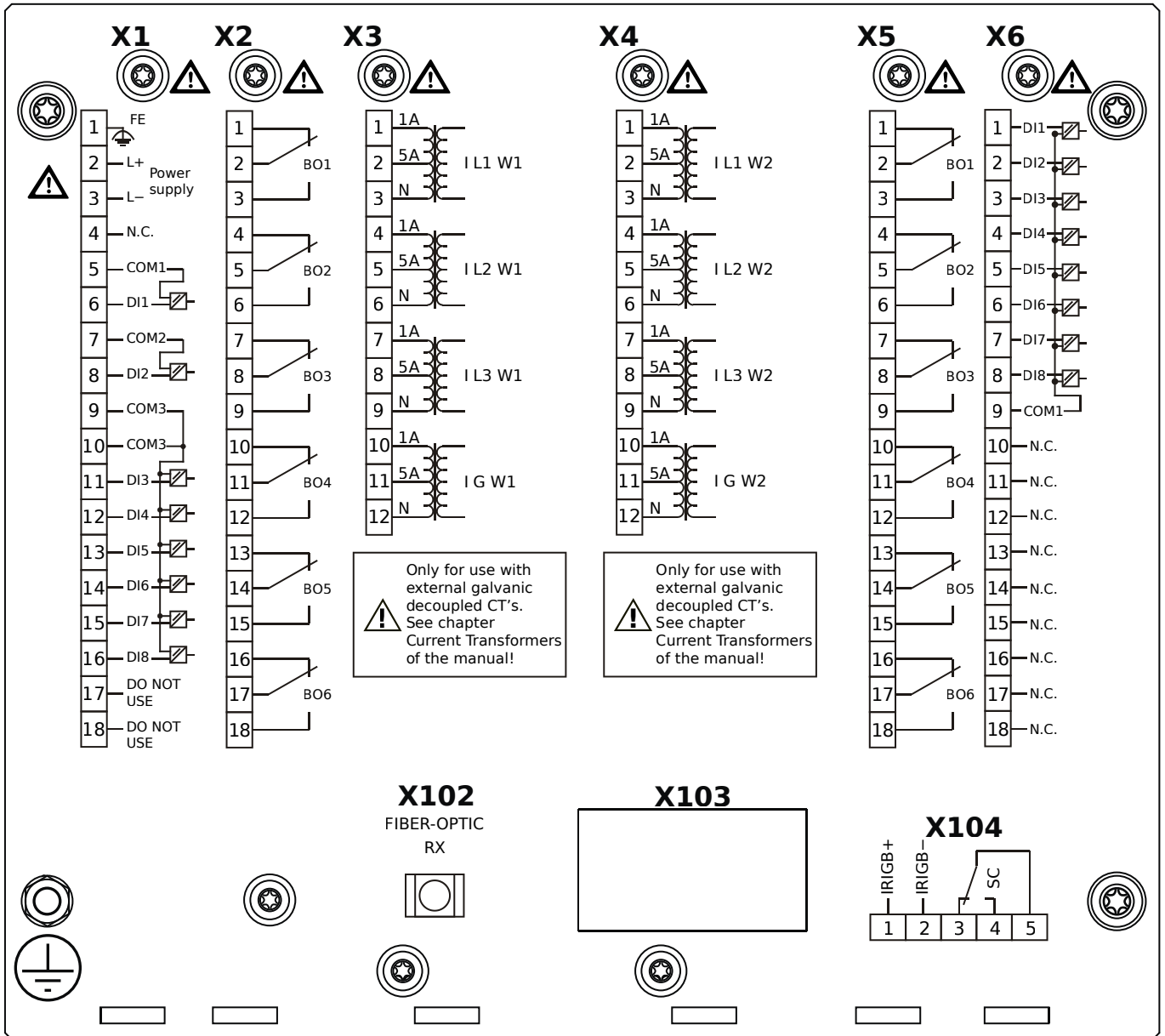
- X1** – DI8-X1: Wide-range power supply unit, incl. 2 non-grouped digital inputs and 6 grouped digital inputs
- X2** – OR-6: Assembly Group with 6 Relay Outputs
- X3** – TIs-4: Standard phase current measuring card and sensitive ground current measuring (winding side 1)
- X4** – TIs-4: Standard phase current measuring card and sensitive ground current measuring (winding side 2)
- X100** – IEC 61850 / Modbus TCP / DNP3.0 TCP/UDP, Ethernet interface, 100 Mbit/s, RJ45 (BASE100-FX)
- X102** – Universal Resistance-Temperature Detector (URTD) input, Fiber optics interface, Versatile Link
- X103** – IEC 60870-5-103 / Modbus RTU / DNP3.0 RTU, RS485, Terminals
- X104** – IRIG-B00X, incl. System Contact (Supervision Contact)

MRDT4-2A3HTB



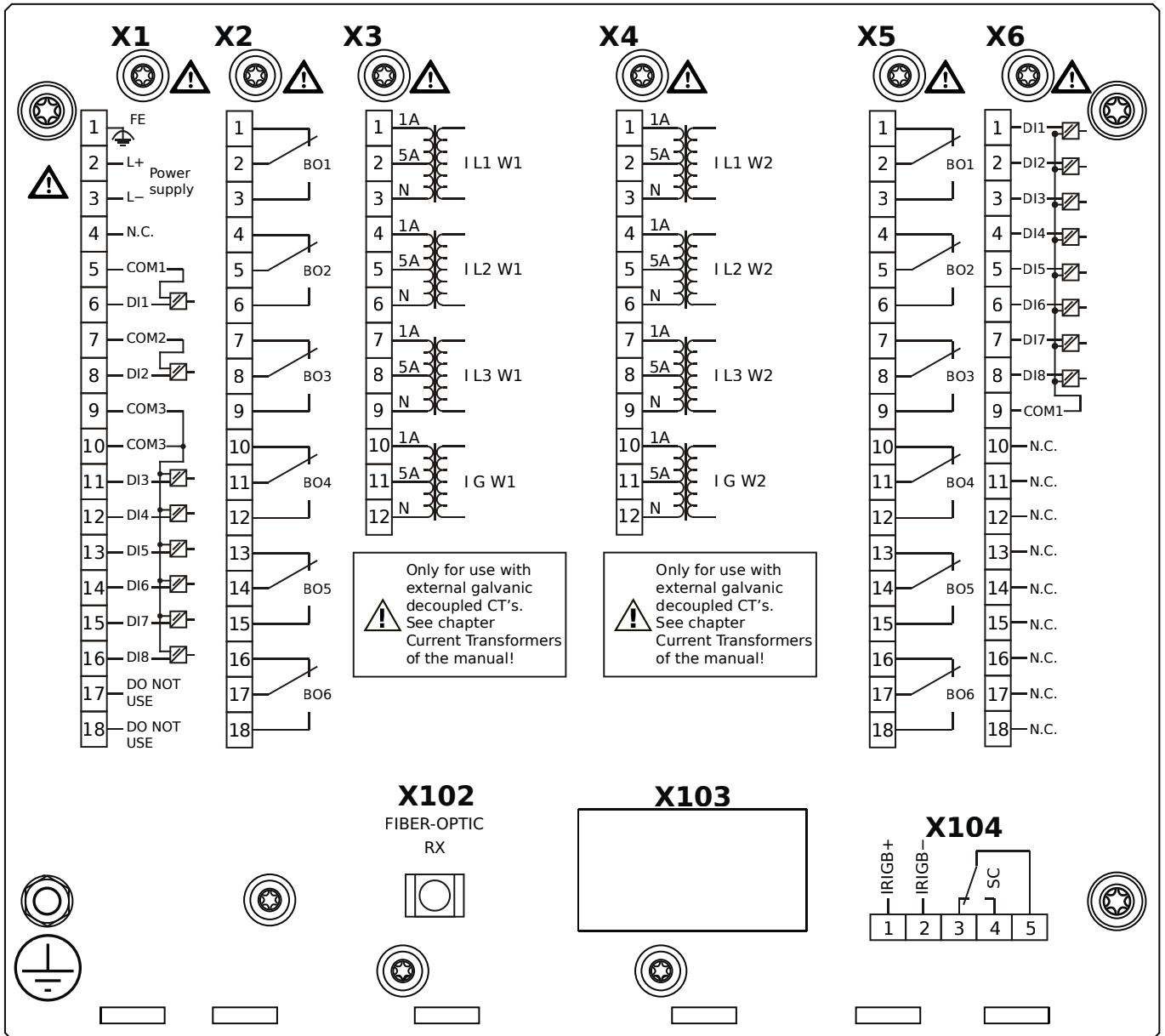
- X1** – DI8-X1: Wide-range power supply unit, incl. 2 non-grouped digital inputs and 6 grouped digital inputs
- X2** – OR-6: Assembly Group with 6 Relay Outputs
- X3** – TIs-4: Standard phase current measuring card and sensitive ground current measuring (winding side 1)
- X4** – TIs-4: Standard phase current measuring card and sensitive ground current measuring (winding side 2)
- X100** – IEC 61850 / Modbus TCP / DNP3.0 TCP/UDP, Ethernet interface, 100 Mbit/s, RJ45 (BASE100-FX)
- X102** – Universal Resistance-Temperature Detector (URTD) input, Fiber optics interface, Versatile Link
- X103** – IEC 60870-5-103 / Modbus RTU / DNP3.0 RTU, RS485, Terminals
- X104** – IRIG-B00X, incl. System Contact (Supervision Contact)

MRDT4-2D0AAA



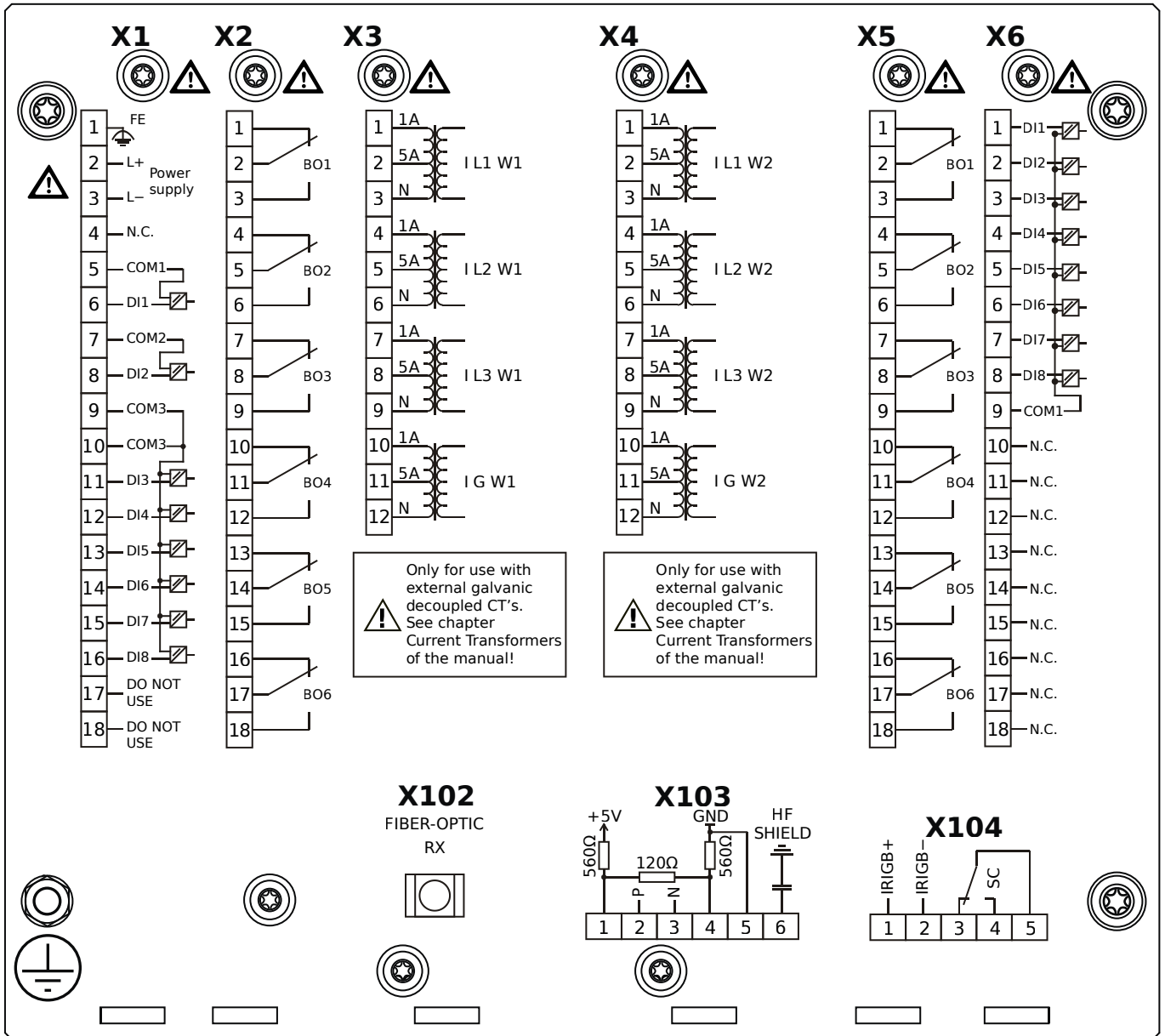
- X1** – DI8-X1: Wide-range power supply unit, incl. 2 non-grouped digital inputs and 6 grouped digital inputs
- X2** – OR-6: Assembly Group with 6 Relay Outputs
- X3** – TI-4: Standard current measuring card (for the winding side 1)
- X4** – TI-4: Standard current measuring card (for the winding side 2)
- X5** – OR-6: Assembly Group with 6 Relay Outputs
- X6** – DI8: Assembly Group with 8 Digital Inputs
- X102** – Universal Resistance-Temperature Detector (URTD) input, Fiber optics interface, Versatile Link
- X104** – IRIG-B00X, incl. System Contact (Supervision Contact)

MRDT4-2D0AAB



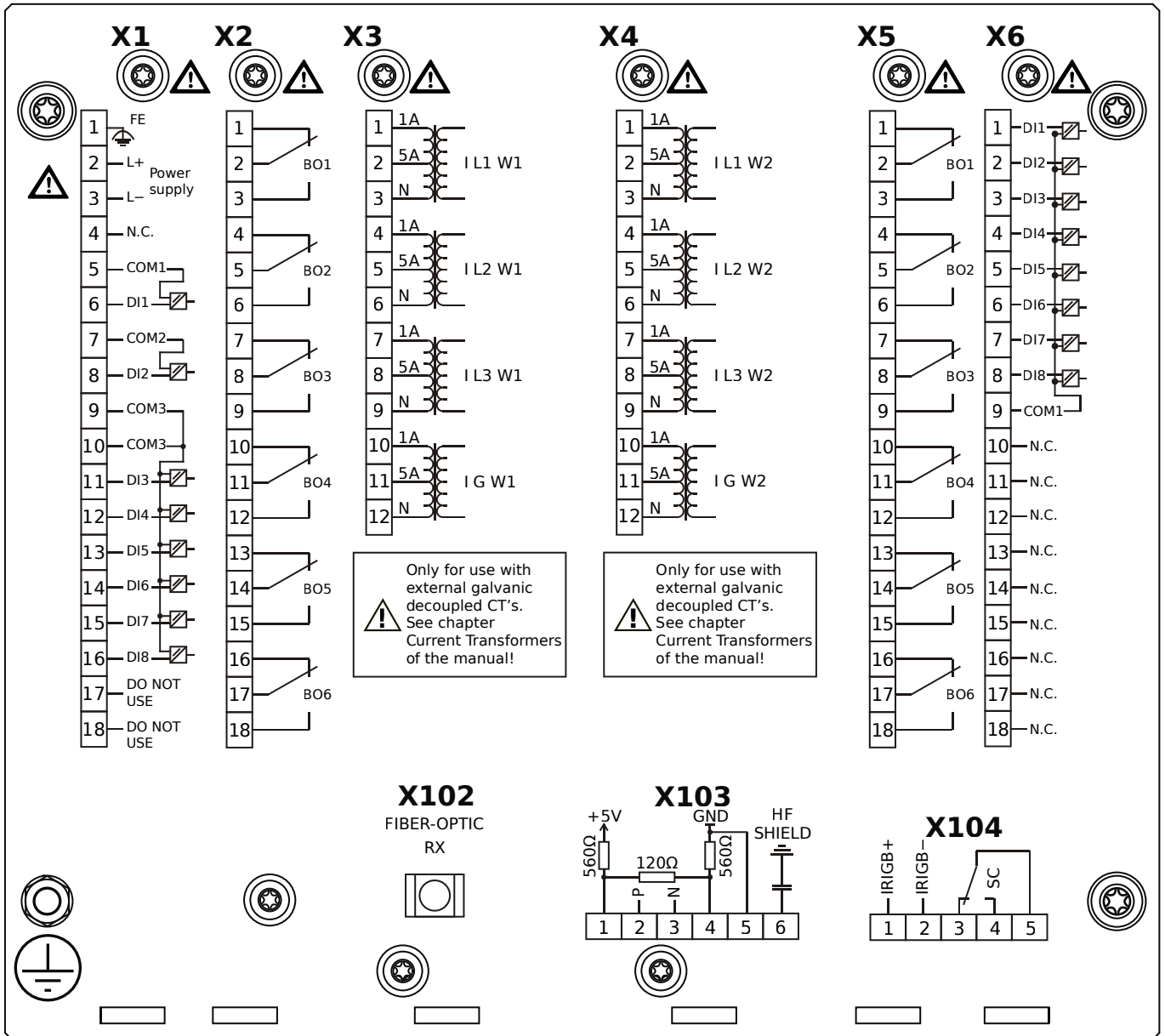
- X1** – DI8-X1: Wide-range power supply unit, incl. 2 non-grouped digital inputs and 6 grouped digital inputs
- X2** – OR-6: Assembly Group with 6 Relay Outputs
- X3** – TI-4: Standard current measuring card (for the winding side 1)
- X4** – TI-4: Standard current measuring card (for the winding side 2)
- X5** – OR-6: Assembly Group with 6 Relay Outputs
- X6** – DI8: Assembly Group with 8 Digital Inputs
- X102** – Universal Resistance-Temperature Detector (URTD) input, Fiber optics interface, Versatile Link
- X104** – IRIG-B00X, incl. System Contact (Supervision Contact)

MRDT4-2D0ABA



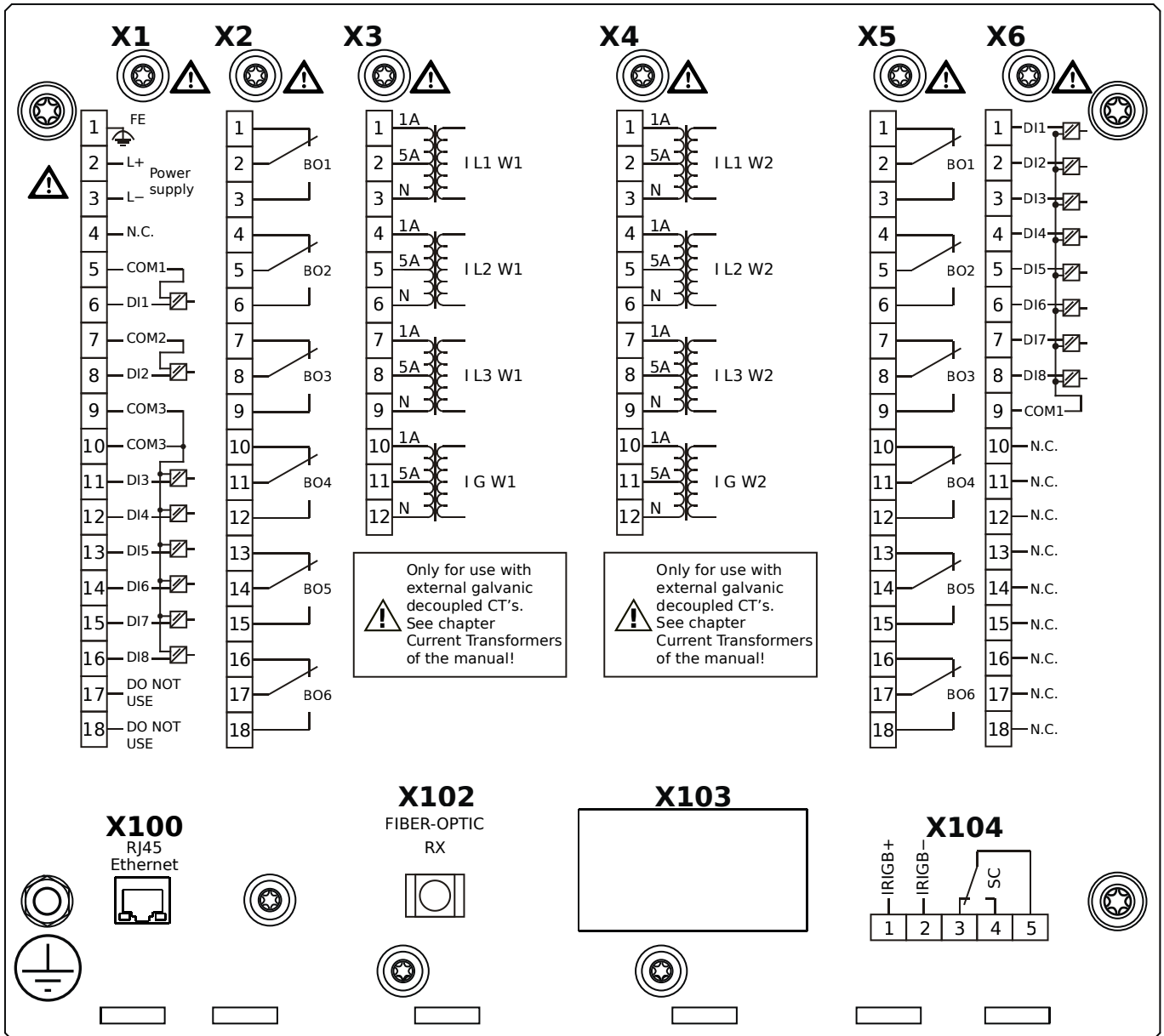
- X1** – DI8-X1: Wide-range power supply unit, incl. 2 non-grouped digital inputs and 6 grouped digital inputs
- X2** – OR-6: Assembly Group with 6 Relay Outputs
- X3** – TI-4: Standard current measuring card (for the winding side 1)
- X4** – TI-4: Standard current measuring card (for the winding side 2)
- X5** – OR-6: Assembly Group with 6 Relay Outputs
- X6** – DI8: Assembly Group with 8 Digital Inputs
- X102** – Universal Resistance-Temperature Detector (URTD) input, Fiber optics interface, Versatile Link
- X103** – Modbus RTU / IEC 60870-5-103 / DNP3.0 RTU, RS485, Terminals
- X104** – IRIG-B00X, incl. System Contact (Supervision Contact)

MRDT4-2D0ABB



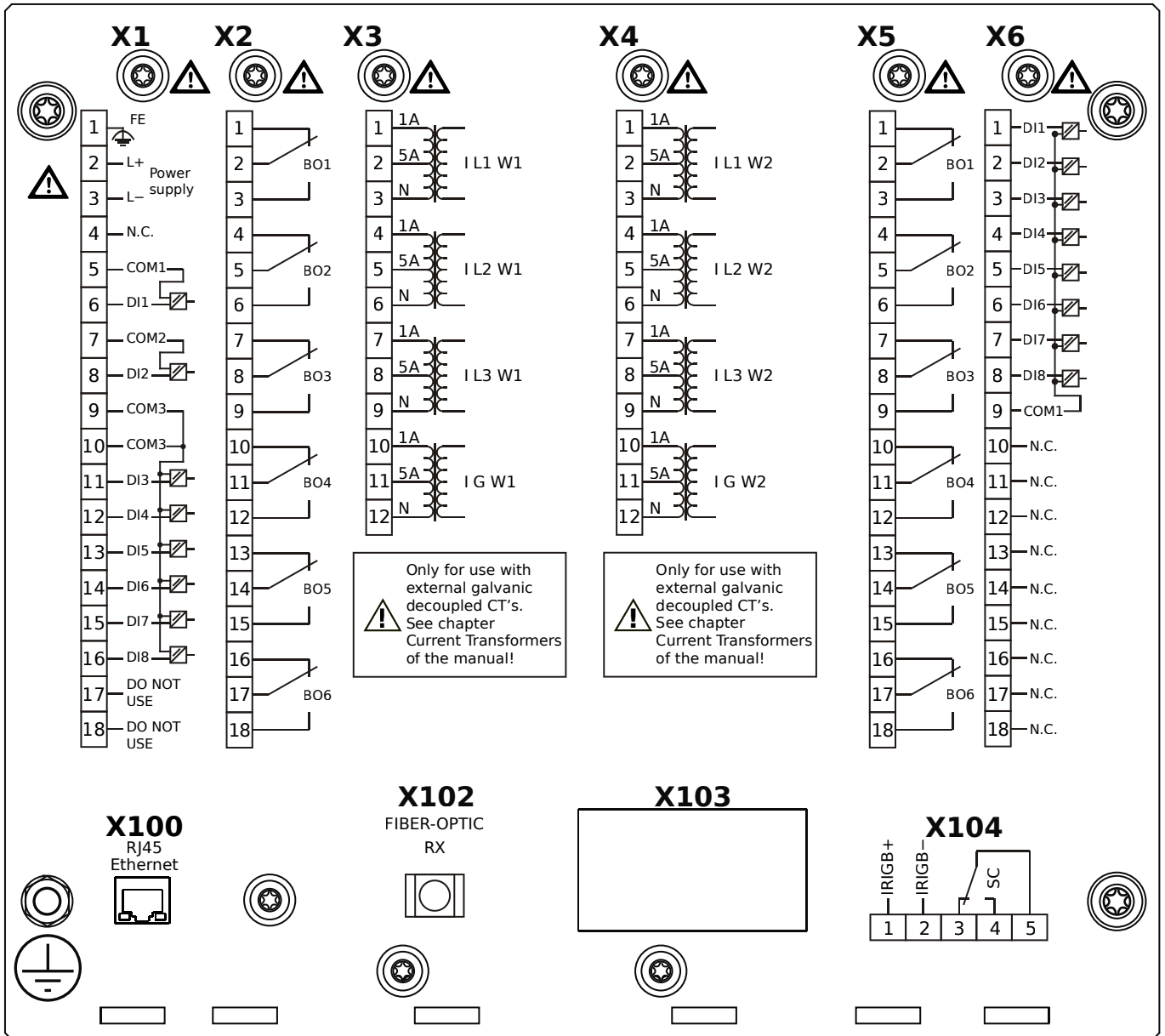
- X1** – DI8-X1: Wide-range power supply unit, incl. 2 non-grouped digital inputs and 6 grouped digital inputs
- X2** – OR-6: Assembly Group with 6 Relay Outputs
- X3** – TI-4: Standard current measuring card (for the winding side 1)
- X4** – TI-4: Standard current measuring card (for the winding side 2)
- X5** – OR-6: Assembly Group with 6 Relay Outputs
- X6** – DI8: Assembly Group with 8 Digital Inputs
- X102** – Universal Resistance-Temperature Detector (URTD) input, Fiber optics interface, Versatile Link
- X103** – Modbus RTU / IEC 60870-5-103 / DNP3.0 RTU, RS485, Terminals
- X104** – IRIG-B00X, incl. System Contact (Supervision Contact)

MRDT4-2D0ACA



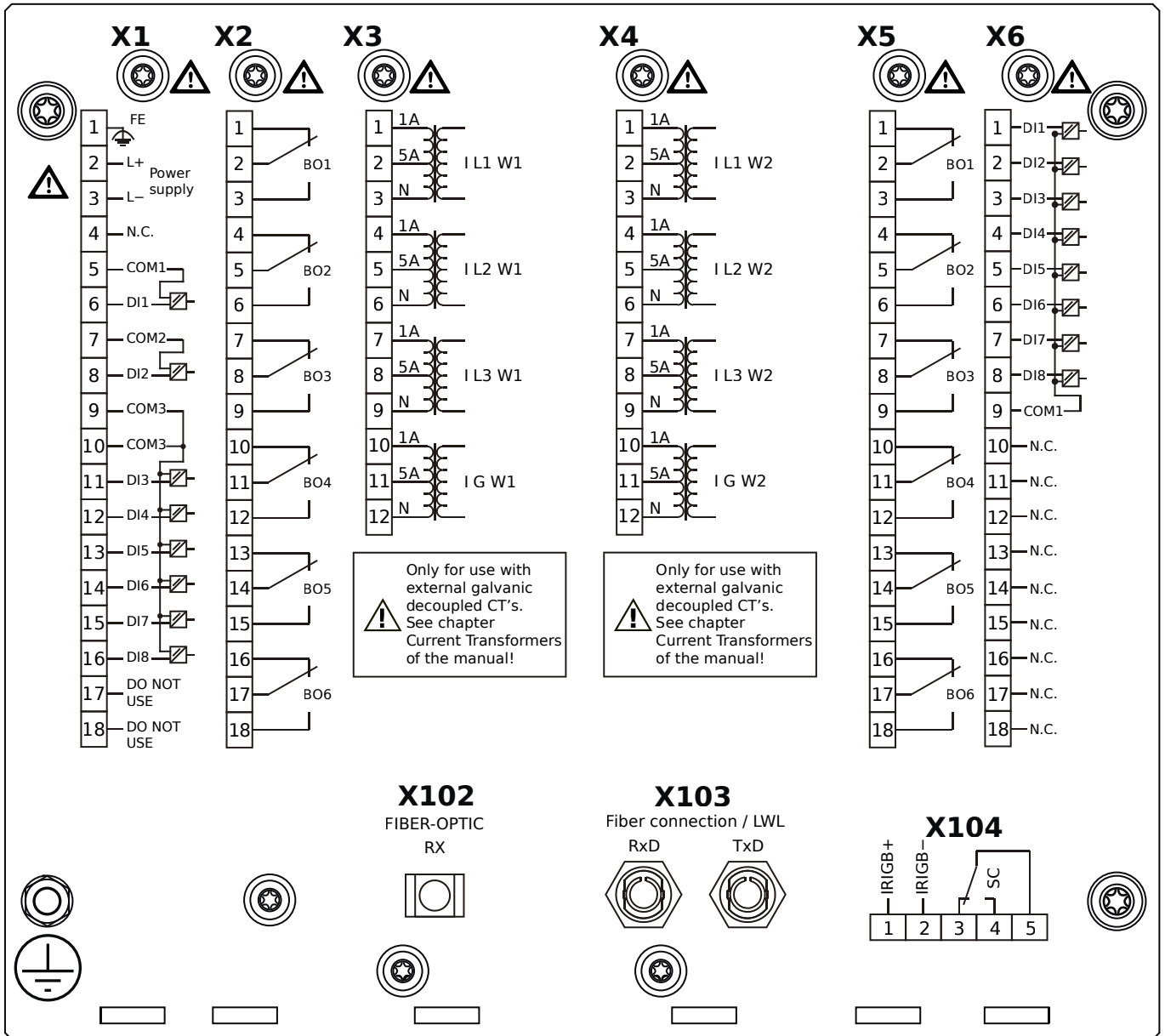
- X1** – DI8-X1: Wide-range power supply unit, incl. 2 non-grouped digital inputs and 6 grouped digital inputs
- X2** – OR-6: Assembly Group with 6 Relay Outputs
- X3** – TI-4: Standard current measuring card (for the winding side 1)
- X4** – TI-4: Standard current measuring card (for the winding side 2)
- X5** – OR-6: Assembly Group with 6 Relay Outputs
- X6** – DI8: Assembly Group with 8 Digital Inputs
- X100** – Modbus TCP / DNP3.0 TCP/UDP, Ethernet interface, 100 Mbit/s, RJ45 (BASE100-FX)
- X102** – Universal Resistance-Temperature Detector (URTD) input, Fiber optics interface, Versatile Link
- X104** – IRIG-B00X, incl. System Contact (Supervision Contact)

MRDT4-2D0ACB



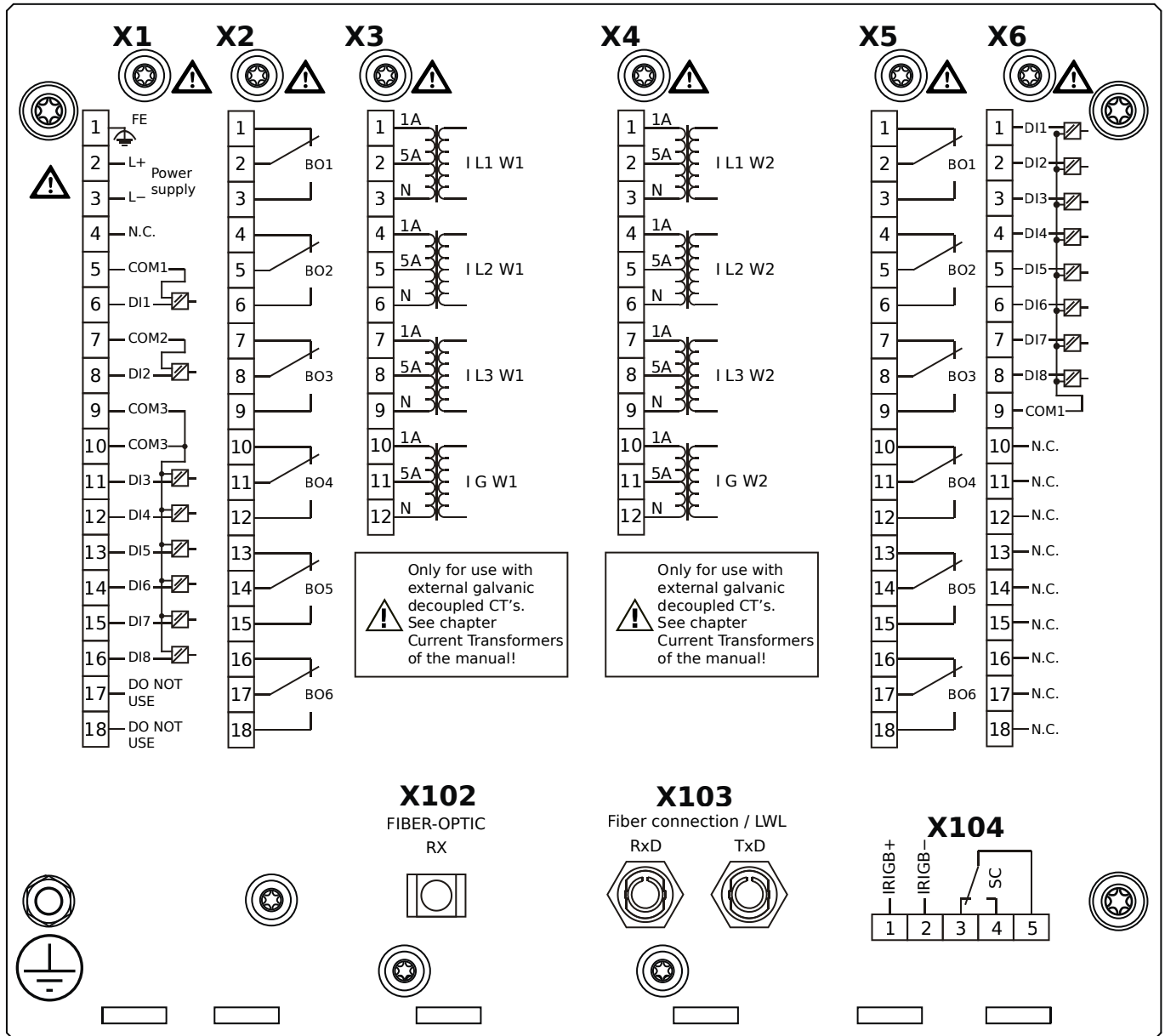
- X1** – DI8-X1: Wide-range power supply unit, incl. 2 non-grouped digital inputs and 6 grouped digital inputs
- X2** – OR-6: Assembly Group with 6 Relay Outputs
- X3** – TI-4: Standard current measuring card (for the winding side 1)
- X4** – TI-4: Standard current measuring card (for the winding side 2)
- X5** – OR-6: Assembly Group with 6 Relay Outputs
- X6** – DI8: Assembly Group with 8 Digital Inputs
- X100** – Modbus TCP / DNP3.0 TCP/UDP, Ethernet interface, 100 Mbit/s, RJ45 (BASE100-FX)
- X102** – Universal Resistance-Temperature Detector (URTD) input, Fiber optics interface, Versatile Link
- X104** – IRIG-B00X, incl. System Contact (Supervision Contact)

MRDT4-2D0ADA



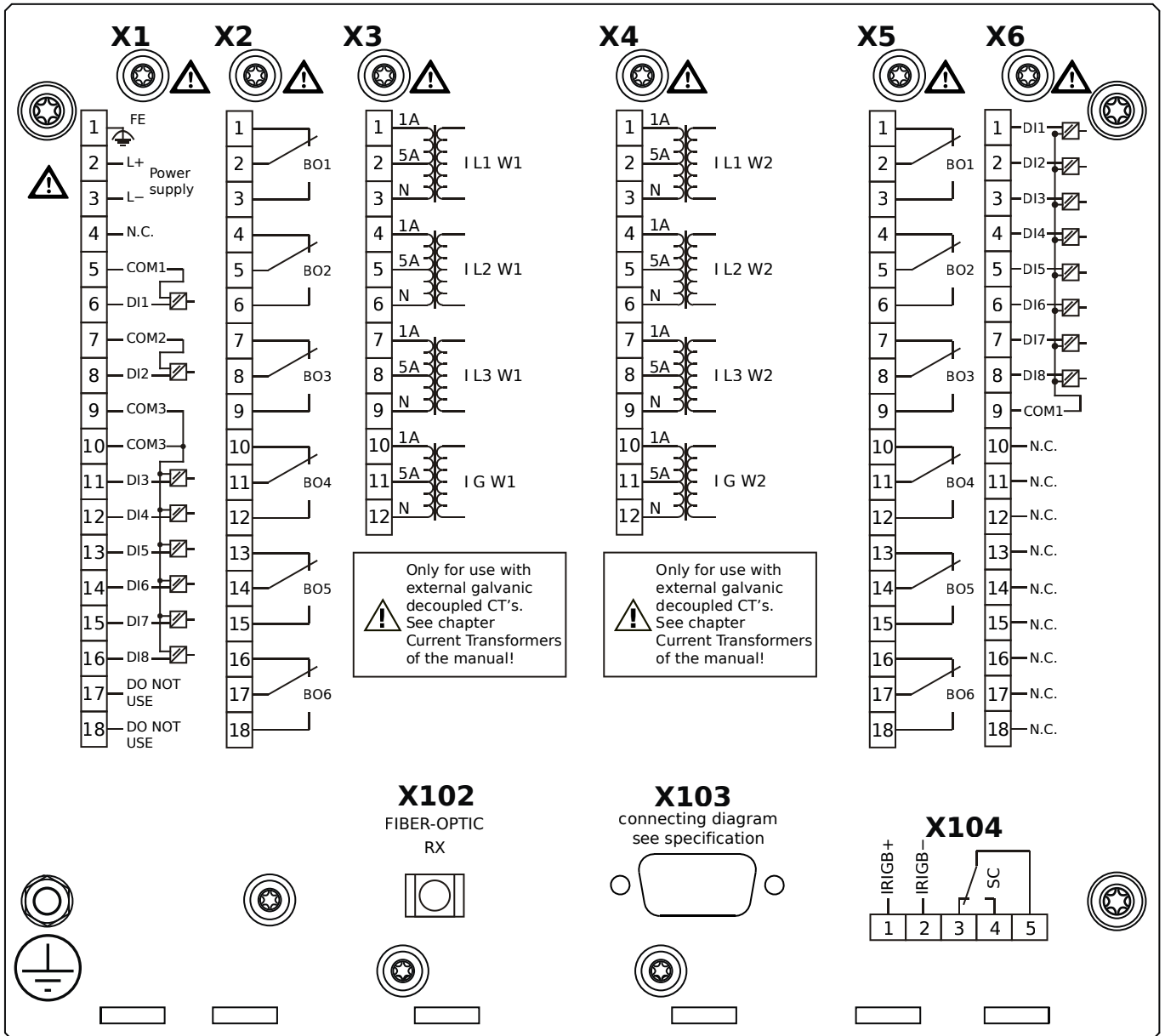
- X1** – DI8-X1: Wide-range power supply unit, incl. 2 non-grouped digital inputs and 6 grouped digital inputs
- X2** – OR-6: Assembly Group with 6 Relay Outputs
- X3** – TI-4: Standard current measuring card (for the winding side 1)
- X4** – TI-4: Standard current measuring card (for the winding side 2)
- X5** – OR-6: Assembly Group with 6 Relay Outputs
- X6** – DI8: Assembly Group with 8 Digital Inputs
- X102** – Universal Resistance-Temperature Detector (URTD) input, Fiber optics interface, Versatile Link
- X103** – Profibus-DP, Fiber optics interface, ST Connector
- X104** – IRIG-B00X, incl. System Contact (Supervision Contact)

MRDT4-2D0ADB



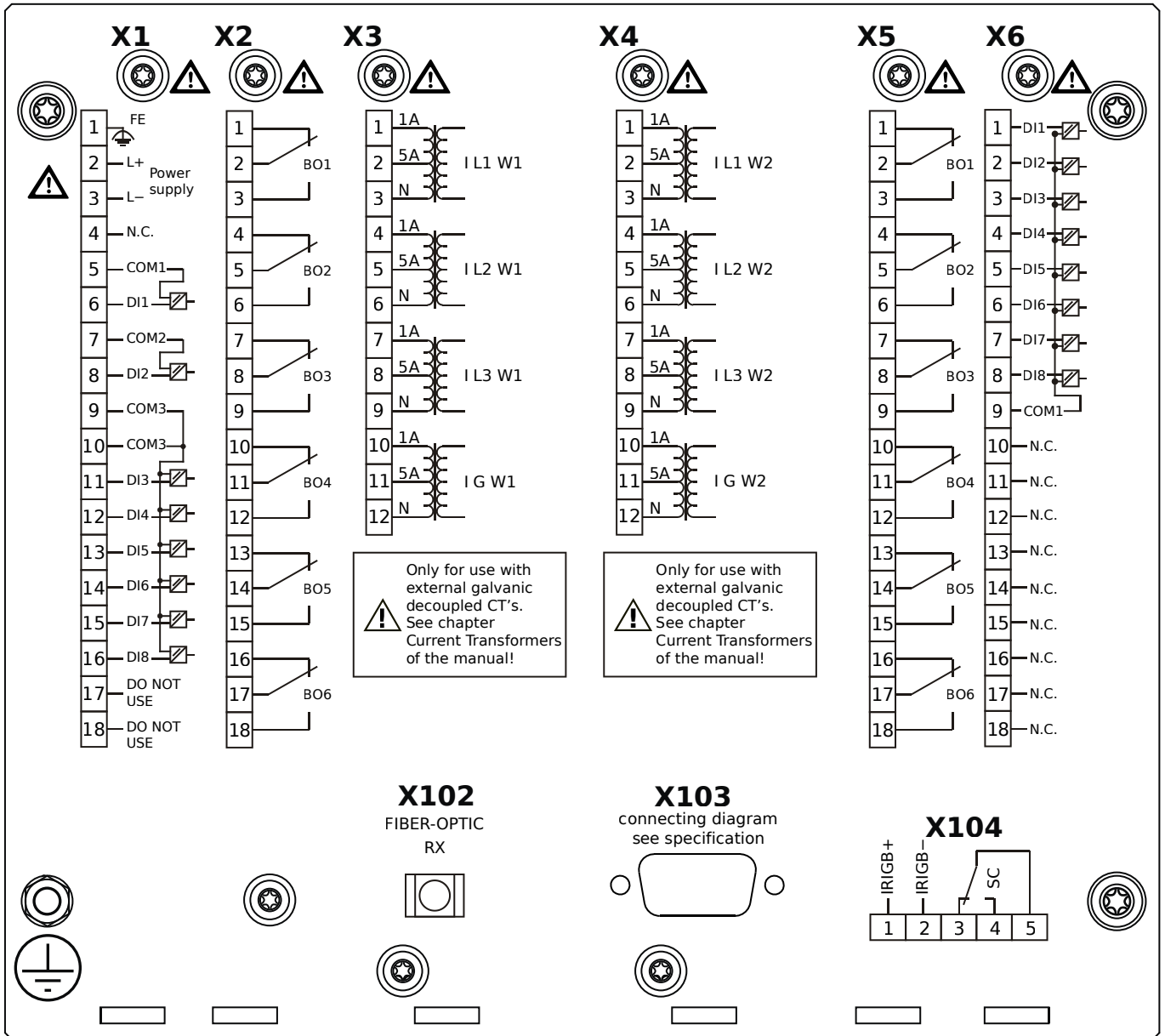
- X1** – DI8-X1: Wide-range power supply unit, incl. 2 non-grouped digital inputs and 6 grouped digital inputs
- X2** – OR-6: Assembly Group with 6 Relay Outputs
- X3** – TI-4: Standard current measuring card (for the winding side 1)
- X4** – TI-4: Standard current measuring card (for the winding side 2)
- X5** – OR-6: Assembly Group with 6 Relay Outputs
- X6** – DI8: Assembly Group with 8 Digital Inputs
- X102** – Universal Resistance-Temperature Detector (URTD) input, Fiber optics interface, Versatile Link
- X103** – Profibus-DP, Fiber optics interface, ST Connector
- X104** – IRIG-B00X, incl. System Contact (Supervision Contact)

MRDT4-2D0AEA



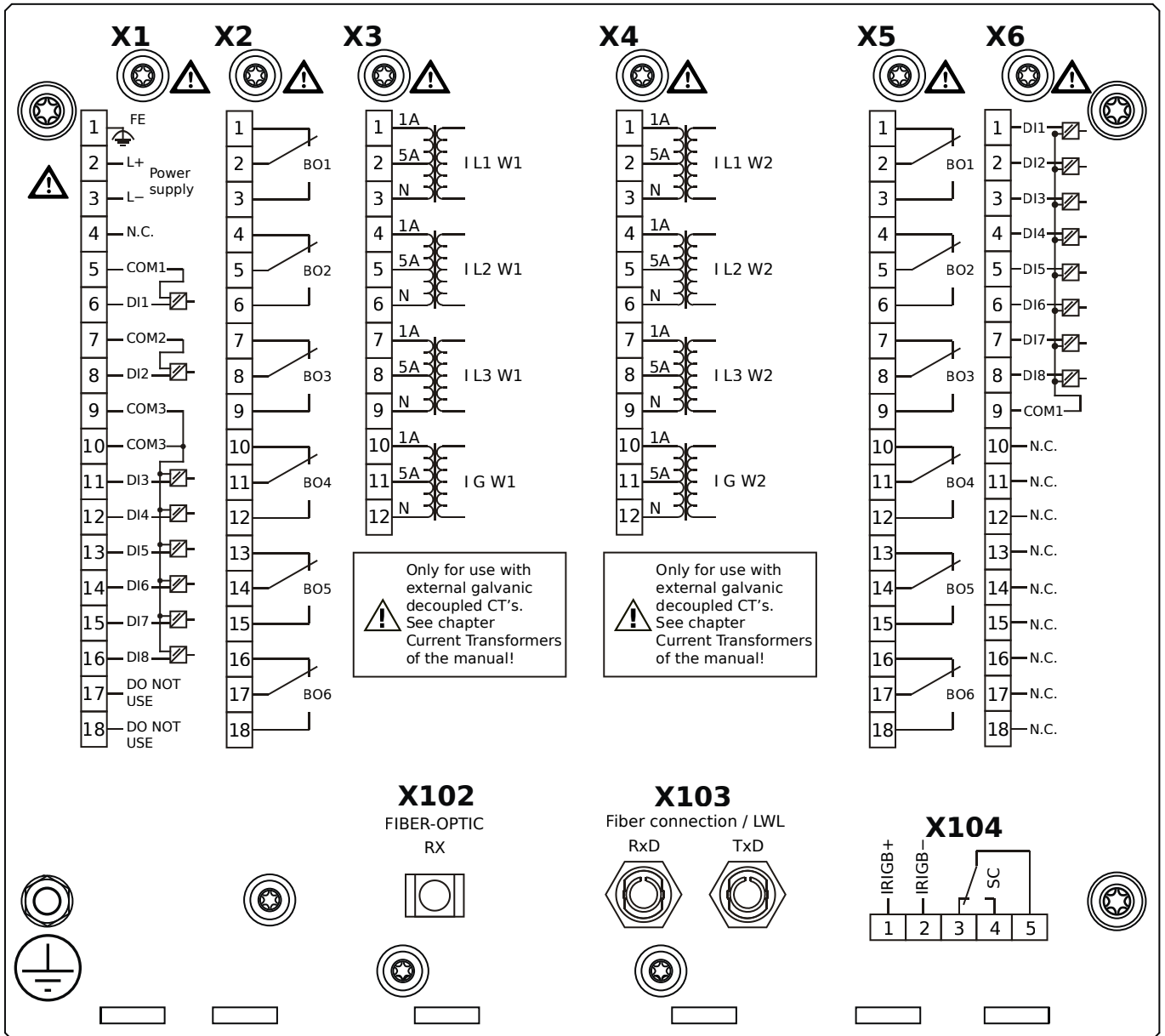
- X1** – DI8-X1: Wide-range power supply unit, incl. 2 non-grouped digital inputs and 6 grouped digital inputs
- X2** – OR-6: Assembly Group with 6 Relay Outputs
- X3** – TI-4: Standard current measuring card (for the winding side 1)
- X4** – TI-4: Standard current measuring card (for the winding side 2)
- X5** – OR-6: Assembly Group with 6 Relay Outputs
- X6** – DI8: Assembly Group with 8 Digital Inputs
- X102** – Universal Resistance-Temperature Detector (URTD) input, Fiber optics interface, Versatile Link
- X103** – Profibus-DP, RS485, D-SUB
- X104** – IRIG-B00X, incl. System Contact (Supervision Contact)

MRDT4-2D0AEB



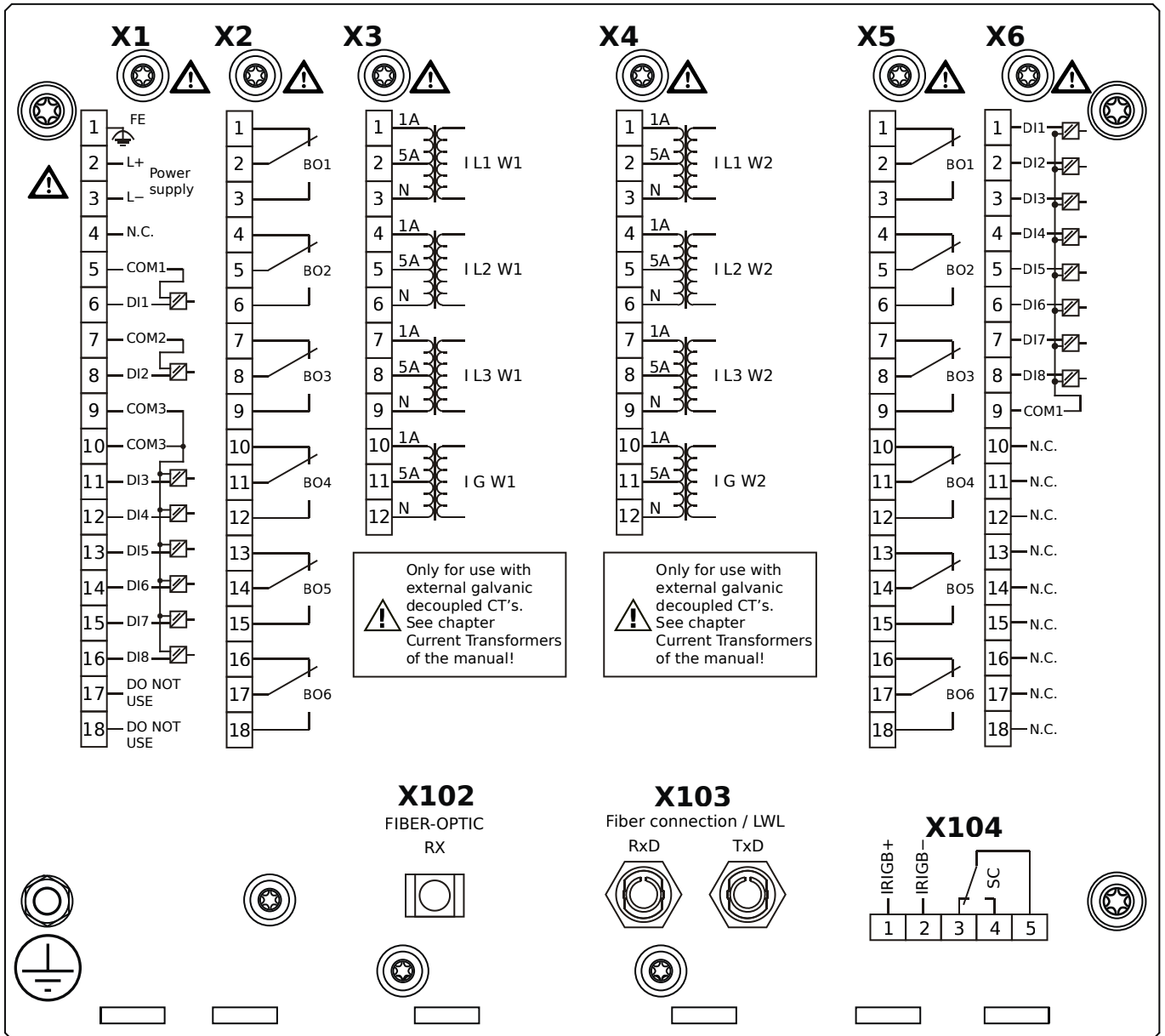
- X1** – DI8-X1: Wide-range power supply unit, incl. 2 non-grouped digital inputs and 6 grouped digital inputs
- X2** – OR-6: Assembly Group with 6 Relay Outputs
- X3** – TI-4: Standard current measuring card (for the winding side 1)
- X4** – TI-4: Standard current measuring card (for the winding side 2)
- X5** – OR-6: Assembly Group with 6 Relay Outputs
- X6** – DI8: Assembly Group with 8 Digital Inputs
- X102** – Universal Resistance-Temperature Detector (URTD) input, Fiber optics interface, Versatile Link
- X103** – Profibus-DP, RS485, D-SUB
- X104** – IRIG-B00X, incl. System Contact (Supervision Contact)

MRDT4-2D0AFA



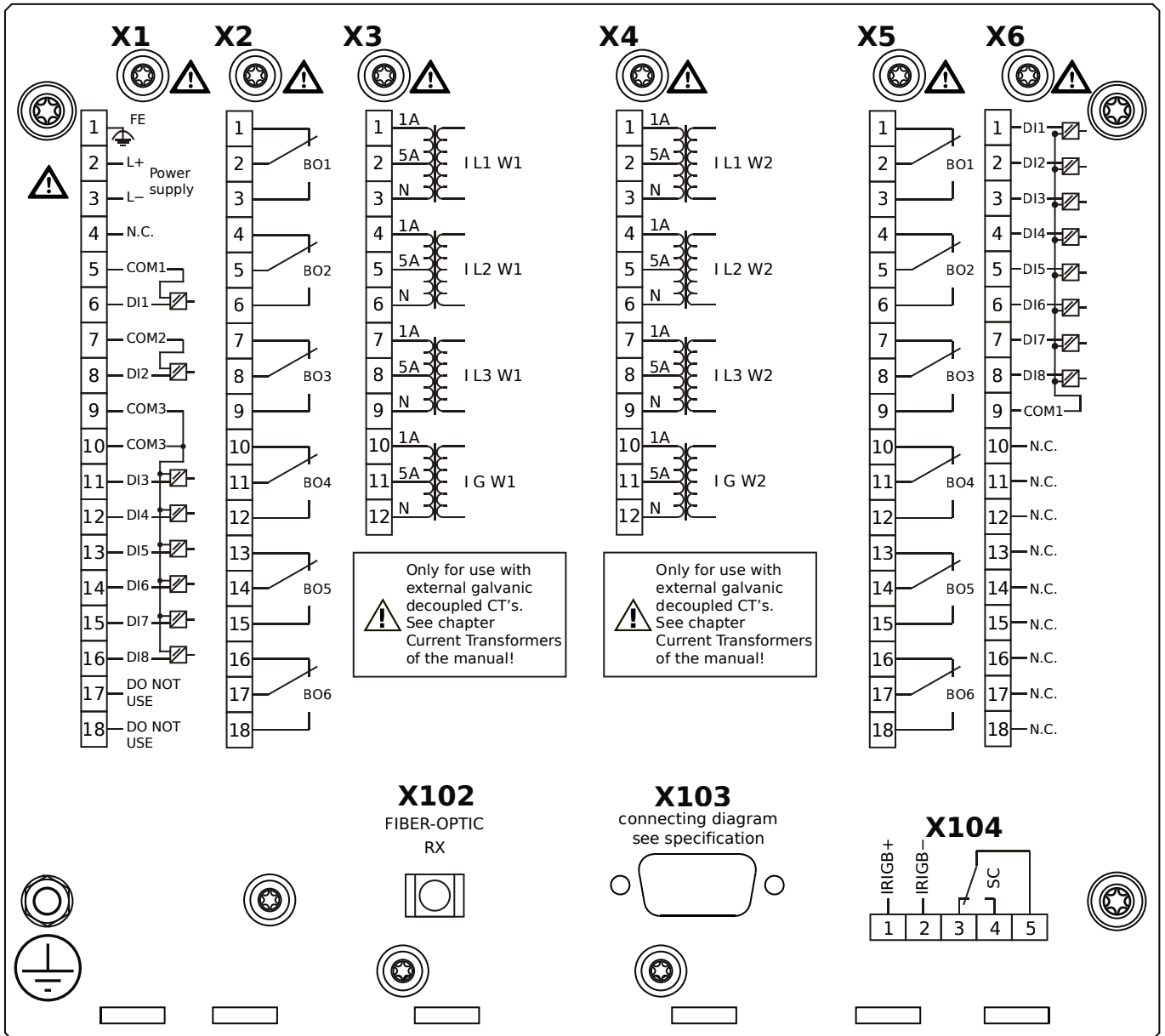
- X1** – DI8-X1: Wide-range power supply unit, incl. 2 non-grouped digital inputs and 6 grouped digital inputs
- X2** – OR-6: Assembly Group with 6 Relay Outputs
- X3** – TI-4: Standard current measuring card (for the winding side 1)
- X4** – TI-4: Standard current measuring card (for the winding side 2)
- X5** – OR-6: Assembly Group with 6 Relay Outputs
- X6** – DI8: Assembly Group with 8 Digital Inputs
- X102** – Universal Resistance-Temperature Detector (URTD) input, Fiber optics interface, Versatile Link
- X103** – Modbus RTU / IEC 60870-5-103 / DNP3.0 RTU, Fiber optics interface, ST Connector
- X104** – IRIG-B00X, incl. System Contact (Supervision Contact)

MRDT4-2D0AFB



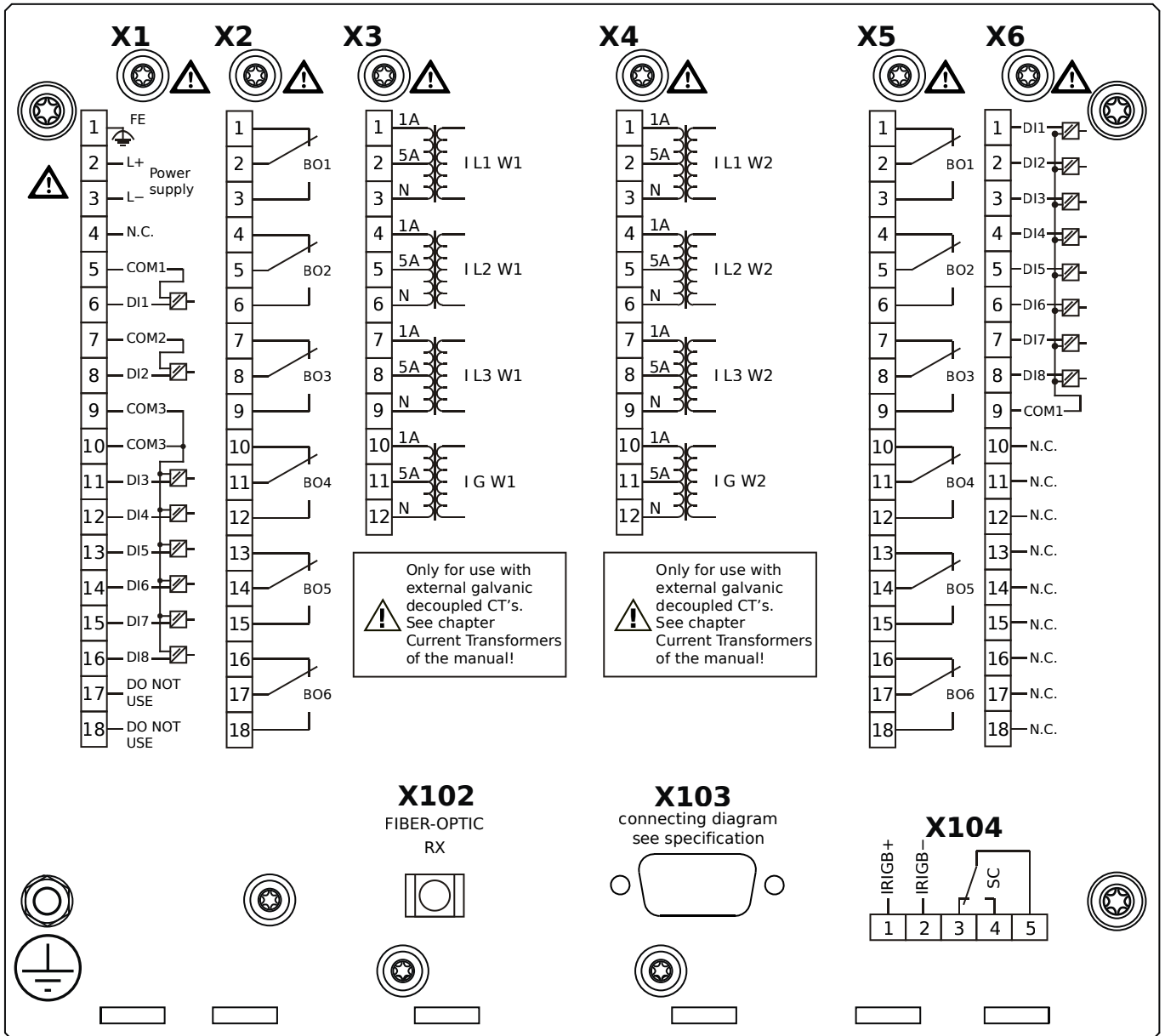
- X1** – DI8-X1: Wide-range power supply unit, incl. 2 non-grouped digital inputs and 6 grouped digital inputs
- X2** – OR-6: Assembly Group with 6 Relay Outputs
- X3** – TI-4: Standard current measuring card (for the winding side 1)
- X4** – TI-4: Standard current measuring card (for the winding side 2)
- X5** – OR-6: Assembly Group with 6 Relay Outputs
- X6** – DI8: Assembly Group with 8 Digital Inputs
- X102** – Universal Resistance-Temperature Detector (URTD) input, Fiber optics interface, Versatile Link
- X103** – Modbus RTU / IEC 60870-5-103 / DNP3.0 RTU, Fiber optics interface, ST Connector
- X104** – IRIG-B00X, incl. System Contact (Supervision Contact)

MRDT4-2D0AGA



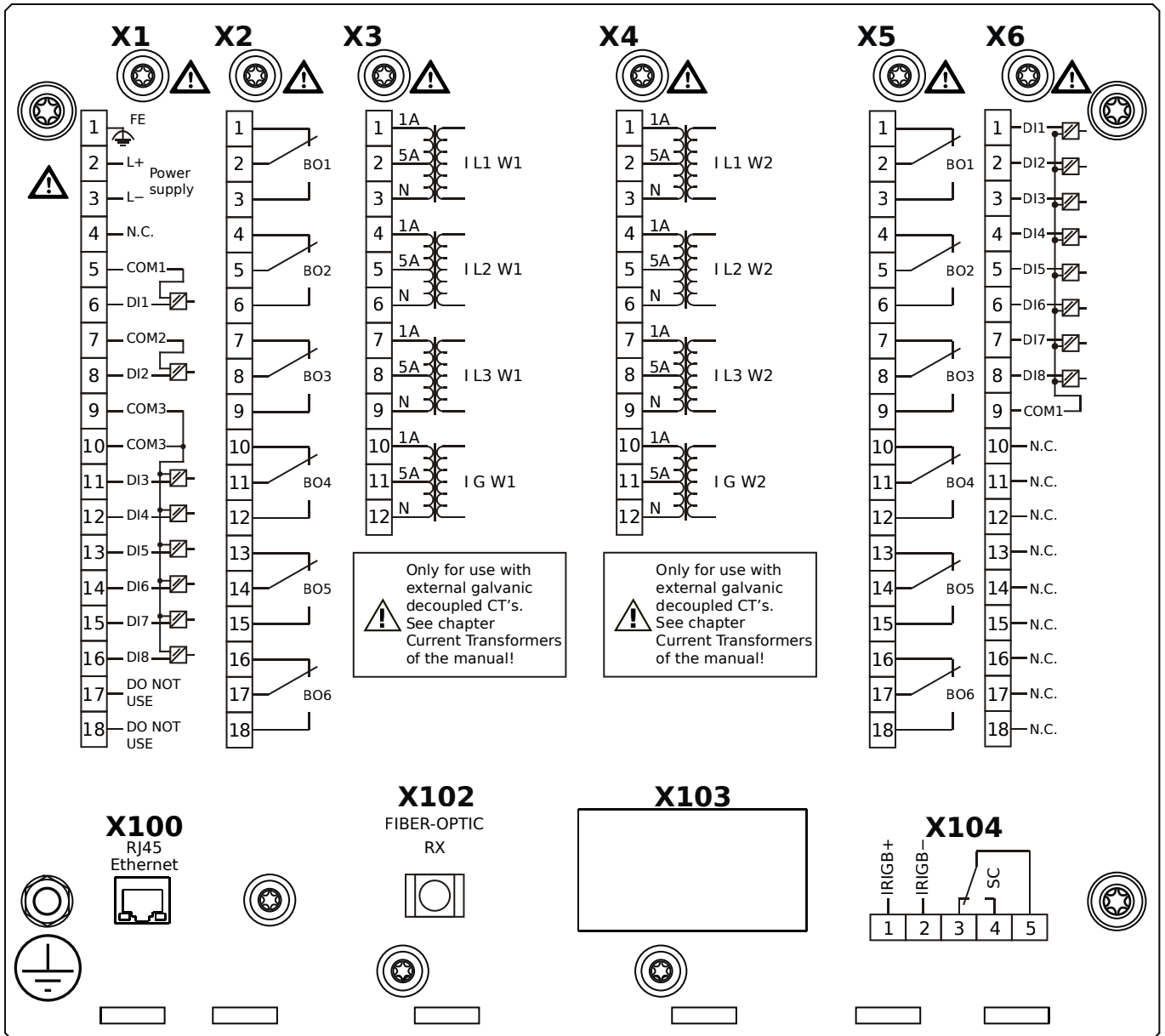
- X1** – DI8-X1: Wide-range power supply unit, incl. 2 non-grouped digital inputs and 6 grouped digital inputs
- X2** – OR-6: Assembly Group with 6 Relay Outputs
- X3** – TI-4: Standard current measuring card (for the winding side 1)
- X4** – TI-4: Standard current measuring card (for the winding side 2)
- X5** – OR-6: Assembly Group with 6 Relay Outputs
- X6** – DI8: Assembly Group with 8 Digital Inputs
- X102** – Universal Resistance-Temperature Detector (URTD) input, Fiber optics interface, Versatile Link
- X103** – Modbus RTU / IEC 60870-5-103 / DNP3.0 RTU, RS485, D-SUB
- X104** – IRIG-B00X, incl. System Contact (Supervision Contact)

MRDT4-2D0AGB



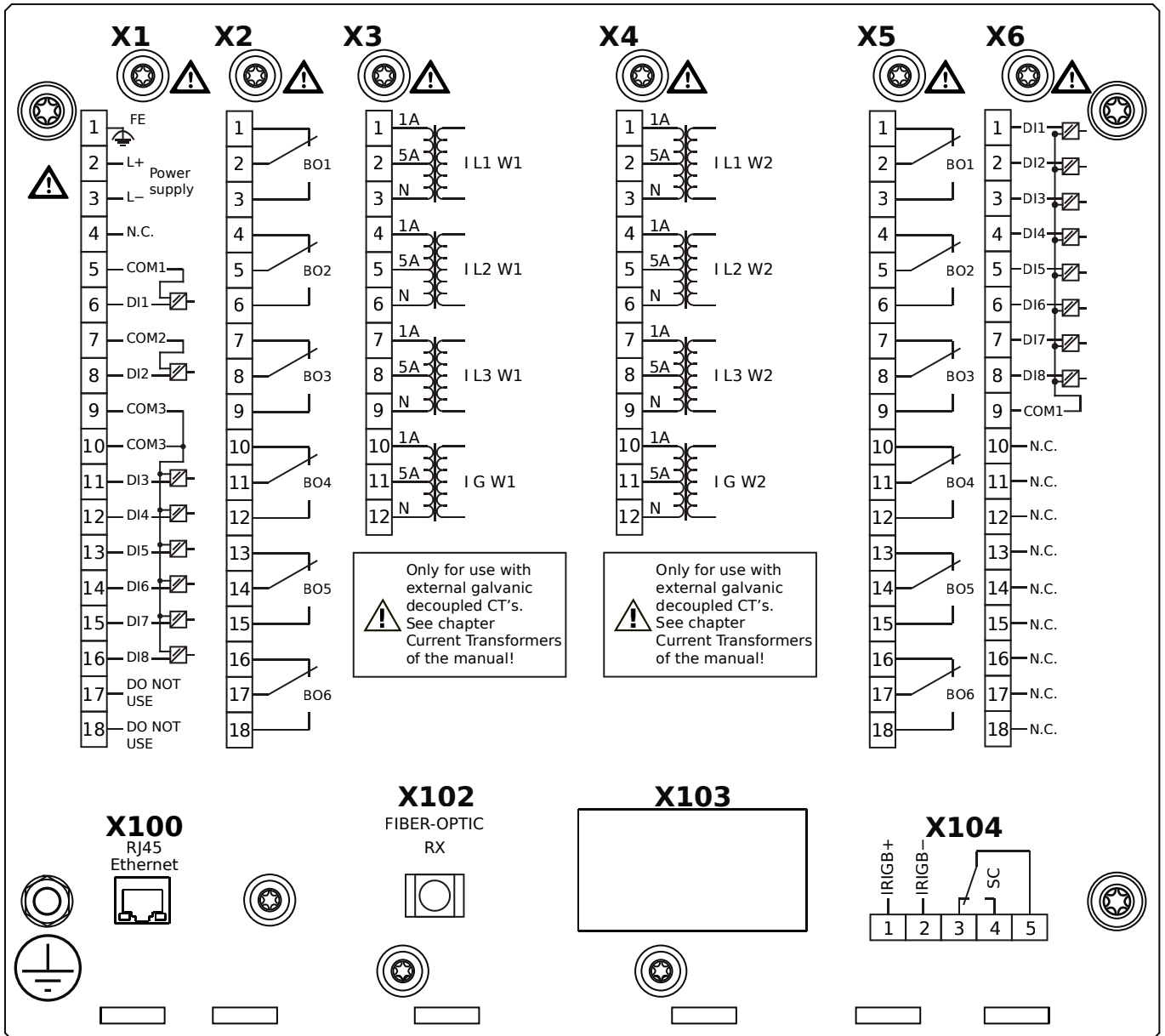
- X1** – DI8-X1: Wide-range power supply unit, incl. 2 non-grouped digital inputs and 6 grouped digital inputs
- X2** – OR-6: Assembly Group with 6 Relay Outputs
- X3** – TI-4: Standard current measuring card (for the winding side 1)
- X4** – TI-4: Standard current measuring card (for the winding side 2)
- X5** – OR-6: Assembly Group with 6 Relay Outputs
- X6** – DI8: Assembly Group with 8 Digital Inputs
- X102** – Universal Resistance-Temperature Detector (URTD) input, Fiber optics interface, Versatile Link
- X103** – Modbus RTU / IEC 60870-5-103 / DNP3.0 RTU, RS485, D-SUB
- X104** – IRIG-B00X, incl. System Contact (Supervision Contact)

MRDT4-2D0AHA



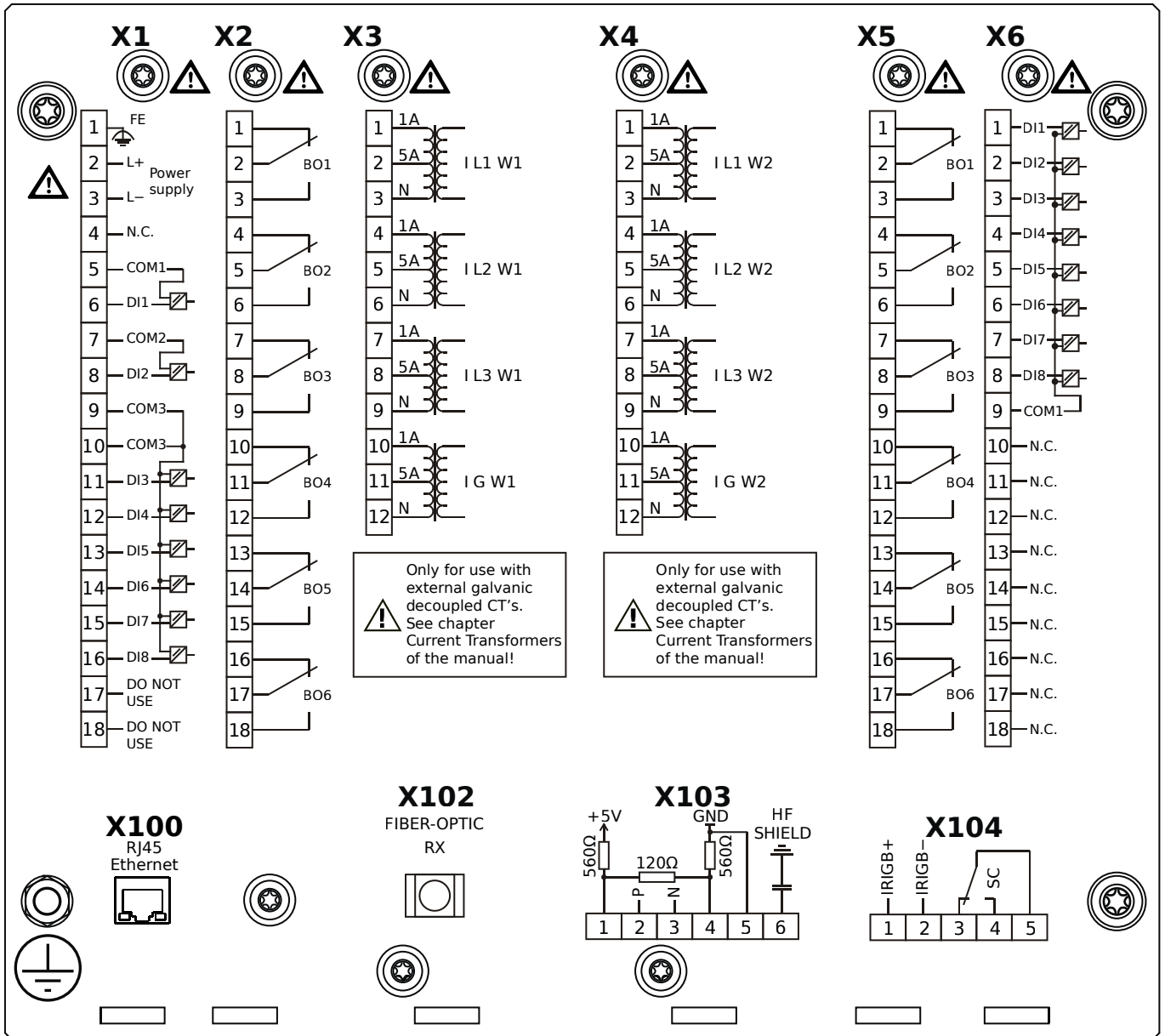
- X1** – DI8-X1: Wide-range power supply unit, incl. 2 non-grouped digital inputs and 6 grouped digital inputs
- X2** – OR-6: Assembly Group with 6 Relay Outputs
- X3** – TI-4: Standard current measuring card (for the winding side 1)
- X4** – TI-4: Standard current measuring card (for the winding side 2)
- X5** – OR-6: Assembly Group with 6 Relay Outputs
- X6** – DI8: Assembly Group with 8 Digital Inputs
- X100** – IEC 61850 / Modbus TCP / DNP3.0 TCP/UDP, Ethernet interface, 100 Mbit/s, RJ45 (BASE100-FX)
- X102** – Universal Resistance-Temperature Detector (URTD) input, Fiber optics interface, Versatile Link
- X104** – IRIG-B00X, incl. System Contact (Supervision Contact)

MRDT4-2D0AHB



- X1** – DI8-X1: Wide-range power supply unit, incl. 2 non-grouped digital inputs and 6 grouped digital inputs
- X2** – OR-6: Assembly Group with 6 Relay Outputs
- X3** – TI-4: Standard current measuring card (for the winding side 1)
- X4** – TI-4: Standard current measuring card (for the winding side 2)
- X5** – OR-6: Assembly Group with 6 Relay Outputs
- X6** – DI8: Assembly Group with 8 Digital Inputs
- X100** – IEC 61850 / Modbus TCP / DNP3.0 TCP/UDP, Ethernet interface, 100 Mbit/s, RJ45 (BASE100-FX)
- X102** – Universal Resistance-Temperature Detector (URTD) input, Fiber optics interface, Versatile Link
- X104** – IRIG-B00X, incl. System Contact (Supervision Contact)

MRDT4-2D0AIA



X1 – DI8-X1: Wide-range power supply unit, incl. 2 non-grouped digital inputs and 6 grouped digital inputs

X2 – OR-6: Assembly Group with 6 Relay Outputs

X3 – TI-4: Standard current measuring card (for the winding side 1)

X4 – TI-4: Standard current measuring card (for the winding side 2)

X5 – OR-6: Assembly Group with 6 Relay Outputs

X6 – DI8: Assembly Group with 8 Digital Inputs

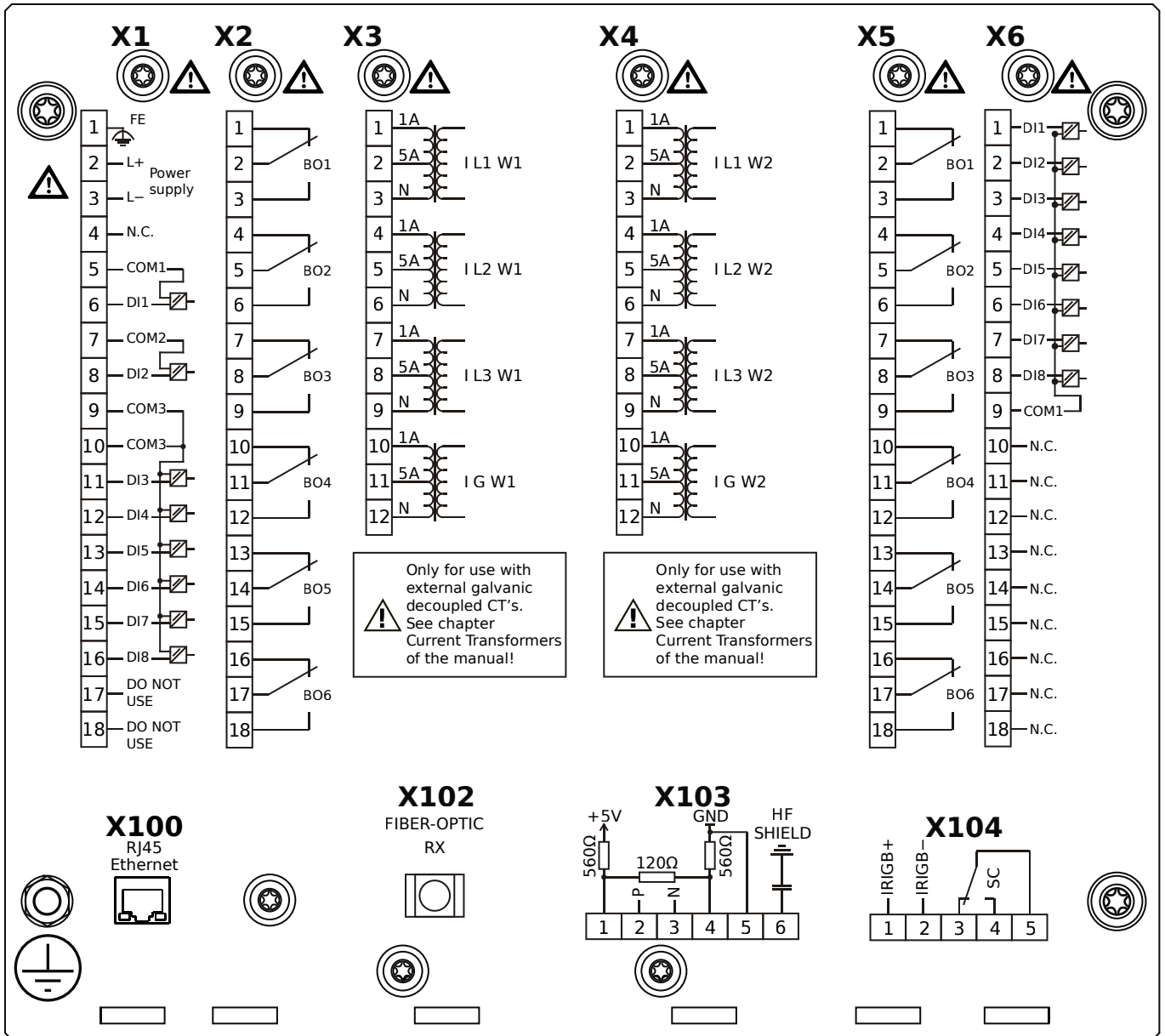
X100 – Modbus TCP / DNP3.0 TCP/UDP, Ethernet interface, 100 Mbit/s, RJ45 (BASE100-FX)

X102 – Universal Resistance-Temperature Detector (URTD) input, Fiber optics interface, Versatile Link

X103 – IEC 60870-5-103 / Modbus RTU / DNP3.0 RTU, RS485, Terminals

X104 – IRIG-B00X, incl. System Contact (Supervision Contact)

MRDT4-2D0AIB



X1 – DI8-X1: Wide-range power supply unit, incl. 2 non-grouped digital inputs and 6 grouped digital inputs

X2 – OR-6: Assembly Group with 6 Relay Outputs

X3 – TI-4: Standard current measuring card (for the winding side 1)

X4 – TI-4: Standard current measuring card (for the winding side 2)

X5 – OR-6: Assembly Group with 6 Relay Outputs

X6 – DI8: Assembly Group with 8 Digital Inputs

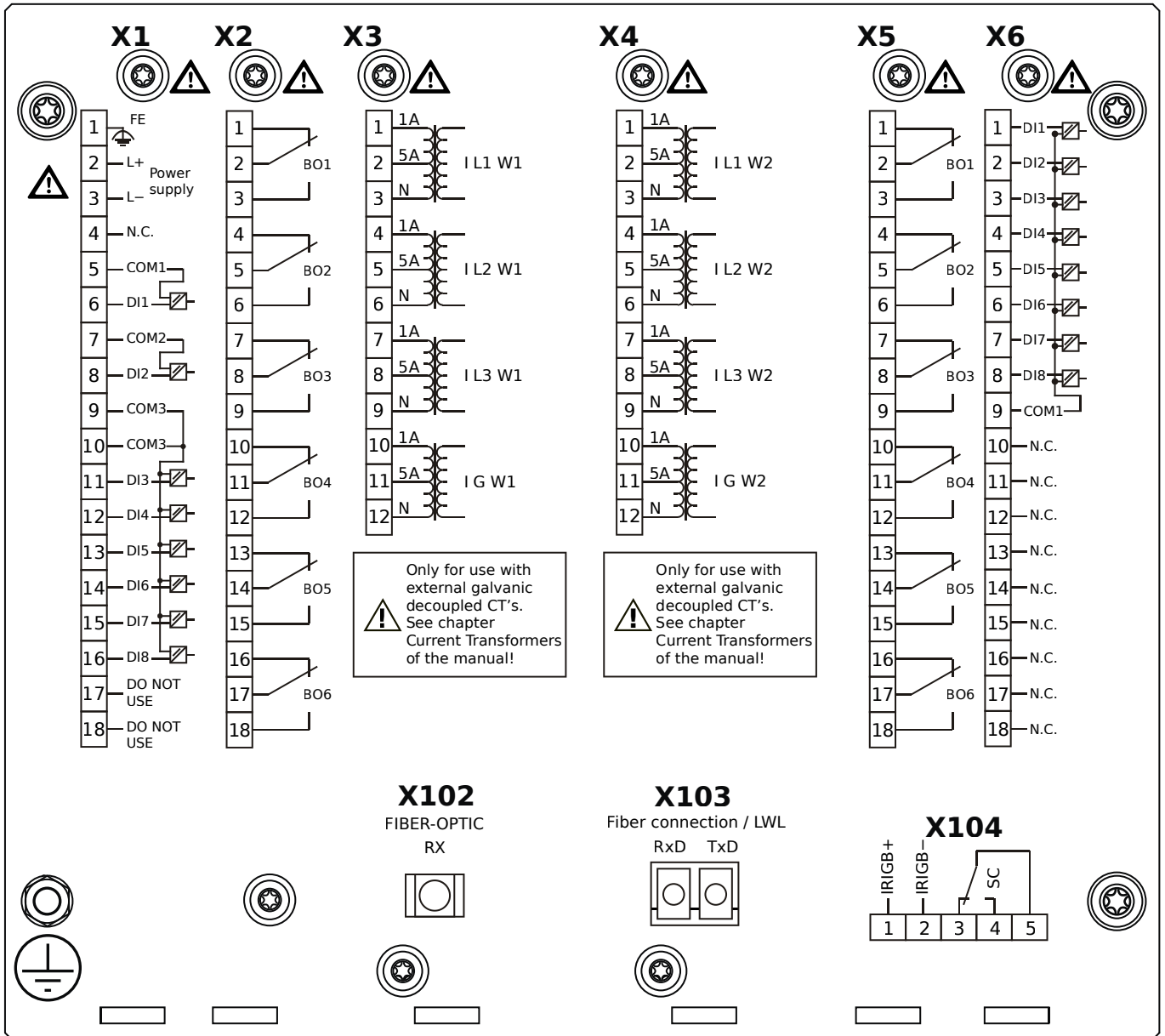
X100 – Modbus TCP / DNP3.0 TCP/UDP, Ethernet interface, 100 Mbit/s, RJ45 (BASE100-FX)

X102 – Universal Resistance-Temperature Detector (URTD) input, Fiber optics interface, Versatile Link

X103 – IEC 60870-5-103 / Modbus RTU / DNP3.0 RTU, RS485, Terminals

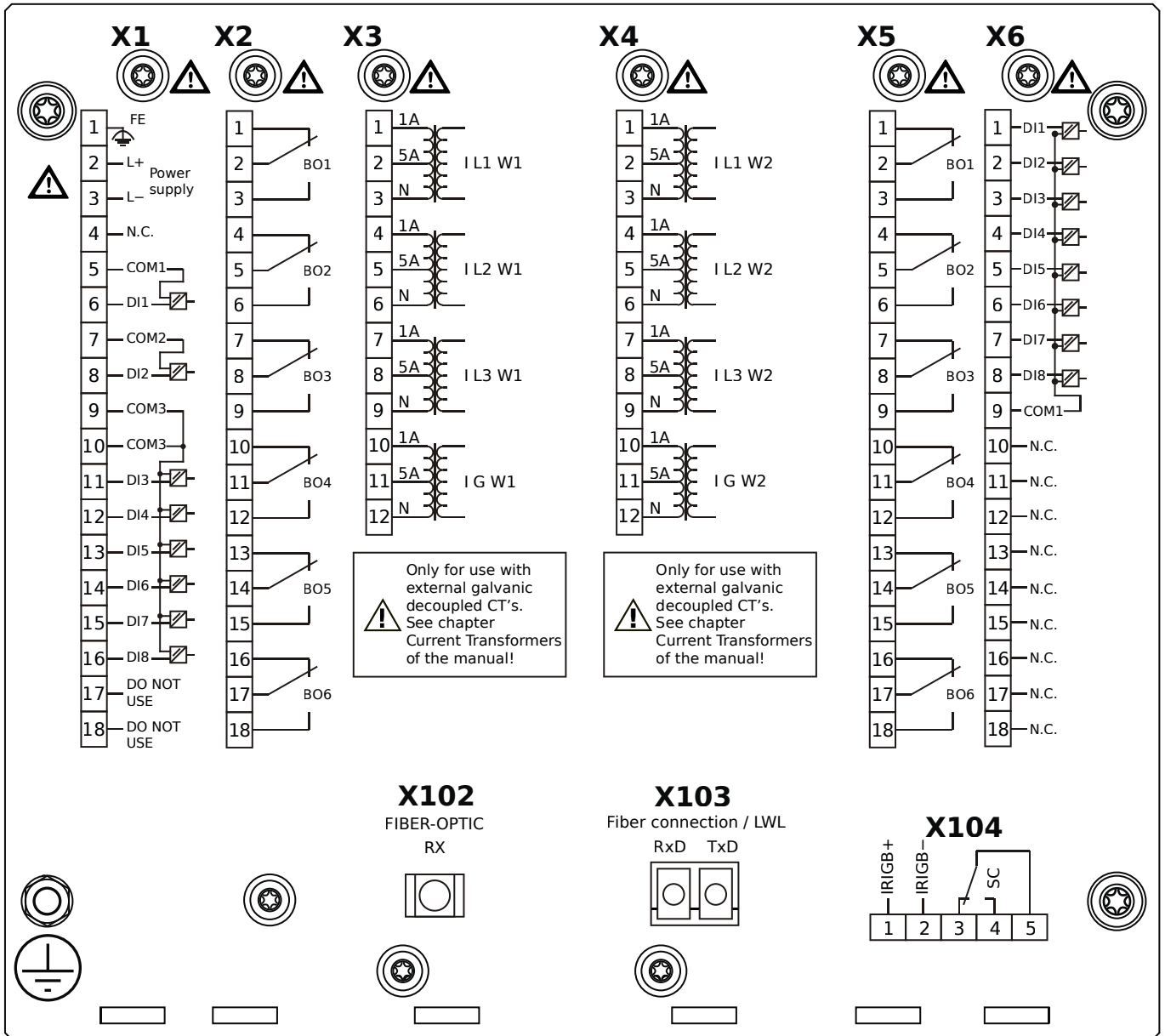
X104 – IRIG-B00X, incl. System Contact (Supervision Contact)

MRDT4-2D0AKA



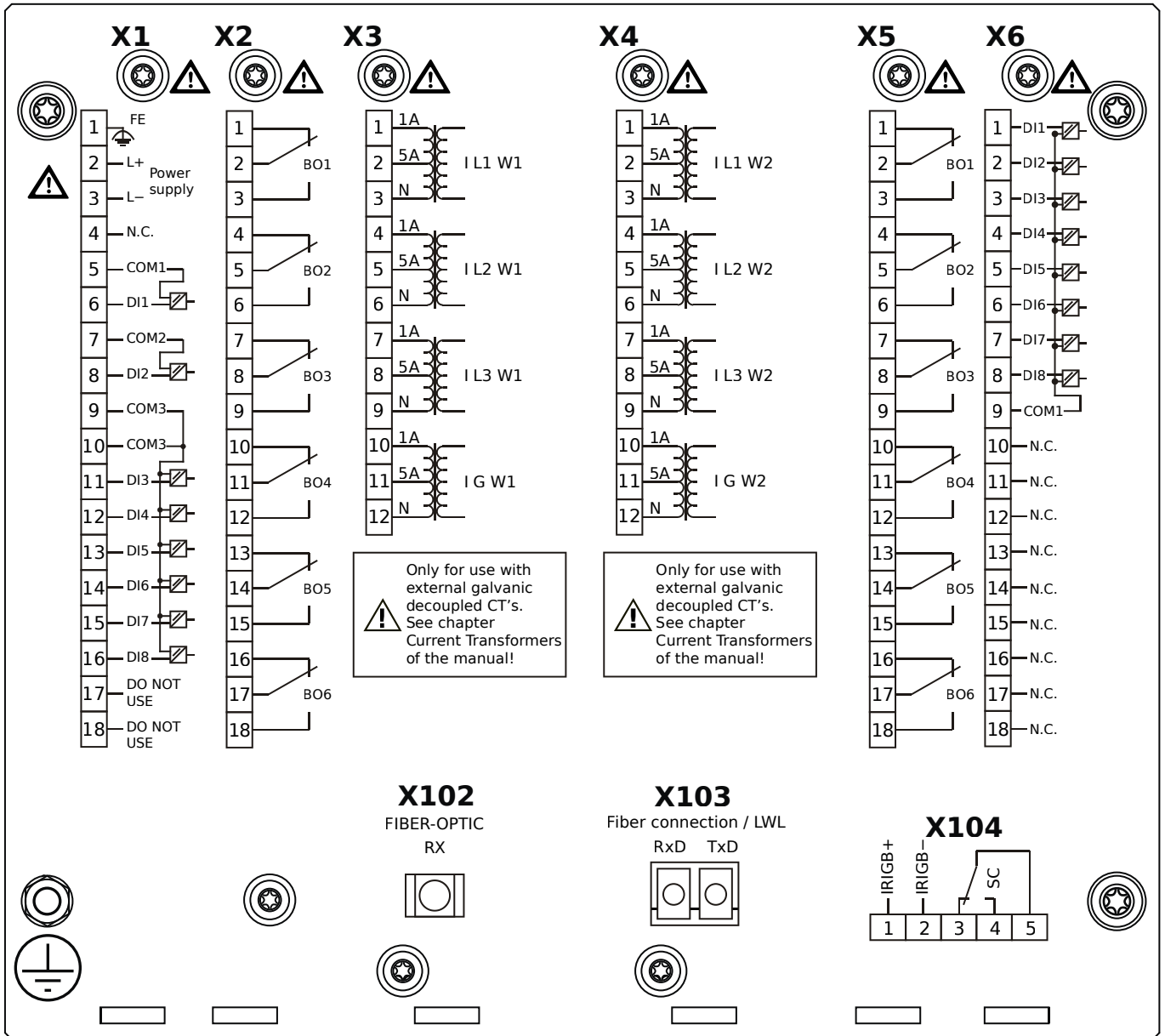
- X1** – DI8-X1: Wide-range power supply unit, incl. 2 non-grouped digital inputs and 6 grouped digital inputs
- X2** – OR-6: Assembly Group with 6 Relay Outputs
- X3** – TI-4: Standard current measuring card (for the winding side 1)
- X4** – TI-4: Standard current measuring card (for the winding side 2)
- X5** – OR-6: Assembly Group with 6 Relay Outputs
- X6** – DI8: Assembly Group with 8 Digital Inputs
- X102** – Universal Resistance-Temperature Detector (URTD) input, Fiber optics interface, Versatile Link
- X103** – IEC 61850 / Modbus TCP / DNP3.0 TCP/UDP, Fiber optics interface, LC Connector
- X104** – IRIG-B00X, incl. System Contact (Supervision Contact)

MRDT4-2D0AKB



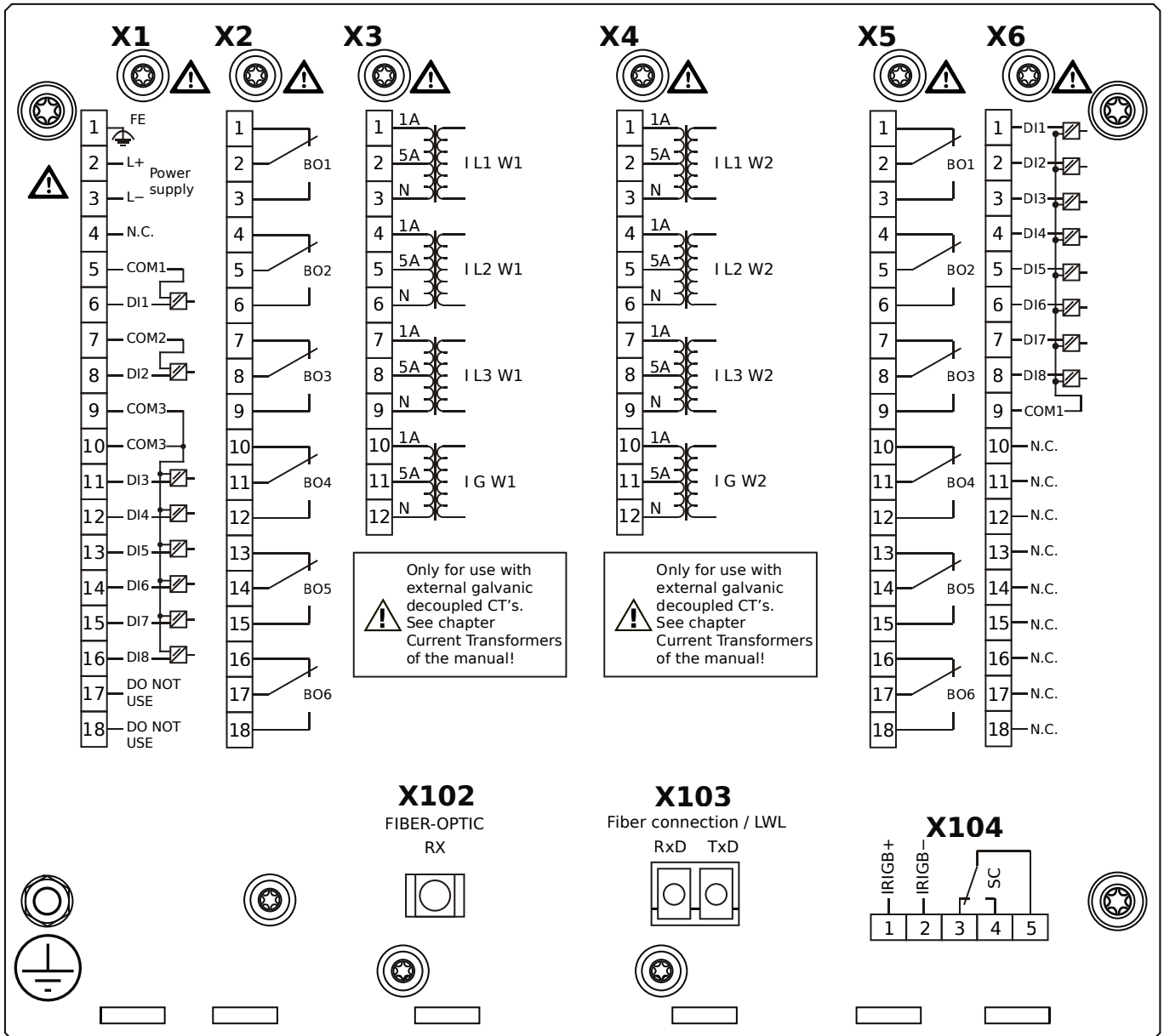
- X1** – DI8-X1: Wide-range power supply unit, incl. 2 non-grouped digital inputs and 6 grouped digital inputs
- X2** – OR-6: Assembly Group with 6 Relay Outputs
- X3** – TI-4: Standard current measuring card (for the winding side 1)
- X4** – TI-4: Standard current measuring card (for the winding side 2)
- X5** – OR-6: Assembly Group with 6 Relay Outputs
- X6** – DI8: Assembly Group with 8 Digital Inputs
- X102** – Universal Resistance-Temperature Detector (URTD) input, Fiber optics interface, Versatile Link
- X103** – IEC 61850 / Modbus TCP / DNP3.0 TCP/UDP, Fiber optics interface, LC Connector
- X104** – IRIG-B00X, incl. System Contact (Supervision Contact)

MRDT4-2D0ALA



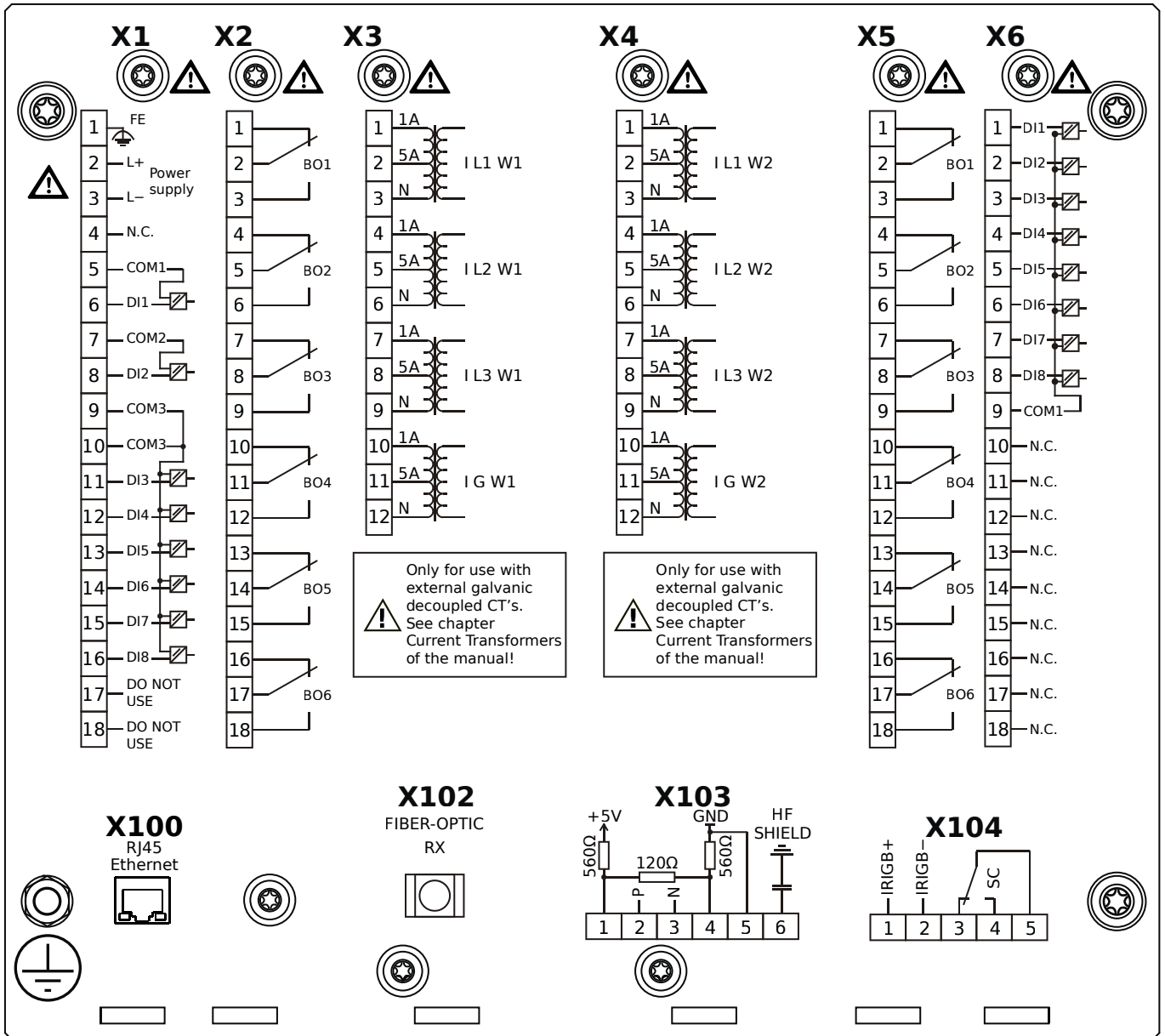
- X1** – DI8-X1: Wide-range power supply unit, incl. 2 non-grouped digital inputs and 6 grouped digital inputs
- X2** – OR-6: Assembly Group with 6 Relay Outputs
- X3** – TI-4: Standard current measuring card (for the winding side 1)
- X4** – TI-4: Standard current measuring card (for the winding side 2)
- X5** – OR-6: Assembly Group with 6 Relay Outputs
- X6** – DI8: Assembly Group with 8 Digital Inputs
- X102** – Universal Resistance-Temperature Detector (URTD) input, Fiber optics interface, Versatile Link
- X103** – Modbus TCP / DNP3.0 TCP/UDP, Fiber optics interface, LC Connector
- X104** – IRIG-B00X, incl. System Contact (Supervision Contact)

MRDT4-2D0ALB



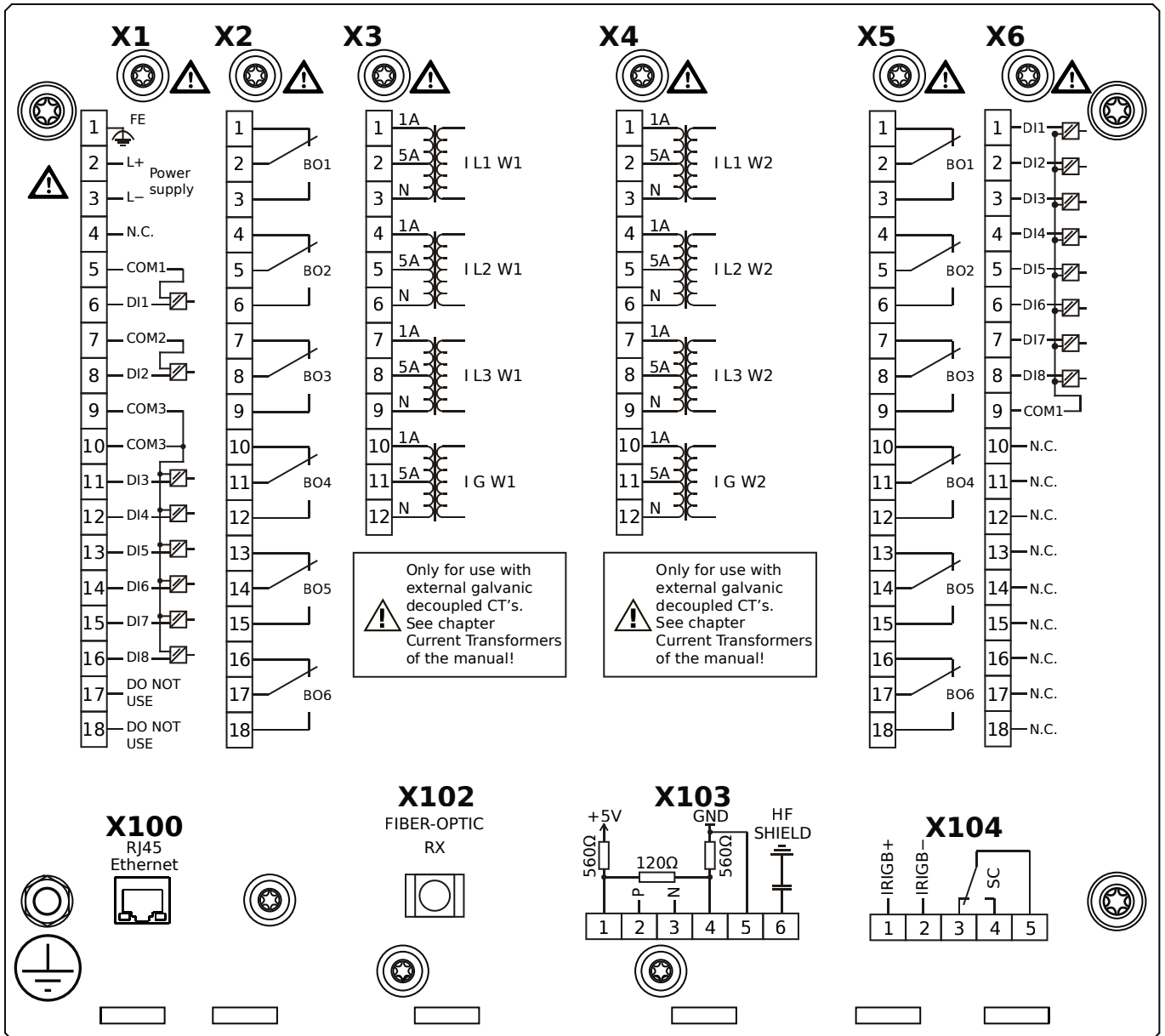
- X1** – DI8-X1: Wide-range power supply unit, incl. 2 non-grouped digital inputs and 6 grouped digital inputs
- X2** – OR-6: Assembly Group with 6 Relay Outputs
- X3** – TI-4: Standard current measuring card (for the winding side 1)
- X4** – TI-4: Standard current measuring card (for the winding side 2)
- X5** – OR-6: Assembly Group with 6 Relay Outputs
- X6** – DI8: Assembly Group with 8 Digital Inputs
- X102** – Universal Resistance-Temperature Detector (URTD) input, Fiber optics interface, Versatile Link
- X103** – Modbus TCP / DNP3.0 TCP/UDP, Fiber optics interface, LC Connector
- X104** – IRIG-B00X, incl. System Contact (Supervision Contact)

MRDT4-2D0ATA



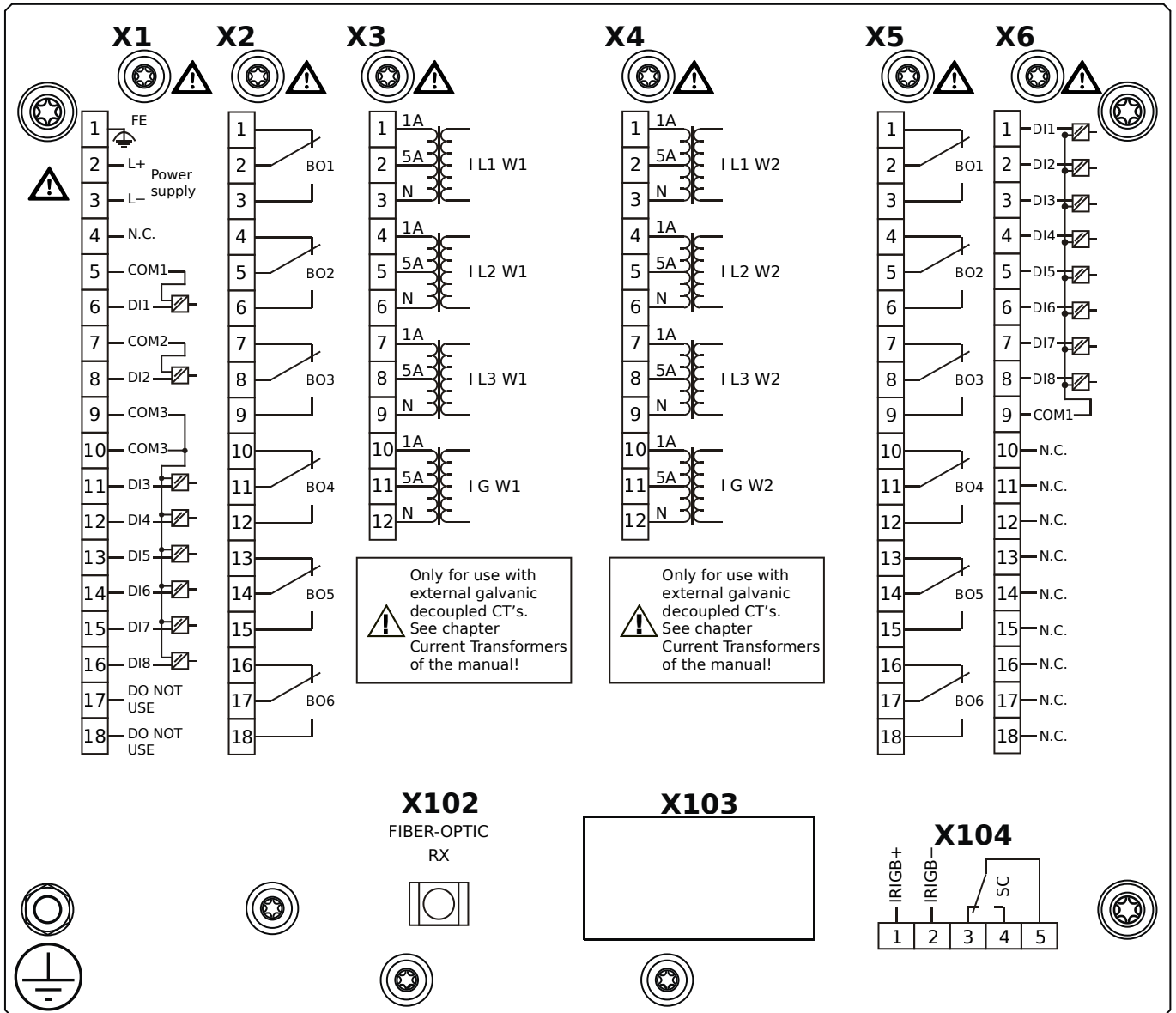
- X1** – DI8-X1: Wide-range power supply unit, incl. 2 non-grouped digital inputs and 6 grouped digital inputs
- X2** – OR-6: Assembly Group with 6 Relay Outputs
- X3** – TI-4: Standard current measuring card (for the winding side 1)
- X4** – TI-4: Standard current measuring card (for the winding side 2)
- X5** – OR-6: Assembly Group with 6 Relay Outputs
- X6** – DI8: Assembly Group with 8 Digital Inputs
- X100** – IEC 61850 / Modbus TCP / DNP3.0 TCP/UDP, Ethernet interface, 100 Mbit/s, RJ45 (BASE100-FX)
- X102** – Universal Resistance-Temperature Detector (URTD) input, Fiber optics interface, Versatile Link
- X103** – IEC 60870-5-103 / Modbus RTU / DNP3.0 RTU, RS485, Terminals
- X104** – IRIG-B00X, incl. System Contact (Supervision Contact)

MRDT4-2D0ATB



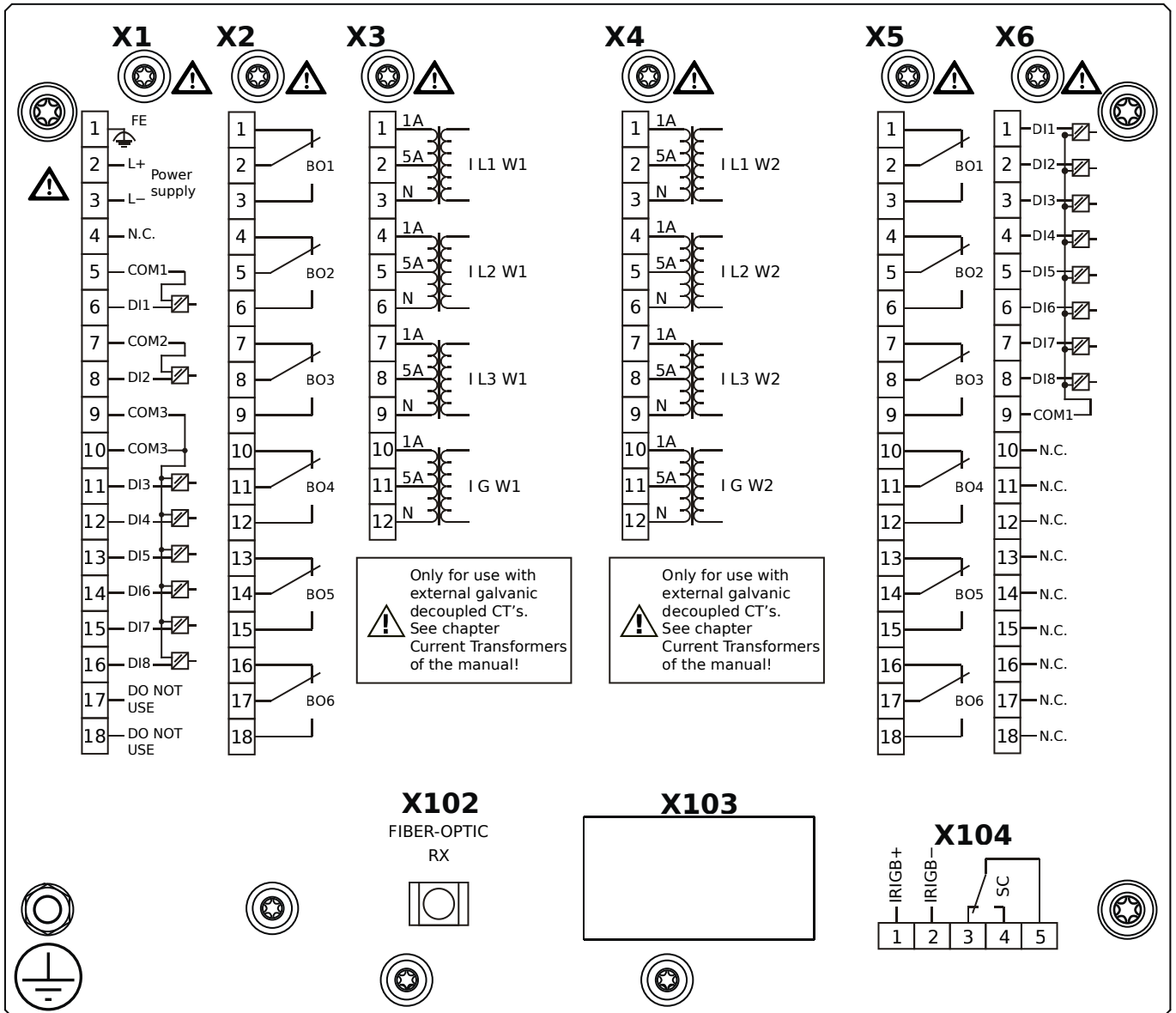
- X1** – DI8-X1: Wide-range power supply unit, incl. 2 non-grouped digital inputs and 6 grouped digital inputs
- X2** – OR-6: Assembly Group with 6 Relay Outputs
- X3** – TI-4: Standard current measuring card (for the winding side 1)
- X4** – TI-4: Standard current measuring card (for the winding side 2)
- X5** – OR-6: Assembly Group with 6 Relay Outputs
- X6** – DI8: Assembly Group with 8 Digital Inputs
- X100** – IEC 61850 / Modbus TCP / DNP3.0 TCP/UDP, Ethernet interface, 100 Mbit/s, RJ45 (BASE100-FX)
- X102** – Universal Resistance-Temperature Detector (URTD) input, Fiber optics interface, Versatile Link
- X103** – IEC 60870-5-103 / Modbus RTU / DNP3.0 RTU, RS485, Terminals
- X104** – IRIG-B00X, incl. System Contact (Supervision Contact)

MRDT4-2D0BAA



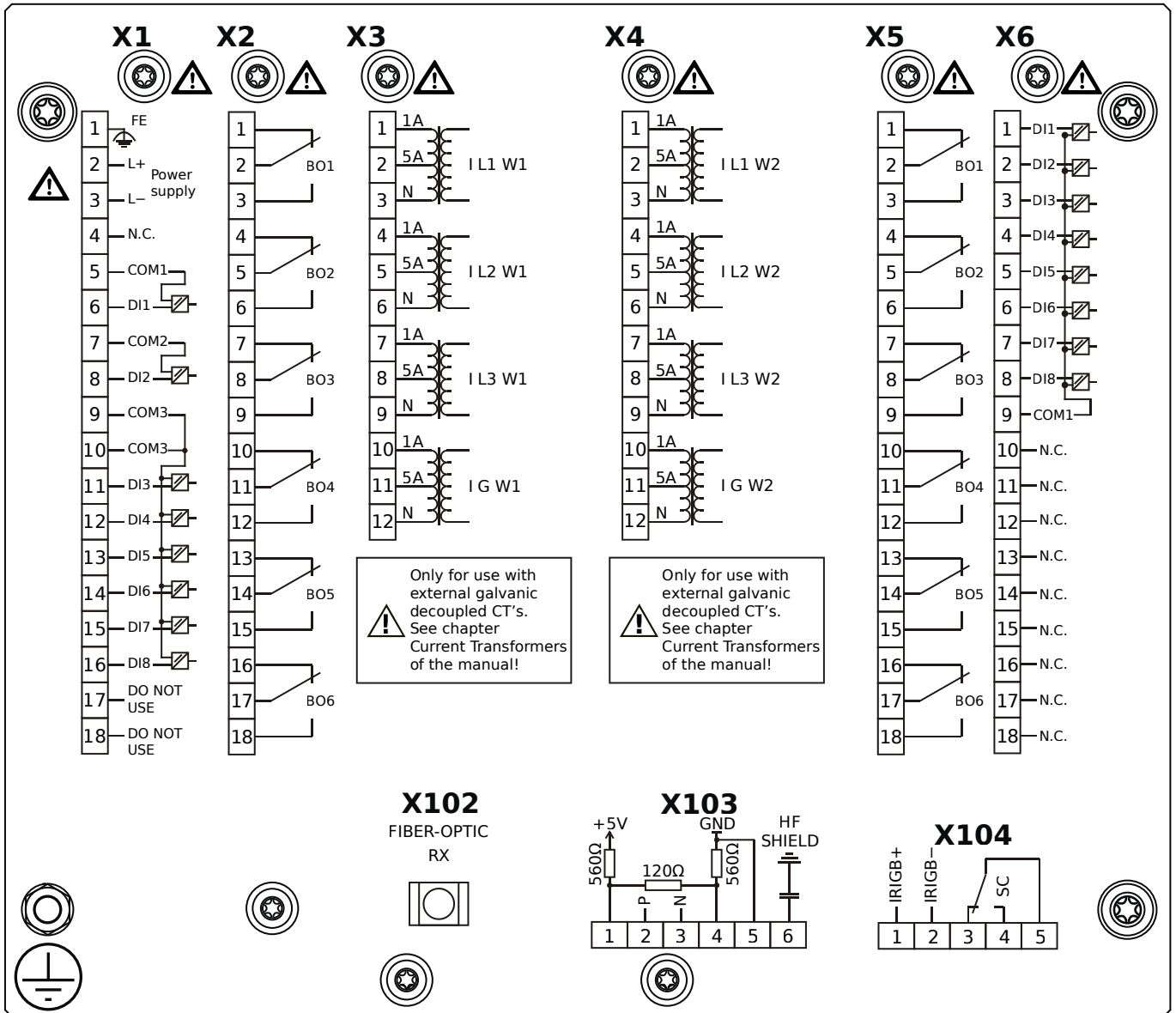
- X1** – DI8-X1: Wide-range power supply unit, incl. 2 non-grouped digital inputs and 6 grouped digital inputs
- X2** – OR-6: Assembly Group with 6 Relay Outputs
- X3** – TI-4: Standard current measuring card (for the winding side 1)
- X4** – TI-4: Standard current measuring card (for the winding side 2)
- X5** – OR-6: Assembly Group with 6 Relay Outputs
- X6** – DI8: Assembly Group with 8 Digital Inputs
- X102** – Universal Resistance-Temperature Detector (URTD) input, Fiber optics interface, Versatile Link
- X104** – IRIG-B00X, incl. System Contact (Supervision Contact)

MRDT4-2D0BAB



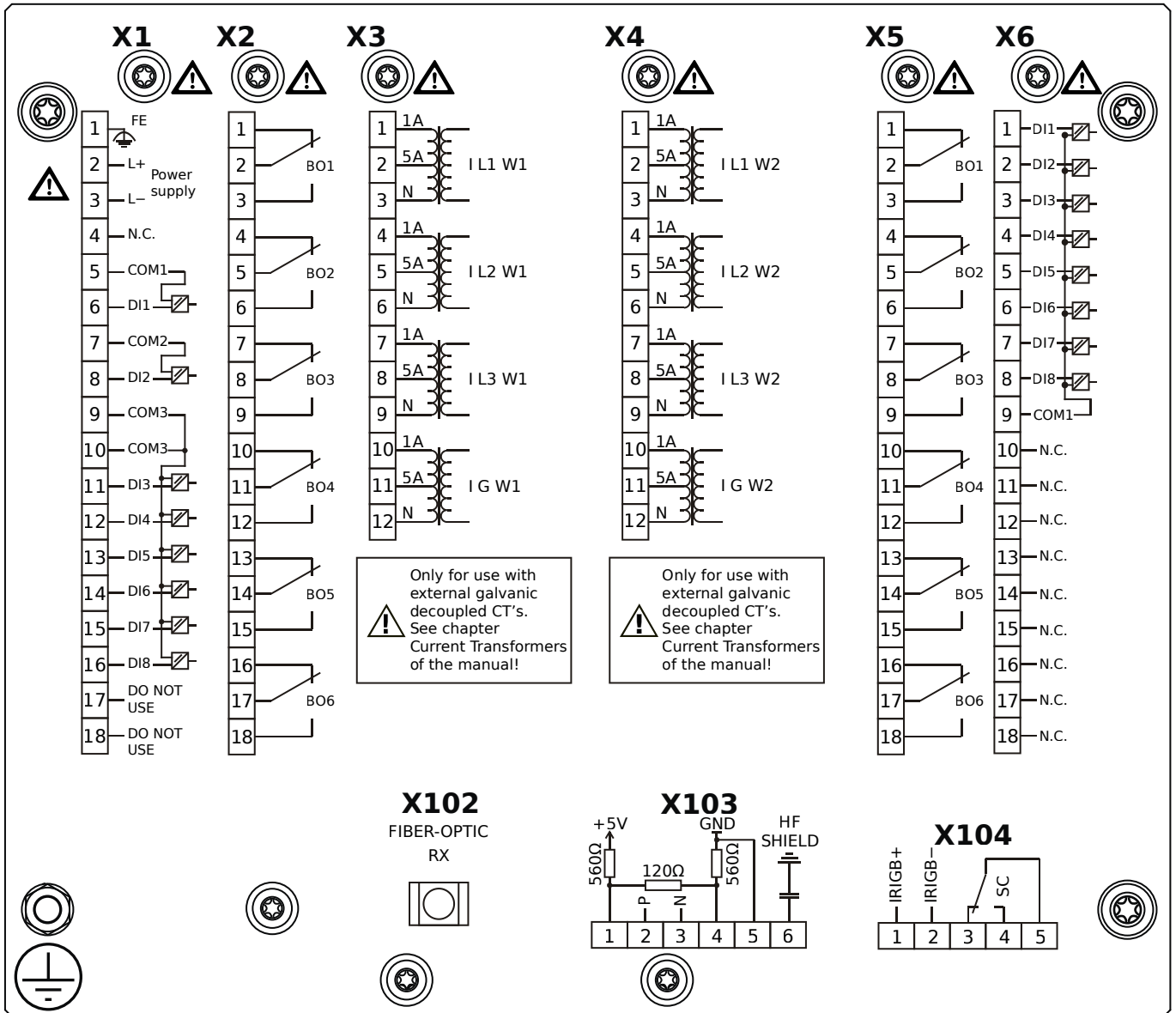
- X1** – DI8-X1: Wide-range power supply unit, incl. 2 non-grouped digital inputs and 6 grouped digital inputs
- X2** – OR-6: Assembly Group with 6 Relay Outputs
- X3** – TI-4: Standard current measuring card (for the winding side 1)
- X4** – TI-4: Standard current measuring card (for the winding side 2)
- X5** – OR-6: Assembly Group with 6 Relay Outputs
- X6** – DI8: Assembly Group with 8 Digital Inputs
- X102** – Universal Resistance-Temperature Detector (URTD) input, Fiber optics interface, Versatile Link
- X104** – IRIG-B00X, incl. System Contact (Supervision Contact)

MRDT4-2D0BBA



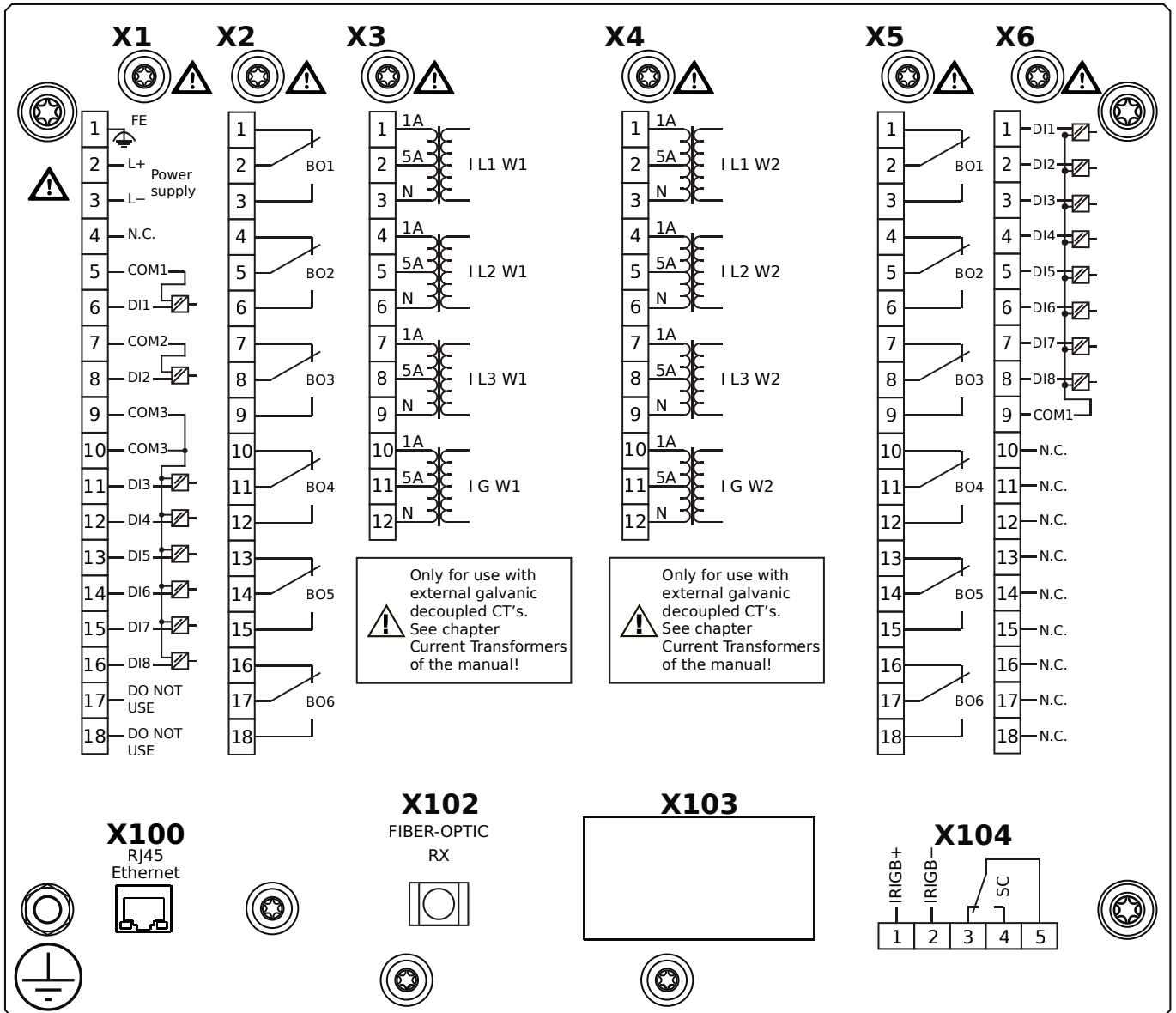
- X1** – DI8-X1: Wide-range power supply unit, incl. 2 non-grouped digital inputs and 6 grouped digital inputs
- X2** – OR-6: Assembly Group with 6 Relay Outputs
- X3** – TI-4: Standard current measuring card (for the winding side 1)
- X4** – TI-4: Standard current measuring card (for the winding side 2)
- X5** – OR-6: Assembly Group with 6 Relay Outputs
- X6** – DI8: Assembly Group with 8 Digital Inputs
- X102** – Universal Resistance-Temperature Detector (URTD) input, Fiber optics interface, Versatile Link
- X103** – Modbus RTU / IEC 60870-5-103 / DNP3.0 RTU, RS485, Terminals
- X104** – IRIG-B00X, incl. System Contact (Supervision Contact)

MRDT4-2D0BBB



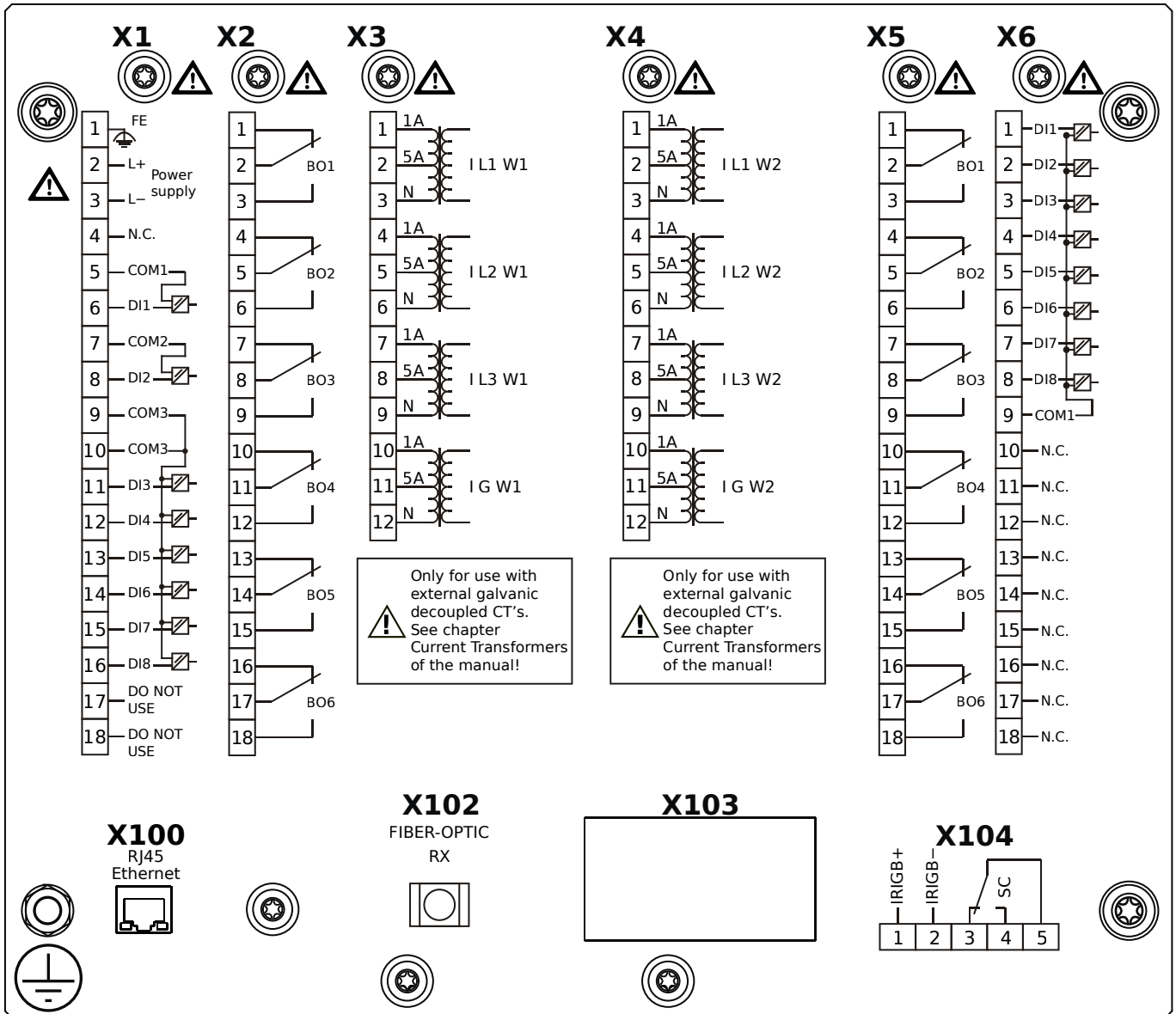
- X1** – DI8-X1: Wide-range power supply unit, incl. 2 non-grouped digital inputs and 6 grouped digital inputs
- X2** – OR-6: Assembly Group with 6 Relay Outputs
- X3** – TI-4: Standard current measuring card (for the winding side 1)
- X4** – TI-4: Standard current measuring card (for the winding side 2)
- X5** – OR-6: Assembly Group with 6 Relay Outputs
- X6** – DI8: Assembly Group with 8 Digital Inputs
- X102** – Universal Resistance-Temperature Detector (URTD) input, Fiber optics interface, Versatile Link
- X103** – Modbus RTU / IEC 60870-5-103 / DNP3.0 RTU, RS485, Terminals
- X104** – IRIG-B00X, incl. System Contact (Supervision Contact)

MRDT4-2D0BCA



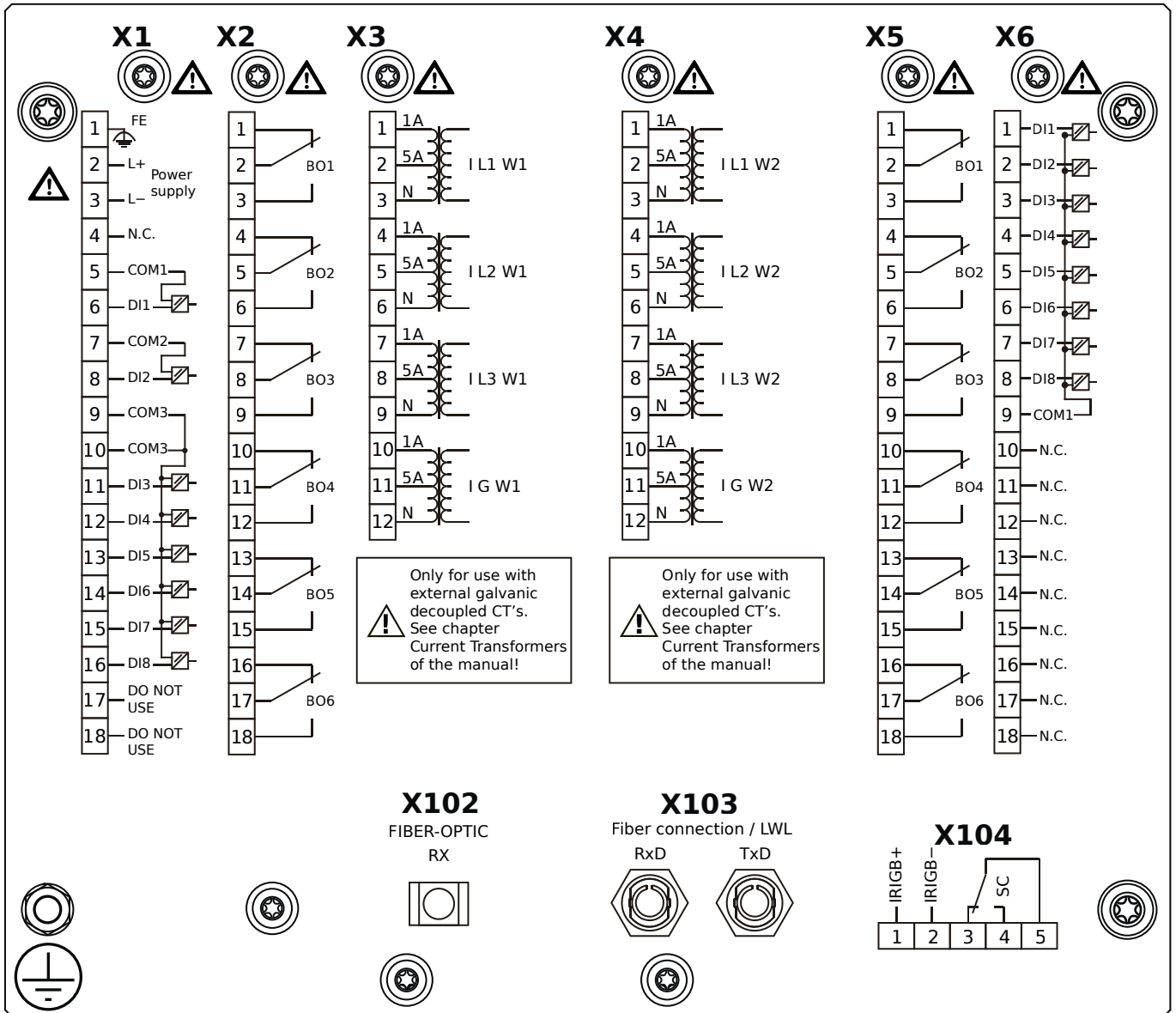
- X1** – DI8-X1: Wide-range power supply unit, incl. 2 non-grouped digital inputs and 6 grouped digital inputs
- X2** – OR-6: Assembly Group with 6 Relay Outputs
- X3** – TI-4: Standard current measuring card (for the winding side 1)
- X4** – TI-4: Standard current measuring card (for the winding side 2)
- X5** – OR-6: Assembly Group with 6 Relay Outputs
- X6** – DI8: Assembly Group with 8 Digital Inputs
- X100** – Modbus TCP / DNP3.0 TCP/UDP, Ethernet interface, 100 Mbit/s, RJ45 (BASE100-FX)
- X102** – Universal Resistance-Temperature Detector (URTD) input, Fiber optics interface, Versatile Link
- X104** – IRIG-B00X, incl. System Contact (Supervision Contact)

MRDT4-2D0BCB



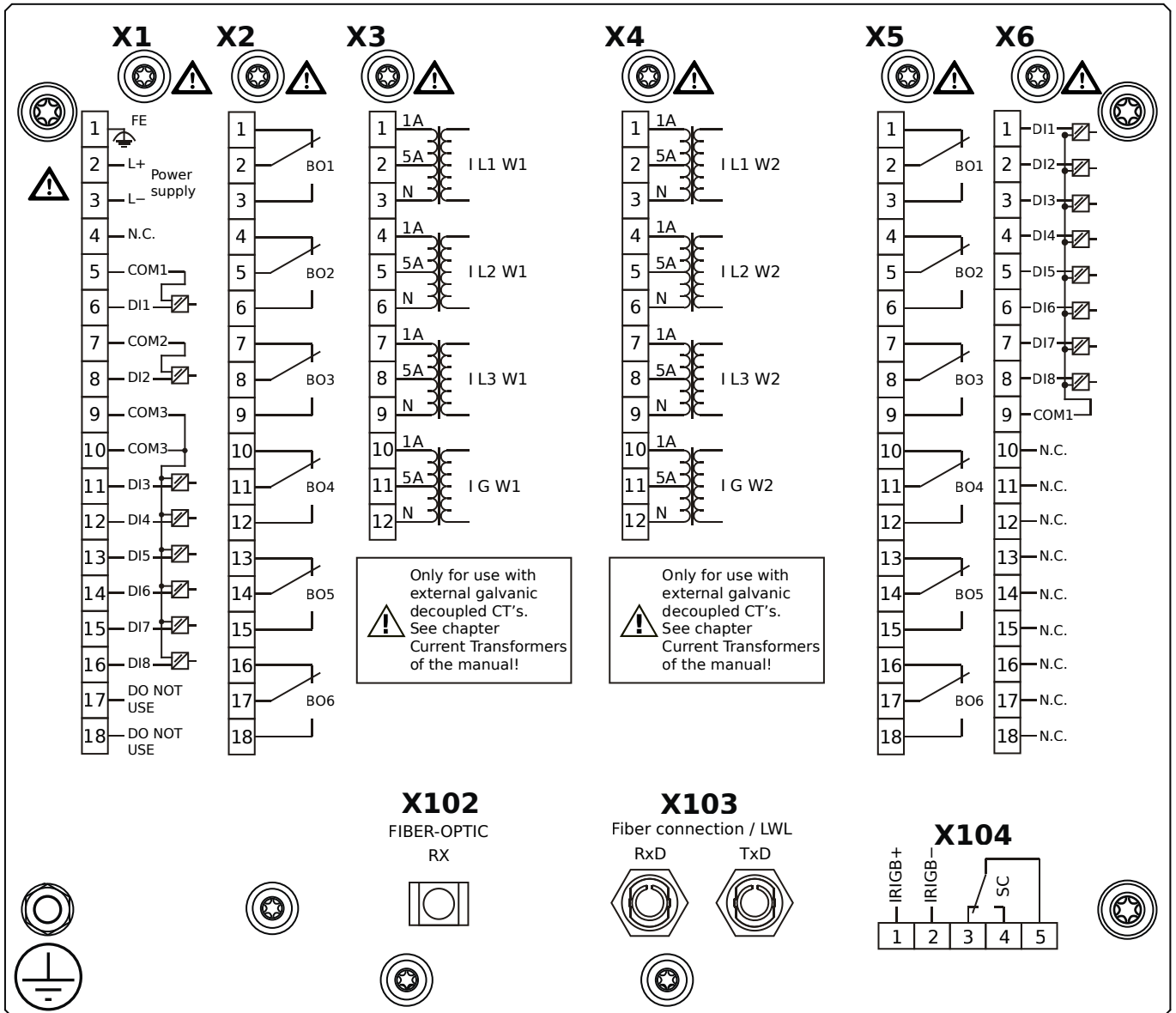
- X1** – DI8-X1: Wide-range power supply unit, incl. 2 non-grouped digital inputs and 6 grouped digital inputs
- X2** – OR-6: Assembly Group with 6 Relay Outputs
- X3** – TI-4: Standard current measuring card (for the winding side 1)
- X4** – TI-4: Standard current measuring card (for the winding side 2)
- X5** – OR-6: Assembly Group with 6 Relay Outputs
- X6** – DI8: Assembly Group with 8 Digital Inputs
- X100** – Modbus TCP / DNP3.0 TCP/UDP, Ethernet interface, 100 Mbit/s, RJ45 (BASE100-FX)
- X102** – Universal Resistance-Temperature Detector (URTD) input, Fiber optics interface, Versatile Link
- X104** – IRIG-B00X, incl. System Contact (Supervision Contact)

MRDT4-2D0BDA



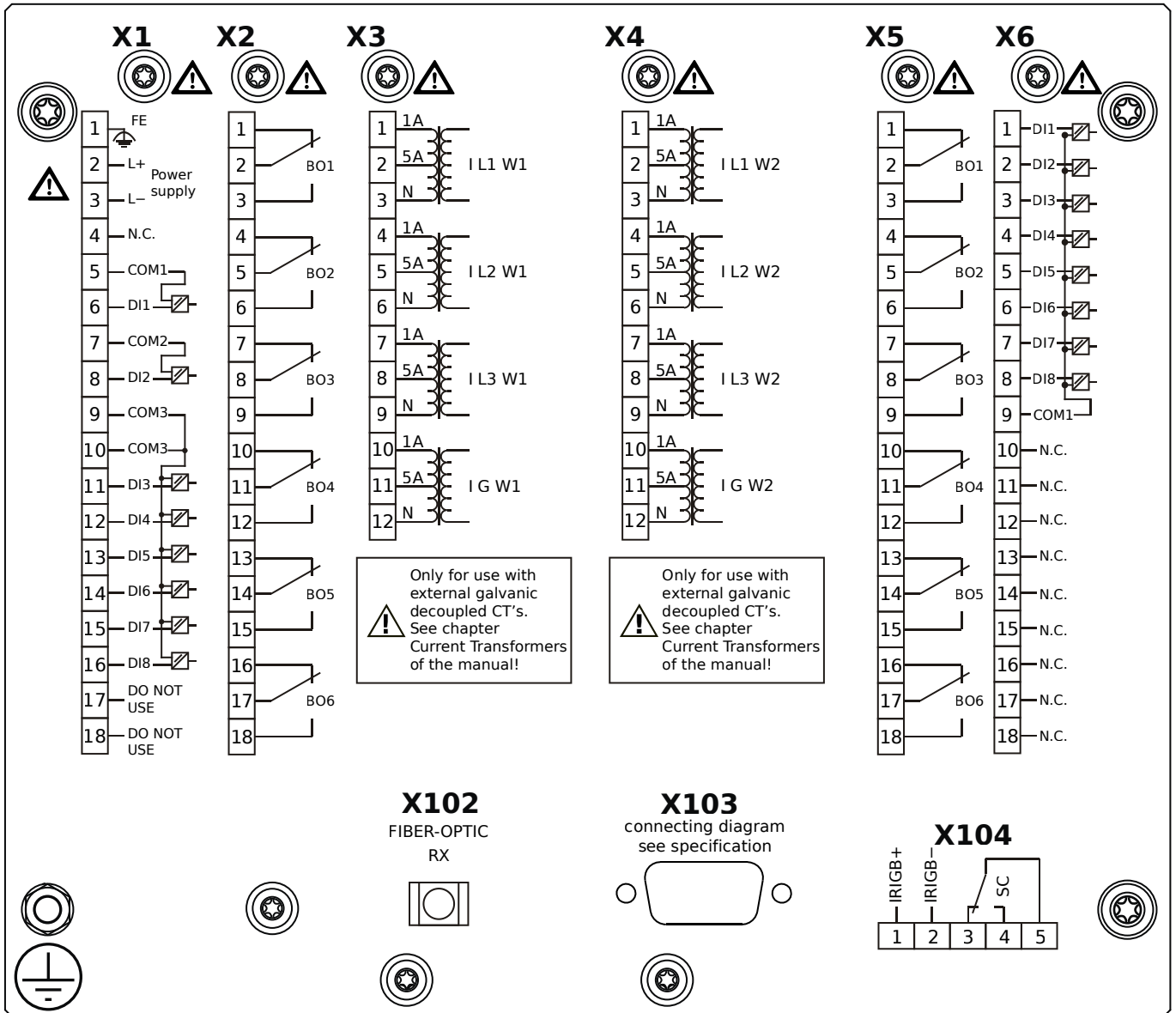
- X1** – DI8-X1: Wide-range power supply unit, incl. 2 non-grouped digital inputs and 6 grouped digital inputs
- X2** – OR-6: Assembly Group with 6 Relay Outputs
- X3** – TI-4: Standard current measuring card (for the winding side 1)
- X4** – TI-4: Standard current measuring card (for the winding side 2)
- X5** – OR-6: Assembly Group with 6 Relay Outputs
- X6** – DI8: Assembly Group with 8 Digital Inputs
- X102** – Universal Resistance-Temperature Detector (URTD) input, Fiber optics interface, Versatile Link
- X103** – Profibus-DP, Fiber optics interface, ST Connector
- X104** – IRIG-B00X, incl. System Contact (Supervision Contact)

MRDT4-2D0BDB



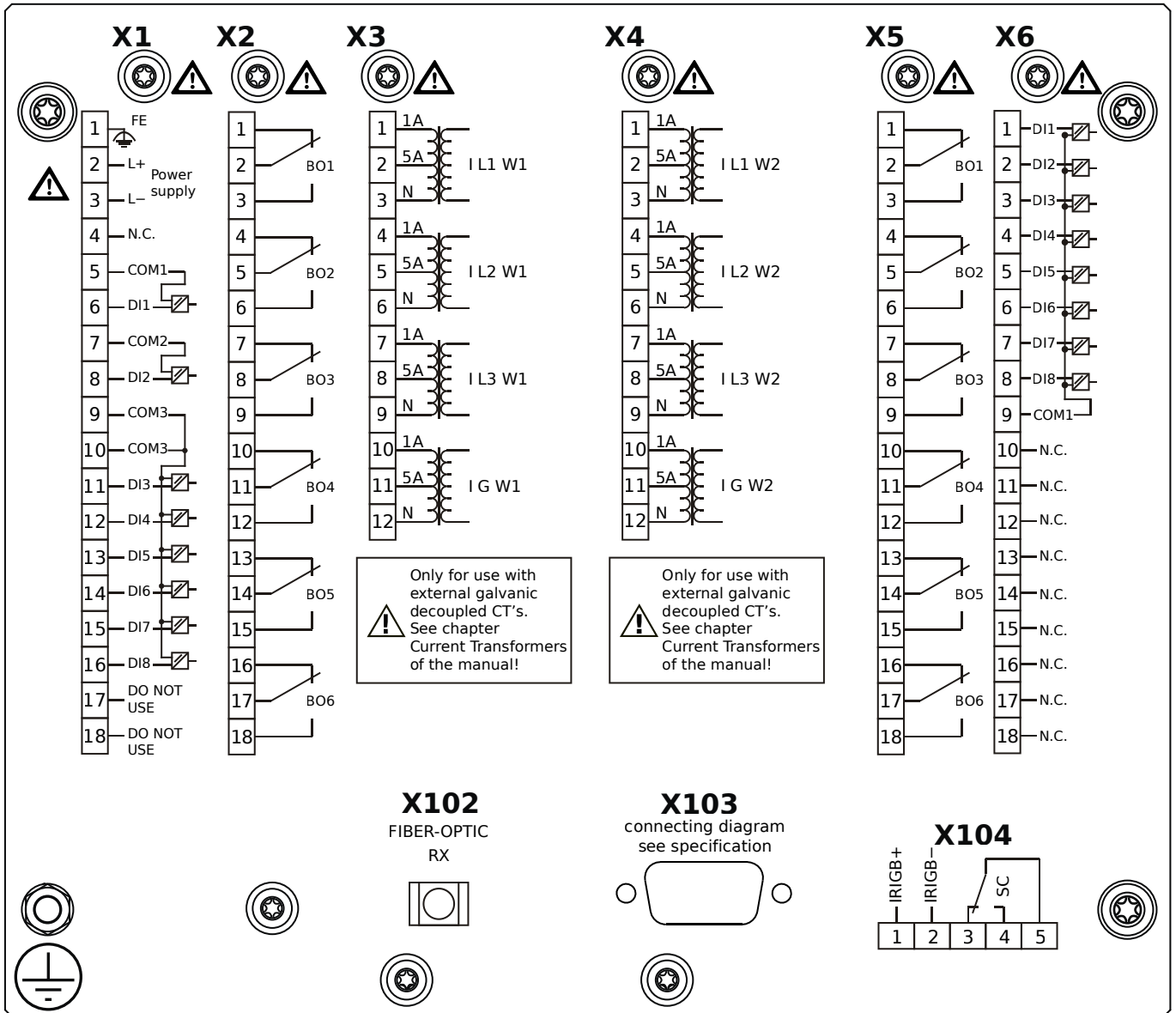
- X1** – DI8-X1: Wide-range power supply unit, incl. 2 non-grouped digital inputs and 6 grouped digital inputs
- X2** – OR-6: Assembly Group with 6 Relay Outputs
- X3** – TI-4: Standard current measuring card (for the winding side 1)
- X4** – TI-4: Standard current measuring card (for the winding side 2)
- X5** – OR-6: Assembly Group with 6 Relay Outputs
- X6** – DI8: Assembly Group with 8 Digital Inputs
- X102** – Universal Resistance-Temperature Detector (URTD) input, Fiber optics interface, Versatile Link
- X103** – Profibus-DP, Fiber optics interface, ST Connector
- X104** – IRIG-B00X, incl. System Contact (Supervision Contact)

MRDT4-2D0BEA



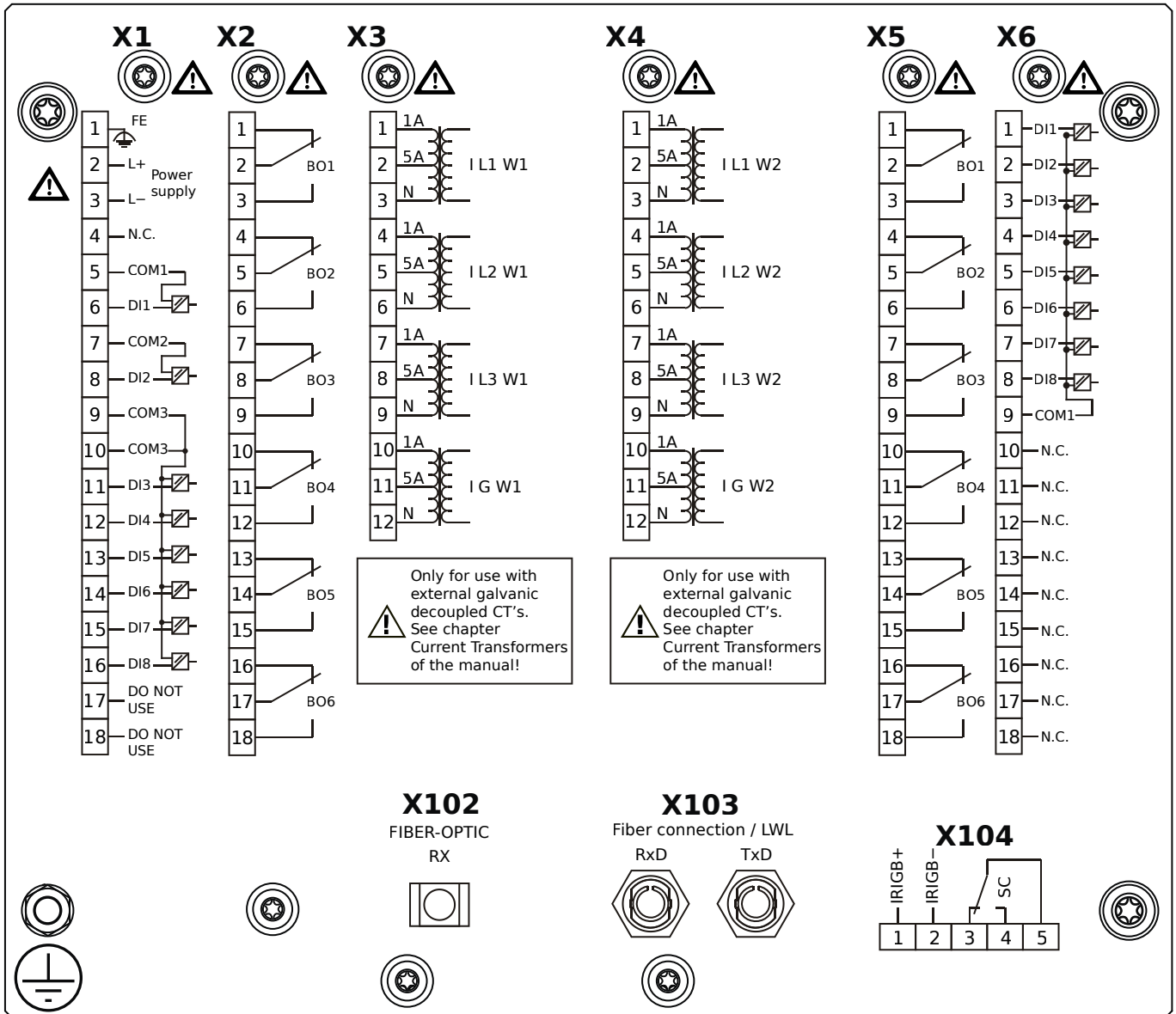
- X1** – DI8-X1: Wide-range power supply unit, incl. 2 non-grouped digital inputs and 6 grouped digital inputs
- X2** – OR-6: Assembly Group with 6 Relay Outputs
- X3** – TI-4: Standard current measuring card (for the winding side 1)
- X4** – TI-4: Standard current measuring card (for the winding side 2)
- X5** – OR-6: Assembly Group with 6 Relay Outputs
- X6** – DI8: Assembly Group with 8 Digital Inputs
- X102** – Universal Resistance-Temperature Detector (URTD) input, Fiber optics interface, Versatile Link
- X103** – Profibus-DP, RS485, D-SUB
- X104** – IRIG-B00X, incl. System Contact (Supervision Contact)

MRDT4-2D0BEB



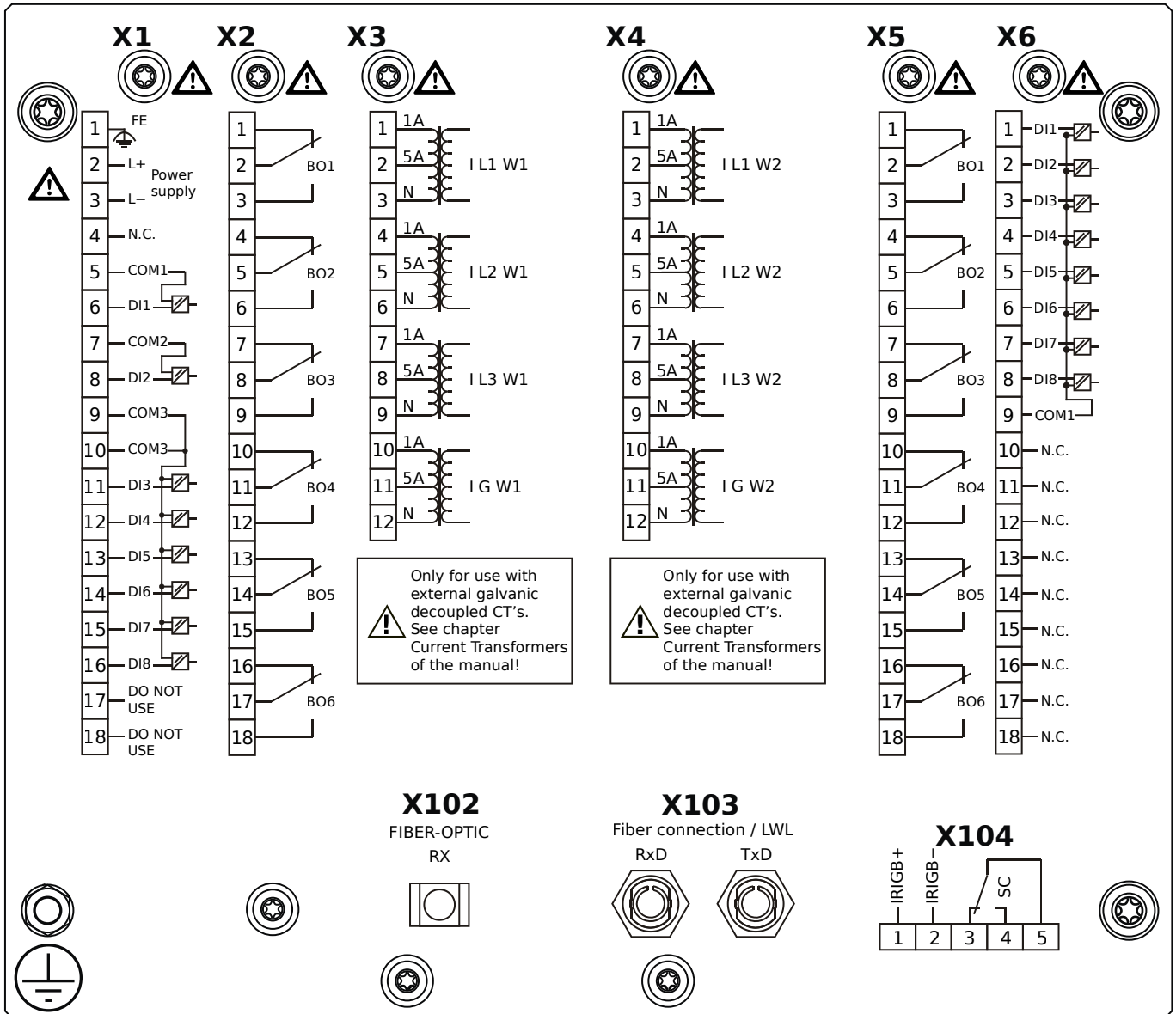
- X1** – DI8-X1: Wide-range power supply unit, incl. 2 non-grouped digital inputs and 6 grouped digital inputs
- X2** – OR-6: Assembly Group with 6 Relay Outputs
- X3** – TI-4: Standard current measuring card (for the winding side 1)
- X4** – TI-4: Standard current measuring card (for the winding side 2)
- X5** – OR-6: Assembly Group with 6 Relay Outputs
- X6** – DI8: Assembly Group with 8 Digital Inputs
- X102** – Universal Resistance-Temperature Detector (URTD) input, Fiber optics interface, Versatile Link
- X103** – Profibus-DP, RS485, D-SUB
- X104** – IRIG-B00X, incl. System Contact (Supervision Contact)

MRDT4-2D0BFA



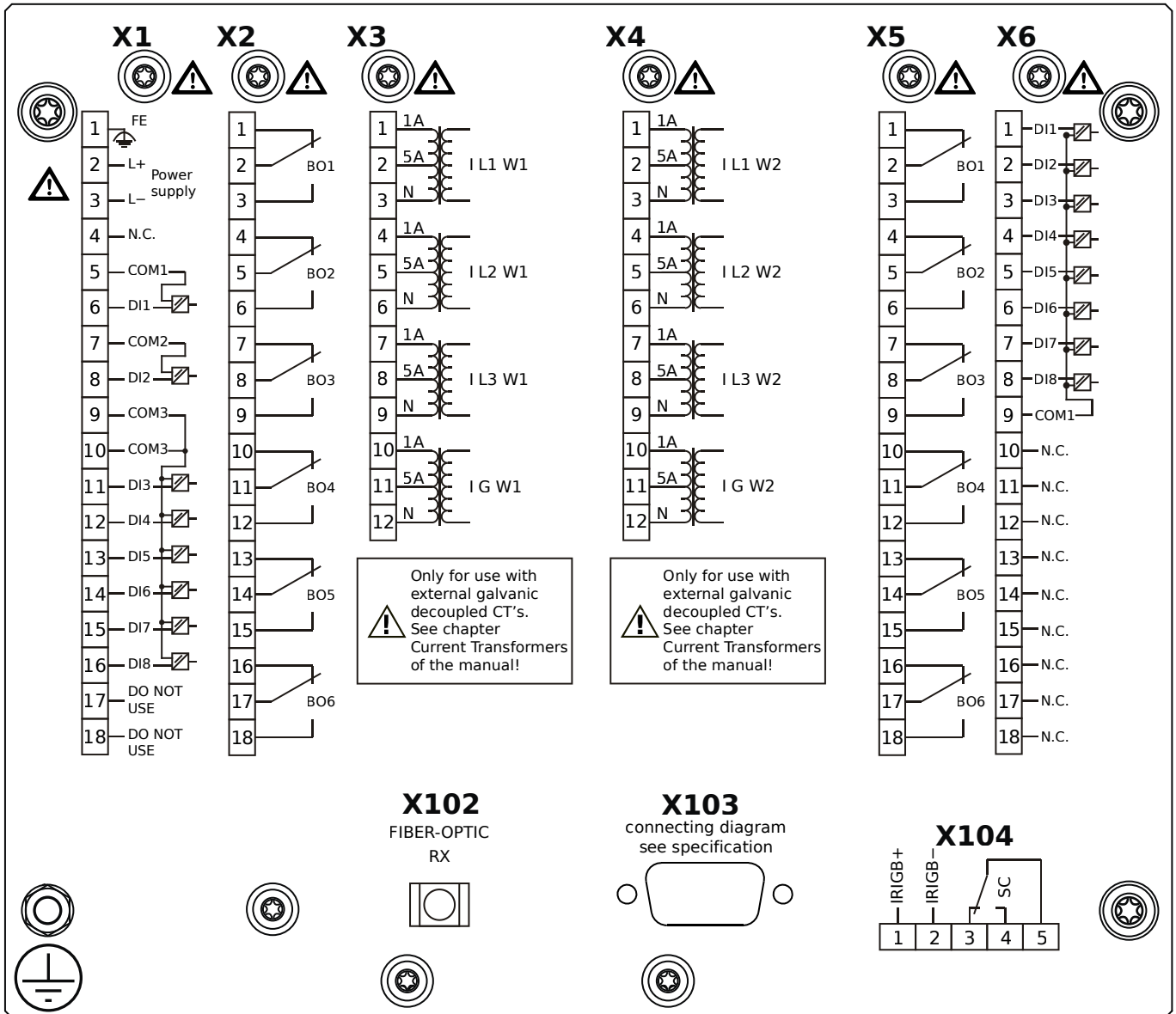
- X1** – DI8-X1: Wide-range power supply unit, incl. 2 non-grouped digital inputs and 6 grouped digital inputs
- X2** – OR-6: Assembly Group with 6 Relay Outputs
- X3** – TI-4: Standard current measuring card (for the winding side 1)
- X4** – TI-4: Standard current measuring card (for the winding side 2)
- X5** – OR-6: Assembly Group with 6 Relay Outputs
- X6** – DI8: Assembly Group with 8 Digital Inputs
- X102** – Universal Resistance-Temperature Detector (URTD) input, Fiber optics interface, Versatile Link
- X103** – Modbus RTU / IEC 60870-5-103 / DNP3.0 RTU, Fiber optics interface, ST Connector
- X104** – IRIG-B00X, incl. System Contact (Supervision Contact)

MRDT4-2D0BFB



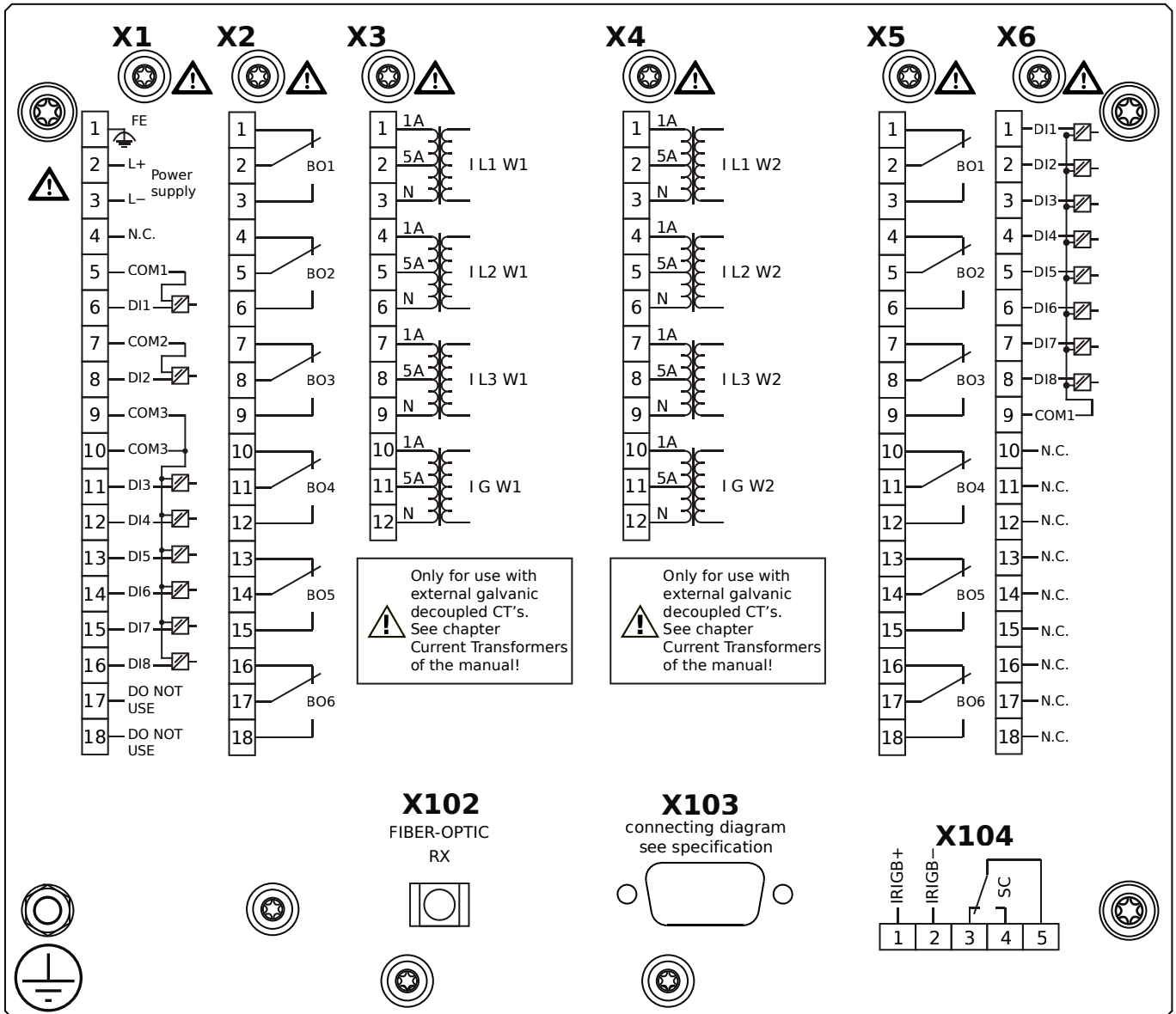
- X1** – DI8-X1: Wide-range power supply unit, incl. 2 non-grouped digital inputs and 6 grouped digital inputs
- X2** – OR-6: Assembly Group with 6 Relay Outputs
- X3** – TI-4: Standard current measuring card (for the winding side 1)
- X4** – TI-4: Standard current measuring card (for the winding side 2)
- X5** – OR-6: Assembly Group with 6 Relay Outputs
- X6** – DI8: Assembly Group with 8 Digital Inputs
- X102** – Universal Resistance-Temperature Detector (URTD) input, Fiber optics interface, Versatile Link
- X103** – Modbus RTU / IEC 60870-5-103 / DNP3.0 RTU, Fiber optics interface, ST Connector
- X104** – IRIG-B00X, incl. System Contact (Supervision Contact)

MRDT4-2D0BGA



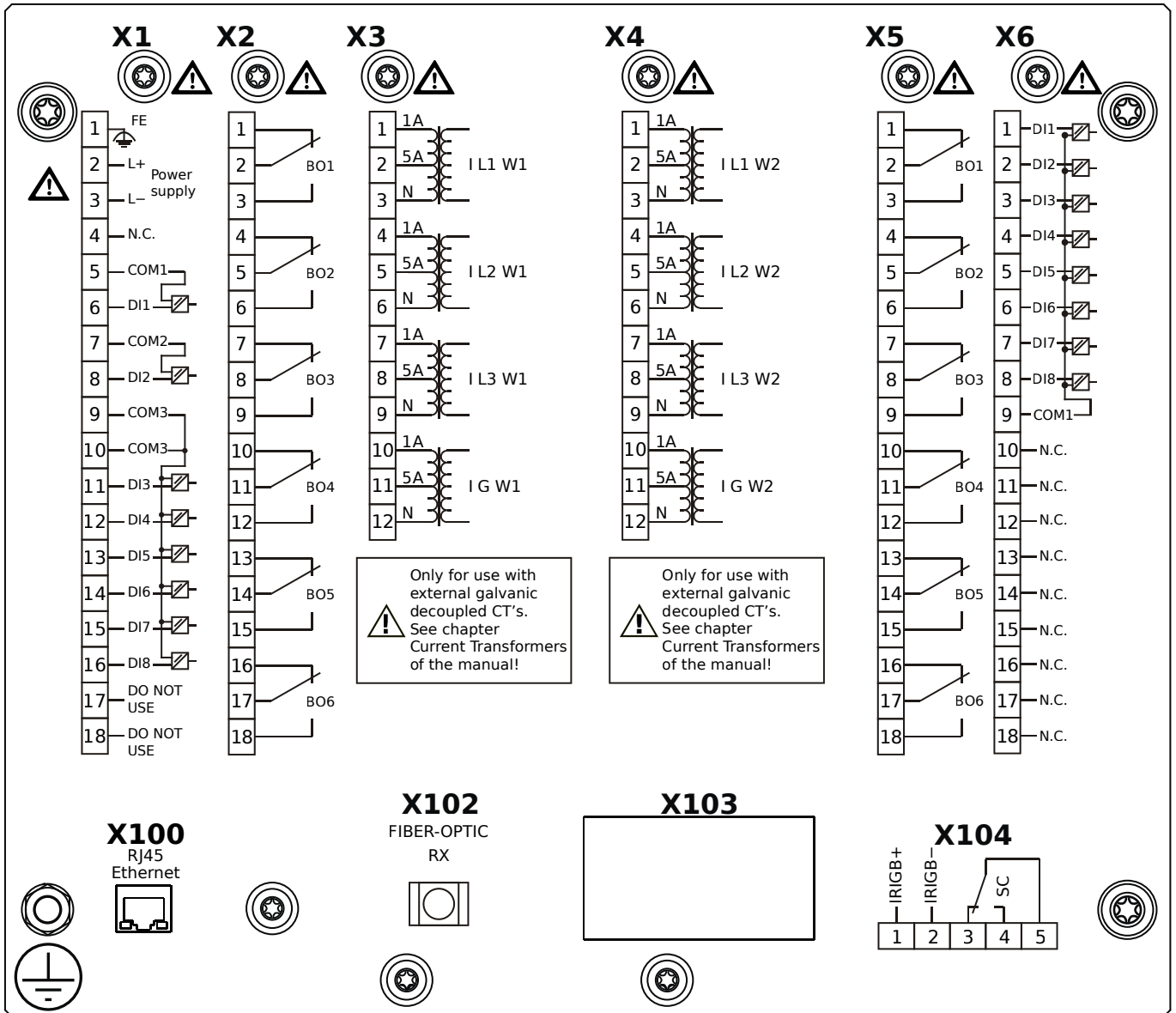
- X1** – DI8-X1: Wide-range power supply unit, incl. 2 non-grouped digital inputs and 6 grouped digital inputs
- X2** – OR-6: Assembly Group with 6 Relay Outputs
- X3** – TI-4: Standard current measuring card (for the winding side 1)
- X4** – TI-4: Standard current measuring card (for the winding side 2)
- X5** – OR-6: Assembly Group with 6 Relay Outputs
- X6** – DI8: Assembly Group with 8 Digital Inputs
- X102** – Universal Resistance-Temperature Detector (URTD) input, Fiber optics interface, Versatile Link
- X103** – Modbus RTU / IEC 60870-5-103 / DNP3.0 RTU, RS485, D-SUB
- X104** – IRIG-B00X, incl. System Contact (Supervision Contact)

MRDT4-2D0BGB



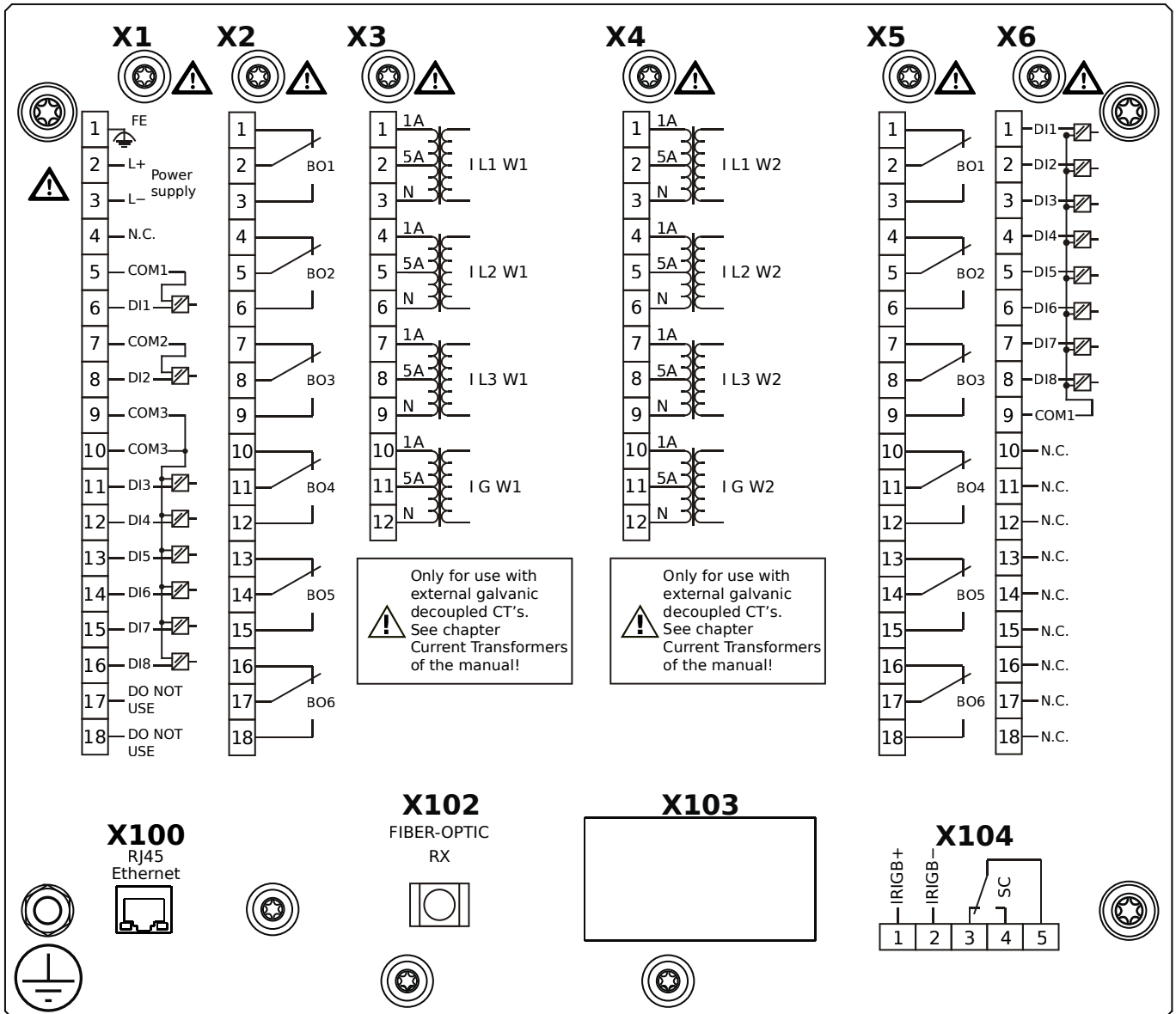
- X1** – DI8-X1: Wide-range power supply unit, incl. 2 non-grouped digital inputs and 6 grouped digital inputs
- X2** – OR-6: Assembly Group with 6 Relay Outputs
- X3** – TI-4: Standard current measuring card (for the winding side 1)
- X4** – TI-4: Standard current measuring card (for the winding side 2)
- X5** – OR-6: Assembly Group with 6 Relay Outputs
- X6** – DI8: Assembly Group with 8 Digital Inputs
- X102** – Universal Resistance-Temperature Detector (URTD) input, Fiber optics interface, Versatile Link
- X103** – Modbus RTU / IEC 60870-5-103 / DNP3.0 RTU, RS485, D-SUB
- X104** – IRIG-B00X, incl. System Contact (Supervision Contact)

MRDT4-2D0BHA



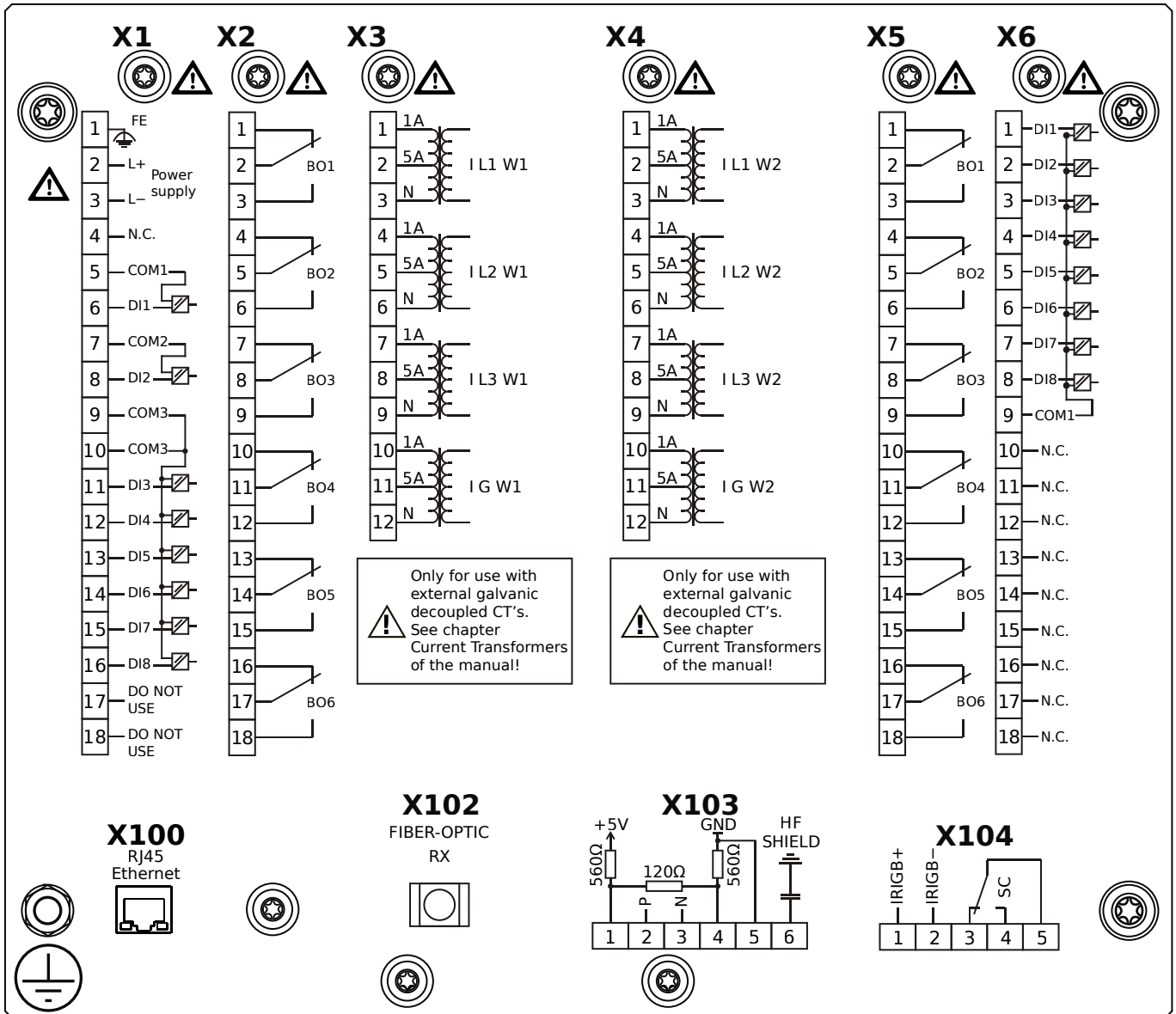
- X1** – DI8-X1: Wide-range power supply unit, incl. 2 non-grouped digital inputs and 6 grouped digital inputs
- X2** – OR-6: Assembly Group with 6 Relay Outputs
- X3** – TI-4: Standard current measuring card (for the winding side 1)
- X4** – TI-4: Standard current measuring card (for the winding side 2)
- X5** – OR-6: Assembly Group with 6 Relay Outputs
- X6** – DI8: Assembly Group with 8 Digital Inputs
- X100** – IEC 61850 / Modbus TCP / DNP3.0 TCP/UDP, Ethernet interface, 100 Mbit/s, RJ45 (BASE100-FX)
- X102** – Universal Resistance-Temperature Detector (URTD) input, Fiber optics interface, Versatile Link
- X104** – IRIG-B00X, incl. System Contact (Supervision Contact)

MRDT4-2D0BHB



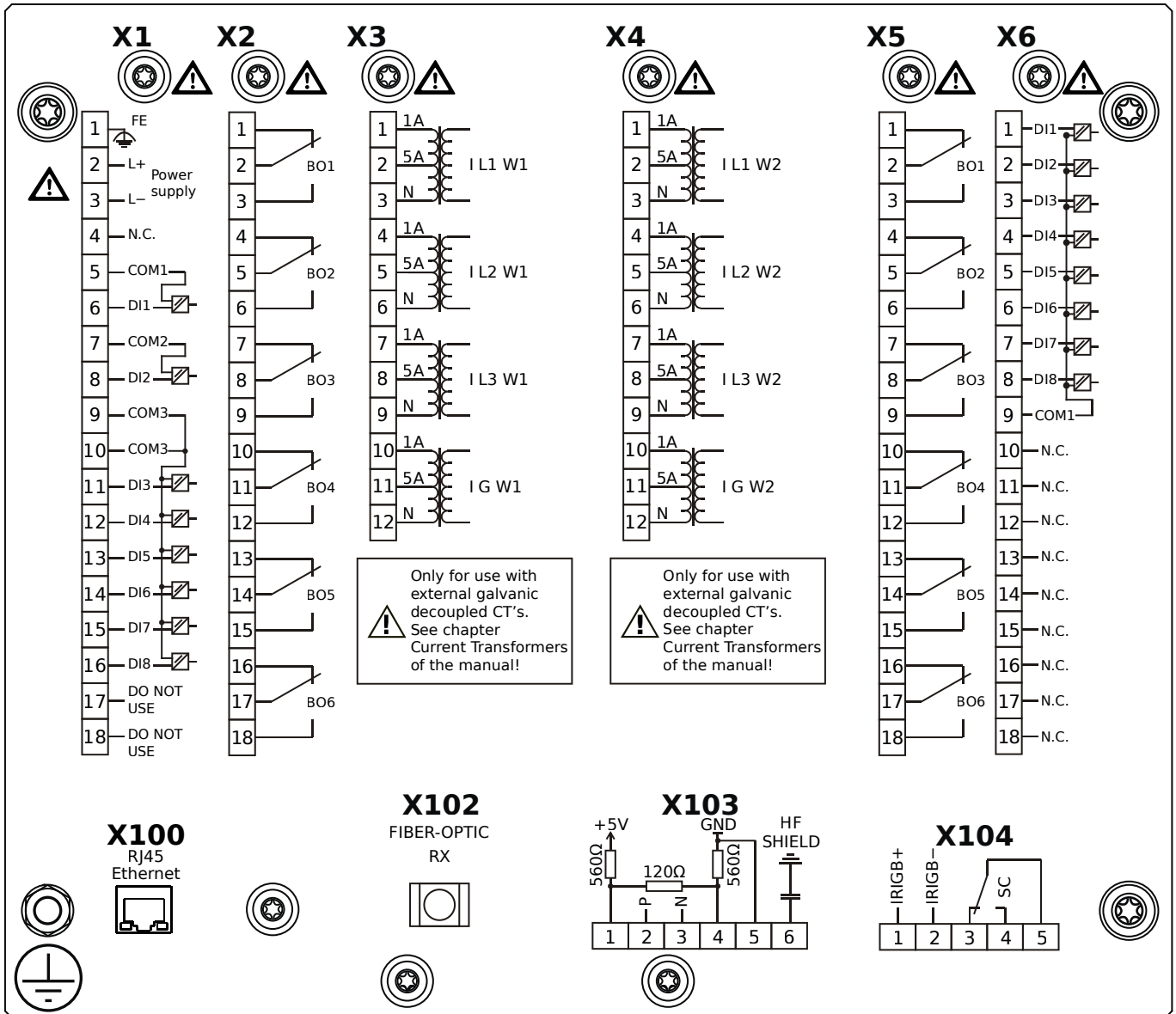
- X1** – DI8-X1: Wide-range power supply unit, incl. 2 non-grouped digital inputs and 6 grouped digital inputs
- X2** – OR-6: Assembly Group with 6 Relay Outputs
- X3** – TI-4: Standard current measuring card (for the winding side 1)
- X4** – TI-4: Standard current measuring card (for the winding side 2)
- X5** – OR-6: Assembly Group with 6 Relay Outputs
- X6** – DI8: Assembly Group with 8 Digital Inputs
- X100** – IEC 61850 / Modbus TCP / DNP3.0 TCP/UDP, Ethernet interface, 100 Mbit/s, RJ45 (BASE100-FX)
- X102** – Universal Resistance-Temperature Detector (URTD) input, Fiber optics interface, Versatile Link
- X104** – IRIG-B00X, incl. System Contact (Supervision Contact)

MRDT4-2D0BIA



- X1** – DI8-X1: Wide-range power supply unit, incl. 2 non-grouped digital inputs and 6 grouped digital inputs
- X2** – OR-6: Assembly Group with 6 Relay Outputs
- X3** – TI-4: Standard current measuring card (for the winding side 1)
- X4** – TI-4: Standard current measuring card (for the winding side 2)
- X5** – OR-6: Assembly Group with 6 Relay Outputs
- X6** – DI8: Assembly Group with 8 Digital Inputs
- X100** – Modbus TCP / DNP3.0 TCP/UDP, Ethernet interface, 100 Mbit/s, RJ45 (BASE100-FX)
- X102** – Universal Resistance-Temperature Detector (URTD) input, Fiber optics interface, Versatile Link
- X103** – IEC 60870-5-103 / Modbus RTU / DNP3.0 RTU, RS485, Terminals
- X104** – IRIG-B00X, incl. System Contact (Supervision Contact)

MRDT4-2D0BIB



X1 – DI8-X1: Wide-range power supply unit, incl. 2 non-grouped digital inputs and 6 grouped digital inputs

X2 – OR-6: Assembly Group with 6 Relay Outputs

X3 – TI-4: Standard current measuring card (for the winding side 1)

X4 – TI-4: Standard current measuring card (for the winding side 2)

X5 – OR-6: Assembly Group with 6 Relay Outputs

X6 – DI8: Assembly Group with 8 Digital Inputs

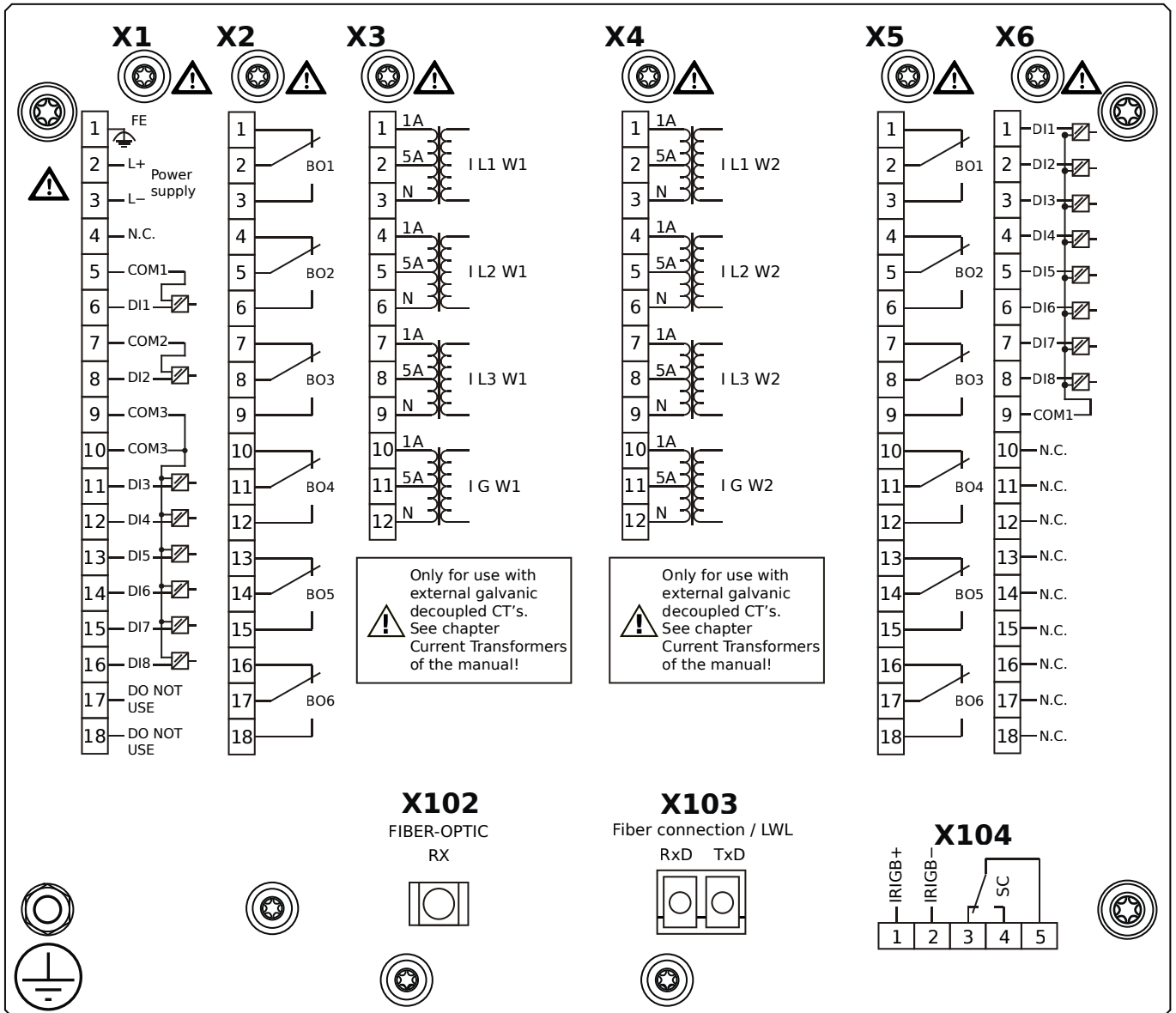
X100 – Modbus TCP / DNP3.0 TCP/UDP, Ethernet interface, 100 Mbit/s, RJ45 (BASE100-FX)

X102 – Universal Resistance-Temperature Detector (URTD) input, Fiber optics interface, Versatile Link

X103 – IEC 60870-5-103 / Modbus RTU / DNP3.0 RTU, RS485, Terminals

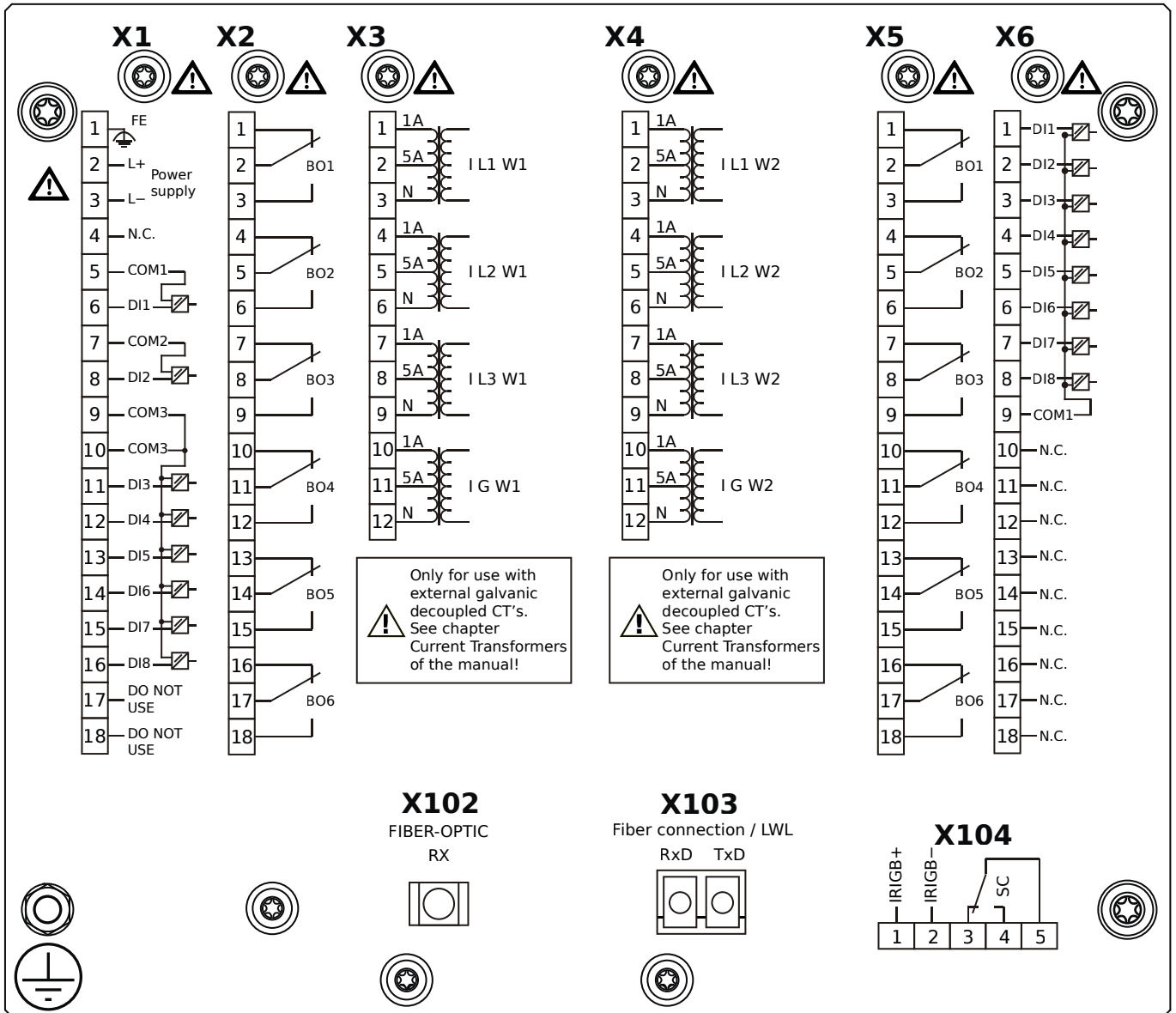
X104 – IRIG-B00X, incl. System Contact (Supervision Contact)

MRDT4-2D0BKA



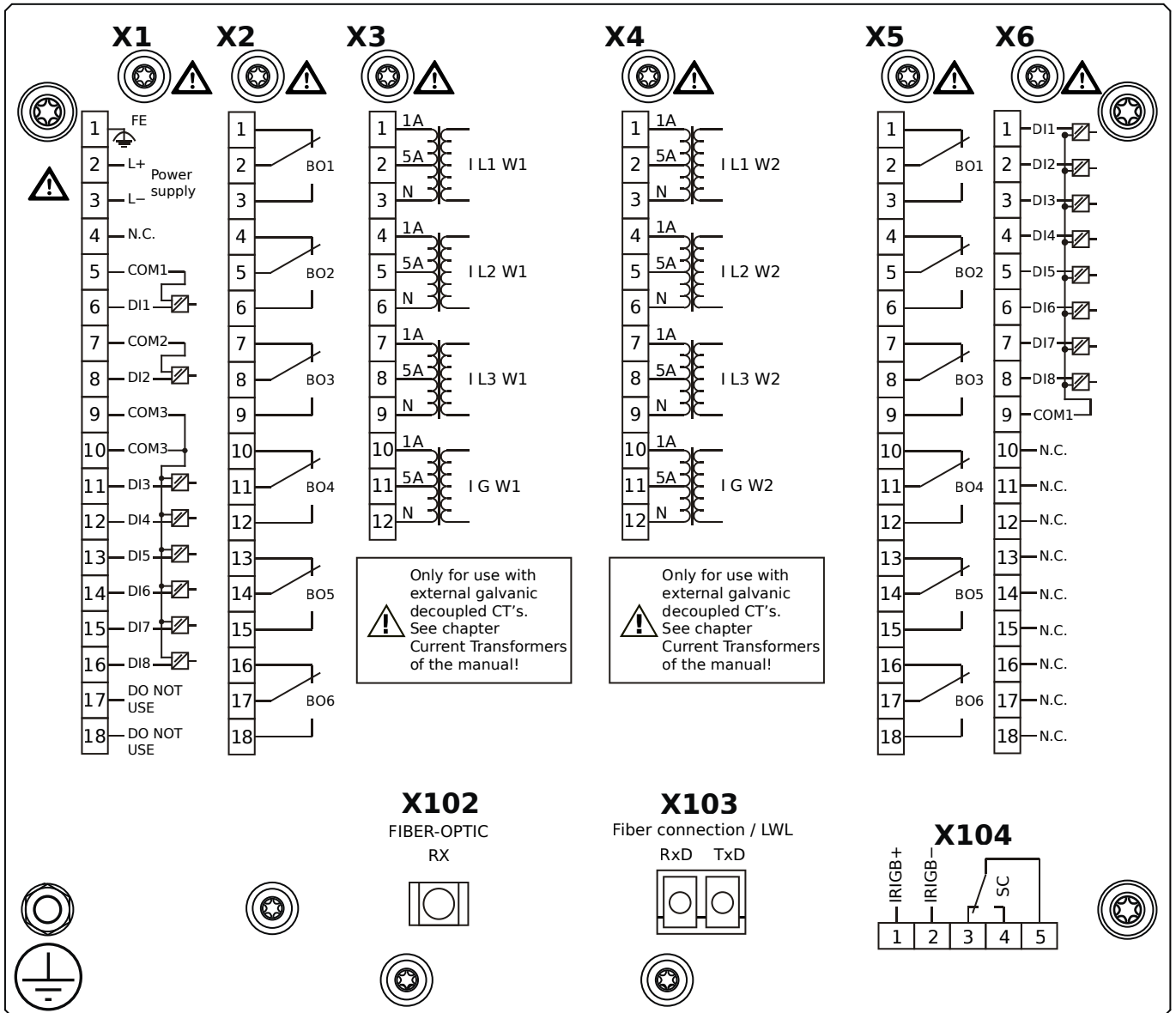
- X1** – DI8-X1: Wide-range power supply unit, incl. 2 non-grouped digital inputs and 6 grouped digital inputs
- X2** – OR-6: Assembly Group with 6 Relay Outputs
- X3** – TI-4: Standard current measuring card (for the winding side 1)
- X4** – TI-4: Standard current measuring card (for the winding side 2)
- X5** – OR-6: Assembly Group with 6 Relay Outputs
- X6** – DI8: Assembly Group with 8 Digital Inputs
- X102** – Universal Resistance-Temperature Detector (URTD) input, Fiber optics interface, Versatile Link
- X103** – IEC 61850 / Modbus TCP / DNP3.0 TCP/UDP, Fiber optics interface, LC Connector
- X104** – IRIG-B00X, incl. System Contact (Supervision Contact)

MRDT4-2D0BKB



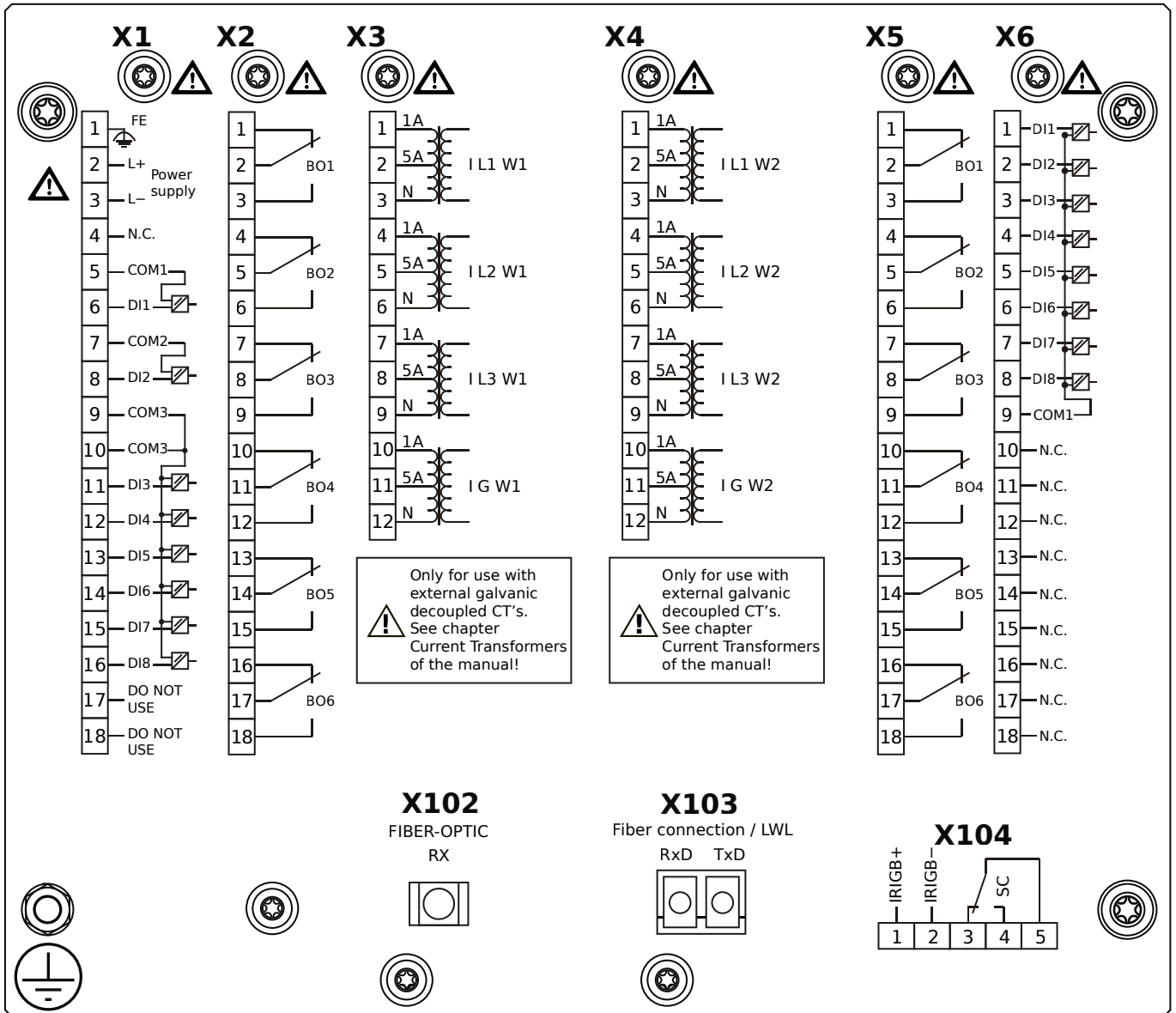
- X1** – DI8-X1: Wide-range power supply unit, incl. 2 non-grouped digital inputs and 6 grouped digital inputs
- X2** – OR-6: Assembly Group with 6 Relay Outputs
- X3** – TI-4: Standard current measuring card (for the winding side 1)
- X4** – TI-4: Standard current measuring card (for the winding side 2)
- X5** – OR-6: Assembly Group with 6 Relay Outputs
- X6** – DI8: Assembly Group with 8 Digital Inputs
- X102** – Universal Resistance-Temperature Detector (URTD) input, Fiber optics interface, Versatile Link
- X103** – IEC 61850 / Modbus TCP / DNP3.0 TCP/UDP, Fiber optics interface, LC Connector
- X104** – IRIG-B00X, incl. System Contact (Supervision Contact)

MRDT4-2D0BLA



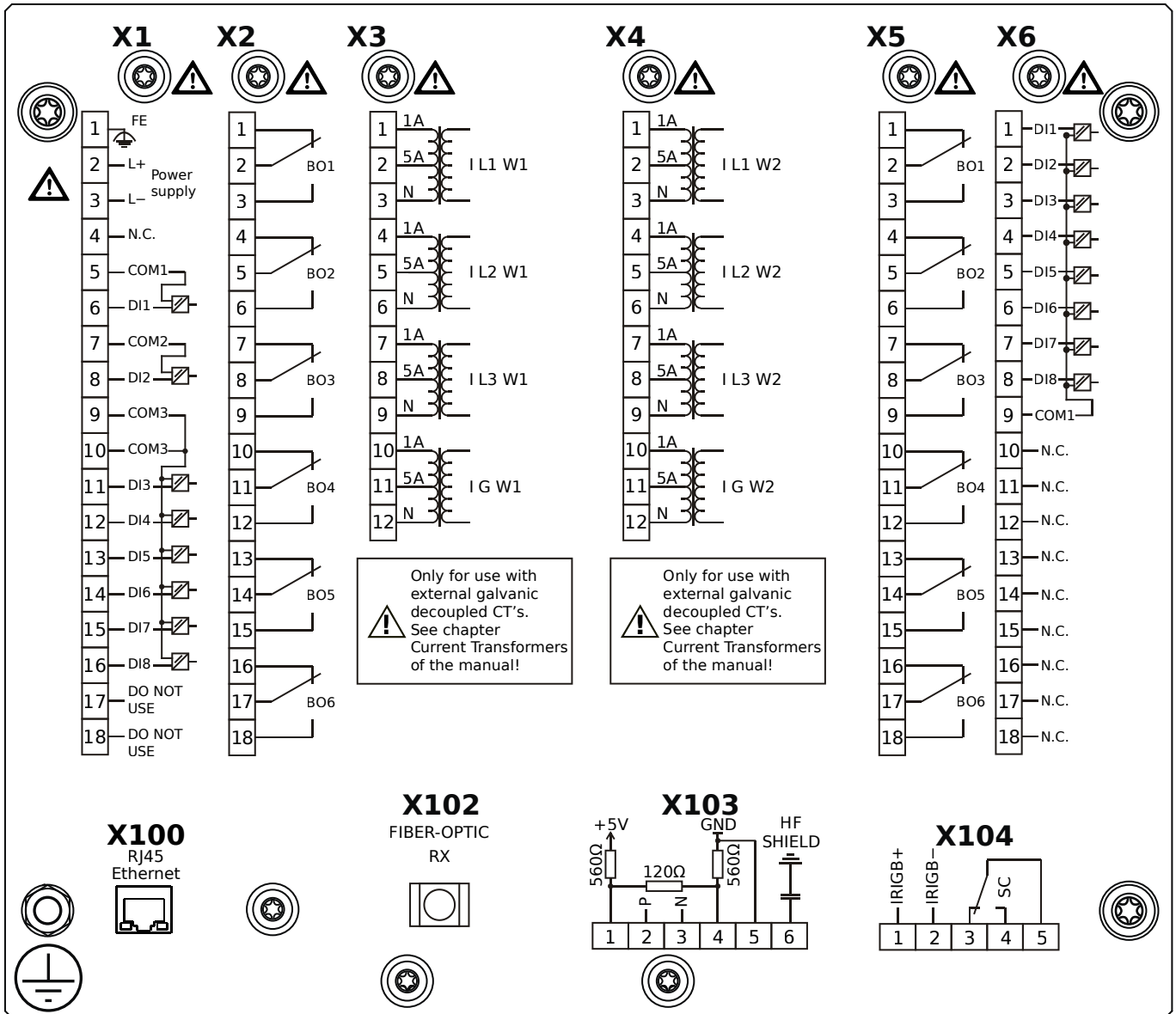
- X1** – DI8-X1: Wide-range power supply unit, incl. 2 non-grouped digital inputs and 6 grouped digital inputs
- X2** – OR-6: Assembly Group with 6 Relay Outputs
- X3** – TI-4: Standard current measuring card (for the winding side 1)
- X4** – TI-4: Standard current measuring card (for the winding side 2)
- X5** – OR-6: Assembly Group with 6 Relay Outputs
- X6** – DI8: Assembly Group with 8 Digital Inputs
- X102** – Universal Resistance-Temperature Detector (URTD) input, Fiber optics interface, Versatile Link
- X103** – Modbus TCP / DNP3.0 TCP/UDP, Fiber optics interface, LC Connector
- X104** – IRIG-B00X, incl. System Contact (Supervision Contact)

MRDT4-2D0BLB



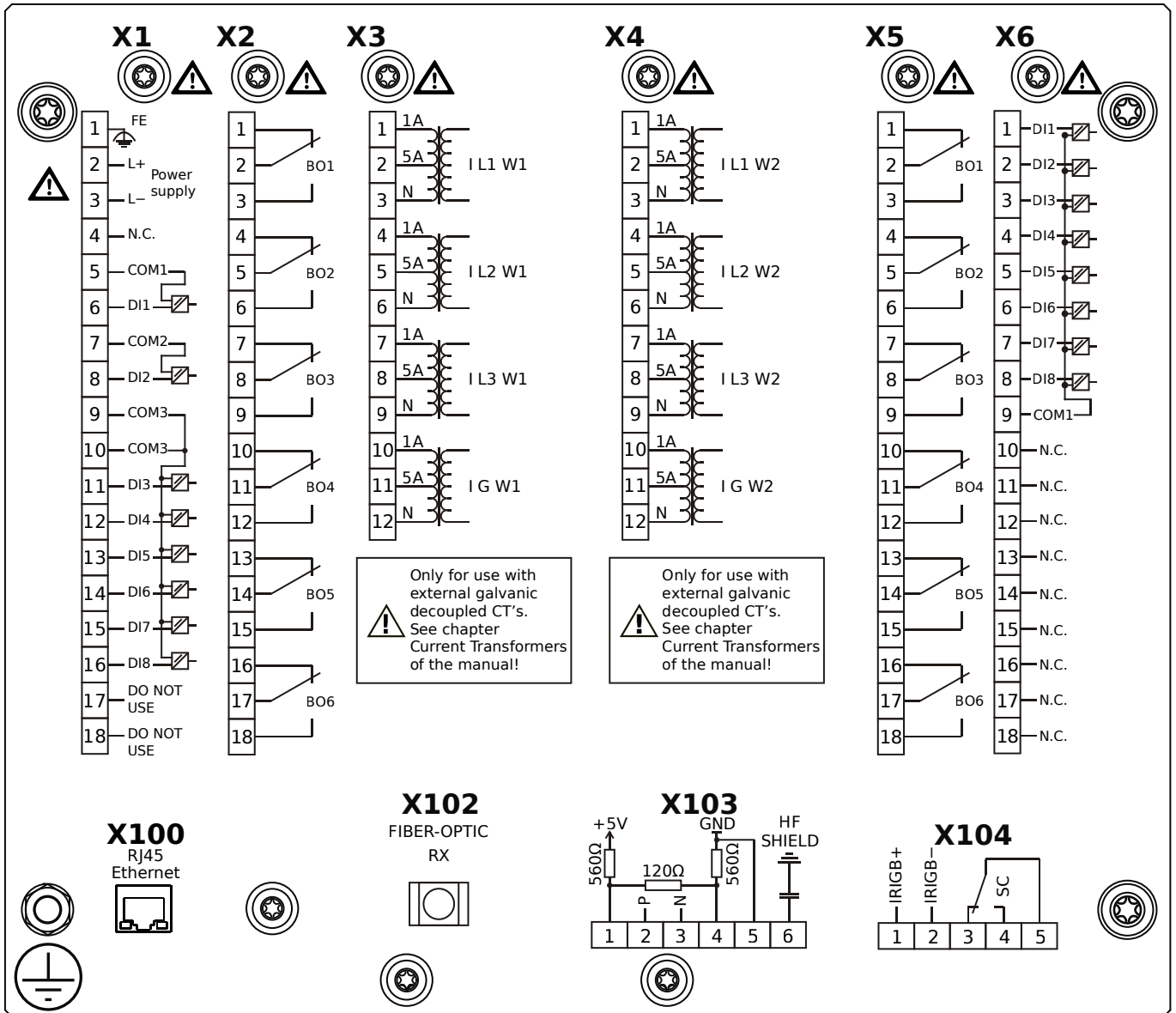
- X1** – DI8-X1: Wide-range power supply unit, incl. 2 non-grouped digital inputs and 6 grouped digital inputs
- X2** – OR-6: Assembly Group with 6 Relay Outputs
- X3** – TI-4: Standard current measuring card (for the winding side 1)
- X4** – TI-4: Standard current measuring card (for the winding side 2)
- X5** – OR-6: Assembly Group with 6 Relay Outputs
- X6** – DI8: Assembly Group with 8 Digital Inputs
- X102** – Universal Resistance-Temperature Detector (URTD) input, Fiber optics interface, Versatile Link
- X103** – Modbus TCP / DNP3.0 TCP/UDP, Fiber optics interface, LC Connector
- X104** – IRIG-B00X, incl. System Contact (Supervision Contact)

MRDT4-2D0BTA



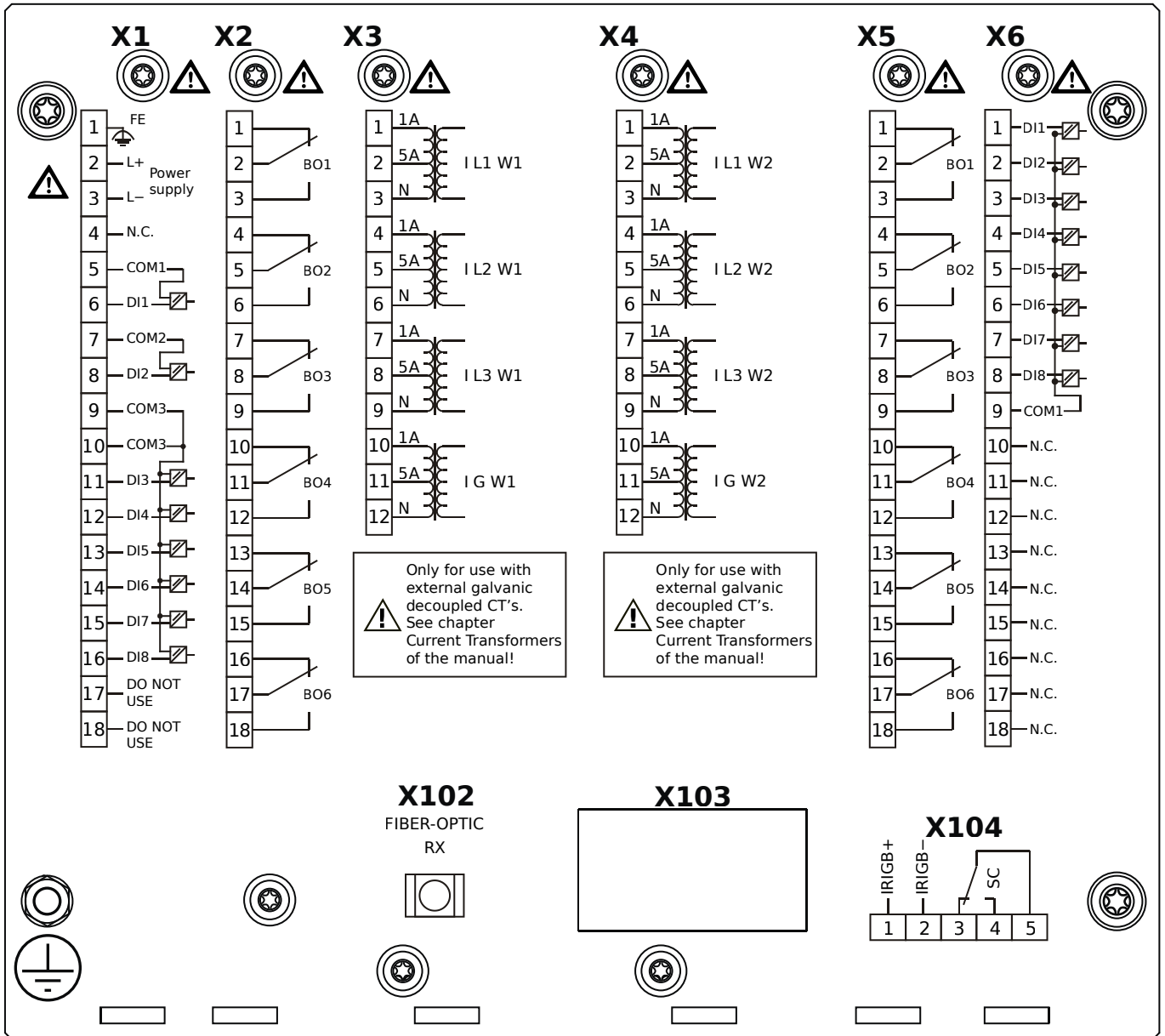
- X1** – DI8-X1: Wide-range power supply unit, incl. 2 non-grouped digital inputs and 6 grouped digital inputs
- X2** – OR-6: Assembly Group with 6 Relay Outputs
- X3** – TI-4: Standard current measuring card (for the winding side 1)
- X4** – TI-4: Standard current measuring card (for the winding side 2)
- X5** – OR-6: Assembly Group with 6 Relay Outputs
- X6** – DI8: Assembly Group with 8 Digital Inputs
- X100** – IEC 61850 / Modbus TCP / DNP3.0 TCP/UDP, Ethernet interface, 100 Mbit/s, RJ45 (BASE100-FX)
- X102** – Universal Resistance-Temperature Detector (URTD) input, Fiber optics interface, Versatile Link
- X103** – IEC 60870-5-103 / Modbus RTU / DNP3.0 RTU, RS485, Terminals
- X104** – IRIG-B00X, incl. System Contact (Supervision Contact)

MRDT4-2D0BTB



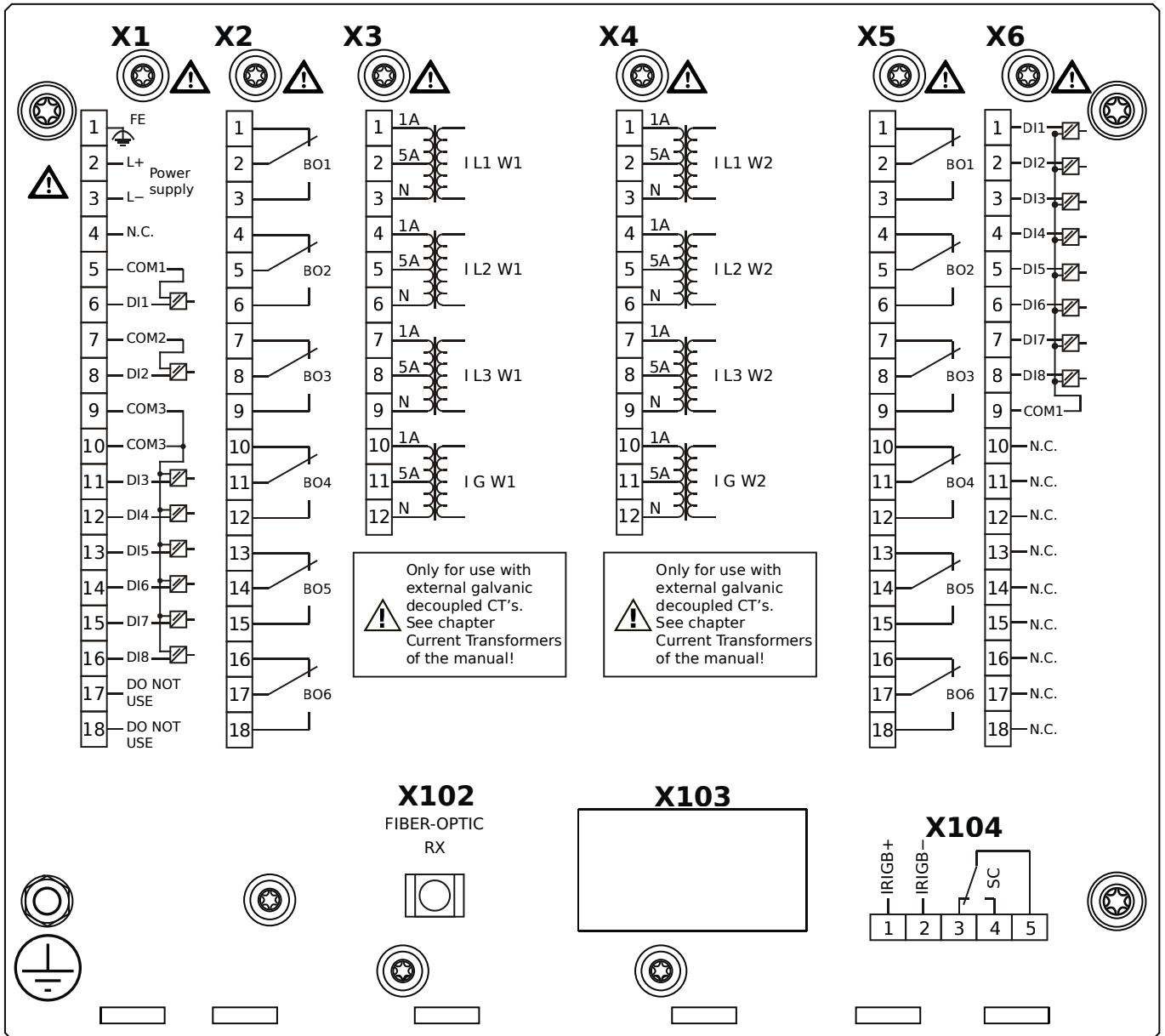
- X1** – DI8-X1: Wide-range power supply unit, incl. 2 non-grouped digital inputs and 6 grouped digital inputs
- X2** – OR-6: Assembly Group with 6 Relay Outputs
- X3** – TI-4: Standard current measuring card (for the winding side 1)
- X4** – TI-4: Standard current measuring card (for the winding side 2)
- X5** – OR-6: Assembly Group with 6 Relay Outputs
- X6** – DI8: Assembly Group with 8 Digital Inputs
- X100** – IEC 61850 / Modbus TCP / DNP3.0 TCP/UDP, Ethernet interface, 100 Mbit/s, RJ45 (BASE100-FX)
- X102** – Universal Resistance-Temperature Detector (URTD) input, Fiber optics interface, Versatile Link
- X103** – IEC 60870-5-103 / Modbus RTU / DNP3.0 RTU, RS485, Terminals
- X104** – IRIG-B00X, incl. System Contact (Supervision Contact)

MRDT4-2D0HAA



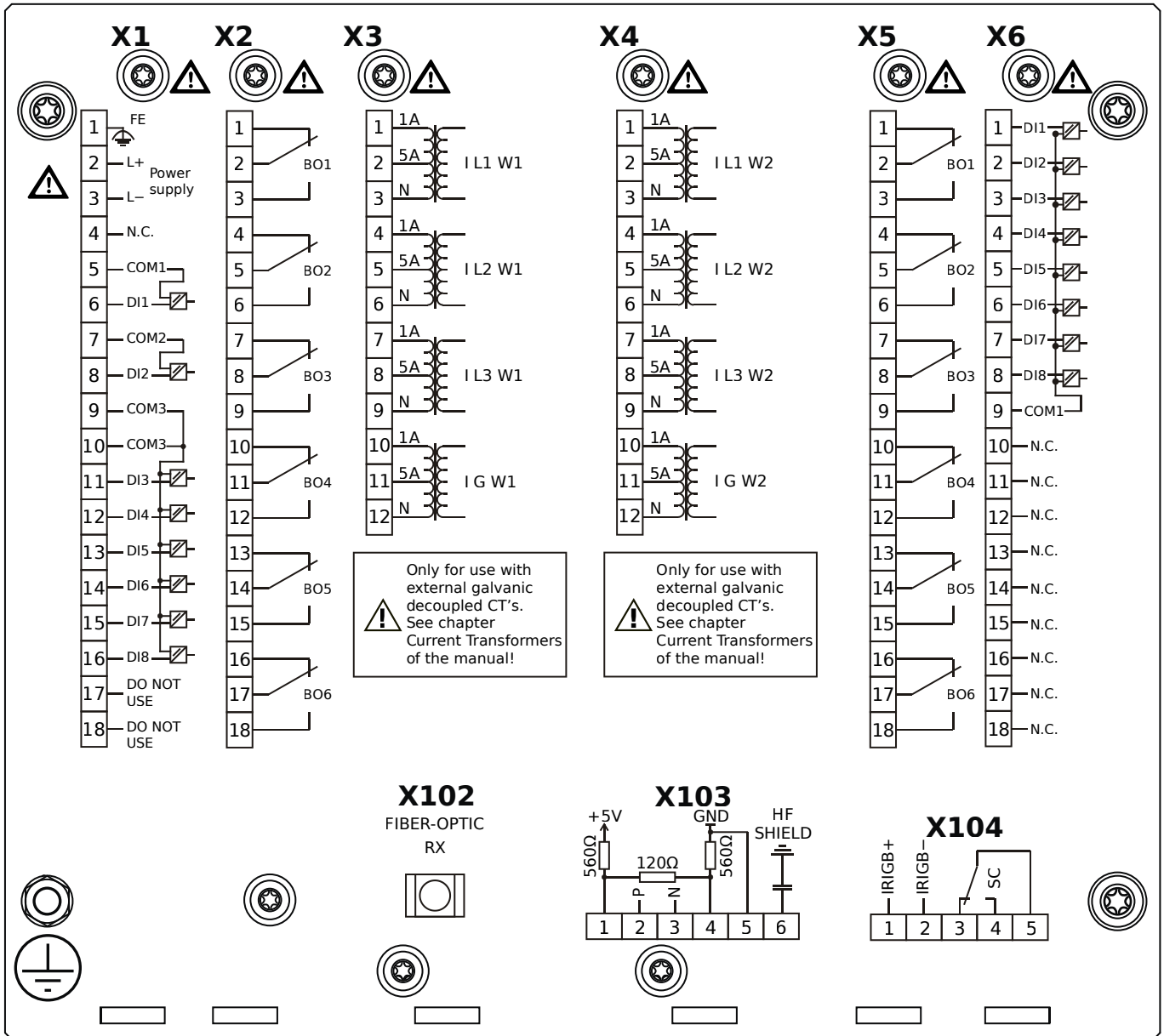
- X1** – DI8-X1: Wide-range power supply unit, incl. 2 non-grouped digital inputs and 6 grouped digital inputs
- X2** – OR-6: Assembly Group with 6 Relay Outputs
- X3** – TI-4: Standard current measuring card (for the winding side 1)
- X4** – TI-4: Standard current measuring card (for the winding side 2)
- X5** – OR-6: Assembly Group with 6 Relay Outputs
- X6** – DI8: Assembly Group with 8 Digital Inputs
- X102** – Universal Resistance-Temperature Detector (URTD) input, Fiber optics interface, Versatile Link
- X104** – IRIG-B00X, incl. System Contact (Supervision Contact)

MRDT4-2D0HAB



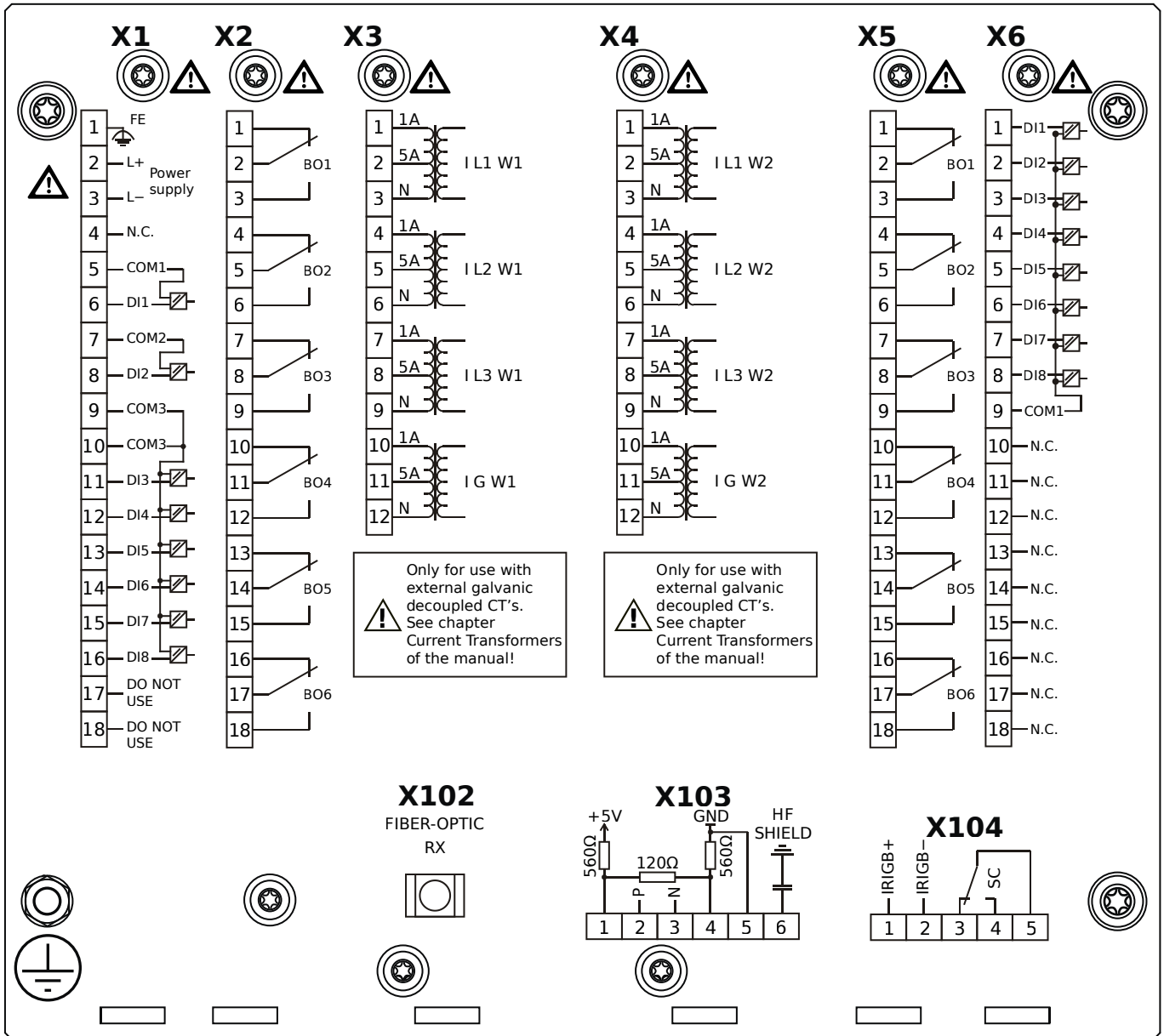
- X1** – DI8-X1: Wide-range power supply unit, incl. 2 non-grouped digital inputs and 6 grouped digital inputs
- X2** – OR-6: Assembly Group with 6 Relay Outputs
- X3** – TI-4: Standard current measuring card (for the winding side 1)
- X4** – TI-4: Standard current measuring card (for the winding side 2)
- X5** – OR-6: Assembly Group with 6 Relay Outputs
- X6** – DI8: Assembly Group with 8 Digital Inputs
- X102** – Universal Resistance-Temperature Detector (URTD) input, Fiber optics interface, Versatile Link
- X104** – IRIG-B00X, incl. System Contact (Supervision Contact)

MRDT4-2D0HBA



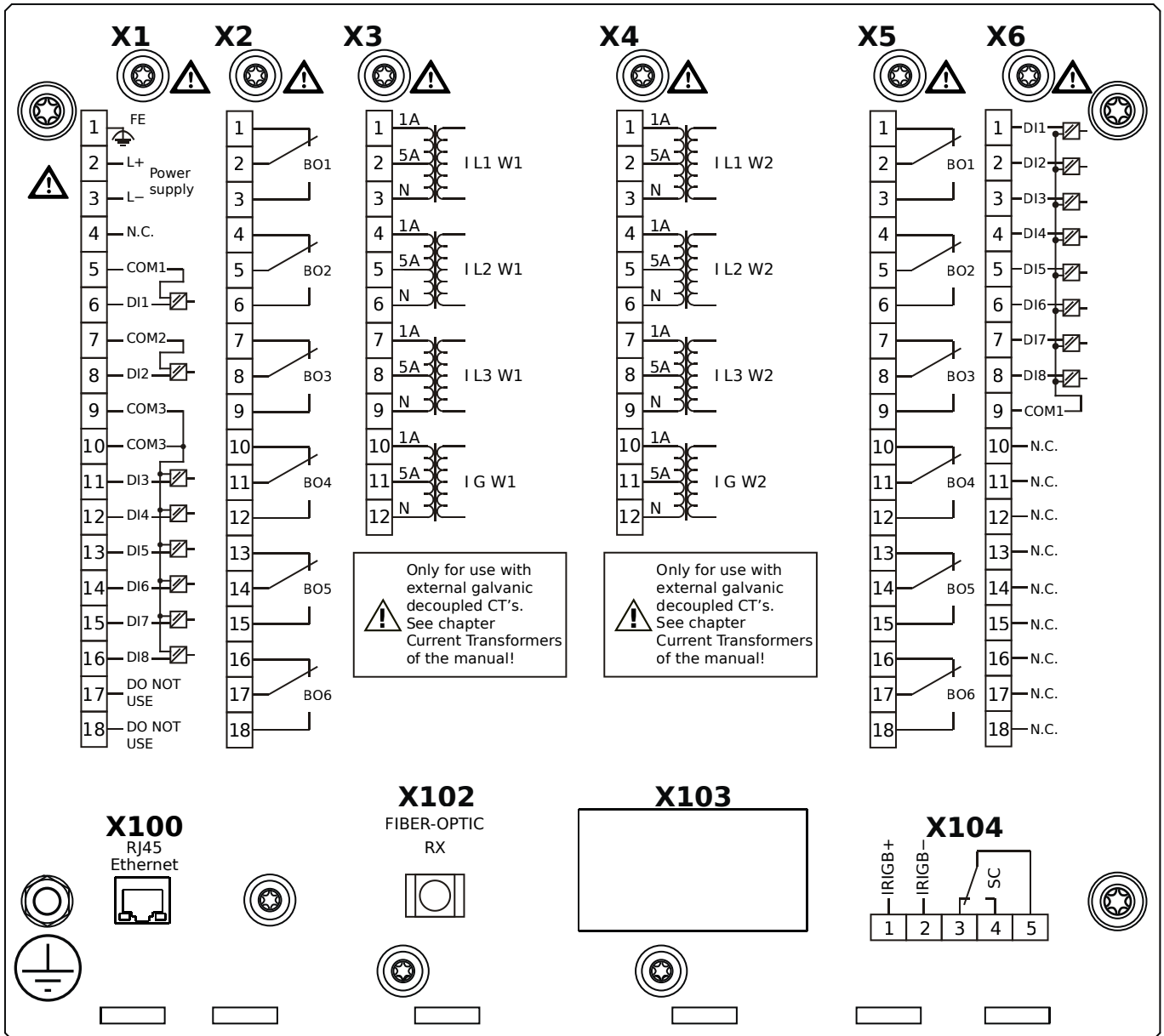
- X1** – DI8-X1: Wide-range power supply unit, incl. 2 non-grouped digital inputs and 6 grouped digital inputs
- X2** – OR-6: Assembly Group with 6 Relay Outputs
- X3** – TI-4: Standard current measuring card (for the winding side 1)
- X4** – TI-4: Standard current measuring card (for the winding side 2)
- X5** – OR-6: Assembly Group with 6 Relay Outputs
- X6** – DI8: Assembly Group with 8 Digital Inputs
- X102** – Universal Resistance-Temperature Detector (URTD) input, Fiber optics interface, Versatile Link
- X103** – Modbus RTU / IEC 60870-5-103 / DNP3.0 RTU, RS485, Terminals
- X104** – IRIG-B00X, incl. System Contact (Supervision Contact)

MRDT4-2D0HBB



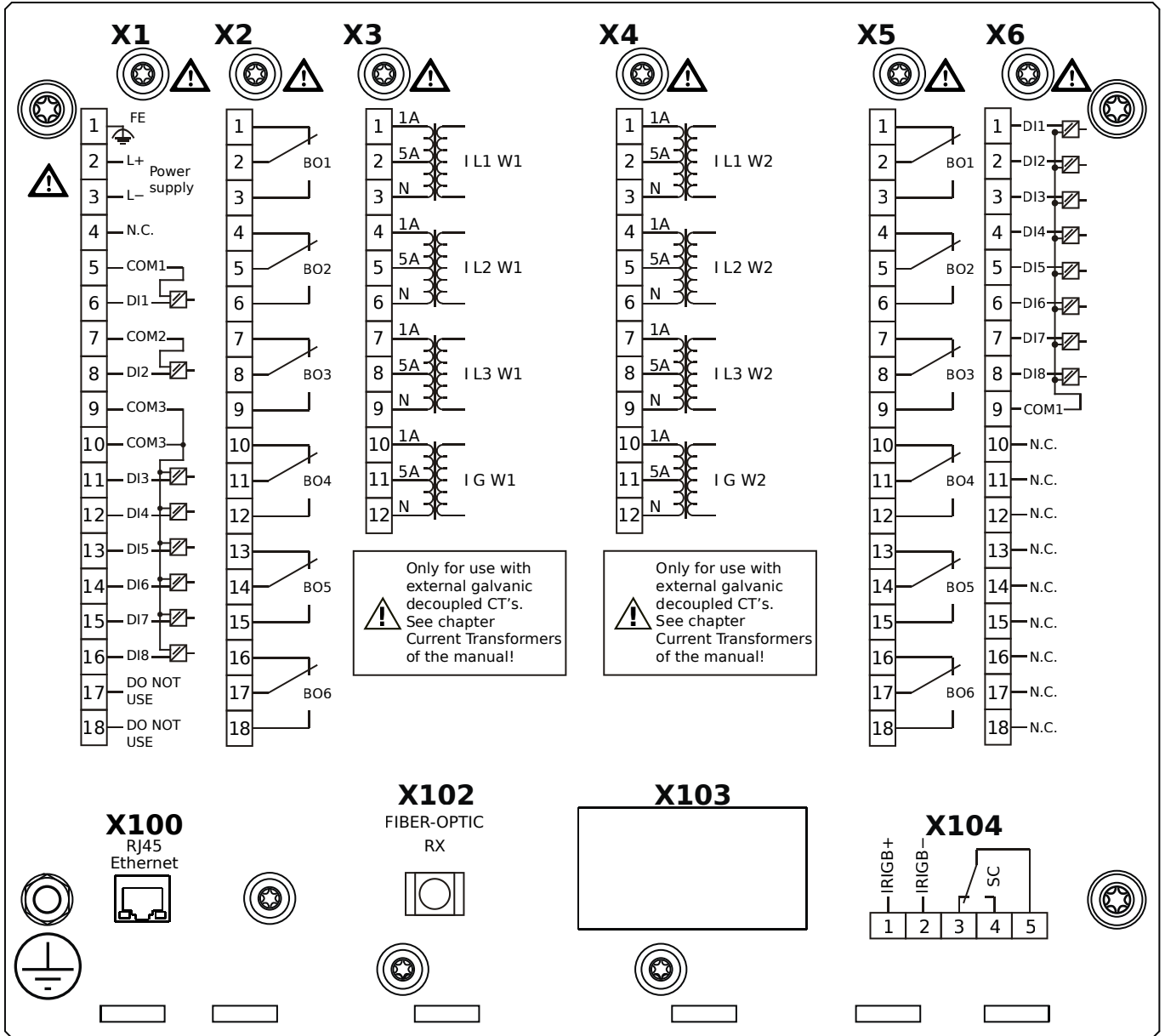
- X1** – DI8-X1: Wide-range power supply unit, incl. 2 non-grouped digital inputs and 6 grouped digital inputs
- X2** – OR-6: Assembly Group with 6 Relay Outputs
- X3** – TI-4: Standard current measuring card (for the winding side 1)
- X4** – TI-4: Standard current measuring card (for the winding side 2)
- X5** – OR-6: Assembly Group with 6 Relay Outputs
- X6** – DI8: Assembly Group with 8 Digital Inputs
- X102** – Universal Resistance-Temperature Detector (URTD) input, Fiber optics interface, Versatile Link
- X103** – Modbus RTU / IEC 60870-5-103 / DNP3.0 RTU, RS485, Terminals
- X104** – IRIG-B00X, incl. System Contact (Supervision Contact)

MRDT4-2D0HCA



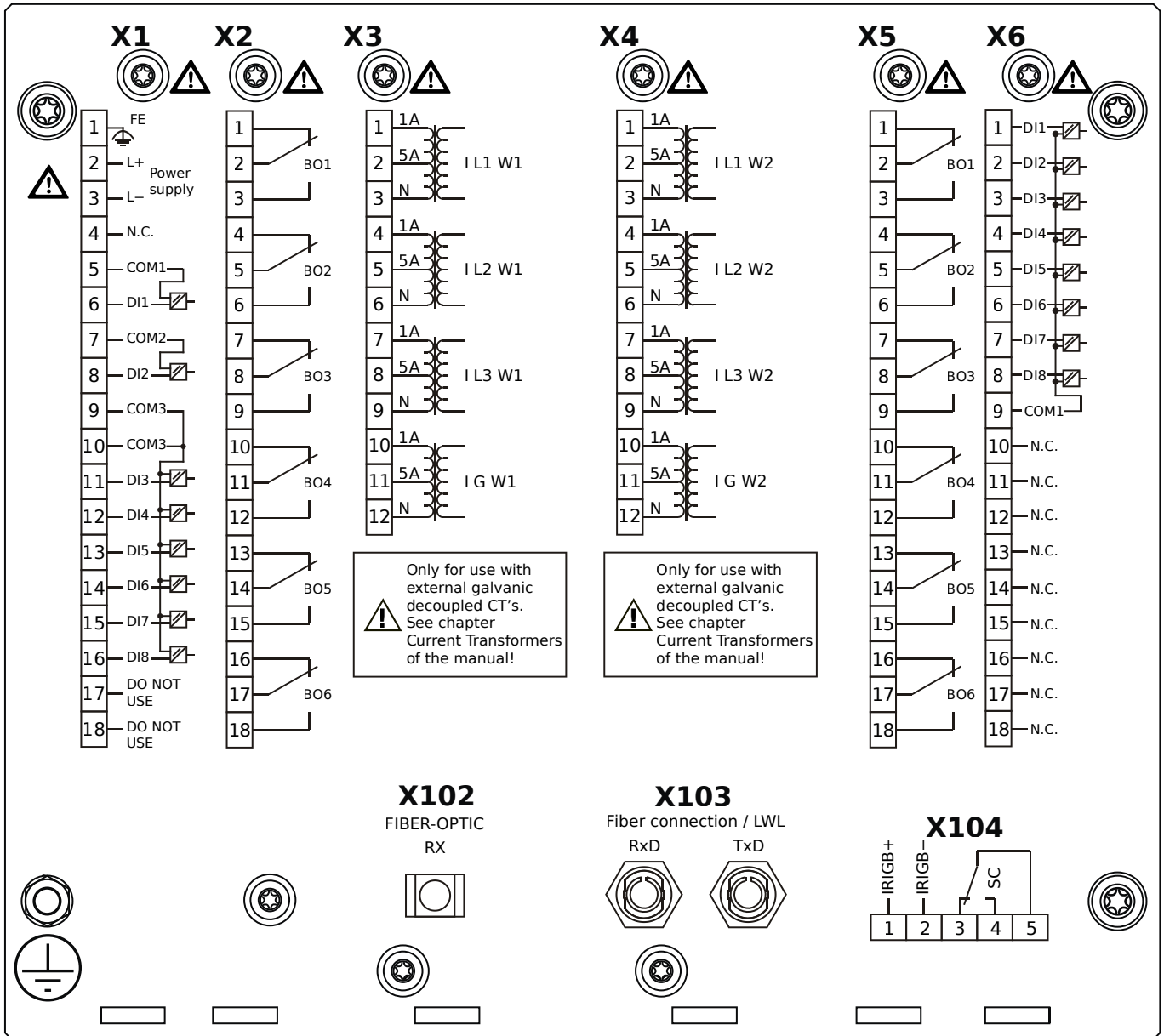
- X1** – DI8-X1: Wide-range power supply unit, incl. 2 non-grouped digital inputs and 6 grouped digital inputs
- X2** – OR-6: Assembly Group with 6 Relay Outputs
- X3** – TI-4: Standard current measuring card (for the winding side 1)
- X4** – TI-4: Standard current measuring card (for the winding side 2)
- X5** – OR-6: Assembly Group with 6 Relay Outputs
- X6** – DI8: Assembly Group with 8 Digital Inputs
- X100** – Modbus TCP / DNP3.0 TCP/UDP, Ethernet interface, 100 Mbit/s, RJ45 (BASE100-FX)
- X102** – Universal Resistance-Temperature Detector (URTD) input, Fiber optics interface, Versatile Link
- X104** – IRIG-B00X, incl. System Contact (Supervision Contact)

MRDT4-2D0HCB



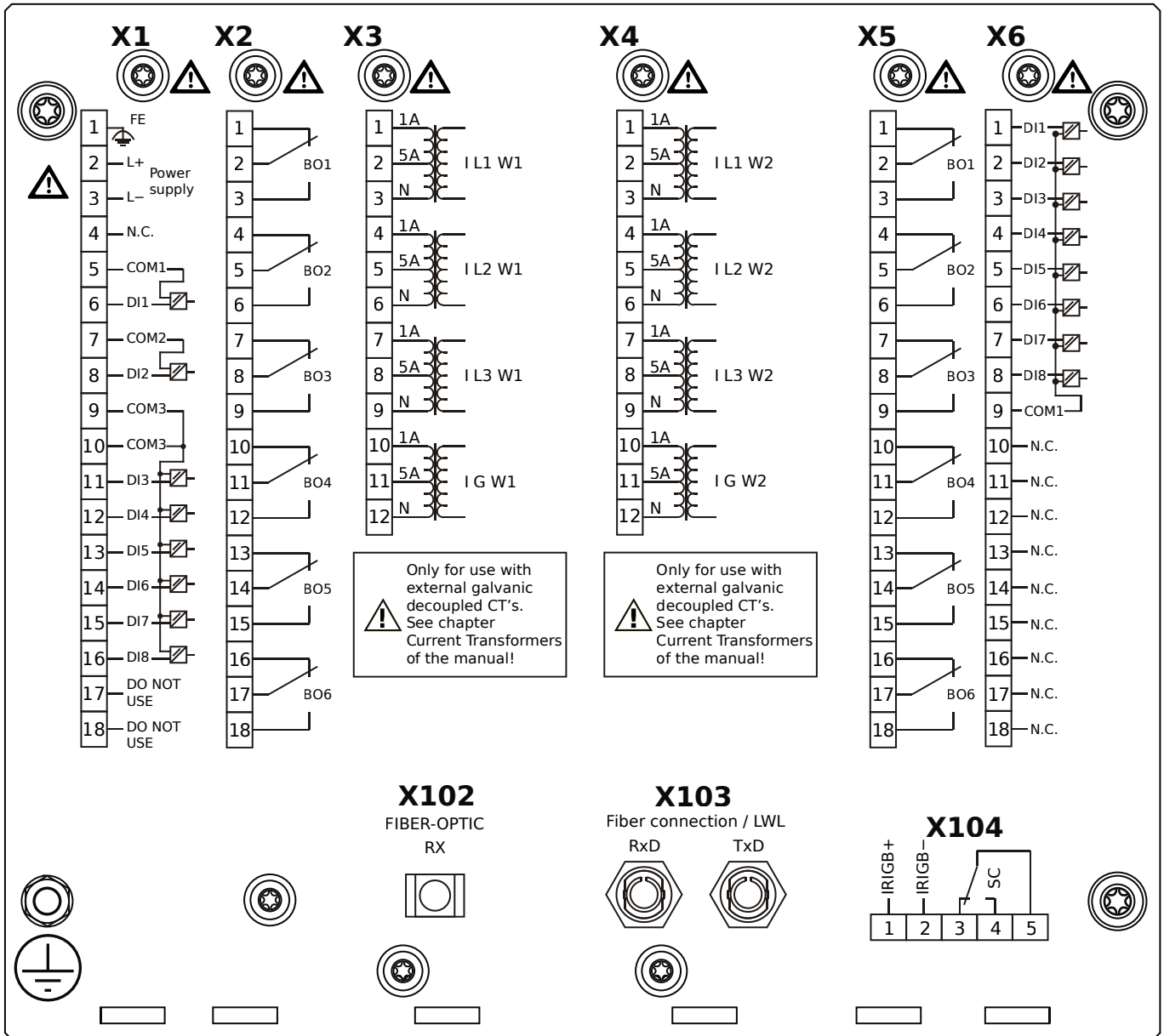
- X1** – DI8-X1: Wide-range power supply unit, incl. 2 non-grouped digital inputs and 6 grouped digital inputs
- X2** – OR-6: Assembly Group with 6 Relay Outputs
- X3** – TI-4: Standard current measuring card (for the winding side 1)
- X4** – TI-4: Standard current measuring card (for the winding side 2)
- X5** – OR-6: Assembly Group with 6 Relay Outputs
- X6** – DI8: Assembly Group with 8 Digital Inputs
- X100** – Modbus TCP / DNP3.0 TCP/UDP, Ethernet interface, 100 Mbit/s, RJ45 (BASE100-FX)
- X102** – Universal Resistance-Temperature Detector (URTD) input, Fiber optics interface, Versatile Link
- X104** – IRIG-B00X, incl. System Contact (Supervision Contact)

MRDT4-2D0HDA



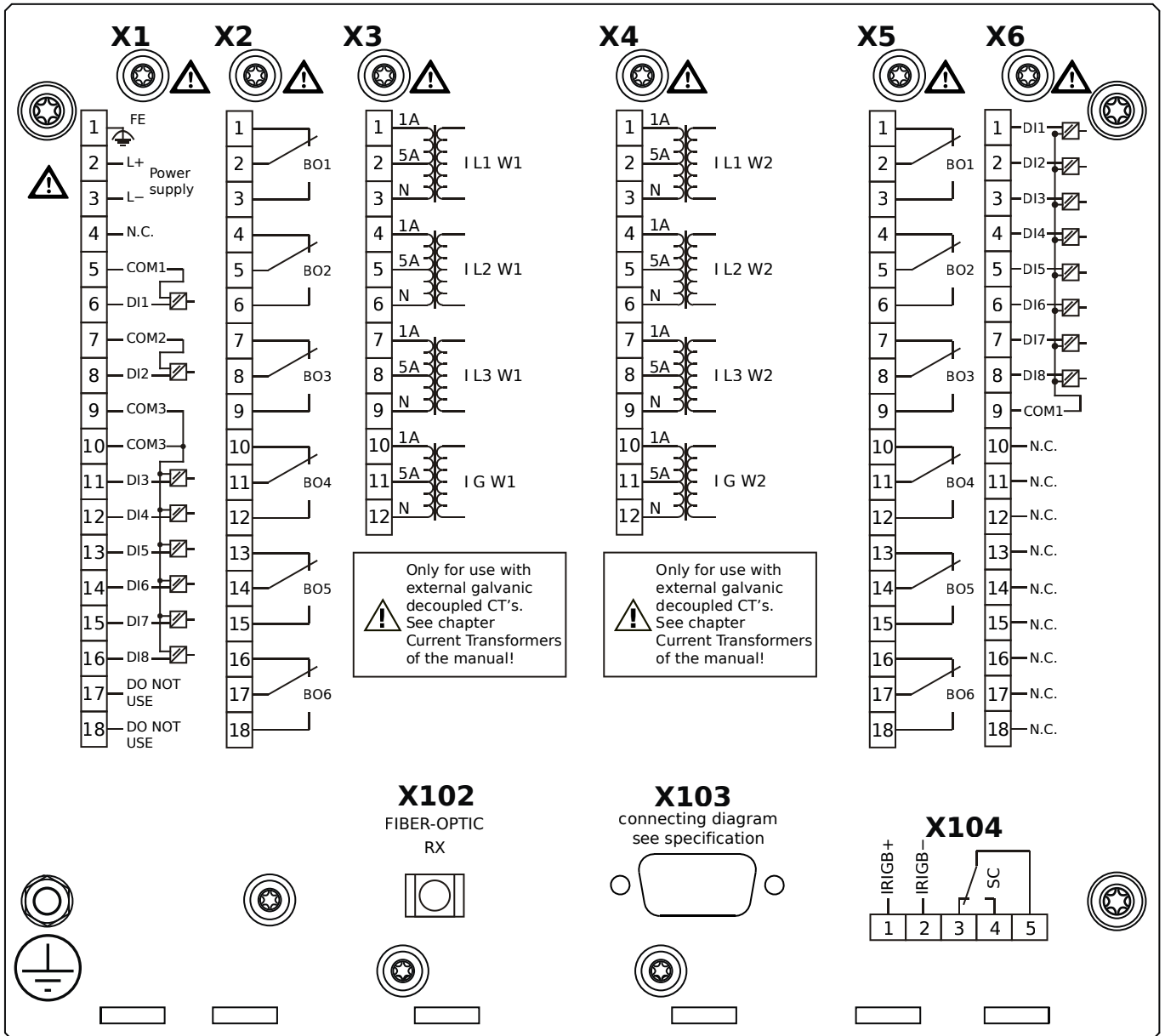
- X1** – DI8-X1: Wide-range power supply unit, incl. 2 non-grouped digital inputs and 6 grouped digital inputs
- X2** – OR-6: Assembly Group with 6 Relay Outputs
- X3** – TI-4: Standard current measuring card (for the winding side 1)
- X4** – TI-4: Standard current measuring card (for the winding side 2)
- X5** – OR-6: Assembly Group with 6 Relay Outputs
- X6** – DI8: Assembly Group with 8 Digital Inputs
- X102** – Universal Resistance-Temperature Detector (URTD) input, Fiber optics interface, Versatile Link
- X103** – Profibus-DP, Fiber optics interface, ST Connector
- X104** – IRIG-B00X, incl. System Contact (Supervision Contact)

MRDT4-2D0HDB



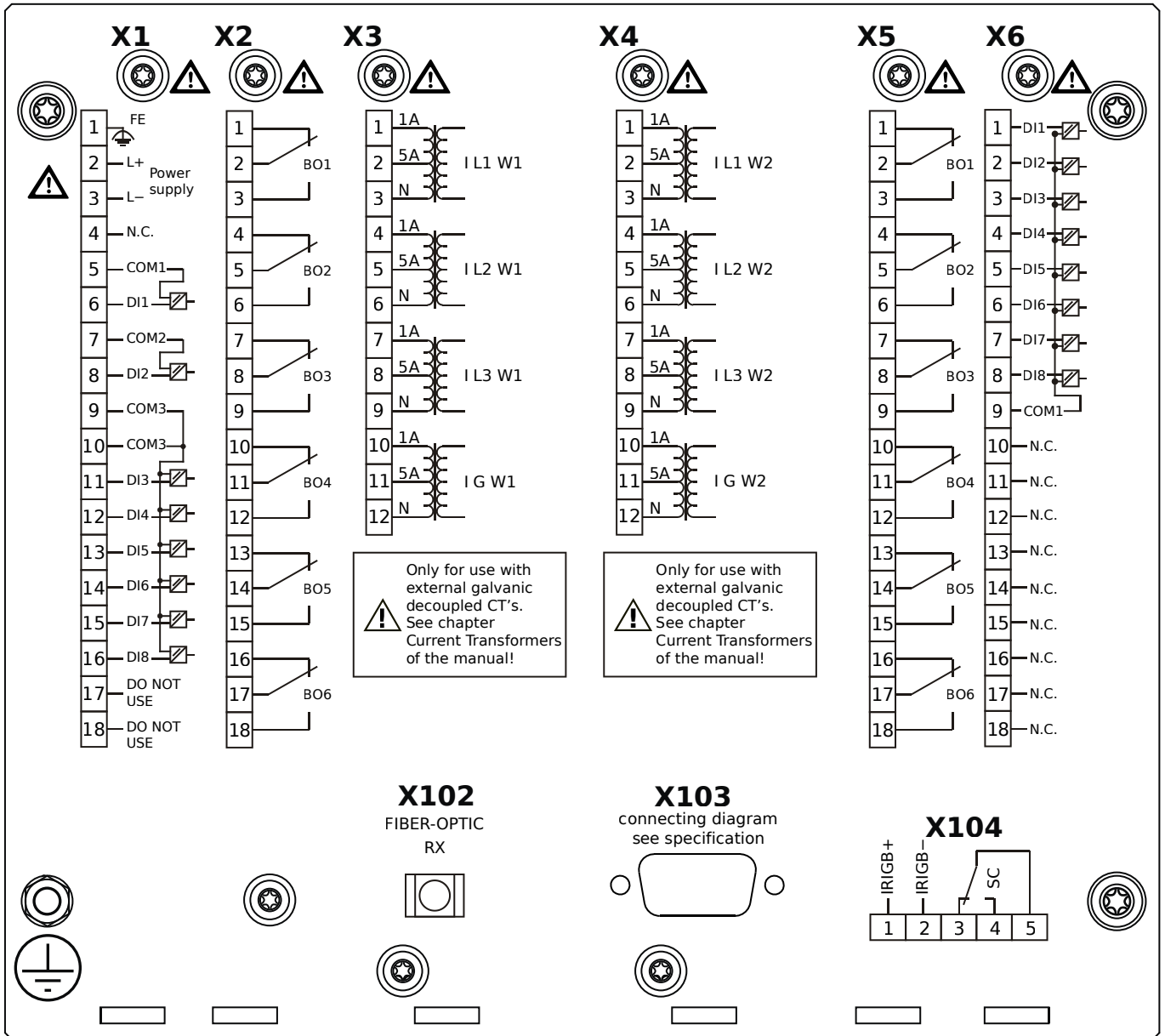
- X1** – DI8-X1: Wide-range power supply unit, incl. 2 non-grouped digital inputs and 6 grouped digital inputs
- X2** – OR-6: Assembly Group with 6 Relay Outputs
- X3** – TI-4: Standard current measuring card (for the winding side 1)
- X4** – TI-4: Standard current measuring card (for the winding side 2)
- X5** – OR-6: Assembly Group with 6 Relay Outputs
- X6** – DI8: Assembly Group with 8 Digital Inputs
- X102** – Universal Resistance-Temperature Detector (URTD) input, Fiber optics interface, Versatile Link
- X103** – Profibus-DP, Fiber optics interface, ST Connector
- X104** – IRIG-B00X, incl. System Contact (Supervision Contact)

MRDT4-2D0HEA



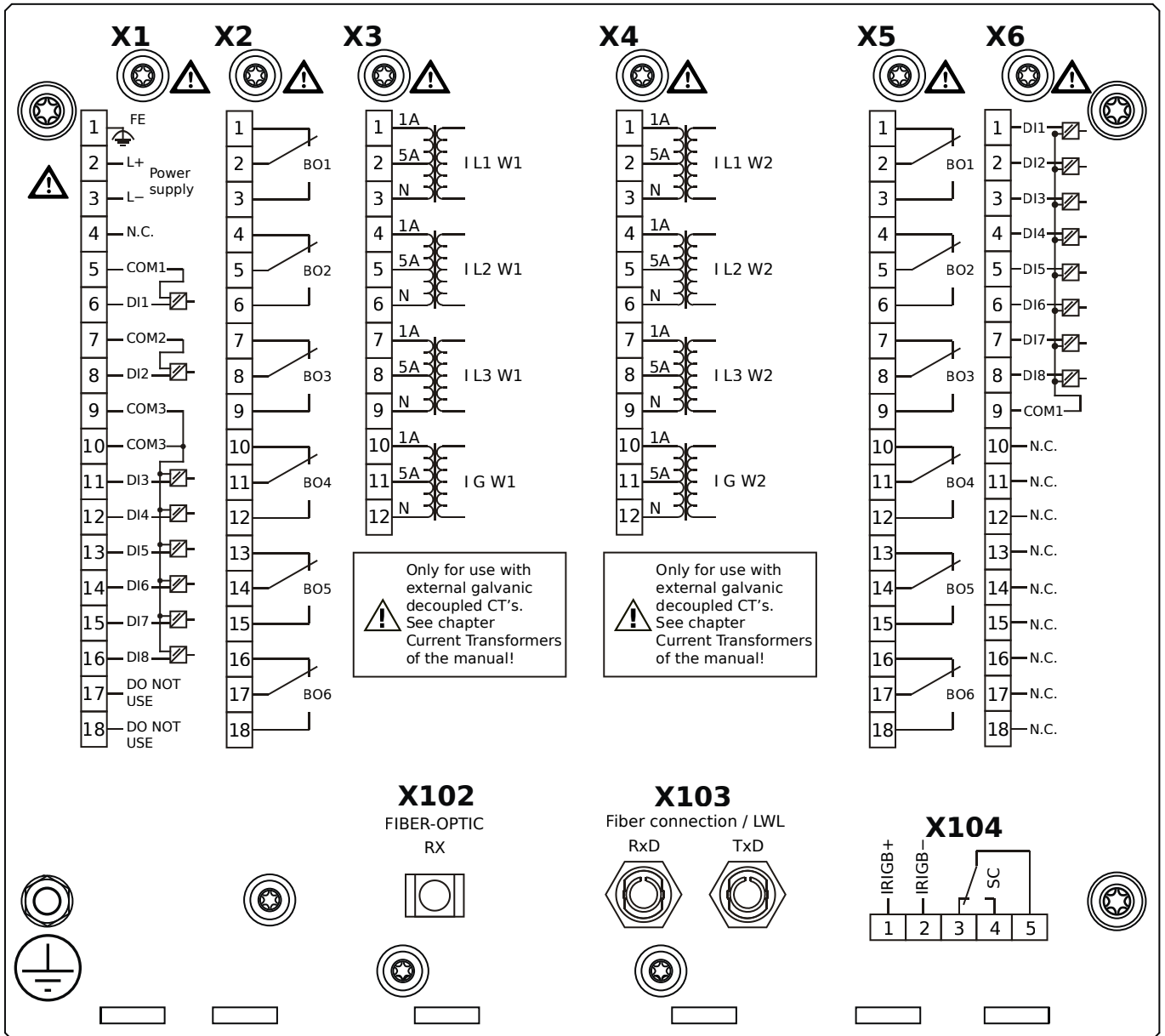
- X1** – DI8-X1: Wide-range power supply unit, incl. 2 non-grouped digital inputs and 6 grouped digital inputs
- X2** – OR-6: Assembly Group with 6 Relay Outputs
- X3** – TI-4: Standard current measuring card (for the winding side 1)
- X4** – TI-4: Standard current measuring card (for the winding side 2)
- X5** – OR-6: Assembly Group with 6 Relay Outputs
- X6** – DI8: Assembly Group with 8 Digital Inputs
- X102** – Universal Resistance-Temperature Detector (URTD) input, Fiber optics interface, Versatile Link
- X103** – Profibus-DP, RS485, D-SUB
- X104** – IRIG-B00X, incl. System Contact (Supervision Contact)

MRDT4-2D0HEB



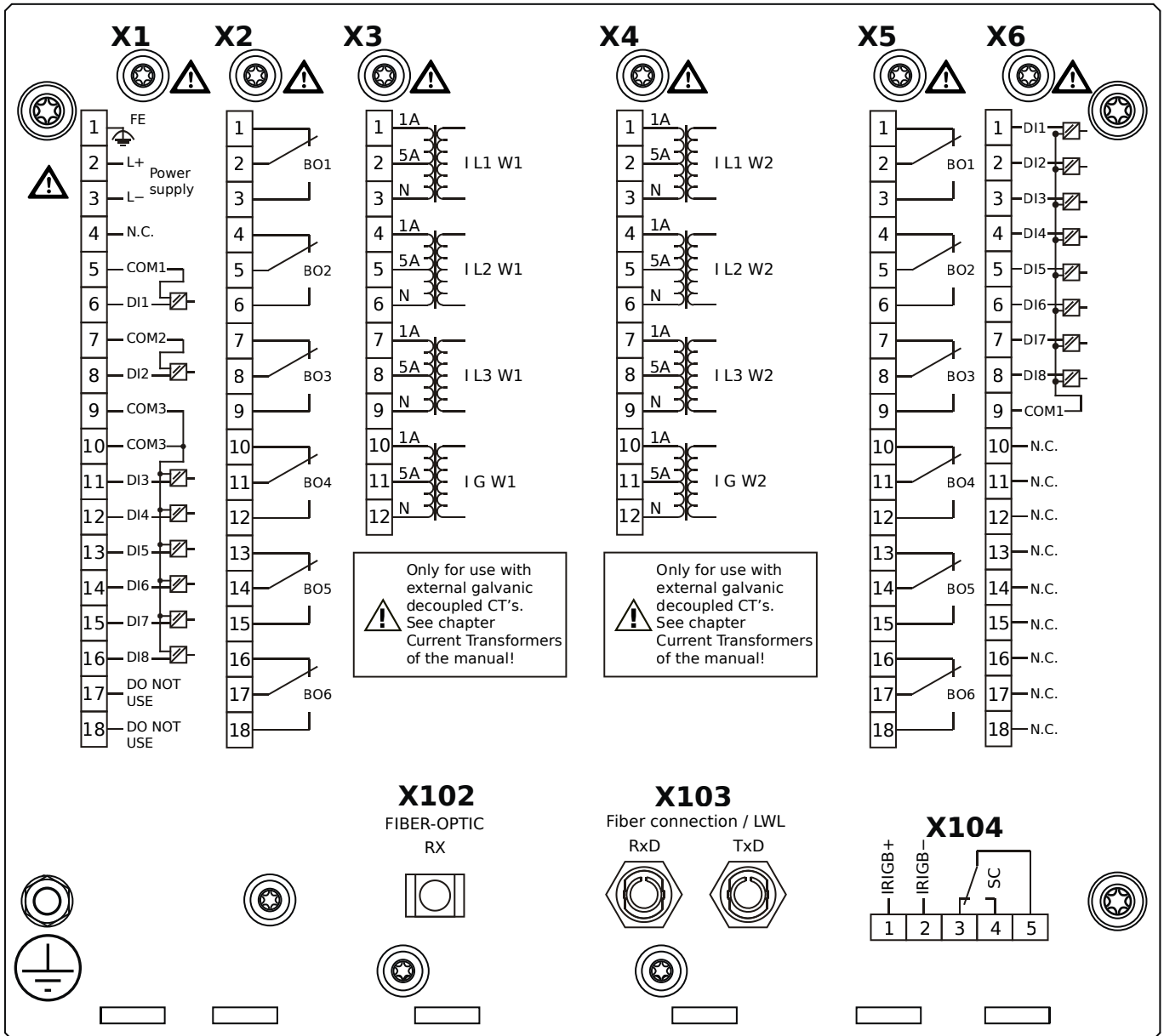
- X1** – DI8-X1: Wide-range power supply unit, incl. 2 non-grouped digital inputs and 6 grouped digital inputs
- X2** – OR-6: Assembly Group with 6 Relay Outputs
- X3** – TI-4: Standard current measuring card (for the winding side 1)
- X4** – TI-4: Standard current measuring card (for the winding side 2)
- X5** – OR-6: Assembly Group with 6 Relay Outputs
- X6** – DI8: Assembly Group with 8 Digital Inputs
- X102** – Universal Resistance-Temperature Detector (URTD) input, Fiber optics interface, Versatile Link
- X103** – Profibus-DP, RS485, D-SUB
- X104** – IRIG-B00X, incl. System Contact (Supervision Contact)

MRDT4-2D0HFA



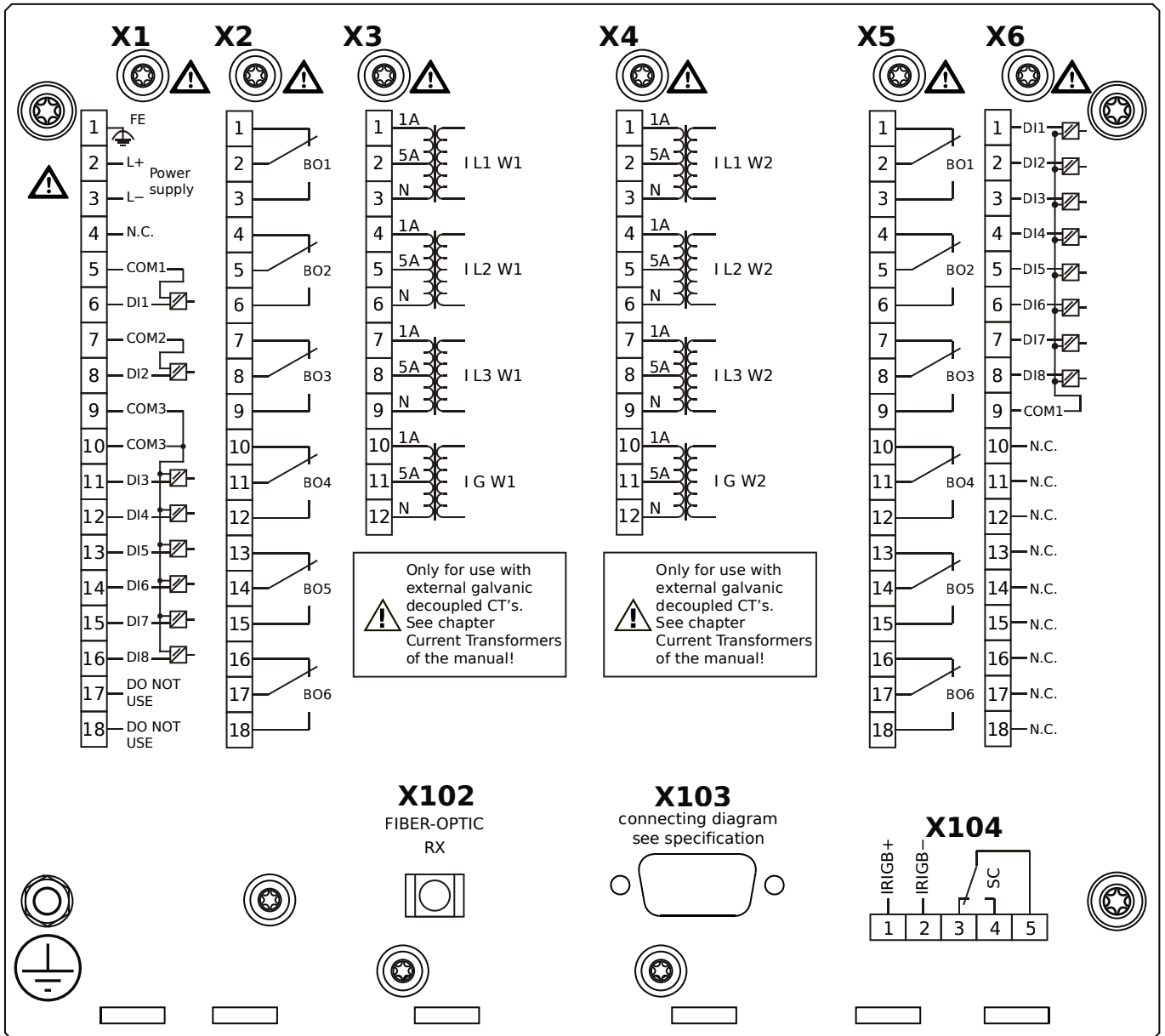
- X1** – DI8-X1: Wide-range power supply unit, incl. 2 non-grouped digital inputs and 6 grouped digital inputs
- X2** – OR-6: Assembly Group with 6 Relay Outputs
- X3** – TI-4: Standard current measuring card (for the winding side 1)
- X4** – TI-4: Standard current measuring card (for the winding side 2)
- X5** – OR-6: Assembly Group with 6 Relay Outputs
- X6** – DI8: Assembly Group with 8 Digital Inputs
- X102** – Universal Resistance-Temperature Detector (URTD) input, Fiber optics interface, Versatile Link
- X103** – Modbus RTU / IEC 60870-5-103 / DNP3.0 RTU, Fiber optics interface, ST Connector
- X104** – IRIG-B00X, incl. System Contact (Supervision Contact)

MRDT4-2D0HFB



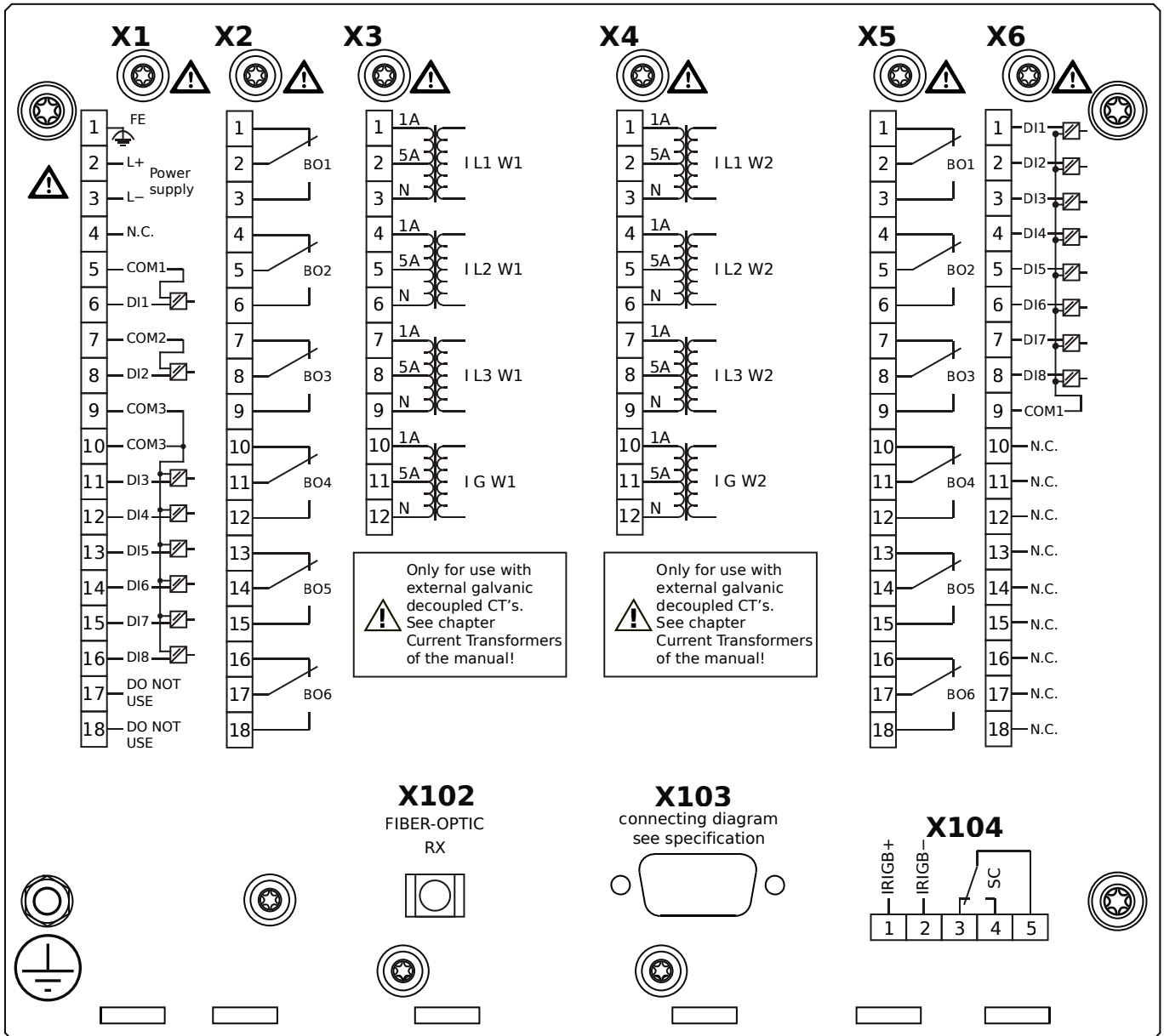
- X1** – DI8-X1: Wide-range power supply unit, incl. 2 non-grouped digital inputs and 6 grouped digital inputs
- X2** – OR-6: Assembly Group with 6 Relay Outputs
- X3** – TI-4: Standard current measuring card (for the winding side 1)
- X4** – TI-4: Standard current measuring card (for the winding side 2)
- X5** – OR-6: Assembly Group with 6 Relay Outputs
- X6** – DI8: Assembly Group with 8 Digital Inputs
- X102** – Universal Resistance-Temperature Detector (URTD) input, Fiber optics interface, Versatile Link
- X103** – Modbus RTU / IEC 60870-5-103 / DNP3.0 RTU, Fiber optics interface, ST Connector
- X104** – IRIG-B00X, incl. System Contact (Supervision Contact)

MRDT4-2D0HGA



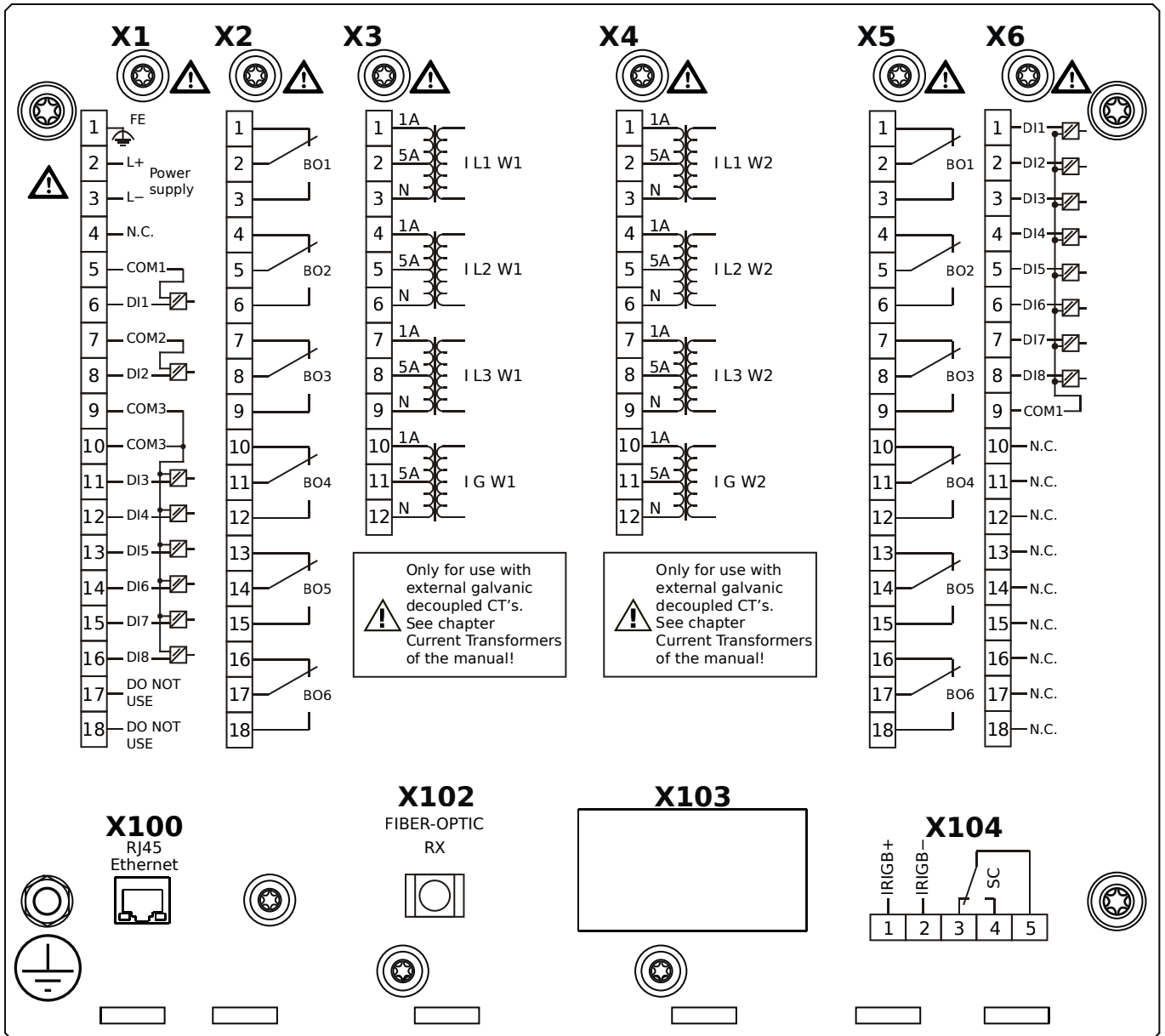
- X1** – DI8-X1: Wide-range power supply unit, incl. 2 non-grouped digital inputs and 6 grouped digital inputs
- X2** – OR-6: Assembly Group with 6 Relay Outputs
- X3** – TI-4: Standard current measuring card (for the winding side 1)
- X4** – TI-4: Standard current measuring card (for the winding side 2)
- X5** – OR-6: Assembly Group with 6 Relay Outputs
- X6** – DI8: Assembly Group with 8 Digital Inputs
- X102** – Universal Resistance-Temperature Detector (URTD) input, Fiber optics interface, Versatile Link
- X103** – Modbus RTU / IEC 60870-5-103 / DNP3.0 RTU, RS485, D-SUB
- X104** – IRIG-B00X, incl. System Contact (Supervision Contact)

MRDT4-2D0HGB



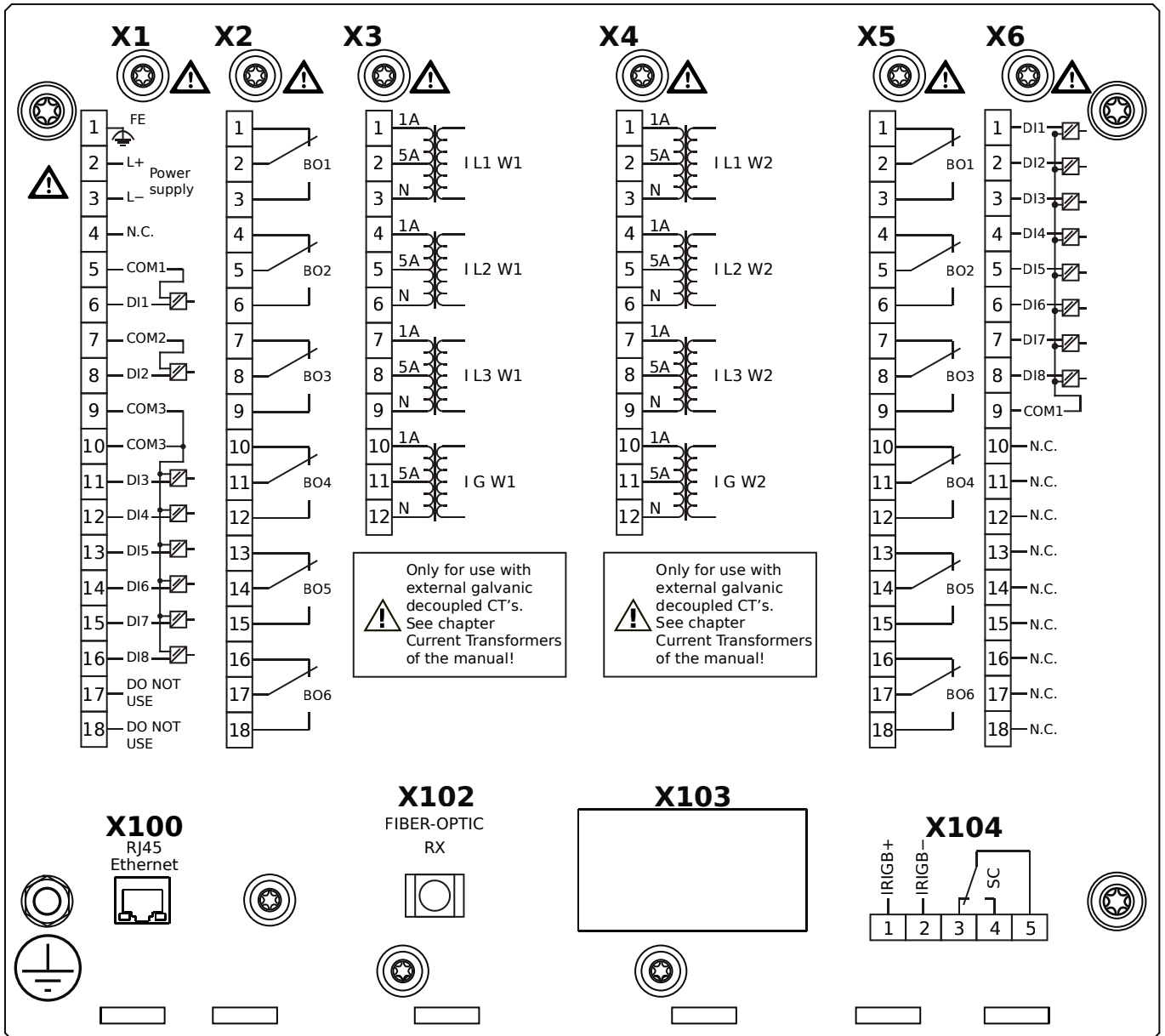
- X1** – DI8-X1: Wide-range power supply unit, incl. 2 non-grouped digital inputs and 6 grouped digital inputs
- X2** – OR-6: Assembly Group with 6 Relay Outputs
- X3** – TI-4: Standard current measuring card (for the winding side 1)
- X4** – TI-4: Standard current measuring card (for the winding side 2)
- X5** – OR-6: Assembly Group with 6 Relay Outputs
- X6** – DI8: Assembly Group with 8 Digital Inputs
- X102** – Universal Resistance-Temperature Detector (URTD) input, Fiber optics interface, Versatile Link
- X103** – Modbus RTU / IEC 60870-5-103 / DNP3.0 RTU, RS485, D-SUB
- X104** – IRIG-B00X, incl. System Contact (Supervision Contact)

MRDT4-2D0HHA



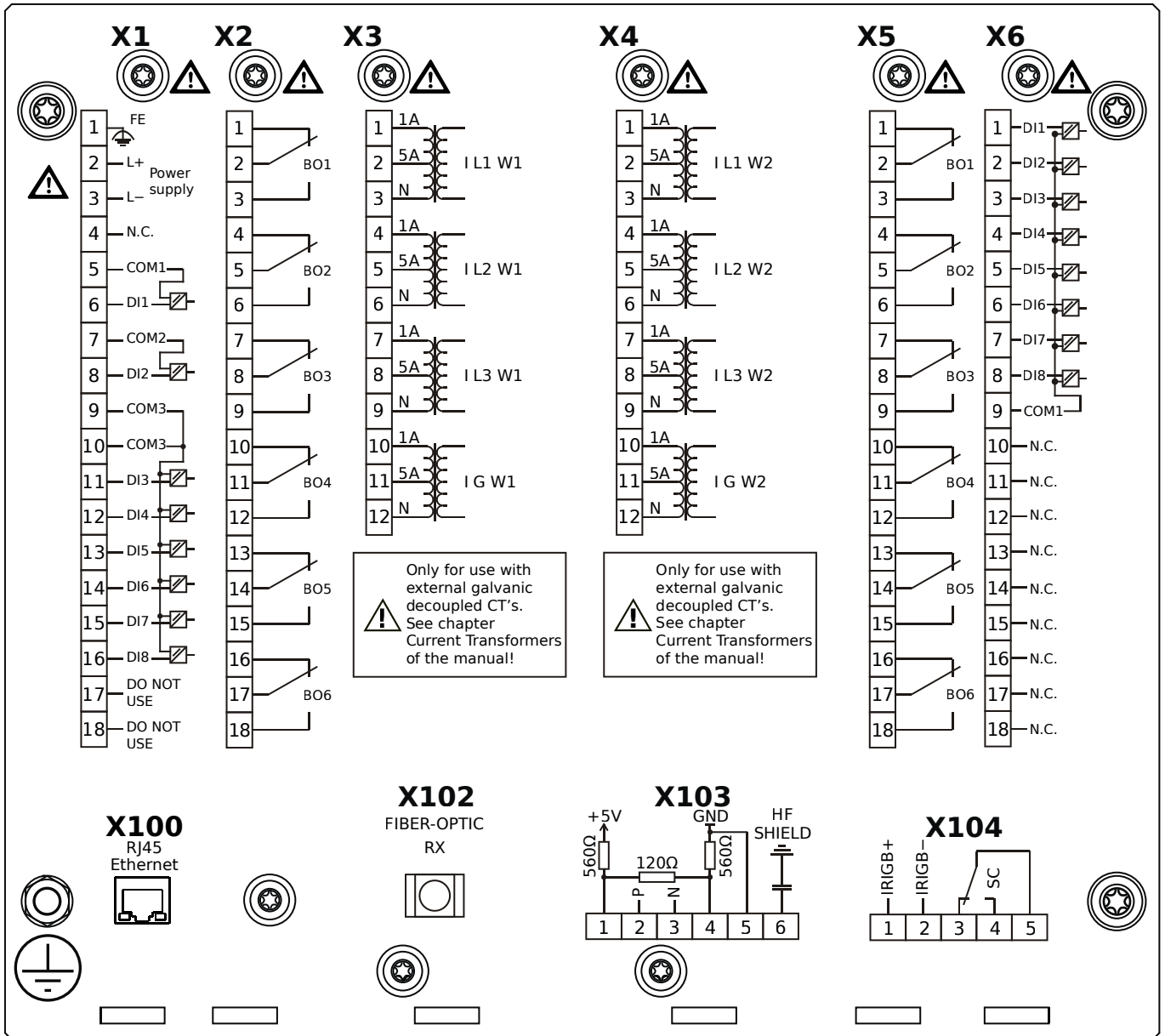
- X1** – DI8-X1: Wide-range power supply unit, incl. 2 non-grouped digital inputs and 6 grouped digital inputs
- X2** – OR-6: Assembly Group with 6 Relay Outputs
- X3** – TI-4: Standard current measuring card (for the winding side 1)
- X4** – TI-4: Standard current measuring card (for the winding side 2)
- X5** – OR-6: Assembly Group with 6 Relay Outputs
- X6** – DI8: Assembly Group with 8 Digital Inputs
- X100** – IEC 61850 / Modbus TCP / DNP3.0 TCP/UDP, Ethernet interface, 100 Mbit/s, RJ45 (BASE100-FX)
- X102** – Universal Resistance-Temperature Detector (URTD) input, Fiber optics interface, Versatile Link
- X104** – IRIG-B00X, incl. System Contact (Supervision Contact)

MRDT4-2D0HHB



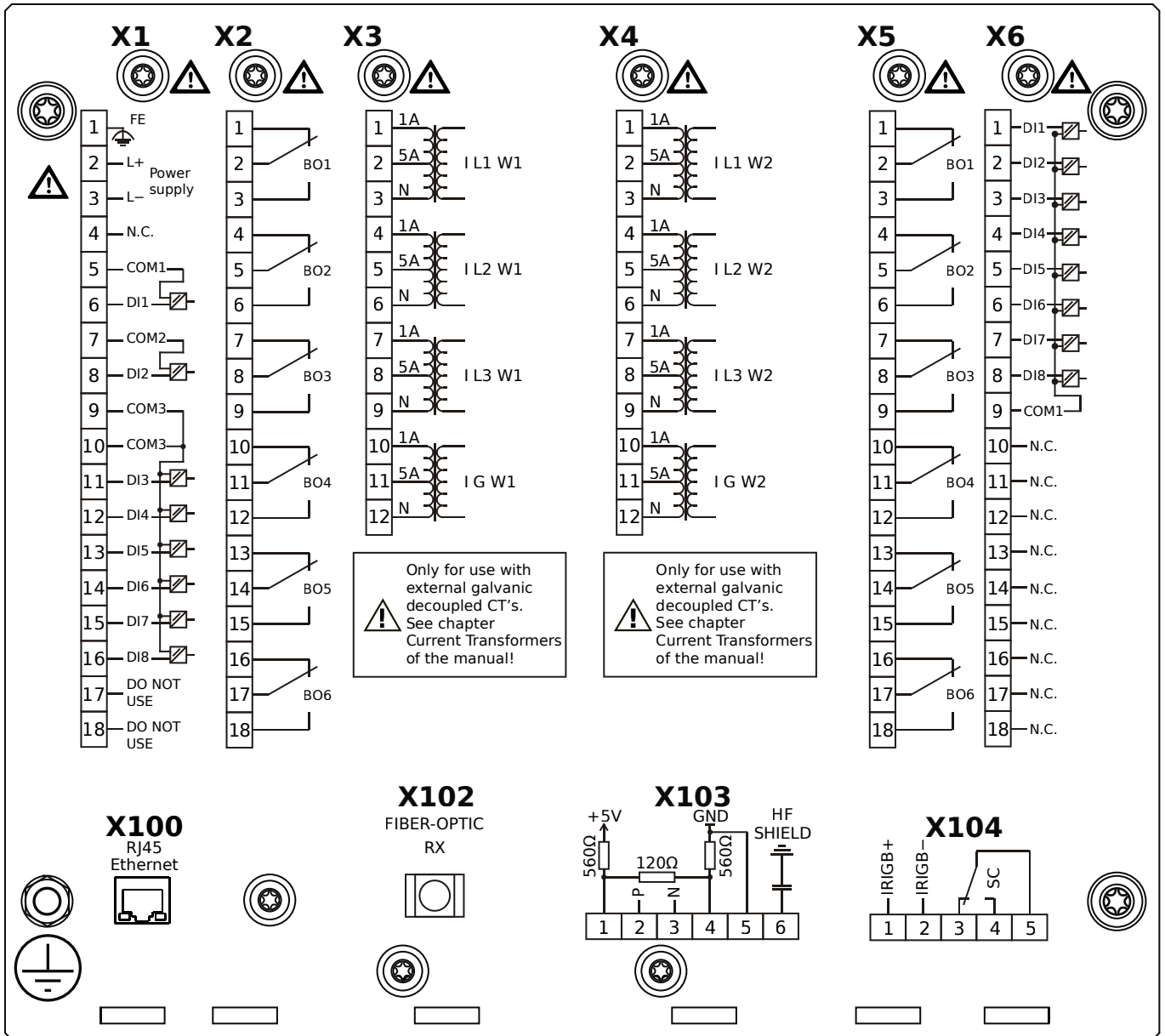
- X1** – DI8-X1: Wide-range power supply unit, incl. 2 non-grouped digital inputs and 6 grouped digital inputs
- X2** – OR-6: Assembly Group with 6 Relay Outputs
- X3** – TI-4: Standard current measuring card (for the winding side 1)
- X4** – TI-4: Standard current measuring card (for the winding side 2)
- X5** – OR-6: Assembly Group with 6 Relay Outputs
- X6** – DI8: Assembly Group with 8 Digital Inputs
- X100** – IEC 61850 / Modbus TCP / DNP3.0 TCP/UDP, Ethernet interface, 100 Mbit/s, RJ45 (BASE100-FX)
- X102** – Universal Resistance-Temperature Detector (URTD) input, Fiber optics interface, Versatile Link
- X104** – IRIG-B00X, incl. System Contact (Supervision Contact)

MRDT4-2D0HIA



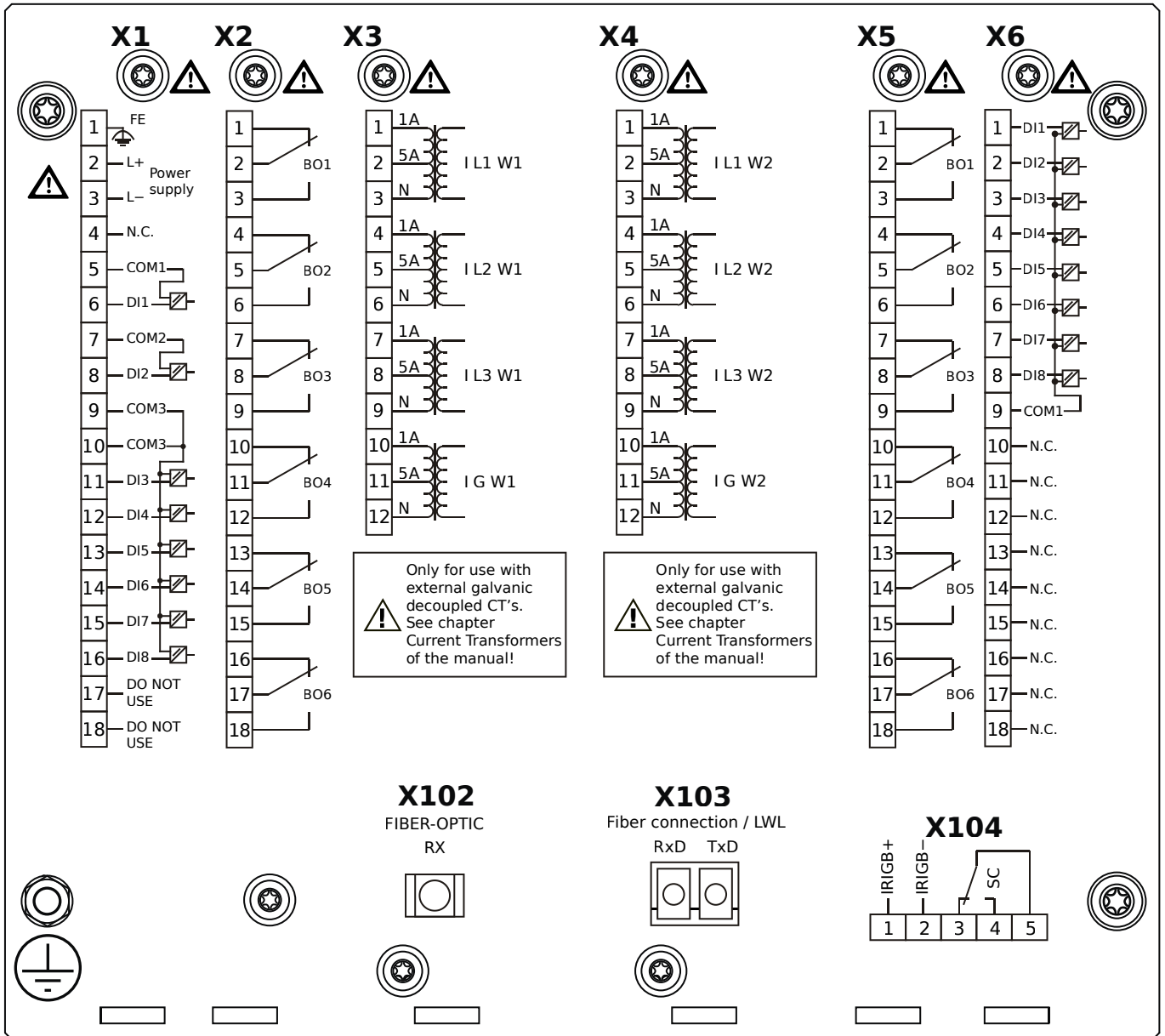
- X1** – DI8-X1: Wide-range power supply unit, incl. 2 non-grouped digital inputs and 6 grouped digital inputs
- X2** – OR-6: Assembly Group with 6 Relay Outputs
- X3** – TI-4: Standard current measuring card (for the winding side 1)
- X4** – TI-4: Standard current measuring card (for the winding side 2)
- X5** – OR-6: Assembly Group with 6 Relay Outputs
- X6** – DI8: Assembly Group with 8 Digital Inputs
- X100** – Modbus TCP / DNP3.0 TCP/UDP, Ethernet interface, 100 Mbit/s, RJ45 (BASE100-FX)
- X102** – Universal Resistance-Temperature Detector (URTD) input, Fiber optics interface, Versatile Link
- X103** – IEC 60870-5-103 / Modbus RTU / DNP3.0 RTU, RS485, Terminals
- X104** – IRIG-B00X, incl. System Contact (Supervision Contact)

MRDT4-2D0HIB



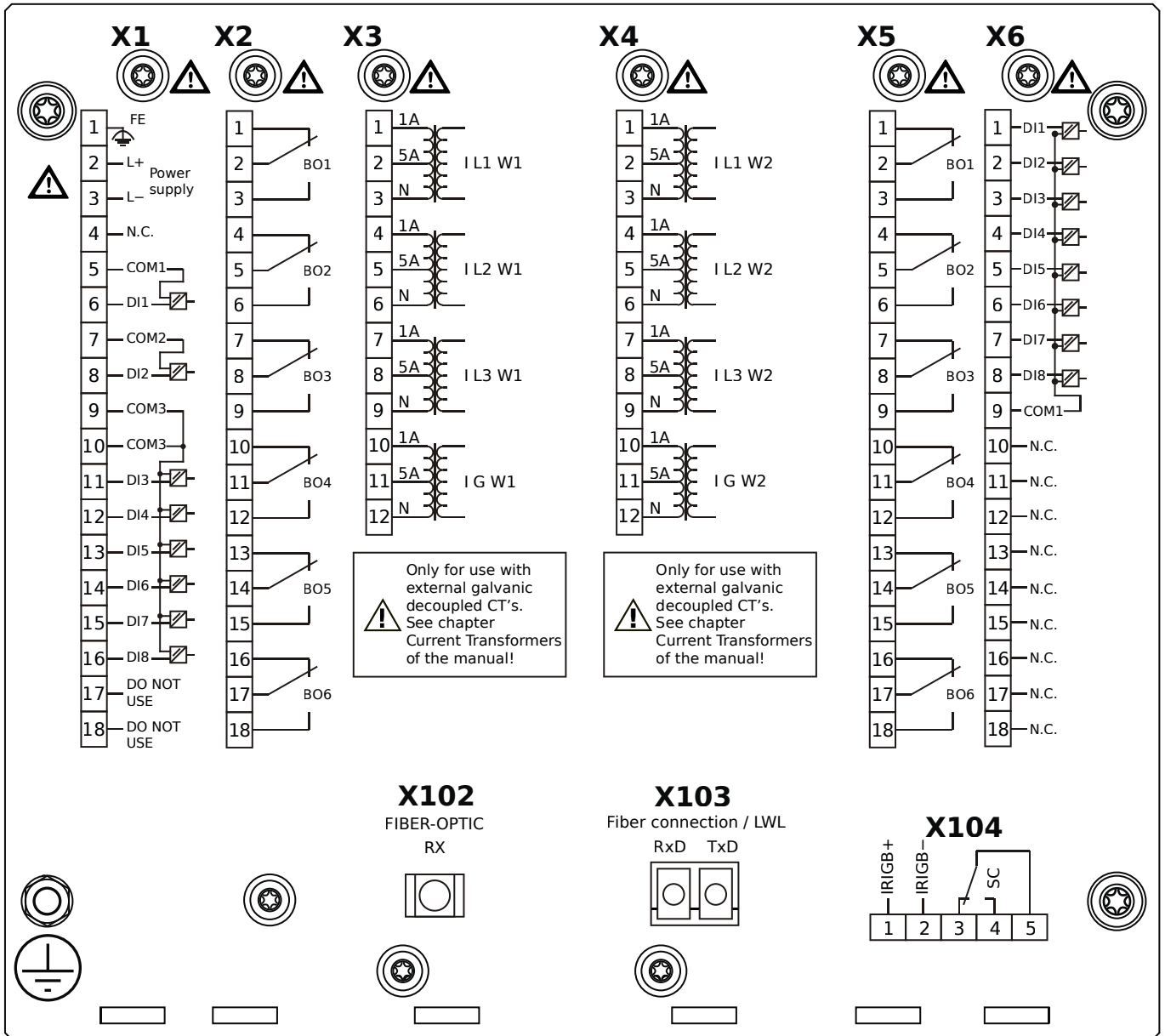
- X1** – DI8-X1: Wide-range power supply unit, incl. 2 non-grouped digital inputs and 6 grouped digital inputs
- X2** – OR-6: Assembly Group with 6 Relay Outputs
- X3** – TI-4: Standard current measuring card (for the winding side 1)
- X4** – TI-4: Standard current measuring card (for the winding side 2)
- X5** – OR-6: Assembly Group with 6 Relay Outputs
- X6** – DI8: Assembly Group with 8 Digital Inputs
- X100** – Modbus TCP / DNP3.0 TCP/UDP, Ethernet interface, 100 Mbit/s, RJ45 (BASE100-FX)
- X102** – Universal Resistance-Temperature Detector (URTD) input, Fiber optics interface, Versatile Link
- X103** – IEC 60870-5-103 / Modbus RTU / DNP3.0 RTU, RS485, Terminals
- X104** – IRIG-B00X, incl. System Contact (Supervision Contact)

MRDT4-2D0HKA



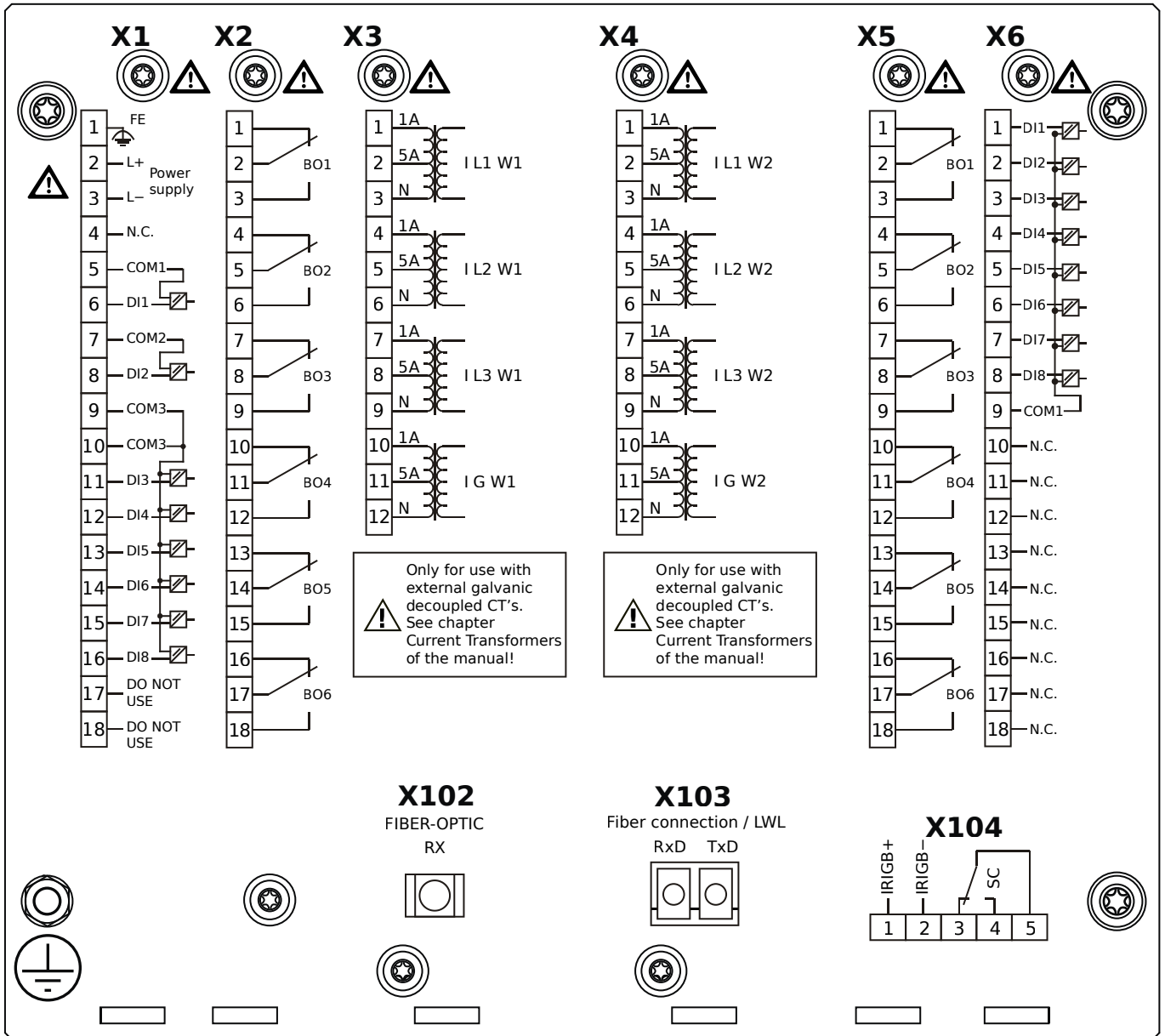
- X1** – DI8-X1: Wide-range power supply unit, incl. 2 non-grouped digital inputs and 6 grouped digital inputs
- X2** – OR-6: Assembly Group with 6 Relay Outputs
- X3** – TI-4: Standard current measuring card (for the winding side 1)
- X4** – TI-4: Standard current measuring card (for the winding side 2)
- X5** – OR-6: Assembly Group with 6 Relay Outputs
- X6** – DI8: Assembly Group with 8 Digital Inputs
- X102** – Universal Resistance-Temperature Detector (URTD) input, Fiber optics interface, Versatile Link
- X103** – IEC 61850 / Modbus TCP / DNP3.0 TCP/UDP, Fiber optics interface, LC Connector
- X104** – IRIG-B00X, incl. System Contact (Supervision Contact)

MRDT4-2D0HKB



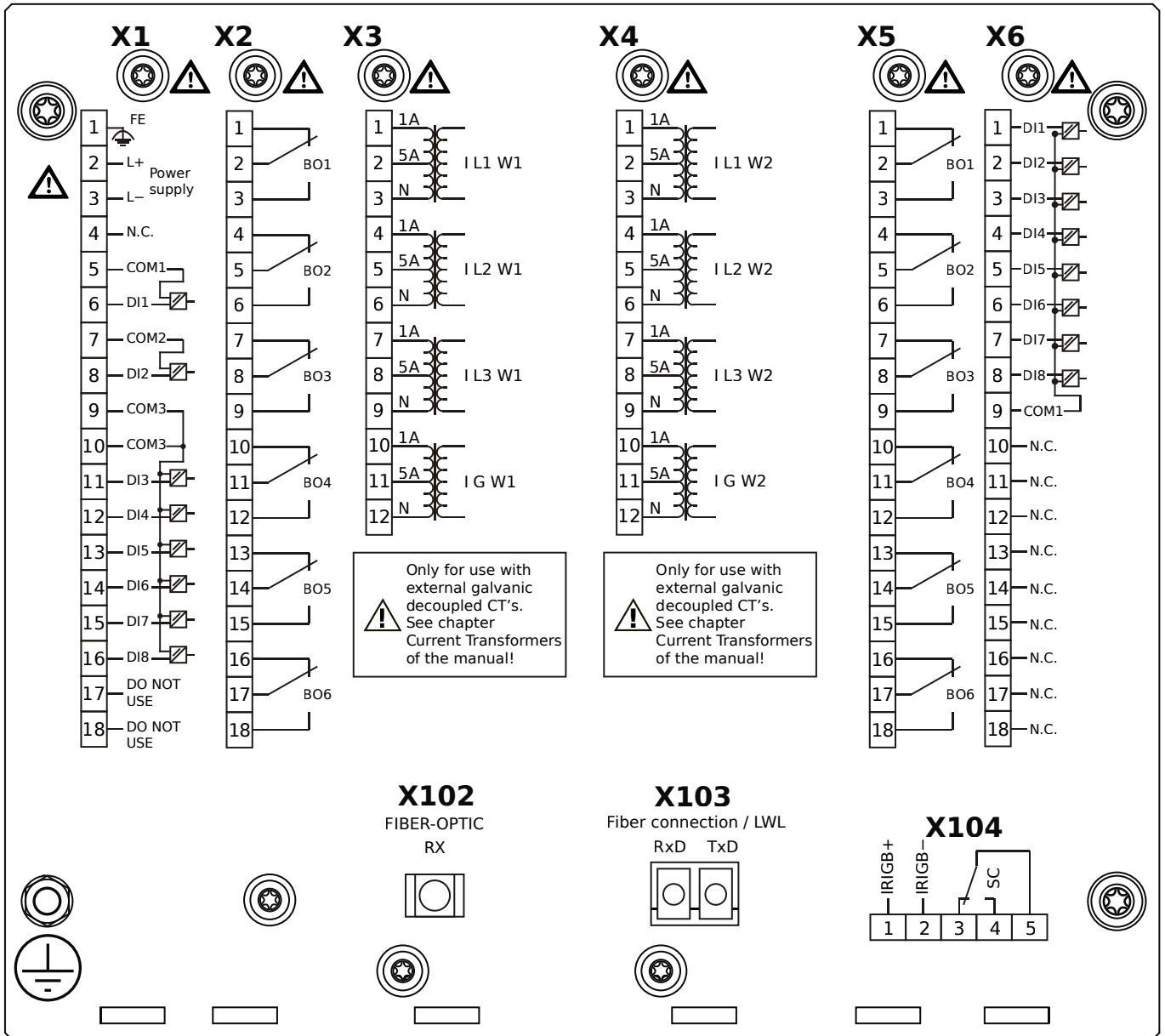
- X1** – DI8-X1: Wide-range power supply unit, incl. 2 non-grouped digital inputs and 6 grouped digital inputs
- X2** – OR-6: Assembly Group with 6 Relay Outputs
- X3** – TI-4: Standard current measuring card (for the winding side 1)
- X4** – TI-4: Standard current measuring card (for the winding side 2)
- X5** – OR-6: Assembly Group with 6 Relay Outputs
- X6** – DI8: Assembly Group with 8 Digital Inputs
- X102** – Universal Resistance-Temperature Detector (URTD) input, Fiber optics interface, Versatile Link
- X103** – IEC 61850 / Modbus TCP / DNP3.0 TCP/UDP, Fiber optics interface, LC Connector
- X104** – IRIG-B00X, incl. System Contact (Supervision Contact)

MRDT4-2D0HLA



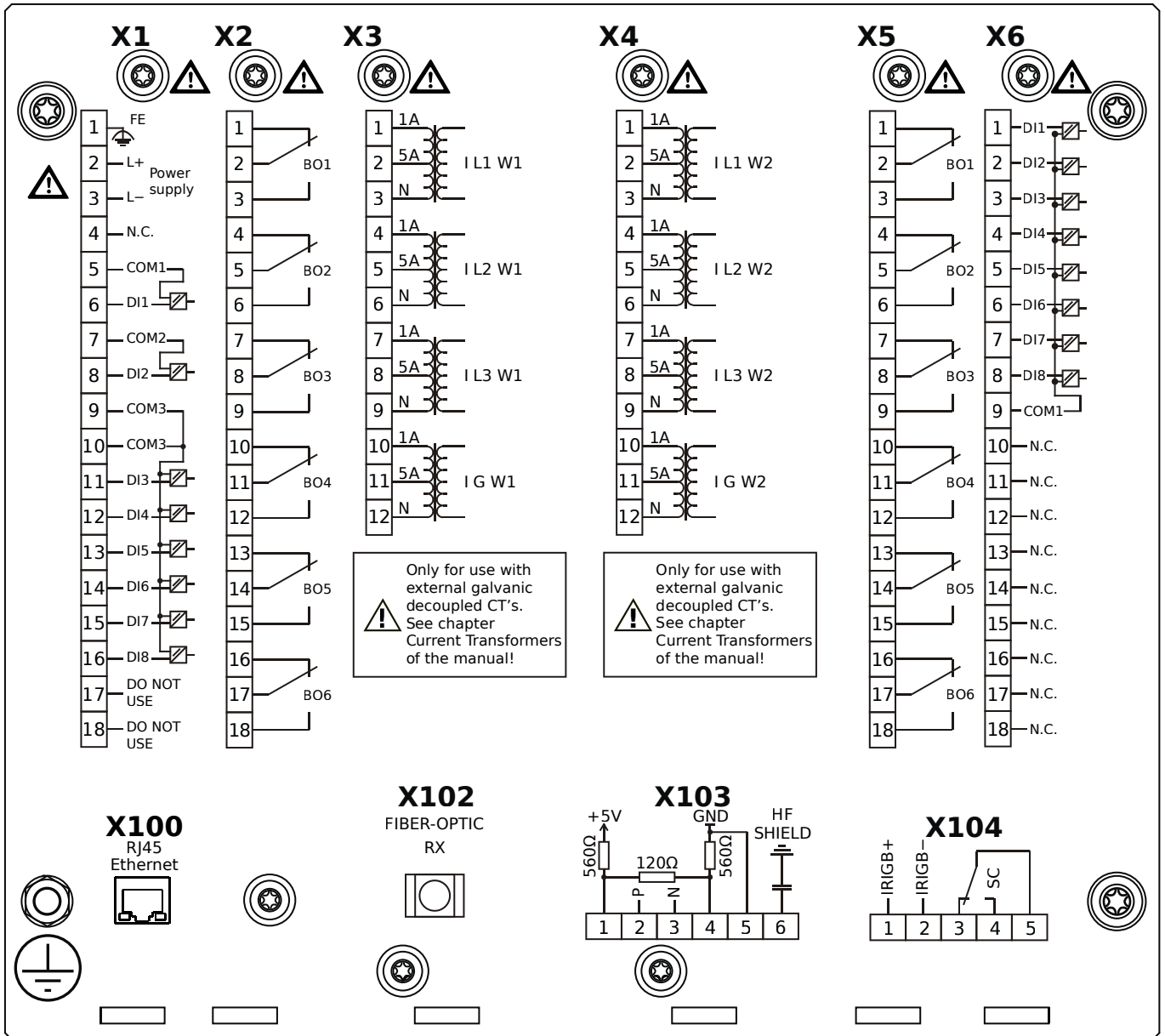
- X1** – DI8-X1: Wide-range power supply unit, incl. 2 non-grouped digital inputs and 6 grouped digital inputs
- X2** – OR-6: Assembly Group with 6 Relay Outputs
- X3** – TI-4: Standard current measuring card (for the winding side 1)
- X4** – TI-4: Standard current measuring card (for the winding side 2)
- X5** – OR-6: Assembly Group with 6 Relay Outputs
- X6** – DI8: Assembly Group with 8 Digital Inputs
- X102** – Universal Resistance-Temperature Detector (URTD) input, Fiber optics interface, Versatile Link
- X103** – Modbus TCP / DNP3.0 TCP/UDP, Fiber optics interface, LC Connector
- X104** – IRIG-B00X, incl. System Contact (Supervision Contact)

MRDT4-2D0HLB



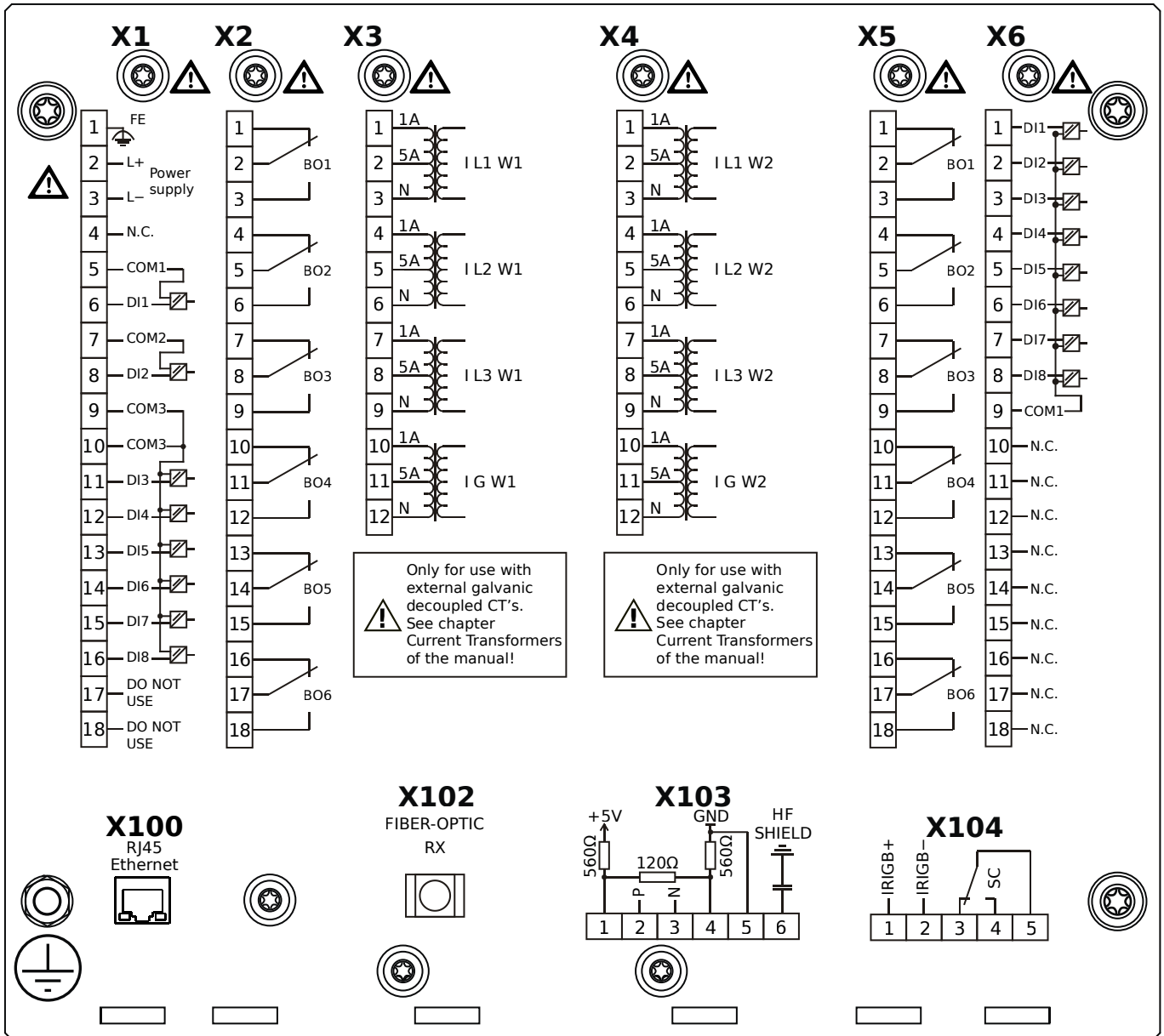
- X1** – DI8-X1: Wide-range power supply unit, incl. 2 non-grouped digital inputs and 6 grouped digital inputs
- X2** – OR-6: Assembly Group with 6 Relay Outputs
- X3** – TI-4: Standard current measuring card (for the winding side 1)
- X4** – TI-4: Standard current measuring card (for the winding side 2)
- X5** – OR-6: Assembly Group with 6 Relay Outputs
- X6** – DI8: Assembly Group with 8 Digital Inputs
- X102** – Universal Resistance-Temperature Detector (URTD) input, Fiber optics interface, Versatile Link
- X103** – Modbus TCP / DNP3.0 TCP/UDP, Fiber optics interface, LC Connector
- X104** – IRIG-B00X, incl. System Contact (Supervision Contact)

MRDT4-2D0HTA



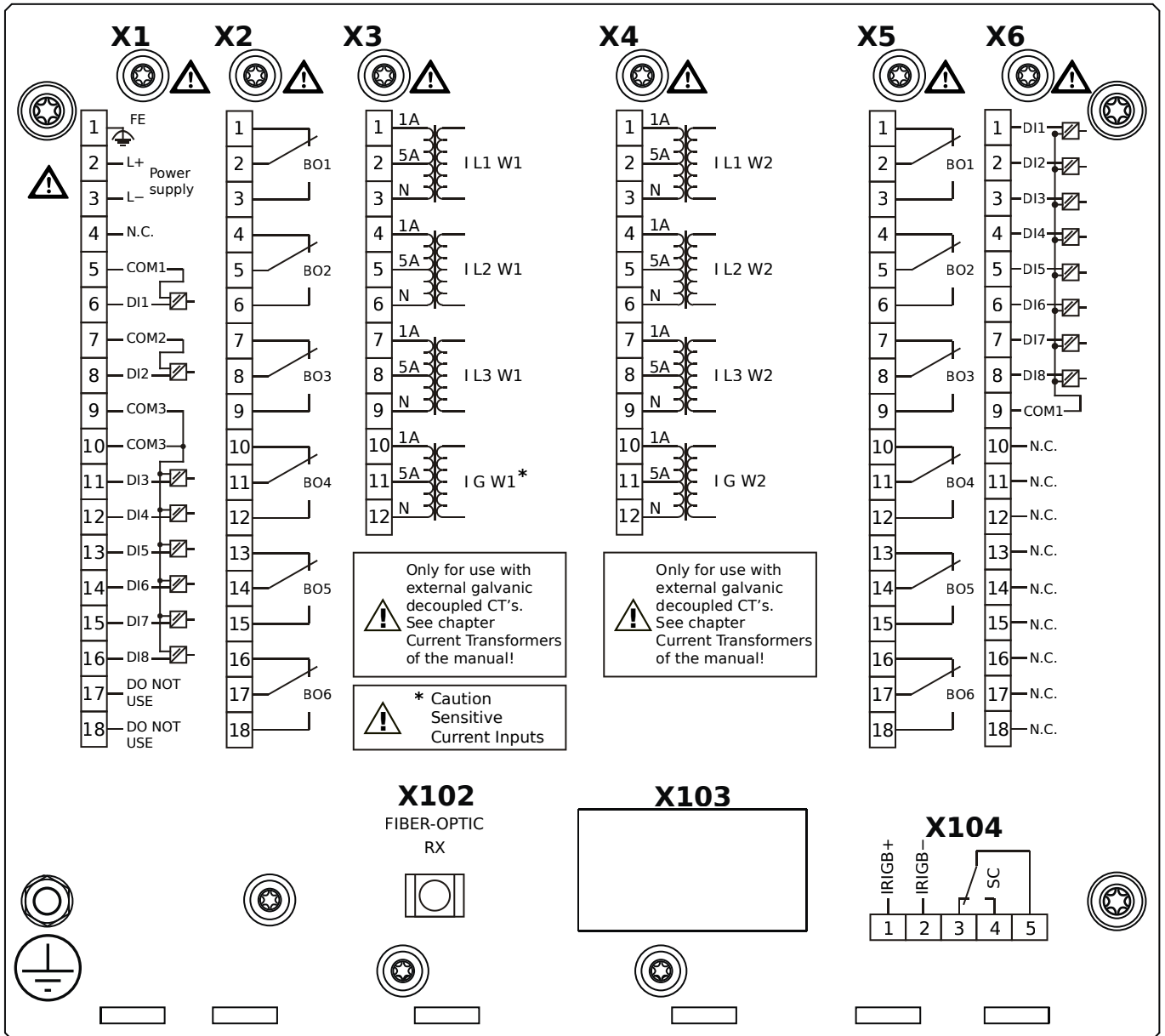
- X1** – DI8-X1: Wide-range power supply unit, incl. 2 non-grouped digital inputs and 6 grouped digital inputs
- X2** – OR-6: Assembly Group with 6 Relay Outputs
- X3** – TI-4: Standard current measuring card (for the winding side 1)
- X4** – TI-4: Standard current measuring card (for the winding side 2)
- X5** – OR-6: Assembly Group with 6 Relay Outputs
- X6** – DI8: Assembly Group with 8 Digital Inputs
- X100** – IEC 61850 / Modbus TCP / DNP3.0 TCP/UDP, Ethernet interface, 100 Mbit/s, RJ45 (BASE100-FX)
- X102** – Universal Resistance-Temperature Detector (URTD) input, Fiber optics interface, Versatile Link
- X103** – IEC 60870-5-103 / Modbus RTU / DNP3.0 RTU, RS485, Terminals
- X104** – IRIG-B00X, incl. System Contact (Supervision Contact)

MRDT4-2D0HTB



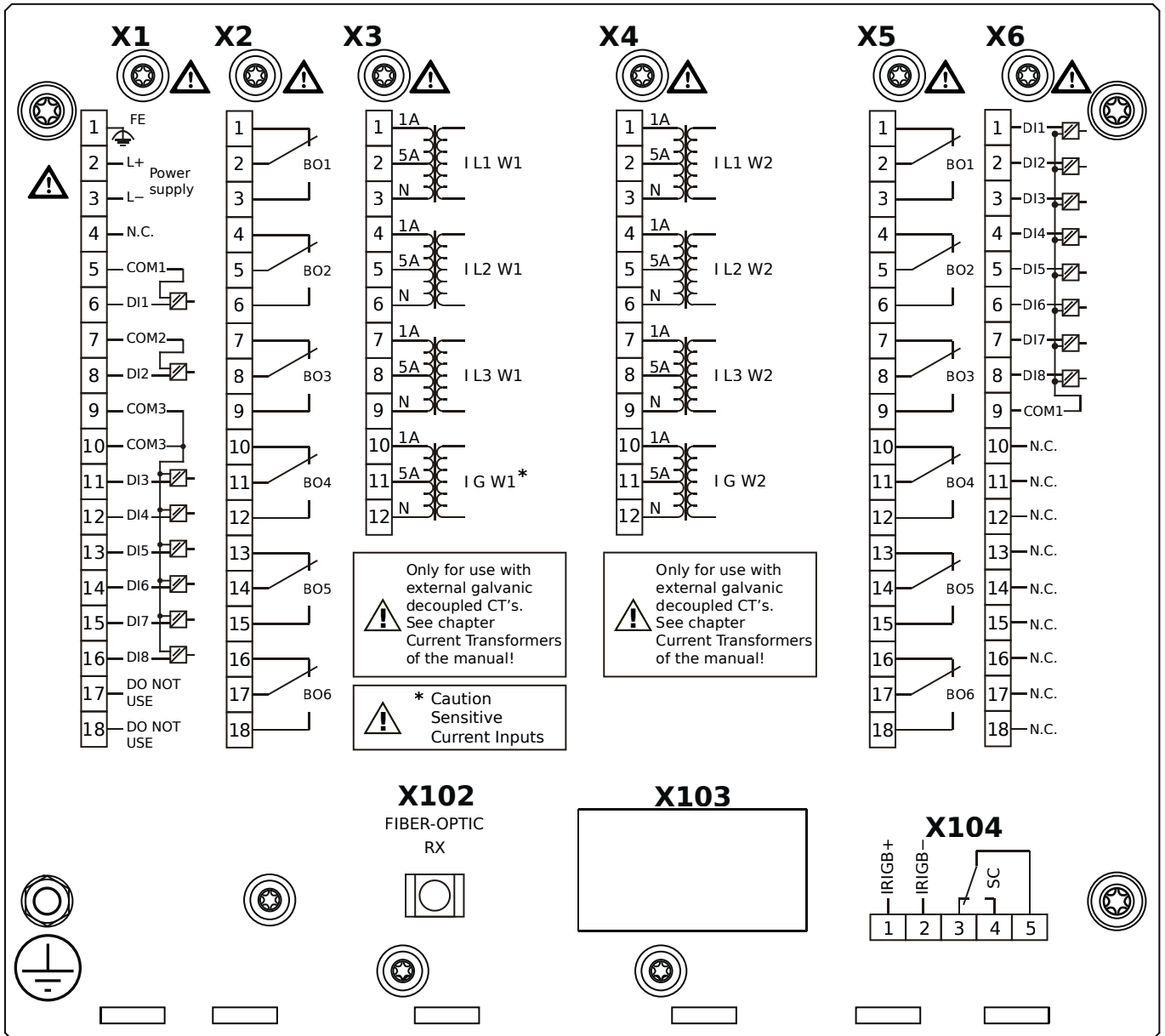
- X1** – DI8-X1: Wide-range power supply unit, incl. 2 non-grouped digital inputs and 6 grouped digital inputs
- X2** – OR-6: Assembly Group with 6 Relay Outputs
- X3** – TI-4: Standard current measuring card (for the winding side 1)
- X4** – TI-4: Standard current measuring card (for the winding side 2)
- X5** – OR-6: Assembly Group with 6 Relay Outputs
- X6** – DI8: Assembly Group with 8 Digital Inputs
- X100** – IEC 61850 / Modbus TCP / DNP3.0 TCP/UDP, Ethernet interface, 100 Mbit/s, RJ45 (BASE100-FX)
- X102** – Universal Resistance-Temperature Detector (URTD) input, Fiber optics interface, Versatile Link
- X103** – IEC 60870-5-103 / Modbus RTU / DNP3.0 RTU, RS485, Terminals
- X104** – IRIG-B00X, incl. System Contact (Supervision Contact)

MRDT4-2D1AAA



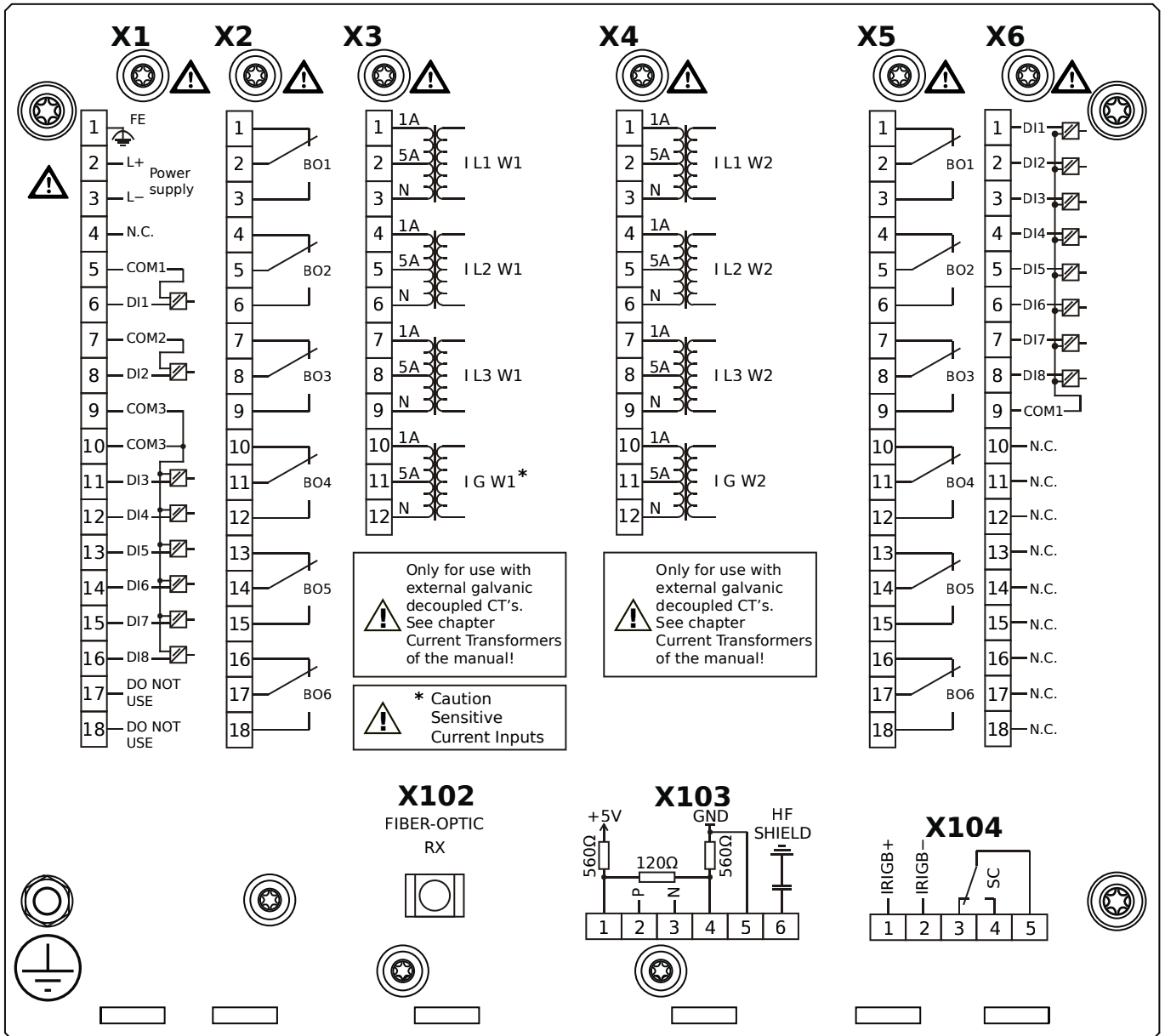
- X1** – DI8-X1: Wide-range power supply unit, incl. 2 non-grouped digital inputs and 6 grouped digital inputs
- X2** – OR-6: Assembly Group with 6 Relay Outputs
- X3** – TI-4: Standard phase current measuring card and sensitive ground current measuring (winding side 1)
- X4** – TI-4: Standard current measuring card (for the winding side 2)
- X5** – OR-6: Assembly Group with 6 Relay Outputs
- X6** – DI8: Assembly Group with 8 Digital Inputs
- X102** – Universal Resistance-Temperature Detector (URTD) input, Fiber optics interface, Versatile Link
- X104** – IRIG-B00X, incl. System Contact (Supervision Contact)

MRDT4-2D1AAB



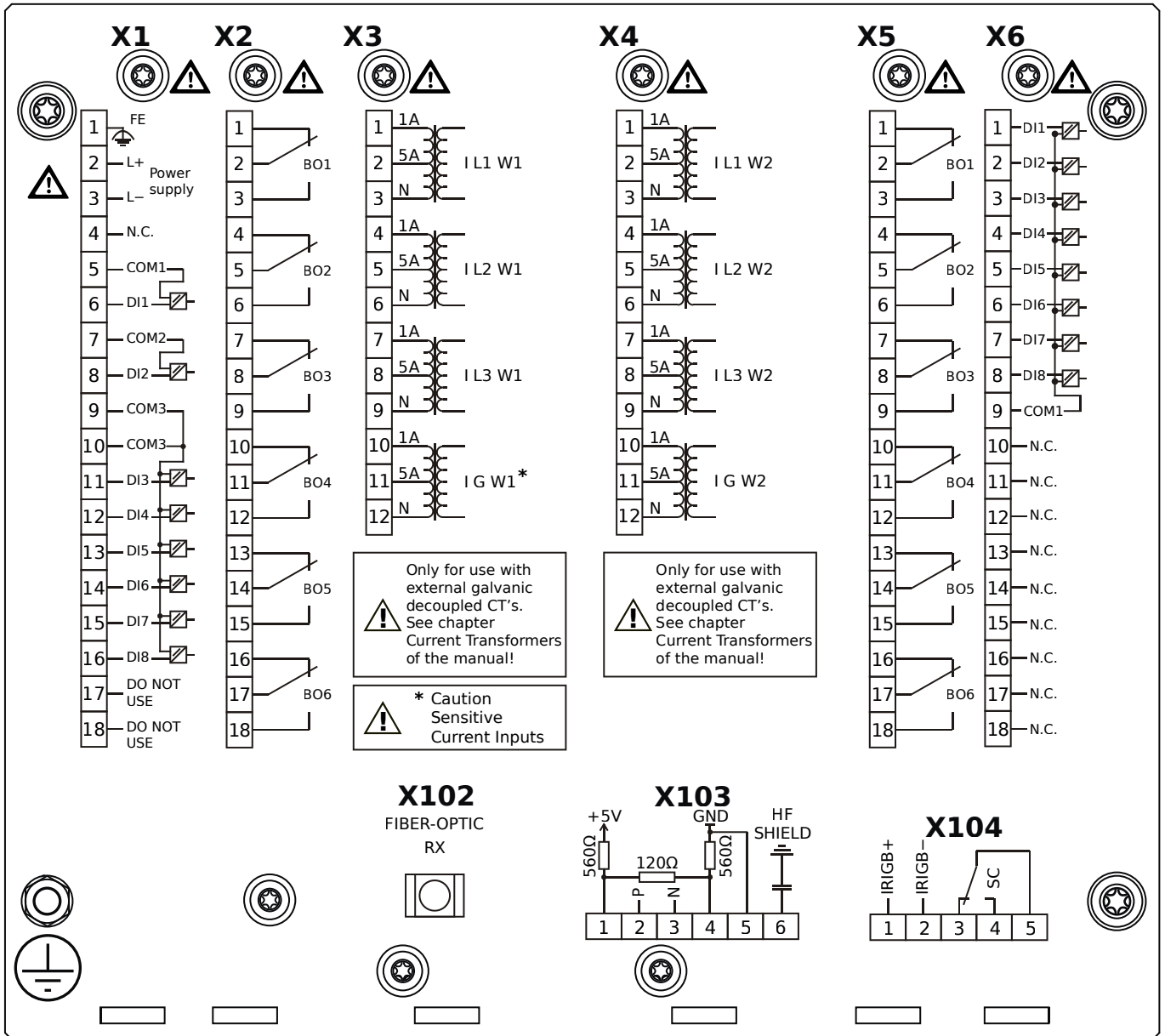
- X1** – DI8-X1: Wide-range power supply unit, incl. 2 non-grouped digital inputs and 6 grouped digital inputs
- X2** – OR-6: Assembly Group with 6 Relay Outputs
- X3** – TI-4: Standard phase current measuring card and sensitive ground current measuring (winding side 1)
- X4** – TI-4: Standard current measuring card (for the winding side 2)
- X5** – OR-6: Assembly Group with 6 Relay Outputs
- X6** – DI8: Assembly Group with 8 Digital Inputs
- X102** – Universal Resistance-Temperature Detector (URTD) input, Fiber optics interface, Versatile Link
- X104** – IRIG-B00X, incl. System Contact (Supervision Contact)

MRDT4-2D1ABA



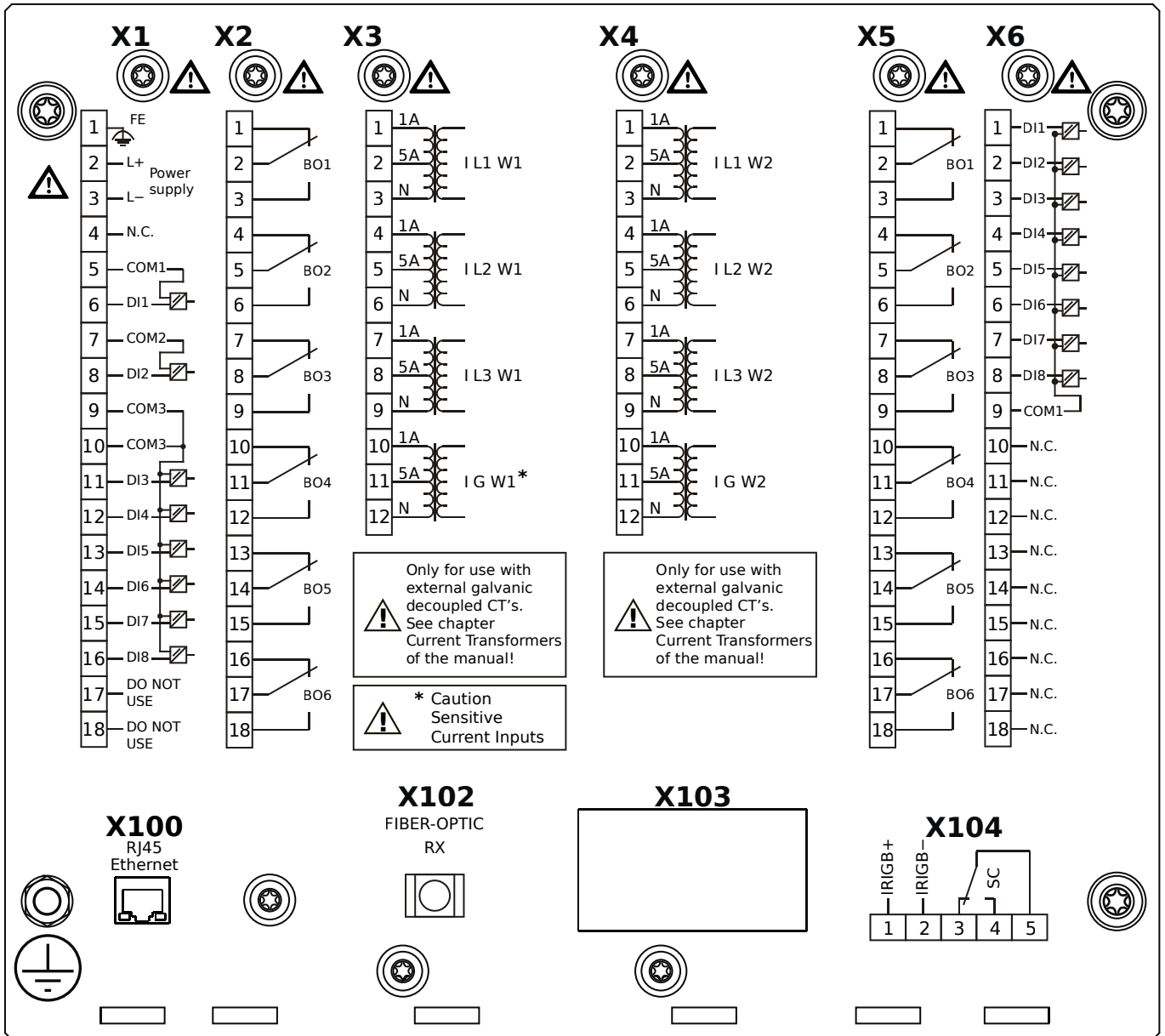
- X1** – DI8-X1: Wide-range power supply unit, incl. 2 non-grouped digital inputs and 6 grouped digital inputs
- X2** – OR-6: Assembly Group with 6 Relay Outputs
- X3** – TI-4: Standard phase current measuring card and sensitive ground current measuring (winding side 1)
- X4** – TI-4: Standard current measuring card (for the winding side 2)
- X5** – OR-6: Assembly Group with 6 Relay Outputs
- X6** – DI8: Assembly Group with 8 Digital Inputs
- X102** – Universal Resistance-Temperature Detector (URTD) input, Fiber optics interface, Versatile Link
- X103** – Modbus RTU / IEC 60870-5-103 / DNP3.0 RTU, RS485, Terminals
- X104** – IRIG-B00X, incl. System Contact (Supervision Contact)

MRDT4-2D1ABB



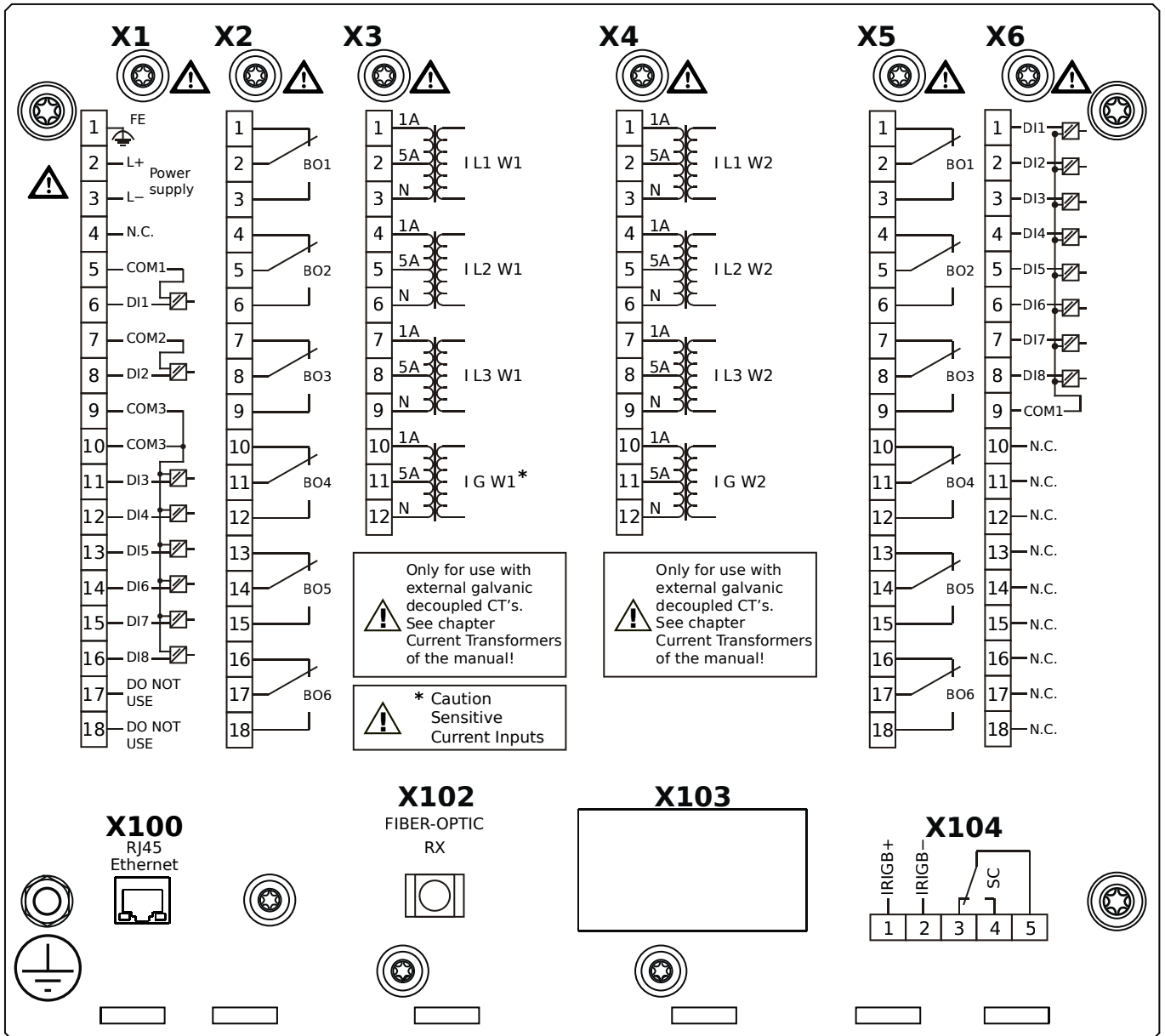
- X1** – DI8-X1: Wide-range power supply unit, incl. 2 non-grouped digital inputs and 6 grouped digital inputs
- X2** – OR-6: Assembly Group with 6 Relay Outputs
- X3** – TI-4: Standard phase current measuring card and sensitive ground current measuring (winding side 1)
- X4** – TI-4: Standard current measuring card (for the winding side 2)
- X5** – OR-6: Assembly Group with 6 Relay Outputs
- X6** – DI8: Assembly Group with 8 Digital Inputs
- X102** – Universal Resistance-Temperature Detector (URTD) input, Fiber optics interface, Versatile Link
- X103** – Modbus RTU / IEC 60870-5-103 / DNP3.0 RTU, RS485, Terminals
- X104** – IRIG-B00X, incl. System Contact (Supervision Contact)

MRDT4-2D1ACA



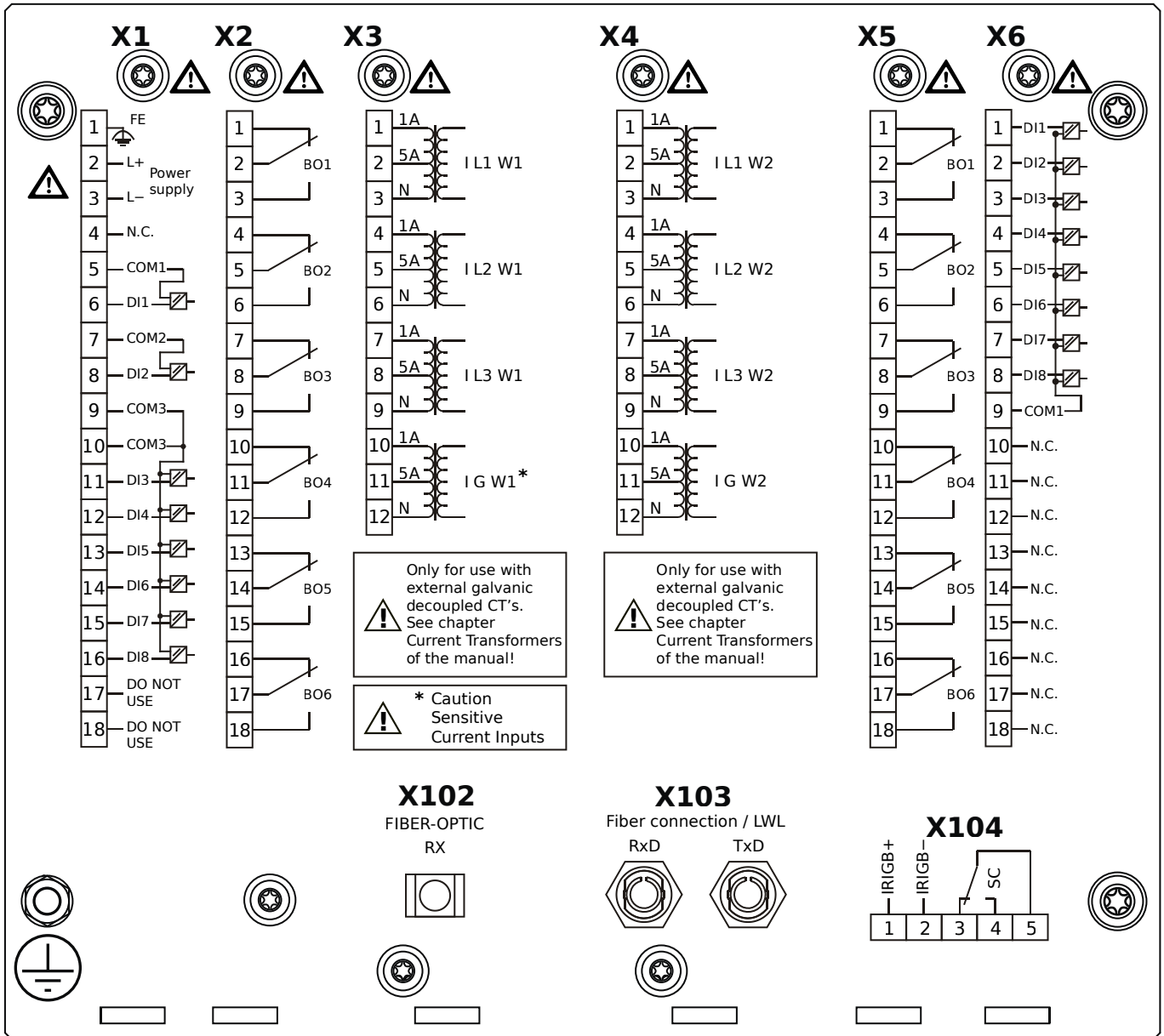
- X1** – DI8-X1: Wide-range power supply unit, incl. 2 non-grouped digital inputs and 6 grouped digital inputs
- X2** – OR-6: Assembly Group with 6 Relay Outputs
- X3** – TI-4: Standard phase current measuring card and sensitive ground current measuring (winding side 1)
- X4** – TI-4: Standard current measuring card (for the winding side 2)
- X5** – OR-6: Assembly Group with 6 Relay Outputs
- X6** – DI8: Assembly Group with 8 Digital Inputs
- X100** – Modbus TCP / DNP3.0 TCP/UDP, Ethernet interface, 100 Mbit/s, RJ45 (BASE100-FX)
- X102** – Universal Resistance-Temperature Detector (URTD) input, Fiber optics interface, Versatile Link
- X104** – IRIG-B00X, incl. System Contact (Supervision Contact)

MRDT4-2D1ACB



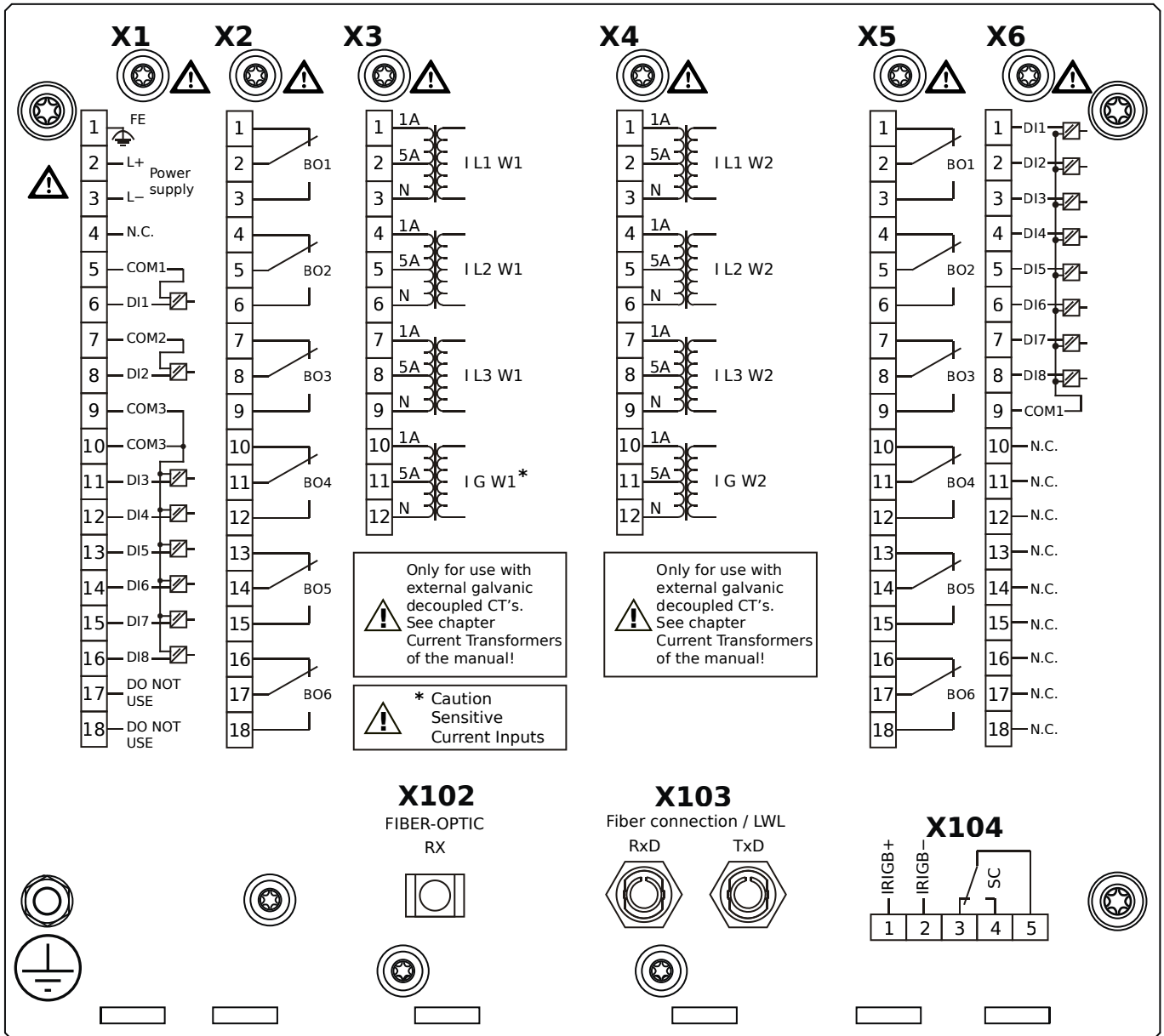
- X1** – DI8-X1: Wide-range power supply unit, incl. 2 non-grouped digital inputs and 6 grouped digital inputs
- X2** – OR-6: Assembly Group with 6 Relay Outputs
- X3** – TI-4: Standard phase current measuring card and sensitive ground current measuring (winding side 1)
- X4** – TI-4: Standard current measuring card (for the winding side 2)
- X5** – OR-6: Assembly Group with 6 Relay Outputs
- X6** – DI8: Assembly Group with 8 Digital Inputs
- X100** – Modbus TCP / DNP3.0 TCP/UDP, Ethernet interface, 100 Mbit/s, RJ45 (BASE100-FX)
- X102** – Universal Resistance-Temperature Detector (URTD) input, Fiber optics interface, Versatile Link
- X104** – IRIG-B00X, incl. System Contact (Supervision Contact)

MRDT4-2D1ADA



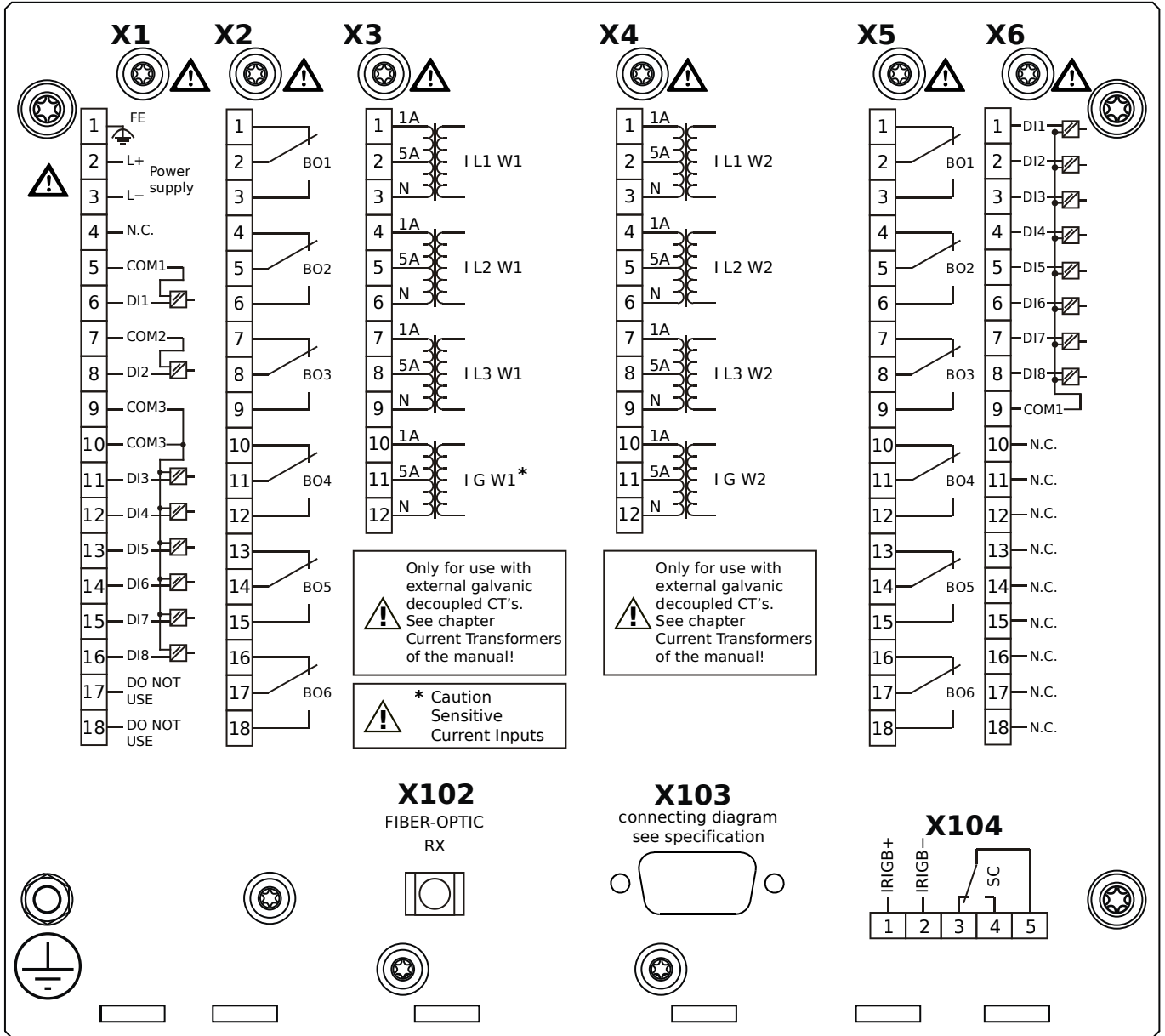
- X1** – DI8-X1: Wide-range power supply unit, incl. 2 non-grouped digital inputs and 6 grouped digital inputs
- X2** – OR-6: Assembly Group with 6 Relay Outputs
- X3** – TIs-4: Standard phase current measuring card and sensitive ground current measuring (winding side 1)
- X4** – TI-4: Standard current measuring card (for the winding side 2)
- X5** – OR-6: Assembly Group with 6 Relay Outputs
- X6** – DI8: Assembly Group with 8 Digital Inputs
- X102** – Universal Resistance-Temperature Detector (URTD) input, Fiber optics interface, Versatile Link
- X103** – Profibus-DP, Fiber optics interface, ST Connector
- X104** – IRIG-B00X, incl. System Contact (Supervision Contact)

MRDT4-2D1ADB



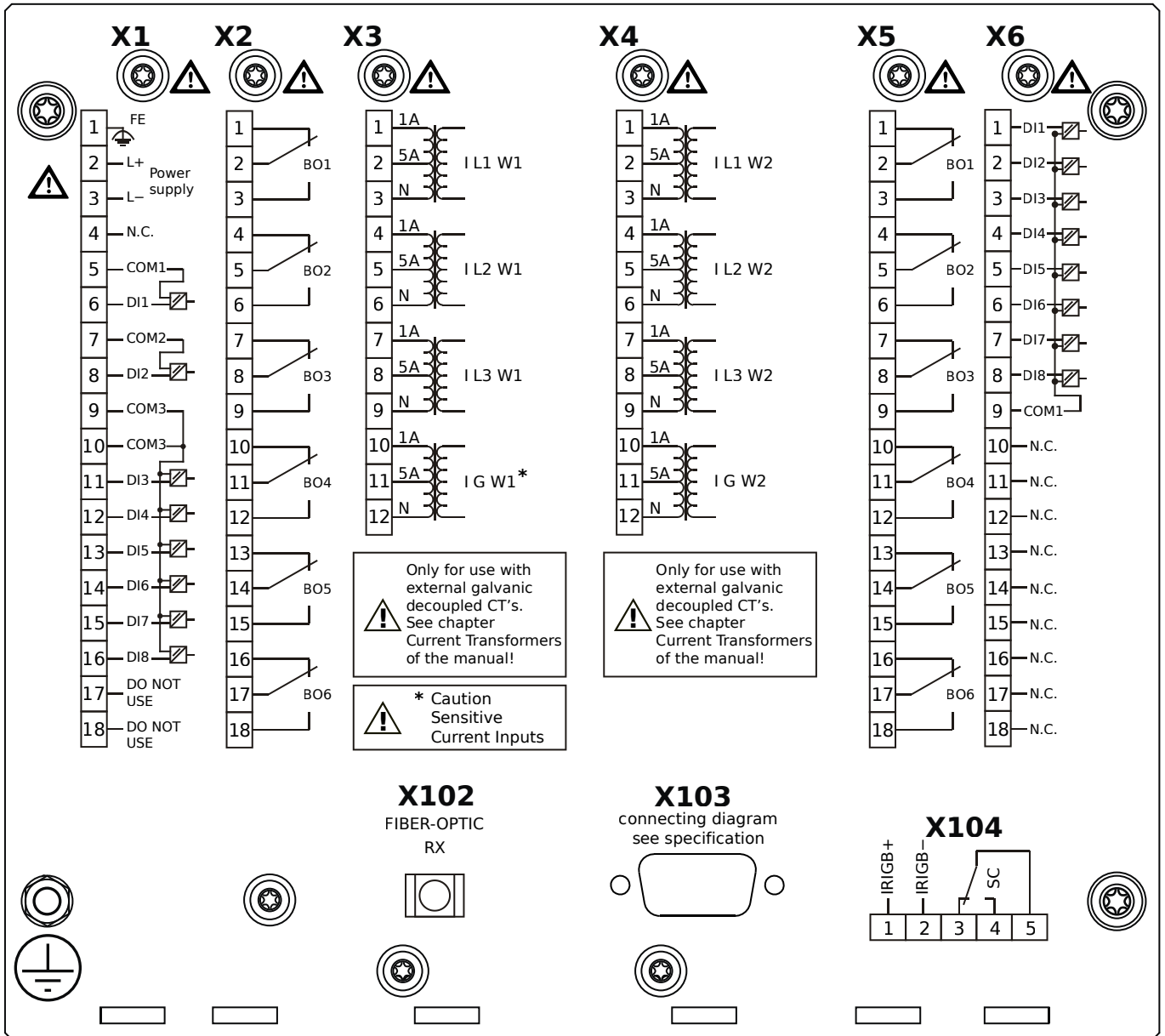
- X1** – DI8-X1: Wide-range power supply unit, incl. 2 non-grouped digital inputs and 6 grouped digital inputs
- X2** – OR-6: Assembly Group with 6 Relay Outputs
- X3** – TI-4: Standard phase current measuring card and sensitive ground current measuring (winding side 1)
- X4** – TI-4: Standard current measuring card (for the winding side 2)
- X5** – OR-6: Assembly Group with 6 Relay Outputs
- X6** – DI8: Assembly Group with 8 Digital Inputs
- X102** – Universal Resistance-Temperature Detector (URTD) input, Fiber optics interface, Versatile Link
- X103** – Profibus-DP, Fiber optics interface, ST Connector
- X104** – IRIG-B00X, incl. System Contact (Supervision Contact)

MRDT4-2D1AEA



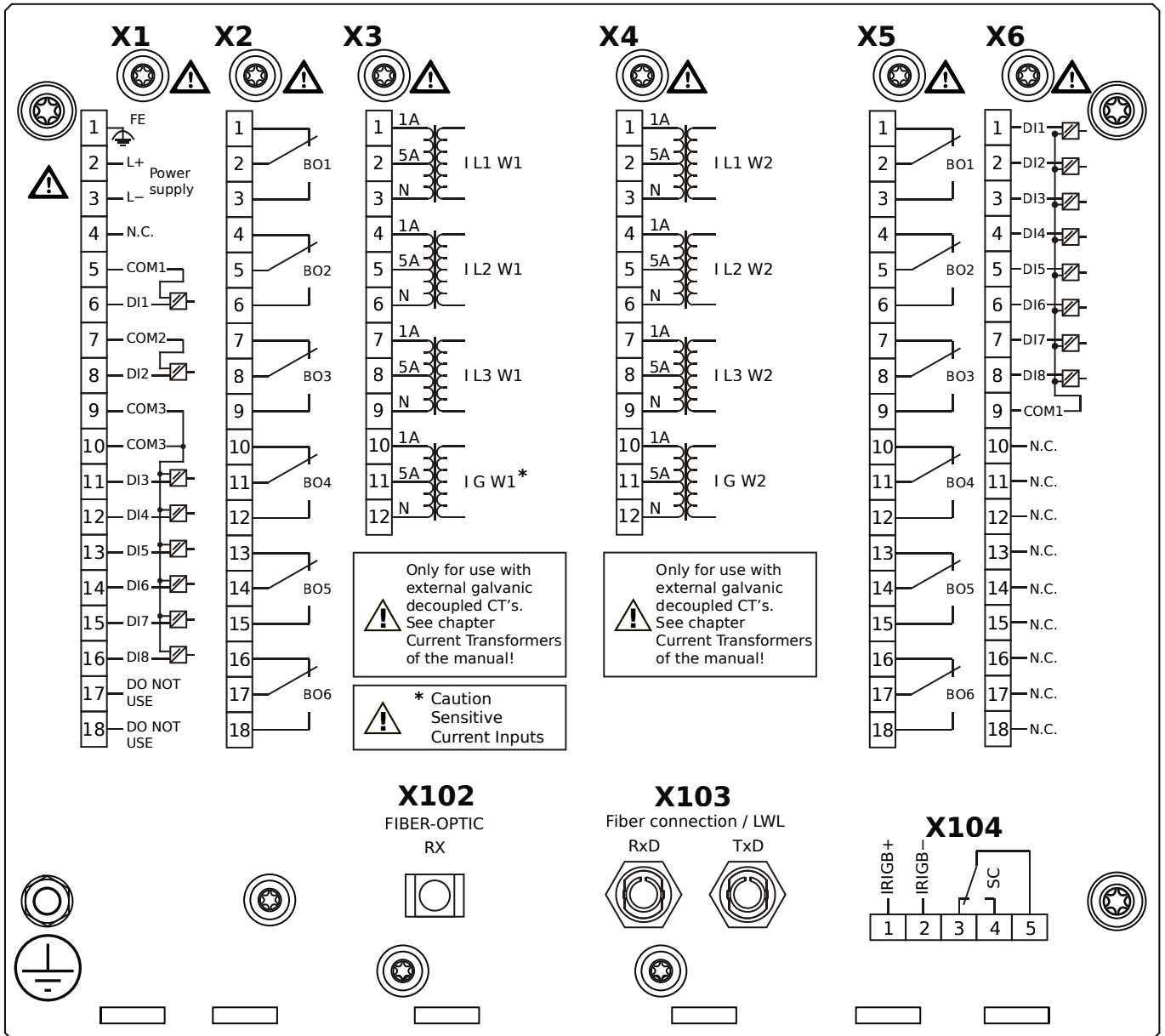
- X1** – DI8-X1: Wide-range power supply unit, incl. 2 non-grouped digital inputs and 6 grouped digital inputs
- X2** – OR-6: Assembly Group with 6 Relay Outputs
- X3** – TIs-4: Standard phase current measuring card and sensitive ground current measuring (winding side 1)
- X4** – TI-4: Standard current measuring card (for the winding side 2)
- X5** – OR-6: Assembly Group with 6 Relay Outputs
- X6** – DI8: Assembly Group with 8 Digital Inputs
- X102** – Universal Resistance-Temperature Detector (URTD) input, Fiber optics interface, Versatile Link
- X103** – Profibus-DP, RS485, D-SUB
- X104** – IRIG-B00X, incl. System Contact (Supervision Contact)

MRDT4-2D1AEB



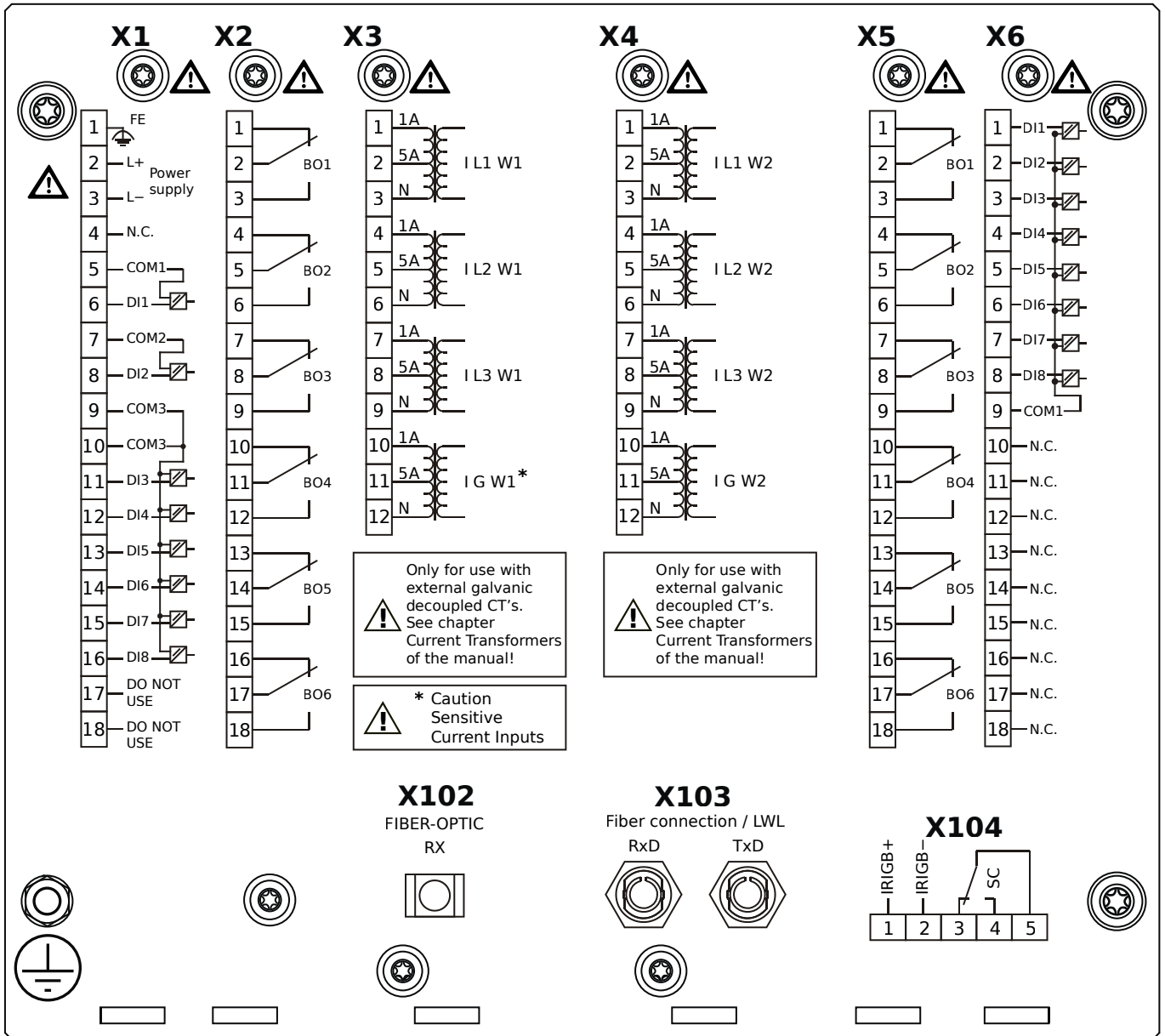
- X1** – DI8-X1: Wide-range power supply unit, incl. 2 non-grouped digital inputs and 6 grouped digital inputs
- X2** – OR-6: Assembly Group with 6 Relay Outputs
- X3** – TIs-4: Standard phase current measuring card and sensitive ground current measuring (winding side 1)
- X4** – TI-4: Standard current measuring card (for the winding side 2)
- X5** – OR-6: Assembly Group with 6 Relay Outputs
- X6** – DI8: Assembly Group with 8 Digital Inputs
- X102** – Universal Resistance-Temperature Detector (URTD) input, Fiber optics interface, Versatile Link
- X103** – Profibus-DP, RS485, D-SUB
- X104** – IRIG-B00X, incl. System Contact (Supervision Contact)

MRDT4-2D1AFA



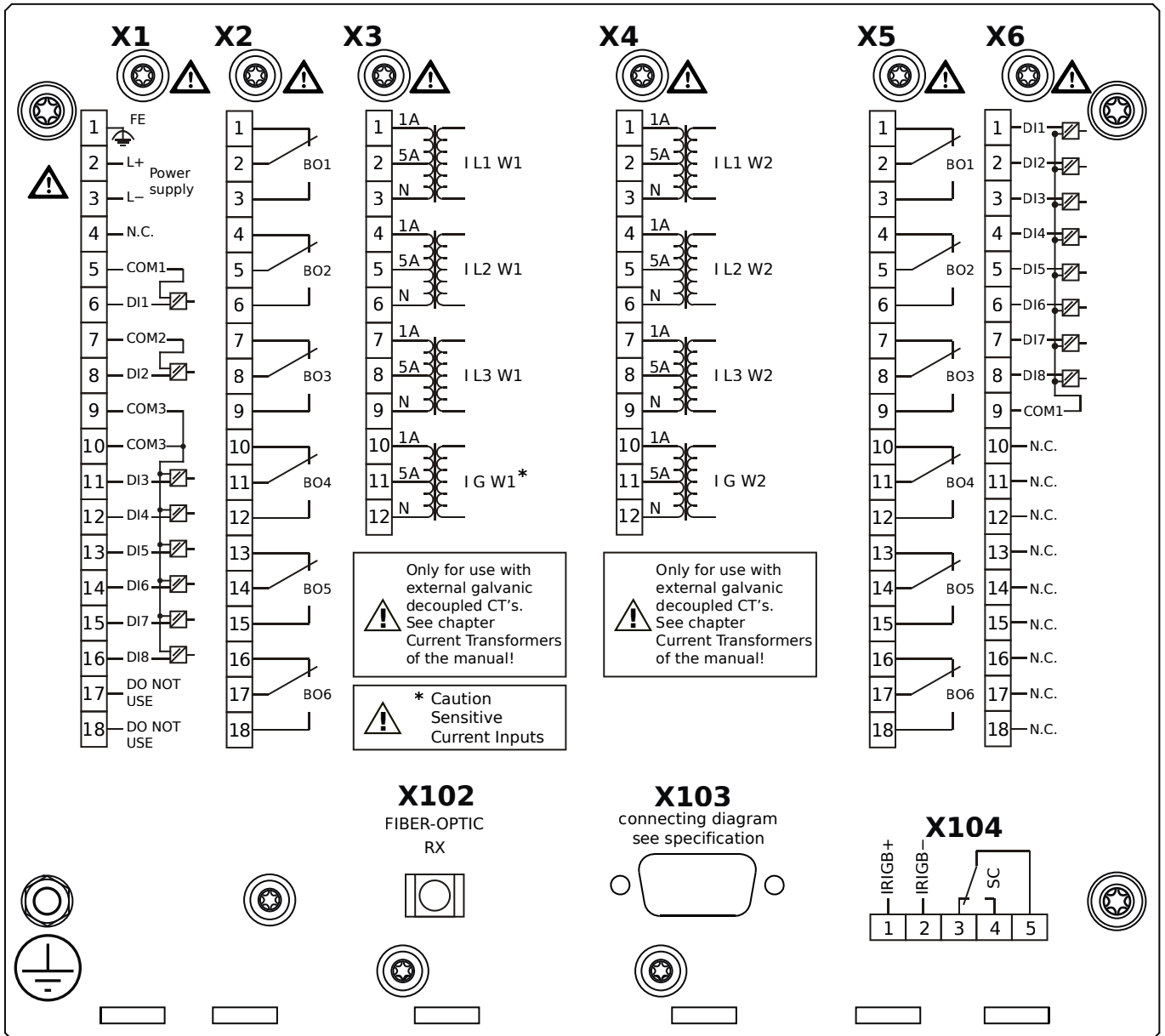
- X1** – DI8-X1: Wide-range power supply unit, incl. 2 non-grouped digital inputs and 6 grouped digital inputs
- X2** – OR-6: Assembly Group with 6 Relay Outputs
- X3** – TI-4: Standard phase current measuring card and sensitive ground current measuring (winding side 1)
- X4** – TI-4: Standard current measuring card (for the winding side 2)
- X5** – OR-6: Assembly Group with 6 Relay Outputs
- X6** – DI8: Assembly Group with 8 Digital Inputs
- X102** – Universal Resistance-Temperature Detector (URTD) input, Fiber optics interface, Versatile Link
- X103** – Modbus RTU / IEC 60870-5-103 / DNP3.0 RTU, Fiber optics interface, ST Connector
- X104** – IRIG-B00X, incl. System Contact (Supervision Contact)

MRDT4-2D1AFB



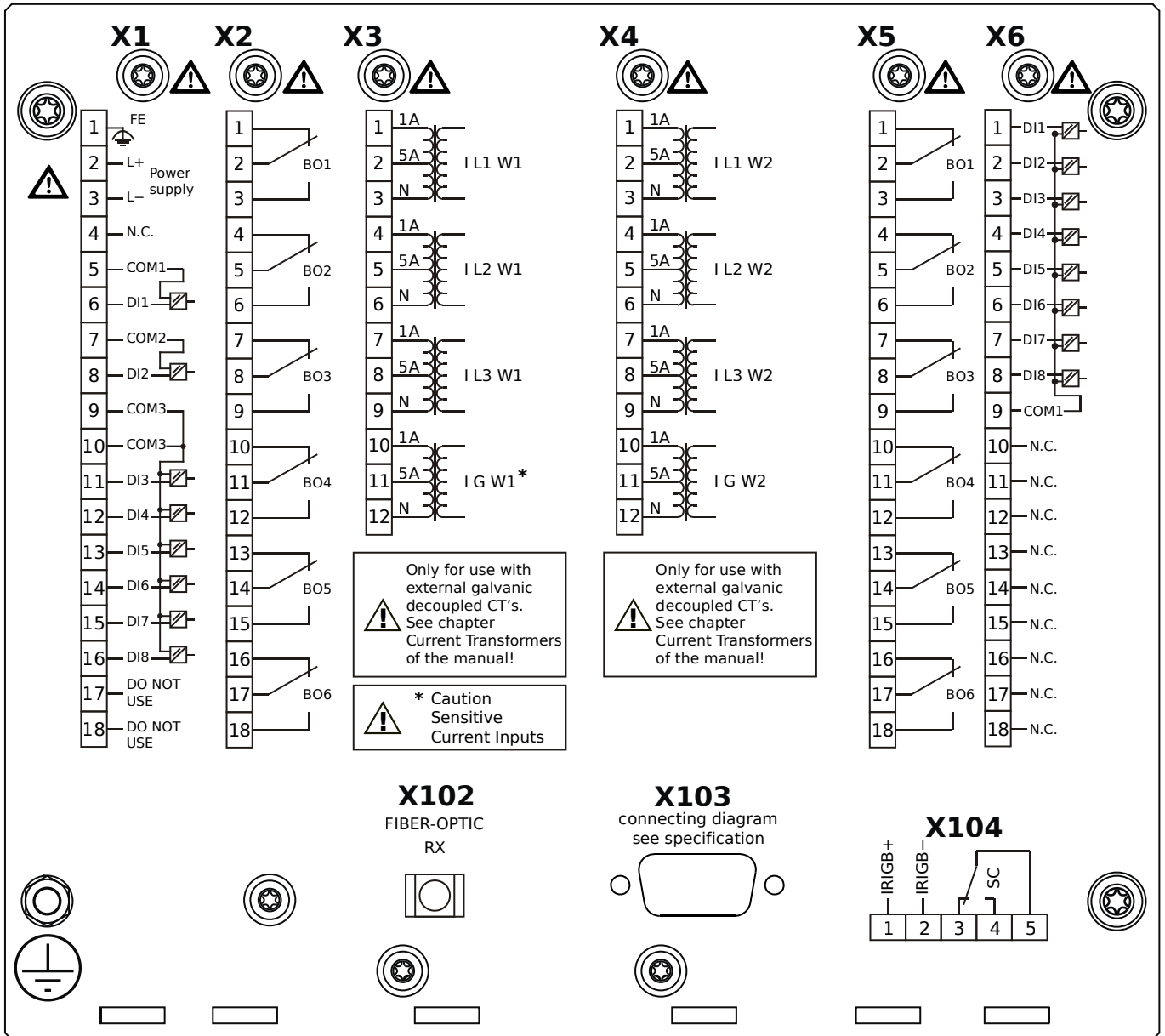
- X1** – DI8-X1: Wide-range power supply unit, incl. 2 non-grouped digital inputs and 6 grouped digital inputs
- X2** – OR-6: Assembly Group with 6 Relay Outputs
- X3** – TI-4: Standard phase current measuring card and sensitive ground current measuring (winding side 1)
- X4** – TI-4: Standard current measuring card (for the winding side 2)
- X5** – OR-6: Assembly Group with 6 Relay Outputs
- X6** – DI8: Assembly Group with 8 Digital Inputs
- X102** – Universal Resistance-Temperature Detector (URTD) input, Fiber optics interface, Versatile Link
- X103** – Modbus RTU / IEC 60870-5-103 / DNP3.0 RTU, Fiber optics interface, ST Connector
- X104** – IRIG-B00X, incl. System Contact (Supervision Contact)

MRDT4-2D1AGA



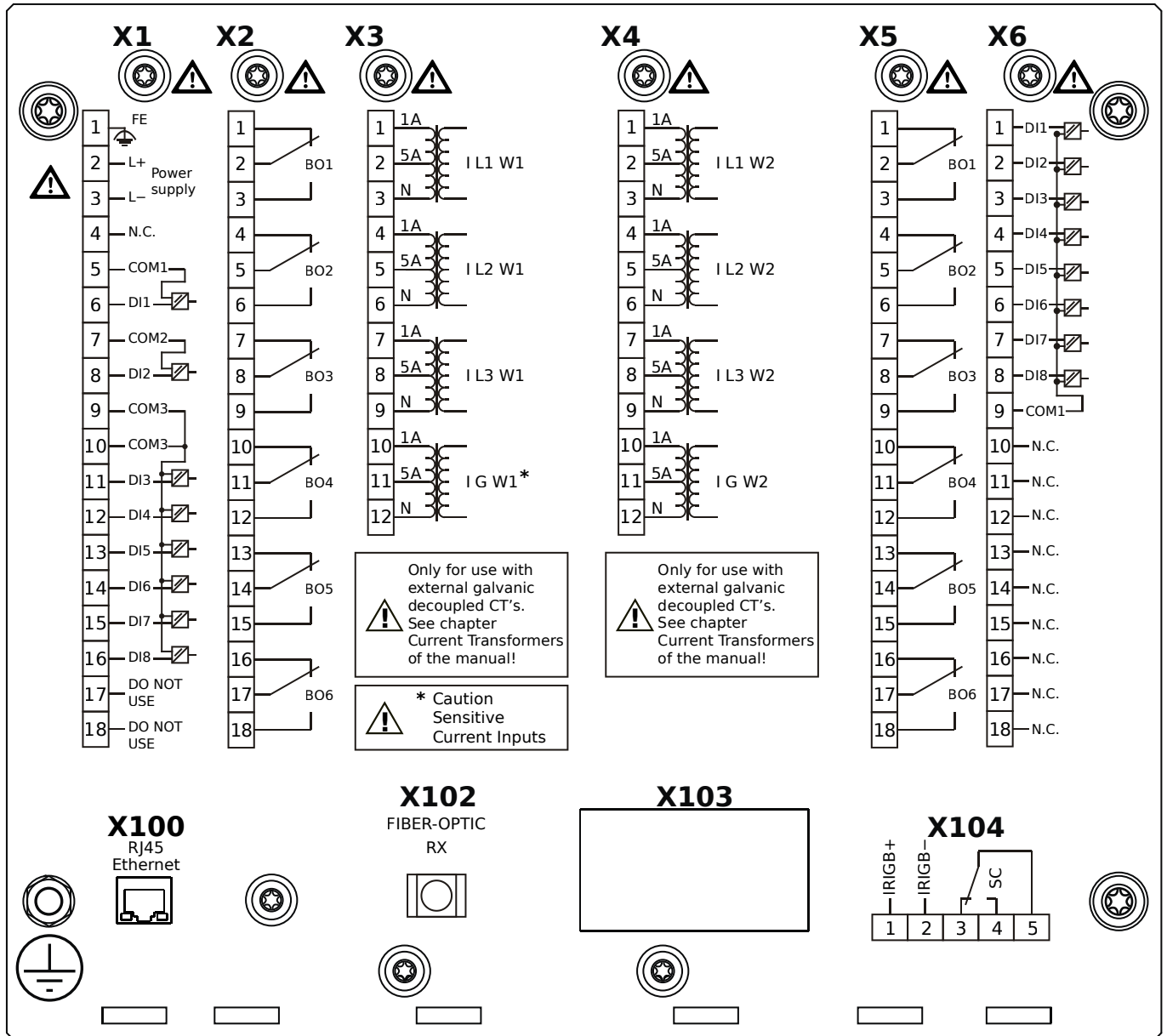
- X1** – DI8-X1: Wide-range power supply unit, incl. 2 non-grouped digital inputs and 6 grouped digital inputs
- X2** – OR-6: Assembly Group with 6 Relay Outputs
- X3** – TI-4: Standard phase current measuring card and sensitive ground current measuring (winding side 1)
- X4** – TI-4: Standard current measuring card (for the winding side 2)
- X5** – OR-6: Assembly Group with 6 Relay Outputs
- X6** – DI8: Assembly Group with 8 Digital Inputs
- X102** – Universal Resistance-Temperature Detector (URTD) input, Fiber optics interface, Versatile Link
- X103** – Modbus RTU / IEC 60870-5-103 / DNP3.0 RTU, RS485, D-SUB
- X104** – IRIG-B00X, incl. System Contact (Supervision Contact)

MRDT4-2D1AGB



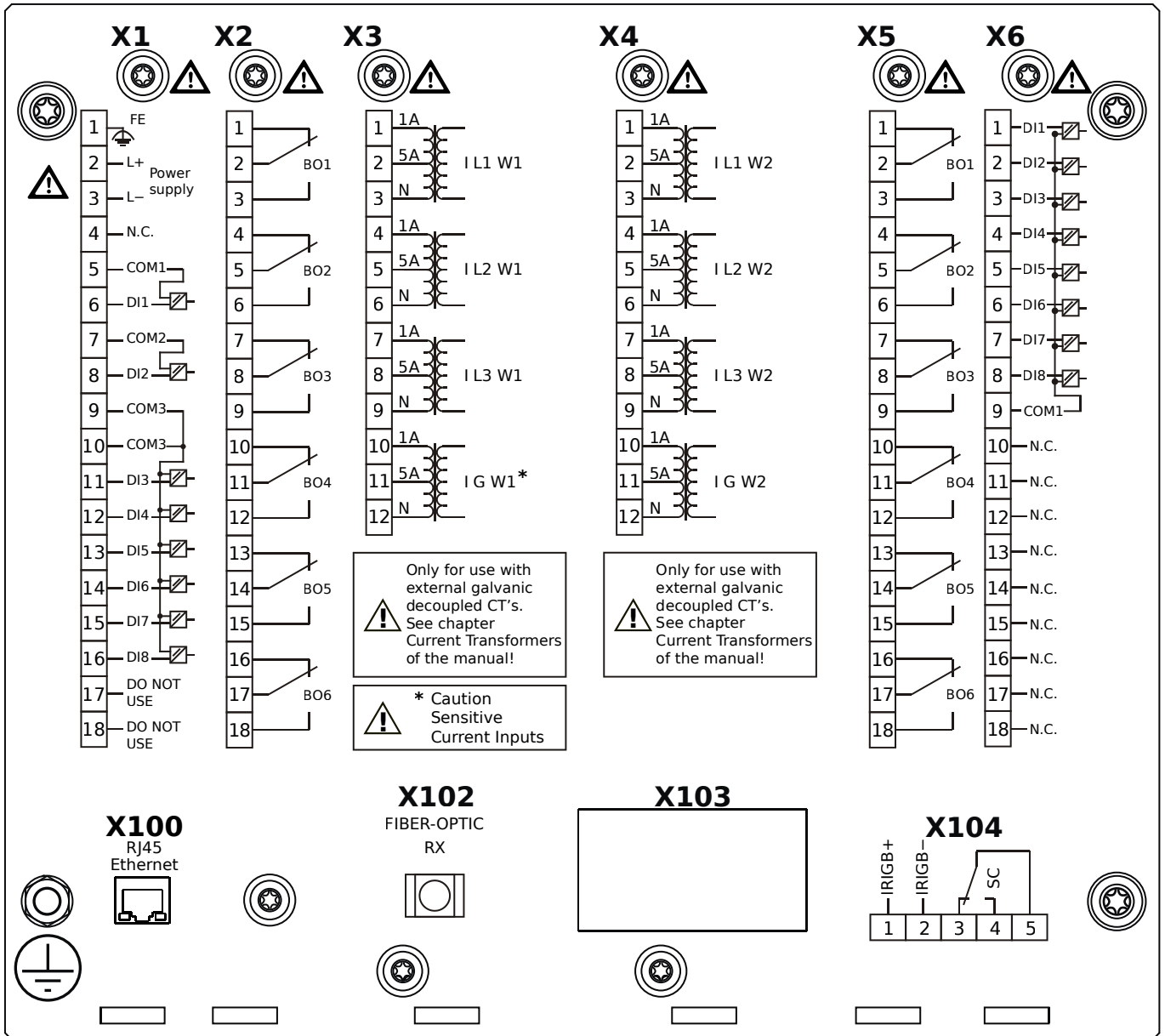
- X1** – DI8-X1: Wide-range power supply unit, incl. 2 non-grouped digital inputs and 6 grouped digital inputs
- X2** – OR-6: Assembly Group with 6 Relay Outputs
- X3** – TI-4: Standard phase current measuring card and sensitive ground current measuring (winding side 1)
- X4** – TI-4: Standard current measuring card (for the winding side 2)
- X5** – OR-6: Assembly Group with 6 Relay Outputs
- X6** – DI8: Assembly Group with 8 Digital Inputs
- X102** – Universal Resistance-Temperature Detector (URTD) input, Fiber optics interface, Versatile Link
- X103** – Modbus RTU / IEC 60870-5-103 / DNP3.0 RTU, RS485, D-SUB
- X104** – IRIG-B00X, incl. System Contact (Supervision Contact)

MRDT4-2D1AHA



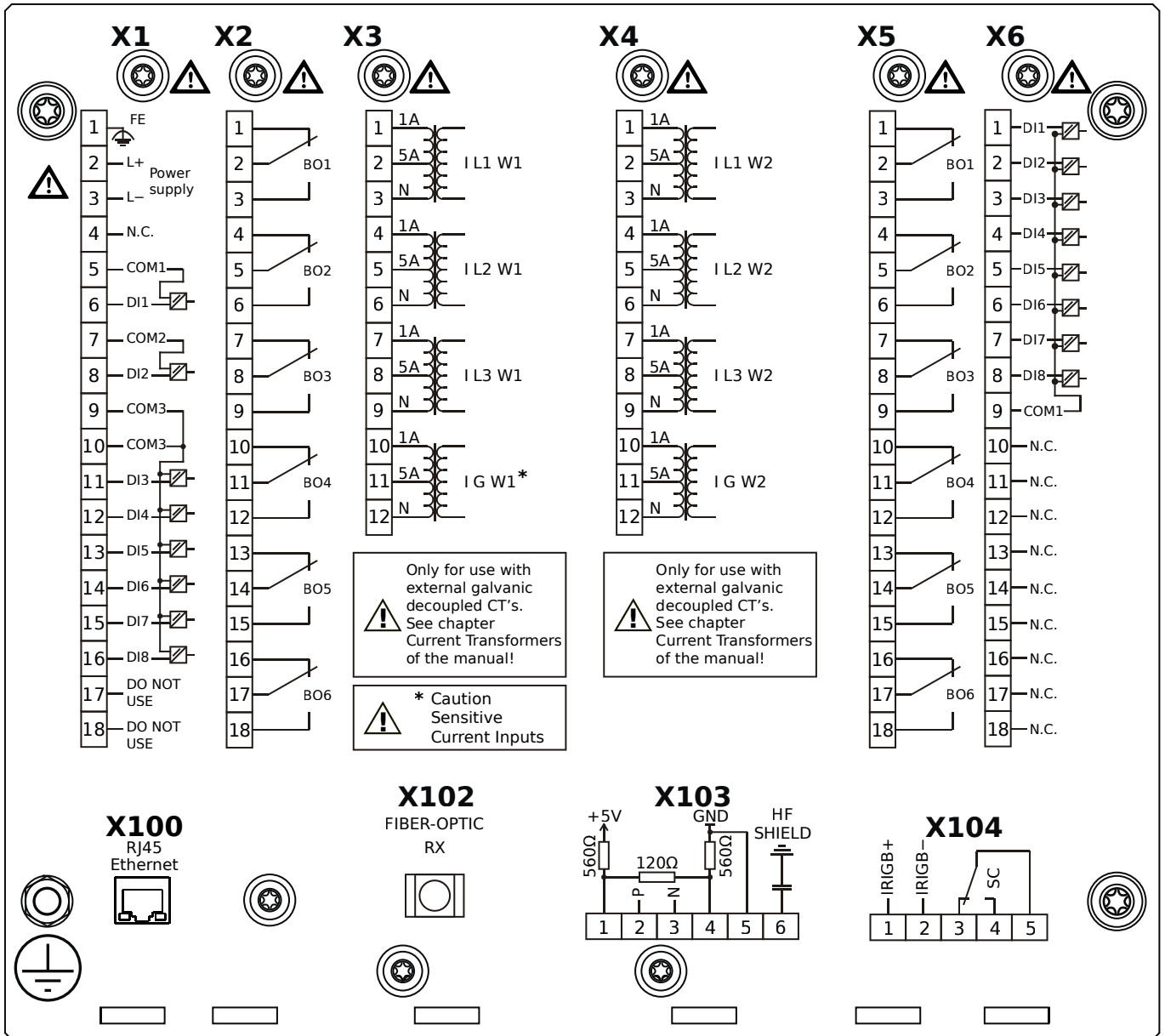
- X1** – DI8-X1: Wide-range power supply unit, incl. 2 non-grouped digital inputs and 6 grouped digital inputs
- X2** – OR-6: Assembly Group with 6 Relay Outputs
- X3** – TI-4: Standard phase current measuring card and sensitive ground current measuring (winding side 1)
- X4** – TI-4: Standard current measuring card (for the winding side 2)
- X5** – OR-6: Assembly Group with 6 Relay Outputs
- X6** – DI8: Assembly Group with 8 Digital Inputs
- X100** – IEC 61850 / Modbus TCP / DNP3.0 TCP/UDP, Ethernet interface, 100 Mbit/s, RJ45 (BASE100-FX)
- X102** – Universal Resistance-Temperature Detector (URTD) input, Fiber optics interface, Versatile Link
- X104** – IRIG-B00X, incl. System Contact (Supervision Contact)

MRDT4-2D1AHB



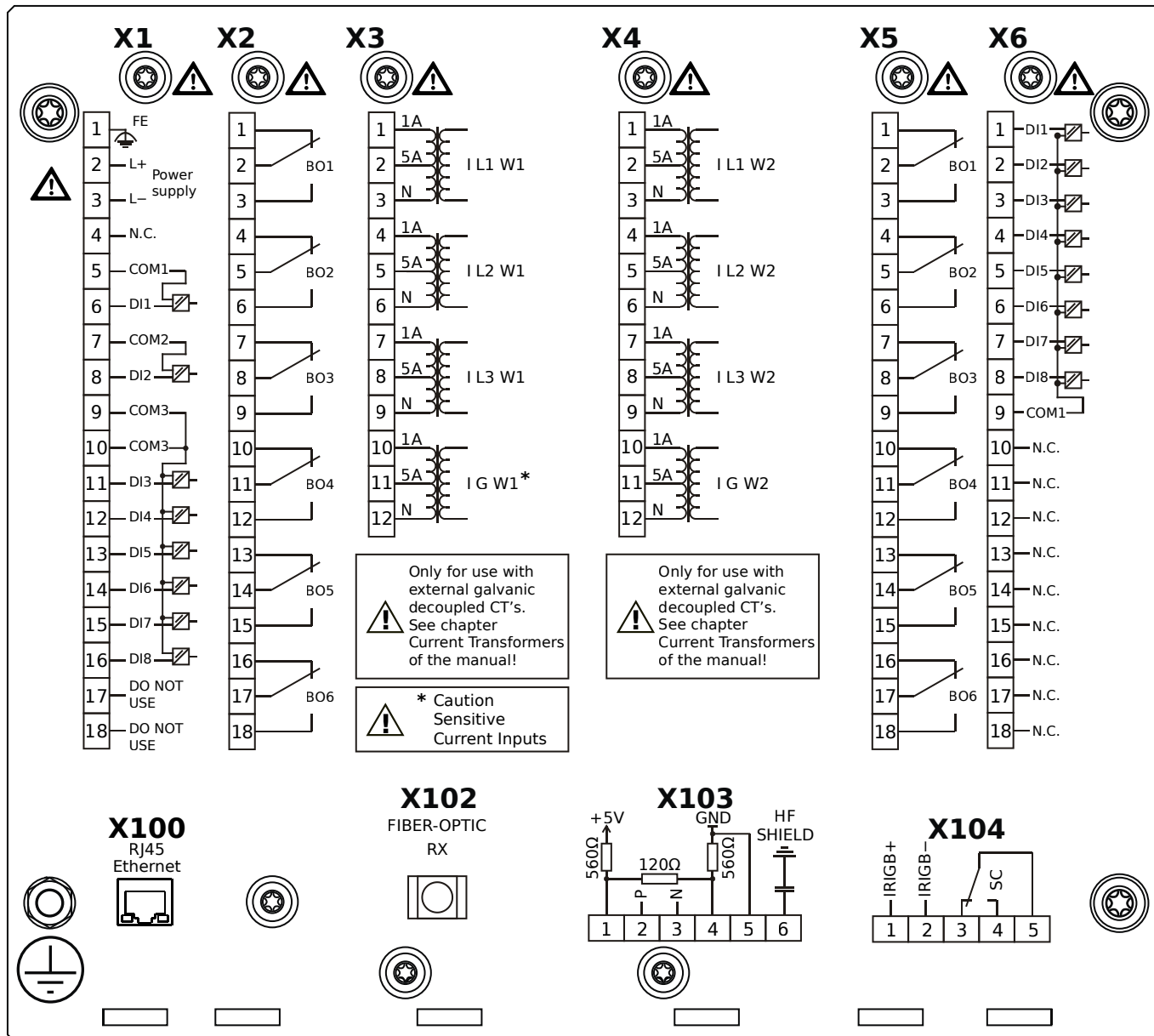
- X1** – DI8-X1: Wide-range power supply unit, incl. 2 non-grouped digital inputs and 6 grouped digital inputs
- X2** – OR-6: Assembly Group with 6 Relay Outputs
- X3** – TI-4: Standard phase current measuring card and sensitive ground current measuring (winding side 1)
- X4** – TI-4: Standard current measuring card (for the winding side 2)
- X5** – OR-6: Assembly Group with 6 Relay Outputs
- X6** – DI8: Assembly Group with 8 Digital Inputs
- X100** – IEC 61850 / Modbus TCP / DNP3.0 TCP/UDP, Ethernet interface, 100 Mbit/s, RJ45 (BASE100-FX)
- X102** – Universal Resistance-Temperature Detector (URTD) input, Fiber optics interface, Versatile Link
- X104** – IRIG-B00X, incl. System Contact (Supervision Contact)

MRDT4-2D1AIA



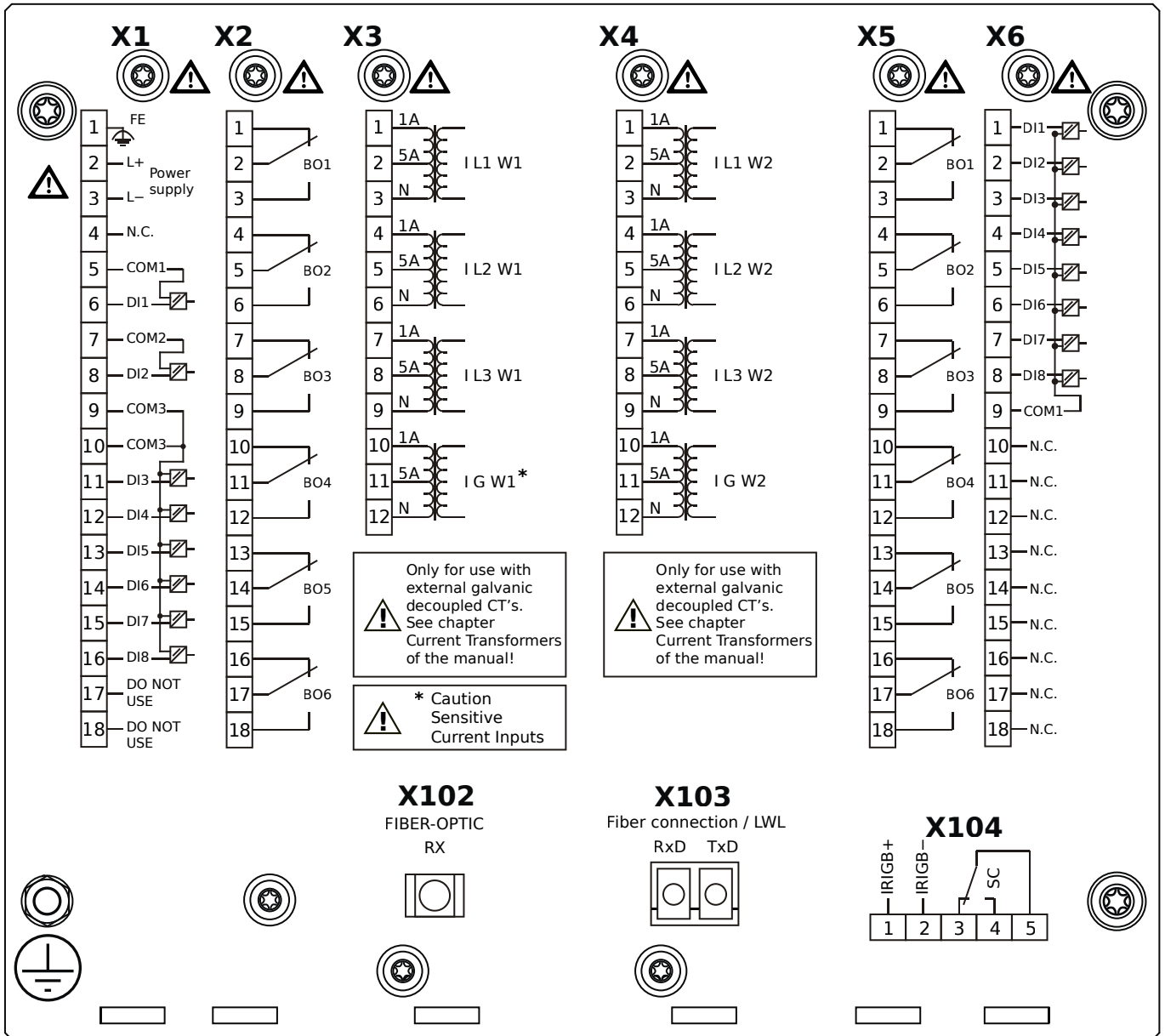
- X1** – DI8-X1: Wide-range power supply unit, incl. 2 non-grouped digital inputs and 6 grouped digital inputs
- X2** – OR-6: Assembly Group with 6 Relay Outputs
- X3** – TI-4: Standard phase current measuring card and sensitive ground current measuring (winding side 1)
- X4** – TI-4: Standard current measuring card (for the winding side 2)
- X5** – OR-6: Assembly Group with 6 Relay Outputs
- X6** – DI8: Assembly Group with 8 Digital Inputs
- X100** – Modbus TCP / DNP3.0 TCP/UDP, Ethernet interface, 100 Mbit/s, RJ45 (BASE100-FX)
- X102** – Universal Resistance-Temperature Detector (URTD) input, Fiber optics interface, Versatile Link
- X103** – IEC 60870-5-103 / Modbus RTU / DNP3.0 RTU, RS485, Terminals
- X104** – IRIG-B00X, incl. System Contact (Supervision Contact)

MRDT4-2D1AIB



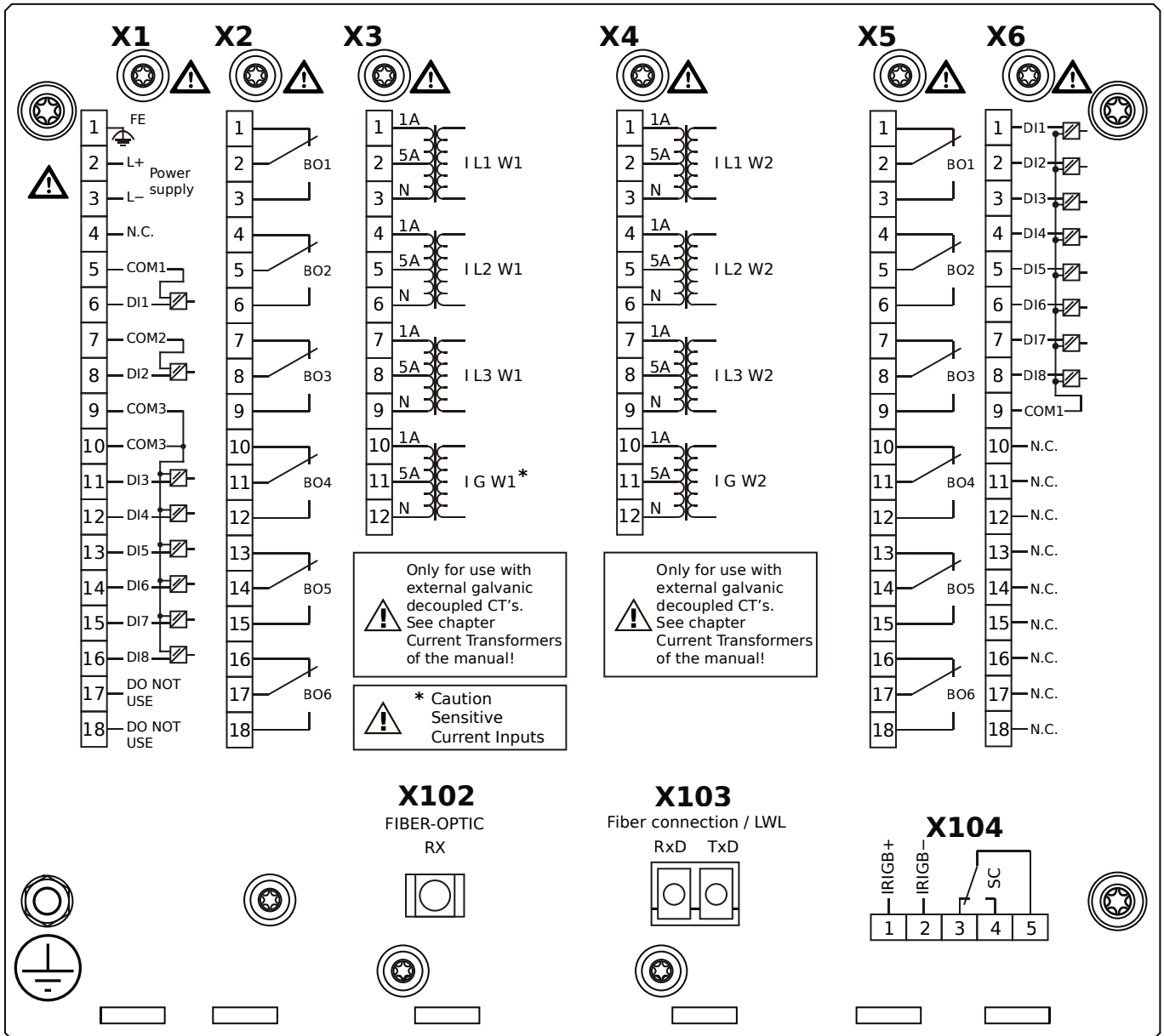
- X1** – DI8-X1: Wide-range power supply unit, incl. 2 non-grouped digital inputs and 6 grouped digital inputs
- X2** – OR-6: Assembly Group with 6 Relay Outputs
- X3** – TI-4: Standard phase current measuring card and sensitive ground current measuring (winding side 1)
- X4** – TI-4: Standard current measuring card (for the winding side 2)
- X5** – OR-6: Assembly Group with 6 Relay Outputs
- X6** – DI8: Assembly Group with 8 Digital Inputs
- X100** – Modbus TCP / DNP3.0 TCP/UDP, Ethernet interface, 100 Mbit/s, RJ45 (BASE100-FX)
- X102** – Universal Resistance-Temperature Detector (URTD) input, Fiber optics interface, Versatile Link
- X103** – IEC 60870-5-103 / Modbus RTU / DNP3.0 RTU, RS485, Terminals
- X104** – IRIG-B00X, incl. System Contact (Supervision Contact)

MRDT4-2D1AKA



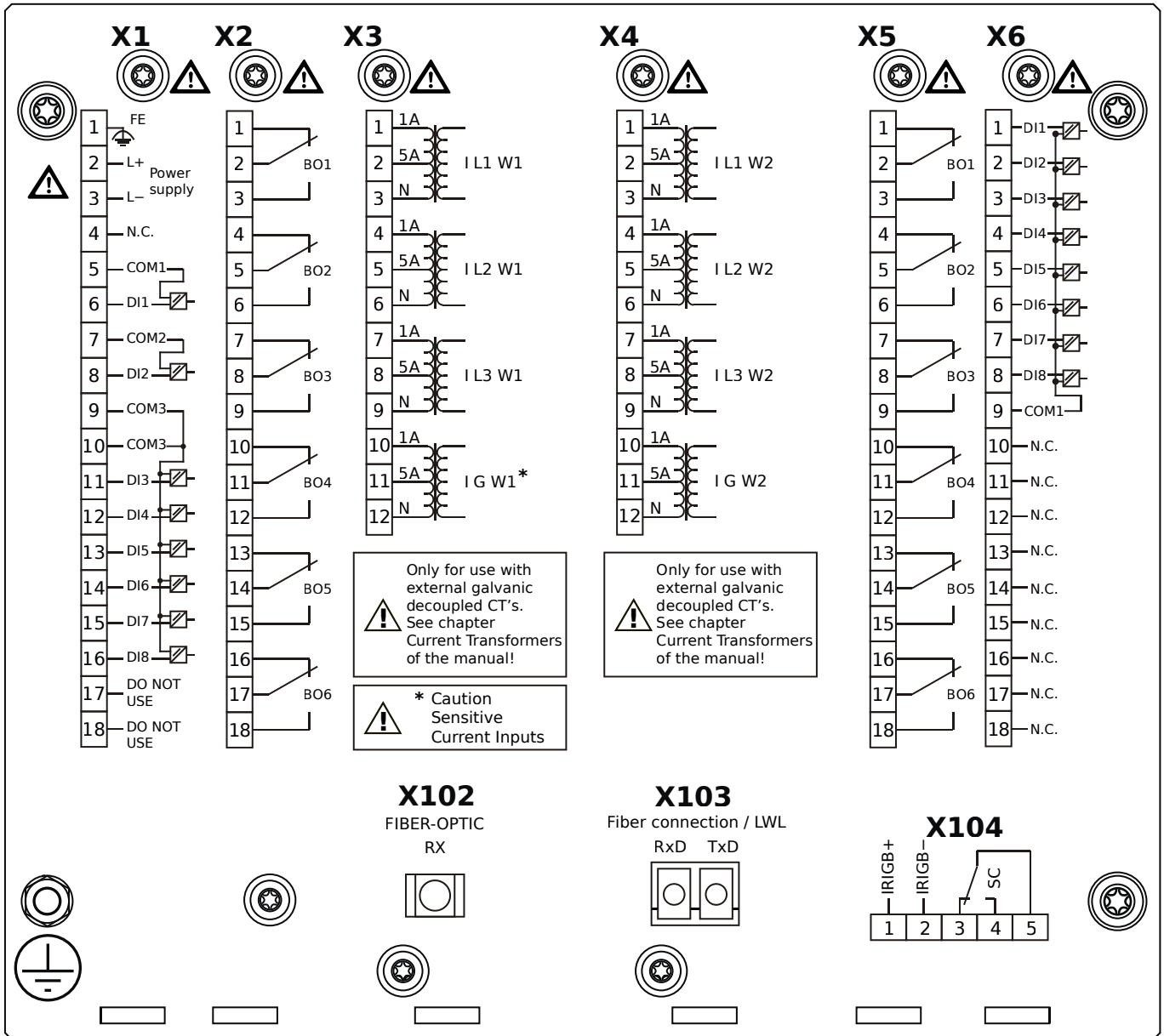
- X1** – DI8-X1: Wide-range power supply unit, incl. 2 non-grouped digital inputs and 6 grouped digital inputs
- X2** – OR-6: Assembly Group with 6 Relay Outputs
- X3** – TI-4: Standard phase current measuring card and sensitive ground current measuring (winding side 1)
- X4** – TI-4: Standard current measuring card (for the winding side 2)
- X5** – OR-6: Assembly Group with 6 Relay Outputs
- X6** – DI8: Assembly Group with 8 Digital Inputs
- X102** – Universal Resistance-Temperature Detector (URTD) input, Fiber optics interface, Versatile Link
- X103** – IEC 61850 / Modbus TCP / DNP3.0 TCP/UDP, Fiber optics interface, LC Connector
- X104** – IRIG-B00X, incl. System Contact (Supervision Contact)

MRDT4-2D1AKB



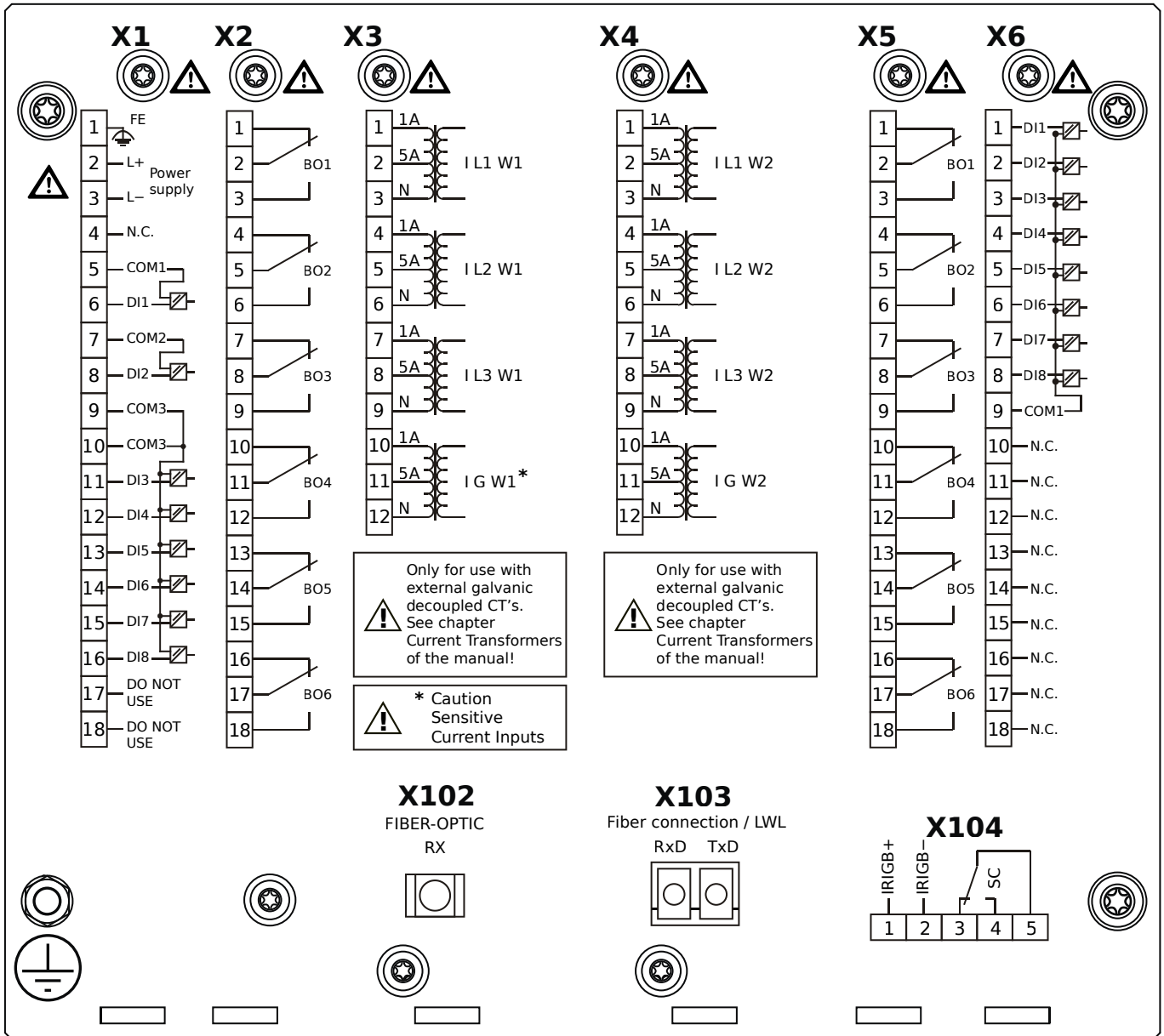
- X1** – DI8-X1: Wide-range power supply unit, incl. 2 non-grouped digital inputs and 6 grouped digital inputs
- X2** – OR-6: Assembly Group with 6 Relay Outputs
- X3** – TI-4: Standard phase current measuring card and sensitive ground current measuring (winding side 1)
- X4** – TI-4: Standard current measuring card (for the winding side 2)
- X5** – OR-6: Assembly Group with 6 Relay Outputs
- X6** – DI8: Assembly Group with 8 Digital Inputs
- X102** – Universal Resistance-Temperature Detector (URTD) input, Fiber optics interface, Versatile Link
- X103** – IEC 61850 / Modbus TCP / DNP3.0 TCP/UDP, Fiber optics interface, LC Connector
- X104** – IRIG-B00X, incl. System Contact (Supervision Contact)

MRDT4-2D1ALA



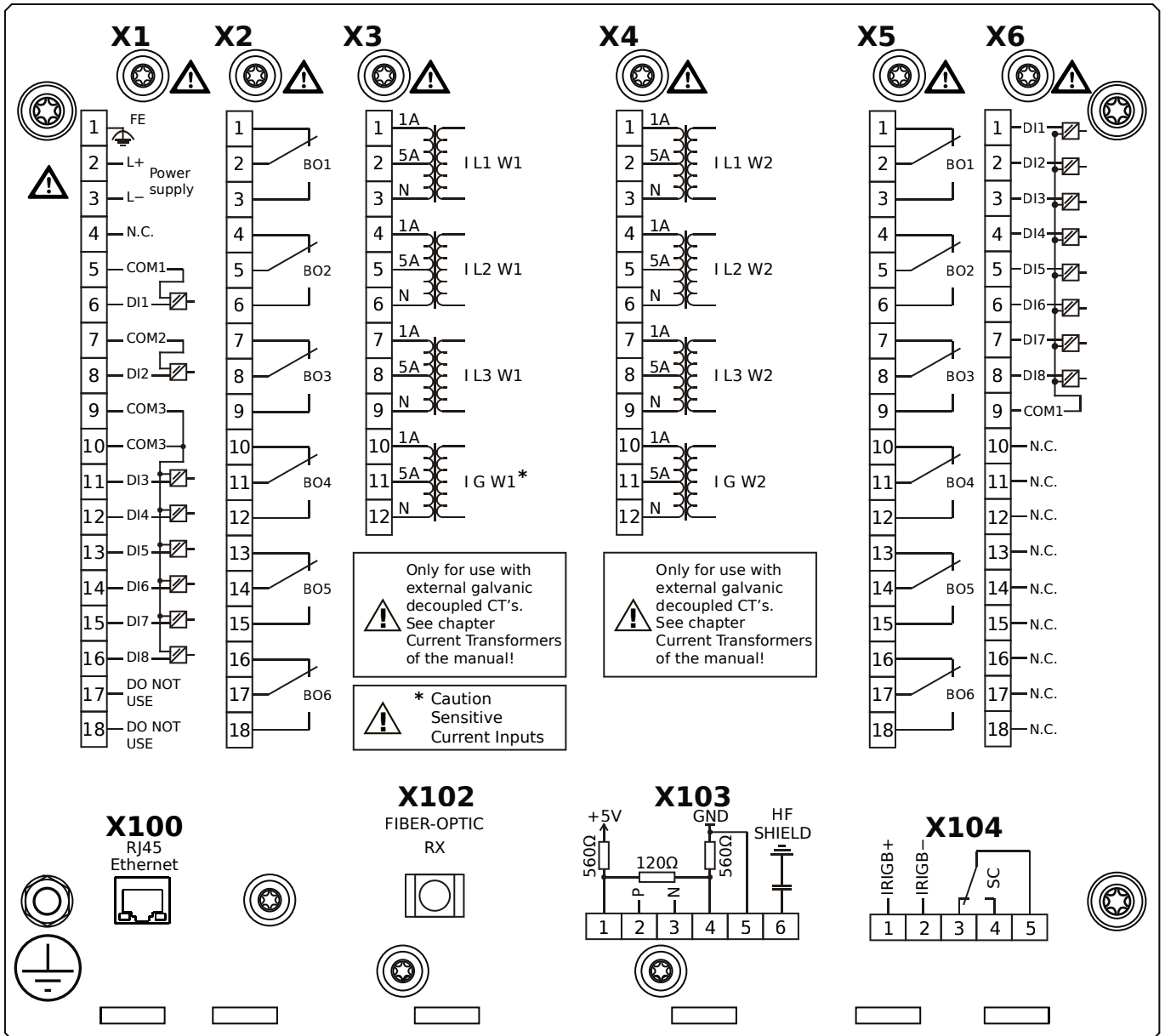
- X1** – DI8-X1: Wide-range power supply unit, incl. 2 non-grouped digital inputs and 6 grouped digital inputs
- X2** – OR-6: Assembly Group with 6 Relay Outputs
- X3** – TI-4: Standard phase current measuring card and sensitive ground current measuring (winding side 1)
- X4** – TI-4: Standard current measuring card (for the winding side 2)
- X5** – OR-6: Assembly Group with 6 Relay Outputs
- X6** – DI8: Assembly Group with 8 Digital Inputs
- X102** – Universal Resistance-Temperature Detector (URTD) input, Fiber optics interface, Versatile Link
- X103** – Modbus TCP / DNP3.0 TCP/UDP, Fiber optics interface, LC Connector
- X104** – IRIG-B00X, incl. System Contact (Supervision Contact)

MRDT4-2D1ALB



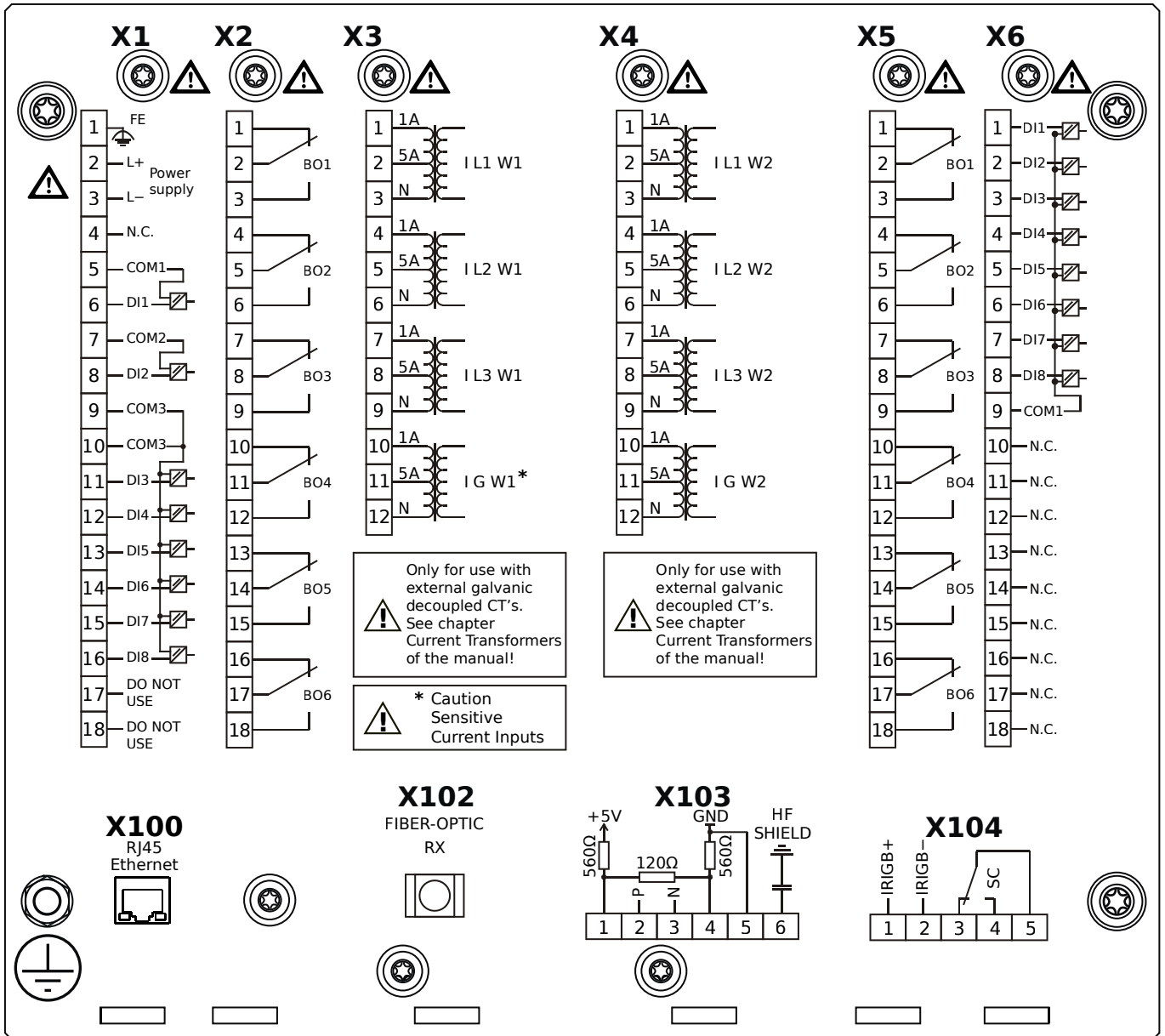
- X1** – DI8-X1: Wide-range power supply unit, incl. 2 non-grouped digital inputs and 6 grouped digital inputs
- X2** – OR-6: Assembly Group with 6 Relay Outputs
- X3** – TI-4: Standard phase current measuring card and sensitive ground current measuring (winding side 1)
- X4** – TI-4: Standard current measuring card (for the winding side 2)
- X5** – OR-6: Assembly Group with 6 Relay Outputs
- X6** – DI8: Assembly Group with 8 Digital Inputs
- X102** – Universal Resistance-Temperature Detector (URTD) input, Fiber optics interface, Versatile Link
- X103** – Modbus TCP / DNP3.0 TCP/UDP, Fiber optics interface, LC Connector
- X104** – IRIG-B00X, incl. System Contact (Supervision Contact)

MRDT4-2D1ATA



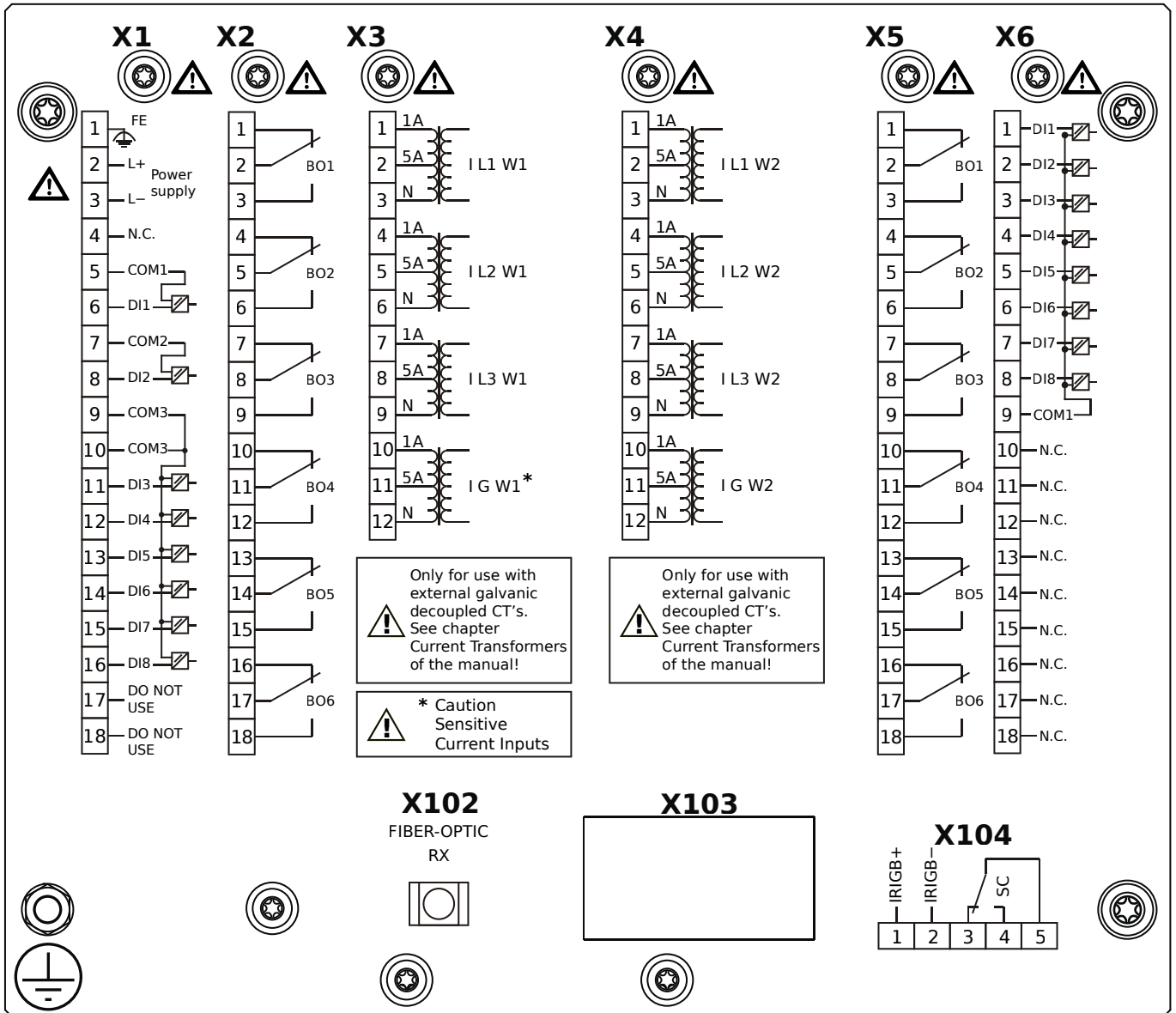
- X1** – DI8-X1: Wide-range power supply unit, incl. 2 non-grouped digital inputs and 6 grouped digital inputs
- X2** – OR-6: Assembly Group with 6 Relay Outputs
- X3** – TI-4: Standard phase current measuring card and sensitive ground current measuring (winding side 1)
- X4** – TI-4: Standard current measuring card (for the winding side 2)
- X5** – OR-6: Assembly Group with 6 Relay Outputs
- X6** – DI8: Assembly Group with 8 Digital Inputs
- X100** – IEC 61850 / Modbus TCP / DNP3.0 TCP/UDP, Ethernet interface, 100 Mbit/s, RJ45 (BASE100-FX)
- X102** – Universal Resistance-Temperature Detector (URTD) input, Fiber optics interface, Versatile Link
- X103** – IEC 60870-5-103 / Modbus RTU / DNP3.0 RTU, RS485, Terminals
- X104** – IRIG-B00X, incl. System Contact (Supervision Contact)

MRDT4-2D1ATB



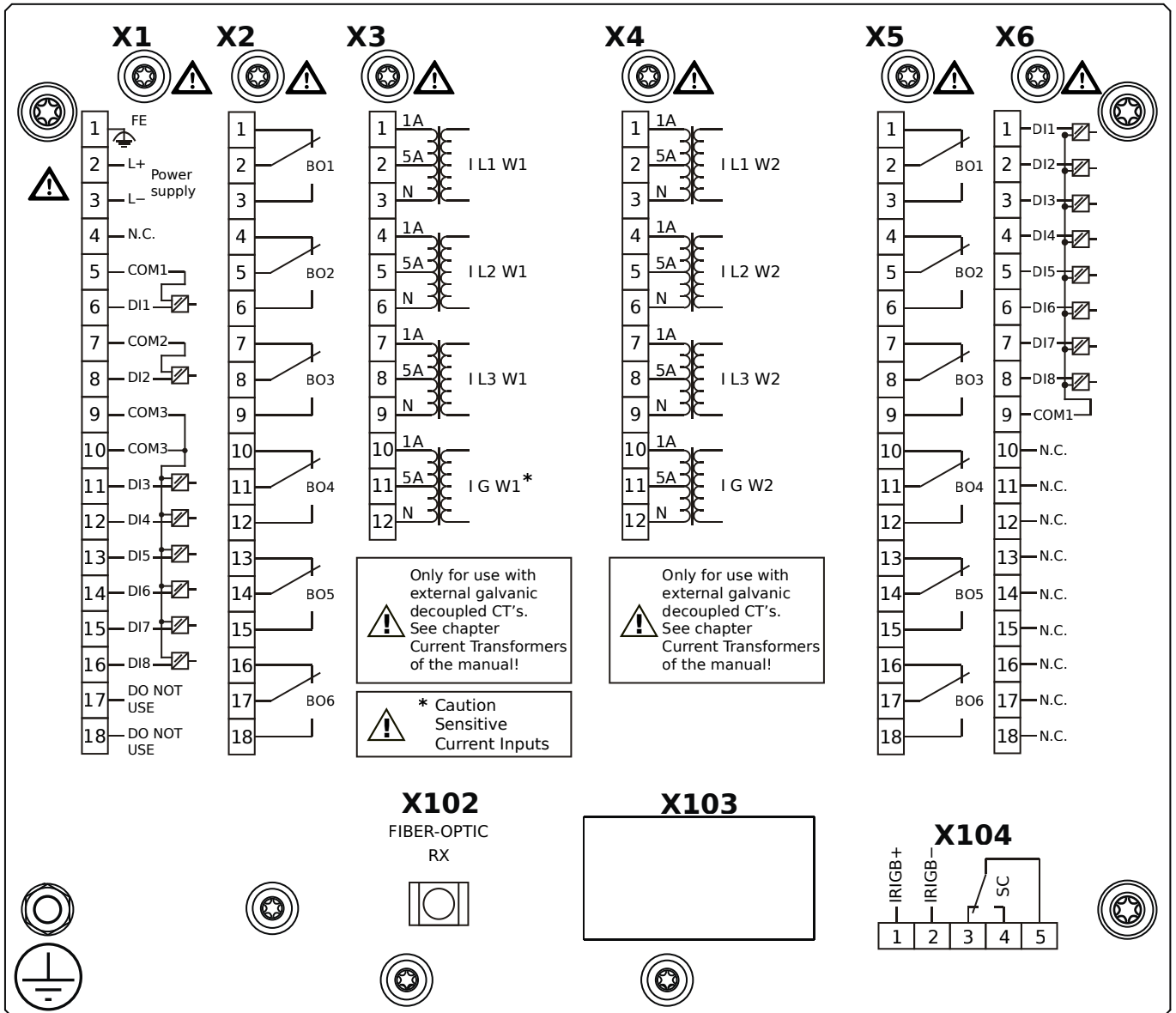
- X1** – DI8-X1: Wide-range power supply unit, incl. 2 non-grouped digital inputs and 6 grouped digital inputs
- X2** – OR-6: Assembly Group with 6 Relay Outputs
- X3** – TI-4: Standard phase current measuring card and sensitive ground current measuring (winding side 1)
- X4** – TI-4: Standard current measuring card (for the winding side 2)
- X5** – OR-6: Assembly Group with 6 Relay Outputs
- X6** – DI8: Assembly Group with 8 Digital Inputs
- X100** – IEC 61850 / Modbus TCP / DNP3.0 TCP/UDP, Ethernet interface, 100 Mbit/s, RJ45 (BASE100-FX)
- X102** – Universal Resistance-Temperature Detector (URTD) input, Fiber optics interface, Versatile Link
- X103** – IEC 60870-5-103 / Modbus RTU / DNP3.0 RTU, RS485, Terminals
- X104** – IRIG-B00X, incl. System Contact (Supervision Contact)

MRDT4-2D1BAA



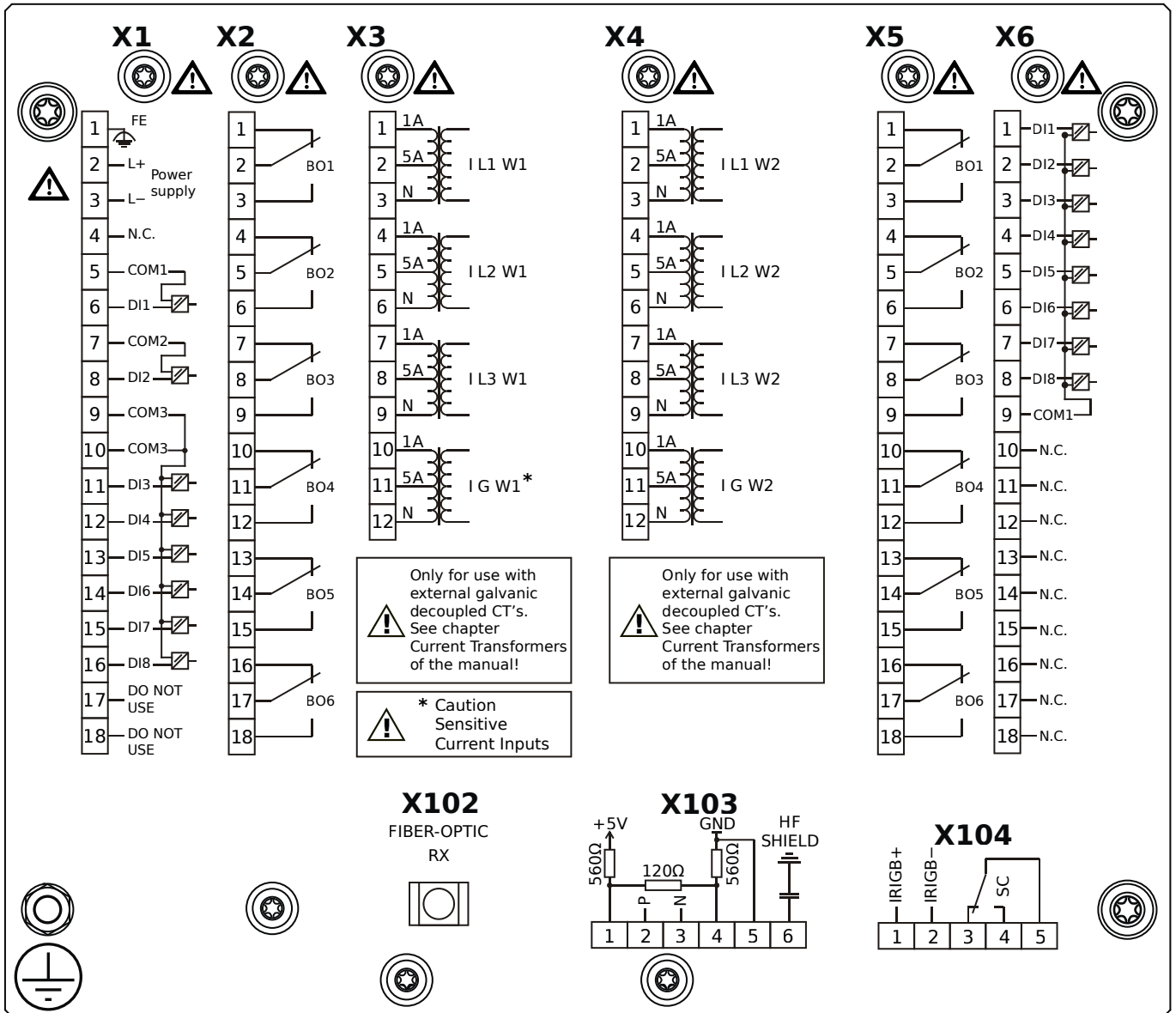
- X1** – DI8-X1: Wide-range power supply unit, incl. 2 non-grouped digital inputs and 6 grouped digital inputs
- X2** – OR-6: Assembly Group with 6 Relay Outputs
- X3** – TI-4: Standard phase current measuring card and sensitive ground current measuring (winding side 1)
- X4** – TI-4: Standard current measuring card (for the winding side 2)
- X5** – OR-6: Assembly Group with 6 Relay Outputs
- X6** – DI8: Assembly Group with 8 Digital Inputs
- X102** – Universal Resistance-Temperature Detector (URTD) input, Fiber optics interface, Versatile Link
- X104** – IRIG-B00X, incl. System Contact (Supervision Contact)

MRDT4-2D1BAB



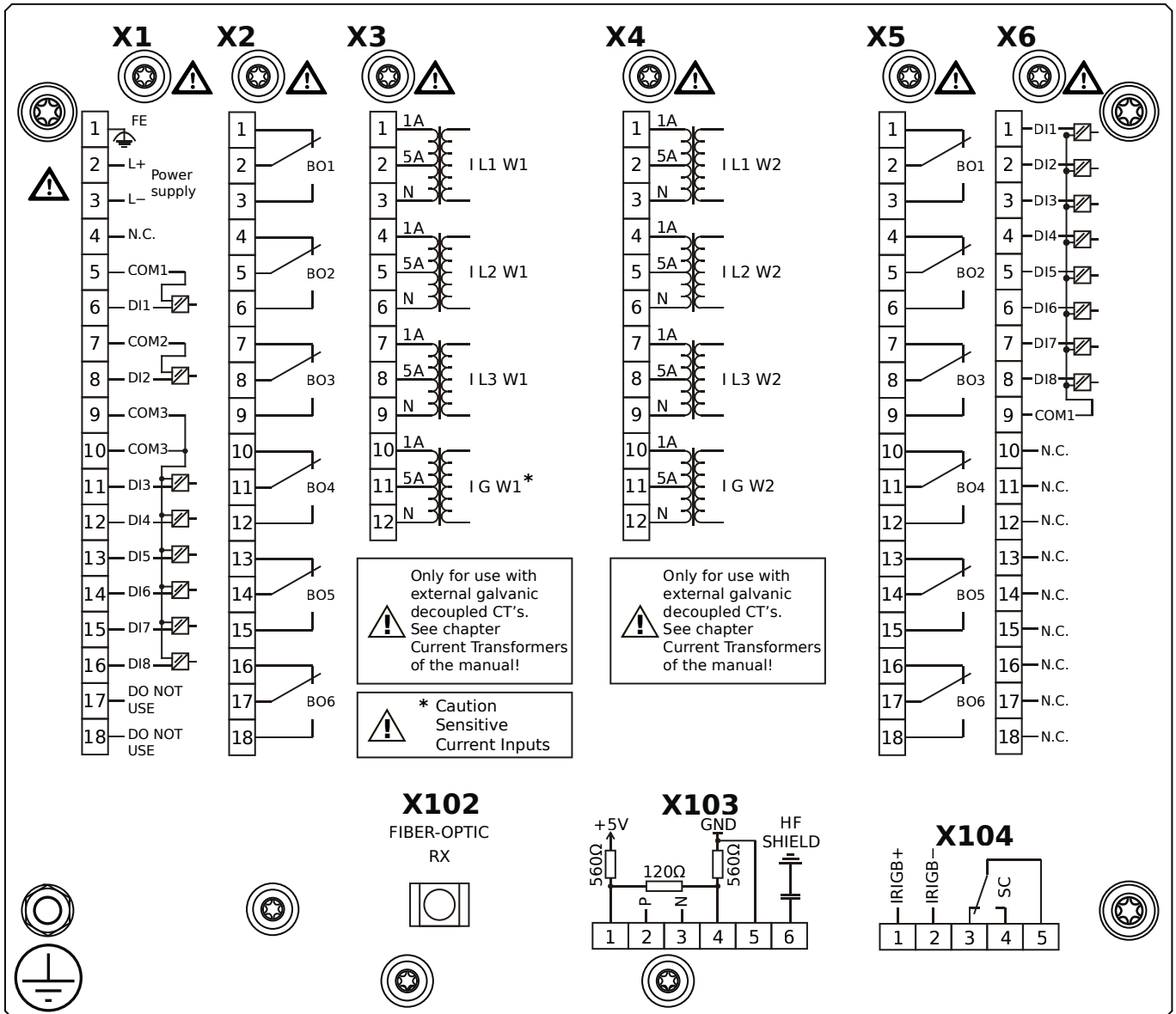
- X1** – DI8-X1: Wide-range power supply unit, incl. 2 non-grouped digital inputs and 6 grouped digital inputs
- X2** – OR-6: Assembly Group with 6 Relay Outputs
- X3** – TI-4: Standard phase current measuring card and sensitive ground current measuring (winding side 1)
- X4** – TI-4: Standard current measuring card (for the winding side 2)
- X5** – OR-6: Assembly Group with 6 Relay Outputs
- X6** – DI8: Assembly Group with 8 Digital Inputs
- X102** – Universal Resistance-Temperature Detector (URTD) input, Fiber optics interface, Versatile Link
- X104** – IRIG-B00X, incl. System Contact (Supervision Contact)

MRDT4-2D1BBA



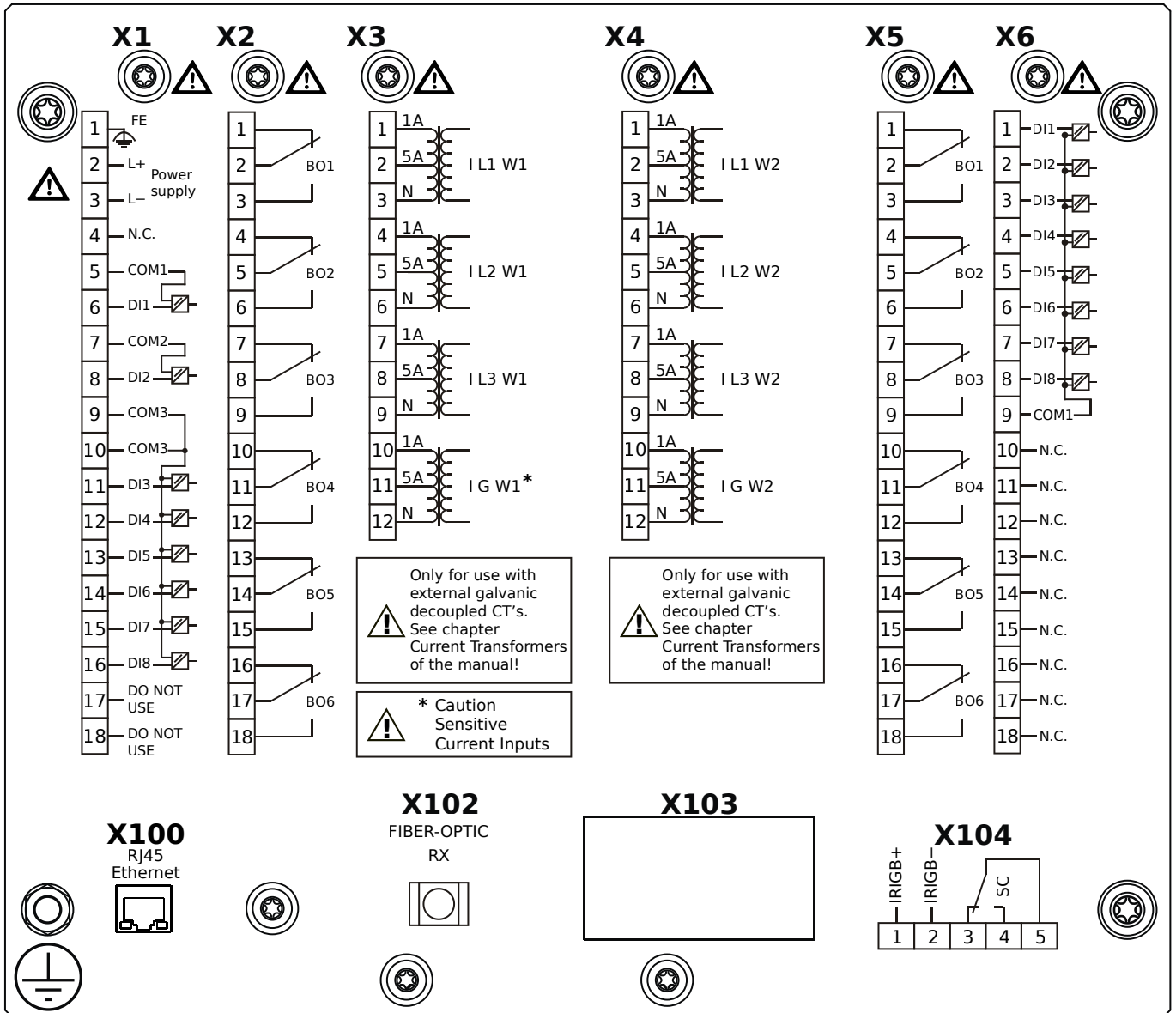
- X1** – DI8-X1: Wide-range power supply unit, incl. 2 non-grouped digital inputs and 6 grouped digital inputs
- X2** – OR-6: Assembly Group with 6 Relay Outputs
- X3** – TI-4: Standard phase current measuring card and sensitive ground current measuring (winding side 1)
- X4** – TI-4: Standard current measuring card (for the winding side 2)
- X5** – OR-6: Assembly Group with 6 Relay Outputs
- X6** – DI8: Assembly Group with 8 Digital Inputs
- X102** – Universal Resistance-Temperature Detector (URTD) input, Fiber optics interface, Versatile Link
- X103** – Modbus RTU / IEC 60870-5-103 / DNP3.0 RTU, RS485, Terminals
- X104** – IRIG-B00X, incl. System Contact (Supervision Contact)

MRDT4-2D1BBB



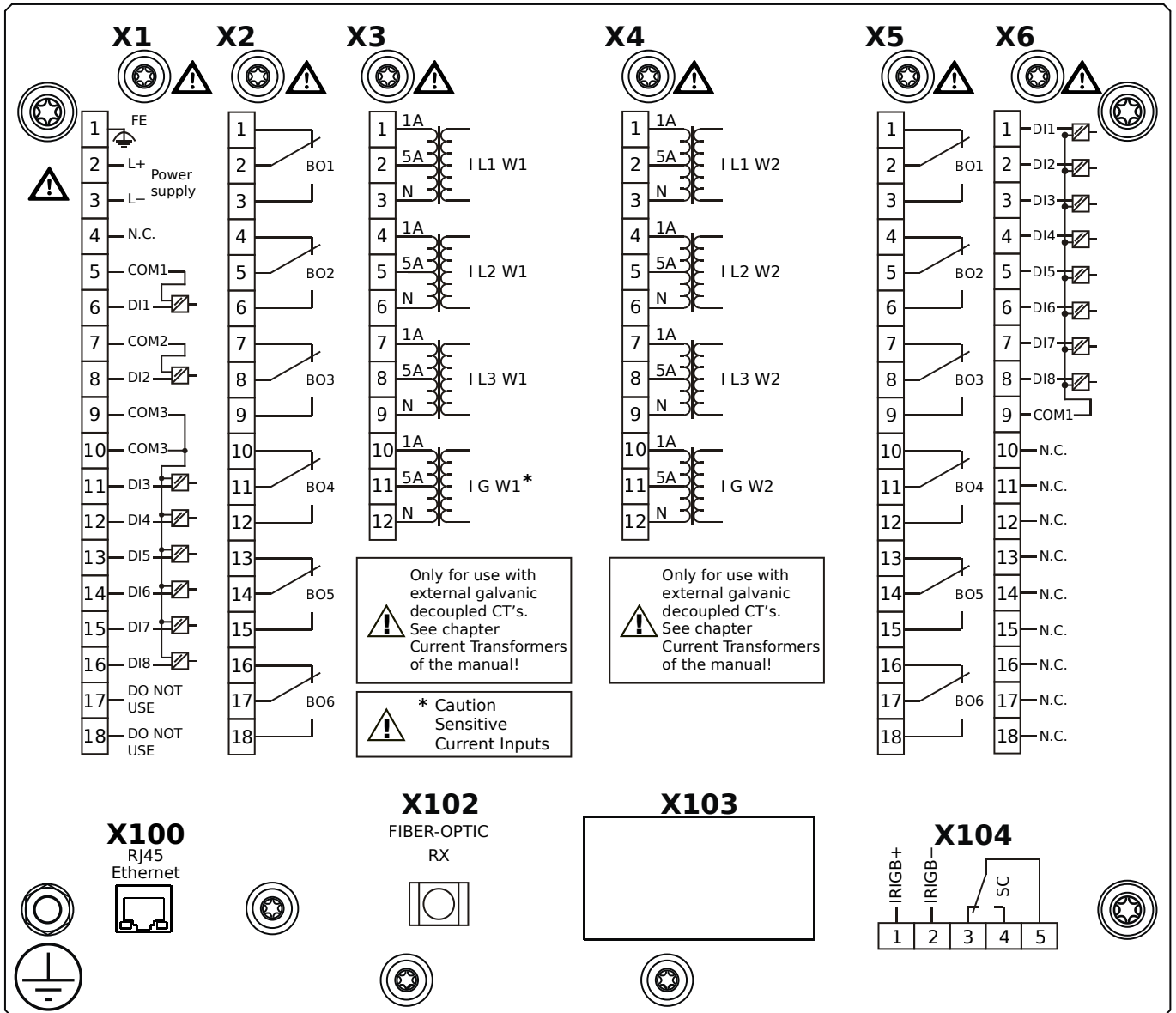
- X1** – DI8-X1: Wide-range power supply unit, incl. 2 non-grouped digital inputs and 6 grouped digital inputs
- X2** – OR-6: Assembly Group with 6 Relay Outputs
- X3** – TI-4: Standard phase current measuring card and sensitive ground current measuring (winding side 1)
- X4** – TI-4: Standard current measuring card (for the winding side 2)
- X5** – OR-6: Assembly Group with 6 Relay Outputs
- X6** – DI8: Assembly Group with 8 Digital Inputs
- X102** – Universal Resistance-Temperature Detector (URTD) input, Fiber optics interface, Versatile Link
- X103** – Modbus RTU / IEC 60870-5-103 / DNP3.0 RTU, RS485, Terminals
- X104** – IRIG-B00X, incl. System Contact (Supervision Contact)

MRDT4-2D1BCA



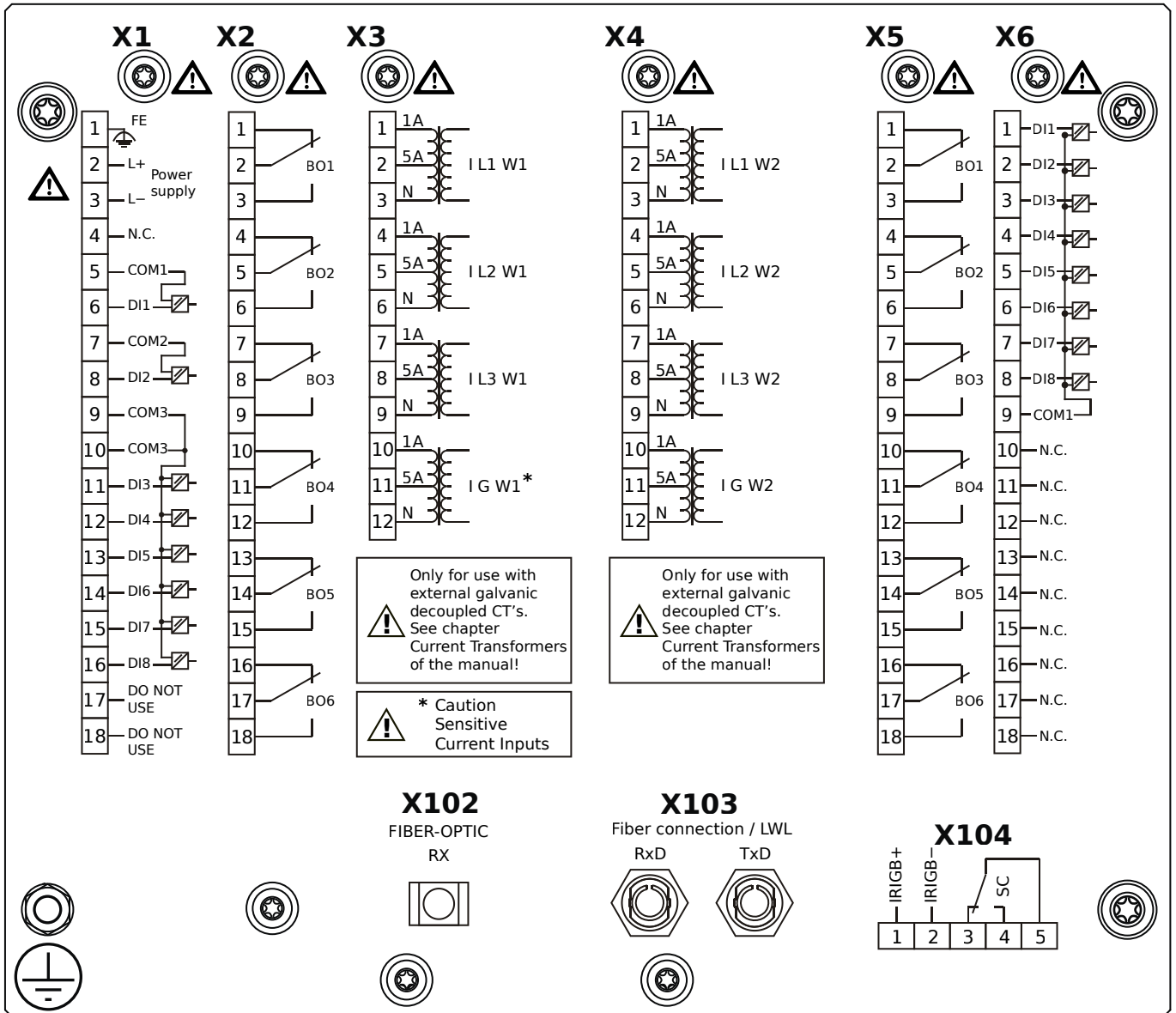
- X1** – DI8-X1: Wide-range power supply unit, incl. 2 non-grouped digital inputs and 6 grouped digital inputs
- X2** – OR-6: Assembly Group with 6 Relay Outputs
- X3** – TI-4: Standard phase current measuring card and sensitive ground current measuring (winding side 1)
- X4** – TI-4: Standard current measuring card (for the winding side 2)
- X5** – OR-6: Assembly Group with 6 Relay Outputs
- X6** – DI8: Assembly Group with 8 Digital Inputs
- X100** – Modbus TCP / DNP3.0 TCP/UDP, Ethernet interface, 100 Mbit/s, RJ45 (BASE100-FX)
- X102** – Universal Resistance-Temperature Detector (URTD) input, Fiber optics interface, Versatile Link
- X104** – IRIG-B00X, incl. System Contact (Supervision Contact)

MRDT4-2D1BCB



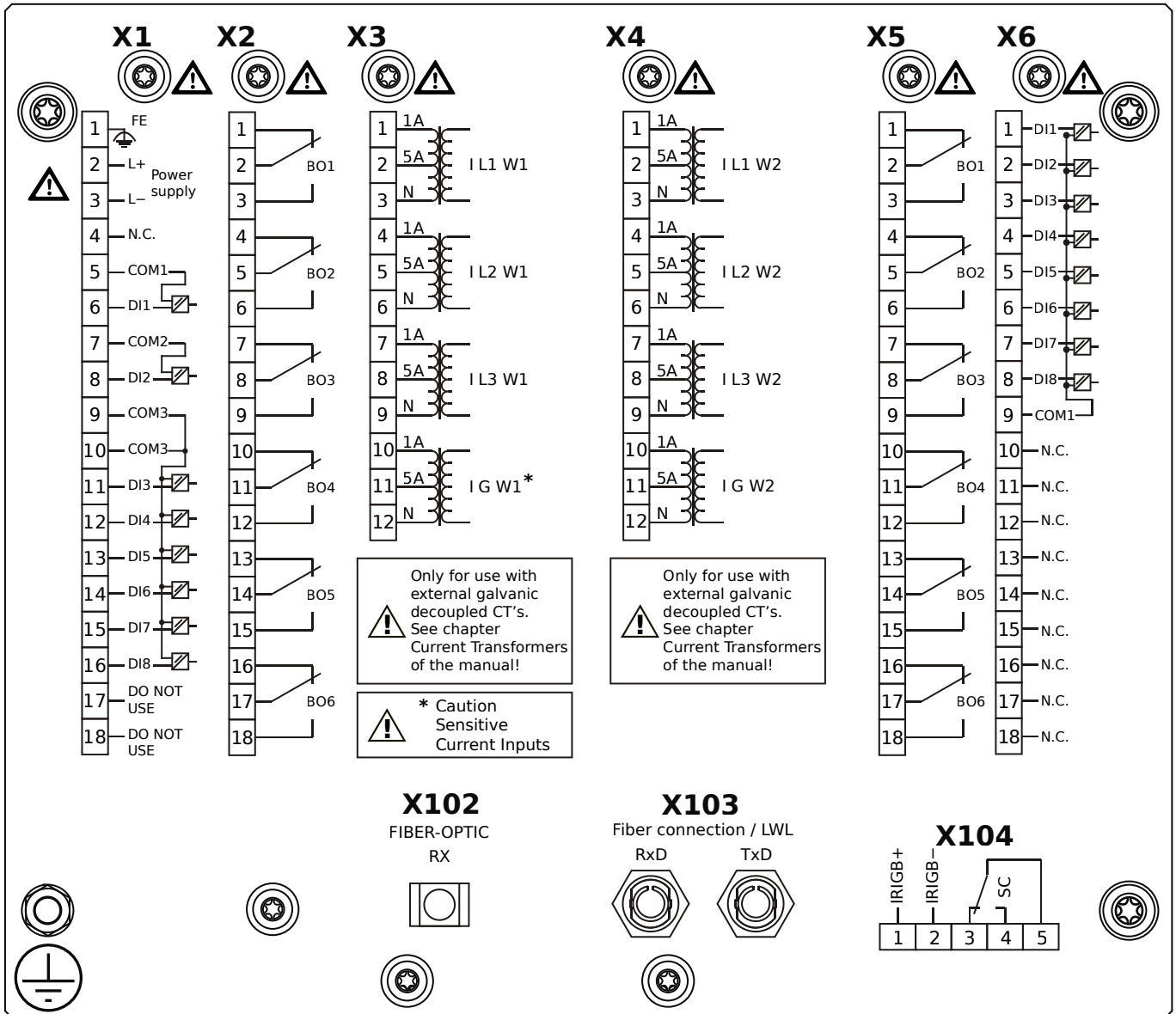
- X1** – DI8-X1: Wide-range power supply unit, incl. 2 non-grouped digital inputs and 6 grouped digital inputs
- X2** – OR-6: Assembly Group with 6 Relay Outputs
- X3** – TI-4: Standard phase current measuring card and sensitive ground current measuring (winding side 1)
- X4** – TI-4: Standard current measuring card (for the winding side 2)
- X5** – OR-6: Assembly Group with 6 Relay Outputs
- X6** – DI8: Assembly Group with 8 Digital Inputs
- X100** – Modbus TCP / DNP3.0 TCP/UDP, Ethernet interface, 100 Mbit/s, RJ45 (BASE100-FX)
- X102** – Universal Resistance-Temperature Detector (URTD) input, Fiber optics interface, Versatile Link
- X104** – IRIG-B00X, incl. System Contact (Supervision Contact)

MRDT4-2D1BDA



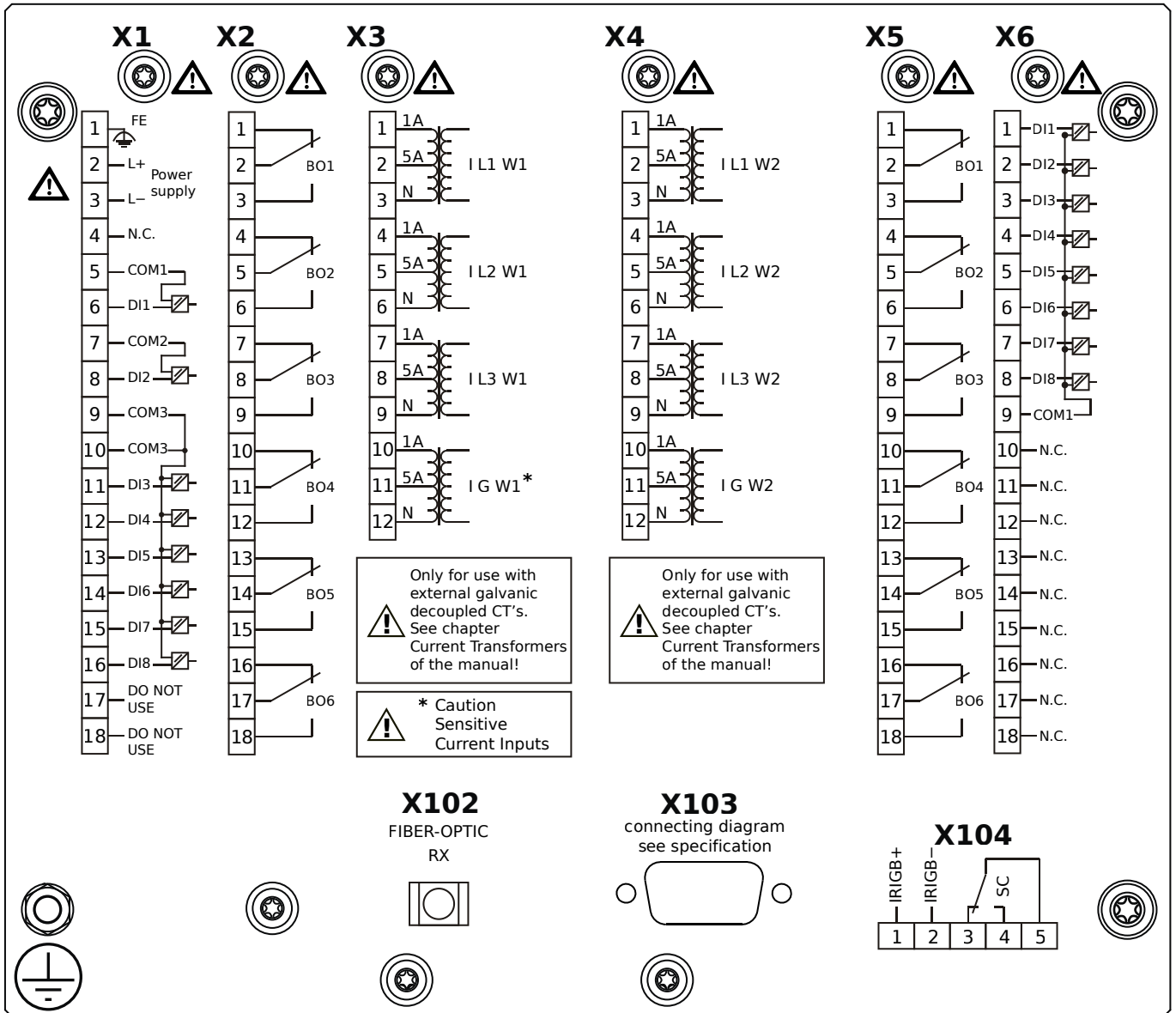
- X1** – DI8-X1: Wide-range power supply unit, incl. 2 non-grouped digital inputs and 6 grouped digital inputs
- X2** – OR-6: Assembly Group with 6 Relay Outputs
- X3** – TI-4: Standard phase current measuring card and sensitive ground current measuring (winding side 1)
- X4** – TI-4: Standard current measuring card (for the winding side 2)
- X5** – OR-6: Assembly Group with 6 Relay Outputs
- X6** – DI8: Assembly Group with 8 Digital Inputs
- X102** – Universal Resistance-Temperature Detector (URTD) input, Fiber optics interface, Versatile Link
- X103** – Profibus-DP, Fiber optics interface, ST Connector
- X104** – IRIG-B00X, incl. System Contact (Supervision Contact)

MRDT4-2D1BDB



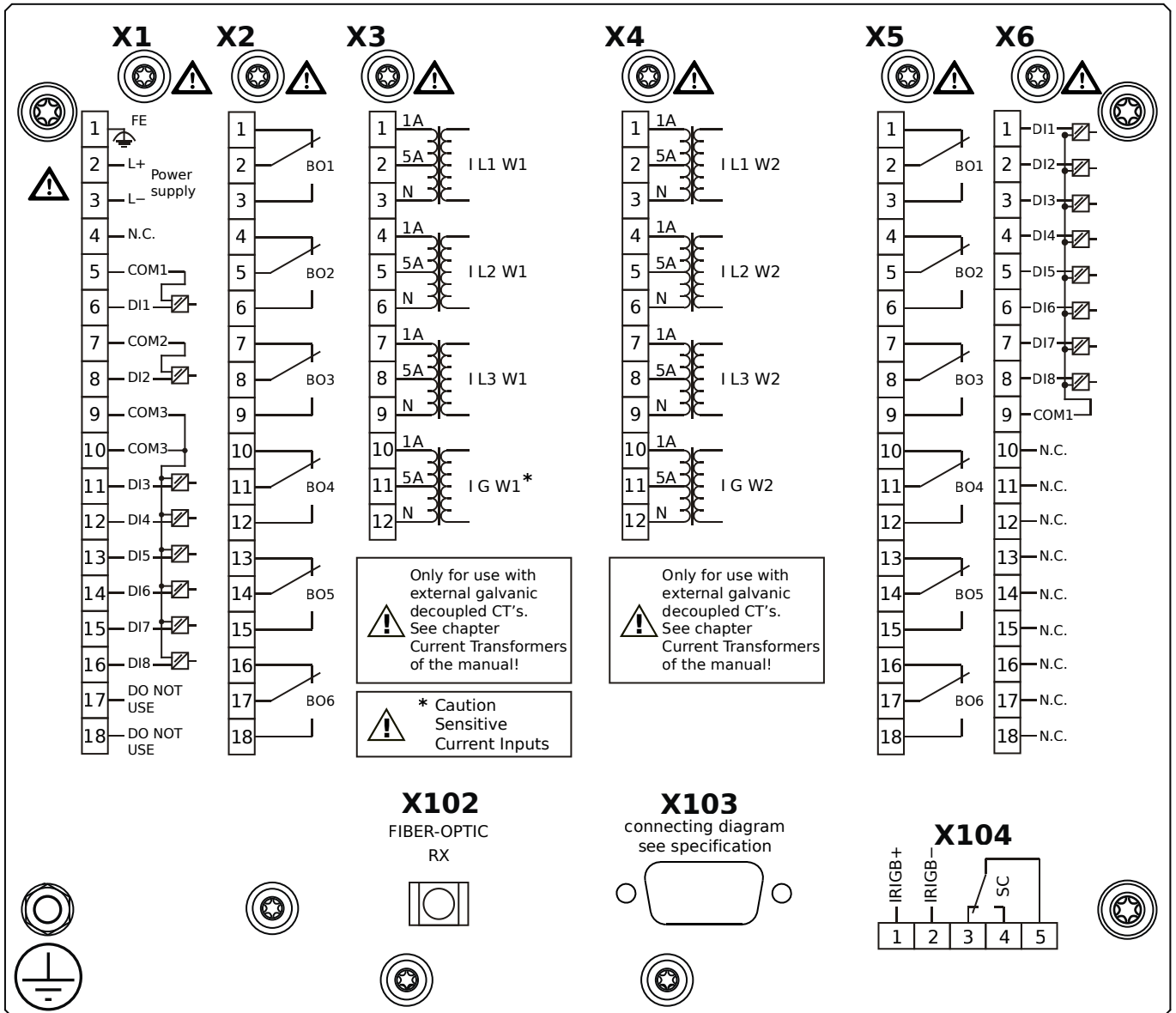
- X1** – DI8-X1: Wide-range power supply unit, incl. 2 non-grouped digital inputs and 6 grouped digital inputs
- X2** – OR-6: Assembly Group with 6 Relay Outputs
- X3** – TI-4: Standard phase current measuring card and sensitive ground current measuring (winding side 1)
- X4** – TI-4: Standard current measuring card (for the winding side 2)
- X5** – OR-6: Assembly Group with 6 Relay Outputs
- X6** – DI8: Assembly Group with 8 Digital Inputs
- X102** – Universal Resistance-Temperature Detector (URTD) input, Fiber optics interface, Versatile Link
- X103** – Profibus-DP, Fiber optics interface, ST Connector
- X104** – IRIG-B00X, incl. System Contact (Supervision Contact)

MRDT4-2D1BEA



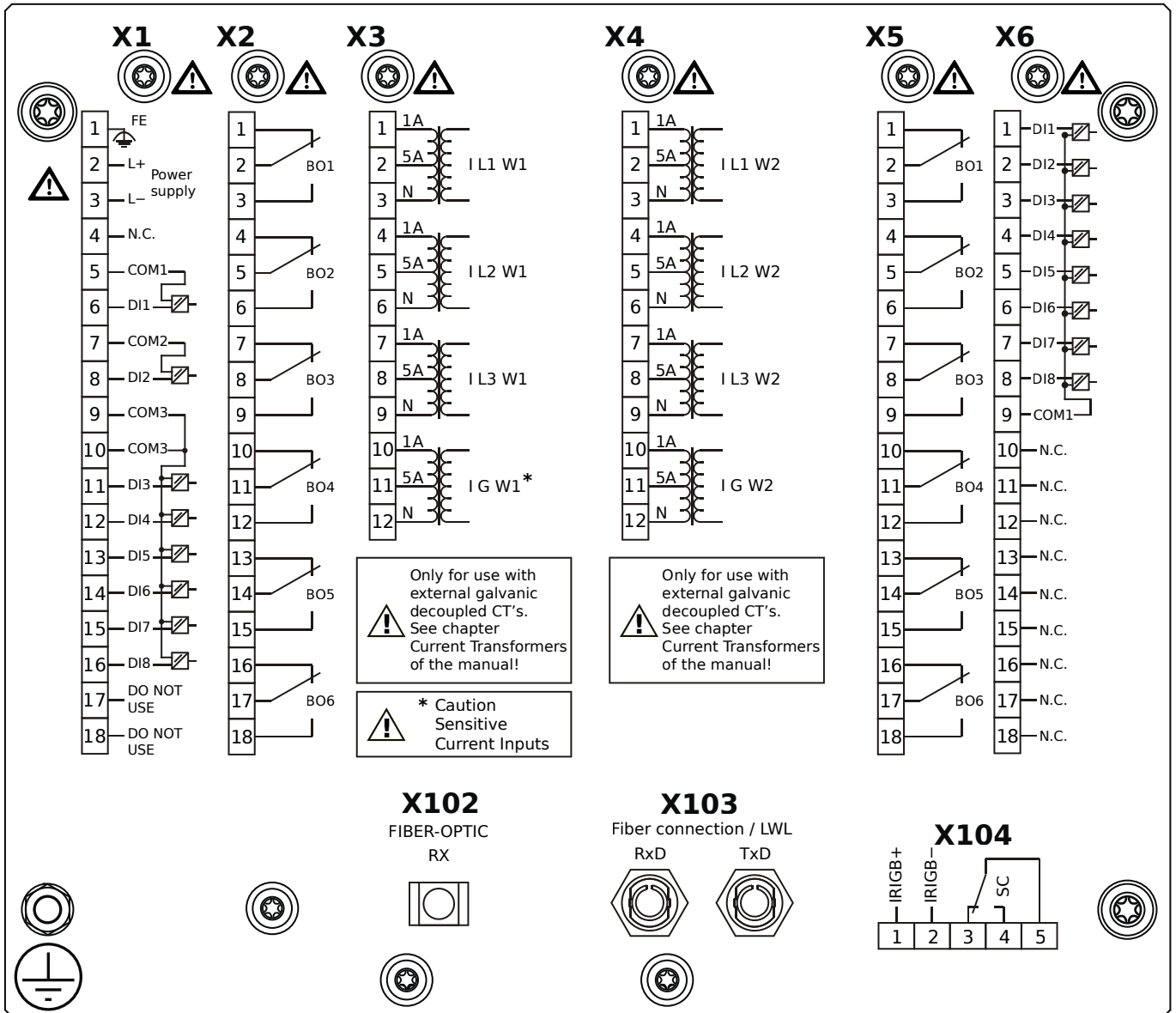
- X1** – DI8-X1: Wide-range power supply unit, incl. 2 non-grouped digital inputs and 6 grouped digital inputs
- X2** – OR-6: Assembly Group with 6 Relay Outputs
- X3** – TI-4: Standard phase current measuring card and sensitive ground current measuring (winding side 1)
- X4** – TI-4: Standard current measuring card (for the winding side 2)
- X5** – OR-6: Assembly Group with 6 Relay Outputs
- X6** – DI8: Assembly Group with 8 Digital Inputs
- X102** – Universal Resistance-Temperature Detector (URTD) input, Fiber optics interface, Versatile Link
- X103** – Profibus-DP, RS485, D-SUB
- X104** – IRIG-B00X, incl. System Contact (Supervision Contact)

MRDT4-2D1BEB



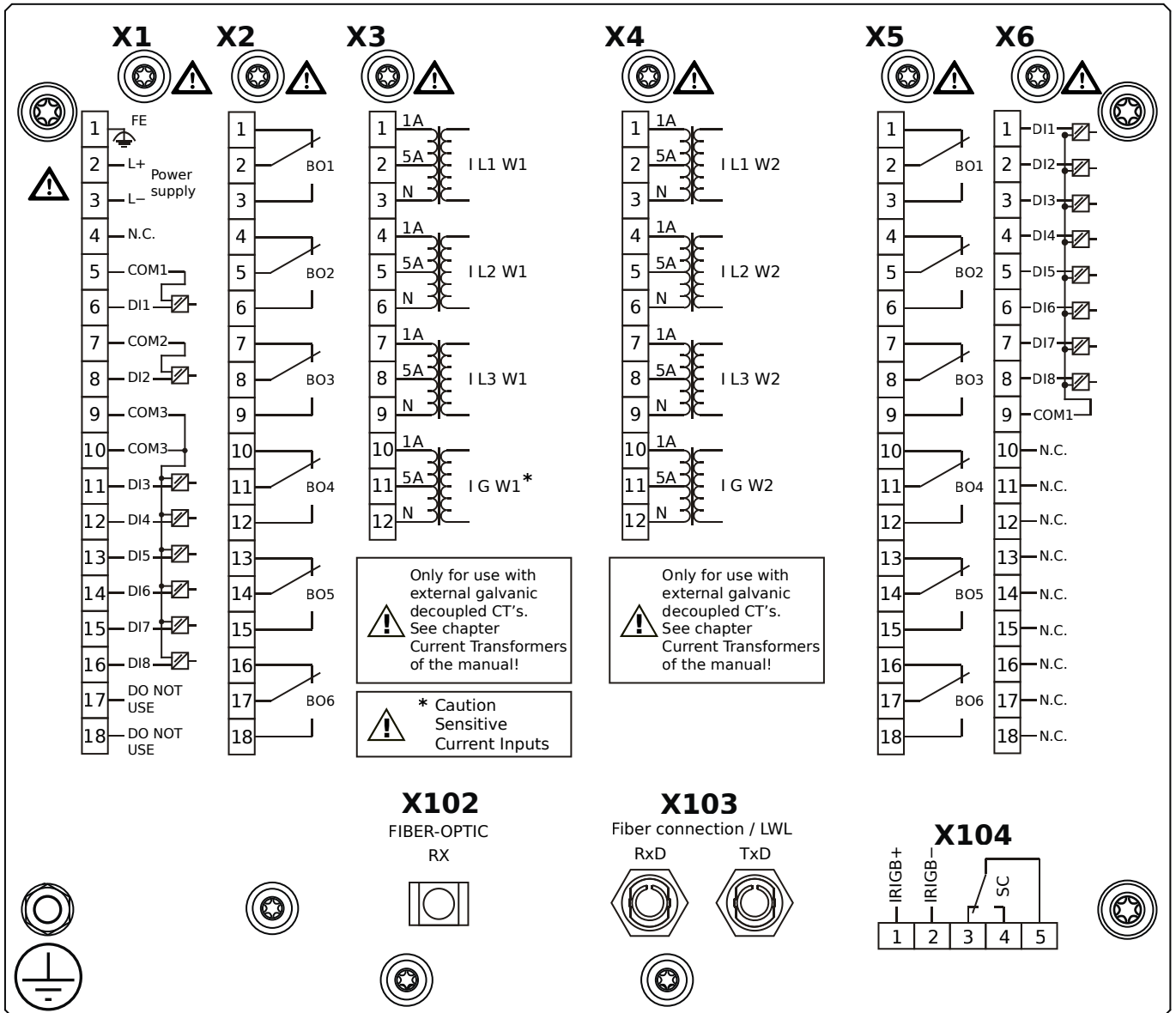
- X1** – DI8-X1: Wide-range power supply unit, incl. 2 non-grouped digital inputs and 6 grouped digital inputs
- X2** – OR-6: Assembly Group with 6 Relay Outputs
- X3** – TI-4: Standard phase current measuring card and sensitive ground current measuring (winding side 1)
- X4** – TI-4: Standard current measuring card (for the winding side 2)
- X5** – OR-6: Assembly Group with 6 Relay Outputs
- X6** – DI8: Assembly Group with 8 Digital Inputs
- X102** – Universal Resistance-Temperature Detector (URTD) input, Fiber optics interface, Versatile Link
- X103** – Profibus-DP, RS485, D-SUB
- X104** – IRIG-B00X, incl. System Contact (Supervision Contact)

MRDT4-2D1BFA



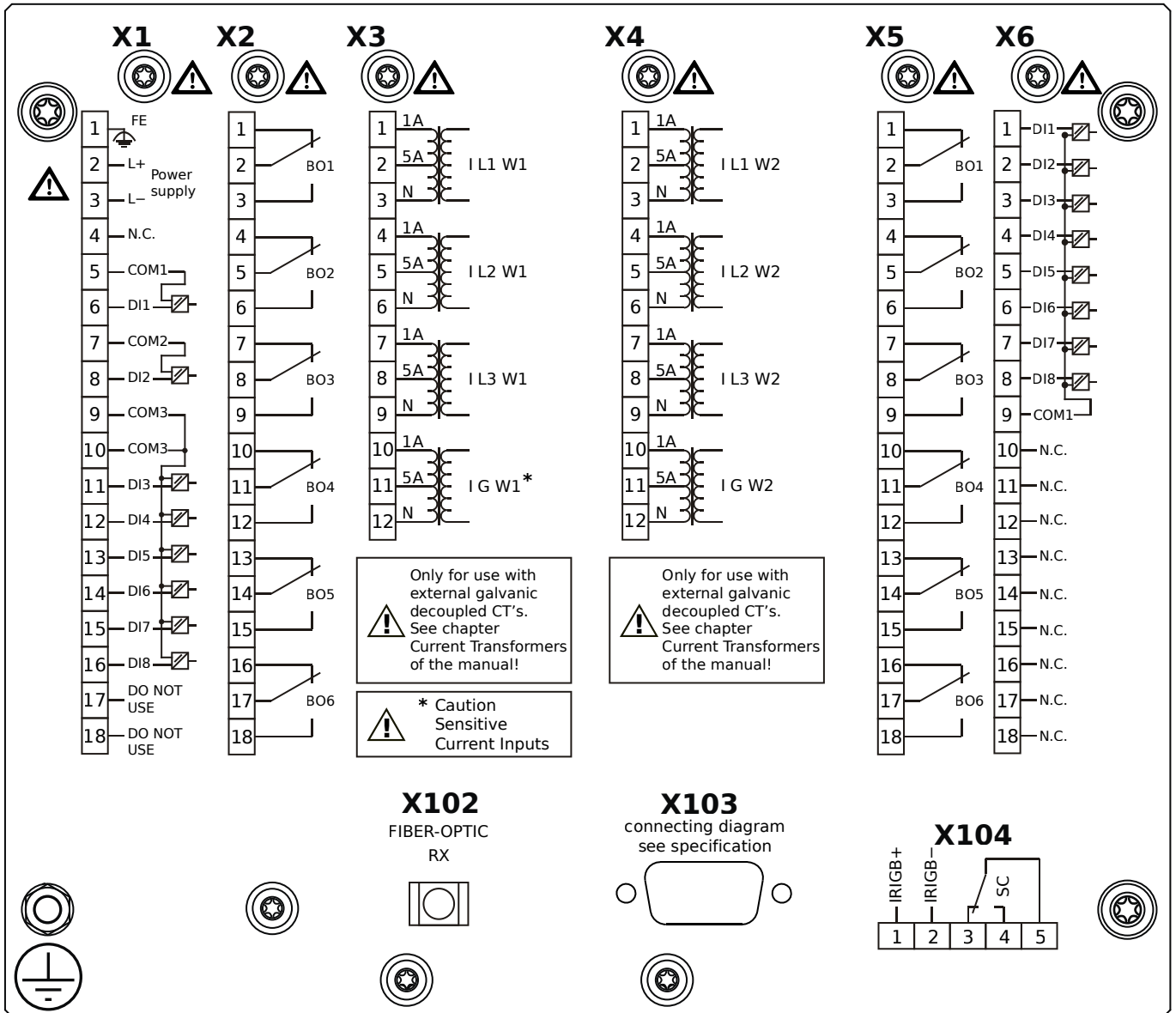
- X1** – DI8-X1: Wide-range power supply unit, incl. 2 non-grouped digital inputs and 6 grouped digital inputs
- X2** – OR-6: Assembly Group with 6 Relay Outputs
- X3** – TI-4: Standard phase current measuring card and sensitive ground current measuring (winding side 1)
- X4** – TI-4: Standard current measuring card (for the winding side 2)
- X5** – OR-6: Assembly Group with 6 Relay Outputs
- X6** – DI8: Assembly Group with 8 Digital Inputs
- X102** – Universal Resistance-Temperature Detector (URTD) input, Fiber optics interface, Versatile Link
- X103** – Modbus RTU / IEC 60870-5-103 / DNP3.0 RTU, Fiber optics interface, ST Connector
- X104** – IRIG-B00X, incl. System Contact (Supervision Contact)

MRDT4-2D1BFB



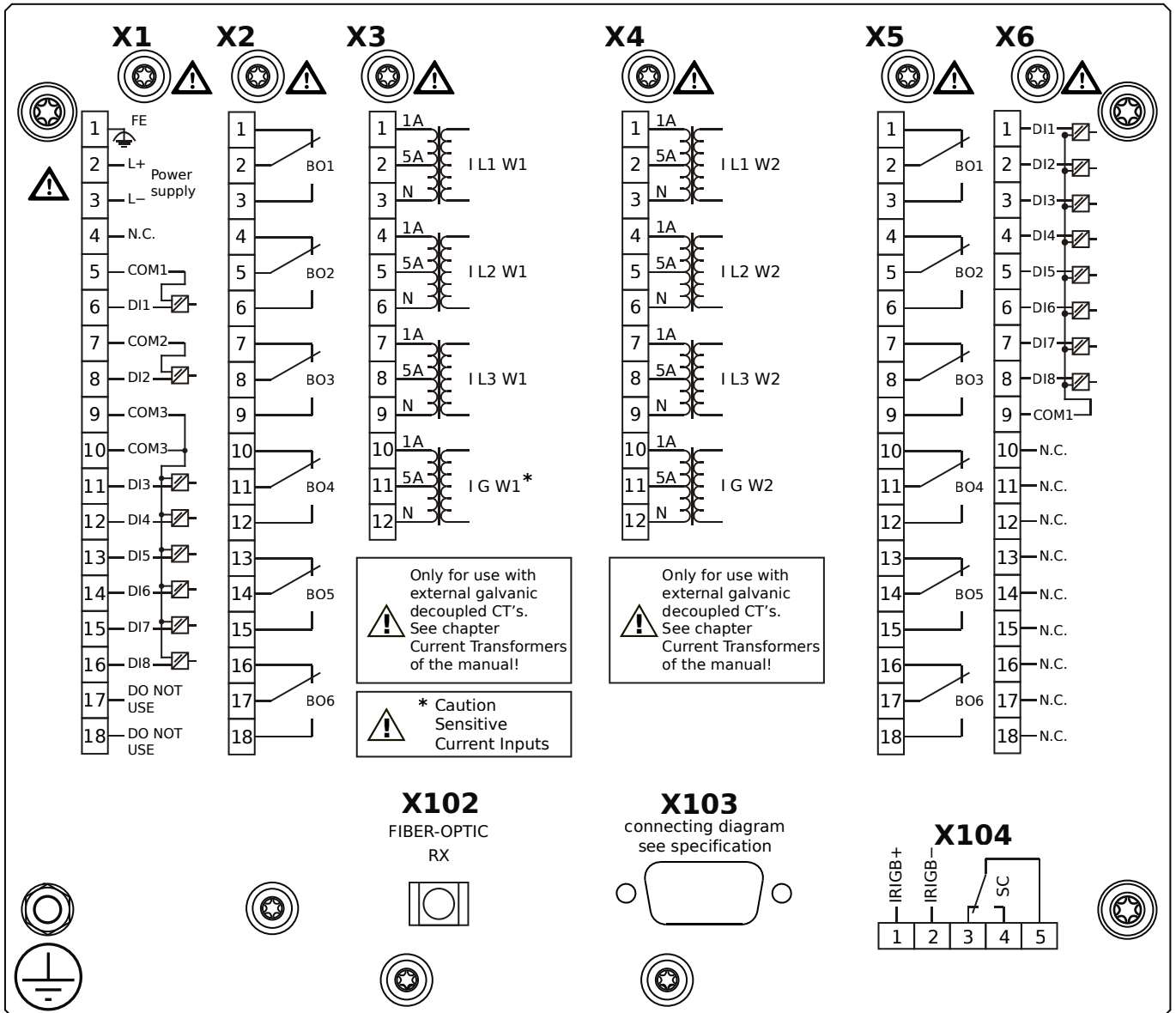
- X1** – DI8-X1: Wide-range power supply unit, incl. 2 non-grouped digital inputs and 6 grouped digital inputs
- X2** – OR-6: Assembly Group with 6 Relay Outputs
- X3** – TI-4: Standard phase current measuring card and sensitive ground current measuring (winding side 1)
- X4** – TI-4: Standard current measuring card (for the winding side 2)
- X5** – OR-6: Assembly Group with 6 Relay Outputs
- X6** – DI8: Assembly Group with 8 Digital Inputs
- X102** – Universal Resistance-Temperature Detector (URTD) input, Fiber optics interface, Versatile Link
- X103** – Modbus RTU / IEC 60870-5-103 / DNP3.0 RTU, Fiber optics interface, ST Connector
- X104** – IRIG-B00X, incl. System Contact (Supervision Contact)

MRDT4-2D1BGA



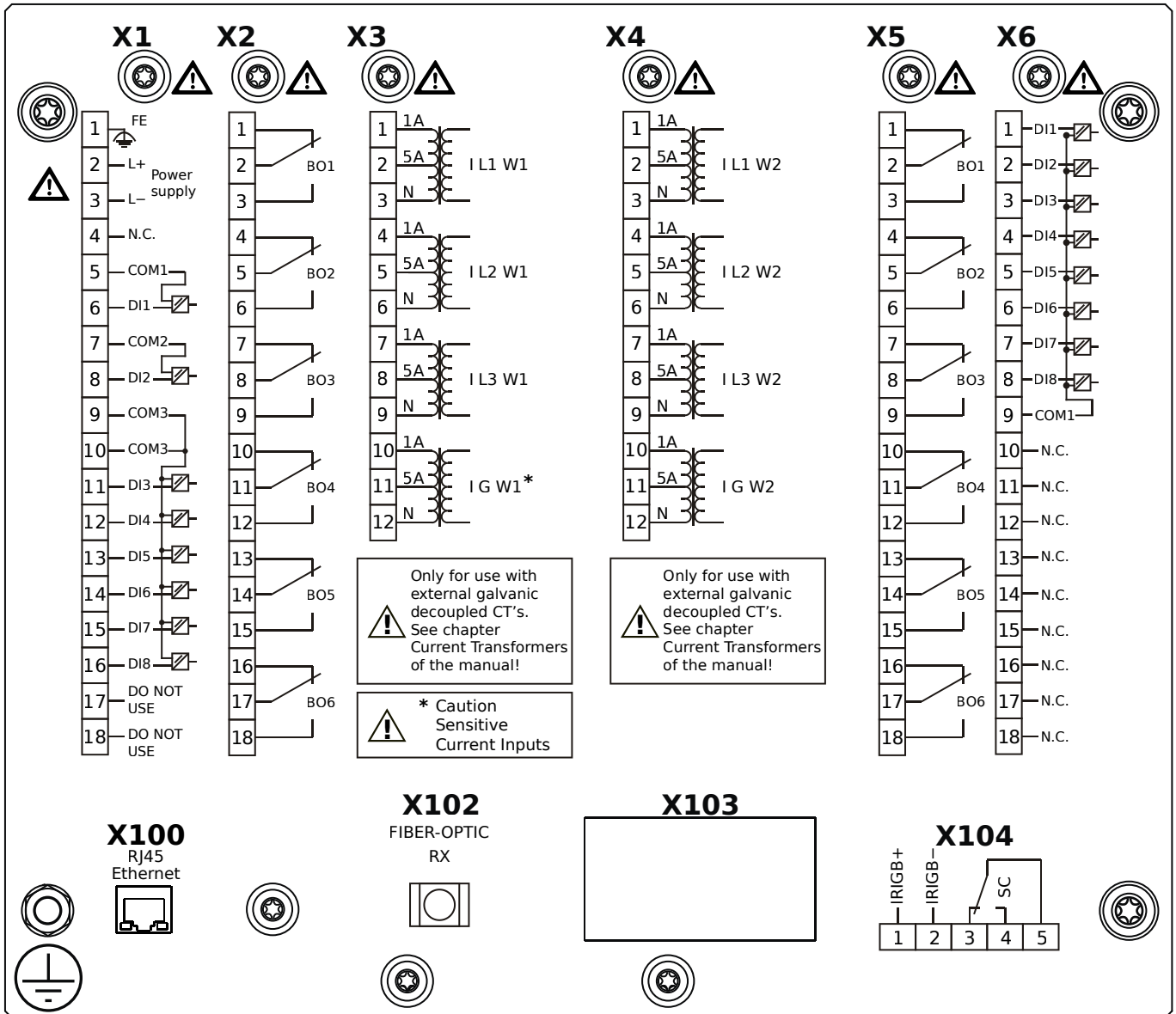
- X1** – DI8-X1: Wide-range power supply unit, incl. 2 non-grouped digital inputs and 6 grouped digital inputs
- X2** – OR-6: Assembly Group with 6 Relay Outputs
- X3** – TI-4: Standard phase current measuring card and sensitive ground current measuring (winding side 1)
- X4** – TI-4: Standard current measuring card (for the winding side 2)
- X5** – OR-6: Assembly Group with 6 Relay Outputs
- X6** – DI8: Assembly Group with 8 Digital Inputs
- X102** – Universal Resistance-Temperature Detector (URTD) input, Fiber optics interface, Versatile Link
- X103** – Modbus RTU / IEC 60870-5-103 / DNP3.0 RTU, RS485, D-SUB
- X104** – IRIG-B00X, incl. System Contact (Supervision Contact)

MRDT4-2D1BGB



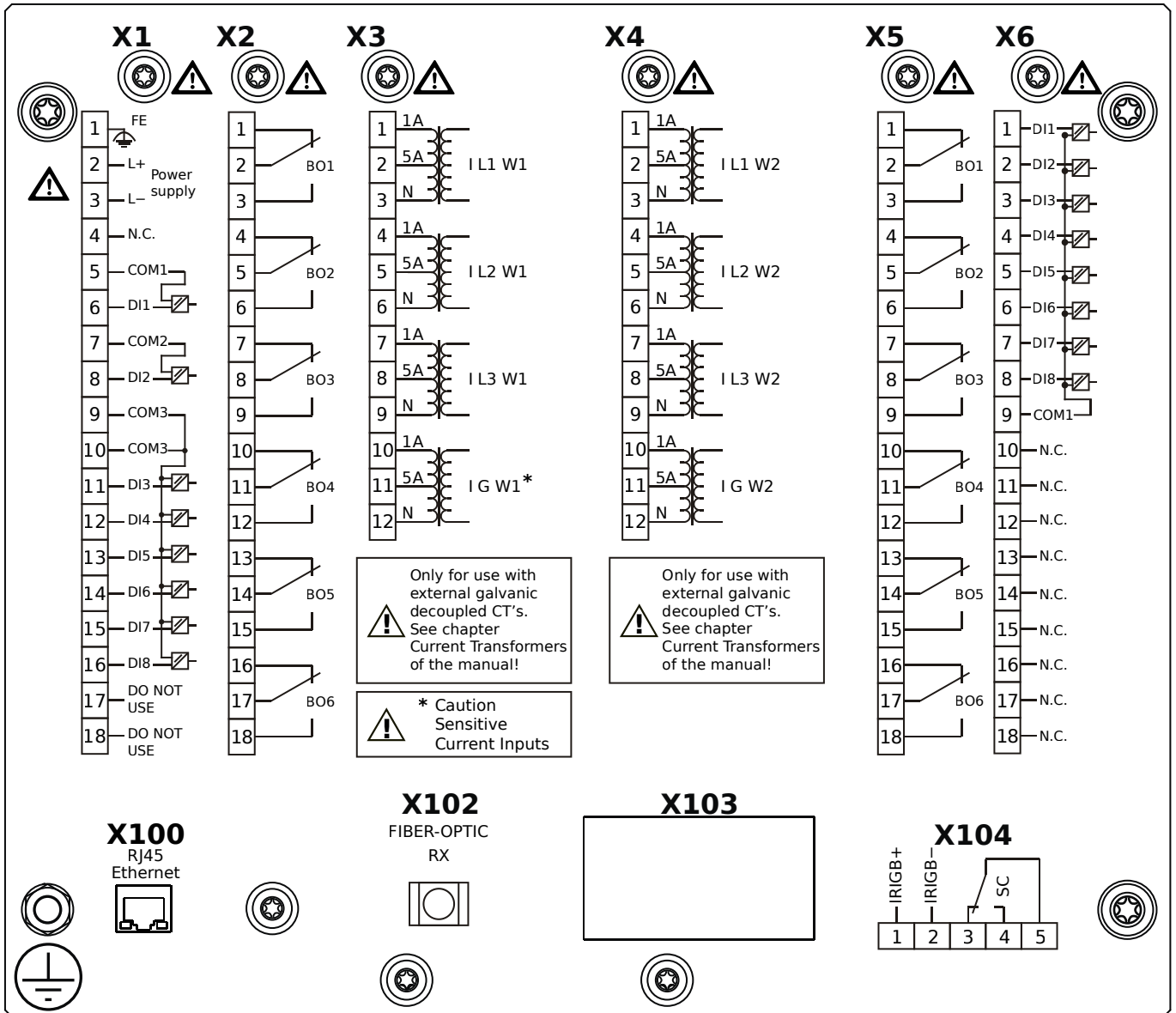
- X1** – DI8-X1: Wide-range power supply unit, incl. 2 non-grouped digital inputs and 6 grouped digital inputs
- X2** – OR-6: Assembly Group with 6 Relay Outputs
- X3** – TI-4: Standard phase current measuring card and sensitive ground current measuring (winding side 1)
- X4** – TI-4: Standard current measuring card (for the winding side 2)
- X5** – OR-6: Assembly Group with 6 Relay Outputs
- X6** – DI8: Assembly Group with 8 Digital Inputs
- X102** – Universal Resistance-Temperature Detector (URTD) input, Fiber optics interface, Versatile Link
- X103** – Modbus RTU / IEC 60870-5-103 / DNP3.0 RTU, RS485, D-SUB
- X104** – IRIG-B00X, incl. System Contact (Supervision Contact)

MRDT4-2D1BHA



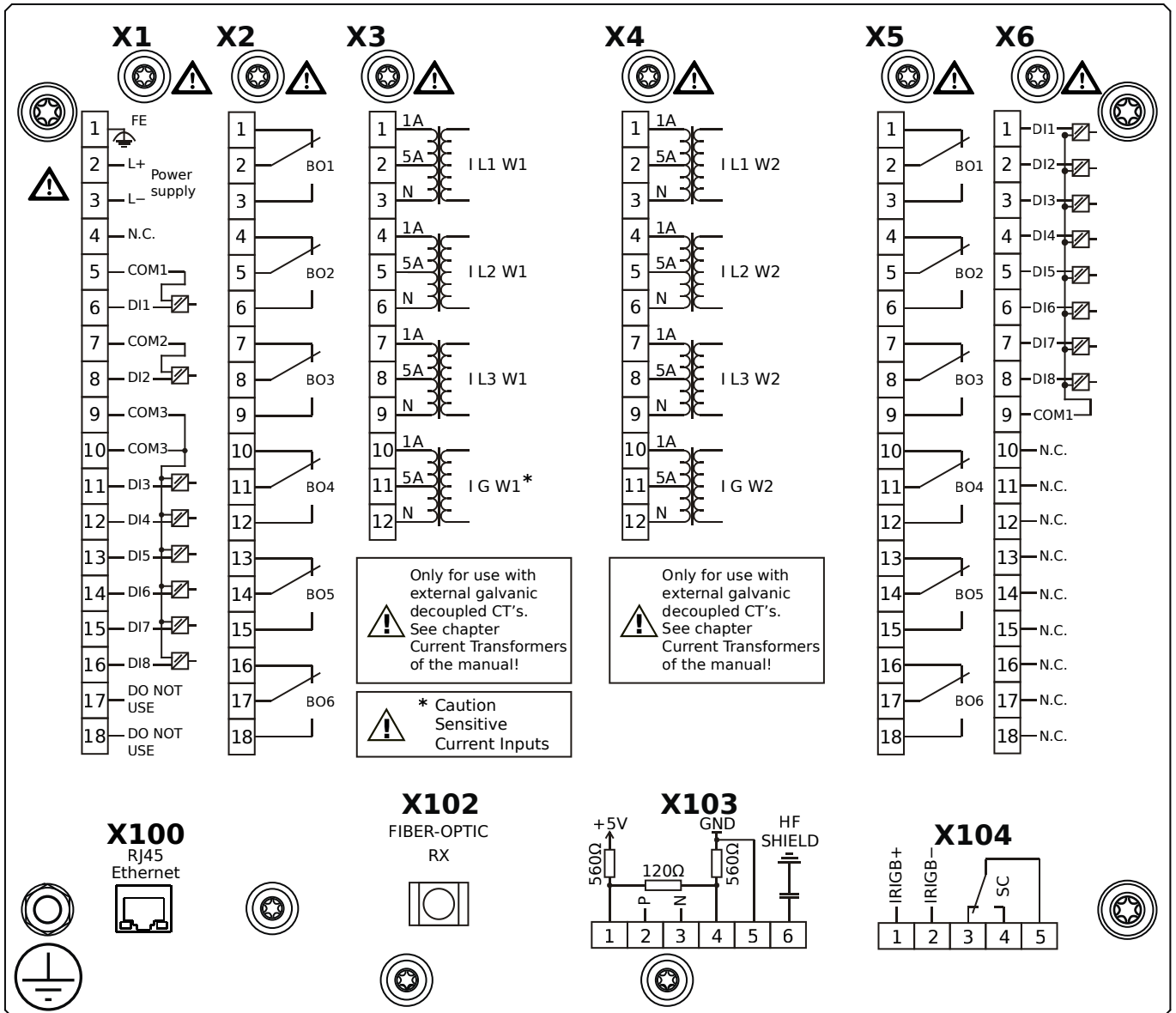
- X1** – DI8-X1: Wide-range power supply unit, incl. 2 non-grouped digital inputs and 6 grouped digital inputs
- X2** – OR-6: Assembly Group with 6 Relay Outputs
- X3** – TI-4: Standard phase current measuring card and sensitive ground current measuring (winding side 1)
- X4** – TI-4: Standard current measuring card (for the winding side 2)
- X5** – OR-6: Assembly Group with 6 Relay Outputs
- X6** – DI8: Assembly Group with 8 Digital Inputs
- X100** – IEC 61850 / Modbus TCP / DNP3.0 TCP/UDP, Ethernet interface, 100 Mbit/s, RJ45 (BASE100-FX)
- X102** – Universal Resistance-Temperature Detector (URTD) input, Fiber optics interface, Versatile Link
- X104** – IRIG-B00X, incl. System Contact (Supervision Contact)

MRDT4-2D1BHB



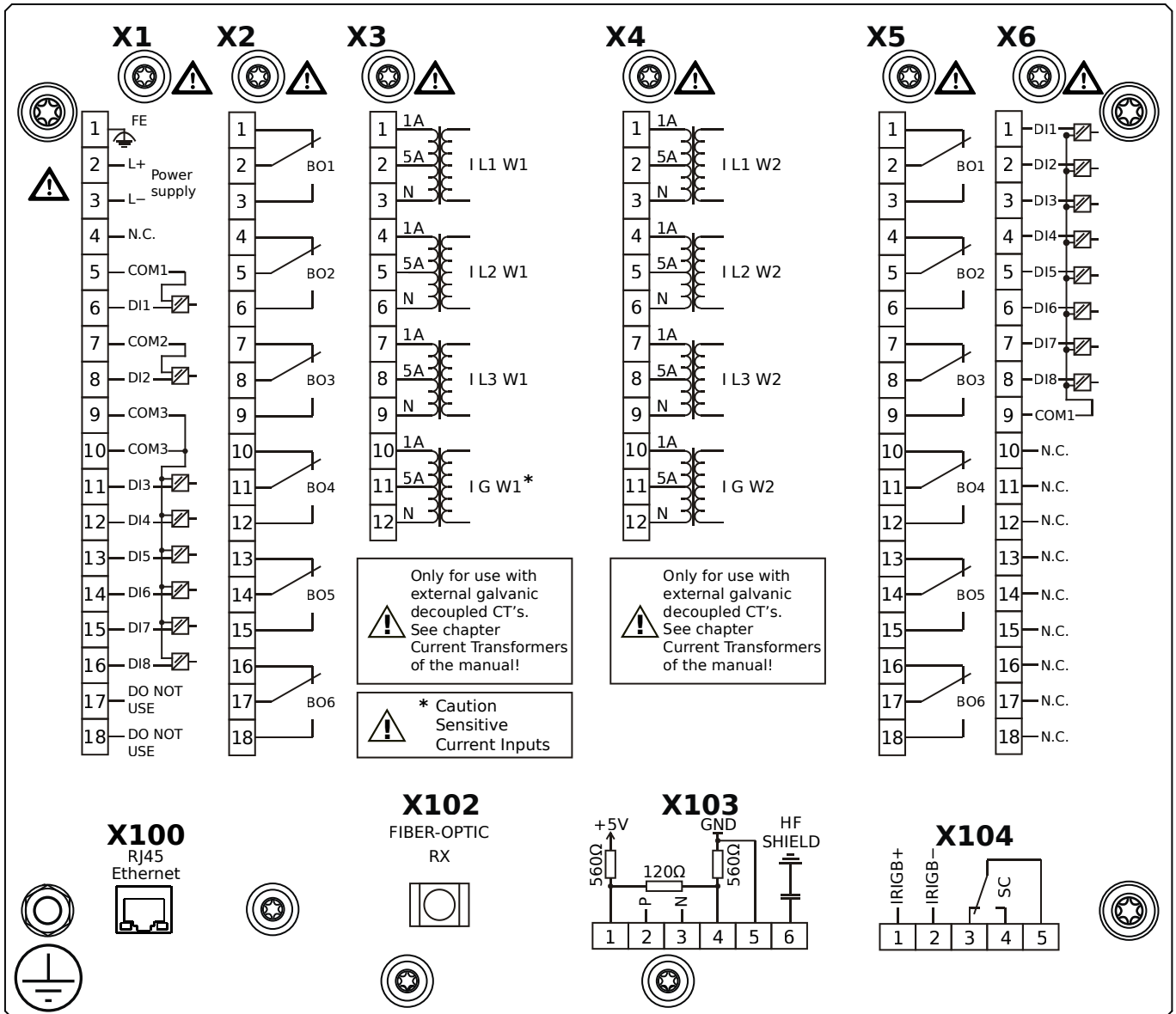
- X1** – DI8-X1: Wide-range power supply unit, incl. 2 non-grouped digital inputs and 6 grouped digital inputs
- X2** – OR-6: Assembly Group with 6 Relay Outputs
- X3** – TI-4: Standard phase current measuring card and sensitive ground current measuring (winding side 1)
- X4** – TI-4: Standard current measuring card (for the winding side 2)
- X5** – OR-6: Assembly Group with 6 Relay Outputs
- X6** – DI8: Assembly Group with 8 Digital Inputs
- X100** – IEC 61850 / Modbus TCP / DNP3.0 TCP/UDP, Ethernet interface, 100 Mbit/s, RJ45 (BASE100-FX)
- X102** – Universal Resistance-Temperature Detector (URTD) input, Fiber optics interface, Versatile Link
- X104** – IRIG-B00X, incl. System Contact (Supervision Contact)

MRDT4-2D1BIA



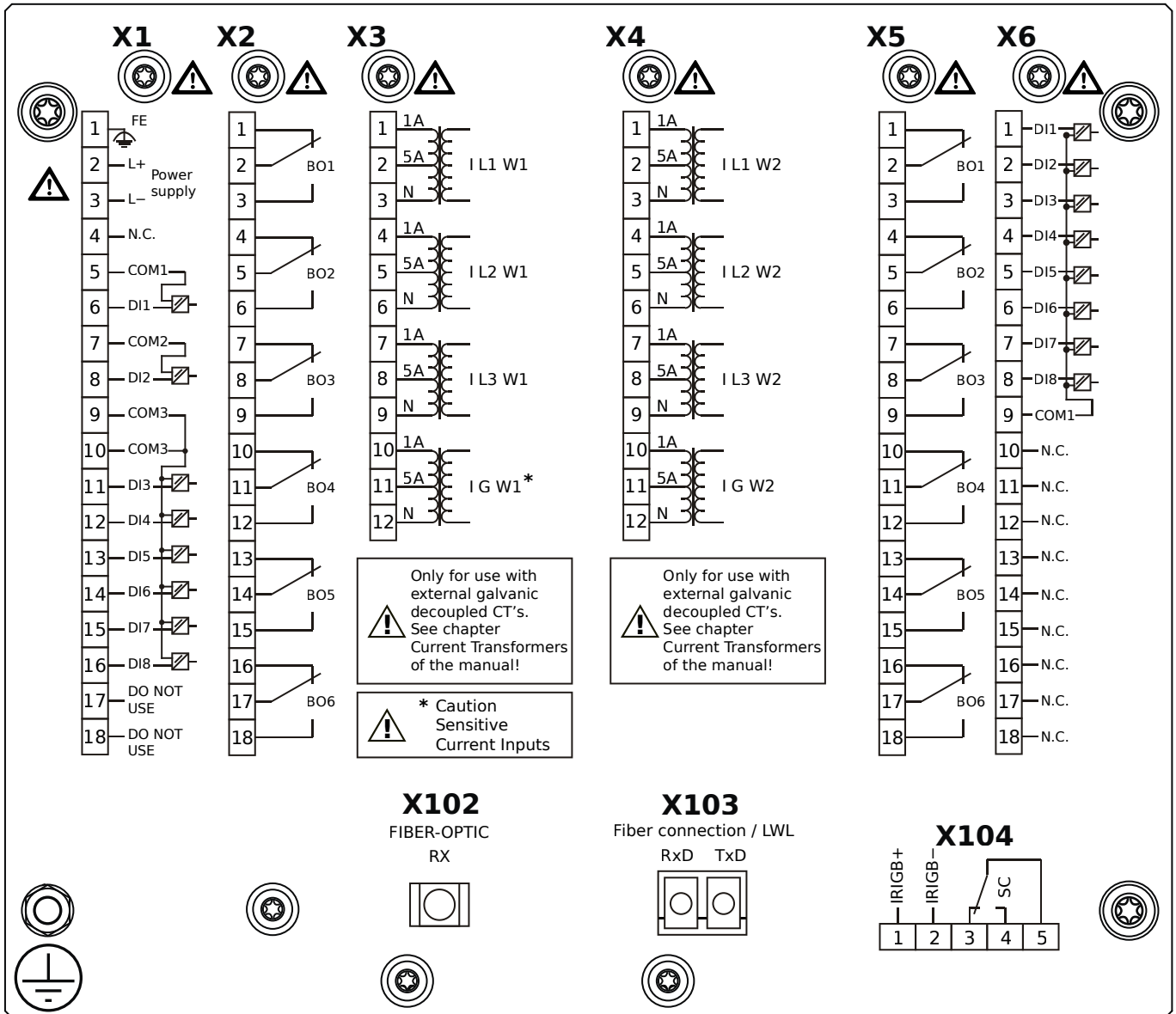
- X1** – DI8-X1: Wide-range power supply unit, incl. 2 non-grouped digital inputs and 6 grouped digital inputs
- X2** – OR-6: Assembly Group with 6 Relay Outputs
- X3** – TI-4: Standard phase current measuring card and sensitive ground current measuring (winding side 1)
- X4** – TI-4: Standard current measuring card (for the winding side 2)
- X5** – OR-6: Assembly Group with 6 Relay Outputs
- X6** – DI8: Assembly Group with 8 Digital Inputs
- X100** – Modbus TCP / DNP3.0 TCP/UDP, Ethernet interface, 100 Mbit/s, RJ45 (BASE100-FX)
- X102** – Universal Resistance-Temperature Detector (URTD) input, Fiber optics interface, Versatile Link
- X103** – IEC 60870-5-103 / Modbus RTU / DNP3.0 RTU, RS485, Terminals
- X104** – IRIG-B00X, incl. System Contact (Supervision Contact)

MRDT4-2D1BIB



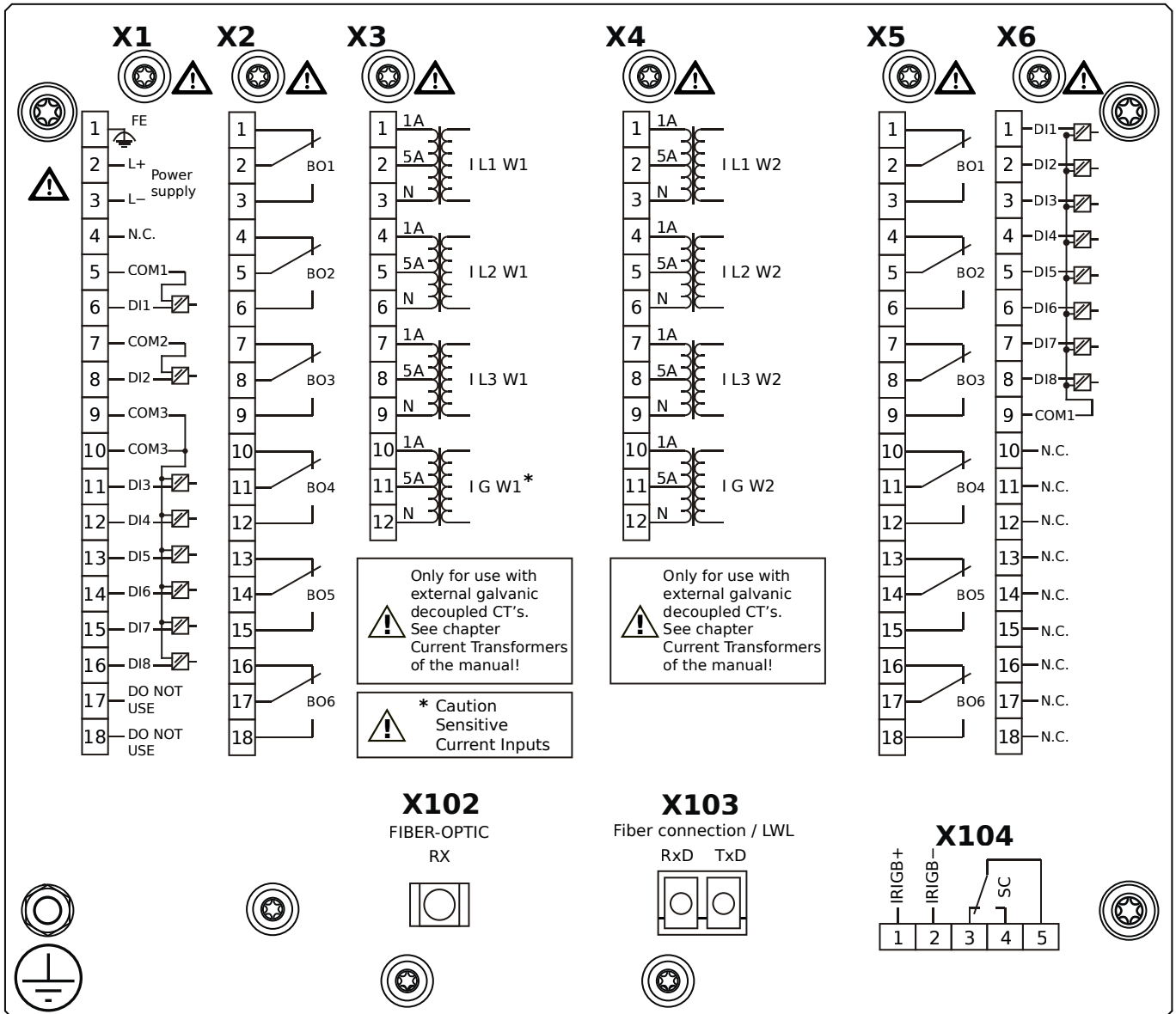
- X1** – DI8-X1: Wide-range power supply unit, incl. 2 non-grouped digital inputs and 6 grouped digital inputs
- X2** – OR-6: Assembly Group with 6 Relay Outputs
- X3** – TI-4: Standard phase current measuring card and sensitive ground current measuring (winding side 1)
- X4** – TI-4: Standard current measuring card (for the winding side 2)
- X5** – OR-6: Assembly Group with 6 Relay Outputs
- X6** – DI8: Assembly Group with 8 Digital Inputs
- X100** – Modbus TCP / DNP3.0 TCP/UDP, Ethernet interface, 100 Mbit/s, RJ45 (BASE100-FX)
- X102** – Universal Resistance-Temperature Detector (URTD) input, Fiber optics interface, Versatile Link
- X103** – IEC 60870-5-103 / Modbus RTU / DNP3.0 RTU, RS485, Terminals
- X104** – IRIG-B00X, incl. System Contact (Supervision Contact)

MRDT4-2D1BKA



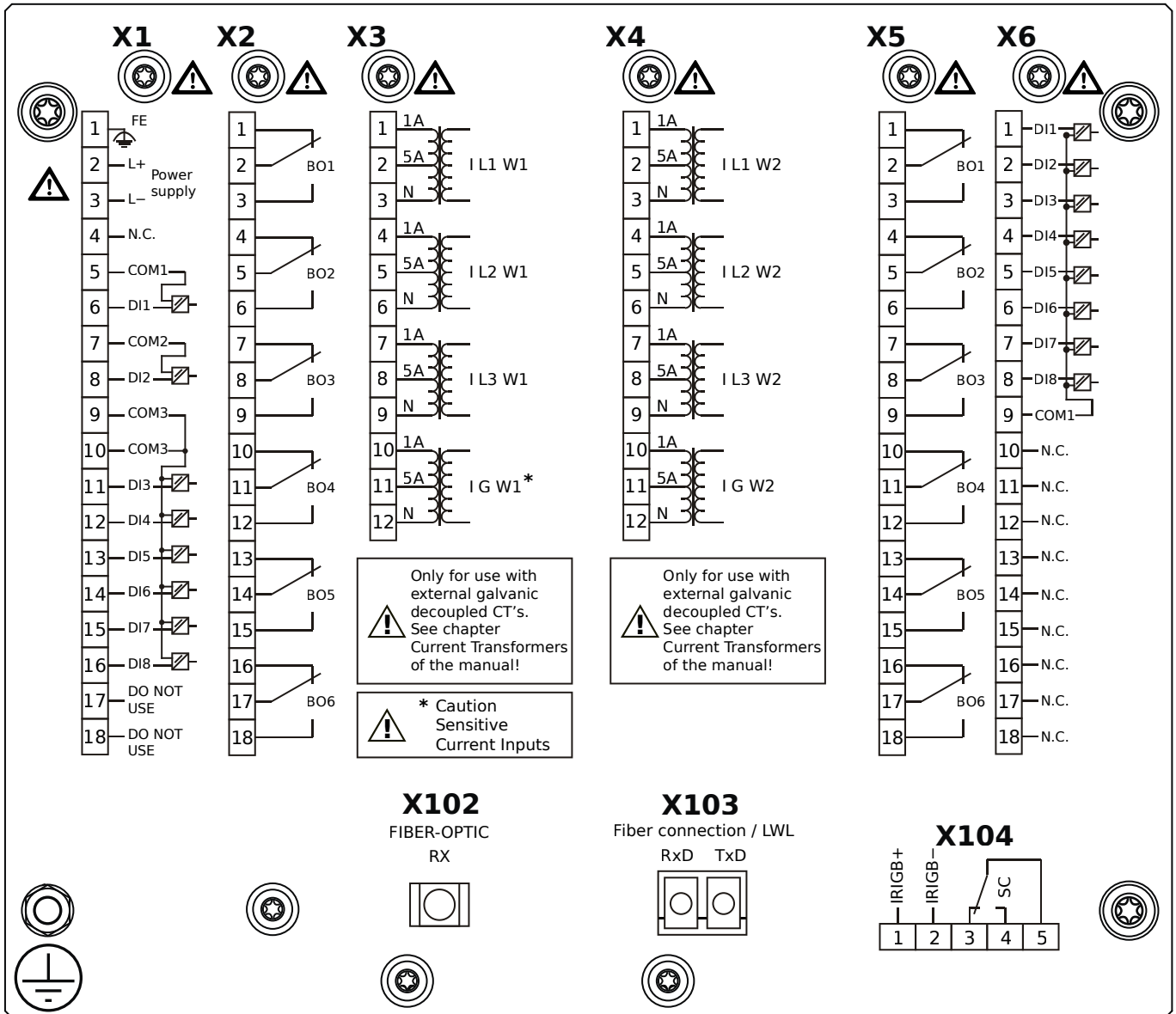
- X1** – DI8-X1: Wide-range power supply unit, incl. 2 non-grouped digital inputs and 6 grouped digital inputs
- X2** – OR-6: Assembly Group with 6 Relay Outputs
- X3** – TI-4: Standard phase current measuring card and sensitive ground current measuring (winding side 1)
- X4** – TI-4: Standard current measuring card (for the winding side 2)
- X5** – OR-6: Assembly Group with 6 Relay Outputs
- X6** – DI8: Assembly Group with 8 Digital Inputs
- X102** – Universal Resistance-Temperature Detector (URTD) input, Fiber optics interface, Versatile Link
- X103** – IEC 61850 / Modbus TCP / DNP3.0 TCP/UDP, Fiber optics interface, LC Connector
- X104** – IRIG-B00X, incl. System Contact (Supervision Contact)

MRDT4-2D1BKB



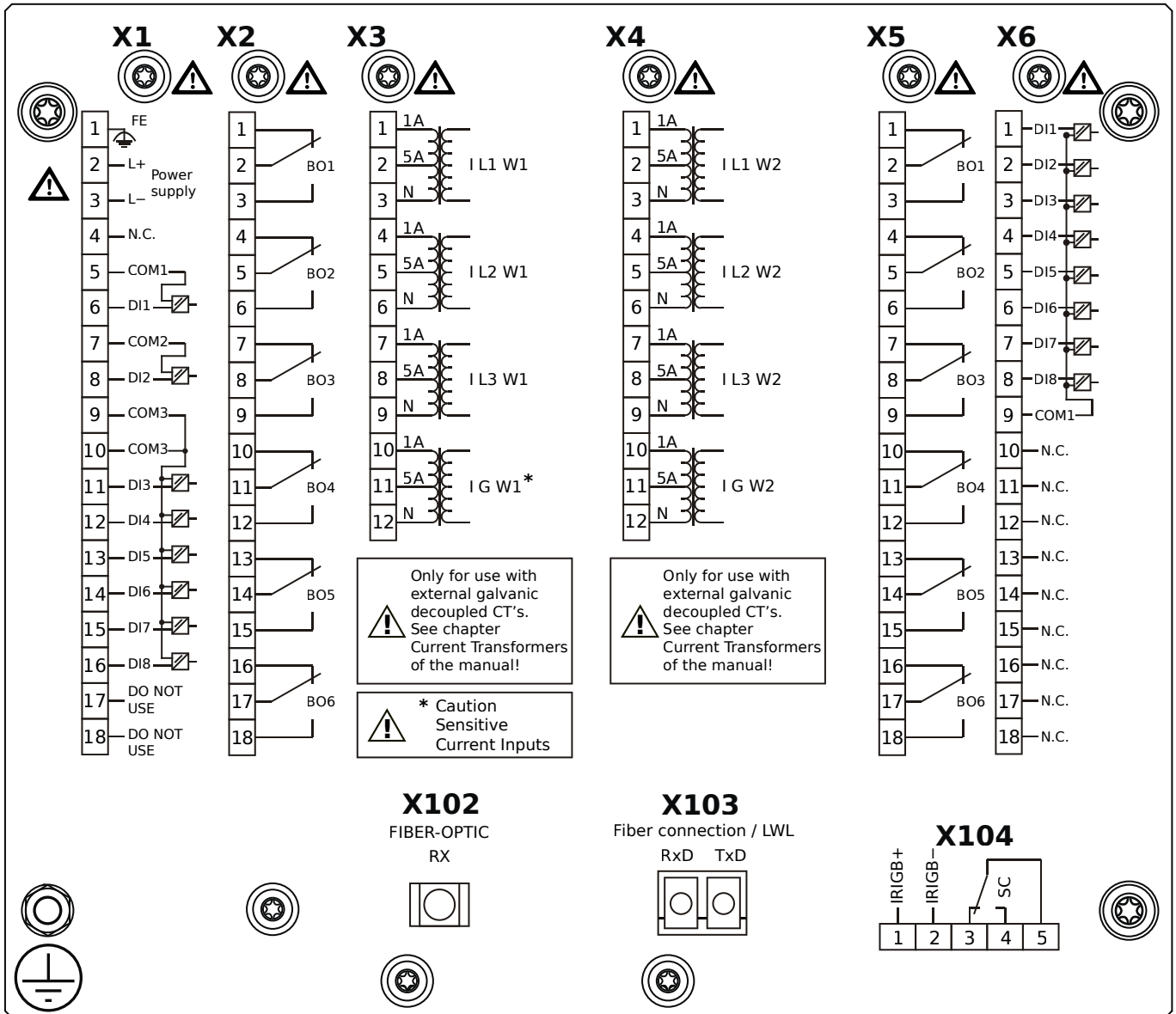
- X1** – DI8-X1: Wide-range power supply unit, incl. 2 non-grouped digital inputs and 6 grouped digital inputs
- X2** – OR-6: Assembly Group with 6 Relay Outputs
- X3** – TI-4: Standard phase current measuring card and sensitive ground current measuring (winding side 1)
- X4** – TI-4: Standard current measuring card (for the winding side 2)
- X5** – OR-6: Assembly Group with 6 Relay Outputs
- X6** – DI8: Assembly Group with 8 Digital Inputs
- X102** – Universal Resistance-Temperature Detector (URTD) input, Fiber optics interface, Versatile Link
- X103** – IEC 61850 / Modbus TCP / DNP3.0 TCP/UDP, Fiber optics interface, LC Connector
- X104** – IRIG-B00X, incl. System Contact (Supervision Contact)

MRDT4-2D1BLA



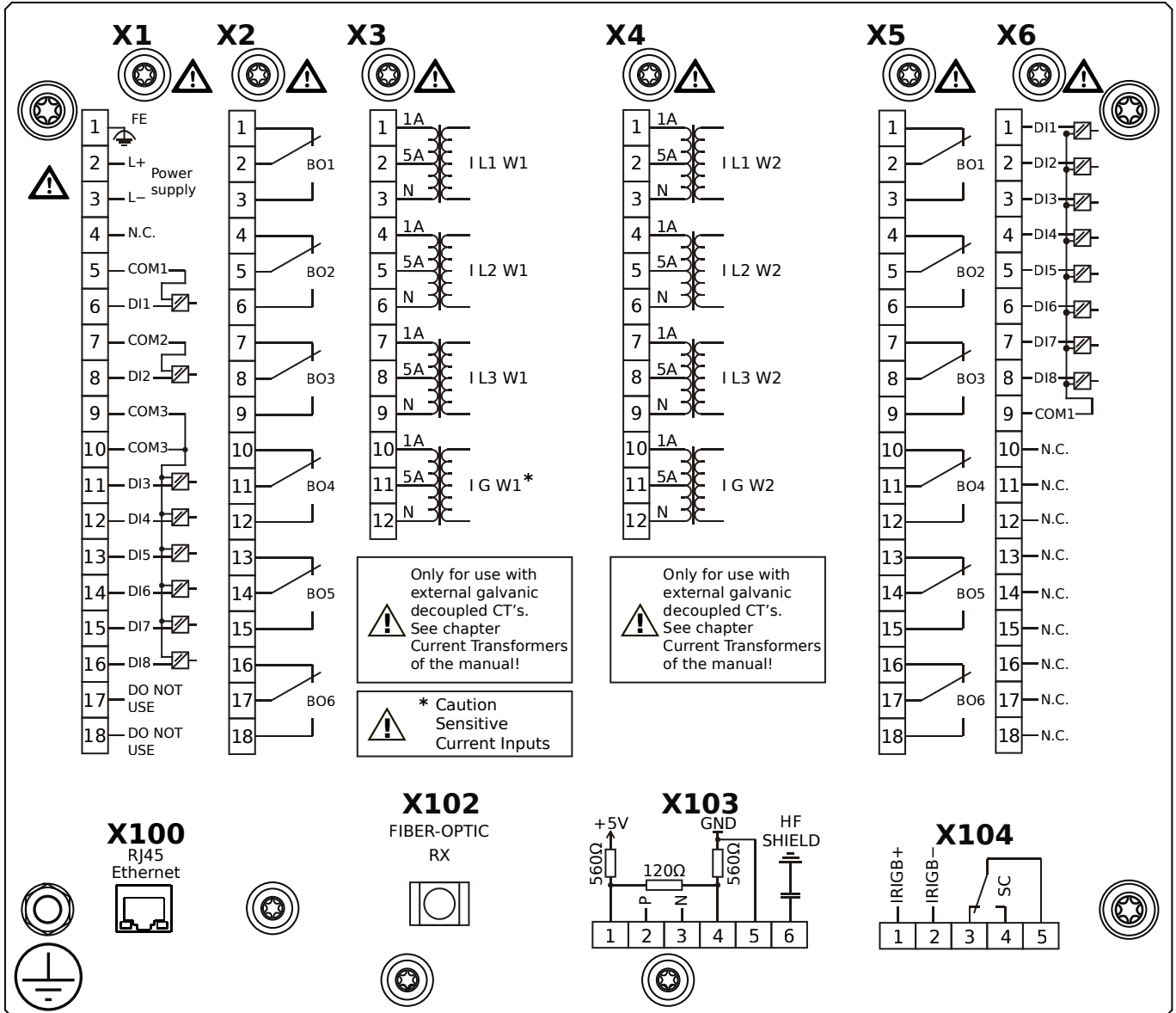
- X1** – DI8-X1: Wide-range power supply unit, incl. 2 non-grouped digital inputs and 6 grouped digital inputs
- X2** – OR-6: Assembly Group with 6 Relay Outputs
- X3** – TI-4: Standard phase current measuring card and sensitive ground current measuring (winding side 1)
- X4** – TI-4: Standard current measuring card (for the winding side 2)
- X5** – OR-6: Assembly Group with 6 Relay Outputs
- X6** – DI8: Assembly Group with 8 Digital Inputs
- X102** – Universal Resistance-Temperature Detector (URTD) input, Fiber optics interface, Versatile Link
- X103** – Modbus TCP / DNP3.0 TCP/UDP, Fiber optics interface, LC Connector
- X104** – IRIG-B00X, incl. System Contact (Supervision Contact)

MRDT4-2D1BLB



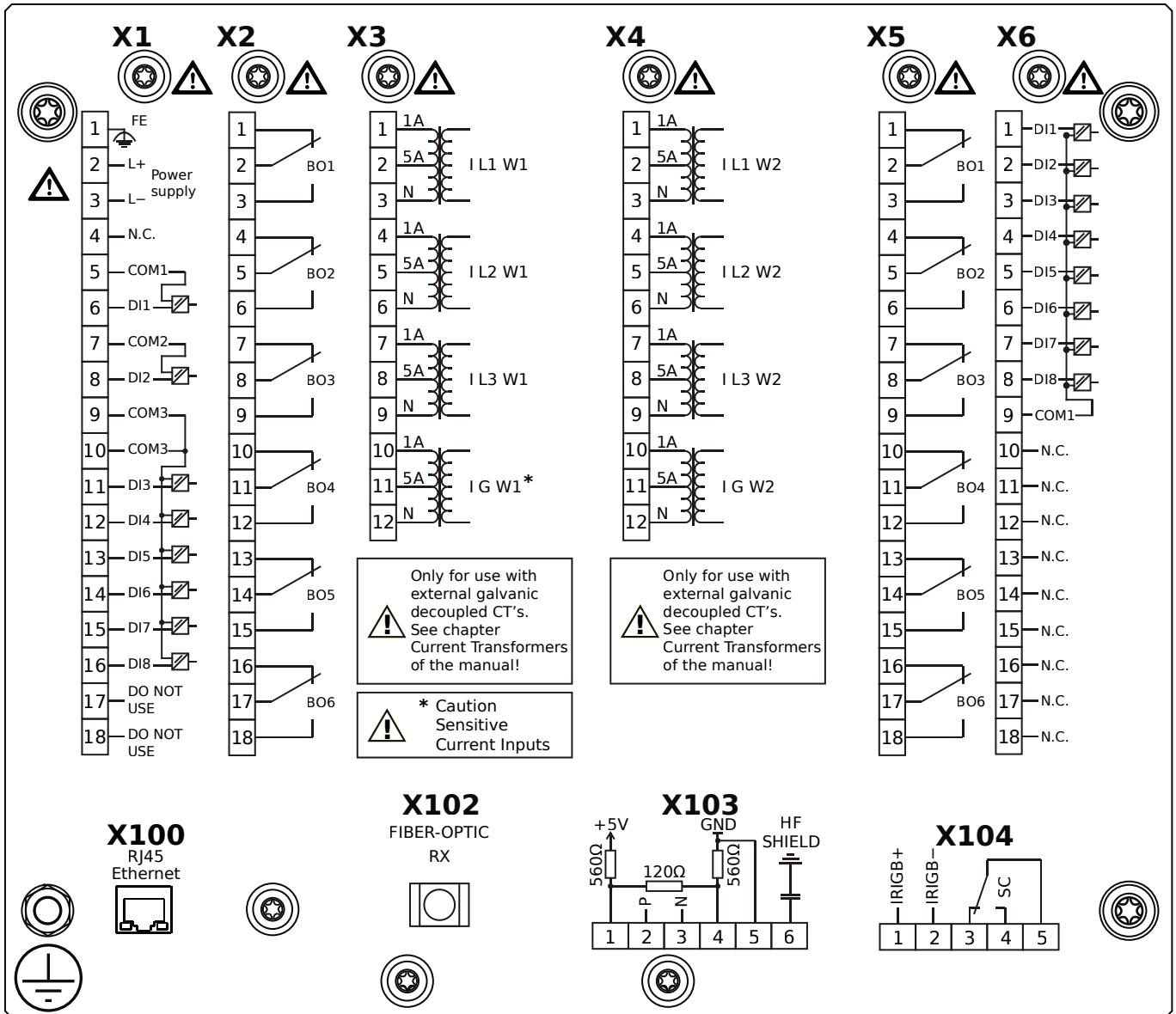
- X1** – DI8-X1: Wide-range power supply unit, incl. 2 non-grouped digital inputs and 6 grouped digital inputs
- X2** – OR-6: Assembly Group with 6 Relay Outputs
- X3** – TI-4: Standard phase current measuring card and sensitive ground current measuring (winding side 1)
- X4** – TI-4: Standard current measuring card (for the winding side 2)
- X5** – OR-6: Assembly Group with 6 Relay Outputs
- X6** – DI8: Assembly Group with 8 Digital Inputs
- X102** – Universal Resistance-Temperature Detector (URTD) input, Fiber optics interface, Versatile Link
- X103** – Modbus TCP / DNP3.0 TCP/UDP, Fiber optics interface, LC Connector
- X104** – IRIG-B00X, incl. System Contact (Supervision Contact)

MRDT4-2D1BTA



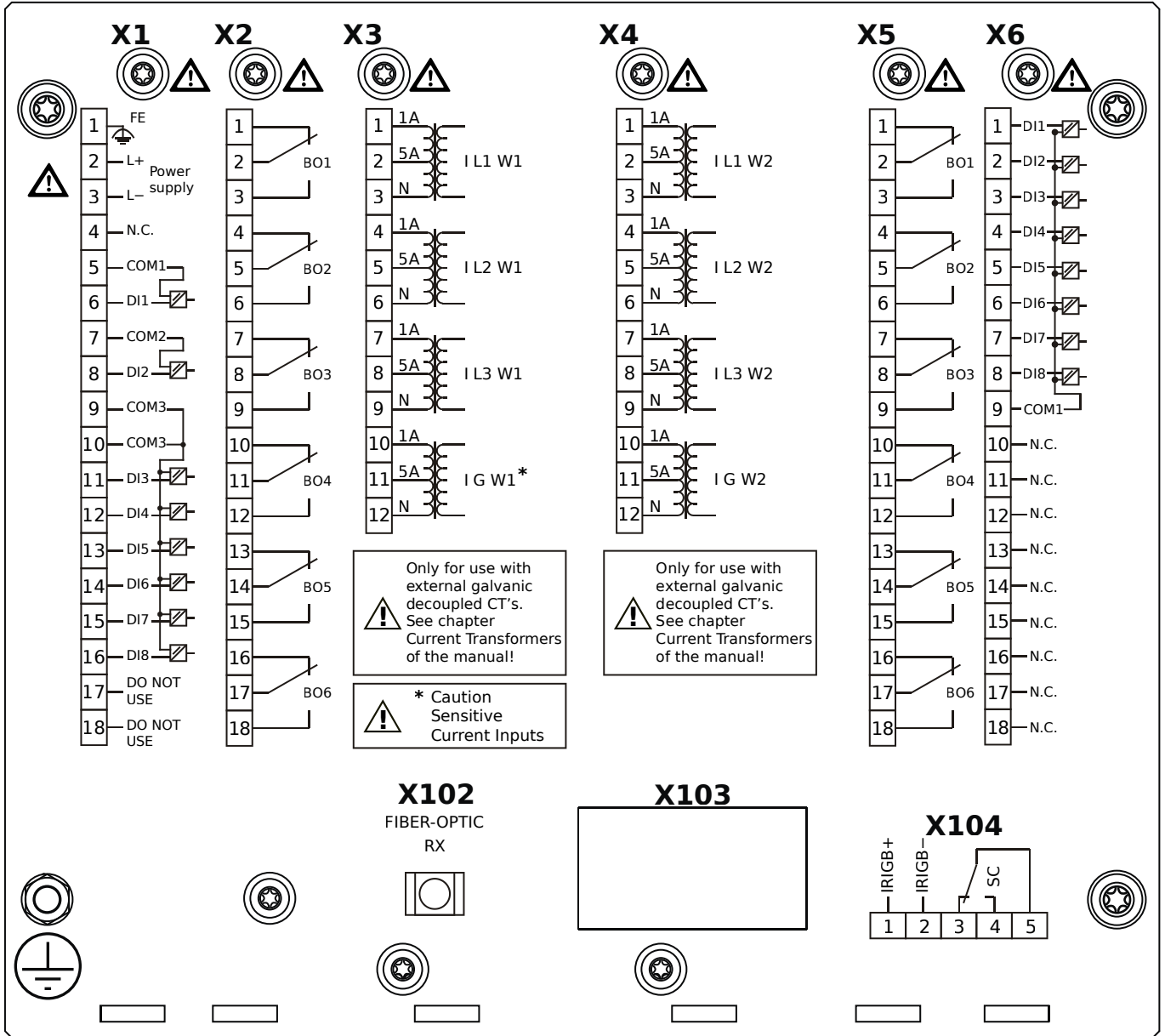
- X1** – DI8-X1: Wide-range power supply unit, incl. 2 non-grouped digital inputs and 6 grouped digital inputs
- X2** – OR-6: Assembly Group with 6 Relay Outputs
- X3** – TI-4: Standard phase current measuring card and sensitive ground current measuring (winding side 1)
- X4** – TI-4: Standard current measuring card (for the winding side 2)
- X5** – OR-6: Assembly Group with 6 Relay Outputs
- X6** – DI8: Assembly Group with 8 Digital Inputs
- X100** – IEC 61850 / Modbus TCP / DNP3.0 TCP/UDP, Ethernet interface, 100 Mbit/s, RJ45 (BASE100-FX)
- X102** – Universal Resistance-Temperature Detector (URTD) input, Fiber optics interface, Versatile Link
- X103** – IEC 60870-5-103 / Modbus RTU / DNP3.0 RTU, RS485, Terminals
- X104** – IRIG-B00X, incl. System Contact (Supervision Contact)

MRDT4-2D1BTB



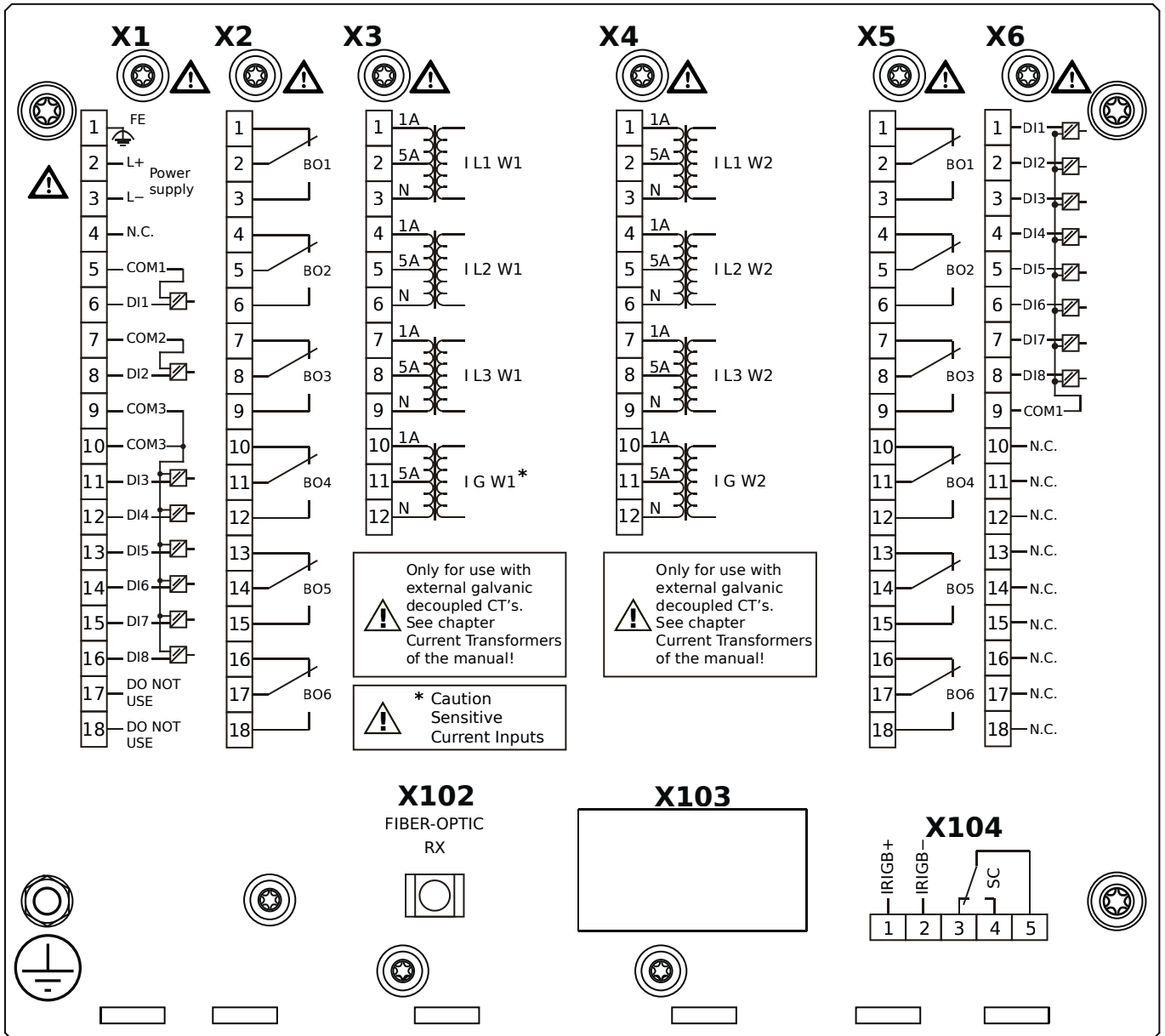
- X1** – DI8-X1: Wide-range power supply unit, incl. 2 non-grouped digital inputs and 6 grouped digital inputs
- X2** – OR-6: Assembly Group with 6 Relay Outputs
- X3** – TI-4: Standard phase current measuring card and sensitive ground current measuring (winding side 1)
- X4** – TI-4: Standard current measuring card (for the winding side 2)
- X5** – OR-6: Assembly Group with 6 Relay Outputs
- X6** – DI8: Assembly Group with 8 Digital Inputs
- X100** – IEC 61850 / Modbus TCP / DNP3.0 TCP/UDP, Ethernet interface, 100 Mbit/s, RJ45 (BASE100-FX)
- X102** – Universal Resistance-Temperature Detector (URTD) input, Fiber optics interface, Versatile Link
- X103** – IEC 60870-5-103 / Modbus RTU / DNP3.0 RTU, RS485, Terminals
- X104** – IRIG-B00X, incl. System Contact (Supervision Contact)

MRDT4-2D1HAA



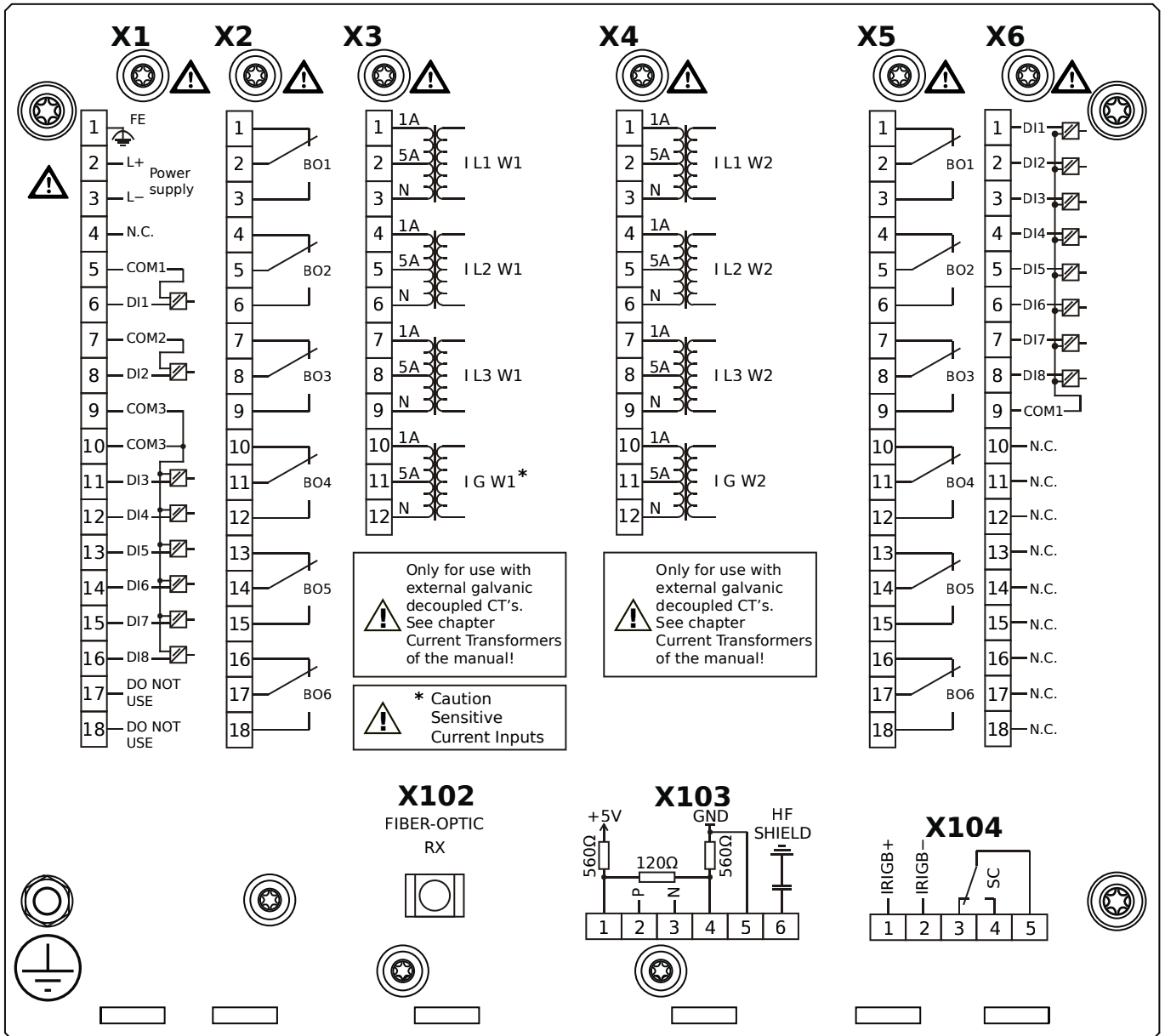
- X1** – DI8-X1: Wide-range power supply unit, incl. 2 non-grouped digital inputs and 6 grouped digital inputs
- X2** – OR-6: Assembly Group with 6 Relay Outputs
- X3** – TIs-4: Standard phase current measuring card and sensitive ground current measuring (winding side 1)
- X4** – TI-4: Standard current measuring card (for the winding side 2)
- X5** – OR-6: Assembly Group with 6 Relay Outputs
- X6** – DI8: Assembly Group with 8 Digital Inputs
- X102** – Universal Resistance-Temperature Detector (URTD) input, Fiber optics interface, Versatile Link
- X104** – IRIG-B00X, incl. System Contact (Supervision Contact)

MRDT4-2D1HAB



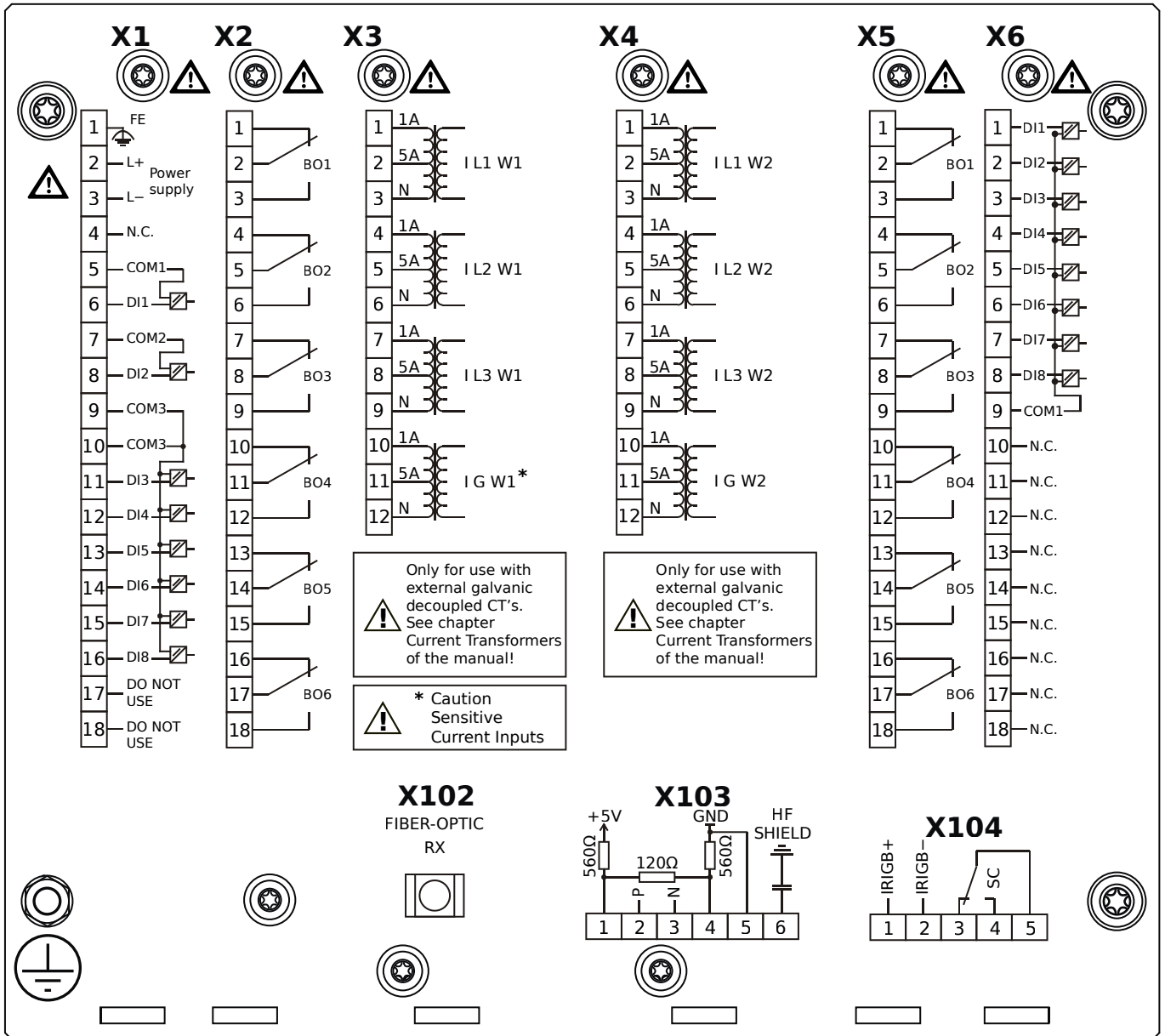
- X1** – DI8-X1: Wide-range power supply unit, incl. 2 non-grouped digital inputs and 6 grouped digital inputs
- X2** – OR-6: Assembly Group with 6 Relay Outputs
- X3** – TI-4: Standard phase current measuring card and sensitive ground current measuring (winding side 1)
- X4** – TI-4: Standard current measuring card (for the winding side 2)
- X5** – OR-6: Assembly Group with 6 Relay Outputs
- X6** – DI8: Assembly Group with 8 Digital Inputs
- X102** – Universal Resistance-Temperature Detector (URTD) input, Fiber optics interface, Versatile Link
- X104** – IRIG-B00X, incl. System Contact (Supervision Contact)

MRDT4-2D1HBA



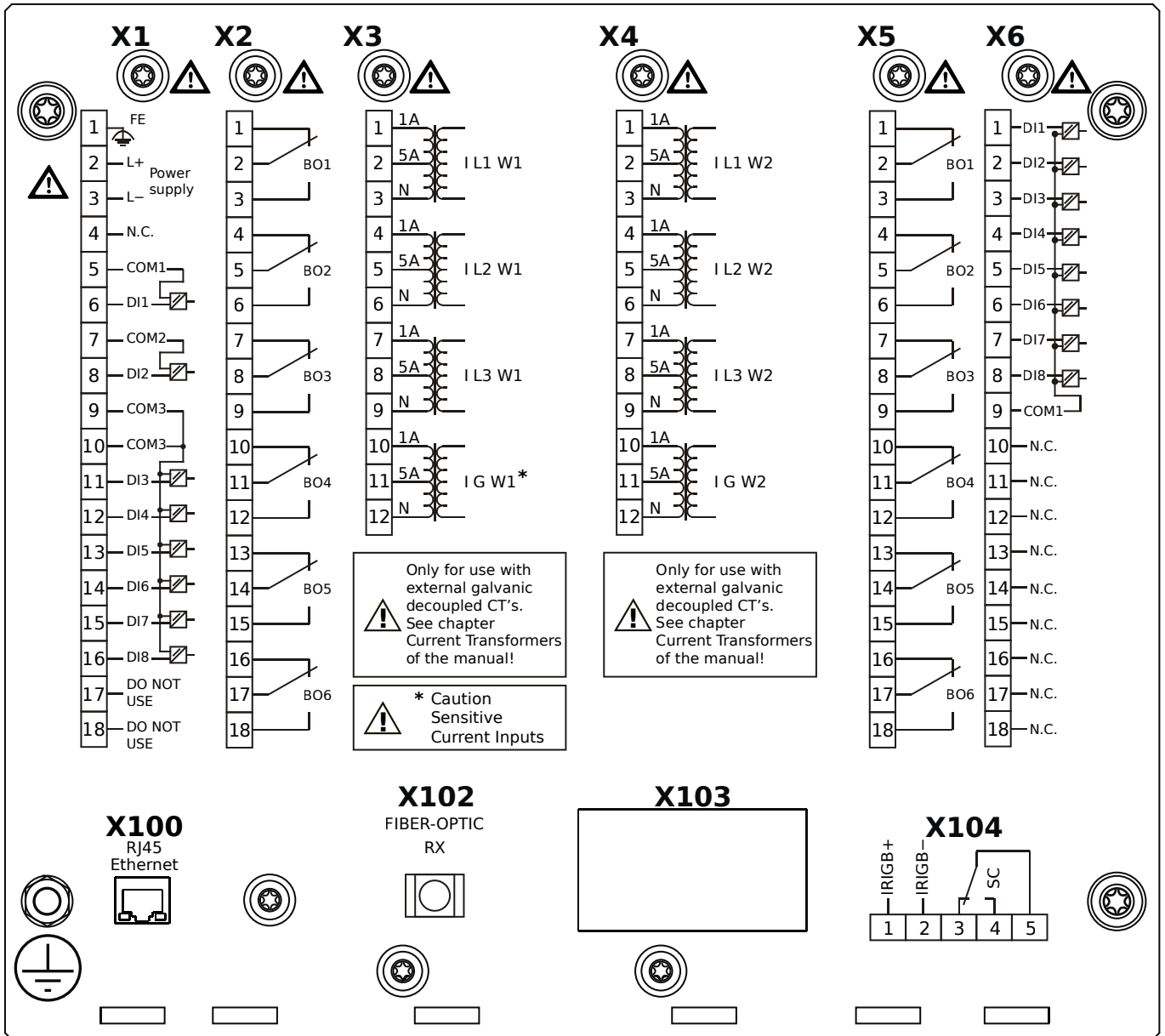
- X1** – DI8-X1: Wide-range power supply unit, incl. 2 non-grouped digital inputs and 6 grouped digital inputs
- X2** – OR-6: Assembly Group with 6 Relay Outputs
- X3** – TI-4: Standard phase current measuring card and sensitive ground current measuring (winding side 1)
- X4** – TI-4: Standard current measuring card (for the winding side 2)
- X5** – OR-6: Assembly Group with 6 Relay Outputs
- X6** – DI8: Assembly Group with 8 Digital Inputs
- X102** – Universal Resistance-Temperature Detector (URTD) input, Fiber optics interface, Versatile Link
- X103** – Modbus RTU / IEC 60870-5-103 / DNP3.0 RTU, RS485, Terminals
- X104** – IRIG-B00X, incl. System Contact (Supervision Contact)

MRDT4-2D1HBB



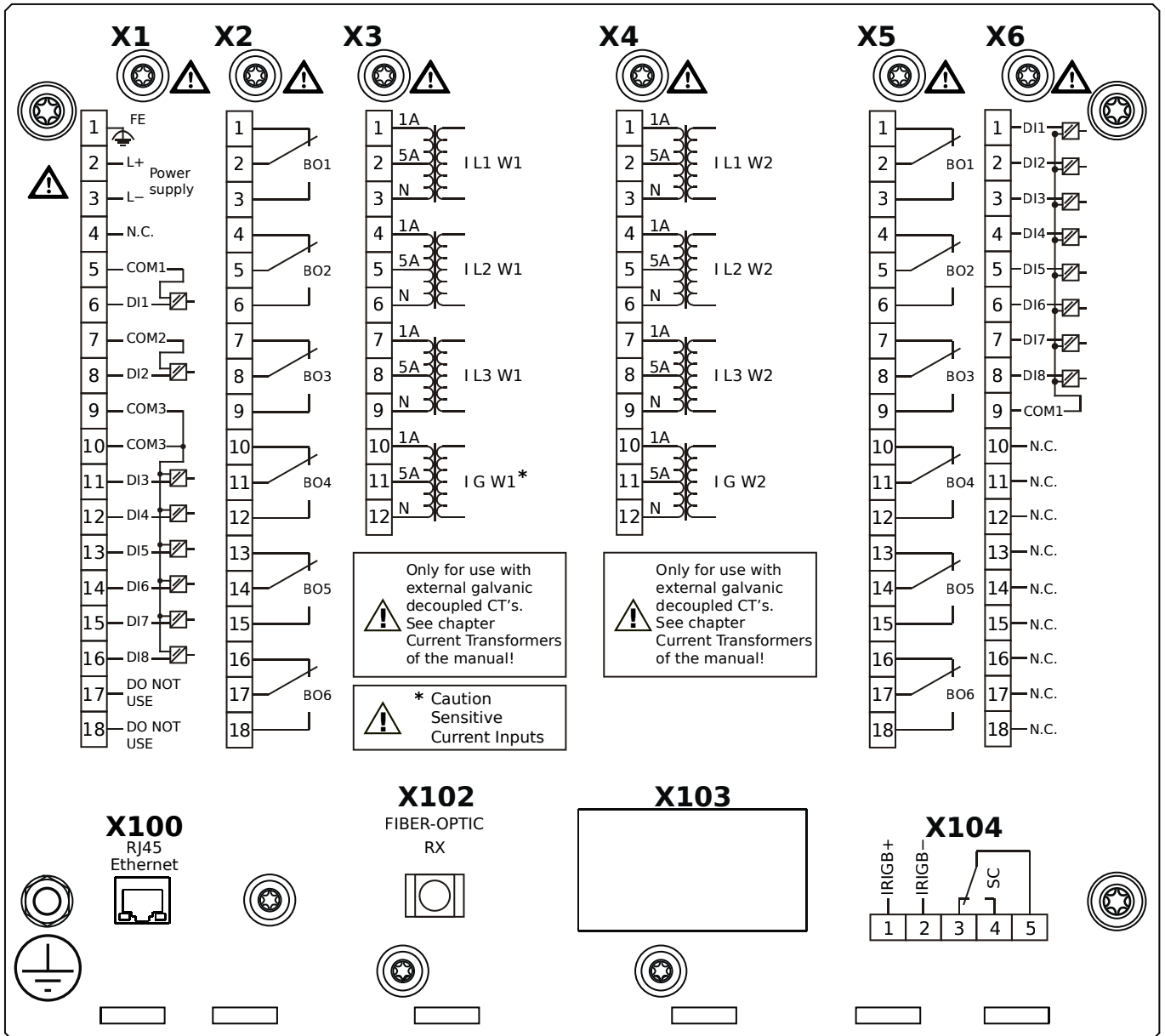
- X1** – DI8-X1: Wide-range power supply unit, incl. 2 non-grouped digital inputs and 6 grouped digital inputs
- X2** – OR-6: Assembly Group with 6 Relay Outputs
- X3** – TI-4: Standard phase current measuring card and sensitive ground current measuring (winding side 1)
- X4** – TI-4: Standard current measuring card (for the winding side 2)
- X5** – OR-6: Assembly Group with 6 Relay Outputs
- X6** – DI8: Assembly Group with 8 Digital Inputs
- X102** – Universal Resistance-Temperature Detector (URTD) input, Fiber optics interface, Versatile Link
- X103** – Modbus RTU / IEC 60870-5-103 / DNP3.0 RTU, RS485, Terminals
- X104** – IRIG-B00X, incl. System Contact (Supervision Contact)

MRDT4-2D1HCA



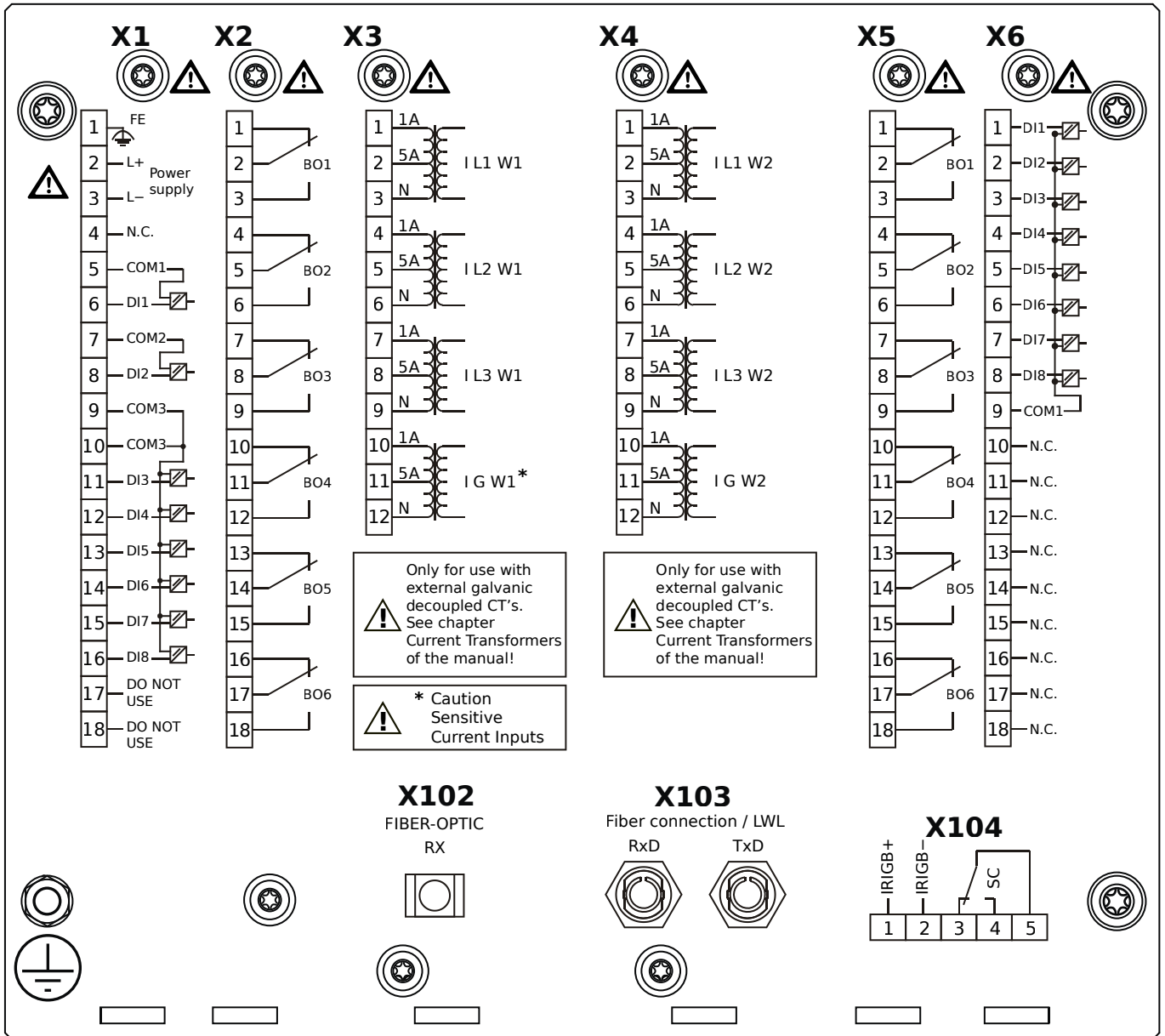
- X1** – DI8-X1: Wide-range power supply unit, incl. 2 non-grouped digital inputs and 6 grouped digital inputs
- X2** – OR-6: Assembly Group with 6 Relay Outputs
- X3** – TI-4: Standard phase current measuring card and sensitive ground current measuring (winding side 1)
- X4** – TI-4: Standard current measuring card (for the winding side 2)
- X5** – OR-6: Assembly Group with 6 Relay Outputs
- X6** – DI8: Assembly Group with 8 Digital Inputs
- X100** – Modbus TCP / DNP3.0 TCP/UDP, Ethernet interface, 100 Mbit/s, RJ45 (BASE100-FX)
- X102** – Universal Resistance-Temperature Detector (URTD) input, Fiber optics interface, Versatile Link
- X104** – IRIG-B00X, incl. System Contact (Supervision Contact)

MRDT4-2D1HCB



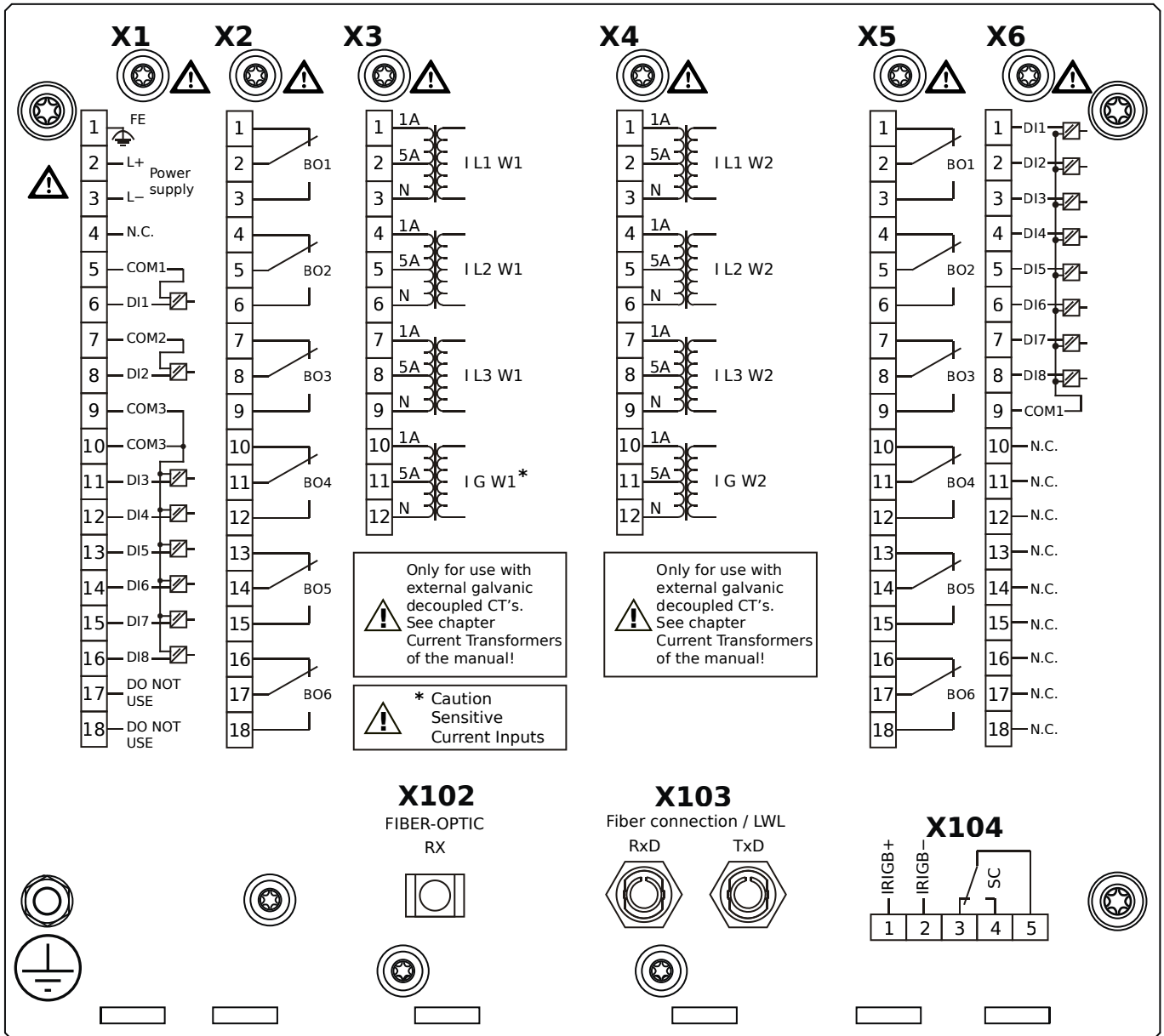
- X1** – DI8-X1: Wide-range power supply unit, incl. 2 non-grouped digital inputs and 6 grouped digital inputs
- X2** – OR-6: Assembly Group with 6 Relay Outputs
- X3** – TI-4: Standard phase current measuring card and sensitive ground current measuring (winding side 1)
- X4** – TI-4: Standard current measuring card (for the winding side 2)
- X5** – OR-6: Assembly Group with 6 Relay Outputs
- X6** – DI8: Assembly Group with 8 Digital Inputs
- X100** – Modbus TCP / DNP3.0 TCP/UDP, Ethernet interface, 100 Mbit/s, RJ45 (BASE100-FX)
- X102** – Universal Resistance-Temperature Detector (URTD) input, Fiber optics interface, Versatile Link
- X104** – IRIG-B00X, incl. System Contact (Supervision Contact)

MRDT4-2D1HDA



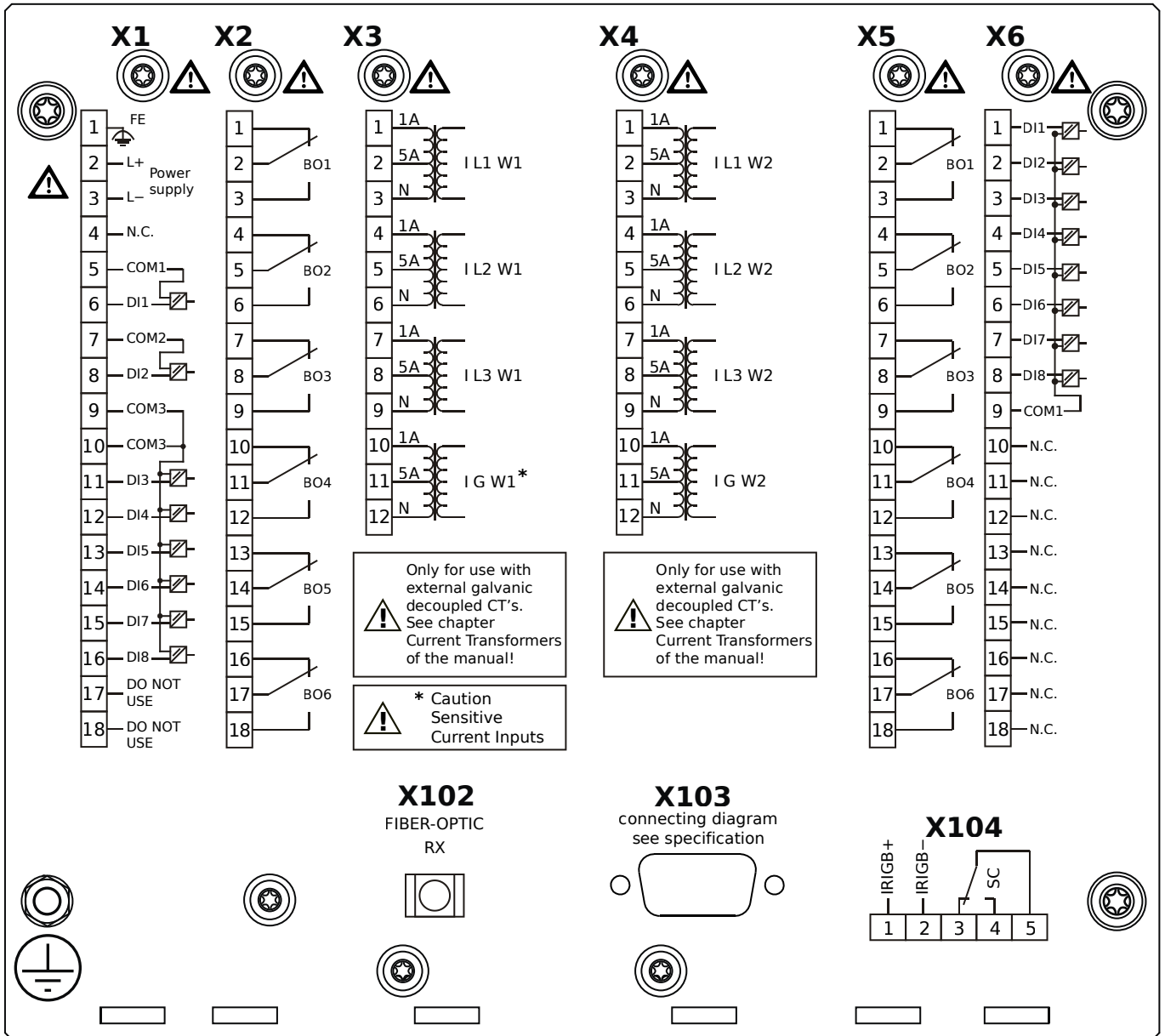
- X1** – DI8-X1: Wide-range power supply unit, incl. 2 non-grouped digital inputs and 6 grouped digital inputs
- X2** – OR-6: Assembly Group with 6 Relay Outputs
- X3** – TI-4: Standard phase current measuring card and sensitive ground current measuring (winding side 1)
- X4** – TI-4: Standard current measuring card (for the winding side 2)
- X5** – OR-6: Assembly Group with 6 Relay Outputs
- X6** – DI8: Assembly Group with 8 Digital Inputs
- X102** – Universal Resistance-Temperature Detector (URTD) input, Fiber optics interface, Versatile Link
- X103** – Profibus-DP, Fiber optics interface, ST Connector
- X104** – IRIG-B00X, incl. System Contact (Supervision Contact)

MRDT4-2D1HDB



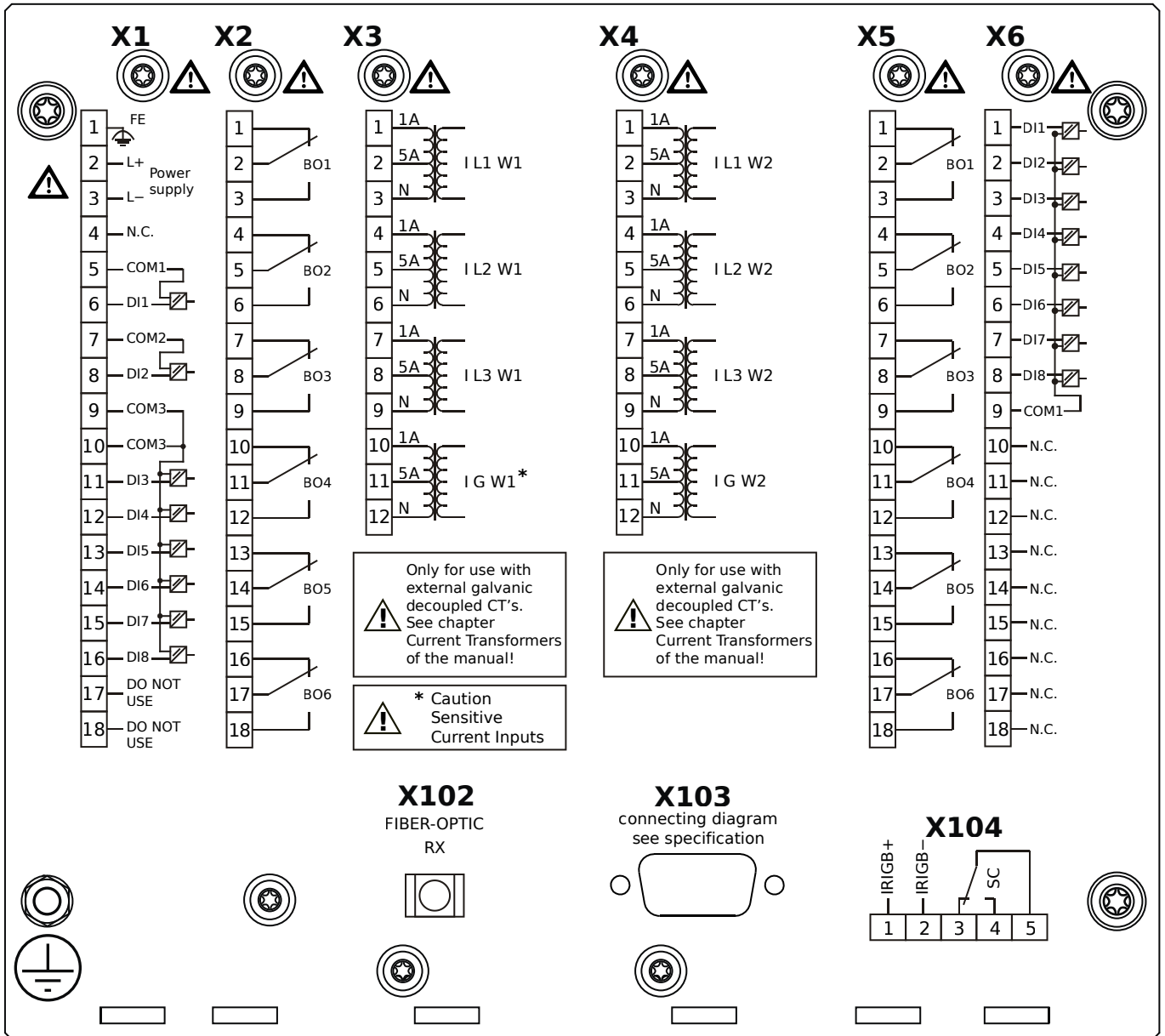
- X1** – DI8-X1: Wide-range power supply unit, incl. 2 non-grouped digital inputs and 6 grouped digital inputs
- X2** – OR-6: Assembly Group with 6 Relay Outputs
- X3** – TI-4: Standard phase current measuring card and sensitive ground current measuring (winding side 1)
- X4** – TI-4: Standard current measuring card (for the winding side 2)
- X5** – OR-6: Assembly Group with 6 Relay Outputs
- X6** – DI8: Assembly Group with 8 Digital Inputs
- X102** – Universal Resistance-Temperature Detector (URTD) input, Fiber optics interface, Versatile Link
- X103** – Profibus-DP, Fiber optics interface, ST Connector
- X104** – IRIG-B00X, incl. System Contact (Supervision Contact)

MRDT4-2D1HEA



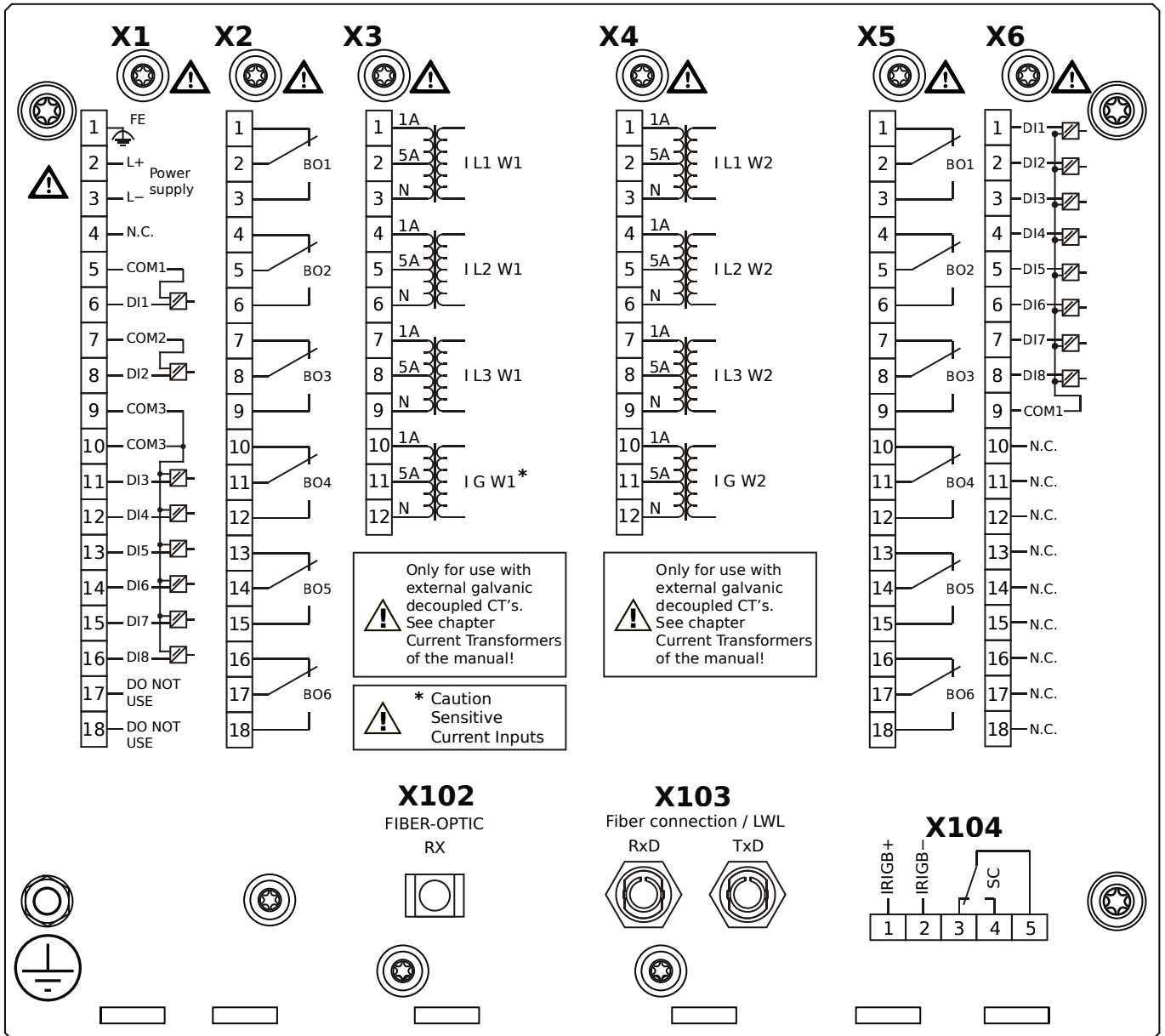
- X1** – DI8-X1: Wide-range power supply unit, incl. 2 non-grouped digital inputs and 6 grouped digital inputs
- X2** – OR-6: Assembly Group with 6 Relay Outputs
- X3** – TIs-4: Standard phase current measuring card and sensitive ground current measuring (winding side 1)
- X4** – TI-4: Standard current measuring card (for the winding side 2)
- X5** – OR-6: Assembly Group with 6 Relay Outputs
- X6** – DI8: Assembly Group with 8 Digital Inputs
- X102** – Universal Resistance-Temperature Detector (URTD) input, Fiber optics interface, Versatile Link
- X103** – Profibus-DP, RS485, D-SUB
- X104** – IRIG-B00X, incl. System Contact (Supervision Contact)

MRDT4-2D1HEB



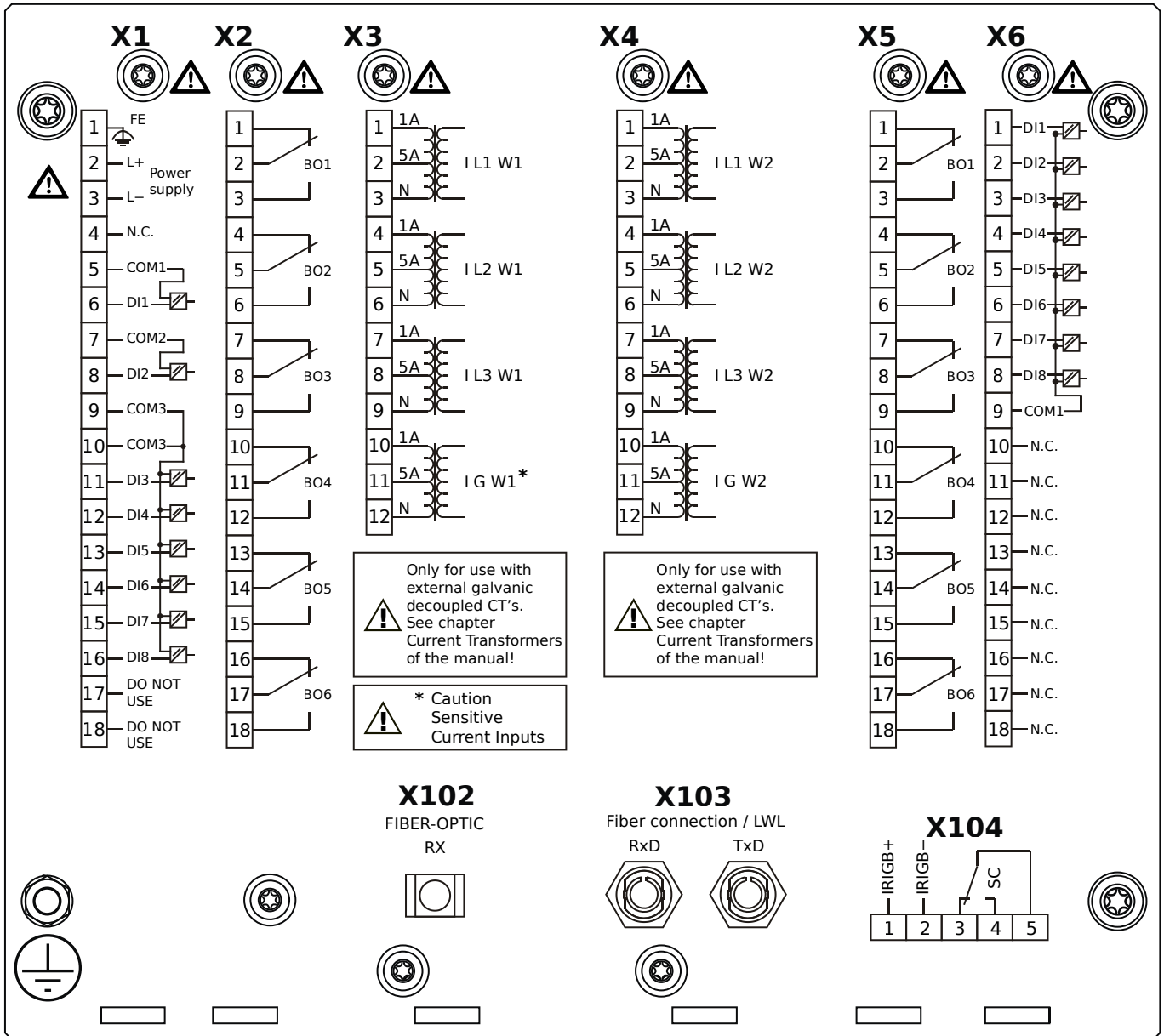
- X1** – DI8-X1: Wide-range power supply unit, incl. 2 non-grouped digital inputs and 6 grouped digital inputs
- X2** – OR-6: Assembly Group with 6 Relay Outputs
- X3** – TI-4: Standard phase current measuring card and sensitive ground current measuring (winding side 1)
- X4** – TI-4: Standard current measuring card (for the winding side 2)
- X5** – OR-6: Assembly Group with 6 Relay Outputs
- X6** – DI8: Assembly Group with 8 Digital Inputs
- X102** – Universal Resistance-Temperature Detector (URTD) input, Fiber optics interface, Versatile Link
- X103** – Profibus-DP, RS485, D-SUB
- X104** – IRIG-B00X, incl. System Contact (Supervision Contact)

MRDT4-2D1HFA



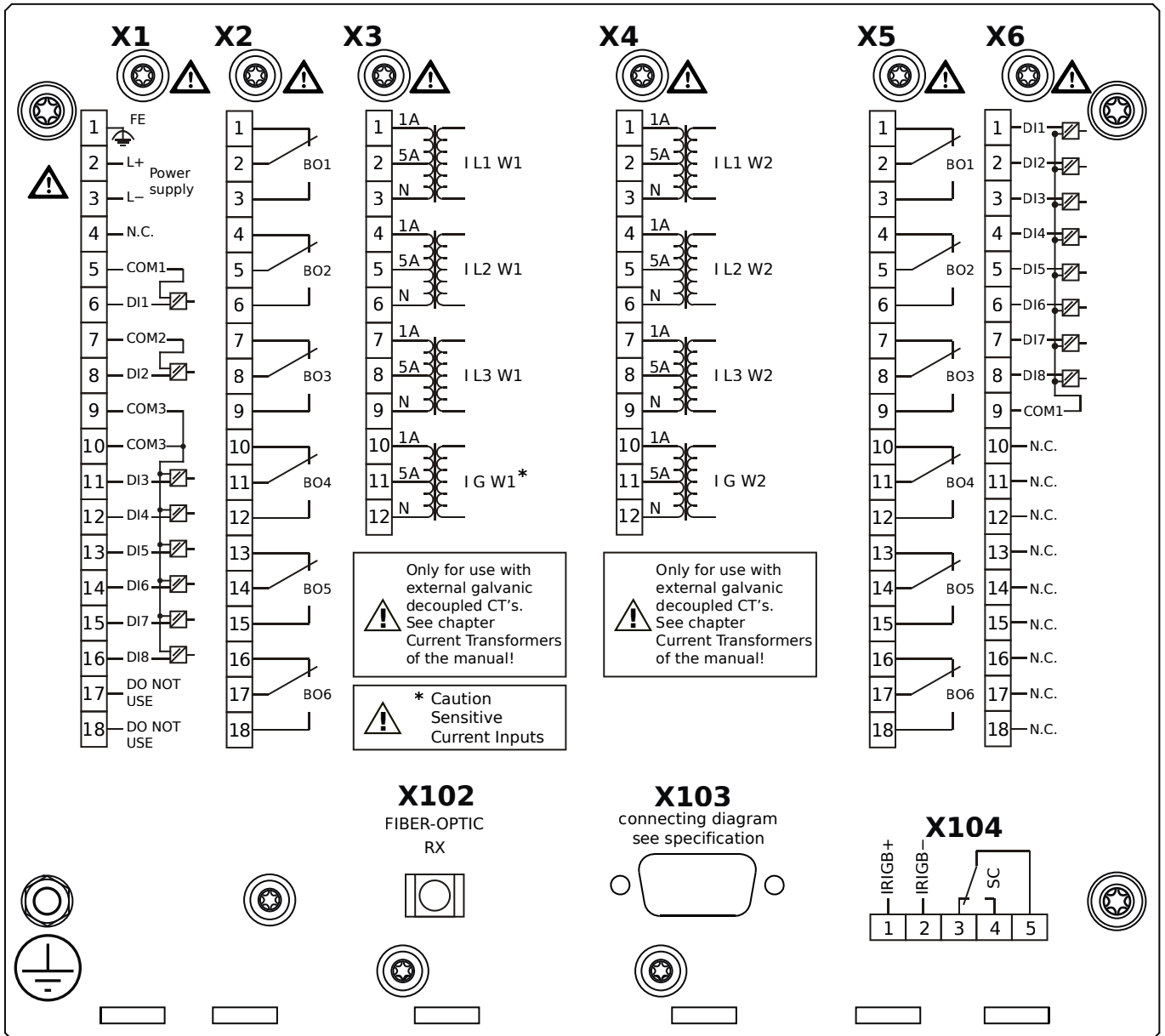
- X1** – DI8-X1: Wide-range power supply unit, incl. 2 non-grouped digital inputs and 6 grouped digital inputs
- X2** – OR-6: Assembly Group with 6 Relay Outputs
- X3** – TIs-4: Standard phase current measuring card and sensitive ground current measuring (winding side 1)
- X4** – TI-4: Standard current measuring card (for the winding side 2)
- X5** – OR-6: Assembly Group with 6 Relay Outputs
- X6** – DI8: Assembly Group with 8 Digital Inputs
- X102** – Universal Resistance-Temperature Detector (URTD) input, Fiber optics interface, Versatile Link
- X103** – Modbus RTU / IEC 60870-5-103 / DNP3.0 RTU, Fiber optics interface, ST Connector
- X104** – IRIG-B00X, incl. System Contact (Supervision Contact)

MRDT4-2D1HFB



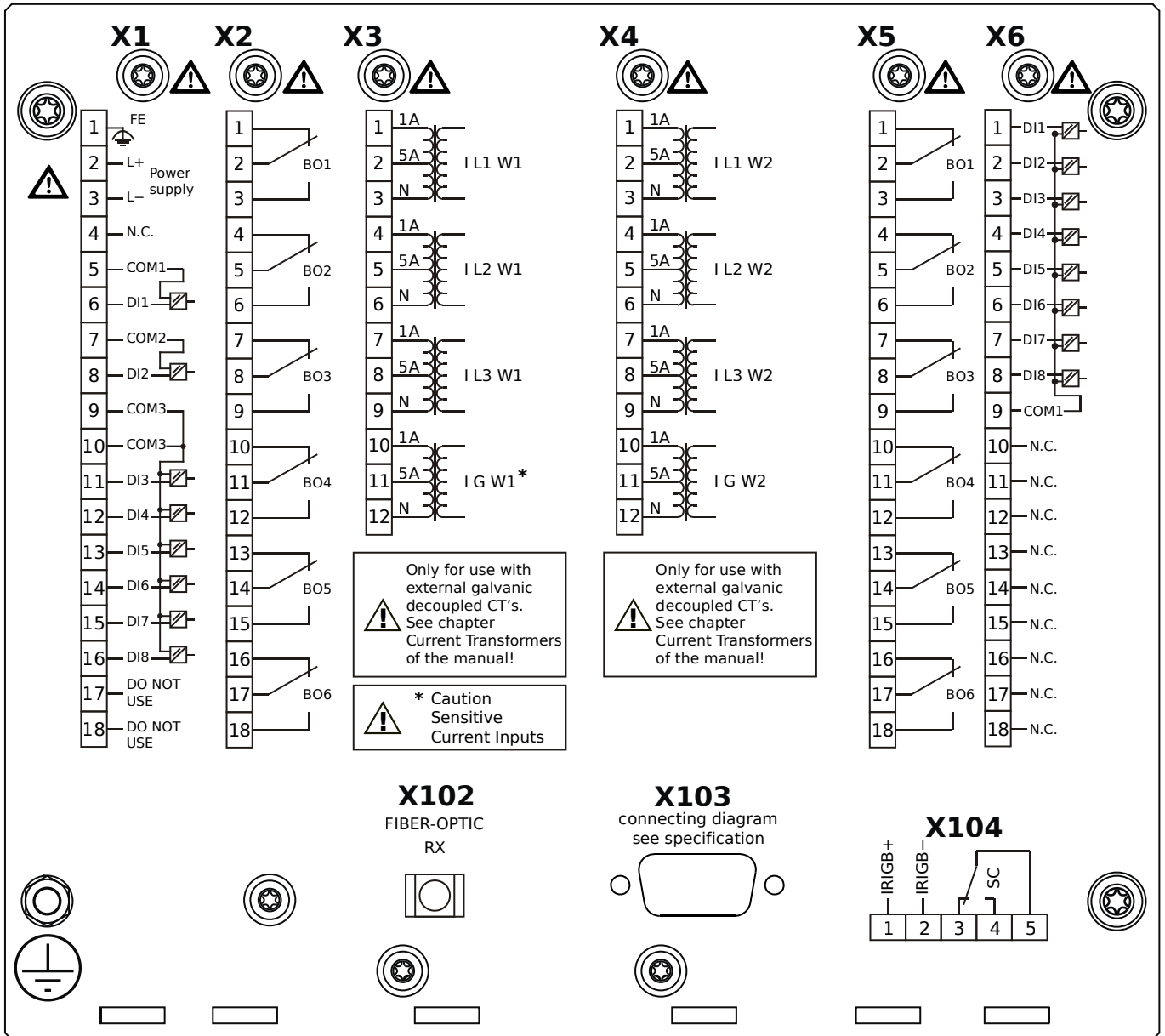
- X1** – DI8-X1: Wide-range power supply unit, incl. 2 non-grouped digital inputs and 6 grouped digital inputs
- X2** – OR-6: Assembly Group with 6 Relay Outputs
- X3** – TI-4: Standard phase current measuring card and sensitive ground current measuring (winding side 1)
- X4** – TI-4: Standard current measuring card (for the winding side 2)
- X5** – OR-6: Assembly Group with 6 Relay Outputs
- X6** – DI8: Assembly Group with 8 Digital Inputs
- X102** – Universal Resistance-Temperature Detector (URTD) input, Fiber optics interface, Versatile Link
- X103** – Modbus RTU / IEC 60870-5-103 / DNP3.0 RTU, Fiber optics interface, ST Connector
- X104** – IRIG-B00X, incl. System Contact (Supervision Contact)

MRDT4-2D1HGA



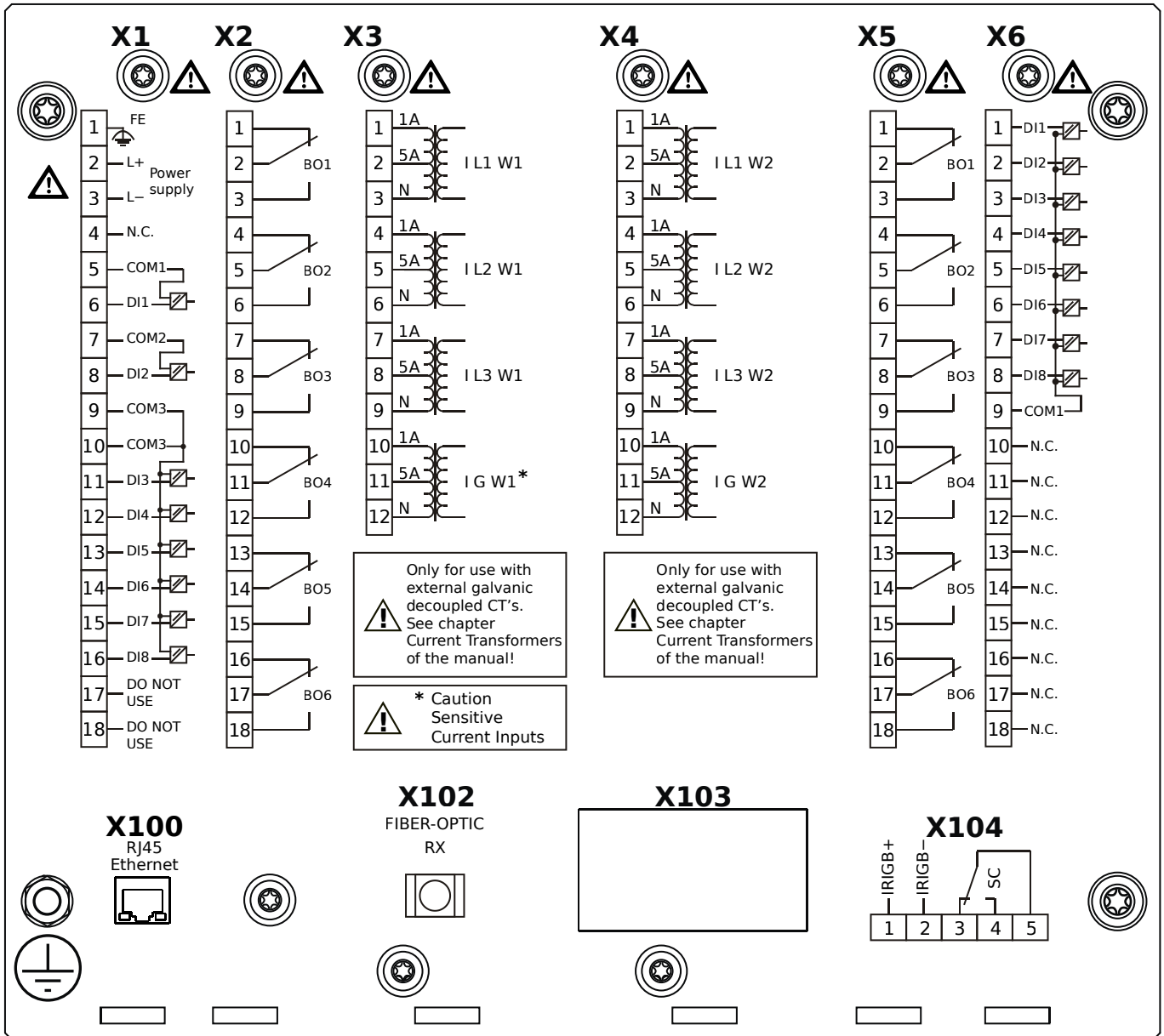
- X1** – DI8-X1: Wide-range power supply unit, incl. 2 non-grouped digital inputs and 6 grouped digital inputs
- X2** – OR-6: Assembly Group with 6 Relay Outputs
- X3** – TI-4: Standard phase current measuring card and sensitive ground current measuring (winding side 1)
- X4** – TI-4: Standard current measuring card (for the winding side 2)
- X5** – OR-6: Assembly Group with 6 Relay Outputs
- X6** – DI8: Assembly Group with 8 Digital Inputs
- X102** – Universal Resistance-Temperature Detector (URTD) input, Fiber optics interface, Versatile Link
- X103** – Modbus RTU / IEC 60870-5-103 / DNP3.0 RTU, RS485, D-SUB
- X104** – IRIG-B00X, incl. System Contact (Supervision Contact)

MRDT4-2D1HGB



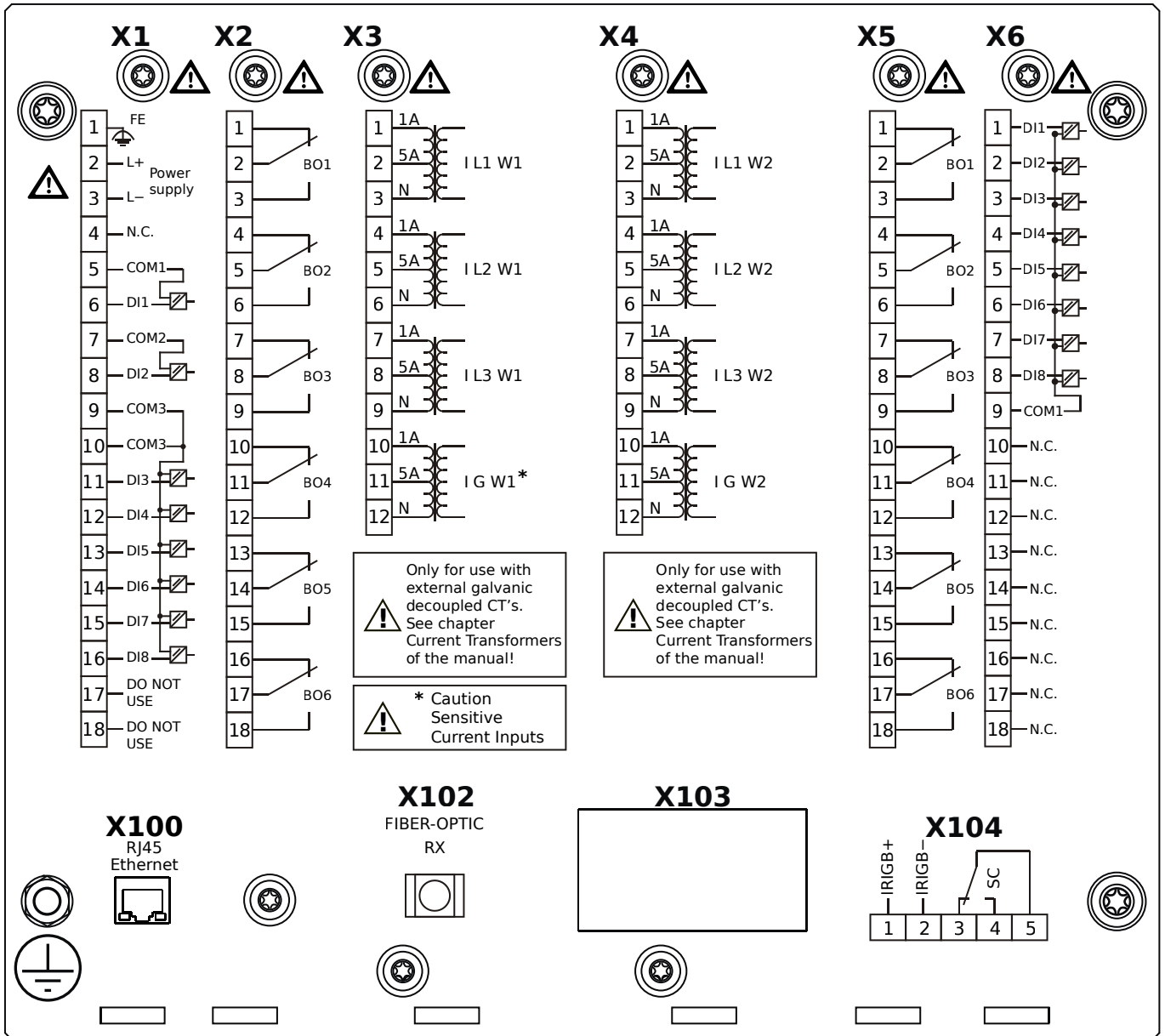
- X1** – DI8-X1: Wide-range power supply unit, incl. 2 non-grouped digital inputs and 6 grouped digital inputs
- X2** – OR-6: Assembly Group with 6 Relay Outputs
- X3** – TI-4: Standard phase current measuring card and sensitive ground current measuring (winding side 1)
- X4** – TI-4: Standard current measuring card (for the winding side 2)
- X5** – OR-6: Assembly Group with 6 Relay Outputs
- X6** – DI8: Assembly Group with 8 Digital Inputs
- X102** – Universal Resistance-Temperature Detector (URTD) input, Fiber optics interface, Versatile Link
- X103** – Modbus RTU / IEC 60870-5-103 / DNP3.0 RTU, RS485, D-SUB
- X104** – IRIG-B00X, incl. System Contact (Supervision Contact)

MRDT4-2D1HHA



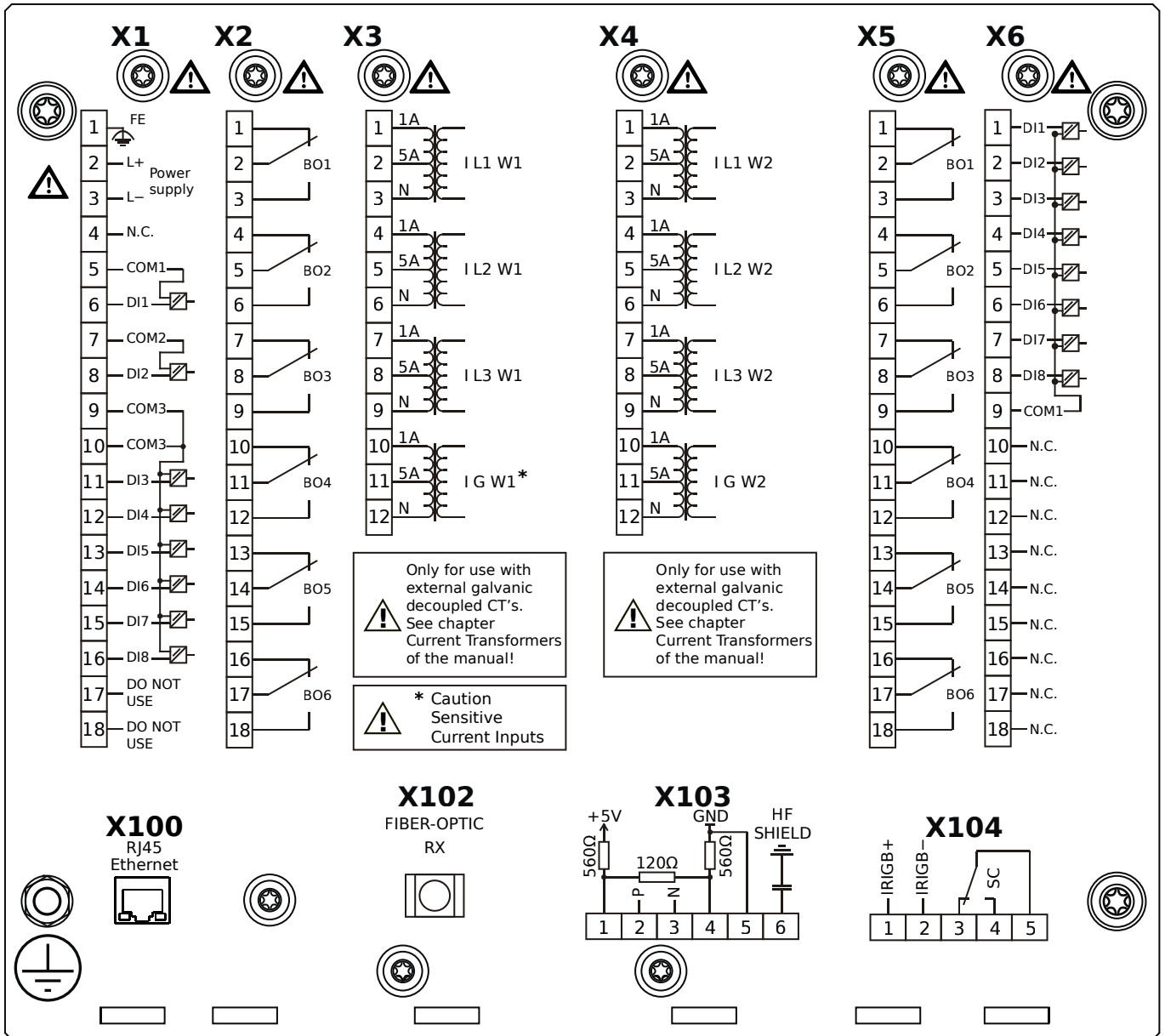
- X1** – DI8-X1: Wide-range power supply unit, incl. 2 non-grouped digital inputs and 6 grouped digital inputs
- X2** – OR-6: Assembly Group with 6 Relay Outputs
- X3** – TI-4: Standard phase current measuring card and sensitive ground current measuring (winding side 1)
- X4** – TI-4: Standard current measuring card (for the winding side 2)
- X5** – OR-6: Assembly Group with 6 Relay Outputs
- X6** – DI8: Assembly Group with 8 Digital Inputs
- X100** – IEC 61850 / Modbus TCP / DNP3.0 TCP/UDP, Ethernet interface, 100 Mbit/s, RJ45 (BASE100-FX)
- X102** – Universal Resistance-Temperature Detector (URTD) input, Fiber optics interface, Versatile Link
- X104** – IRIG-B00X, incl. System Contact (Supervision Contact)

MRDT4-2D1HHB



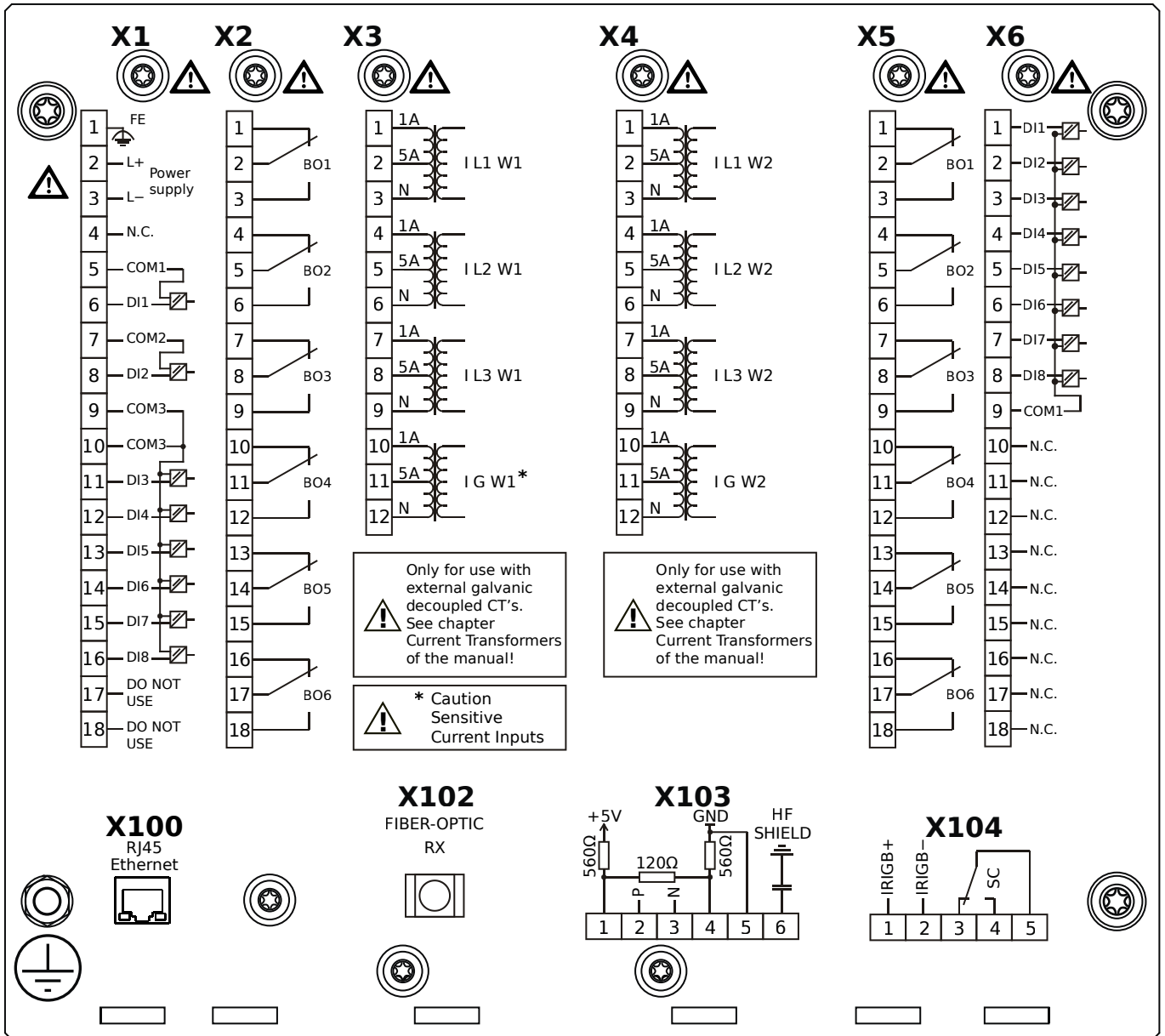
- X1** – DI8-X1: Wide-range power supply unit, incl. 2 non-grouped digital inputs and 6 grouped digital inputs
- X2** – OR-6: Assembly Group with 6 Relay Outputs
- X3** – TI-4: Standard phase current measuring card and sensitive ground current measuring (winding side 1)
- X4** – TI-4: Standard current measuring card (for the winding side 2)
- X5** – OR-6: Assembly Group with 6 Relay Outputs
- X6** – DI8: Assembly Group with 8 Digital Inputs
- X100** – IEC 61850 / Modbus TCP / DNP3.0 TCP/UDP, Ethernet interface, 100 Mbit/s, RJ45 (BASE100-FX)
- X102** – Universal Resistance-Temperature Detector (URTD) input, Fiber optics interface, Versatile Link
- X104** – IRIG-B00X, incl. System Contact (Supervision Contact)

MRDT4-2D1HIA



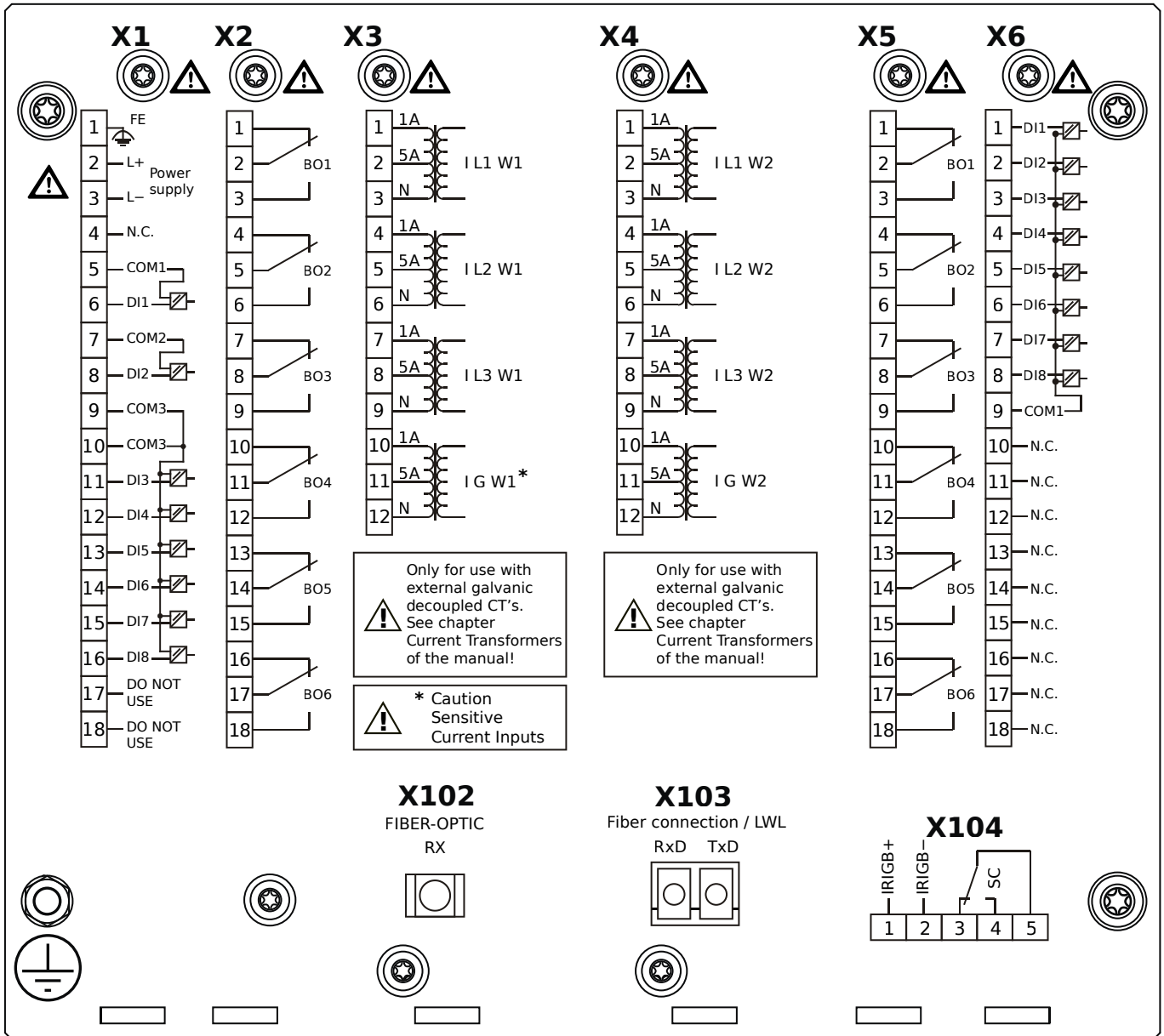
- X1** – DI8-X1: Wide-range power supply unit, incl. 2 non-grouped digital inputs and 6 grouped digital inputs
- X2** – OR-6: Assembly Group with 6 Relay Outputs
- X3** – TI-4: Standard phase current measuring card and sensitive ground current measuring (winding side 1)
- X4** – TI-4: Standard current measuring card (for the winding side 2)
- X5** – OR-6: Assembly Group with 6 Relay Outputs
- X6** – DI8: Assembly Group with 8 Digital Inputs
- X100** – Modbus TCP / DNP3.0 TCP/UDP, Ethernet interface, 100 Mbit/s, RJ45 (BASE100-FX)
- X102** – Universal Resistance-Temperature Detector (URTD) input, Fiber optics interface, Versatile Link
- X103** – IEC 60870-5-103 / Modbus RTU / DNP3.0 RTU, RS485, Terminals
- X104** – IRIG-B00X, incl. System Contact (Supervision Contact)

MRDT4-2D1HIB



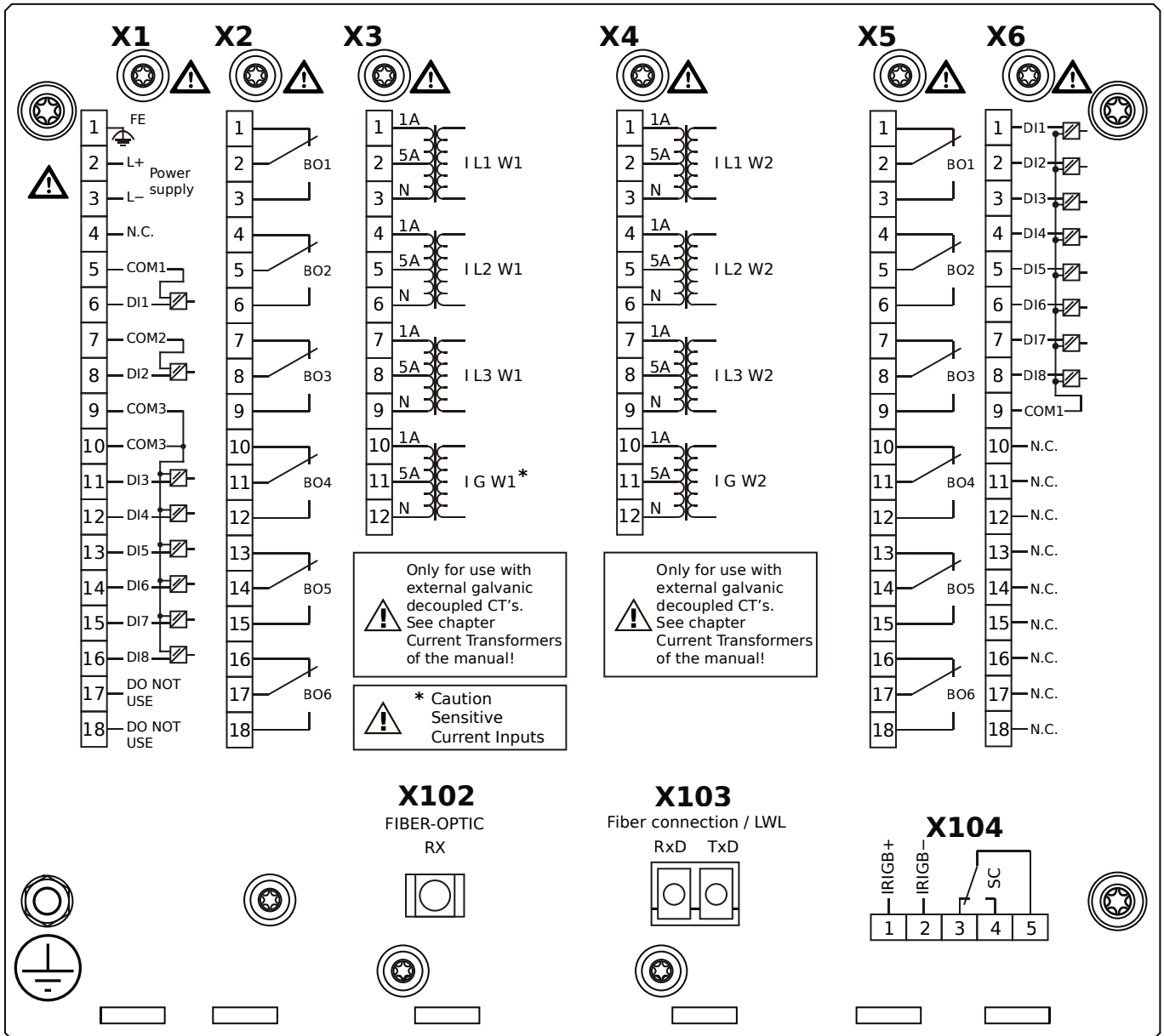
- X1** – DI8-X1: Wide-range power supply unit, incl. 2 non-grouped digital inputs and 6 grouped digital inputs
- X2** – OR-6: Assembly Group with 6 Relay Outputs
- X3** – TI-4: Standard phase current measuring card and sensitive ground current measuring (winding side 1)
- X4** – TI-4: Standard current measuring card (for the winding side 2)
- X5** – OR-6: Assembly Group with 6 Relay Outputs
- X6** – DI8: Assembly Group with 8 Digital Inputs
- X100** – Modbus TCP / DNP3.0 TCP/UDP, Ethernet interface, 100 Mbit/s, RJ45 (BASE100-FX)
- X102** – Universal Resistance-Temperature Detector (URTD) input, Fiber optics interface, Versatile Link
- X103** – IEC 60870-5-103 / Modbus RTU / DNP3.0 RTU, RS485, Terminals
- X104** – IRIG-B00X, incl. System Contact (Supervision Contact)

MRDT4-2D1HKA



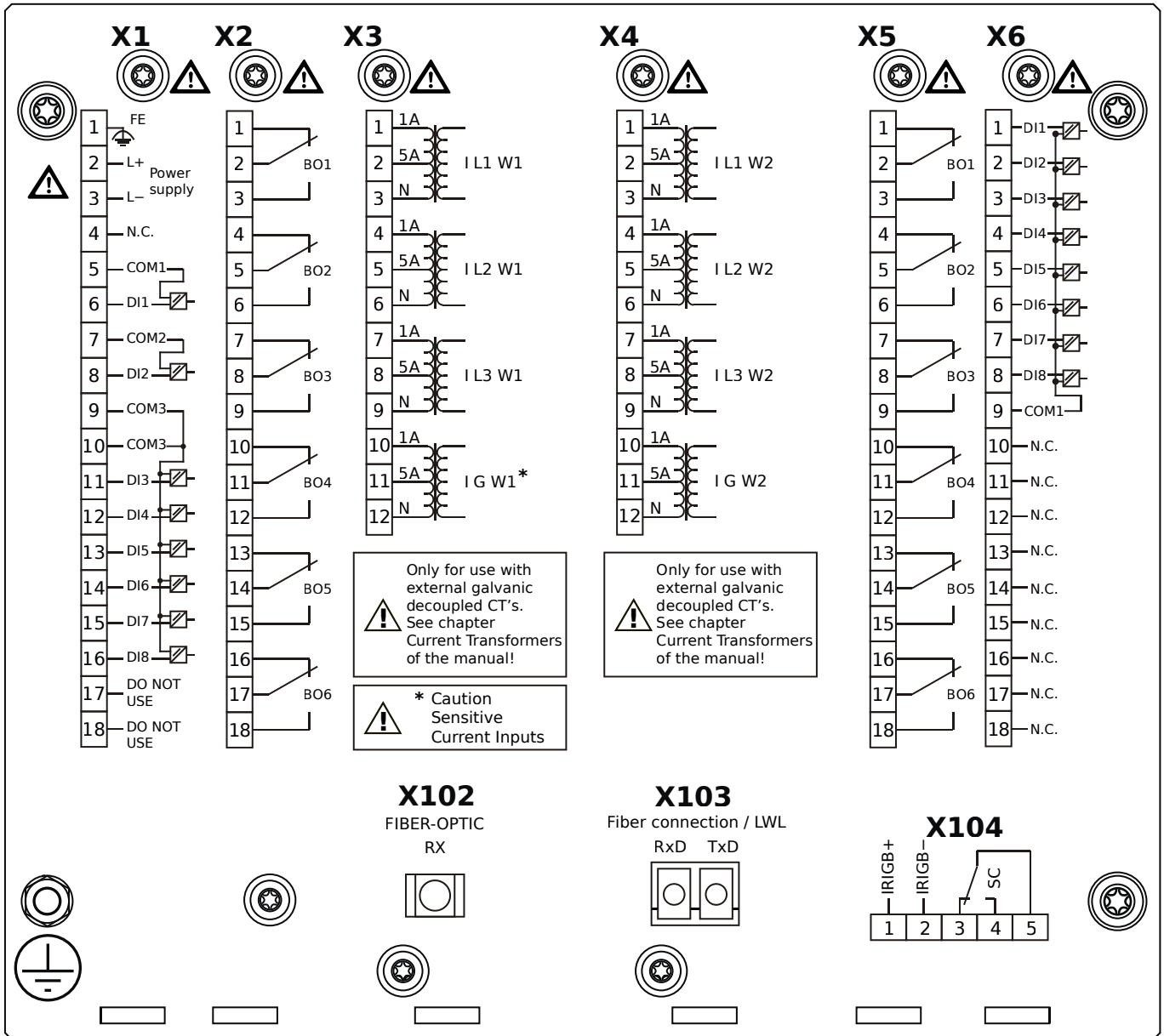
- X1** – DI8-X1: Wide-range power supply unit, incl. 2 non-grouped digital inputs and 6 grouped digital inputs
- X2** – OR-6: Assembly Group with 6 Relay Outputs
- X3** – TI-4: Standard phase current measuring card and sensitive ground current measuring (winding side 1)
- X4** – TI-4: Standard current measuring card (for the winding side 2)
- X5** – OR-6: Assembly Group with 6 Relay Outputs
- X6** – DI8: Assembly Group with 8 Digital Inputs
- X102** – Universal Resistance-Temperature Detector (URTD) input, Fiber optics interface, Versatile Link
- X103** – IEC 61850 / Modbus TCP / DNP3.0 TCP/UDP, Fiber optics interface, LC Connector
- X104** – IRIG-B00X, incl. System Contact (Supervision Contact)

MRDT4-2D1HKB



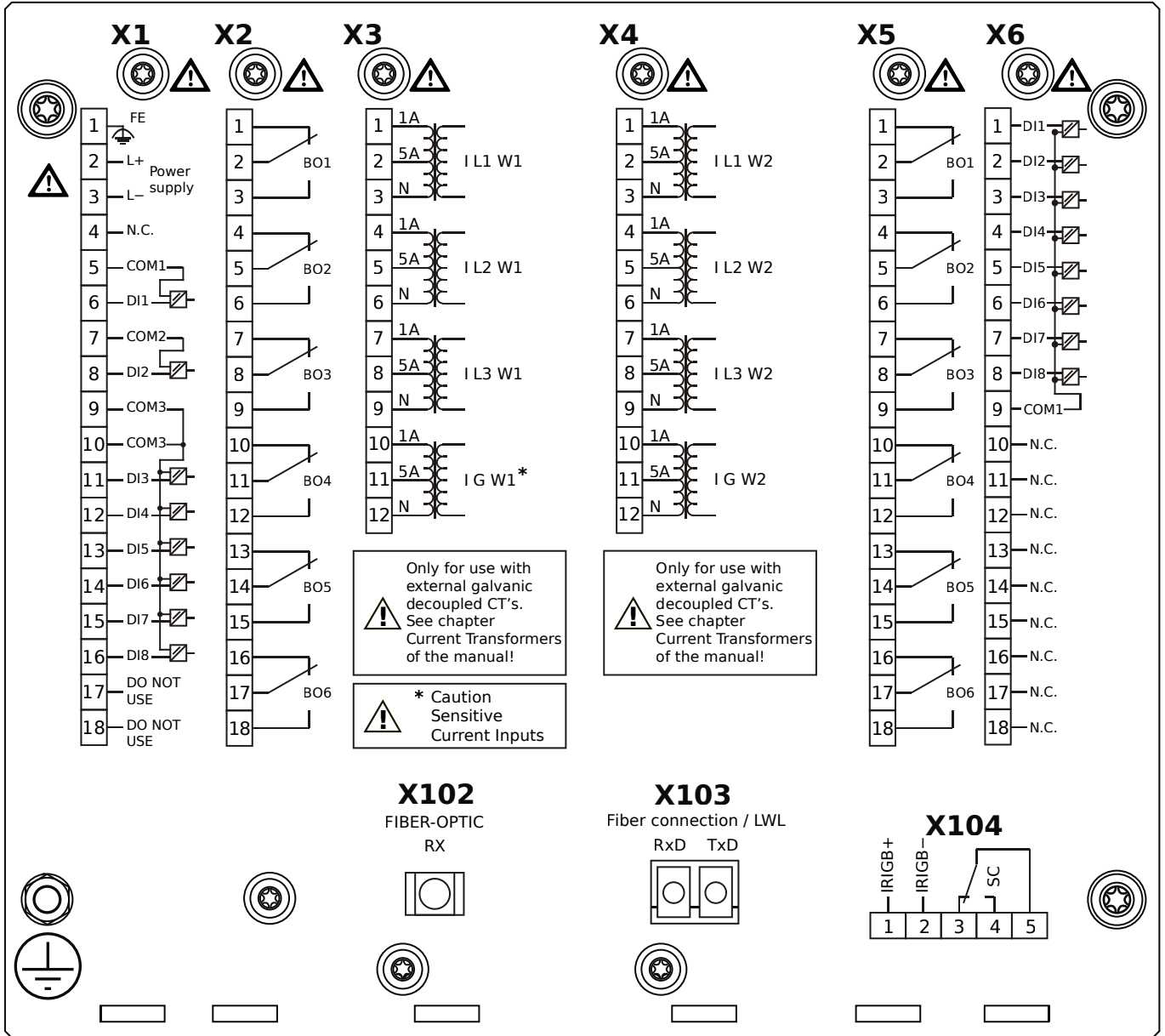
- X1** – DI8-X1: Wide-range power supply unit, incl. 2 non-grouped digital inputs and 6 grouped digital inputs
- X2** – OR-6: Assembly Group with 6 Relay Outputs
- X3** – TI-4: Standard phase current measuring card and sensitive ground current measuring (winding side 1)
- X4** – TI-4: Standard current measuring card (for the winding side 2)
- X5** – OR-6: Assembly Group with 6 Relay Outputs
- X6** – DI8: Assembly Group with 8 Digital Inputs
- X102** – Universal Resistance-Temperature Detector (URTD) input, Fiber optics interface, Versatile Link
- X103** – IEC 61850 / Modbus TCP / DNP3.0 TCP/UDP, Fiber optics interface, LC Connector
- X104** – IRIG-B00X, incl. System Contact (Supervision Contact)

MRDT4-2D1HLA



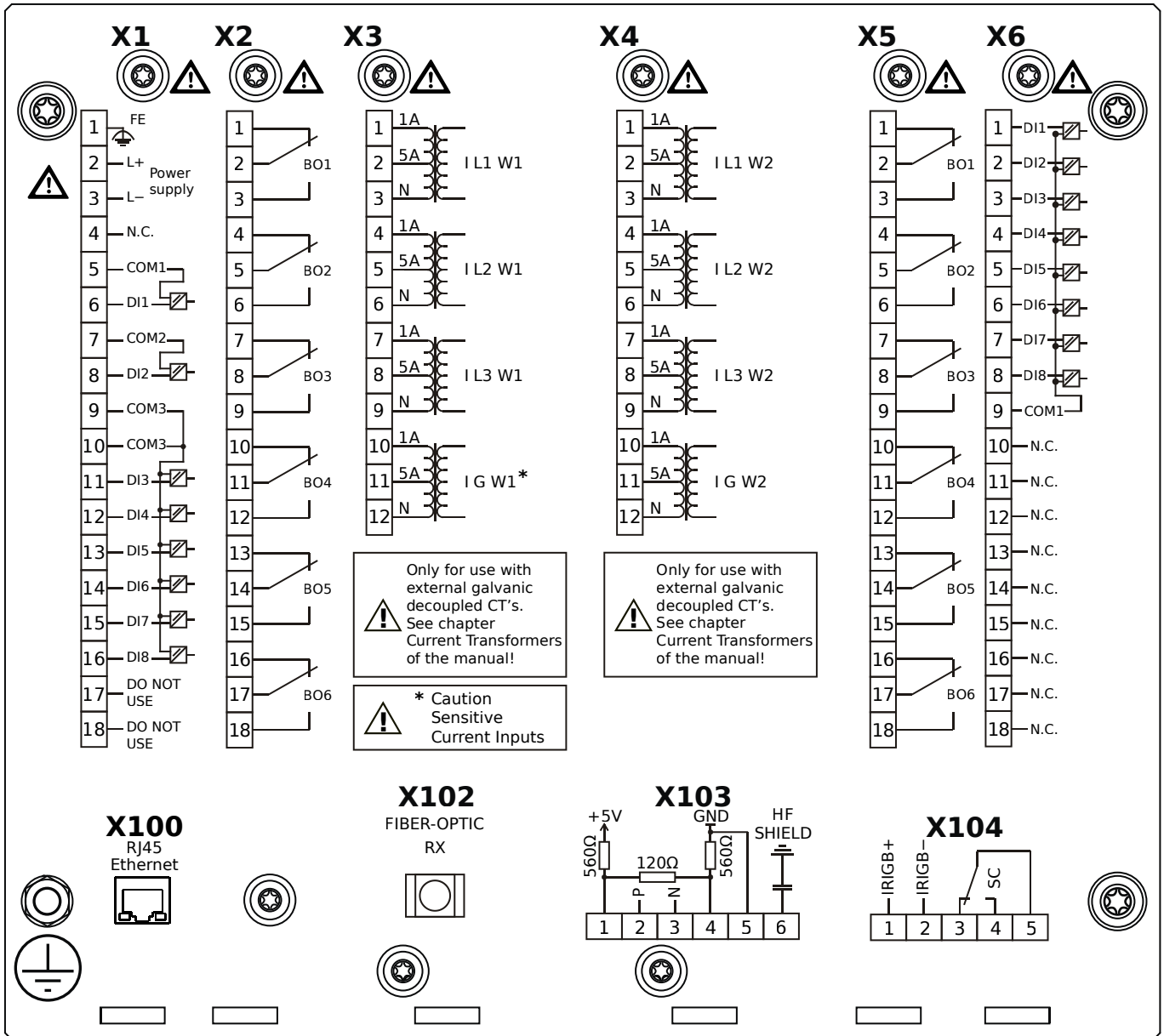
- X1** – DI8-X1: Wide-range power supply unit, incl. 2 non-grouped digital inputs and 6 grouped digital inputs
- X2** – OR-6: Assembly Group with 6 Relay Outputs
- X3** – TIs-4: Standard phase current measuring card and sensitive ground current measuring (winding side 1)
- X4** – TI-4: Standard current measuring card (for the winding side 2)
- X5** – OR-6: Assembly Group with 6 Relay Outputs
- X6** – DI8: Assembly Group with 8 Digital Inputs
- X102** – Universal Resistance-Temperature Detector (URTD) input, Fiber optics interface, Versatile Link
- X103** – Modbus TCP / DNP3.0 TCP/UDP, Fiber optics interface, LC Connector
- X104** – IRIG-B00X, incl. System Contact (Supervision Contact)

MRDT4-2D1HLB



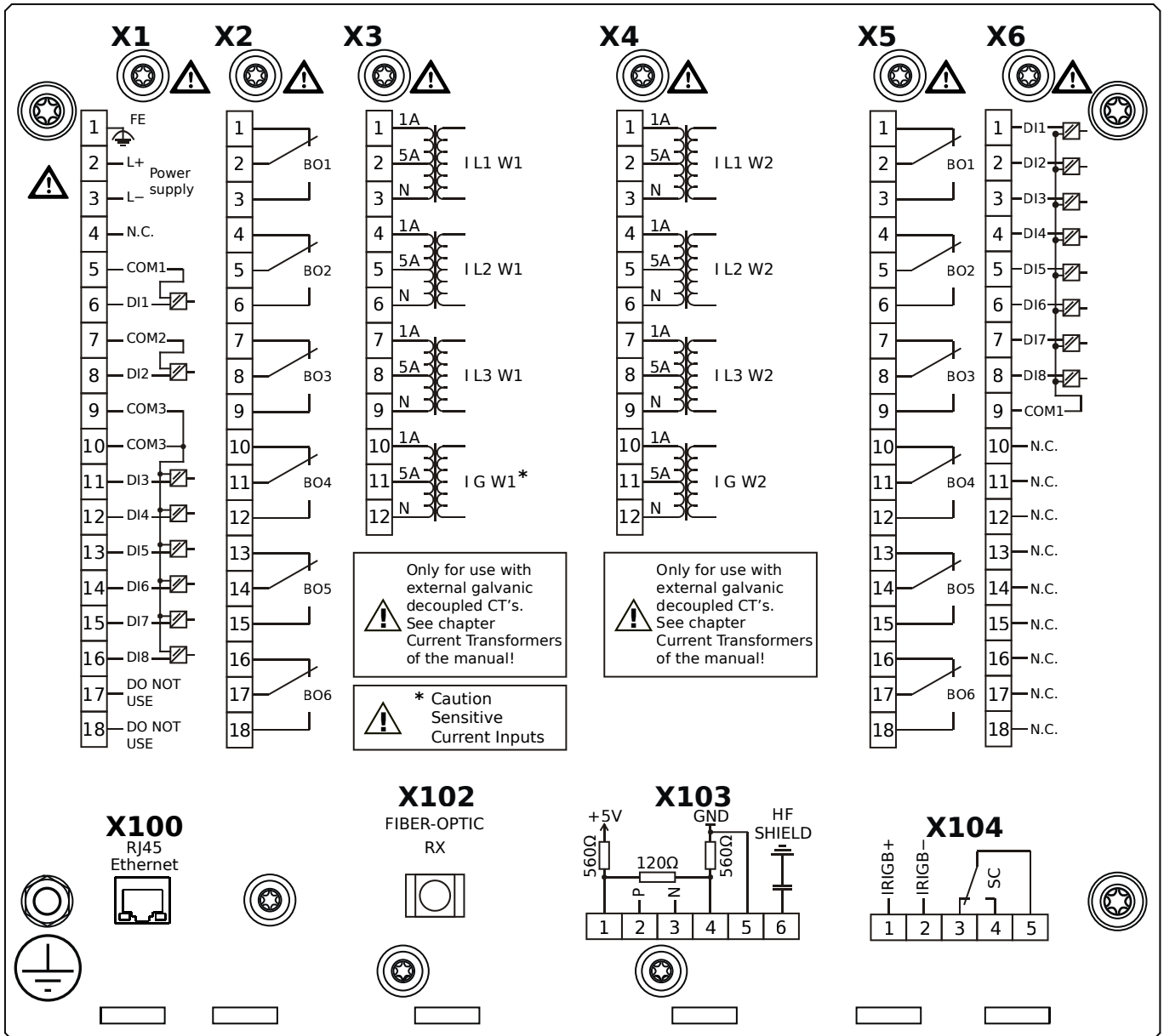
- X1** – DI8-X1: Wide-range power supply unit, incl. 2 non-grouped digital inputs and 6 grouped digital inputs
- X2** – OR-6: Assembly Group with 6 Relay Outputs
- X3** – TI-4: Standard phase current measuring card and sensitive ground current measuring (winding side 1)
- X4** – TI-4: Standard current measuring card (for the winding side 2)
- X5** – OR-6: Assembly Group with 6 Relay Outputs
- X6** – DI8: Assembly Group with 8 Digital Inputs
- X102** – Universal Resistance-Temperature Detector (URTD) input, Fiber optics interface, Versatile Link
- X103** – Modbus TCP / DNP3.0 TCP/UDP, Fiber optics interface, LC Connector
- X104** – IRIG-B00X, incl. System Contact (Supervision Contact)

MRDT4-2D1HTA



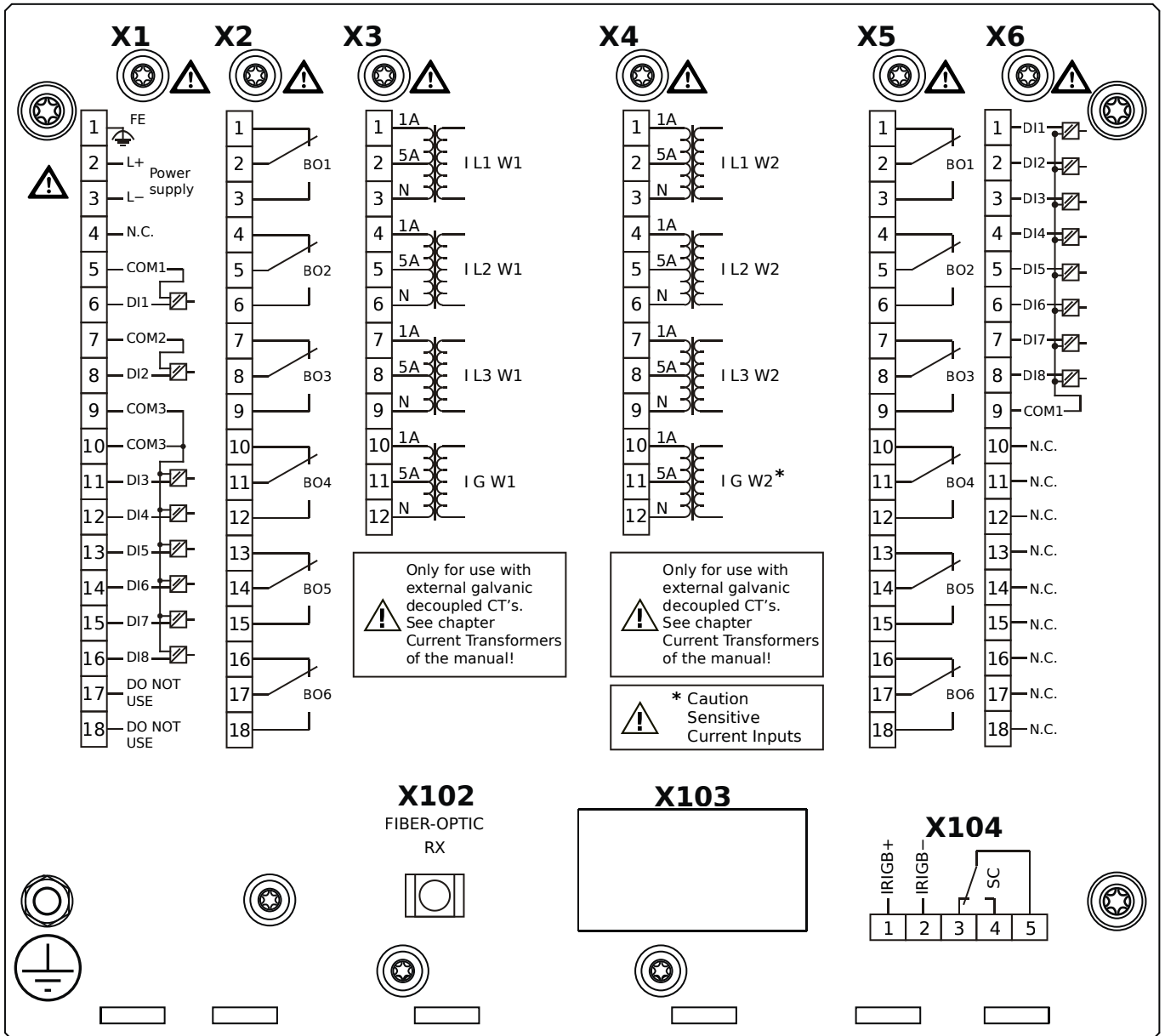
- X1** – DI8-X1: Wide-range power supply unit, incl. 2 non-grouped digital inputs and 6 grouped digital inputs
- X2** – OR-6: Assembly Group with 6 Relay Outputs
- X3** – TI-4: Standard phase current measuring card and sensitive ground current measuring (winding side 1)
- X4** – TI-4: Standard current measuring card (for the winding side 2)
- X5** – OR-6: Assembly Group with 6 Relay Outputs
- X6** – DI8: Assembly Group with 8 Digital Inputs
- X100** – IEC 61850 / Modbus TCP / DNP3.0 TCP/UDP, Ethernet interface, 100 Mbit/s, RJ45 (BASE100-FX)
- X102** – Universal Resistance-Temperature Detector (URTD) input, Fiber optics interface, Versatile Link
- X103** – IEC 60870-5-103 / Modbus RTU / DNP3.0 RTU, RS485, Terminals
- X104** – IRIG-B00X, incl. System Contact (Supervision Contact)

MRDT4-2D1HTB



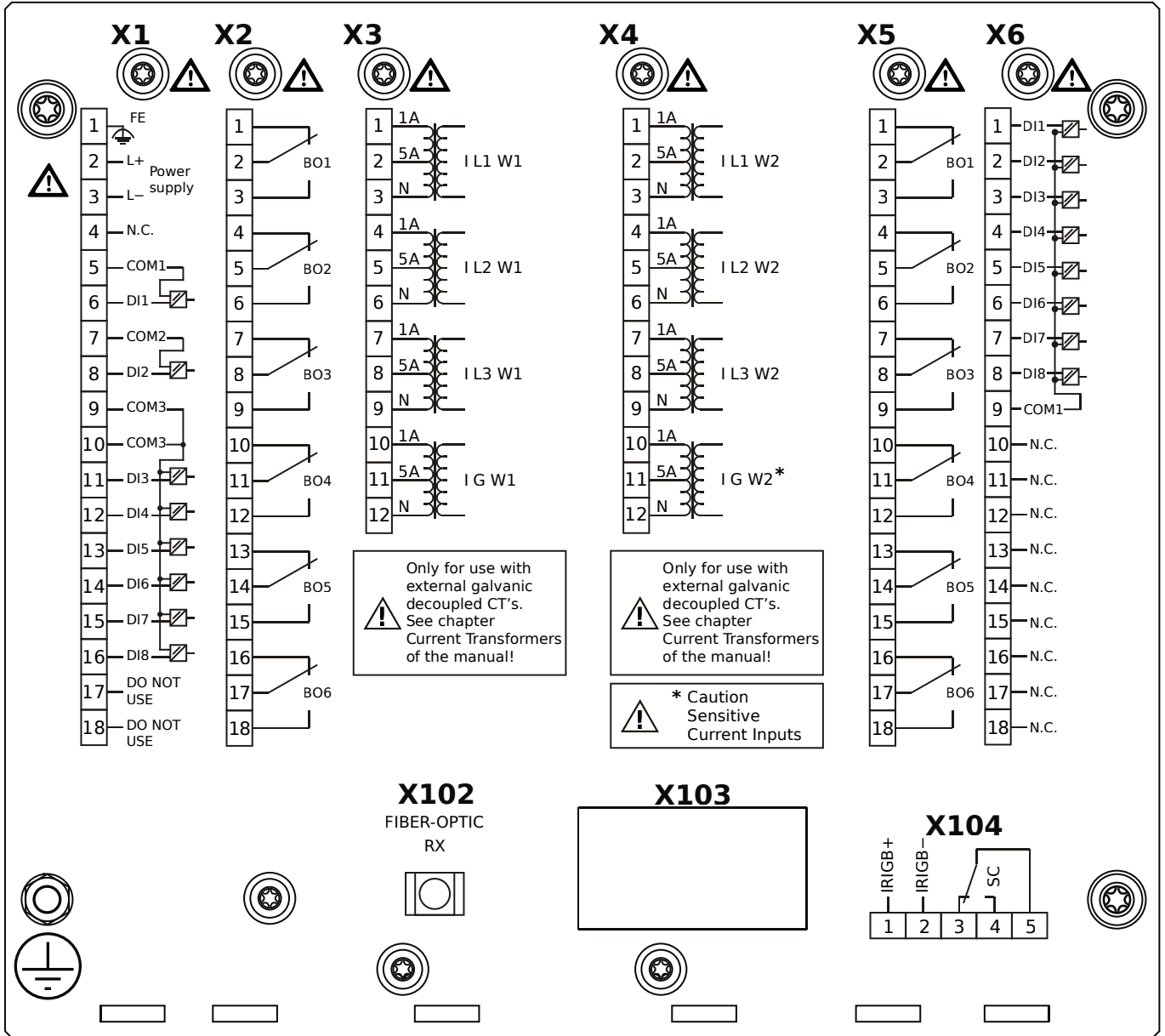
- X1** – DI8-X1: Wide-range power supply unit, incl. 2 non-grouped digital inputs and 6 grouped digital inputs
- X2** – OR-6: Assembly Group with 6 Relay Outputs
- X3** – TI-4: Standard phase current measuring card and sensitive ground current measuring (winding side 1)
- X4** – TI-4: Standard current measuring card (for the winding side 2)
- X5** – OR-6: Assembly Group with 6 Relay Outputs
- X6** – DI8: Assembly Group with 8 Digital Inputs
- X100** – IEC 61850 / Modbus TCP / DNP3.0 TCP/UDP, Ethernet interface, 100 Mbit/s, RJ45 (BASE100-FX)
- X102** – Universal Resistance-Temperature Detector (URTD) input, Fiber optics interface, Versatile Link
- X103** – IEC 60870-5-103 / Modbus RTU / DNP3.0 RTU, RS485, Terminals
- X104** – IRIG-B00X, incl. System Contact (Supervision Contact)

MRDT4-2D2AAA



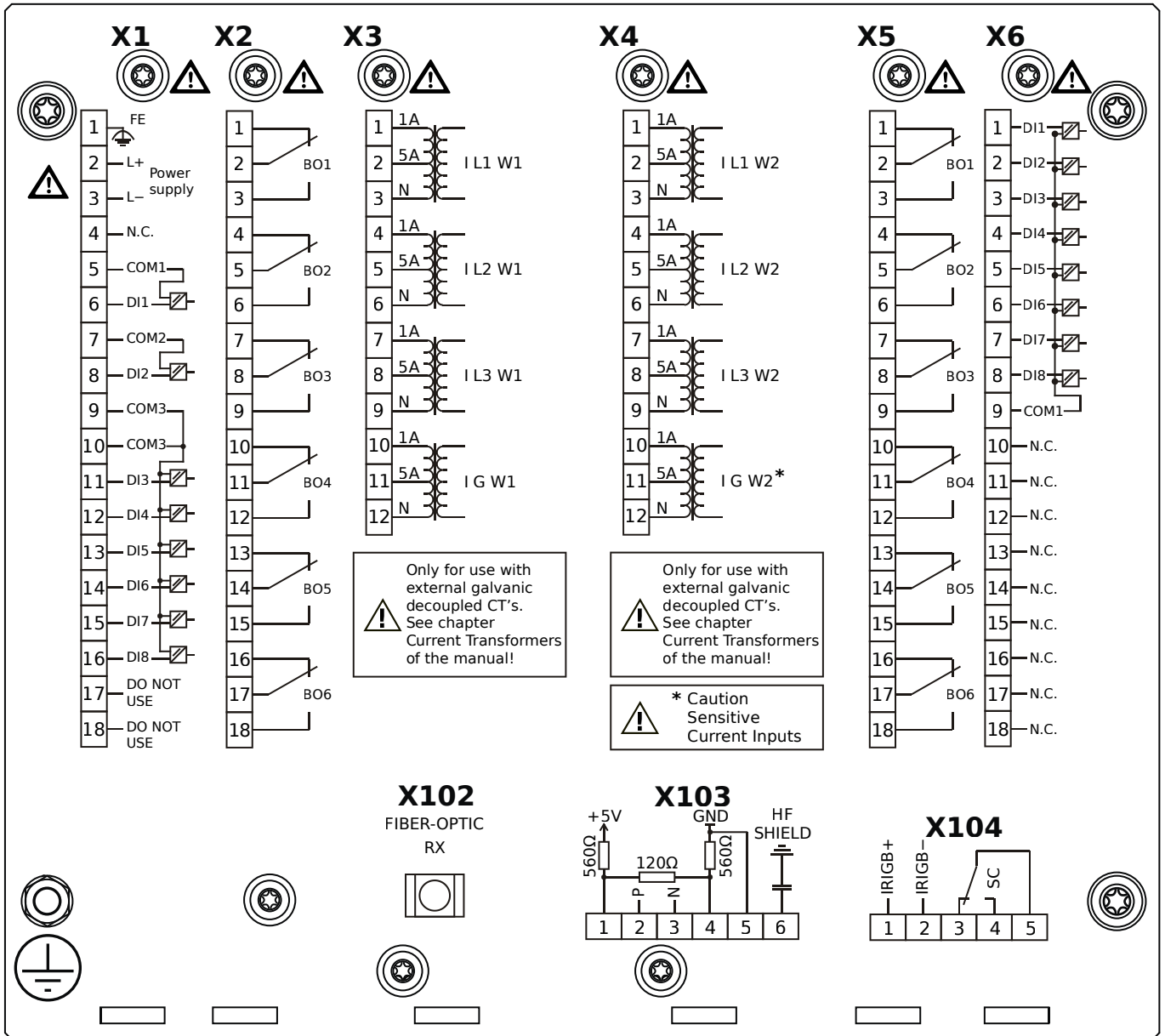
- X1** – DI8-X1: Wide-range power supply unit, incl. 2 non-grouped digital inputs and 6 grouped digital inputs
- X2** – OR-6: Assembly Group with 6 Relay Outputs
- X3** – TI-4: Standard current measuring card (for the winding side 1)
- X4** – TIs-4: Standard phase current measuring card and sensitive ground current measuring (winding side 2)
- X5** – OR-6: Assembly Group with 6 Relay Outputs
- X6** – DI8: Assembly Group with 8 Digital Inputs
- X102** – Universal Resistance-Temperature Detector (URTD) input, Fiber optics interface, Versatile Link
- X104** – IRIG-B00X, incl. System Contact (Supervision Contact)

MRDT4-2D2AAB



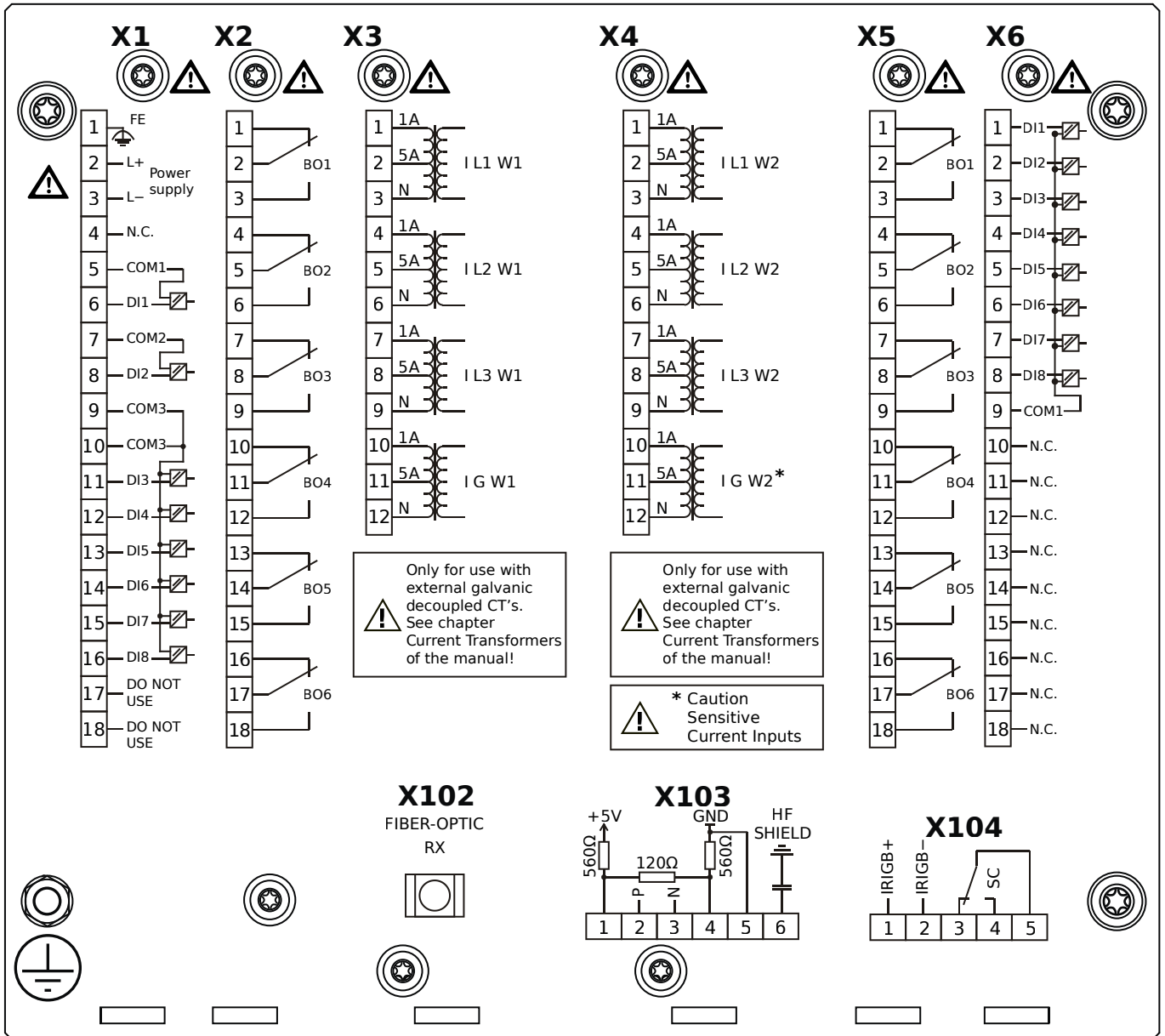
- X1** – DI8-X1: Wide-range power supply unit, incl. 2 non-grouped digital inputs and 6 grouped digital inputs
- X2** – OR-6: Assembly Group with 6 Relay Outputs
- X3** – TI-4: Standard current measuring card (for the winding side 1)
- X4** – TIs-4: Standard phase current measuring card and sensitive ground current measuring (winding side 2)
- X5** – OR-6: Assembly Group with 6 Relay Outputs
- X6** – DI8: Assembly Group with 8 Digital Inputs
- X102** – Universal Resistance-Temperature Detector (URTD) input, Fiber optics interface, Versatile Link
- X104** – IRIG-B00X, incl. System Contact (Supervision Contact)

MRDT4-2D2ABA



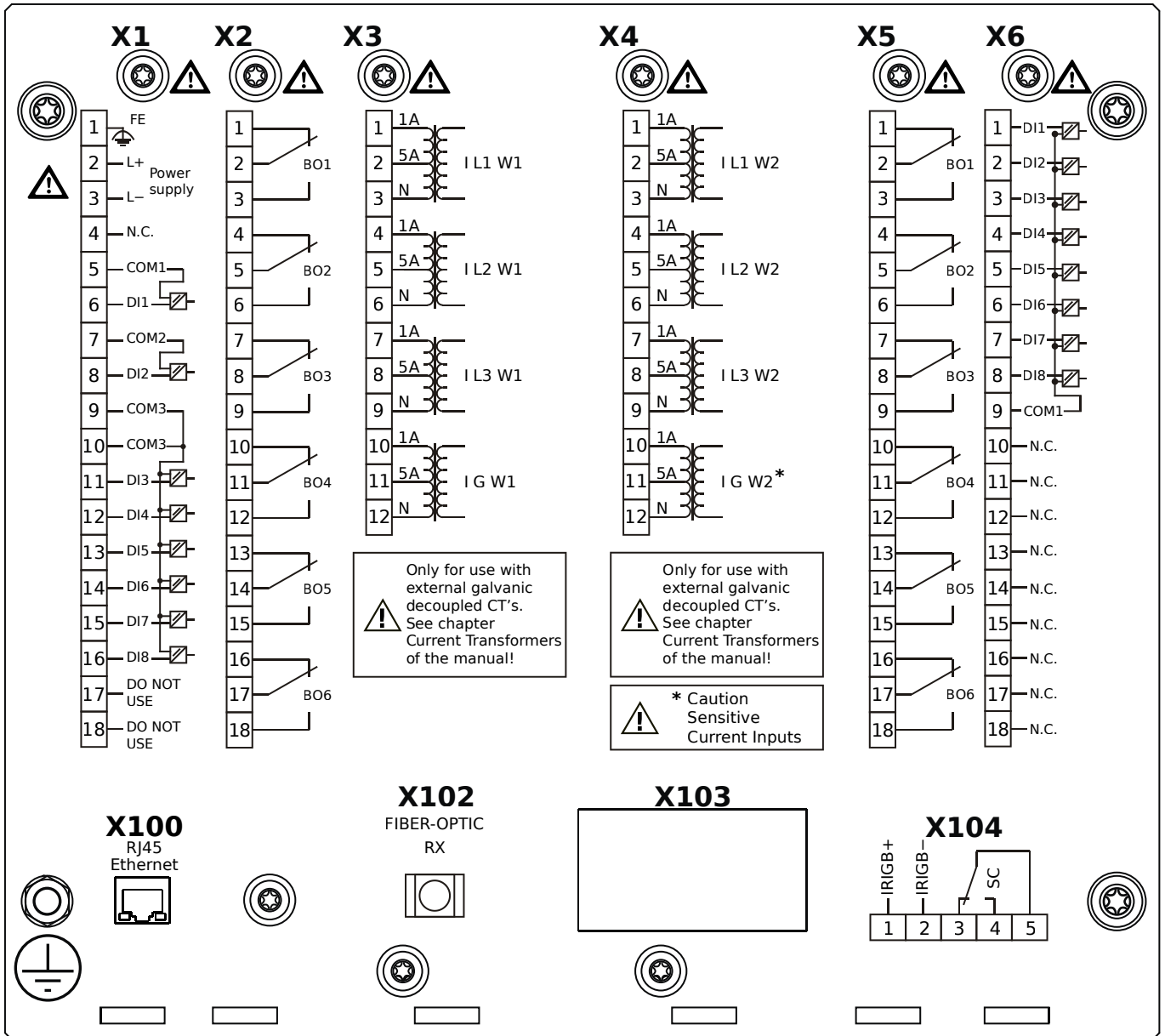
- X1** – DI8-X1: Wide-range power supply unit, incl. 2 non-grouped digital inputs and 6 grouped digital inputs
- X2** – OR-6: Assembly Group with 6 Relay Outputs
- X3** – TI-4: Standard current measuring card (for the winding side 1)
- X4** – TIs-4: Standard phase current measuring card and sensitive ground current measuring (winding side 2)
- X5** – OR-6: Assembly Group with 6 Relay Outputs
- X6** – DI8: Assembly Group with 8 Digital Inputs
- X102** – Universal Resistance-Temperature Detector (URTD) input, Fiber optics interface, Versatile Link
- X103** – Modbus RTU / IEC 60870-5-103 / DNP3.0 RTU, RS485, Terminals
- X104** – IRIG-B00X, incl. System Contact (Supervision Contact)

MRDT4-2D2ABB



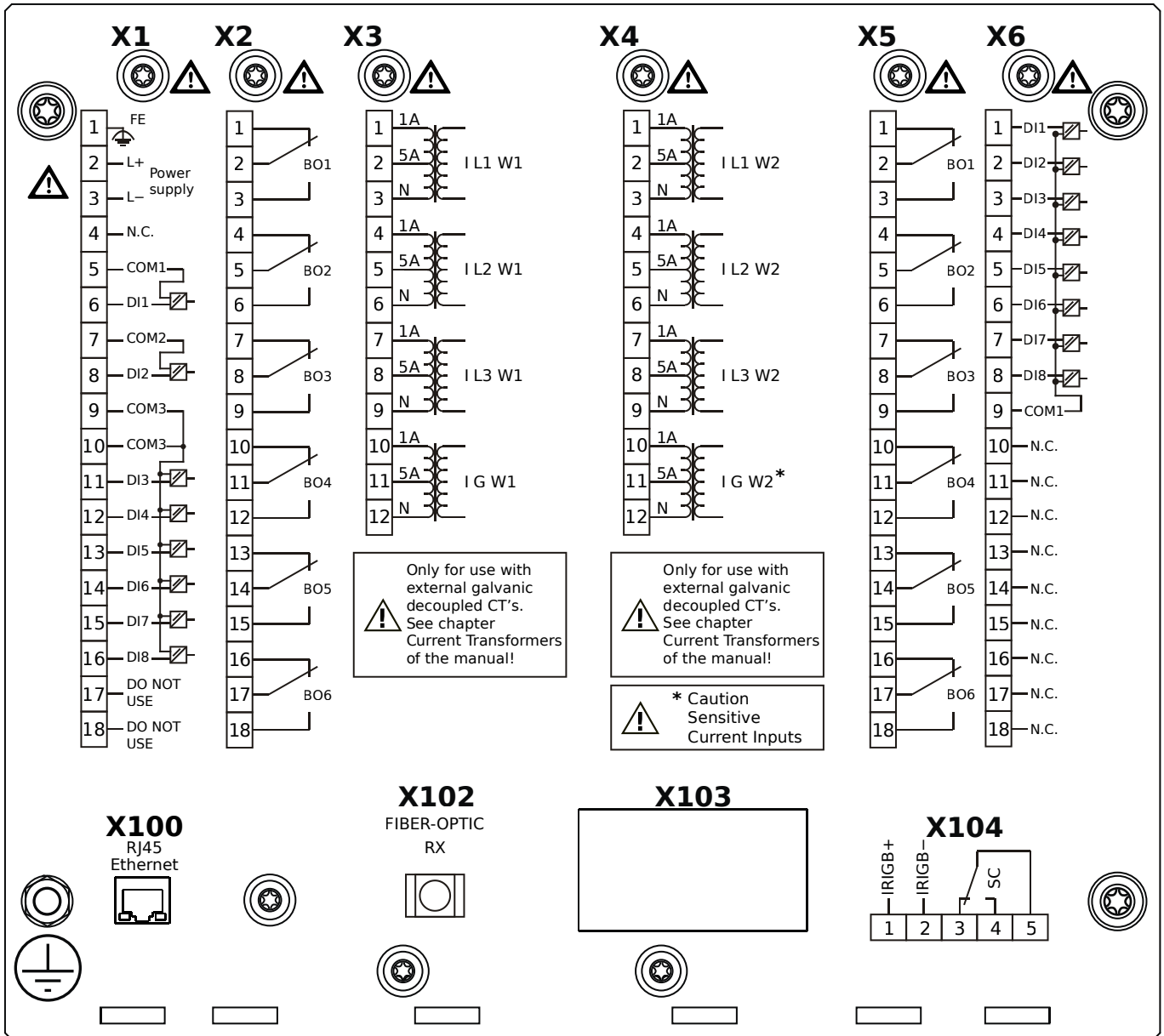
- X1** – DI8-X1: Wide-range power supply unit, incl. 2 non-grouped digital inputs and 6 grouped digital inputs
- X2** – OR-6: Assembly Group with 6 Relay Outputs
- X3** – TI-4: Standard current measuring card (for the winding side 1)
- X4** – TIs-4: Standard phase current measuring card and sensitive ground current measuring (winding side 2)
- X5** – OR-6: Assembly Group with 6 Relay Outputs
- X6** – DI8: Assembly Group with 8 Digital Inputs
- X102** – Universal Resistance-Temperature Detector (URTD) input, Fiber optics interface, Versatile Link
- X103** – Modbus RTU / IEC 60870-5-103 / DNP3.0 RTU, RS485, Terminals
- X104** – IRIG-B00X, incl. System Contact (Supervision Contact)

MRDT4-2D2ACA



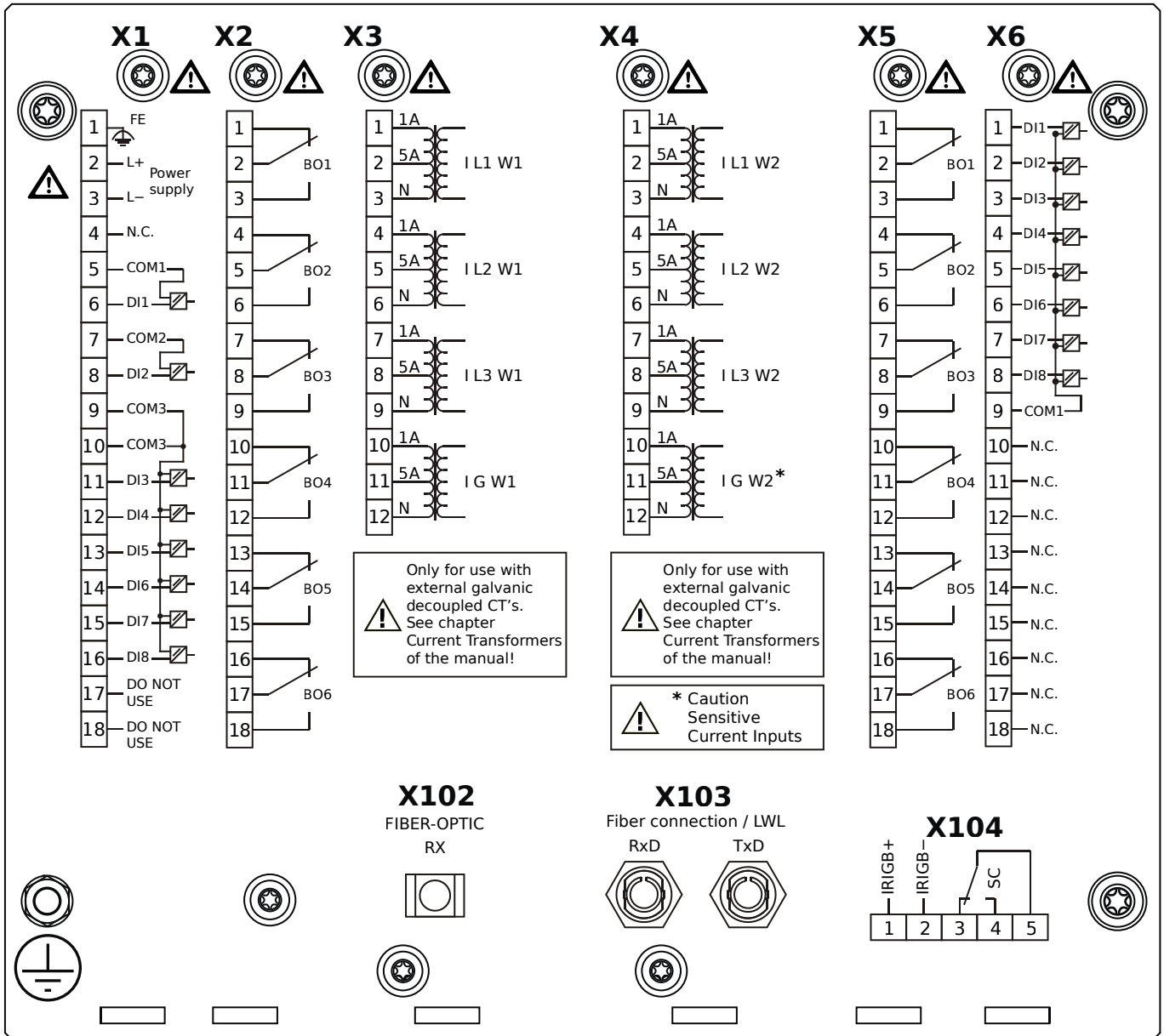
- X1** – DI8-X1: Wide-range power supply unit, incl. 2 non-grouped digital inputs and 6 grouped digital inputs
- X2** – OR-6: Assembly Group with 6 Relay Outputs
- X3** – TI-4: Standard current measuring card (for the winding side 1)
- X4** – TIs-4: Standard phase current measuring card and sensitive ground current measuring (winding side 2)
- X5** – OR-6: Assembly Group with 6 Relay Outputs
- X6** – DI8: Assembly Group with 8 Digital Inputs
- X100** – Modbus TCP / DNP3.0 TCP/UDP, Ethernet interface, 100 Mbit/s, RJ45 (BASE100-FX)
- X102** – Universal Resistance-Temperature Detector (URTD) input, Fiber optics interface, Versatile Link
- X104** – IRIG-B00X, incl. System Contact (Supervision Contact)

MRDT4-2D2ACB



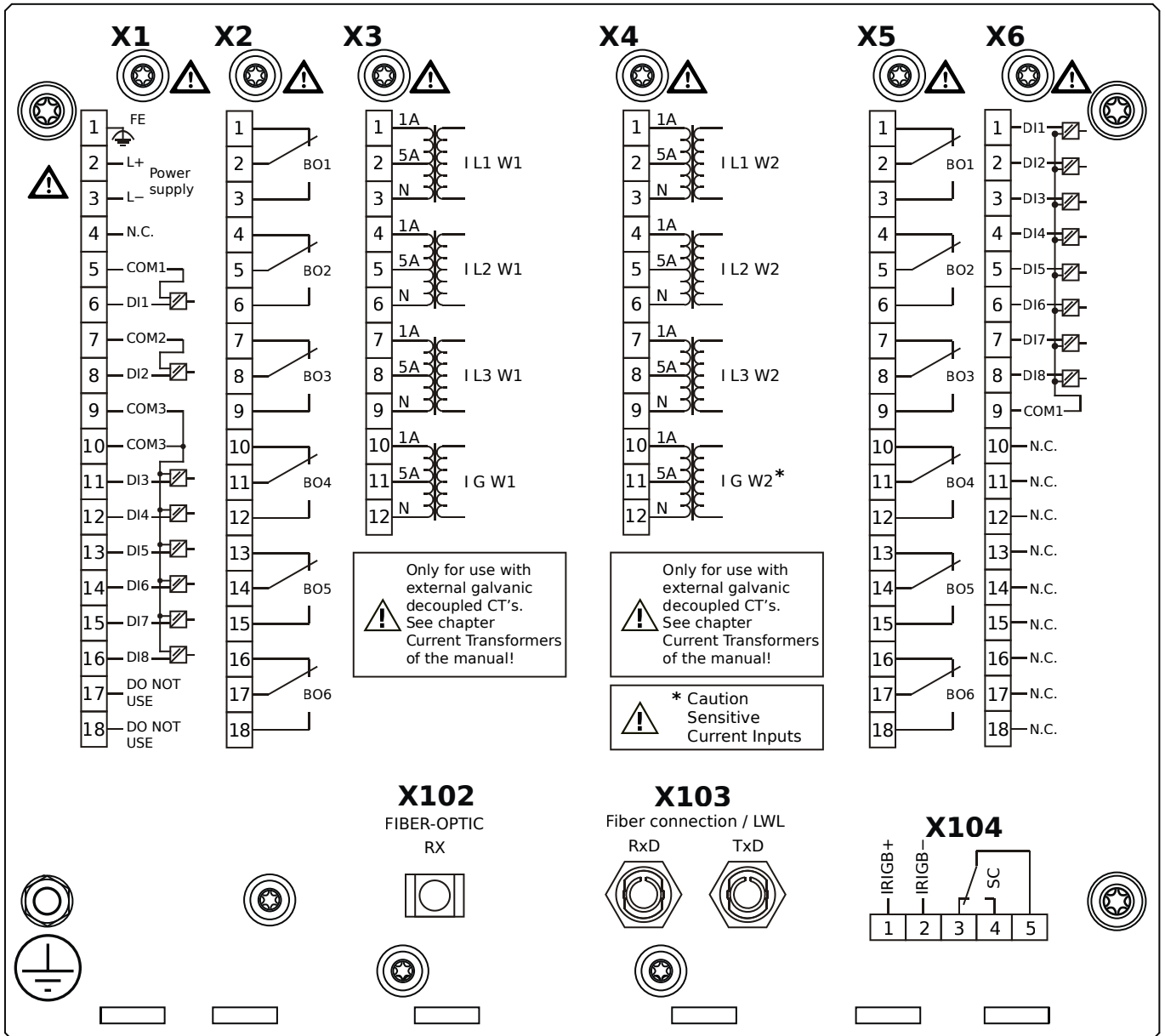
- X1** – DI8-X1: Wide-range power supply unit, incl. 2 non-grouped digital inputs and 6 grouped digital inputs
- X2** – OR-6: Assembly Group with 6 Relay Outputs
- X3** – TI-4: Standard current measuring card (for the winding side 1)
- X4** – TIs-4: Standard phase current measuring card and sensitive ground current measuring (winding side 2)
- X5** – OR-6: Assembly Group with 6 Relay Outputs
- X6** – DI8: Assembly Group with 8 Digital Inputs
- X100** – Modbus TCP / DNP3.0 TCP/UDP, Ethernet interface, 100 Mbit/s, RJ45 (BASE100-FX)
- X102** – Universal Resistance-Temperature Detector (URTD) input, Fiber optics interface, Versatile Link
- X104** – IRIG-B00X, incl. System Contact (Supervision Contact)

MRDT4-2D2ADA



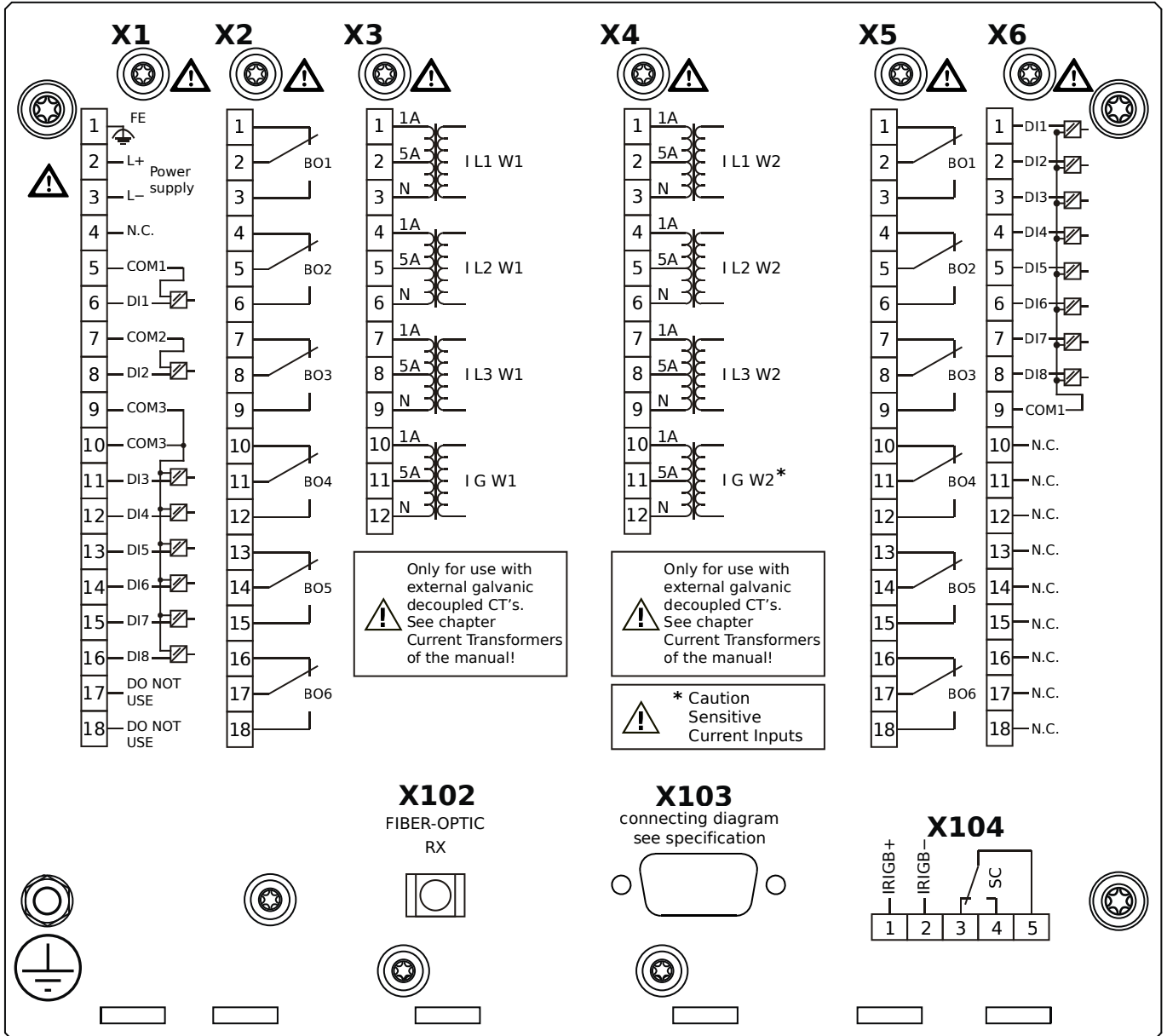
- X1** – DI8-X1: Wide-range power supply unit, incl. 2 non-grouped digital inputs and 6 grouped digital inputs
- X2** – OR-6: Assembly Group with 6 Relay Outputs
- X3** – TI-4: Standard current measuring card (for the winding side 1)
- X4** – TIs-4: Standard phase current measuring card and sensitive ground current measuring (winding side 2)
- X5** – OR-6: Assembly Group with 6 Relay Outputs
- X6** – DI8: Assembly Group with 8 Digital Inputs
- X102** – Universal Resistance-Temperature Detector (URTD) input, Fiber optics interface, Versatile Link
- X103** – Profibus-DP, Fiber optics interface, ST Connector
- X104** – IRIG-B00X, incl. System Contact (Supervision Contact)

MRDT4-2D2ADB



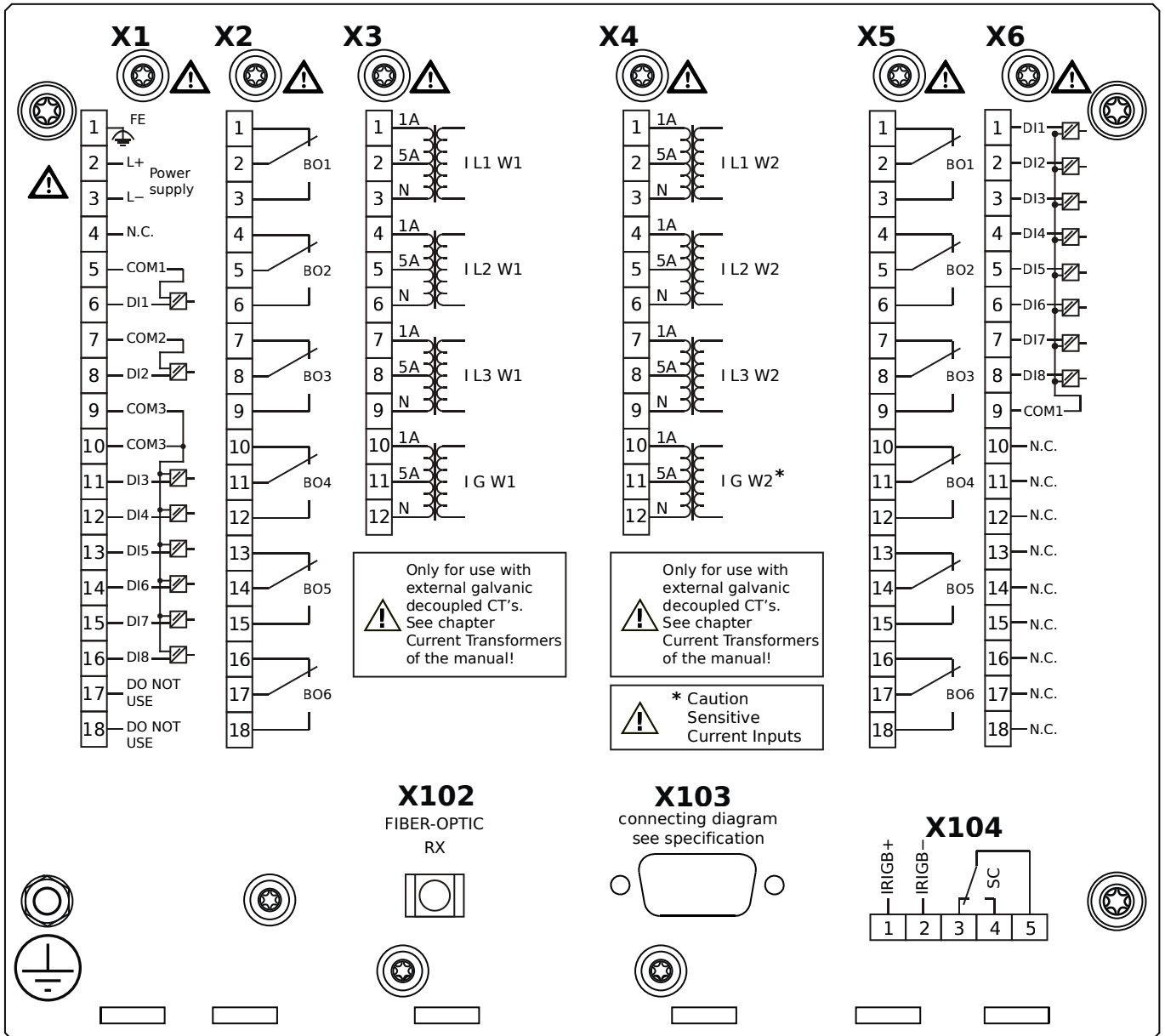
- X1** – DI8-X1: Wide-range power supply unit, incl. 2 non-grouped digital inputs and 6 grouped digital inputs
- X2** – OR-6: Assembly Group with 6 Relay Outputs
- X3** – TI-4: Standard current measuring card (for the winding side 1)
- X4** – TIs-4: Standard phase current measuring card and sensitive ground current measuring (winding side 2)
- X5** – OR-6: Assembly Group with 6 Relay Outputs
- X6** – DI8: Assembly Group with 8 Digital Inputs
- X102** – Universal Resistance-Temperature Detector (URTD) input, Fiber optics interface, Versatile Link
- X103** – Profibus-DP, Fiber optics interface, ST Connector
- X104** – IRIG-B00X, incl. System Contact (Supervision Contact)

MRDT4-2D2AEA



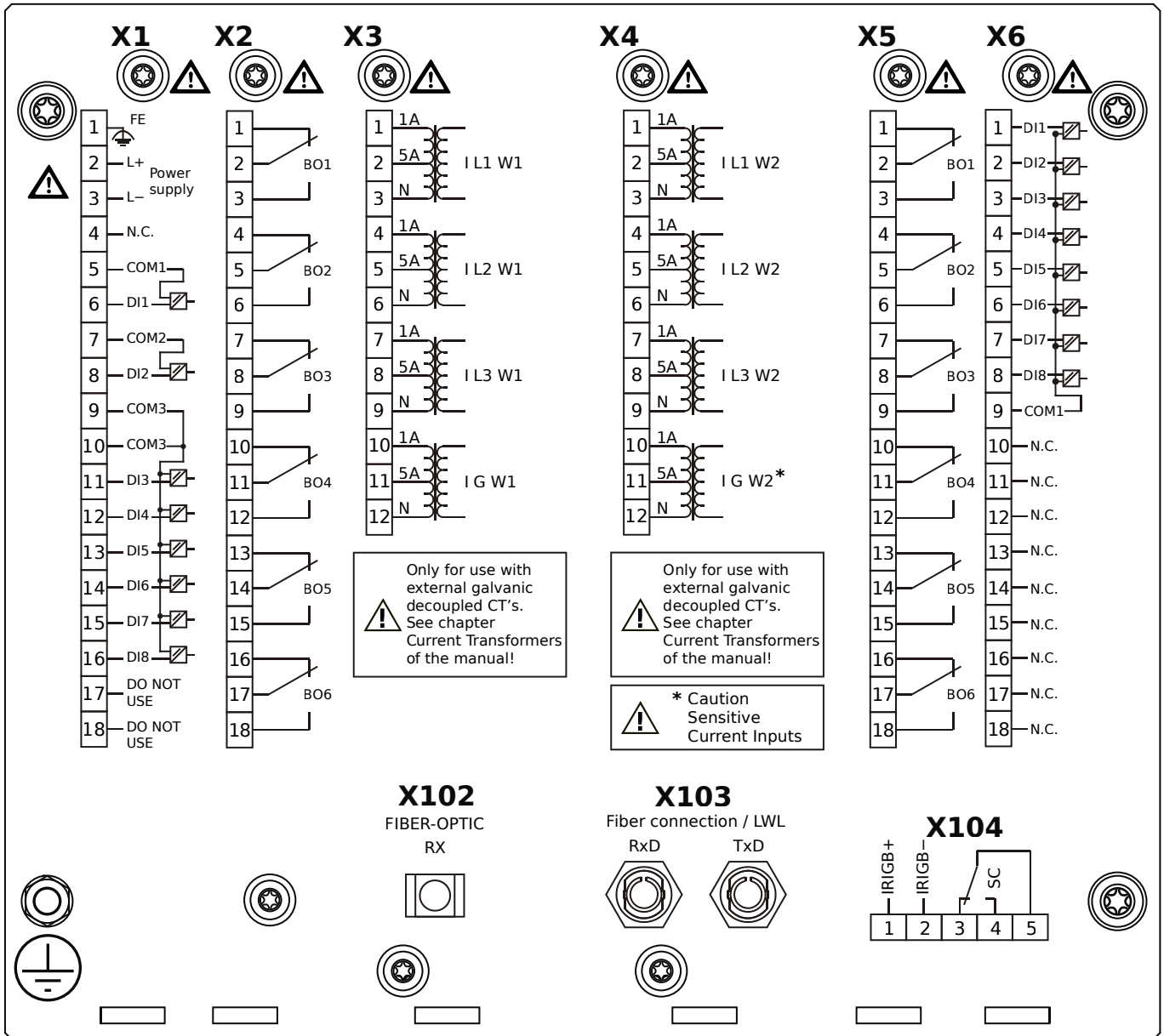
- X1** – DI8-X1: Wide-range power supply unit, incl. 2 non-grouped digital inputs and 6 grouped digital inputs
- X2** – OR-6: Assembly Group with 6 Relay Outputs
- X3** – TI-4: Standard current measuring card (for the winding side 1)
- X4** – TIs-4: Standard phase current measuring card and sensitive ground current measuring (winding side 2)
- X5** – OR-6: Assembly Group with 6 Relay Outputs
- X6** – DI8: Assembly Group with 8 Digital Inputs
- X102** – Universal Resistance-Temperature Detector (URTD) input, Fiber optics interface, Versatile Link
- X103** – Profibus-DP, RS485, D-SUB
- X104** – IRIG-B00X, incl. System Contact (Supervision Contact)

MRDT4-2D2AEB



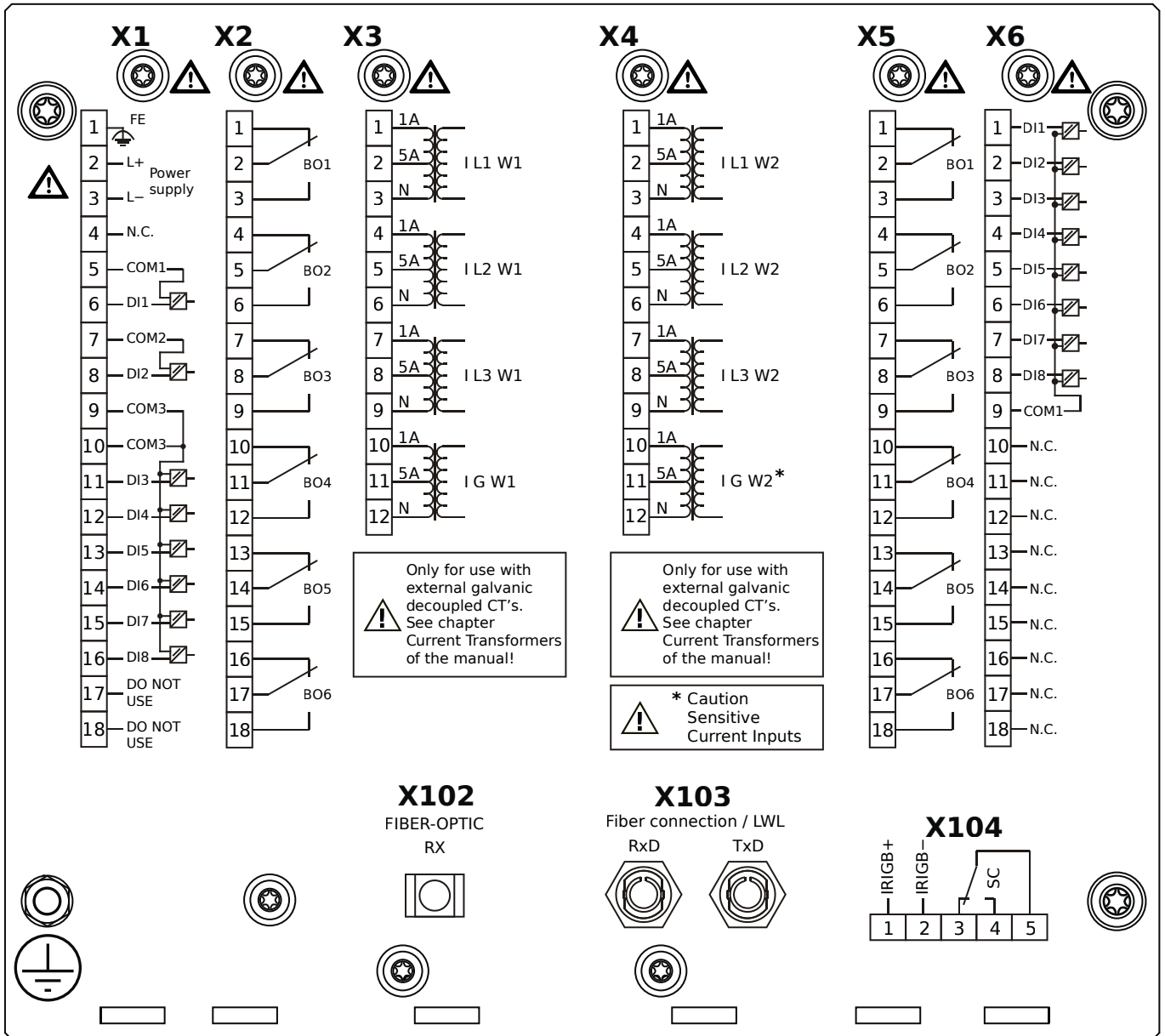
- X1** – DI8-X1: Wide-range power supply unit, incl. 2 non-grouped digital inputs and 6 grouped digital inputs
- X2** – OR-6: Assembly Group with 6 Relay Outputs
- X3** – TI-4: Standard current measuring card (for the winding side 1)
- X4** – TIs-4: Standard phase current measuring card and sensitive ground current measuring (winding side 2)
- X5** – OR-6: Assembly Group with 6 Relay Outputs
- X6** – DI8: Assembly Group with 8 Digital Inputs
- X102** – Universal Resistance-Temperature Detector (URTD) input, Fiber optics interface, Versatile Link
- X103** – Profibus-DP, RS485, D-SUB
- X104** – IRIG-B00X, incl. System Contact (Supervision Contact)

MRDT4-2D2AFA



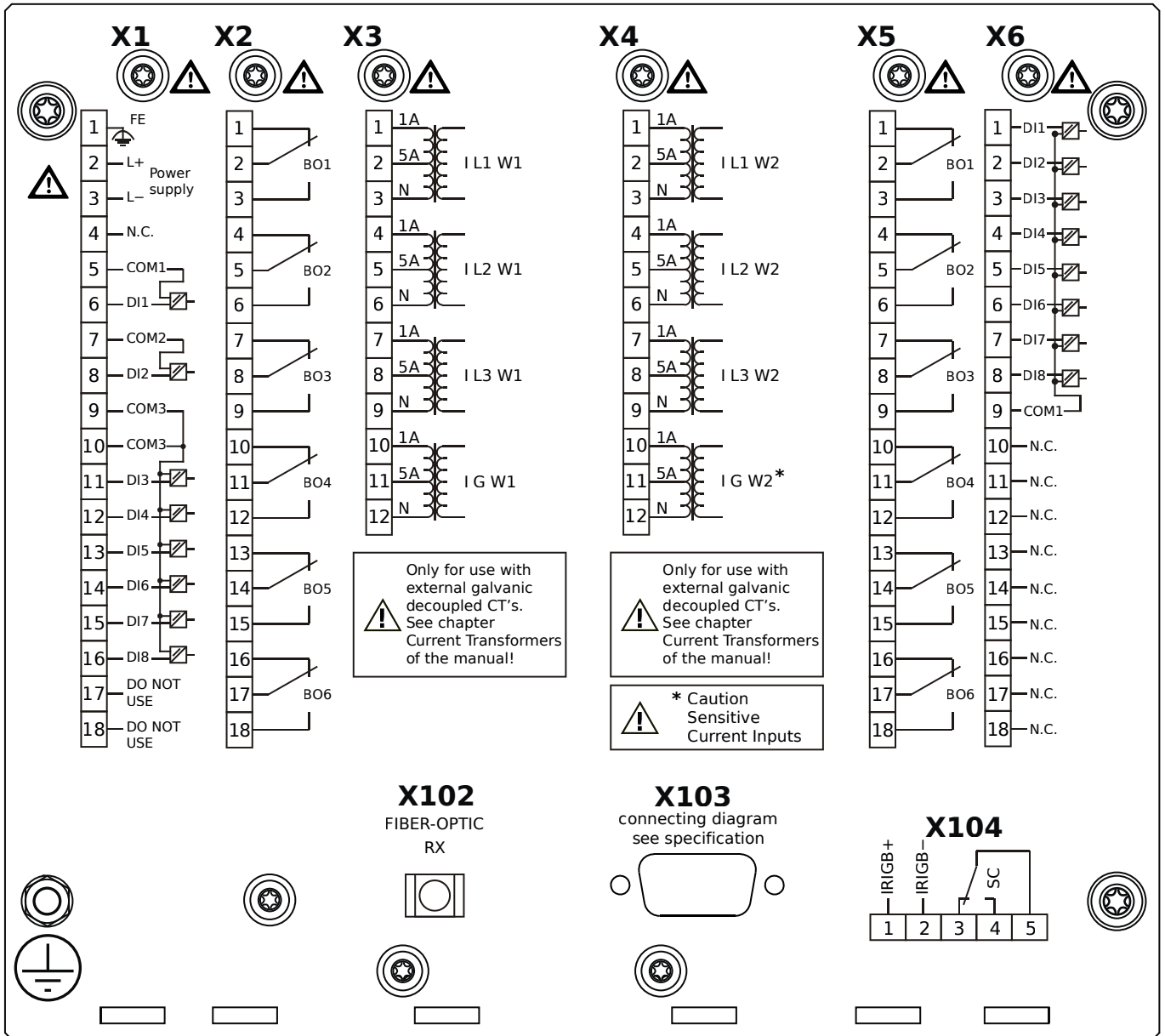
- X1** – DI8-X1: Wide-range power supply unit, incl. 2 non-grouped digital inputs and 6 grouped digital inputs
- X2** – OR-6: Assembly Group with 6 Relay Outputs
- X3** – TI-4: Standard current measuring card (for the winding side 1)
- X4** – TIs-4: Standard phase current measuring card and sensitive ground current measuring (winding side 2)
- X5** – OR-6: Assembly Group with 6 Relay Outputs
- X6** – DI8: Assembly Group with 8 Digital Inputs
- X102** – Universal Resistance-Temperature Detector (URTD) input, Fiber optics interface, Versatile Link
- X103** – Modbus RTU / IEC 60870-5-103 / DNP3.0 RTU, Fiber optics interface, ST Connector
- X104** – IRIG-B00X, incl. System Contact (Supervision Contact)

MRDT4-2D2AFB



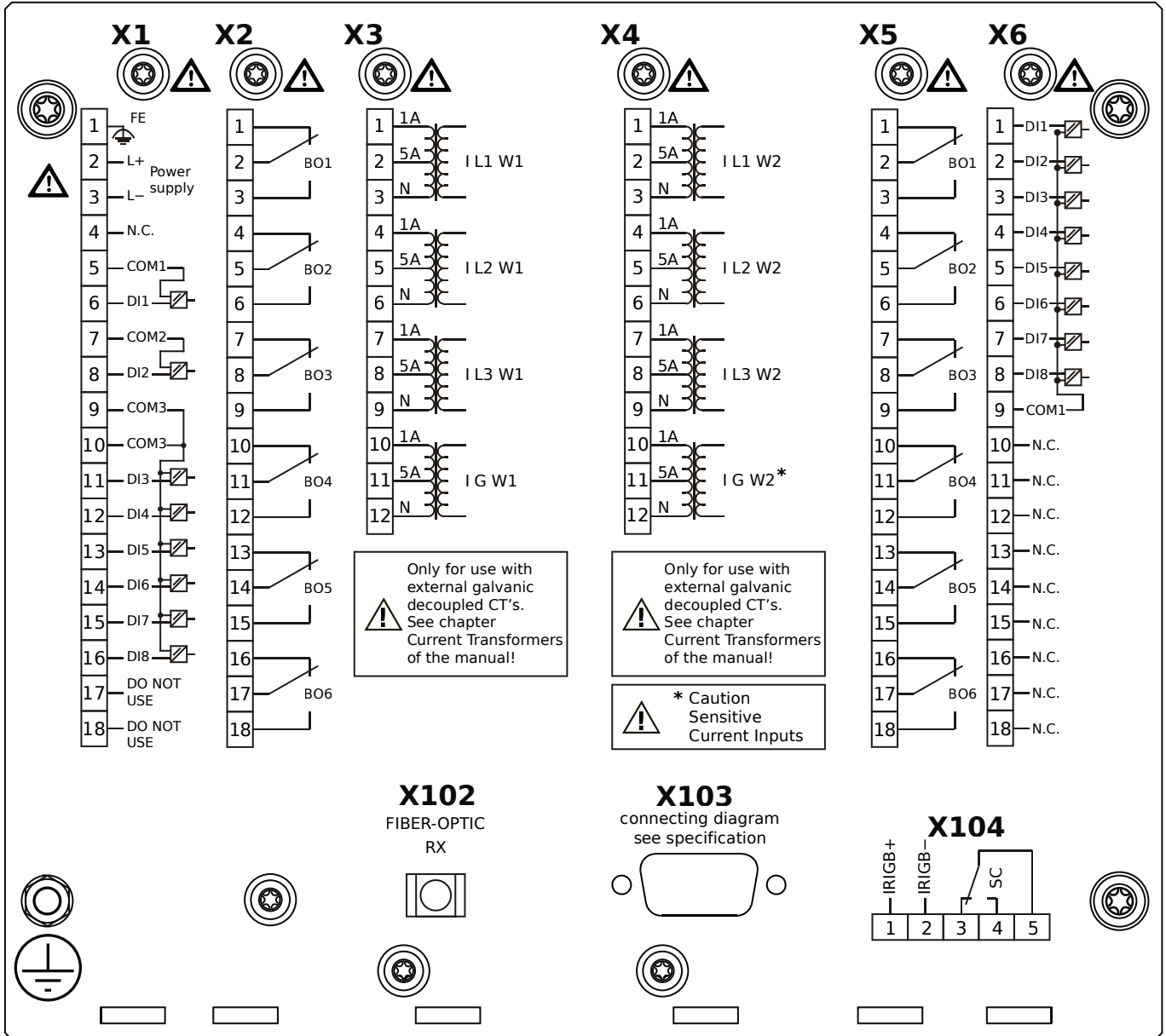
- X1** – DI8-X1: Wide-range power supply unit, incl. 2 non-grouped digital inputs and 6 grouped digital inputs
- X2** – OR-6: Assembly Group with 6 Relay Outputs
- X3** – TI-4: Standard current measuring card (for the winding side 1)
- X4** – TIs-4: Standard phase current measuring card and sensitive ground current measuring (winding side 2)
- X5** – OR-6: Assembly Group with 6 Relay Outputs
- X6** – DI8: Assembly Group with 8 Digital Inputs
- X102** – Universal Resistance-Temperature Detector (URTD) input, Fiber optics interface, Versatile Link
- X103** – Modbus RTU / IEC 60870-5-103 / DNP3.0 RTU, Fiber optics interface, ST Connector
- X104** – IRIG-B00X, incl. System Contact (Supervision Contact)

MRDT4-2D2AGA



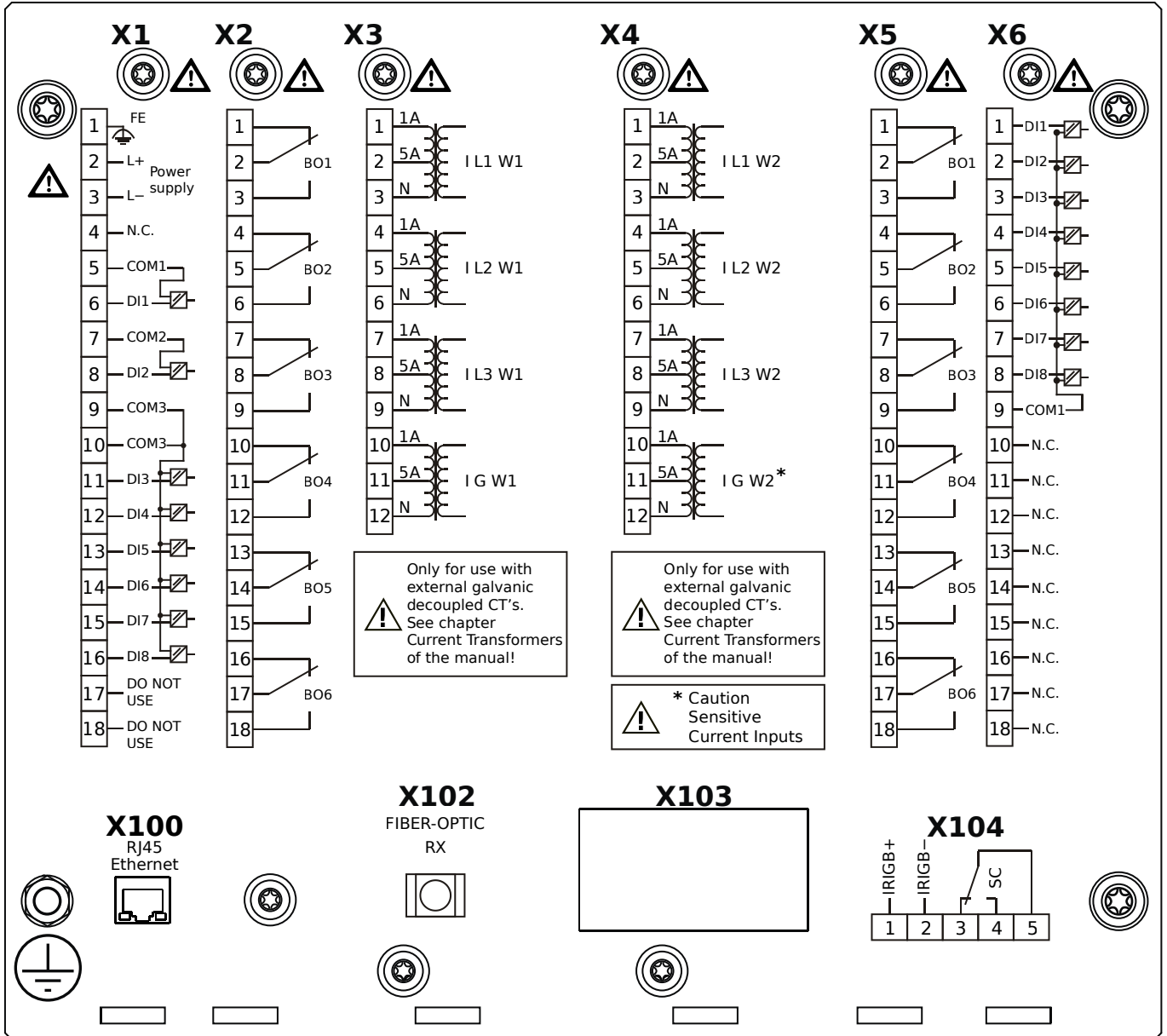
- X1** – DI8-X1: Wide-range power supply unit, incl. 2 non-grouped digital inputs and 6 grouped digital inputs
- X2** – OR-6: Assembly Group with 6 Relay Outputs
- X3** – TI-4: Standard current measuring card (for the winding side 1)
- X4** – TIs-4: Standard phase current measuring card and sensitive ground current measuring (winding side 2)
- X5** – OR-6: Assembly Group with 6 Relay Outputs
- X6** – DI8: Assembly Group with 8 Digital Inputs
- X102** – Universal Resistance-Temperature Detector (URTD) input, Fiber optics interface, Versatile Link
- X103** – Modbus RTU / IEC 60870-5-103 / DNP3.0 RTU, RS485, D-SUB
- X104** – IRIG-B00X, incl. System Contact (Supervision Contact)

MRDT4-2D2AGB



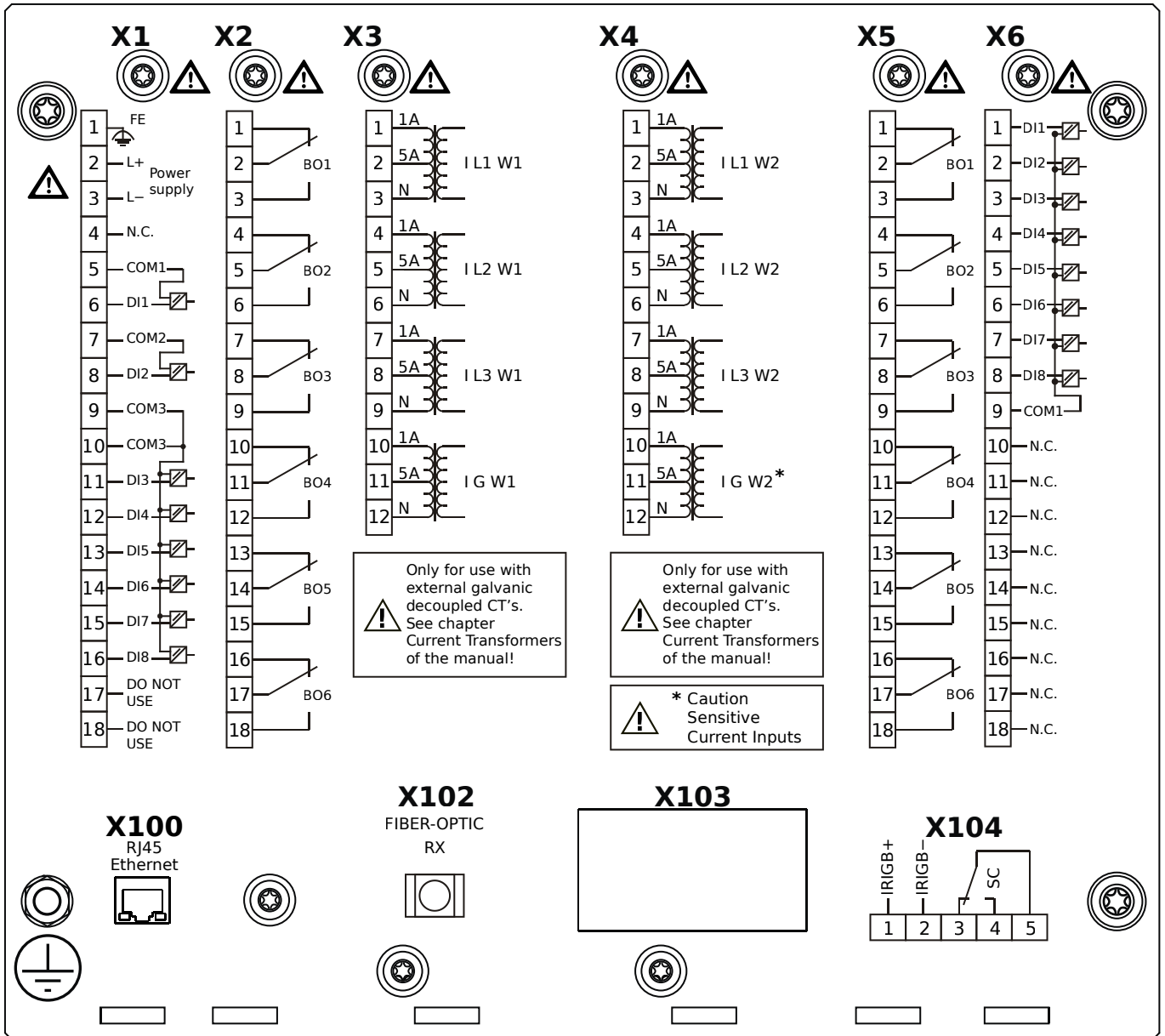
- X1** – DI8-X1: Wide-range power supply unit, incl. 2 non-grouped digital inputs and 6 grouped digital inputs
- X2** – OR-6: Assembly Group with 6 Relay Outputs
- X3** – TI-4: Standard current measuring card (for the winding side 1)
- X4** – TIs-4: Standard phase current measuring card and sensitive ground current measuring (winding side 2)
- X5** – OR-6: Assembly Group with 6 Relay Outputs
- X6** – DI8: Assembly Group with 8 Digital Inputs
- X102** – Universal Resistance-Temperature Detector (URTD) input, Fiber optics interface, Versatile Link
- X103** – Modbus RTU / IEC 60870-5-103 / DNP3.0 RTU, RS485, D-SUB
- X104** – IRIG-B00X, incl. System Contact (Supervision Contact)

MRDT4-2D2AHA



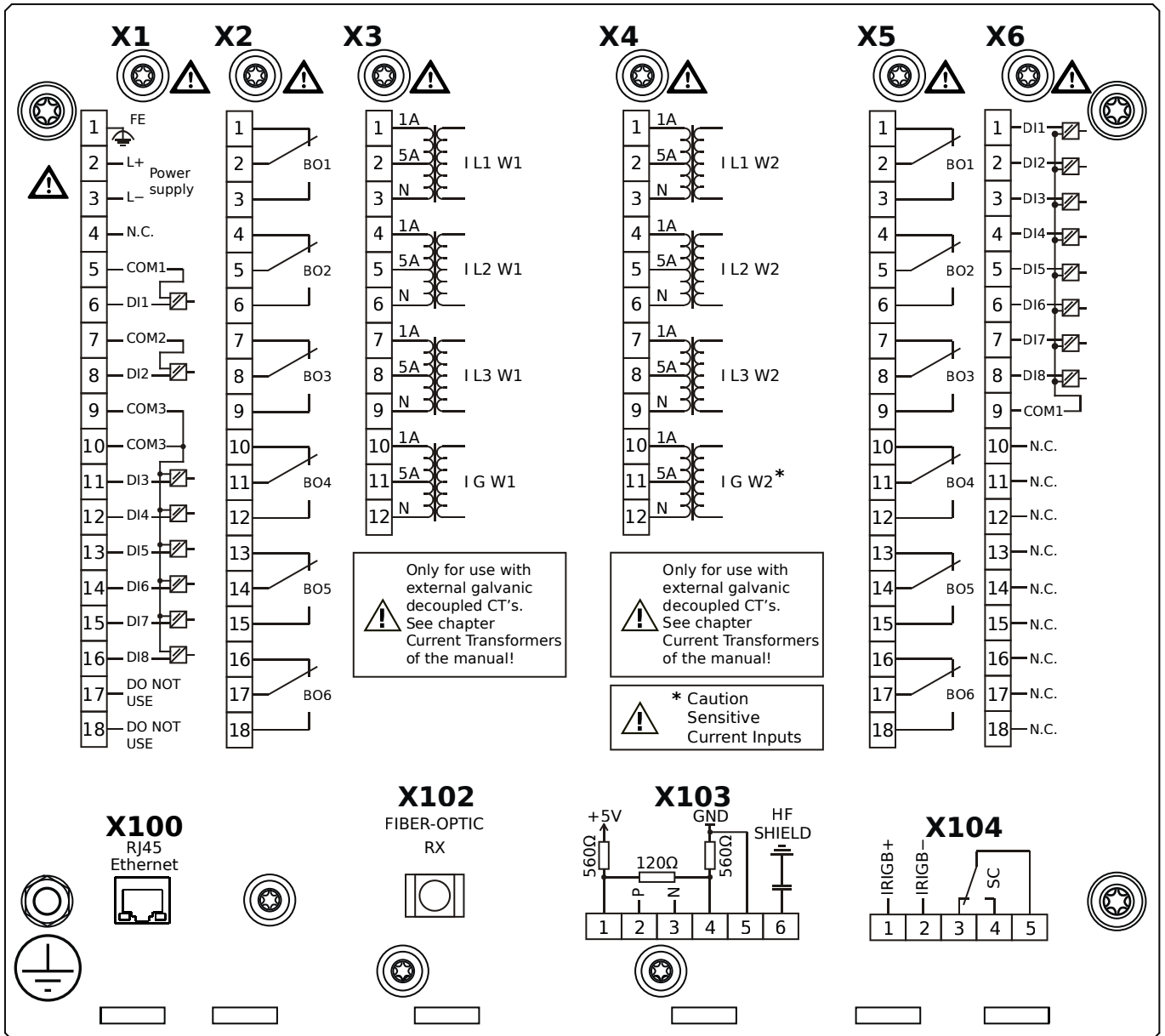
- X1** – DI8-X1: Wide-range power supply unit, incl. 2 non-grouped digital inputs and 6 grouped digital inputs
- X2** – OR-6: Assembly Group with 6 Relay Outputs
- X3** – TI-4: Standard current measuring card (for the winding side 1)
- X4** – TIs-4: Standard phase current measuring card and sensitive ground current measuring (winding side 2)
- X5** – OR-6: Assembly Group with 6 Relay Outputs
- X6** – DI8: Assembly Group with 8 Digital Inputs
- X100** – IEC 61850 / Modbus TCP / DNP3.0 TCP/UDP, Ethernet interface, 100 Mbit/s, RJ45 (BASE100-FX)
- X102** – Universal Resistance-Temperature Detector (URTD) input, Fiber optics interface, Versatile Link
- X104** – IRIG-B00X, incl. System Contact (Supervision Contact)

MRDT4-2D2AHB



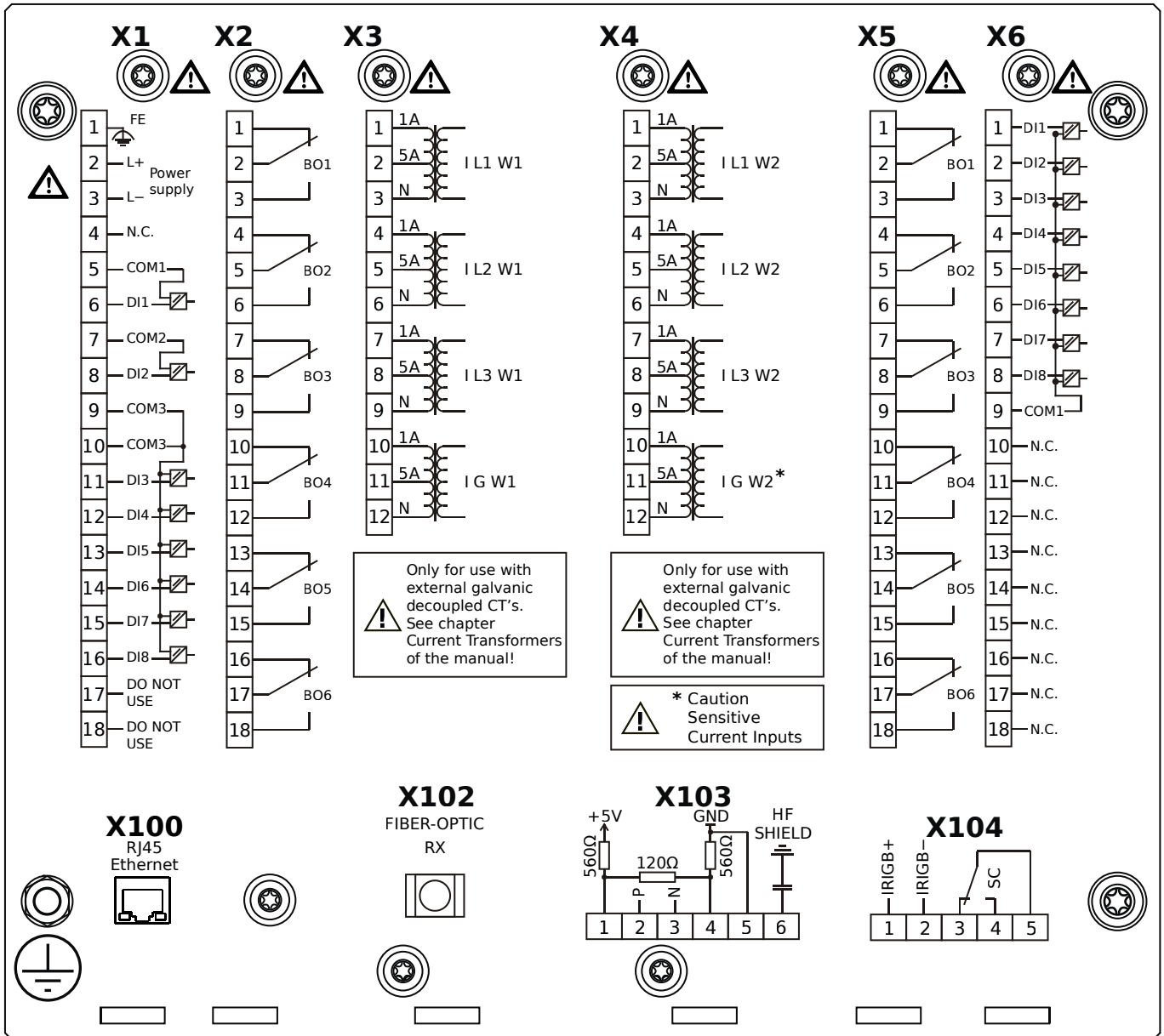
- X1** – DI8-X1: Wide-range power supply unit, incl. 2 non-grouped digital inputs and 6 grouped digital inputs
- X2** – OR-6: Assembly Group with 6 Relay Outputs
- X3** – TI-4: Standard current measuring card (for the winding side 1)
- X4** – TIs-4: Standard phase current measuring card and sensitive ground current measuring (winding side 2)
- X5** – OR-6: Assembly Group with 6 Relay Outputs
- X6** – DI8: Assembly Group with 8 Digital Inputs
- X100** – IEC 61850 / Modbus TCP / DNP3.0 TCP/UDP, Ethernet interface, 100 Mbit/s, RJ45 (BASE100-FX)
- X102** – Universal Resistance-Temperature Detector (URTD) input, Fiber optics interface, Versatile Link
- X104** – IRIG-B00X, incl. System Contact (Supervision Contact)

MRDT4-2D2AIA



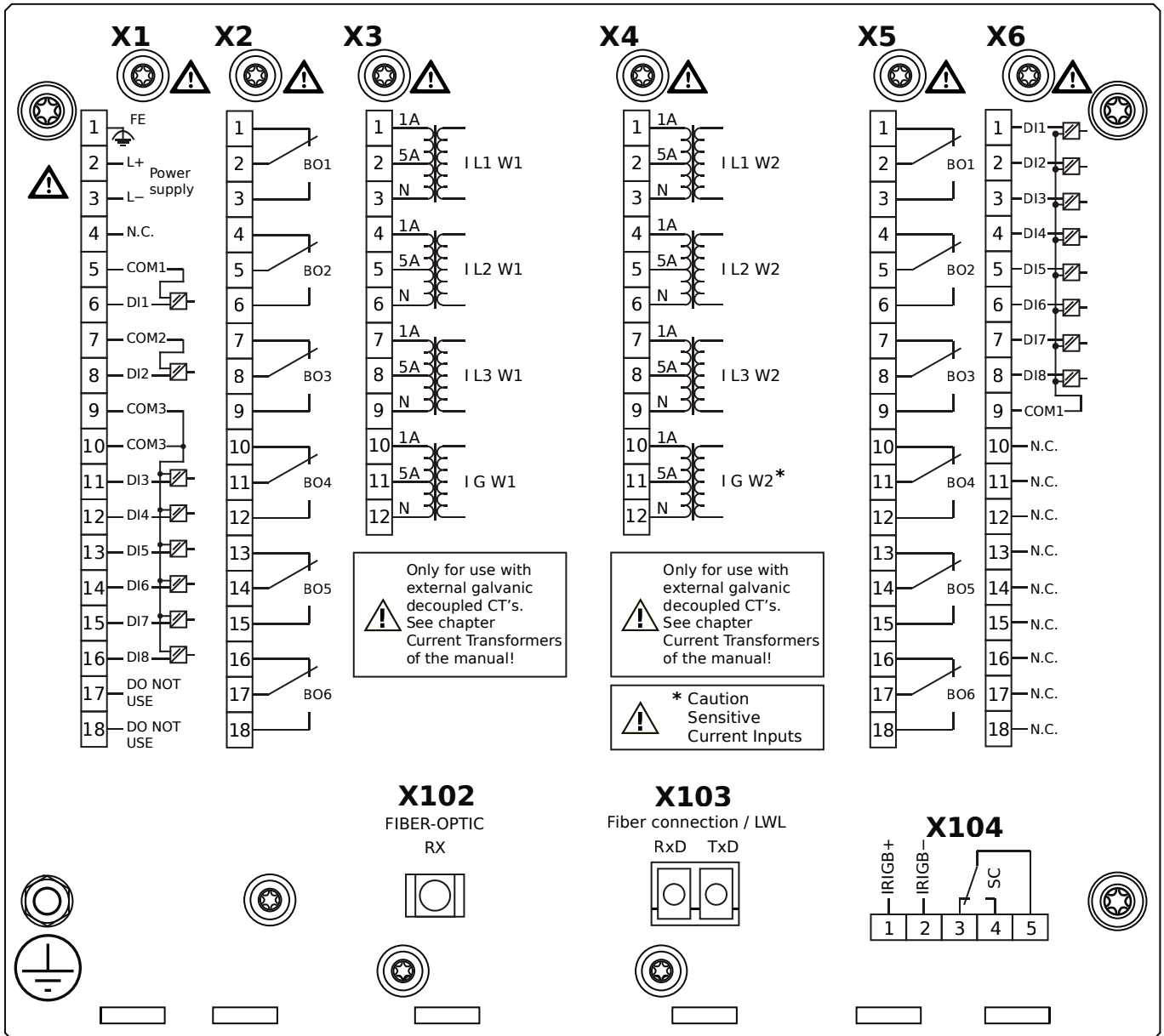
- X1** – DI8-X1: Wide-range power supply unit, incl. 2 non-grouped digital inputs and 6 grouped digital inputs
- X2** – OR-6: Assembly Group with 6 Relay Outputs
- X3** – TI-4: Standard current measuring card (for the winding side 1)
- X4** – TIs-4: Standard phase current measuring card and sensitive ground current measuring (winding side 2)
- X5** – OR-6: Assembly Group with 6 Relay Outputs
- X6** – DI8: Assembly Group with 8 Digital Inputs
- X100** – Modbus TCP / DNP3.0 TCP/UDP, Ethernet interface, 100 Mbit/s, RJ45 (BASE100-FX)
- X102** – Universal Resistance-Temperature Detector (URTD) input, Fiber optics interface, Versatile Link
- X103** – IEC 60870-5-103 / Modbus RTU / DNP3.0 RTU, RS485, Terminals
- X104** – IRIG-B00X, incl. System Contact (Supervision Contact)

MRDT4-2D2AIB



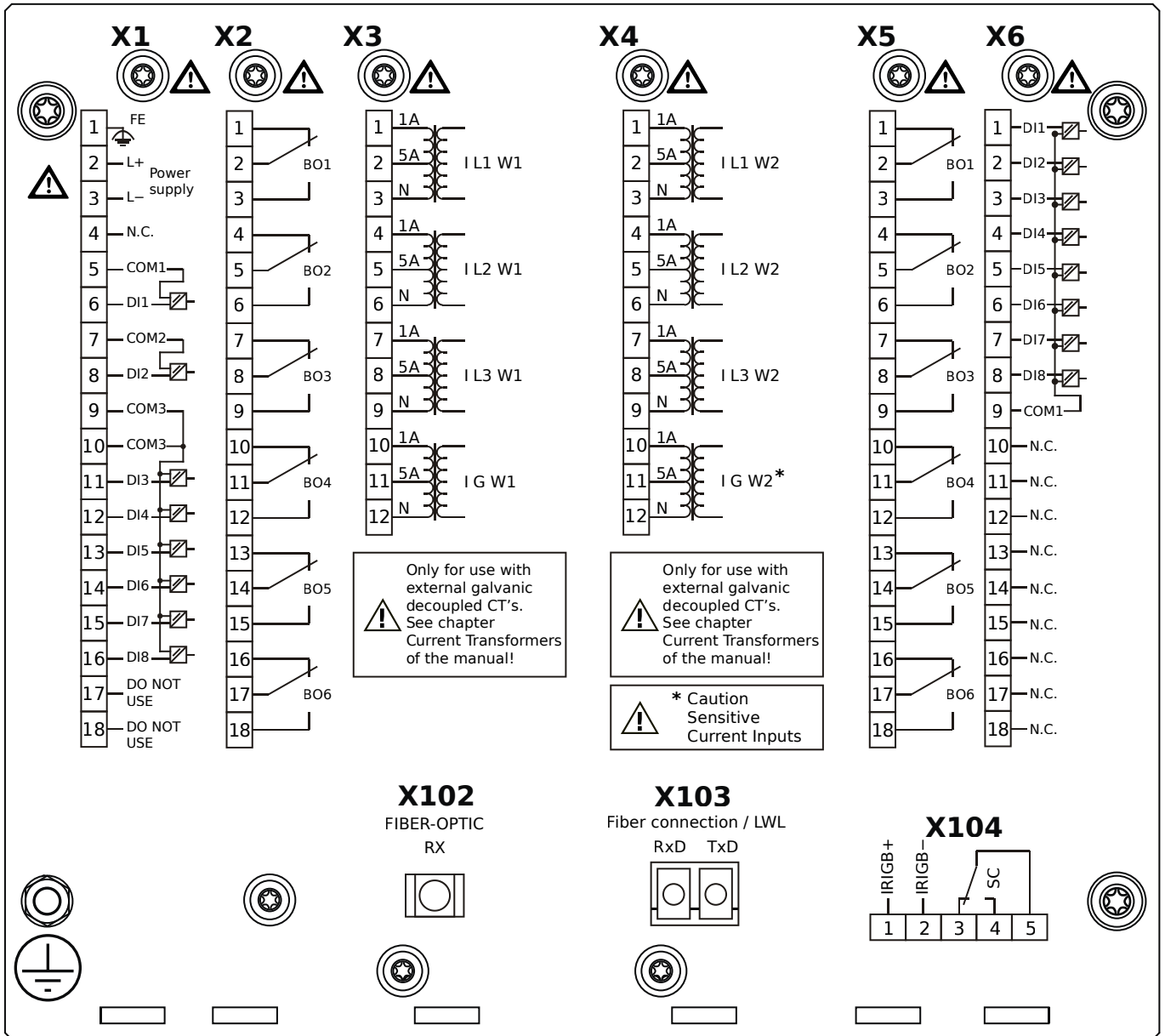
- X1** – DI8-X1: Wide-range power supply unit, incl. 2 non-grouped digital inputs and 6 grouped digital inputs
- X2** – OR-6: Assembly Group with 6 Relay Outputs
- X3** – TI-4: Standard current measuring card (for the winding side 1)
- X4** – TIs-4: Standard phase current measuring card and sensitive ground current measuring (winding side 2)
- X5** – OR-6: Assembly Group with 6 Relay Outputs
- X6** – DI8: Assembly Group with 8 Digital Inputs
- X100** – Modbus TCP / DNP3.0 TCP/UDP, Ethernet interface, 100 Mbit/s, RJ45 (BASE100-FX)
- X102** – Universal Resistance-Temperature Detector (URTD) input, Fiber optics interface, Versatile Link
- X103** – IEC 60870-5-103 / Modbus RTU / DNP3.0 RTU, RS485, Terminals
- X104** – IRIG-B00X, incl. System Contact (Supervision Contact)

MRDT4-2D2AKA



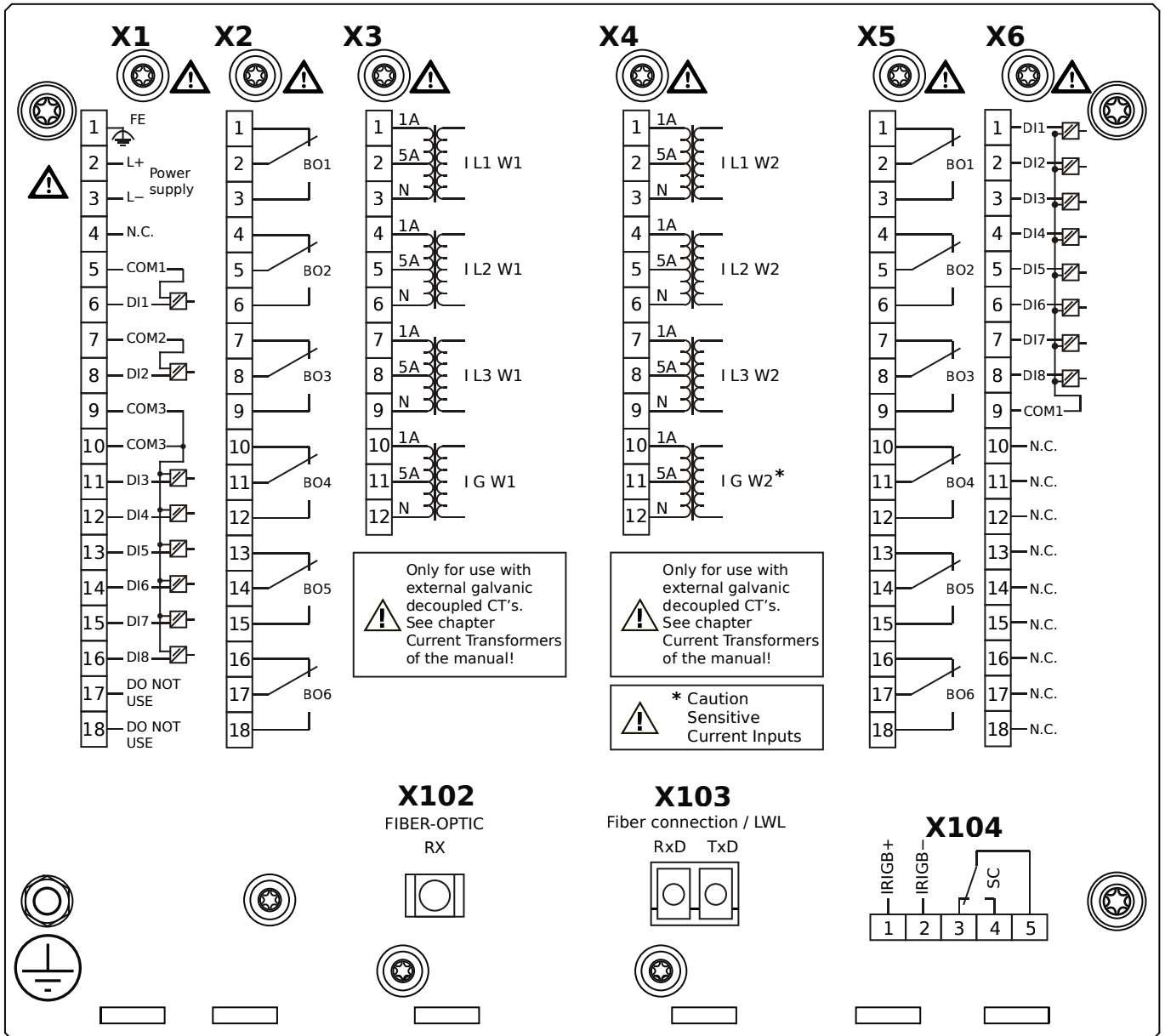
- X1** – DI8-X1: Wide-range power supply unit, incl. 2 non-grouped digital inputs and 6 grouped digital inputs
- X2** – OR-6: Assembly Group with 6 Relay Outputs
- X3** – TI-4: Standard current measuring card (for the winding side 1)
- X4** – TIs-4: Standard phase current measuring card and sensitive ground current measuring (winding side 2)
- X5** – OR-6: Assembly Group with 6 Relay Outputs
- X6** – DI8: Assembly Group with 8 Digital Inputs
- X102** – Universal Resistance-Temperature Detector (URTD) input, Fiber optics interface, Versatile Link
- X103** – IEC 61850 / Modbus TCP / DNP3.0 TCP/UDP, Fiber optics interface, LC Connector
- X104** – IRIG-B00X, incl. System Contact (Supervision Contact)

MRDT4-2D2AKB



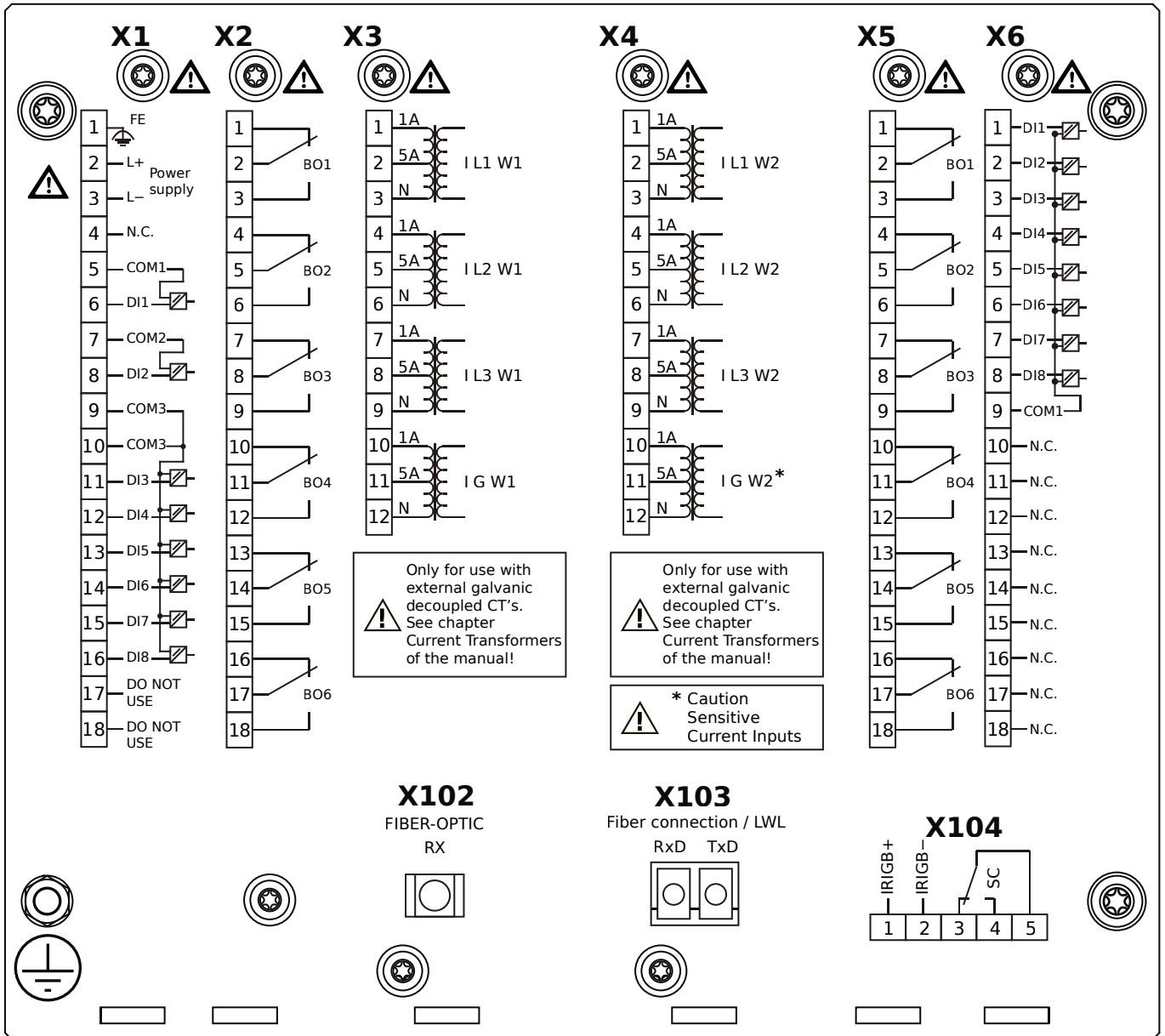
- X1** – DI8-X1: Wide-range power supply unit, incl. 2 non-grouped digital inputs and 6 grouped digital inputs
- X2** – OR-6: Assembly Group with 6 Relay Outputs
- X3** – TI-4: Standard current measuring card (for the winding side 1)
- X4** – TIs-4: Standard phase current measuring card and sensitive ground current measuring (winding side 2)
- X5** – OR-6: Assembly Group with 6 Relay Outputs
- X6** – DI8: Assembly Group with 8 Digital Inputs
- X102** – Universal Resistance-Temperature Detector (URTD) input, Fiber optics interface, Versatile Link
- X103** – IEC 61850 / Modbus TCP / DNP3.0 TCP/UDP, Fiber optics interface, LC Connector
- X104** – IRIG-B00X, incl. System Contact (Supervision Contact)

MRDT4-2D2ALA



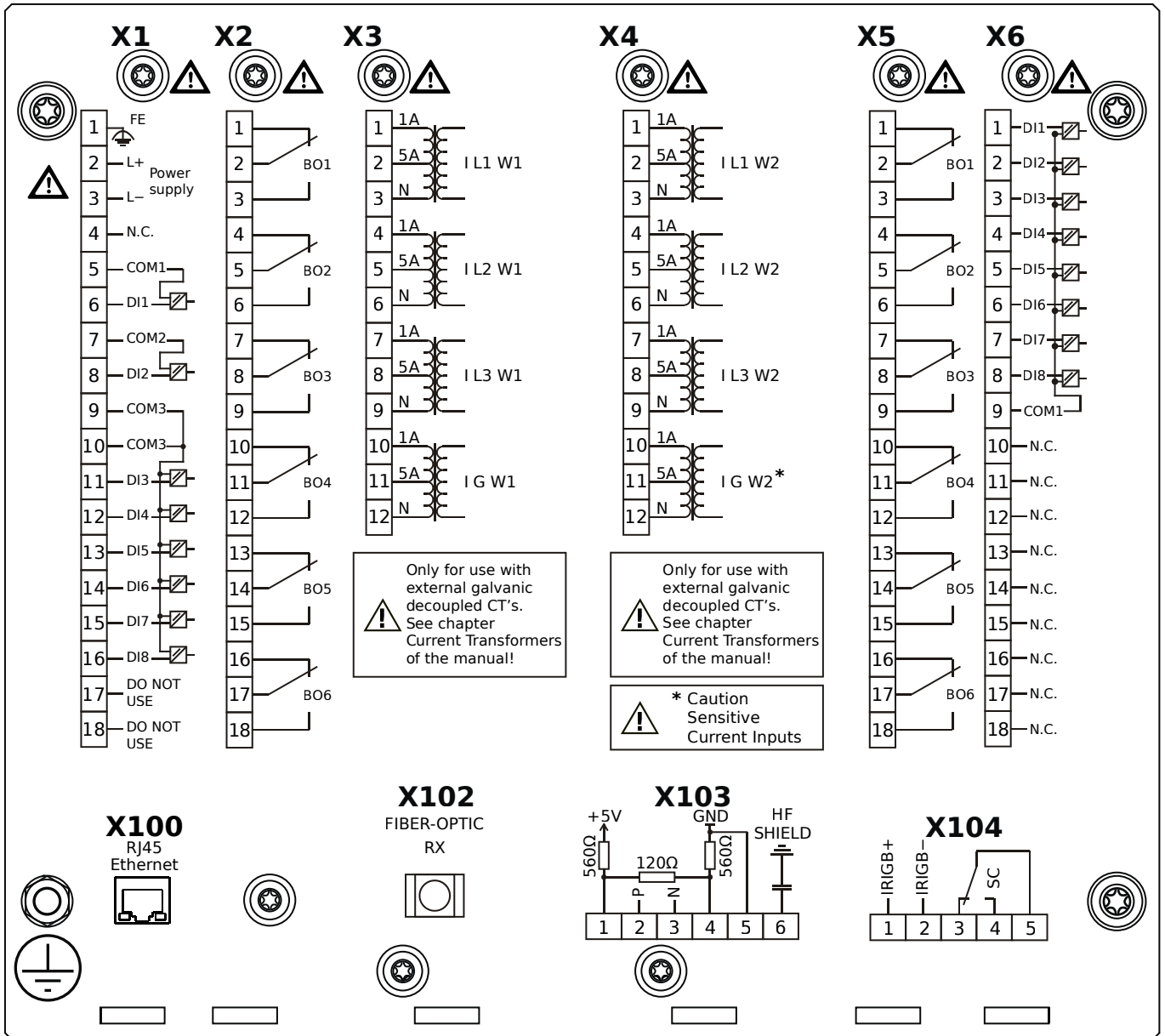
- X1** – DI8-X1: Wide-range power supply unit, incl. 2 non-grouped digital inputs and 6 grouped digital inputs
- X2** – OR-6: Assembly Group with 6 Relay Outputs
- X3** – TI-4: Standard current measuring card (for the winding side 1)
- X4** – TIs-4: Standard phase current measuring card and sensitive ground current measuring (winding side 2)
- X5** – OR-6: Assembly Group with 6 Relay Outputs
- X6** – DI8: Assembly Group with 8 Digital Inputs
- X102** – Universal Resistance-Temperature Detector (URTD) input, Fiber optics interface, Versatile Link
- X103** – Modbus TCP / DNP3.0 TCP/UDP, Fiber optics interface, LC Connector
- X104** – IRIG-B00X, incl. System Contact (Supervision Contact)

MRDT4-2D2ALB



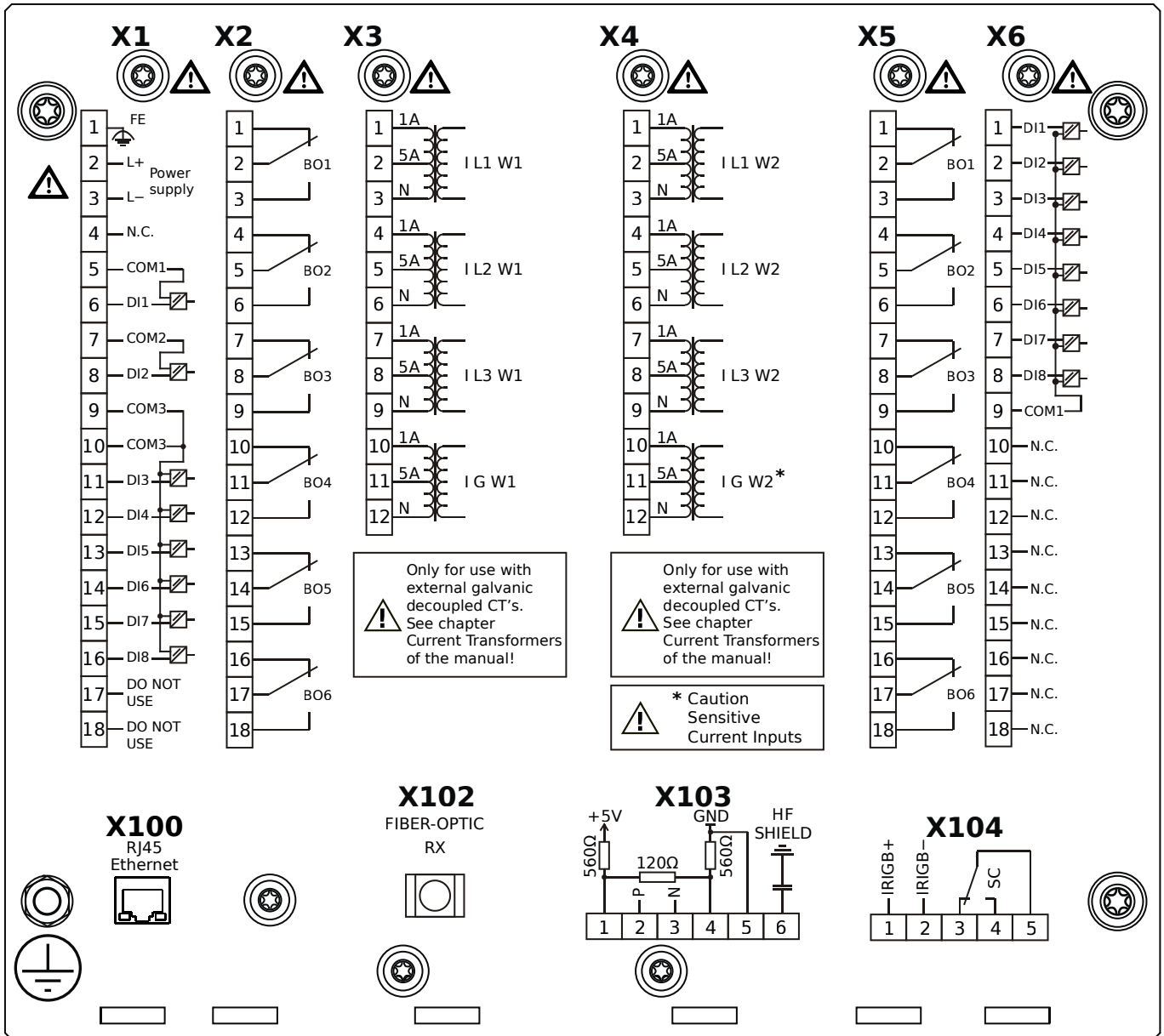
- X1** – DI8-X1: Wide-range power supply unit, incl. 2 non-grouped digital inputs and 6 grouped digital inputs
- X2** – OR-6: Assembly Group with 6 Relay Outputs
- X3** – TI-4: Standard current measuring card (for the winding side 1)
- X4** – TIs-4: Standard phase current measuring card and sensitive ground current measuring (winding side 2)
- X5** – OR-6: Assembly Group with 6 Relay Outputs
- X6** – DI8: Assembly Group with 8 Digital Inputs
- X102** – Universal Resistance-Temperature Detector (URTD) input, Fiber optics interface, Versatile Link
- X103** – Modbus TCP / DNP3.0 TCP/UDP, Fiber optics interface, LC Connector
- X104** – IRIG-B00X, incl. System Contact (Supervision Contact)

MRDT4-2D2ATA



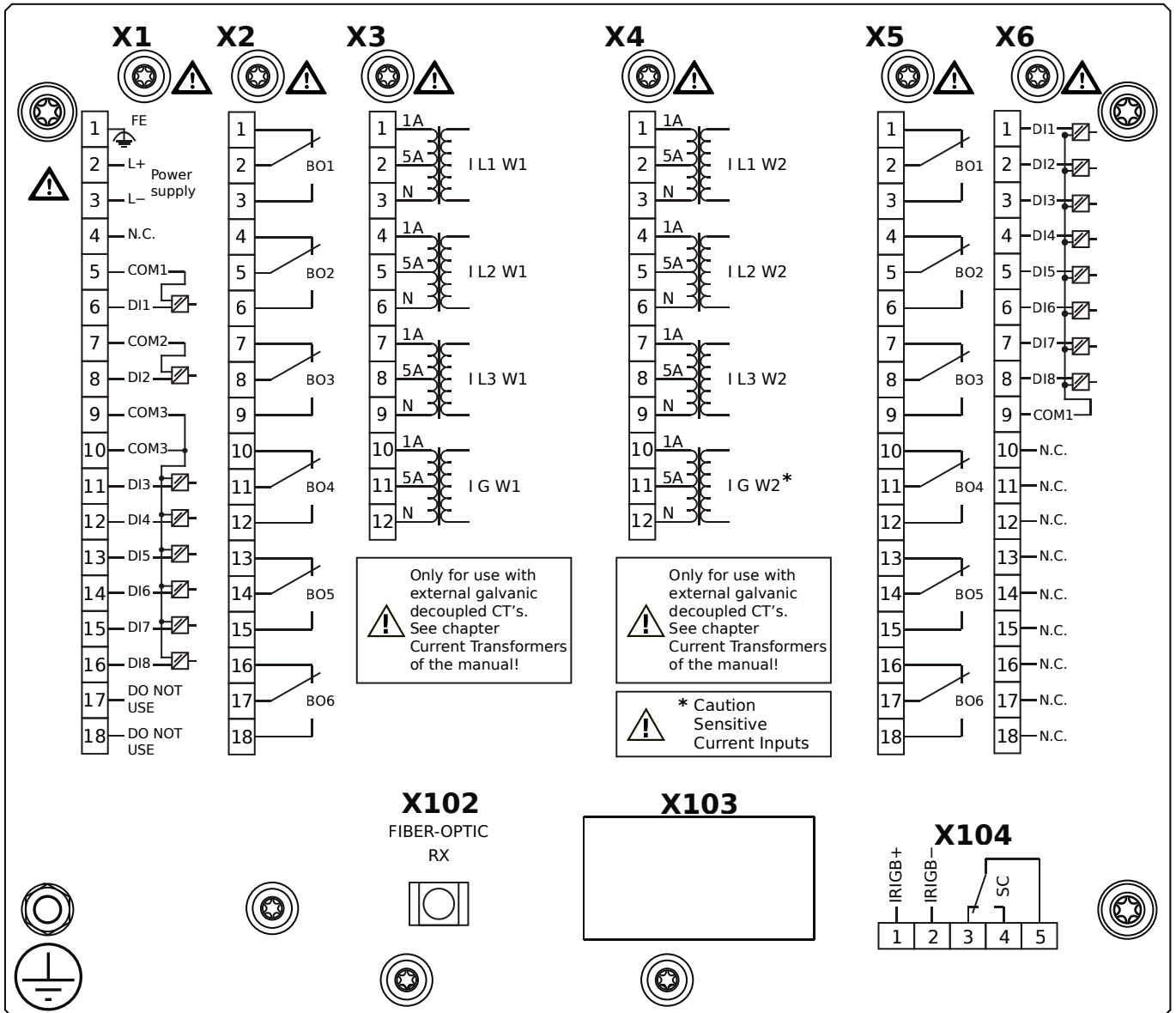
- X1** – DI8-X1: Wide-range power supply unit, incl. 2 non-grouped digital inputs and 6 grouped digital inputs
- X2** – OR-6: Assembly Group with 6 Relay Outputs
- X3** – TI-4: Standard current measuring card (for the winding side 1)
- X4** – TIs-4: Standard phase current measuring card and sensitive ground current measuring (winding side 2)
- X5** – OR-6: Assembly Group with 6 Relay Outputs
- X6** – DI8: Assembly Group with 8 Digital Inputs
- X100** – IEC 61850 / Modbus TCP / DNP3.0 TCP/UDP, Ethernet interface, 100 Mbit/s, RJ45 (BASE100-FX)
- X102** – Universal Resistance-Temperature Detector (URTD) input, Fiber optics interface, Versatile Link
- X103** – IEC 60870-5-103 / Modbus RTU / DNP3.0 RTU, RS485, Terminals
- X104** – IRIG-B00X, incl. System Contact (Supervision Contact)

MRDT4-2D2ATB



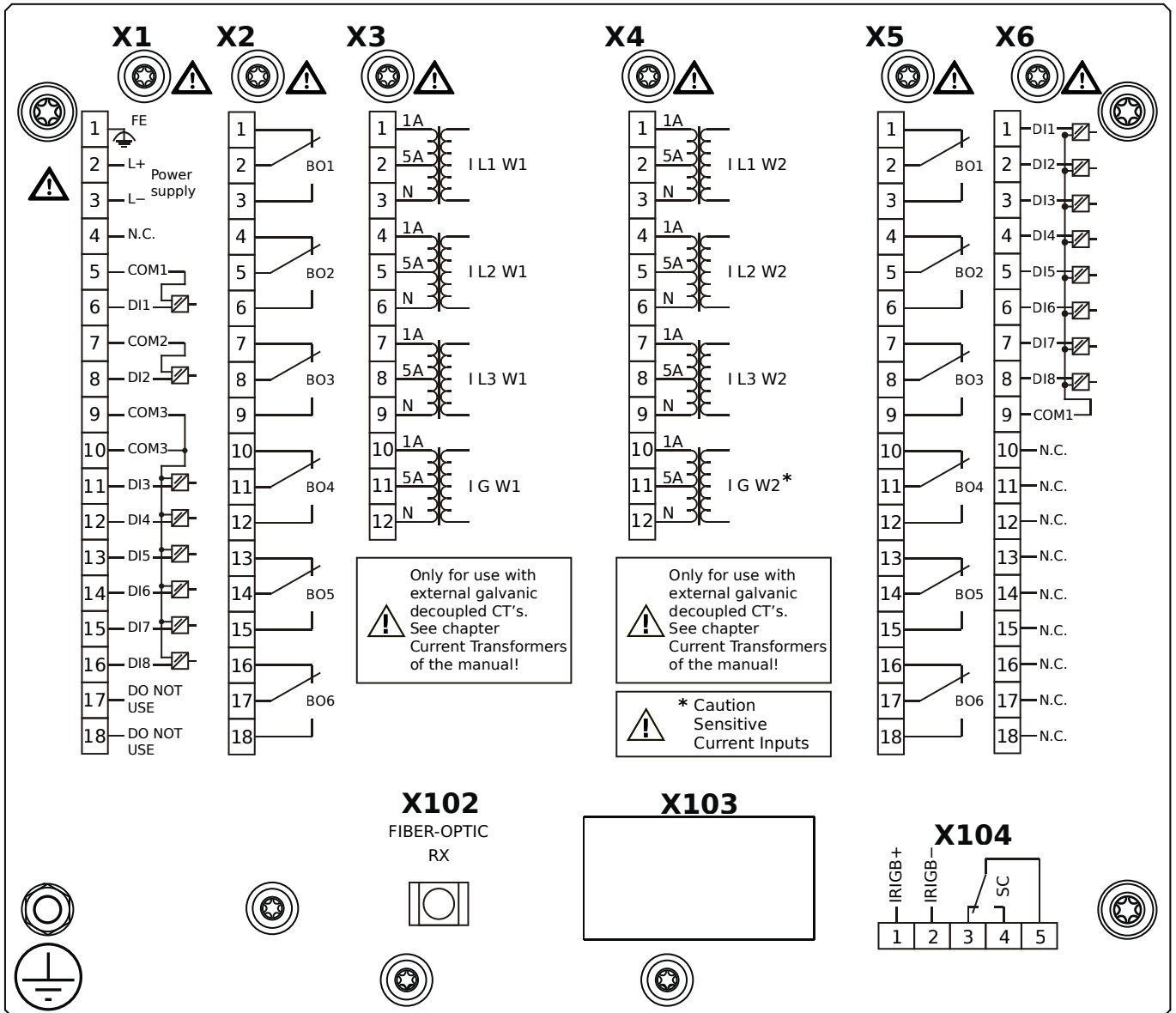
- X1** – DI8-X1: Wide-range power supply unit, incl. 2 non-grouped digital inputs and 6 grouped digital inputs
- X2** – OR-6: Assembly Group with 6 Relay Outputs
- X3** – TI-4: Standard current measuring card (for the winding side 1)
- X4** – TIs-4: Standard phase current measuring card and sensitive ground current measuring (winding side 2)
- X5** – OR-6: Assembly Group with 6 Relay Outputs
- X6** – DI8: Assembly Group with 8 Digital Inputs
- X100** – IEC 61850 / Modbus TCP / DNP3.0 TCP/UDP, Ethernet interface, 100 Mbit/s, RJ45 (BASE100-FX)
- X102** – Universal Resistance-Temperature Detector (URTD) input, Fiber optics interface, Versatile Link
- X103** – IEC 60870-5-103 / Modbus RTU / DNP3.0 RTU, RS485, Terminals
- X104** – IRIG-B00X, incl. System Contact (Supervision Contact)

MRDT4-2D2BAA



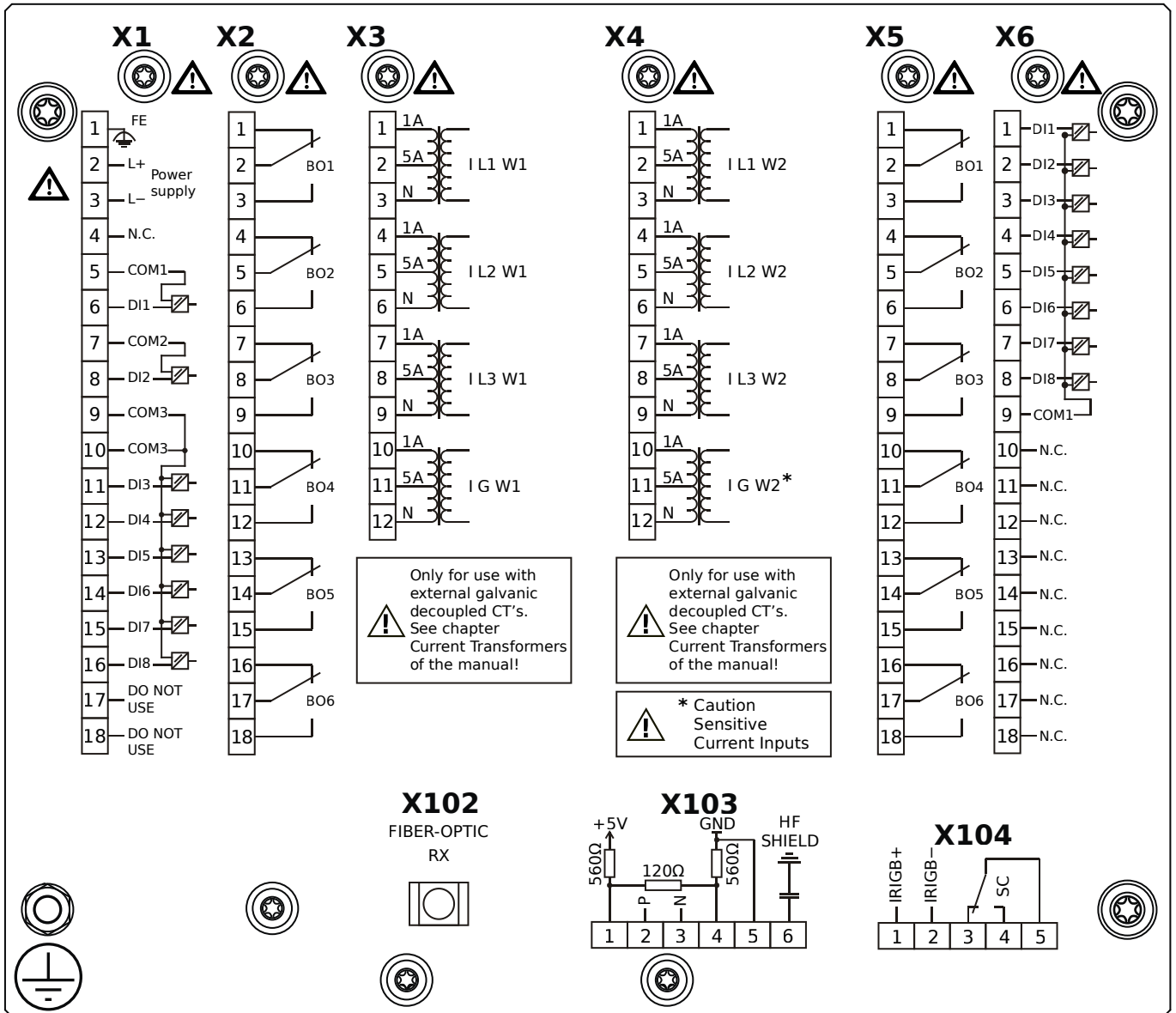
- X1** – DI8-X1: Wide-range power supply unit, incl. 2 non-grouped digital inputs and 6 grouped digital inputs
- X2** – OR-6: Assembly Group with 6 Relay Outputs
- X3** – TI-4: Standard current measuring card (for the winding side 1)
- X4** – TIs-4: Standard phase current measuring card and sensitive ground current measuring (winding side 2)
- X5** – OR-6: Assembly Group with 6 Relay Outputs
- X6** – DI8: Assembly Group with 8 Digital Inputs
- X102** – Universal Resistance-Temperature Detector (URTD) input, Fiber optics interface, Versatile Link
- X104** – IRIG-B00X, incl. System Contact (Supervision Contact)

MRDT4-2D2BAB



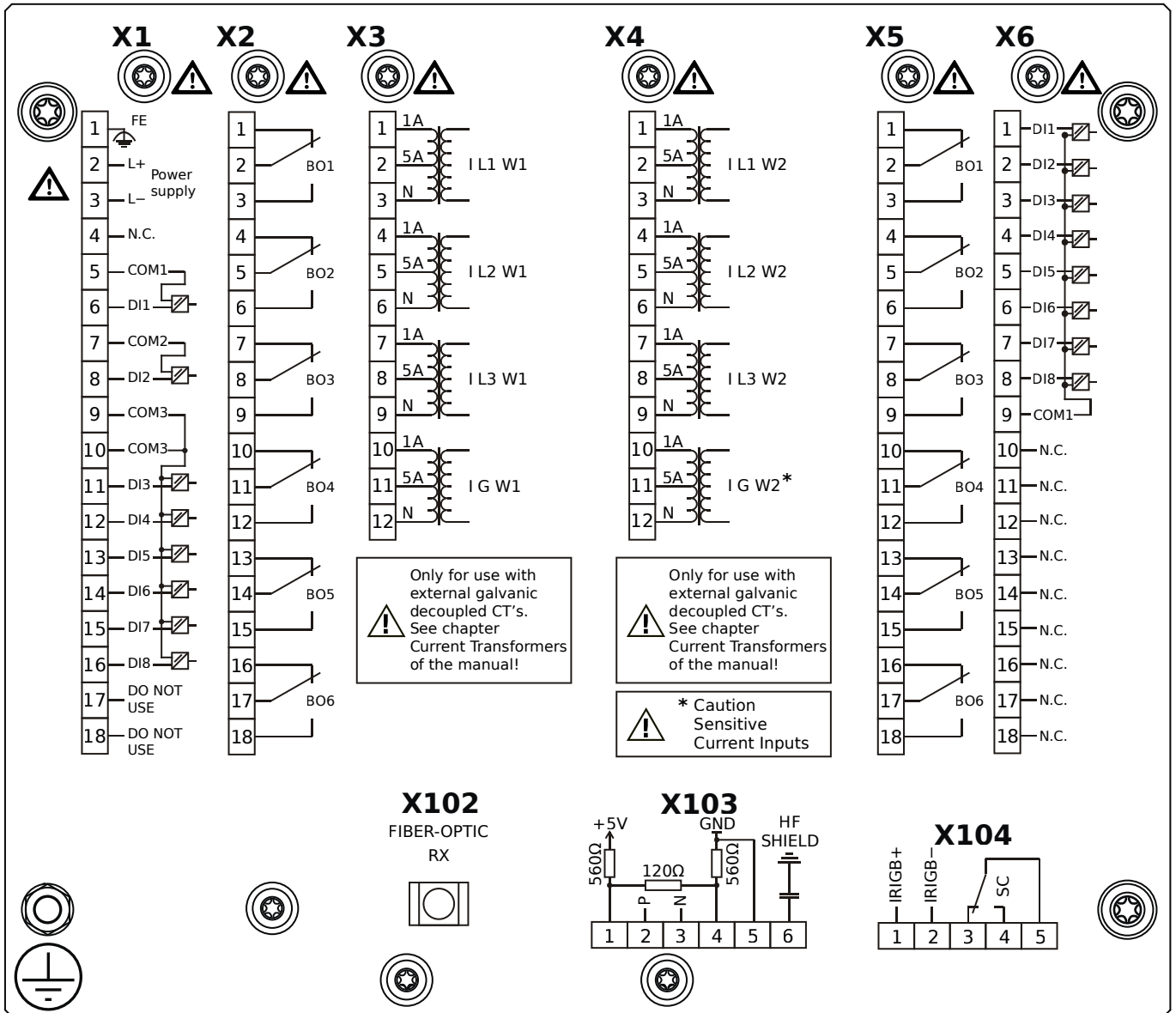
- X1** – DI8-X1: Wide-range power supply unit, incl. 2 non-grouped digital inputs and 6 grouped digital inputs
- X2** – OR-6: Assembly Group with 6 Relay Outputs
- X3** – TI-4: Standard current measuring card (for the winding side 1)
- X4** – TIs-4: Standard phase current measuring card and sensitive ground current measuring (winding side 2)
- X5** – OR-6: Assembly Group with 6 Relay Outputs
- X6** – DI8: Assembly Group with 8 Digital Inputs
- X102** – Universal Resistance-Temperature Detector (URTD) input, Fiber optics interface, Versatile Link
- X104** – IRIG-B00X, incl. System Contact (Supervision Contact)

MRDT4-2D2BBA



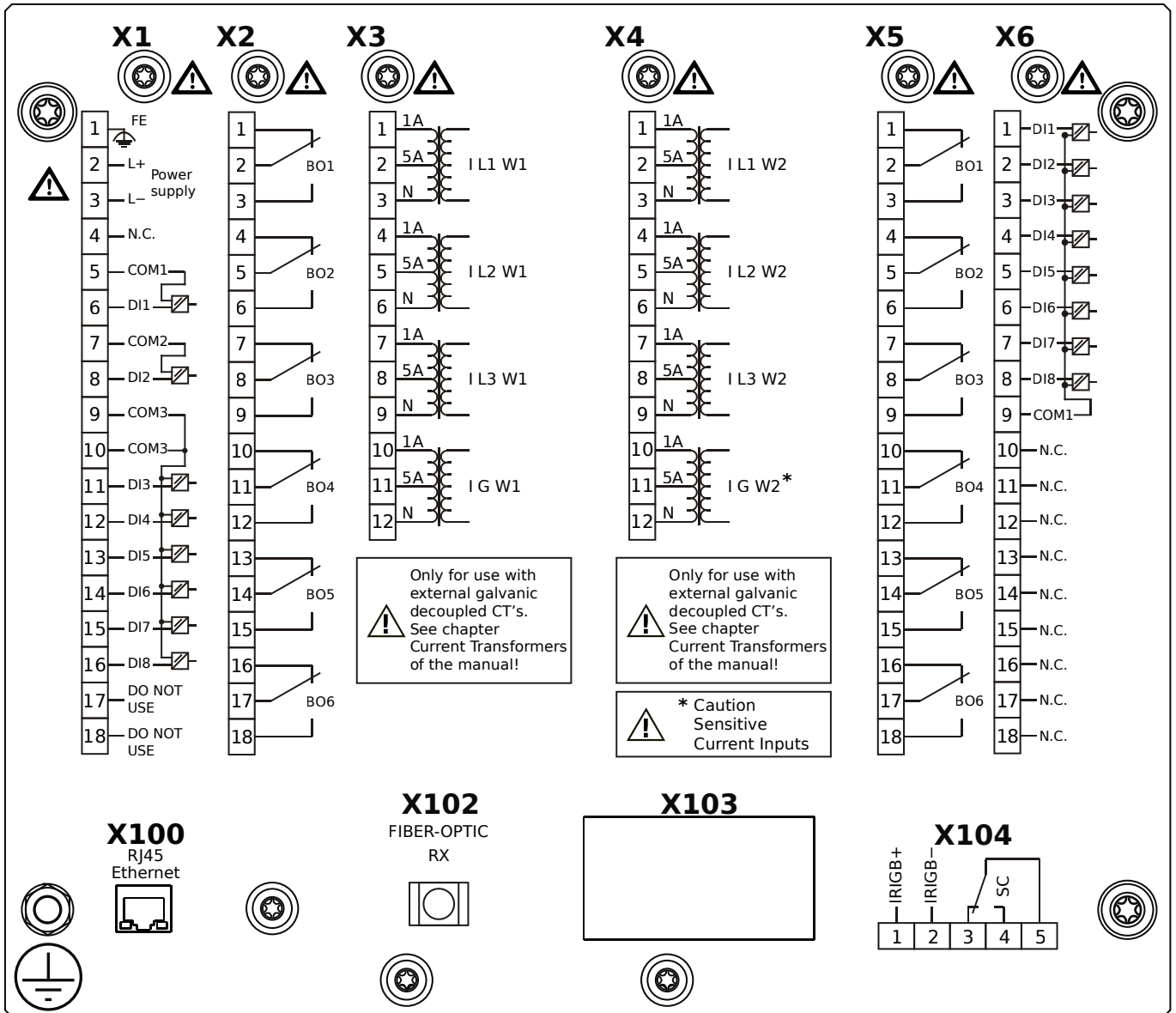
- X1** – DI8-X1: Wide-range power supply unit, incl. 2 non-grouped digital inputs and 6 grouped digital inputs
- X2** – OR-6: Assembly Group with 6 Relay Outputs
- X3** – TI-4: Standard current measuring card (for the winding side 1)
- X4** – TIs-4: Standard phase current measuring card and sensitive ground current measuring (winding side 2)
- X5** – OR-6: Assembly Group with 6 Relay Outputs
- X6** – DI8: Assembly Group with 8 Digital Inputs
- X102** – Universal Resistance-Temperature Detector (URTD) input, Fiber optics interface, Versatile Link
- X103** – Modbus RTU / IEC 60870-5-103 / DNP3.0 RTU, RS485, Terminals
- X104** – IRIG-B00X, incl. System Contact (Supervision Contact)

MRDT4-2D2BBB



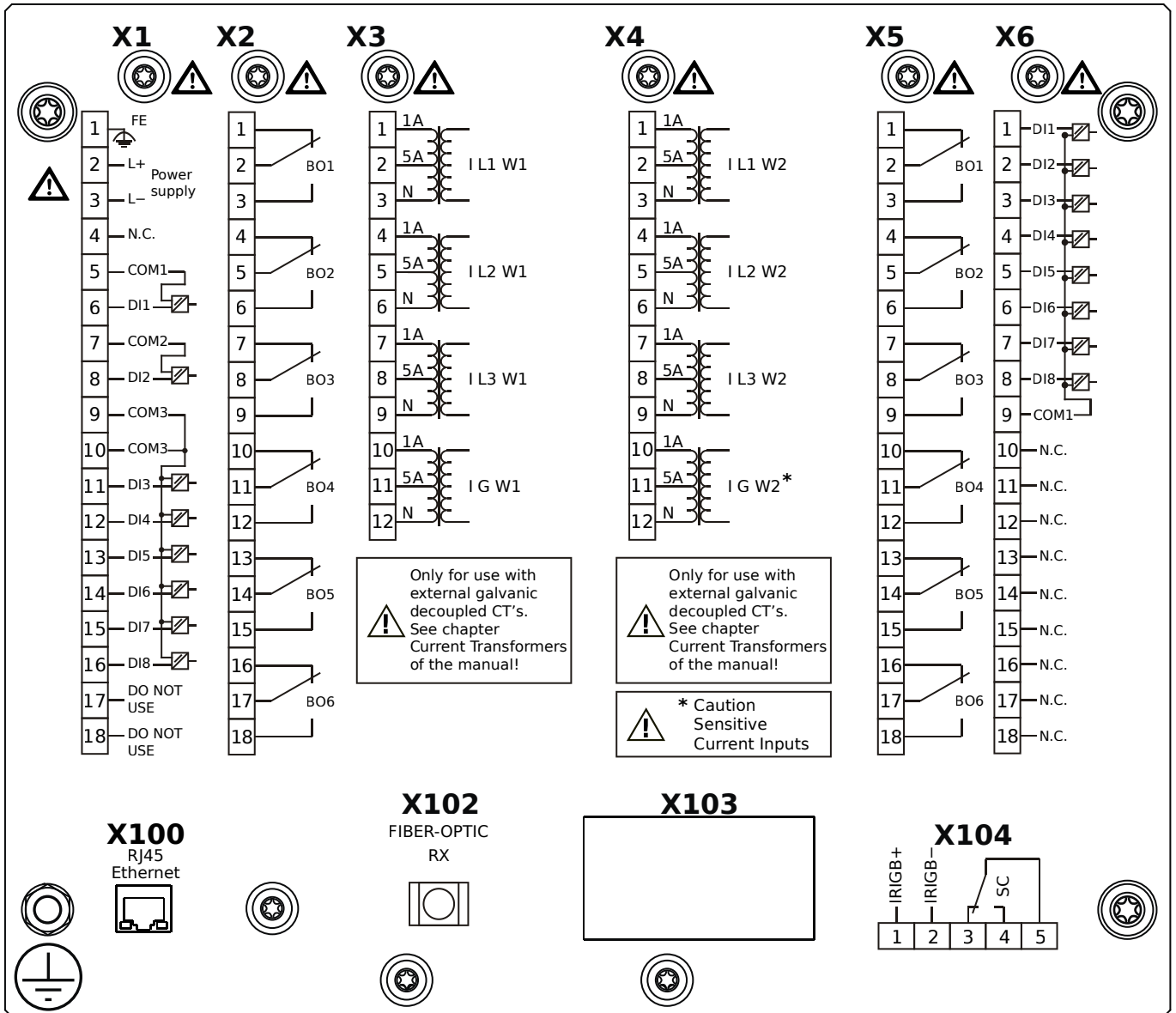
- X1** – DI8-X1: Wide-range power supply unit, incl. 2 non-grouped digital inputs and 6 grouped digital inputs
- X2** – OR-6: Assembly Group with 6 Relay Outputs
- X3** – TI-4: Standard current measuring card (for the winding side 1)
- X4** – TIs-4: Standard phase current measuring card and sensitive ground current measuring (winding side 2)
- X5** – OR-6: Assembly Group with 6 Relay Outputs
- X6** – DI8: Assembly Group with 8 Digital Inputs
- X102** – Universal Resistance-Temperature Detector (URTD) input, Fiber optics interface, Versatile Link
- X103** – Modbus RTU / IEC 60870-5-103 / DNP3.0 RTU, RS485, Terminals
- X104** – IRIG-B00X, incl. System Contact (Supervision Contact)

MRDT4-2D2BCA



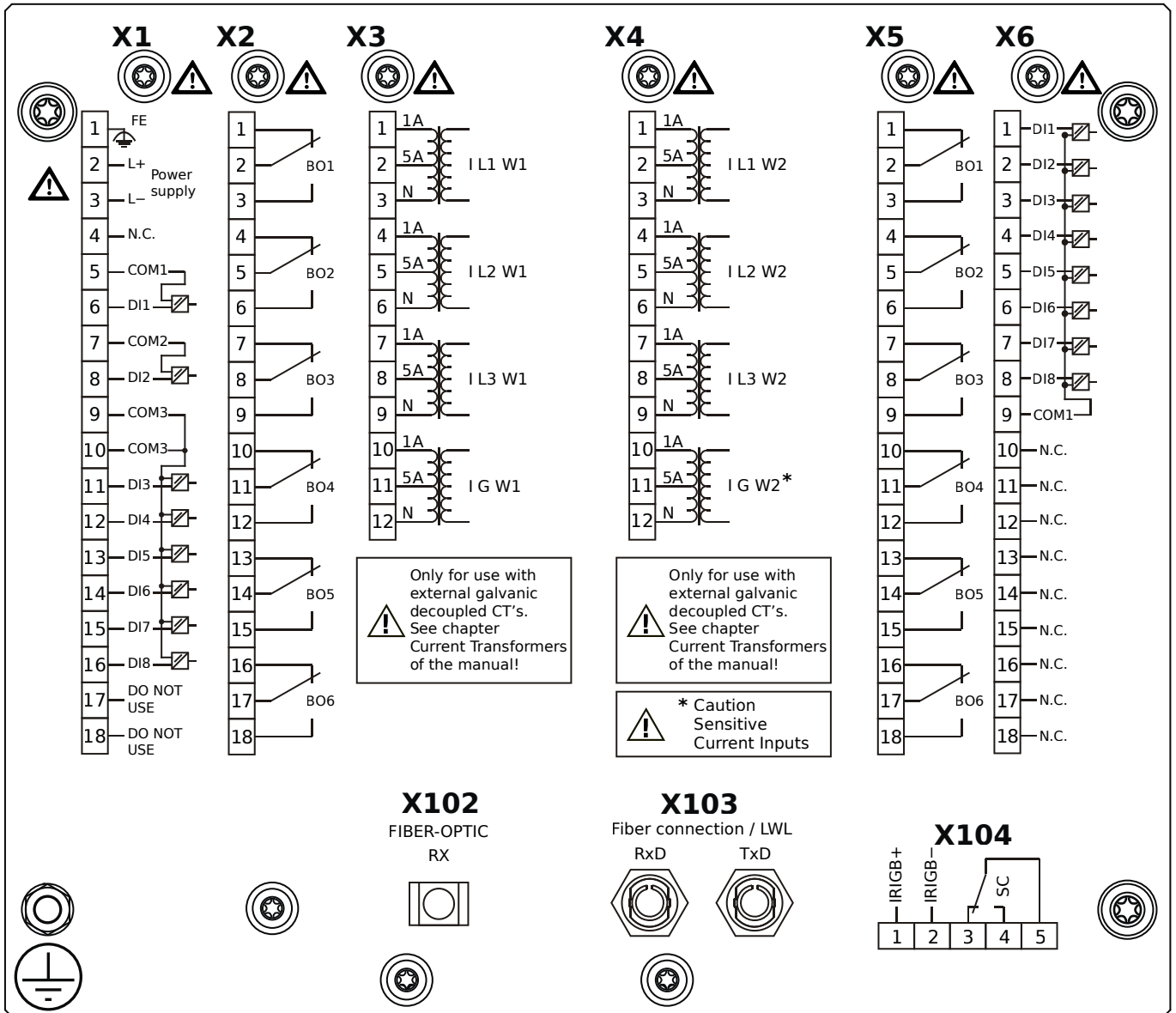
- X1** – DI8-X1: Wide-range power supply unit, incl. 2 non-grouped digital inputs and 6 grouped digital inputs
- X2** – OR-6: Assembly Group with 6 Relay Outputs
- X3** – TI-4: Standard current measuring card (for the winding side 1)
- X4** – TIs-4: Standard phase current measuring card and sensitive ground current measuring (winding side 2)
- X5** – OR-6: Assembly Group with 6 Relay Outputs
- X6** – DI8: Assembly Group with 8 Digital Inputs
- X100** – Modbus TCP / DNP3.0 TCP/UDP, Ethernet interface, 100 Mbit/s, RJ45 (BASE100-FX)
- X102** – Universal Resistance-Temperature Detector (URTD) input, Fiber optics interface, Versatile Link
- X104** – IRIG-B00X, incl. System Contact (Supervision Contact)

MRDT4-2D2BCB



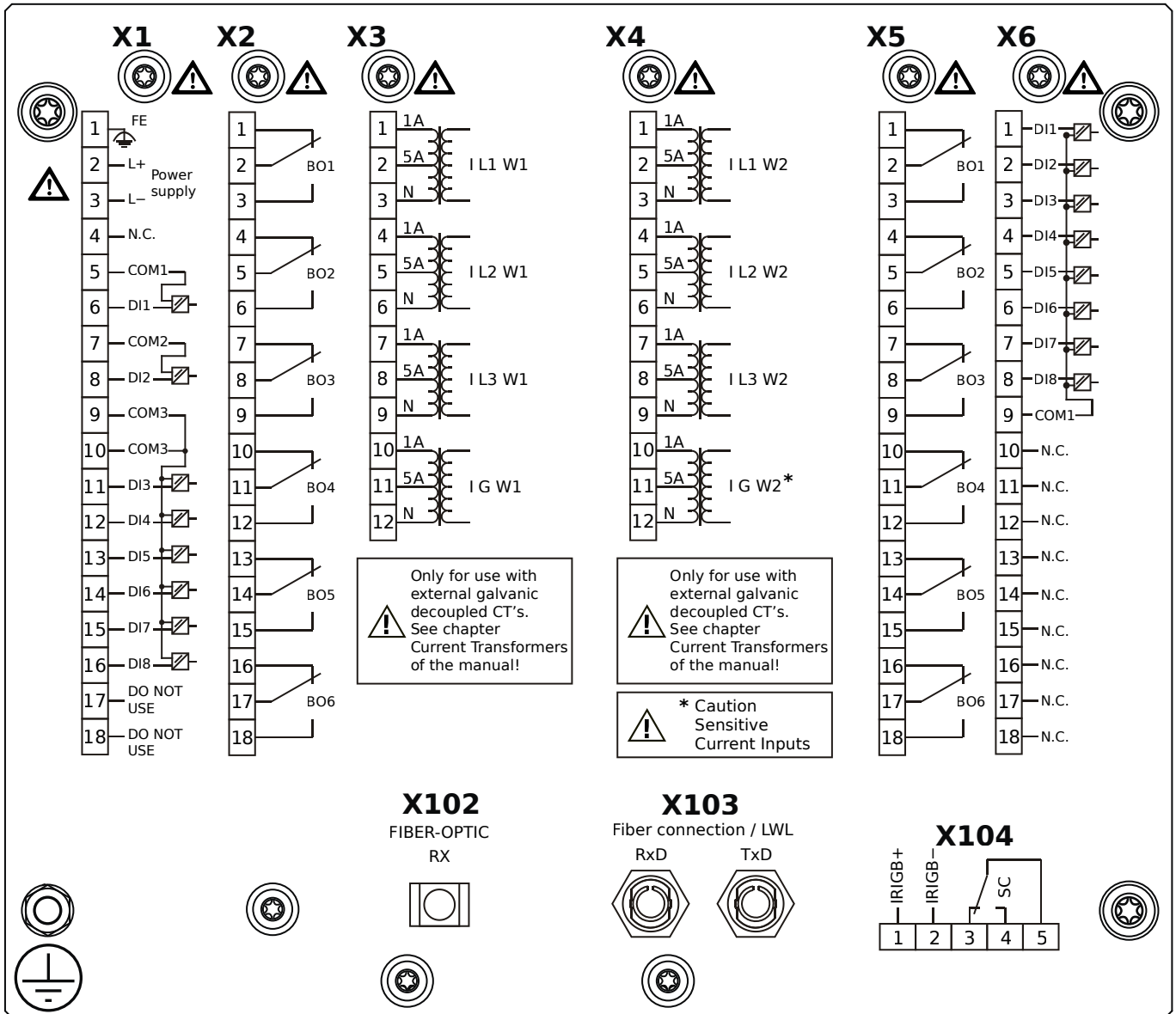
- X1** – DI8-X1: Wide-range power supply unit, incl. 2 non-grouped digital inputs and 6 grouped digital inputs
- X2** – OR-6: Assembly Group with 6 Relay Outputs
- X3** – TI-4: Standard current measuring card (for the winding side 1)
- X4** – TIs-4: Standard phase current measuring card and sensitive ground current measuring (winding side 2)
- X5** – OR-6: Assembly Group with 6 Relay Outputs
- X6** – DI8: Assembly Group with 8 Digital Inputs
- X100** – Modbus TCP / DNP3.0 TCP/UDP, Ethernet interface, 100 Mbit/s, RJ45 (BASE100-FX)
- X102** – Universal Resistance-Temperature Detector (URTD) input, Fiber optics interface, Versatile Link
- X104** – IRIG-B00X, incl. System Contact (Supervision Contact)

MRDT4-2D2BDA



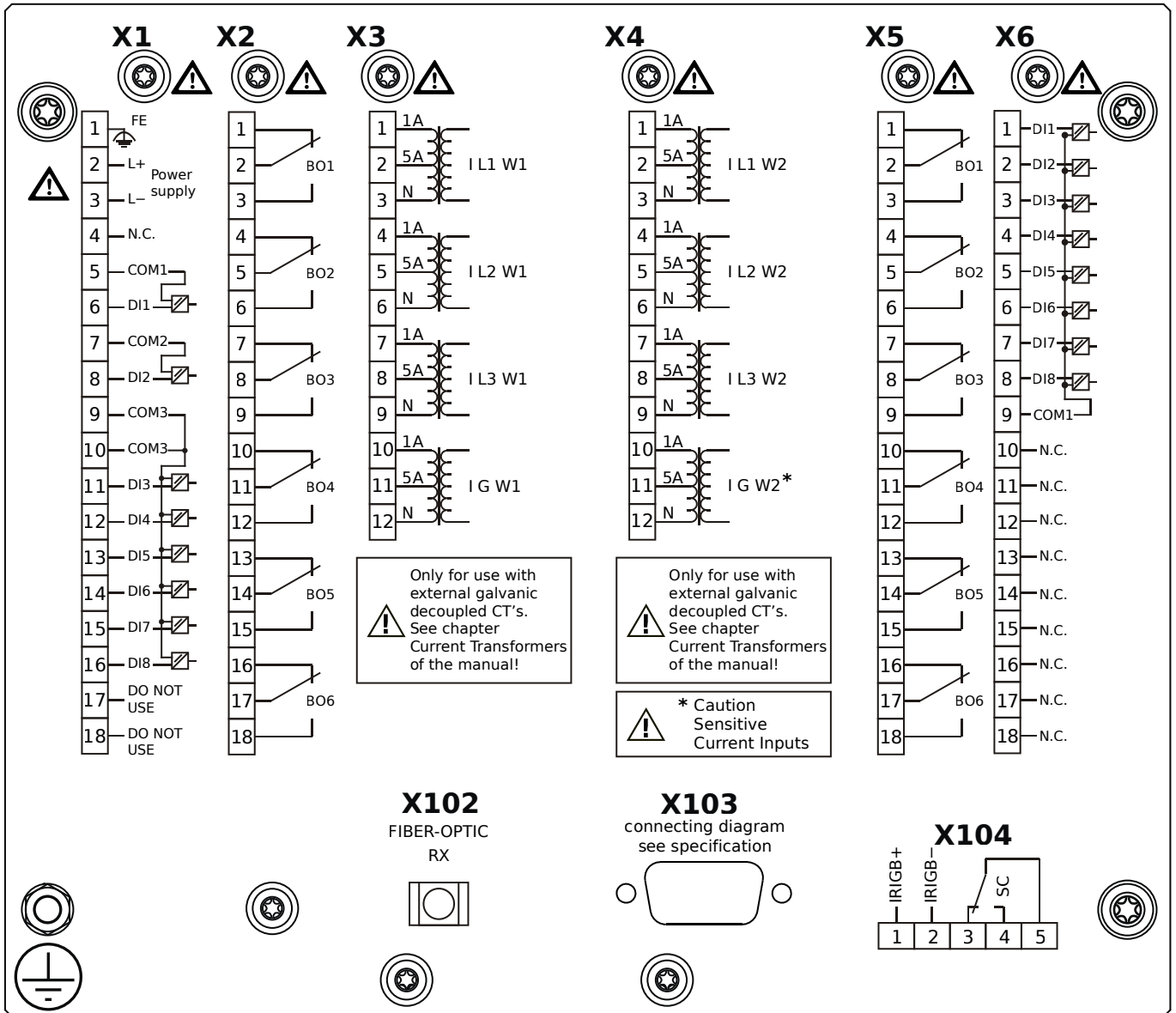
- X1** – DI8-X1: Wide-range power supply unit, incl. 2 non-grouped digital inputs and 6 grouped digital inputs
- X2** – OR-6: Assembly Group with 6 Relay Outputs
- X3** – TI-4: Standard current measuring card (for the winding side 1)
- X4** – TIs-4: Standard phase current measuring card and sensitive ground current measuring (winding side 2)
- X5** – OR-6: Assembly Group with 6 Relay Outputs
- X6** – DI8: Assembly Group with 8 Digital Inputs
- X102** – Universal Resistance-Temperature Detector (URTD) input, Fiber optics interface, Versatile Link
- X103** – Profibus-DP, Fiber optics interface, ST Connector
- X104** – IRIG-B00X, incl. System Contact (Supervision Contact)

MRDT4-2D2BDB



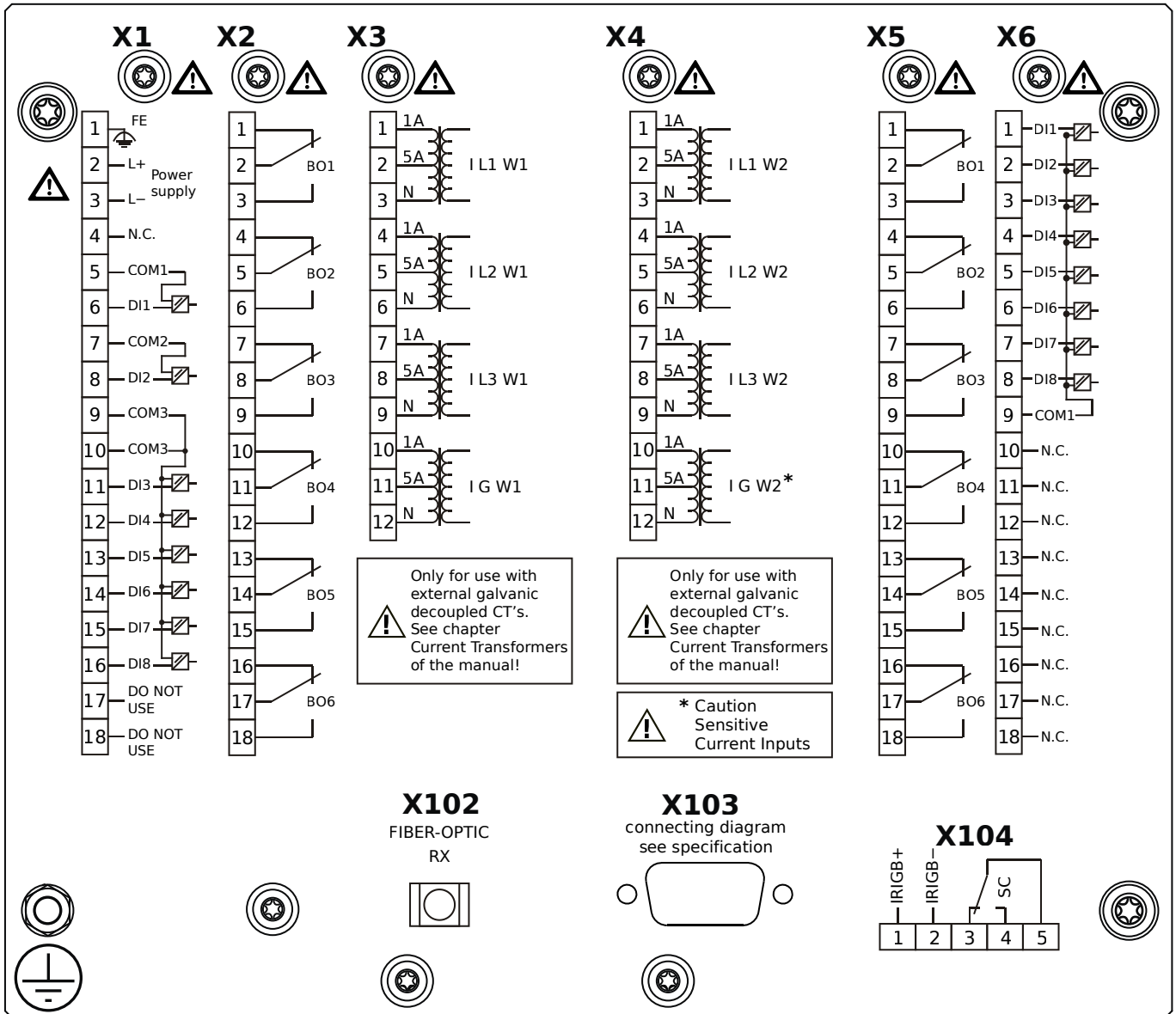
- X1** – DI8-X1: Wide-range power supply unit, incl. 2 non-grouped digital inputs and 6 grouped digital inputs
- X2** – OR-6: Assembly Group with 6 Relay Outputs
- X3** – TI-4: Standard current measuring card (for the winding side 1)
- X4** – TIs-4: Standard phase current measuring card and sensitive ground current measuring (winding side 2)
- X5** – OR-6: Assembly Group with 6 Relay Outputs
- X6** – DI8: Assembly Group with 8 Digital Inputs
- X102** – Universal Resistance-Temperature Detector (URTD) input, Fiber optics interface, Versatile Link
- X103** – Profibus-DP, Fiber optics interface, ST Connector
- X104** – IRIG-B00X, incl. System Contact (Supervision Contact)

MRDT4-2D2BEA



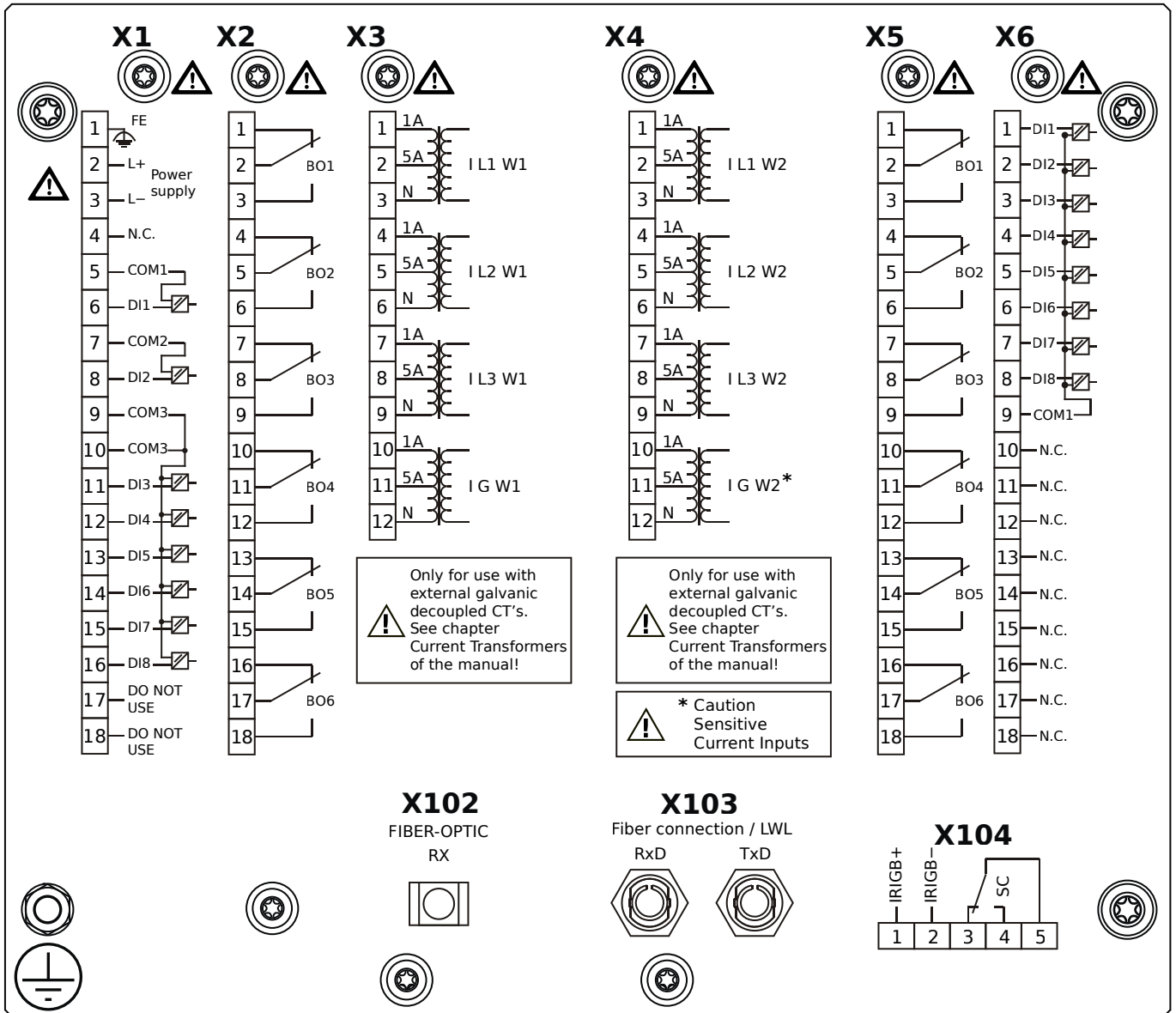
- X1** – DI8-X1: Wide-range power supply unit, incl. 2 non-grouped digital inputs and 6 grouped digital inputs
- X2** – OR-6: Assembly Group with 6 Relay Outputs
- X3** – TI-4: Standard current measuring card (for the winding side 1)
- X4** – TIs-4: Standard phase current measuring card and sensitive ground current measuring (winding side 2)
- X5** – OR-6: Assembly Group with 6 Relay Outputs
- X6** – DI8: Assembly Group with 8 Digital Inputs
- X102** – Universal Resistance-Temperature Detector (URTD) input, Fiber optics interface, Versatile Link
- X103** – Profibus-DP, RS485, D-SUB
- X104** – IRIG-B00X, incl. System Contact (Supervision Contact)

MRDT4-2D2BEB



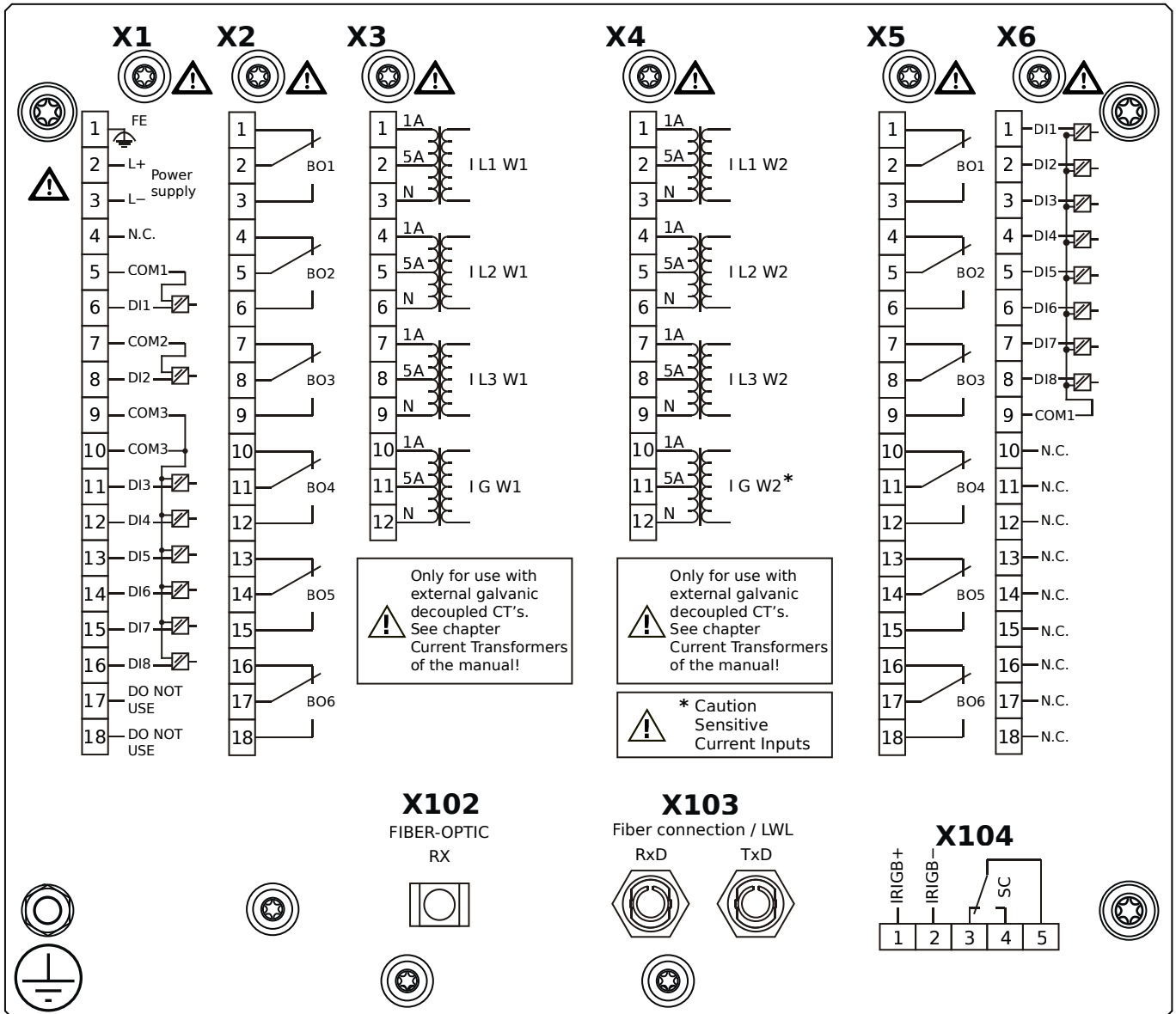
- X1** – DI8-X1: Wide-range power supply unit, incl. 2 non-grouped digital inputs and 6 grouped digital inputs
- X2** – OR-6: Assembly Group with 6 Relay Outputs
- X3** – TI-4: Standard current measuring card (for the winding side 1)
- X4** – TIs-4: Standard phase current measuring card and sensitive ground current measuring (winding side 2)
- X5** – OR-6: Assembly Group with 6 Relay Outputs
- X6** – DI8: Assembly Group with 8 Digital Inputs
- X102** – Universal Resistance-Temperature Detector (URTD) input, Fiber optics interface, Versatile Link
- X103** – Profibus-DP, RS485, D-SUB
- X104** – IRIG-B00X, incl. System Contact (Supervision Contact)

MRDT4-2D2BFA



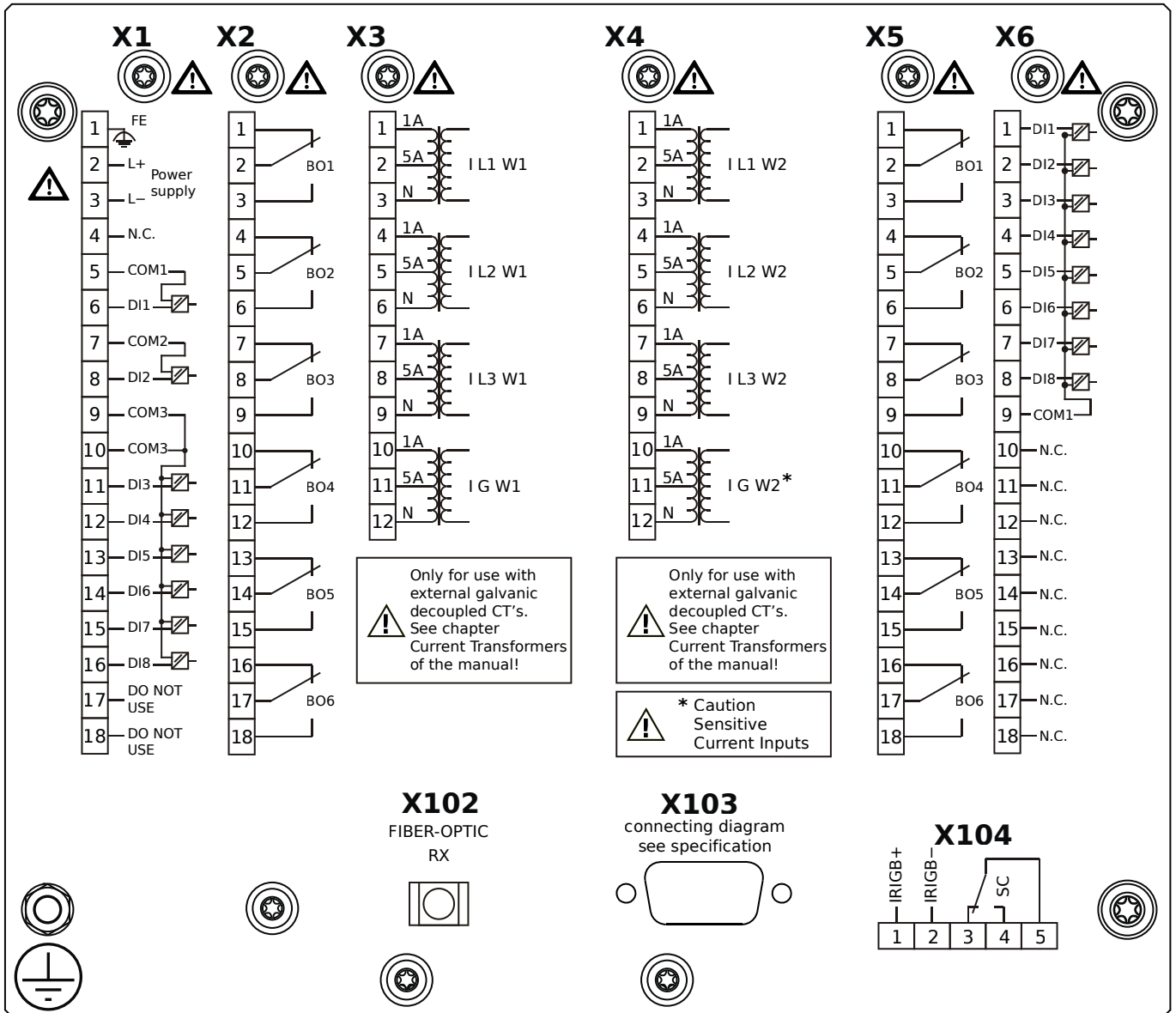
- X1** – DI8-X1: Wide-range power supply unit, incl. 2 non-grouped digital inputs and 6 grouped digital inputs
- X2** – OR-6: Assembly Group with 6 Relay Outputs
- X3** – TI-4: Standard current measuring card (for the winding side 1)
- X4** – TIs-4: Standard phase current measuring card and sensitive ground current measuring (winding side 2)
- X5** – OR-6: Assembly Group with 6 Relay Outputs
- X6** – DI8: Assembly Group with 8 Digital Inputs
- X102** – Universal Resistance-Temperature Detector (URTD) input, Fiber optics interface, Versatile Link
- X103** – Modbus RTU / IEC 60870-5-103 / DNP3.0 RTU, Fiber optics interface, ST Connector
- X104** – IRIG-B00X, incl. System Contact (Supervision Contact)

MRDT4-2D2BFB



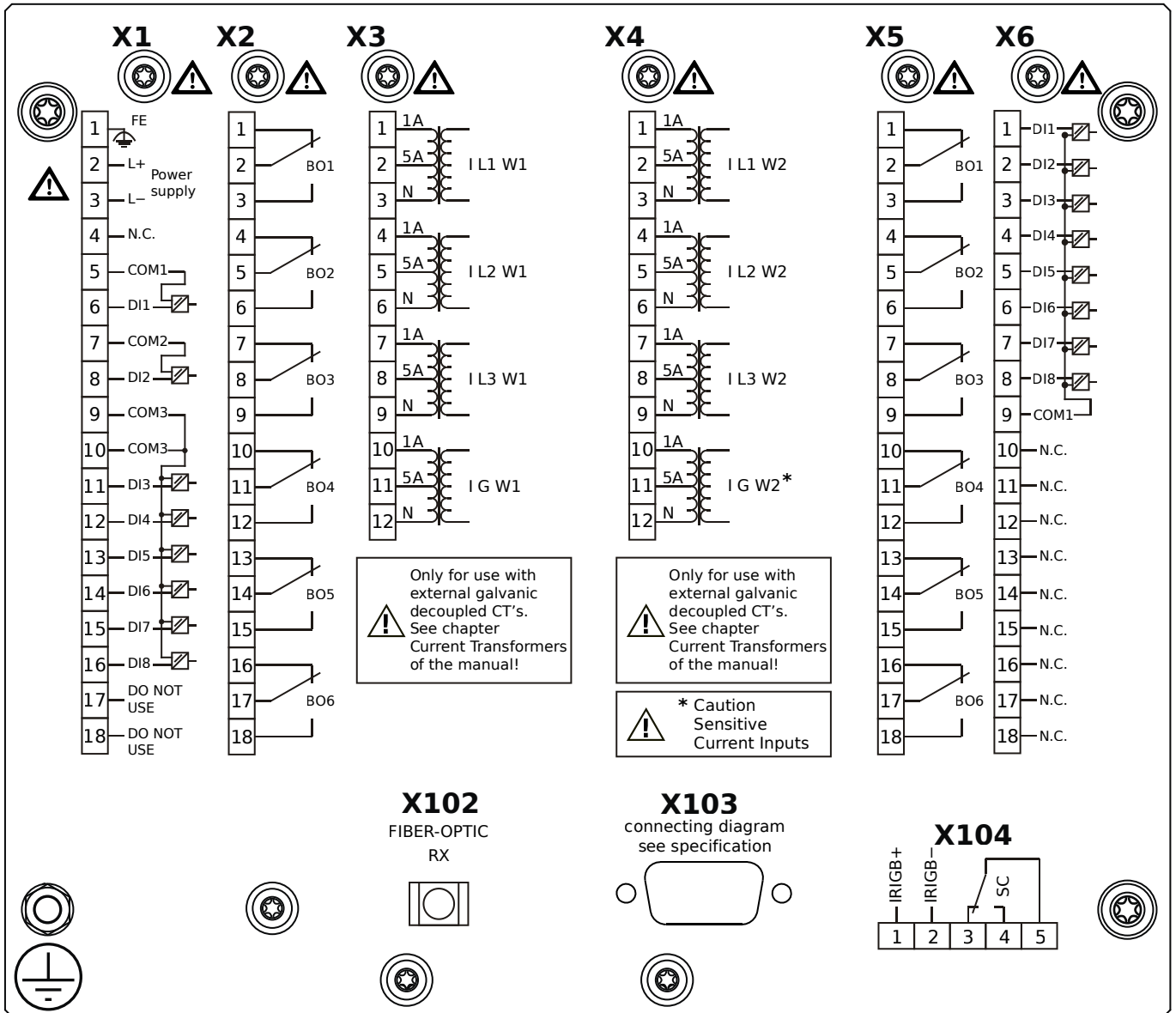
- X1** – DI8-X1: Wide-range power supply unit, incl. 2 non-grouped digital inputs and 6 grouped digital inputs
- X2** – OR-6: Assembly Group with 6 Relay Outputs
- X3** – TI-4: Standard current measuring card (for the winding side 1)
- X4** – TIs-4: Standard phase current measuring card and sensitive ground current measuring (winding side 2)
- X5** – OR-6: Assembly Group with 6 Relay Outputs
- X6** – DI8: Assembly Group with 8 Digital Inputs
- X102** – Universal Resistance-Temperature Detector (URTD) input, Fiber optics interface, Versatile Link
- X103** – Modbus RTU / IEC 60870-5-103 / DNP3.0 RTU, Fiber optics interface, ST Connector
- X104** – IRIG-B00X, incl. System Contact (Supervision Contact)

MRDT4-2D2BGA



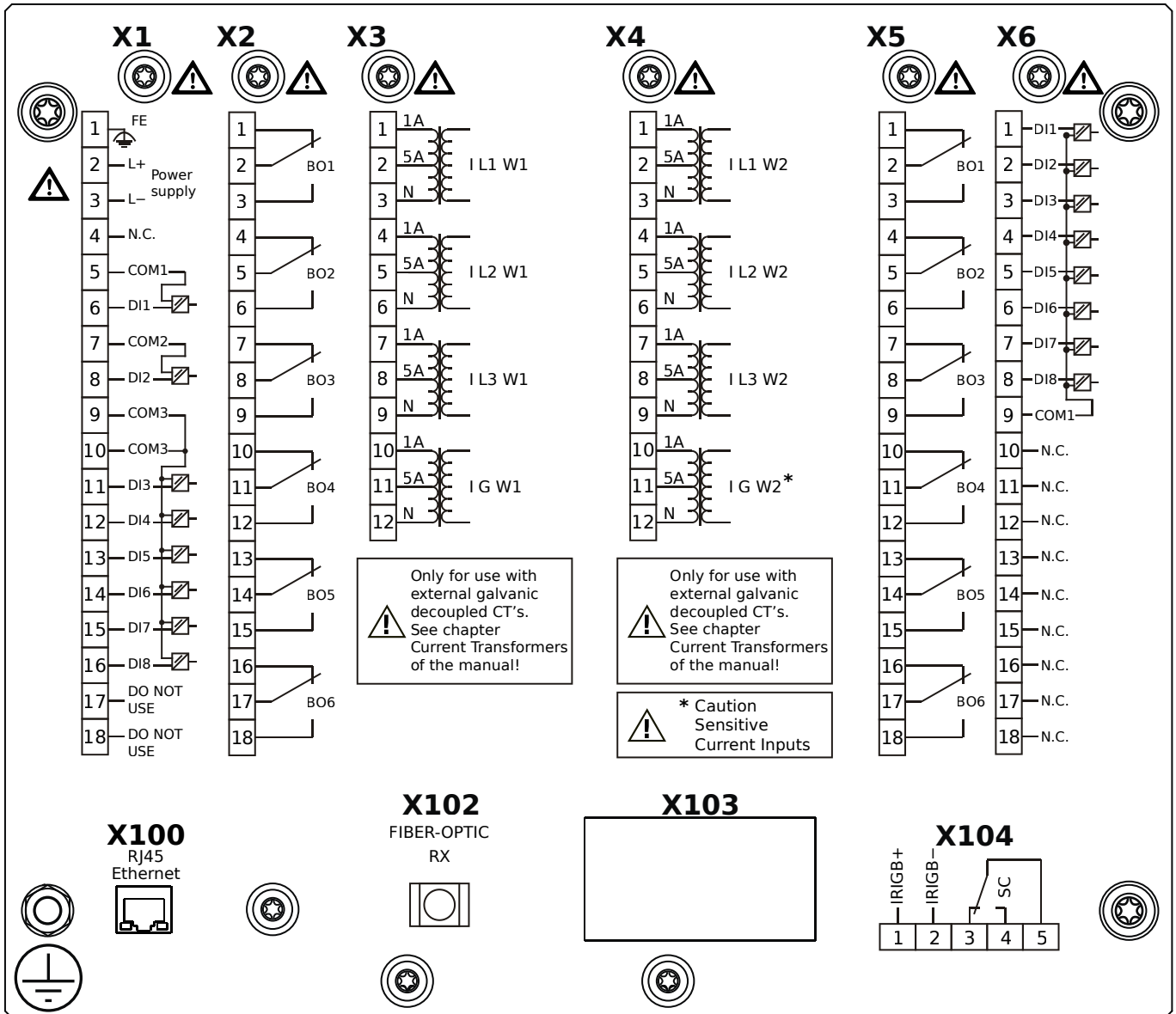
- X1** – DI8-X1: Wide-range power supply unit, incl. 2 non-grouped digital inputs and 6 grouped digital inputs
- X2** – OR-6: Assembly Group with 6 Relay Outputs
- X3** – TI-4: Standard current measuring card (for the winding side 1)
- X4** – TIs-4: Standard phase current measuring card and sensitive ground current measuring (winding side 2)
- X5** – OR-6: Assembly Group with 6 Relay Outputs
- X6** – DI8: Assembly Group with 8 Digital Inputs
- X102** – Universal Resistance-Temperature Detector (URTD) input, Fiber optics interface, Versatile Link
- X103** – Modbus RTU / IEC 60870-5-103 / DNP3.0 RTU, RS485, D-SUB
- X104** – IRIG-B00X, incl. System Contact (Supervision Contact)

MRDT4-2D2BGB



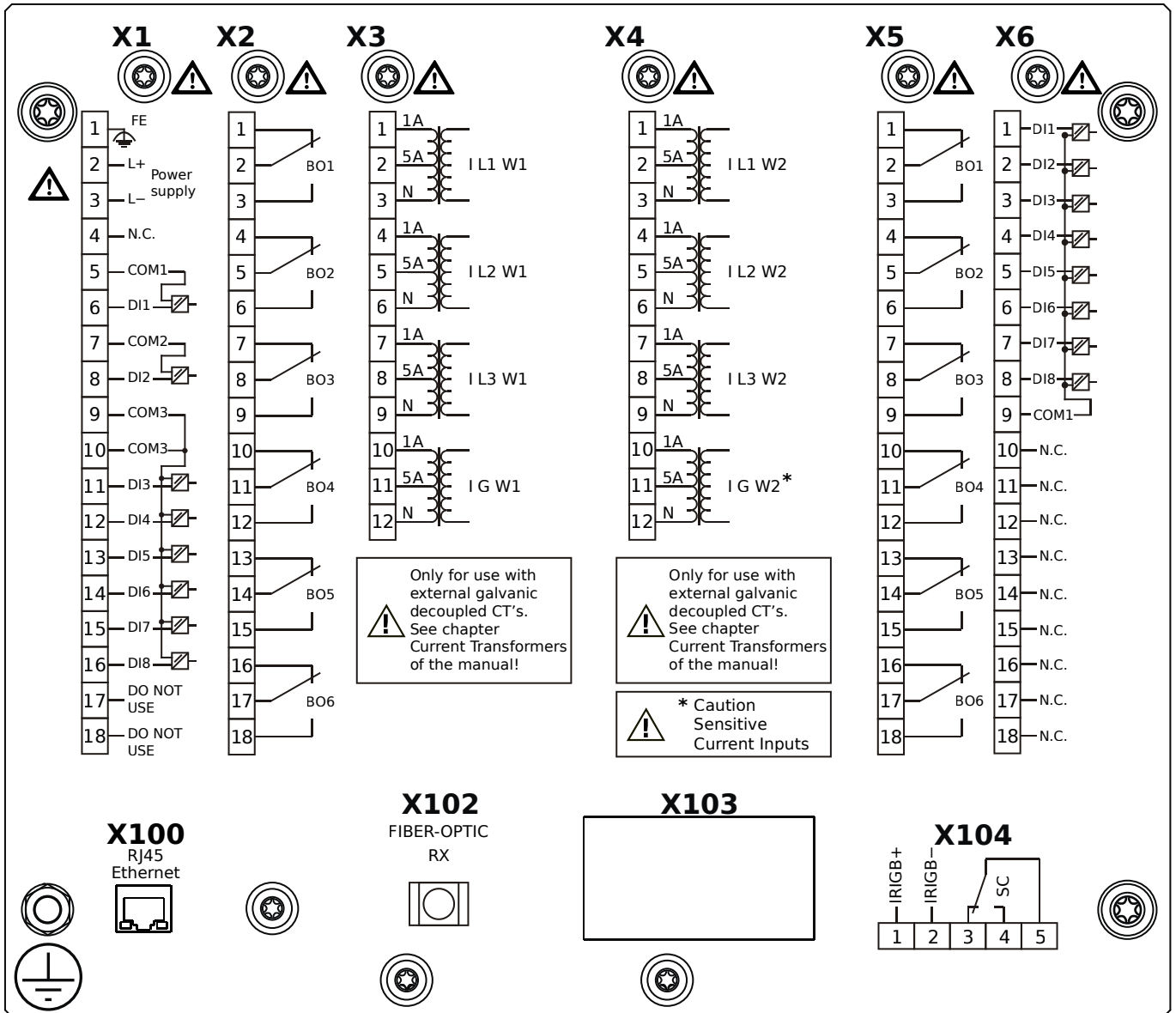
- X1** – DI8-X1: Wide-range power supply unit, incl. 2 non-grouped digital inputs and 6 grouped digital inputs
- X2** – OR-6: Assembly Group with 6 Relay Outputs
- X3** – TI-4: Standard current measuring card (for the winding side 1)
- X4** – TIs-4: Standard phase current measuring card and sensitive ground current measuring (winding side 2)
- X5** – OR-6: Assembly Group with 6 Relay Outputs
- X6** – DI8: Assembly Group with 8 Digital Inputs
- X102** – Universal Resistance-Temperature Detector (URTD) input, Fiber optics interface, Versatile Link
- X103** – Modbus RTU / IEC 60870-5-103 / DNP3.0 RTU, RS485, D-SUB
- X104** – IRIG-B00X, incl. System Contact (Supervision Contact)

MRDT4-2D2BHA



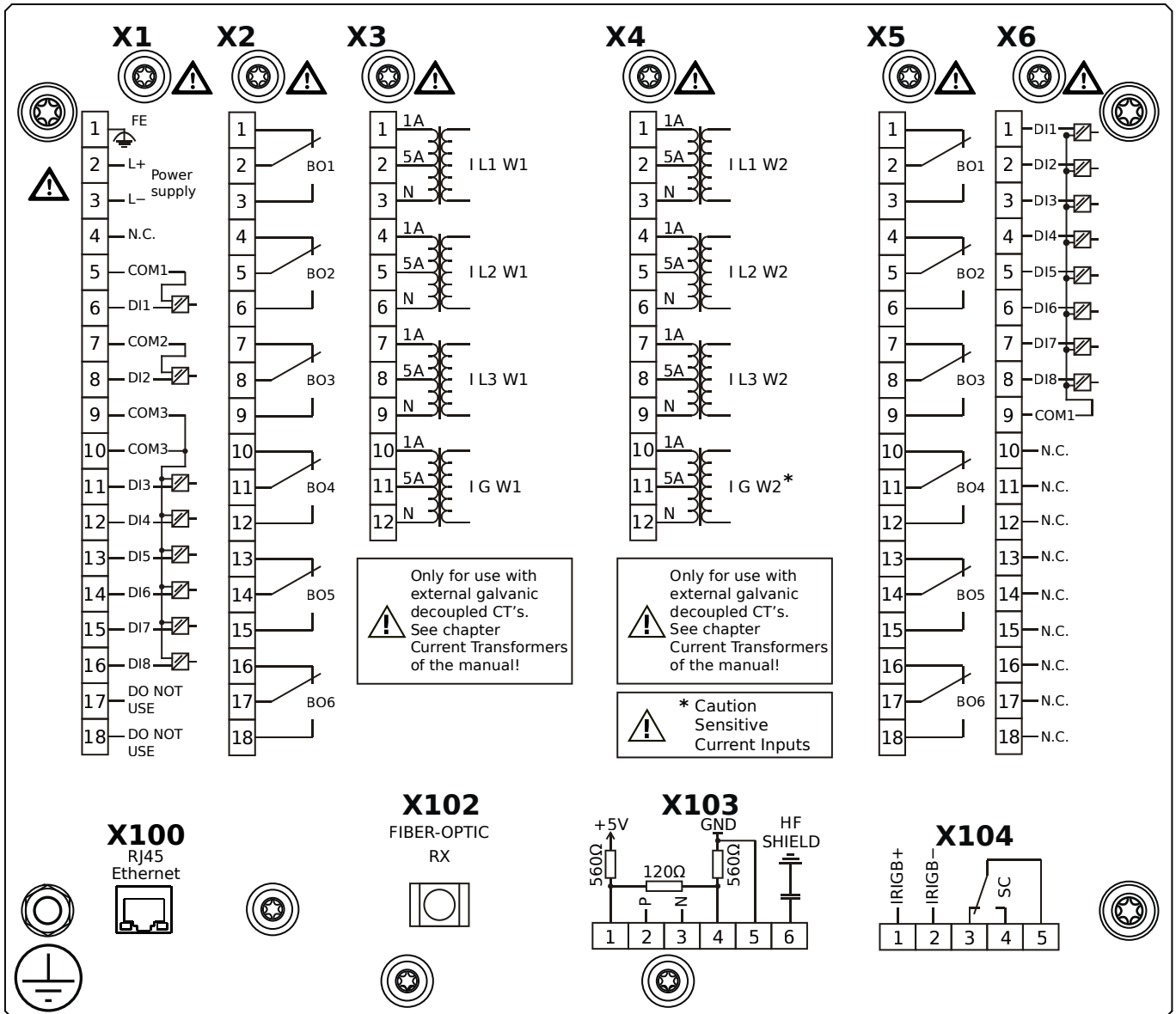
- X1** – DI8-X1: Wide-range power supply unit, incl. 2 non-grouped digital inputs and 6 grouped digital inputs
- X2** – OR-6: Assembly Group with 6 Relay Outputs
- X3** – TI-4: Standard current measuring card (for the winding side 1)
- X4** – TIs-4: Standard phase current measuring card and sensitive ground current measuring (winding side 2)
- X5** – OR-6: Assembly Group with 6 Relay Outputs
- X6** – DI8: Assembly Group with 8 Digital Inputs
- X100** – IEC 61850 / Modbus TCP / DNP3.0 TCP/UDP, Ethernet interface, 100 Mbit/s, RJ45 (BASE100-FX)
- X102** – Universal Resistance-Temperature Detector (URTD) input, Fiber optics interface, Versatile Link
- X104** – IRIG-B00X, incl. System Contact (Supervision Contact)

MRDT4-2D2BHB



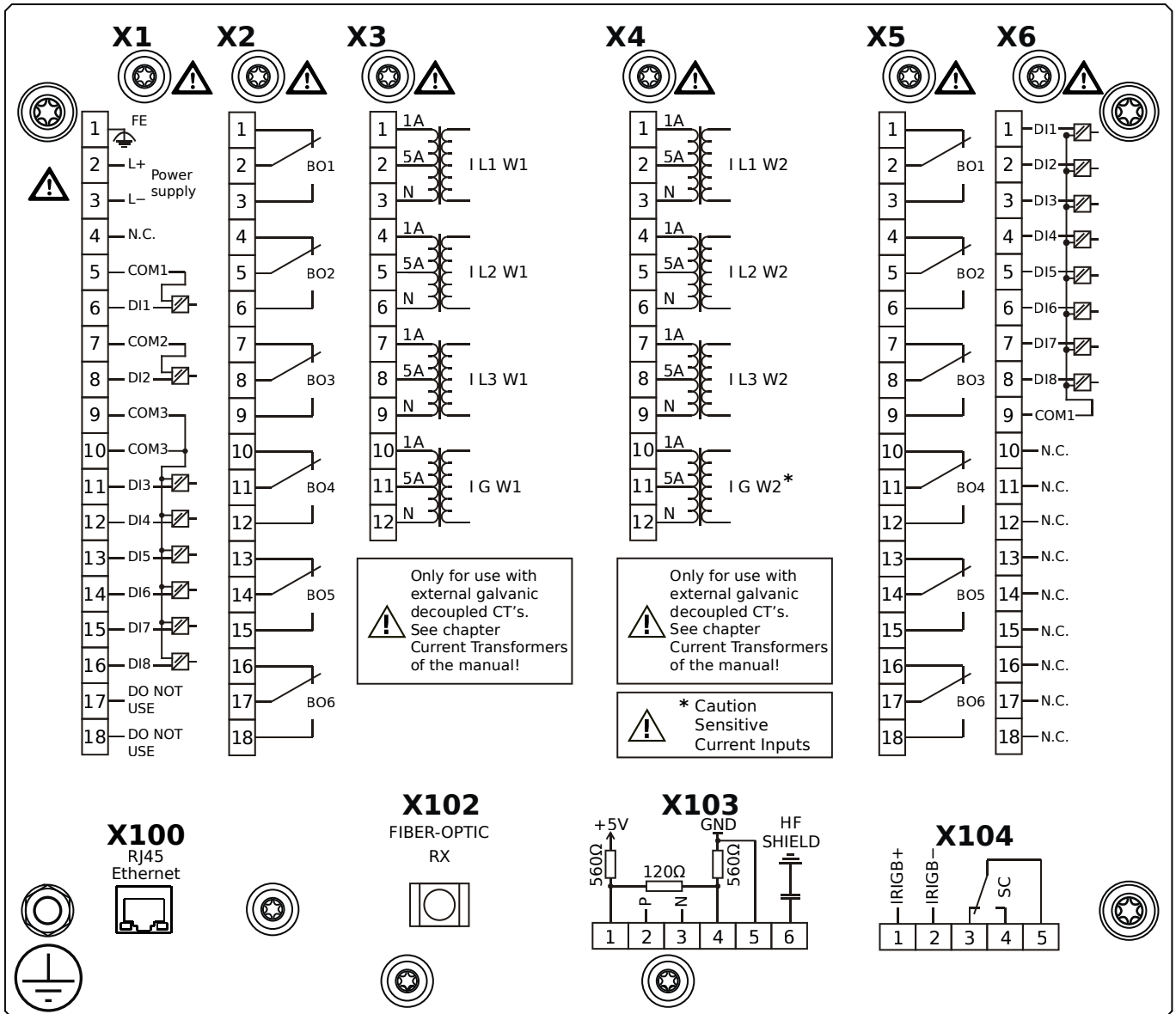
- X1** – DI8-X1: Wide-range power supply unit, incl. 2 non-grouped digital inputs and 6 grouped digital inputs
- X2** – OR-6: Assembly Group with 6 Relay Outputs
- X3** – TI-4: Standard current measuring card (for the winding side 1)
- X4** – TIs-4: Standard phase current measuring card and sensitive ground current measuring (winding side 2)
- X5** – OR-6: Assembly Group with 6 Relay Outputs
- X6** – DI8: Assembly Group with 8 Digital Inputs
- X100** – IEC 61850 / Modbus TCP / DNP3.0 TCP/UDP, Ethernet interface, 100 Mbit/s, RJ45 (BASE100-FX)
- X102** – Universal Resistance-Temperature Detector (URTD) input, Fiber optics interface, Versatile Link
- X104** – IRIG-B00X, incl. System Contact (Supervision Contact)

MRDT4-2D2BIA



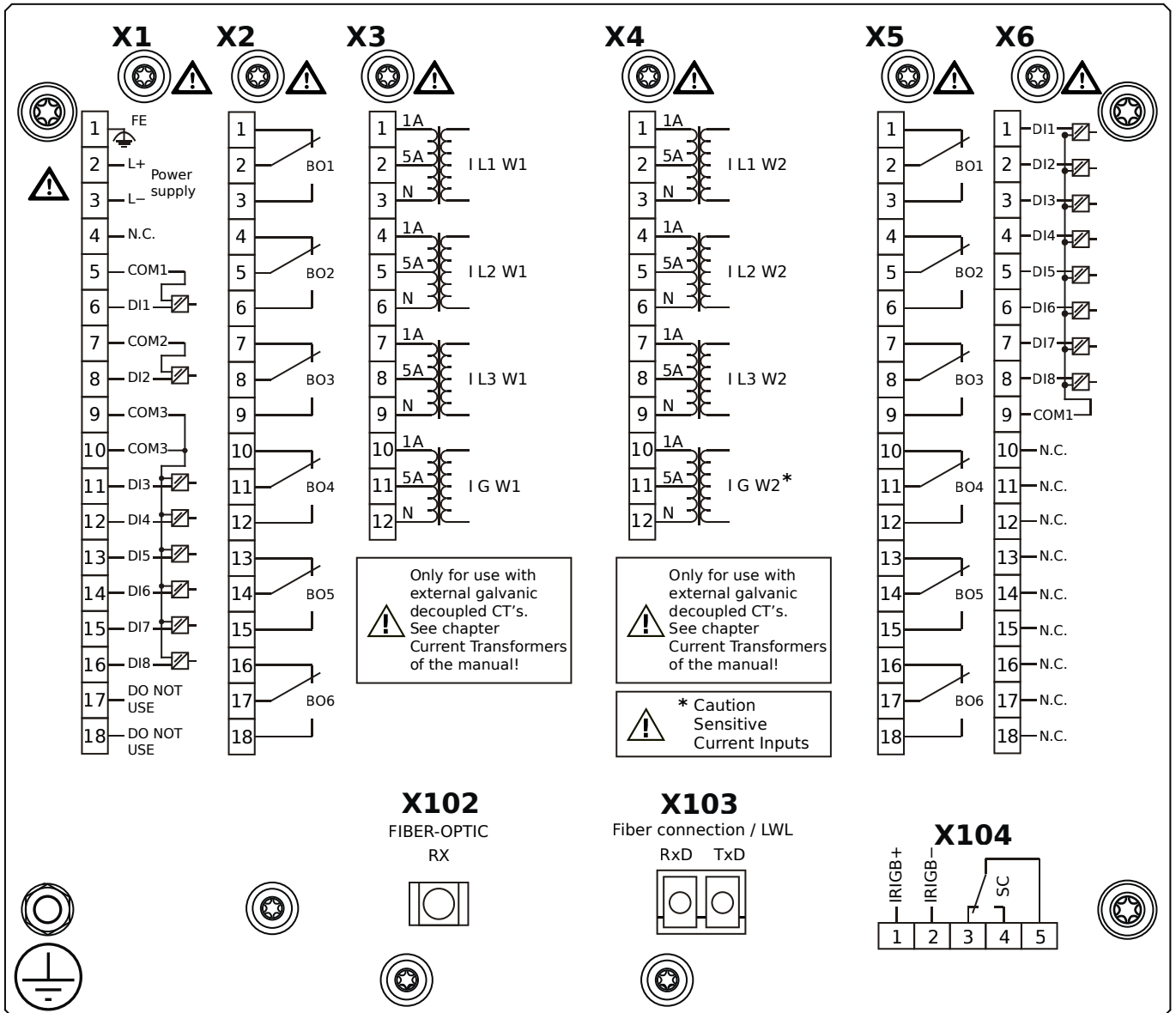
- X1** – DI8-X1: Wide-range power supply unit, incl. 2 non-grouped digital inputs and 6 grouped digital inputs
- X2** – OR-6: Assembly Group with 6 Relay Outputs
- X3** – TI-4: Standard current measuring card (for the winding side 1)
- X4** – TIs-4: Standard phase current measuring card and sensitive ground current measuring (winding side 2)
- X5** – OR-6: Assembly Group with 6 Relay Outputs
- X6** – DI8: Assembly Group with 8 Digital Inputs
- X100** – Modbus TCP / DNP3.0 TCP/UDP, Ethernet interface, 100 Mbit/s, RJ45 (BASE100-FX)
- X102** – Universal Resistance-Temperature Detector (URTD) input, Fiber optics interface, Versatile Link
- X103** – IEC 60870-5-103 / Modbus RTU / DNP3.0 RTU, RS485, Terminals
- X104** – IRIG-B00X, incl. System Contact (Supervision Contact)

MRDT4-2D2BIB



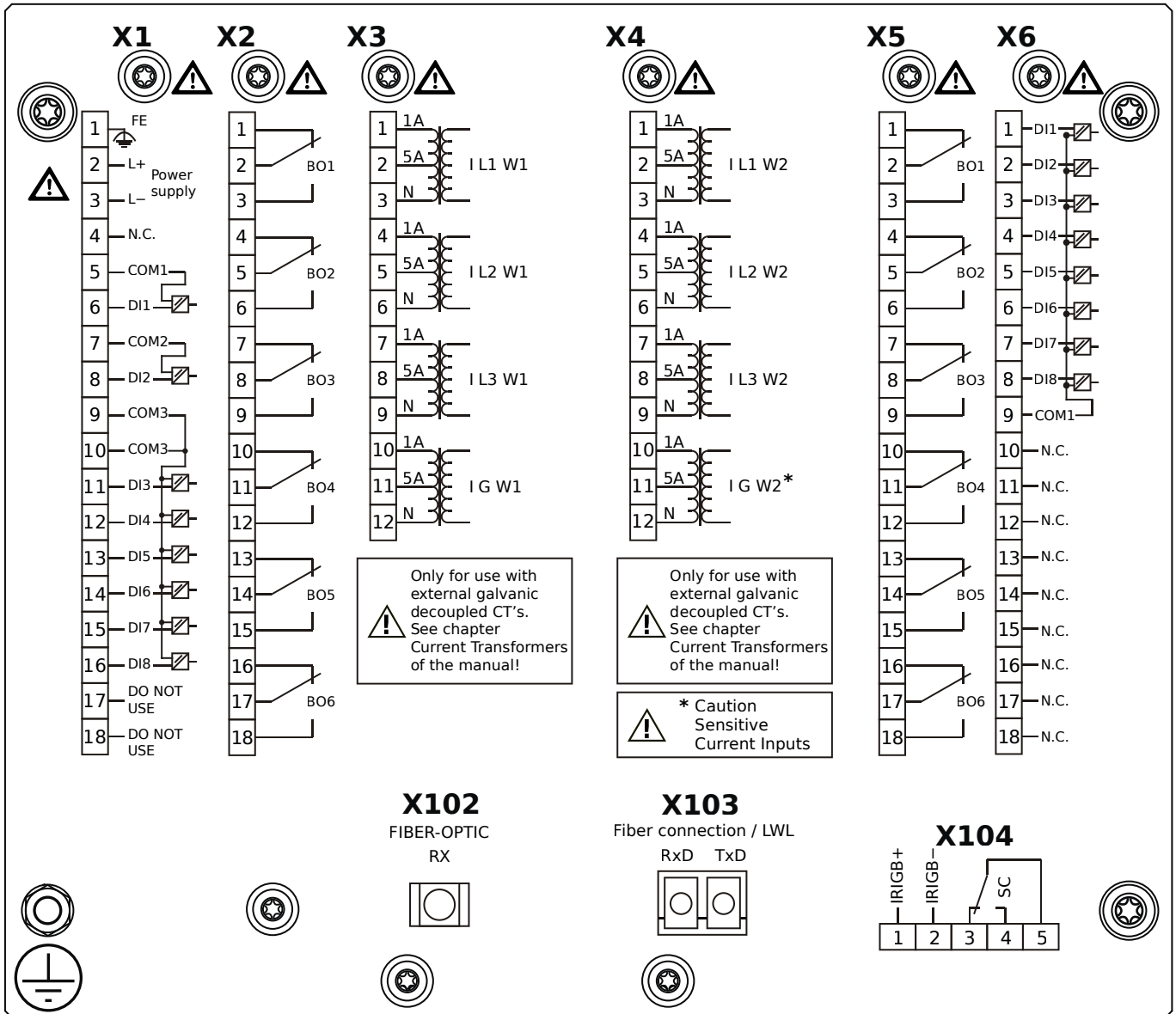
- X1** – DI8-X1: Wide-range power supply unit, incl. 2 non-grouped digital inputs and 6 grouped digital inputs
- X2** – OR-6: Assembly Group with 6 Relay Outputs
- X3** – TI-4: Standard current measuring card (for the winding side 1)
- X4** – TIs-4: Standard phase current measuring card and sensitive ground current measuring (winding side 2)
- X5** – OR-6: Assembly Group with 6 Relay Outputs
- X6** – DI8: Assembly Group with 8 Digital Inputs
- X100** – Modbus TCP / DNP3.0 TCP/UDP, Ethernet interface, 100 Mbit/s, RJ45 (BASE100-FX)
- X102** – Universal Resistance-Temperature Detector (URTD) input, Fiber optics interface, Versatile Link
- X103** – IEC 60870-5-103 / Modbus RTU / DNP3.0 RTU, RS485, Terminals
- X104** – IRIG-B00X, incl. System Contact (Supervision Contact)

MRDT4-2D2BKA



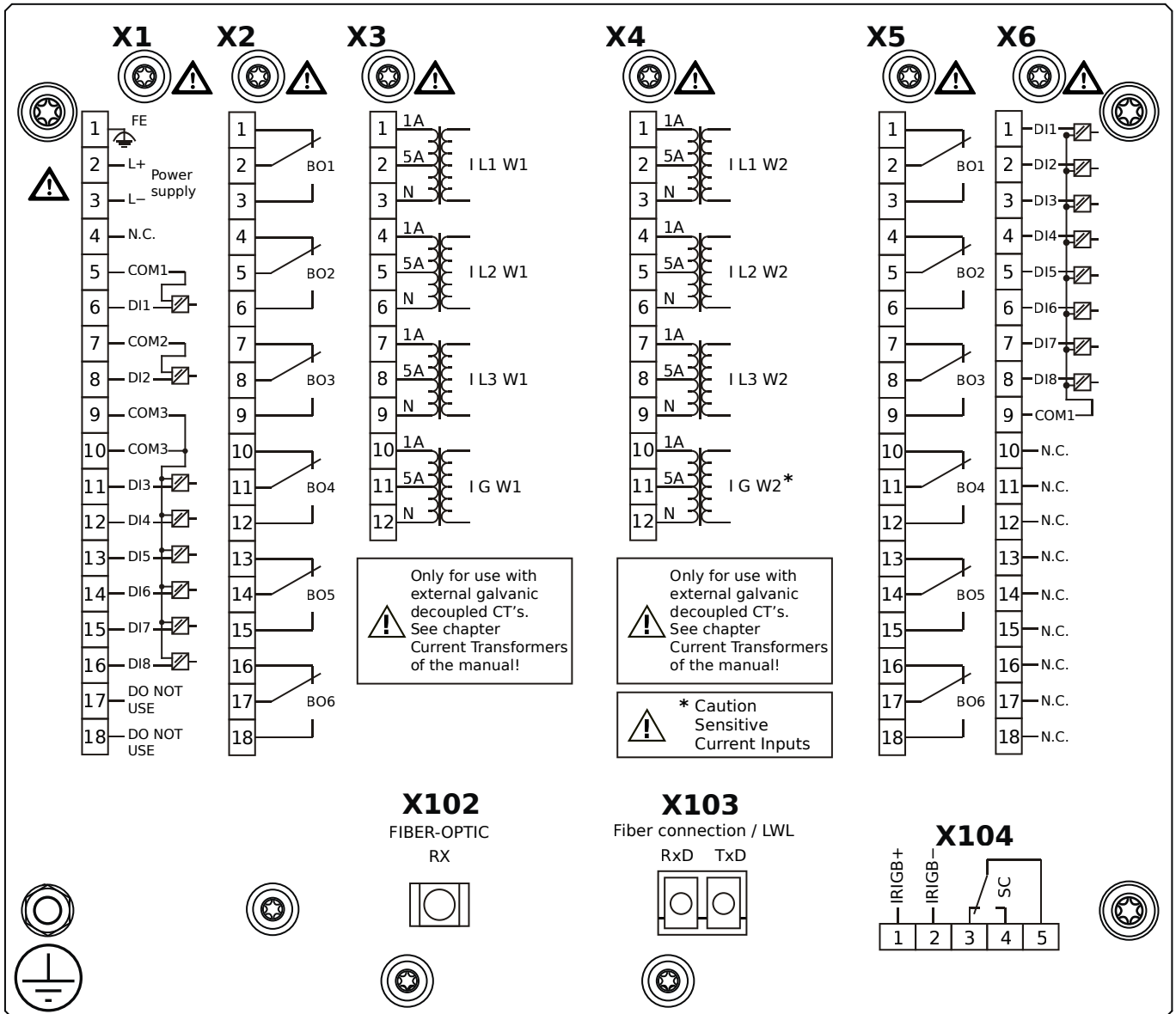
- X1** – DI8-X1: Wide-range power supply unit, incl. 2 non-grouped digital inputs and 6 grouped digital inputs
- X2** – OR-6: Assembly Group with 6 Relay Outputs
- X3** – TI-4: Standard current measuring card (for the winding side 1)
- X4** – TIs-4: Standard phase current measuring card and sensitive ground current measuring (winding side 2)
- X5** – OR-6: Assembly Group with 6 Relay Outputs
- X6** – DI8: Assembly Group with 8 Digital Inputs
- X102** – Universal Resistance-Temperature Detector (URTD) input, Fiber optics interface, Versatile Link
- X103** – IEC 61850 / Modbus TCP / DNP3.0 TCP/UDP, Fiber optics interface, LC Connector
- X104** – IRIG-B00X, incl. System Contact (Supervision Contact)

MRDT4-2D2BKB



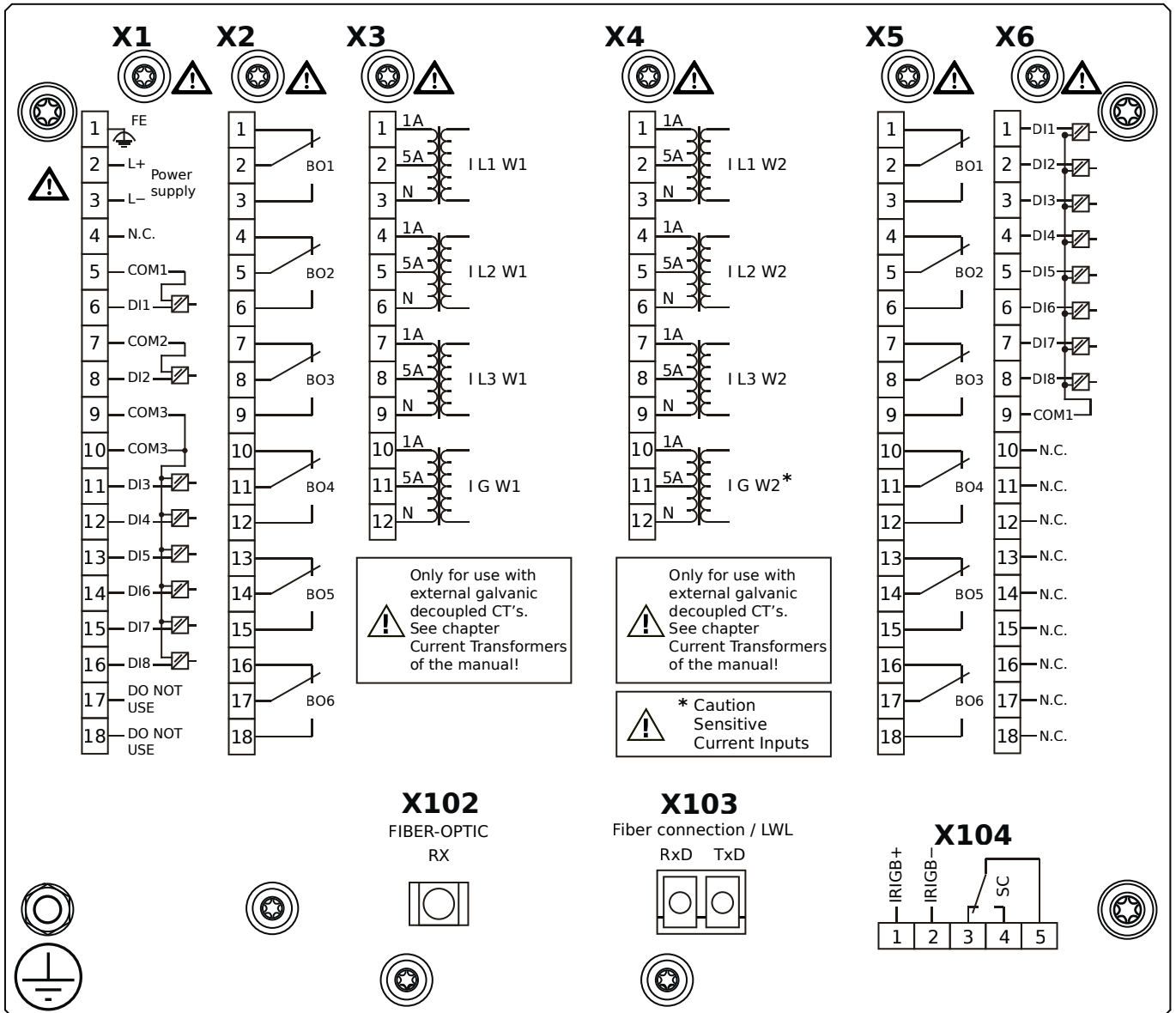
- X1** – DI8-X1: Wide-range power supply unit, incl. 2 non-grouped digital inputs and 6 grouped digital inputs
- X2** – OR-6: Assembly Group with 6 Relay Outputs
- X3** – TI-4: Standard current measuring card (for the winding side 1)
- X4** – TIs-4: Standard phase current measuring card and sensitive ground current measuring (winding side 2)
- X5** – OR-6: Assembly Group with 6 Relay Outputs
- X6** – DI8: Assembly Group with 8 Digital Inputs
- X102** – Universal Resistance-Temperature Detector (URTD) input, Fiber optics interface, Versatile Link
- X103** – IEC 61850 / Modbus TCP / DNP3.0 TCP/UDP, Fiber optics interface, LC Connector
- X104** – IRIG-B00X, incl. System Contact (Supervision Contact)

MRDT4-2D2BLA



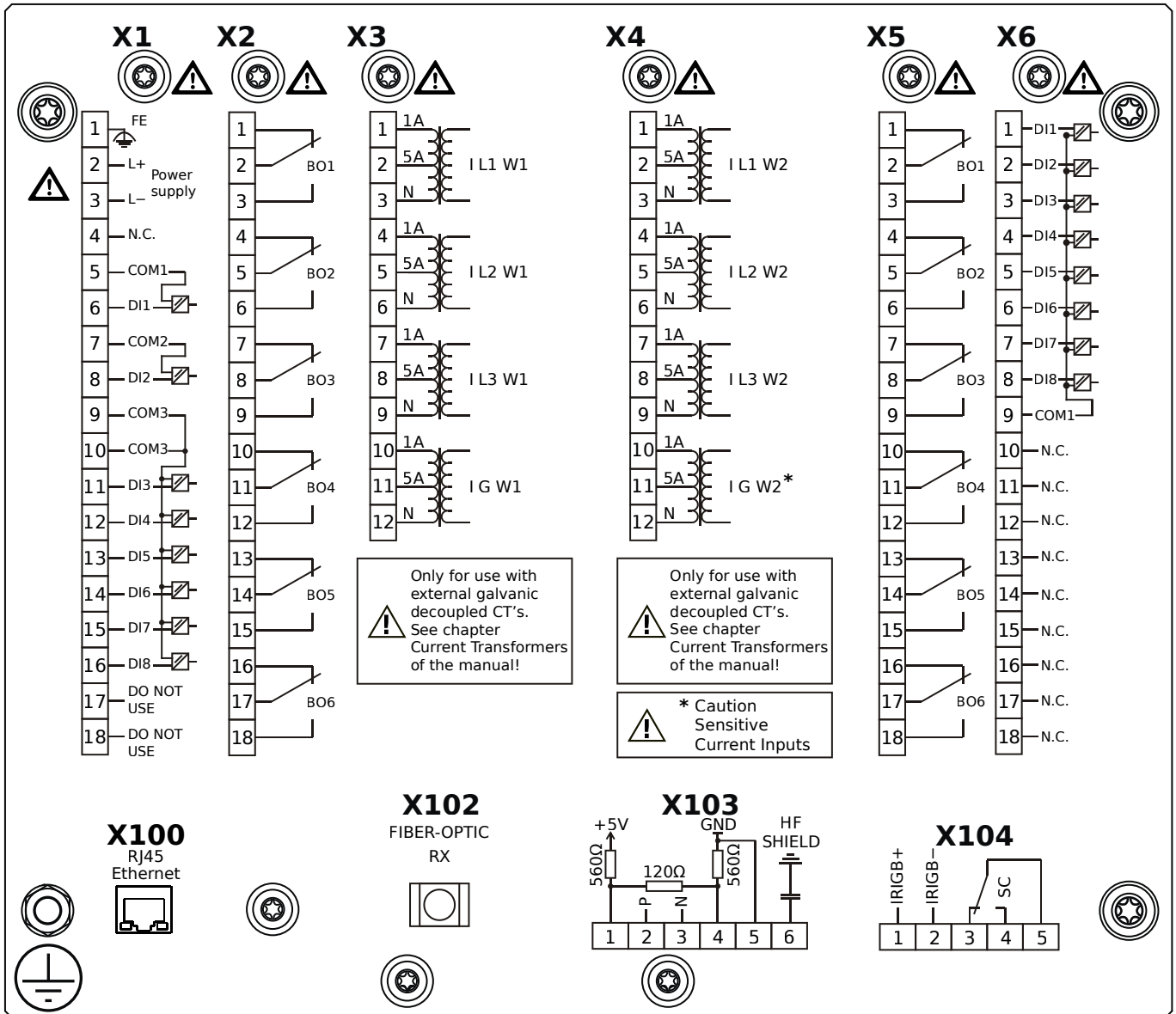
- X1** – DI8-X1: Wide-range power supply unit, incl. 2 non-grouped digital inputs and 6 grouped digital inputs
- X2** – OR-6: Assembly Group with 6 Relay Outputs
- X3** – TI-4: Standard current measuring card (for the winding side 1)
- X4** – TIs-4: Standard phase current measuring card and sensitive ground current measuring (winding side 2)
- X5** – OR-6: Assembly Group with 6 Relay Outputs
- X6** – DI8: Assembly Group with 8 Digital Inputs
- X102** – Universal Resistance-Temperature Detector (URTD) input, Fiber optics interface, Versatile Link
- X103** – Modbus TCP / DNP3.0 TCP/UDP, Fiber optics interface, LC Connector
- X104** – IRIG-B00X, incl. System Contact (Supervision Contact)

MRDT4-2D2BLB



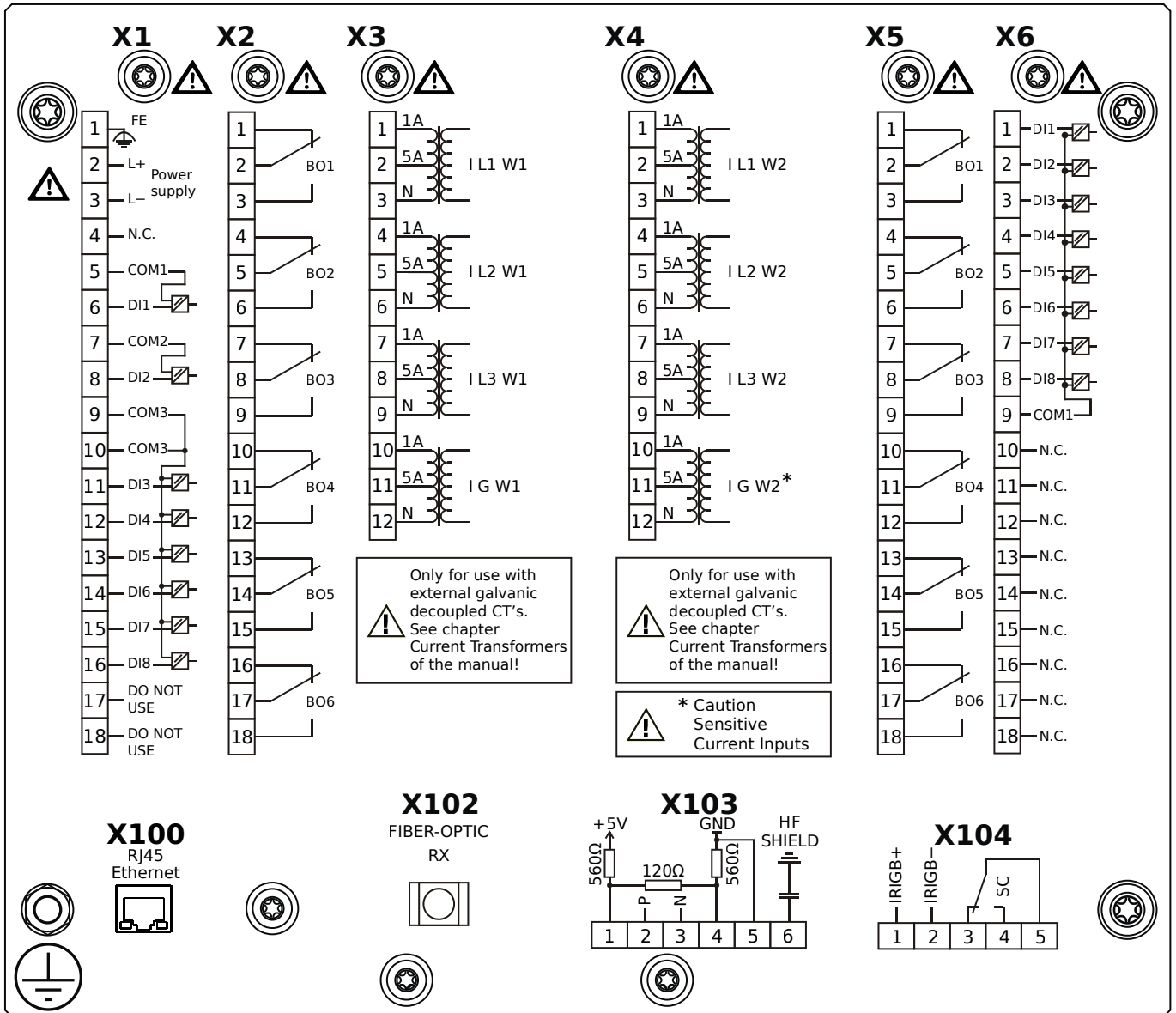
- X1** – DI8-X1: Wide-range power supply unit, incl. 2 non-grouped digital inputs and 6 grouped digital inputs
- X2** – OR-6: Assembly Group with 6 Relay Outputs
- X3** – TI-4: Standard current measuring card (for the winding side 1)
- X4** – TIs-4: Standard phase current measuring card and sensitive ground current measuring (winding side 2)
- X5** – OR-6: Assembly Group with 6 Relay Outputs
- X6** – DI8: Assembly Group with 8 Digital Inputs
- X102** – Universal Resistance-Temperature Detector (URTD) input, Fiber optics interface, Versatile Link
- X103** – Modbus TCP / DNP3.0 TCP/UDP, Fiber optics interface, LC Connector
- X104** – IRIG-B00X, incl. System Contact (Supervision Contact)

MRDT4-2D2BTA



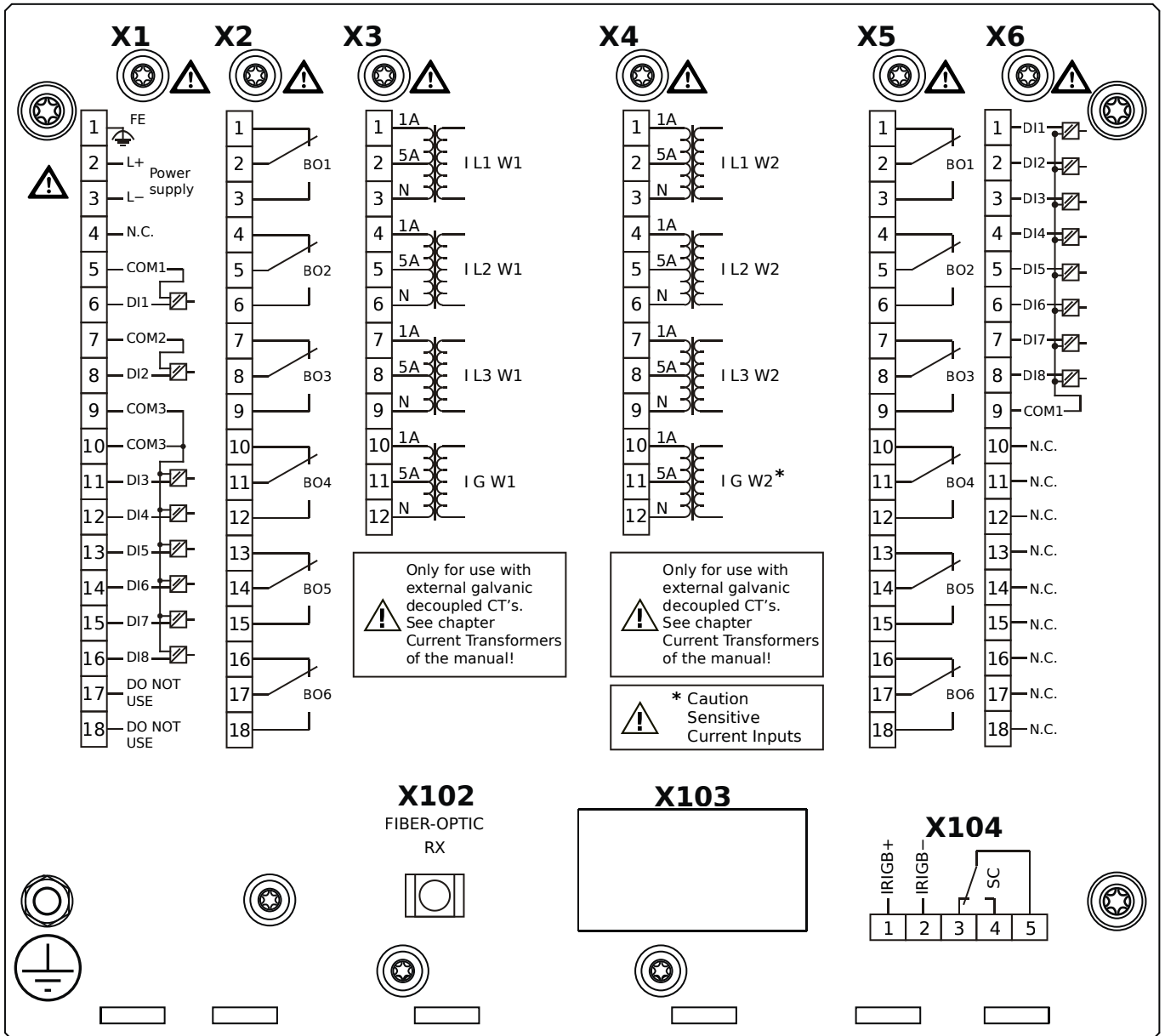
- X1** – DI8-X1: Wide-range power supply unit, incl. 2 non-grouped digital inputs and 6 grouped digital inputs
- X2** – OR-6: Assembly Group with 6 Relay Outputs
- X3** – TI-4: Standard current measuring card (for the winding side 1)
- X4** – TIs-4: Standard phase current measuring card and sensitive ground current measuring (winding side 2)
- X5** – OR-6: Assembly Group with 6 Relay Outputs
- X6** – DI8: Assembly Group with 8 Digital Inputs
- X100** – IEC 61850 / Modbus TCP / DNP3.0 TCP/UDP, Ethernet interface, 100 Mbit/s, RJ45 (BASE100-FX)
- X102** – Universal Resistance-Temperature Detector (URTD) input, Fiber optics interface, Versatile Link
- X103** – IEC 60870-5-103 / Modbus RTU / DNP3.0 RTU, RS485, Terminals
- X104** – IRIG-B00X, incl. System Contact (Supervision Contact)

MRDT4-2D2BTB



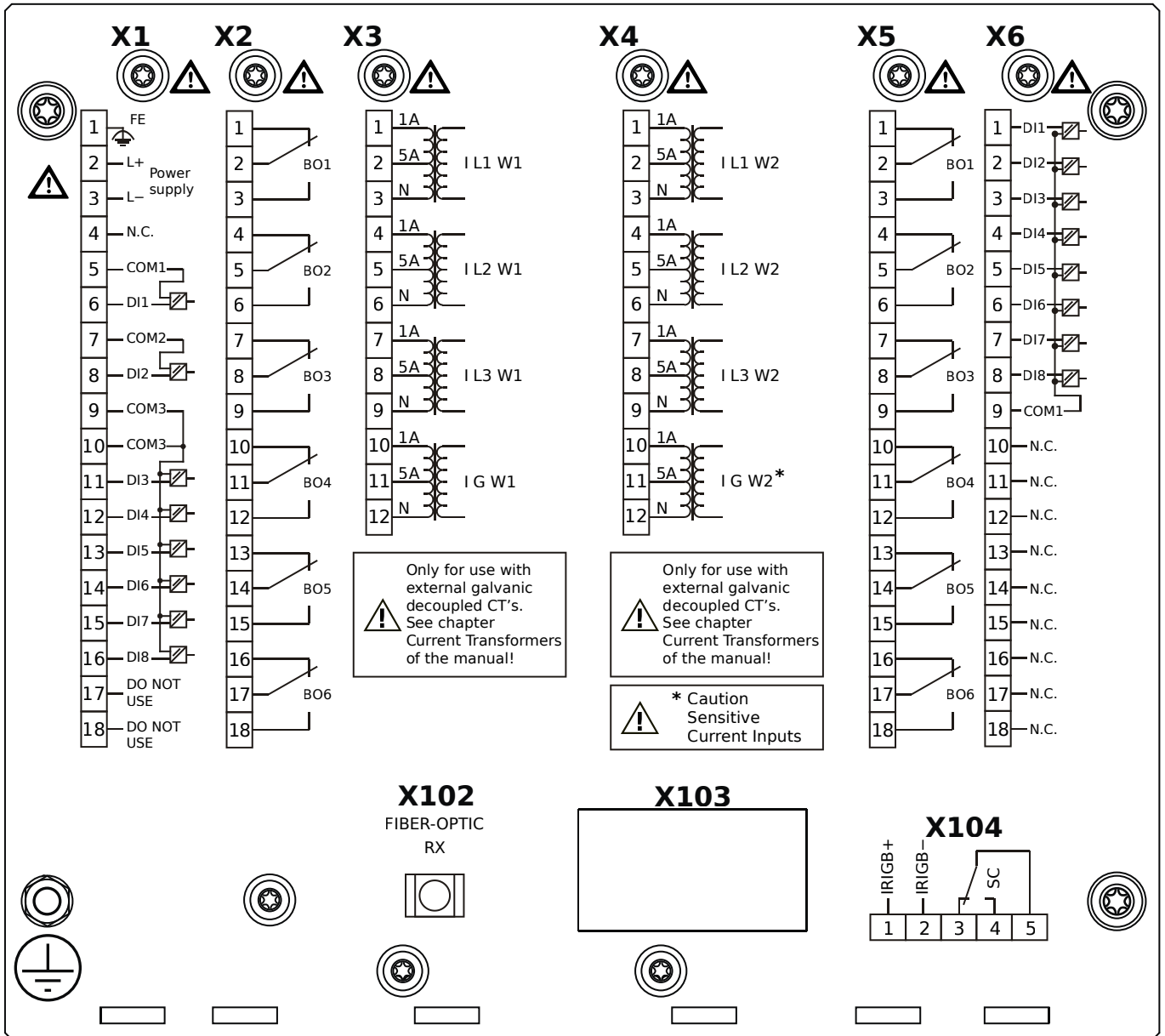
- X1** – DI8-X1: Wide-range power supply unit, incl. 2 non-grouped digital inputs and 6 grouped digital inputs
- X2** – OR-6: Assembly Group with 6 Relay Outputs
- X3** – TI-4: Standard current measuring card (for the winding side 1)
- X4** – TIs-4: Standard phase current measuring card and sensitive ground current measuring (winding side 2)
- X5** – OR-6: Assembly Group with 6 Relay Outputs
- X6** – DI8: Assembly Group with 8 Digital Inputs
- X100** – IEC 61850 / Modbus TCP / DNP3.0 TCP/UDP, Ethernet interface, 100 Mbit/s, RJ45 (BASE100-FX)
- X102** – Universal Resistance-Temperature Detector (URTD) input, Fiber optics interface, Versatile Link
- X103** – IEC 60870-5-103 / Modbus RTU / DNP3.0 RTU, RS485, Terminals
- X104** – IRIG-B00X, incl. System Contact (Supervision Contact)

MRDT4-2D2HAA



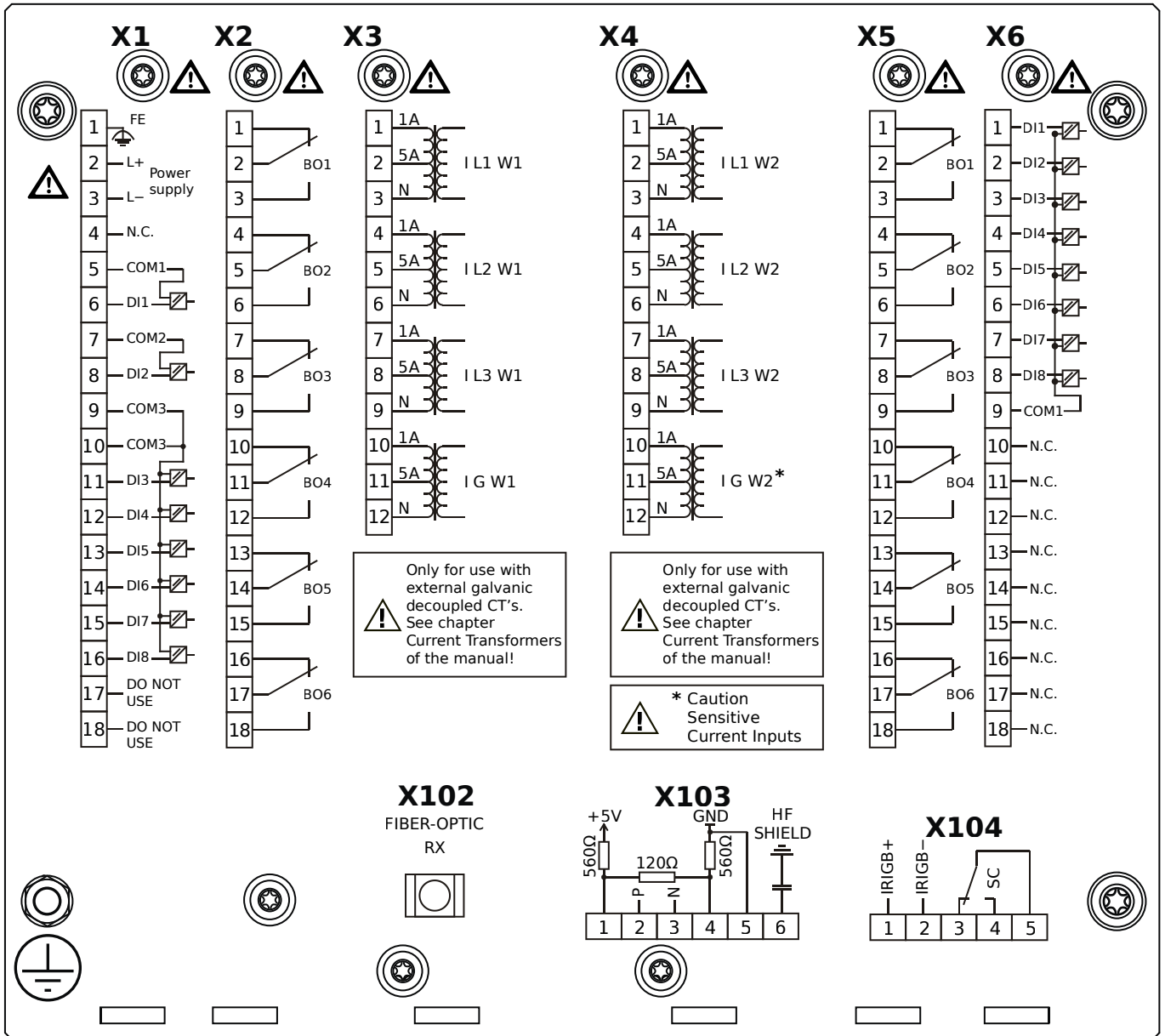
- X1** – DI8-X1: Wide-range power supply unit, incl. 2 non-grouped digital inputs and 6 grouped digital inputs
- X2** – OR-6: Assembly Group with 6 Relay Outputs
- X3** – TI-4: Standard current measuring card (for the winding side 1)
- X4** – TIs-4: Standard phase current measuring card and sensitive ground current measuring (winding side 2)
- X5** – OR-6: Assembly Group with 6 Relay Outputs
- X6** – DI8: Assembly Group with 8 Digital Inputs
- X102** – Universal Resistance-Temperature Detector (URTD) input, Fiber optics interface, Versatile Link
- X104** – IRIG-B00X, incl. System Contact (Supervision Contact)

MRDT4-2D2HAB



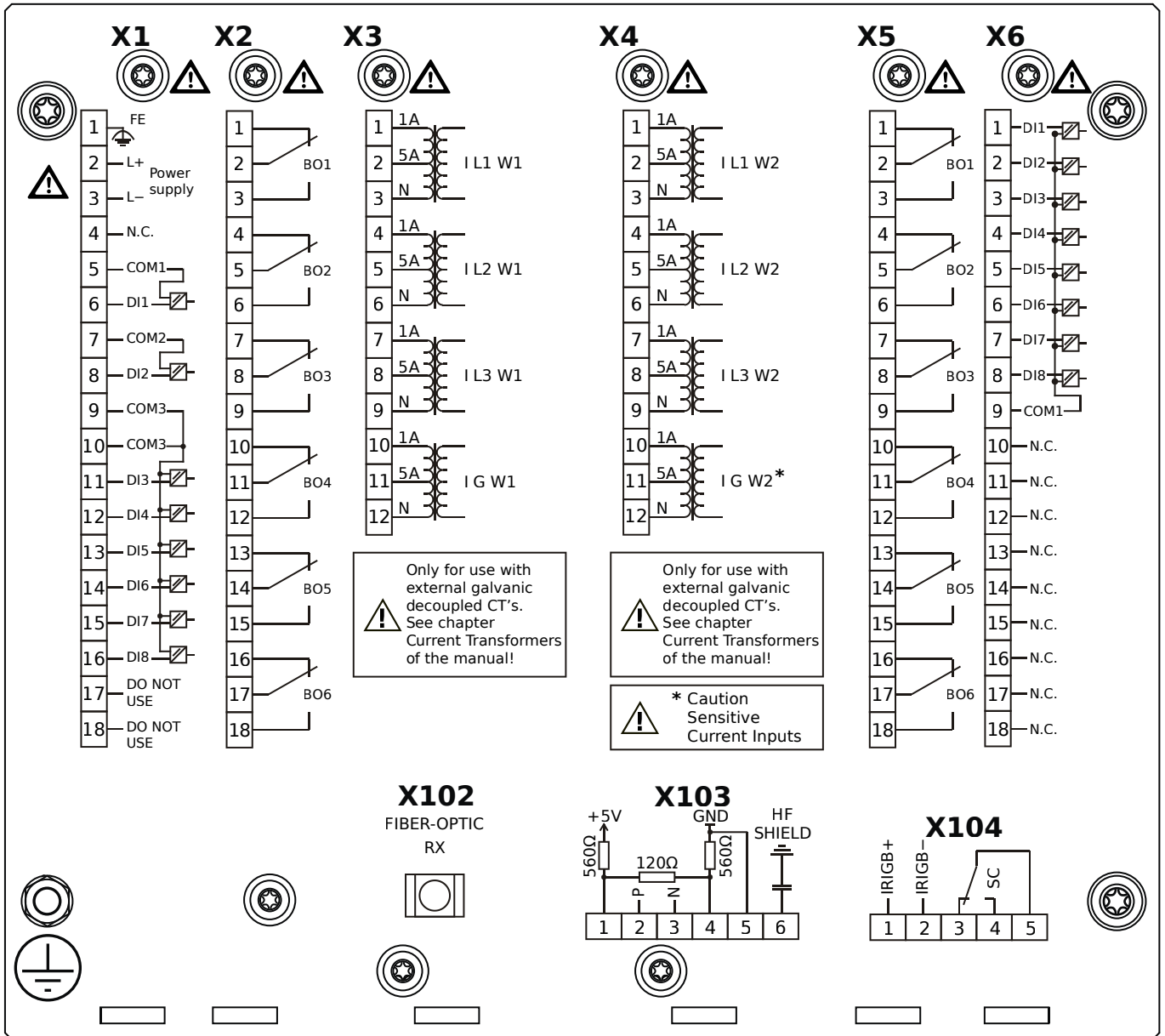
- X1** – DI8-X1: Wide-range power supply unit, incl. 2 non-grouped digital inputs and 6 grouped digital inputs
- X2** – OR-6: Assembly Group with 6 Relay Outputs
- X3** – TI-4: Standard current measuring card (for the winding side 1)
- X4** – TIs-4: Standard phase current measuring card and sensitive ground current measuring (winding side 2)
- X5** – OR-6: Assembly Group with 6 Relay Outputs
- X6** – DI8: Assembly Group with 8 Digital Inputs
- X102** – Universal Resistance-Temperature Detector (URTD) input, Fiber optics interface, Versatile Link
- X104** – IRIG-B00X, incl. System Contact (Supervision Contact)

MRDT4-2D2HBA



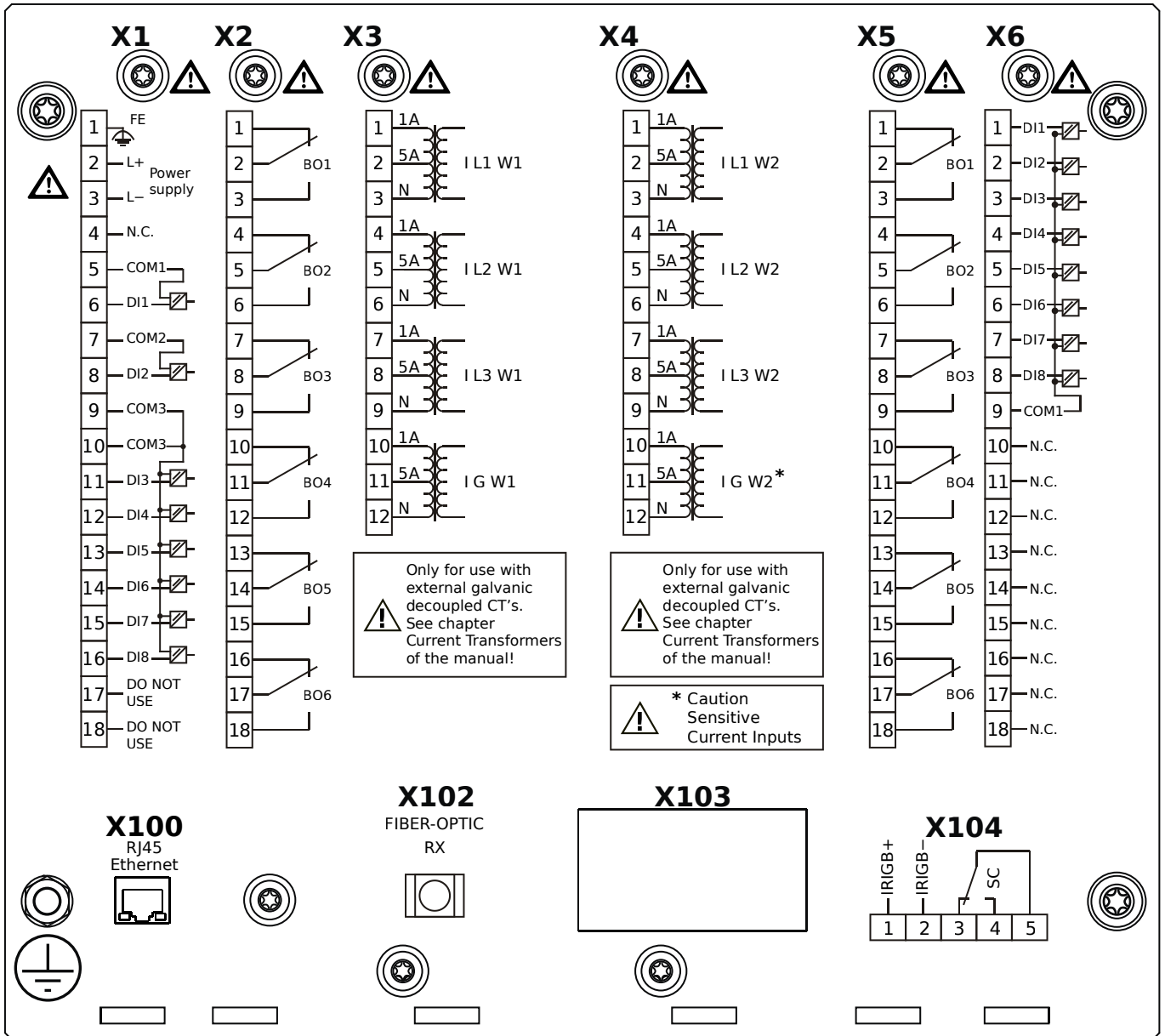
- X1** – DI8-X1: Wide-range power supply unit, incl. 2 non-grouped digital inputs and 6 grouped digital inputs
- X2** – OR-6: Assembly Group with 6 Relay Outputs
- X3** – TI-4: Standard current measuring card (for the winding side 1)
- X4** – TIs-4: Standard phase current measuring card and sensitive ground current measuring (winding side 2)
- X5** – OR-6: Assembly Group with 6 Relay Outputs
- X6** – DI8: Assembly Group with 8 Digital Inputs
- X102** – Universal Resistance-Temperature Detector (URTD) input, Fiber optics interface, Versatile Link
- X103** – Modbus RTU / IEC 60870-5-103 / DNP3.0 RTU, RS485, Terminals
- X104** – IRIG-B00X, incl. System Contact (Supervision Contact)

MRDT4-2D2HBB



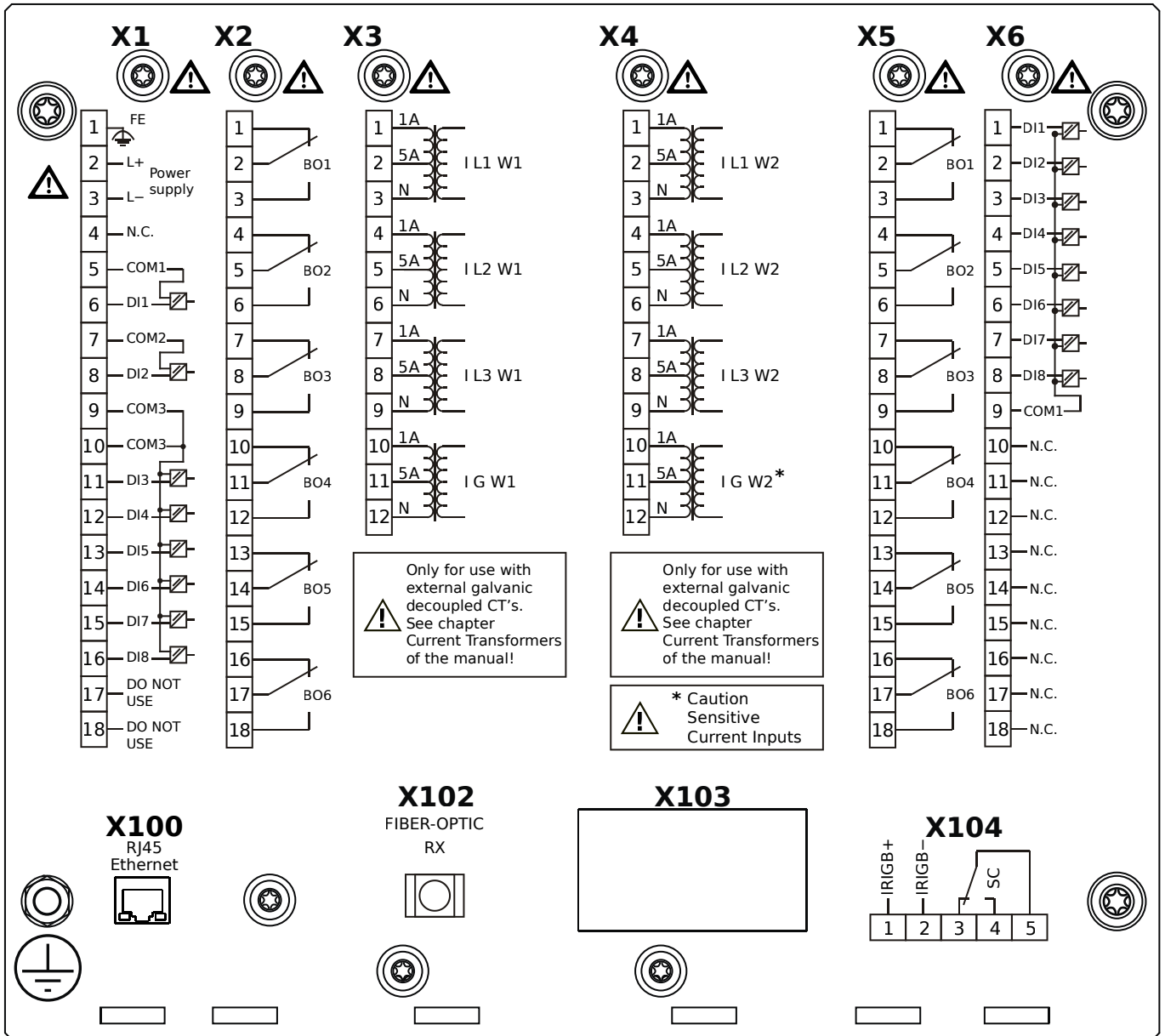
- X1** – DI8-X1: Wide-range power supply unit, incl. 2 non-grouped digital inputs and 6 grouped digital inputs
- X2** – OR-6: Assembly Group with 6 Relay Outputs
- X3** – TI-4: Standard current measuring card (for the winding side 1)
- X4** – TIs-4: Standard phase current measuring card and sensitive ground current measuring (winding side 2)
- X5** – OR-6: Assembly Group with 6 Relay Outputs
- X6** – DI8: Assembly Group with 8 Digital Inputs
- X102** – Universal Resistance-Temperature Detector (URTD) input, Fiber optics interface, Versatile Link
- X103** – Modbus RTU / IEC 60870-5-103 / DNP3.0 RTU, RS485, Terminals
- X104** – IRIG-B00X, incl. System Contact (Supervision Contact)

MRDT4-2D2HCA



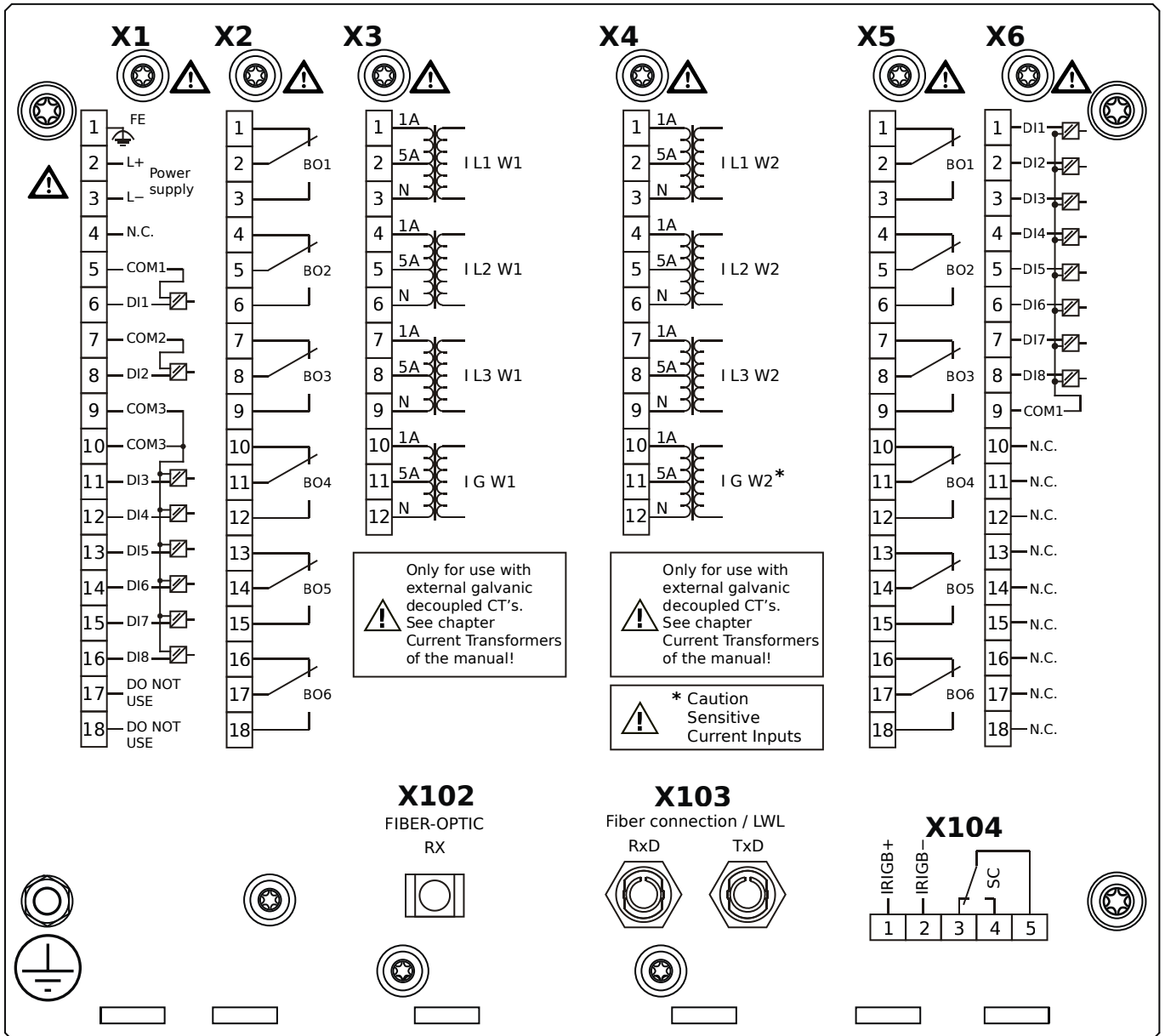
- X1** – DI8-X1: Wide-range power supply unit, incl. 2 non-grouped digital inputs and 6 grouped digital inputs
- X2** – OR-6: Assembly Group with 6 Relay Outputs
- X3** – TI-4: Standard current measuring card (for the winding side 1)
- X4** – TIs-4: Standard phase current measuring card and sensitive ground current measuring (winding side 2)
- X5** – OR-6: Assembly Group with 6 Relay Outputs
- X6** – DI8: Assembly Group with 8 Digital Inputs
- X100** – Modbus TCP / DNP3.0 TCP/UDP, Ethernet interface, 100 Mbit/s, RJ45 (BASE100-FX)
- X102** – Universal Resistance-Temperature Detector (URTD) input, Fiber optics interface, Versatile Link
- X104** – IRIG-B00X, incl. System Contact (Supervision Contact)

MRDT4-2D2HCB



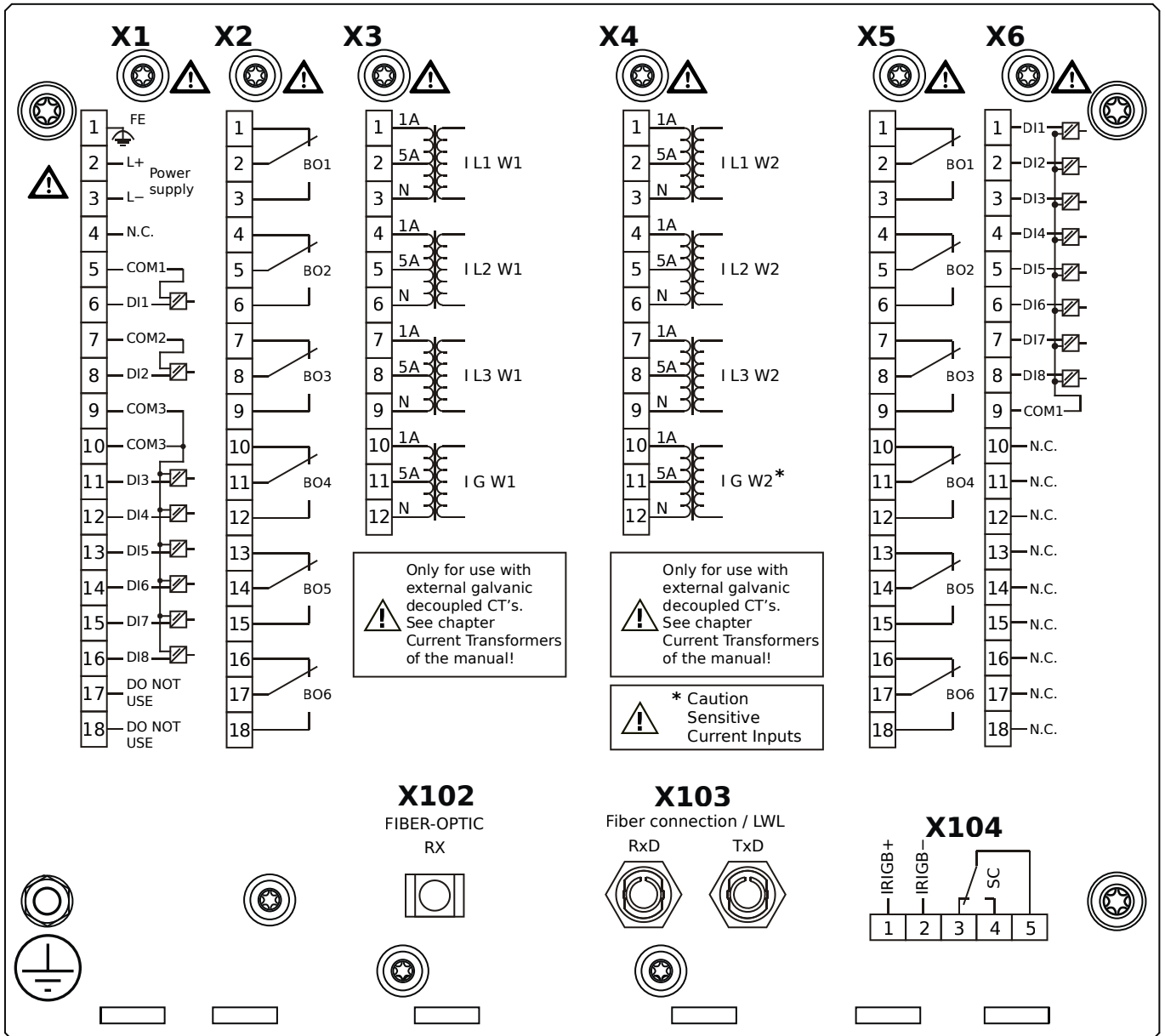
- X1** – DI8-X1: Wide-range power supply unit, incl. 2 non-grouped digital inputs and 6 grouped digital inputs
- X2** – OR-6: Assembly Group with 6 Relay Outputs
- X3** – TI-4: Standard current measuring card (for the winding side 1)
- X4** – TIs-4: Standard phase current measuring card and sensitive ground current measuring (winding side 2)
- X5** – OR-6: Assembly Group with 6 Relay Outputs
- X6** – DI8: Assembly Group with 8 Digital Inputs
- X100** – Modbus TCP / DNP3.0 TCP/UDP, Ethernet interface, 100 Mbit/s, RJ45 (BASE100-FX)
- X102** – Universal Resistance-Temperature Detector (URTD) input, Fiber optics interface, Versatile Link
- X104** – IRIG-B00X, incl. System Contact (Supervision Contact)

MRDT4-2D2HDA



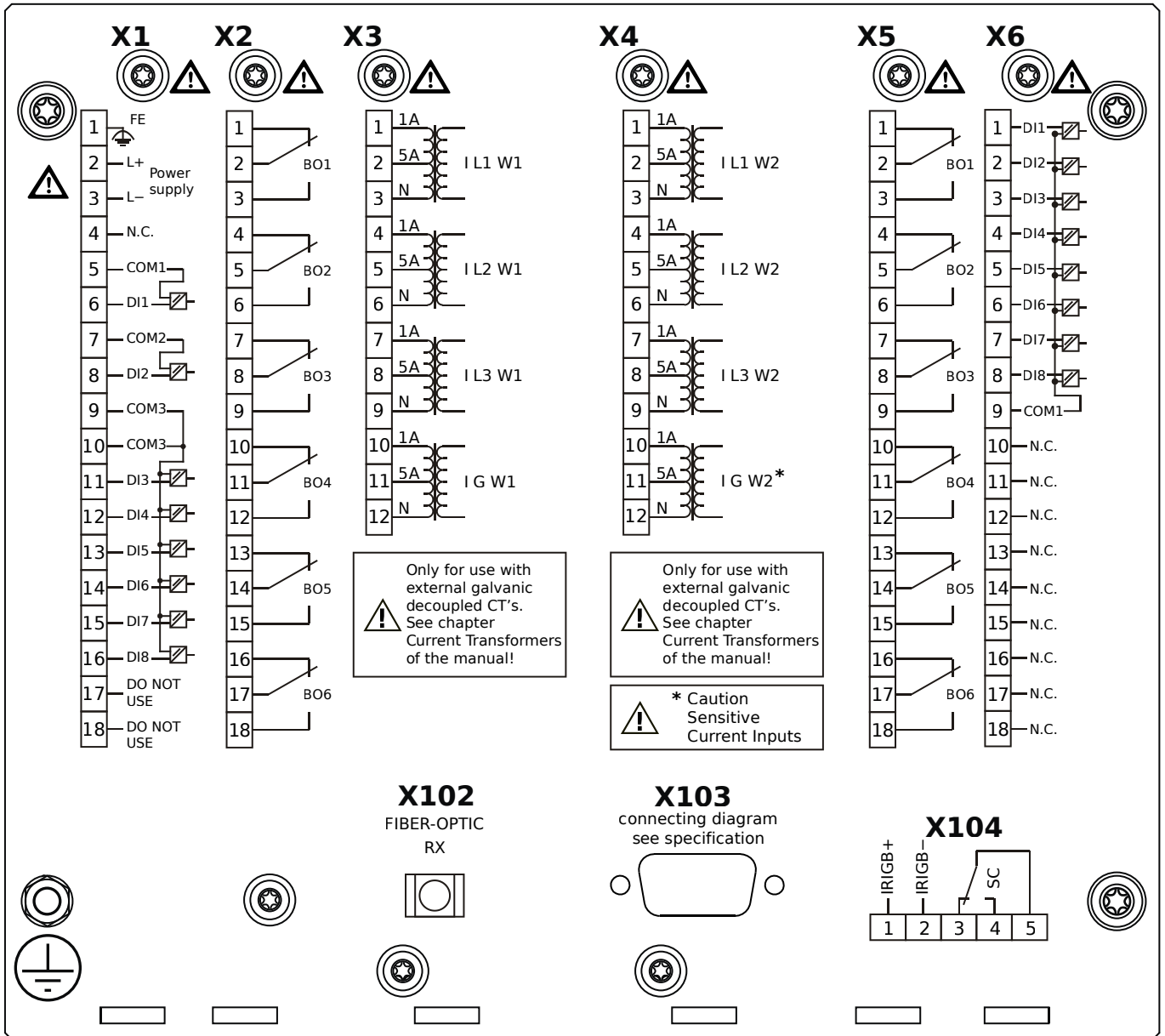
- X1** – DI8-X1: Wide-range power supply unit, incl. 2 non-grouped digital inputs and 6 grouped digital inputs
- X2** – OR-6: Assembly Group with 6 Relay Outputs
- X3** – TI-4: Standard current measuring card (for the winding side 1)
- X4** – TIs-4: Standard phase current measuring card and sensitive ground current measuring (winding side 2)
- X5** – OR-6: Assembly Group with 6 Relay Outputs
- X6** – DI8: Assembly Group with 8 Digital Inputs
- X102** – Universal Resistance-Temperature Detector (URTD) input, Fiber optics interface, Versatile Link
- X103** – Profibus-DP, Fiber optics interface, ST Connector
- X104** – IRIG-B00X, incl. System Contact (Supervision Contact)

MRDT4-2D2HDB



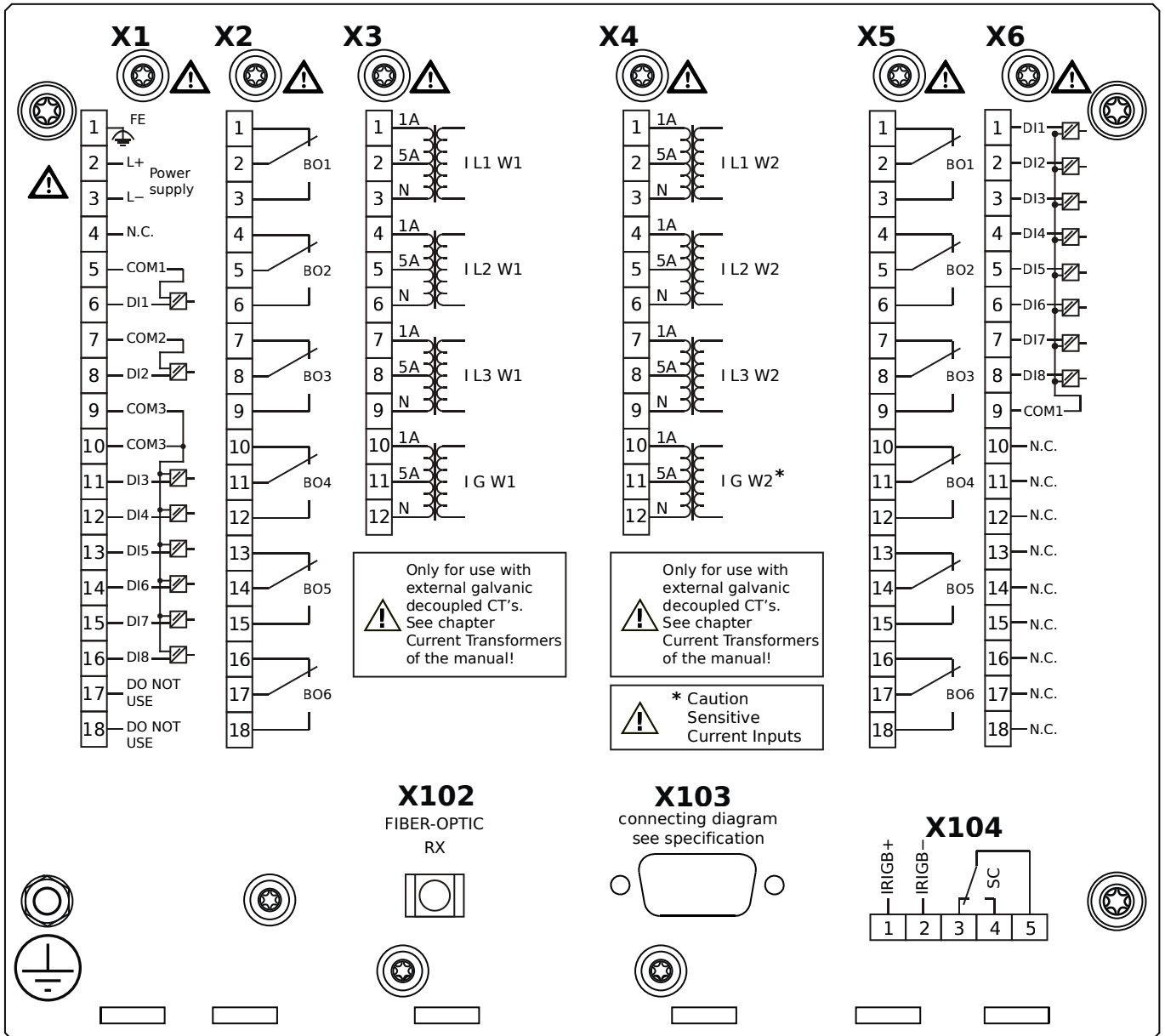
- X1** – DI8-X1: Wide-range power supply unit, incl. 2 non-grouped digital inputs and 6 grouped digital inputs
- X2** – OR-6: Assembly Group with 6 Relay Outputs
- X3** – TI-4: Standard current measuring card (for the winding side 1)
- X4** – TIs-4: Standard phase current measuring card and sensitive ground current measuring (winding side 2)
- X5** – OR-6: Assembly Group with 6 Relay Outputs
- X6** – DI8: Assembly Group with 8 Digital Inputs
- X102** – Universal Resistance-Temperature Detector (URTD) input, Fiber optics interface, Versatile Link
- X103** – Profibus-DP, Fiber optics interface, ST Connector
- X104** – IRIG-B00X, incl. System Contact (Supervision Contact)

MRDT4-2D2HEA



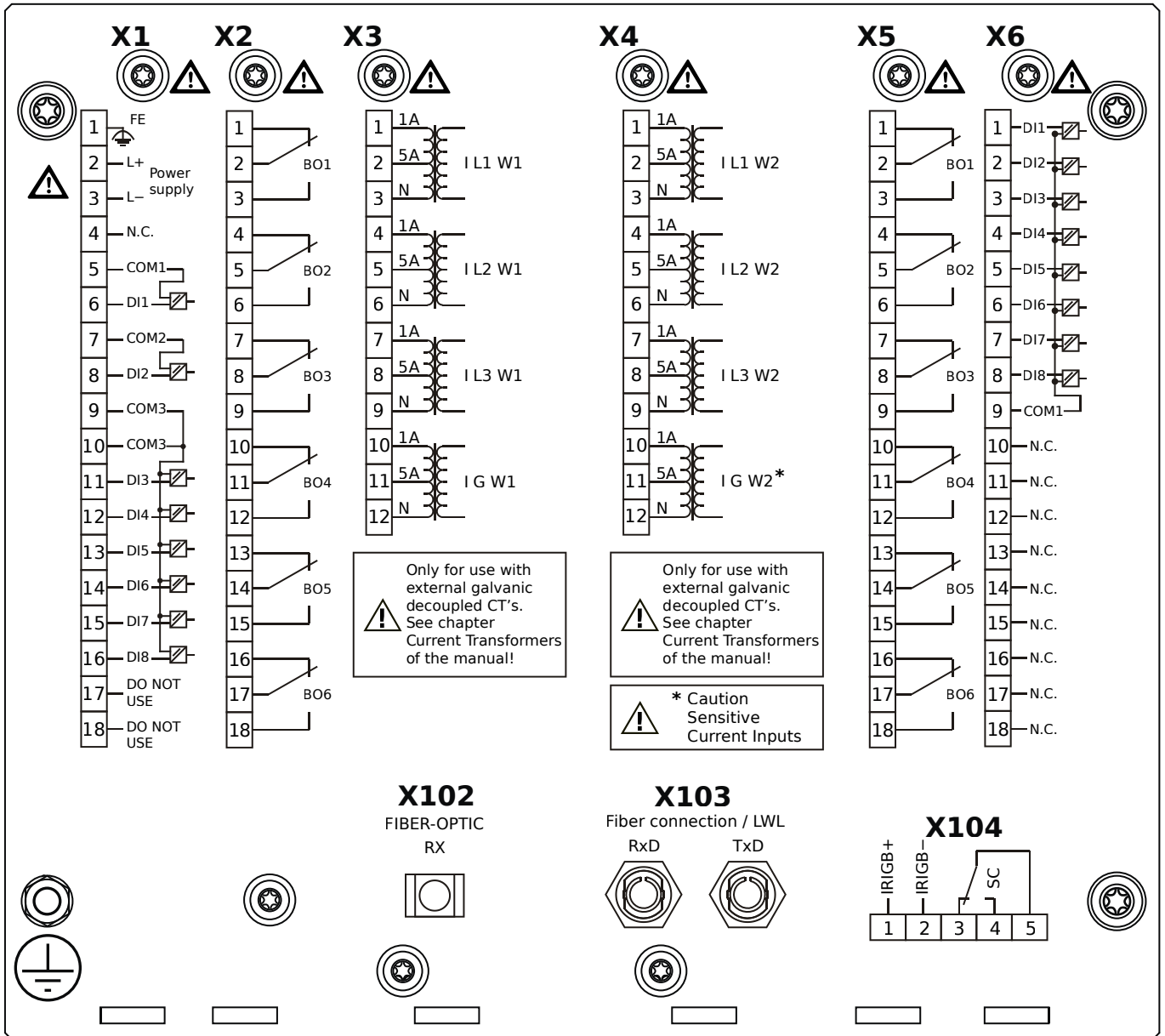
- X1** – DI8-X1: Wide-range power supply unit, incl. 2 non-grouped digital inputs and 6 grouped digital inputs
- X2** – OR-6: Assembly Group with 6 Relay Outputs
- X3** – TI-4: Standard current measuring card (for the winding side 1)
- X4** – TIs-4: Standard phase current measuring card and sensitive ground current measuring (winding side 2)
- X5** – OR-6: Assembly Group with 6 Relay Outputs
- X6** – DI8: Assembly Group with 8 Digital Inputs
- X102** – Universal Resistance-Temperature Detector (URTD) input, Fiber optics interface, Versatile Link
- X103** – Profibus-DP, RS485, D-SUB
- X104** – IRIG-B00X, incl. System Contact (Supervision Contact)

MRDT4-2D2HEB



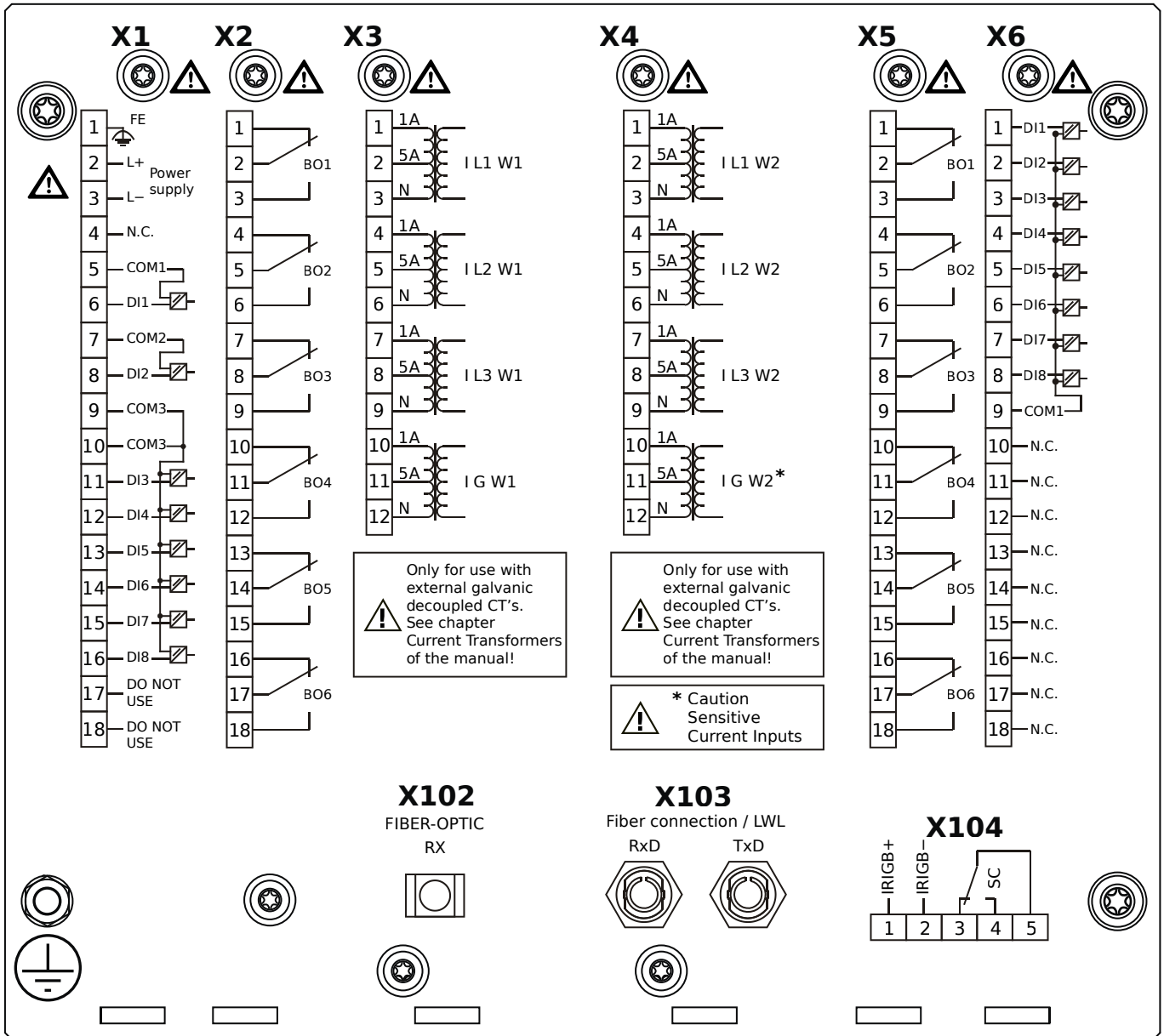
- X1** – DI8-X1: Wide-range power supply unit, incl. 2 non-grouped digital inputs and 6 grouped digital inputs
- X2** – OR-6: Assembly Group with 6 Relay Outputs
- X3** – TI-4: Standard current measuring card (for the winding side 1)
- X4** – TIs-4: Standard phase current measuring card and sensitive ground current measuring (winding side 2)
- X5** – OR-6: Assembly Group with 6 Relay Outputs
- X6** – DI8: Assembly Group with 8 Digital Inputs
- X102** – Universal Resistance-Temperature Detector (URTD) input, Fiber optics interface, Versatile Link
- X103** – Profibus-DP, RS485, D-SUB
- X104** – IRIG-B00X, incl. System Contact (Supervision Contact)

MRDT4-2D2HFA



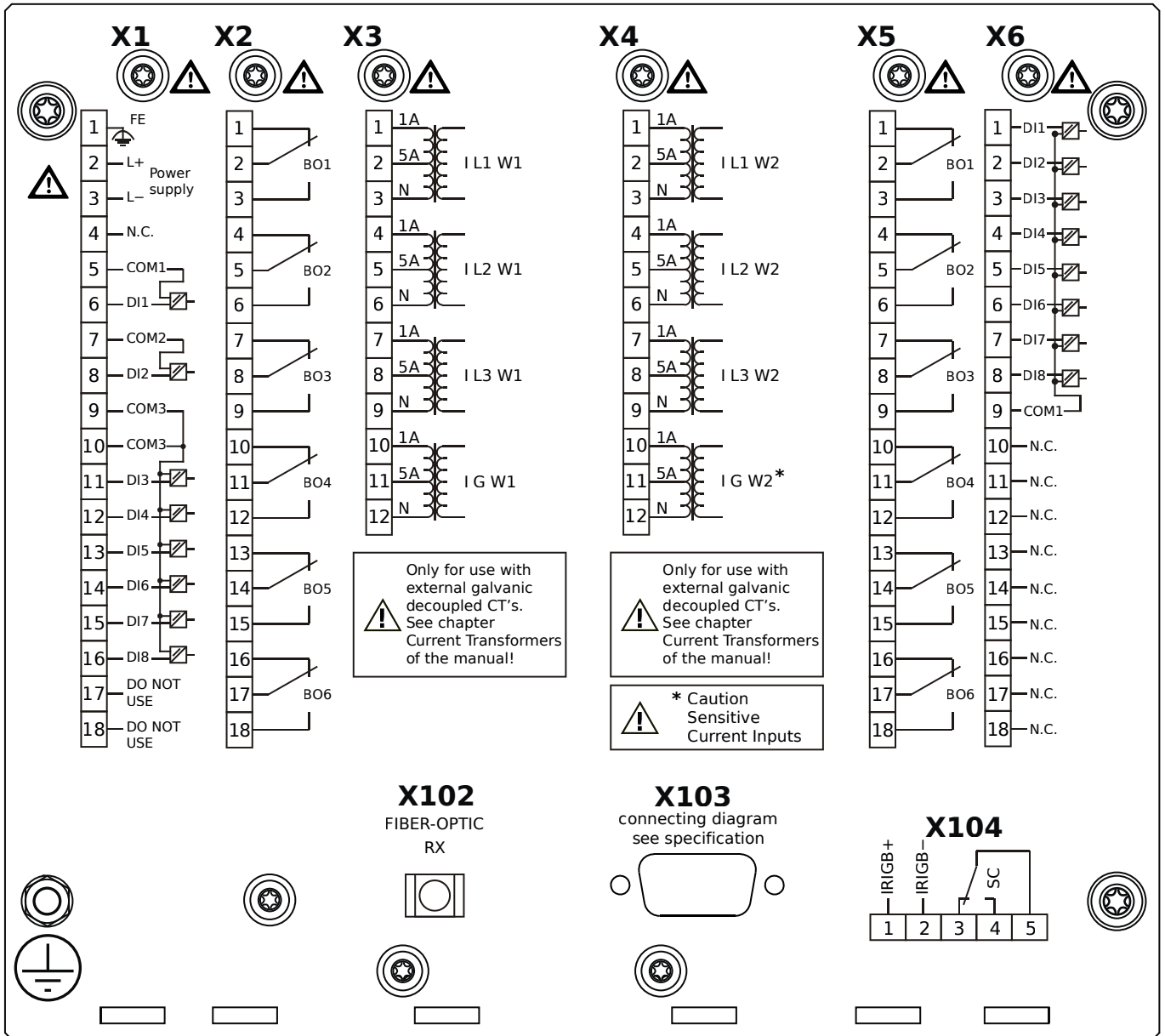
- X1** – DI8-X1: Wide-range power supply unit, incl. 2 non-grouped digital inputs and 6 grouped digital inputs
- X2** – OR-6: Assembly Group with 6 Relay Outputs
- X3** – TI-4: Standard current measuring card (for the winding side 1)
- X4** – TIs-4: Standard phase current measuring card and sensitive ground current measuring (winding side 2)
- X5** – OR-6: Assembly Group with 6 Relay Outputs
- X6** – DI8: Assembly Group with 8 Digital Inputs
- X102** – Universal Resistance-Temperature Detector (URTD) input, Fiber optics interface, Versatile Link
- X103** – Modbus RTU / IEC 60870-5-103 / DNP3.0 RTU, Fiber optics interface, ST Connector
- X104** – IRIG-B00X, incl. System Contact (Supervision Contact)

MRDT4-2D2HFB



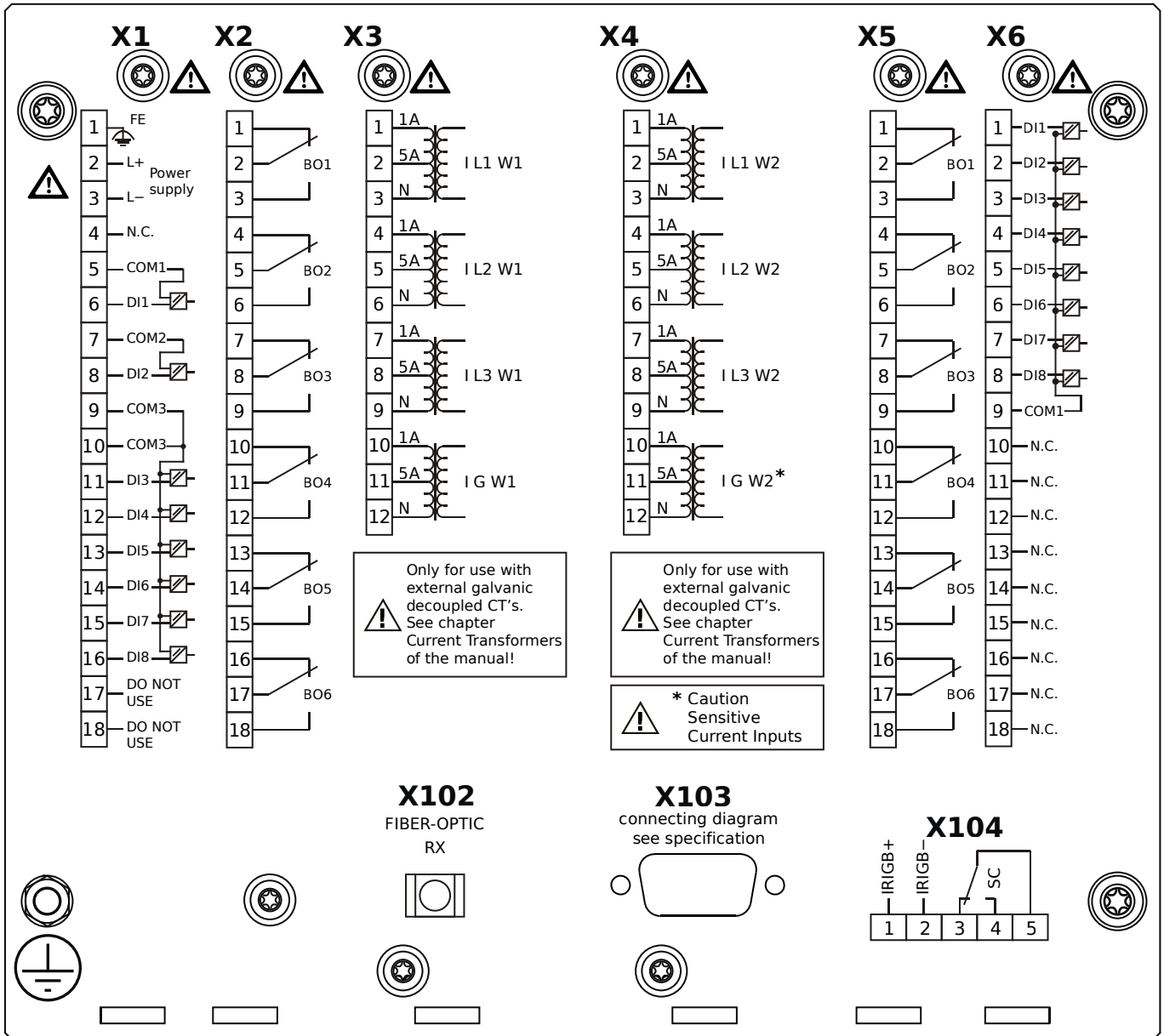
- X1** – DI8-X1: Wide-range power supply unit, incl. 2 non-grouped digital inputs and 6 grouped digital inputs
- X2** – OR-6: Assembly Group with 6 Relay Outputs
- X3** – TI-4: Standard current measuring card (for the winding side 1)
- X4** – TIs-4: Standard phase current measuring card and sensitive ground current measuring (winding side 2)
- X5** – OR-6: Assembly Group with 6 Relay Outputs
- X6** – DI8: Assembly Group with 8 Digital Inputs
- X102** – Universal Resistance-Temperature Detector (URTD) input, Fiber optics interface, Versatile Link
- X103** – Modbus RTU / IEC 60870-5-103 / DNP3.0 RTU, Fiber optics interface, ST Connector
- X104** – IRIG-B00X, incl. System Contact (Supervision Contact)

MRDT4-2D2HGA



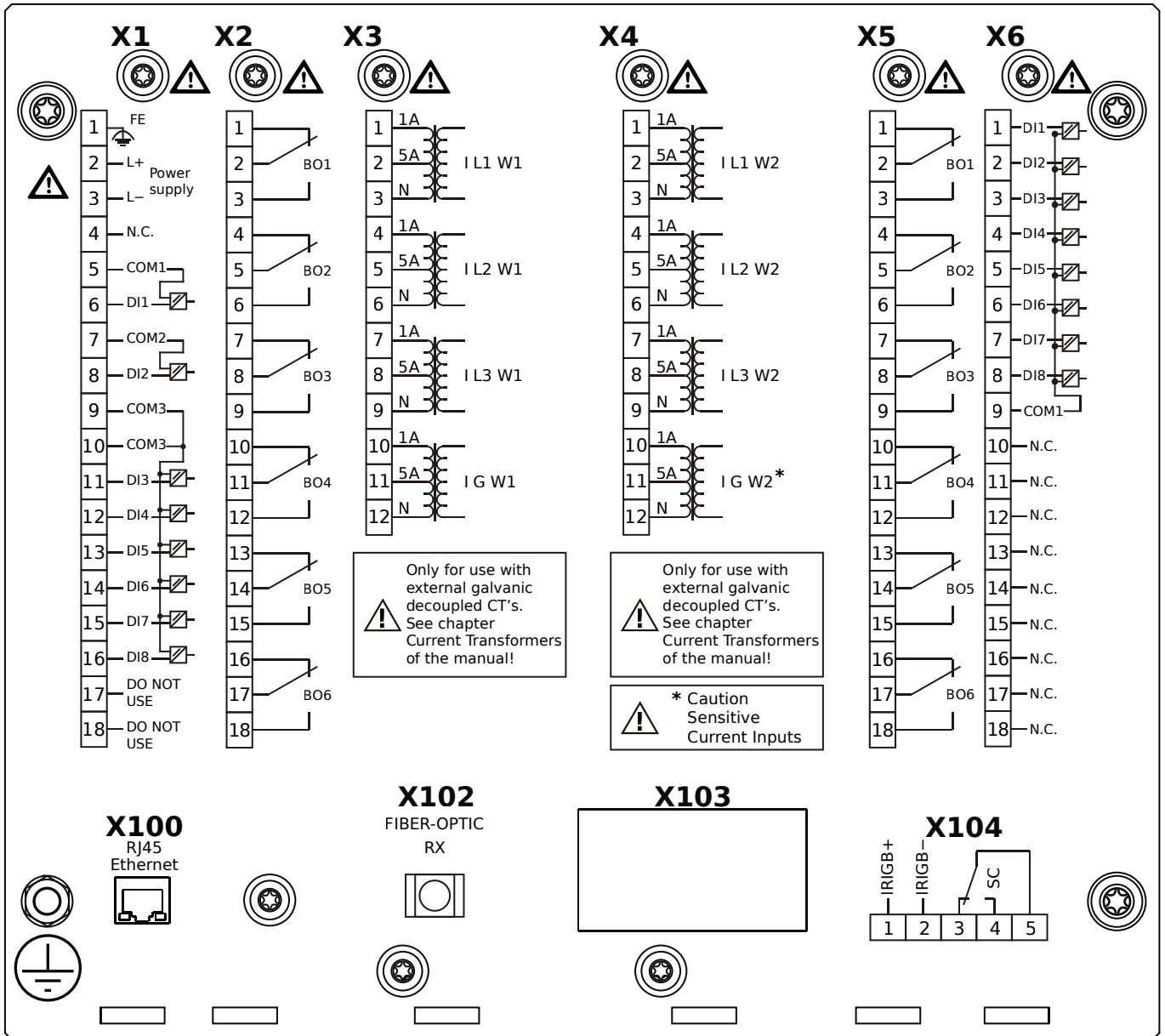
- X1** – DI8-X1: Wide-range power supply unit, incl. 2 non-grouped digital inputs and 6 grouped digital inputs
- X2** – OR-6: Assembly Group with 6 Relay Outputs
- X3** – TI-4: Standard current measuring card (for the winding side 1)
- X4** – TIs-4: Standard phase current measuring card and sensitive ground current measuring (winding side 2)
- X5** – OR-6: Assembly Group with 6 Relay Outputs
- X6** – DI8: Assembly Group with 8 Digital Inputs
- X102** – Universal Resistance-Temperature Detector (URTD) input, Fiber optics interface, Versatile Link
- X103** – Modbus RTU / IEC 60870-5-103 / DNP3.0 RTU, RS485, D-SUB
- X104** – IRIG-B00X, incl. System Contact (Supervision Contact)

MRDT4-2D2HGB



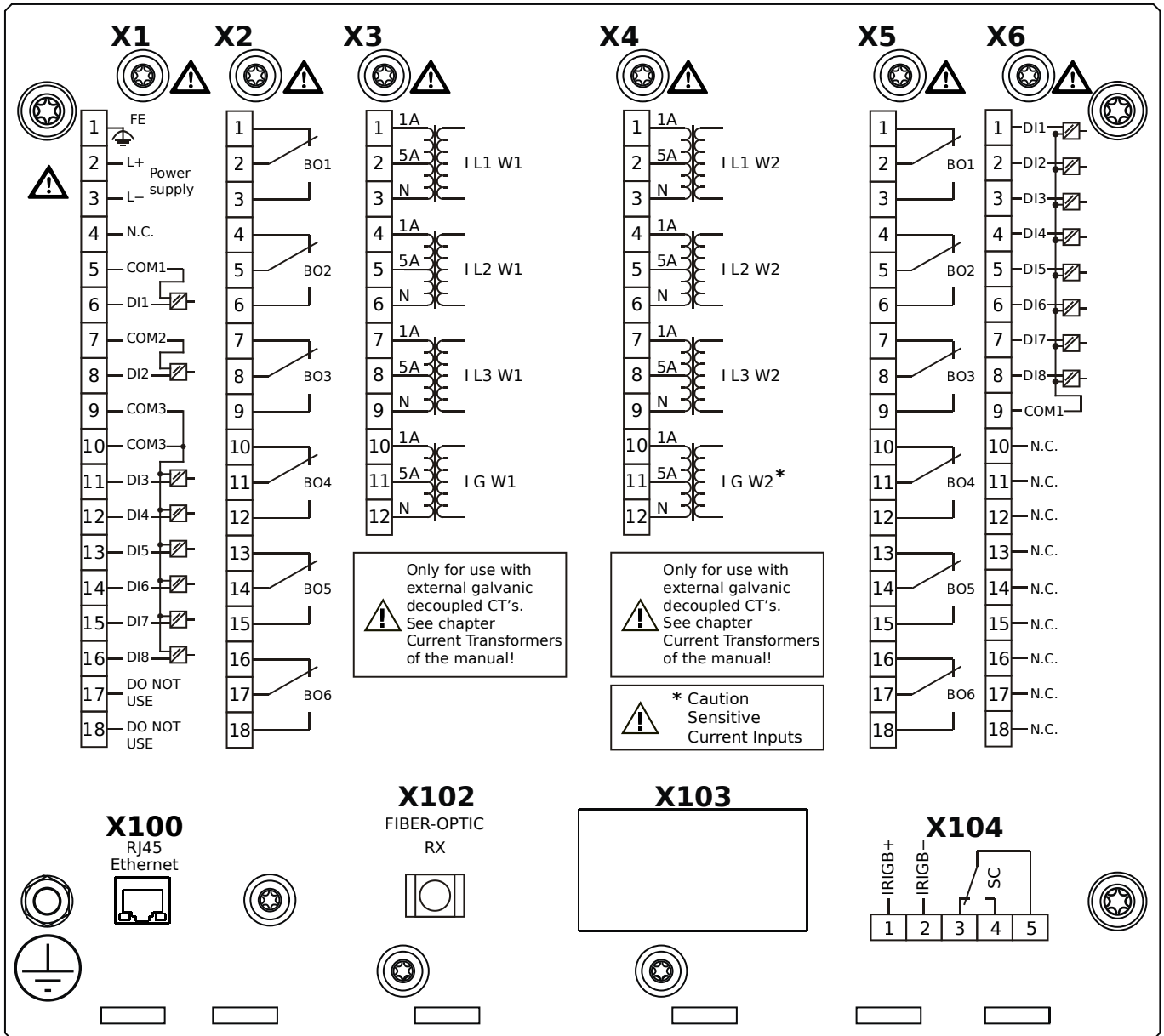
- X1** – DI8-X1: Wide-range power supply unit, incl. 2 non-grouped digital inputs and 6 grouped digital inputs
- X2** – OR-6: Assembly Group with 6 Relay Outputs
- X3** – TI-4: Standard current measuring card (for the winding side 1)
- X4** – TIs-4: Standard phase current measuring card and sensitive ground current measuring (winding side 2)
- X5** – OR-6: Assembly Group with 6 Relay Outputs
- X6** – DI8: Assembly Group with 8 Digital Inputs
- X102** – Universal Resistance-Temperature Detector (URTD) input, Fiber optics interface, Versatile Link
- X103** – Modbus RTU / IEC 60870-5-103 / DNP3.0 RTU, RS485, D-SUB
- X104** – IRIG-B00X, incl. System Contact (Supervision Contact)

MRDT4-2D2HHA



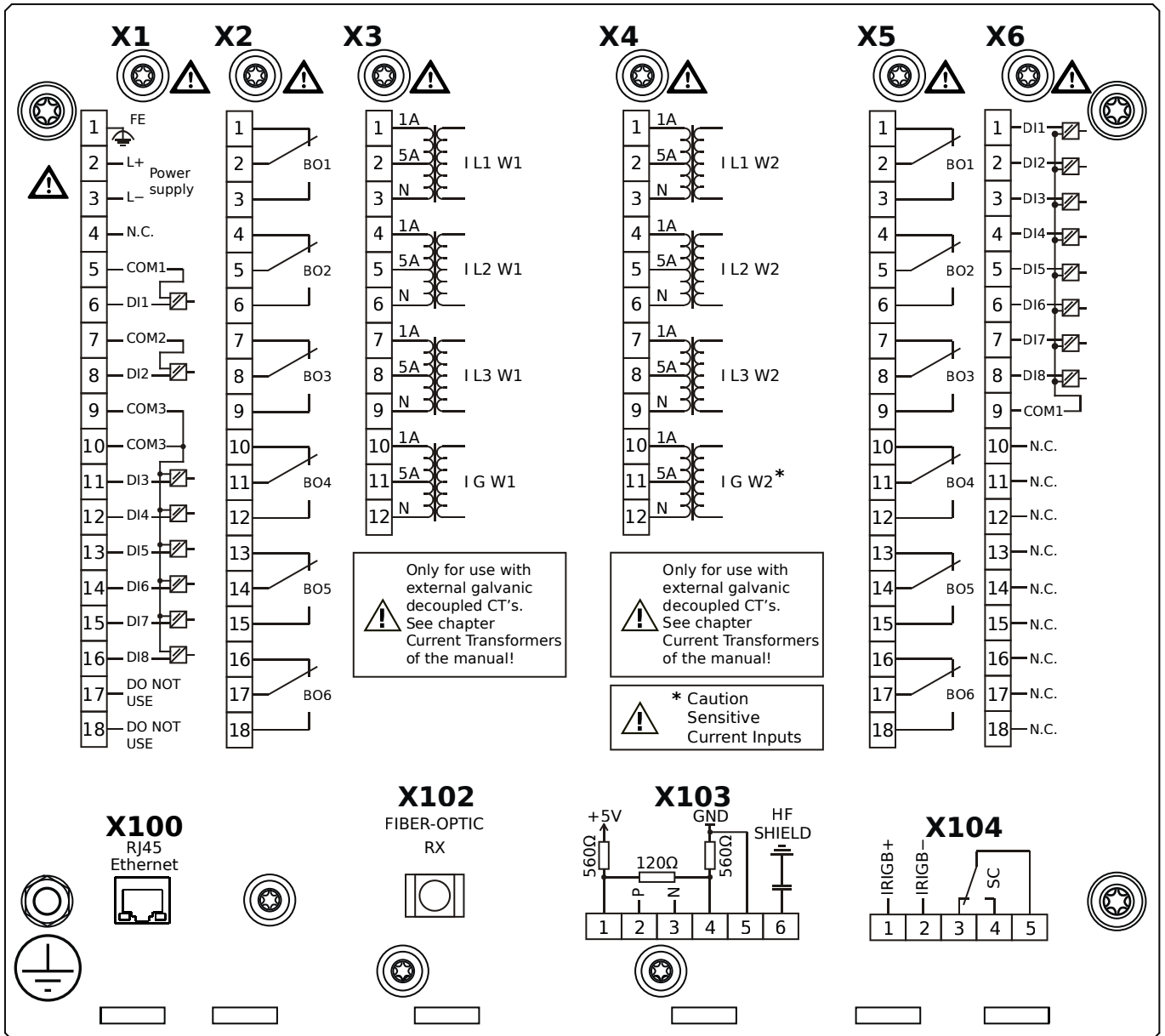
- X1** – DI8-X1: Wide-range power supply unit, incl. 2 non-grouped digital inputs and 6 grouped digital inputs
- X2** – OR-6: Assembly Group with 6 Relay Outputs
- X3** – TI-4: Standard current measuring card (for the winding side 1)
- X4** – TIs-4: Standard phase current measuring card and sensitive ground current measuring (winding side 2)
- X5** – OR-6: Assembly Group with 6 Relay Outputs
- X6** – DI8: Assembly Group with 8 Digital Inputs
- X100** – IEC 61850 / Modbus TCP / DNP3.0 TCP/UDP, Ethernet interface, 100 Mbit/s, RJ45 (BASE100-FX)
- X102** – Universal Resistance-Temperature Detector (URTD) input, Fiber optics interface, Versatile Link
- X104** – IRIG-B00X, incl. System Contact (Supervision Contact)

MRDT4-2D2HHB



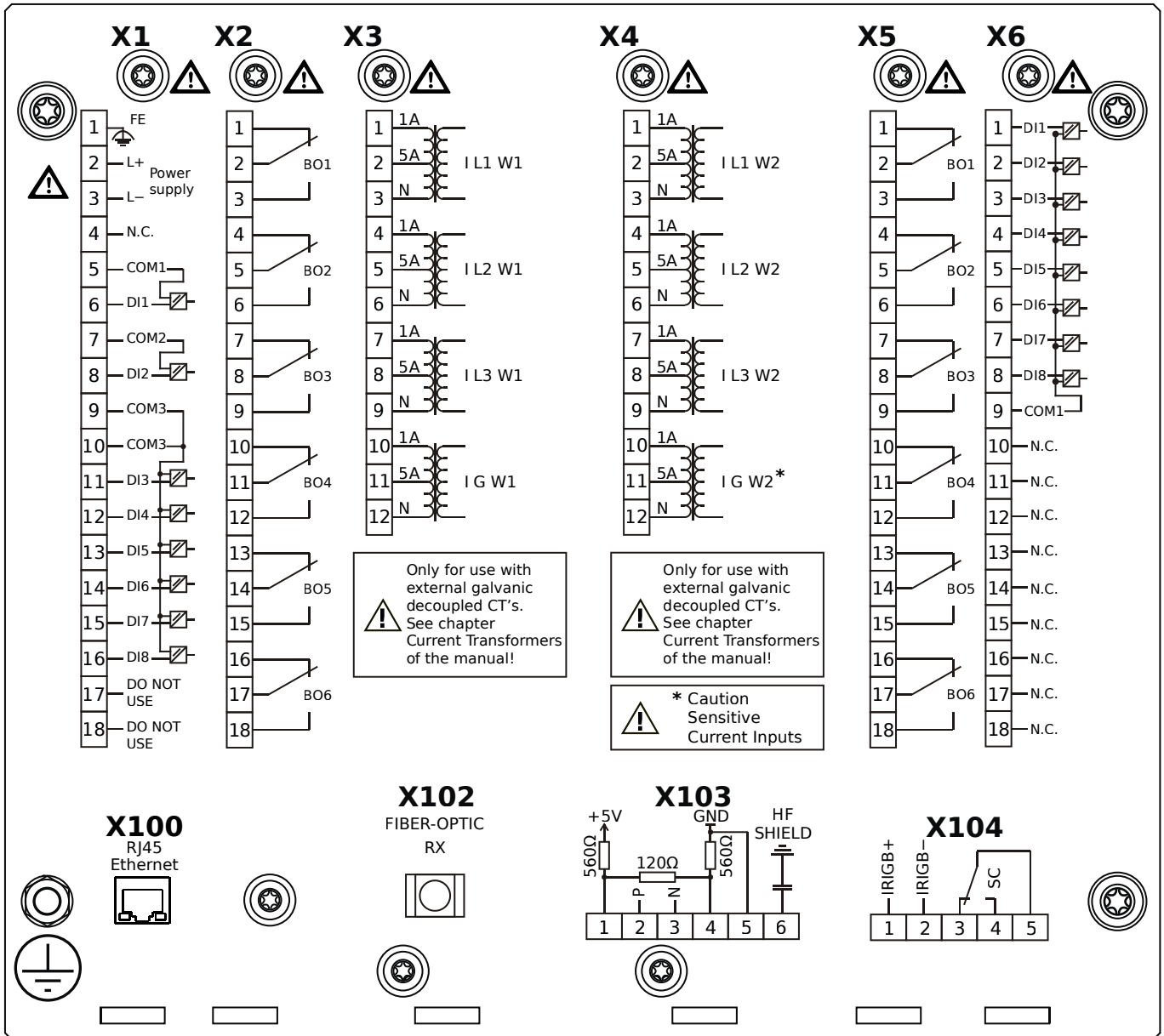
- X1** – DI8-X1: Wide-range power supply unit, incl. 2 non-grouped digital inputs and 6 grouped digital inputs
- X2** – OR-6: Assembly Group with 6 Relay Outputs
- X3** – TI-4: Standard current measuring card (for the winding side 1)
- X4** – TIs-4: Standard phase current measuring card and sensitive ground current measuring (winding side 2)
- X5** – OR-6: Assembly Group with 6 Relay Outputs
- X6** – DI8: Assembly Group with 8 Digital Inputs
- X100** – IEC 61850 / Modbus TCP / DNP3.0 TCP/UDP, Ethernet interface, 100 Mbit/s, RJ45 (BASE100-FX)
- X102** – Universal Resistance-Temperature Detector (URTD) input, Fiber optics interface, Versatile Link
- X104** – IRIG-B00X, incl. System Contact (Supervision Contact)

MRDT4-2D2HIA



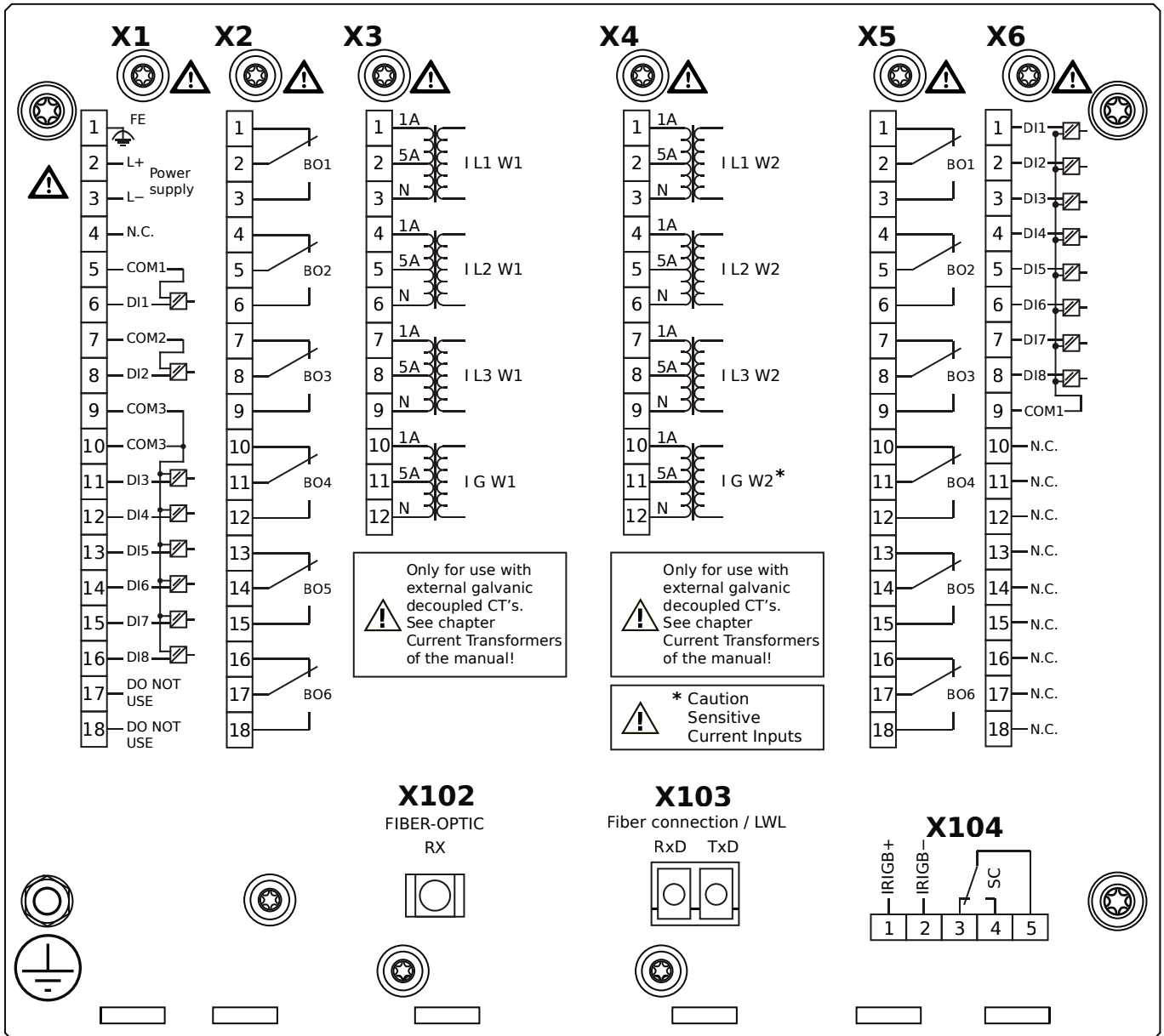
- X1** – DI8-X1: Wide-range power supply unit, incl. 2 non-grouped digital inputs and 6 grouped digital inputs
- X2** – OR-6: Assembly Group with 6 Relay Outputs
- X3** – TI-4: Standard current measuring card (for the winding side 1)
- X4** – TIs-4: Standard phase current measuring card and sensitive ground current measuring (winding side 2)
- X5** – OR-6: Assembly Group with 6 Relay Outputs
- X6** – DI8: Assembly Group with 8 Digital Inputs
- X100** – Modbus TCP / DNP3.0 TCP/UDP, Ethernet interface, 100 Mbit/s, RJ45 (BASE100-FX)
- X102** – Universal Resistance-Temperature Detector (URTD) input, Fiber optics interface, Versatile Link
- X103** – IEC 60870-5-103 / Modbus RTU / DNP3.0 RTU, RS485, Terminals
- X104** – IRIG-B00X, incl. System Contact (Supervision Contact)

MRDT4-2D2HIB



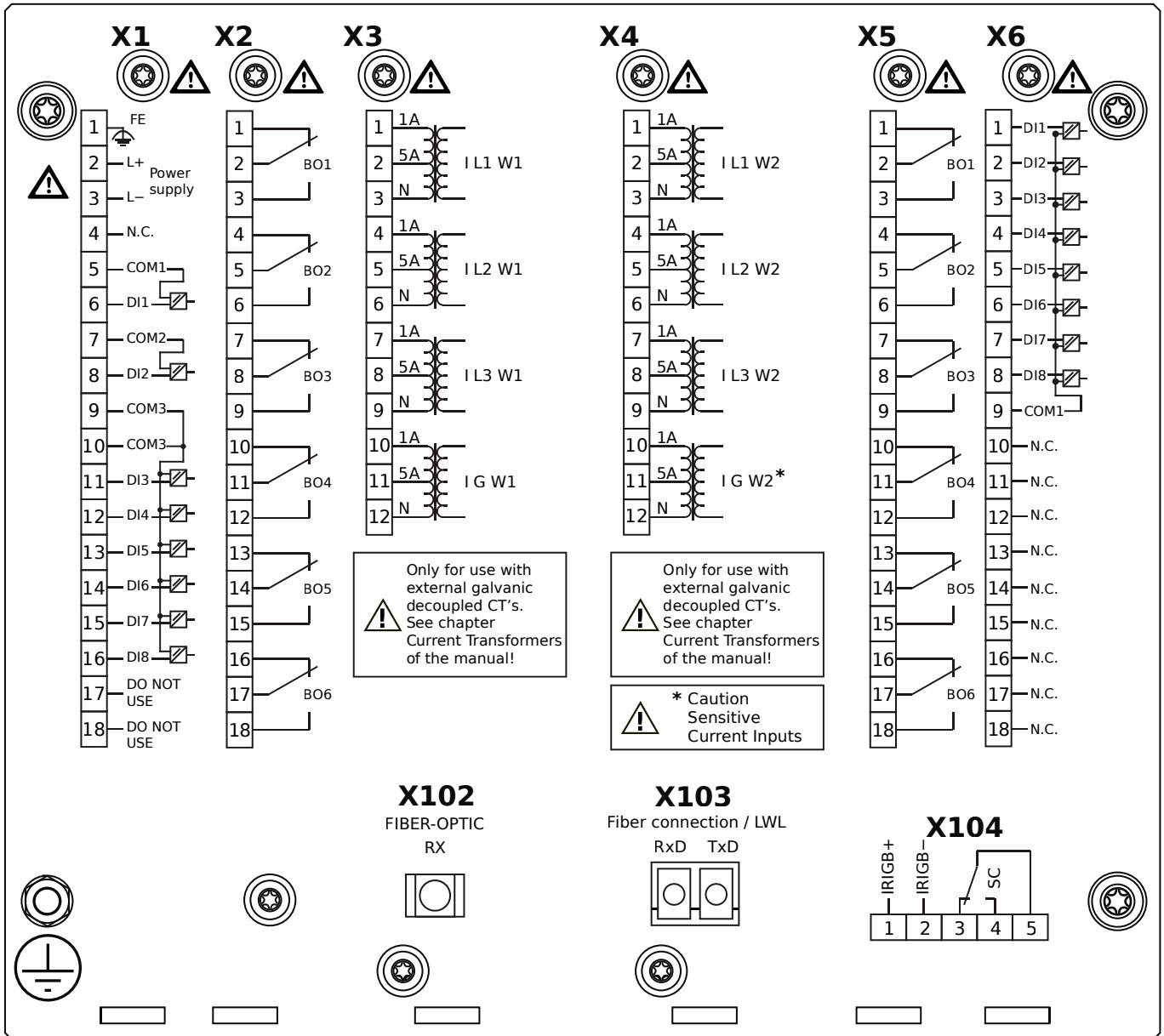
- X1** – DI8-X1: Wide-range power supply unit, incl. 2 non-grouped digital inputs and 6 grouped digital inputs
- X2** – OR-6: Assembly Group with 6 Relay Outputs
- X3** – TI-4: Standard current measuring card (for the winding side 1)
- X4** – TIs-4: Standard phase current measuring card and sensitive ground current measuring (winding side 2)
- X5** – OR-6: Assembly Group with 6 Relay Outputs
- X6** – DI8: Assembly Group with 8 Digital Inputs
- X100** – Modbus TCP / DNP3.0 TCP/UDP, Ethernet interface, 100 Mbit/s, RJ45 (BASE100-FX)
- X102** – Universal Resistance-Temperature Detector (URTD) input, Fiber optics interface, Versatile Link
- X103** – IEC 60870-5-103 / Modbus RTU / DNP3.0 RTU, RS485, Terminals
- X104** – IRIG-B00X, incl. System Contact (Supervision Contact)

MRDT4-2D2HKA



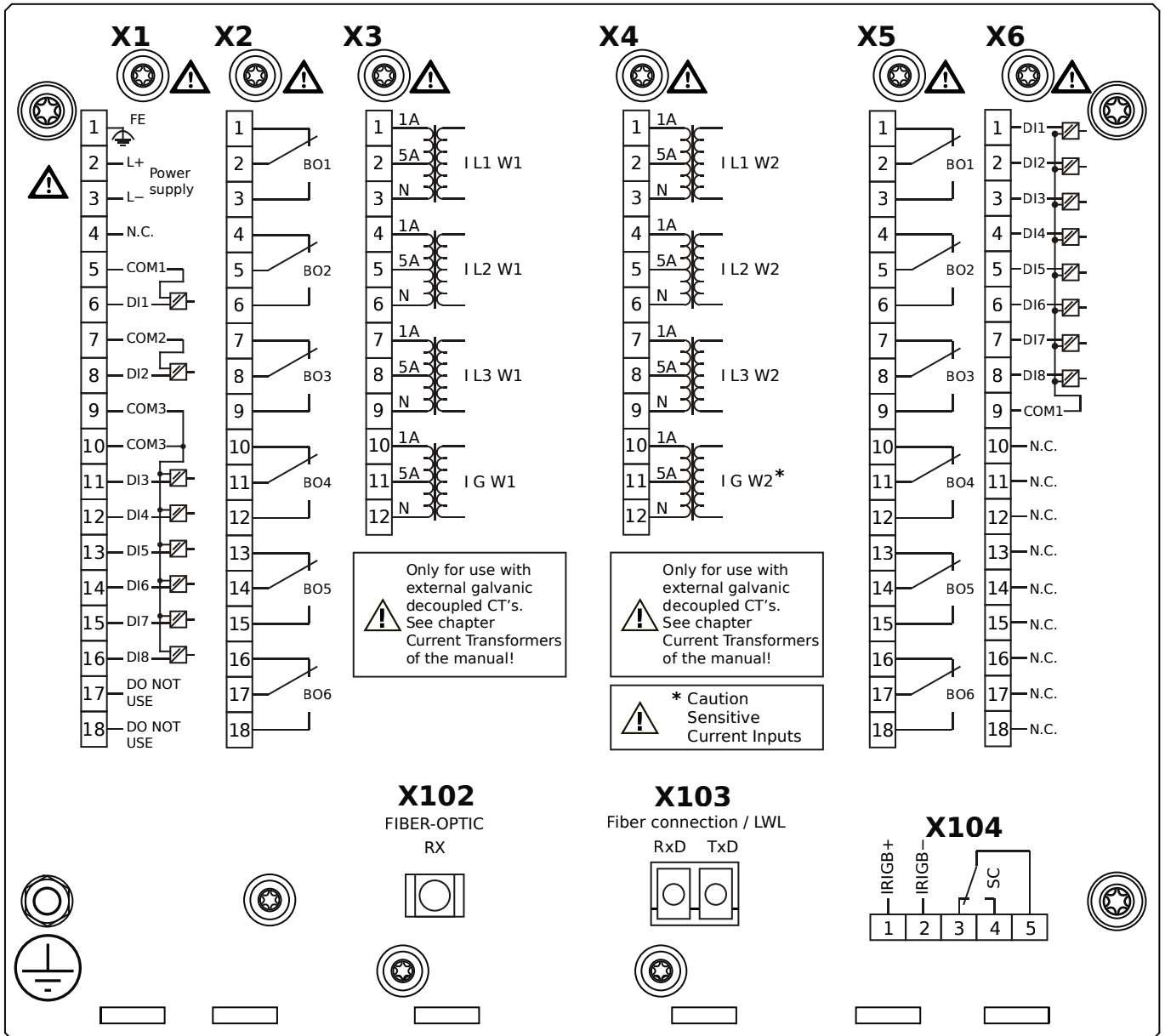
- X1** – DI8-X1: Wide-range power supply unit, incl. 2 non-grouped digital inputs and 6 grouped digital inputs
- X2** – OR-6: Assembly Group with 6 Relay Outputs
- X3** – TI-4: Standard current measuring card (for the winding side 1)
- X4** – TIs-4: Standard phase current measuring card and sensitive ground current measuring (winding side 2)
- X5** – OR-6: Assembly Group with 6 Relay Outputs
- X6** – DI8: Assembly Group with 8 Digital Inputs
- X102** – Universal Resistance-Temperature Detector (URTD) input, Fiber optics interface, Versatile Link
- X103** – IEC 61850 / Modbus TCP / DNP3.0 TCP/UDP, Fiber optics interface, LC Connector
- X104** – IRIG-B00X, incl. System Contact (Supervision Contact)

MRDT4-2D2HKB



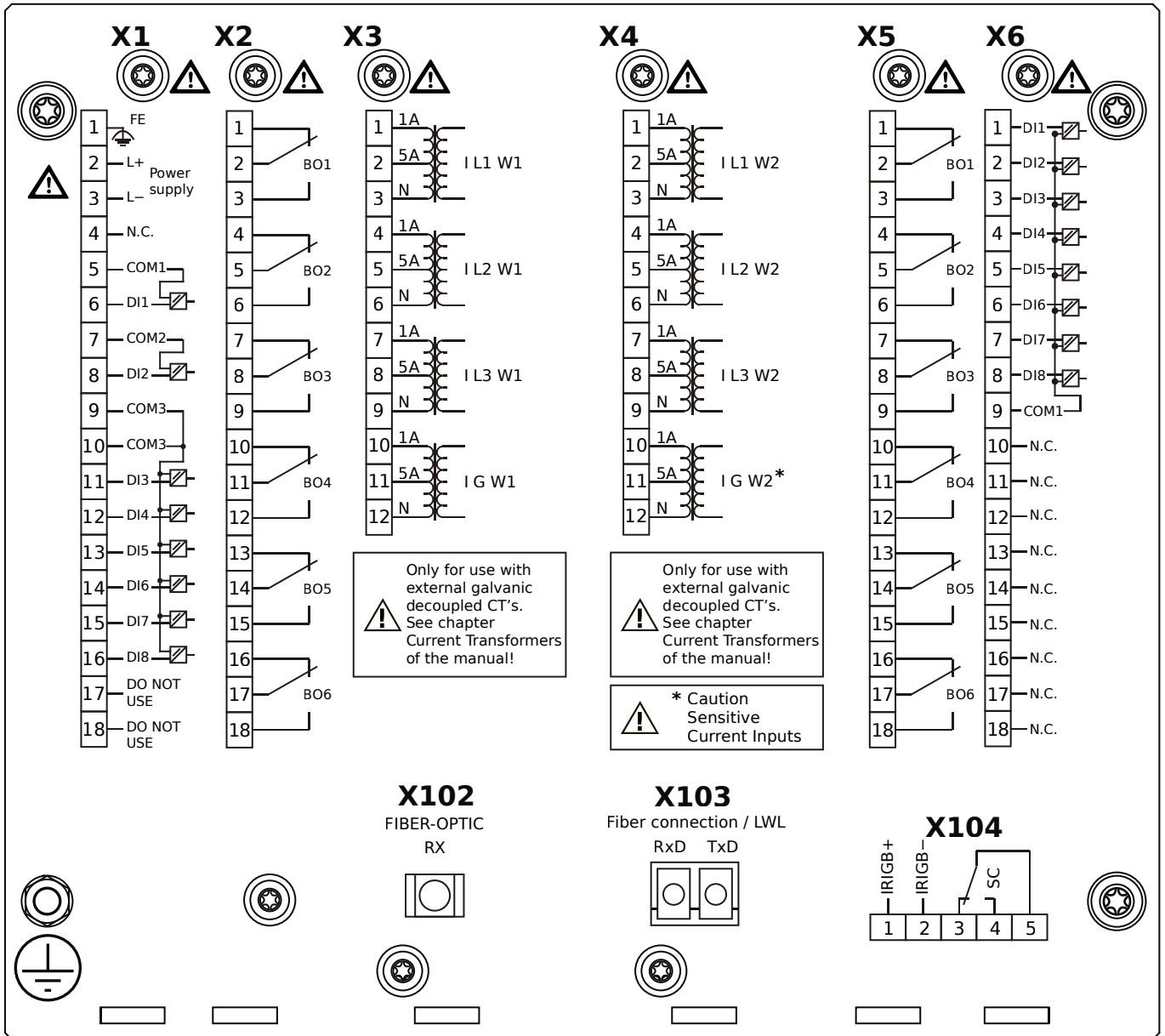
- X1** – DI8-X1: Wide-range power supply unit, incl. 2 non-grouped digital inputs and 6 grouped digital inputs
- X2** – OR-6: Assembly Group with 6 Relay Outputs
- X3** – TI-4: Standard current measuring card (for the winding side 1)
- X4** – TIs-4: Standard phase current measuring card and sensitive ground current measuring (winding side 2)
- X5** – OR-6: Assembly Group with 6 Relay Outputs
- X6** – DI8: Assembly Group with 8 Digital Inputs
- X102** – Universal Resistance-Temperature Detector (URTD) input, Fiber optics interface, Versatile Link
- X103** – IEC 61850 / Modbus TCP / DNP3.0 TCP/UDP, Fiber optics interface, LC Connector
- X104** – IRIG-B00X, incl. System Contact (Supervision Contact)

MRDT4-2D2HLA



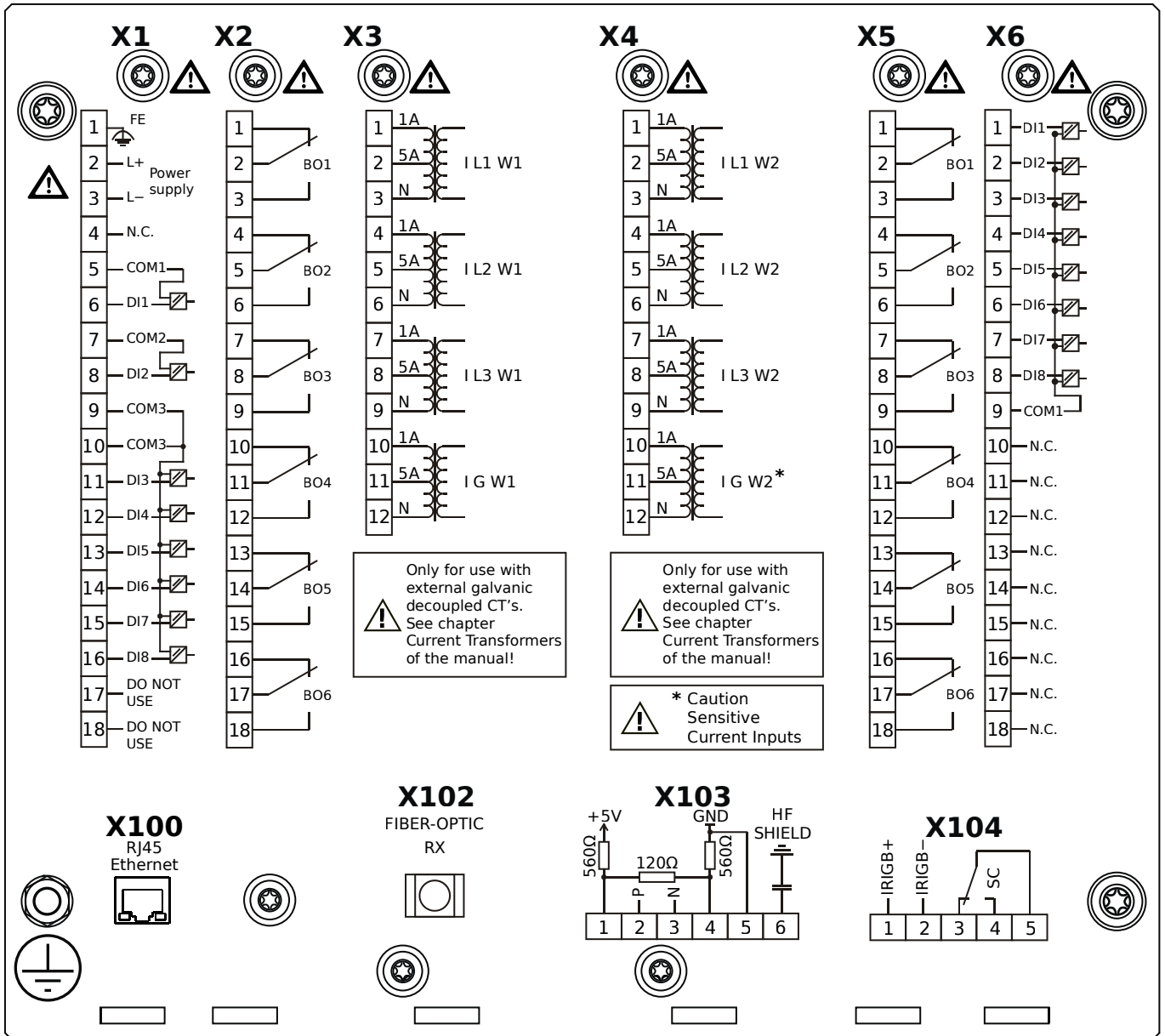
- X1** – DI8-X1: Wide-range power supply unit, incl. 2 non-grouped digital inputs and 6 grouped digital inputs
- X2** – OR-6: Assembly Group with 6 Relay Outputs
- X3** – TI-4: Standard current measuring card (for the winding side 1)
- X4** – TIs-4: Standard phase current measuring card and sensitive ground current measuring (winding side 2)
- X5** – OR-6: Assembly Group with 6 Relay Outputs
- X6** – DI8: Assembly Group with 8 Digital Inputs
- X102** – Universal Resistance-Temperature Detector (URTD) input, Fiber optics interface, Versatile Link
- X103** – Modbus TCP / DNP3.0 TCP/UDP, Fiber optics interface, LC Connector
- X104** – IRIG-B00X, incl. System Contact (Supervision Contact)

MRDT4-2D2HLB



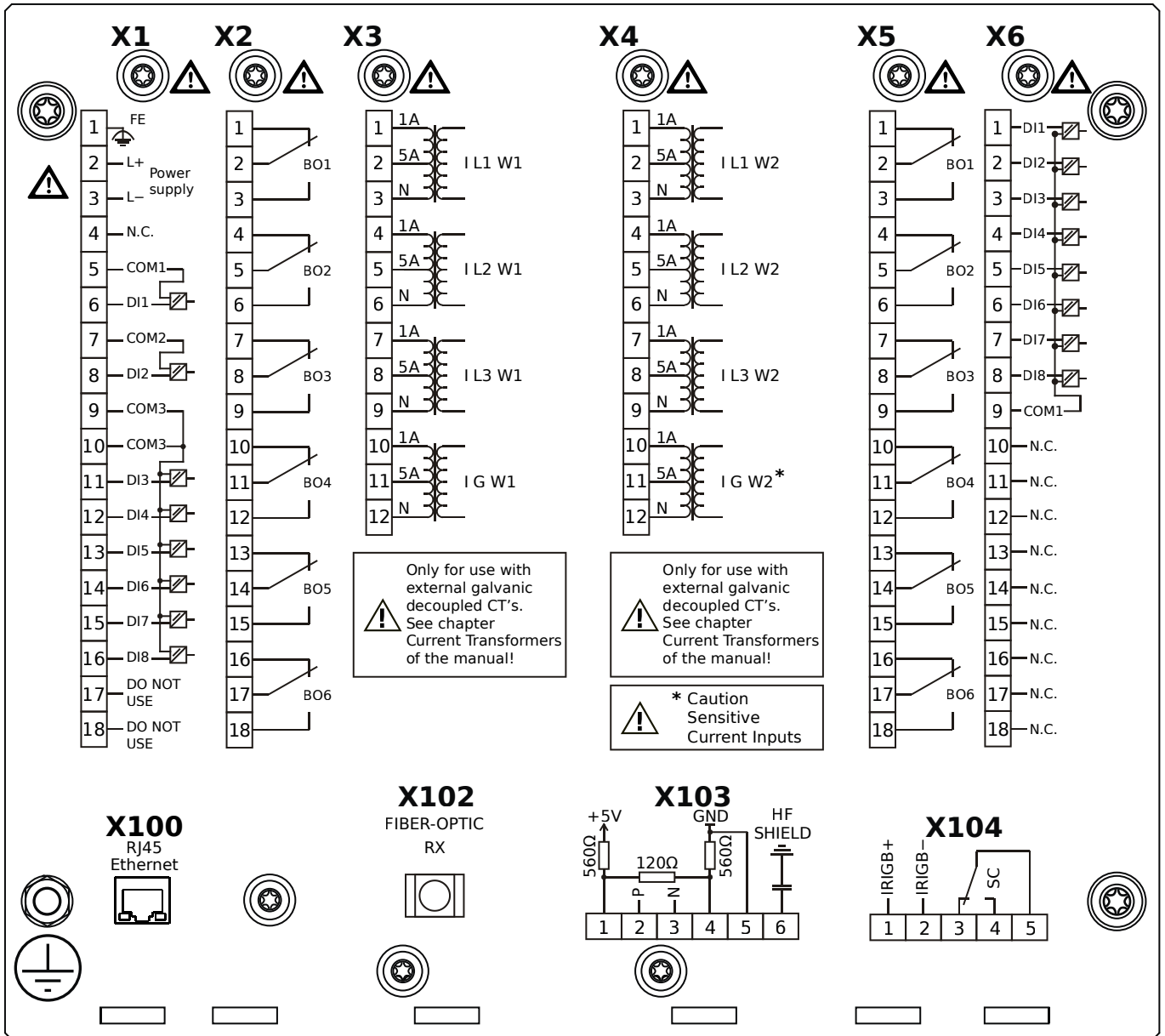
- X1** – DI8-X1: Wide-range power supply unit, incl. 2 non-grouped digital inputs and 6 grouped digital inputs
- X2** – OR-6: Assembly Group with 6 Relay Outputs
- X3** – TI-4: Standard current measuring card (for the winding side 1)
- X4** – TIs-4: Standard phase current measuring card and sensitive ground current measuring (winding side 2)
- X5** – OR-6: Assembly Group with 6 Relay Outputs
- X6** – DI8: Assembly Group with 8 Digital Inputs
- X102** – Universal Resistance-Temperature Detector (URTD) input, Fiber optics interface, Versatile Link
- X103** – Modbus TCP / DNP3.0 TCP/UDP, Fiber optics interface, LC Connector
- X104** – IRIG-B00X, incl. System Contact (Supervision Contact)

MRDT4-2D2HTA



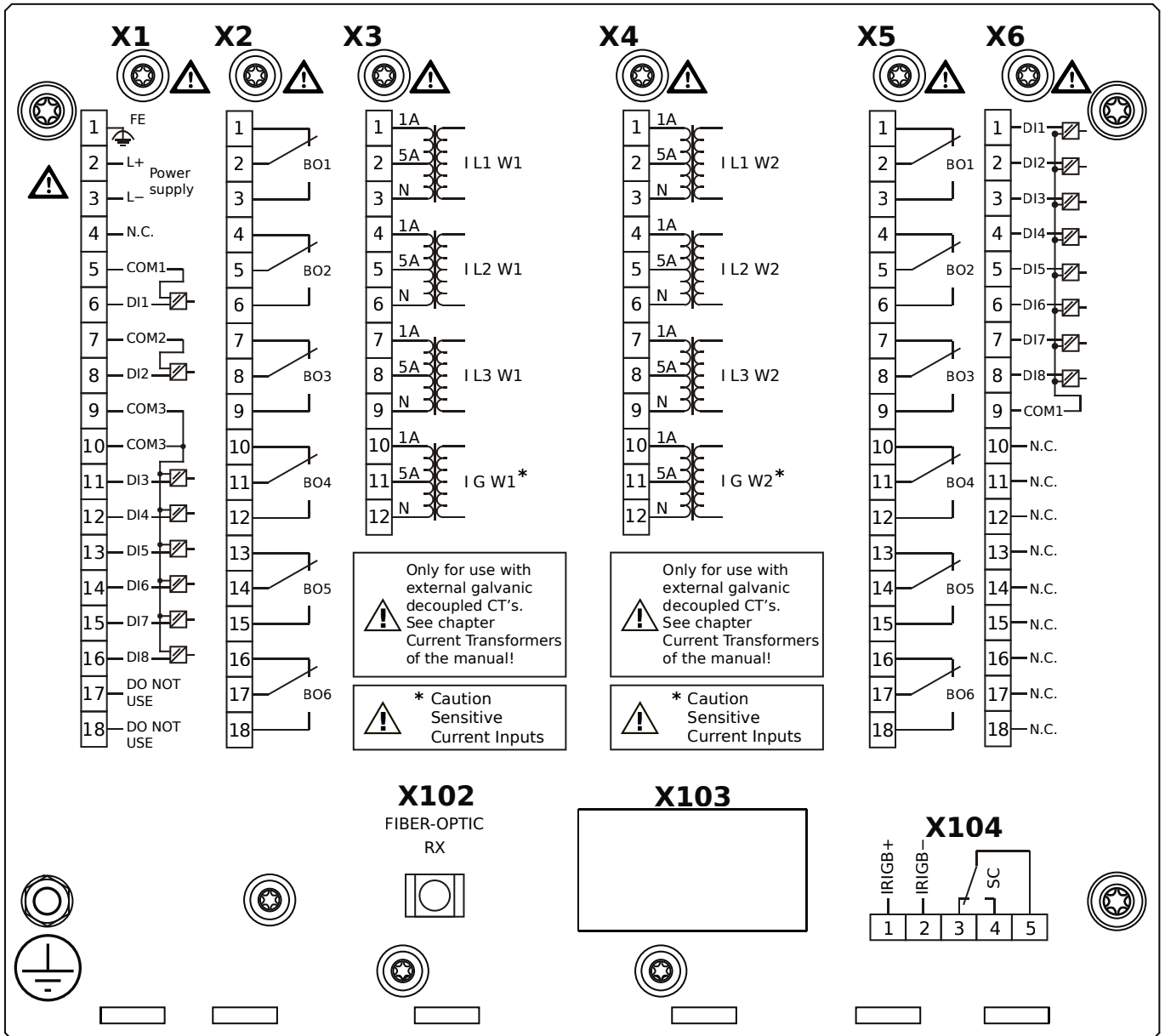
- X1** – DI8-X1: Wide-range power supply unit, incl. 2 non-grouped digital inputs and 6 grouped digital inputs
- X2** – OR-6: Assembly Group with 6 Relay Outputs
- X3** – TI-4: Standard current measuring card (for the winding side 1)
- X4** – TIs-4: Standard phase current measuring card and sensitive ground current measuring (winding side 2)
- X5** – OR-6: Assembly Group with 6 Relay Outputs
- X6** – DI8: Assembly Group with 8 Digital Inputs
- X100** – IEC 61850 / Modbus TCP / DNP3.0 TCP/UDP, Ethernet interface, 100 Mbit/s, RJ45 (BASE100-FX)
- X102** – Universal Resistance-Temperature Detector (URTD) input, Fiber optics interface, Versatile Link
- X103** – IEC 60870-5-103 / Modbus RTU / DNP3.0 RTU, RS485, Terminals
- X104** – IRIG-B00X, incl. System Contact (Supervision Contact)

MRDT4-2D2HTB



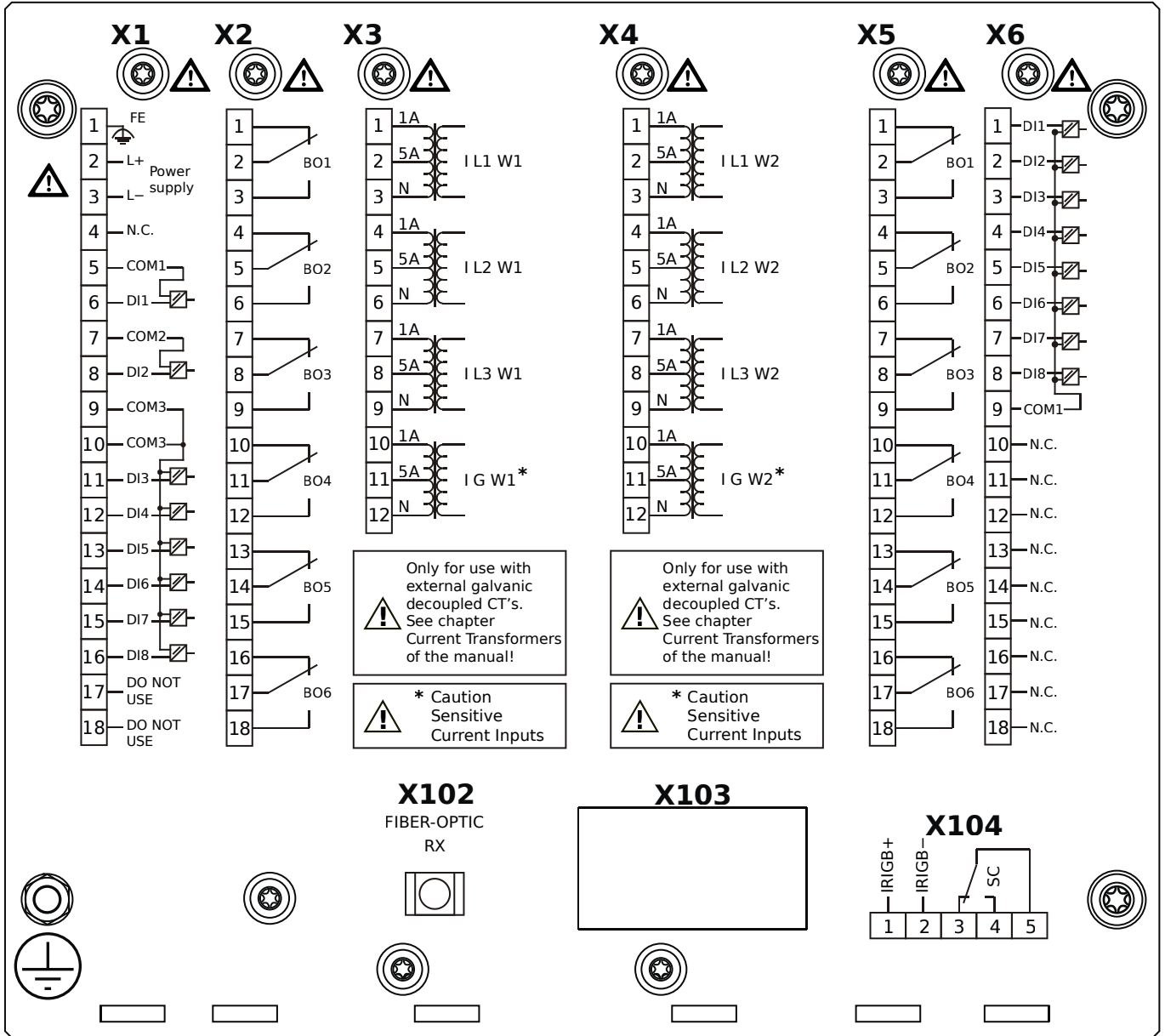
- X1** – DI8-X1: Wide-range power supply unit, incl. 2 non-grouped digital inputs and 6 grouped digital inputs
- X2** – OR-6: Assembly Group with 6 Relay Outputs
- X3** – TI-4: Standard current measuring card (for the winding side 1)
- X4** – TIs-4: Standard phase current measuring card and sensitive ground current measuring (winding side 2)
- X5** – OR-6: Assembly Group with 6 Relay Outputs
- X6** – DI8: Assembly Group with 8 Digital Inputs
- X100** – IEC 61850 / Modbus TCP / DNP3.0 TCP/UDP, Ethernet interface, 100 Mbit/s, RJ45 (BASE100-FX)
- X102** – Universal Resistance-Temperature Detector (URTD) input, Fiber optics interface, Versatile Link
- X103** – IEC 60870-5-103 / Modbus RTU / DNP3.0 RTU, RS485, Terminals
- X104** – IRIG-B00X, incl. System Contact (Supervision Contact)

MRDT4-2D3AAA



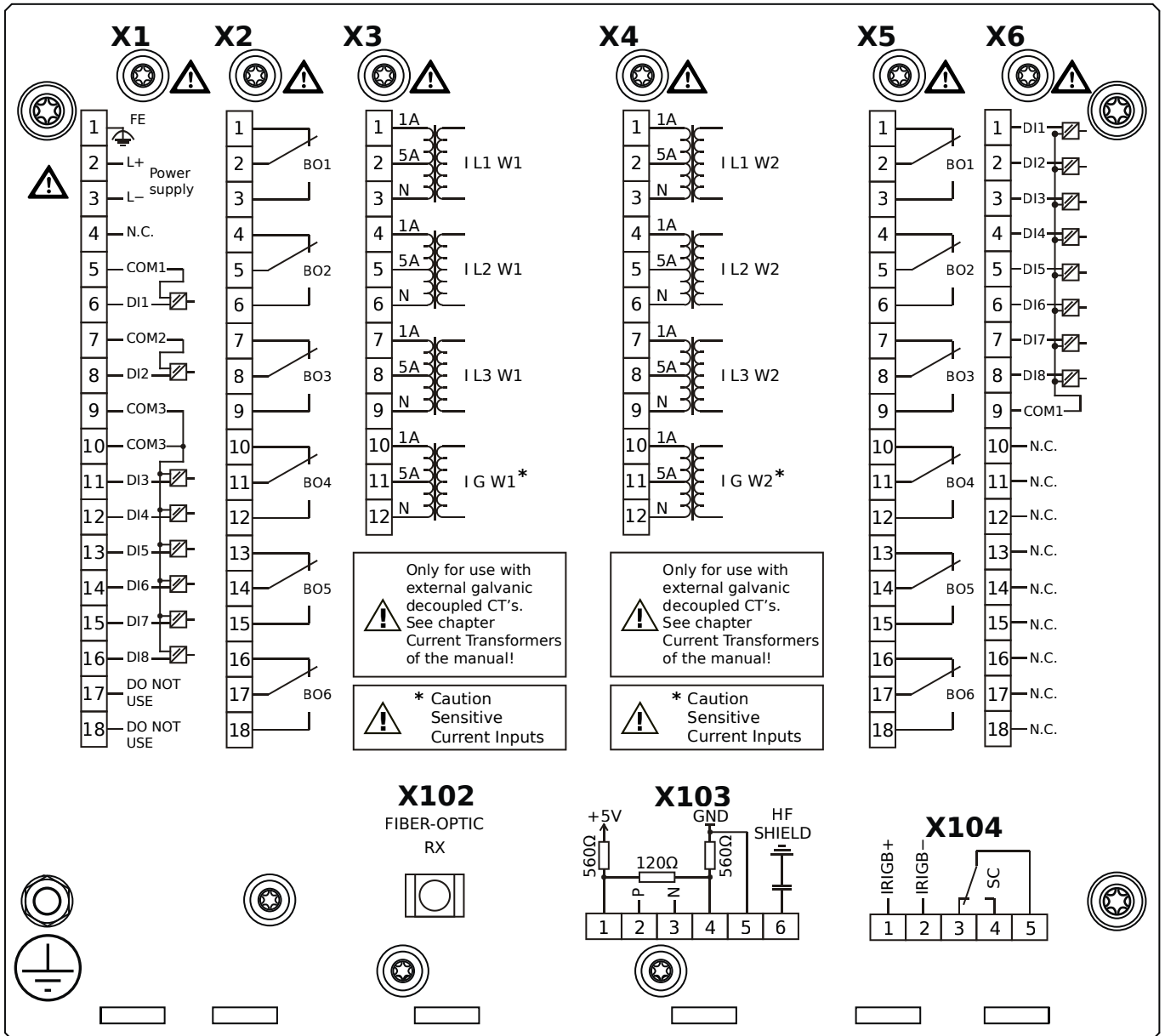
- X1** – DI8-X1: Wide-range power supply unit, incl. 2 non-grouped digital inputs and 6 grouped digital inputs
- X2** – OR-6: Assembly Group with 6 Relay Outputs
- X3** – TIs-4: Standard phase current measuring card and sensitive ground current measuring (winding side 1)
- X4** – TIs-4: Standard phase current measuring card and sensitive ground current measuring (winding side 2)
- X5** – OR-6: Assembly Group with 6 Relay Outputs
- X6** – DI8: Assembly Group with 8 Digital Inputs
- X102** – Universal Resistance-Temperature Detector (URTD) input, Fiber optics interface, Versatile Link
- X104** – IRIG-B00X, incl. System Contact (Supervision Contact)

MRDT4-2D3AAB



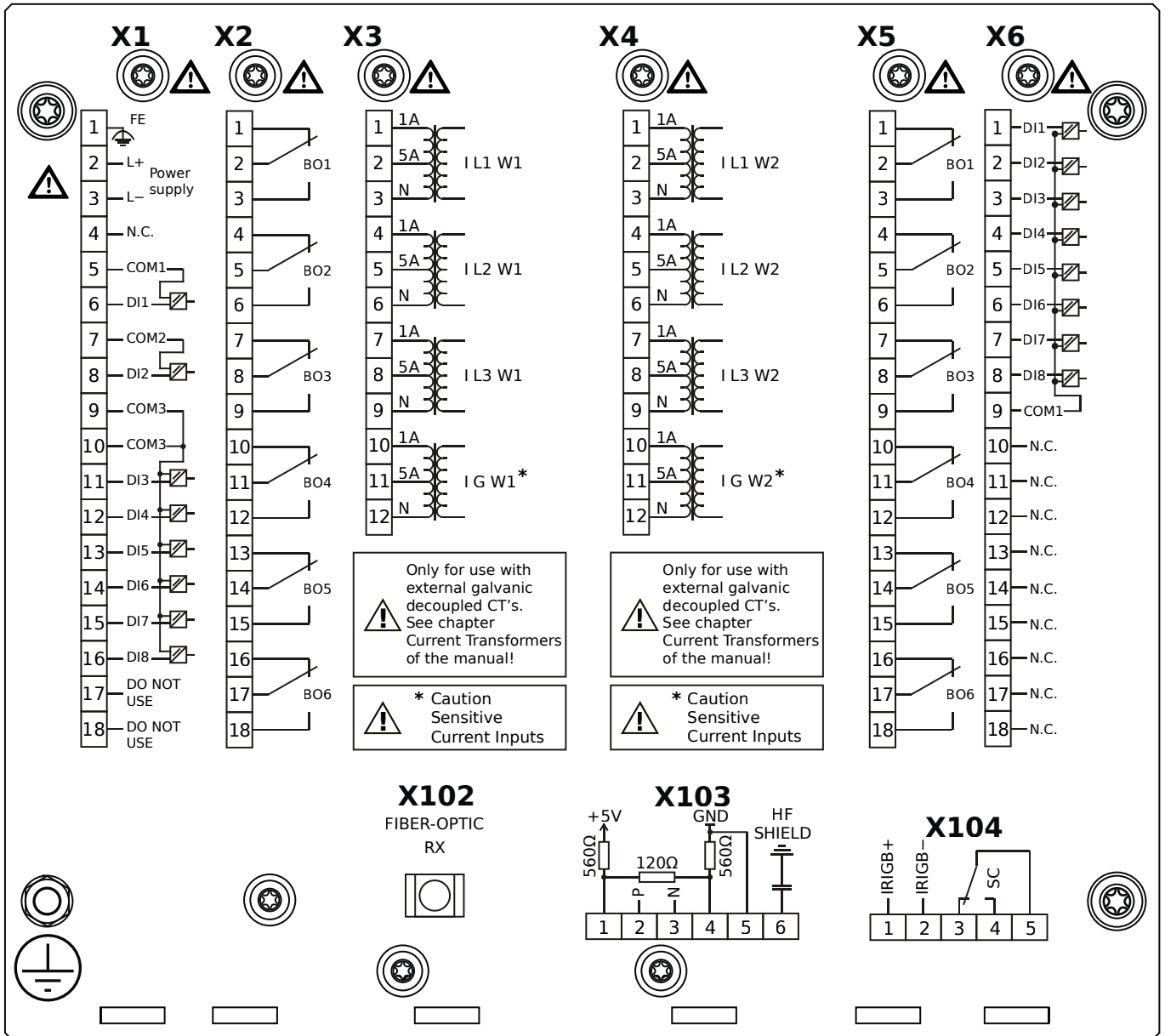
- X1** – DI8-X1: Wide-range power supply unit, incl. 2 non-grouped digital inputs and 6 grouped digital inputs
- X2** – OR-6: Assembly Group with 6 Relay Outputs
- X3** – TIs-4: Standard phase current measuring card and sensitive ground current measuring (winding side 1)
- X4** – TIs-4: Standard phase current measuring card and sensitive ground current measuring (winding side 2)
- X5** – OR-6: Assembly Group with 6 Relay Outputs
- X6** – DI8: Assembly Group with 8 Digital Inputs
- X102** – Universal Resistance-Temperature Detector (URTD) input, Fiber optics interface, Versatile Link
- X104** – IRIG-B00X, incl. System Contact (Supervision Contact)

MRDT4-2D3ABA



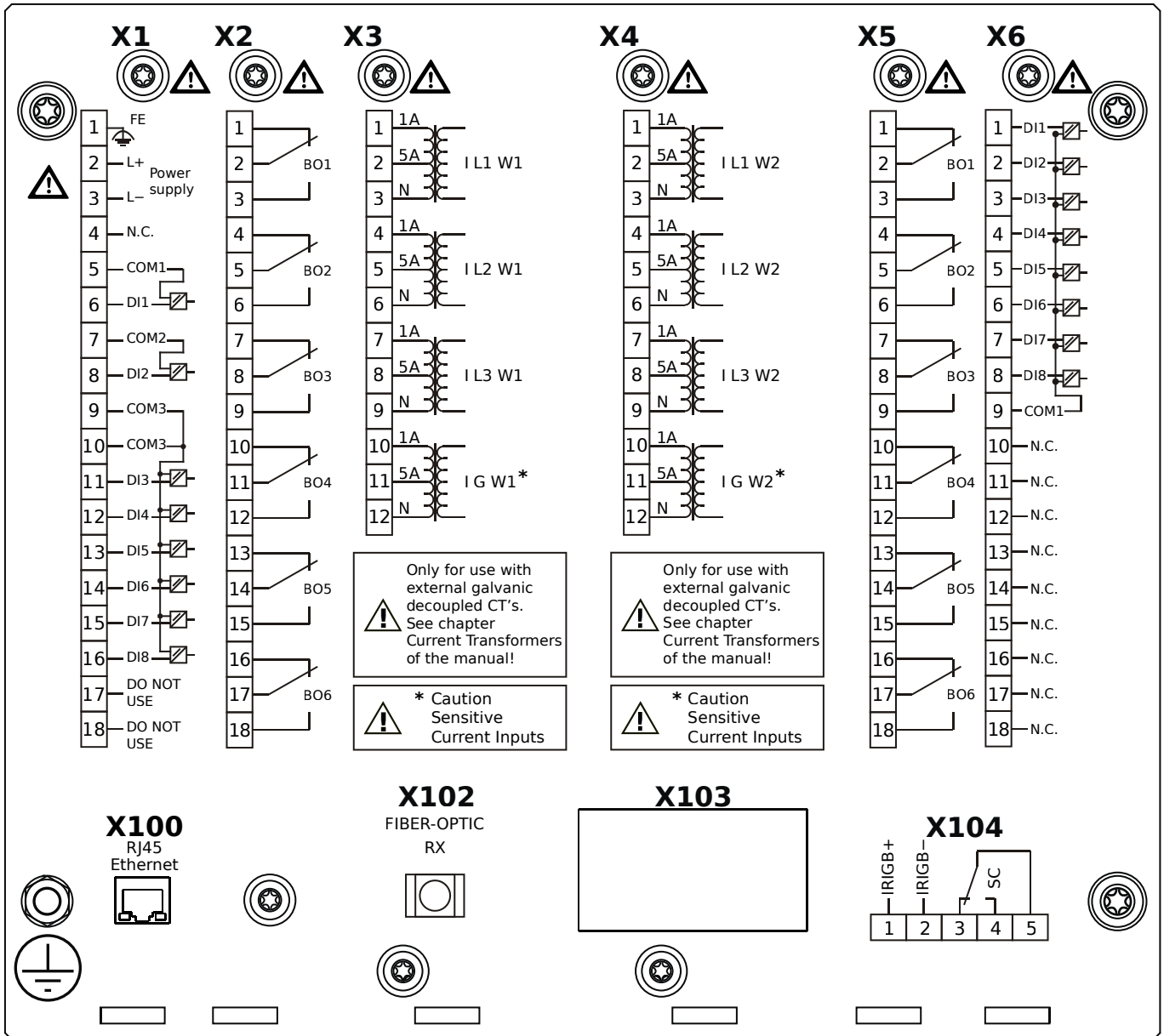
- X1** – DI8-X1: Wide-range power supply unit, incl. 2 non-grouped digital inputs and 6 grouped digital inputs
- X2** – OR-6: Assembly Group with 6 Relay Outputs
- X3** – TIs-4: Standard phase current measuring card and sensitive ground current measuring (winding side 1)
- X4** – TIs-4: Standard phase current measuring card and sensitive ground current measuring (winding side 2)
- X5** – OR-6: Assembly Group with 6 Relay Outputs
- X6** – DI8: Assembly Group with 8 Digital Inputs
- X102** – Universal Resistance-Temperature Detector (URTD) input, Fiber optics interface, Versatile Link
- X103** – Modbus RTU / IEC 60870-5-103 / DNP3.0 RTU, RS485, Terminals
- X104** – IRIG-B00X, incl. System Contact (Supervision Contact)

MRDT4-2D3ABB



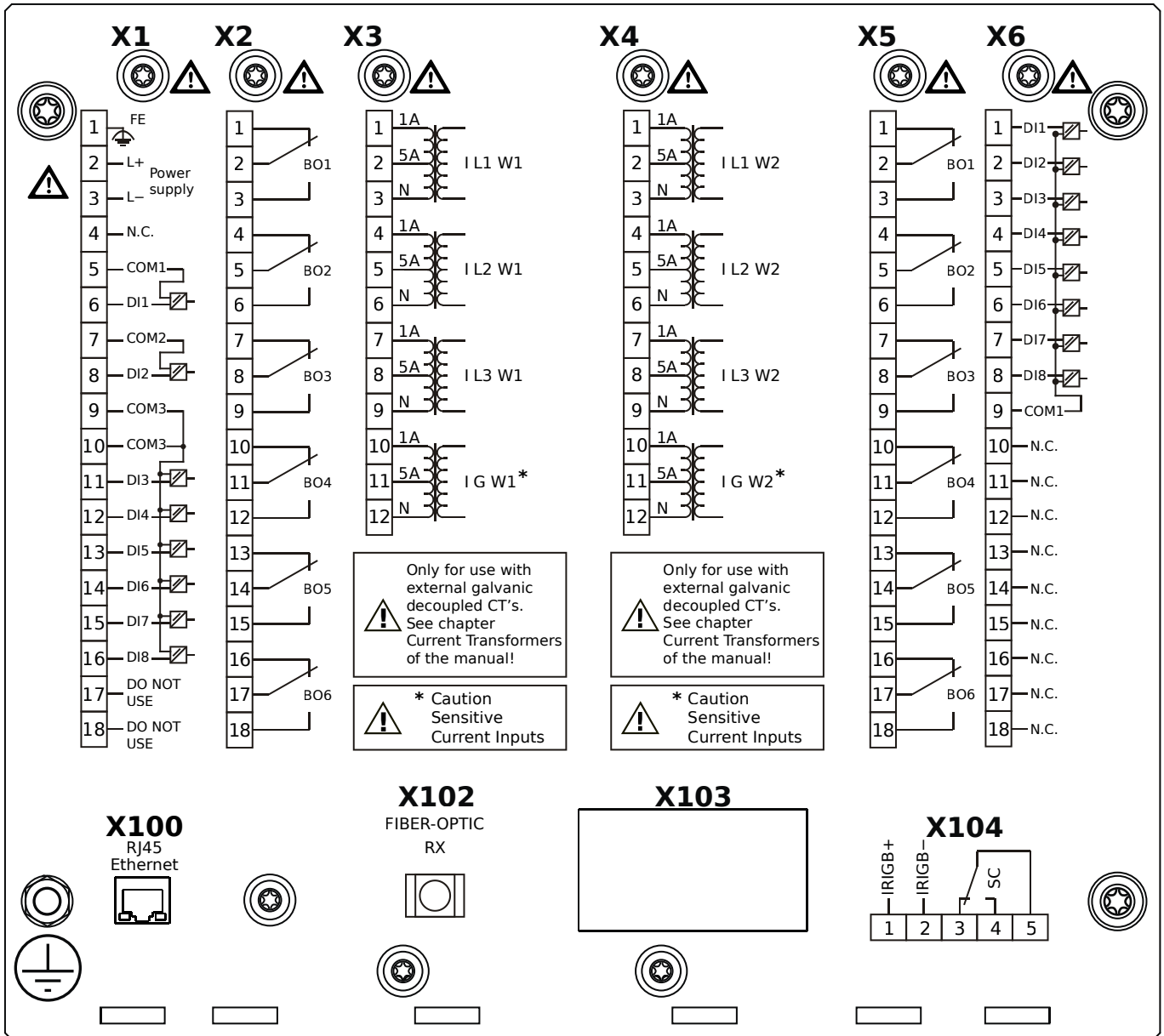
- X1** – DI8-X1: Wide-range power supply unit, incl. 2 non-grouped digital inputs and 6 grouped digital inputs
- X2** – OR-6: Assembly Group with 6 Relay Outputs
- X3** – TIs-4: Standard phase current measuring card and sensitive ground current measuring (winding side 1)
- X4** – TIs-4: Standard phase current measuring card and sensitive ground current measuring (winding side 2)
- X5** – OR-6: Assembly Group with 6 Relay Outputs
- X6** – DI8: Assembly Group with 8 Digital Inputs
- X102** – Universal Resistance-Temperature Detector (URTD) input, Fiber optics interface, Versatile Link
- X103** – Modbus RTU / IEC 60870-5-103 / DNP3.0 RTU, RS485, Terminals
- X104** – IRIG-B00X, incl. System Contact (Supervision Contact)

MRDT4-2D3ACA



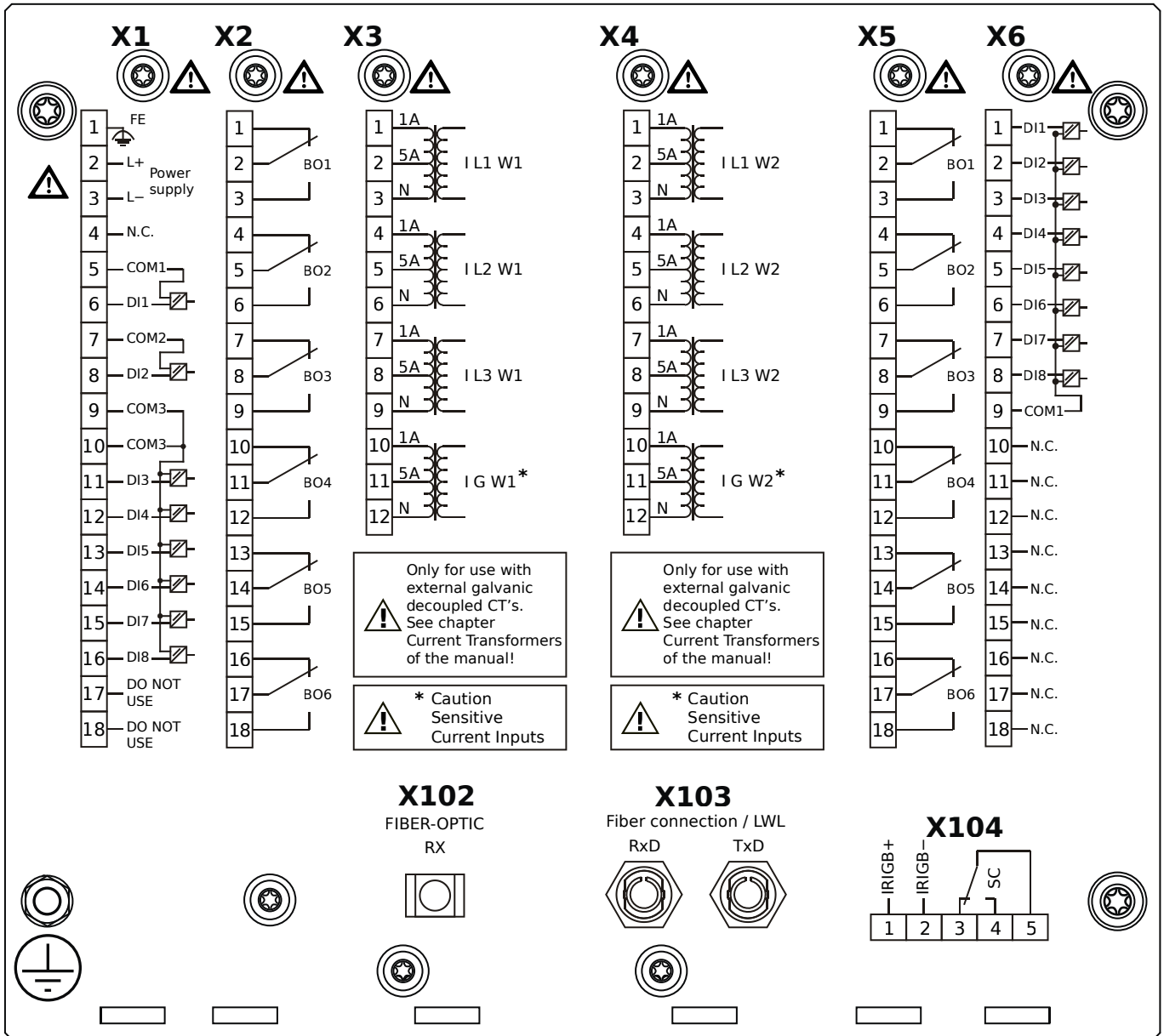
- X1** – DI8-X1: Wide-range power supply unit, incl. 2 non-grouped digital inputs and 6 grouped digital inputs
- X2** – OR-6: Assembly Group with 6 Relay Outputs
- X3** – TIs-4: Standard phase current measuring card and sensitive ground current measuring (winding side 1)
- X4** – TIs-4: Standard phase current measuring card and sensitive ground current measuring (winding side 2)
- X5** – OR-6: Assembly Group with 6 Relay Outputs
- X6** – DI8: Assembly Group with 8 Digital Inputs
- X100** – Modbus TCP / DNP3.0 TCP/UDP, Ethernet interface, 100 Mbit/s, RJ45 (BASE100-FX)
- X102** – Universal Resistance-Temperature Detector (URTD) input, Fiber optics interface, Versatile Link
- X104** – IRIG-B00X, incl. System Contact (Supervision Contact)

MRDT4-2D3ACB



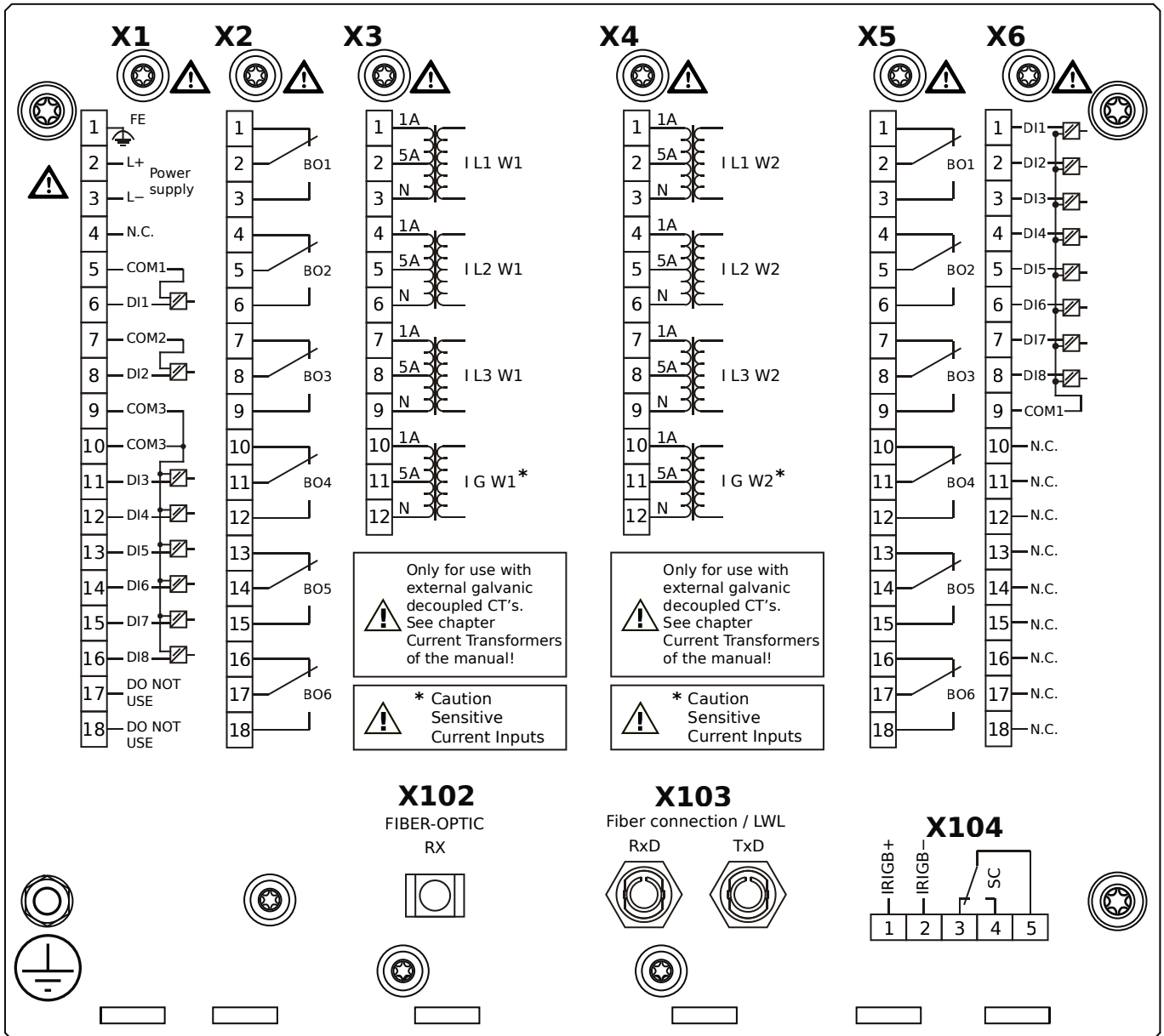
- X1** – DI8-X1: Wide-range power supply unit, incl. 2 non-grouped digital inputs and 6 grouped digital inputs
- X2** – OR-6: Assembly Group with 6 Relay Outputs
- X3** – TIs-4: Standard phase current measuring card and sensitive ground current measuring (winding side 1)
- X4** – TIs-4: Standard phase current measuring card and sensitive ground current measuring (winding side 2)
- X5** – OR-6: Assembly Group with 6 Relay Outputs
- X6** – DI8: Assembly Group with 8 Digital Inputs
- X100** – Modbus TCP / DNP3.0 TCP/UDP, Ethernet interface, 100 Mbit/s, RJ45 (BASE100-FX)
- X102** – Universal Resistance-Temperature Detector (URTD) input, Fiber optics interface, Versatile Link
- X104** – IRIG-B00X, incl. System Contact (Supervision Contact)

MRDT4-2D3ADA



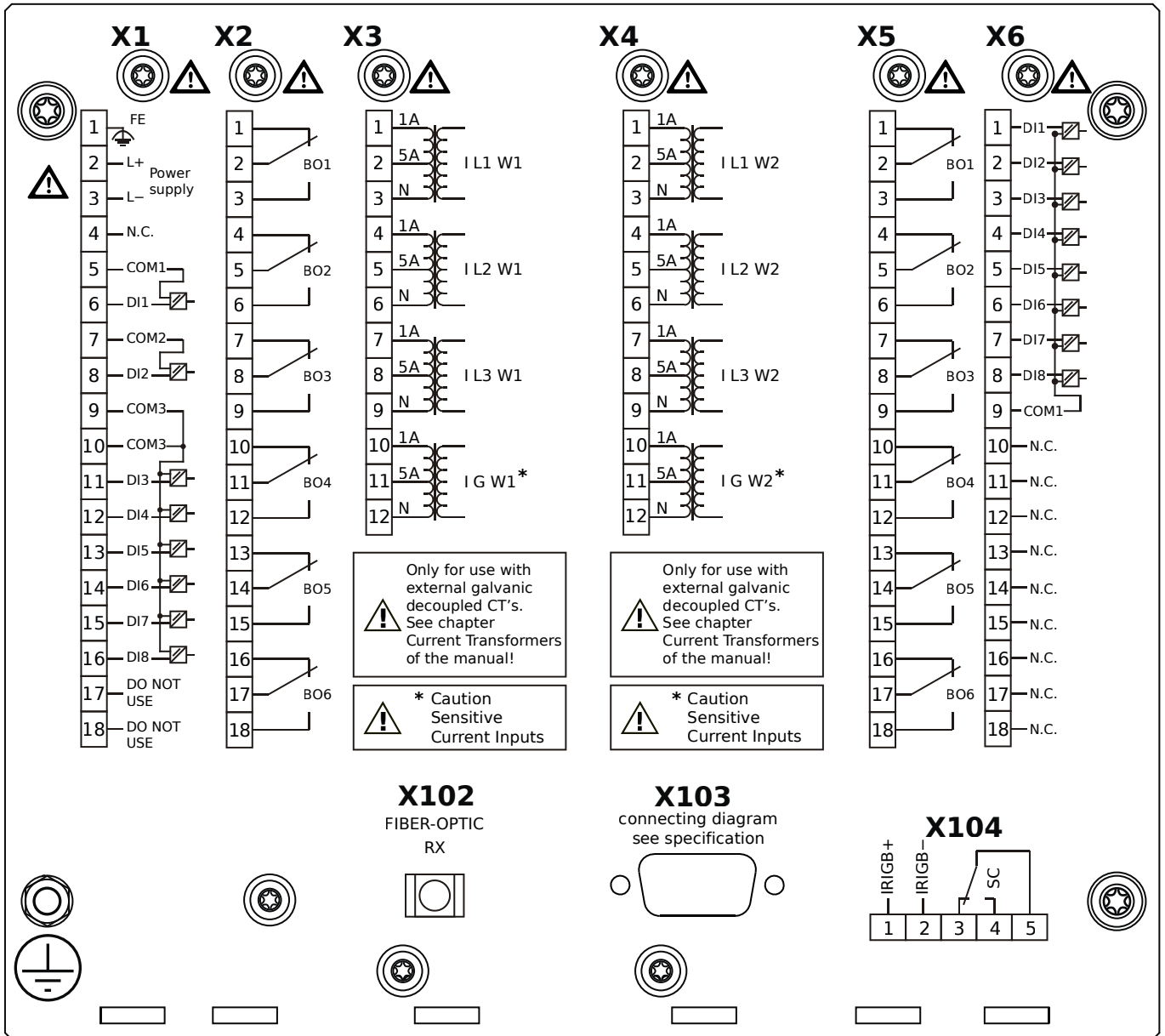
- X1** – DI8-X1: Wide-range power supply unit, incl. 2 non-grouped digital inputs and 6 grouped digital inputs
- X2** – OR-6: Assembly Group with 6 Relay Outputs
- X3** – TIs-4: Standard phase current measuring card and sensitive ground current measuring (winding side 1)
- X4** – TIs-4: Standard phase current measuring card and sensitive ground current measuring (winding side 2)
- X5** – OR-6: Assembly Group with 6 Relay Outputs
- X6** – DI8: Assembly Group with 8 Digital Inputs
- X102** – Universal Resistance-Temperature Detector (URTD) input, Fiber optics interface, Versatile Link
- X103** – Profibus-DP, Fiber optics interface, ST Connector
- X104** – IRIG-B00X, incl. System Contact (Supervision Contact)

MRDT4-2D3ADB



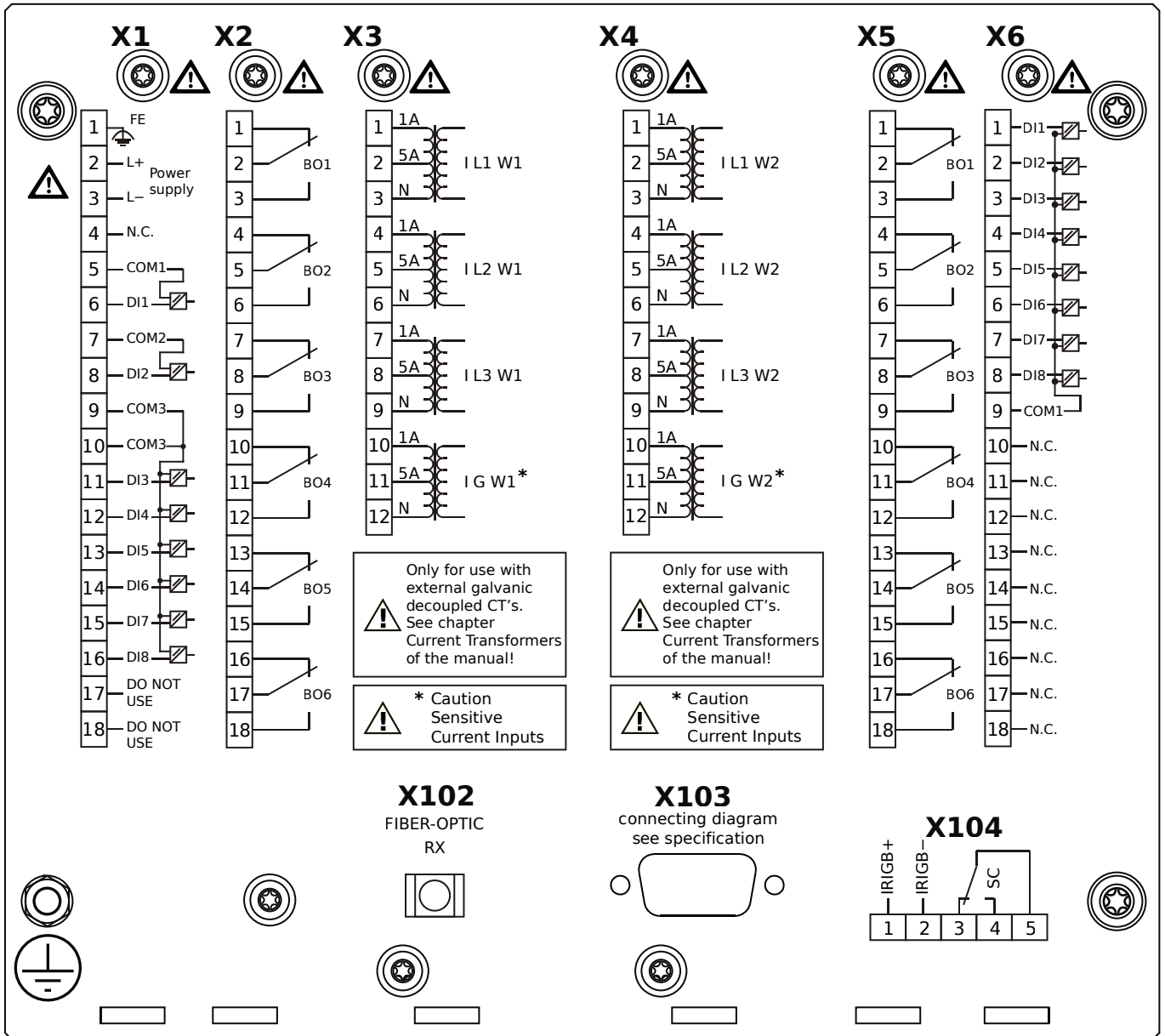
- X1** – DI8-X1: Wide-range power supply unit, incl. 2 non-grouped digital inputs and 6 grouped digital inputs
- X2** – OR-6: Assembly Group with 6 Relay Outputs
- X3** – TIs-4: Standard phase current measuring card and sensitive ground current measuring (winding side 1)
- X4** – TIs-4: Standard phase current measuring card and sensitive ground current measuring (winding side 2)
- X5** – OR-6: Assembly Group with 6 Relay Outputs
- X6** – DI8: Assembly Group with 8 Digital Inputs
- X102** – Universal Resistance-Temperature Detector (URTD) input, Fiber optics interface, Versatile Link
- X103** – Profibus-DP, Fiber optics interface, ST Connector
- X104** – IRIG-B00X, incl. System Contact (Supervision Contact)

MRDT4-2D3AEA



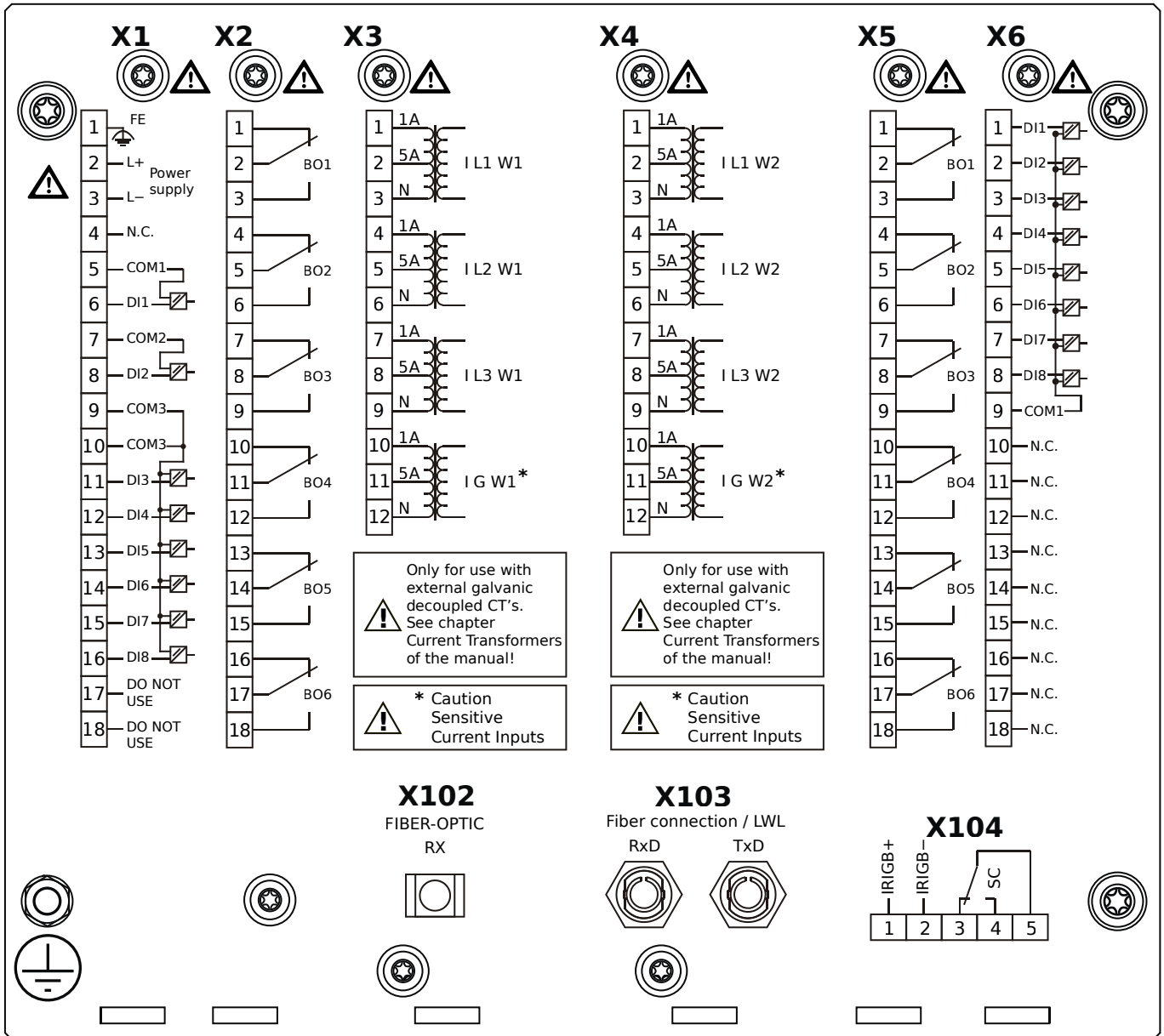
- X1** – DI8-X1: Wide-range power supply unit, incl. 2 non-grouped digital inputs and 6 grouped digital inputs
- X2** – OR-6: Assembly Group with 6 Relay Outputs
- X3** – TIs-4: Standard phase current measuring card and sensitive ground current measuring (winding side 1)
- X4** – TIs-4: Standard phase current measuring card and sensitive ground current measuring (winding side 2)
- X5** – OR-6: Assembly Group with 6 Relay Outputs
- X6** – DI8: Assembly Group with 8 Digital Inputs
- X102** – Universal Resistance-Temperature Detector (URTD) input, Fiber optics interface, Versatile Link
- X103** – Profibus-DP, RS485, D-SUB
- X104** – IRIG-B00X, incl. System Contact (Supervision Contact)

MRDT4-2D3AEB



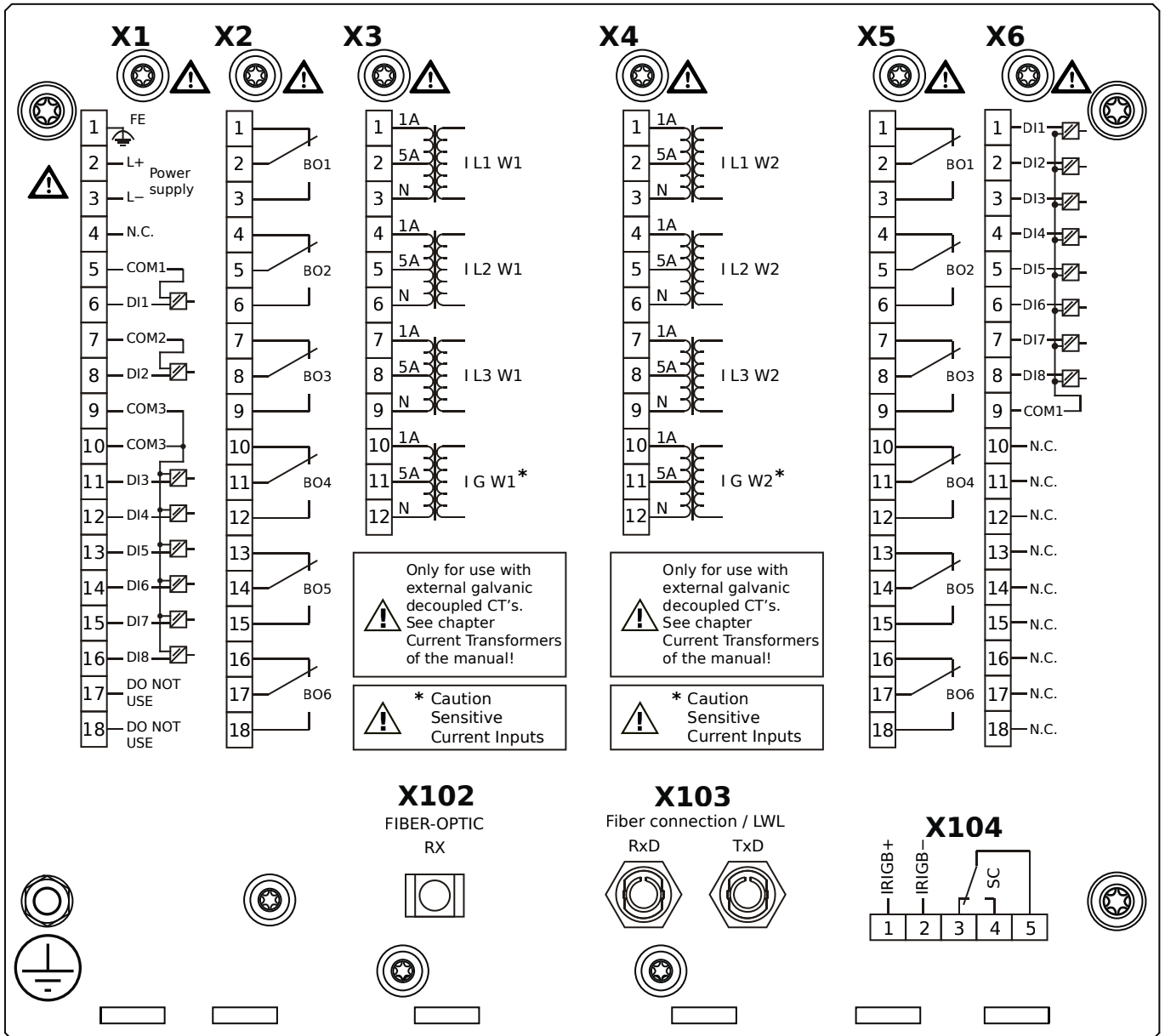
- X1** – DI8-X1: Wide-range power supply unit, incl. 2 non-grouped digital inputs and 6 grouped digital inputs
- X2** – OR-6: Assembly Group with 6 Relay Outputs
- X3** – TIs-4: Standard phase current measuring card and sensitive ground current measuring (winding side 1)
- X4** – TIs-4: Standard phase current measuring card and sensitive ground current measuring (winding side 2)
- X5** – OR-6: Assembly Group with 6 Relay Outputs
- X6** – DI8: Assembly Group with 8 Digital Inputs
- X102** – Universal Resistance-Temperature Detector (URTD) input, Fiber optics interface, Versatile Link
- X103** – Profibus-DP, RS485, D-SUB
- X104** – IRIG-B00X, incl. System Contact (Supervision Contact)

MRDT4-2D3AFA



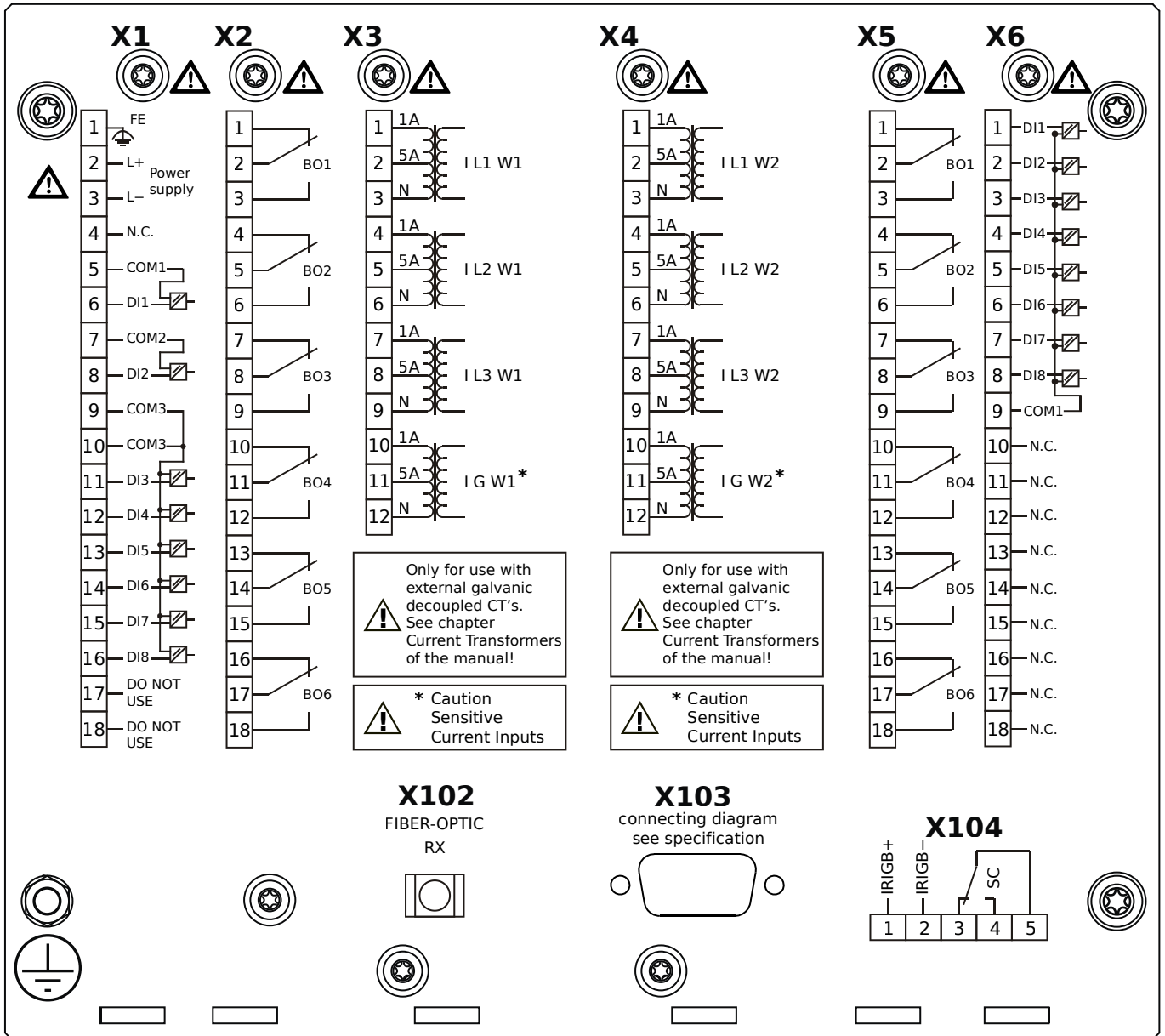
- X1** – DI8-X1: Wide-range power supply unit, incl. 2 non-grouped digital inputs and 6 grouped digital inputs
- X2** – OR-6: Assembly Group with 6 Relay Outputs
- X3** – TIs-4: Standard phase current measuring card and sensitive ground current measuring (winding side 1)
- X4** – TIs-4: Standard phase current measuring card and sensitive ground current measuring (winding side 2)
- X5** – OR-6: Assembly Group with 6 Relay Outputs
- X6** – DI8: Assembly Group with 8 Digital Inputs
- X102** – Universal Resistance-Temperature Detector (URTD) input, Fiber optics interface, Versatile Link
- X103** – Modbus RTU / IEC 60870-5-103 / DNP3.0 RTU, Fiber optics interface, ST Connector
- X104** – IRIG-B00X, incl. System Contact (Supervision Contact)

MRDT4-2D3AFB



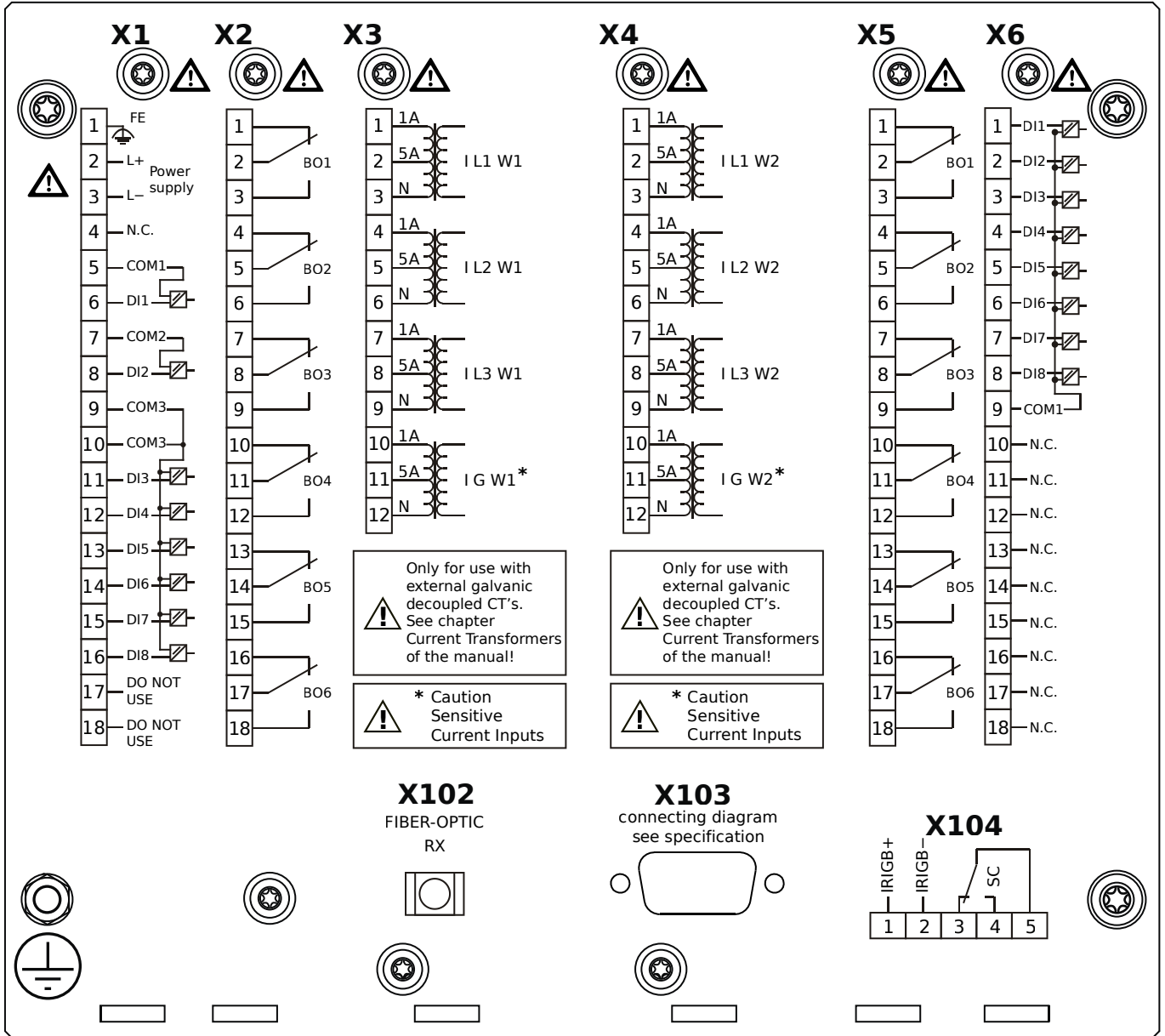
- X1** – DI8-X1: Wide-range power supply unit, incl. 2 non-grouped digital inputs and 6 grouped digital inputs
- X2** – OR-6: Assembly Group with 6 Relay Outputs
- X3** – TIs-4: Standard phase current measuring card and sensitive ground current measuring (winding side 1)
- X4** – TIs-4: Standard phase current measuring card and sensitive ground current measuring (winding side 2)
- X5** – OR-6: Assembly Group with 6 Relay Outputs
- X6** – DI8: Assembly Group with 8 Digital Inputs
- X102** – Universal Resistance-Temperature Detector (URTD) input, Fiber optics interface, Versatile Link
- X103** – Modbus RTU / IEC 60870-5-103 / DNP3.0 RTU, Fiber optics interface, ST Connector
- X104** – IRIG-B00X, incl. System Contact (Supervision Contact)

MRDT4-2D3AGA



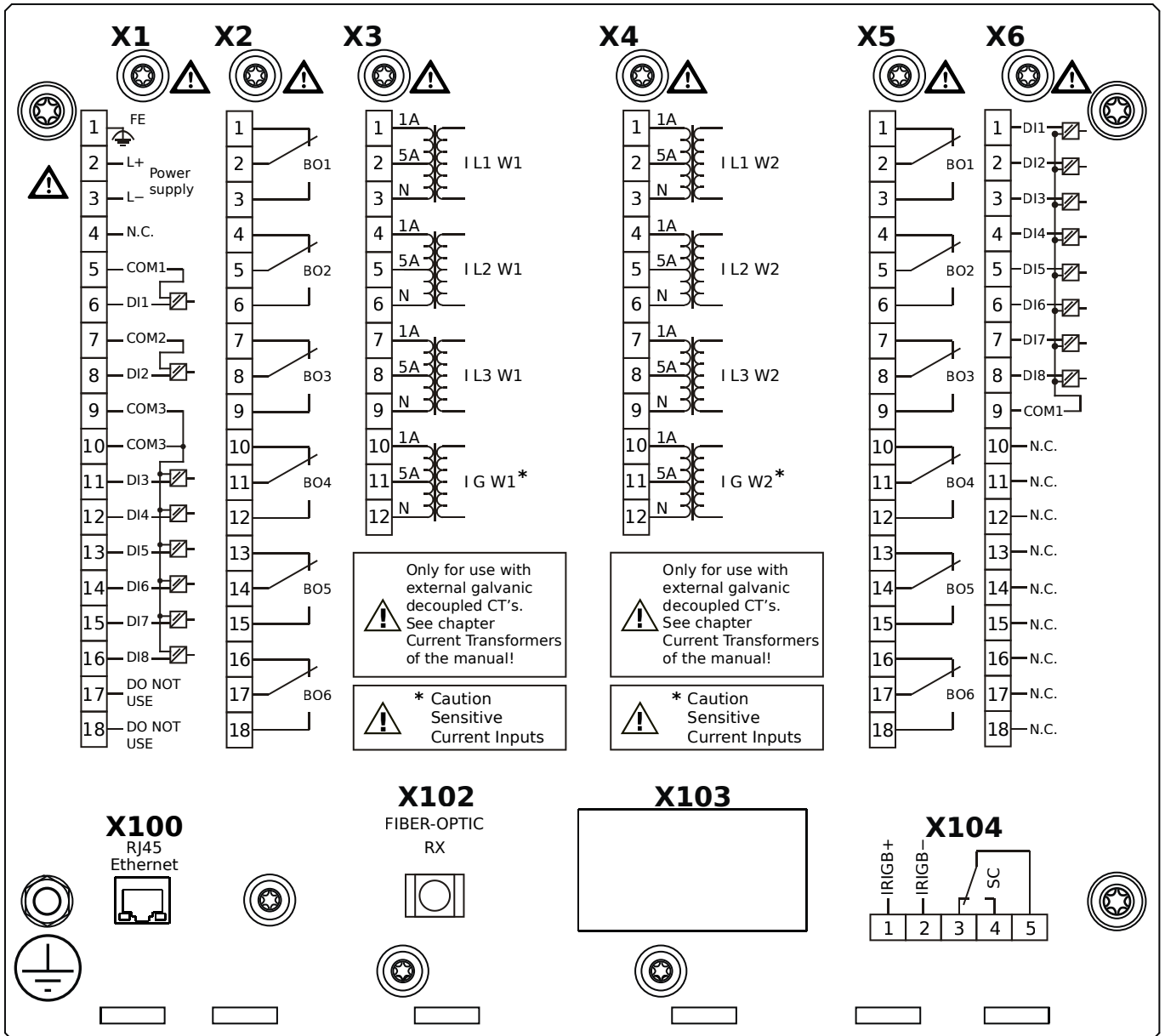
- X1** – DI8-X1: Wide-range power supply unit, incl. 2 non-grouped digital inputs and 6 grouped digital inputs
- X2** – OR-6: Assembly Group with 6 Relay Outputs
- X3** – TIs-4: Standard phase current measuring card and sensitive ground current measuring (winding side 1)
- X4** – TIs-4: Standard phase current measuring card and sensitive ground current measuring (winding side 2)
- X5** – OR-6: Assembly Group with 6 Relay Outputs
- X6** – DI8: Assembly Group with 8 Digital Inputs
- X102** – Universal Resistance-Temperature Detector (URTD) input, Fiber optics interface, Versatile Link
- X103** – Modbus RTU / IEC 60870-5-103 / DNP3.0 RTU, RS485, D-SUB
- X104** – IRIG-B00X, incl. System Contact (Supervision Contact)

MRDT4-2D3AGB



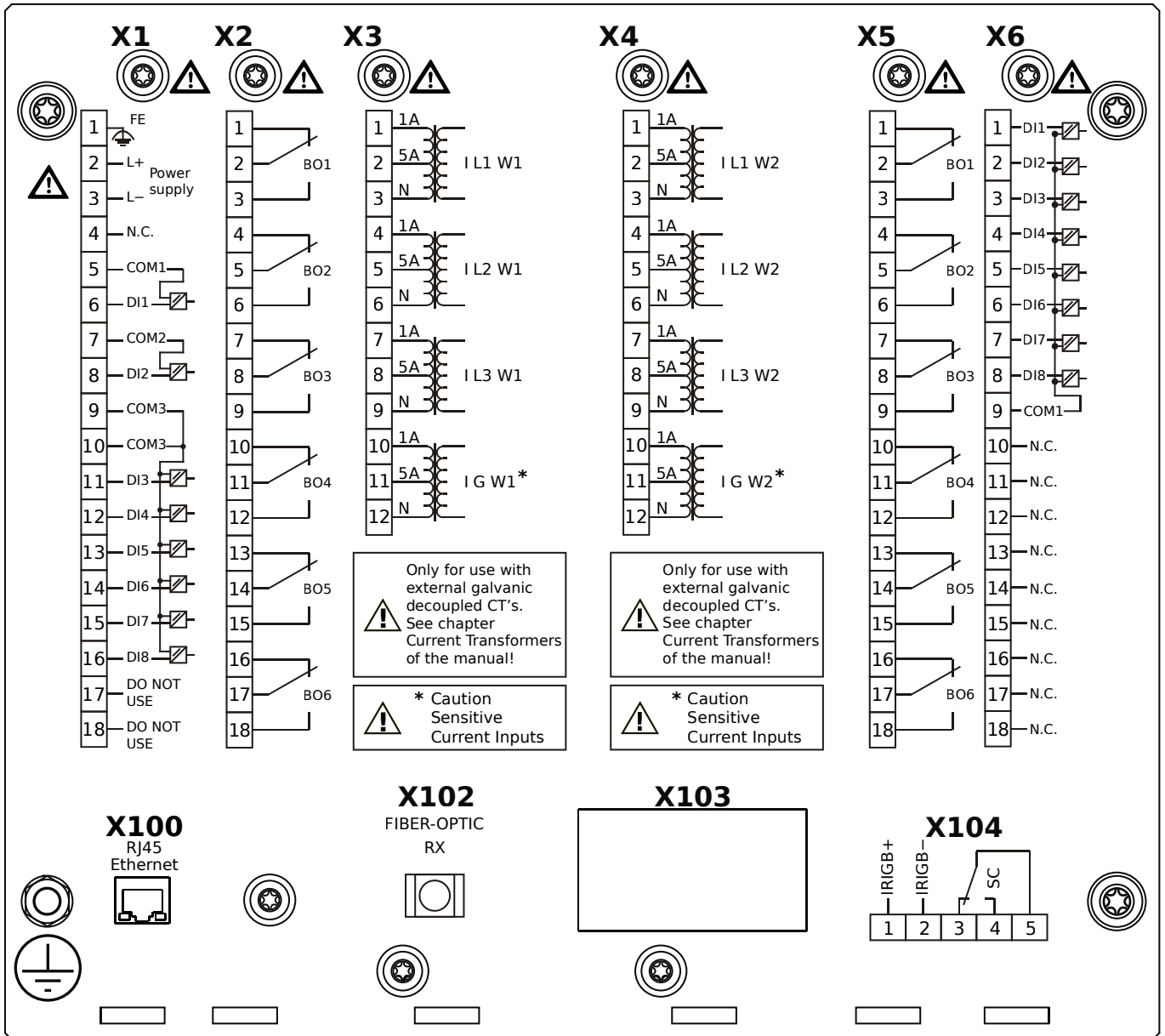
- X1** – DI8-X1: Wide-range power supply unit, incl. 2 non-grouped digital inputs and 6 grouped digital inputs
- X2** – OR-6: Assembly Group with 6 Relay Outputs
- X3** – TIs-4: Standard phase current measuring card and sensitive ground current measuring (winding side 1)
- X4** – TIs-4: Standard phase current measuring card and sensitive ground current measuring (winding side 2)
- X5** – OR-6: Assembly Group with 6 Relay Outputs
- X6** – DI8: Assembly Group with 8 Digital Inputs
- X102** – Universal Resistance-Temperature Detector (URTD) input, Fiber optics interface, Versatile Link
- X103** – Modbus RTU / IEC 60870-5-103 / DNP3.0 RTU, RS485, D-SUB
- X104** – IRIG-B00X, incl. System Contact (Supervision Contact)

MRDT4-2D3AHA



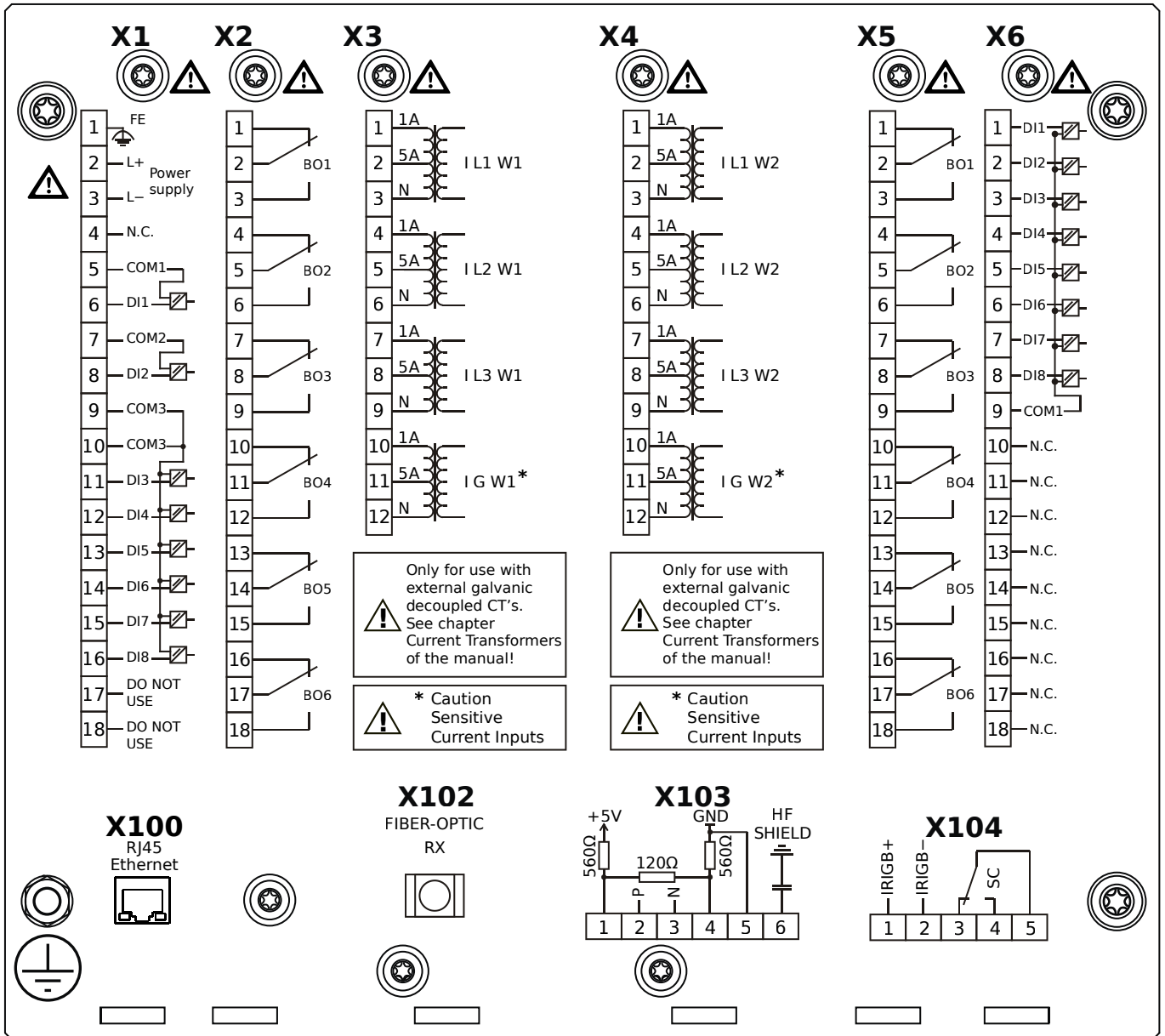
- X1** – DI8-X1: Wide-range power supply unit, incl. 2 non-grouped digital inputs and 6 grouped digital inputs
- X2** – OR-6: Assembly Group with 6 Relay Outputs
- X3** – TIs-4: Standard phase current measuring card and sensitive ground current measuring (winding side 1)
- X4** – TIs-4: Standard phase current measuring card and sensitive ground current measuring (winding side 2)
- X5** – OR-6: Assembly Group with 6 Relay Outputs
- X6** – DI8: Assembly Group with 8 Digital Inputs
- X100** – IEC 61850 / Modbus TCP / DNP3.0 TCP/UDP, Ethernet interface, 100 Mbit/s, RJ45 (BASE100-FX)
- X102** – Universal Resistance-Temperature Detector (URTD) input, Fiber optics interface, Versatile Link
- X104** – IRIG-B00X, incl. System Contact (Supervision Contact)

MRDT4-2D3AHB



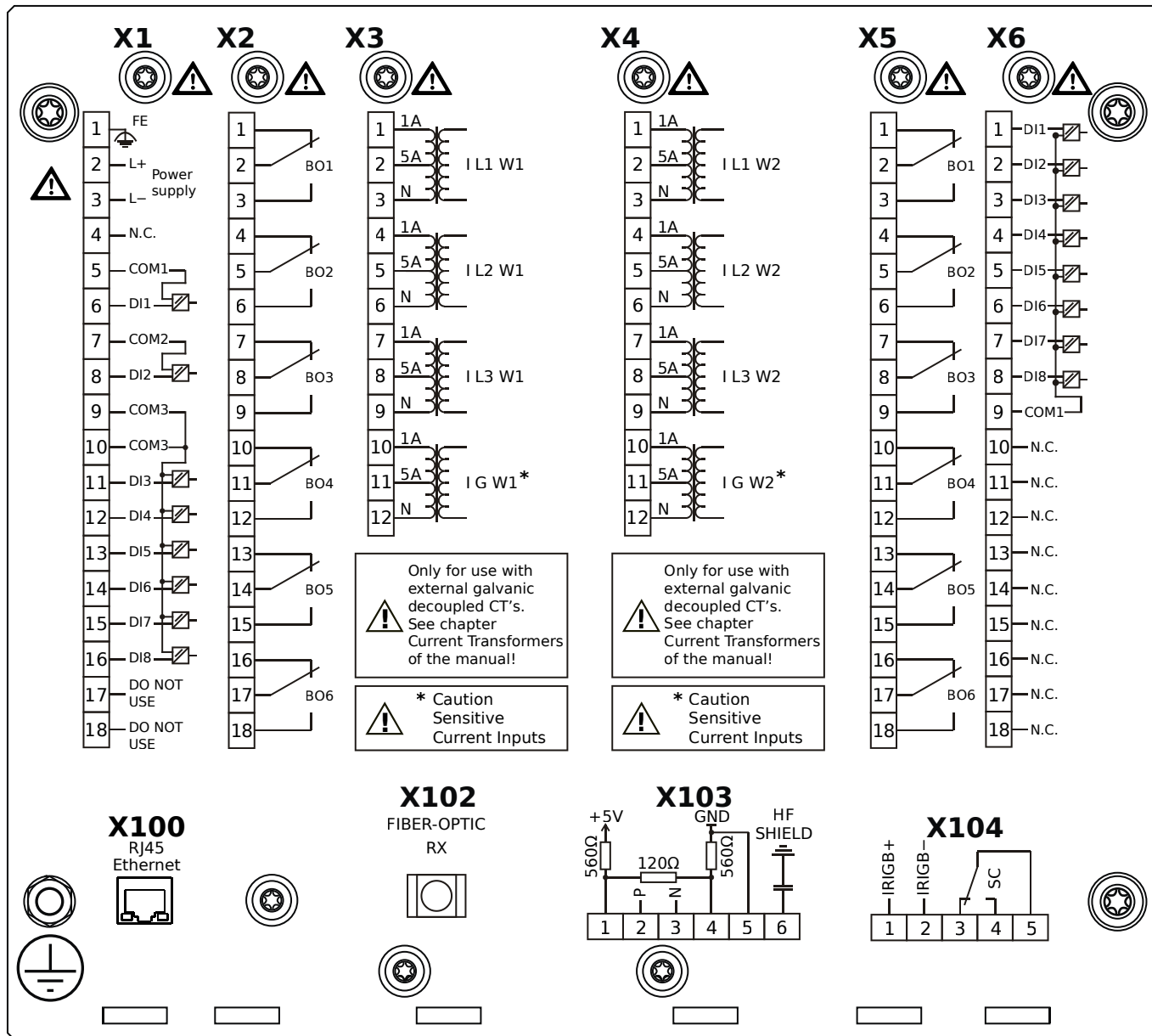
- X1** – DI8-X1: Wide-range power supply unit, incl. 2 non-grouped digital inputs and 6 grouped digital inputs
- X2** – OR-6: Assembly Group with 6 Relay Outputs
- X3** – TIs-4: Standard phase current measuring card and sensitive ground current measuring (winding side 1)
- X4** – TIs-4: Standard phase current measuring card and sensitive ground current measuring (winding side 2)
- X5** – OR-6: Assembly Group with 6 Relay Outputs
- X6** – DI8: Assembly Group with 8 Digital Inputs
- X100** – IEC 61850 / Modbus TCP / DNP3.0 TCP/UDP, Ethernet interface, 100 Mbit/s, RJ45 (BASE100-FX)
- X102** – Universal Resistance-Temperature Detector (URTD) input, Fiber optics interface, Versatile Link
- X104** – IRIG-B00X, incl. System Contact (Supervision Contact)

MRDT4-2D3AIA



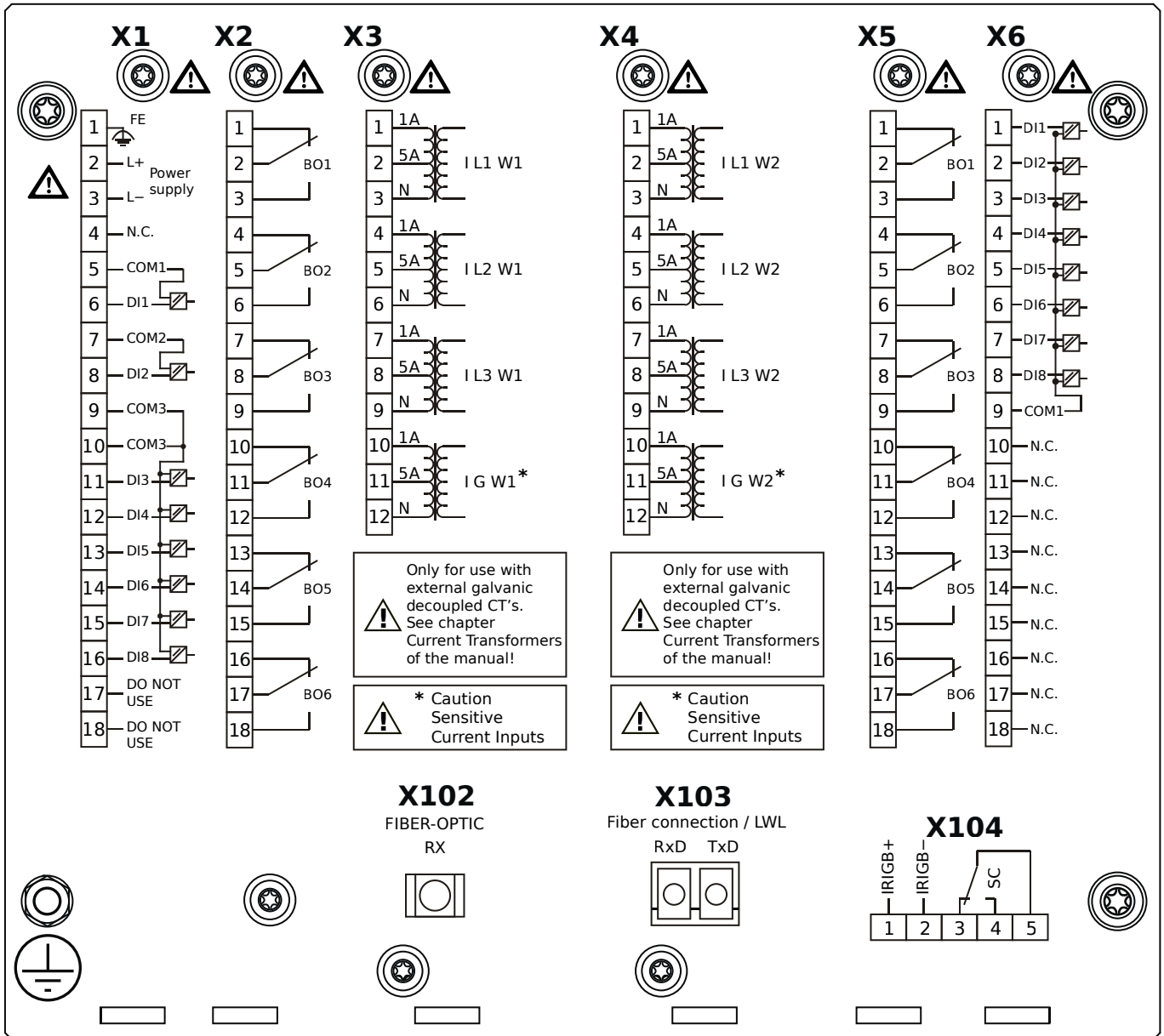
- X1** – DI8-X1: Wide-range power supply unit, incl. 2 non-grouped digital inputs and 6 grouped digital inputs
- X2** – OR-6: Assembly Group with 6 Relay Outputs
- X3** – TIs-4: Standard phase current measuring card and sensitive ground current measuring (winding side 1)
- X4** – TIs-4: Standard phase current measuring card and sensitive ground current measuring (winding side 2)
- X5** – OR-6: Assembly Group with 6 Relay Outputs
- X6** – DI8: Assembly Group with 8 Digital Inputs
- X100** – Modbus TCP / DNP3.0 TCP/UDP, Ethernet interface, 100 Mbit/s, RJ45 (BASE100-FX)
- X102** – Universal Resistance-Temperature Detector (URTD) input, Fiber optics interface, Versatile Link
- X103** – IEC 60870-5-103 / Modbus RTU / DNP3.0 RTU, RS485, Terminals
- X104** – IRIG-B00X, incl. System Contact (Supervision Contact)

MRDT4-2D3AIB



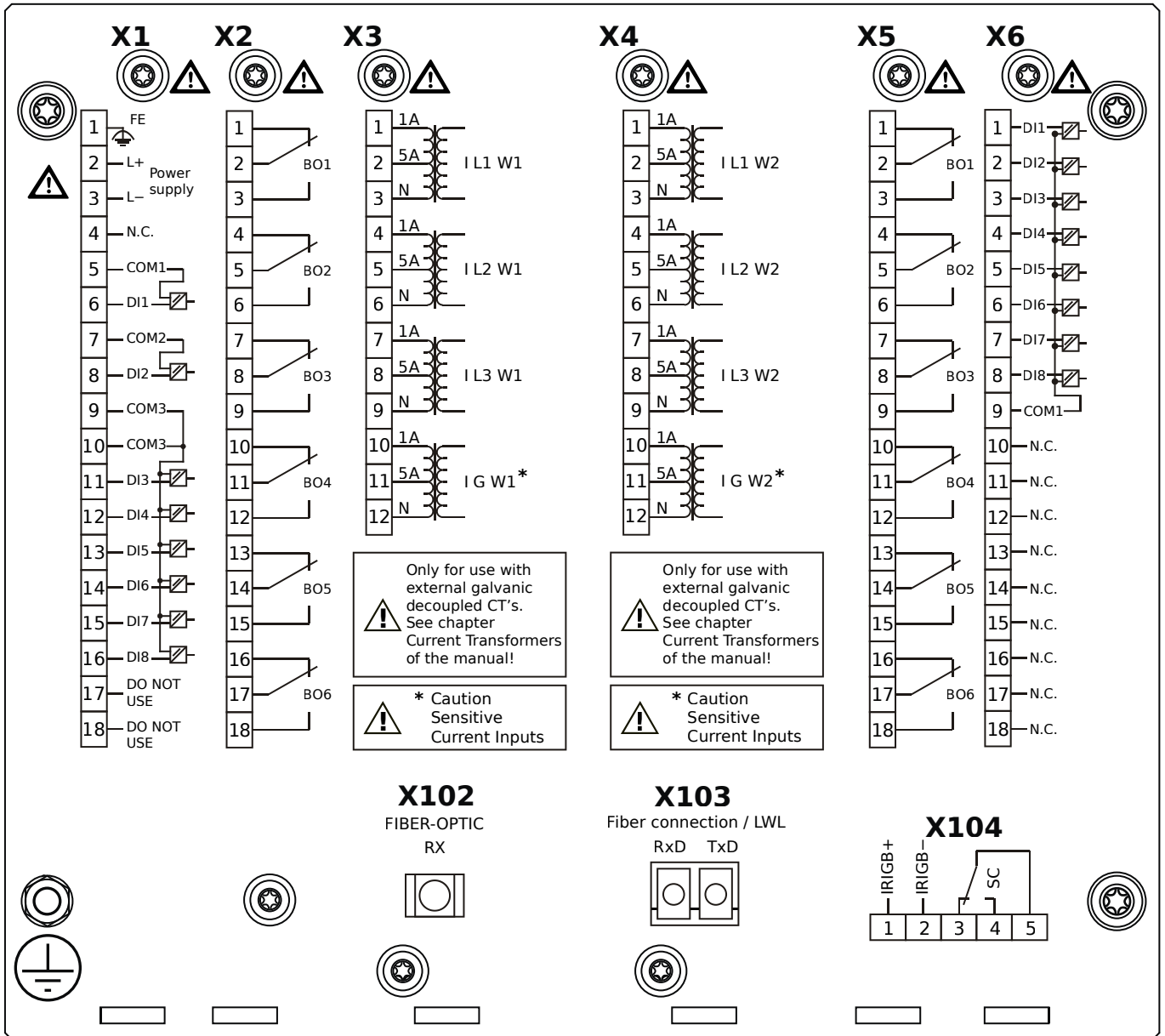
- X1** – DI8-X1: Wide-range power supply unit, incl. 2 non-grouped digital inputs and 6 grouped digital inputs
- X2** – OR-6: Assembly Group with 6 Relay Outputs
- X3** – TIs-4: Standard phase current measuring card and sensitive ground current measuring (winding side 1)
- X4** – TIs-4: Standard phase current measuring card and sensitive ground current measuring (winding side 2)
- X5** – OR-6: Assembly Group with 6 Relay Outputs
- X6** – DI8: Assembly Group with 8 Digital Inputs
- X100** – Modbus TCP / DNP3.0 TCP/UDP, Ethernet interface, 100 Mbit/s, RJ45 (BASE100-FX)
- X102** – Universal Resistance-Temperature Detector (URTD) input, Fiber optics interface, Versatile Link
- X103** – IEC 60870-5-103 / Modbus RTU / DNP3.0 RTU, RS485, Terminals
- X104** – IRIG-B00X, incl. System Contact (Supervision Contact)

MRDT4-2D3AKA



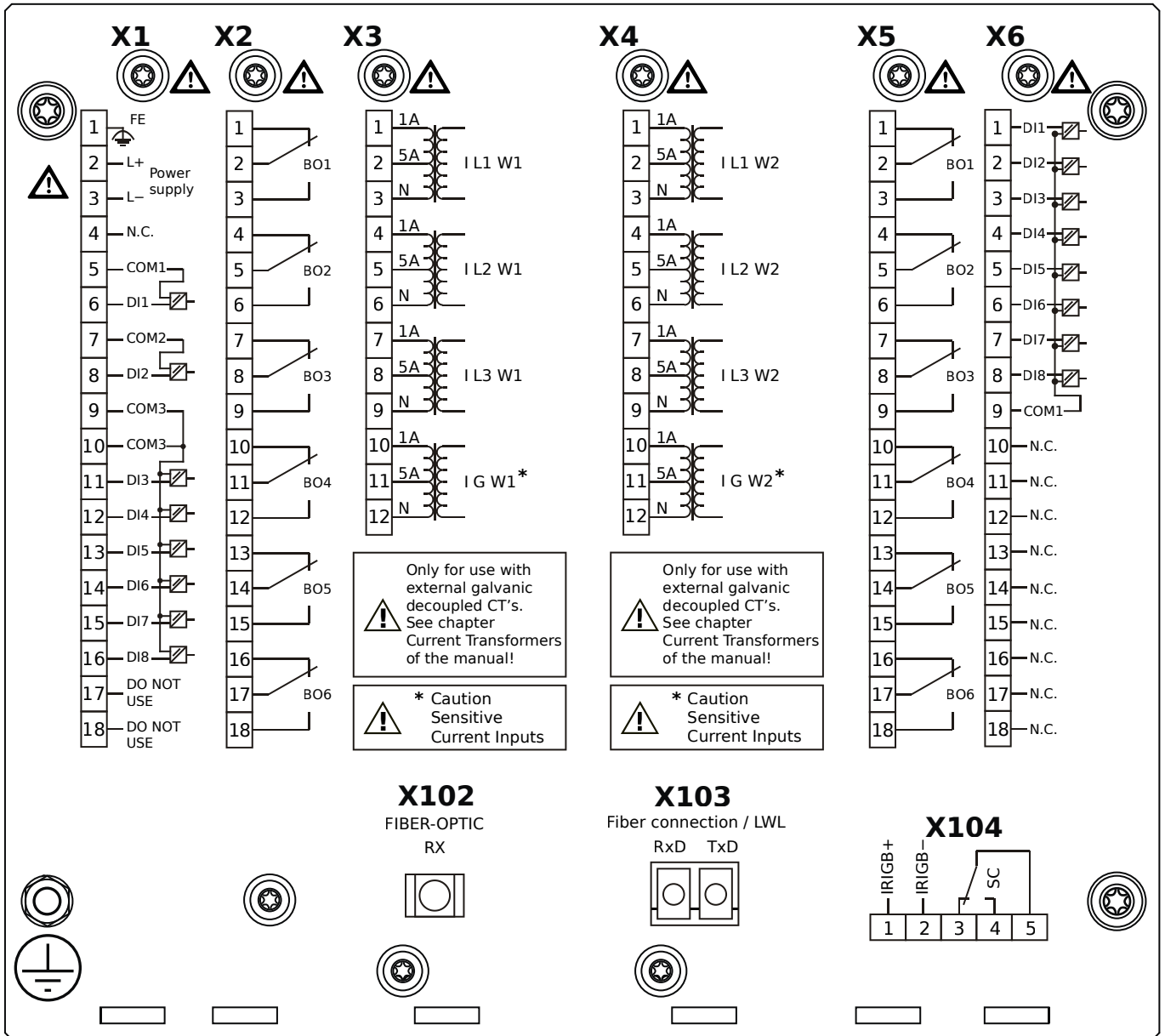
- X1** – DI8-X1: Wide-range power supply unit, incl. 2 non-grouped digital inputs and 6 grouped digital inputs
- X2** – OR-6: Assembly Group with 6 Relay Outputs
- X3** – TIs-4: Standard phase current measuring card and sensitive ground current measuring (winding side 1)
- X4** – TIs-4: Standard phase current measuring card and sensitive ground current measuring (winding side 2)
- X5** – OR-6: Assembly Group with 6 Relay Outputs
- X6** – DI8: Assembly Group with 8 Digital Inputs
- X102** – Universal Resistance-Temperature Detector (URTD) input, Fiber optics interface, Versatile Link
- X103** – IEC 61850 / Modbus TCP / DNP3.0 TCP/UDP, Fiber optics interface, LC Connector
- X104** – IRIG-B00X, incl. System Contact (Supervision Contact)

MRDT4-2D3AKB



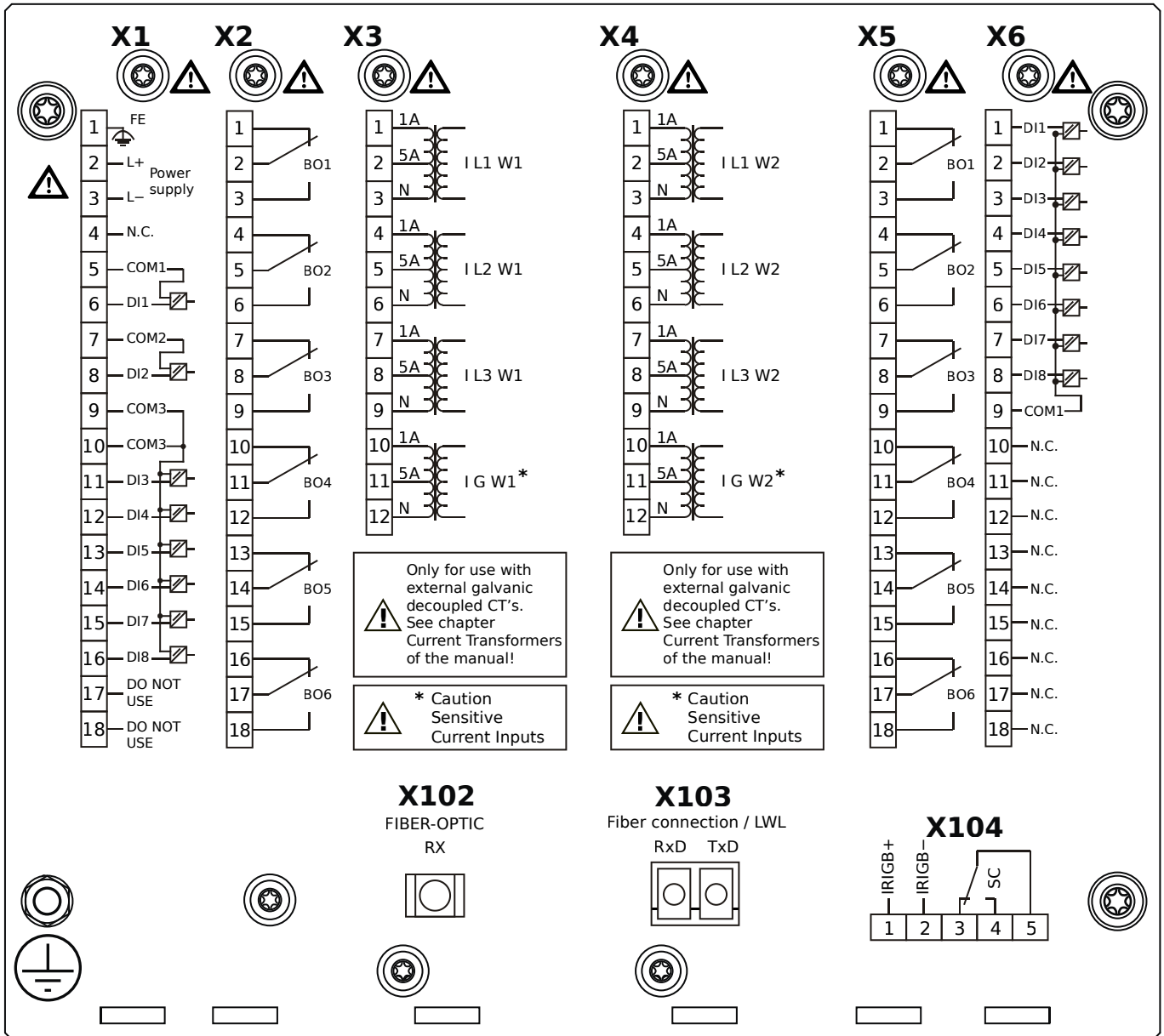
- X1** – DI8-X1: Wide-range power supply unit, incl. 2 non-grouped digital inputs and 6 grouped digital inputs
- X2** – OR-6: Assembly Group with 6 Relay Outputs
- X3** – TIs-4: Standard phase current measuring card and sensitive ground current measuring (winding side 1)
- X4** – TIs-4: Standard phase current measuring card and sensitive ground current measuring (winding side 2)
- X5** – OR-6: Assembly Group with 6 Relay Outputs
- X6** – DI8: Assembly Group with 8 Digital Inputs
- X102** – Universal Resistance-Temperature Detector (URTD) input, Fiber optics interface, Versatile Link
- X103** – IEC 61850 / Modbus TCP / DNP3.0 TCP/UDP, Fiber optics interface, LC Connector
- X104** – IRIG-B00X, incl. System Contact (Supervision Contact)

MRDT4-2D3ALA



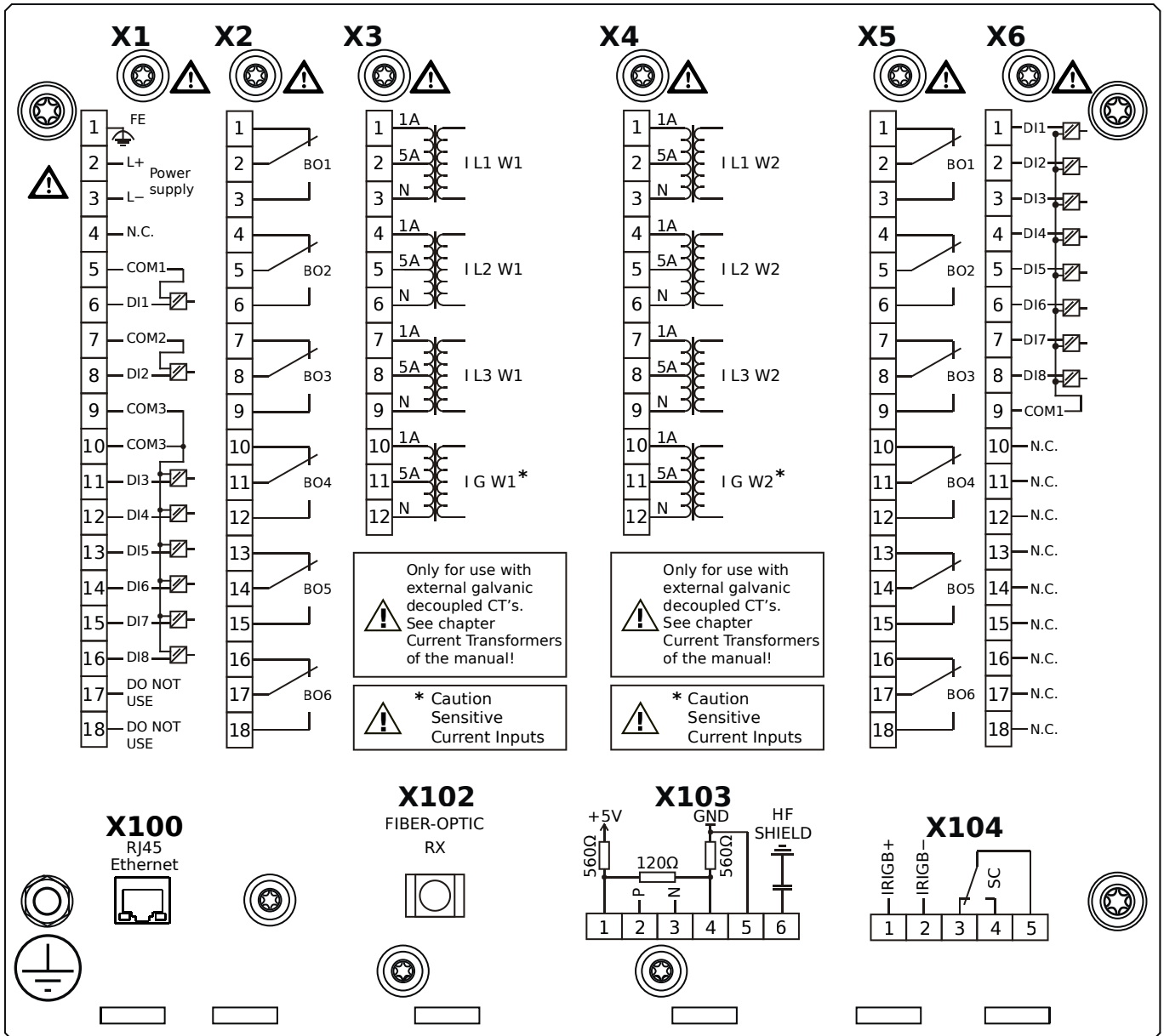
- X1** – DI8-X1: Wide-range power supply unit, incl. 2 non-grouped digital inputs and 6 grouped digital inputs
- X2** – OR-6: Assembly Group with 6 Relay Outputs
- X3** – TIs-4: Standard phase current measuring card and sensitive ground current measuring (winding side 1)
- X4** – TIs-4: Standard phase current measuring card and sensitive ground current measuring (winding side 2)
- X5** – OR-6: Assembly Group with 6 Relay Outputs
- X6** – DI8: Assembly Group with 8 Digital Inputs
- X102** – Universal Resistance-Temperature Detector (URTD) input, Fiber optics interface, Versatile Link
- X103** – Modbus TCP / DNP3.0 TCP/UDP, Fiber optics interface, LC Connector
- X104** – IRIG-B00X, incl. System Contact (Supervision Contact)

MRDT4-2D3ALB



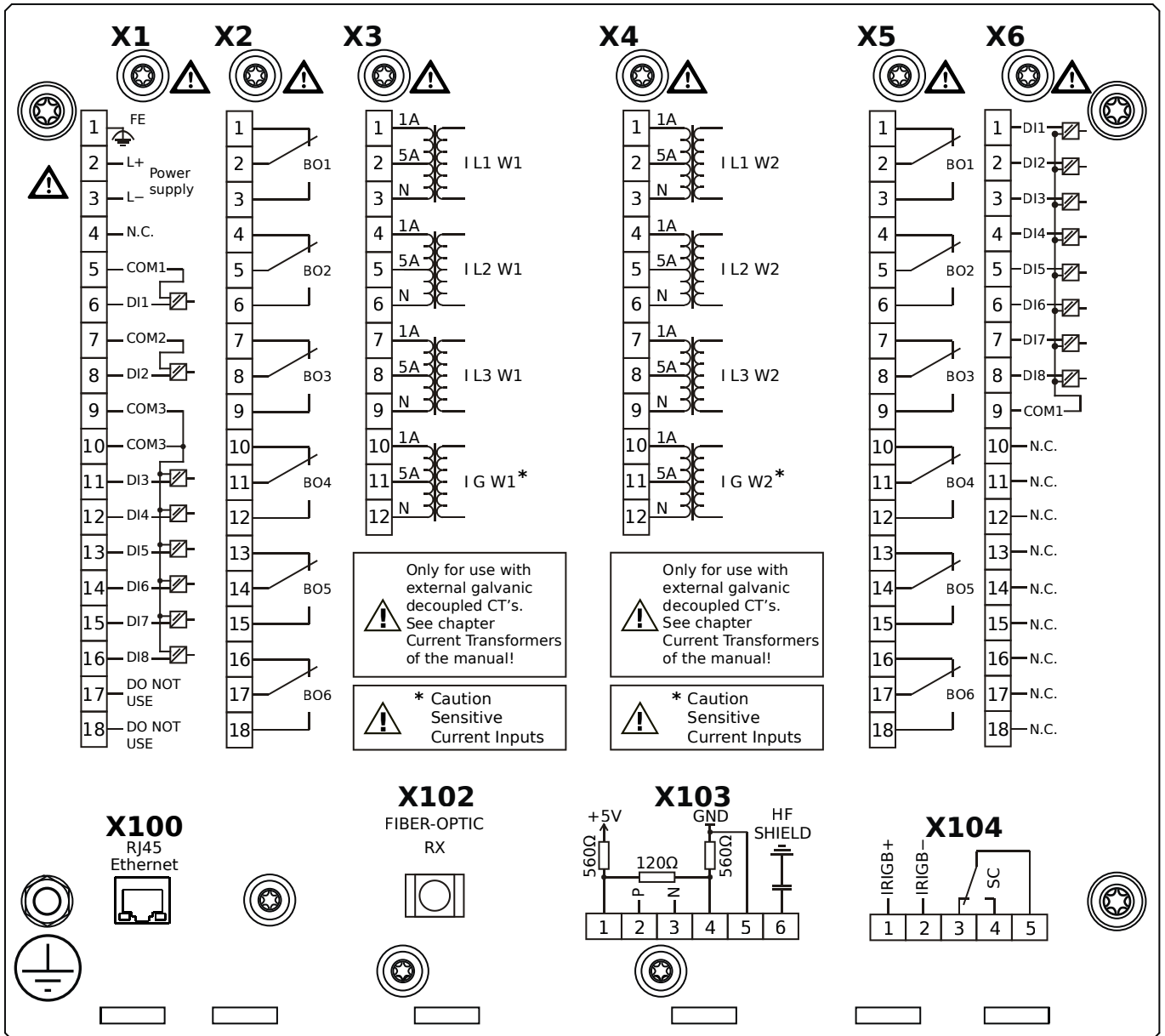
- X1** – DI8-X1: Wide-range power supply unit, incl. 2 non-grouped digital inputs and 6 grouped digital inputs
- X2** – OR-6: Assembly Group with 6 Relay Outputs
- X3** – TIs-4: Standard phase current measuring card and sensitive ground current measuring (winding side 1)
- X4** – TIs-4: Standard phase current measuring card and sensitive ground current measuring (winding side 2)
- X5** – OR-6: Assembly Group with 6 Relay Outputs
- X6** – DI8: Assembly Group with 8 Digital Inputs
- X102** – Universal Resistance-Temperature Detector (URTD) input, Fiber optics interface, Versatile Link
- X103** – Modbus TCP / DNP3.0 TCP/UDP, Fiber optics interface, LC Connector
- X104** – IRIG-B00X, incl. System Contact (Supervision Contact)

MRDT4-2D3ATA



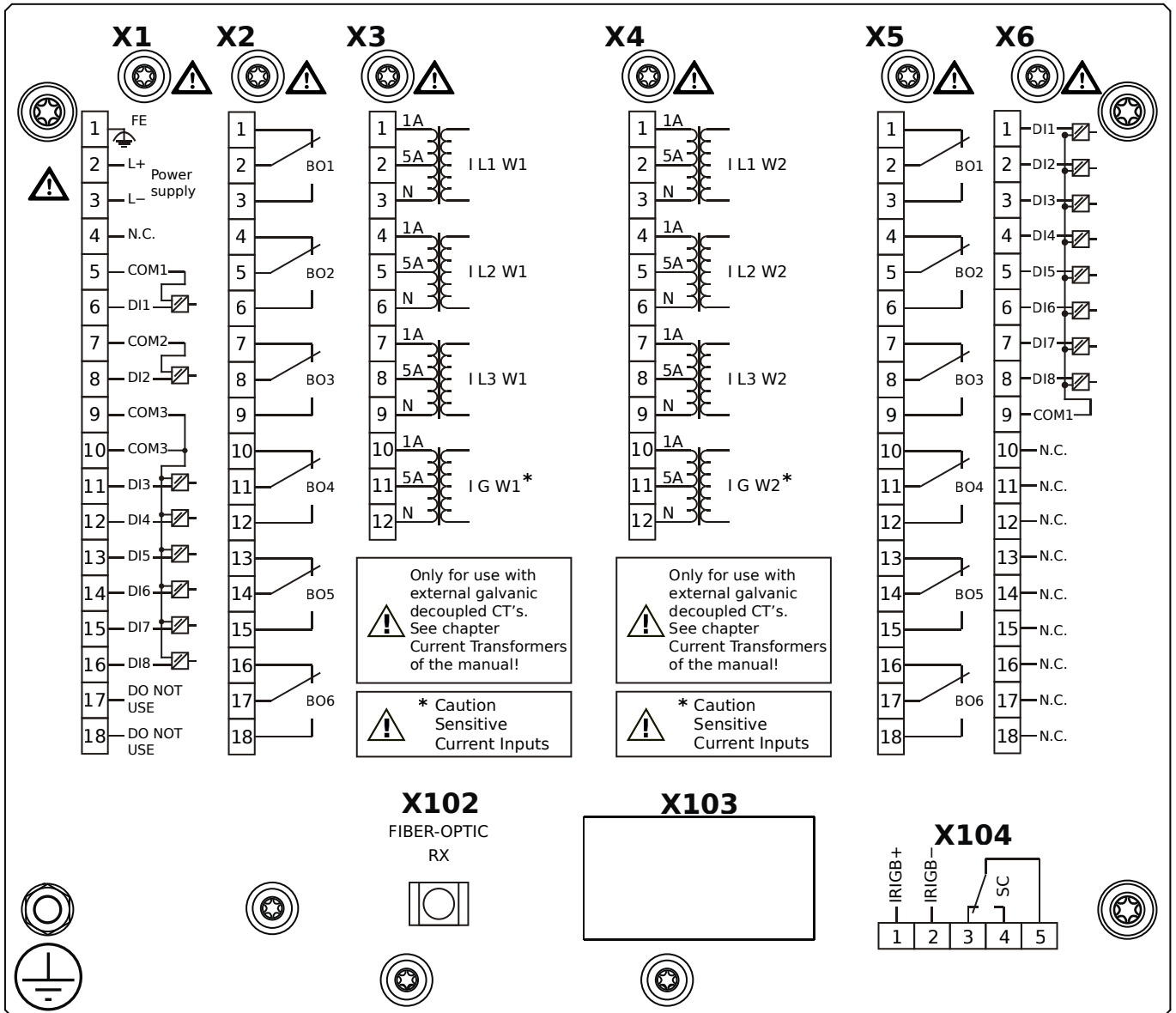
- X1** – DI8-X1: Wide-range power supply unit, incl. 2 non-grouped digital inputs and 6 grouped digital inputs
- X2** – OR-6: Assembly Group with 6 Relay Outputs
- X3** – TIs-4: Standard phase current measuring card and sensitive ground current measuring (winding side 1)
- X4** – TIs-4: Standard phase current measuring card and sensitive ground current measuring (winding side 2)
- X5** – OR-6: Assembly Group with 6 Relay Outputs
- X6** – DI8: Assembly Group with 8 Digital Inputs
- X100** – IEC 61850 / Modbus TCP / DNP3.0 TCP/UDP, Ethernet interface, 100 Mbit/s, RJ45 (BASE100-FX)
- X102** – Universal Resistance-Temperature Detector (URTD) input, Fiber optics interface, Versatile Link
- X103** – IEC 60870-5-103 / Modbus RTU / DNP3.0 RTU, RS485, Terminals
- X104** – IRIG-B00X, incl. System Contact (Supervision Contact)

MRDT4-2D3ATB



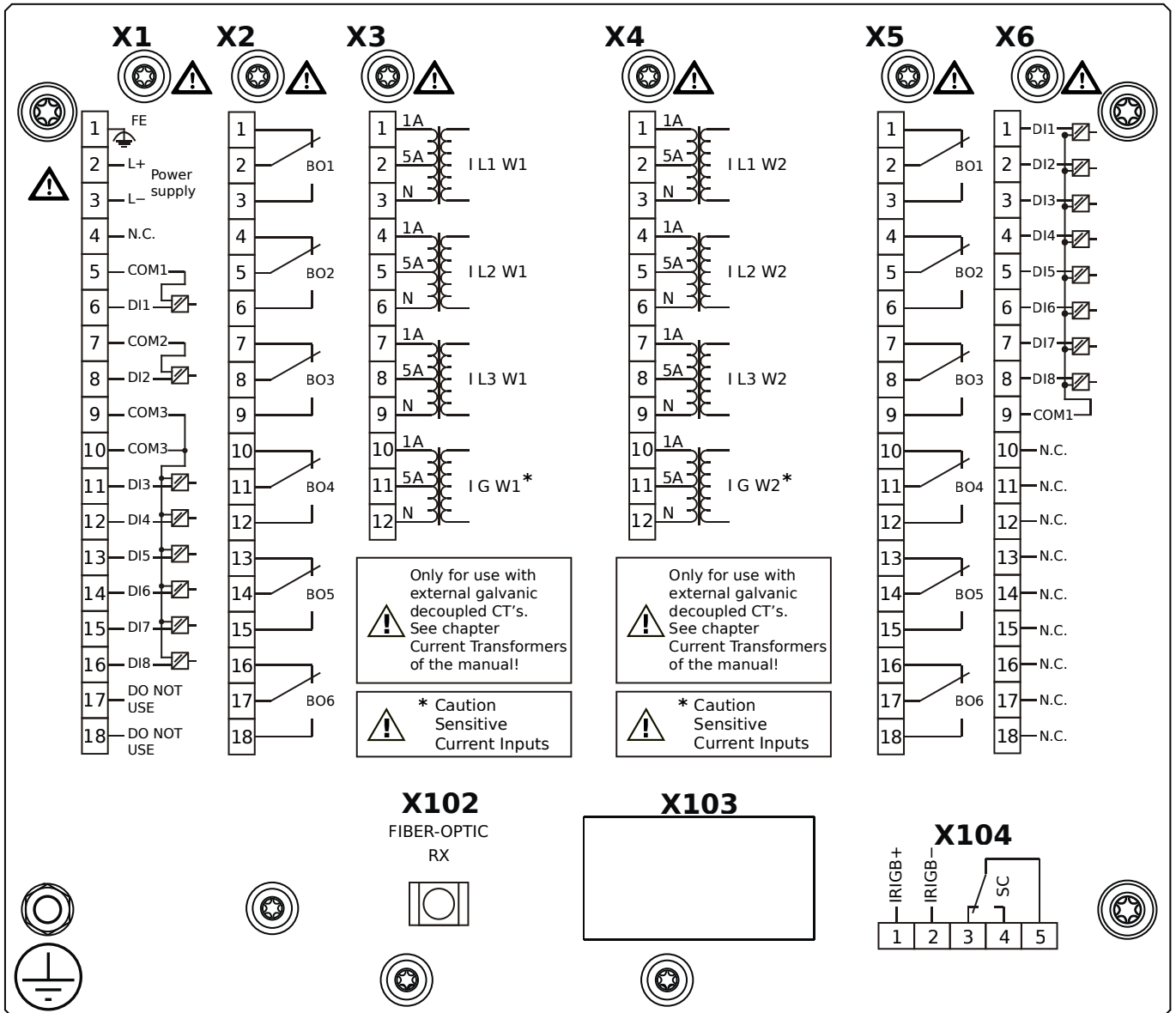
- X1** – DI8-X1: Wide-range power supply unit, incl. 2 non-grouped digital inputs and 6 grouped digital inputs
- X2** – OR-6: Assembly Group with 6 Relay Outputs
- X3** – TIs-4: Standard phase current measuring card and sensitive ground current measuring (winding side 1)
- X4** – TIs-4: Standard phase current measuring card and sensitive ground current measuring (winding side 2)
- X5** – OR-6: Assembly Group with 6 Relay Outputs
- X6** – DI8: Assembly Group with 8 Digital Inputs
- X100** – IEC 61850 / Modbus TCP / DNP3.0 TCP/UDP, Ethernet interface, 100 Mbit/s, RJ45 (BASE100-FX)
- X102** – Universal Resistance-Temperature Detector (URTD) input, Fiber optics interface, Versatile Link
- X103** – IEC 60870-5-103 / Modbus RTU / DNP3.0 RTU, RS485, Terminals
- X104** – IRIG-B00X, incl. System Contact (Supervision Contact)

MRDT4-2D3BAA



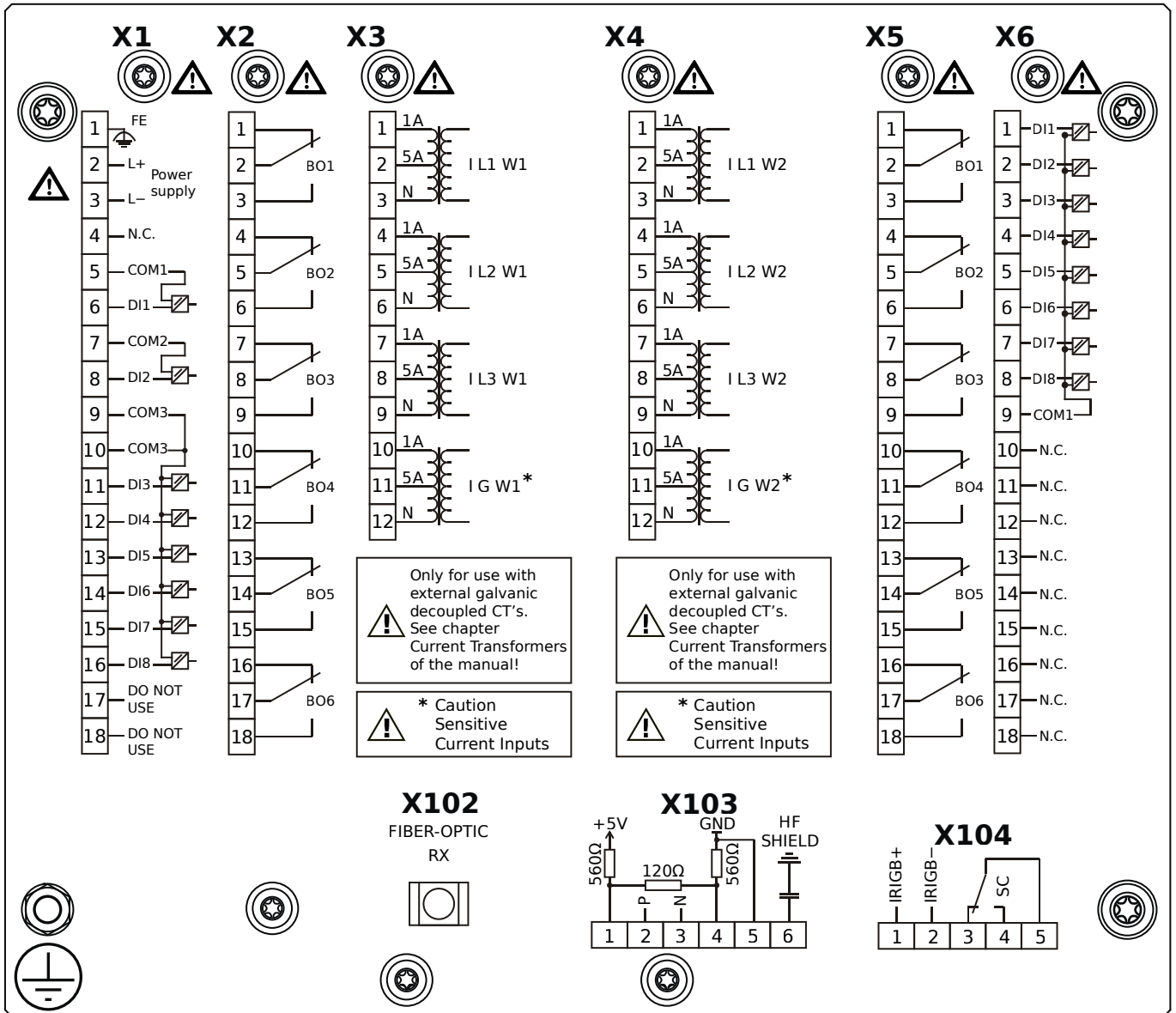
- X1** – DI8-X1: Wide-range power supply unit, incl. 2 non-grouped digital inputs and 6 grouped digital inputs
- X2** – OR-6: Assembly Group with 6 Relay Outputs
- X3** – TIs-4: Standard phase current measuring card and sensitive ground current measuring (winding side 1)
- X4** – TIs-4: Standard phase current measuring card and sensitive ground current measuring (winding side 2)
- X5** – OR-6: Assembly Group with 6 Relay Outputs
- X6** – DI8: Assembly Group with 8 Digital Inputs
- X102** – Universal Resistance-Temperature Detector (URTD) input, Fiber optics interface, Versatile Link
- X104** – IRIG-B00X, incl. System Contact (Supervision Contact)

MRDT4-2D3BAB



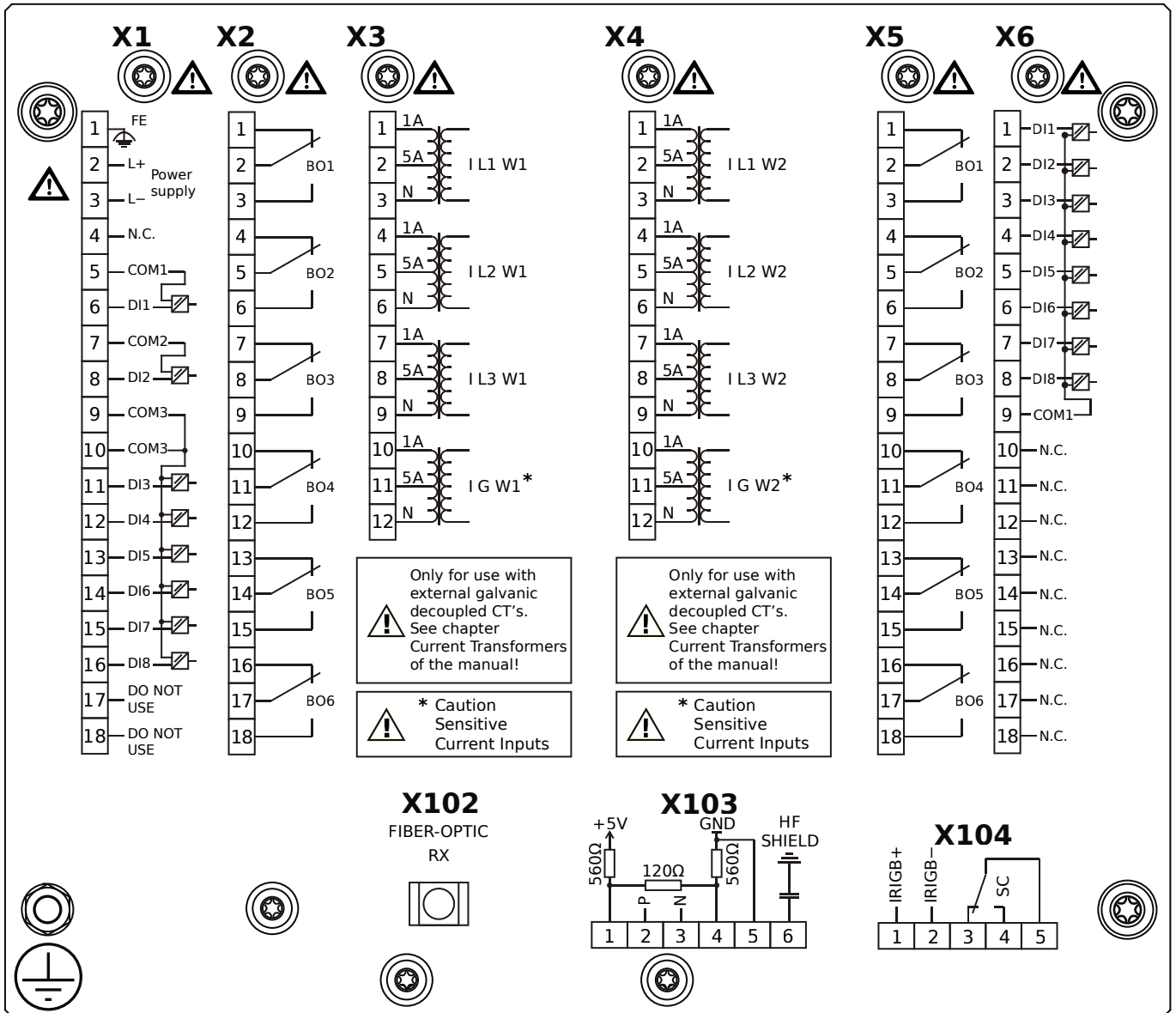
- X1** – DI8-X1: Wide-range power supply unit, incl. 2 non-grouped digital inputs and 6 grouped digital inputs
- X2** – OR-6: Assembly Group with 6 Relay Outputs
- X3** – TIs-4: Standard phase current measuring card and sensitive ground current measuring (winding side 1)
- X4** – TIs-4: Standard phase current measuring card and sensitive ground current measuring (winding side 2)
- X5** – OR-6: Assembly Group with 6 Relay Outputs
- X6** – DI8: Assembly Group with 8 Digital Inputs
- X102** – Universal Resistance-Temperature Detector (URTD) input, Fiber optics interface, Versatile Link
- X104** – IRIG-B00X, incl. System Contact (Supervision Contact)

MRDT4-2D3BBA



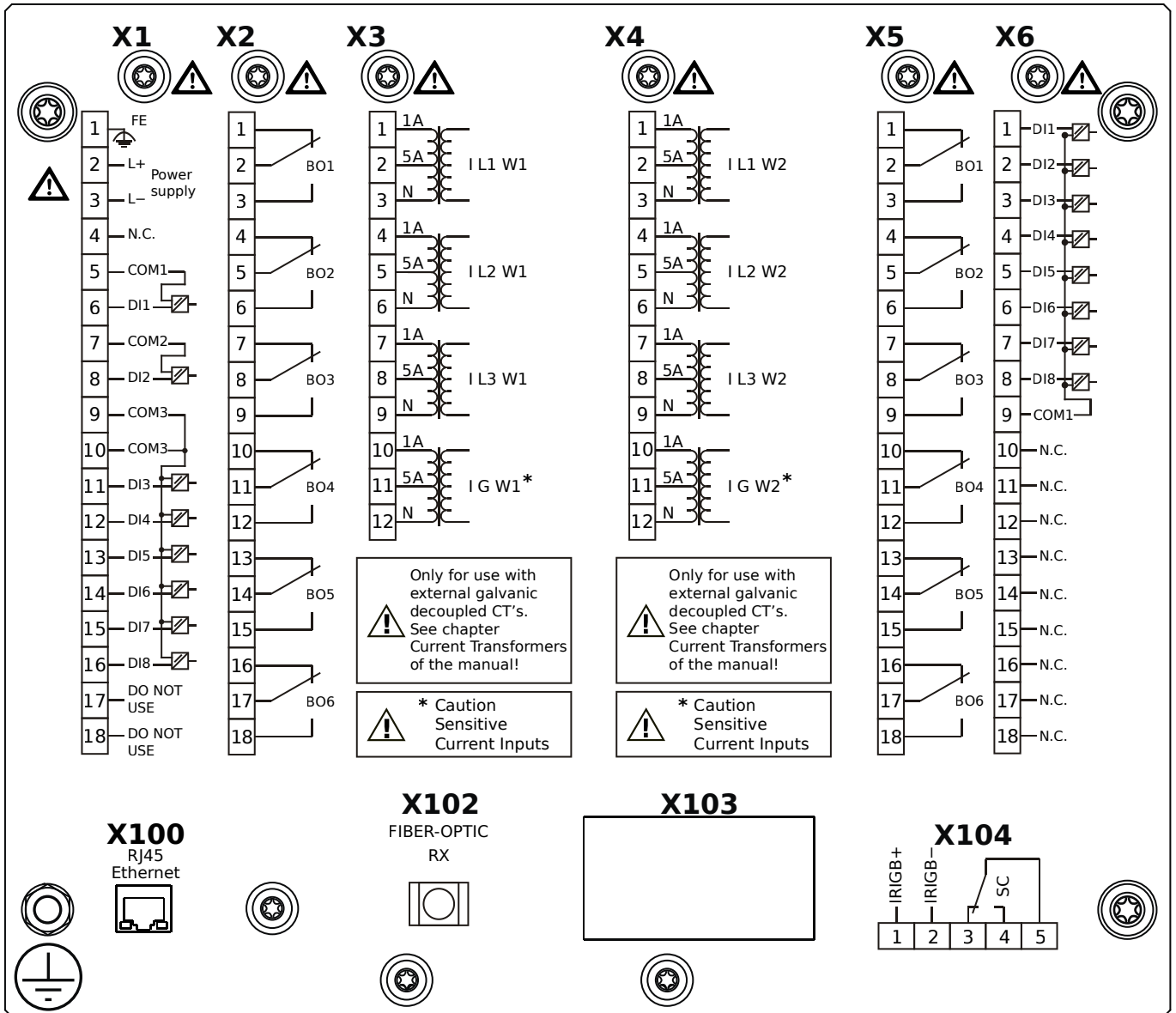
- X1** – DI8-X1: Wide-range power supply unit, incl. 2 non-grouped digital inputs and 6 grouped digital inputs
- X2** – OR-6: Assembly Group with 6 Relay Outputs
- X3** – TIs-4: Standard phase current measuring card and sensitive ground current measuring (winding side 1)
- X4** – TIs-4: Standard phase current measuring card and sensitive ground current measuring (winding side 2)
- X5** – OR-6: Assembly Group with 6 Relay Outputs
- X6** – DI8: Assembly Group with 8 Digital Inputs
- X102** – Universal Resistance-Temperature Detector (URTD) input, Fiber optics interface, Versatile Link
- X103** – Modbus RTU / IEC 60870-5-103 / DNP3.0 RTU, RS485, Terminals
- X104** – IRIG-B00X, incl. System Contact (Supervision Contact)

MRDT4-2D3BBB



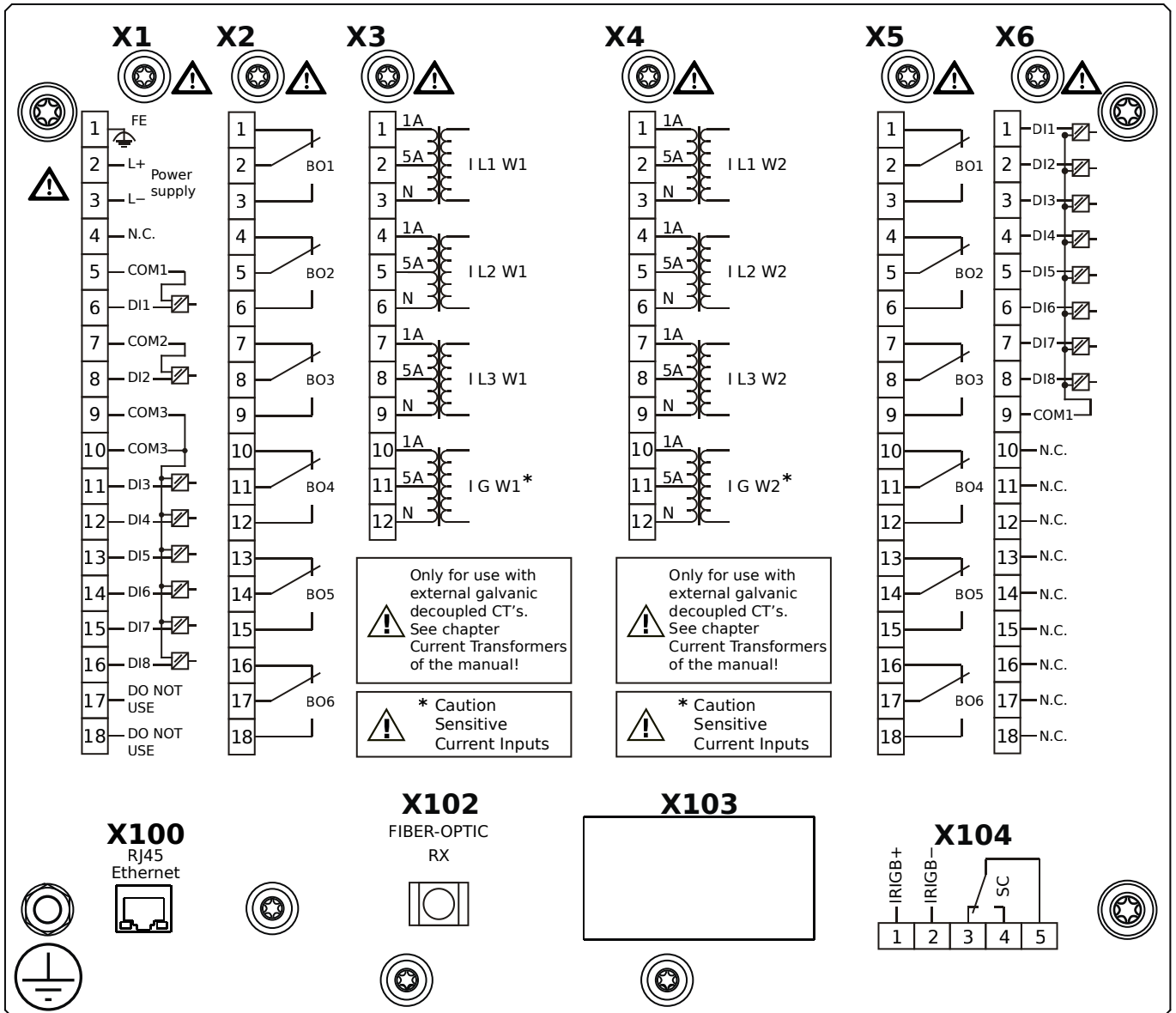
- X1** – DI8-X1: Wide-range power supply unit, incl. 2 non-grouped digital inputs and 6 grouped digital inputs
- X2** – OR-6: Assembly Group with 6 Relay Outputs
- X3** – TIs-4: Standard phase current measuring card and sensitive ground current measuring (winding side 1)
- X4** – TIs-4: Standard phase current measuring card and sensitive ground current measuring (winding side 2)
- X5** – OR-6: Assembly Group with 6 Relay Outputs
- X6** – DI8: Assembly Group with 8 Digital Inputs
- X102** – Universal Resistance-Temperature Detector (URTD) input, Fiber optics interface, Versatile Link
- X103** – Modbus RTU / IEC 60870-5-103 / DNP3.0 RTU, RS485, Terminals
- X104** – IRIG-B00X, incl. System Contact (Supervision Contact)

MRDT4-2D3BCA



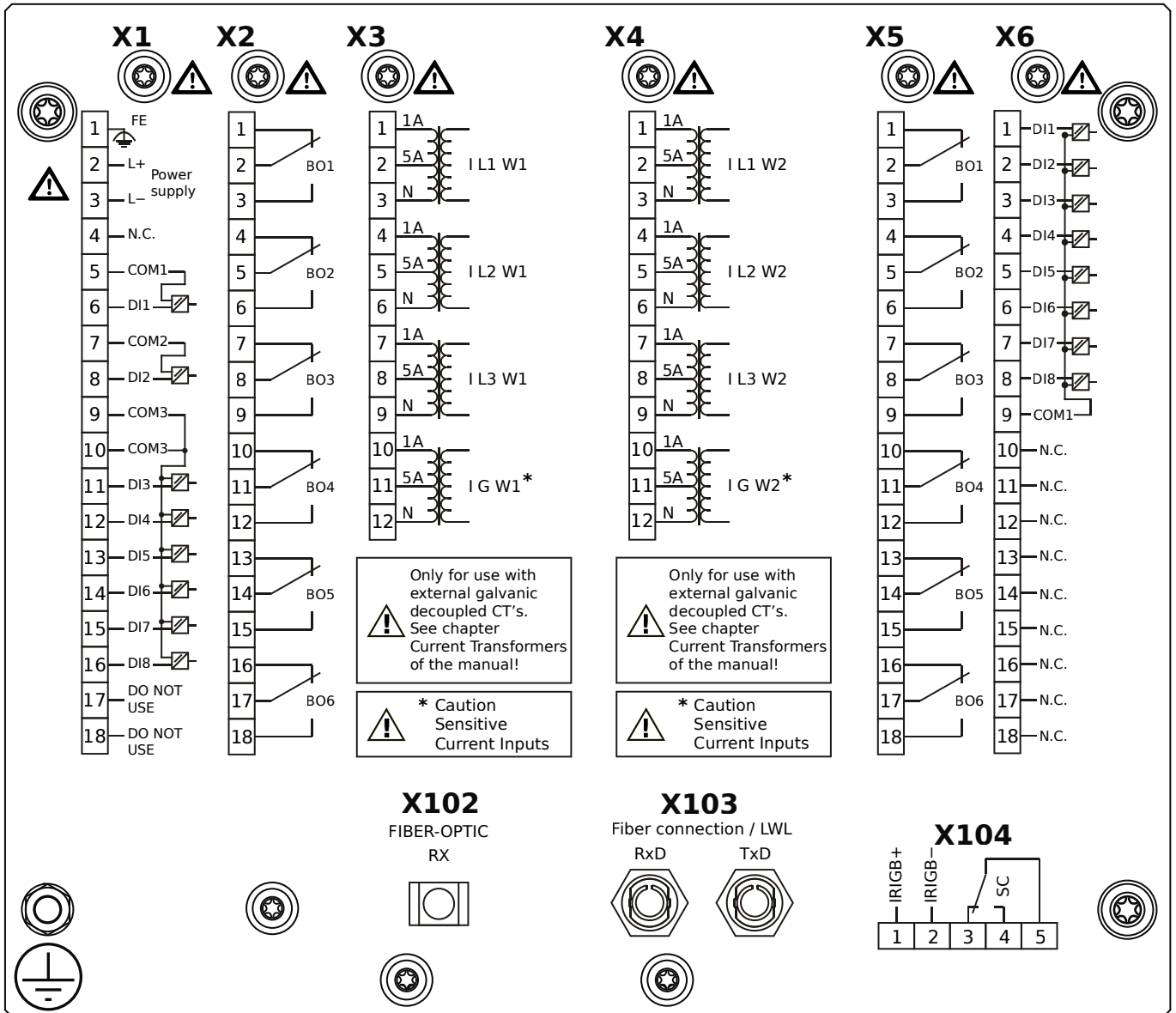
- X1** – DI8-X1: Wide-range power supply unit, incl. 2 non-grouped digital inputs and 6 grouped digital inputs
- X2** – OR-6: Assembly Group with 6 Relay Outputs
- X3** – TIs-4: Standard phase current measuring card and sensitive ground current measuring (winding side 1)
- X4** – TIs-4: Standard phase current measuring card and sensitive ground current measuring (winding side 2)
- X5** – OR-6: Assembly Group with 6 Relay Outputs
- X6** – DI8: Assembly Group with 8 Digital Inputs
- X100** – Modbus TCP / DNP3.0 TCP/UDP, Ethernet interface, 100 Mbit/s, RJ45 (BASE100-FX)
- X102** – Universal Resistance-Temperature Detector (URTD) input, Fiber optics interface, Versatile Link
- X104** – IRIG-B00X, incl. System Contact (Supervision Contact)

MRDT4-2D3BCB



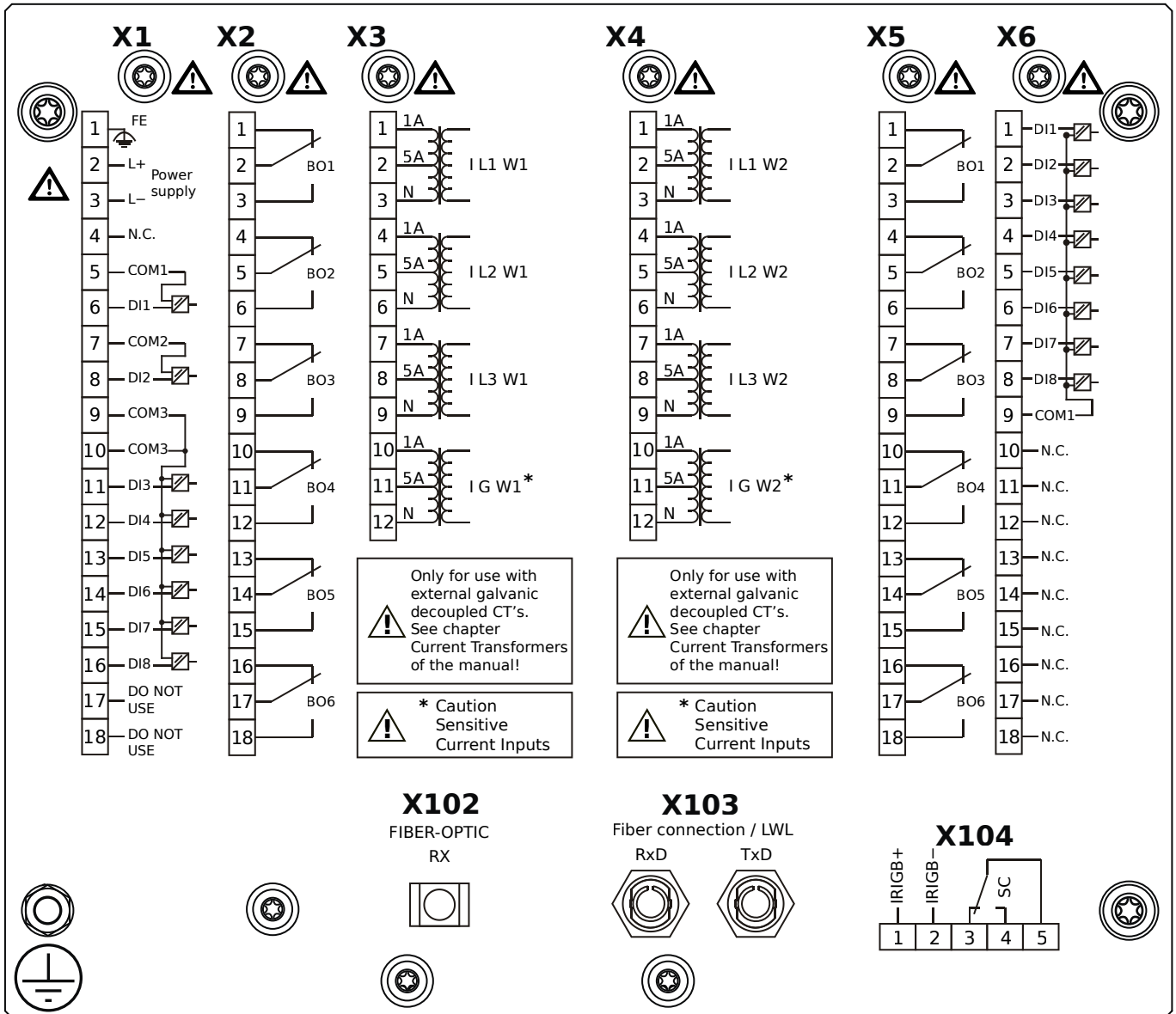
- X1** – DI8-X1: Wide-range power supply unit, incl. 2 non-grouped digital inputs and 6 grouped digital inputs
- X2** – OR-6: Assembly Group with 6 Relay Outputs
- X3** – TIs-4: Standard phase current measuring card and sensitive ground current measuring (winding side 1)
- X4** – TIs-4: Standard phase current measuring card and sensitive ground current measuring (winding side 2)
- X5** – OR-6: Assembly Group with 6 Relay Outputs
- X6** – DI8: Assembly Group with 8 Digital Inputs
- X100** – Modbus TCP / DNP3.0 TCP/UDP, Ethernet interface, 100 Mbit/s, RJ45 (BASE100-FX)
- X102** – Universal Resistance-Temperature Detector (URTD) input, Fiber optics interface, Versatile Link
- X104** – IRIG-B00X, incl. System Contact (Supervision Contact)

MRDT4-2D3BDA



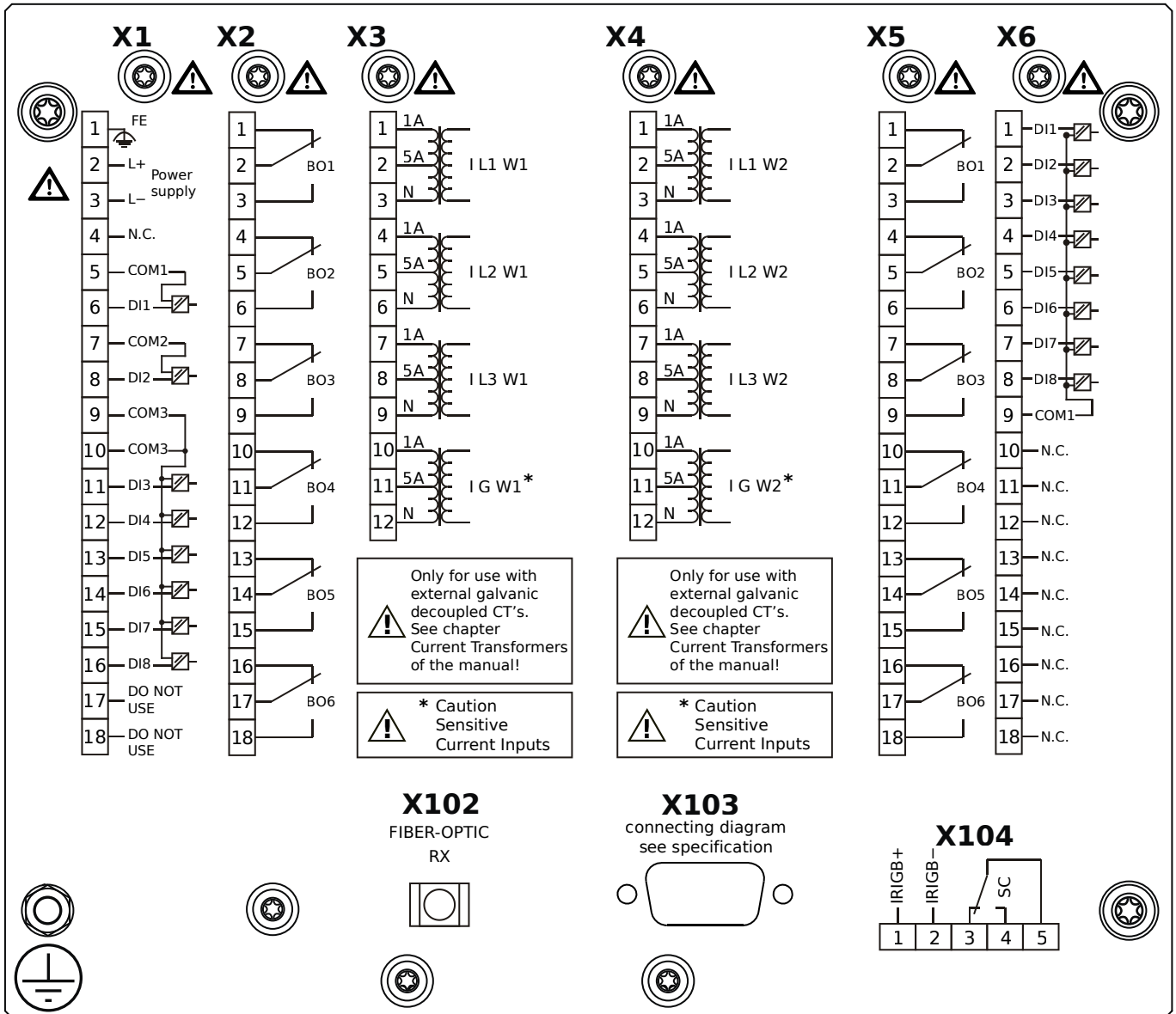
- X1** – DI8-X1: Wide-range power supply unit, incl. 2 non-grouped digital inputs and 6 grouped digital inputs
- X2** – OR-6: Assembly Group with 6 Relay Outputs
- X3** – TIs-4: Standard phase current measuring card and sensitive ground current measuring (winding side 1)
- X4** – TIs-4: Standard phase current measuring card and sensitive ground current measuring (winding side 2)
- X5** – OR-6: Assembly Group with 6 Relay Outputs
- X6** – DI8: Assembly Group with 8 Digital Inputs
- X102** – Universal Resistance-Temperature Detector (URTD) input, Fiber optics interface, Versatile Link
- X103** – Profibus-DP, Fiber optics interface, ST Connector
- X104** – IRIG-B00X, incl. System Contact (Supervision Contact)

MRDT4-2D3BDB



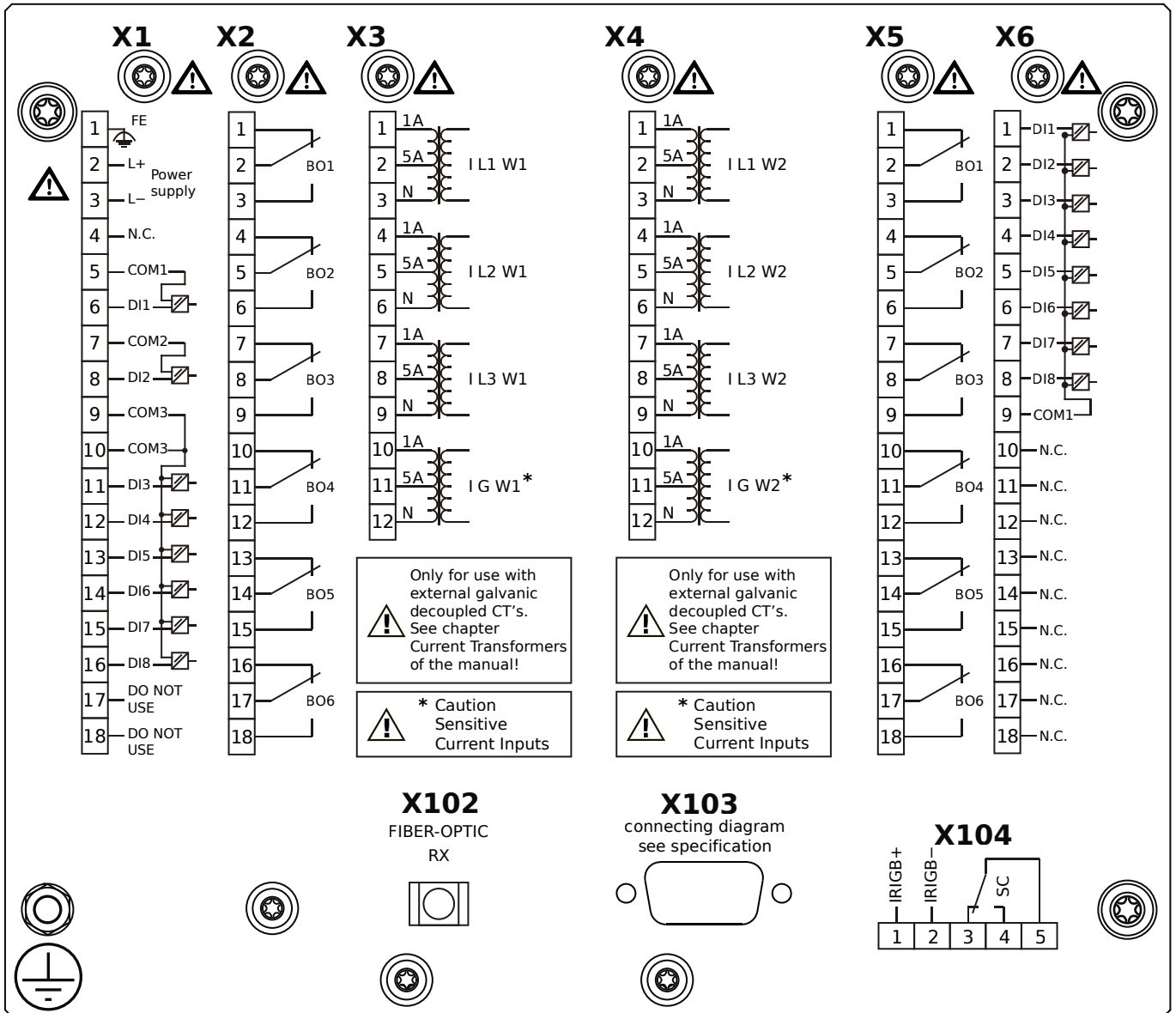
- X1** – DI8-X1: Wide-range power supply unit, incl. 2 non-grouped digital inputs and 6 grouped digital inputs
- X2** – OR-6: Assembly Group with 6 Relay Outputs
- X3** – TIs-4: Standard phase current measuring card and sensitive ground current measuring (winding side 1)
- X4** – TIs-4: Standard phase current measuring card and sensitive ground current measuring (winding side 2)
- X5** – OR-6: Assembly Group with 6 Relay Outputs
- X6** – DI8: Assembly Group with 8 Digital Inputs
- X102** – Universal Resistance-Temperature Detector (URTD) input, Fiber optics interface, Versatile Link
- X103** – Profibus-DP, Fiber optics interface, ST Connector
- X104** – IRIG-B00X, incl. System Contact (Supervision Contact)

MRDT4-2D3BEA



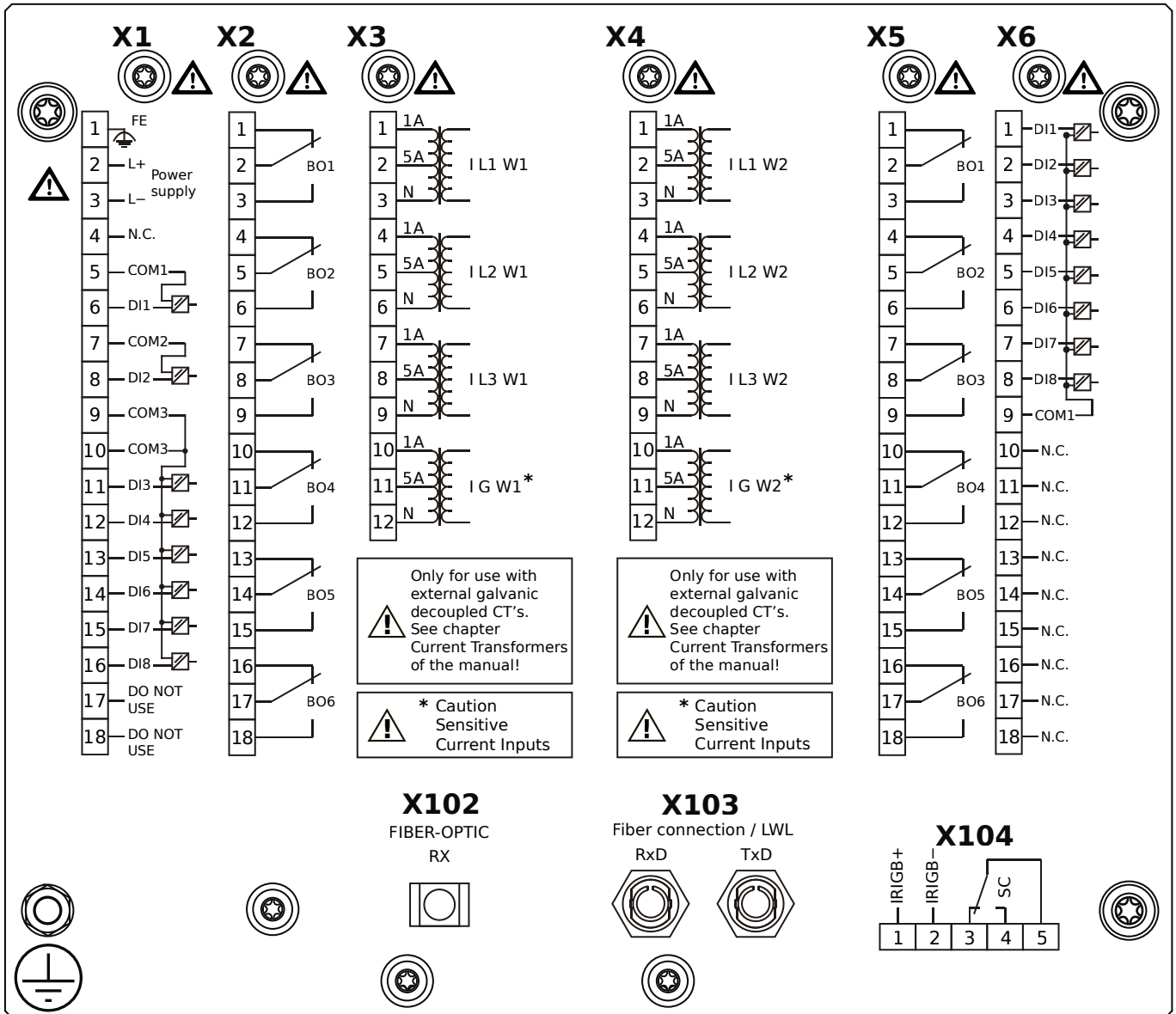
- X1** – DI8-X1: Wide-range power supply unit, incl. 2 non-grouped digital inputs and 6 grouped digital inputs
- X2** – OR-6: Assembly Group with 6 Relay Outputs
- X3** – TIs-4: Standard phase current measuring card and sensitive ground current measuring (winding side 1)
- X4** – TIs-4: Standard phase current measuring card and sensitive ground current measuring (winding side 2)
- X5** – OR-6: Assembly Group with 6 Relay Outputs
- X6** – DI8: Assembly Group with 8 Digital Inputs
- X102** – Universal Resistance-Temperature Detector (URTD) input, Fiber optics interface, Versatile Link
- X103** – Profibus-DP, RS485, D-SUB
- X104** – IRIG-B00X, incl. System Contact (Supervision Contact)

MRDT4-2D3BEB



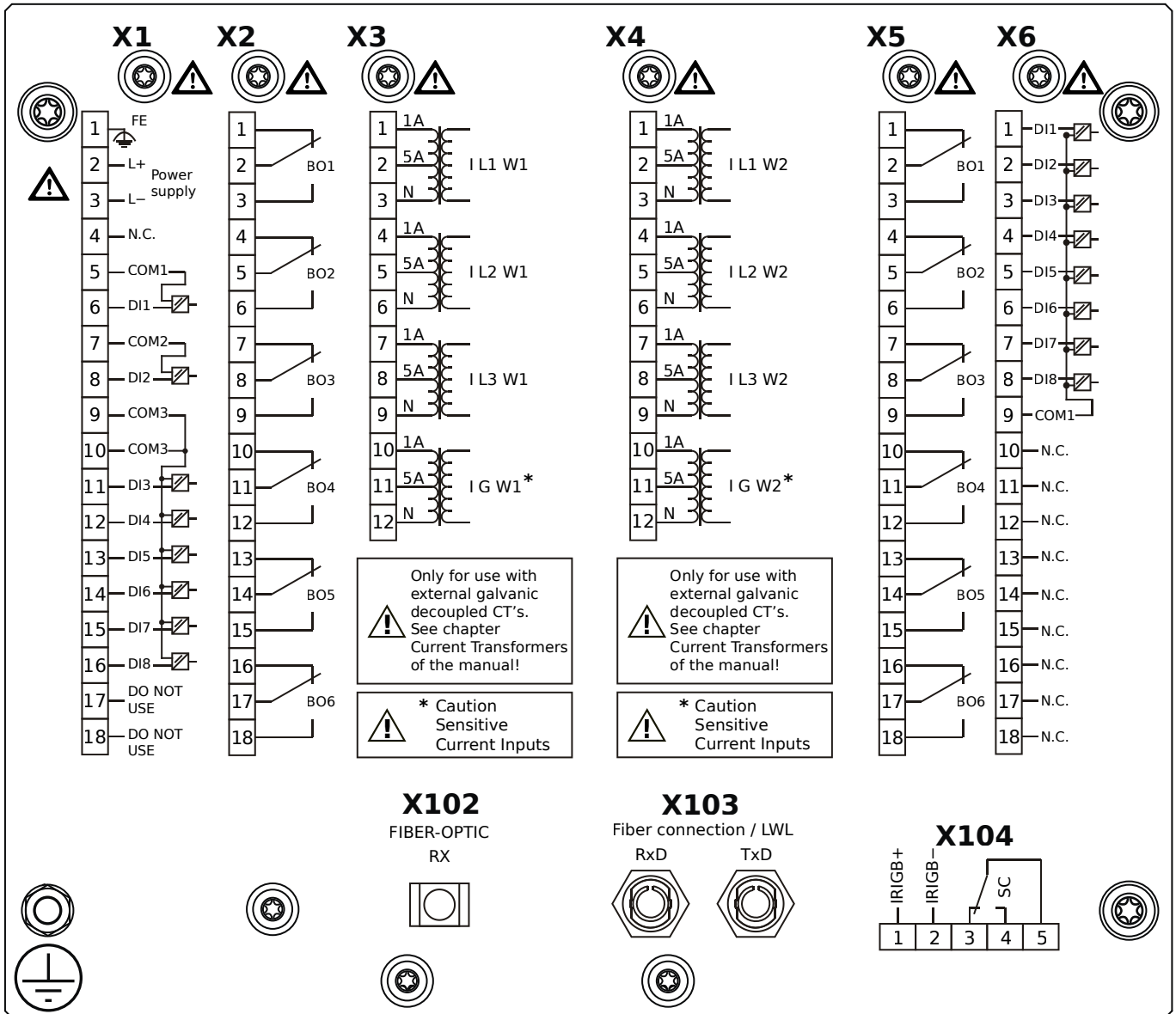
- X1** – DI8-X1: Wide-range power supply unit, incl. 2 non-grouped digital inputs and 6 grouped digital inputs
- X2** – OR-6: Assembly Group with 6 Relay Outputs
- X3** – TIs-4: Standard phase current measuring card and sensitive ground current measuring (winding side 1)
- X4** – TIs-4: Standard phase current measuring card and sensitive ground current measuring (winding side 2)
- X5** – OR-6: Assembly Group with 6 Relay Outputs
- X6** – DI8: Assembly Group with 8 Digital Inputs
- X102** – Universal Resistance-Temperature Detector (URTD) input, Fiber optics interface, Versatile Link
- X103** – Profibus-DP, RS485, D-SUB
- X104** – IRIG-B00X, incl. System Contact (Supervision Contact)

MRDT4-2D3BFA



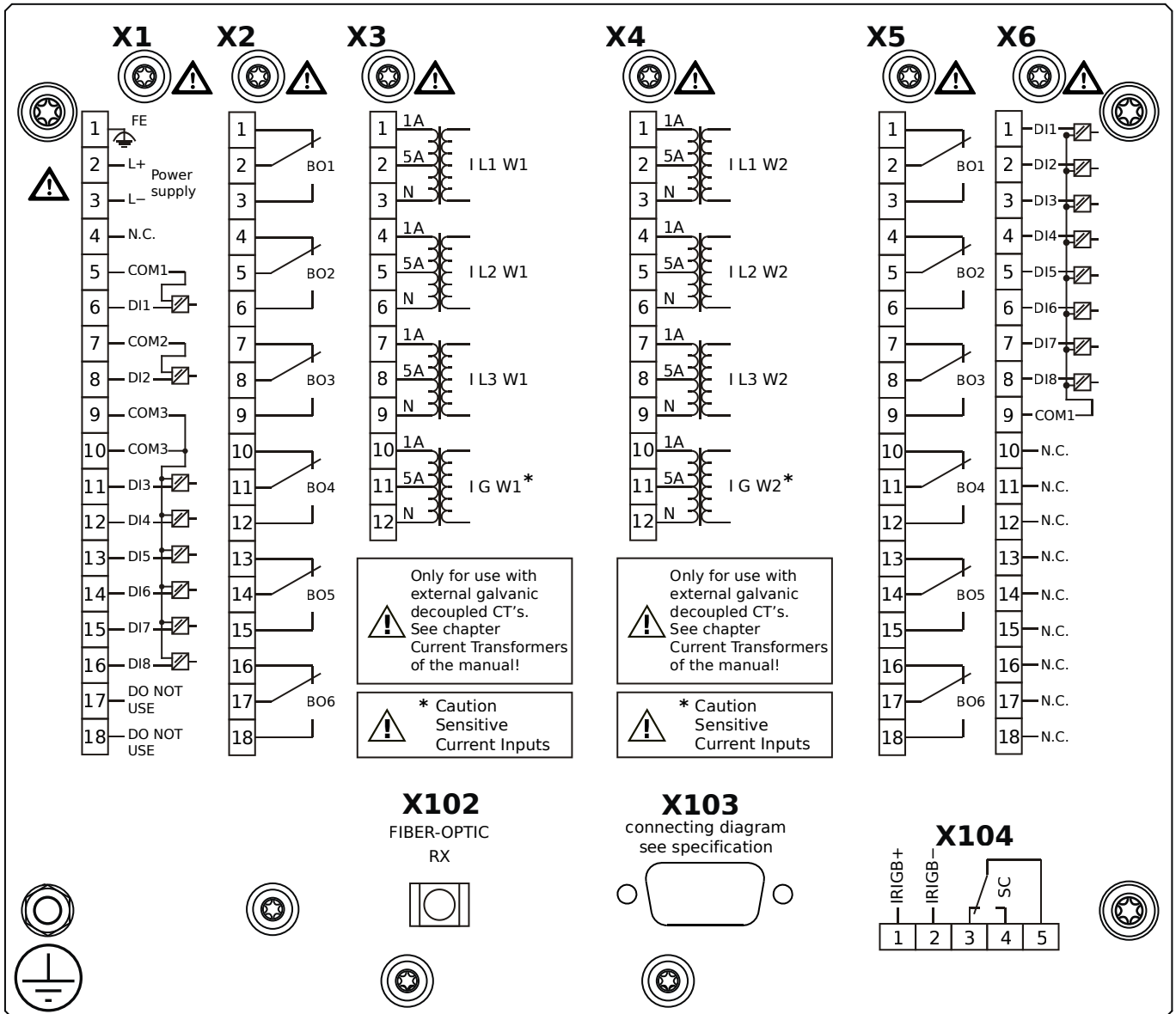
- X1** – DI8-X1: Wide-range power supply unit, incl. 2 non-grouped digital inputs and 6 grouped digital inputs
- X2** – OR-6: Assembly Group with 6 Relay Outputs
- X3** – TIs-4: Standard phase current measuring card and sensitive ground current measuring (winding side 1)
- X4** – TIs-4: Standard phase current measuring card and sensitive ground current measuring (winding side 2)
- X5** – OR-6: Assembly Group with 6 Relay Outputs
- X6** – DI8: Assembly Group with 8 Digital Inputs
- X102** – Universal Resistance-Temperature Detector (URTD) input, Fiber optics interface, Versatile Link
- X103** – Modbus RTU / IEC 60870-5-103 / DNP3.0 RTU, Fiber optics interface, ST Connector
- X104** – IRIG-B00X, incl. System Contact (Supervision Contact)

MRDT4-2D3BFB



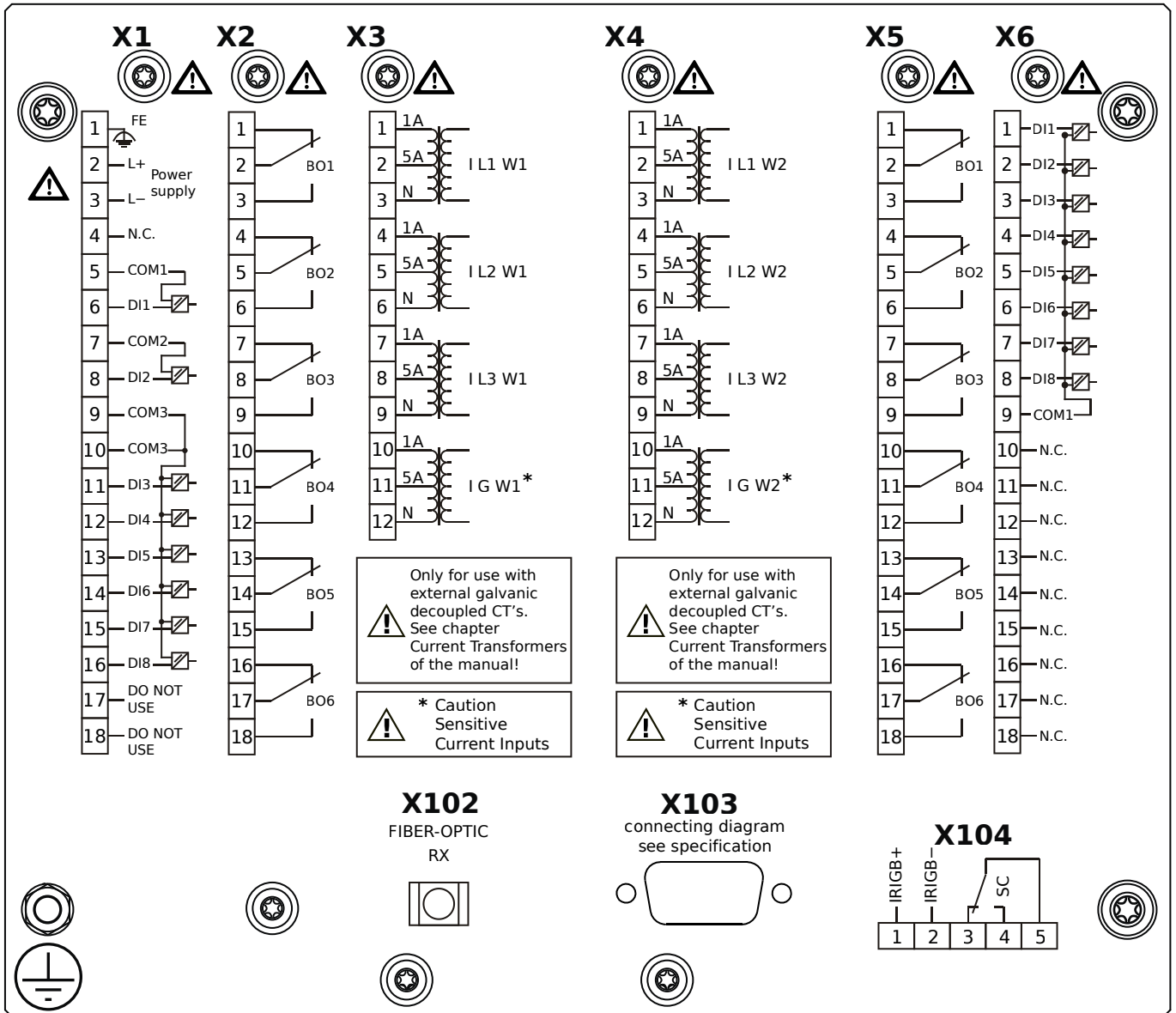
- X1** – DI8-X1: Wide-range power supply unit, incl. 2 non-grouped digital inputs and 6 grouped digital inputs
- X2** – OR-6: Assembly Group with 6 Relay Outputs
- X3** – TIs-4: Standard phase current measuring card and sensitive ground current measuring (winding side 1)
- X4** – TIs-4: Standard phase current measuring card and sensitive ground current measuring (winding side 2)
- X5** – OR-6: Assembly Group with 6 Relay Outputs
- X6** – DI8: Assembly Group with 8 Digital Inputs
- X102** – Universal Resistance-Temperature Detector (URTD) input, Fiber optics interface, Versatile Link
- X103** – Modbus RTU / IEC 60870-5-103 / DNP3.0 RTU, Fiber optics interface, ST Connector
- X104** – IRIG-B00X, incl. System Contact (Supervision Contact)

MRDT4-2D3BGA



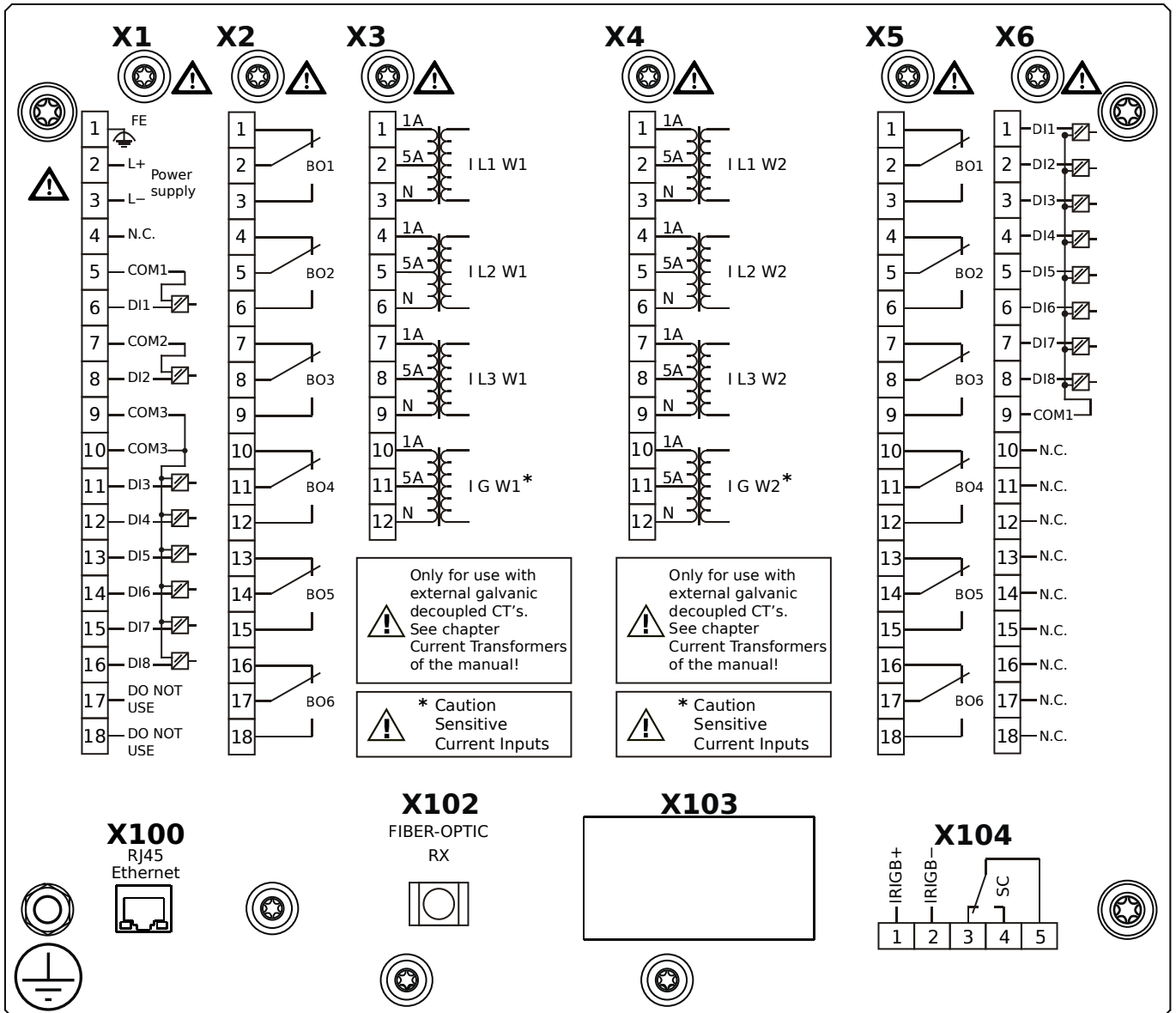
- X1** – DI8-X1: Wide-range power supply unit, incl. 2 non-grouped digital inputs and 6 grouped digital inputs
- X2** – OR-6: Assembly Group with 6 Relay Outputs
- X3** – TIs-4: Standard phase current measuring card and sensitive ground current measuring (winding side 1)
- X4** – TIs-4: Standard phase current measuring card and sensitive ground current measuring (winding side 2)
- X5** – OR-6: Assembly Group with 6 Relay Outputs
- X6** – DI8: Assembly Group with 8 Digital Inputs
- X102** – Universal Resistance-Temperature Detector (URTD) input, Fiber optics interface, Versatile Link
- X103** – Modbus RTU / IEC 60870-5-103 / DNP3.0 RTU, RS485, D-SUB
- X104** – IRIG-B00X, incl. System Contact (Supervision Contact)

MRDT4-2D3BGB



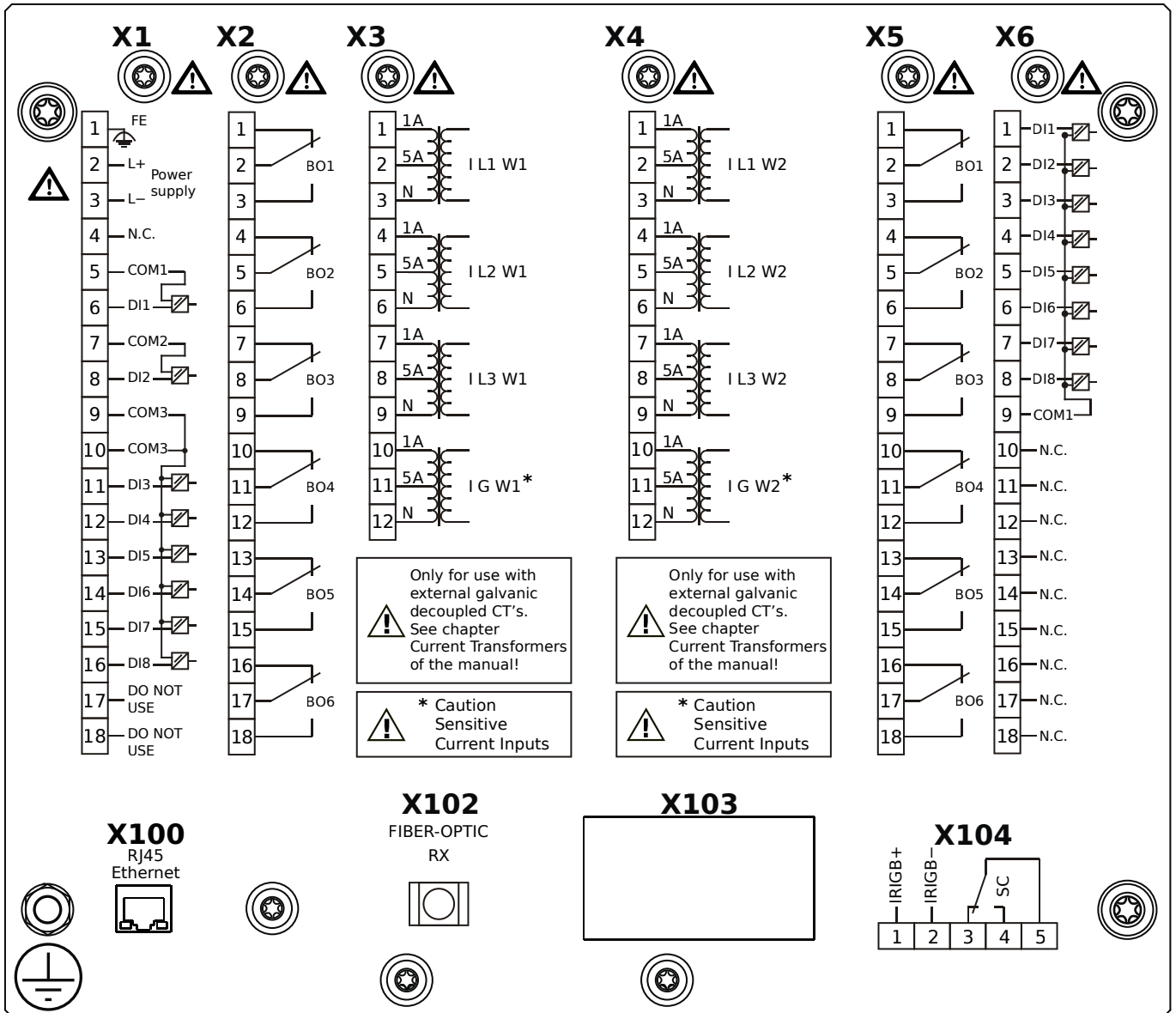
- X1** – DI8-X1: Wide-range power supply unit, incl. 2 non-grouped digital inputs and 6 grouped digital inputs
- X2** – OR-6: Assembly Group with 6 Relay Outputs
- X3** – TIs-4: Standard phase current measuring card and sensitive ground current measuring (winding side 1)
- X4** – TIs-4: Standard phase current measuring card and sensitive ground current measuring (winding side 2)
- X5** – OR-6: Assembly Group with 6 Relay Outputs
- X6** – DI8: Assembly Group with 8 Digital Inputs
- X102** – Universal Resistance-Temperature Detector (URTD) input, Fiber optics interface, Versatile Link
- X103** – Modbus RTU / IEC 60870-5-103 / DNP3.0 RTU, RS485, D-SUB
- X104** – IRIG-B00X, incl. System Contact (Supervision Contact)

MRDT4-2D3BHA



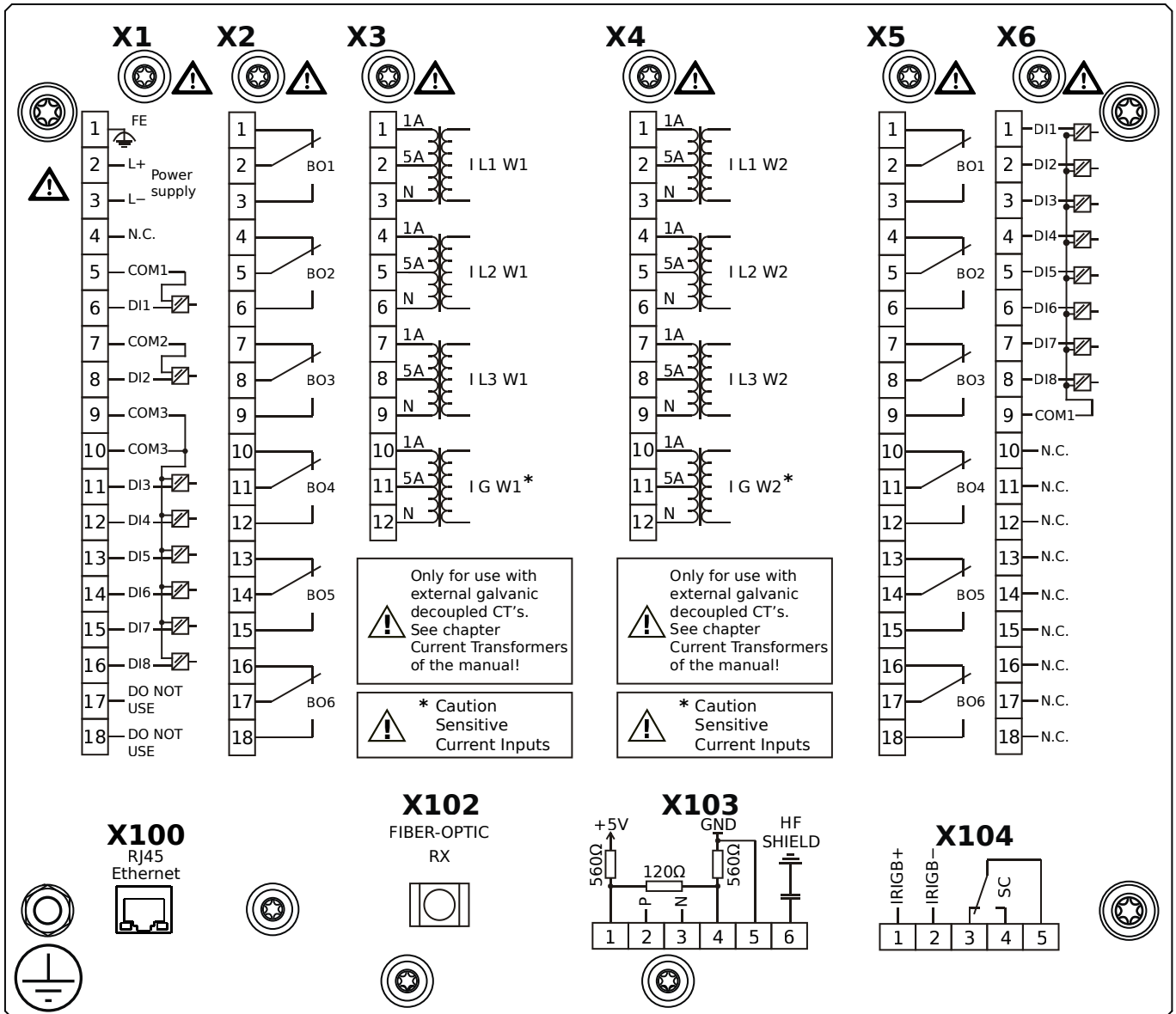
- X1** – DI8-X1: Wide-range power supply unit, incl. 2 non-grouped digital inputs and 6 grouped digital inputs
- X2** – OR-6: Assembly Group with 6 Relay Outputs
- X3** – TIs-4: Standard phase current measuring card and sensitive ground current measuring (winding side 1)
- X4** – TIs-4: Standard phase current measuring card and sensitive ground current measuring (winding side 2)
- X5** – OR-6: Assembly Group with 6 Relay Outputs
- X6** – DI8: Assembly Group with 8 Digital Inputs
- X100** – IEC 61850 / Modbus TCP / DNP3.0 TCP/UDP, Ethernet interface, 100 Mbit/s, RJ45 (BASE100-FX)
- X102** – Universal Resistance-Temperature Detector (URTD) input, Fiber optics interface, Versatile Link
- X104** – IRIG-B00X, incl. System Contact (Supervision Contact)

MRDT4-2D3BHB



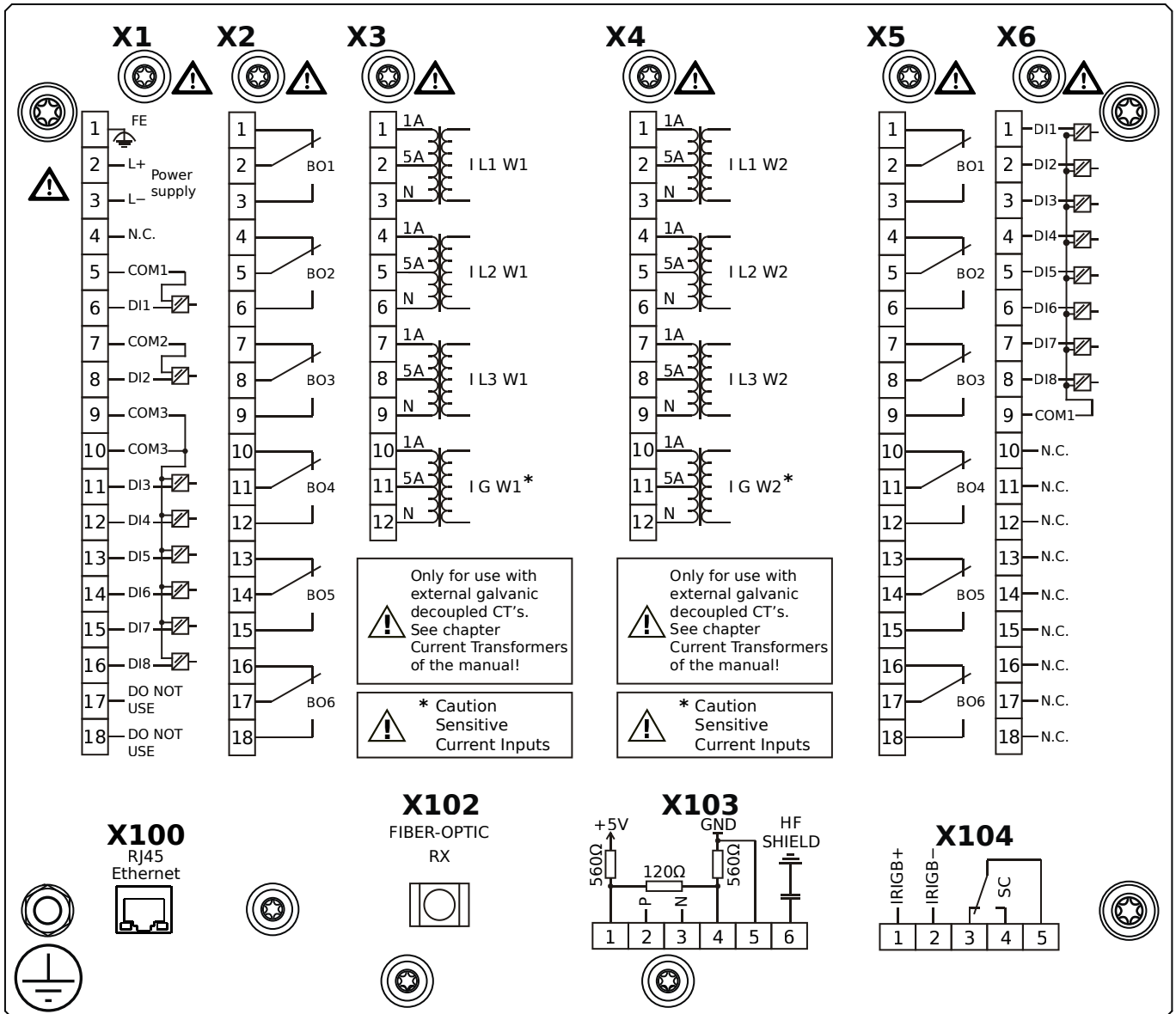
- X1** – DI8-X1: Wide-range power supply unit, incl. 2 non-grouped digital inputs and 6 grouped digital inputs
- X2** – OR-6: Assembly Group with 6 Relay Outputs
- X3** – TIs-4: Standard phase current measuring card and sensitive ground current measuring (winding side 1)
- X4** – TIs-4: Standard phase current measuring card and sensitive ground current measuring (winding side 2)
- X5** – OR-6: Assembly Group with 6 Relay Outputs
- X6** – DI8: Assembly Group with 8 Digital Inputs
- X100** – IEC 61850 / Modbus TCP / DNP3.0 TCP/UDP, Ethernet interface, 100 Mbit/s, RJ45 (BASE100-FX)
- X102** – Universal Resistance-Temperature Detector (URTD) input, Fiber optics interface, Versatile Link
- X104** – IRIG-B00X, incl. System Contact (Supervision Contact)

MRDT4-2D3BIA



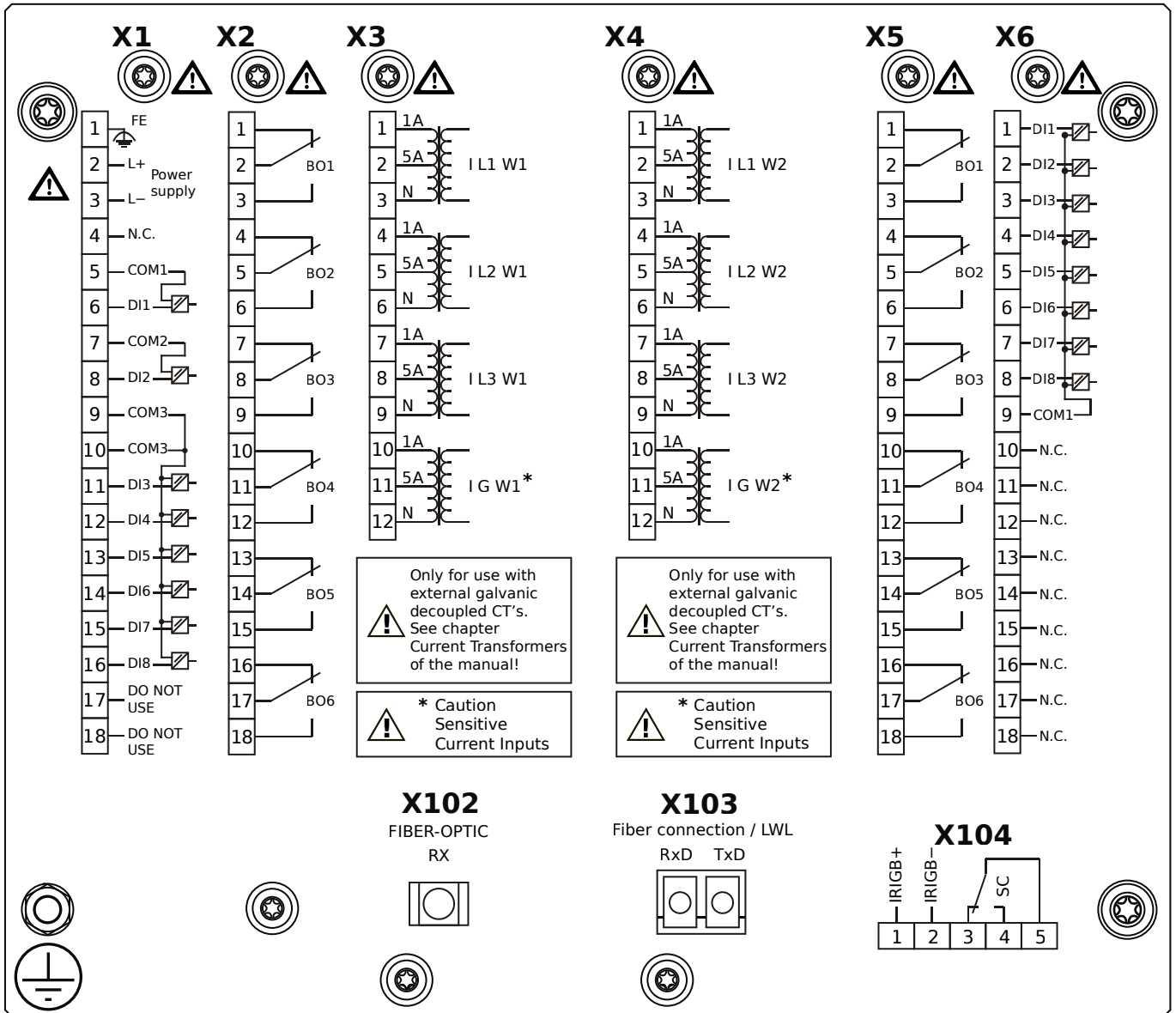
- X1** – DI8-X1: Wide-range power supply unit, incl. 2 non-grouped digital inputs and 6 grouped digital inputs
- X2** – OR-6: Assembly Group with 6 Relay Outputs
- X3** – TIs-4: Standard phase current measuring card and sensitive ground current measuring (winding side 1)
- X4** – TIs-4: Standard phase current measuring card and sensitive ground current measuring (winding side 2)
- X5** – OR-6: Assembly Group with 6 Relay Outputs
- X6** – DI8: Assembly Group with 8 Digital Inputs
- X100** – Modbus TCP / DNP3.0 TCP/UDP, Ethernet interface, 100 Mbit/s, RJ45 (BASE100-FX)
- X102** – Universal Resistance-Temperature Detector (URTD) input, Fiber optics interface, Versatile Link
- X103** – IEC 60870-5-103 / Modbus RTU / DNP3.0 RTU, RS485, Terminals
- X104** – IRIG-B00X, incl. System Contact (Supervision Contact)

MRDT4-2D3BIB



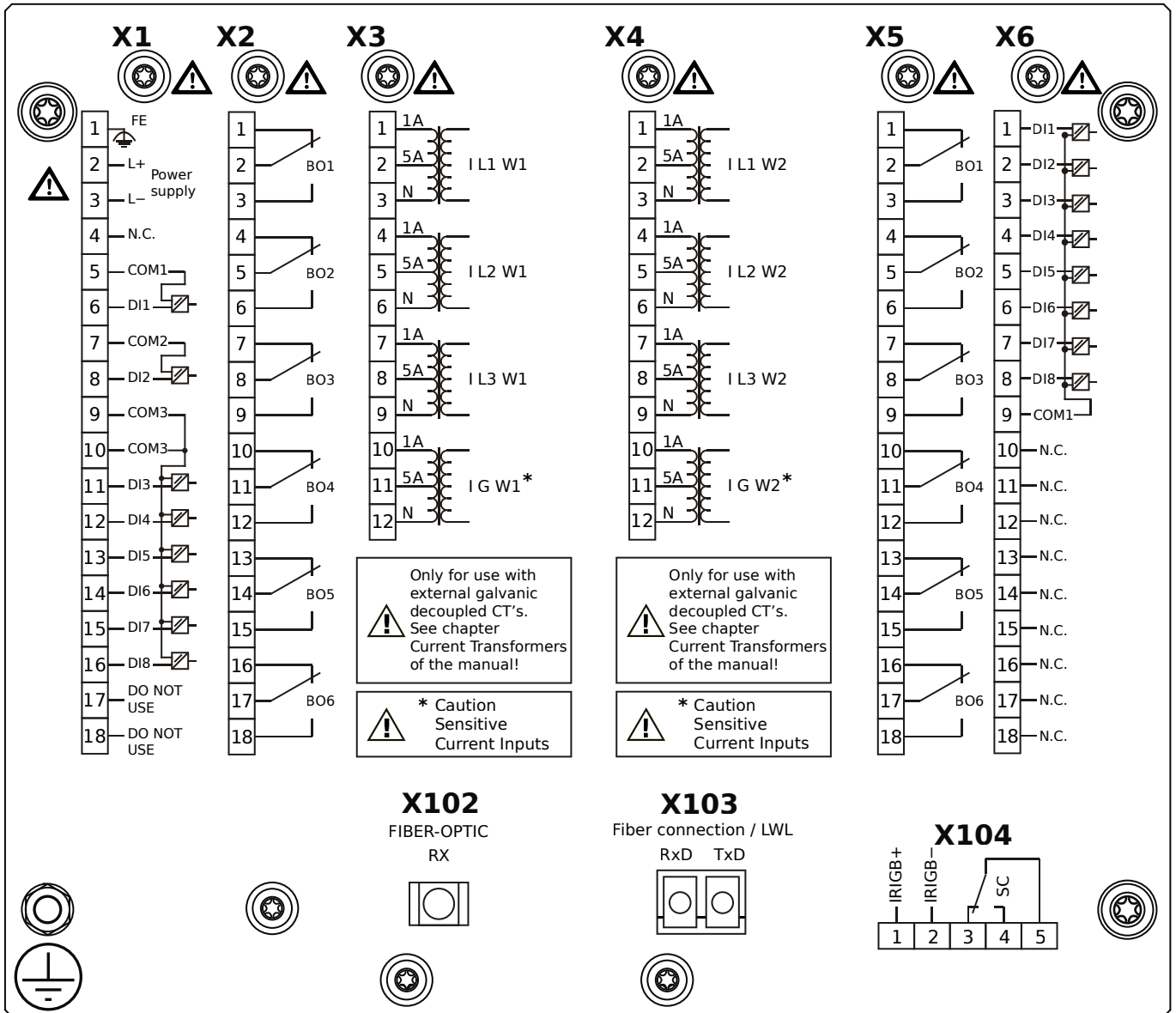
- X1** – DI8-X1: Wide-range power supply unit, incl. 2 non-grouped digital inputs and 6 grouped digital inputs
- X2** – OR-6: Assembly Group with 6 Relay Outputs
- X3** – TIs-4: Standard phase current measuring card and sensitive ground current measuring (winding side 1)
- X4** – TIs-4: Standard phase current measuring card and sensitive ground current measuring (winding side 2)
- X5** – OR-6: Assembly Group with 6 Relay Outputs
- X6** – DI8: Assembly Group with 8 Digital Inputs
- X100** – Modbus TCP / DNP3.0 TCP/UDP, Ethernet interface, 100 Mbit/s, RJ45 (BASE100-FX)
- X102** – Universal Resistance-Temperature Detector (URTD) input, Fiber optics interface, Versatile Link
- X103** – IEC 60870-5-103 / Modbus RTU / DNP3.0 RTU, RS485, Terminals
- X104** – IRIG-B00X, incl. System Contact (Supervision Contact)

MRDT4-2D3BKA



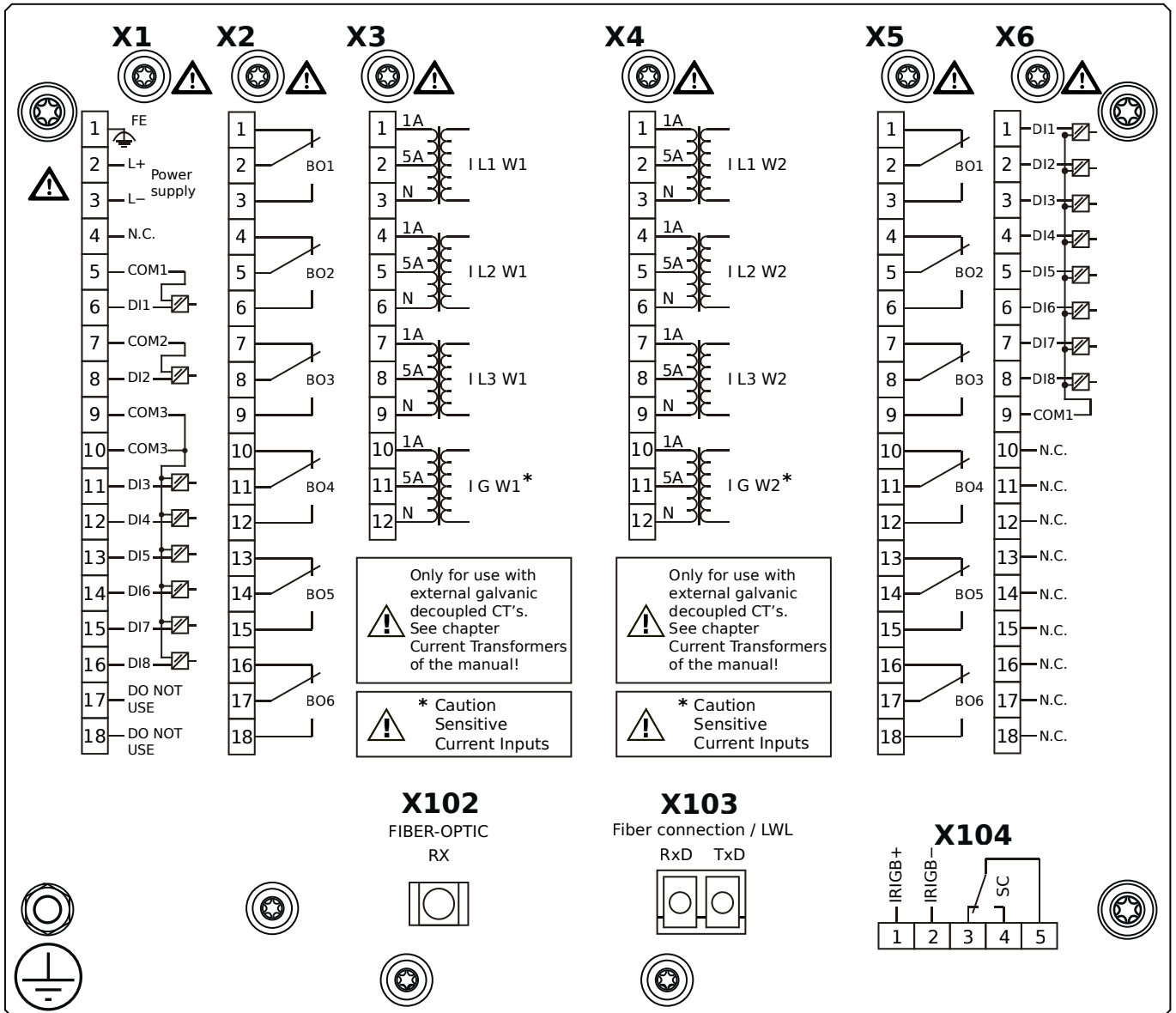
- X1** – DI8-X1: Wide-range power supply unit, incl. 2 non-grouped digital inputs and 6 grouped digital inputs
- X2** – OR-6: Assembly Group with 6 Relay Outputs
- X3** – TIs-4: Standard phase current measuring card and sensitive ground current measuring (winding side 1)
- X4** – TIs-4: Standard phase current measuring card and sensitive ground current measuring (winding side 2)
- X5** – OR-6: Assembly Group with 6 Relay Outputs
- X6** – DI8: Assembly Group with 8 Digital Inputs
- X102** – Universal Resistance-Temperature Detector (URTD) input, Fiber optics interface, Versatile Link
- X103** – IEC 61850 / Modbus TCP / DNP3.0 TCP/UDP, Fiber optics interface, LC Connector
- X104** – IRIG-B00X, incl. System Contact (Supervision Contact)

MRDT4-2D3BKB



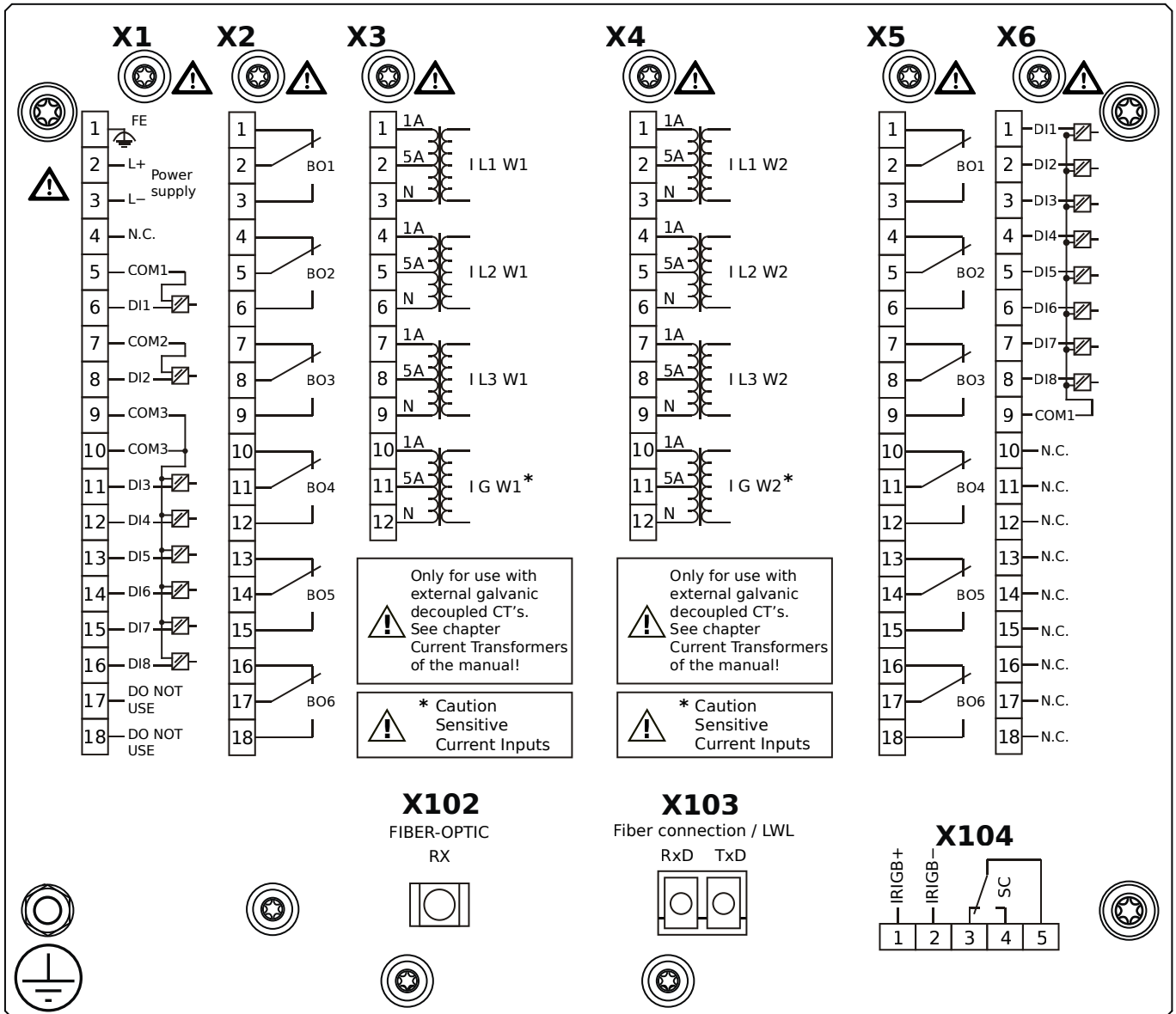
- X1** – DI8-X1: Wide-range power supply unit, incl. 2 non-grouped digital inputs and 6 grouped digital inputs
- X2** – OR-6: Assembly Group with 6 Relay Outputs
- X3** – TIs-4: Standard phase current measuring card and sensitive ground current measuring (winding side 1)
- X4** – TIs-4: Standard phase current measuring card and sensitive ground current measuring (winding side 2)
- X5** – OR-6: Assembly Group with 6 Relay Outputs
- X6** – DI8: Assembly Group with 8 Digital Inputs
- X102** – Universal Resistance-Temperature Detector (URTD) input, Fiber optics interface, Versatile Link
- X103** – IEC 61850 / Modbus TCP / DNP3.0 TCP/UDP, Fiber optics interface, LC Connector
- X104** – IRIG-B00X, incl. System Contact (Supervision Contact)

MRDT4-2D3BLA



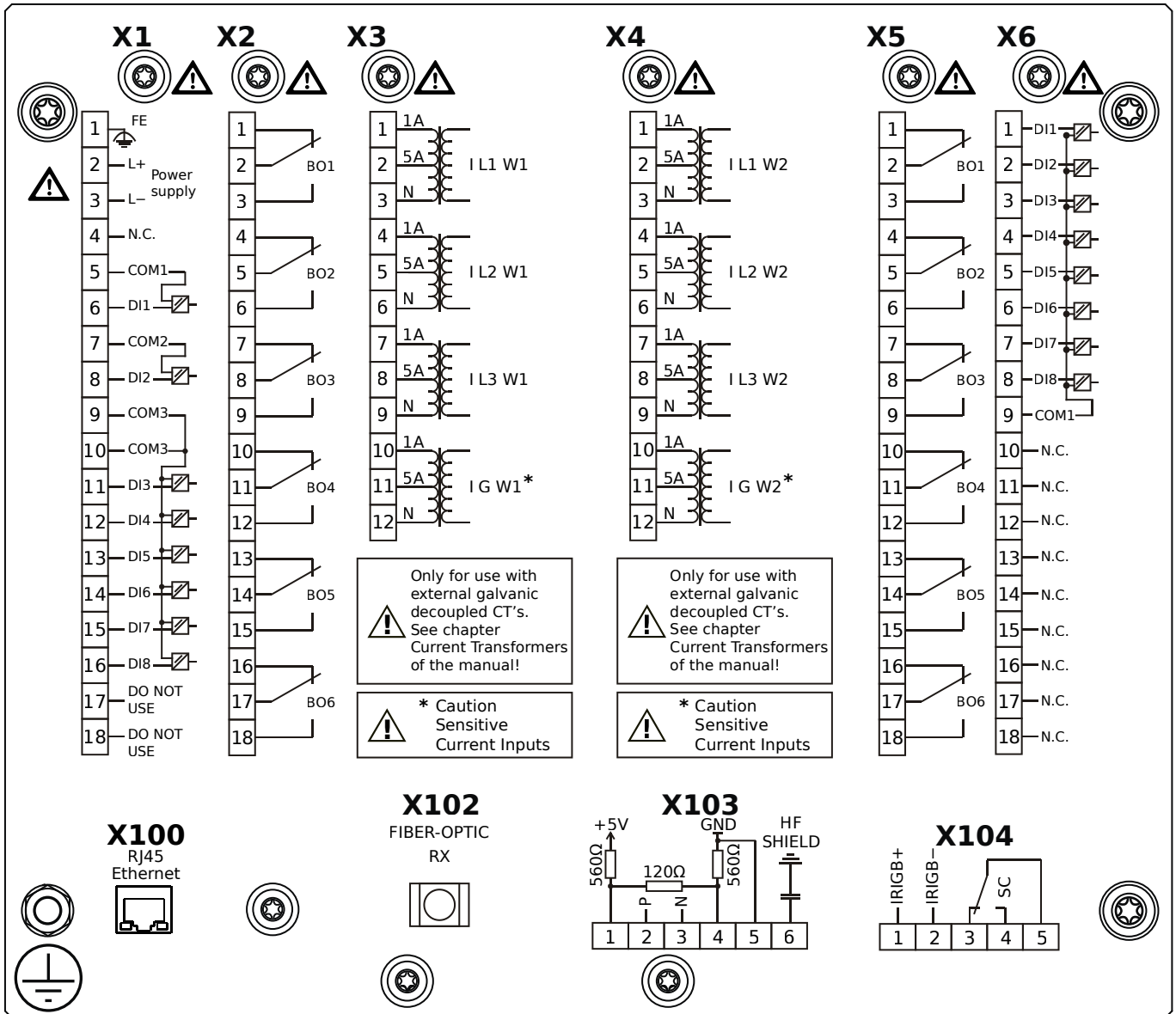
- X1** – DI8-X1: Wide-range power supply unit, incl. 2 non-grouped digital inputs and 6 grouped digital inputs
- X2** – OR-6: Assembly Group with 6 Relay Outputs
- X3** – TIs-4: Standard phase current measuring card and sensitive ground current measuring (winding side 1)
- X4** – TIs-4: Standard phase current measuring card and sensitive ground current measuring (winding side 2)
- X5** – OR-6: Assembly Group with 6 Relay Outputs
- X6** – DI8: Assembly Group with 8 Digital Inputs
- X102** – Universal Resistance-Temperature Detector (URTD) input, Fiber optics interface, Versatile Link
- X103** – Modbus TCP / DNP3.0 TCP/UDP, Fiber optics interface, LC Connector
- X104** – IRIG-B00X, incl. System Contact (Supervision Contact)

MRDT4-2D3BLB



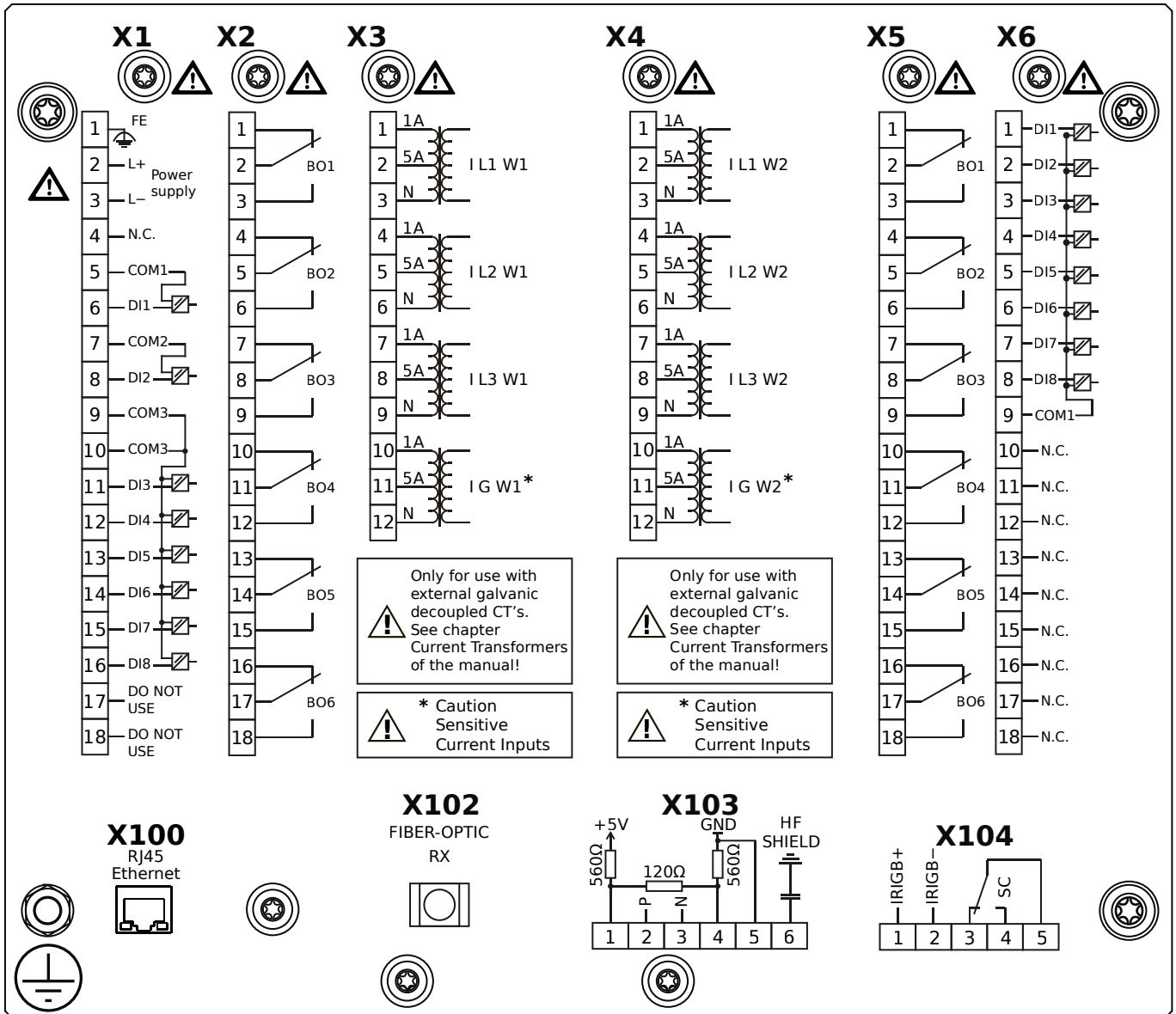
- X1** – DI8-X1: Wide-range power supply unit, incl. 2 non-grouped digital inputs and 6 grouped digital inputs
- X2** – OR-6: Assembly Group with 6 Relay Outputs
- X3** – TIs-4: Standard phase current measuring card and sensitive ground current measuring (winding side 1)
- X4** – TIs-4: Standard phase current measuring card and sensitive ground current measuring (winding side 2)
- X5** – OR-6: Assembly Group with 6 Relay Outputs
- X6** – DI8: Assembly Group with 8 Digital Inputs
- X102** – Universal Resistance-Temperature Detector (URTD) input, Fiber optics interface, Versatile Link
- X103** – Modbus TCP / DNP3.0 TCP/UDP, Fiber optics interface, LC Connector
- X104** – IRIG-B00X, incl. System Contact (Supervision Contact)

MRDT4-2D3BTA



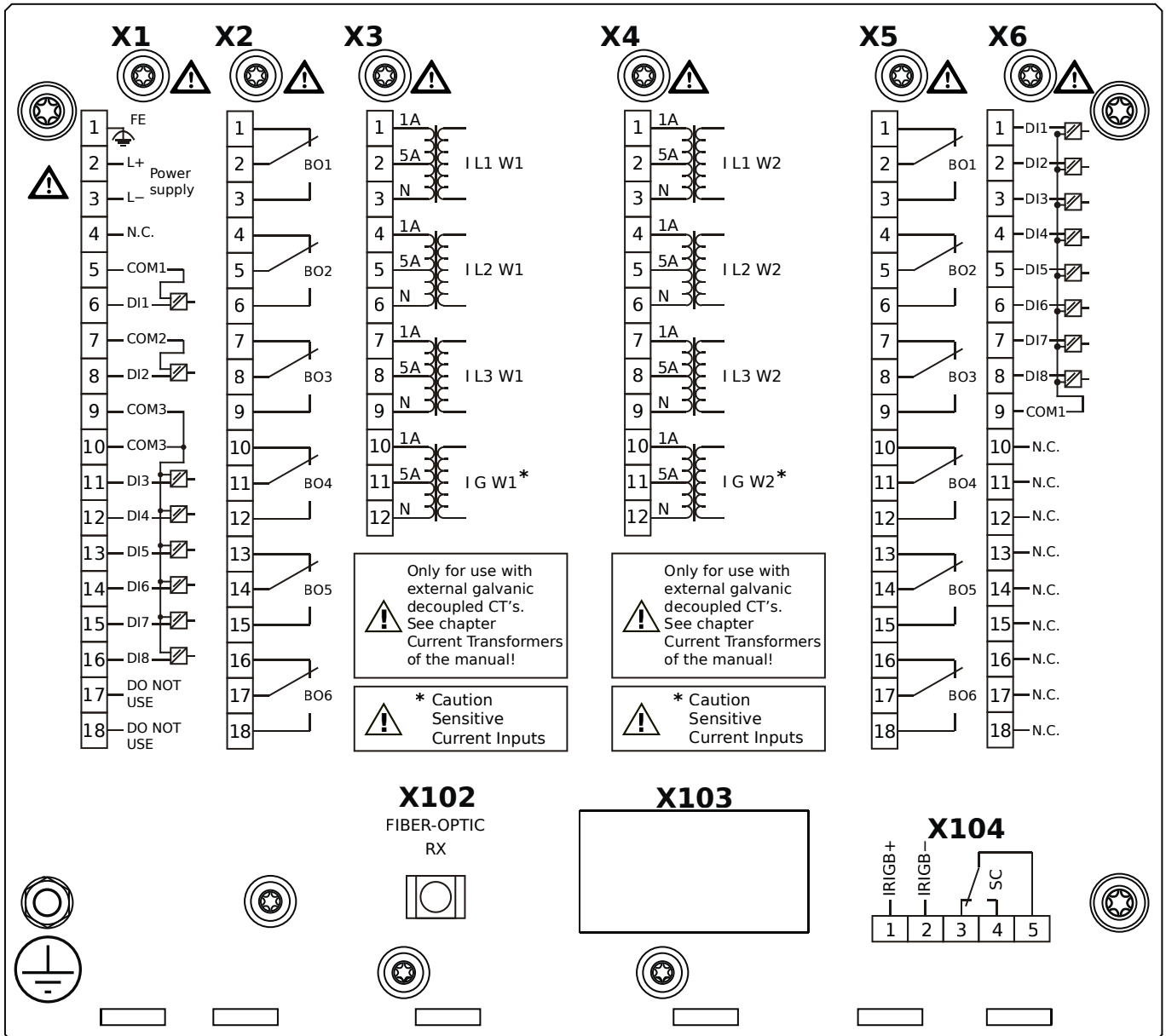
- X1** – DI8-X1: Wide-range power supply unit, incl. 2 non-grouped digital inputs and 6 grouped digital inputs
- X2** – OR-6: Assembly Group with 6 Relay Outputs
- X3** – TIs-4: Standard phase current measuring card and sensitive ground current measuring (winding side 1)
- X4** – TIs-4: Standard phase current measuring card and sensitive ground current measuring (winding side 2)
- X5** – OR-6: Assembly Group with 6 Relay Outputs
- X6** – DI8: Assembly Group with 8 Digital Inputs
- X100** – IEC 61850 / Modbus TCP / DNP3.0 TCP/UDP, Ethernet interface, 100 Mbit/s, RJ45 (BASE100-FX)
- X102** – Universal Resistance-Temperature Detector (URTD) input, Fiber optics interface, Versatile Link
- X103** – IEC 60870-5-103 / Modbus RTU / DNP3.0 RTU, RS485, Terminals
- X104** – IRIG-B00X, incl. System Contact (Supervision Contact)

MRDT4-2D3BTB



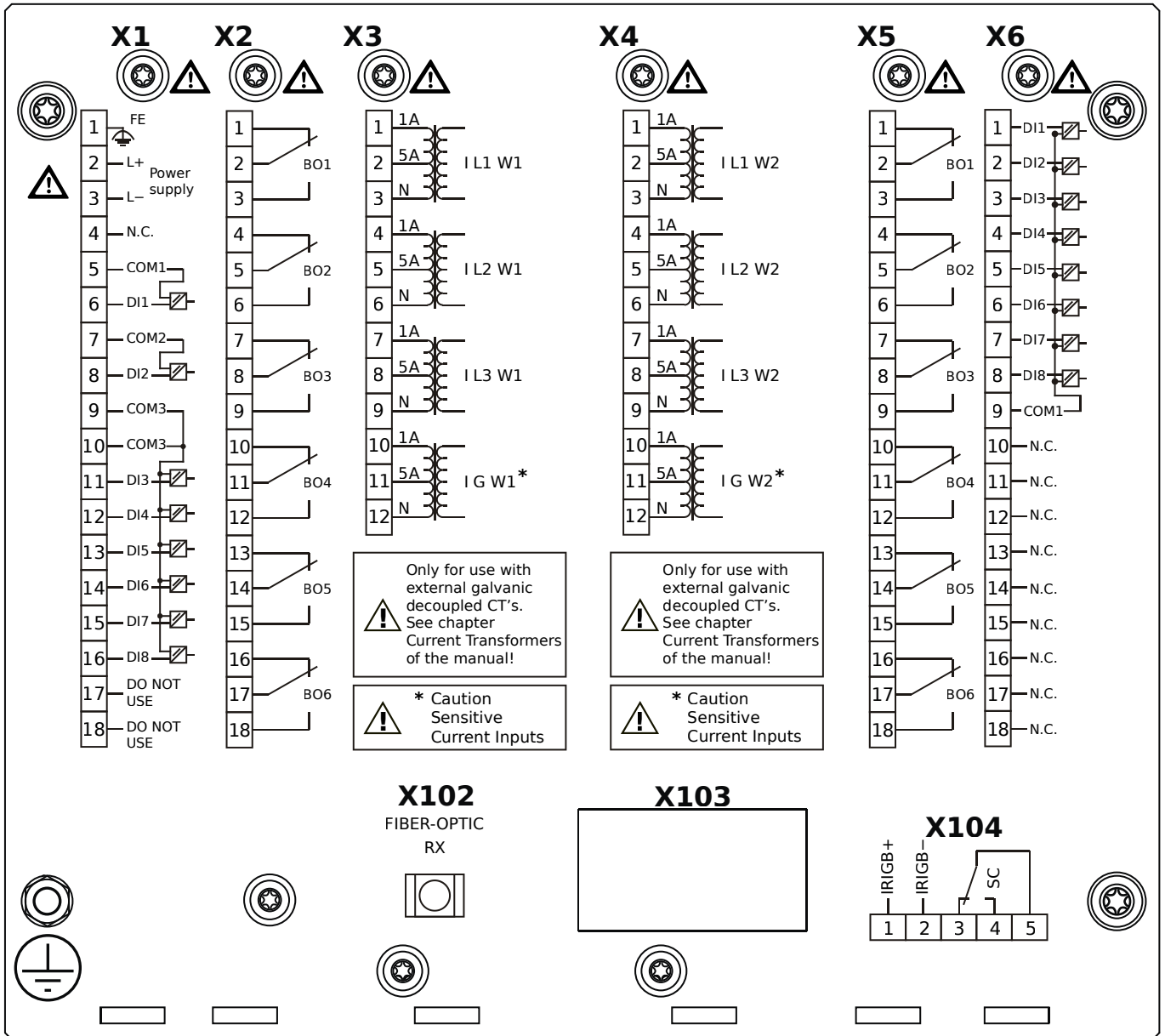
- X1** – DI8-X1: Wide-range power supply unit, incl. 2 non-grouped digital inputs and 6 grouped digital inputs
- X2** – OR-6: Assembly Group with 6 Relay Outputs
- X3** – TIs-4: Standard phase current measuring card and sensitive ground current measuring (winding side 1)
- X4** – TIs-4: Standard phase current measuring card and sensitive ground current measuring (winding side 2)
- X5** – OR-6: Assembly Group with 6 Relay Outputs
- X6** – DI8: Assembly Group with 8 Digital Inputs
- X100** – IEC 61850 / Modbus TCP / DNP3.0 TCP/UDP, Ethernet interface, 100 Mbit/s, RJ45 (BASE100-FX)
- X102** – Universal Resistance-Temperature Detector (URTD) input, Fiber optics interface, Versatile Link
- X103** – IEC 60870-5-103 / Modbus RTU / DNP3.0 RTU, RS485, Terminals
- X104** – IRIG-B00X, incl. System Contact (Supervision Contact)

MRDT4-2D3HAA



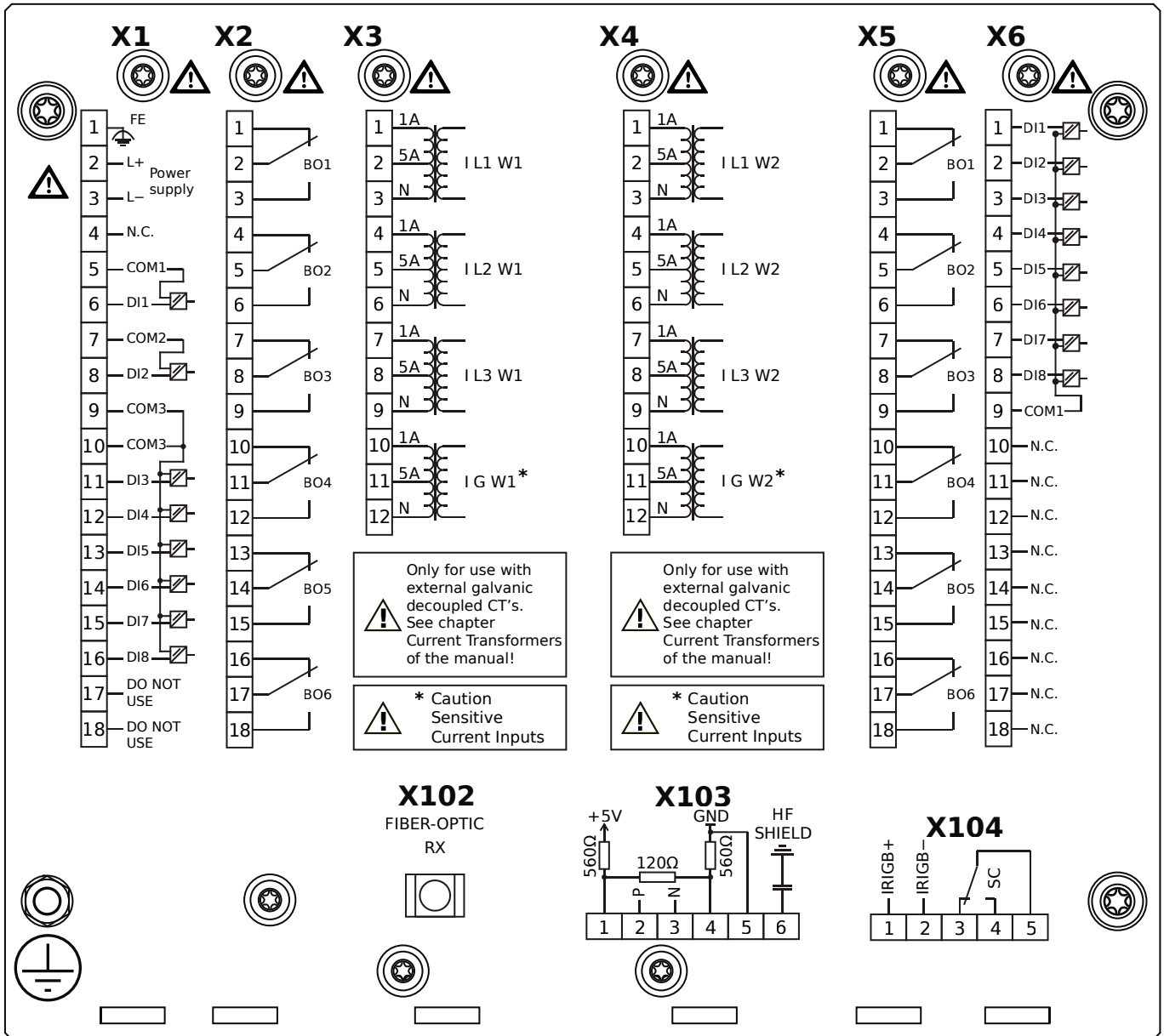
- X1** – DI8-X1: Wide-range power supply unit, incl. 2 non-grouped digital inputs and 6 grouped digital inputs
- X2** – OR-6: Assembly Group with 6 Relay Outputs
- X3** – TIs-4: Standard phase current measuring card and sensitive ground current measuring (winding side 1)
- X4** – TIs-4: Standard phase current measuring card and sensitive ground current measuring (winding side 2)
- X5** – OR-6: Assembly Group with 6 Relay Outputs
- X6** – DI8: Assembly Group with 8 Digital Inputs
- X102** – Universal Resistance-Temperature Detector (URTD) input, Fiber optics interface, Versatile Link
- X104** – IRIG-B00X, incl. System Contact (Supervision Contact)

MRDT4-2D3HAB



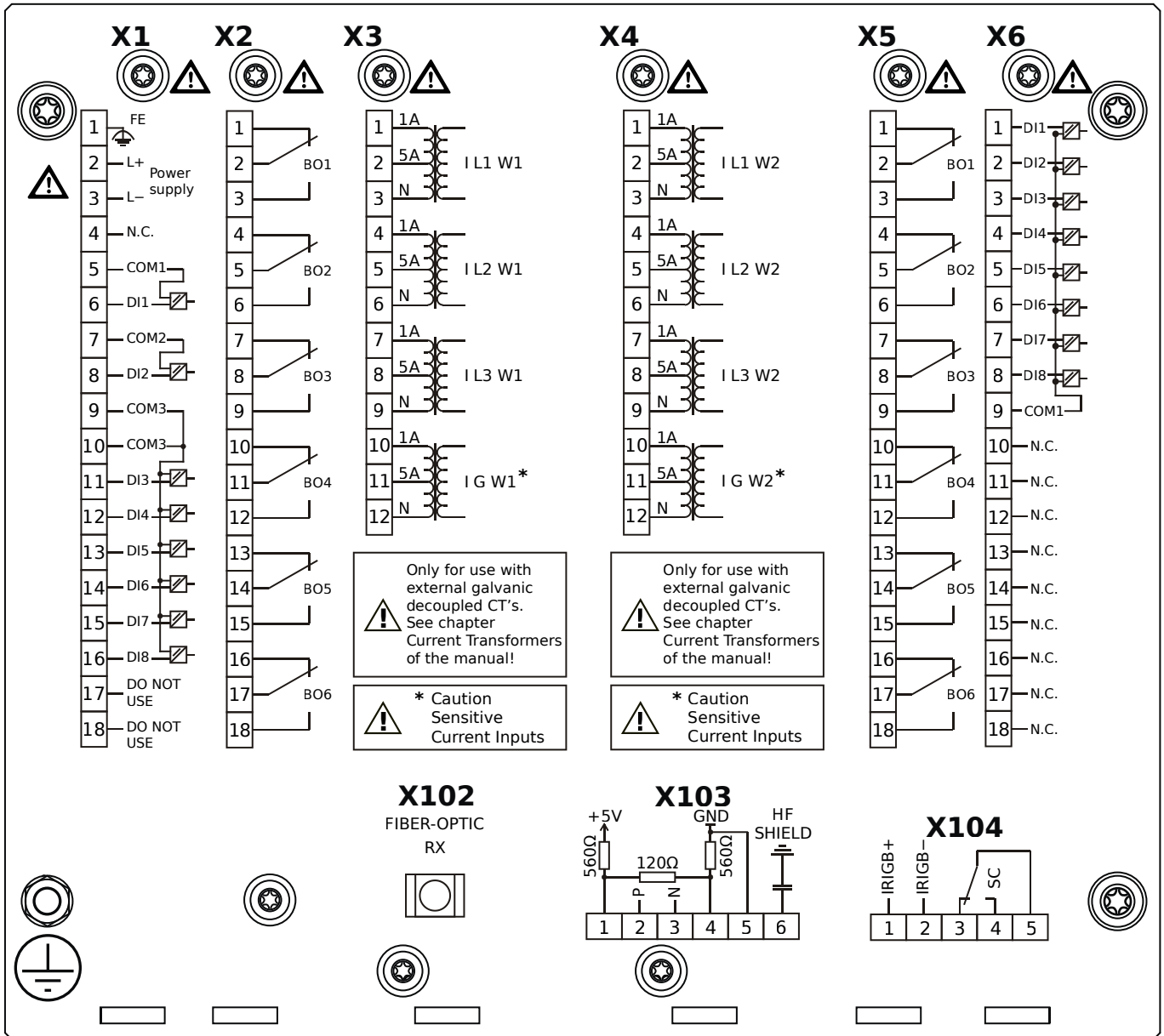
- X1** – DI8-X1: Wide-range power supply unit, incl. 2 non-grouped digital inputs and 6 grouped digital inputs
- X2** – OR-6: Assembly Group with 6 Relay Outputs
- X3** – TIs-4: Standard phase current measuring card and sensitive ground current measuring (winding side 1)
- X4** – TIs-4: Standard phase current measuring card and sensitive ground current measuring (winding side 2)
- X5** – OR-6: Assembly Group with 6 Relay Outputs
- X6** – DI8: Assembly Group with 8 Digital Inputs
- X102** – Universal Resistance-Temperature Detector (URTD) input, Fiber optics interface, Versatile Link
- X104** – IRIG-B00X, incl. System Contact (Supervision Contact)

MRDT4-2D3HBA



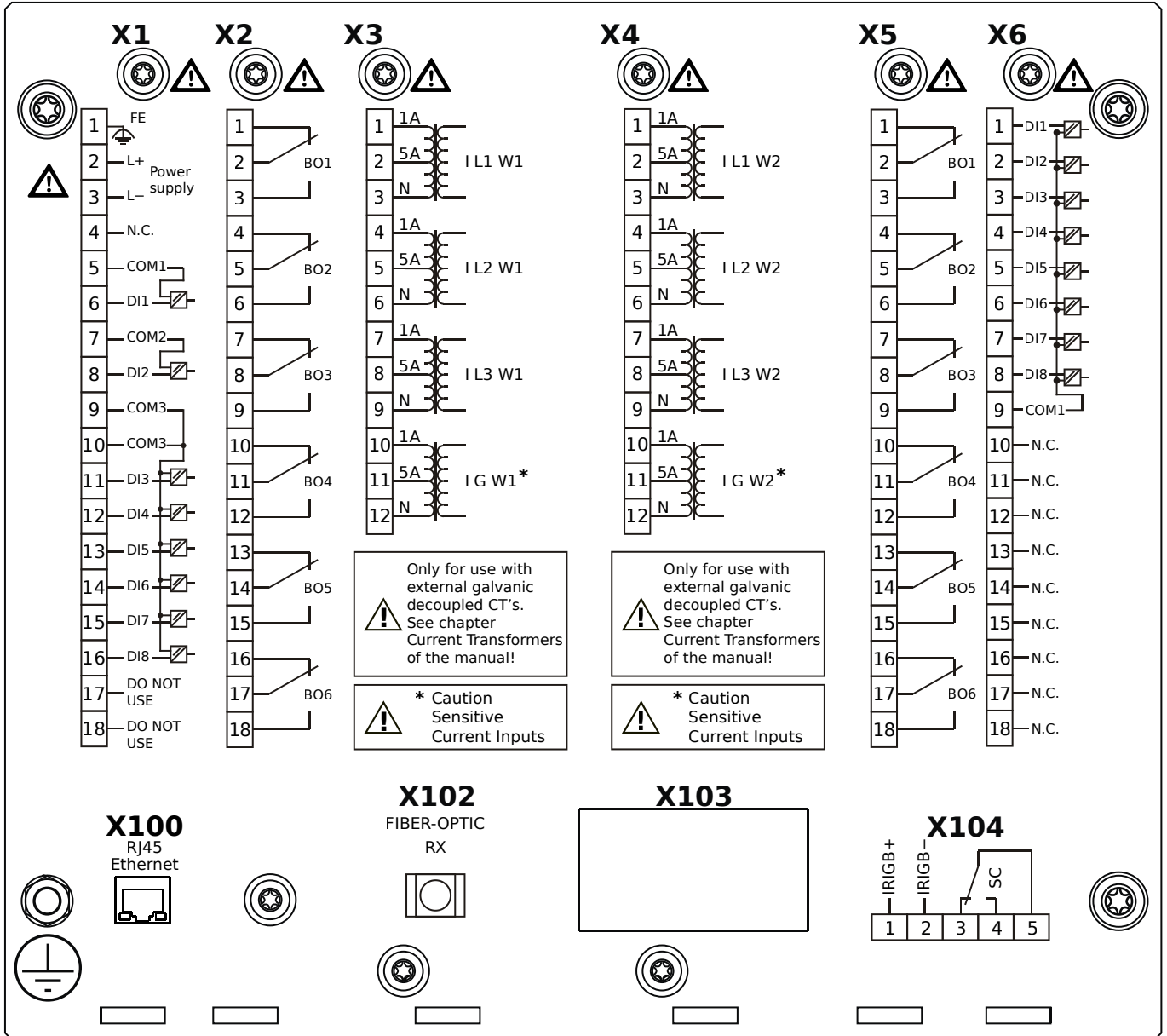
- X1** – DI8-X1: Wide-range power supply unit, incl. 2 non-grouped digital inputs and 6 grouped digital inputs
- X2** – OR-6: Assembly Group with 6 Relay Outputs
- X3** – TIs-4: Standard phase current measuring card and sensitive ground current measuring (winding side 1)
- X4** – TIs-4: Standard phase current measuring card and sensitive ground current measuring (winding side 2)
- X5** – OR-6: Assembly Group with 6 Relay Outputs
- X6** – DI8: Assembly Group with 8 Digital Inputs
- X102** – Universal Resistance-Temperature Detector (URTD) input, Fiber optics interface, Versatile Link
- X103** – Modbus RTU / IEC 60870-5-103 / DNP3.0 RTU, RS485, Terminals
- X104** – IRIG-B00X, incl. System Contact (Supervision Contact)

MRDT4-2D3HBB



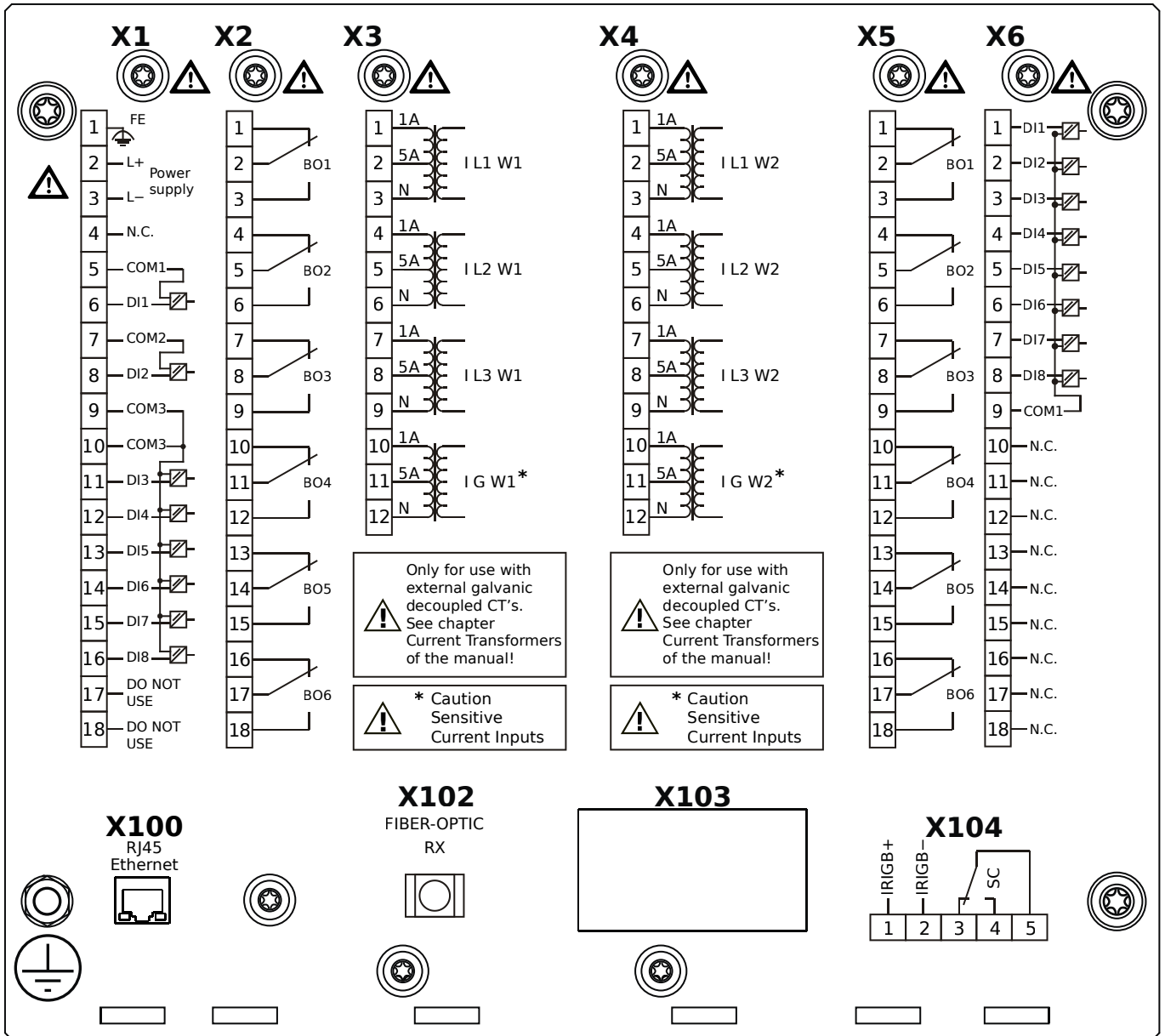
- X1** – DI8-X1: Wide-range power supply unit, incl. 2 non-grouped digital inputs and 6 grouped digital inputs
- X2** – OR-6: Assembly Group with 6 Relay Outputs
- X3** – TIs-4: Standard phase current measuring card and sensitive ground current measuring (winding side 1)
- X4** – TIs-4: Standard phase current measuring card and sensitive ground current measuring (winding side 2)
- X5** – OR-6: Assembly Group with 6 Relay Outputs
- X6** – DI8: Assembly Group with 8 Digital Inputs
- X102** – Universal Resistance-Temperature Detector (URTD) input, Fiber optics interface, Versatile Link
- X103** – Modbus RTU / IEC 60870-5-103 / DNP3.0 RTU, RS485, Terminals
- X104** – IRIG-B00X, incl. System Contact (Supervision Contact)

MRDT4-2D3HCA



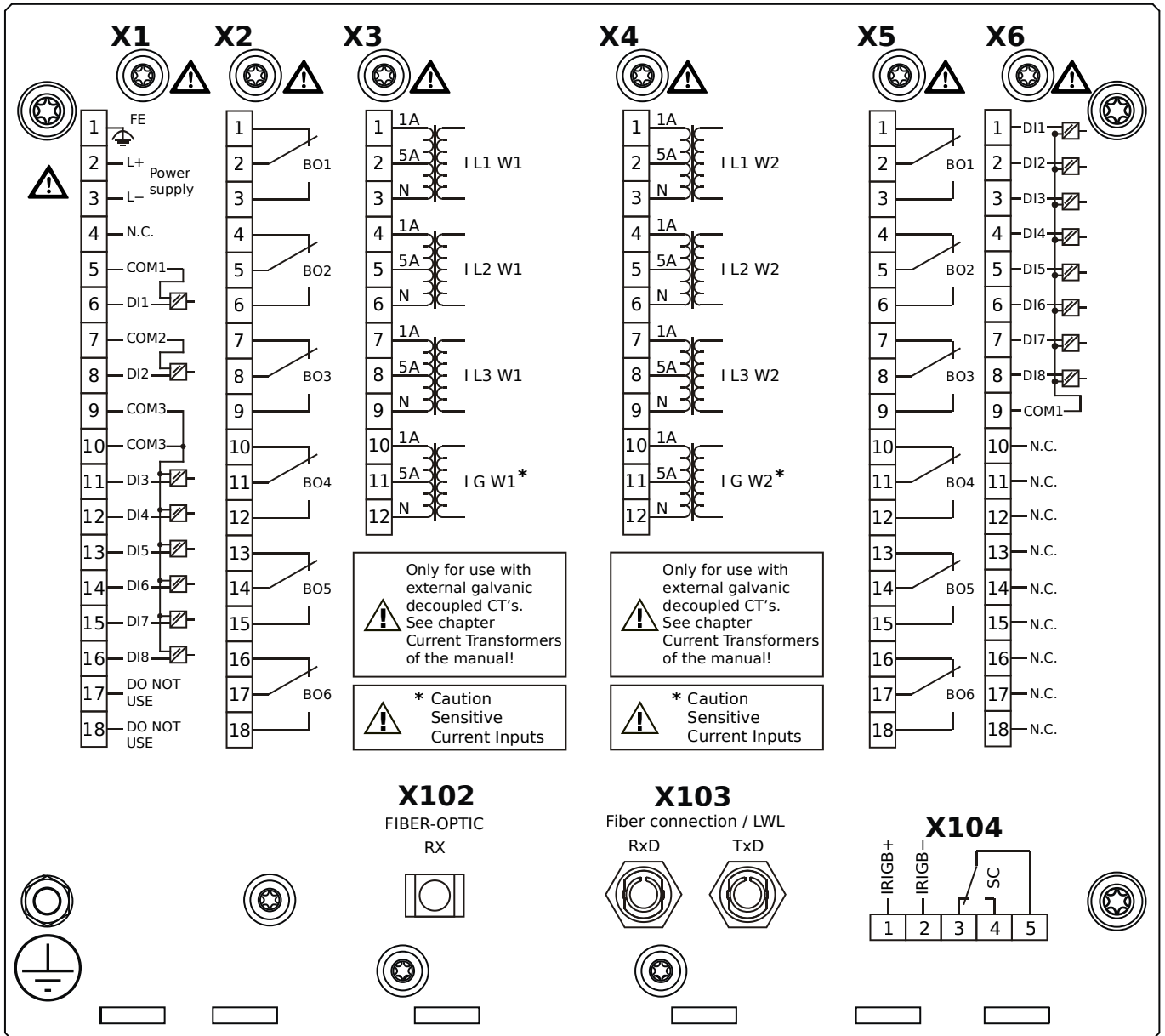
- X1** – DI8-X1: Wide-range power supply unit, incl. 2 non-grouped digital inputs and 6 grouped digital inputs
- X2** – OR-6: Assembly Group with 6 Relay Outputs
- X3** – TIs-4: Standard phase current measuring card and sensitive ground current measuring (winding side 1)
- X4** – TIs-4: Standard phase current measuring card and sensitive ground current measuring (winding side 2)
- X5** – OR-6: Assembly Group with 6 Relay Outputs
- X6** – DI8: Assembly Group with 8 Digital Inputs
- X100** – Modbus TCP / DNP3.0 TCP/UDP, Ethernet interface, 100 Mbit/s, RJ45 (BASE100-FX)
- X102** – Universal Resistance-Temperature Detector (URTD) input, Fiber optics interface, Versatile Link
- X104** – IRIG-B00X, incl. System Contact (Supervision Contact)

MRDT4-2D3HCB



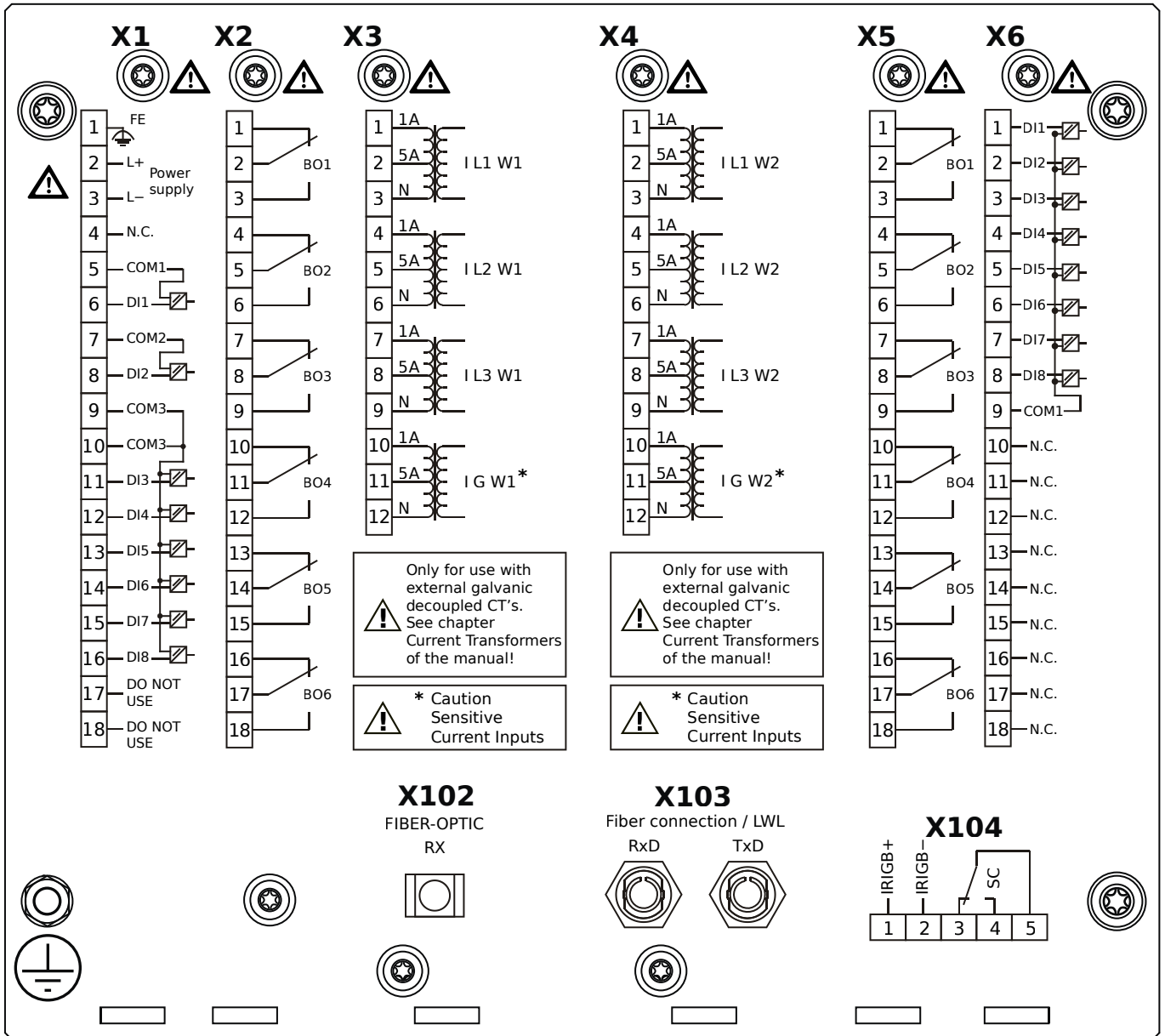
- X1** – DI8-X1: Wide-range power supply unit, incl. 2 non-grouped digital inputs and 6 grouped digital inputs
- X2** – OR-6: Assembly Group with 6 Relay Outputs
- X3** – TIs-4: Standard phase current measuring card and sensitive ground current measuring (winding side 1)
- X4** – TIs-4: Standard phase current measuring card and sensitive ground current measuring (winding side 2)
- X5** – OR-6: Assembly Group with 6 Relay Outputs
- X6** – DI8: Assembly Group with 8 Digital Inputs
- X100** – Modbus TCP / DNP3.0 TCP/UDP, Ethernet interface, 100 Mbit/s, RJ45 (BASE100-FX)
- X102** – Universal Resistance-Temperature Detector (URTD) input, Fiber optics interface, Versatile Link
- X104** – IRIG-B00X, incl. System Contact (Supervision Contact)

MRDT4-2D3HDA



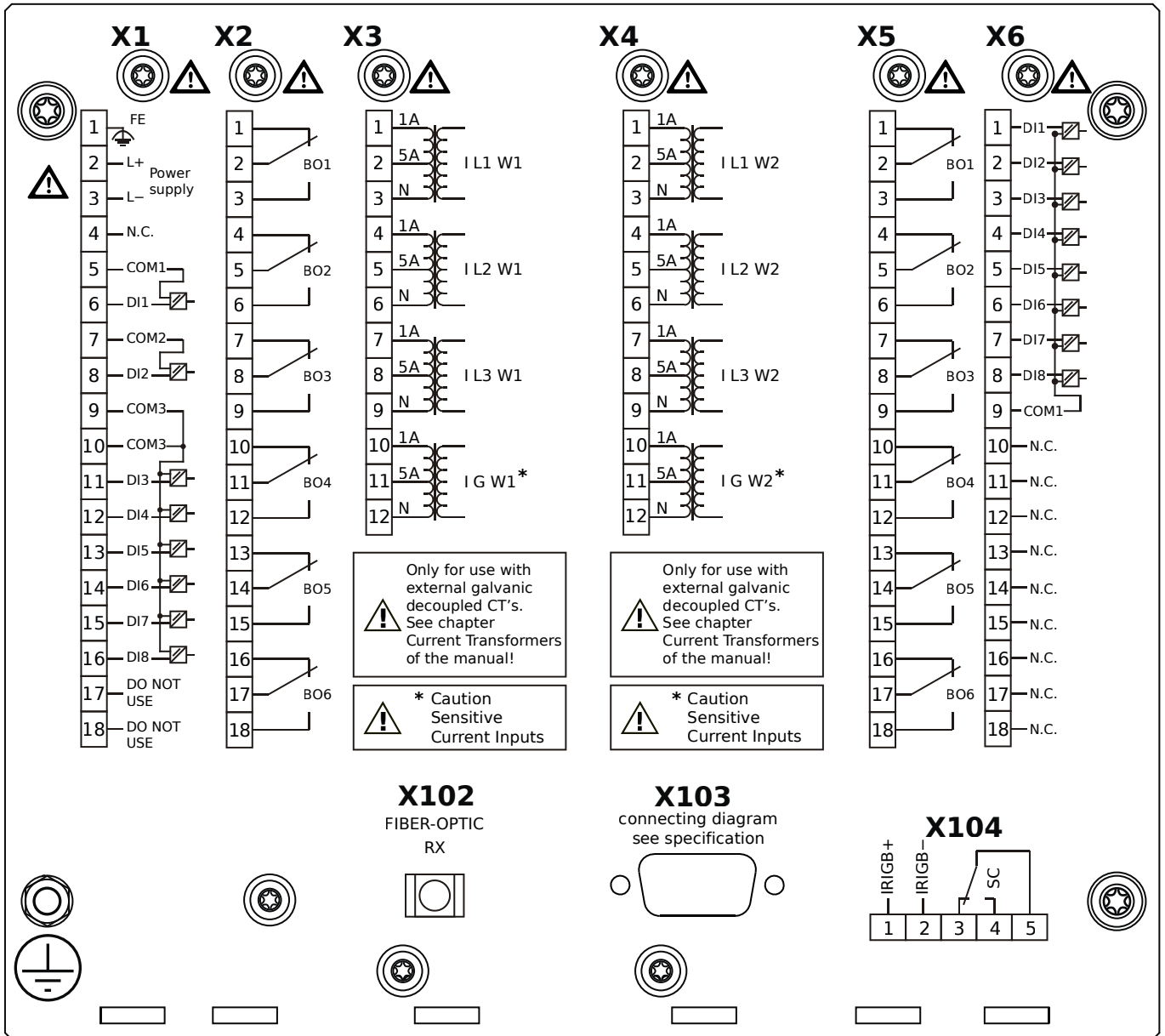
- X1** – DI8-X1: Wide-range power supply unit, incl. 2 non-grouped digital inputs and 6 grouped digital inputs
- X2** – OR-6: Assembly Group with 6 Relay Outputs
- X3** – TIs-4: Standard phase current measuring card and sensitive ground current measuring (winding side 1)
- X4** – TIs-4: Standard phase current measuring card and sensitive ground current measuring (winding side 2)
- X5** – OR-6: Assembly Group with 6 Relay Outputs
- X6** – DI8: Assembly Group with 8 Digital Inputs
- X102** – Universal Resistance-Temperature Detector (URTD) input, Fiber optics interface, Versatile Link
- X103** – Profibus-DP, Fiber optics interface, ST Connector
- X104** – IRIG-B00X, incl. System Contact (Supervision Contact)

MRDT4-2D3HDB



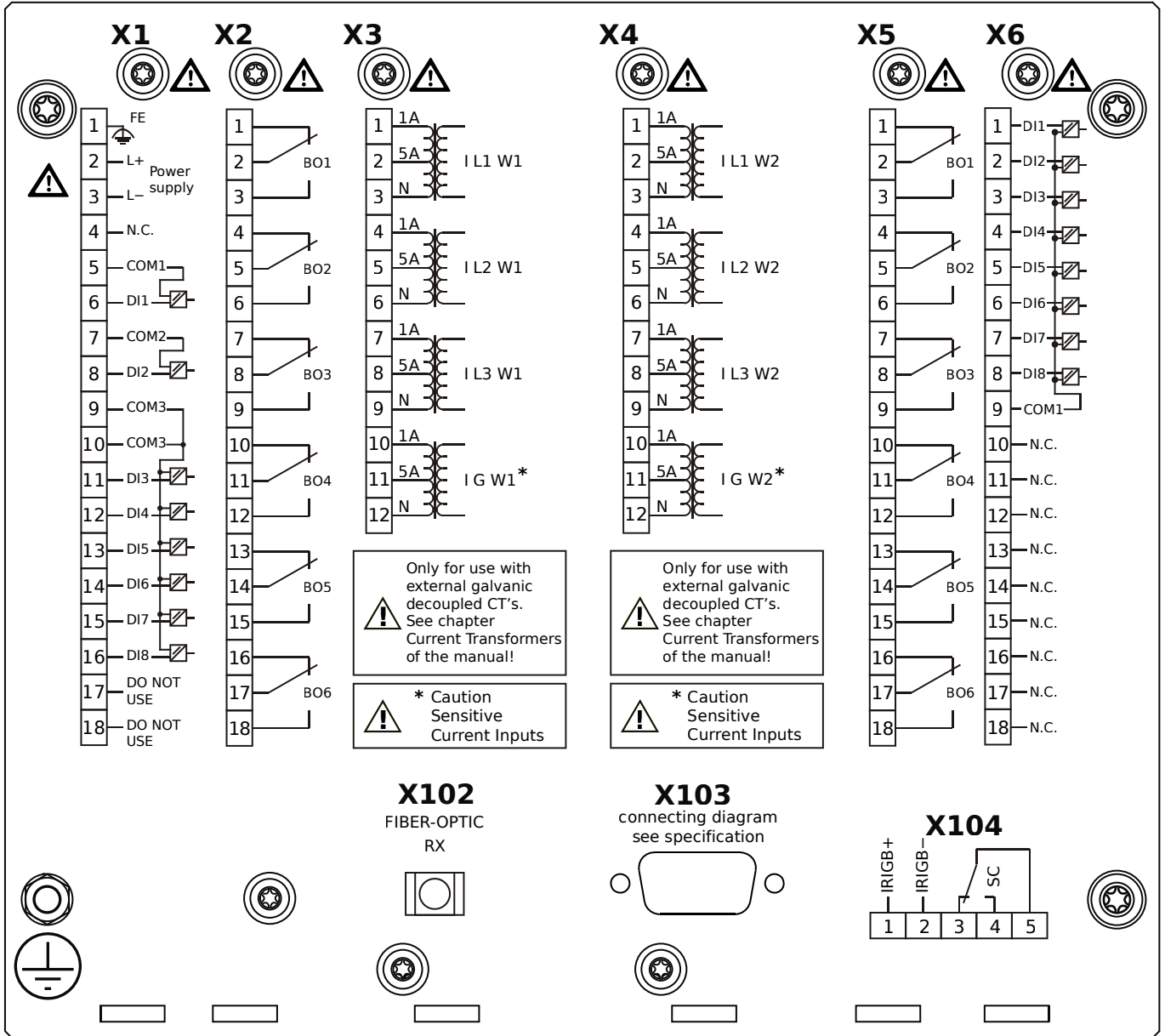
- X1** – DI8-X1: Wide-range power supply unit, incl. 2 non-grouped digital inputs and 6 grouped digital inputs
- X2** – OR-6: Assembly Group with 6 Relay Outputs
- X3** – TIs-4: Standard phase current measuring card and sensitive ground current measuring (winding side 1)
- X4** – TIs-4: Standard phase current measuring card and sensitive ground current measuring (winding side 2)
- X5** – OR-6: Assembly Group with 6 Relay Outputs
- X6** – DI8: Assembly Group with 8 Digital Inputs
- X102** – Universal Resistance-Temperature Detector (URTD) input, Fiber optics interface, Versatile Link
- X103** – Profibus-DP, Fiber optics interface, ST Connector
- X104** – IRIG-B00X, incl. System Contact (Supervision Contact)

MRDT4-2D3HEA



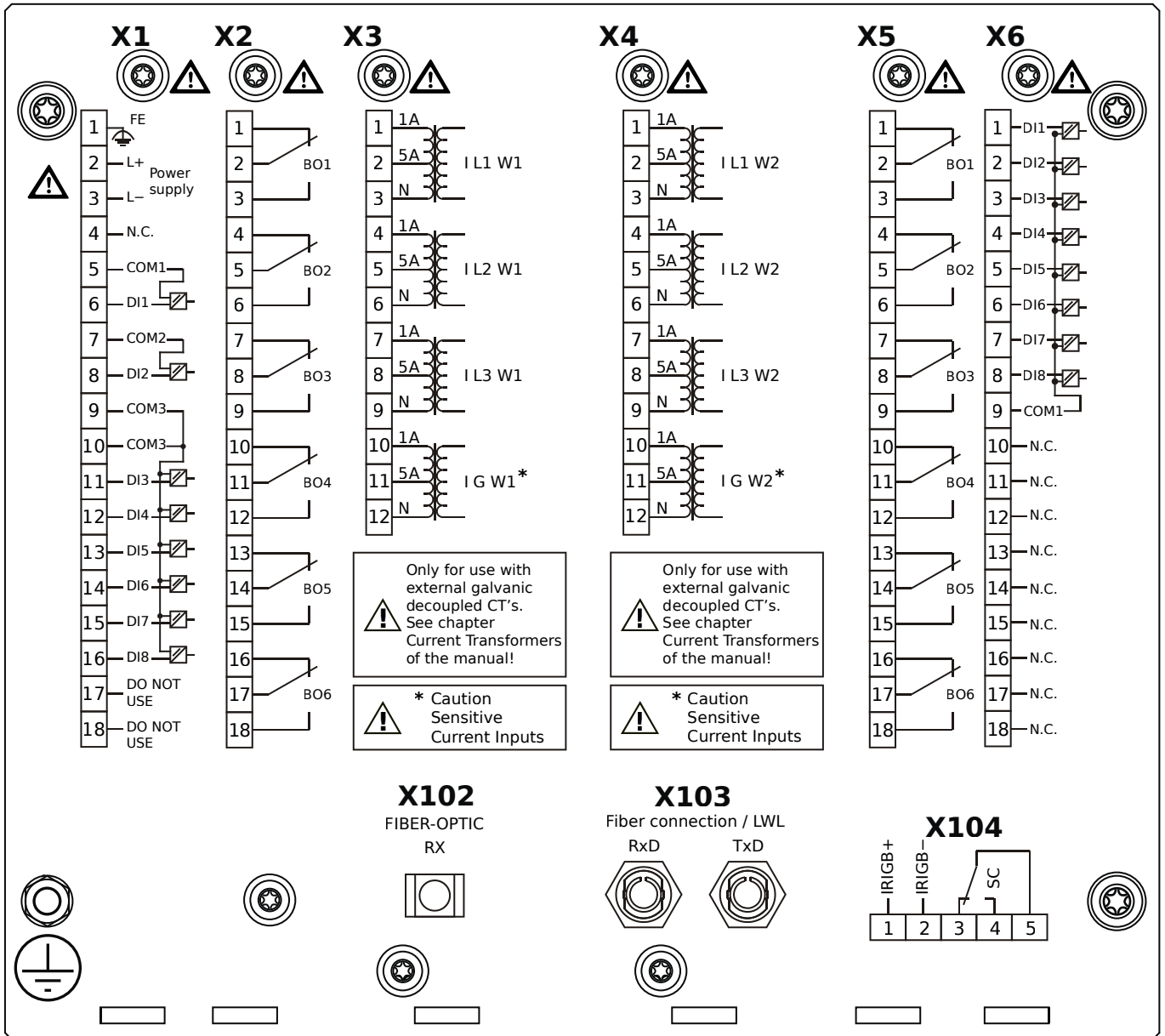
- X1** – DI8-X1: Wide-range power supply unit, incl. 2 non-grouped digital inputs and 6 grouped digital inputs
- X2** – OR-6: Assembly Group with 6 Relay Outputs
- X3** – TIs-4: Standard phase current measuring card and sensitive ground current measuring (winding side 1)
- X4** – TIs-4: Standard phase current measuring card and sensitive ground current measuring (winding side 2)
- X5** – OR-6: Assembly Group with 6 Relay Outputs
- X6** – DI8: Assembly Group with 8 Digital Inputs
- X102** – Universal Resistance-Temperature Detector (URTD) input, Fiber optics interface, Versatile Link
- X103** – Profibus-DP, RS485, D-SUB
- X104** – IRIG-B00X, incl. System Contact (Supervision Contact)

MRDT4-2D3HEB



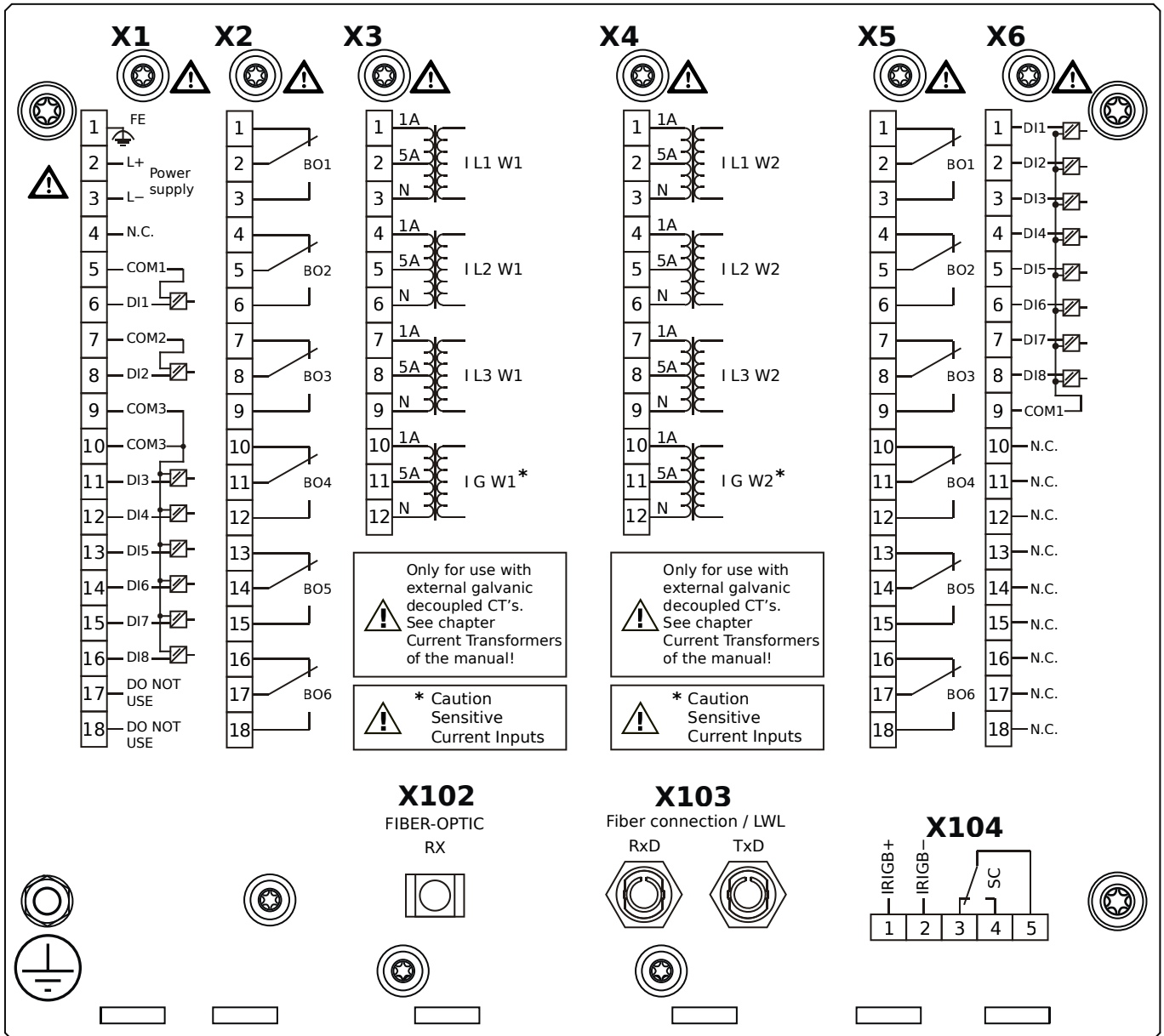
- X1** – DI8-X1: Wide-range power supply unit, incl. 2 non-grouped digital inputs and 6 grouped digital inputs
- X2** – OR-6: Assembly Group with 6 Relay Outputs
- X3** – TIs-4: Standard phase current measuring card and sensitive ground current measuring (winding side 1)
- X4** – TIs-4: Standard phase current measuring card and sensitive ground current measuring (winding side 2)
- X5** – OR-6: Assembly Group with 6 Relay Outputs
- X6** – DI8: Assembly Group with 8 Digital Inputs
- X102** – Universal Resistance-Temperature Detector (URTD) input, Fiber optics interface, Versatile Link
- X103** – Profibus-DP, RS485, D-SUB
- X104** – IRIG-B00X, incl. System Contact (Supervision Contact)

MRDT4-2D3HFA



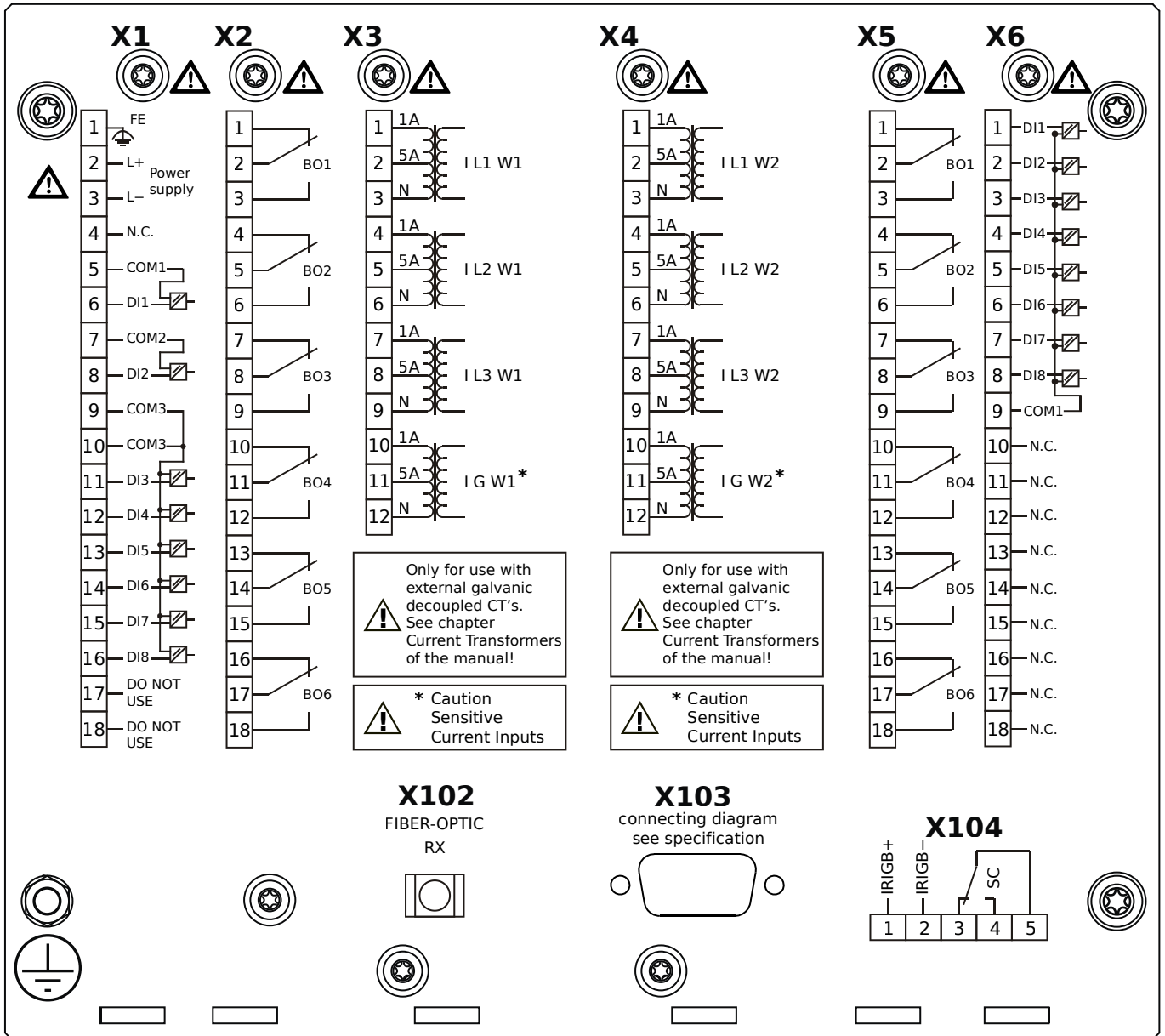
- X1** – DI8-X1: Wide-range power supply unit, incl. 2 non-grouped digital inputs and 6 grouped digital inputs
- X2** – OR-6: Assembly Group with 6 Relay Outputs
- X3** – TIs-4: Standard phase current measuring card and sensitive ground current measuring (winding side 1)
- X4** – TIs-4: Standard phase current measuring card and sensitive ground current measuring (winding side 2)
- X5** – OR-6: Assembly Group with 6 Relay Outputs
- X6** – DI8: Assembly Group with 8 Digital Inputs
- X102** – Universal Resistance-Temperature Detector (URTD) input, Fiber optics interface, Versatile Link
- X103** – Modbus RTU / IEC 60870-5-103 / DNP3.0 RTU, Fiber optics interface, ST Connector
- X104** – IRIG-B00X, incl. System Contact (Supervision Contact)

MRDT4-2D3HFB



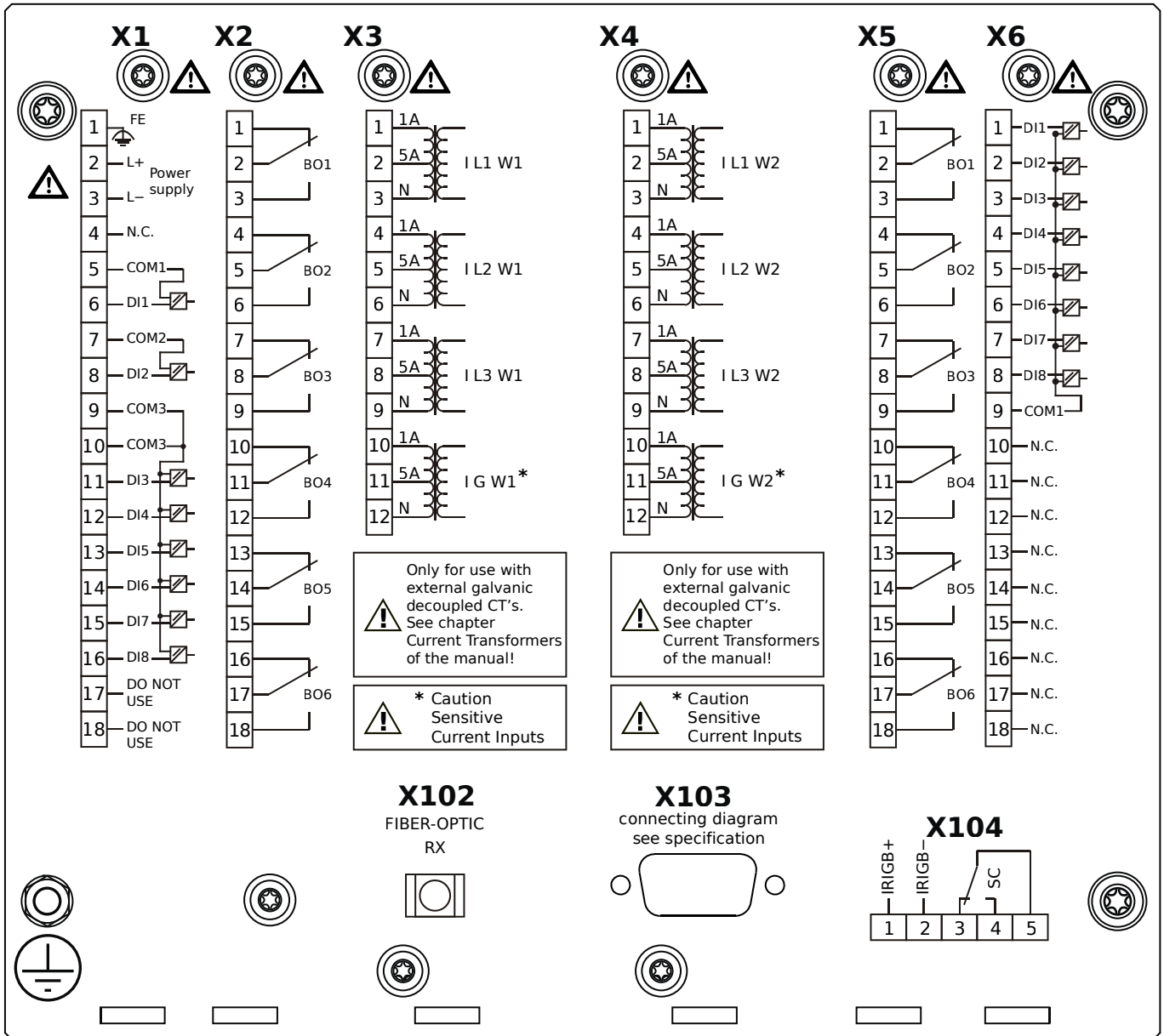
- X1** – DI8-X1: Wide-range power supply unit, incl. 2 non-grouped digital inputs and 6 grouped digital inputs
- X2** – OR-6: Assembly Group with 6 Relay Outputs
- X3** – TIs-4: Standard phase current measuring card and sensitive ground current measuring (winding side 1)
- X4** – TIs-4: Standard phase current measuring card and sensitive ground current measuring (winding side 2)
- X5** – OR-6: Assembly Group with 6 Relay Outputs
- X6** – DI8: Assembly Group with 8 Digital Inputs
- X102** – Universal Resistance-Temperature Detector (URTD) input, Fiber optics interface, Versatile Link
- X103** – Modbus RTU / IEC 60870-5-103 / DNP3.0 RTU, Fiber optics interface, ST Connector
- X104** – IRIG-B00X, incl. System Contact (Supervision Contact)

MRDT4-2D3HGA



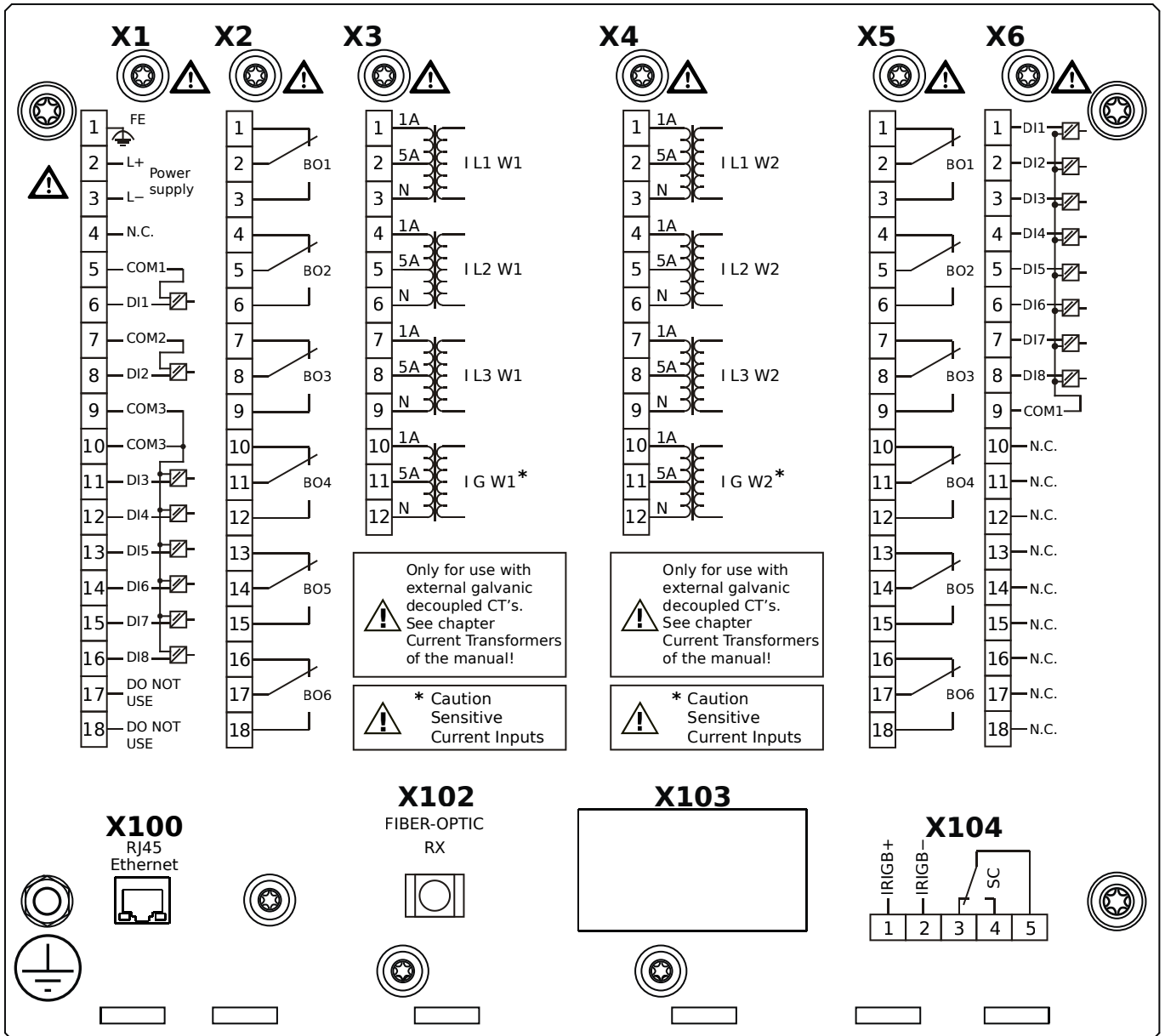
- X1** – DI8-X1: Wide-range power supply unit, incl. 2 non-grouped digital inputs and 6 grouped digital inputs
- X2** – OR-6: Assembly Group with 6 Relay Outputs
- X3** – TIs-4: Standard phase current measuring card and sensitive ground current measuring (winding side 1)
- X4** – TIs-4: Standard phase current measuring card and sensitive ground current measuring (winding side 2)
- X5** – OR-6: Assembly Group with 6 Relay Outputs
- X6** – DI8: Assembly Group with 8 Digital Inputs
- X102** – Universal Resistance-Temperature Detector (URTD) input, Fiber optics interface, Versatile Link
- X103** – Modbus RTU / IEC 60870-5-103 / DNP3.0 RTU, RS485, D-SUB
- X104** – IRIG-B00X, incl. System Contact (Supervision Contact)

MRDT4-2D3HGB



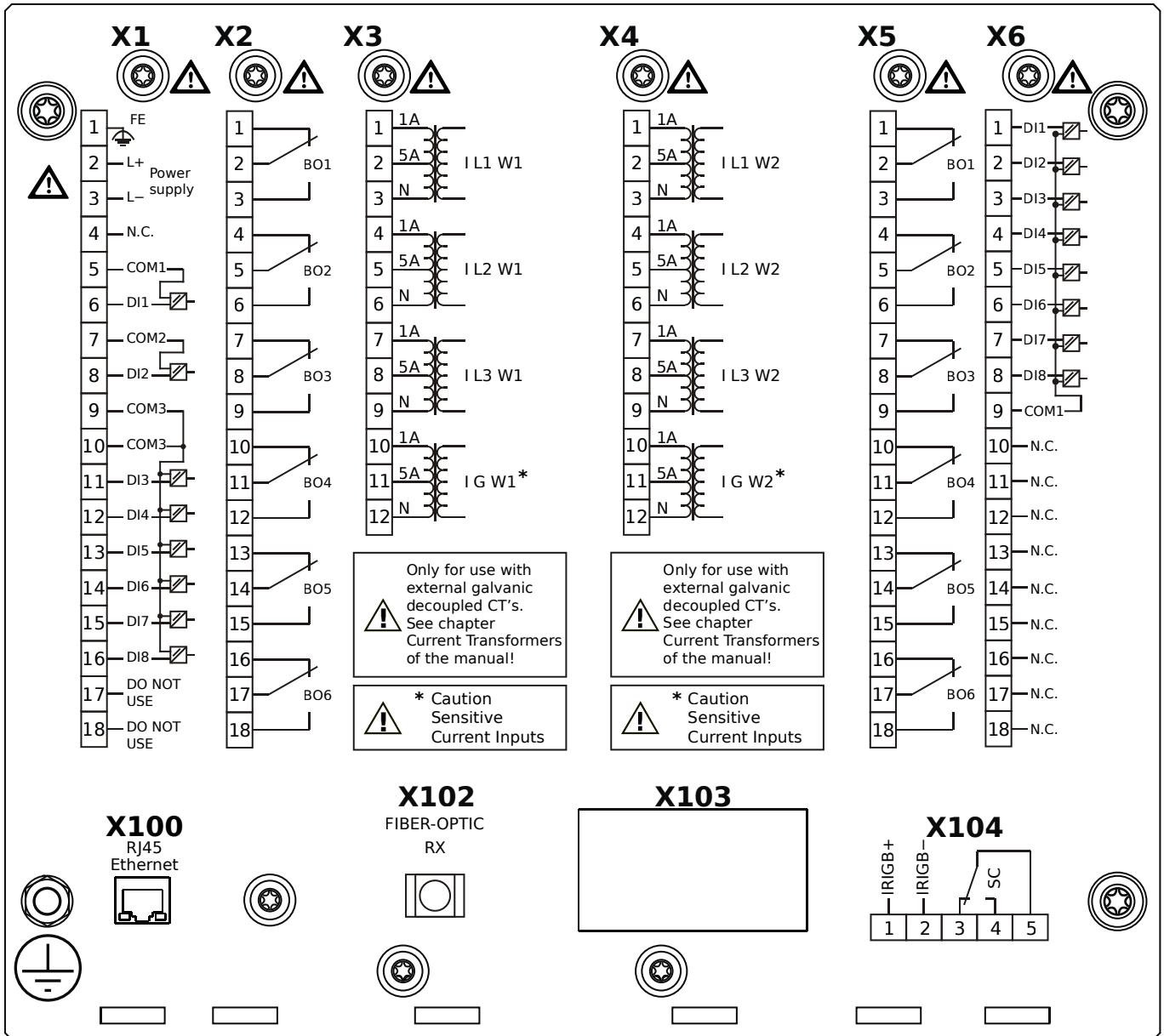
- X1** – DI8-X1: Wide-range power supply unit, incl. 2 non-grouped digital inputs and 6 grouped digital inputs
- X2** – OR-6: Assembly Group with 6 Relay Outputs
- X3** – TIs-4: Standard phase current measuring card and sensitive ground current measuring (winding side 1)
- X4** – TIs-4: Standard phase current measuring card and sensitive ground current measuring (winding side 2)
- X5** – OR-6: Assembly Group with 6 Relay Outputs
- X6** – DI8: Assembly Group with 8 Digital Inputs
- X102** – Universal Resistance-Temperature Detector (URTD) input, Fiber optics interface, Versatile Link
- X103** – Modbus RTU / IEC 60870-5-103 / DNP3.0 RTU, RS485, D-SUB
- X104** – IRIG-B00X, incl. System Contact (Supervision Contact)

MRDT4-2D3HHA



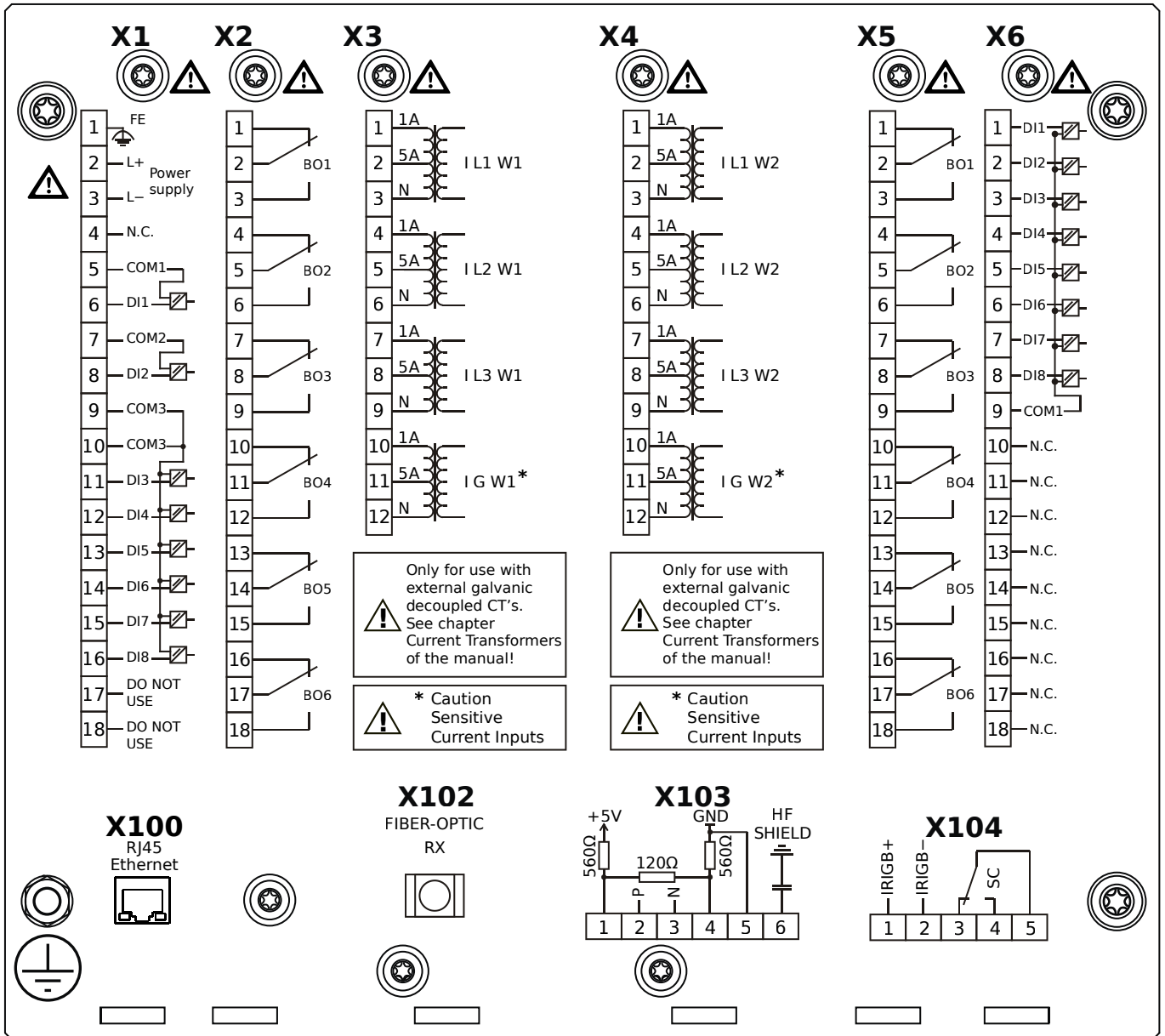
- X1** – DI8-X1: Wide-range power supply unit, incl. 2 non-grouped digital inputs and 6 grouped digital inputs
- X2** – OR-6: Assembly Group with 6 Relay Outputs
- X3** – TIs-4: Standard phase current measuring card and sensitive ground current measuring (winding side 1)
- X4** – TIs-4: Standard phase current measuring card and sensitive ground current measuring (winding side 2)
- X5** – OR-6: Assembly Group with 6 Relay Outputs
- X6** – DI8: Assembly Group with 8 Digital Inputs
- X100** – IEC 61850 / Modbus TCP / DNP3.0 TCP/UDP, Ethernet interface, 100 Mbit/s, RJ45 (BASE100-FX)
- X102** – Universal Resistance-Temperature Detector (URTD) input, Fiber optics interface, Versatile Link
- X104** – IRIG-B00X, incl. System Contact (Supervision Contact)

MRDT4-2D3HHB



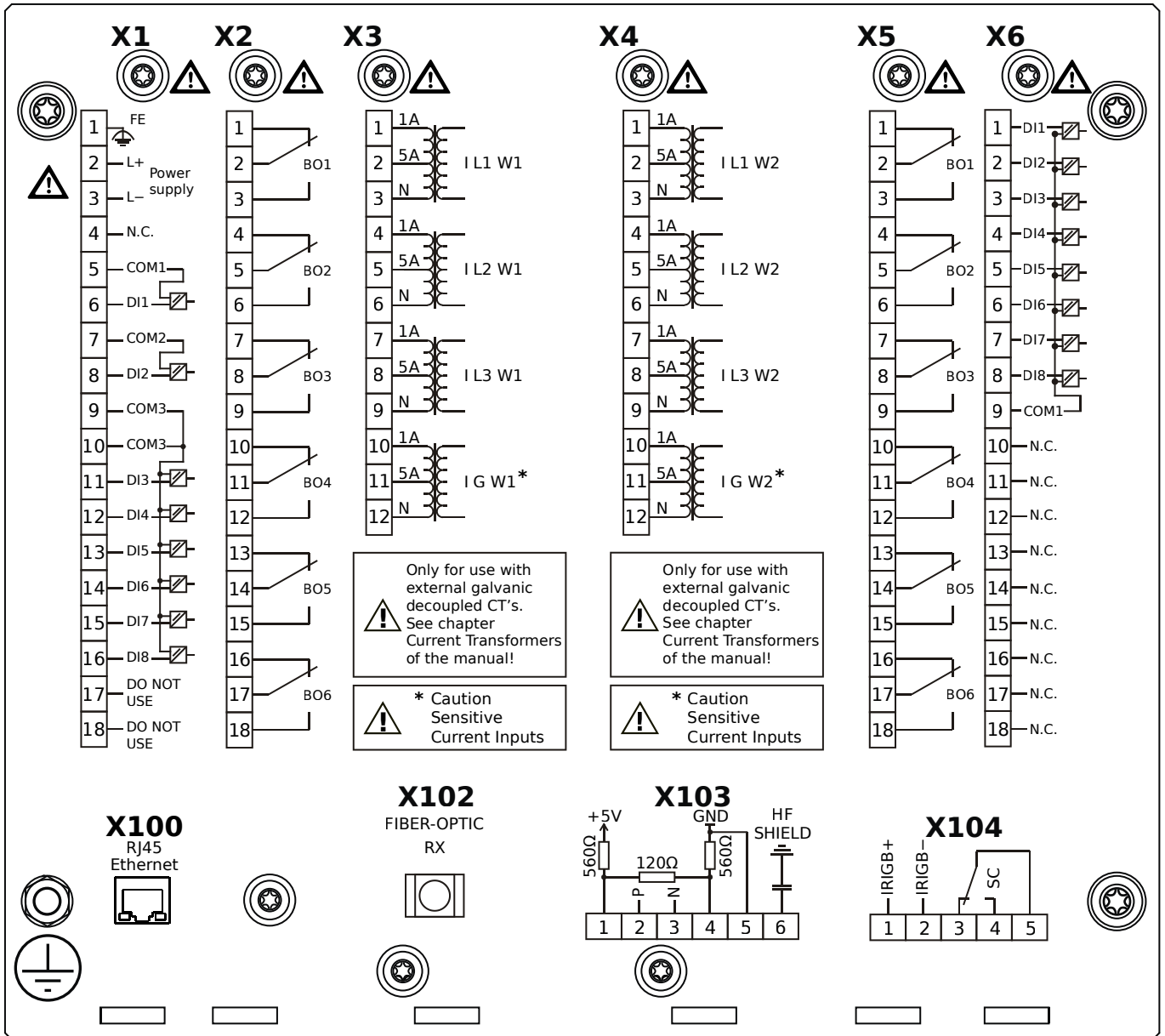
- X1** – DI8-X1: Wide-range power supply unit, incl. 2 non-grouped digital inputs and 6 grouped digital inputs
- X2** – OR-6: Assembly Group with 6 Relay Outputs
- X3** – TIs-4: Standard phase current measuring card and sensitive ground current measuring (winding side 1)
- X4** – TIs-4: Standard phase current measuring card and sensitive ground current measuring (winding side 2)
- X5** – OR-6: Assembly Group with 6 Relay Outputs
- X6** – DI8: Assembly Group with 8 Digital Inputs
- X100** – IEC 61850 / Modbus TCP / DNP3.0 TCP/UDP, Ethernet interface, 100 Mbit/s, RJ45 (BASE100-FX)
- X102** – Universal Resistance-Temperature Detector (URTD) input, Fiber optics interface, Versatile Link
- X104** – IRIG-B00X, incl. System Contact (Supervision Contact)

MRDT4-2D3HIA



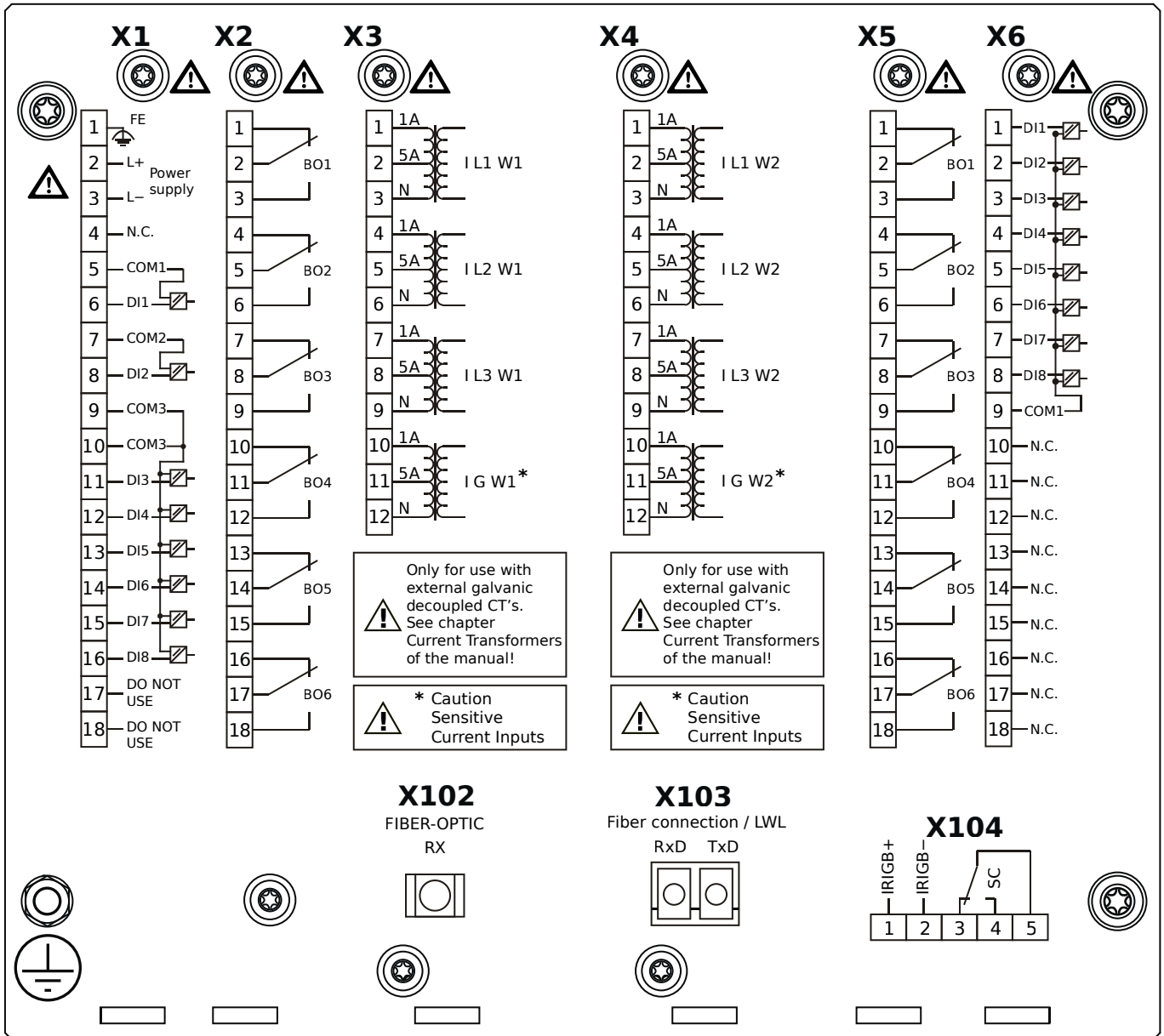
- X1** – DI8-X1: Wide-range power supply unit, incl. 2 non-grouped digital inputs and 6 grouped digital inputs
- X2** – OR-6: Assembly Group with 6 Relay Outputs
- X3** – TIs-4: Standard phase current measuring card and sensitive ground current measuring (winding side 1)
- X4** – TIs-4: Standard phase current measuring card and sensitive ground current measuring (winding side 2)
- X5** – OR-6: Assembly Group with 6 Relay Outputs
- X6** – DI8: Assembly Group with 8 Digital Inputs
- X100** – Modbus TCP / DNP3.0 TCP/UDP, Ethernet interface, 100 Mbit/s, RJ45 (BASE100-FX)
- X102** – Universal Resistance-Temperature Detector (URTD) input, Fiber optics interface, Versatile Link
- X103** – IEC 60870-5-103 / Modbus RTU / DNP3.0 RTU, RS485, Terminals
- X104** – IRIG-B00X, incl. System Contact (Supervision Contact)

MRDT4-2D3HIB



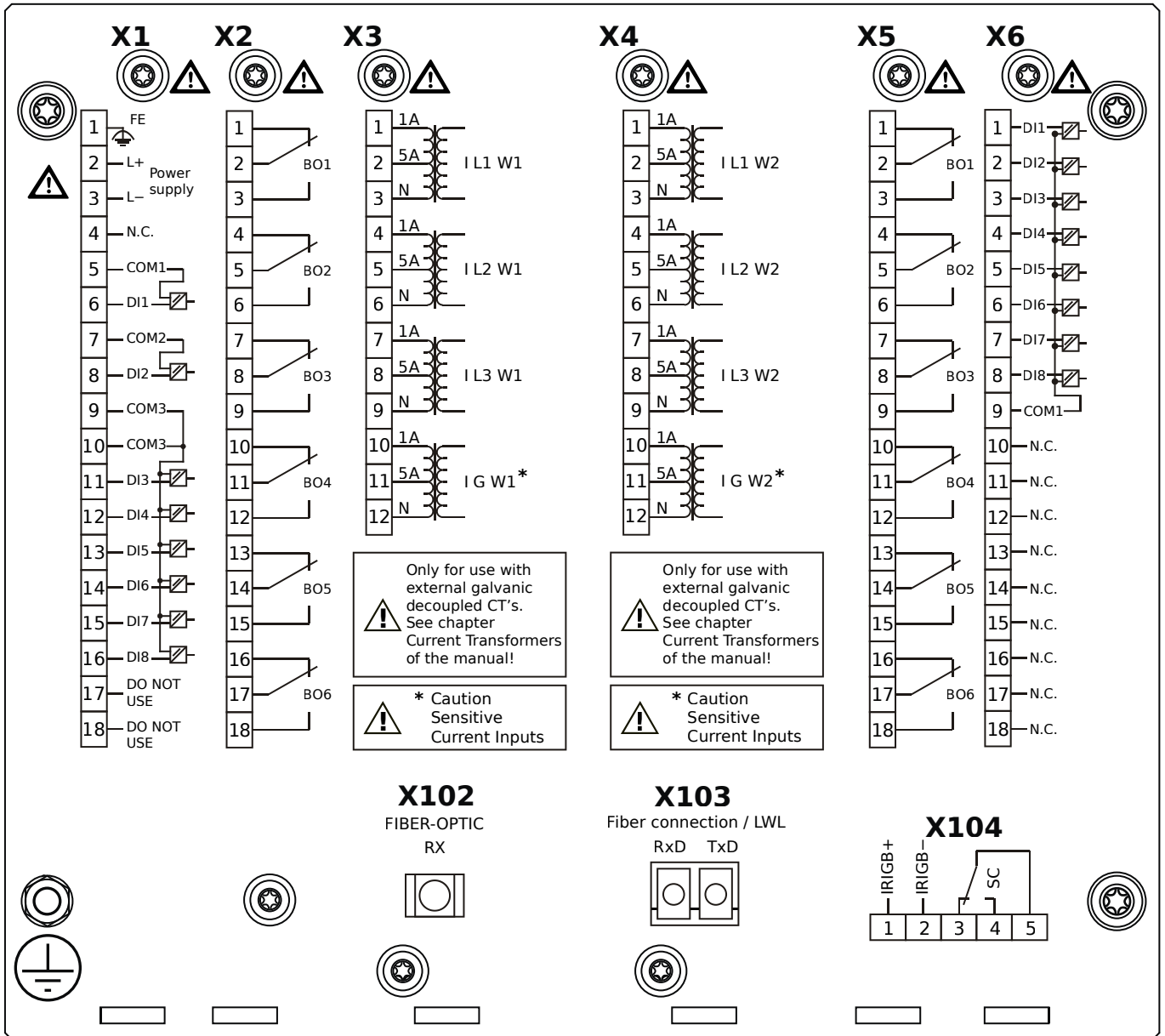
- X1** – DI8-X1: Wide-range power supply unit, incl. 2 non-grouped digital inputs and 6 grouped digital inputs
- X2** – OR-6: Assembly Group with 6 Relay Outputs
- X3** – TIs-4: Standard phase current measuring card and sensitive ground current measuring (winding side 1)
- X4** – TIs-4: Standard phase current measuring card and sensitive ground current measuring (winding side 2)
- X5** – OR-6: Assembly Group with 6 Relay Outputs
- X6** – DI8: Assembly Group with 8 Digital Inputs
- X100** – Modbus TCP / DNP3.0 TCP/UDP, Ethernet interface, 100 Mbit/s, RJ45 (BASE100-FX)
- X102** – Universal Resistance-Temperature Detector (URTD) input, Fiber optics interface, Versatile Link
- X103** – IEC 60870-5-103 / Modbus RTU / DNP3.0 RTU, RS485, Terminals
- X104** – IRIG-B00X, incl. System Contact (Supervision Contact)

MRDT4-2D3HKA



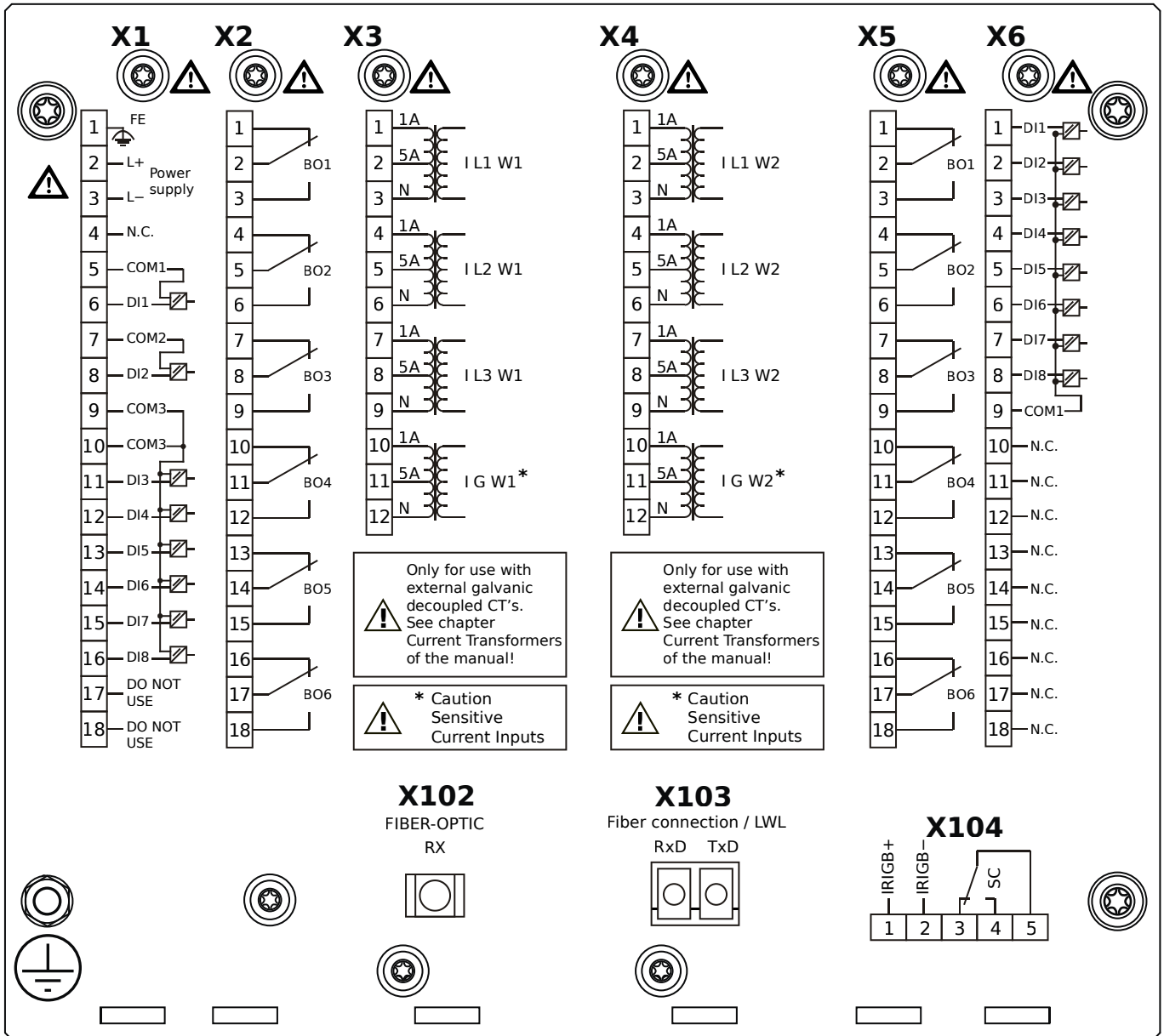
- X1** – DI8-X1: Wide-range power supply unit, incl. 2 non-grouped digital inputs and 6 grouped digital inputs
- X2** – OR-6: Assembly Group with 6 Relay Outputs
- X3** – TIs-4: Standard phase current measuring card and sensitive ground current measuring (winding side 1)
- X4** – TIs-4: Standard phase current measuring card and sensitive ground current measuring (winding side 2)
- X5** – OR-6: Assembly Group with 6 Relay Outputs
- X6** – DI8: Assembly Group with 8 Digital Inputs
- X102** – Universal Resistance-Temperature Detector (URTD) input, Fiber optics interface, Versatile Link
- X103** – IEC 61850 / Modbus TCP / DNP3.0 TCP/UDP, Fiber optics interface, LC Connector
- X104** – IRIG-B00X, incl. System Contact (Supervision Contact)

MRDT4-2D3HKB



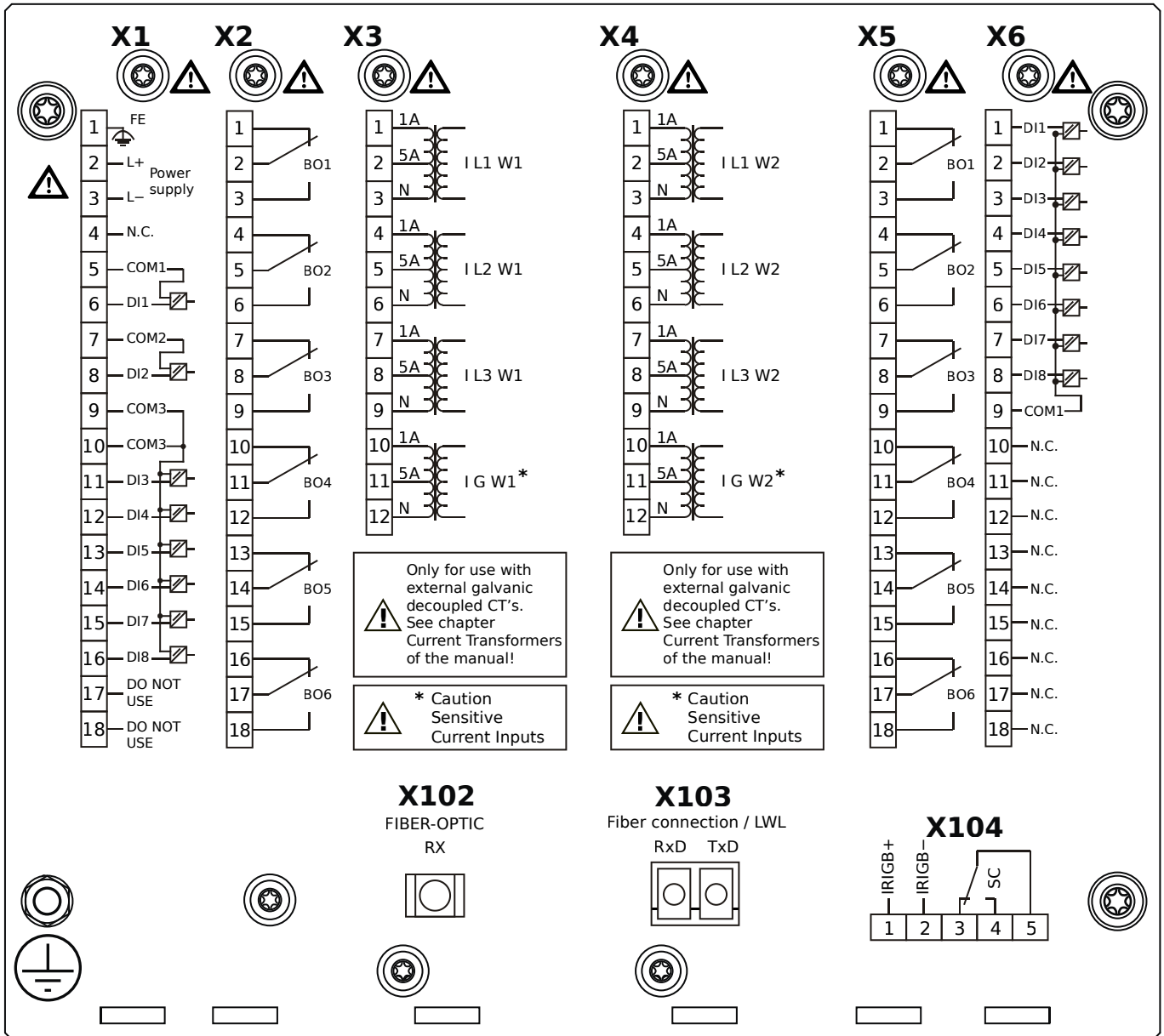
- X1** – DI8-X1: Wide-range power supply unit, incl. 2 non-grouped digital inputs and 6 grouped digital inputs
- X2** – OR-6: Assembly Group with 6 Relay Outputs
- X3** – TIs-4: Standard phase current measuring card and sensitive ground current measuring (winding side 1)
- X4** – TIs-4: Standard phase current measuring card and sensitive ground current measuring (winding side 2)
- X5** – OR-6: Assembly Group with 6 Relay Outputs
- X6** – DI8: Assembly Group with 8 Digital Inputs
- X102** – Universal Resistance-Temperature Detector (URTD) input, Fiber optics interface, Versatile Link
- X103** – IEC 61850 / Modbus TCP / DNP3.0 TCP/UDP, Fiber optics interface, LC Connector
- X104** – IRIG-B00X, incl. System Contact (Supervision Contact)

MRDT4-2D3HLA



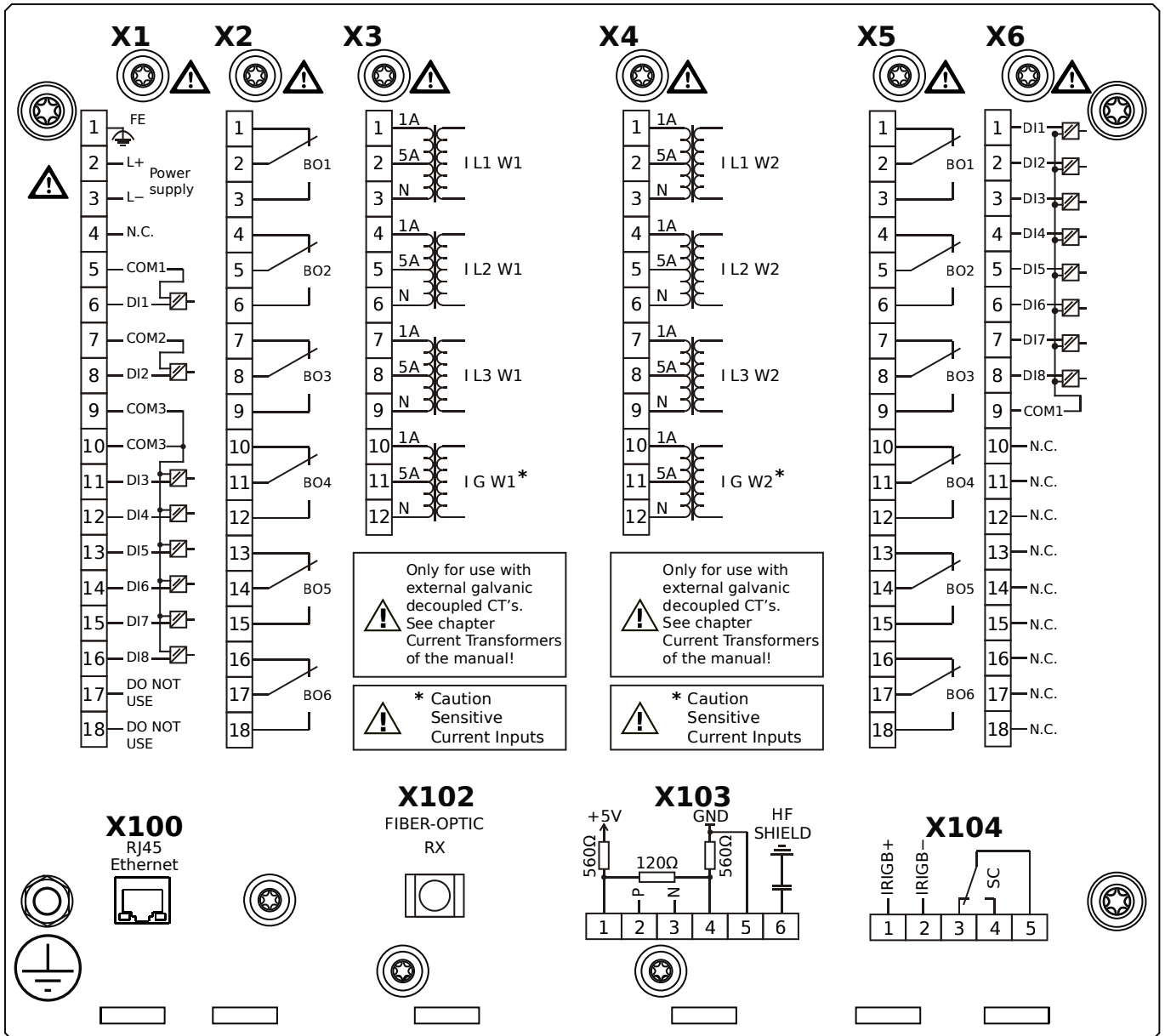
- X1** – DI8-X1: Wide-range power supply unit, incl. 2 non-grouped digital inputs and 6 grouped digital inputs
- X2** – OR-6: Assembly Group with 6 Relay Outputs
- X3** – TIs-4: Standard phase current measuring card and sensitive ground current measuring (winding side 1)
- X4** – TIs-4: Standard phase current measuring card and sensitive ground current measuring (winding side 2)
- X5** – OR-6: Assembly Group with 6 Relay Outputs
- X6** – DI8: Assembly Group with 8 Digital Inputs
- X102** – Universal Resistance-Temperature Detector (URTD) input, Fiber optics interface, Versatile Link
- X103** – Modbus TCP / DNP3.0 TCP/UDP, Fiber optics interface, LC Connector
- X104** – IRIG-B00X, incl. System Contact (Supervision Contact)

MRDT4-2D3HLB



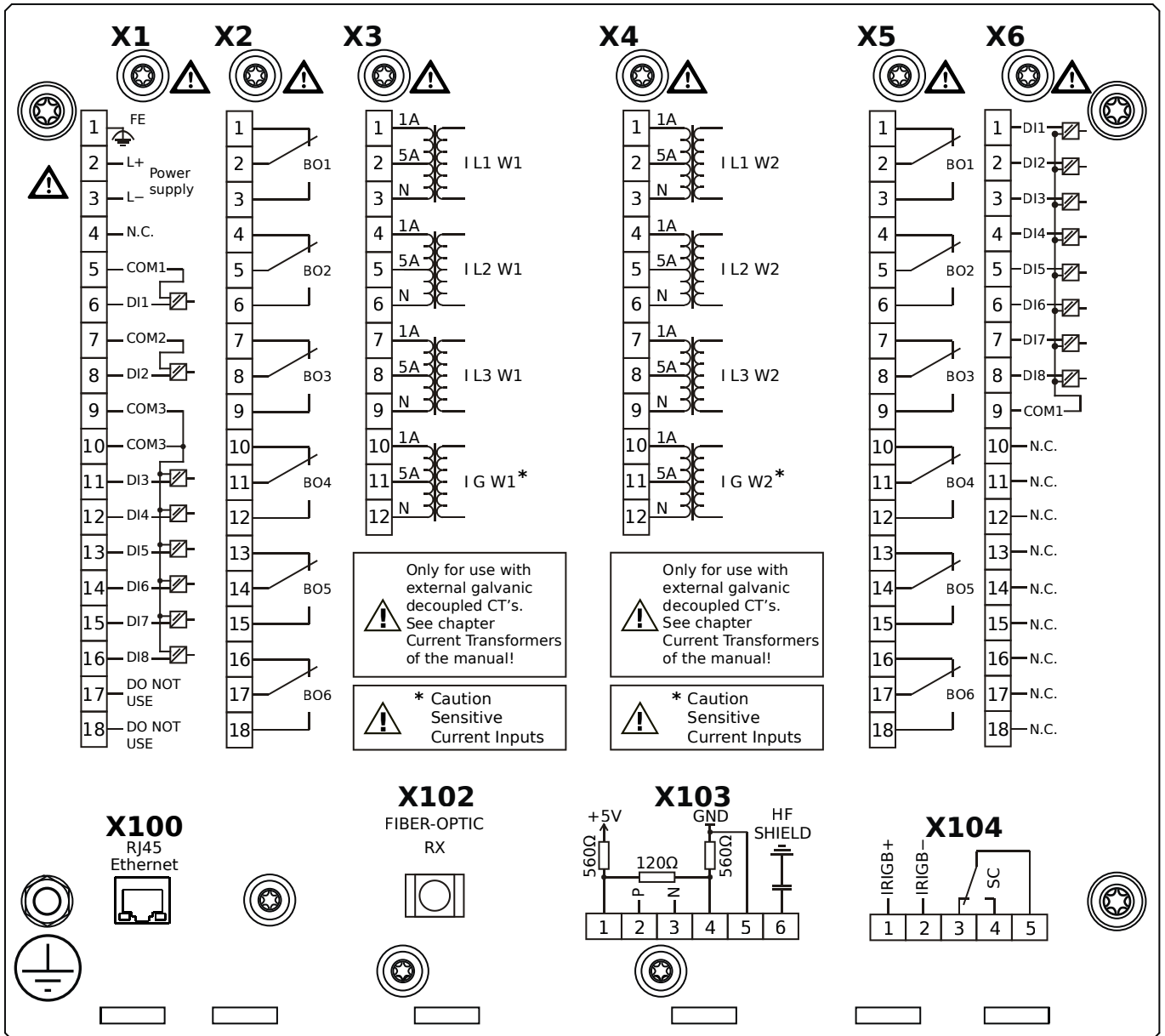
- X1** – DI8-X1: Wide-range power supply unit, incl. 2 non-grouped digital inputs and 6 grouped digital inputs
- X2** – OR-6: Assembly Group with 6 Relay Outputs
- X3** – TIs-4: Standard phase current measuring card and sensitive ground current measuring (winding side 1)
- X4** – TIs-4: Standard phase current measuring card and sensitive ground current measuring (winding side 2)
- X5** – OR-6: Assembly Group with 6 Relay Outputs
- X6** – DI8: Assembly Group with 8 Digital Inputs
- X102** – Universal Resistance-Temperature Detector (URTD) input, Fiber optics interface, Versatile Link
- X103** – Modbus TCP / DNP3.0 TCP/UDP, Fiber optics interface, LC Connector
- X104** – IRIG-B00X, incl. System Contact (Supervision Contact)

MRDT4-2D3HTA



- X1** – DI8-X1: Wide-range power supply unit, incl. 2 non-grouped digital inputs and 6 grouped digital inputs
- X2** – OR-6: Assembly Group with 6 Relay Outputs
- X3** – TIs-4: Standard phase current measuring card and sensitive ground current measuring (winding side 1)
- X4** – TIs-4: Standard phase current measuring card and sensitive ground current measuring (winding side 2)
- X5** – OR-6: Assembly Group with 6 Relay Outputs
- X6** – DI8: Assembly Group with 8 Digital Inputs
- X100** – IEC 61850 / Modbus TCP / DNP3.0 TCP/UDP, Ethernet interface, 100 Mbit/s, RJ45 (BASE100-FX)
- X102** – Universal Resistance-Temperature Detector (URTD) input, Fiber optics interface, Versatile Link
- X103** – IEC 60870-5-103 / Modbus RTU / DNP3.0 RTU, RS485, Terminals
- X104** – IRIG-B00X, incl. System Contact (Supervision Contact)

MRDT4-2D3HTB



- X1** – DI8-X1: Wide-range power supply unit, incl. 2 non-grouped digital inputs and 6 grouped digital inputs
- X2** – OR-6: Assembly Group with 6 Relay Outputs
- X3** – TIs-4: Standard phase current measuring card and sensitive ground current measuring (winding side 1)
- X4** – TIs-4: Standard phase current measuring card and sensitive ground current measuring (winding side 2)
- X5** – OR-6: Assembly Group with 6 Relay Outputs
- X6** – DI8: Assembly Group with 8 Digital Inputs
- X100** – IEC 61850 / Modbus TCP / DNP3.0 TCP/UDP, Ethernet interface, 100 Mbit/s, RJ45 (BASE100-FX)
- X102** – Universal Resistance-Temperature Detector (URTD) input, Fiber optics interface, Versatile Link
- X103** – IEC 60870-5-103 / Modbus RTU / DNP3.0 RTU, RS485, Terminals
- X104** – IRIG-B00X, incl. System Contact (Supervision Contact)