

MRA4

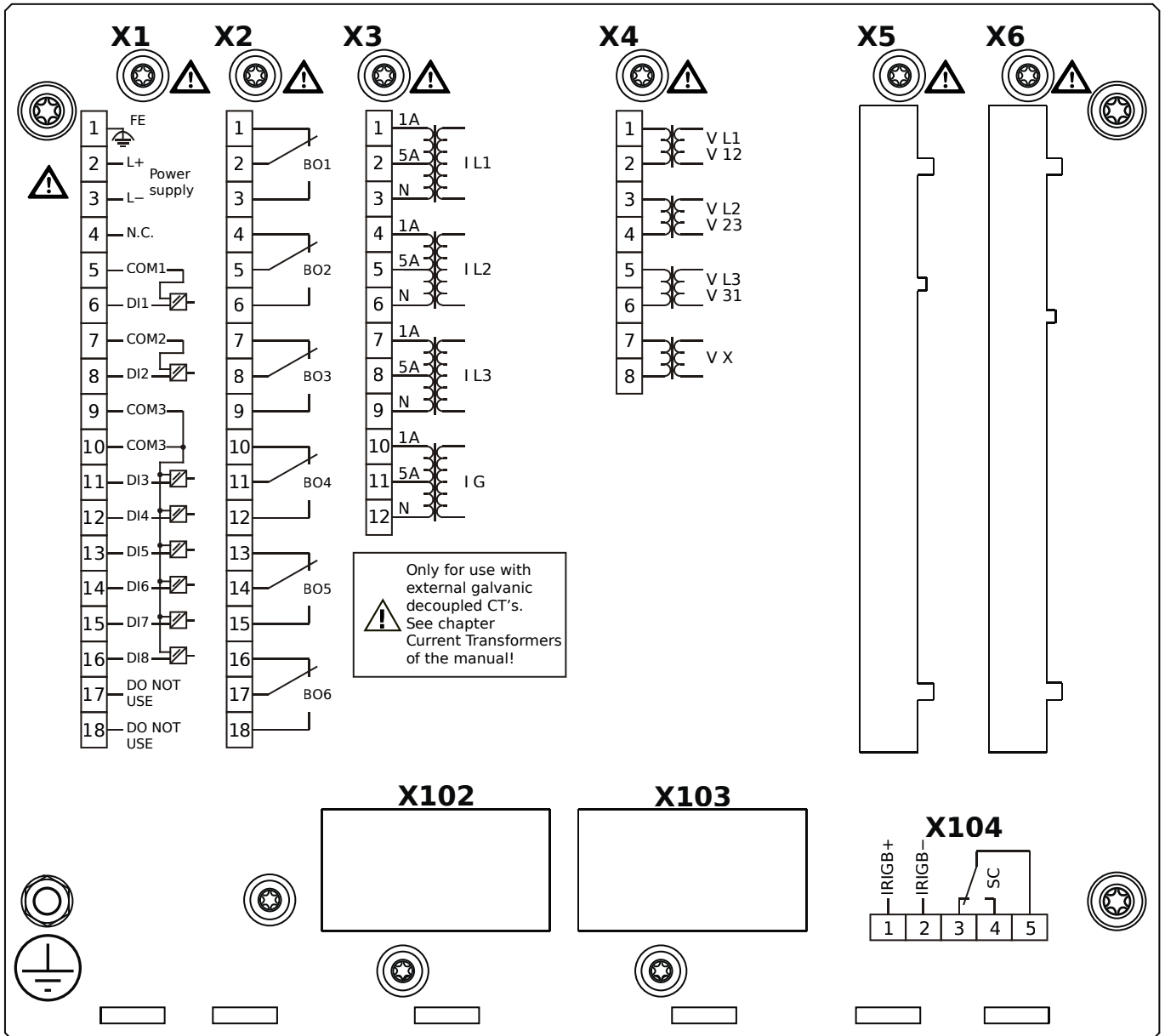
Software-Version: 3.7

MRA4-3.7-EN-WDG

English

This document does not replace the Technical Manual.

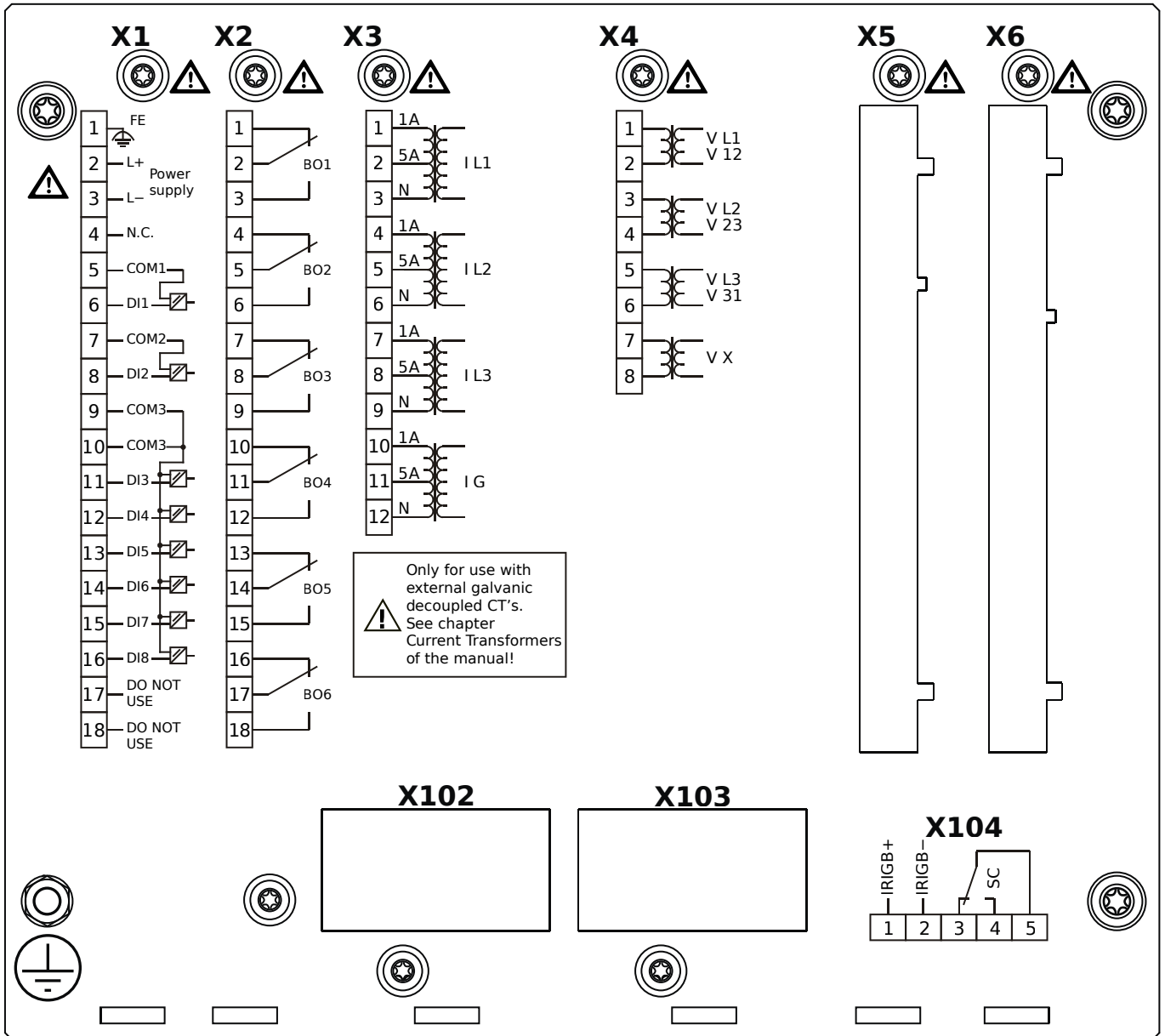
MRA4-2A0AAA



Housing B2, small display, door mounting

- X1** – DI8-X1: Wide-range power supply unit, incl. 2 non-grouped digital inputs and 6 grouped digital inputs
- X2** – OR6: Assembly Group with 6 Output Relays
- X3** – TI: Standard current measuring card
- X4** – TU: Card with 4 voltage transformer measuring inputs
- X104** – IRIG-B00X, incl. System Contact (Supervision Contact)

MRA4-2A0AAB



Housing B2, small display, door mounting

+ Conformal Coating (for installations in harsh environment)

X1 – DI8-X1: Wide-range power supply unit, incl. 2 non-grouped digital inputs and 6 grouped digital inputs

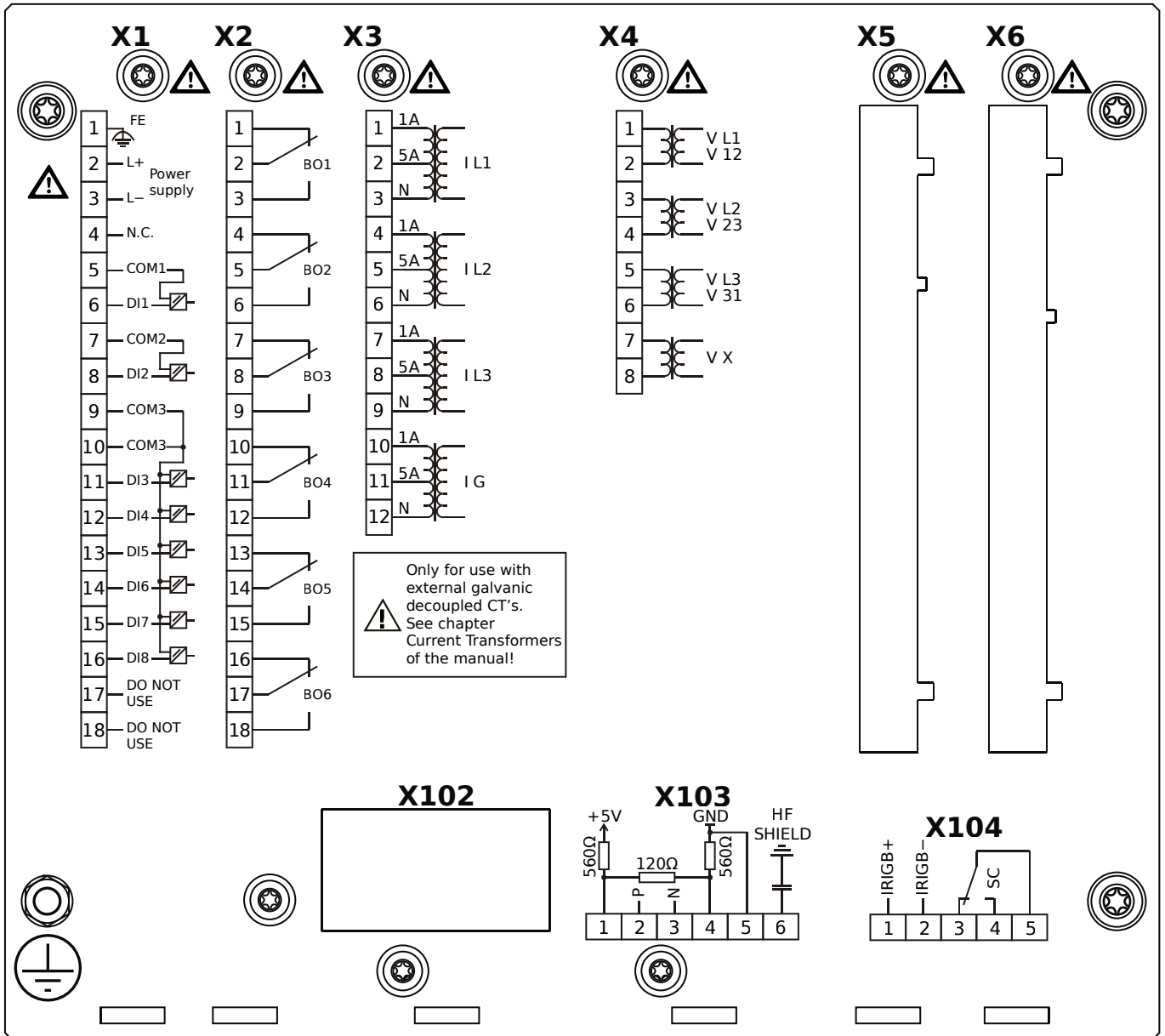
X2 – OR6: Assembly Group with 6 Output Relays

X3 – TI: Standard current measuring card

X4 – TU: Card with 4 voltage transformer measuring inputs

X104 – IRIG-B00X, incl. System Contact (Supervision Contact)

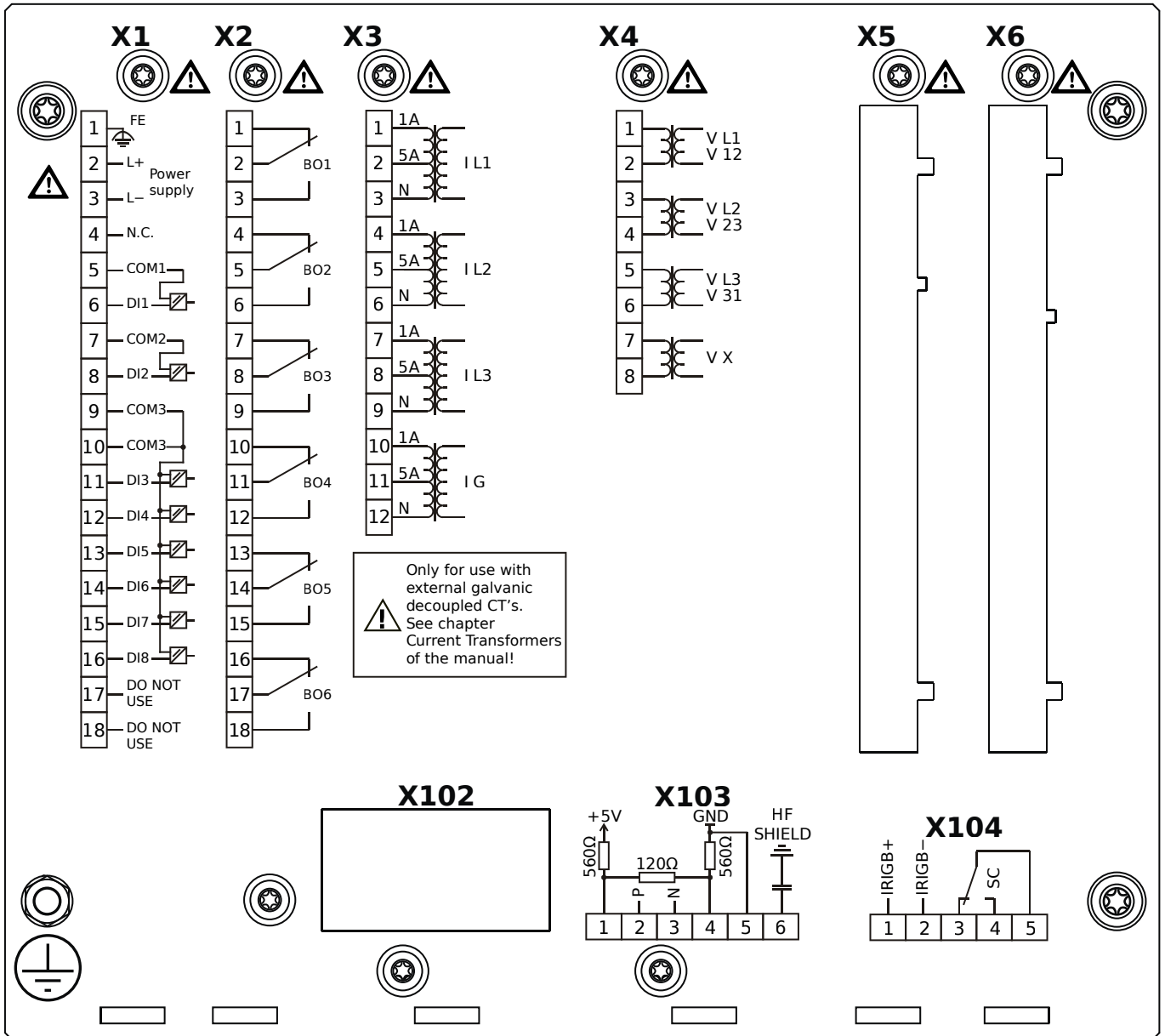
MRA4-2A0ABA



Housing B2, small display, door mounting

- X1** – DI8-X1: Wide-range power supply unit, incl. 2 non-grouped digital inputs and 6 grouped digital inputs
- X2** – OR6: Assembly Group with 6 Output Relays
- X3** – TI: Standard current measuring card
- X4** – TU: Card with 4 voltage transformer measuring inputs
- X103** – Modbus RTU / IEC 60870-5-103 / DNP3.0 RTU, RS485, Terminals
- X104** – IRIG-B00X, incl. System Contact (Supervision Contact)

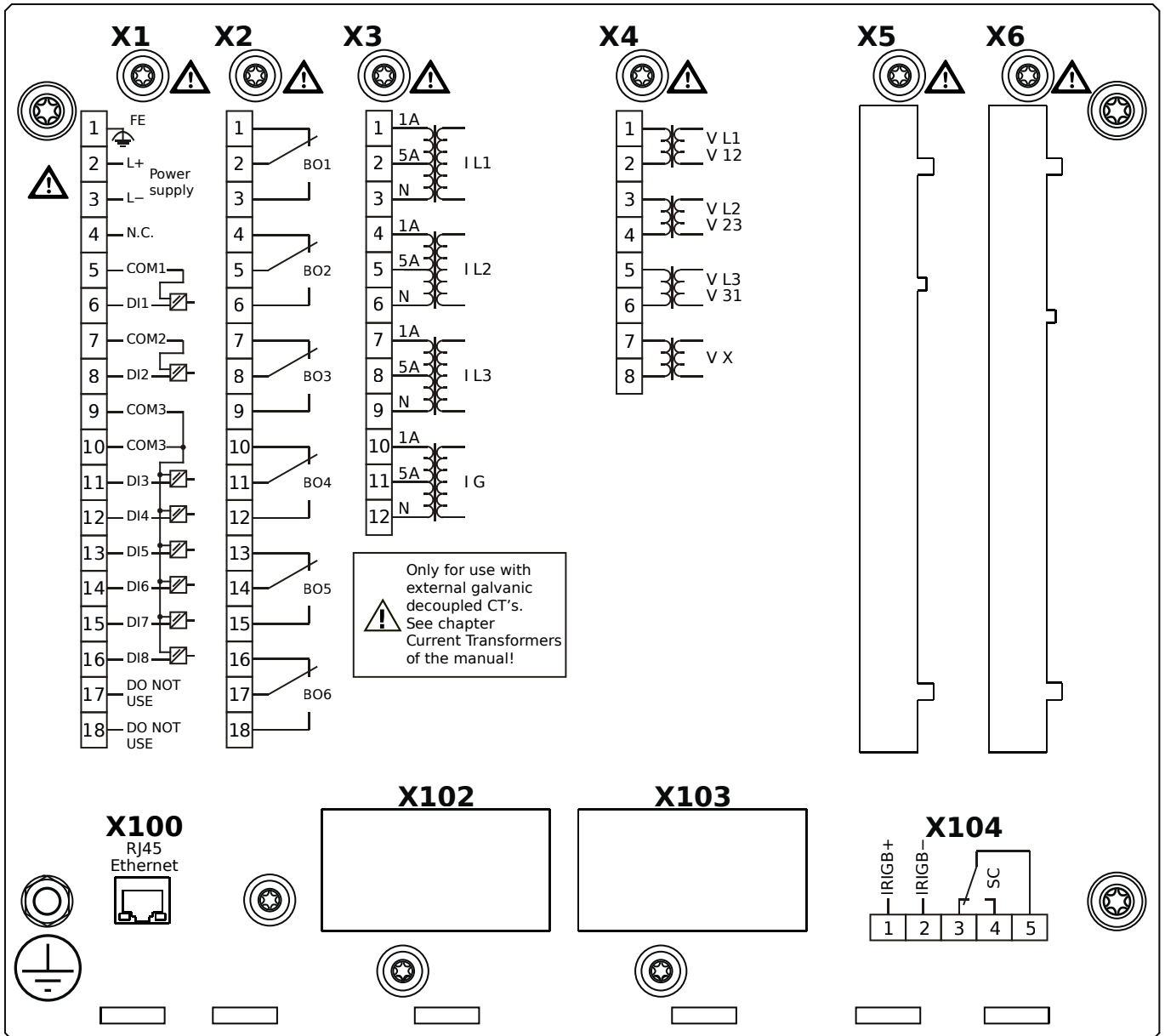
MRA4-2A0ABB



Housing B2, small display, door mounting

- + Conformal Coating (for installations in harsh environment)
- X1** – DI8-X1: Wide-range power supply unit, incl. 2 non-grouped digital inputs and 6 grouped digital inputs
- X2** – OR6: Assembly Group with 6 Output Relays
- X3** – TI: Standard current measuring card
- X4** – TU: Card with 4 voltage transformer measuring inputs
- X103** – Modbus RTU / IEC 60870-5-103 / DNP3.0 RTU, RS485, Terminals
- X104** – IRIG-B00X, incl. System Contact (Supervision Contact)

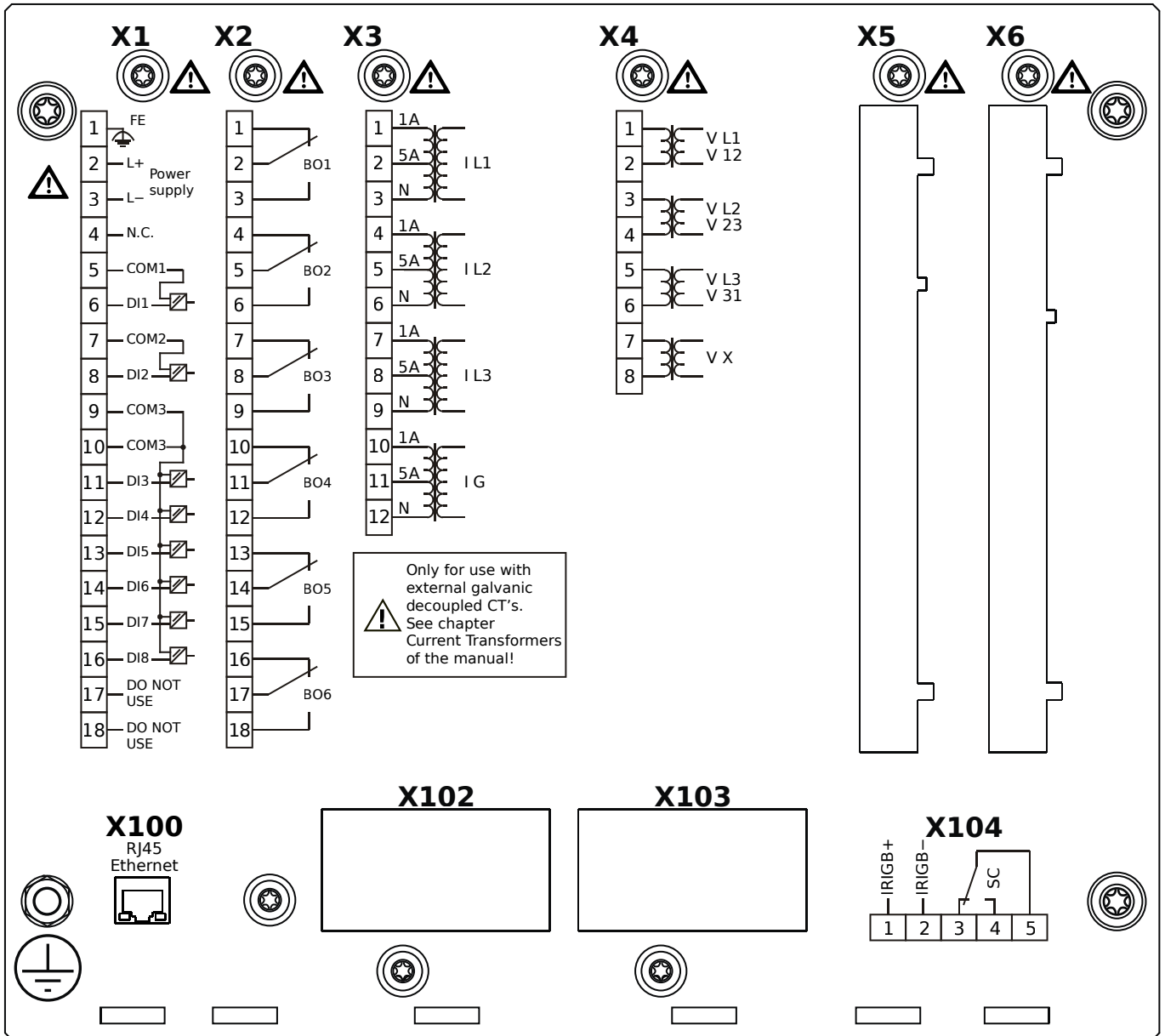
MRA4-2A0ACA



Housing B2, small display, door mounting

- X1** – DI8-X1: Wide-range power supply unit, incl. 2 non-grouped digital inputs and 6 grouped digital inputs
- X2** – OR6: Assembly Group with 6 Output Relays
- X3** – TI: Standard current measuring card
- X4** – TU: Card with 4 voltage transformer measuring inputs
- X100** – Modbus TCP / DNP3.0 TCP/UDP, Ethernet interface, 100 Mbit/s, RJ45 (BASE100-FX)
- X104** – IRIG-B00X, incl. System Contact (Supervision Contact)

MRA4-2A0ACB



Housing B2, small display, door mounting

+ Conformal Coating (for installations in harsh environment)

X1 – DI8-X1: Wide-range power supply unit, incl. 2 non-grouped digital inputs and 6 grouped digital inputs

X2 – OR6: Assembly Group with 6 Output Relays

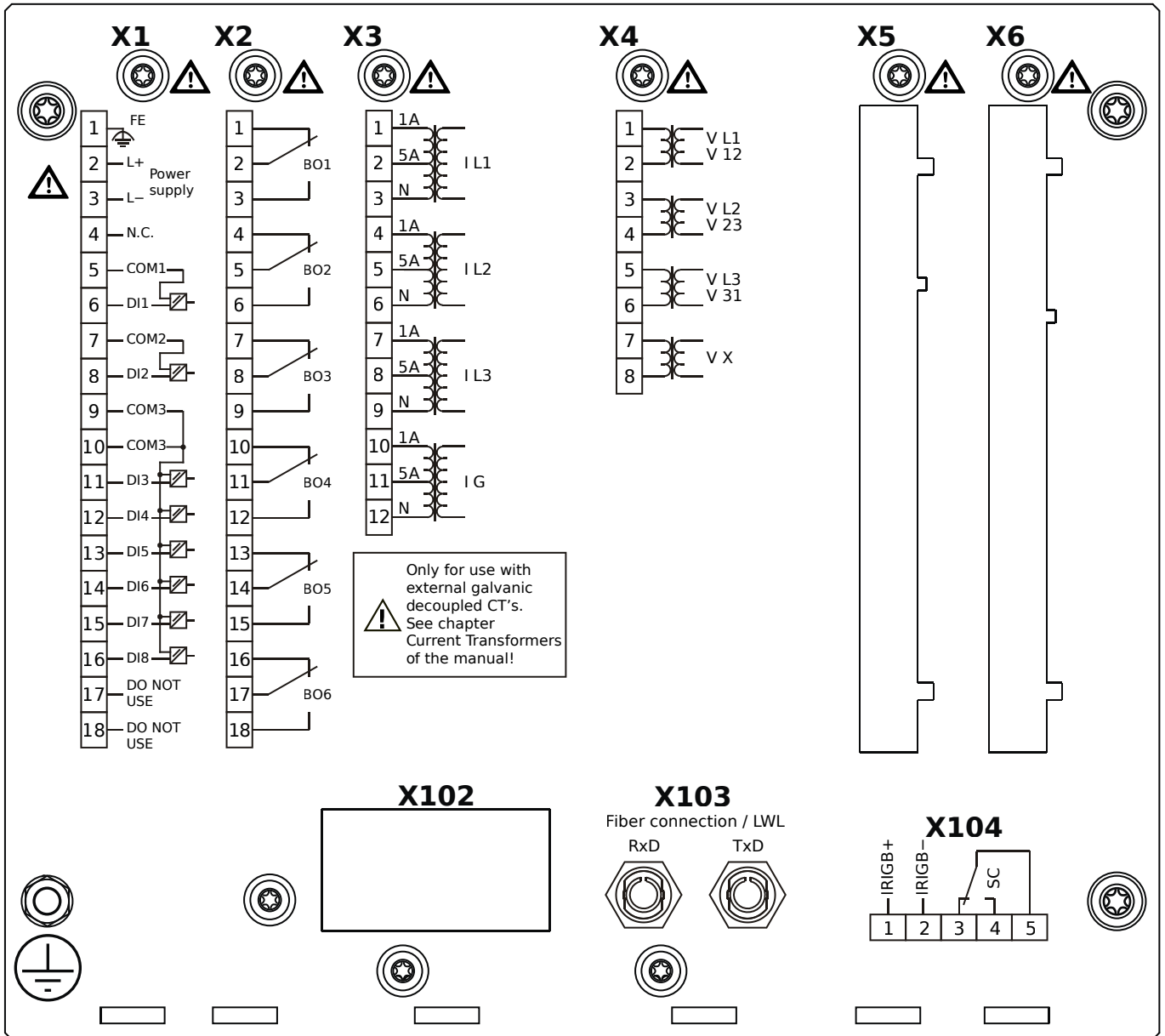
X3 – TI: Standard current measuring card

X4 – TU: Card with 4 voltage transformer measuring inputs

X100 – Modbus TCP / DNP3.0 TCP/UDP, Ethernet interface, 100 Mbit/s, RJ45 (BASE100-FX)

X104 – IRIG-B00X, incl. System Contact (Supervision Contact)

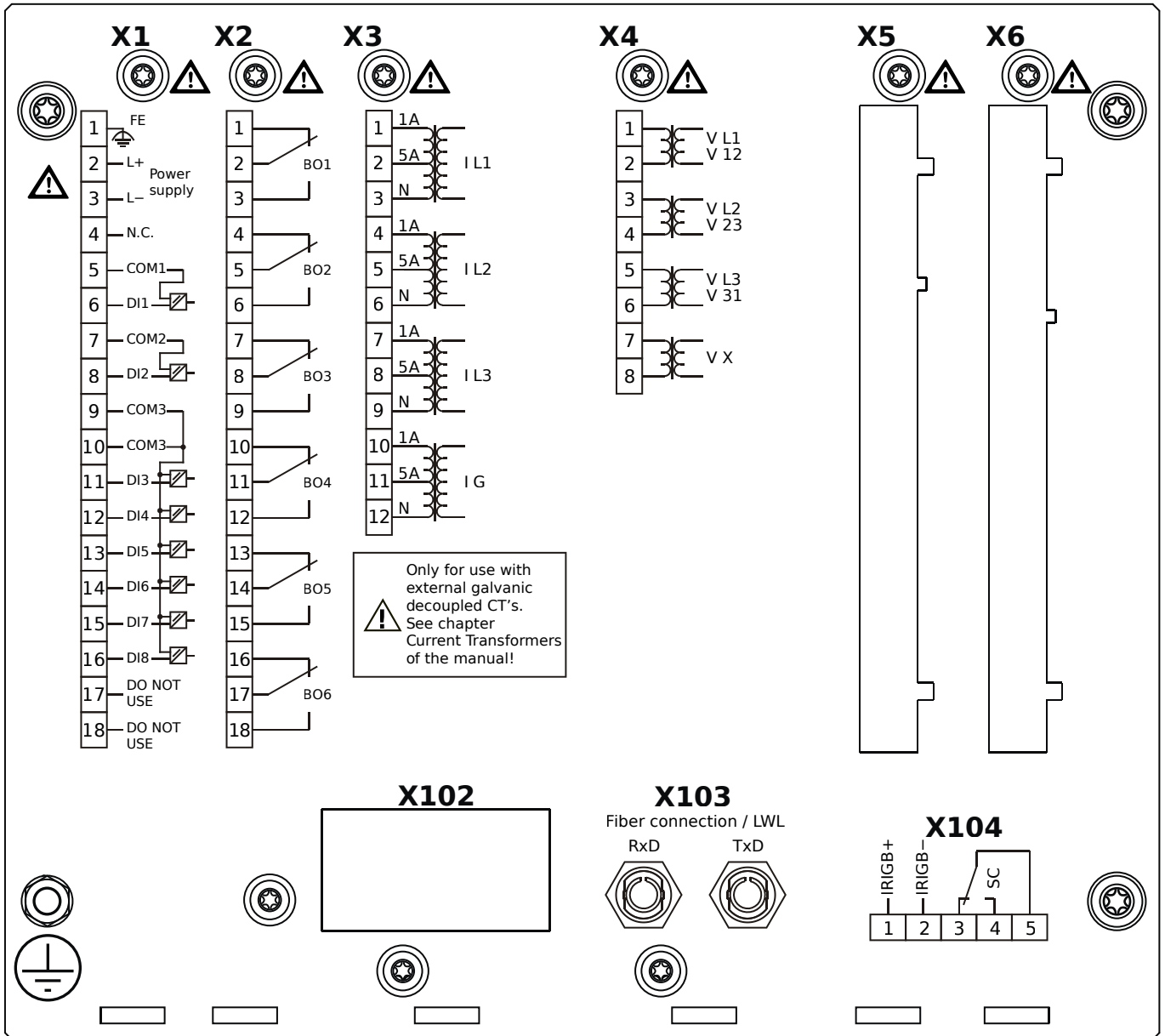
MRA4-2A0ADA



Housing B2, small display, door mounting

- X1** – DI8-X1: Wide-range power supply unit, incl. 2 non-grouped digital inputs and 6 grouped digital inputs
- X2** – OR6: Assembly Group with 6 Output Relays
- X3** – TI: Standard current measuring card
- X4** – TU: Card with 4 voltage transformer measuring inputs
- X103** – Profibus-DP, Fiber optics interface, ST Connector
- X104** – IRIG-B00X, incl. System Contact (Supervision Contact)

MRA4-2A0ADB



Housing B2, small display, door mounting

+ Conformal Coating (for installations in harsh environment)

X1 – DI8-X1: Wide-range power supply unit, incl. 2 non-grouped digital inputs and 6 grouped digital inputs

X2 – OR6: Assembly Group with 6 Output Relays

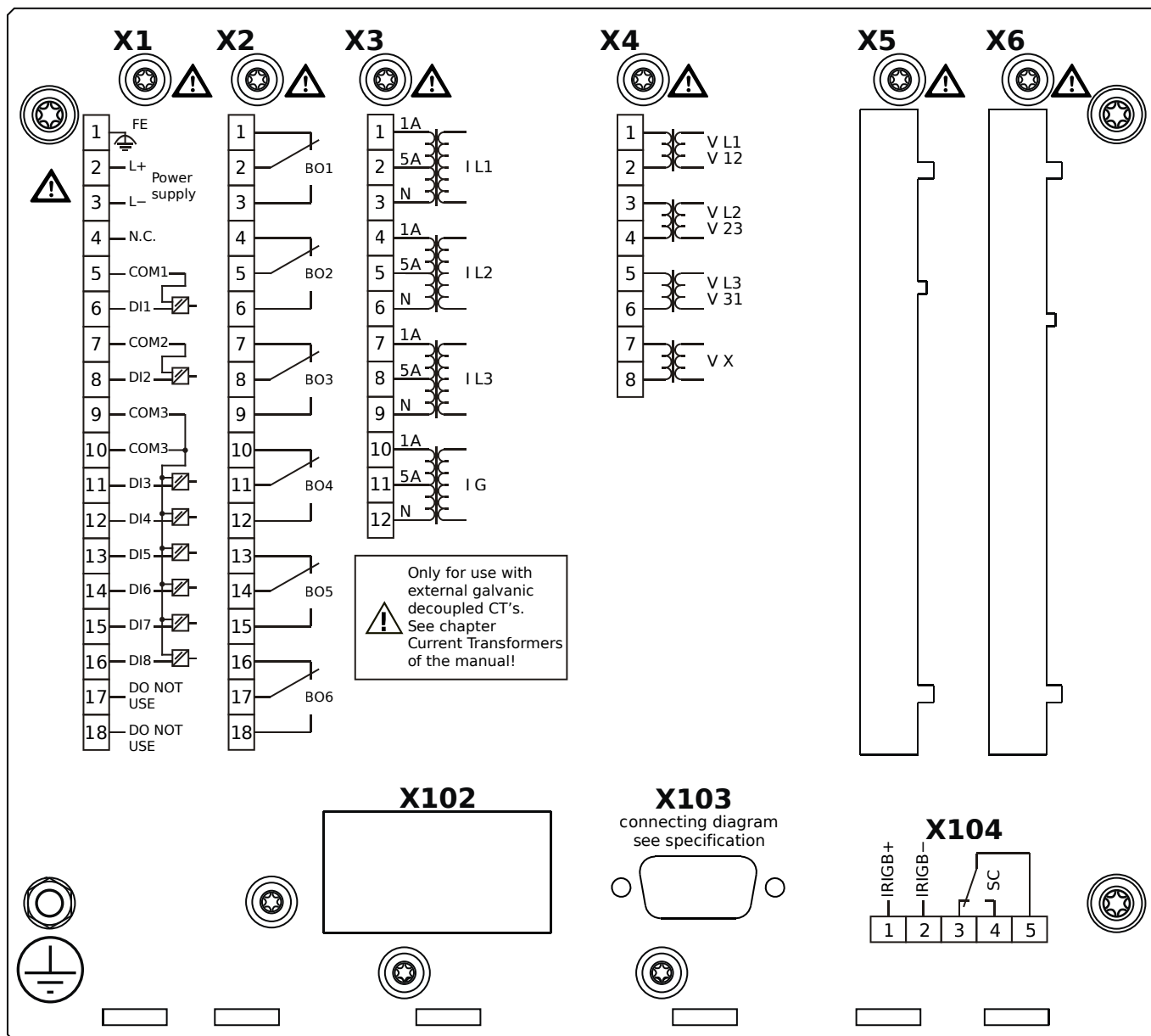
X3 – TI: Standard current measuring card

X4 – TU: Card with 4 voltage transformer measuring inputs

X103 – Profibus-DP, Fiber optics interface, ST Connector

X104 – IRIG-B00X, incl. System Contact (Supervision Contact)

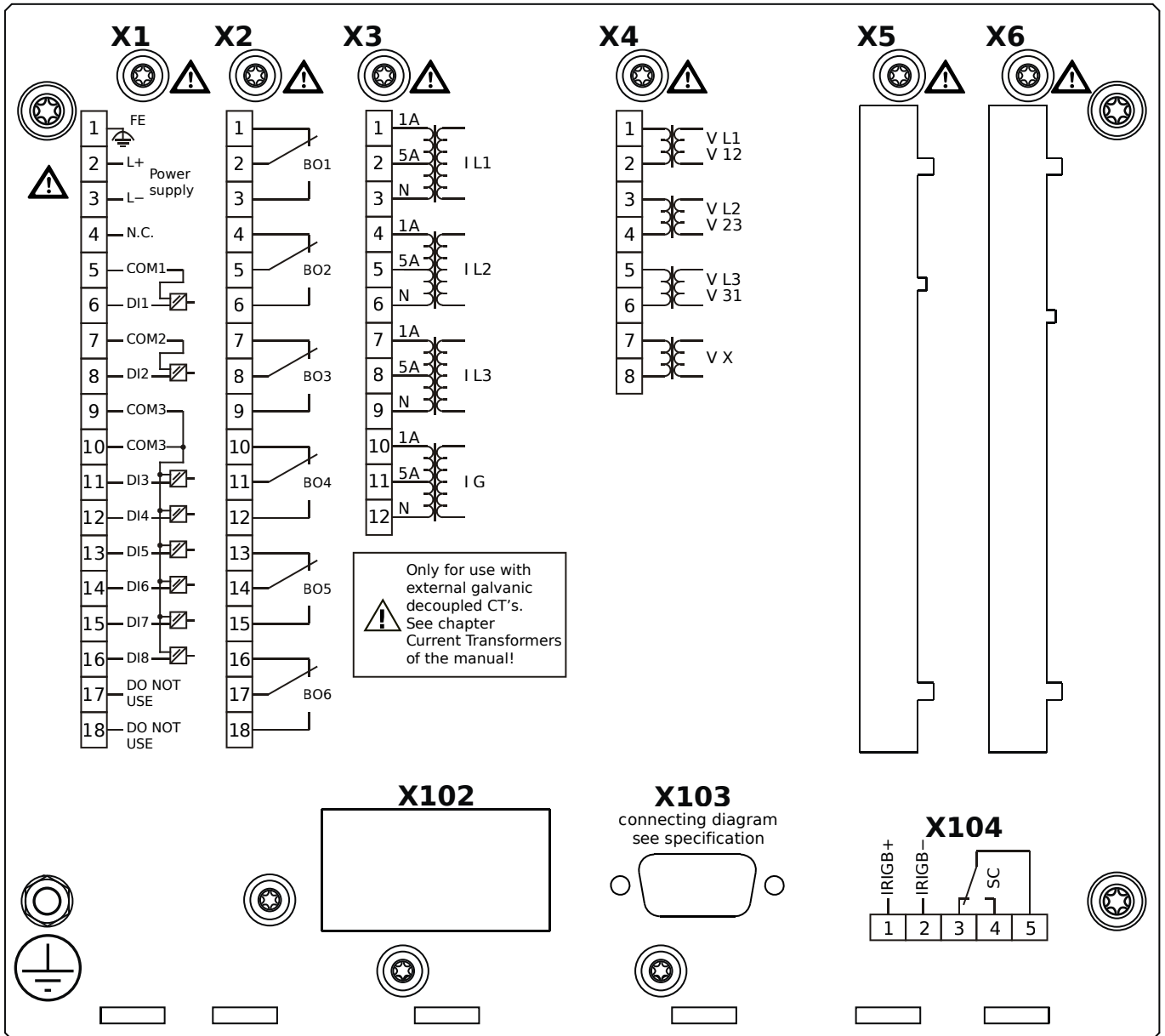
MRA4-2A0AEA



Housing B2, small display, door mounting

- X1** – DI8-X1: Wide-range power supply unit, incl. 2 non-grouped digital inputs and 6 grouped digital inputs
- X2** – OR6: Assembly Group with 6 Output Relays
- X3** – TI: Standard current measuring card
- X4** – TU: Card with 4 voltage transformer measuring inputs
- X103** – Profibus-DP, RS485, D-SUB
- X104** – IRIG-B00X, incl. System Contact (Supervision Contact)

MRA4-2A0AEB



Housing B2, small display, door mounting

+ Conformal Coating (for installations in harsh environment)

X1 – DI8-X1: Wide-range power supply unit, incl. 2 non-grouped digital inputs and 6 grouped digital inputs

X2 – OR6: Assembly Group with 6 Output Relays

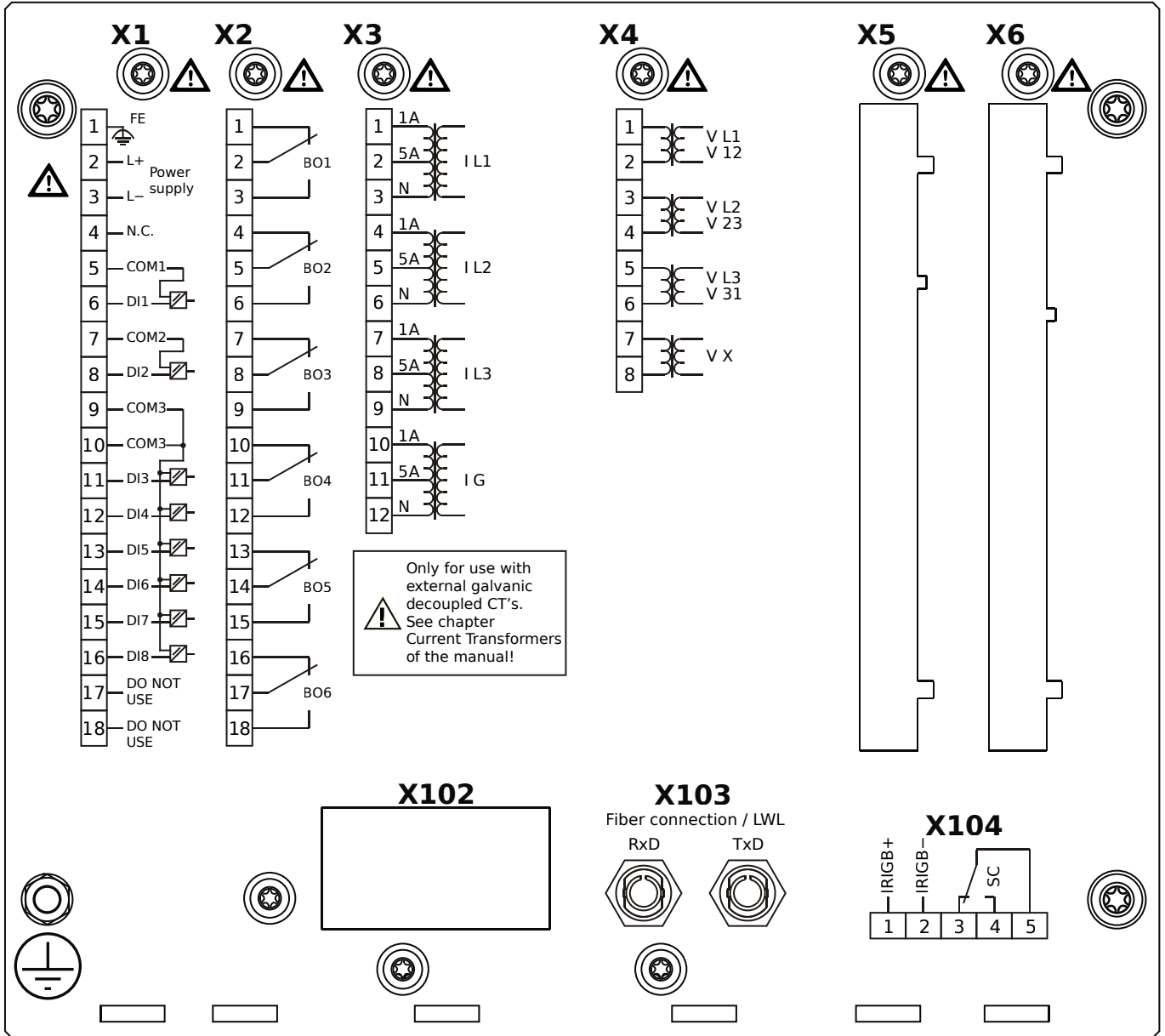
X3 – TI: Standard current measuring card

X4 – TU: Card with 4 voltage transformer measuring inputs

X103 – Profibus-DP, RS485, D-SUB

X104 – IRIG-B00X, incl. System Contact (Supervision Contact)

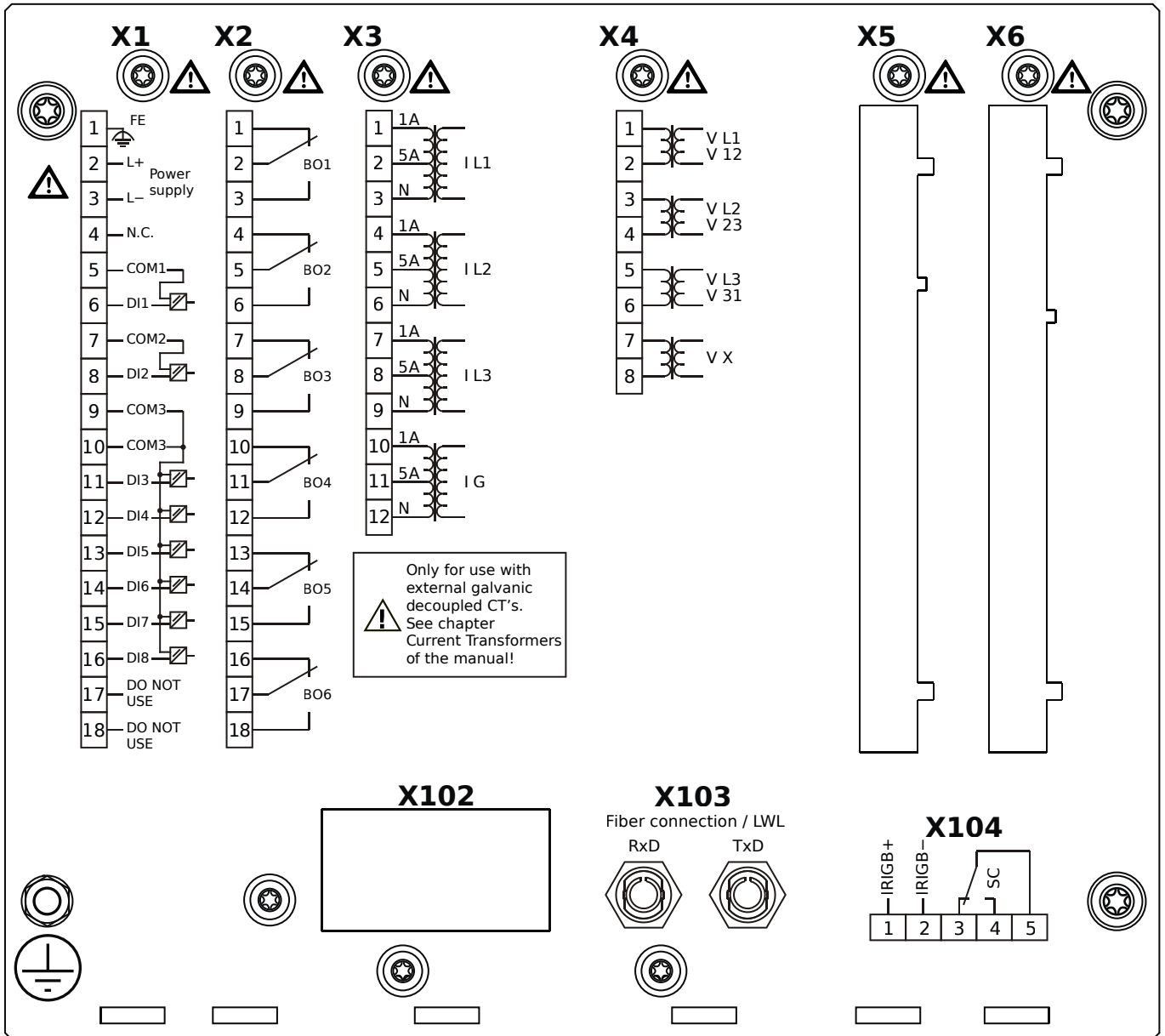
MRA4-2A0AFA



Housing B2, small display, door mounting

- X1** – DI8-X1: Wide-range power supply unit, incl. 2 non-grouped digital inputs and 6 grouped digital inputs
- X2** – OR6: Assembly Group with 6 Output Relays
- X3** – TI: Standard current measuring card
- X4** – TU: Card with 4 voltage transformer measuring inputs
- X103** – Modbus RTU / IEC 60870-5-103 / DNP3.0 RTU, Fiber optics interface, ST Connector
- X104** – IRIG-B00X, incl. System Contact (Supervision Contact)

MRA4-2A0AFB



Housing B2, small display, door mounting

+ Conformal Coating (for installations in harsh environment)

X1 – DI8-X1: Wide-range power supply unit, incl. 2 non-grouped digital inputs and 6 grouped digital inputs

X2 – OR6: Assembly Group with 6 Output Relays

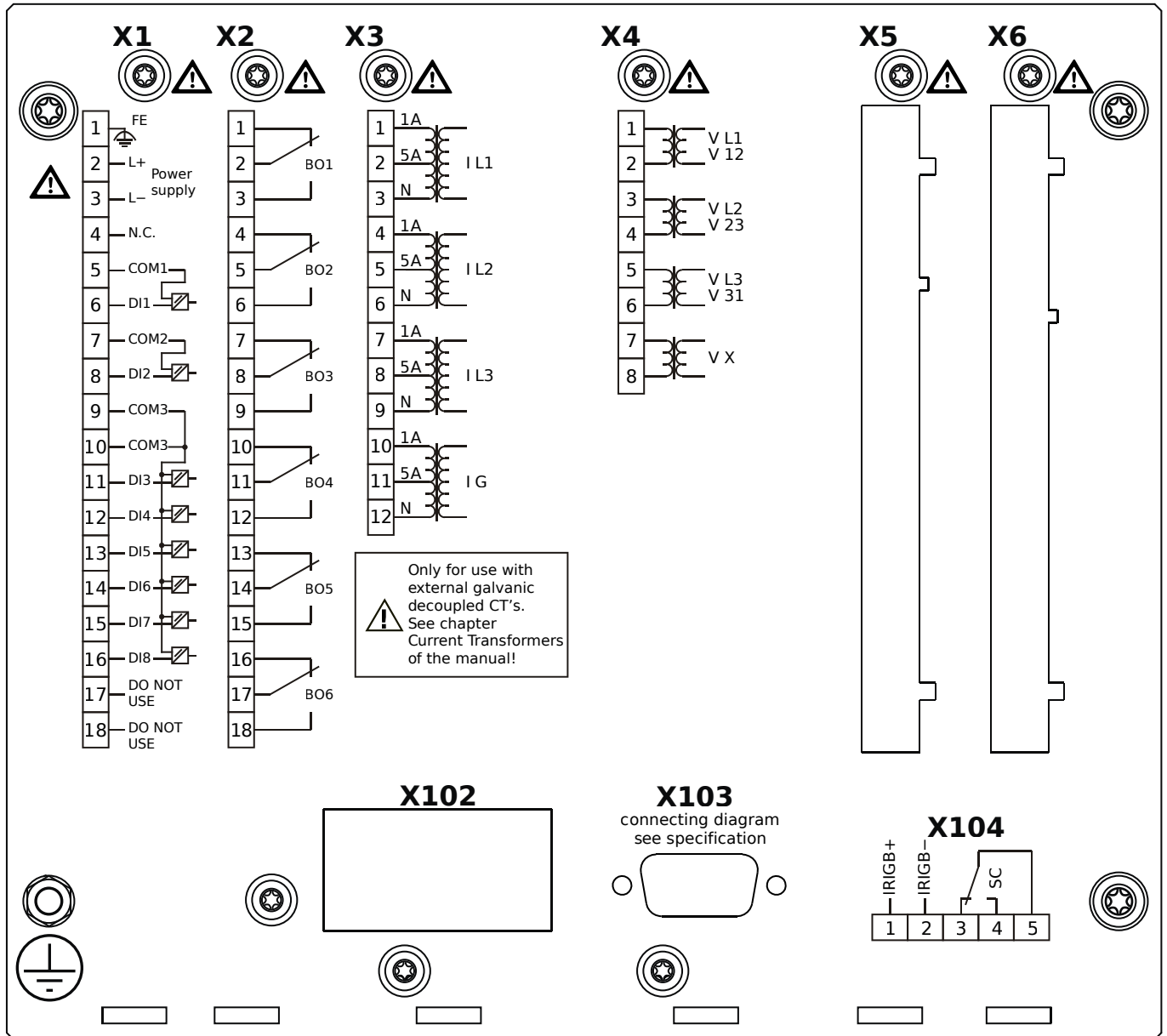
X3 – TI: Standard current measuring card

X4 – TU: Card with 4 voltage transformer measuring inputs

X103 – Modbus RTU / IEC 60870-5-103 / DNP3.0 RTU, Fiber optics interface, ST Connector

X104 – IRIG-B00X, incl. System Contact (Supervision Contact)

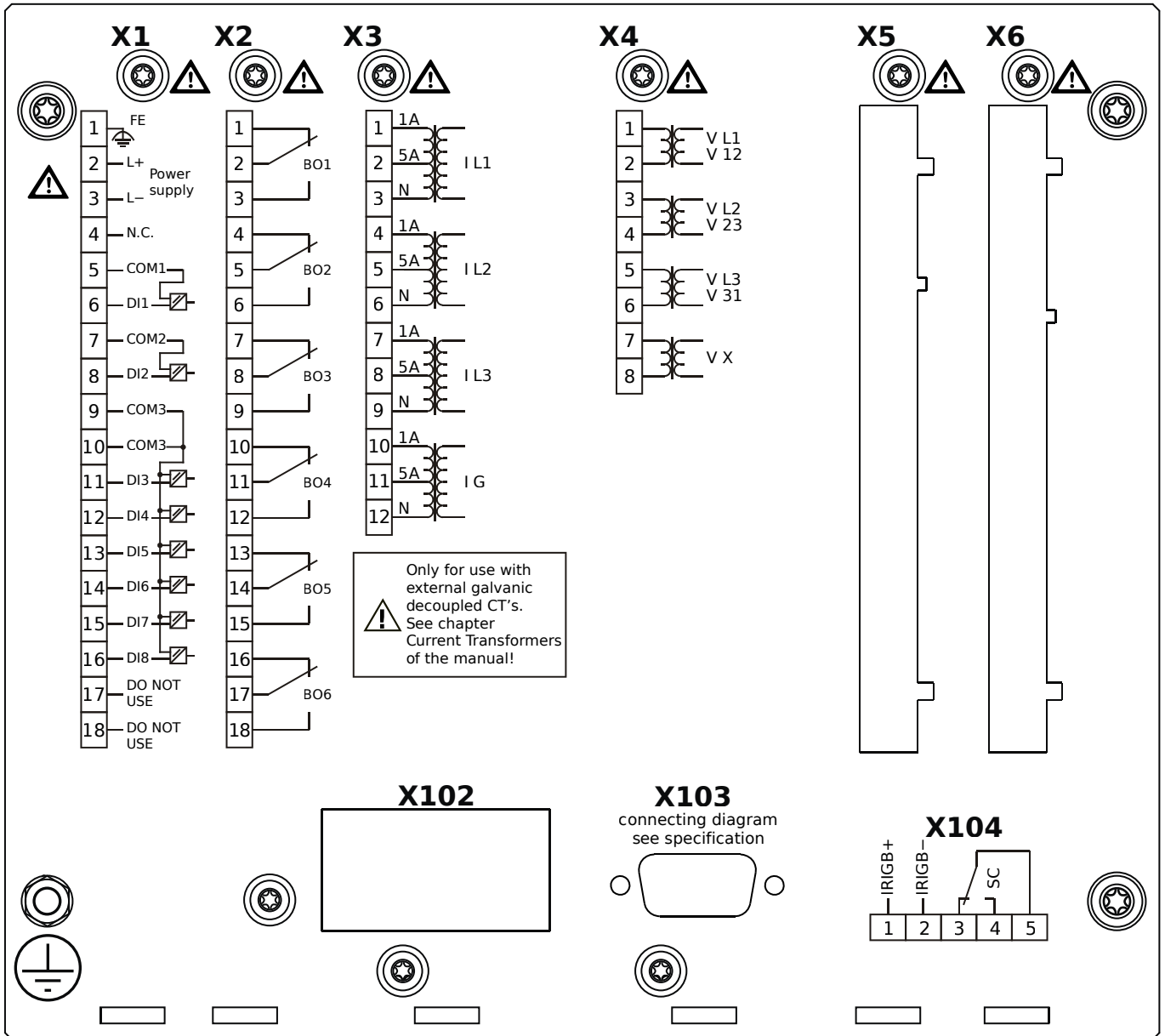
MRA4-2A0AGA



Housing B2, small display, door mounting

- X1** – DI8-X1: Wide-range power supply unit, incl. 2 non-grouped digital inputs and 6 grouped digital inputs
- X2** – OR6: Assembly Group with 6 Output Relays
- X3** – TI: Standard current measuring card
- X4** – TU: Card with 4 voltage transformer measuring inputs
- X103** – Modbus RTU / IEC 60870-5-103 / DNP3.0 RTU, RS485, D-SUB
- X104** – IRIG-B00X, incl. System Contact (Supervision Contact)

MRA4-2A0AGB



Housing B2, small display, door mounting

+ Conformal Coating (for installations in harsh environment)

X1 – DI8-X1: Wide-range power supply unit, incl. 2 non-grouped digital inputs and 6 grouped digital inputs

X2 – OR6: Assembly Group with 6 Output Relays

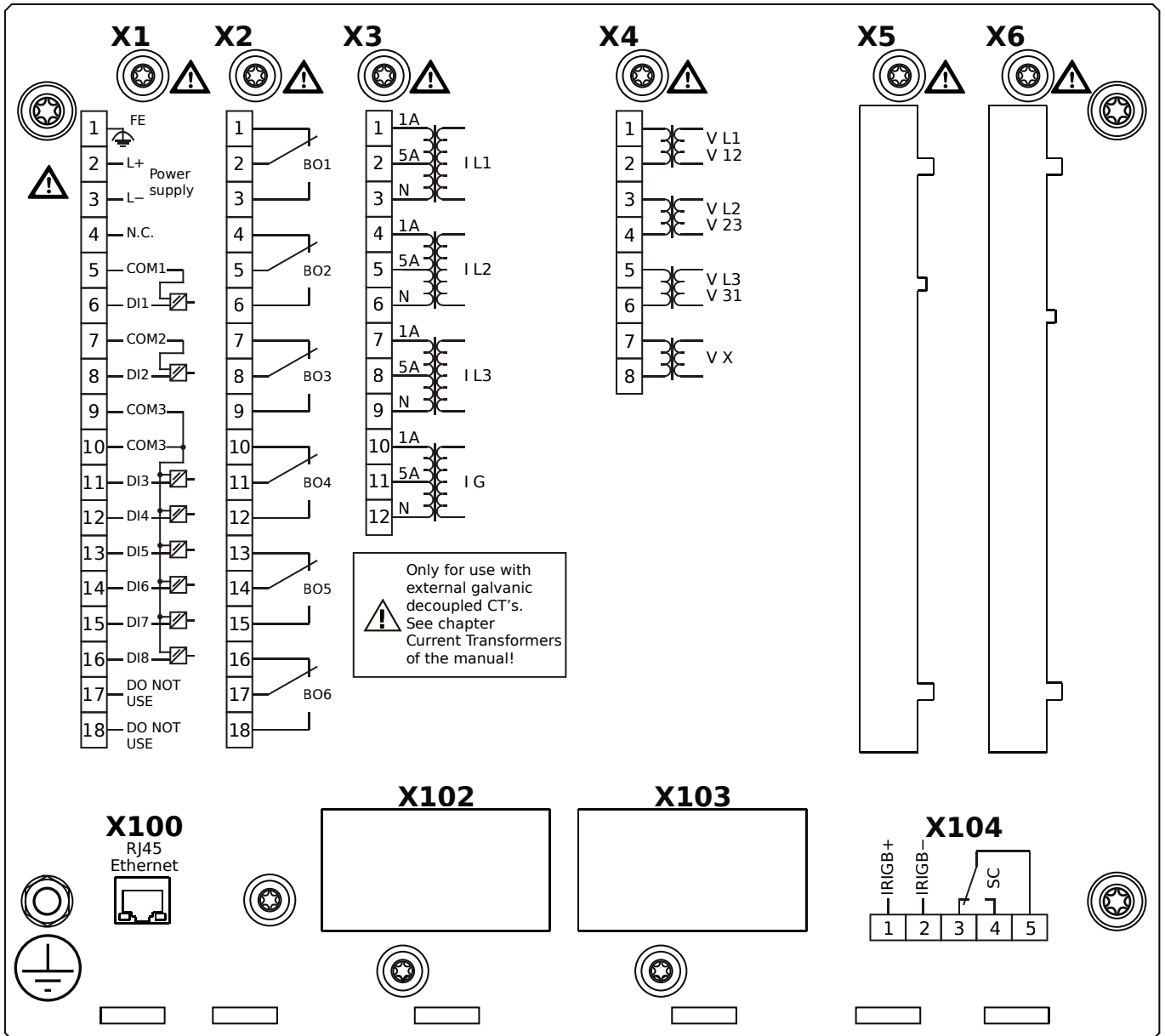
X3 – TI: Standard current measuring card

X4 – TU: Card with 4 voltage transformer measuring inputs

X103 – Modbus RTU / IEC 60870-5-103 / DNP3.0 RTU, RS485, D-SUB

X104 – IRIG-B00X, incl. System Contact (Supervision Contact)

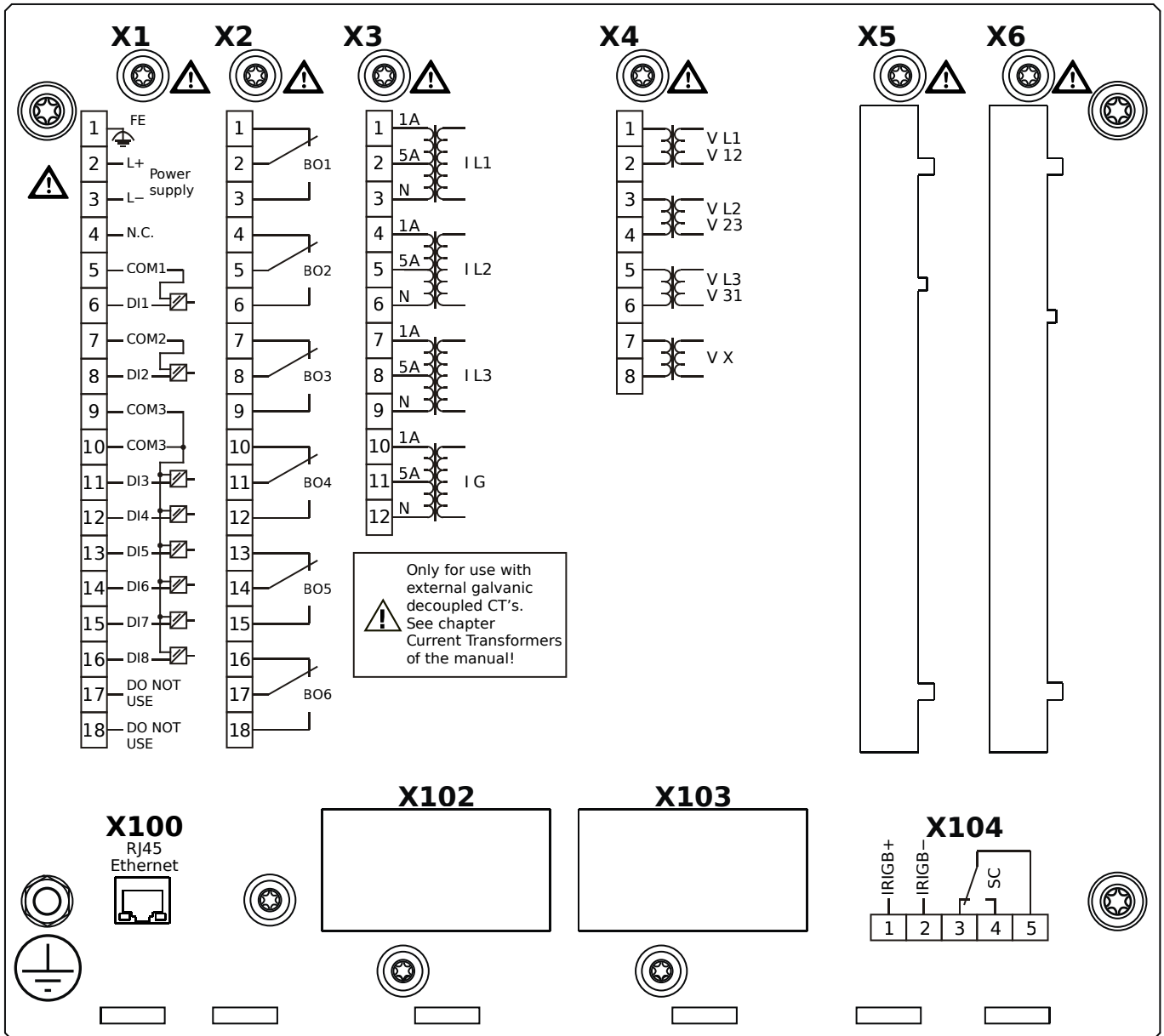
MRA4-2A0AHA



Housing B2, small display, door mounting

- X1** – DI8-X1: Wide-range power supply unit, incl. 2 non-grouped digital inputs and 6 grouped digital inputs
- X2** – OR6: Assembly Group with 6 Output Relays
- X3** – TI: Standard current measuring card
- X4** – TU: Card with 4 voltage transformer measuring inputs
- X100** – IEC 61850 / Modbus TCP / DNP3.0 TCP/UDP, Ethernet interface, 100 Mbit/s, RJ45 (BASE100-FX)
- X104** – IRIG-B00X, incl. System Contact (Supervision Contact)

MRA4-2A0AHB



Housing B2, small display, door mounting

+ Conformal Coating (for installations in harsh environment)

X1 – DI8-X1: Wide-range power supply unit, incl. 2 non-grouped digital inputs and 6 grouped digital inputs

X2 – OR6: Assembly Group with 6 Output Relays

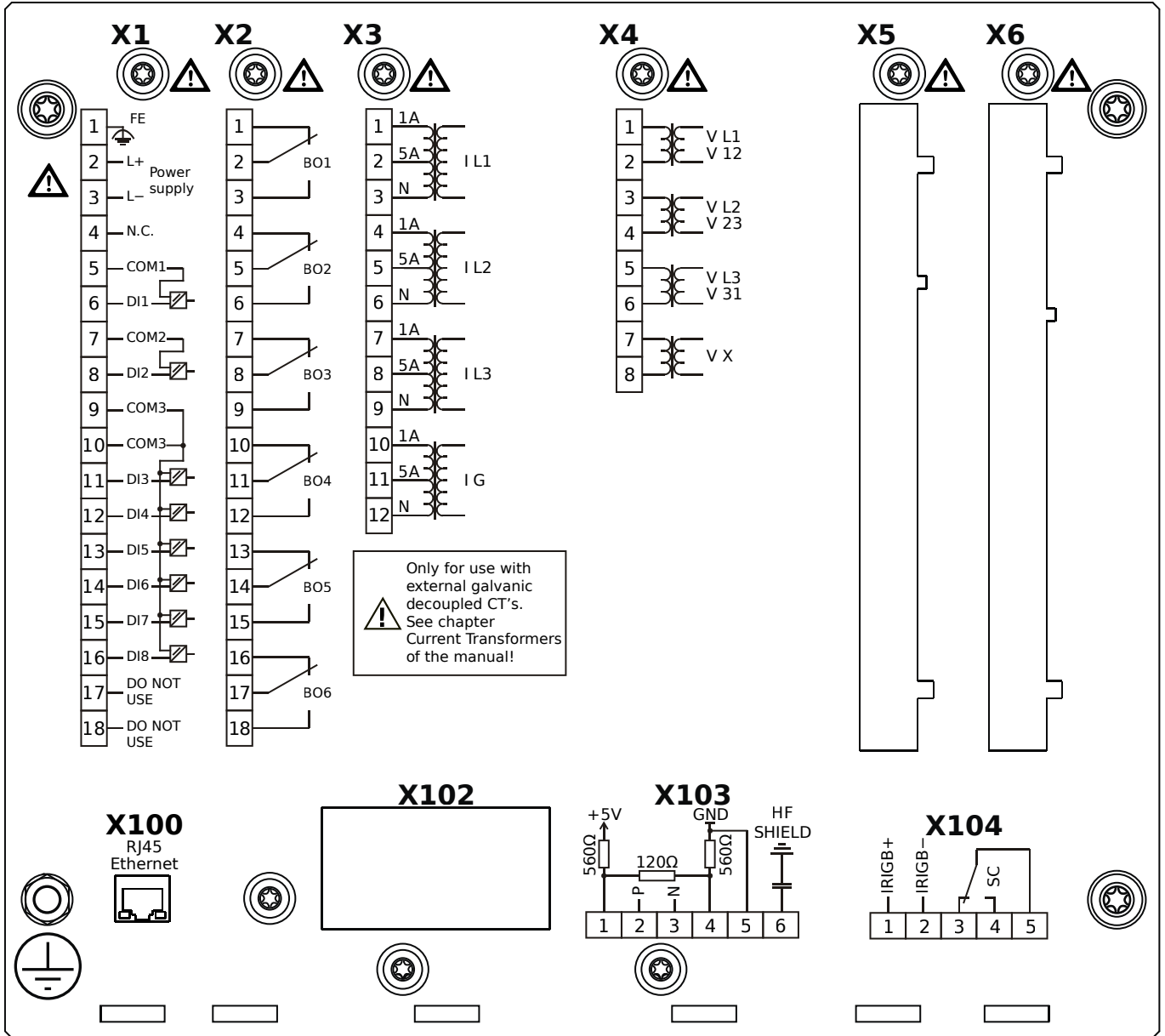
X3 – TI: Standard current measuring card

X4 – TU: Card with 4 voltage transformer measuring inputs

X100 – IEC 61850 / Modbus TCP / DNP3.0 TCP/UDP, Ethernet interface, 100 Mbit/s, RJ45 (BASE100-FX)

X104 – IRIG-B00X, incl. System Contact (Supervision Contact)

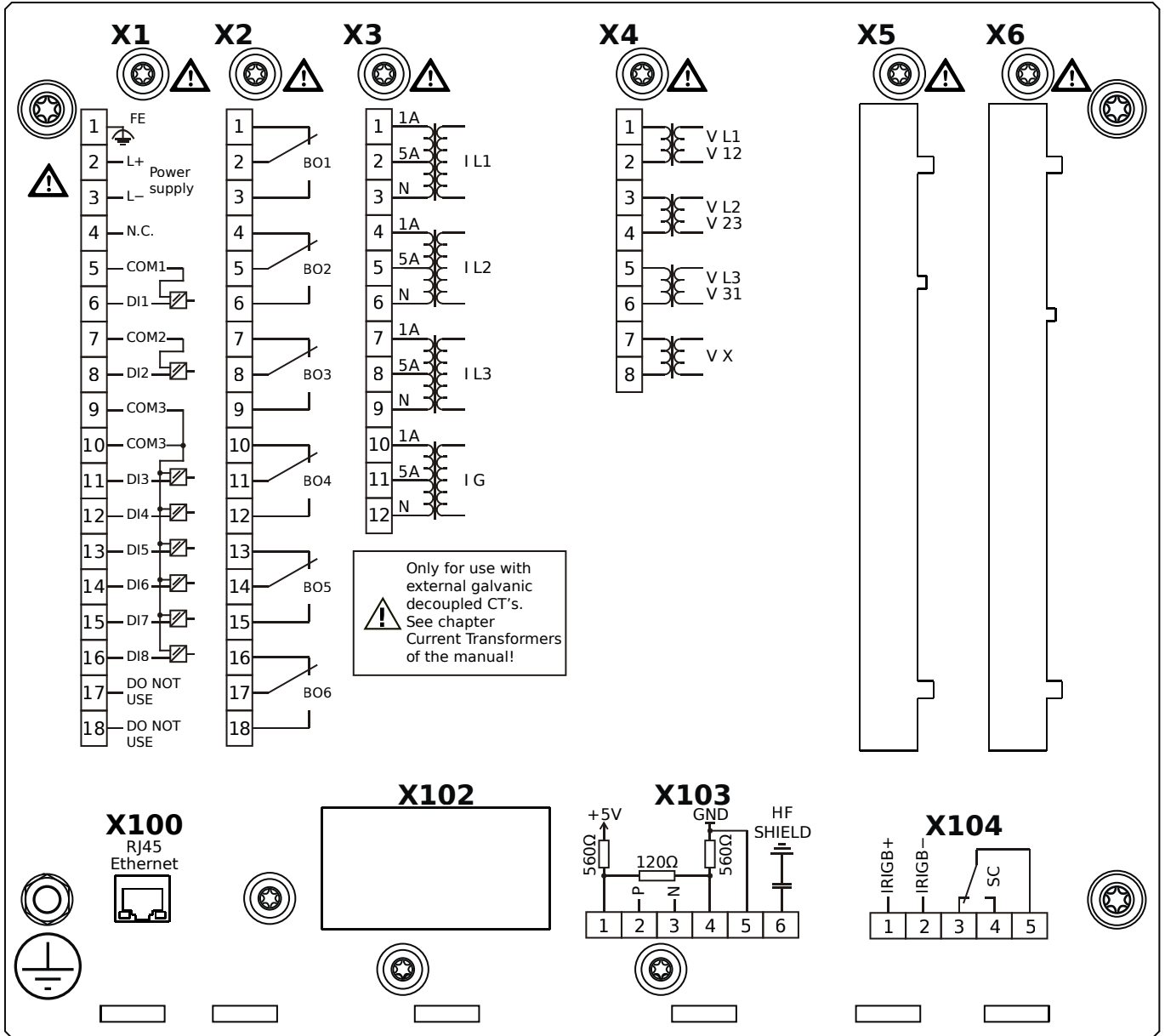
MRA4-2A0AIA



Housing B2, small display, door mounting

- X1** – DI8-X1: Wide-range power supply unit, incl. 2 non-grouped digital inputs and 6 grouped digital inputs
- X2** – OR6: Assembly Group with 6 Output Relays
- X3** – TI: Standard current measuring card
- X4** – TU: Card with 4 voltage transformer measuring inputs
- X100** – Modbus TCP / DNP3.0 TCP/UDP, Ethernet interface, 100 Mbit/s, RJ45 (BASE100-FX)
- X103** – IEC 60870-5-103 / Modbus RTU / DNP3.0 RTU, RS485, Terminals
- X104** – IRIG-B00X, incl. System Contact (Supervision Contact)

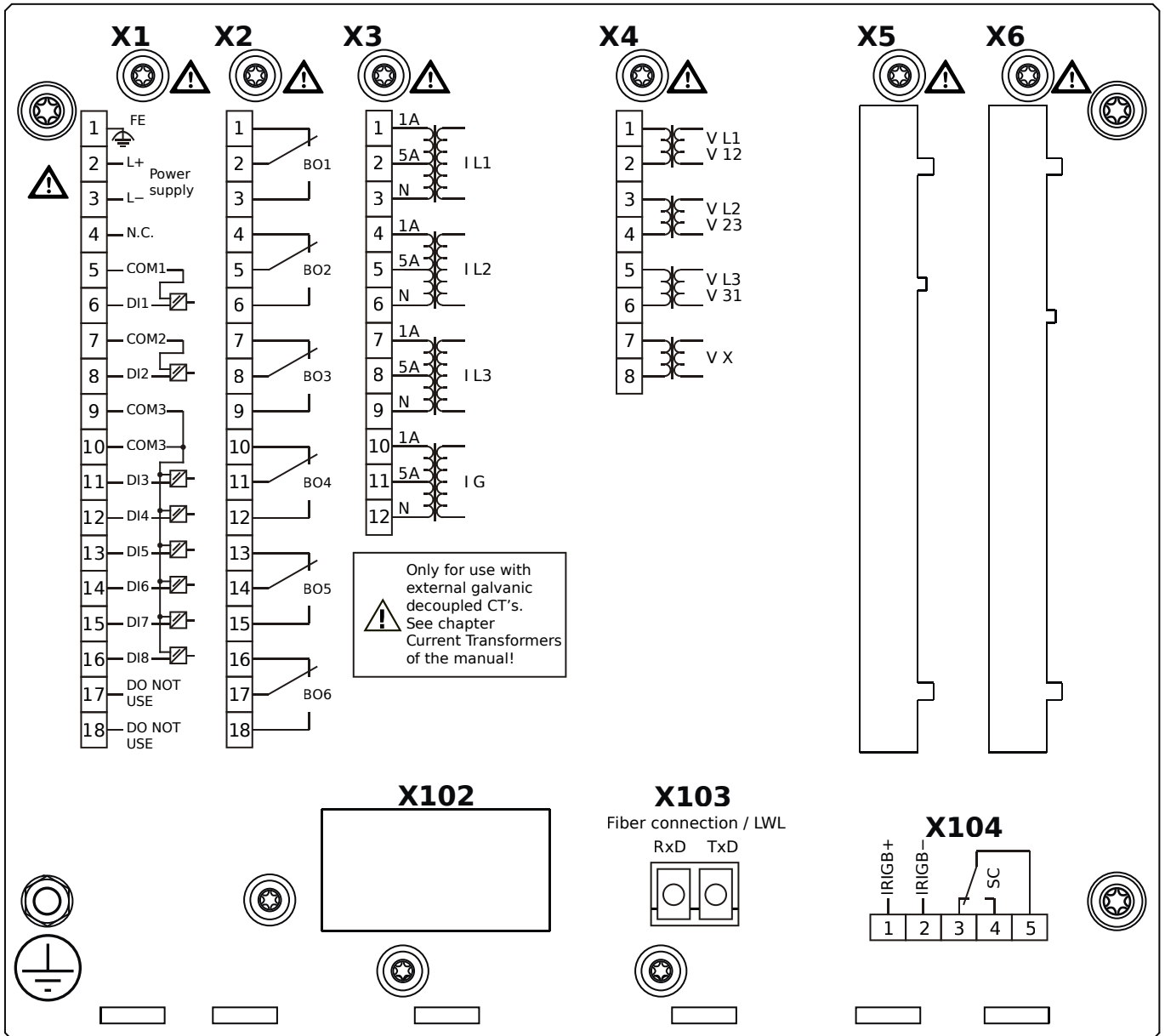
MRA4-2A0AIB



Housing B2, small display, door mounting

- + Conformal Coating (for installations in harsh environment)
- X1** – DI8-X1: Wide-range power supply unit, incl. 2 non-grouped digital inputs and 6 grouped digital inputs
- X2** – OR6: Assembly Group with 6 Output Relays
- X3** – TI: Standard current measuring card
- X4** – TU: Card with 4 voltage transformer measuring inputs
- X100** – Modbus TCP / DNP3.0 TCP/UDP, Ethernet interface, 100 Mbit/s, RJ45 (BASE100-FX)
- X103** – IEC 60870-5-103 / Modbus RTU / DNP3.0 RTU, RS485, Terminals
- X104** – IRIG-B00X, incl. System Contact (Supervision Contact)

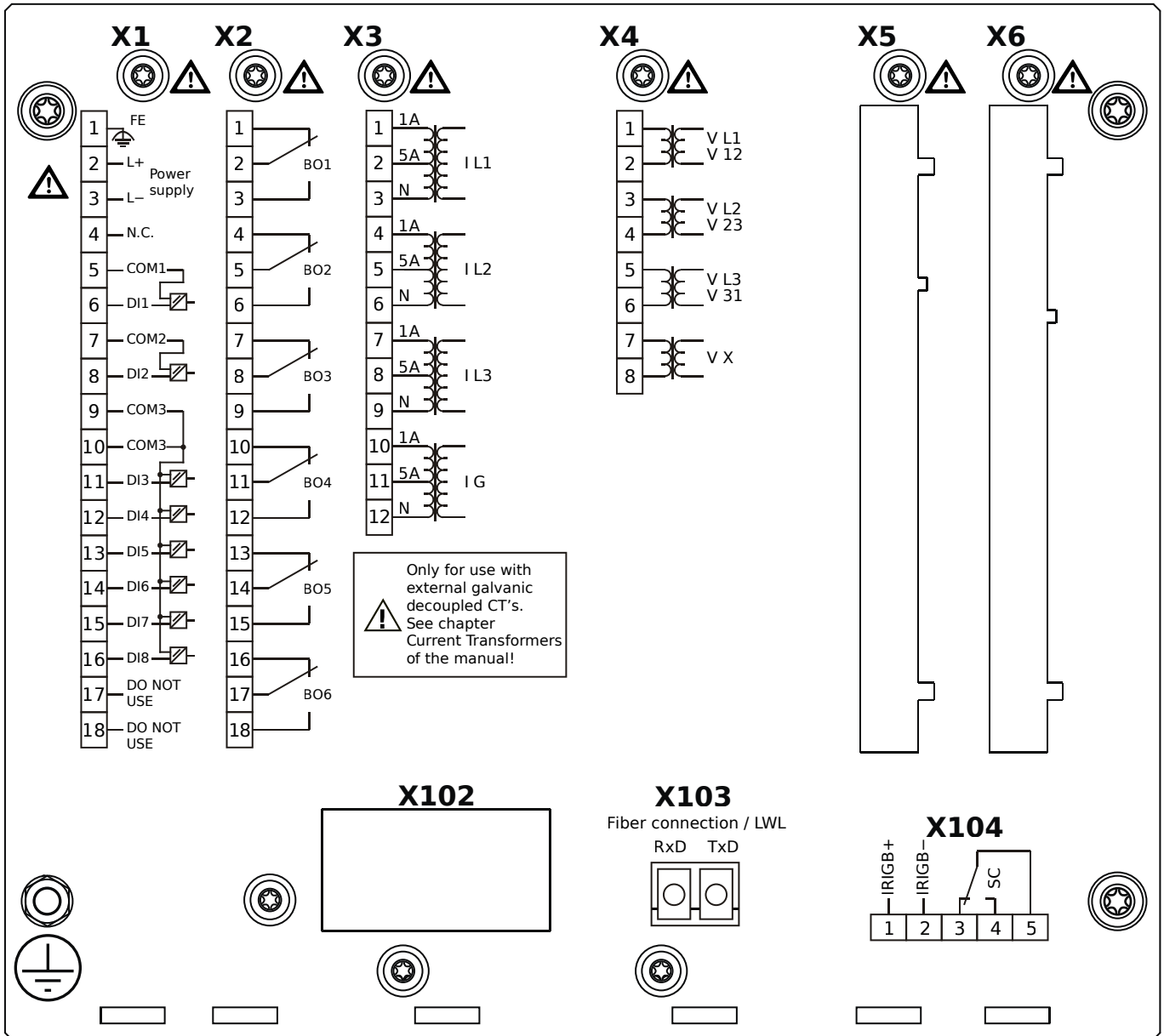
MRA4-2A0AKA



Housing B2, small display, door mounting

- X1** – DI8-X1: Wide-range power supply unit, incl. 2 non-grouped digital inputs and 6 grouped digital inputs
- X2** – OR6: Assembly Group with 6 Output Relays
- X3** – TI: Standard current measuring card
- X4** – TU: Card with 4 voltage transformer measuring inputs
- X103** – IEC 61850 / Modbus TCP / DNP3.0 TCP/UDP, Fiber optics interface, LC Connector
- X104** – IRIG-B00X, incl. System Contact (Supervision Contact)

MRA4-2A0AKB



Housing B2, small display, door mounting

+ Conformal Coating (for installations in harsh environment)

X1 – DI8-X1: Wide-range power supply unit, incl. 2 non-grouped digital inputs and 6 grouped digital inputs

X2 – OR6: Assembly Group with 6 Output Relays

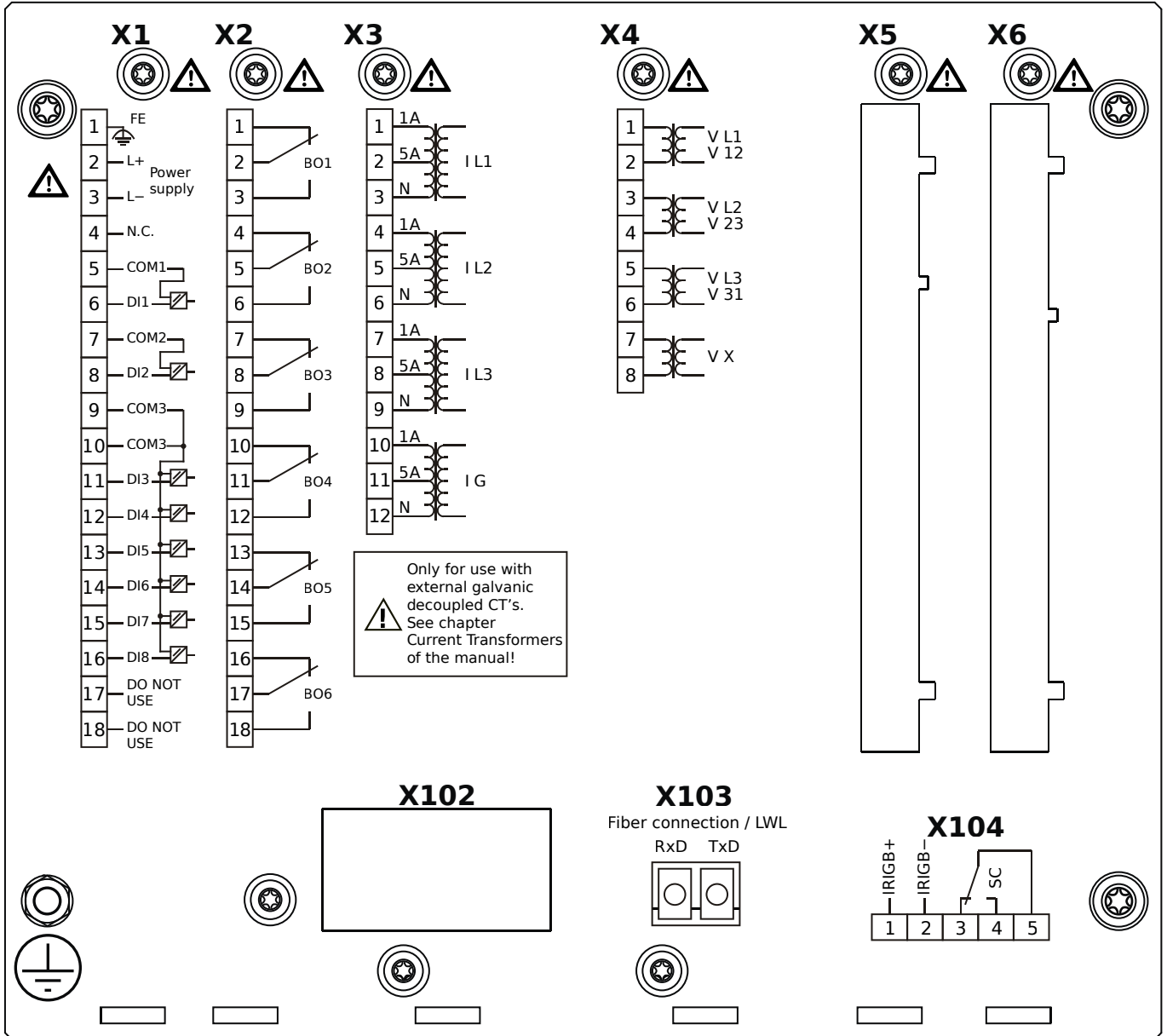
X3 – TI: Standard current measuring card

X4 – TU: Card with 4 voltage transformer measuring inputs

X103 – IEC 61850 / Modbus TCP / DNP3.0 TCP/UDP, Fiber optics interface, LC Connector

X104 – IRIG-B00X, incl. System Contact (Supervision Contact)

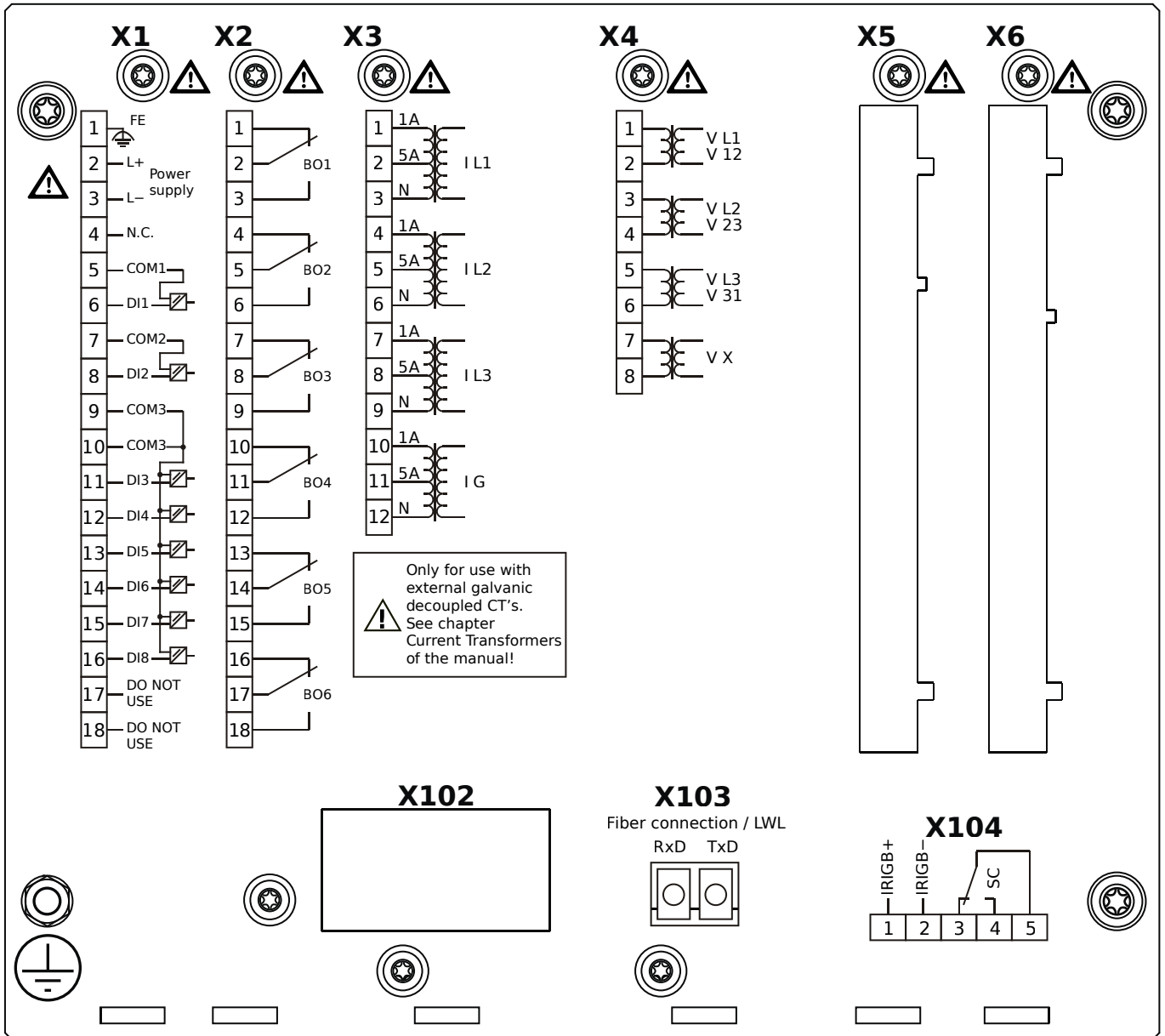
MRA4-2A0ALA



Housing B2, small display, door mounting

- X1** – DI8-X1: Wide-range power supply unit, incl. 2 non-grouped digital inputs and 6 grouped digital inputs
- X2** – OR6: Assembly Group with 6 Output Relays
- X3** – TI: Standard current measuring card
- X4** – TU: Card with 4 voltage transformer measuring inputs
- X103** – Modbus TCP / DNP3.0 TCP/UDP, Fiber optics interface, LC Connector
- X104** – IRIG-B00X, incl. System Contact (Supervision Contact)

MRA4-2A0ALB



Housing B2, small display, door mounting

+ Conformal Coating (for installations in harsh environment)

X1 – DI8-X1: Wide-range power supply unit, incl. 2 non-grouped digital inputs and 6 grouped digital inputs

X2 – OR6: Assembly Group with 6 Output Relays

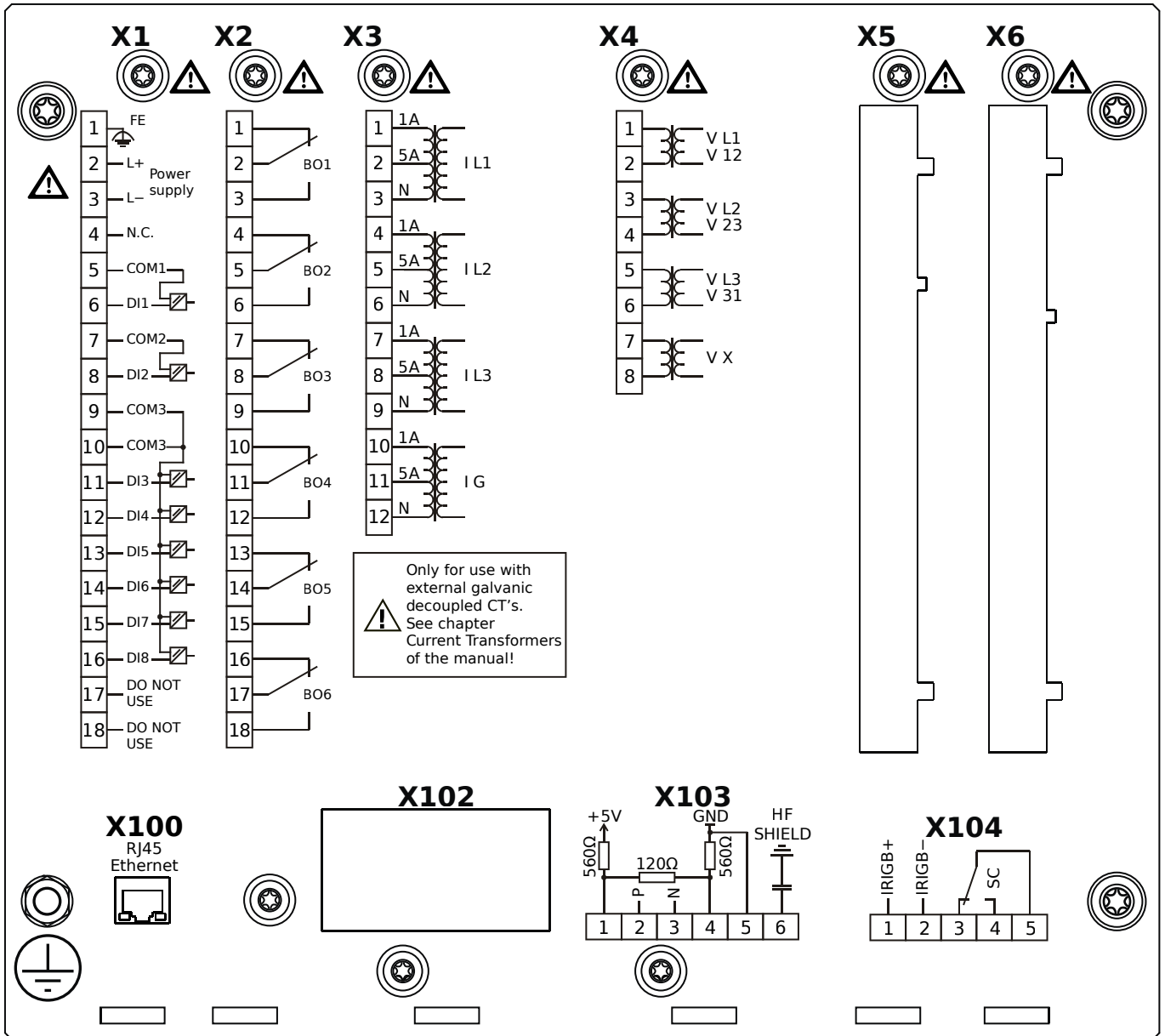
X3 – TI: Standard current measuring card

X4 – TU: Card with 4 voltage transformer measuring inputs

X103 – Modbus TCP / DNP3.0 TCP/UDP, Fiber optics interface, LC Connector

X104 – IRIG-B00X, incl. System Contact (Supervision Contact)

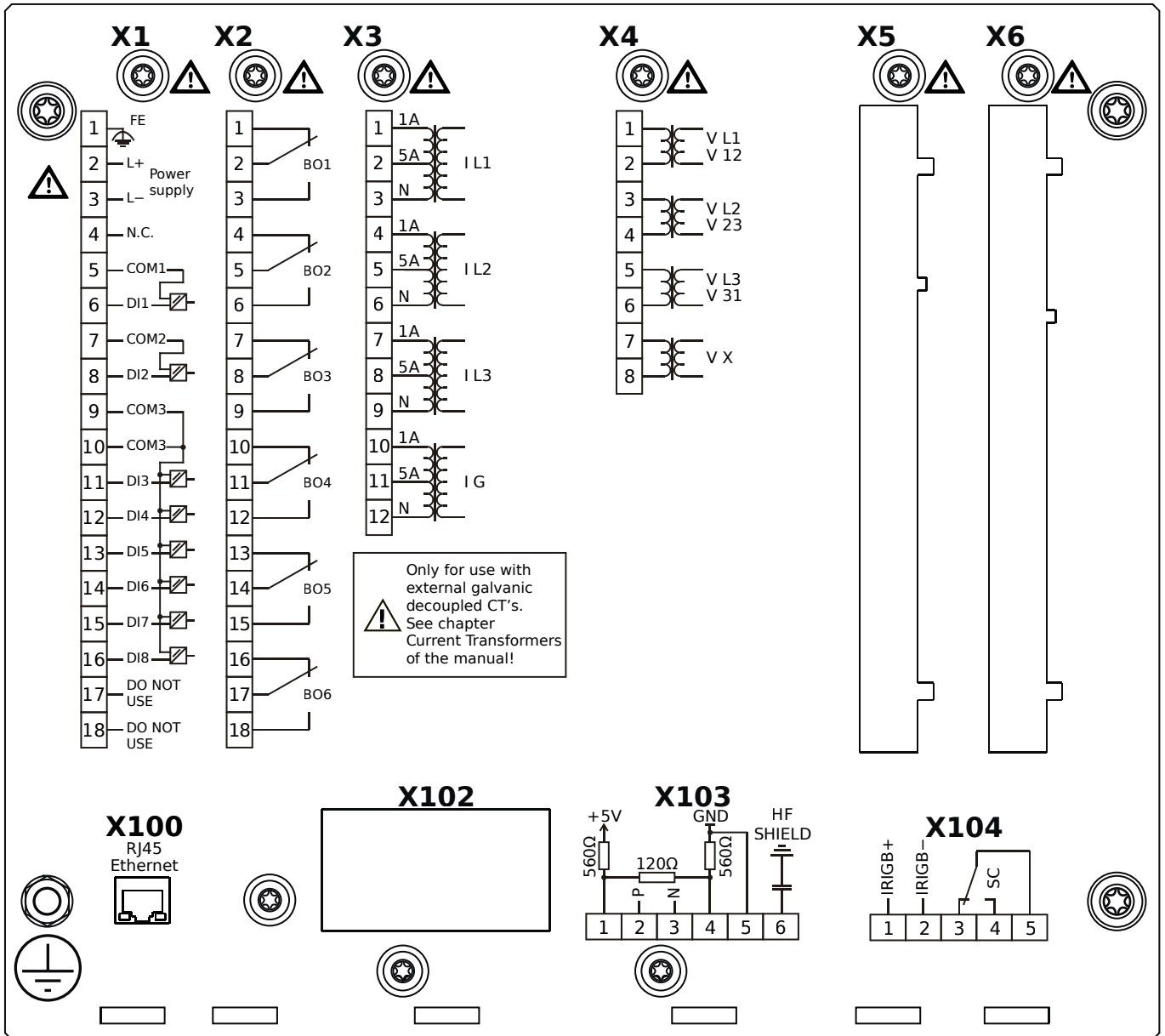
MRA4-2A0ATA



Housing B2, small display, door mounting

- X1** – DI8-X1: Wide-range power supply unit, incl. 2 non-grouped digital inputs and 6 grouped digital inputs
- X2** – OR6: Assembly Group with 6 Output Relays
- X3** – TI: Standard current measuring card
- X4** – TU: Card with 4 voltage transformer measuring inputs
- X100** – IEC 61850 / Modbus TCP / DNP3.0 TCP/UDP, Ethernet interface, 100 Mbit/s, RJ45 (BASE100-FX)
- X103** – IEC 60870-5-103 / Modbus RTU / DNP3.0 RTU, RS485, Terminals
- X104** – IRIG-B00X, incl. System Contact (Supervision Contact)

MRA4-2A0ATB



Housing B2, small display, door mounting

+ Conformal Coating (for installations in harsh environment)

X1 – DI8-X1: Wide-range power supply unit, incl. 2 non-grouped digital inputs and 6 grouped digital inputs

X2 – OR6: Assembly Group with 6 Output Relays

X3 – TI: Standard current measuring card

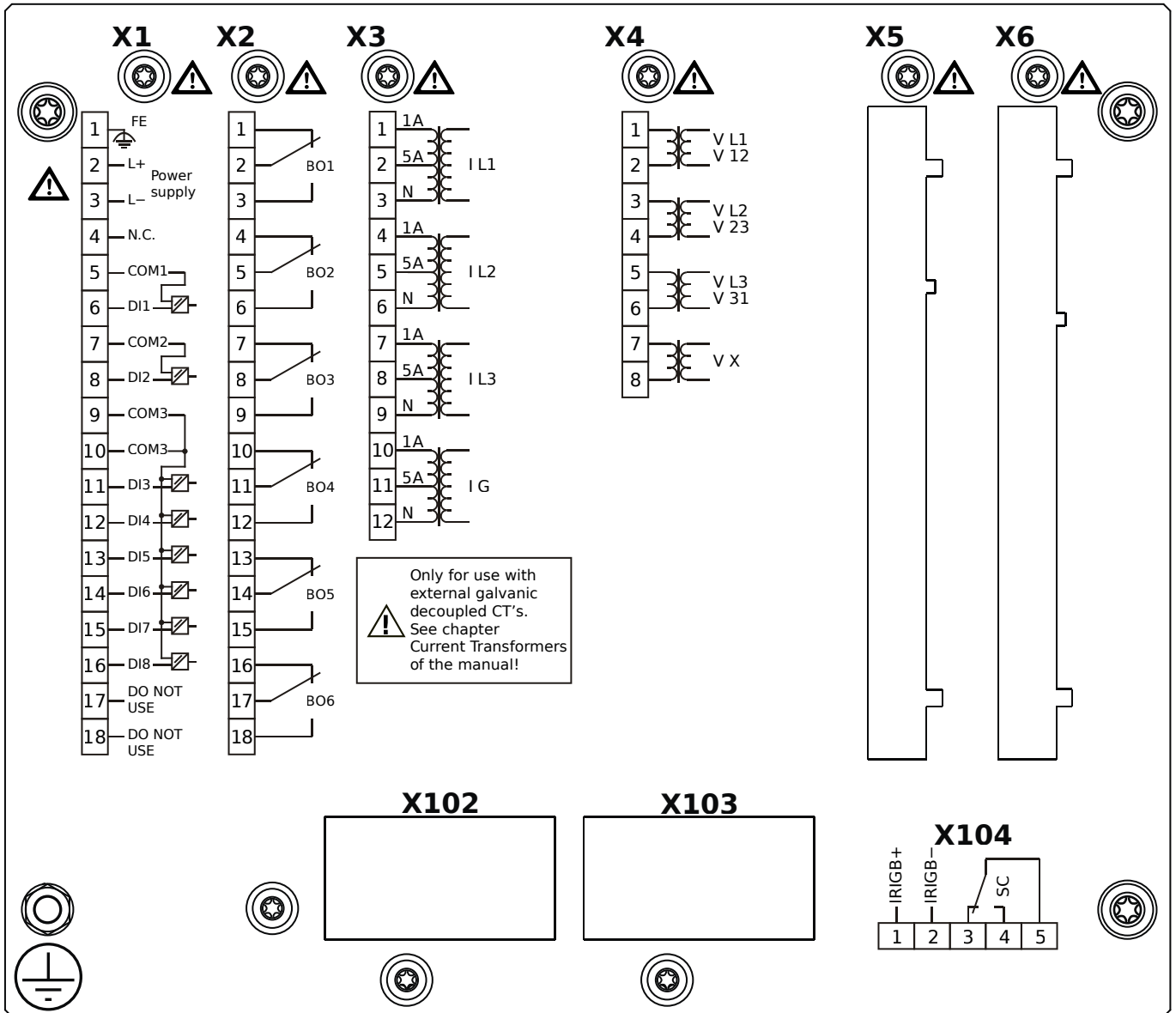
X4 – TU: Card with 4 voltage transformer measuring inputs

X100 – IEC 61850 / Modbus TCP / DNP3.0 TCP/UDP, Ethernet interface, 100 Mbit/s, RJ45 (BASE100-FX)

X103 – IEC 60870-5-103 / Modbus RTU / DNP3.0 RTU, RS485, Terminals

X104 – IRIG-B00X, incl. System Contact (Supervision Contact)

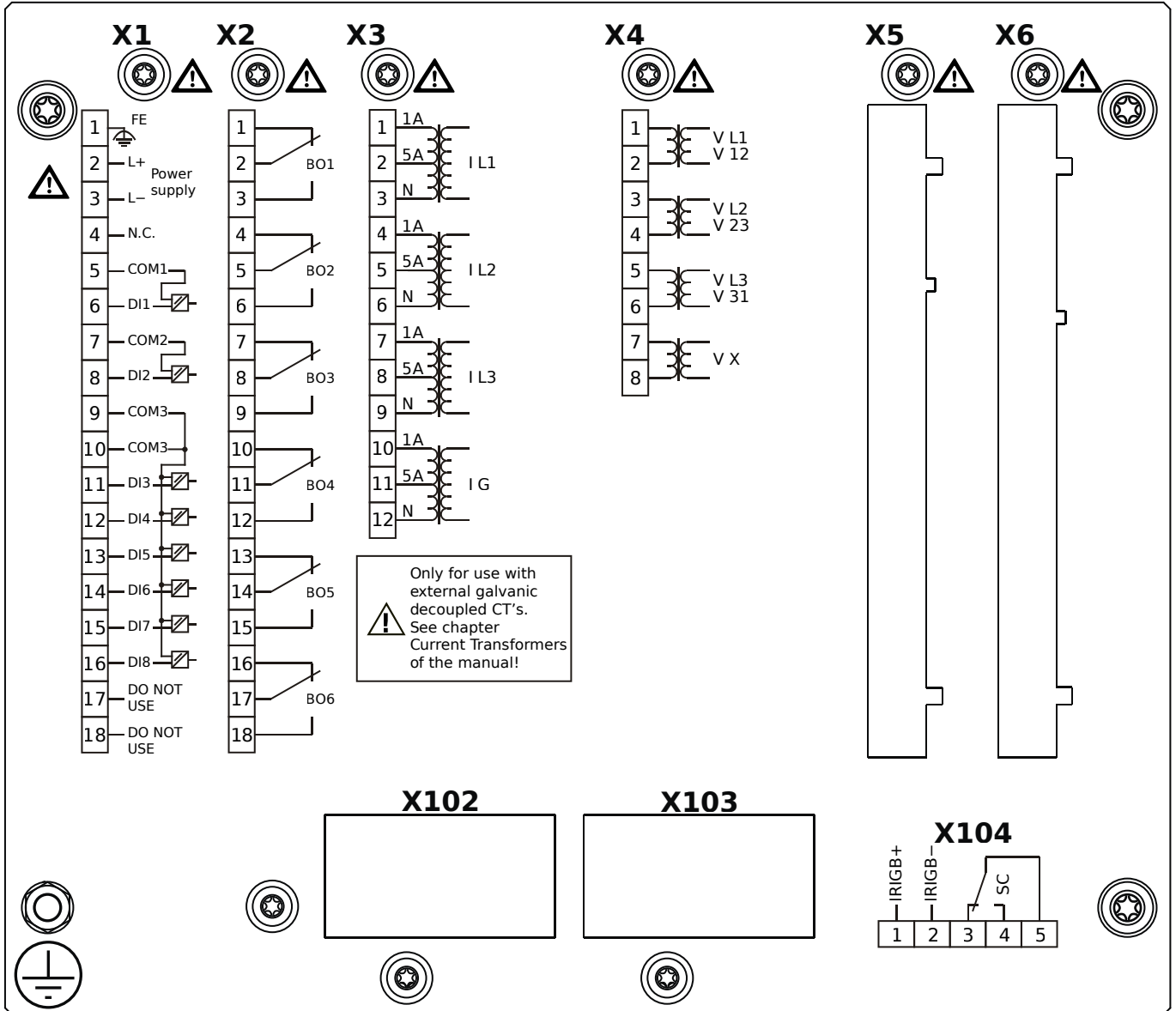
MRA4-2A0BAA



Housing B2, small display, 19" rack mounting

- X1** – DI8-X1: Wide-range power supply unit, incl. 2 non-grouped digital inputs and 6 grouped digital inputs
- X2** – OR6: Assembly Group with 6 Output Relays
- X3** – TI: Standard current measuring card
- X4** – TU: Card with 4 voltage transformer measuring inputs
- X104** – IRIG-B00X, incl. System Contact (Supervision Contact)

MRA4-2A0BAB



Housing B2, small display, 19" rack mounting

+ Conformal Coating (for installations in harsh environment)

X1 – DI8-X1: Wide-range power supply unit, incl. 2 non-grouped digital inputs and 6 grouped digital inputs

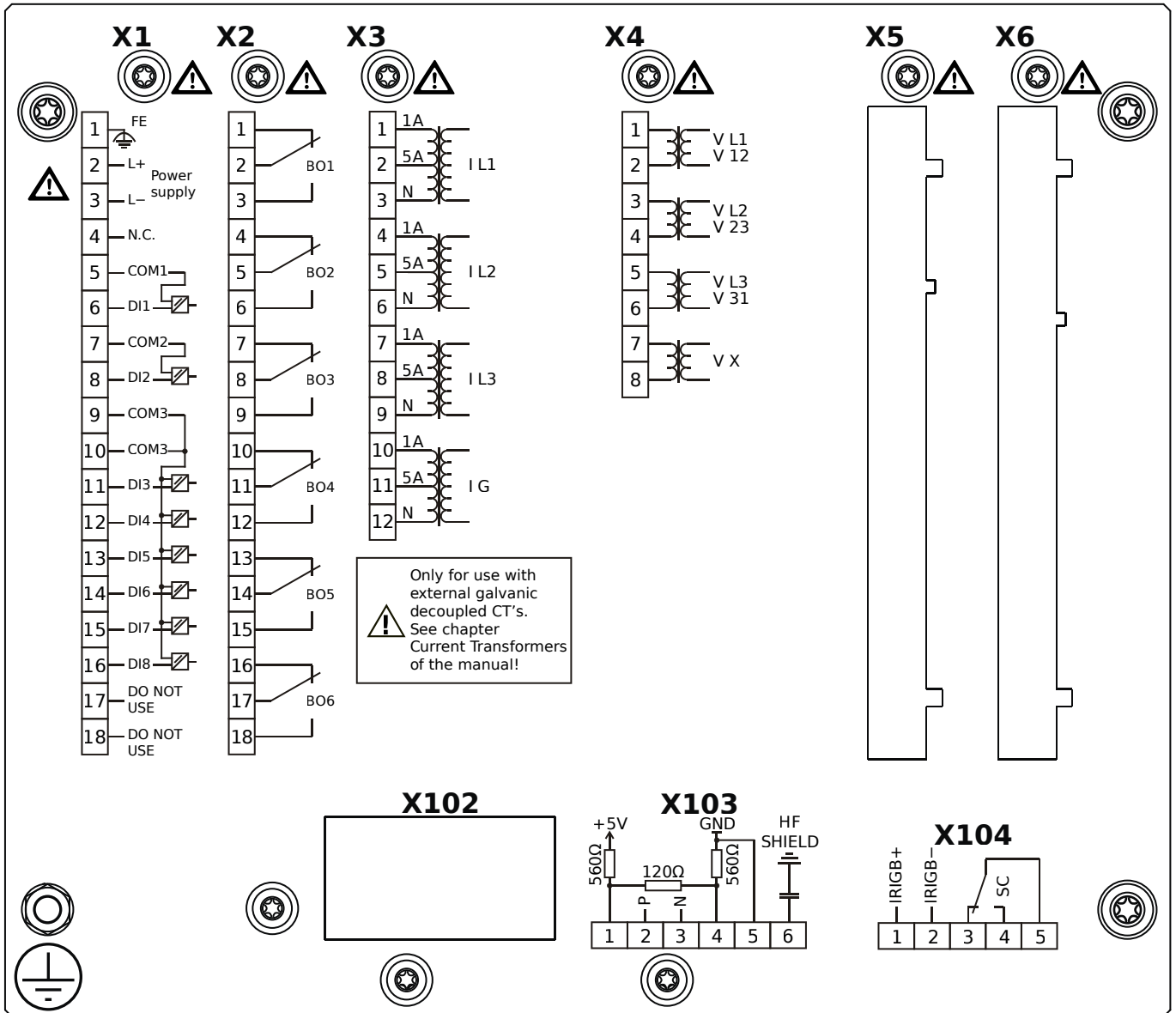
X2 – OR6: Assembly Group with 6 Output Relays

X3 – TI: Standard current measuring card

X4 – TU: Card with 4 voltage transformer measuring inputs

X104 – IRIG-B00X, incl. System Contact (Supervision Contact)

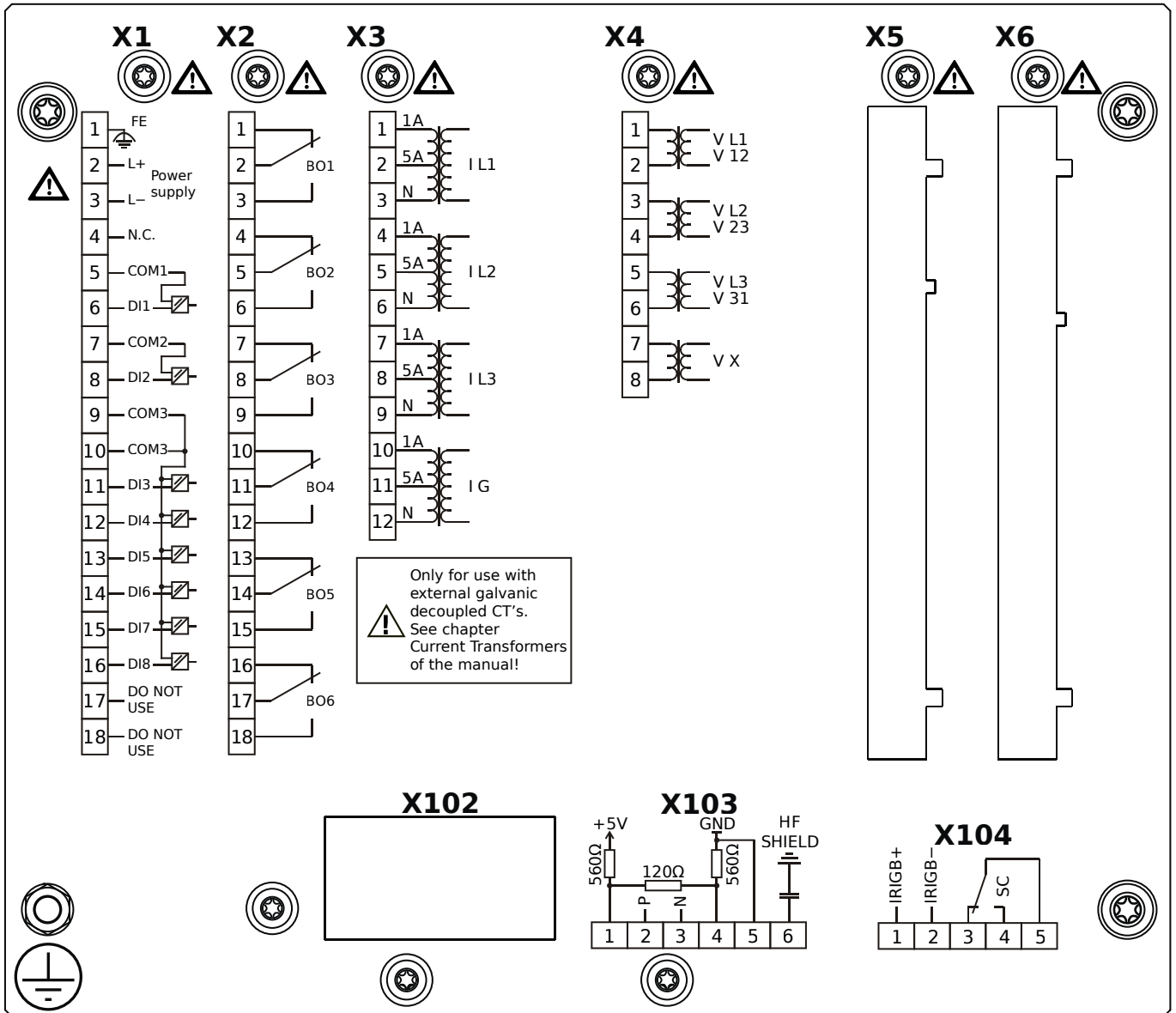
MRA4-2A0BBA



Housing B2, small display, 19" rack mounting

- X1** – DI8-X1: Wide-range power supply unit, incl. 2 non-grouped digital inputs and 6 grouped digital inputs
- X2** – OR6: Assembly Group with 6 Output Relays
- X3** – TI: Standard current measuring card
- X4** – TU: Card with 4 voltage transformer measuring inputs
- X103** – Modbus RTU / IEC 60870-5-103 / DNP3.0 RTU, RS485, Terminals
- X104** – IRIG-B00X, incl. System Contact (Supervision Contact)

MRA4-2A0BBB



Housing B2, small display, 19" rack mounting

+ Conformal Coating (for installations in harsh environment)

X1 – DI8-X1: Wide-range power supply unit, incl. 2 non-grouped digital inputs and 6 grouped digital inputs

X2 – OR6: Assembly Group with 6 Output Relays

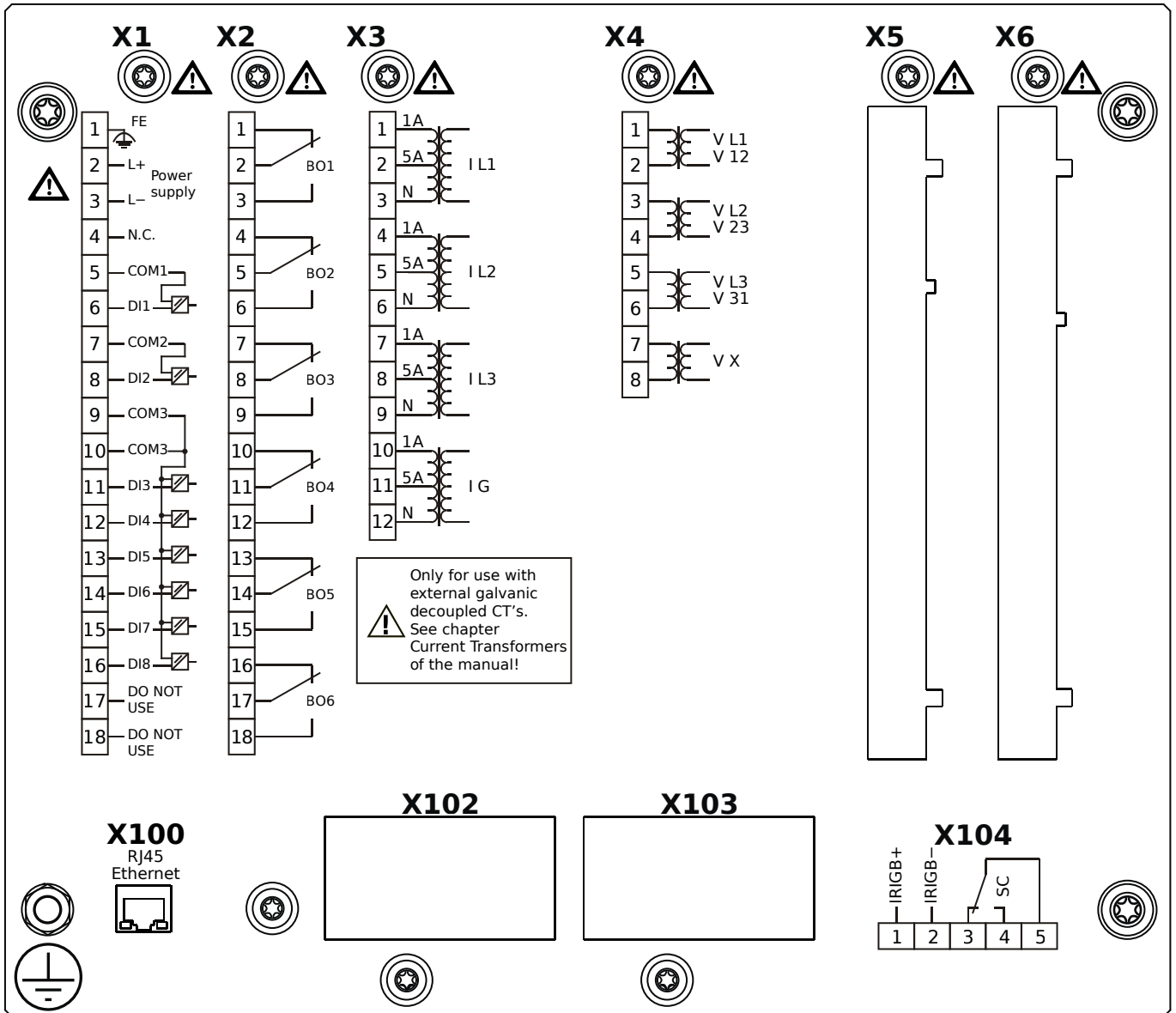
X3 – TI: Standard current measuring card

X4 – TU: Card with 4 voltage transformer measuring inputs

X103 – Modbus RTU / IEC 60870-5-103 / DNP3.0 RTU, RS485, Terminals

X104 – IRIG-B00X, incl. System Contact (Supervision Contact)

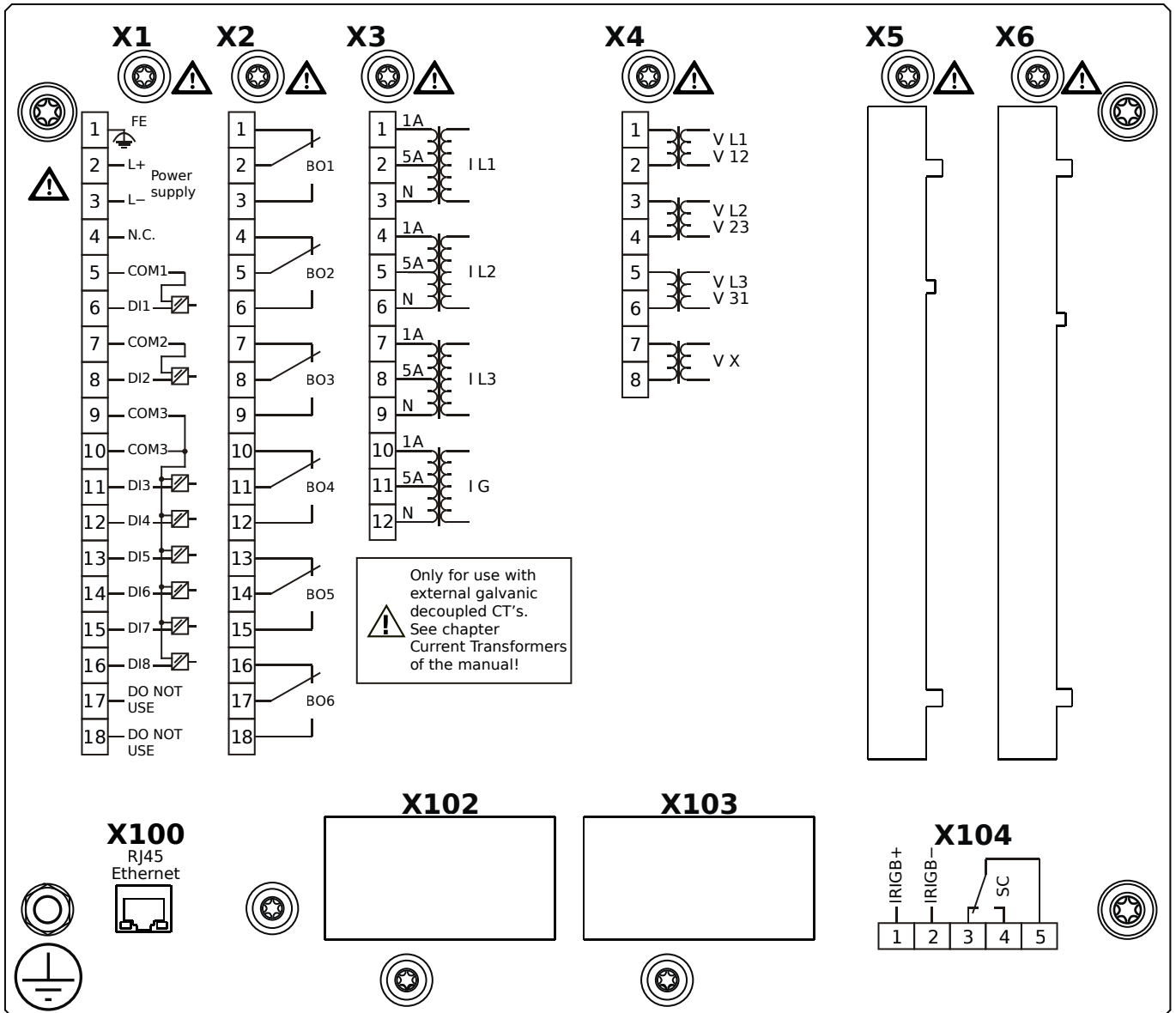
MRA4-2A0BCA



Housing B2, small display, 19" rack mounting

- X1** – DI8-X1: Wide-range power supply unit, incl. 2 non-grouped digital inputs and 6 grouped digital inputs
- X2** – OR6: Assembly Group with 6 Output Relays
- X3** – TI: Standard current measuring card
- X4** – TU: Card with 4 voltage transformer measuring inputs
- X100** – Modbus TCP / DNP3.0 TCP/UDP, Ethernet interface, 100 Mbit/s, RJ45 (BASE100-FX)
- X104** – IRIG-B00X, incl. System Contact (Supervision Contact)

MRA4-2A0BCB



Housing B2, small display, 19" rack mounting

+ Conformal Coating (for installations in harsh environment)

X1 – DI8-X1: Wide-range power supply unit, incl. 2 non-grouped digital inputs and 6 grouped digital inputs

X2 – OR6: Assembly Group with 6 Output Relays

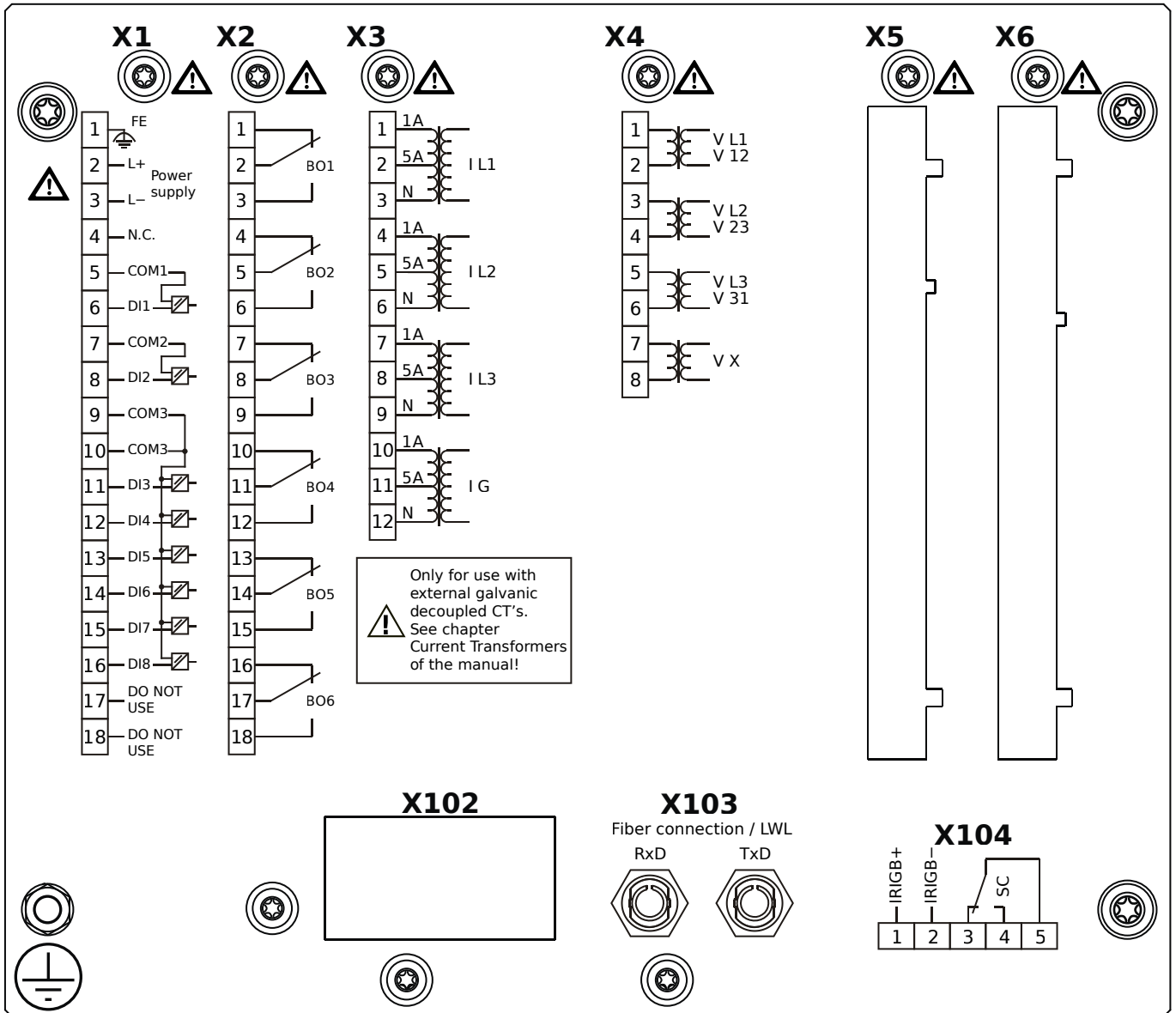
X3 – TI: Standard current measuring card

X4 – TU: Card with 4 voltage transformer measuring inputs

X100 – Modbus TCP / DNP3.0 TCP/UDP, Ethernet interface, 100 Mbit/s, RJ45 (BASE100-FX)

X104 – IRIG-B00X, incl. System Contact (Supervision Contact)

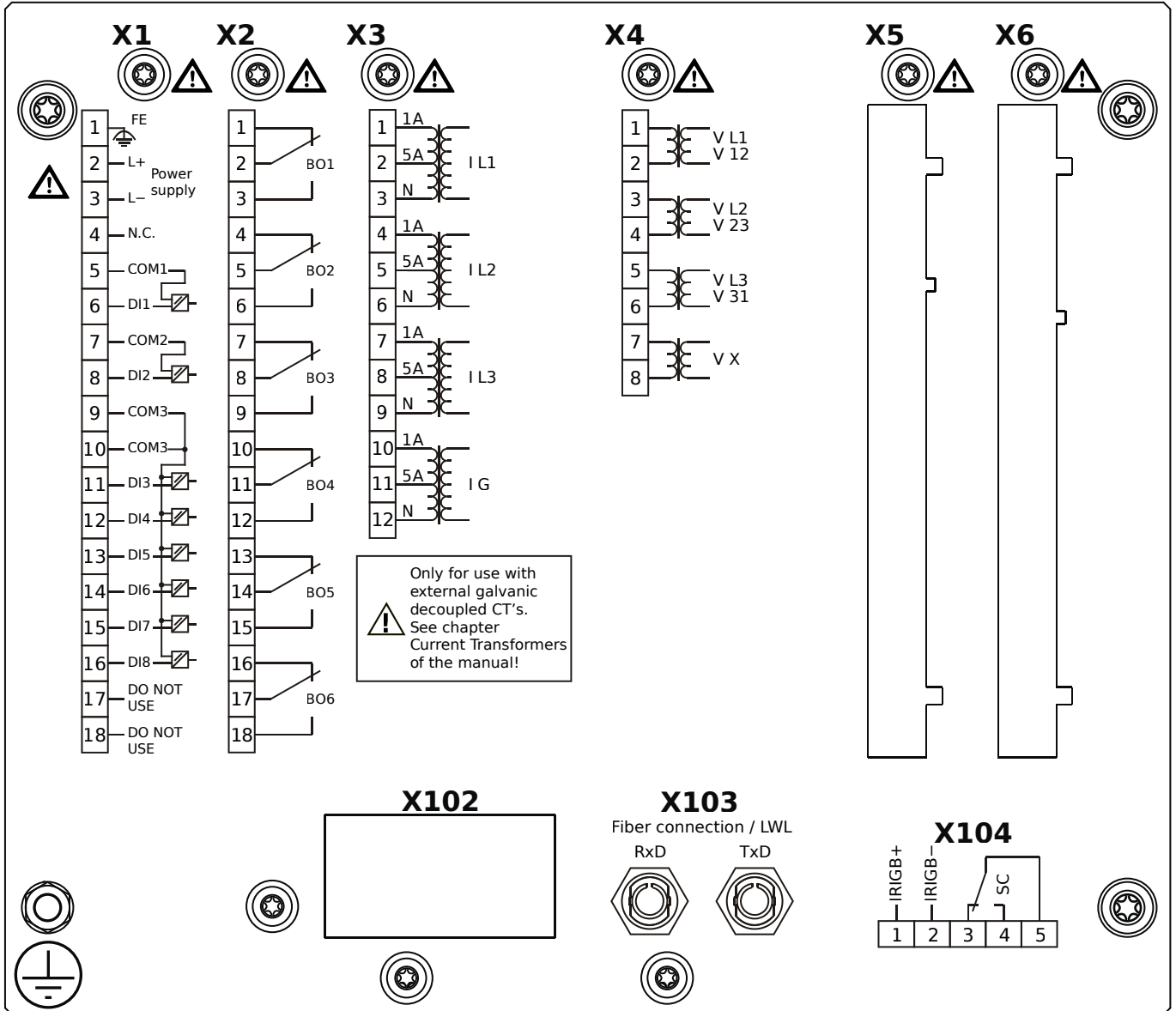
MRA4-2A0BDA



Housing B2, small display, 19" rack mounting

- X1** – DI8-X1: Wide-range power supply unit, incl. 2 non-grouped digital inputs and 6 grouped digital inputs
- X2** – OR6: Assembly Group with 6 Output Relays
- X3** – TI: Standard current measuring card
- X4** – TU: Card with 4 voltage transformer measuring inputs
- X103** – Profibus-DP, Fiber optics interface, ST Connector
- X104** – IRIG-B00X, incl. System Contact (Supervision Contact)

MRA4-2A0BDB



Housing B2, small display, 19" rack mounting

+ Conformal Coating (for installations in harsh environment)

X1 – DI8-X1: Wide-range power supply unit, incl. 2 non-grouped digital inputs and 6 grouped digital inputs

X2 – OR6: Assembly Group with 6 Output Relays

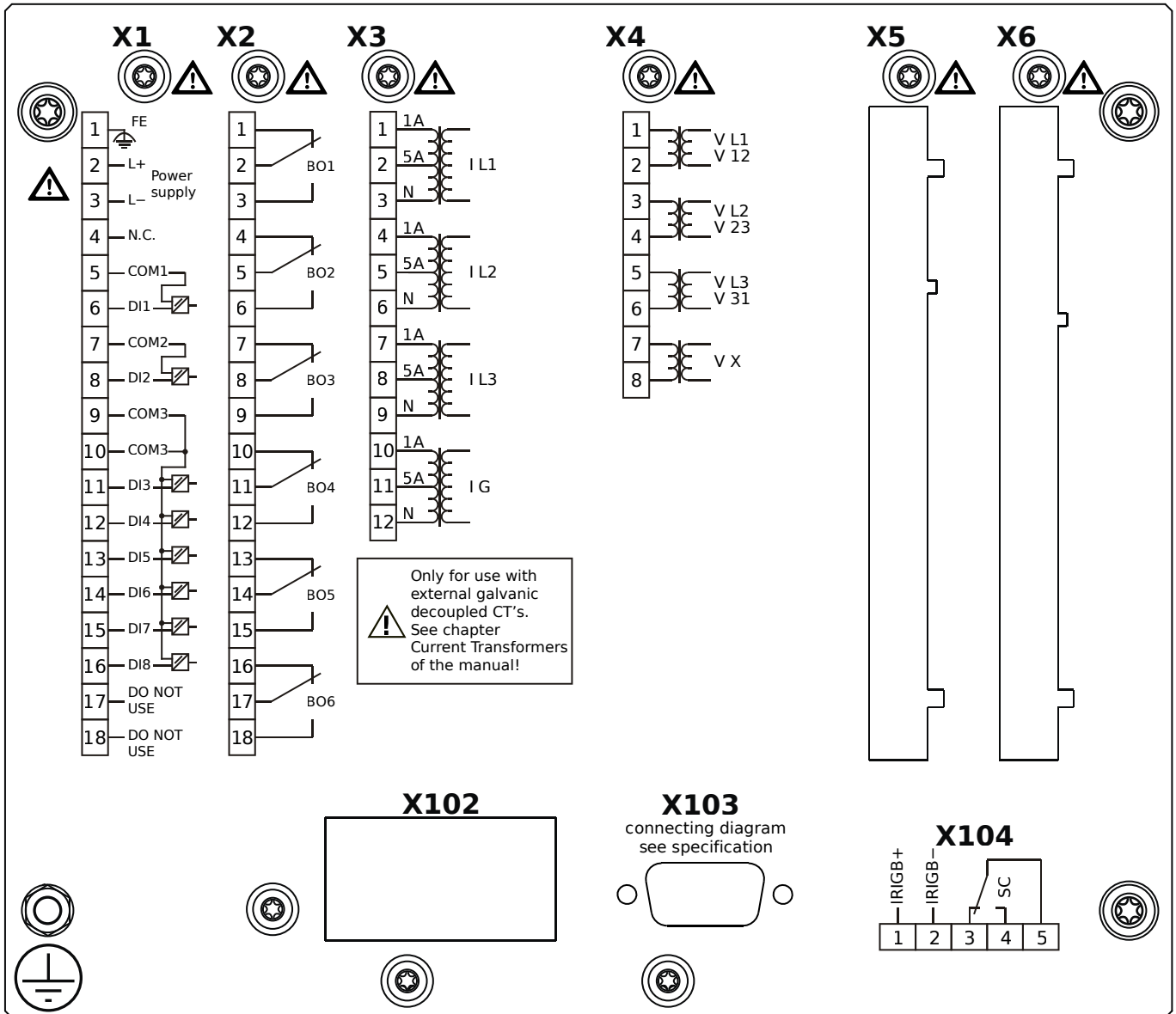
X3 – TI: Standard current measuring card

X4 – TU: Card with 4 voltage transformer measuring inputs

X103 – Profibus-DP, Fiber optics interface, ST Connector

X104 – IRIG-B00X, incl. System Contact (Supervision Contact)

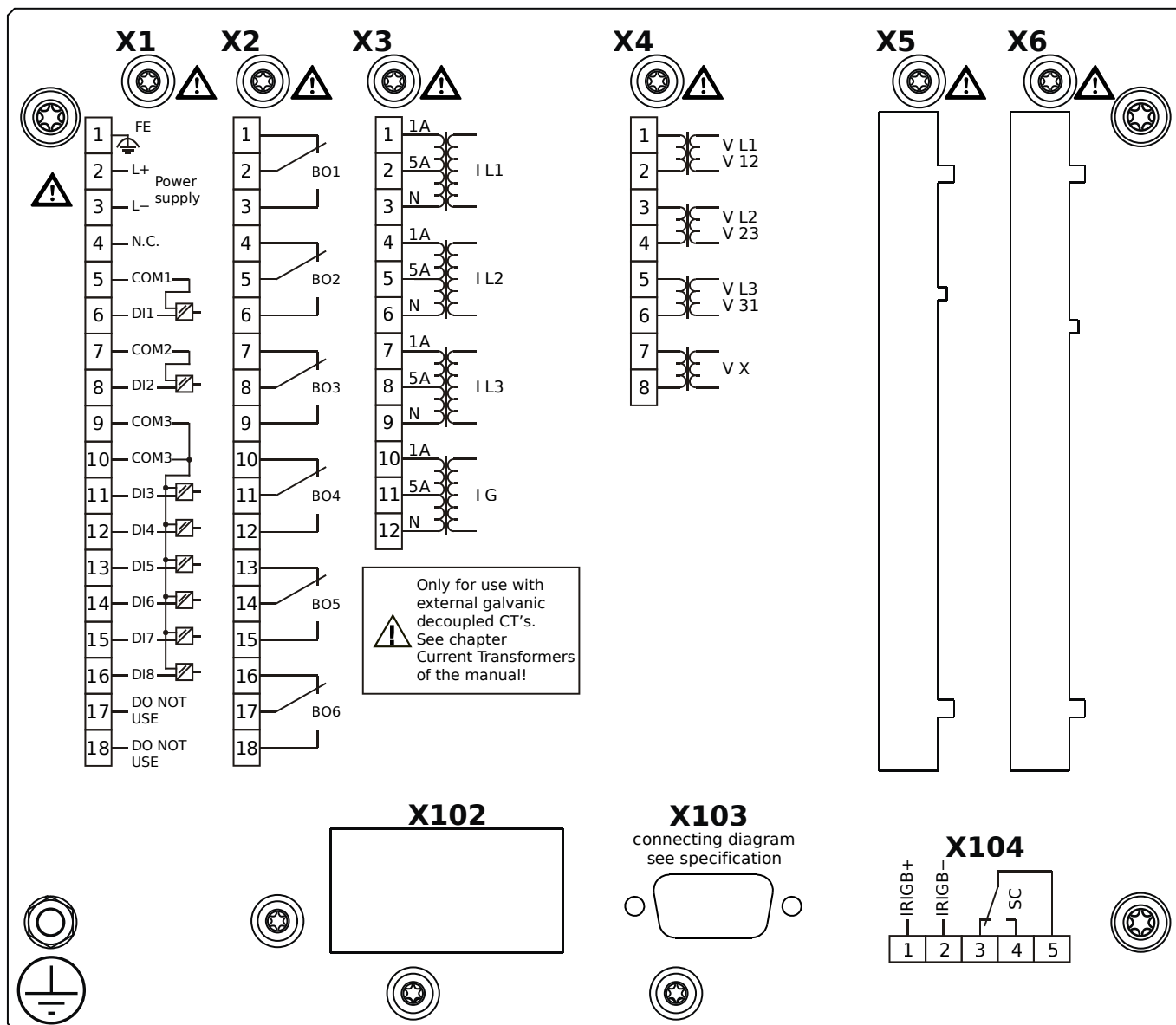
MRA4-2A0BEA



Housing B2, small display, 19" rack mounting

- X1** – DI8-X1: Wide-range power supply unit, incl. 2 non-grouped digital inputs and 6 grouped digital inputs
- X2** – OR6: Assembly Group with 6 Output Relays
- X3** – TI: Standard current measuring card
- X4** – TU: Card with 4 voltage transformer measuring inputs
- X103** – Profibus-DP, RS485, D-SUB
- X104** – IRIG-B00X, incl. System Contact (Supervision Contact)

MRA4-2A0BEB

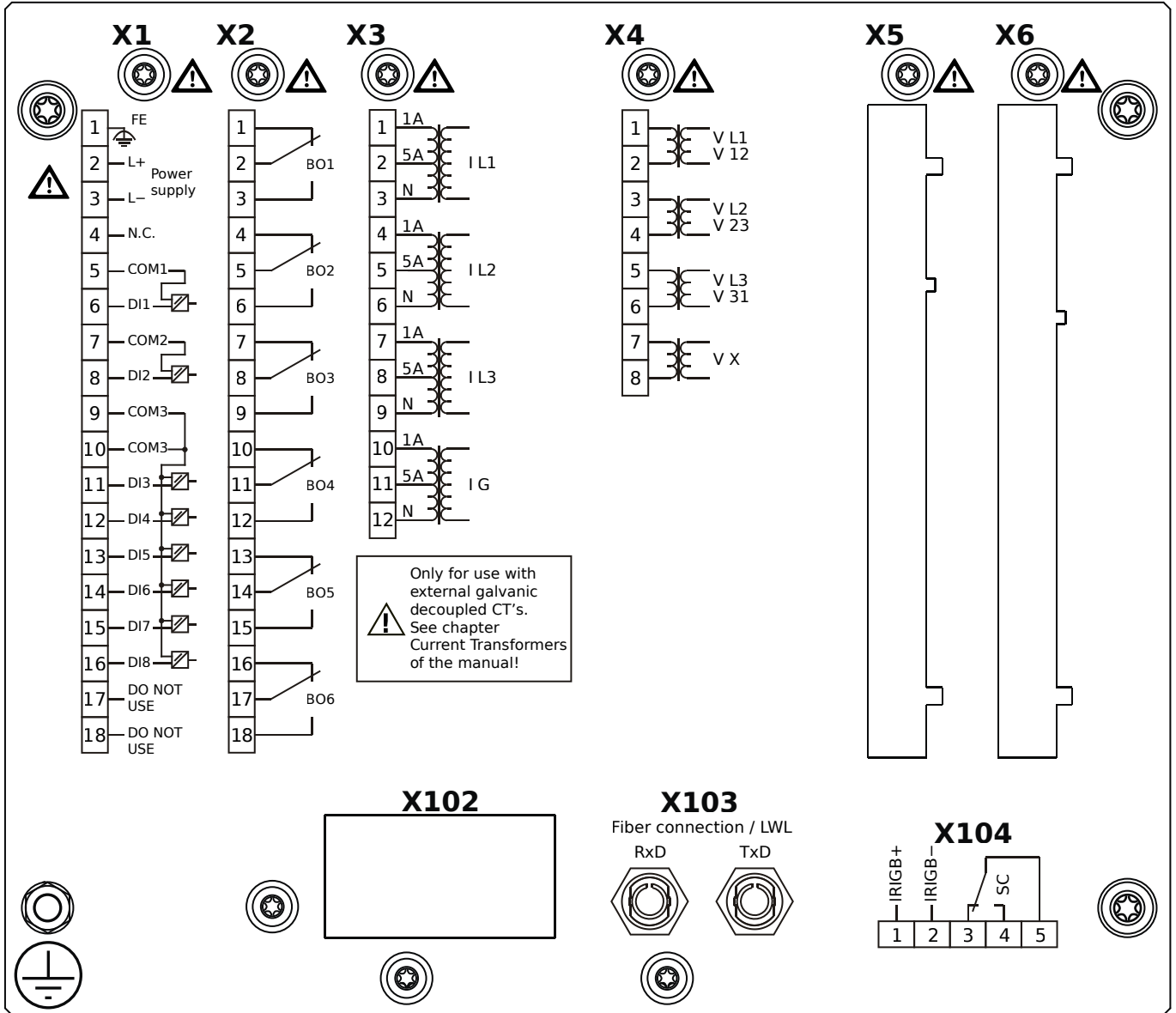


Housing B2, small display, 19" rack mounting

+ Conformal Coating (for installations in harsh environment)

- X1** – DI8-X1: Wide-range power supply unit, incl. 2 non-grouped digital inputs and 6 grouped digital inputs
- X2** – OR6: Assembly Group with 6 Output Relays
- X3** – TI: Standard current measuring card
- X4** – TU: Card with 4 voltage transformer measuring inputs
- X103** – Profibus-DP, RS485, D-SUB
- X104** – IRIG-B00X, incl. System Contact (Supervision Contact)

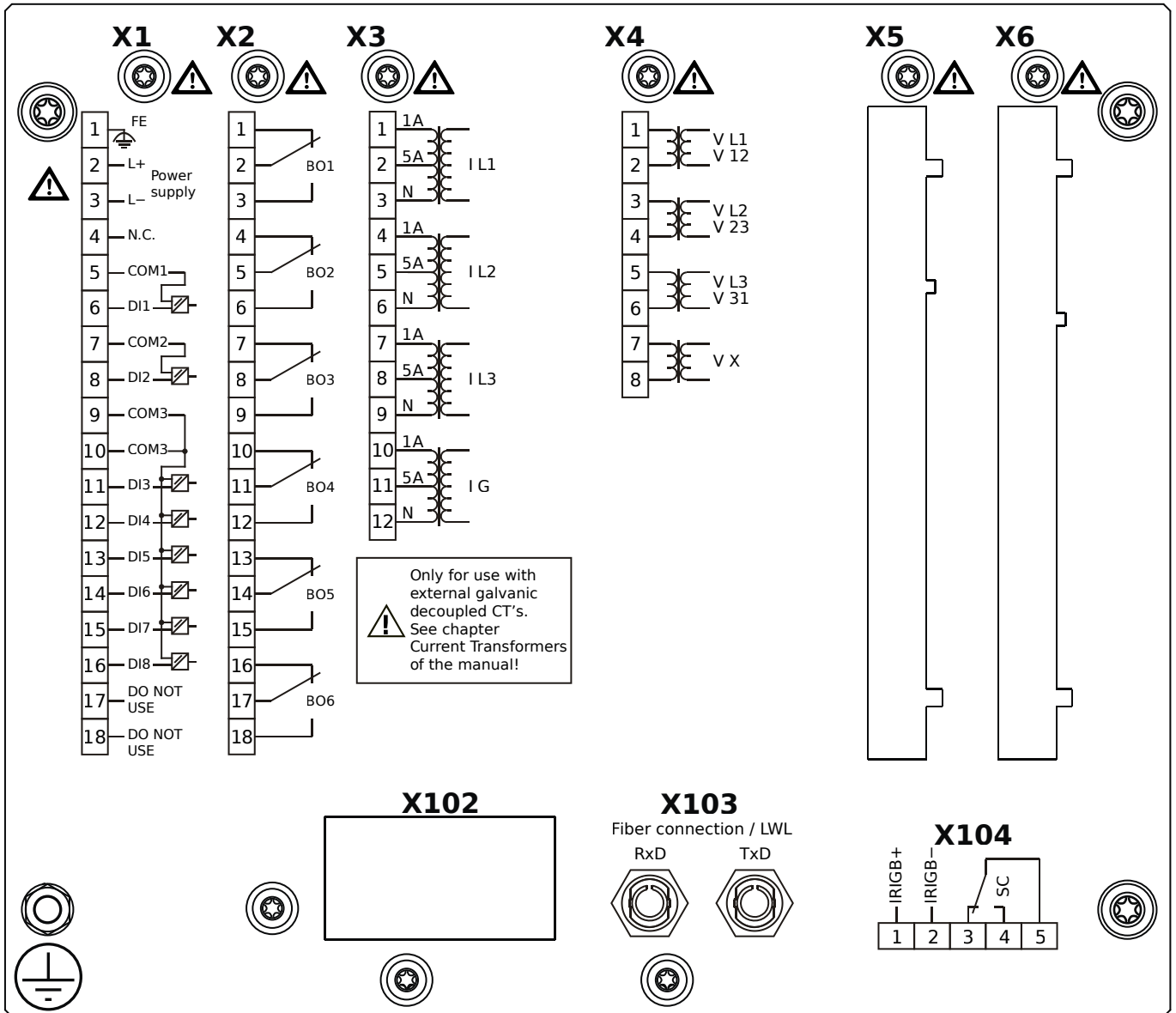
MRA4-2A0BFA



Housing B2, small display, 19" rack mounting

- X1** – DI8-X1: Wide-range power supply unit, incl. 2 non-grouped digital inputs and 6 grouped digital inputs
- X2** – OR6: Assembly Group with 6 Output Relays
- X3** – TI: Standard current measuring card
- X4** – TU: Card with 4 voltage transformer measuring inputs
- X103** – Modbus RTU / IEC 60870-5-103 / DNP3.0 RTU, Fiber optics interface, ST Connector
- X104** – IRIG-B00X, incl. System Contact (Supervision Contact)

MRA4-2A0BFB

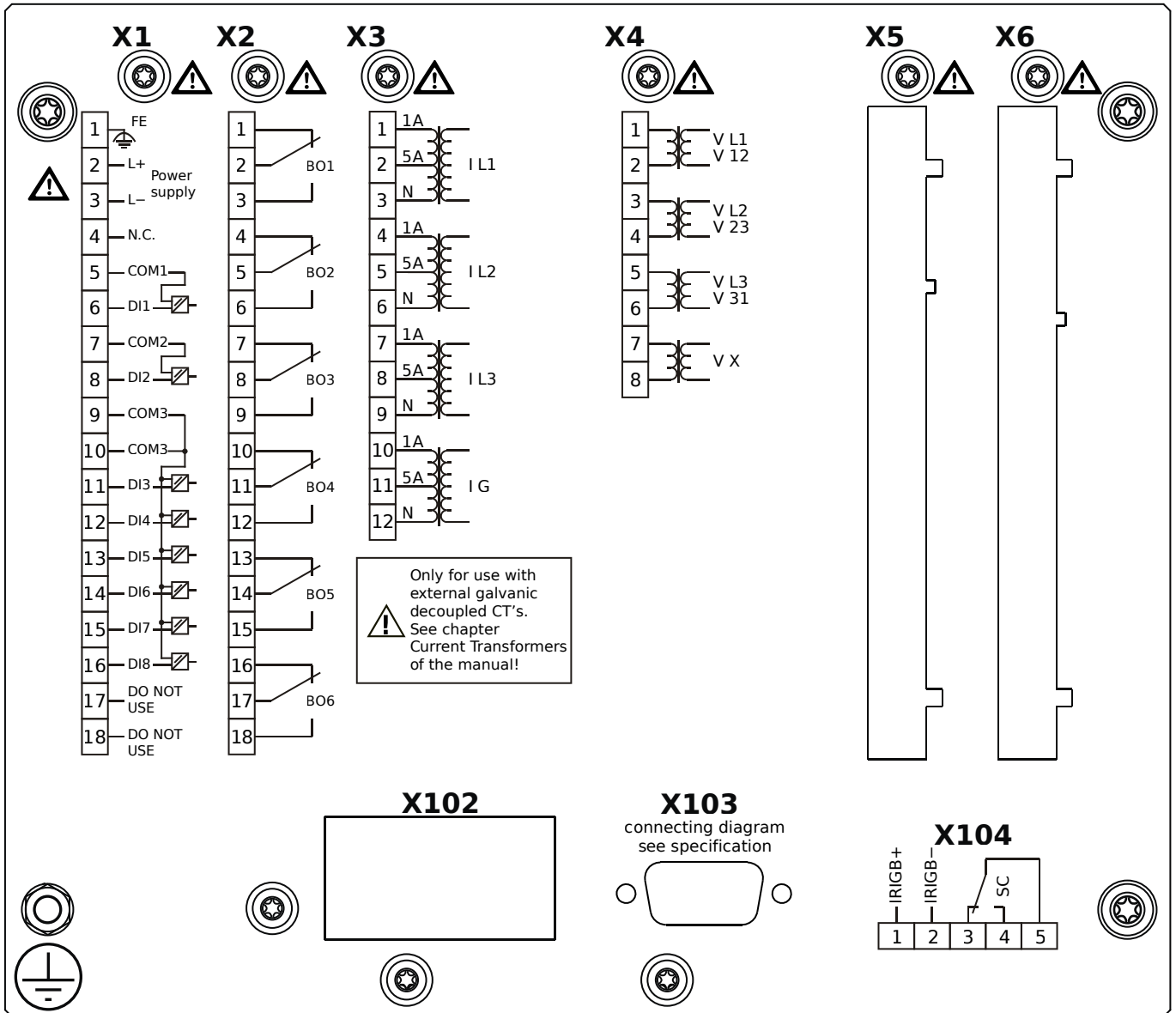


Housing B2, small display, 19" rack mounting

+ Conformal Coating (for installations in harsh environment)

- X1** – DI8-X1: Wide-range power supply unit, incl. 2 non-grouped digital inputs and 6 grouped digital inputs
- X2** – OR6: Assembly Group with 6 Output Relays
- X3** – TI: Standard current measuring card
- X4** – TU: Card with 4 voltage transformer measuring inputs
- X103** – Modbus RTU / IEC 60870-5-103 / DNP3.0 RTU, Fiber optics interface, ST Connector
- X104** – IRIG-B00X, incl. System Contact (Supervision Contact)

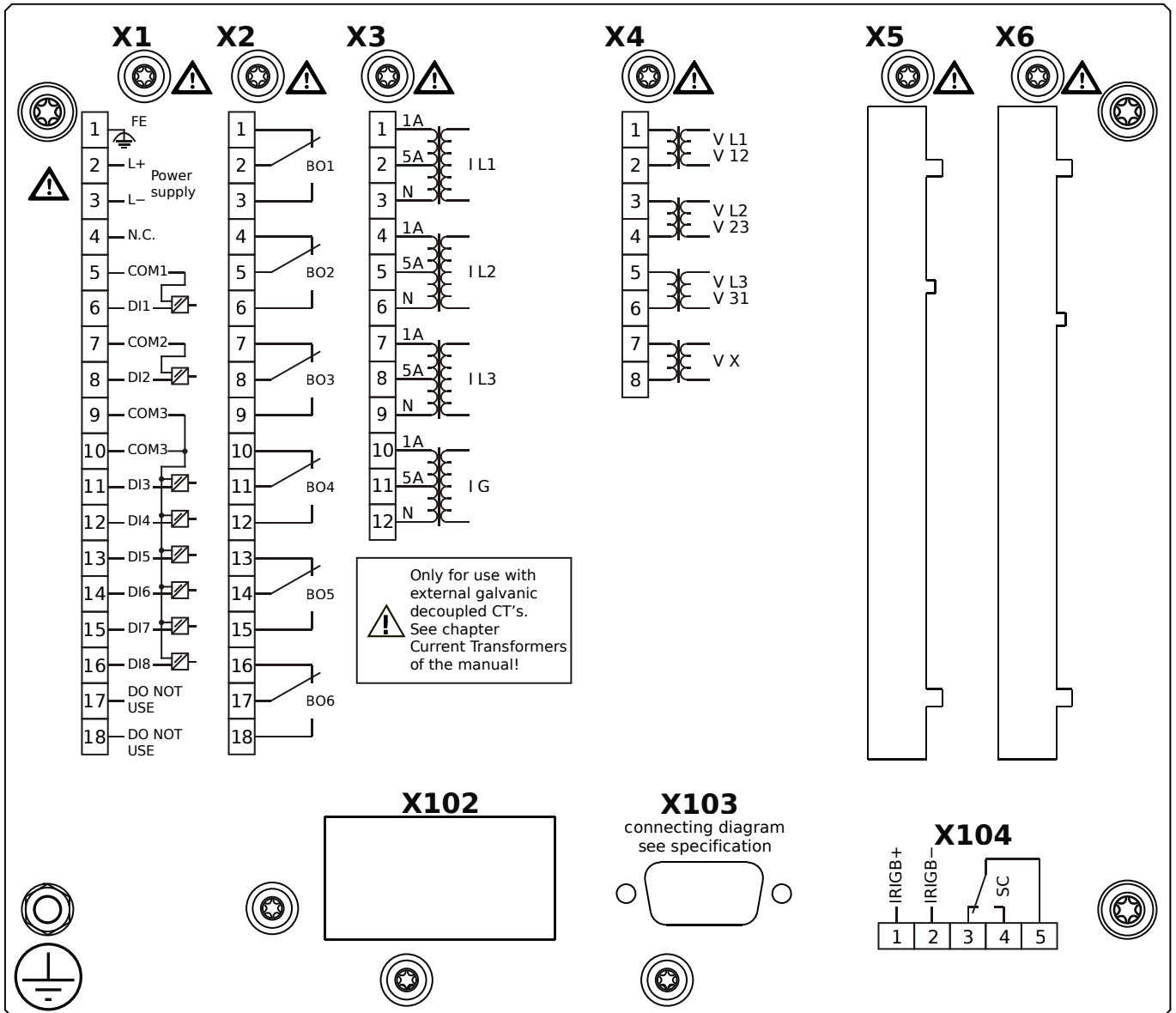
MRA4-2A0BGA



Housing B2, small display, 19" rack mounting

- X1** – DI8-X1: Wide-range power supply unit, incl. 2 non-grouped digital inputs and 6 grouped digital inputs
- X2** – OR6: Assembly Group with 6 Output Relays
- X3** – TI: Standard current measuring card
- X4** – TU: Card with 4 voltage transformer measuring inputs
- X103** – Modbus RTU / IEC 60870-5-103 / DNP3.0 RTU, RS485, D-SUB
- X104** – IRIG-B00X, incl. System Contact (Supervision Contact)

MRA4-2A0BGB



Housing B2, small display, 19" rack mounting

+ Conformal Coating (for installations in harsh environment)

X1 – DI8-X1: Wide-range power supply unit, incl. 2 non-grouped digital inputs and 6 grouped digital inputs

X2 – OR6: Assembly Group with 6 Output Relays

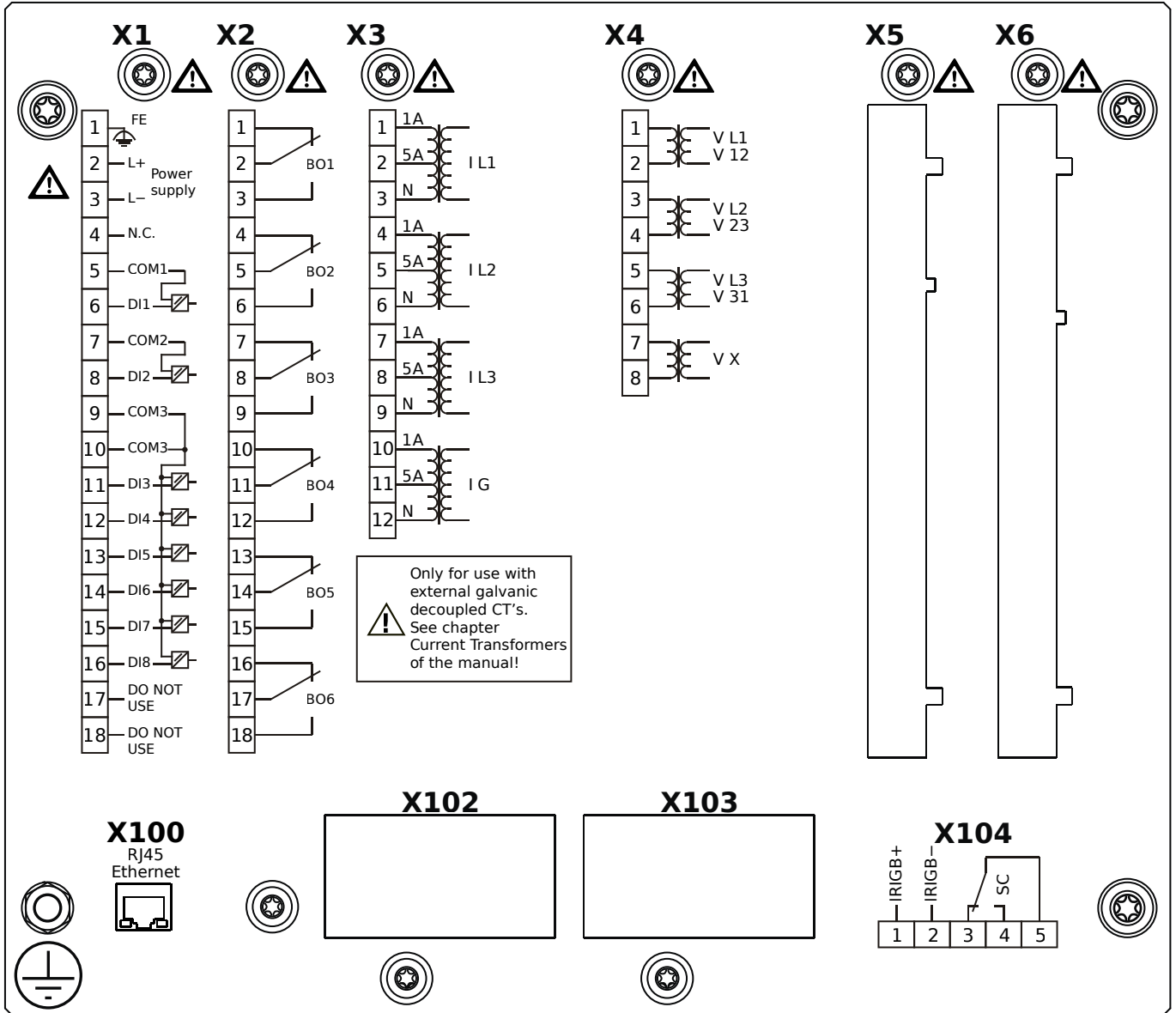
X3 – TI: Standard current measuring card

X4 – TU: Card with 4 voltage transformer measuring inputs

X103 – Modbus RTU / IEC 60870-5-103 / DNP3.0 RTU, RS485, D-SUB

X104 – IRIG-B00X, incl. System Contact (Supervision Contact)

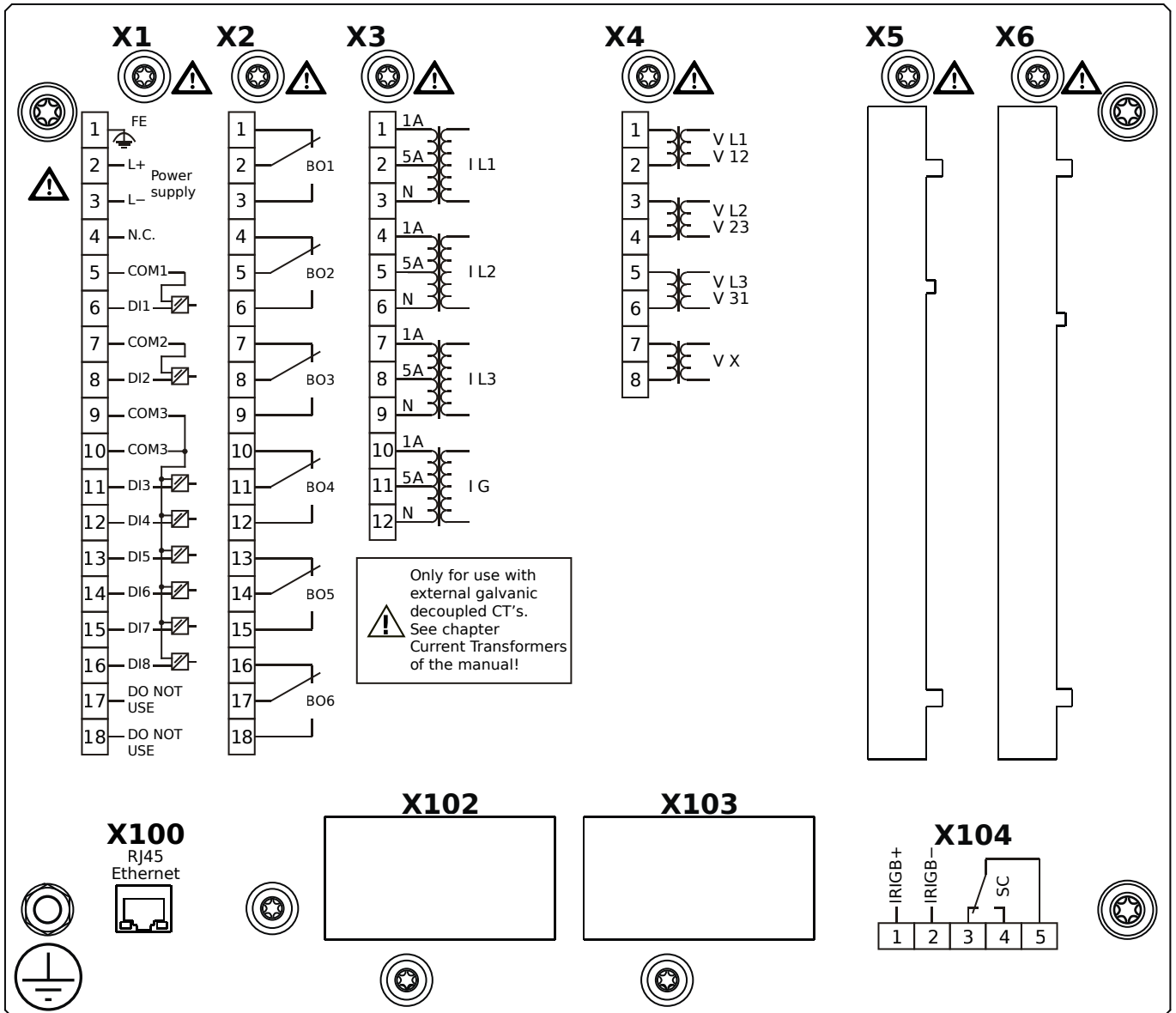
MRA4-2A0BHA



Housing B2, small display, 19" rack mounting

- X1** – DI8-X1: Wide-range power supply unit, incl. 2 non-grouped digital inputs and 6 grouped digital inputs
- X2** – OR6: Assembly Group with 6 Output Relays
- X3** – TI: Standard current measuring card
- X4** – TU: Card with 4 voltage transformer measuring inputs
- X100** – IEC 61850 / Modbus TCP / DNP3.0 TCP/UDP, Ethernet interface, 100 Mbit/s, RJ45 (BASE100-FX)
- X104** – IRIG-B00X, incl. System Contact (Supervision Contact)

MRA4-2A0BHB



Housing B2, small display, 19" rack mounting

+ Conformal Coating (for installations in harsh environment)

X1 – DI8-X1: Wide-range power supply unit, incl. 2 non-grouped digital inputs and 6 grouped digital inputs

X2 – OR6: Assembly Group with 6 Output Relays

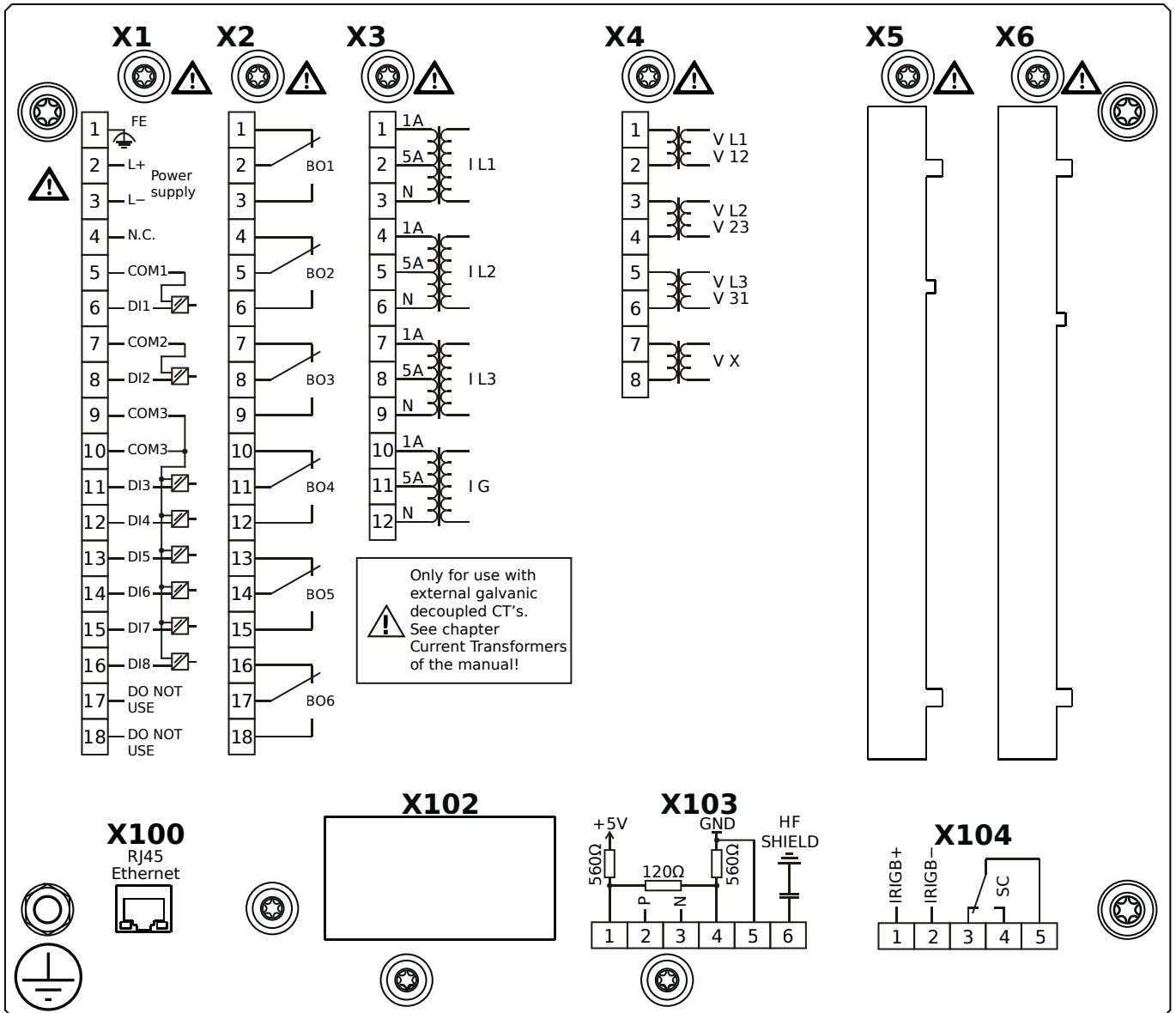
X3 – TI: Standard current measuring card

X4 – TU: Card with 4 voltage transformer measuring inputs

X100 – IEC 61850 / Modbus TCP / DNP3.0 TCP/UDP, Ethernet interface, 100 Mbit/s, RJ45 (BASE100-FX)

X104 – IRIG-B00X, incl. System Contact (Supervision Contact)

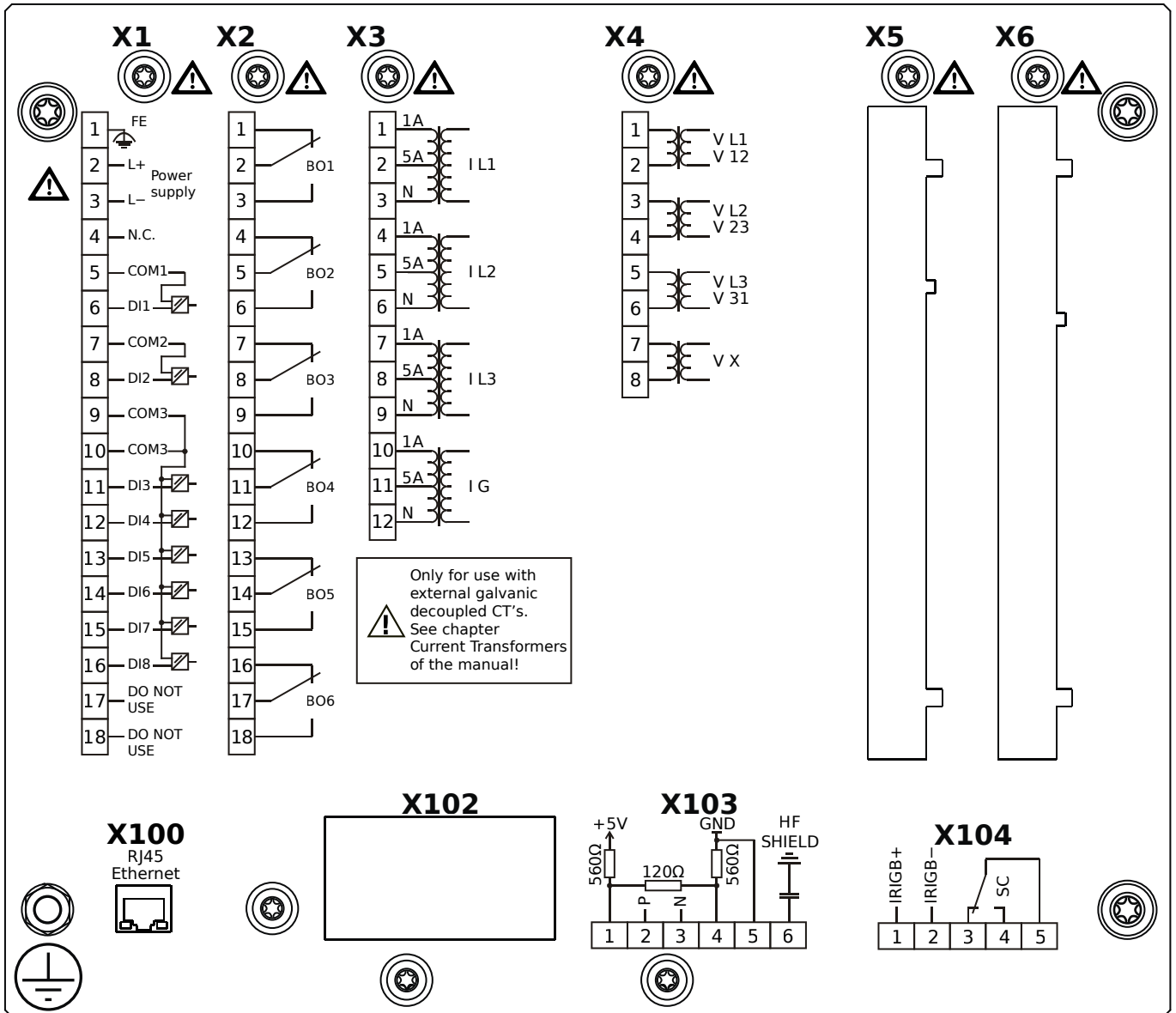
MRA4-2A0BIA



Housing B2, small display, 19" rack mounting

- X1** – DI8-X1: Wide-range power supply unit, incl. 2 non-grouped digital inputs and 6 grouped digital inputs
- X2** – OR6: Assembly Group with 6 Output Relays
- X3** – TI: Standard current measuring card
- X4** – TU: Card with 4 voltage transformer measuring inputs
- X100** – Modbus TCP / DNP3.0 TCP/UDP, Ethernet interface, 100 Mbit/s, RJ45 (BASE100-FX)
- X103** – IEC 60870-5-103 / Modbus RTU / DNP3.0 RTU, RS485, Terminals
- X104** – IRIG-B00X, incl. System Contact (Supervision Contact)

MRA4-2A0BIB



Housing B2, small display, 19" rack mounting

+ Conformal Coating (for installations in harsh environment)

X1 – DI8-X1: Wide-range power supply unit, incl. 2 non-grouped digital inputs and 6 grouped digital inputs

X2 – OR6: Assembly Group with 6 Output Relays

X3 – TI: Standard current measuring card

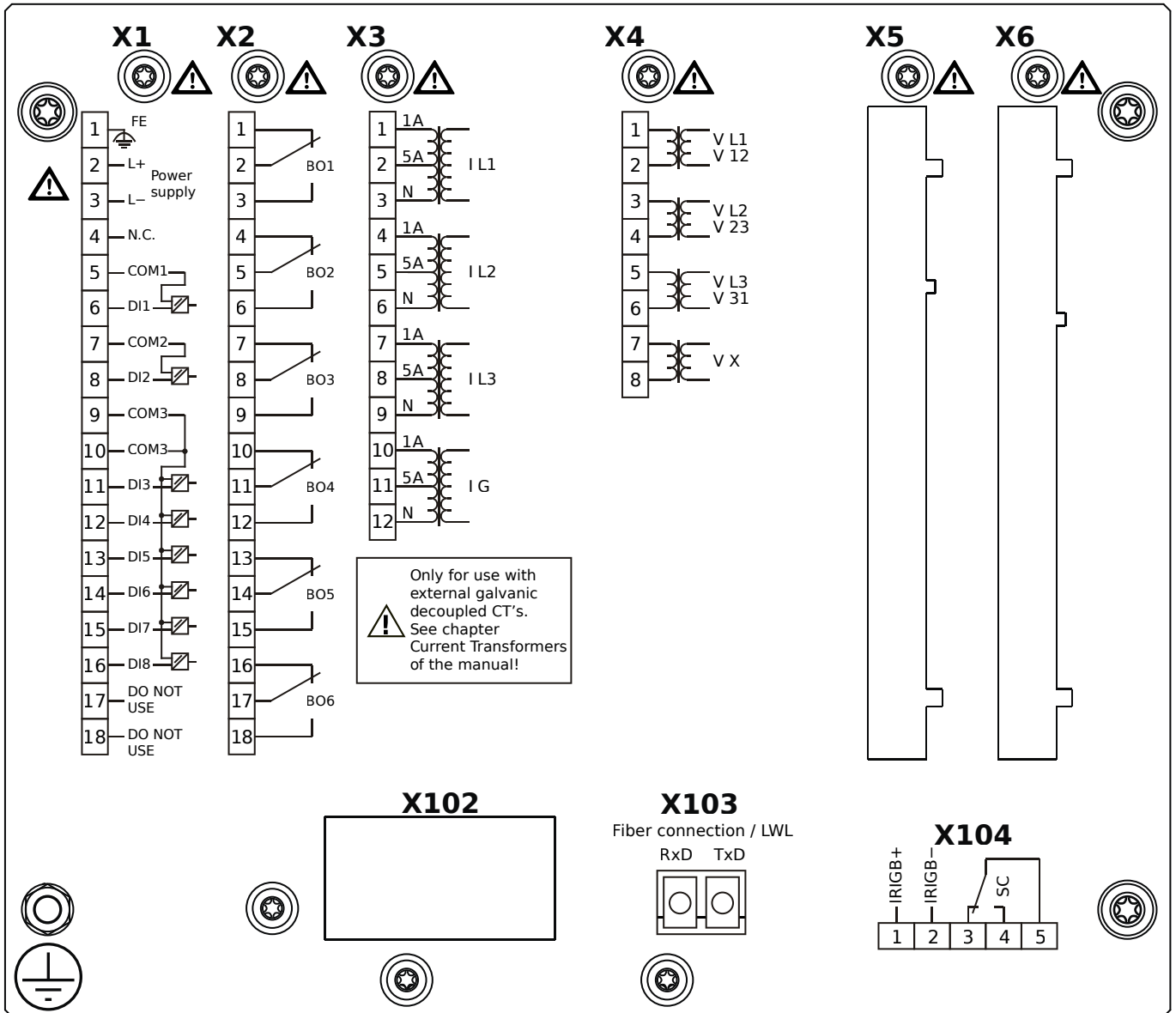
X4 – TU: Card with 4 voltage transformer measuring inputs

X100 – Modbus TCP / DNP3.0 TCP/UDP, Ethernet interface, 100 Mbit/s, RJ45 (BASE100-FX)

X103 – IEC 60870-5-103 / Modbus RTU / DNP3.0 RTU, RS485, Terminals

X104 – IRIG-B00X, incl. System Contact (Supervision Contact)

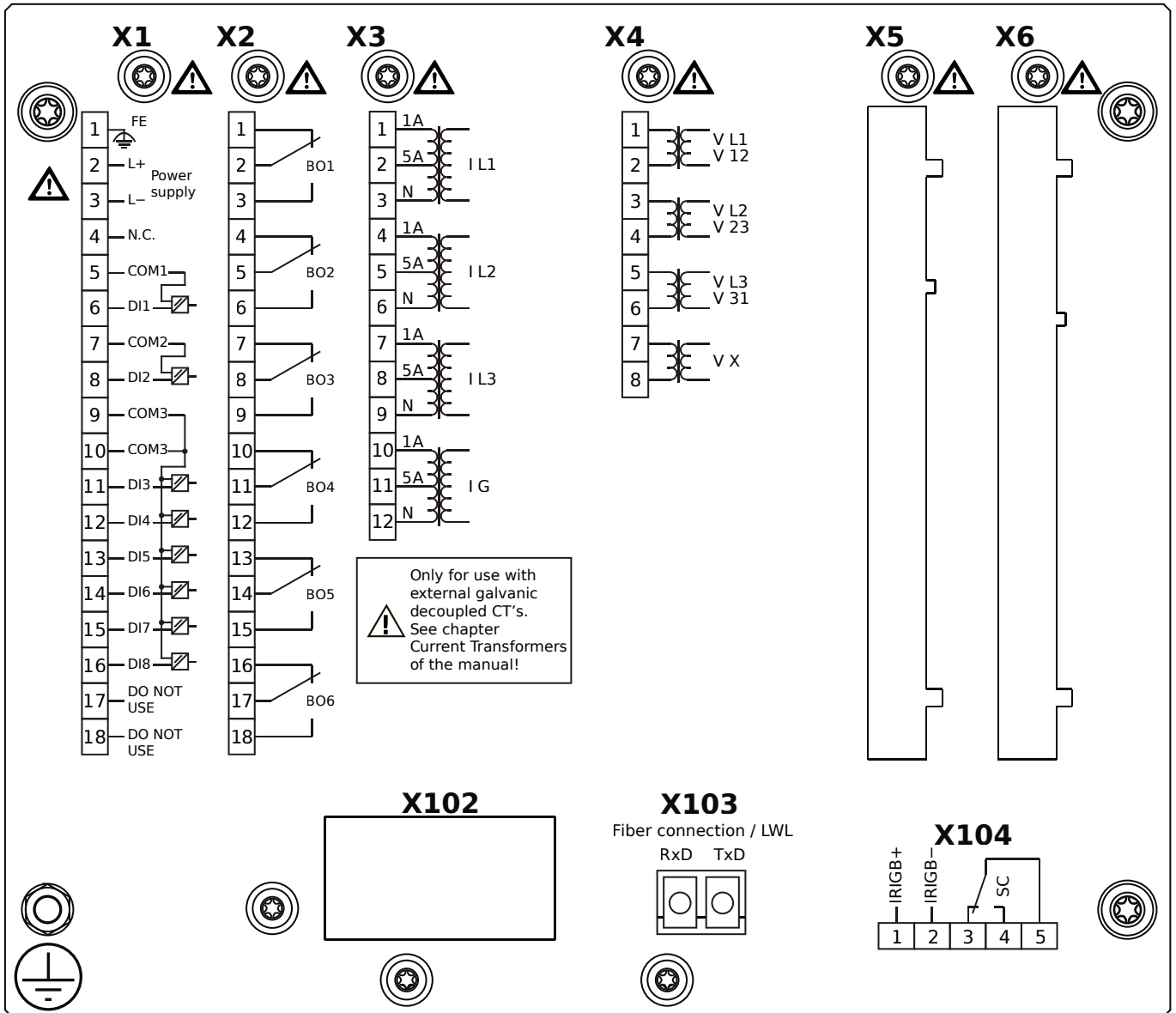
MRA4-2A0BKA



Housing B2, small display, 19" rack mounting

- X1** – DI8-X1: Wide-range power supply unit, incl. 2 non-grouped digital inputs and 6 grouped digital inputs
- X2** – OR6: Assembly Group with 6 Output Relays
- X3** – TI: Standard current measuring card
- X4** – TU: Card with 4 voltage transformer measuring inputs
- X103** – IEC 61850 / Modbus TCP / DNP3.0 TCP/UDP, Fiber optics interface, LC Connector
- X104** – IRIG-B00X, incl. System Contact (Supervision Contact)

MRA4-2A0BKB



Housing B2, small display, 19" rack mounting

+ Conformal Coating (for installations in harsh environment)

X1 – DI8-X1: Wide-range power supply unit, incl. 2 non-grouped digital inputs and 6 grouped digital inputs

X2 – OR6: Assembly Group with 6 Output Relays

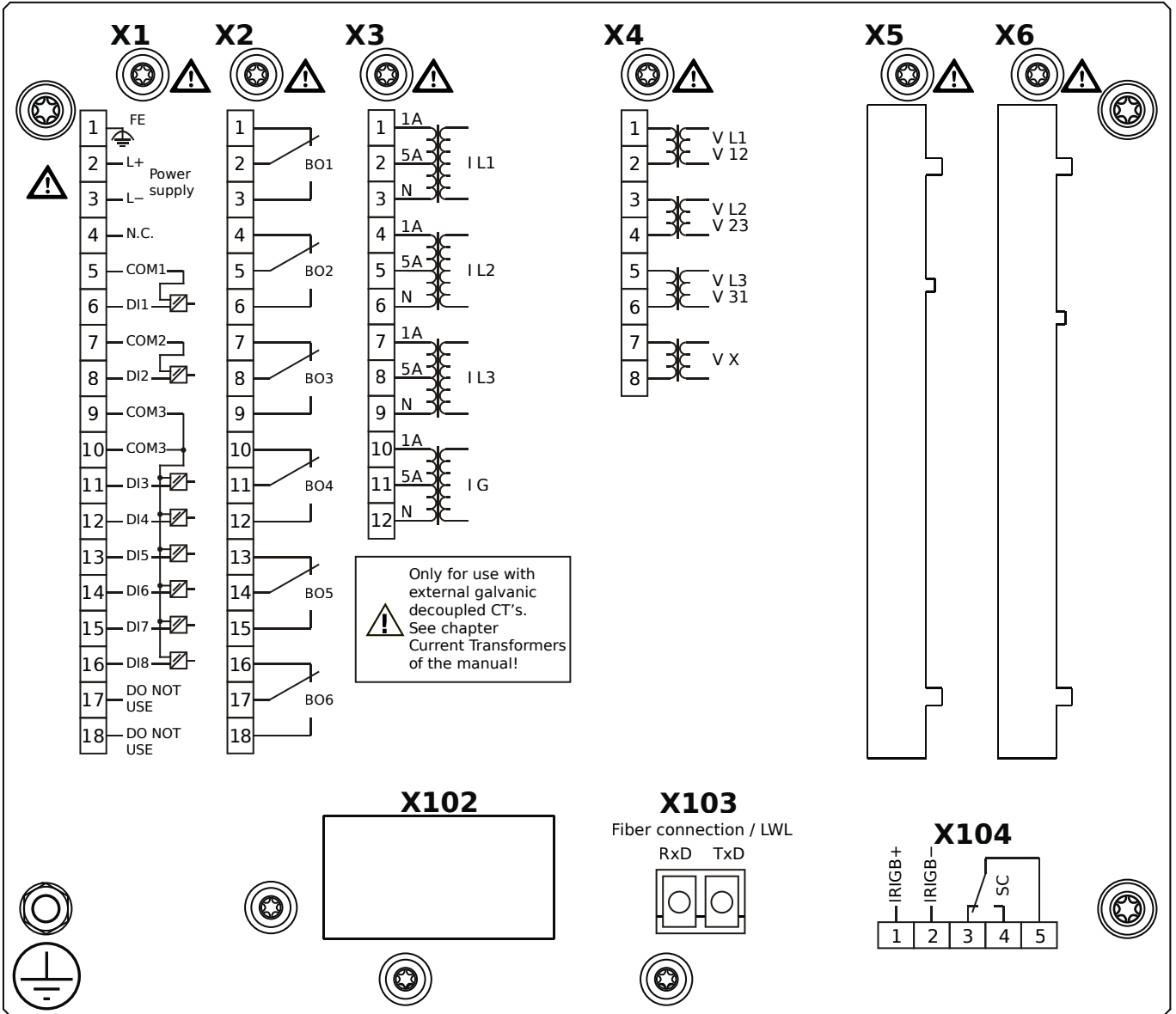
X3 – TI: Standard current measuring card

X4 – TU: Card with 4 voltage transformer measuring inputs

X103 – IEC 61850 / Modbus TCP / DNP3.0 TCP/UDP, Fiber optics interface, LC Connector

X104 – IRIG-B00X, incl. System Contact (Supervision Contact)

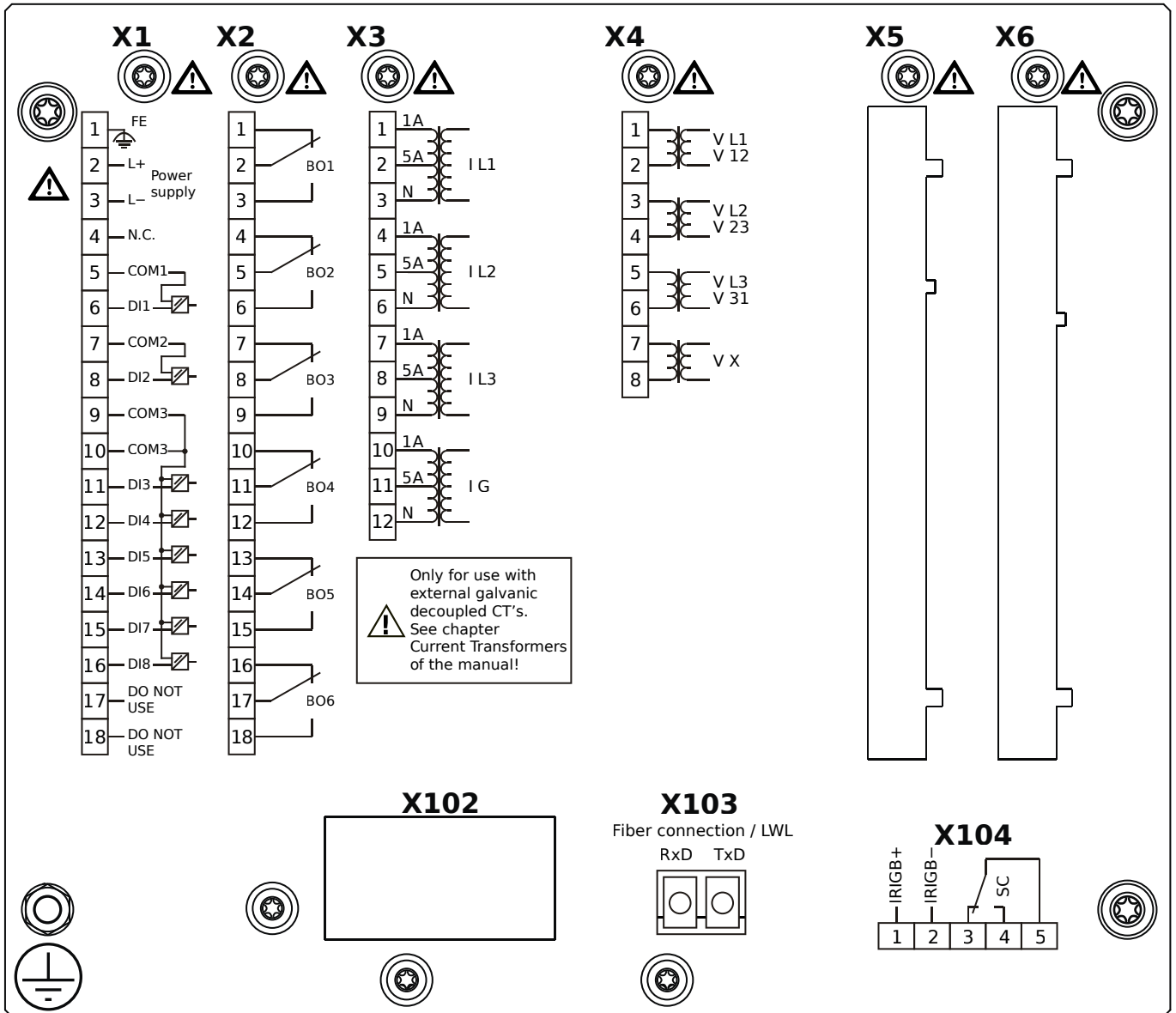
MRA4-2A0BLA



Housing B2, small display, 19" rack mounting

- X1** – DI8-X1: Wide-range power supply unit, incl. 2 non-grouped digital inputs and 6 grouped digital inputs
- X2** – OR6: Assembly Group with 6 Output Relays
- X3** – TI: Standard current measuring card
- X4** – TU: Card with 4 voltage transformer measuring inputs
- X103** – Modbus TCP / DNP3.0 TCP/UDP, Fiber optics interface, LC Connector
- X104** – IRIG-B00X, incl. System Contact (Supervision Contact)

MRA4-2A0BLB



Housing B2, small display, 19" rack mounting

+ Conformal Coating (for installations in harsh environment)

X1 – DI8-X1: Wide-range power supply unit, incl. 2 non-grouped digital inputs and 6 grouped digital inputs

X2 – OR6: Assembly Group with 6 Output Relays

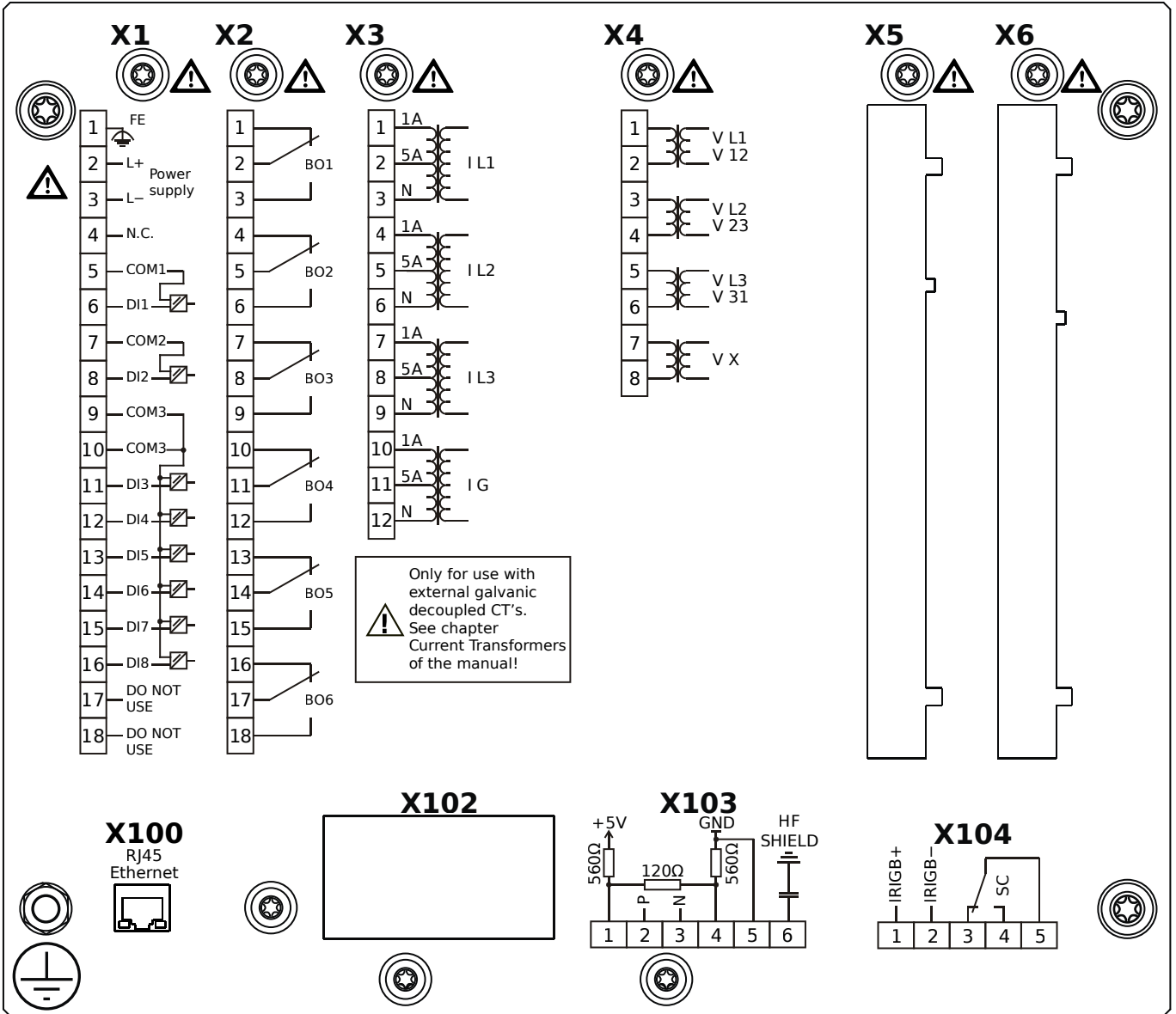
X3 – TI: Standard current measuring card

X4 – TU: Card with 4 voltage transformer measuring inputs

X103 – Modbus TCP / DNP3.0 TCP/UDP, Fiber optics interface, LC Connector

X104 – IRIG-B00X, incl. System Contact (Supervision Contact)

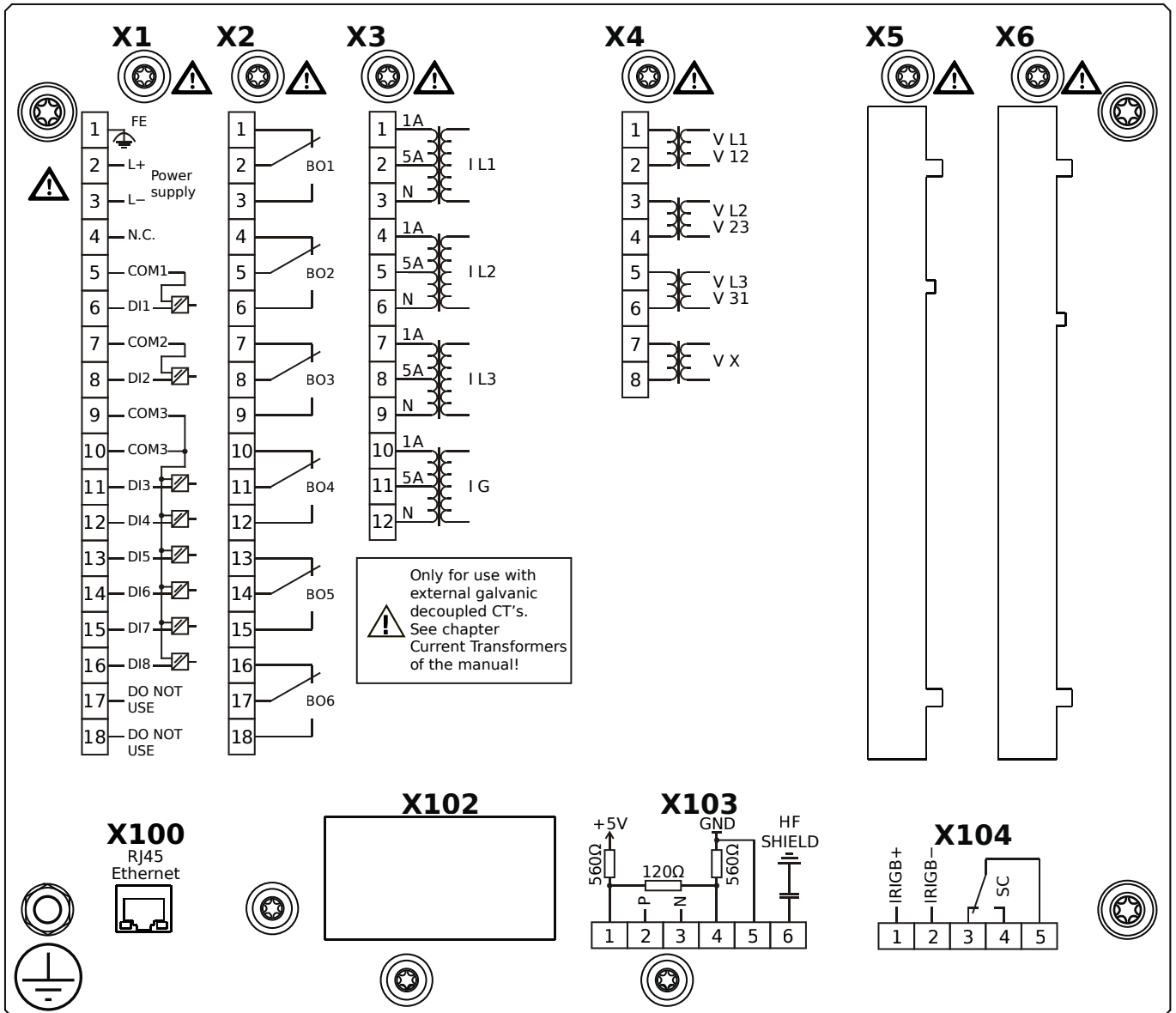
MRA4-2A0BTA



Housing B2, small display, 19" rack mounting

- X1** – DI8-X1: Wide-range power supply unit, incl. 2 non-grouped digital inputs and 6 grouped digital inputs
- X2** – OR6: Assembly Group with 6 Output Relays
- X3** – TI: Standard current measuring card
- X4** – TU: Card with 4 voltage transformer measuring inputs
- X100** – IEC 61850 / Modbus TCP / DNP3.0 TCP/UDP, Ethernet interface, 100 Mbit/s, RJ45 (BASE100-FX)
- X103** – IEC 60870-5-103 / Modbus RTU / DNP3.0 RTU, RS485, Terminals
- X104** – IRIG-B00X, incl. System Contact (Supervision Contact)

MRA4-2A0BTB



Housing B2, small display, 19" rack mounting

+ Conformal Coating (for installations in harsh environment)

X1 – DI8-X1: Wide-range power supply unit, incl. 2 non-grouped digital inputs and 6 grouped digital inputs

X2 – OR6: Assembly Group with 6 Output Relays

X3 – TI: Standard current measuring card

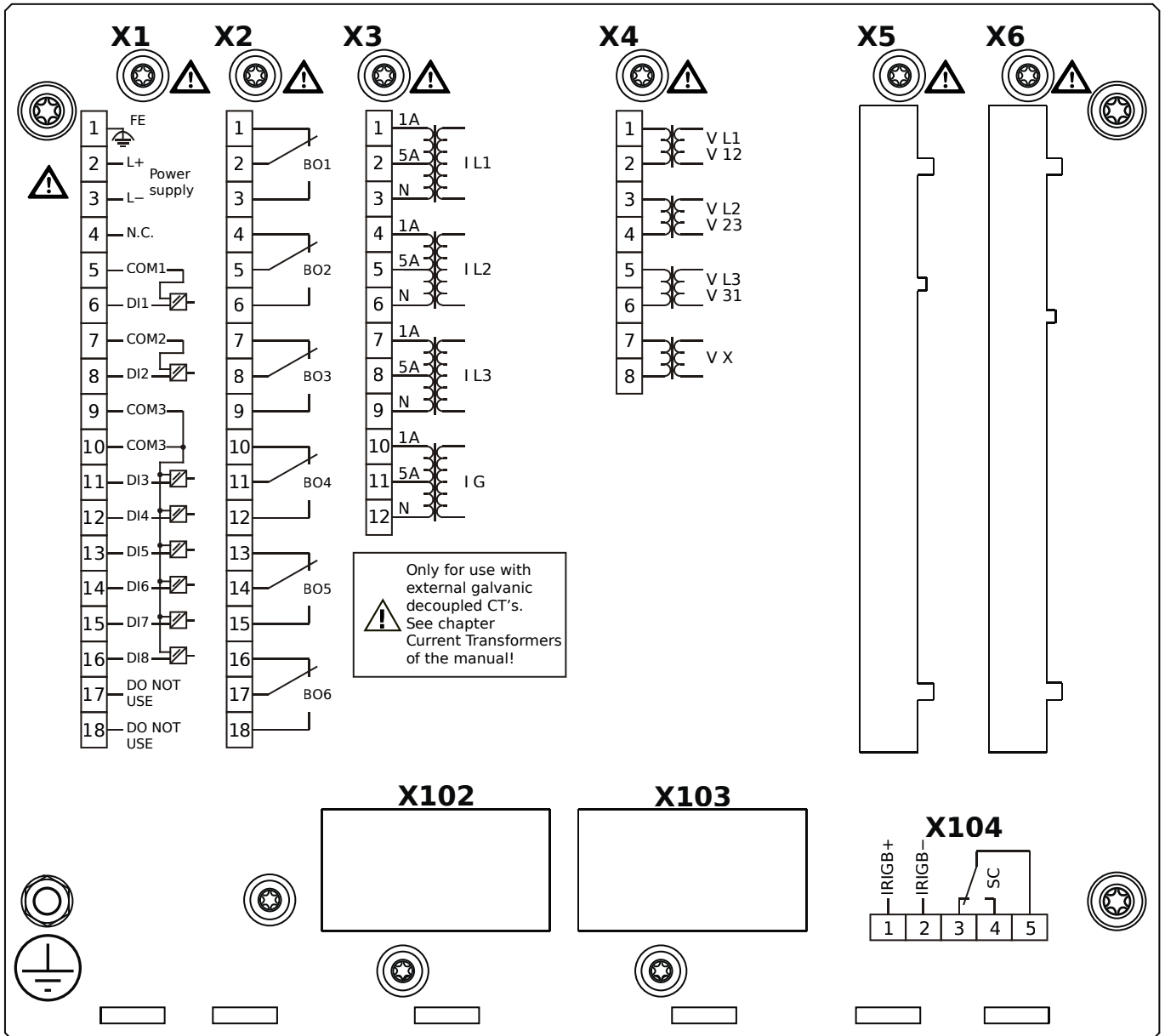
X4 – TU: Card with 4 voltage transformer measuring inputs

X100 – IEC 61850 / Modbus TCP / DNP3.0 TCP/UDP, Ethernet interface, 100 Mbit/s, RJ45 (BASE100-FX)

X103 – IEC 60870-5-103 / Modbus RTU / DNP3.0 RTU, RS485, Terminals

X104 – IRIG-B00X, incl. System Contact (Supervision Contact)

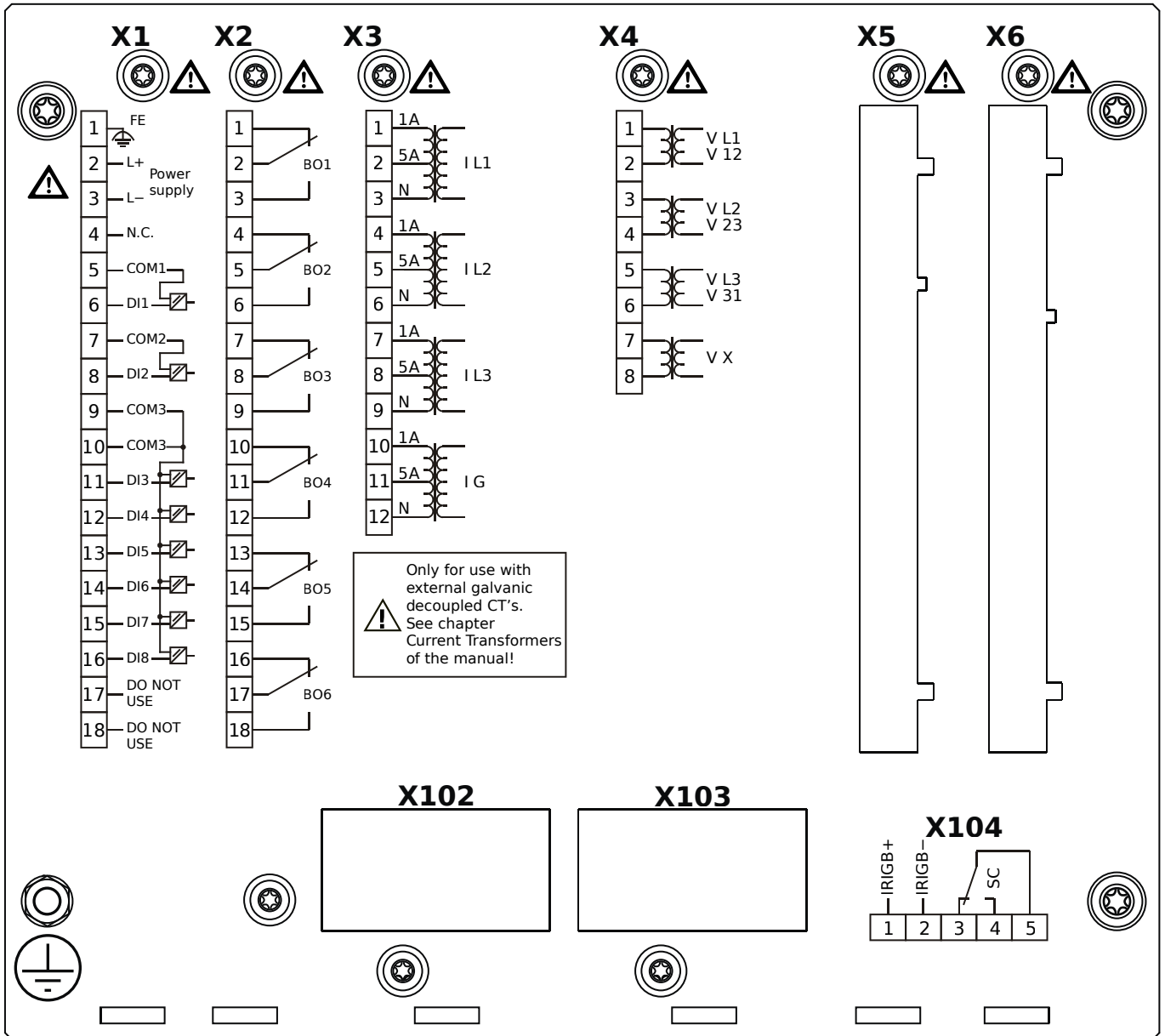
MRA4-2A0HAA



Housing B2, small display, door mounting

- X1** – DI8-X1: Wide-range power supply unit, incl. 2 non-grouped digital inputs and 6 grouped digital inputs
- X2** – OR6: Assembly Group with 6 Output Relays
- X3** – TI: Standard current measuring card
- X4** – TU: Card with 4 voltage transformer measuring inputs
- X104** – IRIG-B00X, incl. System Contact (Supervision Contact)

MRA4-2A0HAB



Housing B2, small display, door mounting

+ Conformal Coating (for installations in harsh environment)

X1 – DI8-X1: Wide-range power supply unit, incl. 2 non-grouped digital inputs and 6 grouped digital inputs

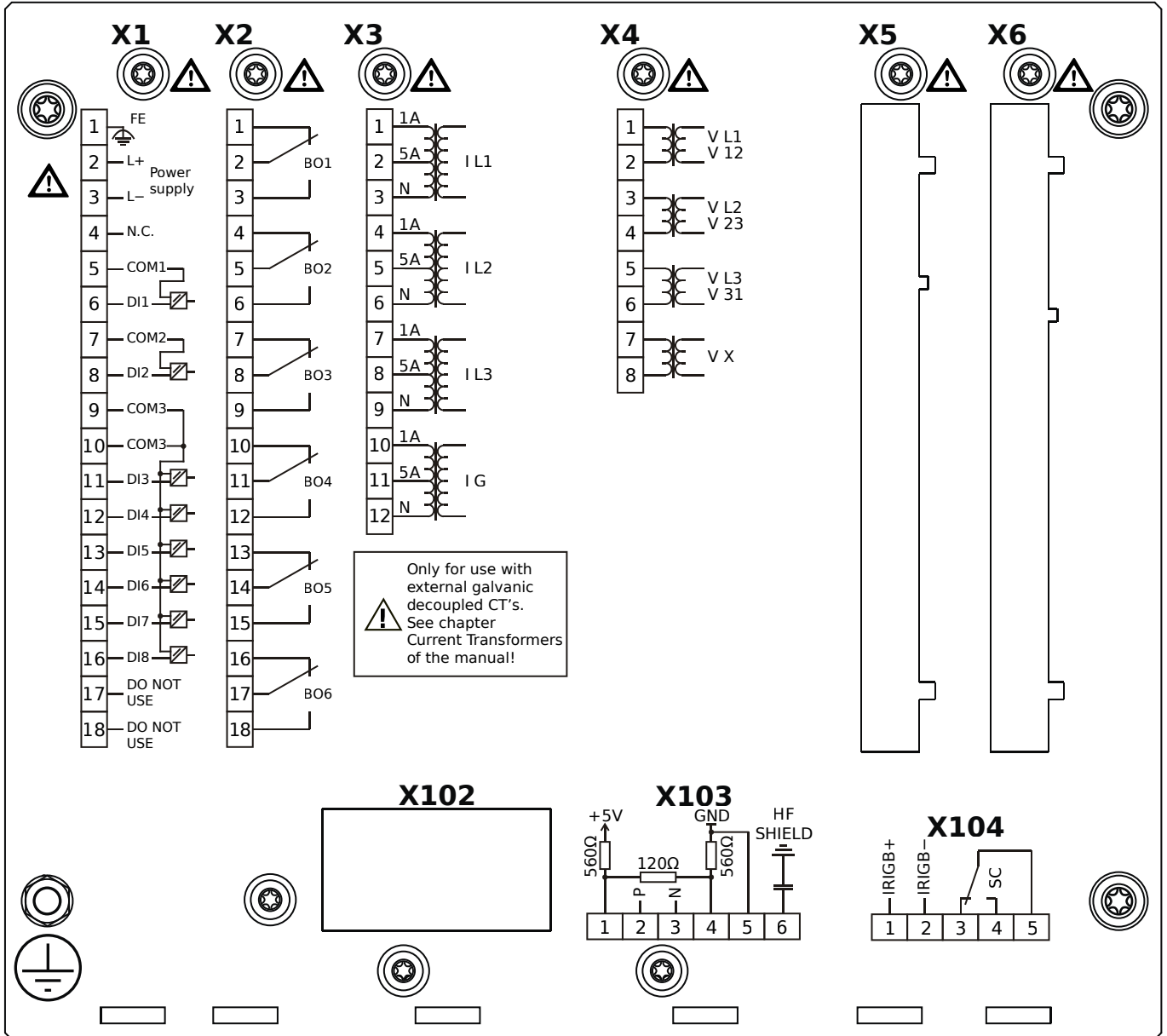
X2 – OR6: Assembly Group with 6 Output Relays

X3 – TI: Standard current measuring card

X4 – TU: Card with 4 voltage transformer measuring inputs

X104 – IRIG-B00X, incl. System Contact (Supervision Contact)

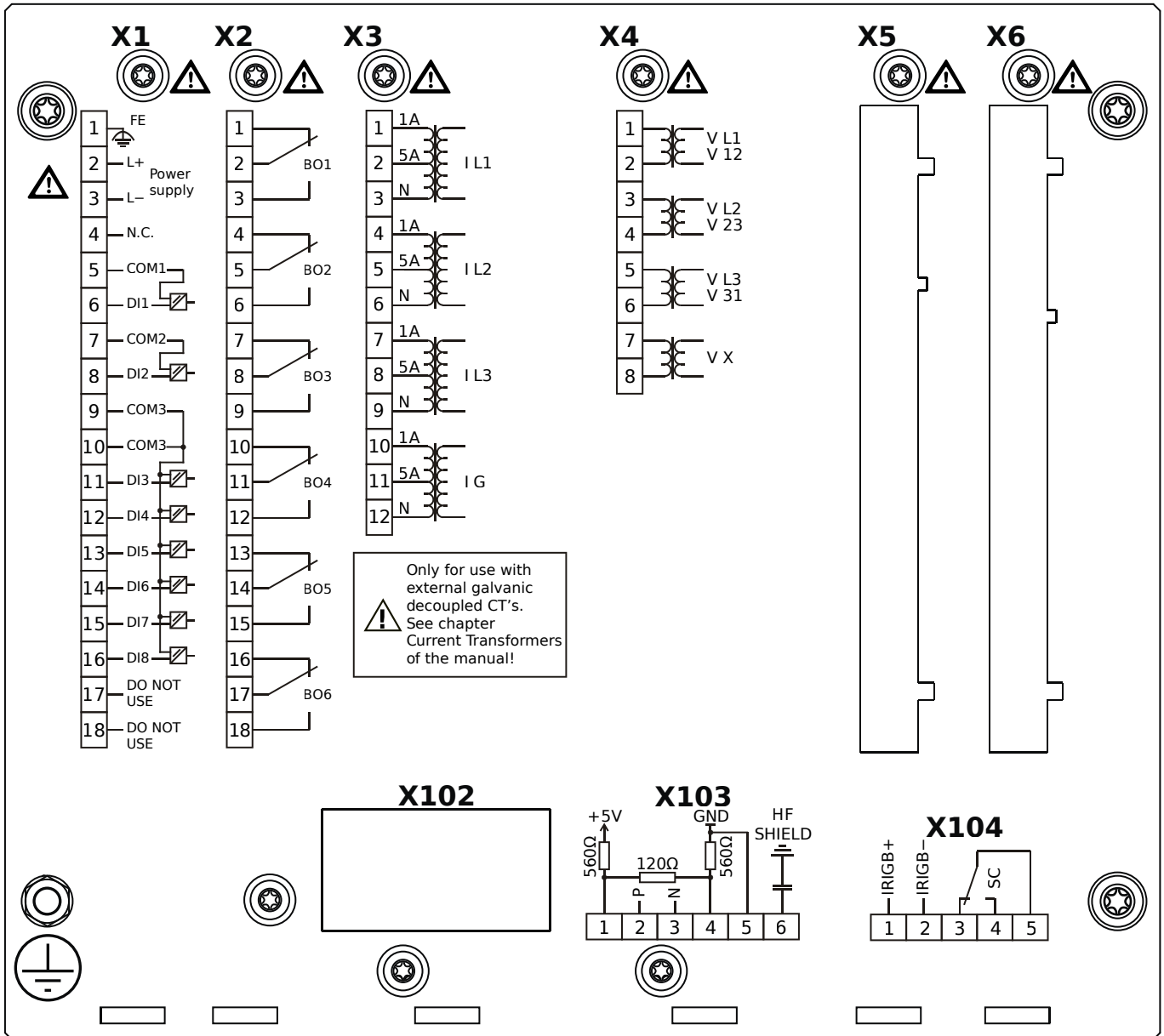
MRA4-2A0HBA



Housing B2, small display, door mounting

- X1** – DI8-X1: Wide-range power supply unit, incl. 2 non-grouped digital inputs and 6 grouped digital inputs
- X2** – OR6: Assembly Group with 6 Output Relays
- X3** – TI: Standard current measuring card
- X4** – TU: Card with 4 voltage transformer measuring inputs
- X103** – Modbus RTU / IEC 60870-5-103 / DNP3.0 RTU, RS485, Terminals
- X104** – IRIG-B00X, incl. System Contact (Supervision Contact)

MRA4-2A0HBB



Housing B2, small display, door mounting

+ Conformal Coating (for installations in harsh environment)

X1 – DI8-X1: Wide-range power supply unit, incl. 2 non-grouped digital inputs and 6 grouped digital inputs

X2 – OR6: Assembly Group with 6 Output Relays

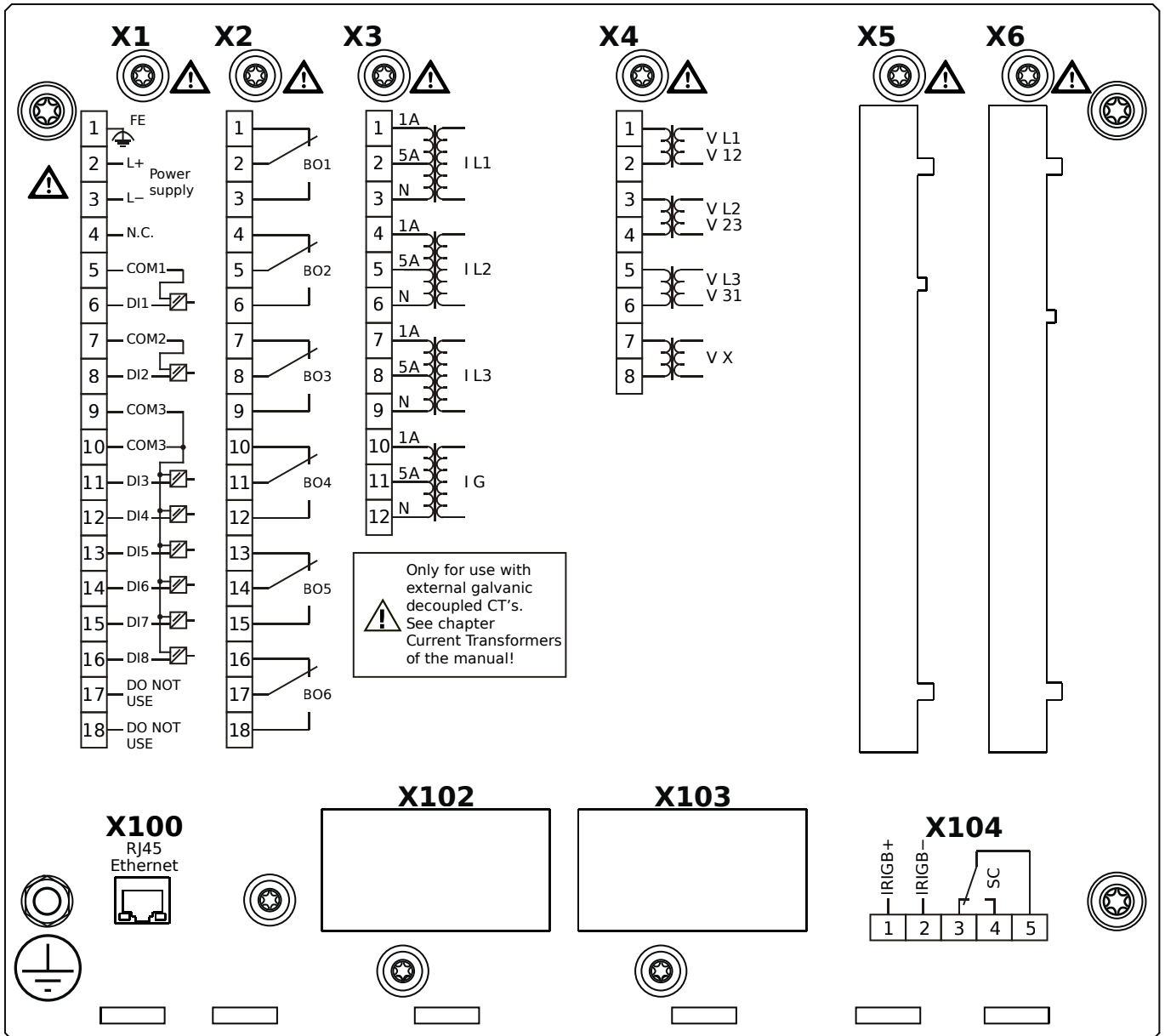
X3 – TI: Standard current measuring card

X4 – TU: Card with 4 voltage transformer measuring inputs

X103 – Modbus RTU / IEC 60870-5-103 / DNP3.0 RTU, RS485, Terminals

X104 – IRIG-B00X, incl. System Contact (Supervision Contact)

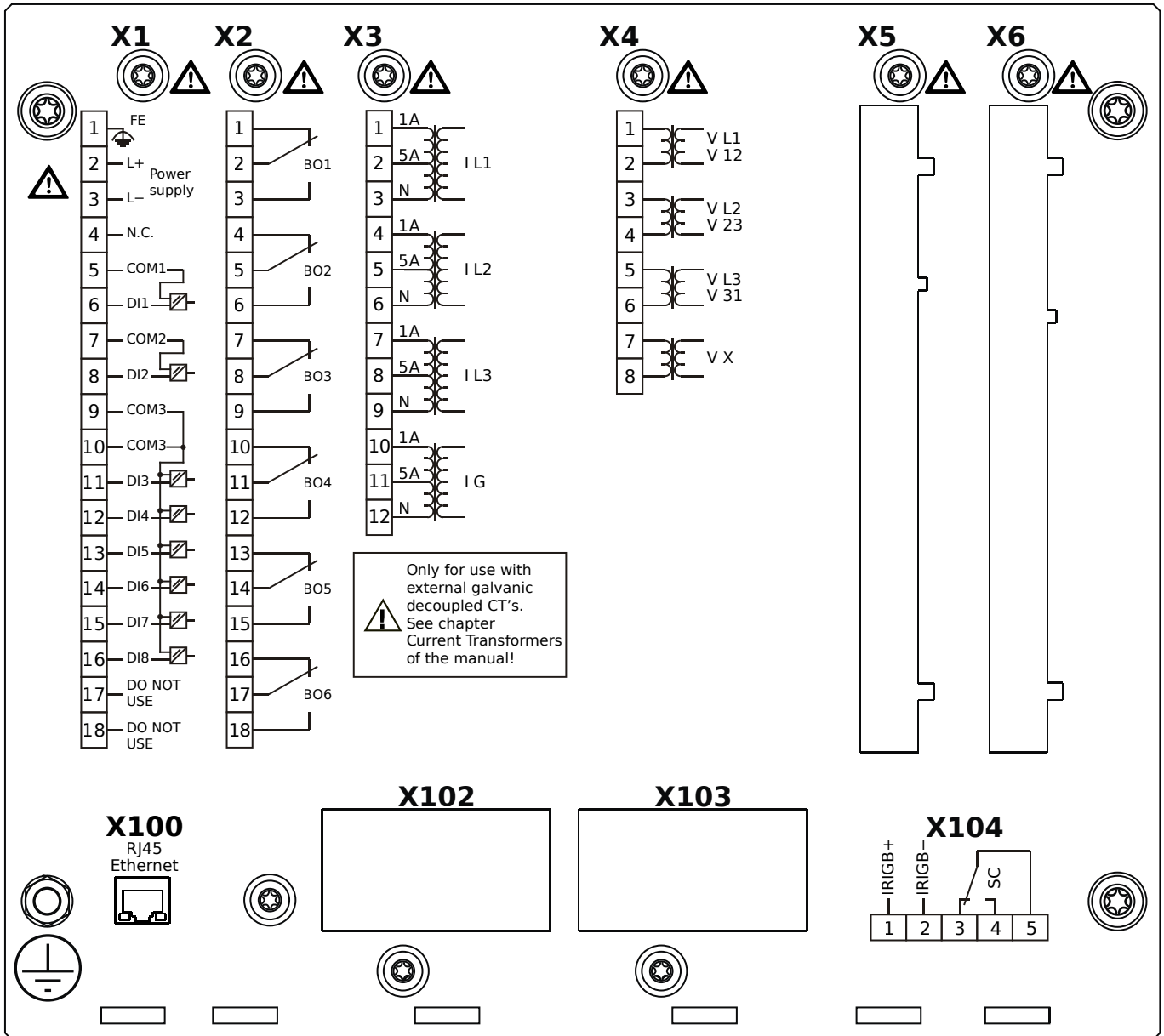
MRA4-2A0HCA



Housing B2, small display, door mounting

- X1** – DI8-X1: Wide-range power supply unit, incl. 2 non-grouped digital inputs and 6 grouped digital inputs
- X2** – OR6: Assembly Group with 6 Output Relays
- X3** – TI: Standard current measuring card
- X4** – TU: Card with 4 voltage transformer measuring inputs
- X100** – Modbus TCP / DNP3.0 TCP/UDP, Ethernet interface, 100 Mbit/s, RJ45 (BASE100-FX)
- X104** – IRIG-B00X, incl. System Contact (Supervision Contact)

MRA4-2A0HCB



Housing B2, small display, door mounting

+ Conformal Coating (for installations in harsh environment)

X1 – DI8-X1: Wide-range power supply unit, incl. 2 non-grouped digital inputs and 6 grouped digital inputs

X2 – OR6: Assembly Group with 6 Output Relays

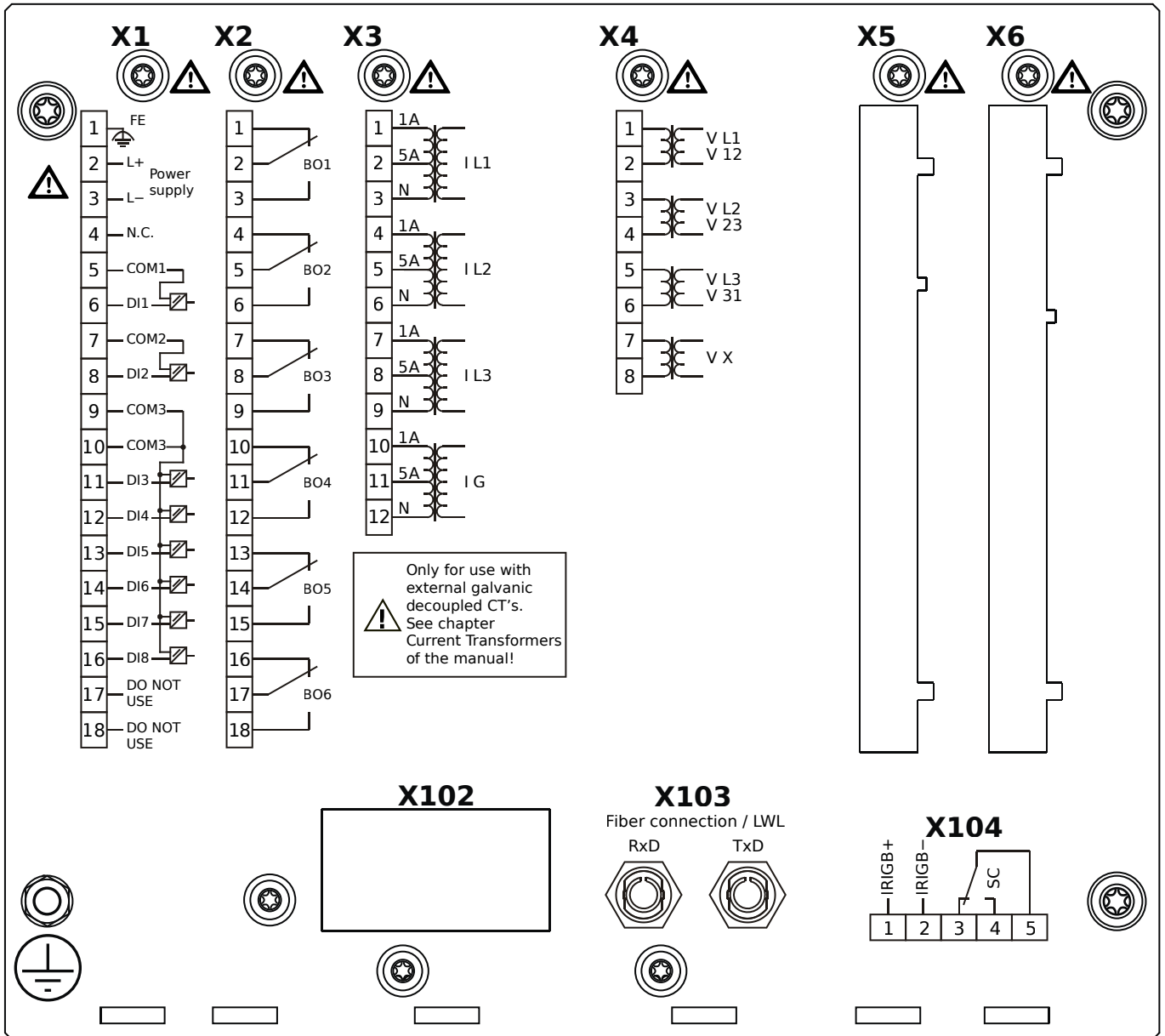
X3 – TI: Standard current measuring card

X4 – TU: Card with 4 voltage transformer measuring inputs

X100 – Modbus TCP / DNP3.0 TCP/UDP, Ethernet interface, 100 Mbit/s, RJ45 (BASE100-FX)

X104 – IRIG-B00X, incl. System Contact (Supervision Contact)

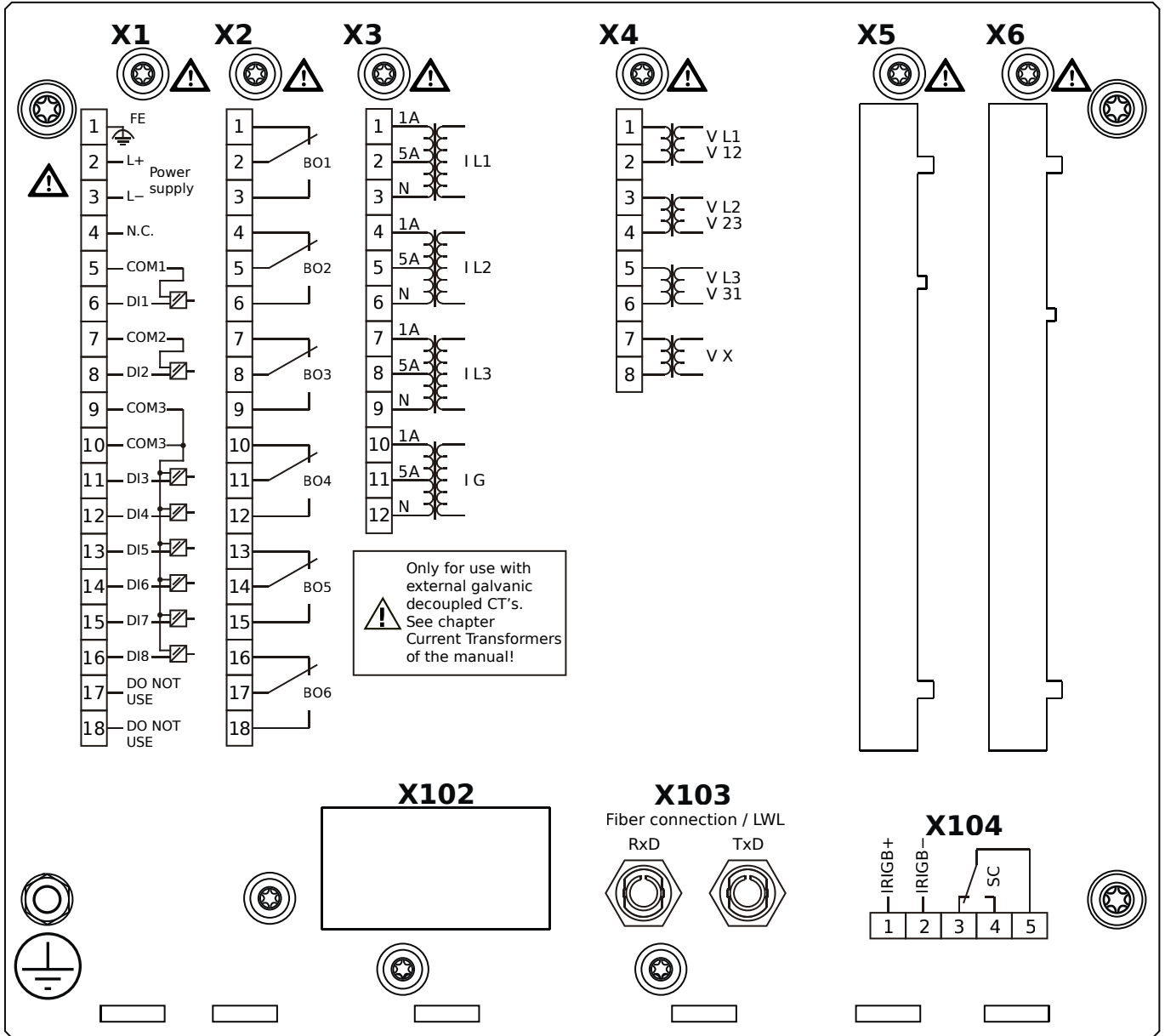
MRA4-2A0HDA



Housing B2, small display, door mounting

- X1** – DI8-X1: Wide-range power supply unit, incl. 2 non-grouped digital inputs and 6 grouped digital inputs
- X2** – OR6: Assembly Group with 6 Output Relays
- X3** – TI: Standard current measuring card
- X4** – TU: Card with 4 voltage transformer measuring inputs
- X103** – Profibus-DP, Fiber optics interface, ST Connector
- X104** – IRIG-B00X, incl. System Contact (Supervision Contact)

MRA4-2A0HDB



Housing B2, small display, door mounting

+ Conformal Coating (for installations in harsh environment)

X1 – DI8-X1: Wide-range power supply unit, incl. 2 non-grouped digital inputs and 6 grouped digital inputs

X2 – OR6: Assembly Group with 6 Output Relays

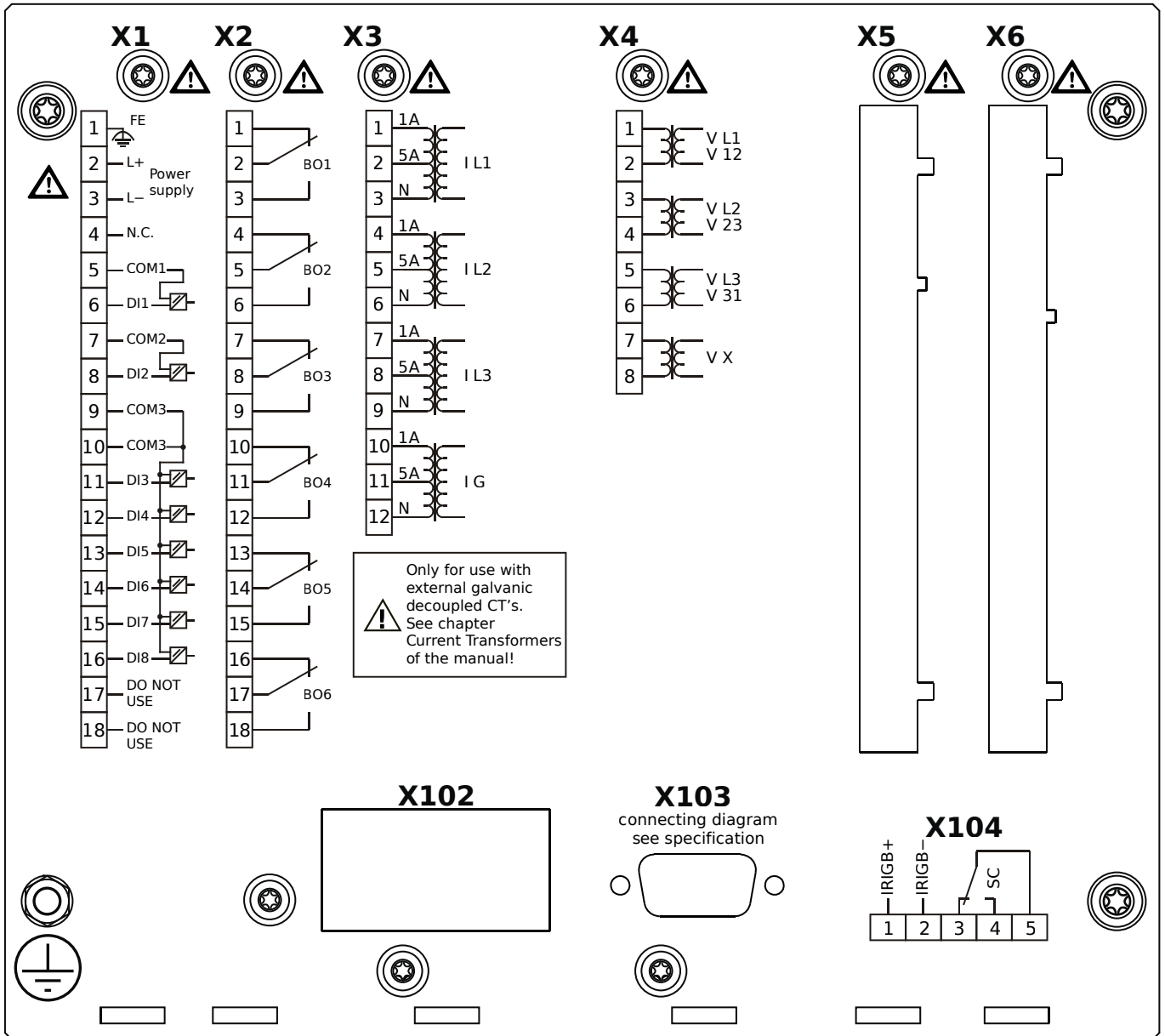
X3 – TI: Standard current measuring card

X4 – TU: Card with 4 voltage transformer measuring inputs

X103 – Profibus-DP, Fiber optics interface, ST Connector

X104 – IRIG-B00X, incl. System Contact (Supervision Contact)

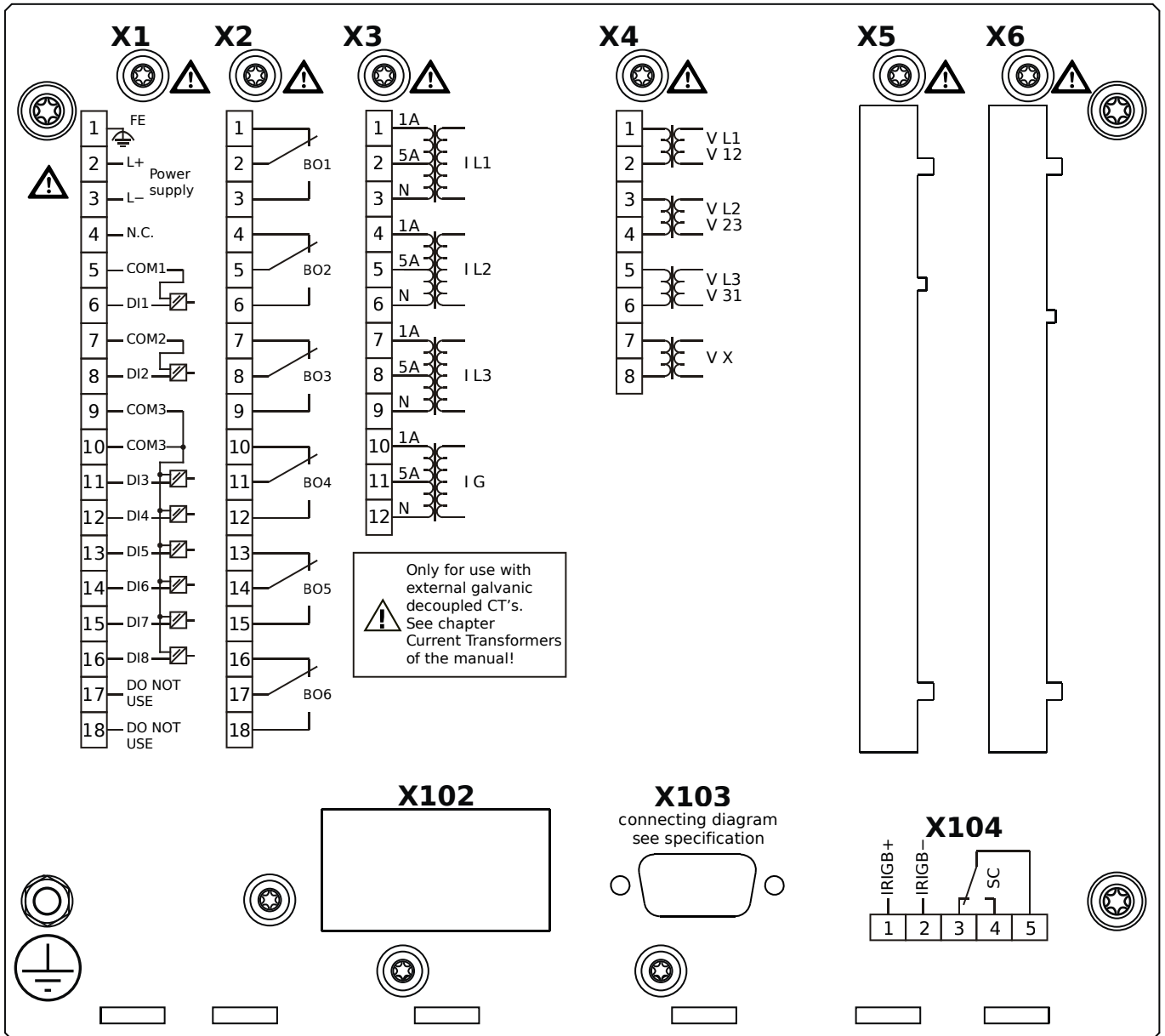
MRA4-2A0HEA



Housing B2, small display, door mounting

- X1** – DI8-X1: Wide-range power supply unit, incl. 2 non-grouped digital inputs and 6 grouped digital inputs
- X2** – OR6: Assembly Group with 6 Output Relays
- X3** – TI: Standard current measuring card
- X4** – TU: Card with 4 voltage transformer measuring inputs
- X103** – Profibus-DP, RS485, D-SUB
- X104** – IRIG-B00X, incl. System Contact (Supervision Contact)

MRA4-2A0HEB



Housing B2, small display, door mounting

+ Conformal Coating (for installations in harsh environment)

X1 – DI8-X1: Wide-range power supply unit, incl. 2 non-grouped digital inputs and 6 grouped digital inputs

X2 – OR6: Assembly Group with 6 Output Relays

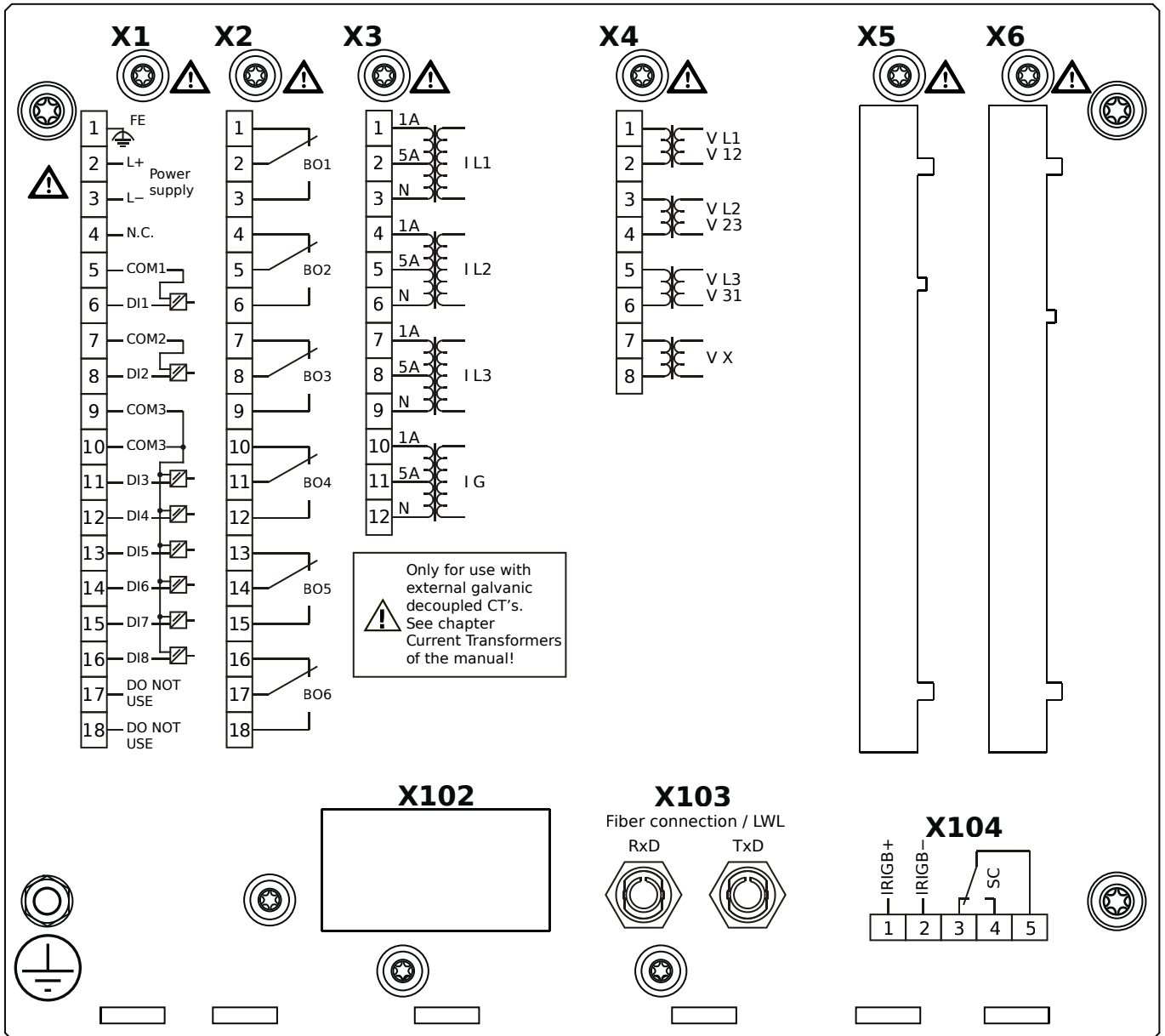
X3 – TI: Standard current measuring card

X4 – TU: Card with 4 voltage transformer measuring inputs

X103 – Profibus-DP, RS485, D-SUB

X104 – IRIG-B00X, incl. System Contact (Supervision Contact)

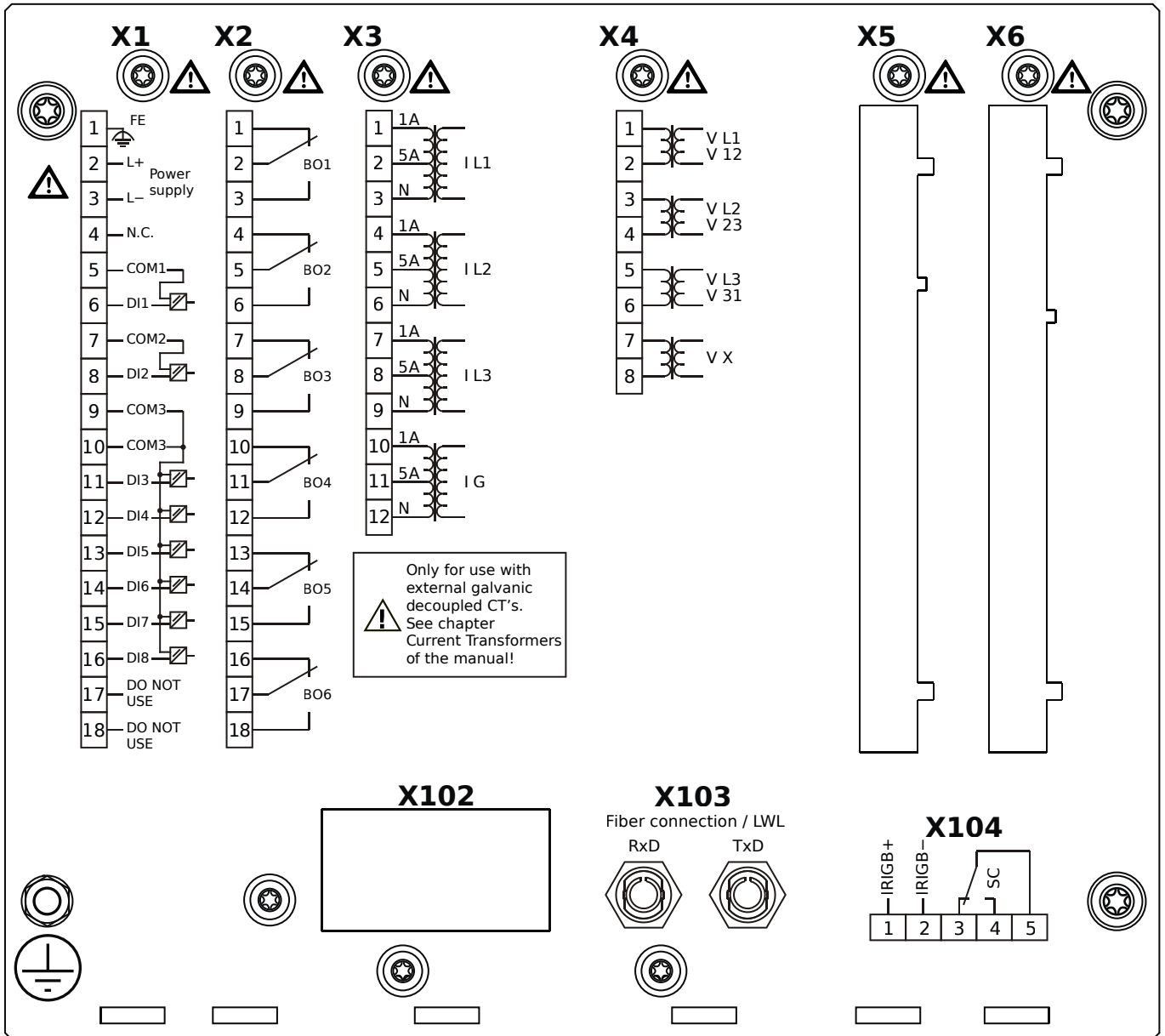
MRA4-2A0HFA



Housing B2, small display, door mounting

- X1** – DI8-X1: Wide-range power supply unit, incl. 2 non-grouped digital inputs and 6 grouped digital inputs
- X2** – OR6: Assembly Group with 6 Output Relays
- X3** – TI: Standard current measuring card
- X4** – TU: Card with 4 voltage transformer measuring inputs
- X103** – Modbus RTU / IEC 60870-5-103 / DNP3.0 RTU, Fiber optics interface, ST Connector
- X104** – IRIG-B00X, incl. System Contact (Supervision Contact)

MRA4-2A0HFB



Housing B2, small display, door mounting

+ Conformal Coating (for installations in harsh environment)

X1 – DI8-X1: Wide-range power supply unit, incl. 2 non-grouped digital inputs and 6 grouped digital inputs

X2 – OR6: Assembly Group with 6 Output Relays

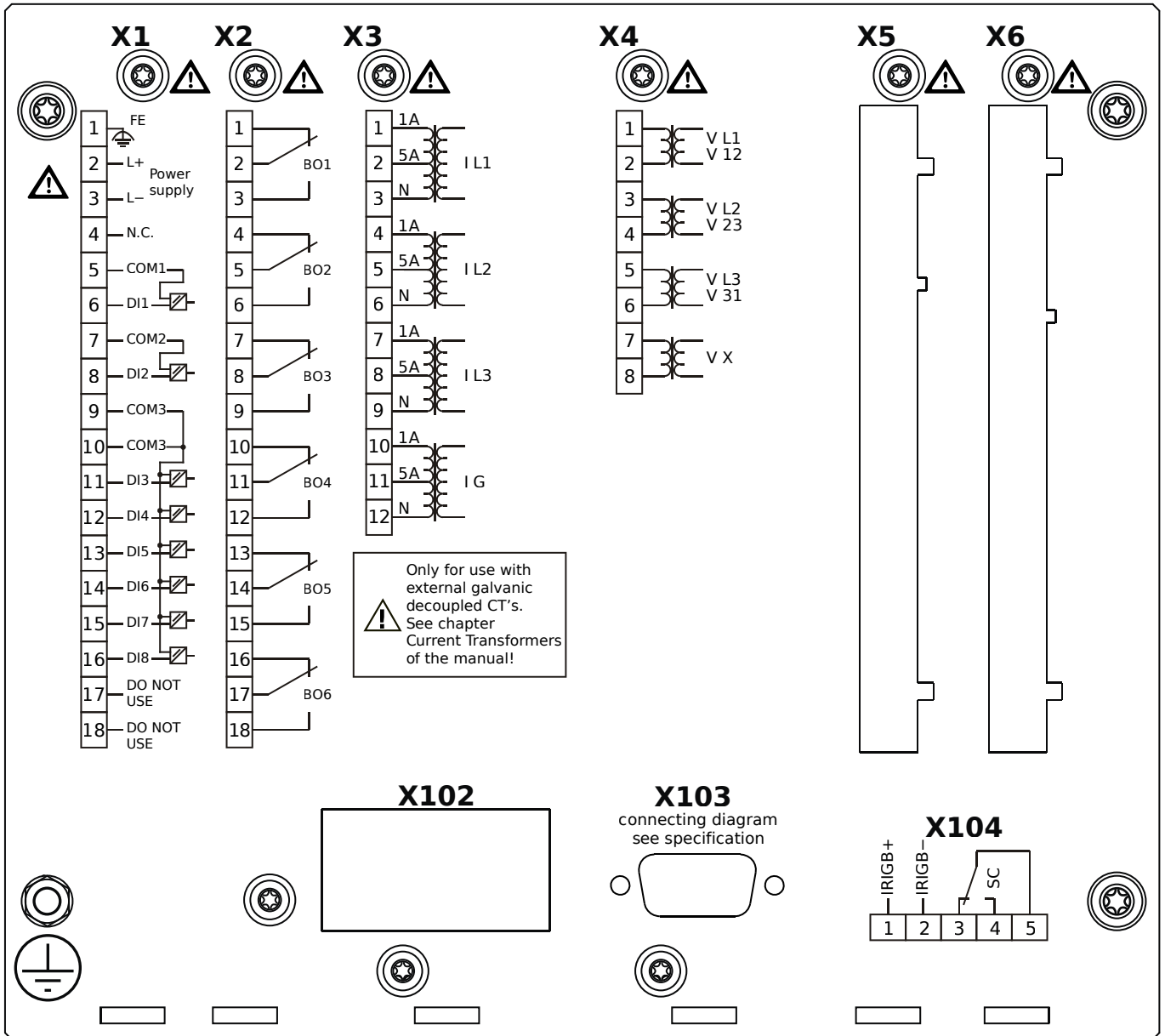
X3 – TI: Standard current measuring card

X4 – TU: Card with 4 voltage transformer measuring inputs

X103 – Modbus RTU / IEC 60870-5-103 / DNP3.0 RTU, Fiber optics interface, ST Connector

X104 – IRIG-B00X, incl. System Contact (Supervision Contact)

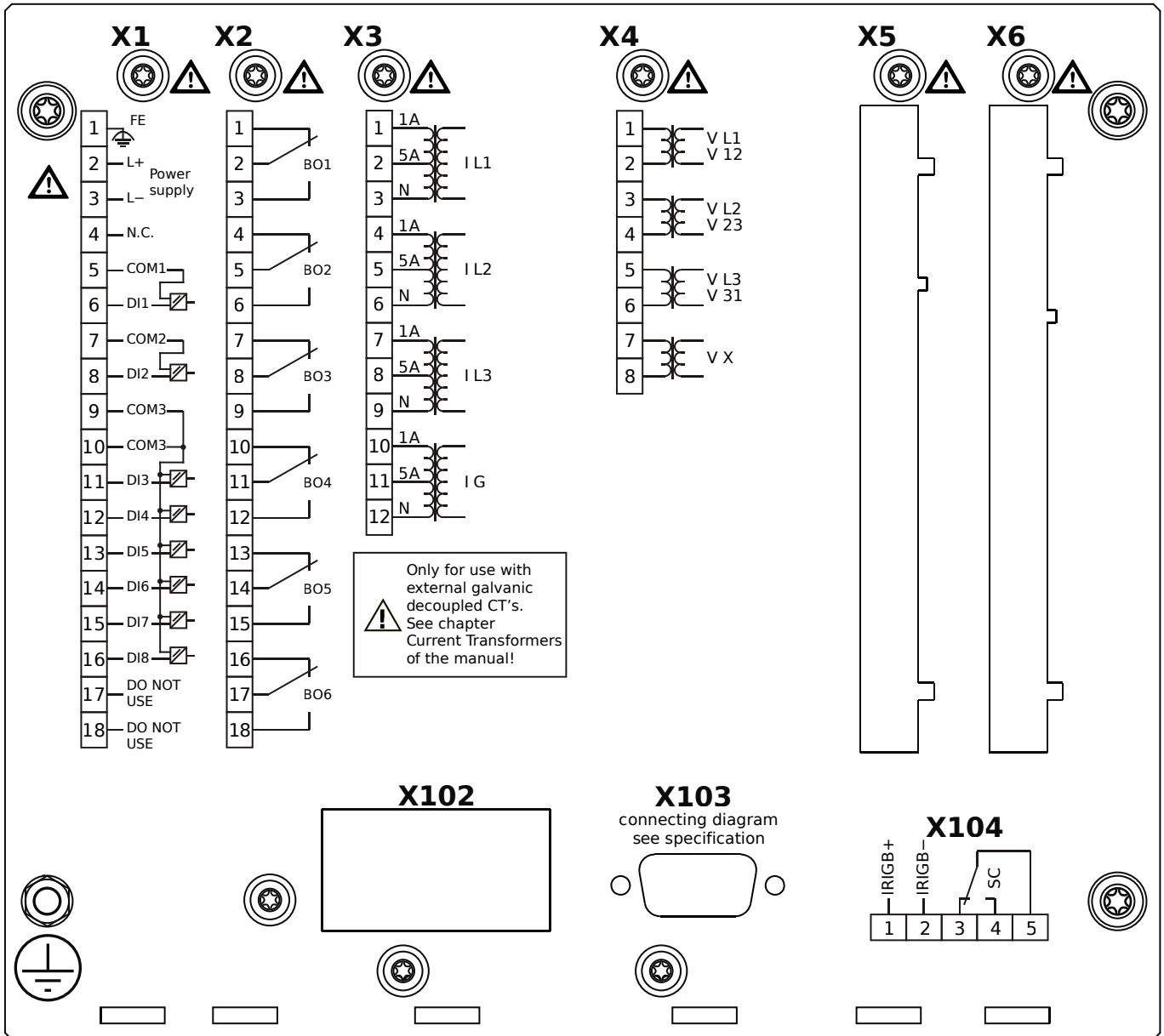
MRA4-2A0HGA



Housing B2, small display, door mounting

- X1** – DI8-X1: Wide-range power supply unit, incl. 2 non-grouped digital inputs and 6 grouped digital inputs
- X2** – OR6: Assembly Group with 6 Output Relays
- X3** – TI: Standard current measuring card
- X4** – TU: Card with 4 voltage transformer measuring inputs
- X103** – Modbus RTU / IEC 60870-5-103 / DNP3.0 RTU, RS485, D-SUB
- X104** – IRIG-B00X, incl. System Contact (Supervision Contact)

MRA4-2A0HGB



Housing B2, small display, door mounting

+ Conformal Coating (for installations in harsh environment)

X1 – DI8-X1: Wide-range power supply unit, incl. 2 non-grouped digital inputs and 6 grouped digital inputs

X2 – OR6: Assembly Group with 6 Output Relays

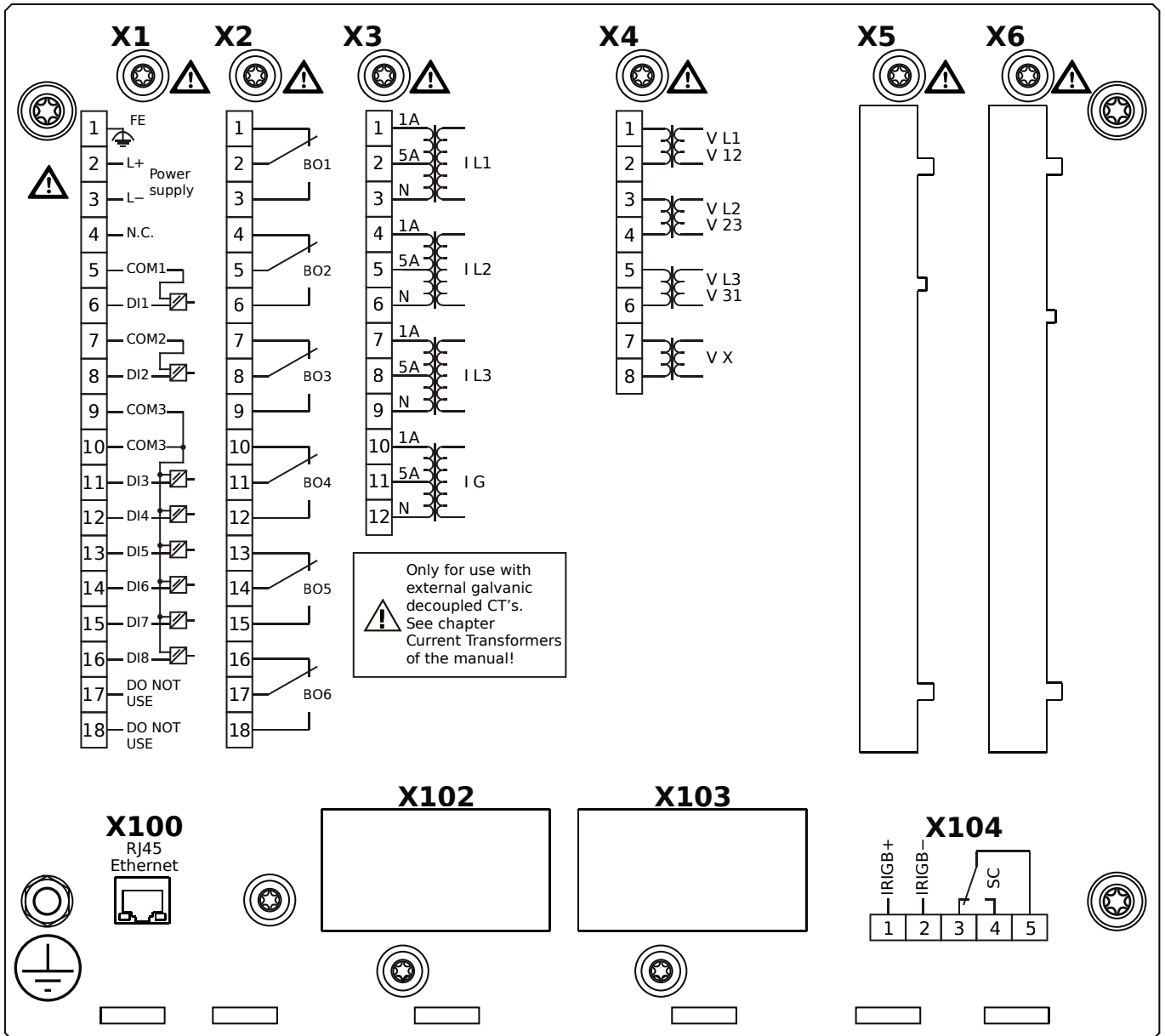
X3 – TI: Standard current measuring card

X4 – TU: Card with 4 voltage transformer measuring inputs

X103 – Modbus RTU / IEC 60870-5-103 / DNP3.0 RTU, RS485, D-SUB

X104 – IRIG-B00X, incl. System Contact (Supervision Contact)

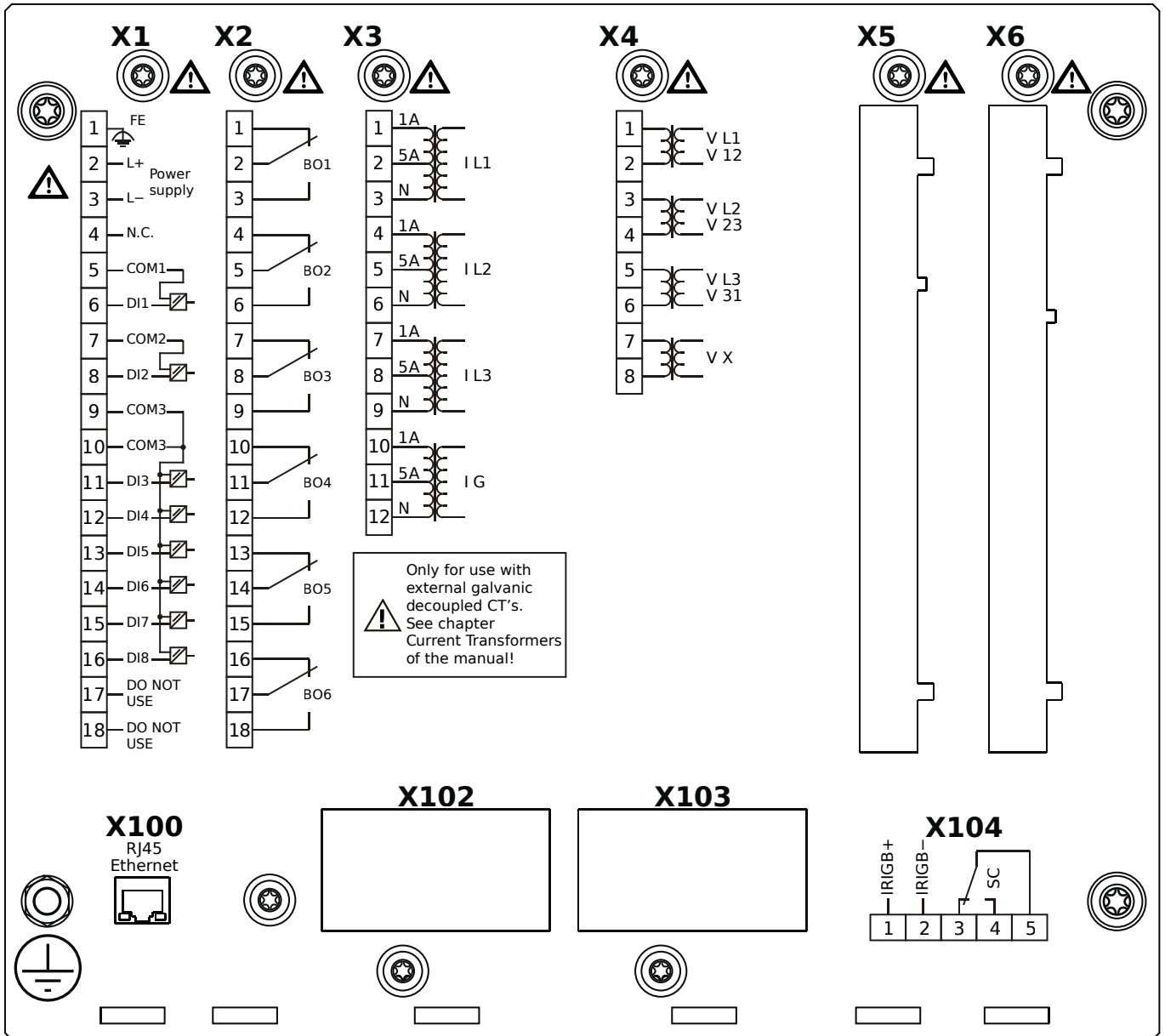
MRA4-2A0HHA



Housing B2, small display, door mounting

- X1** – DI8-X1: Wide-range power supply unit, incl. 2 non-grouped digital inputs and 6 grouped digital inputs
- X2** – OR6: Assembly Group with 6 Output Relays
- X3** – TI: Standard current measuring card
- X4** – TU: Card with 4 voltage transformer measuring inputs
- X100** – IEC 61850 / Modbus TCP / DNP3.0 TCP/UDP, Ethernet interface, 100 Mbit/s, RJ45 (BASE100-FX)
- X104** – IRIG-B00X, incl. System Contact (Supervision Contact)

MRA4-2A0HHB



Housing B2, small display, door mounting

+ Conformal Coating (for installations in harsh environment)

X1 – DI8-X1: Wide-range power supply unit, incl. 2 non-grouped digital inputs and 6 grouped digital inputs

X2 – OR6: Assembly Group with 6 Output Relays

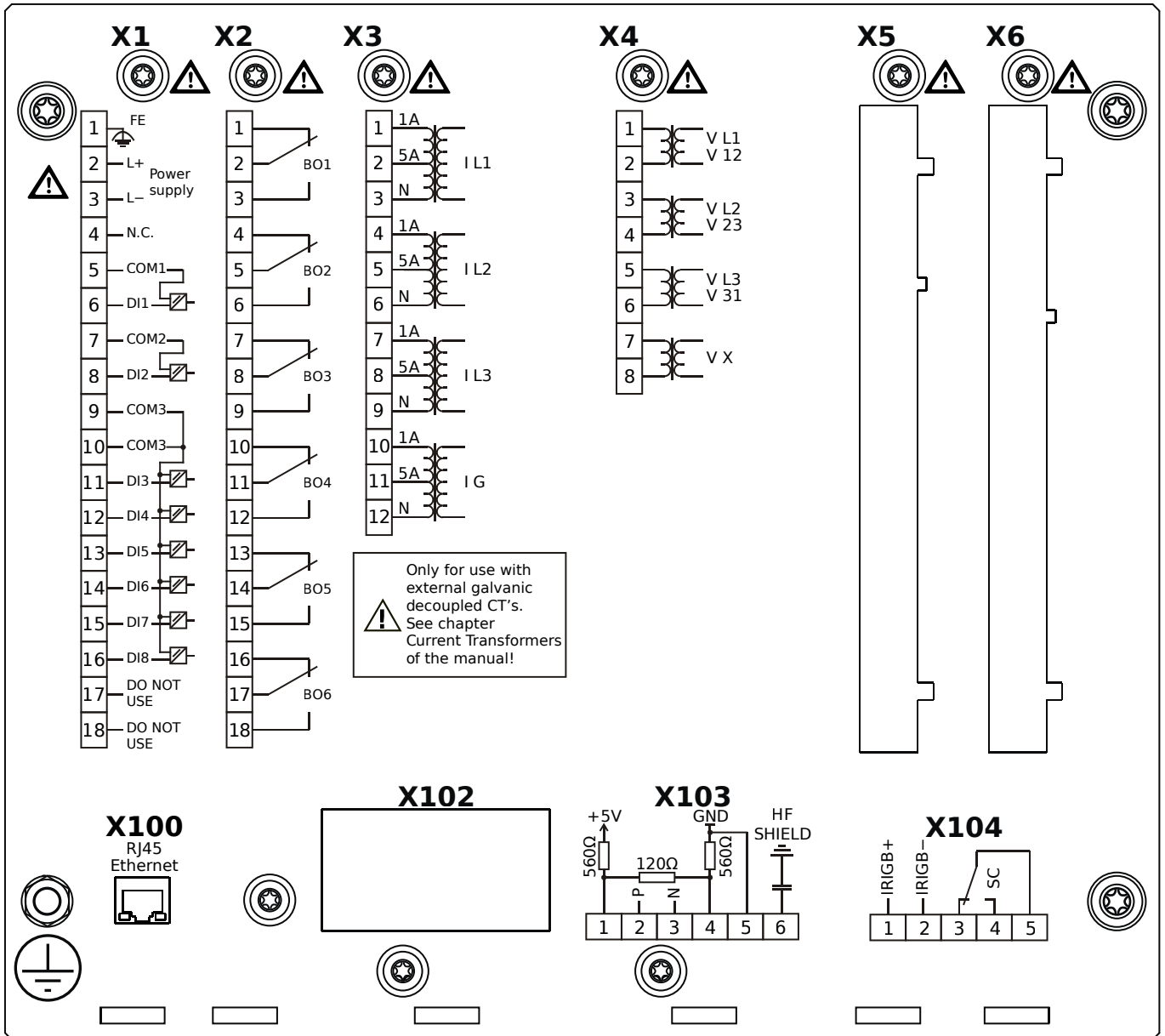
X3 – TI: Standard current measuring card

X4 – TU: Card with 4 voltage transformer measuring inputs

X100 – IEC 61850 / Modbus TCP / DNP3.0 TCP/UDP, Ethernet interface, 100 Mbit/s, RJ45 (BASE100-FX)

X104 – IRIG-B00X, incl. System Contact (Supervision Contact)

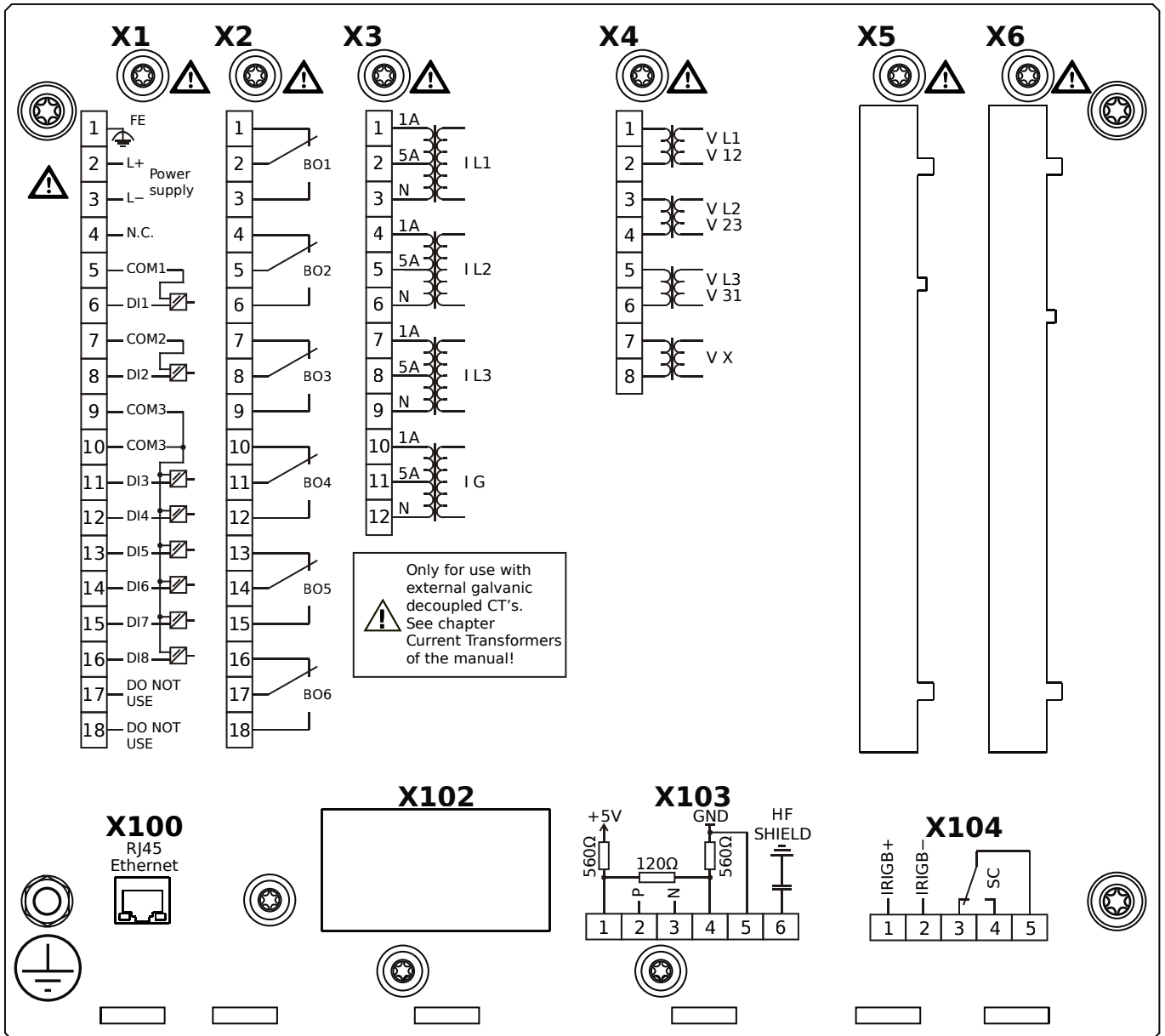
MRA4-2A0HIA



Housing B2, small display, door mounting

- X1** – DI8-X1: Wide-range power supply unit, incl. 2 non-grouped digital inputs and 6 grouped digital inputs
- X2** – OR6: Assembly Group with 6 Output Relays
- X3** – TI: Standard current measuring card
- X4** – TU: Card with 4 voltage transformer measuring inputs
- X100** – Modbus TCP / DNP3.0 TCP/UDP, Ethernet interface, 100 Mbit/s, RJ45 (BASE100-FX)
- X103** – IEC 60870-5-103 / Modbus RTU / DNP3.0 RTU, RS485, Terminals
- X104** – IRIG-B00X, incl. System Contact (Supervision Contact)

MRA4-2A0HIB



Housing B2, small display, door mounting

+ Conformal Coating (for installations in harsh environment)

X1 – DI8-X1: Wide-range power supply unit, incl. 2 non-grouped digital inputs and 6 grouped digital inputs

X2 – OR6: Assembly Group with 6 Output Relays

X3 – TI: Standard current measuring card

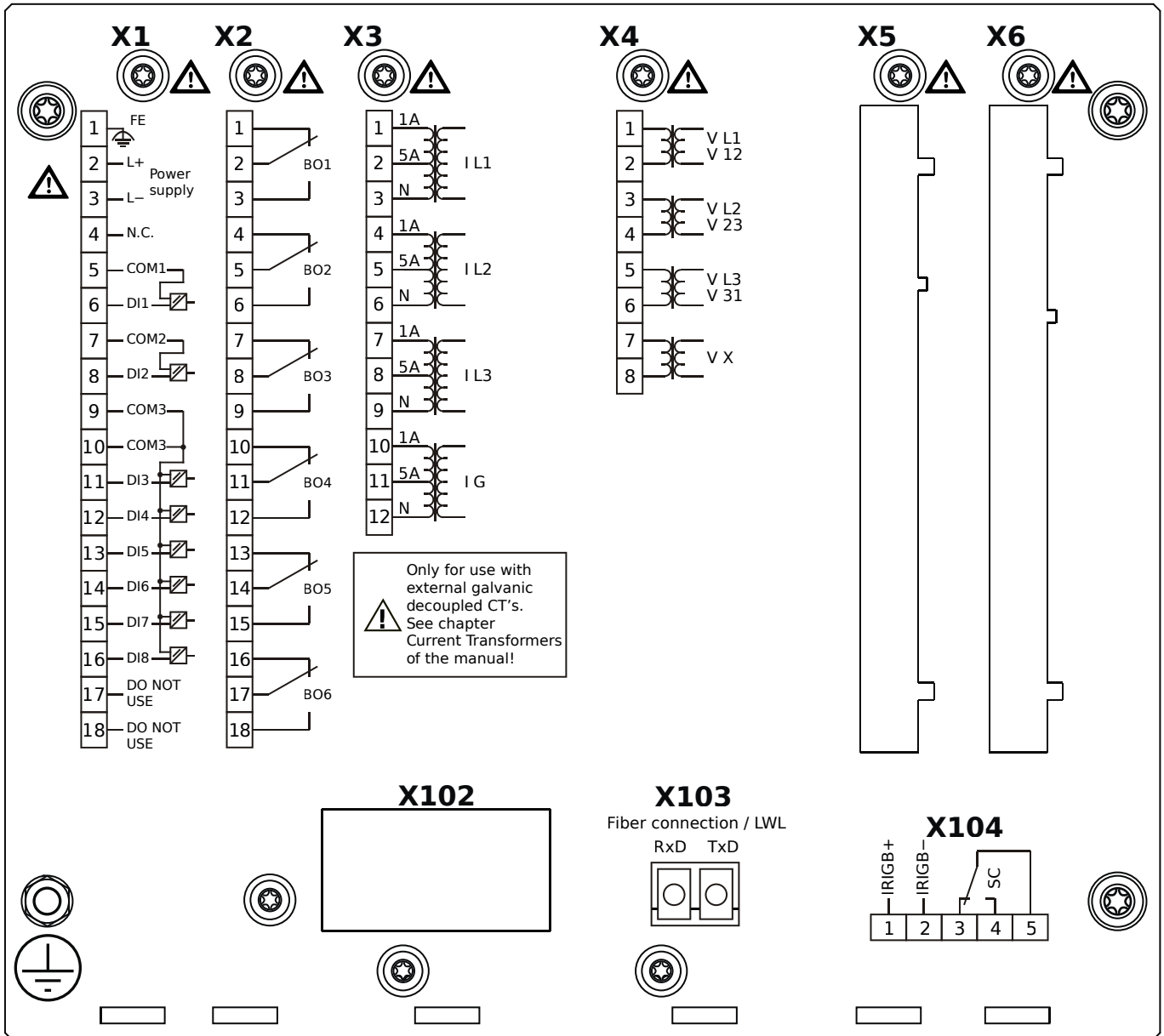
X4 – TU: Card with 4 voltage transformer measuring inputs

X100 – Modbus TCP / DNP3.0 TCP/UDP, Ethernet interface, 100 Mbit/s, RJ45 (BASE100-FX)

X103 – IEC 60870-5-103 / Modbus RTU / DNP3.0 RTU, RS485, Terminals

X104 – IRIG-B00X, incl. System Contact (Supervision Contact)

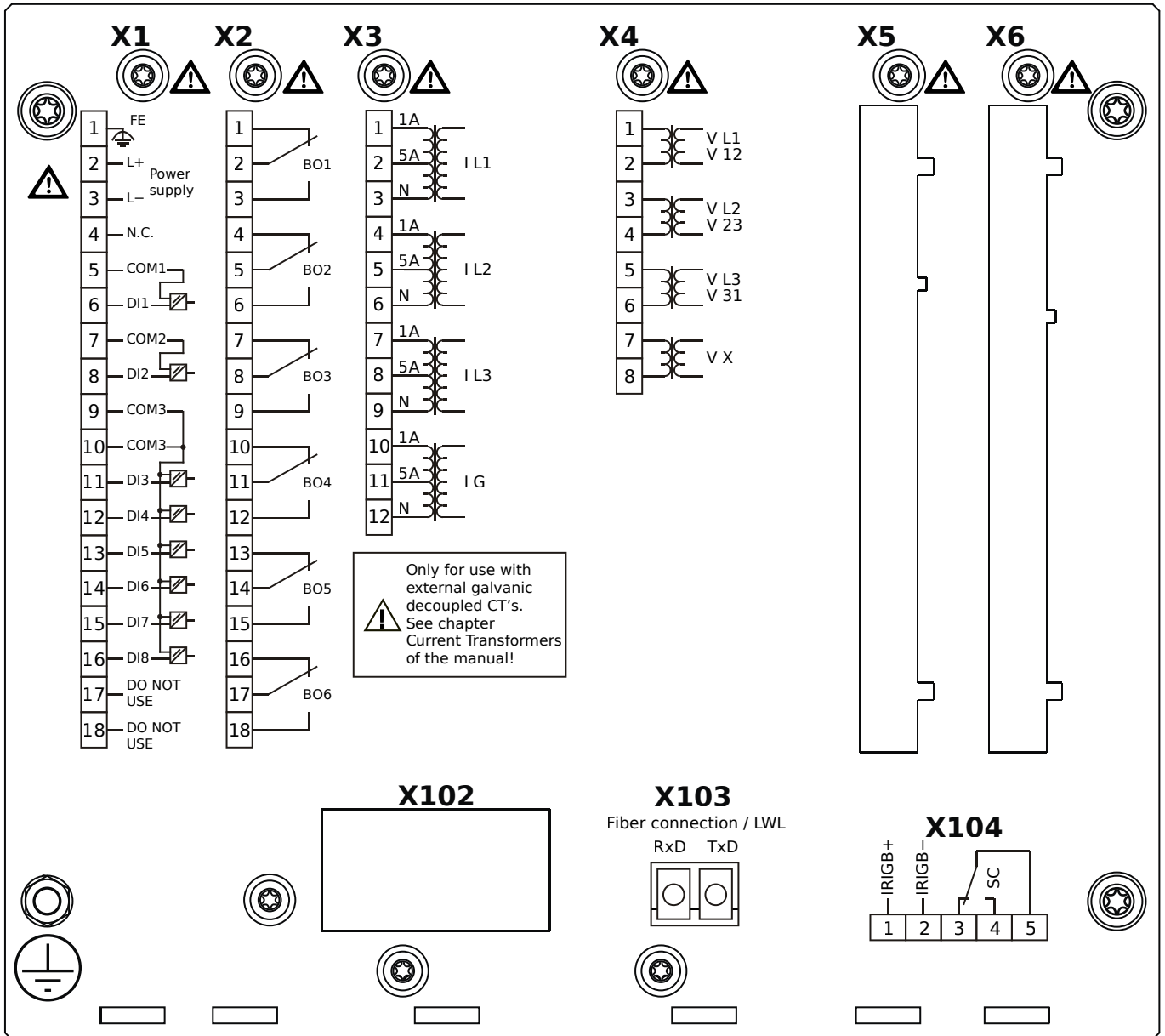
MRA4-2A0HKA



Housing B2, small display, door mounting

- X1** – DI8-X1: Wide-range power supply unit, incl. 2 non-grouped digital inputs and 6 grouped digital inputs
- X2** – OR6: Assembly Group with 6 Output Relays
- X3** – TI: Standard current measuring card
- X4** – TU: Card with 4 voltage transformer measuring inputs
- X103** – IEC 61850 / Modbus TCP / DNP3.0 TCP/UDP, Fiber optics interface, LC Connector
- X104** – IRIG-B00X, incl. System Contact (Supervision Contact)

MRA4-2A0HKB



Housing B2, small display, door mounting

+ Conformal Coating (for installations in harsh environment)

X1 – DI8-X1: Wide-range power supply unit, incl. 2 non-grouped digital inputs and 6 grouped digital inputs

X2 – OR6: Assembly Group with 6 Output Relays

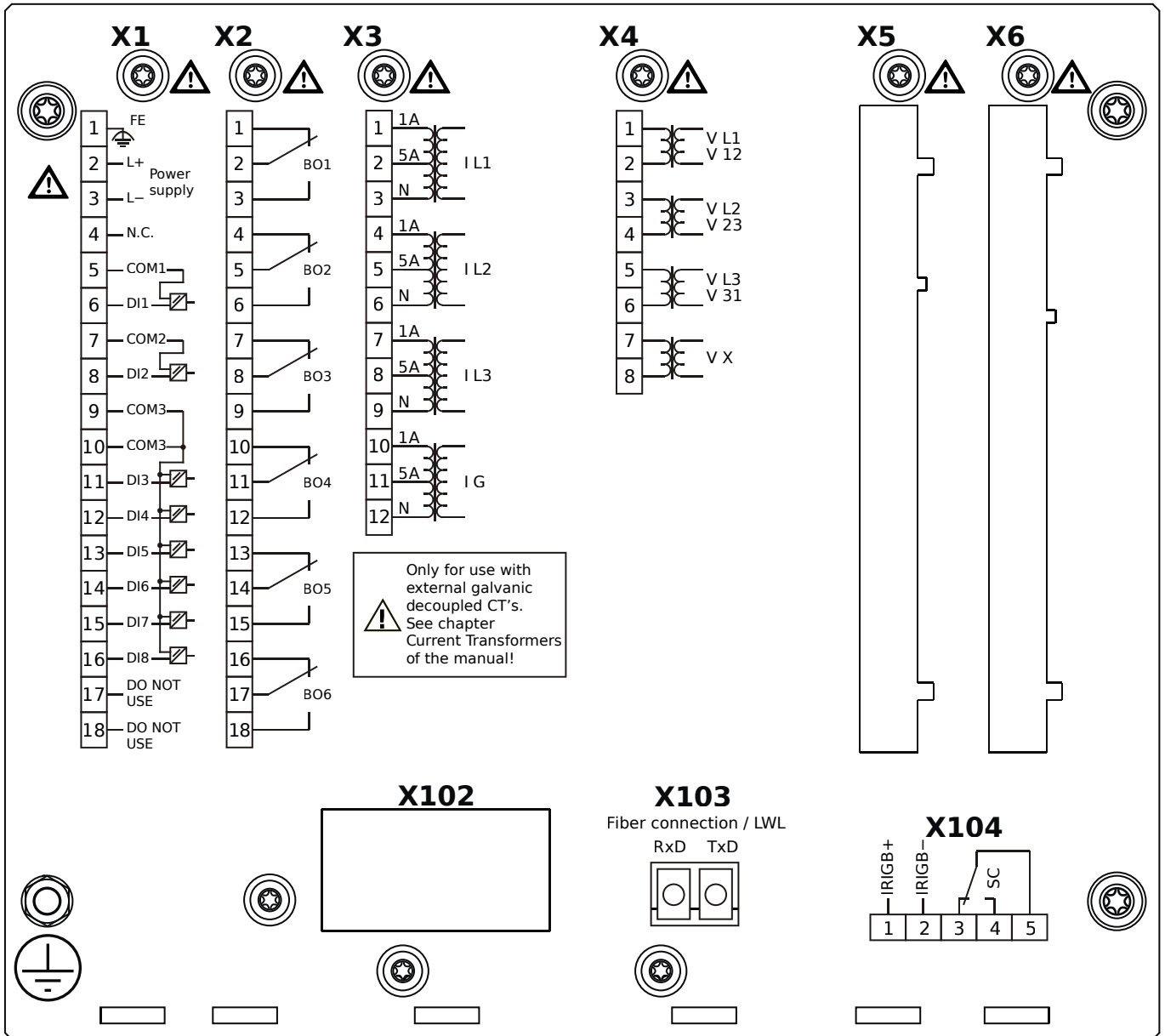
X3 – TI: Standard current measuring card

X4 – TU: Card with 4 voltage transformer measuring inputs

X103 – IEC 61850 / Modbus TCP / DNP3.0 TCP/UDP, Fiber optics interface, LC Connector

X104 – IRIG-B00X, incl. System Contact (Supervision Contact)

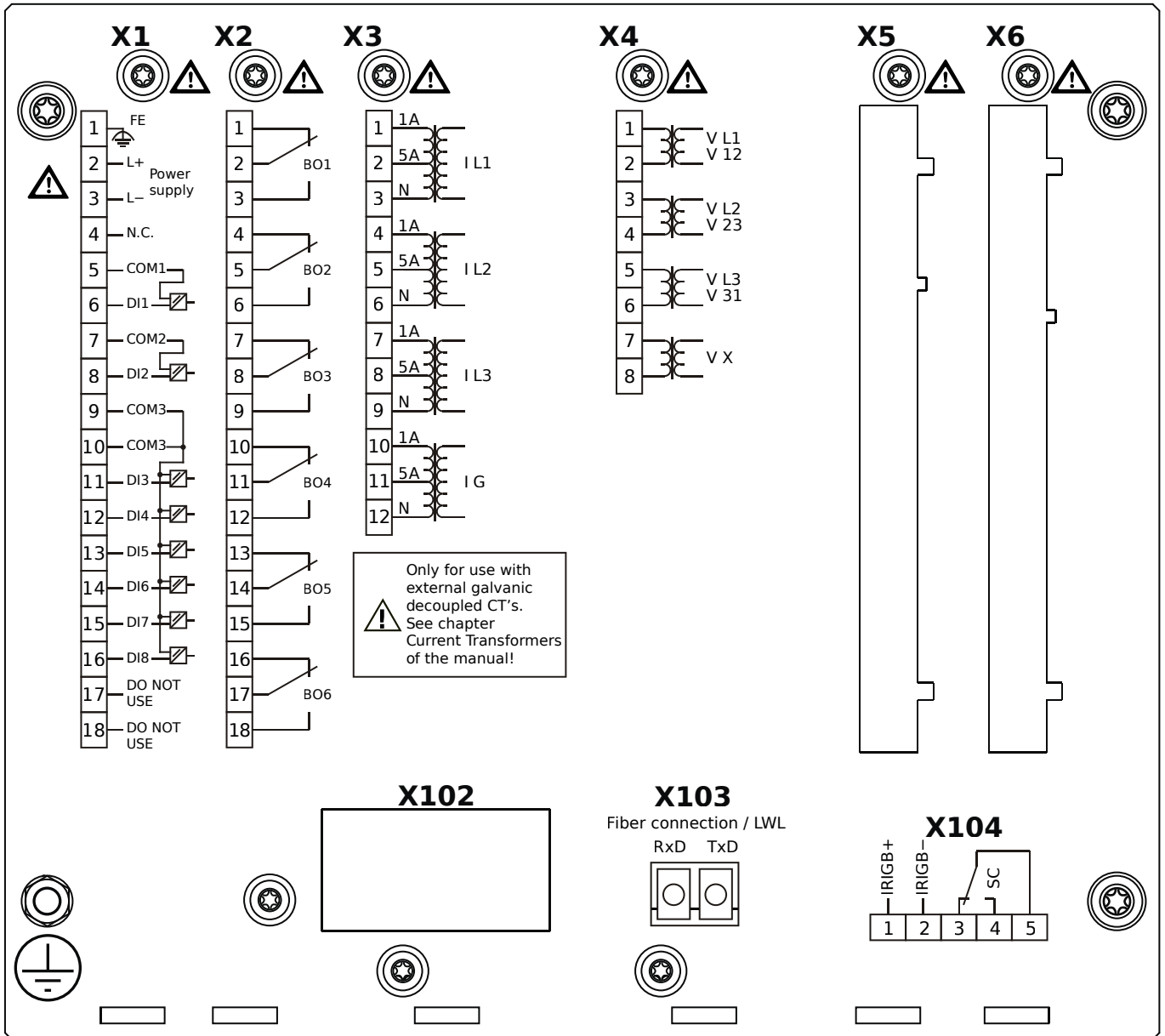
MRA4-2A0HLA



Housing B2, small display, door mounting

- X1** – DI8-X1: Wide-range power supply unit, incl. 2 non-grouped digital inputs and 6 grouped digital inputs
- X2** – OR6: Assembly Group with 6 Output Relays
- X3** – TI: Standard current measuring card
- X4** – TU: Card with 4 voltage transformer measuring inputs
- X103** – Modbus TCP / DNP3.0 TCP/UDP, Fiber optics interface, LC Connector
- X104** – IRIG-B00X, incl. System Contact (Supervision Contact)

MRA4-2A0HLB



Housing B2, small display, door mounting

+ Conformal Coating (for installations in harsh environment)

X1 – DI8-X1: Wide-range power supply unit, incl. 2 non-grouped digital inputs and 6 grouped digital inputs

X2 – OR6: Assembly Group with 6 Output Relays

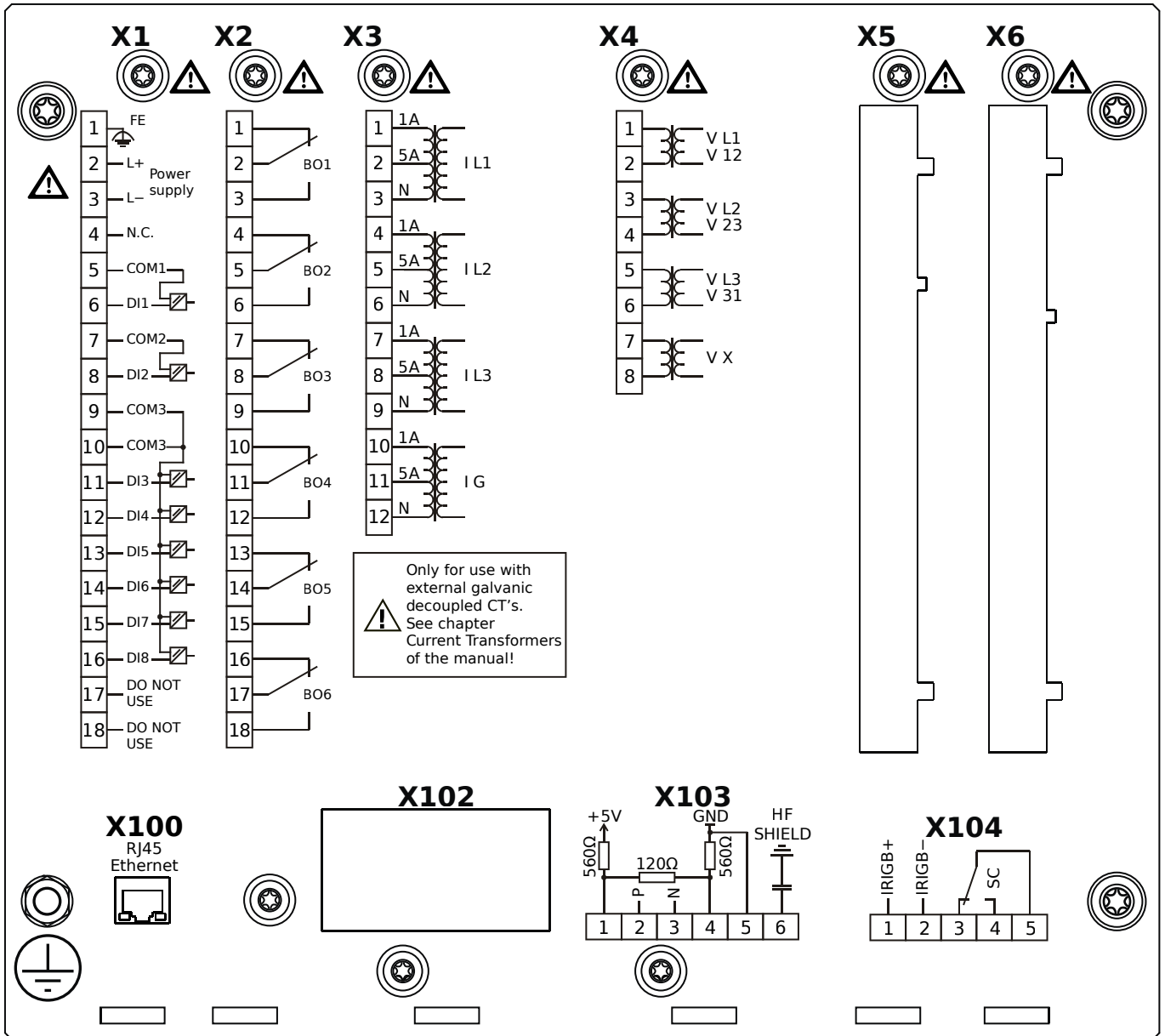
X3 – TI: Standard current measuring card

X4 – TU: Card with 4 voltage transformer measuring inputs

X103 – Modbus TCP / DNP3.0 TCP/UDP, Fiber optics interface, LC Connector

X104 – IRIG-B00X, incl. System Contact (Supervision Contact)

MRA4-2A0HTA



Housing B2, small display, door mounting

X1 – DI8-X1: Wide-range power supply unit, incl. 2 non-grouped digital inputs and 6 grouped digital inputs

X2 – OR6: Assembly Group with 6 Output Relays

X3 – TI: Standard current measuring card

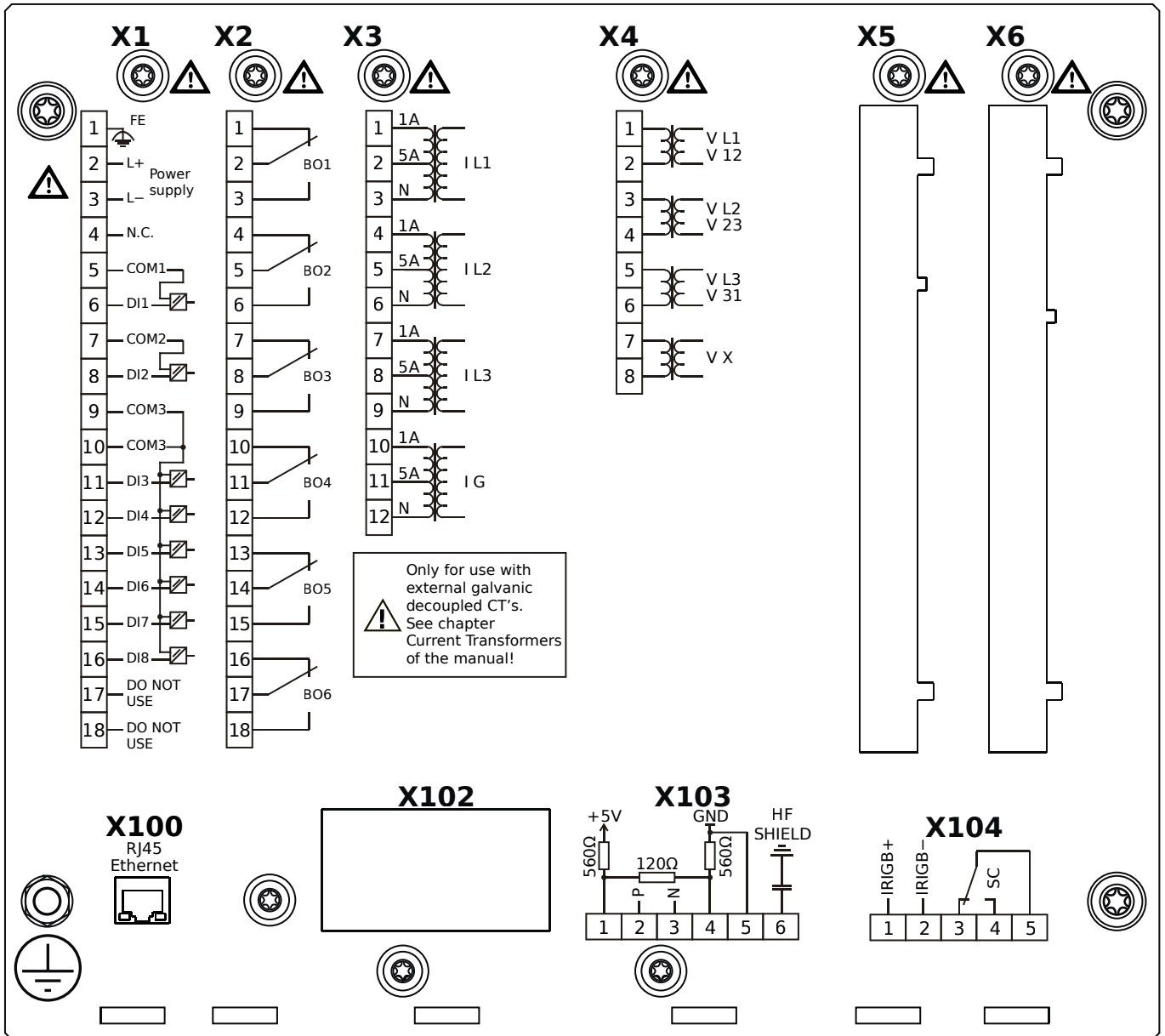
X4 – TU: Card with 4 voltage transformer measuring inputs

X100 – IEC 61850 / Modbus TCP / DNP3.0 TCP/UDP, Ethernet interface, 100 Mbit/s, RJ45 (BASE100-FX)

X103 – IEC 60870-5-103 / Modbus RTU / DNP3.0 RTU, RS485, Terminals

X104 – IRIG-B00X, incl. System Contact (Supervision Contact)

MRA4-2A0HTB



Housing B2, small display, door mounting

+ Conformal Coating (for installations in harsh environment)

X1 – DI8-X1: Wide-range power supply unit, incl. 2 non-grouped digital inputs and 6 grouped digital inputs

X2 – OR6: Assembly Group with 6 Output Relays

X3 – TI: Standard current measuring card

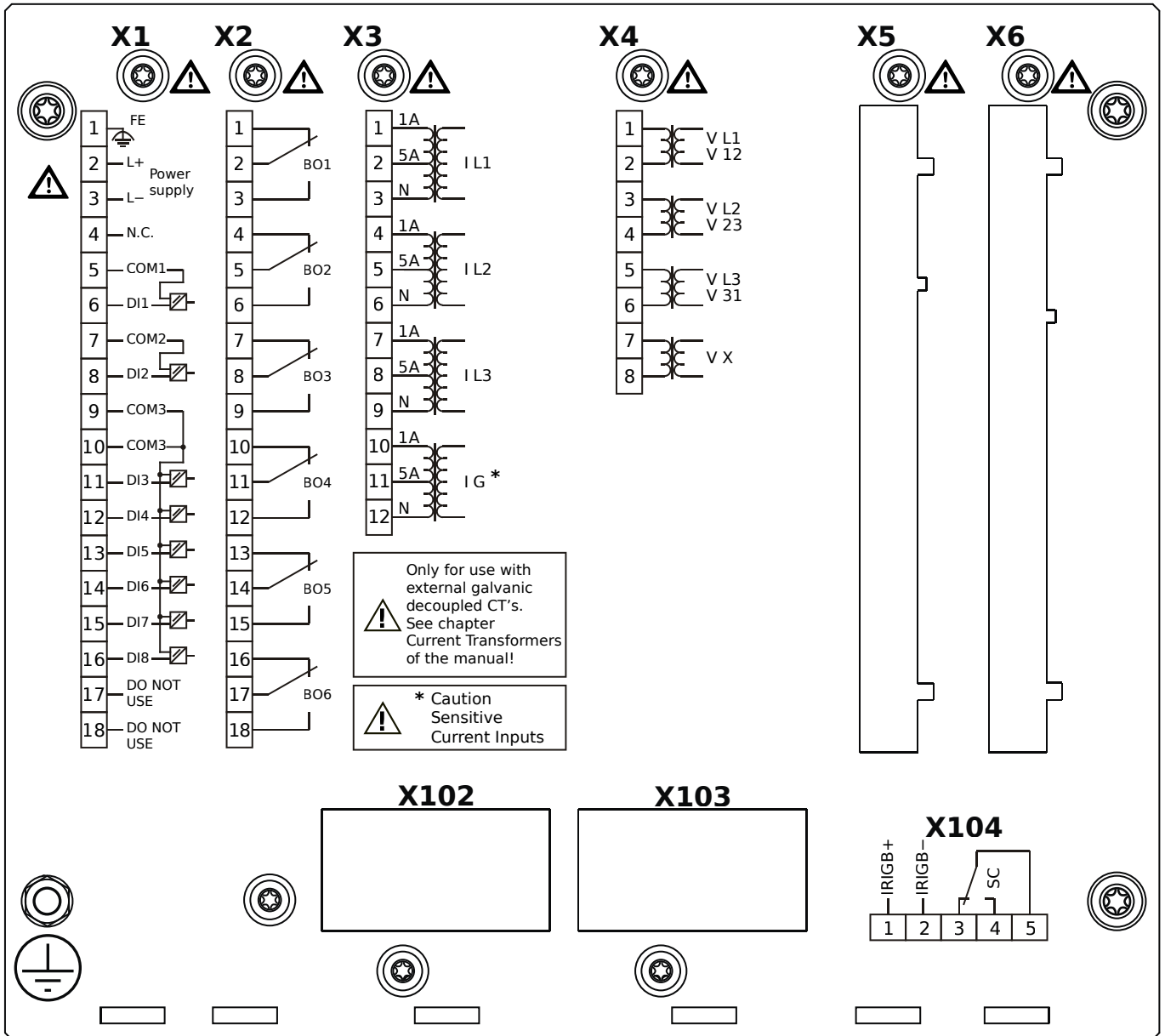
X4 – TU: Card with 4 voltage transformer measuring inputs

X100 – IEC 61850 / Modbus TCP / DNP3.0 TCP/UDP, Ethernet interface, 100 Mbit/s, RJ45 (BASE100-FX)

X103 – IEC 60870-5-103 / Modbus RTU / DNP3.0 RTU, RS485, Terminals

X104 – IRIG-B00X, incl. System Contact (Supervision Contact)

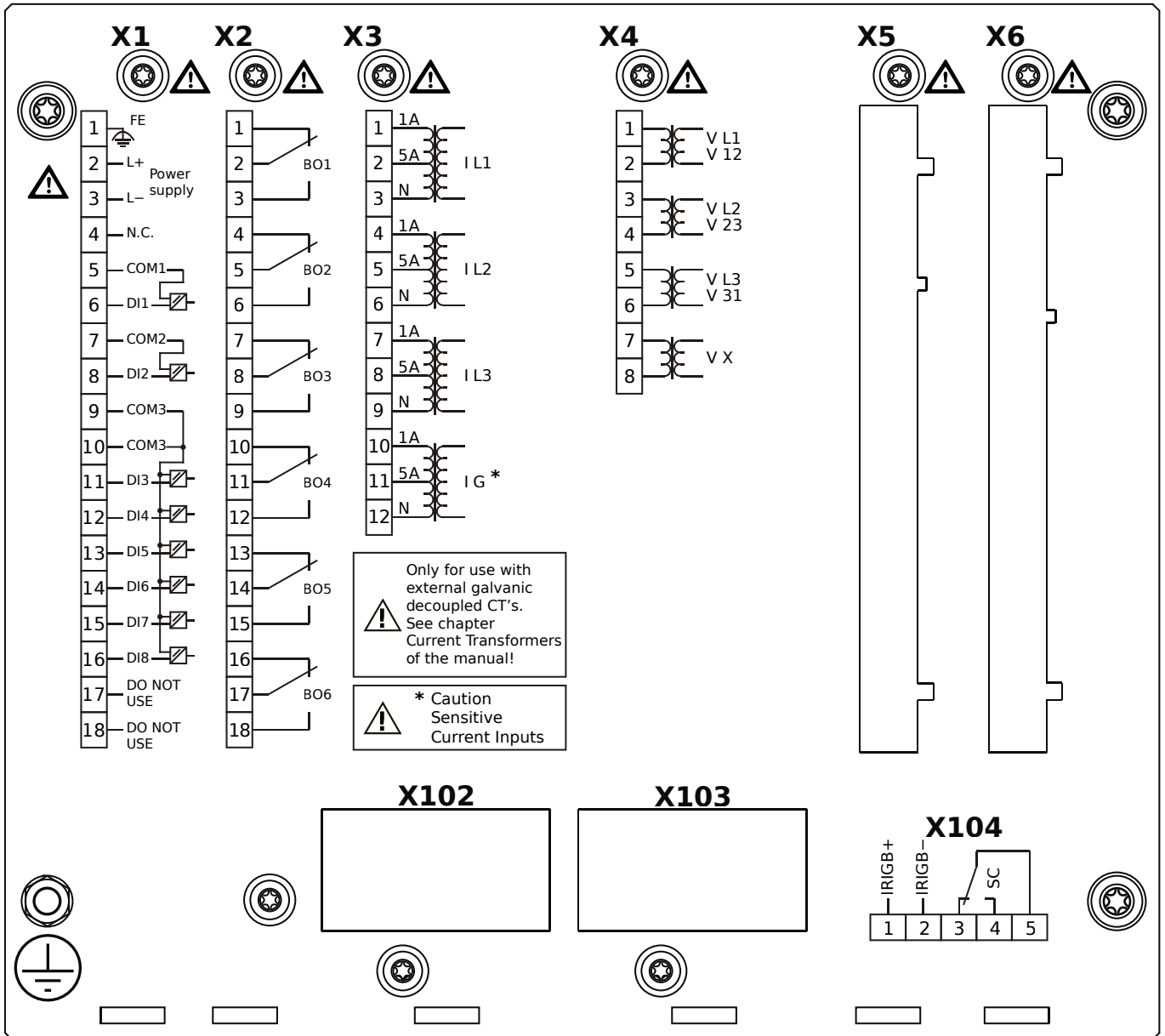
MRA4-2A1AAA



Housing B2, small display, door mounting

- X1** – DI8-X1: Wide-range power supply unit, incl. 2 non-grouped digital inputs and 6 grouped digital inputs
- X2** – OR6: Assembly Group with 6 Output Relays
- X3** – TIs: Standard phase current measuring card and sensitive ground current measuring
- X4** – TU: Card with 4 voltage transformer measuring inputs
- X104** – IRIG-B00X, incl. System Contact (Supervision Contact)

MRA4-2A1AAB



Housing B2, small display, door mounting

+ Conformal Coating (for installations in harsh environment)

X1 – DI8-X1: Wide-range power supply unit, incl. 2 non-grouped digital inputs and 6 grouped digital inputs

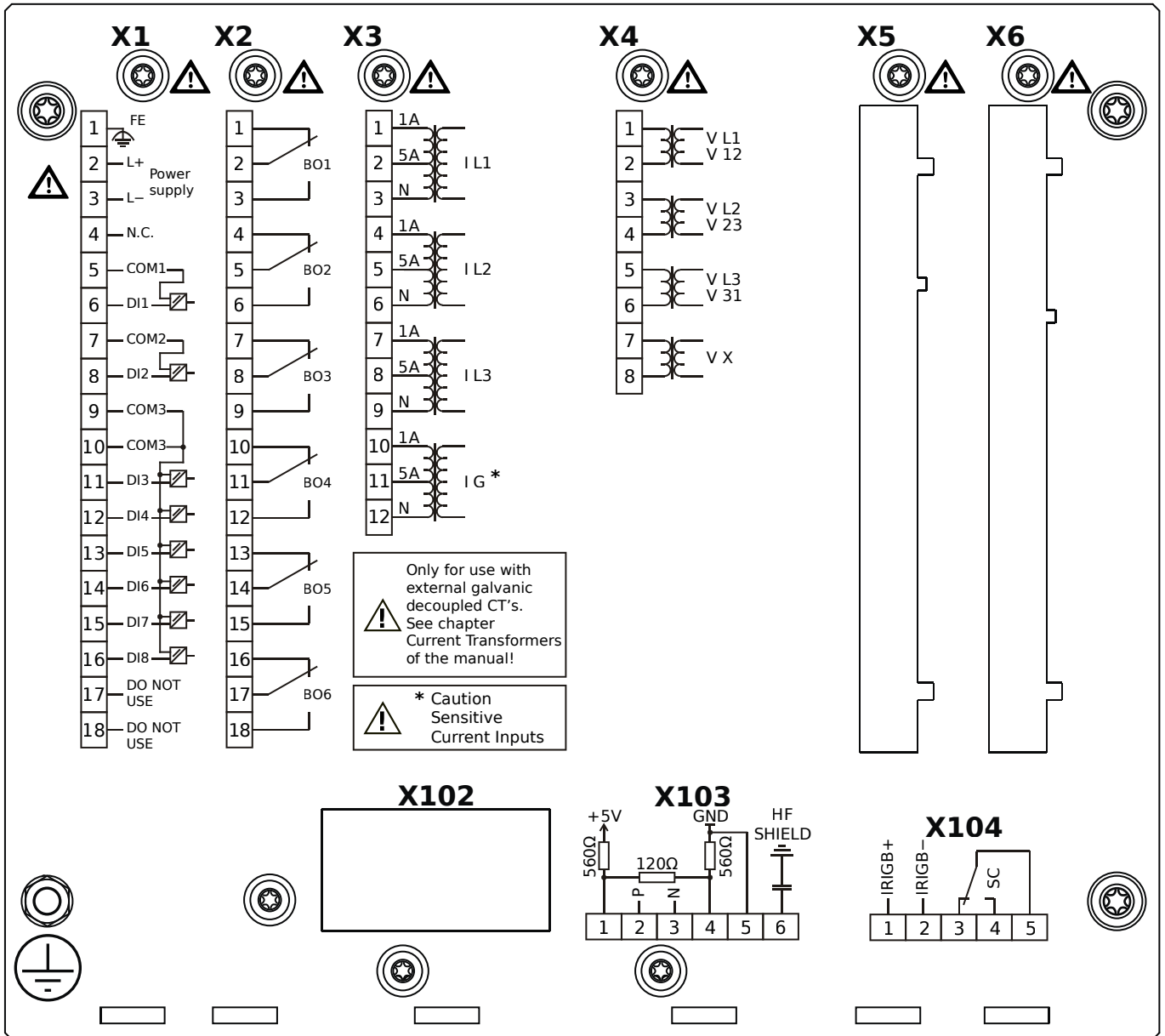
X2 – OR6: Assembly Group with 6 Output Relays

X3 – TIs: Standard phase current measuring card and sensitive ground current measuring

X4 – TU: Card with 4 voltage transformer measuring inputs

X104 – IRIG-B00X, incl. System Contact (Supervision Contact)

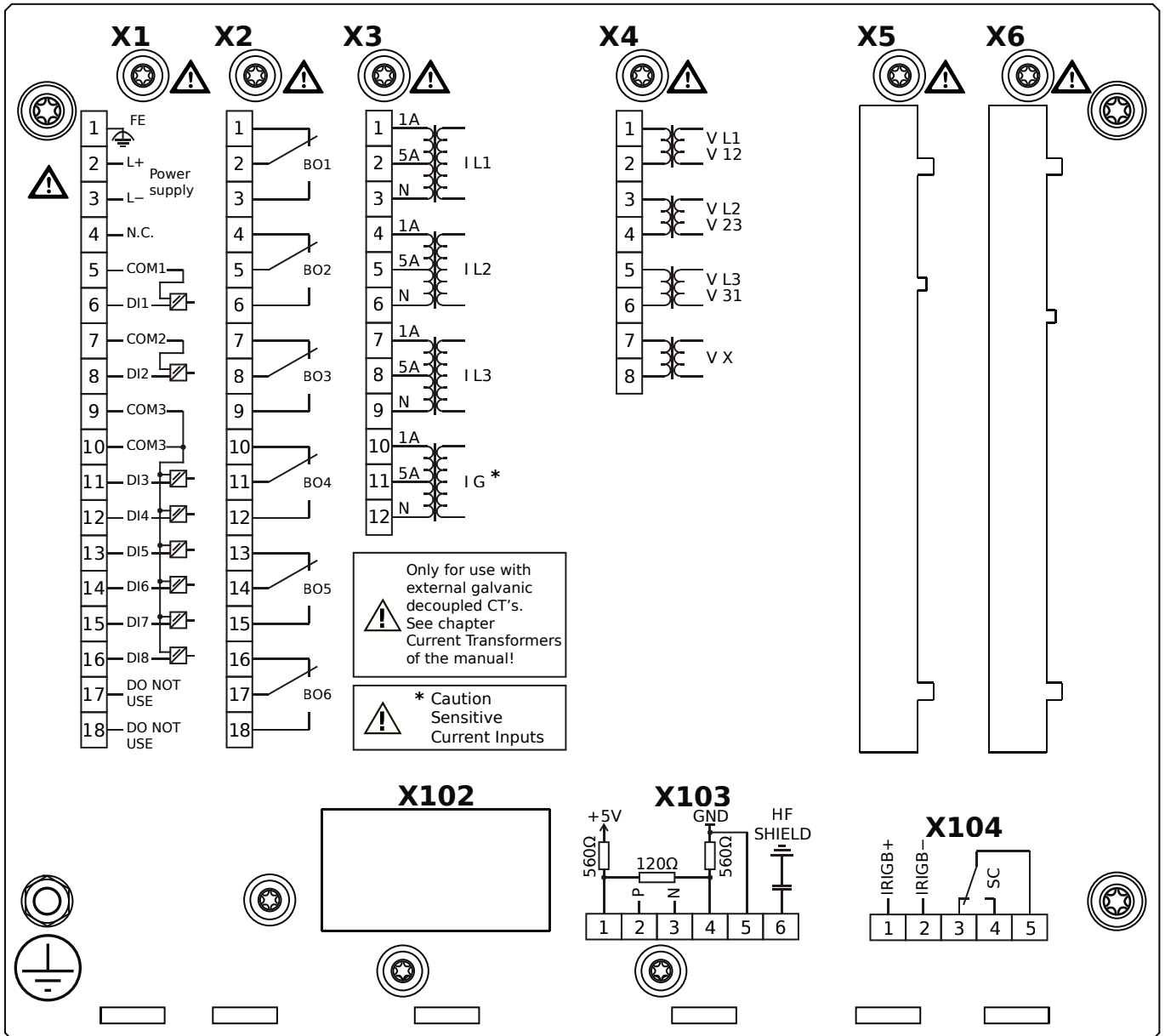
MRA4-2A1ABA



Housing B2, small display, door mounting

- X1** – DI8-X1: Wide-range power supply unit, incl. 2 non-grouped digital inputs and 6 grouped digital inputs
- X2** – OR6: Assembly Group with 6 Output Relays
- X3** – TIs: Standard phase current measuring card and sensitive ground current measuring
- X4** – TU: Card with 4 voltage transformer measuring inputs
- X103** – Modbus RTU / IEC 60870-5-103 / DNP3.0 RTU, RS485, Terminals
- X104** – IRIG-B00X, incl. System Contact (Supervision Contact)

MRA4-2A1ABB



Housing B2, small display, door mounting

+ Conformal Coating (for installations in harsh environment)

X1 – DI8-X1: Wide-range power supply unit, incl. 2 non-grouped digital inputs and 6 grouped digital inputs

X2 – OR6: Assembly Group with 6 Output Relays

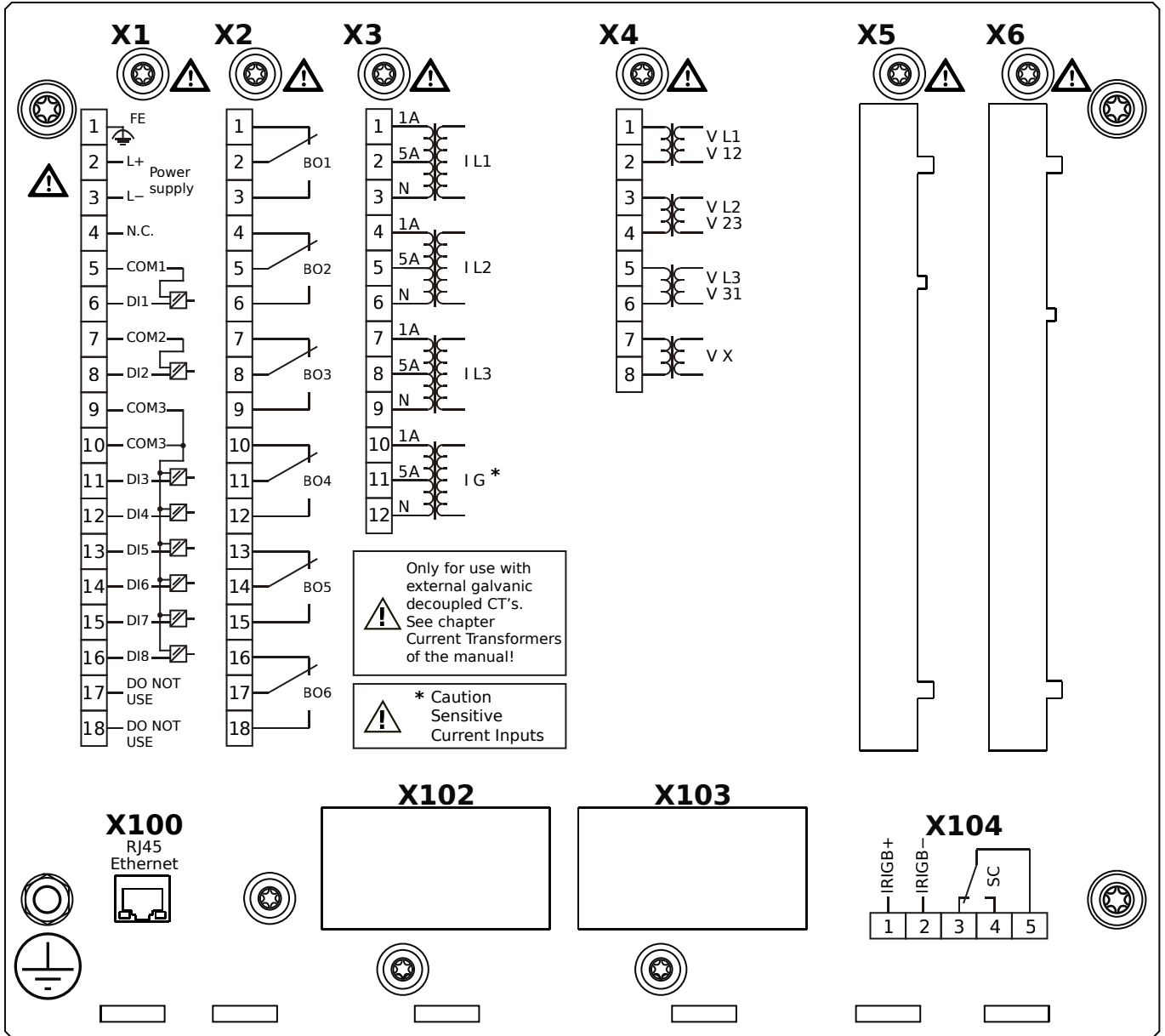
X3 – TIs: Standard phase current measuring card and sensitive ground current measuring

X4 – TU: Card with 4 voltage transformer measuring inputs

X103 – Modbus RTU / IEC 60870-5-103 / DNP3.0 RTU, RS485, Terminals

X104 – IRIG-B00X, incl. System Contact (Supervision Contact)

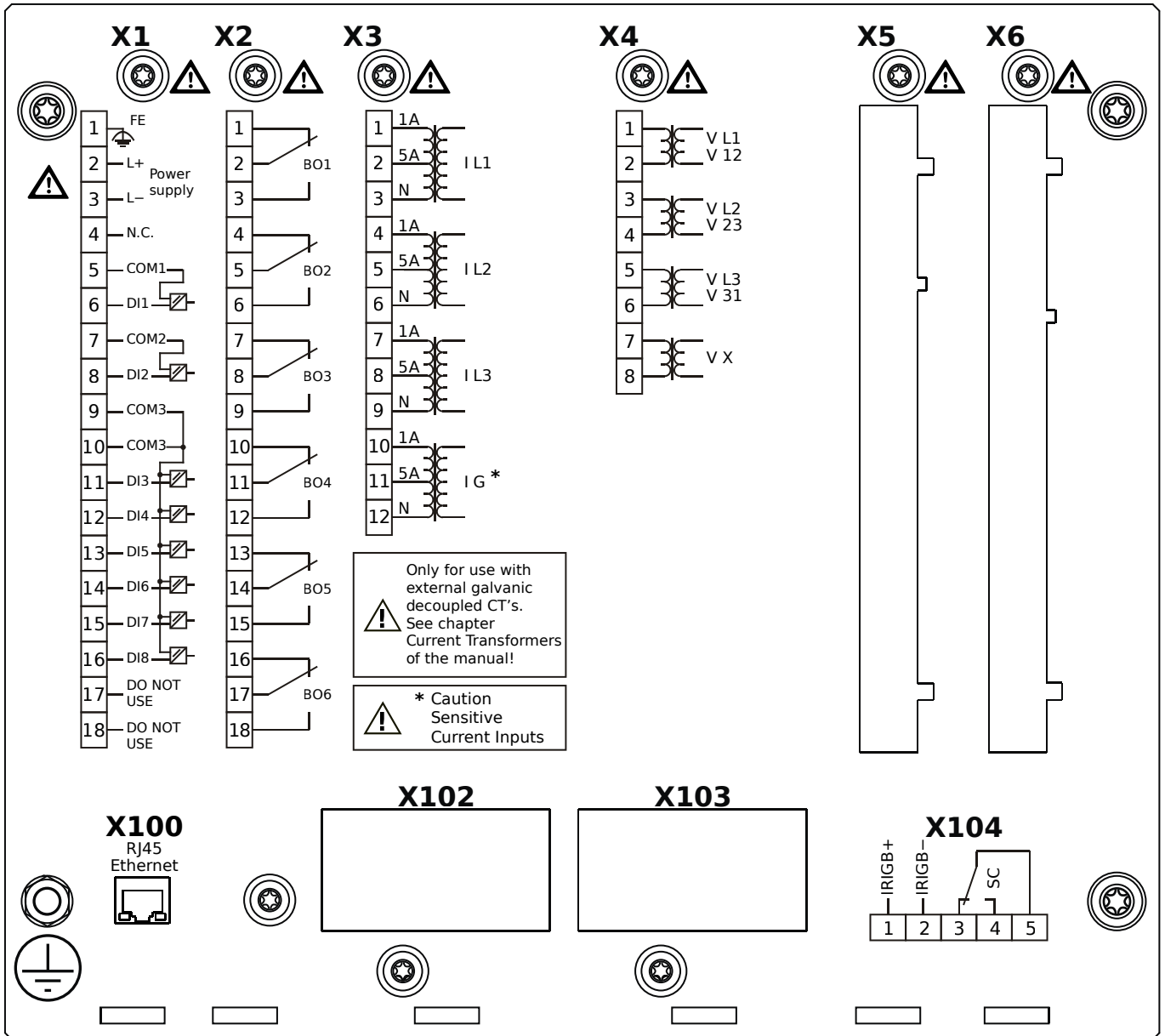
MRA4-2A1ACA



Housing B2, small display, door mounting

- X1** – DI8-X1: Wide-range power supply unit, incl. 2 non-grouped digital inputs and 6 grouped digital inputs
- X2** – OR6: Assembly Group with 6 Output Relays
- X3** – TIs: Standard phase current measuring card and sensitive ground current measuring
- X4** – TU: Card with 4 voltage transformer measuring inputs
- X100** – Modbus TCP / DNP3.0 TCP/UDP, Ethernet interface, 100 Mbit/s, RJ45 (BASE100-FX)
- X104** – IRIG-B00X, incl. System Contact (Supervision Contact)

MRA4-2A1ACB



Housing B2, small display, door mounting

+ Conformal Coating (for installations in harsh environment)

X1 – DI8-X1: Wide-range power supply unit, incl. 2 non-grouped digital inputs and 6 grouped digital inputs

X2 – OR6: Assembly Group with 6 Output Relays

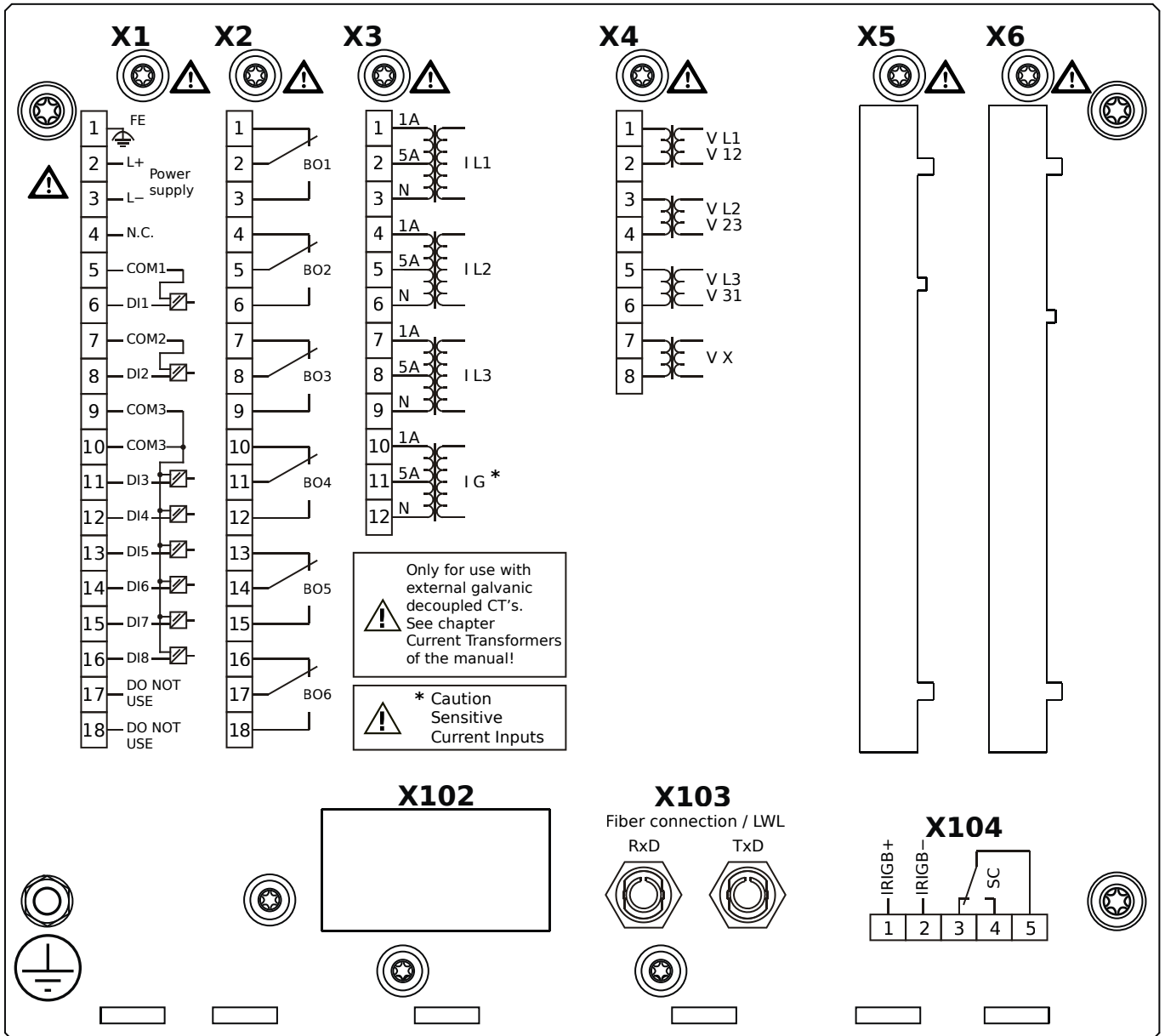
X3 – TIs: Standard phase current measuring card and sensitive ground current measuring

X4 – TU: Card with 4 voltage transformer measuring inputs

X100 – Modbus TCP / DNP3.0 TCP/UDP, Ethernet interface, 100 Mbit/s, RJ45 (BASE100-FX)

X104 – IRIG-B00X, incl. System Contact (Supervision Contact)

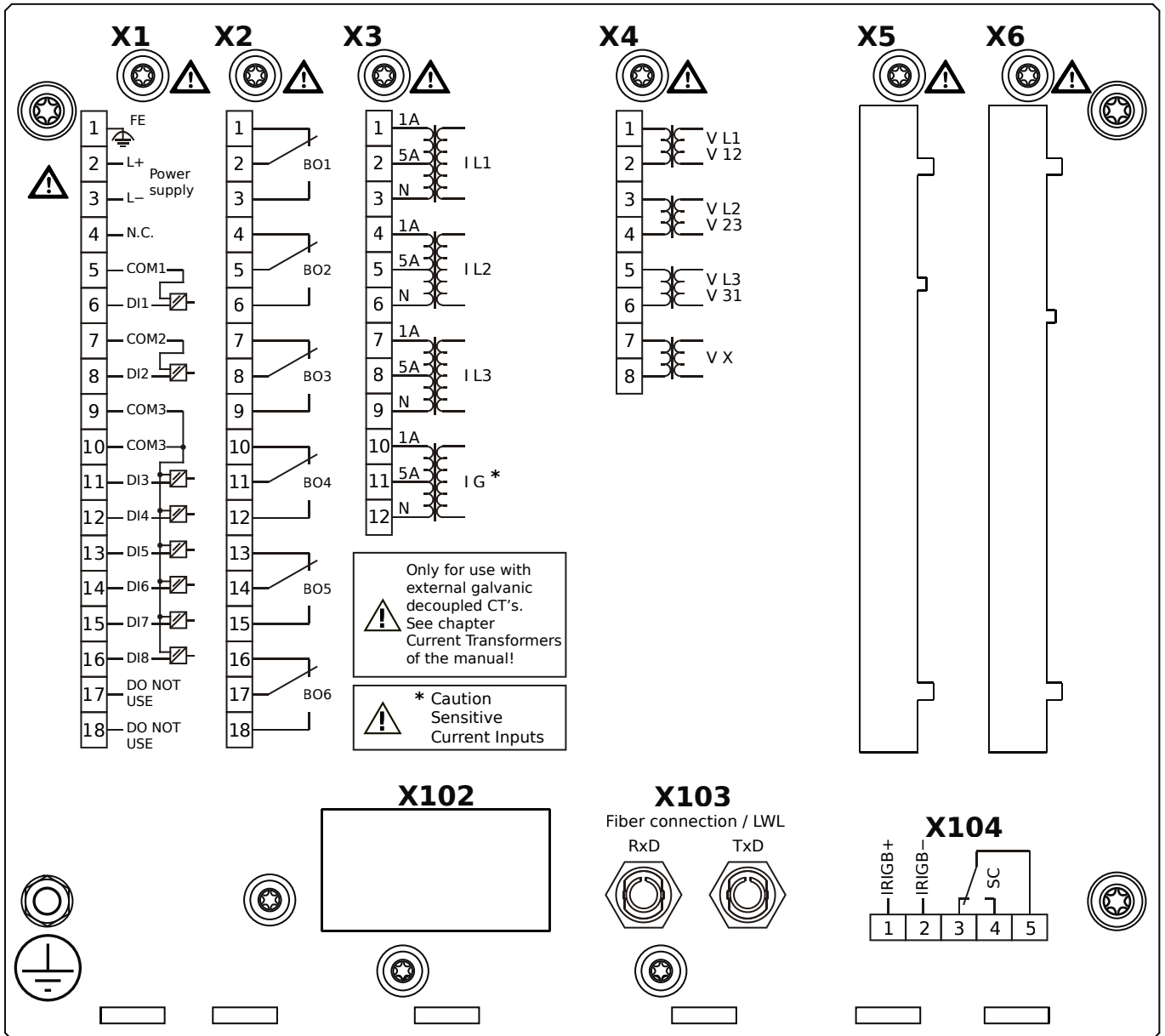
MRA4-2A1ADA



Housing B2, small display, door mounting

- X1** – DI8-X1: Wide-range power supply unit, incl. 2 non-grouped digital inputs and 6 grouped digital inputs
- X2** – OR6: Assembly Group with 6 Output Relays
- X3** – TIs: Standard phase current measuring card and sensitive ground current measuring
- X4** – TU: Card with 4 voltage transformer measuring inputs
- X103** – Profibus-DP, Fiber optics interface, ST Connector
- X104** – IRIG-B00X, incl. System Contact (Supervision Contact)

MRA4-2A1ADB



Housing B2, small display, door mounting

+ Conformal Coating (for installations in harsh environment)

X1 – DI8-X1: Wide-range power supply unit, incl. 2 non-grouped digital inputs and 6 grouped digital inputs

X2 – OR6: Assembly Group with 6 Output Relays

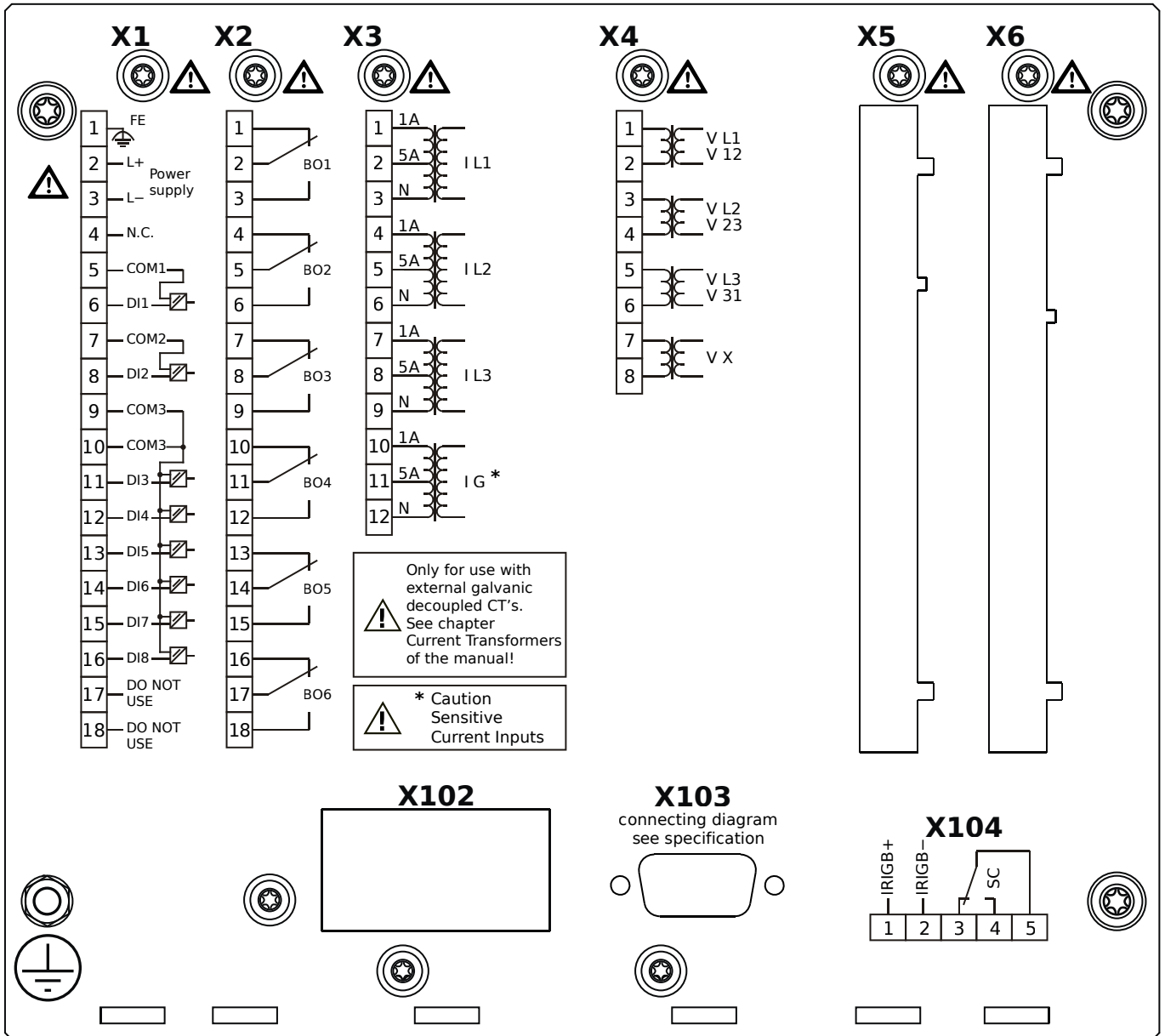
X3 – TIs: Standard phase current measuring card and sensitive ground current measuring

X4 – TU: Card with 4 voltage transformer measuring inputs

X103 – Profibus-DP, Fiber optics interface, ST Connector

X104 – IRIG-B00X, incl. System Contact (Supervision Contact)

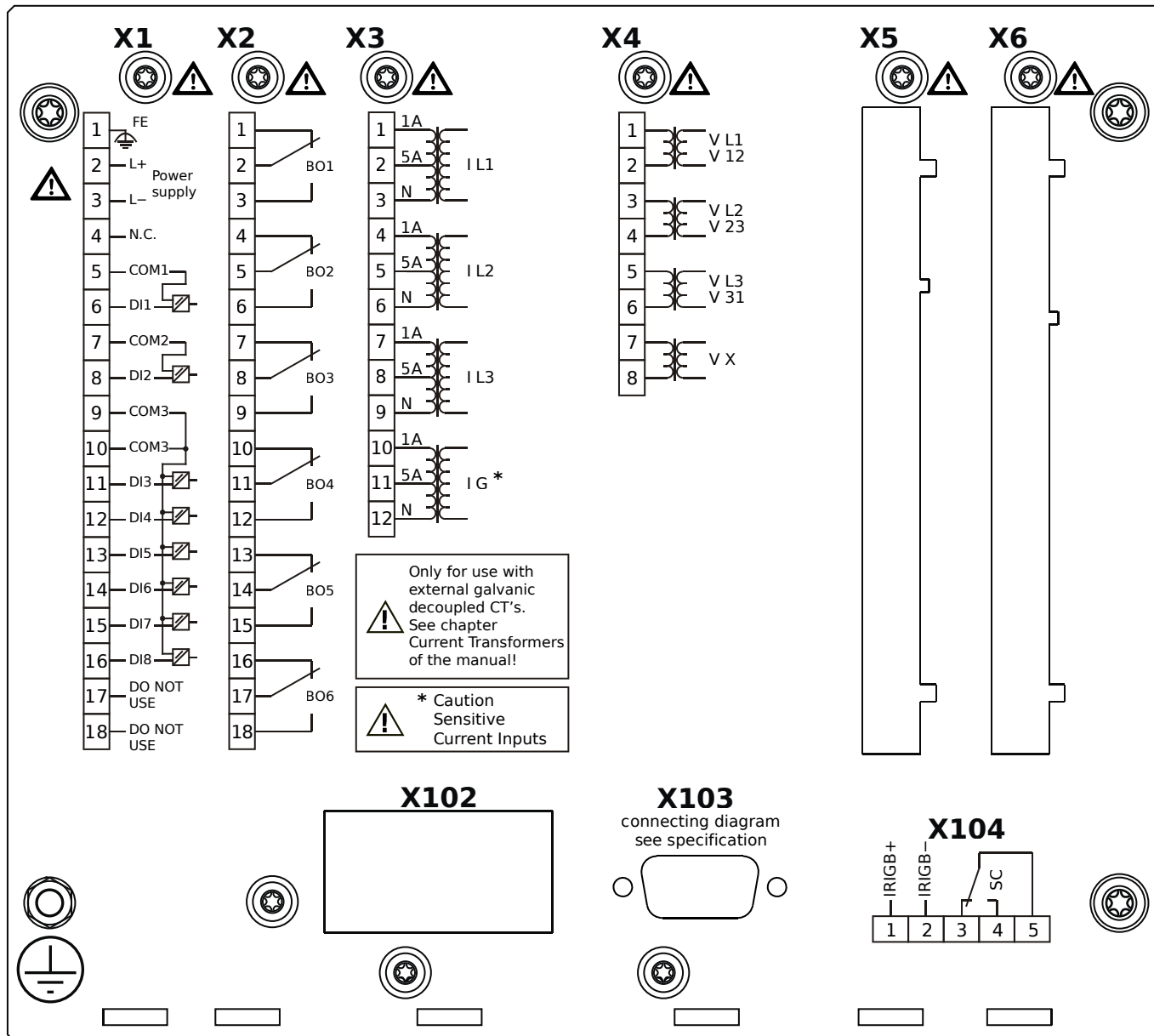
MRA4-2A1AEA



Housing B2, small display, door mounting

- X1** – DI8-X1: Wide-range power supply unit, incl. 2 non-grouped digital inputs and 6 grouped digital inputs
- X2** – OR6: Assembly Group with 6 Output Relays
- X3** – TIs: Standard phase current measuring card and sensitive ground current measuring
- X4** – TU: Card with 4 voltage transformer measuring inputs
- X103** – Profibus-DP, RS485, D-SUB
- X104** – IRIG-B00X, incl. System Contact (Supervision Contact)

MRA4-2A1AEB



Housing B2, small display, door mounting

+ Conformal Coating (for installations in harsh environment)

X1 – DI8-X1: Wide-range power supply unit, incl. 2 non-grouped digital inputs and 6 grouped digital inputs

X2 – OR6: Assembly Group with 6 Output Relays

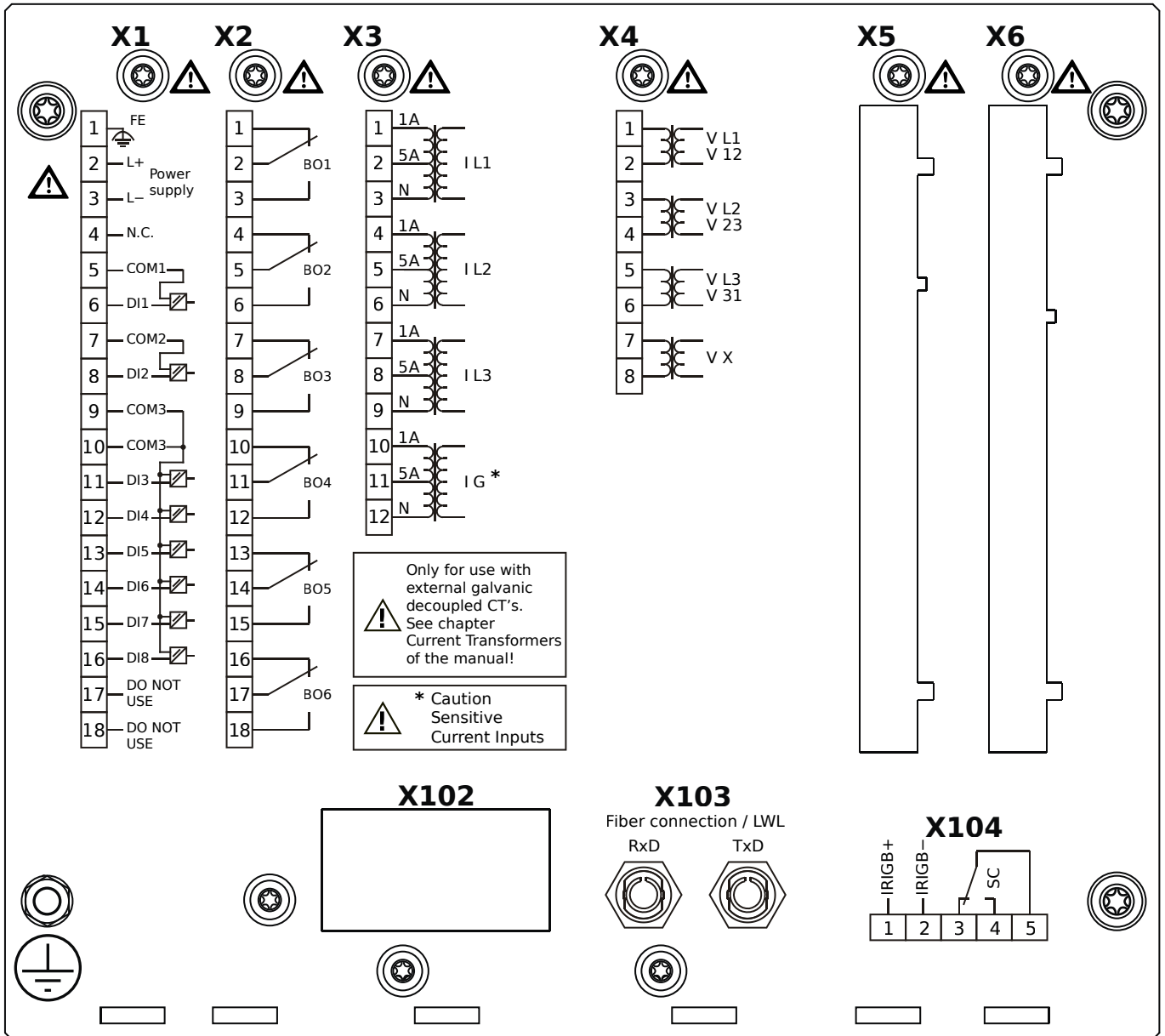
X3 – TIs: Standard phase current measuring card and sensitive ground current measuring

X4 – TU: Card with 4 voltage transformer measuring inputs

X103 – Profibus-DP, RS485, D-SUB

X104 – IRIG-B00X, incl. System Contact (Supervision Contact)

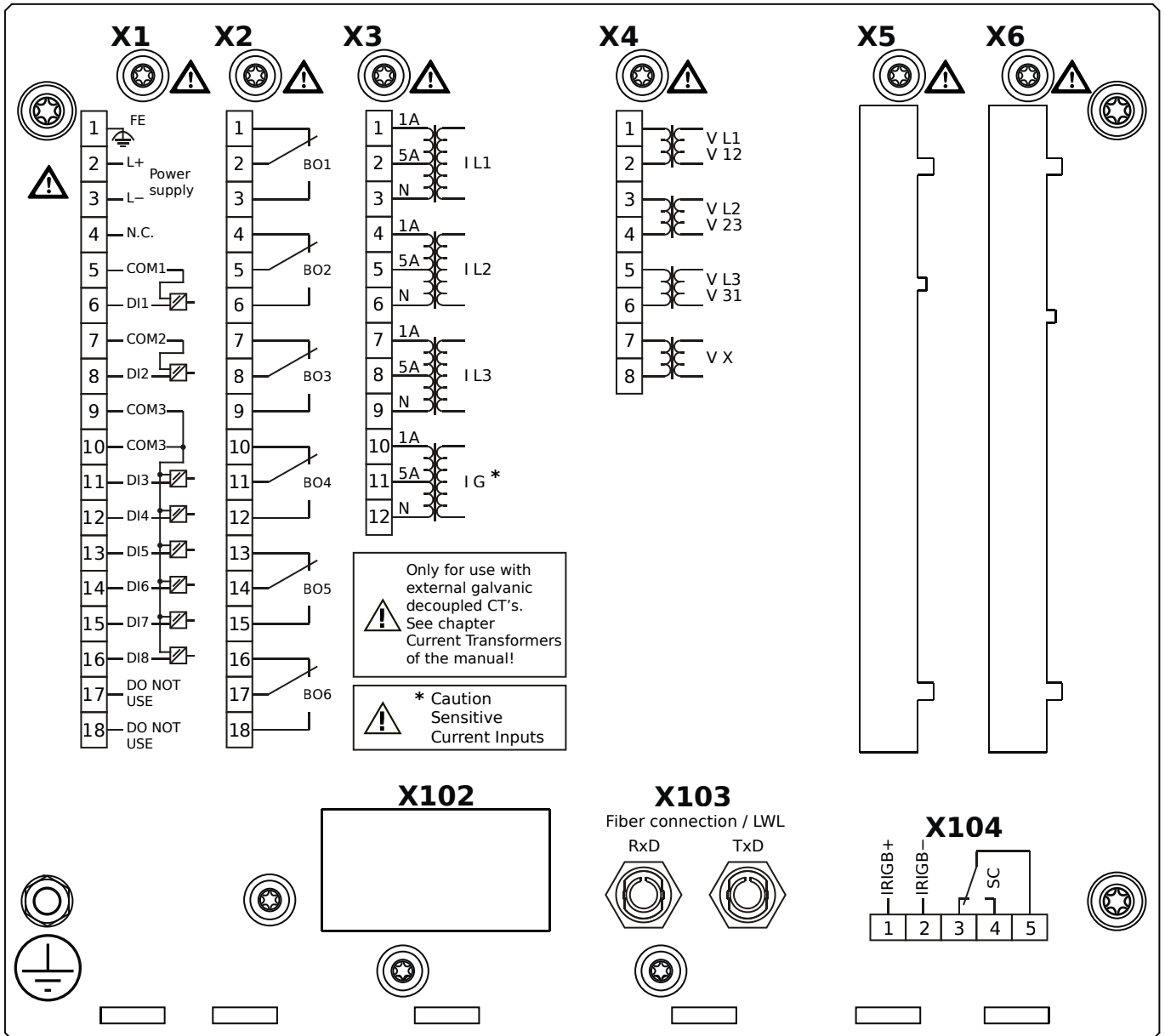
MRA4-2A1AFA



Housing B2, small display, door mounting

- X1** – DI8-X1: Wide-range power supply unit, incl. 2 non-grouped digital inputs and 6 grouped digital inputs
- X2** – OR6: Assembly Group with 6 Output Relays
- X3** – TIs: Standard phase current measuring card and sensitive ground current measuring
- X4** – TU: Card with 4 voltage transformer measuring inputs
- X103** – Modbus RTU / IEC 60870-5-103 / DNP3.0 RTU, Fiber optics interface, ST Connector
- X104** – IRIG-B00X, incl. System Contact (Supervision Contact)

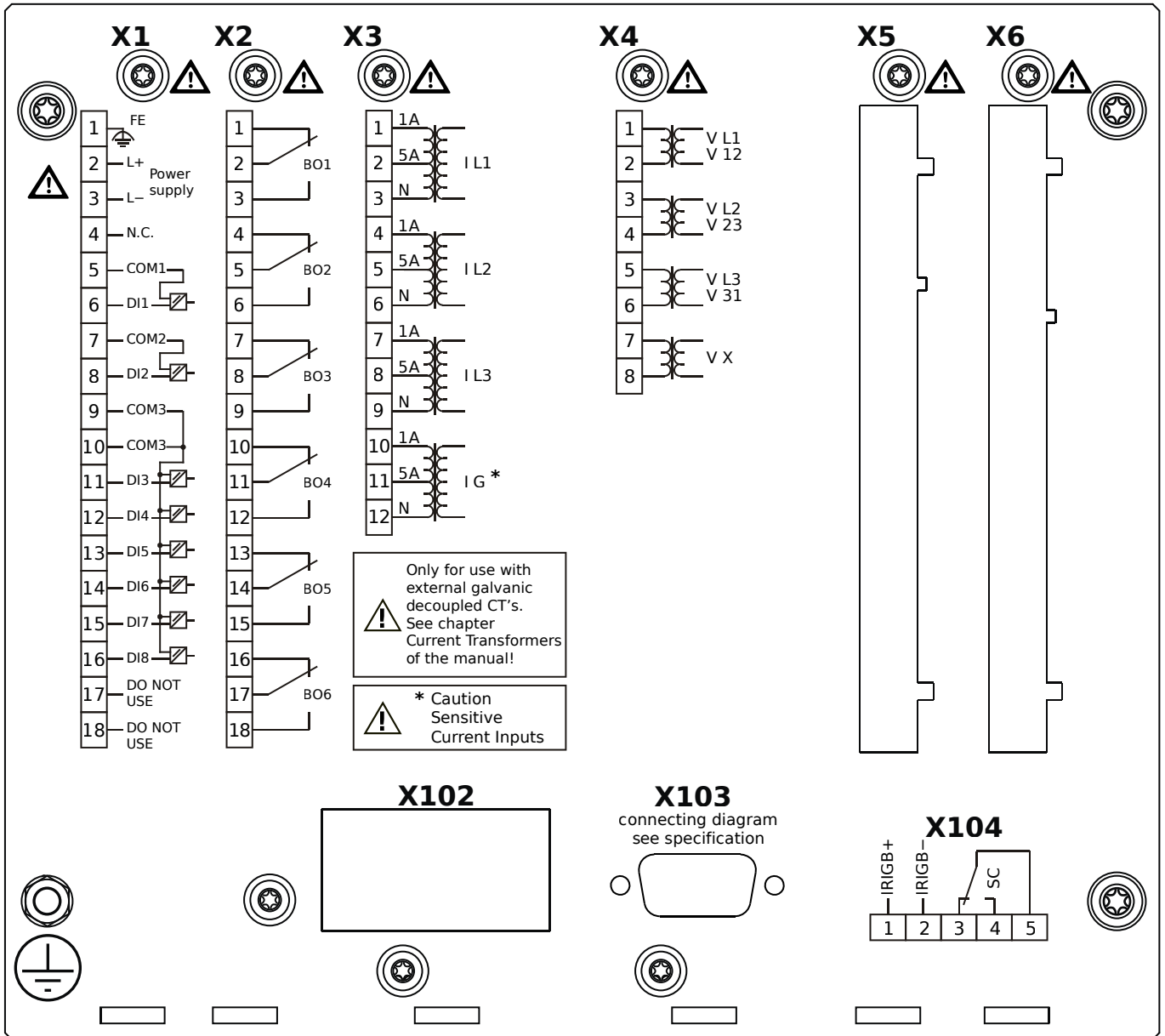
MRA4-2A1AFB



Housing B2, small display, door mounting

- + Conformal Coating (for installations in harsh environment)
- X1** – DI8-X1: Wide-range power supply unit, incl. 2 non-grouped digital inputs and 6 grouped digital inputs
- X2** – OR6: Assembly Group with 6 Output Relays
- X3** – TIs: Standard phase current measuring card and sensitive ground current measuring
- X4** – TU: Card with 4 voltage transformer measuring inputs
- X103** – Modbus RTU / IEC 60870-5-103 / DNP3.0 RTU, Fiber optics interface, ST Connector
- X104** – IRIG-B00X, incl. System Contact (Supervision Contact)

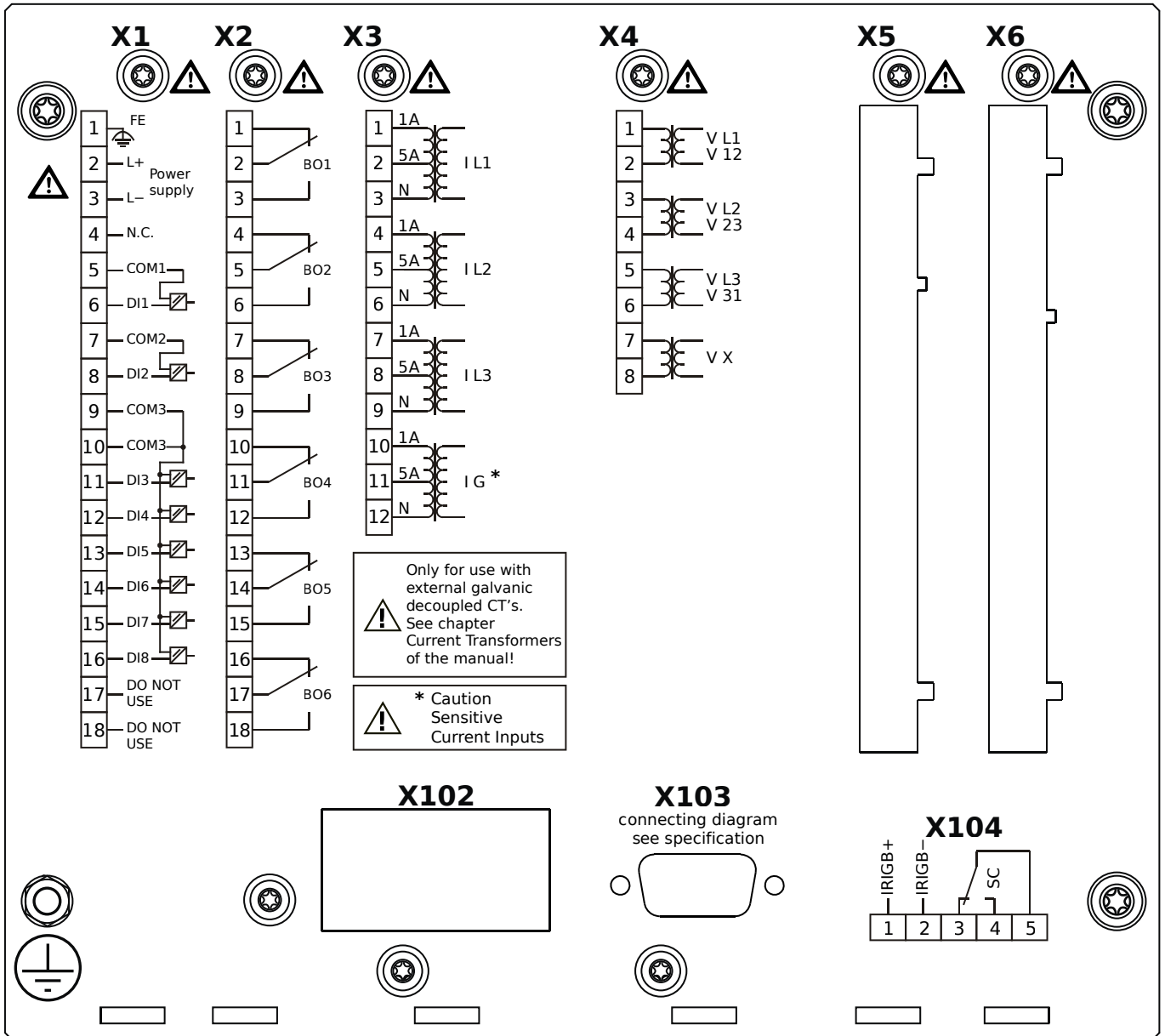
MRA4-2A1AGA



Housing B2, small display, door mounting

- X1** – DI8-X1: Wide-range power supply unit, incl. 2 non-grouped digital inputs and 6 grouped digital inputs
- X2** – OR6: Assembly Group with 6 Output Relays
- X3** – TIs: Standard phase current measuring card and sensitive ground current measuring
- X4** – TU: Card with 4 voltage transformer measuring inputs
- X103** – Modbus RTU / IEC 60870-5-103 / DNP3.0 RTU, RS485, D-SUB
- X104** – IRIG-B00X, incl. System Contact (Supervision Contact)

MRA4-2A1AGB



Housing B2, small display, door mounting

+ Conformal Coating (for installations in harsh environment)

X1 – DI8-X1: Wide-range power supply unit, incl. 2 non-grouped digital inputs and 6 grouped digital inputs

X2 – OR6: Assembly Group with 6 Output Relays

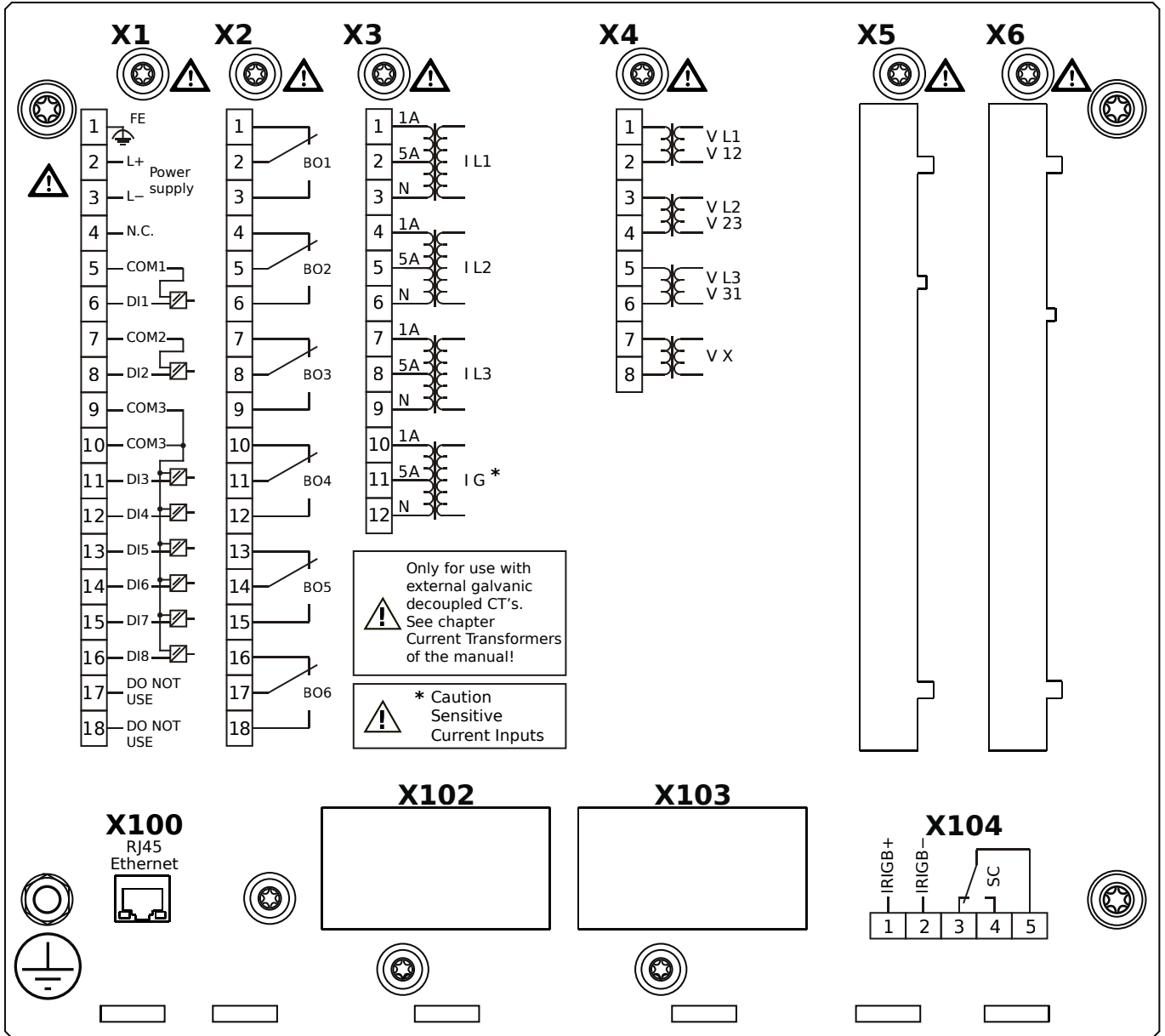
X3 – TIs: Standard phase current measuring card and sensitive ground current measuring

X4 – TU: Card with 4 voltage transformer measuring inputs

X103 – Modbus RTU / IEC 60870-5-103 / DNP3.0 RTU, RS485, D-SUB

X104 – IRIG-B00X, incl. System Contact (Supervision Contact)

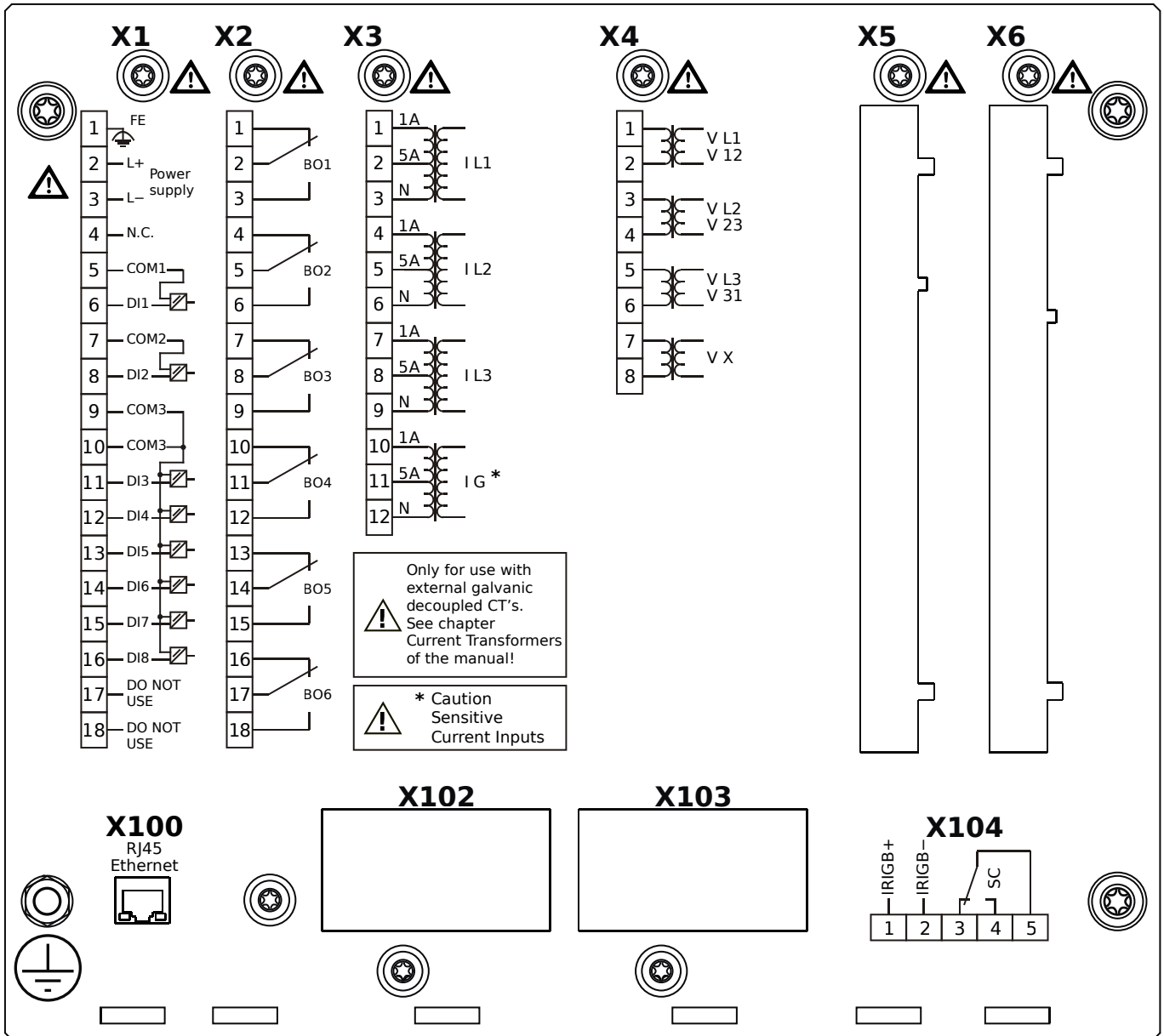
MRA4-2A1AHA



Housing B2, small display, door mounting

- X1** – DI8-X1: Wide-range power supply unit, incl. 2 non-grouped digital inputs and 6 grouped digital inputs
- X2** – OR6: Assembly Group with 6 Output Relays
- X3** – TIs: Standard phase current measuring card and sensitive ground current measuring
- X4** – TU: Card with 4 voltage transformer measuring inputs
- X100** – IEC 61850 / Modbus TCP / DNP3.0 TCP/UDP, Ethernet interface, 100 Mbit/s, RJ45 (BASE100-FX)
- X104** – IRIG-B00X, incl. System Contact (Supervision Contact)

MRA4-2A1AHB



Housing B2, small display, door mounting

+ Conformal Coating (for installations in harsh environment)

X1 – DI8-X1: Wide-range power supply unit, incl. 2 non-grouped digital inputs and 6 grouped digital inputs

X2 – OR6: Assembly Group with 6 Output Relays

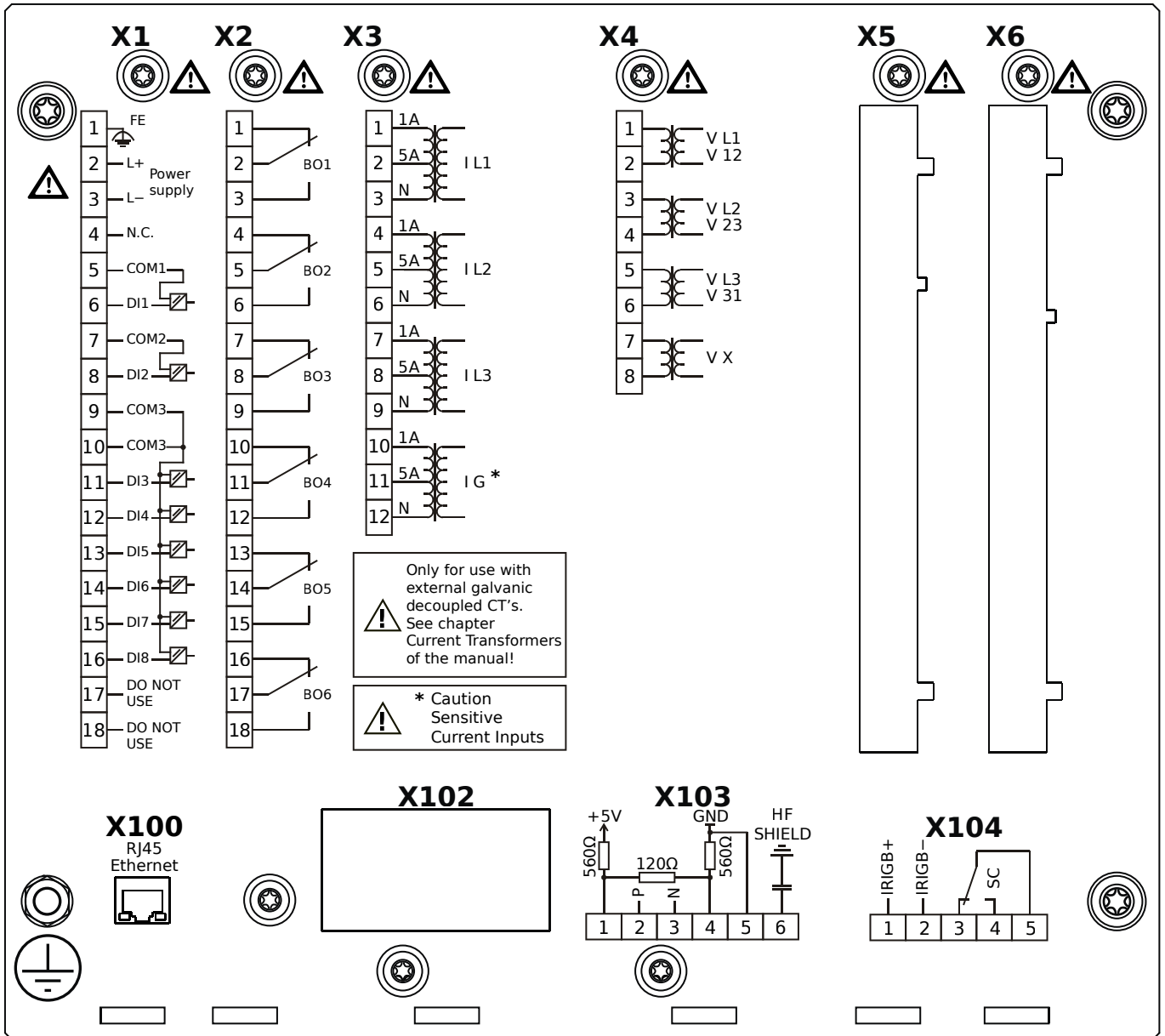
X3 – TIs: Standard phase current measuring card and sensitive ground current measuring

X4 – TU: Card with 4 voltage transformer measuring inputs

X100 – IEC 61850 / Modbus TCP / DNP3.0 TCP/UDP, Ethernet interface, 100 Mbit/s, RJ45 (BASE100-FX)

X104 – IRIG-B00X, incl. System Contact (Supervision Contact)

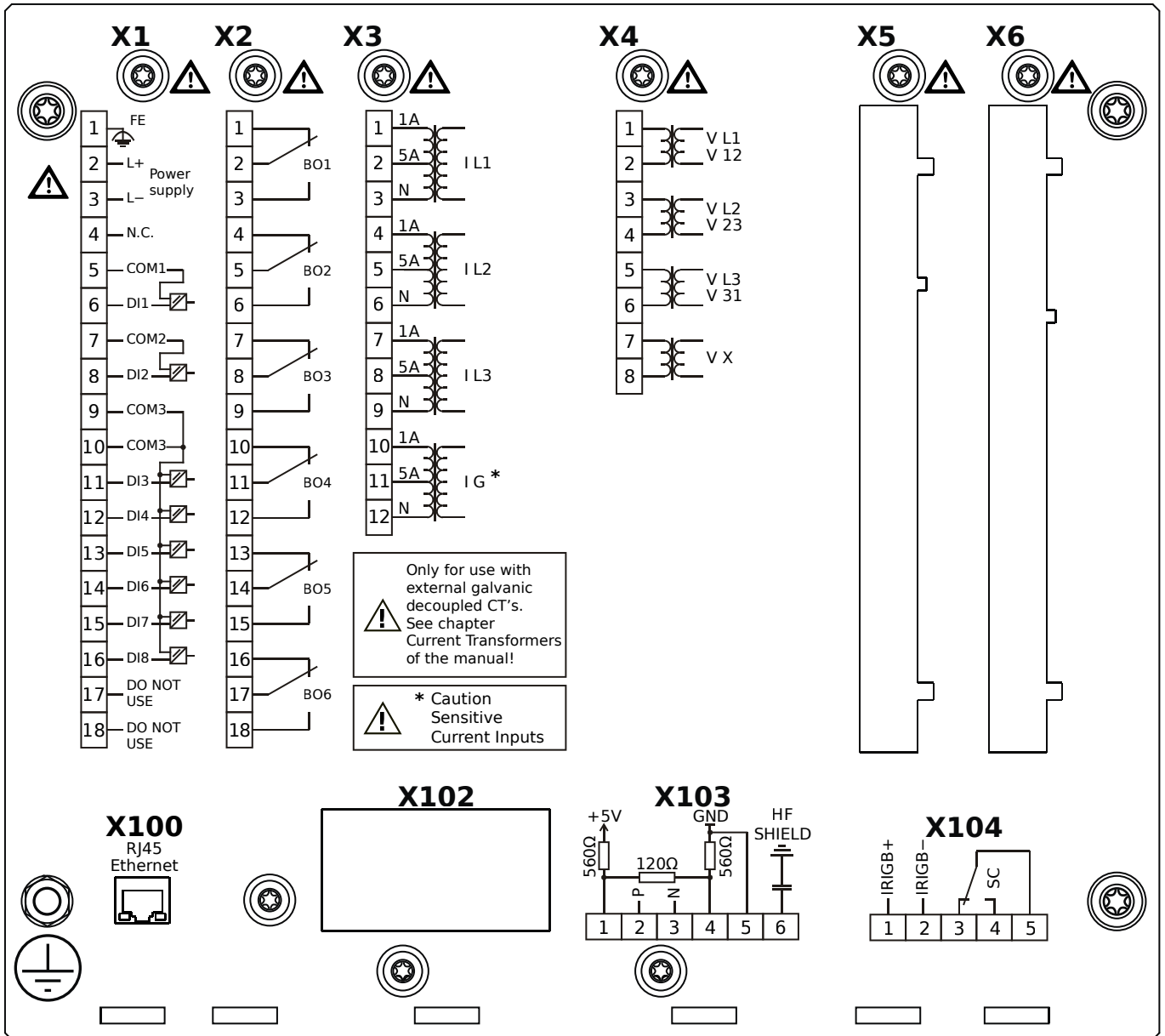
MRA4-2A1AIA



Housing B2, small display, door mounting

- X1** – DI8-X1: Wide-range power supply unit, incl. 2 non-grouped digital inputs and 6 grouped digital inputs
- X2** – OR6: Assembly Group with 6 Output Relays
- X3** – TIs: Standard phase current measuring card and sensitive ground current measuring
- X4** – TU: Card with 4 voltage transformer measuring inputs
- X100** – Modbus TCP / DNP3.0 TCP/UDP, Ethernet interface, 100 Mbit/s, RJ45 (BASE100-FX)
- X103** – IEC 60870-5-103 / Modbus RTU / DNP3.0 RTU, RS485, Terminals
- X104** – IRIG-B00X, incl. System Contact (Supervision Contact)

MRA4-2A1AIB

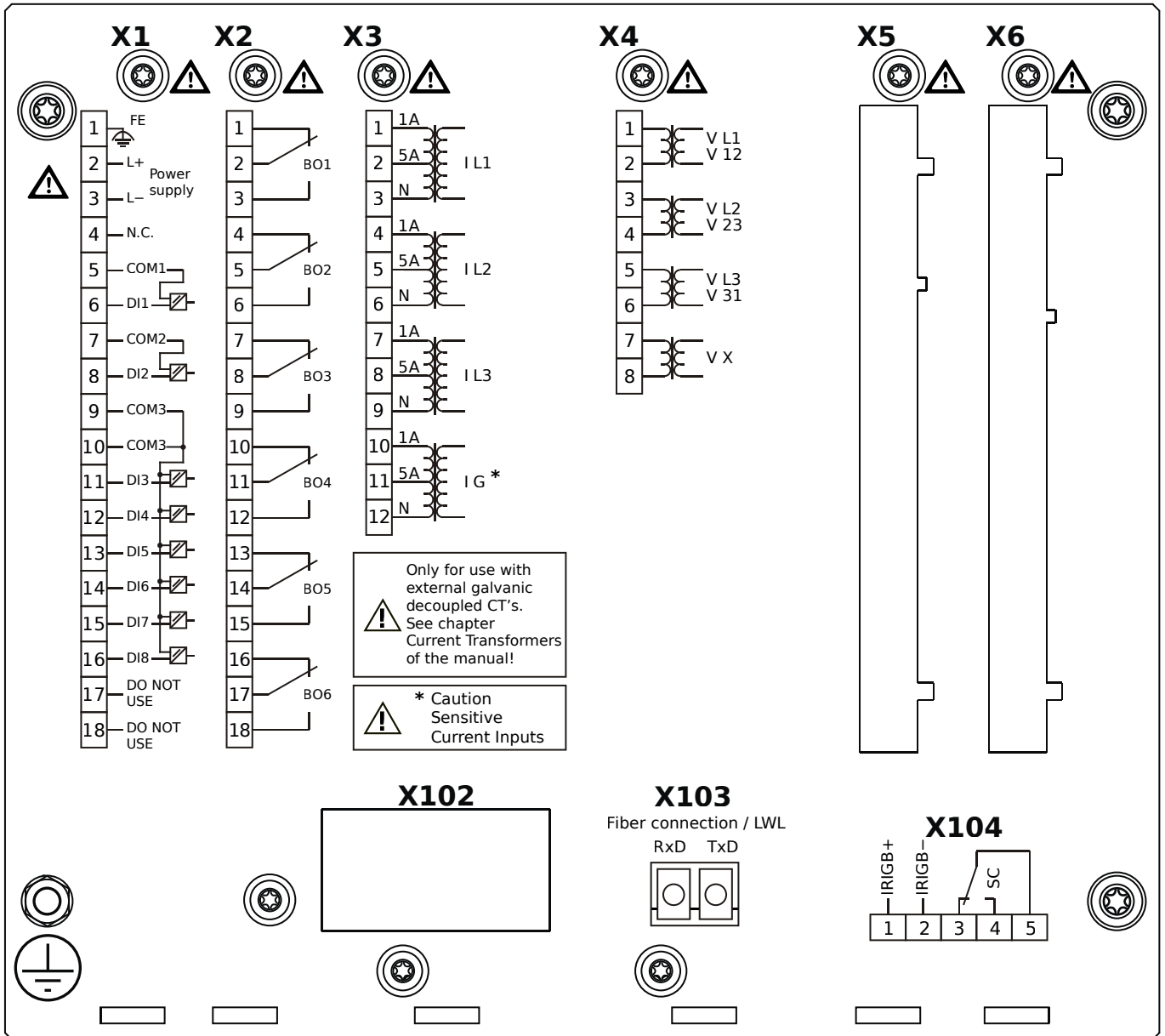


Housing B2, small display, door mounting

+ Conformal Coating (for installations in harsh environment)

- X1** – DI8-X1: Wide-range power supply unit, incl. 2 non-grouped digital inputs and 6 grouped digital inputs
- X2** – OR6: Assembly Group with 6 Output Relays
- X3** – TIs: Standard phase current measuring card and sensitive ground current measuring
- X4** – TU: Card with 4 voltage transformer measuring inputs
- X100** – Modbus TCP / DNP3.0 TCP/UDP, Ethernet interface, 100 Mbit/s, RJ45 (BASE100-FX)
- X103** – IEC 60870-5-103 / Modbus RTU / DNP3.0 RTU, RS485, Terminals
- X104** – IRIG-B00X, incl. System Contact (Supervision Contact)

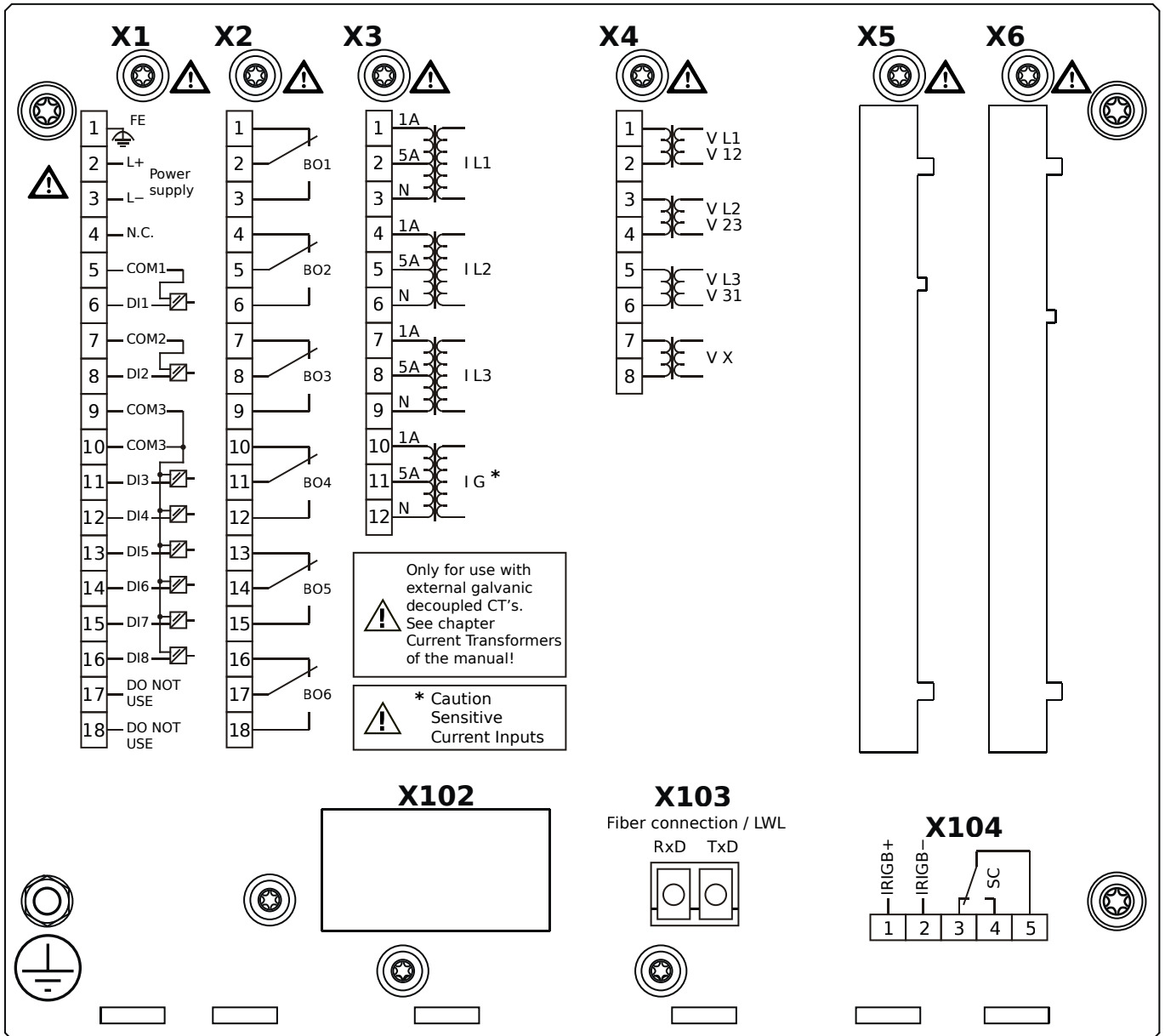
MRA4-2A1AKA



Housing B2, small display, door mounting

- X1** – DI8-X1: Wide-range power supply unit, incl. 2 non-grouped digital inputs and 6 grouped digital inputs
- X2** – OR6: Assembly Group with 6 Output Relays
- X3** – TIs: Standard phase current measuring card and sensitive ground current measuring
- X4** – TU: Card with 4 voltage transformer measuring inputs
- X103** – IEC 61850 / Modbus TCP / DNP3.0 TCP/UDP, Fiber optics interface, LC Connector
- X104** – IRIG-B00X, incl. System Contact (Supervision Contact)

MRA4-2A1AKB



Housing B2, small display, door mounting

+ Conformal Coating (for installations in harsh environment)

X1 – DI8-X1: Wide-range power supply unit, incl. 2 non-grouped digital inputs and 6 grouped digital inputs

X2 – OR6: Assembly Group with 6 Output Relays

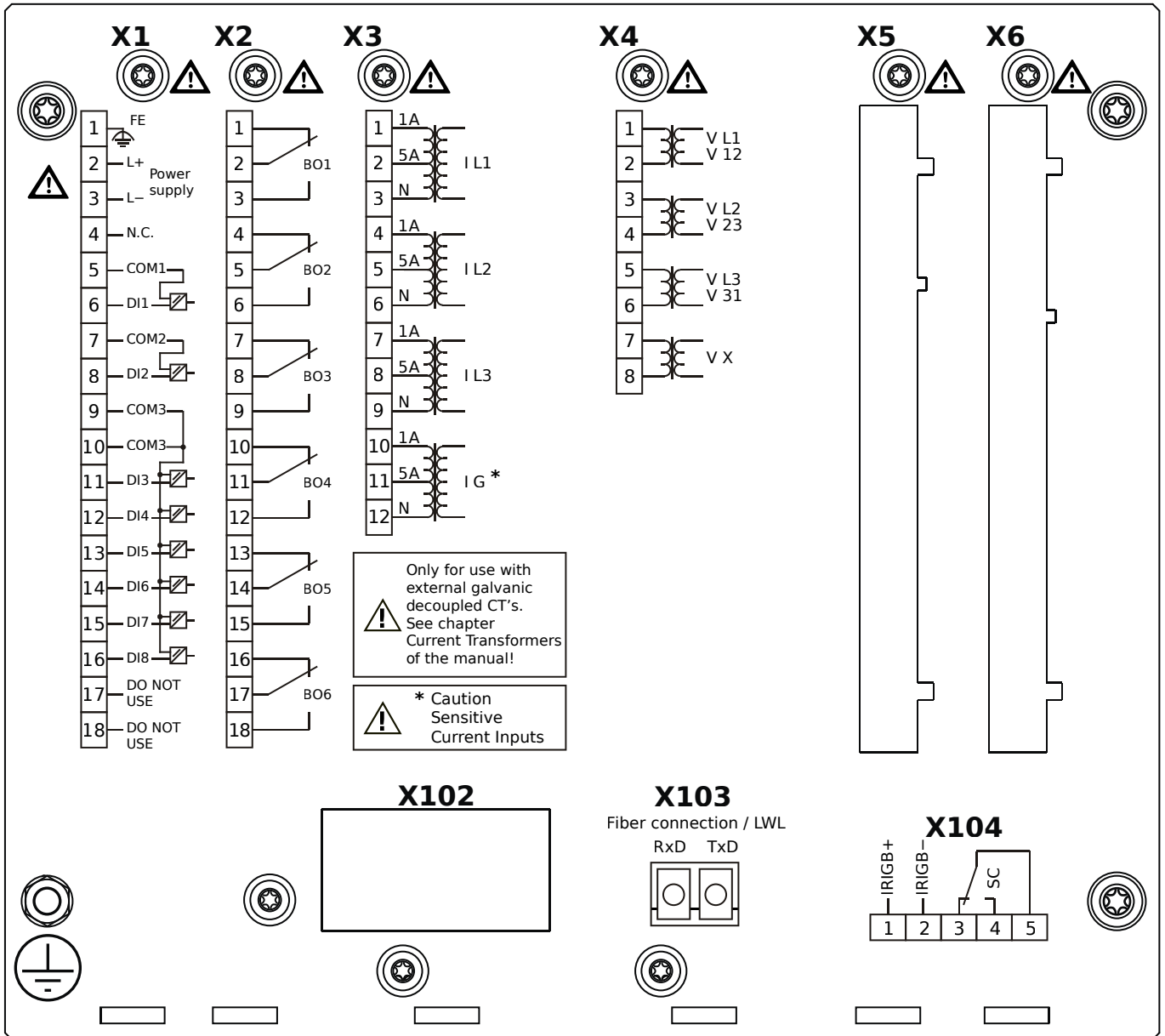
X3 – TIs: Standard phase current measuring card and sensitive ground current measuring

X4 – TU: Card with 4 voltage transformer measuring inputs

X103 – IEC 61850 / Modbus TCP / DNP3.0 TCP/UDP, Fiber optics interface, LC Connector

X104 – IRIG-B00X, incl. System Contact (Supervision Contact)

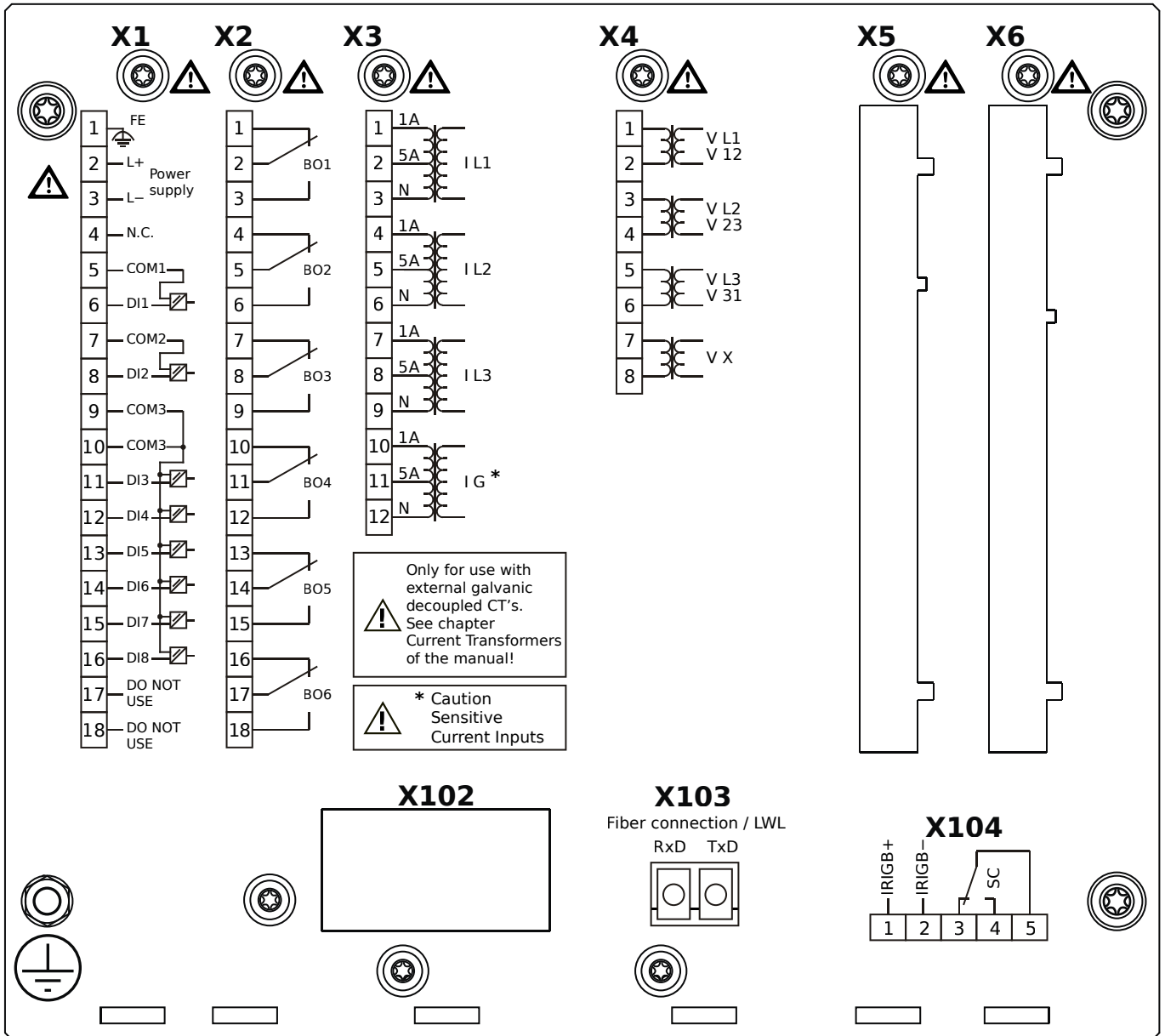
MRA4-2A1ALA



Housing B2, small display, door mounting

- X1** – DI8-X1: Wide-range power supply unit, incl. 2 non-grouped digital inputs and 6 grouped digital inputs
- X2** – OR6: Assembly Group with 6 Output Relays
- X3** – TIs: Standard phase current measuring card and sensitive ground current measuring
- X4** – TU: Card with 4 voltage transformer measuring inputs
- X103** – Modbus TCP / DNP3.0 TCP/UDP, Fiber optics interface, LC Connector
- X104** – IRIG-B00X, incl. System Contact (Supervision Contact)

MRA4-2A1ALB



Housing B2, small display, door mounting

+ Conformal Coating (for installations in harsh environment)

X1 – DI8-X1: Wide-range power supply unit, incl. 2 non-grouped digital inputs and 6 grouped digital inputs

X2 – OR6: Assembly Group with 6 Output Relays

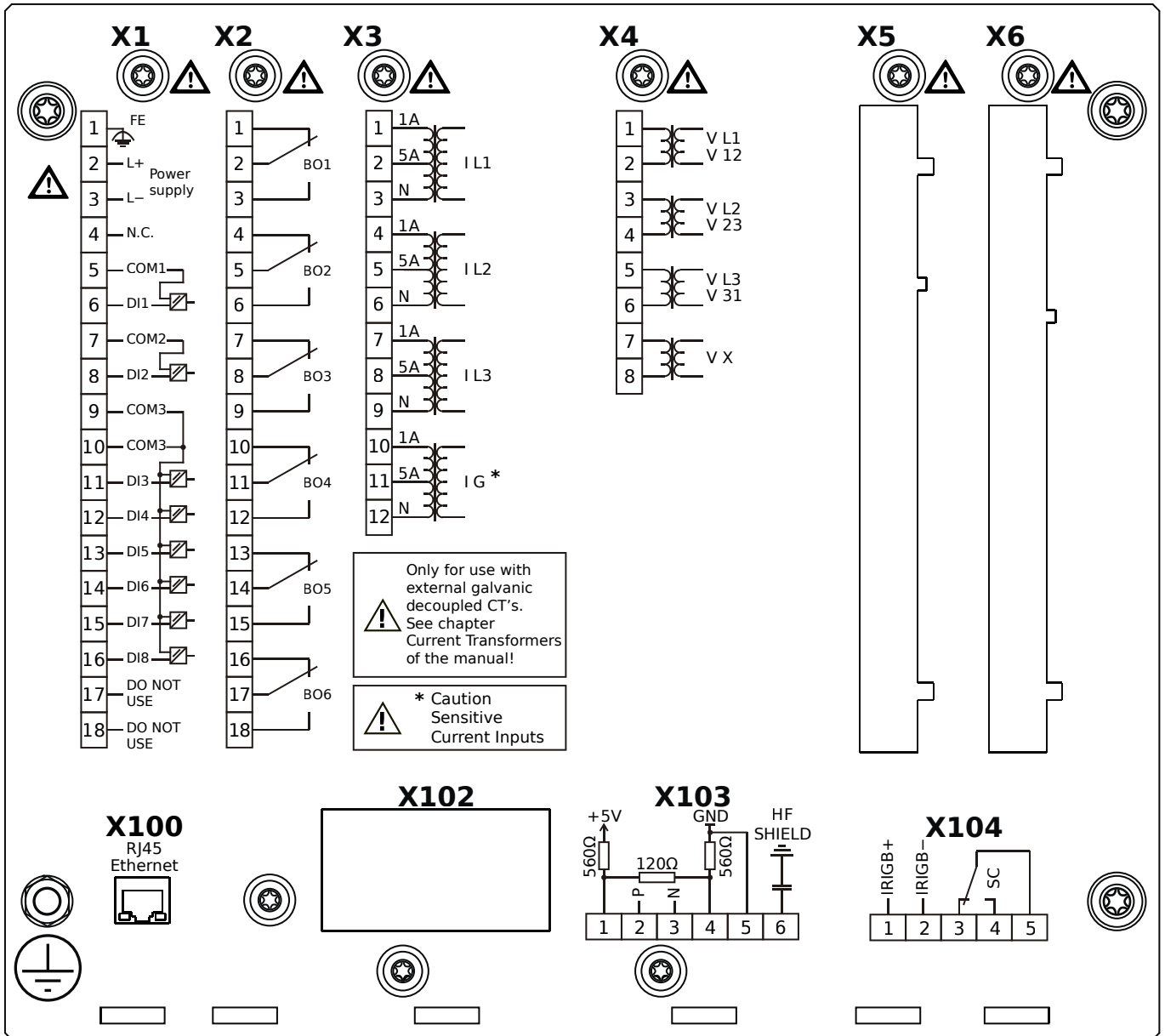
X3 – TIs: Standard phase current measuring card and sensitive ground current measuring

X4 – TU: Card with 4 voltage transformer measuring inputs

X103 – Modbus TCP / DNP3.0 TCP/UDP, Fiber optics interface, LC Connector

X104 – IRIG-B00X, incl. System Contact (Supervision Contact)

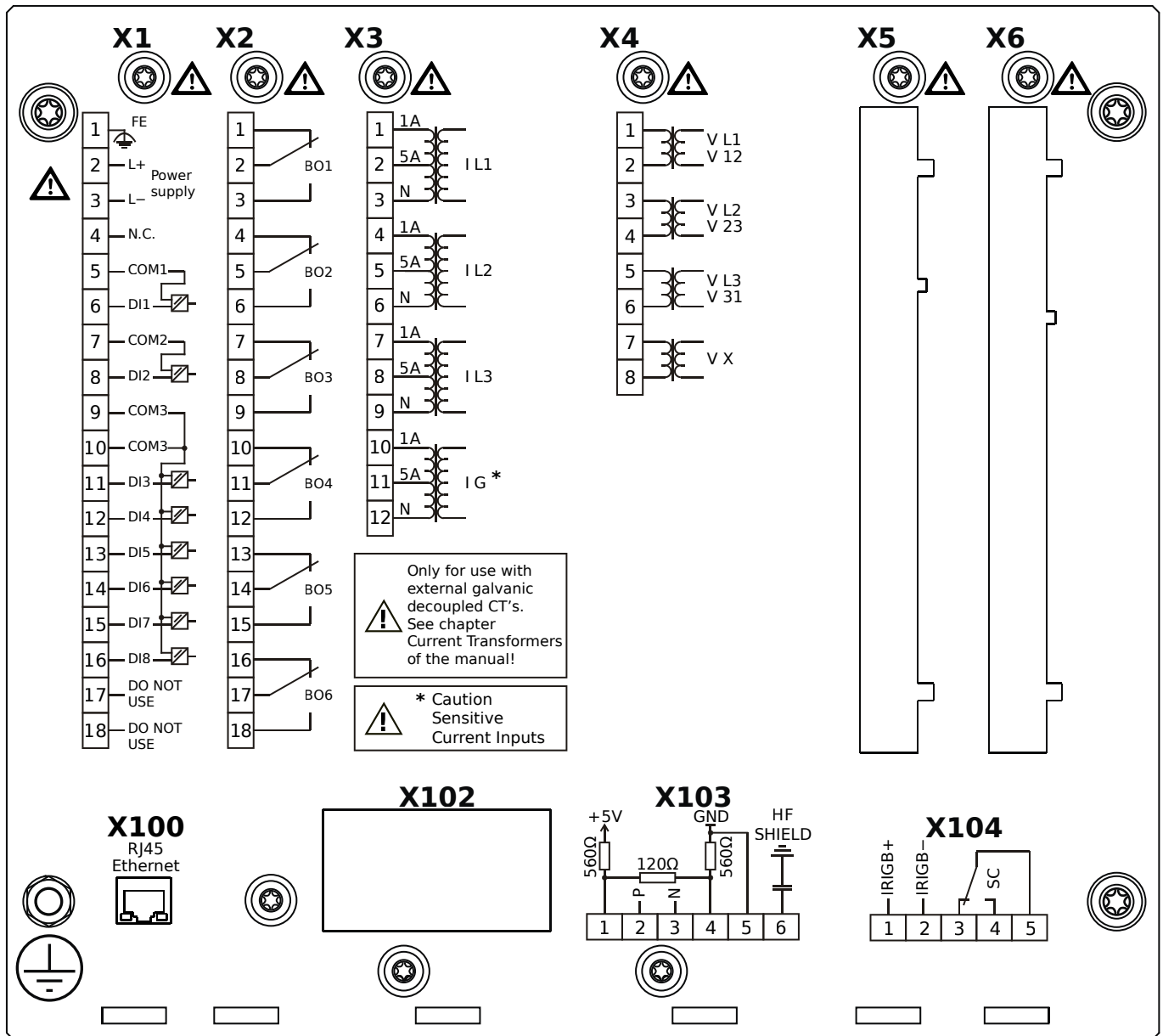
MRA4-2A1ATA



Housing B2, small display, door mounting

- X1** – DI8-X1: Wide-range power supply unit, incl. 2 non-grouped digital inputs and 6 grouped digital inputs
- X2** – OR6: Assembly Group with 6 Output Relays
- X3** – TIs: Standard phase current measuring card and sensitive ground current measuring
- X4** – TU: Card with 4 voltage transformer measuring inputs
- X100** – IEC 61850 / Modbus TCP / DNP3.0 TCP/UDP, Ethernet interface, 100 Mbit/s, RJ45 (BASE100-FX)
- X103** – IEC 60870-5-103 / Modbus RTU / DNP3.0 RTU, RS485, Terminals
- X104** – IRIG-B00X, incl. System Contact (Supervision Contact)

MRA4-2A1ATB



Housing B2, small display, door mounting

+ Conformal Coating (for installations in harsh environment)

X1 – DI8-X1: Wide-range power supply unit, incl. 2 non-grouped digital inputs and 6 grouped digital inputs

X2 – OR6: Assembly Group with 6 Output Relays

X3 – TIs: Standard phase current measuring card and sensitive ground current measuring

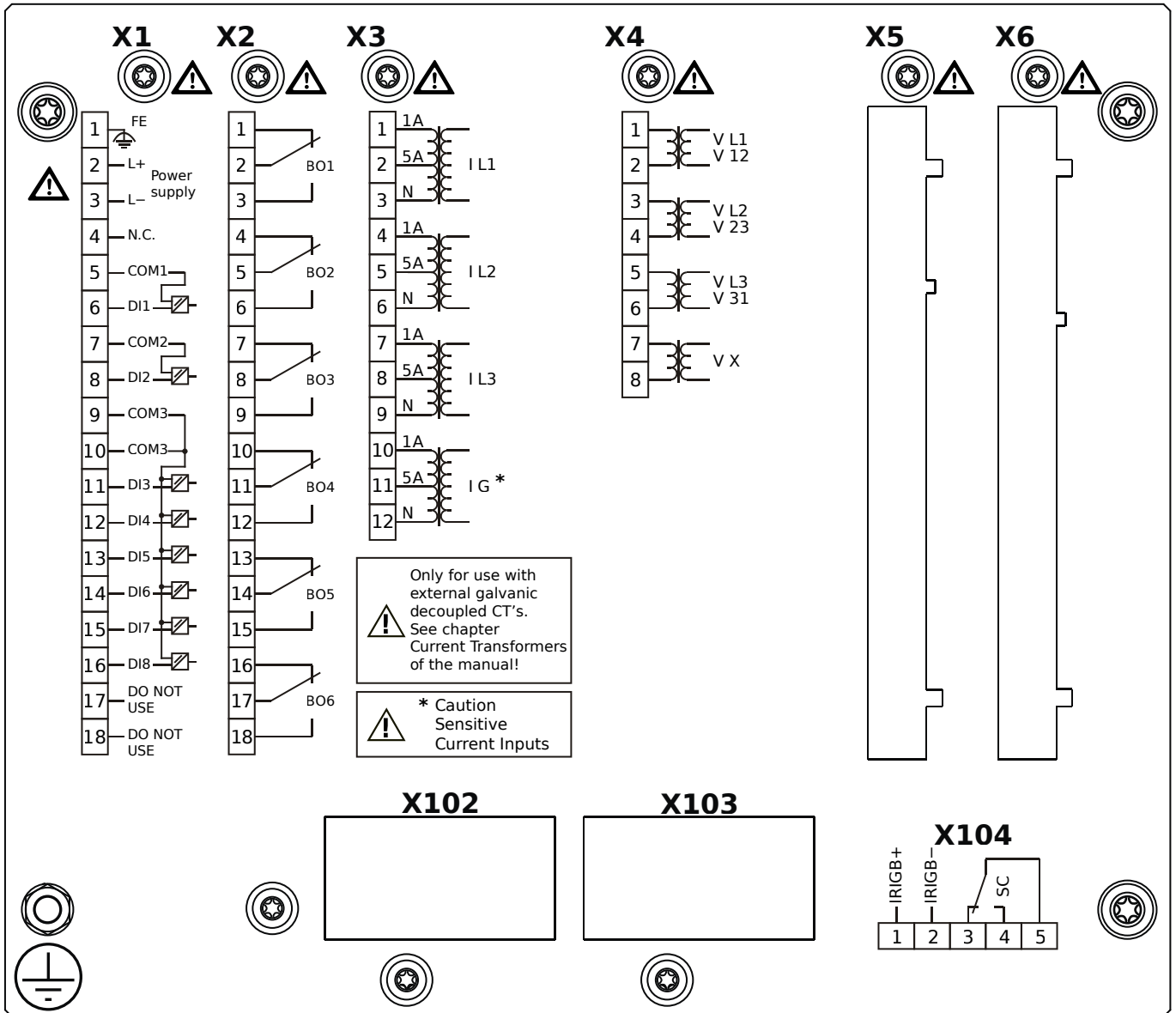
X4 – TU: Card with 4 voltage transformer measuring inputs

X100 – IEC 61850 / Modbus TCP / DNP3.0 TCP/UDP, Ethernet interface, 100 Mbit/s, RJ45 (BASE100-FX)

X103 – IEC 60870-5-103 / Modbus RTU / DNP3.0 RTU, RS485, Terminals

X104 – IRIG-B00X, incl. System Contact (Supervision Contact)

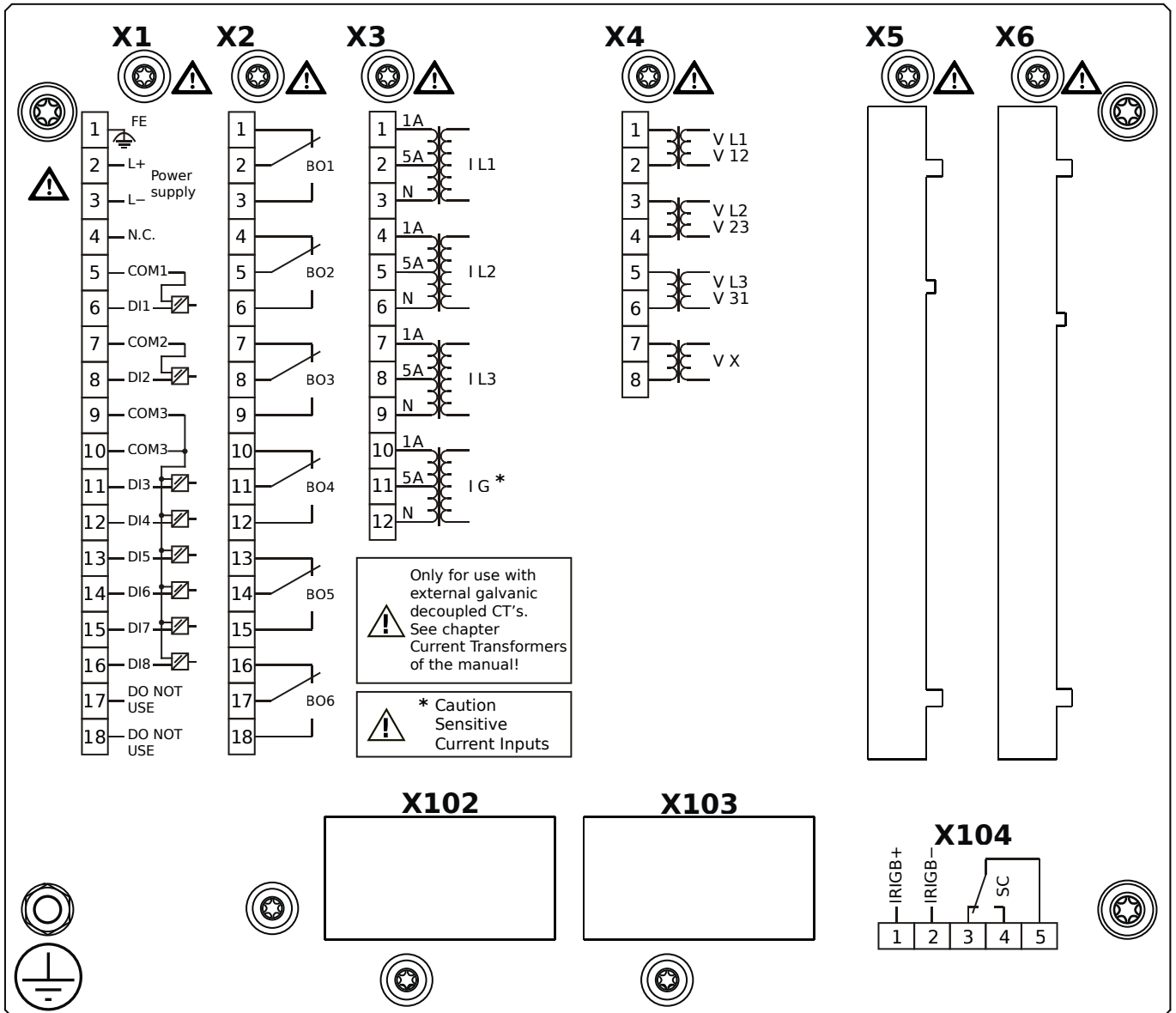
MRA4-2A1BAA



Housing B2, small display, 19" rack mounting

- X1** – DI8-X1: Wide-range power supply unit, incl. 2 non-grouped digital inputs and 6 grouped digital inputs
- X2** – OR6: Assembly Group with 6 Output Relays
- X3** – TIs: Standard phase current measuring card and sensitive ground current measuring
- X4** – TU: Card with 4 voltage transformer measuring inputs
- X104** – IRIG-B00X, incl. System Contact (Supervision Contact)

MRA4-2A1BAB



Housing B2, small display, 19" rack mounting

+ Conformal Coating (for installations in harsh environment)

X1 – DI8-X1: Wide-range power supply unit, incl. 2 non-grouped digital inputs and 6 grouped digital inputs

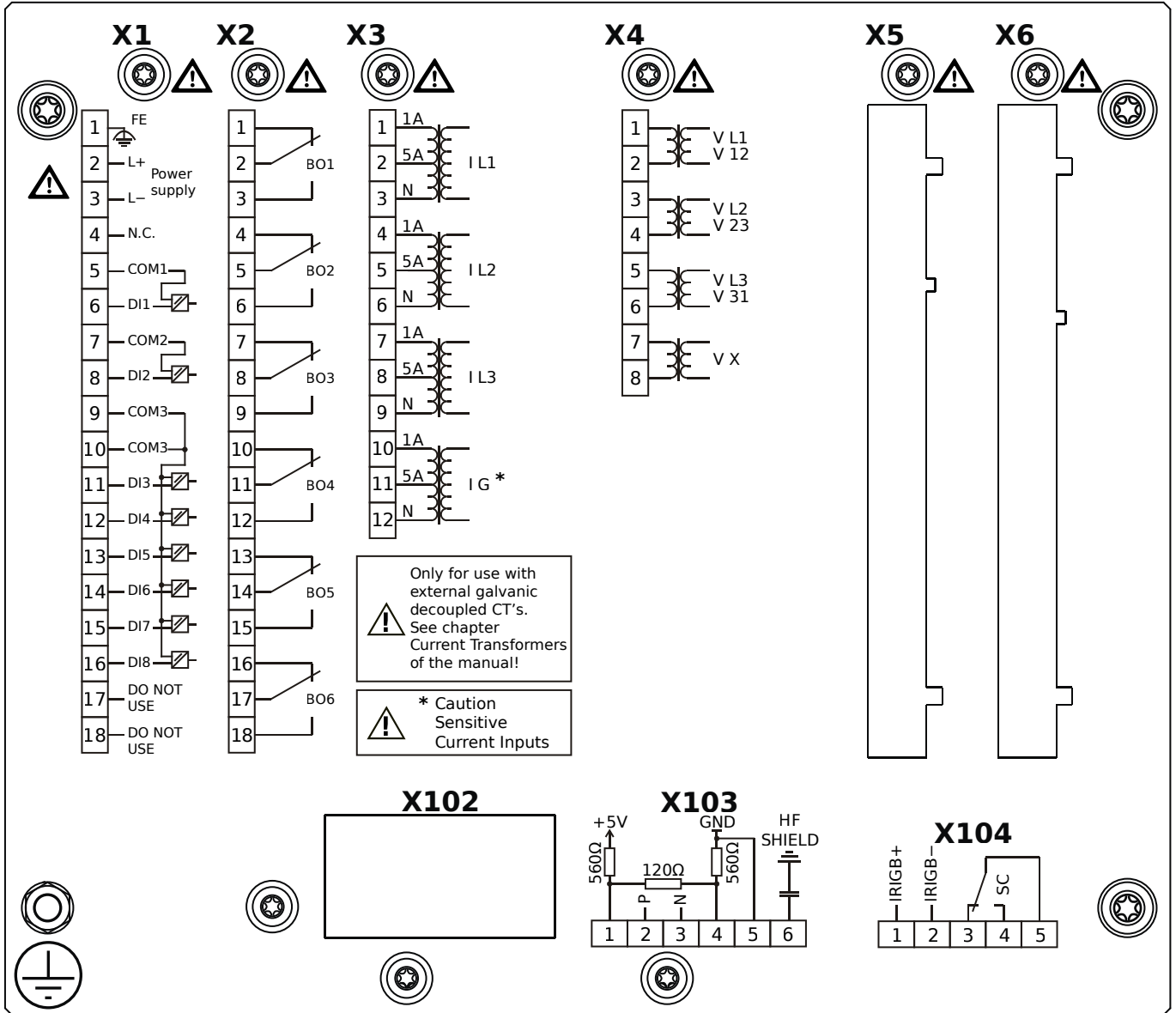
X2 – OR6: Assembly Group with 6 Output Relays

X3 – TIs: Standard phase current measuring card and sensitive ground current measuring

X4 – TU: Card with 4 voltage transformer measuring inputs

X104 – IRIG-B00X, incl. System Contact (Supervision Contact)

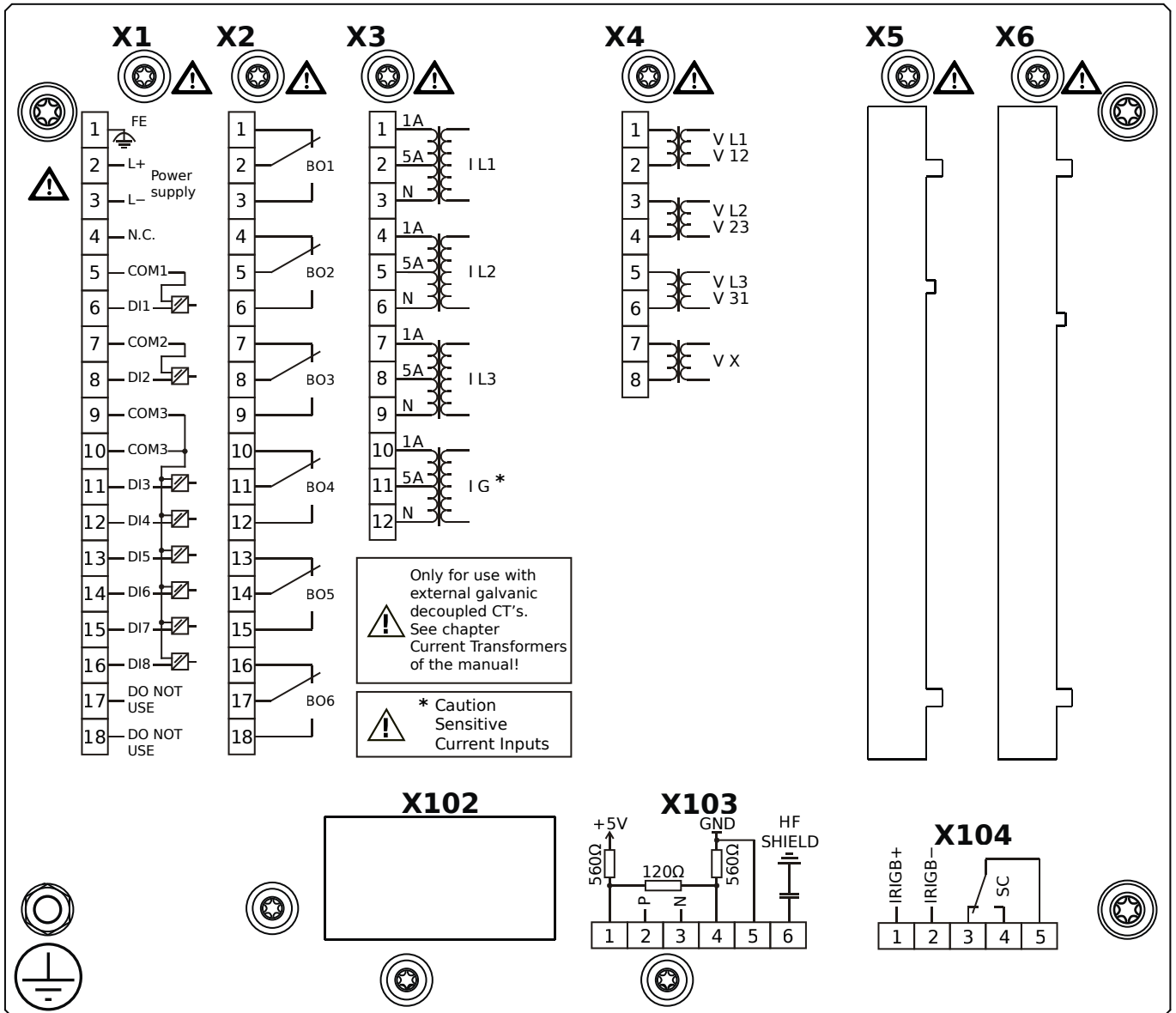
MRA4-2A1BBA



Housing B2, small display, 19" rack mounting

- X1** – DI8-X1: Wide-range power supply unit, incl. 2 non-grouped digital inputs and 6 grouped digital inputs
- X2** – OR6: Assembly Group with 6 Output Relays
- X3** – TIs: Standard phase current measuring card and sensitive ground current measuring
- X4** – TU: Card with 4 voltage transformer measuring inputs
- X103** – Modbus RTU / IEC 60870-5-103 / DNP3.0 RTU, RS485, Terminals
- X104** – IRIG-B00X, incl. System Contact (Supervision Contact)

MRA4-2A1BBB



Housing B2, small display, 19" rack mounting

+ Conformal Coating (for installations in harsh environment)

X1 – DI8-X1: Wide-range power supply unit, incl. 2 non-grouped digital inputs and 6 grouped digital inputs

X2 – OR6: Assembly Group with 6 Output Relays

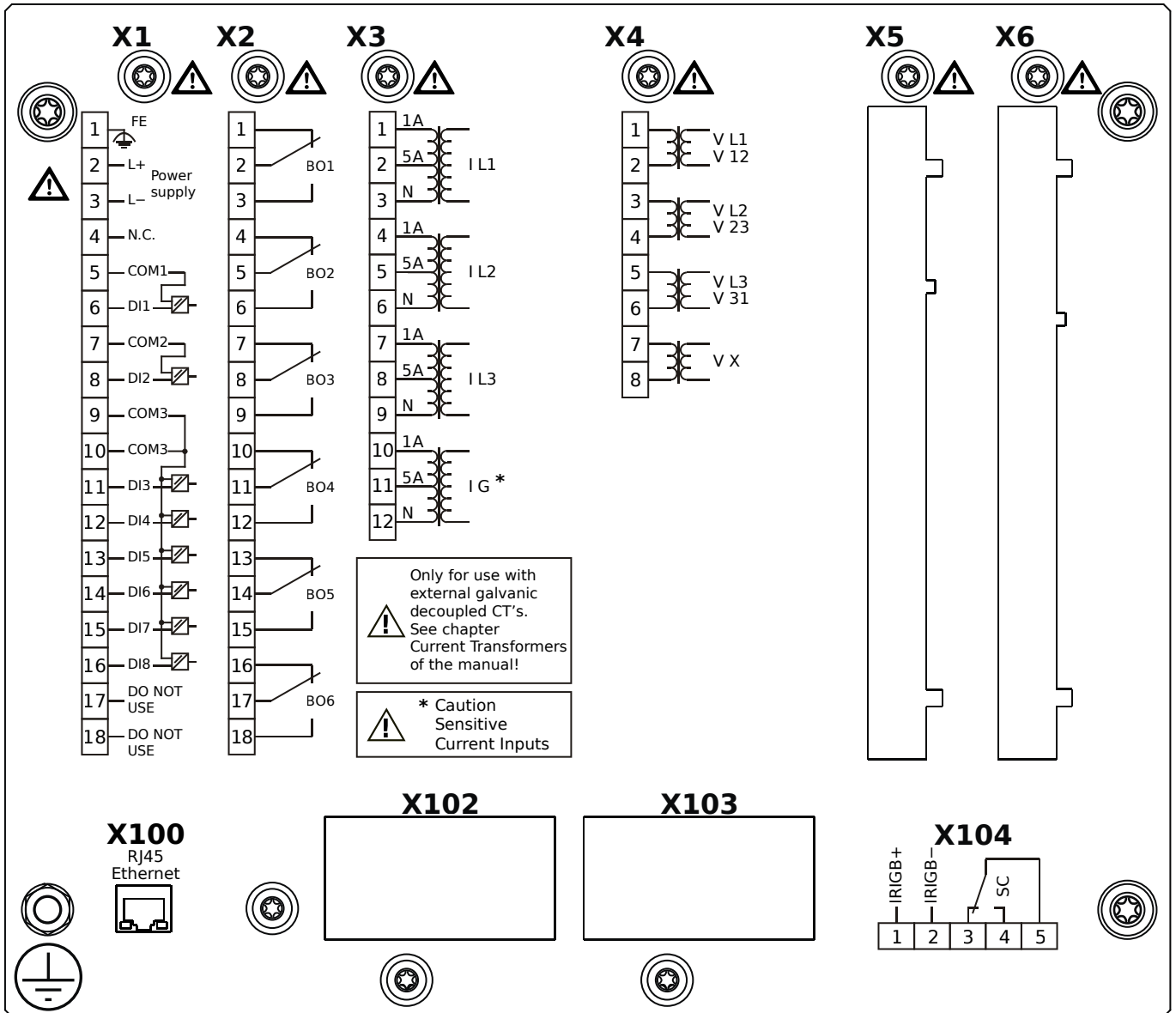
X3 – TIs: Standard phase current measuring card and sensitive ground current measuring

X4 – TU: Card with 4 voltage transformer measuring inputs

X103 – Modbus RTU / IEC 60870-5-103 / DNP3.0 RTU, RS485, Terminals

X104 – IRIG-B00X, incl. System Contact (Supervision Contact)

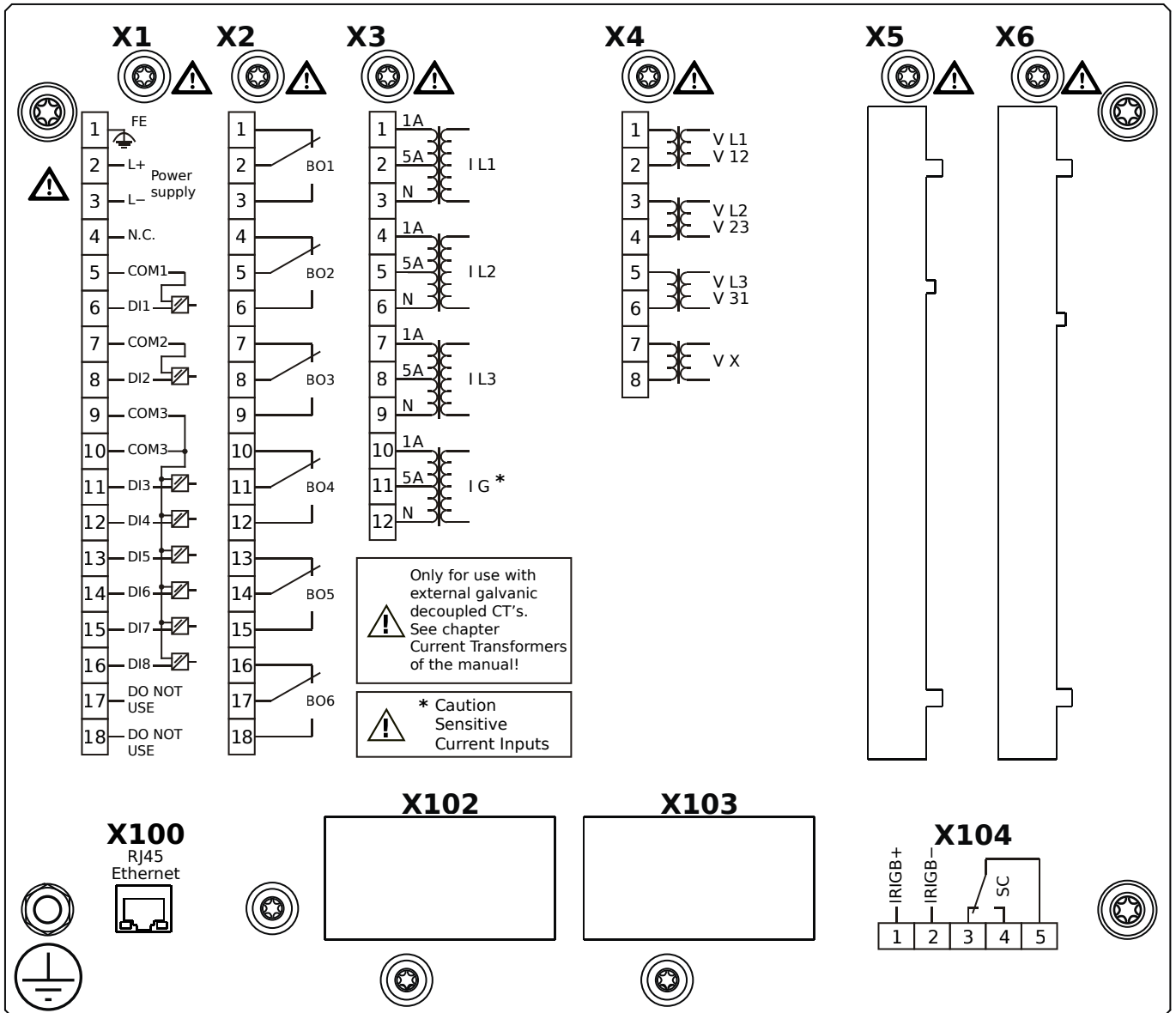
MRA4-2A1BCA



Housing B2, small display, 19" rack mounting

- X1** – DI8-X1: Wide-range power supply unit, incl. 2 non-grouped digital inputs and 6 grouped digital inputs
- X2** – OR6: Assembly Group with 6 Output Relays
- X3** – TIs: Standard phase current measuring card and sensitive ground current measuring
- X4** – TU: Card with 4 voltage transformer measuring inputs
- X100** – Modbus TCP / DNP3.0 TCP/UDP, Ethernet interface, 100 Mbit/s, RJ45 (BASE100-FX)
- X104** – IRIG-B00X, incl. System Contact (Supervision Contact)

MRA4-2A1BCB



Housing B2, small display, 19" rack mounting

+ Conformal Coating (for installations in harsh environment)

X1 – DI8-X1: Wide-range power supply unit, incl. 2 non-grouped digital inputs and 6 grouped digital inputs

X2 – OR6: Assembly Group with 6 Output Relays

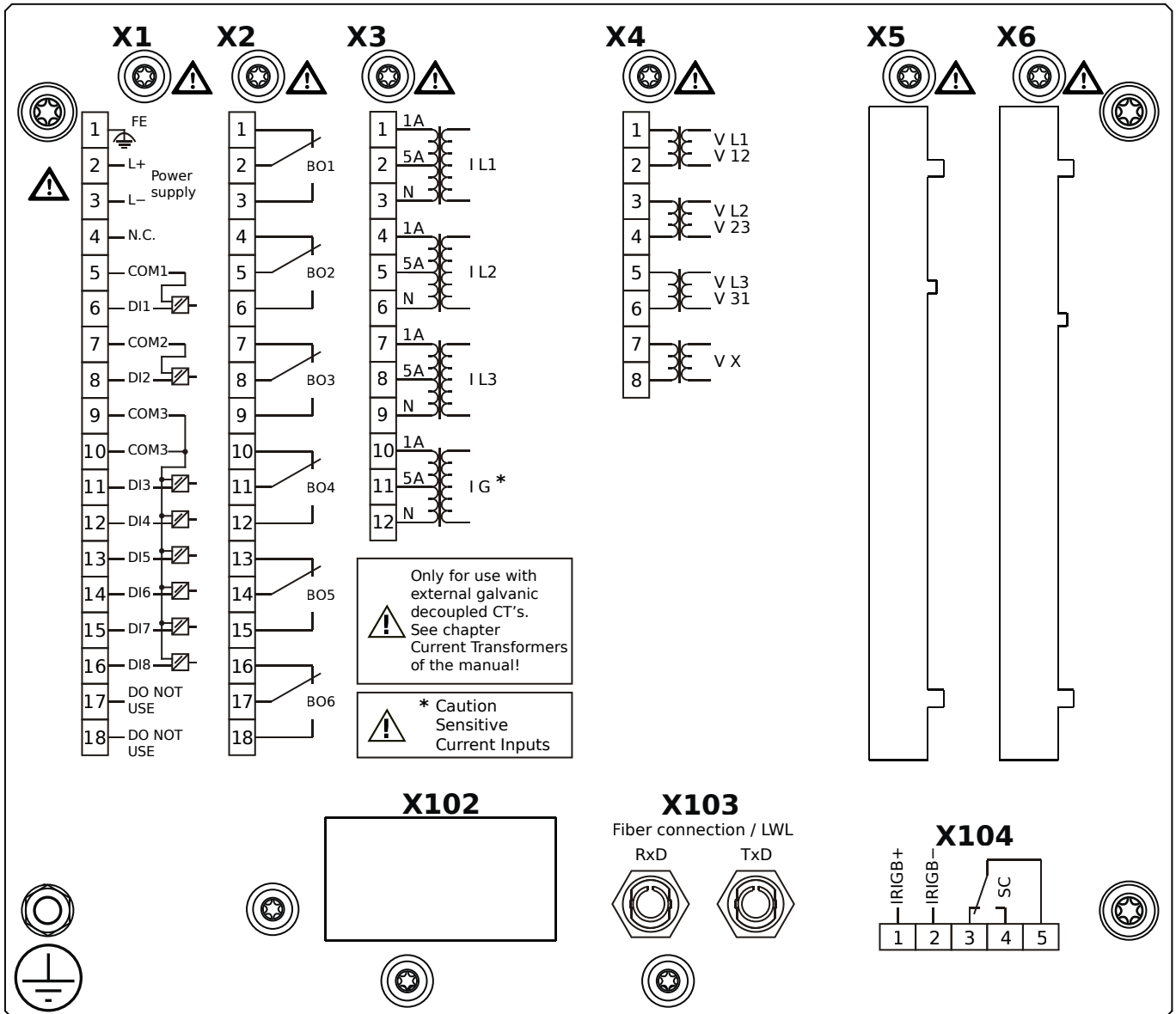
X3 – TIs: Standard phase current measuring card and sensitive ground current measuring

X4 – TU: Card with 4 voltage transformer measuring inputs

X100 – Modbus TCP / DNP3.0 TCP/UDP, Ethernet interface, 100 Mbit/s, RJ45 (BASE100-FX)

X104 – IRIG-B00X, incl. System Contact (Supervision Contact)

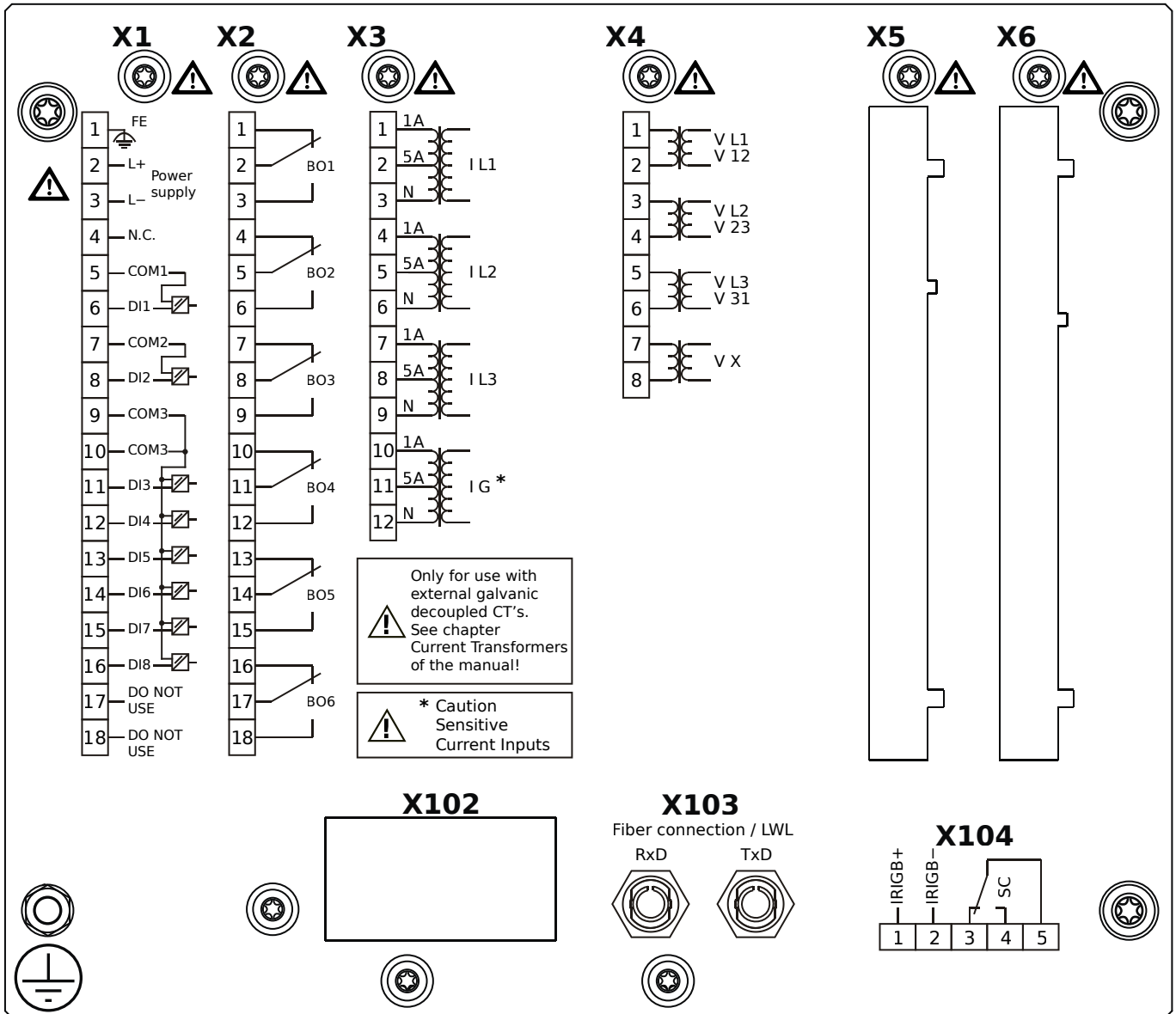
MRA4-2A1BDA



Housing B2, small display, 19" rack mounting

- X1** – DI8-X1: Wide-range power supply unit, incl. 2 non-grouped digital inputs and 6 grouped digital inputs
- X2** – OR6: Assembly Group with 6 Output Relays
- X3** – TIs: Standard phase current measuring card and sensitive ground current measuring
- X4** – TU: Card with 4 voltage transformer measuring inputs
- X103** – Profibus-DP, Fiber optics interface, ST Connector
- X104** – IRIG-B00X, incl. System Contact (Supervision Contact)

MRA4-2A1BDB



Housing B2, small display, 19" rack mounting

+ Conformal Coating (for installations in harsh environment)

X1 – DI8-X1: Wide-range power supply unit, incl. 2 non-grouped digital inputs and 6 grouped digital inputs

X2 – OR6: Assembly Group with 6 Output Relays

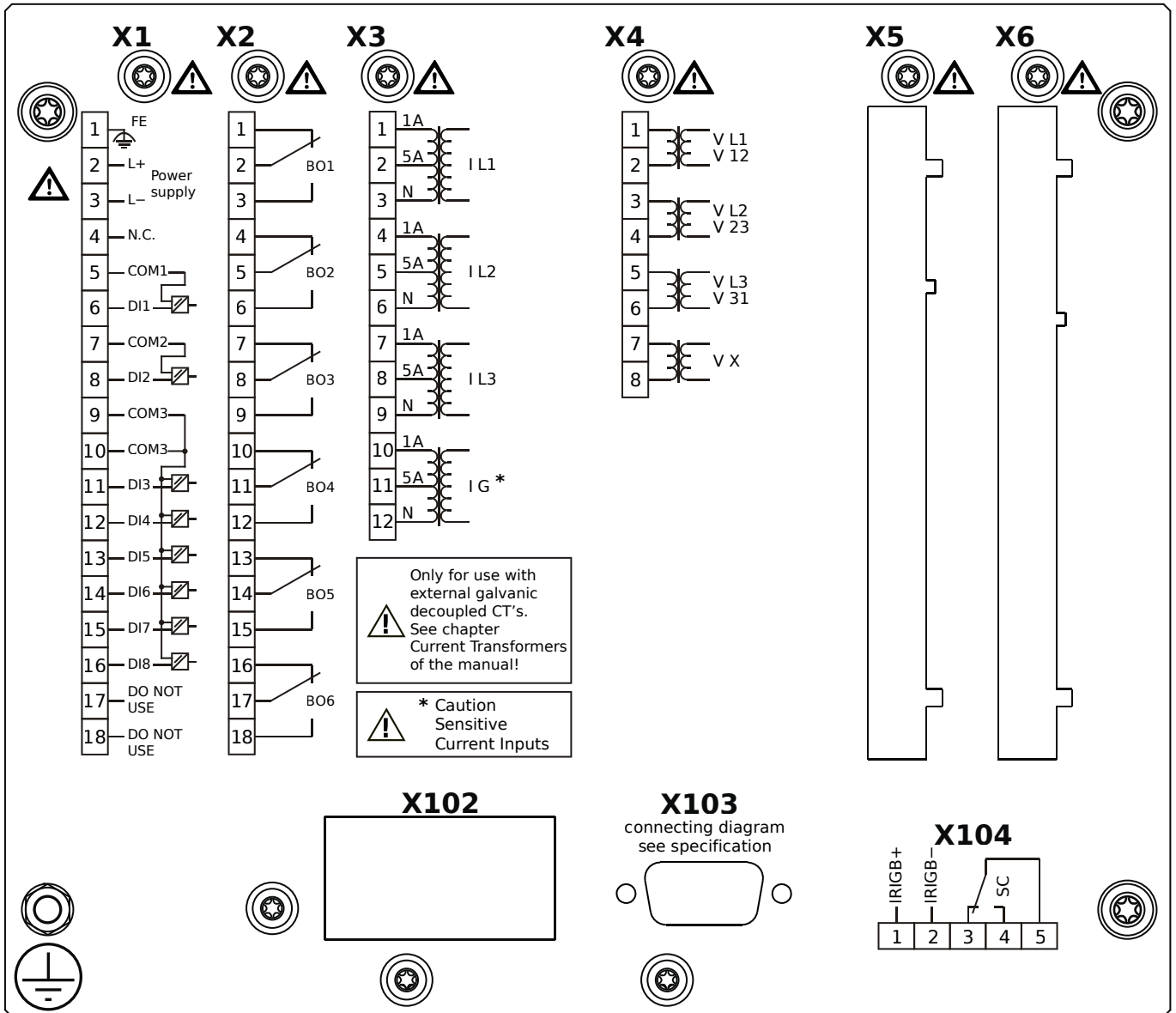
X3 – TIs: Standard phase current measuring card and sensitive ground current measuring

X4 – TU: Card with 4 voltage transformer measuring inputs

X103 – Profibus-DP, Fiber optics interface, ST Connector

X104 – IRIG-B00X, incl. System Contact (Supervision Contact)

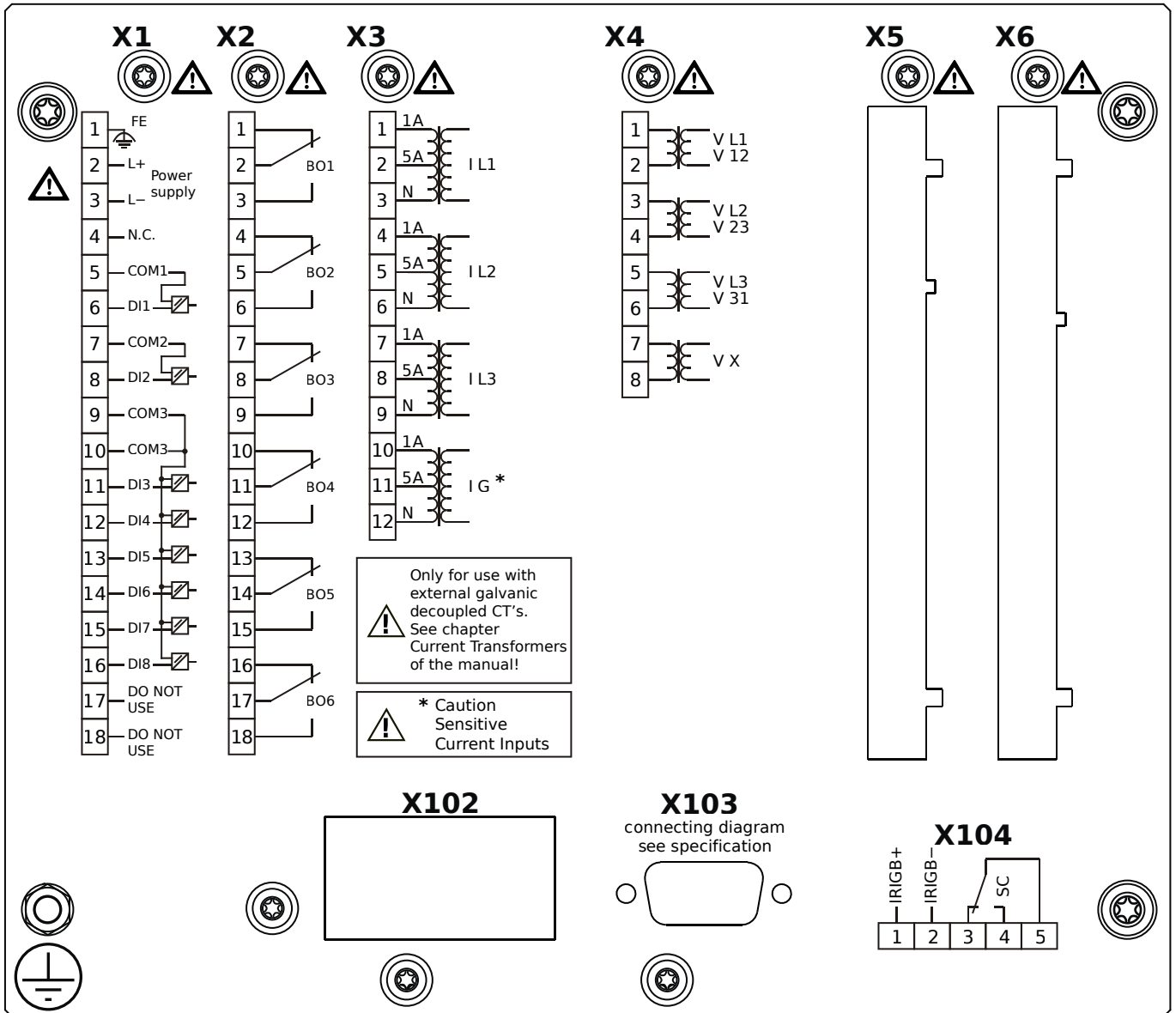
MRA4-2A1BEA



Housing B2, small display, 19" rack mounting

- X1** – DI8-X1: Wide-range power supply unit, incl. 2 non-grouped digital inputs and 6 grouped digital inputs
- X2** – OR6: Assembly Group with 6 Output Relays
- X3** – TIs: Standard phase current measuring card and sensitive ground current measuring
- X4** – TU: Card with 4 voltage transformer measuring inputs
- X103** – Profibus-DP, RS485, D-SUB
- X104** – IRIG-B00X, incl. System Contact (Supervision Contact)

MRA4-2A1BEB



Housing B2, small display, 19" rack mounting

+ Conformal Coating (for installations in harsh environment)

X1 – DI8-X1: Wide-range power supply unit, incl. 2 non-grouped digital inputs and 6 grouped digital inputs

X2 – OR6: Assembly Group with 6 Output Relays

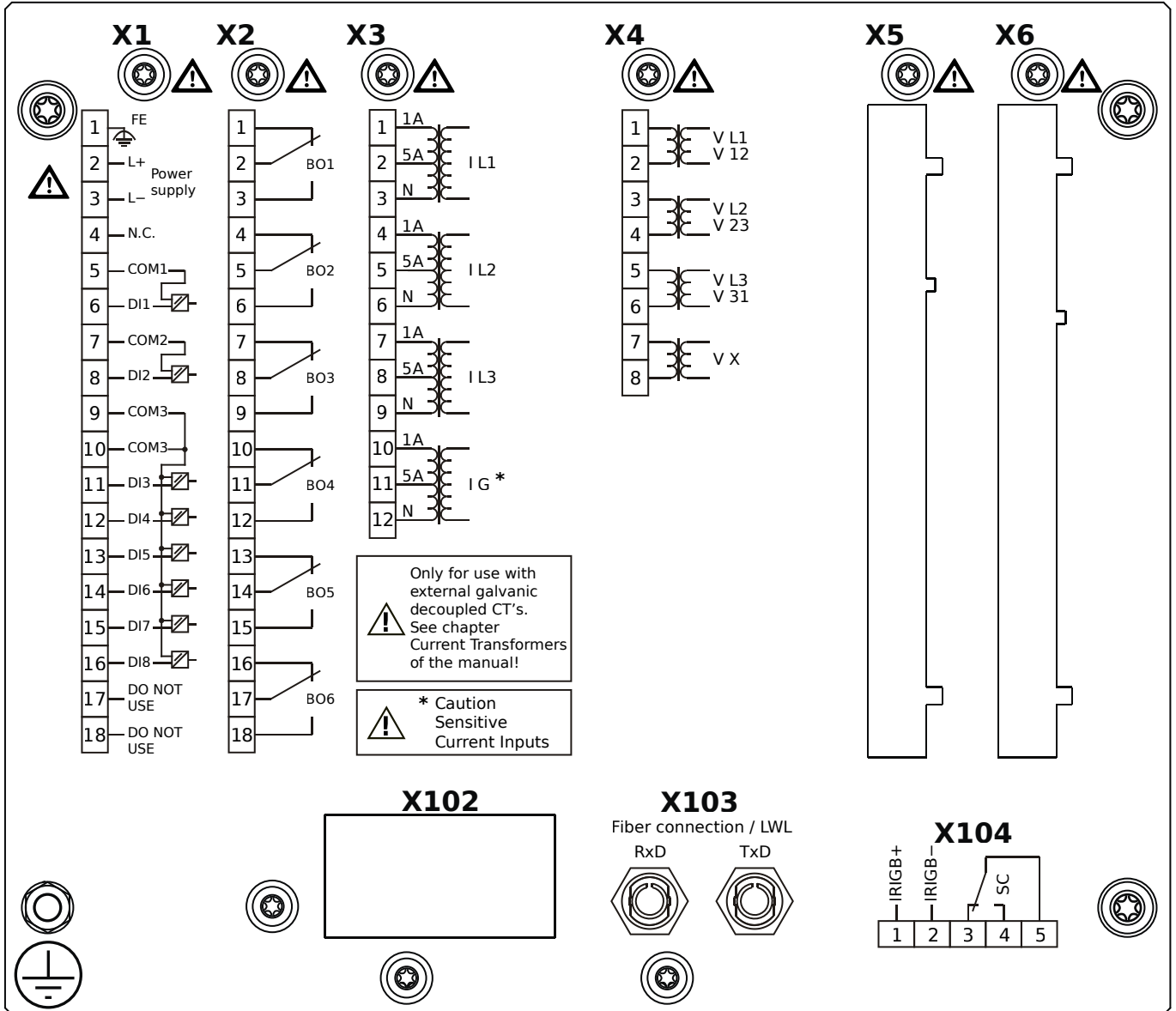
X3 – TIs: Standard phase current measuring card and sensitive ground current measuring

X4 – TU: Card with 4 voltage transformer measuring inputs

X103 – Profibus-DP, RS485, D-SUB

X104 – IRIG-B00X, incl. System Contact (Supervision Contact)

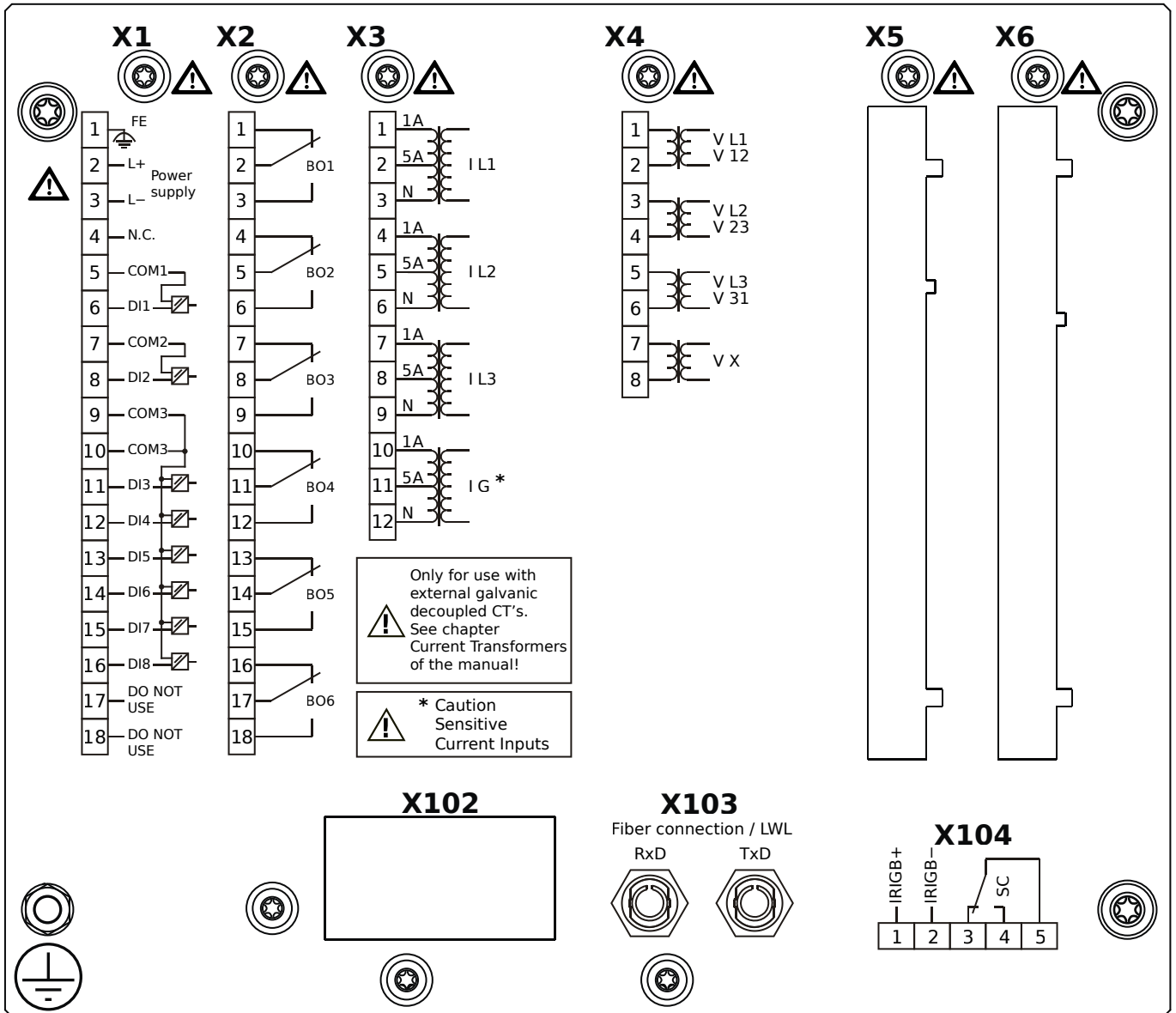
MRA4-2A1BFA



Housing B2, small display, 19" rack mounting

- X1** – DI8-X1: Wide-range power supply unit, incl. 2 non-grouped digital inputs and 6 grouped digital inputs
- X2** – OR6: Assembly Group with 6 Output Relays
- X3** – TIs: Standard phase current measuring card and sensitive ground current measuring
- X4** – TU: Card with 4 voltage transformer measuring inputs
- X103** – Modbus RTU / IEC 60870-5-103 / DNP3.0 RTU, Fiber optics interface, ST Connector
- X104** – IRIG-B00X, incl. System Contact (Supervision Contact)

MRA4-2A1BFB

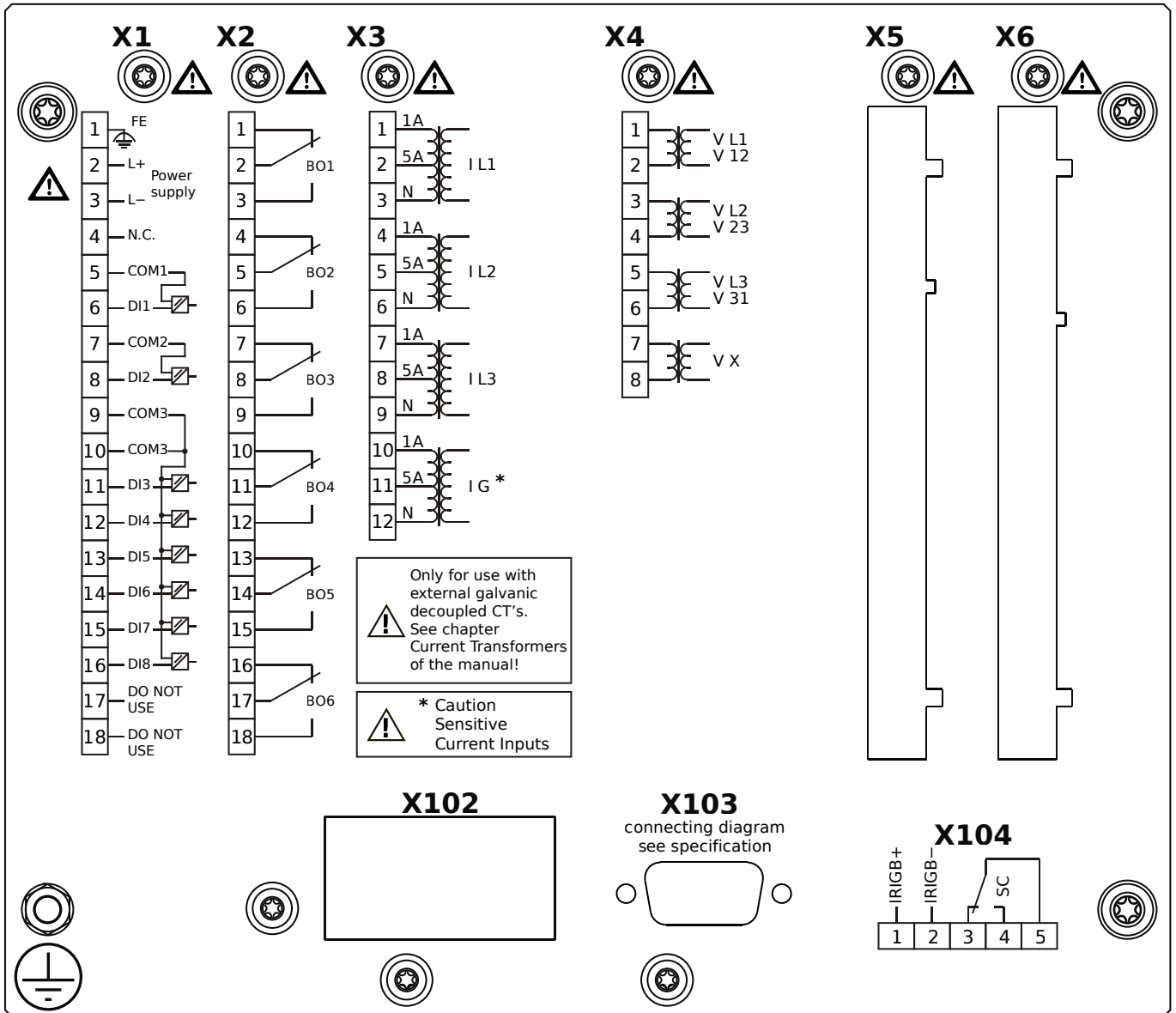


Housing B2, small display, 19" rack mounting

+ Conformal Coating (for installations in harsh environment)

- X1** – DI8-X1: Wide-range power supply unit, incl. 2 non-grouped digital inputs and 6 grouped digital inputs
- X2** – OR6: Assembly Group with 6 Output Relays
- X3** – TIs: Standard phase current measuring card and sensitive ground current measuring
- X4** – TU: Card with 4 voltage transformer measuring inputs
- X103** – Modbus RTU / IEC 60870-5-103 / DNP3.0 RTU, Fiber optics interface, ST Connector
- X104** – IRIG-B00X, incl. System Contact (Supervision Contact)

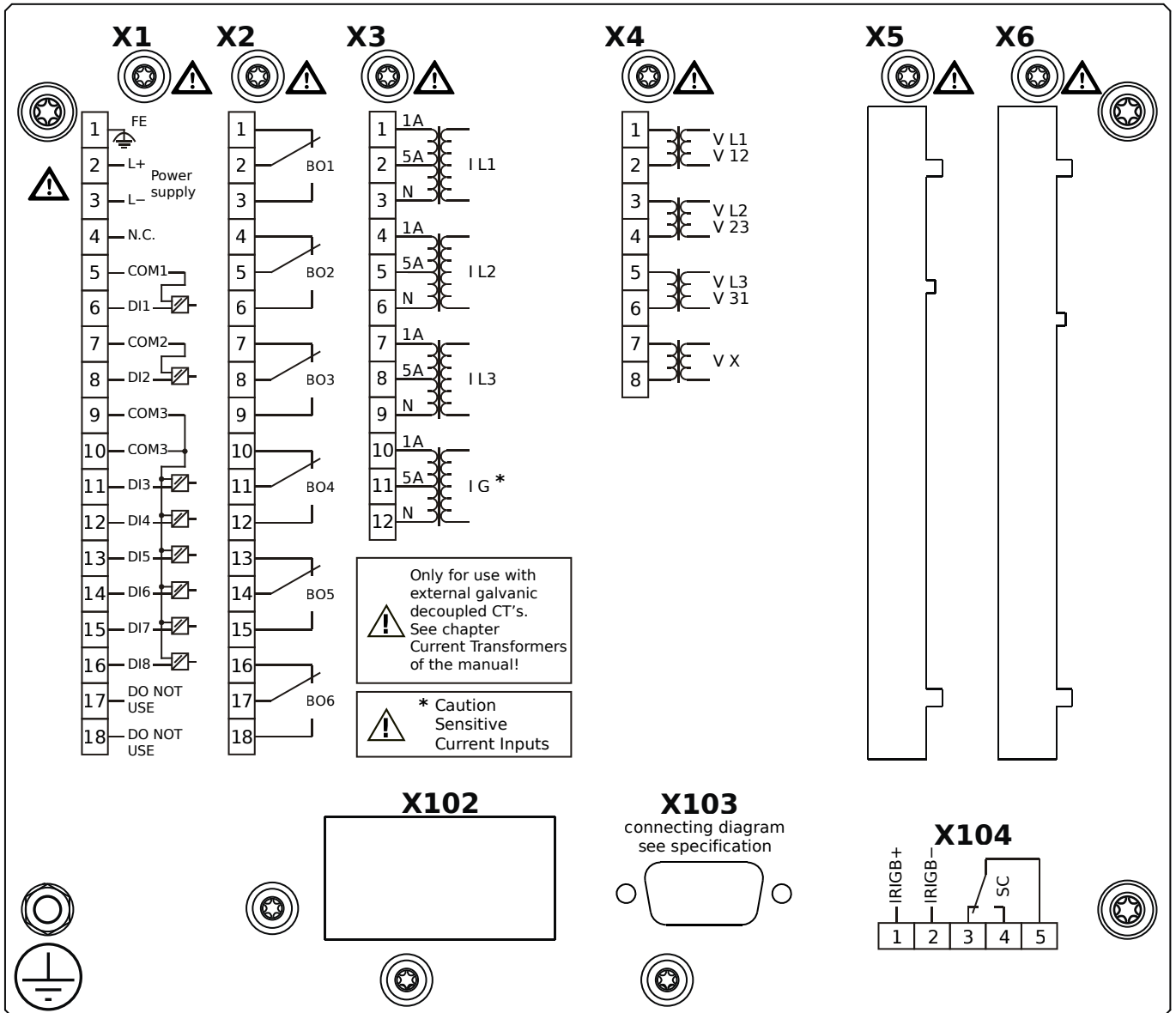
MRA4-2A1BGA



Housing B2, small display, 19" rack mounting

- X1** – DI8-X1: Wide-range power supply unit, incl. 2 non-grouped digital inputs and 6 grouped digital inputs
- X2** – OR6: Assembly Group with 6 Output Relays
- X3** – TIs: Standard phase current measuring card and sensitive ground current measuring
- X4** – TU: Card with 4 voltage transformer measuring inputs
- X103** – Modbus RTU / IEC 60870-5-103 / DNP3.0 RTU, RS485, D-SUB
- X104** – IRIG-B00X, incl. System Contact (Supervision Contact)

MRA4-2A1BGB



Housing B2, small display, 19" rack mounting

+ Conformal Coating (for installations in harsh environment)

X1 – DI8-X1: Wide-range power supply unit, incl. 2 non-grouped digital inputs and 6 grouped digital inputs

X2 – OR6: Assembly Group with 6 Output Relays

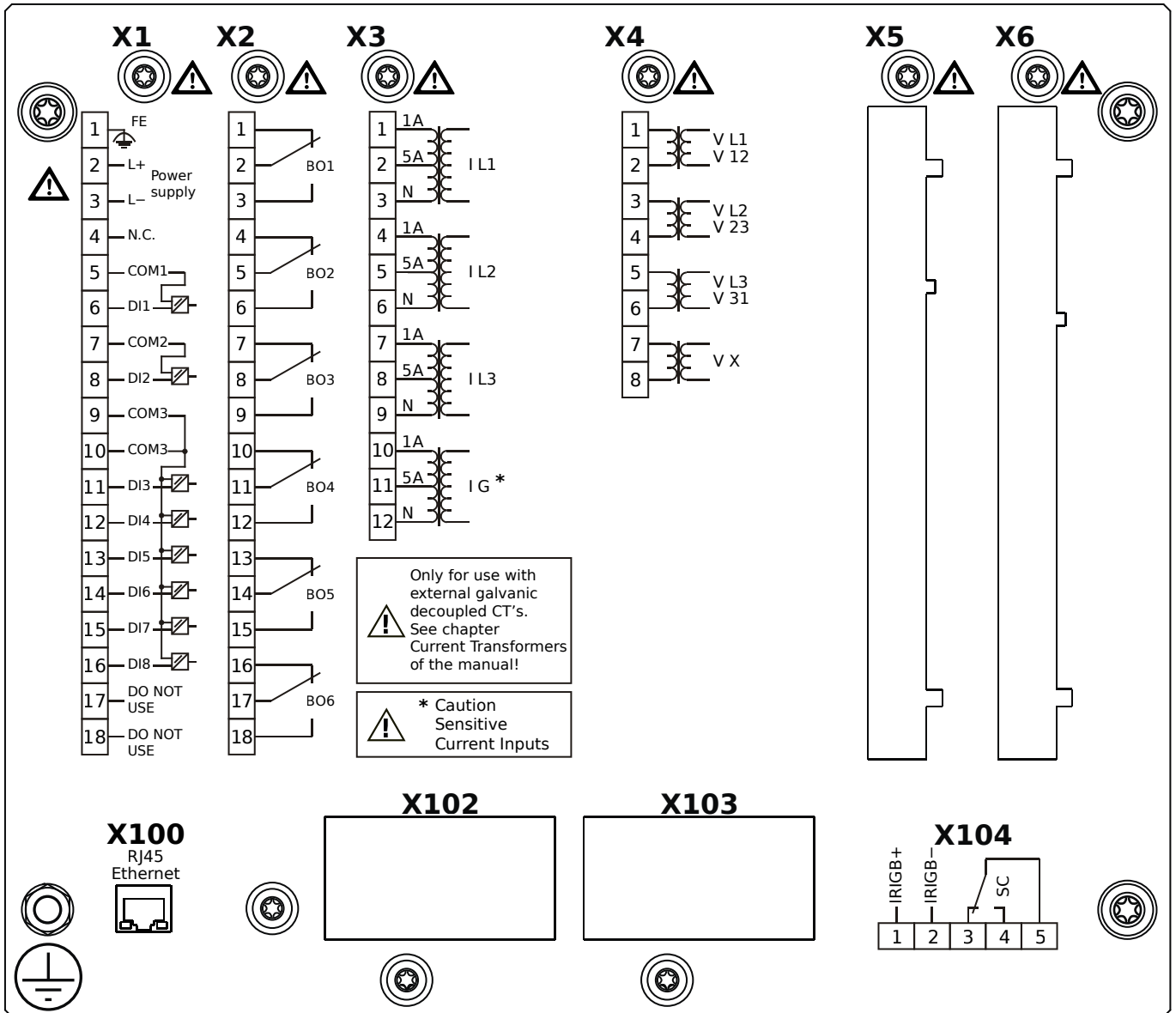
X3 – TIs: Standard phase current measuring card and sensitive ground current measuring

X4 – TU: Card with 4 voltage transformer measuring inputs

X103 – Modbus RTU / IEC 60870-5-103 / DNP3.0 RTU, RS485, D-SUB

X104 – IRIG-B00X, incl. System Contact (Supervision Contact)

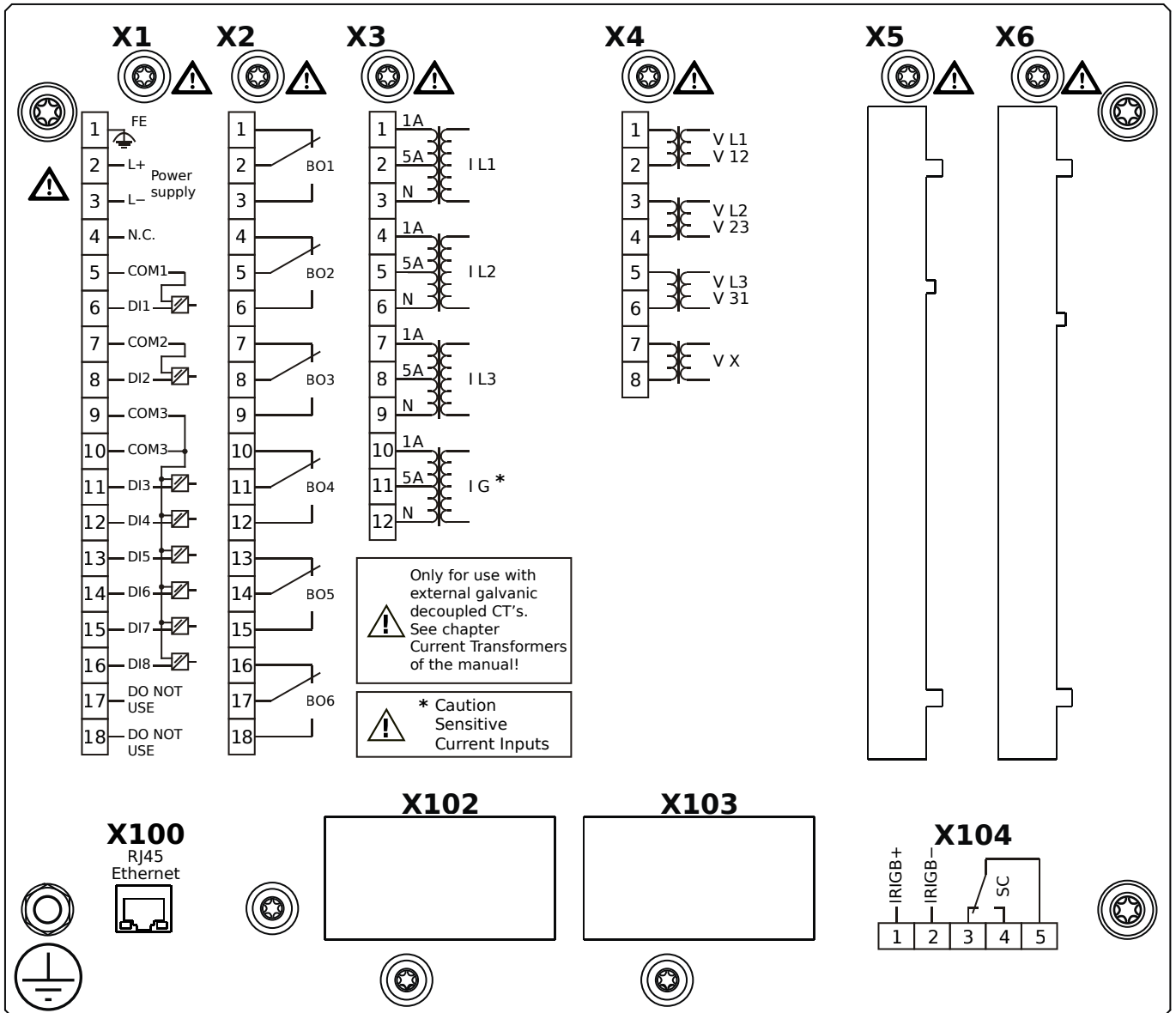
MRA4-2A1BHA



Housing B2, small display, 19" rack mounting

- X1** – DI8-X1: Wide-range power supply unit, incl. 2 non-grouped digital inputs and 6 grouped digital inputs
- X2** – OR6: Assembly Group with 6 Output Relays
- X3** – TIs: Standard phase current measuring card and sensitive ground current measuring
- X4** – TU: Card with 4 voltage transformer measuring inputs
- X100** – IEC 61850 / Modbus TCP / DNP3.0 TCP/UDP, Ethernet interface, 100 Mbit/s, RJ45 (BASE100-FX)
- X104** – IRIG-B00X, incl. System Contact (Supervision Contact)

MRA4-2A1BHB



Housing B2, small display, 19" rack mounting

+ Conformal Coating (for installations in harsh environment)

X1 – DI8-X1: Wide-range power supply unit, incl. 2 non-grouped digital inputs and 6 grouped digital inputs

X2 – OR6: Assembly Group with 6 Output Relays

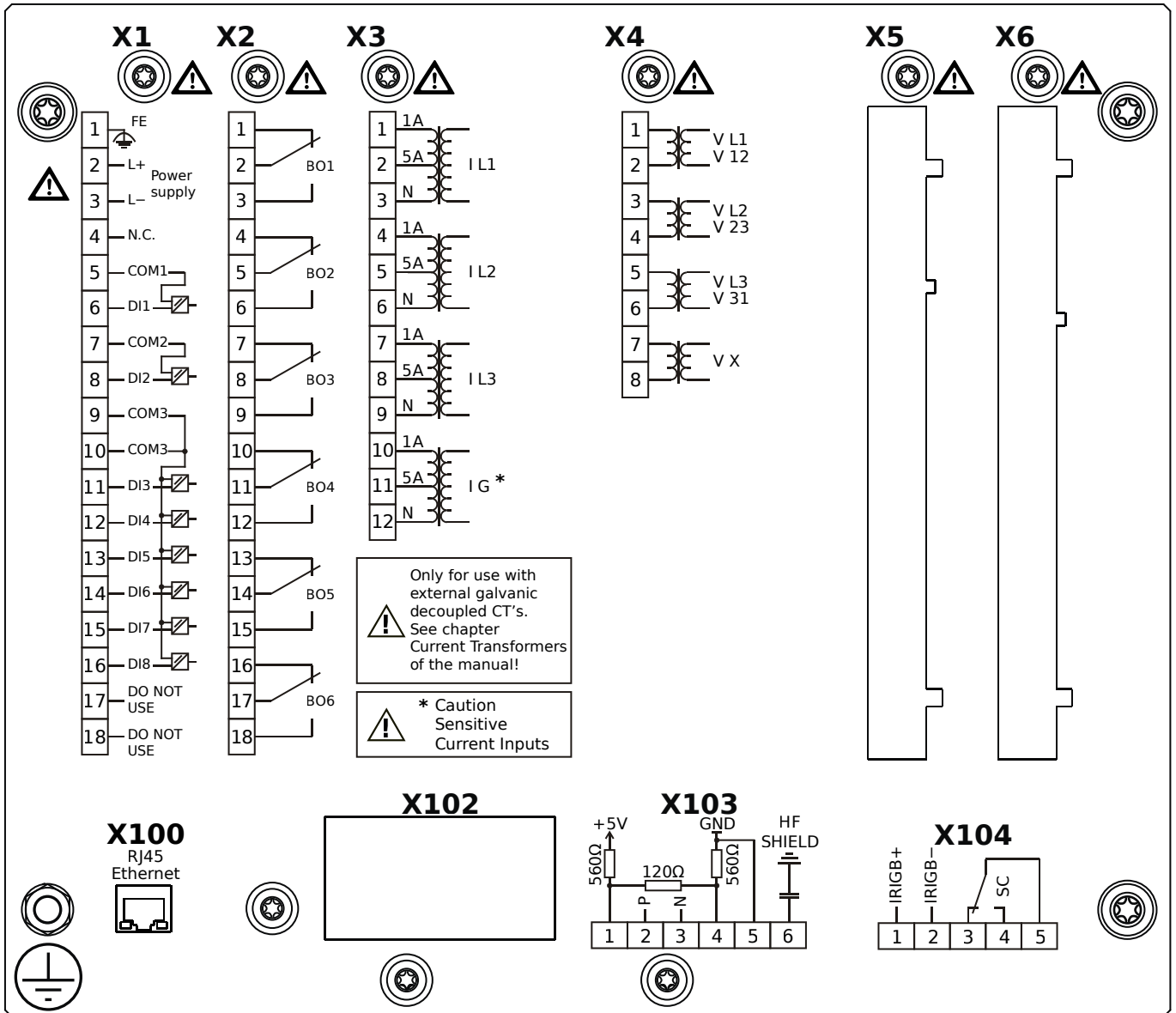
X3 – TIs: Standard phase current measuring card and sensitive ground current measuring

X4 – TU: Card with 4 voltage transformer measuring inputs

X100 – IEC 61850 / Modbus TCP / DNP3.0 TCP/UDP, Ethernet interface, 100 Mbit/s, RJ45 (BASE100-FX)

X104 – IRIG-B00X, incl. System Contact (Supervision Contact)

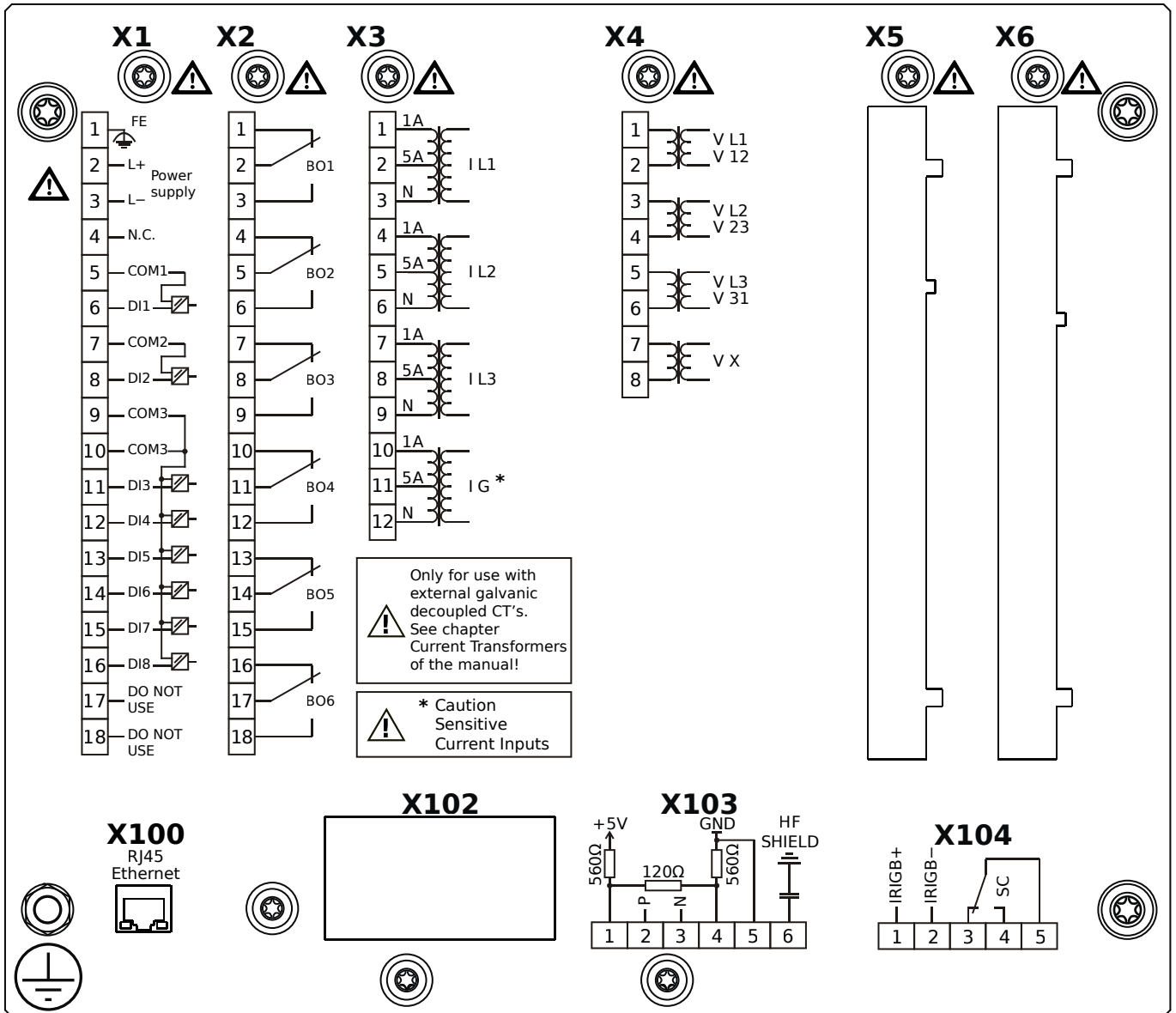
MRA4-2A1BIA



Housing B2, small display, 19" rack mounting

- X1** – DI8-X1: Wide-range power supply unit, incl. 2 non-grouped digital inputs and 6 grouped digital inputs
- X2** – OR6: Assembly Group with 6 Output Relays
- X3** – TIs: Standard phase current measuring card and sensitive ground current measuring
- X4** – TU: Card with 4 voltage transformer measuring inputs
- X100** – Modbus TCP / DNP3.0 TCP/UDP, Ethernet interface, 100 Mbit/s, RJ45 (BASE100-FX)
- X103** – IEC 60870-5-103 / Modbus RTU / DNP3.0 RTU, RS485, Terminals
- X104** – IRIG-B00X, incl. System Contact (Supervision Contact)

MRA4-2A1BIB

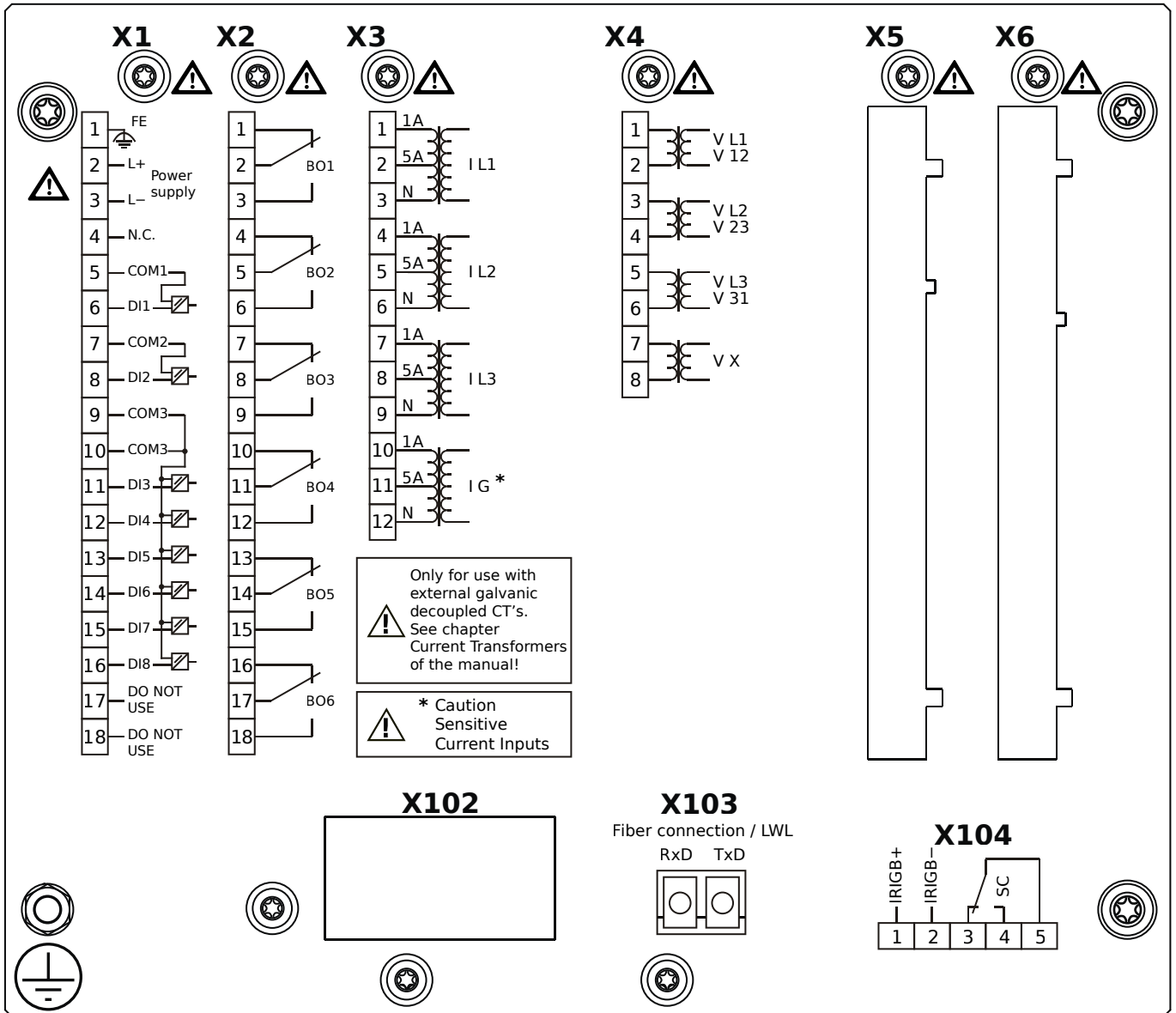


Housing B2, small display, 19" rack mounting

+ Conformal Coating (for installations in harsh environment)

- X1** – DI8-X1: Wide-range power supply unit, incl. 2 non-grouped digital inputs and 6 grouped digital inputs
- X2** – OR6: Assembly Group with 6 Output Relays
- X3** – TIs: Standard phase current measuring card and sensitive ground current measuring
- X4** – TU: Card with 4 voltage transformer measuring inputs
- X100** – Modbus TCP / DNP3.0 TCP/UDP, Ethernet interface, 100 Mbit/s, RJ45 (BASE100-FX)
- X103** – IEC 60870-5-103 / Modbus RTU / DNP3.0 RTU, RS485, Terminals
- X104** – IRIG-B00X, incl. System Contact (Supervision Contact)

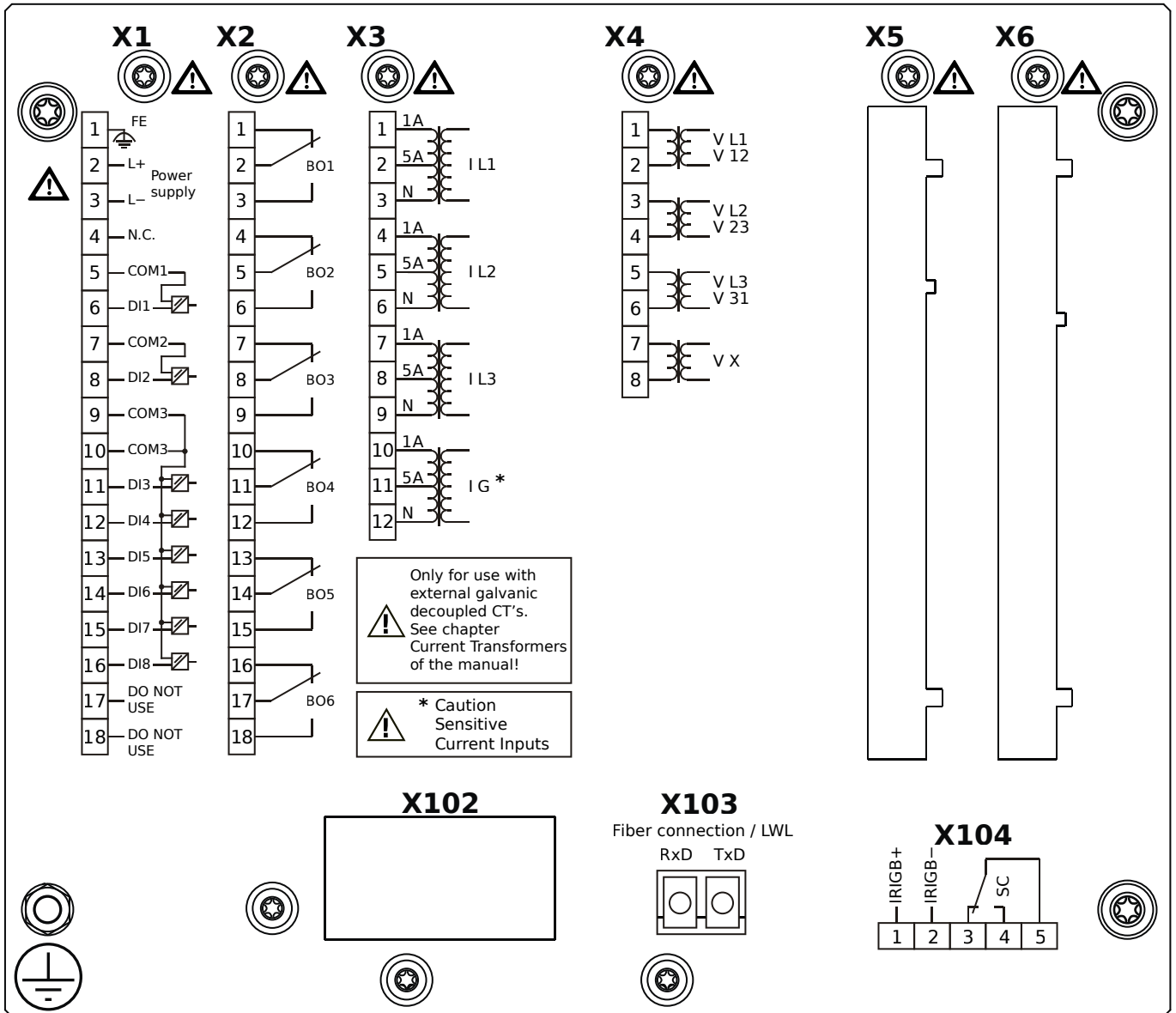
MRA4-2A1BKA



Housing B2, small display, 19" rack mounting

- X1** – DI8-X1: Wide-range power supply unit, incl. 2 non-grouped digital inputs and 6 grouped digital inputs
- X2** – OR6: Assembly Group with 6 Output Relays
- X3** – TIs: Standard phase current measuring card and sensitive ground current measuring
- X4** – TU: Card with 4 voltage transformer measuring inputs
- X103** – IEC 61850 / Modbus TCP / DNP3.0 TCP/UDP, Fiber optics interface, LC Connector
- X104** – IRIG-B00X, incl. System Contact (Supervision Contact)

MRA4-2A1BKB



Housing B2, small display, 19" rack mounting

+ Conformal Coating (for installations in harsh environment)

X1 – DI8-X1: Wide-range power supply unit, incl. 2 non-grouped digital inputs and 6 grouped digital inputs

X2 – OR6: Assembly Group with 6 Output Relays

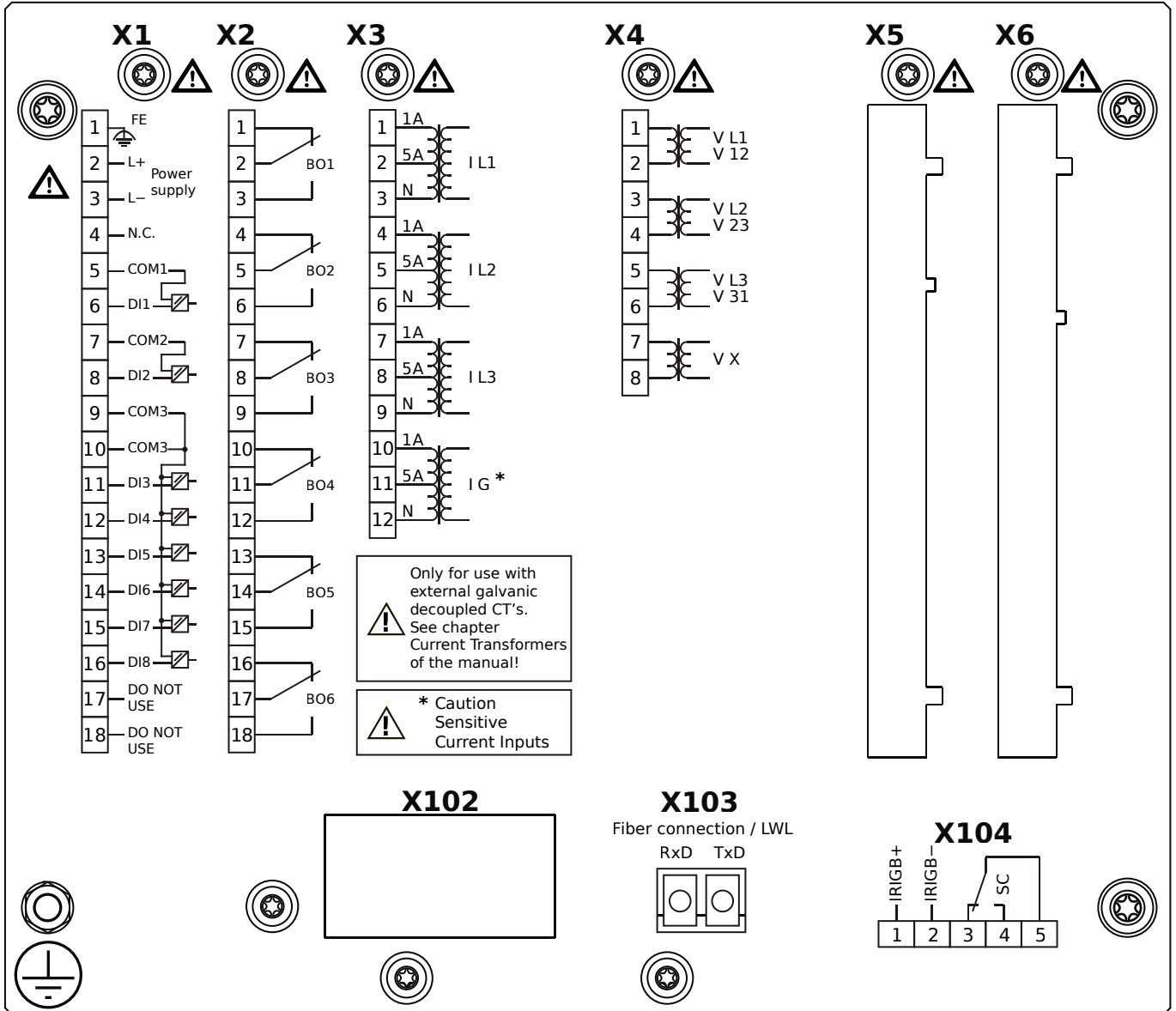
X3 – TIs: Standard phase current measuring card and sensitive ground current measuring

X4 – TU: Card with 4 voltage transformer measuring inputs

X103 – IEC 61850 / Modbus TCP / DNP3.0 TCP/UDP, Fiber optics interface, LC Connector

X104 – IRIG-B00X, incl. System Contact (Supervision Contact)

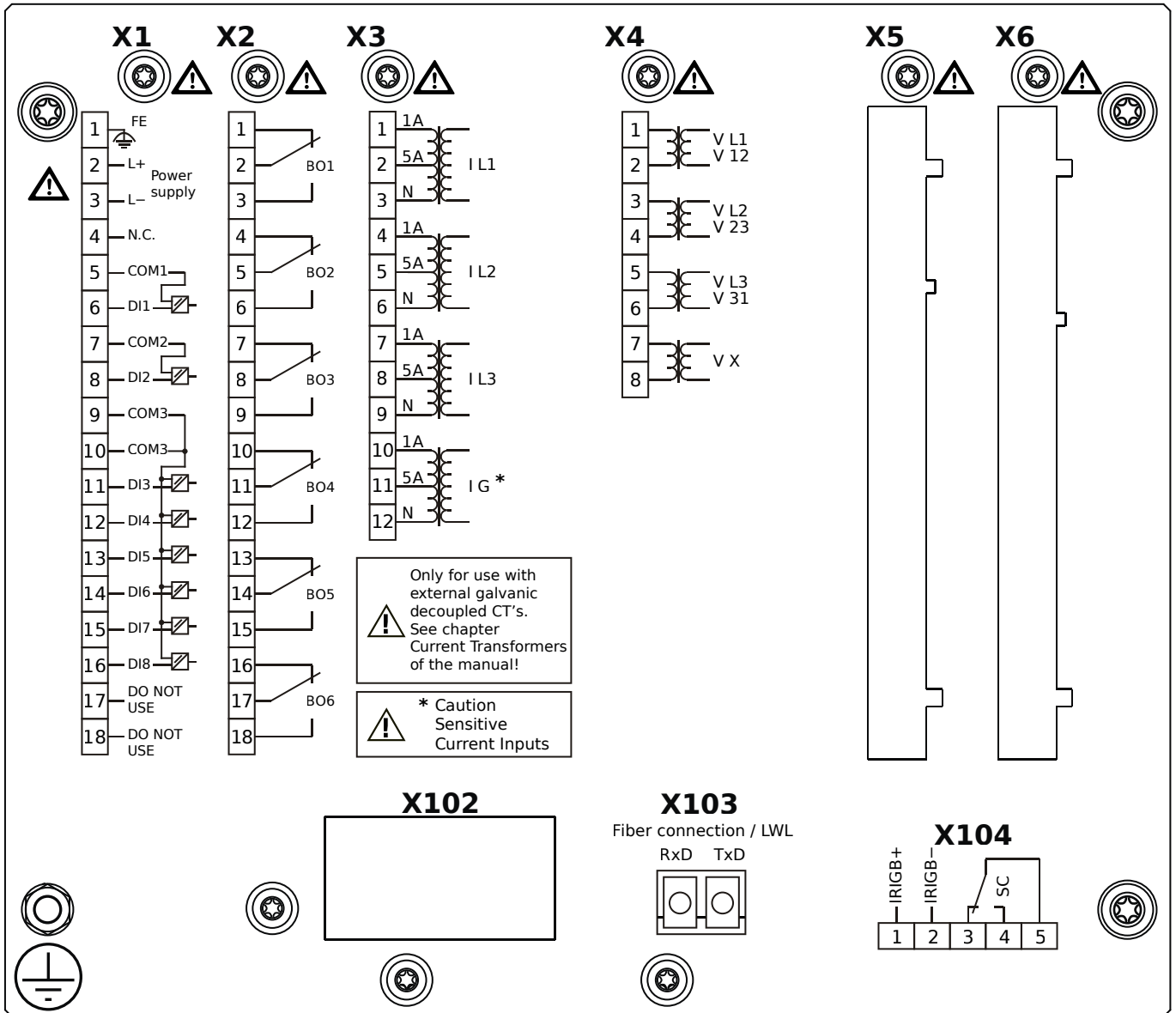
MRA4-2A1BLA



Housing B2, small display, 19" rack mounting

- X1** – DI8-X1: Wide-range power supply unit, incl. 2 non-grouped digital inputs and 6 grouped digital inputs
- X2** – OR6: Assembly Group with 6 Output Relays
- X3** – TIs: Standard phase current measuring card and sensitive ground current measuring
- X4** – TU: Card with 4 voltage transformer measuring inputs
- X103** – Modbus TCP / DNP3.0 TCP/UDP, Fiber optics interface, LC Connector
- X104** – IRIG-B00X, incl. System Contact (Supervision Contact)

MRA4-2A1BLB



Housing B2, small display, 19" rack mounting

+ Conformal Coating (for installations in harsh environment)

X1 – DI8-X1: Wide-range power supply unit, incl. 2 non-grouped digital inputs and 6 grouped digital inputs

X2 – OR6: Assembly Group with 6 Output Relays

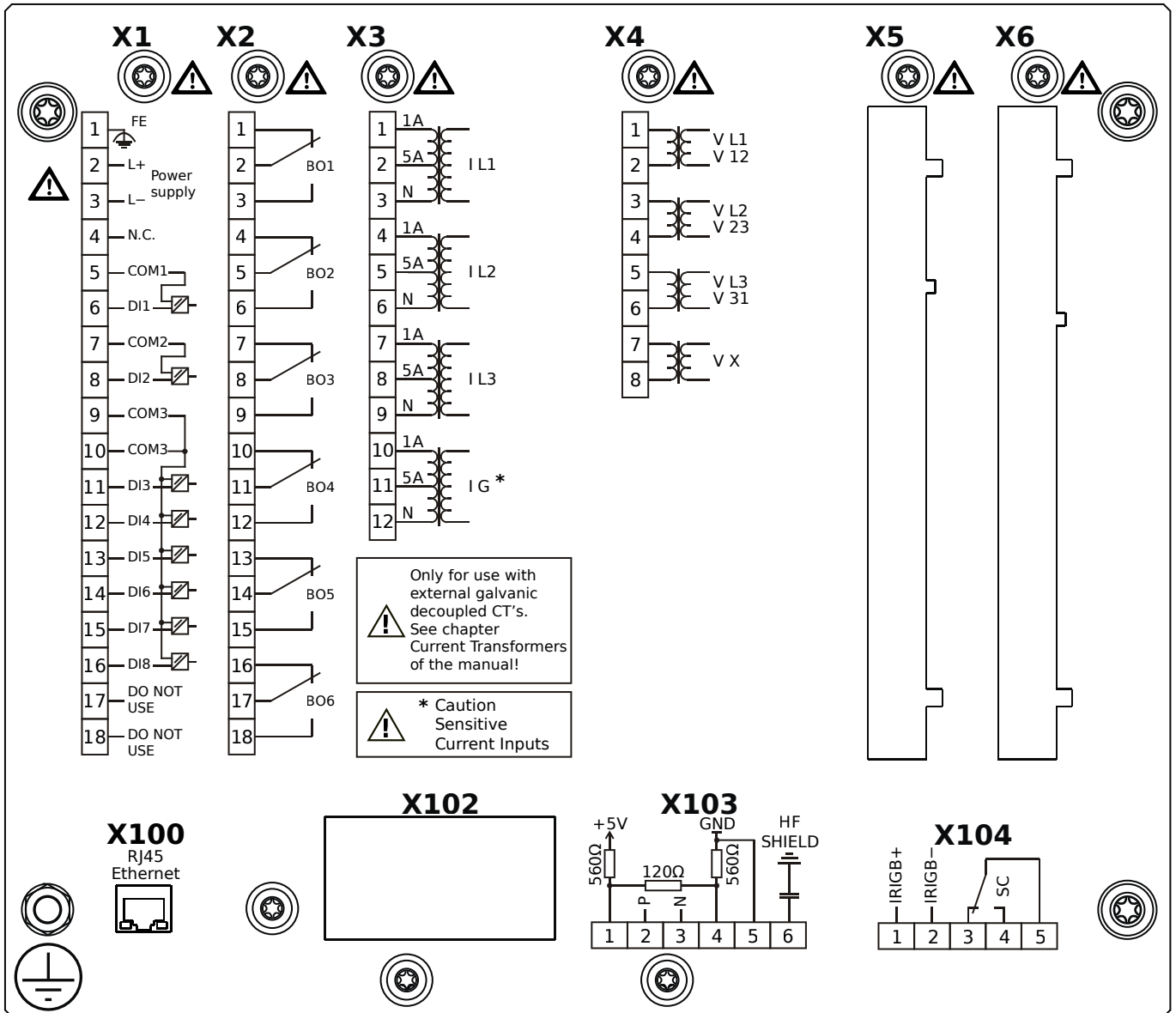
X3 – TIs: Standard phase current measuring card and sensitive ground current measuring

X4 – TU: Card with 4 voltage transformer measuring inputs

X103 – Modbus TCP / DNP3.0 TCP/UDP, Fiber optics interface, LC Connector

X104 – IRIG-B00X, incl. System Contact (Supervision Contact)

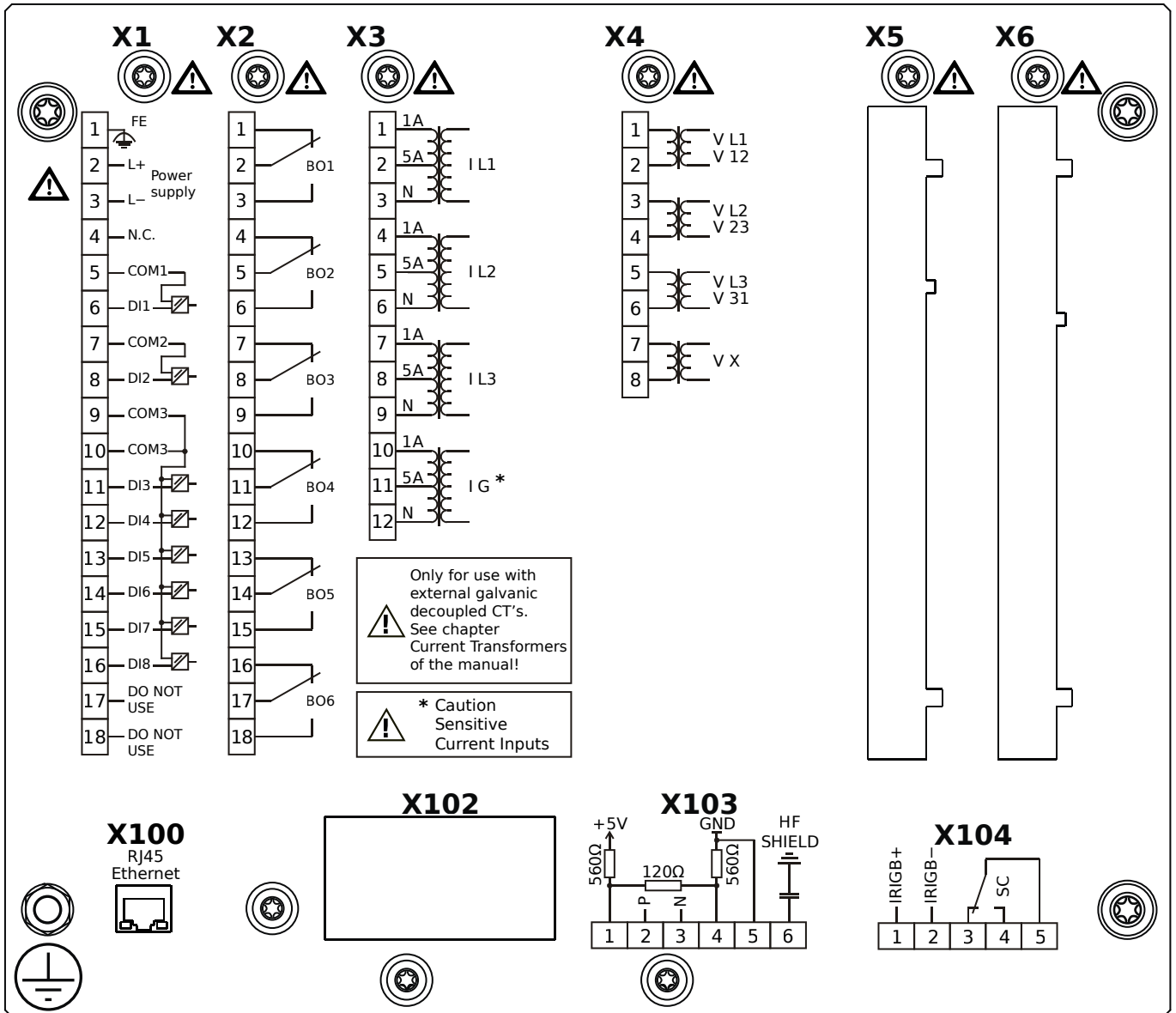
MRA4-2A1BTA



Housing B2, small display, 19" rack mounting

- X1** – DI8-X1: Wide-range power supply unit, incl. 2 non-grouped digital inputs and 6 grouped digital inputs
- X2** – OR6: Assembly Group with 6 Output Relays
- X3** – TIs: Standard phase current measuring card and sensitive ground current measuring
- X4** – TU: Card with 4 voltage transformer measuring inputs
- X100** – IEC 61850 / Modbus TCP / DNP3.0 TCP/UDP, Ethernet interface, 100 Mbit/s, RJ45 (BASE100-FX)
- X103** – IEC 60870-5-103 / Modbus RTU / DNP3.0 RTU, RS485, Terminals
- X104** – IRIG-B00X, incl. System Contact (Supervision Contact)

MRA4-2A1BTB



Housing B2, small display, 19" rack mounting

+ Conformal Coating (for installations in harsh environment)

X1 – DI8-X1: Wide-range power supply unit, incl. 2 non-grouped digital inputs and 6 grouped digital inputs

X2 – OR6: Assembly Group with 6 Output Relays

X3 – TIs: Standard phase current measuring card and sensitive ground current measuring

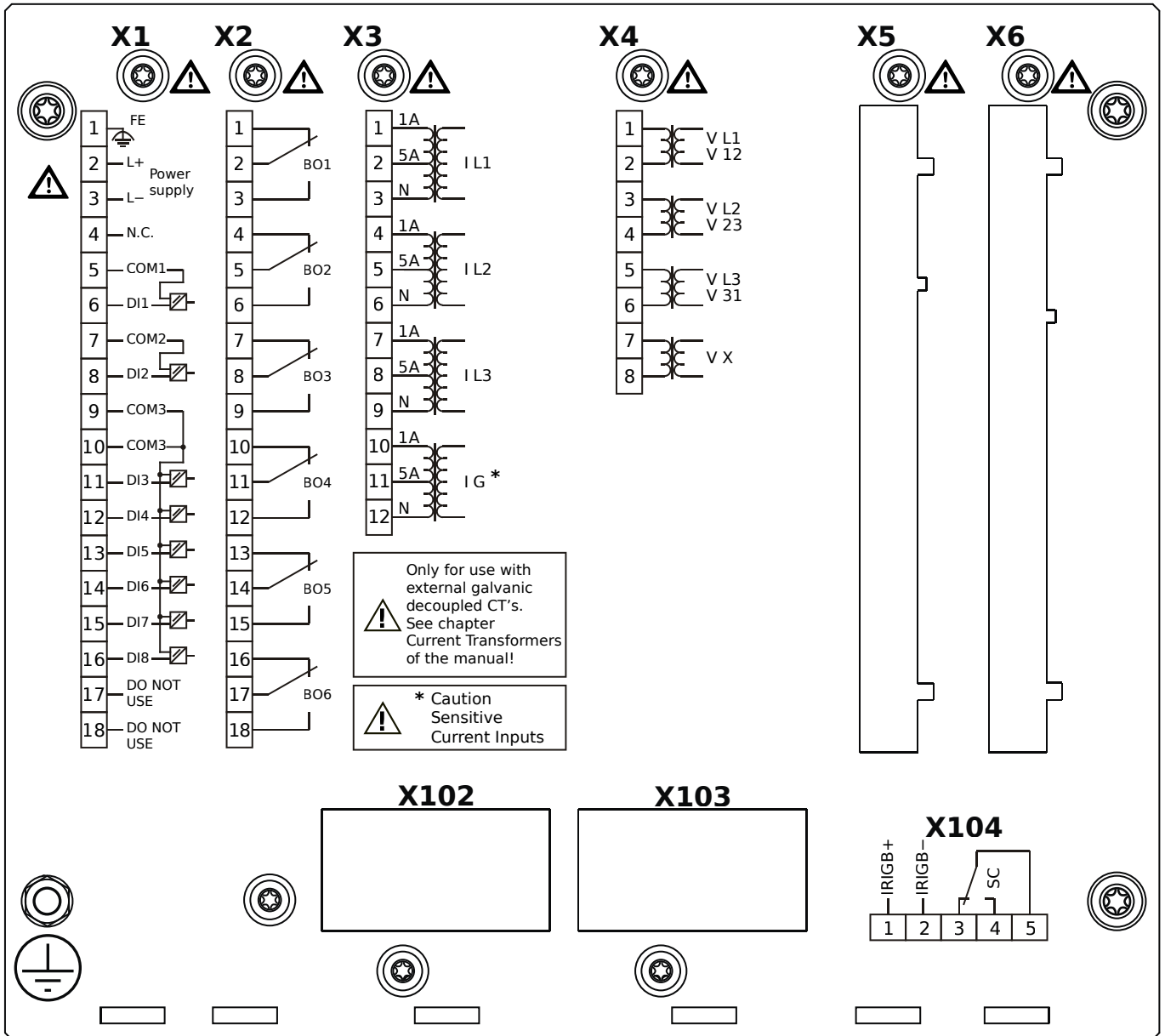
X4 – TU: Card with 4 voltage transformer measuring inputs

X100 – IEC 61850 / Modbus TCP / DNP3.0 TCP/UDP, Ethernet interface, 100 Mbit/s, RJ45 (BASE100-FX)

X103 – IEC 60870-5-103 / Modbus RTU / DNP3.0 RTU, RS485, Terminals

X104 – IRIG-B00X, incl. System Contact (Supervision Contact)

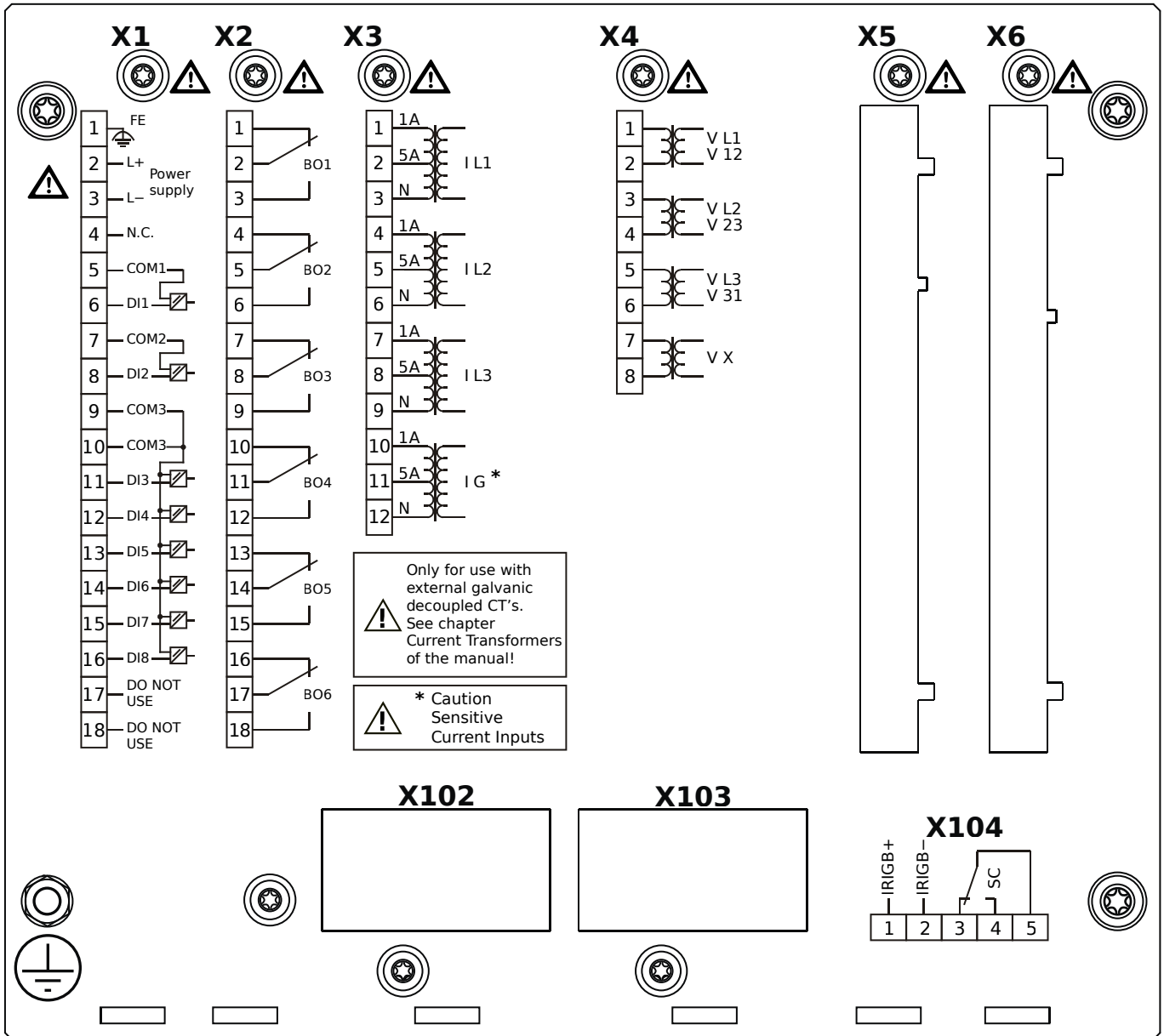
MRA4-2A1HAA



Housing B2, small display, door mounting

- X1** – DI8-X1: Wide-range power supply unit, incl. 2 non-grouped digital inputs and 6 grouped digital inputs
- X2** – OR6: Assembly Group with 6 Output Relays
- X3** – TIs: Standard phase current measuring card and sensitive ground current measuring
- X4** – TU: Card with 4 voltage transformer measuring inputs
- X104** – IRIG-B00X, incl. System Contact (Supervision Contact)

MRA4-2A1HAB



Housing B2, small display, door mounting

+ Conformal Coating (for installations in harsh environment)

X1 – DI8-X1: Wide-range power supply unit, incl. 2 non-grouped digital inputs and 6 grouped digital inputs

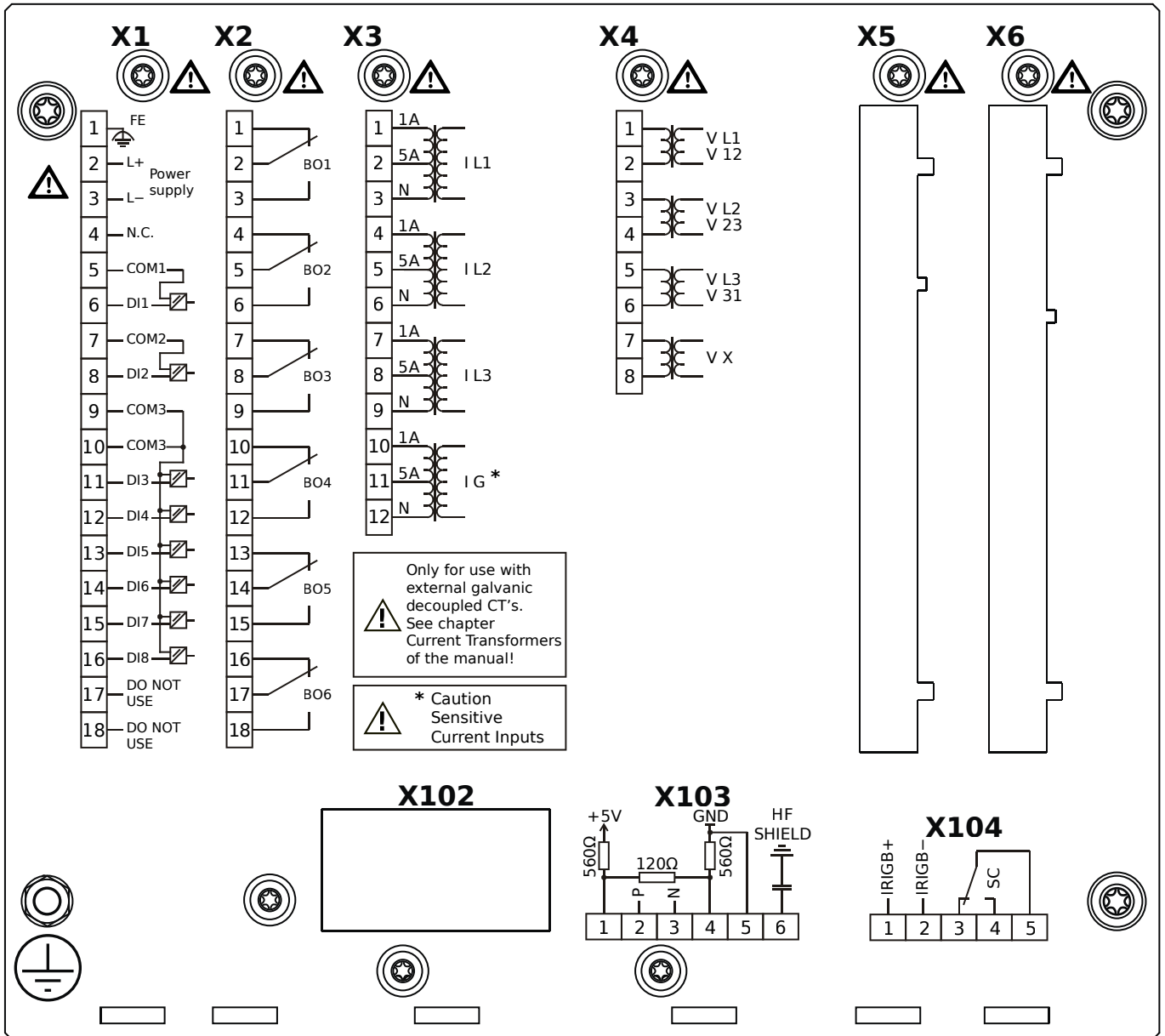
X2 – OR6: Assembly Group with 6 Output Relays

X3 – TIs: Standard phase current measuring card and sensitive ground current measuring

X4 – TU: Card with 4 voltage transformer measuring inputs

X104 – IRIG-B00X, incl. System Contact (Supervision Contact)

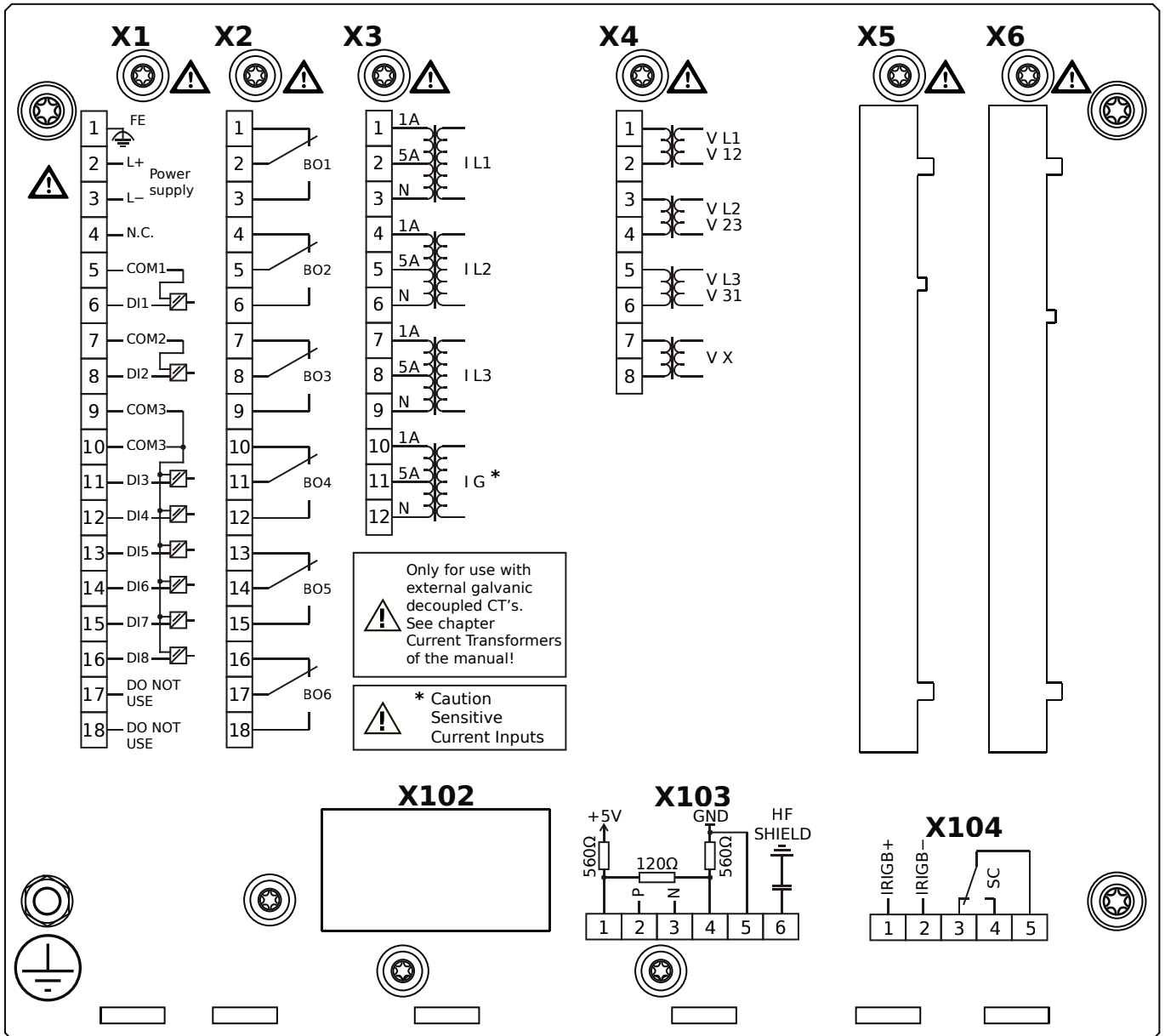
MRA4-2A1HBA



Housing B2, small display, door mounting

- X1** – DI8-X1: Wide-range power supply unit, incl. 2 non-grouped digital inputs and 6 grouped digital inputs
- X2** – OR6: Assembly Group with 6 Output Relays
- X3** – TIs: Standard phase current measuring card and sensitive ground current measuring
- X4** – TU: Card with 4 voltage transformer measuring inputs
- X103** – Modbus RTU / IEC 60870-5-103 / DNP3.0 RTU, RS485, Terminals
- X104** – IRIG-B00X, incl. System Contact (Supervision Contact)

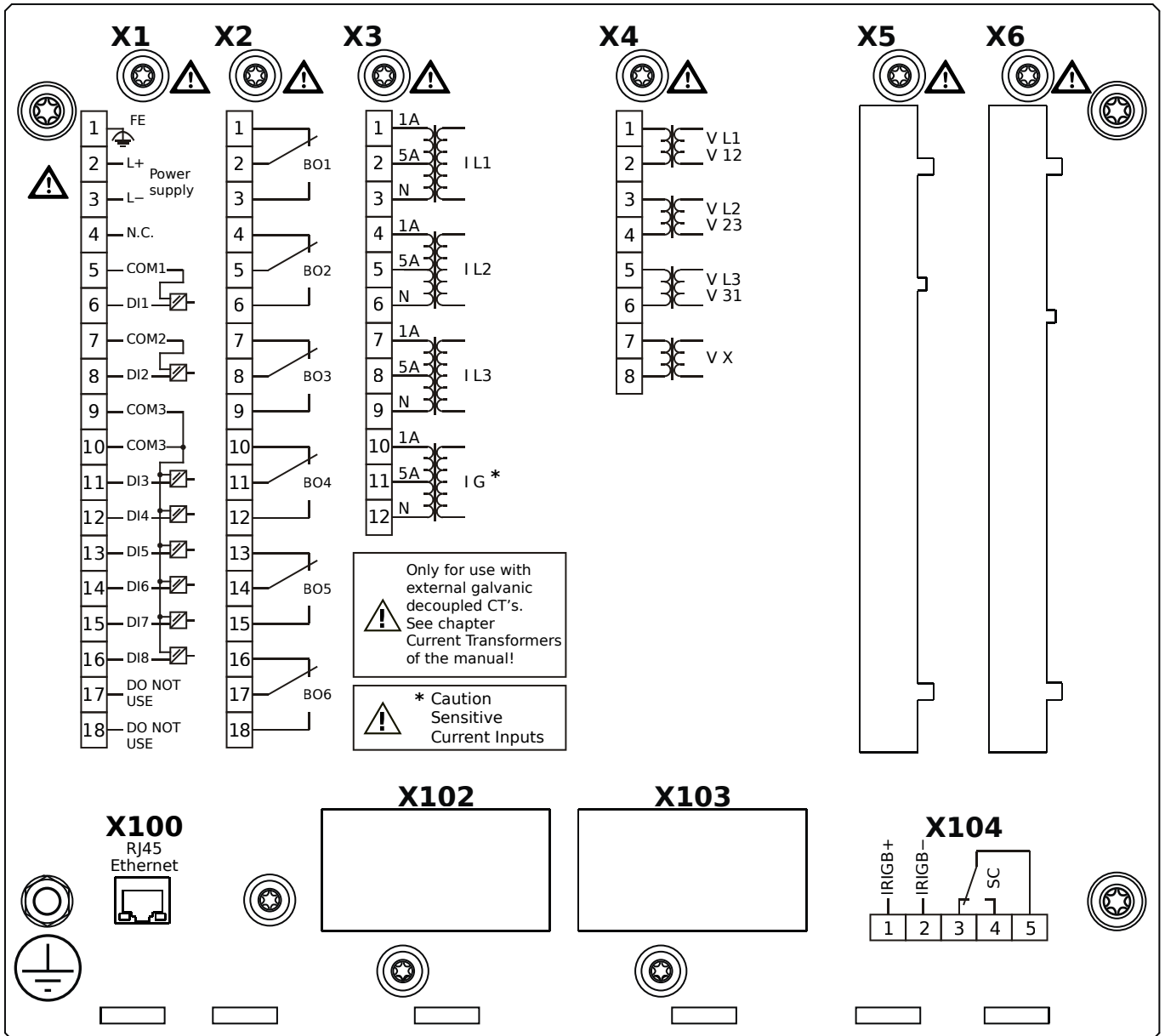
MRA4-2A1HBB



Housing B2, small display, door mounting

- + Conformal Coating (for installations in harsh environment)
- X1** – DI8-X1: Wide-range power supply unit, incl. 2 non-grouped digital inputs and 6 grouped digital inputs
- X2** – OR6: Assembly Group with 6 Output Relays
- X3** – TIs: Standard phase current measuring card and sensitive ground current measuring
- X4** – TU: Card with 4 voltage transformer measuring inputs
- X103** – Modbus RTU / IEC 60870-5-103 / DNP3.0 RTU, RS485, Terminals
- X104** – IRIG-B00X, incl. System Contact (Supervision Contact)

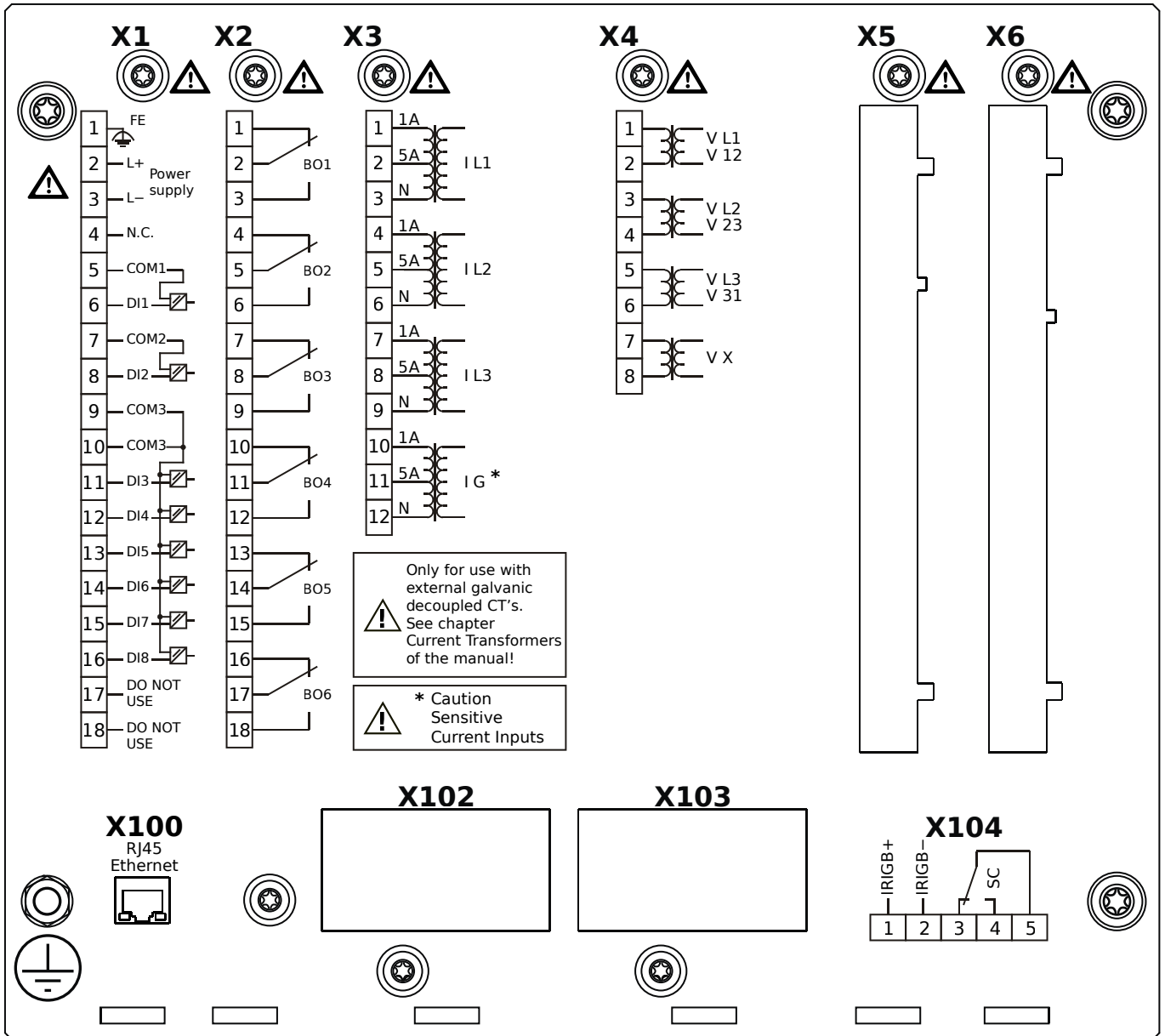
MRA4-2A1HCA



Housing B2, small display, door mounting

- X1** – DI8-X1: Wide-range power supply unit, incl. 2 non-grouped digital inputs and 6 grouped digital inputs
- X2** – OR6: Assembly Group with 6 Output Relays
- X3** – TIs: Standard phase current measuring card and sensitive ground current measuring
- X4** – TU: Card with 4 voltage transformer measuring inputs
- X100** – Modbus TCP / DNP3.0 TCP/UDP, Ethernet interface, 100 Mbit/s, RJ45 (BASE100-FX)
- X104** – IRIG-B00X, incl. System Contact (Supervision Contact)

MRA4-2A1HCB



Housing B2, small display, door mounting

+ Conformal Coating (for installations in harsh environment)

X1 – DI8-X1: Wide-range power supply unit, incl. 2 non-grouped digital inputs and 6 grouped digital inputs

X2 – OR6: Assembly Group with 6 Output Relays

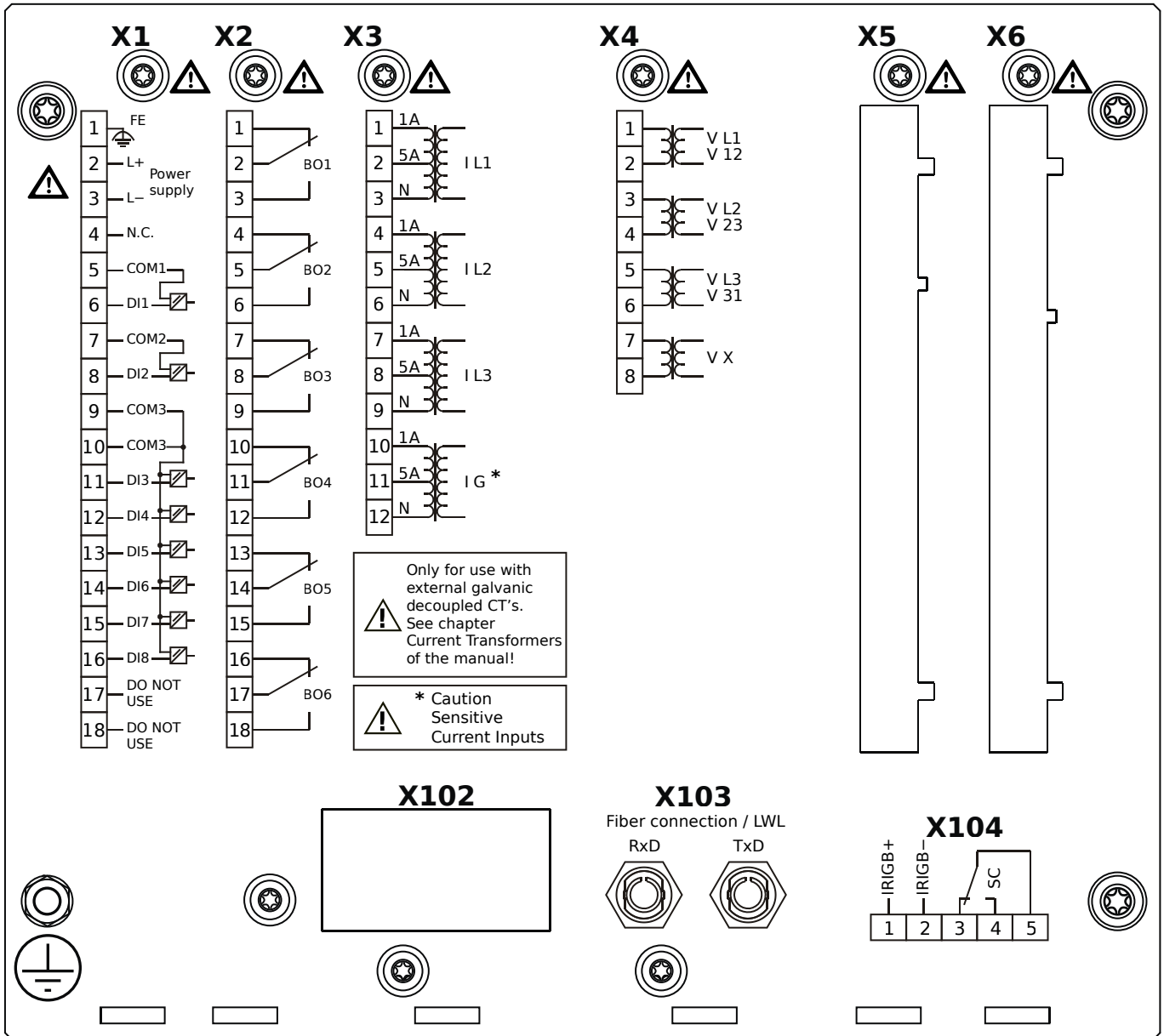
X3 – TIs: Standard phase current measuring card and sensitive ground current measuring

X4 – TU: Card with 4 voltage transformer measuring inputs

X100 – Modbus TCP / DNP3.0 TCP/UDP, Ethernet interface, 100 Mbit/s, RJ45 (BASE100-FX)

X104 – IRIG-B00X, incl. System Contact (Supervision Contact)

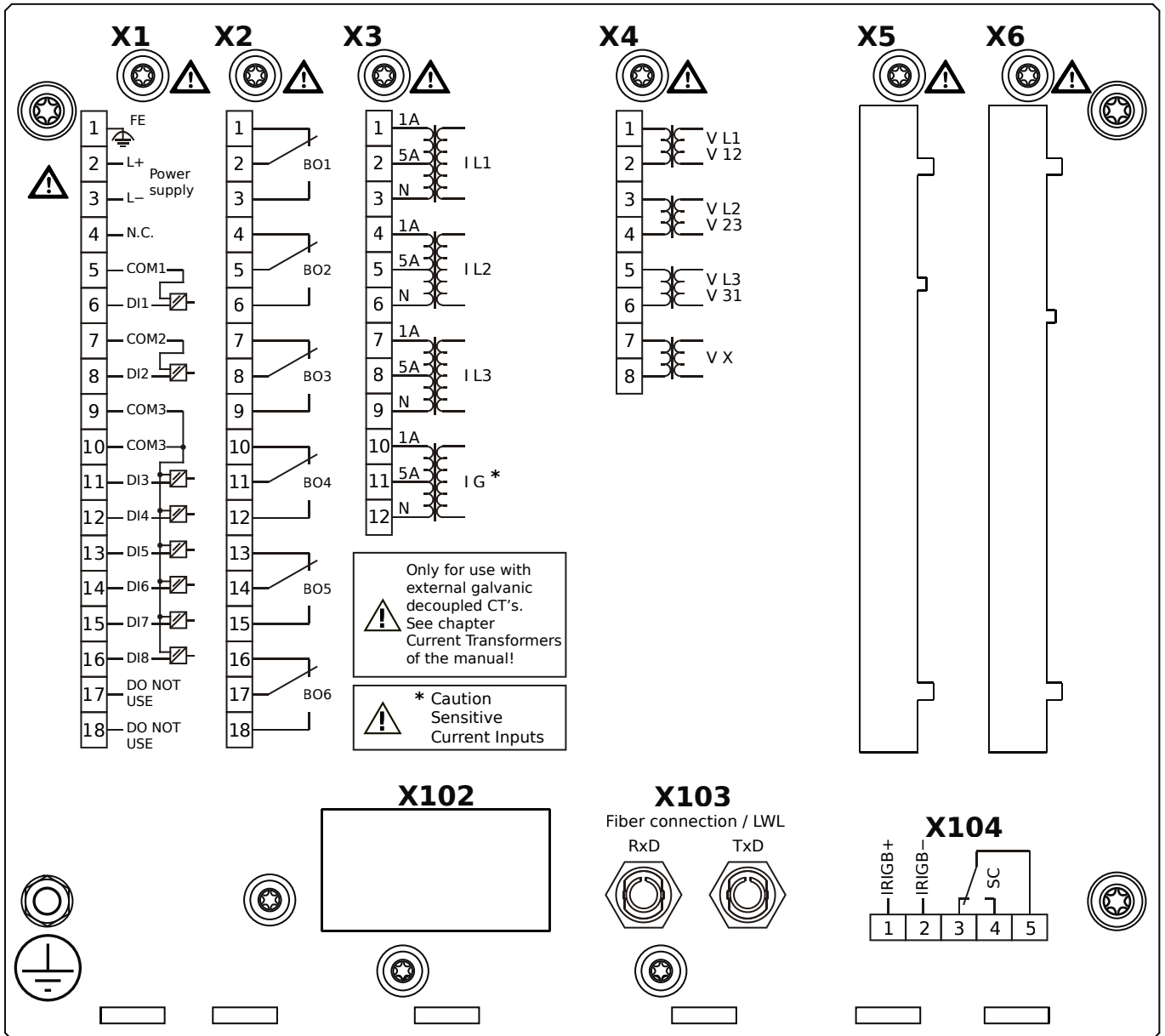
MRA4-2A1HDA



Housing B2, small display, door mounting

- X1** – DI8-X1: Wide-range power supply unit, incl. 2 non-grouped digital inputs and 6 grouped digital inputs
- X2** – OR6: Assembly Group with 6 Output Relays
- X3** – TIs: Standard phase current measuring card and sensitive ground current measuring
- X4** – TU: Card with 4 voltage transformer measuring inputs
- X103** – Profibus-DP, Fiber optics interface, ST Connector
- X104** – IRIG-B00X, incl. System Contact (Supervision Contact)

MRA4-2A1HDB



Housing B2, small display, door mounting

+ Conformal Coating (for installations in harsh environment)

X1 – DI8-X1: Wide-range power supply unit, incl. 2 non-grouped digital inputs and 6 grouped digital inputs

X2 – OR6: Assembly Group with 6 Output Relays

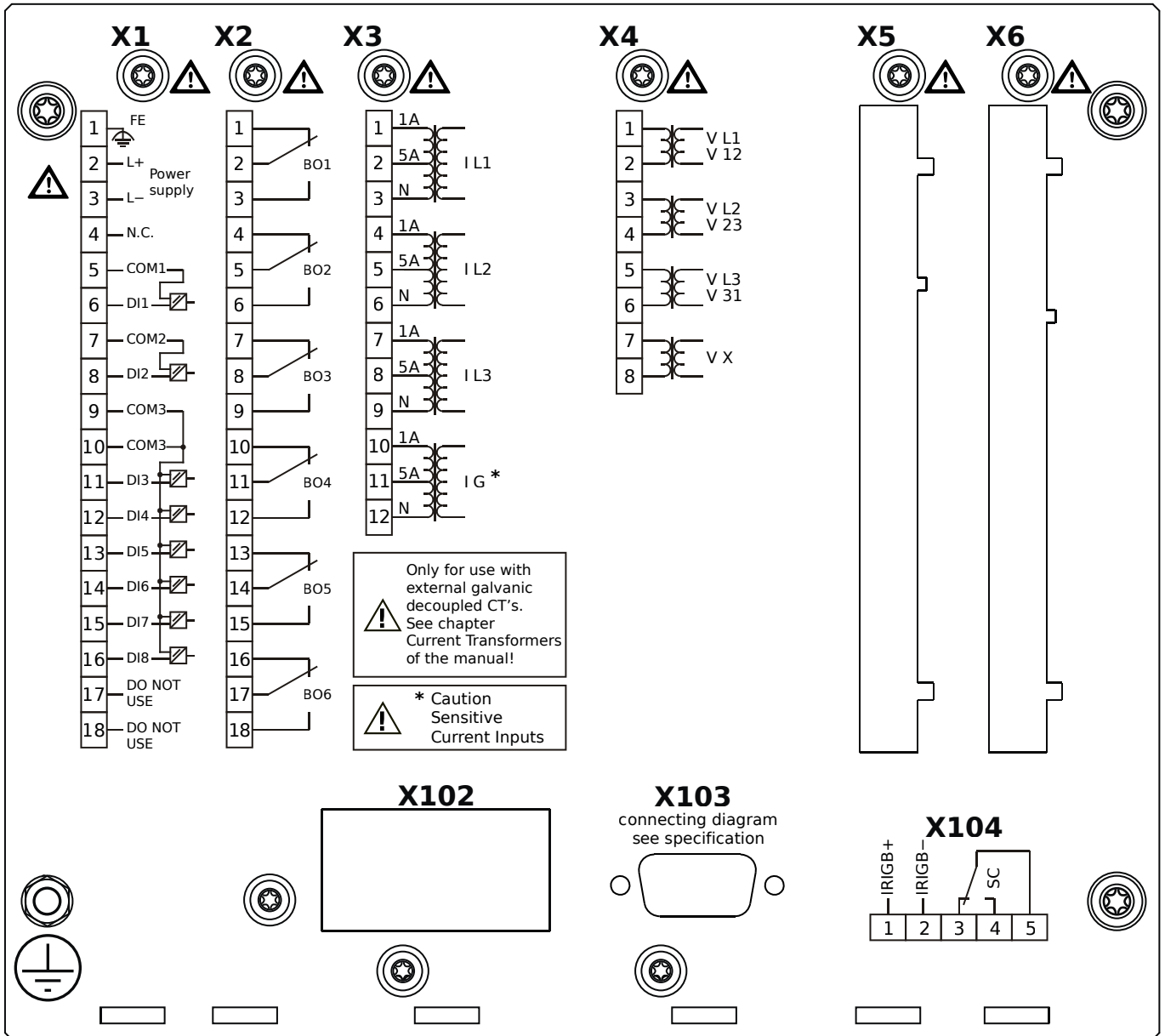
X3 – TIs: Standard phase current measuring card and sensitive ground current measuring

X4 – TU: Card with 4 voltage transformer measuring inputs

X103 – Profibus-DP, Fiber optics interface, ST Connector

X104 – IRIG-B00X, incl. System Contact (Supervision Contact)

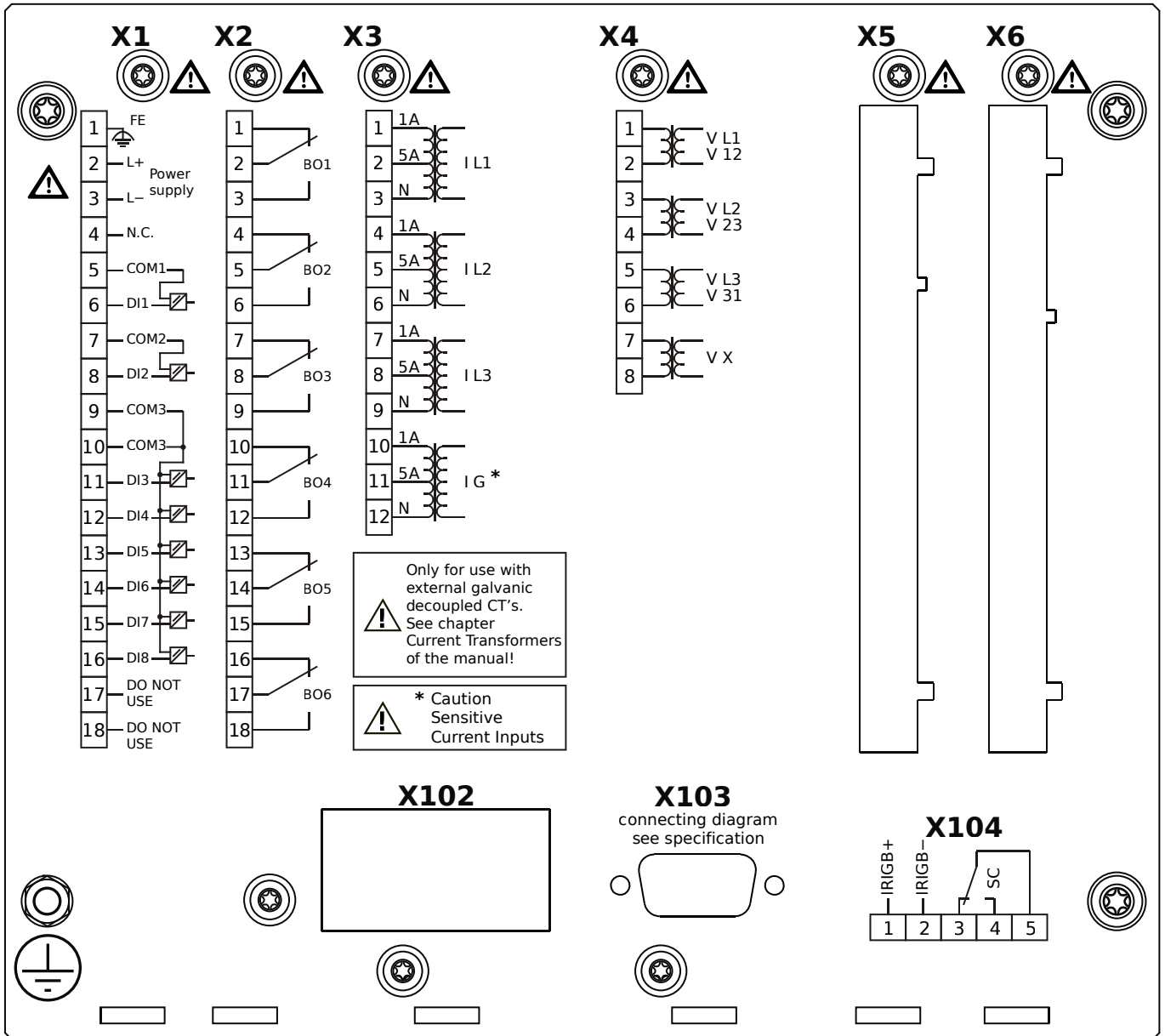
MRA4-2A1HEA



Housing B2, small display, door mounting

- X1** – DI8-X1: Wide-range power supply unit, incl. 2 non-grouped digital inputs and 6 grouped digital inputs
- X2** – OR6: Assembly Group with 6 Output Relays
- X3** – TIs: Standard phase current measuring card and sensitive ground current measuring
- X4** – TU: Card with 4 voltage transformer measuring inputs
- X103** – Profibus-DP, RS485, D-SUB
- X104** – IRIG-B00X, incl. System Contact (Supervision Contact)

MRA4-2A1HEB



Housing B2, small display, door mounting

+ Conformal Coating (for installations in harsh environment)

X1 – DI8-X1: Wide-range power supply unit, incl. 2 non-grouped digital inputs and 6 grouped digital inputs

X2 – OR6: Assembly Group with 6 Output Relays

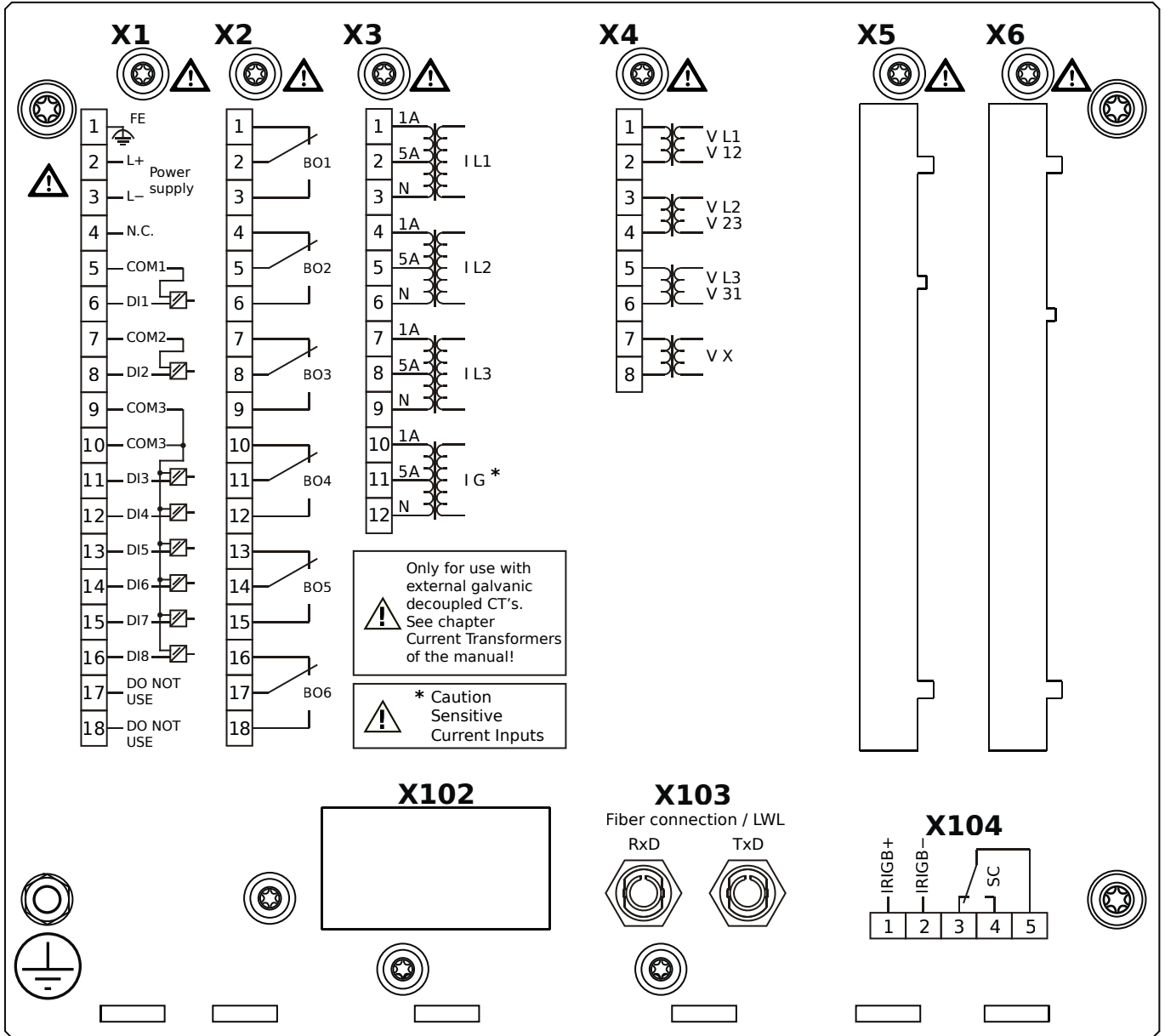
X3 – TIs: Standard phase current measuring card and sensitive ground current measuring

X4 – TU: Card with 4 voltage transformer measuring inputs

X103 – Profibus-DP, RS485, D-SUB

X104 – IRIG-B00X, incl. System Contact (Supervision Contact)

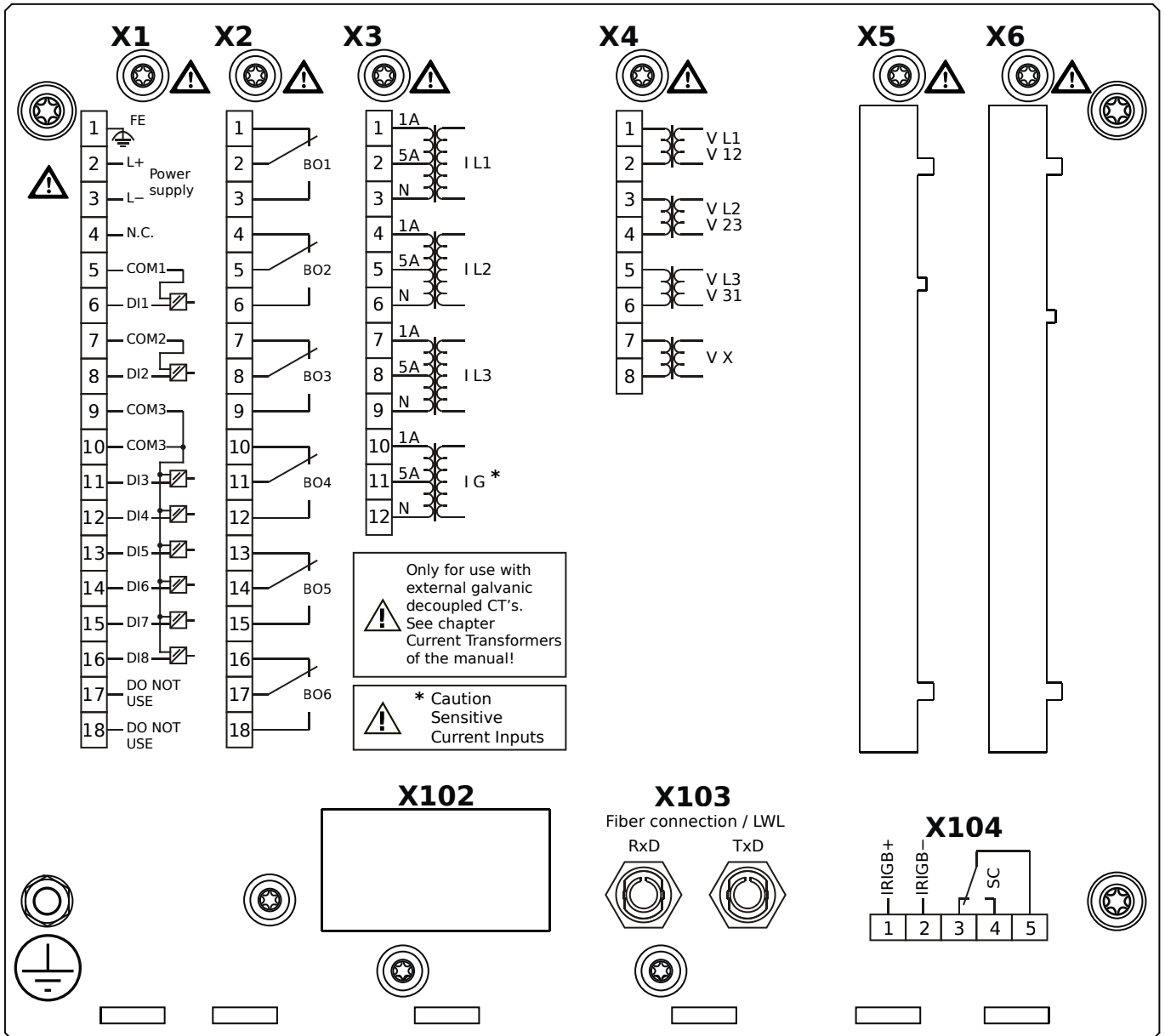
MRA4-2A1HFA



Housing B2, small display, door mounting

- X1** – DI8-X1: Wide-range power supply unit, incl. 2 non-grouped digital inputs and 6 grouped digital inputs
- X2** – OR6: Assembly Group with 6 Output Relays
- X3** – TIs: Standard phase current measuring card and sensitive ground current measuring
- X4** – TU: Card with 4 voltage transformer measuring inputs
- X103** – Modbus RTU / IEC 60870-5-103 / DNP3.0 RTU, Fiber optics interface, ST Connector
- X104** – IRIG-B00X, incl. System Contact (Supervision Contact)

MRA4-2A1HFB



Housing B2, small display, door mounting

+ Conformal Coating (for installations in harsh environment)

X1 – DI8-X1: Wide-range power supply unit, incl. 2 non-grouped digital inputs and 6 grouped digital inputs

X2 – OR6: Assembly Group with 6 Output Relays

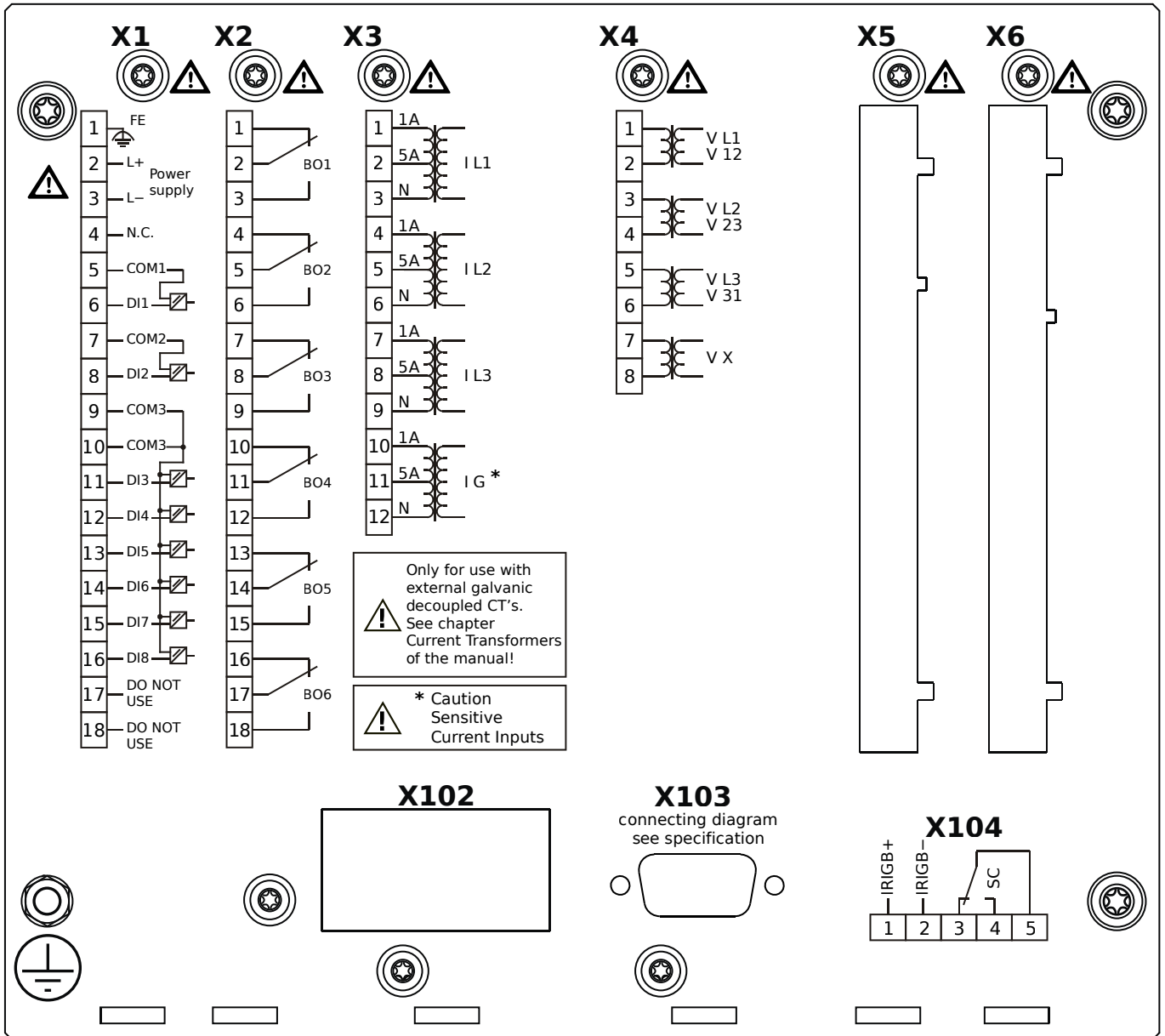
X3 – TIs: Standard phase current measuring card and sensitive ground current measuring

X4 – TU: Card with 4 voltage transformer measuring inputs

X103 – Modbus RTU / IEC 60870-5-103 / DNP3.0 RTU, Fiber optics interface, ST Connector

X104 – IRIG-B00X, incl. System Contact (Supervision Contact)

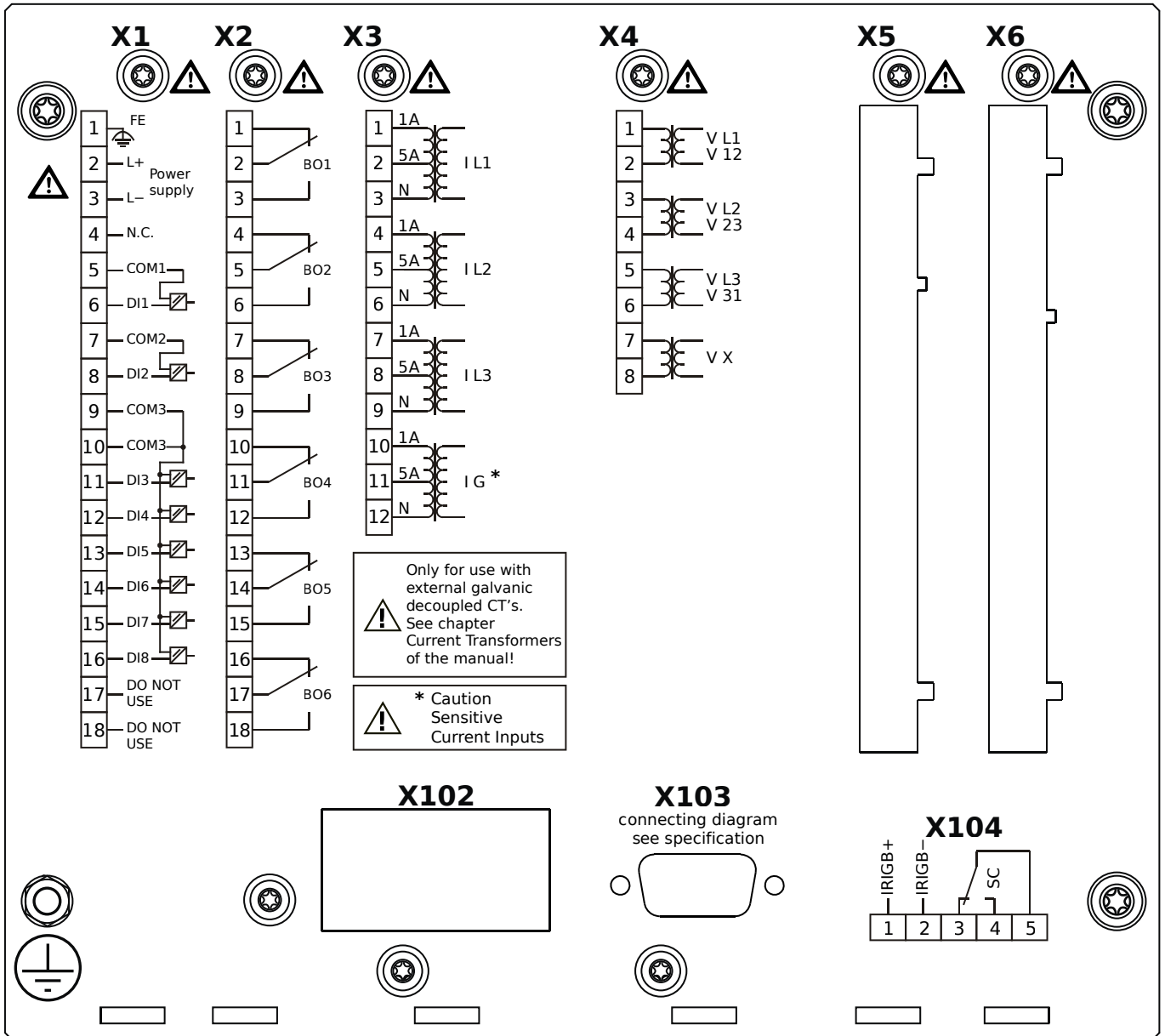
MRA4-2A1HGA



Housing B2, small display, door mounting

- X1** – DI8-X1: Wide-range power supply unit, incl. 2 non-grouped digital inputs and 6 grouped digital inputs
- X2** – OR6: Assembly Group with 6 Output Relays
- X3** – TIs: Standard phase current measuring card and sensitive ground current measuring
- X4** – TU: Card with 4 voltage transformer measuring inputs
- X103** – Modbus RTU / IEC 60870-5-103 / DNP3.0 RTU, RS485, D-SUB
- X104** – IRIG-B00X, incl. System Contact (Supervision Contact)

MRA4-2A1HGB



Housing B2, small display, door mounting

+ Conformal Coating (for installations in harsh environment)

X1 – DI8-X1: Wide-range power supply unit, incl. 2 non-grouped digital inputs and 6 grouped digital inputs

X2 – OR6: Assembly Group with 6 Output Relays

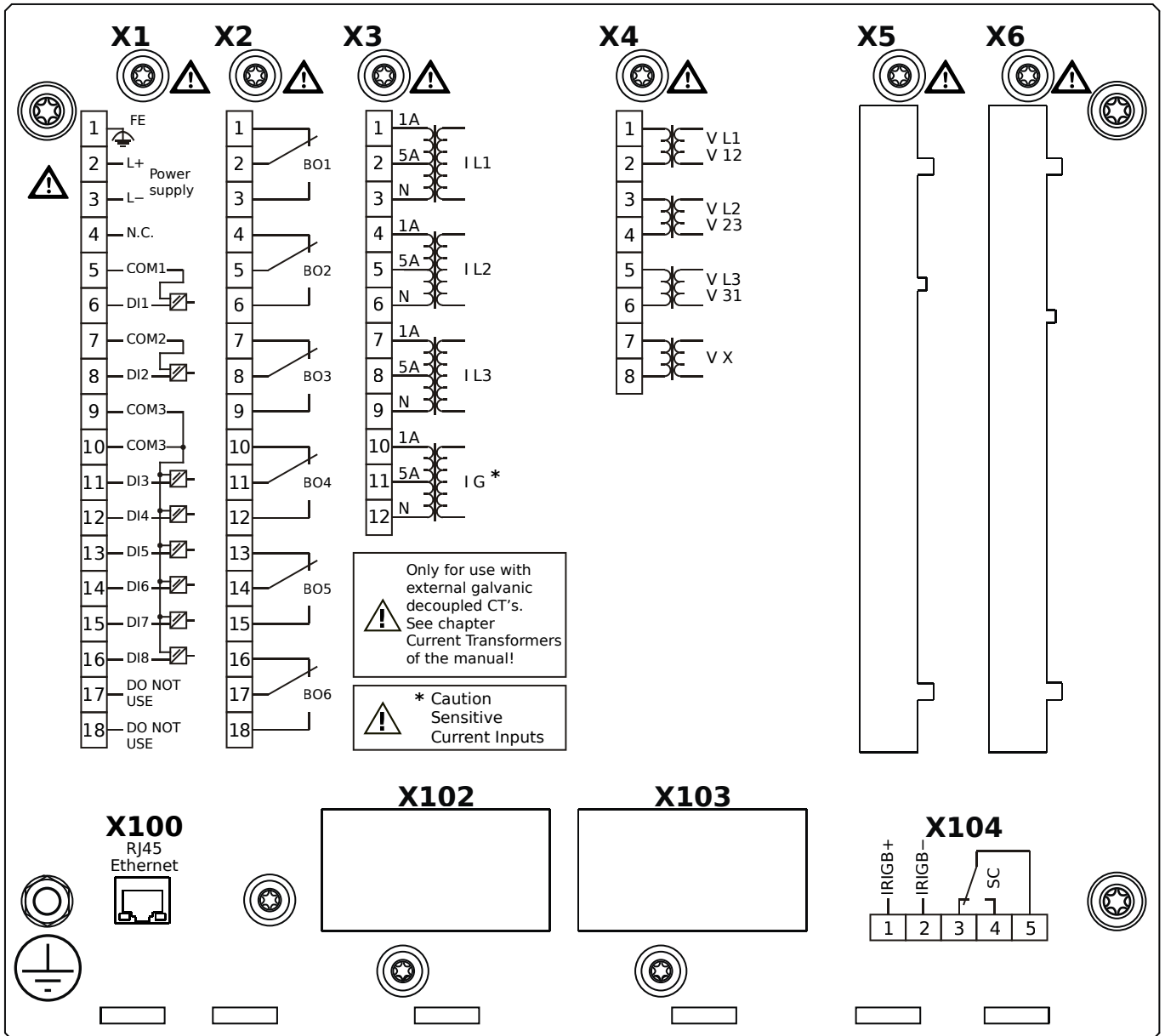
X3 – TIs: Standard phase current measuring card and sensitive ground current measuring

X4 – TU: Card with 4 voltage transformer measuring inputs

X103 – Modbus RTU / IEC 60870-5-103 / DNP3.0 RTU, RS485, D-SUB

X104 – IRIG-B00X, incl. System Contact (Supervision Contact)

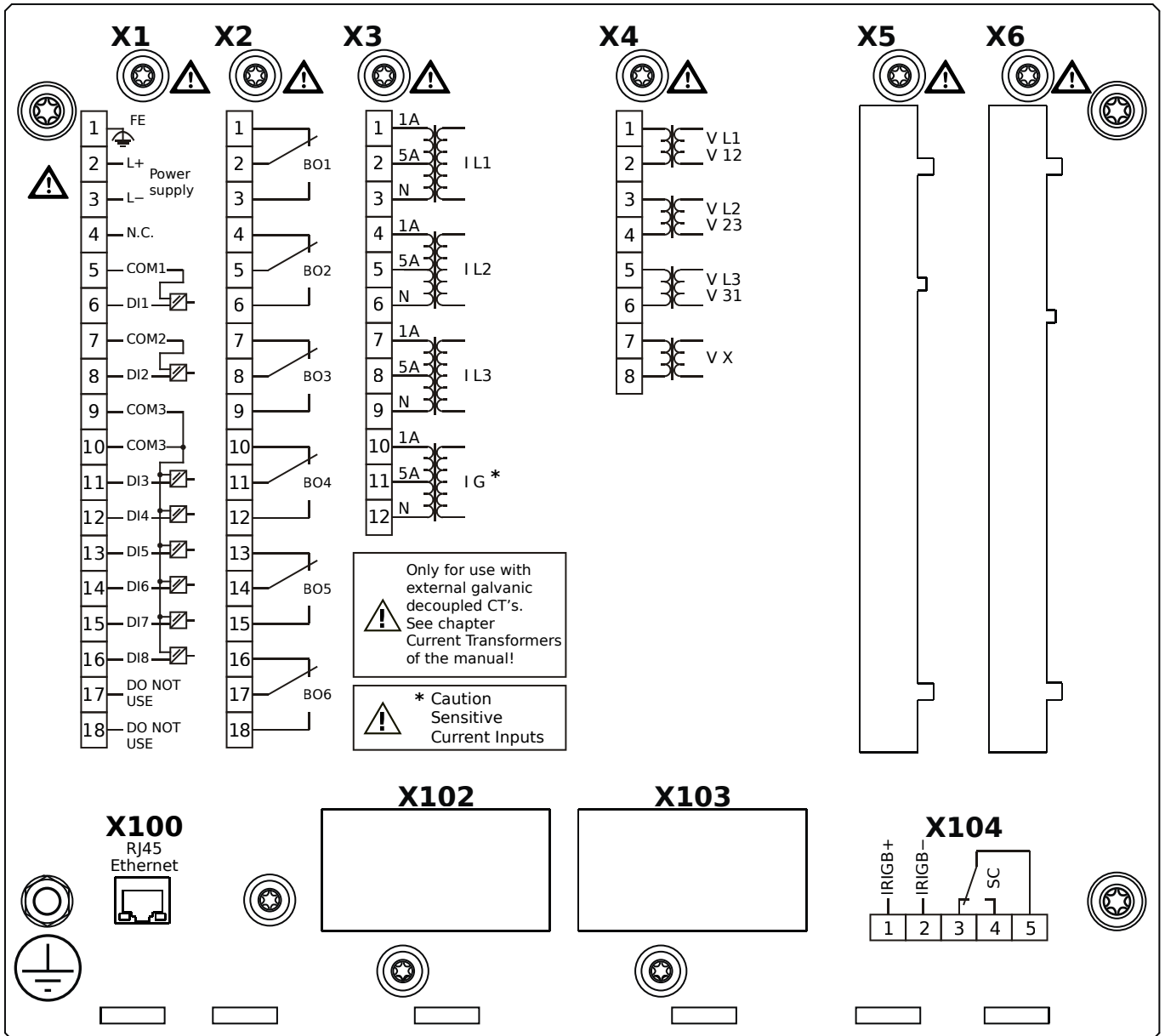
MRA4-2A1HHA



Housing B2, small display, door mounting

- X1** – DI8-X1: Wide-range power supply unit, incl. 2 non-grouped digital inputs and 6 grouped digital inputs
- X2** – OR6: Assembly Group with 6 Output Relays
- X3** – TIs: Standard phase current measuring card and sensitive ground current measuring
- X4** – TU: Card with 4 voltage transformer measuring inputs
- X100** – IEC 61850 / Modbus TCP / DNP3.0 TCP/UDP, Ethernet interface, 100 Mbit/s, RJ45 (BASE100-FX)
- X104** – IRIG-B00X, incl. System Contact (Supervision Contact)

MRA4-2A1HHB



Housing B2, small display, door mounting

+ Conformal Coating (for installations in harsh environment)

X1 – DI8-X1: Wide-range power supply unit, incl. 2 non-grouped digital inputs and 6 grouped digital inputs

X2 – OR6: Assembly Group with 6 Output Relays

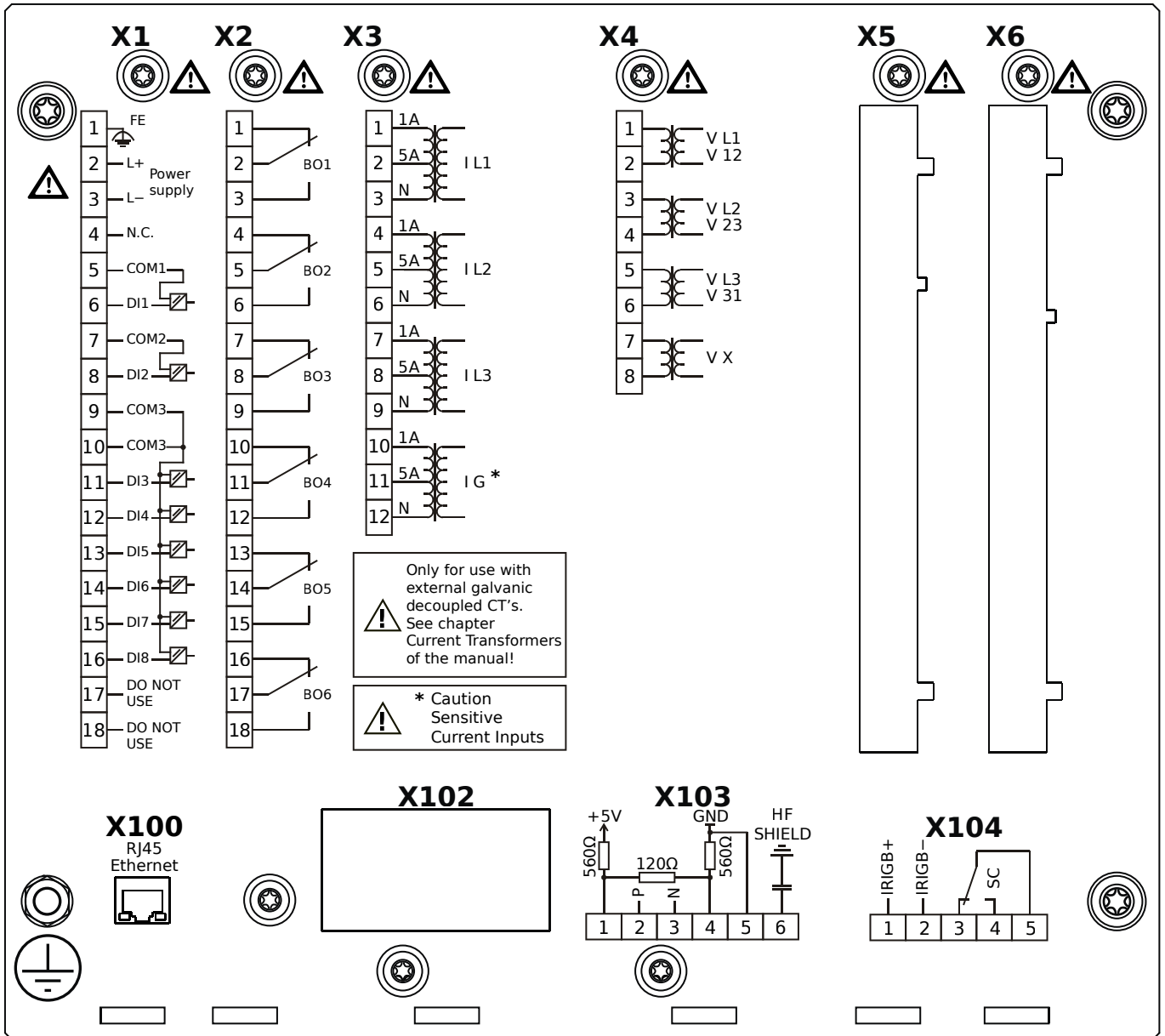
X3 – TIs: Standard phase current measuring card and sensitive ground current measuring

X4 – TU: Card with 4 voltage transformer measuring inputs

X100 – IEC 61850 / Modbus TCP / DNP3.0 TCP/UDP, Ethernet interface, 100 Mbit/s, RJ45 (BASE100-FX)

X104 – IRIG-B00X, incl. System Contact (Supervision Contact)

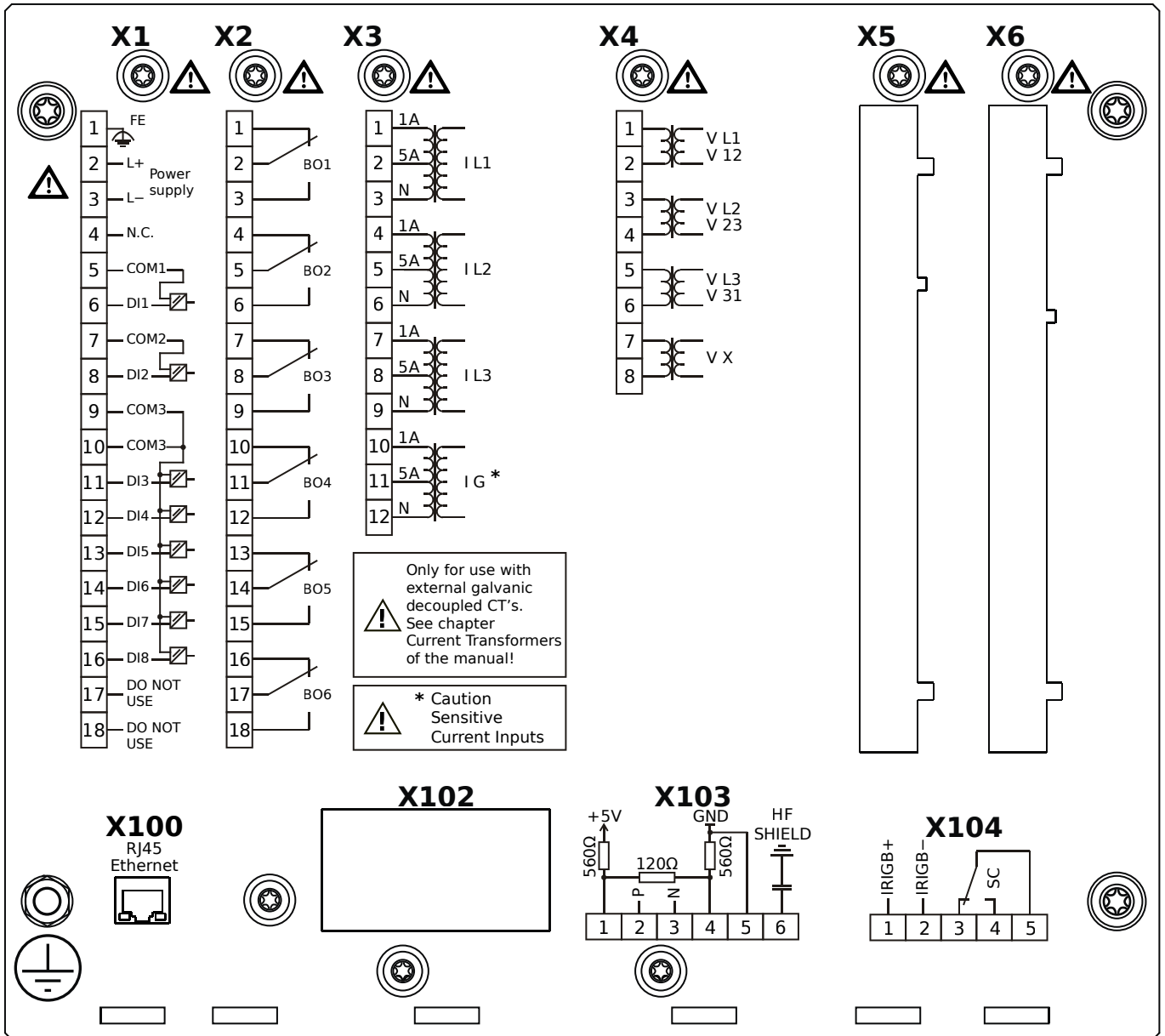
MRA4-2A1HIA



Housing B2, small display, door mounting

- X1** – DI8-X1: Wide-range power supply unit, incl. 2 non-grouped digital inputs and 6 grouped digital inputs
- X2** – OR6: Assembly Group with 6 Output Relays
- X3** – TIs: Standard phase current measuring card and sensitive ground current measuring
- X4** – TU: Card with 4 voltage transformer measuring inputs
- X100** – Modbus TCP / DNP3.0 TCP/UDP, Ethernet interface, 100 Mbit/s, RJ45 (BASE100-FX)
- X103** – IEC 60870-5-103 / Modbus RTU / DNP3.0 RTU, RS485, Terminals
- X104** – IRIG-B00X, incl. System Contact (Supervision Contact)

MRA4-2A1HIB

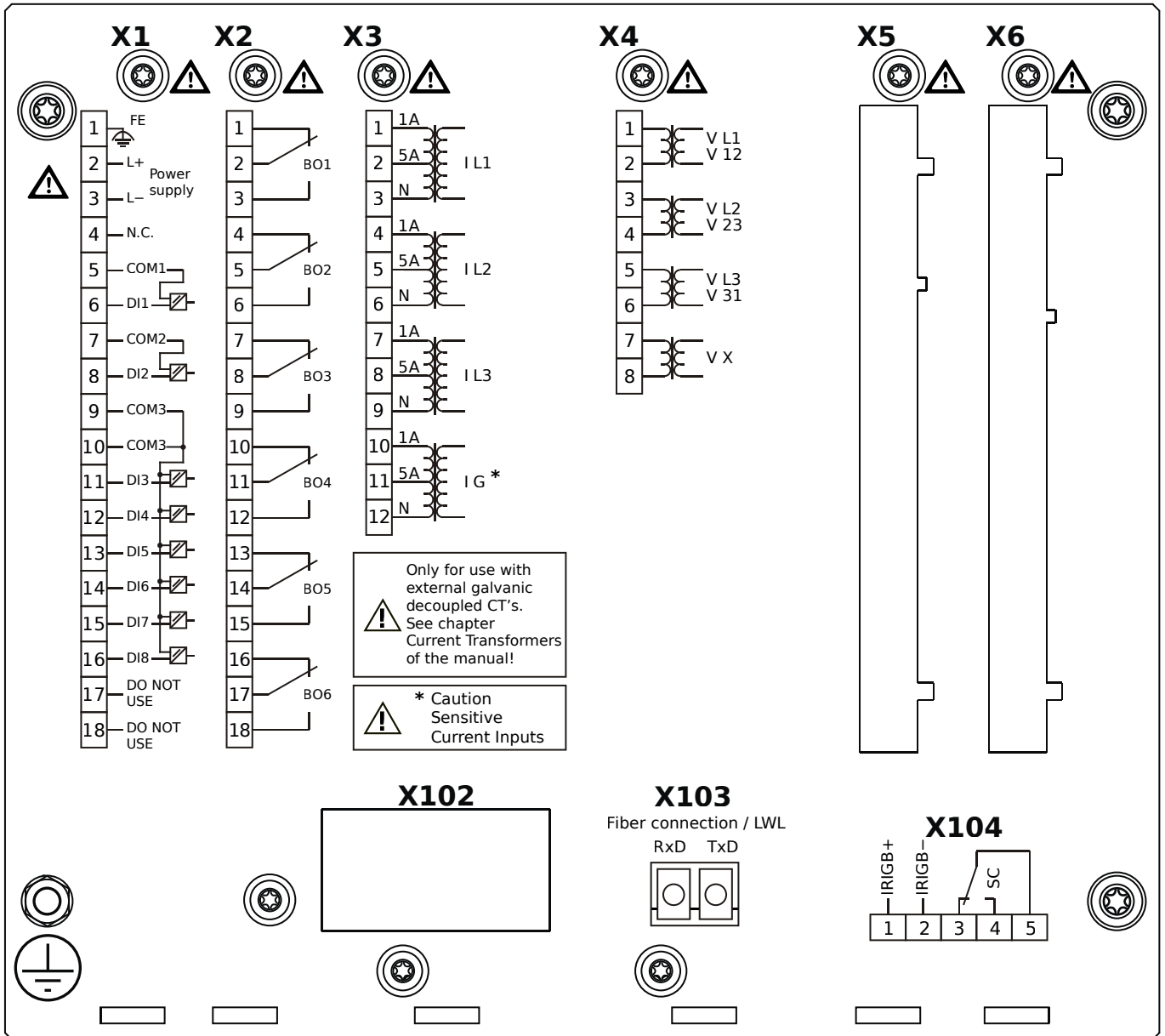


Housing B2, small display, door mounting

+ Conformal Coating (for installations in harsh environment)

- X1** – DI8-X1: Wide-range power supply unit, incl. 2 non-grouped digital inputs and 6 grouped digital inputs
- X2** – OR6: Assembly Group with 6 Output Relays
- X3** – TIs: Standard phase current measuring card and sensitive ground current measuring
- X4** – TU: Card with 4 voltage transformer measuring inputs
- X100** – Modbus TCP / DNP3.0 TCP/UDP, Ethernet interface, 100 Mbit/s, RJ45 (BASE100-FX)
- X103** – IEC 60870-5-103 / Modbus RTU / DNP3.0 RTU, RS485, Terminals
- X104** – IRIG-B00X, incl. System Contact (Supervision Contact)

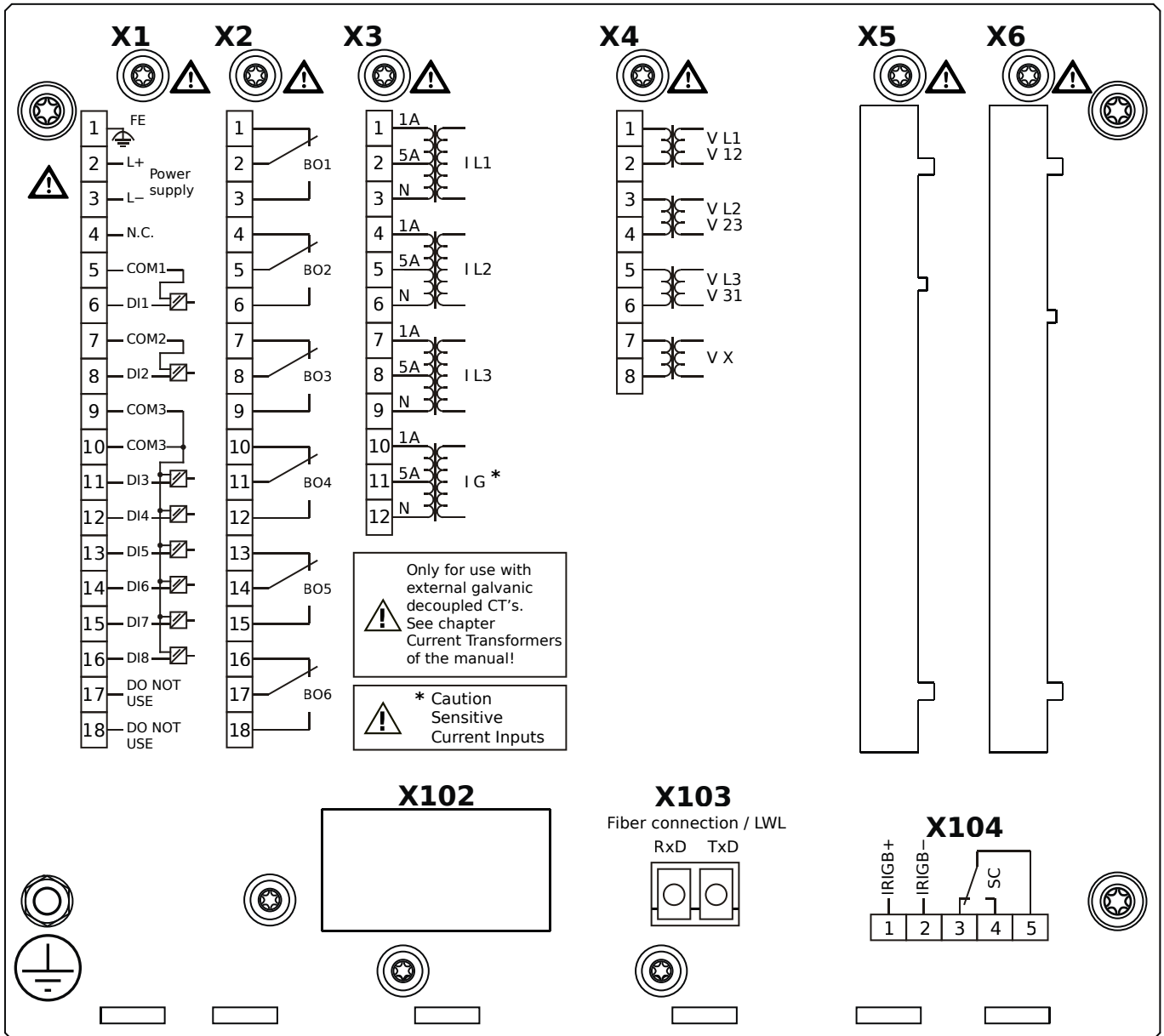
MRA4-2A1HKA



Housing B2, small display, door mounting

- X1** – DI8-X1: Wide-range power supply unit, incl. 2 non-grouped digital inputs and 6 grouped digital inputs
- X2** – OR6: Assembly Group with 6 Output Relays
- X3** – TIs: Standard phase current measuring card and sensitive ground current measuring
- X4** – TU: Card with 4 voltage transformer measuring inputs
- X103** – IEC 61850 / Modbus TCP / DNP3.0 TCP/UDP, Fiber optics interface, LC Connector
- X104** – IRIG-B00X, incl. System Contact (Supervision Contact)

MRA4-2A1HKB



Housing B2, small display, door mounting

+ Conformal Coating (for installations in harsh environment)

X1 – DI8-X1: Wide-range power supply unit, incl. 2 non-grouped digital inputs and 6 grouped digital inputs

X2 – OR6: Assembly Group with 6 Output Relays

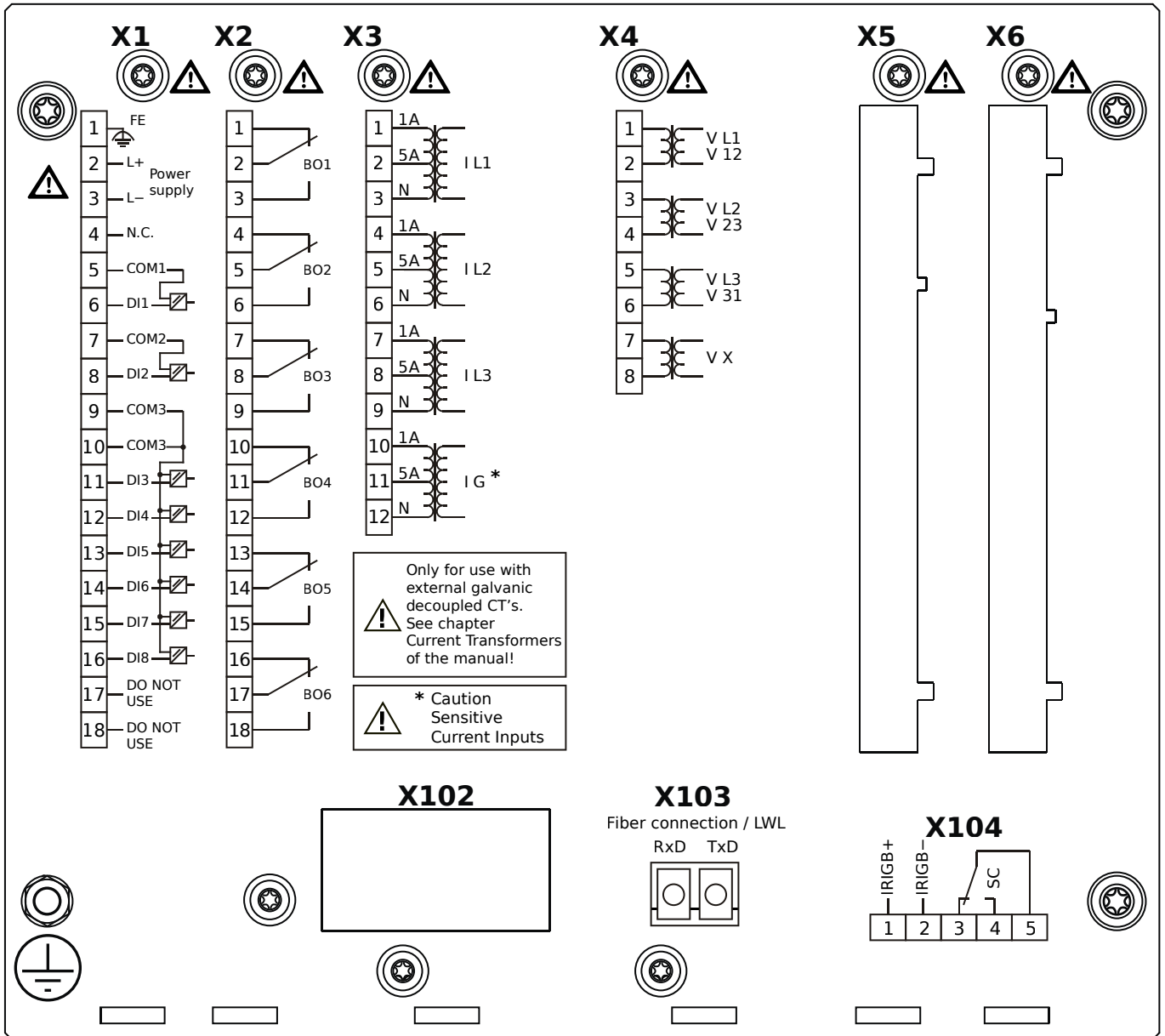
X3 – TIs: Standard phase current measuring card and sensitive ground current measuring

X4 – TU: Card with 4 voltage transformer measuring inputs

X103 – IEC 61850 / Modbus TCP / DNP3.0 TCP/UDP, Fiber optics interface, LC Connector

X104 – IRIG-B00X, incl. System Contact (Supervision Contact)

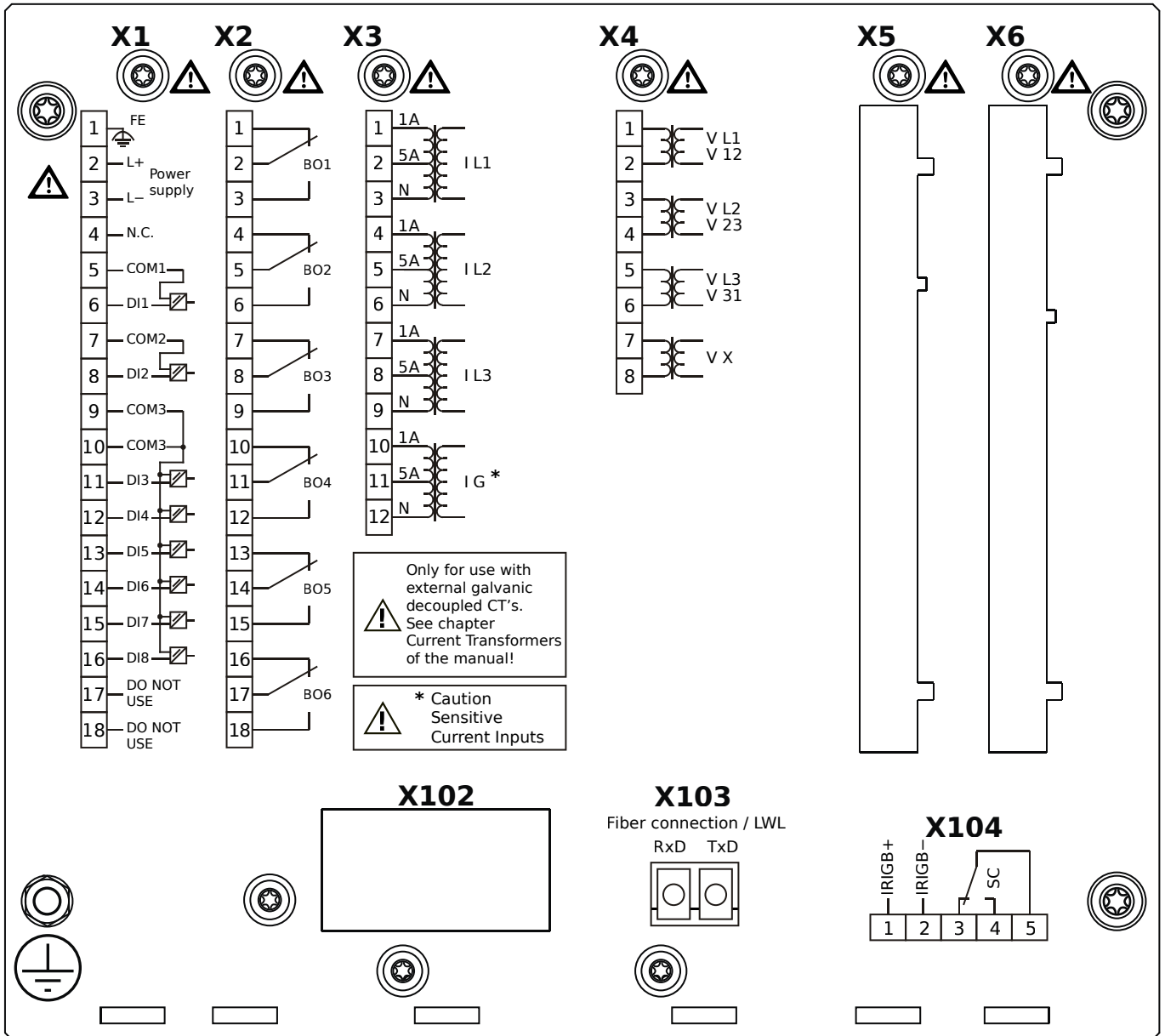
MRA4-2A1HLA



Housing B2, small display, door mounting

- X1** – DI8-X1: Wide-range power supply unit, incl. 2 non-grouped digital inputs and 6 grouped digital inputs
- X2** – OR6: Assembly Group with 6 Output Relays
- X3** – TIs: Standard phase current measuring card and sensitive ground current measuring
- X4** – TU: Card with 4 voltage transformer measuring inputs
- X103** – Modbus TCP / DNP3.0 TCP/UDP, Fiber optics interface, LC Connector
- X104** – IRIG-B00X, incl. System Contact (Supervision Contact)

MRA4-2A1HLB



Housing B2, small display, door mounting

+ Conformal Coating (for installations in harsh environment)

X1 – DI8-X1: Wide-range power supply unit, incl. 2 non-grouped digital inputs and 6 grouped digital inputs

X2 – OR6: Assembly Group with 6 Output Relays

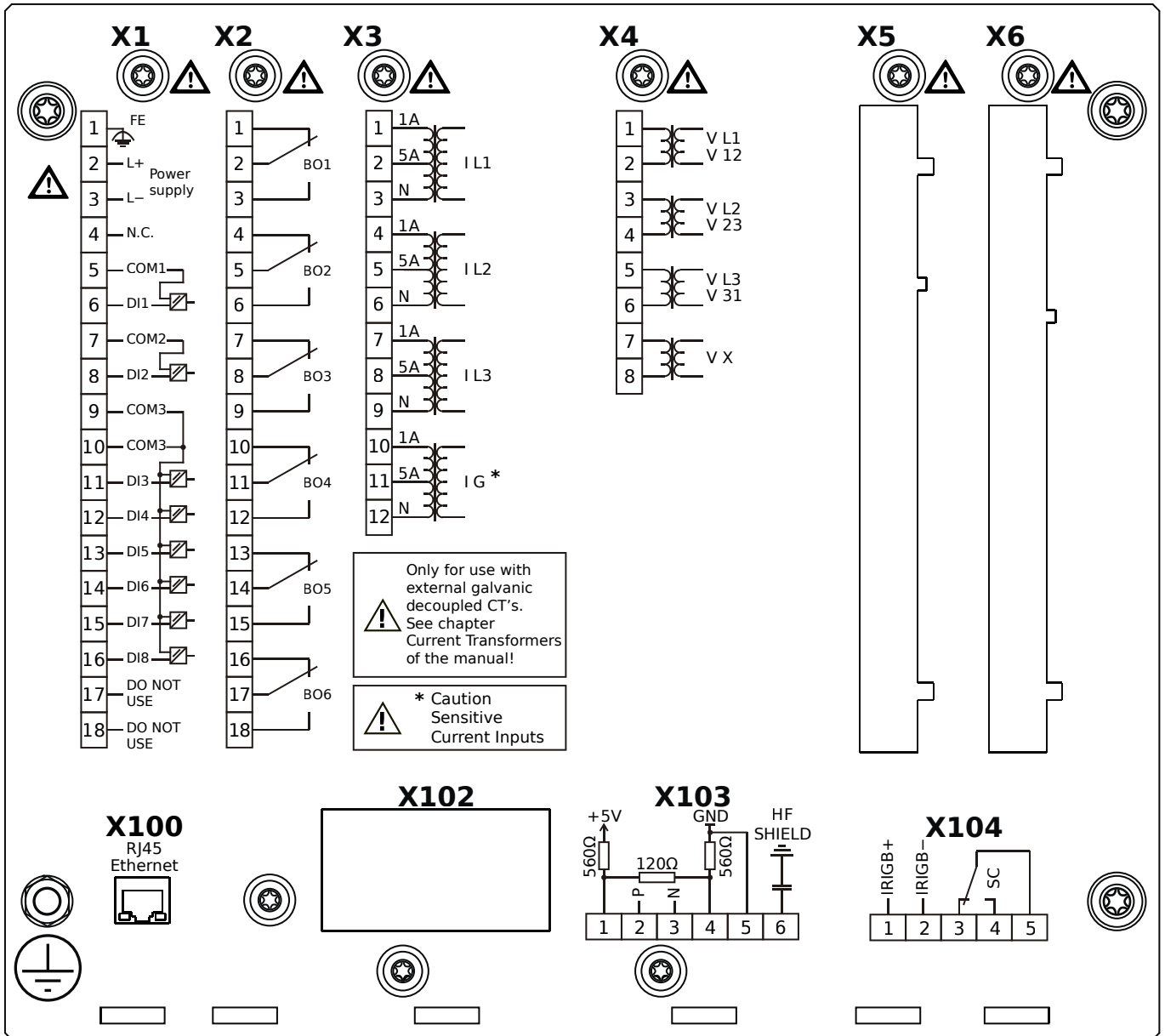
X3 – TIs: Standard phase current measuring card and sensitive ground current measuring

X4 – TU: Card with 4 voltage transformer measuring inputs

X103 – Modbus TCP / DNP3.0 TCP/UDP, Fiber optics interface, LC Connector

X104 – IRIG-B00X, incl. System Contact (Supervision Contact)

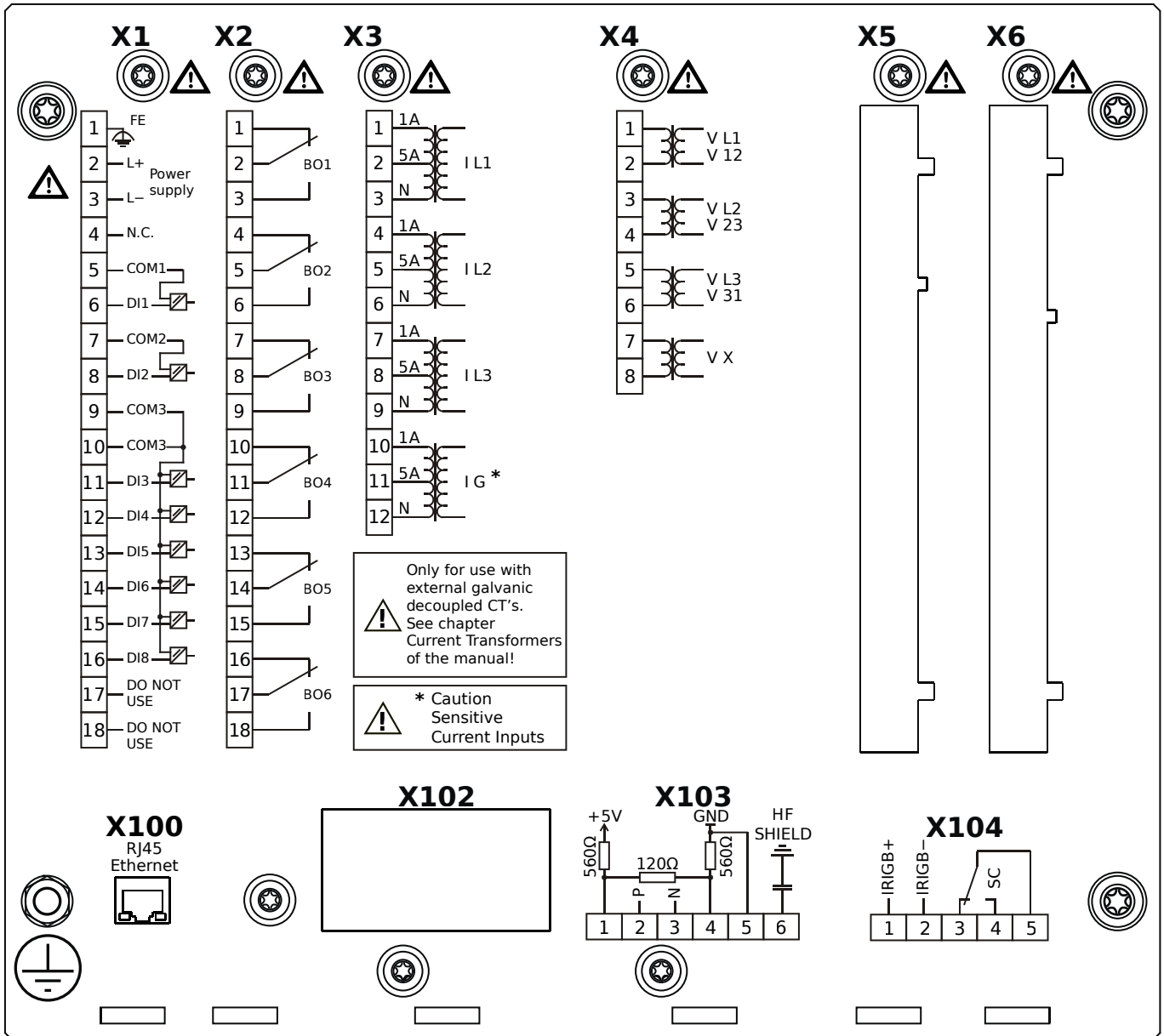
MRA4-2A1HTA



Housing B2, small display, door mounting

- X1** – DI8-X1: Wide-range power supply unit, incl. 2 non-grouped digital inputs and 6 grouped digital inputs
- X2** – OR6: Assembly Group with 6 Output Relays
- X3** – TIs: Standard phase current measuring card and sensitive ground current measuring
- X4** – TU: Card with 4 voltage transformer measuring inputs
- X100** – IEC 61850 / Modbus TCP / DNP3.0 TCP/UDP, Ethernet interface, 100 Mbit/s, RJ45 (BASE100-FX)
- X103** – IEC 60870-5-103 / Modbus RTU / DNP3.0 RTU, RS485, Terminals
- X104** – IRIG-B00X, incl. System Contact (Supervision Contact)

MRA4-2A1HTB



Housing B2, small display, door mounting

+ Conformal Coating (for installations in harsh environment)

X1 – DI8-X1: Wide-range power supply unit, incl. 2 non-grouped digital inputs and 6 grouped digital inputs

X2 – OR6: Assembly Group with 6 Output Relays

X3 – TIs: Standard phase current measuring card and sensitive ground current measuring

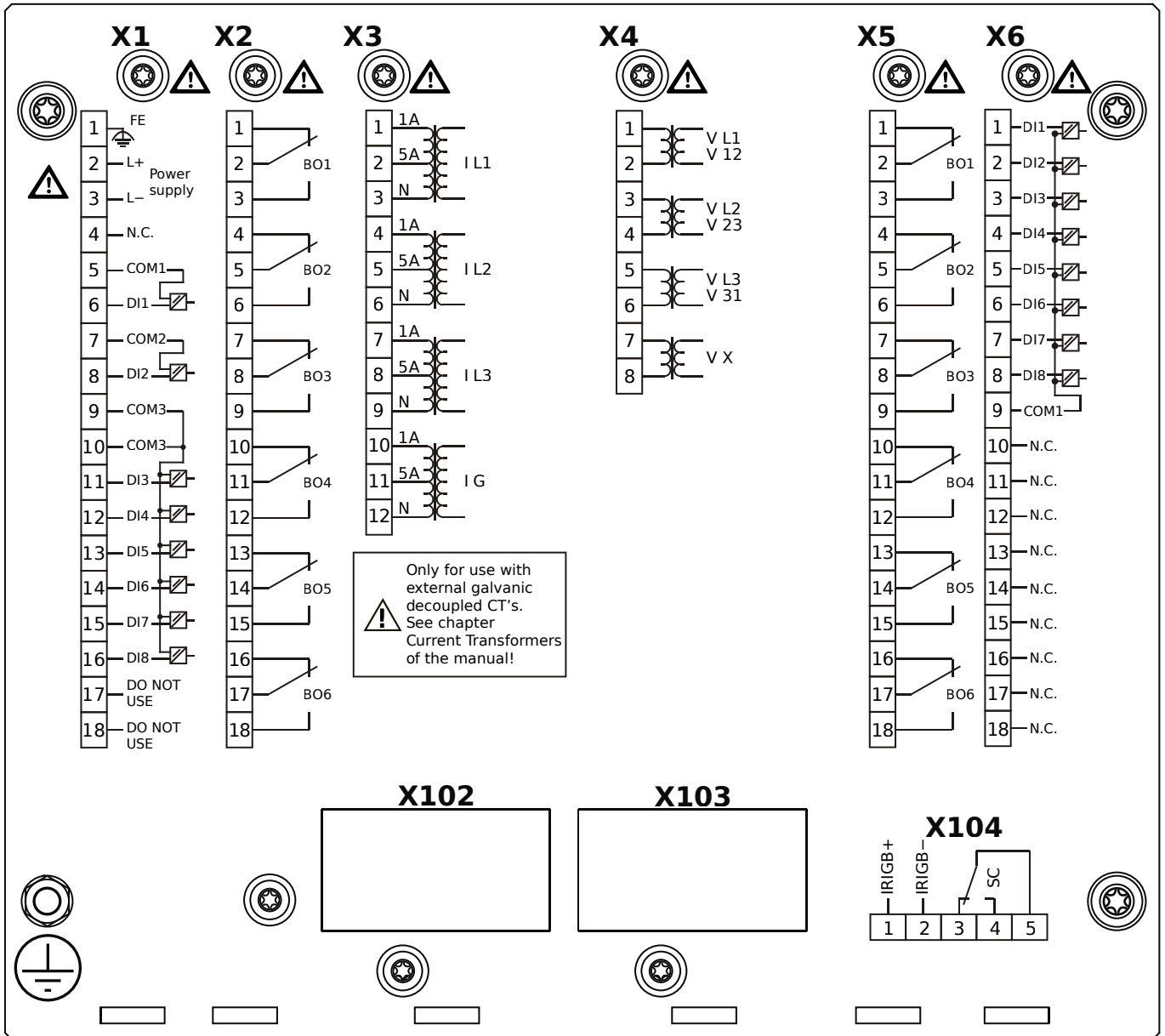
X4 – TU: Card with 4 voltage transformer measuring inputs

X100 – IEC 61850 / Modbus TCP / DNP3.0 TCP/UDP, Ethernet interface, 100 Mbit/s, RJ45 (BASE100-FX)

X103 – IEC 60870-5-103 / Modbus RTU / DNP3.0 RTU, RS485, Terminals

X104 – IRIG-B00X, incl. System Contact (Supervision Contact)

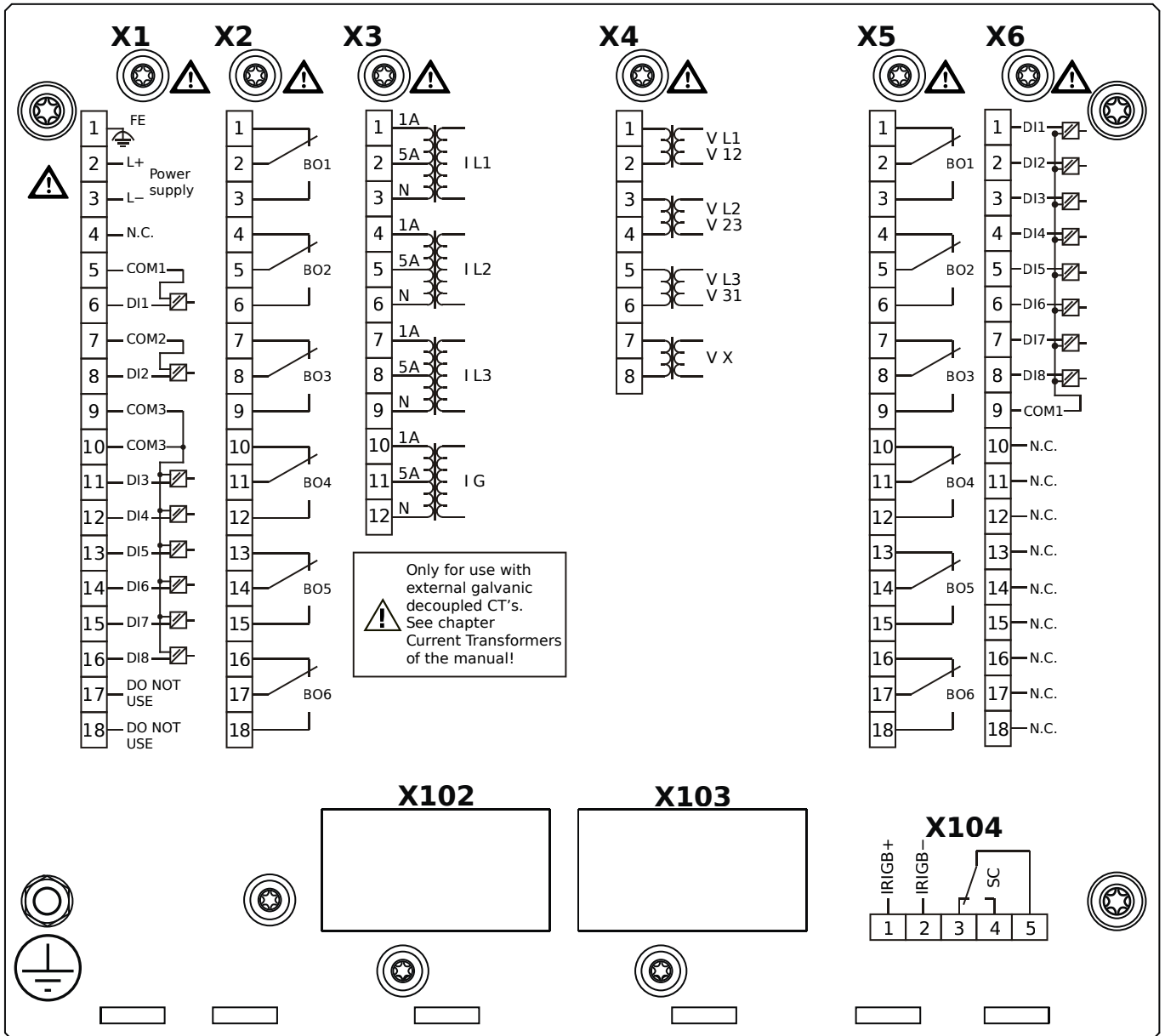
MRA4-2D0AAA



Housing B2, small display, door mounting

- X1** – DI8-X1: Wide-range power supply unit, incl. 2 non-grouped digital inputs and 6 grouped digital inputs
- X2** – OR6: Assembly Group with 6 Output Relays
- X3** – TI: Standard current measuring card
- X4** – TU: Card with 4 voltage transformer measuring inputs
- X5** – OR6: Assembly Group with 6 Output Relays
- X6** – DI8: Assembly Group with 8 Digital Inputs
- X104** – IRIG-B00X, incl. System Contact (Supervision Contact)

MRA4-2D0AAB

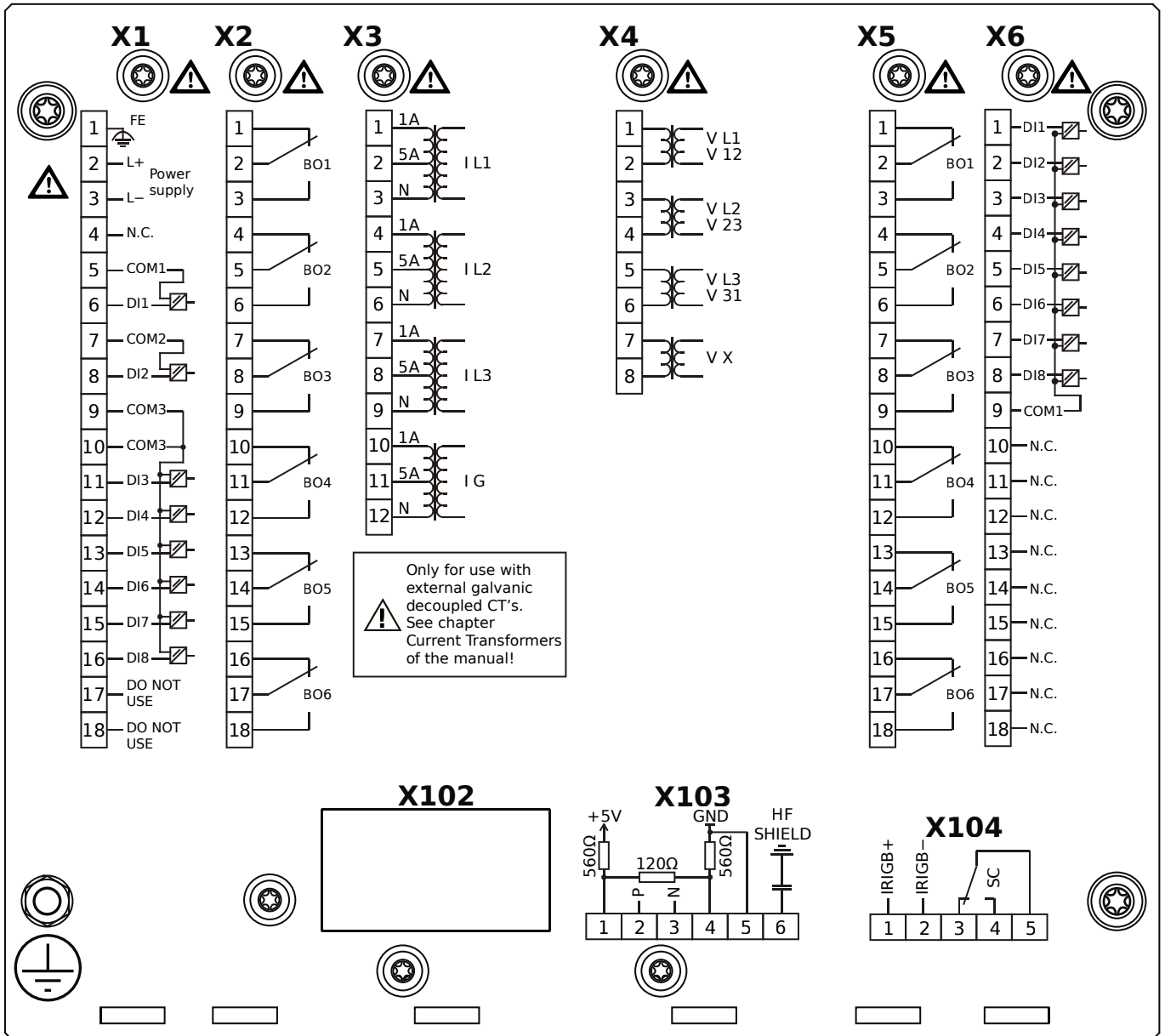


Housing B2, small display, door mounting

+ Conformal Coating (for installations in harsh environment)

- X1** – DI8-X1: Wide-range power supply unit, incl. 2 non-grouped digital inputs and 6 grouped digital inputs
- X2** – OR6: Assembly Group with 6 Output Relays
- X3** – TI: Standard current measuring card
- X4** – TU: Card with 4 voltage transformer measuring inputs
- X5** – OR6: Assembly Group with 6 Output Relays
- X6** – DI8: Assembly Group with 8 Digital Inputs
- X104** – IRIG-B00X, incl. System Contact (Supervision Contact)

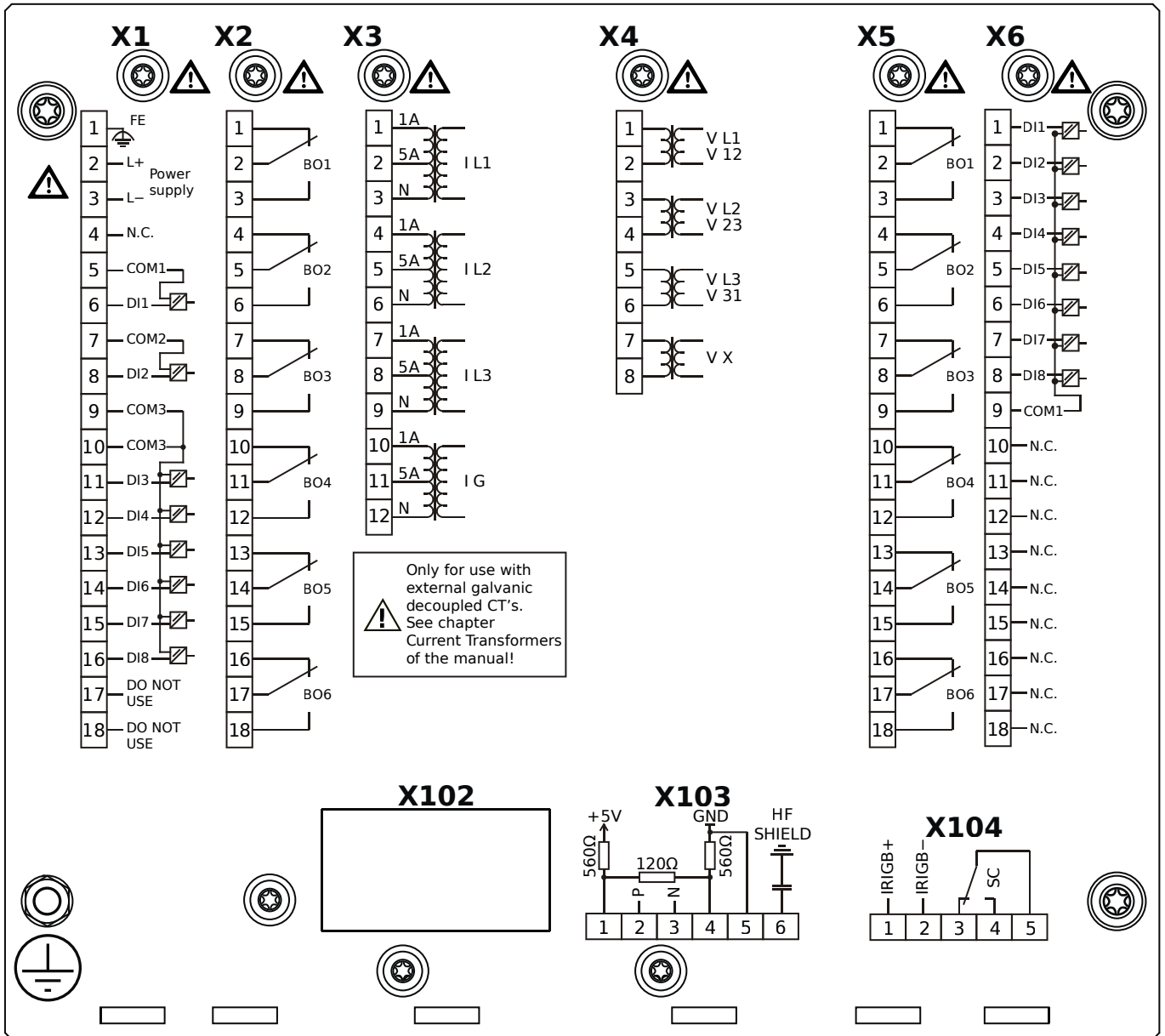
MRA4-2D0ABA



Housing B2, small display, door mounting

- X1** – DI8-X1: Wide-range power supply unit, incl. 2 non-grouped digital inputs and 6 grouped digital inputs
- X2** – OR6: Assembly Group with 6 Output Relays
- X3** – TI: Standard current measuring card
- X4** – TU: Card with 4 voltage transformer measuring inputs
- X5** – OR6: Assembly Group with 6 Output Relays
- X6** – DI8: Assembly Group with 8 Digital Inputs
- X103** – Modbus RTU / IEC 60870-5-103 / DNP3.0 RTU, RS485, Terminals
- X104** – IRIG-B00X, incl. System Contact (Supervision Contact)

MRA4-2D0ABB

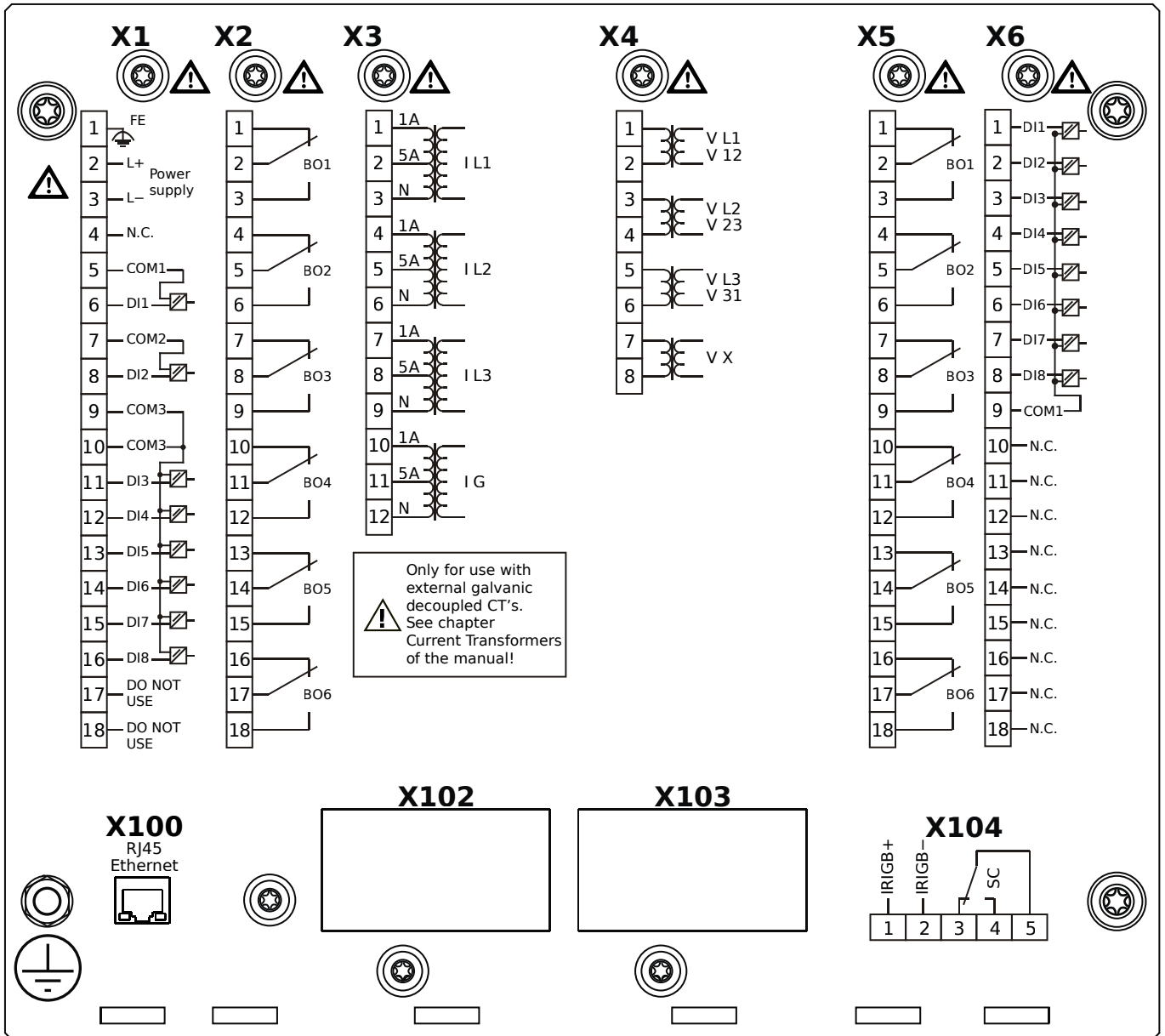


Housing B2, small display, door mounting

+ Conformal Coating (for installations in harsh environment)

- X1** – DI8-X1: Wide-range power supply unit, incl. 2 non-grouped digital inputs and 6 grouped digital inputs
- X2** – OR6: Assembly Group with 6 Output Relays
- X3** – TI: Standard current measuring card
- X4** – TU: Card with 4 voltage transformer measuring inputs
- X5** – OR6: Assembly Group with 6 Output Relays
- X6** – DI8: Assembly Group with 8 Digital Inputs
- X103** – Modbus RTU / IEC 60870-5-103 / DNP3.0 RTU, RS485, Terminals
- X104** – IRIG-B00X, incl. System Contact (Supervision Contact)

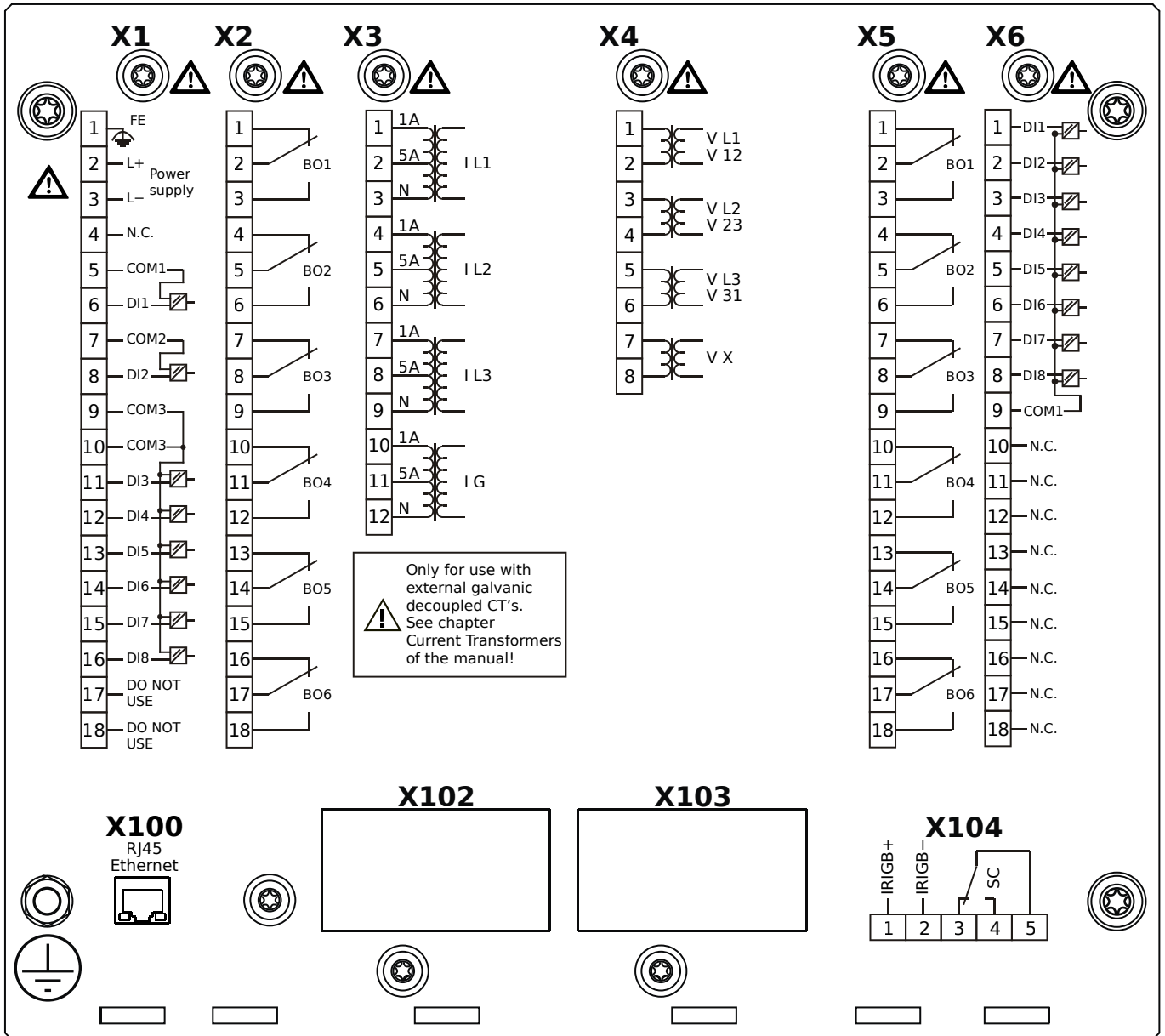
MRA4-2D0ACA



Housing B2, small display, door mounting

- X1** – DI8-X1: Wide-range power supply unit, incl. 2 non-grouped digital inputs and 6 grouped digital inputs
- X2** – OR6: Assembly Group with 6 Output Relays
- X3** – TI: Standard current measuring card
- X4** – TU: Card with 4 voltage transformer measuring inputs
- X5** – OR6: Assembly Group with 6 Output Relays
- X6** – DI8: Assembly Group with 8 Digital Inputs
- X100** – Modbus TCP / DNP3.0 TCP/UDP, Ethernet interface, 100 Mbit/s, RJ45 (BASE100-FX)
- X104** – IRIG-B00X, incl. System Contact (Supervision Contact)

MRA4-2D0ACB

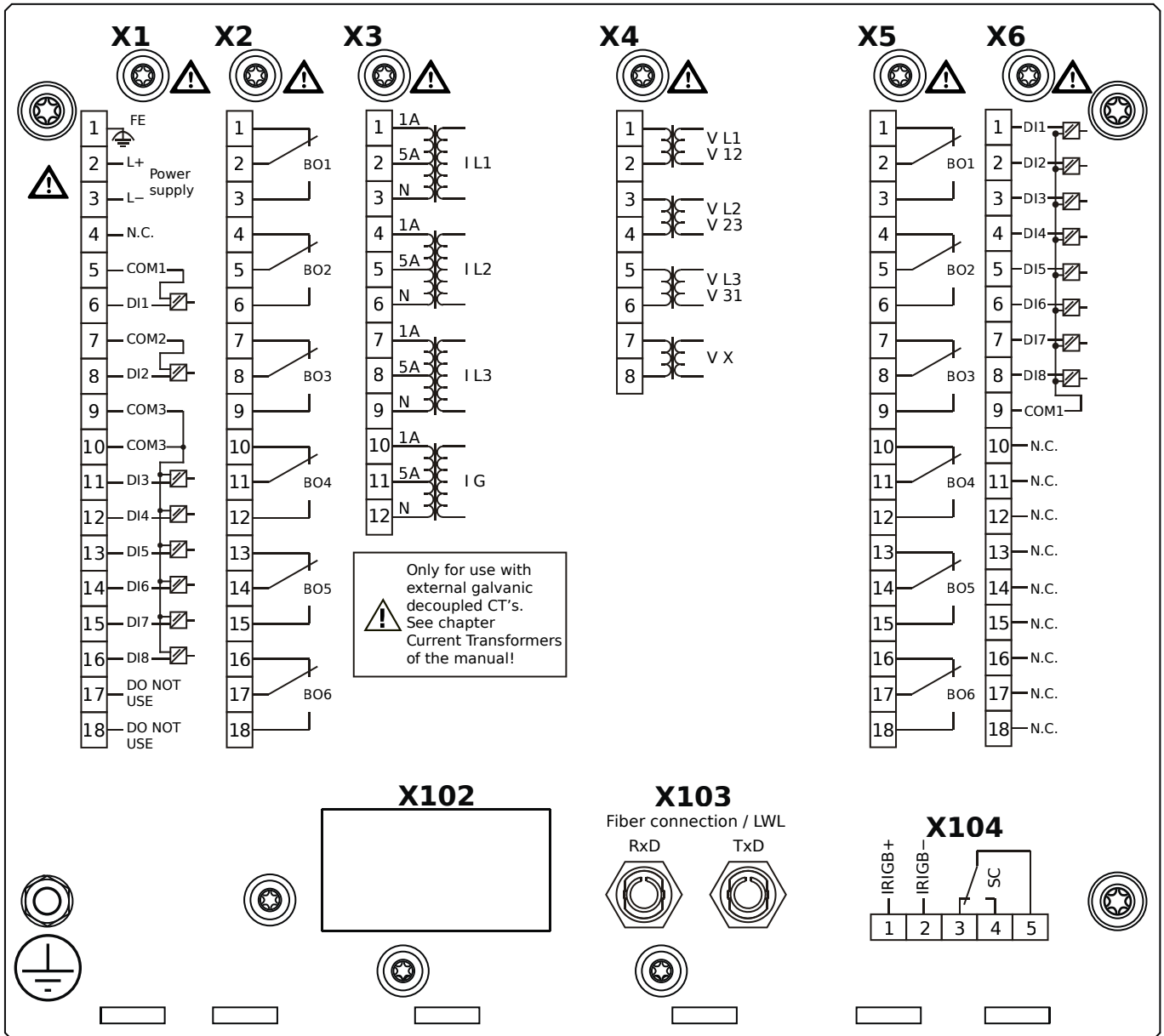


Housing B2, small display, door mounting

+ Conformal Coating (for installations in harsh environment)

- X1** – DI8-X1: Wide-range power supply unit, incl. 2 non-grouped digital inputs and 6 grouped digital inputs
- X2** – OR6: Assembly Group with 6 Output Relays
- X3** – TI: Standard current measuring card
- X4** – TU: Card with 4 voltage transformer measuring inputs
- X5** – OR6: Assembly Group with 6 Output Relays
- X6** – DI8: Assembly Group with 8 Digital Inputs
- X100** – Modbus TCP / DNP3.0 TCP/UDP, Ethernet interface, 100 Mbit/s, RJ45 (BASE100-FX)
- X104** – IRIG-B00X, incl. System Contact (Supervision Contact)

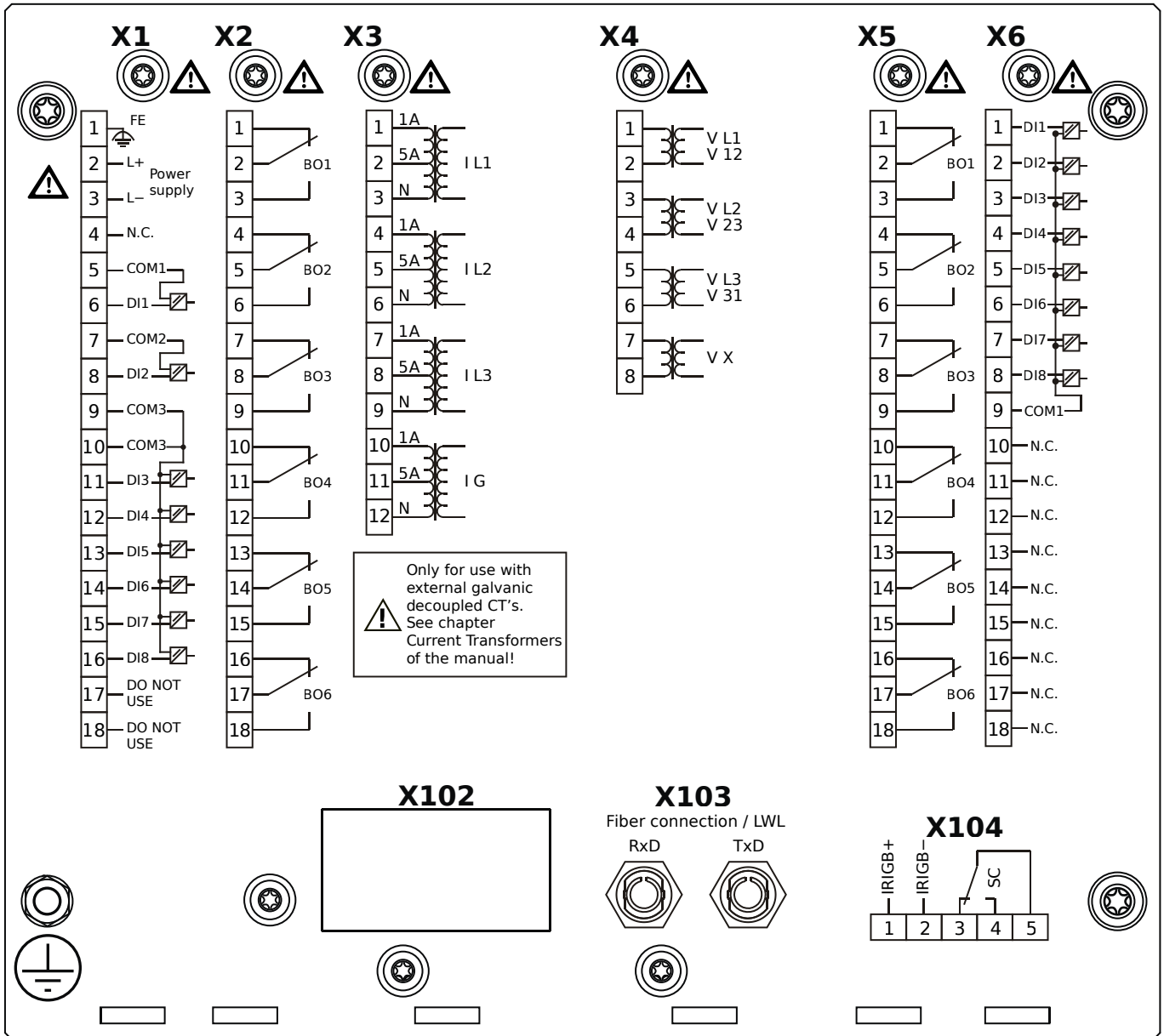
MRA4-2D0ADA



Housing B2, small display, door mounting

- X1** – DI8-X1: Wide-range power supply unit, incl. 2 non-grouped digital inputs and 6 grouped digital inputs
- X2** – OR6: Assembly Group with 6 Output Relays
- X3** – TI: Standard current measuring card
- X4** – TU: Card with 4 voltage transformer measuring inputs
- X5** – OR6: Assembly Group with 6 Output Relays
- X6** – DI8: Assembly Group with 8 Digital Inputs
- X103** – Profibus-DP, Fiber optics interface, ST Connector
- X104** – IRIG-B00X, incl. System Contact (Supervision Contact)

MRA4-2D0ADB

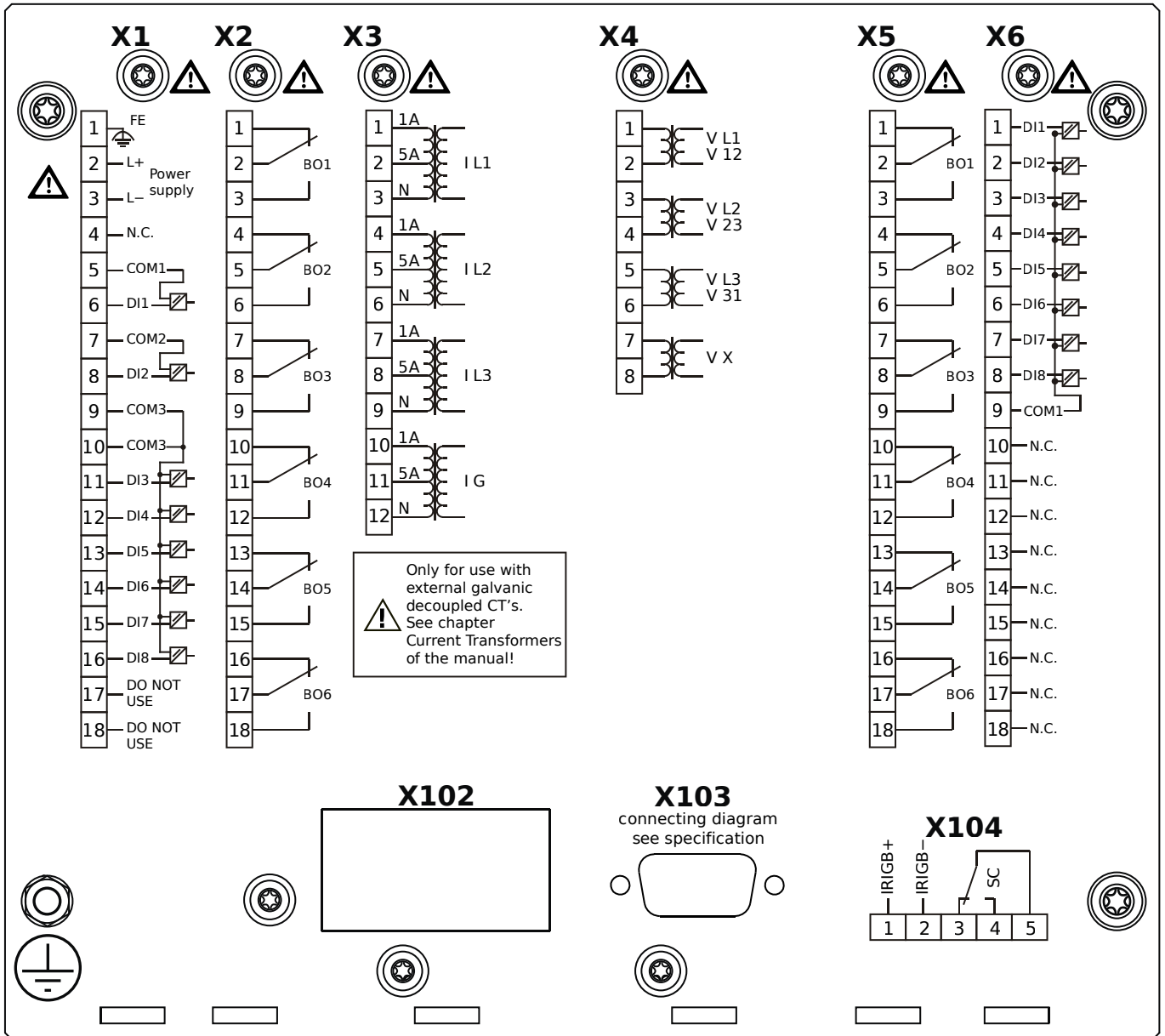


Housing B2, small display, door mounting

+ Conformal Coating (for installations in harsh environment)

- X1** – DI8-X1: Wide-range power supply unit, incl. 2 non-grouped digital inputs and 6 grouped digital inputs
- X2** – OR6: Assembly Group with 6 Output Relays
- X3** – TI: Standard current measuring card
- X4** – TU: Card with 4 voltage transformer measuring inputs
- X5** – OR6: Assembly Group with 6 Output Relays
- X6** – DI8: Assembly Group with 8 Digital Inputs
- X103** – Profibus-DP, Fiber optics interface, ST Connector
- X104** – IRIG-B00X, incl. System Contact (Supervision Contact)

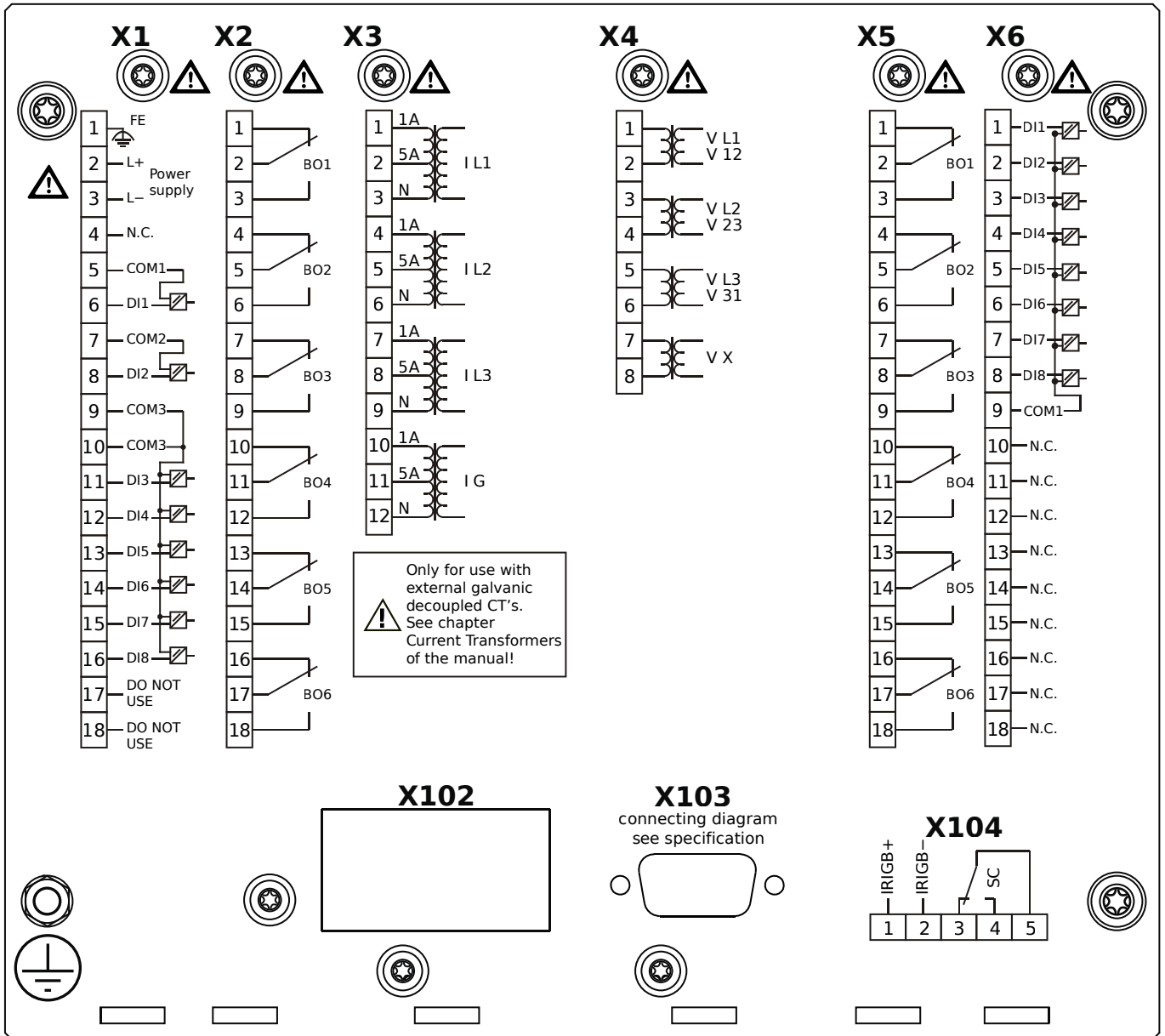
MRA4-2D0AEA



Housing B2, small display, door mounting

- X1** – DI8-X1: Wide-range power supply unit, incl. 2 non-grouped digital inputs and 6 grouped digital inputs
- X2** – OR6: Assembly Group with 6 Output Relays
- X3** – TI: Standard current measuring card
- X4** – TU: Card with 4 voltage transformer measuring inputs
- X5** – OR6: Assembly Group with 6 Output Relays
- X6** – DI8: Assembly Group with 8 Digital Inputs
- X103** – Profibus-DP, RS485, D-SUB
- X104** – IRIG-B00X, incl. System Contact (Supervision Contact)

MRA4-2D0AEB

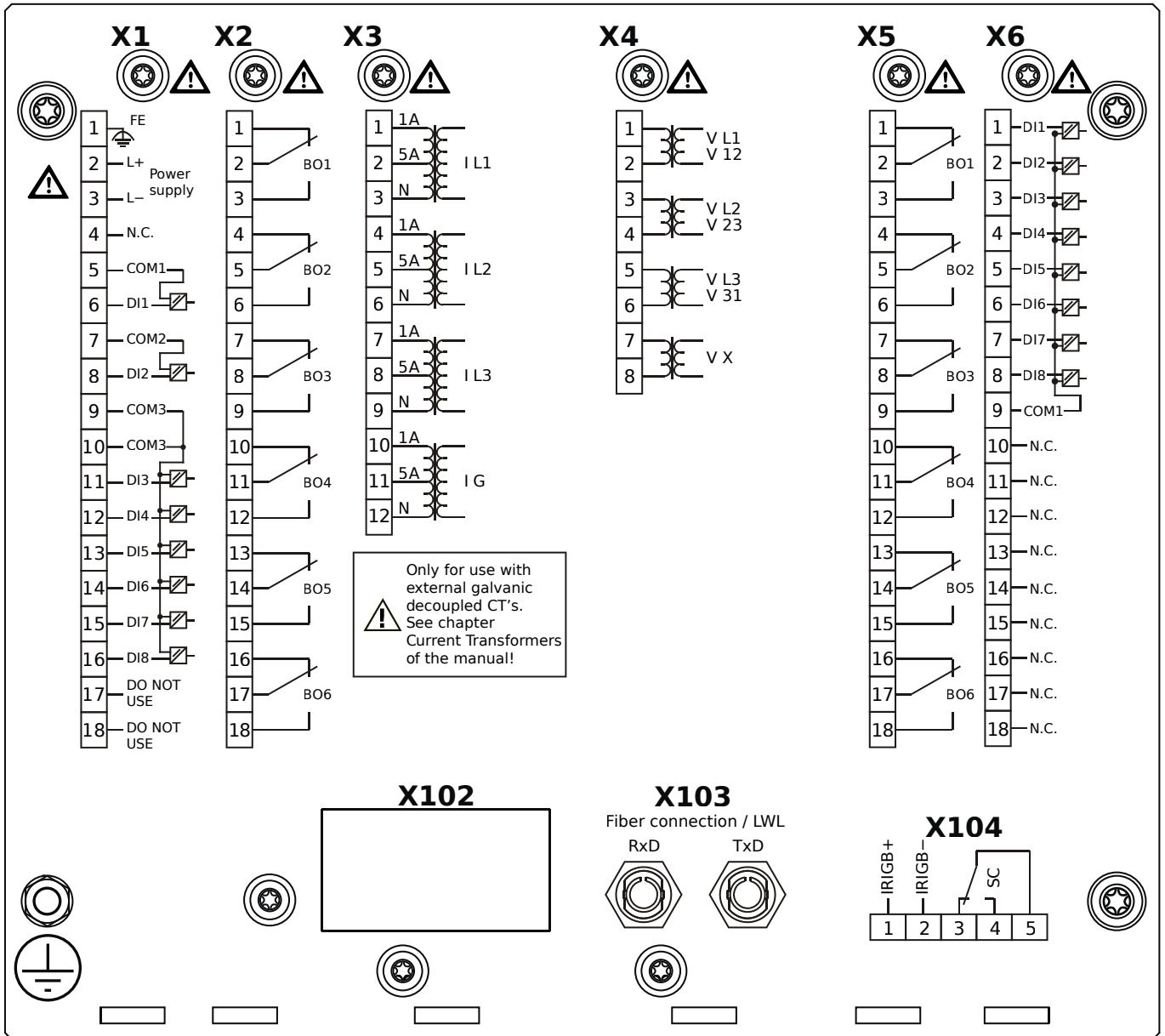


Housing B2, small display, door mounting

+ Conformal Coating (for installations in harsh environment)

- X1** – DI8-X1: Wide-range power supply unit, incl. 2 non-grouped digital inputs and 6 grouped digital inputs
- X2** – OR6: Assembly Group with 6 Output Relays
- X3** – TI: Standard current measuring card
- X4** – TU: Card with 4 voltage transformer measuring inputs
- X5** – OR6: Assembly Group with 6 Output Relays
- X6** – DI8: Assembly Group with 8 Digital Inputs
- X103** – Profibus-DP, RS485, D-SUB
- X104** – IRIG-B00X, incl. System Contact (Supervision Contact)

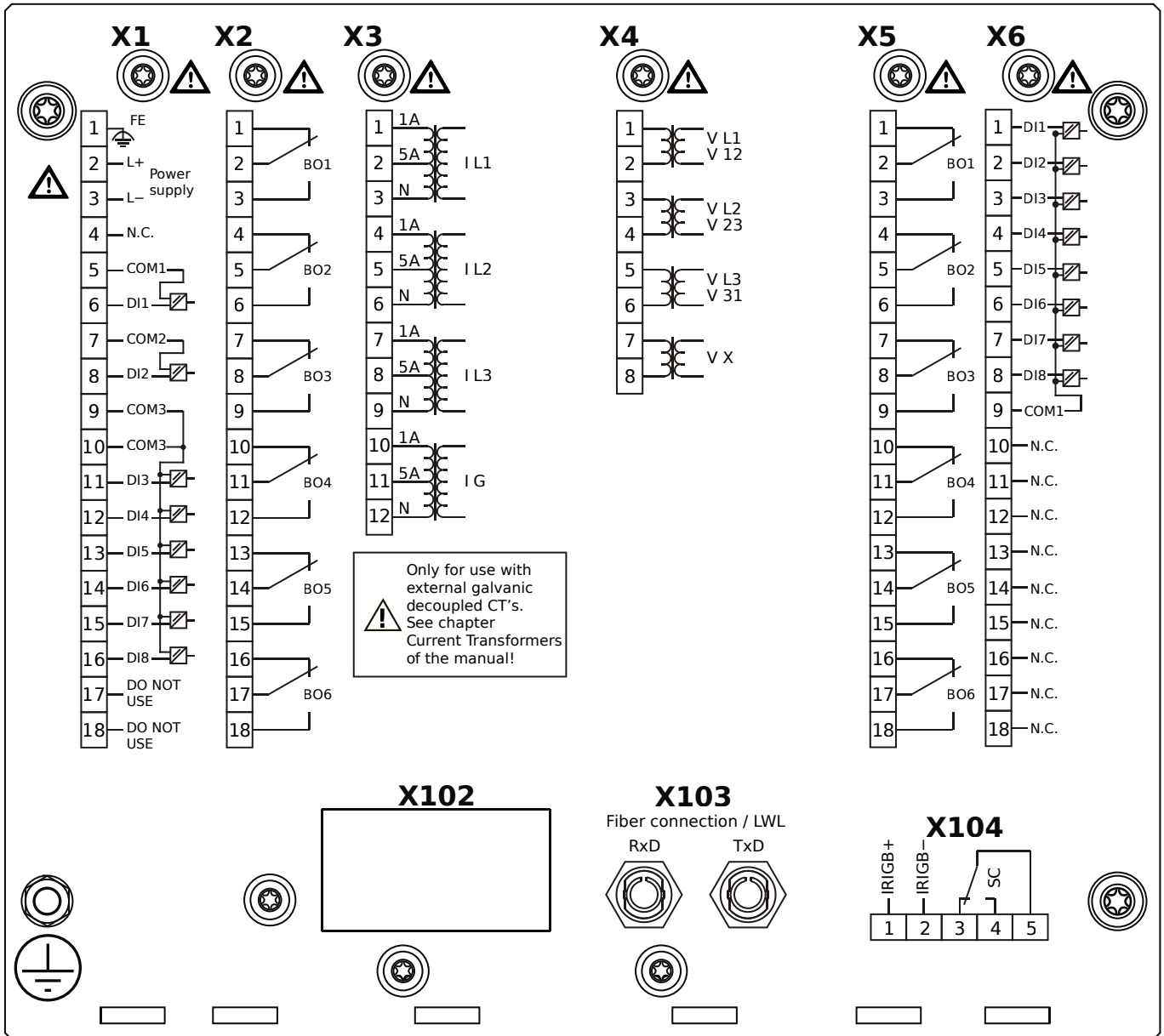
MRA4-2D0AFA



Housing B2, small display, door mounting

- X1** – DI8-X1: Wide-range power supply unit, incl. 2 non-grouped digital inputs and 6 grouped digital inputs
- X2** – OR6: Assembly Group with 6 Output Relays
- X3** – TI: Standard current measuring card
- X4** – TU: Card with 4 voltage transformer measuring inputs
- X5** – OR6: Assembly Group with 6 Output Relays
- X6** – DI8: Assembly Group with 8 Digital Inputs
- X103** – Modbus RTU / IEC 60870-5-103 / DNP3.0 RTU, Fiber optics interface, ST Connector
- X104** – IRIG-B00X, incl. System Contact (Supervision Contact)

MRA4-2D0AFB

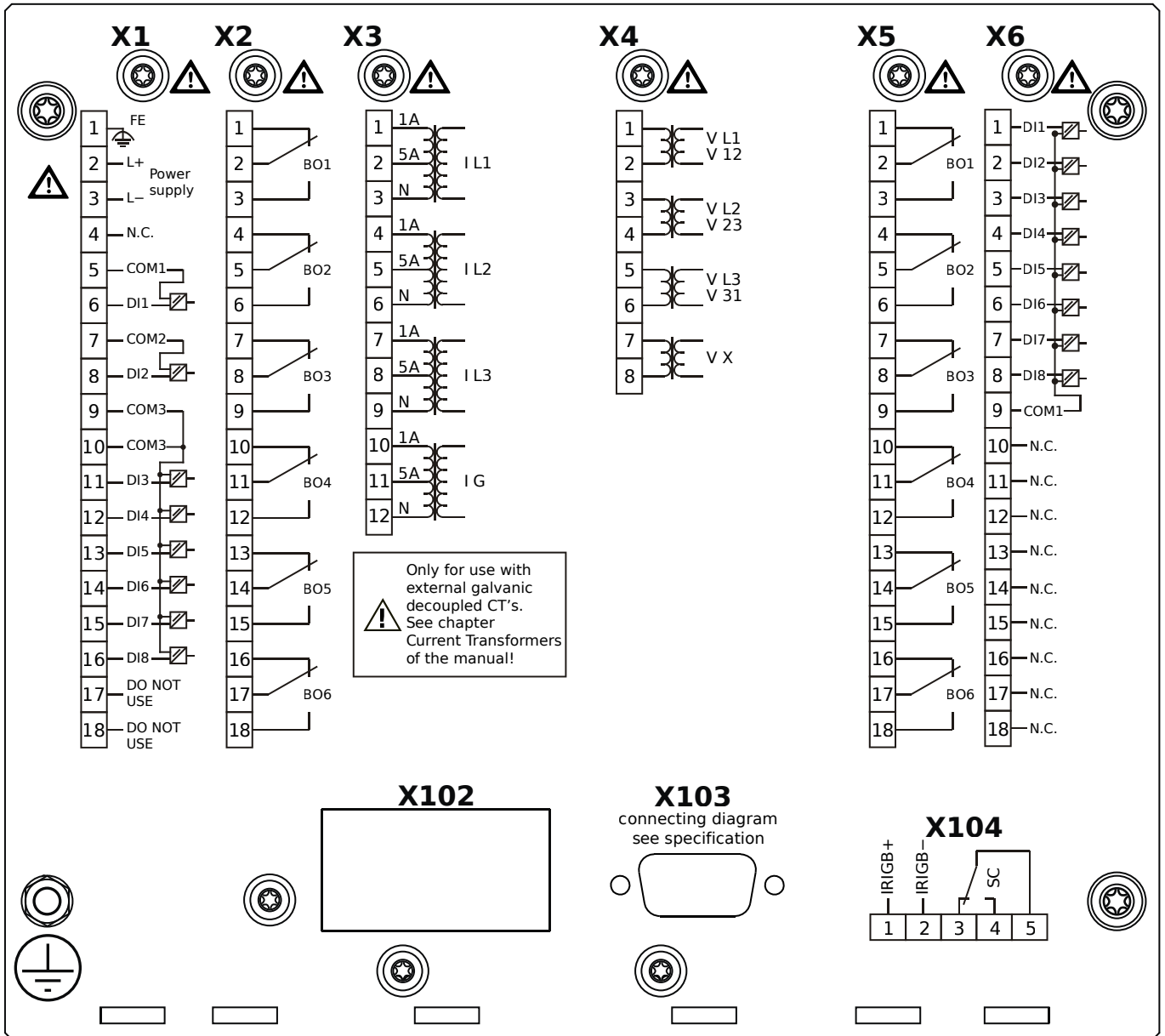


Housing B2, small display, door mounting

+ Conformal Coating (for installations in harsh environment)

- X1** – DI8-X1: Wide-range power supply unit, incl. 2 non-grouped digital inputs and 6 grouped digital inputs
- X2** – OR6: Assembly Group with 6 Output Relays
- X3** – TI: Standard current measuring card
- X4** – TU: Card with 4 voltage transformer measuring inputs
- X5** – OR6: Assembly Group with 6 Output Relays
- X6** – DI8: Assembly Group with 8 Digital Inputs
- X103** – Modbus RTU / IEC 60870-5-103 / DNP3.0 RTU, Fiber optics interface, ST Connector
- X104** – IRIG-B00X, incl. System Contact (Supervision Contact)

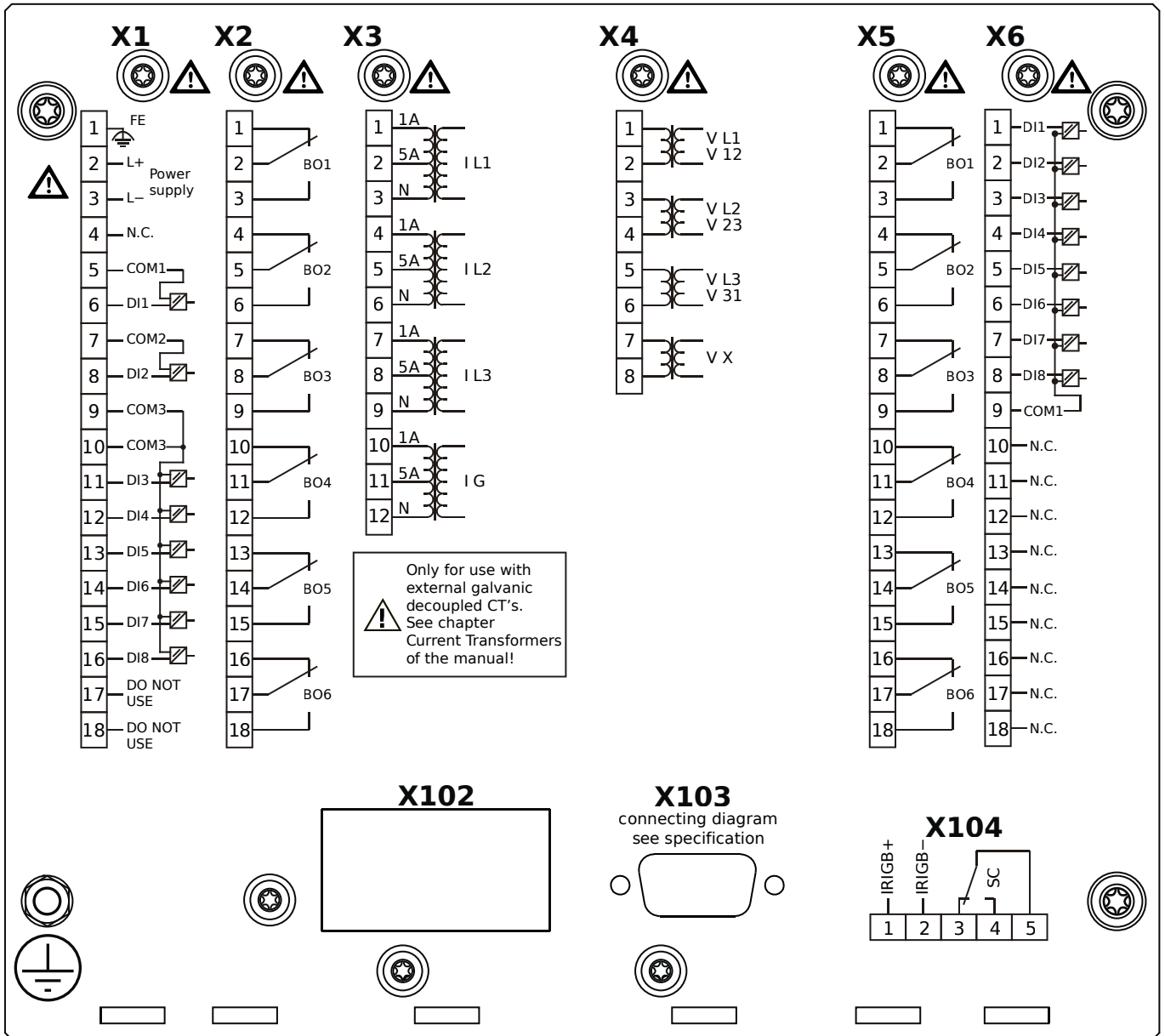
MRA4-2D0AGA



Housing B2, small display, door mounting

- X1** – DI8-X1: Wide-range power supply unit, incl. 2 non-grouped digital inputs and 6 grouped digital inputs
- X2** – OR6: Assembly Group with 6 Output Relays
- X3** – TI: Standard current measuring card
- X4** – TU: Card with 4 voltage transformer measuring inputs
- X5** – OR6: Assembly Group with 6 Output Relays
- X6** – DI8: Assembly Group with 8 Digital Inputs
- X103** – Modbus RTU / IEC 60870-5-103 / DNP3.0 RTU, RS485, D-SUB
- X104** – IRIG-B00X, incl. System Contact (Supervision Contact)

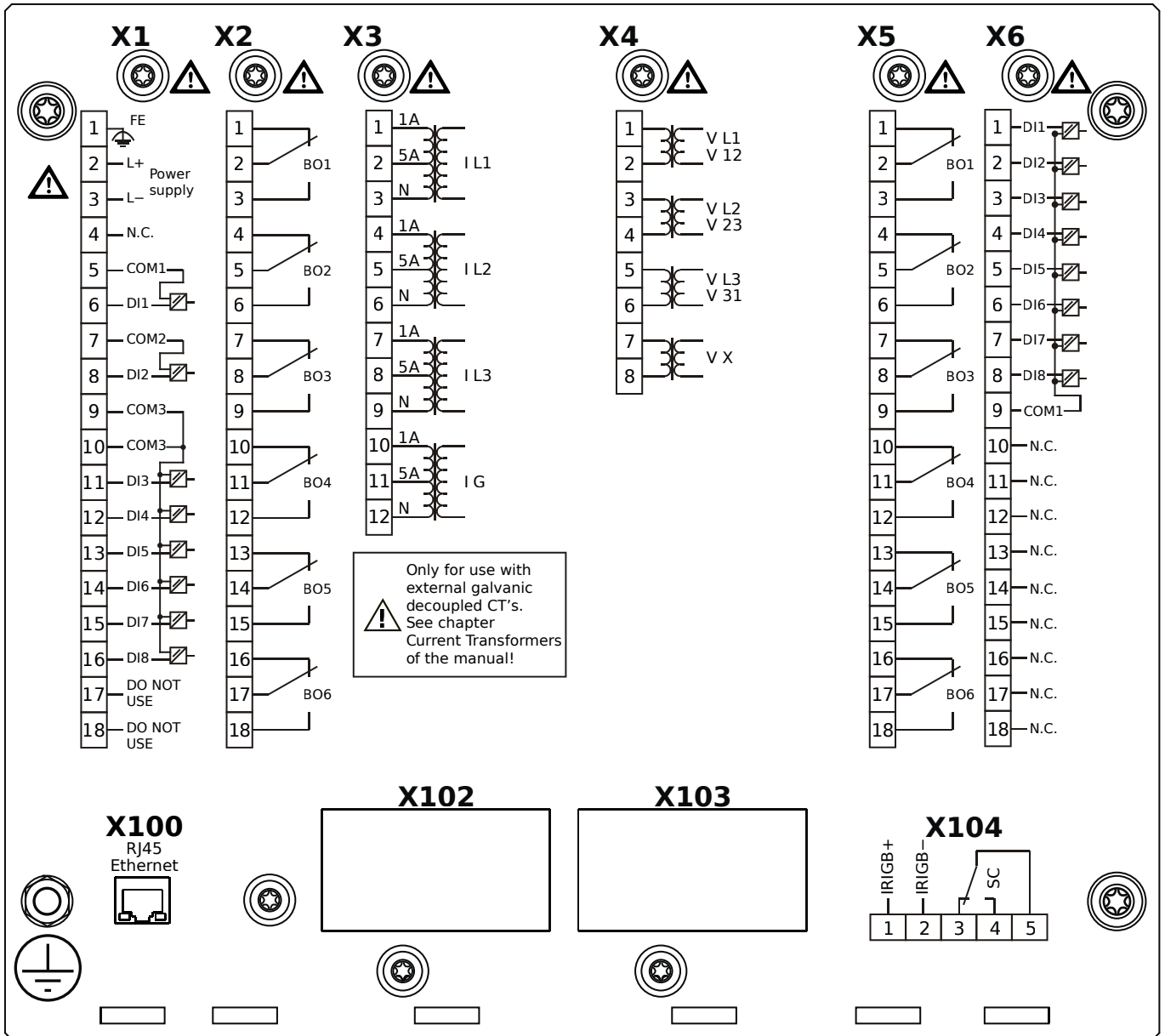
MRA4-2D0AGB



Housing B2, small display, door mounting

- + Conformal Coating (for installations in harsh environment)
- X1** – DI8-X1: Wide-range power supply unit, incl. 2 non-grouped digital inputs and 6 grouped digital inputs
- X2** – OR6: Assembly Group with 6 Output Relays
- X3** – TI: Standard current measuring card
- X4** – TU: Card with 4 voltage transformer measuring inputs
- X5** – OR6: Assembly Group with 6 Output Relays
- X6** – DI8: Assembly Group with 8 Digital Inputs
- X103** – Modbus RTU / IEC 60870-5-103 / DNP3.0 RTU, RS485, D-SUB
- X104** – IRIG-B00X, incl. System Contact (Supervision Contact)

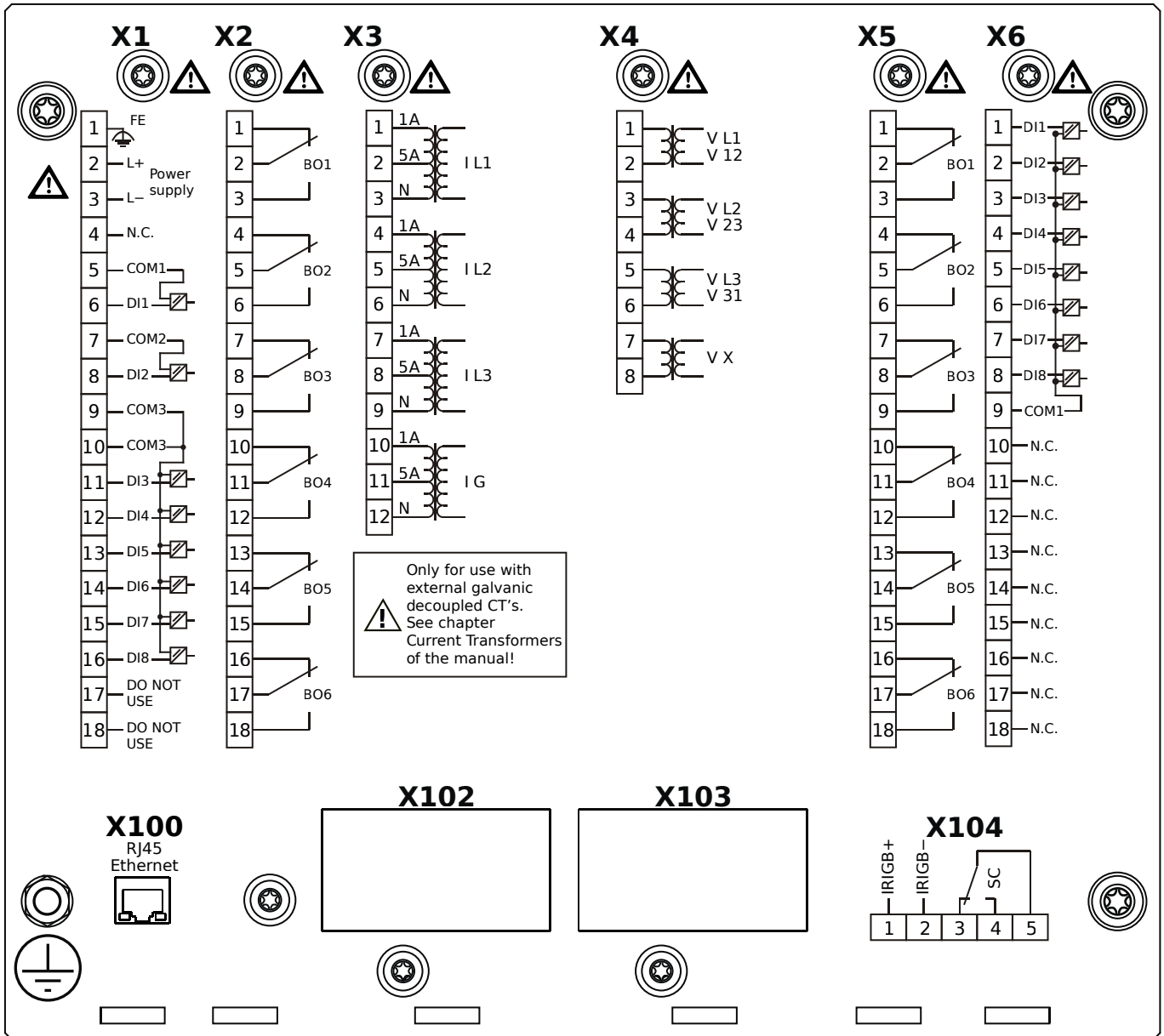
MRA4-2D0AHA



Housing B2, small display, door mounting

- X1** – DI8-X1: Wide-range power supply unit, incl. 2 non-grouped digital inputs and 6 grouped digital inputs
- X2** – OR6: Assembly Group with 6 Output Relays
- X3** – TI: Standard current measuring card
- X4** – TU: Card with 4 voltage transformer measuring inputs
- X5** – OR6: Assembly Group with 6 Output Relays
- X6** – DI8: Assembly Group with 8 Digital Inputs
- X100** – IEC 61850 / Modbus TCP / DNP3.0 TCP/UDP, Ethernet interface, 100 Mbit/s, RJ45 (BASE100-FX)
- X104** – IRIG-B00X, incl. System Contact (Supervision Contact)

MRA4-2D0AHB



Housing B2, small display, door mounting

+ Conformal Coating (for installations in harsh environment)

X1 – DI8-X1: Wide-range power supply unit, incl. 2 non-grouped digital inputs and 6 grouped digital inputs

X2 – OR6: Assembly Group with 6 Output Relays

X3 – TI: Standard current measuring card

X4 – TU: Card with 4 voltage transformer measuring inputs

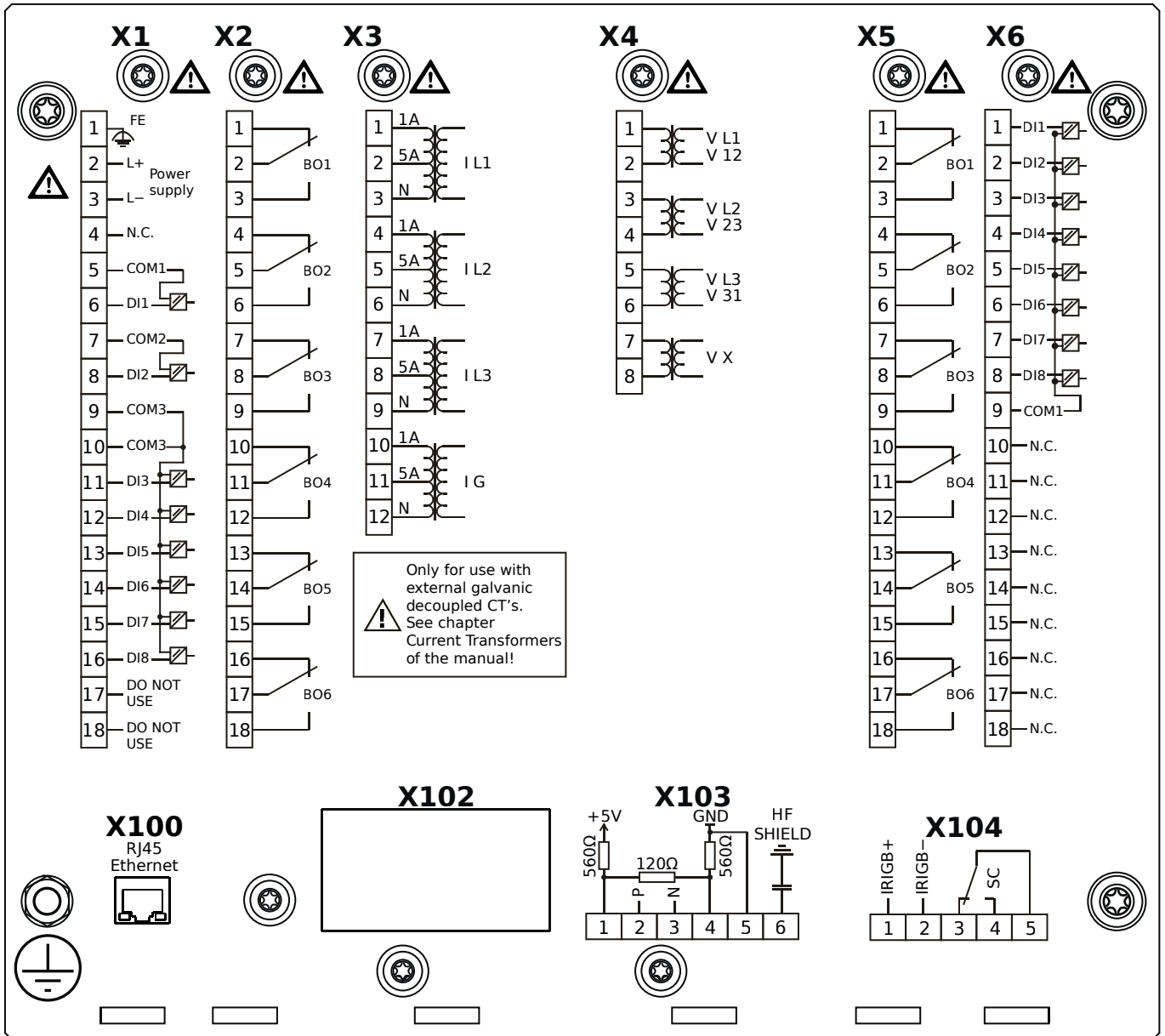
X5 – OR6: Assembly Group with 6 Output Relays

X6 – DI8: Assembly Group with 8 Digital Inputs

X100 – IEC 61850 / Modbus TCP / DNP3.0 TCP/UDP, Ethernet interface, 100 Mbit/s, RJ45 (BASE100-FX)

X104 – IRIG-B00X, incl. System Contact (Supervision Contact)

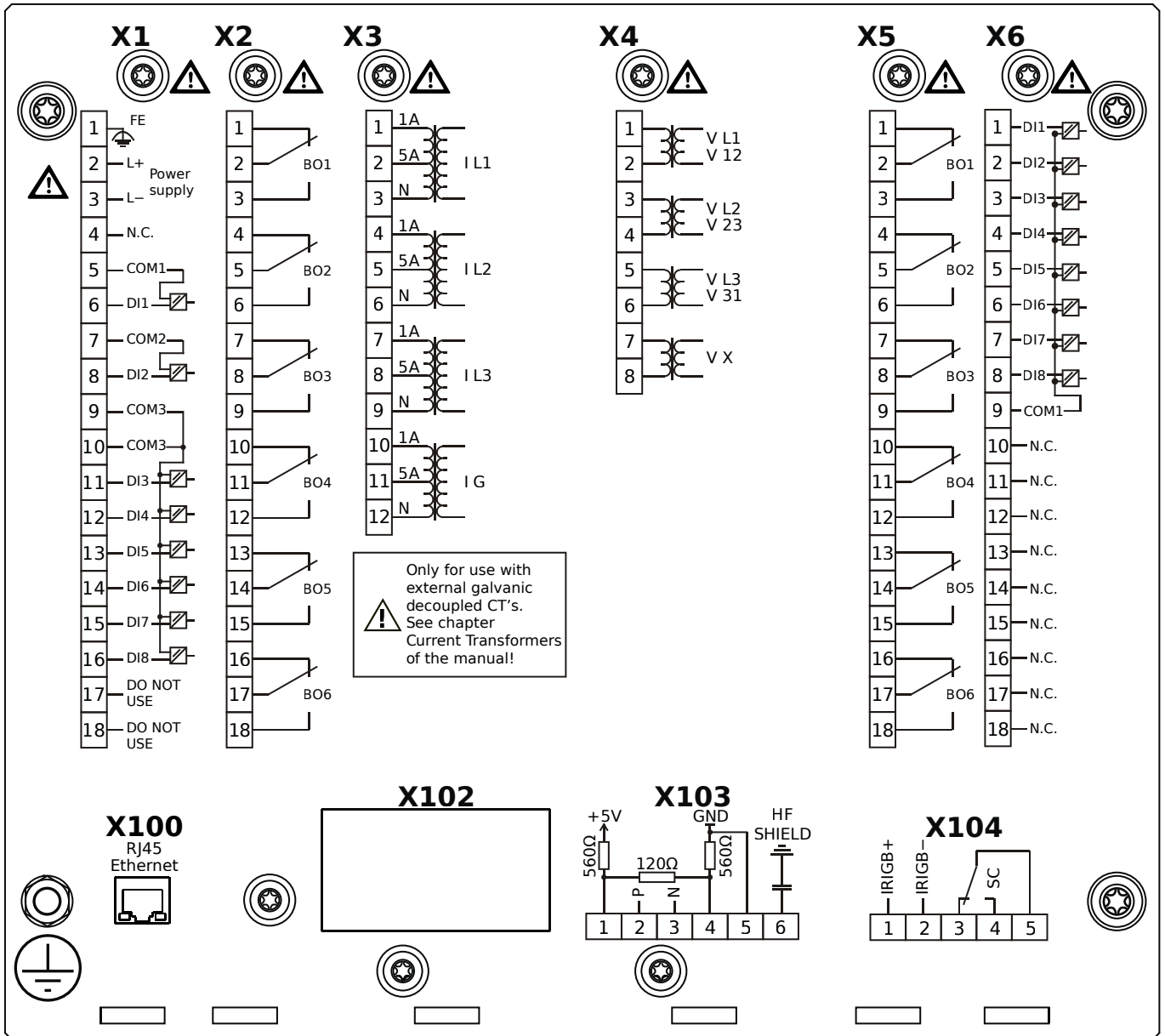
MRA4-2D0AIA



Housing B2, small display, door mounting

- X1** – DI8-X1: Wide-range power supply unit, incl. 2 non-grouped digital inputs and 6 grouped digital inputs
- X2** – OR6: Assembly Group with 6 Output Relays
- X3** – TI: Standard current measuring card
- X4** – TU: Card with 4 voltage transformer measuring inputs
- X5** – OR6: Assembly Group with 6 Output Relays
- X6** – DI8: Assembly Group with 8 Digital Inputs
- X100** – Modbus TCP / DNP3.0 TCP/UDP, Ethernet interface, 100 Mbit/s, RJ45 (BASE100-FX)
- X103** – IEC 60870-5-103 / Modbus RTU / DNP3.0 RTU, RS485, Terminals
- X104** – IRIG-B00X, incl. System Contact (Supervision Contact)

MRA4-2D0AIB

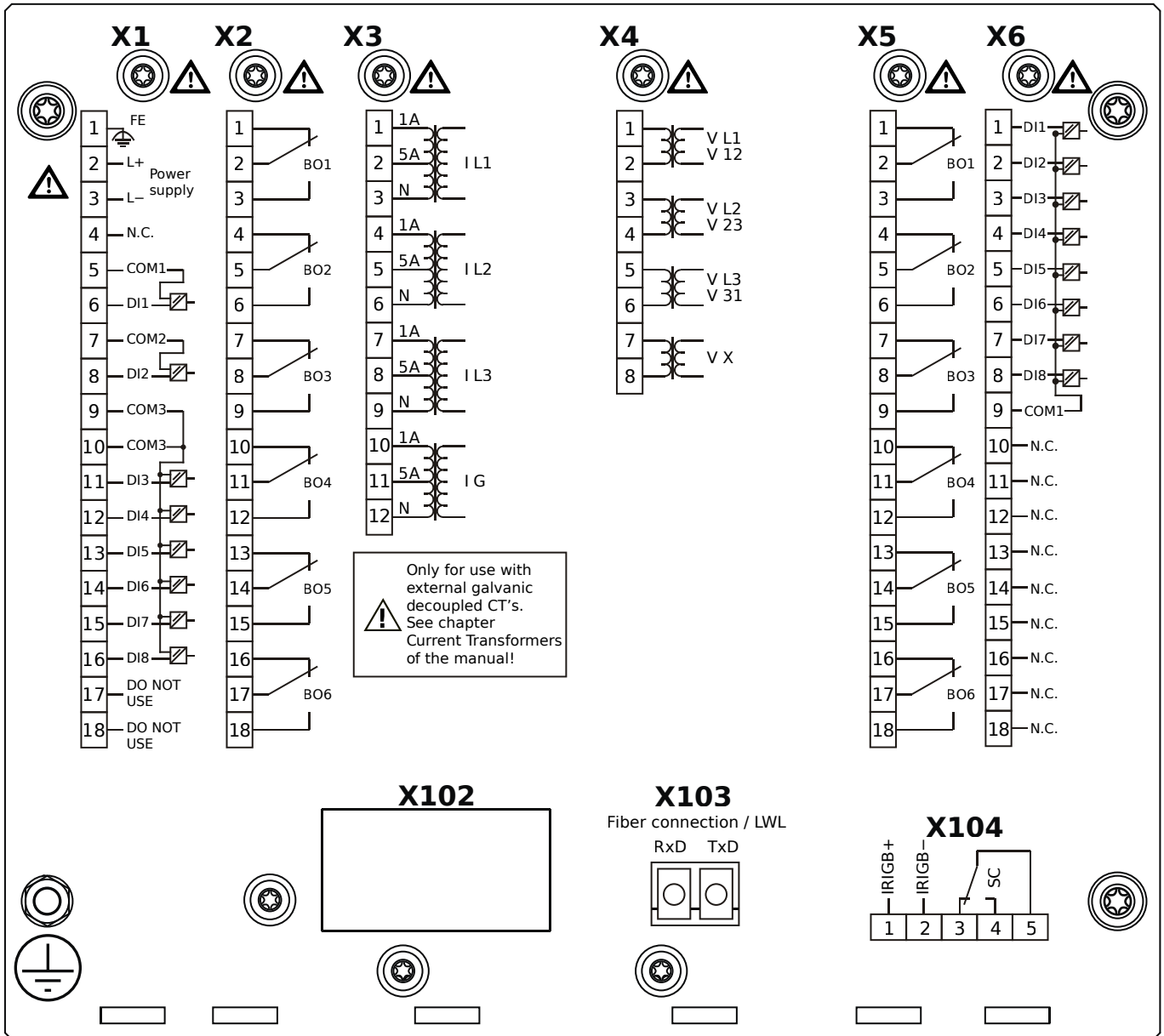


Housing B2, small display, door mounting

+ Conformal Coating (for installations in harsh environment)

- X1** – DI8-X1: Wide-range power supply unit, incl. 2 non-grouped digital inputs and 6 grouped digital inputs
- X2** – OR6: Assembly Group with 6 Output Relays
- X3** – TI: Standard current measuring card
- X4** – TU: Card with 4 voltage transformer measuring inputs
- X5** – OR6: Assembly Group with 6 Output Relays
- X6** – DI8: Assembly Group with 8 Digital Inputs
- X100** – Modbus TCP / DNP3.0 TCP/UDP, Ethernet interface, 100 Mbit/s, RJ45 (BASE100-FX)
- X103** – IEC 60870-5-103 / Modbus RTU / DNP3.0 RTU, RS485, Terminals
- X104** – IRIG-B00X, incl. System Contact (Supervision Contact)

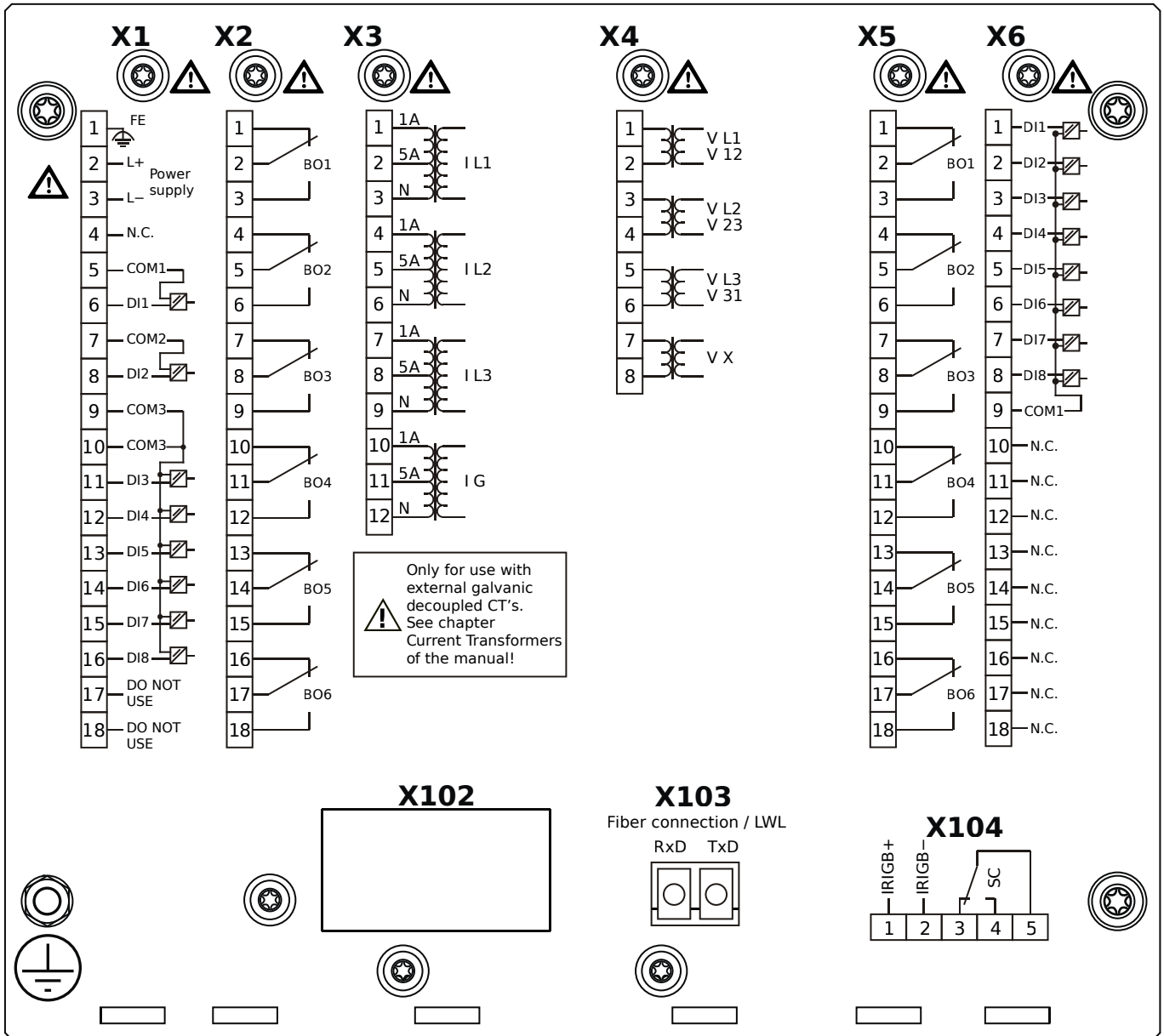
MRA4-2D0AKA



Housing B2, small display, door mounting

- X1** – DI8-X1: Wide-range power supply unit, incl. 2 non-grouped digital inputs and 6 grouped digital inputs
- X2** – OR6: Assembly Group with 6 Output Relays
- X3** – TI: Standard current measuring card
- X4** – TU: Card with 4 voltage transformer measuring inputs
- X5** – OR6: Assembly Group with 6 Output Relays
- X6** – DI8: Assembly Group with 8 Digital Inputs
- X103** – IEC 61850 / Modbus TCP / DNP3.0 TCP/UDP, Fiber optics interface, LC Connector
- X104** – IRIG-B00X, incl. System Contact (Supervision Contact)

MRA4-2D0AKB

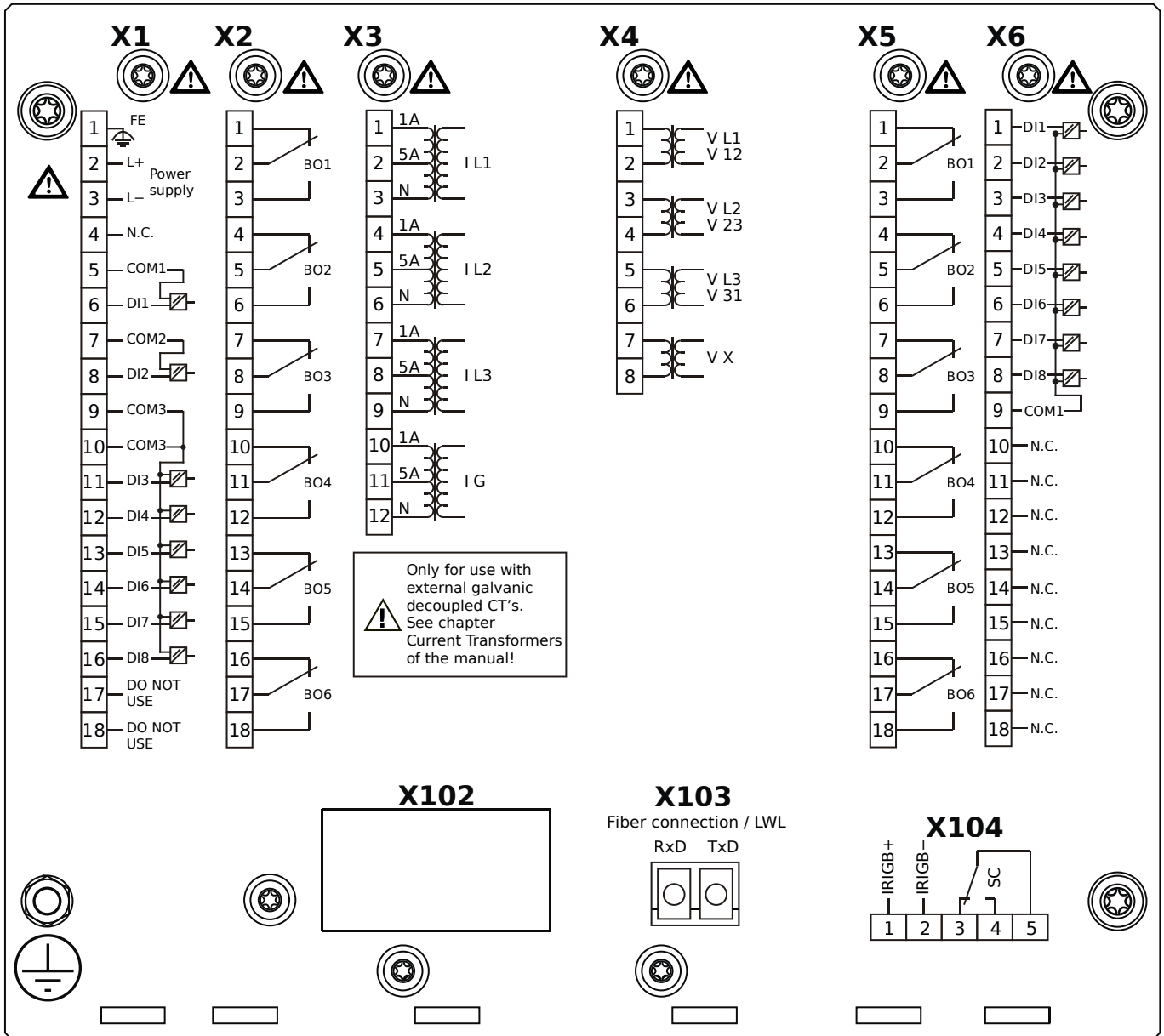


Housing B2, small display, door mounting

+ Conformal Coating (for installations in harsh environment)

- X1** – DI8-X1: Wide-range power supply unit, incl. 2 non-grouped digital inputs and 6 grouped digital inputs
- X2** – OR6: Assembly Group with 6 Output Relays
- X3** – TI: Standard current measuring card
- X4** – TU: Card with 4 voltage transformer measuring inputs
- X5** – OR6: Assembly Group with 6 Output Relays
- X6** – DI8: Assembly Group with 8 Digital Inputs
- X103** – IEC 61850 / Modbus TCP / DNP3.0 TCP/UDP, Fiber optics interface, LC Connector
- X104** – IRIG-B00X, incl. System Contact (Supervision Contact)

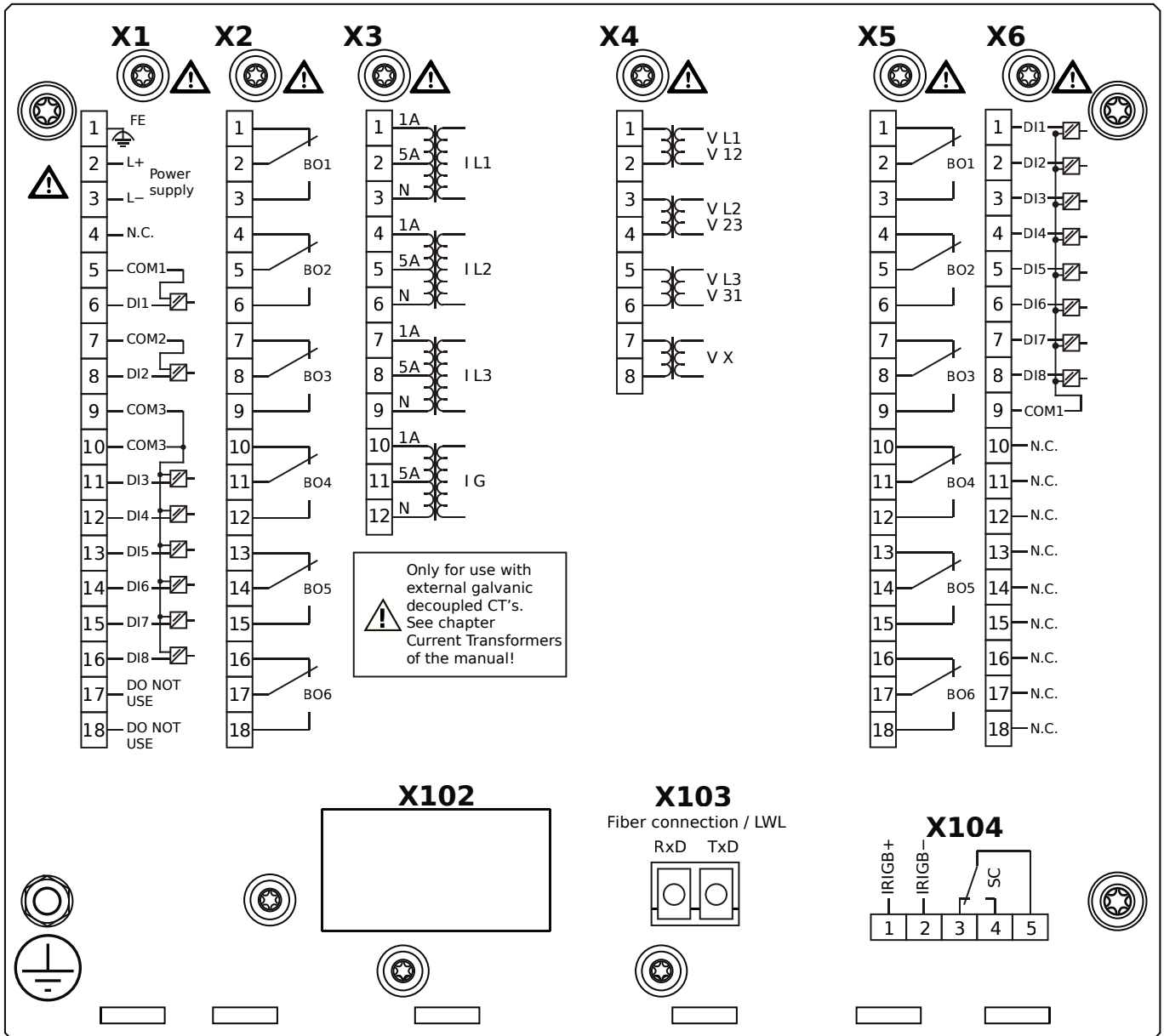
MRA4-2D0ALA



Housing B2, small display, door mounting

- X1** – DI8-X1: Wide-range power supply unit, incl. 2 non-grouped digital inputs and 6 grouped digital inputs
- X2** – OR6: Assembly Group with 6 Output Relays
- X3** – TI: Standard current measuring card
- X4** – TU: Card with 4 voltage transformer measuring inputs
- X5** – OR6: Assembly Group with 6 Output Relays
- X6** – DI8: Assembly Group with 8 Digital Inputs
- X103** – Modbus TCP / DNP3.0 TCP/UDP, Fiber optics interface, LC Connector
- X104** – IRIG-B00X, incl. System Contact (Supervision Contact)

MRA4-2D0ALB

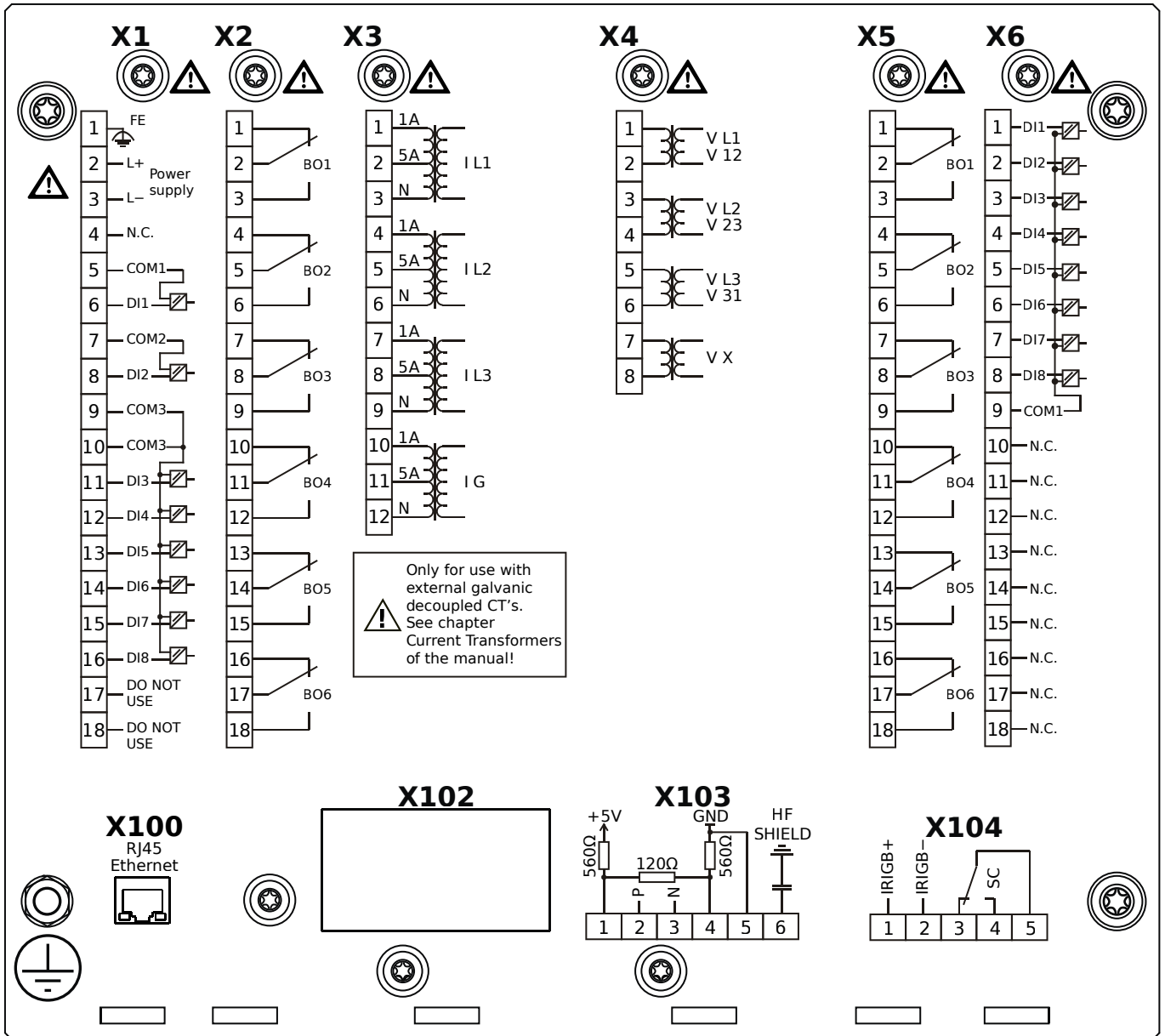


Housing B2, small display, door mounting

+ Conformal Coating (for installations in harsh environment)

- X1** – DI8-X1: Wide-range power supply unit, incl. 2 non-grouped digital inputs and 6 grouped digital inputs
- X2** – OR6: Assembly Group with 6 Output Relays
- X3** – TI: Standard current measuring card
- X4** – TU: Card with 4 voltage transformer measuring inputs
- X5** – OR6: Assembly Group with 6 Output Relays
- X6** – DI8: Assembly Group with 8 Digital Inputs
- X103** – Modbus TCP / DNP3.0 TCP/UDP, Fiber optics interface, LC Connector
- X104** – IRIG-B00X, incl. System Contact (Supervision Contact)

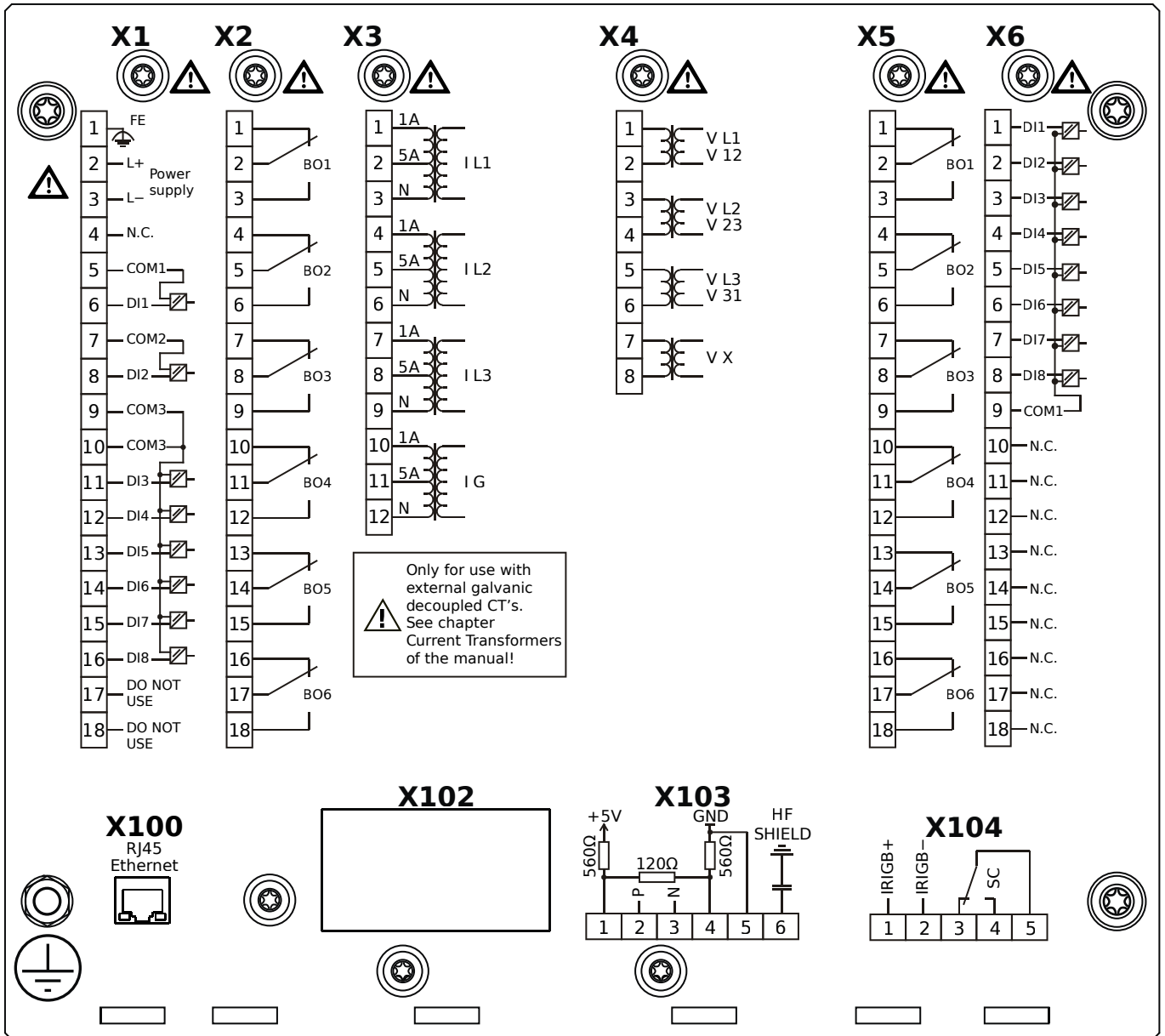
MRA4-2D0ATA



Housing B2, small display, door mounting

- X1** – DI8-X1: Wide-range power supply unit, incl. 2 non-grouped digital inputs and 6 grouped digital inputs
- X2** – OR6: Assembly Group with 6 Output Relays
- X3** – TI: Standard current measuring card
- X4** – TU: Card with 4 voltage transformer measuring inputs
- X5** – OR6: Assembly Group with 6 Output Relays
- X6** – DI8: Assembly Group with 8 Digital Inputs
- X100** – IEC 61850 / Modbus TCP / DNP3.0 TCP/UDP, Ethernet interface, 100 Mbit/s, RJ45 (BASE100-FX)
- X103** – IEC 60870-5-103 / Modbus RTU / DNP3.0 RTU, RS485, Terminals
- X104** – IRIG-B00X, incl. System Contact (Supervision Contact)

MRA4-2D0ATB



Housing B2, small display, door mounting

+ Conformal Coating (for installations in harsh environment)

X1 – DI8-X1: Wide-range power supply unit, incl. 2 non-grouped digital inputs and 6 grouped digital inputs

X2 – OR6: Assembly Group with 6 Output Relays

X3 – TI: Standard current measuring card

X4 – TU: Card with 4 voltage transformer measuring inputs

X5 – OR6: Assembly Group with 6 Output Relays

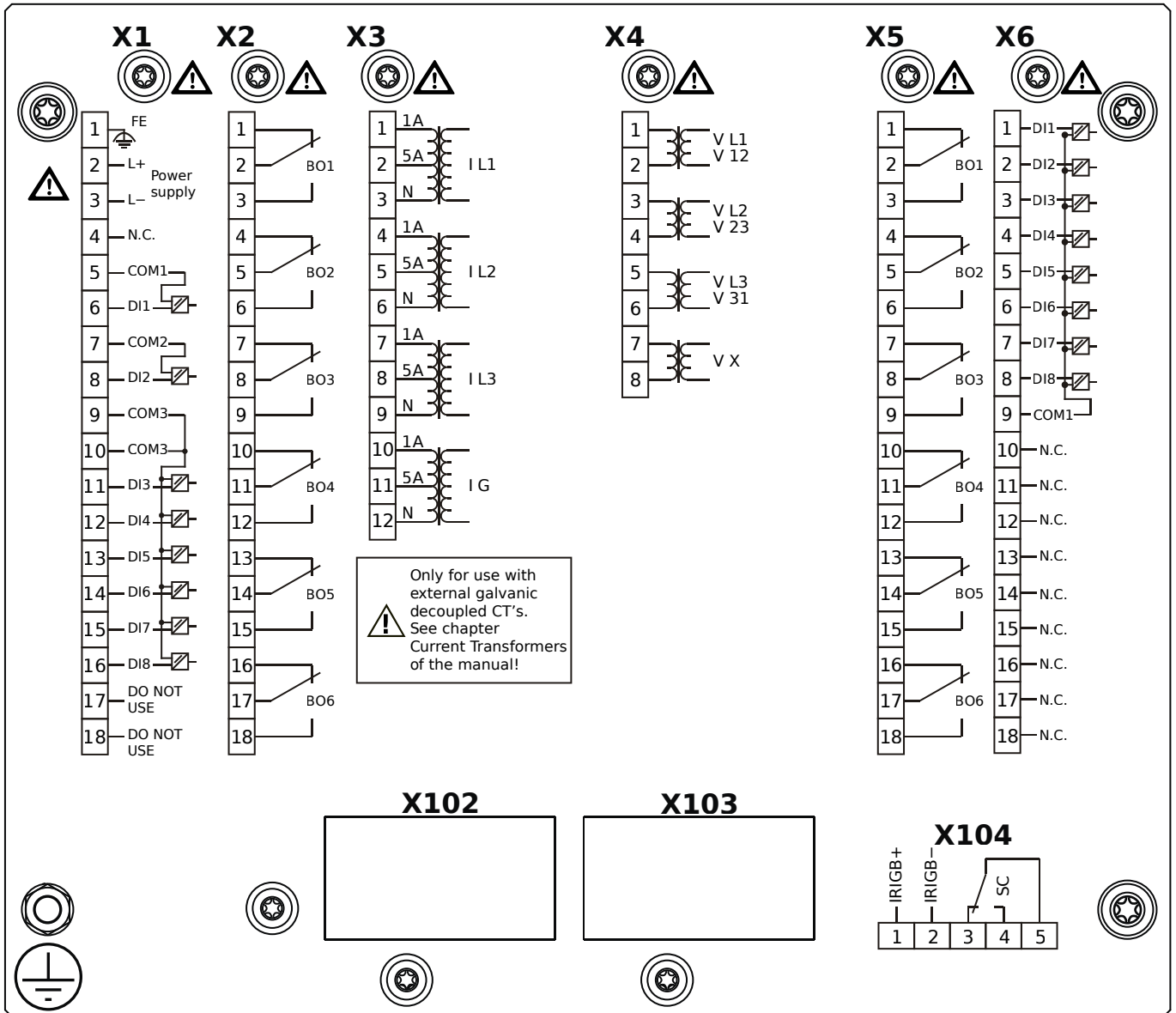
X6 – DI8: Assembly Group with 8 Digital Inputs

X100 – IEC 61850 / Modbus TCP / DNP3.0 TCP/UDP, Ethernet interface, 100 Mbit/s, RJ45 (BASE100-FX)

X103 – IEC 60870-5-103 / Modbus RTU / DNP3.0 RTU, RS485, Terminals

X104 – IRIG-B00X, incl. System Contact (Supervision Contact)

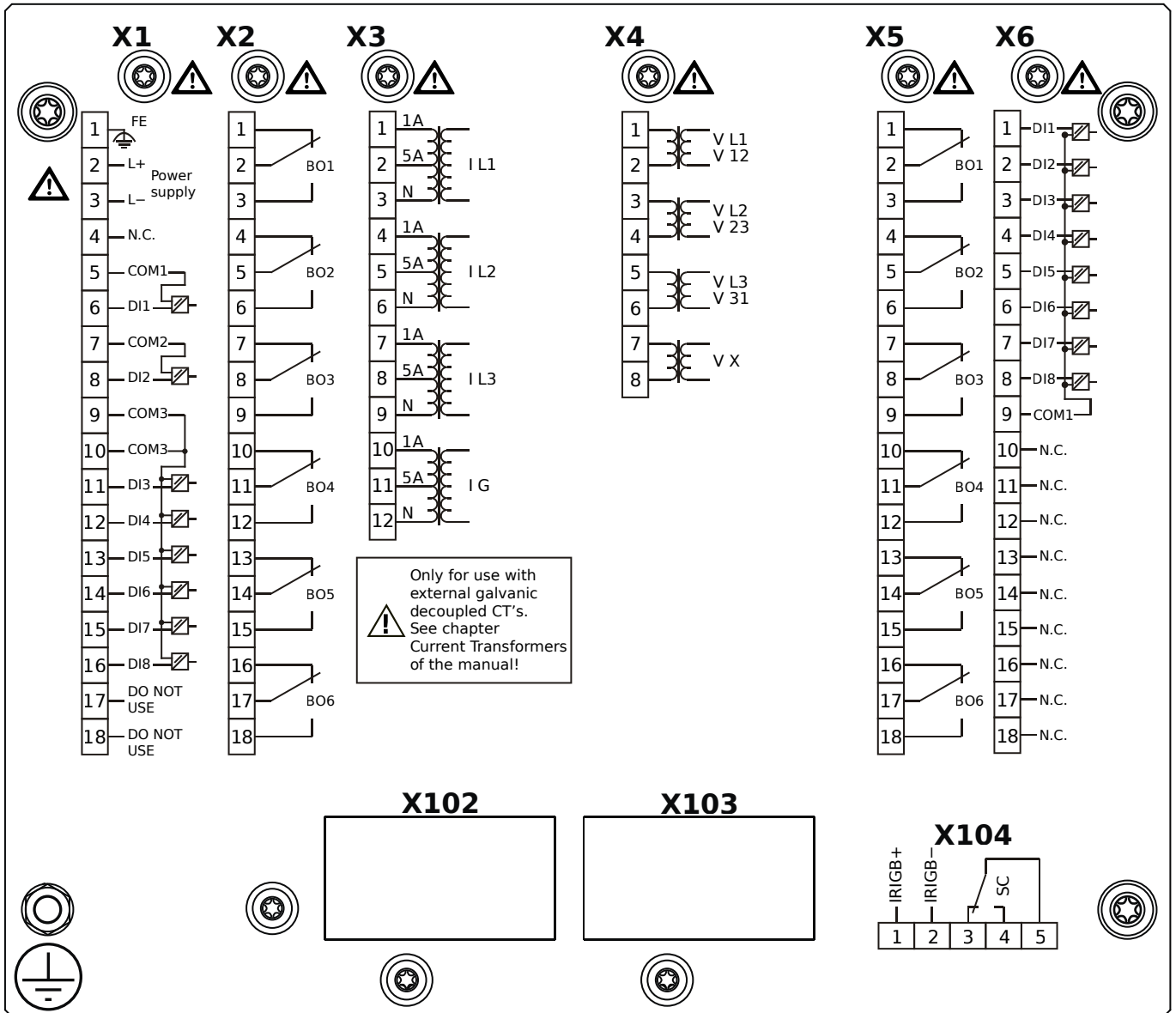
MRA4-2D0BAA



Housing B2, small display, 19" rack mounting

- X1** – DI8-X1: Wide-range power supply unit, incl. 2 non-grouped digital inputs and 6 grouped digital inputs
- X2** – OR6: Assembly Group with 6 Output Relays
- X3** – TI: Standard current measuring card
- X4** – TU: Card with 4 voltage transformer measuring inputs
- X5** – OR6: Assembly Group with 6 Output Relays
- X6** – DI8: Assembly Group with 8 Digital Inputs
- X104** – IRIG-B00X, incl. System Contact (Supervision Contact)

MRA4-2D0BAB

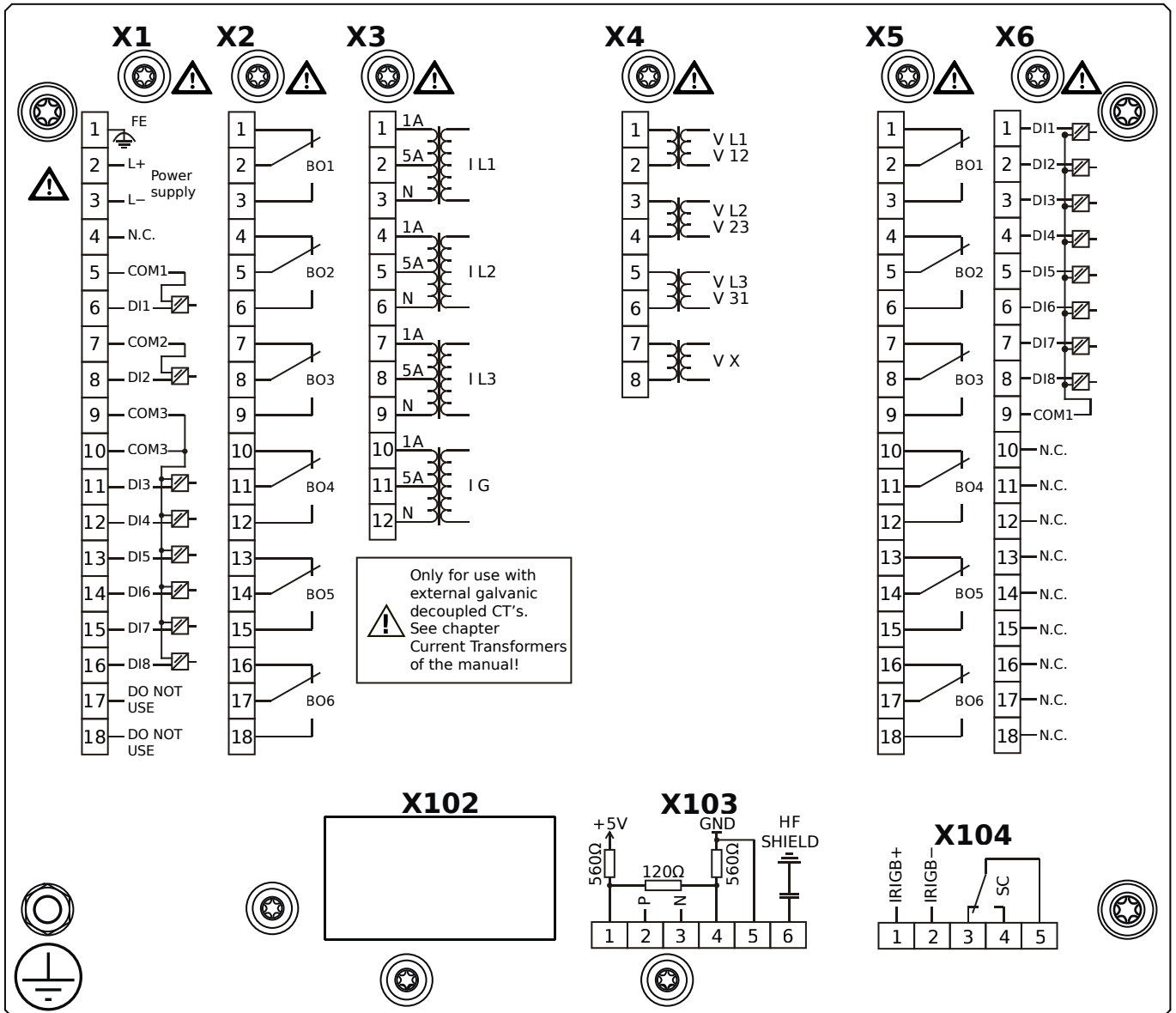


Housing B2, small display, 19" rack mounting

+ Conformal Coating (for installations in harsh environment)

- X1** – DI8-X1: Wide-range power supply unit, incl. 2 non-grouped digital inputs and 6 grouped digital inputs
- X2** – OR6: Assembly Group with 6 Output Relays
- X3** – TI: Standard current measuring card
- X4** – TU: Card with 4 voltage transformer measuring inputs
- X5** – OR6: Assembly Group with 6 Output Relays
- X6** – DI8: Assembly Group with 8 Digital Inputs
- X104** – IRIG-B00X, incl. System Contact (Supervision Contact)

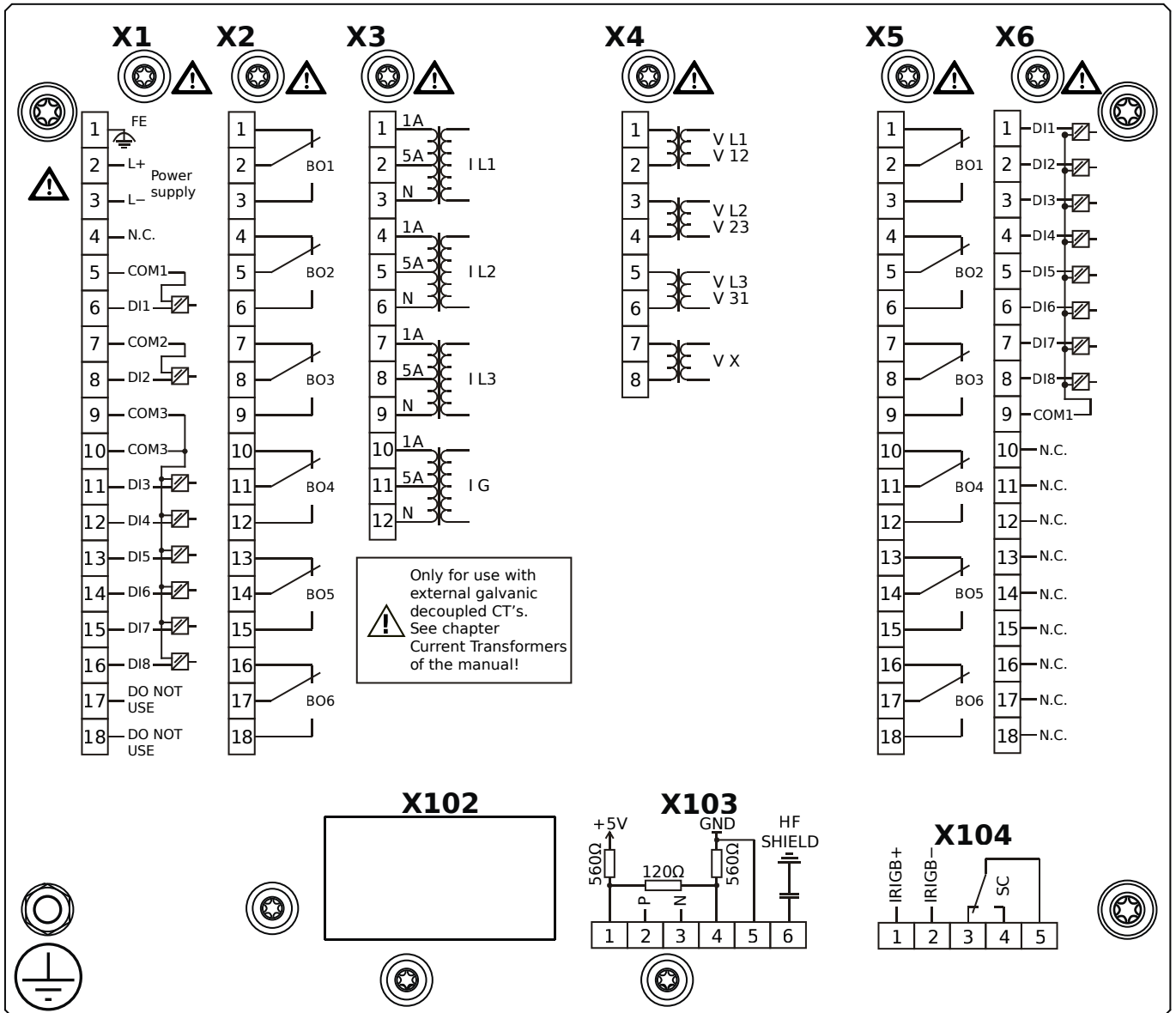
MRA4-2D0BBA



Housing B2, small display, 19" rack mounting

- X1** – DI8-X1: Wide-range power supply unit, incl. 2 non-grouped digital inputs and 6 grouped digital inputs
- X2** – OR6: Assembly Group with 6 Output Relays
- X3** – TI: Standard current measuring card
- X4** – TU: Card with 4 voltage transformer measuring inputs
- X5** – OR6: Assembly Group with 6 Output Relays
- X6** – DI8: Assembly Group with 8 Digital Inputs
- X103** – Modbus RTU / IEC 60870-5-103 / DNP3.0 RTU, RS485, Terminals
- X104** – IRIG-B00X, incl. System Contact (Supervision Contact)

MRA4-2D0BBB

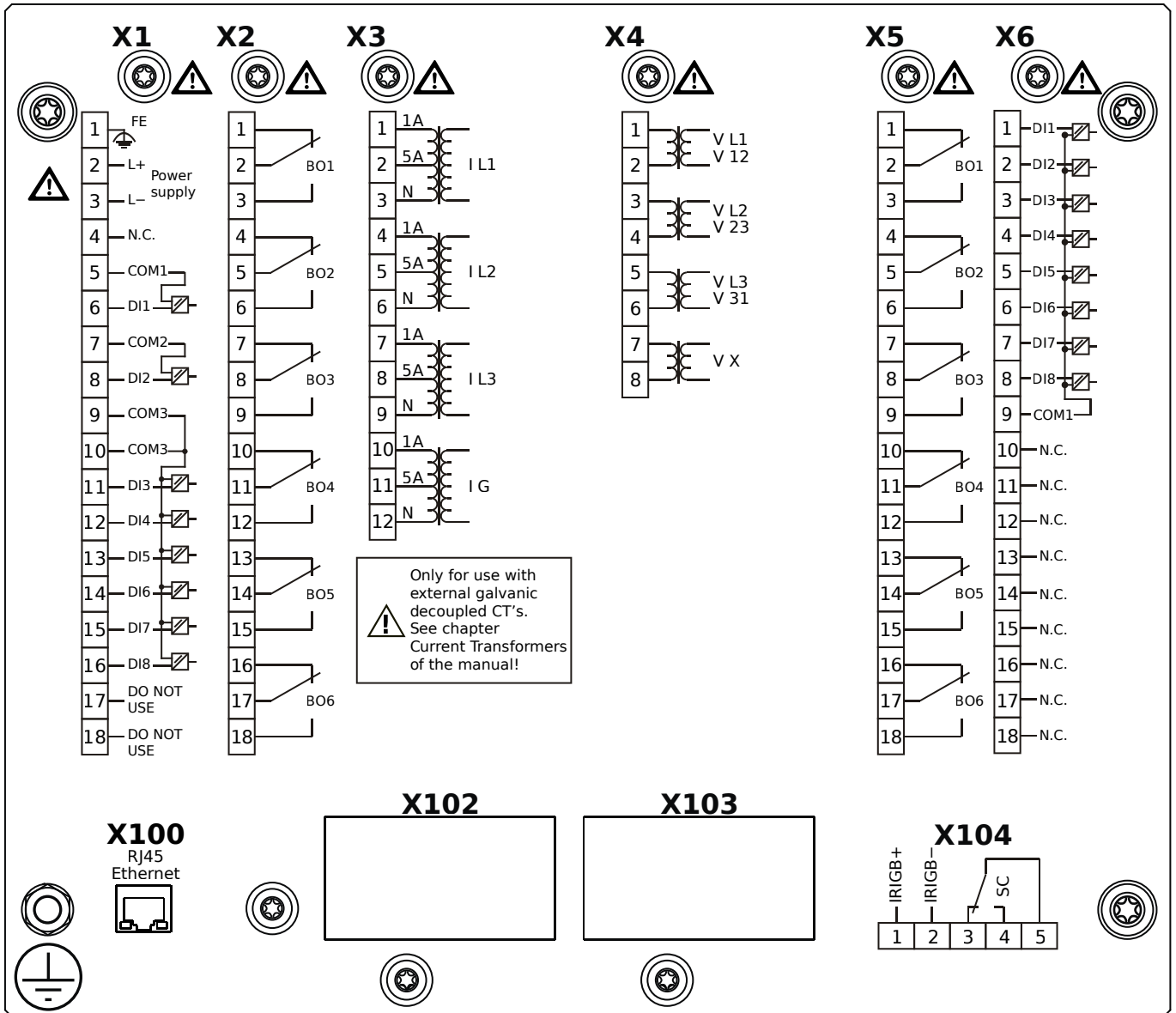


Housing B2, small display, 19" rack mounting

+ Conformal Coating (for installations in harsh environment)

- X1** – DI8-X1: Wide-range power supply unit, incl. 2 non-grouped digital inputs and 6 grouped digital inputs
- X2** – OR6: Assembly Group with 6 Output Relays
- X3** – TI: Standard current measuring card
- X4** – TU: Card with 4 voltage transformer measuring inputs
- X5** – OR6: Assembly Group with 6 Output Relays
- X6** – DI8: Assembly Group with 8 Digital Inputs
- X103** – Modbus RTU / IEC 60870-5-103 / DNP3.0 RTU, RS485, Terminals
- X104** – IRIG-B00X, incl. System Contact (Supervision Contact)

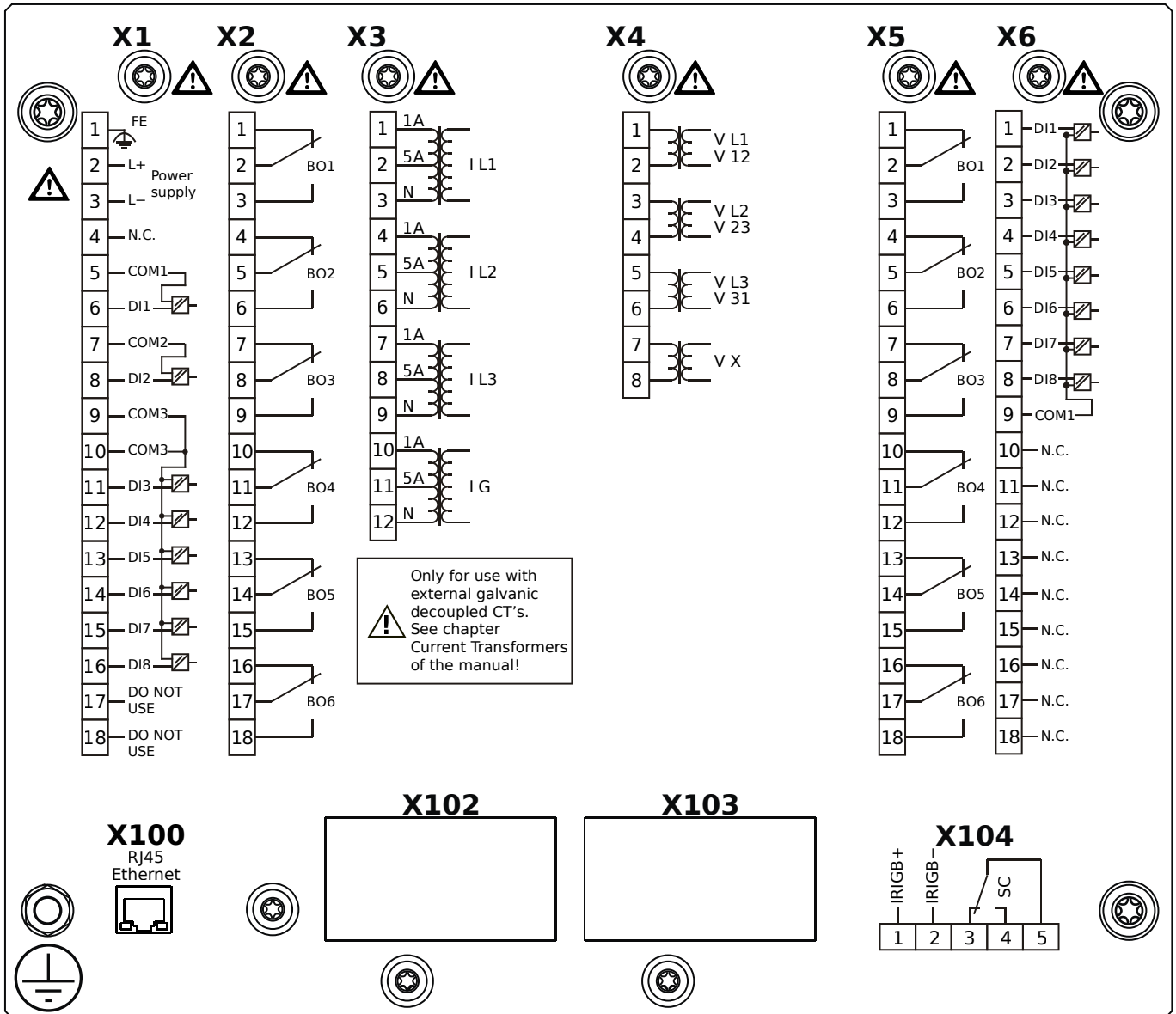
MRA4-2D0BCA



Housing B2, small display, 19" rack mounting

- X1** – DI8-X1: Wide-range power supply unit, incl. 2 non-grouped digital inputs and 6 grouped digital inputs
- X2** – OR6: Assembly Group with 6 Output Relays
- X3** – TI: Standard current measuring card
- X4** – TU: Card with 4 voltage transformer measuring inputs
- X5** – OR6: Assembly Group with 6 Output Relays
- X6** – DI8: Assembly Group with 8 Digital Inputs
- X100** – Modbus TCP / DNP3.0 TCP/UDP, Ethernet interface, 100 Mbit/s, RJ45 (BASE100-FX)
- X104** – IRIG-B00X, incl. System Contact (Supervision Contact)

MRA4-2D0BCB

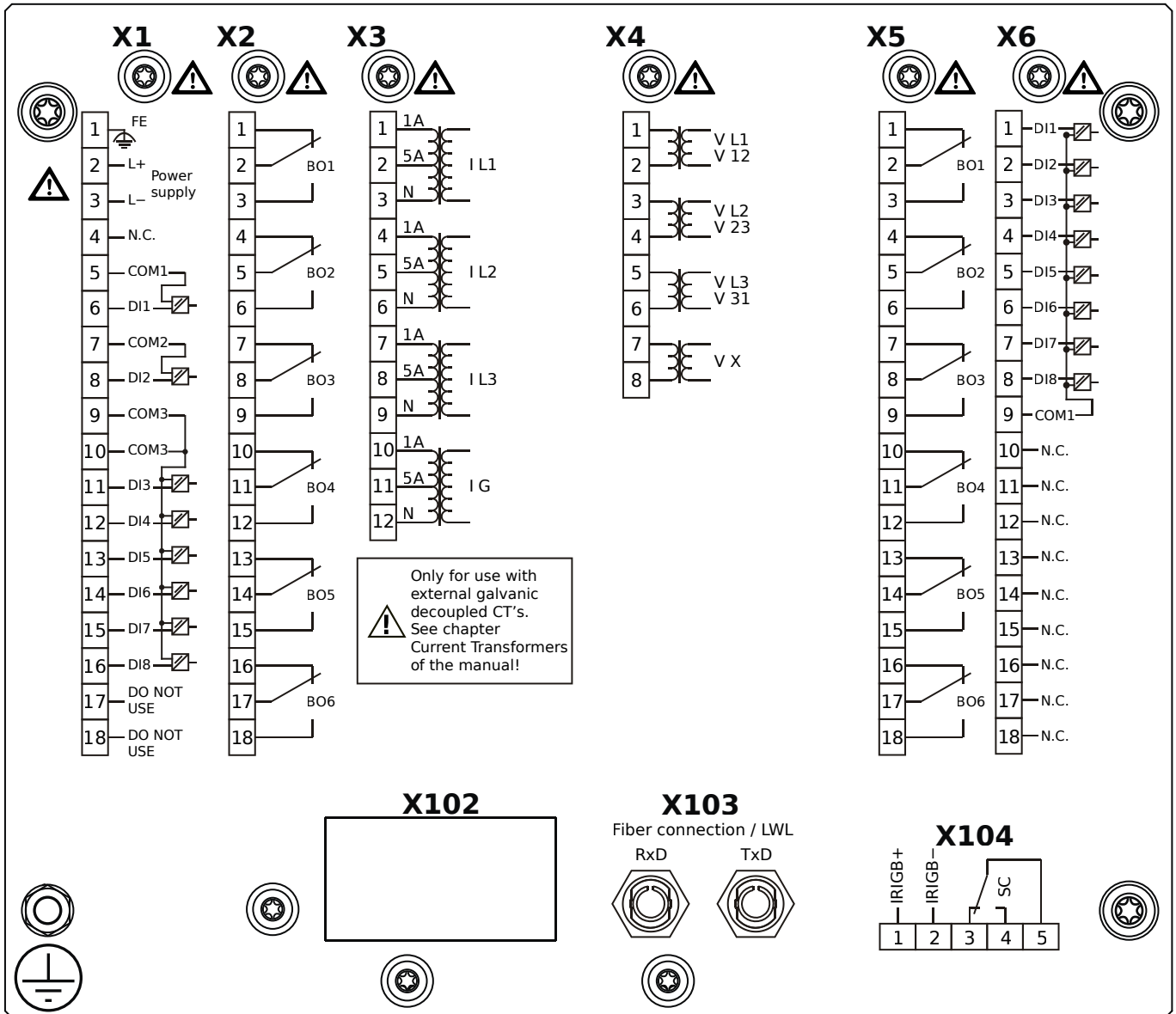


Housing B2, small display, 19" rack mounting

+ Conformal Coating (for installations in harsh environment)

- X1** – DI8-X1: Wide-range power supply unit, incl. 2 non-grouped digital inputs and 6 grouped digital inputs
- X2** – OR6: Assembly Group with 6 Output Relays
- X3** – TI: Standard current measuring card
- X4** – TU: Card with 4 voltage transformer measuring inputs
- X5** – OR6: Assembly Group with 6 Output Relays
- X6** – DI8: Assembly Group with 8 Digital Inputs
- X100** – Modbus TCP / DNP3.0 TCP/UDP, Ethernet interface, 100 Mbit/s, RJ45 (BASE100-FX)
- X104** – IRIG-B00X, incl. System Contact (Supervision Contact)

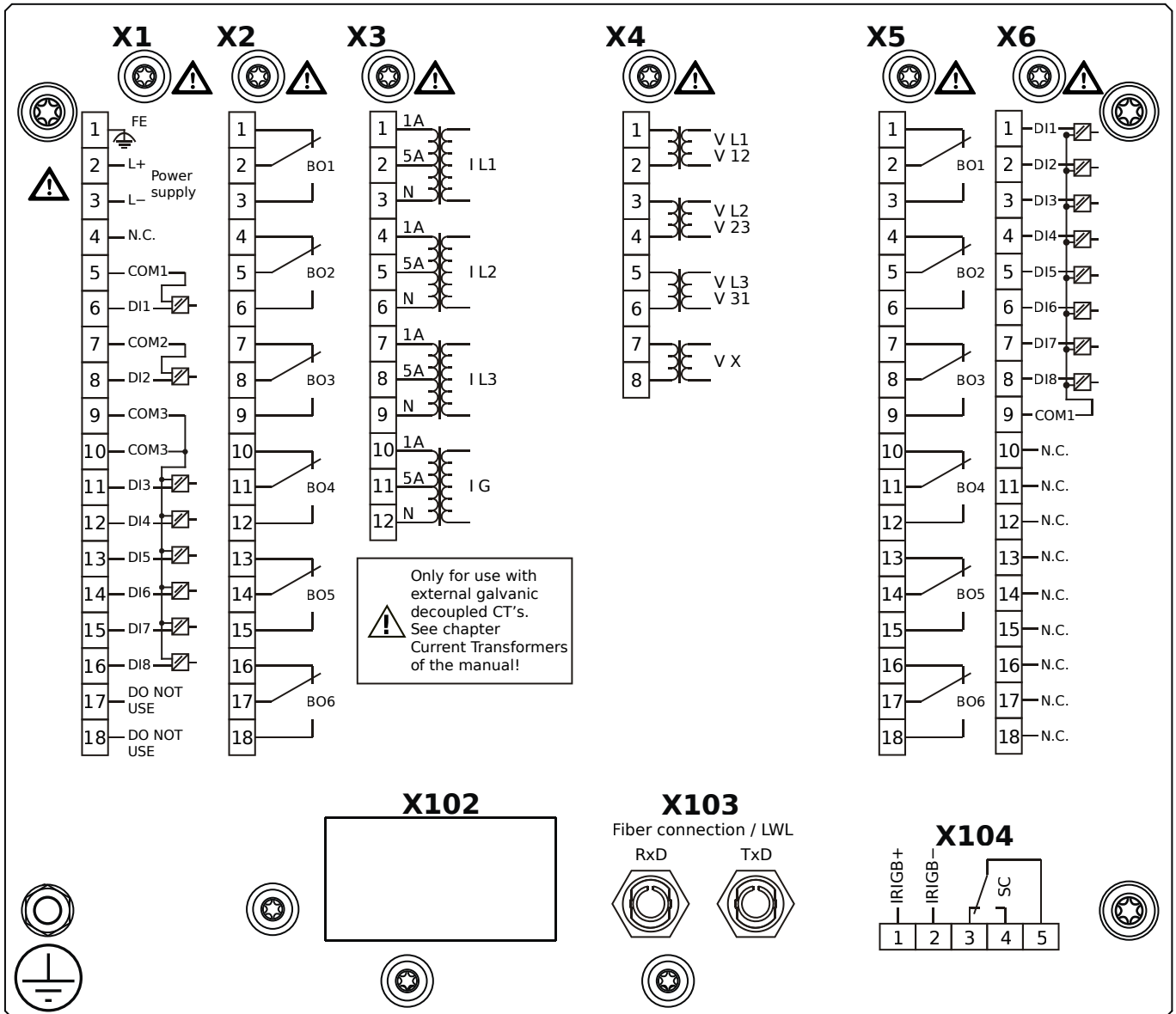
MRA4-2D0BDA



Housing B2, small display, 19" rack mounting

- X1** – DI8-X1: Wide-range power supply unit, incl. 2 non-grouped digital inputs and 6 grouped digital inputs
- X2** – OR6: Assembly Group with 6 Output Relays
- X3** – TI: Standard current measuring card
- X4** – TU: Card with 4 voltage transformer measuring inputs
- X5** – OR6: Assembly Group with 6 Output Relays
- X6** – DI8: Assembly Group with 8 Digital Inputs
- X103** – Profibus-DP, Fiber optics interface, ST Connector
- X104** – IRIG-B00X, incl. System Contact (Supervision Contact)

MRA4-2D0BDB

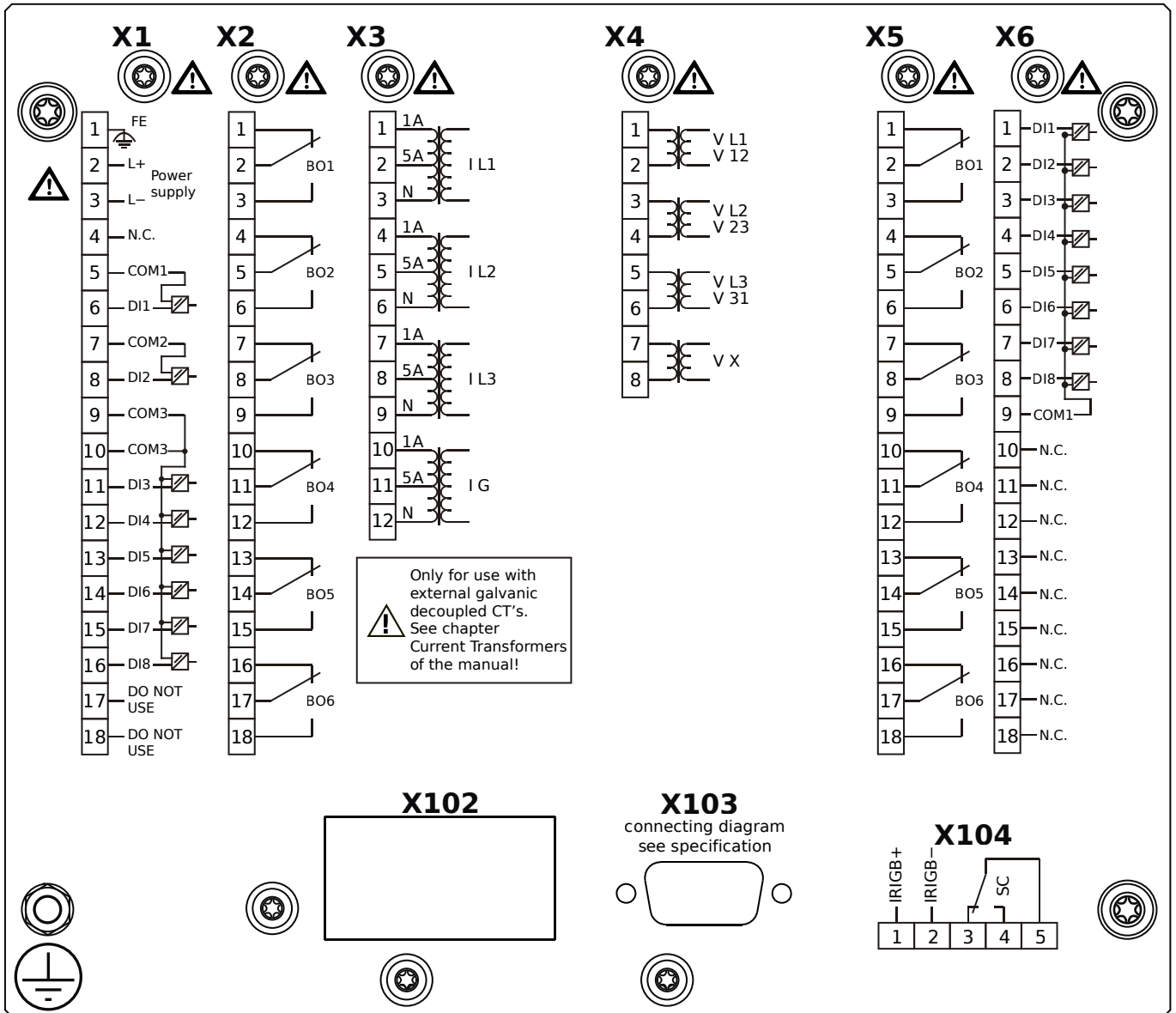


Housing B2, small display, 19" rack mounting

+ Conformal Coating (for installations in harsh environment)

- X1** – DI8-X1: Wide-range power supply unit, incl. 2 non-grouped digital inputs and 6 grouped digital inputs
- X2** – OR6: Assembly Group with 6 Output Relays
- X3** – TI: Standard current measuring card
- X4** – TU: Card with 4 voltage transformer measuring inputs
- X5** – OR6: Assembly Group with 6 Output Relays
- X6** – DI8: Assembly Group with 8 Digital Inputs
- X103** – Profibus-DP, Fiber optics interface, ST Connector
- X104** – IRIG-B00X, incl. System Contact (Supervision Contact)

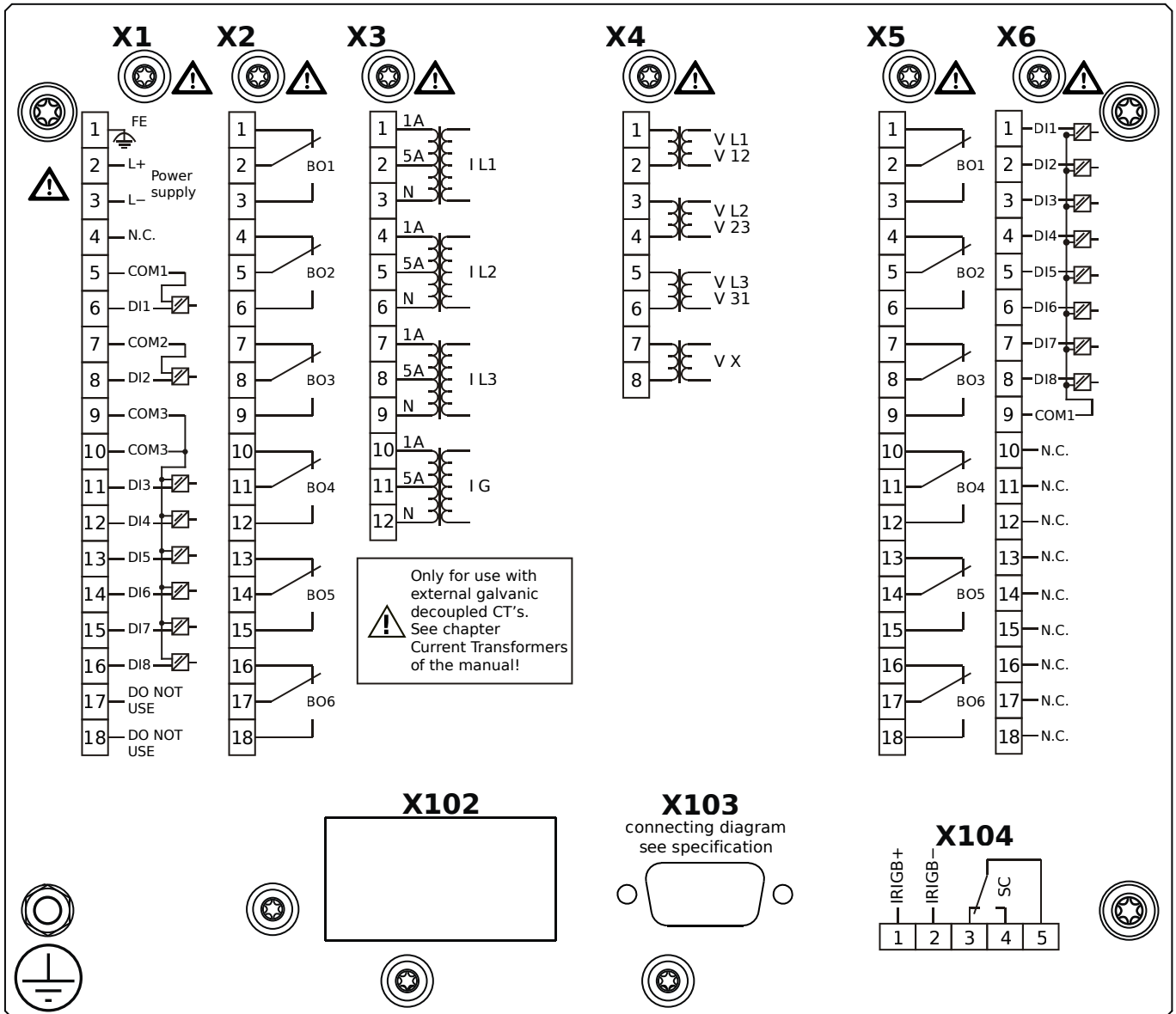
MRA4-2D0BEA



Housing B2, small display, 19" rack mounting

- X1** – DI8-X1: Wide-range power supply unit, incl. 2 non-grouped digital inputs and 6 grouped digital inputs
- X2** – OR6: Assembly Group with 6 Output Relays
- X3** – TI: Standard current measuring card
- X4** – TU: Card with 4 voltage transformer measuring inputs
- X5** – OR6: Assembly Group with 6 Output Relays
- X6** – DI8: Assembly Group with 8 Digital Inputs
- X103** – Profibus-DP, RS485, D-SUB
- X104** – IRIG-B00X, incl. System Contact (Supervision Contact)

MRA4-2D0BEB

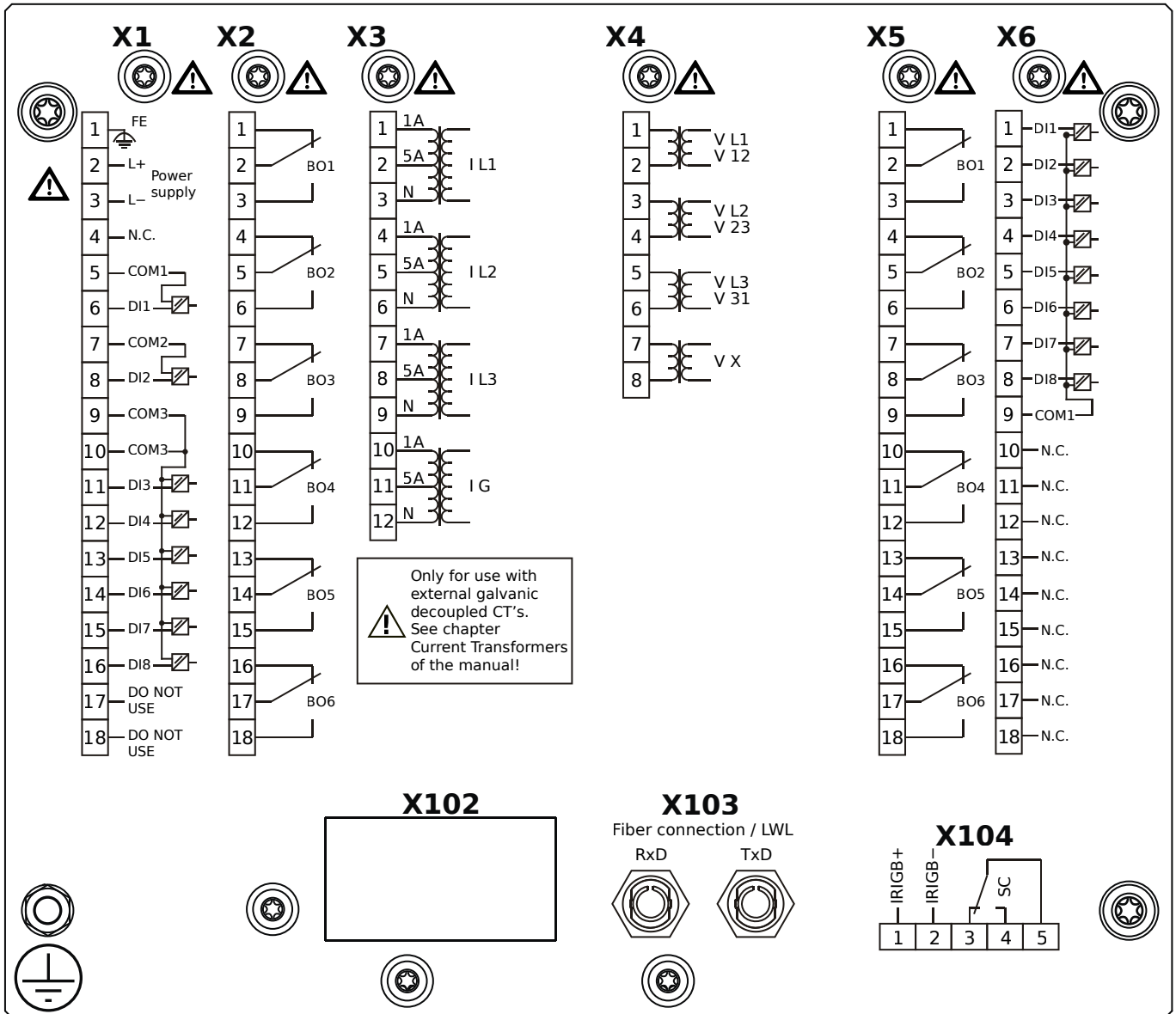


Housing B2, small display, 19" rack mounting

+ Conformal Coating (for installations in harsh environment)

- X1** – DI8-X1: Wide-range power supply unit, incl. 2 non-grouped digital inputs and 6 grouped digital inputs
- X2** – OR6: Assembly Group with 6 Output Relays
- X3** – TI: Standard current measuring card
- X4** – TU: Card with 4 voltage transformer measuring inputs
- X5** – OR6: Assembly Group with 6 Output Relays
- X6** – DI8: Assembly Group with 8 Digital Inputs
- X103** – Profibus-DP, RS485, D-SUB
- X104** – IRIG-B00X, incl. System Contact (Supervision Contact)

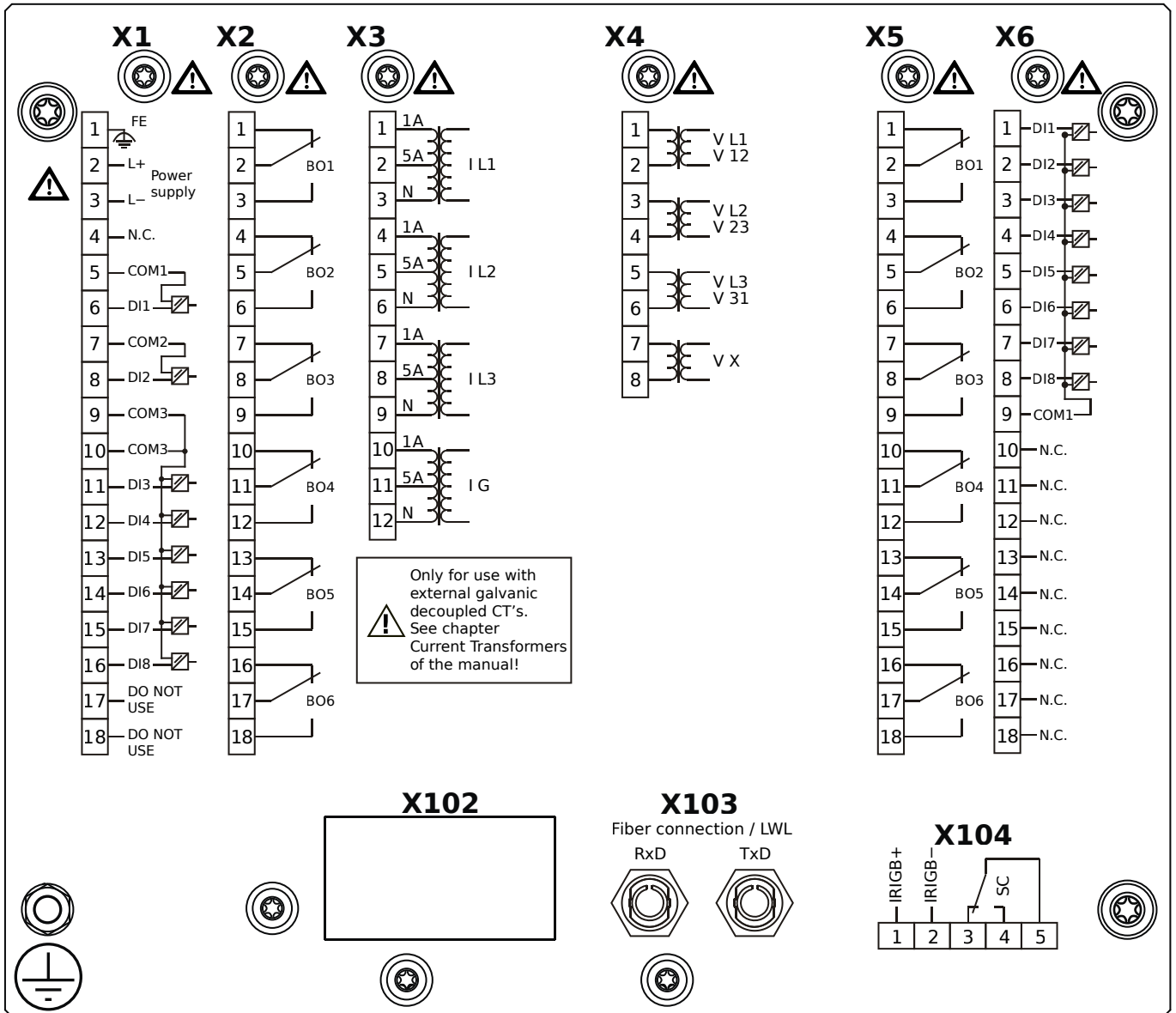
MRA4-2D0BFA



Housing B2, small display, 19" rack mounting

- X1** – DI8-X1: Wide-range power supply unit, incl. 2 non-grouped digital inputs and 6 grouped digital inputs
- X2** – OR6: Assembly Group with 6 Output Relays
- X3** – TI: Standard current measuring card
- X4** – TU: Card with 4 voltage transformer measuring inputs
- X5** – OR6: Assembly Group with 6 Output Relays
- X6** – DI8: Assembly Group with 8 Digital Inputs
- X103** – Modbus RTU / IEC 60870-5-103 / DNP3.0 RTU, Fiber optics interface, ST Connector
- X104** – IRIG-B00X, incl. System Contact (Supervision Contact)

MRA4-2D0BFB

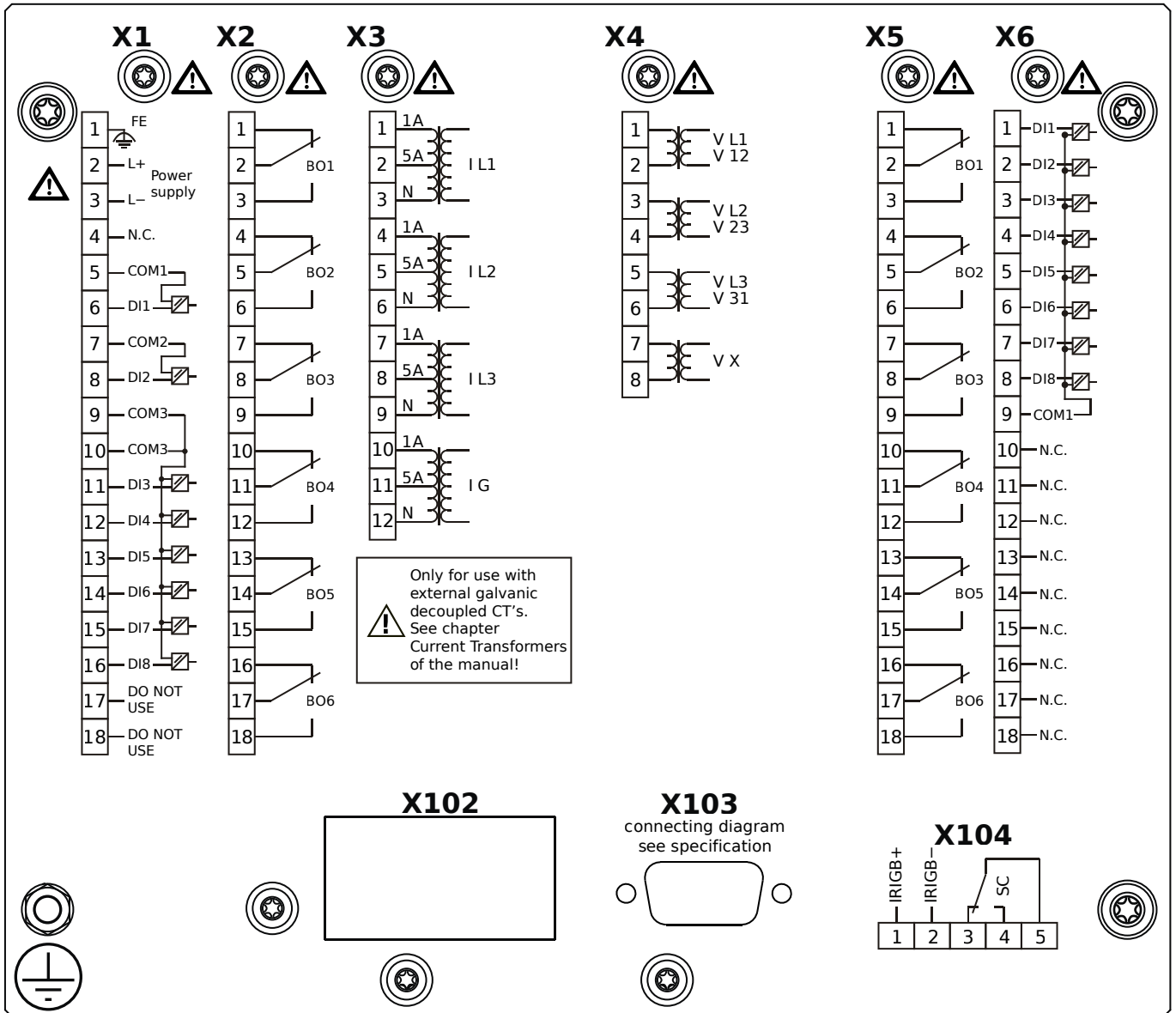


Housing B2, small display, 19" rack mounting

+ Conformal Coating (for installations in harsh environment)

- X1** – DI8-X1: Wide-range power supply unit, incl. 2 non-grouped digital inputs and 6 grouped digital inputs
- X2** – OR6: Assembly Group with 6 Output Relays
- X3** – TI: Standard current measuring card
- X4** – TU: Card with 4 voltage transformer measuring inputs
- X5** – OR6: Assembly Group with 6 Output Relays
- X6** – DI8: Assembly Group with 8 Digital Inputs
- X103** – Modbus RTU / IEC 60870-5-103 / DNP3.0 RTU, Fiber optics interface, ST Connector
- X104** – IRIG-B00X, incl. System Contact (Supervision Contact)

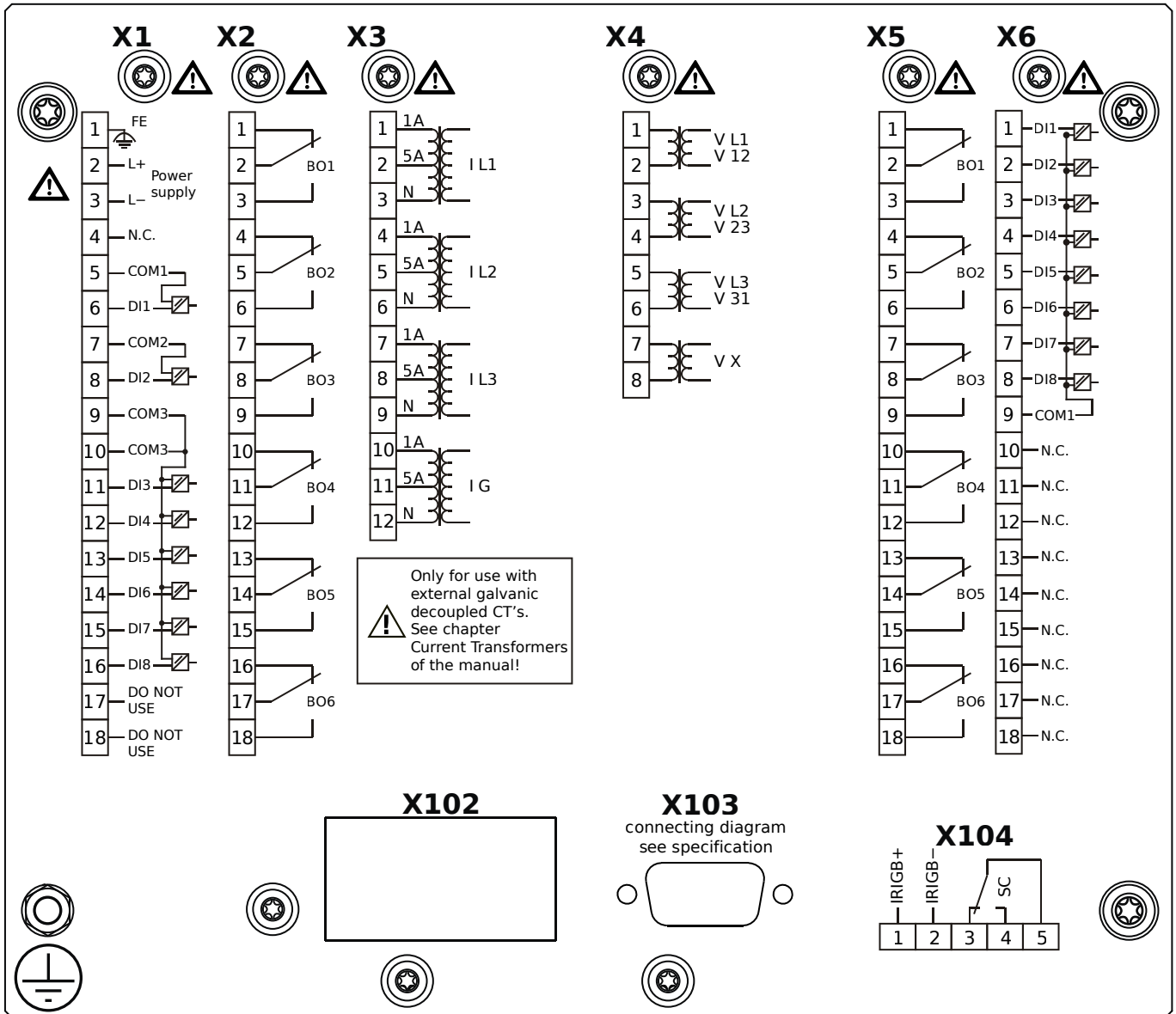
MRA4-2D0BGA



Housing B2, small display, 19" rack mounting

- X1** – DI8-X1: Wide-range power supply unit, incl. 2 non-grouped digital inputs and 6 grouped digital inputs
- X2** – OR6: Assembly Group with 6 Output Relays
- X3** – TI: Standard current measuring card
- X4** – TU: Card with 4 voltage transformer measuring inputs
- X5** – OR6: Assembly Group with 6 Output Relays
- X6** – DI8: Assembly Group with 8 Digital Inputs
- X103** – Modbus RTU / IEC 60870-5-103 / DNP3.0 RTU, RS485, D-SUB
- X104** – IRIG-B00X, incl. System Contact (Supervision Contact)

MRA4-2D0BGB

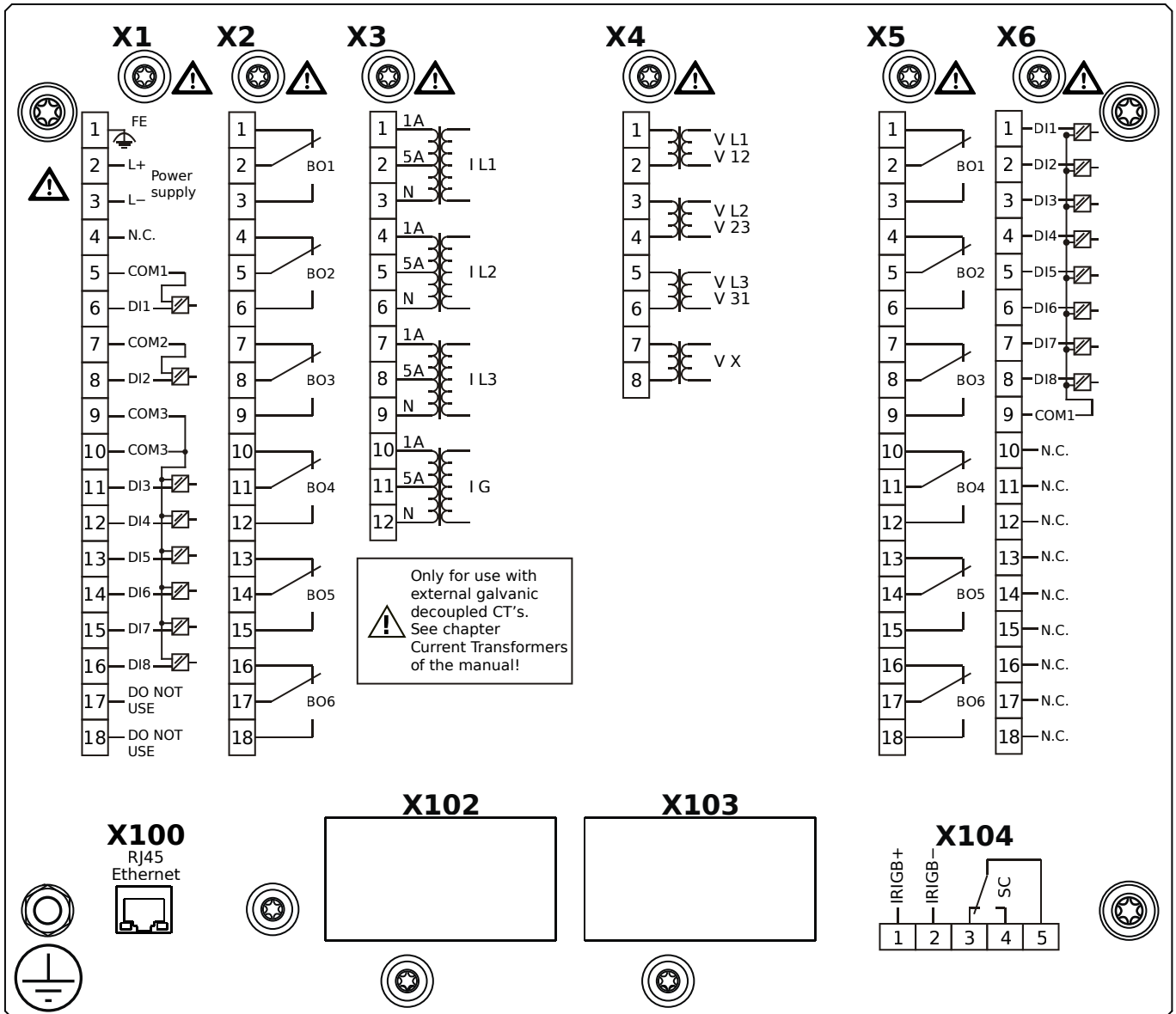


Housing B2, small display, 19" rack mounting

+ Conformal Coating (for installations in harsh environment)

- X1** – DI8-X1: Wide-range power supply unit, incl. 2 non-grouped digital inputs and 6 grouped digital inputs
- X2** – OR6: Assembly Group with 6 Output Relays
- X3** – TI: Standard current measuring card
- X4** – TU: Card with 4 voltage transformer measuring inputs
- X5** – OR6: Assembly Group with 6 Output Relays
- X6** – DI8: Assembly Group with 8 Digital Inputs
- X103** – Modbus RTU / IEC 60870-5-103 / DNP3.0 RTU, RS485, D-SUB
- X104** – IRIG-B00X, incl. System Contact (Supervision Contact)

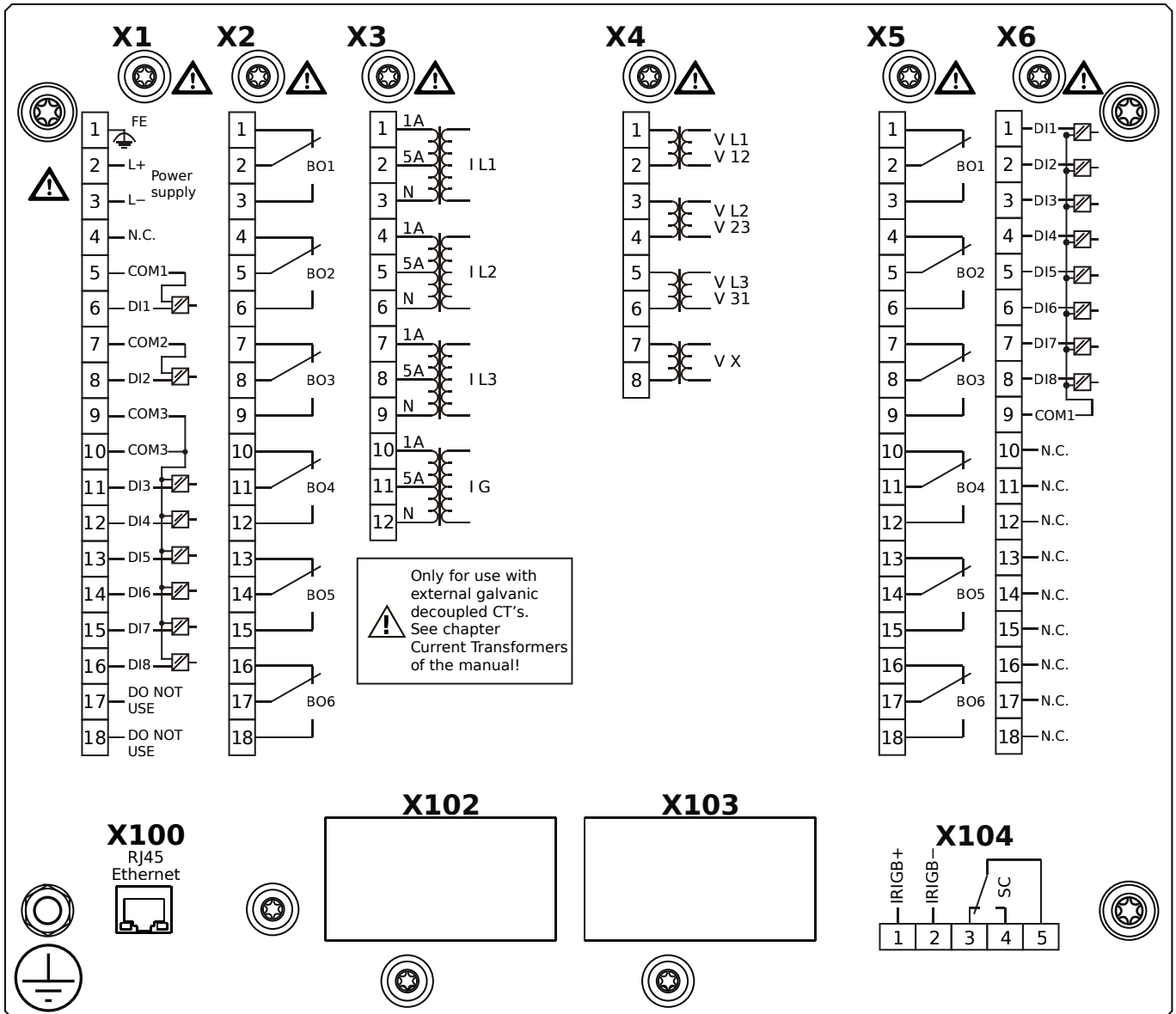
MRA4-2D0BHA



Housing B2, small display, 19" rack mounting

- X1** – DI8-X1: Wide-range power supply unit, incl. 2 non-grouped digital inputs and 6 grouped digital inputs
- X2** – OR6: Assembly Group with 6 Output Relays
- X3** – TI: Standard current measuring card
- X4** – TU: Card with 4 voltage transformer measuring inputs
- X5** – OR6: Assembly Group with 6 Output Relays
- X6** – DI8: Assembly Group with 8 Digital Inputs
- X100** – IEC 61850 / Modbus TCP / DNP3.0 TCP/UDP, Ethernet interface, 100 Mbit/s, RJ45 (BASE100-FX)
- X104** – IRIG-B00X, incl. System Contact (Supervision Contact)

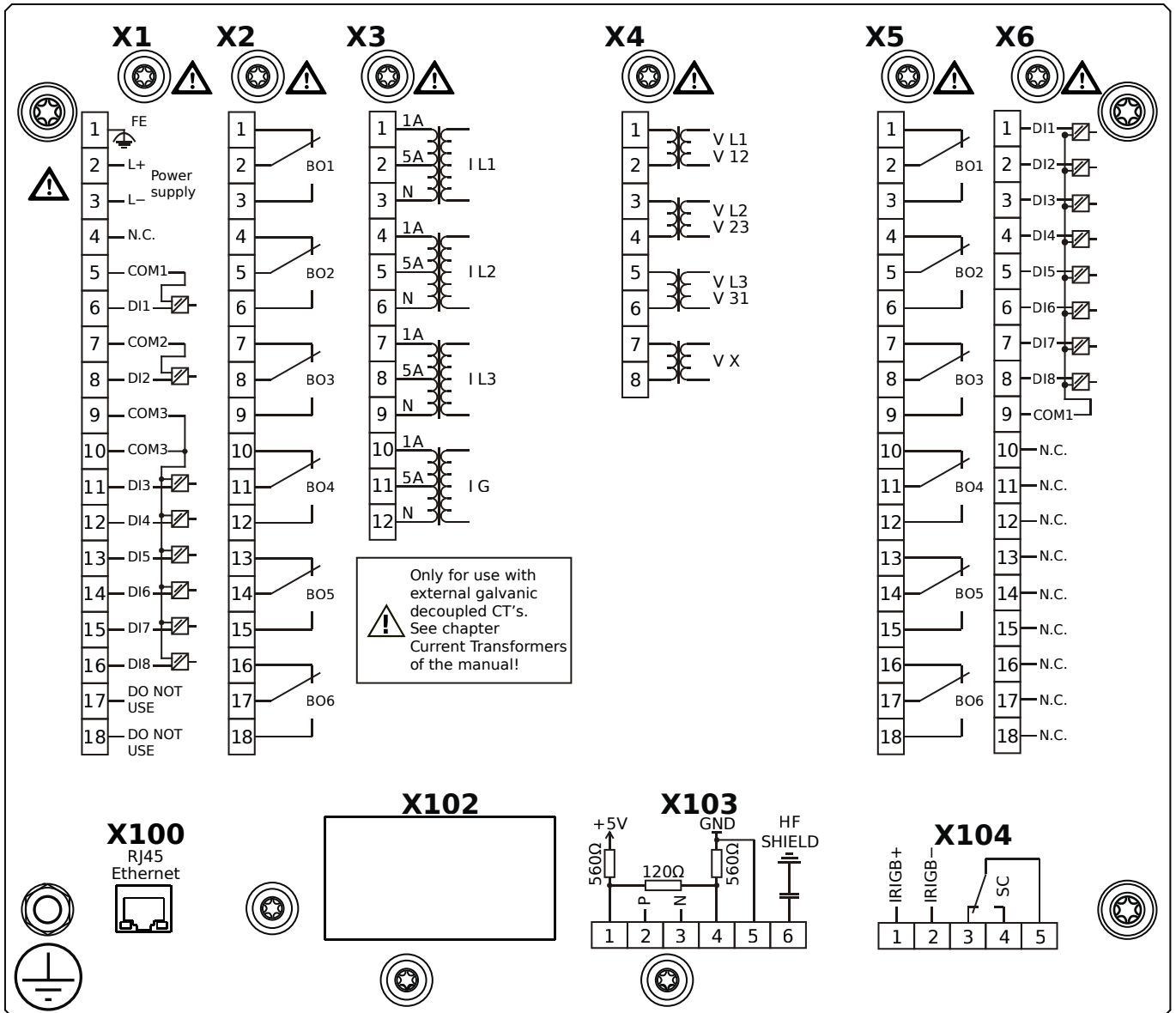
MRA4-2D0BHB



Housing B2, small display, 19" rack mounting

- + Conformal Coating (for installations in harsh environment)
- X1** – DI8-X1: Wide-range power supply unit, incl. 2 non-grouped digital inputs and 6 grouped digital inputs
- X2** – OR6: Assembly Group with 6 Output Relays
- X3** – TI: Standard current measuring card
- X4** – TU: Card with 4 voltage transformer measuring inputs
- X5** – OR6: Assembly Group with 6 Output Relays
- X6** – DI8: Assembly Group with 8 Digital Inputs
- X100** – IEC 61850 / Modbus TCP / DNP3.0 TCP/UDP, Ethernet interface, 100 Mbit/s, RJ45 (BASE100-FX)
- X104** – IRIG-B00X, incl. System Contact (Supervision Contact)

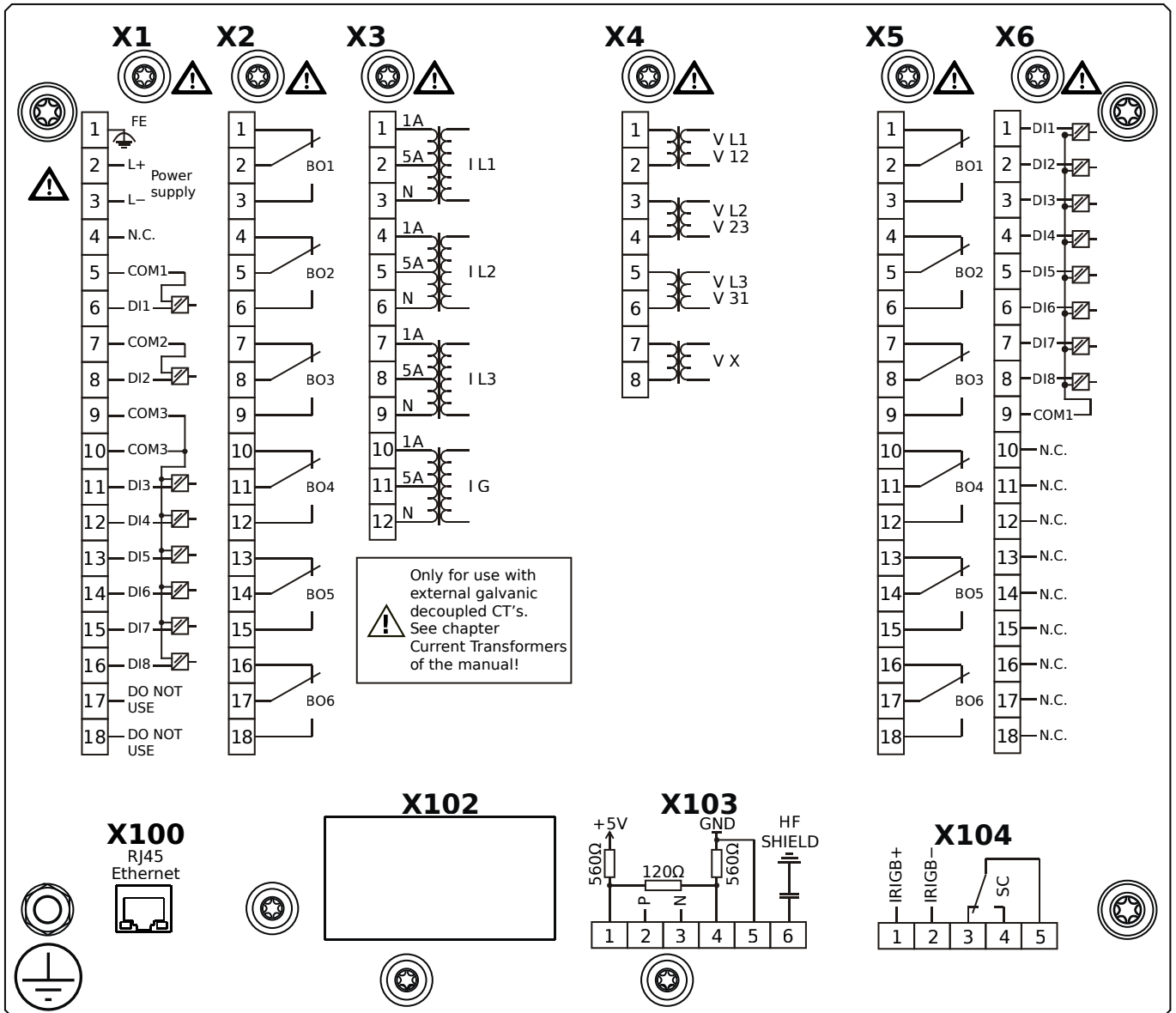
MRA4-2D0BIA



Housing B2, small display, 19" rack mounting

- X1** – DI8-X1: Wide-range power supply unit, incl. 2 non-grouped digital inputs and 6 grouped digital inputs
- X2** – OR6: Assembly Group with 6 Output Relays
- X3** – TI: Standard current measuring card
- X4** – TU: Card with 4 voltage transformer measuring inputs
- X5** – OR6: Assembly Group with 6 Output Relays
- X6** – DI8: Assembly Group with 8 Digital Inputs
- X100** – Modbus TCP / DNP3.0 TCP/UDP, Ethernet interface, 100 Mbit/s, RJ45 (BASE100-FX)
- X103** – IEC 60870-5-103 / Modbus RTU / DNP3.0 RTU, RS485, Terminals
- X104** – IRIG-B00X, incl. System Contact (Supervision Contact)

MRA4-2D0BIB

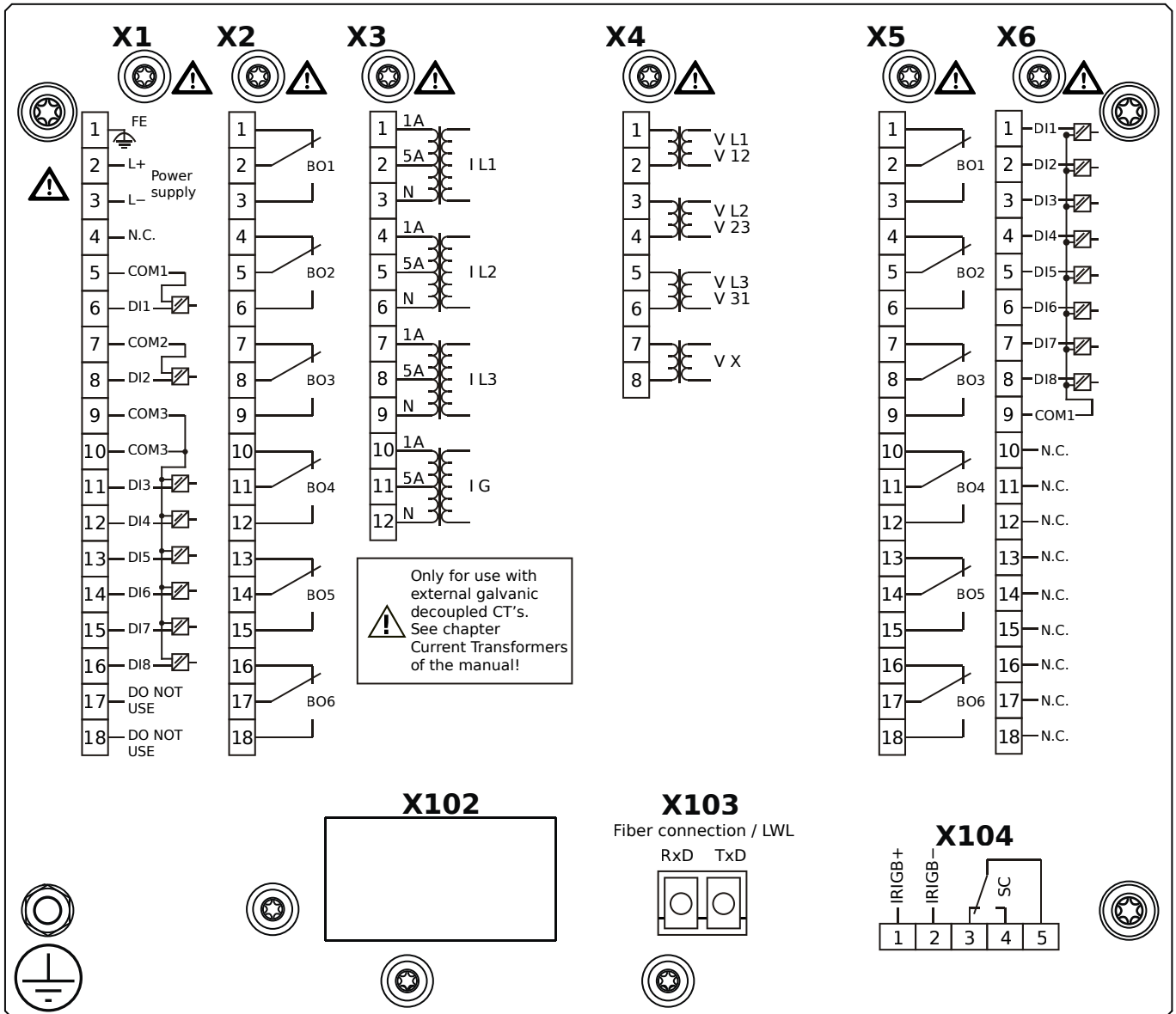


Housing B2, small display, 19" rack mounting

+ Conformal Coating (for installations in harsh environment)

- X1** – DI8-X1: Wide-range power supply unit, incl. 2 non-grouped digital inputs and 6 grouped digital inputs
- X2** – OR6: Assembly Group with 6 Output Relays
- X3** – TI: Standard current measuring card
- X4** – TU: Card with 4 voltage transformer measuring inputs
- X5** – OR6: Assembly Group with 6 Output Relays
- X6** – DI8: Assembly Group with 8 Digital Inputs
- X100** – Modbus TCP / DNP3.0 TCP/UDP, Ethernet interface, 100 Mbit/s, RJ45 (BASE100-FX)
- X103** – IEC 60870-5-103 / Modbus RTU / DNP3.0 RTU, RS485, Terminals
- X104** – IRIG-B00X, incl. System Contact (Supervision Contact)

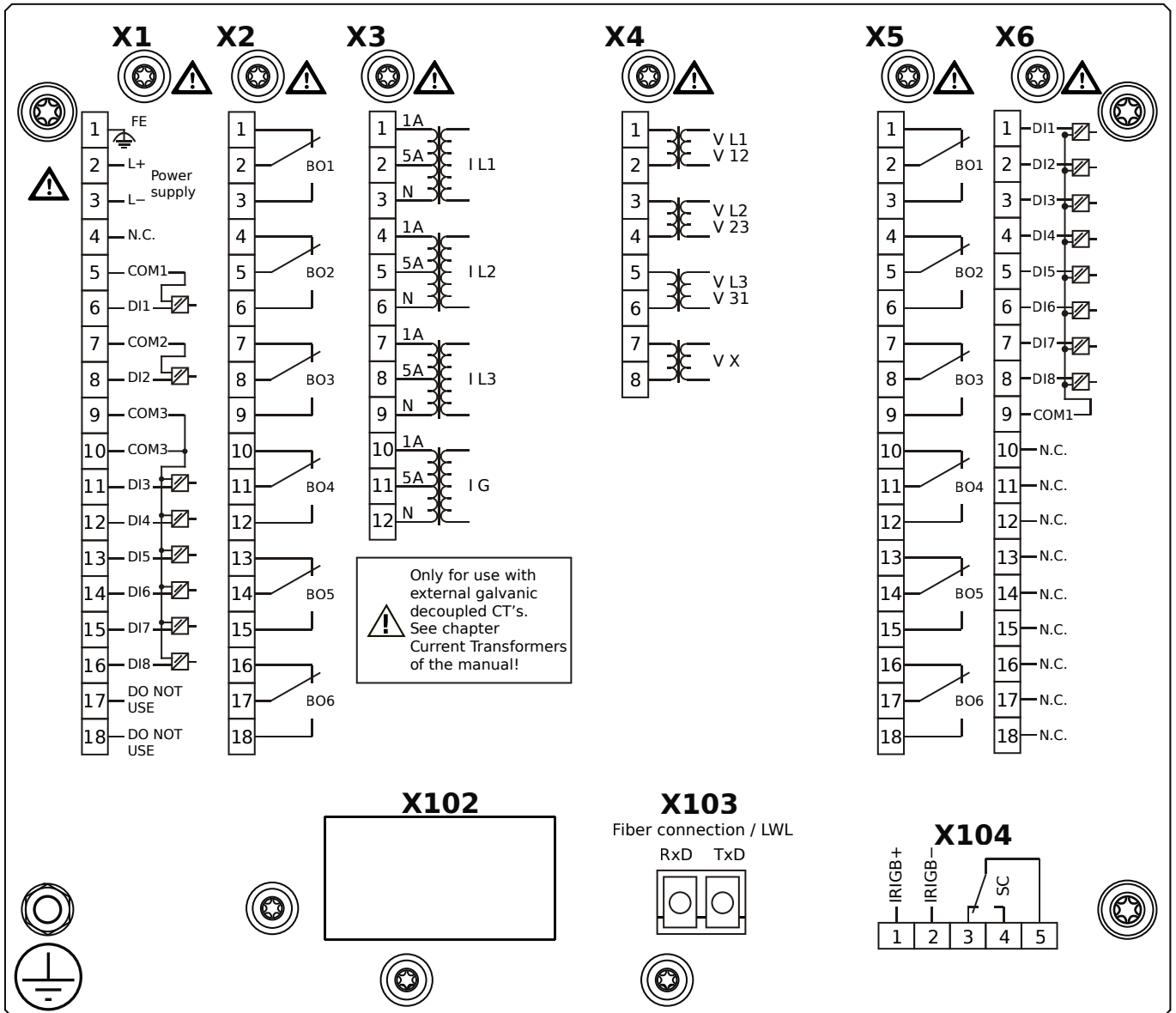
MRA4-2D0BKA



Housing B2, small display, 19" rack mounting

- X1** – DI8-X1: Wide-range power supply unit, incl. 2 non-grouped digital inputs and 6 grouped digital inputs
- X2** – OR6: Assembly Group with 6 Output Relays
- X3** – TI: Standard current measuring card
- X4** – TU: Card with 4 voltage transformer measuring inputs
- X5** – OR6: Assembly Group with 6 Output Relays
- X6** – DI8: Assembly Group with 8 Digital Inputs
- X103** – IEC 61850 / Modbus TCP / DNP3.0 TCP/UDP, Fiber optics interface, LC Connector
- X104** – IRIG-B00X, incl. System Contact (Supervision Contact)

MRA4-2D0BKB

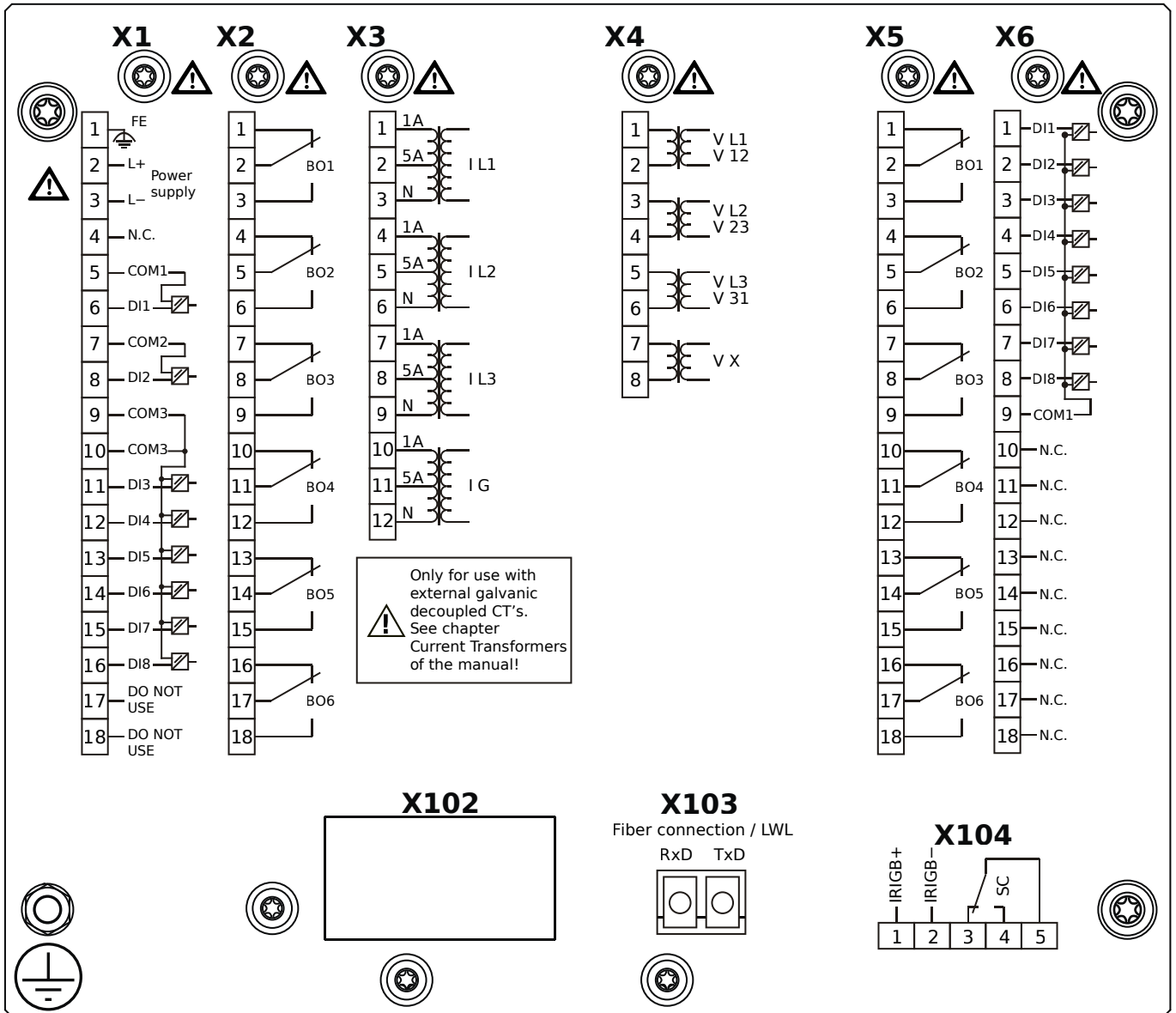


Housing B2, small display, 19" rack mounting

+ Conformal Coating (for installations in harsh environment)

- X1** – DI8-X1: Wide-range power supply unit, incl. 2 non-grouped digital inputs and 6 grouped digital inputs
- X2** – OR6: Assembly Group with 6 Output Relays
- X3** – TI: Standard current measuring card
- X4** – TU: Card with 4 voltage transformer measuring inputs
- X5** – OR6: Assembly Group with 6 Output Relays
- X6** – DI8: Assembly Group with 8 Digital Inputs
- X103** – IEC 61850 / Modbus TCP / DNP3.0 TCP/UDP, Fiber optics interface, LC Connector
- X104** – IRIG-B00X, incl. System Contact (Supervision Contact)

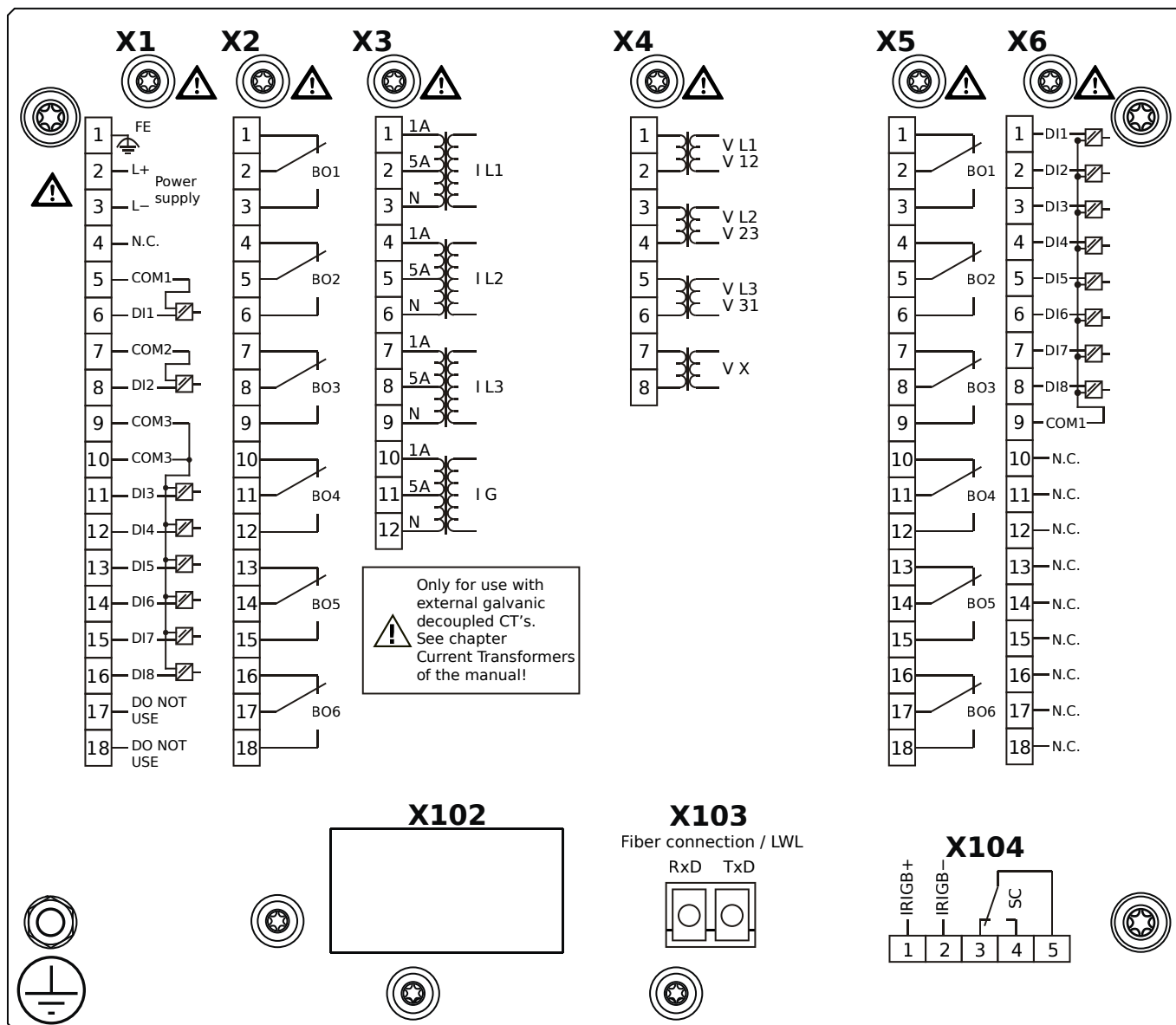
MRA4-2D0BLA



Housing B2, small display, 19" rack mounting

- X1** – DI8-X1: Wide-range power supply unit, incl. 2 non-grouped digital inputs and 6 grouped digital inputs
- X2** – OR6: Assembly Group with 6 Output Relays
- X3** – TI: Standard current measuring card
- X4** – TU: Card with 4 voltage transformer measuring inputs
- X5** – OR6: Assembly Group with 6 Output Relays
- X6** – DI8: Assembly Group with 8 Digital Inputs
- X103** – Modbus TCP / DNP3.0 TCP/UDP, Fiber optics interface, LC Connector
- X104** – IRIG-B00X, incl. System Contact (Supervision Contact)

MRA4-2D0BLB

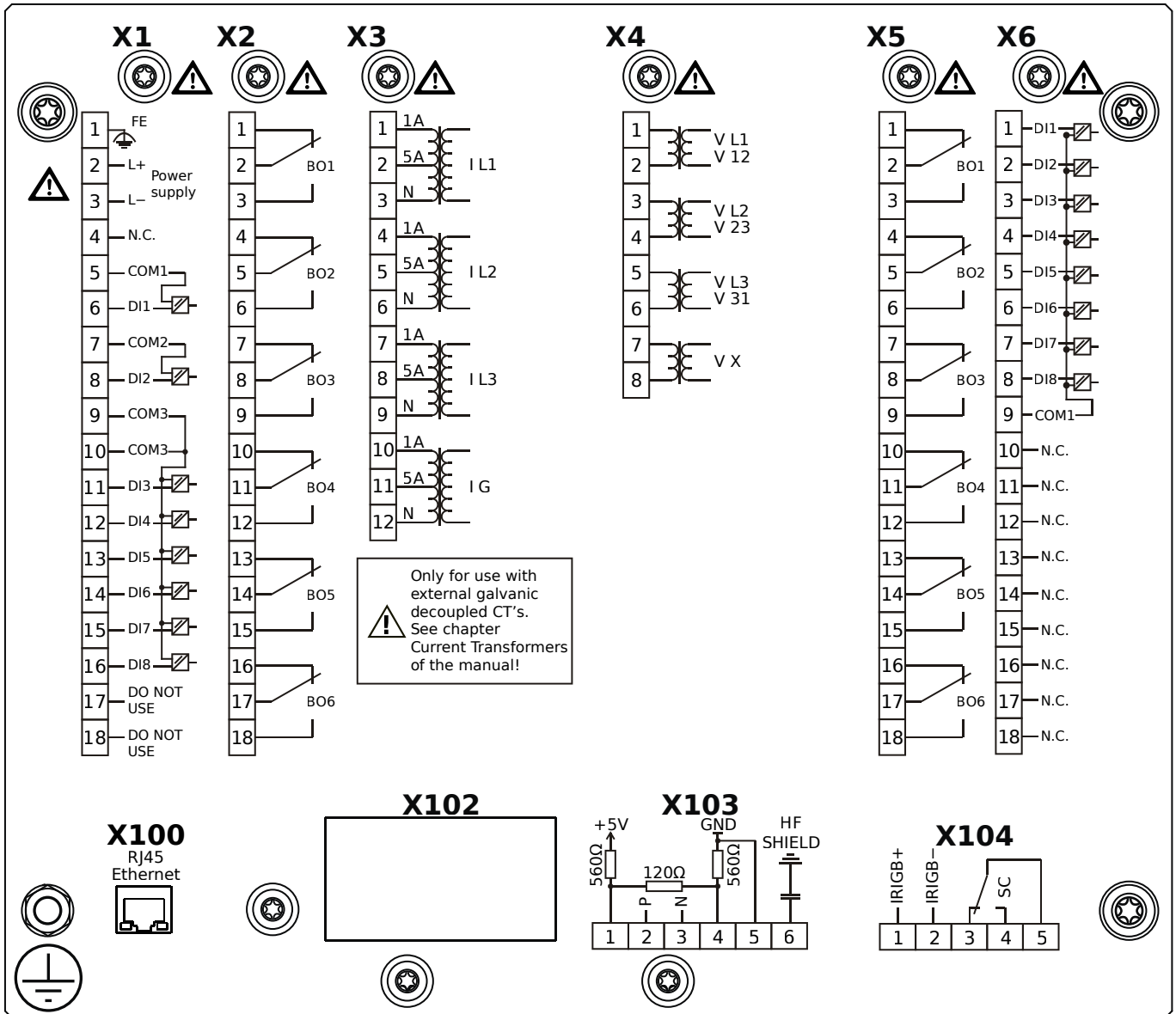


Housing B2, small display, 19" rack mounting

+ Conformal Coating (for installations in harsh environment)

- X1** – DI8-X1: Wide-range power supply unit, incl. 2 non-grouped digital inputs and 6 grouped digital inputs
- X2** – OR6: Assembly Group with 6 Output Relays
- X3** – TI: Standard current measuring card
- X4** – TU: Card with 4 voltage transformer measuring inputs
- X5** – OR6: Assembly Group with 6 Output Relays
- X6** – DI8: Assembly Group with 8 Digital Inputs
- X103** – Modbus TCP / DNP3.0 TCP/UDP, Fiber optics interface, LC Connector
- X104** – IRIG-B00X, incl. System Contact (Supervision Contact)

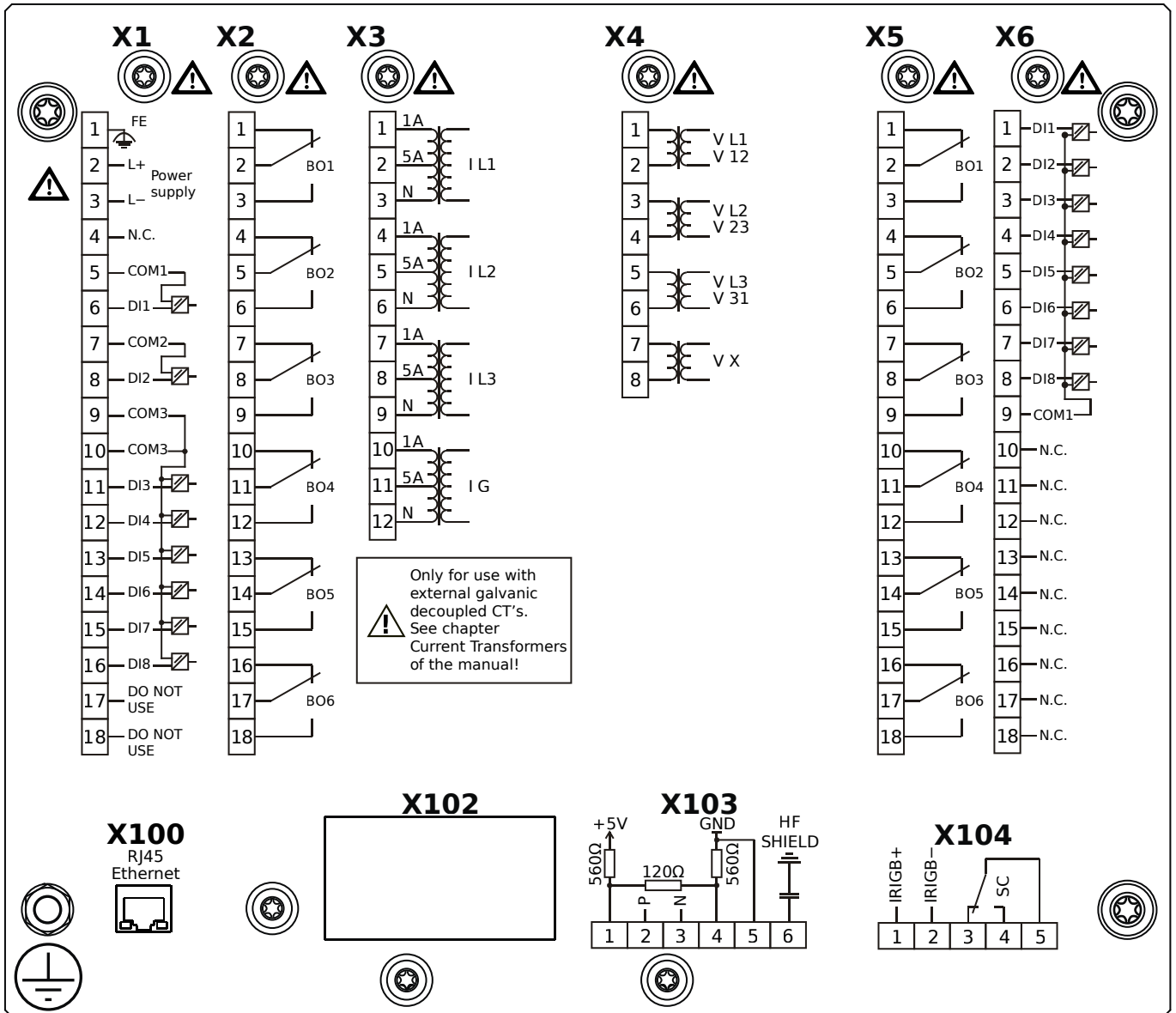
MRA4-2D0BTA



Housing B2, small display, 19" rack mounting

- X1** – DI8-X1: Wide-range power supply unit, incl. 2 non-grouped digital inputs and 6 grouped digital inputs
- X2** – OR6: Assembly Group with 6 Output Relays
- X3** – TI: Standard current measuring card
- X4** – TU: Card with 4 voltage transformer measuring inputs
- X5** – OR6: Assembly Group with 6 Output Relays
- X6** – DI8: Assembly Group with 8 Digital Inputs
- X100** – IEC 61850 / Modbus TCP / DNP3.0 TCP/UDP, Ethernet interface, 100 Mbit/s, RJ45 (BASE100-FX)
- X103** – IEC 60870-5-103 / Modbus RTU / DNP3.0 RTU, RS485, Terminals
- X104** – IRIG-B00X, incl. System Contact (Supervision Contact)

MRA4-2D0BTB



Housing B2, small display, 19" rack mounting

+ Conformal Coating (for installations in harsh environment)

X1 – DI8-X1: Wide-range power supply unit, incl. 2 non-grouped digital inputs and 6 grouped digital inputs

X2 – OR6: Assembly Group with 6 Output Relays

X3 – TI: Standard current measuring card

X4 – TU: Card with 4 voltage transformer measuring inputs

X5 – OR6: Assembly Group with 6 Output Relays

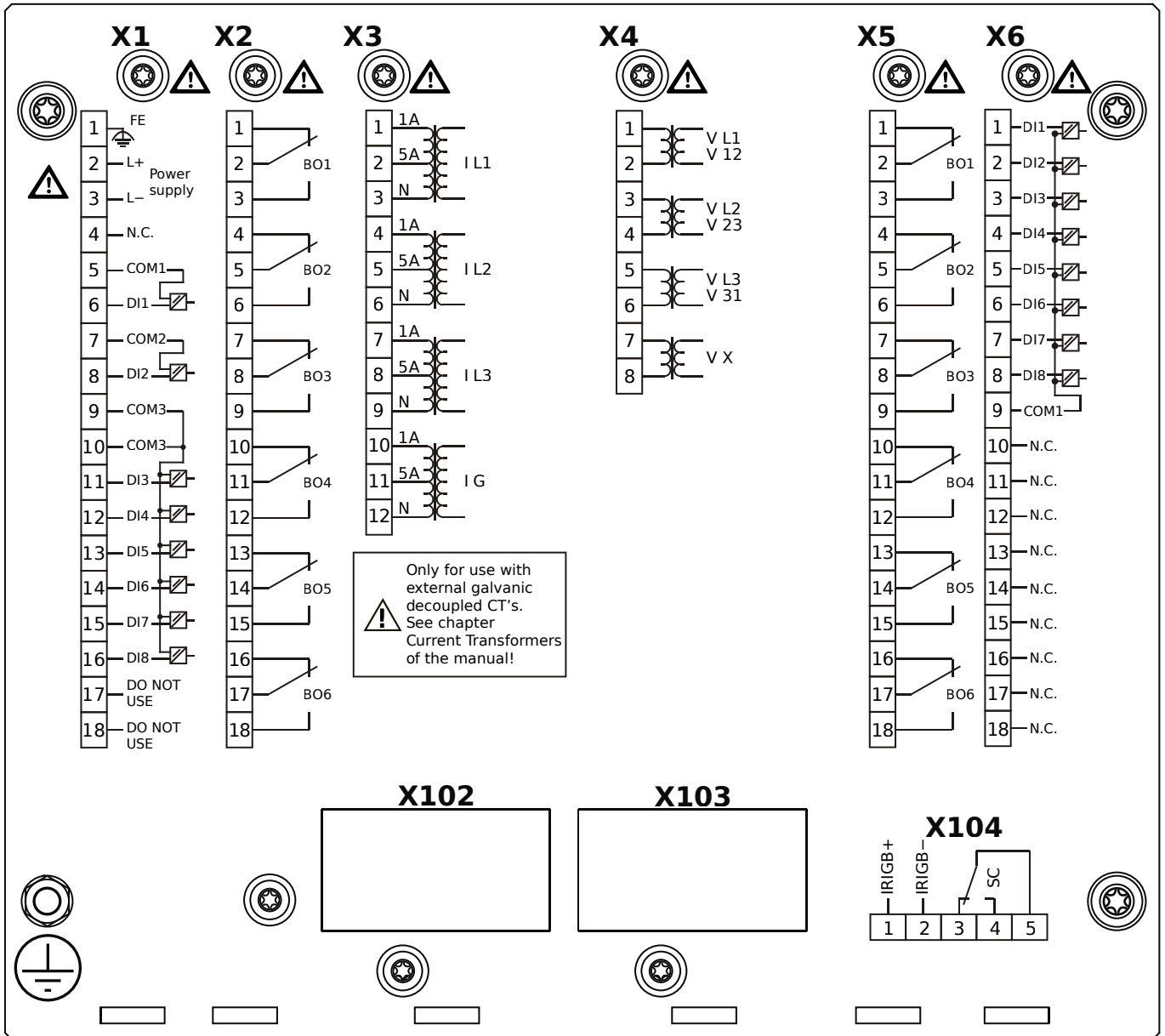
X6 – DI8: Assembly Group with 8 Digital Inputs

X100 – IEC 61850 / Modbus TCP / DNP3.0 TCP/UDP, Ethernet interface, 100 Mbit/s, RJ45 (BASE100-FX)

X103 – IEC 60870-5-103 / Modbus RTU / DNP3.0 RTU, RS485, Terminals

X104 – IRIG-B00X, incl. System Contact (Supervision Contact)

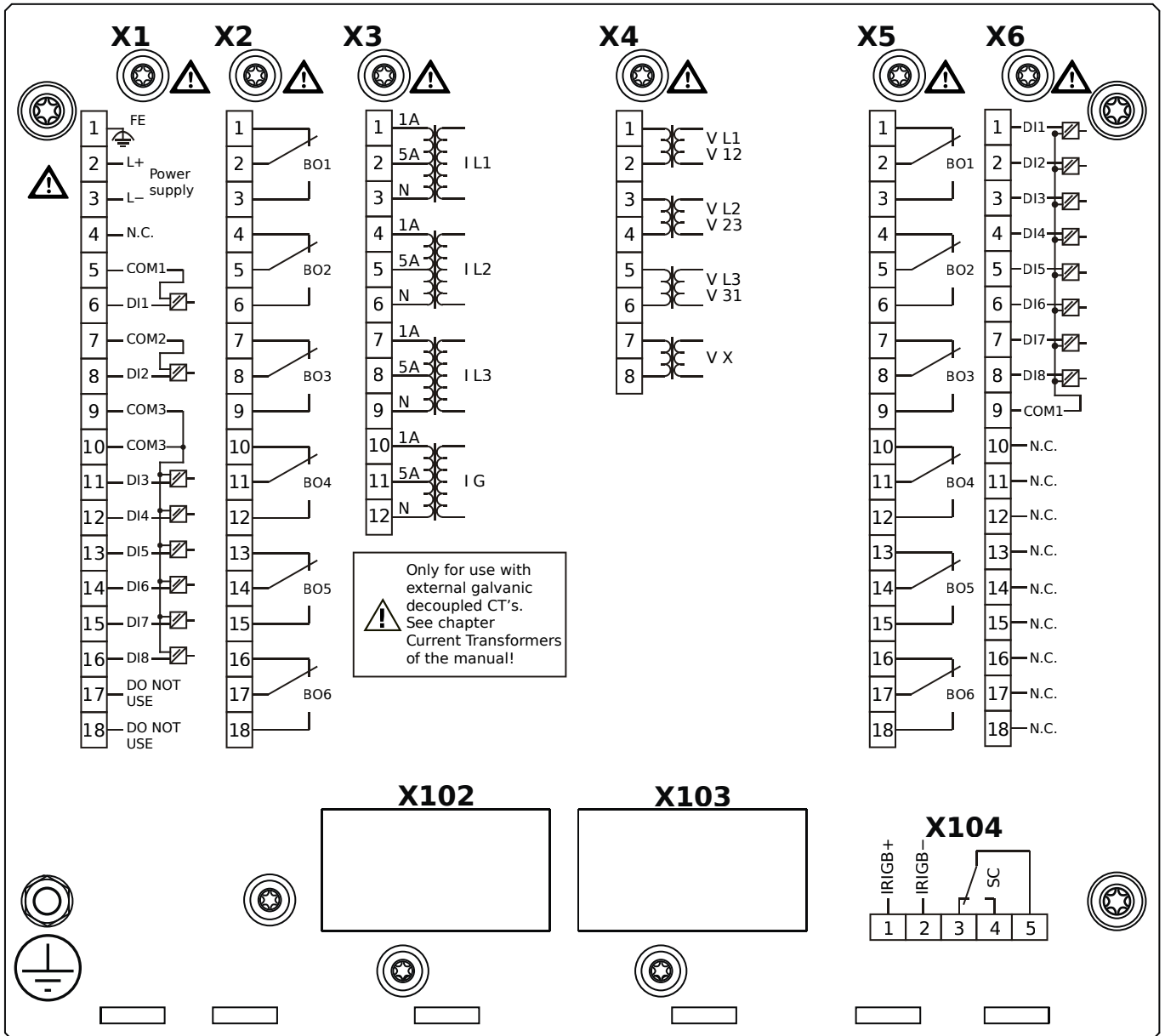
MRA4-2D0HAA



Housing B2, small display, door mounting

- X1** – DI8-X1: Wide-range power supply unit, incl. 2 non-grouped digital inputs and 6 grouped digital inputs
- X2** – OR6: Assembly Group with 6 Output Relays
- X3** – TI: Standard current measuring card
- X4** – TU: Card with 4 voltage transformer measuring inputs
- X5** – OR6: Assembly Group with 6 Output Relays
- X6** – DI8: Assembly Group with 8 Digital Inputs
- X104** – IRIG-B00X, incl. System Contact (Supervision Contact)

MRA4-2D0HAB

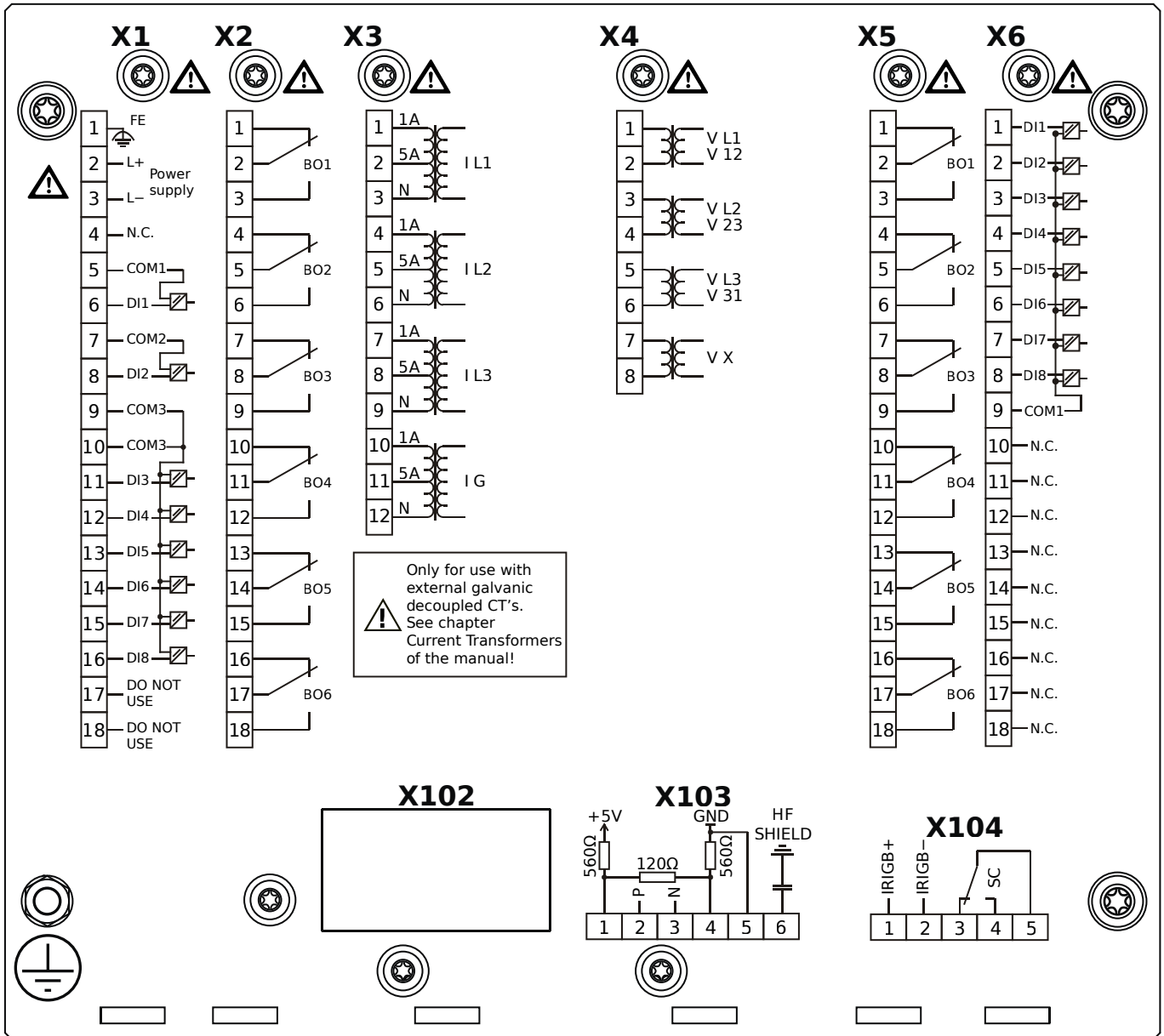


Housing B2, small display, door mounting

+ Conformal Coating (for installations in harsh environment)

- X1** – DI8-X1: Wide-range power supply unit, incl. 2 non-grouped digital inputs and 6 grouped digital inputs
- X2** – OR6: Assembly Group with 6 Output Relays
- X3** – TI: Standard current measuring card
- X4** – TU: Card with 4 voltage transformer measuring inputs
- X5** – OR6: Assembly Group with 6 Output Relays
- X6** – DI8: Assembly Group with 8 Digital Inputs
- X104** – IRIG-B00X, incl. System Contact (Supervision Contact)

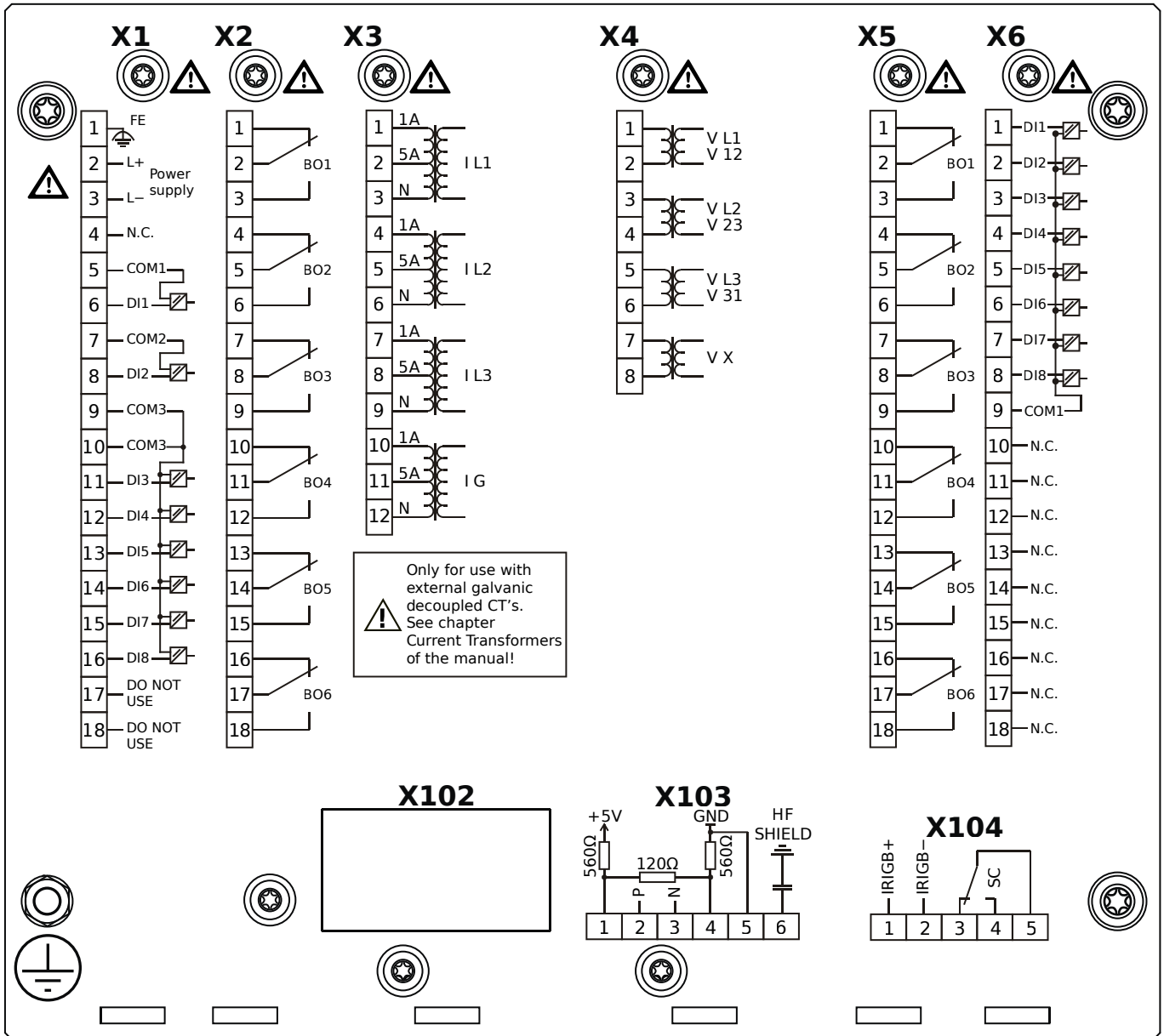
MRA4-2D0HBA



Housing B2, small display, door mounting

- X1** – DI8-X1: Wide-range power supply unit, incl. 2 non-grouped digital inputs and 6 grouped digital inputs
- X2** – OR6: Assembly Group with 6 Output Relays
- X3** – TI: Standard current measuring card
- X4** – TU: Card with 4 voltage transformer measuring inputs
- X5** – OR6: Assembly Group with 6 Output Relays
- X6** – DI8: Assembly Group with 8 Digital Inputs
- X103** – Modbus RTU / IEC 60870-5-103 / DNP3.0 RTU, RS485, Terminals
- X104** – IRIG-B00X, incl. System Contact (Supervision Contact)

MRA4-2D0HBB

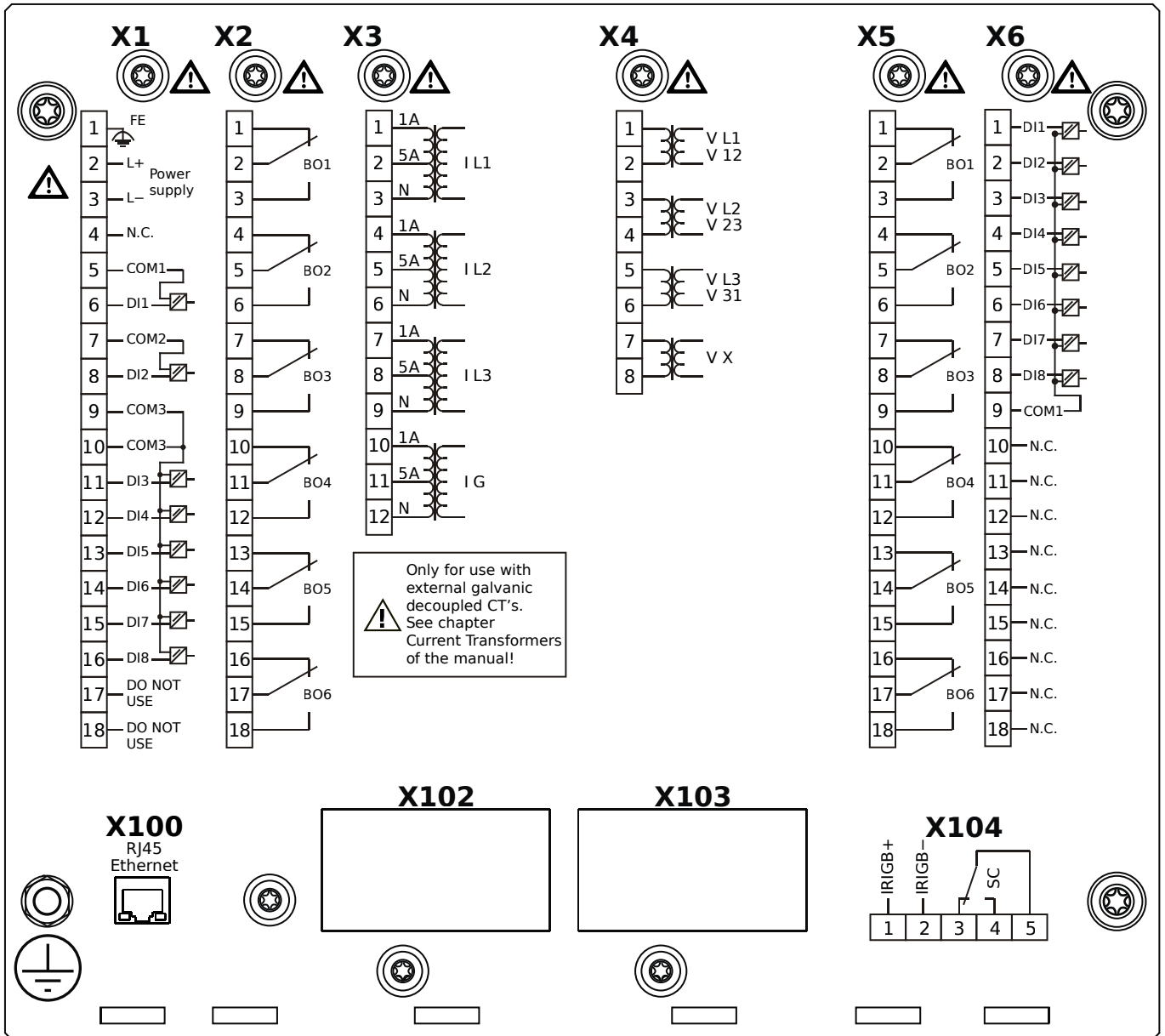


Housing B2, small display, door mounting

+ Conformal Coating (for installations in harsh environment)

- X1** – DI8-X1: Wide-range power supply unit, incl. 2 non-grouped digital inputs and 6 grouped digital inputs
- X2** – OR6: Assembly Group with 6 Output Relays
- X3** – TI: Standard current measuring card
- X4** – TU: Card with 4 voltage transformer measuring inputs
- X5** – OR6: Assembly Group with 6 Output Relays
- X6** – DI8: Assembly Group with 8 Digital Inputs
- X103** – Modbus RTU / IEC 60870-5-103 / DNP3.0 RTU, RS485, Terminals
- X104** – IRIG-B00X, incl. System Contact (Supervision Contact)

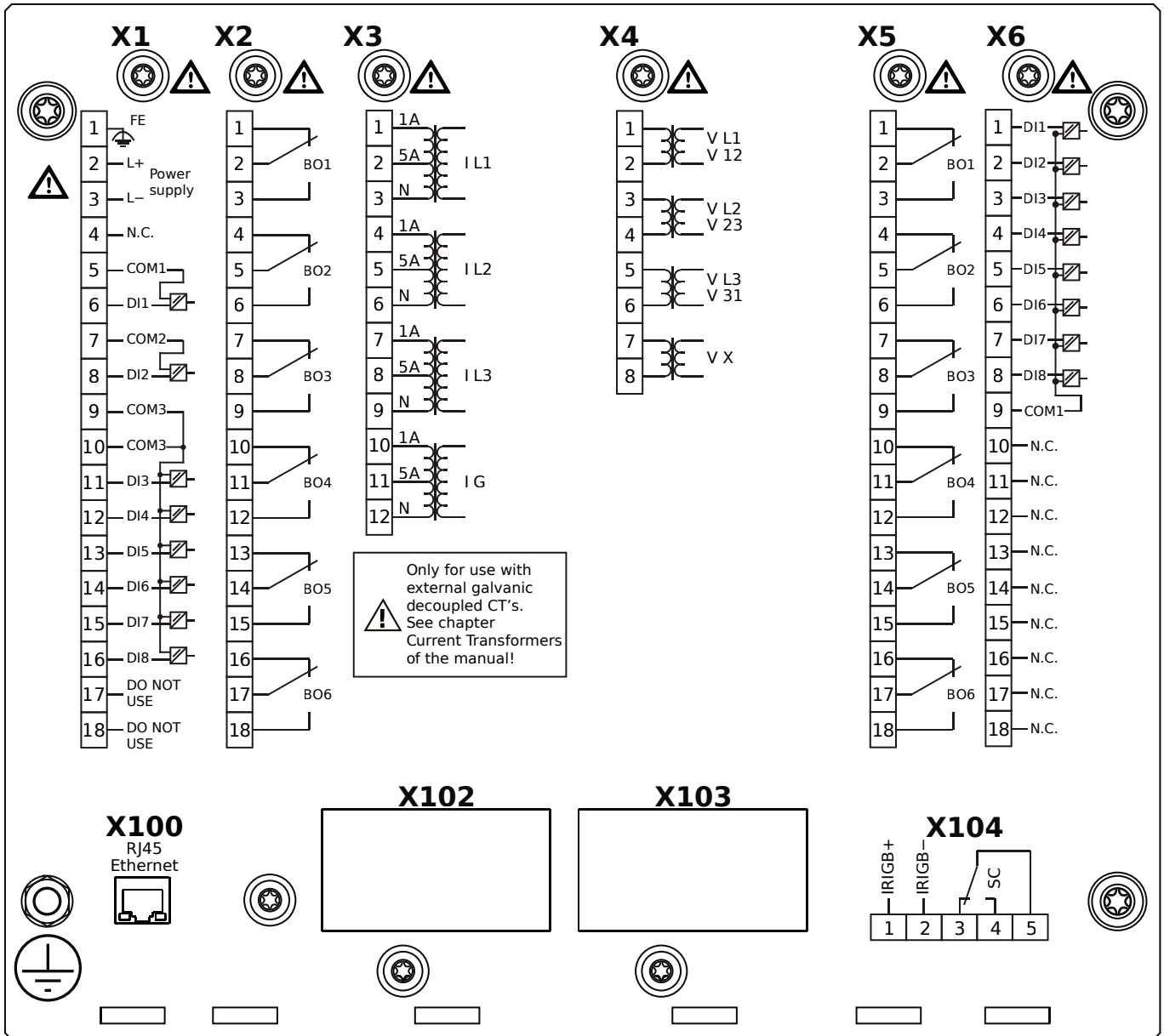
MRA4-2D0HCA



Housing B2, small display, door mounting

- X1** – DI8-X1: Wide-range power supply unit, incl. 2 non-grouped digital inputs and 6 grouped digital inputs
- X2** – OR6: Assembly Group with 6 Output Relays
- X3** – TI: Standard current measuring card
- X4** – TU: Card with 4 voltage transformer measuring inputs
- X5** – OR6: Assembly Group with 6 Output Relays
- X6** – DI8: Assembly Group with 8 Digital Inputs
- X100** – Modbus TCP / DNP3.0 TCP/UDP, Ethernet interface, 100 Mbit/s, RJ45 (BASE100-FX)
- X104** – IRIG-B00X, incl. System Contact (Supervision Contact)

MRA4-2D0HCB

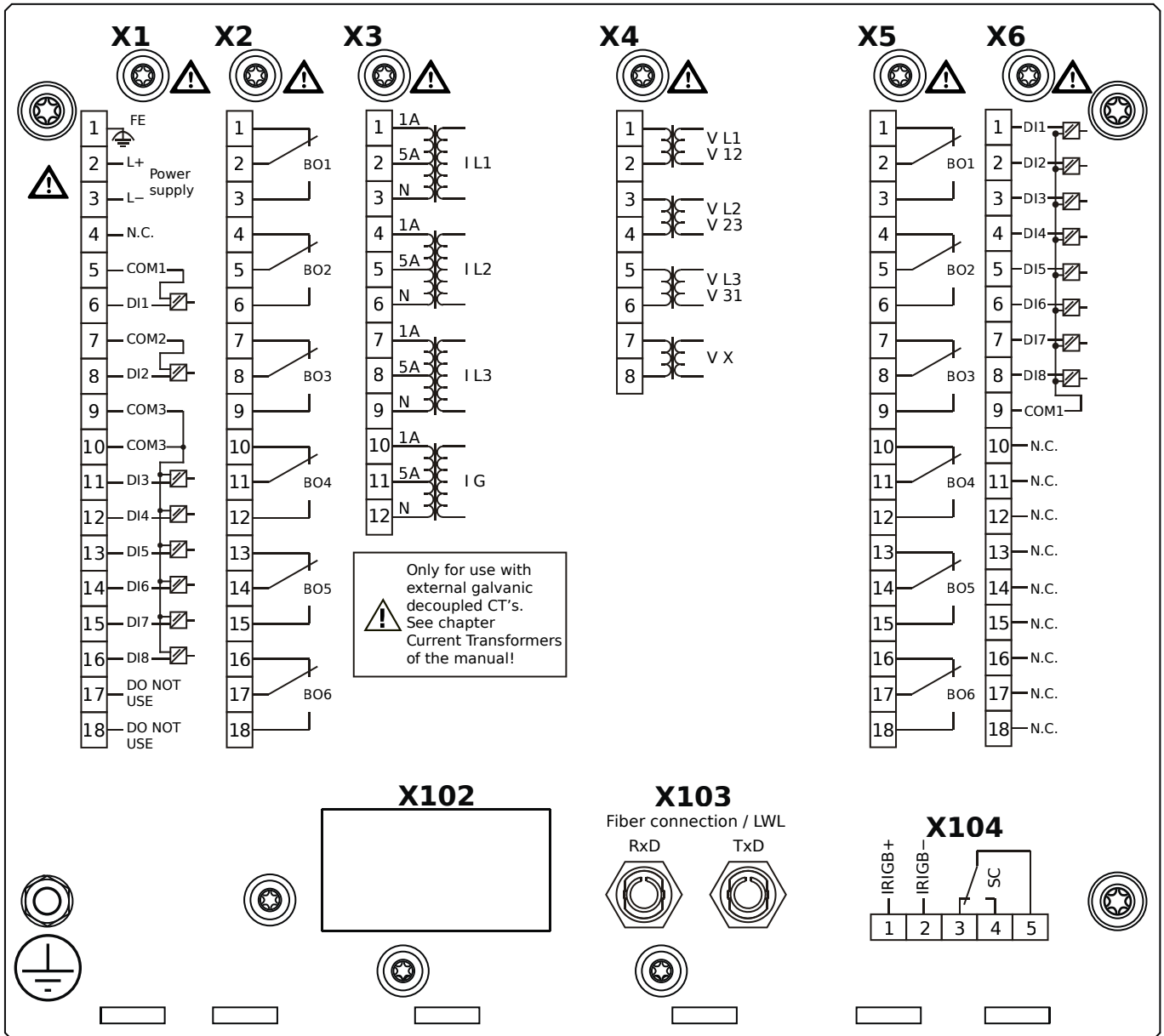


Housing B2, small display, door mounting

+ Conformal Coating (for installations in harsh environment)

- X1** – DI8-X1: Wide-range power supply unit, incl. 2 non-grouped digital inputs and 6 grouped digital inputs
- X2** – OR6: Assembly Group with 6 Output Relays
- X3** – TI: Standard current measuring card
- X4** – TU: Card with 4 voltage transformer measuring inputs
- X5** – OR6: Assembly Group with 6 Output Relays
- X6** – DI8: Assembly Group with 8 Digital Inputs
- X100** – Modbus TCP / DNP3.0 TCP/UDP, Ethernet interface, 100 Mbit/s, RJ45 (BASE100-FX)
- X104** – IRIG-B00X, incl. System Contact (Supervision Contact)

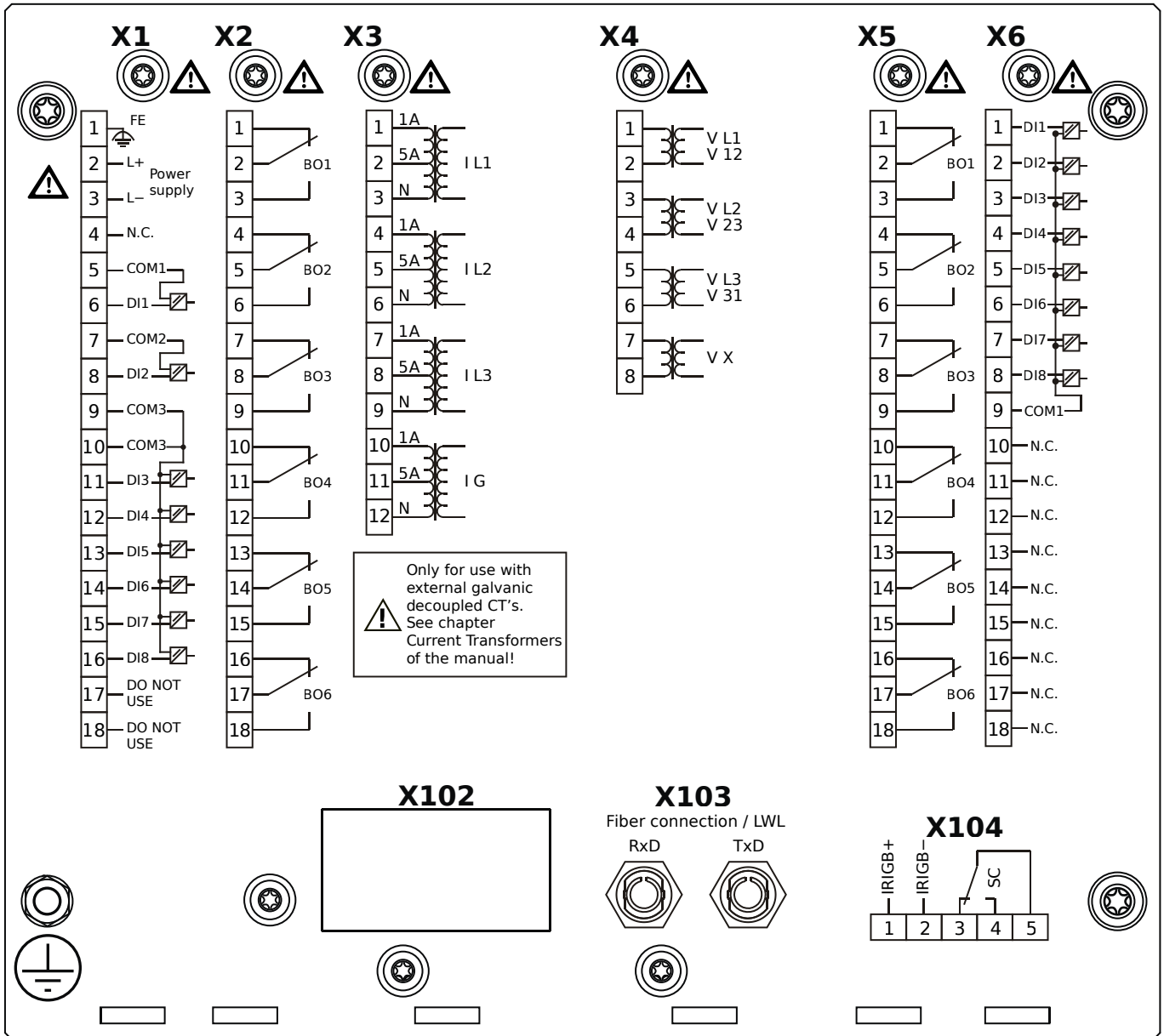
MRA4-2D0HDA



Housing B2, small display, door mounting

- X1** – DI8-X1: Wide-range power supply unit, incl. 2 non-grouped digital inputs and 6 grouped digital inputs
- X2** – OR6: Assembly Group with 6 Output Relays
- X3** – TI: Standard current measuring card
- X4** – TU: Card with 4 voltage transformer measuring inputs
- X5** – OR6: Assembly Group with 6 Output Relays
- X6** – DI8: Assembly Group with 8 Digital Inputs
- X103** – Profibus-DP, Fiber optics interface, ST Connector
- X104** – IRIG-B00X, incl. System Contact (Supervision Contact)

MRA4-2D0HDB

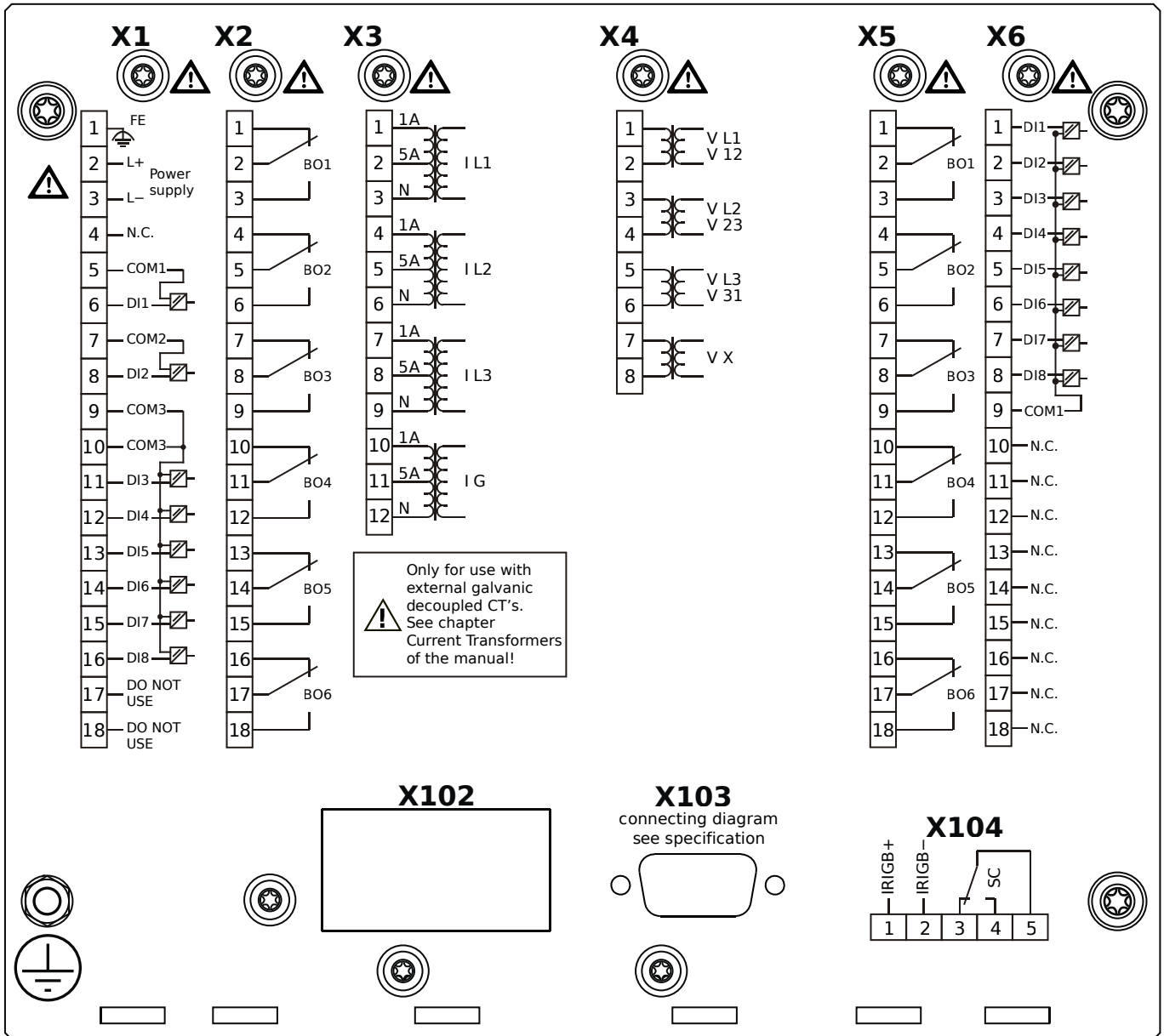


Housing B2, small display, door mounting

+ Conformal Coating (for installations in harsh environment)

- X1** – DI8-X1: Wide-range power supply unit, incl. 2 non-grouped digital inputs and 6 grouped digital inputs
- X2** – OR6: Assembly Group with 6 Output Relays
- X3** – TI: Standard current measuring card
- X4** – TU: Card with 4 voltage transformer measuring inputs
- X5** – OR6: Assembly Group with 6 Output Relays
- X6** – DI8: Assembly Group with 8 Digital Inputs
- X103** – Profibus-DP, Fiber optics interface, ST Connector
- X104** – IRIG-B00X, incl. System Contact (Supervision Contact)

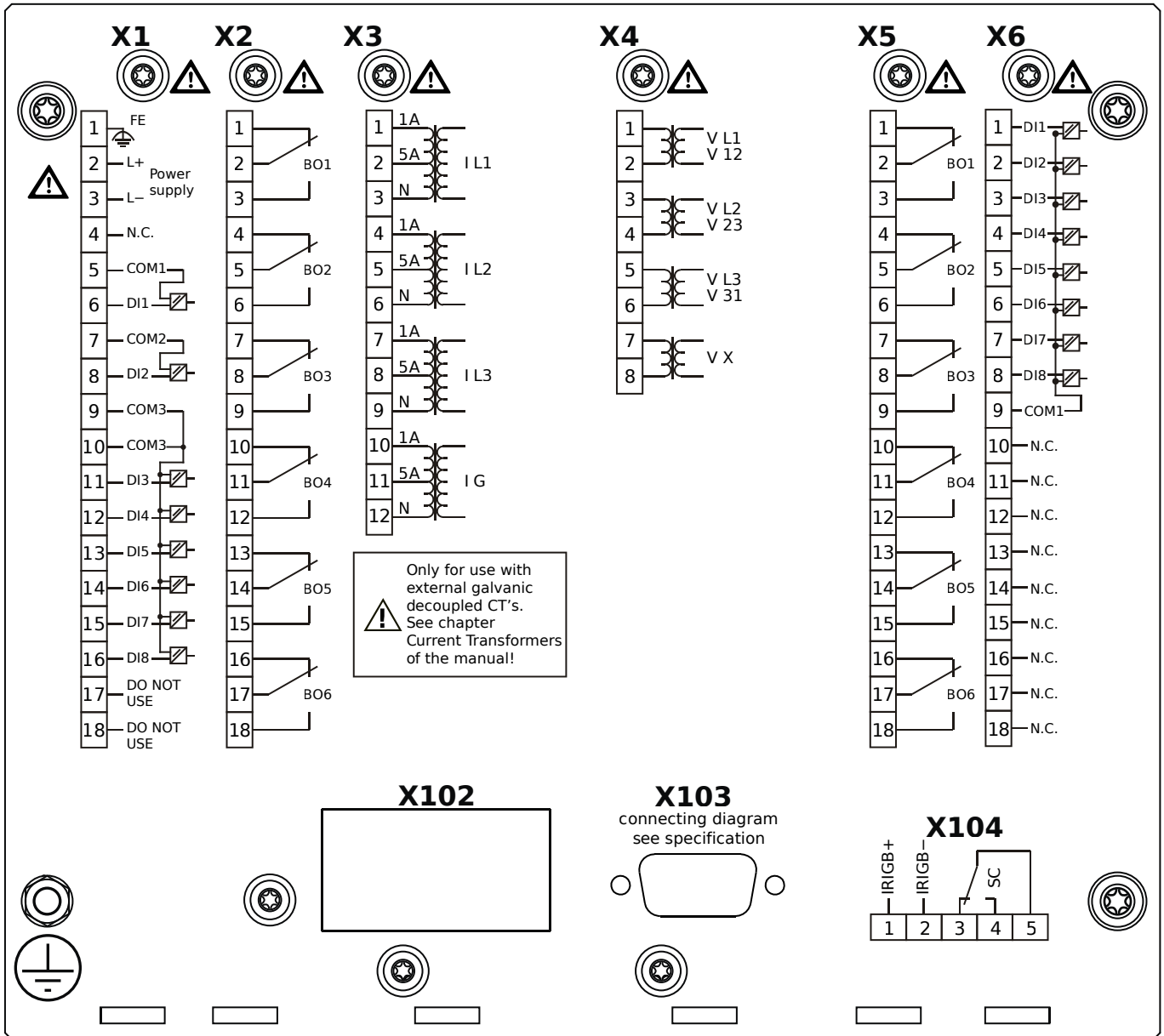
MRA4-2D0HEA



Housing B2, small display, door mounting

- X1** – DI8-X1: Wide-range power supply unit, incl. 2 non-grouped digital inputs and 6 grouped digital inputs
- X2** – OR6: Assembly Group with 6 Output Relays
- X3** – TI: Standard current measuring card
- X4** – TU: Card with 4 voltage transformer measuring inputs
- X5** – OR6: Assembly Group with 6 Output Relays
- X6** – DI8: Assembly Group with 8 Digital Inputs
- X103** – Profibus-DP, RS485, D-SUB
- X104** – IRIG-B00X, incl. System Contact (Supervision Contact)

MRA4-2D0HEB

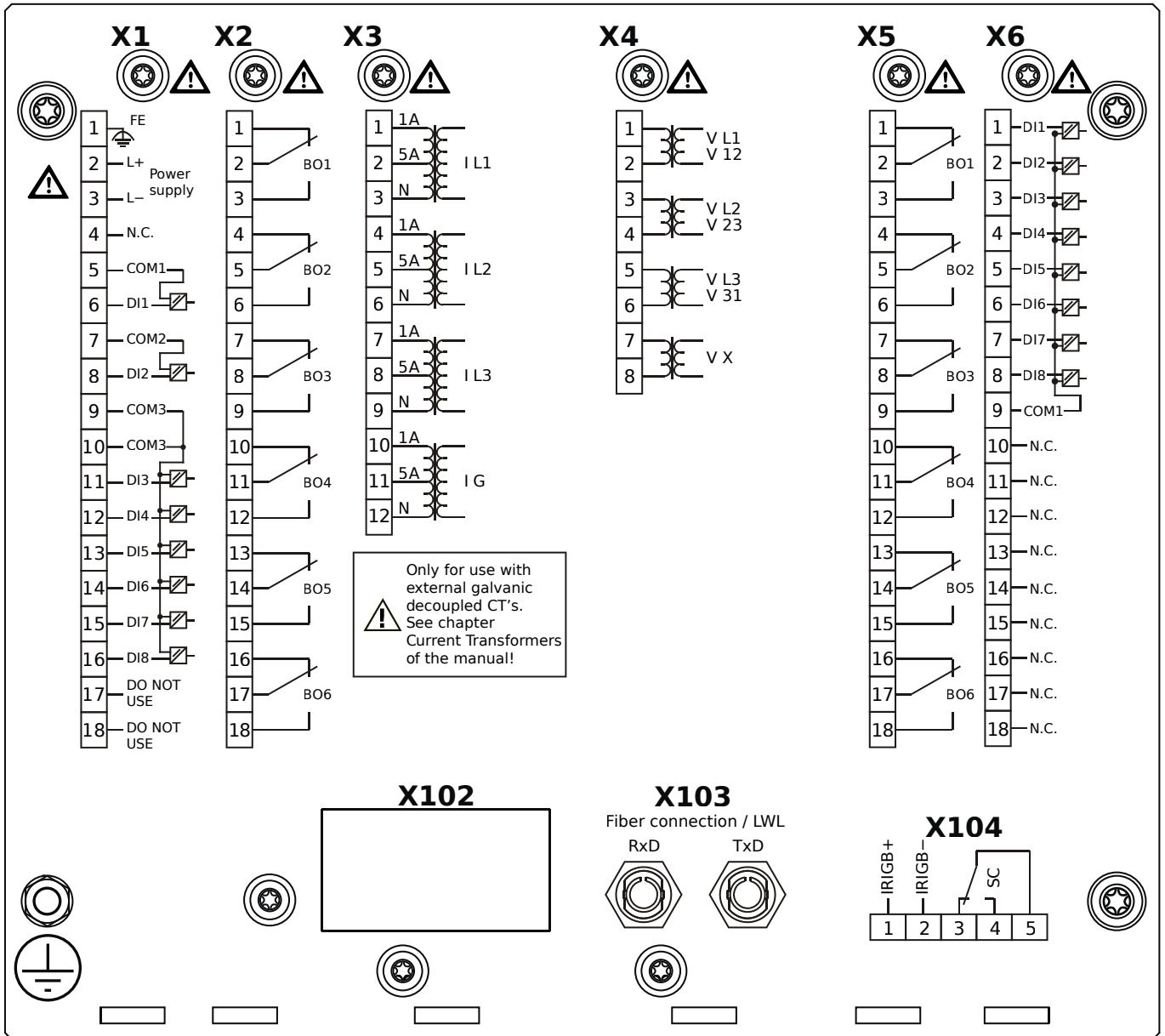


Housing B2, small display, door mounting

+ Conformal Coating (for installations in harsh environment)

- X1** – DI8-X1: Wide-range power supply unit, incl. 2 non-grouped digital inputs and 6 grouped digital inputs
- X2** – OR6: Assembly Group with 6 Output Relays
- X3** – TI: Standard current measuring card
- X4** – TU: Card with 4 voltage transformer measuring inputs
- X5** – OR6: Assembly Group with 6 Output Relays
- X6** – DI8: Assembly Group with 8 Digital Inputs
- X103** – Profibus-DP, RS485, D-SUB
- X104** – IRIG-B00X, incl. System Contact (Supervision Contact)

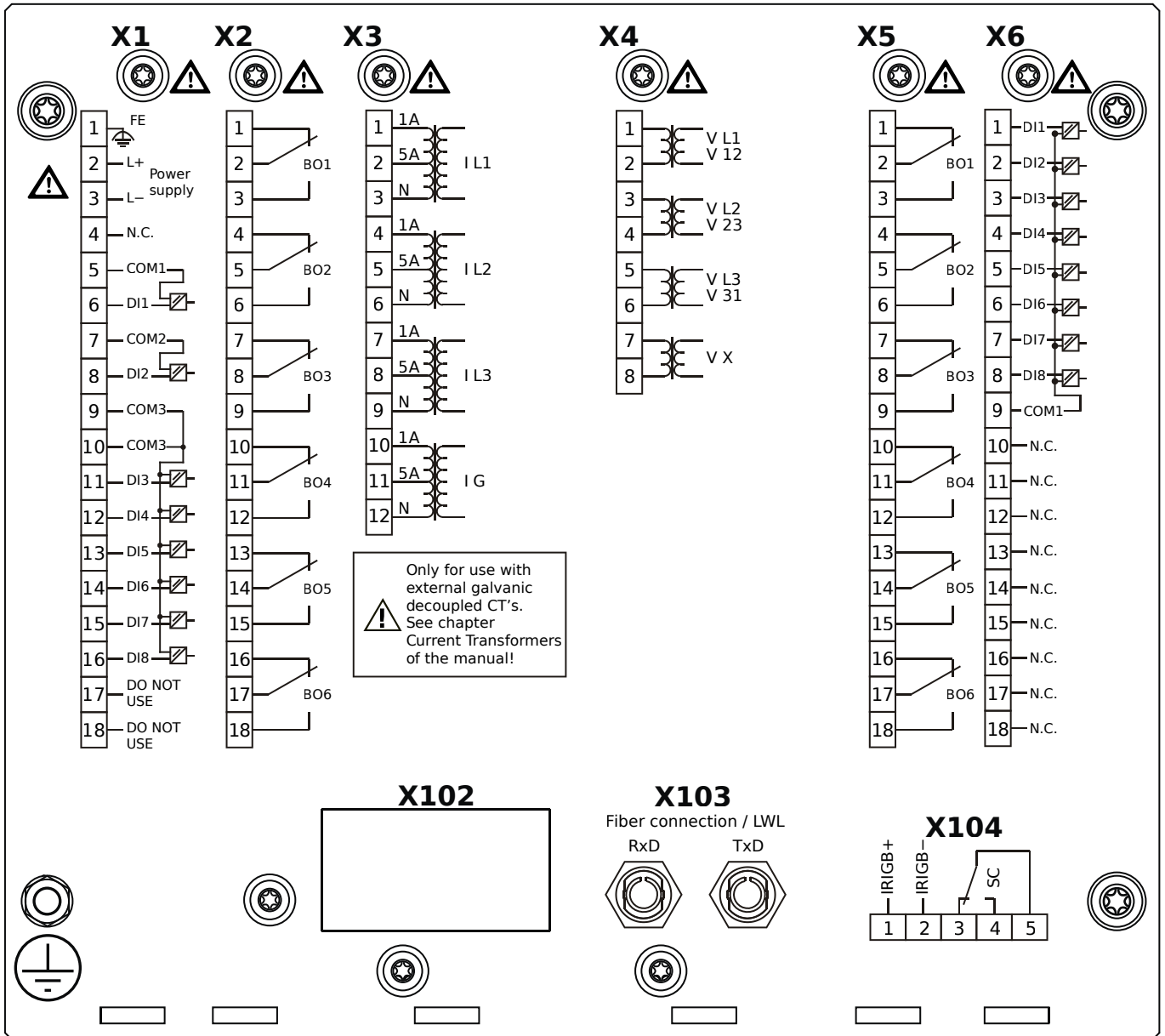
MRA4-2D0HFA



Housing B2, small display, door mounting

- X1** – DI8-X1: Wide-range power supply unit, incl. 2 non-grouped digital inputs and 6 grouped digital inputs
- X2** – OR6: Assembly Group with 6 Output Relays
- X3** – TI: Standard current measuring card
- X4** – TU: Card with 4 voltage transformer measuring inputs
- X5** – OR6: Assembly Group with 6 Output Relays
- X6** – DI8: Assembly Group with 8 Digital Inputs
- X103** – Modbus RTU / IEC 60870-5-103 / DNP3.0 RTU, Fiber optics interface, ST Connector
- X104** – IRIG-B00X, incl. System Contact (Supervision Contact)

MRA4-2D0HFB

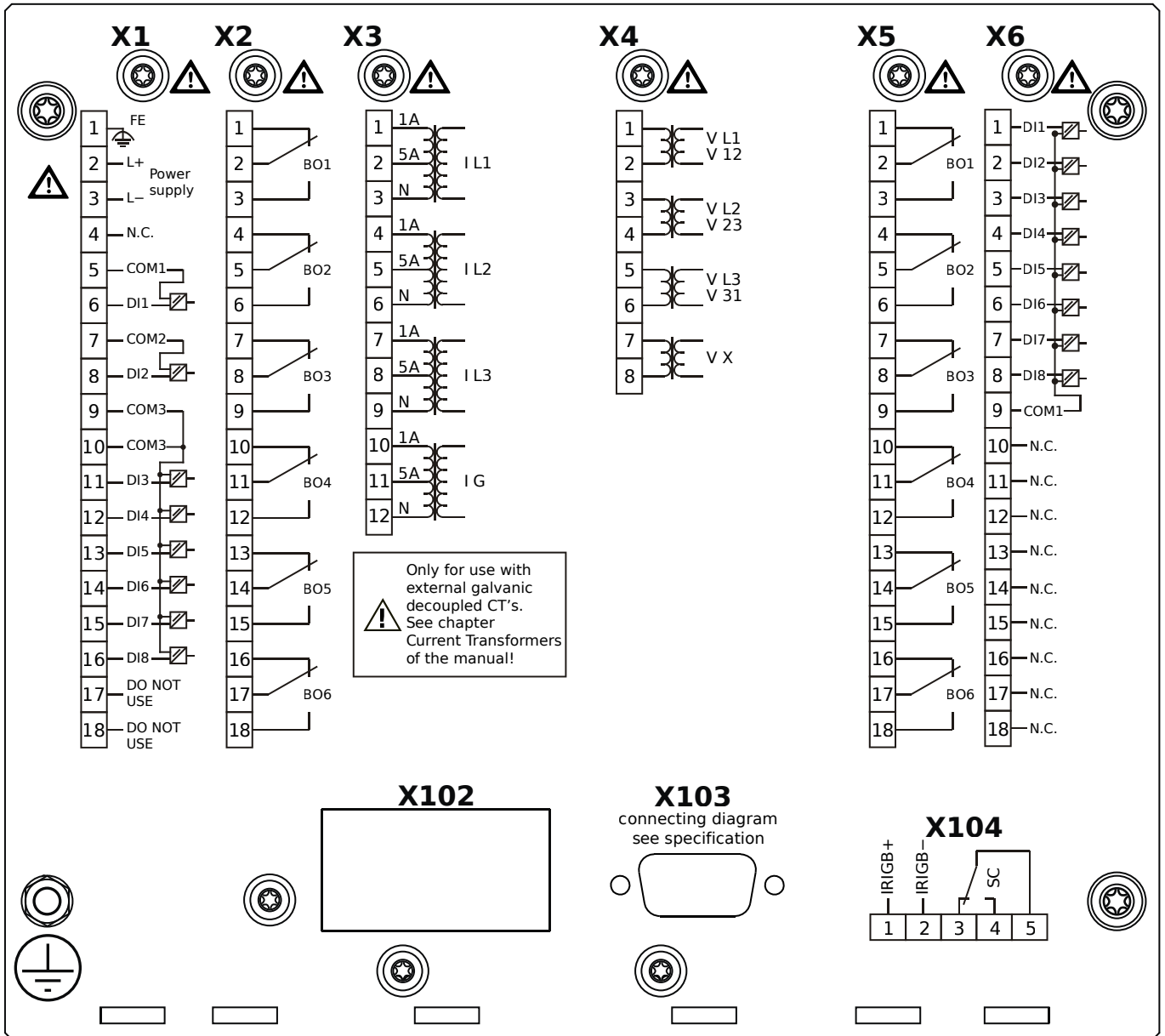


Housing B2, small display, door mounting

+ Conformal Coating (for installations in harsh environment)

- X1** – DI8-X1: Wide-range power supply unit, incl. 2 non-grouped digital inputs and 6 grouped digital inputs
- X2** – OR6: Assembly Group with 6 Output Relays
- X3** – TI: Standard current measuring card
- X4** – TU: Card with 4 voltage transformer measuring inputs
- X5** – OR6: Assembly Group with 6 Output Relays
- X6** – DI8: Assembly Group with 8 Digital Inputs
- X103** – Modbus RTU / IEC 60870-5-103 / DNP3.0 RTU, Fiber optics interface, ST Connector
- X104** – IRIG-B00X, incl. System Contact (Supervision Contact)

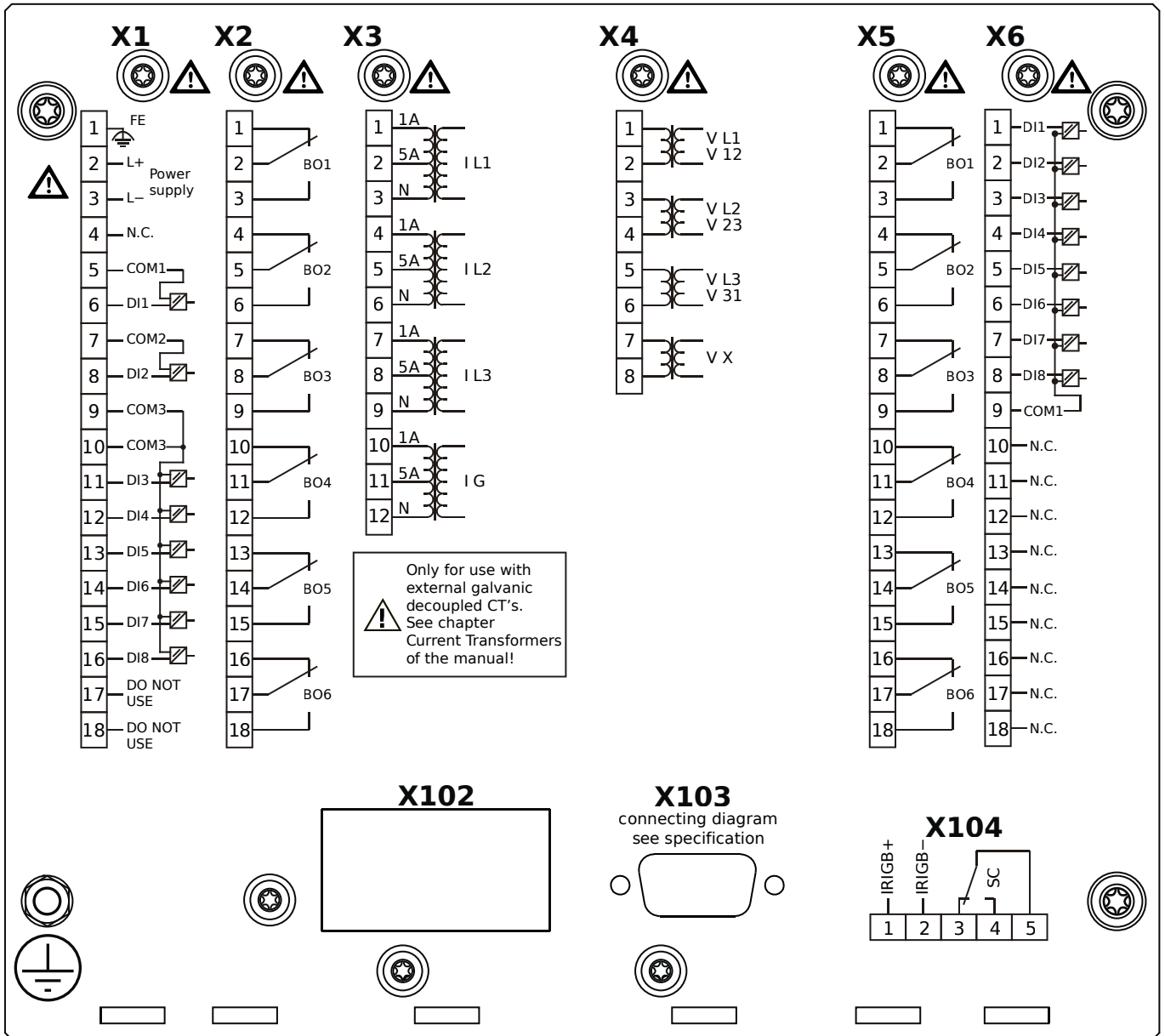
MRA4-2D0HGA



Housing B2, small display, door mounting

- X1** – DI8-X1: Wide-range power supply unit, incl. 2 non-grouped digital inputs and 6 grouped digital inputs
- X2** – OR6: Assembly Group with 6 Output Relays
- X3** – TI: Standard current measuring card
- X4** – TU: Card with 4 voltage transformer measuring inputs
- X5** – OR6: Assembly Group with 6 Output Relays
- X6** – DI8: Assembly Group with 8 Digital Inputs
- X103** – Modbus RTU / IEC 60870-5-103 / DNP3.0 RTU, RS485, D-SUB
- X104** – IRIG-B00X, incl. System Contact (Supervision Contact)

MRA4-2D0HGB

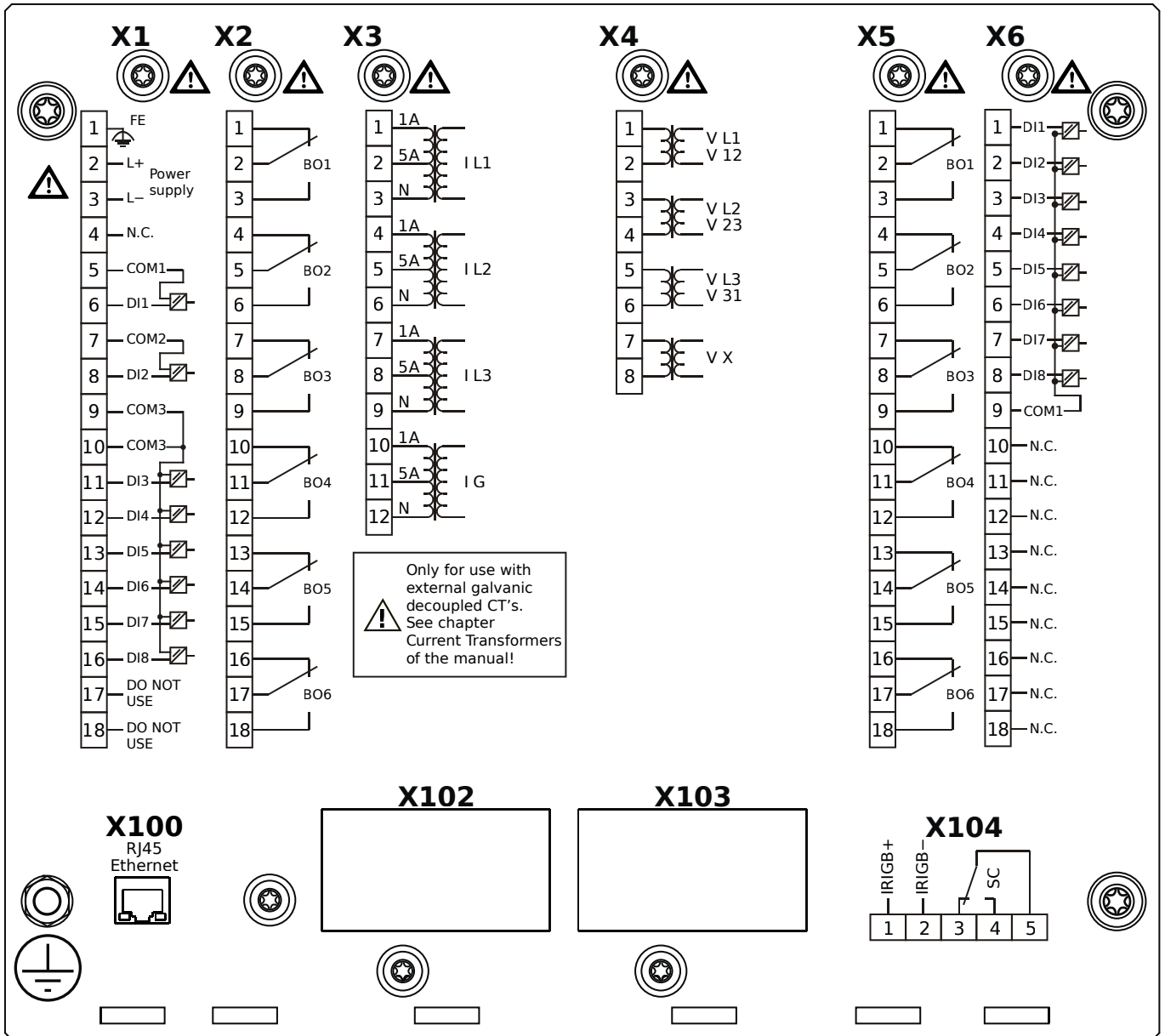


Housing B2, small display, door mounting

+ Conformal Coating (for installations in harsh environment)

- X1** – DI8-X1: Wide-range power supply unit, incl. 2 non-grouped digital inputs and 6 grouped digital inputs
- X2** – OR6: Assembly Group with 6 Output Relays
- X3** – TI: Standard current measuring card
- X4** – TU: Card with 4 voltage transformer measuring inputs
- X5** – OR6: Assembly Group with 6 Output Relays
- X6** – DI8: Assembly Group with 8 Digital Inputs
- X103** – Modbus RTU / IEC 60870-5-103 / DNP3.0 RTU, RS485, D-SUB
- X104** – IRIG-B00X, incl. System Contact (Supervision Contact)

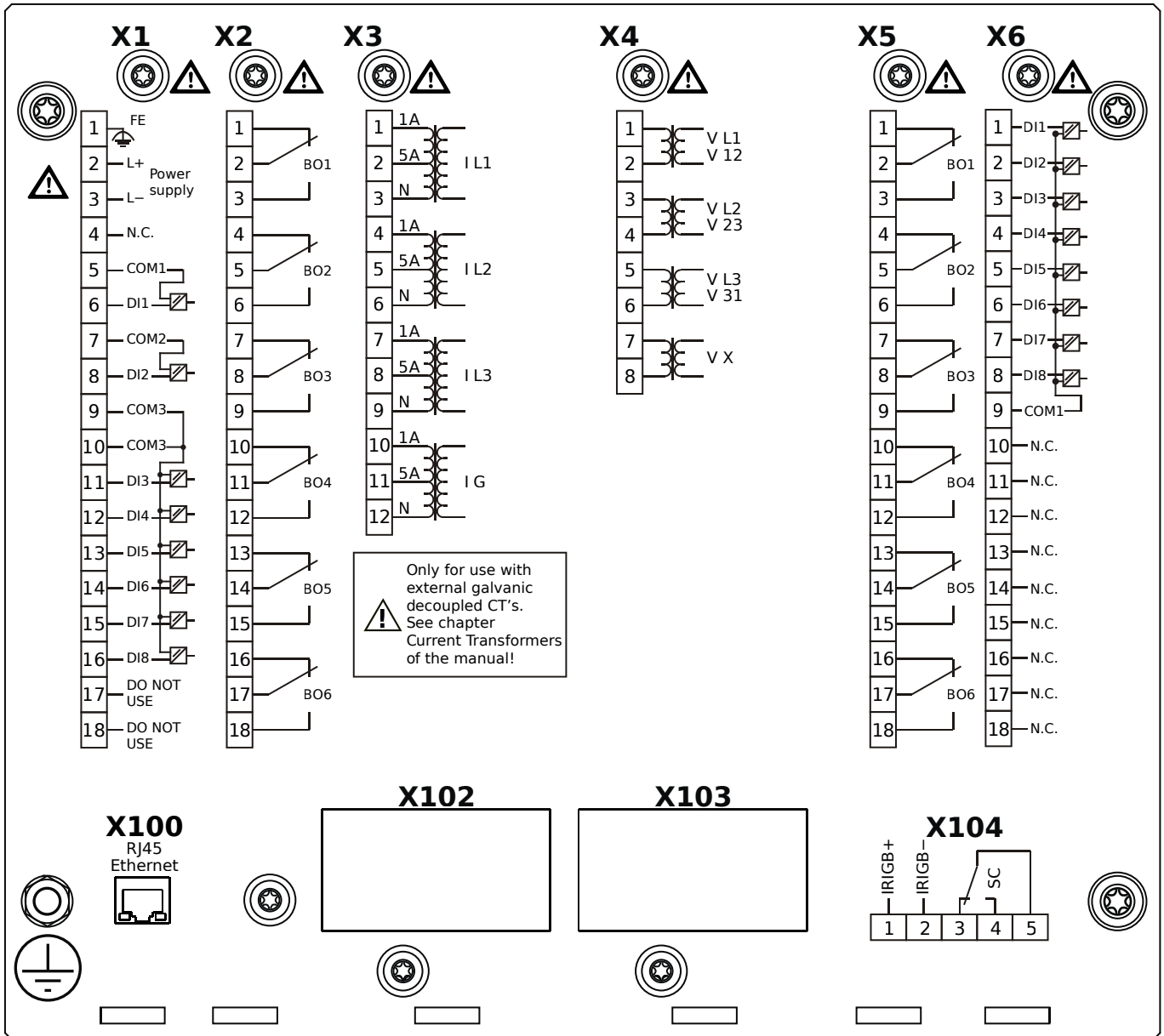
MRA4-2D0HHA



Housing B2, small display, door mounting

- X1** – DI8-X1: Wide-range power supply unit, incl. 2 non-grouped digital inputs and 6 grouped digital inputs
- X2** – OR6: Assembly Group with 6 Output Relays
- X3** – TI: Standard current measuring card
- X4** – TU: Card with 4 voltage transformer measuring inputs
- X5** – OR6: Assembly Group with 6 Output Relays
- X6** – DI8: Assembly Group with 8 Digital Inputs
- X100** – IEC 61850 / Modbus TCP / DNP3.0 TCP/UDP, Ethernet interface, 100 Mbit/s, RJ45 (BASE100-FX)
- X104** – IRIG-B00X, incl. System Contact (Supervision Contact)

MRA4-2D0HHB



Housing B2, small display, door mounting

+ Conformal Coating (for installations in harsh environment)

X1 – DI8-X1: Wide-range power supply unit, incl. 2 non-grouped digital inputs and 6 grouped digital inputs

X2 – OR6: Assembly Group with 6 Output Relays

X3 – TI: Standard current measuring card

X4 – TU: Card with 4 voltage transformer measuring inputs

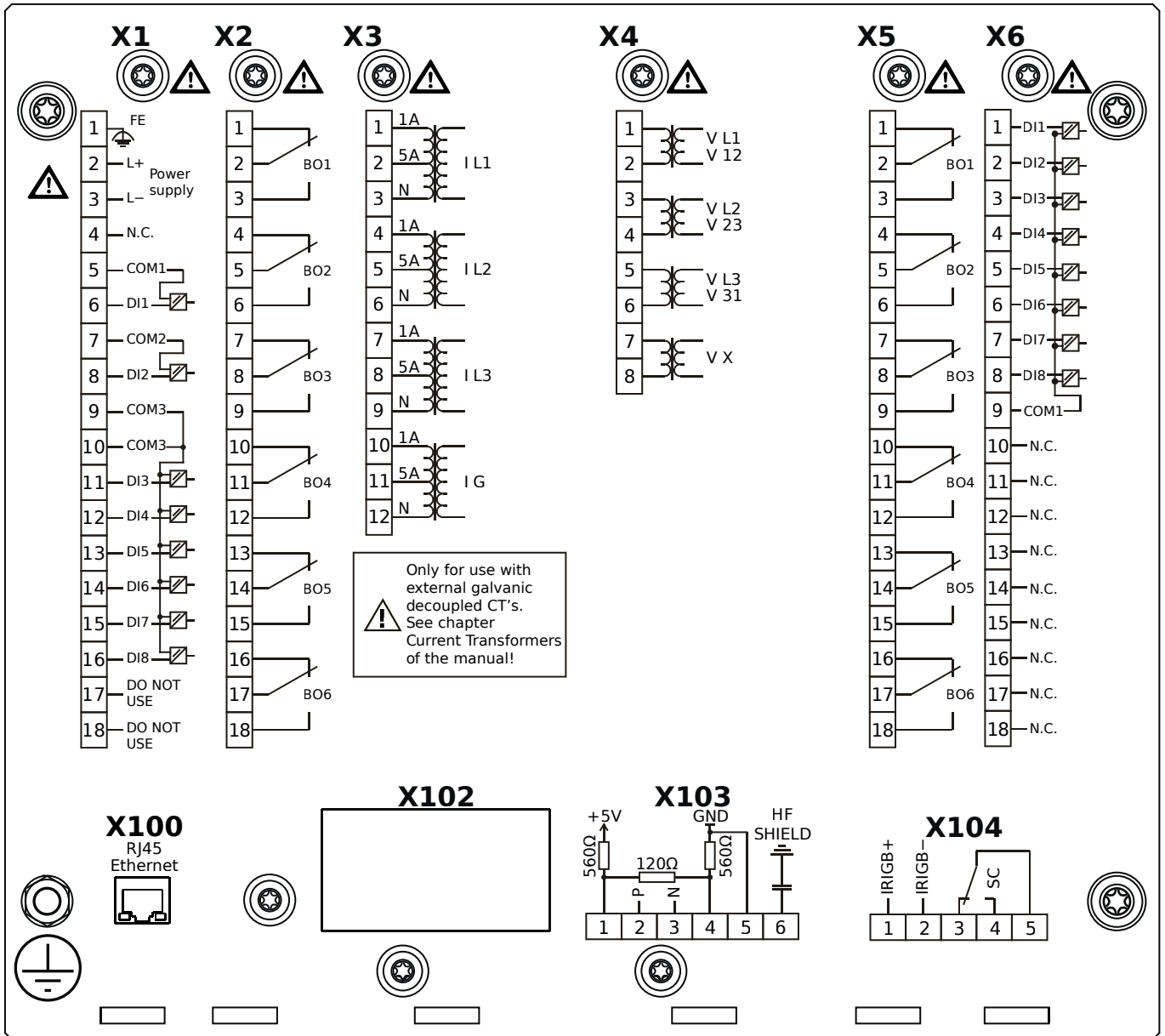
X5 – OR6: Assembly Group with 6 Output Relays

X6 – DI8: Assembly Group with 8 Digital Inputs

X100 – IEC 61850 / Modbus TCP / DNP3.0 TCP/UDP, Ethernet interface, 100 Mbit/s, RJ45 (BASE100-FX)

X104 – IRIG-B00X, incl. System Contact (Supervision Contact)

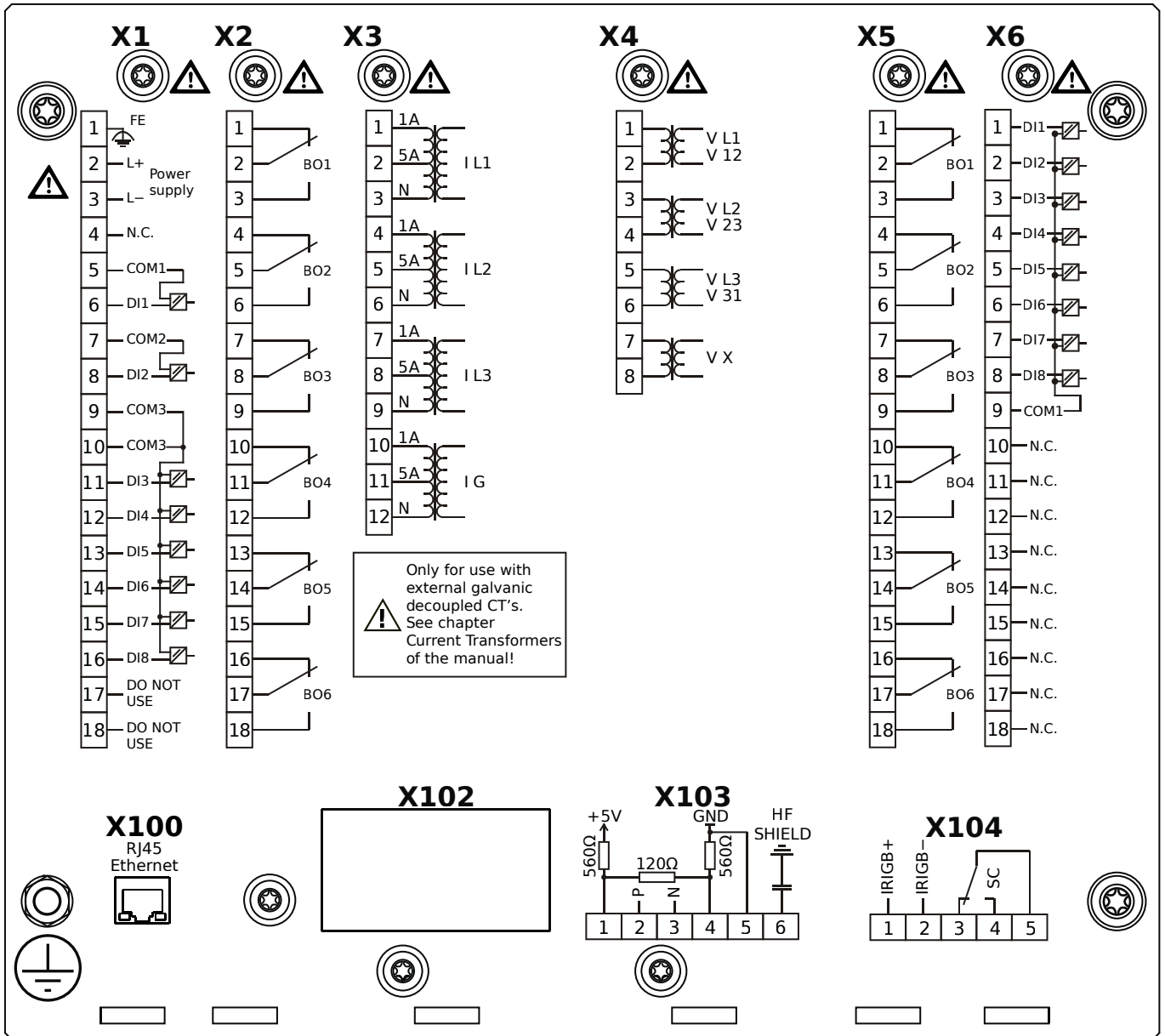
MRA4-2D0HIA



Housing B2, small display, door mounting

- X1** – DI8-X1: Wide-range power supply unit, incl. 2 non-grouped digital inputs and 6 grouped digital inputs
- X2** – OR6: Assembly Group with 6 Output Relays
- X3** – TI: Standard current measuring card
- X4** – TU: Card with 4 voltage transformer measuring inputs
- X5** – OR6: Assembly Group with 6 Output Relays
- X6** – DI8: Assembly Group with 8 Digital Inputs
- X100** – Modbus TCP / DNP3.0 TCP/UDP, Ethernet interface, 100 Mbit/s, RJ45 (BASE100-FX)
- X103** – IEC 60870-5-103 / Modbus RTU / DNP3.0 RTU, RS485, Terminals
- X104** – IRIG-B00X, incl. System Contact (Supervision Contact)

MRA4-2D0HIB

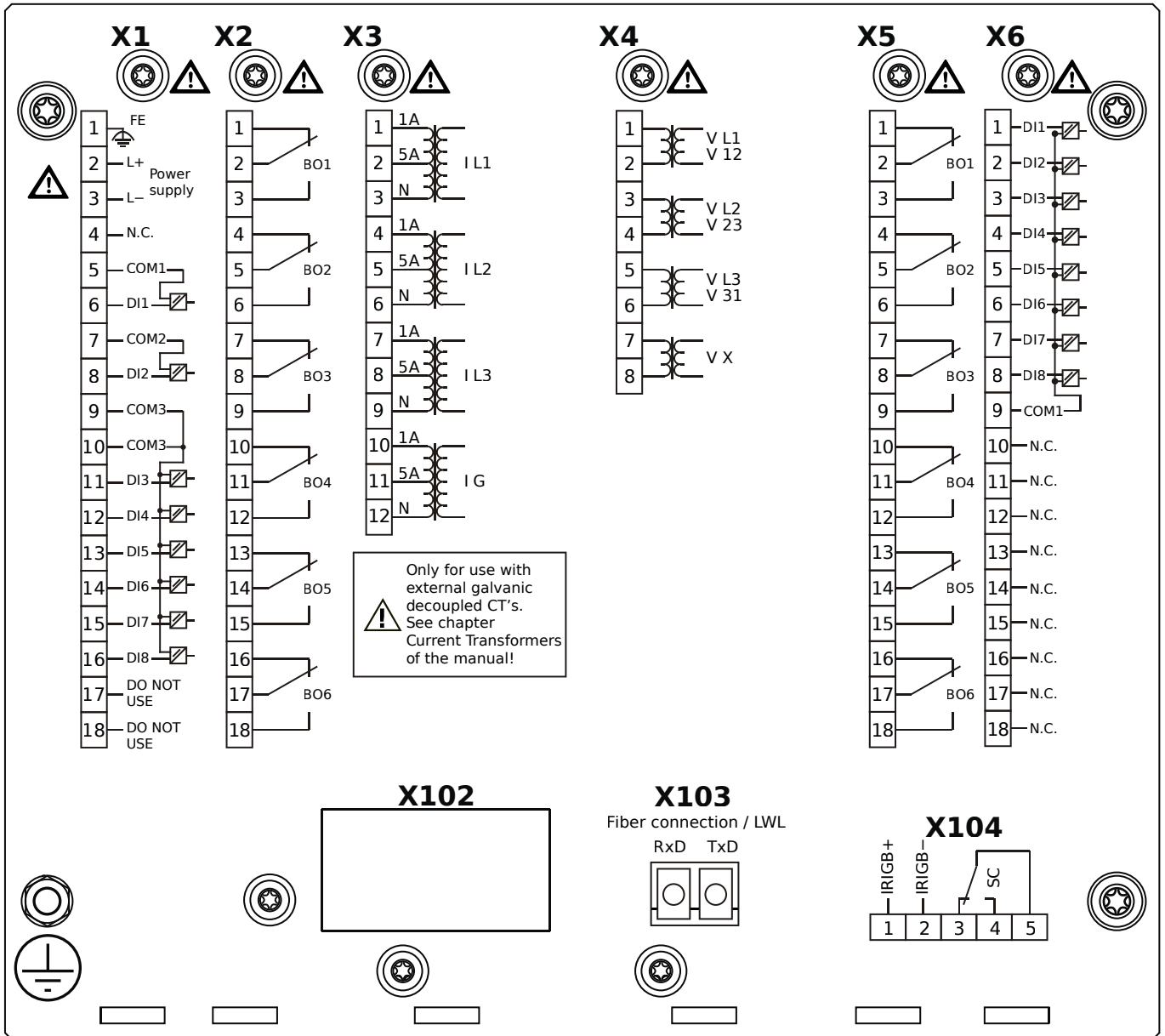


Housing B2, small display, door mounting

+ Conformal Coating (for installations in harsh environment)

- X1** – DI8-X1: Wide-range power supply unit, incl. 2 non-grouped digital inputs and 6 grouped digital inputs
- X2** – OR6: Assembly Group with 6 Output Relays
- X3** – TI: Standard current measuring card
- X4** – TU: Card with 4 voltage transformer measuring inputs
- X5** – OR6: Assembly Group with 6 Output Relays
- X6** – DI8: Assembly Group with 8 Digital Inputs
- X100** – Modbus TCP / DNP3.0 TCP/UDP, Ethernet interface, 100 Mbit/s, RJ45 (BASE100-FX)
- X103** – IEC 60870-5-103 / Modbus RTU / DNP3.0 RTU, RS485, Terminals
- X104** – IRIG-B00X, incl. System Contact (Supervision Contact)

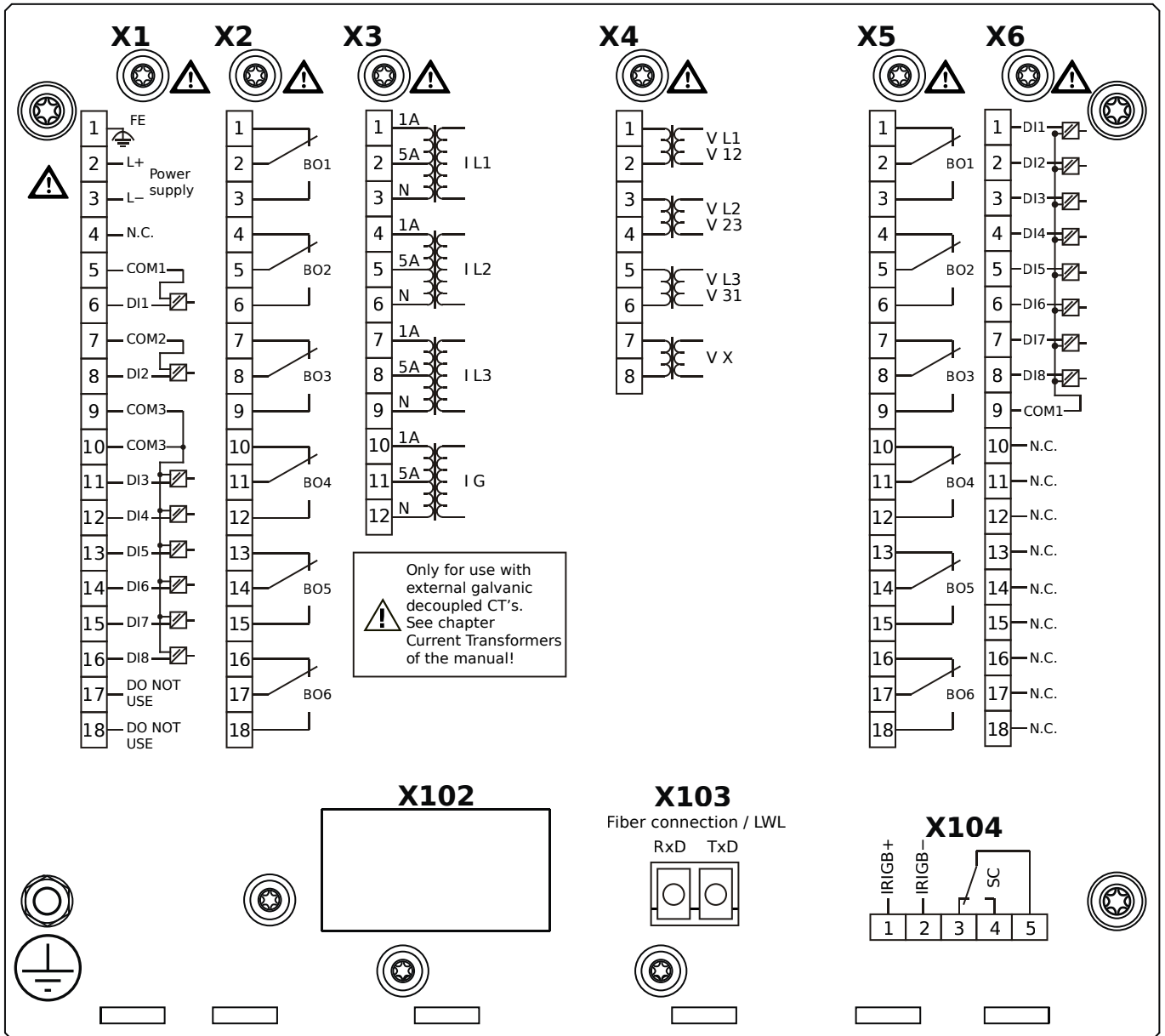
MRA4-2D0HKA



Housing B2, small display, door mounting

- X1** – DI8-X1: Wide-range power supply unit, incl. 2 non-grouped digital inputs and 6 grouped digital inputs
- X2** – OR6: Assembly Group with 6 Output Relays
- X3** – TI: Standard current measuring card
- X4** – TU: Card with 4 voltage transformer measuring inputs
- X5** – OR6: Assembly Group with 6 Output Relays
- X6** – DI8: Assembly Group with 8 Digital Inputs
- X103** – IEC 61850 / Modbus TCP / DNP3.0 TCP/UDP, Fiber optics interface, LC Connector
- X104** – IRIG-B00X, incl. System Contact (Supervision Contact)

MRA4-2D0HKB

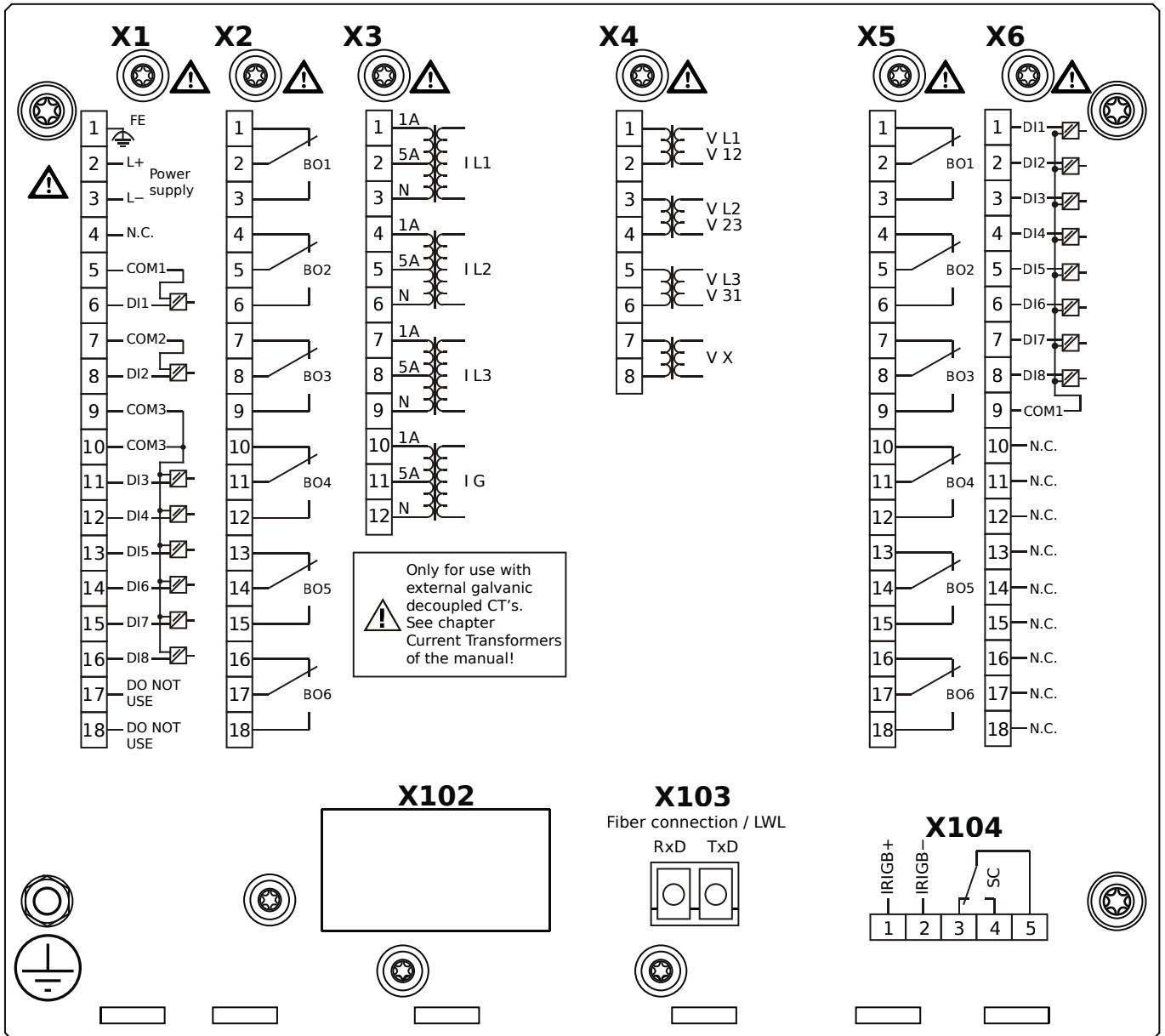


Housing B2, small display, door mounting

+ Conformal Coating (for installations in harsh environment)

- X1** – DI8-X1: Wide-range power supply unit, incl. 2 non-grouped digital inputs and 6 grouped digital inputs
- X2** – OR6: Assembly Group with 6 Output Relays
- X3** – TI: Standard current measuring card
- X4** – TU: Card with 4 voltage transformer measuring inputs
- X5** – OR6: Assembly Group with 6 Output Relays
- X6** – DI8: Assembly Group with 8 Digital Inputs
- X103** – IEC 61850 / Modbus TCP / DNP3.0 TCP/UDP, Fiber optics interface, LC Connector
- X104** – IRIG-B00X, incl. System Contact (Supervision Contact)

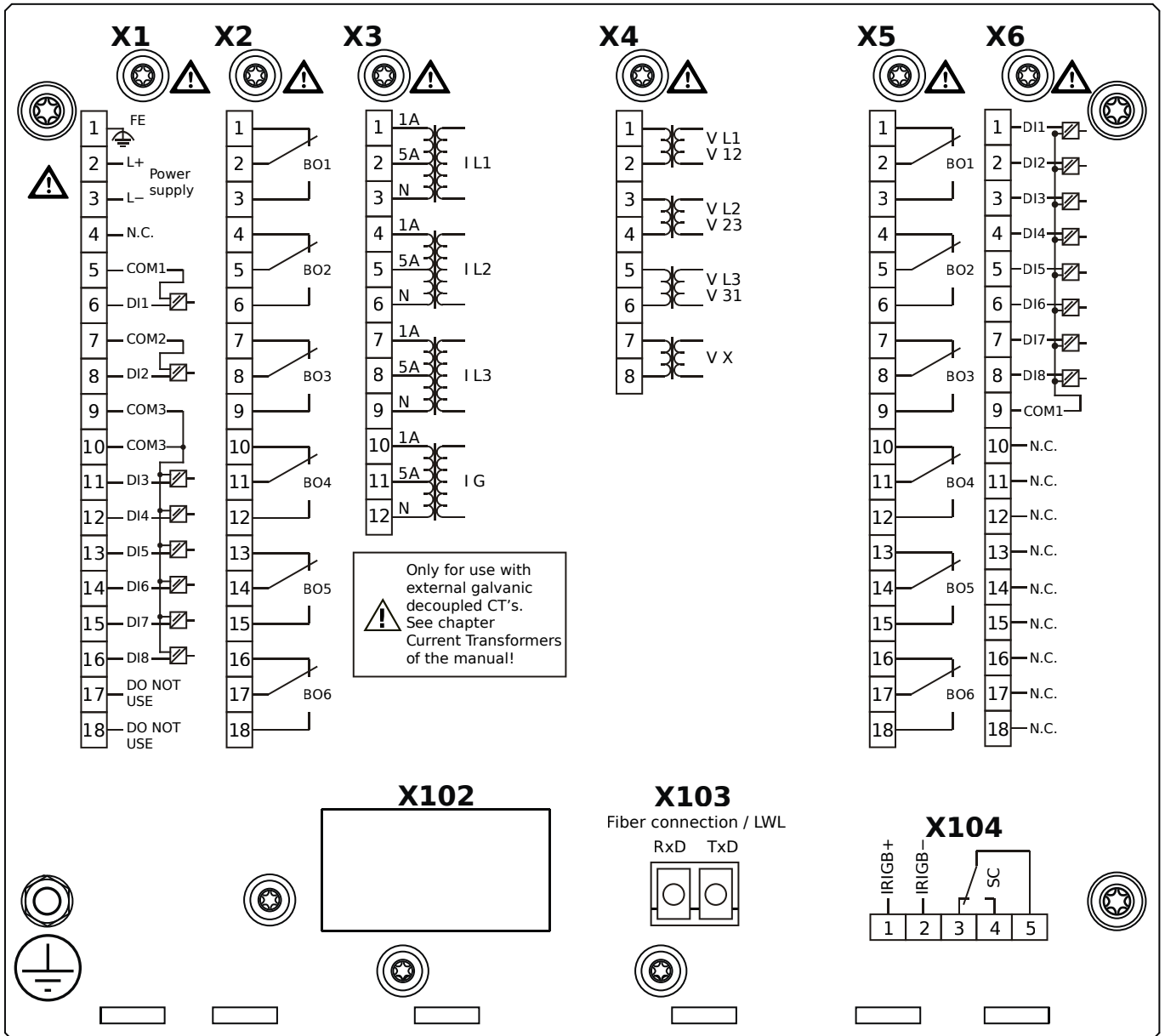
MRA4-2D0HLA



Housing B2, small display, door mounting

- X1** – DI8-X1: Wide-range power supply unit, incl. 2 non-grouped digital inputs and 6 grouped digital inputs
- X2** – OR6: Assembly Group with 6 Output Relays
- X3** – TI: Standard current measuring card
- X4** – TU: Card with 4 voltage transformer measuring inputs
- X5** – OR6: Assembly Group with 6 Output Relays
- X6** – DI8: Assembly Group with 8 Digital Inputs
- X103** – Modbus TCP / DNP3.0 TCP/UDP, Fiber optics interface, LC Connector
- X104** – IRIG-B00X, incl. System Contact (Supervision Contact)

MRA4-2D0HLB

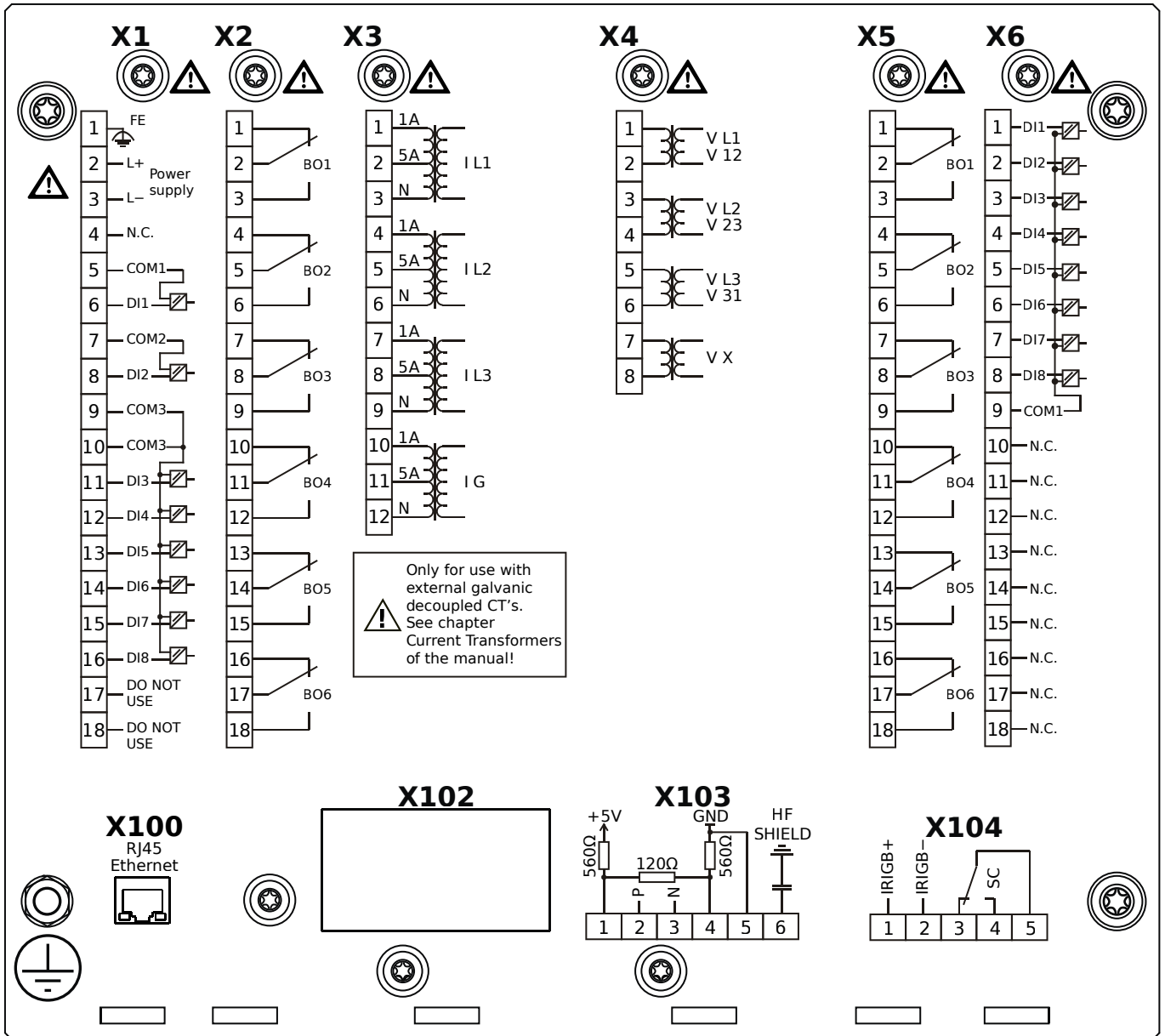


Housing B2, small display, door mounting

+ Conformal Coating (for installations in harsh environment)

- X1** – DI8-X1: Wide-range power supply unit, incl. 2 non-grouped digital inputs and 6 grouped digital inputs
- X2** – OR6: Assembly Group with 6 Output Relays
- X3** – TI: Standard current measuring card
- X4** – TU: Card with 4 voltage transformer measuring inputs
- X5** – OR6: Assembly Group with 6 Output Relays
- X6** – DI8: Assembly Group with 8 Digital Inputs
- X103** – Modbus TCP / DNP3.0 TCP/UDP, Fiber optics interface, LC Connector
- X104** – IRIG-B00X, incl. System Contact (Supervision Contact)

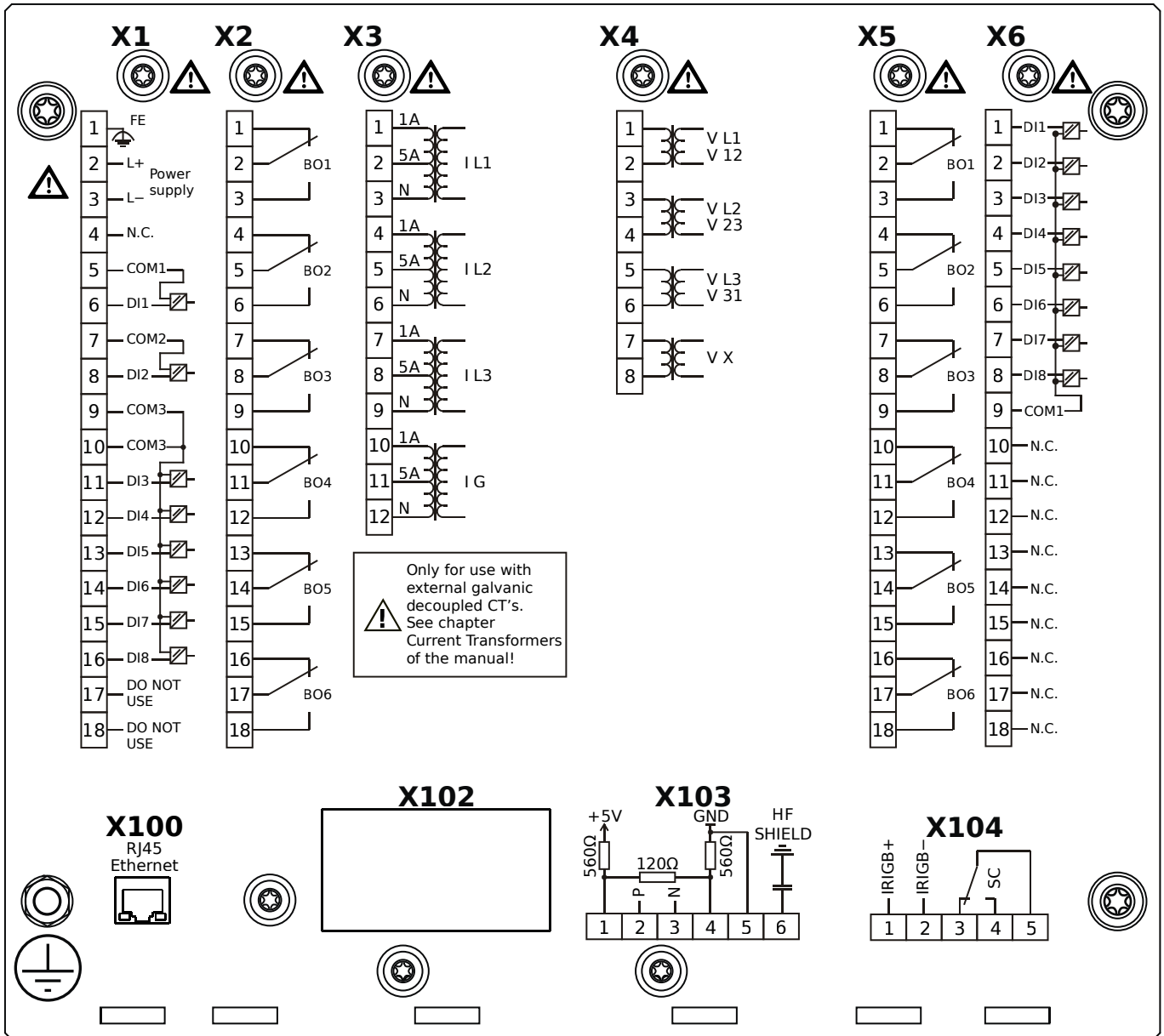
MRA4-2D0HTA



Housing B2, small display, door mounting

- X1** – DI8-X1: Wide-range power supply unit, incl. 2 non-grouped digital inputs and 6 grouped digital inputs
- X2** – OR6: Assembly Group with 6 Output Relays
- X3** – TI: Standard current measuring card
- X4** – TU: Card with 4 voltage transformer measuring inputs
- X5** – OR6: Assembly Group with 6 Output Relays
- X6** – DI8: Assembly Group with 8 Digital Inputs
- X100** – IEC 61850 / Modbus TCP / DNP3.0 TCP/UDP, Ethernet interface, 100 Mbit/s, RJ45 (BASE100-FX)
- X103** – IEC 60870-5-103 / Modbus RTU / DNP3.0 RTU, RS485, Terminals
- X104** – IRIG-B00X, incl. System Contact (Supervision Contact)

MRA4-2D0HTB



Housing B2, small display, door mounting

+ Conformal Coating (for installations in harsh environment)

X1 – DI8-X1: Wide-range power supply unit, incl. 2 non-grouped digital inputs and 6 grouped digital inputs

X2 – OR6: Assembly Group with 6 Output Relays

X3 – TI: Standard current measuring card

X4 – TU: Card with 4 voltage transformer measuring inputs

X5 – OR6: Assembly Group with 6 Output Relays

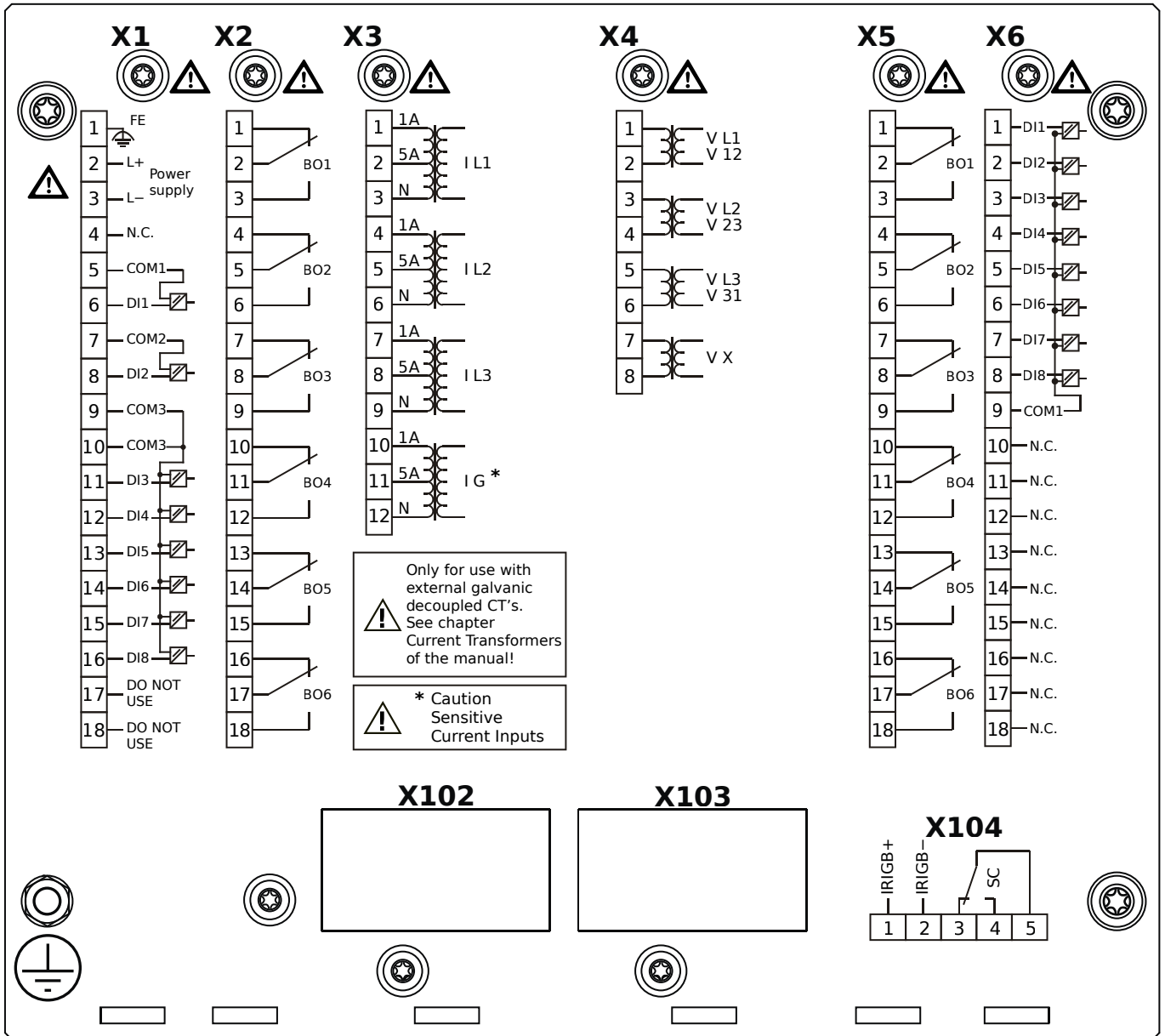
X6 – DI8: Assembly Group with 8 Digital Inputs

X100 – IEC 61850 / Modbus TCP / DNP3.0 TCP/UDP, Ethernet interface, 100 Mbit/s, RJ45 (BASE100-FX)

X103 – IEC 60870-5-103 / Modbus RTU / DNP3.0 RTU, RS485, Terminals

X104 – IRIG-B00X, incl. System Contact (Supervision Contact)

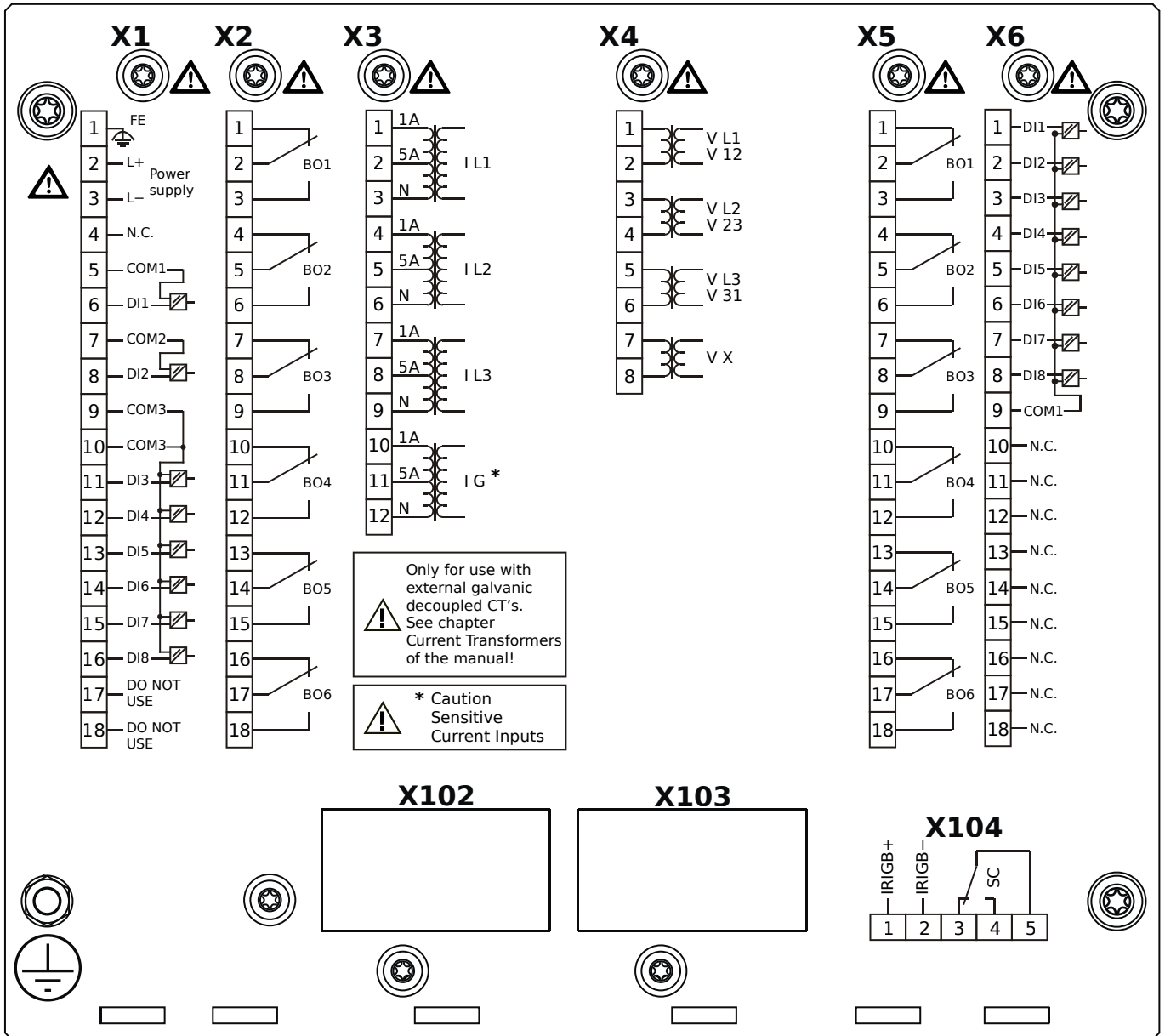
MRA4-2D1AAA



Housing B2, small display, door mounting

- X1** – DI8-X1: Wide-range power supply unit, incl. 2 non-grouped digital inputs and 6 grouped digital inputs
- X2** – OR6: Assembly Group with 6 Output Relays
- X3** – TIs: Standard phase current measuring card and sensitive ground current measuring
- X4** – TU: Card with 4 voltage transformer measuring inputs
- X5** – OR6: Assembly Group with 6 Output Relays
- X6** – DI8: Assembly Group with 8 Digital Inputs
- X104** – IRIG-B00X, incl. System Contact (Supervision Contact)

MRA4-2D1AAB

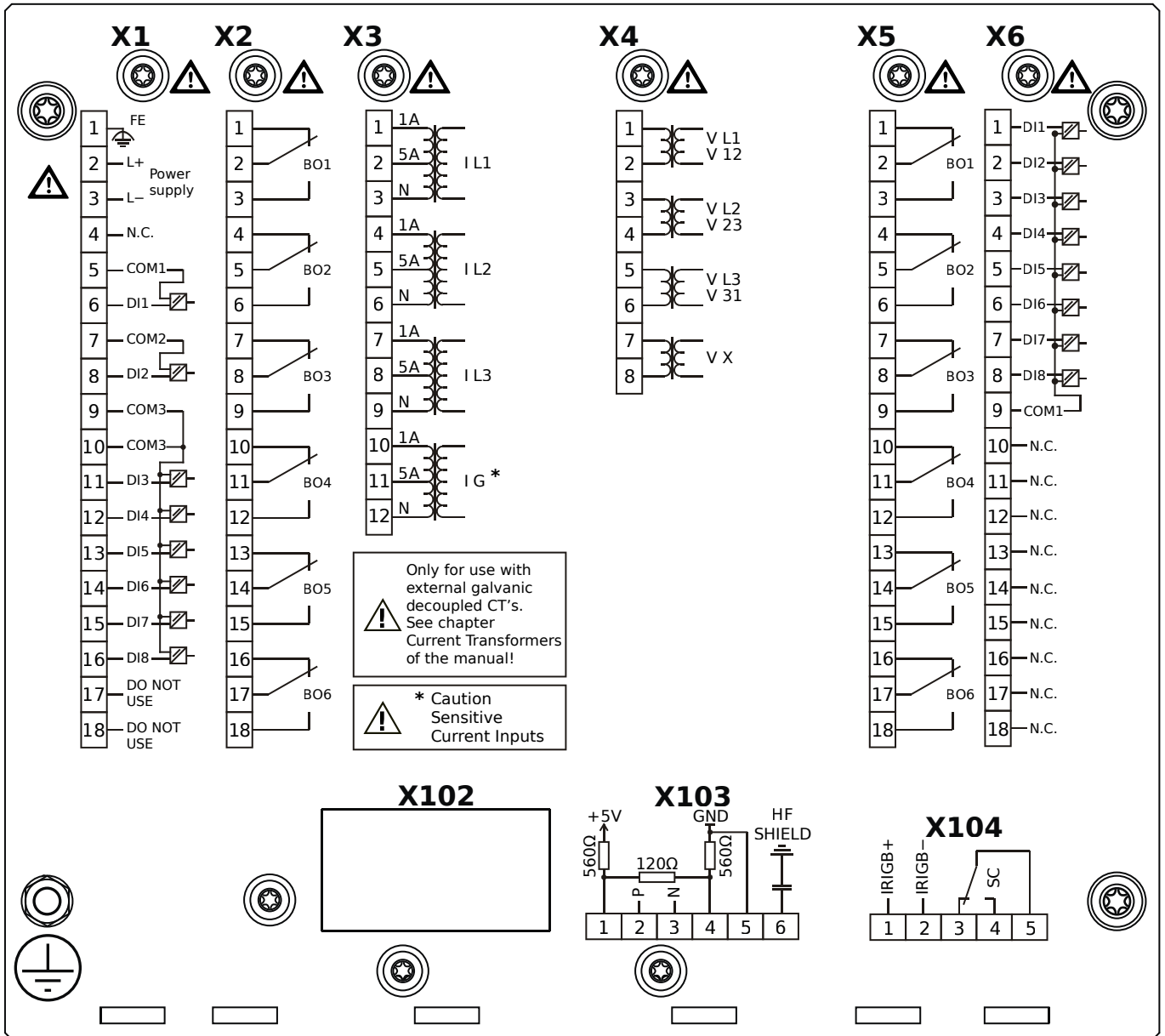


Housing B2, small display, door mounting

+ Conformal Coating (for installations in harsh environment)

- X1** – DI8-X1: Wide-range power supply unit, incl. 2 non-grouped digital inputs and 6 grouped digital inputs
- X2** – OR6: Assembly Group with 6 Output Relays
- X3** – TIs: Standard phase current measuring card and sensitive ground current measuring
- X4** – TU: Card with 4 voltage transformer measuring inputs
- X5** – OR6: Assembly Group with 6 Output Relays
- X6** – DI8: Assembly Group with 8 Digital Inputs
- X104** – IRIG-B00X, incl. System Contact (Supervision Contact)

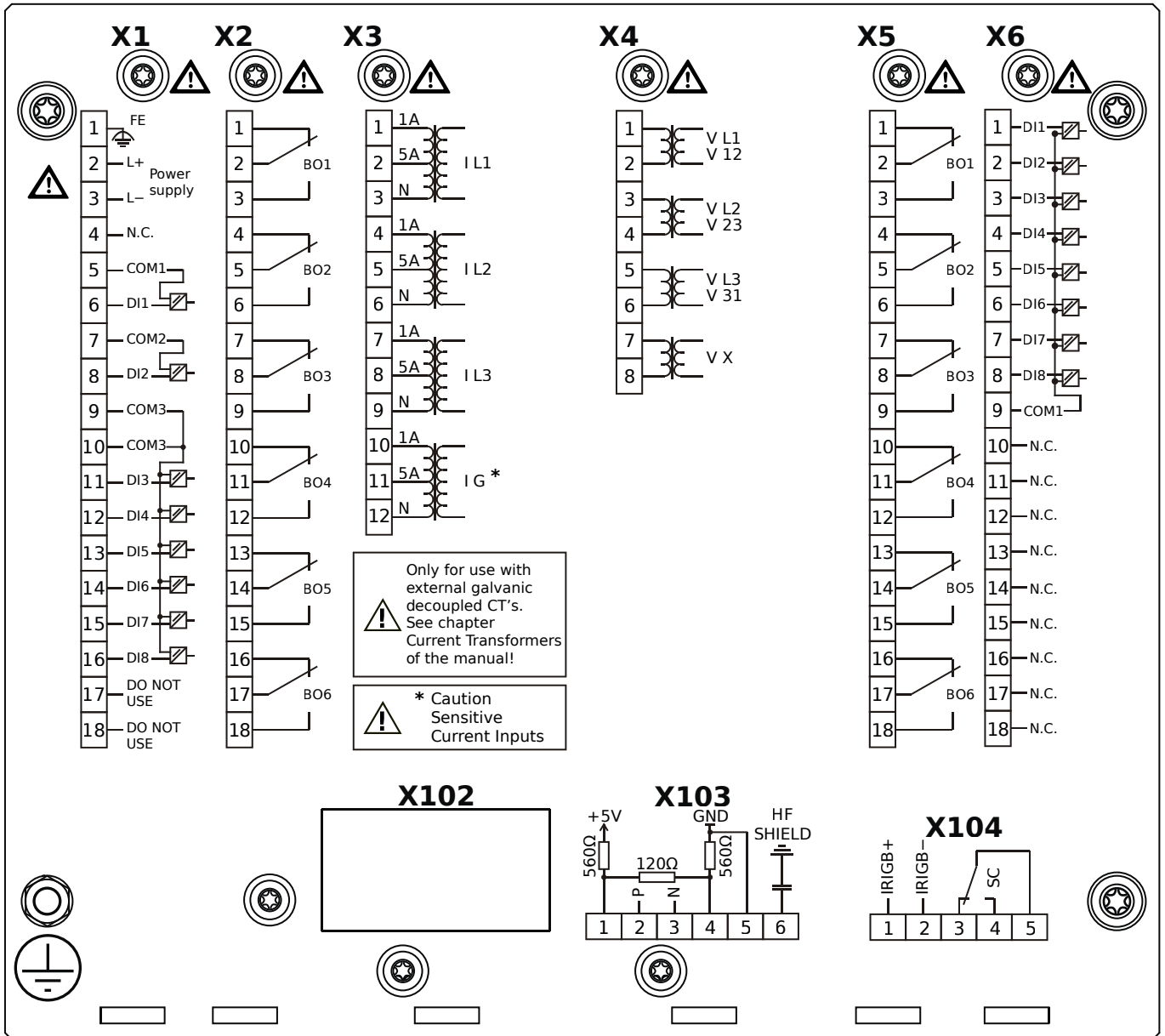
MRA4-2D1ABA



Housing B2, small display, door mounting

- X1** – DI8-X1: Wide-range power supply unit, incl. 2 non-grouped digital inputs and 6 grouped digital inputs
- X2** – OR6: Assembly Group with 6 Output Relays
- X3** – TIs: Standard phase current measuring card and sensitive ground current measuring
- X4** – TU: Card with 4 voltage transformer measuring inputs
- X5** – OR6: Assembly Group with 6 Output Relays
- X6** – DI8: Assembly Group with 8 Digital Inputs
- X103** – Modbus RTU / IEC 60870-5-103 / DNP3.0 RTU, RS485, Terminals
- X104** – IRIG-B00X, incl. System Contact (Supervision Contact)

MRA4-2D1ABB

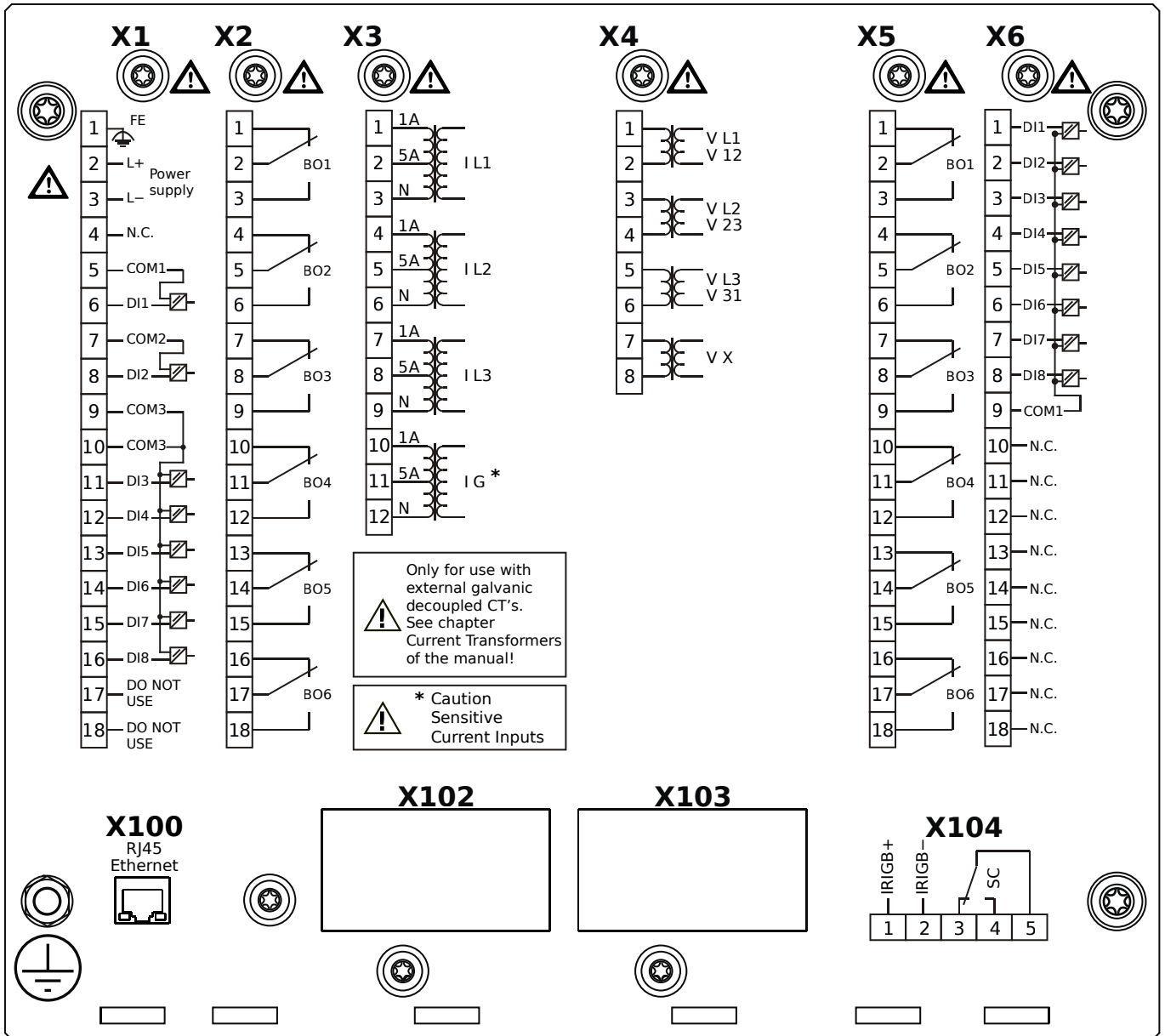


Housing B2, small display, door mounting

+ Conformal Coating (for installations in harsh environment)

- X1** – DI8-X1: Wide-range power supply unit, incl. 2 non-grouped digital inputs and 6 grouped digital inputs
- X2** – OR6: Assembly Group with 6 Output Relays
- X3** – TIs: Standard phase current measuring card and sensitive ground current measuring
- X4** – TU: Card with 4 voltage transformer measuring inputs
- X5** – OR6: Assembly Group with 6 Output Relays
- X6** – DI8: Assembly Group with 8 Digital Inputs
- X103** – Modbus RTU / IEC 60870-5-103 / DNP3.0 RTU, RS485, Terminals
- X104** – IRIG-B00X, incl. System Contact (Supervision Contact)

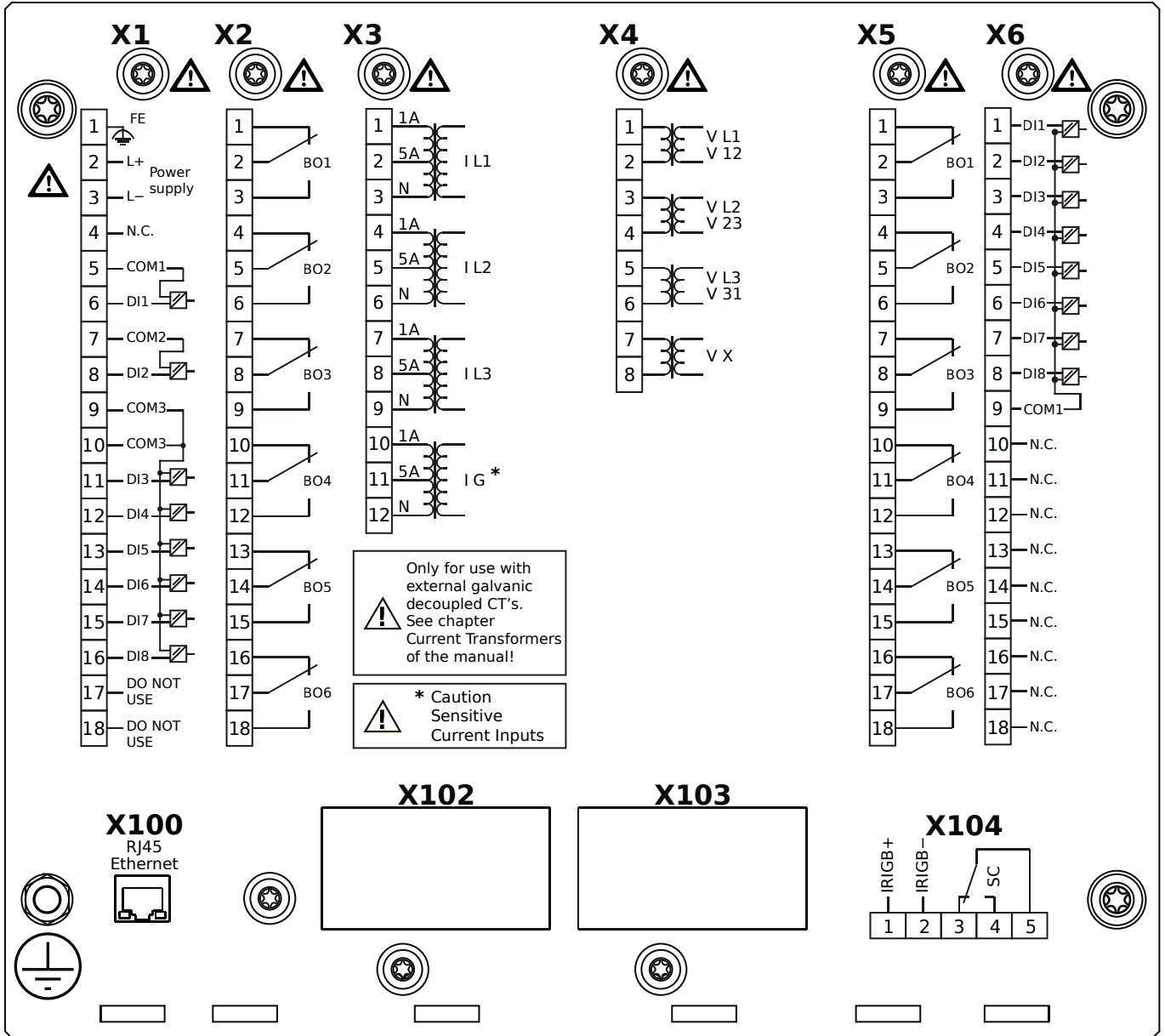
MRA4-2D1ACA



Housing B2, small display, door mounting

- X1** – DI8-X1: Wide-range power supply unit, incl. 2 non-grouped digital inputs and 6 grouped digital inputs
- X2** – OR6: Assembly Group with 6 Output Relays
- X3** – TIs: Standard phase current measuring card and sensitive ground current measuring
- X4** – TU: Card with 4 voltage transformer measuring inputs
- X5** – OR6: Assembly Group with 6 Output Relays
- X6** – DI8: Assembly Group with 8 Digital Inputs
- X100** – Modbus TCP / DNP3.0 TCP/UDP, Ethernet interface, 100 Mbit/s, RJ45 (BASE100-FX)
- X104** – IRIG-B00X, incl. System Contact (Supervision Contact)

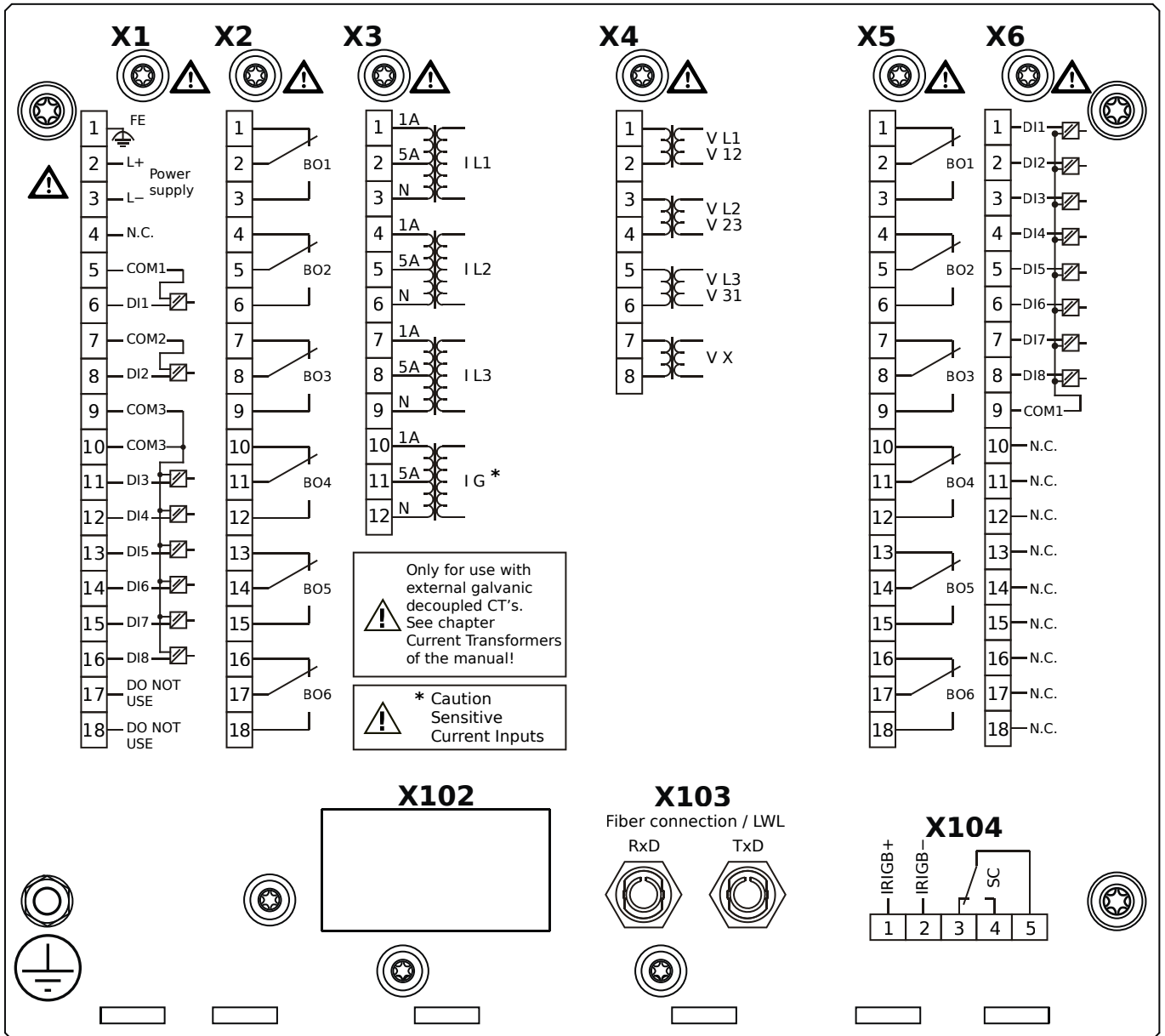
MRA4-2D1ACB



Housing B2, small display, door mounting

- + Conformal Coating (for installations in harsh environment)
- X1** – DI8-X1: Wide-range power supply unit, incl. 2 non-grouped digital inputs and 6 grouped digital inputs
- X2** – OR6: Assembly Group with 6 Output Relays
- X3** – TIs: Standard phase current measuring card and sensitive ground current measuring
- X4** – TU: Card with 4 voltage transformer measuring inputs
- X5** – OR6: Assembly Group with 6 Output Relays
- X6** – DI8: Assembly Group with 8 Digital Inputs
- X100** – Modbus TCP / DNP3.0 TCP/UDP, Ethernet interface, 100 Mbit/s, RJ45 (BASE100-FX)
- X104** – IRIG-B00X, incl. System Contact (Supervision Contact)

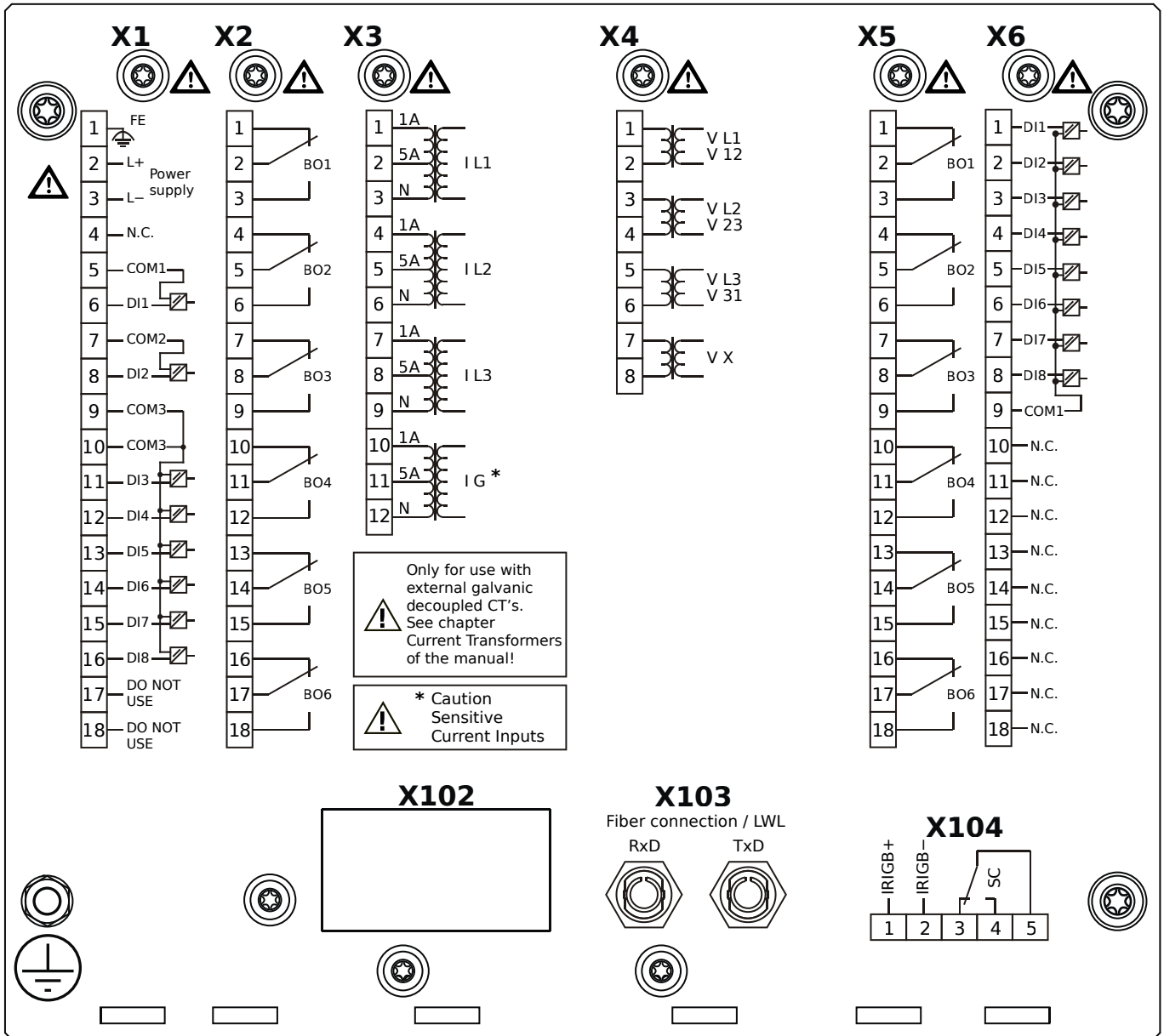
MRA4-2D1ADA



Housing B2, small display, door mounting

- X1** – DI8-X1: Wide-range power supply unit, incl. 2 non-grouped digital inputs and 6 grouped digital inputs
- X2** – OR6: Assembly Group with 6 Output Relays
- X3** – TIs: Standard phase current measuring card and sensitive ground current measuring
- X4** – TU: Card with 4 voltage transformer measuring inputs
- X5** – OR6: Assembly Group with 6 Output Relays
- X6** – DI8: Assembly Group with 8 Digital Inputs
- X103** – Profibus-DP, Fiber optics interface, ST Connector
- X104** – IRIG-B00X, incl. System Contact (Supervision Contact)

MRA4-2D1ADB

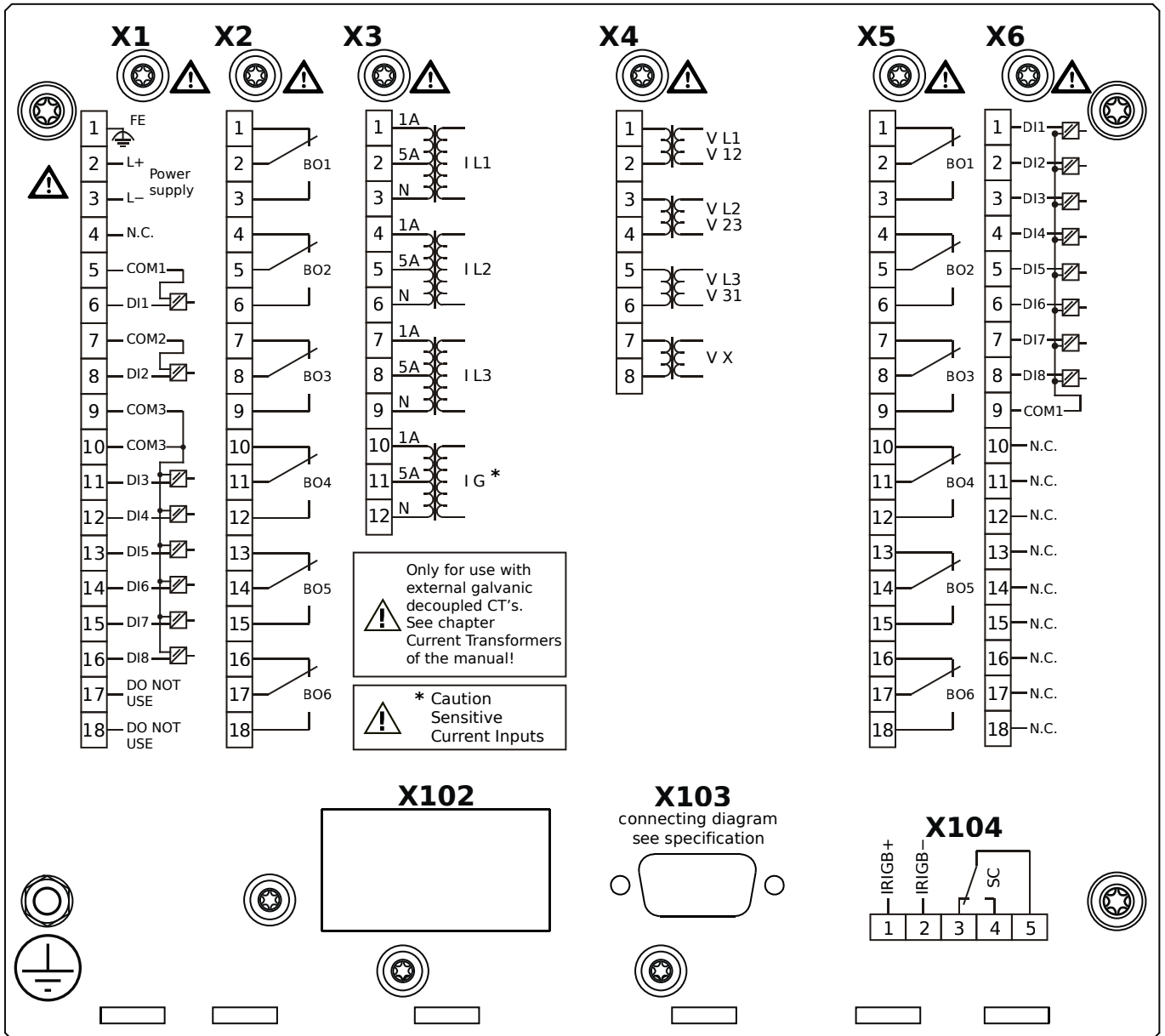


Housing B2, small display, door mounting

+ Conformal Coating (for installations in harsh environment)

- X1** – DI8-X1: Wide-range power supply unit, incl. 2 non-grouped digital inputs and 6 grouped digital inputs
- X2** – OR6: Assembly Group with 6 Output Relays
- X3** – TIs: Standard phase current measuring card and sensitive ground current measuring
- X4** – TU: Card with 4 voltage transformer measuring inputs
- X5** – OR6: Assembly Group with 6 Output Relays
- X6** – DI8: Assembly Group with 8 Digital Inputs
- X103** – Profibus-DP, Fiber optics interface, ST Connector
- X104** – IRIG-B00X, incl. System Contact (Supervision Contact)

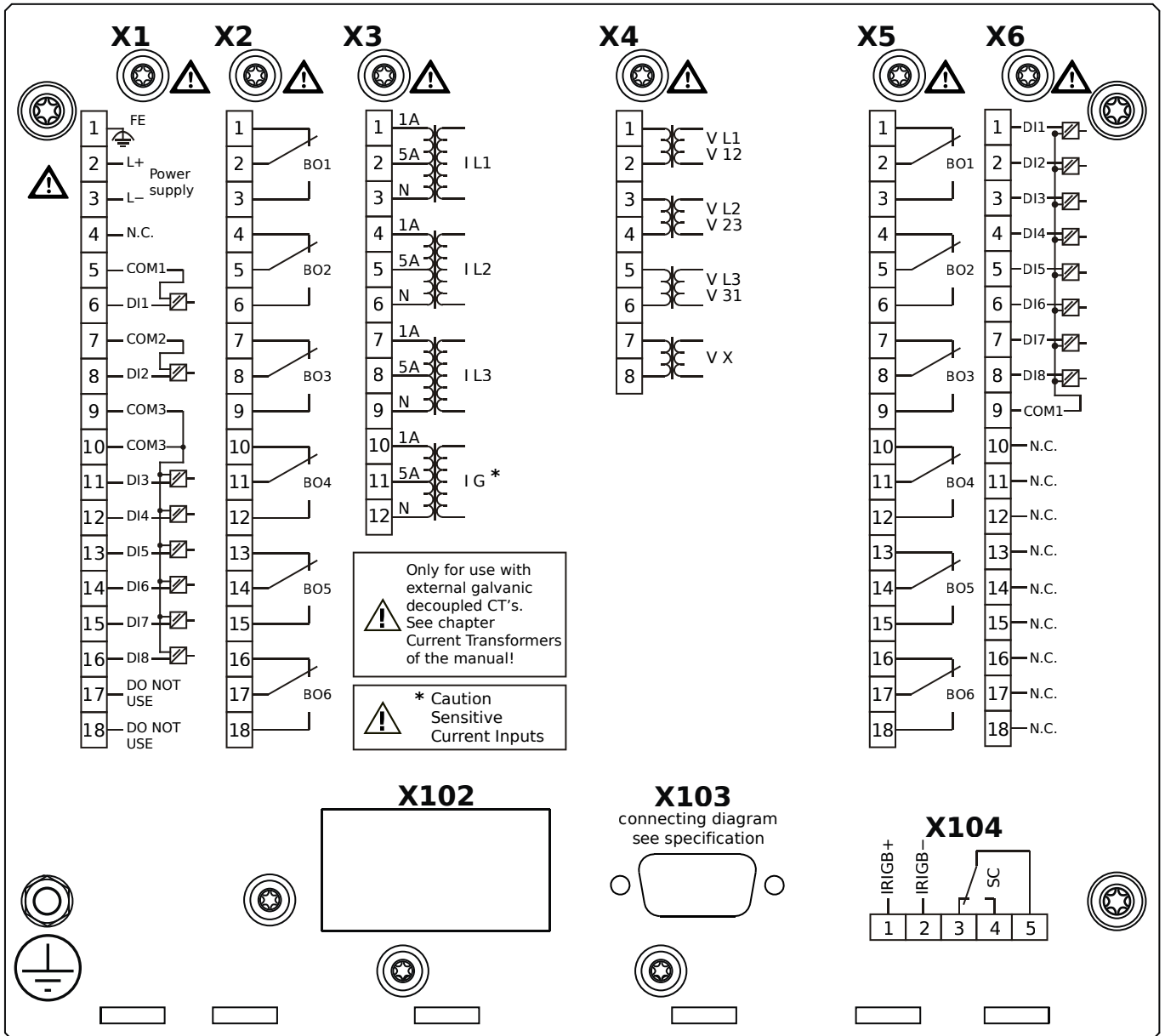
MRA4-2D1AEA



Housing B2, small display, door mounting

- X1** – DI8-X1: Wide-range power supply unit, incl. 2 non-grouped digital inputs and 6 grouped digital inputs
- X2** – OR6: Assembly Group with 6 Output Relays
- X3** – TIs: Standard phase current measuring card and sensitive ground current measuring
- X4** – TU: Card with 4 voltage transformer measuring inputs
- X5** – OR6: Assembly Group with 6 Output Relays
- X6** – DI8: Assembly Group with 8 Digital Inputs
- X103** – Profibus-DP, RS485, D-SUB
- X104** – IRIG-B00X, incl. System Contact (Supervision Contact)

MRA4-2D1AEB

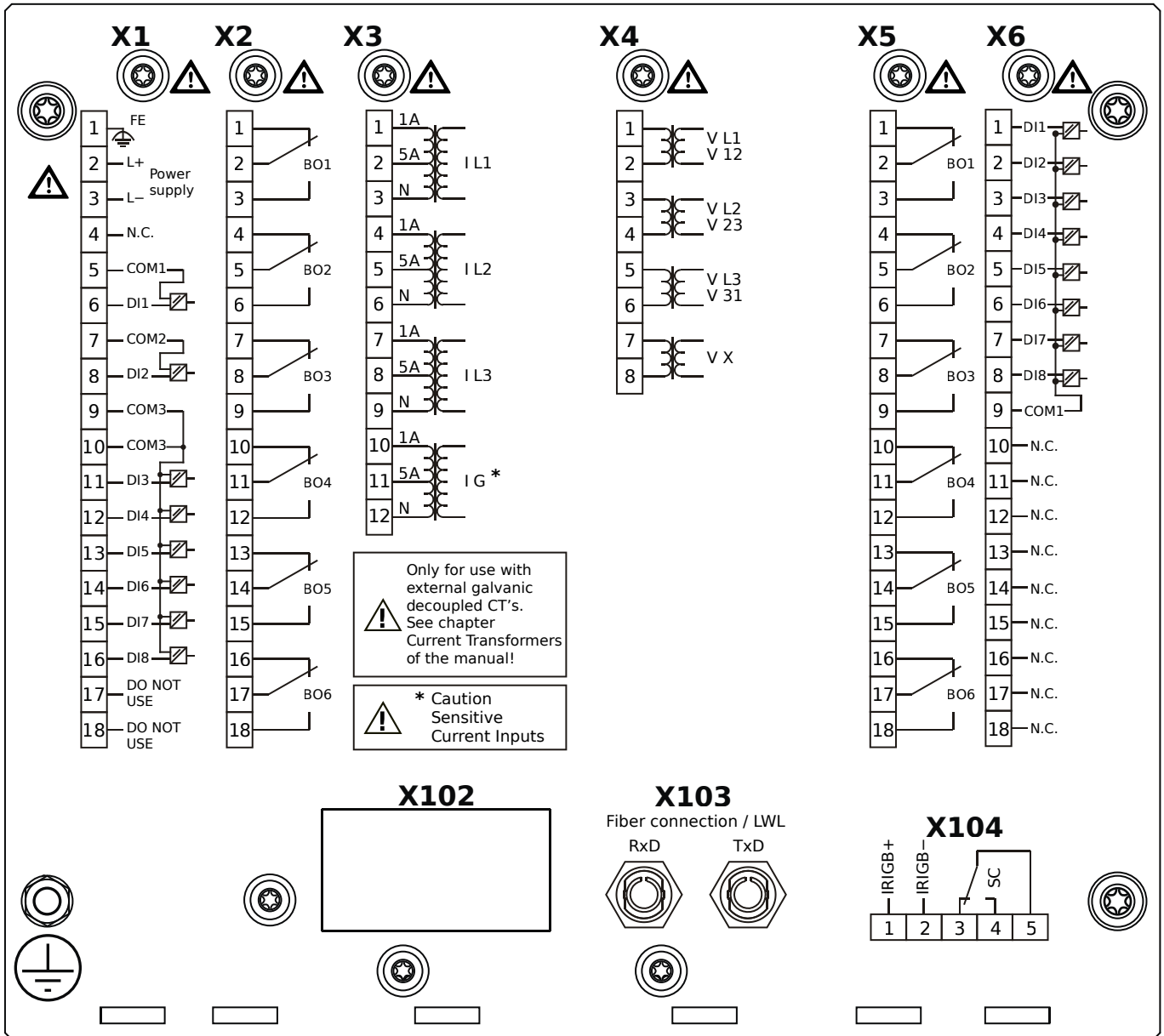


Housing B2, small display, door mounting

+ Conformal Coating (for installations in harsh environment)

- X1** – DI8-X1: Wide-range power supply unit, incl. 2 non-grouped digital inputs and 6 grouped digital inputs
- X2** – OR6: Assembly Group with 6 Output Relays
- X3** – TIs: Standard phase current measuring card and sensitive ground current measuring
- X4** – TU: Card with 4 voltage transformer measuring inputs
- X5** – OR6: Assembly Group with 6 Output Relays
- X6** – DI8: Assembly Group with 8 Digital Inputs
- X103** – Profibus-DP, RS485, D-SUB
- X104** – IRIG-B00X, incl. System Contact (Supervision Contact)

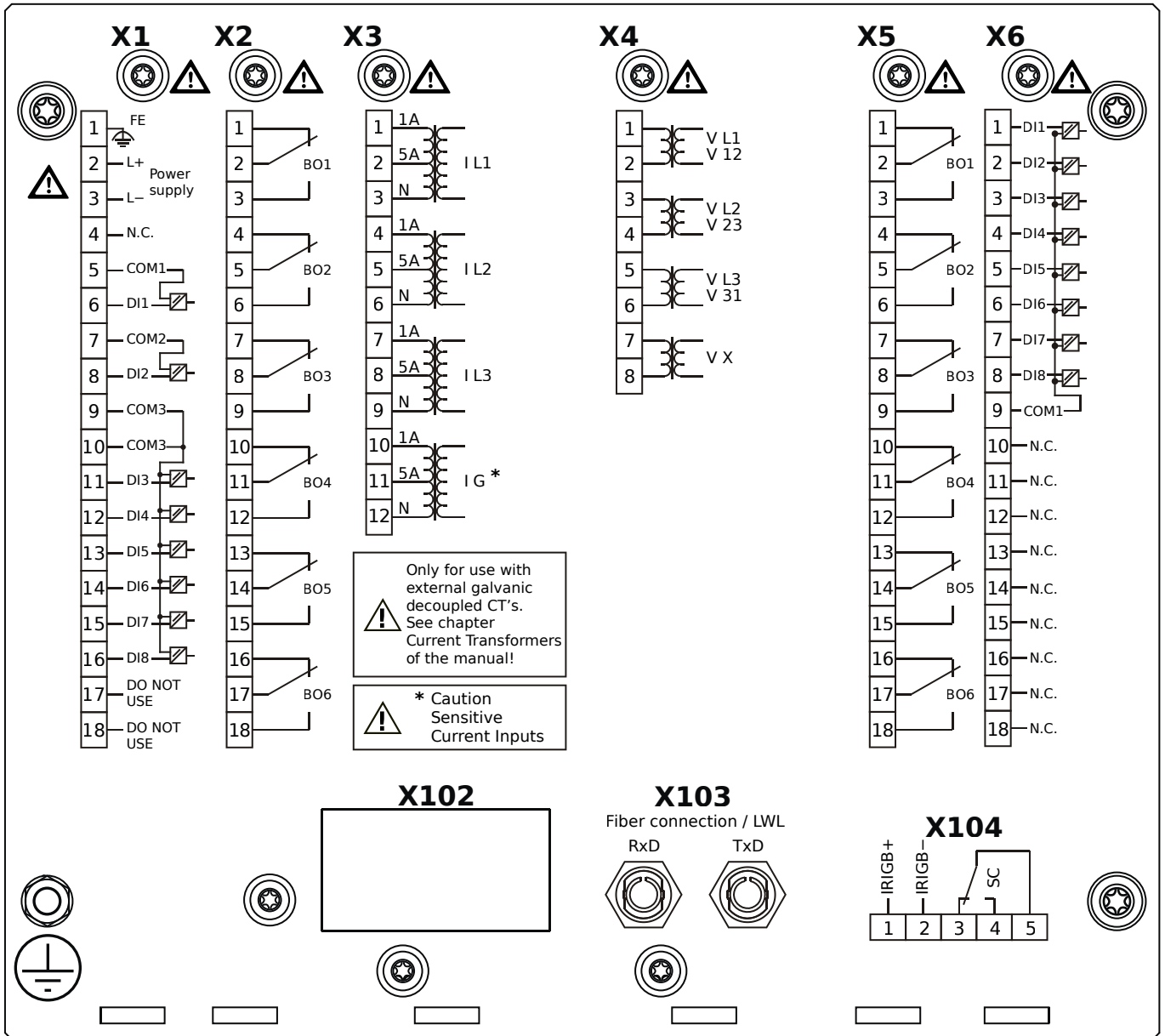
MRA4-2D1AFA



Housing B2, small display, door mounting

- X1** – DI8-X1: Wide-range power supply unit, incl. 2 non-grouped digital inputs and 6 grouped digital inputs
- X2** – OR6: Assembly Group with 6 Output Relays
- X3** – TIs: Standard phase current measuring card and sensitive ground current measuring
- X4** – TU: Card with 4 voltage transformer measuring inputs
- X5** – OR6: Assembly Group with 6 Output Relays
- X6** – DI8: Assembly Group with 8 Digital Inputs
- X103** – Modbus RTU / IEC 60870-5-103 / DNP3.0 RTU, Fiber optics interface, ST Connector
- X104** – IRIG-B00X, incl. System Contact (Supervision Contact)

MRA4-2D1AFB

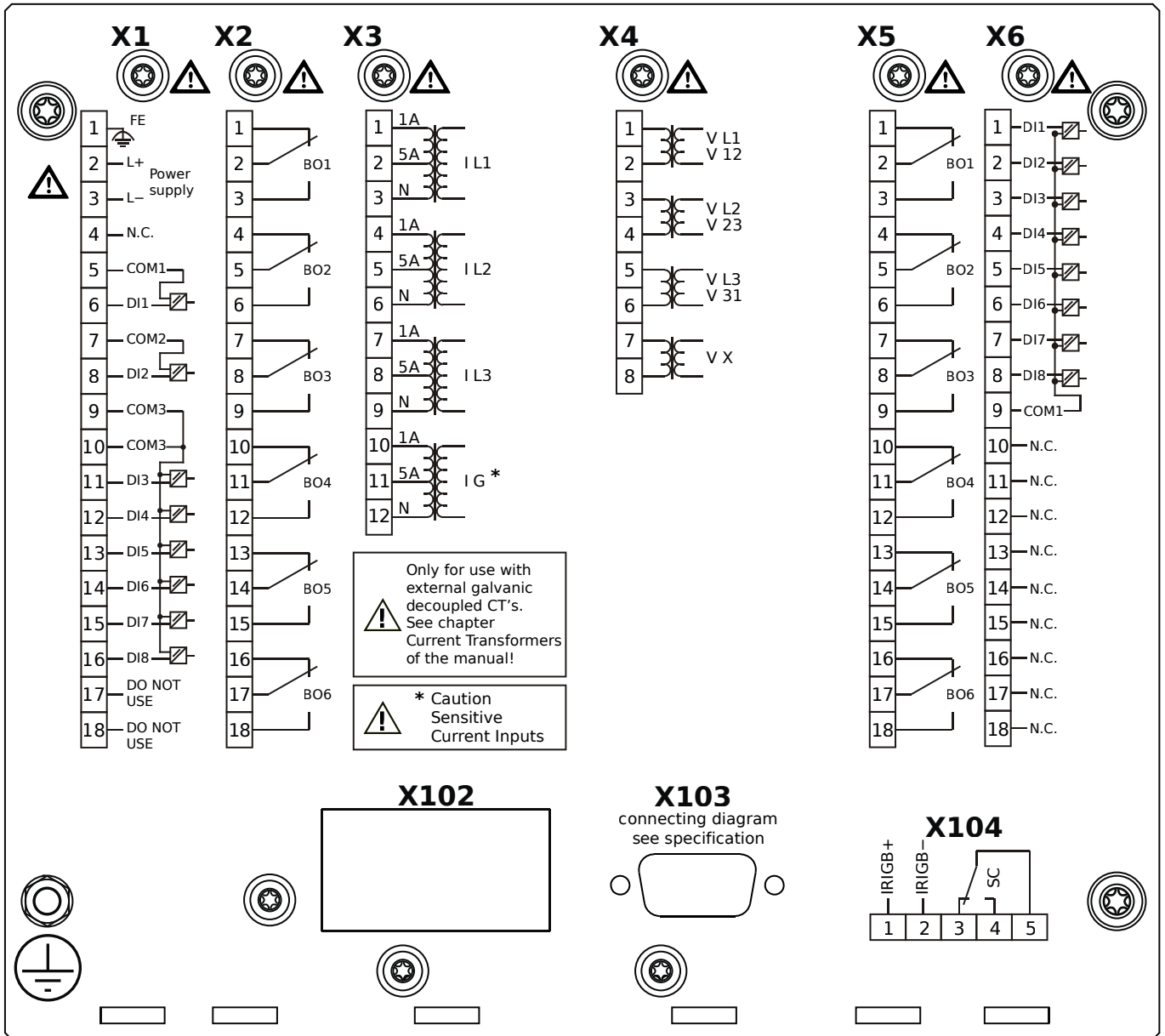


Housing B2, small display, door mounting

+ Conformal Coating (for installations in harsh environment)

- X1** – DI8-X1: Wide-range power supply unit, incl. 2 non-grouped digital inputs and 6 grouped digital inputs
- X2** – OR6: Assembly Group with 6 Output Relays
- X3** – TIs: Standard phase current measuring card and sensitive ground current measuring
- X4** – TU: Card with 4 voltage transformer measuring inputs
- X5** – OR6: Assembly Group with 6 Output Relays
- X6** – DI8: Assembly Group with 8 Digital Inputs
- X103** – Modbus RTU / IEC 60870-5-103 / DNP3.0 RTU, Fiber optics interface, ST Connector
- X104** – IRIG-B00X, incl. System Contact (Supervision Contact)

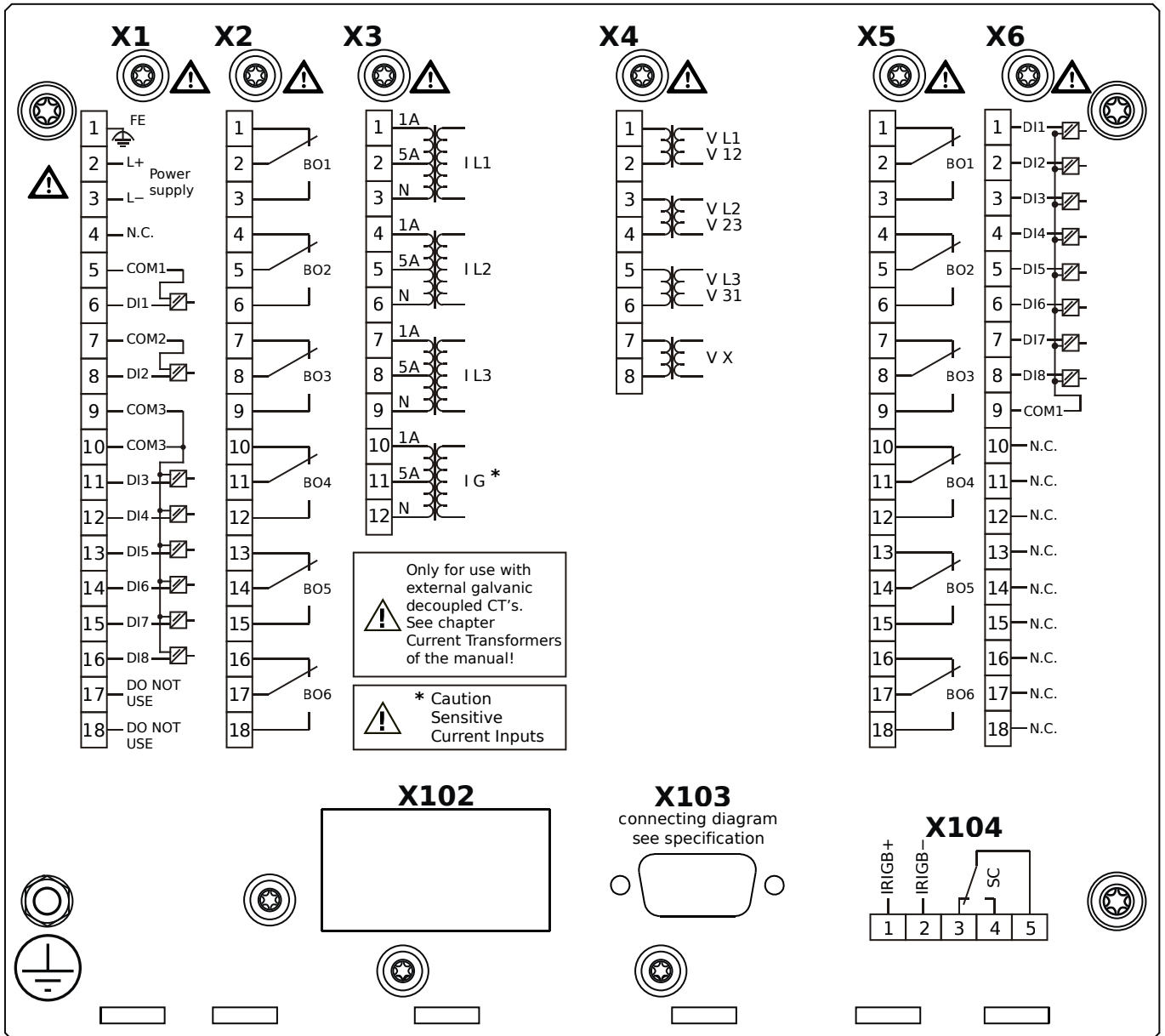
MRA4-2D1AGA



Housing B2, small display, door mounting

- X1** – DI8-X1: Wide-range power supply unit, incl. 2 non-grouped digital inputs and 6 grouped digital inputs
- X2** – OR6: Assembly Group with 6 Output Relays
- X3** – TIs: Standard phase current measuring card and sensitive ground current measuring
- X4** – TU: Card with 4 voltage transformer measuring inputs
- X5** – OR6: Assembly Group with 6 Output Relays
- X6** – DI8: Assembly Group with 8 Digital Inputs
- X103** – Modbus RTU / IEC 60870-5-103 / DNP3.0 RTU, RS485, D-SUB
- X104** – IRIG-B00X, incl. System Contact (Supervision Contact)

MRA4-2D1AGB

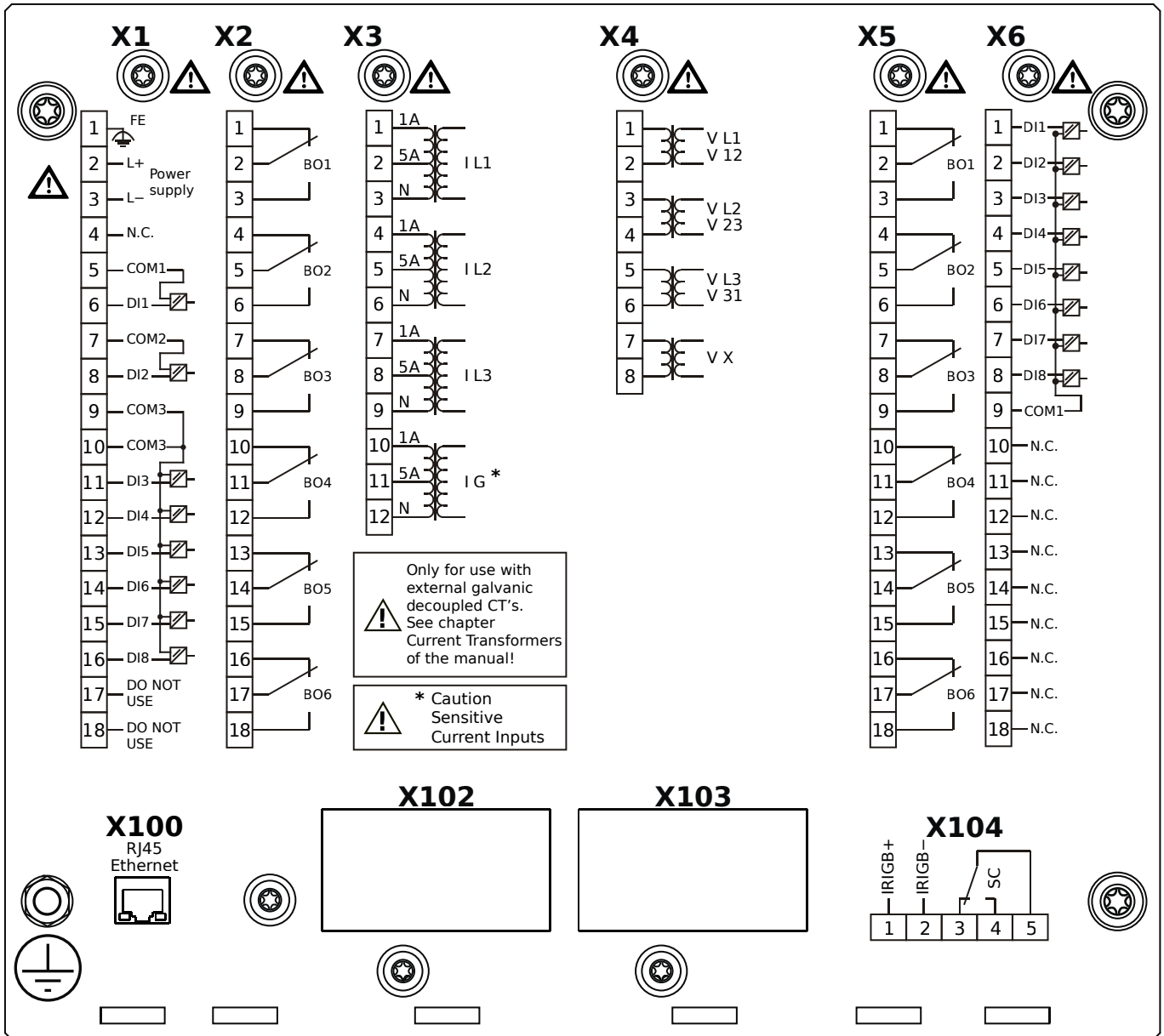


Housing B2, small display, door mounting

+ Conformal Coating (for installations in harsh environment)

- X1** – DI8-X1: Wide-range power supply unit, incl. 2 non-grouped digital inputs and 6 grouped digital inputs
- X2** – OR6: Assembly Group with 6 Output Relays
- X3** – TIs: Standard phase current measuring card and sensitive ground current measuring
- X4** – TU: Card with 4 voltage transformer measuring inputs
- X5** – OR6: Assembly Group with 6 Output Relays
- X6** – DI8: Assembly Group with 8 Digital Inputs
- X103** – Modbus RTU / IEC 60870-5-103 / DNP3.0 RTU, RS485, D-SUB
- X104** – IRIG-B00X, incl. System Contact (Supervision Contact)

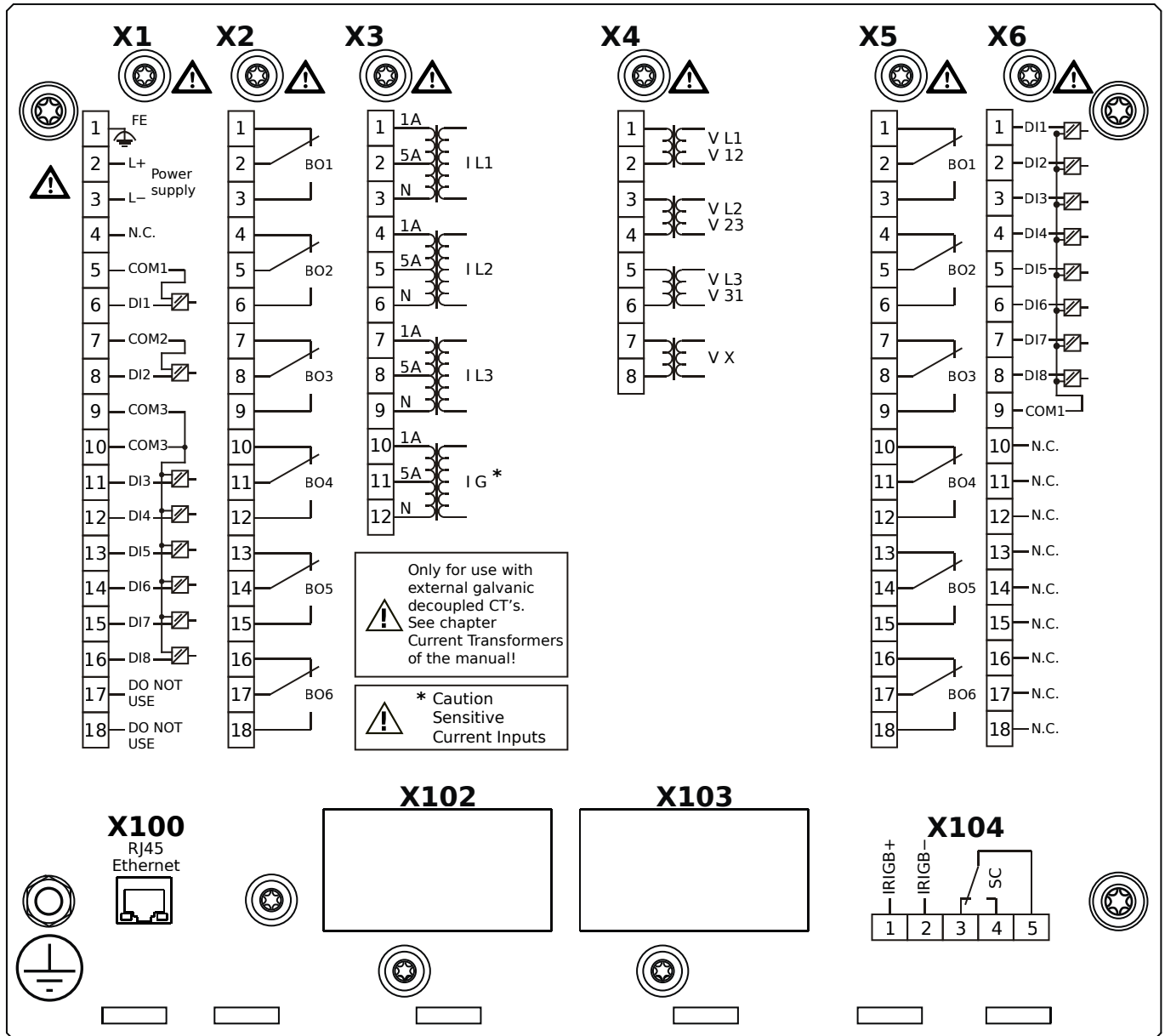
MRA4-2D1AHA



Housing B2, small display, door mounting

- X1** – DI8-X1: Wide-range power supply unit, incl. 2 non-grouped digital inputs and 6 grouped digital inputs
- X2** – OR6: Assembly Group with 6 Output Relays
- X3** – TIs: Standard phase current measuring card and sensitive ground current measuring
- X4** – TU: Card with 4 voltage transformer measuring inputs
- X5** – OR6: Assembly Group with 6 Output Relays
- X6** – DI8: Assembly Group with 8 Digital Inputs
- X100** – IEC 61850 / Modbus TCP / DNP3.0 TCP/UDP, Ethernet interface, 100 Mbit/s, RJ45 (BASE100-FX)
- X104** – IRIG-B00X, incl. System Contact (Supervision Contact)

MRA4-2D1AHB



Housing B2, small display, door mounting

+ Conformal Coating (for installations in harsh environment)

X1 – DI8-X1: Wide-range power supply unit, incl. 2 non-grouped digital inputs and 6 grouped digital inputs

X2 – OR6: Assembly Group with 6 Output Relays

X3 – TIs: Standard phase current measuring card and sensitive ground current measuring

X4 – TU: Card with 4 voltage transformer measuring inputs

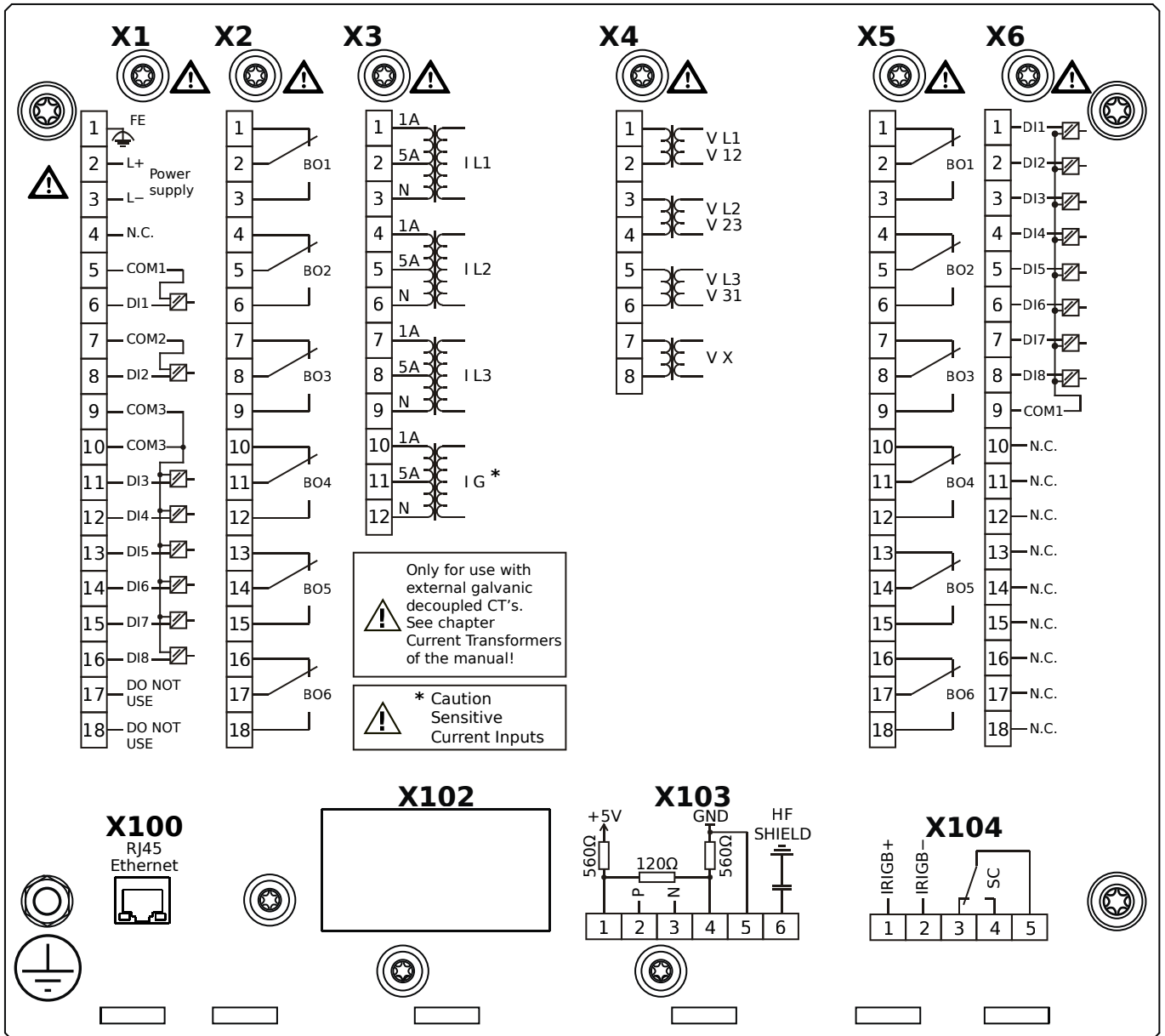
X5 – OR6: Assembly Group with 6 Output Relays

X6 – DI8: Assembly Group with 8 Digital Inputs

X100 – IEC 61850 / Modbus TCP / DNP3.0 TCP/UDP, Ethernet interface, 100 Mbit/s, RJ45 (BASE100-FX)

X104 – IRIG-B00X, incl. System Contact (Supervision Contact)

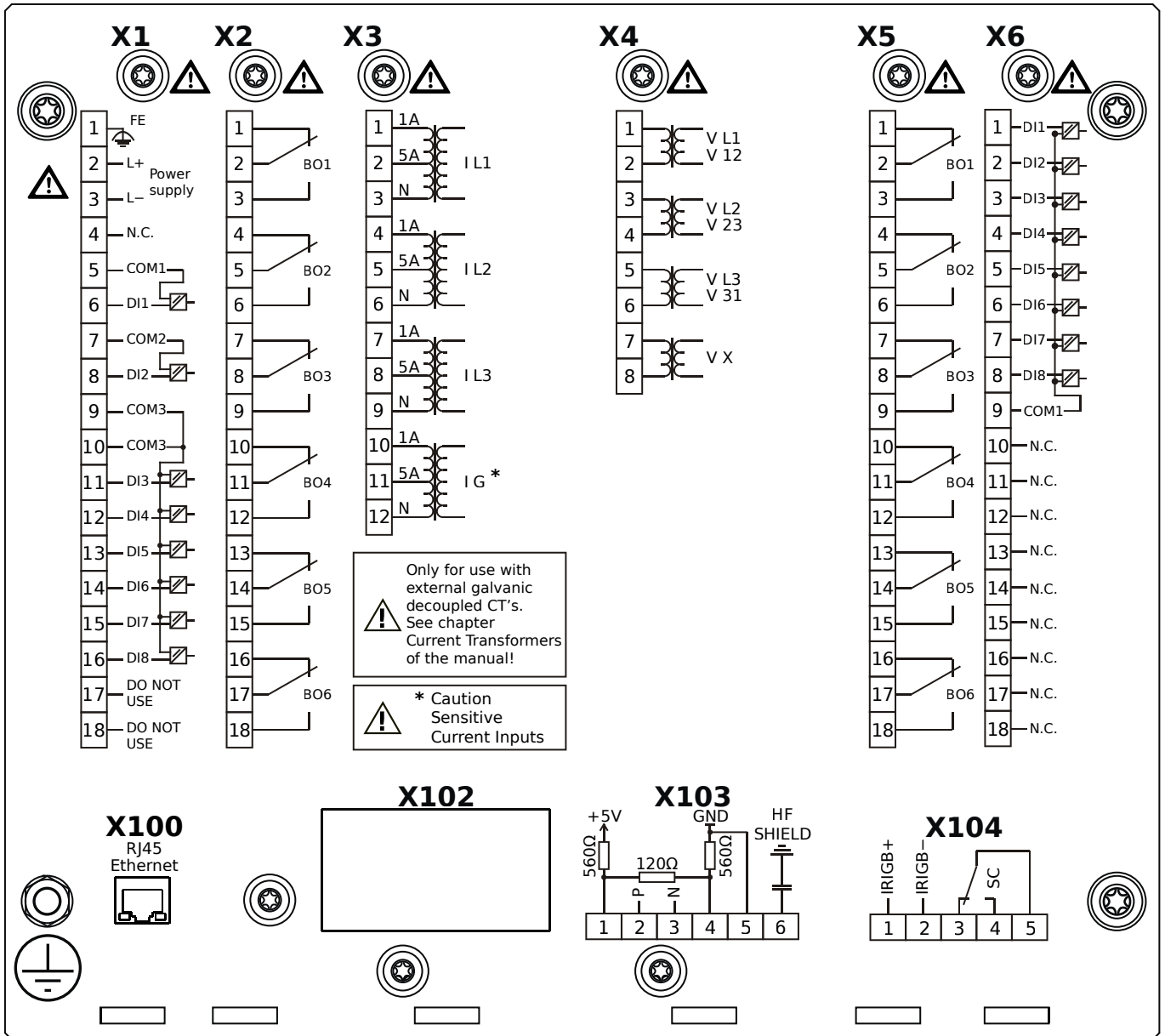
MRA4-2D1AIA



Housing B2, small display, door mounting

- X1** – DI8-X1: Wide-range power supply unit, incl. 2 non-grouped digital inputs and 6 grouped digital inputs
- X2** – OR6: Assembly Group with 6 Output Relays
- X3** – TIs: Standard phase current measuring card and sensitive ground current measuring
- X4** – TU: Card with 4 voltage transformer measuring inputs
- X5** – OR6: Assembly Group with 6 Output Relays
- X6** – DI8: Assembly Group with 8 Digital Inputs
- X100** – Modbus TCP / DNP3.0 TCP/UDP, Ethernet interface, 100 Mbit/s, RJ45 (BASE100-FX)
- X103** – IEC 60870-5-103 / Modbus RTU / DNP3.0 RTU, RS485, Terminals
- X104** – IRIG-B00X, incl. System Contact (Supervision Contact)

MRA4-2D1AIB

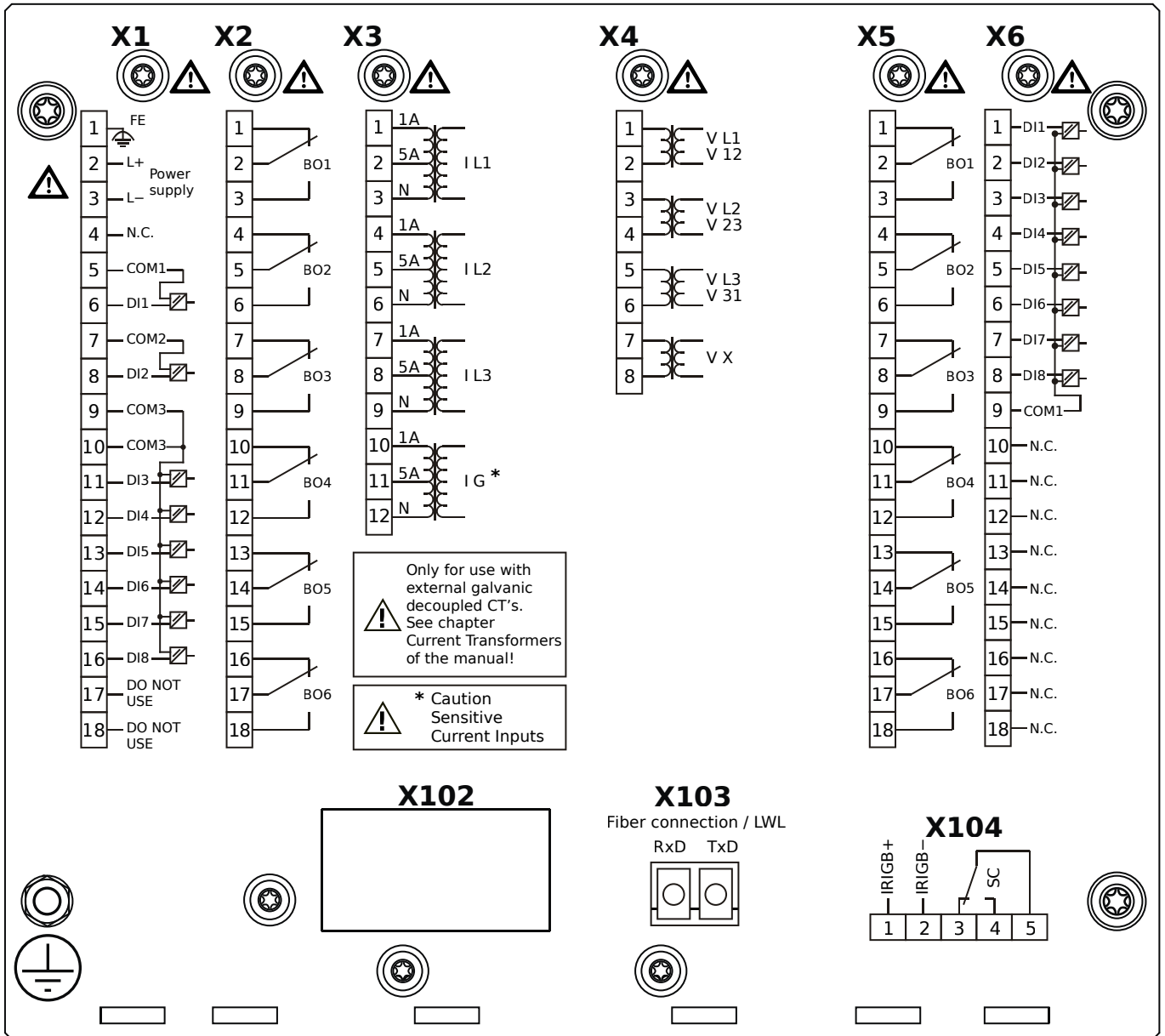


Housing B2, small display, door mounting

+ Conformal Coating (for installations in harsh environment)

- X1** – DI8-X1: Wide-range power supply unit, incl. 2 non-grouped digital inputs and 6 grouped digital inputs
- X2** – OR6: Assembly Group with 6 Output Relays
- X3** – TIs: Standard phase current measuring card and sensitive ground current measuring
- X4** – TU: Card with 4 voltage transformer measuring inputs
- X5** – OR6: Assembly Group with 6 Output Relays
- X6** – DI8: Assembly Group with 8 Digital Inputs
- X100** – Modbus TCP / DNP3.0 TCP/UDP, Ethernet interface, 100 Mbit/s, RJ45 (BASE100-FX)
- X103** – IEC 60870-5-103 / Modbus RTU / DNP3.0 RTU, RS485, Terminals
- X104** – IRIG-B00X, incl. System Contact (Supervision Contact)

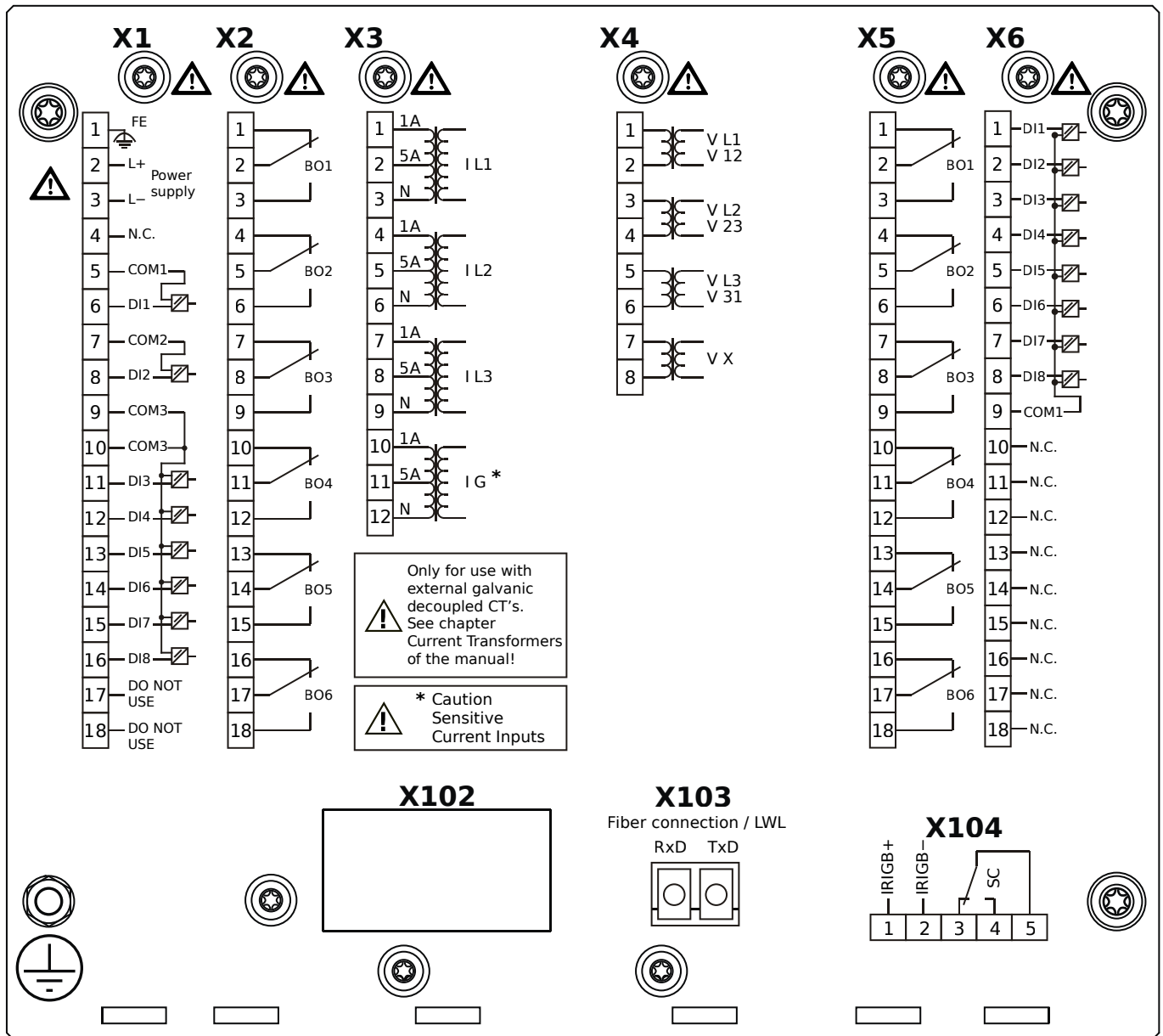
MRA4-2D1AKA



Housing B2, small display, door mounting

- X1** – DI8-X1: Wide-range power supply unit, incl. 2 non-grouped digital inputs and 6 grouped digital inputs
- X2** – OR6: Assembly Group with 6 Output Relays
- X3** – TIs: Standard phase current measuring card and sensitive ground current measuring
- X4** – TU: Card with 4 voltage transformer measuring inputs
- X5** – OR6: Assembly Group with 6 Output Relays
- X6** – DI8: Assembly Group with 8 Digital Inputs
- X103** – IEC 61850 / Modbus TCP / DNP3.0 TCP/UDP, Fiber optics interface, LC Connector
- X104** – IRIG-B00X, incl. System Contact (Supervision Contact)

MRA4-2D1AKB

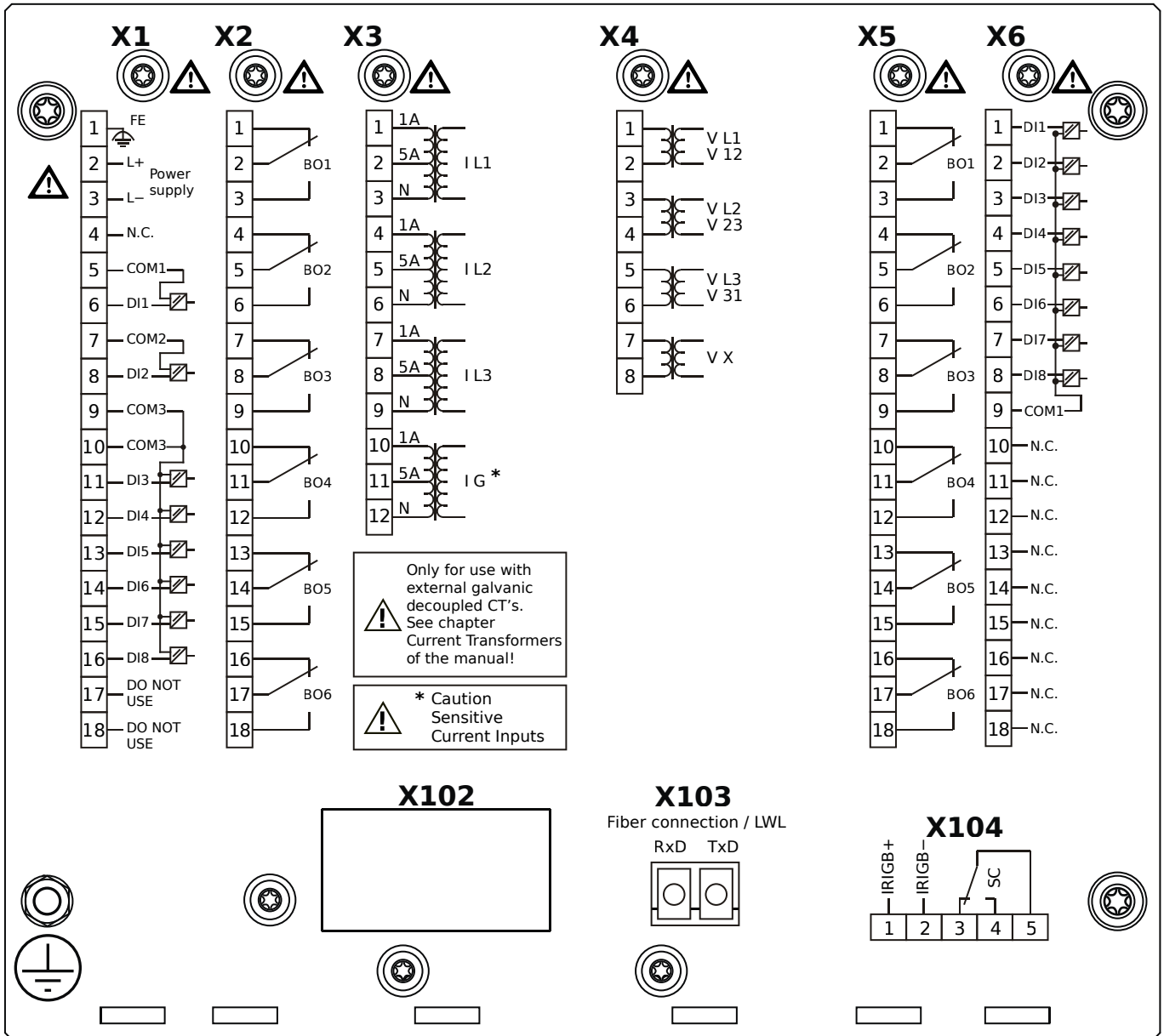


Housing B2, small display, door mounting

+ Conformal Coating (for installations in harsh environment)

- X1** – DI8-X1: Wide-range power supply unit, incl. 2 non-grouped digital inputs and 6 grouped digital inputs
- X2** – OR6: Assembly Group with 6 Output Relays
- X3** – TIs: Standard phase current measuring card and sensitive ground current measuring
- X4** – TU: Card with 4 voltage transformer measuring inputs
- X5** – OR6: Assembly Group with 6 Output Relays
- X6** – DI8: Assembly Group with 8 Digital Inputs
- X103** – IEC 61850 / Modbus TCP / DNP3.0 TCP/UDP, Fiber optics interface, LC Connector
- X104** – IRIG-B00X, incl. System Contact (Supervision Contact)

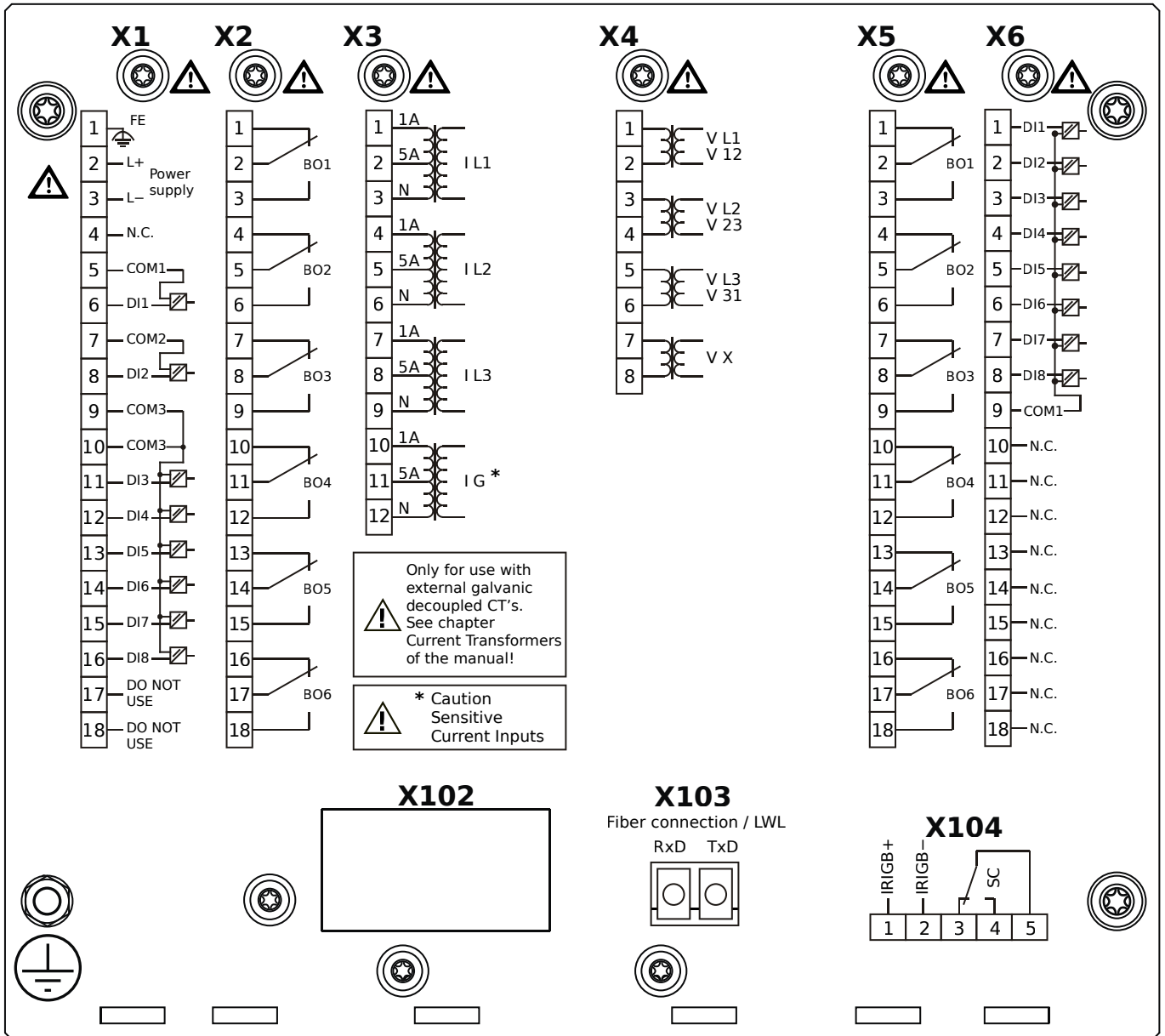
MRA4-2D1ALA



Housing B2, small display, door mounting

- X1** – DI8-X1: Wide-range power supply unit, incl. 2 non-grouped digital inputs and 6 grouped digital inputs
- X2** – OR6: Assembly Group with 6 Output Relays
- X3** – TIs: Standard phase current measuring card and sensitive ground current measuring
- X4** – TU: Card with 4 voltage transformer measuring inputs
- X5** – OR6: Assembly Group with 6 Output Relays
- X6** – DI8: Assembly Group with 8 Digital Inputs
- X103** – Modbus TCP / DNP3.0 TCP/UDP, Fiber optics interface, LC Connector
- X104** – IRIG-B00X, incl. System Contact (Supervision Contact)

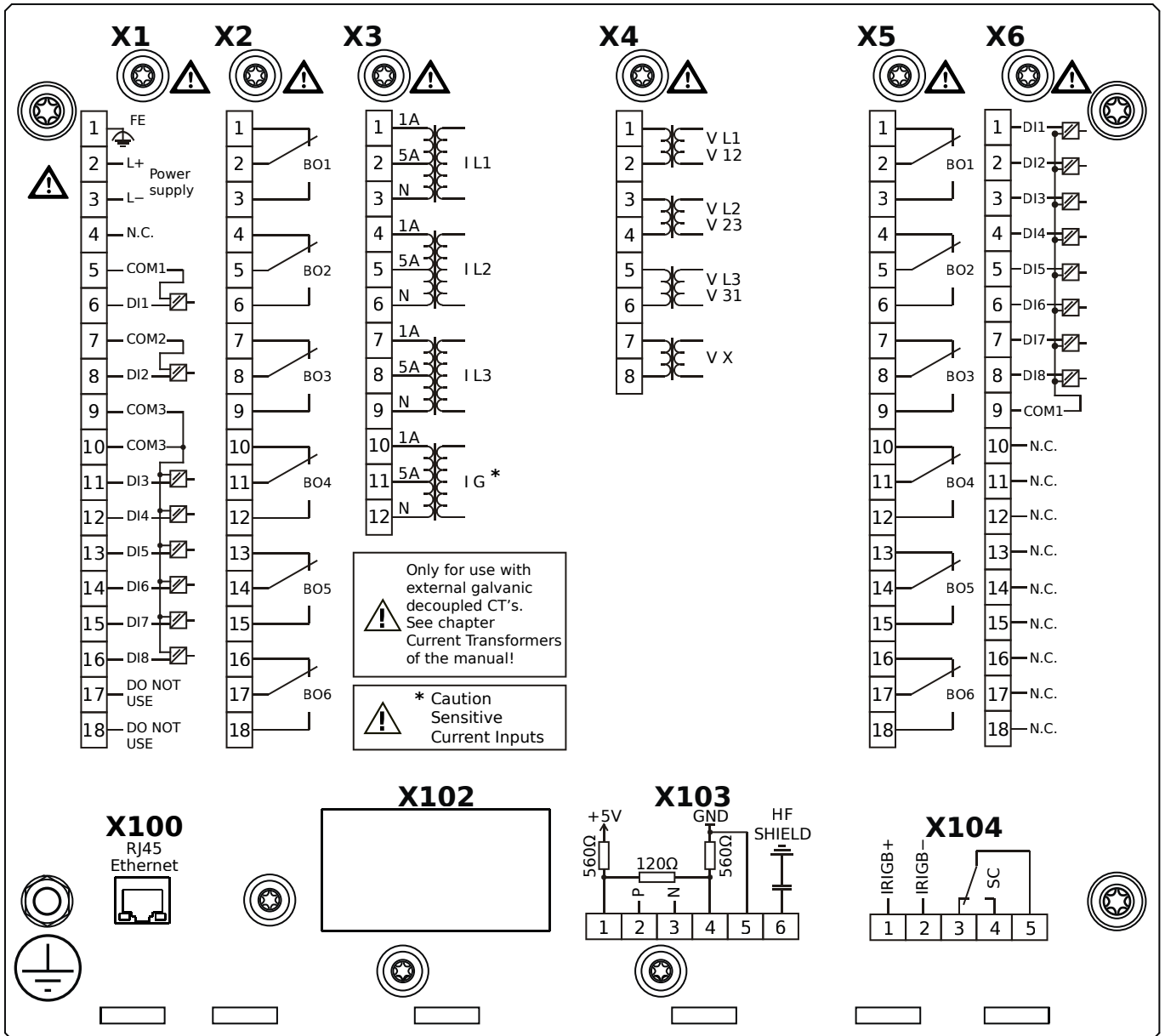
MRA4-2D1ALB



Housing B2, small display, door mounting

- + Conformal Coating (for installations in harsh environment)
- X1** – DI8-X1: Wide-range power supply unit, incl. 2 non-grouped digital inputs and 6 grouped digital inputs
- X2** – OR6: Assembly Group with 6 Output Relays
- X3** – TIs: Standard phase current measuring card and sensitive ground current measuring
- X4** – TU: Card with 4 voltage transformer measuring inputs
- X5** – OR6: Assembly Group with 6 Output Relays
- X6** – DI8: Assembly Group with 8 Digital Inputs
- X103** – Modbus TCP / DNP3.0 TCP/UDP, Fiber optics interface, LC Connector
- X104** – IRIG-B00X, incl. System Contact (Supervision Contact)

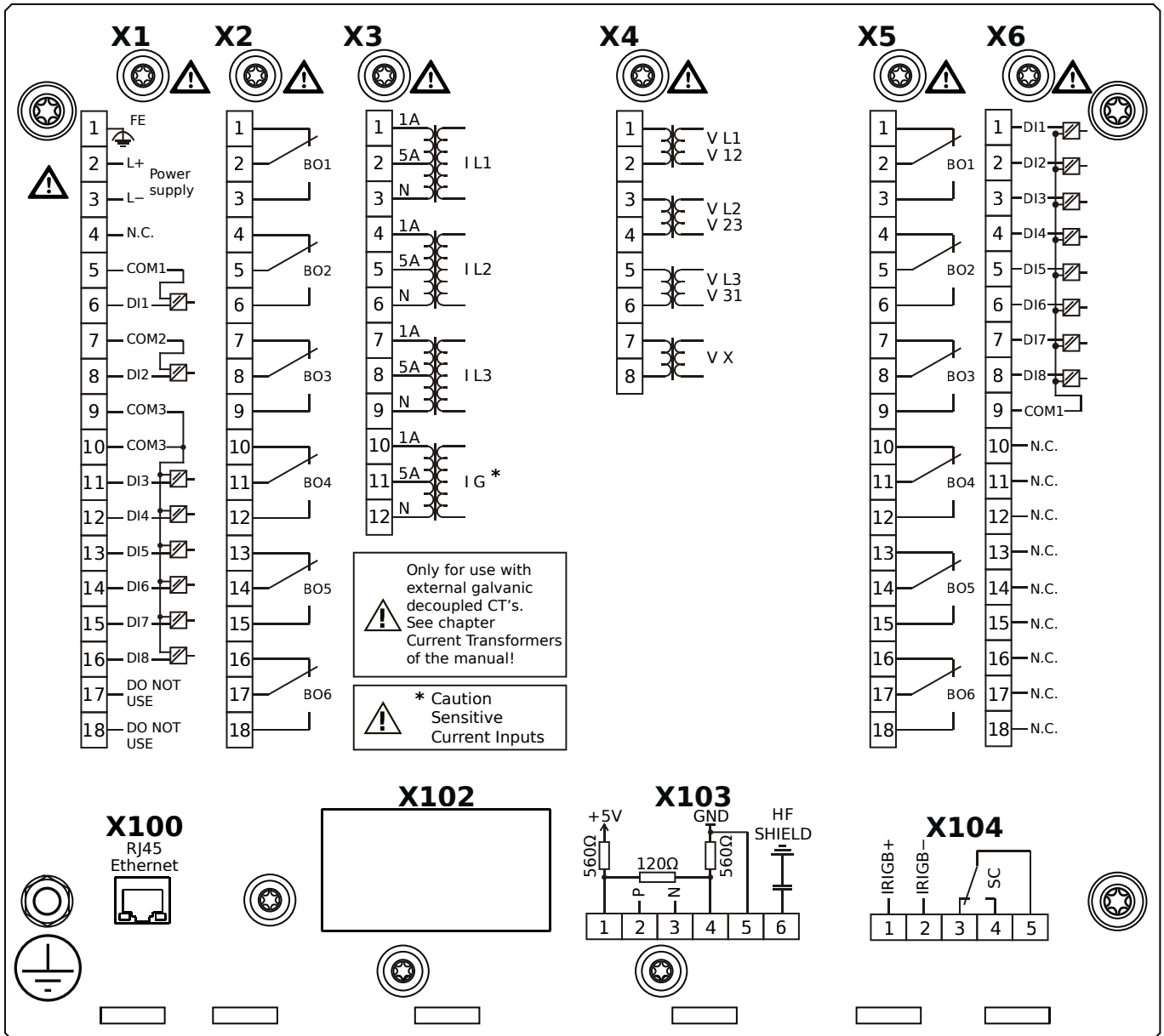
MRA4-2D1ATA



Housing B2, small display, door mounting

- X1** – DI8-X1: Wide-range power supply unit, incl. 2 non-grouped digital inputs and 6 grouped digital inputs
- X2** – OR6: Assembly Group with 6 Output Relays
- X3** – TIs: Standard phase current measuring card and sensitive ground current measuring
- X4** – TU: Card with 4 voltage transformer measuring inputs
- X5** – OR6: Assembly Group with 6 Output Relays
- X6** – DI8: Assembly Group with 8 Digital Inputs
- X100** – IEC 61850 / Modbus TCP / DNP3.0 TCP/UDP, Ethernet interface, 100 Mbit/s, RJ45 (BASE100-FX)
- X103** – IEC 60870-5-103 / Modbus RTU / DNP3.0 RTU, RS485, Terminals
- X104** – IRIG-B00X, incl. System Contact (Supervision Contact)

MRA4-2D1ATB



Housing B2, small display, door mounting

+ Conformal Coating (for installations in harsh environment)

X1 – DI8-X1: Wide-range power supply unit, incl. 2 non-grouped digital inputs and 6 grouped digital inputs

X2 – OR6: Assembly Group with 6 Output Relays

X3 – TIs: Standard phase current measuring card and sensitive ground current measuring

X4 – TU: Card with 4 voltage transformer measuring inputs

X5 – OR6: Assembly Group with 6 Output Relays

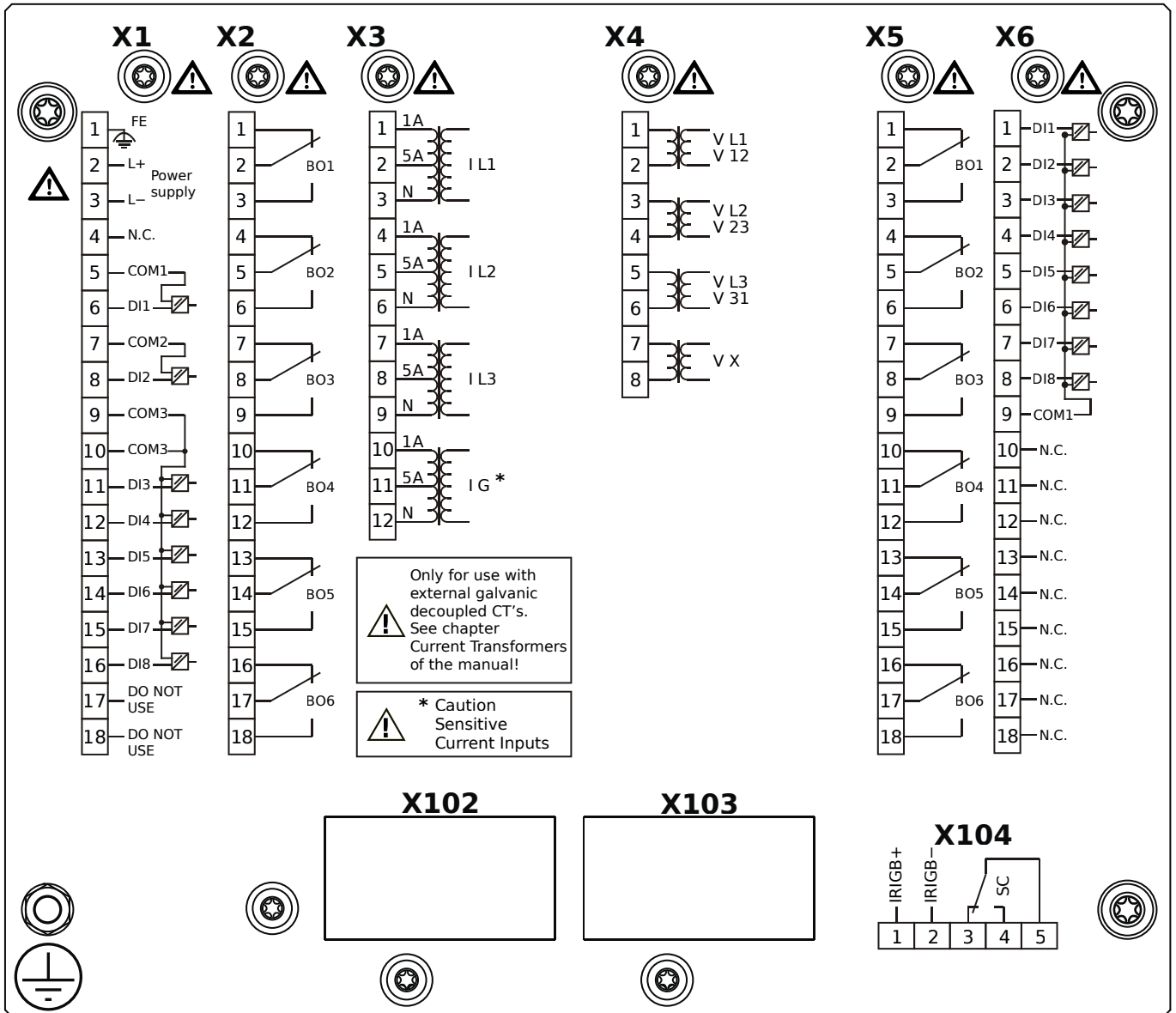
X6 – DI8: Assembly Group with 8 Digital Inputs

X100 – IEC 61850 / Modbus TCP / DNP3.0 TCP/UDP, Ethernet interface, 100 Mbit/s, RJ45 (BASE100-FX)

X103 – IEC 60870-5-103 / Modbus RTU / DNP3.0 RTU, RS485, Terminals

X104 – IRIG-B00X, incl. System Contact (Supervision Contact)

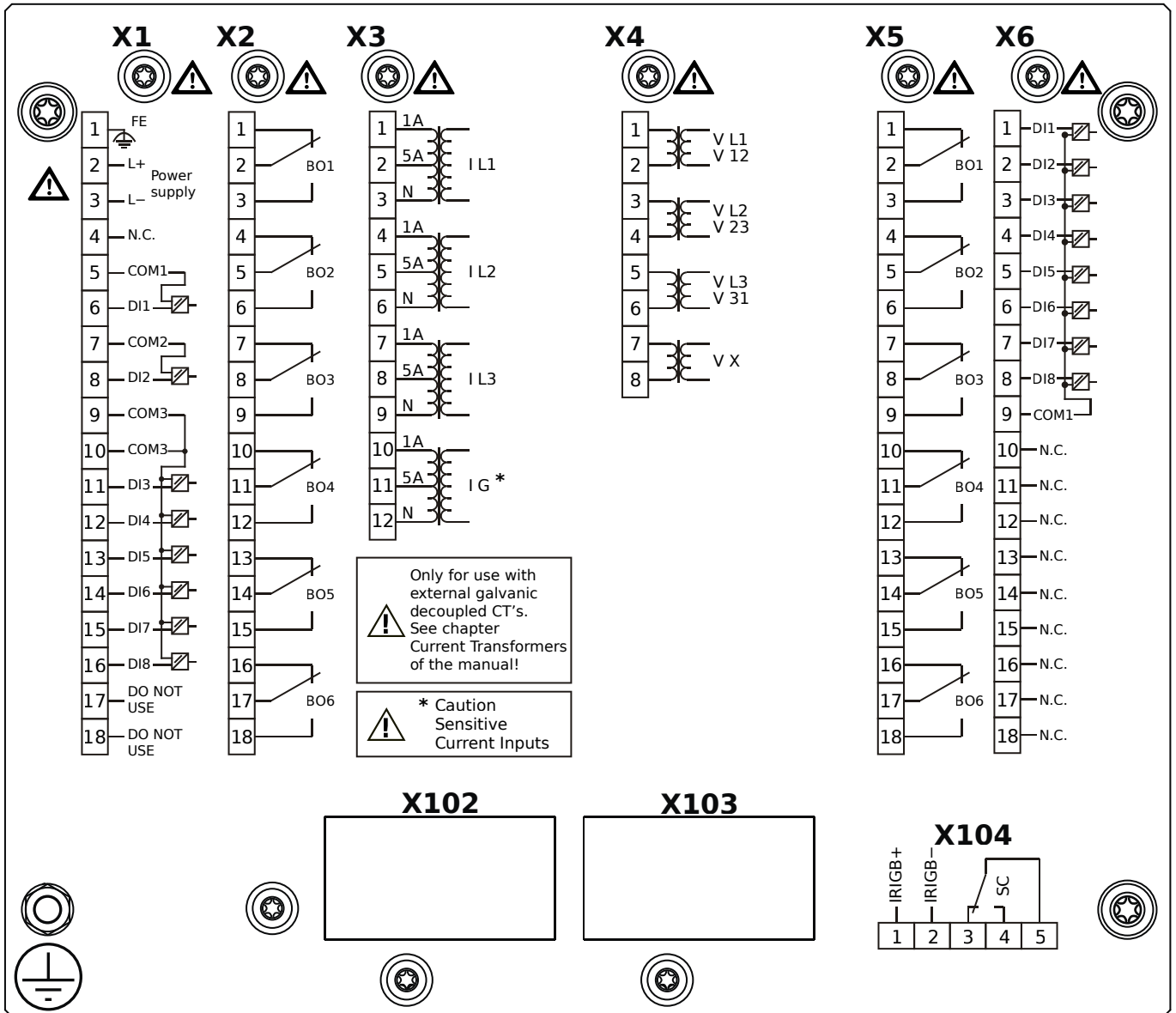
MRA4-2D1BAA



Housing B2, small display, 19" rack mounting

- X1** – DI8-X1: Wide-range power supply unit, incl. 2 non-grouped digital inputs and 6 grouped digital inputs
- X2** – OR6: Assembly Group with 6 Output Relays
- X3** – TIs: Standard phase current measuring card and sensitive ground current measuring
- X4** – TU: Card with 4 voltage transformer measuring inputs
- X5** – OR6: Assembly Group with 6 Output Relays
- X6** – DI8: Assembly Group with 8 Digital Inputs
- X104** – IRIG-B00X, incl. System Contact (Supervision Contact)

MRA4-2D1BAB

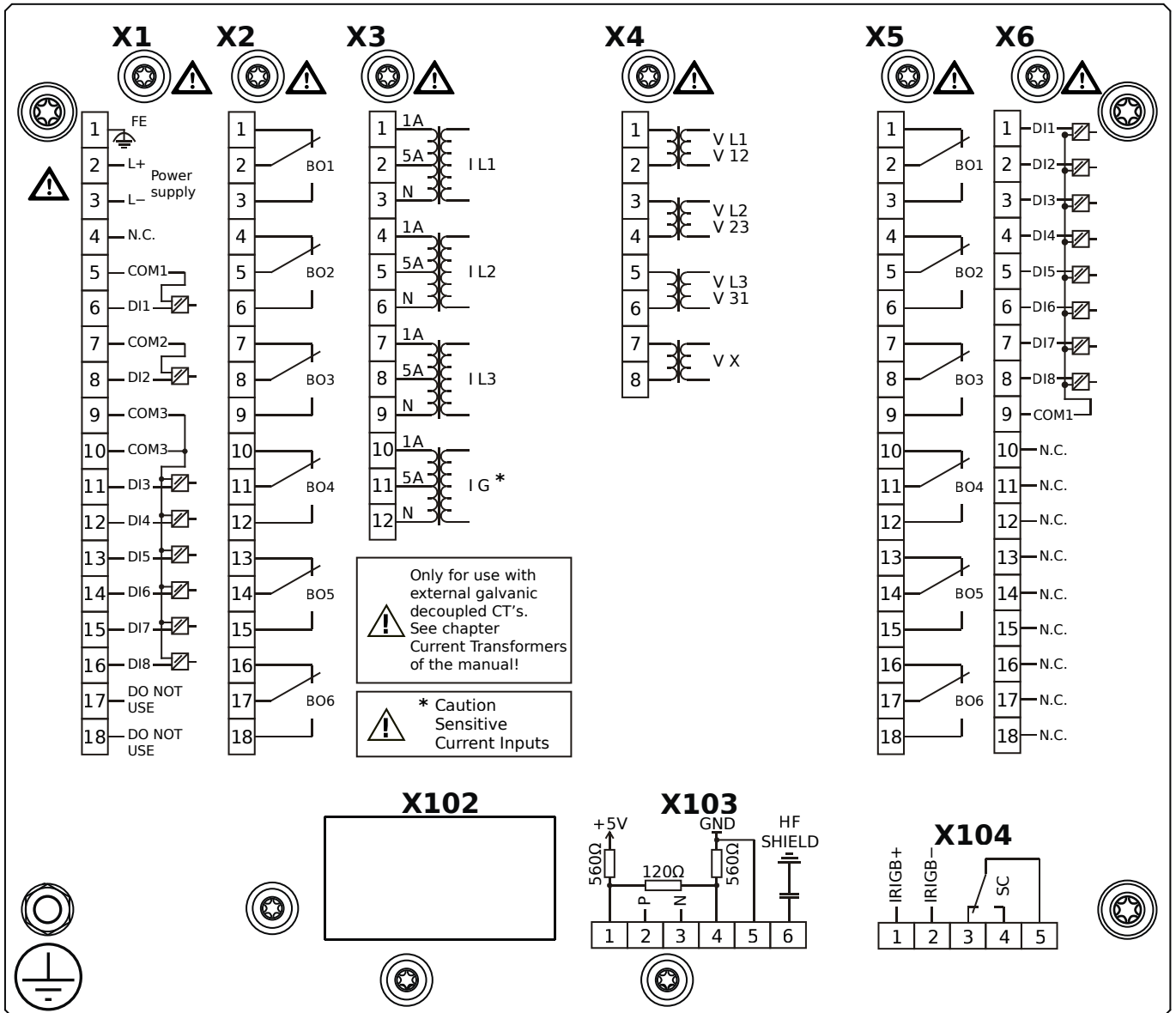


Housing B2, small display, 19" rack mounting

+ Conformal Coating (for installations in harsh environment)

- X1** – DI8-X1: Wide-range power supply unit, incl. 2 non-grouped digital inputs and 6 grouped digital inputs
- X2** – OR6: Assembly Group with 6 Output Relays
- X3** – TIs: Standard phase current measuring card and sensitive ground current measuring
- X4** – TU: Card with 4 voltage transformer measuring inputs
- X5** – OR6: Assembly Group with 6 Output Relays
- X6** – DI8: Assembly Group with 8 Digital Inputs
- X104** – IRIG-B00X, incl. System Contact (Supervision Contact)

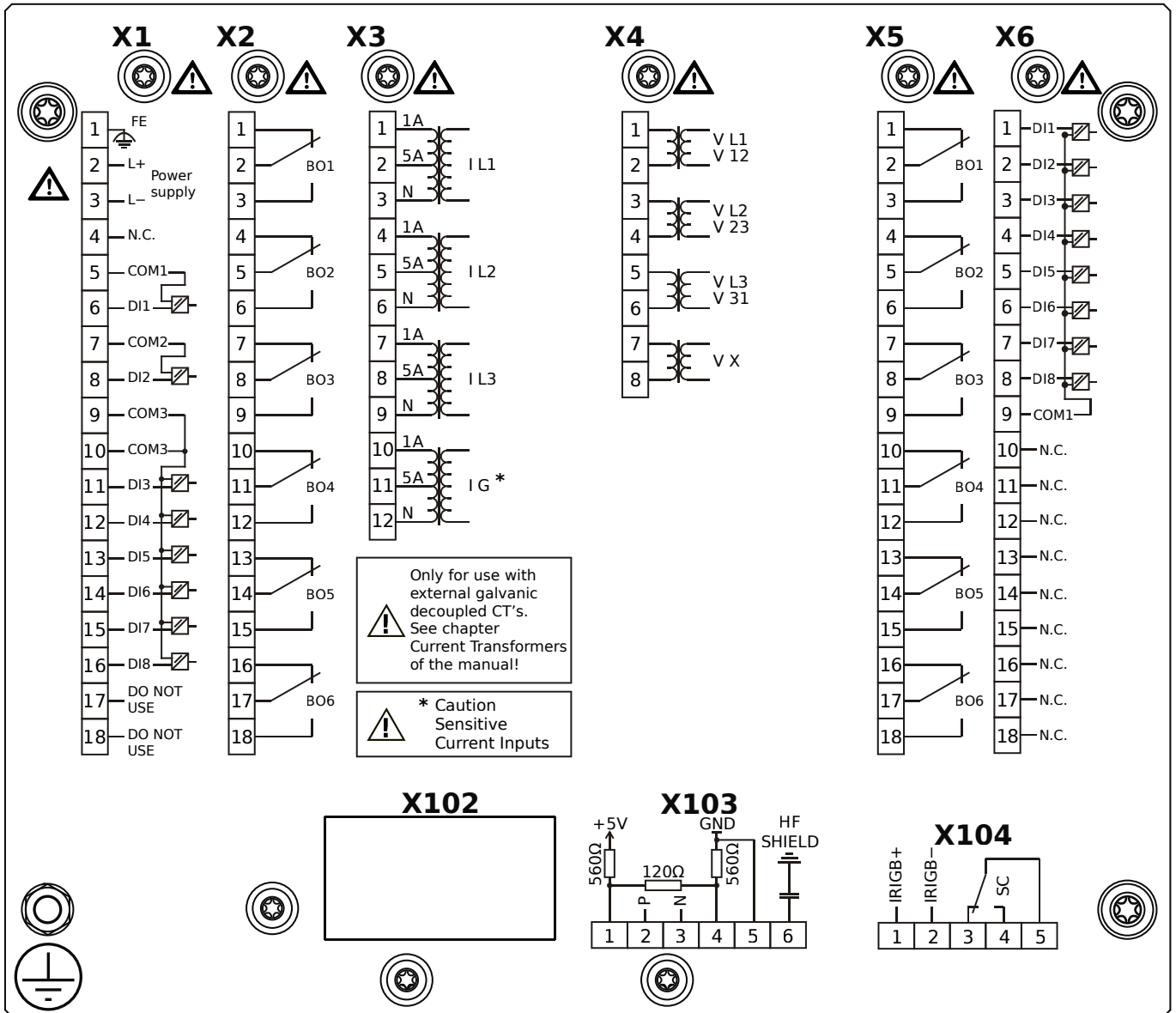
MRA4-2D1BBA



Housing B2, small display, 19" rack mounting

- X1** – DI8-X1: Wide-range power supply unit, incl. 2 non-grouped digital inputs and 6 grouped digital inputs
- X2** – OR6: Assembly Group with 6 Output Relays
- X3** – TIs: Standard phase current measuring card and sensitive ground current measuring
- X4** – TU: Card with 4 voltage transformer measuring inputs
- X5** – OR6: Assembly Group with 6 Output Relays
- X6** – DI8: Assembly Group with 8 Digital Inputs
- X103** – Modbus RTU / IEC 60870-5-103 / DNP3.0 RTU, RS485, Terminals
- X104** – IRIG-B00X, incl. System Contact (Supervision Contact)

MRA4-2D1BBB

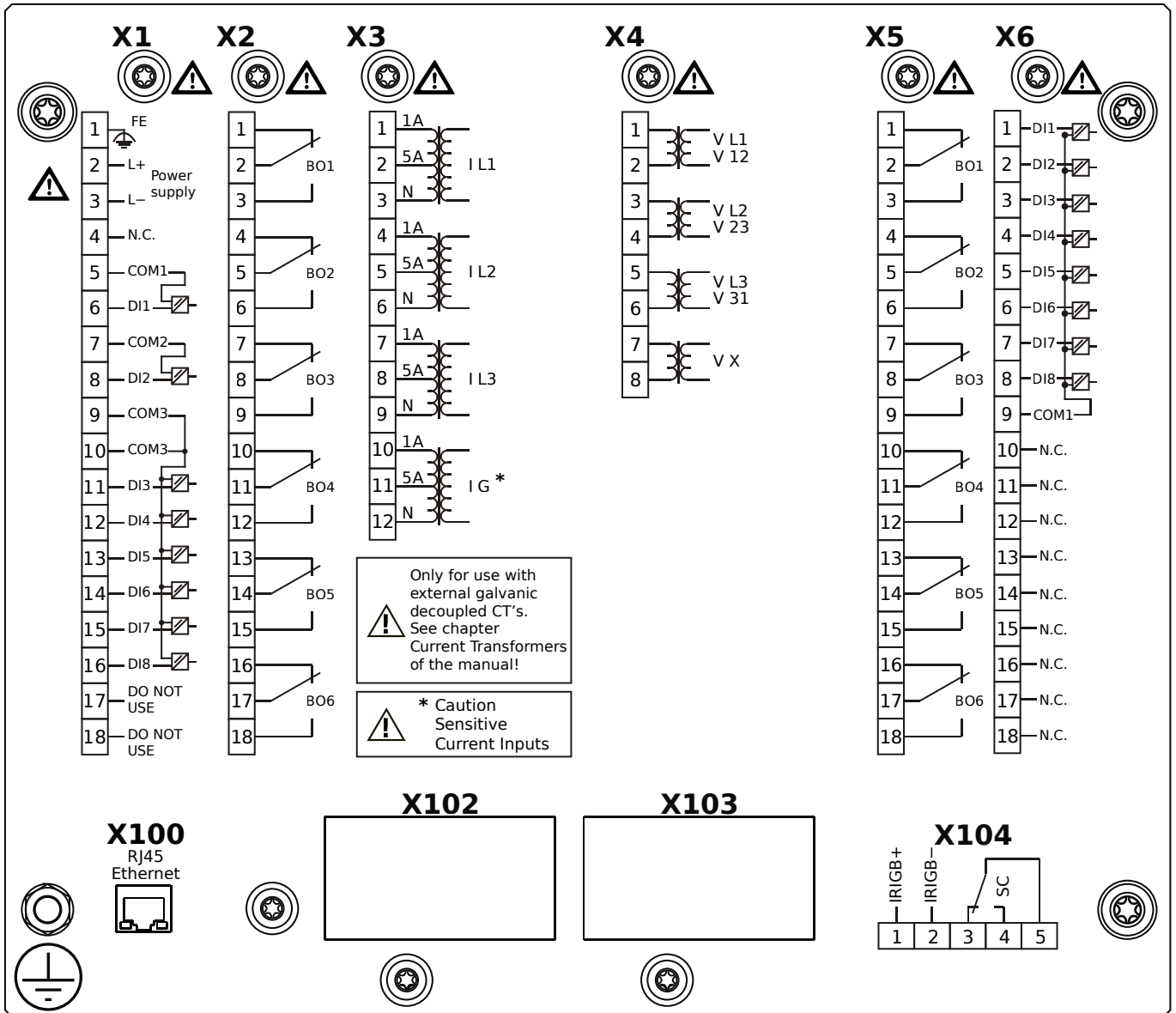


Housing B2, small display, 19" rack mounting

+ Conformal Coating (for installations in harsh environment)

- X1** – DI8-X1: Wide-range power supply unit, incl. 2 non-grouped digital inputs and 6 grouped digital inputs
- X2** – OR6: Assembly Group with 6 Output Relays
- X3** – TIs: Standard phase current measuring card and sensitive ground current measuring
- X4** – TU: Card with 4 voltage transformer measuring inputs
- X5** – OR6: Assembly Group with 6 Output Relays
- X6** – DI8: Assembly Group with 8 Digital Inputs
- X103** – Modbus RTU / IEC 60870-5-103 / DNP3.0 RTU, RS485, Terminals
- X104** – IRIG-B00X, incl. System Contact (Supervision Contact)

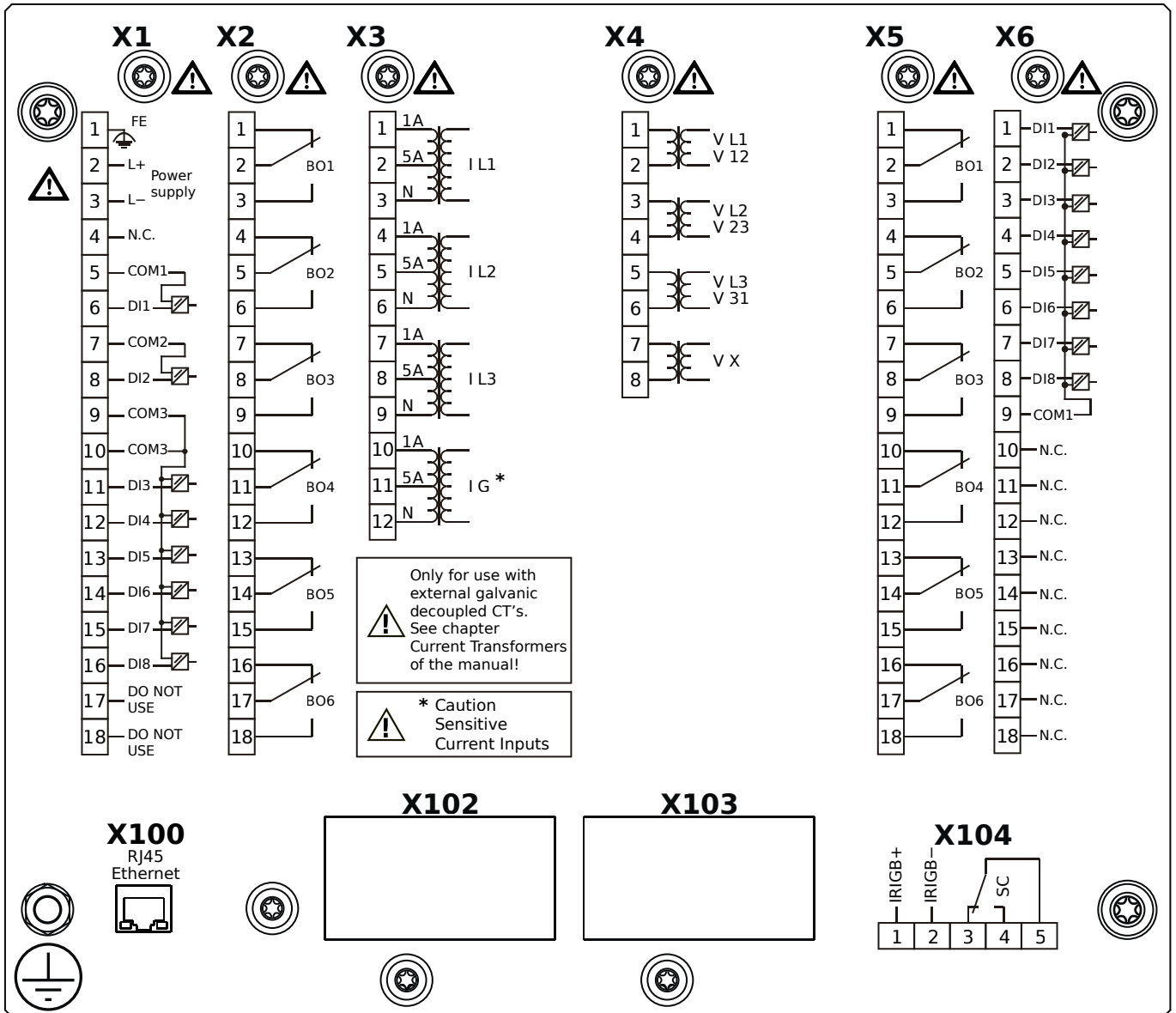
MRA4-2D1BCA



Housing B2, small display, 19" rack mounting

- X1** – DI8-X1: Wide-range power supply unit, incl. 2 non-grouped digital inputs and 6 grouped digital inputs
- X2** – OR6: Assembly Group with 6 Output Relays
- X3** – TIs: Standard phase current measuring card and sensitive ground current measuring
- X4** – TU: Card with 4 voltage transformer measuring inputs
- X5** – OR6: Assembly Group with 6 Output Relays
- X6** – DI8: Assembly Group with 8 Digital Inputs
- X100** – Modbus TCP / DNP3.0 TCP/UDP, Ethernet interface, 100 Mbit/s, RJ45 (BASE100-FX)
- X104** – IRIG-B00X, incl. System Contact (Supervision Contact)

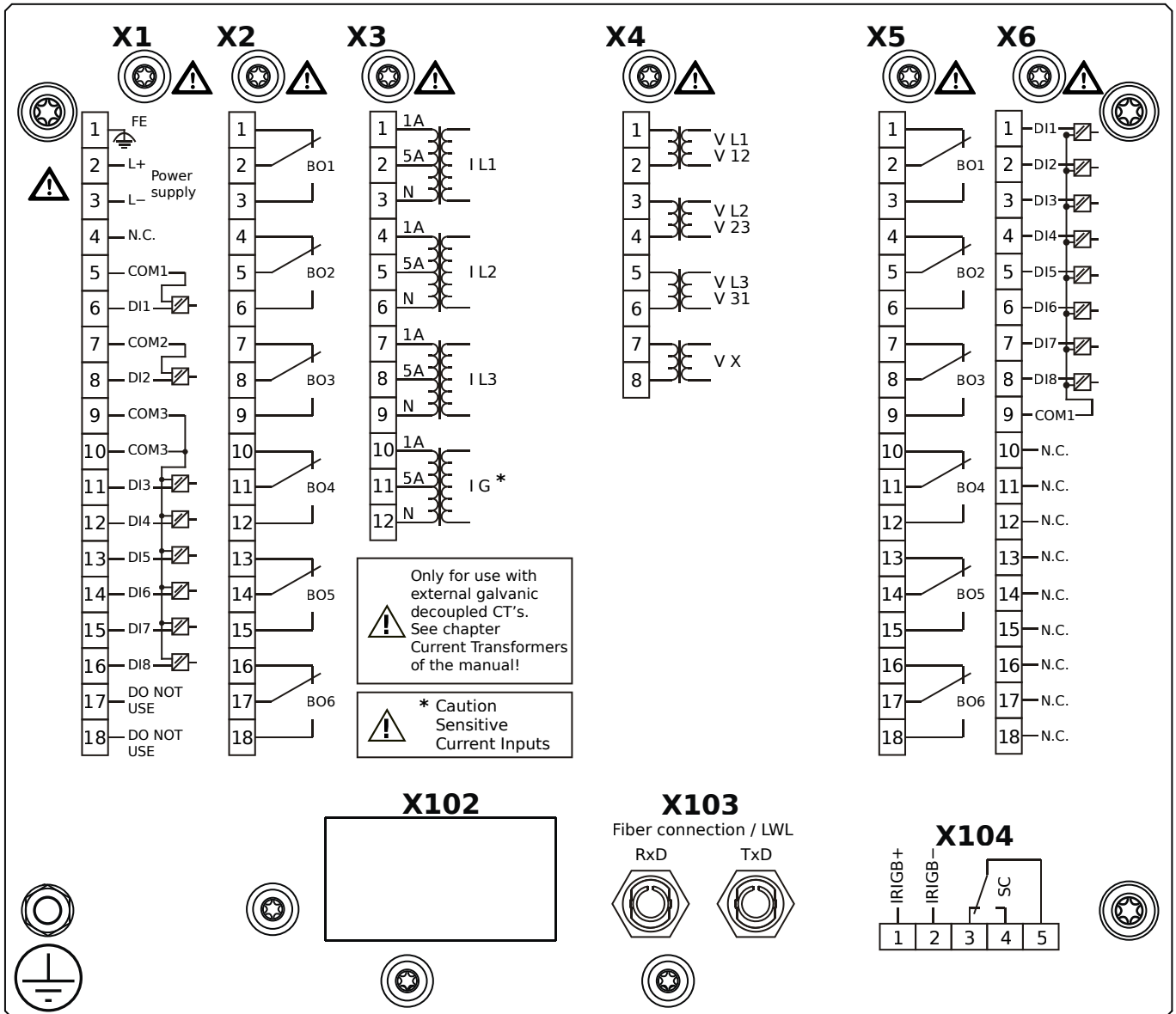
MRA4-2D1BCB



Housing B2, small display, 19" rack mounting

- + Conformal Coating (for installations in harsh environment)
- X1** – DI8-X1: Wide-range power supply unit, incl. 2 non-grouped digital inputs and 6 grouped digital inputs
- X2** – OR6: Assembly Group with 6 Output Relays
- X3** – TIs: Standard phase current measuring card and sensitive ground current measuring
- X4** – TU: Card with 4 voltage transformer measuring inputs
- X5** – OR6: Assembly Group with 6 Output Relays
- X6** – DI8: Assembly Group with 8 Digital Inputs
- X100** – Modbus TCP / DNP3.0 TCP/UDP, Ethernet interface, 100 Mbit/s, RJ45 (BASE100-FX)
- X104** – IRIG-B00X, incl. System Contact (Supervision Contact)

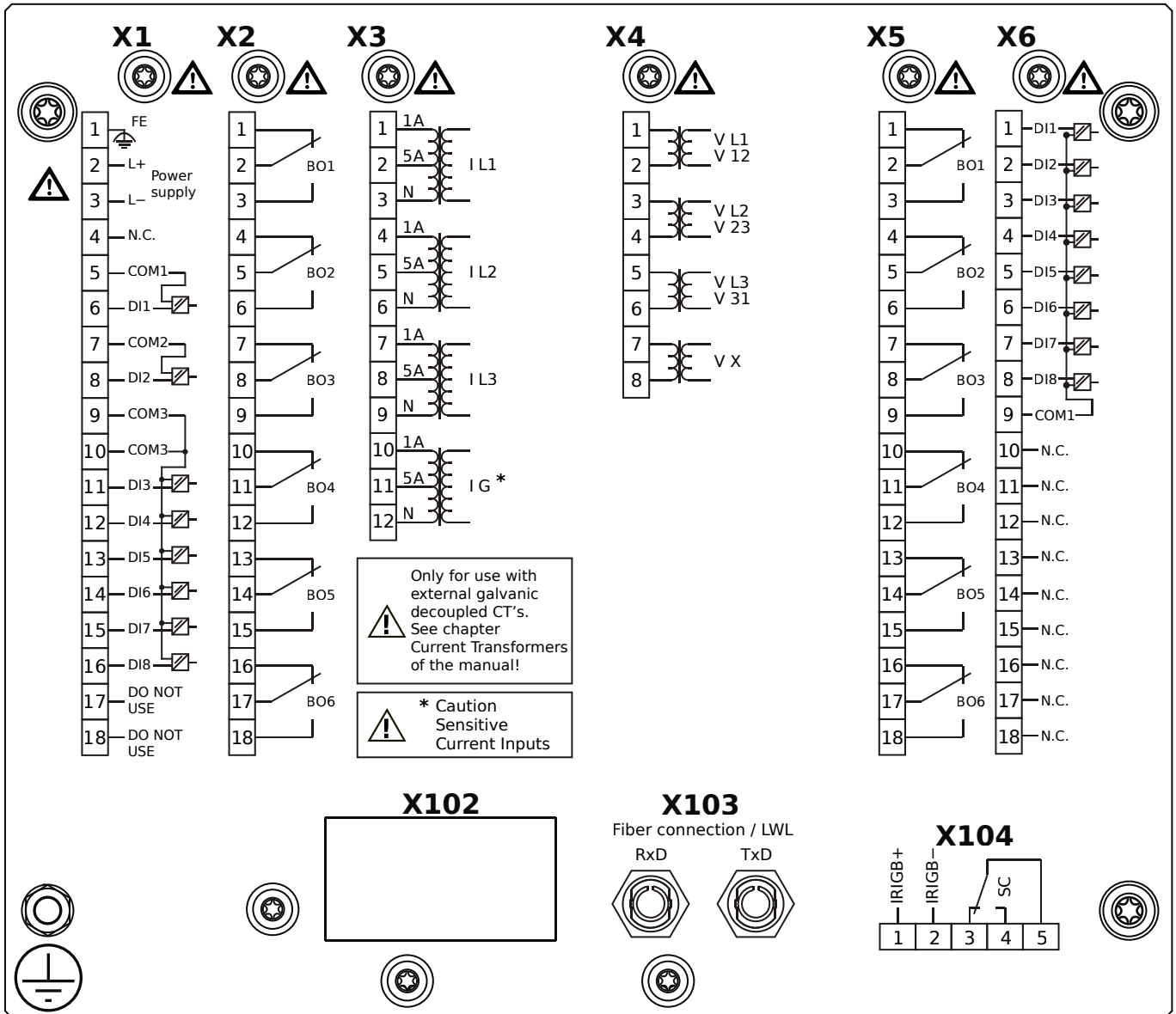
MRA4-2D1BDA



Housing B2, small display, 19" rack mounting

- X1** – DI8-X1: Wide-range power supply unit, incl. 2 non-grouped digital inputs and 6 grouped digital inputs
- X2** – OR6: Assembly Group with 6 Output Relays
- X3** – TIs: Standard phase current measuring card and sensitive ground current measuring
- X4** – TU: Card with 4 voltage transformer measuring inputs
- X5** – OR6: Assembly Group with 6 Output Relays
- X6** – DI8: Assembly Group with 8 Digital Inputs
- X103** – Profibus-DP, Fiber optics interface, ST Connector
- X104** – IRIG-B00X, incl. System Contact (Supervision Contact)

MRA4-2D1BDB

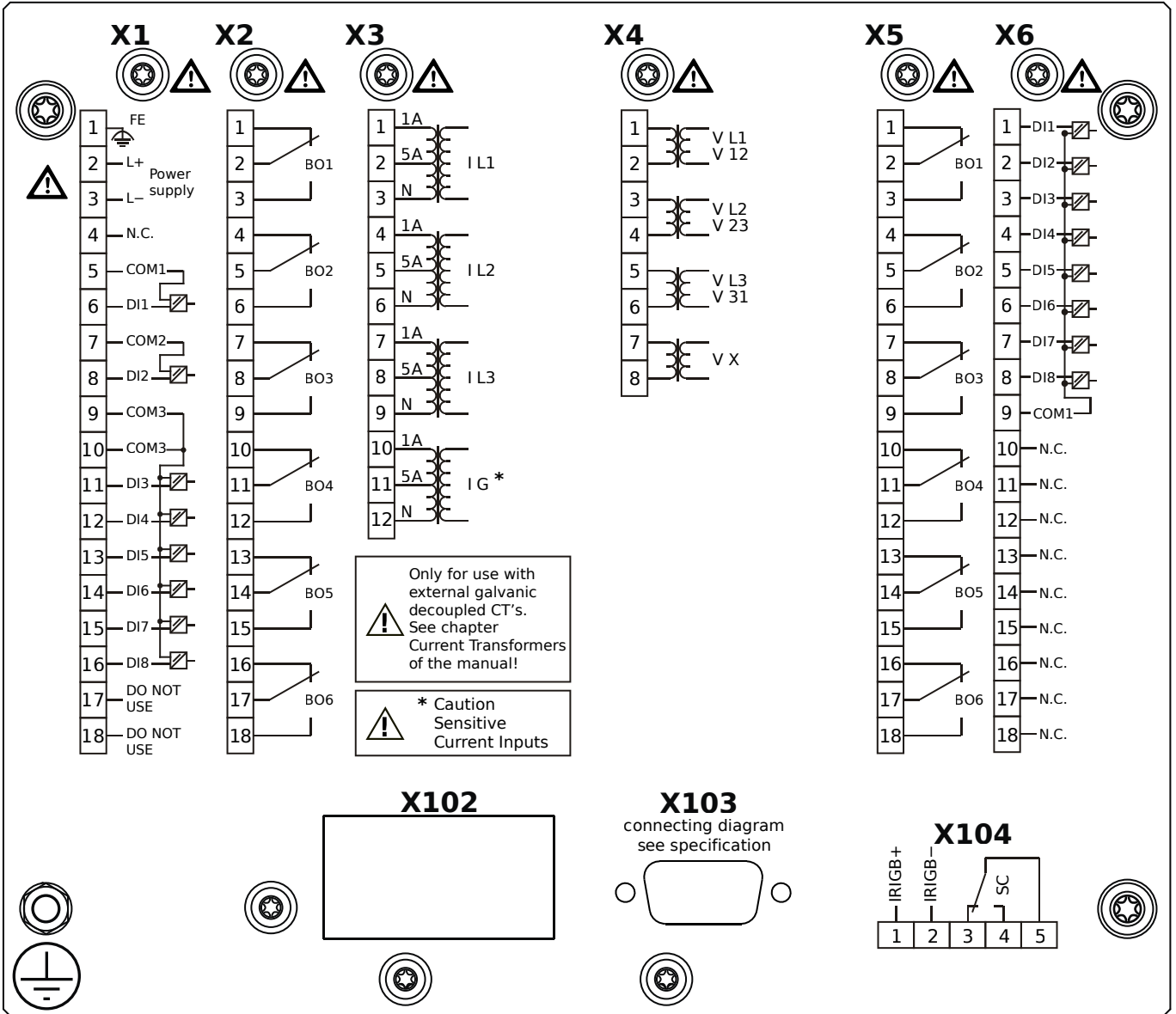


Housing B2, small display, 19" rack mounting

+ Conformal Coating (for installations in harsh environment)

- X1** – DI8-X1: Wide-range power supply unit, incl. 2 non-grouped digital inputs and 6 grouped digital inputs
- X2** – OR6: Assembly Group with 6 Output Relays
- X3** – TIs: Standard phase current measuring card and sensitive ground current measuring
- X4** – TU: Card with 4 voltage transformer measuring inputs
- X5** – OR6: Assembly Group with 6 Output Relays
- X6** – DI8: Assembly Group with 8 Digital Inputs
- X103** – Profibus-DP, Fiber optics interface, ST Connector
- X104** – IRIG-B00X, incl. System Contact (Supervision Contact)

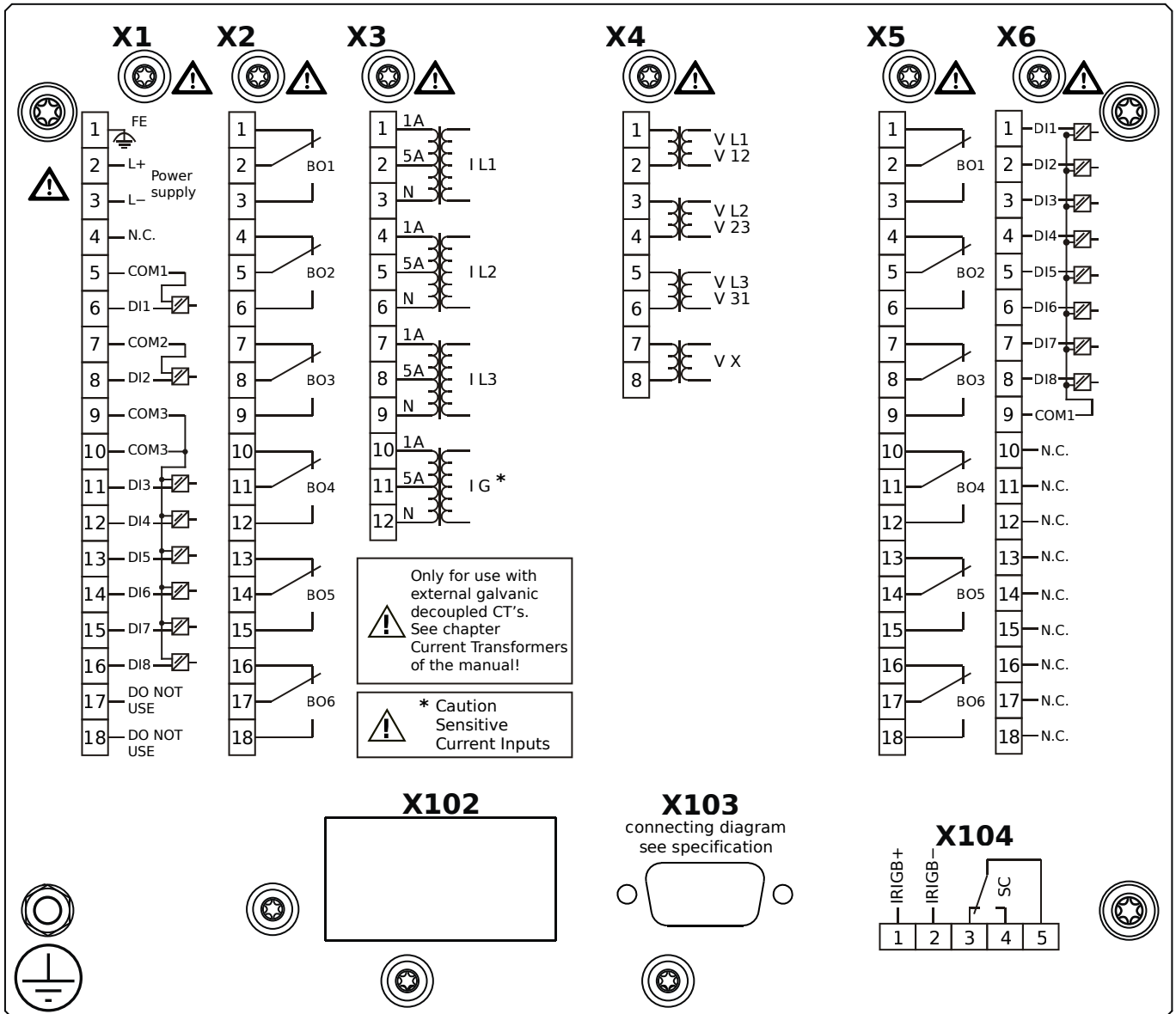
MRA4-2D1BEA



Housing B2, small display, 19" rack mounting

- X1** – DI8-X1: Wide-range power supply unit, incl. 2 non-grouped digital inputs and 6 grouped digital inputs
- X2** – OR6: Assembly Group with 6 Output Relays
- X3** – TIs: Standard phase current measuring card and sensitive ground current measuring
- X4** – TU: Card with 4 voltage transformer measuring inputs
- X5** – OR6: Assembly Group with 6 Output Relays
- X6** – DI8: Assembly Group with 8 Digital Inputs
- X103** – Profibus-DP, RS485, D-SUB
- X104** – IRIG-B00X, incl. System Contact (Supervision Contact)

MRA4-2D1BEB

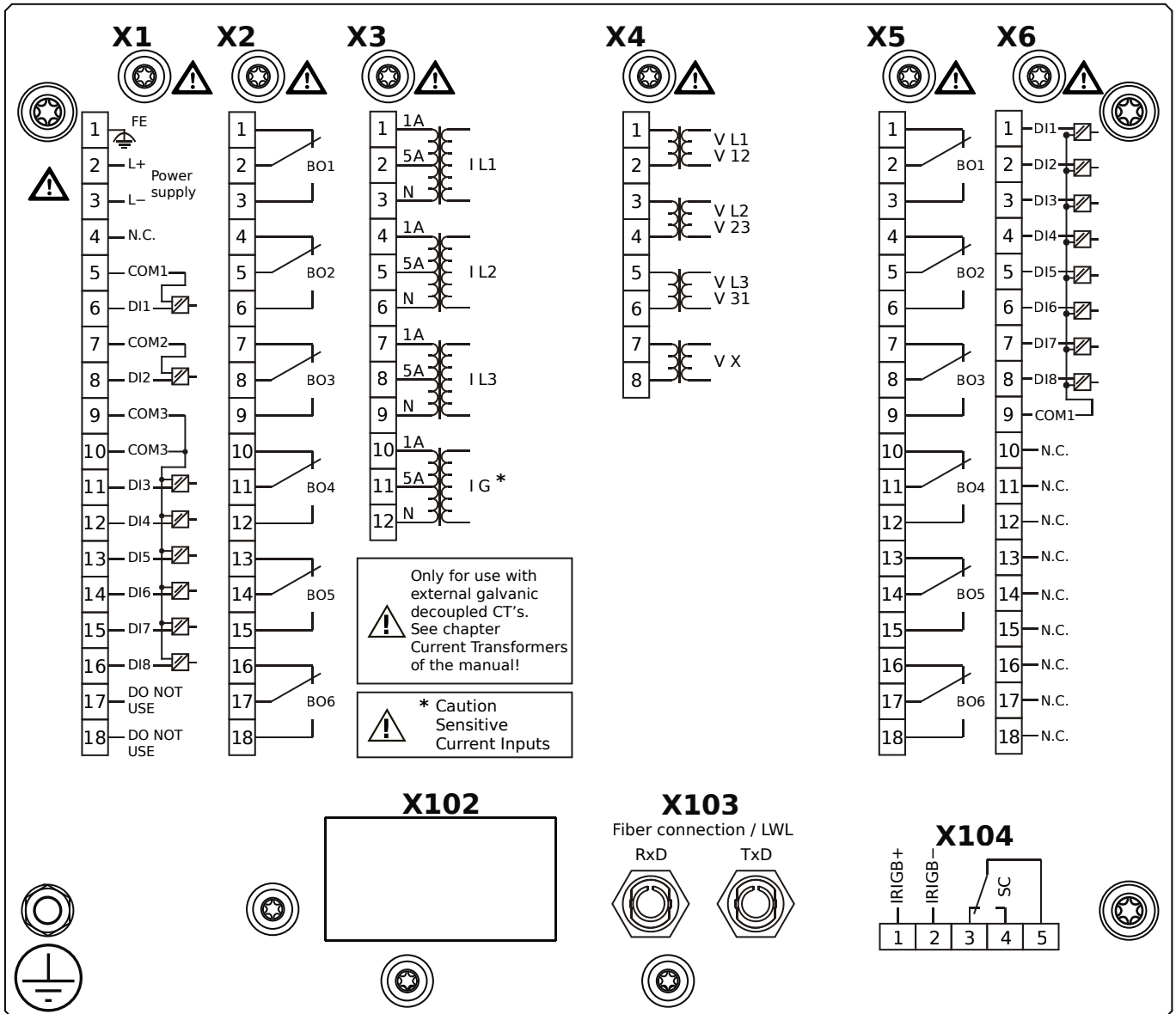


Housing B2, small display, 19" rack mounting

+ Conformal Coating (for installations in harsh environment)

- X1** – DI8-X1: Wide-range power supply unit, incl. 2 non-grouped digital inputs and 6 grouped digital inputs
- X2** – OR6: Assembly Group with 6 Output Relays
- X3** – TIs: Standard phase current measuring card and sensitive ground current measuring
- X4** – TU: Card with 4 voltage transformer measuring inputs
- X5** – OR6: Assembly Group with 6 Output Relays
- X6** – DI8: Assembly Group with 8 Digital Inputs
- X103** – Profibus-DP, RS485, D-SUB
- X104** – IRIG-B00X, incl. System Contact (Supervision Contact)

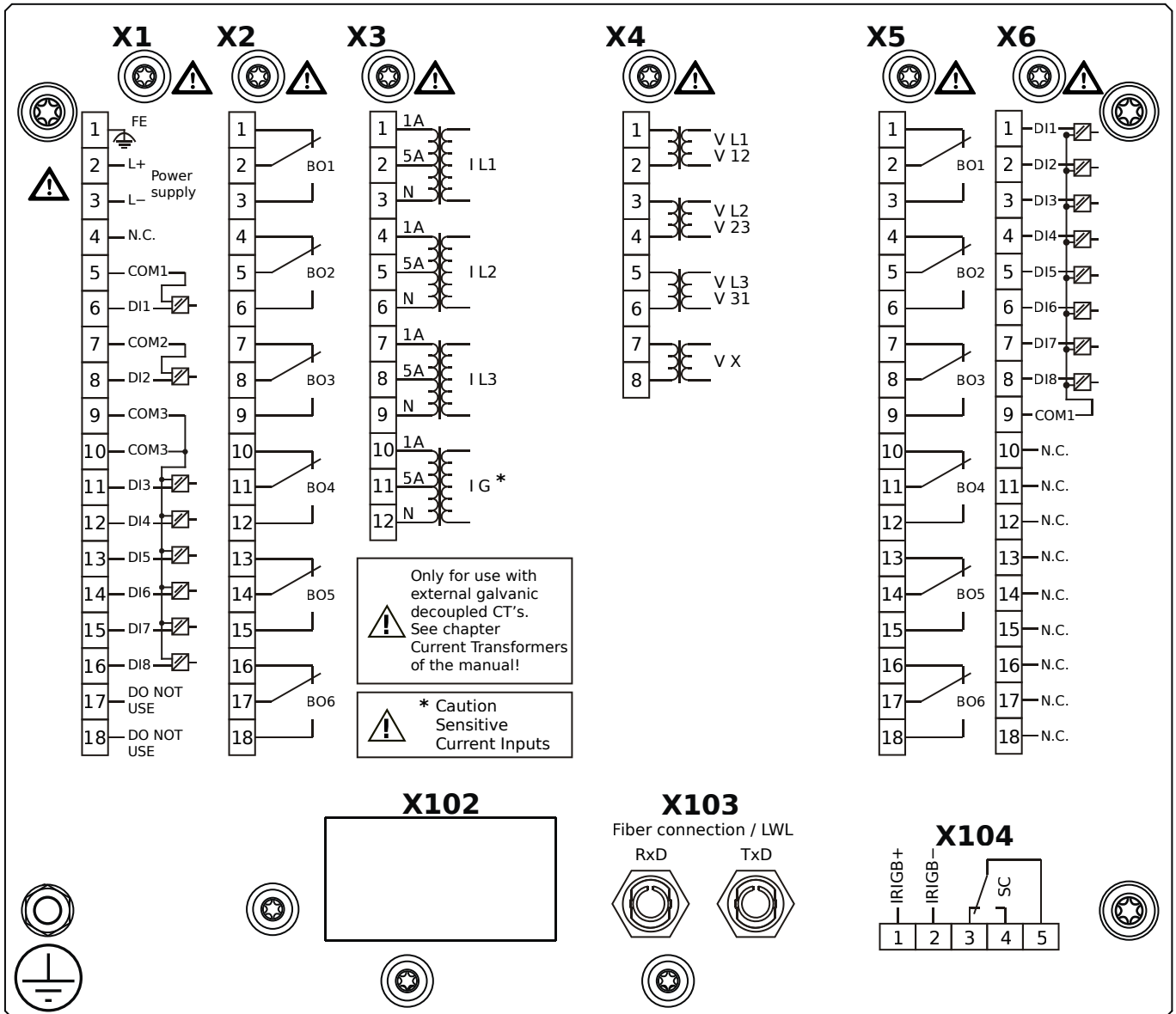
MRA4-2D1BFA



Housing B2, small display, 19" rack mounting

- X1** – DI8-X1: Wide-range power supply unit, incl. 2 non-grouped digital inputs and 6 grouped digital inputs
- X2** – OR6: Assembly Group with 6 Output Relays
- X3** – TIs: Standard phase current measuring card and sensitive ground current measuring
- X4** – TU: Card with 4 voltage transformer measuring inputs
- X5** – OR6: Assembly Group with 6 Output Relays
- X6** – DI8: Assembly Group with 8 Digital Inputs
- X103** – Modbus RTU / IEC 60870-5-103 / DNP3.0 RTU, Fiber optics interface, ST Connector
- X104** – IRIG-B00X, incl. System Contact (Supervision Contact)

MRA4-2D1BFB

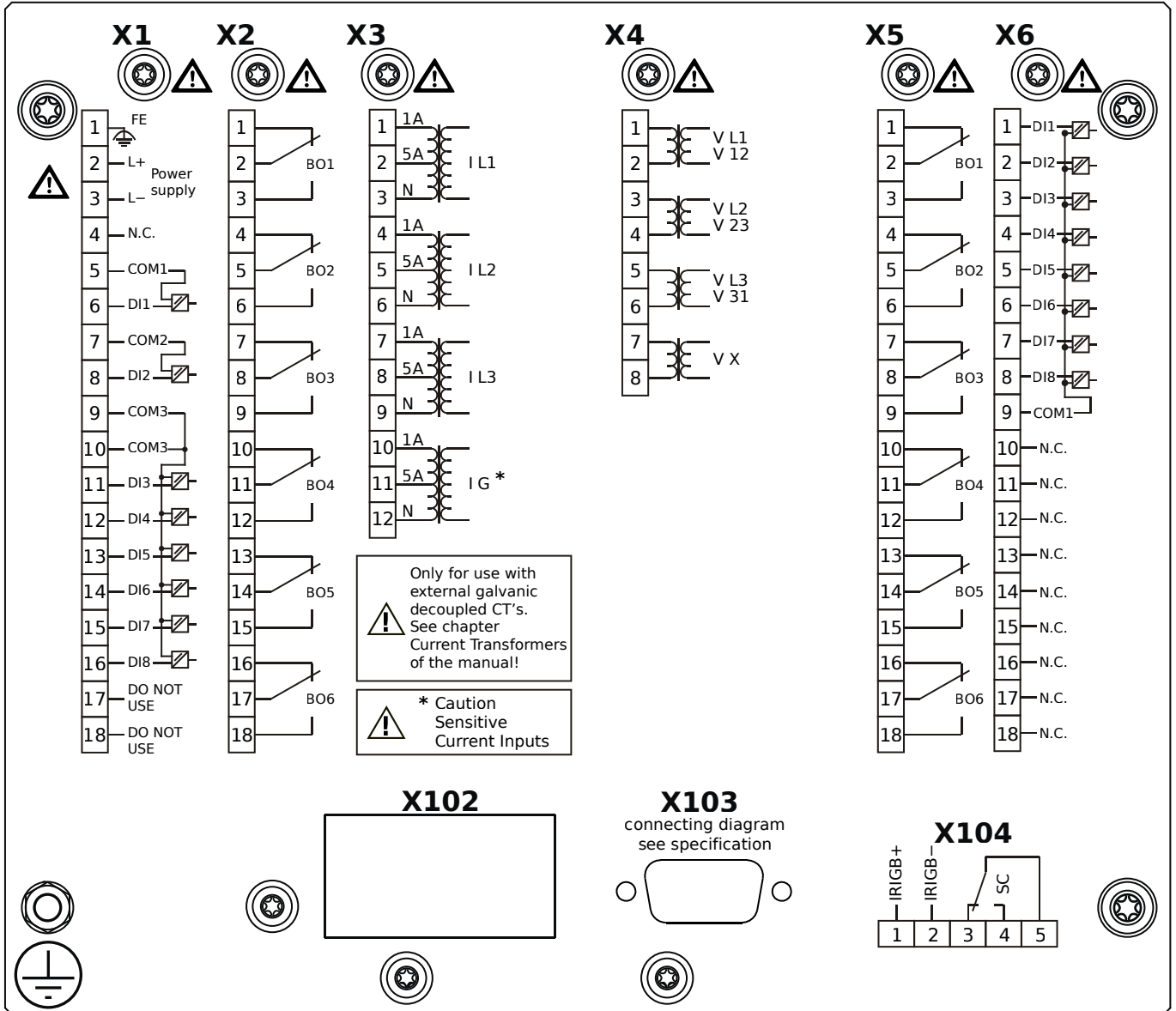


Housing B2, small display, 19" rack mounting

+ Conformal Coating (for installations in harsh environment)

- X1** – DI8-X1: Wide-range power supply unit, incl. 2 non-grouped digital inputs and 6 grouped digital inputs
- X2** – OR6: Assembly Group with 6 Output Relays
- X3** – TIs: Standard phase current measuring card and sensitive ground current measuring
- X4** – TU: Card with 4 voltage transformer measuring inputs
- X5** – OR6: Assembly Group with 6 Output Relays
- X6** – DI8: Assembly Group with 8 Digital Inputs
- X103** – Modbus RTU / IEC 60870-5-103 / DNP3.0 RTU, Fiber optics interface, ST Connector
- X104** – IRIG-B00X, incl. System Contact (Supervision Contact)

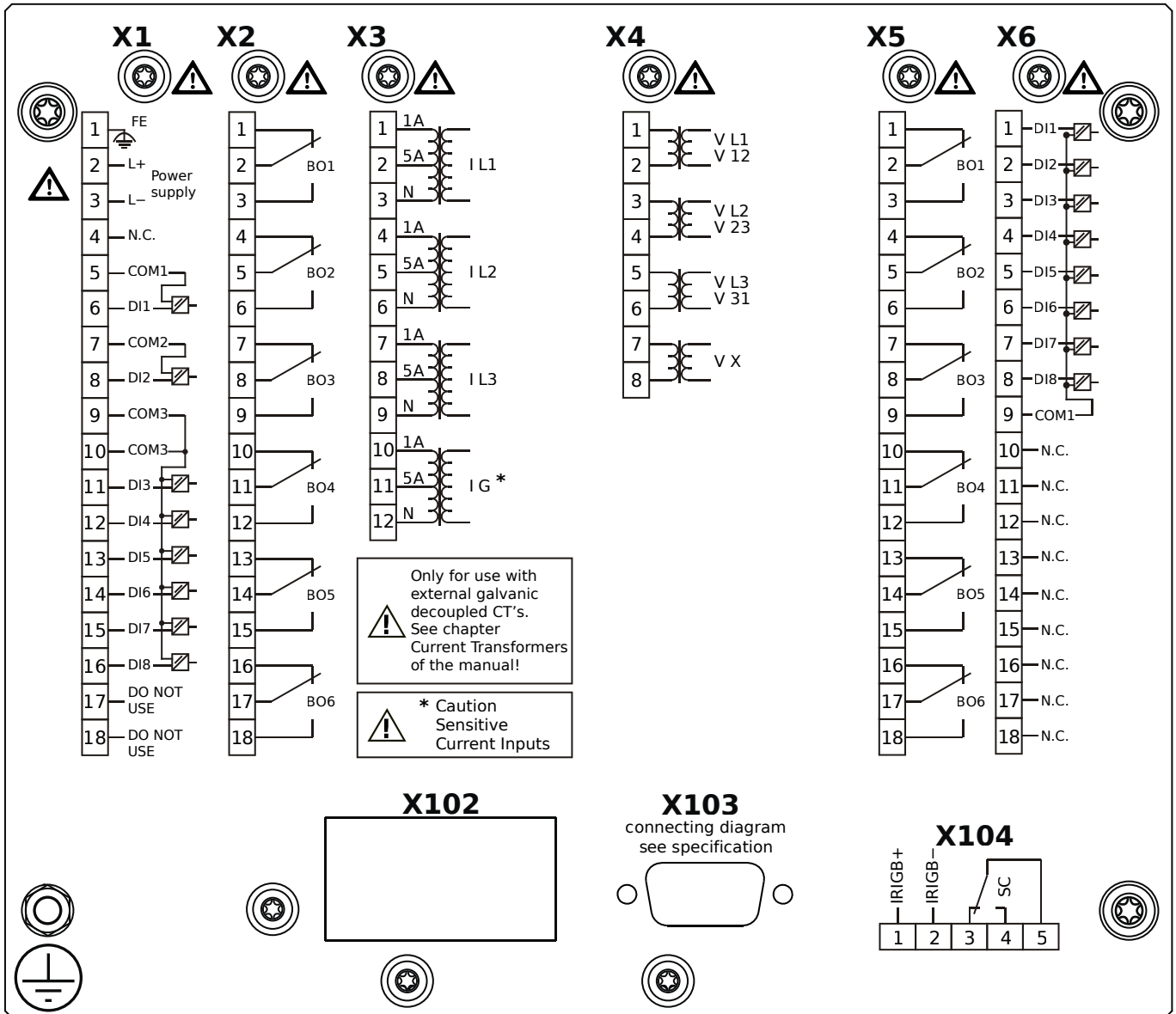
MRA4-2D1BGA



Housing B2, small display, 19" rack mounting

- X1** – DI8-X1: Wide-range power supply unit, incl. 2 non-grouped digital inputs and 6 grouped digital inputs
- X2** – OR6: Assembly Group with 6 Output Relays
- X3** – TIs: Standard phase current measuring card and sensitive ground current measuring
- X4** – TU: Card with 4 voltage transformer measuring inputs
- X5** – OR6: Assembly Group with 6 Output Relays
- X6** – DI8: Assembly Group with 8 Digital Inputs
- X103** – Modbus RTU / IEC 60870-5-103 / DNP3.0 RTU, RS485, D-SUB
- X104** – IRIG-B00X, incl. System Contact (Supervision Contact)

MRA4-2D1BGB

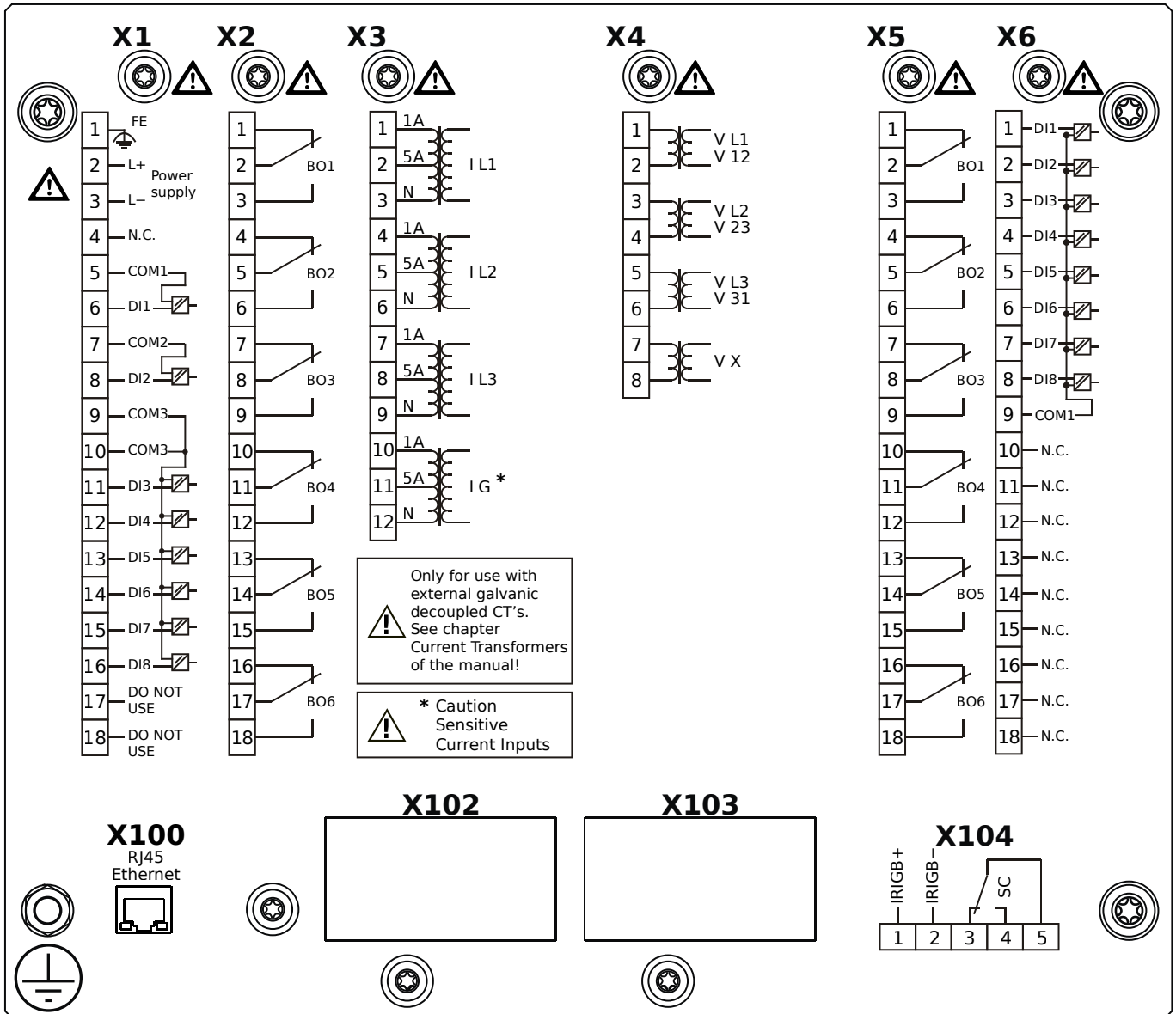


Housing B2, small display, 19" rack mounting

+ Conformal Coating (for installations in harsh environment)

- X1** – DI8-X1: Wide-range power supply unit, incl. 2 non-grouped digital inputs and 6 grouped digital inputs
- X2** – OR6: Assembly Group with 6 Output Relays
- X3** – TIs: Standard phase current measuring card and sensitive ground current measuring
- X4** – TU: Card with 4 voltage transformer measuring inputs
- X5** – OR6: Assembly Group with 6 Output Relays
- X6** – DI8: Assembly Group with 8 Digital Inputs
- X103** – Modbus RTU / IEC 60870-5-103 / DNP3.0 RTU, RS485, D-SUB
- X104** – IRIG-B00X, incl. System Contact (Supervision Contact)

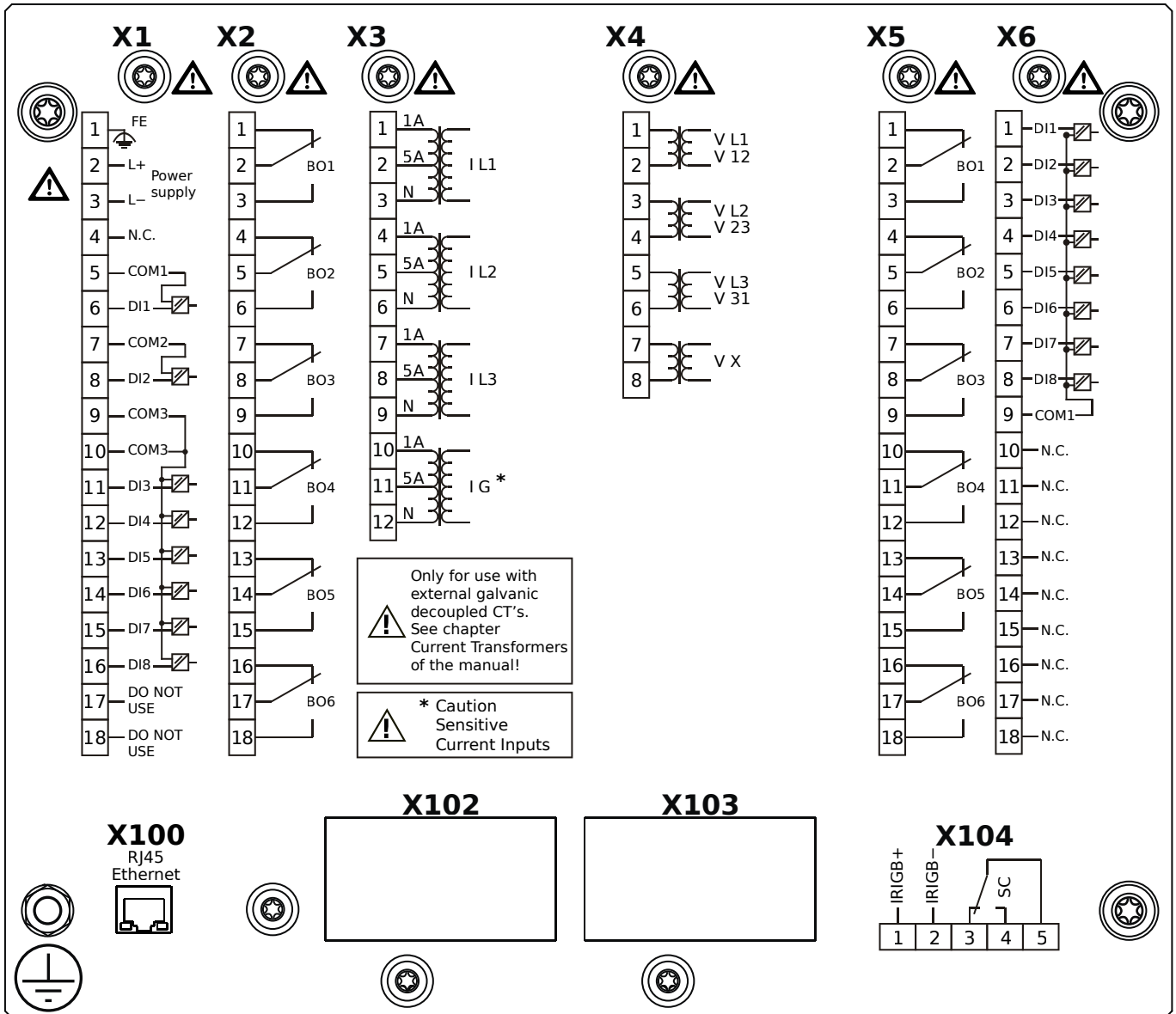
MRA4-2D1BHA



Housing B2, small display, 19" rack mounting

- X1** – DI8-X1: Wide-range power supply unit, incl. 2 non-grouped digital inputs and 6 grouped digital inputs
- X2** – OR6: Assembly Group with 6 Output Relays
- X3** – TIs: Standard phase current measuring card and sensitive ground current measuring
- X4** – TU: Card with 4 voltage transformer measuring inputs
- X5** – OR6: Assembly Group with 6 Output Relays
- X6** – DI8: Assembly Group with 8 Digital Inputs
- X100** – IEC 61850 / Modbus TCP / DNP3.0 TCP/UDP, Ethernet interface, 100 Mbit/s, RJ45 (BASE100-FX)
- X104** – IRIG-B00X, incl. System Contact (Supervision Contact)

MRA4-2D1BHB

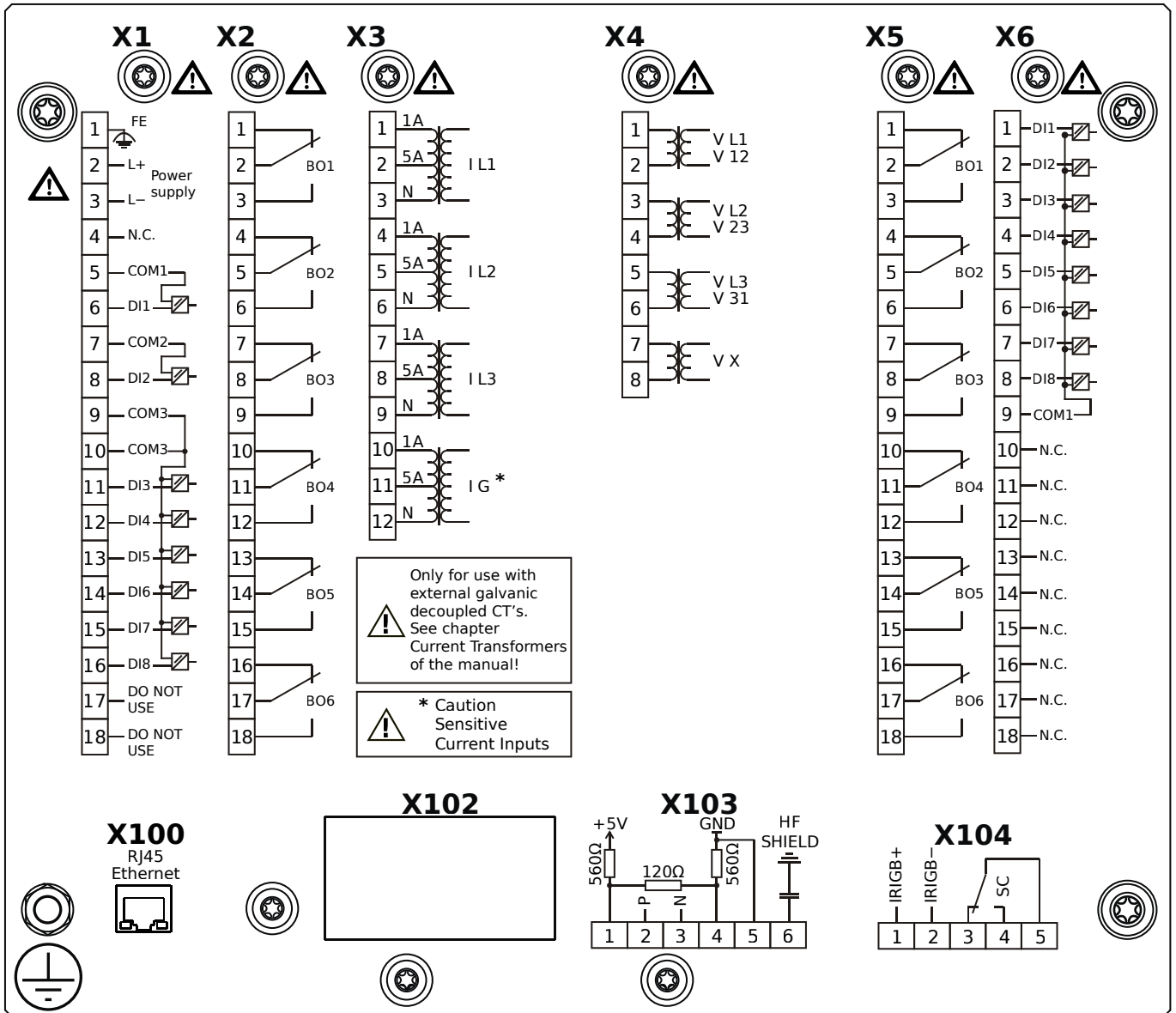


Housing B2, small display, 19" rack mounting

+ Conformal Coating (for installations in harsh environment)

- X1** – DI8-X1: Wide-range power supply unit, incl. 2 non-grouped digital inputs and 6 grouped digital inputs
- X2** – OR6: Assembly Group with 6 Output Relays
- X3** – TIs: Standard phase current measuring card and sensitive ground current measuring
- X4** – TU: Card with 4 voltage transformer measuring inputs
- X5** – OR6: Assembly Group with 6 Output Relays
- X6** – DI8: Assembly Group with 8 Digital Inputs
- X100** – IEC 61850 / Modbus TCP / DNP3.0 TCP/UDP, Ethernet interface, 100 Mbit/s, RJ45 (BASE100-FX)
- X104** – IRIG-B00X, incl. System Contact (Supervision Contact)

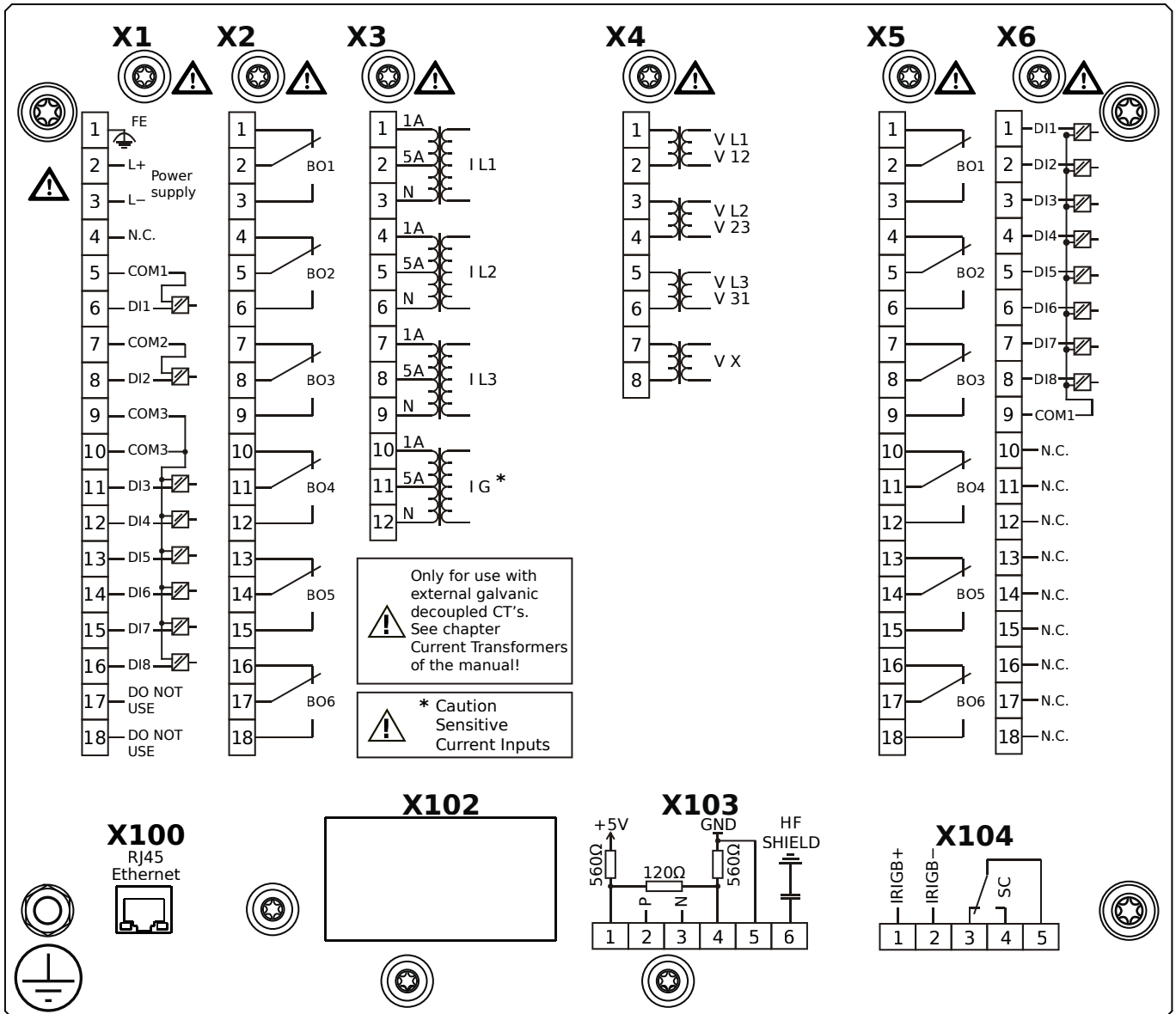
MRA4-2D1BIA



Housing B2, small display, 19" rack mounting

- X1** – DI8-X1: Wide-range power supply unit, incl. 2 non-grouped digital inputs and 6 grouped digital inputs
- X2** – OR6: Assembly Group with 6 Output Relays
- X3** – TIs: Standard phase current measuring card and sensitive ground current measuring
- X4** – TU: Card with 4 voltage transformer measuring inputs
- X5** – OR6: Assembly Group with 6 Output Relays
- X6** – DI8: Assembly Group with 8 Digital Inputs
- X100** – Modbus TCP / DNP3.0 TCP/UDP, Ethernet interface, 100 Mbit/s, RJ45 (BASE100-FX)
- X103** – IEC 60870-5-103 / Modbus RTU / DNP3.0 RTU, RS485, Terminals
- X104** – IRIG-B00X, incl. System Contact (Supervision Contact)

MRA4-2D1BIB

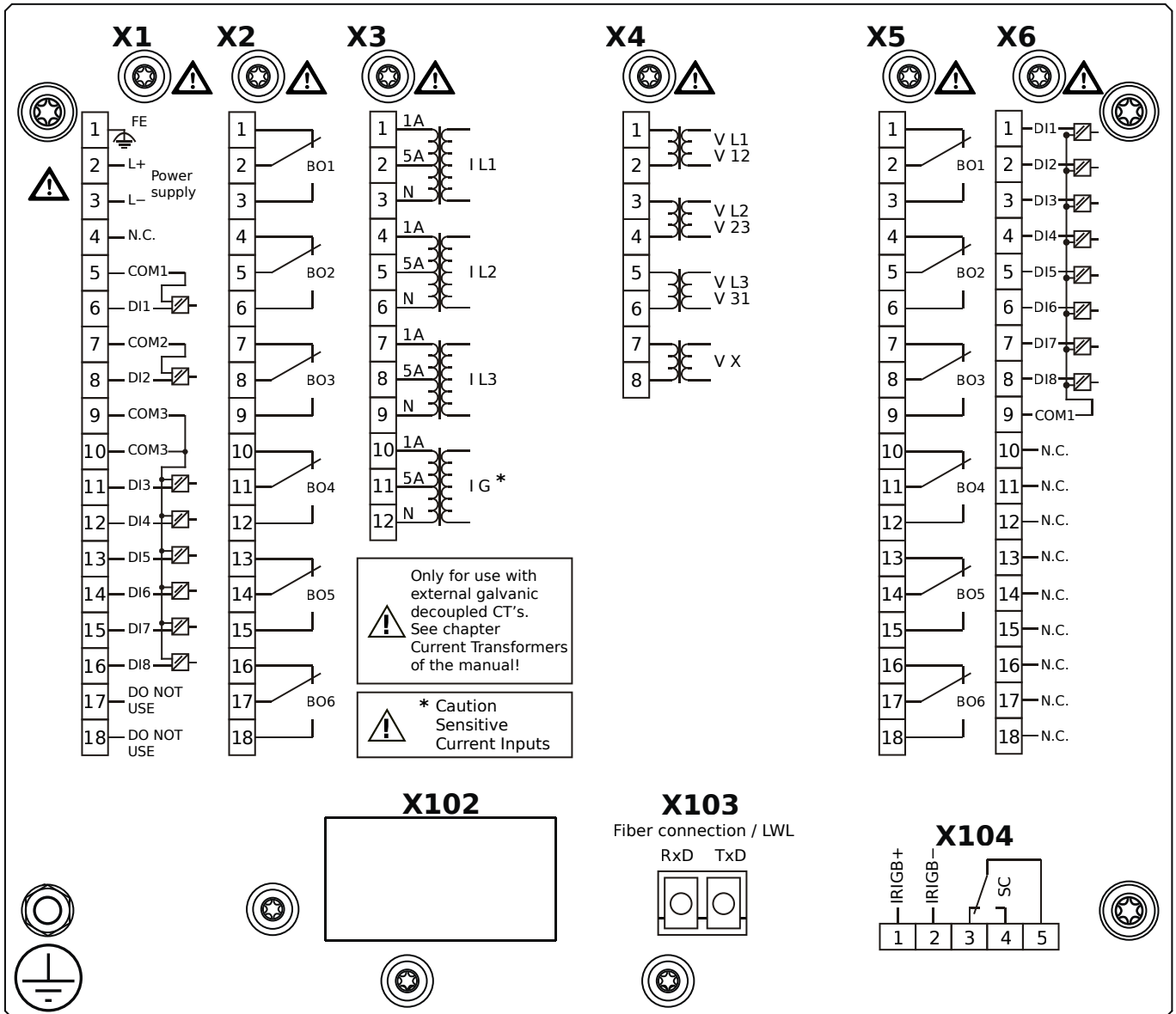


Housing B2, small display, 19" rack mounting

+ Conformal Coating (for installations in harsh environment)

- X1** – DI8-X1: Wide-range power supply unit, incl. 2 non-grouped digital inputs and 6 grouped digital inputs
- X2** – OR6: Assembly Group with 6 Output Relays
- X3** – TIs: Standard phase current measuring card and sensitive ground current measuring
- X4** – TU: Card with 4 voltage transformer measuring inputs
- X5** – OR6: Assembly Group with 6 Output Relays
- X6** – DI8: Assembly Group with 8 Digital Inputs
- X100** – Modbus TCP / DNP3.0 TCP/UDP, Ethernet interface, 100 Mbit/s, RJ45 (BASE100-FX)
- X103** – IEC 60870-5-103 / Modbus RTU / DNP3.0 RTU, RS485, Terminals
- X104** – IRIG-B00X, incl. System Contact (Supervision Contact)

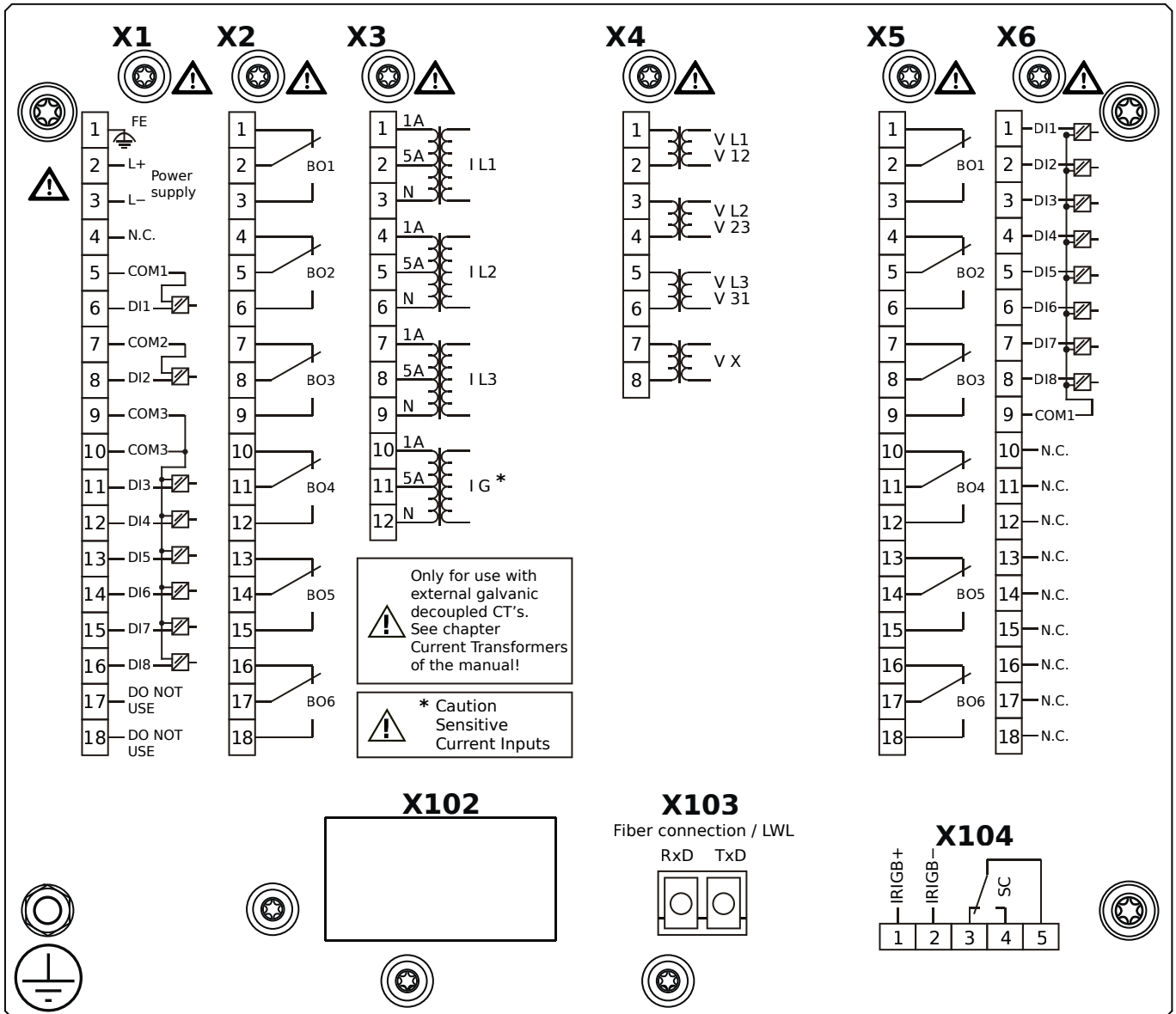
MRA4-2D1BKA



Housing B2, small display, 19" rack mounting

- X1** – DI8-X1: Wide-range power supply unit, incl. 2 non-grouped digital inputs and 6 grouped digital inputs
- X2** – OR6: Assembly Group with 6 Output Relays
- X3** – TIs: Standard phase current measuring card and sensitive ground current measuring
- X4** – TU: Card with 4 voltage transformer measuring inputs
- X5** – OR6: Assembly Group with 6 Output Relays
- X6** – DI8: Assembly Group with 8 Digital Inputs
- X103** – IEC 61850 / Modbus TCP / DNP3.0 TCP/UDP, Fiber optics interface, LC Connector
- X104** – IRIG-B00X, incl. System Contact (Supervision Contact)

MRA4-2D1BKB

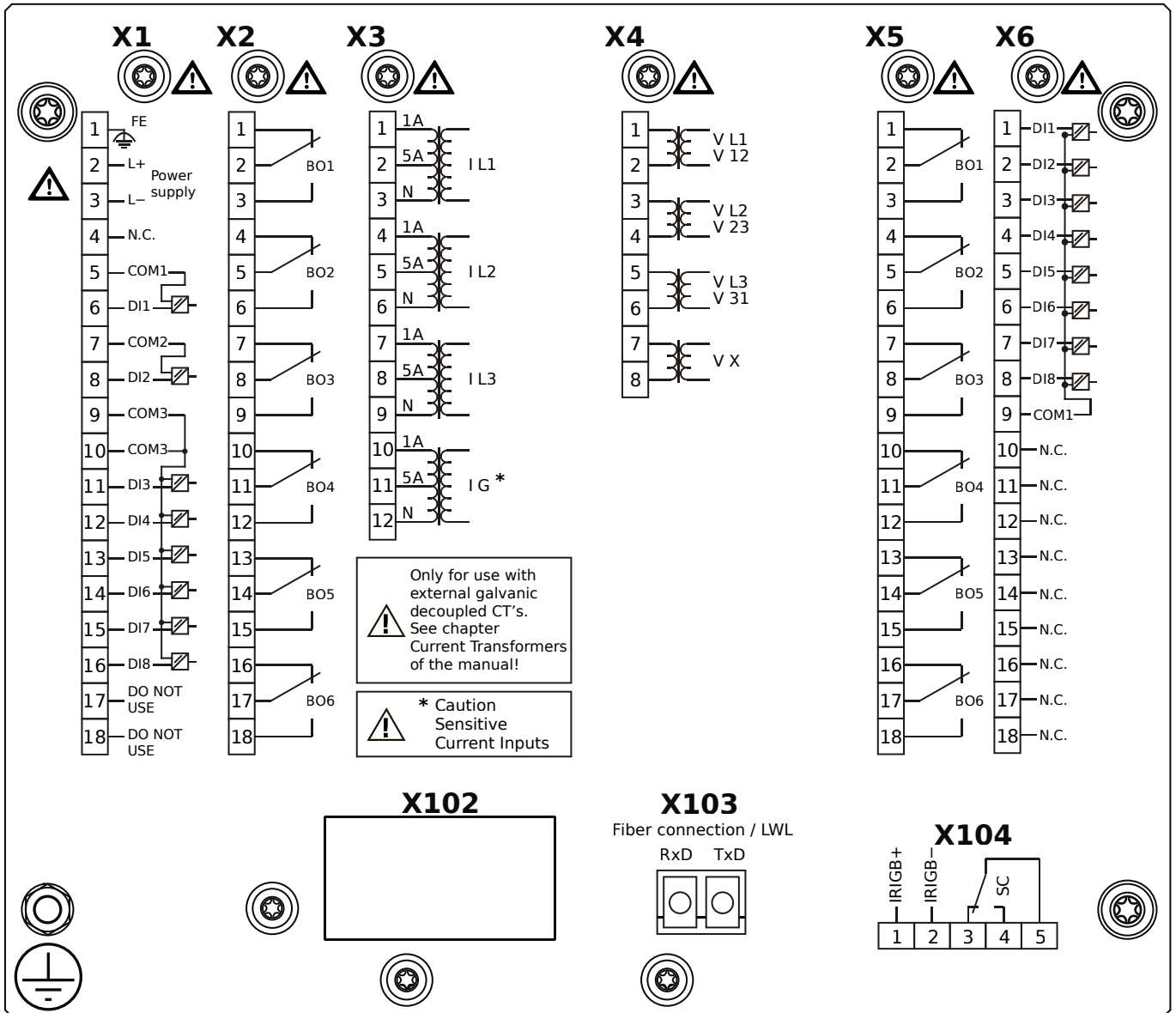


Housing B2, small display, 19" rack mounting

+ Conformal Coating (for installations in harsh environment)

- X1** – DI8-X1: Wide-range power supply unit, incl. 2 non-grouped digital inputs and 6 grouped digital inputs
- X2** – OR6: Assembly Group with 6 Output Relays
- X3** – TIs: Standard phase current measuring card and sensitive ground current measuring
- X4** – TU: Card with 4 voltage transformer measuring inputs
- X5** – OR6: Assembly Group with 6 Output Relays
- X6** – DI8: Assembly Group with 8 Digital Inputs
- X103** – IEC 61850 / Modbus TCP / DNP3.0 TCP/UDP, Fiber optics interface, LC Connector
- X104** – IRIG-B00X, incl. System Contact (Supervision Contact)

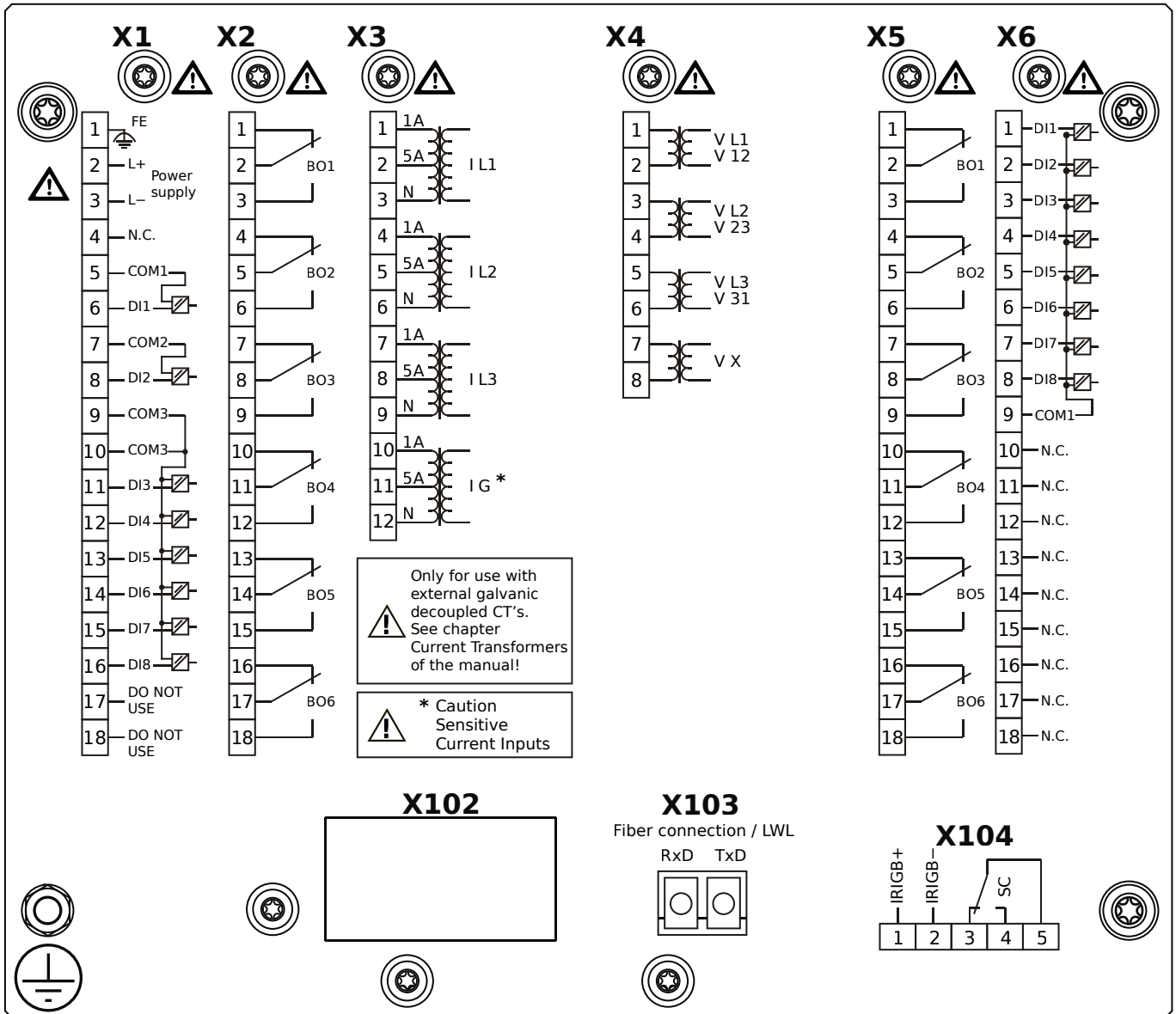
MRA4-2D1BLA



Housing B2, small display, 19" rack mounting

- X1** – DI8-X1: Wide-range power supply unit, incl. 2 non-grouped digital inputs and 6 grouped digital inputs
- X2** – OR6: Assembly Group with 6 Output Relays
- X3** – TIs: Standard phase current measuring card and sensitive ground current measuring
- X4** – TU: Card with 4 voltage transformer measuring inputs
- X5** – OR6: Assembly Group with 6 Output Relays
- X6** – DI8: Assembly Group with 8 Digital Inputs
- X103** – Modbus TCP / DNP3.0 TCP/UDP, Fiber optics interface, LC Connector
- X104** – IRIG-B00X, incl. System Contact (Supervision Contact)

MRA4-2D1BLB

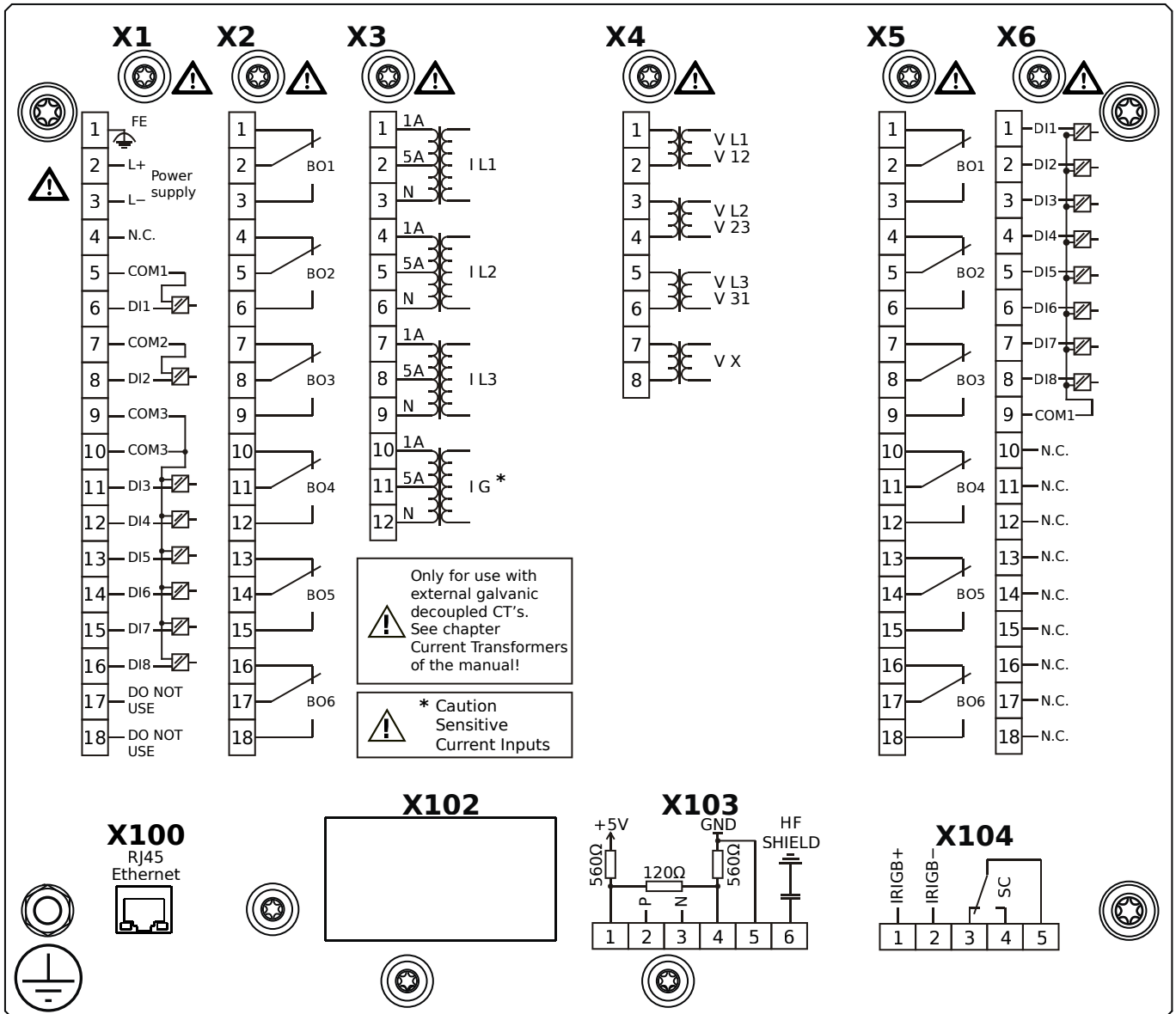


Housing B2, small display, 19" rack mounting

+ Conformal Coating (for installations in harsh environment)

- X1** – DI8-X1: Wide-range power supply unit, incl. 2 non-grouped digital inputs and 6 grouped digital inputs
- X2** – OR6: Assembly Group with 6 Output Relays
- X3** – TIs: Standard phase current measuring card and sensitive ground current measuring
- X4** – TU: Card with 4 voltage transformer measuring inputs
- X5** – OR6: Assembly Group with 6 Output Relays
- X6** – DI8: Assembly Group with 8 Digital Inputs
- X103** – Modbus TCP / DNP3.0 TCP/UDP, Fiber optics interface, LC Connector
- X104** – IRIG-B00X, incl. System Contact (Supervision Contact)

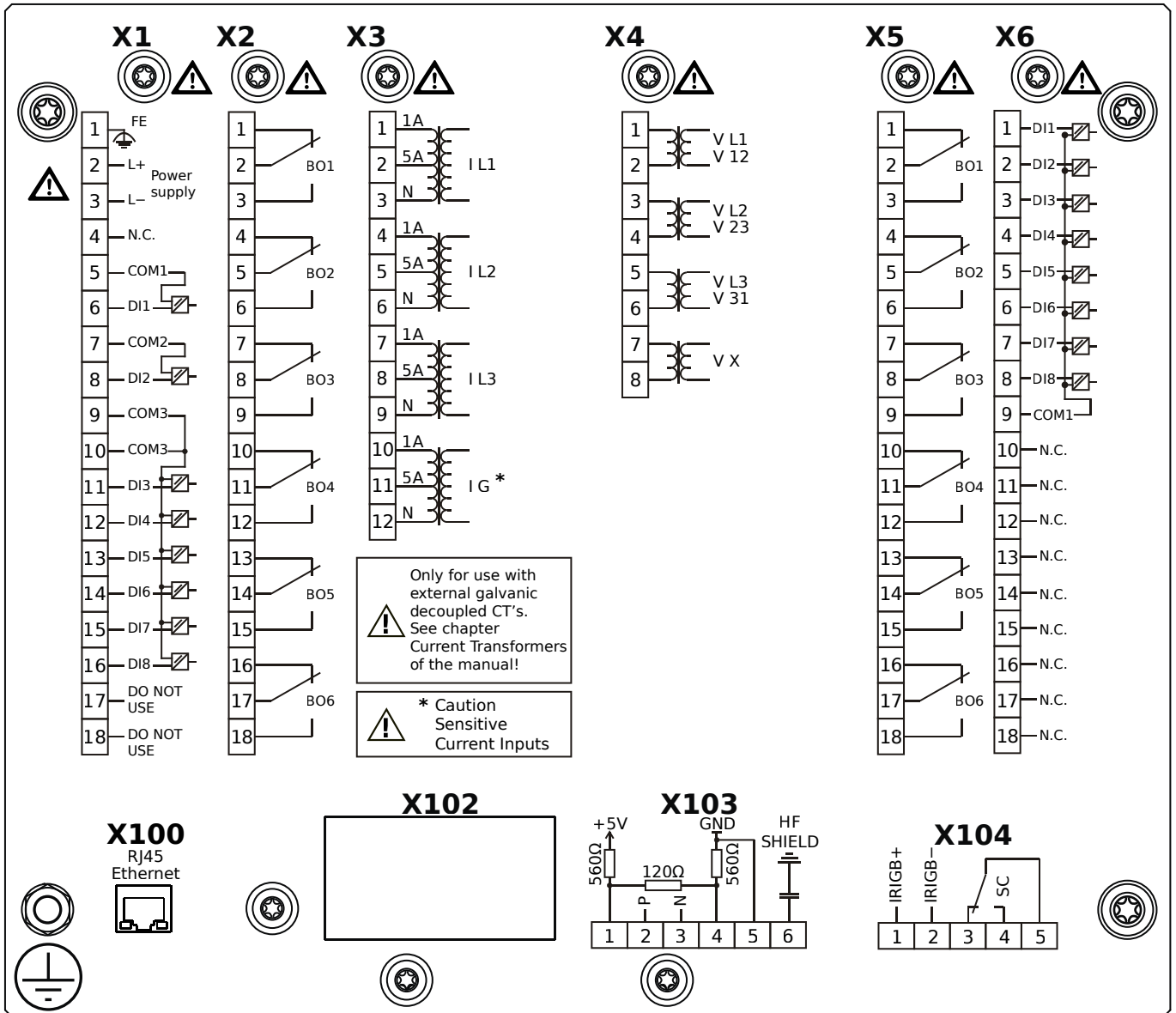
MRA4-2D1BTA



Housing B2, small display, 19" rack mounting

- X1** – DI8-X1: Wide-range power supply unit, incl. 2 non-grouped digital inputs and 6 grouped digital inputs
- X2** – OR6: Assembly Group with 6 Output Relays
- X3** – TIs: Standard phase current measuring card and sensitive ground current measuring
- X4** – TU: Card with 4 voltage transformer measuring inputs
- X5** – OR6: Assembly Group with 6 Output Relays
- X6** – DI8: Assembly Group with 8 Digital Inputs
- X100** – IEC 61850 / Modbus TCP / DNP3.0 TCP/UDP, Ethernet interface, 100 Mbit/s, RJ45 (BASE100-FX)
- X103** – IEC 60870-5-103 / Modbus RTU / DNP3.0 RTU, RS485, Terminals
- X104** – IRIG-B00X, incl. System Contact (Supervision Contact)

MRA4-2D1BTB

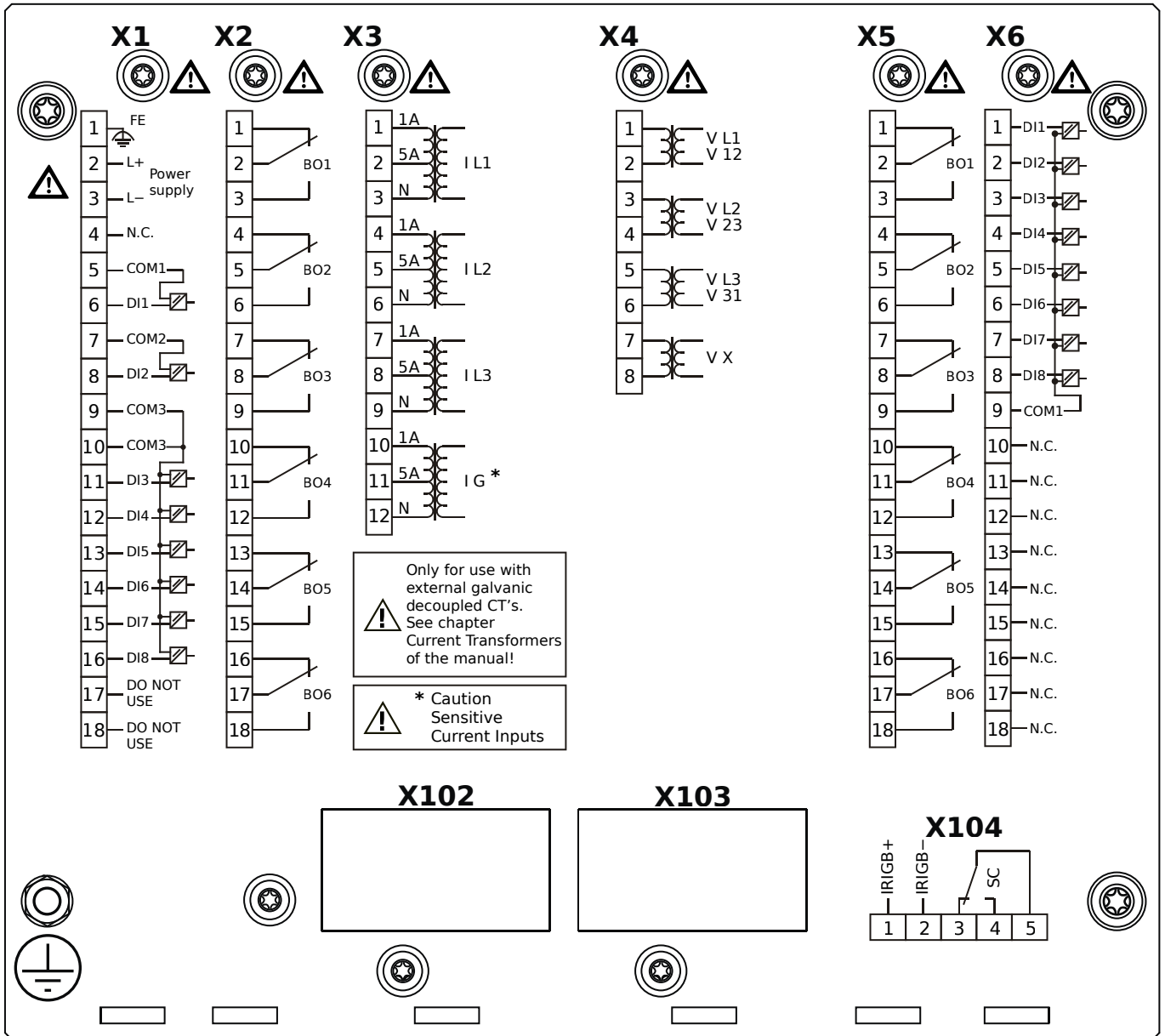


Housing B2, small display, 19" rack mounting

+ Conformal Coating (for installations in harsh environment)

- X1** – DI8-X1: Wide-range power supply unit, incl. 2 non-grouped digital inputs and 6 grouped digital inputs
- X2** – OR6: Assembly Group with 6 Output Relays
- X3** – TIs: Standard phase current measuring card and sensitive ground current measuring
- X4** – TU: Card with 4 voltage transformer measuring inputs
- X5** – OR6: Assembly Group with 6 Output Relays
- X6** – DI8: Assembly Group with 8 Digital Inputs
- X100** – IEC 61850 / Modbus TCP / DNP3.0 TCP/UDP, Ethernet interface, 100 Mbit/s, RJ45 (BASE100-FX)
- X103** – IEC 60870-5-103 / Modbus RTU / DNP3.0 RTU, RS485, Terminals
- X104** – IRIG-B00X, incl. System Contact (Supervision Contact)

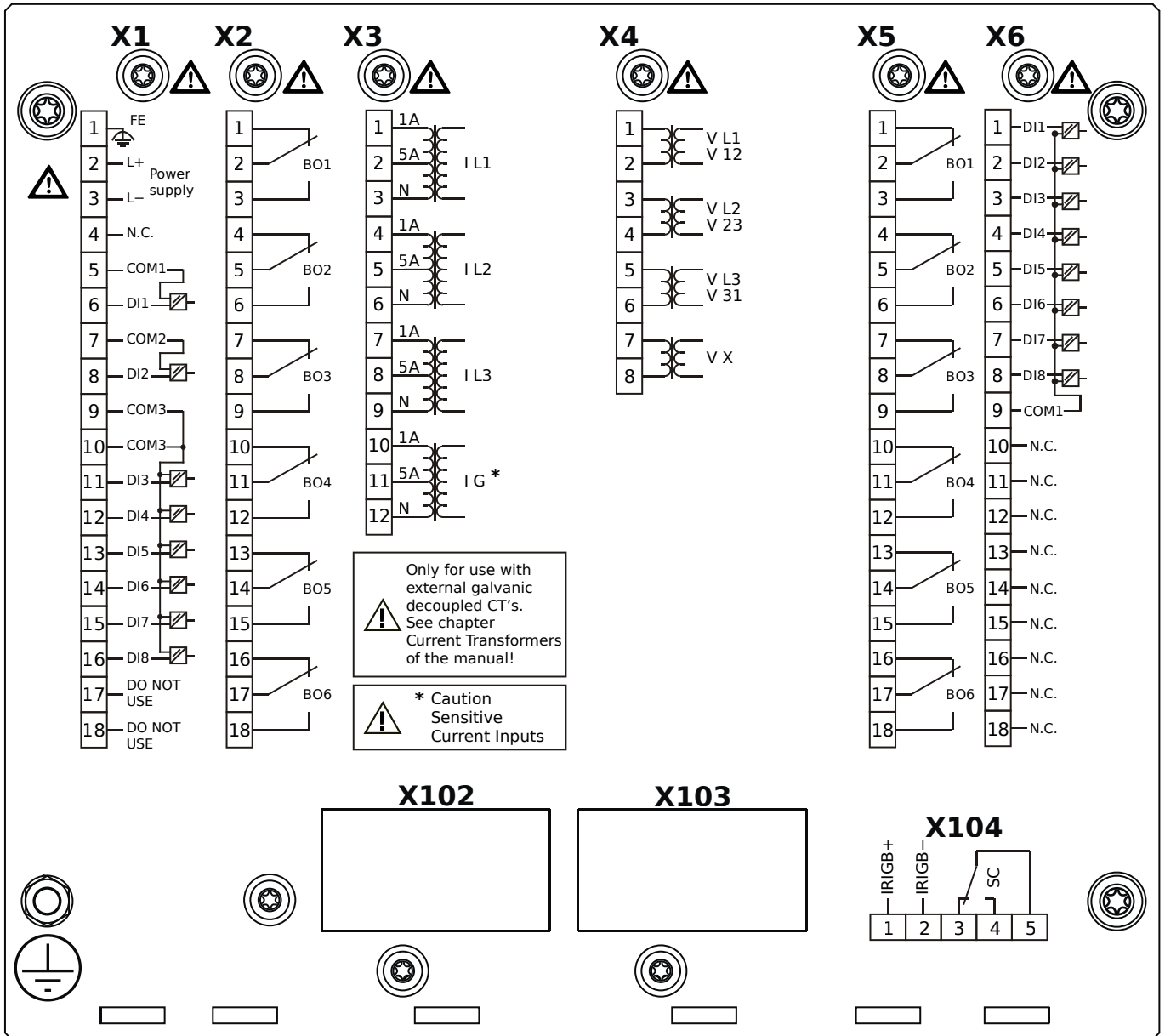
MRA4-2D1HAA



Housing B2, small display, door mounting

- X1** – DI8-X1: Wide-range power supply unit, incl. 2 non-grouped digital inputs and 6 grouped digital inputs
- X2** – OR6: Assembly Group with 6 Output Relays
- X3** – TIs: Standard phase current measuring card and sensitive ground current measuring
- X4** – TU: Card with 4 voltage transformer measuring inputs
- X5** – OR6: Assembly Group with 6 Output Relays
- X6** – DI8: Assembly Group with 8 Digital Inputs
- X104** – IRIG-B00X, incl. System Contact (Supervision Contact)

MRA4-2D1HAB

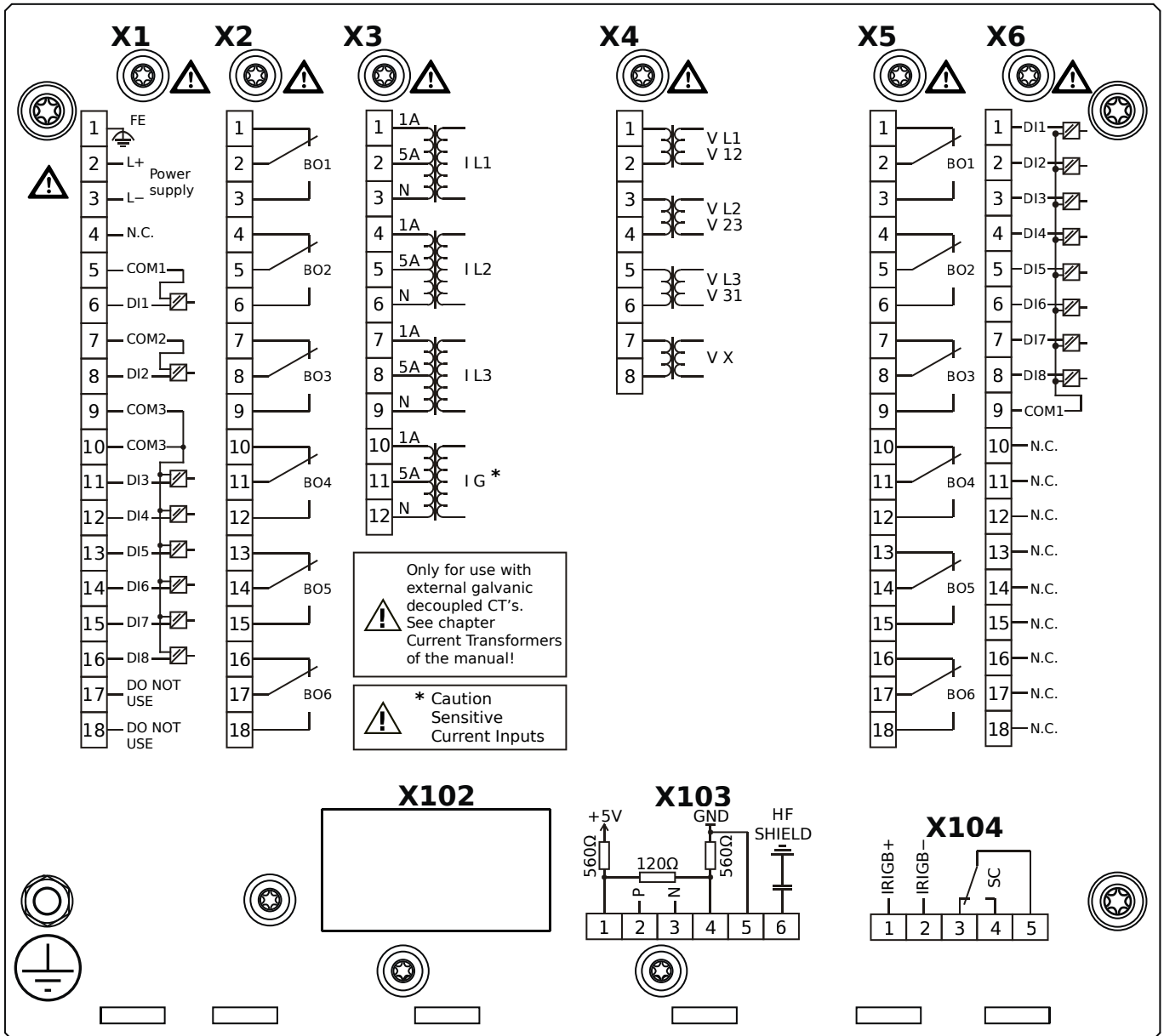


Housing B2, small display, door mounting

+ Conformal Coating (for installations in harsh environment)

- X1** – DI8-X1: Wide-range power supply unit, incl. 2 non-grouped digital inputs and 6 grouped digital inputs
- X2** – OR6: Assembly Group with 6 Output Relays
- X3** – TIs: Standard phase current measuring card and sensitive ground current measuring
- X4** – TU: Card with 4 voltage transformer measuring inputs
- X5** – OR6: Assembly Group with 6 Output Relays
- X6** – DI8: Assembly Group with 8 Digital Inputs
- X104** – IRIG-B00X, incl. System Contact (Supervision Contact)

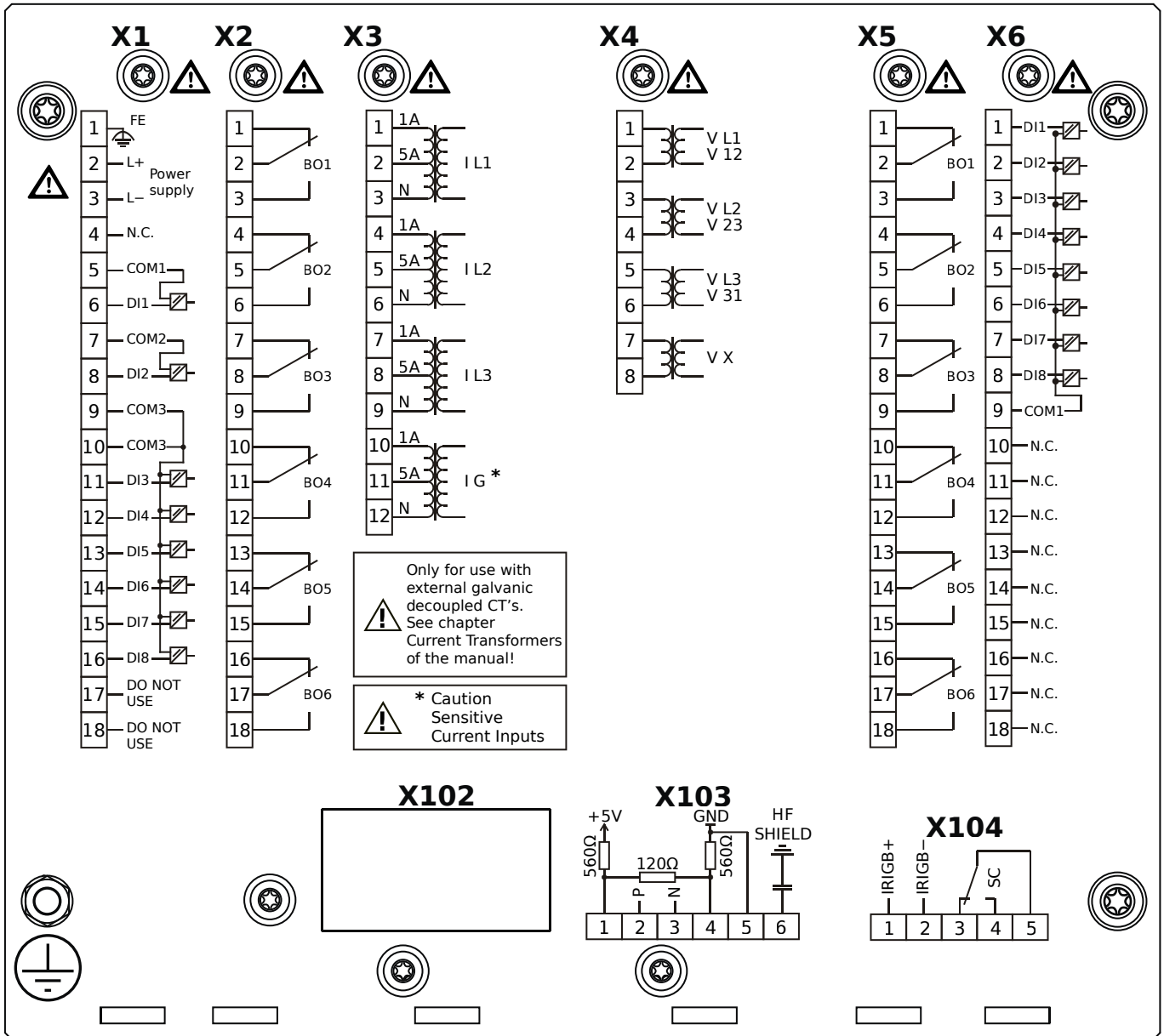
MRA4-2D1HBA



Housing B2, small display, door mounting

- X1** – DI8-X1: Wide-range power supply unit, incl. 2 non-grouped digital inputs and 6 grouped digital inputs
- X2** – OR6: Assembly Group with 6 Output Relays
- X3** – TIs: Standard phase current measuring card and sensitive ground current measuring
- X4** – TU: Card with 4 voltage transformer measuring inputs
- X5** – OR6: Assembly Group with 6 Output Relays
- X6** – DI8: Assembly Group with 8 Digital Inputs
- X103** – Modbus RTU / IEC 60870-5-103 / DNP3.0 RTU, RS485, Terminals
- X104** – IRIG-B00X, incl. System Contact (Supervision Contact)

MRA4-2D1HBB

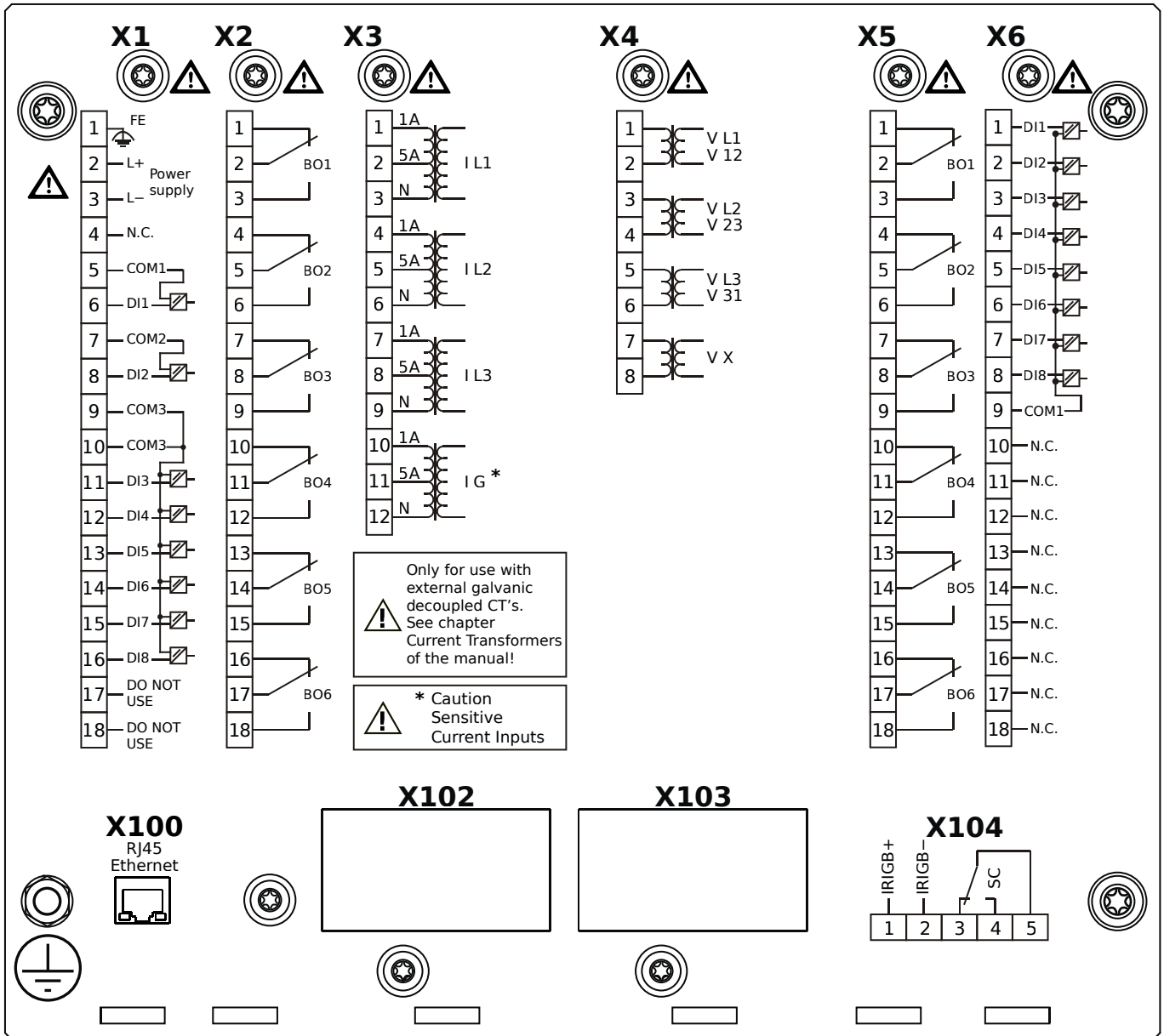


Housing B2, small display, door mounting

+ Conformal Coating (for installations in harsh environment)

- X1** – DI8-X1: Wide-range power supply unit, incl. 2 non-grouped digital inputs and 6 grouped digital inputs
- X2** – OR6: Assembly Group with 6 Output Relays
- X3** – TIs: Standard phase current measuring card and sensitive ground current measuring
- X4** – TU: Card with 4 voltage transformer measuring inputs
- X5** – OR6: Assembly Group with 6 Output Relays
- X6** – DI8: Assembly Group with 8 Digital Inputs
- X103** – Modbus RTU / IEC 60870-5-103 / DNP3.0 RTU, RS485, Terminals
- X104** – IRIG-B00X, incl. System Contact (Supervision Contact)

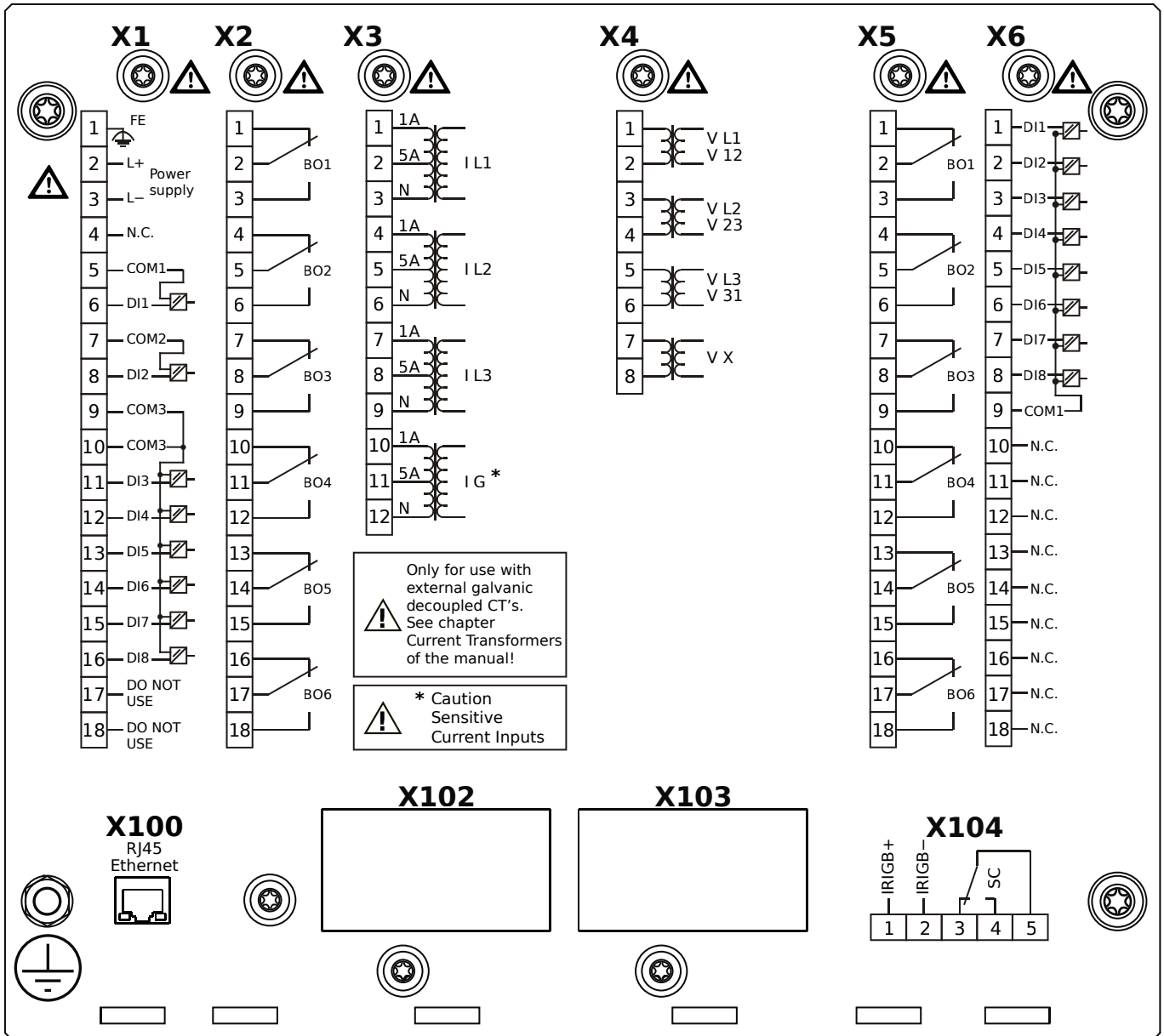
MRA4-2D1HCA



Housing B2, small display, door mounting

- X1** – DI8-X1: Wide-range power supply unit, incl. 2 non-grouped digital inputs and 6 grouped digital inputs
- X2** – OR6: Assembly Group with 6 Output Relays
- X3** – TIs: Standard phase current measuring card and sensitive ground current measuring
- X4** – TU: Card with 4 voltage transformer measuring inputs
- X5** – OR6: Assembly Group with 6 Output Relays
- X6** – DI8: Assembly Group with 8 Digital Inputs
- X100** – Modbus TCP / DNP3.0 TCP/UDP, Ethernet interface, 100 Mbit/s, RJ45 (BASE100-FX)
- X104** – IRIG-B00X, incl. System Contact (Supervision Contact)

MRA4-2D1HCB

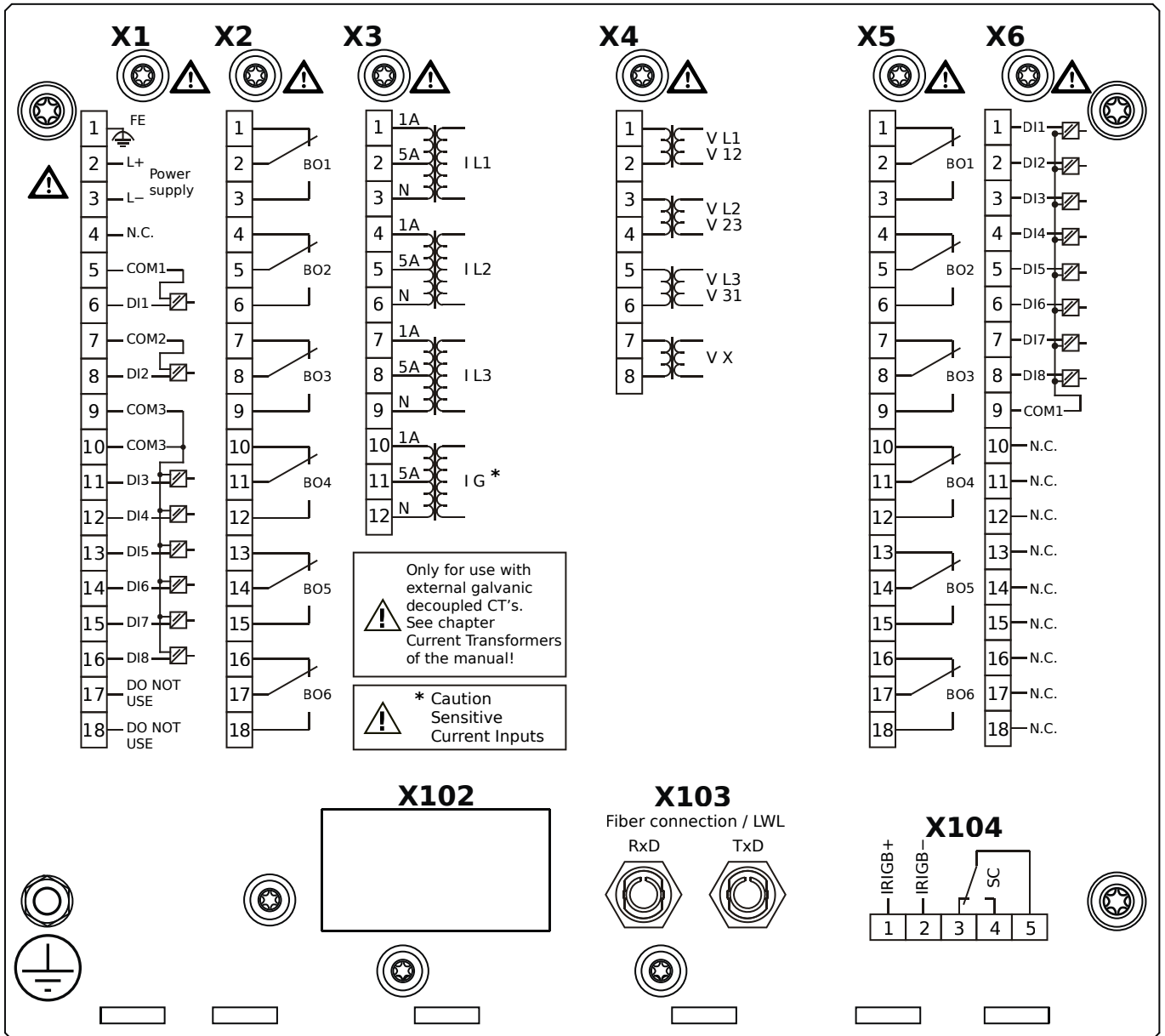


Housing B2, small display, door mounting

+ Conformal Coating (for installations in harsh environment)

- X1** – DI8-X1: Wide-range power supply unit, incl. 2 non-grouped digital inputs and 6 grouped digital inputs
- X2** – OR6: Assembly Group with 6 Output Relays
- X3** – TIs: Standard phase current measuring card and sensitive ground current measuring
- X4** – TU: Card with 4 voltage transformer measuring inputs
- X5** – OR6: Assembly Group with 6 Output Relays
- X6** – DI8: Assembly Group with 8 Digital Inputs
- X100** – Modbus TCP / DNP3.0 TCP/UDP, Ethernet interface, 100 Mbit/s, RJ45 (BASE100-FX)
- X104** – IRIG-B00X, incl. System Contact (Supervision Contact)

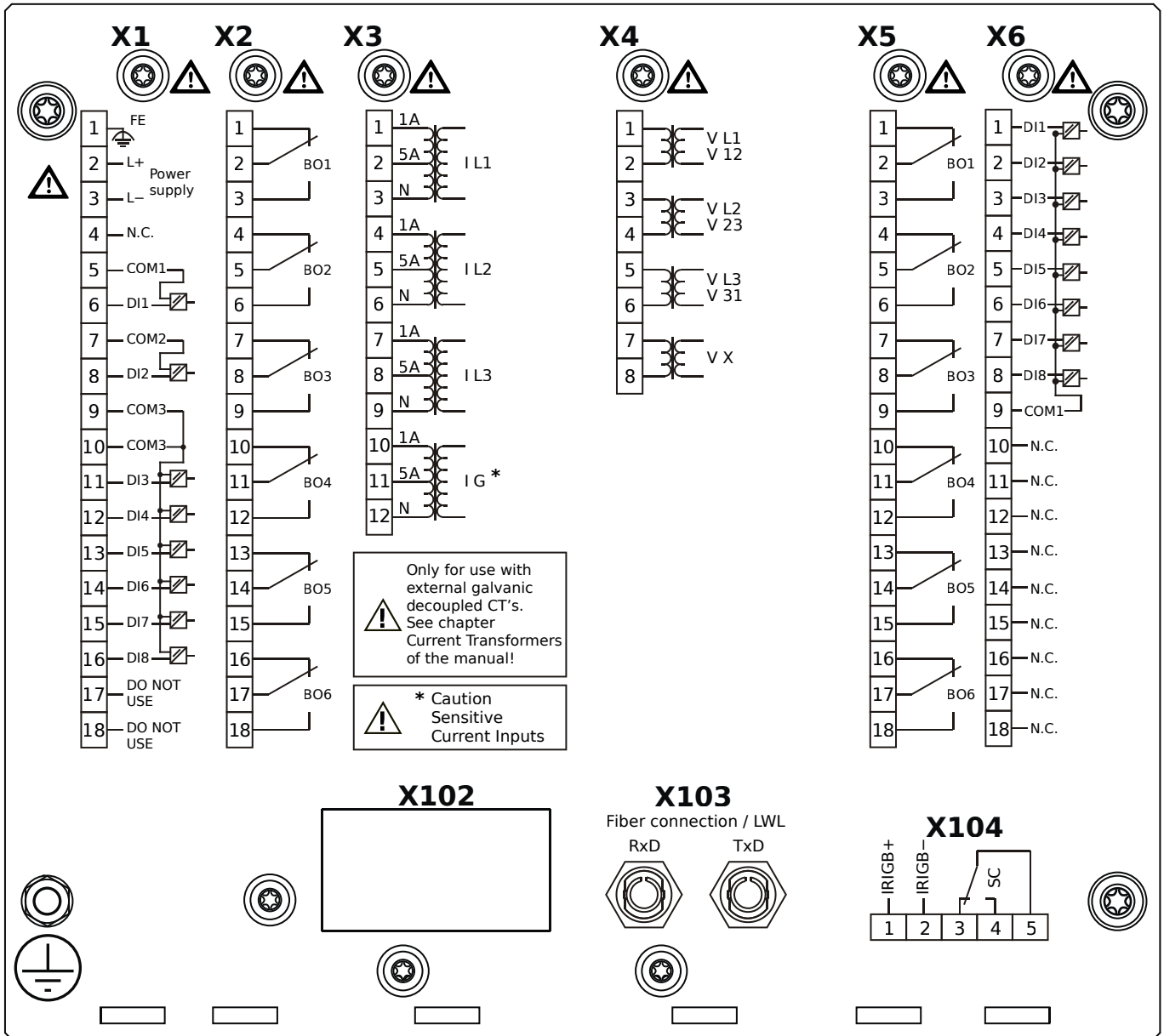
MRA4-2D1HDA



Housing B2, small display, door mounting

- X1** – DI8-X1: Wide-range power supply unit, incl. 2 non-grouped digital inputs and 6 grouped digital inputs
- X2** – OR6: Assembly Group with 6 Output Relays
- X3** – TIs: Standard phase current measuring card and sensitive ground current measuring
- X4** – TU: Card with 4 voltage transformer measuring inputs
- X5** – OR6: Assembly Group with 6 Output Relays
- X6** – DI8: Assembly Group with 8 Digital Inputs
- X103** – Profibus-DP, Fiber optics interface, ST Connector
- X104** – IRIG-B00X, incl. System Contact (Supervision Contact)

MRA4-2D1HDB

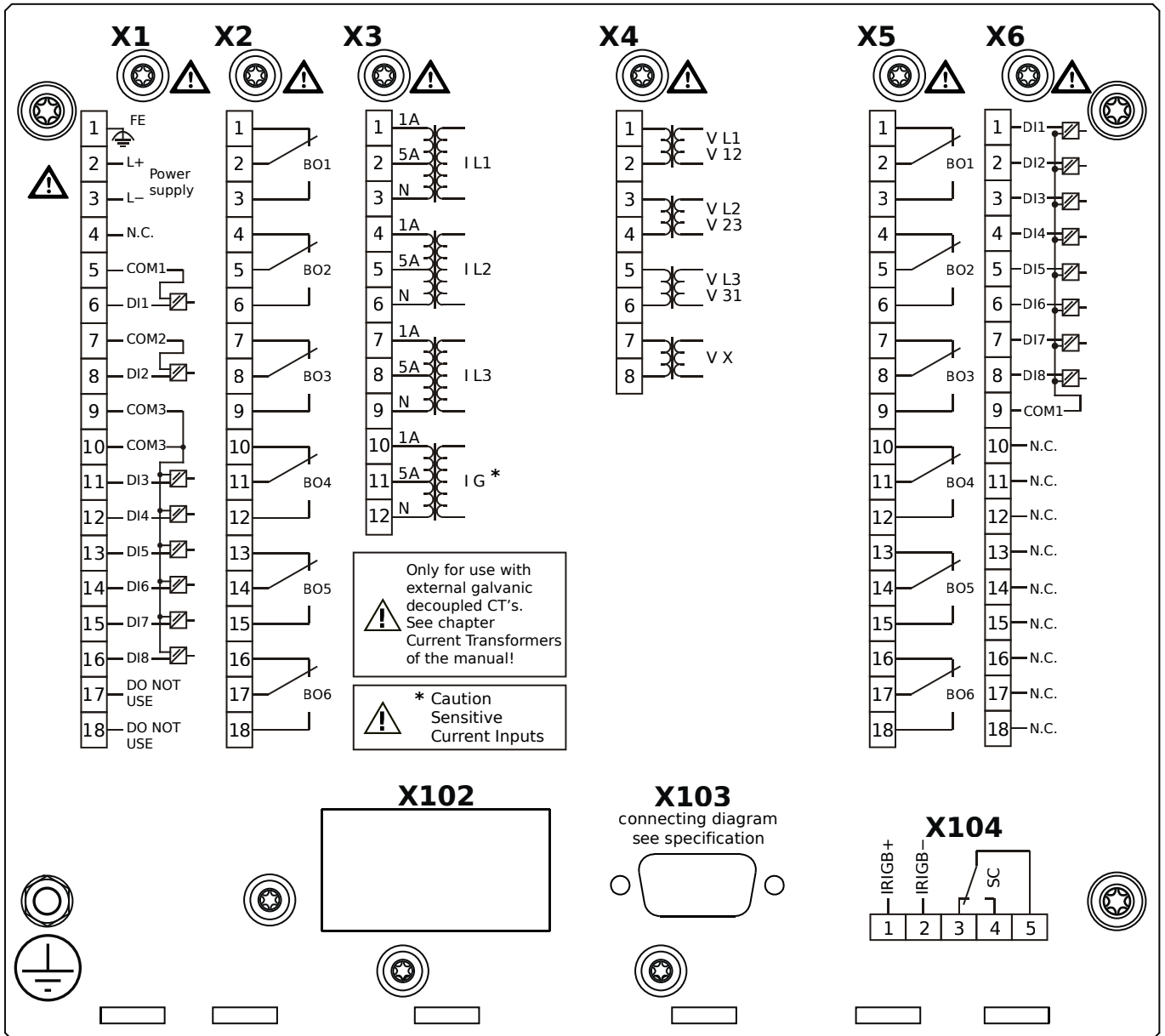


Housing B2, small display, door mounting

+ Conformal Coating (for installations in harsh environment)

- X1** – DI8-X1: Wide-range power supply unit, incl. 2 non-grouped digital inputs and 6 grouped digital inputs
- X2** – OR6: Assembly Group with 6 Output Relays
- X3** – TIs: Standard phase current measuring card and sensitive ground current measuring
- X4** – TU: Card with 4 voltage transformer measuring inputs
- X5** – OR6: Assembly Group with 6 Output Relays
- X6** – DI8: Assembly Group with 8 Digital Inputs
- X103** – Profibus-DP, Fiber optics interface, ST Connector
- X104** – IRIG-B00X, incl. System Contact (Supervision Contact)

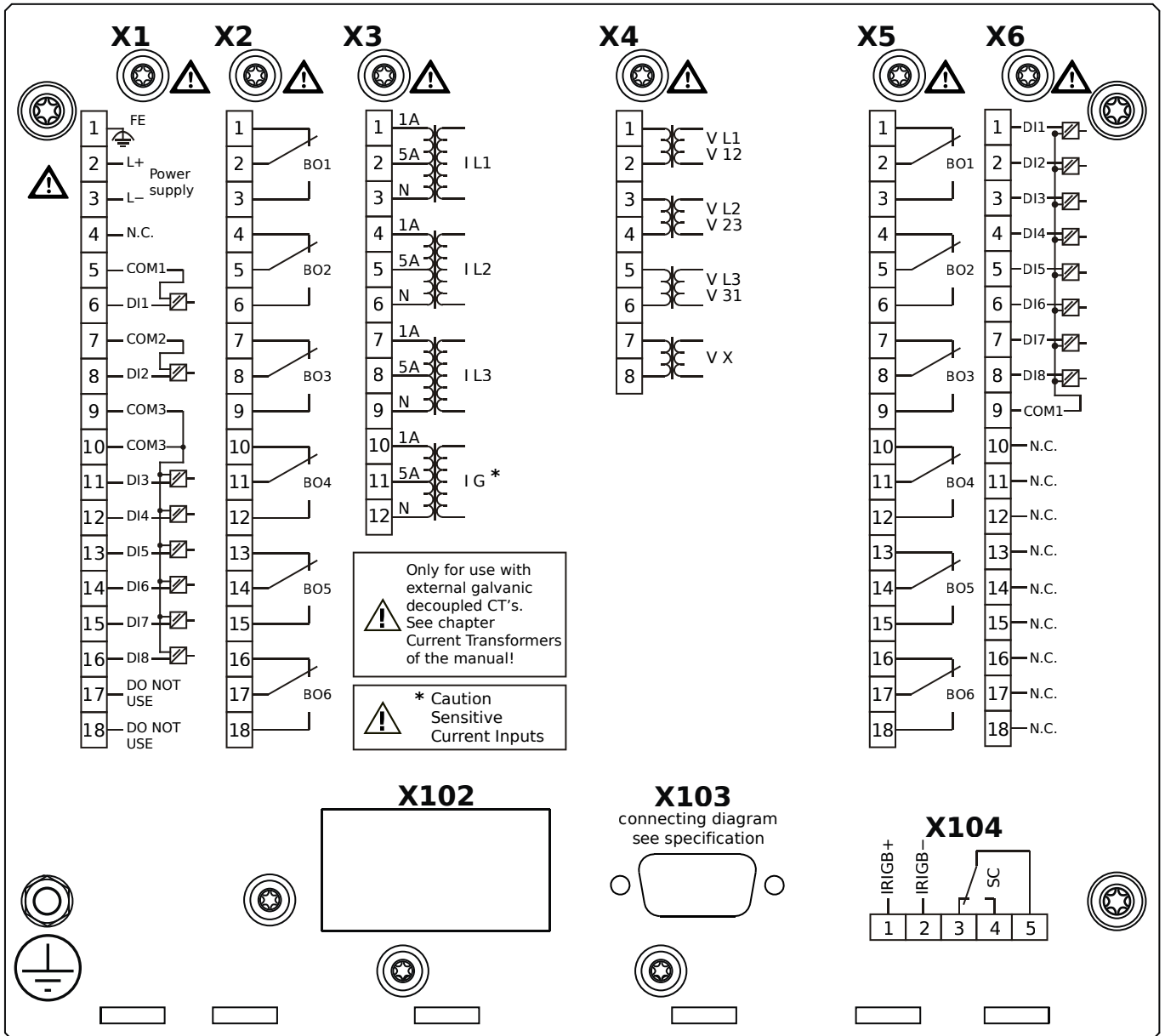
MRA4-2D1HEA



Housing B2, small display, door mounting

- X1** – DI8-X1: Wide-range power supply unit, incl. 2 non-grouped digital inputs and 6 grouped digital inputs
- X2** – OR6: Assembly Group with 6 Output Relays
- X3** – TIs: Standard phase current measuring card and sensitive ground current measuring
- X4** – TU: Card with 4 voltage transformer measuring inputs
- X5** – OR6: Assembly Group with 6 Output Relays
- X6** – DI8: Assembly Group with 8 Digital Inputs
- X103** – Profibus-DP, RS485, D-SUB
- X104** – IRIG-B00X, incl. System Contact (Supervision Contact)

MRA4-2D1HEB

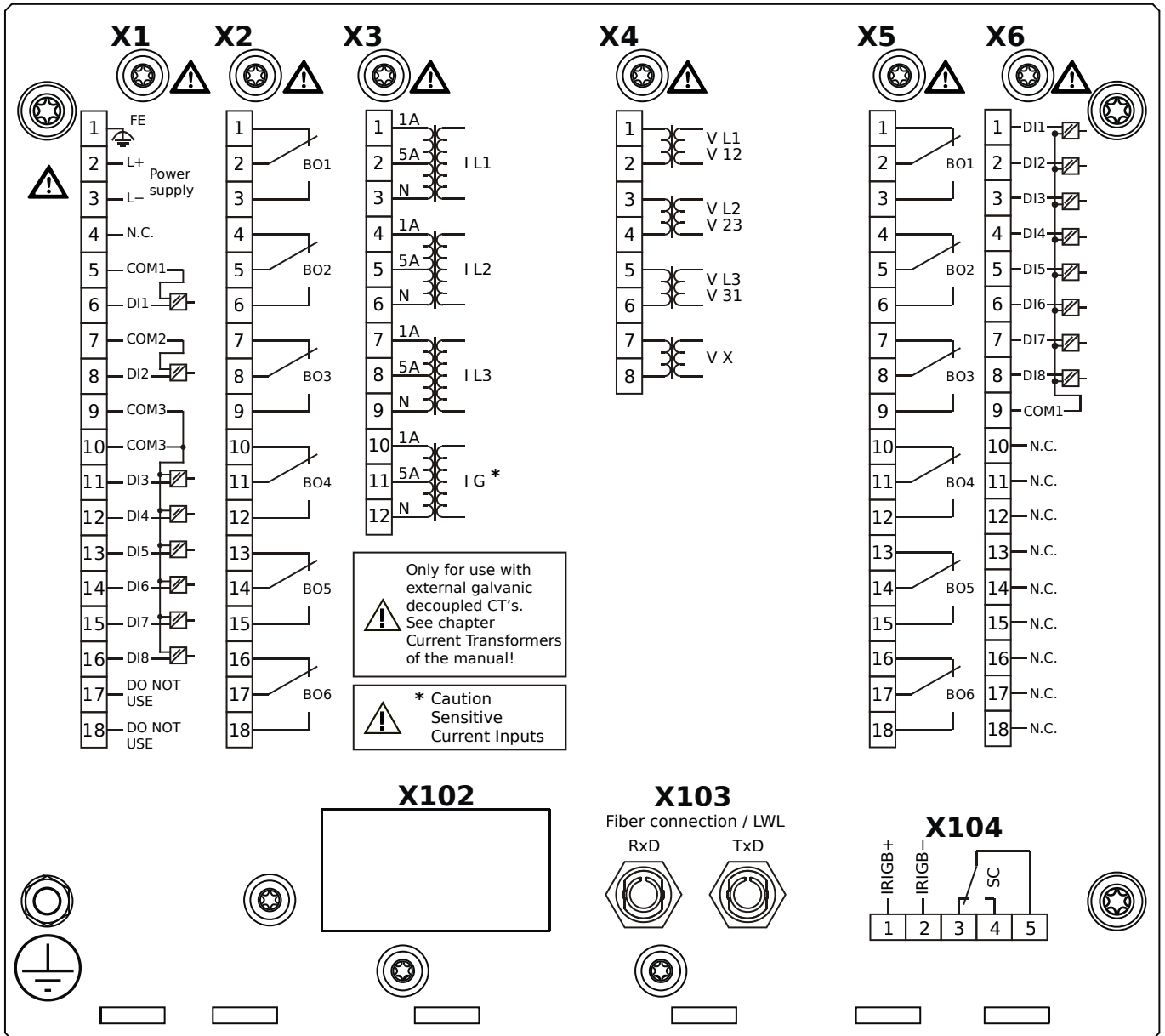


Housing B2, small display, door mounting

+ Conformal Coating (for installations in harsh environment)

- X1** – DI8-X1: Wide-range power supply unit, incl. 2 non-grouped digital inputs and 6 grouped digital inputs
- X2** – OR6: Assembly Group with 6 Output Relays
- X3** – TIs: Standard phase current measuring card and sensitive ground current measuring
- X4** – TU: Card with 4 voltage transformer measuring inputs
- X5** – OR6: Assembly Group with 6 Output Relays
- X6** – DI8: Assembly Group with 8 Digital Inputs
- X103** – Profibus-DP, RS485, D-SUB
- X104** – IRIG-B00X, incl. System Contact (Supervision Contact)

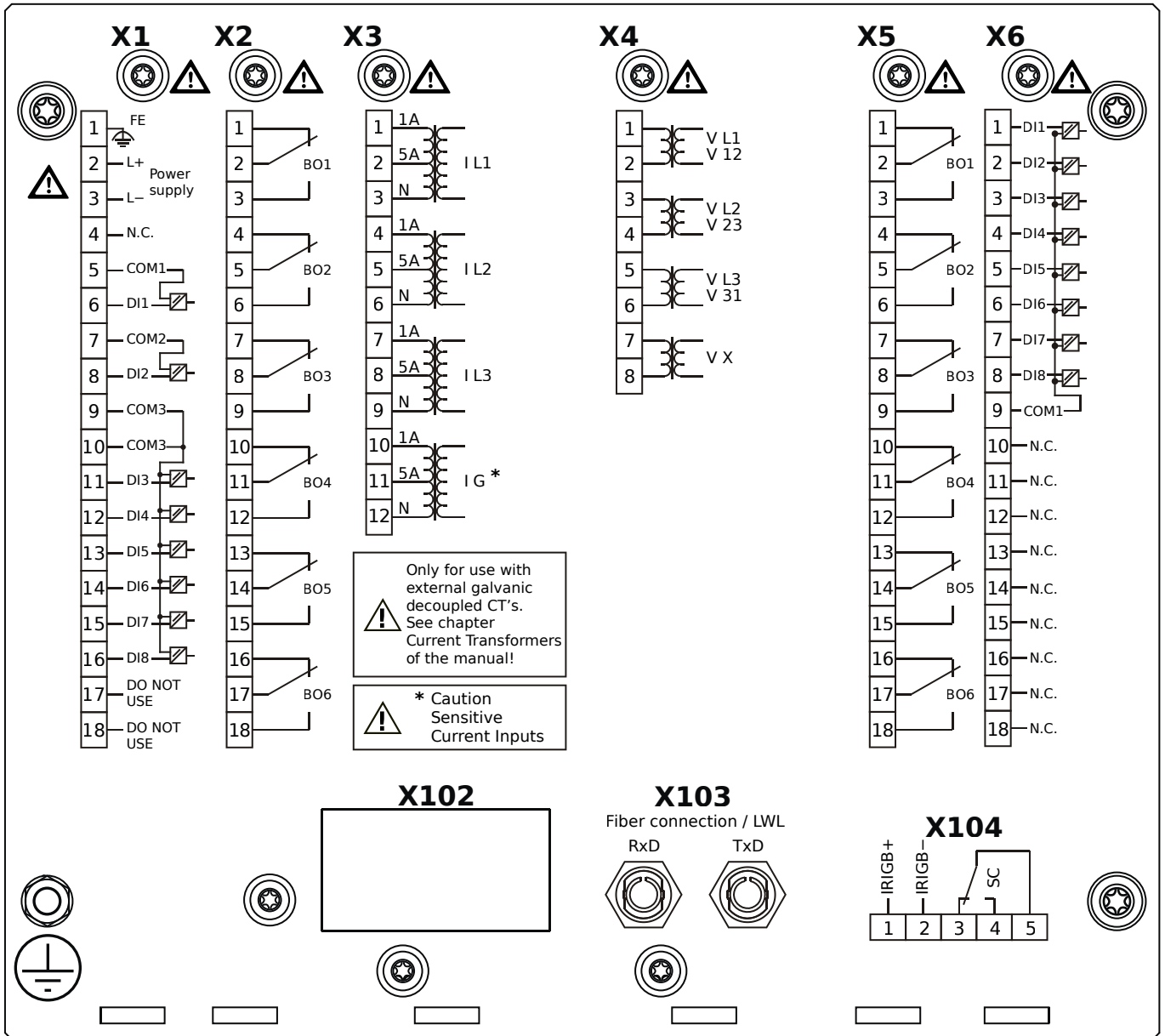
MRA4-2D1HFA



Housing B2, small display, door mounting

- X1** – DI8-X1: Wide-range power supply unit, incl. 2 non-grouped digital inputs and 6 grouped digital inputs
- X2** – OR6: Assembly Group with 6 Output Relays
- X3** – TIs: Standard phase current measuring card and sensitive ground current measuring
- X4** – TU: Card with 4 voltage transformer measuring inputs
- X5** – OR6: Assembly Group with 6 Output Relays
- X6** – DI8: Assembly Group with 8 Digital Inputs
- X103** – Modbus RTU / IEC 60870-5-103 / DNP3.0 RTU, Fiber optics interface, ST Connector
- X104** – IRIG-B00X, incl. System Contact (Supervision Contact)

MRA4-2D1HFB

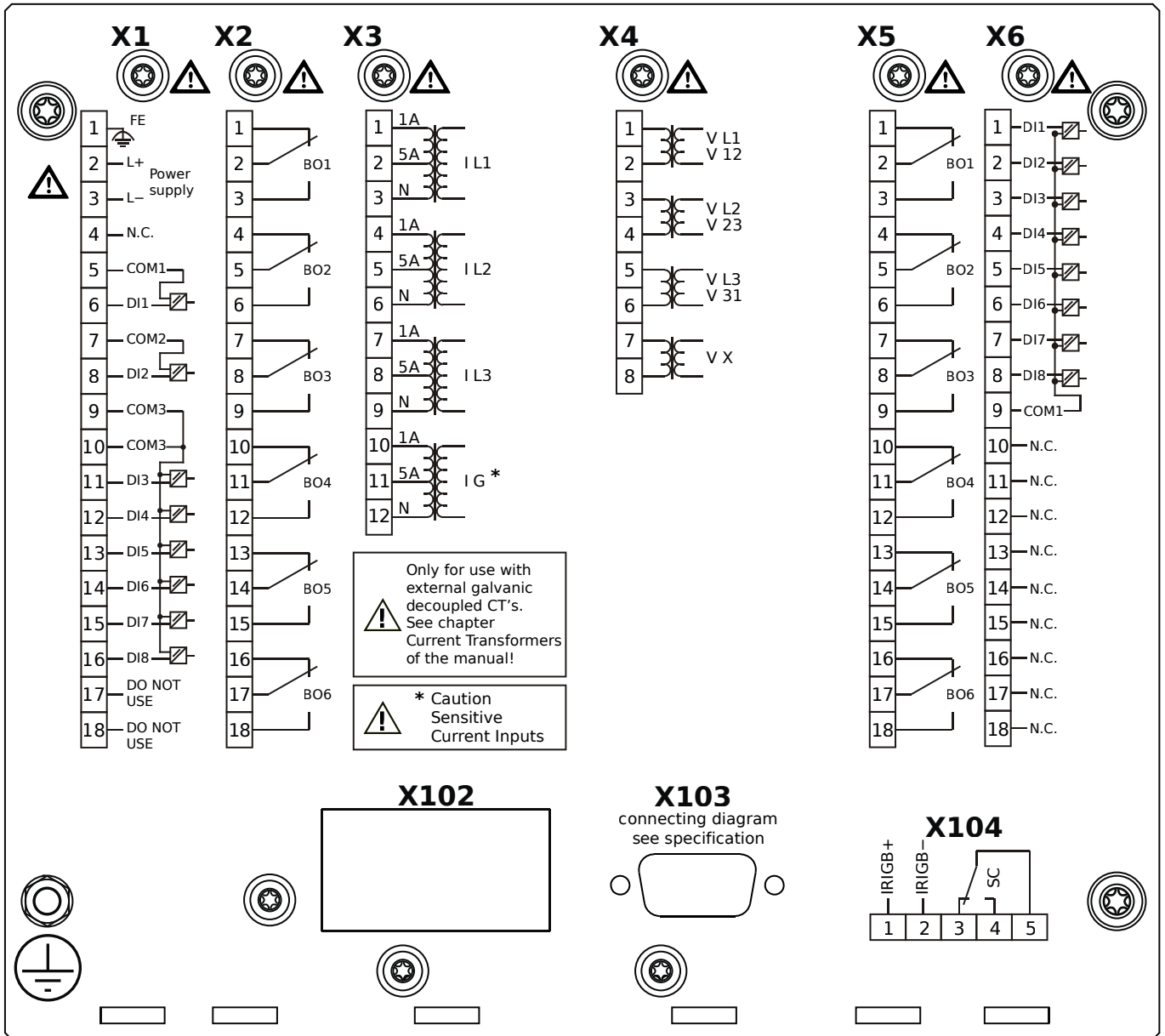


Housing B2, small display, door mounting

+ Conformal Coating (for installations in harsh environment)

- X1** – DI8-X1: Wide-range power supply unit, incl. 2 non-grouped digital inputs and 6 grouped digital inputs
- X2** – OR6: Assembly Group with 6 Output Relays
- X3** – TIs: Standard phase current measuring card and sensitive ground current measuring
- X4** – TU: Card with 4 voltage transformer measuring inputs
- X5** – OR6: Assembly Group with 6 Output Relays
- X6** – DI8: Assembly Group with 8 Digital Inputs
- X103** – Modbus RTU / IEC 60870-5-103 / DNP3.0 RTU, Fiber optics interface, ST Connector
- X104** – IRIG-B00X, incl. System Contact (Supervision Contact)

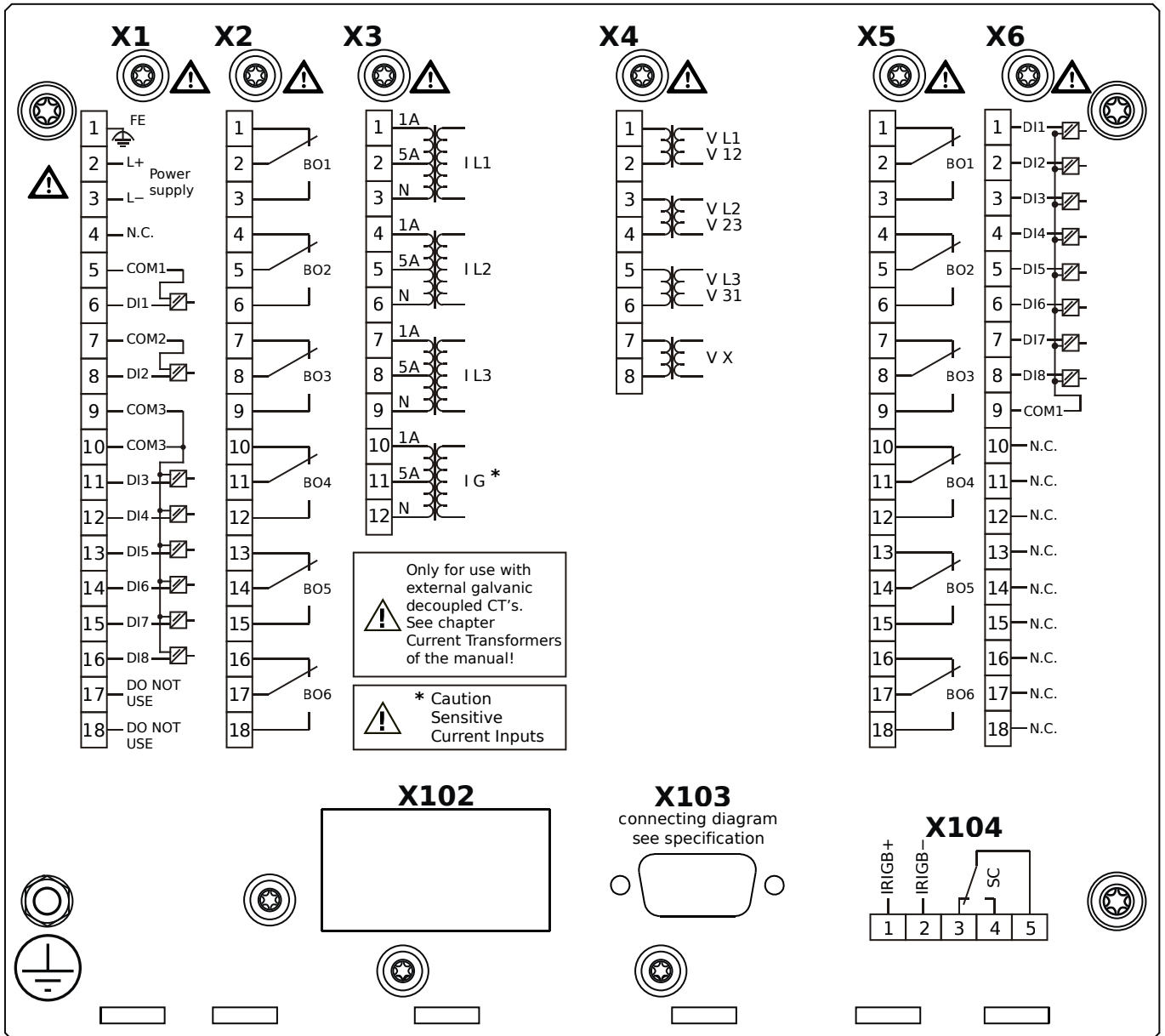
MRA4-2D1HGA



Housing B2, small display, door mounting

- X1** – DI8-X1: Wide-range power supply unit, incl. 2 non-grouped digital inputs and 6 grouped digital inputs
- X2** – OR6: Assembly Group with 6 Output Relays
- X3** – TIs: Standard phase current measuring card and sensitive ground current measuring
- X4** – TU: Card with 4 voltage transformer measuring inputs
- X5** – OR6: Assembly Group with 6 Output Relays
- X6** – DI8: Assembly Group with 8 Digital Inputs
- X103** – Modbus RTU / IEC 60870-5-103 / DNP3.0 RTU, RS485, D-SUB
- X104** – IRIG-B00X, incl. System Contact (Supervision Contact)

MRA4-2D1HGB

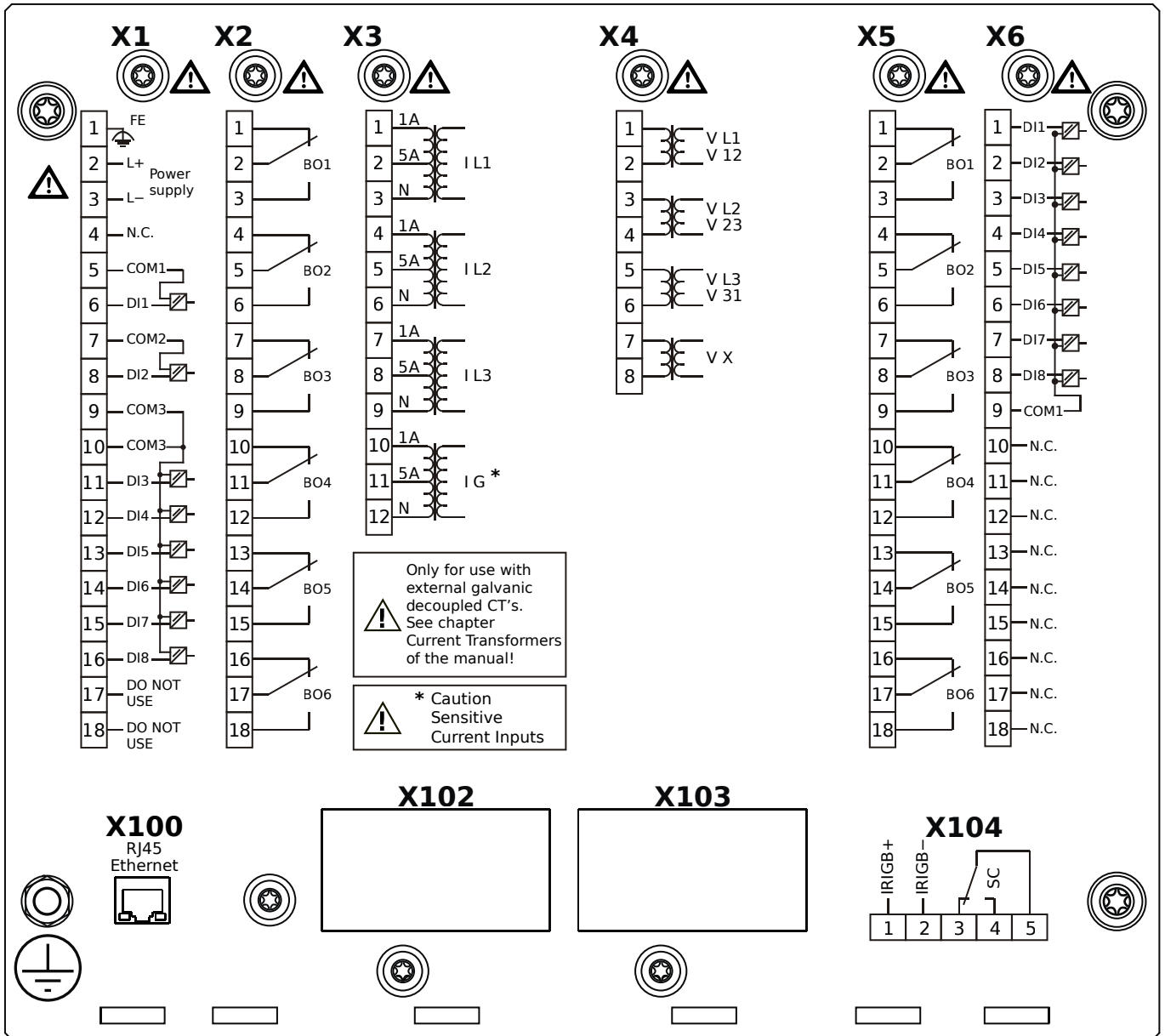


Housing B2, small display, door mounting

+ Conformal Coating (for installations in harsh environment)

- X1** – DI8-X1: Wide-range power supply unit, incl. 2 non-grouped digital inputs and 6 grouped digital inputs
- X2** – OR6: Assembly Group with 6 Output Relays
- X3** – TIs: Standard phase current measuring card and sensitive ground current measuring
- X4** – TU: Card with 4 voltage transformer measuring inputs
- X5** – OR6: Assembly Group with 6 Output Relays
- X6** – DI8: Assembly Group with 8 Digital Inputs
- X103** – Modbus RTU / IEC 60870-5-103 / DNP3.0 RTU, RS485, D-SUB
- X104** – IRIG-B00X, incl. System Contact (Supervision Contact)

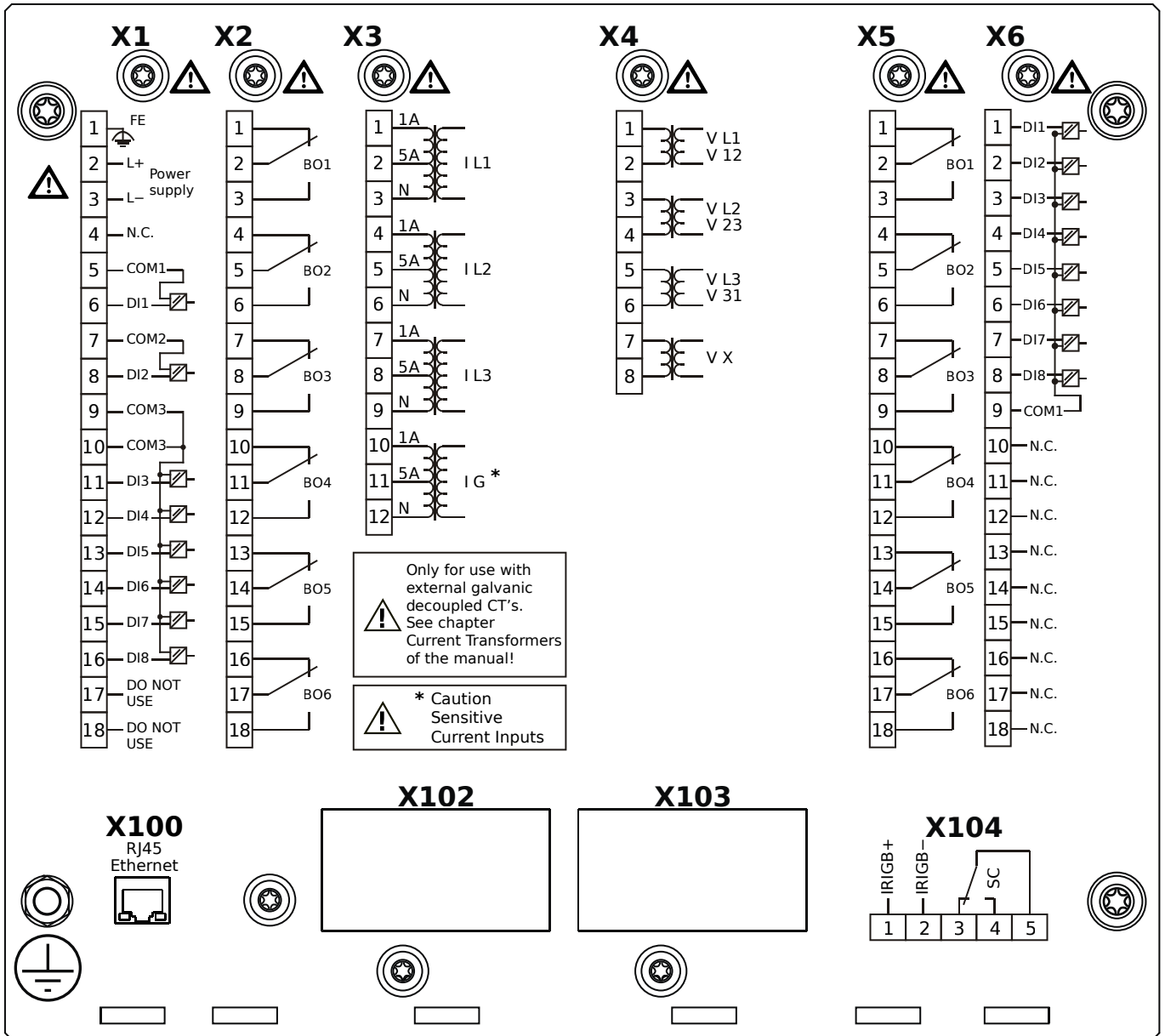
MRA4-2D1HHA



Housing B2, small display, door mounting

- X1** – DI8-X1: Wide-range power supply unit, incl. 2 non-grouped digital inputs and 6 grouped digital inputs
- X2** – OR6: Assembly Group with 6 Output Relays
- X3** – TIs: Standard phase current measuring card and sensitive ground current measuring
- X4** – TU: Card with 4 voltage transformer measuring inputs
- X5** – OR6: Assembly Group with 6 Output Relays
- X6** – DI8: Assembly Group with 8 Digital Inputs
- X100** – IEC 61850 / Modbus TCP / DNP3.0 TCP/UDP, Ethernet interface, 100 Mbit/s, RJ45 (BASE100-FX)
- X104** – IRIG-B00X, incl. System Contact (Supervision Contact)

MRA4-2D1HHB



Housing B2, small display, door mounting

+ Conformal Coating (for installations in harsh environment)

X1 – DI8-X1: Wide-range power supply unit, incl. 2 non-grouped digital inputs and 6 grouped digital inputs

X2 – OR6: Assembly Group with 6 Output Relays

X3 – TIs: Standard phase current measuring card and sensitive ground current measuring

X4 – TU: Card with 4 voltage transformer measuring inputs

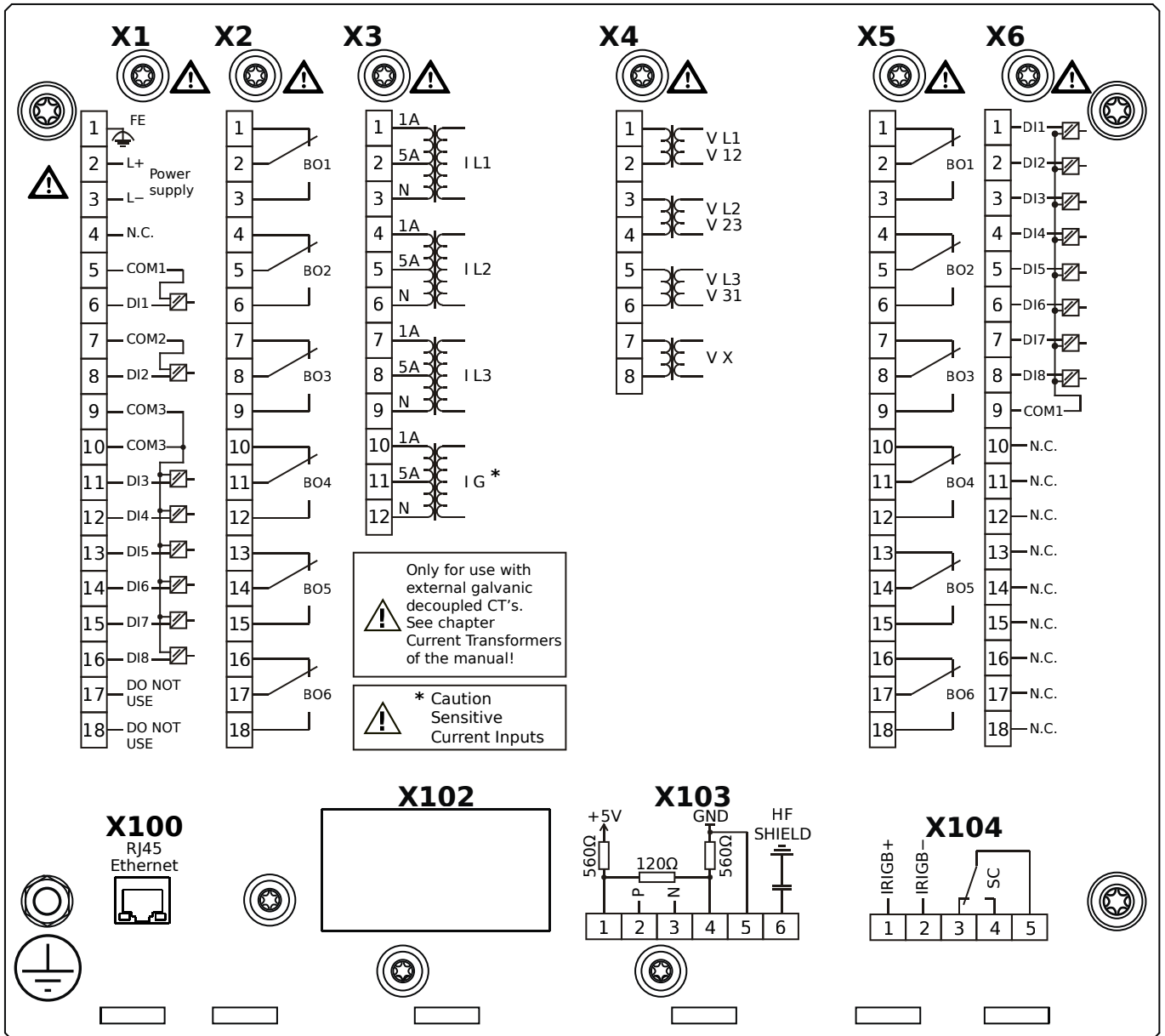
X5 – OR6: Assembly Group with 6 Output Relays

X6 – DI8: Assembly Group with 8 Digital Inputs

X100 – IEC 61850 / Modbus TCP / DNP3.0 TCP/UDP, Ethernet interface, 100 Mbit/s, RJ45 (BASE100-FX)

X104 – IRIG-B00X, incl. System Contact (Supervision Contact)

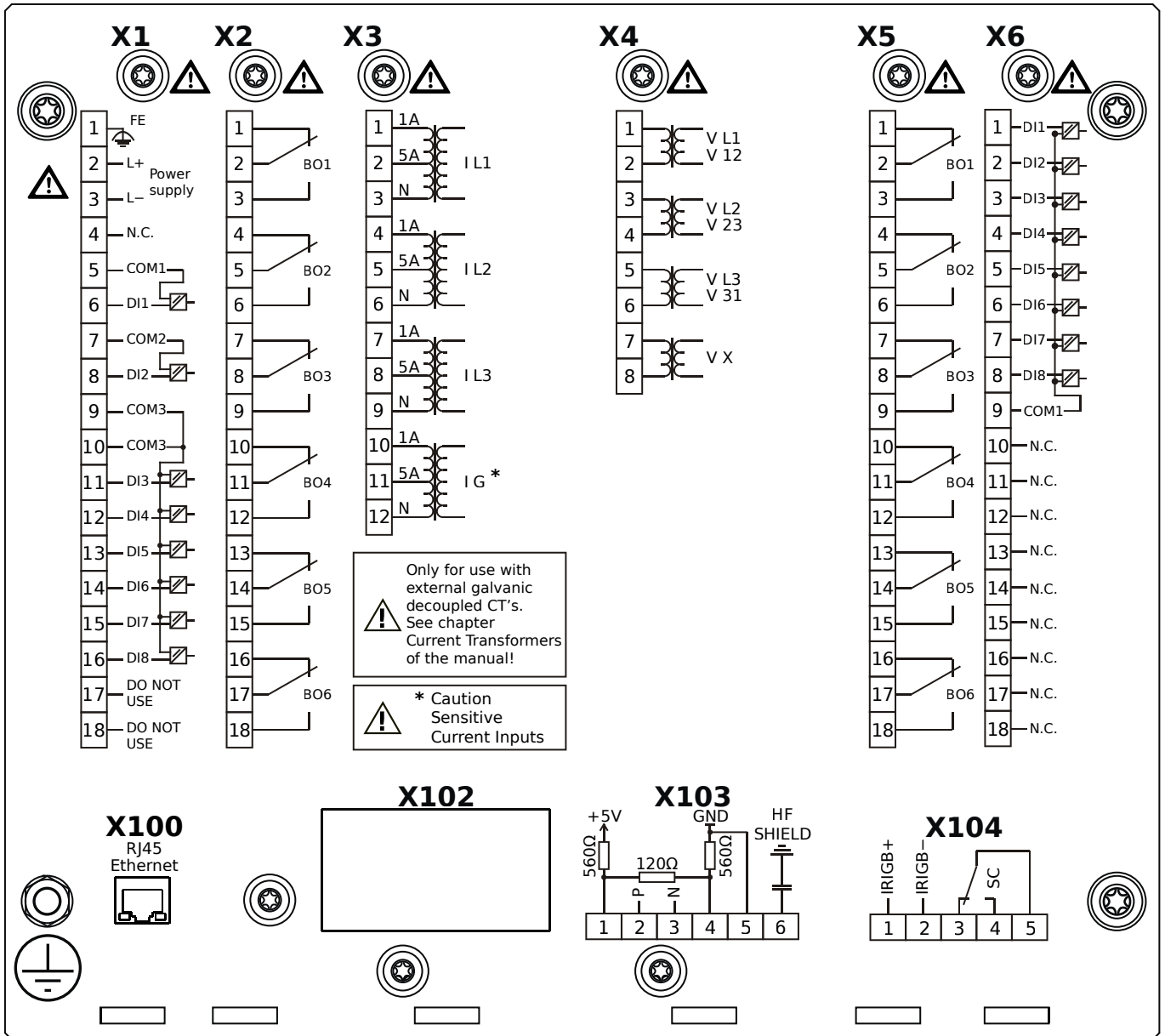
MRA4-2D1HIA



Housing B2, small display, door mounting

- X1** – DI8-X1: Wide-range power supply unit, incl. 2 non-grouped digital inputs and 6 grouped digital inputs
- X2** – OR6: Assembly Group with 6 Output Relays
- X3** – TIs: Standard phase current measuring card and sensitive ground current measuring
- X4** – TU: Card with 4 voltage transformer measuring inputs
- X5** – OR6: Assembly Group with 6 Output Relays
- X6** – DI8: Assembly Group with 8 Digital Inputs
- X100** – Modbus TCP / DNP3.0 TCP/UDP, Ethernet interface, 100 Mbit/s, RJ45 (BASE100-FX)
- X103** – IEC 60870-5-103 / Modbus RTU / DNP3.0 RTU, RS485, Terminals
- X104** – IRIG-B00X, incl. System Contact (Supervision Contact)

MRA4-2D1HIB

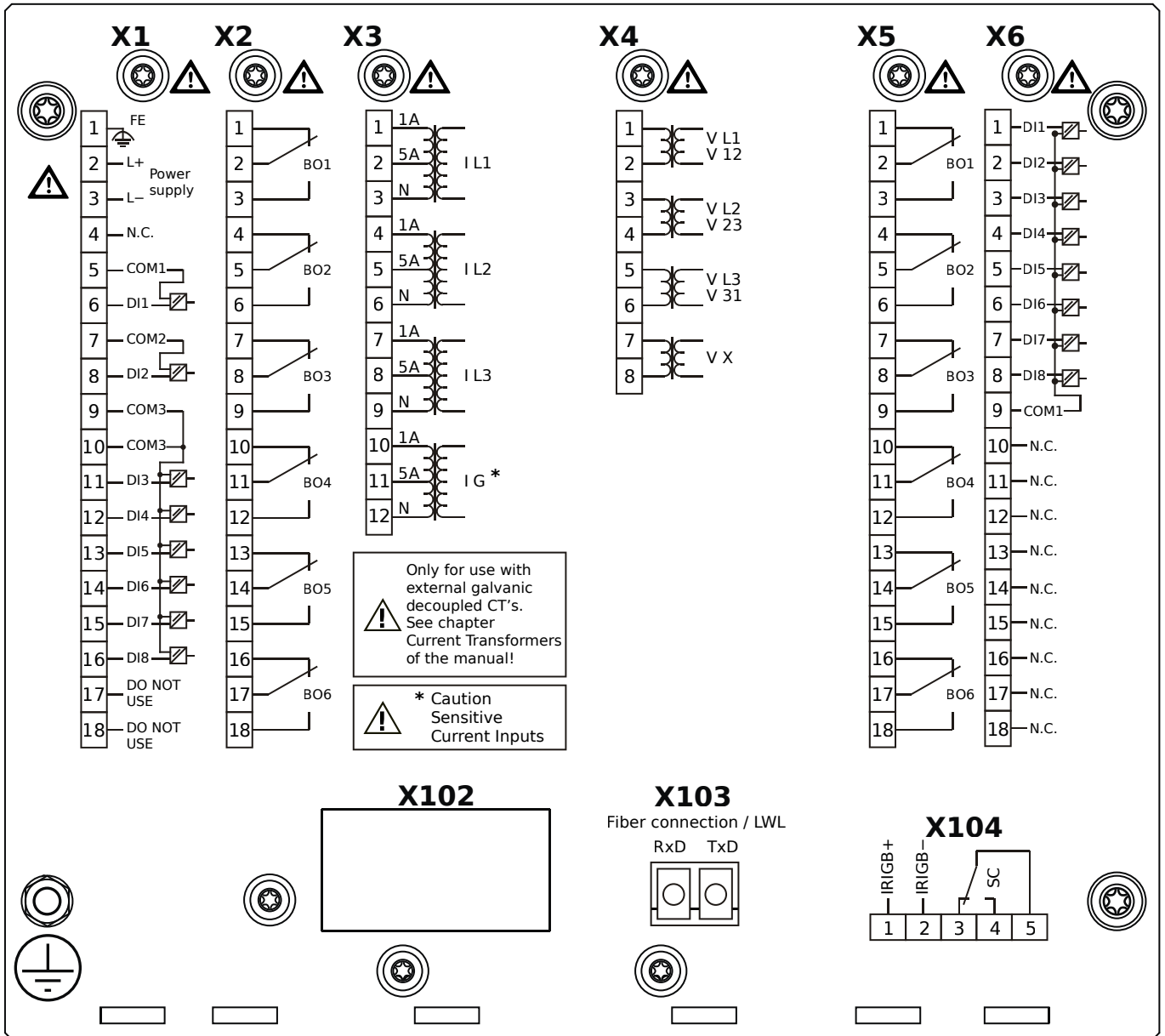


Housing B2, small display, door mounting

+ Conformal Coating (for installations in harsh environment)

- X1** – DI8-X1: Wide-range power supply unit, incl. 2 non-grouped digital inputs and 6 grouped digital inputs
- X2** – OR6: Assembly Group with 6 Output Relays
- X3** – TIs: Standard phase current measuring card and sensitive ground current measuring
- X4** – TU: Card with 4 voltage transformer measuring inputs
- X5** – OR6: Assembly Group with 6 Output Relays
- X6** – DI8: Assembly Group with 8 Digital Inputs
- X100** – Modbus TCP / DNP3.0 TCP/UDP, Ethernet interface, 100 Mbit/s, RJ45 (BASE100-FX)
- X103** – IEC 60870-5-103 / Modbus RTU / DNP3.0 RTU, RS485, Terminals
- X104** – IRIG-B00X, incl. System Contact (Supervision Contact)

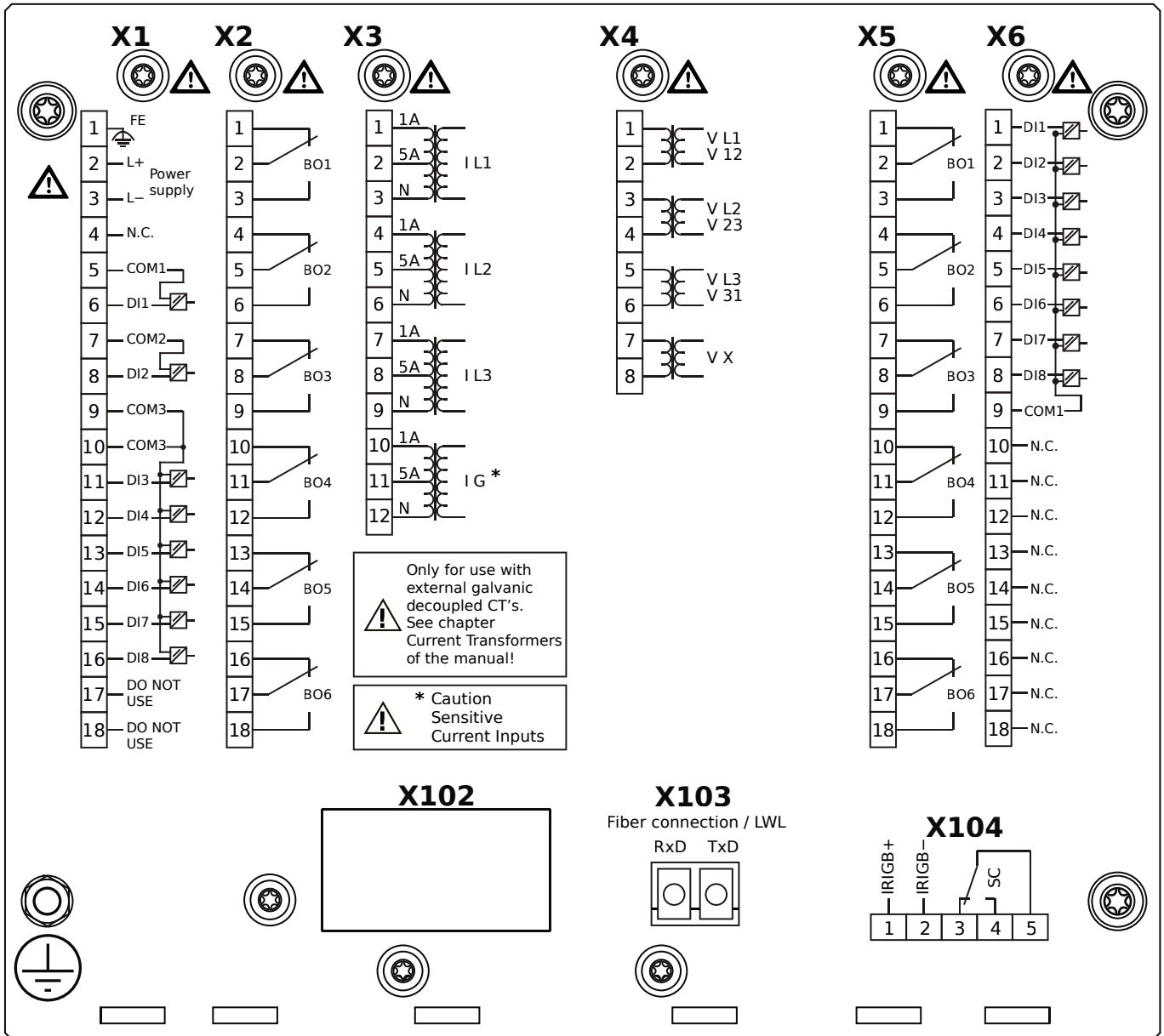
MRA4-2D1HKA



Housing B2, small display, door mounting

- X1** – DI8-X1: Wide-range power supply unit, incl. 2 non-grouped digital inputs and 6 grouped digital inputs
- X2** – OR6: Assembly Group with 6 Output Relays
- X3** – TIs: Standard phase current measuring card and sensitive ground current measuring
- X4** – TU: Card with 4 voltage transformer measuring inputs
- X5** – OR6: Assembly Group with 6 Output Relays
- X6** – DI8: Assembly Group with 8 Digital Inputs
- X103** – IEC 61850 / Modbus TCP / DNP3.0 TCP/UDP, Fiber optics interface, LC Connector
- X104** – IRIG-B00X, incl. System Contact (Supervision Contact)

MRA4-2D1HKB

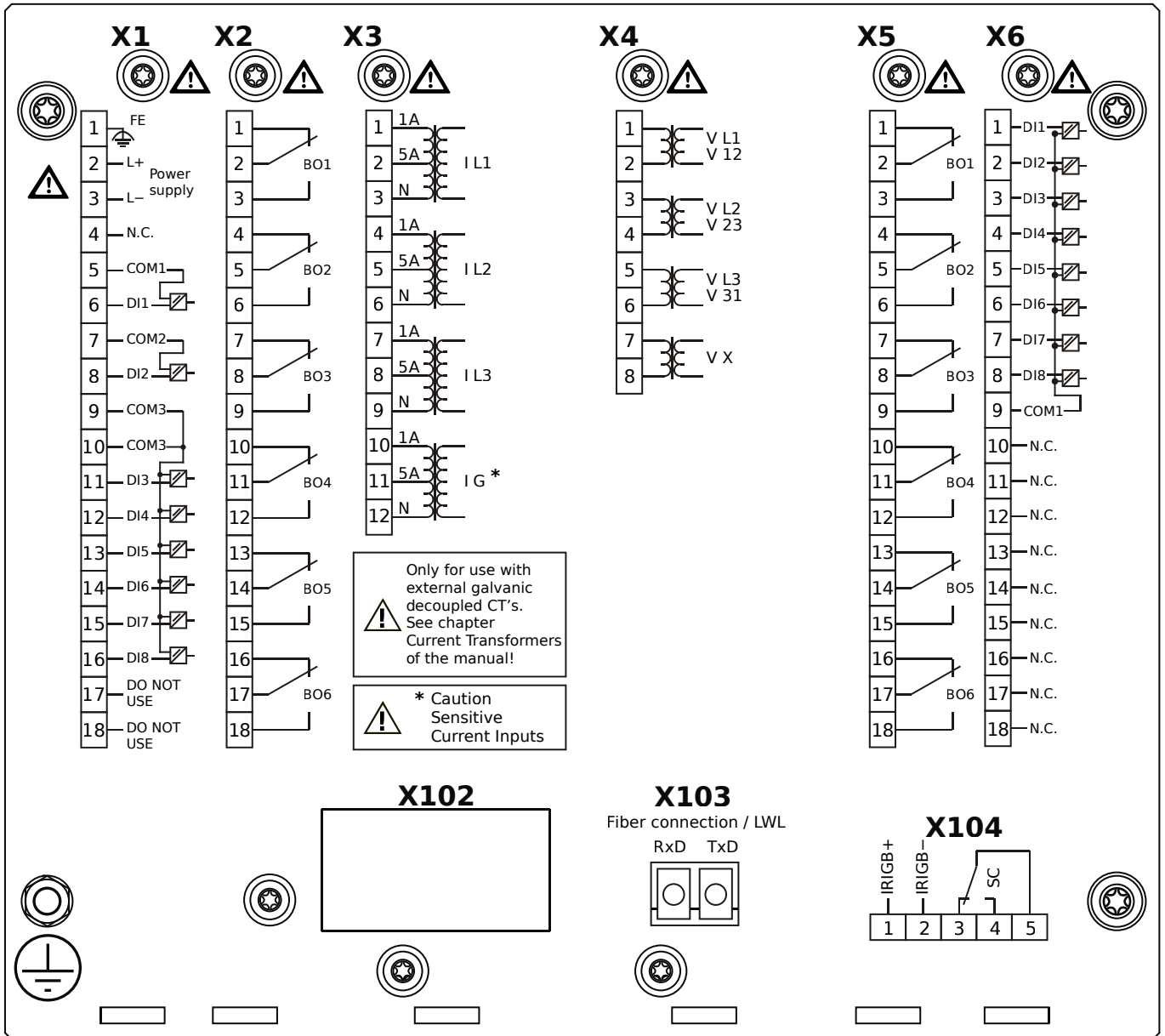


Housing B2, small display, door mounting

+ Conformal Coating (for installations in harsh environment)

- X1** – DI8-X1: Wide-range power supply unit, incl. 2 non-grouped digital inputs and 6 grouped digital inputs
- X2** – OR6: Assembly Group with 6 Output Relays
- X3** – TIs: Standard phase current measuring card and sensitive ground current measuring
- X4** – TU: Card with 4 voltage transformer measuring inputs
- X5** – OR6: Assembly Group with 6 Output Relays
- X6** – DI8: Assembly Group with 8 Digital Inputs
- X103** – IEC 61850 / Modbus TCP / DNP3.0 TCP/UDP, Fiber optics interface, LC Connector
- X104** – IRIG-B00X, incl. System Contact (Supervision Contact)

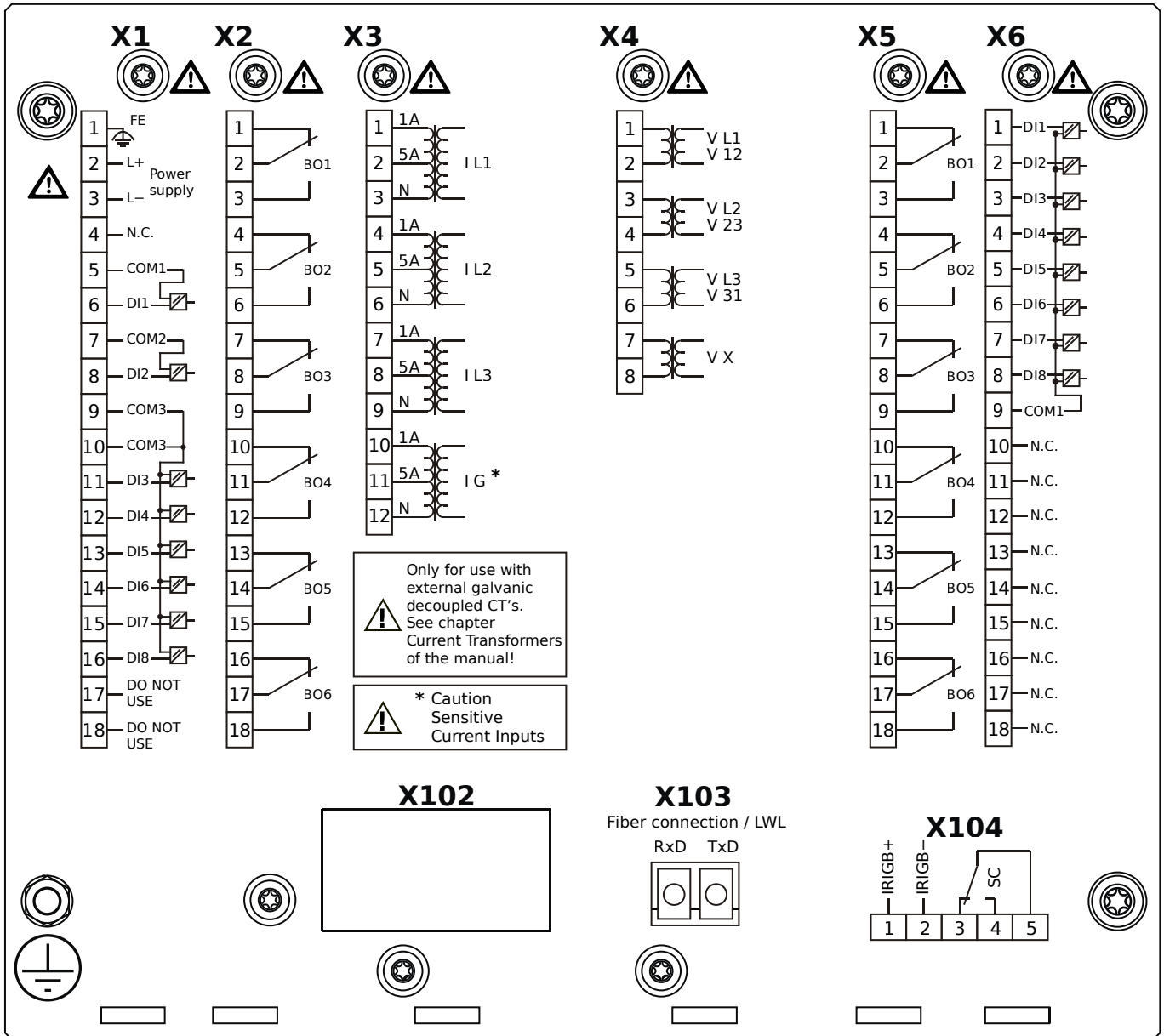
MRA4-2D1HLA



Housing B2, small display, door mounting

- X1** – DI8-X1: Wide-range power supply unit, incl. 2 non-grouped digital inputs and 6 grouped digital inputs
- X2** – OR6: Assembly Group with 6 Output Relays
- X3** – TIs: Standard phase current measuring card and sensitive ground current measuring
- X4** – TU: Card with 4 voltage transformer measuring inputs
- X5** – OR6: Assembly Group with 6 Output Relays
- X6** – DI8: Assembly Group with 8 Digital Inputs
- X103** – Modbus TCP / DNP3.0 TCP/UDP, Fiber optics interface, LC Connector
- X104** – IRIG-B00X, incl. System Contact (Supervision Contact)

MRA4-2D1HLB

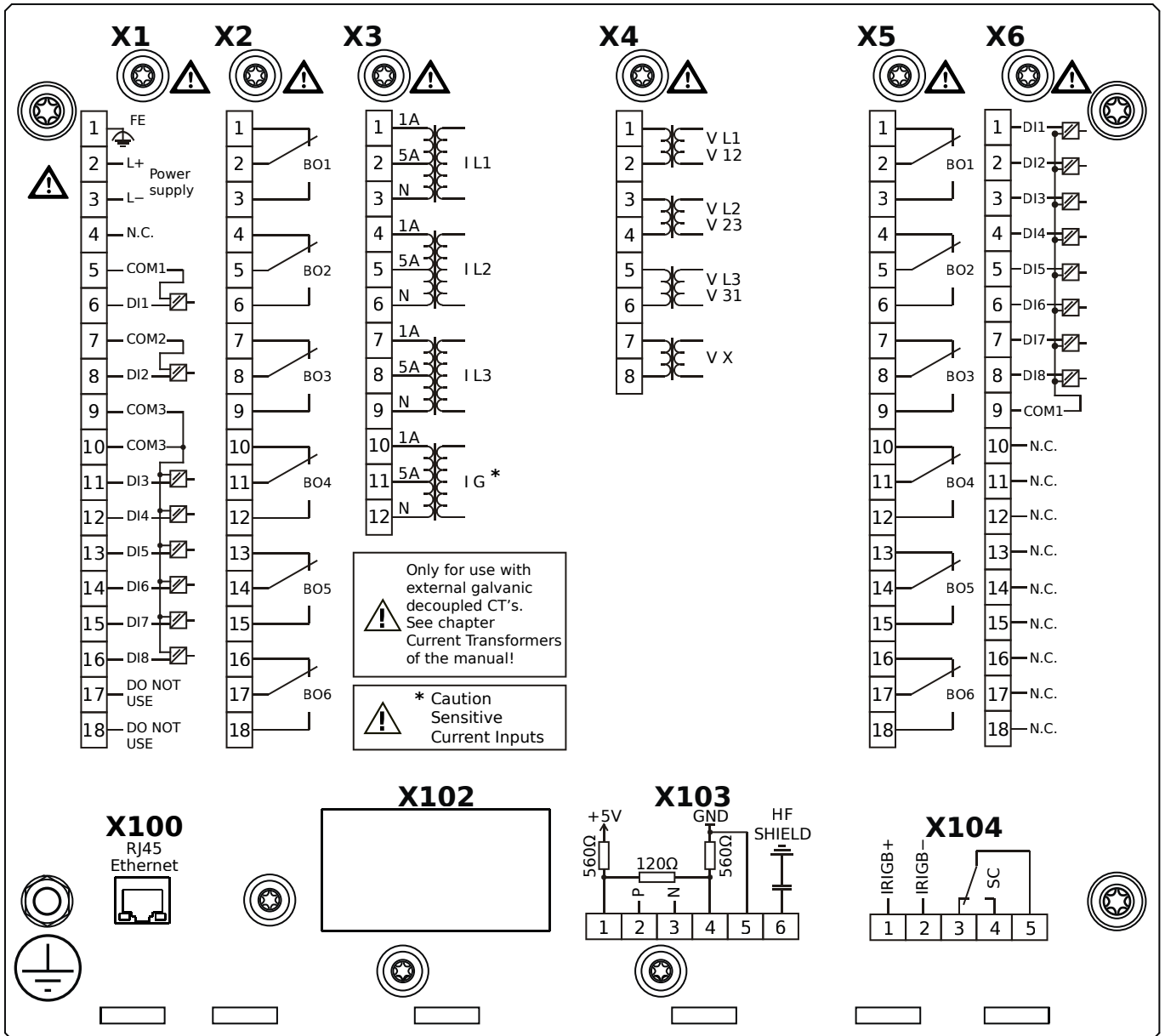


Housing B2, small display, door mounting

+ Conformal Coating (for installations in harsh environment)

- X1** – DI8-X1: Wide-range power supply unit, incl. 2 non-grouped digital inputs and 6 grouped digital inputs
- X2** – OR6: Assembly Group with 6 Output Relays
- X3** – TIs: Standard phase current measuring card and sensitive ground current measuring
- X4** – TU: Card with 4 voltage transformer measuring inputs
- X5** – OR6: Assembly Group with 6 Output Relays
- X6** – DI8: Assembly Group with 8 Digital Inputs
- X103** – Modbus TCP / DNP3.0 TCP/UDP, Fiber optics interface, LC Connector
- X104** – IRIG-B00X, incl. System Contact (Supervision Contact)

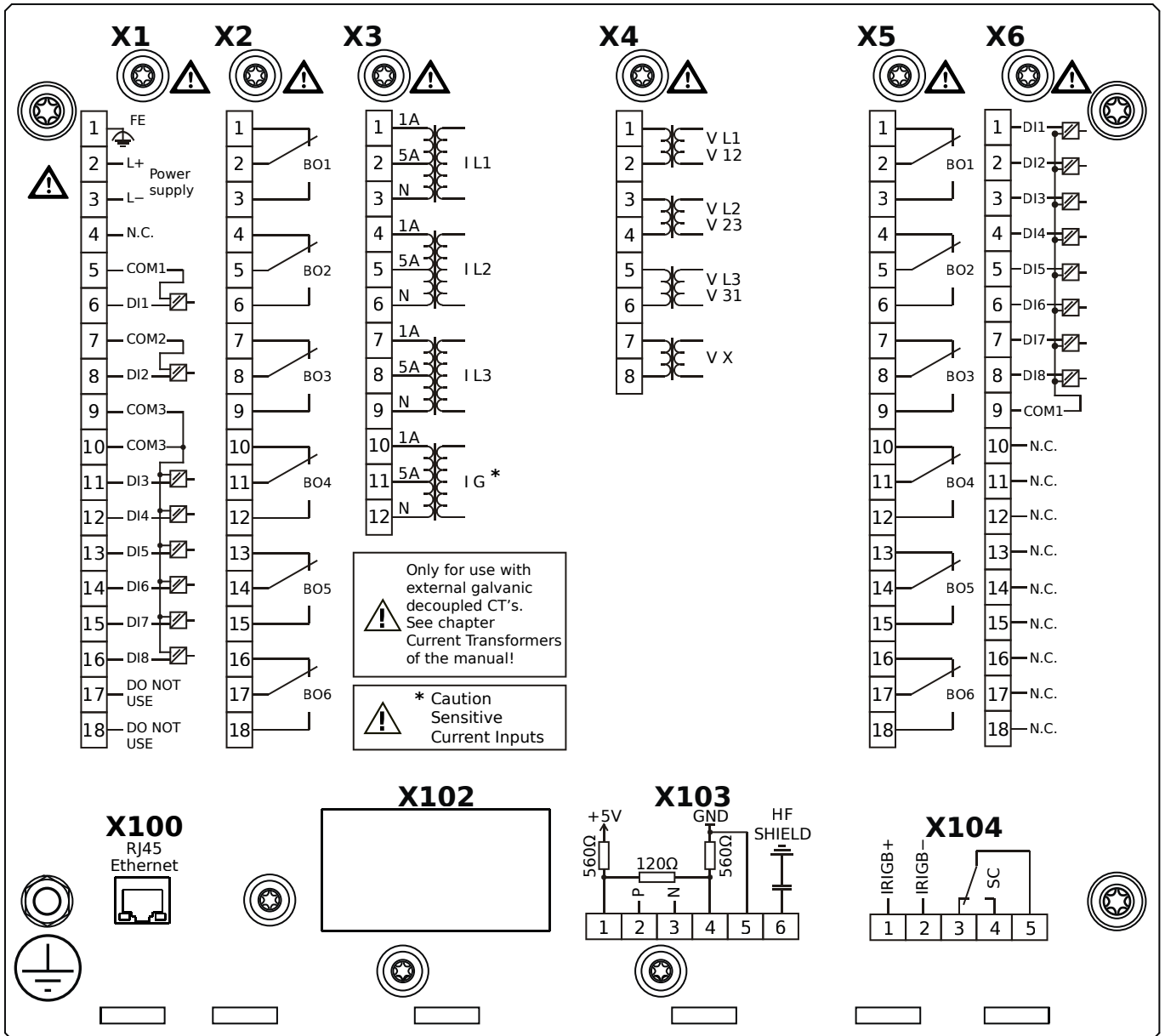
MRA4-2D1HTA



Housing B2, small display, door mounting

- X1** – DI8-X1: Wide-range power supply unit, incl. 2 non-grouped digital inputs and 6 grouped digital inputs
- X2** – OR6: Assembly Group with 6 Output Relays
- X3** – TIs: Standard phase current measuring card and sensitive ground current measuring
- X4** – TU: Card with 4 voltage transformer measuring inputs
- X5** – OR6: Assembly Group with 6 Output Relays
- X6** – DI8: Assembly Group with 8 Digital Inputs
- X100** – IEC 61850 / Modbus TCP / DNP3.0 TCP/UDP, Ethernet interface, 100 Mbit/s, RJ45 (BASE100-FX)
- X103** – IEC 60870-5-103 / Modbus RTU / DNP3.0 RTU, RS485, Terminals
- X104** – IRIG-B00X, incl. System Contact (Supervision Contact)

MRA4-2D1HTB



Housing B2, small display, door mounting

+ Conformal Coating (for installations in harsh environment)

X1 – DI8-X1: Wide-range power supply unit, incl. 2 non-grouped digital inputs and 6 grouped digital inputs

X2 – OR6: Assembly Group with 6 Output Relays

X3 – TIs: Standard phase current measuring card and sensitive ground current measuring

X4 – TU: Card with 4 voltage transformer measuring inputs

X5 – OR6: Assembly Group with 6 Output Relays

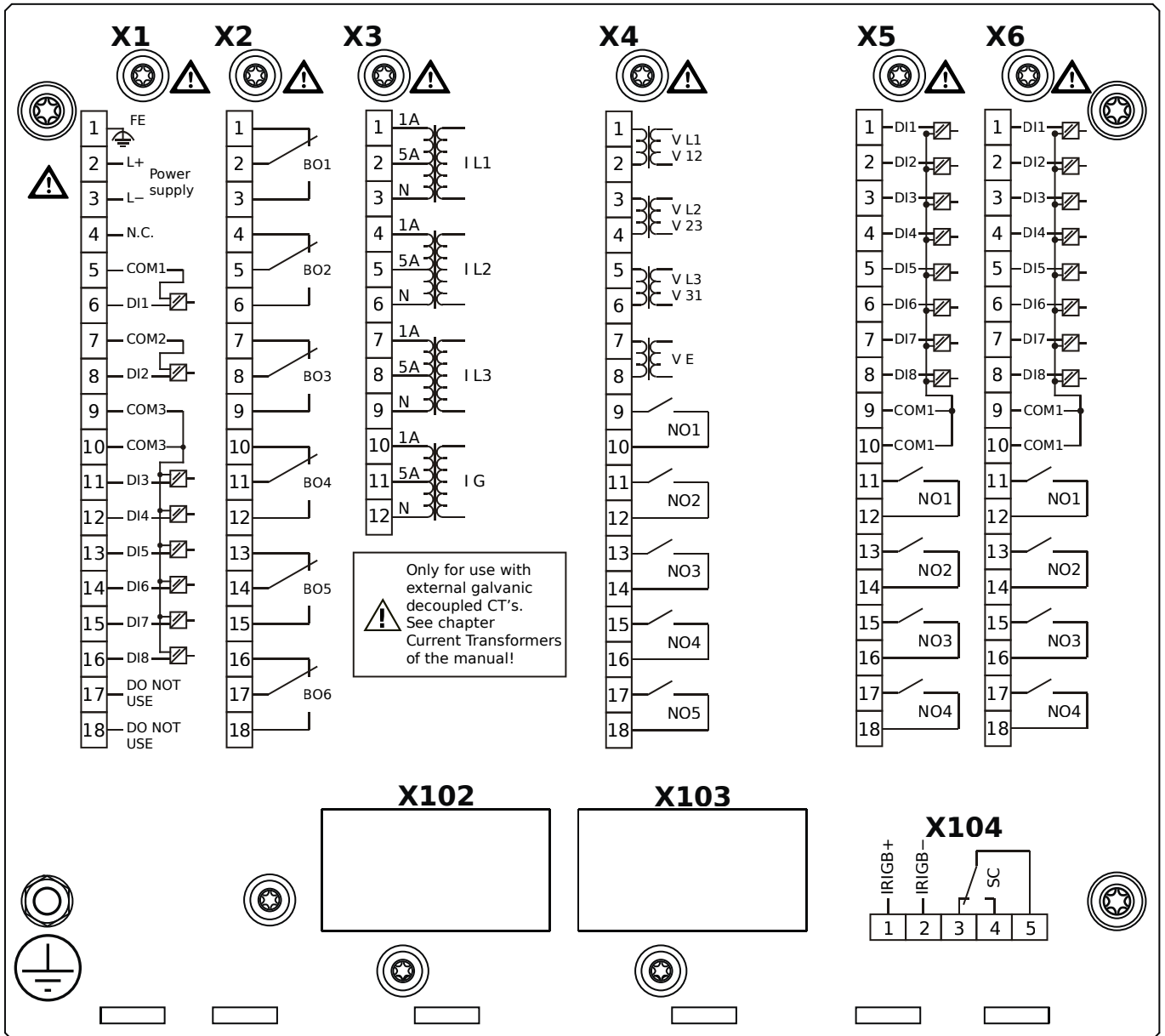
X6 – DI8: Assembly Group with 8 Digital Inputs

X100 – IEC 61850 / Modbus TCP / DNP3.0 TCP/UDP, Ethernet interface, 100 Mbit/s, RJ45 (BASE100-FX)

X103 – IEC 60870-5-103 / Modbus RTU / DNP3.0 RTU, RS485, Terminals

X104 – IRIG-B00X, incl. System Contact (Supervision Contact)

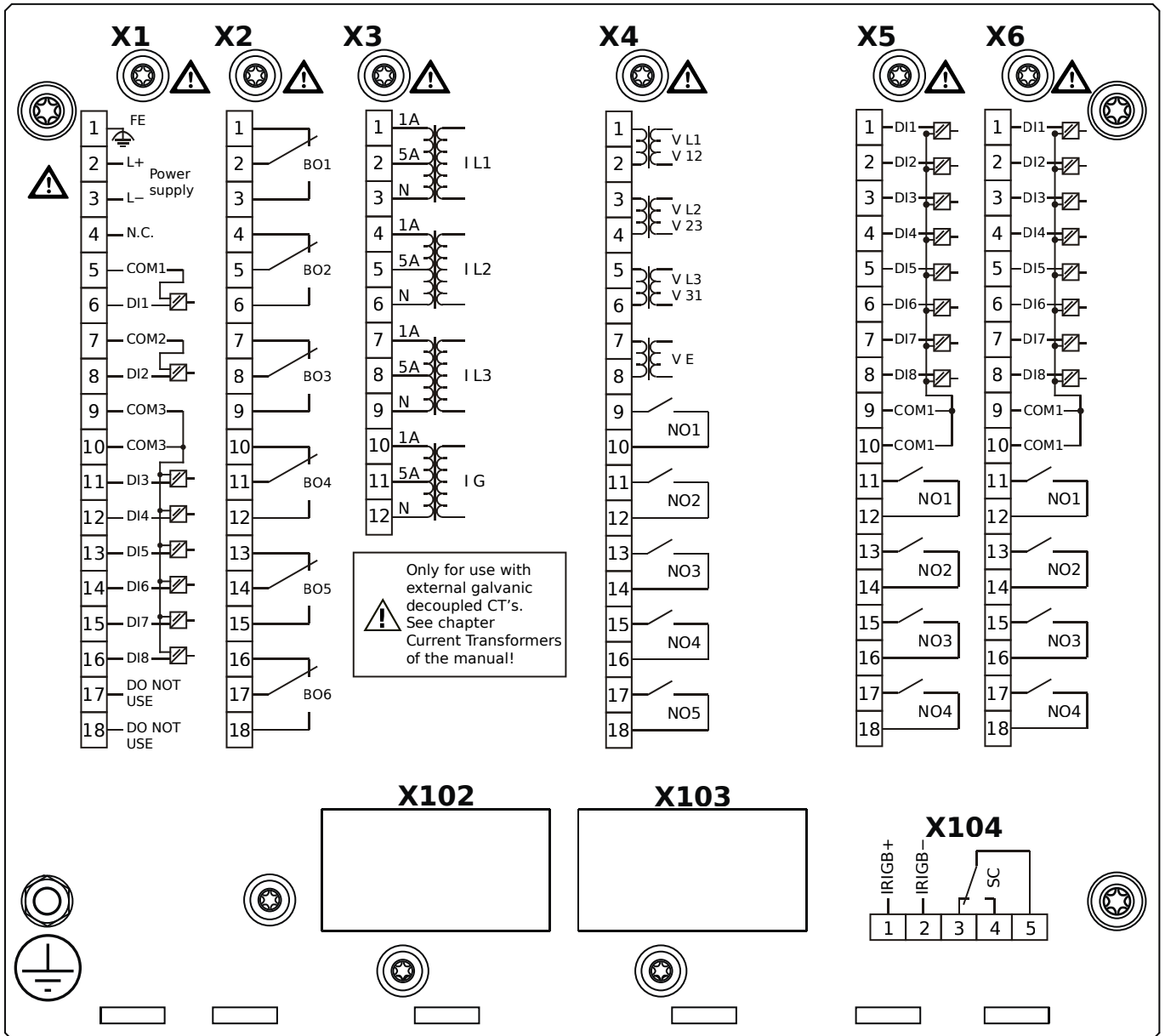
MRA4-2E0AAA



Housing B2, small display, door mounting

- X1** – DI8-X1: Wide-range power supply unit, incl. 2 non-grouped digital inputs and 6 grouped digital inputs
- X2** – OR6: Assembly Group with 6 Output Relays
- X3** – TI: Standard current measuring card
- X4** – TU-OR5: Voltage measuring assembly group with 5 additional Output Relays (normally open)
- X5** – DI8-OR4: Assembly Group with 8 Digital Inputs and 4 Output Relays
- X6** – DI8-OR4: Assembly Group with 8 Digital Inputs and 4 Output Relays
- X104** – IRIG-B00X, incl. System Contact (Supervision Contact)

MRA4-2E0AAB

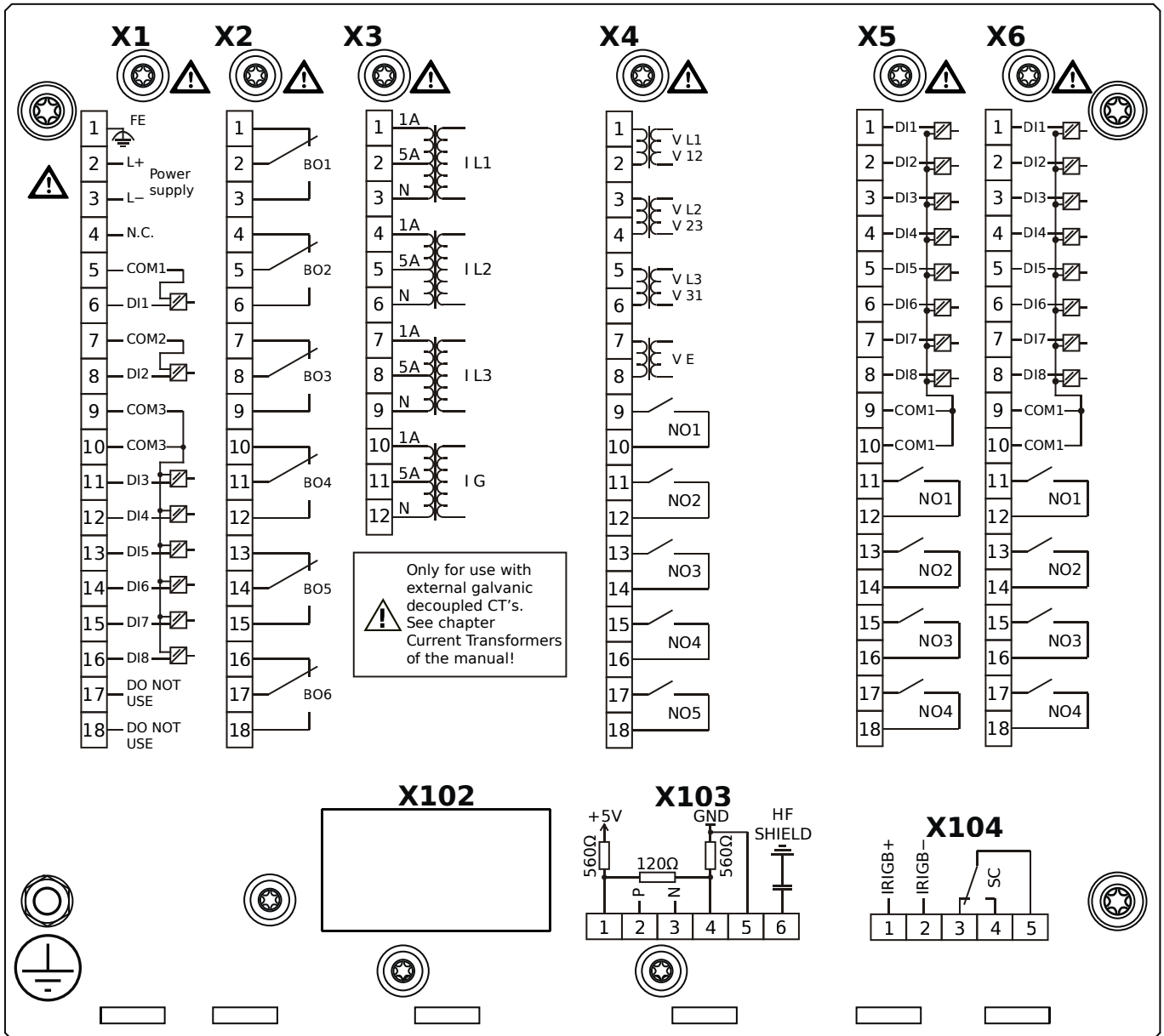


Housing B2, small display, door mounting

+ Conformal Coating (for installations in harsh environment)

- X1** – DI8-X1: Wide-range power supply unit, incl. 2 non-grouped digital inputs and 6 grouped digital inputs
- X2** – OR6: Assembly Group with 6 Output Relays
- X3** – TI: Standard current measuring card
- X4** – TU-OR5: Voltage measuring assembly group with 5 additional Output Relays (normally open)
- X5** – DI8-OR4: Assembly Group with 8 Digital Inputs and 4 Output Relays
- X6** – DI8-OR4: Assembly Group with 8 Digital Inputs and 4 Output Relays
- X104** – IRIG-B00X, incl. System Contact (Supervision Contact)

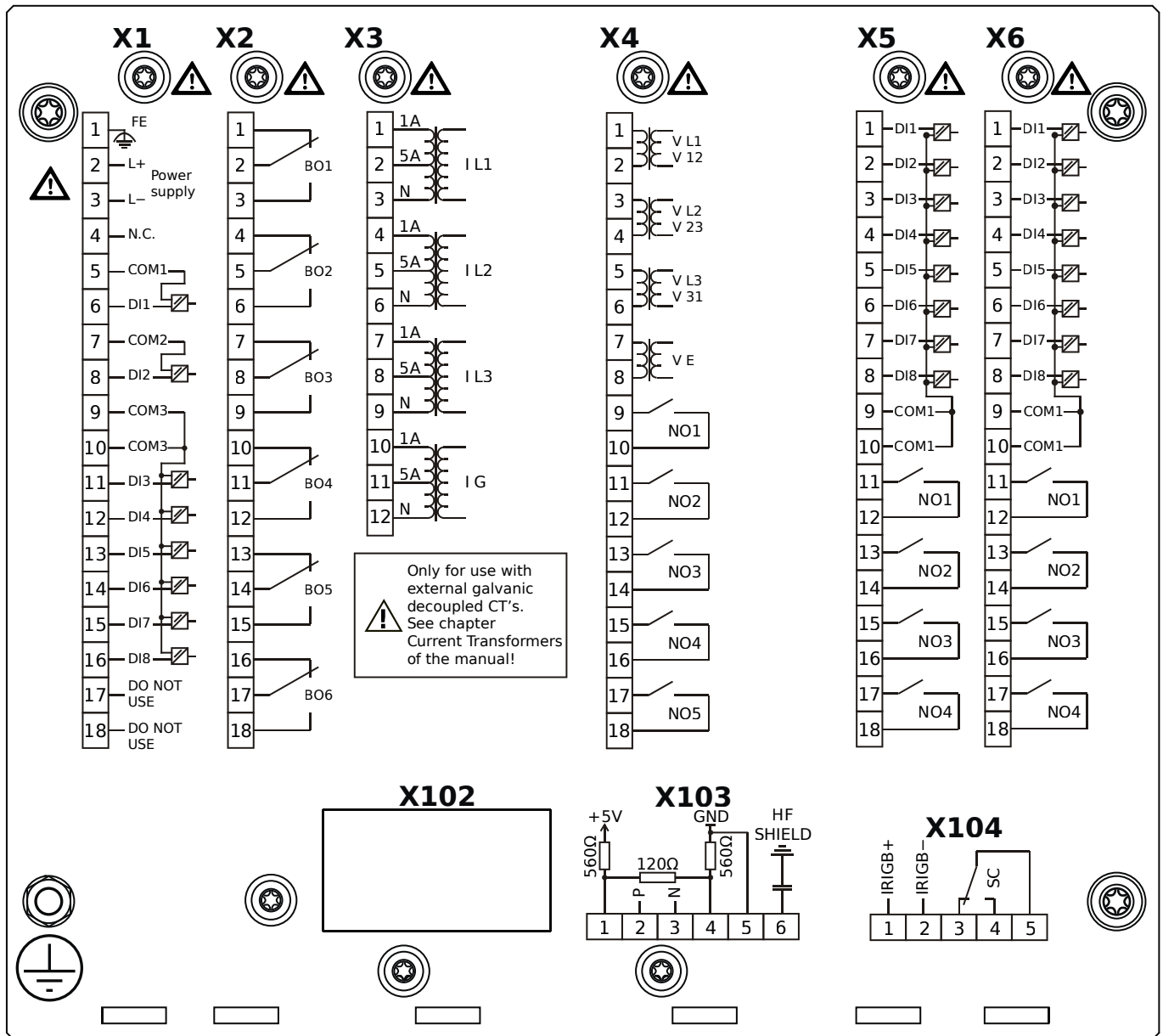
MRA4-2E0ABA



Housing B2, small display, door mounting

- X1** – DI8-X1: Wide-range power supply unit, incl. 2 non-grouped digital inputs and 6 grouped digital inputs
- X2** – OR6: Assembly Group with 6 Output Relays
- X3** – TI: Standard current measuring card
- X4** – TU-OR5: Voltage measuring assembly group with 5 additional Output Relays (normally open)
- X5** – DI8-OR4: Assembly Group with 8 Digital Inputs and 4 Output Relays
- X6** – DI8-OR4: Assembly Group with 8 Digital Inputs and 4 Output Relays
- X103** – Modbus RTU / IEC 60870-5-103 / DNP3.0 RTU, RS485, Terminals
- X104** – IRIG-B00X, incl. System Contact (Supervision Contact)

MRA4-2E0ABB

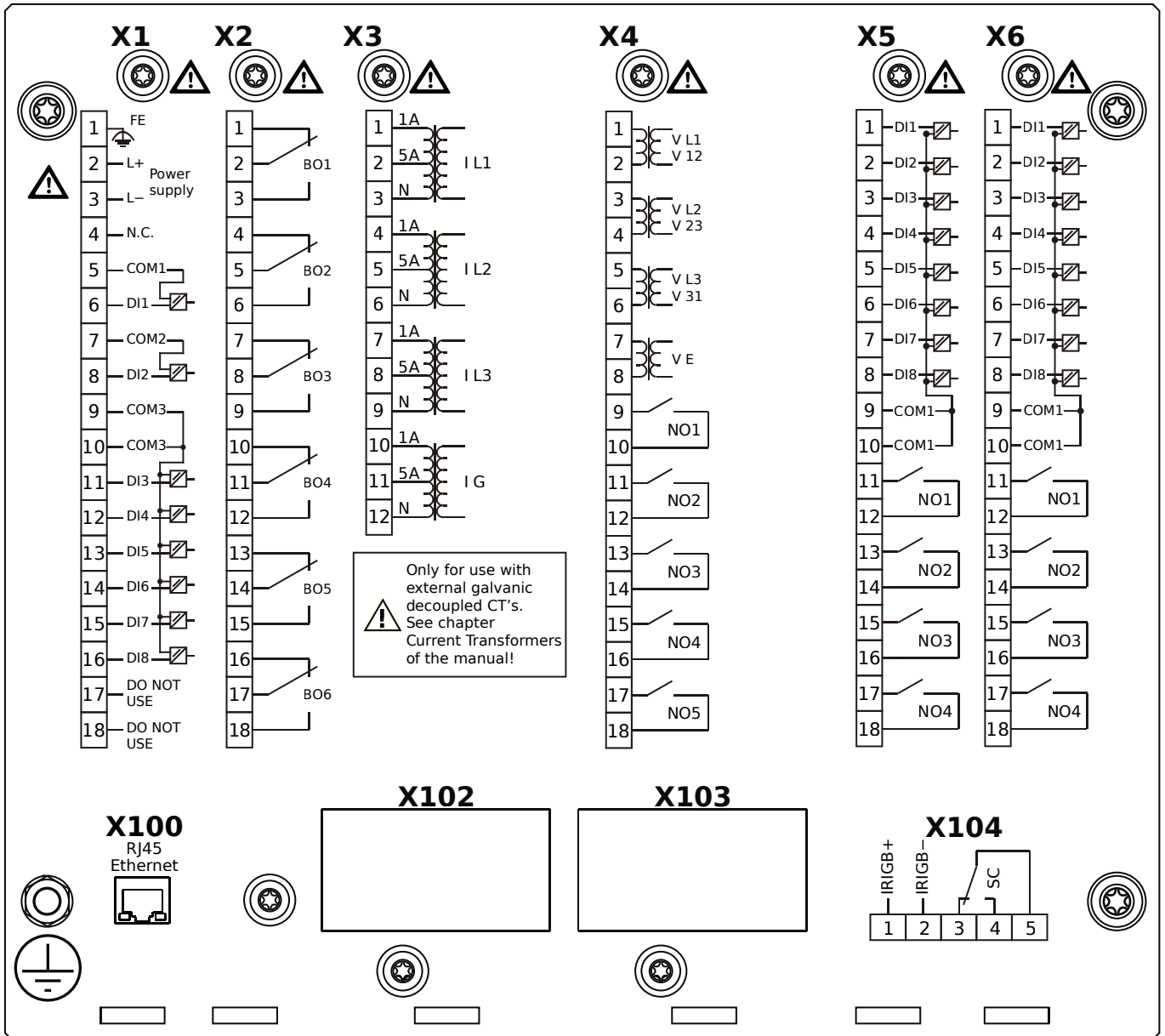


Housing B2, small display, door mounting

+ Conformal Coating (for installations in harsh environment)

- X1** – DI8-X1: Wide-range power supply unit, incl. 2 non-grouped digital inputs and 6 grouped digital inputs
- X2** – OR6: Assembly Group with 6 Output Relays
- X3** – TI: Standard current measuring card
- X4** – TU-OR5: Voltage measuring assembly group with 5 additional Output Relays (normally open)
- X5** – DI8-OR4: Assembly Group with 8 Digital Inputs and 4 Output Relays
- X6** – DI8-OR4: Assembly Group with 8 Digital Inputs and 4 Output Relays
- X103** – Modbus RTU / IEC 60870-5-103 / DNP3.0 RTU, RS485, Terminals
- X104** – IRIG-B00X, incl. System Contact (Supervision Contact)

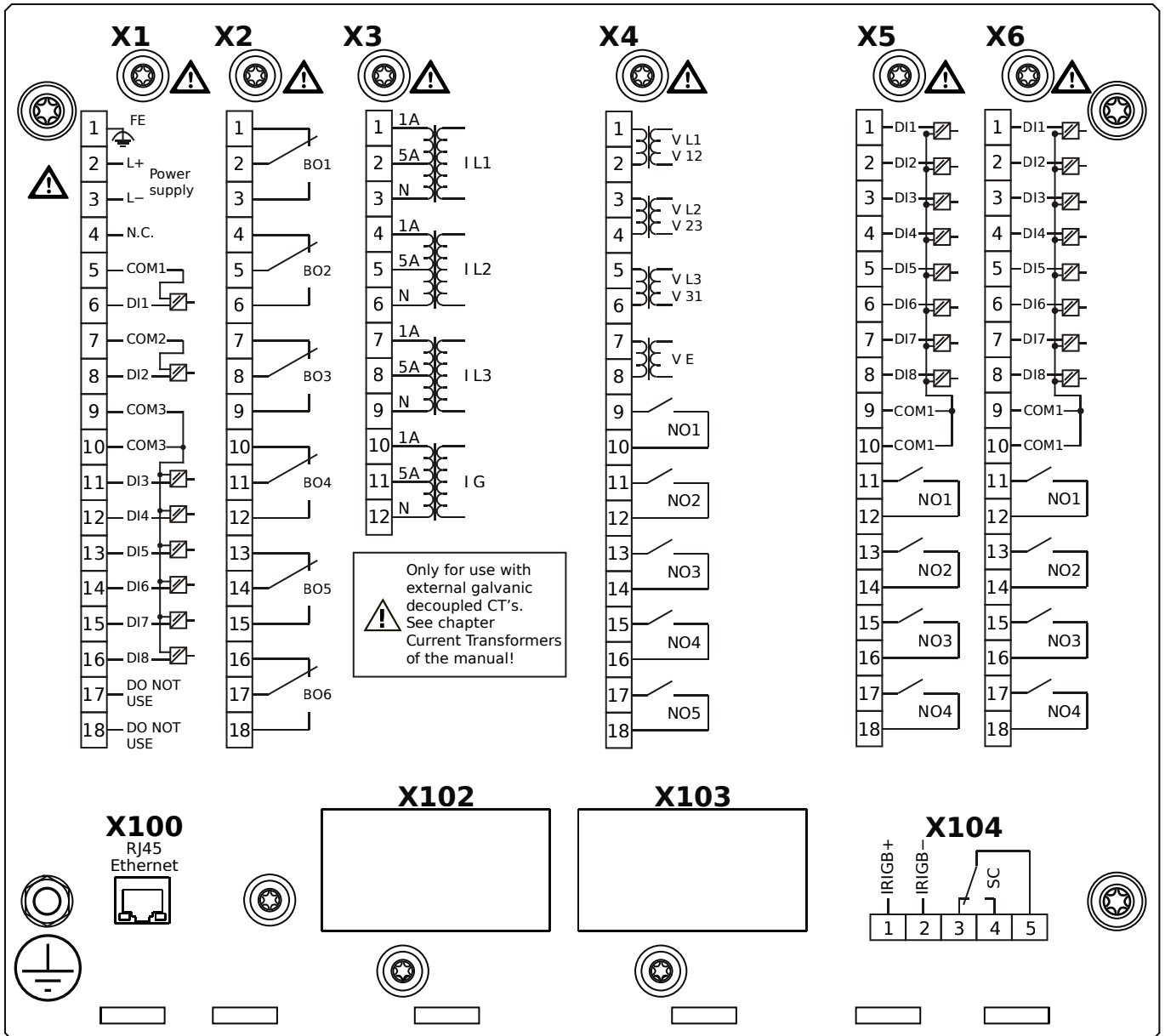
MRA4-2E0ACA



Housing B2, small display, door mounting

- X1** – DI8-X1: Wide-range power supply unit, incl. 2 non-grouped digital inputs and 6 grouped digital inputs
- X2** – OR6: Assembly Group with 6 Output Relays
- X3** – TI: Standard current measuring card
- X4** – TU-OR5: Voltage measuring assembly group with 5 additional Output Relays (normally open)
- X5** – DI8-OR4: Assembly Group with 8 Digital Inputs and 4 Output Relays
- X6** – DI8-OR4: Assembly Group with 8 Digital Inputs and 4 Output Relays
- X100** – Modbus TCP / DNP3.0 TCP/UDP, Ethernet interface, 100 Mbit/s, RJ45 (BASE100-FX)
- X104** – IRIG-B00X, incl. System Contact (Supervision Contact)

MRA4-2E0ACB

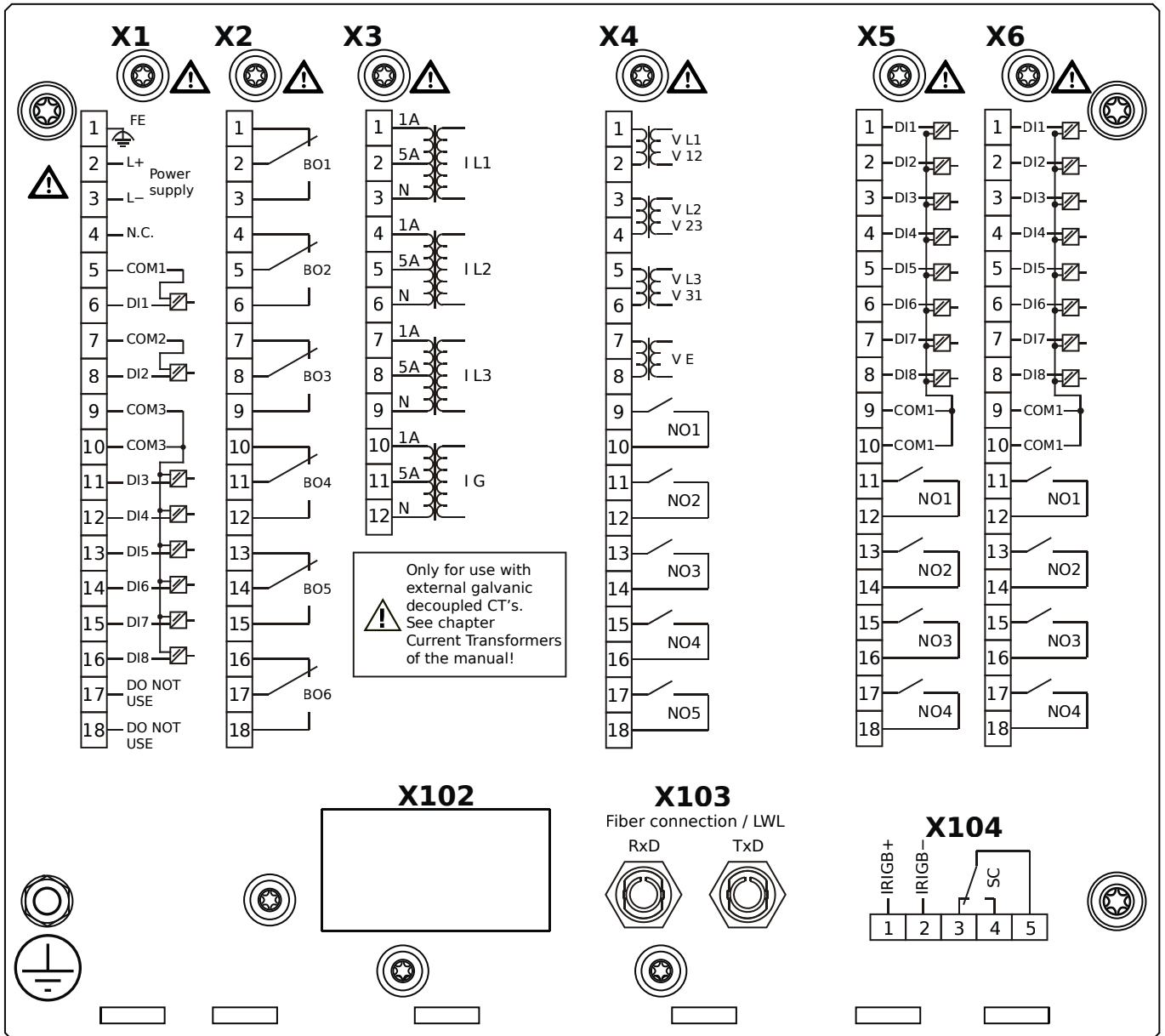


Housing B2, small display, door mounting

+ Conformal Coating (for installations in harsh environment)

- X1** – DI8-X1: Wide-range power supply unit, incl. 2 non-grouped digital inputs and 6 grouped digital inputs
- X2** – OR6: Assembly Group with 6 Output Relays
- X3** – TI: Standard current measuring card
- X4** – TU-OR5: Voltage measuring assembly group with 5 additional Output Relays (normally open)
- X5** – DI8-OR4: Assembly Group with 8 Digital Inputs and 4 Output Relays
- X6** – DI8-OR4: Assembly Group with 8 Digital Inputs and 4 Output Relays
- X100** – Modbus TCP / DNP3.0 TCP/UDP, Ethernet interface, 100 Mbit/s, RJ45 (BASE100-FX)
- X104** – IRIG-B00X, incl. System Contact (Supervision Contact)

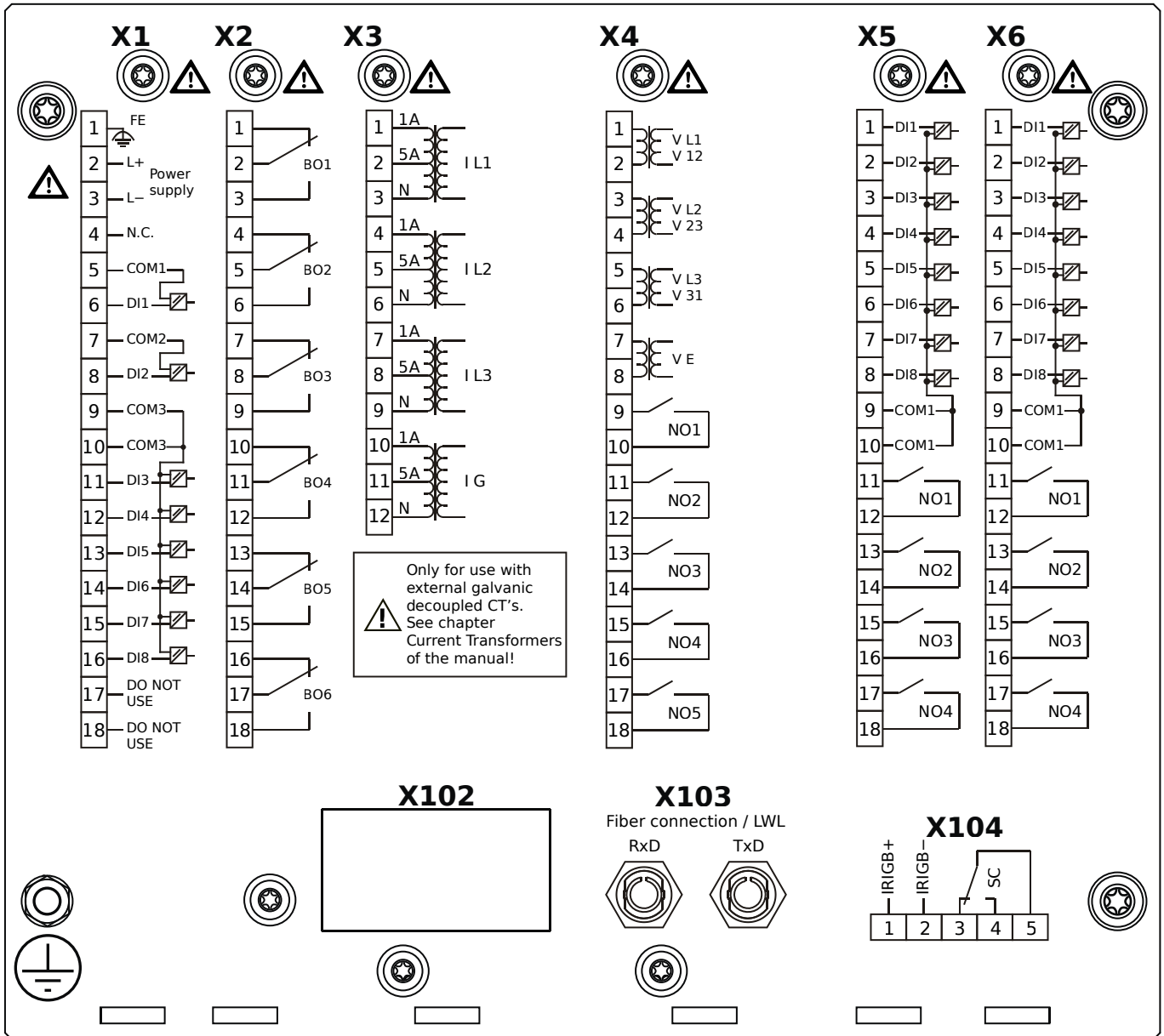
MRA4-2E0ADA



Housing B2, small display, door mounting

- X1** – DI8-X1: Wide-range power supply unit, incl. 2 non-grouped digital inputs and 6 grouped digital inputs
- X2** – OR6: Assembly Group with 6 Output Relays
- X3** – TI: Standard current measuring card
- X4** – TU-OR5: Voltage measuring assembly group with 5 additional Output Relays (normally open)
- X5** – DI8-OR4: Assembly Group with 8 Digital Inputs and 4 Output Relays
- X6** – DI8-OR4: Assembly Group with 8 Digital Inputs and 4 Output Relays
- X103** – Profibus-DP, Fiber optics interface, ST Connector
- X104** – IRIG-B00X, incl. System Contact (Supervision Contact)

MRA4-2E0ADB

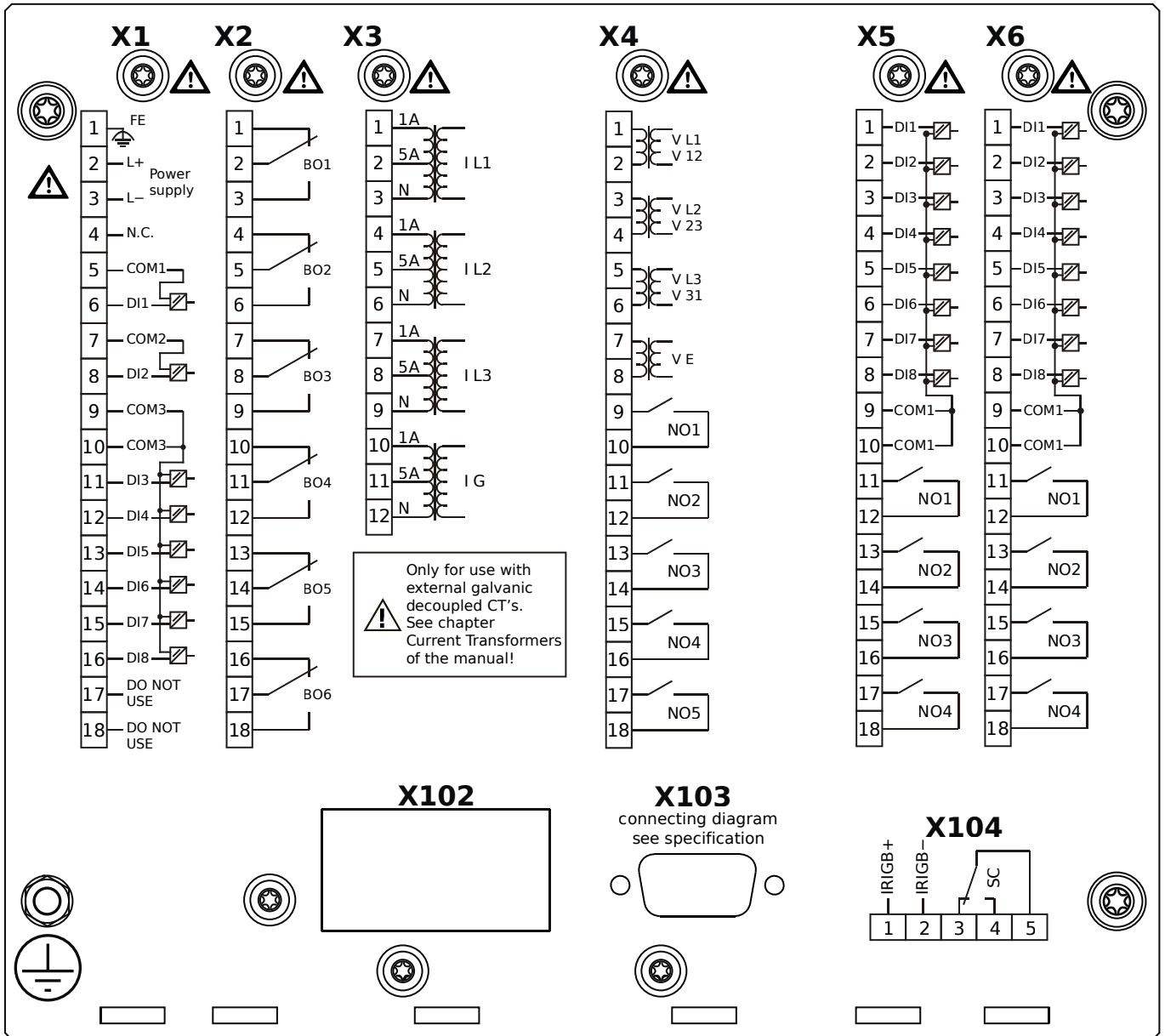


Housing B2, small display, door mounting

+ Conformal Coating (for installations in harsh environment)

- X1** – DI8-X1: Wide-range power supply unit, incl. 2 non-grouped digital inputs and 6 grouped digital inputs
- X2** – OR6: Assembly Group with 6 Output Relays
- X3** – TI: Standard current measuring card
- X4** – TU-OR5: Voltage measuring assembly group with 5 additional Output Relays (normally open)
- X5** – DI8-OR4: Assembly Group with 8 Digital Inputs and 4 Output Relays
- X6** – DI8-OR4: Assembly Group with 8 Digital Inputs and 4 Output Relays
- X103** – Profibus-DP, Fiber optics interface, ST Connector
- X104** – IRIG-B00X, incl. System Contact (Supervision Contact)

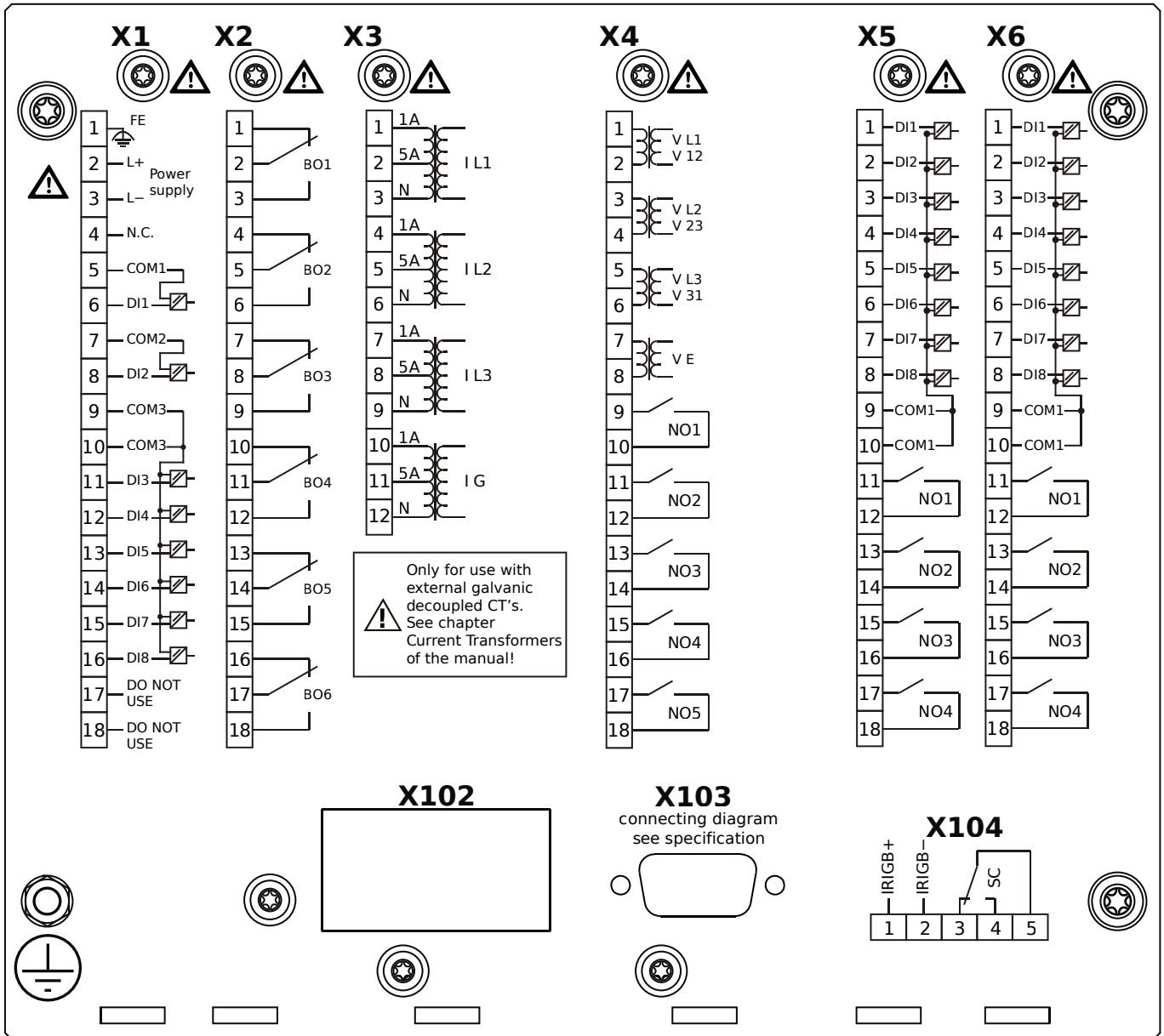
MRA4-2E0AEA



Housing B2, small display, door mounting

- X1** – DI8-X1: Wide-range power supply unit, incl. 2 non-grouped digital inputs and 6 grouped digital inputs
- X2** – OR6: Assembly Group with 6 Output Relays
- X3** – TI: Standard current measuring card
- X4** – TU-OR5: Voltage measuring assembly group with 5 additional Output Relays (normally open)
- X5** – DI8-OR4: Assembly Group with 8 Digital Inputs and 4 Output Relays
- X6** – DI8-OR4: Assembly Group with 8 Digital Inputs and 4 Output Relays
- X103** – Profibus-DP, RS485, D-SUB
- X104** – IRIG-B00X, incl. System Contact (Supervision Contact)

MRA4-2E0AEB

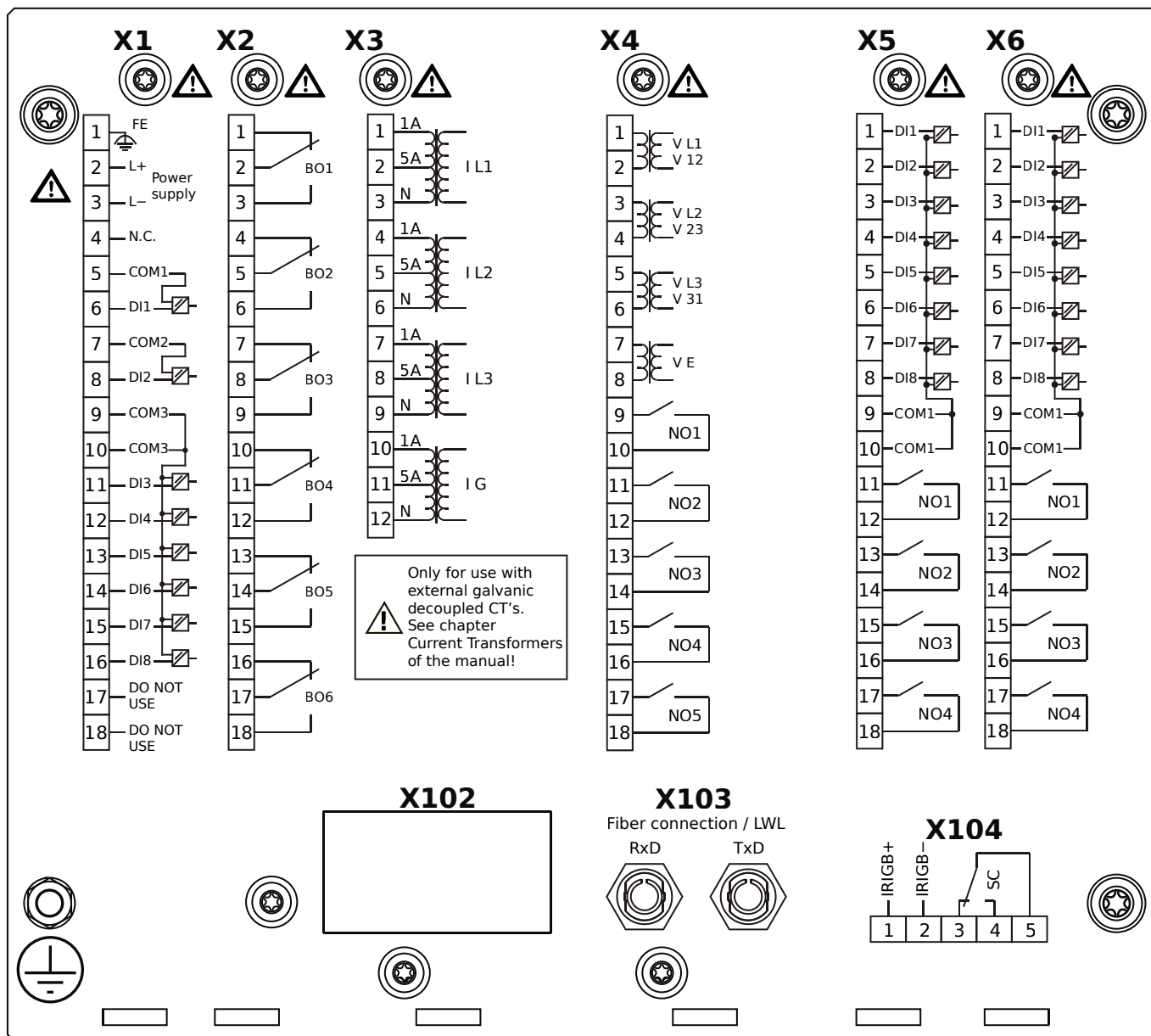


Housing B2, small display, door mounting

+ Conformal Coating (for installations in harsh environment)

- X1** – DI8-X1: Wide-range power supply unit, incl. 2 non-grouped digital inputs and 6 grouped digital inputs
- X2** – OR6: Assembly Group with 6 Output Relays
- X3** – TI: Standard current measuring card
- X4** – TU-OR5: Voltage measuring assembly group with 5 additional Output Relays (normally open)
- X5** – DI8-OR4: Assembly Group with 8 Digital Inputs and 4 Output Relays
- X6** – DI8-OR4: Assembly Group with 8 Digital Inputs and 4 Output Relays
- X103** – Profibus-DP, RS485, D-SUB
- X104** – IRIG-B00X, incl. System Contact (Supervision Contact)

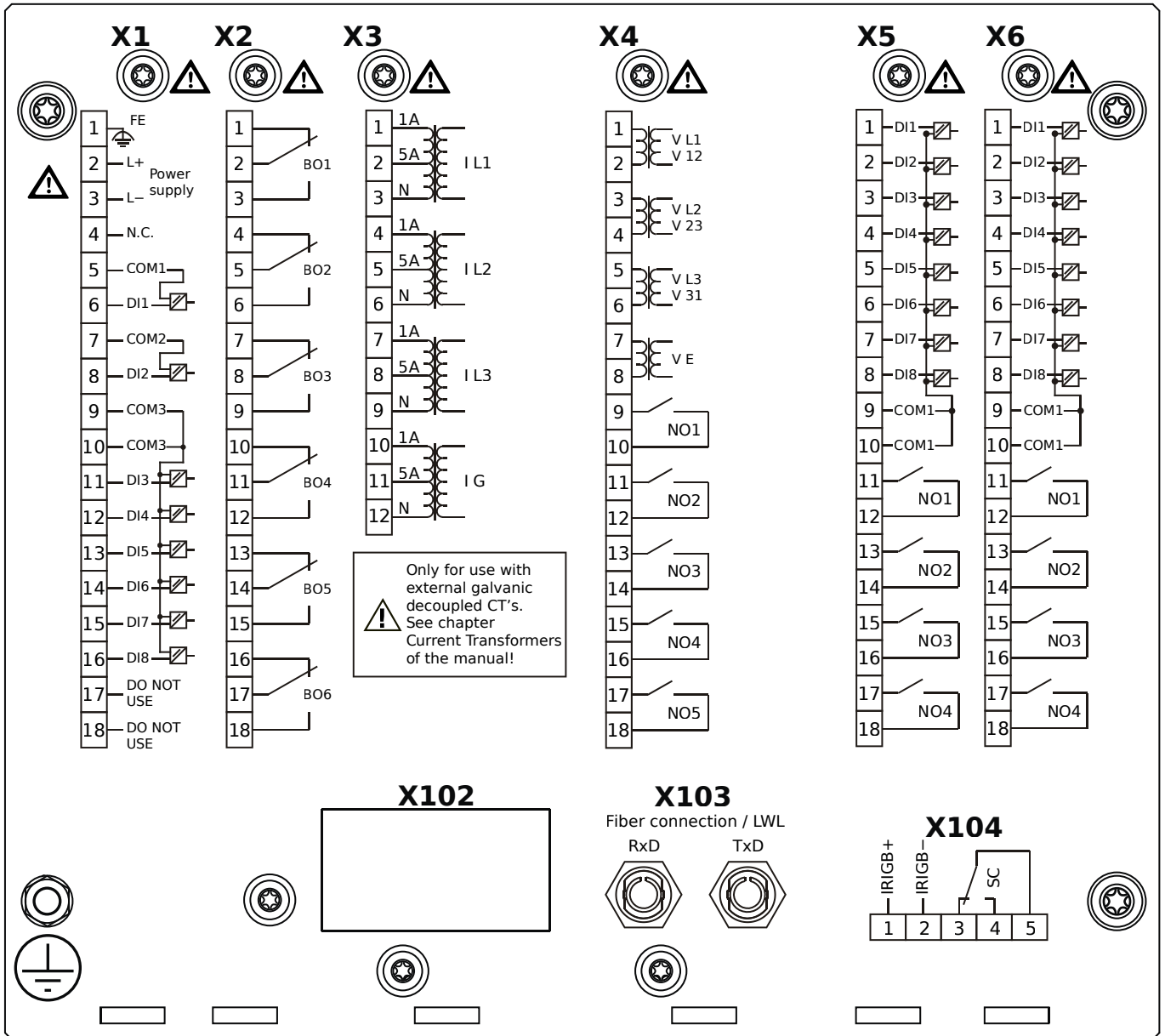
MRA4-2E0AFA



Housing B2, small display, door mounting

- X1** – DI8-X1: Wide-range power supply unit, incl. 2 non-grouped digital inputs and 6 grouped digital inputs
- X2** – OR6: Assembly Group with 6 Output Relays
- X3** – TI: Standard current measuring card
- X4** – TU-OR5: Voltage measuring assembly group with 5 additional Output Relays (normally open)
- X5** – DI8-OR4: Assembly Group with 8 Digital Inputs and 4 Output Relays
- X6** – DI8-OR4: Assembly Group with 8 Digital Inputs and 4 Output Relays
- X103** – Modbus RTU / IEC 60870-5-103 / DNP3.0 RTU, Fiber optics interface, ST Connector
- X104** – IRIG-B00X, incl. System Contact (Supervision Contact)

MRA4-2E0AFB

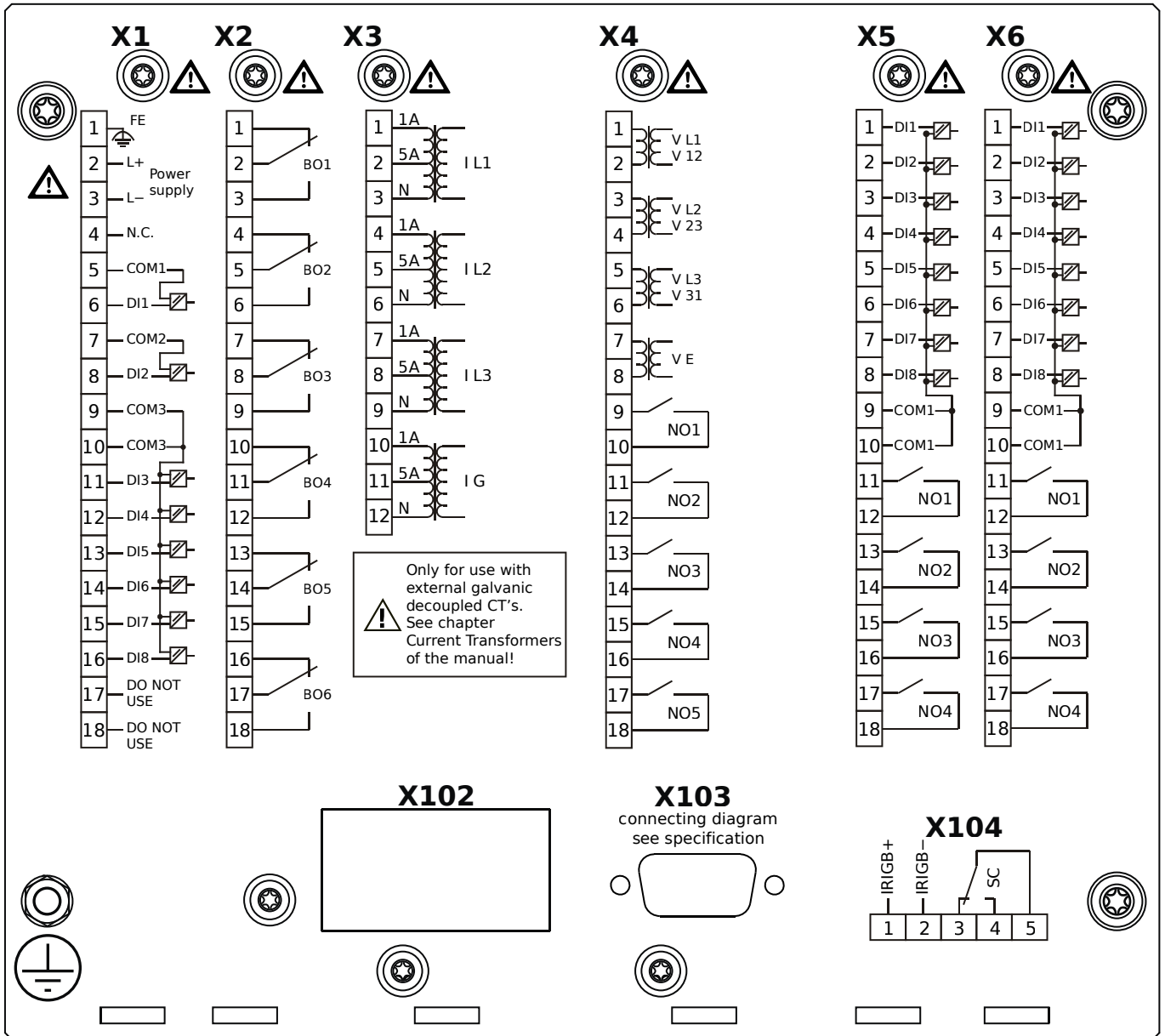


Housing B2, small display, door mounting

+ Conformal Coating (for installations in harsh environment)

- X1** – DI8-X1: Wide-range power supply unit, incl. 2 non-grouped digital inputs and 6 grouped digital inputs
- X2** – OR6: Assembly Group with 6 Output Relays
- X3** – TI: Standard current measuring card
- X4** – TU-OR5: Voltage measuring assembly group with 5 additional Output Relays (normally open)
- X5** – DI8-OR4: Assembly Group with 8 Digital Inputs and 4 Output Relays
- X6** – DI8-OR4: Assembly Group with 8 Digital Inputs and 4 Output Relays
- X103** – Modbus RTU / IEC 60870-5-103 / DNP3.0 RTU, Fiber optics interface, ST Connector
- X104** – IRIG-B00X, incl. System Contact (Supervision Contact)

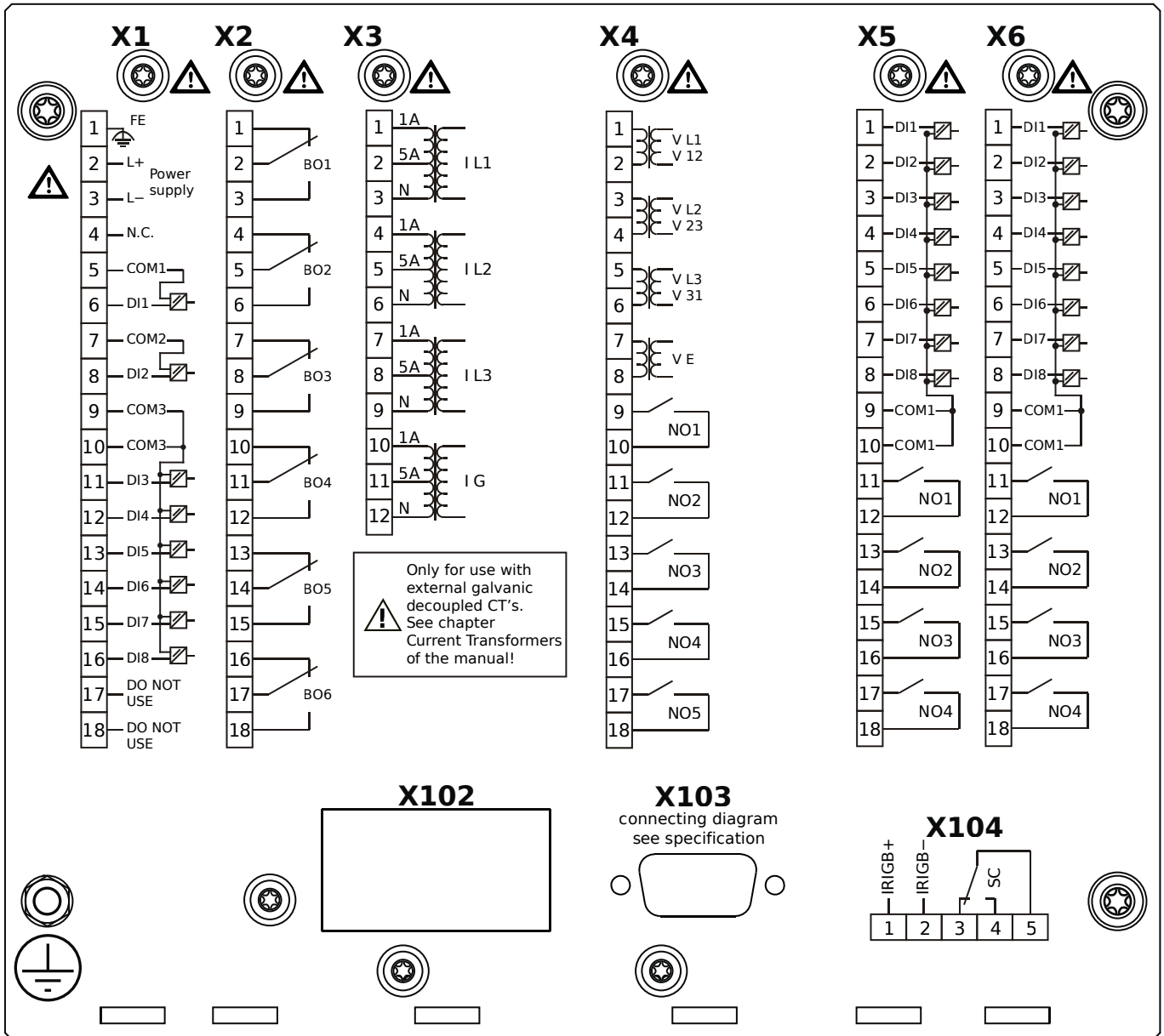
MRA4-2E0AGA



Housing B2, small display, door mounting

- X1** – DI8-X1: Wide-range power supply unit, incl. 2 non-grouped digital inputs and 6 grouped digital inputs
- X2** – OR6: Assembly Group with 6 Output Relays
- X3** – TI: Standard current measuring card
- X4** – TU-OR5: Voltage measuring assembly group with 5 additional Output Relays (normally open)
- X5** – DI8-OR4: Assembly Group with 8 Digital Inputs and 4 Output Relays
- X6** – DI8-OR4: Assembly Group with 8 Digital Inputs and 4 Output Relays
- X103** – Modbus RTU / IEC 60870-5-103 / DNP3.0 RTU, RS485, D-SUB
- X104** – IRIG-B00X, incl. System Contact (Supervision Contact)

MRA4-2E0AGB

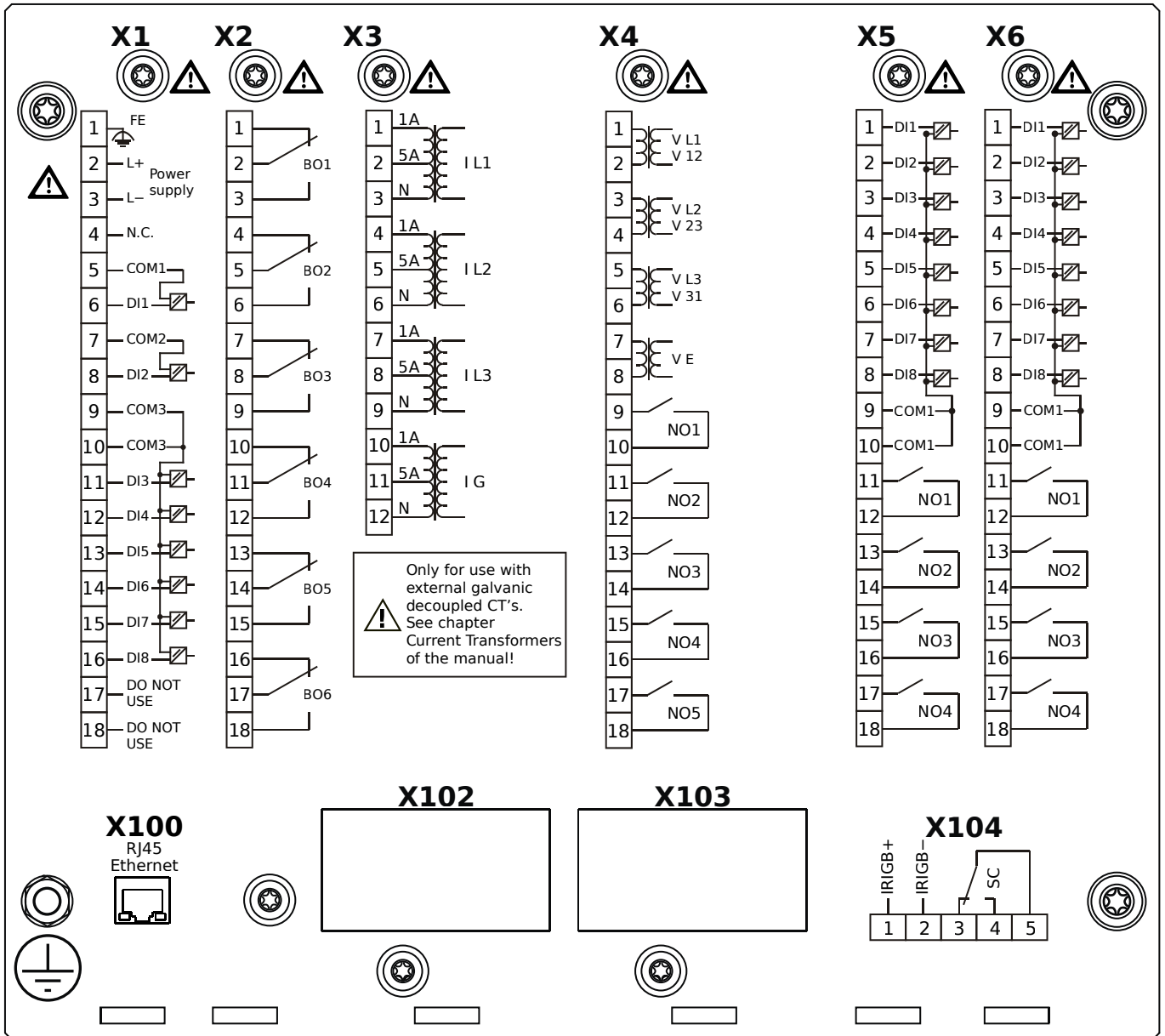


Housing B2, small display, door mounting

+ Conformal Coating (for installations in harsh environment)

- X1** – DI8-X1: Wide-range power supply unit, incl. 2 non-grouped digital inputs and 6 grouped digital inputs
- X2** – OR6: Assembly Group with 6 Output Relays
- X3** – TI: Standard current measuring card
- X4** – TU-OR5: Voltage measuring assembly group with 5 additional Output Relays (normally open)
- X5** – DI8-OR4: Assembly Group with 8 Digital Inputs and 4 Output Relays
- X6** – DI8-OR4: Assembly Group with 8 Digital Inputs and 4 Output Relays
- X103** – Modbus RTU / IEC 60870-5-103 / DNP3.0 RTU, RS485, D-SUB
- X104** – IRIG-B00X, incl. System Contact (Supervision Contact)

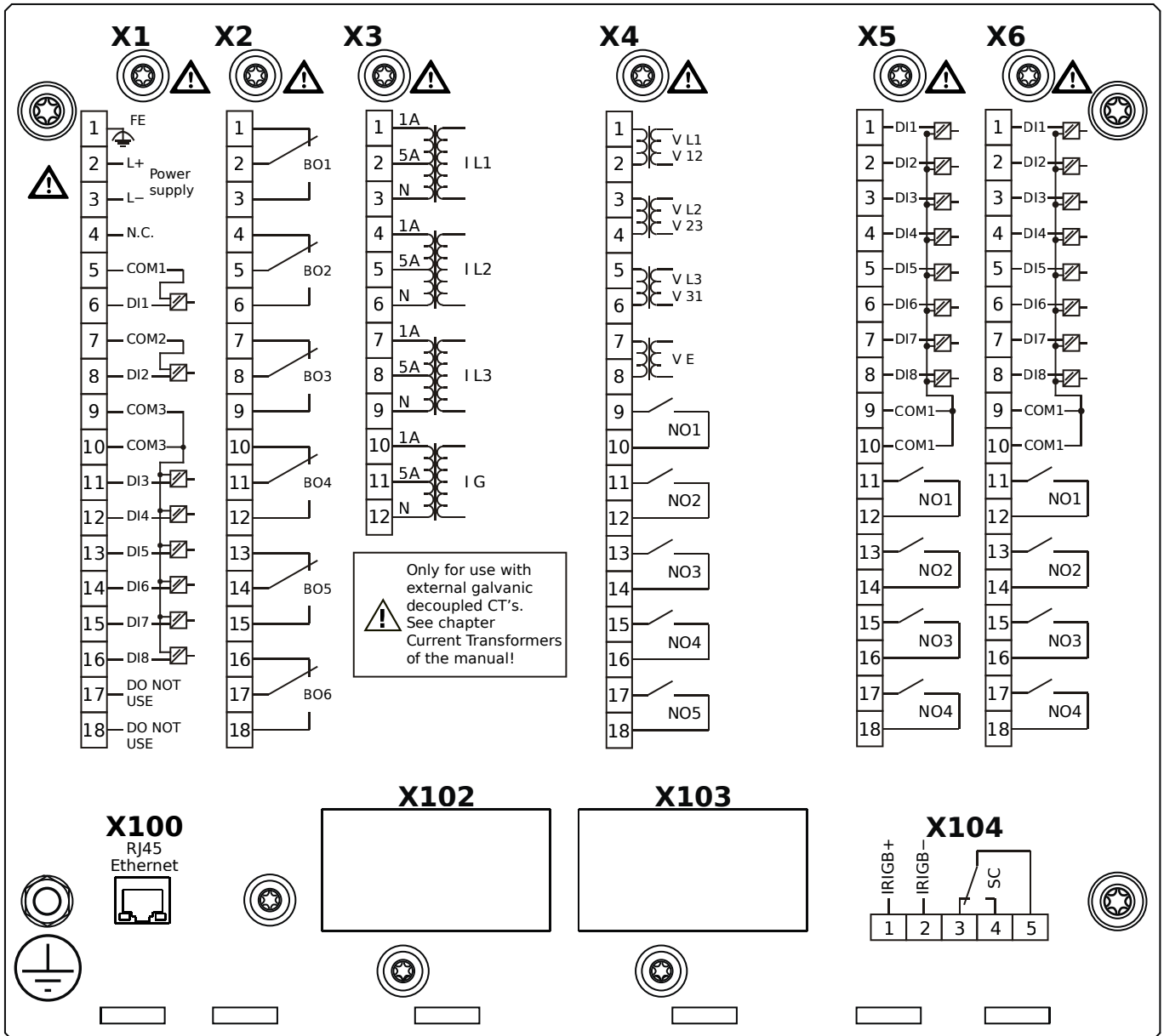
MRA4-2E0AHA



Housing B2, small display, door mounting

- X1** – DI8-X1: Wide-range power supply unit, incl. 2 non-grouped digital inputs and 6 grouped digital inputs
- X2** – OR6: Assembly Group with 6 Output Relays
- X3** – TI: Standard current measuring card
- X4** – TU-OR5: Voltage measuring assembly group with 5 additional Output Relays (normally open)
- X5** – DI8-OR4: Assembly Group with 8 Digital Inputs and 4 Output Relays
- X6** – DI8-OR4: Assembly Group with 8 Digital Inputs and 4 Output Relays
- X100** – IEC 61850 / Modbus TCP / DNP3.0 TCP/UDP, Ethernet interface, 100 Mbit/s, RJ45 (BASE100-FX)
- X104** – IRIG-B00X, incl. System Contact (Supervision Contact)

MRA4-2E0AHB



Housing B2, small display, door mounting

+ Conformal Coating (for installations in harsh environment)

X1 – DI8-X1: Wide-range power supply unit, incl. 2 non-grouped digital inputs and 6 grouped digital inputs

X2 – OR6: Assembly Group with 6 Output Relays

X3 – TI: Standard current measuring card

X4 – TU-OR5: Voltage measuring assembly group with 5 additional Output Relays (normally open)

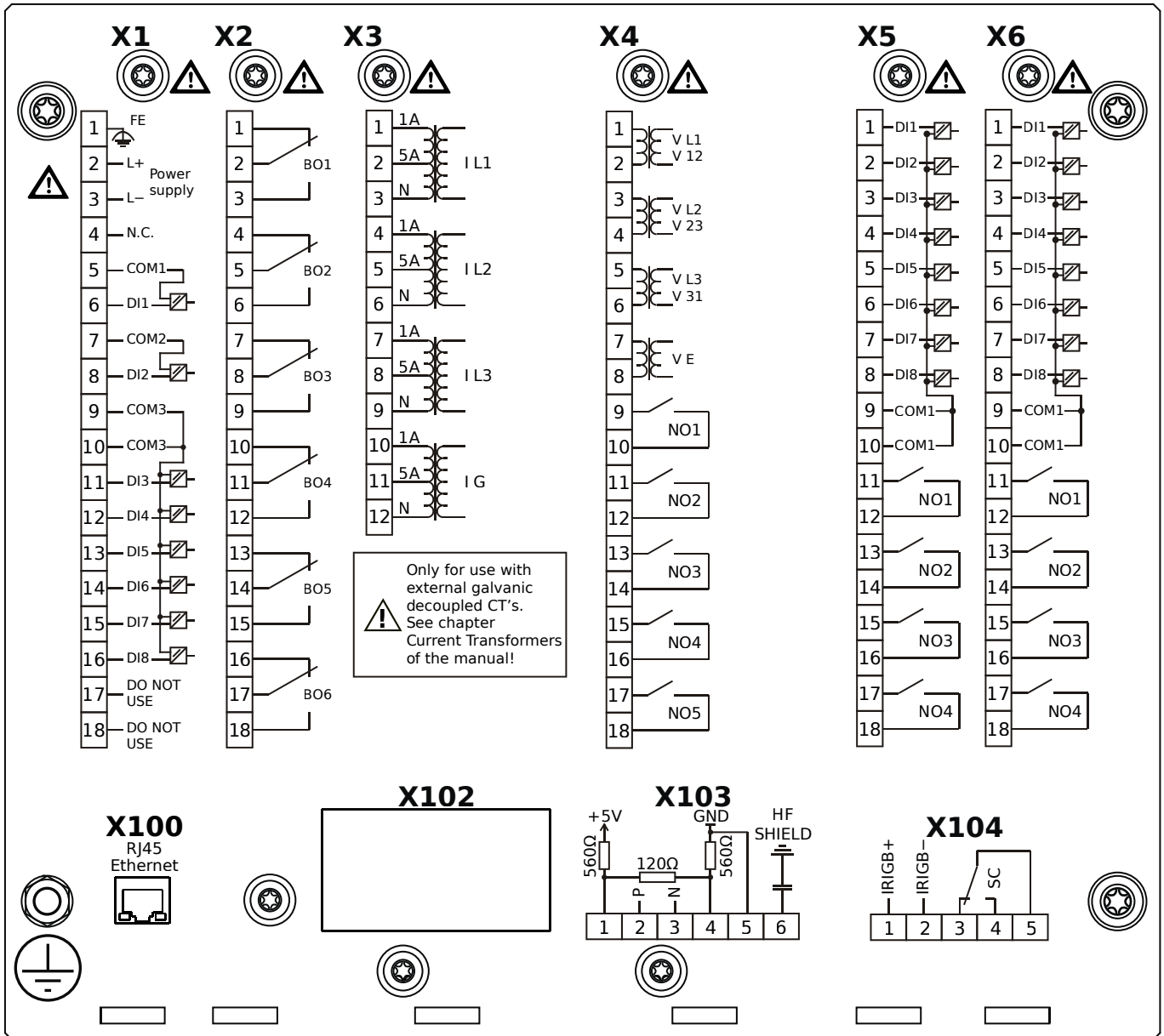
X5 – DI8-OR4: Assembly Group with 8 Digital Inputs and 4 Output Relays

X6 – DI8-OR4: Assembly Group with 8 Digital Inputs and 4 Output Relays

X100 – IEC 61850 / Modbus TCP / DNP3.0 TCP/UDP, Ethernet interface, 100 Mbit/s, RJ45 (BASE100-FX)

X104 – IRIG-B00X, incl. System Contact (Supervision Contact)

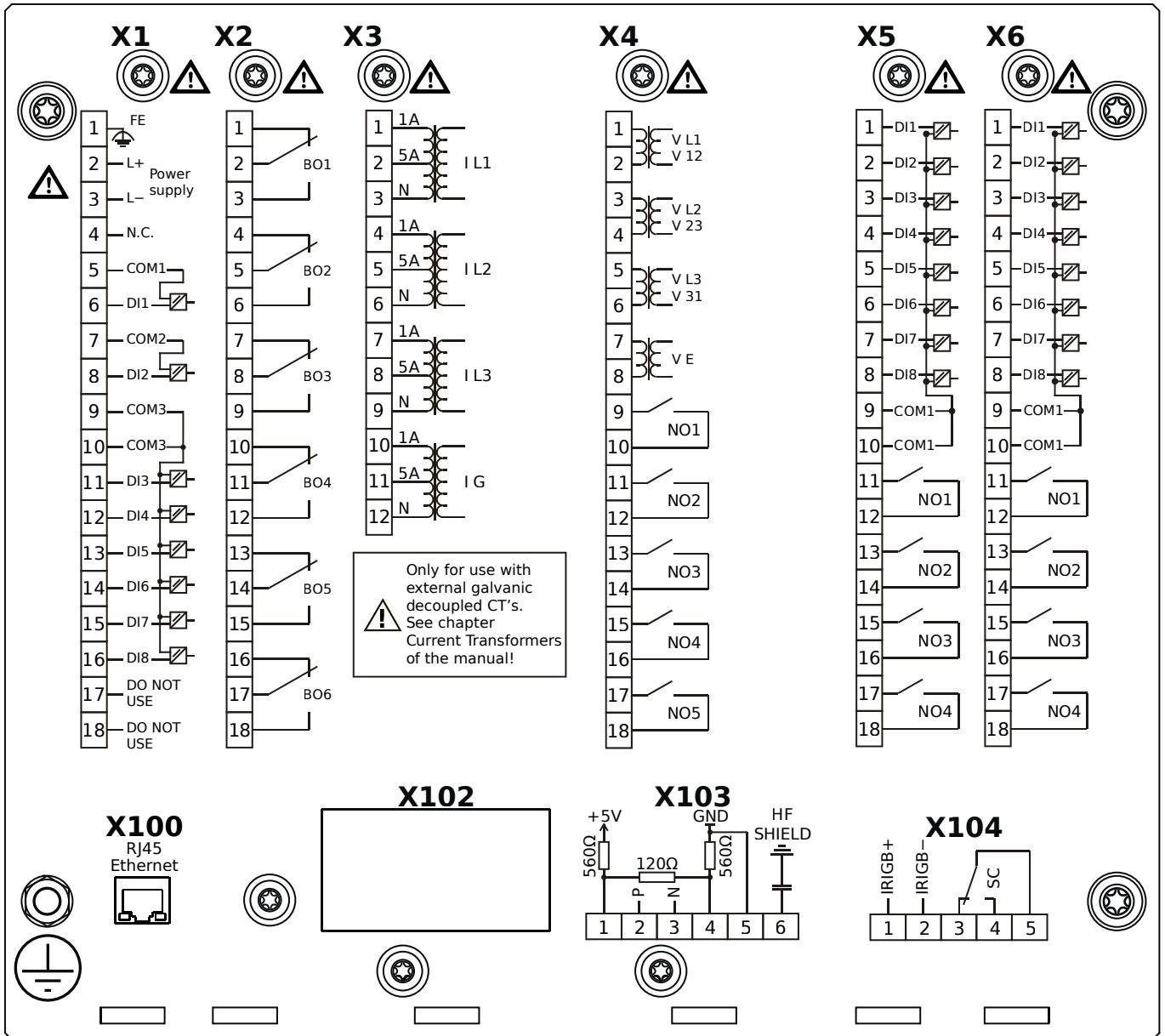
MRA4-2E0AIA



Housing B2, small display, door mounting

- X1** – DI8-X1: Wide-range power supply unit, incl. 2 non-grouped digital inputs and 6 grouped digital inputs
- X2** – OR6: Assembly Group with 6 Output Relays
- X3** – TI: Standard current measuring card
- X4** – TU-OR5: Voltage measuring assembly group with 5 additional Output Relays (normally open)
- X5** – DI8-OR4: Assembly Group with 8 Digital Inputs and 4 Output Relays
- X6** – DI8-OR4: Assembly Group with 8 Digital Inputs and 4 Output Relays
- X100** – Modbus TCP / DNP3.0 TCP/UDP, Ethernet interface, 100 Mbit/s, RJ45 (BASE100-FX)
- X103** – IEC 60870-5-103 / Modbus RTU / DNP3.0 RTU, RS485, Terminals
- X104** – IRIG-B00X, incl. System Contact (Supervision Contact)

MRA4-2E0AIB

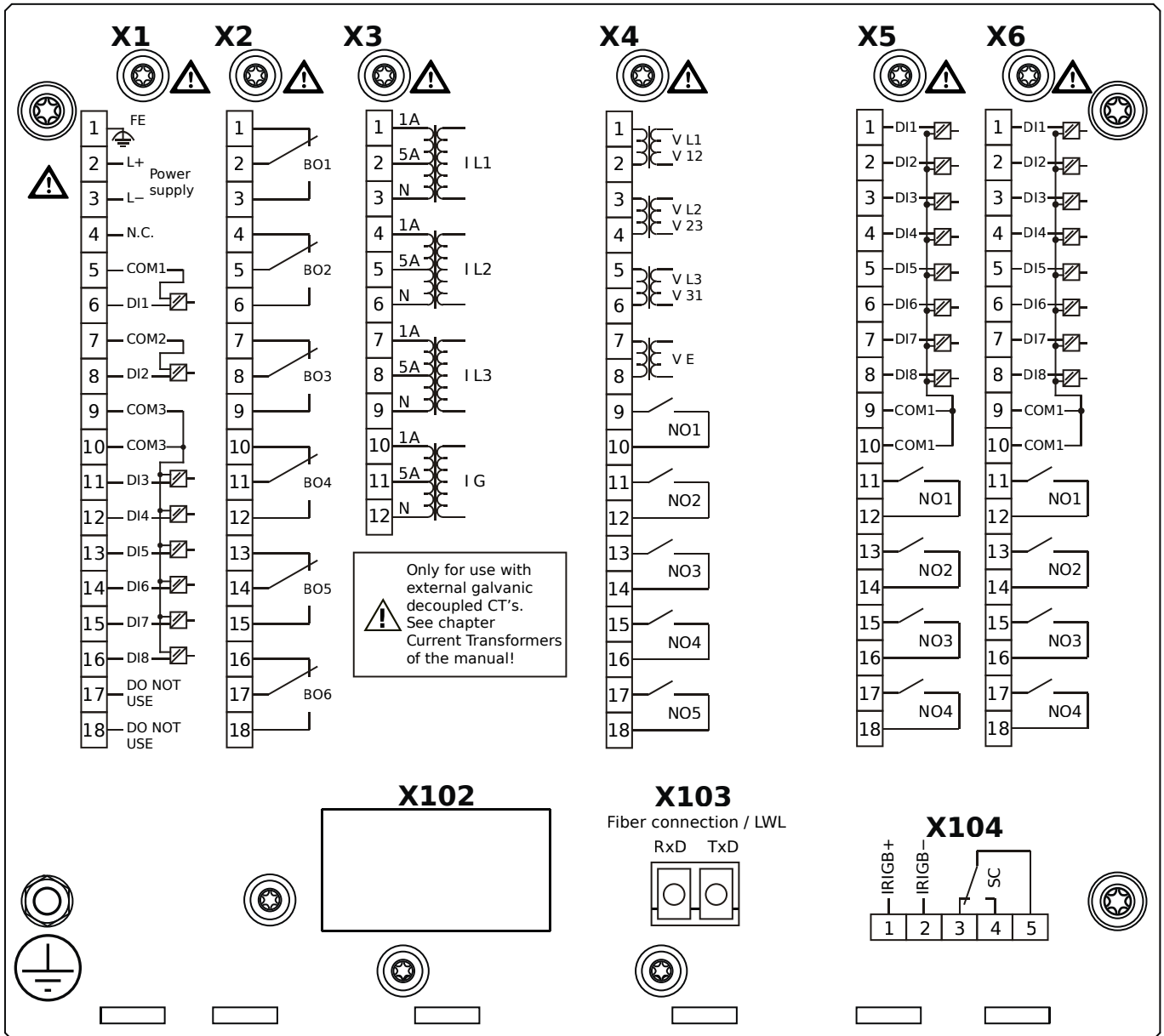


Housing B2, small display, door mounting

+ Conformal Coating (for installations in harsh environment)

- X1** – DI8-X1: Wide-range power supply unit, incl. 2 non-grouped digital inputs and 6 grouped digital inputs
- X2** – OR6: Assembly Group with 6 Output Relays
- X3** – TI: Standard current measuring card
- X4** – TU-OR5: Voltage measuring assembly group with 5 additional Output Relays (normally open)
- X5** – DI8-OR4: Assembly Group with 8 Digital Inputs and 4 Output Relays
- X6** – DI8-OR4: Assembly Group with 8 Digital Inputs and 4 Output Relays
- X100** – Modbus TCP / DNP3.0 TCP/UDP, Ethernet interface, 100 Mbit/s, RJ45 (BASE100-FX)
- X103** – IEC 60870-5-103 / Modbus RTU / DNP3.0 RTU, RS485, Terminals
- X104** – IRIG-B00X, incl. System Contact (Supervision Contact)

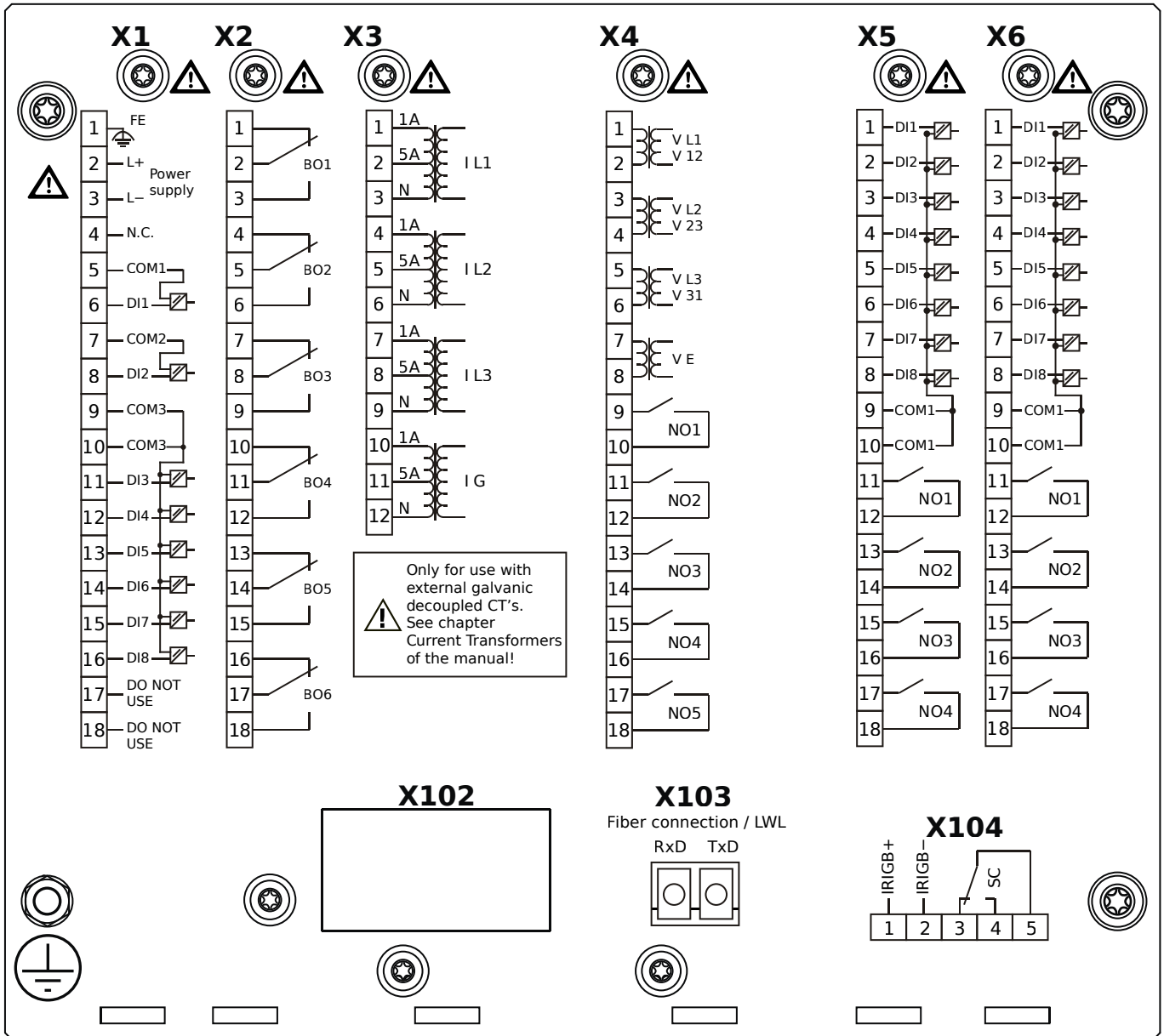
MRA4-2E0AKA



Housing B2, small display, door mounting

- X1** – DI8-X1: Wide-range power supply unit, incl. 2 non-grouped digital inputs and 6 grouped digital inputs
- X2** – OR6: Assembly Group with 6 Output Relays
- X3** – TI: Standard current measuring card
- X4** – TU-OR5: Voltage measuring assembly group with 5 additional Output Relays (normally open)
- X5** – DI8-OR4: Assembly Group with 8 Digital Inputs and 4 Output Relays
- X6** – DI8-OR4: Assembly Group with 8 Digital Inputs and 4 Output Relays
- X103** – IEC 61850 / Modbus TCP / DNP3.0 TCP/UDP, Fiber optics interface, LC Connector
- X104** – IRIG-B00X, incl. System Contact (Supervision Contact)

MRA4-2E0AKB

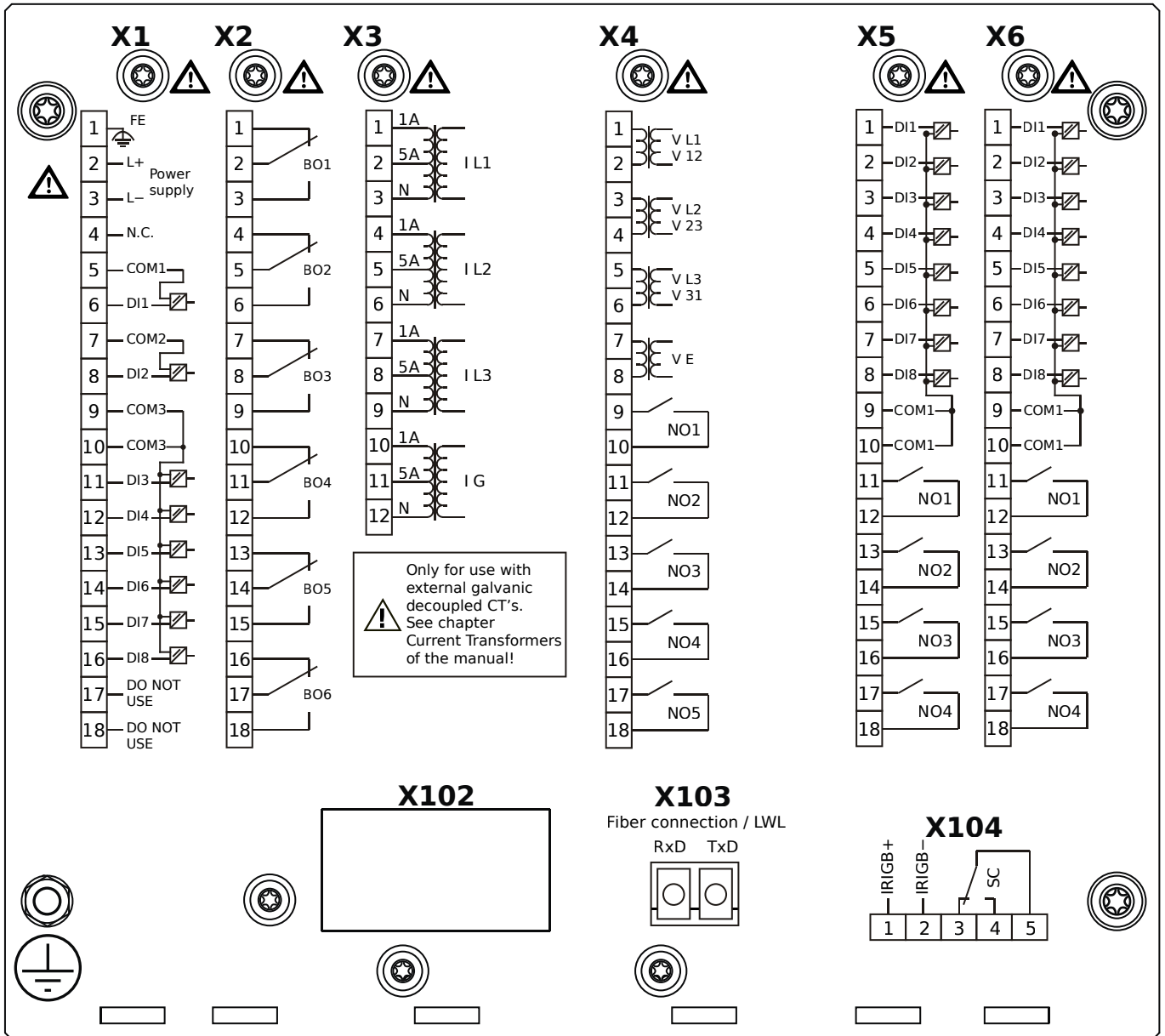


Housing B2, small display, door mounting

+ Conformal Coating (for installations in harsh environment)

- X1** – DI8-X1: Wide-range power supply unit, incl. 2 non-grouped digital inputs and 6 grouped digital inputs
- X2** – OR6: Assembly Group with 6 Output Relays
- X3** – TI: Standard current measuring card
- X4** – TU-OR5: Voltage measuring assembly group with 5 additional Output Relays (normally open)
- X5** – DI8-OR4: Assembly Group with 8 Digital Inputs and 4 Output Relays
- X6** – DI8-OR4: Assembly Group with 8 Digital Inputs and 4 Output Relays
- X103** – IEC 61850 / Modbus TCP / DNP3.0 TCP/UDP, Fiber optics interface, LC Connector
- X104** – IRIG-B00X, incl. System Contact (Supervision Contact)

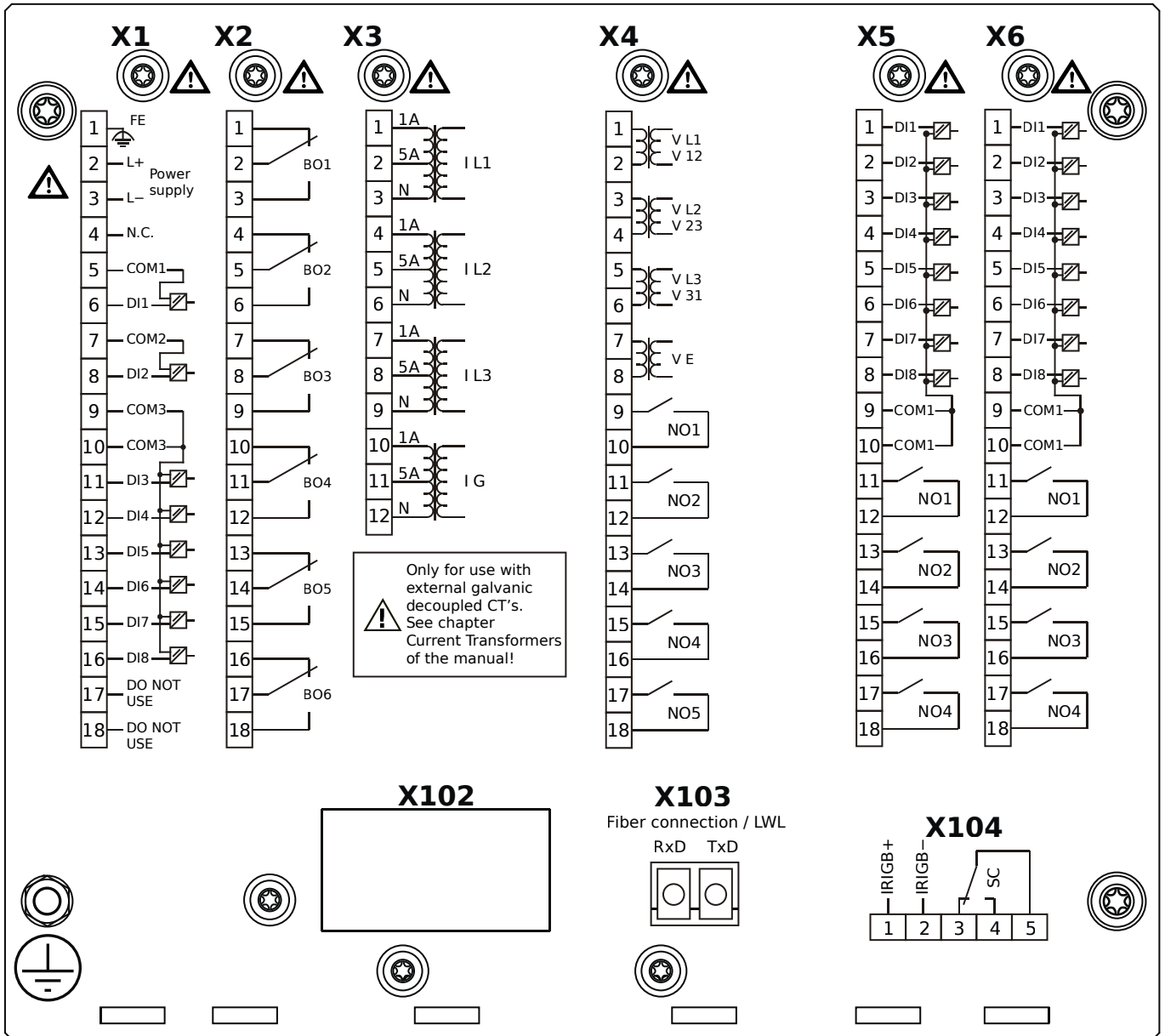
MRA4-2E0ALA



Housing B2, small display, door mounting

- X1** – DI8-X1: Wide-range power supply unit, incl. 2 non-grouped digital inputs and 6 grouped digital inputs
- X2** – OR6: Assembly Group with 6 Output Relays
- X3** – TI: Standard current measuring card
- X4** – TU-OR5: Voltage measuring assembly group with 5 additional Output Relays (normally open)
- X5** – DI8-OR4: Assembly Group with 8 Digital Inputs and 4 Output Relays
- X6** – DI8-OR4: Assembly Group with 8 Digital Inputs and 4 Output Relays
- X103** – Modbus TCP / DNP3.0 TCP/UDP, Fiber optics interface, LC Connector
- X104** – IRIG-B00X, incl. System Contact (Supervision Contact)

MRA4-2E0ALB

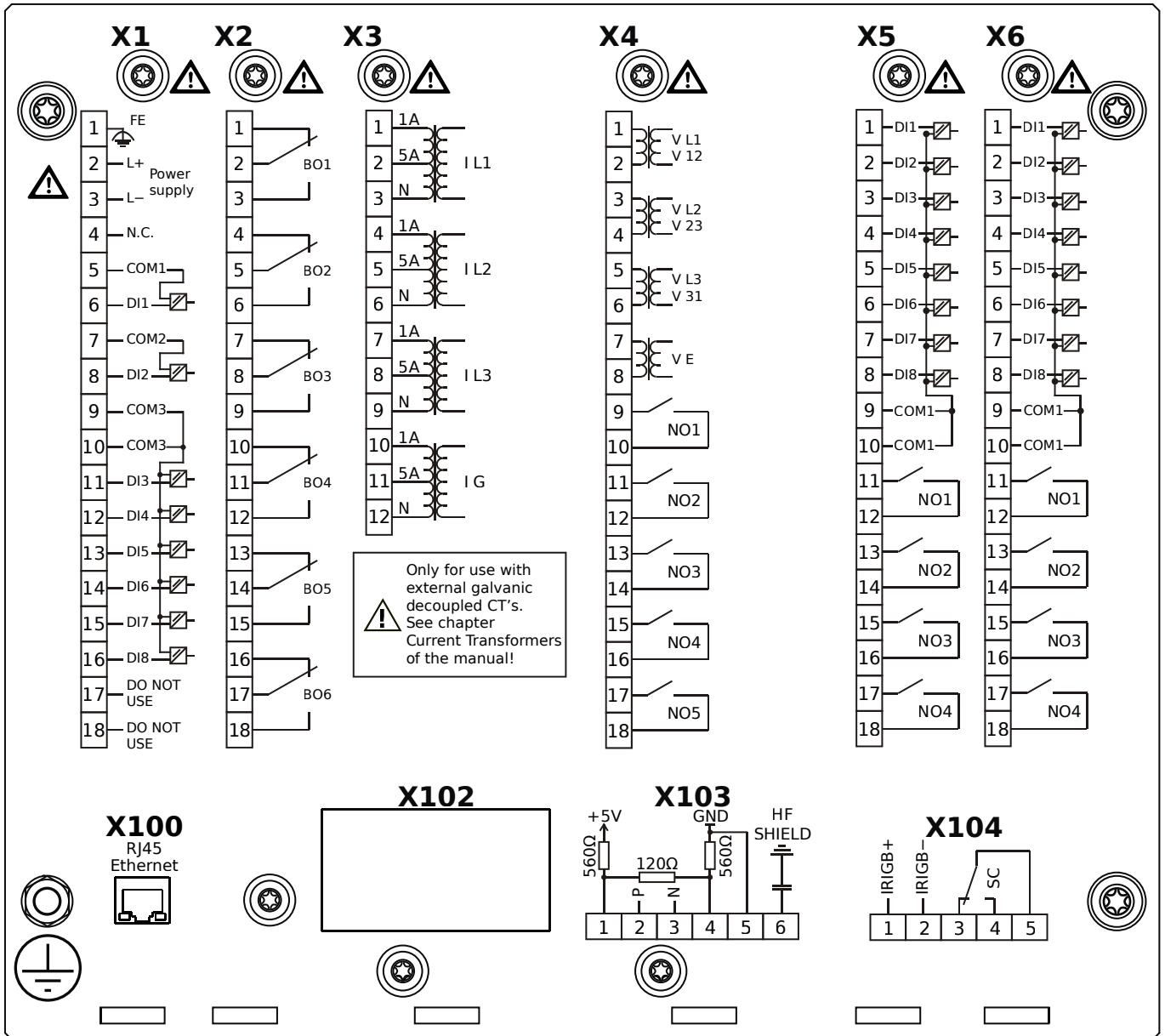


Housing B2, small display, door mounting

+ Conformal Coating (for installations in harsh environment)

- X1** – DI8-X1: Wide-range power supply unit, incl. 2 non-grouped digital inputs and 6 grouped digital inputs
- X2** – OR6: Assembly Group with 6 Output Relays
- X3** – TI: Standard current measuring card
- X4** – TU-OR5: Voltage measuring assembly group with 5 additional Output Relays (normally open)
- X5** – DI8-OR4: Assembly Group with 8 Digital Inputs and 4 Output Relays
- X6** – DI8-OR4: Assembly Group with 8 Digital Inputs and 4 Output Relays
- X103** – Modbus TCP / DNP3.0 TCP/UDP, Fiber optics interface, LC Connector
- X104** – IRIG-B00X, incl. System Contact (Supervision Contact)

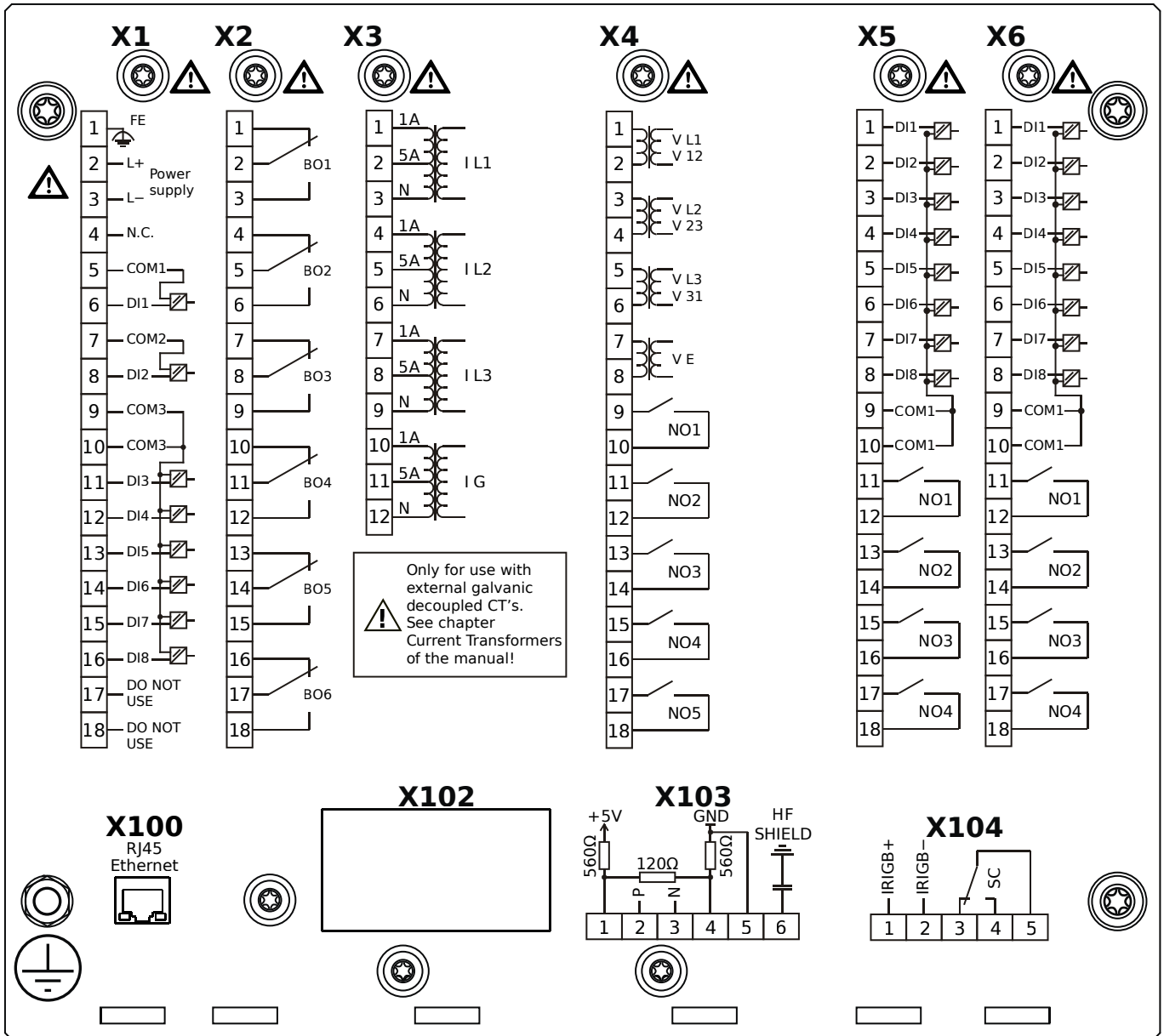
MRA4-2E0ATA



Housing B2, small display, door mounting

- X1** – DI8-X1: Wide-range power supply unit, incl. 2 non-grouped digital inputs and 6 grouped digital inputs
- X2** – OR6: Assembly Group with 6 Output Relays
- X3** – TI: Standard current measuring card
- X4** – TU-OR5: Voltage measuring assembly group with 5 additional Output Relays (normally open)
- X5** – DI8-OR4: Assembly Group with 8 Digital Inputs and 4 Output Relays
- X6** – DI8-OR4: Assembly Group with 8 Digital Inputs and 4 Output Relays
- X100** – IEC 61850 / Modbus TCP / DNP3.0 TCP/UDP, Ethernet interface, 100 Mbit/s, RJ45 (BASE100-FX)
- X103** – IEC 60870-5-103 / Modbus RTU / DNP3.0 RTU, RS485, Terminals
- X104** – IRIG-B00X, incl. System Contact (Supervision Contact)

MRA4-2E0ATB



Housing B2, small display, door mounting

+ Conformal Coating (for installations in harsh environment)

X1 – DI8-X1: Wide-range power supply unit, incl. 2 non-grouped digital inputs and 6 grouped digital inputs

X2 – OR6: Assembly Group with 6 Output Relays

X3 – TI: Standard current measuring card

X4 – TU-OR5: Voltage measuring assembly group with 5 additional Output Relays (normally open)

X5 – DI8-OR4: Assembly Group with 8 Digital Inputs and 4 Output Relays

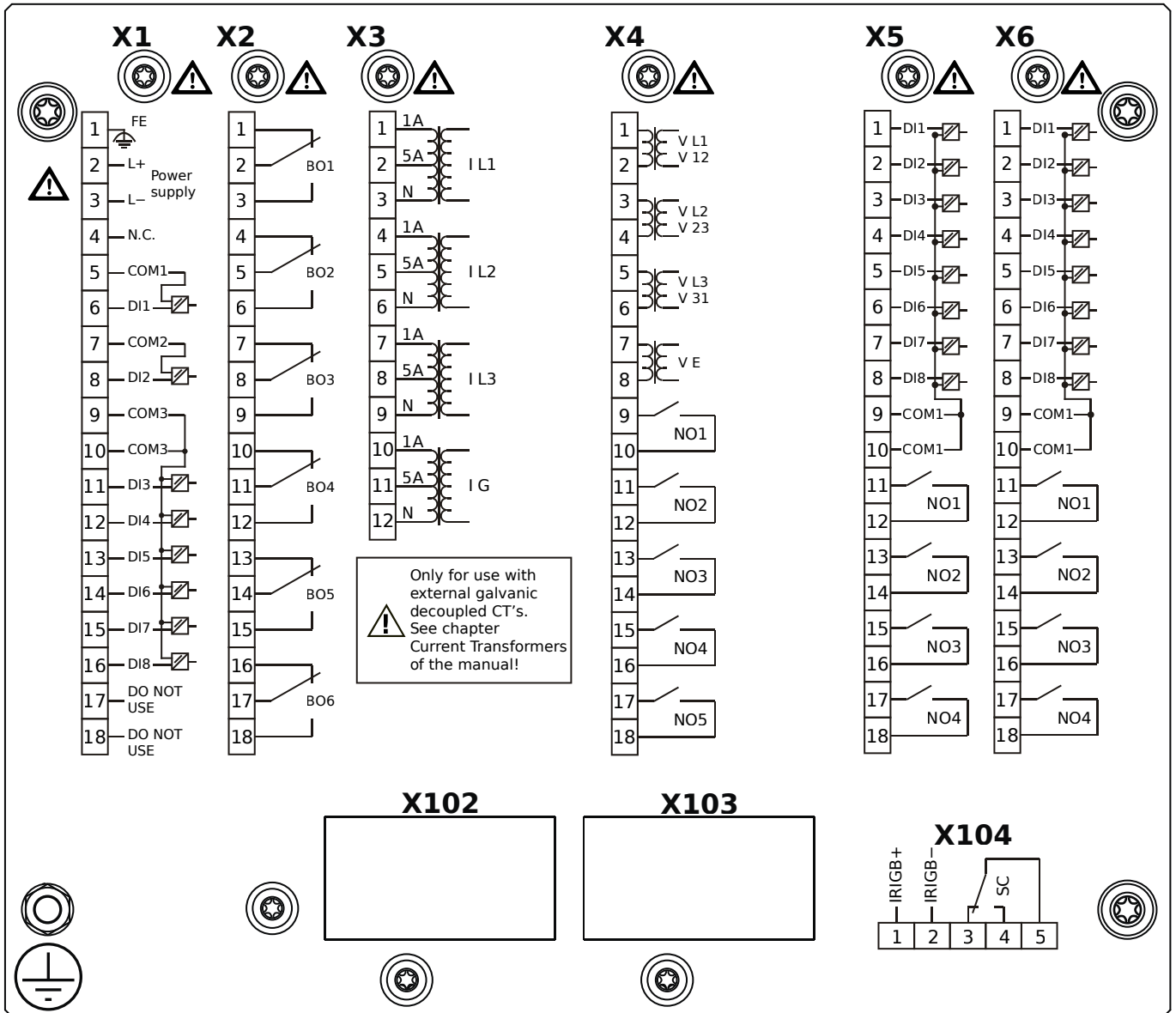
X6 – DI8-OR4: Assembly Group with 8 Digital Inputs and 4 Output Relays

X100 – IEC 61850 / Modbus TCP / DNP3.0 TCP/UDP, Ethernet interface, 100 Mbit/s, RJ45 (BASE100-FX)

X103 – IEC 60870-5-103 / Modbus RTU / DNP3.0 RTU, RS485, Terminals

X104 – IRIG-B00X, incl. System Contact (Supervision Contact)

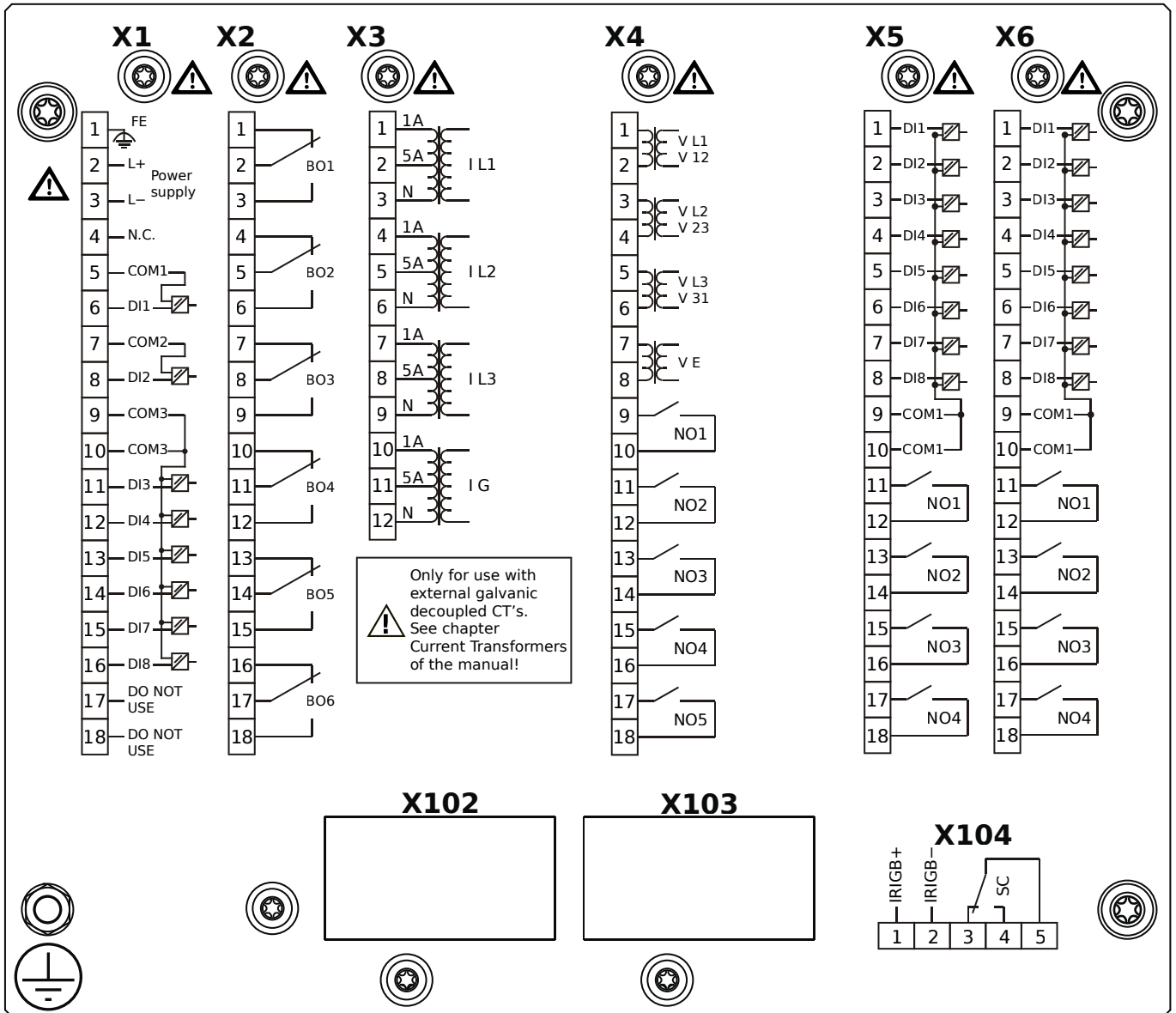
MRA4-2E0BAA



Housing B2, small display, 19" rack mounting

- X1** – DI8-X1: Wide-range power supply unit, incl. 2 non-grouped digital inputs and 6 grouped digital inputs
- X2** – OR6: Assembly Group with 6 Output Relays
- X3** – TI: Standard current measuring card
- X4** – TU-OR5: Voltage measuring assembly group with 5 additional Output Relays (normally open)
- X5** – DI8-OR4: Assembly Group with 8 Digital Inputs and 4 Output Relays
- X6** – DI8-OR4: Assembly Group with 8 Digital Inputs and 4 Output Relays
- X104** – IRIG-B00X, incl. System Contact (Supervision Contact)

MRA4-2E0BAB

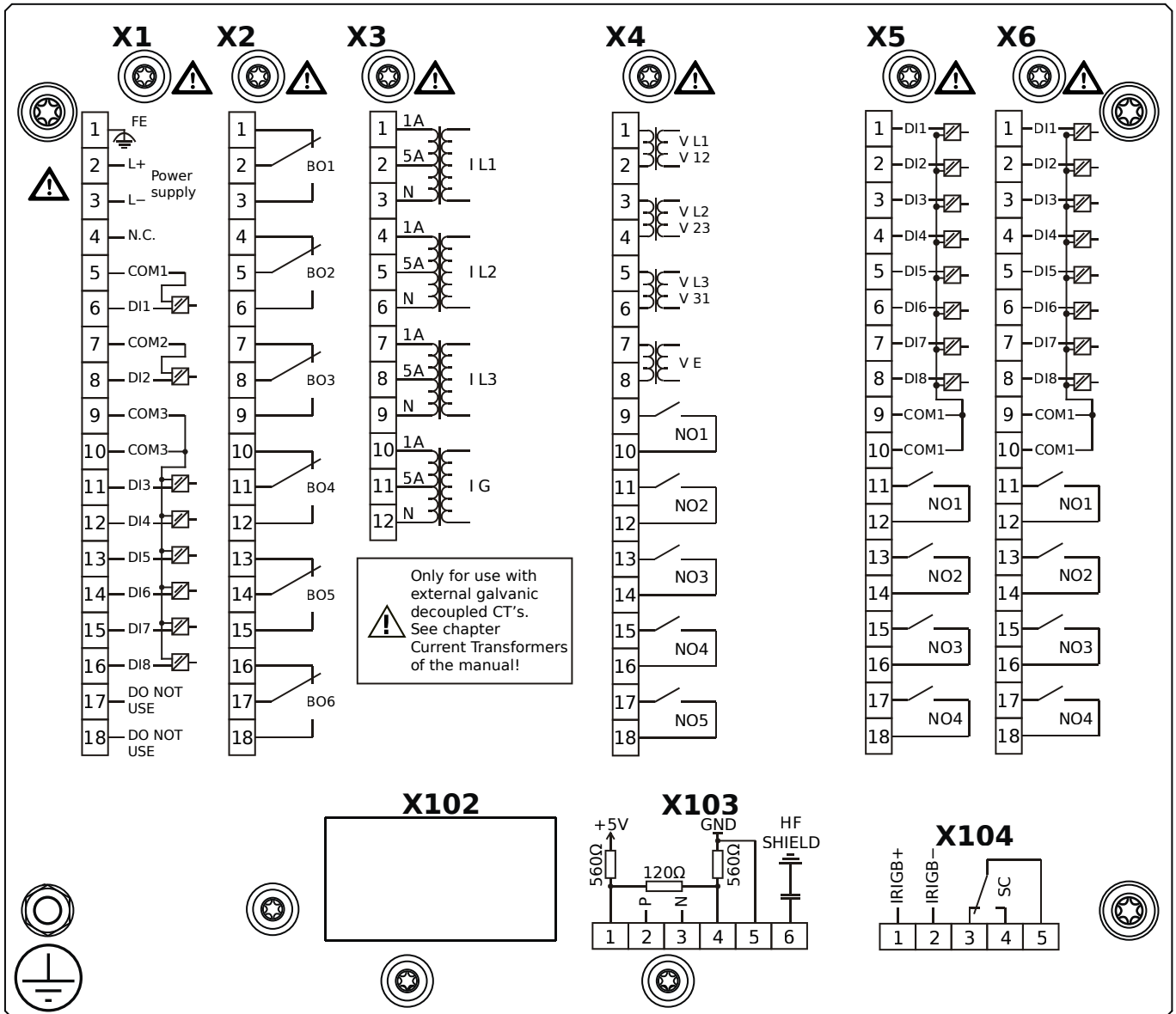


Housing B2, small display, 19" rack mounting

+ Conformal Coating (for installations in harsh environment)

- X1** – DI8-X1: Wide-range power supply unit, incl. 2 non-grouped digital inputs and 6 grouped digital inputs
- X2** – OR6: Assembly Group with 6 Output Relays
- X3** – TI: Standard current measuring card
- X4** – TU-OR5: Voltage measuring assembly group with 5 additional Output Relays (normally open)
- X5** – DI8-OR4: Assembly Group with 8 Digital Inputs and 4 Output Relays
- X6** – DI8-OR4: Assembly Group with 8 Digital Inputs and 4 Output Relays
- X104** – IRIG-B00X, incl. System Contact (Supervision Contact)

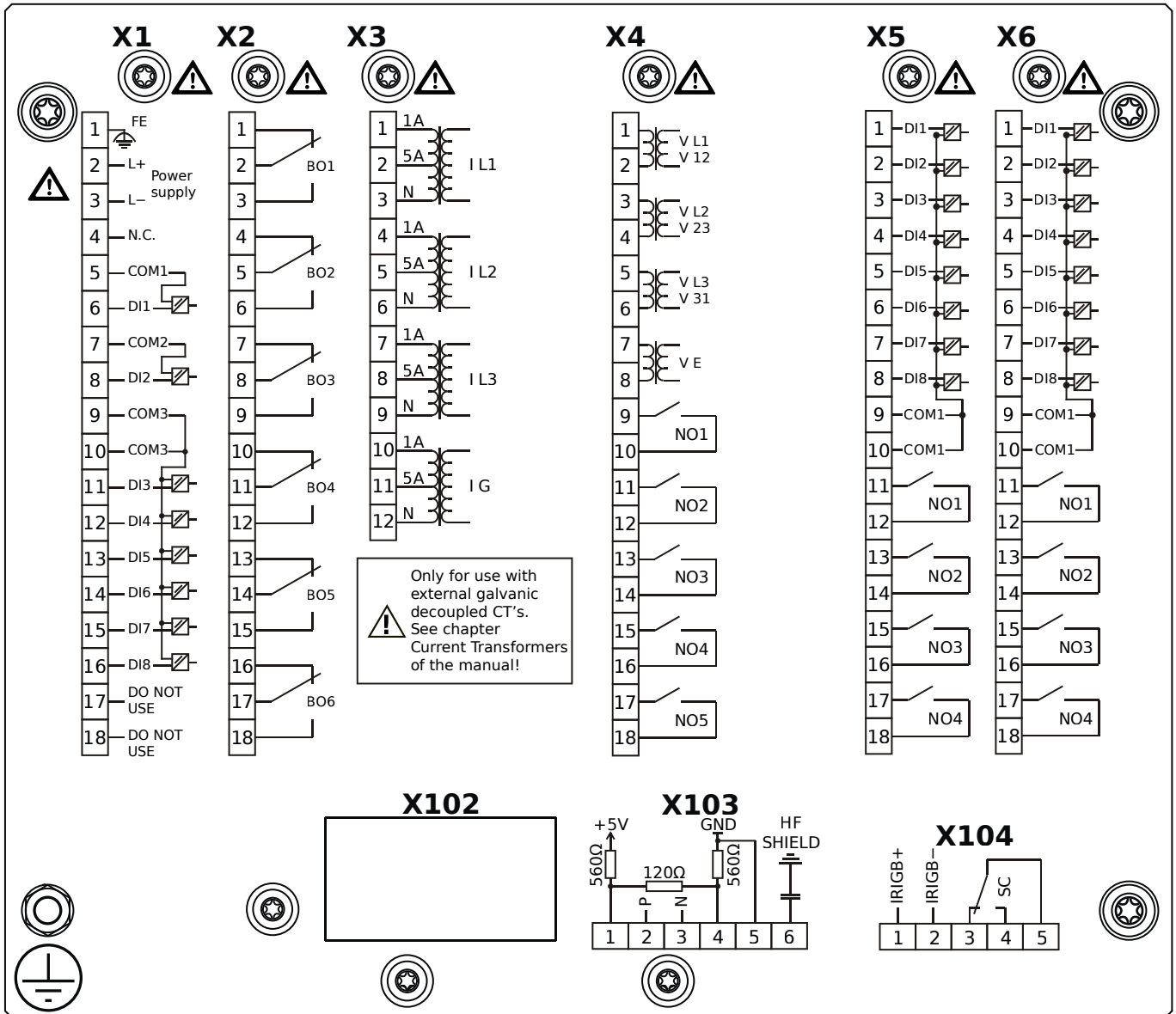
MRA4-2E0BBA



Housing B2, small display, 19" rack mounting

- X1** – DI8-X1: Wide-range power supply unit, incl. 2 non-grouped digital inputs and 6 grouped digital inputs
- X2** – OR6: Assembly Group with 6 Output Relays
- X3** – TI: Standard current measuring card
- X4** – TU-OR5: Voltage measuring assembly group with 5 additional Output Relays (normally open)
- X5** – DI8-OR4: Assembly Group with 8 Digital Inputs and 4 Output Relays
- X6** – DI8-OR4: Assembly Group with 8 Digital Inputs and 4 Output Relays
- X103** – Modbus RTU / IEC 60870-5-103 / DNP3.0 RTU, RS485, Terminals
- X104** – IRIG-B00X, incl. System Contact (Supervision Contact)

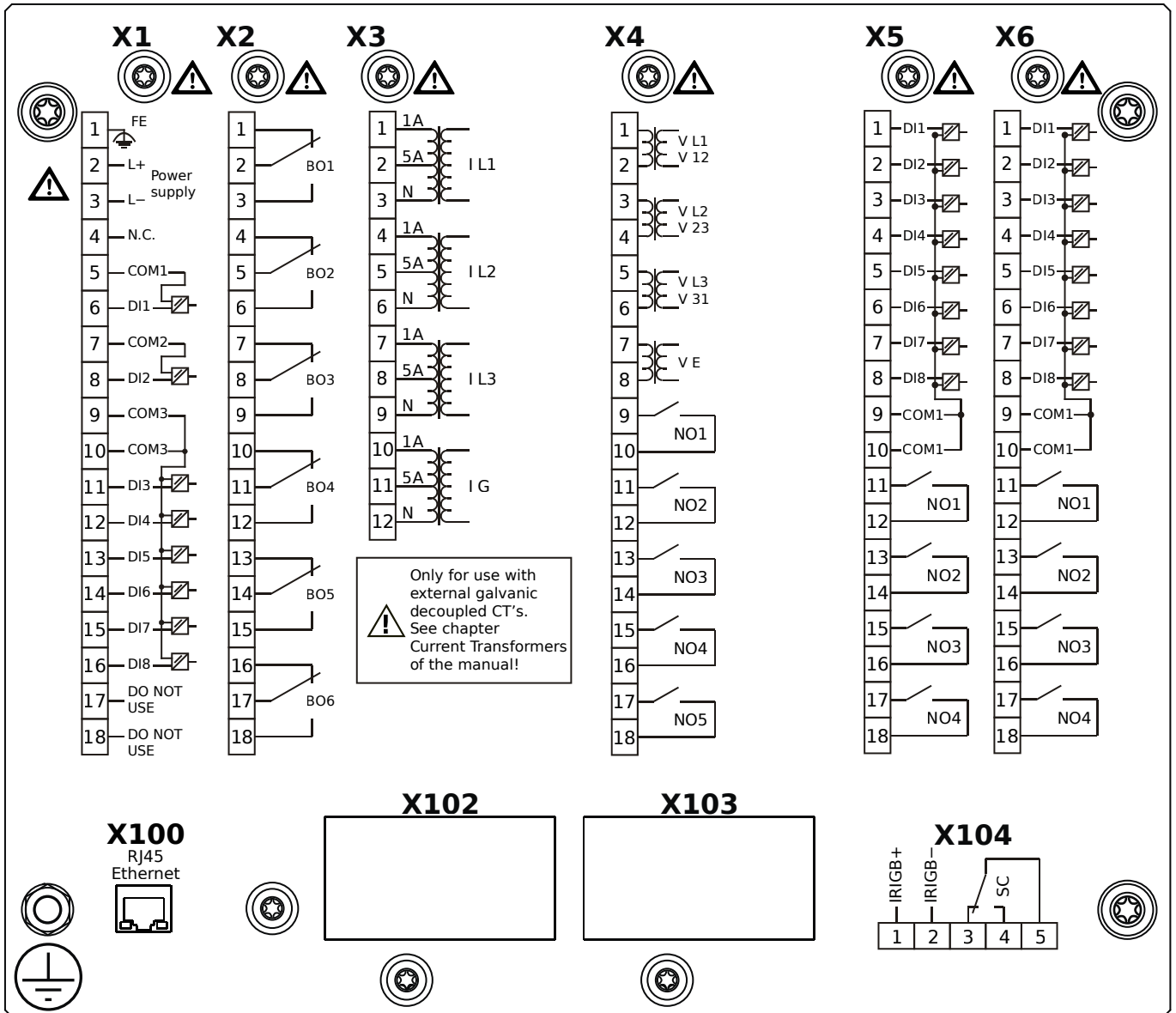
MRA4-2E0BBB



Housing B2, small display, 19" rack mounting

- + Conformal Coating (for installations in harsh environment)
- X1** – DI8-X1: Wide-range power supply unit, incl. 2 non-grouped digital inputs and 6 grouped digital inputs
- X2** – OR6: Assembly Group with 6 Output Relays
- X3** – TI: Standard current measuring card
- X4** – TU-OR5: Voltage measuring assembly group with 5 additional Output Relays (normally open)
- X5** – DI8-OR4: Assembly Group with 8 Digital Inputs and 4 Output Relays
- X6** – DI8-OR4: Assembly Group with 8 Digital Inputs and 4 Output Relays
- X103** – Modbus RTU / IEC 60870-5-103 / DNP3.0 RTU, RS485, Terminals
- X104** – IRIG-B00X, incl. System Contact (Supervision Contact)

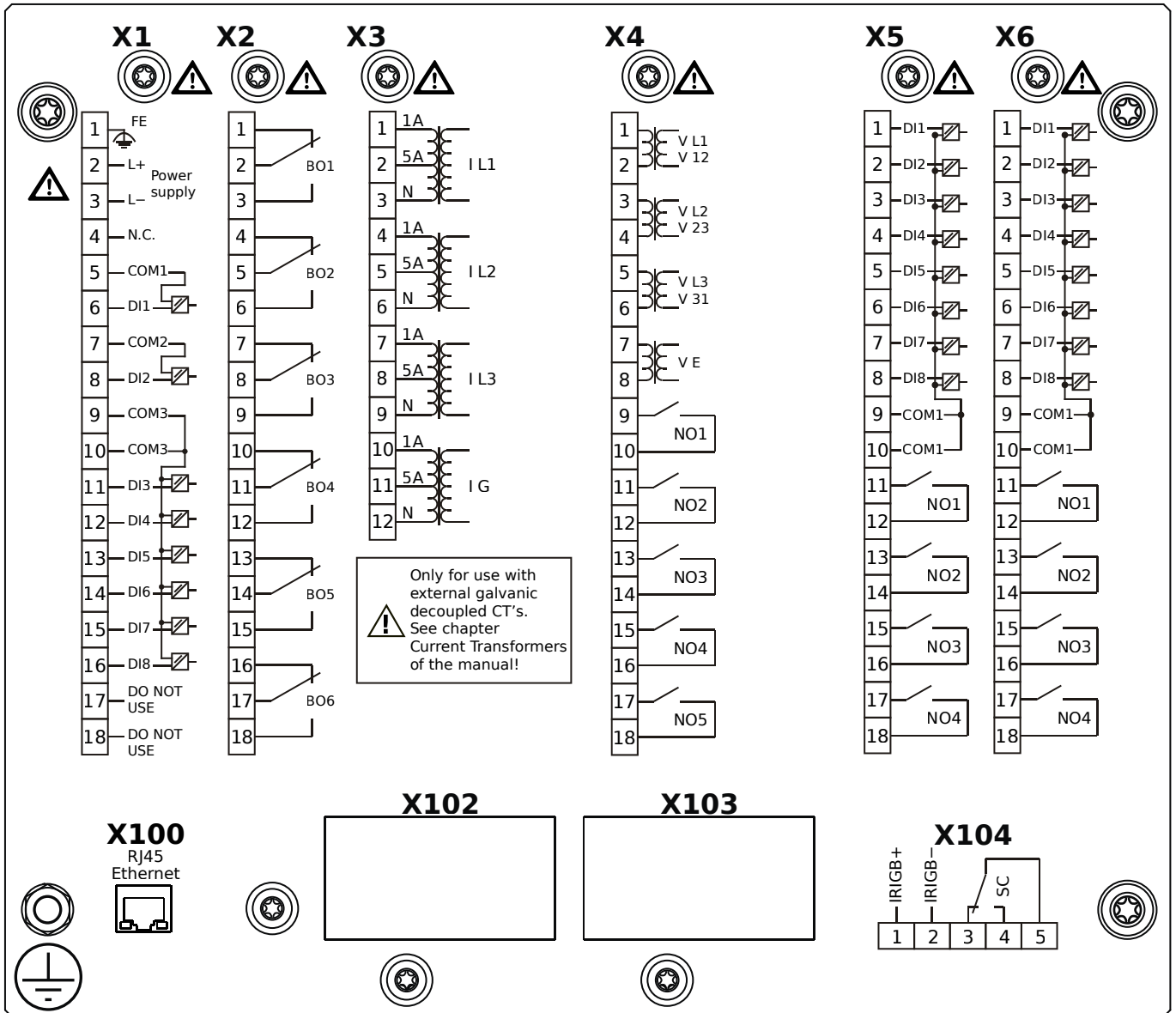
MRA4-2E0BCA



Housing B2, small display, 19" rack mounting

- X1** – DI8-X1: Wide-range power supply unit, incl. 2 non-grouped digital inputs and 6 grouped digital inputs
- X2** – OR6: Assembly Group with 6 Output Relays
- X3** – TI: Standard current measuring card
- X4** – TU-OR5: Voltage measuring assembly group with 5 additional Output Relays (normally open)
- X5** – DI8-OR4: Assembly Group with 8 Digital Inputs and 4 Output Relays
- X6** – DI8-OR4: Assembly Group with 8 Digital Inputs and 4 Output Relays
- X100** – Modbus TCP / DNP3.0 TCP/UDP, Ethernet interface, 100 Mbit/s, RJ45 (BASE100-FX)
- X104** – IRIG-B00X, incl. System Contact (Supervision Contact)

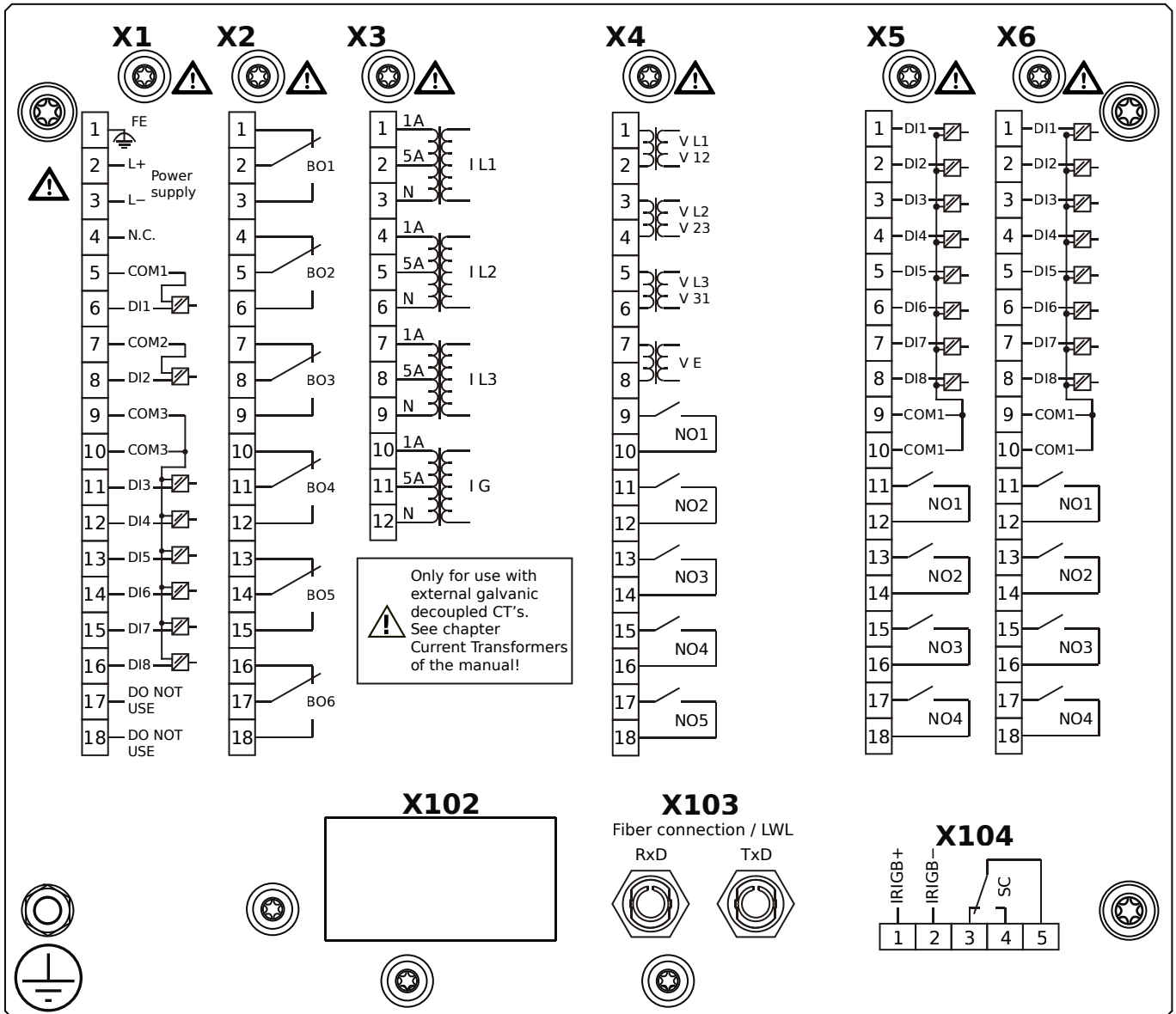
MRA4-2E0BCB



Housing B2, small display, 19" rack mounting

- + Conformal Coating (for installations in harsh environment)
- X1** – DI8-X1: Wide-range power supply unit, incl. 2 non-grouped digital inputs and 6 grouped digital inputs
- X2** – OR6: Assembly Group with 6 Output Relays
- X3** – TI: Standard current measuring card
- X4** – TU-OR5: Voltage measuring assembly group with 5 additional Output Relays (normally open)
- X5** – DI8-OR4: Assembly Group with 8 Digital Inputs and 4 Output Relays
- X6** – DI8-OR4: Assembly Group with 8 Digital Inputs and 4 Output Relays
- X100** – Modbus TCP / DNP3.0 TCP/UDP, Ethernet interface, 100 Mbit/s, RJ45 (BASE100-FX)
- X104** – IRIG-B00X, incl. System Contact (Supervision Contact)

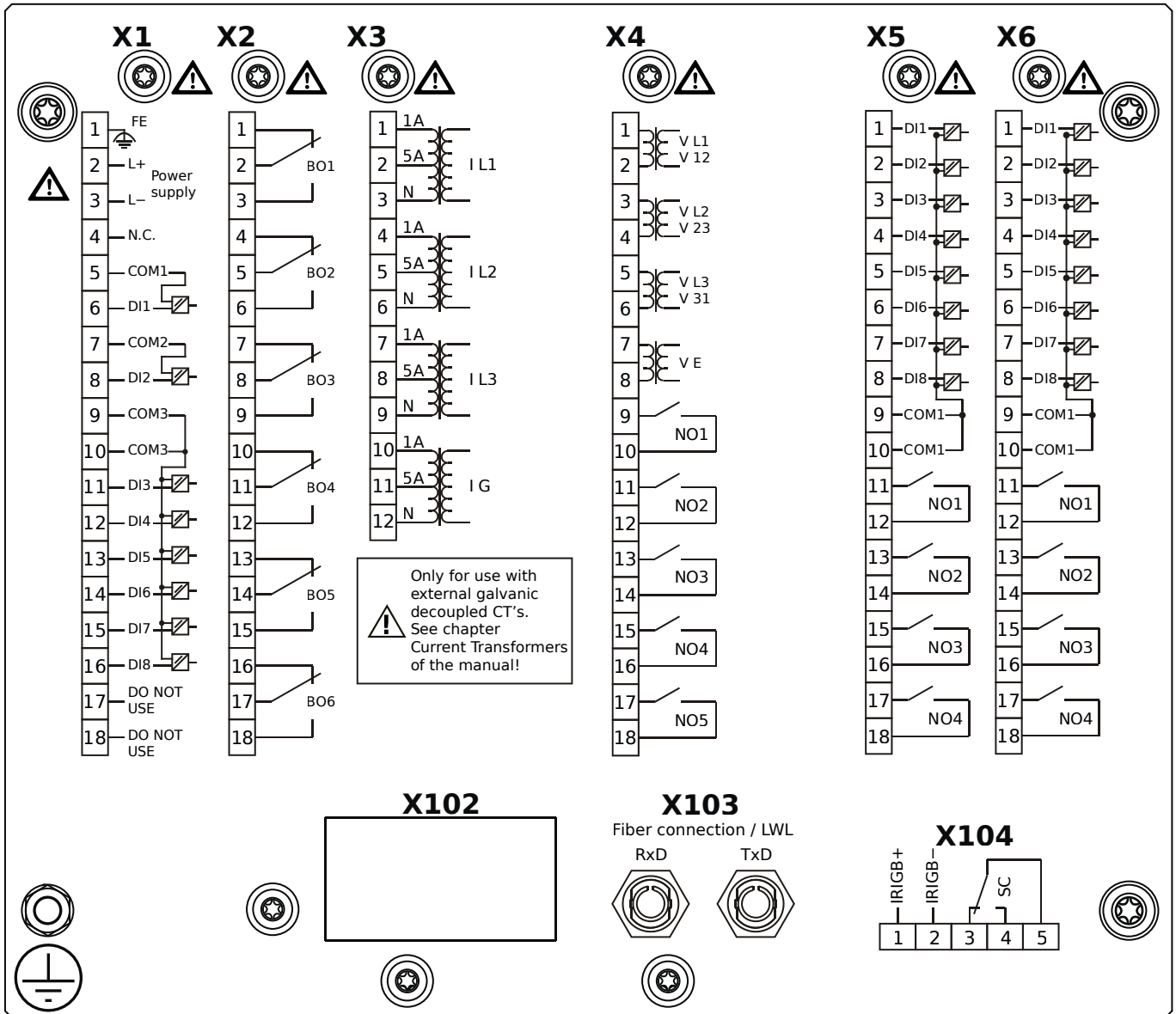
MRA4-2E0BDA



Housing B2, small display, 19" rack mounting

- X1** – DI8-X1: Wide-range power supply unit, incl. 2 non-grouped digital inputs and 6 grouped digital inputs
- X2** – OR6: Assembly Group with 6 Output Relays
- X3** – TI: Standard current measuring card
- X4** – TU-OR5: Voltage measuring assembly group with 5 additional Output Relays (normally open)
- X5** – DI8-OR4: Assembly Group with 8 Digital Inputs and 4 Output Relays
- X6** – DI8-OR4: Assembly Group with 8 Digital Inputs and 4 Output Relays
- X103** – Profibus-DP, Fiber optics interface, ST Connector
- X104** – IRIG-B00X, incl. System Contact (Supervision Contact)

MRA4-2E0BDB

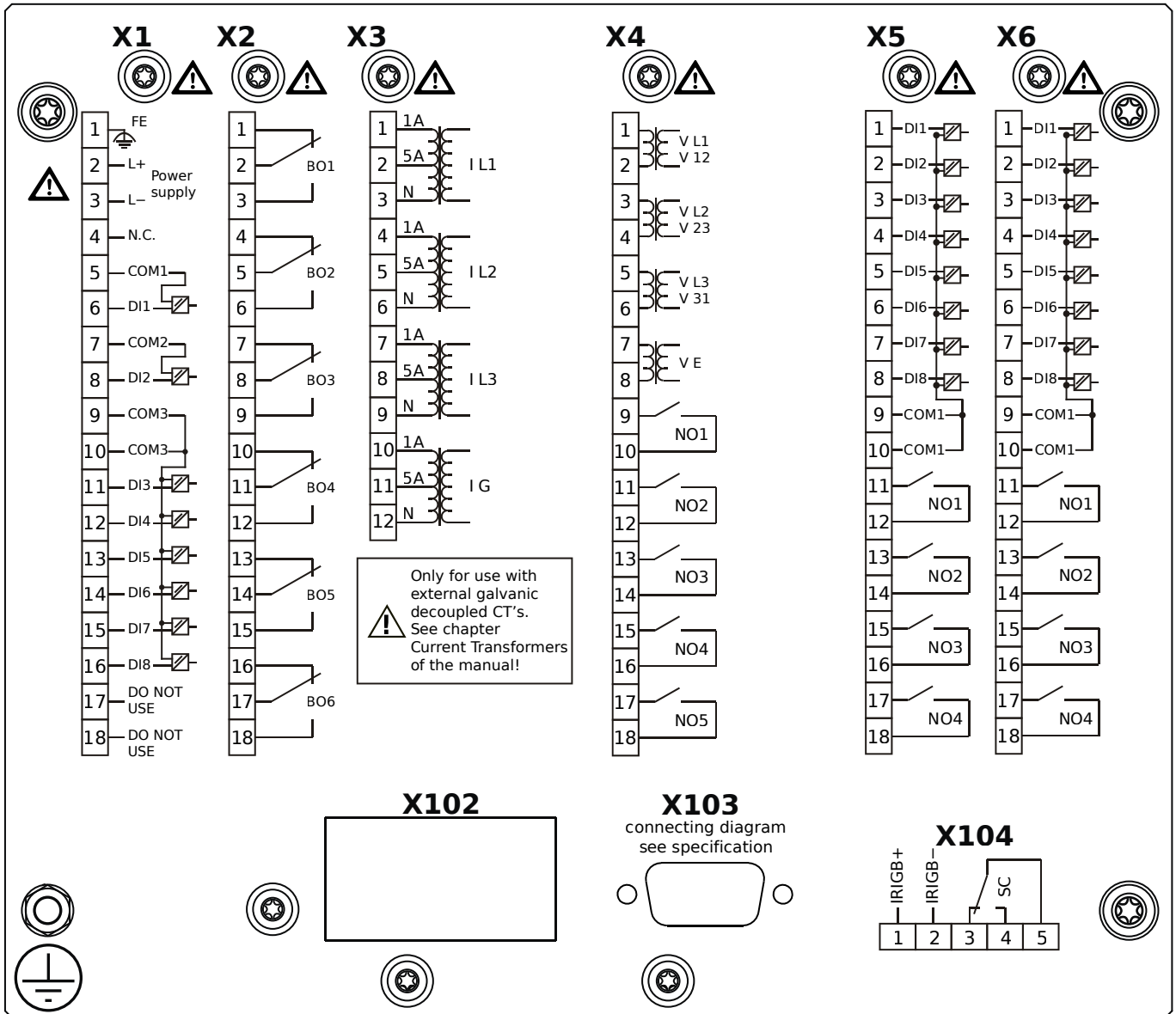


Housing B2, small display, 19" rack mounting

+ Conformal Coating (for installations in harsh environment)

- X1** – DI8-X1: Wide-range power supply unit, incl. 2 non-grouped digital inputs and 6 grouped digital inputs
- X2** – OR6: Assembly Group with 6 Output Relays
- X3** – TI: Standard current measuring card
- X4** – TU-OR5: Voltage measuring assembly group with 5 additional Output Relays (normally open)
- X5** – DI8-OR4: Assembly Group with 8 Digital Inputs and 4 Output Relays
- X6** – DI8-OR4: Assembly Group with 8 Digital Inputs and 4 Output Relays
- X103** – Profibus-DP, Fiber optics interface, ST Connector
- X104** – IRIG-B00X, incl. System Contact (Supervision Contact)

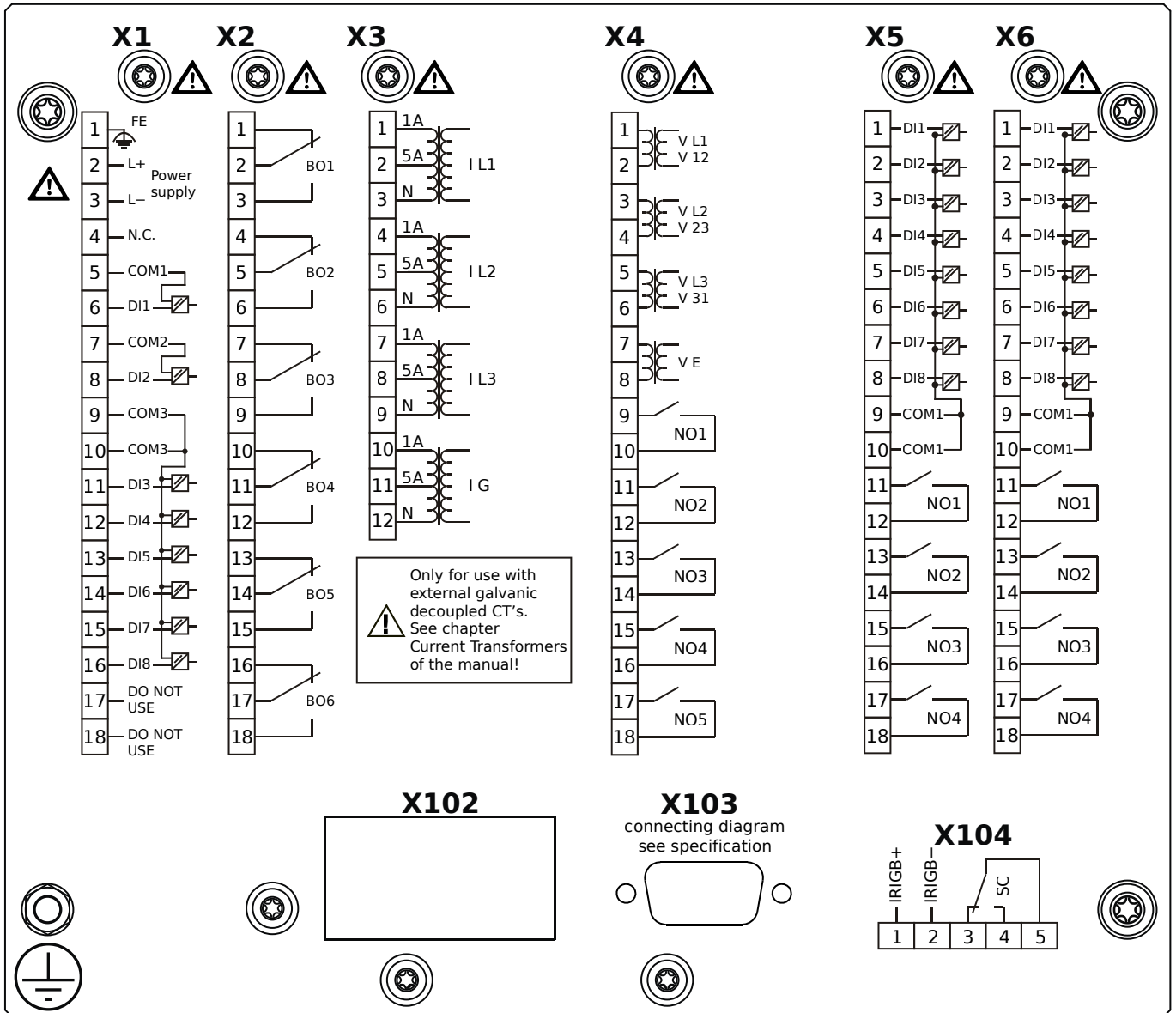
MRA4-2E0BEA



Housing B2, small display, 19" rack mounting

- X1** – DI8-X1: Wide-range power supply unit, incl. 2 non-grouped digital inputs and 6 grouped digital inputs
- X2** – OR6: Assembly Group with 6 Output Relays
- X3** – TI: Standard current measuring card
- X4** – TU-OR5: Voltage measuring assembly group with 5 additional Output Relays (normally open)
- X5** – DI8-OR4: Assembly Group with 8 Digital Inputs and 4 Output Relays
- X6** – DI8-OR4: Assembly Group with 8 Digital Inputs and 4 Output Relays
- X103** – Profibus-DP, RS485, D-SUB
- X104** – IRIG-B00X, incl. System Contact (Supervision Contact)

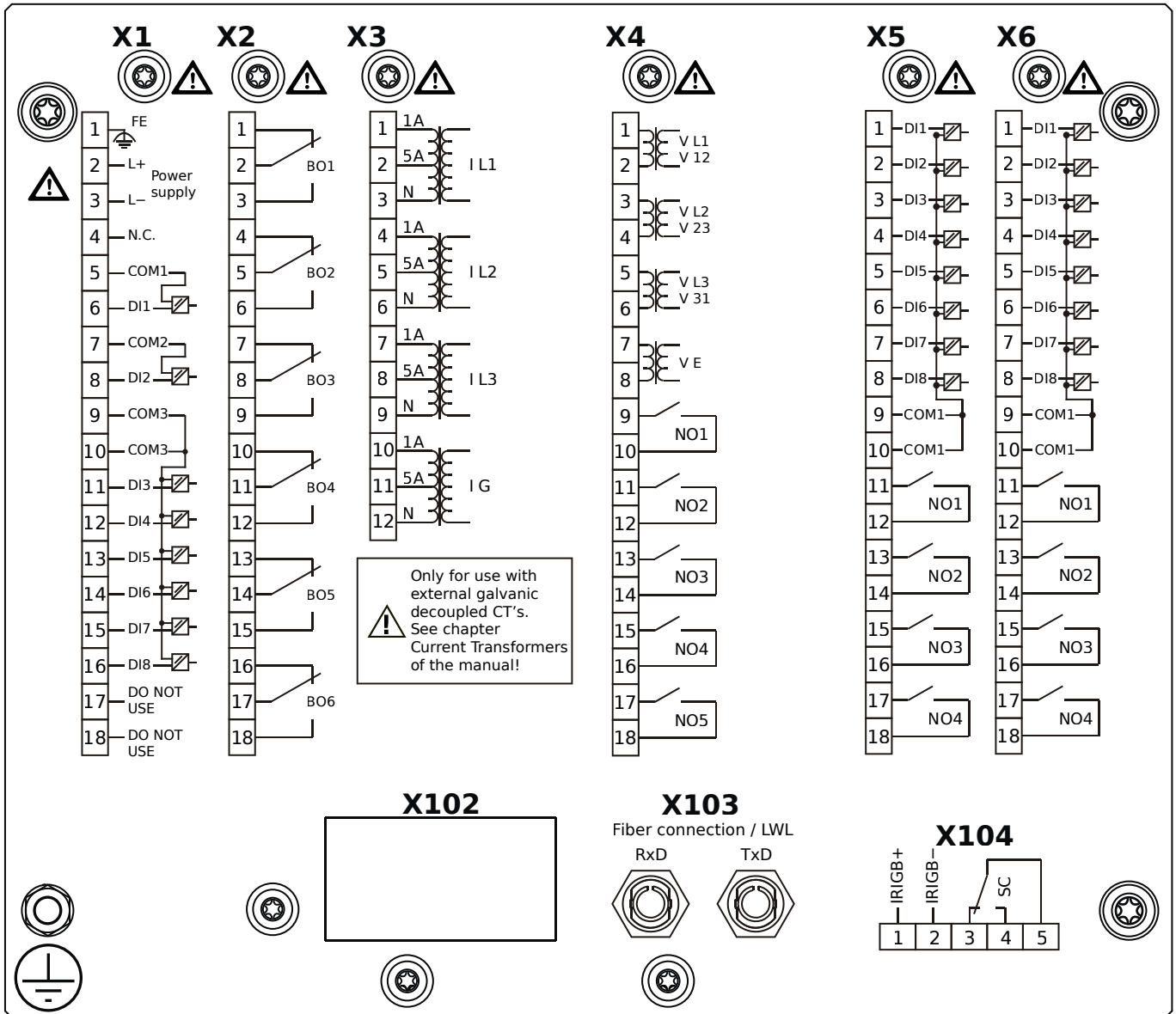
MRA4-2E0BEB



Housing B2, small display, 19" rack mounting

- + Conformal Coating (for installations in harsh environment)
- X1** – DI8-X1: Wide-range power supply unit, incl. 2 non-grouped digital inputs and 6 grouped digital inputs
- X2** – OR6: Assembly Group with 6 Output Relays
- X3** – TI: Standard current measuring card
- X4** – TU-OR5: Voltage measuring assembly group with 5 additional Output Relays (normally open)
- X5** – DI8-OR4: Assembly Group with 8 Digital Inputs and 4 Output Relays
- X6** – DI8-OR4: Assembly Group with 8 Digital Inputs and 4 Output Relays
- X103** – Profibus-DP, RS485, D-SUB
- X104** – IRIG-B00X, incl. System Contact (Supervision Contact)

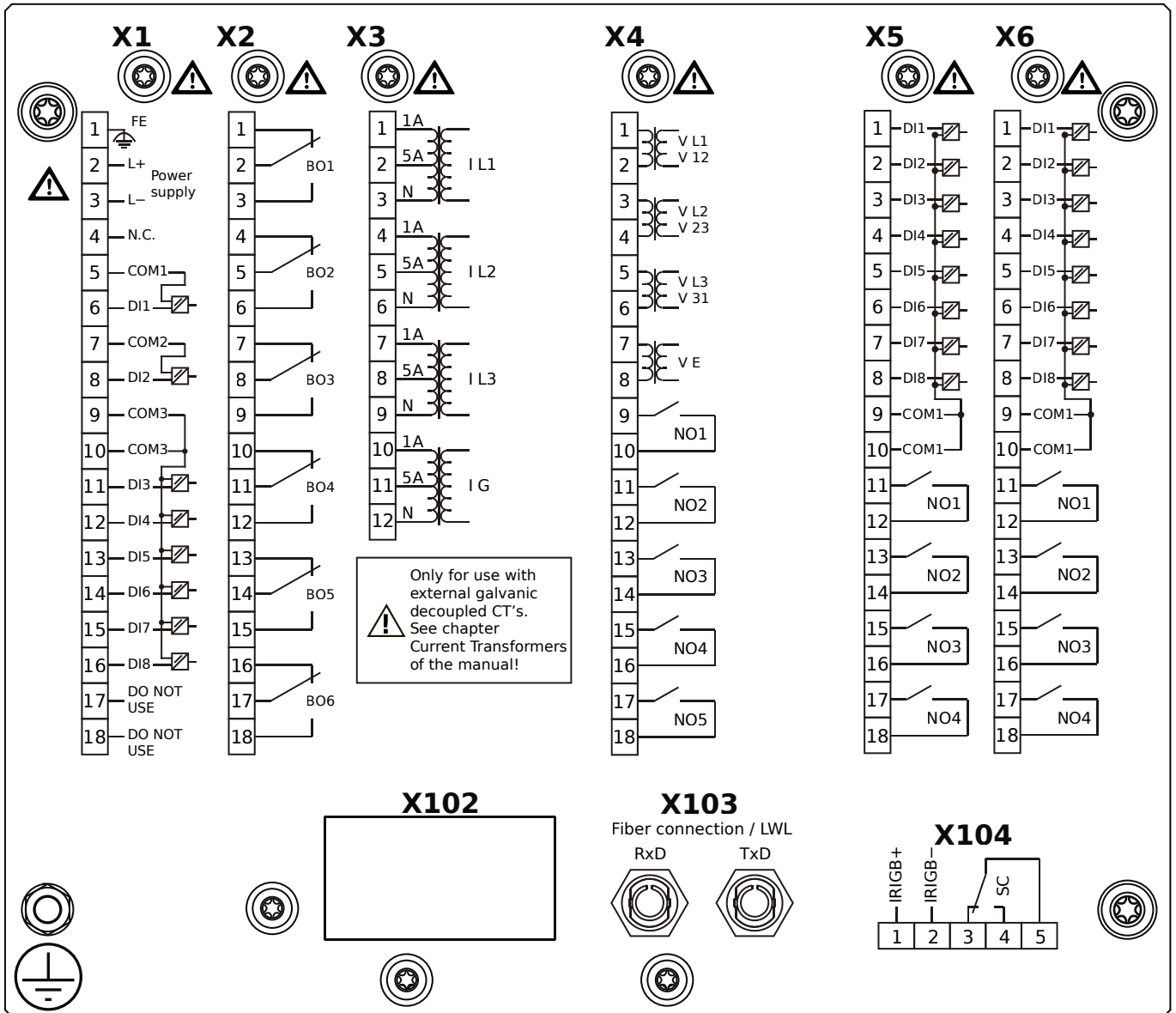
MRA4-2E0BFA



Housing B2, small display, 19" rack mounting

- X1** – DI8-X1: Wide-range power supply unit, incl. 2 non-grouped digital inputs and 6 grouped digital inputs
- X2** – OR6: Assembly Group with 6 Output Relays
- X3** – TI: Standard current measuring card
- X4** – TU-OR5: Voltage measuring assembly group with 5 additional Output Relays (normally open)
- X5** – DI8-OR4: Assembly Group with 8 Digital Inputs and 4 Output Relays
- X6** – DI8-OR4: Assembly Group with 8 Digital Inputs and 4 Output Relays
- X103** – Modbus RTU / IEC 60870-5-103 / DNP3.0 RTU, Fiber optics interface, ST Connector
- X104** – IRIG-B00X, incl. System Contact (Supervision Contact)

MRA4-2E0BFB

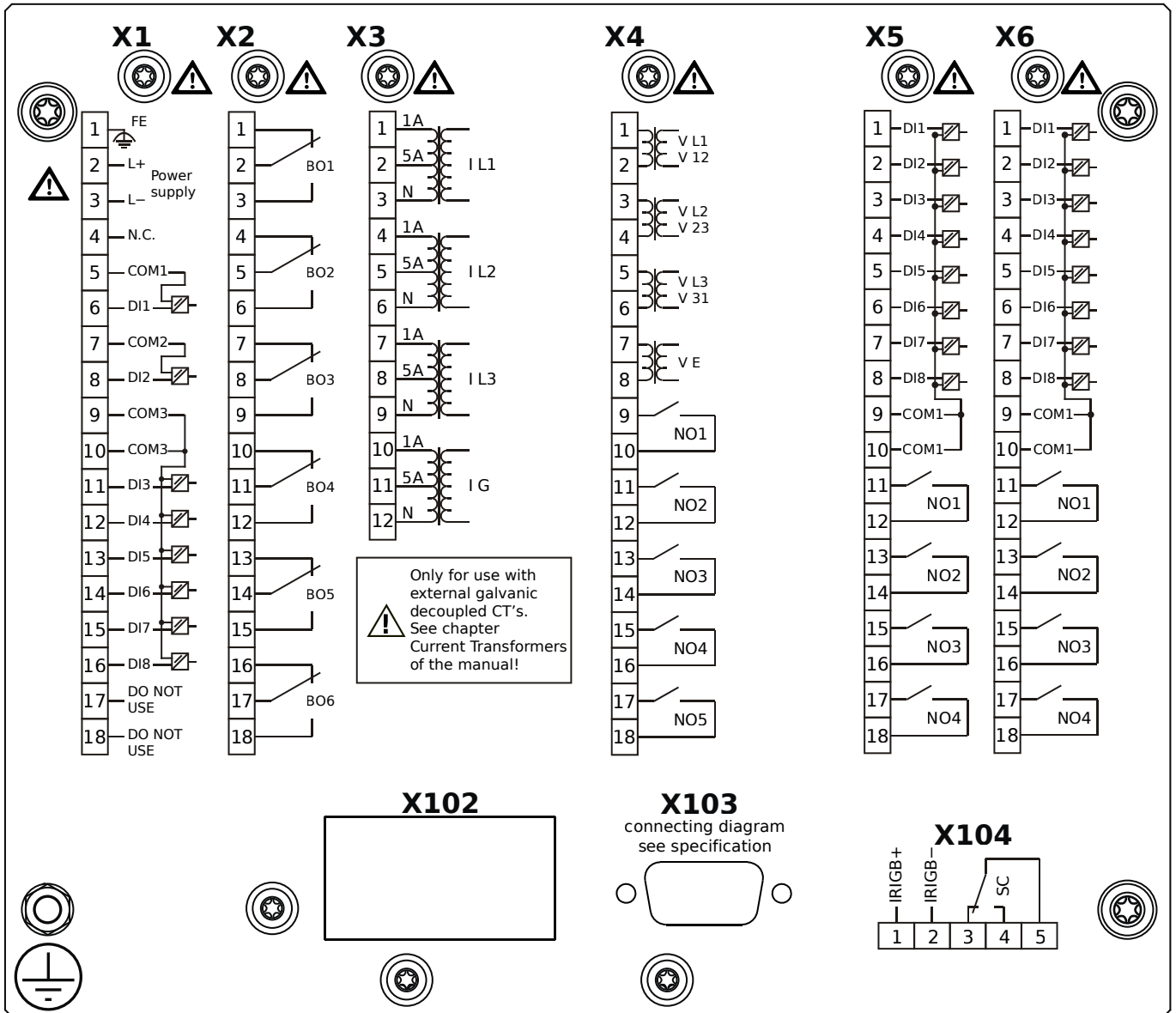


Housing B2, small display, 19" rack mounting

+ Conformal Coating (for installations in harsh environment)

- X1** – DI8-X1: Wide-range power supply unit, incl. 2 non-grouped digital inputs and 6 grouped digital inputs
- X2** – OR6: Assembly Group with 6 Output Relays
- X3** – TI: Standard current measuring card
- X4** – TU-OR5: Voltage measuring assembly group with 5 additional Output Relays (normally open)
- X5** – DI8-OR4: Assembly Group with 8 Digital Inputs and 4 Output Relays
- X6** – DI8-OR4: Assembly Group with 8 Digital Inputs and 4 Output Relays
- X103** – Modbus RTU / IEC 60870-5-103 / DNP3.0 RTU, Fiber optics interface, ST Connector
- X104** – IRIG-B00X, incl. System Contact (Supervision Contact)

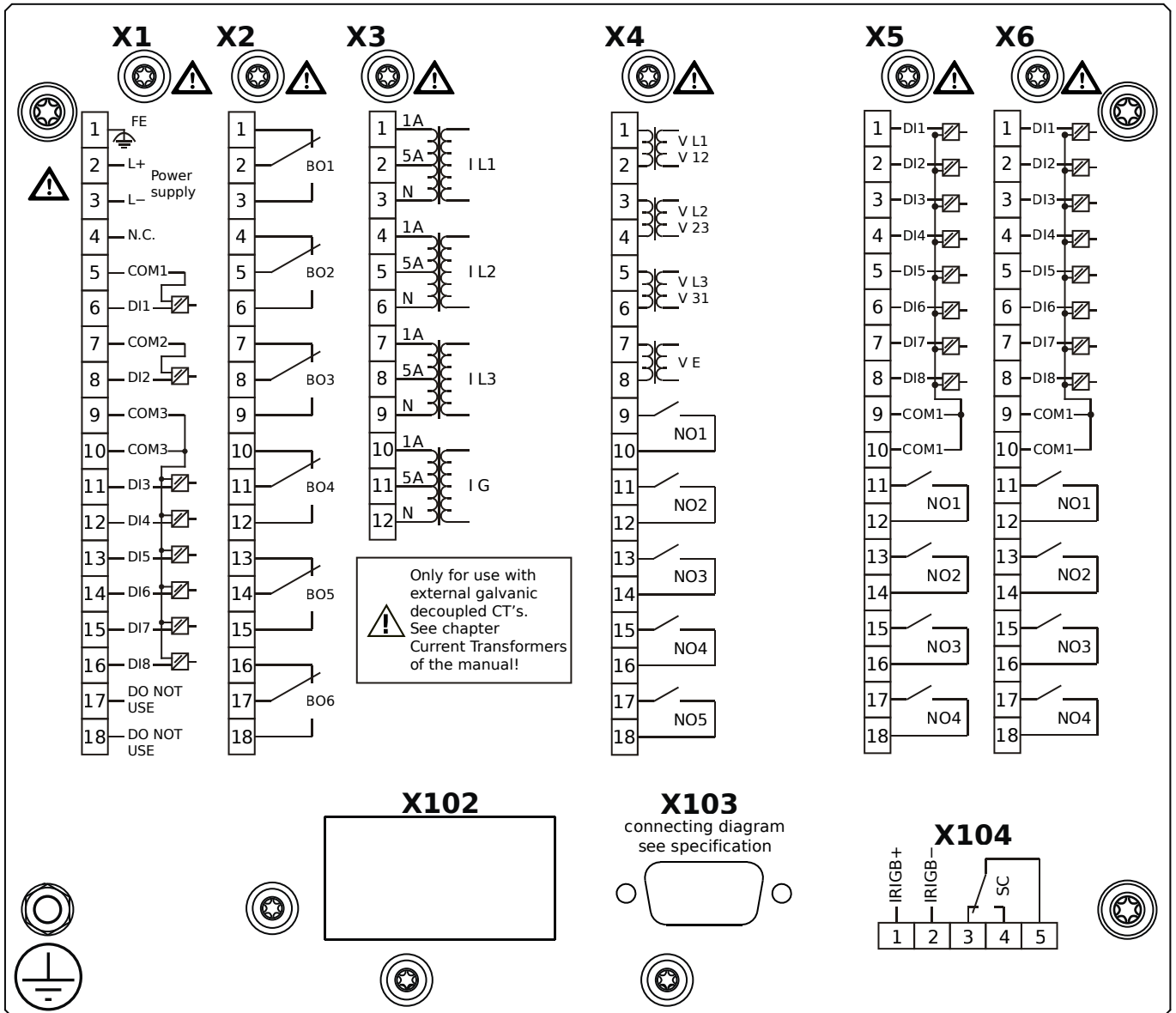
MRA4-2E0BGA



Housing B2, small display, 19" rack mounting

- X1** – DI8-X1: Wide-range power supply unit, incl. 2 non-grouped digital inputs and 6 grouped digital inputs
- X2** – OR6: Assembly Group with 6 Output Relays
- X3** – TI: Standard current measuring card
- X4** – TU-OR5: Voltage measuring assembly group with 5 additional Output Relays (normally open)
- X5** – DI8-OR4: Assembly Group with 8 Digital Inputs and 4 Output Relays
- X6** – DI8-OR4: Assembly Group with 8 Digital Inputs and 4 Output Relays
- X103** – Modbus RTU / IEC 60870-5-103 / DNP3.0 RTU, RS485, D-SUB
- X104** – IRIG-B00X, incl. System Contact (Supervision Contact)

MRA4-2E0BGB

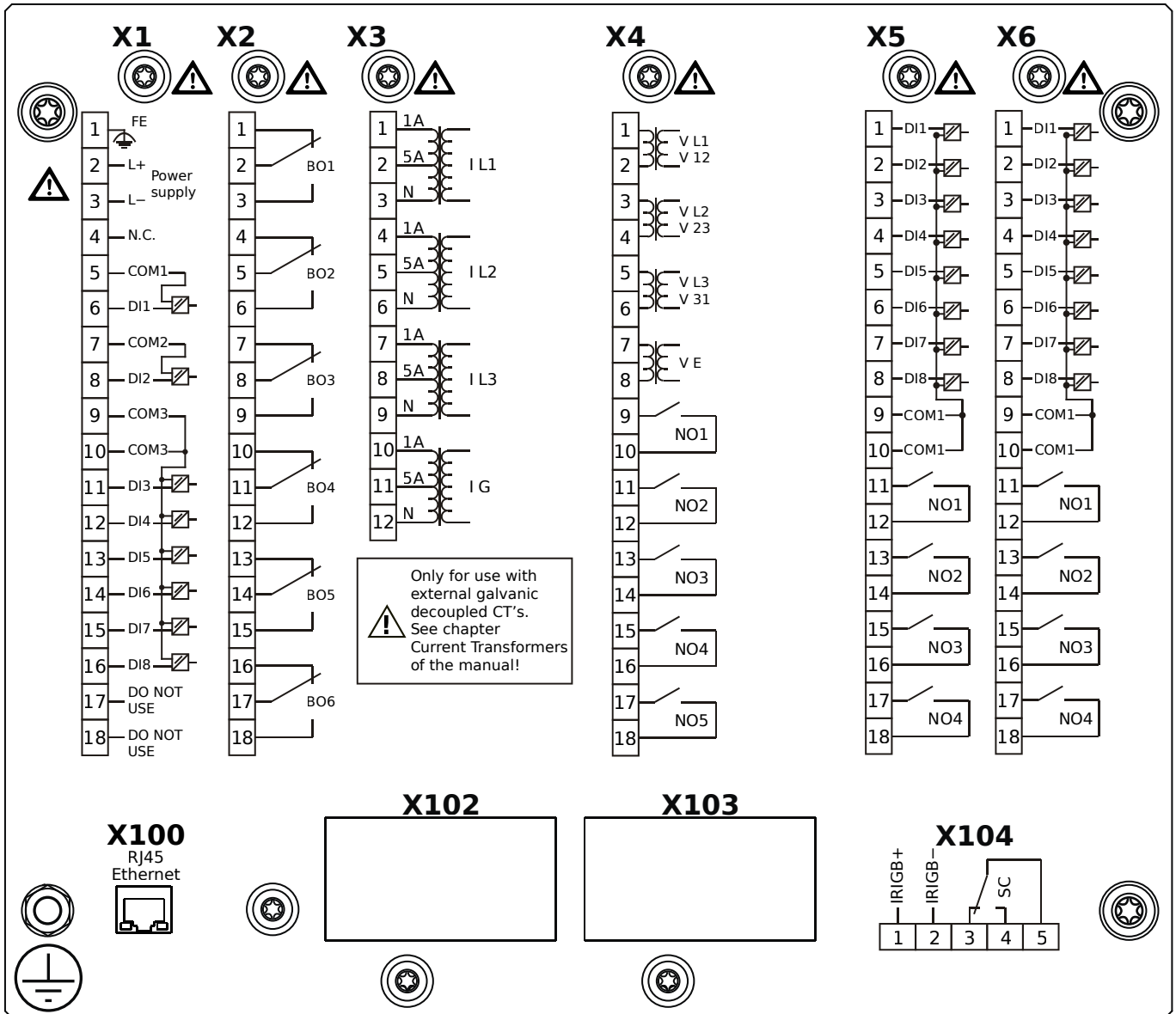


Housing B2, small display, 19" rack mounting

+ Conformal Coating (for installations in harsh environment)

- X1** – DI8-X1: Wide-range power supply unit, incl. 2 non-grouped digital inputs and 6 grouped digital inputs
- X2** – OR6: Assembly Group with 6 Output Relays
- X3** – TI: Standard current measuring card
- X4** – TU-OR5: Voltage measuring assembly group with 5 additional Output Relays (normally open)
- X5** – DI8-OR4: Assembly Group with 8 Digital Inputs and 4 Output Relays
- X6** – DI8-OR4: Assembly Group with 8 Digital Inputs and 4 Output Relays
- X103** – Modbus RTU / IEC 60870-5-103 / DNP3.0 RTU, RS485, D-SUB
- X104** – IRIG-B00X, incl. System Contact (Supervision Contact)

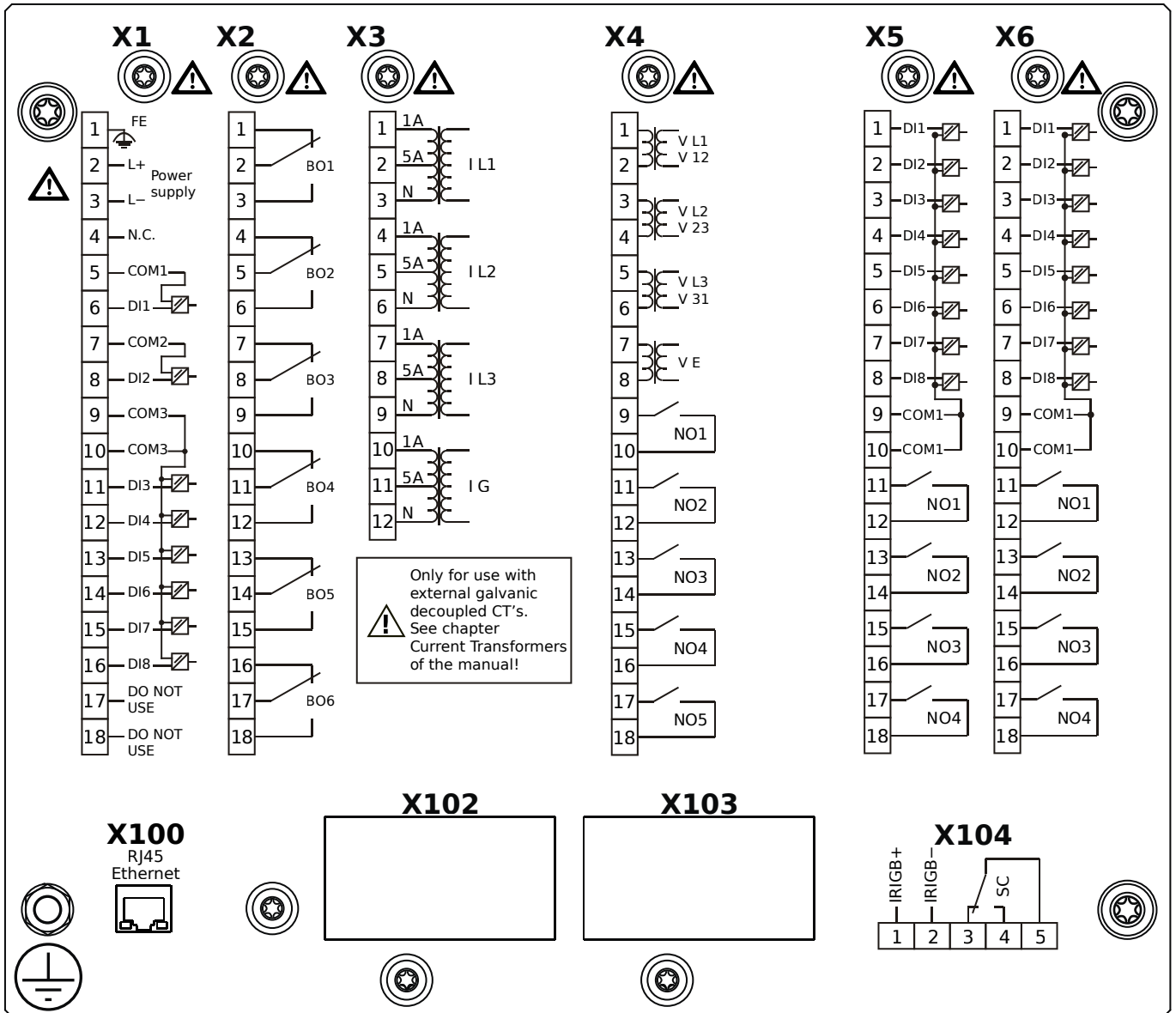
MRA4-2E0BHA



Housing B2, small display, 19" rack mounting

- X1** – DI8-X1: Wide-range power supply unit, incl. 2 non-grouped digital inputs and 6 grouped digital inputs
- X2** – OR6: Assembly Group with 6 Output Relays
- X3** – TI: Standard current measuring card
- X4** – TU-OR5: Voltage measuring assembly group with 5 additional Output Relays (normally open)
- X5** – DI8-OR4: Assembly Group with 8 Digital Inputs and 4 Output Relays
- X6** – DI8-OR4: Assembly Group with 8 Digital Inputs and 4 Output Relays
- X100** – IEC 61850 / Modbus TCP / DNP3.0 TCP/UDP, Ethernet interface, 100 Mbit/s, RJ45 (BASE100-FX)
- X104** – IRIG-B00X, incl. System Contact (Supervision Contact)

MRA4-2E0BHB



Housing B2, small display, 19" rack mounting

+ Conformal Coating (for installations in harsh environment)

X1 – DI8-X1: Wide-range power supply unit, incl. 2 non-grouped digital inputs and 6 grouped digital inputs

X2 – OR6: Assembly Group with 6 Output Relays

X3 – TI: Standard current measuring card

X4 – TU-OR5: Voltage measuring assembly group with 5 additional Output Relays (normally open)

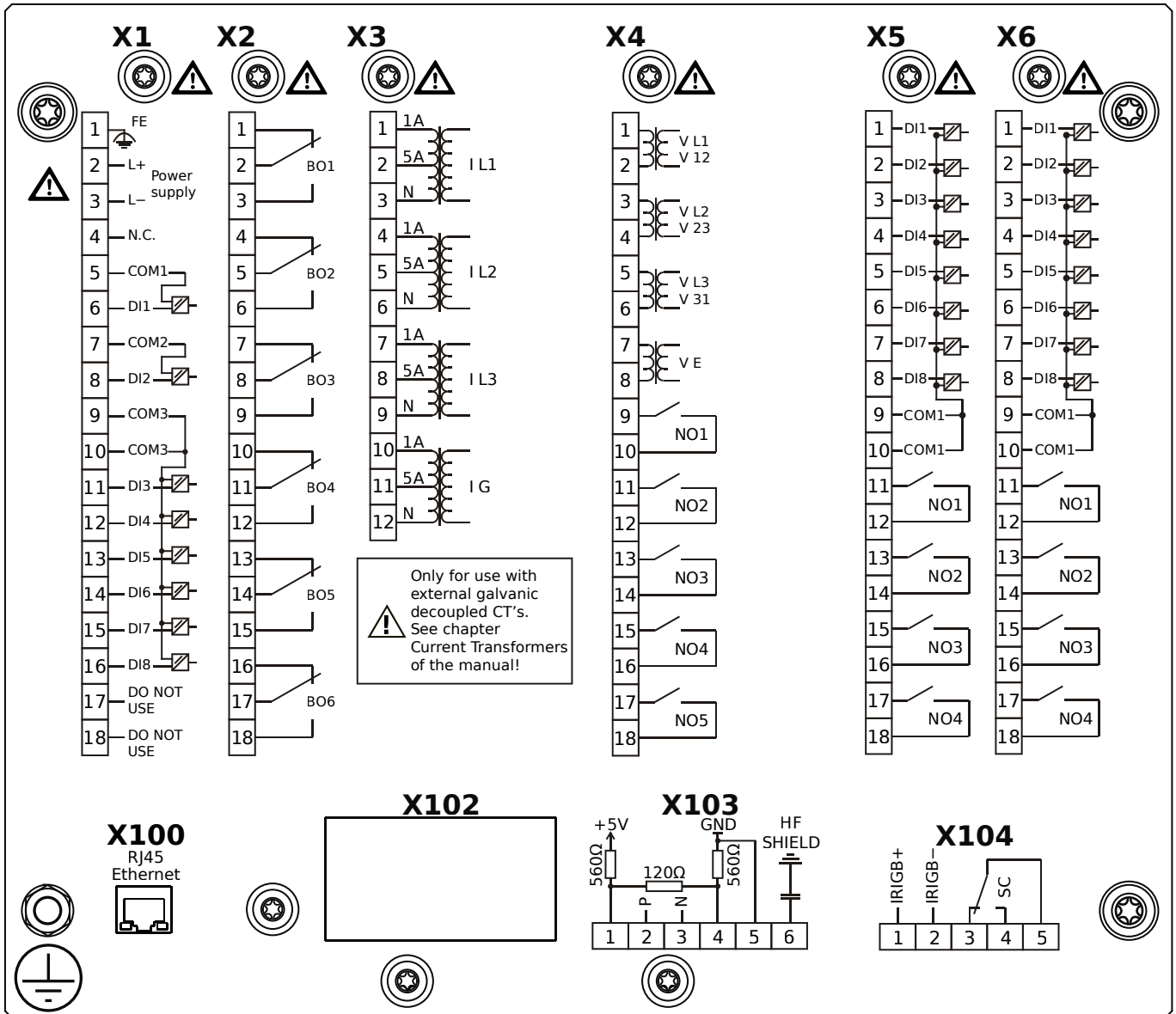
X5 – DI8-OR4: Assembly Group with 8 Digital Inputs and 4 Output Relays

X6 – DI8-OR4: Assembly Group with 8 Digital Inputs and 4 Output Relays

X100 – IEC 61850 / Modbus TCP / DNP3.0 TCP/UDP, Ethernet interface, 100 Mbit/s, RJ45 (BASE100-FX)

X104 – IRIG-B00X, incl. System Contact (Supervision Contact)

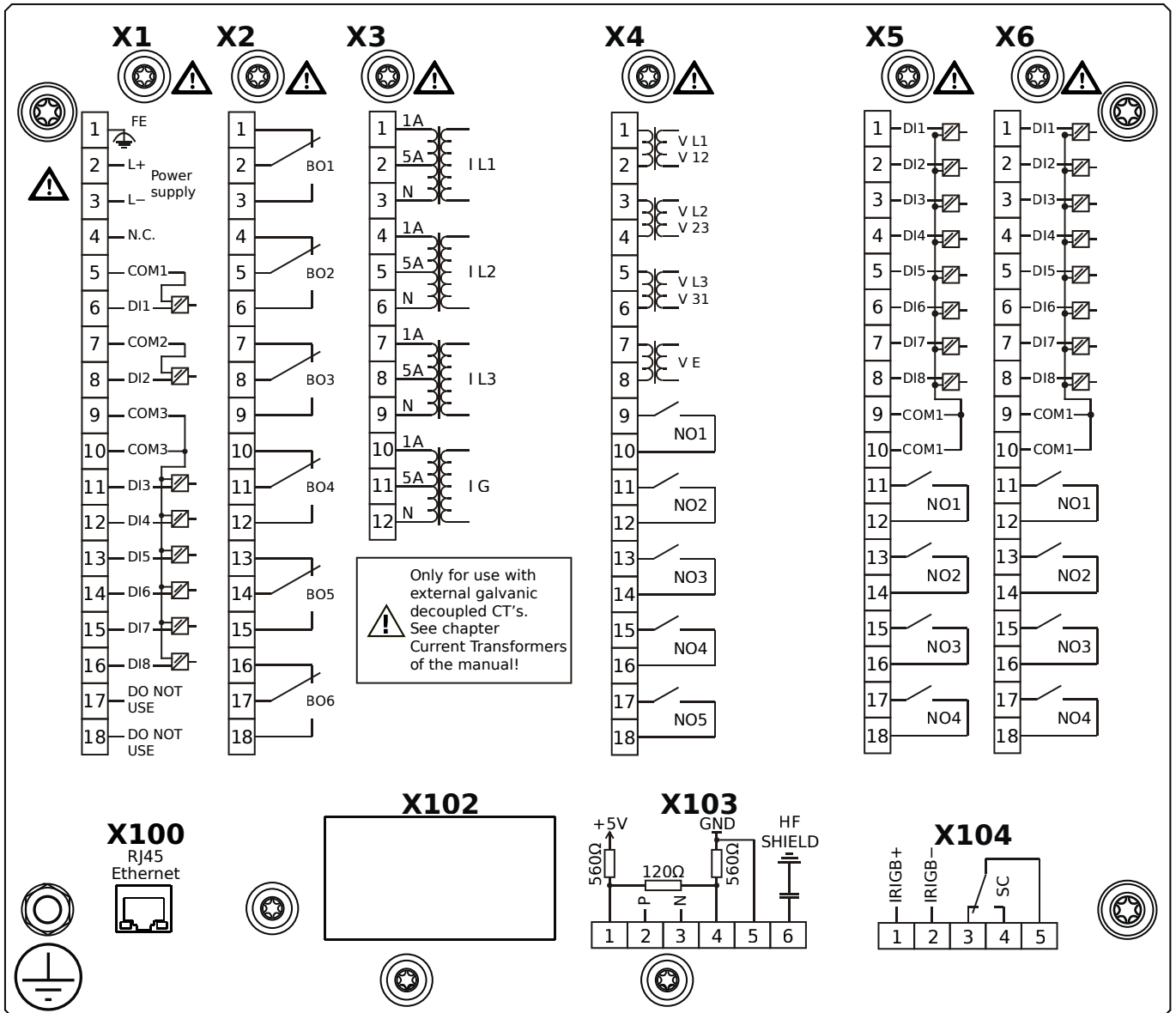
MRA4-2E0BIA



Housing B2, small display, 19" rack mounting

- X1** – DI8-X1: Wide-range power supply unit, incl. 2 non-grouped digital inputs and 6 grouped digital inputs
- X2** – OR6: Assembly Group with 6 Output Relays
- X3** – TI: Standard current measuring card
- X4** – TU-OR5: Voltage measuring assembly group with 5 additional Output Relays (normally open)
- X5** – DI8-OR4: Assembly Group with 8 Digital Inputs and 4 Output Relays
- X6** – DI8-OR4: Assembly Group with 8 Digital Inputs and 4 Output Relays
- X100** – Modbus TCP / DNP3.0 TCP/UDP, Ethernet interface, 100 Mbit/s, RJ45 (BASE100-FX)
- X103** – IEC 60870-5-103 / Modbus RTU / DNP3.0 RTU, RS485, Terminals
- X104** – IRIG-B00X, incl. System Contact (Supervision Contact)

MRA4-2E0BIB

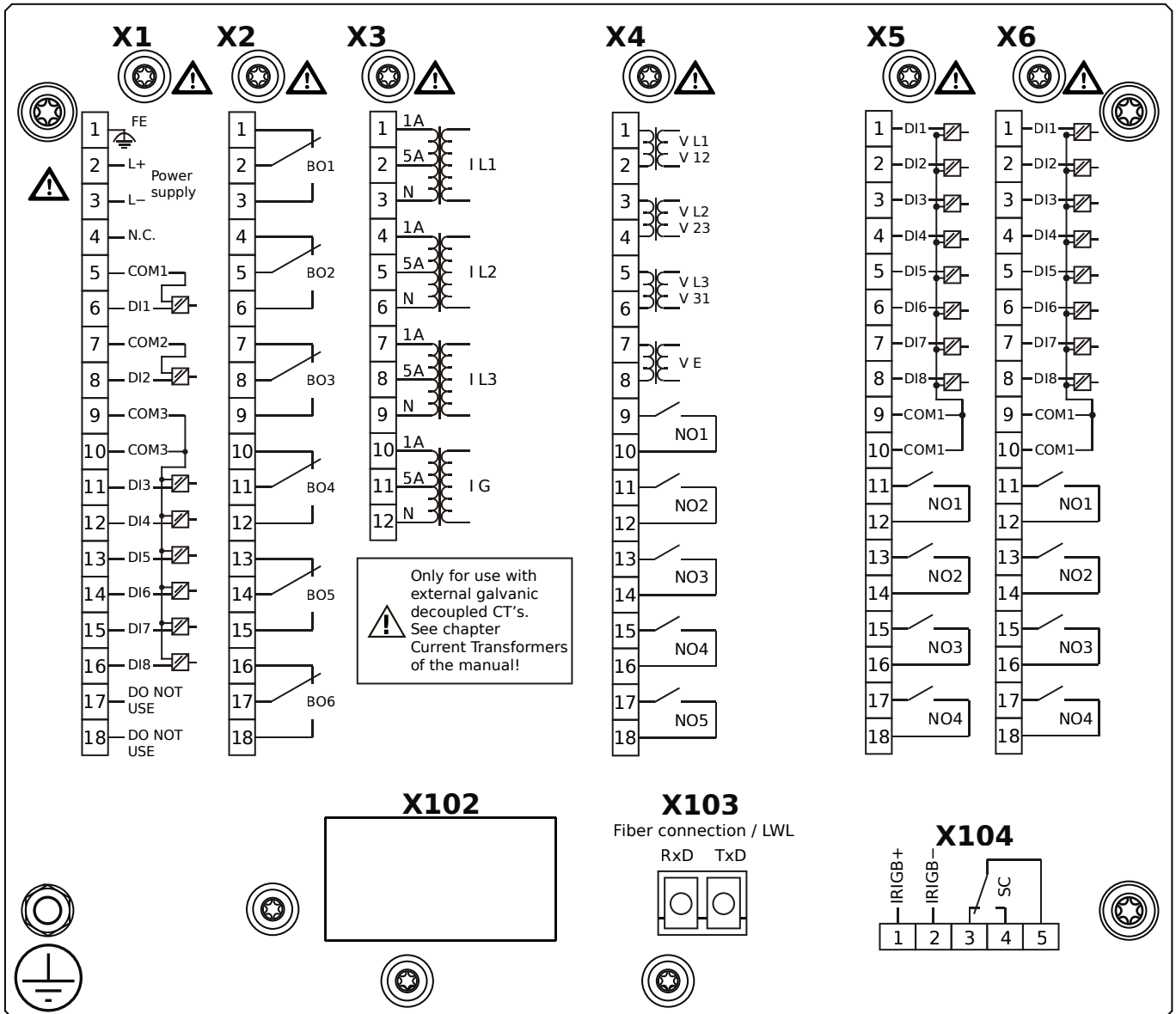


Housing B2, small display, 19" rack mounting

+ Conformal Coating (for installations in harsh environment)

- X1** – DI8-X1: Wide-range power supply unit, incl. 2 non-grouped digital inputs and 6 grouped digital inputs
- X2** – OR6: Assembly Group with 6 Output Relays
- X3** – TI: Standard current measuring card
- X4** – TU-OR5: Voltage measuring assembly group with 5 additional Output Relays (normally open)
- X5** – DI8-OR4: Assembly Group with 8 Digital Inputs and 4 Output Relays
- X6** – DI8-OR4: Assembly Group with 8 Digital Inputs and 4 Output Relays
- X100** – Modbus TCP / DNP3.0 TCP/UDP, Ethernet interface, 100 Mbit/s, RJ45 (BASE100-FX)
- X103** – IEC 60870-5-103 / Modbus RTU / DNP3.0 RTU, RS485, Terminals
- X104** – IRIG-B00X, incl. System Contact (Supervision Contact)

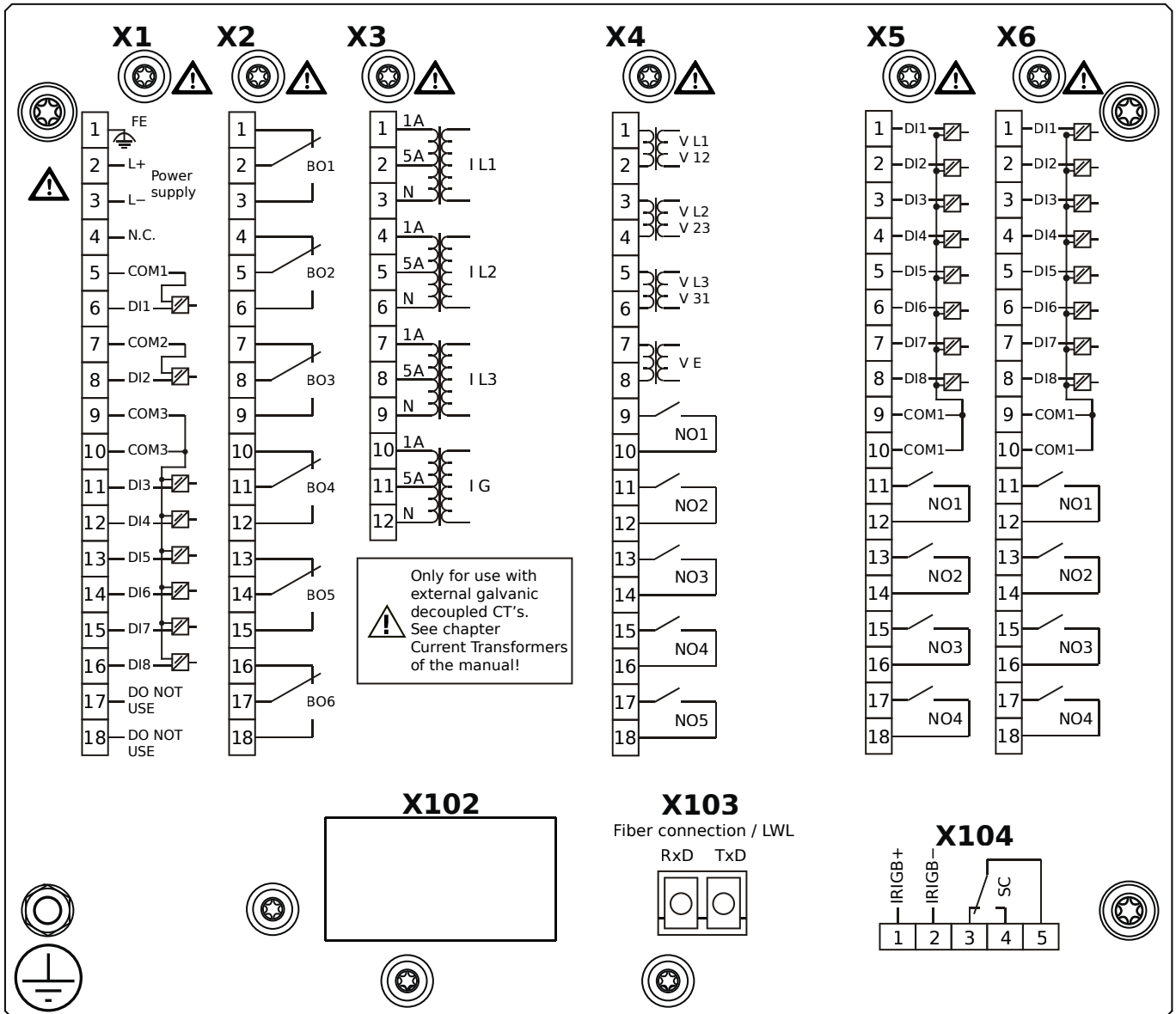
MRA4-2E0BKA



Housing B2, small display, 19" rack mounting

- X1** – DI8-X1: Wide-range power supply unit, incl. 2 non-grouped digital inputs and 6 grouped digital inputs
- X2** – OR6: Assembly Group with 6 Output Relays
- X3** – TI: Standard current measuring card
- X4** – TU-OR5: Voltage measuring assembly group with 5 additional Output Relays (normally open)
- X5** – DI8-OR4: Assembly Group with 8 Digital Inputs and 4 Output Relays
- X6** – DI8-OR4: Assembly Group with 8 Digital Inputs and 4 Output Relays
- X103** – IEC 61850 / Modbus TCP / DNP3.0 TCP/UDP, Fiber optics interface, LC Connector
- X104** – IRIG-B00X, incl. System Contact (Supervision Contact)

MRA4-2E0BKB

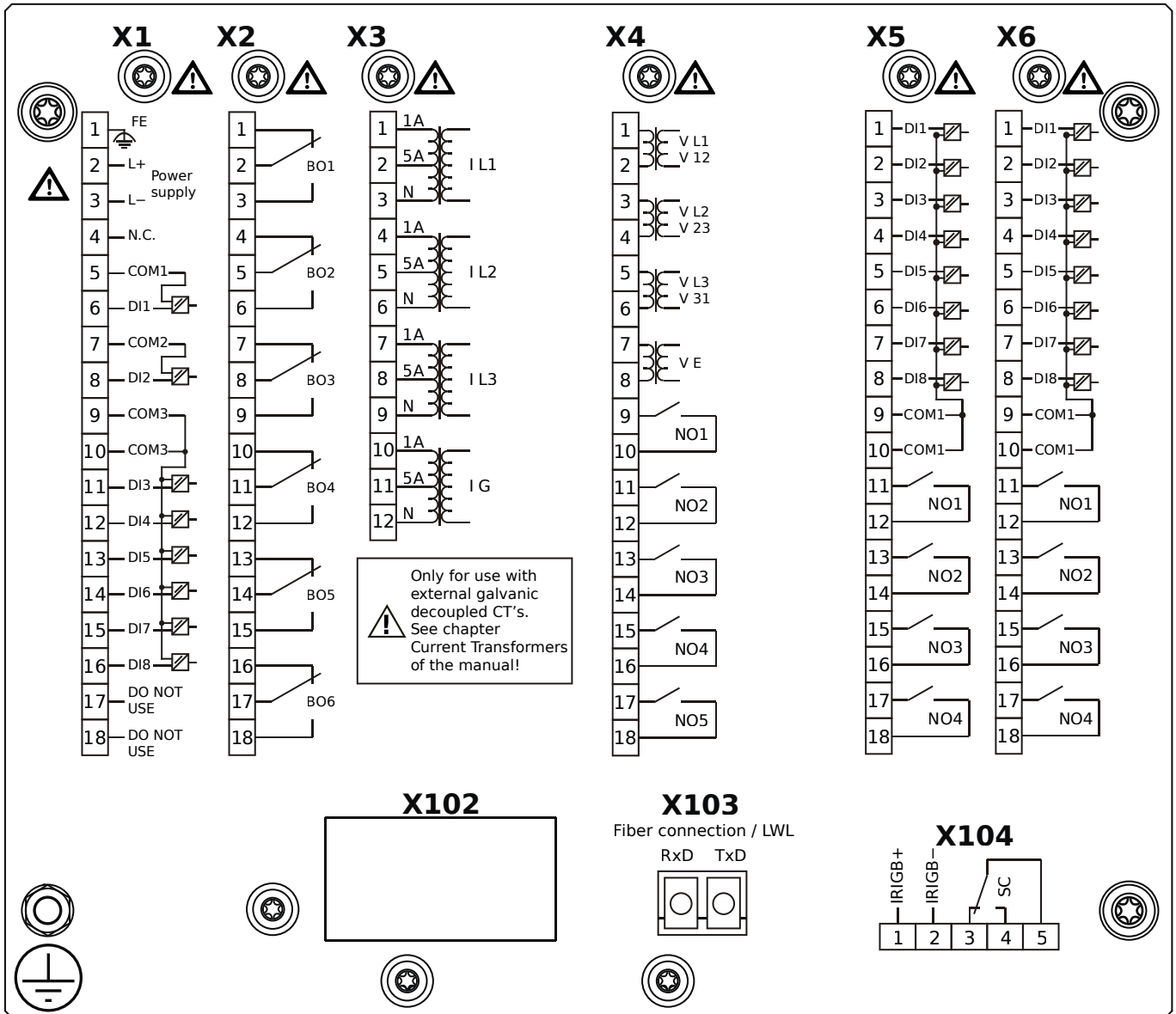


Housing B2, small display, 19" rack mounting

+ Conformal Coating (for installations in harsh environment)

- X1** – DI8-X1: Wide-range power supply unit, incl. 2 non-grouped digital inputs and 6 grouped digital inputs
- X2** – OR6: Assembly Group with 6 Output Relays
- X3** – TI: Standard current measuring card
- X4** – TU-OR5: Voltage measuring assembly group with 5 additional Output Relays (normally open)
- X5** – DI8-OR4: Assembly Group with 8 Digital Inputs and 4 Output Relays
- X6** – DI8-OR4: Assembly Group with 8 Digital Inputs and 4 Output Relays
- X103** – IEC 61850 / Modbus TCP / DNP3.0 TCP/UDP, Fiber optics interface, LC Connector
- X104** – IRIG-B00X, incl. System Contact (Supervision Contact)

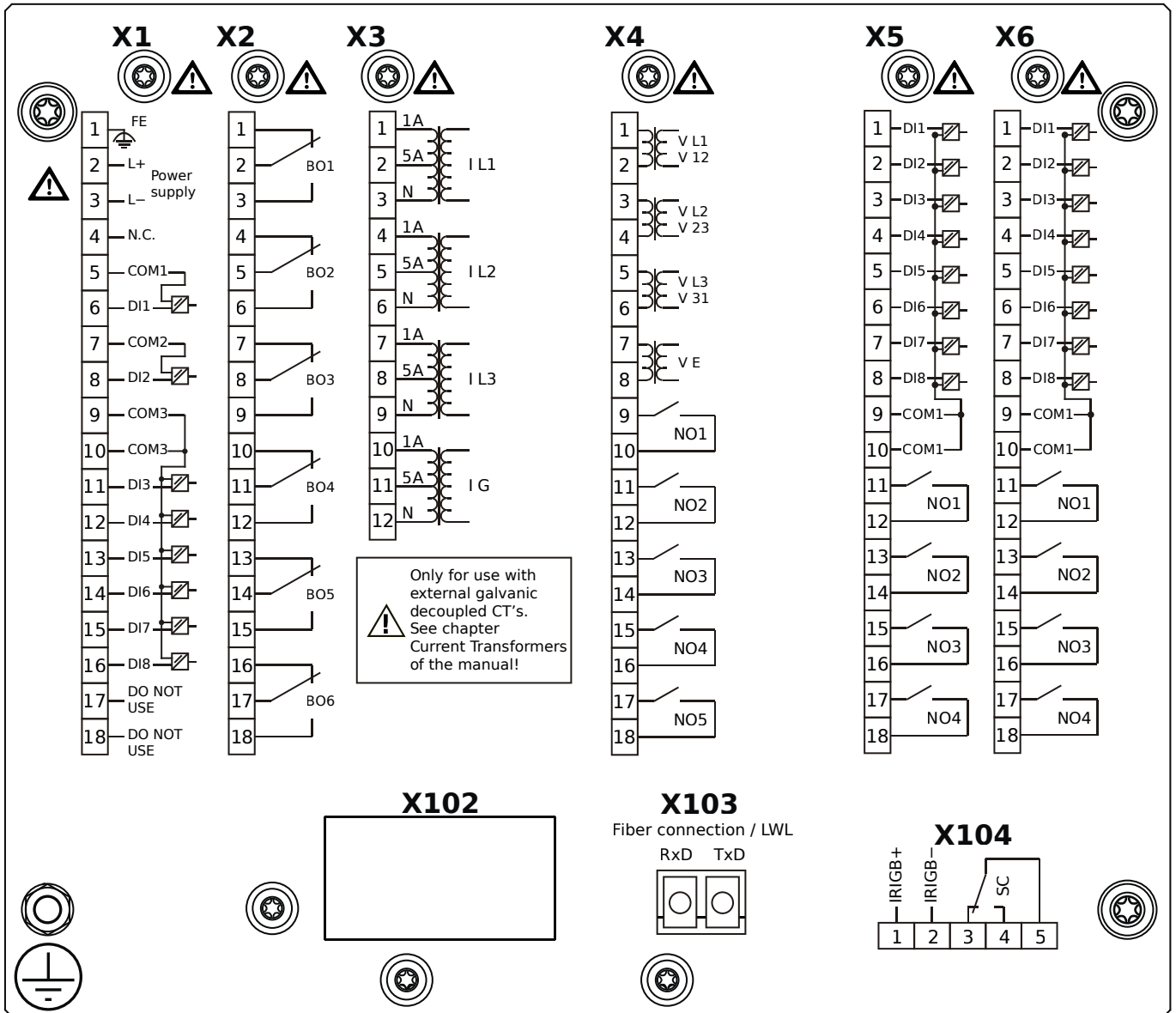
MRA4-2E0BLA



Housing B2, small display, 19" rack mounting

- X1** – DI8-X1: Wide-range power supply unit, incl. 2 non-grouped digital inputs and 6 grouped digital inputs
- X2** – OR6: Assembly Group with 6 Output Relays
- X3** – TI: Standard current measuring card
- X4** – TU-OR5: Voltage measuring assembly group with 5 additional Output Relays (normally open)
- X5** – DI8-OR4: Assembly Group with 8 Digital Inputs and 4 Output Relays
- X6** – DI8-OR4: Assembly Group with 8 Digital Inputs and 4 Output Relays
- X103** – Modbus TCP / DNP3.0 TCP/UDP, Fiber optics interface, LC Connector
- X104** – IRIG-B00X, incl. System Contact (Supervision Contact)

MRA4-2E0BLB

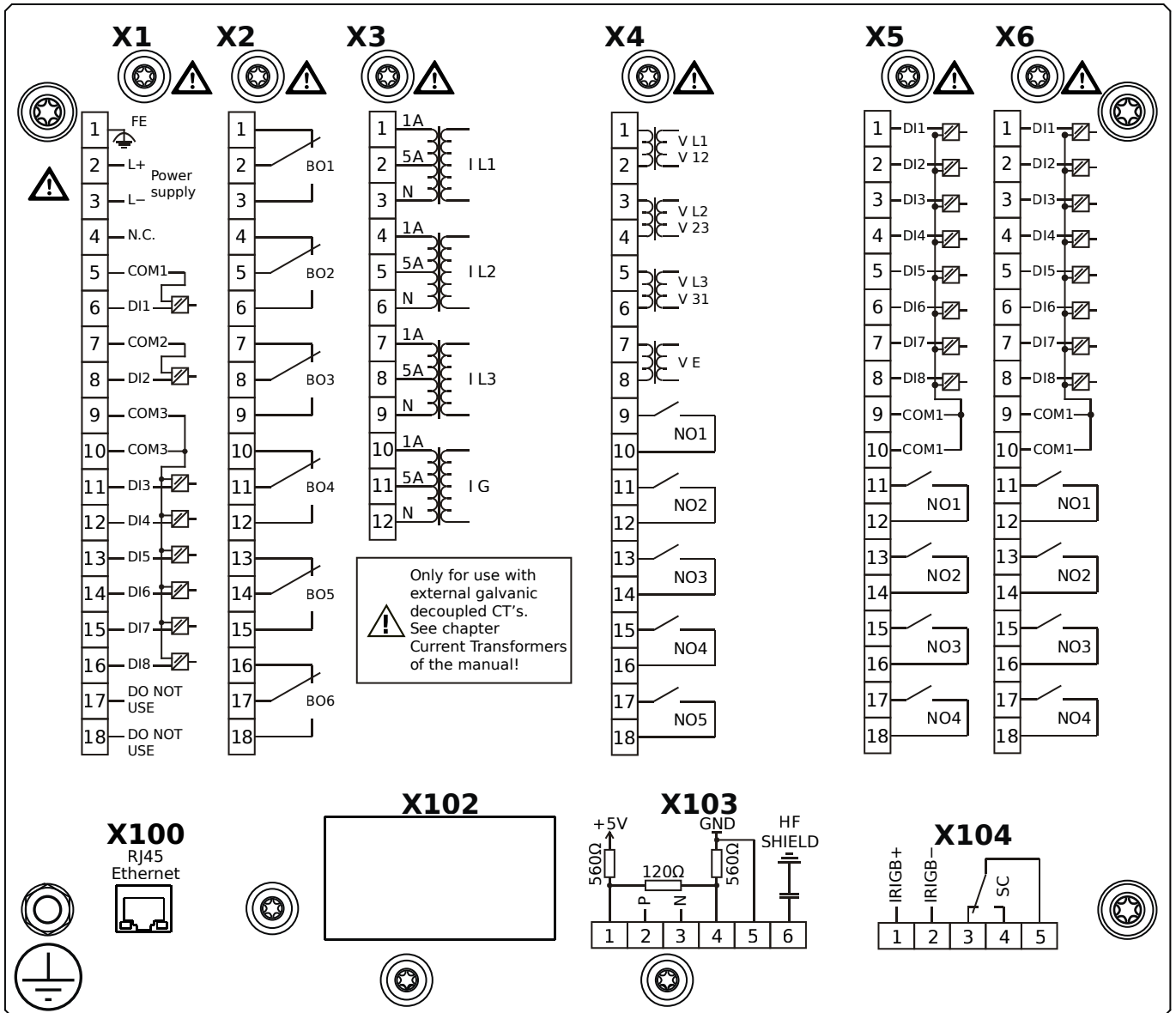


Housing B2, small display, 19" rack mounting

+ Conformal Coating (for installations in harsh environment)

- X1** – DI8-X1: Wide-range power supply unit, incl. 2 non-grouped digital inputs and 6 grouped digital inputs
- X2** – OR6: Assembly Group with 6 Output Relays
- X3** – TI: Standard current measuring card
- X4** – TU-OR5: Voltage measuring assembly group with 5 additional Output Relays (normally open)
- X5** – DI8-OR4: Assembly Group with 8 Digital Inputs and 4 Output Relays
- X6** – DI8-OR4: Assembly Group with 8 Digital Inputs and 4 Output Relays
- X103** – Modbus TCP / DNP3.0 TCP/UDP, Fiber optics interface, LC Connector
- X104** – IRIG-B00X, incl. System Contact (Supervision Contact)

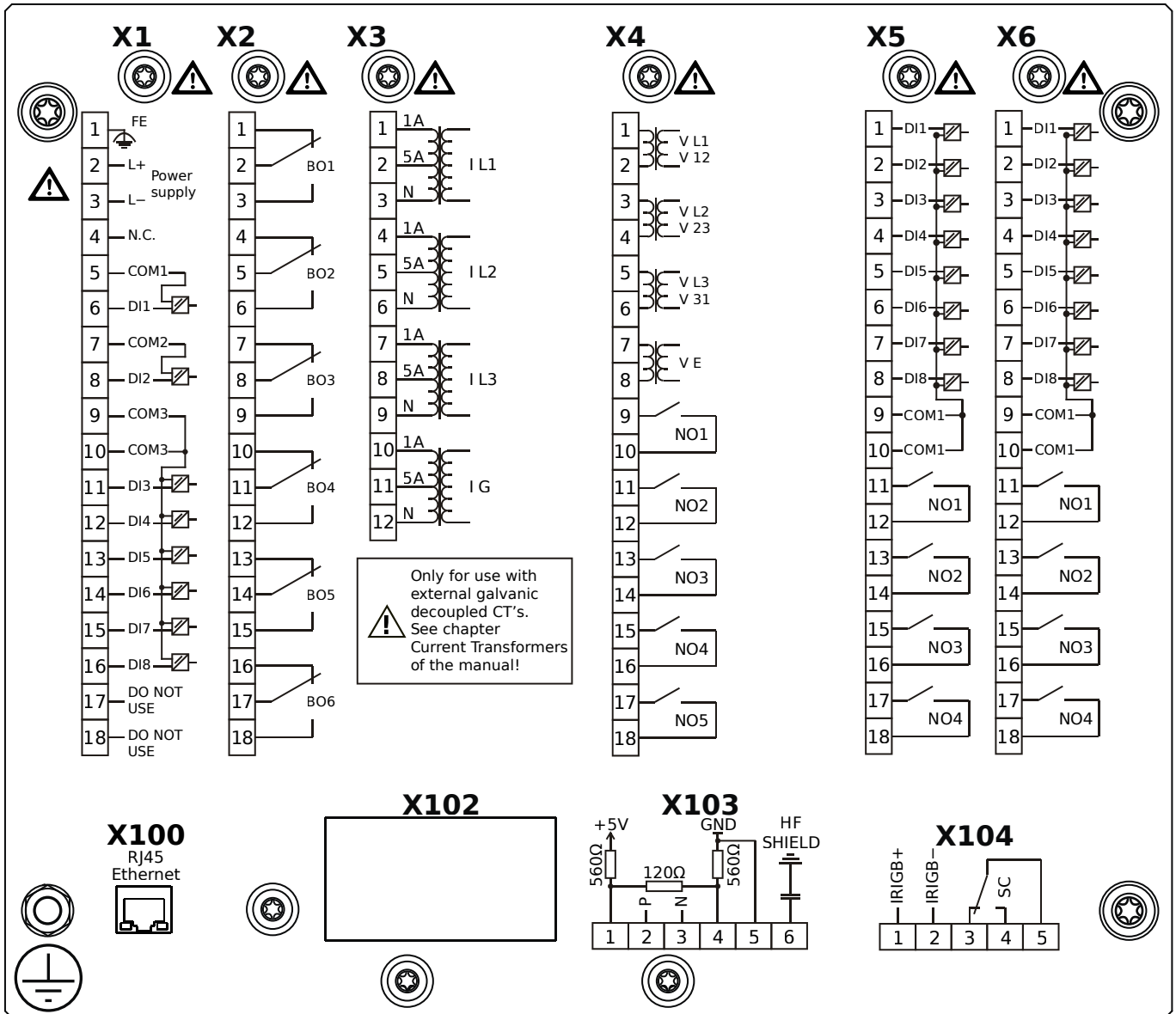
MRA4-2E0BTA



Housing B2, small display, 19" rack mounting

- X1** – DI8-X1: Wide-range power supply unit, incl. 2 non-grouped digital inputs and 6 grouped digital inputs
- X2** – OR6: Assembly Group with 6 Output Relays
- X3** – TI: Standard current measuring card
- X4** – TU-OR5: Voltage measuring assembly group with 5 additional Output Relays (normally open)
- X5** – DI8-OR4: Assembly Group with 8 Digital Inputs and 4 Output Relays
- X6** – DI8-OR4: Assembly Group with 8 Digital Inputs and 4 Output Relays
- X100** – IEC 61850 / Modbus TCP / DNP3.0 TCP/UDP, Ethernet interface, 100 Mbit/s, RJ45 (BASE100-FX)
- X103** – IEC 60870-5-103 / Modbus RTU / DNP3.0 RTU, RS485, Terminals
- X104** – IRIG-B00X, incl. System Contact (Supervision Contact)

MRA4-2E0BTB



Housing B2, small display, 19" rack mounting

+ Conformal Coating (for installations in harsh environment)

X1 – DI8-X1: Wide-range power supply unit, incl. 2 non-grouped digital inputs and 6 grouped digital inputs

X2 – OR6: Assembly Group with 6 Output Relays

X3 – TI: Standard current measuring card

X4 – TU-OR5: Voltage measuring assembly group with 5 additional Output Relays (normally open)

X5 – DI8-OR4: Assembly Group with 8 Digital Inputs and 4 Output Relays

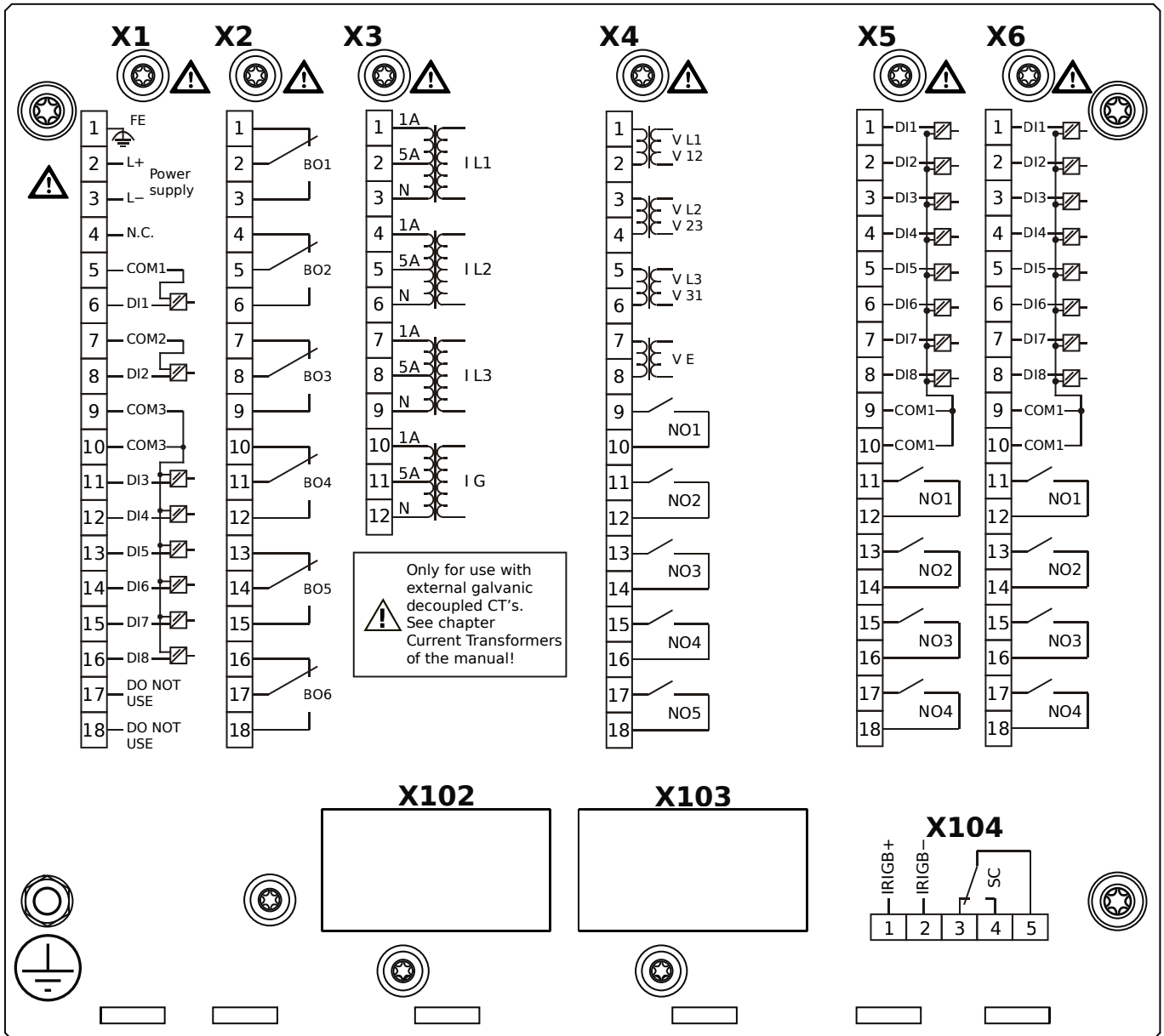
X6 – DI8-OR4: Assembly Group with 8 Digital Inputs and 4 Output Relays

X100 – IEC 61850 / Modbus TCP / DNP3.0 TCP/UDP, Ethernet interface, 100 Mbit/s, RJ45 (BASE100-FX)

X103 – IEC 60870-5-103 / Modbus RTU / DNP3.0 RTU, RS485, Terminals

X104 – IRIG-B00X, incl. System Contact (Supervision Contact)

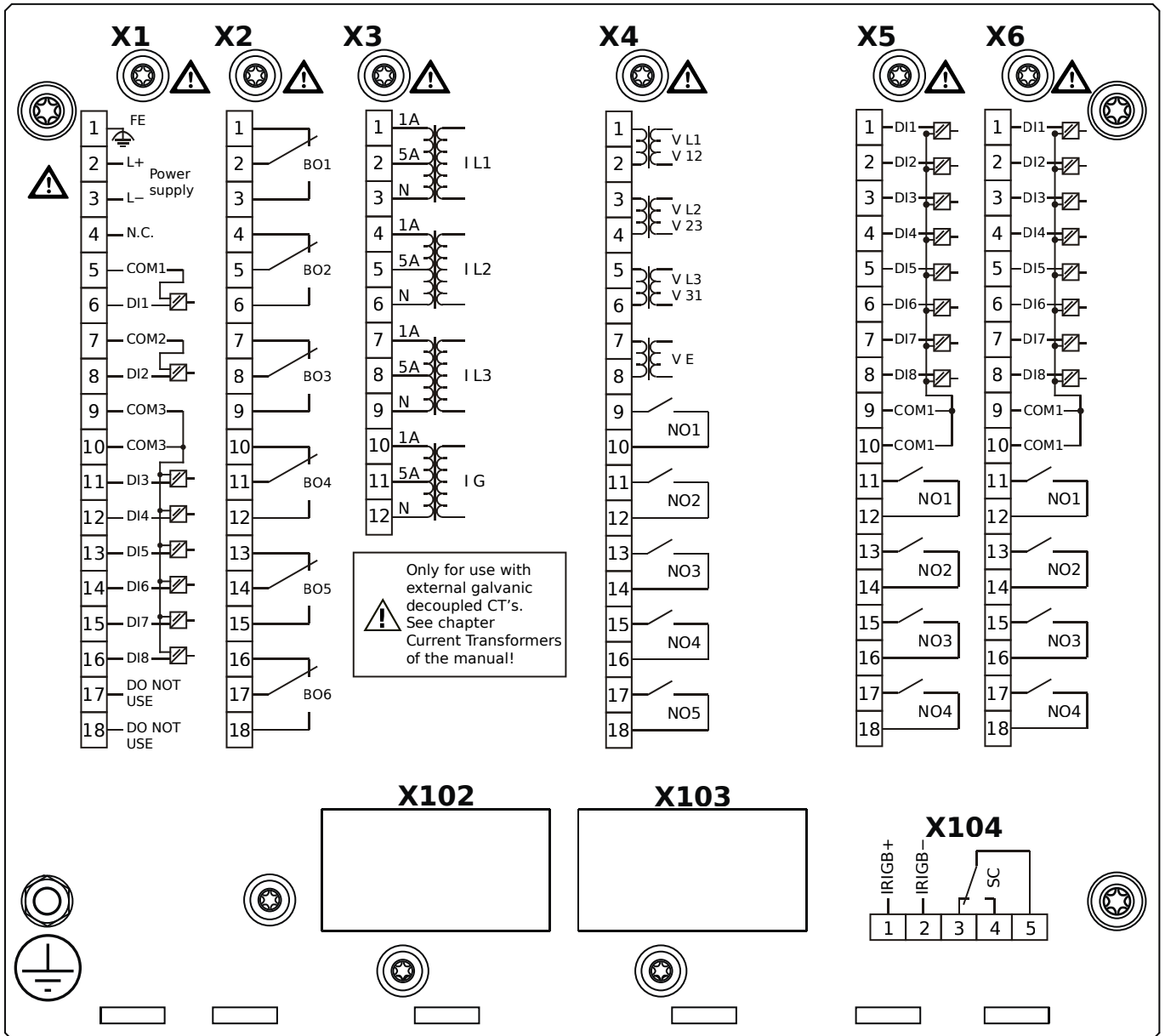
MRA4-2E0HAA



Housing B2, small display, door mounting

- X1** – DI8-X1: Wide-range power supply unit, incl. 2 non-grouped digital inputs and 6 grouped digital inputs
- X2** – OR6: Assembly Group with 6 Output Relays
- X3** – TI: Standard current measuring card
- X4** – TU-OR5: Voltage measuring assembly group with 5 additional Output Relays (normally open)
- X5** – DI8-OR4: Assembly Group with 8 Digital Inputs and 4 Output Relays
- X6** – DI8-OR4: Assembly Group with 8 Digital Inputs and 4 Output Relays
- X104** – IRIG-B00X, incl. System Contact (Supervision Contact)

MRA4-2E0HAB

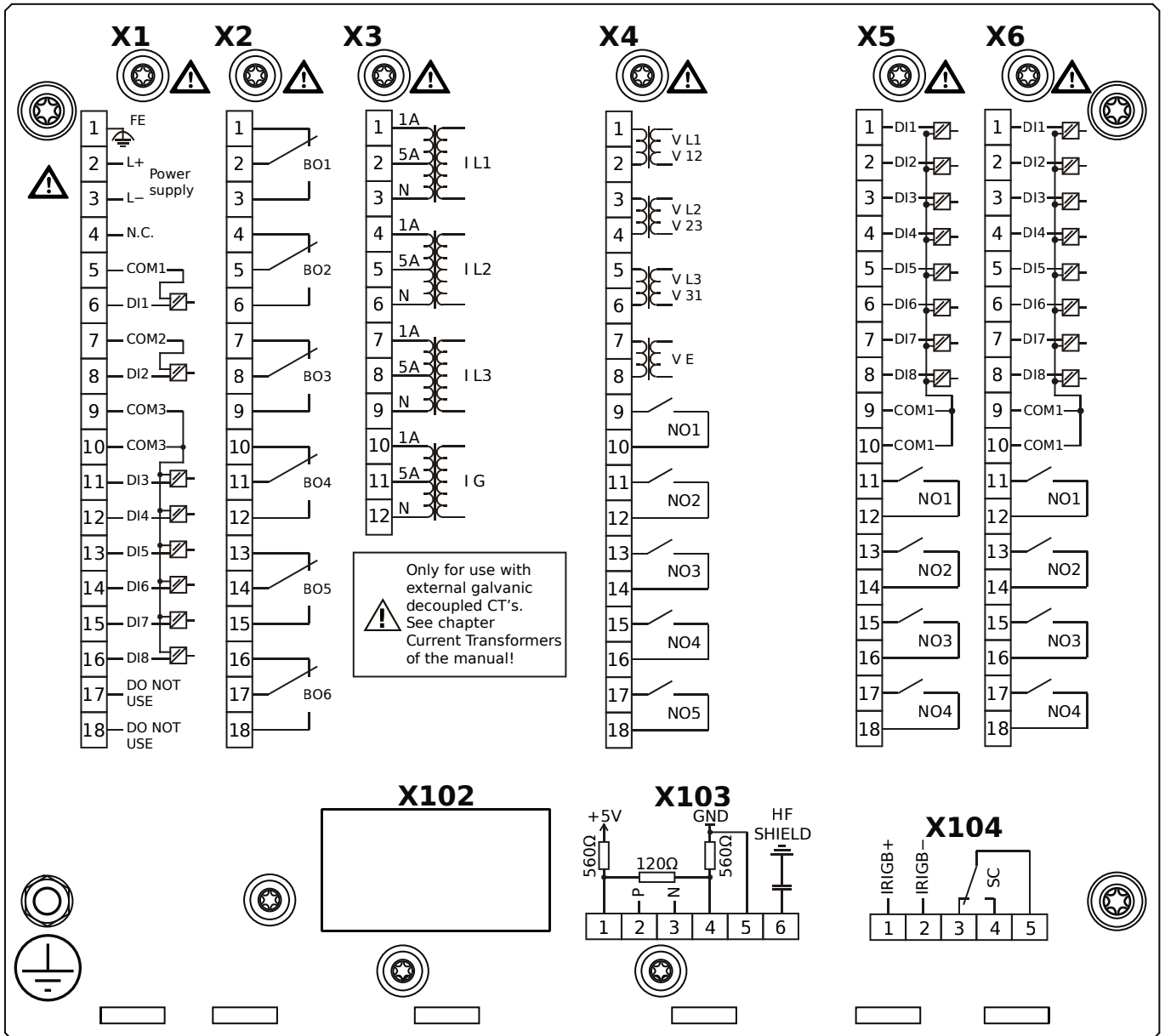


Housing B2, small display, door mounting

+ Conformal Coating (for installations in harsh environment)

- X1** – DI8-X1: Wide-range power supply unit, incl. 2 non-grouped digital inputs and 6 grouped digital inputs
- X2** – OR6: Assembly Group with 6 Output Relays
- X3** – TI: Standard current measuring card
- X4** – TU-OR5: Voltage measuring assembly group with 5 additional Output Relays (normally open)
- X5** – DI8-OR4: Assembly Group with 8 Digital Inputs and 4 Output Relays
- X6** – DI8-OR4: Assembly Group with 8 Digital Inputs and 4 Output Relays
- X104** – IRIG-B00X, incl. System Contact (Supervision Contact)

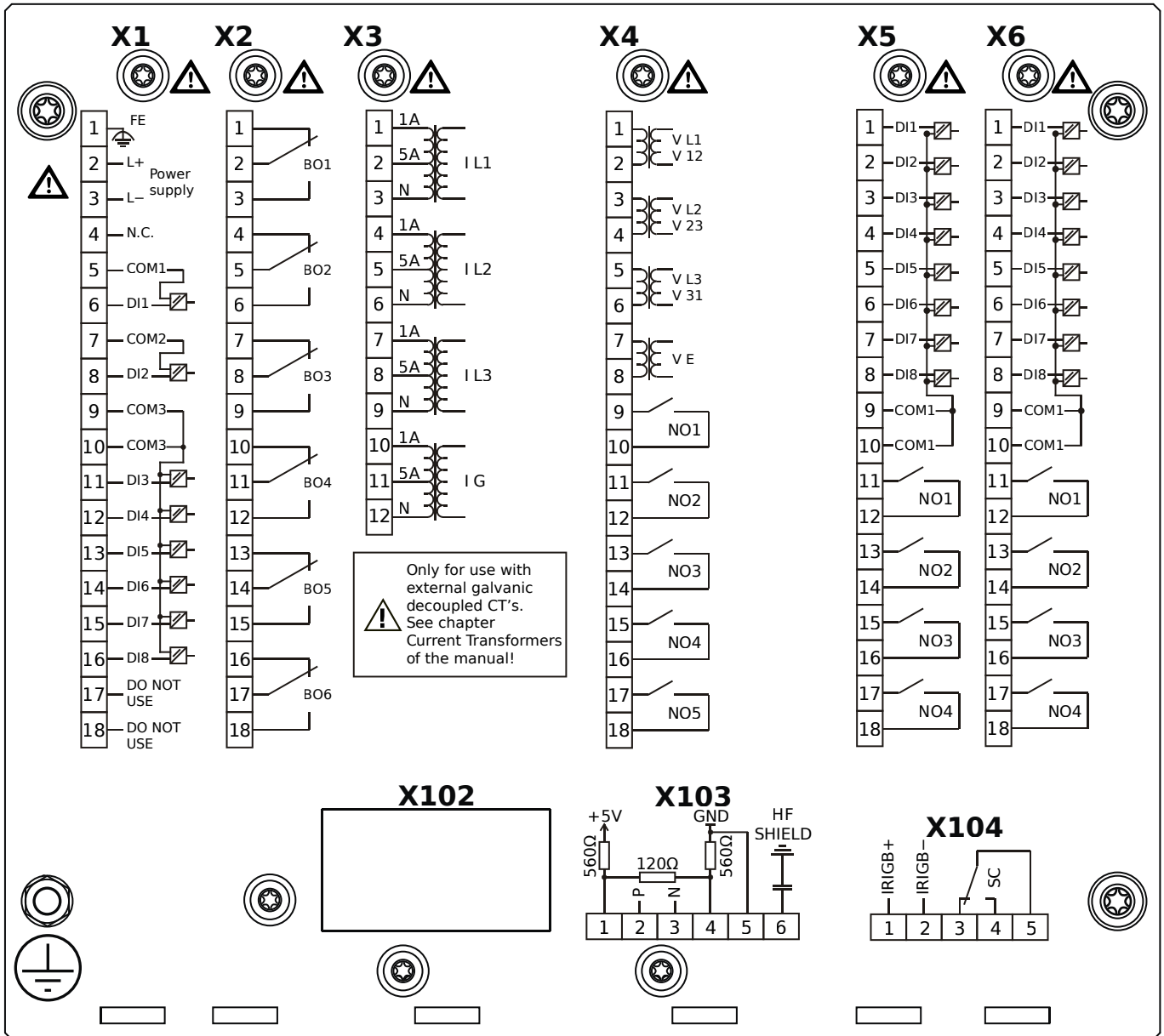
MRA4-2E0HBA



Housing B2, small display, door mounting

- X1** – DI8-X1: Wide-range power supply unit, incl. 2 non-grouped digital inputs and 6 grouped digital inputs
- X2** – OR6: Assembly Group with 6 Output Relays
- X3** – TI: Standard current measuring card
- X4** – TU-OR5: Voltage measuring assembly group with 5 additional Output Relays (normally open)
- X5** – DI8-OR4: Assembly Group with 8 Digital Inputs and 4 Output Relays
- X6** – DI8-OR4: Assembly Group with 8 Digital Inputs and 4 Output Relays
- X103** – Modbus RTU / IEC 60870-5-103 / DNP3.0 RTU, RS485, Terminals
- X104** – IRIG-B00X, incl. System Contact (Supervision Contact)

MRA4-2E0HBB

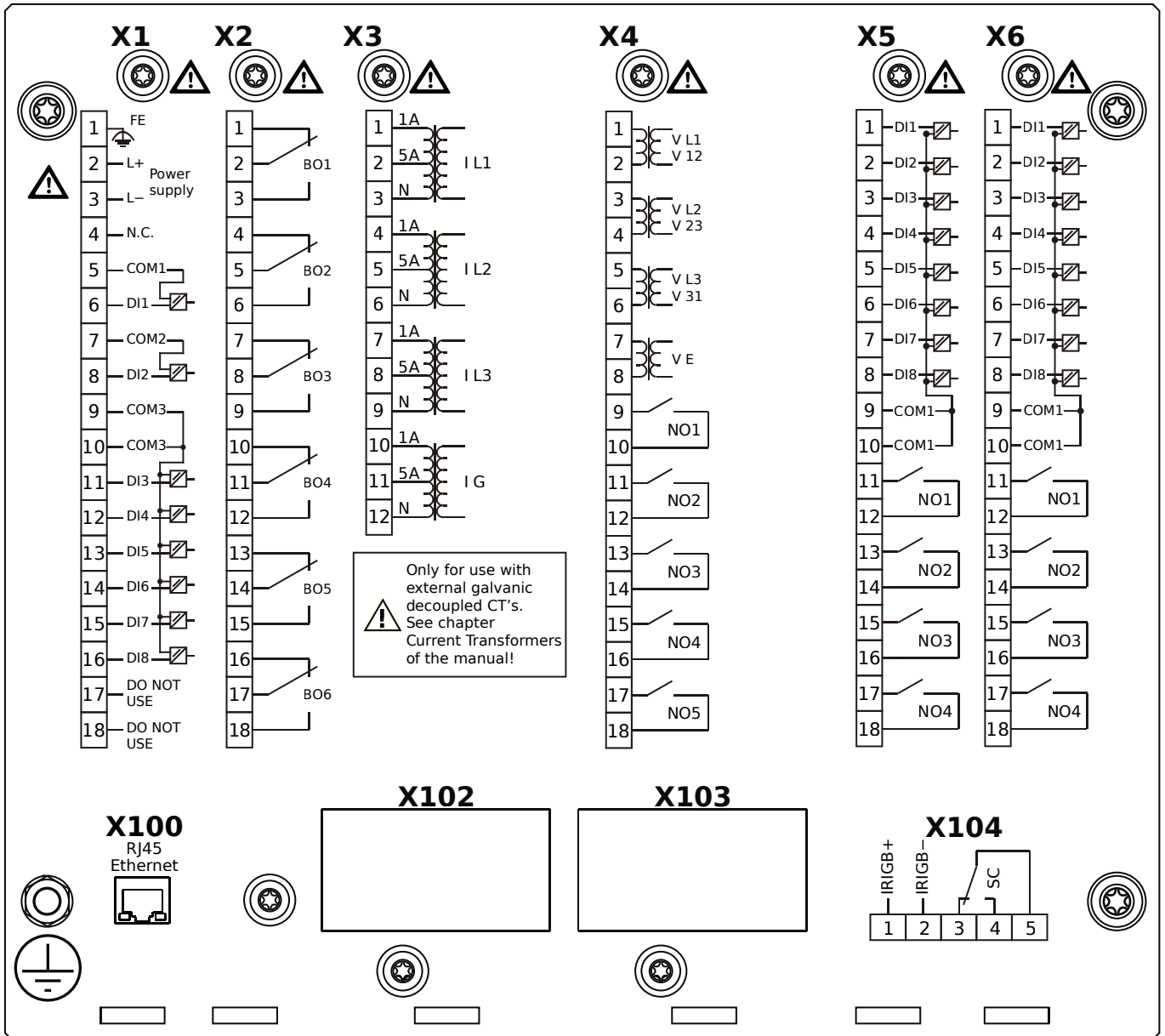


Housing B2, small display, door mounting

+ Conformal Coating (for installations in harsh environment)

- X1** – DI8-X1: Wide-range power supply unit, incl. 2 non-grouped digital inputs and 6 grouped digital inputs
- X2** – OR6: Assembly Group with 6 Output Relays
- X3** – TI: Standard current measuring card
- X4** – TU-OR5: Voltage measuring assembly group with 5 additional Output Relays (normally open)
- X5** – DI8-OR4: Assembly Group with 8 Digital Inputs and 4 Output Relays
- X6** – DI8-OR4: Assembly Group with 8 Digital Inputs and 4 Output Relays
- X103** – Modbus RTU / IEC 60870-5-103 / DNP3.0 RTU, RS485, Terminals
- X104** – IRIG-B00X, incl. System Contact (Supervision Contact)

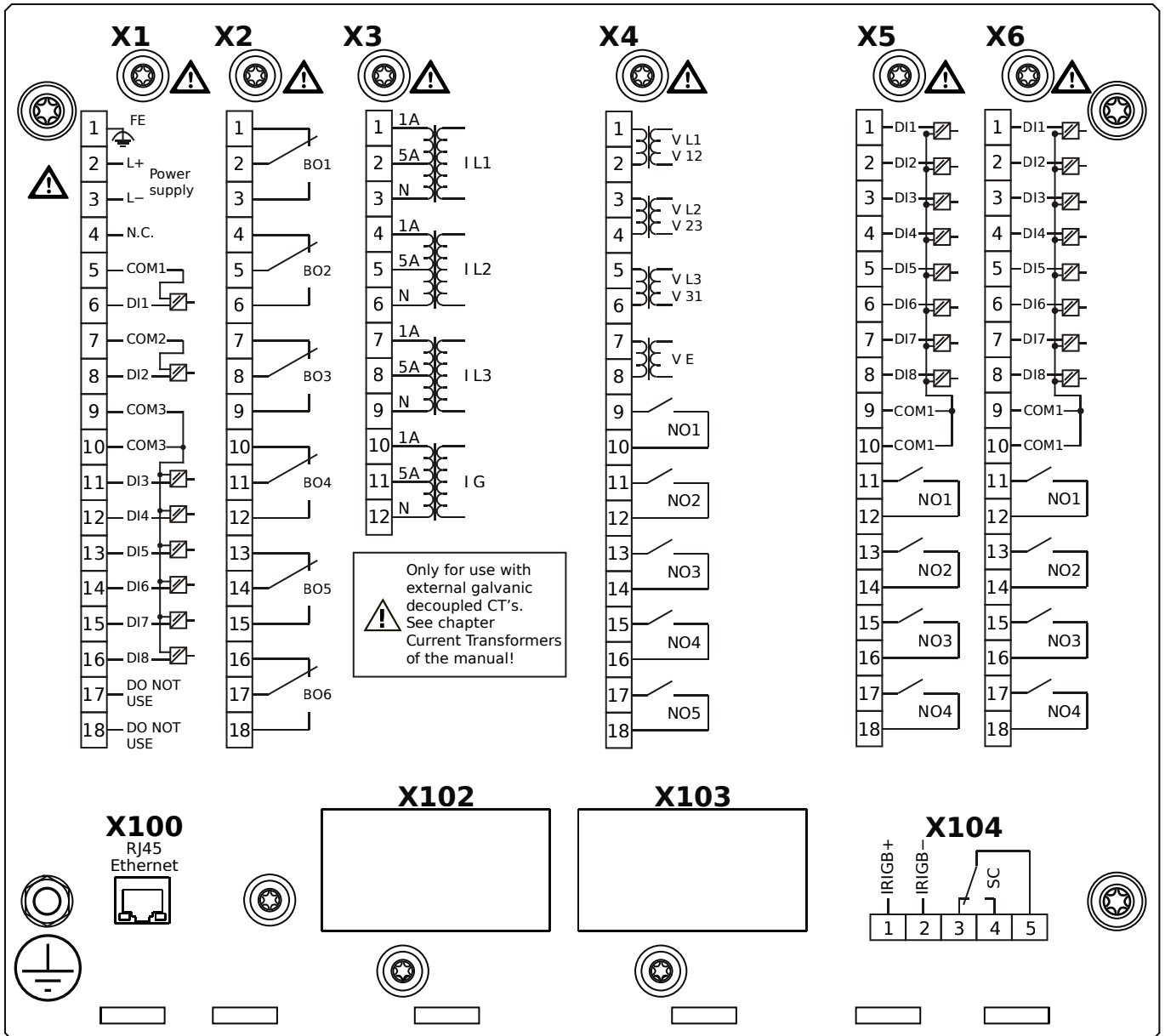
MRA4-2E0HCA



Housing B2, small display, door mounting

- X1** – DI8-X1: Wide-range power supply unit, incl. 2 non-grouped digital inputs and 6 grouped digital inputs
- X2** – OR6: Assembly Group with 6 Output Relays
- X3** – TI: Standard current measuring card
- X4** – TU-OR5: Voltage measuring assembly group with 5 additional Output Relays (normally open)
- X5** – DI8-OR4: Assembly Group with 8 Digital Inputs and 4 Output Relays
- X6** – DI8-OR4: Assembly Group with 8 Digital Inputs and 4 Output Relays
- X100** – Modbus TCP / DNP3.0 TCP/UDP, Ethernet interface, 100 Mbit/s, RJ45 (BASE100-FX)
- X104** – IRIG-B00X, incl. System Contact (Supervision Contact)

MRA4-2E0HCB

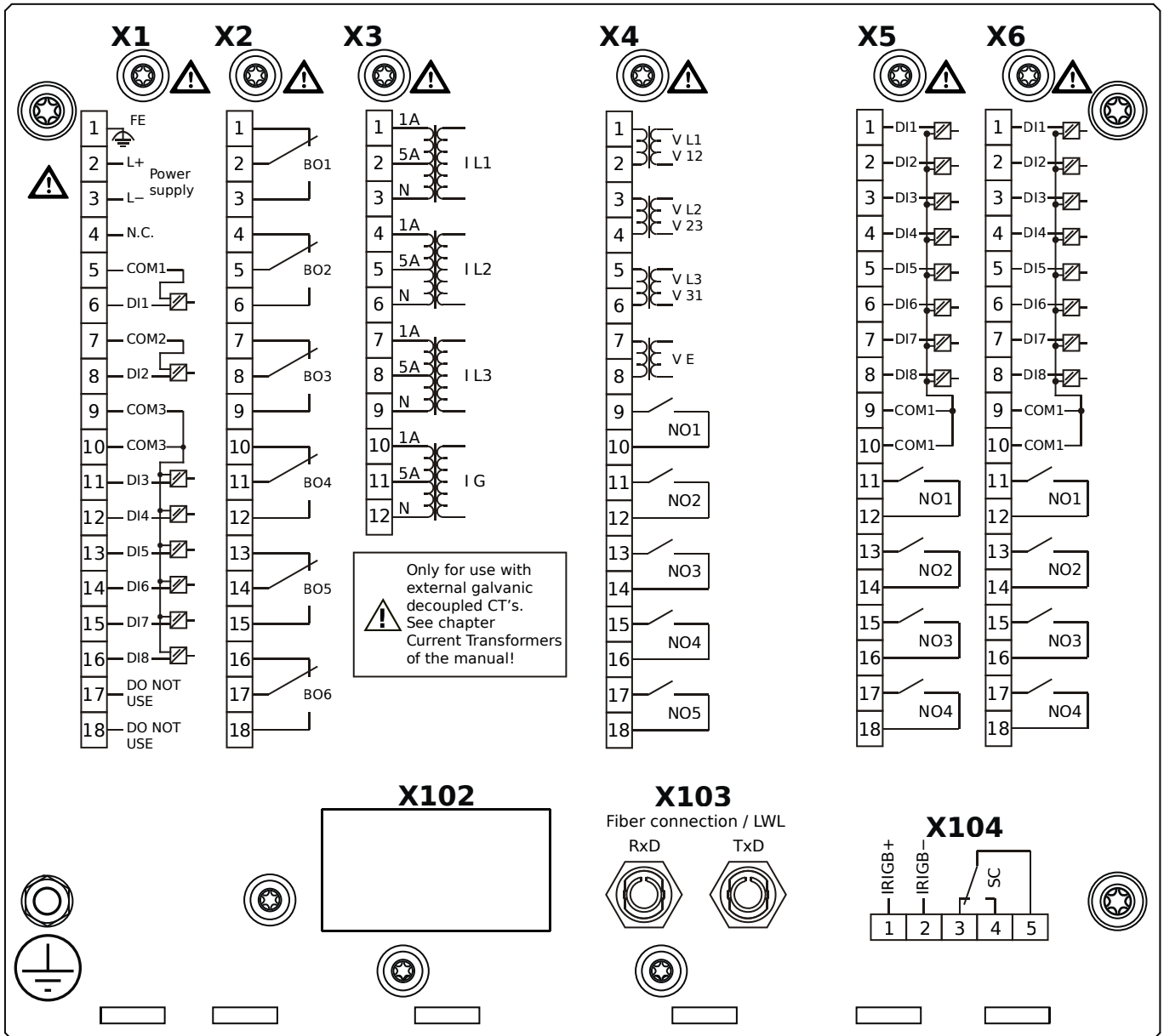


Housing B2, small display, door mounting

+ Conformal Coating (for installations in harsh environment)

- X1** – DI8-X1: Wide-range power supply unit, incl. 2 non-grouped digital inputs and 6 grouped digital inputs
- X2** – OR6: Assembly Group with 6 Output Relays
- X3** – TI: Standard current measuring card
- X4** – TU-OR5: Voltage measuring assembly group with 5 additional Output Relays (normally open)
- X5** – DI8-OR4: Assembly Group with 8 Digital Inputs and 4 Output Relays
- X6** – DI8-OR4: Assembly Group with 8 Digital Inputs and 4 Output Relays
- X100** – Modbus TCP / DNP3.0 TCP/UDP, Ethernet interface, 100 Mbit/s, RJ45 (BASE100-FX)
- X104** – IRIG-B00X, incl. System Contact (Supervision Contact)

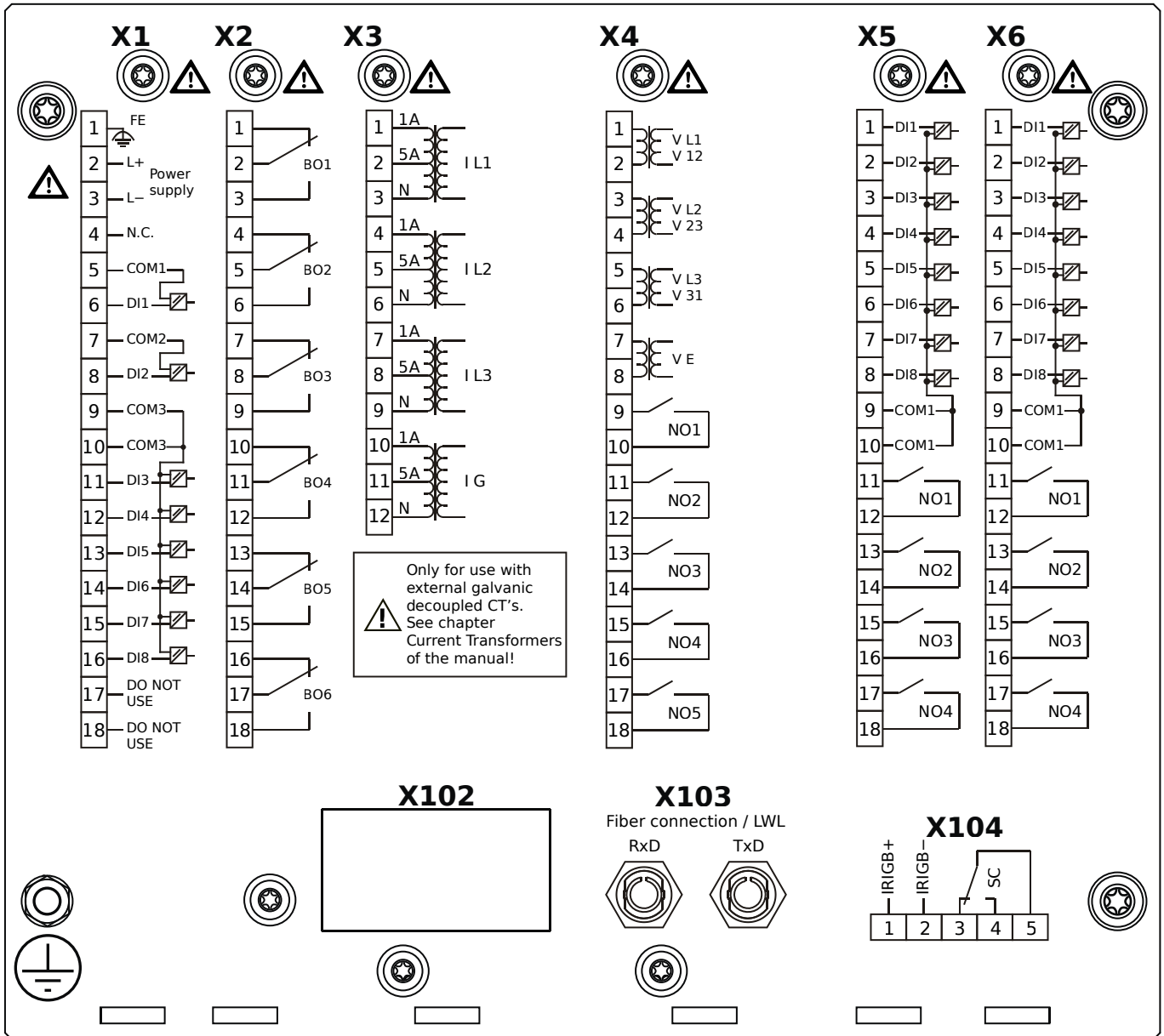
MRA4-2E0HDA



Housing B2, small display, door mounting

- X1** – DI8-X1: Wide-range power supply unit, incl. 2 non-grouped digital inputs and 6 grouped digital inputs
- X2** – OR6: Assembly Group with 6 Output Relays
- X3** – TI: Standard current measuring card
- X4** – TU-OR5: Voltage measuring assembly group with 5 additional Output Relays (normally open)
- X5** – DI8-OR4: Assembly Group with 8 Digital Inputs and 4 Output Relays
- X6** – DI8-OR4: Assembly Group with 8 Digital Inputs and 4 Output Relays
- X103** – Profibus-DP, Fiber optics interface, ST Connector
- X104** – IRIG-B00X, incl. System Contact (Supervision Contact)

MRA4-2E0HDB

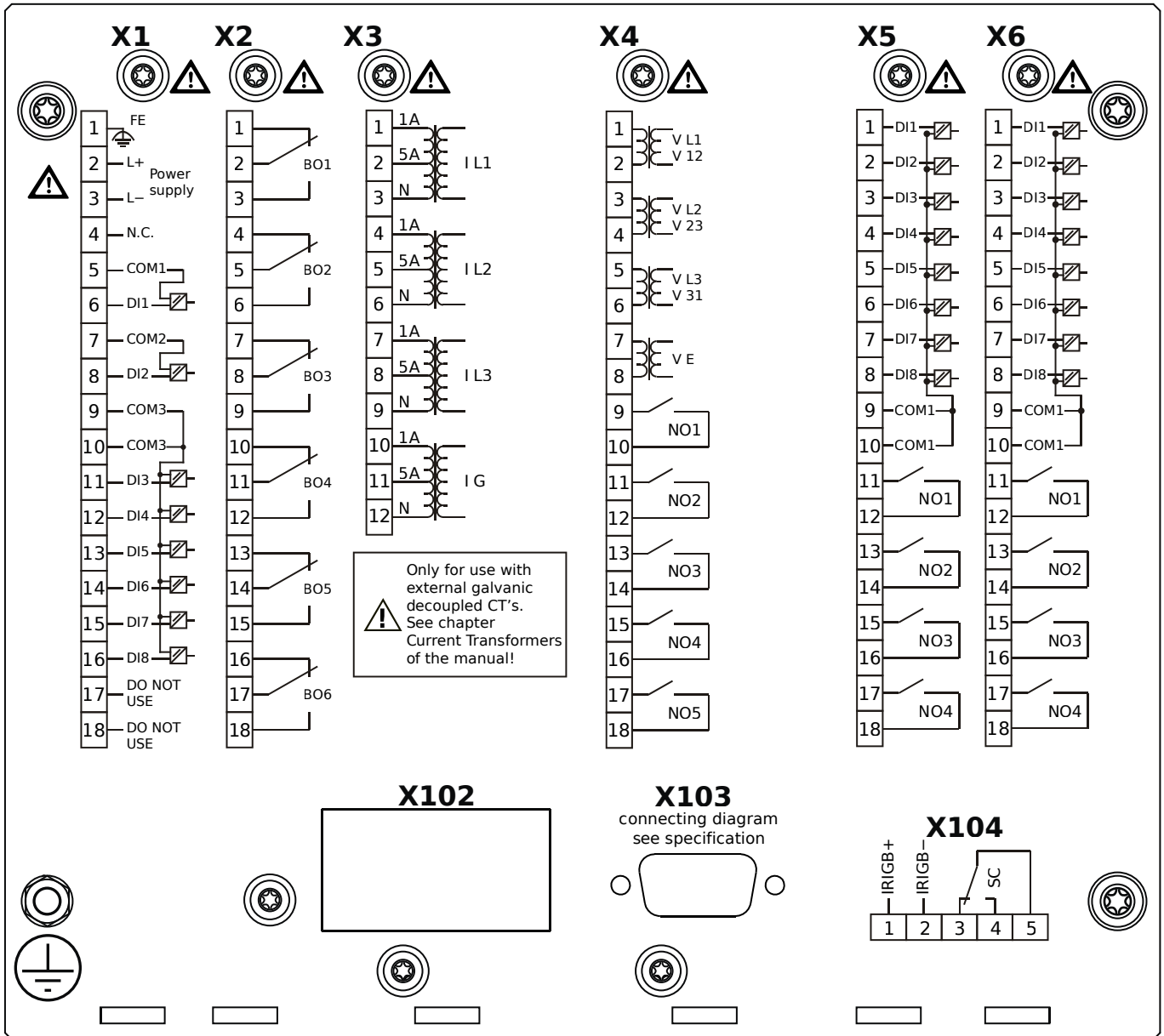


Housing B2, small display, door mounting

+ Conformal Coating (for installations in harsh environment)

- X1** – DI8-X1: Wide-range power supply unit, incl. 2 non-grouped digital inputs and 6 grouped digital inputs
- X2** – OR6: Assembly Group with 6 Output Relays
- X3** – TI: Standard current measuring card
- X4** – TU-OR5: Voltage measuring assembly group with 5 additional Output Relays (normally open)
- X5** – DI8-OR4: Assembly Group with 8 Digital Inputs and 4 Output Relays
- X6** – DI8-OR4: Assembly Group with 8 Digital Inputs and 4 Output Relays
- X103** – Profibus-DP, Fiber optics interface, ST Connector
- X104** – IRIG-B00X, incl. System Contact (Supervision Contact)

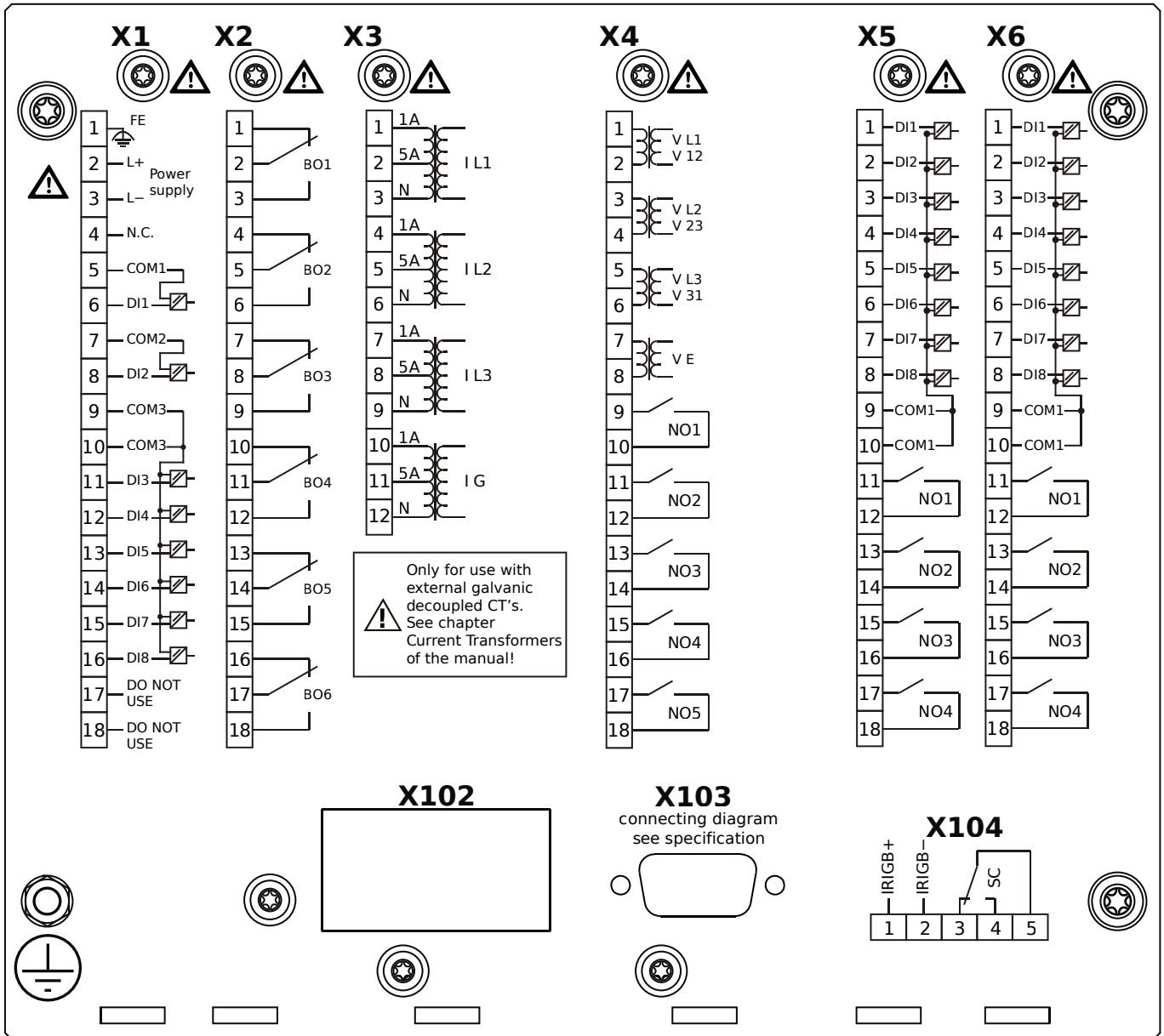
MRA4-2E0HEA



Housing B2, small display, door mounting

- X1** – DI8-X1: Wide-range power supply unit, incl. 2 non-grouped digital inputs and 6 grouped digital inputs
- X2** – OR6: Assembly Group with 6 Output Relays
- X3** – TI: Standard current measuring card
- X4** – TU-OR5: Voltage measuring assembly group with 5 additional Output Relays (normally open)
- X5** – DI8-OR4: Assembly Group with 8 Digital Inputs and 4 Output Relays
- X6** – DI8-OR4: Assembly Group with 8 Digital Inputs and 4 Output Relays
- X103** – Profibus-DP, RS485, D-SUB
- X104** – IRIG-B00X, incl. System Contact (Supervision Contact)

MRA4-2E0HEB

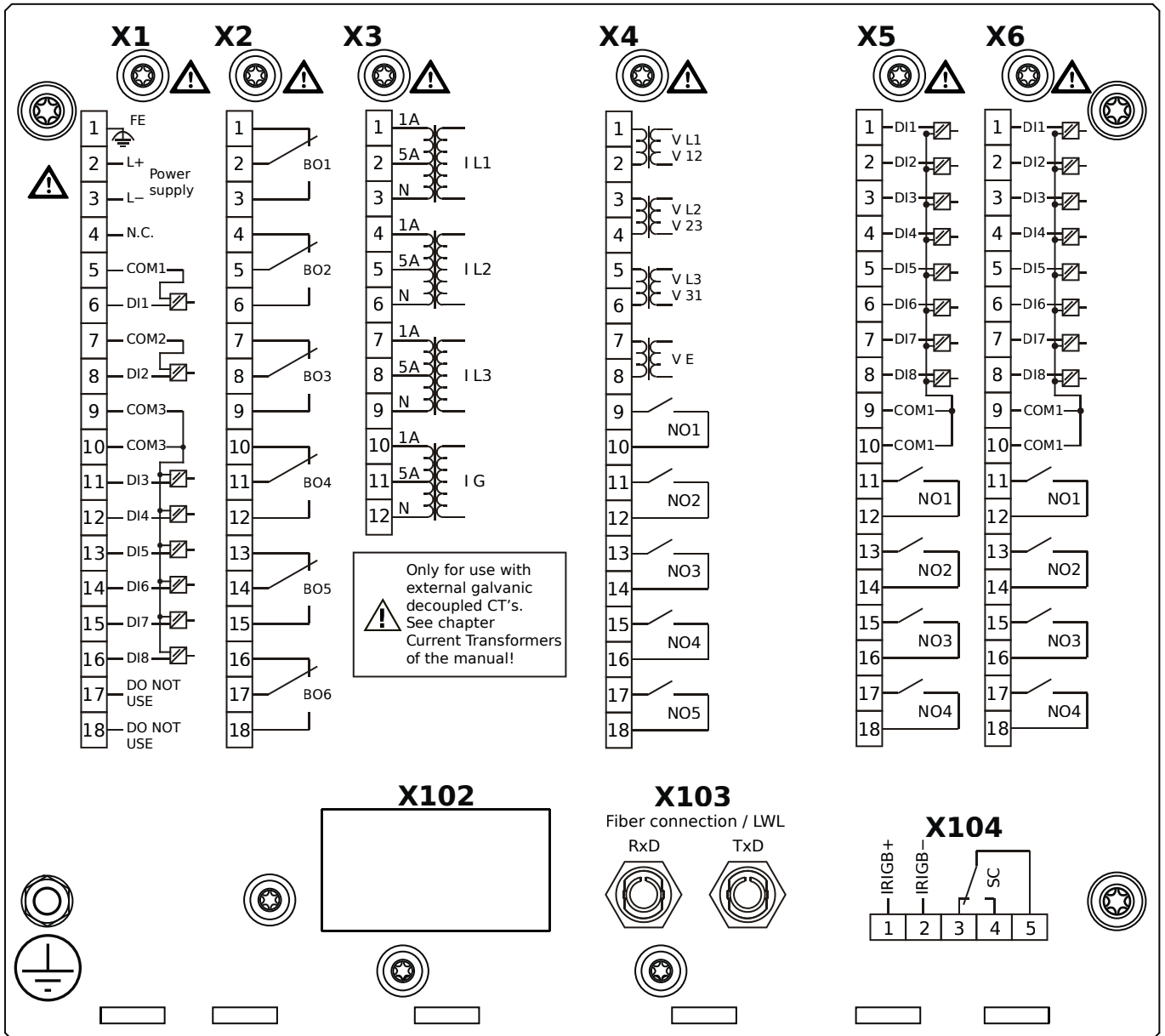


Housing B2, small display, door mounting

+ Conformal Coating (for installations in harsh environment)

- X1** – DI8-X1: Wide-range power supply unit, incl. 2 non-grouped digital inputs and 6 grouped digital inputs
- X2** – OR6: Assembly Group with 6 Output Relays
- X3** – TI: Standard current measuring card
- X4** – TU-OR5: Voltage measuring assembly group with 5 additional Output Relays (normally open)
- X5** – DI8-OR4: Assembly Group with 8 Digital Inputs and 4 Output Relays
- X6** – DI8-OR4: Assembly Group with 8 Digital Inputs and 4 Output Relays
- X103** – Profibus-DP, RS485, D-SUB
- X104** – IRIG-B00X, incl. System Contact (Supervision Contact)

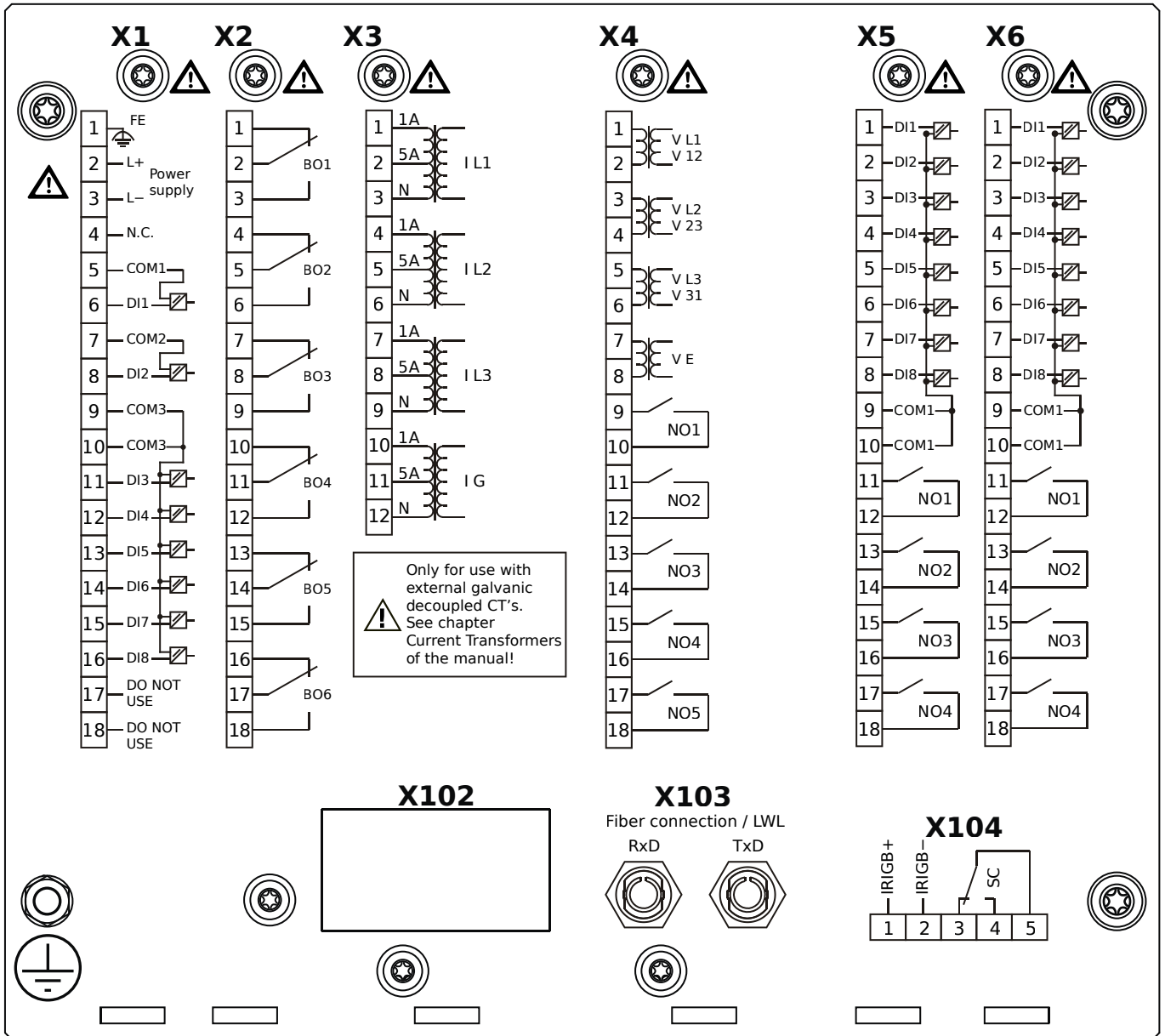
MRA4-2E0HFA



Housing B2, small display, door mounting

- X1** – DI8-X1: Wide-range power supply unit, incl. 2 non-grouped digital inputs and 6 grouped digital inputs
- X2** – OR6: Assembly Group with 6 Output Relays
- X3** – TI: Standard current measuring card
- X4** – TU-OR5: Voltage measuring assembly group with 5 additional Output Relays (normally open)
- X5** – DI8-OR4: Assembly Group with 8 Digital Inputs and 4 Output Relays
- X6** – DI8-OR4: Assembly Group with 8 Digital Inputs and 4 Output Relays
- X103** – Modbus RTU / IEC 60870-5-103 / DNP3.0 RTU, Fiber optics interface, ST Connector
- X104** – IRIG-B00X, incl. System Contact (Supervision Contact)

MRA4-2E0HFB

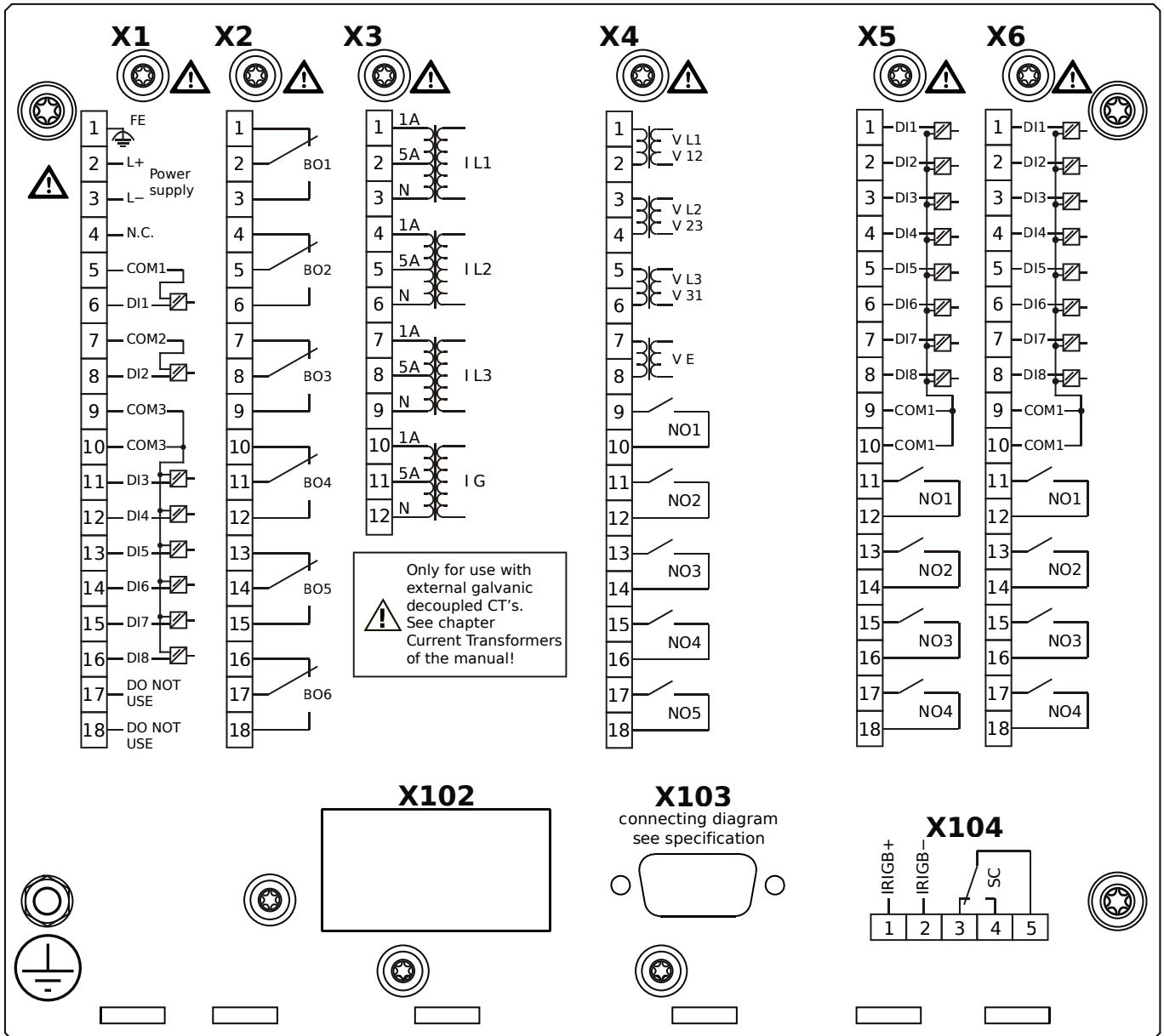


Housing B2, small display, door mounting

+ Conformal Coating (for installations in harsh environment)

- X1** – DI8-X1: Wide-range power supply unit, incl. 2 non-grouped digital inputs and 6 grouped digital inputs
- X2** – OR6: Assembly Group with 6 Output Relays
- X3** – TI: Standard current measuring card
- X4** – TU-OR5: Voltage measuring assembly group with 5 additional Output Relays (normally open)
- X5** – DI8-OR4: Assembly Group with 8 Digital Inputs and 4 Output Relays
- X6** – DI8-OR4: Assembly Group with 8 Digital Inputs and 4 Output Relays
- X103** – Modbus RTU / IEC 60870-5-103 / DNP3.0 RTU, Fiber optics interface, ST Connector
- X104** – IRIG-B00X, incl. System Contact (Supervision Contact)

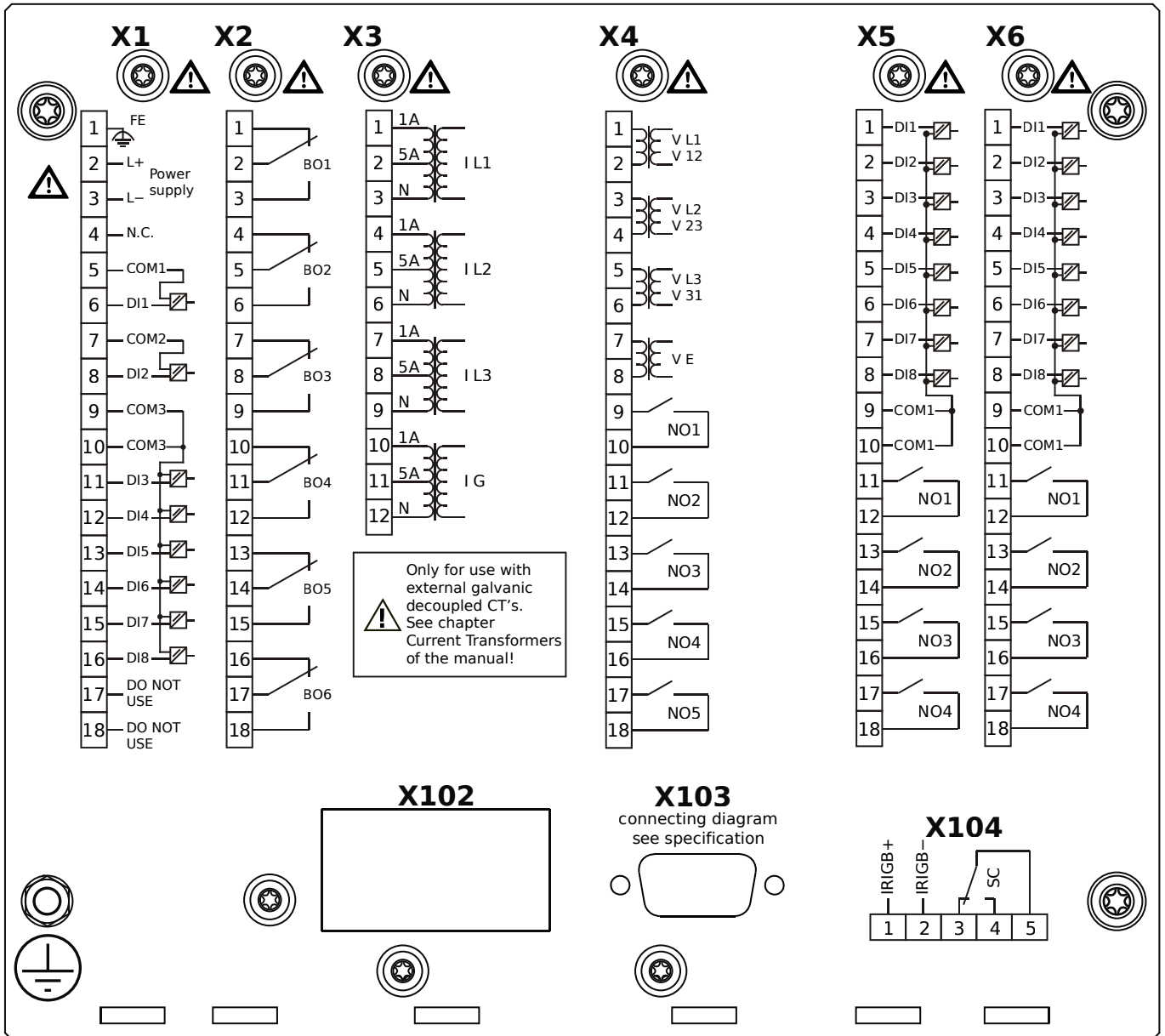
MRA4-2E0HGA



Housing B2, small display, door mounting

- X1** – DI8-X1: Wide-range power supply unit, incl. 2 non-grouped digital inputs and 6 grouped digital inputs
- X2** – OR6: Assembly Group with 6 Output Relays
- X3** – TI: Standard current measuring card
- X4** – TU-OR5: Voltage measuring assembly group with 5 additional Output Relays (normally open)
- X5** – DI8-OR4: Assembly Group with 8 Digital Inputs and 4 Output Relays
- X6** – DI8-OR4: Assembly Group with 8 Digital Inputs and 4 Output Relays
- X103** – Modbus RTU / IEC 60870-5-103 / DNP3.0 RTU, RS485, D-SUB
- X104** – IRIG-B00X, incl. System Contact (Supervision Contact)

MRA4-2E0HGB

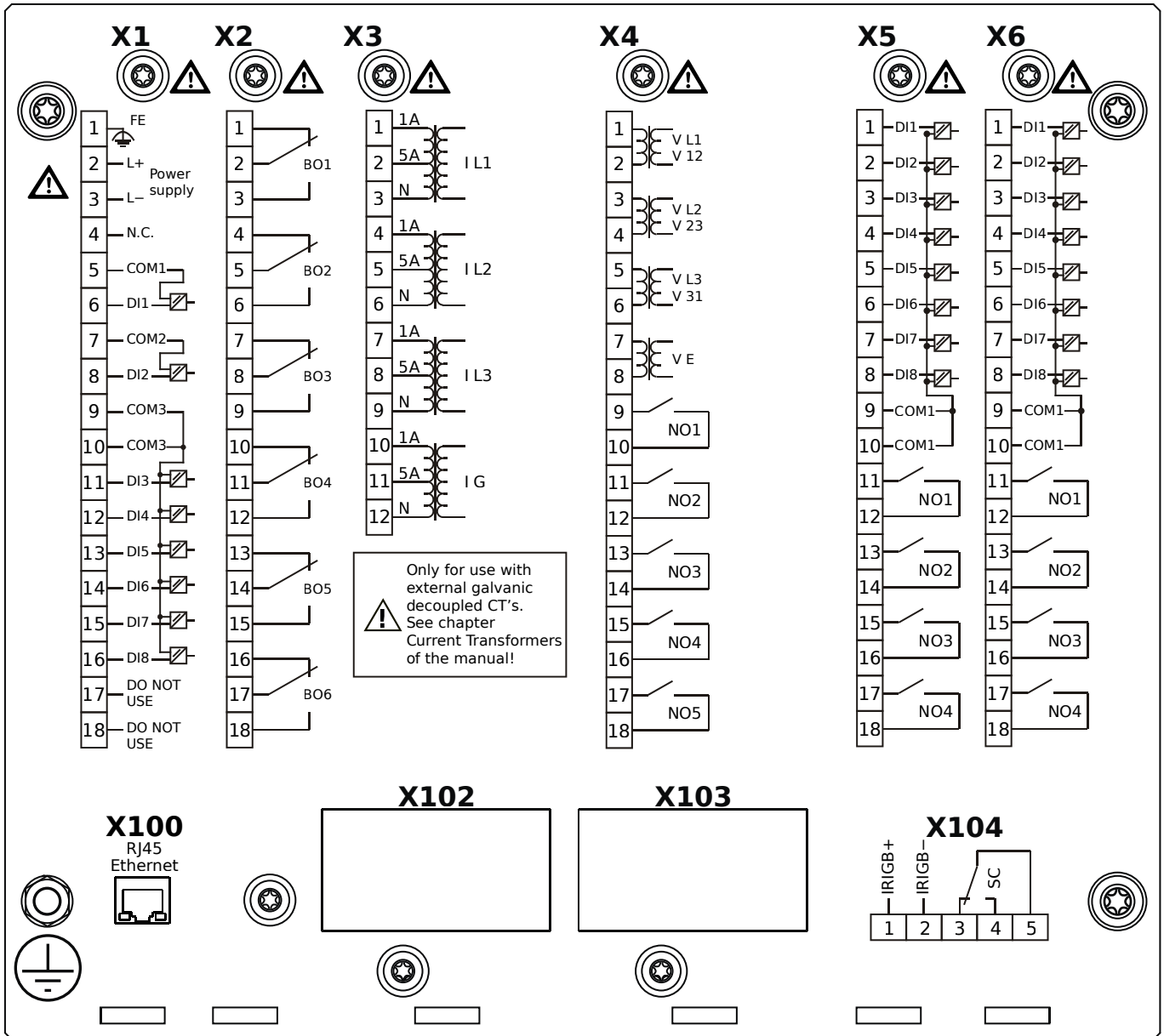


Housing B2, small display, door mounting

+ Conformal Coating (for installations in harsh environment)

- X1** – DI8-X1: Wide-range power supply unit, incl. 2 non-grouped digital inputs and 6 grouped digital inputs
- X2** – OR6: Assembly Group with 6 Output Relays
- X3** – TI: Standard current measuring card
- X4** – TU-OR5: Voltage measuring assembly group with 5 additional Output Relays (normally open)
- X5** – DI8-OR4: Assembly Group with 8 Digital Inputs and 4 Output Relays
- X6** – DI8-OR4: Assembly Group with 8 Digital Inputs and 4 Output Relays
- X103** – Modbus RTU / IEC 60870-5-103 / DNP3.0 RTU, RS485, D-SUB
- X104** – IRIG-B00X, incl. System Contact (Supervision Contact)

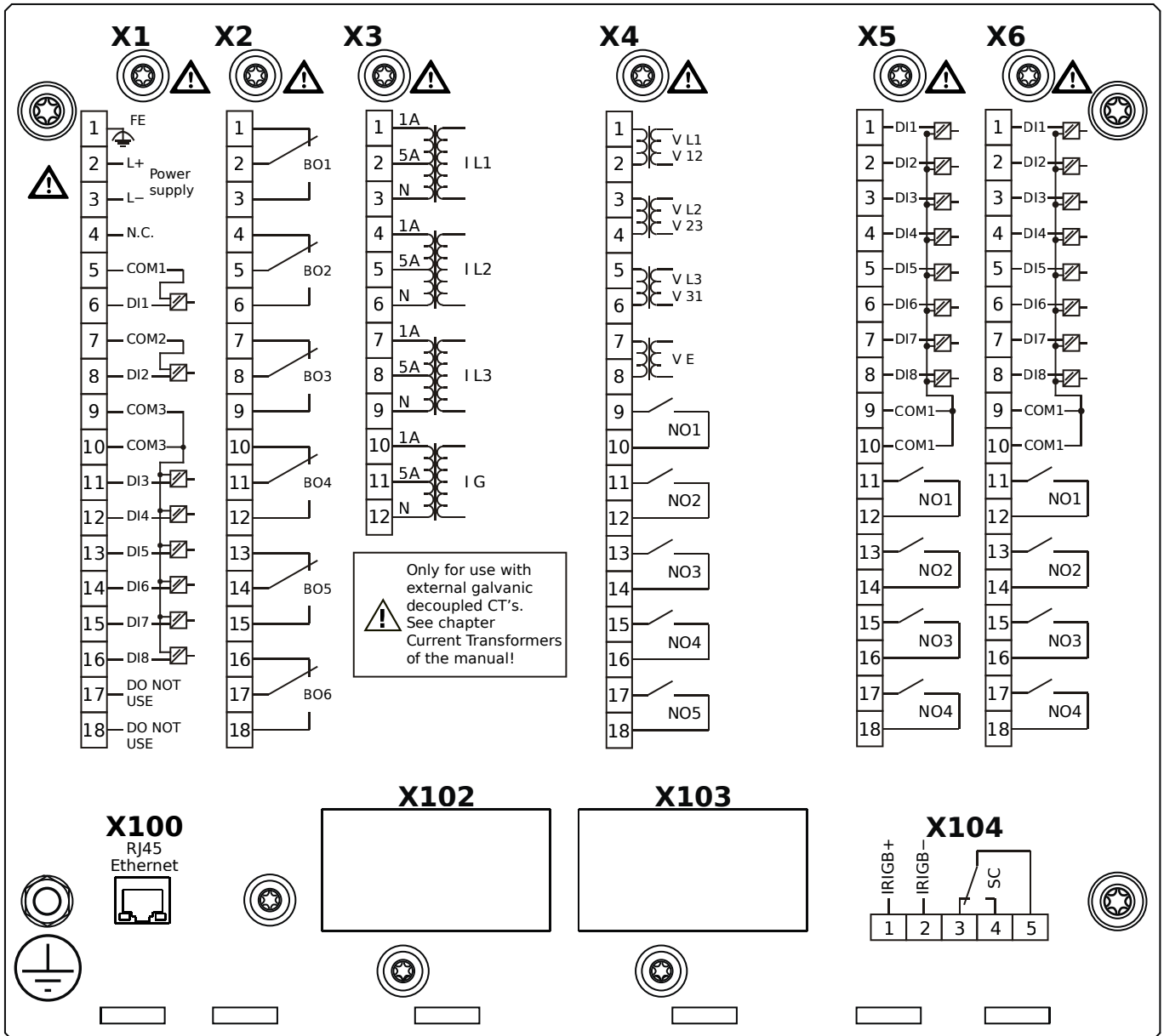
MRA4-2E0HHA



Housing B2, small display, door mounting

- X1** – DI8-X1: Wide-range power supply unit, incl. 2 non-grouped digital inputs and 6 grouped digital inputs
- X2** – OR6: Assembly Group with 6 Output Relays
- X3** – TI: Standard current measuring card
- X4** – TU-OR5: Voltage measuring assembly group with 5 additional Output Relays (normally open)
- X5** – DI8-OR4: Assembly Group with 8 Digital Inputs and 4 Output Relays
- X6** – DI8-OR4: Assembly Group with 8 Digital Inputs and 4 Output Relays
- X100** – IEC 61850 / Modbus TCP / DNP3.0 TCP/UDP, Ethernet interface, 100 Mbit/s, RJ45 (BASE100-FX)
- X104** – IRIG-B00X, incl. System Contact (Supervision Contact)

MRA4-2E0HHB



Housing B2, small display, door mounting

+ Conformal Coating (for installations in harsh environment)

X1 – DI8-X1: Wide-range power supply unit, incl. 2 non-grouped digital inputs and 6 grouped digital inputs

X2 – OR6: Assembly Group with 6 Output Relays

X3 – TI: Standard current measuring card

X4 – TU-OR5: Voltage measuring assembly group with 5 additional Output Relays (normally open)

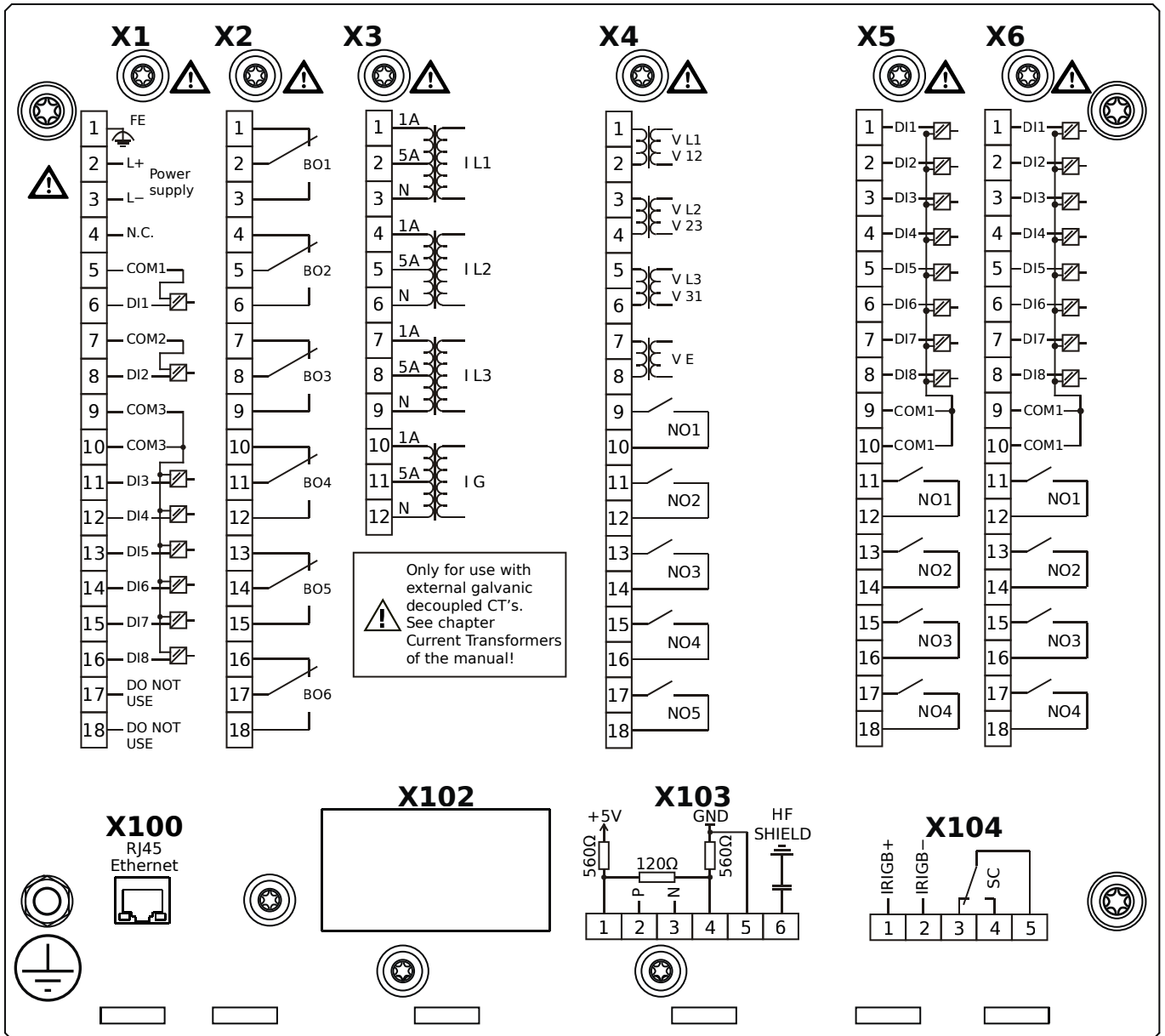
X5 – DI8-OR4: Assembly Group with 8 Digital Inputs and 4 Output Relays

X6 – DI8-OR4: Assembly Group with 8 Digital Inputs and 4 Output Relays

X100 – IEC 61850 / Modbus TCP / DNP3.0 TCP/UDP, Ethernet interface, 100 Mbit/s, RJ45 (BASE100-FX)

X104 – IRIG-B00X, incl. System Contact (Supervision Contact)

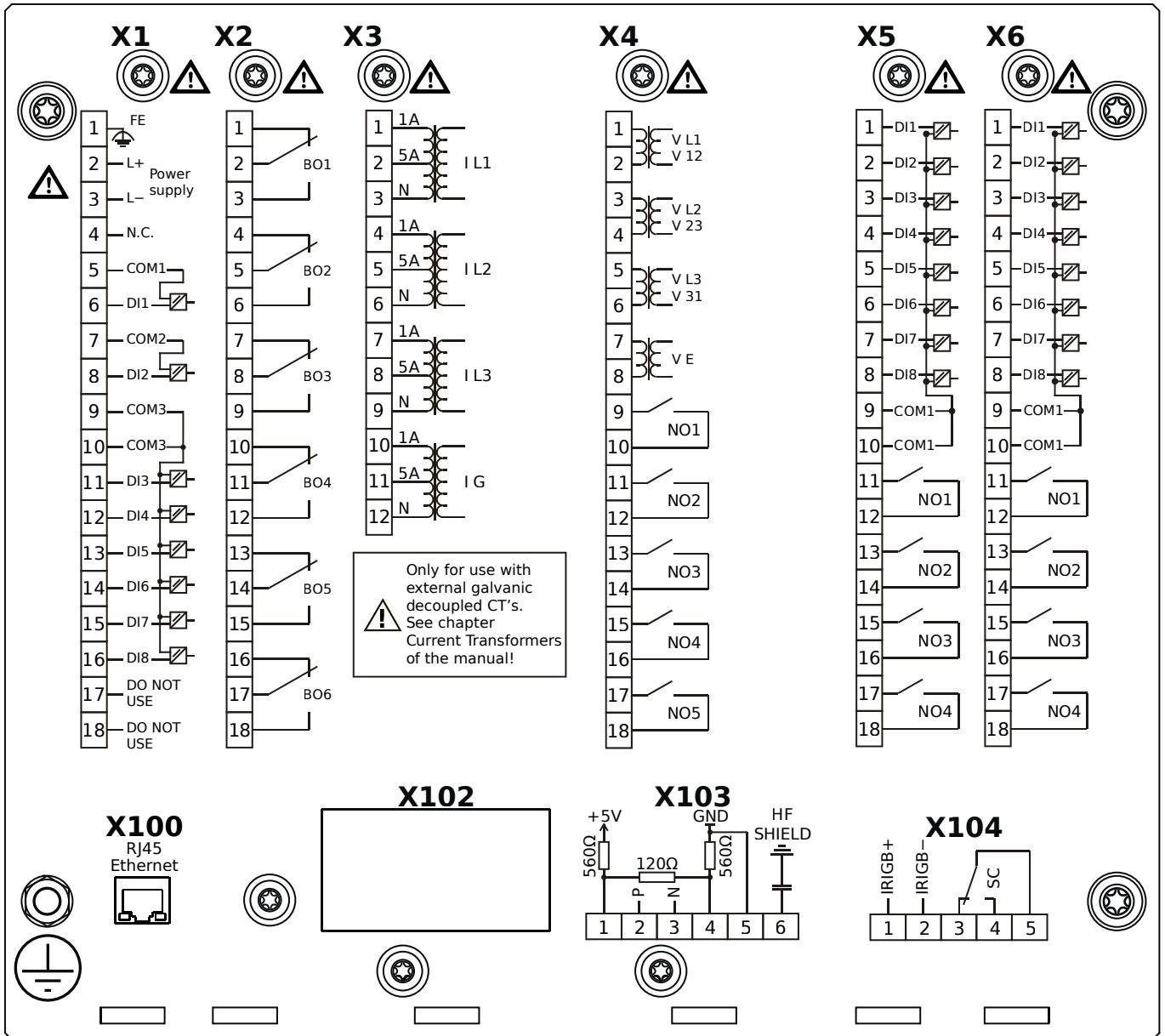
MRA4-2E0HIA



Housing B2, small display, door mounting

- X1** – DI8-X1: Wide-range power supply unit, incl. 2 non-grouped digital inputs and 6 grouped digital inputs
- X2** – OR6: Assembly Group with 6 Output Relays
- X3** – TI: Standard current measuring card
- X4** – TU-OR5: Voltage measuring assembly group with 5 additional Output Relays (normally open)
- X5** – DI8-OR4: Assembly Group with 8 Digital Inputs and 4 Output Relays
- X6** – DI8-OR4: Assembly Group with 8 Digital Inputs and 4 Output Relays
- X100** – Modbus TCP / DNP3.0 TCP/UDP, Ethernet interface, 100 Mbit/s, RJ45 (BASE100-FX)
- X103** – IEC 60870-5-103 / Modbus RTU / DNP3.0 RTU, RS485, Terminals
- X104** – IRIG-B00X, incl. System Contact (Supervision Contact)

MRA4-2E0HIB

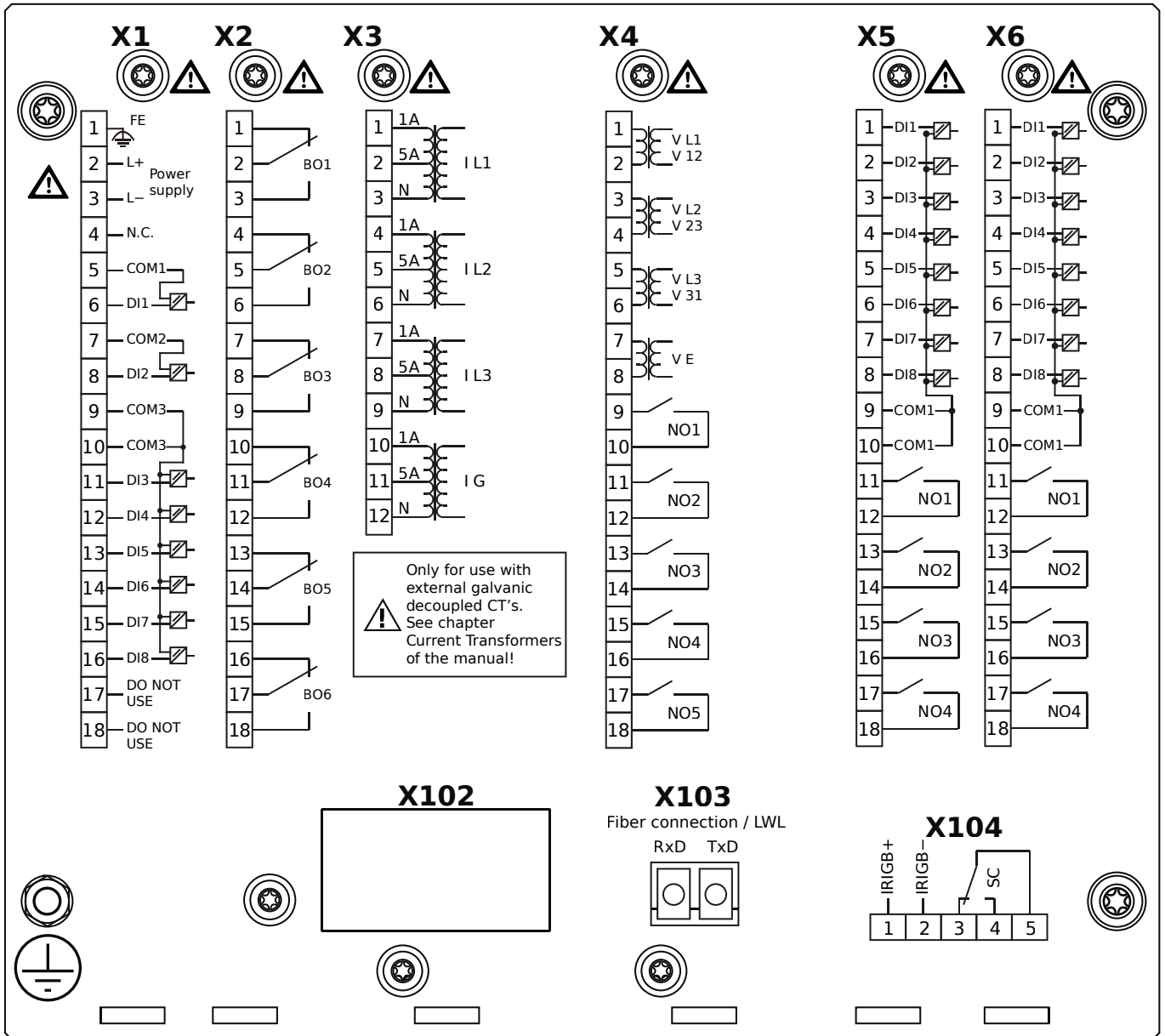


Housing B2, small display, door mounting

+ Conformal Coating (for installations in harsh environment)

- X1** – DI8-X1: Wide-range power supply unit, incl. 2 non-grouped digital inputs and 6 grouped digital inputs
- X2** – OR6: Assembly Group with 6 Output Relays
- X3** – TI: Standard current measuring card
- X4** – TU-OR5: Voltage measuring assembly group with 5 additional Output Relays (normally open)
- X5** – DI8-OR4: Assembly Group with 8 Digital Inputs and 4 Output Relays
- X6** – DI8-OR4: Assembly Group with 8 Digital Inputs and 4 Output Relays
- X100** – Modbus TCP / DNP3.0 TCP/UDP, Ethernet interface, 100 Mbit/s, RJ45 (BASE100-FX)
- X103** – IEC 60870-5-103 / Modbus RTU / DNP3.0 RTU, RS485, Terminals
- X104** – IRIG-B00X, incl. System Contact (Supervision Contact)

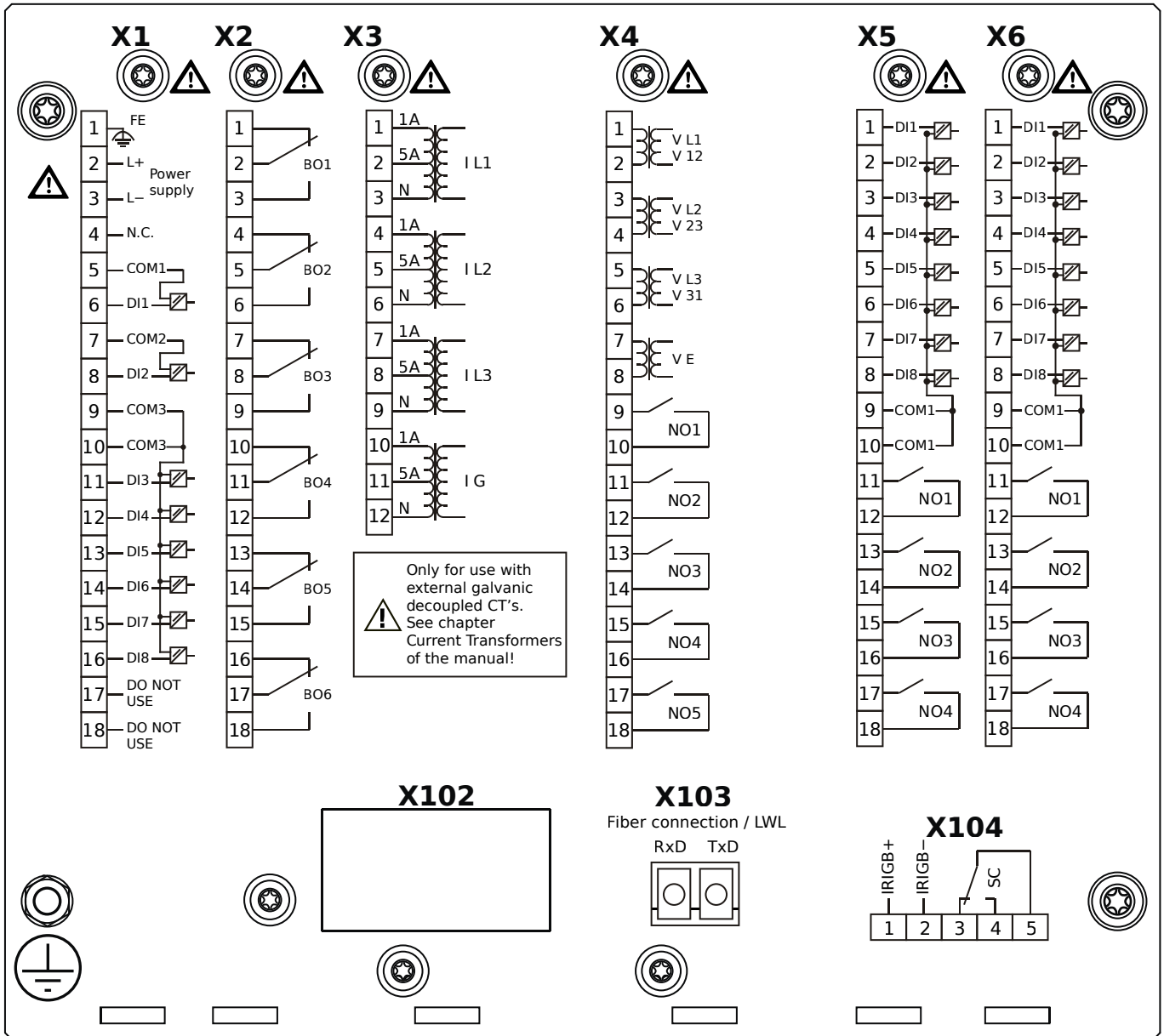
MRA4-2E0HKA



Housing B2, small display, door mounting

- X1** – DI8-X1: Wide-range power supply unit, incl. 2 non-grouped digital inputs and 6 grouped digital inputs
- X2** – OR6: Assembly Group with 6 Output Relays
- X3** – TI: Standard current measuring card
- X4** – TU-OR5: Voltage measuring assembly group with 5 additional Output Relays (normally open)
- X5** – DI8-OR4: Assembly Group with 8 Digital Inputs and 4 Output Relays
- X6** – DI8-OR4: Assembly Group with 8 Digital Inputs and 4 Output Relays
- X103** – IEC 61850 / Modbus TCP / DNP3.0 TCP/UDP, Fiber optics interface, LC Connector
- X104** – IRIG-B00X, incl. System Contact (Supervision Contact)

MRA4-2E0HKB

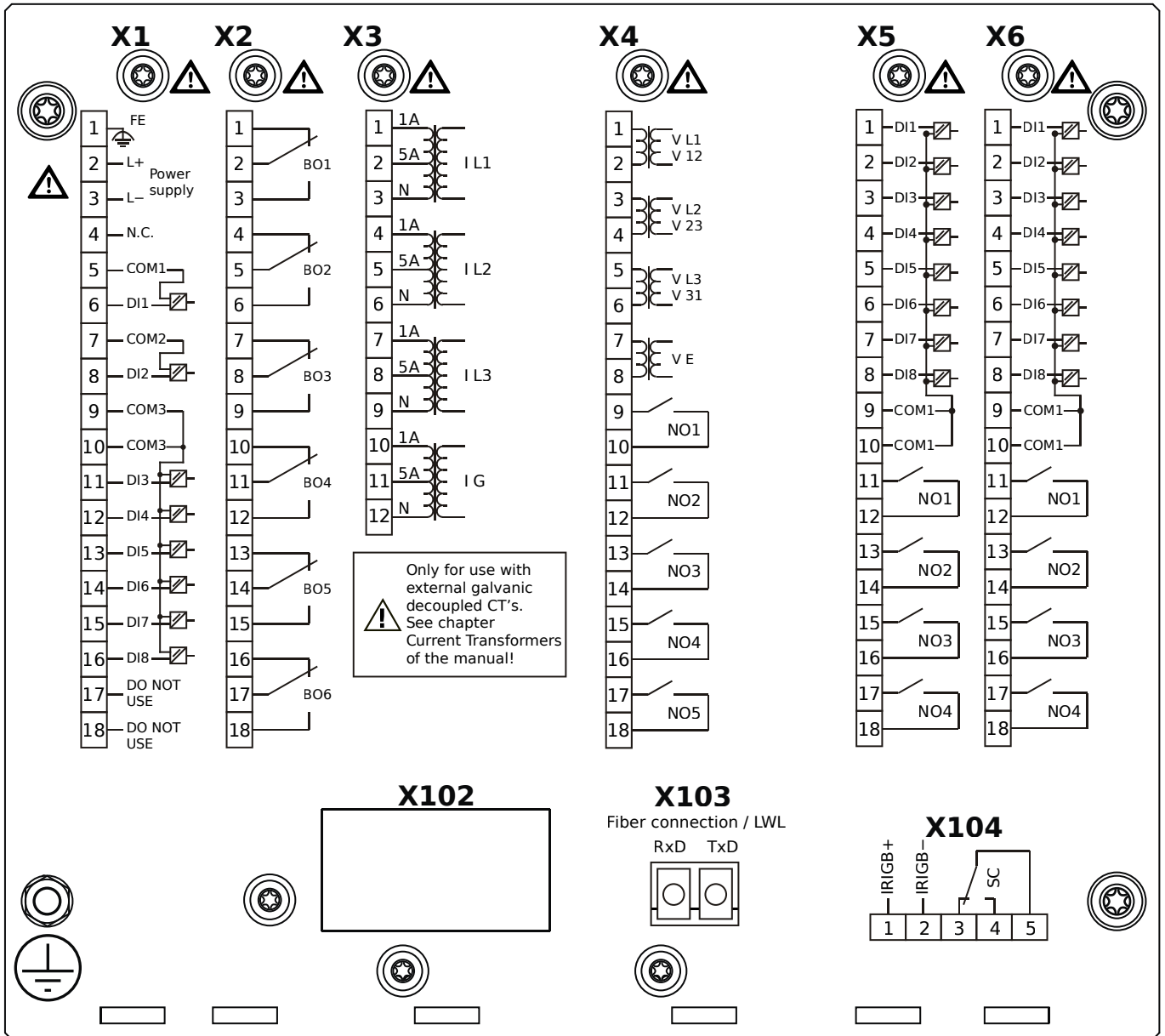


Housing B2, small display, door mounting

+ Conformal Coating (for installations in harsh environment)

- X1** – DI8-X1: Wide-range power supply unit, incl. 2 non-grouped digital inputs and 6 grouped digital inputs
- X2** – OR6: Assembly Group with 6 Output Relays
- X3** – TI: Standard current measuring card
- X4** – TU-OR5: Voltage measuring assembly group with 5 additional Output Relays (normally open)
- X5** – DI8-OR4: Assembly Group with 8 Digital Inputs and 4 Output Relays
- X6** – DI8-OR4: Assembly Group with 8 Digital Inputs and 4 Output Relays
- X103** – IEC 61850 / Modbus TCP / DNP3.0 TCP/UDP, Fiber optics interface, LC Connector
- X104** – IRIG-B00X, incl. System Contact (Supervision Contact)

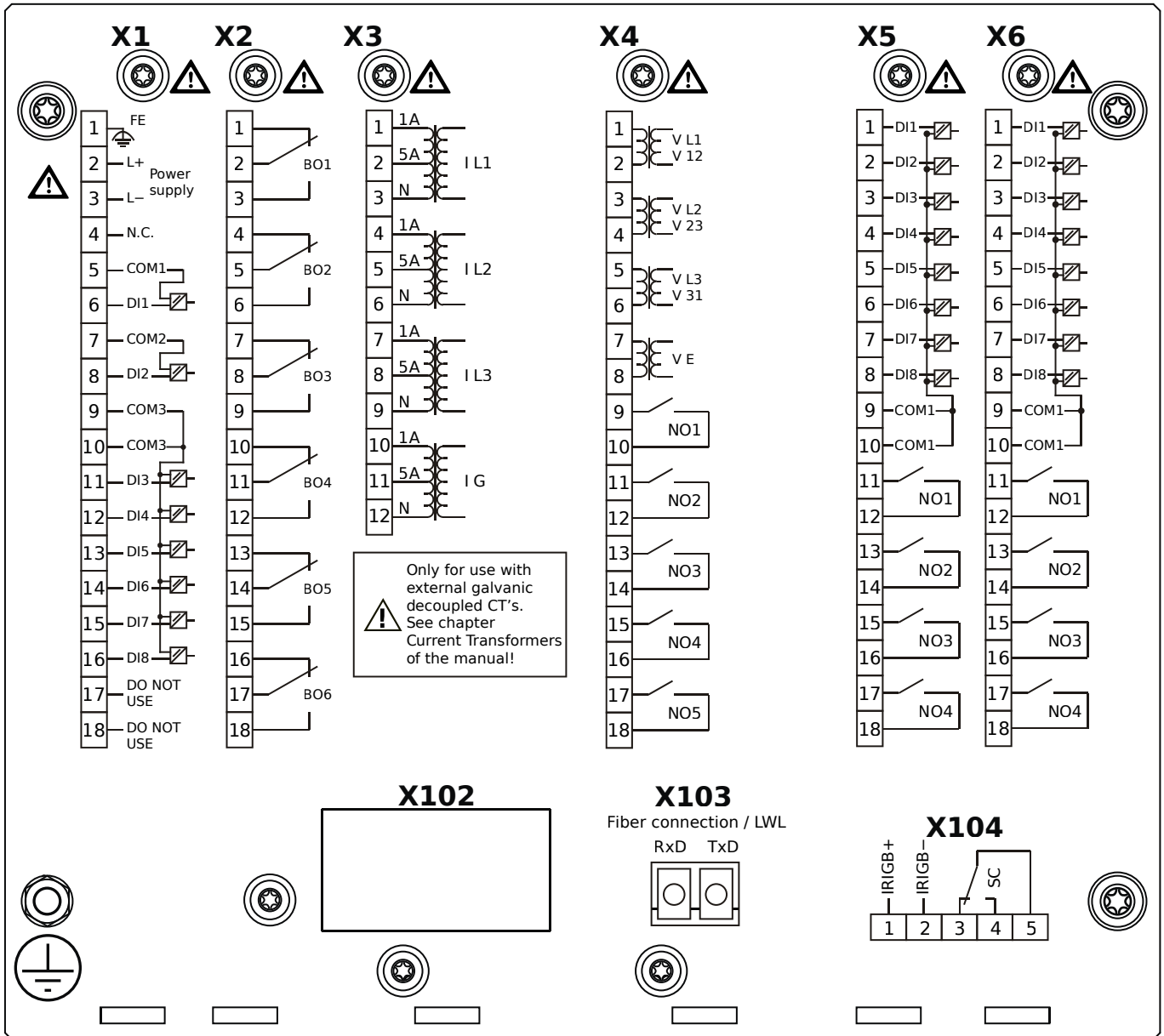
MRA4-2E0HLA



Housing B2, small display, door mounting

- X1** – DI8-X1: Wide-range power supply unit, incl. 2 non-grouped digital inputs and 6 grouped digital inputs
- X2** – OR6: Assembly Group with 6 Output Relays
- X3** – TI: Standard current measuring card
- X4** – TU-OR5: Voltage measuring assembly group with 5 additional Output Relays (normally open)
- X5** – DI8-OR4: Assembly Group with 8 Digital Inputs and 4 Output Relays
- X6** – DI8-OR4: Assembly Group with 8 Digital Inputs and 4 Output Relays
- X103** – Modbus TCP / DNP3.0 TCP/UDP, Fiber optics interface, LC Connector
- X104** – IRIG-B00X, incl. System Contact (Supervision Contact)

MRA4-2E0HLB

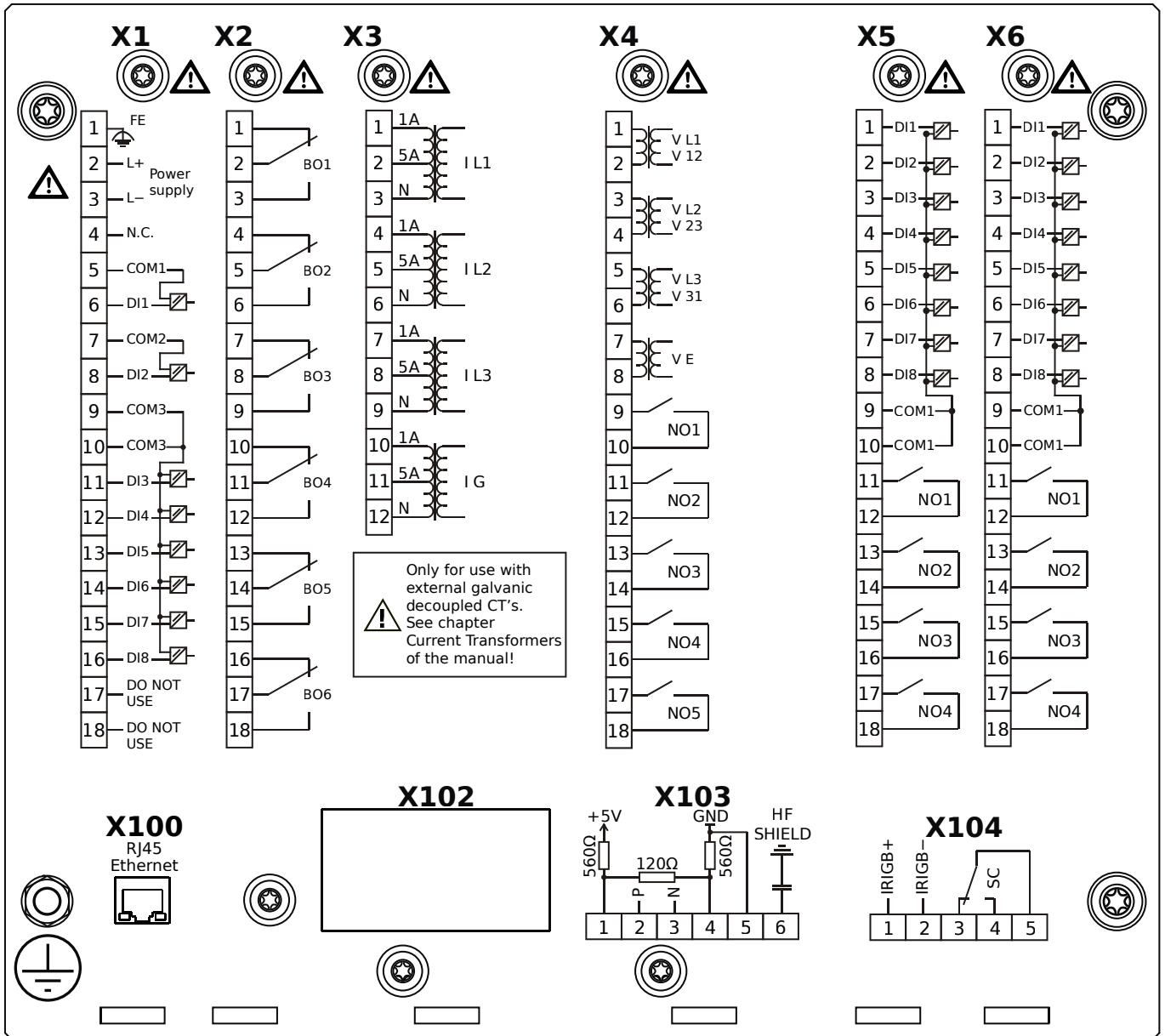


Housing B2, small display, door mounting

+ Conformal Coating (for installations in harsh environment)

- X1** – DI8-X1: Wide-range power supply unit, incl. 2 non-grouped digital inputs and 6 grouped digital inputs
- X2** – OR6: Assembly Group with 6 Output Relays
- X3** – TI: Standard current measuring card
- X4** – TU-OR5: Voltage measuring assembly group with 5 additional Output Relays (normally open)
- X5** – DI8-OR4: Assembly Group with 8 Digital Inputs and 4 Output Relays
- X6** – DI8-OR4: Assembly Group with 8 Digital Inputs and 4 Output Relays
- X103** – Modbus TCP / DNP3.0 TCP/UDP, Fiber optics interface, LC Connector
- X104** – IRIG-B00X, incl. System Contact (Supervision Contact)

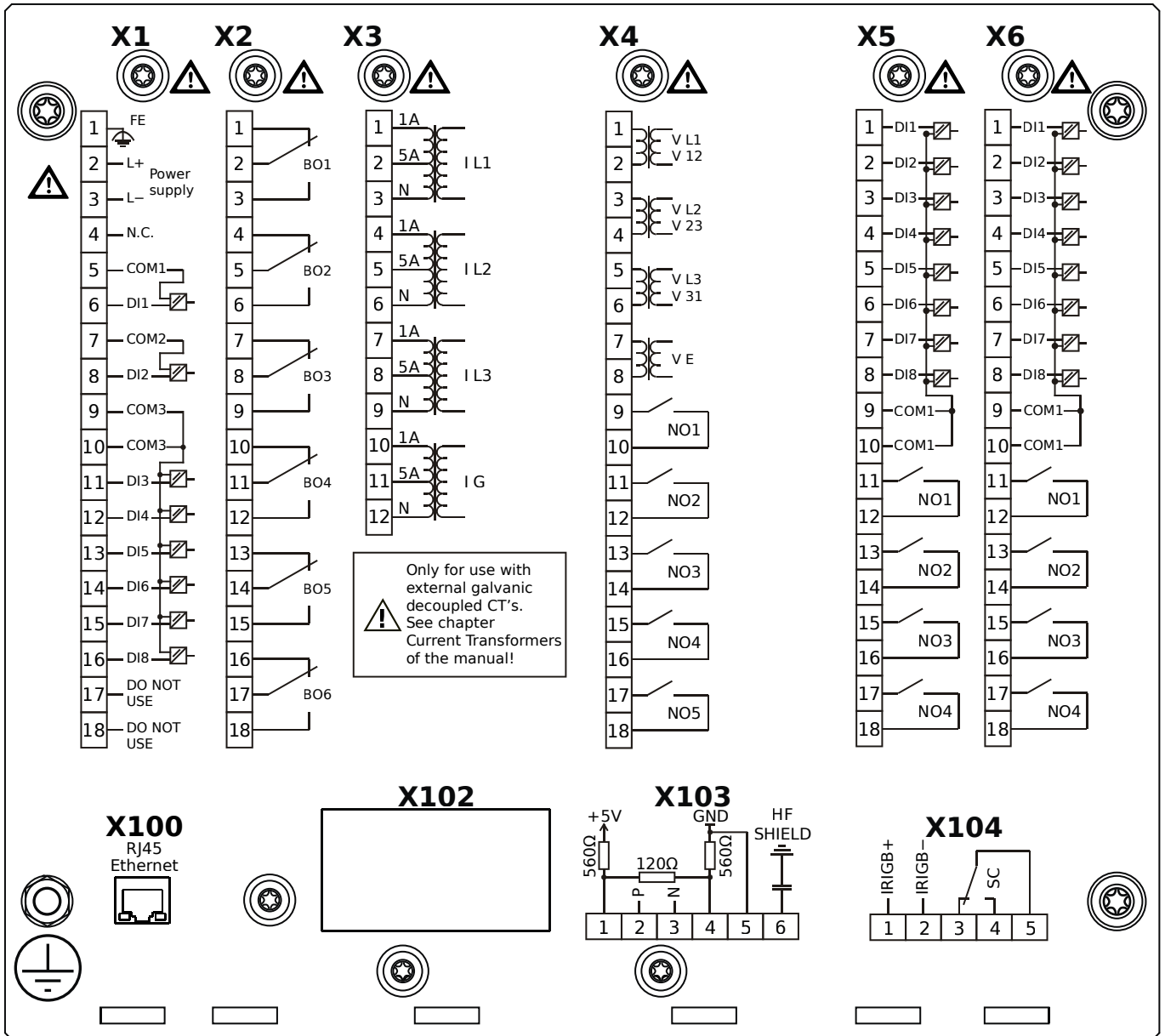
MRA4-2E0HTA



Housing B2, small display, door mounting

- X1** – DI8-X1: Wide-range power supply unit, incl. 2 non-grouped digital inputs and 6 grouped digital inputs
- X2** – OR6: Assembly Group with 6 Output Relays
- X3** – TI: Standard current measuring card
- X4** – TU-OR5: Voltage measuring assembly group with 5 additional Output Relays (normally open)
- X5** – DI8-OR4: Assembly Group with 8 Digital Inputs and 4 Output Relays
- X6** – DI8-OR4: Assembly Group with 8 Digital Inputs and 4 Output Relays
- X100** – IEC 61850 / Modbus TCP / DNP3.0 TCP/UDP, Ethernet interface, 100 Mbit/s, RJ45 (BASE100-FX)
- X103** – IEC 60870-5-103 / Modbus RTU / DNP3.0 RTU, RS485, Terminals
- X104** – IRIG-B00X, incl. System Contact (Supervision Contact)

MRA4-2E0HTB



Housing B2, small display, door mounting

+ Conformal Coating (for installations in harsh environment)

X1 – DI8-X1: Wide-range power supply unit, incl. 2 non-grouped digital inputs and 6 grouped digital inputs

X2 – OR6: Assembly Group with 6 Output Relays

X3 – TI: Standard current measuring card

X4 – TU-OR5: Voltage measuring assembly group with 5 additional Output Relays (normally open)

X5 – DI8-OR4: Assembly Group with 8 Digital Inputs and 4 Output Relays

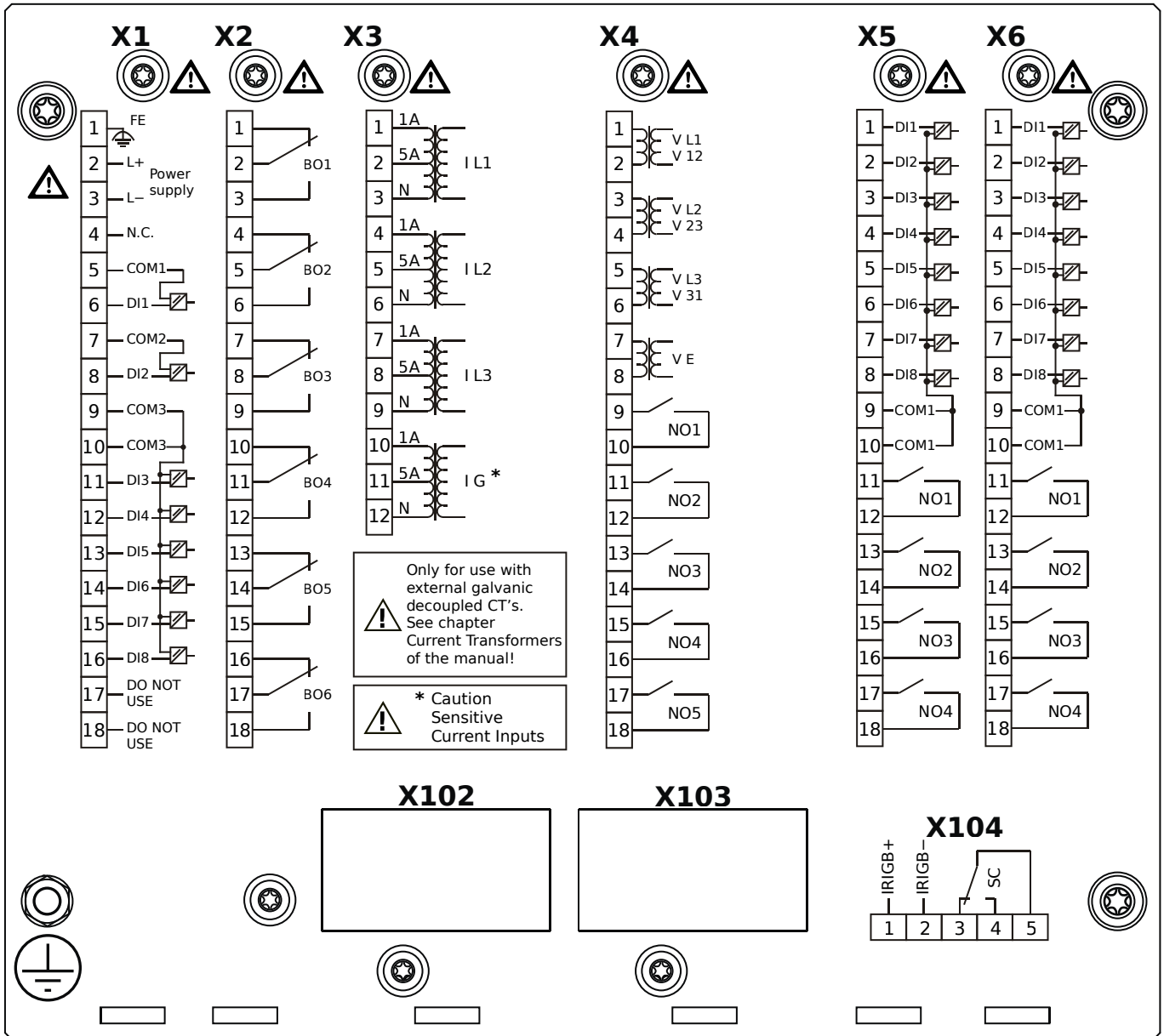
X6 – DI8-OR4: Assembly Group with 8 Digital Inputs and 4 Output Relays

X100 – IEC 61850 / Modbus TCP / DNP3.0 TCP/UDP, Ethernet interface, 100 Mbit/s, RJ45 (BASE100-FX)

X103 – IEC 60870-5-103 / Modbus RTU / DNP3.0 RTU, RS485, Terminals

X104 – IRIG-B00X, incl. System Contact (Supervision Contact)

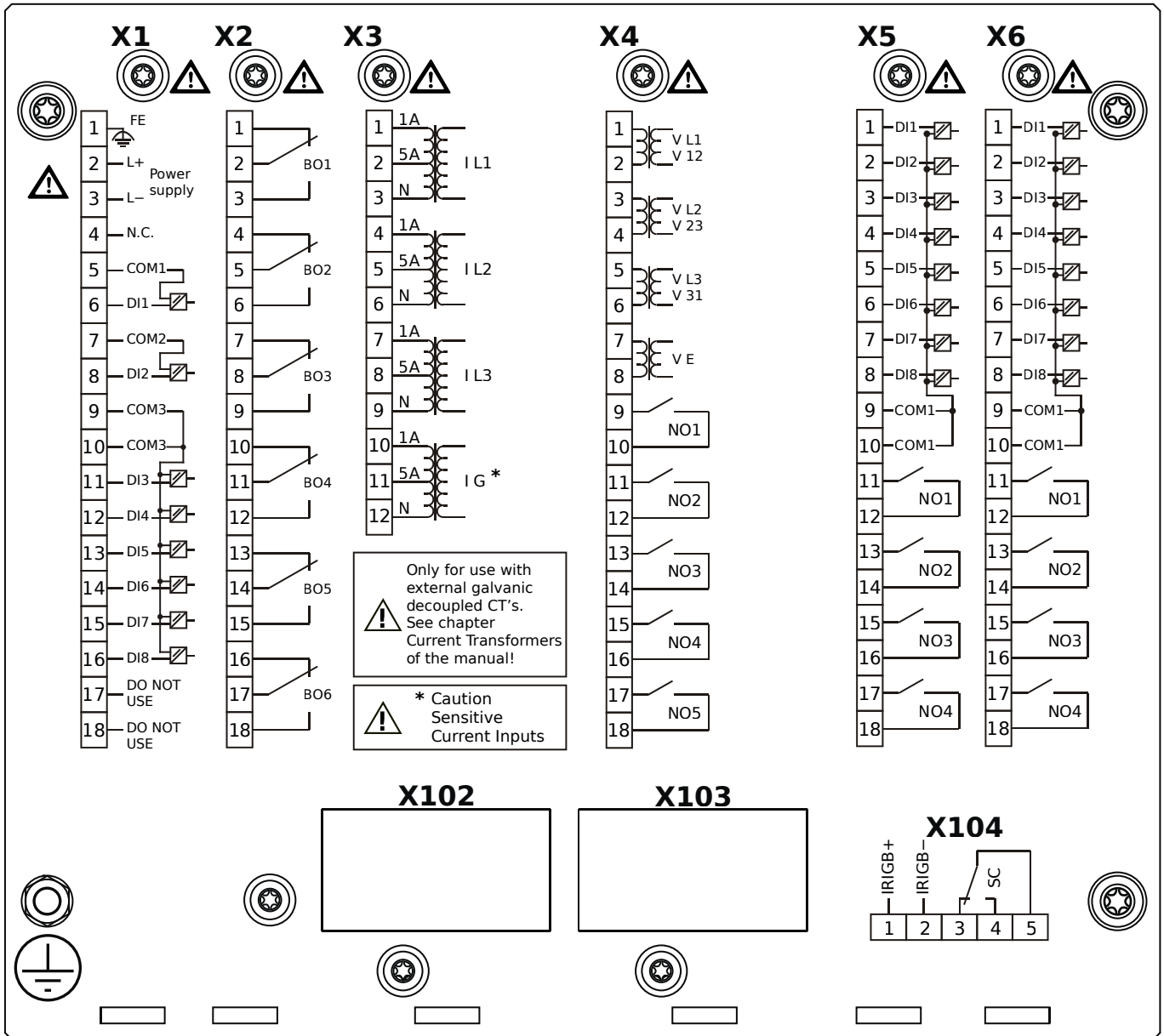
MRA4-2E1AAA



Housing B2, small display, door mounting

- X1** – DI8-X1: Wide-range power supply unit, incl. 2 non-grouped digital inputs and 6 grouped digital inputs
- X2** – OR6: Assembly Group with 6 Output Relays
- X3** – TIs: Standard phase current measuring card and sensitive ground current measuring
- X4** – TU-OR5: Voltage measuring assembly group with 5 additional Output Relays (normally open)
- X5** – DI8-OR4: Assembly Group with 8 Digital Inputs and 4 Output Relays
- X6** – DI8-OR4: Assembly Group with 8 Digital Inputs and 4 Output Relays
- X104** – IRIG-B00X, incl. System Contact (Supervision Contact)

MRA4-2E1AAB

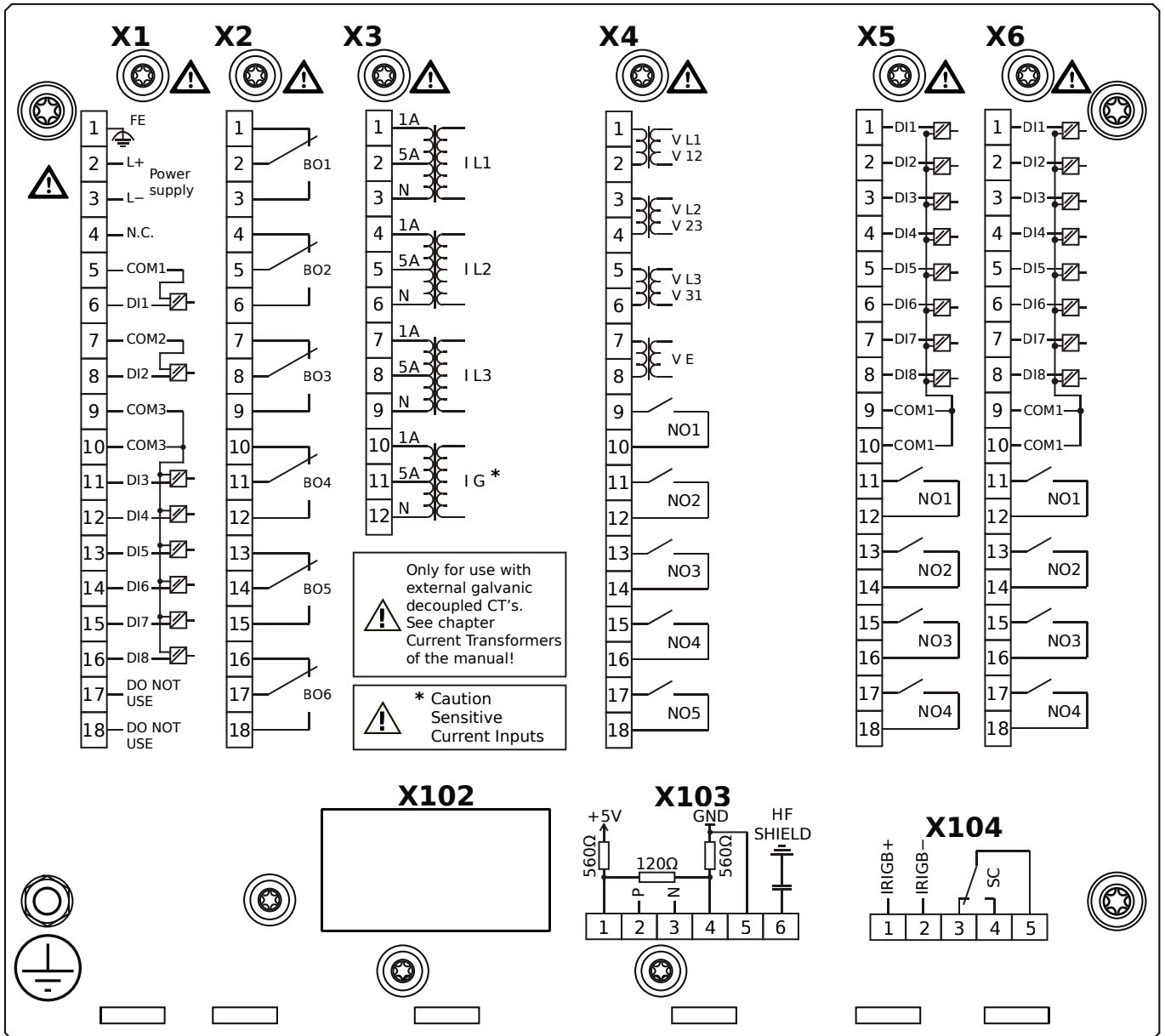


Housing B2, small display, door mounting

+ Conformal Coating (for installations in harsh environment)

- X1** – DI8-X1: Wide-range power supply unit, incl. 2 non-grouped digital inputs and 6 grouped digital inputs
- X2** – OR6: Assembly Group with 6 Output Relays
- X3** – TIs: Standard phase current measuring card and sensitive ground current measuring
- X4** – TU-OR5: Voltage measuring assembly group with 5 additional Output Relays (normally open)
- X5** – DI8-OR4: Assembly Group with 8 Digital Inputs and 4 Output Relays
- X6** – DI8-OR4: Assembly Group with 8 Digital Inputs and 4 Output Relays
- X104** – IRIG-B00X, incl. System Contact (Supervision Contact)

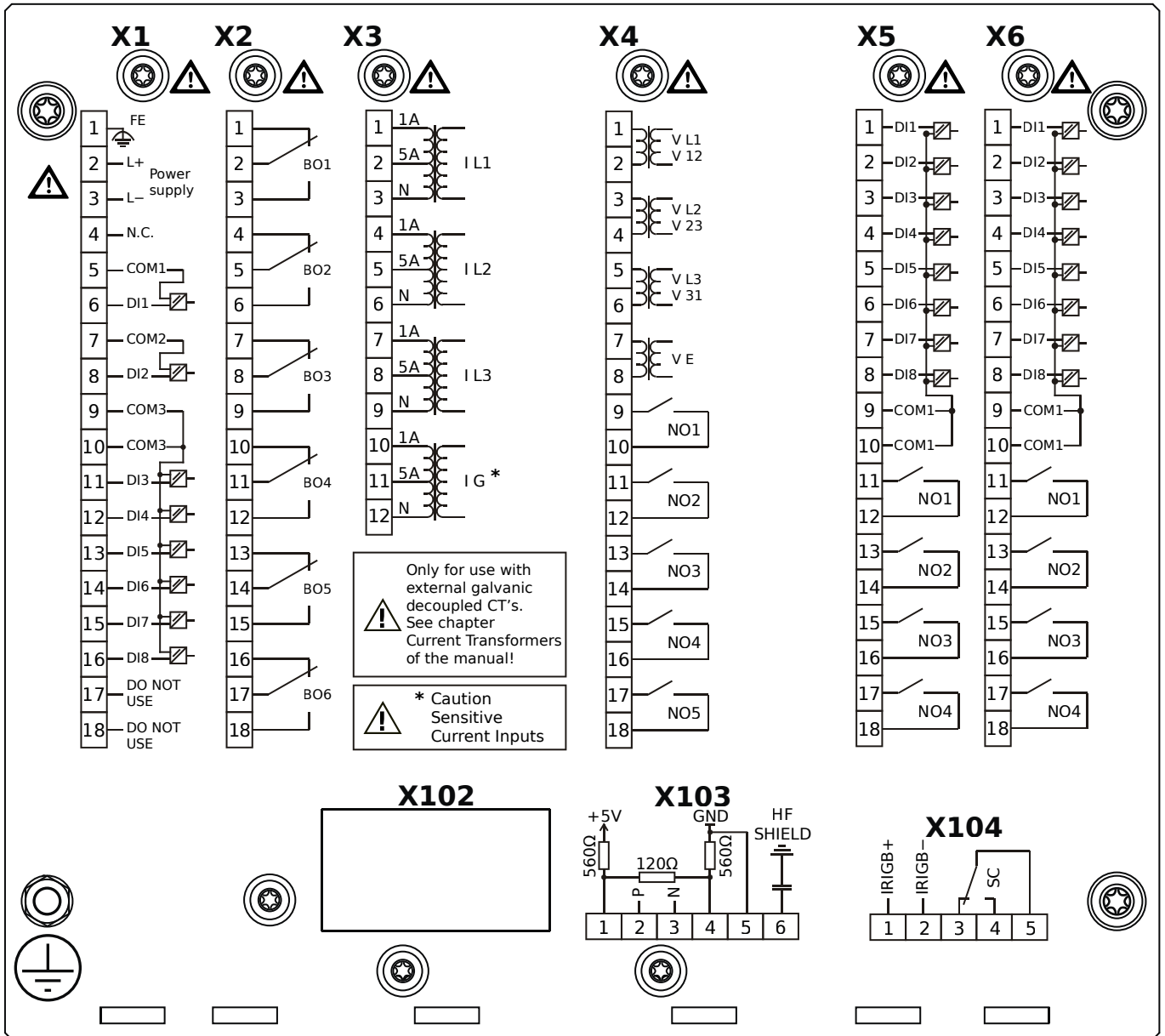
MRA4-2E1ABA



Housing B2, small display, door mounting

- X1** – DI8-X1: Wide-range power supply unit, incl. 2 non-grouped digital inputs and 6 grouped digital inputs
- X2** – OR6: Assembly Group with 6 Output Relays
- X3** – TIs: Standard phase current measuring card and sensitive ground current measuring
- X4** – TU-OR5: Voltage measuring assembly group with 5 additional Output Relays (normally open)
- X5** – DI8-OR4: Assembly Group with 8 Digital Inputs and 4 Output Relays
- X6** – DI8-OR4: Assembly Group with 8 Digital Inputs and 4 Output Relays
- X103** – Modbus RTU / IEC 60870-5-103 / DNP3.0 RTU, RS485, Terminals
- X104** – IRIG-B00X, incl. System Contact (Supervision Contact)

MRA4-2E1ABB

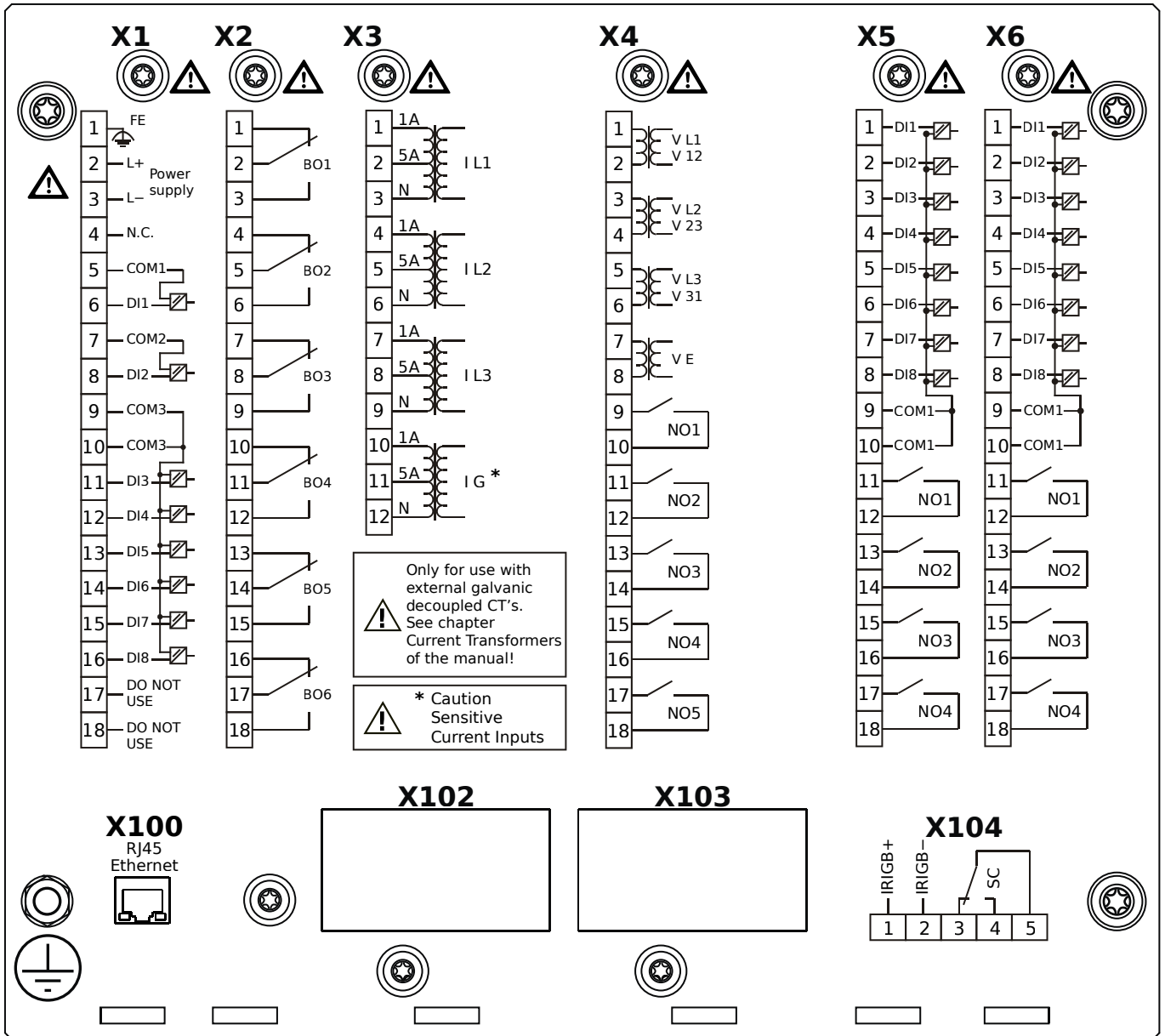


Housing B2, small display, door mounting

+ Conformal Coating (for installations in harsh environment)

- X1** – DI8-X1: Wide-range power supply unit, incl. 2 non-grouped digital inputs and 6 grouped digital inputs
- X2** – OR6: Assembly Group with 6 Output Relays
- X3** – TIs: Standard phase current measuring card and sensitive ground current measuring
- X4** – TU-OR5: Voltage measuring assembly group with 5 additional Output Relays (normally open)
- X5** – DI8-OR4: Assembly Group with 8 Digital Inputs and 4 Output Relays
- X6** – DI8-OR4: Assembly Group with 8 Digital Inputs and 4 Output Relays
- X103** – Modbus RTU / IEC 60870-5-103 / DNP3.0 RTU, RS485, Terminals
- X104** – IRIG-B00X, incl. System Contact (Supervision Contact)

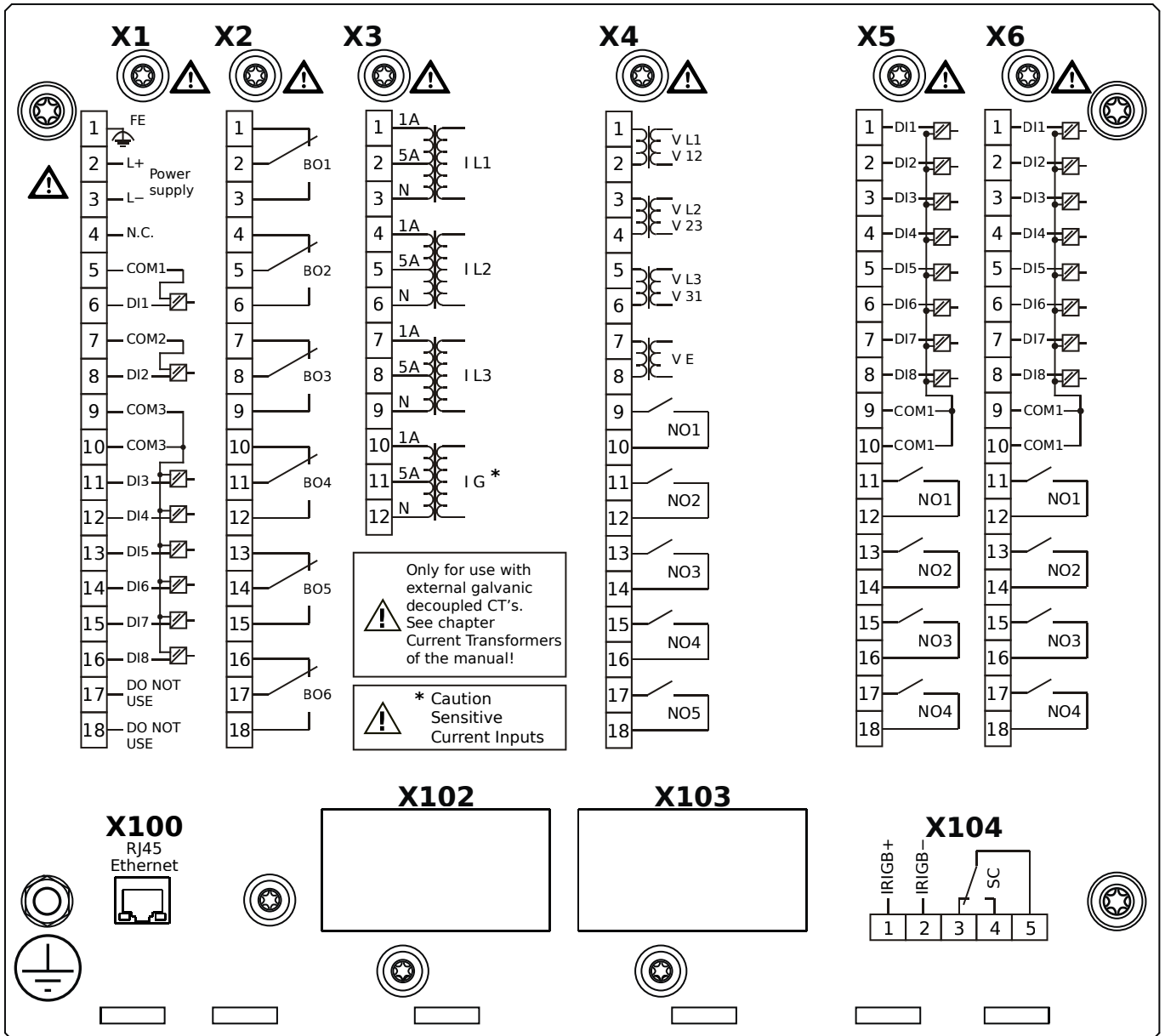
MRA4-2E1ACA



Housing B2, small display, door mounting

- X1** – DI8-X1: Wide-range power supply unit, incl. 2 non-grouped digital inputs and 6 grouped digital inputs
- X2** – OR6: Assembly Group with 6 Output Relays
- X3** – TIs: Standard phase current measuring card and sensitive ground current measuring
- X4** – TU-OR5: Voltage measuring assembly group with 5 additional Output Relays (normally open)
- X5** – DI8-OR4: Assembly Group with 8 Digital Inputs and 4 Output Relays
- X6** – DI8-OR4: Assembly Group with 8 Digital Inputs and 4 Output Relays
- X100** – Modbus TCP / DNP3.0 TCP/UDP, Ethernet interface, 100 Mbit/s, RJ45 (BASE100-FX)
- X104** – IRIG-B00X, incl. System Contact (Supervision Contact)

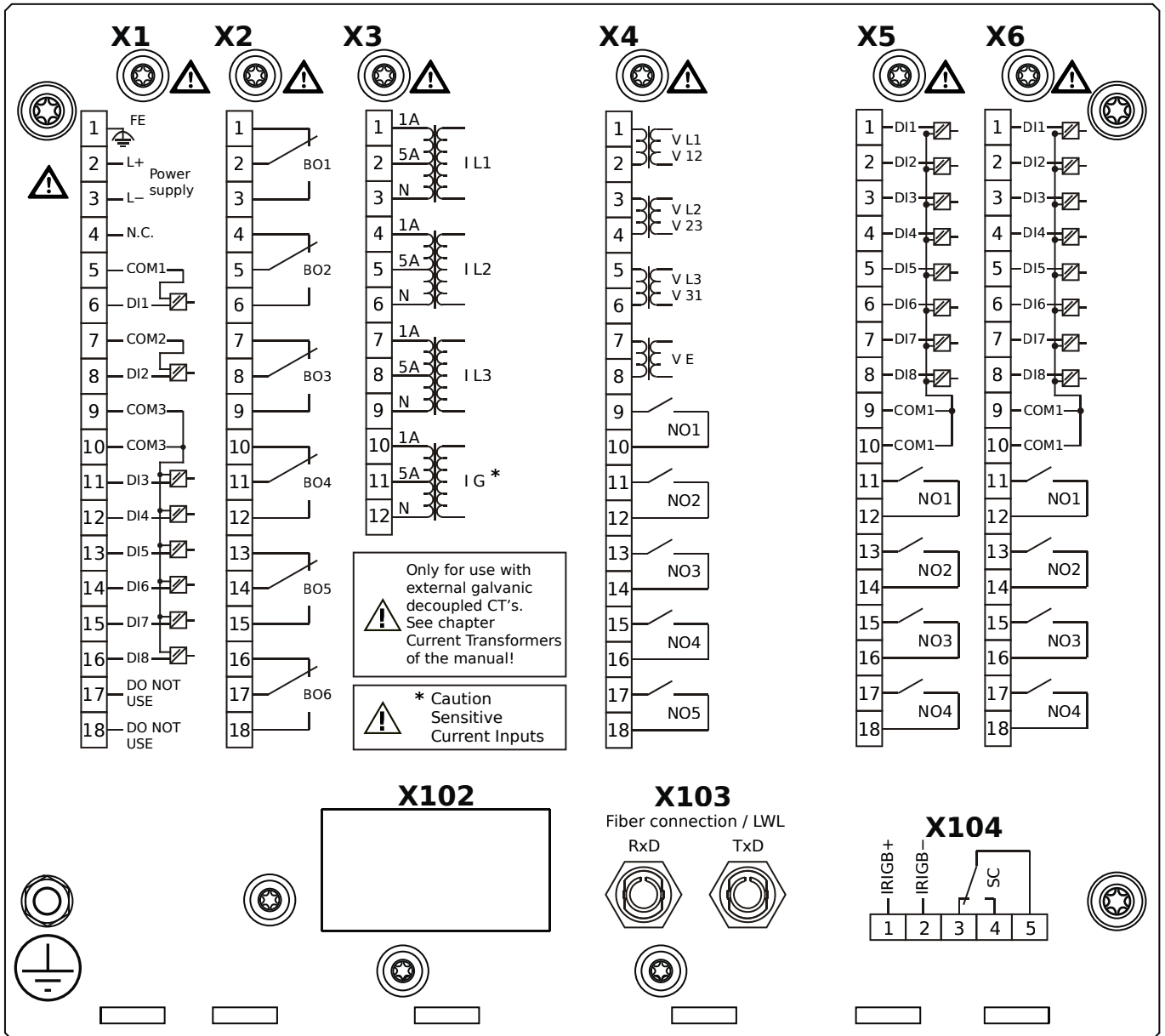
MRA4-2E1ACB



Housing B2, small display, door mounting

- + Conformal Coating (for installations in harsh environment)
- X1** – DI8-X1: Wide-range power supply unit, incl. 2 non-grouped digital inputs and 6 grouped digital inputs
- X2** – OR6: Assembly Group with 6 Output Relays
- X3** – TIs: Standard phase current measuring card and sensitive ground current measuring
- X4** – TU-OR5: Voltage measuring assembly group with 5 additional Output Relays (normally open)
- X5** – DI8-OR4: Assembly Group with 8 Digital Inputs and 4 Output Relays
- X6** – DI8-OR4: Assembly Group with 8 Digital Inputs and 4 Output Relays
- X100** – Modbus TCP / DNP3.0 TCP/UDP, Ethernet interface, 100 Mbit/s, RJ45 (BASE100-FX)
- X104** – IRIG-B00X, incl. System Contact (Supervision Contact)

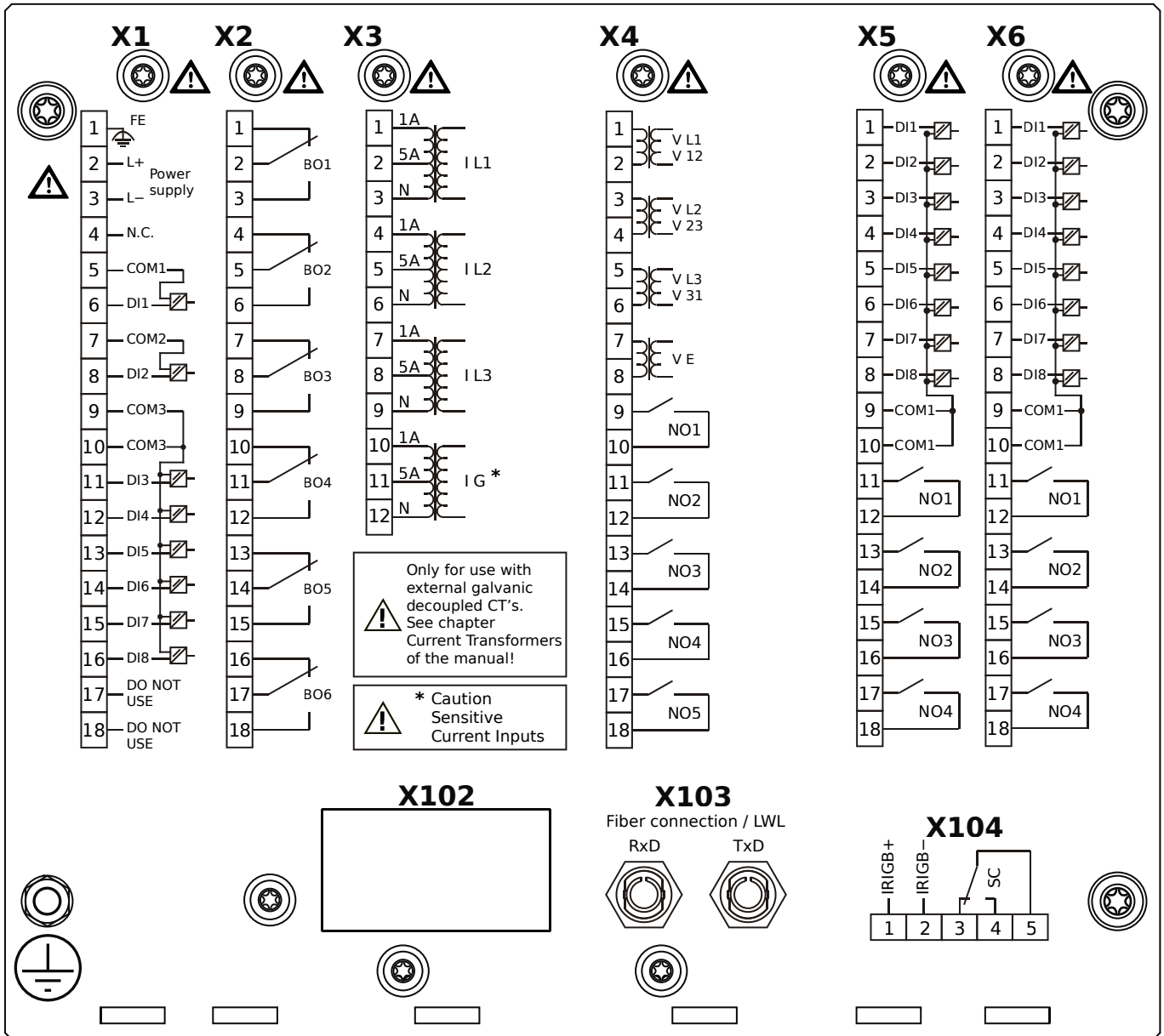
MRA4-2E1ADA



Housing B2, small display, door mounting

- X1** – DI8-X1: Wide-range power supply unit, incl. 2 non-grouped digital inputs and 6 grouped digital inputs
- X2** – OR6: Assembly Group with 6 Output Relays
- X3** – TIs: Standard phase current measuring card and sensitive ground current measuring
- X4** – TU-OR5: Voltage measuring assembly group with 5 additional Output Relays (normally open)
- X5** – DI8-OR4: Assembly Group with 8 Digital Inputs and 4 Output Relays
- X6** – DI8-OR4: Assembly Group with 8 Digital Inputs and 4 Output Relays
- X103** – Profibus-DP, Fiber optics interface, ST Connector
- X104** – IRIG-B00X, incl. System Contact (Supervision Contact)

MRA4-2E1ADB

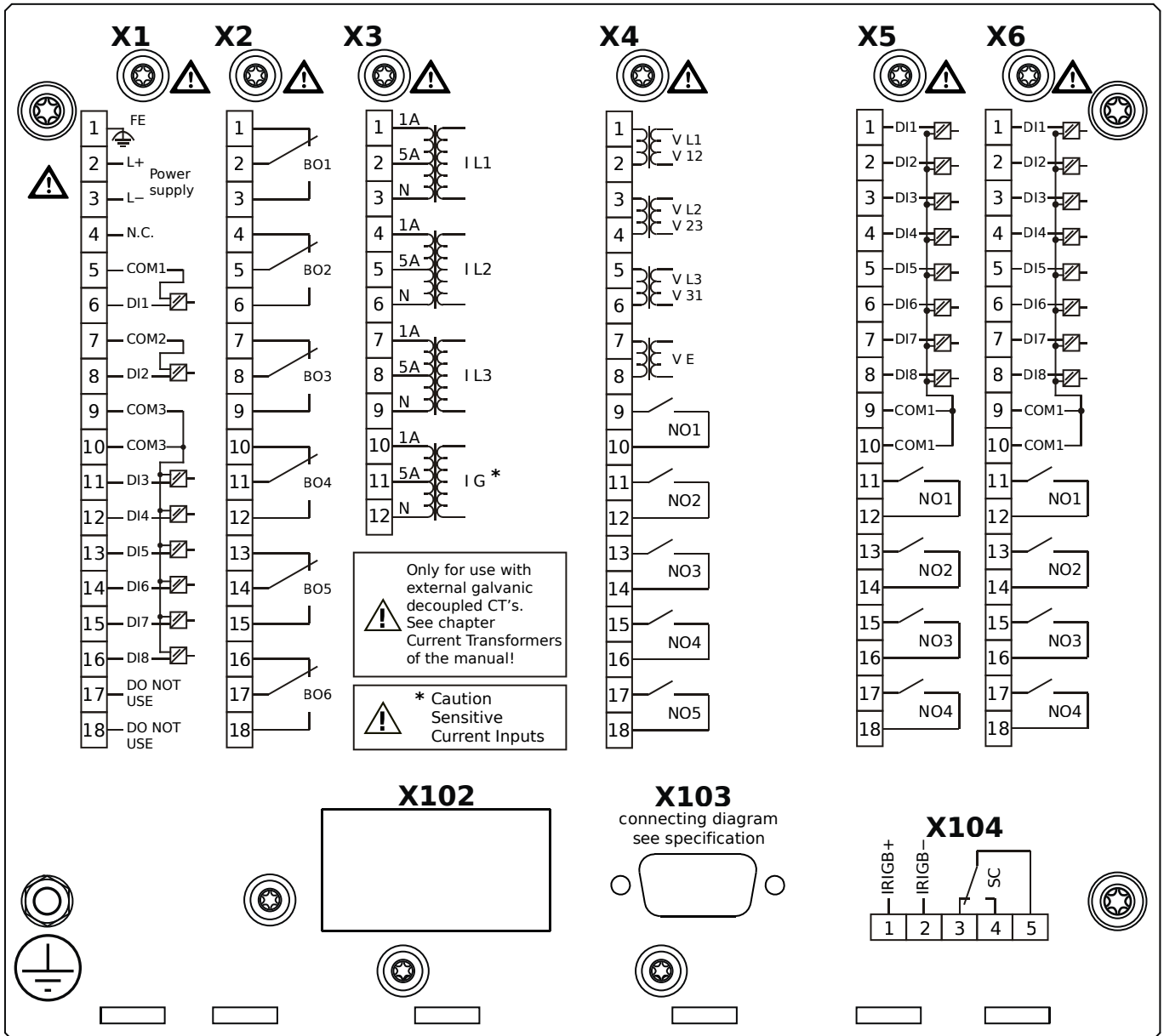


Housing B2, small display, door mounting

+ Conformal Coating (for installations in harsh environment)

- X1** – DI8-X1: Wide-range power supply unit, incl. 2 non-grouped digital inputs and 6 grouped digital inputs
- X2** – OR6: Assembly Group with 6 Output Relays
- X3** – TIs: Standard phase current measuring card and sensitive ground current measuring
- X4** – TU-OR5: Voltage measuring assembly group with 5 additional Output Relays (normally open)
- X5** – DI8-OR4: Assembly Group with 8 Digital Inputs and 4 Output Relays
- X6** – DI8-OR4: Assembly Group with 8 Digital Inputs and 4 Output Relays
- X103** – Profibus-DP, Fiber optics interface, ST Connector
- X104** – IRIG-B00X, incl. System Contact (Supervision Contact)

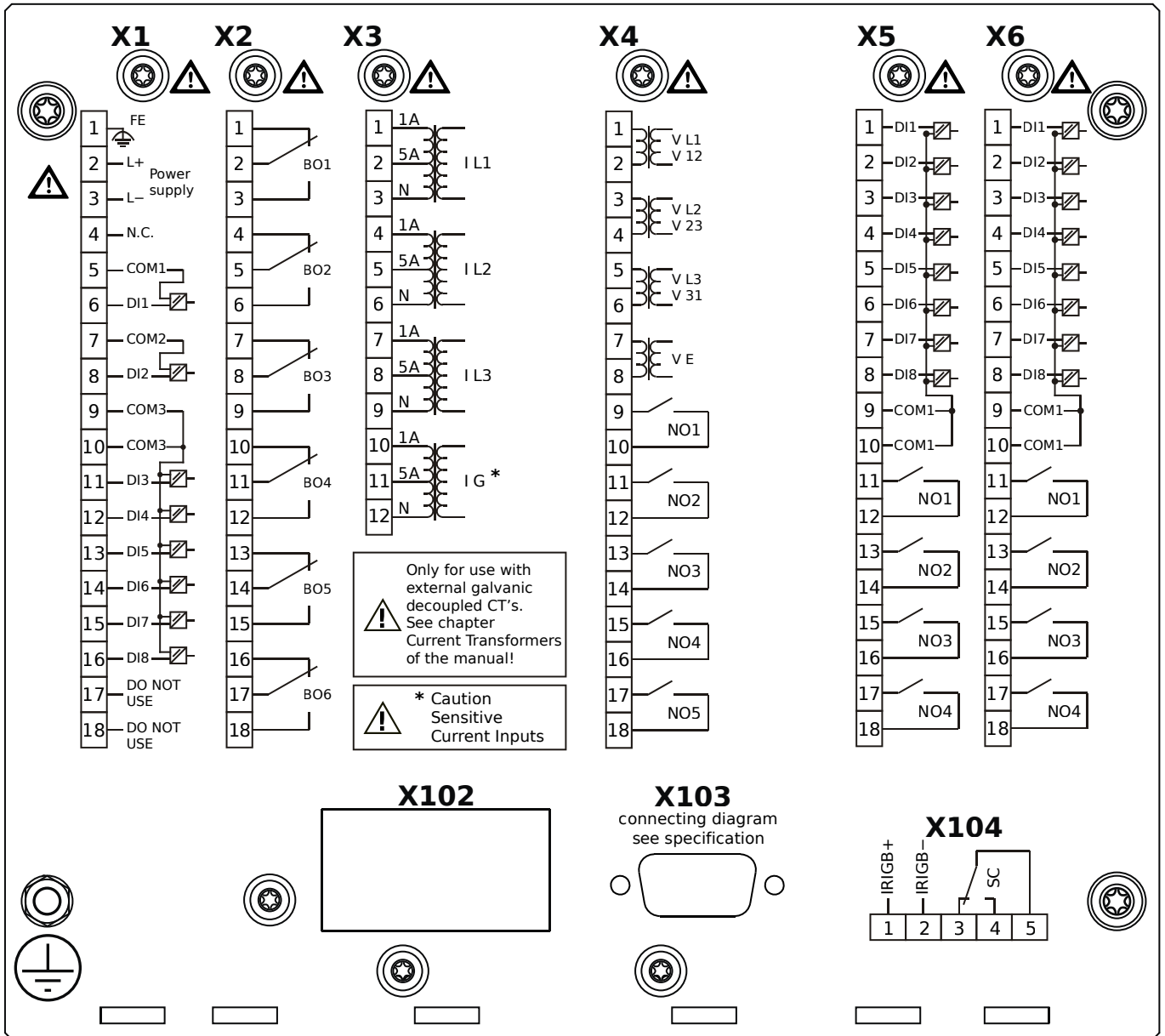
MRA4-2E1AEA



Housing B2, small display, door mounting

- X1** – DI8-X1: Wide-range power supply unit, incl. 2 non-grouped digital inputs and 6 grouped digital inputs
- X2** – OR6: Assembly Group with 6 Output Relays
- X3** – TIs: Standard phase current measuring card and sensitive ground current measuring
- X4** – TU-OR5: Voltage measuring assembly group with 5 additional Output Relays (normally open)
- X5** – DI8-OR4: Assembly Group with 8 Digital Inputs and 4 Output Relays
- X6** – DI8-OR4: Assembly Group with 8 Digital Inputs and 4 Output Relays
- X103** – Profibus-DP, RS485, D-SUB
- X104** – IRIG-B00X, incl. System Contact (Supervision Contact)

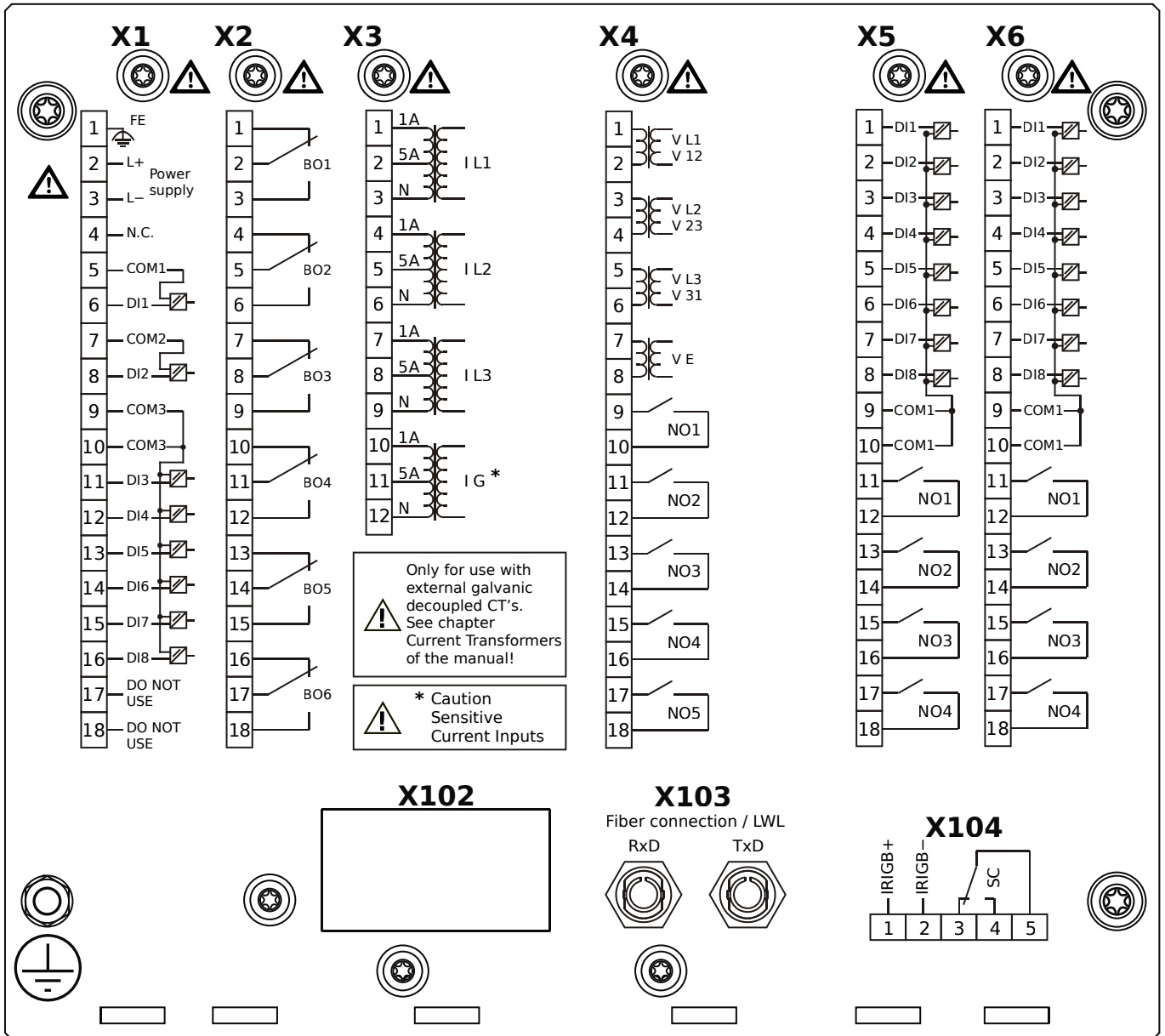
MRA4-2E1AEB



Housing B2, small display, door mounting

- + Conformal Coating (for installations in harsh environment)
- X1** – DI8-X1: Wide-range power supply unit, incl. 2 non-grouped digital inputs and 6 grouped digital inputs
- X2** – OR6: Assembly Group with 6 Output Relays
- X3** – TIs: Standard phase current measuring card and sensitive ground current measuring
- X4** – TU-OR5: Voltage measuring assembly group with 5 additional Output Relays (normally open)
- X5** – DI8-OR4: Assembly Group with 8 Digital Inputs and 4 Output Relays
- X6** – DI8-OR4: Assembly Group with 8 Digital Inputs and 4 Output Relays
- X103** – Profibus-DP, RS485, D-SUB
- X104** – IRIG-B00X, incl. System Contact (Supervision Contact)

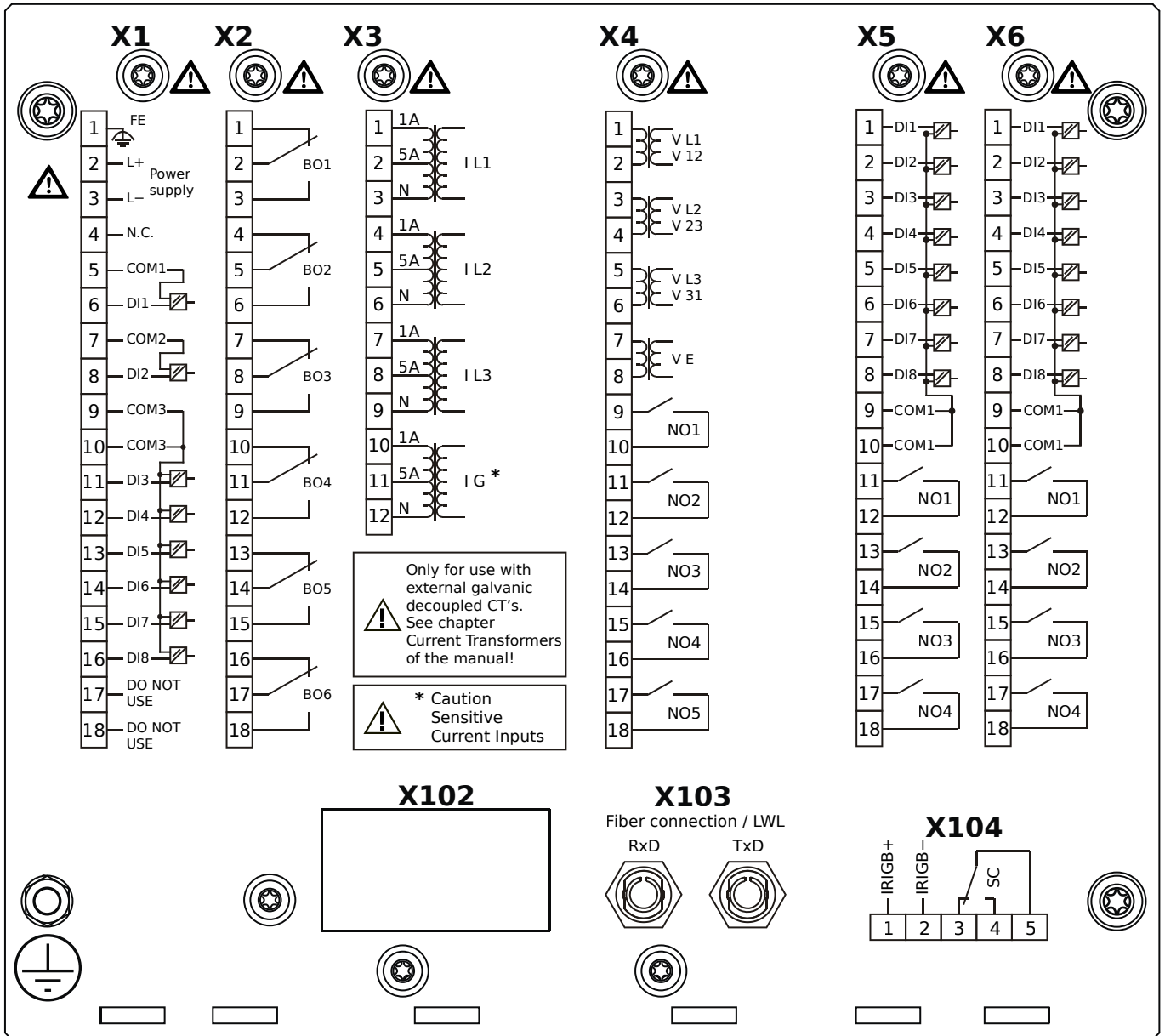
MRA4-2E1AFA



Housing B2, small display, door mounting

- X1** – DI8-X1: Wide-range power supply unit, incl. 2 non-grouped digital inputs and 6 grouped digital inputs
- X2** – OR6: Assembly Group with 6 Output Relays
- X3** – TIs: Standard phase current measuring card and sensitive ground current measuring
- X4** – TU-OR5: Voltage measuring assembly group with 5 additional Output Relays (normally open)
- X5** – DI8-OR4: Assembly Group with 8 Digital Inputs and 4 Output Relays
- X6** – DI8-OR4: Assembly Group with 8 Digital Inputs and 4 Output Relays
- X103** – Modbus RTU / IEC 60870-5-103 / DNP3.0 RTU, Fiber optics interface, ST Connector
- X104** – IRIG-B00X, incl. System Contact (Supervision Contact)

MRA4-2E1AFB

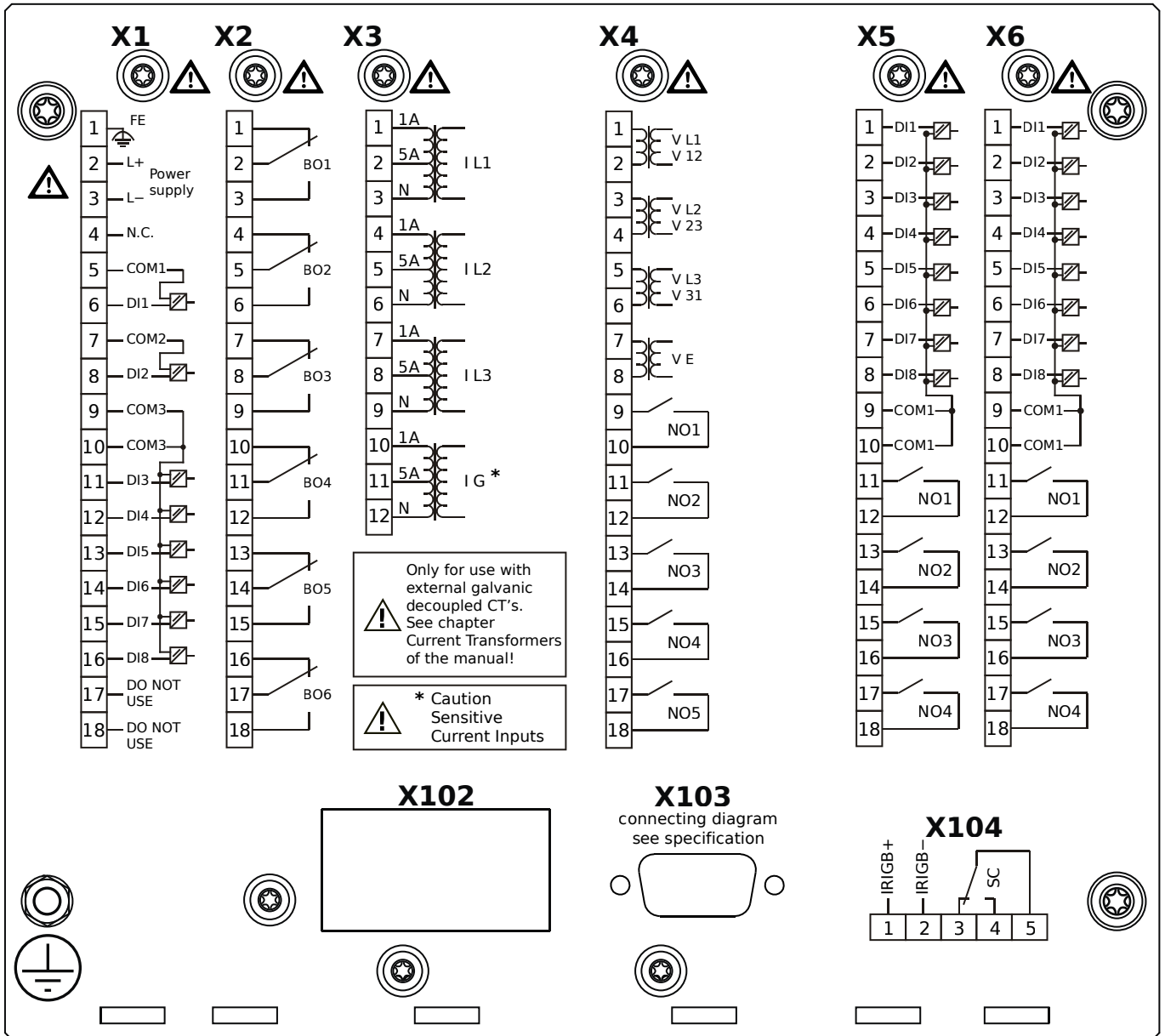


Housing B2, small display, door mounting

+ Conformal Coating (for installations in harsh environment)

- X1** – DI8-X1: Wide-range power supply unit, incl. 2 non-grouped digital inputs and 6 grouped digital inputs
- X2** – OR6: Assembly Group with 6 Output Relays
- X3** – TIs: Standard phase current measuring card and sensitive ground current measuring
- X4** – TU-OR5: Voltage measuring assembly group with 5 additional Output Relays (normally open)
- X5** – DI8-OR4: Assembly Group with 8 Digital Inputs and 4 Output Relays
- X6** – DI8-OR4: Assembly Group with 8 Digital Inputs and 4 Output Relays
- X103** – Modbus RTU / IEC 60870-5-103 / DNP3.0 RTU, Fiber optics interface, ST Connector
- X104** – IRIG-B00X, incl. System Contact (Supervision Contact)

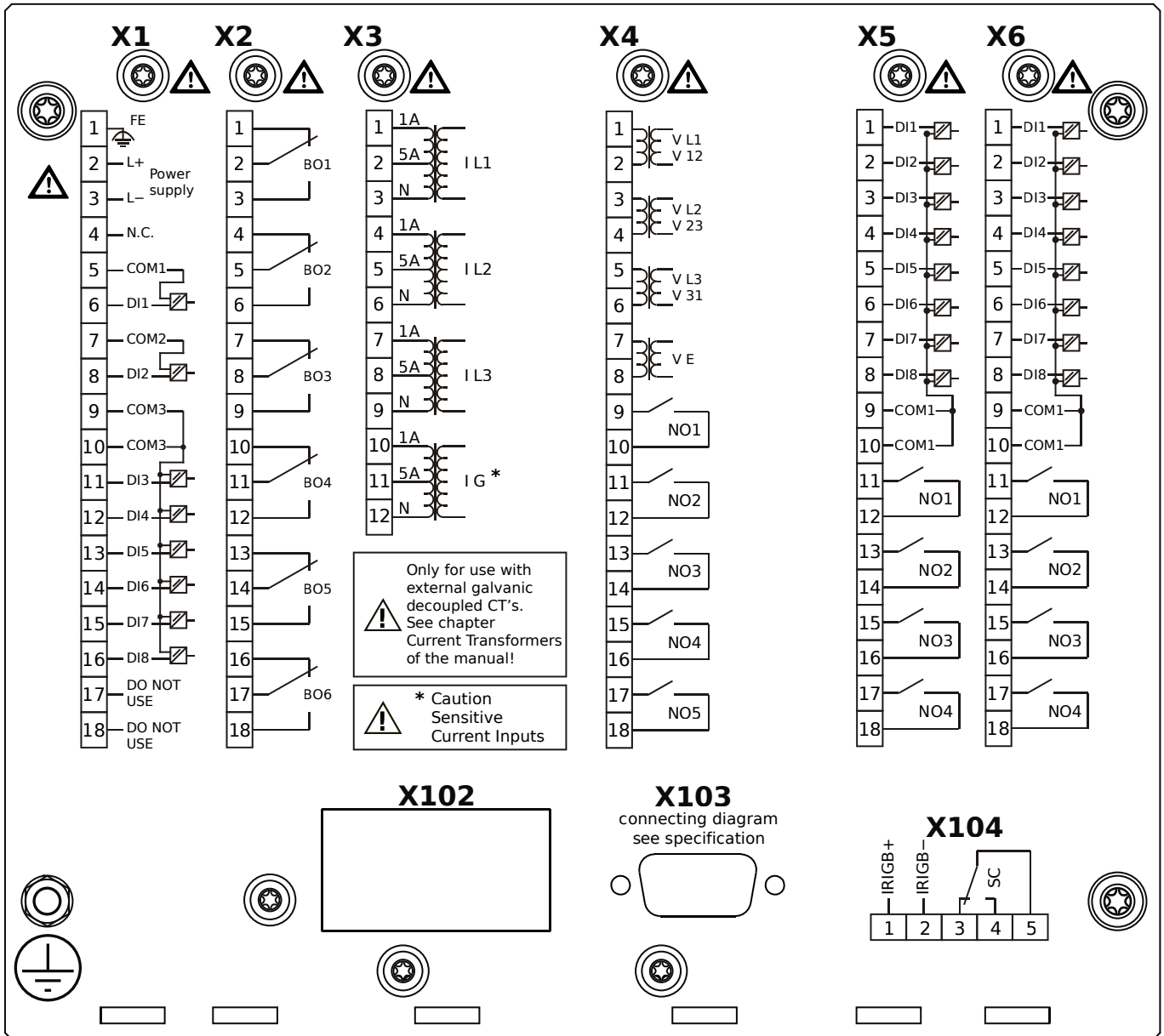
MRA4-2E1AGA



Housing B2, small display, door mounting

- X1** – DI8-X1: Wide-range power supply unit, incl. 2 non-grouped digital inputs and 6 grouped digital inputs
- X2** – OR6: Assembly Group with 6 Output Relays
- X3** – TIs: Standard phase current measuring card and sensitive ground current measuring
- X4** – TU-OR5: Voltage measuring assembly group with 5 additional Output Relays (normally open)
- X5** – DI8-OR4: Assembly Group with 8 Digital Inputs and 4 Output Relays
- X6** – DI8-OR4: Assembly Group with 8 Digital Inputs and 4 Output Relays
- X103** – Modbus RTU / IEC 60870-5-103 / DNP3.0 RTU, RS485, D-SUB
- X104** – IRIG-B00X, incl. System Contact (Supervision Contact)

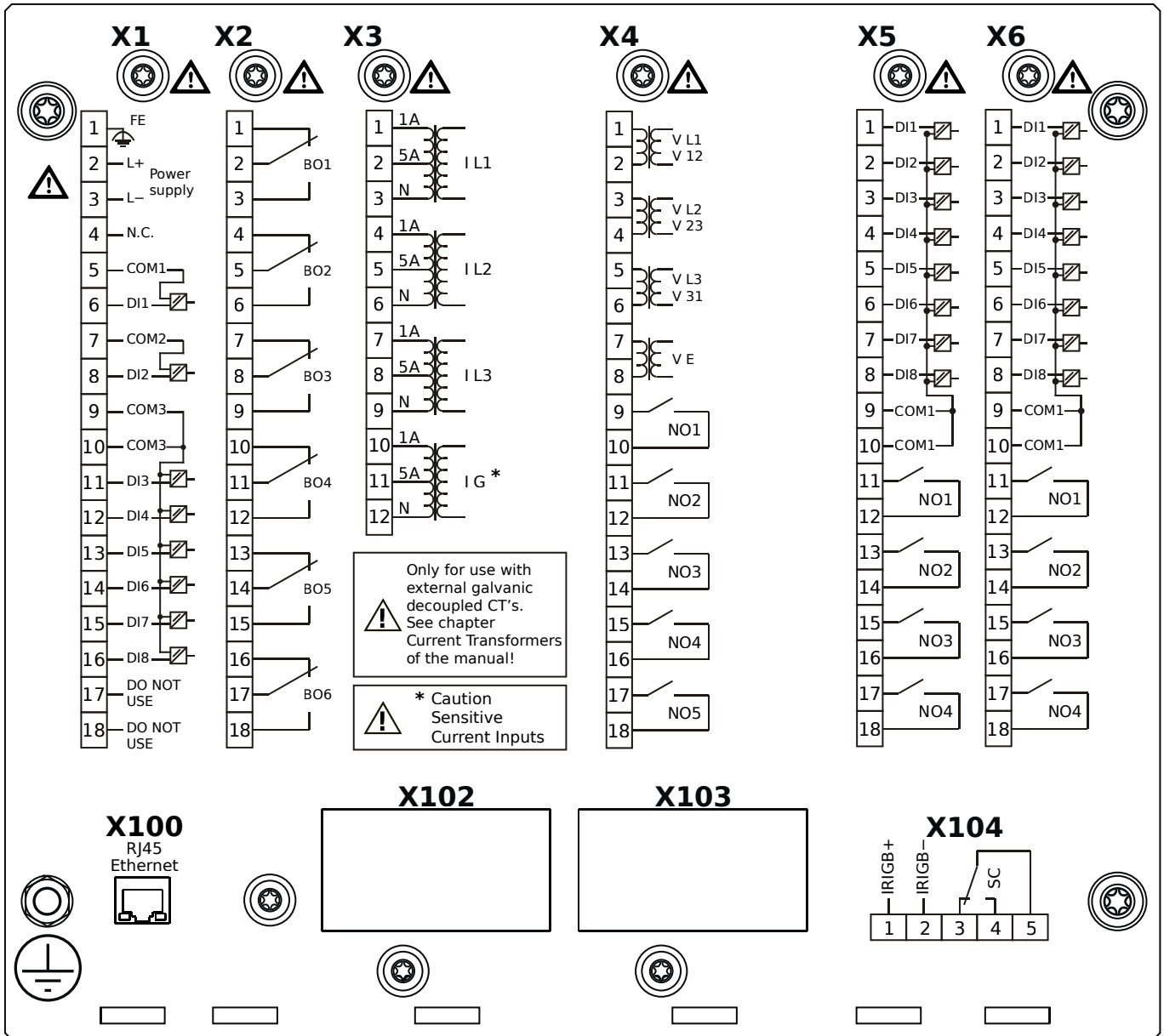
MRA4-2E1AGB



Housing B2, small display, door mounting

- + Conformal Coating (for installations in harsh environment)
- X1** – DI8-X1: Wide-range power supply unit, incl. 2 non-grouped digital inputs and 6 grouped digital inputs
- X2** – OR6: Assembly Group with 6 Output Relays
- X3** – TIs: Standard phase current measuring card and sensitive ground current measuring
- X4** – TU-OR5: Voltage measuring assembly group with 5 additional Output Relays (normally open)
- X5** – DI8-OR4: Assembly Group with 8 Digital Inputs and 4 Output Relays
- X6** – DI8-OR4: Assembly Group with 8 Digital Inputs and 4 Output Relays
- X103** – Modbus RTU / IEC 60870-5-103 / DNP3.0 RTU, RS485, D-SUB
- X104** – IRIG-B00X, incl. System Contact (Supervision Contact)

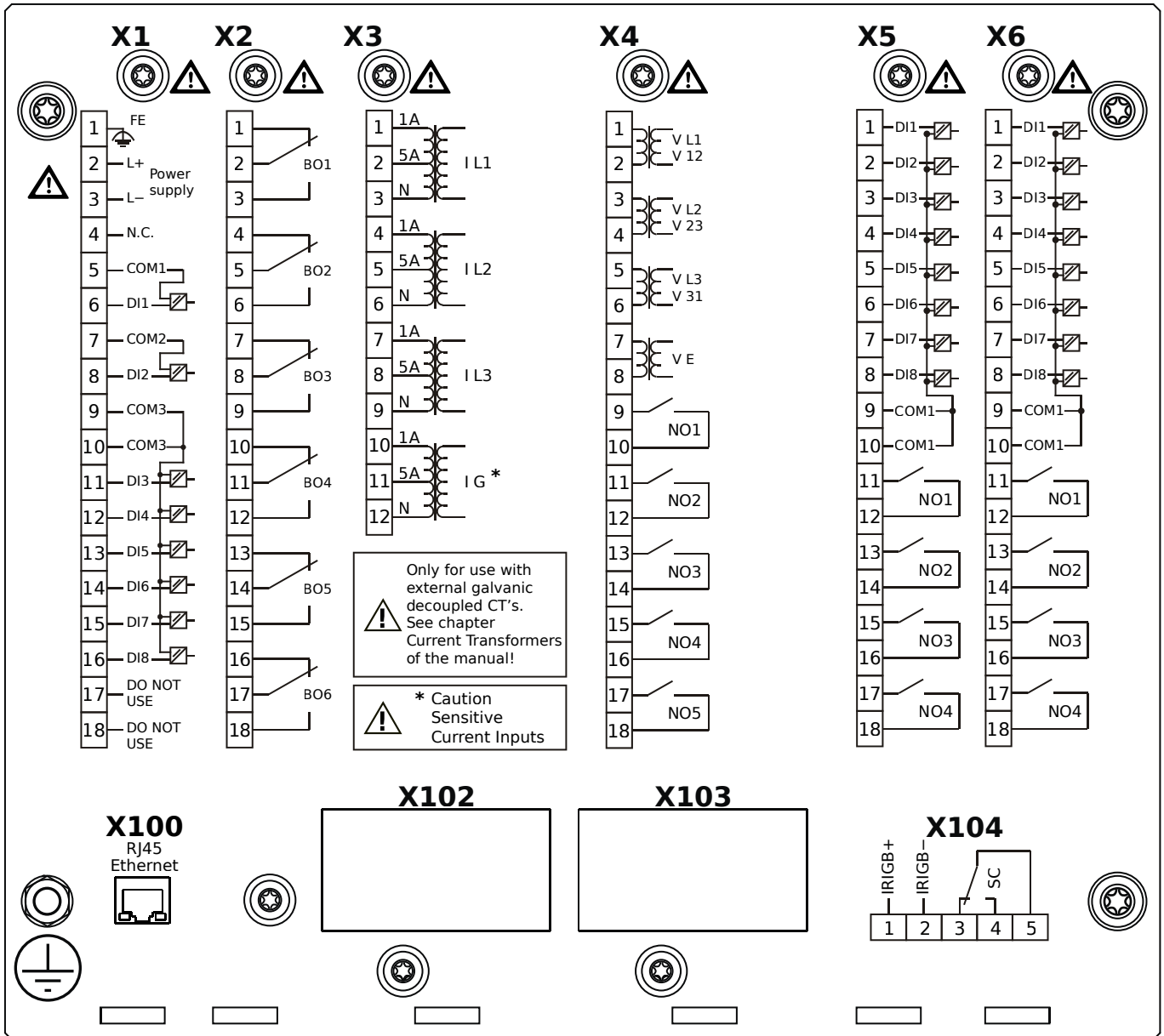
MRA4-2E1AHA



Housing B2, small display, door mounting

- X1** – DI8-X1: Wide-range power supply unit, incl. 2 non-grouped digital inputs and 6 grouped digital inputs
- X2** – OR6: Assembly Group with 6 Output Relays
- X3** – TIs: Standard phase current measuring card and sensitive ground current measuring
- X4** – TU-OR5: Voltage measuring assembly group with 5 additional Output Relays (normally open)
- X5** – DI8-OR4: Assembly Group with 8 Digital Inputs and 4 Output Relays
- X6** – DI8-OR4: Assembly Group with 8 Digital Inputs and 4 Output Relays
- X100** – IEC 61850 / Modbus TCP / DNP3.0 TCP/UDP, Ethernet interface, 100 Mbit/s, RJ45 (BASE100-FX)
- X104** – IRIG-B00X, incl. System Contact (Supervision Contact)

MRA4-2E1AHB



Housing B2, small display, door mounting

+ Conformal Coating (for installations in harsh environment)

X1 – DI8-X1: Wide-range power supply unit, incl. 2 non-grouped digital inputs and 6 grouped digital inputs

X2 – OR6: Assembly Group with 6 Output Relays

X3 – TIs: Standard phase current measuring card and sensitive ground current measuring

X4 – TU-OR5: Voltage measuring assembly group with 5 additional Output Relays (normally open)

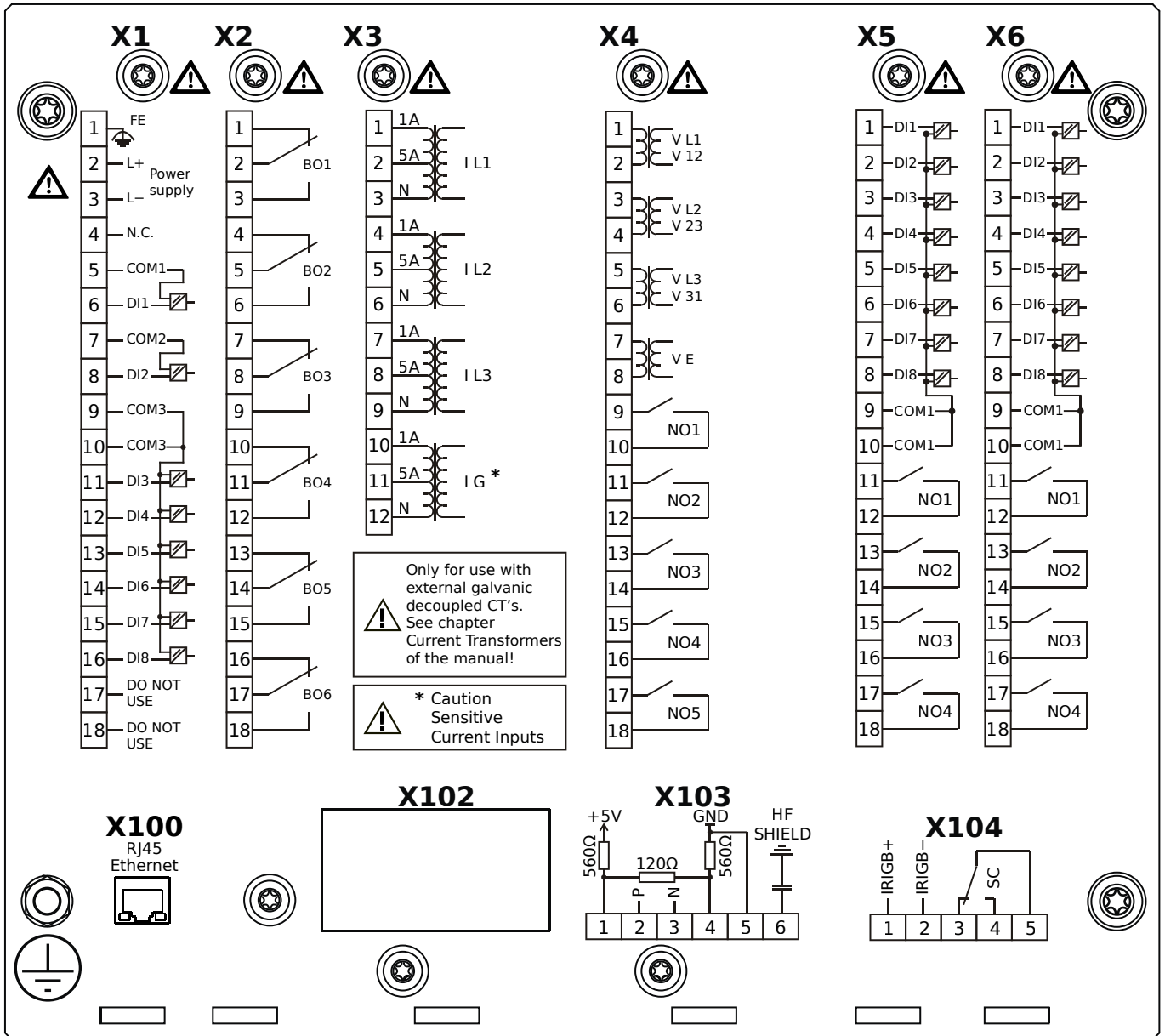
X5 – DI8-OR4: Assembly Group with 8 Digital Inputs and 4 Output Relays

X6 – DI8-OR4: Assembly Group with 8 Digital Inputs and 4 Output Relays

X100 – IEC 61850 / Modbus TCP / DNP3.0 TCP/UDP, Ethernet interface, 100 Mbit/s, RJ45 (BASE100-FX)

X104 – IRIG-B00X, incl. System Contact (Supervision Contact)

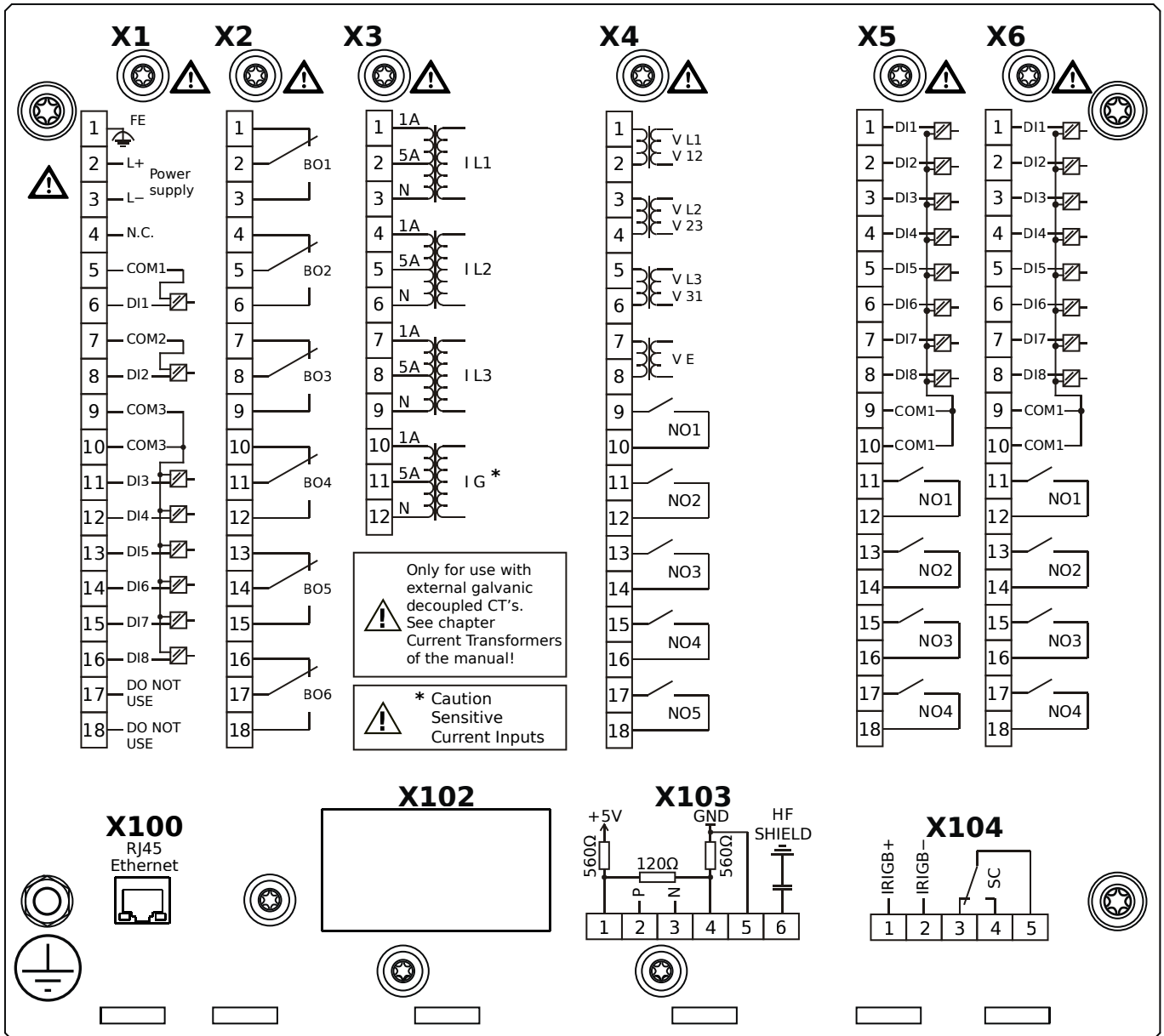
MRA4-2E1AIA



Housing B2, small display, door mounting

- X1** – DI8-X1: Wide-range power supply unit, incl. 2 non-grouped digital inputs and 6 grouped digital inputs
- X2** – OR6: Assembly Group with 6 Output Relays
- X3** – TIs: Standard phase current measuring card and sensitive ground current measuring
- X4** – TU-OR5: Voltage measuring assembly group with 5 additional Output Relays (normally open)
- X5** – DI8-OR4: Assembly Group with 8 Digital Inputs and 4 Output Relays
- X6** – DI8-OR4: Assembly Group with 8 Digital Inputs and 4 Output Relays
- X100** – Modbus TCP / DNP3.0 TCP/UDP, Ethernet interface, 100 Mbit/s, RJ45 (BASE100-FX)
- X103** – IEC 60870-5-103 / Modbus RTU / DNP3.0 RTU, RS485, Terminals
- X104** – I/RGB-B00X, incl. System Contact (Supervision Contact)

MRA4-2E1AIB

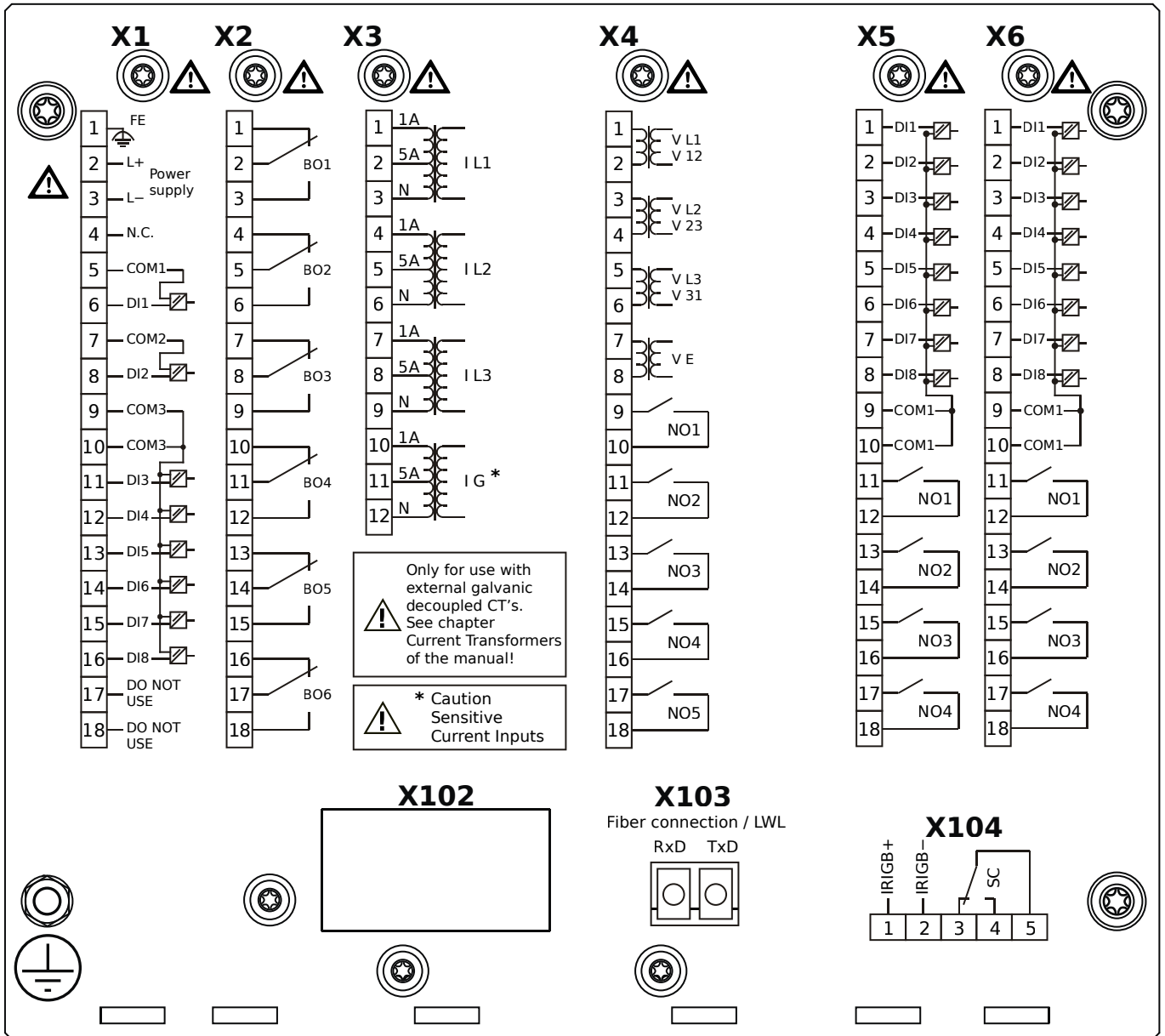


Housing B2, small display, door mounting

+ Conformal Coating (for installations in harsh environment)

- X1** – DI8-X1: Wide-range power supply unit, incl. 2 non-grouped digital inputs and 6 grouped digital inputs
- X2** – OR6: Assembly Group with 6 Output Relays
- X3** – TIs: Standard phase current measuring card and sensitive ground current measuring
- X4** – TU-OR5: Voltage measuring assembly group with 5 additional Output Relays (normally open)
- X5** – DI8-OR4: Assembly Group with 8 Digital Inputs and 4 Output Relays
- X6** – DI8-OR4: Assembly Group with 8 Digital Inputs and 4 Output Relays
- X100** – Modbus TCP / DNP3.0 TCP/UDP, Ethernet interface, 100 Mbit/s, RJ45 (BASE100-FX)
- X103** – IEC 60870-5-103 / Modbus RTU / DNP3.0 RTU, RS485, Terminals
- X104** – I/RGB-B00X, incl. System Contact (Supervision Contact)

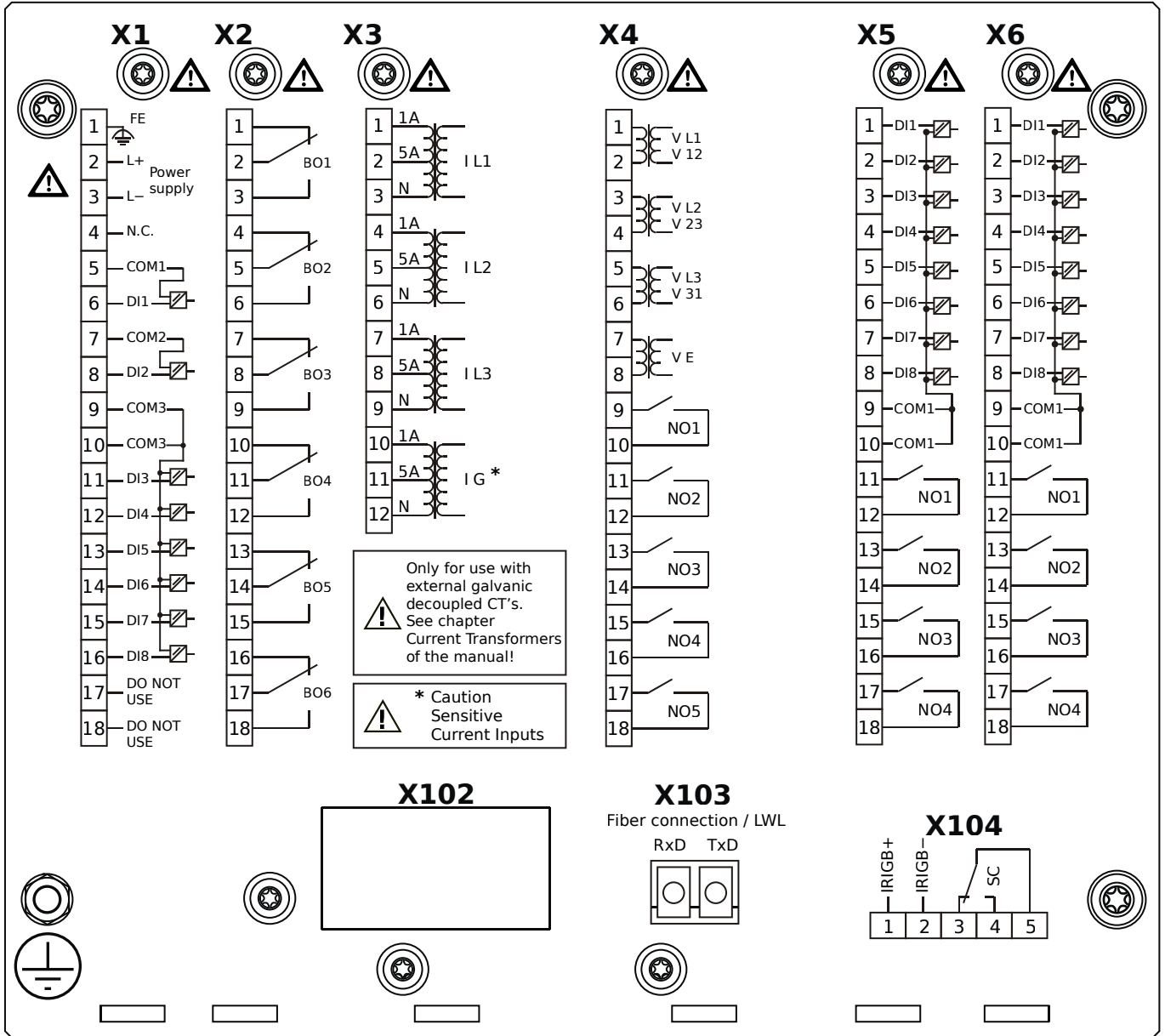
MRA4-2E1AKA



Housing B2, small display, door mounting

- X1** – DI8-X1: Wide-range power supply unit, incl. 2 non-grouped digital inputs and 6 grouped digital inputs
- X2** – OR6: Assembly Group with 6 Output Relays
- X3** – TIs: Standard phase current measuring card and sensitive ground current measuring
- X4** – TU-OR5: Voltage measuring assembly group with 5 additional Output Relays (normally open)
- X5** – DI8-OR4: Assembly Group with 8 Digital Inputs and 4 Output Relays
- X6** – DI8-OR4: Assembly Group with 8 Digital Inputs and 4 Output Relays
- X103** – IEC 61850 / Modbus TCP / DNP3.0 TCP/UDP, Fiber optics interface, LC Connector
- X104** – IRIG-B00X, incl. System Contact (Supervision Contact)

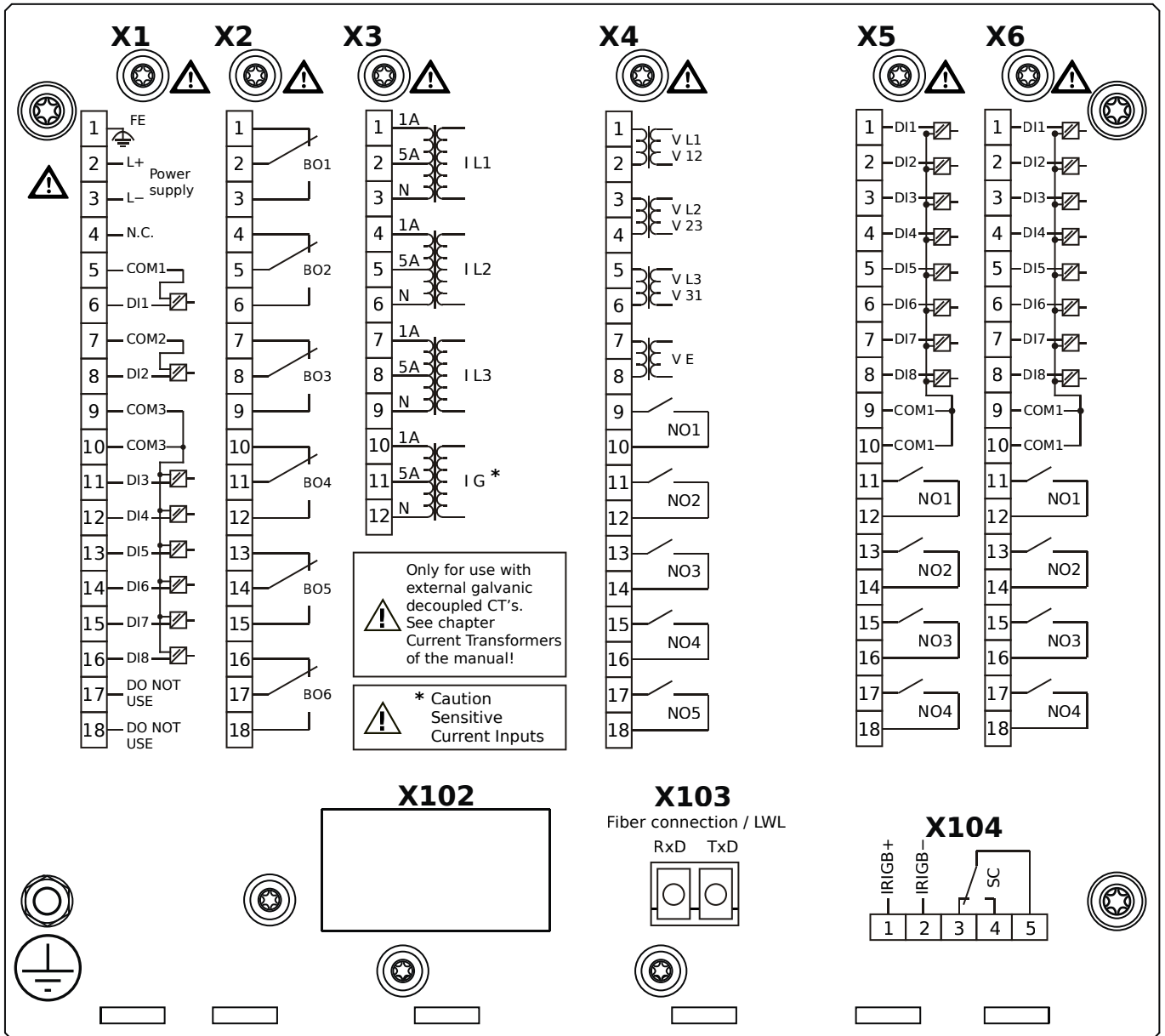
MRA4-2E1AKB



Housing B2, small display, door mounting

- + Conformal Coating (for installations in harsh environment)
- X1** – DI8-X1: Wide-range power supply unit, incl. 2 non-grouped digital inputs and 6 grouped digital inputs
- X2** – OR6: Assembly Group with 6 Output Relays
- X3** – TIs: Standard phase current measuring card and sensitive ground current measuring
- X4** – TU-OR5: Voltage measuring assembly group with 5 additional Output Relays (normally open)
- X5** – DI8-OR4: Assembly Group with 8 Digital Inputs and 4 Output Relays
- X6** – DI8-OR4: Assembly Group with 8 Digital Inputs and 4 Output Relays
- X103** – IEC 61850 / Modbus TCP / DNP3.0 TCP/UDP, Fiber optics interface, LC Connector
- X104** – IRIG-B00X, incl. System Contact (Supervision Contact)

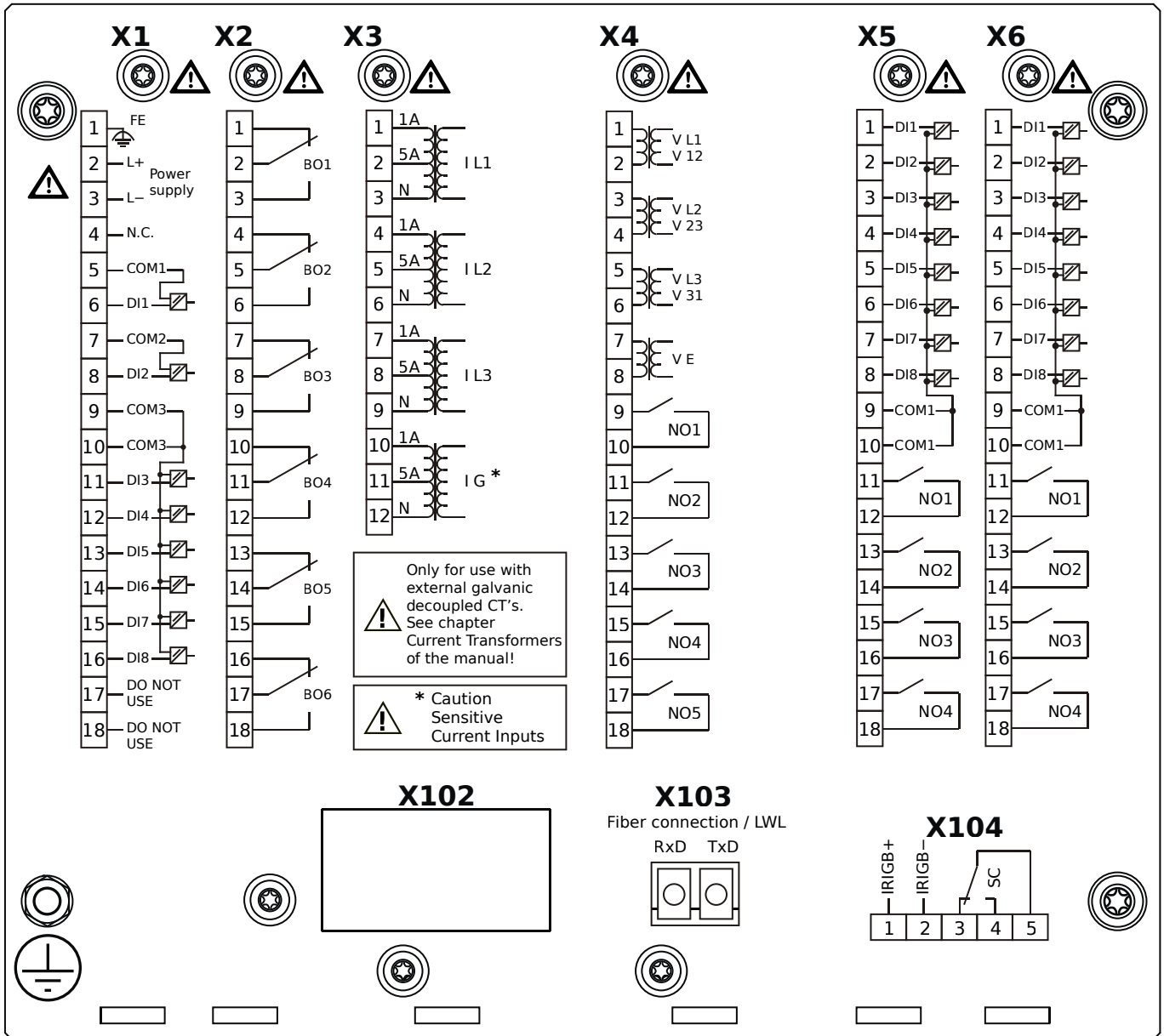
MRA4-2E1ALA



Housing B2, small display, door mounting

- X1** – DI8-X1: Wide-range power supply unit, incl. 2 non-grouped digital inputs and 6 grouped digital inputs
- X2** – OR6: Assembly Group with 6 Output Relays
- X3** – TIs: Standard phase current measuring card and sensitive ground current measuring
- X4** – TU-OR5: Voltage measuring assembly group with 5 additional Output Relays (normally open)
- X5** – DI8-OR4: Assembly Group with 8 Digital Inputs and 4 Output Relays
- X6** – DI8-OR4: Assembly Group with 8 Digital Inputs and 4 Output Relays
- X103** – Modbus TCP / DNP3.0 TCP/UDP, Fiber optics interface, LC Connector
- X104** – IRIG-B00X, incl. System Contact (Supervision Contact)

MRA4-2E1ALB

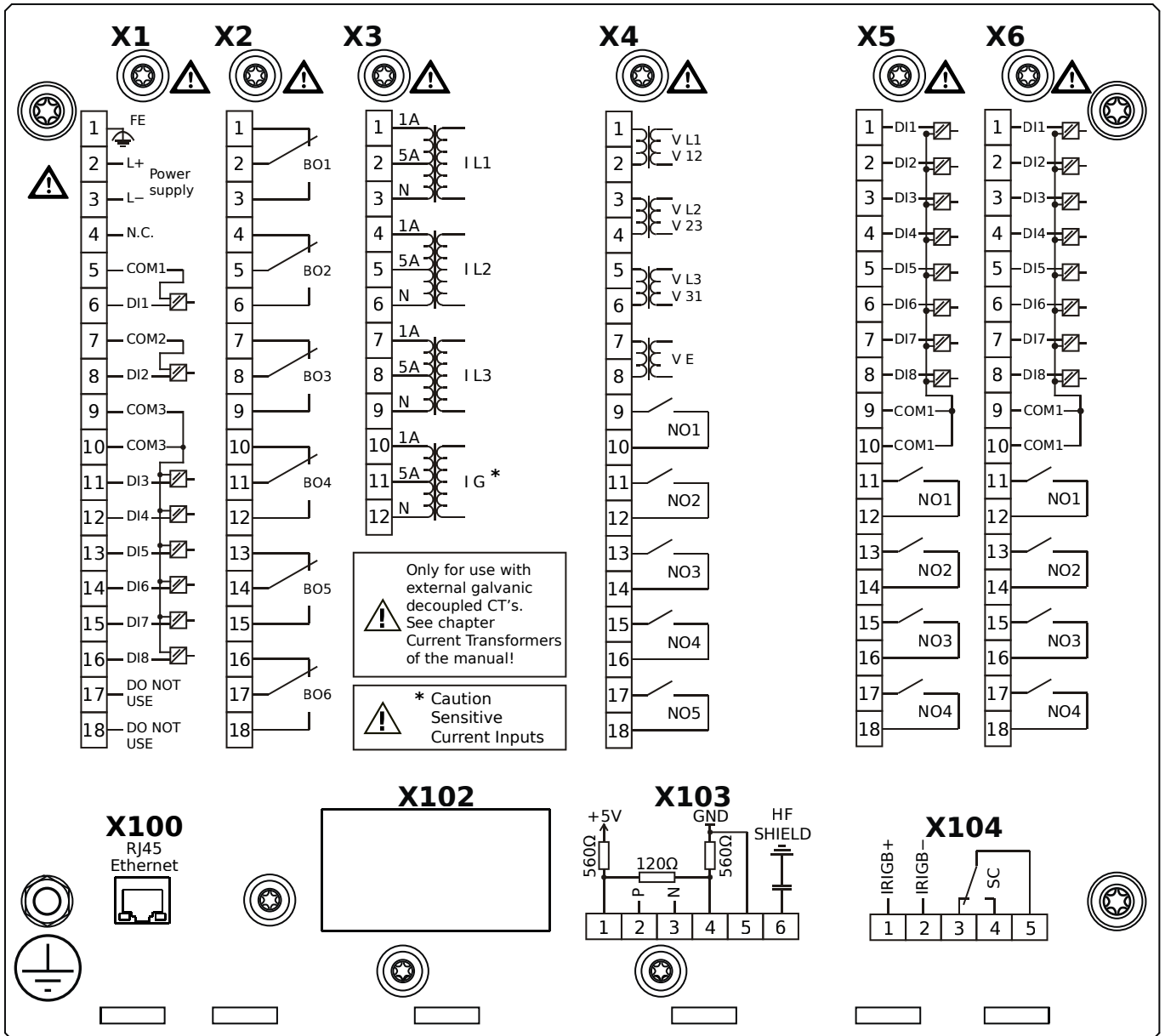


Housing B2, small display, door mounting

+ Conformal Coating (for installations in harsh environment)

- X1** – DI8-X1: Wide-range power supply unit, incl. 2 non-grouped digital inputs and 6 grouped digital inputs
- X2** – OR6: Assembly Group with 6 Output Relays
- X3** – TIs: Standard phase current measuring card and sensitive ground current measuring
- X4** – TU-OR5: Voltage measuring assembly group with 5 additional Output Relays (normally open)
- X5** – DI8-OR4: Assembly Group with 8 Digital Inputs and 4 Output Relays
- X6** – DI8-OR4: Assembly Group with 8 Digital Inputs and 4 Output Relays
- X103** – Modbus TCP / DNP3.0 TCP/UDP, Fiber optics interface, LC Connector
- X104** – IRIG-B00X, incl. System Contact (Supervision Contact)

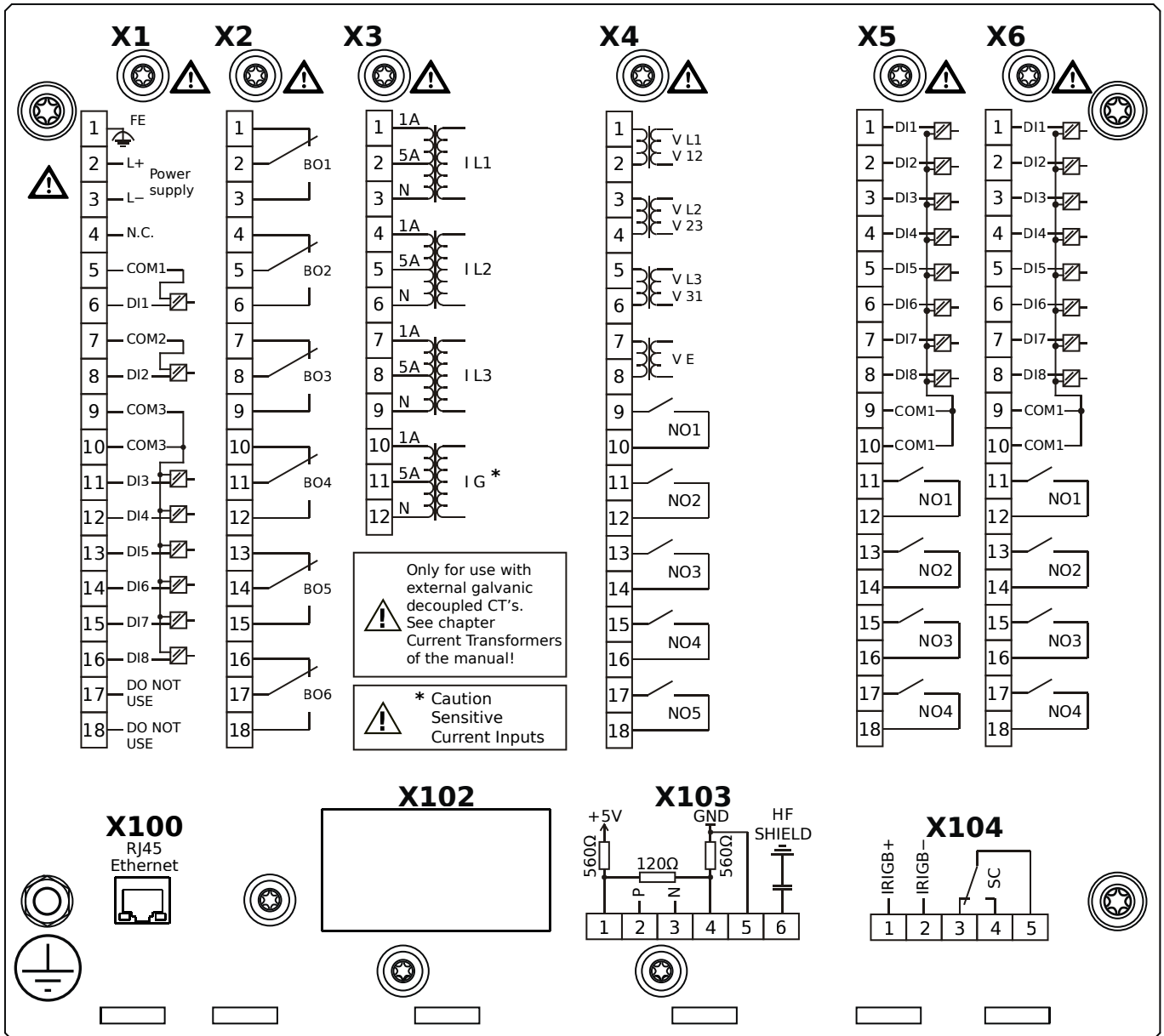
MRA4-2E1ATA



Housing B2, small display, door mounting

- X1** – DI8-X1: Wide-range power supply unit, incl. 2 non-grouped digital inputs and 6 grouped digital inputs
- X2** – OR6: Assembly Group with 6 Output Relays
- X3** – TIs: Standard phase current measuring card and sensitive ground current measuring
- X4** – TU-OR5: Voltage measuring assembly group with 5 additional Output Relays (normally open)
- X5** – DI8-OR4: Assembly Group with 8 Digital Inputs and 4 Output Relays
- X6** – DI8-OR4: Assembly Group with 8 Digital Inputs and 4 Output Relays
- X100** – IEC 61850 / Modbus TCP / DNP3.0 TCP/UDP, Ethernet interface, 100 Mbit/s, RJ45 (BASE100-FX)
- X103** – IEC 60870-5-103 / Modbus RTU / DNP3.0 RTU, RS485, Terminals
- X104** – I R I G B -00X, incl. System Contact (Supervision Contact)

MRA4-2E1ATB



Housing B2, small display, door mounting

+ Conformal Coating (for installations in harsh environment)

X1 – DI8-X1: Wide-range power supply unit, incl. 2 non-grouped digital inputs and 6 grouped digital inputs

X2 – OR6: Assembly Group with 6 Output Relays

X3 – TIs: Standard phase current measuring card and sensitive ground current measuring

X4 – TU-OR5: Voltage measuring assembly group with 5 additional Output Relays (normally open)

X5 – DI8-OR4: Assembly Group with 8 Digital Inputs and 4 Output Relays

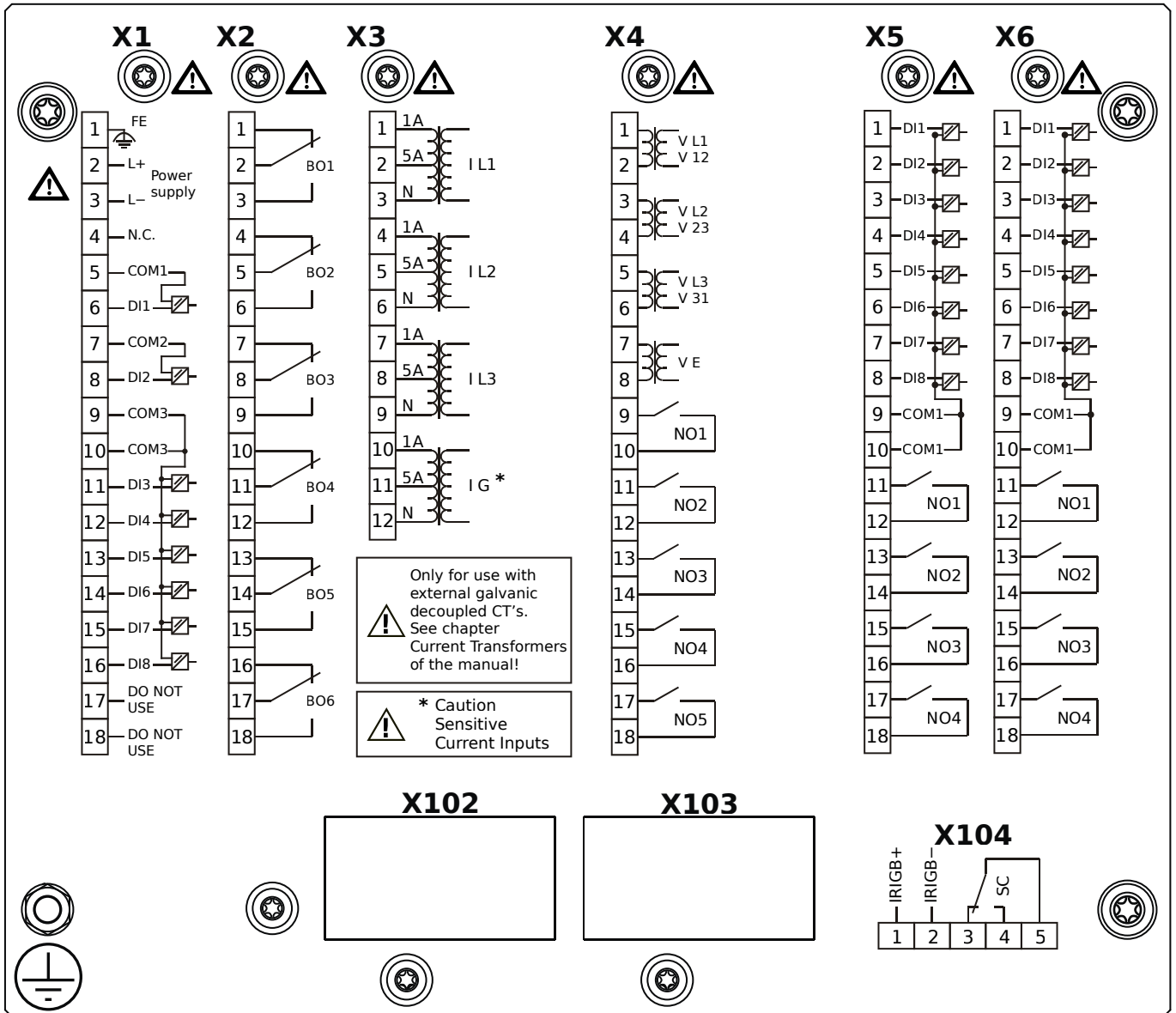
X6 – DI8-OR4: Assembly Group with 8 Digital Inputs and 4 Output Relays

X100 – IEC 61850 / Modbus TCP / DNP3.0 TCP/UDP, Ethernet interface, 100 Mbit/s, RJ45 (BASE100-FX)

X103 – IEC 60870-5-103 / Modbus RTU / DNP3.0 RTU, RS485, Terminals

X104 – IRIG-B00X, incl. System Contact (Supervision Contact)

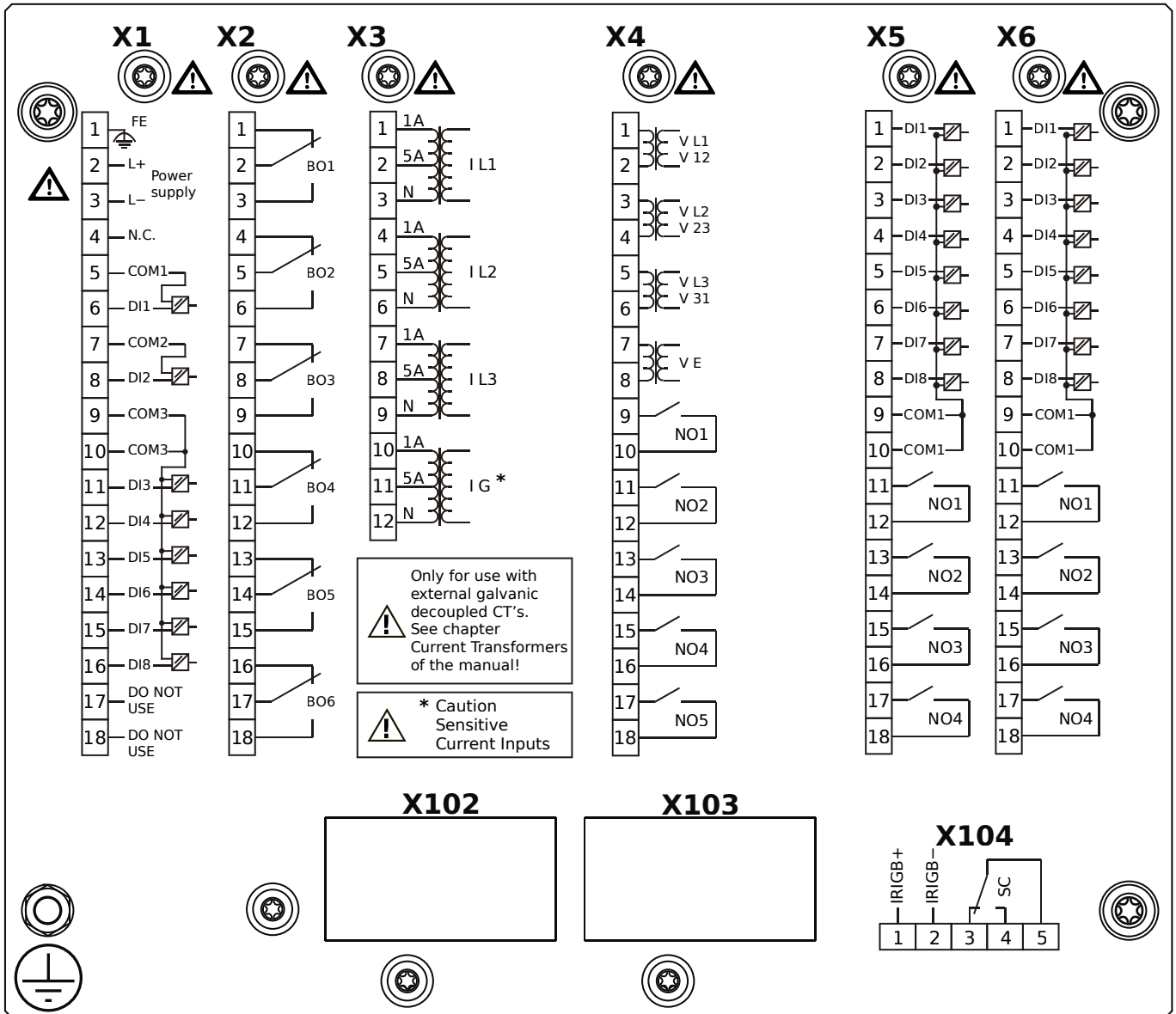
MRA4-2E1BAA



Housing B2, small display, 19" rack mounting

- X1** – DI8-X1: Wide-range power supply unit, incl. 2 non-grouped digital inputs and 6 grouped digital inputs
- X2** – OR6: Assembly Group with 6 Output Relays
- X3** – TIs: Standard phase current measuring card and sensitive ground current measuring
- X4** – TU-OR5: Voltage measuring assembly group with 5 additional Output Relays (normally open)
- X5** – DI8-OR4: Assembly Group with 8 Digital Inputs and 4 Output Relays
- X6** – DI8-OR4: Assembly Group with 8 Digital Inputs and 4 Output Relays
- X104** – IRIG-B00X, incl. System Contact (Supervision Contact)

MRA4-2E1BAB

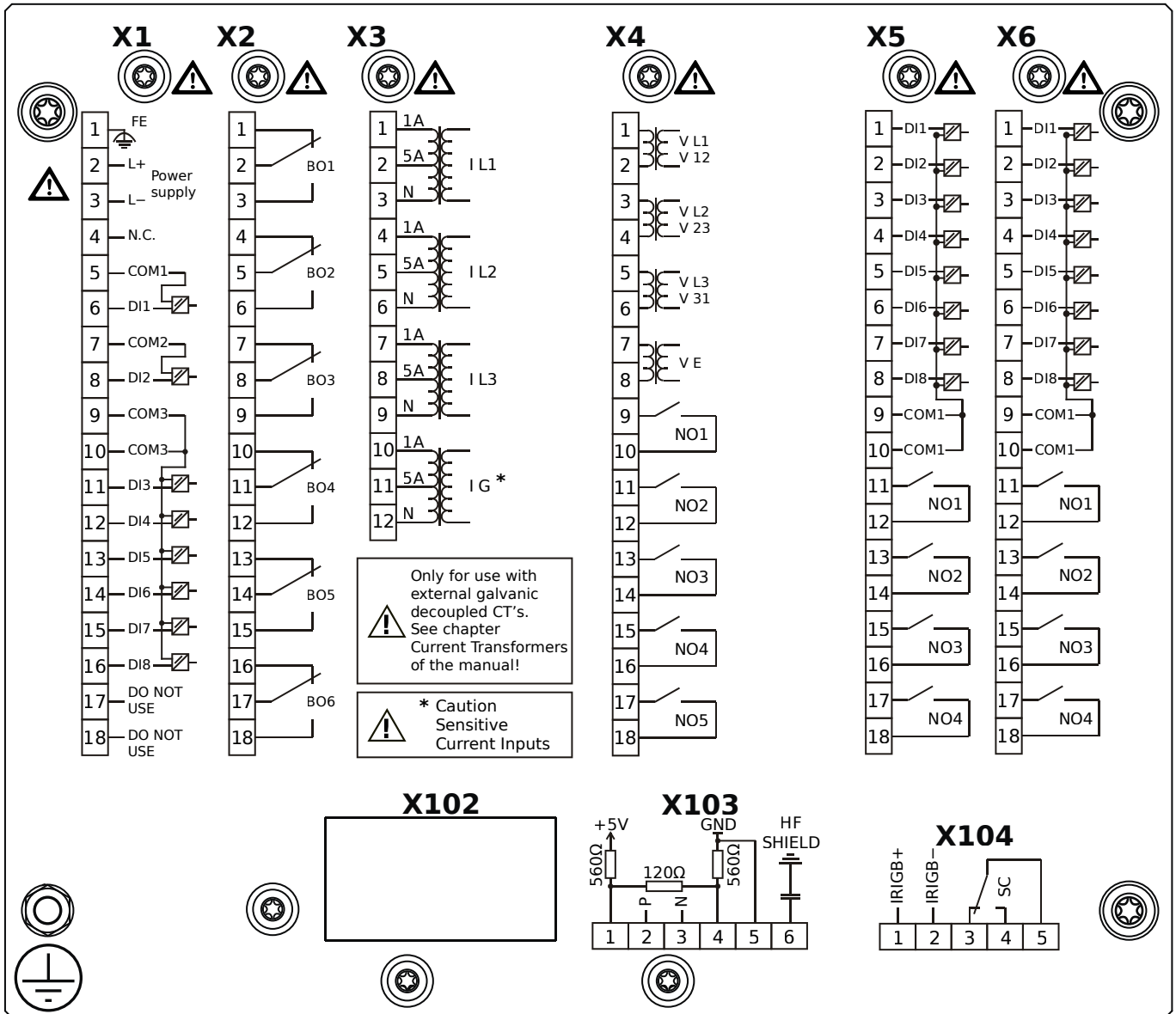


Housing B2, small display, 19" rack mounting

+ Conformal Coating (for installations in harsh environment)

- X1** – DI8-X1: Wide-range power supply unit, incl. 2 non-grouped digital inputs and 6 grouped digital inputs
- X2** – OR6: Assembly Group with 6 Output Relays
- X3** – TIs: Standard phase current measuring card and sensitive ground current measuring
- X4** – TU-OR5: Voltage measuring assembly group with 5 additional Output Relays (normally open)
- X5** – DI8-OR4: Assembly Group with 8 Digital Inputs and 4 Output Relays
- X6** – DI8-OR4: Assembly Group with 8 Digital Inputs and 4 Output Relays
- X104** – IRIG-B00X, incl. System Contact (Supervision Contact)

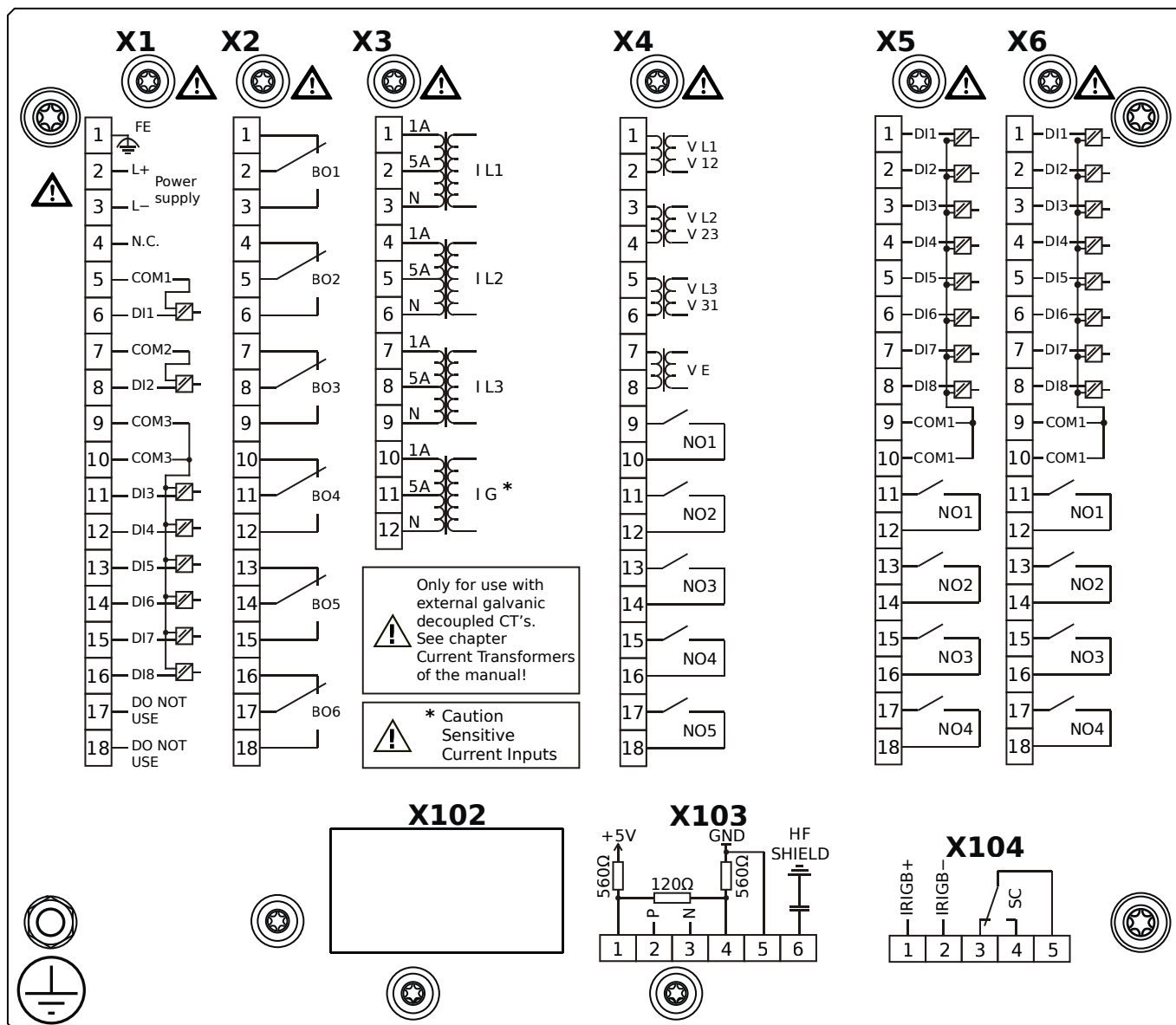
MRA4-2E1BBA



Housing B2, small display, 19" rack mounting

- X1** – DI8-X1: Wide-range power supply unit, incl. 2 non-grouped digital inputs and 6 grouped digital inputs
- X2** – OR6: Assembly Group with 6 Output Relays
- X3** – TIs: Standard phase current measuring card and sensitive ground current measuring
- X4** – TU-OR5: Voltage measuring assembly group with 5 additional Output Relays (normally open)
- X5** – DI8-OR4: Assembly Group with 8 Digital Inputs and 4 Output Relays
- X6** – DI8-OR4: Assembly Group with 8 Digital Inputs and 4 Output Relays
- X103** – Modbus RTU / IEC 60870-5-103 / DNP3.0 RTU, RS485, Terminals
- X104** – IRIG-B00X, incl. System Contact (Supervision Contact)

MRA4-2E1BBB



Housing B2, small display, 19" rack mounting

+ Conformal Coating (for installations in harsh environment)

X1 – DI8-X1: Wide-range power supply unit, incl. 2 non-grouped digital inputs and 6 grouped digital inputs

X2 – OR6: Assembly Group with 6 Output Relays

X3 – TIs: Standard phase current measuring card and sensitive ground current measuring

X4 – TU-OR5: Voltage measuring assembly group with 5 additional Output Relays (normally open)

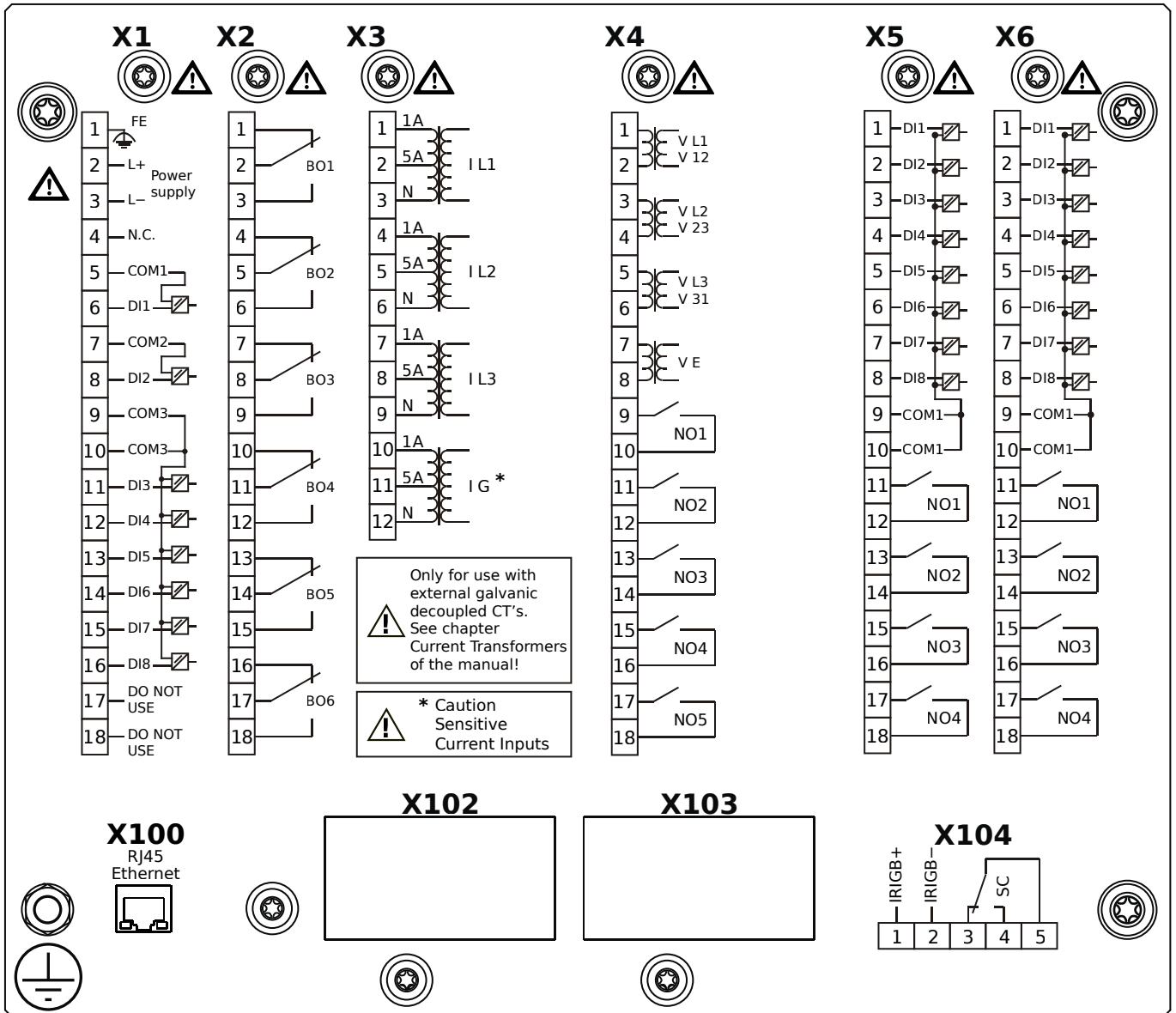
X5 – DI8-OR4: Assembly Group with 8 Digital Inputs and 4 Output Relays

X6 – DI8-OR4: Assembly Group with 8 Digital Inputs and 4 Output Relays

X103 – Modbus RTU / IEC 60870-5-103 / DNP3.0 RTU, RS485, Terminals

X104 – IRIG-B00X, incl. System Contact (Supervision Contact)

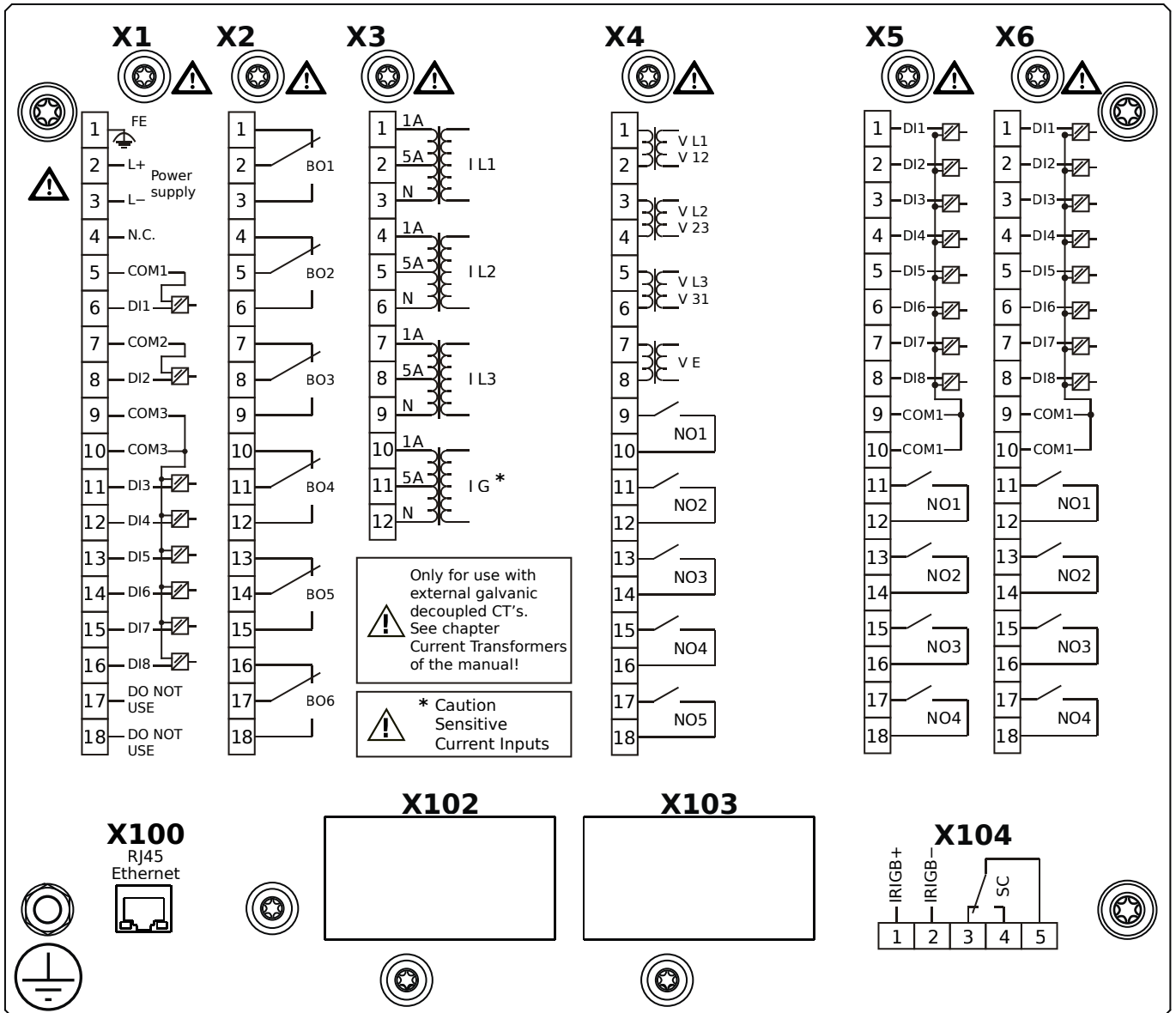
MRA4-2E1BCA



Housing B2, small display, 19" rack mounting

- X1** – DI8-X1: Wide-range power supply unit, incl. 2 non-grouped digital inputs and 6 grouped digital inputs
- X2** – OR6: Assembly Group with 6 Output Relays
- X3** – TIs: Standard phase current measuring card and sensitive ground current measuring
- X4** – TU-OR5: Voltage measuring assembly group with 5 additional Output Relays (normally open)
- X5** – DI8-OR4: Assembly Group with 8 Digital Inputs and 4 Output Relays
- X6** – DI8-OR4: Assembly Group with 8 Digital Inputs and 4 Output Relays
- X100** – Modbus TCP / DNP3.0 TCP/UDP, Ethernet interface, 100 Mbit/s, RJ45 (BASE100-FX)
- X104** – IRIG-B00X, incl. System Contact (Supervision Contact)

MRA4-2E1BCB

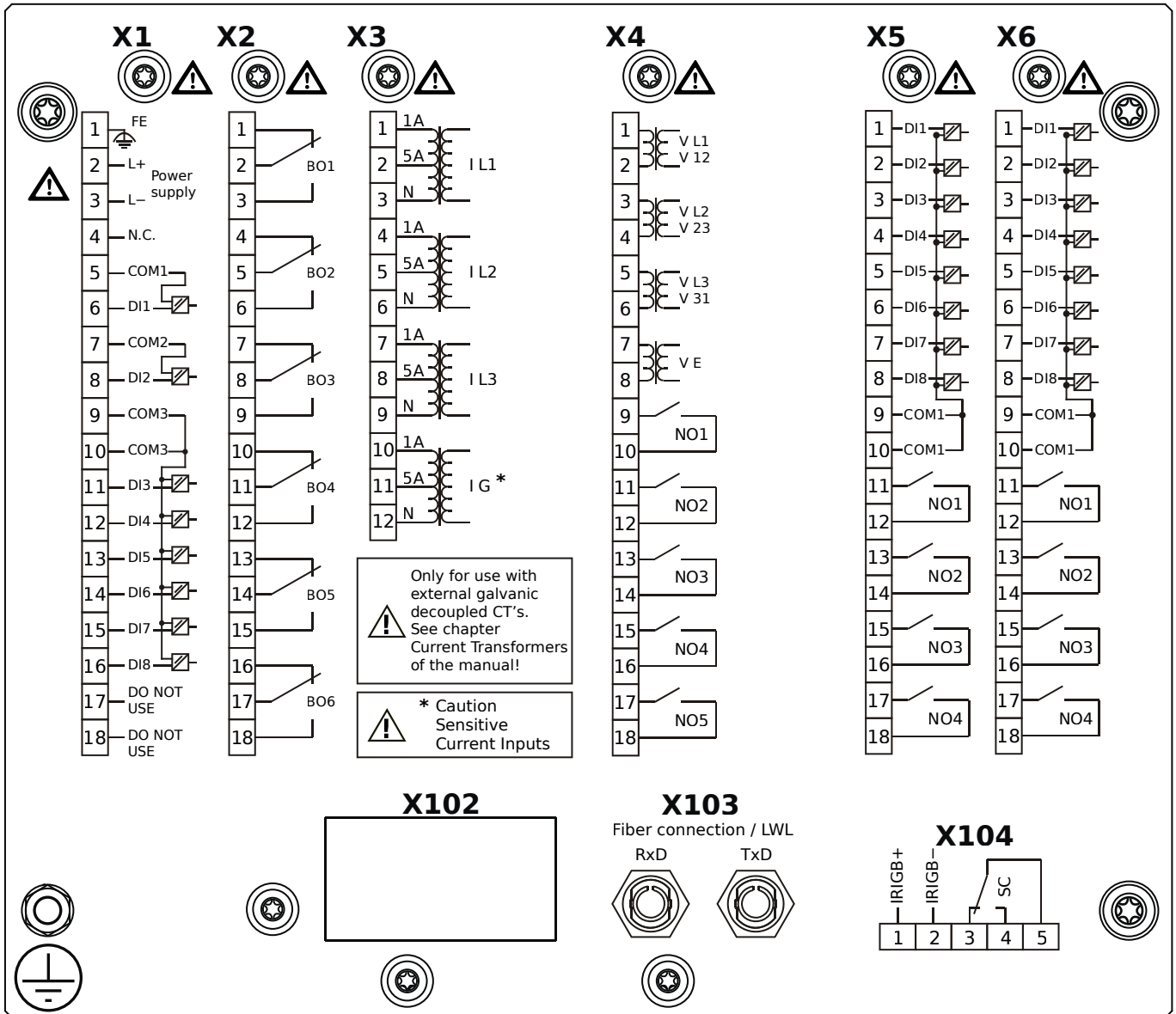


Housing B2, small display, 19" rack mounting

+ Conformal Coating (for installations in harsh environment)

- X1** – DI8-X1: Wide-range power supply unit, incl. 2 non-grouped digital inputs and 6 grouped digital inputs
- X2** – OR6: Assembly Group with 6 Output Relays
- X3** – TIs: Standard phase current measuring card and sensitive ground current measuring
- X4** – TU-OR5: Voltage measuring assembly group with 5 additional Output Relays (normally open)
- X5** – DI8-OR4: Assembly Group with 8 Digital Inputs and 4 Output Relays
- X6** – DI8-OR4: Assembly Group with 8 Digital Inputs and 4 Output Relays
- X100** – Modbus TCP / DNP3.0 TCP/UDP, Ethernet interface, 100 Mbit/s, RJ45 (BASE100-FX)
- X104** – IRIG-B00X, incl. System Contact (Supervision Contact)

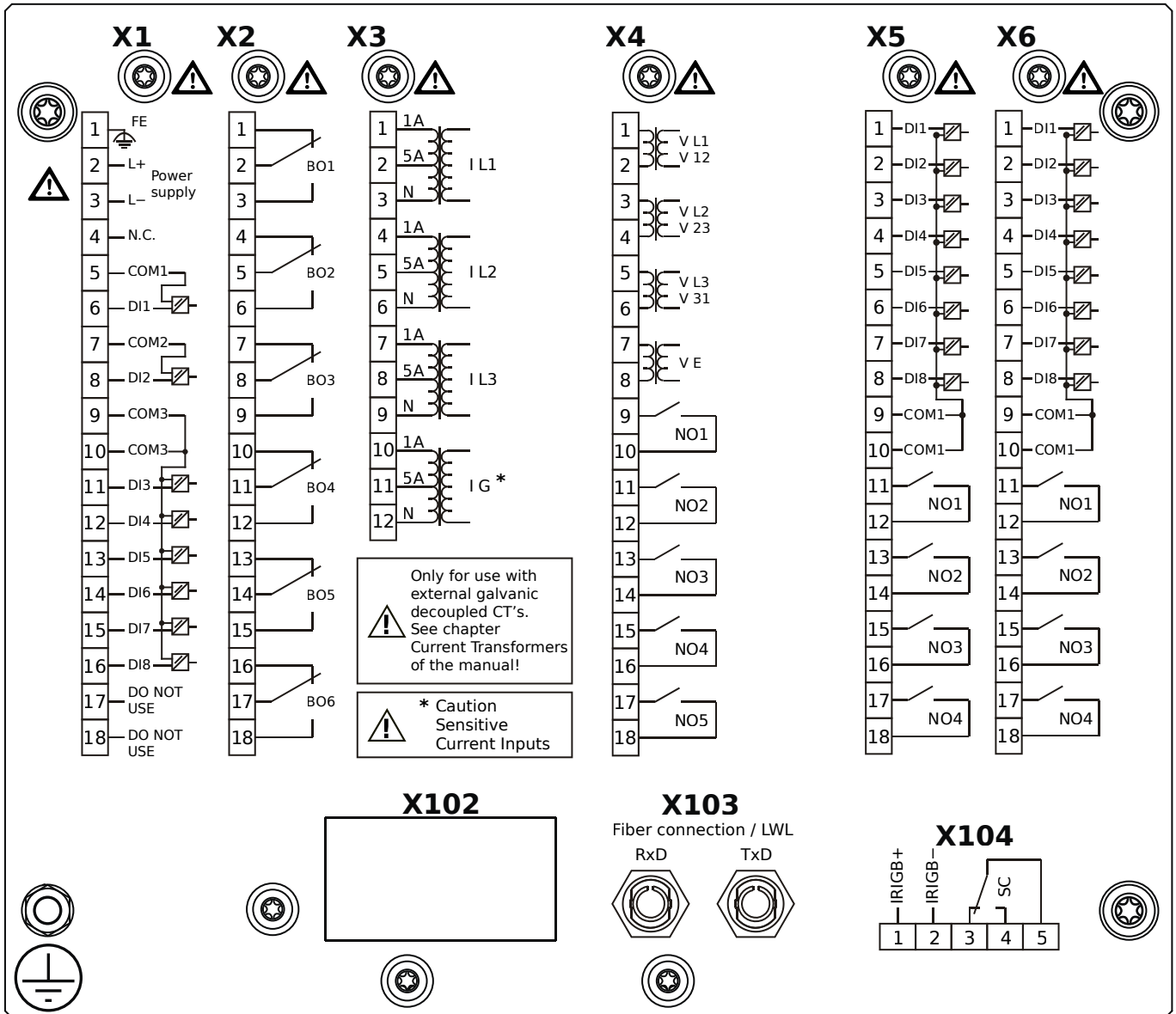
MRA4-2E1BDA



Housing B2, small display, 19" rack mounting

- X1** – DI8-X1: Wide-range power supply unit, incl. 2 non-grouped digital inputs and 6 grouped digital inputs
- X2** – OR6: Assembly Group with 6 Output Relays
- X3** – TIs: Standard phase current measuring card and sensitive ground current measuring
- X4** – TU-OR5: Voltage measuring assembly group with 5 additional Output Relays (normally open)
- X5** – DI8-OR4: Assembly Group with 8 Digital Inputs and 4 Output Relays
- X6** – DI8-OR4: Assembly Group with 8 Digital Inputs and 4 Output Relays
- X103** – Profibus-DP, Fiber optics interface, ST Connector
- X104** – IRIG-B00X, incl. System Contact (Supervision Contact)

MRA4-2E1BDB

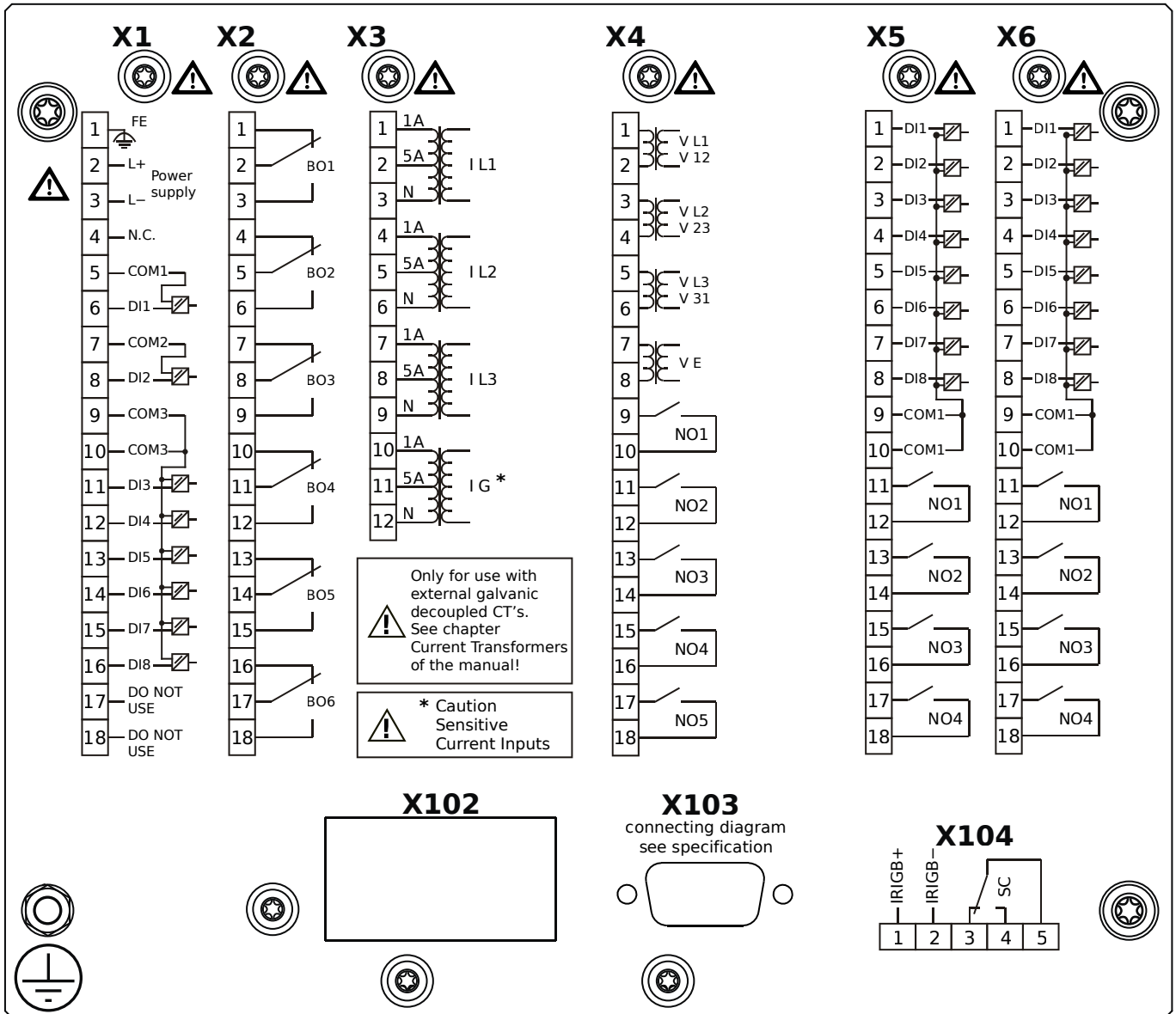


Housing B2, small display, 19" rack mounting

+ Conformal Coating (for installations in harsh environment)

- X1** – DI8-X1: Wide-range power supply unit, incl. 2 non-grouped digital inputs and 6 grouped digital inputs
- X2** – OR6: Assembly Group with 6 Output Relays
- X3** – TIs: Standard phase current measuring card and sensitive ground current measuring
- X4** – TU-OR5: Voltage measuring assembly group with 5 additional Output Relays (normally open)
- X5** – DI8-OR4: Assembly Group with 8 Digital Inputs and 4 Output Relays
- X6** – DI8-OR4: Assembly Group with 8 Digital Inputs and 4 Output Relays
- X103** – Profibus-DP, Fiber optics interface, ST Connector
- X104** – IRIG-B00X, incl. System Contact (Supervision Contact)

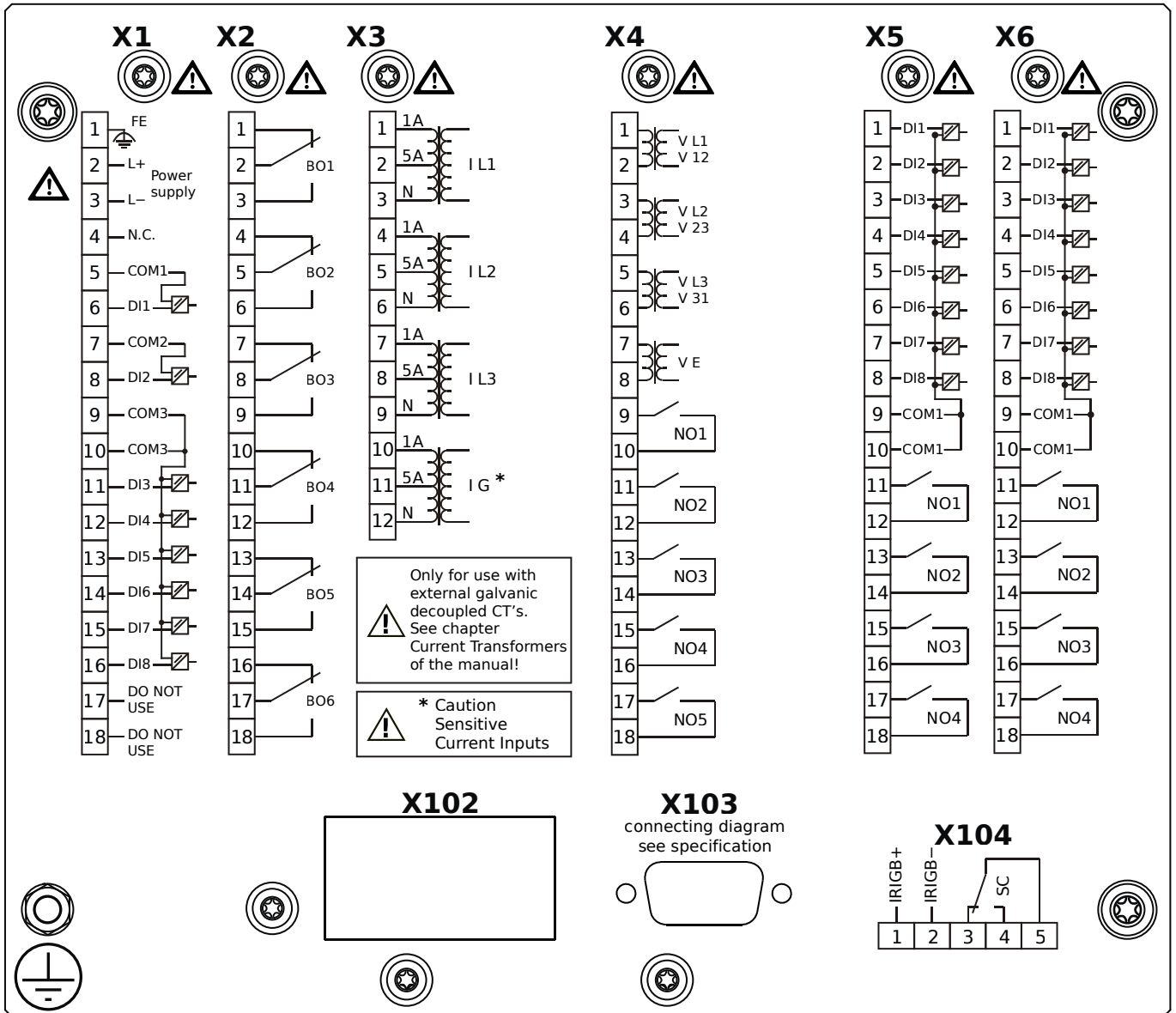
MRA4-2E1BEA



Housing B2, small display, 19" rack mounting

- X1** – DI8-X1: Wide-range power supply unit, incl. 2 non-grouped digital inputs and 6 grouped digital inputs
- X2** – OR6: Assembly Group with 6 Output Relays
- X3** – TIs: Standard phase current measuring card and sensitive ground current measuring
- X4** – TU-OR5: Voltage measuring assembly group with 5 additional Output Relays (normally open)
- X5** – DI8-OR4: Assembly Group with 8 Digital Inputs and 4 Output Relays
- X6** – DI8-OR4: Assembly Group with 8 Digital Inputs and 4 Output Relays
- X103** – Profibus-DP, RS485, D-SUB
- X104** – IRIG-B00X, incl. System Contact (Supervision Contact)

MRA4-2E1BEB

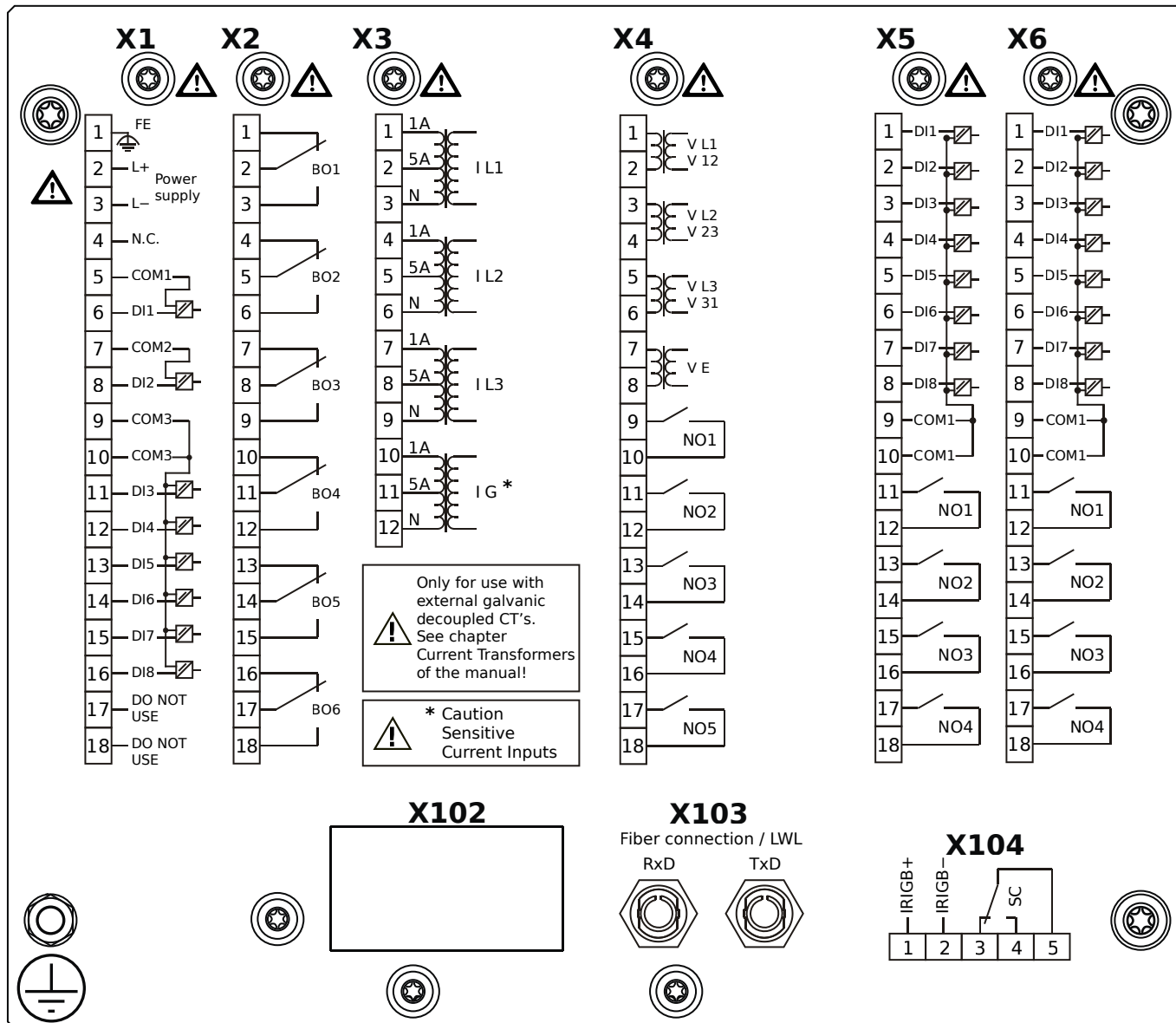


Housing B2, small display, 19" rack mounting

+ Conformal Coating (for installations in harsh environment)

- X1** – DI8-X1: Wide-range power supply unit, incl. 2 non-grouped digital inputs and 6 grouped digital inputs
- X2** – OR6: Assembly Group with 6 Output Relays
- X3** – TIs: Standard phase current measuring card and sensitive ground current measuring
- X4** – TU-OR5: Voltage measuring assembly group with 5 additional Output Relays (normally open)
- X5** – DI8-OR4: Assembly Group with 8 Digital Inputs and 4 Output Relays
- X6** – DI8-OR4: Assembly Group with 8 Digital Inputs and 4 Output Relays
- X103** – Profibus-DP, RS485, D-SUB
- X104** – IRIG-B00X, incl. System Contact (Supervision Contact)

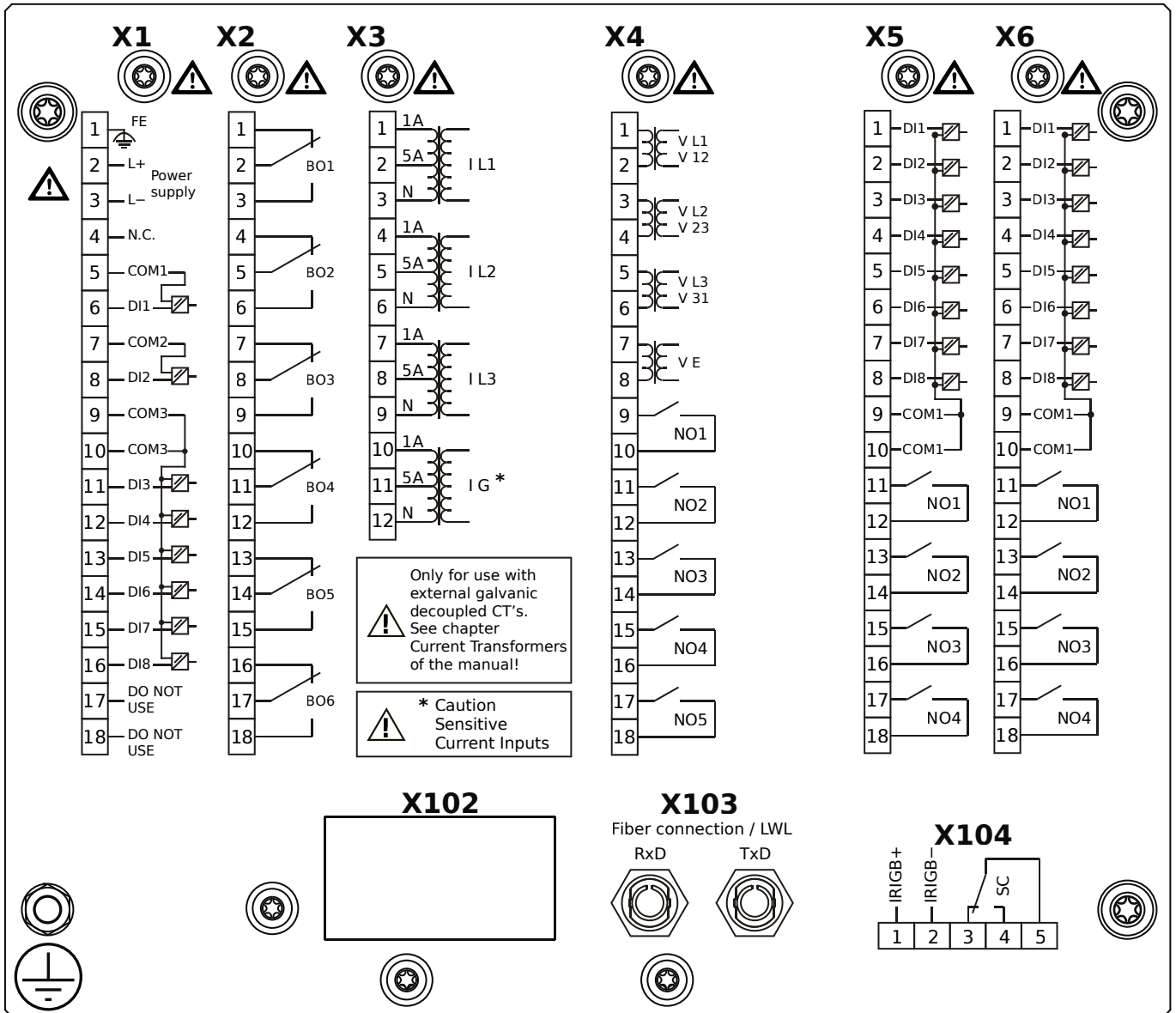
MRA4-2E1BFA



Housing B2, small display, 19" rack mounting

- X1** – DI8-X1: Wide-range power supply unit, incl. 2 non-grouped digital inputs and 6 grouped digital inputs
- X2** – OR6: Assembly Group with 6 Output Relays
- X3** – TIs: Standard phase current measuring card and sensitive ground current measuring
- X4** – TU-OR5: Voltage measuring assembly group with 5 additional Output Relays (normally open)
- X5** – DI8-OR4: Assembly Group with 8 Digital Inputs and 4 Output Relays
- X6** – DI8-OR4: Assembly Group with 8 Digital Inputs and 4 Output Relays
- X103** – Modbus RTU / IEC 60870-5-103 / DNP3.0 RTU, Fiber optics interface, ST Connector
- X104** – IRIG-B00X, incl. System Contact (Supervision Contact)

MRA4-2E1BFB

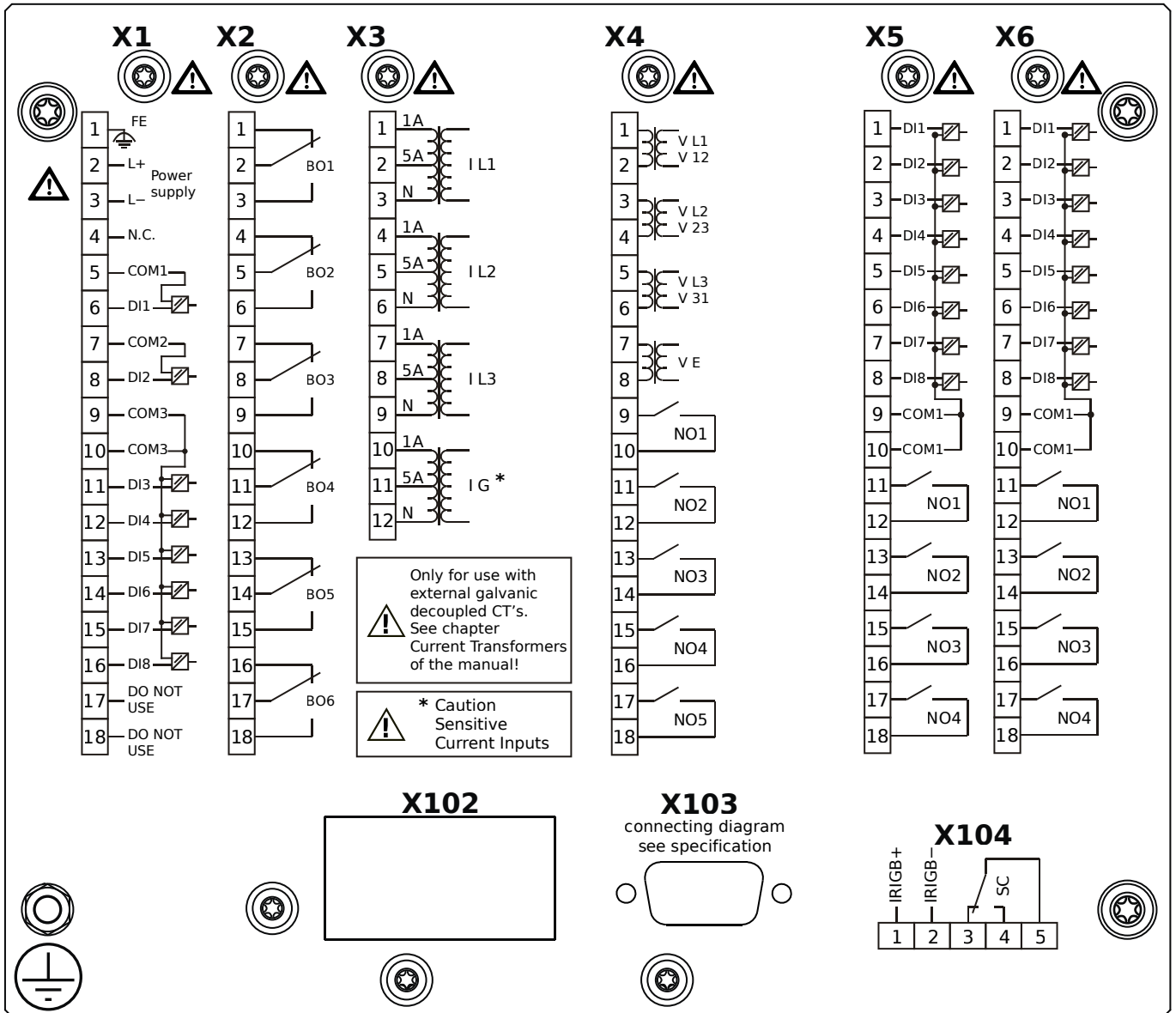


Housing B2, small display, 19" rack mounting

+ Conformal Coating (for installations in harsh environment)

- X1** – DI8-X1: Wide-range power supply unit, incl. 2 non-grouped digital inputs and 6 grouped digital inputs
- X2** – OR6: Assembly Group with 6 Output Relays
- X3** – TIs: Standard phase current measuring card and sensitive ground current measuring
- X4** – TU-OR5: Voltage measuring assembly group with 5 additional Output Relays (normally open)
- X5** – DI8-OR4: Assembly Group with 8 Digital Inputs and 4 Output Relays
- X6** – DI8-OR4: Assembly Group with 8 Digital Inputs and 4 Output Relays
- X103** – Modbus RTU / IEC 60870-5-103 / DNP3.0 RTU, Fiber optics interface, ST Connector
- X104** – IRIG-B00X, incl. System Contact (Supervision Contact)

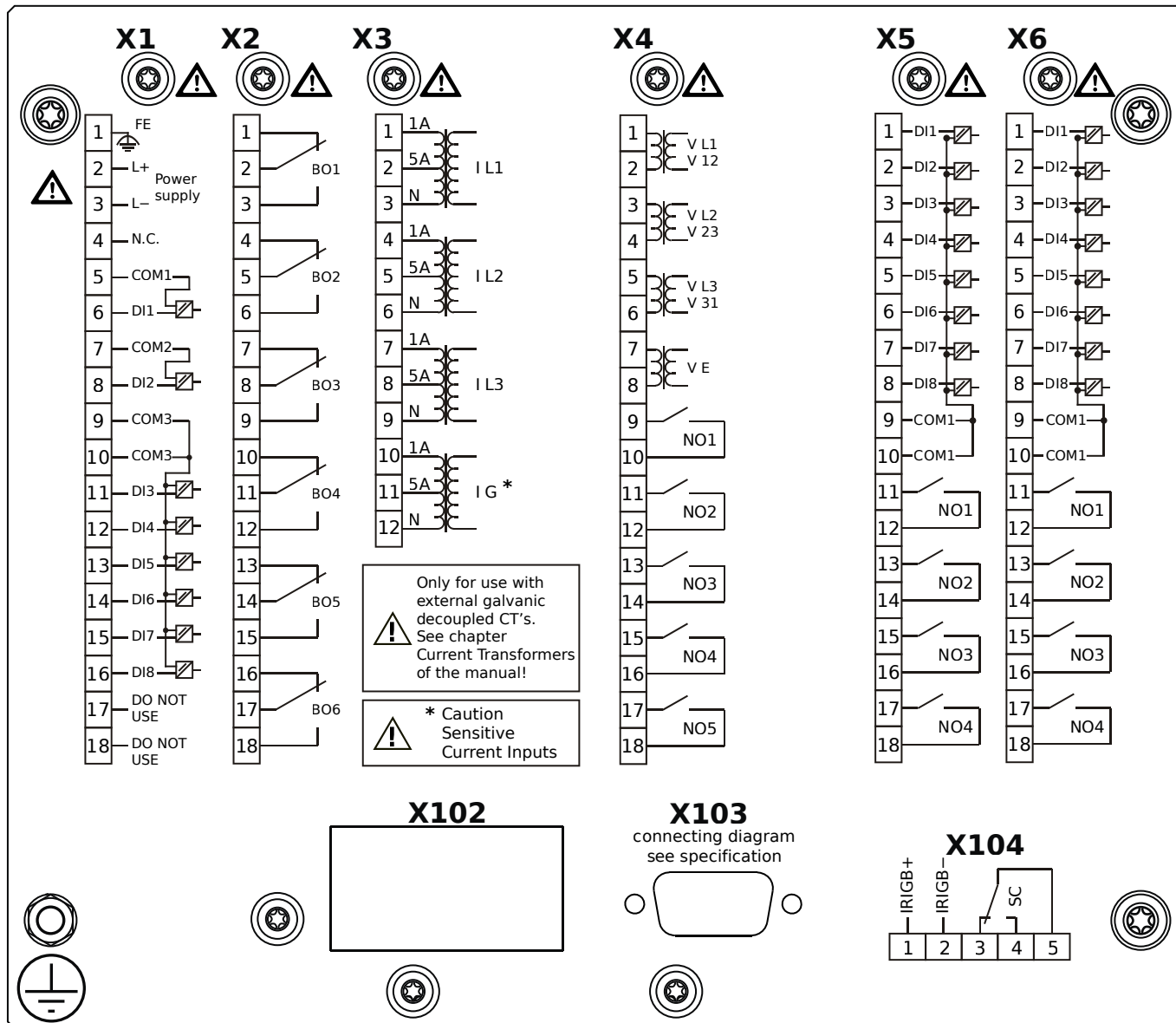
MRA4-2E1BGA



Housing B2, small display, 19" rack mounting

- X1** – DI8-X1: Wide-range power supply unit, incl. 2 non-grouped digital inputs and 6 grouped digital inputs
- X2** – OR6: Assembly Group with 6 Output Relays
- X3** – TIs: Standard phase current measuring card and sensitive ground current measuring
- X4** – TU-OR5: Voltage measuring assembly group with 5 additional Output Relays (normally open)
- X5** – DI8-OR4: Assembly Group with 8 Digital Inputs and 4 Output Relays
- X6** – DI8-OR4: Assembly Group with 8 Digital Inputs and 4 Output Relays
- X103** – Modbus RTU / IEC 60870-5-103 / DNP3.0 RTU, RS485, D-SUB
- X104** – IRIG-B00X, incl. System Contact (Supervision Contact)

MRA4-2E1BGB

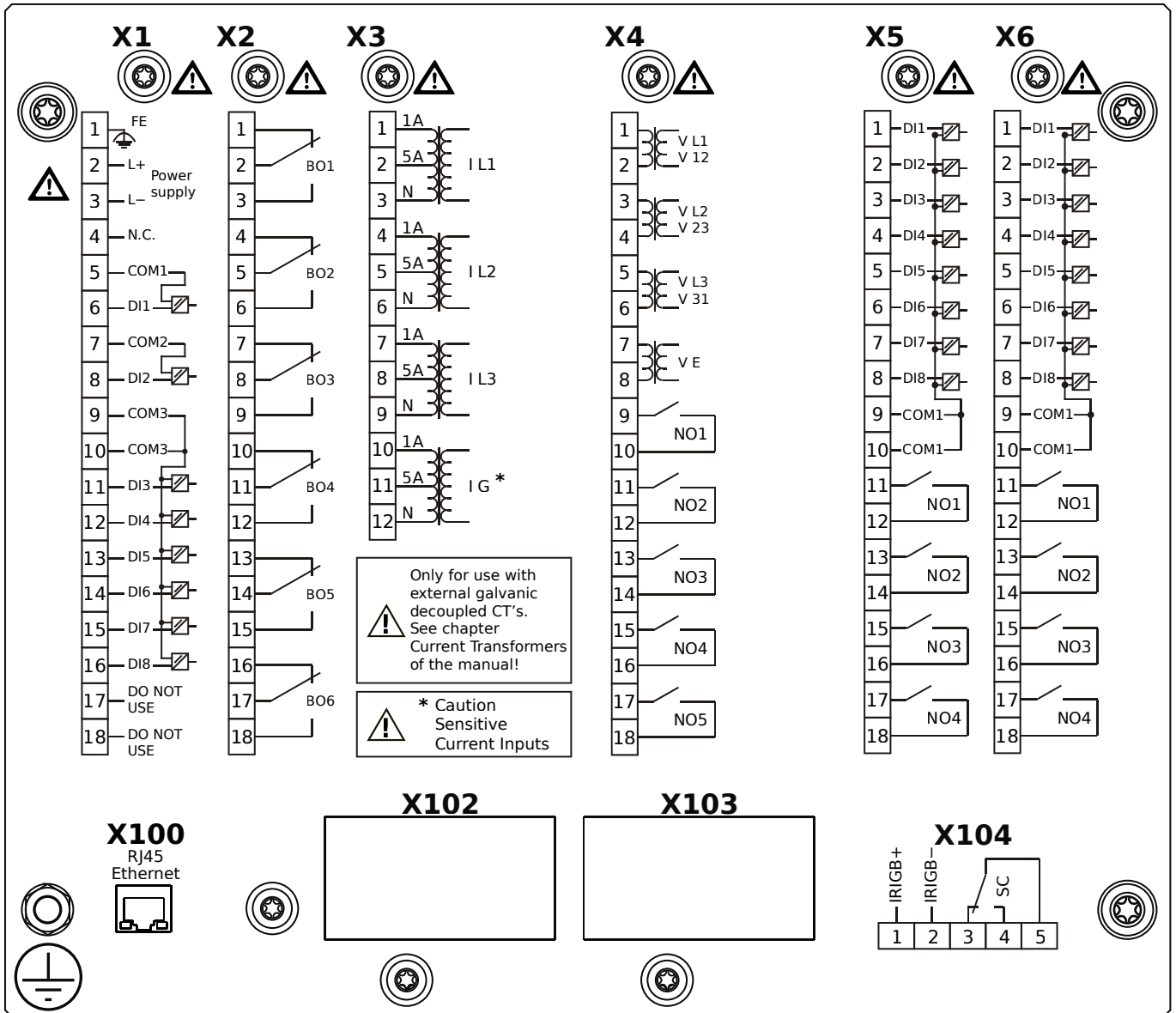


Housing B2, small display, 19" rack mounting

+ Conformal Coating (for installations in harsh environment)

- X1** – DI8-X1: Wide-range power supply unit, incl. 2 non-grouped digital inputs and 6 grouped digital inputs
- X2** – OR6: Assembly Group with 6 Output Relays
- X3** – TIs: Standard phase current measuring card and sensitive ground current measuring
- X4** – TU-OR5: Voltage measuring assembly group with 5 additional Output Relays (normally open)
- X5** – DI8-OR4: Assembly Group with 8 Digital Inputs and 4 Output Relays
- X6** – DI8-OR4: Assembly Group with 8 Digital Inputs and 4 Output Relays
- X103** – Modbus RTU / IEC 60870-5-103 / DNP3.0 RTU, RS485, D-SUB
- X104** – IRIG-B00X, incl. System Contact (Supervision Contact)

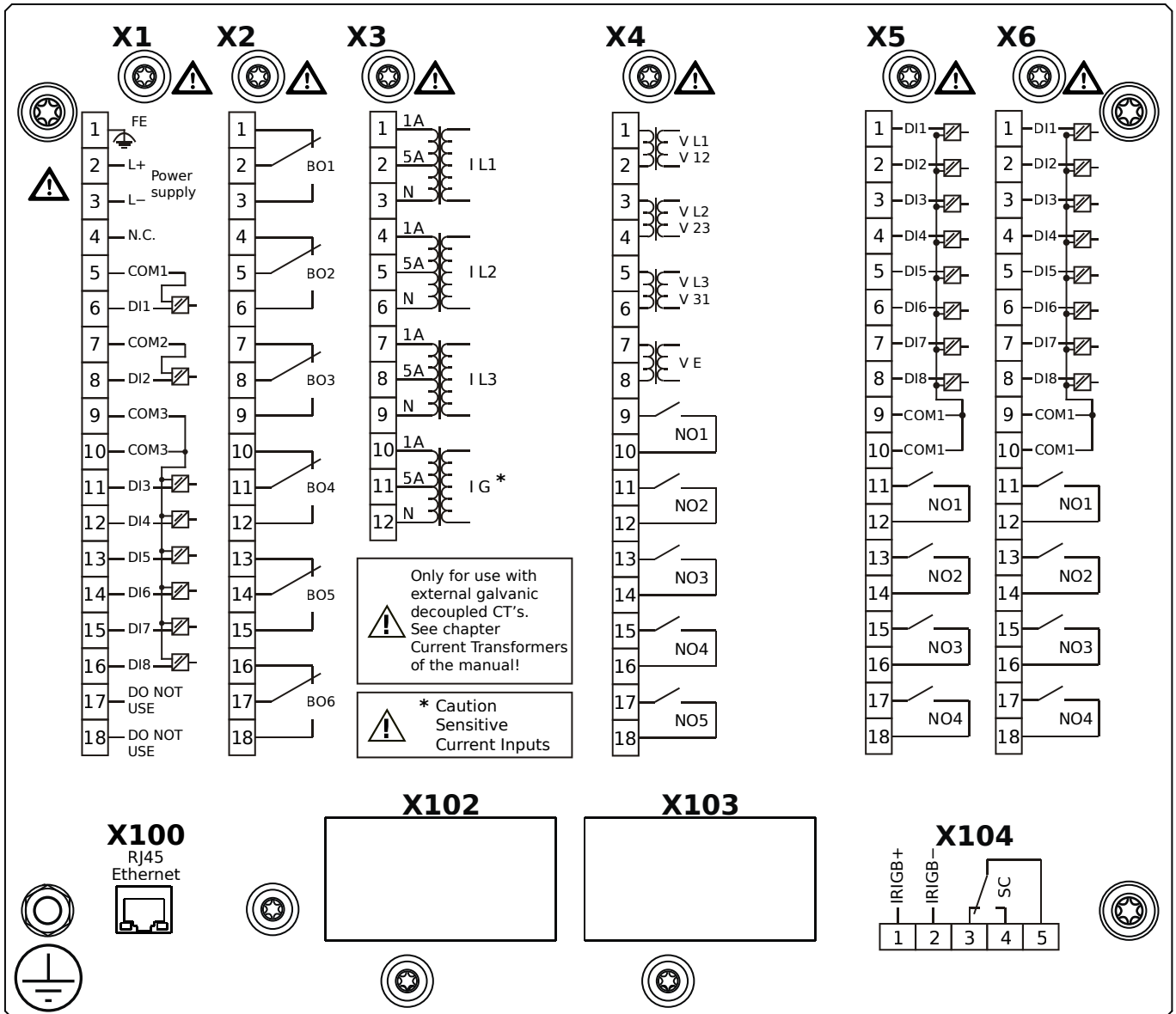
MRA4-2E1BHA



Housing B2, small display, 19" rack mounting

- X1** – DI8-X1: Wide-range power supply unit, incl. 2 non-grouped digital inputs and 6 grouped digital inputs
- X2** – OR6: Assembly Group with 6 Output Relays
- X3** – TIs: Standard phase current measuring card and sensitive ground current measuring
- X4** – TU-OR5: Voltage measuring assembly group with 5 additional Output Relays (normally open)
- X5** – DI8-OR4: Assembly Group with 8 Digital Inputs and 4 Output Relays
- X6** – DI8-OR4: Assembly Group with 8 Digital Inputs and 4 Output Relays
- X100** – IEC 61850 / Modbus TCP / DNP3.0 TCP/UDP, Ethernet interface, 100 Mbit/s, RJ45 (BASE100-FX)
- X104** – IRIG-B00X, incl. System Contact (Supervision Contact)

MRA4-2E1BHB



Housing B2, small display, 19" rack mounting

+ Conformal Coating (for installations in harsh environment)

X1 – DI8-X1: Wide-range power supply unit, incl. 2 non-grouped digital inputs and 6 grouped digital inputs

X2 – OR6: Assembly Group with 6 Output Relays

X3 – TIs: Standard phase current measuring card and sensitive ground current measuring

X4 – TU-OR5: Voltage measuring assembly group with 5 additional Output Relays (normally open)

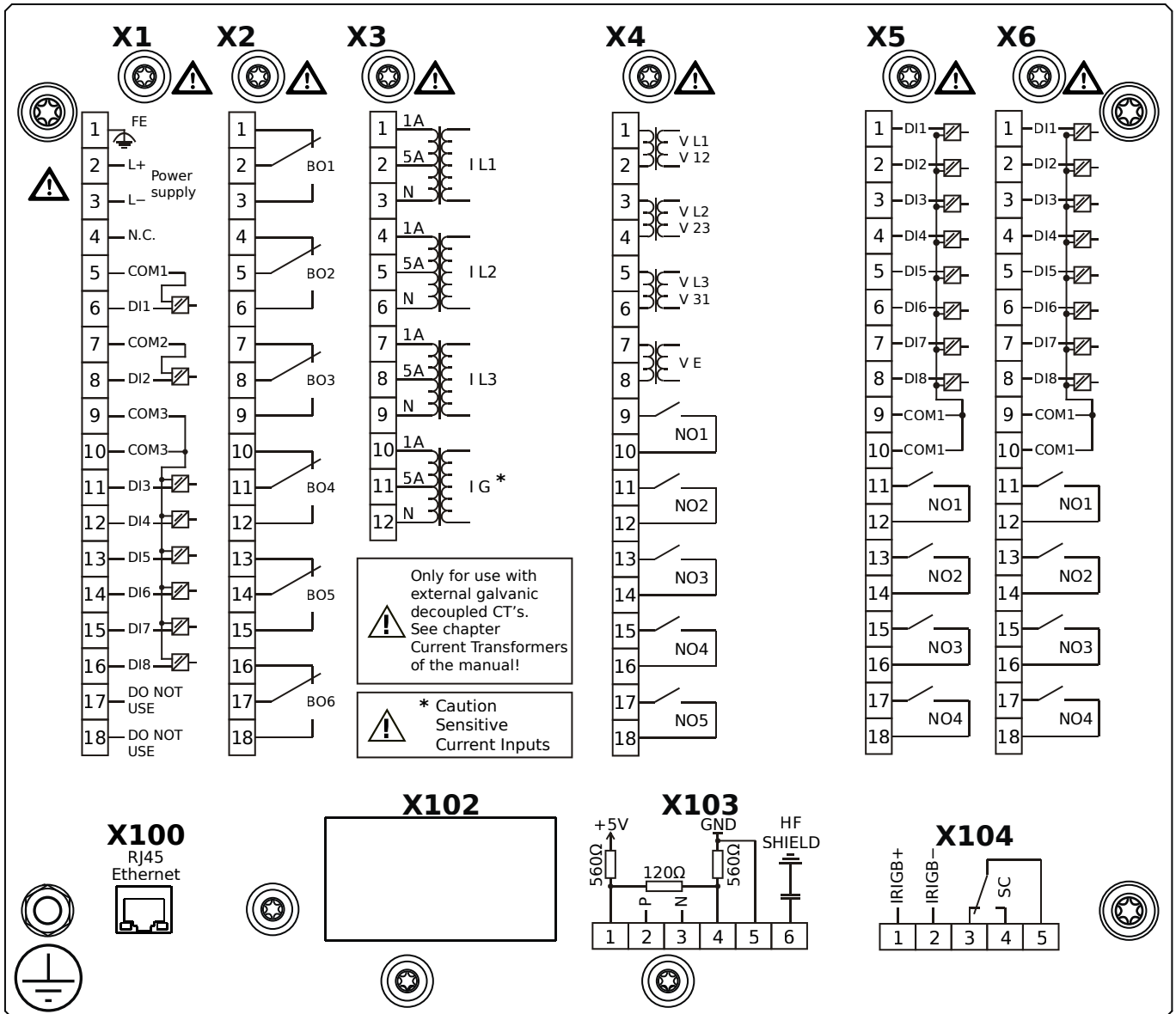
X5 – DI8-OR4: Assembly Group with 8 Digital Inputs and 4 Output Relays

X6 – DI8-OR4: Assembly Group with 8 Digital Inputs and 4 Output Relays

X100 – IEC 61850 / Modbus TCP / DNP3.0 TCP/UDP, Ethernet interface, 100 Mbit/s, RJ45 (BASE100-FX)

X104 – IRIG-B00X, incl. System Contact (Supervision Contact)

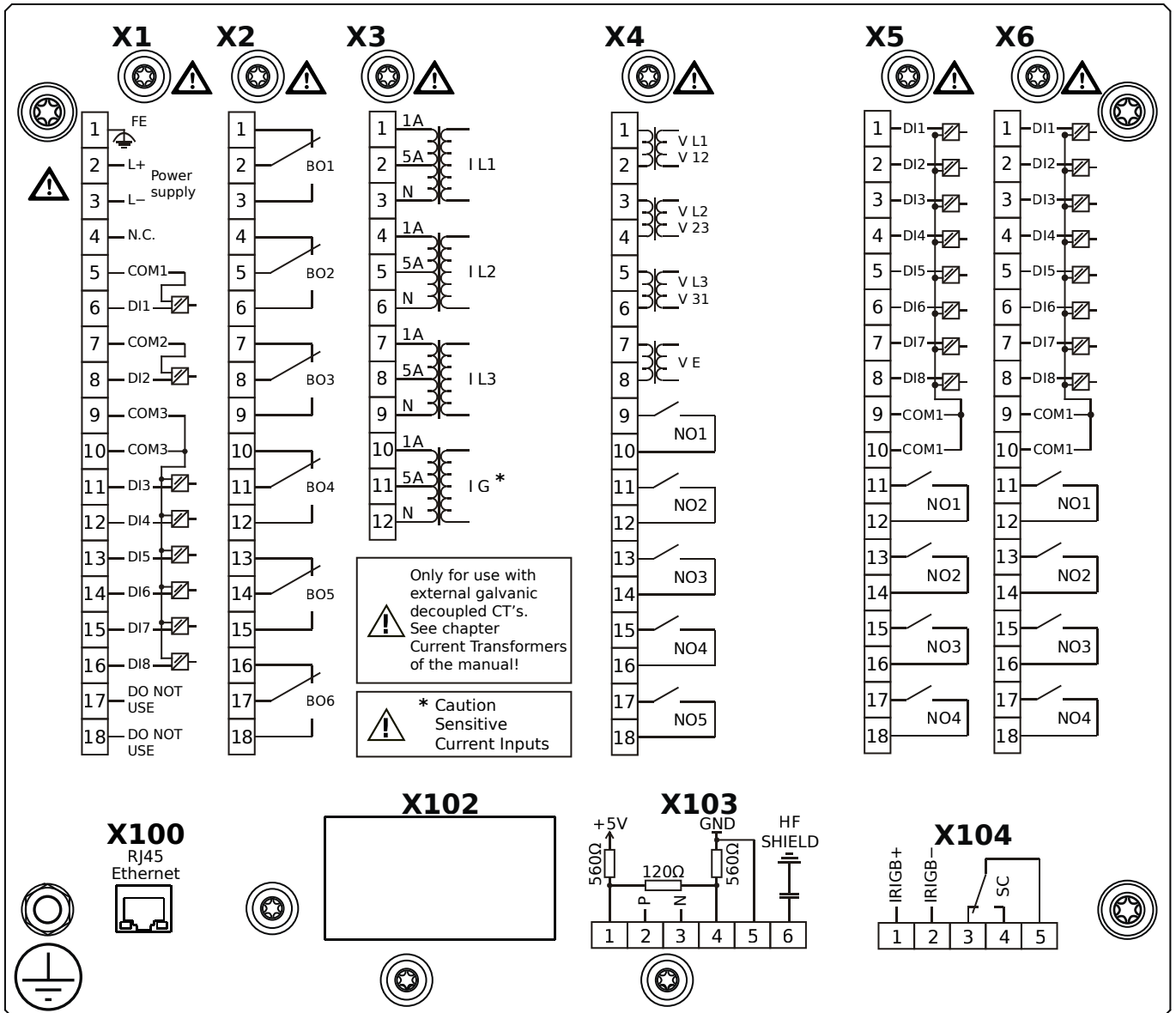
MRA4-2E1BIA



Housing B2, small display, 19" rack mounting

- X1** – DI8-X1: Wide-range power supply unit, incl. 2 non-grouped digital inputs and 6 grouped digital inputs
- X2** – OR6: Assembly Group with 6 Output Relays
- X3** – TIs: Standard phase current measuring card and sensitive ground current measuring
- X4** – TU-OR5: Voltage measuring assembly group with 5 additional Output Relays (normally open)
- X5** – DI8-OR4: Assembly Group with 8 Digital Inputs and 4 Output Relays
- X6** – DI8-OR4: Assembly Group with 8 Digital Inputs and 4 Output Relays
- X100** – Modbus TCP / DNP3.0 TCP/UDP, Ethernet interface, 100 Mbit/s, RJ45 (BASE100-FX)
- X103** – IEC 60870-5-103 / Modbus RTU / DNP3.0 RTU, RS485, Terminals
- X104** – IRIG-B00X, incl. System Contact (Supervision Contact)

MRA4-2E1BIB

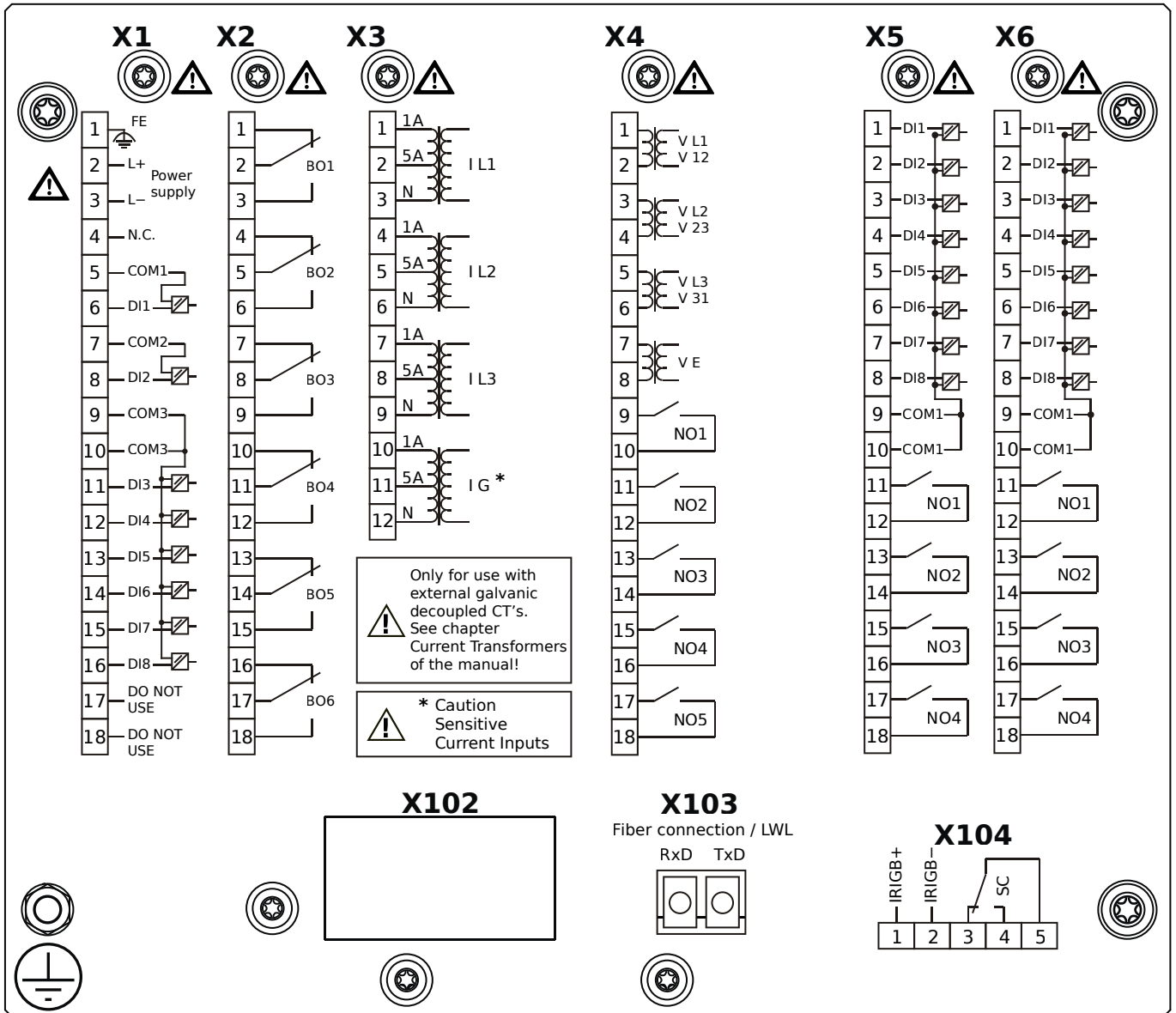


Housing B2, small display, 19" rack mounting

+ Conformal Coating (for installations in harsh environment)

- X1** – DI8-X1: Wide-range power supply unit, incl. 2 non-grouped digital inputs and 6 grouped digital inputs
- X2** – OR6: Assembly Group with 6 Output Relays
- X3** – TIs: Standard phase current measuring card and sensitive ground current measuring
- X4** – TU-OR5: Voltage measuring assembly group with 5 additional Output Relays (normally open)
- X5** – DI8-OR4: Assembly Group with 8 Digital Inputs and 4 Output Relays
- X6** – DI8-OR4: Assembly Group with 8 Digital Inputs and 4 Output Relays
- X100** – Modbus TCP / DNP3.0 TCP/UDP, Ethernet interface, 100 Mbit/s, RJ45 (BASE100-FX)
- X103** – IEC 60870-5-103 / Modbus RTU / DNP3.0 RTU, RS485, Terminals
- X104** – IRIG-B00X, incl. System Contact (Supervision Contact)

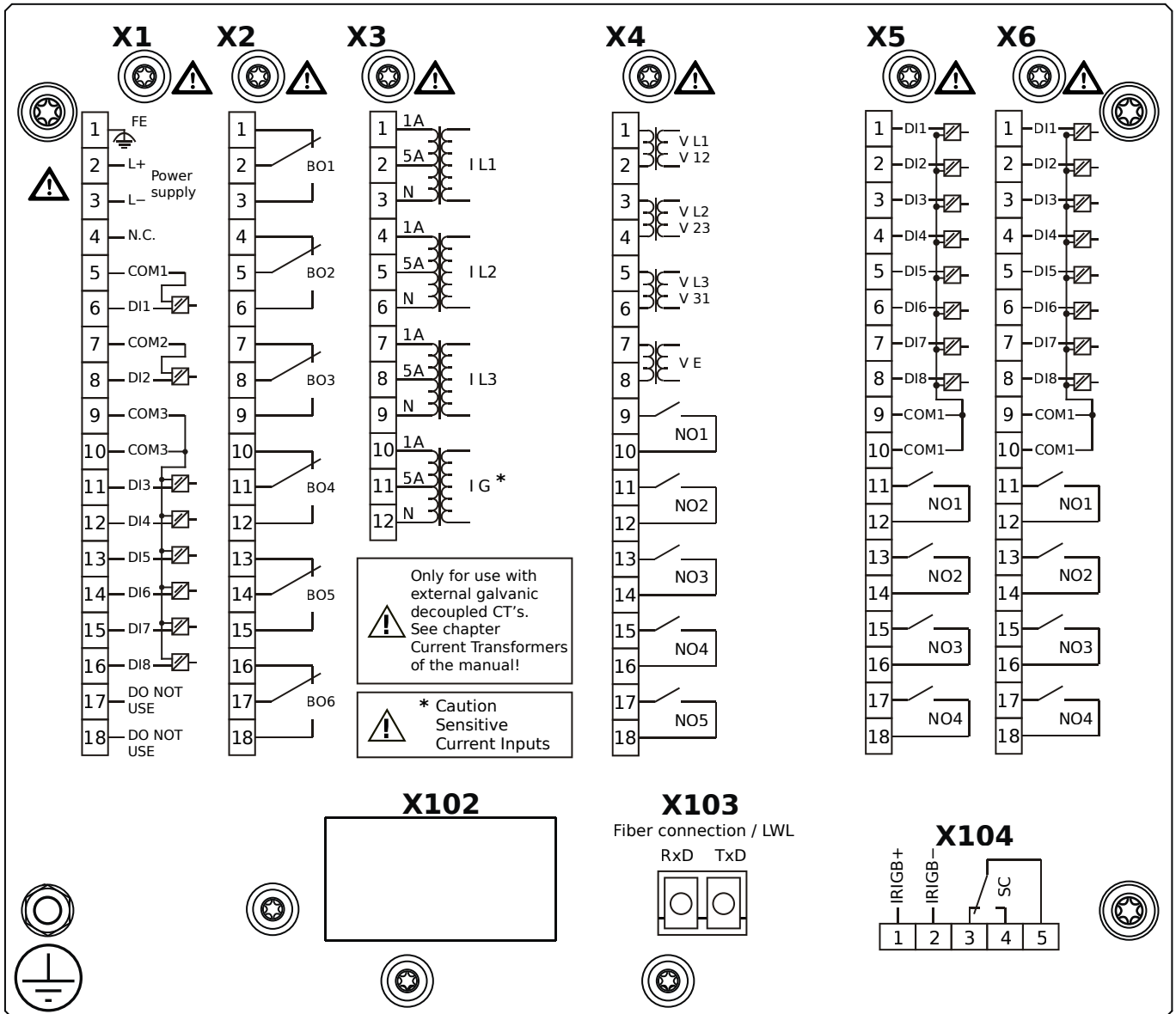
MRA4-2E1BKA



Housing B2, small display, 19" rack mounting

- X1** – DI8-X1: Wide-range power supply unit, incl. 2 non-grouped digital inputs and 6 grouped digital inputs
- X2** – OR6: Assembly Group with 6 Output Relays
- X3** – TIs: Standard phase current measuring card and sensitive ground current measuring
- X4** – TU-OR5: Voltage measuring assembly group with 5 additional Output Relays (normally open)
- X5** – DI8-OR4: Assembly Group with 8 Digital Inputs and 4 Output Relays
- X6** – DI8-OR4: Assembly Group with 8 Digital Inputs and 4 Output Relays
- X103** – IEC 61850 / Modbus TCP / DNP3.0 TCP/UDP, Fiber optics interface, LC Connector
- X104** – IRIG-B00X, incl. System Contact (Supervision Contact)

MRA4-2E1BKB

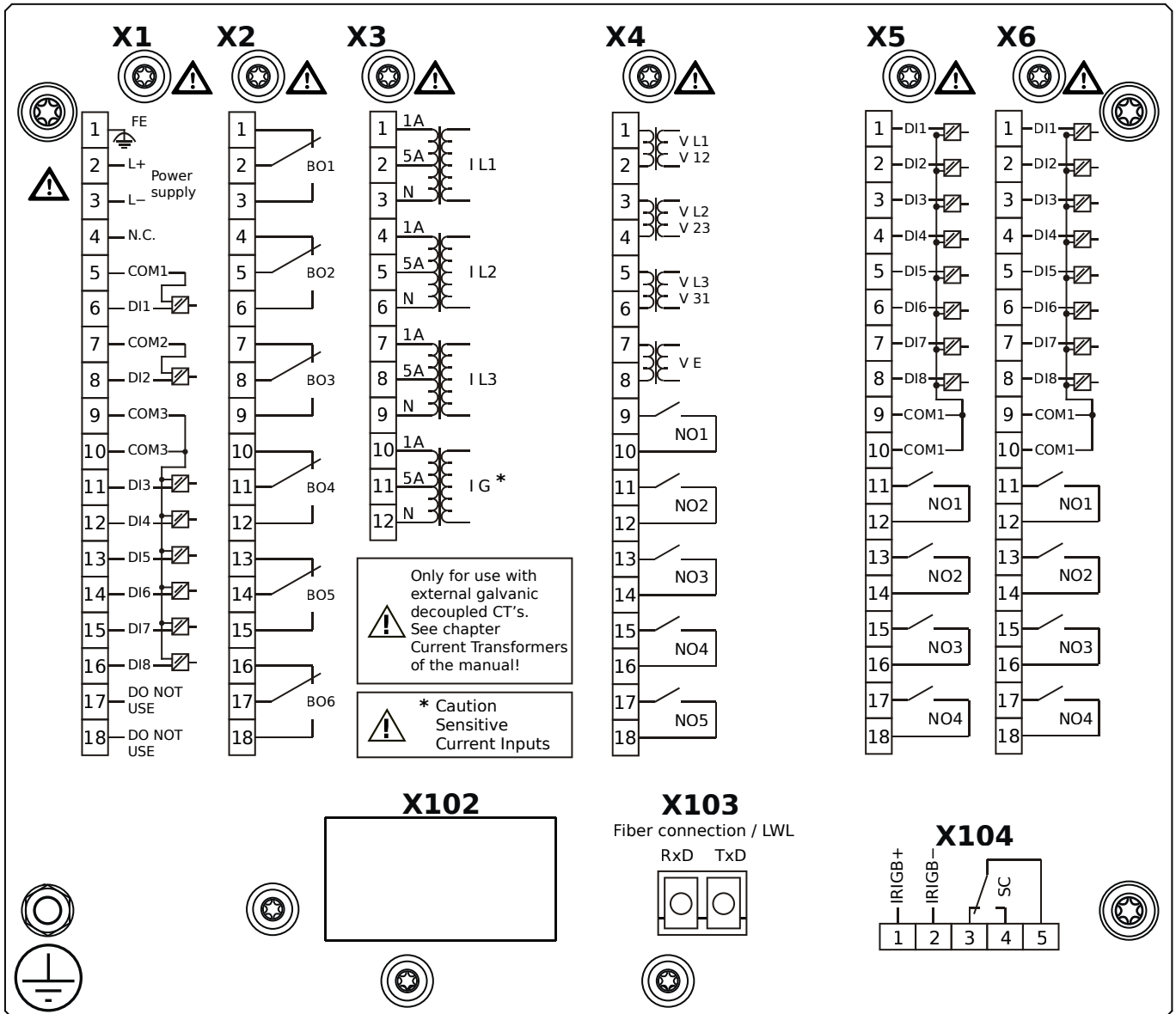


Housing B2, small display, 19" rack mounting

+ Conformal Coating (for installations in harsh environment)

- X1** – DI8-X1: Wide-range power supply unit, incl. 2 non-grouped digital inputs and 6 grouped digital inputs
- X2** – OR6: Assembly Group with 6 Output Relays
- X3** – TIs: Standard phase current measuring card and sensitive ground current measuring
- X4** – TU-OR5: Voltage measuring assembly group with 5 additional Output Relays (normally open)
- X5** – DI8-OR4: Assembly Group with 8 Digital Inputs and 4 Output Relays
- X6** – DI8-OR4: Assembly Group with 8 Digital Inputs and 4 Output Relays
- X103** – IEC 61850 / Modbus TCP / DNP3.0 TCP/UDP, Fiber optics interface, LC Connector
- X104** – IRIG-B00X, incl. System Contact (Supervision Contact)

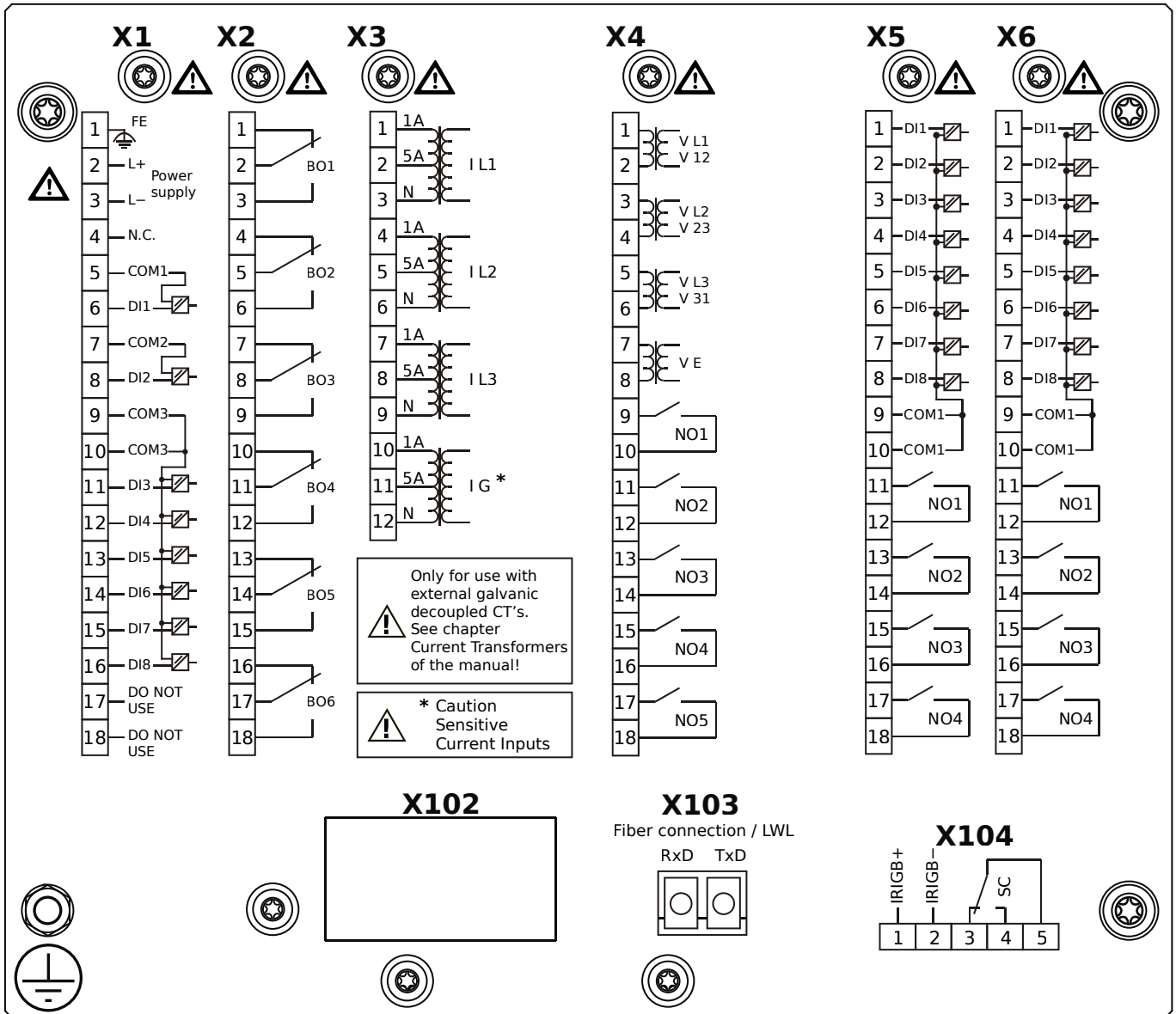
MRA4-2E1BLA



Housing B2, small display, 19" rack mounting

- X1** – DI8-X1: Wide-range power supply unit, incl. 2 non-grouped digital inputs and 6 grouped digital inputs
- X2** – OR6: Assembly Group with 6 Output Relays
- X3** – TIs: Standard phase current measuring card and sensitive ground current measuring
- X4** – TU-OR5: Voltage measuring assembly group with 5 additional Output Relays (normally open)
- X5** – DI8-OR4: Assembly Group with 8 Digital Inputs and 4 Output Relays
- X6** – DI8-OR4: Assembly Group with 8 Digital Inputs and 4 Output Relays
- X103** – Modbus TCP / DNP3.0 TCP/UDP, Fiber optics interface, LC Connector
- X104** – IRIG-B00X, incl. System Contact (Supervision Contact)

MRA4-2E1BLB

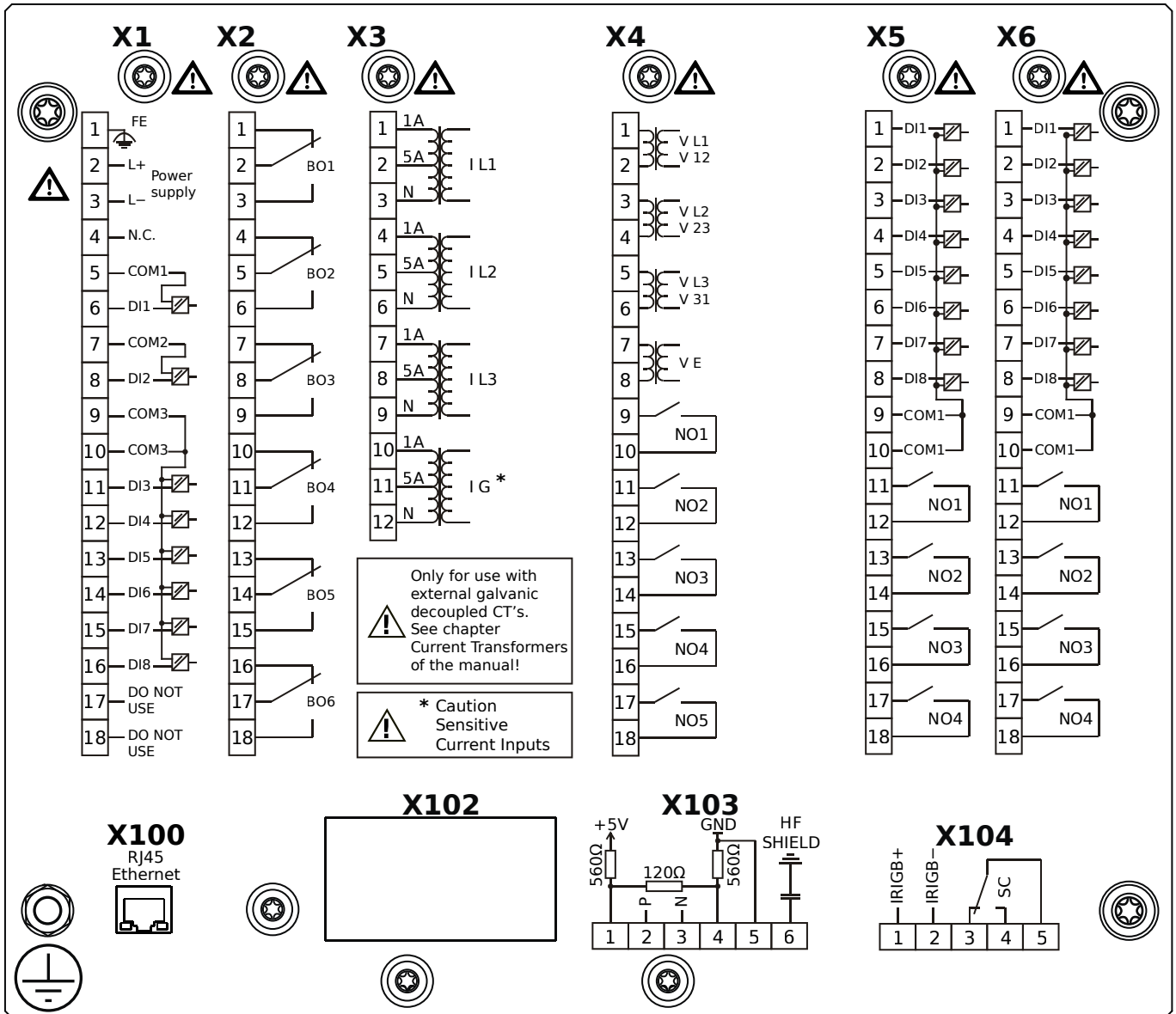


Housing B2, small display, 19" rack mounting

+ Conformal Coating (for installations in harsh environment)

- X1** – DI8-X1: Wide-range power supply unit, incl. 2 non-grouped digital inputs and 6 grouped digital inputs
- X2** – OR6: Assembly Group with 6 Output Relays
- X3** – TIs: Standard phase current measuring card and sensitive ground current measuring
- X4** – TU-OR5: Voltage measuring assembly group with 5 additional Output Relays (normally open)
- X5** – DI8-OR4: Assembly Group with 8 Digital Inputs and 4 Output Relays
- X6** – DI8-OR4: Assembly Group with 8 Digital Inputs and 4 Output Relays
- X103** – Modbus TCP / DNP3.0 TCP/UDP, Fiber optics interface, LC Connector
- X104** – IRIG-B00X, incl. System Contact (Supervision Contact)

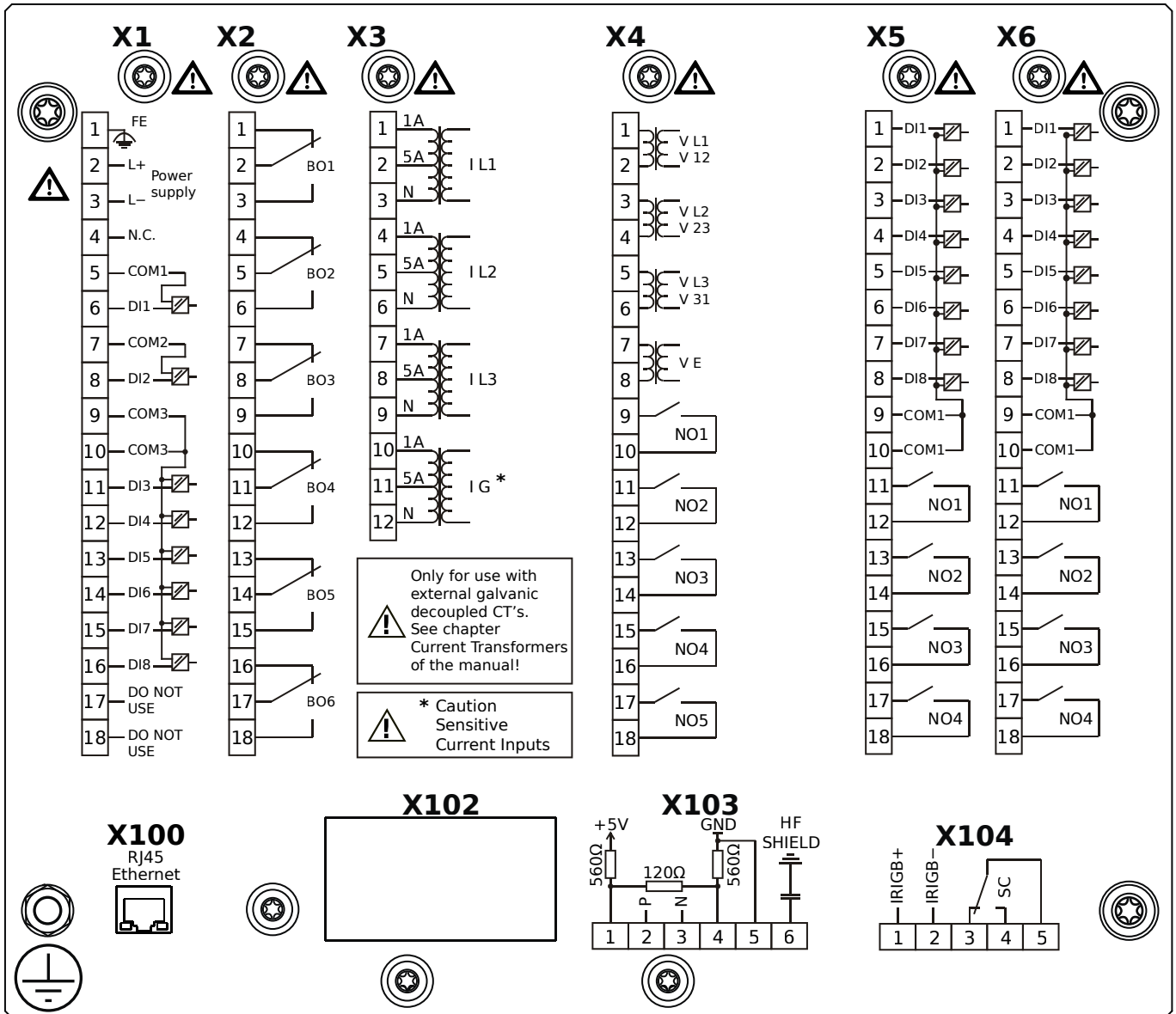
MRA4-2E1BTA



Housing B2, small display, 19" rack mounting

- X1** – DI8-X1: Wide-range power supply unit, incl. 2 non-grouped digital inputs and 6 grouped digital inputs
- X2** – OR6: Assembly Group with 6 Output Relays
- X3** – TIs: Standard phase current measuring card and sensitive ground current measuring
- X4** – TU-OR5: Voltage measuring assembly group with 5 additional Output Relays (normally open)
- X5** – DI8-OR4: Assembly Group with 8 Digital Inputs and 4 Output Relays
- X6** – DI8-OR4: Assembly Group with 8 Digital Inputs and 4 Output Relays
- X100** – IEC 61850 / Modbus TCP / DNP3.0 TCP/UDP, Ethernet interface, 100 Mbit/s, RJ45 (BASE100-FX)
- X103** – IEC 60870-5-103 / Modbus RTU / DNP3.0 RTU, RS485, Terminals
- X104** – IRIG-B00X, incl. System Contact (Supervision Contact)

MRA4-2E1BTB



Housing B2, small display, 19" rack mounting

+ Conformal Coating (for installations in harsh environment)

X1 – DI8-X1: Wide-range power supply unit, incl. 2 non-grouped digital inputs and 6 grouped digital inputs

X2 – OR6: Assembly Group with 6 Output Relays

X3 – TIs: Standard phase current measuring card and sensitive ground current measuring

X4 – TU-OR5: Voltage measuring assembly group with 5 additional Output Relays (normally open)

X5 – DI8-OR4: Assembly Group with 8 Digital Inputs and 4 Output Relays

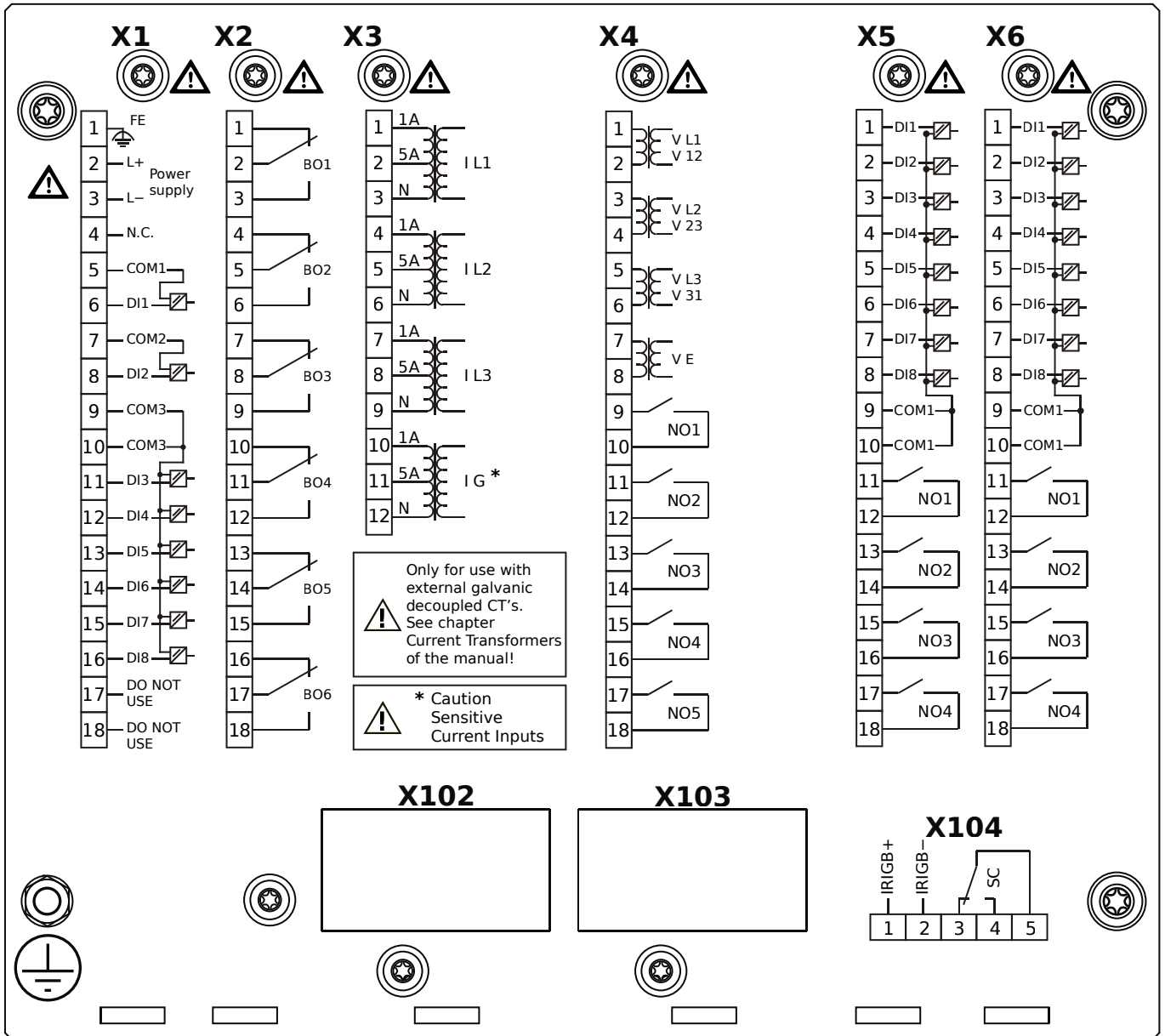
X6 – DI8-OR4: Assembly Group with 8 Digital Inputs and 4 Output Relays

X100 – IEC 61850 / Modbus TCP / DNP3.0 TCP/UDP, Ethernet interface, 100 Mbit/s, RJ45 (BASE100-FX)

X103 – IEC 60870-5-103 / Modbus RTU / DNP3.0 RTU, RS485, Terminals

X104 – IRIG-B00X, incl. System Contact (Supervision Contact)

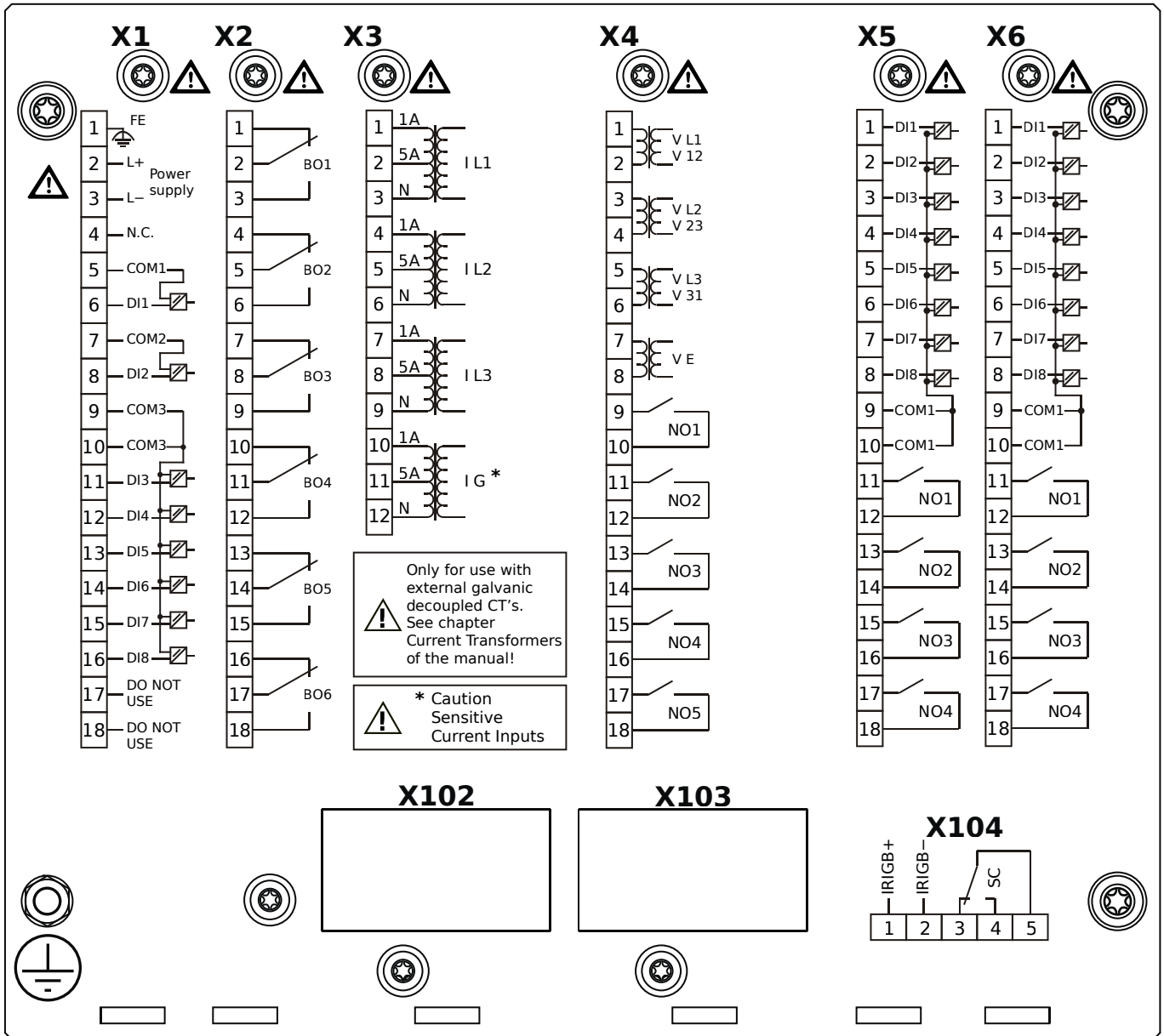
MRA4-2E1HAA



Housing B2, small display, door mounting

- X1** – DI8-X1: Wide-range power supply unit, incl. 2 non-grouped digital inputs and 6 grouped digital inputs
- X2** – OR6: Assembly Group with 6 Output Relays
- X3** – TIs: Standard phase current measuring card and sensitive ground current measuring
- X4** – TU-OR5: Voltage measuring assembly group with 5 additional Output Relays (normally open)
- X5** – DI8-OR4: Assembly Group with 8 Digital Inputs and 4 Output Relays
- X6** – DI8-OR4: Assembly Group with 8 Digital Inputs and 4 Output Relays
- X104** – IRIG-B00X, incl. System Contact (Supervision Contact)

MRA4-2E1HAB

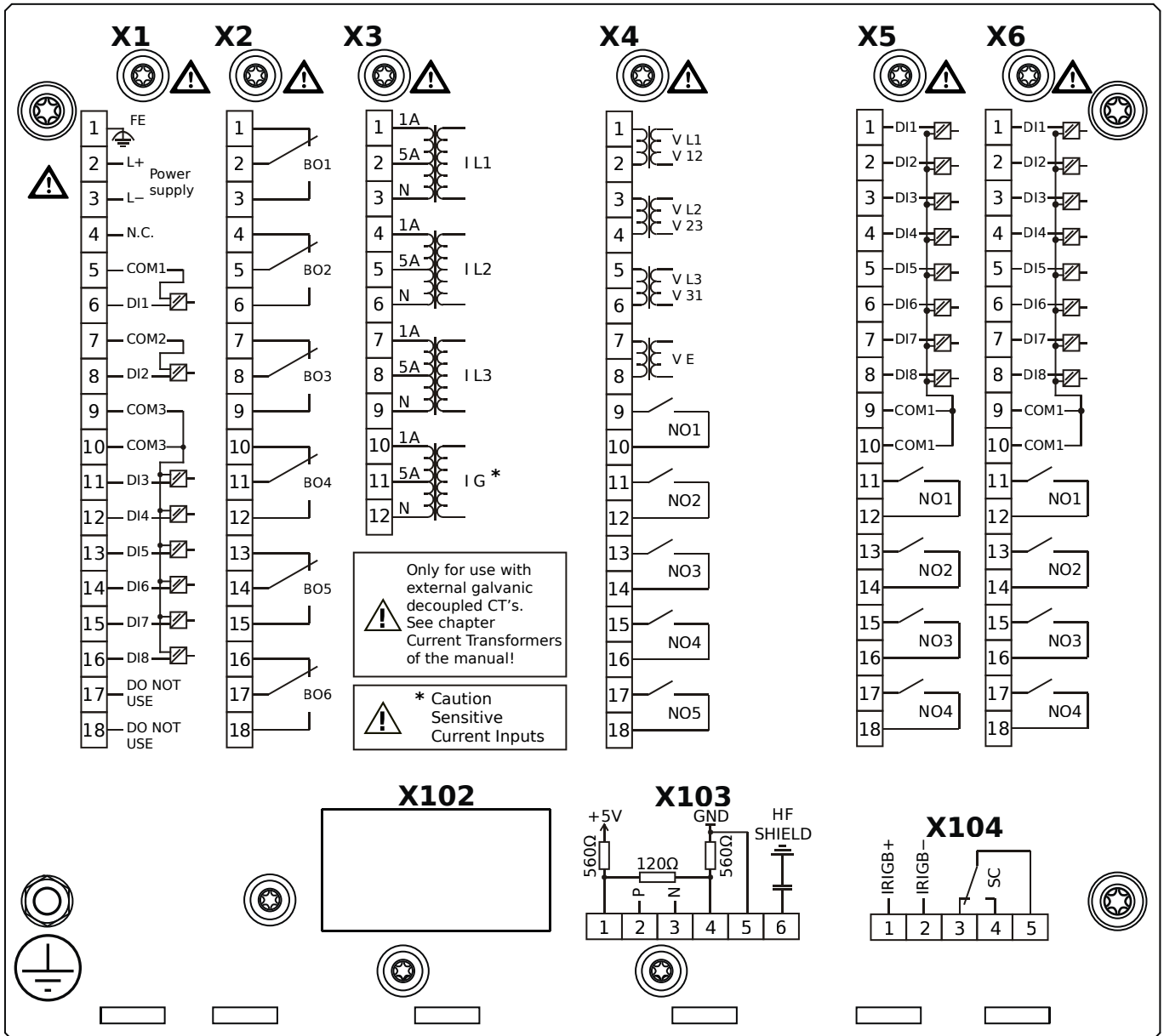


Housing B2, small display, door mounting

+ Conformal Coating (for installations in harsh environment)

- X1** – DI8-X1: Wide-range power supply unit, incl. 2 non-grouped digital inputs and 6 grouped digital inputs
- X2** – OR6: Assembly Group with 6 Output Relays
- X3** – TIs: Standard phase current measuring card and sensitive ground current measuring
- X4** – TU-OR5: Voltage measuring assembly group with 5 additional Output Relays (normally open)
- X5** – DI8-OR4: Assembly Group with 8 Digital Inputs and 4 Output Relays
- X6** – DI8-OR4: Assembly Group with 8 Digital Inputs and 4 Output Relays
- X104** – IRIG-B00X, incl. System Contact (Supervision Contact)

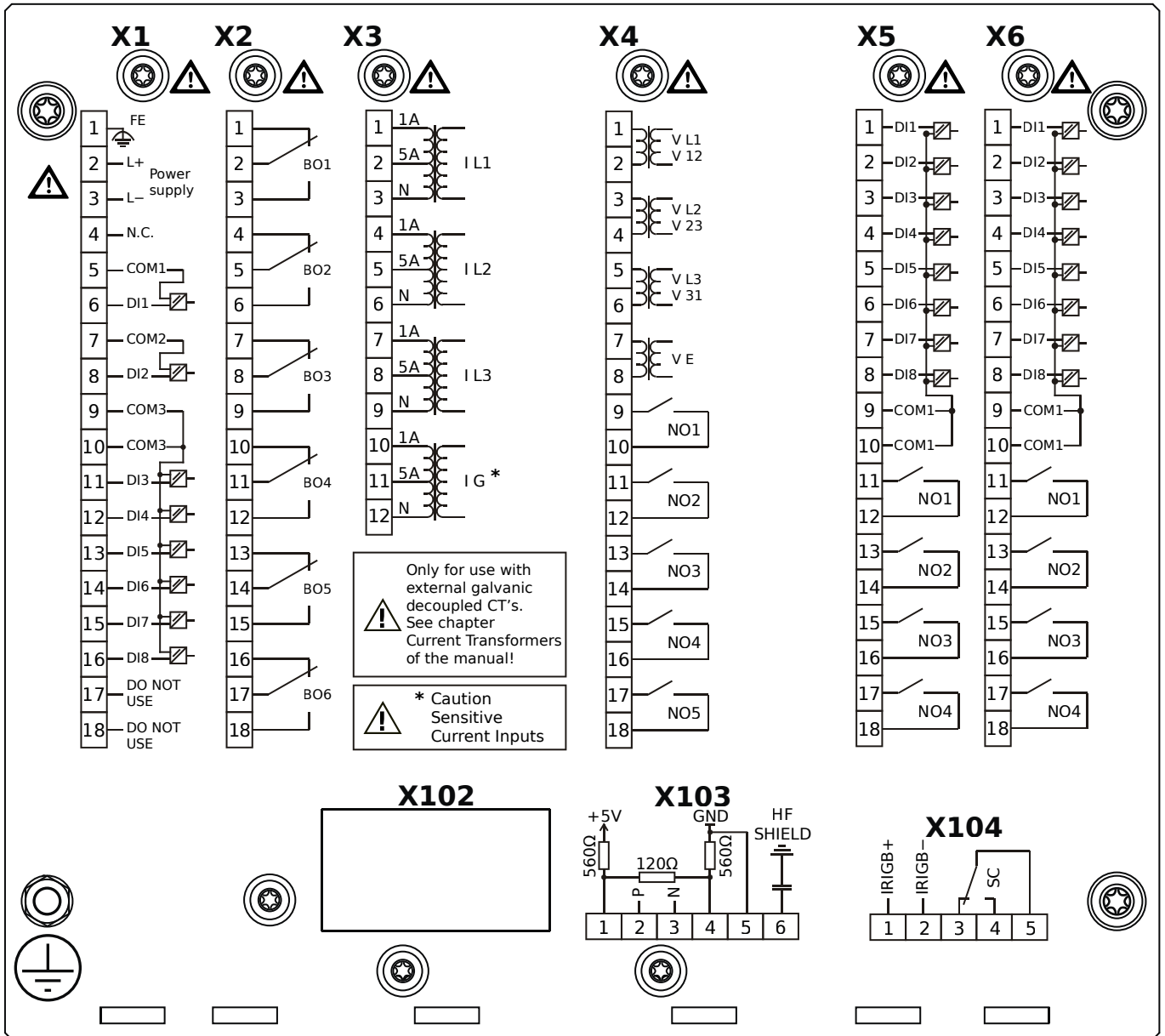
MRA4-2E1HBA



Housing B2, small display, door mounting

- X1** – DI8-X1: Wide-range power supply unit, incl. 2 non-grouped digital inputs and 6 grouped digital inputs
- X2** – OR6: Assembly Group with 6 Output Relays
- X3** – TIs: Standard phase current measuring card and sensitive ground current measuring
- X4** – TU-OR5: Voltage measuring assembly group with 5 additional Output Relays (normally open)
- X5** – DI8-OR4: Assembly Group with 8 Digital Inputs and 4 Output Relays
- X6** – DI8-OR4: Assembly Group with 8 Digital Inputs and 4 Output Relays
- X103** – Modbus RTU / IEC 60870-5-103 / DNP3.0 RTU, RS485, Terminals
- X104** – IRIG-B00X, incl. System Contact (Supervision Contact)

MRA4-2E1HBB

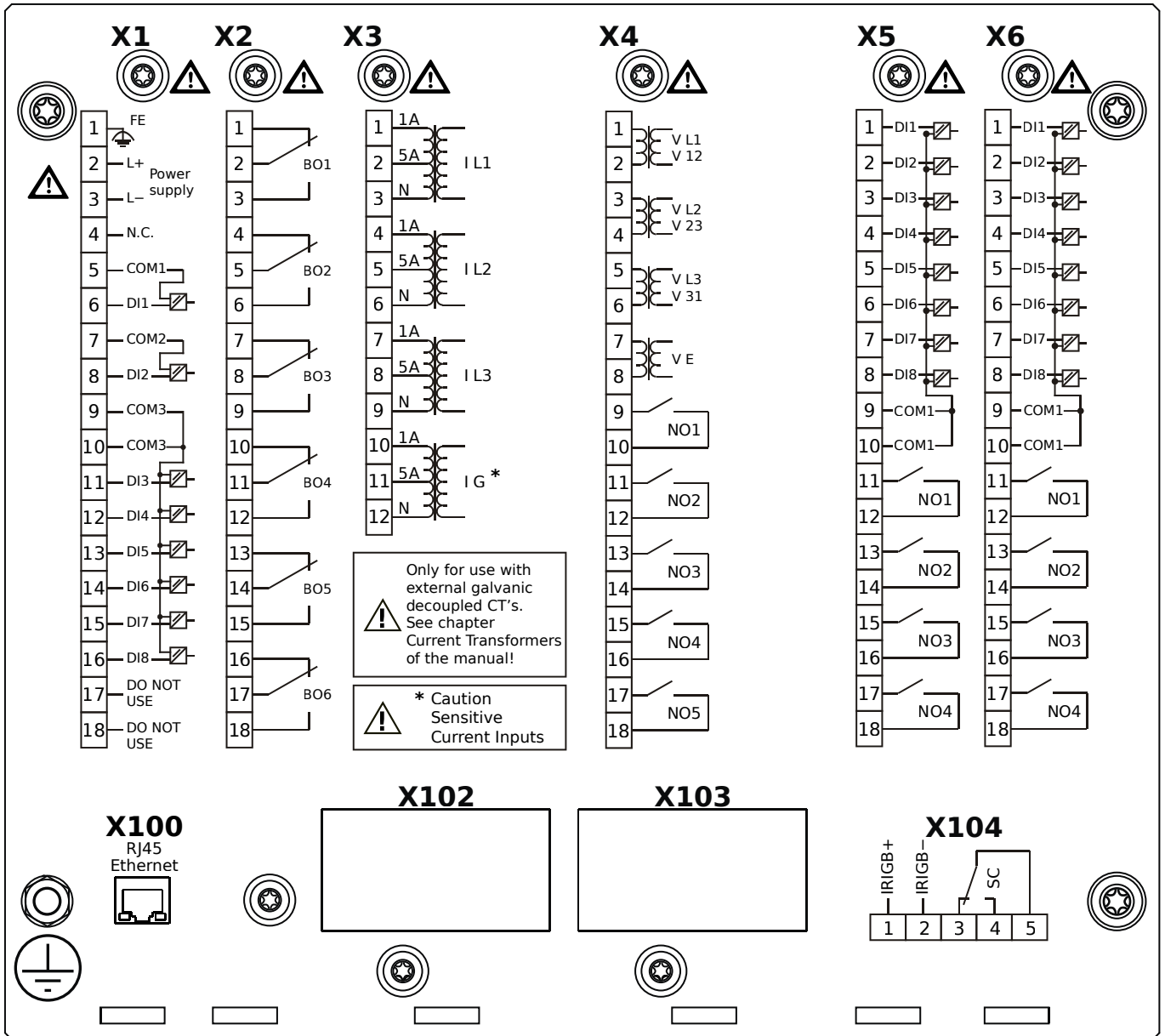


Housing B2, small display, door mounting

+ Conformal Coating (for installations in harsh environment)

- X1** – DI8-X1: Wide-range power supply unit, incl. 2 non-grouped digital inputs and 6 grouped digital inputs
- X2** – OR6: Assembly Group with 6 Output Relays
- X3** – TIs: Standard phase current measuring card and sensitive ground current measuring
- X4** – TU-OR5: Voltage measuring assembly group with 5 additional Output Relays (normally open)
- X5** – DI8-OR4: Assembly Group with 8 Digital Inputs and 4 Output Relays
- X6** – DI8-OR4: Assembly Group with 8 Digital Inputs and 4 Output Relays
- X103** – Modbus RTU / IEC 60870-5-103 / DNP3.0 RTU, RS485, Terminals
- X104** – IRIG-B00X, incl. System Contact (Supervision Contact)

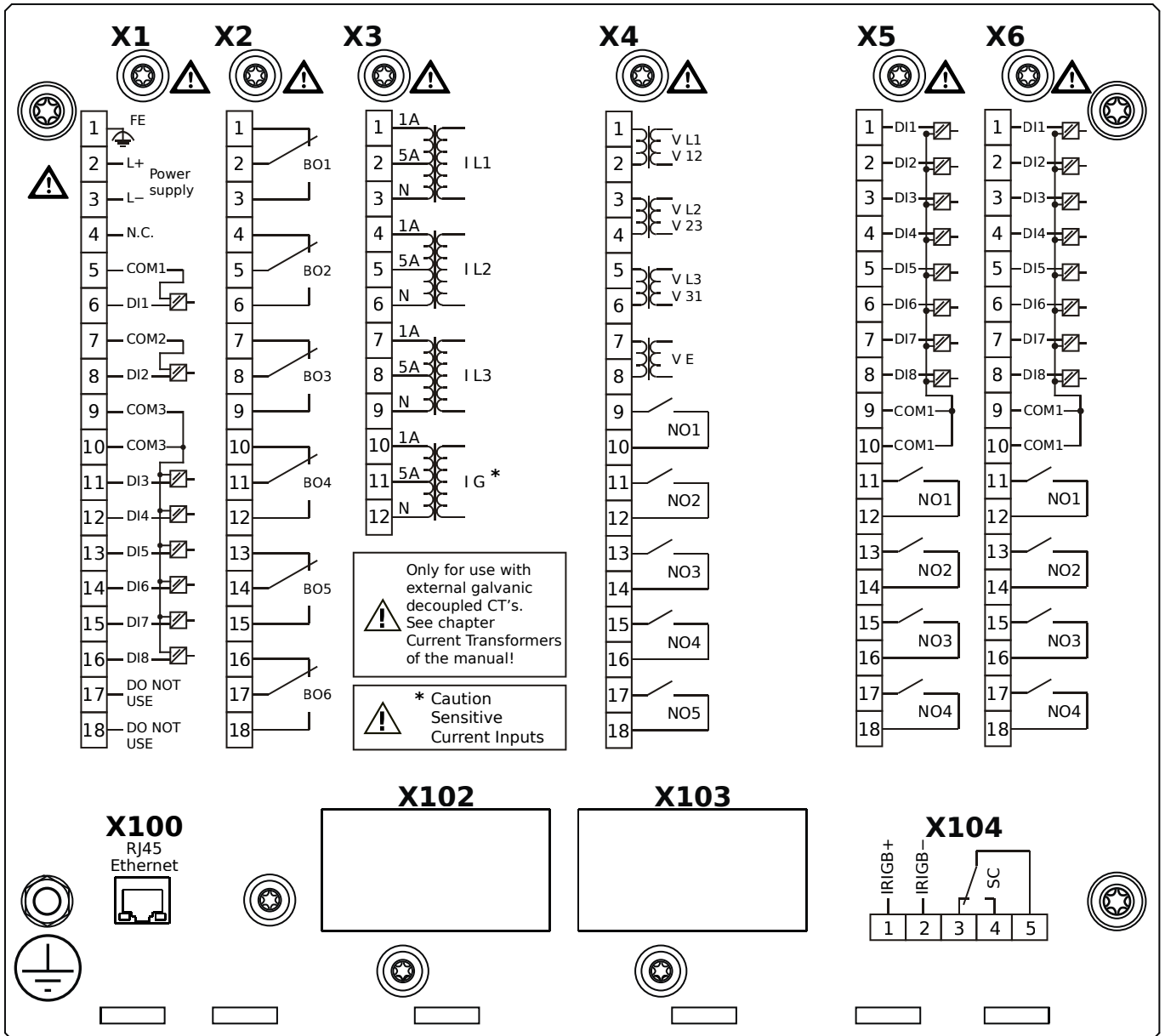
MRA4-2E1HCA



Housing B2, small display, door mounting

- X1** – DI8-X1: Wide-range power supply unit, incl. 2 non-grouped digital inputs and 6 grouped digital inputs
- X2** – OR6: Assembly Group with 6 Output Relays
- X3** – TIs: Standard phase current measuring card and sensitive ground current measuring
- X4** – TU-OR5: Voltage measuring assembly group with 5 additional Output Relays (normally open)
- X5** – DI8-OR4: Assembly Group with 8 Digital Inputs and 4 Output Relays
- X6** – DI8-OR4: Assembly Group with 8 Digital Inputs and 4 Output Relays
- X100** – Modbus TCP / DNP3.0 TCP/UDP, Ethernet interface, 100 Mbit/s, RJ45 (BASE100-FX)
- X104** – IRIG-B00X, incl. System Contact (Supervision Contact)

MRA4-2E1HCB

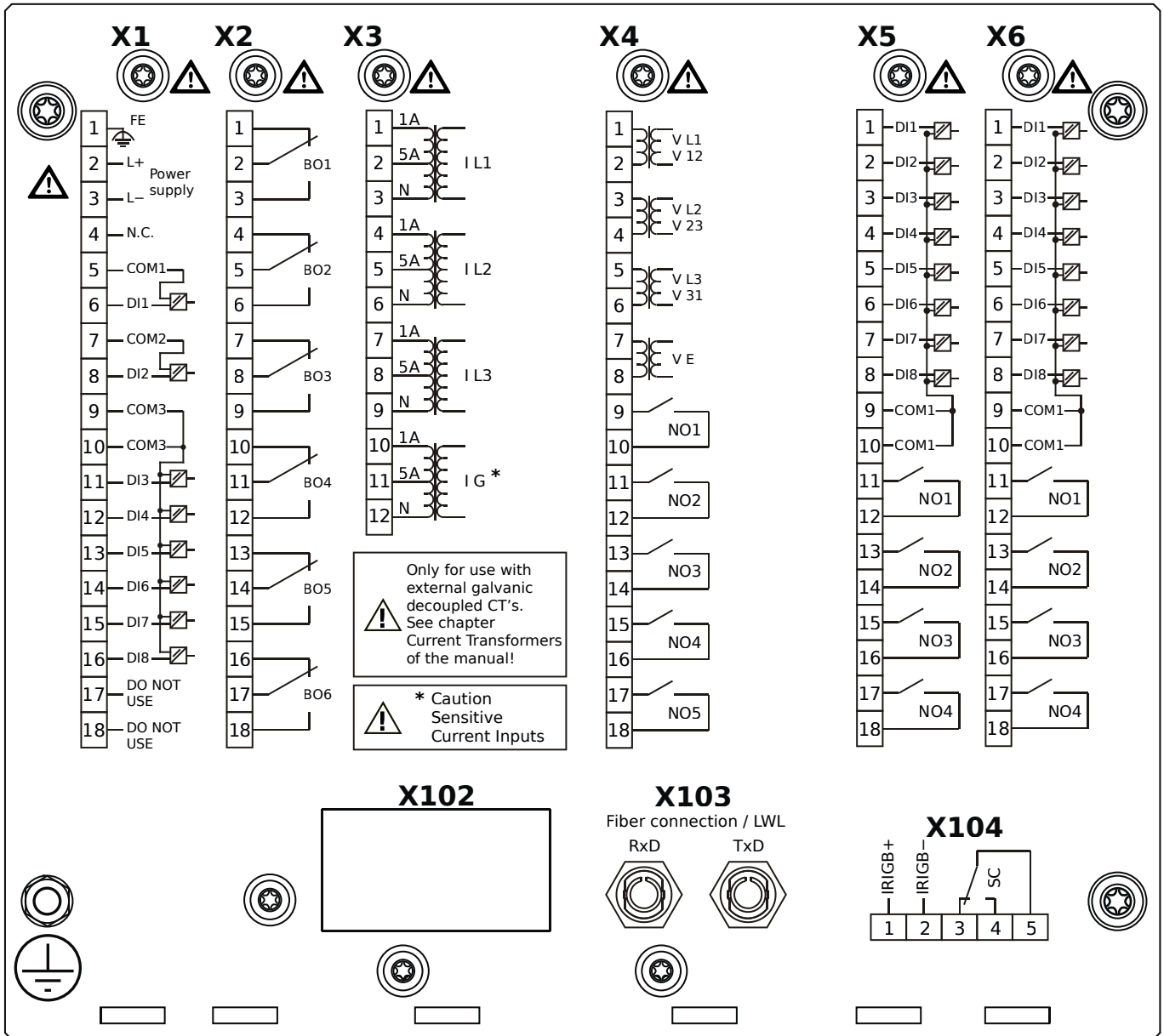


Housing B2, small display, door mounting

+ Conformal Coating (for installations in harsh environment)

- X1** – DI8-X1: Wide-range power supply unit, incl. 2 non-grouped digital inputs and 6 grouped digital inputs
- X2** – OR6: Assembly Group with 6 Output Relays
- X3** – TIs: Standard phase current measuring card and sensitive ground current measuring
- X4** – TU-OR5: Voltage measuring assembly group with 5 additional Output Relays (normally open)
- X5** – DI8-OR4: Assembly Group with 8 Digital Inputs and 4 Output Relays
- X6** – DI8-OR4: Assembly Group with 8 Digital Inputs and 4 Output Relays
- X100** – Modbus TCP / DNP3.0 TCP/UDP, Ethernet interface, 100 Mbit/s, RJ45 (BASE100-FX)
- X104** – IRIG-B00X, incl. System Contact (Supervision Contact)

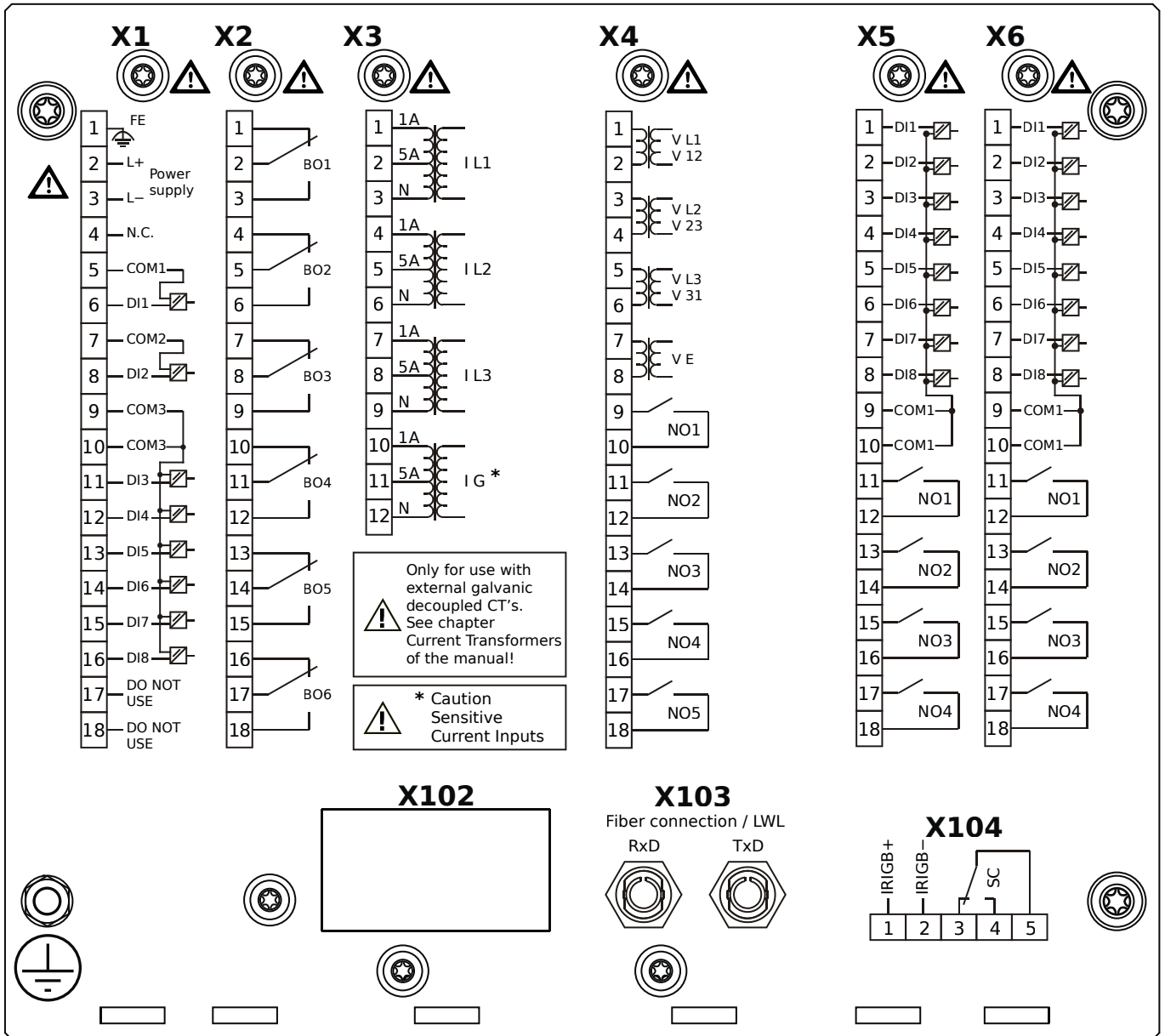
MRA4-2E1HDA



Housing B2, small display, door mounting

- X1** – DI8-X1: Wide-range power supply unit, incl. 2 non-grouped digital inputs and 6 grouped digital inputs
- X2** – OR6: Assembly Group with 6 Output Relays
- X3** – TIs: Standard phase current measuring card and sensitive ground current measuring
- X4** – TU-OR5: Voltage measuring assembly group with 5 additional Output Relays (normally open)
- X5** – DI8-OR4: Assembly Group with 8 Digital Inputs and 4 Output Relays
- X6** – DI8-OR4: Assembly Group with 8 Digital Inputs and 4 Output Relays
- X103** – Profibus-DP, Fiber optics interface, ST Connector
- X104** – IRIG-B00X, incl. System Contact (Supervision Contact)

MRA4-2E1HDB

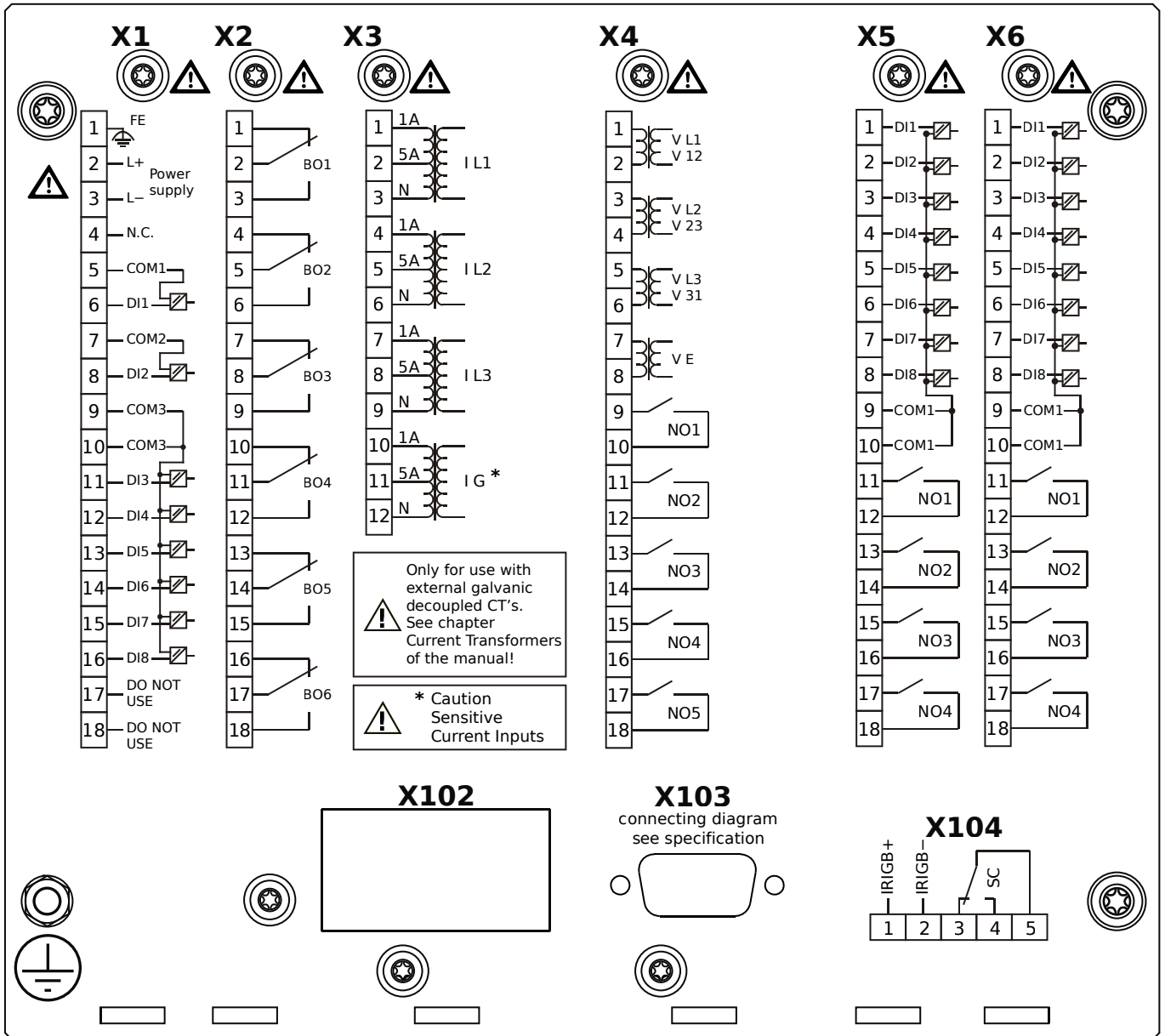


Housing B2, small display, door mounting

+ Conformal Coating (for installations in harsh environment)

- X1** – DI8-X1: Wide-range power supply unit, incl. 2 non-grouped digital inputs and 6 grouped digital inputs
- X2** – OR6: Assembly Group with 6 Output Relays
- X3** – TIs: Standard phase current measuring card and sensitive ground current measuring
- X4** – TU-OR5: Voltage measuring assembly group with 5 additional Output Relays (normally open)
- X5** – DI8-OR4: Assembly Group with 8 Digital Inputs and 4 Output Relays
- X6** – DI8-OR4: Assembly Group with 8 Digital Inputs and 4 Output Relays
- X103** – Profibus-DP, Fiber optics interface, ST Connector
- X104** – IRIG-B00X, incl. System Contact (Supervision Contact)

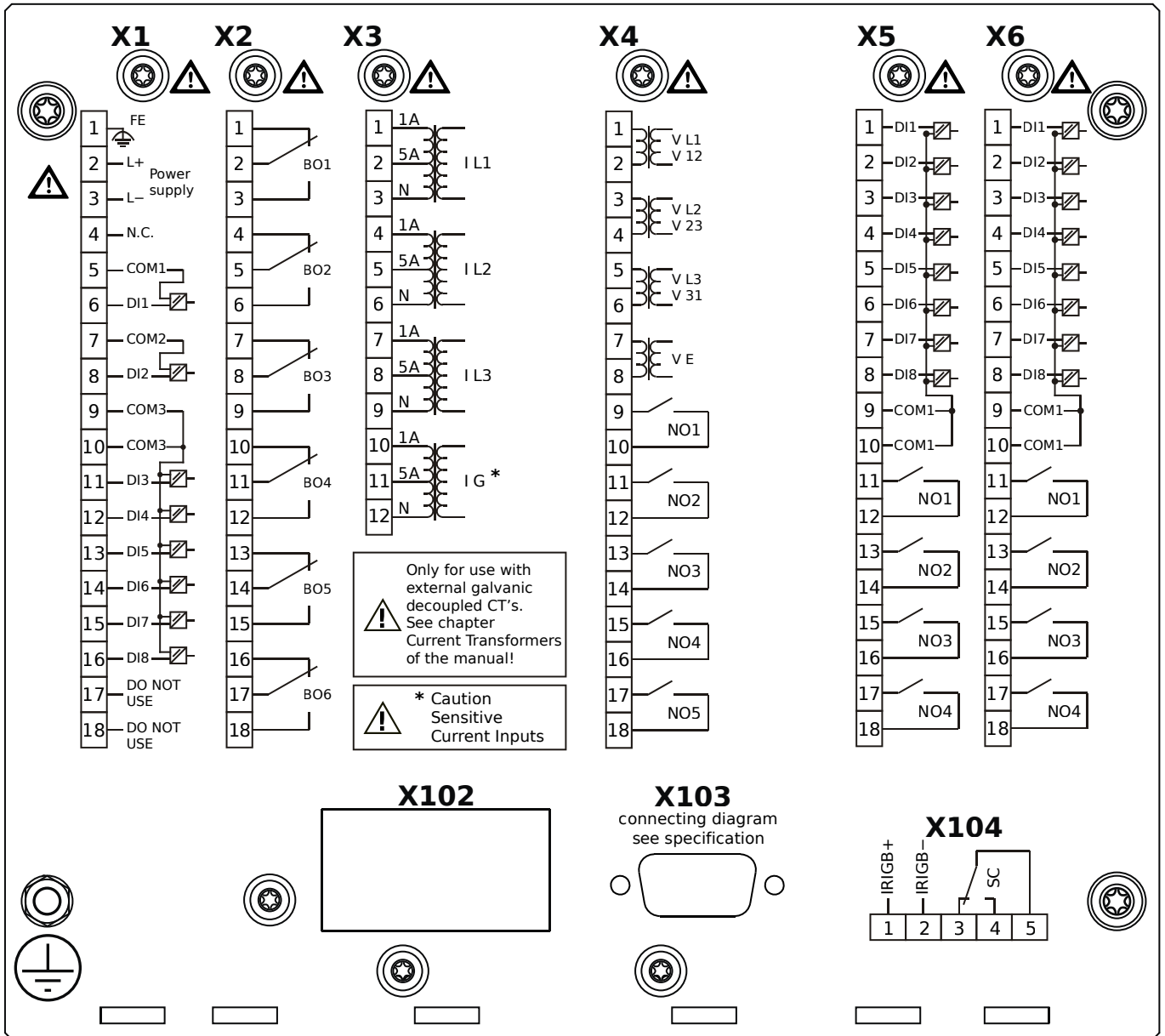
MRA4-2E1HEA



Housing B2, small display, door mounting

- X1** – DI8-X1: Wide-range power supply unit, incl. 2 non-grouped digital inputs and 6 grouped digital inputs
- X2** – OR6: Assembly Group with 6 Output Relays
- X3** – TIs: Standard phase current measuring card and sensitive ground current measuring
- X4** – TU-OR5: Voltage measuring assembly group with 5 additional Output Relays (normally open)
- X5** – DI8-OR4: Assembly Group with 8 Digital Inputs and 4 Output Relays
- X6** – DI8-OR4: Assembly Group with 8 Digital Inputs and 4 Output Relays
- X103** – Profibus-DP, RS485, D-SUB
- X104** – IRIG-B00X, incl. System Contact (Supervision Contact)

MRA4-2E1HEB

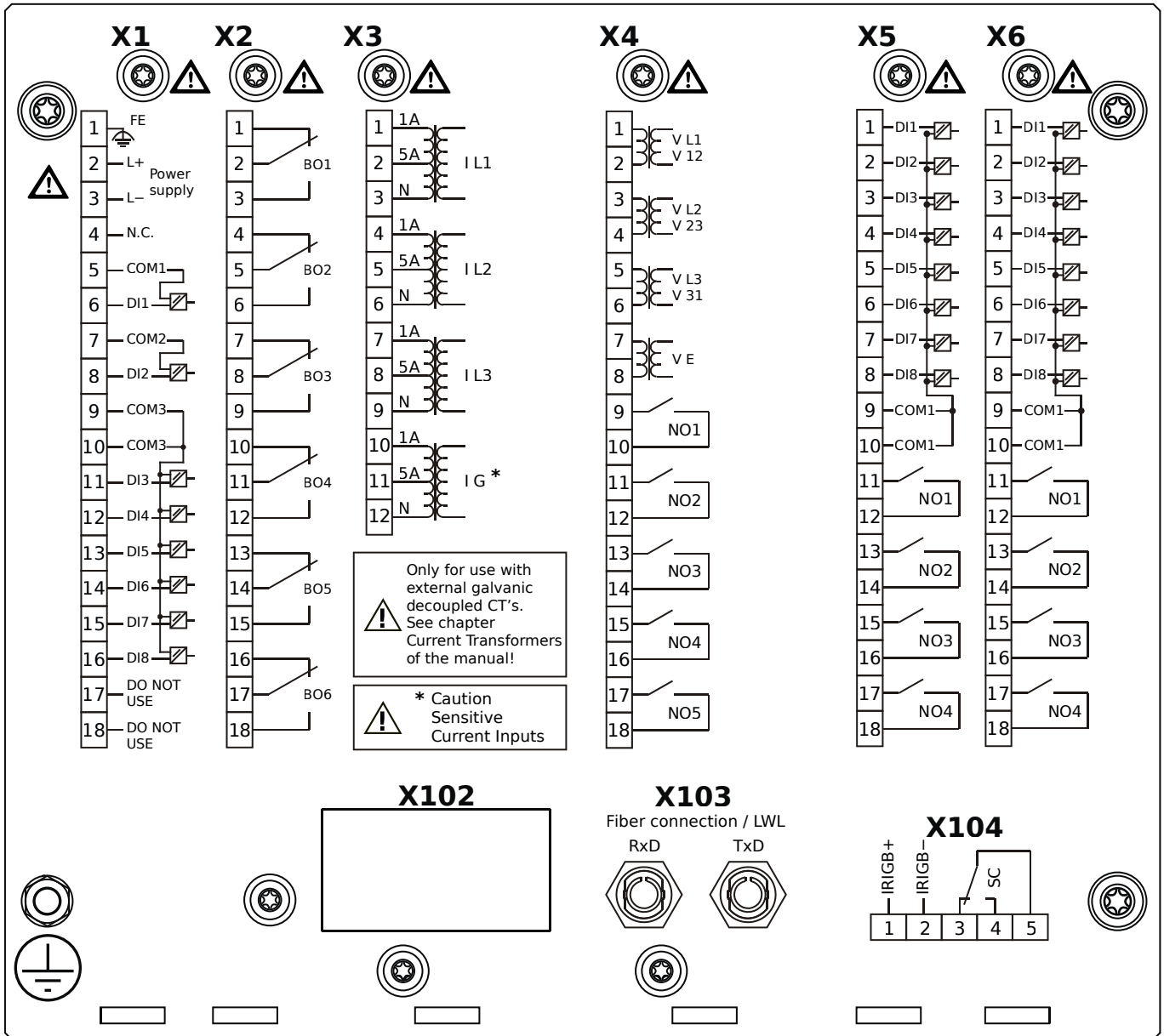


Housing B2, small display, door mounting

+ Conformal Coating (for installations in harsh environment)

- X1** – DI8-X1: Wide-range power supply unit, incl. 2 non-grouped digital inputs and 6 grouped digital inputs
- X2** – OR6: Assembly Group with 6 Output Relays
- X3** – TIs: Standard phase current measuring card and sensitive ground current measuring
- X4** – TU-OR5: Voltage measuring assembly group with 5 additional Output Relays (normally open)
- X5** – DI8-OR4: Assembly Group with 8 Digital Inputs and 4 Output Relays
- X6** – DI8-OR4: Assembly Group with 8 Digital Inputs and 4 Output Relays
- X103** – Profibus-DP, RS485, D-SUB
- X104** – IRIG-B00X, incl. System Contact (Supervision Contact)

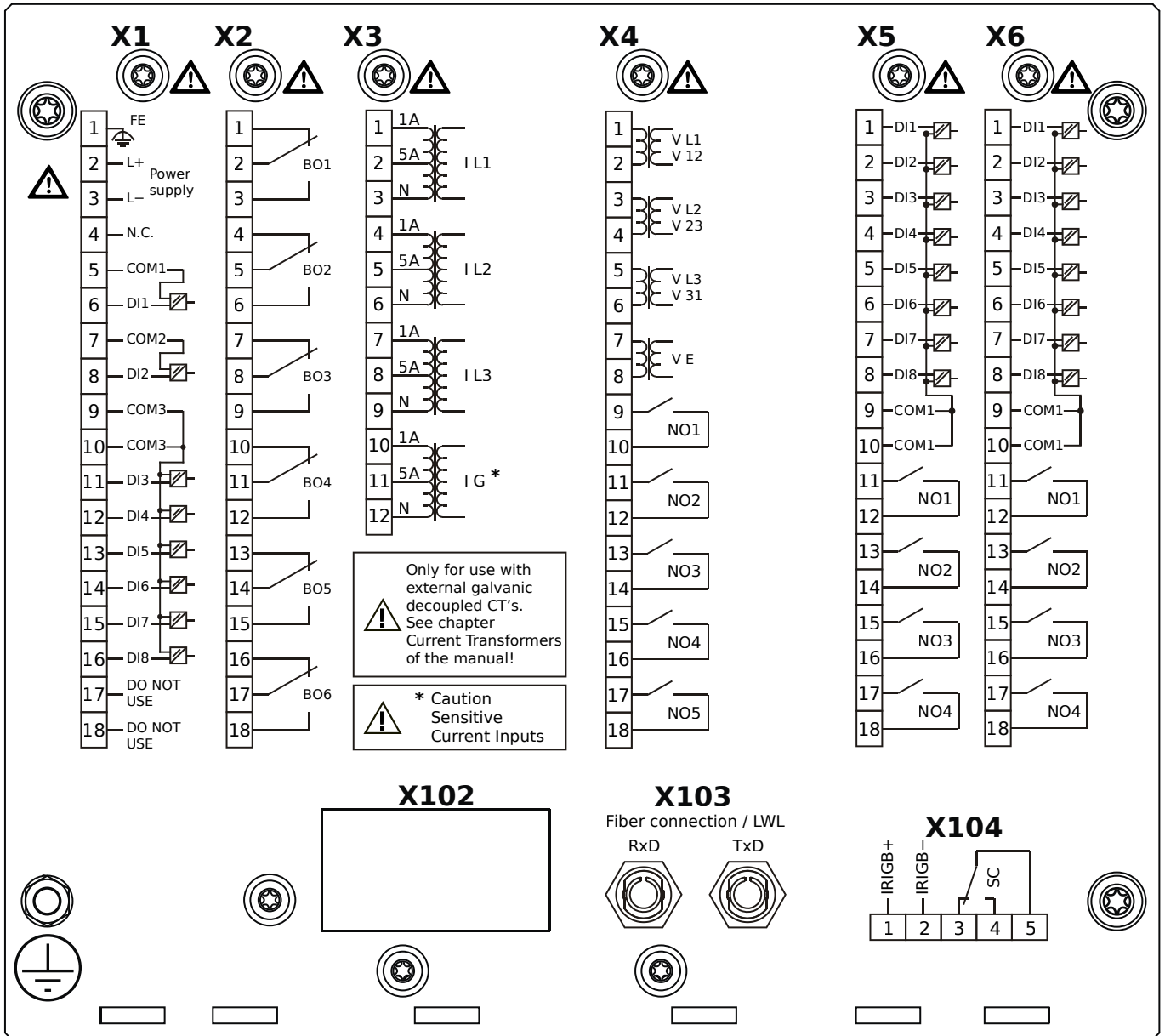
MRA4-2E1HFA



Housing B2, small display, door mounting

- X1** – DI8-X1: Wide-range power supply unit, incl. 2 non-grouped digital inputs and 6 grouped digital inputs
- X2** – OR6: Assembly Group with 6 Output Relays
- X3** – TIs: Standard phase current measuring card and sensitive ground current measuring
- X4** – TU-OR5: Voltage measuring assembly group with 5 additional Output Relays (normally open)
- X5** – DI8-OR4: Assembly Group with 8 Digital Inputs and 4 Output Relays
- X6** – DI8-OR4: Assembly Group with 8 Digital Inputs and 4 Output Relays
- X103** – Modbus RTU / IEC 60870-5-103 / DNP3.0 RTU, Fiber optics interface, ST Connector
- X104** – IRIG-B00X, incl. System Contact (Supervision Contact)

MRA4-2E1HFB

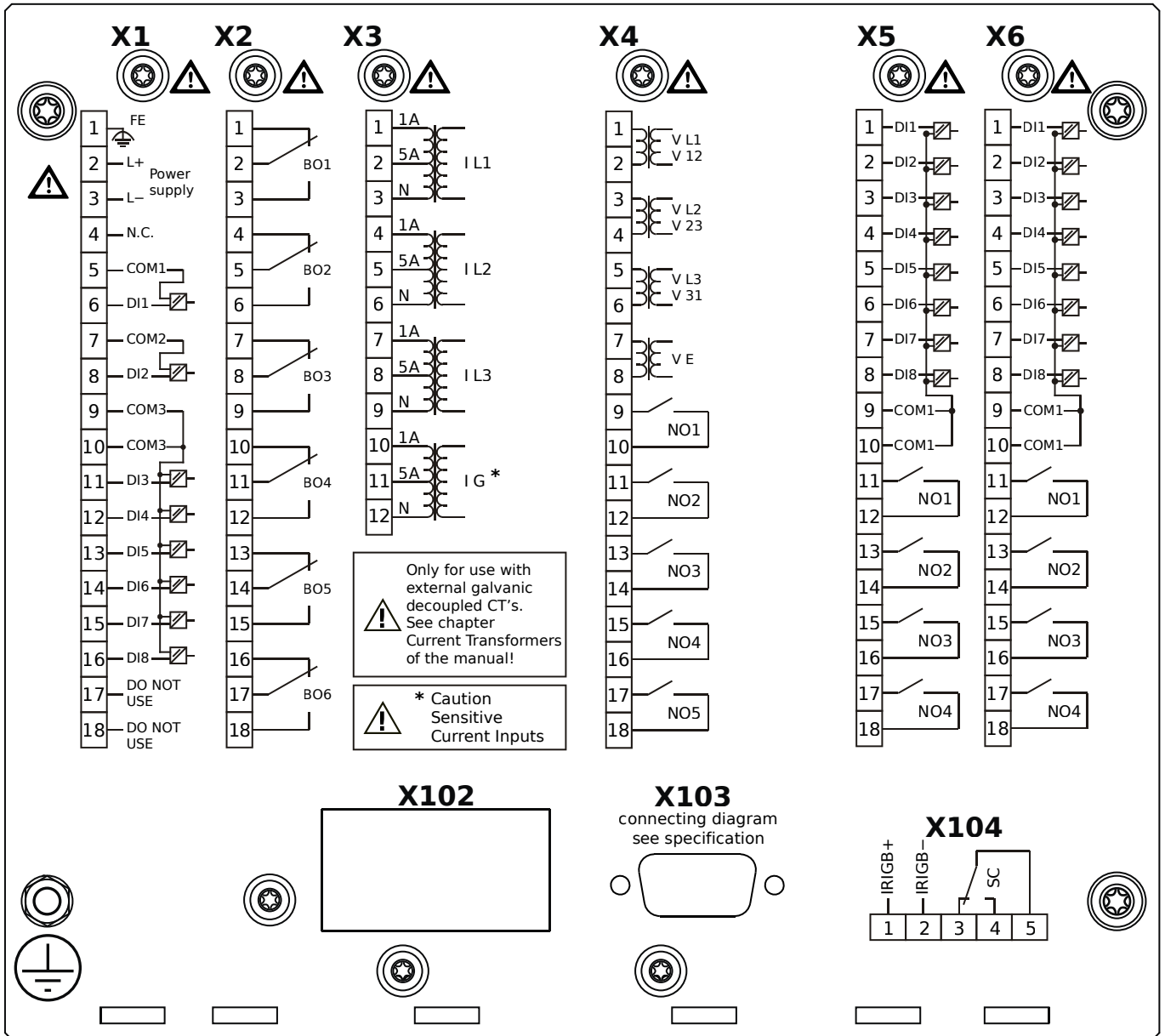


Housing B2, small display, door mounting

+ Conformal Coating (for installations in harsh environment)

- X1** – DI8-X1: Wide-range power supply unit, incl. 2 non-grouped digital inputs and 6 grouped digital inputs
- X2** – OR6: Assembly Group with 6 Output Relays
- X3** – TIs: Standard phase current measuring card and sensitive ground current measuring
- X4** – TU-OR5: Voltage measuring assembly group with 5 additional Output Relays (normally open)
- X5** – DI8-OR4: Assembly Group with 8 Digital Inputs and 4 Output Relays
- X6** – DI8-OR4: Assembly Group with 8 Digital Inputs and 4 Output Relays
- X103** – Modbus RTU / IEC 60870-5-103 / DNP3.0 RTU, Fiber optics interface, ST Connector
- X104** – IRIG-B00X, incl. System Contact (Supervision Contact)

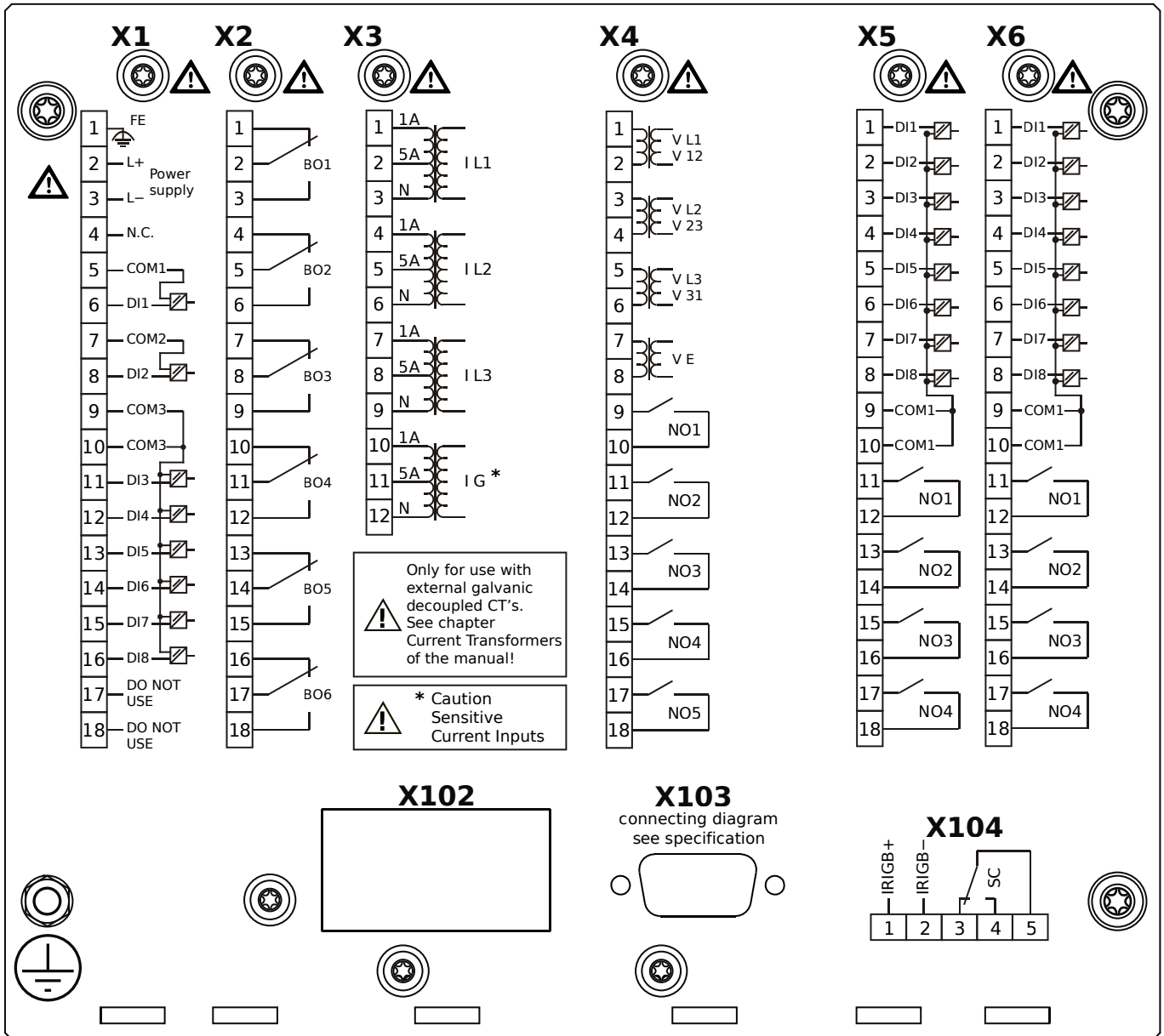
MRA4-2E1HGA



Housing B2, small display, door mounting

- X1** – DI8-X1: Wide-range power supply unit, incl. 2 non-grouped digital inputs and 6 grouped digital inputs
- X2** – OR6: Assembly Group with 6 Output Relays
- X3** – TIs: Standard phase current measuring card and sensitive ground current measuring
- X4** – TU-OR5: Voltage measuring assembly group with 5 additional Output Relays (normally open)
- X5** – DI8-OR4: Assembly Group with 8 Digital Inputs and 4 Output Relays
- X6** – DI8-OR4: Assembly Group with 8 Digital Inputs and 4 Output Relays
- X103** – Modbus RTU / IEC 60870-5-103 / DNP3.0 RTU, RS485, D-SUB
- X104** – IRIG-B00X, incl. System Contact (Supervision Contact)

MRA4-2E1HGB

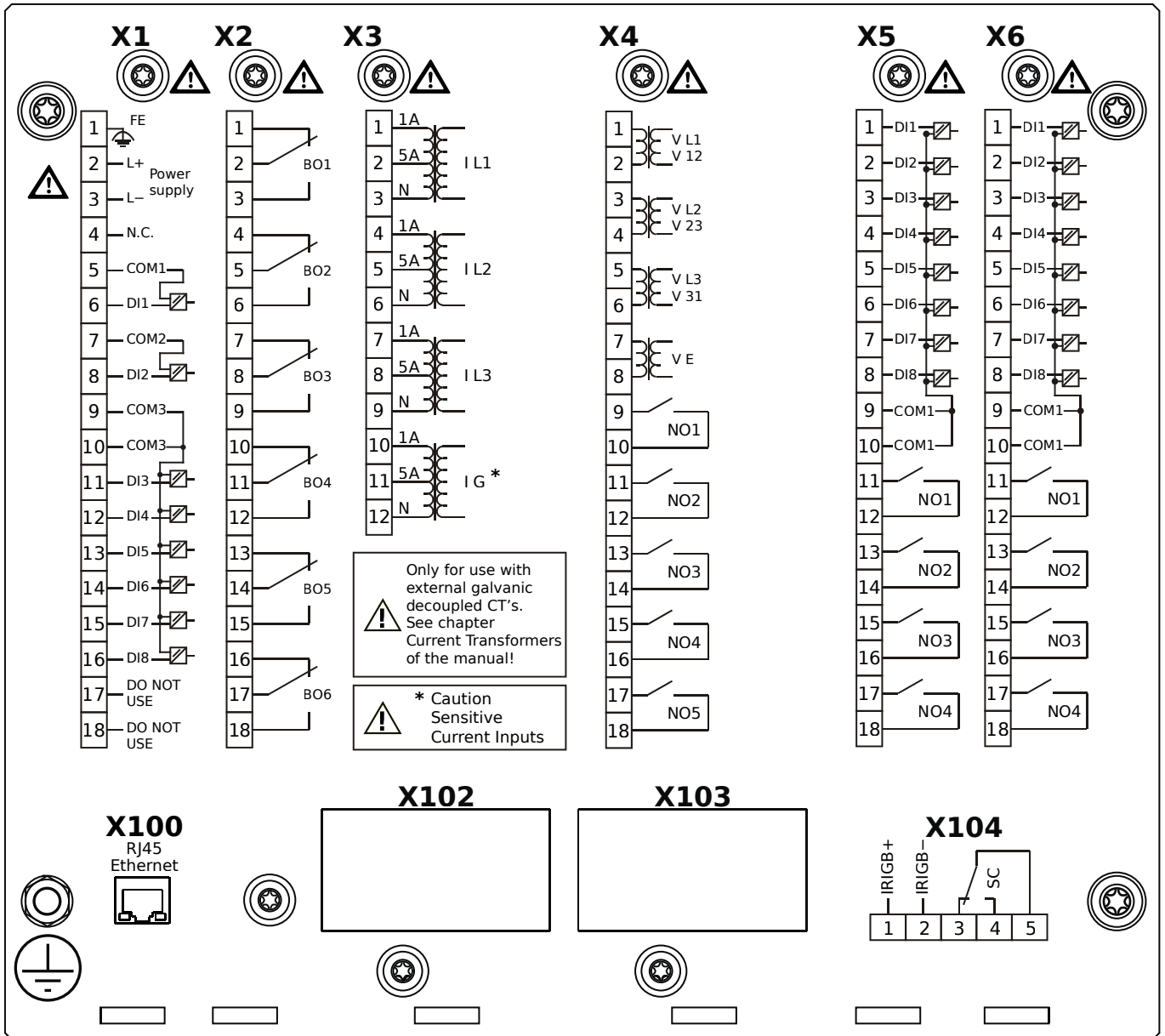


Housing B2, small display, door mounting

+ Conformal Coating (for installations in harsh environment)

- X1** – DI8-X1: Wide-range power supply unit, incl. 2 non-grouped digital inputs and 6 grouped digital inputs
- X2** – OR6: Assembly Group with 6 Output Relays
- X3** – TIs: Standard phase current measuring card and sensitive ground current measuring
- X4** – TU-OR5: Voltage measuring assembly group with 5 additional Output Relays (normally open)
- X5** – DI8-OR4: Assembly Group with 8 Digital Inputs and 4 Output Relays
- X6** – DI8-OR4: Assembly Group with 8 Digital Inputs and 4 Output Relays
- X103** – Modbus RTU / IEC 60870-5-103 / DNP3.0 RTU, RS485, D-SUB
- X104** – IRIG-B00X, incl. System Contact (Supervision Contact)

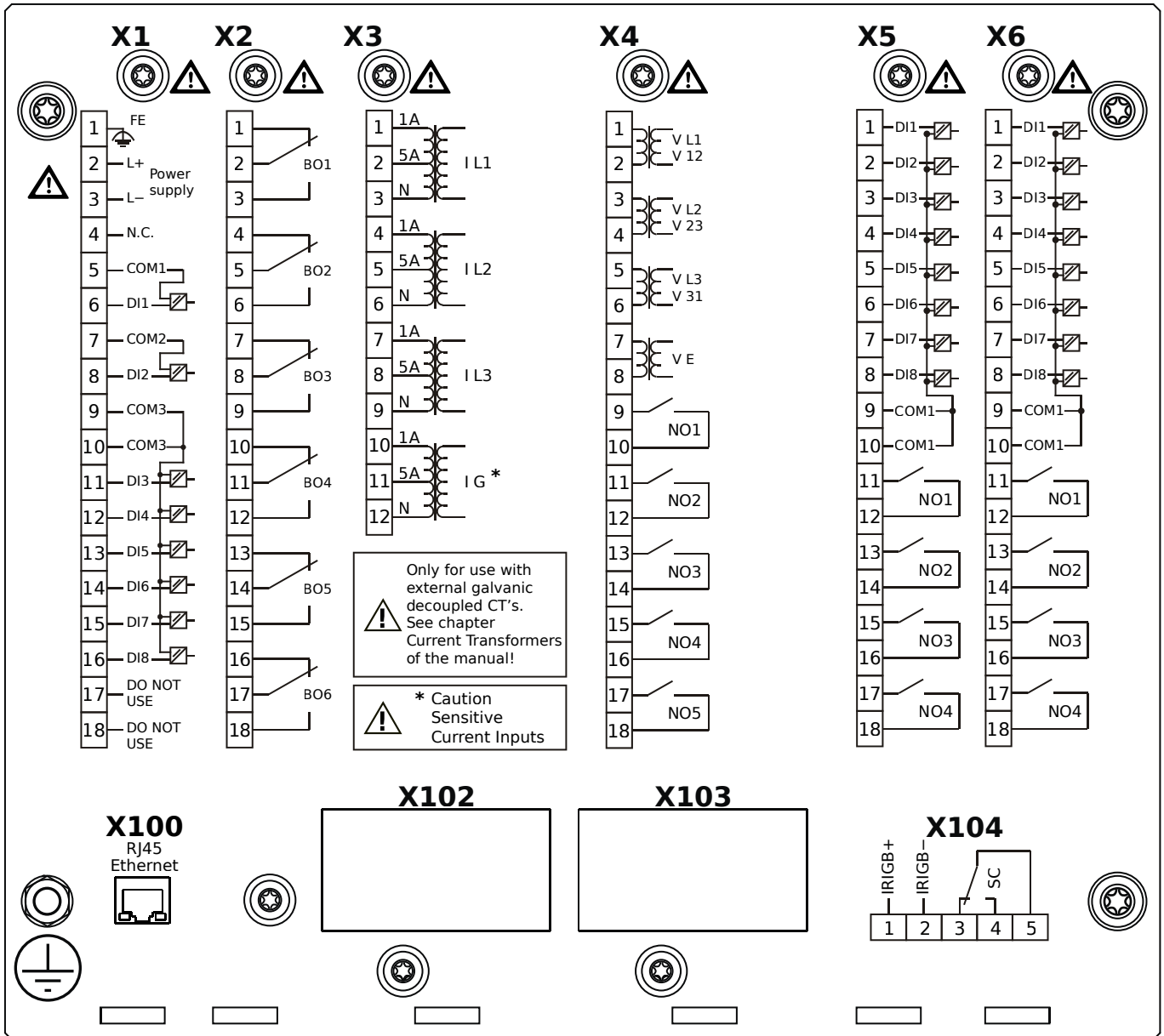
MRA4-2E1HHA



Housing B2, small display, door mounting

- X1** – DI8-X1: Wide-range power supply unit, incl. 2 non-grouped digital inputs and 6 grouped digital inputs
- X2** – OR6: Assembly Group with 6 Output Relays
- X3** – TIs: Standard phase current measuring card and sensitive ground current measuring
- X4** – TU-OR5: Voltage measuring assembly group with 5 additional Output Relays (normally open)
- X5** – DI8-OR4: Assembly Group with 8 Digital Inputs and 4 Output Relays
- X6** – DI8-OR4: Assembly Group with 8 Digital Inputs and 4 Output Relays
- X100** – IEC 61850 / Modbus TCP / DNP3.0 TCP/UDP, Ethernet interface, 100 Mbit/s, RJ45 (BASE100-FX)
- X104** – IRIG-B00X, incl. System Contact (Supervision Contact)

MRA4-2E1HHB



Housing B2, small display, door mounting

+ Conformal Coating (for installations in harsh environment)

X1 – DI8-X1: Wide-range power supply unit, incl. 2 non-grouped digital inputs and 6 grouped digital inputs

X2 – OR6: Assembly Group with 6 Output Relays

X3 – TIs: Standard phase current measuring card and sensitive ground current measuring

X4 – TU-OR5: Voltage measuring assembly group with 5 additional Output Relays (normally open)

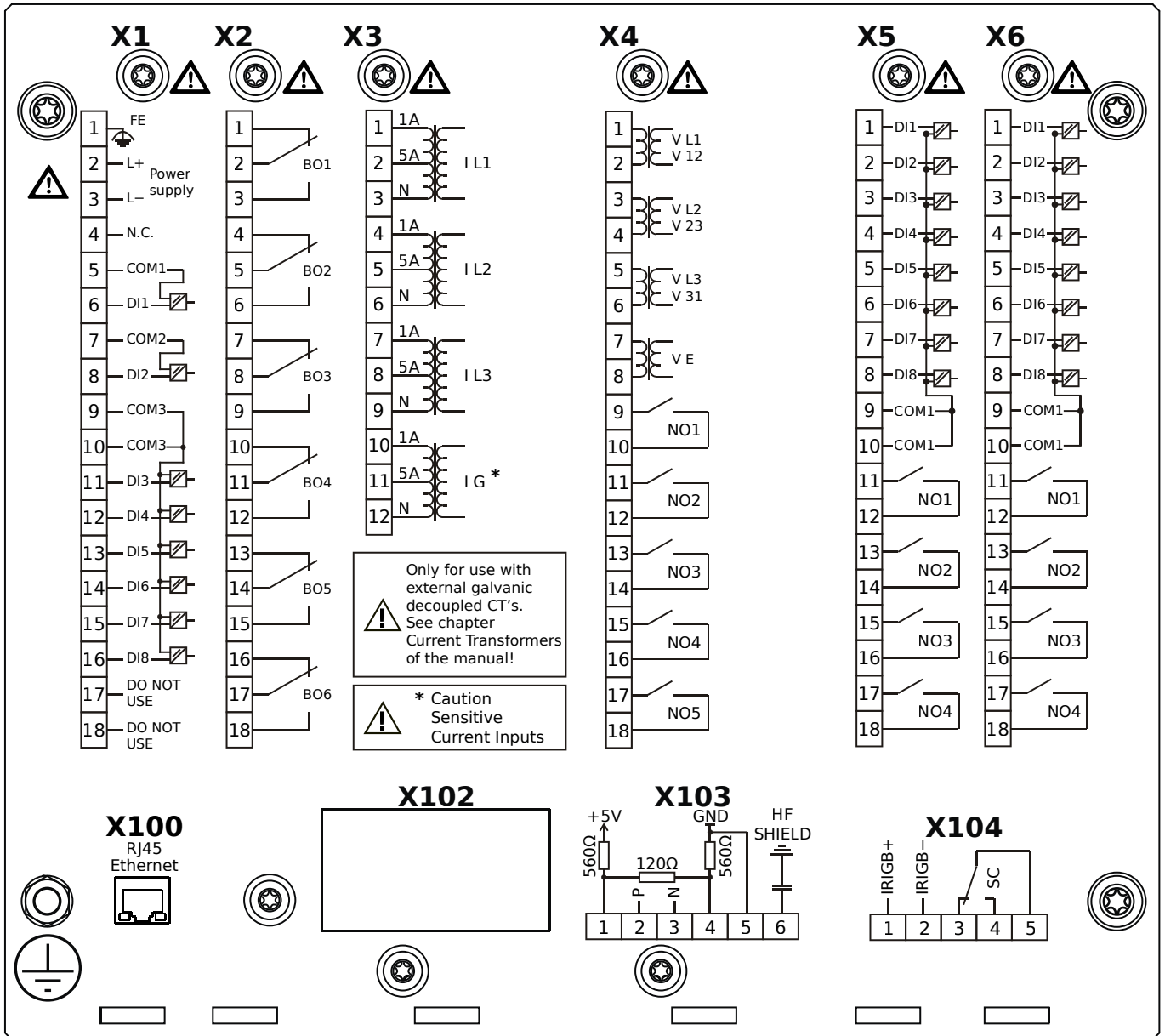
X5 – DI8-OR4: Assembly Group with 8 Digital Inputs and 4 Output Relays

X6 – DI8-OR4: Assembly Group with 8 Digital Inputs and 4 Output Relays

X100 – IEC 61850 / Modbus TCP / DNP3.0 TCP/UDP, Ethernet interface, 100 Mbit/s, RJ45 (BASE100-FX)

X104 – IRIG-B00X, incl. System Contact (Supervision Contact)

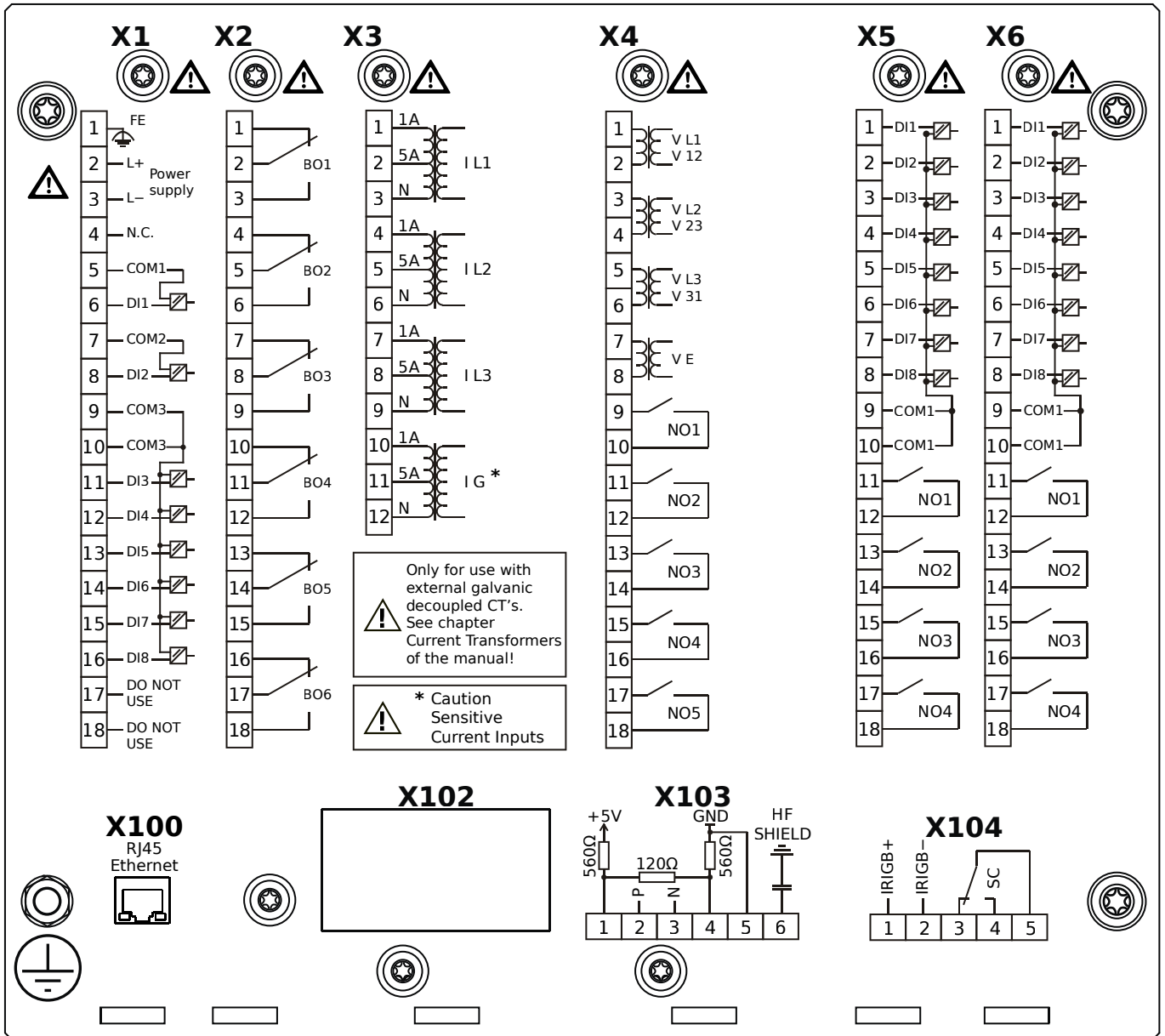
MRA4-2E1HIA



Housing B2, small display, door mounting

- X1** – DI8-X1: Wide-range power supply unit, incl. 2 non-grouped digital inputs and 6 grouped digital inputs
- X2** – OR6: Assembly Group with 6 Output Relays
- X3** – TIs: Standard phase current measuring card and sensitive ground current measuring
- X4** – TU-OR5: Voltage measuring assembly group with 5 additional Output Relays (normally open)
- X5** – DI8-OR4: Assembly Group with 8 Digital Inputs and 4 Output Relays
- X6** – DI8-OR4: Assembly Group with 8 Digital Inputs and 4 Output Relays
- X100** – Modbus TCP / DNP3.0 TCP/UDP, Ethernet interface, 100 Mbit/s, RJ45 (BASE100-FX)
- X103** – IEC 60870-5-103 / Modbus RTU / DNP3.0 RTU, RS485, Terminals
- X104** – I R I G B-00X, incl. System Contact (Supervision Contact)

MRA4-2E1HIB

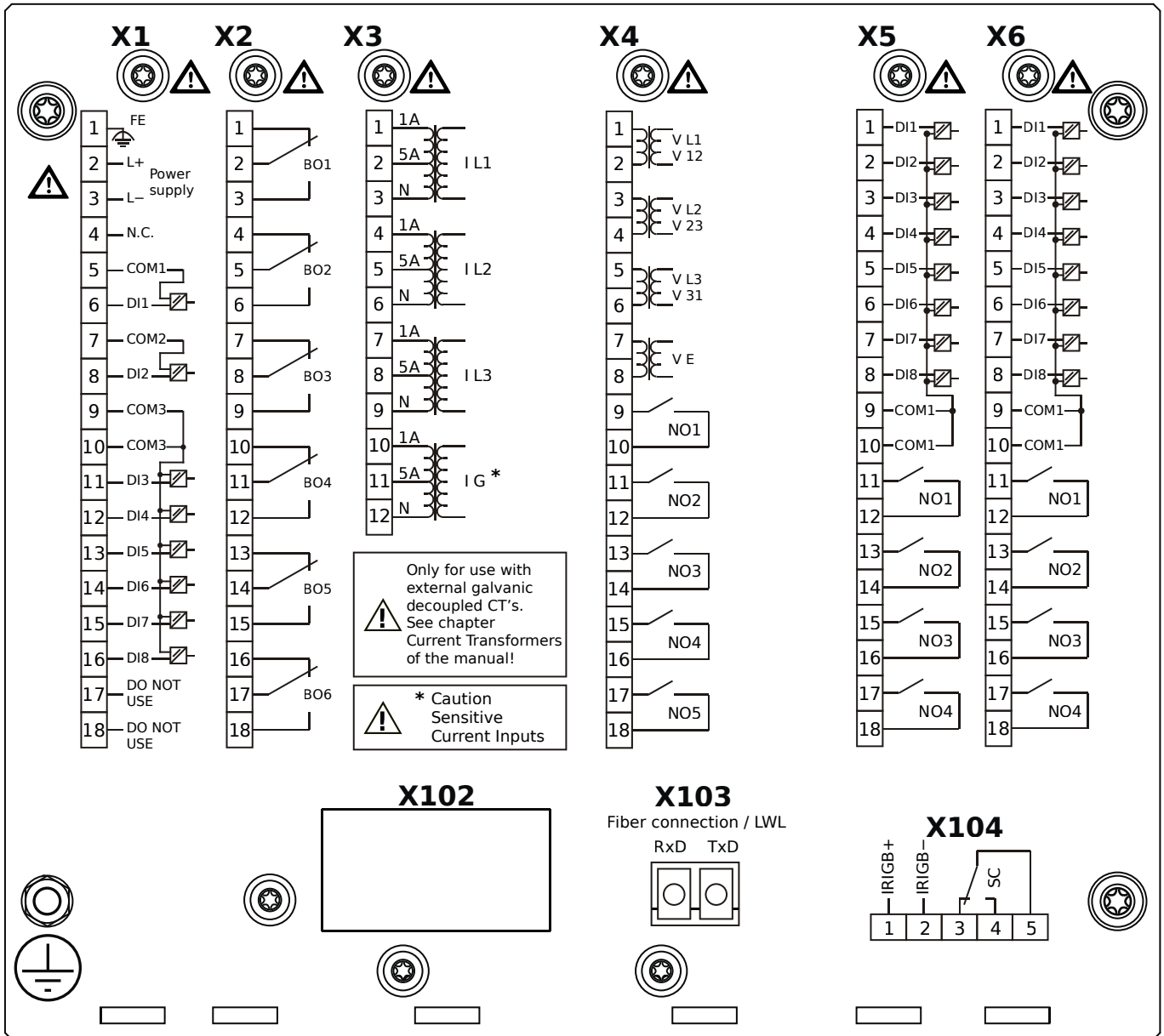


Housing B2, small display, door mounting

+ Conformal Coating (for installations in harsh environment)

- X1** – DI8-X1: Wide-range power supply unit, incl. 2 non-grouped digital inputs and 6 grouped digital inputs
- X2** – OR6: Assembly Group with 6 Output Relays
- X3** – TIs: Standard phase current measuring card and sensitive ground current measuring
- X4** – TU-OR5: Voltage measuring assembly group with 5 additional Output Relays (normally open)
- X5** – DI8-OR4: Assembly Group with 8 Digital Inputs and 4 Output Relays
- X6** – DI8-OR4: Assembly Group with 8 Digital Inputs and 4 Output Relays
- X100** – Modbus TCP / DNP3.0 TCP/UDP, Ethernet interface, 100 Mbit/s, RJ45 (BASE100-FX)
- X103** – IEC 60870-5-103 / Modbus RTU / DNP3.0 RTU, RS485, Terminals
- X104** – IRIG-B00X, incl. System Contact (Supervision Contact)

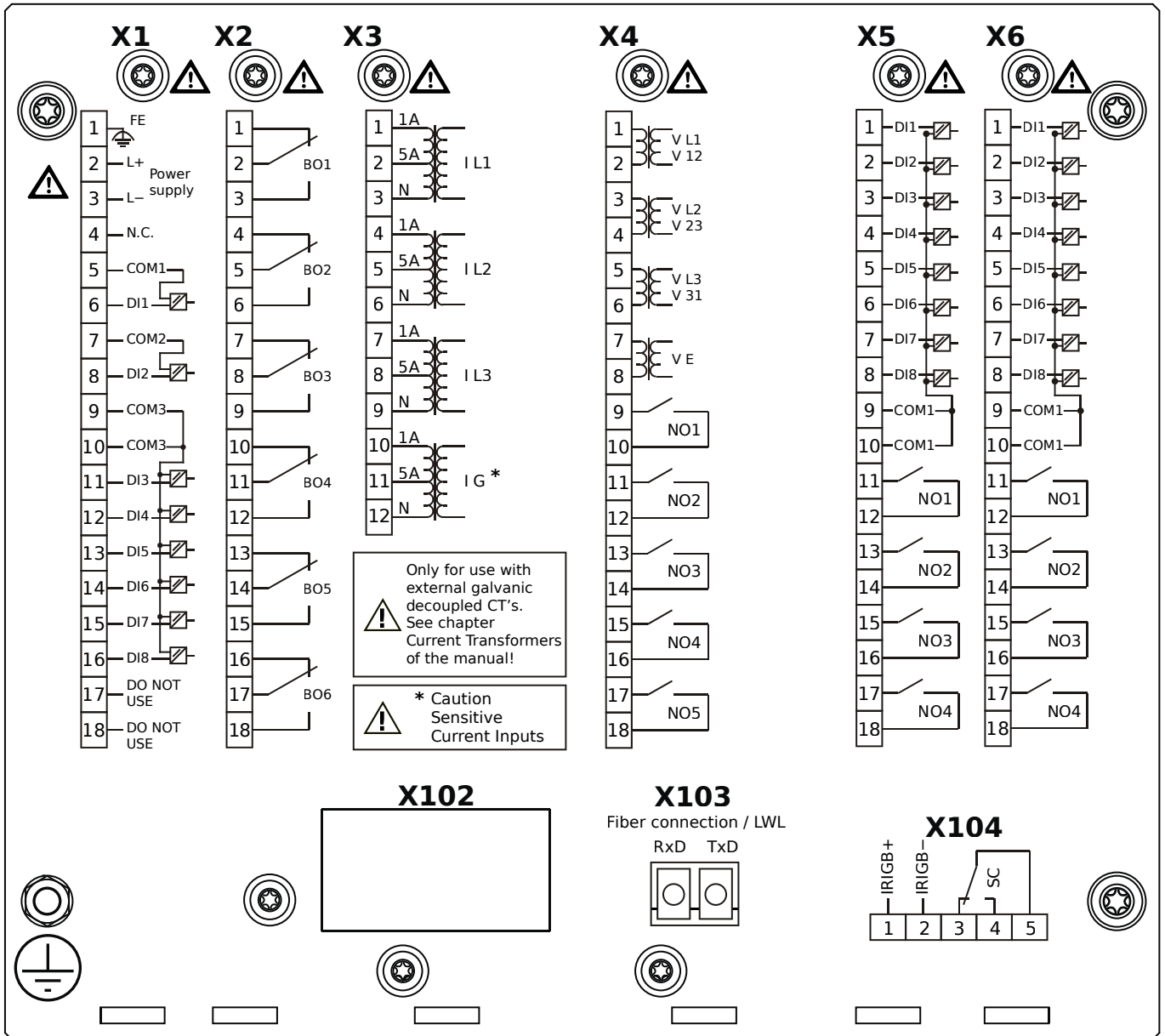
MRA4-2E1HKA



Housing B2, small display, door mounting

- X1** – DI8-X1: Wide-range power supply unit, incl. 2 non-grouped digital inputs and 6 grouped digital inputs
- X2** – OR6: Assembly Group with 6 Output Relays
- X3** – TIs: Standard phase current measuring card and sensitive ground current measuring
- X4** – TU-OR5: Voltage measuring assembly group with 5 additional Output Relays (normally open)
- X5** – DI8-OR4: Assembly Group with 8 Digital Inputs and 4 Output Relays
- X6** – DI8-OR4: Assembly Group with 8 Digital Inputs and 4 Output Relays
- X103** – IEC 61850 / Modbus TCP / DNP3.0 TCP/UDP, Fiber optics interface, LC Connector
- X104** – IRIG-B00X, incl. System Contact (Supervision Contact)

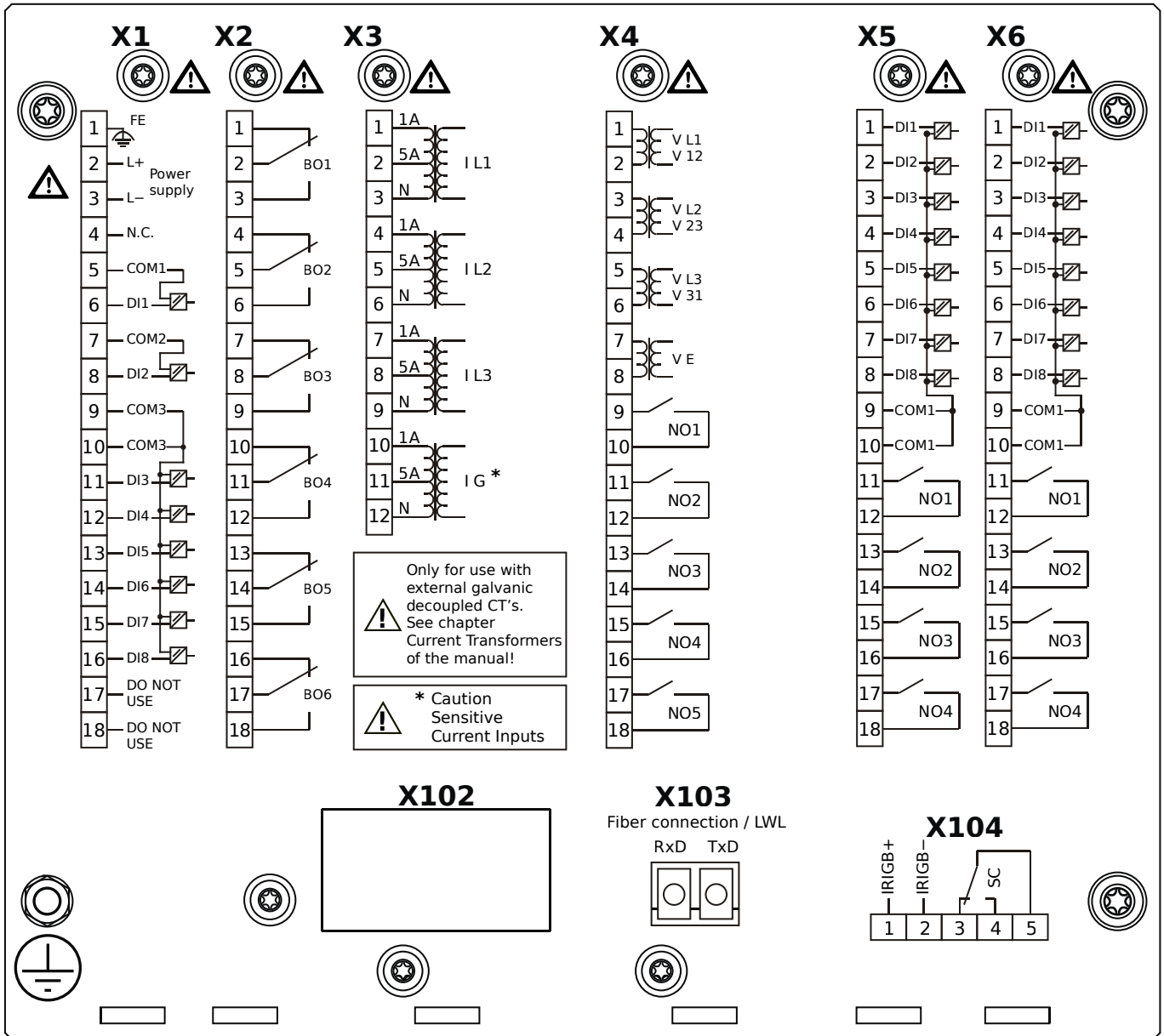
MRA4-2E1HKB



Housing B2, small display, door mounting

- + Conformal Coating (for installations in harsh environment)
- X1** – DI8-X1: Wide-range power supply unit, incl. 2 non-grouped digital inputs and 6 grouped digital inputs
- X2** – OR6: Assembly Group with 6 Output Relays
- X3** – TIs: Standard phase current measuring card and sensitive ground current measuring
- X4** – TU-OR5: Voltage measuring assembly group with 5 additional Output Relays (normally open)
- X5** – DI8-OR4: Assembly Group with 8 Digital Inputs and 4 Output Relays
- X6** – DI8-OR4: Assembly Group with 8 Digital Inputs and 4 Output Relays
- X103** – IEC 61850 / Modbus TCP / DNP3.0 TCP/UDP, Fiber optics interface, LC Connector
- X104** – IRIG-B00X, incl. System Contact (Supervision Contact)

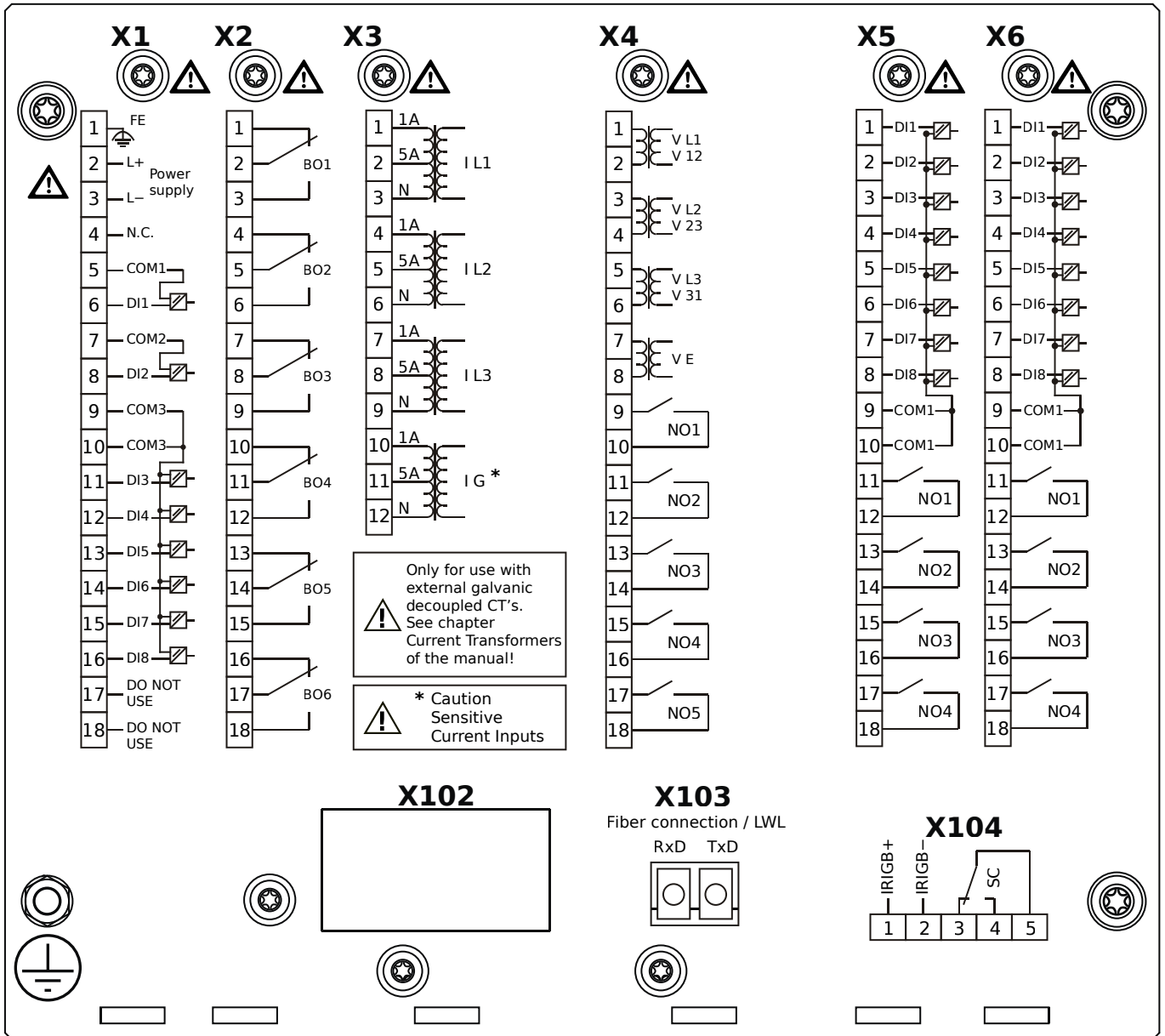
MRA4-2E1HLA



Housing B2, small display, door mounting

- X1** – DI8-X1: Wide-range power supply unit, incl. 2 non-grouped digital inputs and 6 grouped digital inputs
- X2** – OR6: Assembly Group with 6 Output Relays
- X3** – TIs: Standard phase current measuring card and sensitive ground current measuring
- X4** – TU-OR5: Voltage measuring assembly group with 5 additional Output Relays (normally open)
- X5** – DI8-OR4: Assembly Group with 8 Digital Inputs and 4 Output Relays
- X6** – DI8-OR4: Assembly Group with 8 Digital Inputs and 4 Output Relays
- X103** – Modbus TCP / DNP3.0 TCP/UDP, Fiber optics interface, LC Connector
- X104** – IRIG-B00X, incl. System Contact (Supervision Contact)

MRA4-2E1HLB

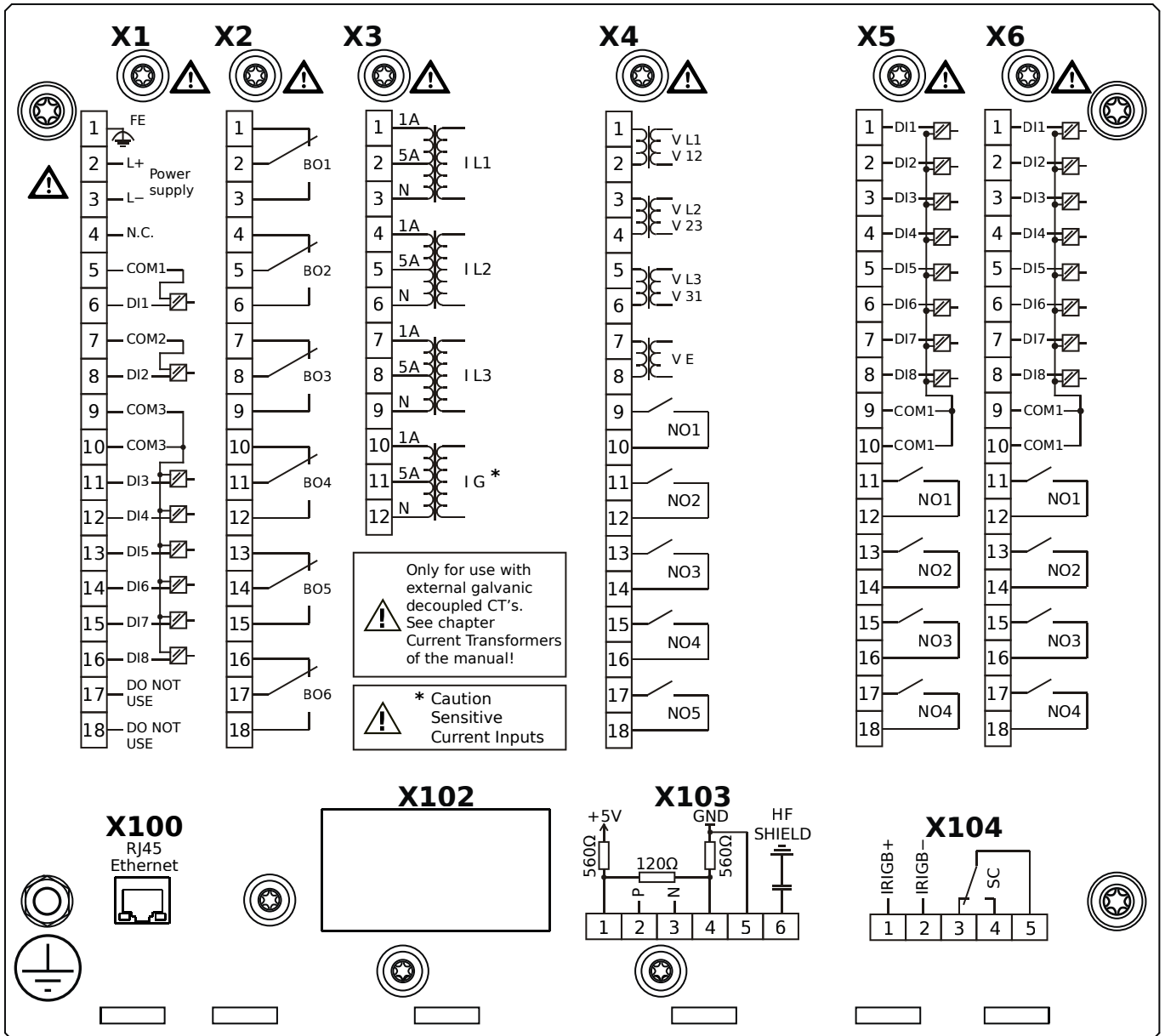


Housing B2, small display, door mounting

+ Conformal Coating (for installations in harsh environment)

- X1** – DI8-X1: Wide-range power supply unit, incl. 2 non-grouped digital inputs and 6 grouped digital inputs
- X2** – OR6: Assembly Group with 6 Output Relays
- X3** – TIs: Standard phase current measuring card and sensitive ground current measuring
- X4** – TU-OR5: Voltage measuring assembly group with 5 additional Output Relays (normally open)
- X5** – DI8-OR4: Assembly Group with 8 Digital Inputs and 4 Output Relays
- X6** – DI8-OR4: Assembly Group with 8 Digital Inputs and 4 Output Relays
- X103** – Modbus TCP / DNP3.0 TCP/UDP, Fiber optics interface, LC Connector
- X104** – IRIG-B00X, incl. System Contact (Supervision Contact)

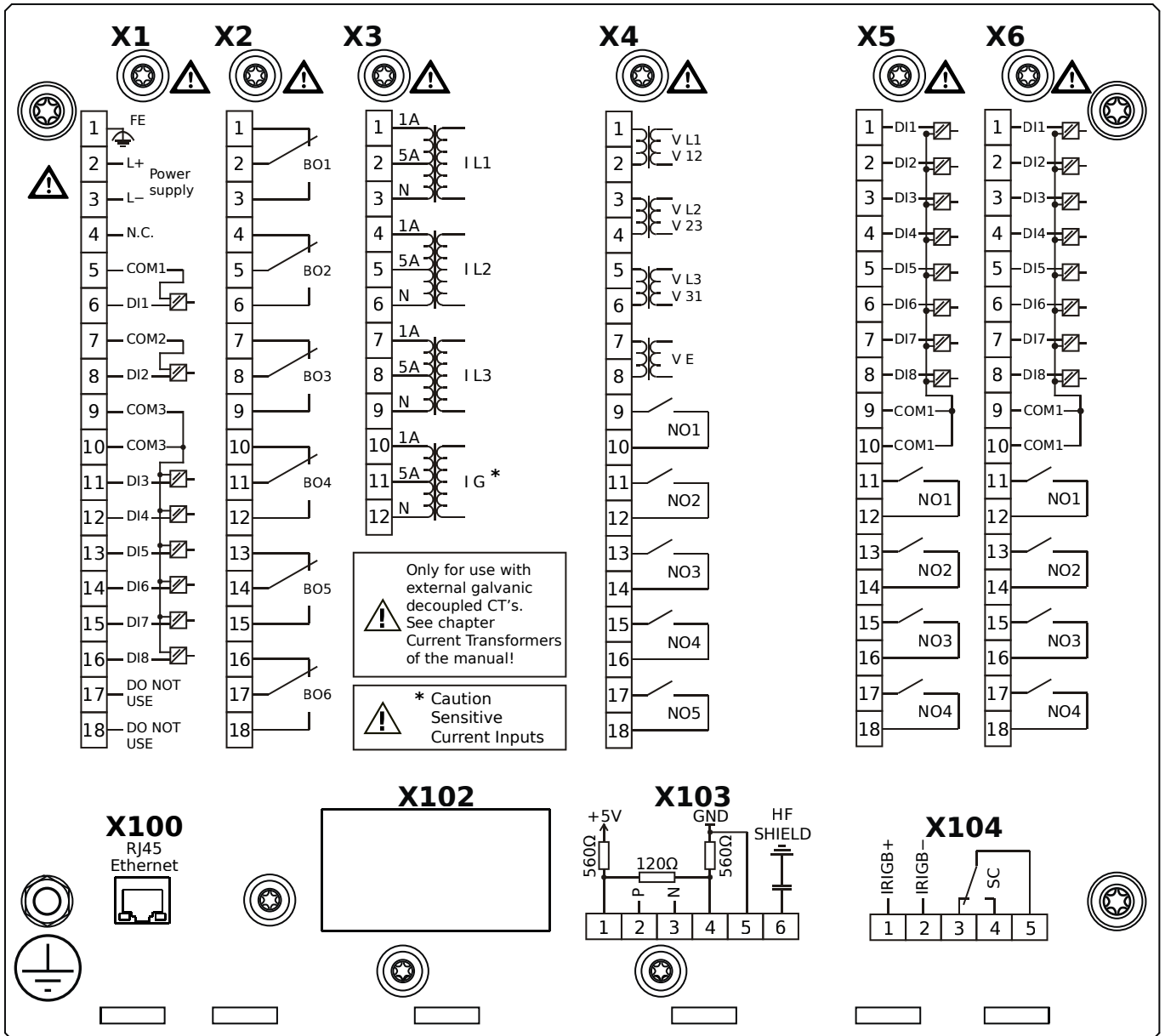
MRA4-2E1HTA



Housing B2, small display, door mounting

- X1** – DI8-X1: Wide-range power supply unit, incl. 2 non-grouped digital inputs and 6 grouped digital inputs
- X2** – OR6: Assembly Group with 6 Output Relays
- X3** – TIs: Standard phase current measuring card and sensitive ground current measuring
- X4** – TU-OR5: Voltage measuring assembly group with 5 additional Output Relays (normally open)
- X5** – DI8-OR4: Assembly Group with 8 Digital Inputs and 4 Output Relays
- X6** – DI8-OR4: Assembly Group with 8 Digital Inputs and 4 Output Relays
- X100** – IEC 61850 / Modbus TCP / DNP3.0 TCP/UDP, Ethernet interface, 100 Mbit/s, RJ45 (BASE100-FX)
- X103** – IEC 60870-5-103 / Modbus RTU / DNP3.0 RTU, RS485, Terminals
- X104** – I R I G B-00X, incl. System Contact (Supervision Contact)

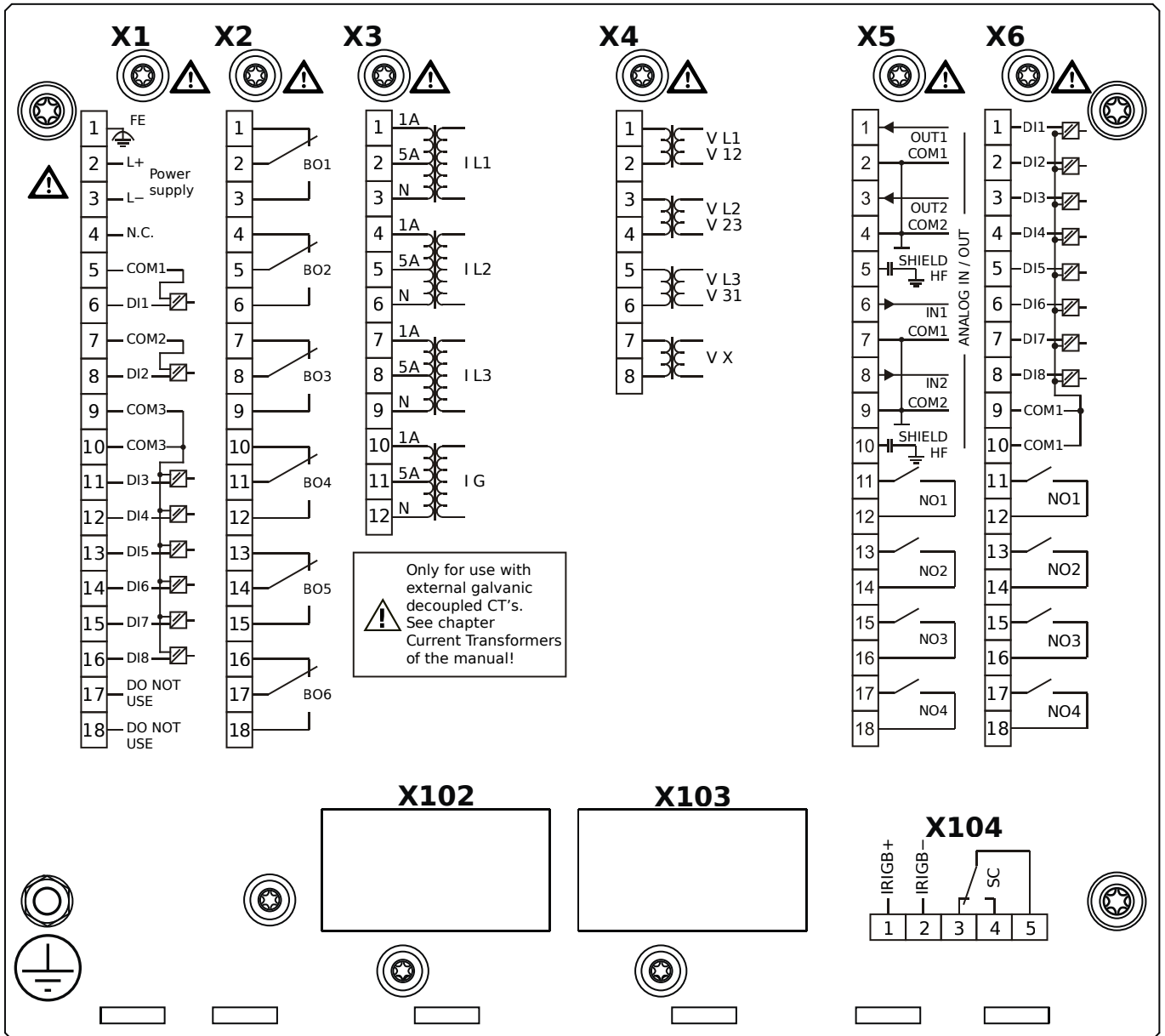
MRA4-2E1HTB



Housing B2, small display, door mounting

- + Conformal Coating (for installations in harsh environment)
- X1** – DI8-X1: Wide-range power supply unit, incl. 2 non-grouped digital inputs and 6 grouped digital inputs
- X2** – OR6: Assembly Group with 6 Output Relays
- X3** – TIs: Standard phase current measuring card and sensitive ground current measuring
- X4** – TU-OR5: Voltage measuring assembly group with 5 additional Output Relays (normally open)
- X5** – DI8-OR4: Assembly Group with 8 Digital Inputs and 4 Output Relays
- X6** – DI8-OR4: Assembly Group with 8 Digital Inputs and 4 Output Relays
- X100** – IEC 61850 / Modbus TCP / DNP3.0 TCP/UDP, Ethernet interface, 100 Mbit/s, RJ45 (BASE100-FX)
- X103** – IEC 60870-5-103 / Modbus RTU / DNP3.0 RTU, RS485, Terminals
- X104** – IRIG-B00X, incl. System Contact (Supervision Contact)

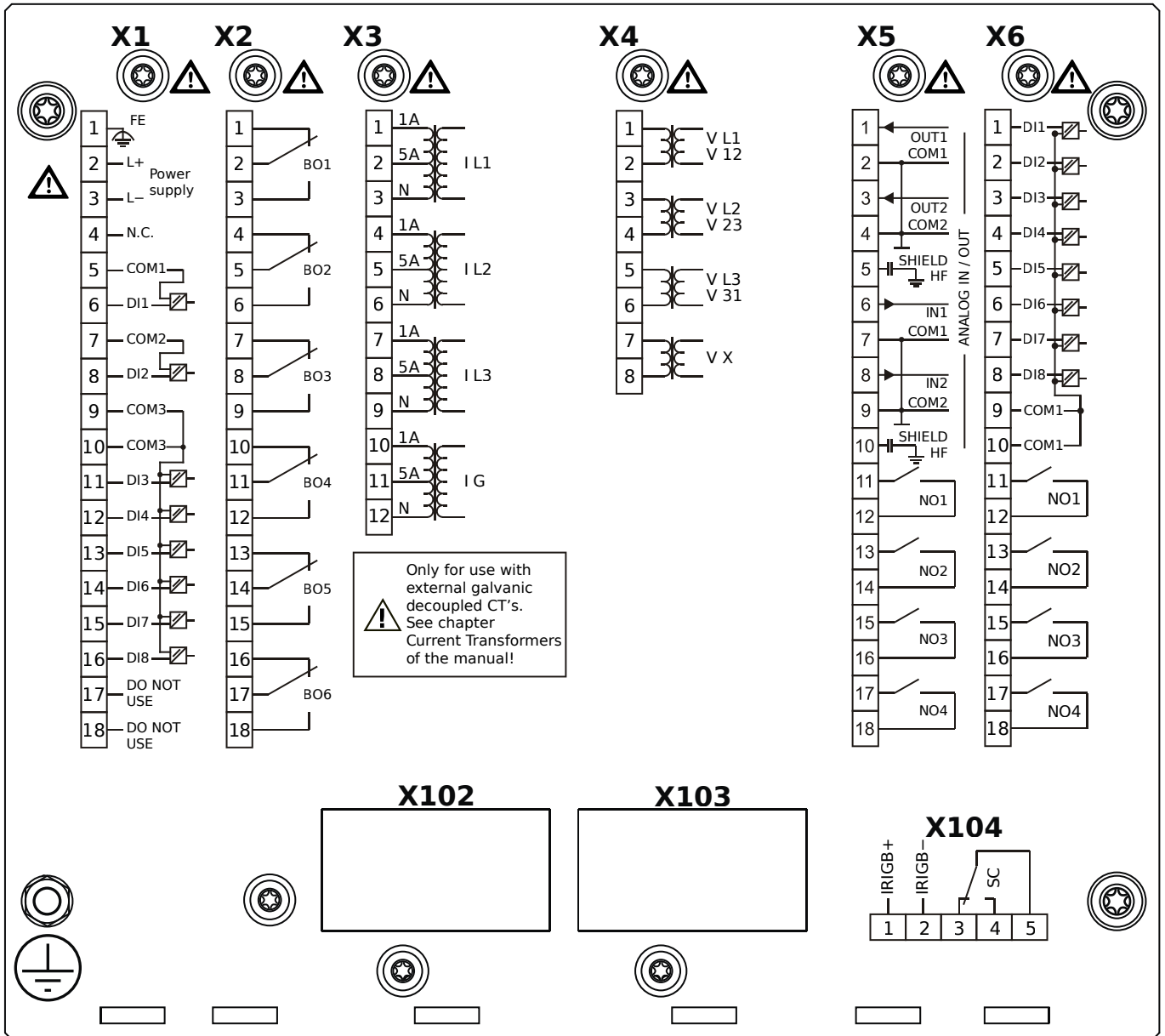
MRA4-2F0AAA



Housing B2, small display, door mounting

- X1** – DI8-X1: Wide-range power supply unit, incl. 2 non-grouped digital inputs and 6 grouped digital inputs
- X2** – OR6: Assembly Group with 6 Output Relays
- X3** – TI: Standard current measuring card
- X4** – TU: Card with 4 voltage transformer measuring inputs
- X5** – AnIO2-OR4: Assembly Group with 2 Analog Inputs, 2 Analog Outputs and 4 Output Relays
- X6** – DI8-OR4: Assembly Group with 8 Digital Inputs and 4 Output Relays
- X104** – IRIG-B00X, incl. System Contact (Supervision Contact)

MRA4-2F0AAB

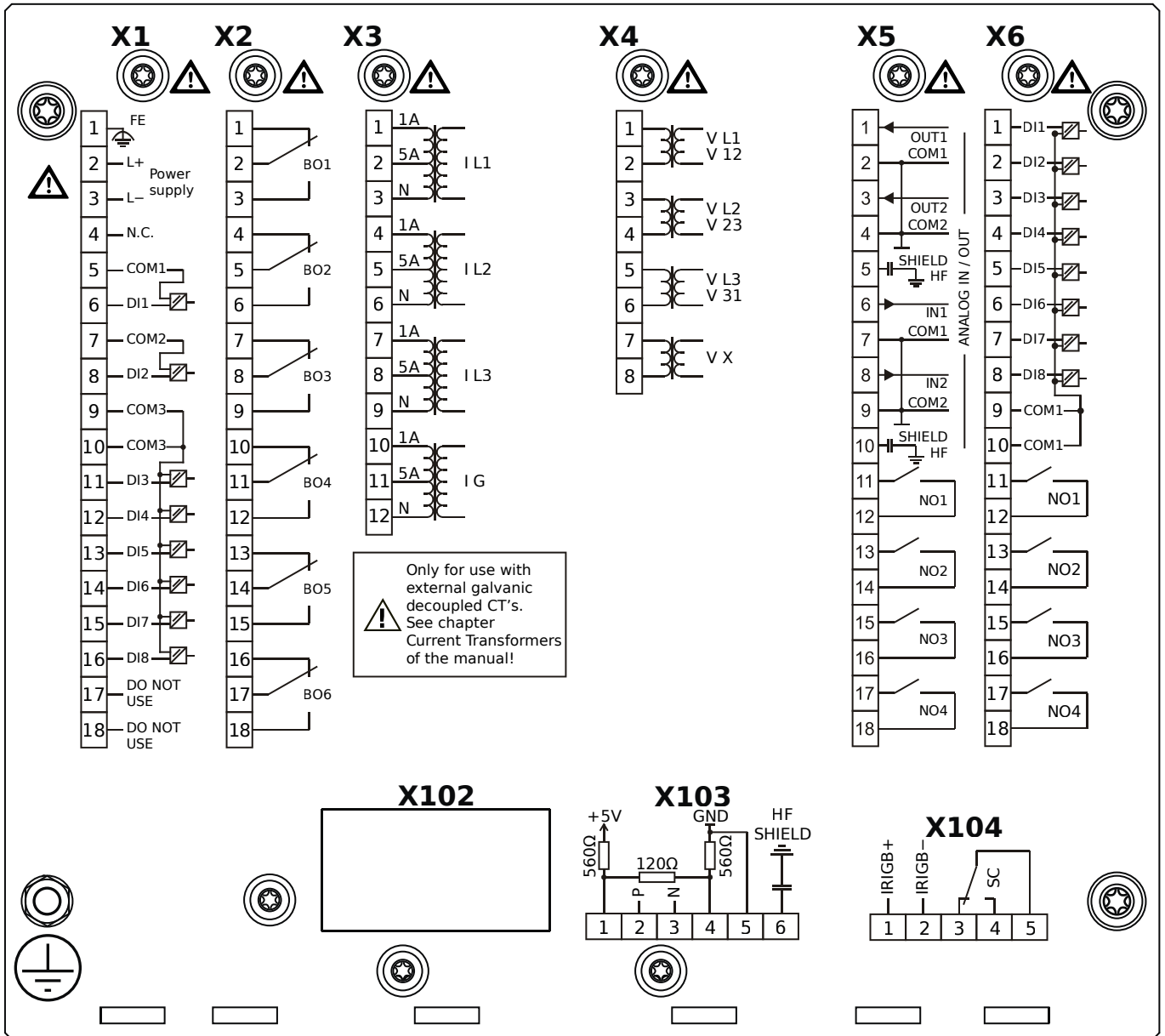


Housing B2, small display, door mounting

+ Conformal Coating (for installations in harsh environment)

- X1** – DI8-X1: Wide-range power supply unit, incl. 2 non-grouped digital inputs and 6 grouped digital inputs
- X2** – OR6: Assembly Group with 6 Output Relays
- X3** – TI: Standard current measuring card
- X4** – TU: Card with 4 voltage transformer measuring inputs
- X5** – AnIO2-OR4: Assembly Group with 2 Analog Inputs, 2 Analog Outputs and 4 Output Relays
- X6** – DI8-OR4: Assembly Group with 8 Digital Inputs and 4 Output Relays
- X104** – IRIG-B00X, incl. System Contact (Supervision Contact)

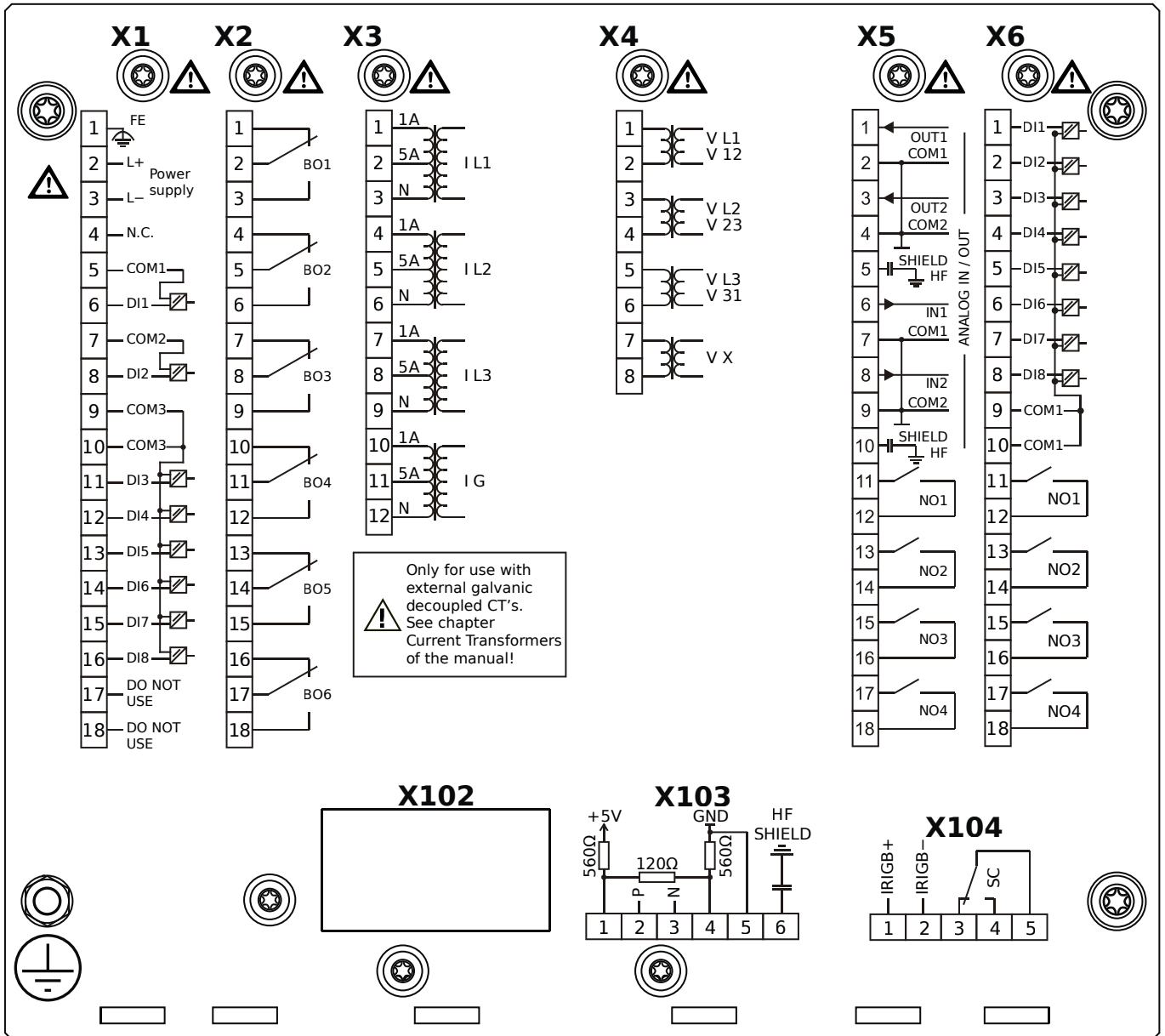
MRA4-2F0ABA



Housing B2, small display, door mounting

- X1** – DI8-X1: Wide-range power supply unit, incl. 2 non-grouped digital inputs and 6 grouped digital inputs
- X2** – OR6: Assembly Group with 6 Output Relays
- X3** – TI: Standard current measuring card
- X4** – TU: Card with 4 voltage transformer measuring inputs
- X5** – AnIO2-OR4: Assembly Group with 2 Analog Inputs, 2 Analog Outputs and 4 Output Relays
- X6** – DI8-OR4: Assembly Group with 8 Digital Inputs and 4 Output Relays
- X103** – Modbus RTU / IEC 60870-5-103 / DNP3.0 RTU, RS485, Terminals
- X104** – IRIG-B00X, incl. System Contact (Supervision Contact)

MRA4-2F0ABB

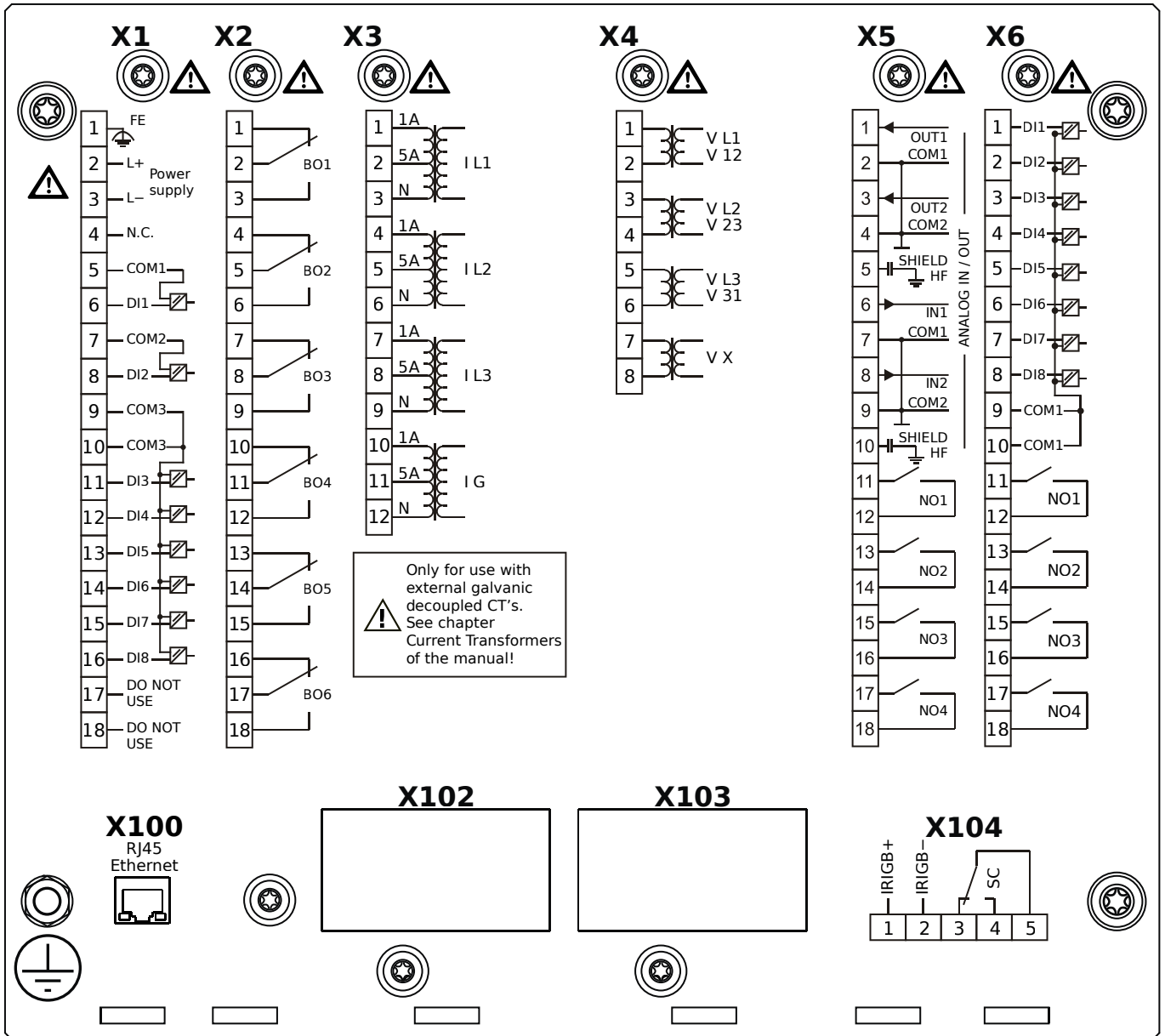


Housing B2, small display, door mounting

+ Conformal Coating (for installations in harsh environment)

- X1** – DI8-X1: Wide-range power supply unit, incl. 2 non-grouped digital inputs and 6 grouped digital inputs
- X2** – OR6: Assembly Group with 6 Output Relays
- X3** – TI: Standard current measuring card
- X4** – TU: Card with 4 voltage transformer measuring inputs
- X5** – AnIO2-OR4: Assembly Group with 2 Analog Inputs, 2 Analog Outputs and 4 Output Relays
- X6** – DI8-OR4: Assembly Group with 8 Digital Inputs and 4 Output Relays
- X103** – Modbus RTU / IEC 60870-5-103 / DNP3.0 RTU, RS485, Terminals
- X104** – IRIG-B00X, incl. System Contact (Supervision Contact)

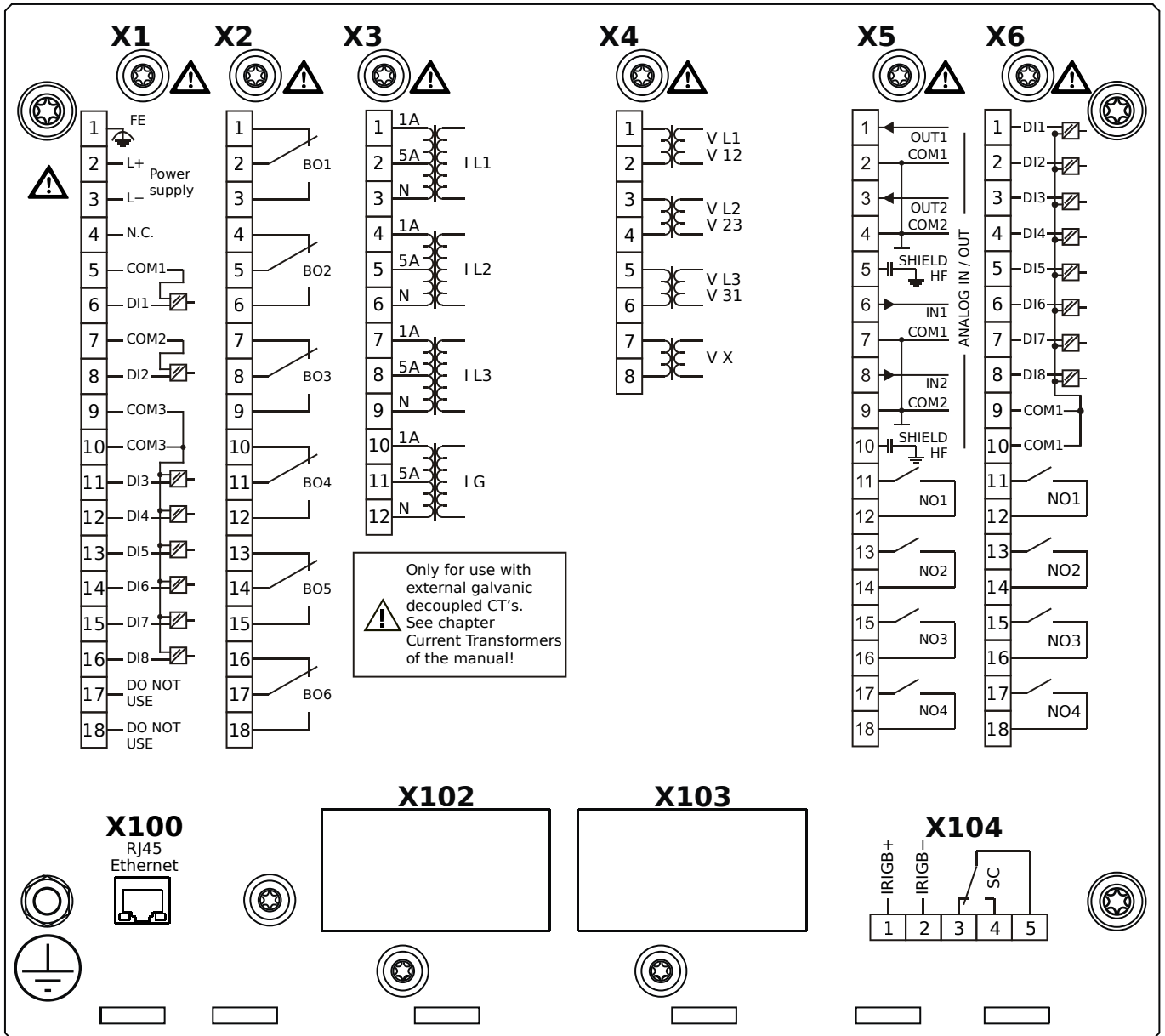
MRA4-2F0ACA



Housing B2, small display, door mounting

- X1** – DI8-X1: Wide-range power supply unit, incl. 2 non-grouped digital inputs and 6 grouped digital inputs
- X2** – OR6: Assembly Group with 6 Output Relays
- X3** – TI: Standard current measuring card
- X4** – TU: Card with 4 voltage transformer measuring inputs
- X5** – AnIO2-OR4: Assembly Group with 2 Analog Inputs, 2 Analog Outputs and 4 Output Relays
- X6** – DI8-OR4: Assembly Group with 8 Digital Inputs and 4 Output Relays
- X100** – Modbus TCP / DNP3.0 TCP/UDP, Ethernet interface, 100 Mbit/s, RJ45 (BASE100-FX)
- X104** – IRIG-B00X, incl. System Contact (Supervision Contact)

MRA4-2F0ACB

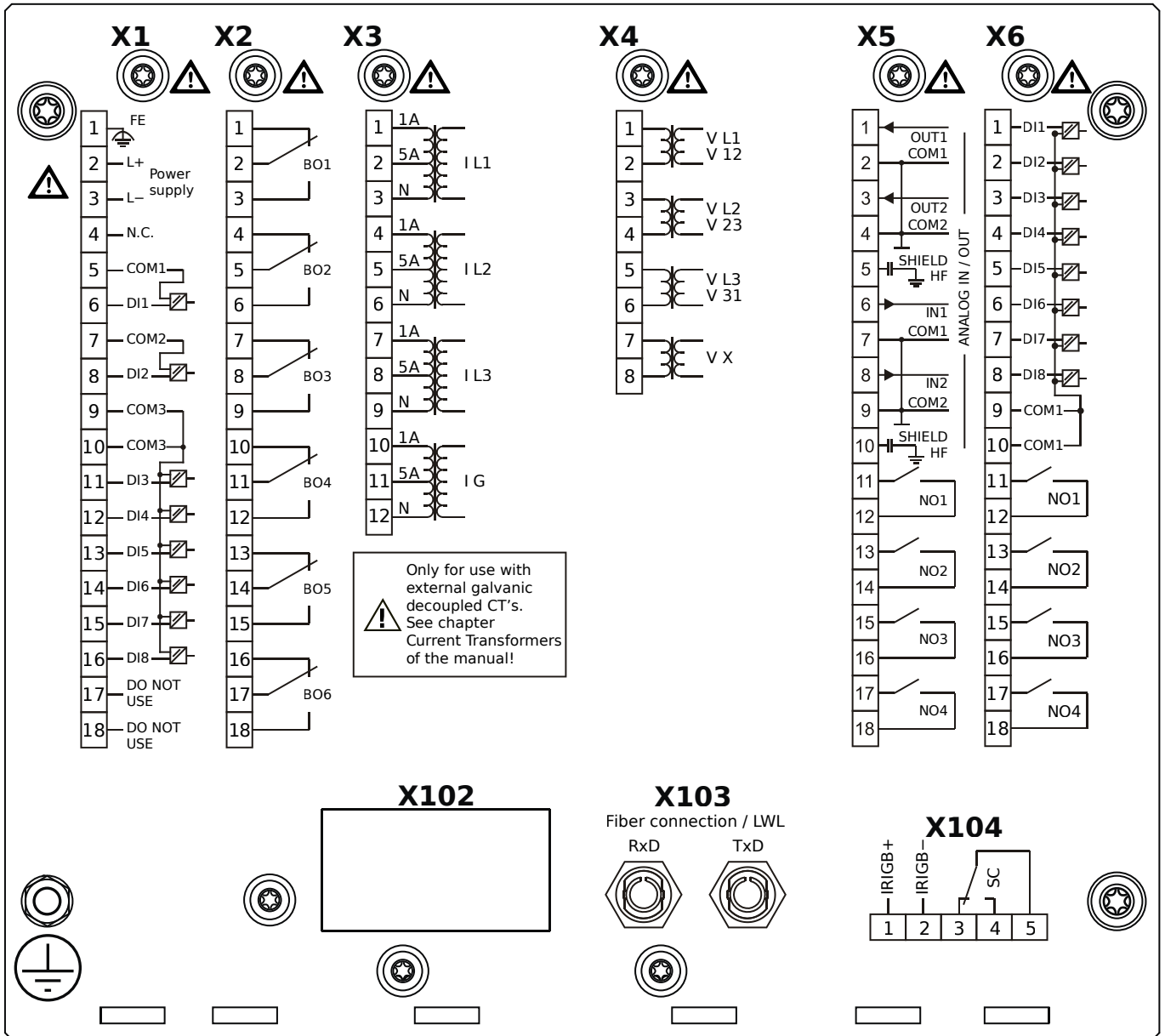


Housing B2, small display, door mounting

+ Conformal Coating (for installations in harsh environment)

- X1** – DI8-X1: Wide-range power supply unit, incl. 2 non-grouped digital inputs and 6 grouped digital inputs
- X2** – OR6: Assembly Group with 6 Output Relays
- X3** – TI: Standard current measuring card
- X4** – TU: Card with 4 voltage transformer measuring inputs
- X5** – AnIO2-OR4: Assembly Group with 2 Analog Inputs, 2 Analog Outputs and 4 Output Relays
- X6** – DI8-OR4: Assembly Group with 8 Digital Inputs and 4 Output Relays
- X100** – Modbus TCP / DNP3.0 TCP/UDP, Ethernet interface, 100 Mbit/s, RJ45 (BASE100-FX)
- X104** – IRIG-B00X, incl. System Contact (Supervision Contact)

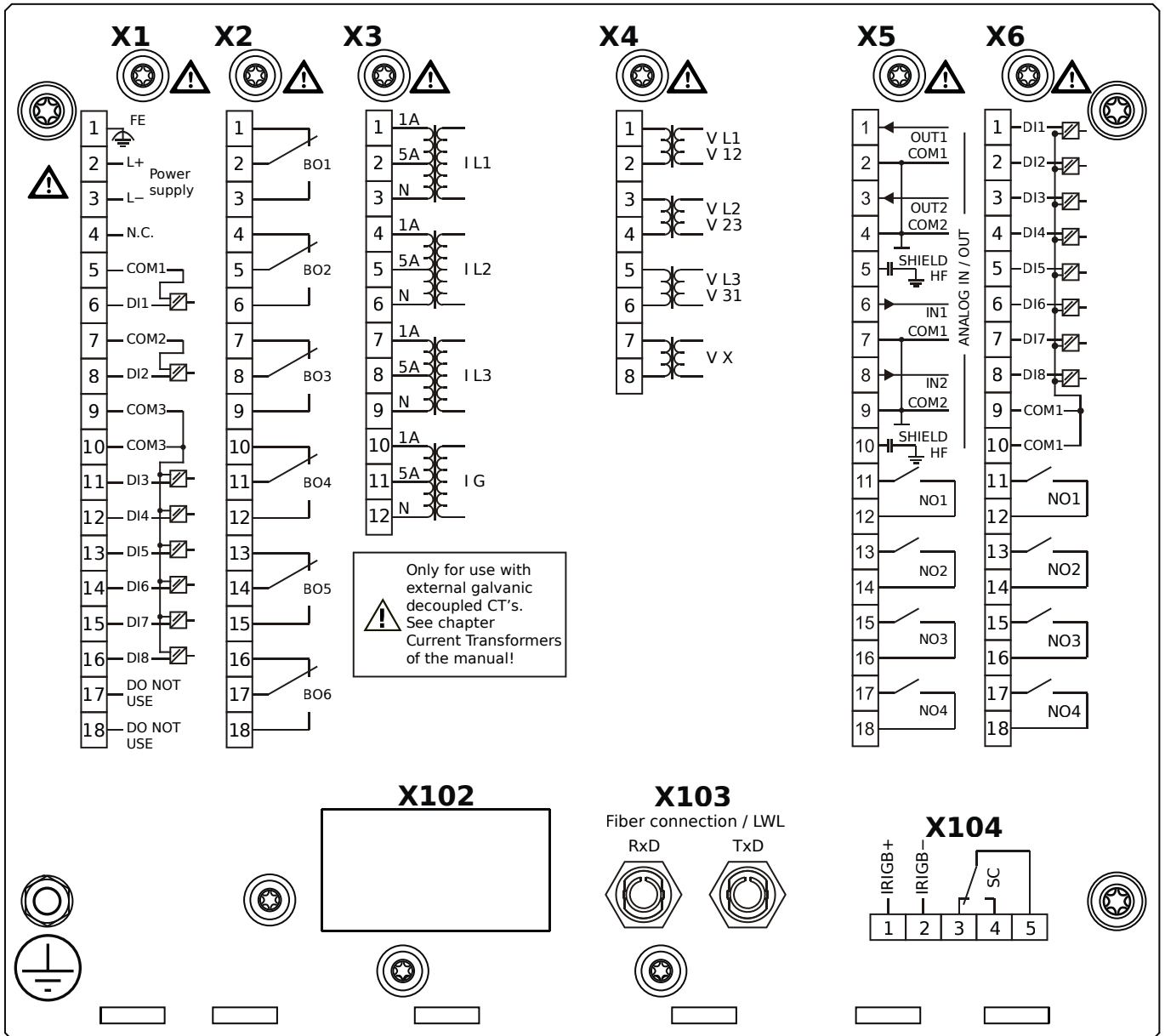
MRA4-2F0ADA



Housing B2, small display, door mounting

- X1** – DI8-X1: Wide-range power supply unit, incl. 2 non-grouped digital inputs and 6 grouped digital inputs
- X2** – OR6: Assembly Group with 6 Output Relays
- X3** – TI: Standard current measuring card
- X4** – TU: Card with 4 voltage transformer measuring inputs
- X5** – AnIO2-OR4: Assembly Group with 2 Analog Inputs, 2 Analog Outputs and 4 Output Relays
- X6** – DI8-OR4: Assembly Group with 8 Digital Inputs and 4 Output Relays
- X103** – Profibus-DP, Fiber optics interface, ST Connector
- X104** – IRIG-B00X, incl. System Contact (Supervision Contact)

MRA4-2F0ADB

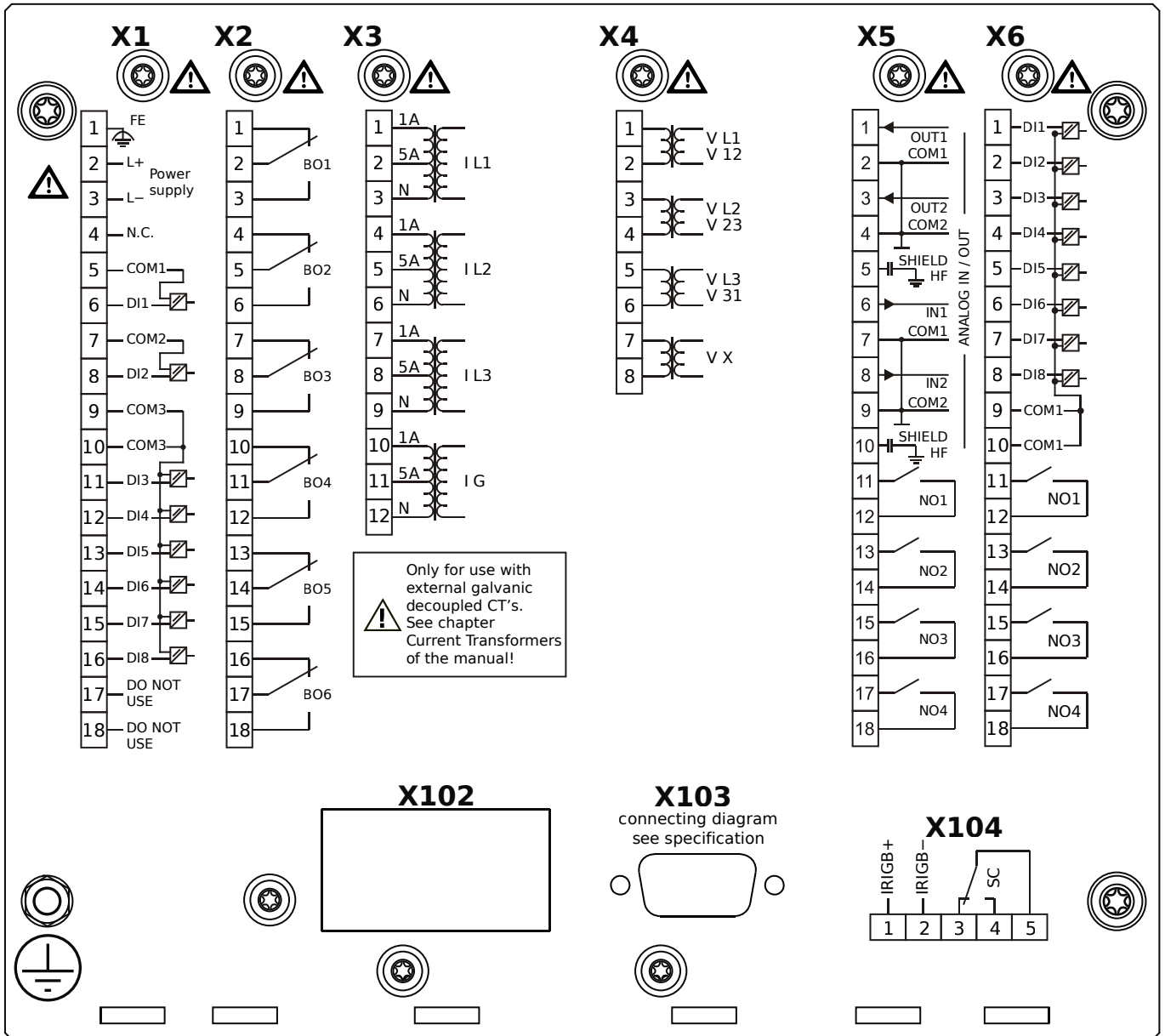


Housing B2, small display, door mounting

+ Conformal Coating (for installations in harsh environment)

- X1** – DI8-X1: Wide-range power supply unit, incl. 2 non-grouped digital inputs and 6 grouped digital inputs
- X2** – OR6: Assembly Group with 6 Output Relays
- X3** – TI: Standard current measuring card
- X4** – TU: Card with 4 voltage transformer measuring inputs
- X5** – AnIO2-OR4: Assembly Group with 2 Analog Inputs, 2 Analog Outputs and 4 Output Relays
- X6** – DI8-OR4: Assembly Group with 8 Digital Inputs and 4 Output Relays
- X103** – Profibus-DP, Fiber optics interface, ST Connector
- X104** – IRIG-B00X, incl. System Contact (Supervision Contact)

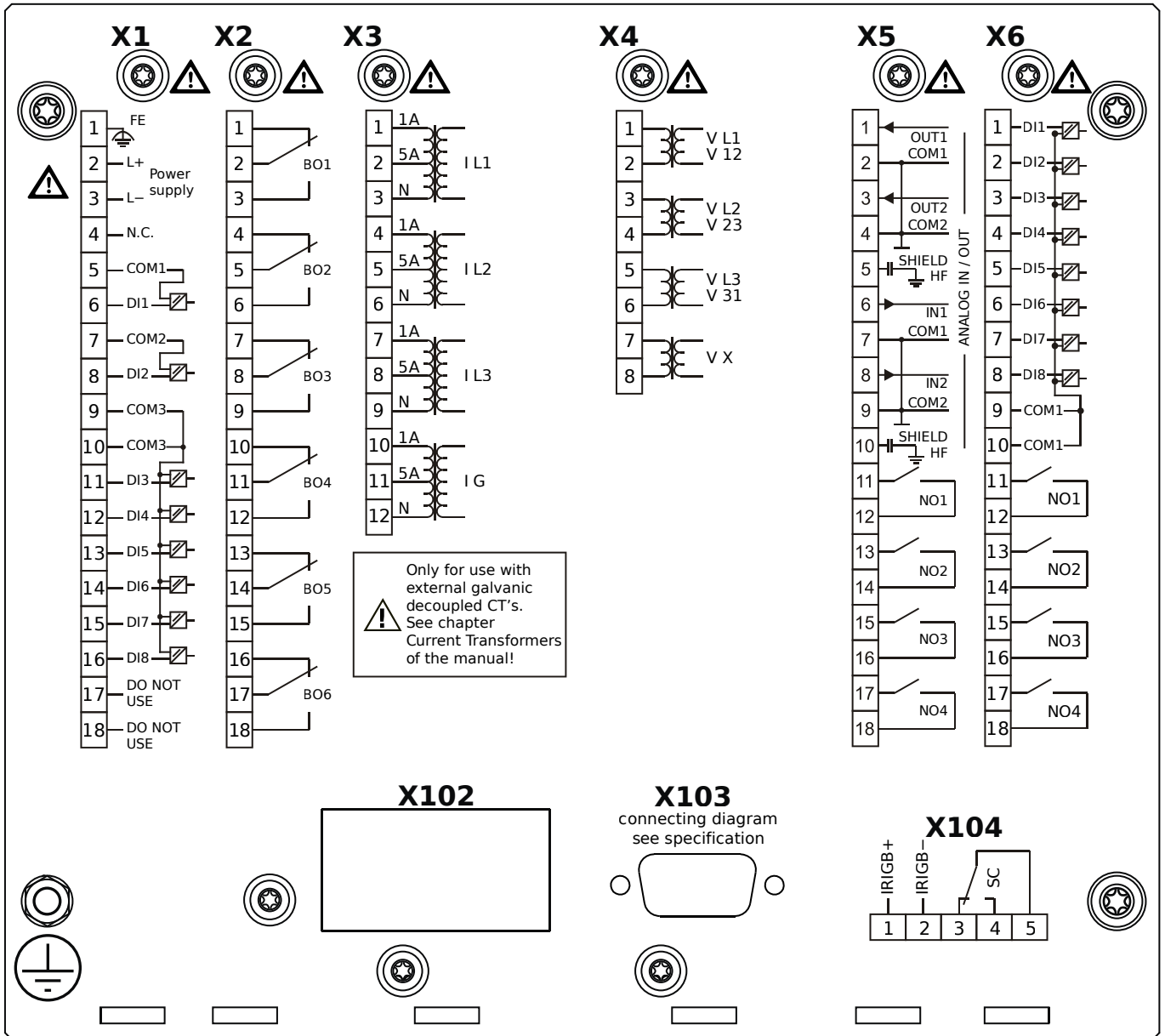
MRA4-2F0AEA



Housing B2, small display, door mounting

- X1** – DI8-X1: Wide-range power supply unit, incl. 2 non-grouped digital inputs and 6 grouped digital inputs
- X2** – OR6: Assembly Group with 6 Output Relays
- X3** – TI: Standard current measuring card
- X4** – TU: Card with 4 voltage transformer measuring inputs
- X5** – AnIO2-OR4: Assembly Group with 2 Analog Inputs, 2 Analog Outputs and 4 Output Relays
- X6** – DI8-OR4: Assembly Group with 8 Digital Inputs and 4 Output Relays
- X103** – Profibus-DP, RS485, D-SUB
- X104** – IRIG-B00X, incl. System Contact (Supervision Contact)

MRA4-2F0AEB

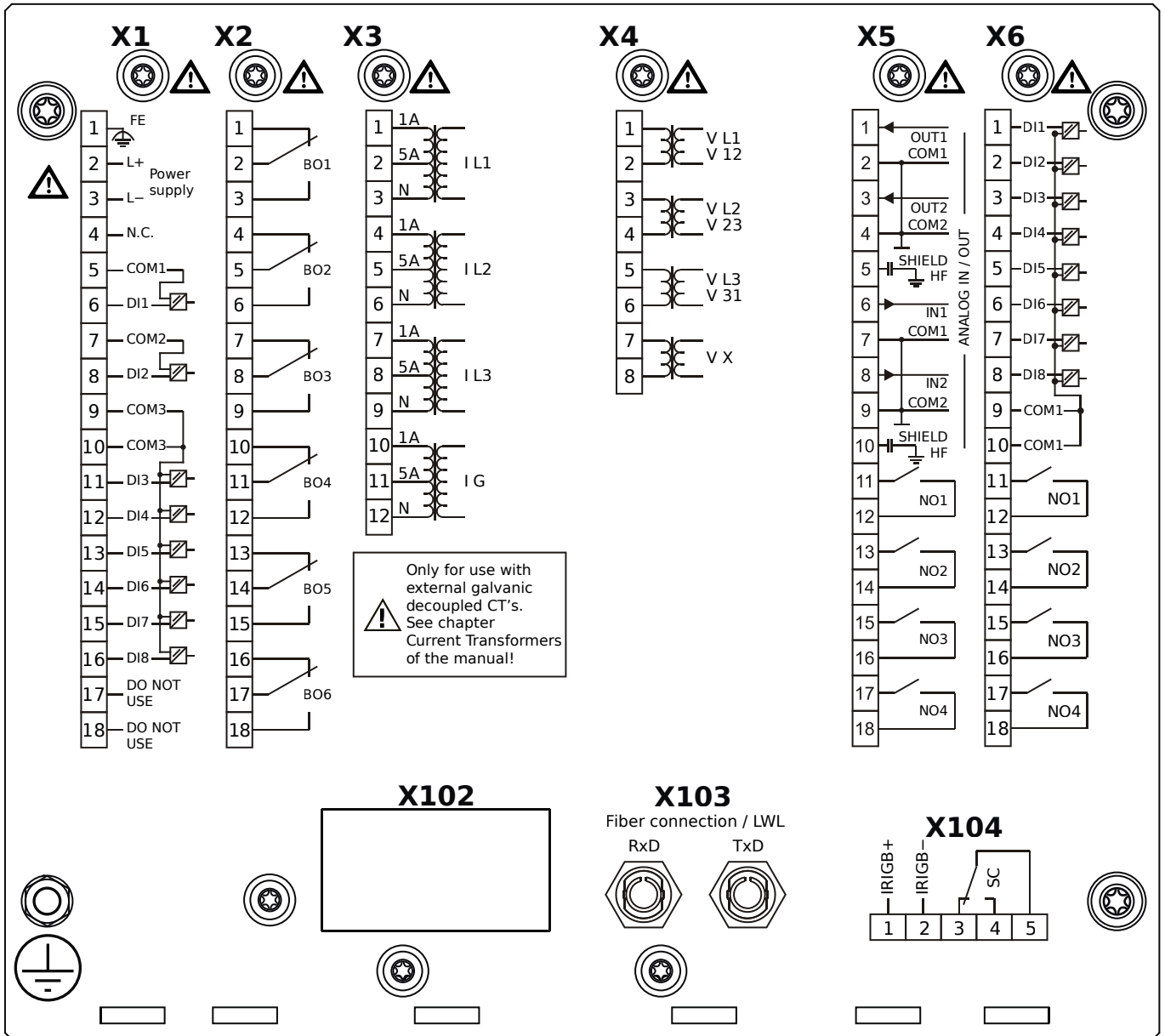


Housing B2, small display, door mounting

+ Conformal Coating (for installations in harsh environment)

- X1** – DI8-X1: Wide-range power supply unit, incl. 2 non-grouped digital inputs and 6 grouped digital inputs
- X2** – OR6: Assembly Group with 6 Output Relays
- X3** – TI: Standard current measuring card
- X4** – TU: Card with 4 voltage transformer measuring inputs
- X5** – AnIO2-OR4: Assembly Group with 2 Analog Inputs, 2 Analog Outputs and 4 Output Relays
- X6** – DI8-OR4: Assembly Group with 8 Digital Inputs and 4 Output Relays
- X103** – Profibus-DP, RS485, D-SUB
- X104** – IRIG-B00X, incl. System Contact (Supervision Contact)

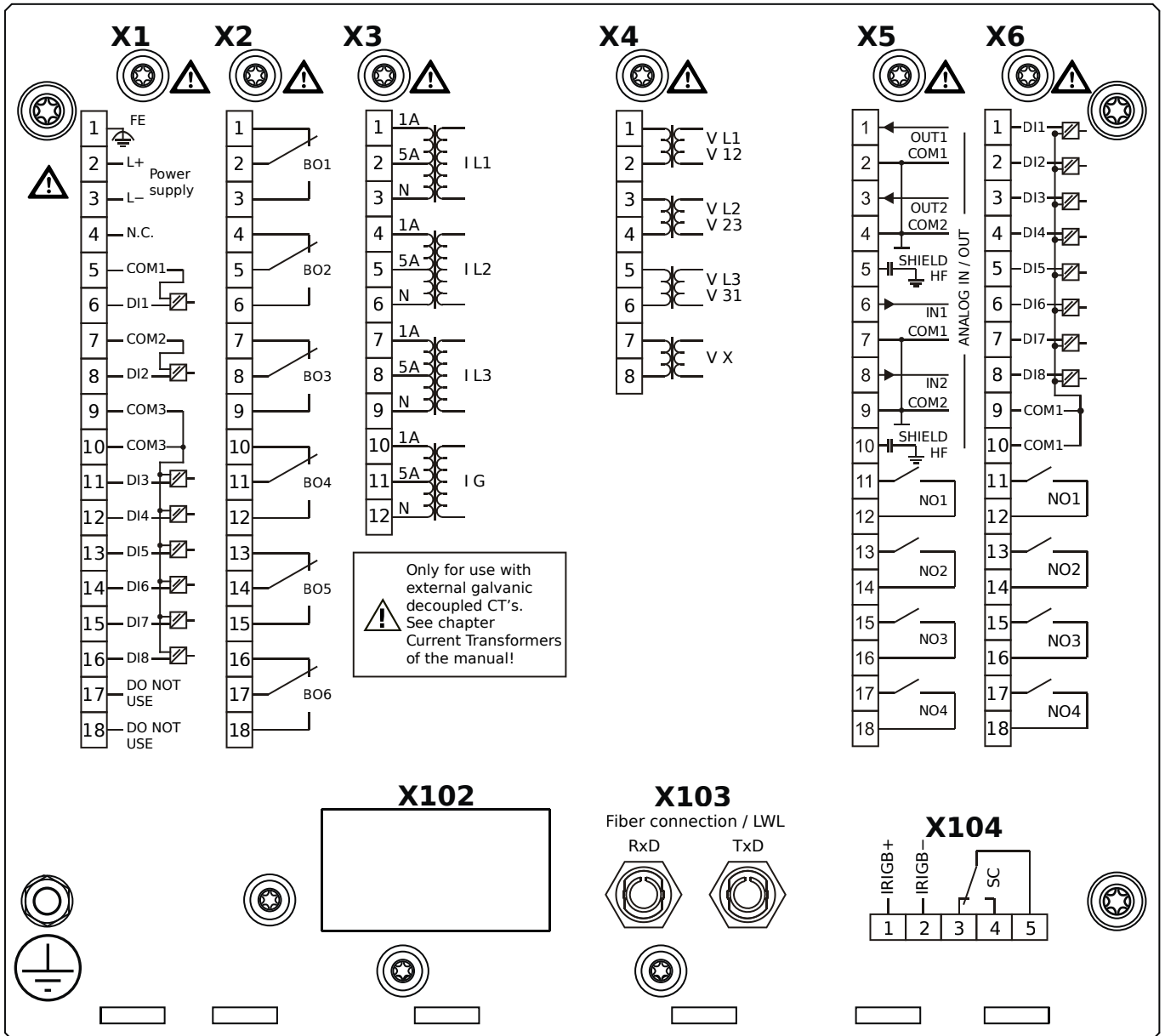
MRA4-2F0AFA



Housing B2, small display, door mounting

- X1** – DI8-X1: Wide-range power supply unit, incl. 2 non-grouped digital inputs and 6 grouped digital inputs
- X2** – OR6: Assembly Group with 6 Output Relays
- X3** – TI: Standard current measuring card
- X4** – TU: Card with 4 voltage transformer measuring inputs
- X5** – AnIO2-OR4: Assembly Group with 2 Analog Inputs, 2 Analog Outputs and 4 Output Relays
- X6** – DI8-OR4: Assembly Group with 8 Digital Inputs and 4 Output Relays
- X103** – Modbus RTU / IEC 60870-5-103 / DNP3.0 RTU, Fiber optics interface, ST Connector
- X104** – IRIG-B00X, incl. System Contact (Supervision Contact)

MRA4-2F0AFB

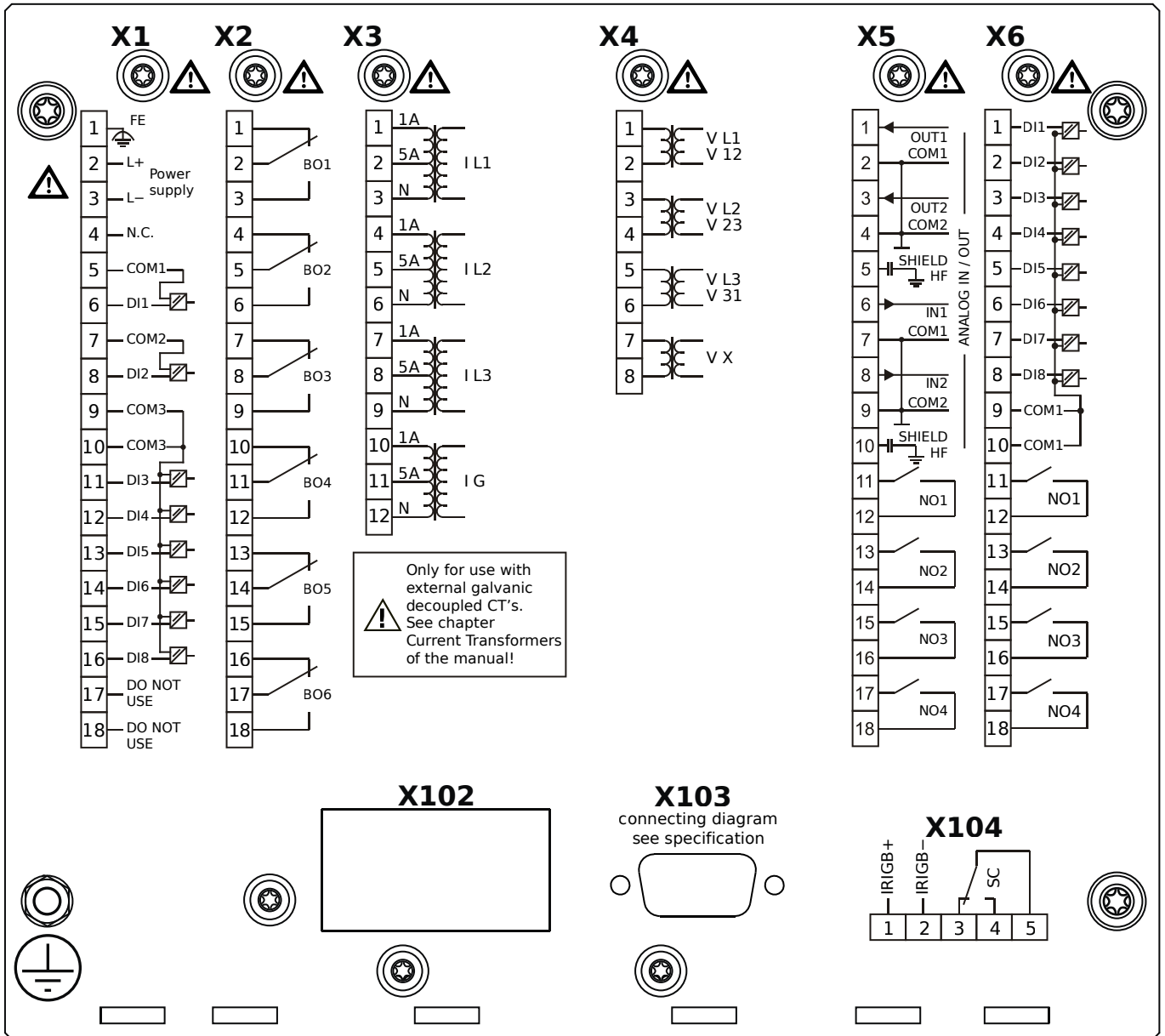


Housing B2, small display, door mounting

+ Conformal Coating (for installations in harsh environment)

- X1** – DI8-X1: Wide-range power supply unit, incl. 2 non-grouped digital inputs and 6 grouped digital inputs
- X2** – OR6: Assembly Group with 6 Output Relays
- X3** – TI: Standard current measuring card
- X4** – TU: Card with 4 voltage transformer measuring inputs
- X5** – AnIO2-OR4: Assembly Group with 2 Analog Inputs, 2 Analog Outputs and 4 Output Relays
- X6** – DI8-OR4: Assembly Group with 8 Digital Inputs and 4 Output Relays
- X103** – Modbus RTU / IEC 60870-5-103 / DNP3.0 RTU, Fiber optics interface, ST Connector
- X104** – IRIG-B00X, incl. System Contact (Supervision Contact)

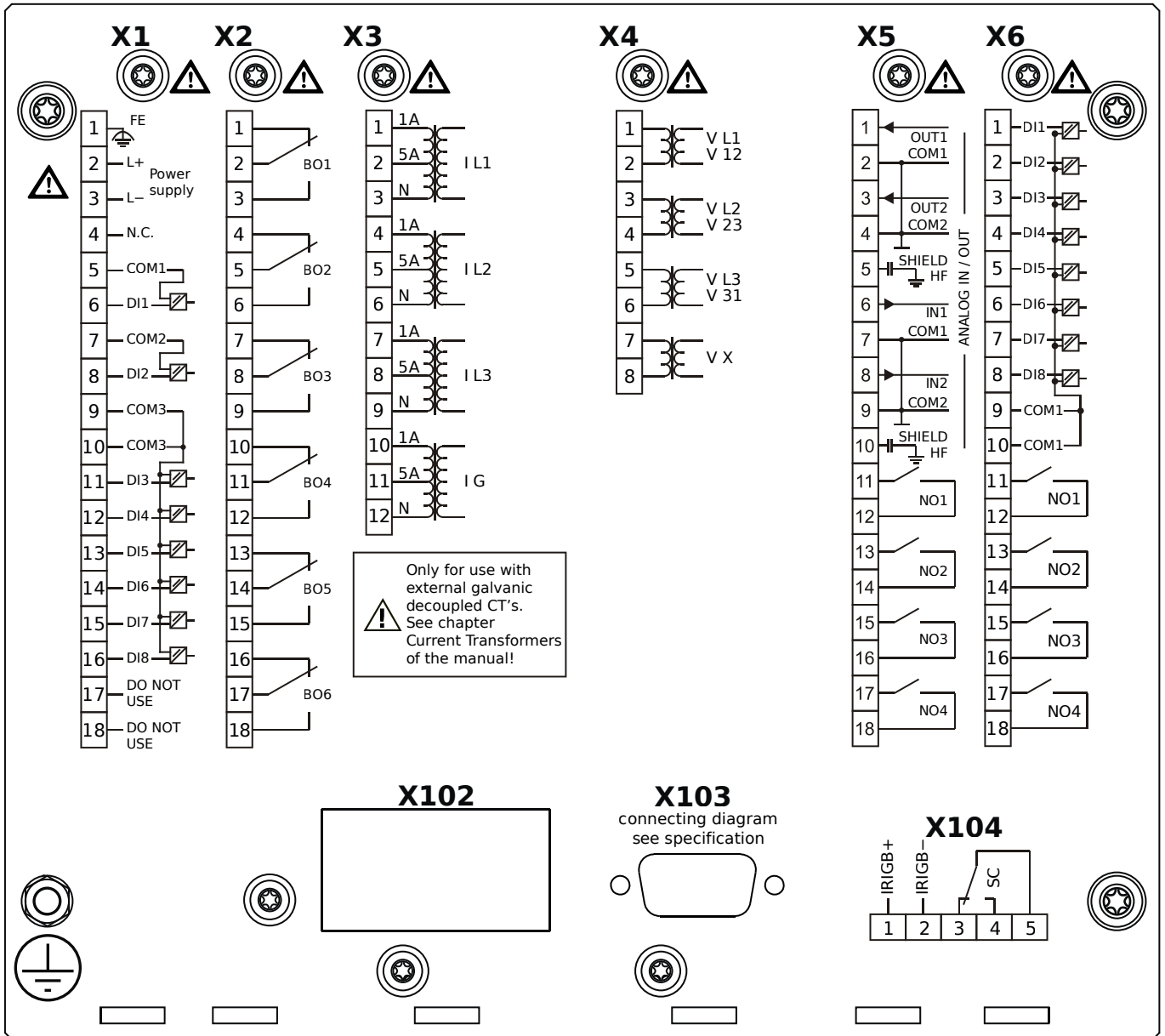
MRA4-2F0AGA



Housing B2, small display, door mounting

- X1** – DI8-X1: Wide-range power supply unit, incl. 2 non-grouped digital inputs and 6 grouped digital inputs
- X2** – OR6: Assembly Group with 6 Output Relays
- X3** – TI: Standard current measuring card
- X4** – TU: Card with 4 voltage transformer measuring inputs
- X5** – AnIO2-OR4: Assembly Group with 2 Analog Inputs, 2 Analog Outputs and 4 Output Relays
- X6** – DI8-OR4: Assembly Group with 8 Digital Inputs and 4 Output Relays
- X103** – Modbus RTU / IEC 60870-5-103 / DNP3.0 RTU, RS485, D-SUB
- X104** – IRIG-B00X, incl. System Contact (Supervision Contact)

MRA4-2F0AGB

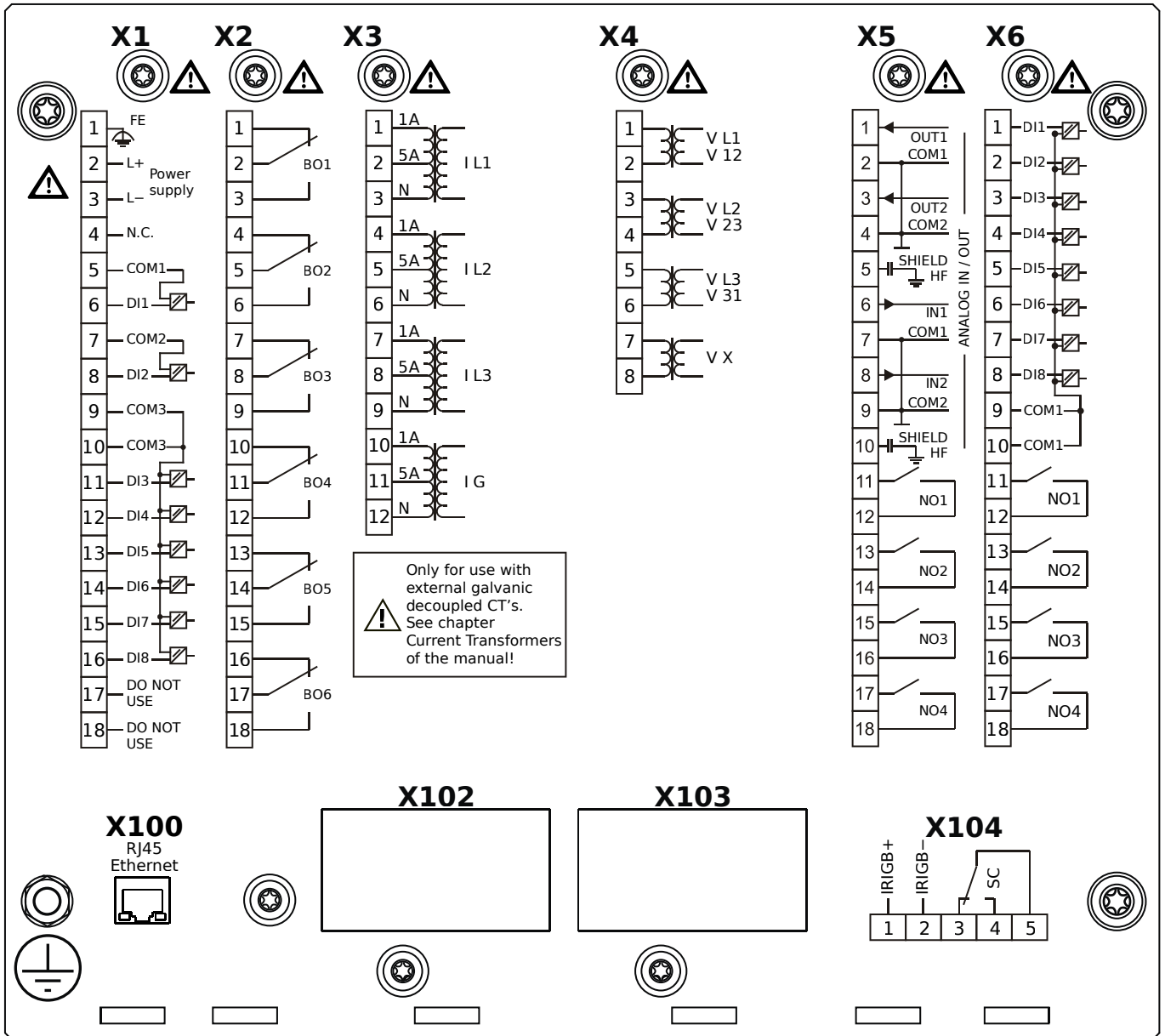


Housing B2, small display, door mounting

+ Conformal Coating (for installations in harsh environment)

- X1** – DI8-X1: Wide-range power supply unit, incl. 2 non-grouped digital inputs and 6 grouped digital inputs
- X2** – OR6: Assembly Group with 6 Output Relays
- X3** – TI: Standard current measuring card
- X4** – TU: Card with 4 voltage transformer measuring inputs
- X5** – AnIO2-OR4: Assembly Group with 2 Analog Inputs, 2 Analog Outputs and 4 Output Relays
- X6** – DI8-OR4: Assembly Group with 8 Digital Inputs and 4 Output Relays
- X103** – Modbus RTU / IEC 60870-5-103 / DNP3.0 RTU, RS485, D-SUB
- X104** – IRIG-B00X, incl. System Contact (Supervision Contact)

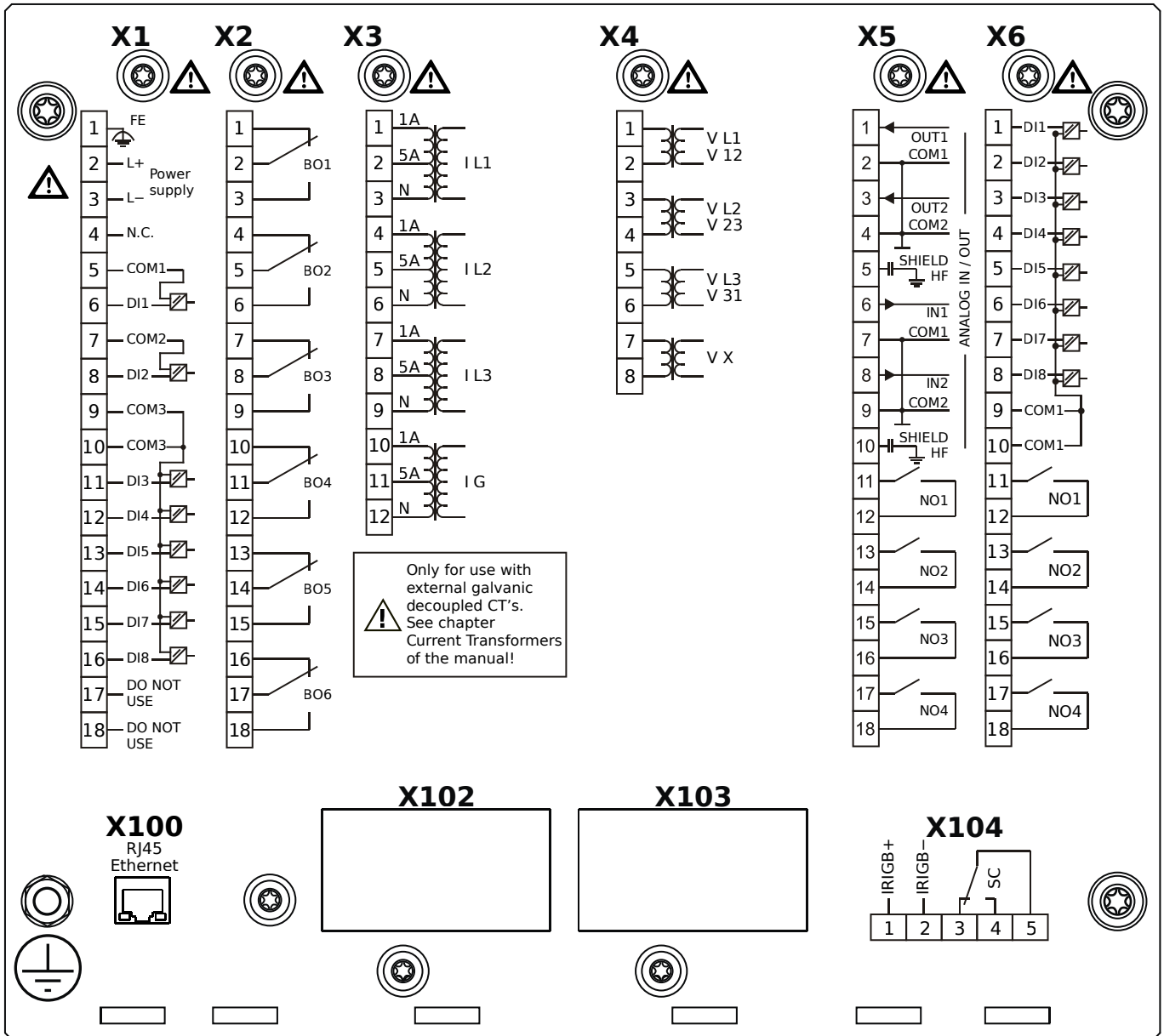
MRA4-2F0AHA



Housing B2, small display, door mounting

- X1** – DI8-X1: Wide-range power supply unit, incl. 2 non-grouped digital inputs and 6 grouped digital inputs
- X2** – OR6: Assembly Group with 6 Output Relays
- X3** – TI: Standard current measuring card
- X4** – TU: Card with 4 voltage transformer measuring inputs
- X5** – AnIO2-OR4: Assembly Group with 2 Analog Inputs, 2 Analog Outputs and 4 Output Relays
- X6** – DI8-OR4: Assembly Group with 8 Digital Inputs and 4 Output Relays
- X100** – IEC 61850 / Modbus TCP / DNP3.0 TCP/UDP, Ethernet interface, 100 Mbit/s, RJ45 (BASE100-FX)
- X104** – IRIG-B00X, incl. System Contact (Supervision Contact)

MRA4-2F0AHB



Housing B2, small display, door mounting

+ Conformal Coating (for installations in harsh environment)

X1 – DI8-X1: Wide-range power supply unit, incl. 2 non-grouped digital inputs and 6 grouped digital inputs

X2 – OR6: Assembly Group with 6 Output Relays

X3 – TI: Standard current measuring card

X4 – TU: Card with 4 voltage transformer measuring inputs

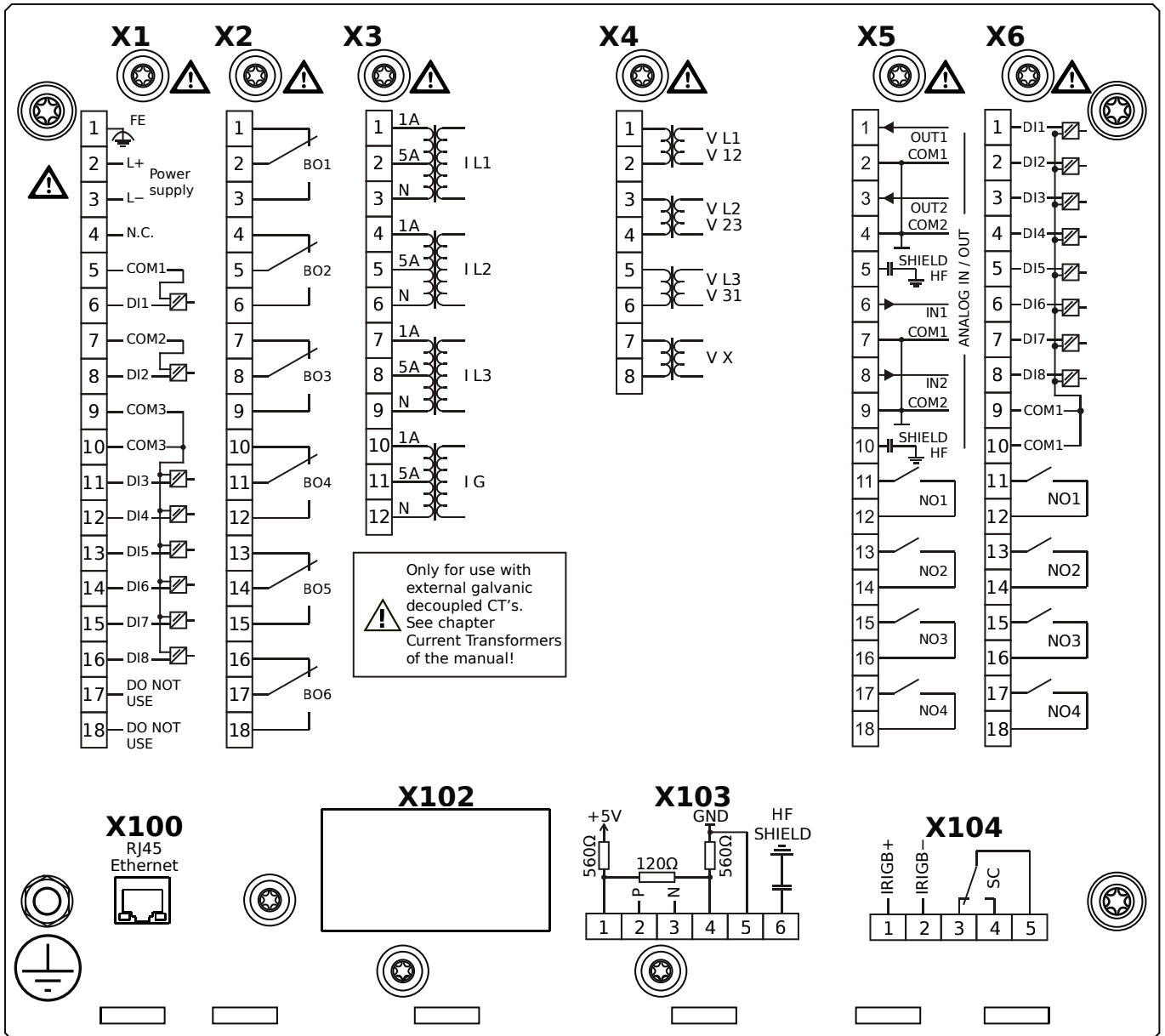
X5 – AnIO2-OR4: Assembly Group with 2 Analog Inputs, 2 Analog Outputs and 4 Output Relays

X6 – DI8-OR4: Assembly Group with 8 Digital Inputs and 4 Output Relays

X100 – IEC 61850 / Modbus TCP / DNP3.0 TCP/UDP, Ethernet interface, 100 Mbit/s, RJ45 (BASE100-FX)

X104 – IRIG-B00X, incl. System Contact (Supervision Contact)

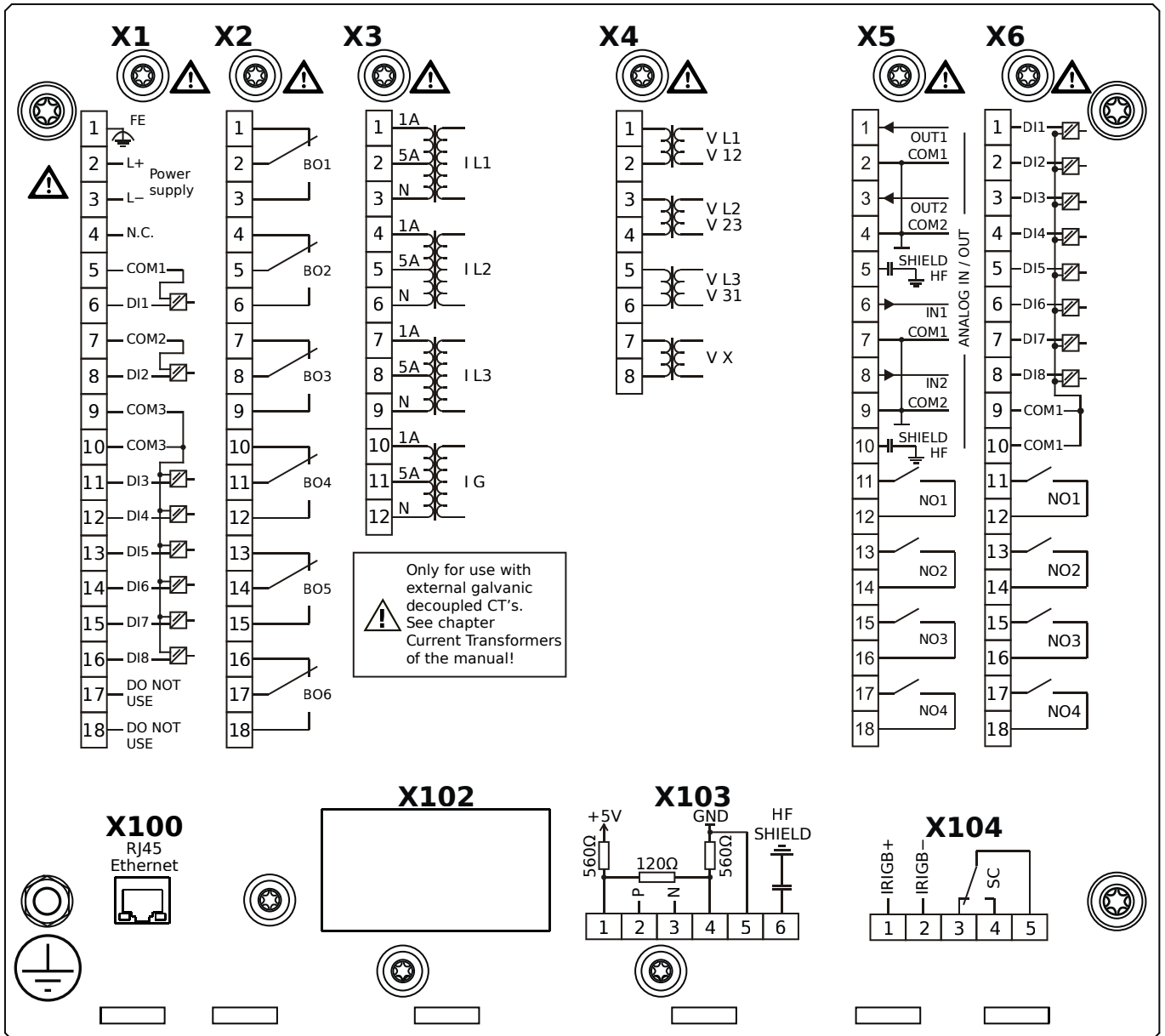
MRA4-2F0AIA



Housing B2, small display, door mounting

- X1** – DI8-X1: Wide-range power supply unit, incl. 2 non-grouped digital inputs and 6 grouped digital inputs
- X2** – OR6: Assembly Group with 6 Output Relays
- X3** – TI: Standard current measuring card
- X4** – TU: Card with 4 voltage transformer measuring inputs
- X5** – AnIO2-OR4: Assembly Group with 2 Analog Inputs, 2 Analog Outputs and 4 Output Relays
- X6** – DI8-OR4: Assembly Group with 8 Digital Inputs and 4 Output Relays
- X100** – Modbus TCP / DNP3.0 TCP/UDP, Ethernet interface, 100 Mbit/s, RJ45 (BASE100-FX)
- X103** – IEC 60870-5-103 / Modbus RTU / DNP3.0 RTU, RS485, Terminals
- X104** – IRIG-B00X, incl. System Contact (Supervision Contact)

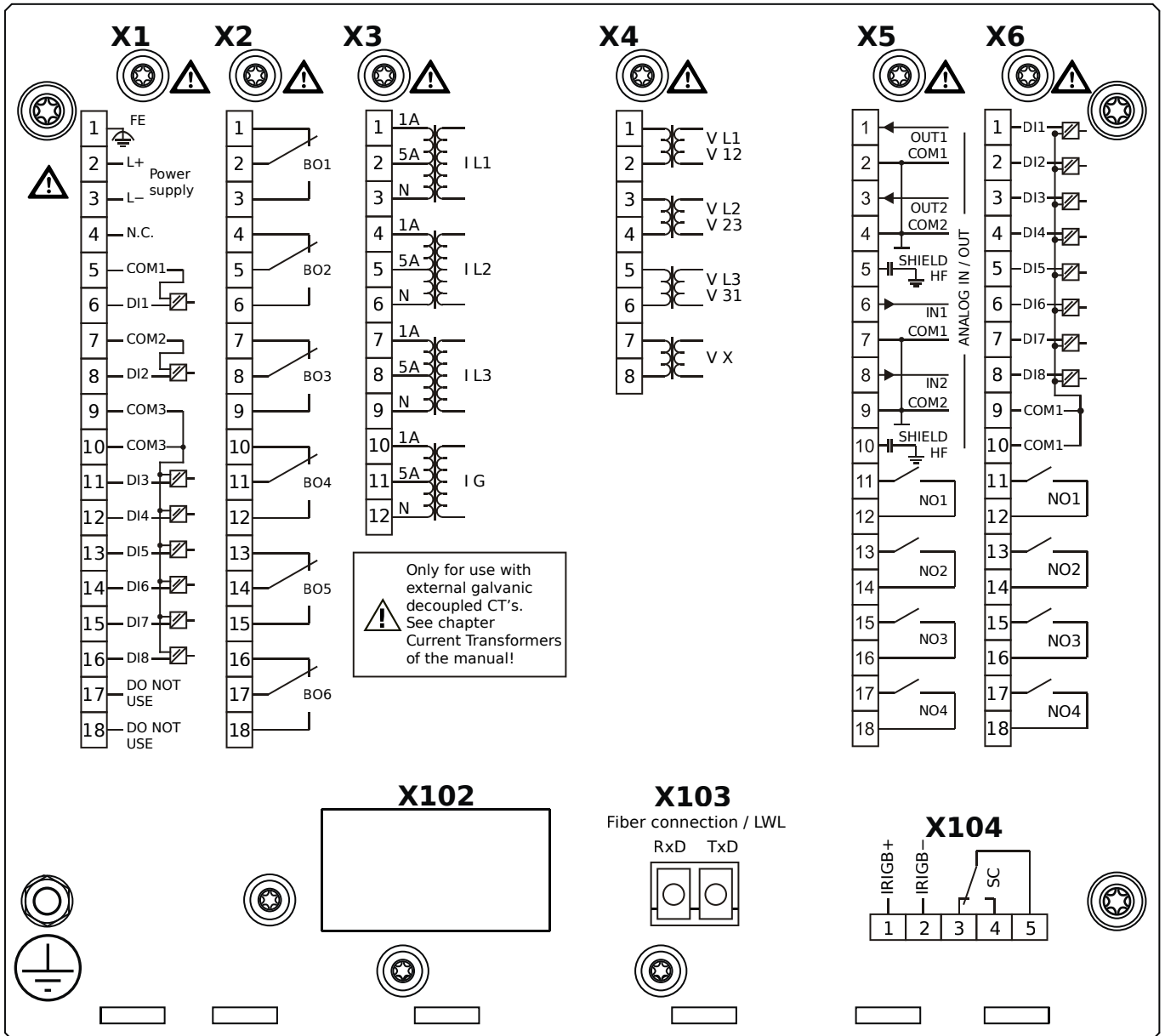
MRA4-2F0AIB



Housing B2, small display, door mounting

- + Conformal Coating (for installations in harsh environment)
- X1** – DI8-X1: Wide-range power supply unit, incl. 2 non-grouped digital inputs and 6 grouped digital inputs
- X2** – OR6: Assembly Group with 6 Output Relays
- X3** – TI: Standard current measuring card
- X4** – TU: Card with 4 voltage transformer measuring inputs
- X5** – AnIO2-OR4: Assembly Group with 2 Analog Inputs, 2 Analog Outputs and 4 Output Relays
- X6** – DI8-OR4: Assembly Group with 8 Digital Inputs and 4 Output Relays
- X100** – Modbus TCP / DNP3.0 TCP/UDP, Ethernet interface, 100 Mbit/s, RJ45 (BASE100-FX)
- X103** – IEC 60870-5-103 / Modbus RTU / DNP3.0 RTU, RS485, Terminals
- X104** – IRIG-B00X, incl. System Contact (Supervision Contact)

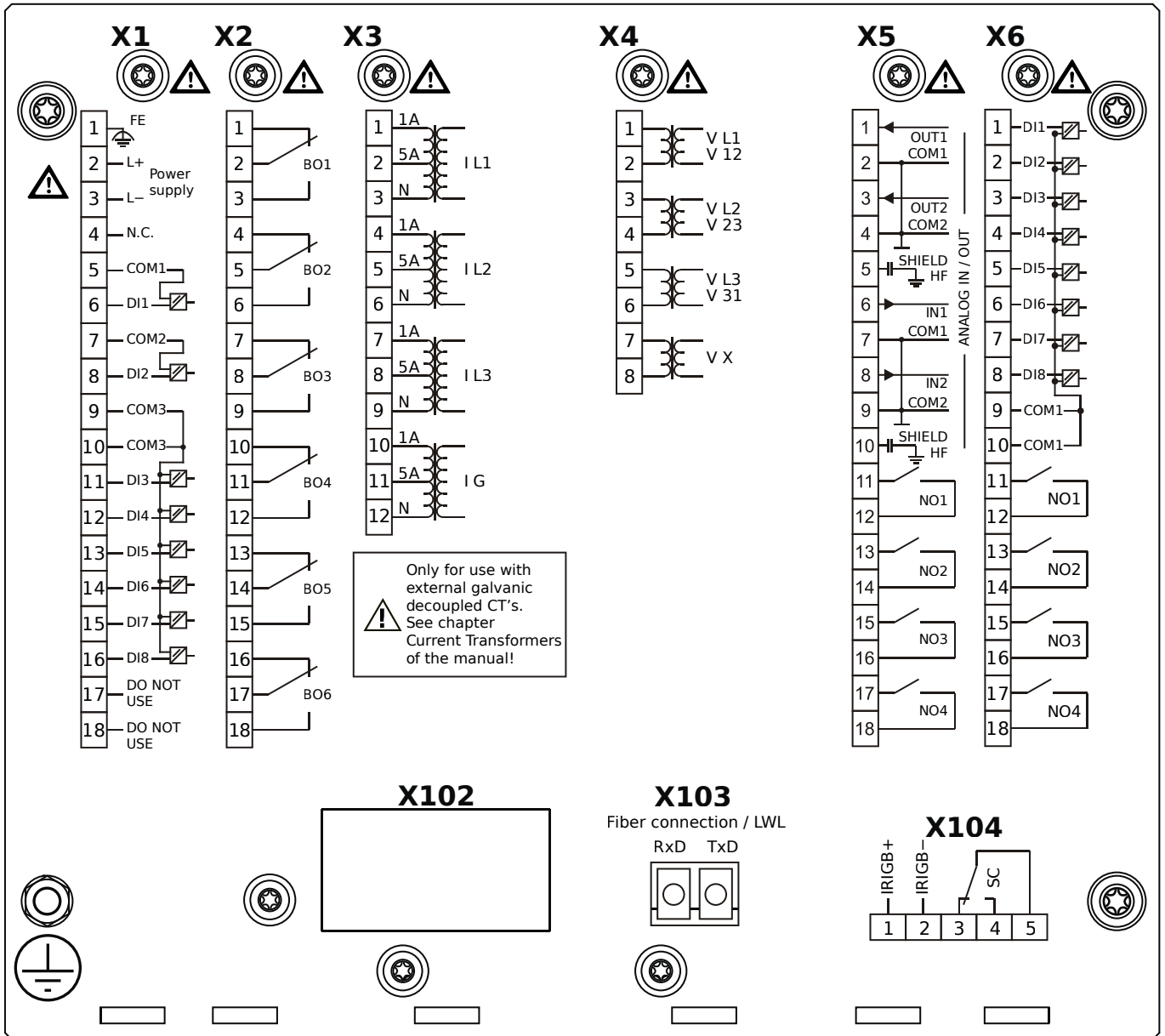
MRA4-2F0AKA



Housing B2, small display, door mounting

- X1** – DI8-X1: Wide-range power supply unit, incl. 2 non-grouped digital inputs and 6 grouped digital inputs
- X2** – OR6: Assembly Group with 6 Output Relays
- X3** – TI: Standard current measuring card
- X4** – TU: Card with 4 voltage transformer measuring inputs
- X5** – AnIO2-OR4: Assembly Group with 2 Analog Inputs, 2 Analog Outputs and 4 Output Relays
- X6** – DI8-OR4: Assembly Group with 8 Digital Inputs and 4 Output Relays
- X103** – IEC 61850 / Modbus TCP / DNP3.0 TCP/UDP, Fiber optics interface, LC Connector
- X104** – IRIG-B00X, incl. System Contact (Supervision Contact)

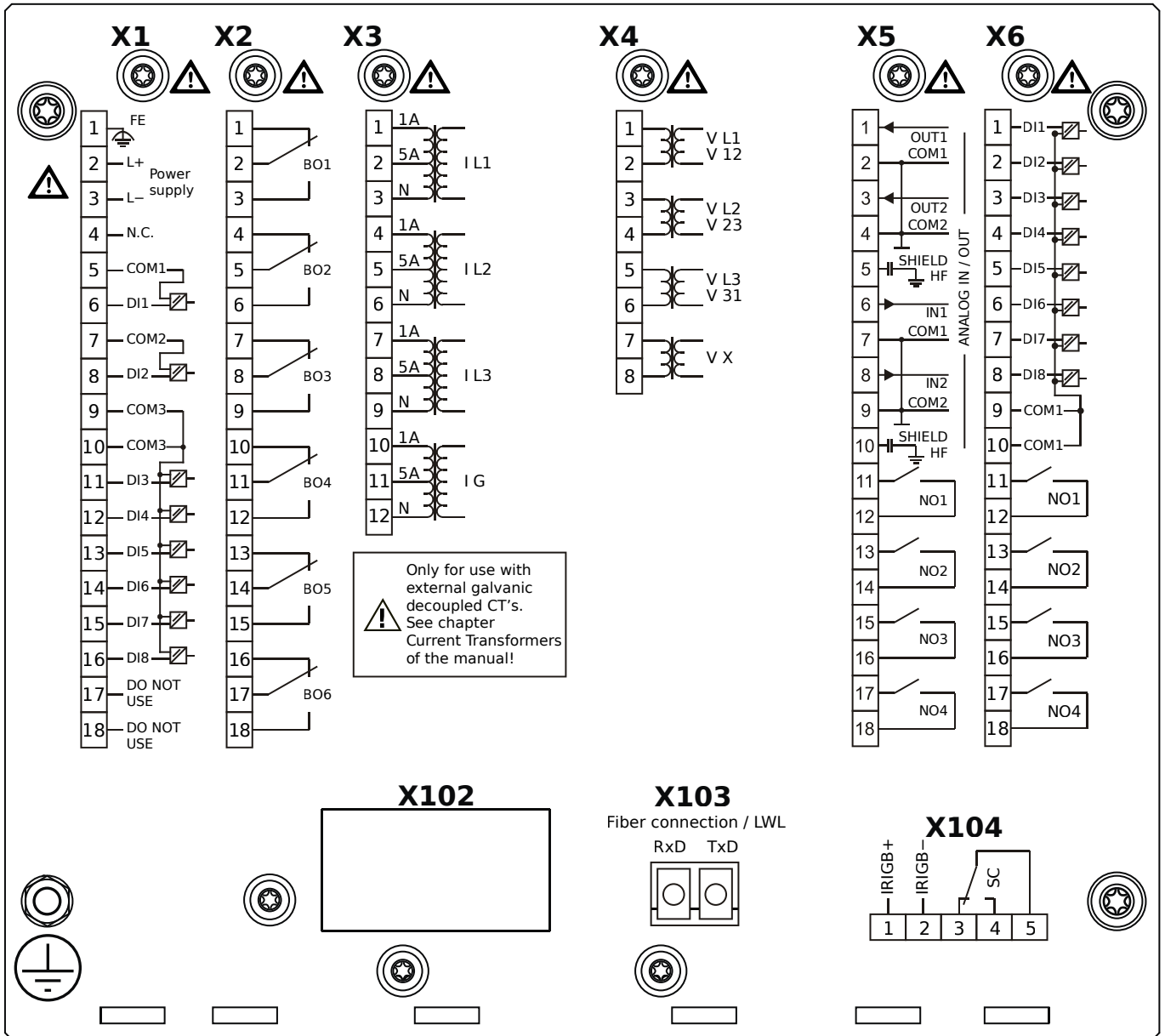
MRA4-2F0AKB



Housing B2, small display, door mounting

- + Conformal Coating (for installations in harsh environment)
- X1** – DI8-X1: Wide-range power supply unit, incl. 2 non-grouped digital inputs and 6 grouped digital inputs
- X2** – OR6: Assembly Group with 6 Output Relays
- X3** – TI: Standard current measuring card
- X4** – TU: Card with 4 voltage transformer measuring inputs
- X5** – AnIO2-OR4: Assembly Group with 2 Analog Inputs, 2 Analog Outputs and 4 Output Relays
- X6** – DI8-OR4: Assembly Group with 8 Digital Inputs and 4 Output Relays
- X103** – IEC 61850 / Modbus TCP / DNP3.0 TCP/UDP, Fiber optics interface, LC Connector
- X104** – IRIG-B00X, incl. System Contact (Supervision Contact)

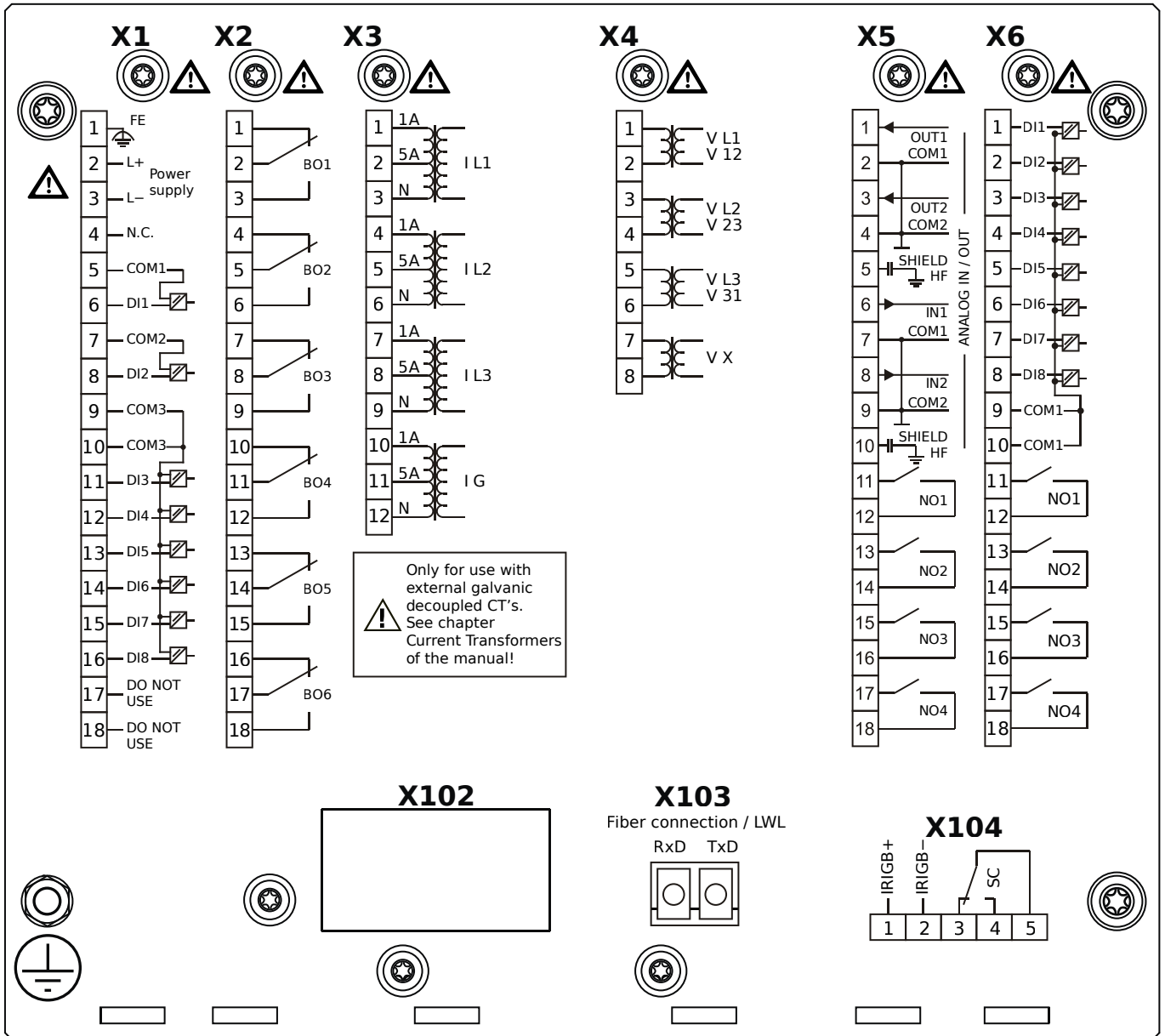
MRA4-2F0ALA



Housing B2, small display, door mounting

- X1** – DI8-X1: Wide-range power supply unit, incl. 2 non-grouped digital inputs and 6 grouped digital inputs
- X2** – OR6: Assembly Group with 6 Output Relays
- X3** – TI: Standard current measuring card
- X4** – TU: Card with 4 voltage transformer measuring inputs
- X5** – AnIO2-OR4: Assembly Group with 2 Analog Inputs, 2 Analog Outputs and 4 Output Relays
- X6** – DI8-OR4: Assembly Group with 8 Digital Inputs and 4 Output Relays
- X103** – Modbus TCP / DNP3.0 TCP/UDP, Fiber optics interface, LC Connector
- X104** – IRIG-B00X, incl. System Contact (Supervision Contact)

MRA4-2F0ALB

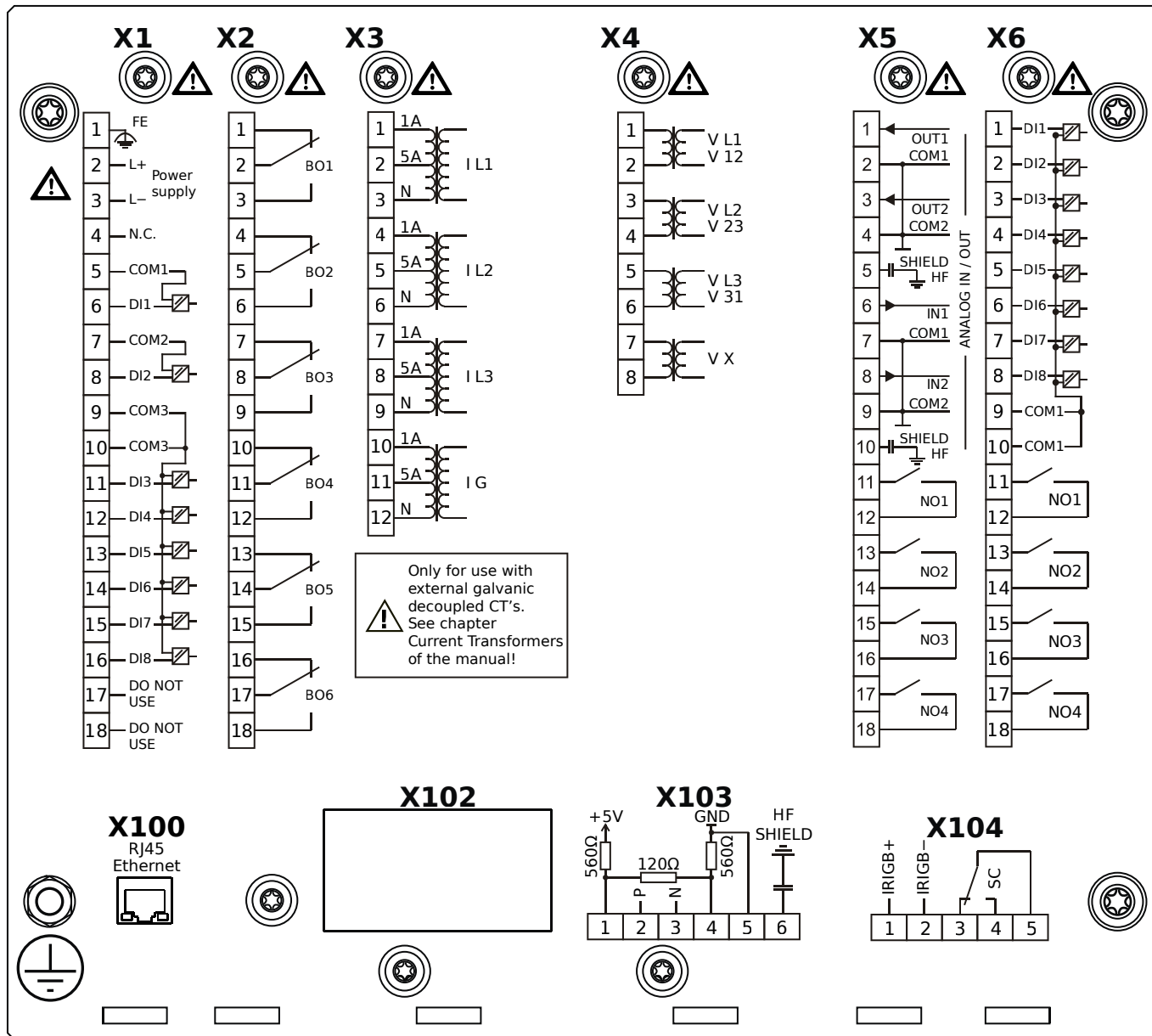


Housing B2, small display, door mounting

+ Conformal Coating (for installations in harsh environment)

- X1** – DI8-X1: Wide-range power supply unit, incl. 2 non-grouped digital inputs and 6 grouped digital inputs
- X2** – OR6: Assembly Group with 6 Output Relays
- X3** – TI: Standard current measuring card
- X4** – TU: Card with 4 voltage transformer measuring inputs
- X5** – AnIO2-OR4: Assembly Group with 2 Analog Inputs, 2 Analog Outputs and 4 Output Relays
- X6** – DI8-OR4: Assembly Group with 8 Digital Inputs and 4 Output Relays
- X103** – Modbus TCP / DNP3.0 TCP/UDP, Fiber optics interface, LC Connector
- X104** – IRIG-B00X, incl. System Contact (Supervision Contact)

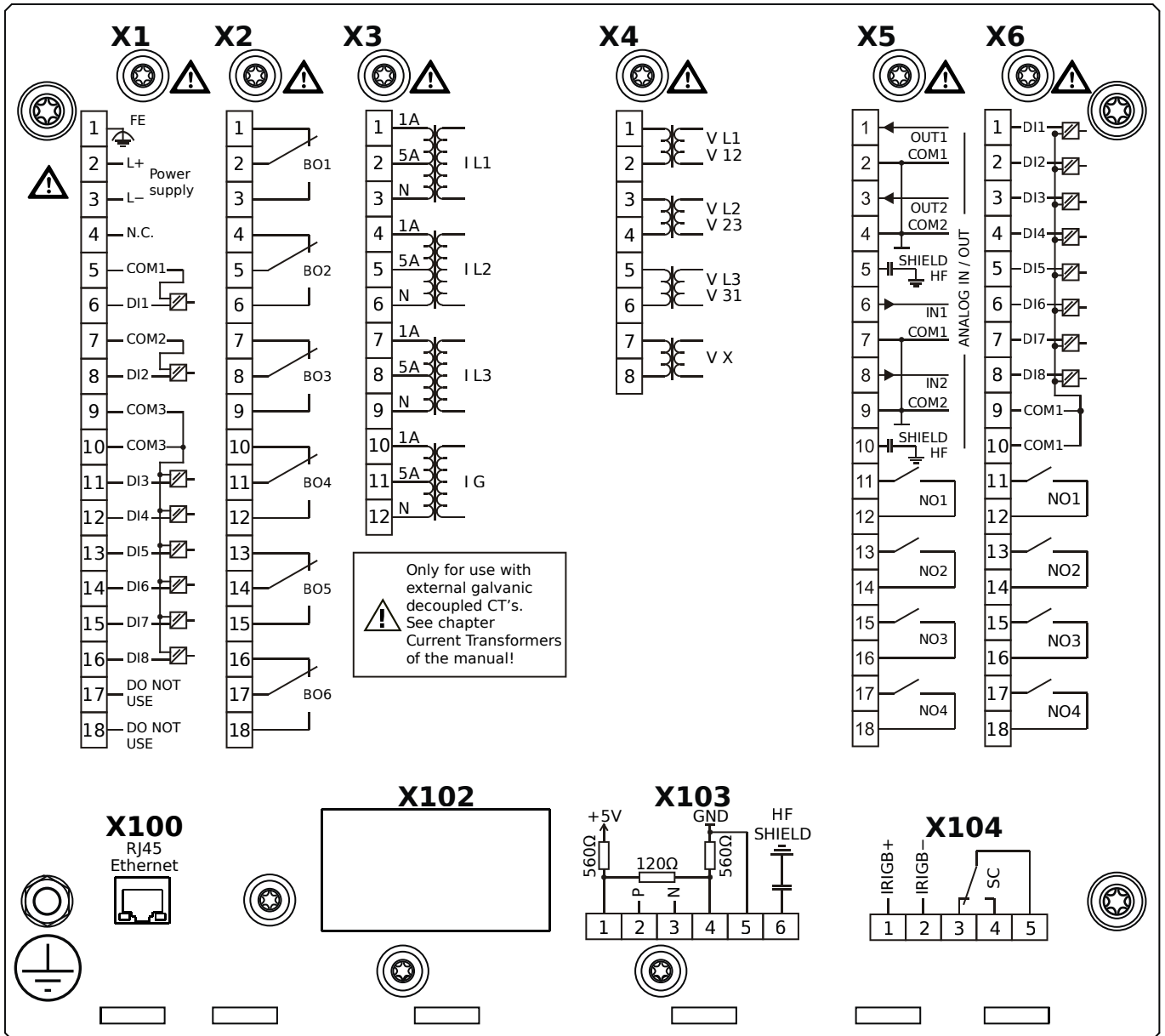
MRA4-2F0ATA



Housing B2, small display, door mounting

- X1** – DI8-X1: Wide-range power supply unit, incl. 2 non-grouped digital inputs and 6 grouped digital inputs
- X2** – OR6: Assembly Group with 6 Output Relays
- X3** – TI: Standard current measuring card
- X4** – TU: Card with 4 voltage transformer measuring inputs
- X5** – AnIO2-OR4: Assembly Group with 2 Analog Inputs, 2 Analog Outputs and 4 Output Relays
- X6** – DI8-OR4: Assembly Group with 8 Digital Inputs and 4 Output Relays
- X100** – IEC 61850 / Modbus TCP / DNP3.0 TCP/UDP, Ethernet interface, 100 Mbit/s, RJ45 (BASE100-FX)
- X103** – IEC 60870-5-103 / Modbus RTU / DNP3.0 RTU, RS485, Terminals
- X104** – IRIG-B00X, incl. System Contact (Supervision Contact)

MRA4-2F0ATB



Housing B2, small display, door mounting

+ Conformal Coating (for installations in harsh environment)

X1 – DI8-X1: Wide-range power supply unit, incl. 2 non-grouped digital inputs and 6 grouped digital inputs

X2 – OR6: Assembly Group with 6 Output Relays

X3 – TI: Standard current measuring card

X4 – TU: Card with 4 voltage transformer measuring inputs

X5 – AnIO2-OR4: Assembly Group with 2 Analog Inputs, 2 Analog Outputs and 4 Output Relays

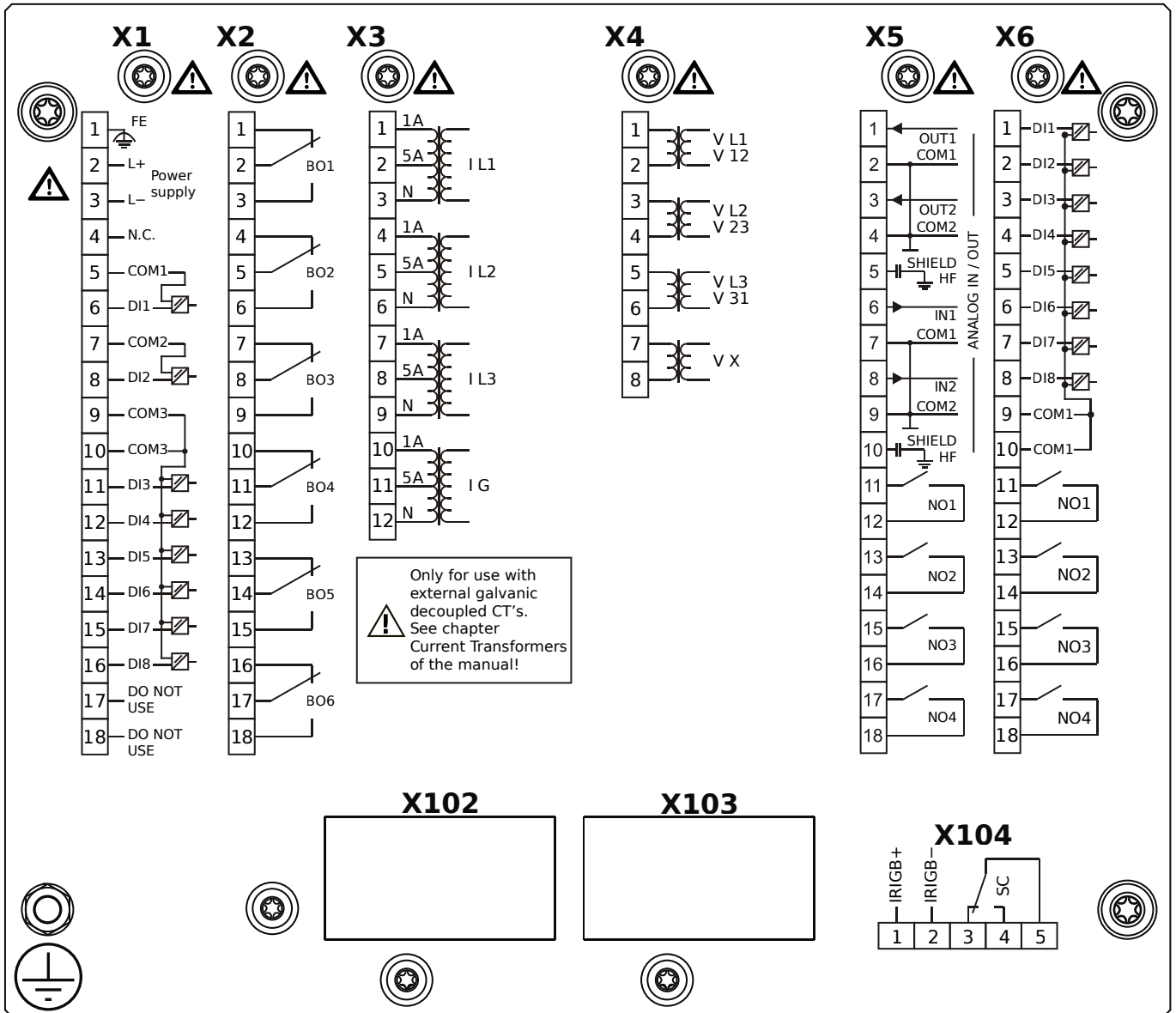
X6 – DI8-OR4: Assembly Group with 8 Digital Inputs and 4 Output Relays

X100 – IEC 61850 / Modbus TCP / DNP3.0 TCP/UDP, Ethernet interface, 100 Mbit/s, RJ45 (BASE100-FX)

X103 – IEC 60870-5-103 / Modbus RTU / DNP3.0 RTU, RS485, Terminals

X104 – IRIG-B00X, incl. System Contact (Supervision Contact)

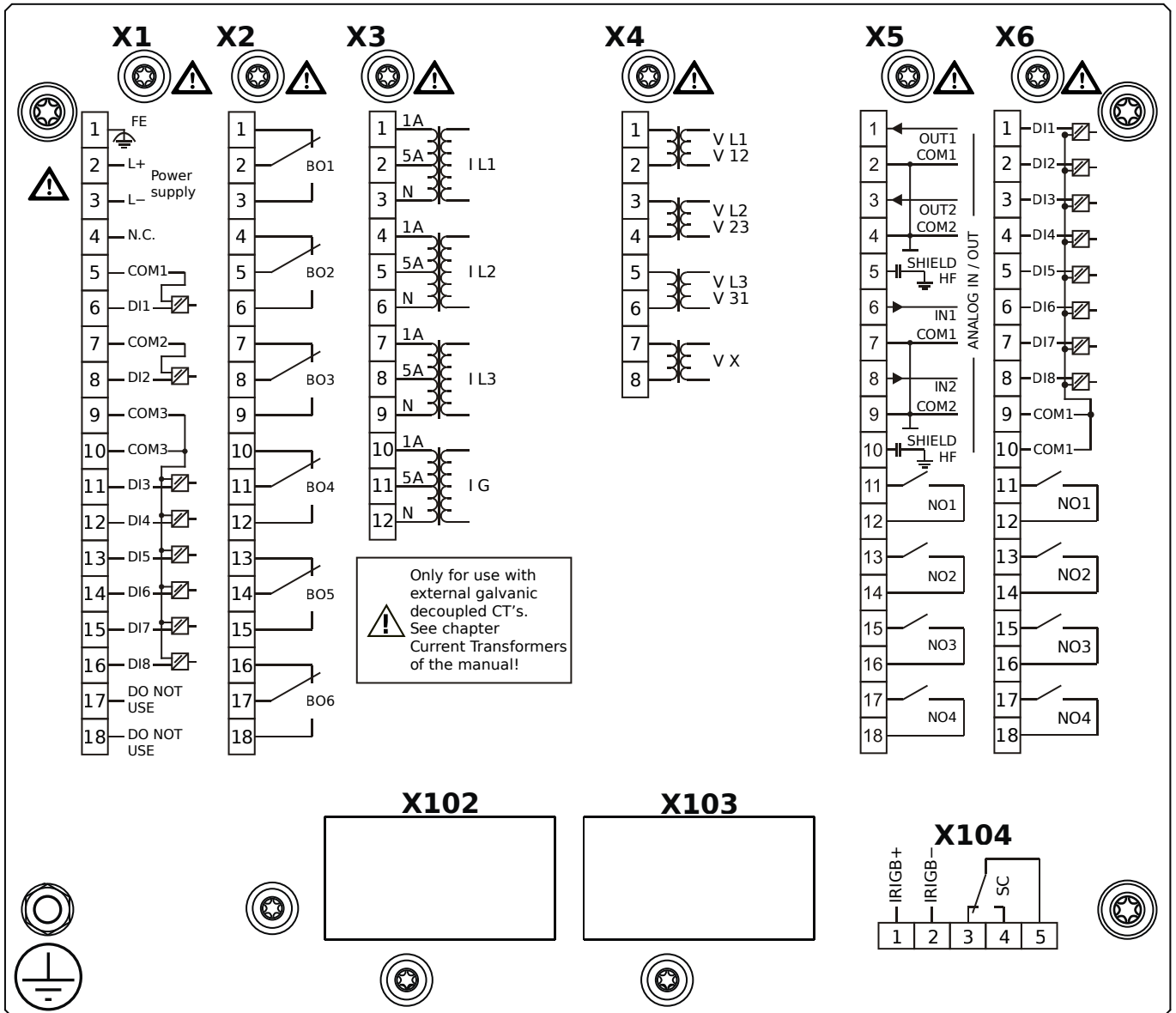
MRA4-2F0BAA



Housing B2, small display, 19" rack mounting

- X1** – DI8-X1: Wide-range power supply unit, incl. 2 non-grouped digital inputs and 6 grouped digital inputs
- X2** – OR6: Assembly Group with 6 Output Relays
- X3** – TI: Standard current measuring card
- X4** – TU: Card with 4 voltage transformer measuring inputs
- X5** – AnIO2-OR4: Assembly Group with 2 Analog Inputs, 2 Analog Outputs and 4 Output Relays
- X6** – DI8-OR4: Assembly Group with 8 Digital Inputs and 4 Output Relays
- X104** – IRIG-B00X, incl. System Contact (Supervision Contact)

MRA4-2F0BAB

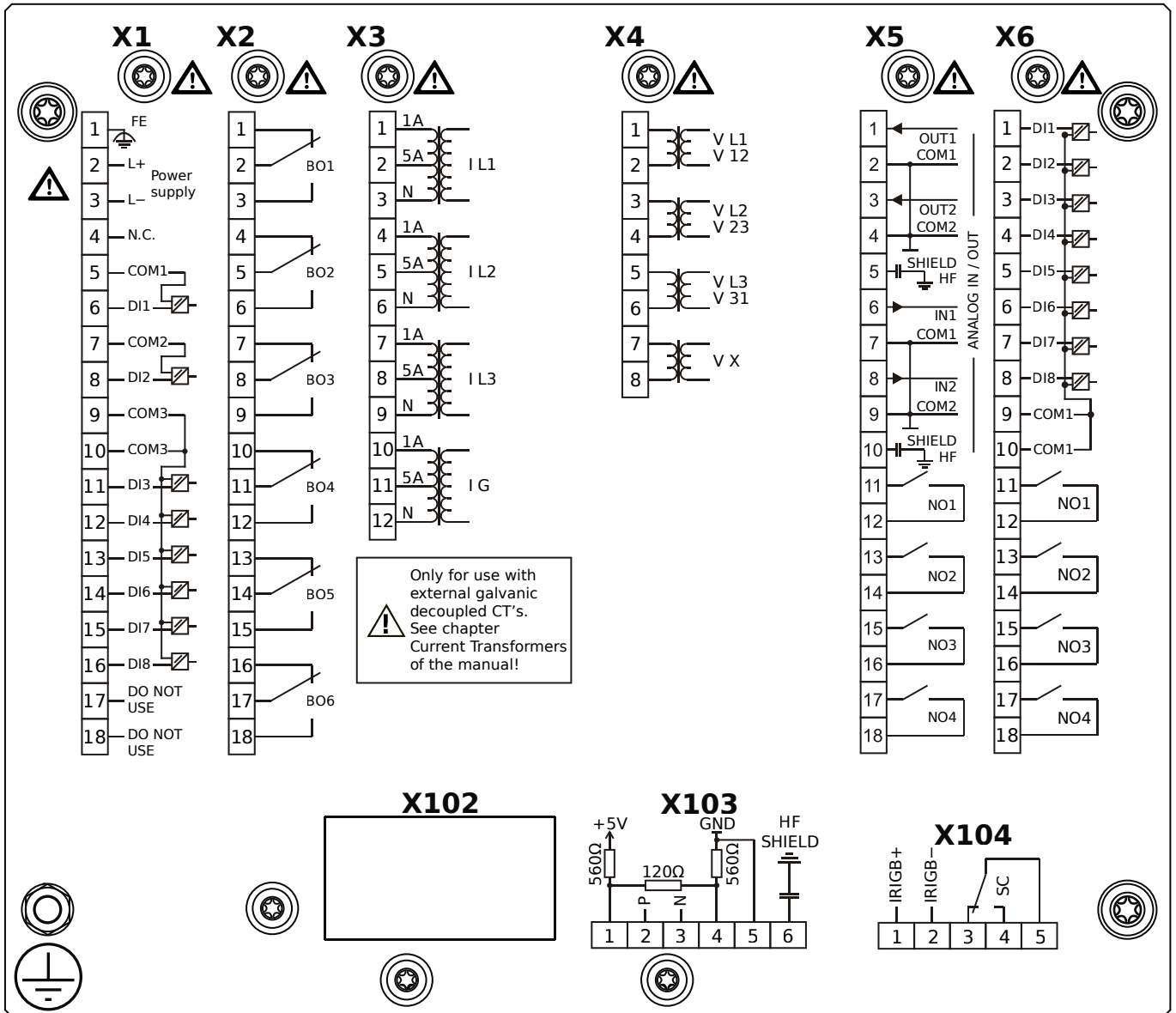


Housing B2, small display, 19" rack mounting

+ Conformal Coating (for installations in harsh environment)

- X1** – DI8-X1: Wide-range power supply unit, incl. 2 non-grouped digital inputs and 6 grouped digital inputs
- X2** – OR6: Assembly Group with 6 Output Relays
- X3** – TI: Standard current measuring card
- X4** – TU: Card with 4 voltage transformer measuring inputs
- X5** – AnIO2-OR4: Assembly Group with 2 Analog Inputs, 2 Analog Outputs and 4 Output Relays
- X6** – DI8-OR4: Assembly Group with 8 Digital Inputs and 4 Output Relays
- X104** – IRIG-B00X, incl. System Contact (Supervision Contact)

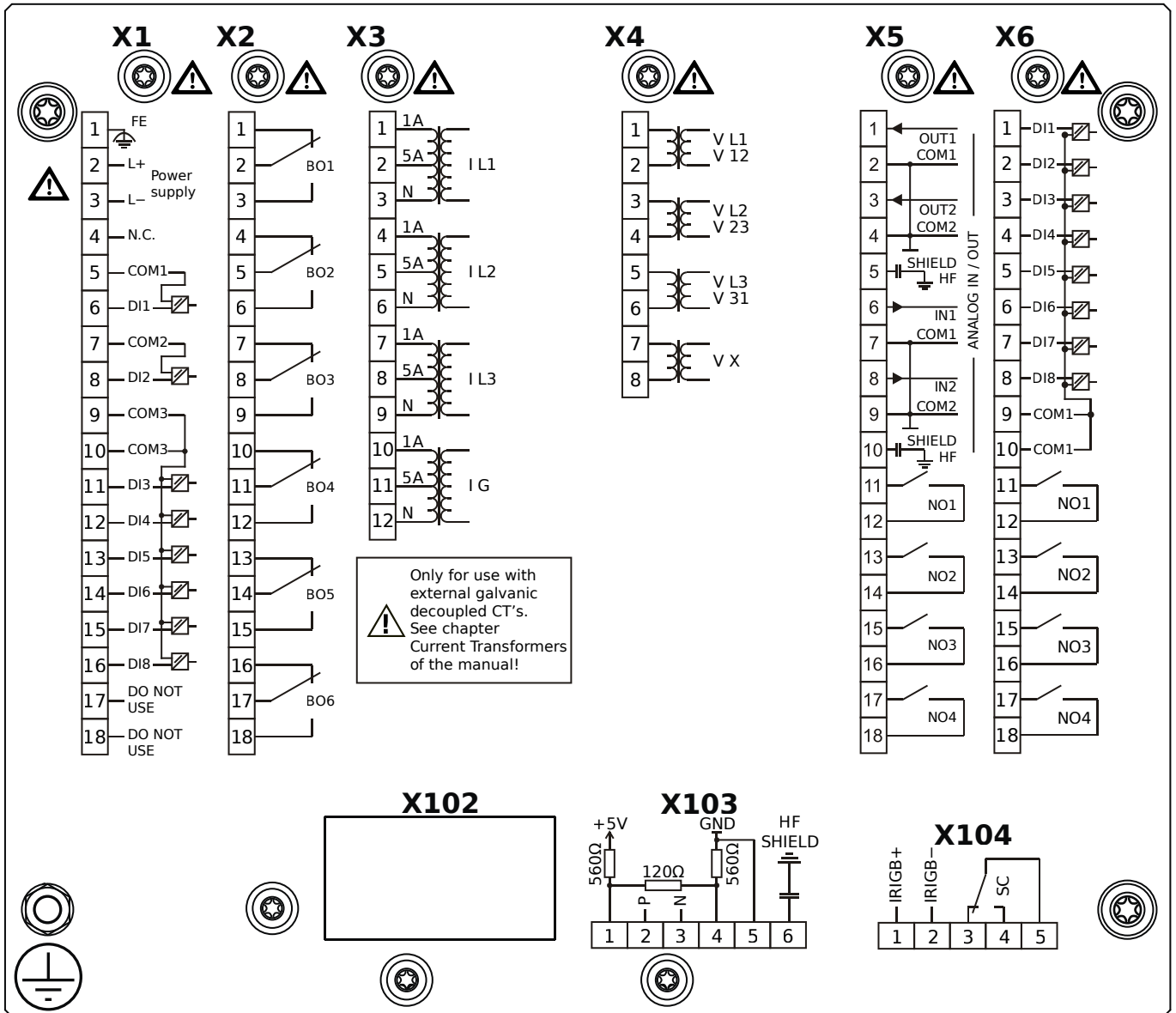
MRA4-2F0BBA



Housing B2, small display, 19" rack mounting

- X1** – DI8-X1: Wide-range power supply unit, incl. 2 non-grouped digital inputs and 6 grouped digital inputs
- X2** – OR6: Assembly Group with 6 Output Relays
- X3** – TI: Standard current measuring card
- X4** – TU: Card with 4 voltage transformer measuring inputs
- X5** – AnIO2-OR4: Assembly Group with 2 Analog Inputs, 2 Analog Outputs and 4 Output Relays
- X6** – DI8-OR4: Assembly Group with 8 Digital Inputs and 4 Output Relays
- X103** – Modbus RTU / IEC 60870-5-103 / DNP3.0 RTU, RS485, Terminals
- X104** – IRIG-B00X, incl. System Contact (Supervision Contact)

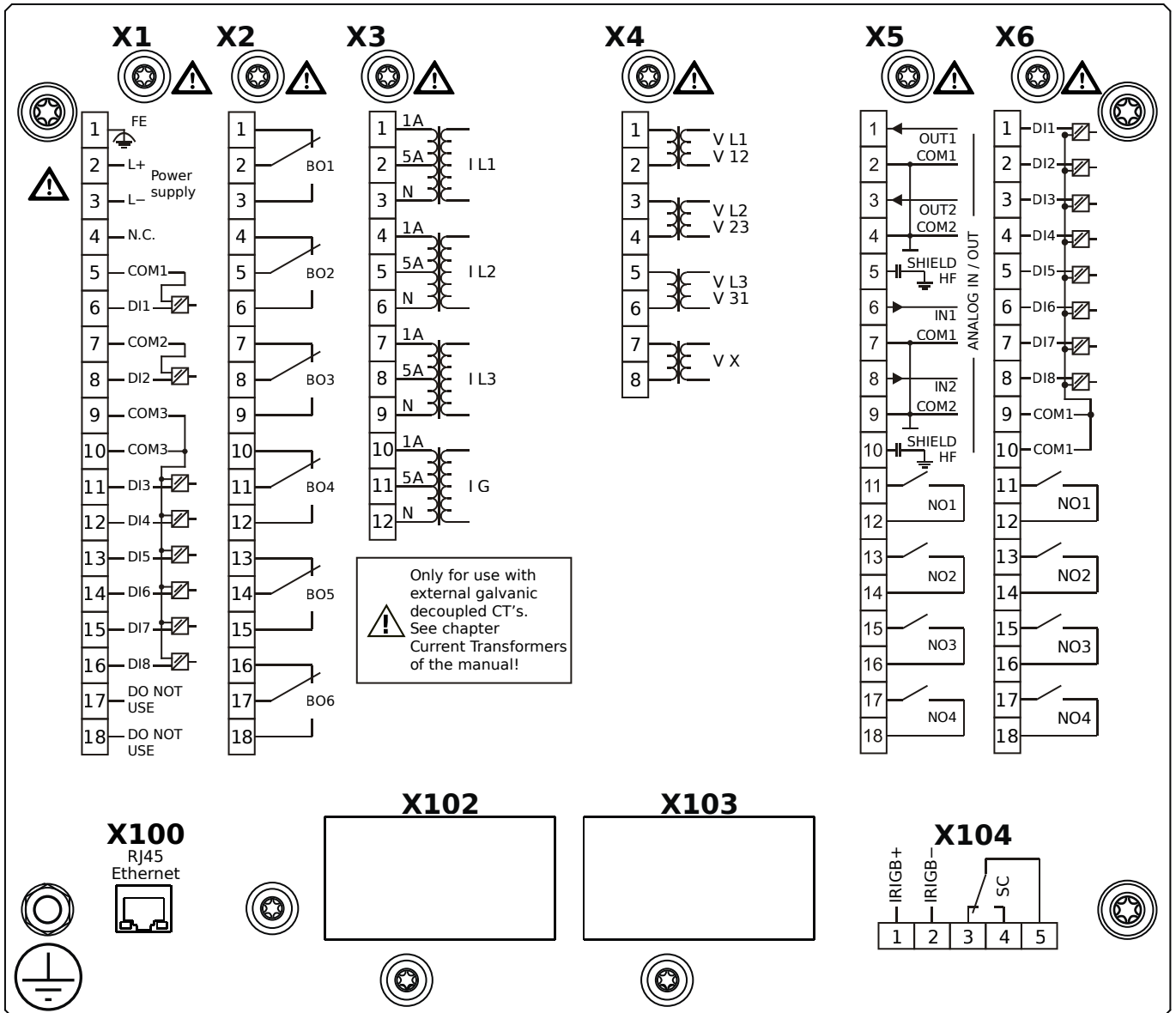
MRA4-2F0BBB



Housing B2, small display, 19" rack mounting

- + Conformal Coating (for installations in harsh environment)
- X1** – DI8-X1: Wide-range power supply unit, incl. 2 non-grouped digital inputs and 6 grouped digital inputs
- X2** – OR6: Assembly Group with 6 Output Relays
- X3** – TI: Standard current measuring card
- X4** – TU: Card with 4 voltage transformer measuring inputs
- X5** – AnIO2-OR4: Assembly Group with 2 Analog Inputs, 2 Analog Outputs and 4 Output Relays
- X6** – DI8-OR4: Assembly Group with 8 Digital Inputs and 4 Output Relays
- X103** – Modbus RTU / IEC 60870-5-103 / DNP3.0 RTU, RS485, Terminals
- X104** – IRIG-B00X, incl. System Contact (Supervision Contact)

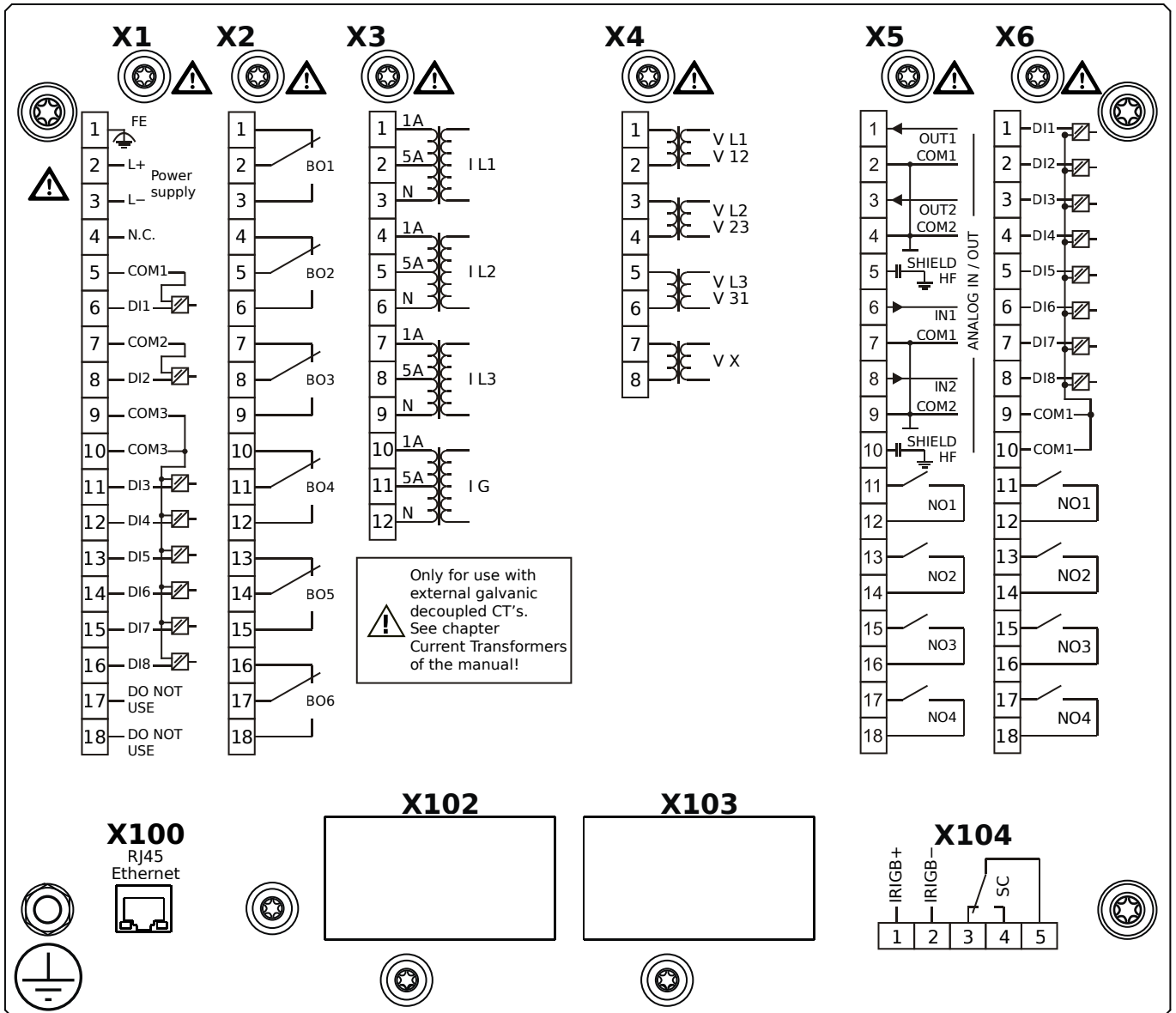
MRA4-2F0BCA



Housing B2, small display, 19" rack mounting

- X1** – DI8-X1: Wide-range power supply unit, incl. 2 non-grouped digital inputs and 6 grouped digital inputs
- X2** – OR6: Assembly Group with 6 Output Relays
- X3** – TI: Standard current measuring card
- X4** – TU: Card with 4 voltage transformer measuring inputs
- X5** – AnIO2-OR4: Assembly Group with 2 Analog Inputs, 2 Analog Outputs and 4 Output Relays
- X6** – DI8-OR4: Assembly Group with 8 Digital Inputs and 4 Output Relays
- X100** – Modbus TCP / DNP3.0 TCP/UDP, Ethernet interface, 100 Mbit/s, RJ45 (BASE100-FX)
- X104** – IRIG-B00X, incl. System Contact (Supervision Contact)

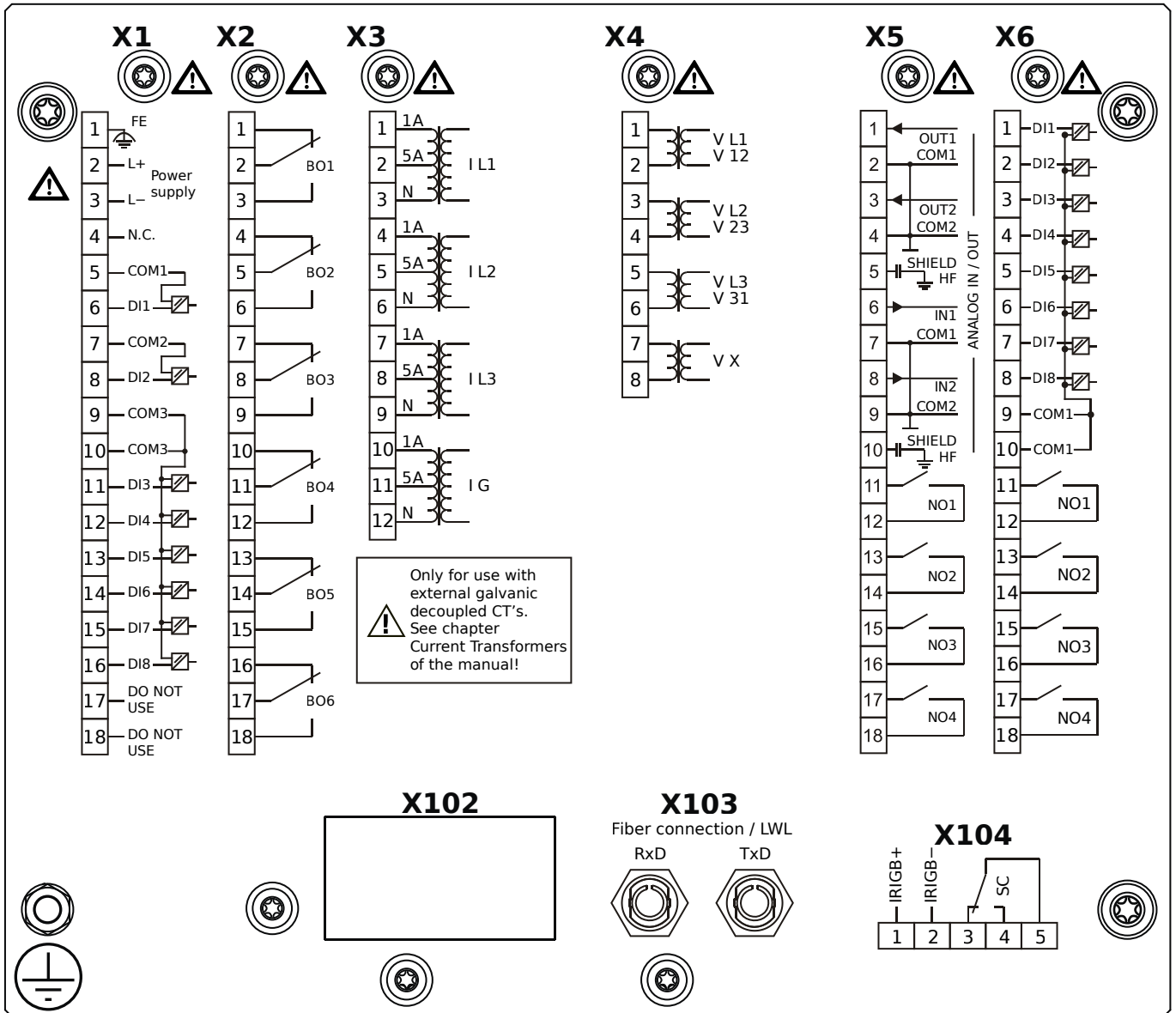
MRA4-2F0BCB



Housing B2, small display, 19" rack mounting

- + Conformal Coating (for installations in harsh environment)
- X1** – DI8-X1: Wide-range power supply unit, incl. 2 non-grouped digital inputs and 6 grouped digital inputs
- X2** – OR6: Assembly Group with 6 Output Relays
- X3** – TI: Standard current measuring card
- X4** – TU: Card with 4 voltage transformer measuring inputs
- X5** – AnIO2-OR4: Assembly Group with 2 Analog Inputs, 2 Analog Outputs and 4 Output Relays
- X6** – DI8-OR4: Assembly Group with 8 Digital Inputs and 4 Output Relays
- X100** – Modbus TCP / DNP3.0 TCP/UDP, Ethernet interface, 100 Mbit/s, RJ45 (BASE100-FX)
- X104** – IRIG-B00X, incl. System Contact (Supervision Contact)

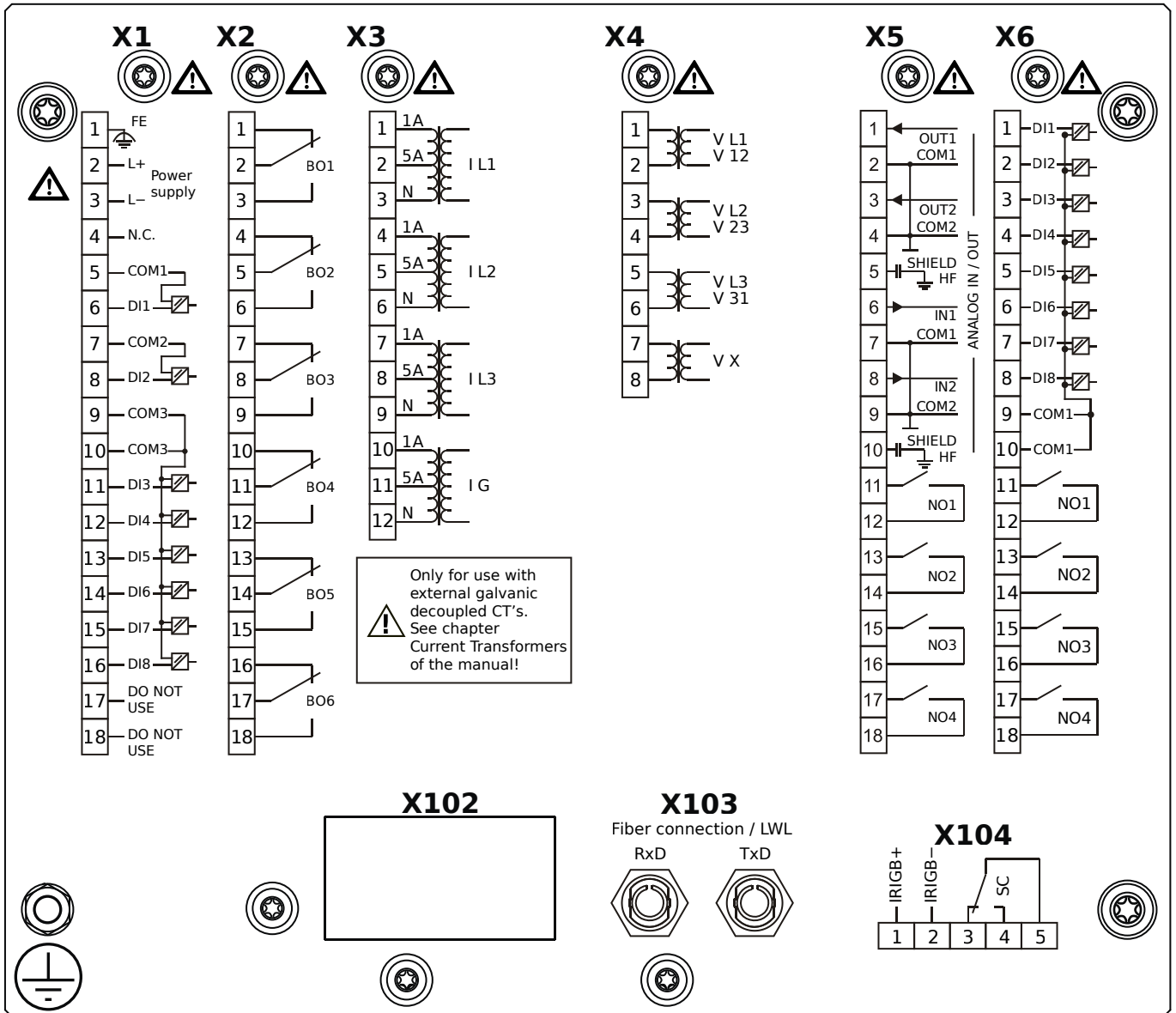
MRA4-2F0BDA



Housing B2, small display, 19" rack mounting

- X1** – DI8-X1: Wide-range power supply unit, incl. 2 non-grouped digital inputs and 6 grouped digital inputs
- X2** – OR6: Assembly Group with 6 Output Relays
- X3** – TI: Standard current measuring card
- X4** – TU: Card with 4 voltage transformer measuring inputs
- X5** – AnIO2-OR4: Assembly Group with 2 Analog Inputs, 2 Analog Outputs and 4 Output Relays
- X6** – DI8-OR4: Assembly Group with 8 Digital Inputs and 4 Output Relays
- X103** – Profibus-DP, Fiber optics interface, ST Connector
- X104** – IRIG-B00X, incl. System Contact (Supervision Contact)

MRA4-2F0BDB

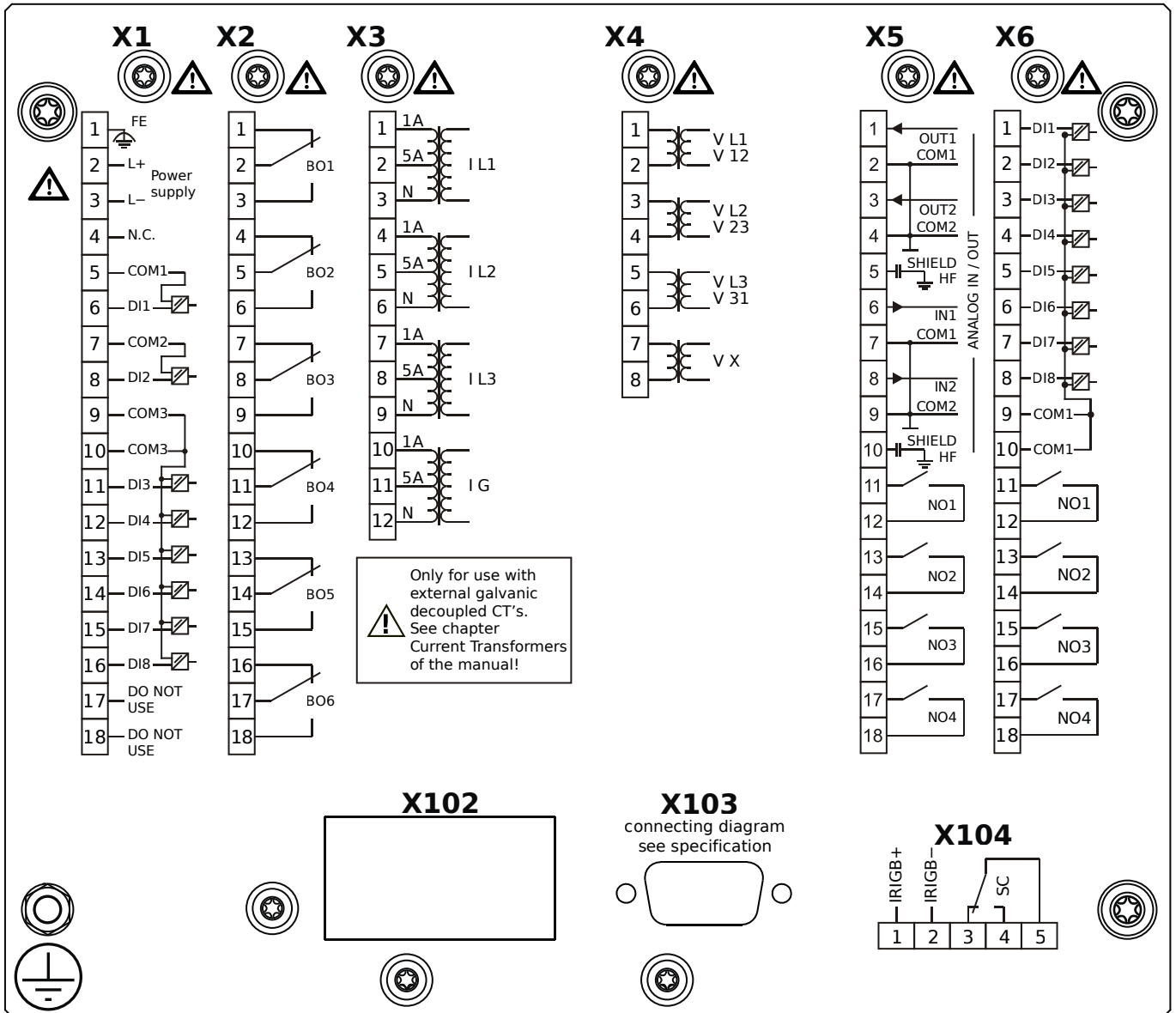


Housing B2, small display, 19" rack mounting

+ Conformal Coating (for installations in harsh environment)

- X1** – DI8-X1: Wide-range power supply unit, incl. 2 non-grouped digital inputs and 6 grouped digital inputs
- X2** – OR6: Assembly Group with 6 Output Relays
- X3** – TI: Standard current measuring card
- X4** – TU: Card with 4 voltage transformer measuring inputs
- X5** – AnIO2-OR4: Assembly Group with 2 Analog Inputs, 2 Analog Outputs and 4 Output Relays
- X6** – DI8-OR4: Assembly Group with 8 Digital Inputs and 4 Output Relays
- X103** – Profibus-DP, Fiber optics interface, ST Connector
- X104** – IRIG-B00X, incl. System Contact (Supervision Contact)

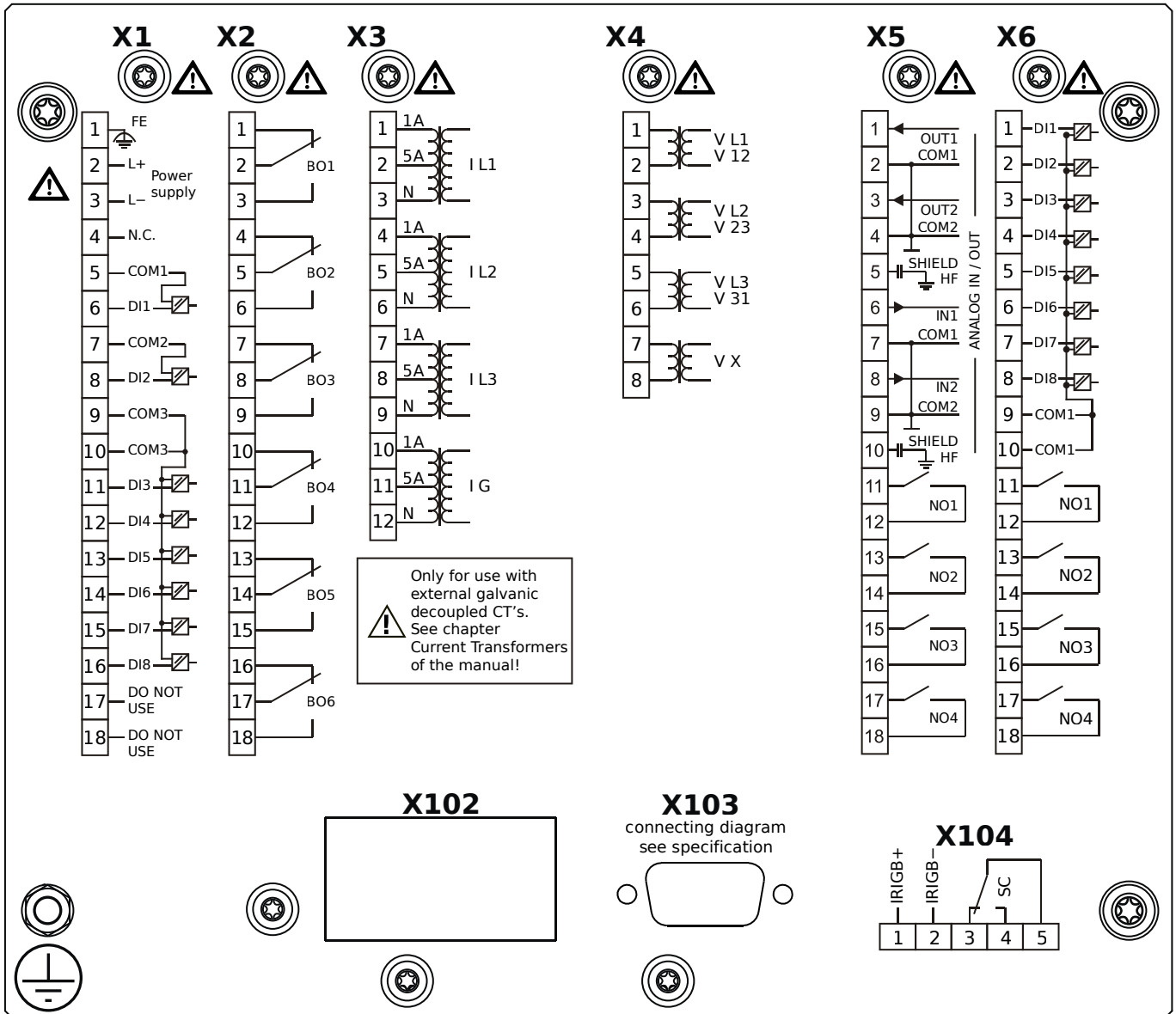
MRA4-2F0BEA



Housing B2, small display, 19" rack mounting

- X1** – DI8-X1: Wide-range power supply unit, incl. 2 non-grouped digital inputs and 6 grouped digital inputs
- X2** – OR6: Assembly Group with 6 Output Relays
- X3** – TI: Standard current measuring card
- X4** – TU: Card with 4 voltage transformer measuring inputs
- X5** – AnIO2-OR4: Assembly Group with 2 Analog Inputs, 2 Analog Outputs and 4 Output Relays
- X6** – DI8-OR4: Assembly Group with 8 Digital Inputs and 4 Output Relays
- X103** – Profibus-DP, RS485, D-SUB
- X104** – IRIG-B00X, incl. System Contact (Supervision Contact)

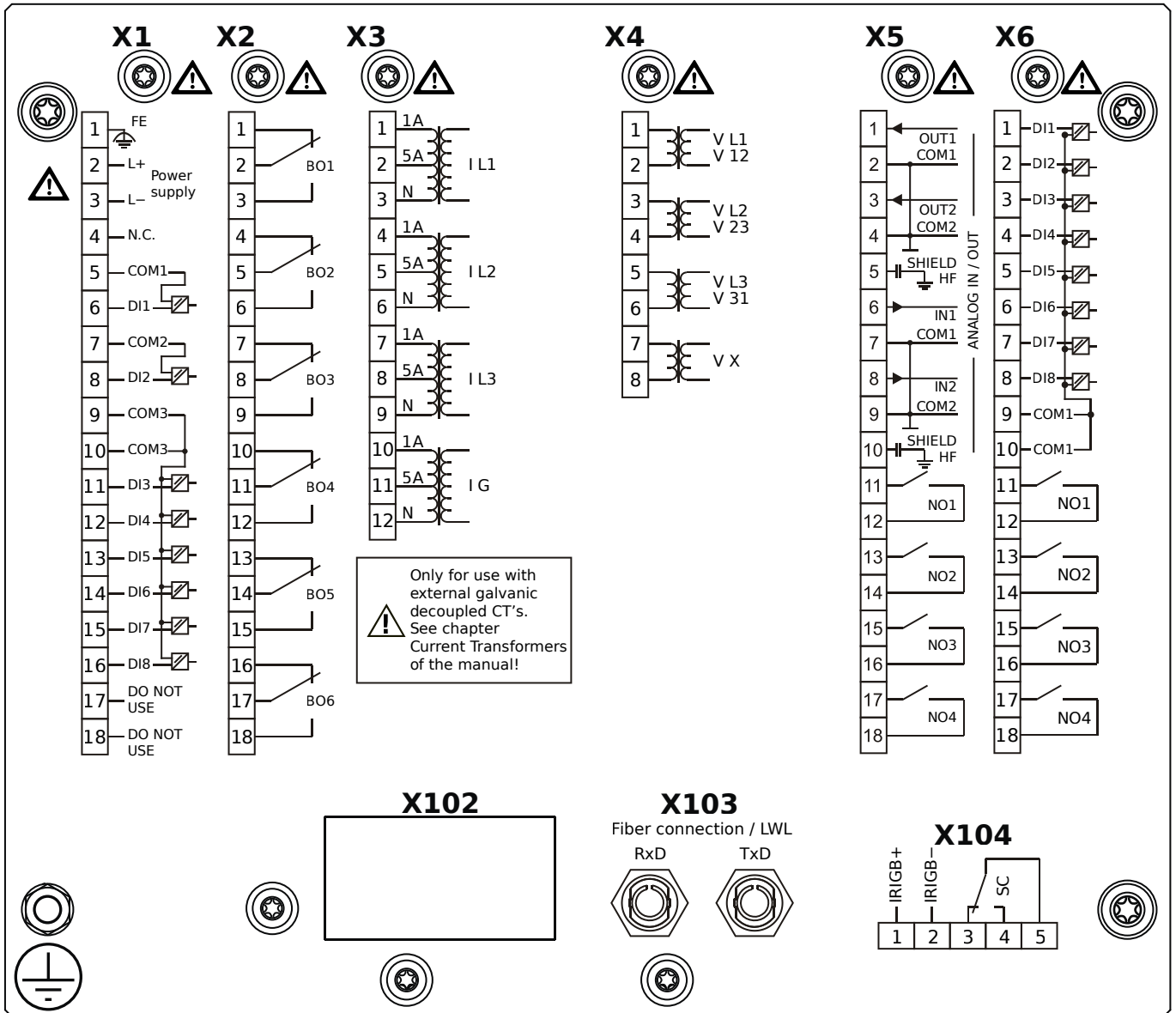
MRA4-2F0BEB



Housing B2, small display, 19" rack mounting

- + Conformal Coating (for installations in harsh environment)
- X1** – DI8-X1: Wide-range power supply unit, incl. 2 non-grouped digital inputs and 6 grouped digital inputs
- X2** – OR6: Assembly Group with 6 Output Relays
- X3** – TI: Standard current measuring card
- X4** – TU: Card with 4 voltage transformer measuring inputs
- X5** – AnIO2-OR4: Assembly Group with 2 Analog Inputs, 2 Analog Outputs and 4 Output Relays
- X6** – DI8-OR4: Assembly Group with 8 Digital Inputs and 4 Output Relays
- X103** – Profibus-DP, RS485, D-SUB
- X104** – IRIG-B00X, incl. System Contact (Supervision Contact)

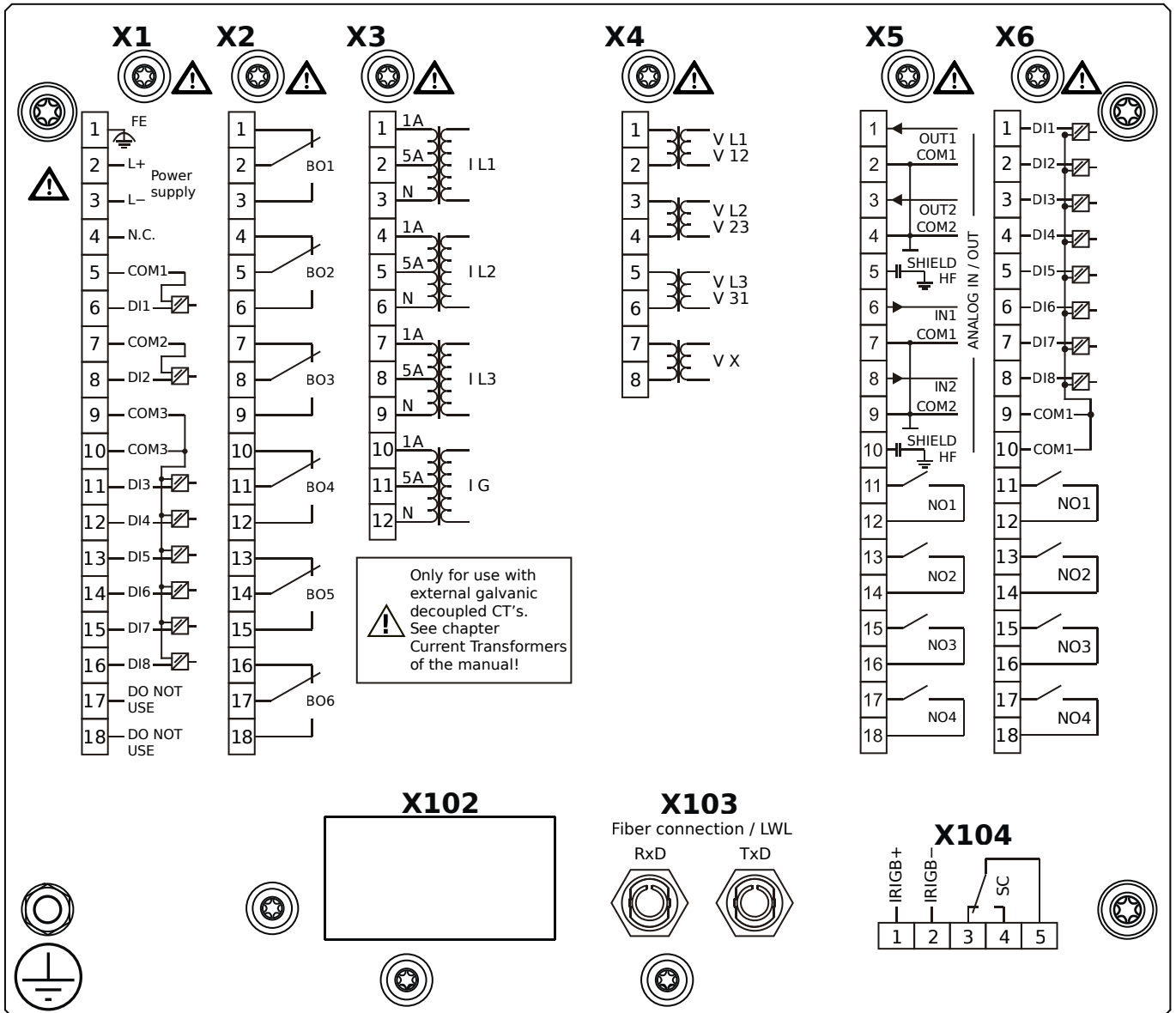
MRA4-2F0BFA



Housing B2, small display, 19" rack mounting

- X1** – DI8-X1: Wide-range power supply unit, incl. 2 non-grouped digital inputs and 6 grouped digital inputs
- X2** – OR6: Assembly Group with 6 Output Relays
- X3** – TI: Standard current measuring card
- X4** – TU: Card with 4 voltage transformer measuring inputs
- X5** – AnIO2-OR4: Assembly Group with 2 Analog Inputs, 2 Analog Outputs and 4 Output Relays
- X6** – DI8-OR4: Assembly Group with 8 Digital Inputs and 4 Output Relays
- X103** – Modbus RTU / IEC 60870-5-103 / DNP3.0 RTU, Fiber optics interface, ST Connector
- X104** – IRIG-B00X, incl. System Contact (Supervision Contact)

MRA4-2F0BFB

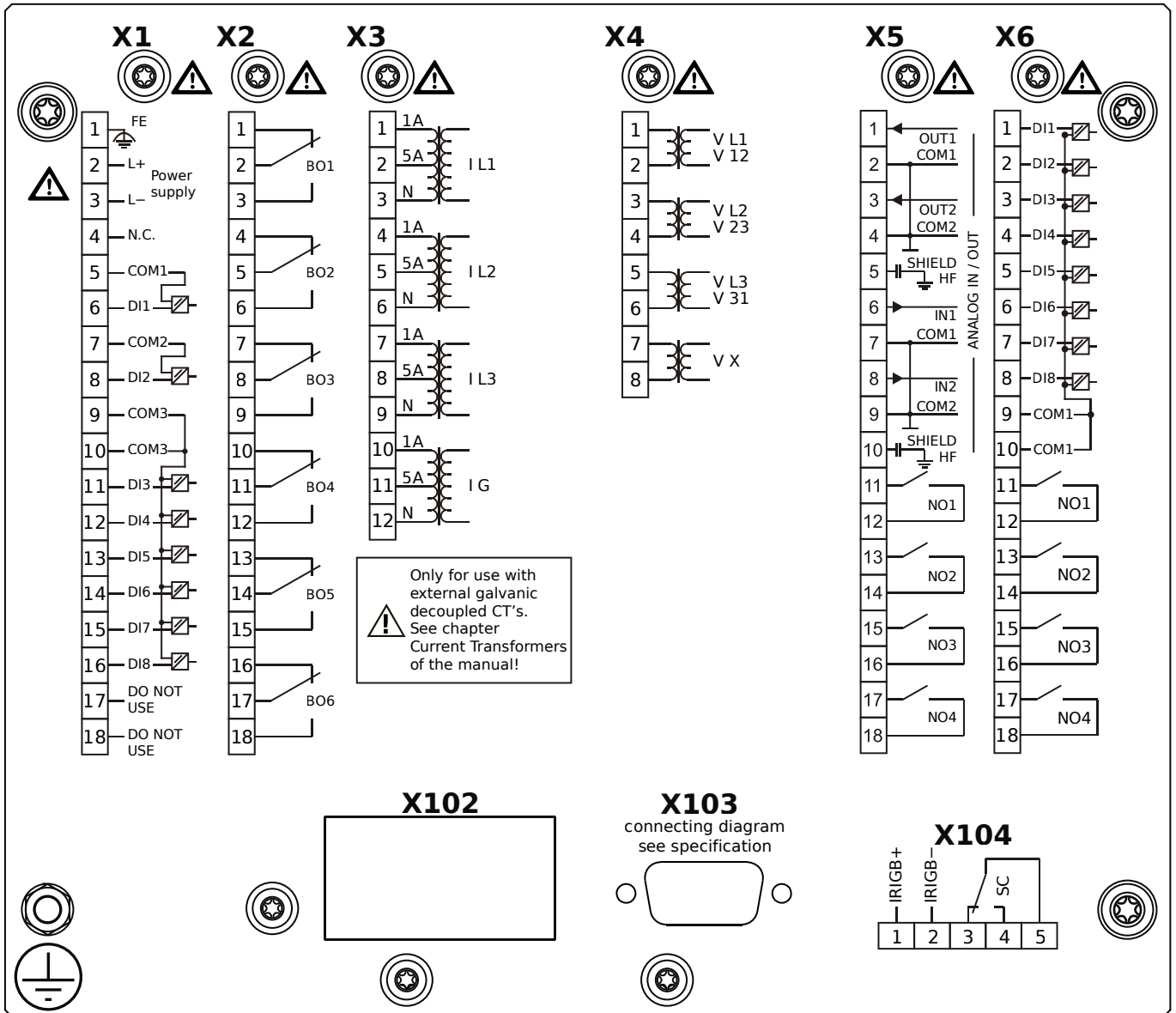


Housing B2, small display, 19" rack mounting

+ Conformal Coating (for installations in harsh environment)

- X1** – DI8-X1: Wide-range power supply unit, incl. 2 non-grouped digital inputs and 6 grouped digital inputs
- X2** – OR6: Assembly Group with 6 Output Relays
- X3** – TI: Standard current measuring card
- X4** – TU: Card with 4 voltage transformer measuring inputs
- X5** – AnIO2-OR4: Assembly Group with 2 Analog Inputs, 2 Analog Outputs and 4 Output Relays
- X6** – DI8-OR4: Assembly Group with 8 Digital Inputs and 4 Output Relays
- X103** – Modbus RTU / IEC 60870-5-103 / DNP3.0 RTU, Fiber optics interface, ST Connector
- X104** – IRIG-B00X, incl. System Contact (Supervision Contact)

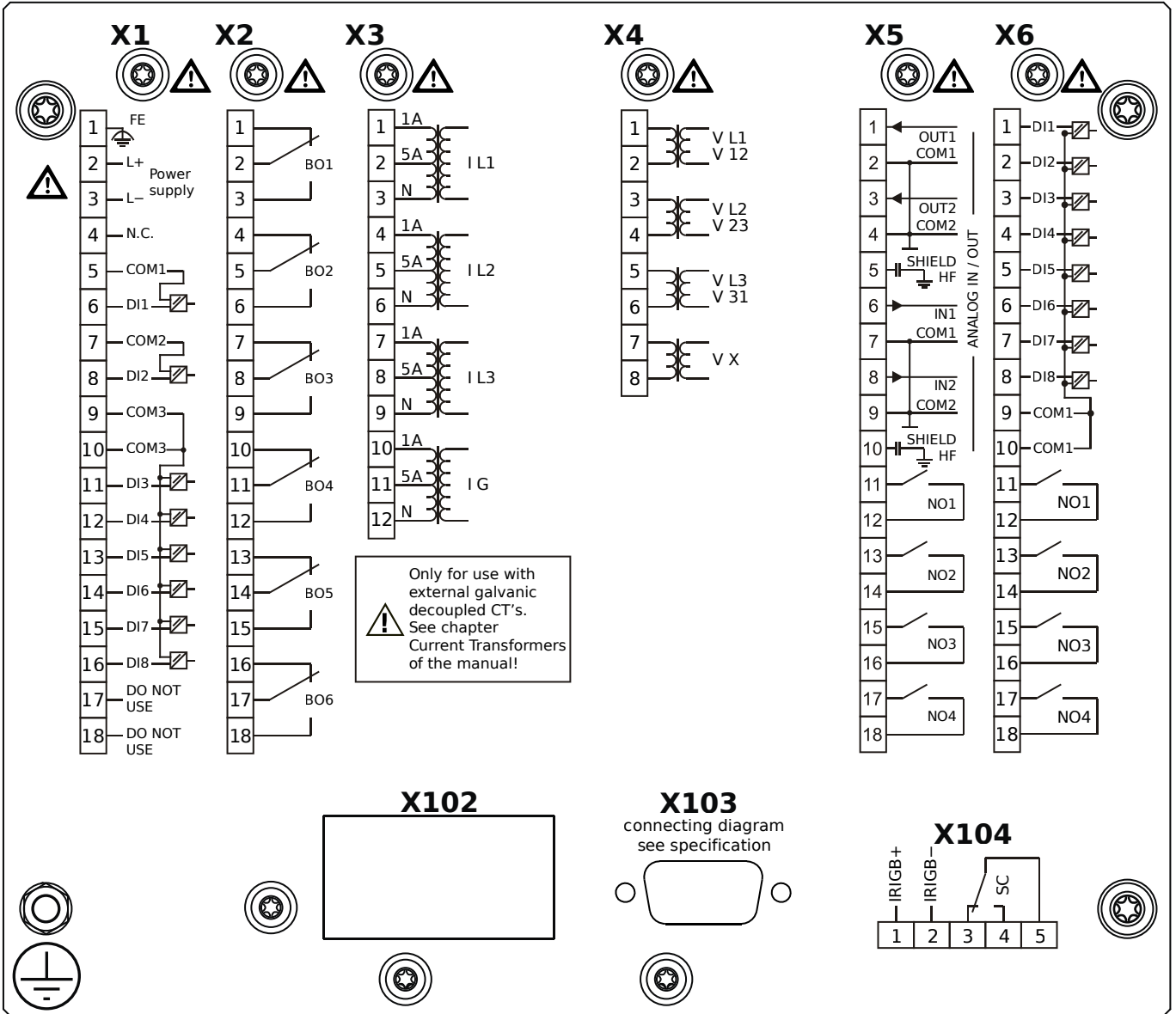
MRA4-2F0BGA



Housing B2, small display, 19" rack mounting

- X1** – DI8-X1: Wide-range power supply unit, incl. 2 non-grouped digital inputs and 6 grouped digital inputs
- X2** – OR6: Assembly Group with 6 Output Relays
- X3** – TI: Standard current measuring card
- X4** – TU: Card with 4 voltage transformer measuring inputs
- X5** – AnIO2-OR4: Assembly Group with 2 Analog Inputs, 2 Analog Outputs and 4 Output Relays
- X6** – DI8-OR4: Assembly Group with 8 Digital Inputs and 4 Output Relays
- X103** – Modbus RTU / IEC 60870-5-103 / DNP3.0 RTU, RS485, D-SUB
- X104** – IRIG-B00X, incl. System Contact (Supervision Contact)

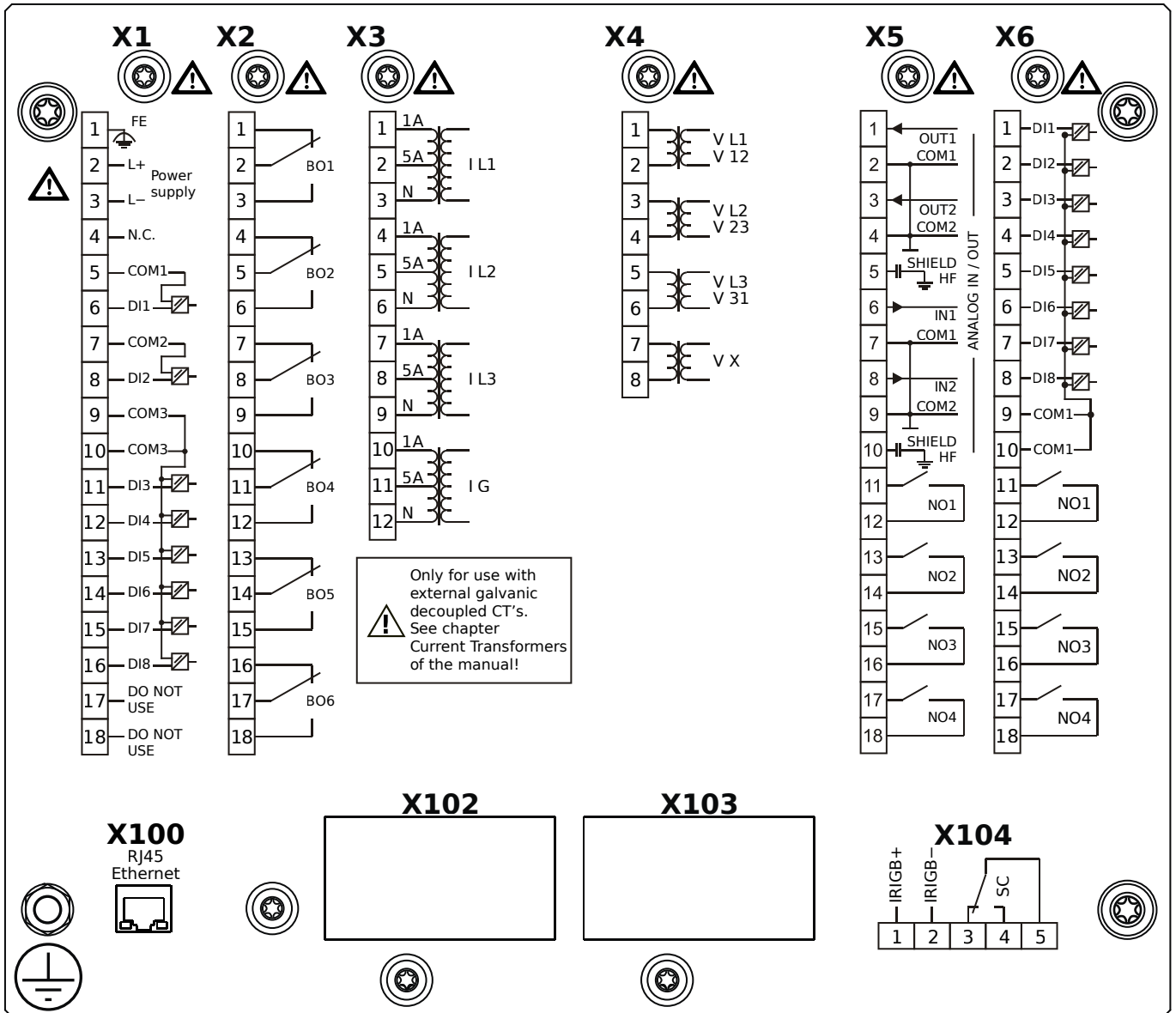
MRA4-2F0BGB



Housing B2, small display, 19" rack mounting

- + Conformal Coating (for installations in harsh environment)
- X1** – DI8-X1: Wide-range power supply unit, incl. 2 non-grouped digital inputs and 6 grouped digital inputs
- X2** – OR6: Assembly Group with 6 Output Relays
- X3** – TI: Standard current measuring card
- X4** – TU: Card with 4 voltage transformer measuring inputs
- X5** – AnIO2-OR4: Assembly Group with 2 Analog Inputs, 2 Analog Outputs and 4 Output Relays
- X6** – DI8-OR4: Assembly Group with 8 Digital Inputs and 4 Output Relays
- X103** – Modbus RTU / IEC 60870-5-103 / DNP3.0 RTU, RS485, D-SUB
- X104** – IRIG-B00X, incl. System Contact (Supervision Contact)

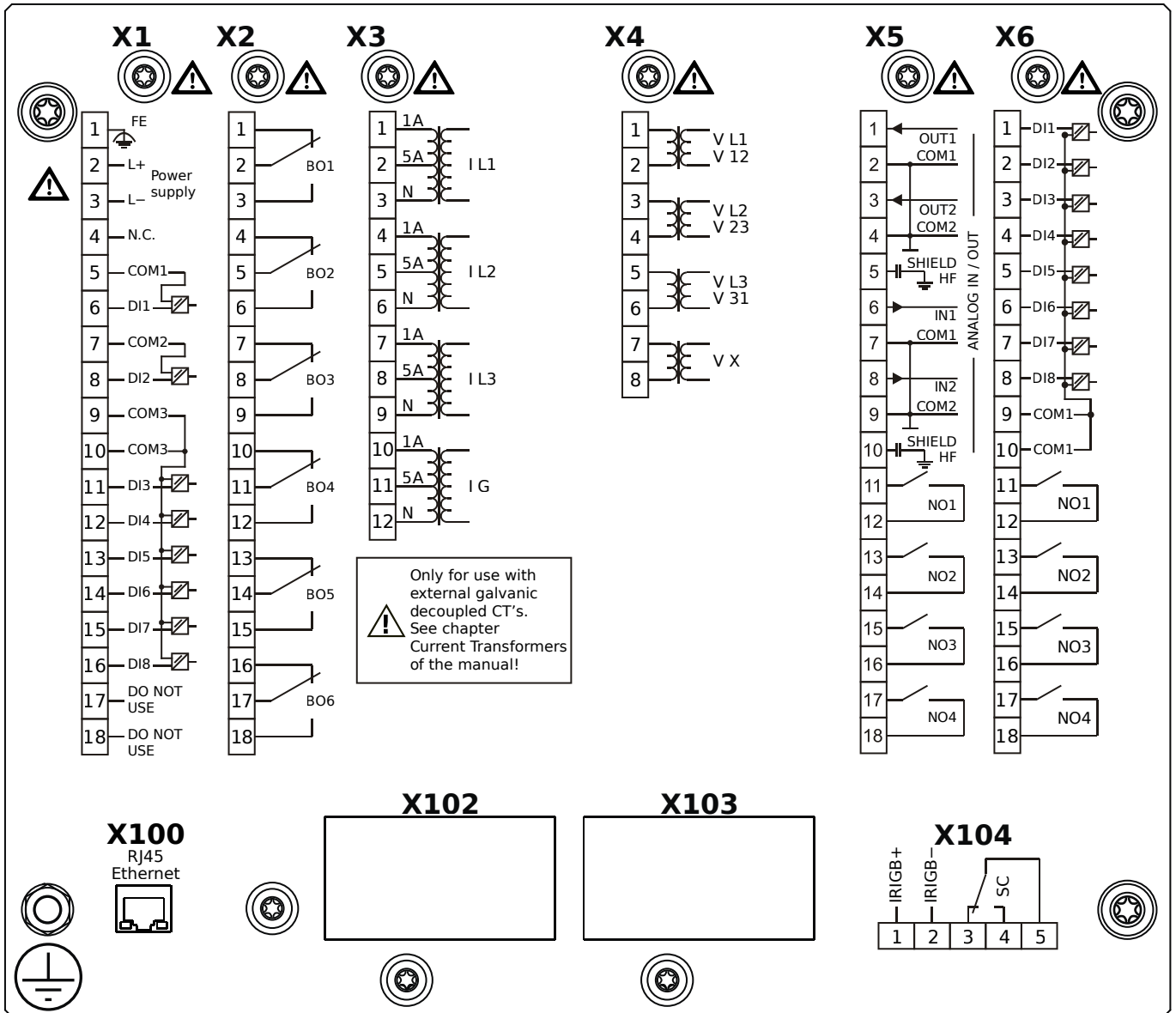
MRA4-2F0BHA



Housing B2, small display, 19" rack mounting

- X1** – DI8-X1: Wide-range power supply unit, incl. 2 non-grouped digital inputs and 6 grouped digital inputs
- X2** – OR6: Assembly Group with 6 Output Relays
- X3** – TI: Standard current measuring card
- X4** – TU: Card with 4 voltage transformer measuring inputs
- X5** – AnIO2-OR4: Assembly Group with 2 Analog Inputs, 2 Analog Outputs and 4 Output Relays
- X6** – DI8-OR4: Assembly Group with 8 Digital Inputs and 4 Output Relays
- X100** – IEC 61850 / Modbus TCP / DNP3.0 TCP/UDP, Ethernet interface, 100 Mbit/s, RJ45 (BASE100-FX)
- X104** – IRIG-B00X, incl. System Contact (Supervision Contact)

MRA4-2F0BHB



Housing B2, small display, 19" rack mounting

+ Conformal Coating (for installations in harsh environment)

X1 – DI8-X1: Wide-range power supply unit, incl. 2 non-grouped digital inputs and 6 grouped digital inputs

X2 – OR6: Assembly Group with 6 Output Relays

X3 – TI: Standard current measuring card

X4 – TU: Card with 4 voltage transformer measuring inputs

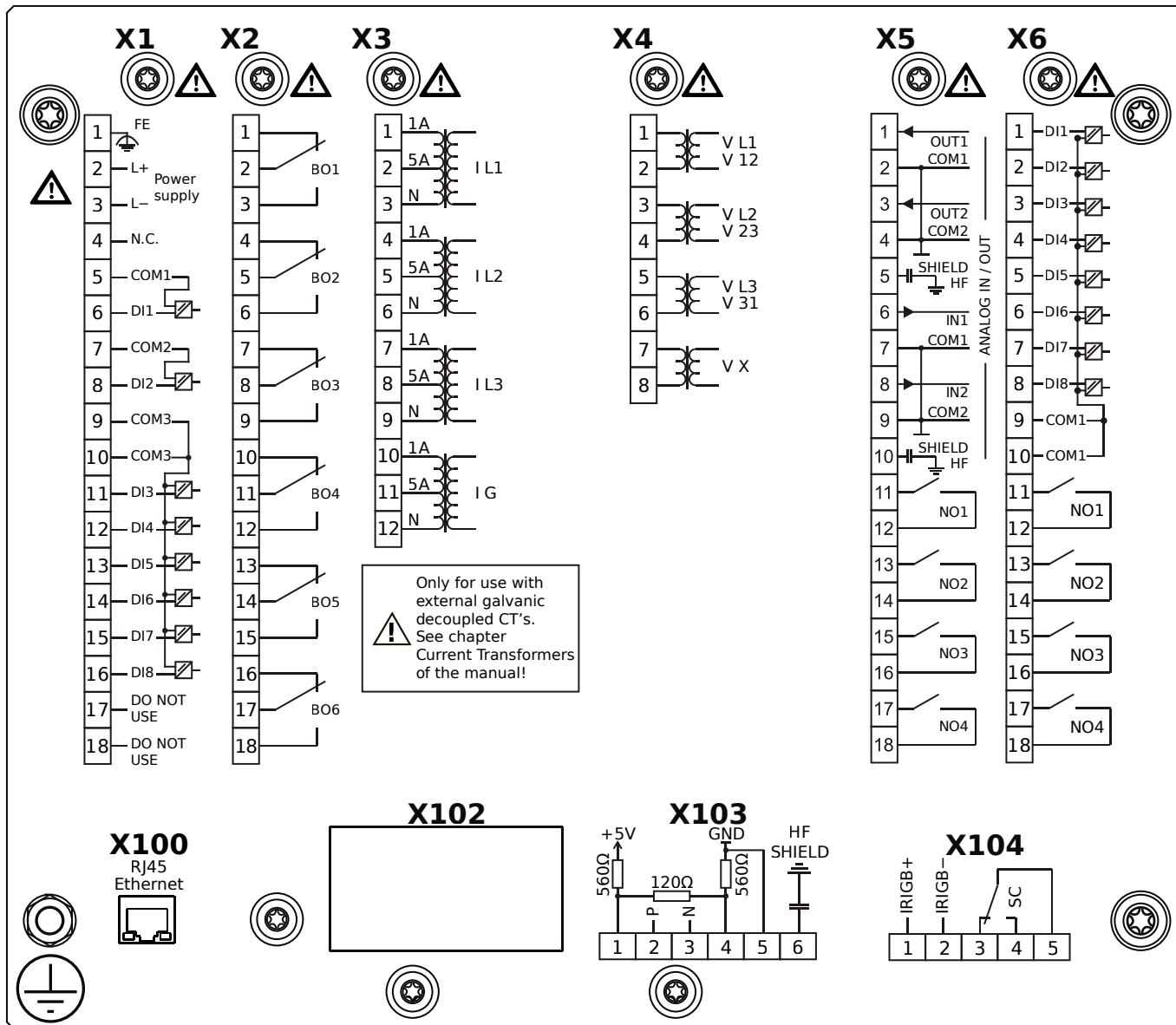
X5 – AnIO2-OR4: Assembly Group with 2 Analog Inputs, 2 Analog Outputs and 4 Output Relays

X6 – DI8-OR4: Assembly Group with 8 Digital Inputs and 4 Output Relays

X100 – IEC 61850 / Modbus TCP / DNP3.0 TCP/UDP, Ethernet interface, 100 Mbit/s, RJ45 (BASE100-FX)

X104 – IRIG-B00X, incl. System Contact (Supervision Contact)

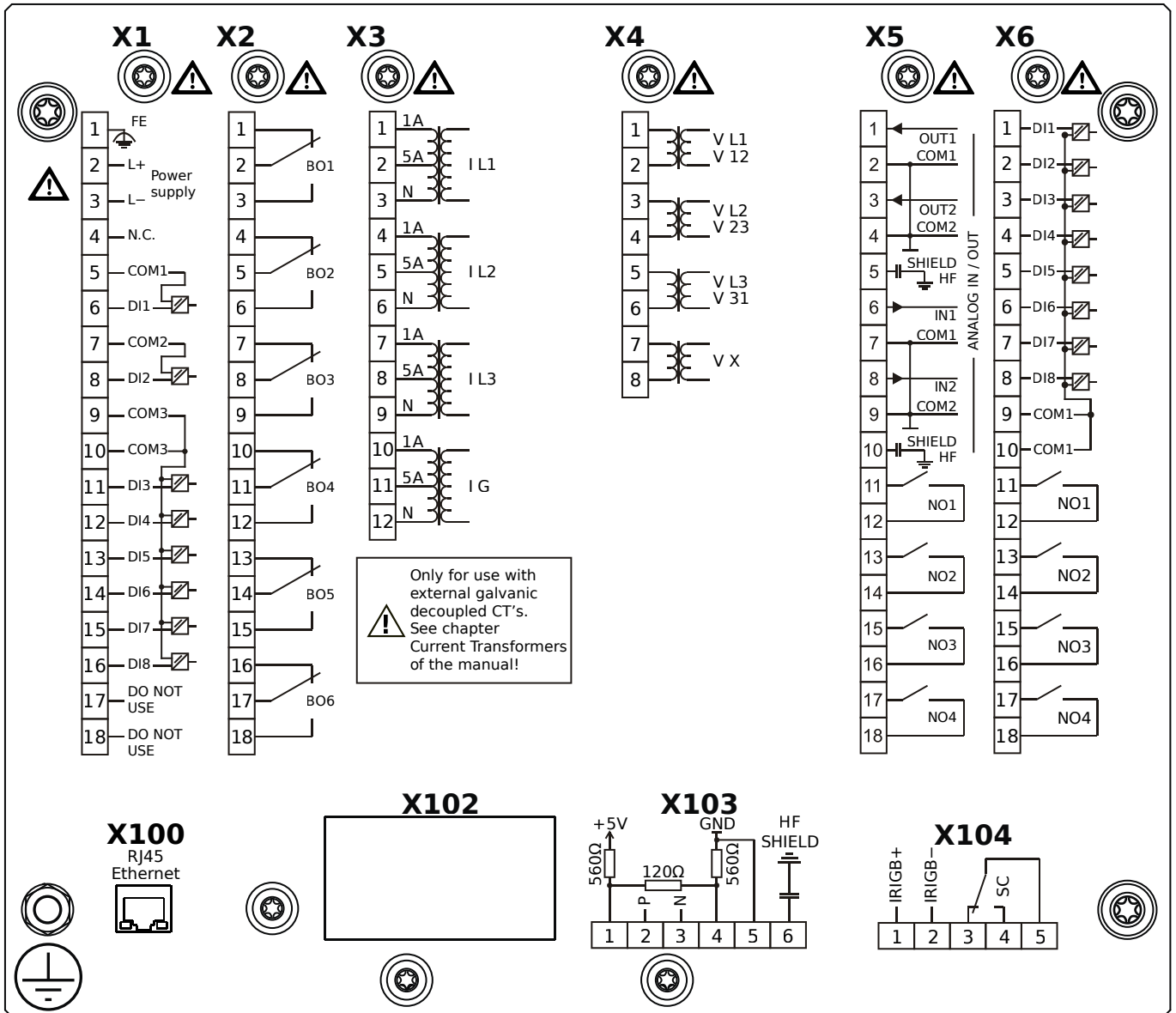
MRA4-2F0BIA



Housing B2, small display, 19" rack mounting

- X1** – DI8-X1: Wide-range power supply unit, incl. 2 non-grouped digital inputs and 6 grouped digital inputs
- X2** – OR6: Assembly Group with 6 Output Relays
- X3** – TI: Standard current measuring card
- X4** – TU: Card with 4 voltage transformer measuring inputs
- X5** – AnIO2-OR4: Assembly Group with 2 Analog Inputs, 2 Analog Outputs and 4 Output Relays
- X6** – DI8-OR4: Assembly Group with 8 Digital Inputs and 4 Output Relays
- X100** – Modbus TCP / DNP3.0 TCP/UDP, Ethernet interface, 100 Mbit/s, RJ45 (BASE100-FX)
- X103** – IEC 60870-5-103 / Modbus RTU / DNP3.0 RTU, RS485, Terminals
- X104** – IRIG-B00X, incl. System Contact (Supervision Contact)

MRA4-2F0BIB

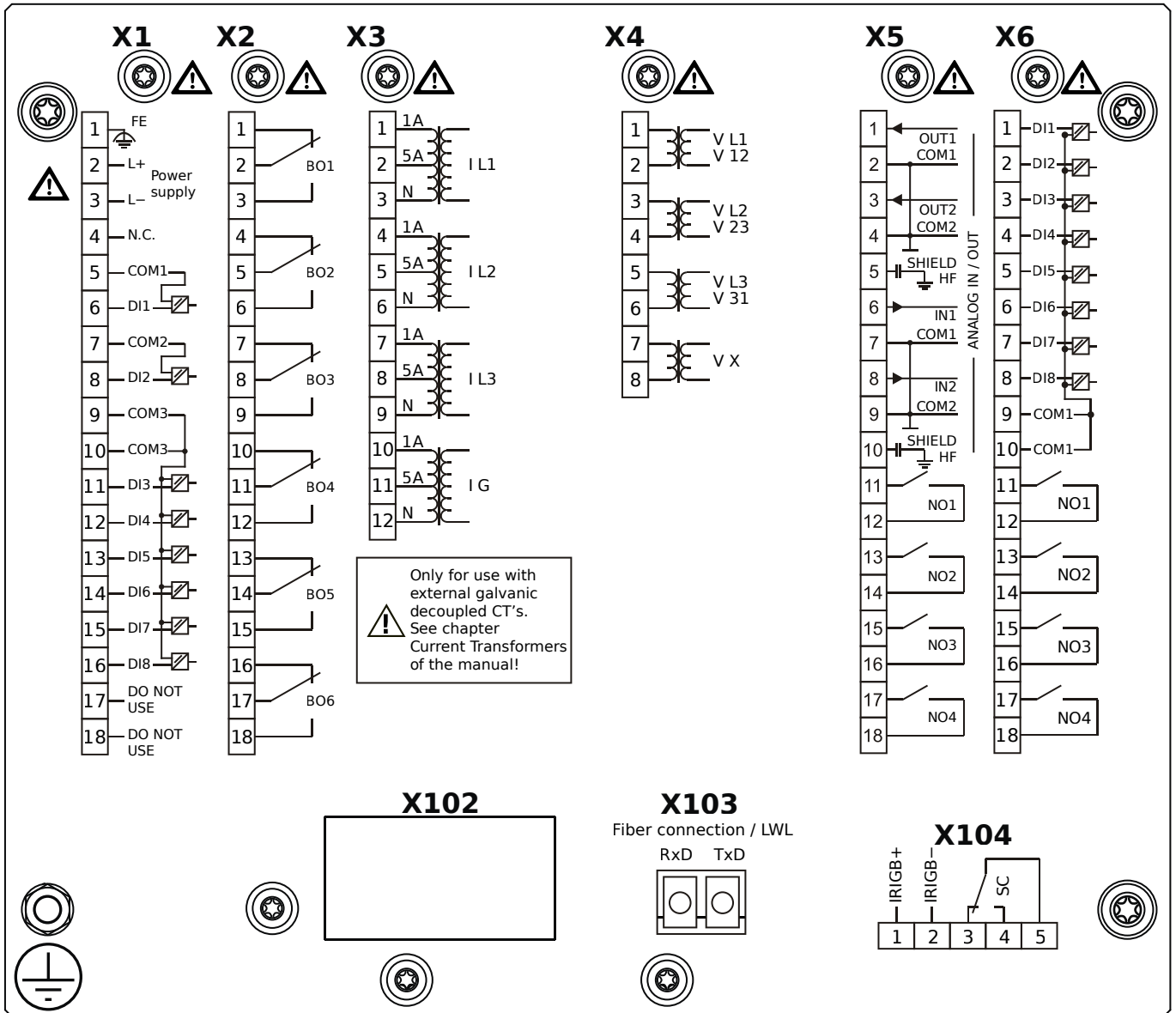


Housing B2, small display, 19" rack mounting

+ Conformal Coating (for installations in harsh environment)

- X1** – DI8-X1: Wide-range power supply unit, incl. 2 non-grouped digital inputs and 6 grouped digital inputs
- X2** – OR6: Assembly Group with 6 Output Relays
- X3** – TI: Standard current measuring card
- X4** – TU: Card with 4 voltage transformer measuring inputs
- X5** – AnIO2-OR4: Assembly Group with 2 Analog Inputs, 2 Analog Outputs and 4 Output Relays
- X6** – DI8-OR4: Assembly Group with 8 Digital Inputs and 4 Output Relays
- X100** – Modbus TCP / DNP3.0 TCP/UDP, Ethernet interface, 100 Mbit/s, RJ45 (BASE100-FX)
- X103** – IEC 60870-5-103 / Modbus RTU / DNP3.0 RTU, RS485, Terminals
- X104** – IRIG-B00X, incl. System Contact (Supervision Contact)

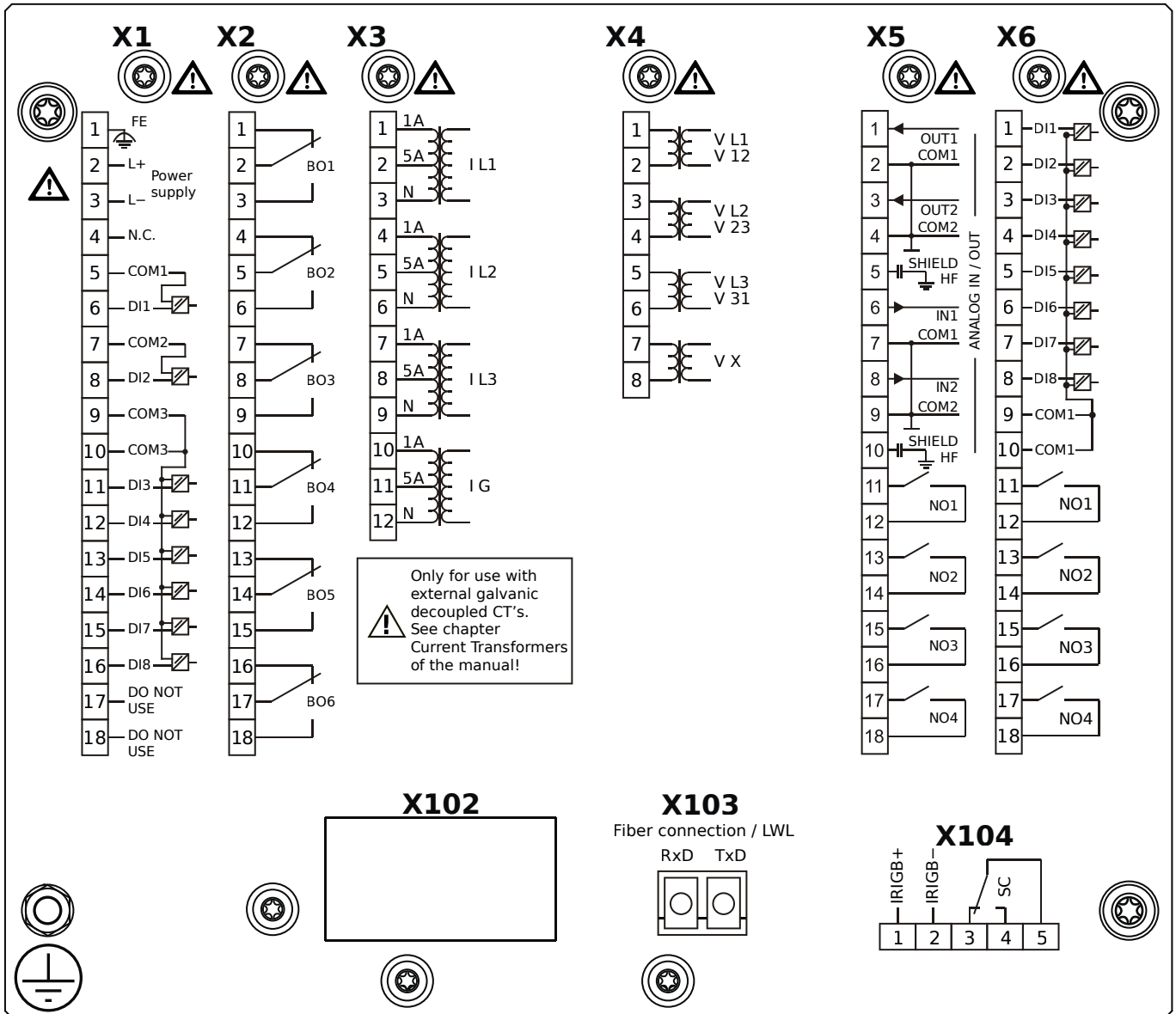
MRA4-2F0BKA



Housing B2, small display, 19" rack mounting

- X1** – DI8-X1: Wide-range power supply unit, incl. 2 non-grouped digital inputs and 6 grouped digital inputs
- X2** – OR6: Assembly Group with 6 Output Relays
- X3** – TI: Standard current measuring card
- X4** – TU: Card with 4 voltage transformer measuring inputs
- X5** – AnIO2-OR4: Assembly Group with 2 Analog Inputs, 2 Analog Outputs and 4 Output Relays
- X6** – DI8-OR4: Assembly Group with 8 Digital Inputs and 4 Output Relays
- X103** – IEC 61850 / Modbus TCP / DNP3.0 TCP/UDP, Fiber optics interface, LC Connector
- X104** – IRIG-B00X, incl. System Contact (Supervision Contact)

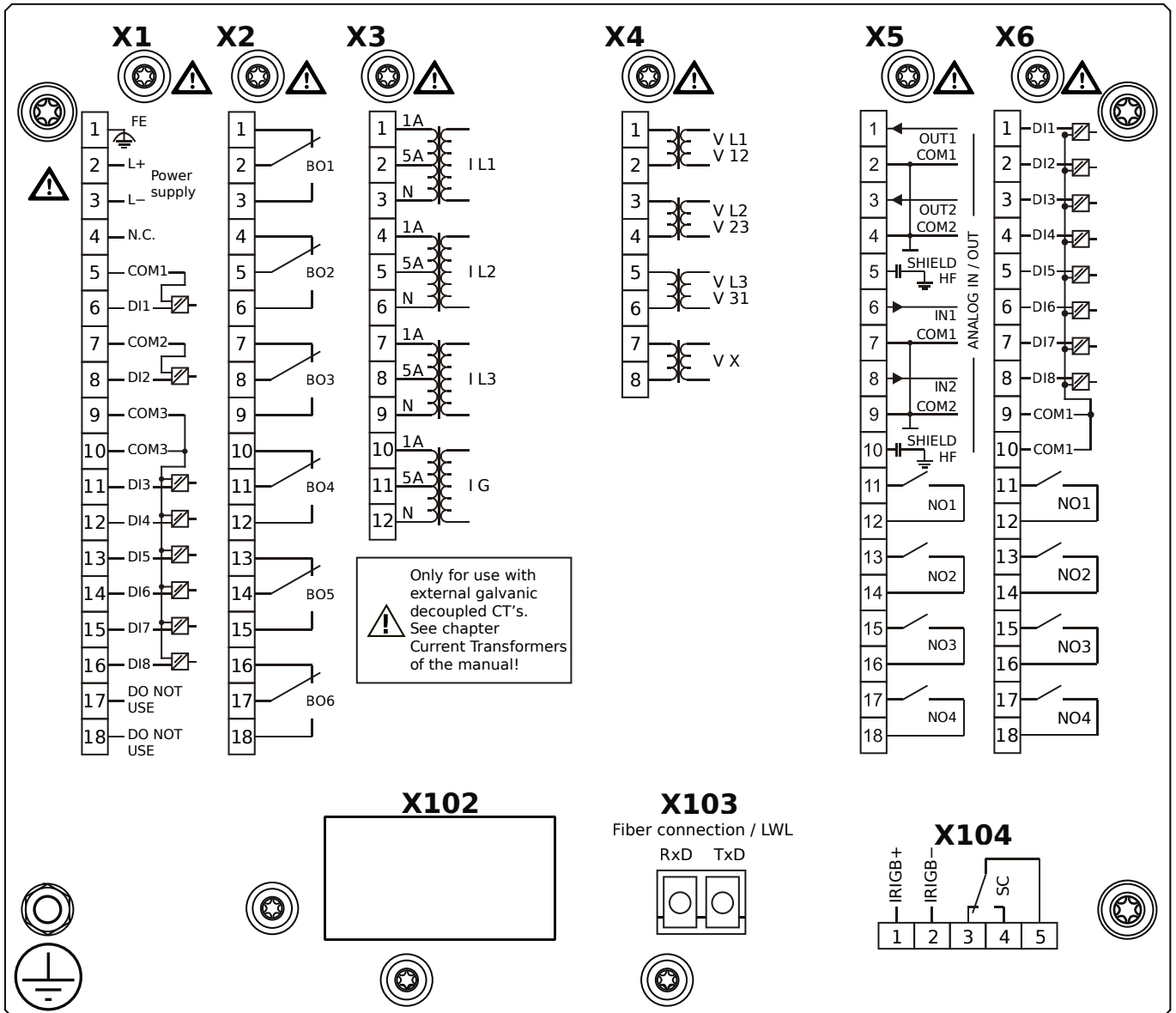
MRA4-2F0BKB



Housing B2, small display, 19" rack mounting

- + Conformal Coating (for installations in harsh environment)
- X1** – DI8-X1: Wide-range power supply unit, incl. 2 non-grouped digital inputs and 6 grouped digital inputs
- X2** – OR6: Assembly Group with 6 Output Relays
- X3** – TI: Standard current measuring card
- X4** – TU: Card with 4 voltage transformer measuring inputs
- X5** – AnIO2-OR4: Assembly Group with 2 Analog Inputs, 2 Analog Outputs and 4 Output Relays
- X6** – DI8-OR4: Assembly Group with 8 Digital Inputs and 4 Output Relays
- X103** – IEC 61850 / Modbus TCP / DNP3.0 TCP/UDP, Fiber optics interface, LC Connector
- X104** – IRIG-B00X, incl. System Contact (Supervision Contact)

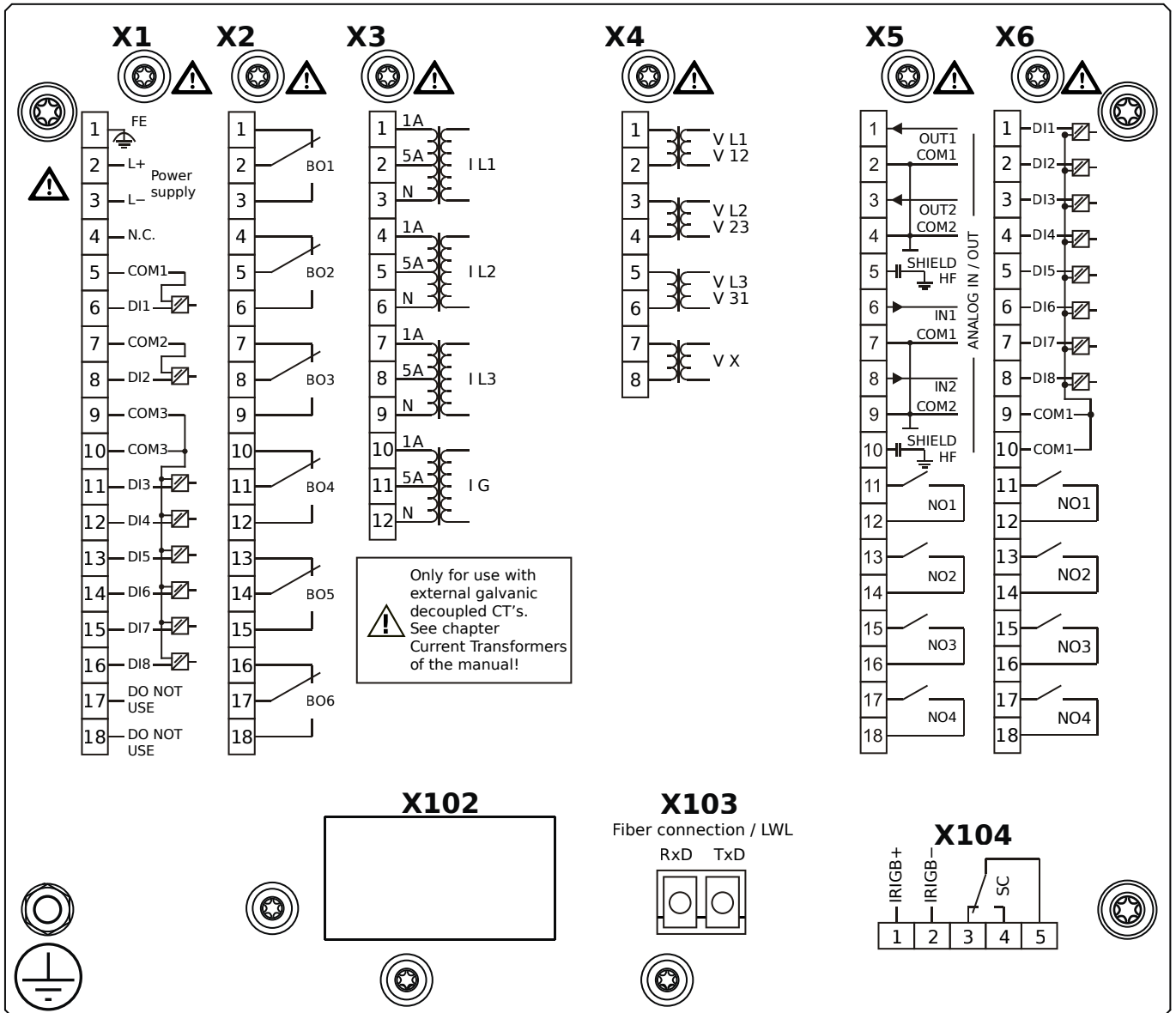
MRA4-2F0BLA



Housing B2, small display, 19" rack mounting

- X1** – DI8-X1: Wide-range power supply unit, incl. 2 non-grouped digital inputs and 6 grouped digital inputs
- X2** – OR6: Assembly Group with 6 Output Relays
- X3** – TI: Standard current measuring card
- X4** – TU: Card with 4 voltage transformer measuring inputs
- X5** – AnIO2-OR4: Assembly Group with 2 Analog Inputs, 2 Analog Outputs and 4 Output Relays
- X6** – DI8-OR4: Assembly Group with 8 Digital Inputs and 4 Output Relays
- X103** – Modbus TCP / DNP3.0 TCP/UDP, Fiber optics interface, LC Connector
- X104** – IRIG-B00X, incl. System Contact (Supervision Contact)

MRA4-2F0BLB

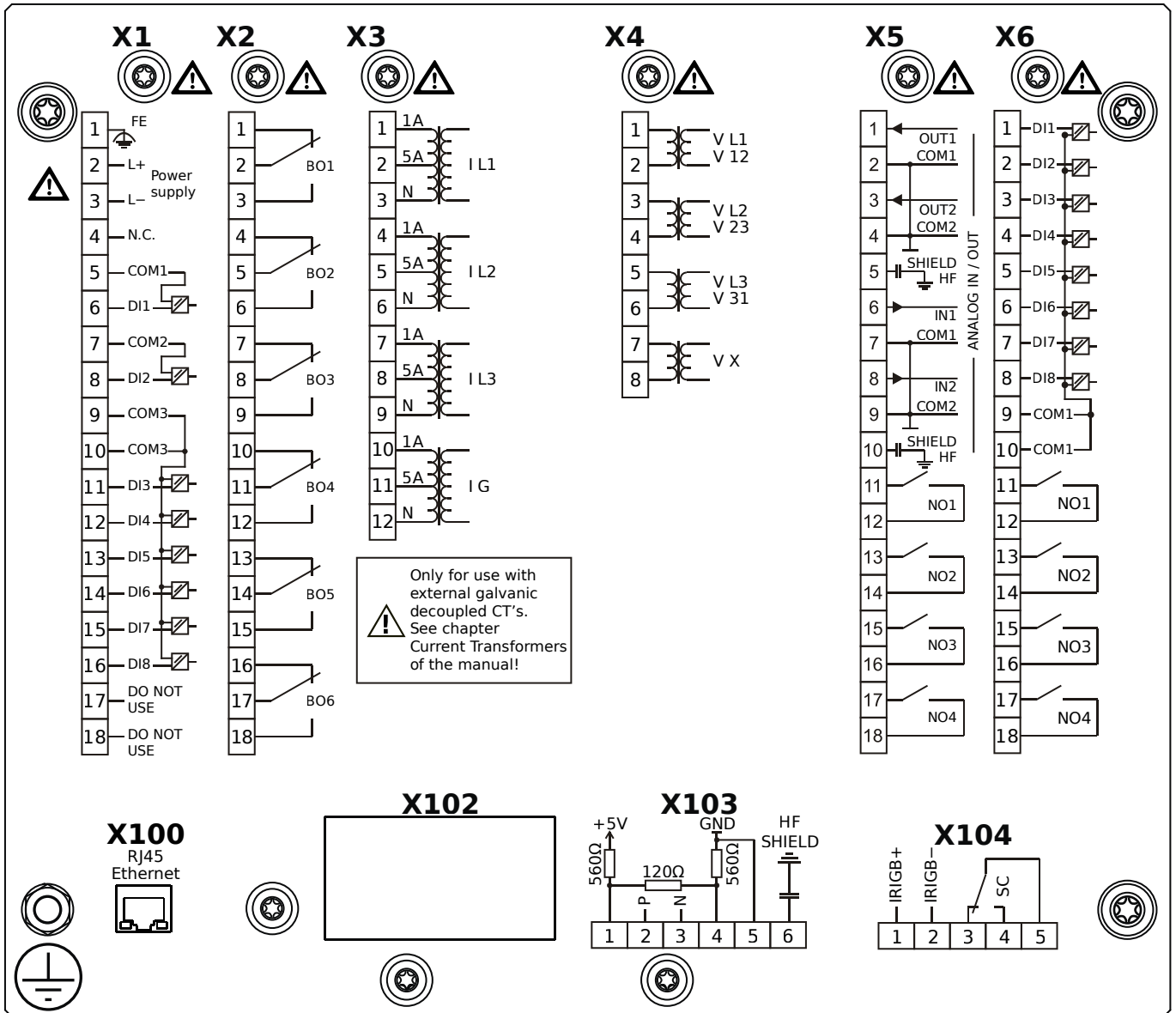


Housing B2, small display, 19" rack mounting

+ Conformal Coating (for installations in harsh environment)

- X1** – DI8-X1: Wide-range power supply unit, incl. 2 non-grouped digital inputs and 6 grouped digital inputs
- X2** – OR6: Assembly Group with 6 Output Relays
- X3** – TI: Standard current measuring card
- X4** – TU: Card with 4 voltage transformer measuring inputs
- X5** – AnIO2-OR4: Assembly Group with 2 Analog Inputs, 2 Analog Outputs and 4 Output Relays
- X6** – DI8-OR4: Assembly Group with 8 Digital Inputs and 4 Output Relays
- X103** – Modbus TCP / DNP3.0 TCP/UDP, Fiber optics interface, LC Connector
- X104** – IRIG-B00X, incl. System Contact (Supervision Contact)

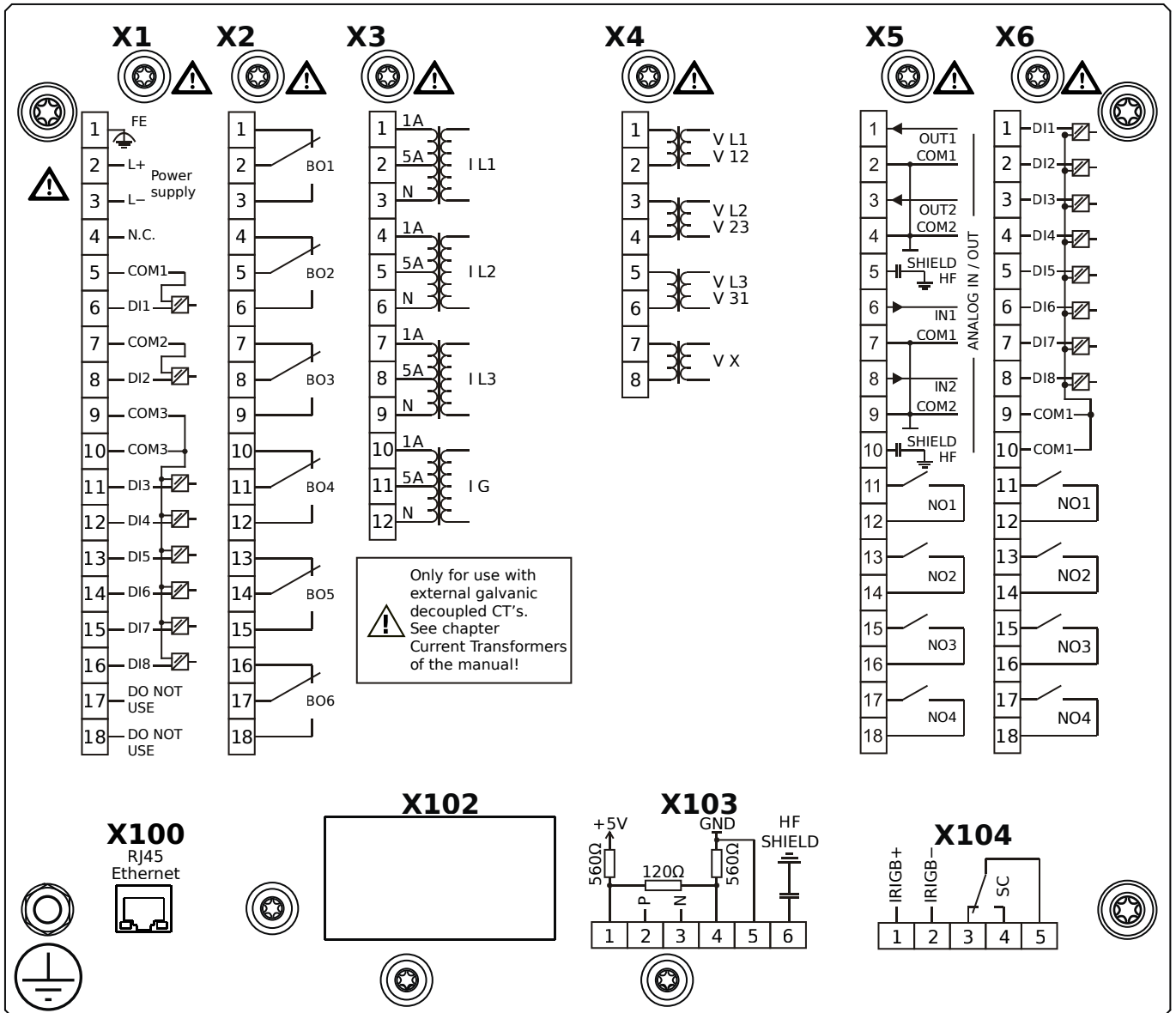
MRA4-2F0BTA



Housing B2, small display, 19" rack mounting

- X1** – DI8-X1: Wide-range power supply unit, incl. 2 non-grouped digital inputs and 6 grouped digital inputs
- X2** – OR6: Assembly Group with 6 Output Relays
- X3** – TI: Standard current measuring card
- X4** – TU: Card with 4 voltage transformer measuring inputs
- X5** – AnIO2-OR4: Assembly Group with 2 Analog Inputs, 2 Analog Outputs and 4 Output Relays
- X6** – DI8-OR4: Assembly Group with 8 Digital Inputs and 4 Output Relays
- X100** – IEC 61850 / Modbus TCP / DNP3.0 TCP/UDP, Ethernet interface, 100 Mbit/s, RJ45 (BASE100-FX)
- X103** – IEC 60870-5-103 / Modbus RTU / DNP3.0 RTU, RS485, Terminals
- X104** – IRIG-B00X, incl. System Contact (Supervision Contact)

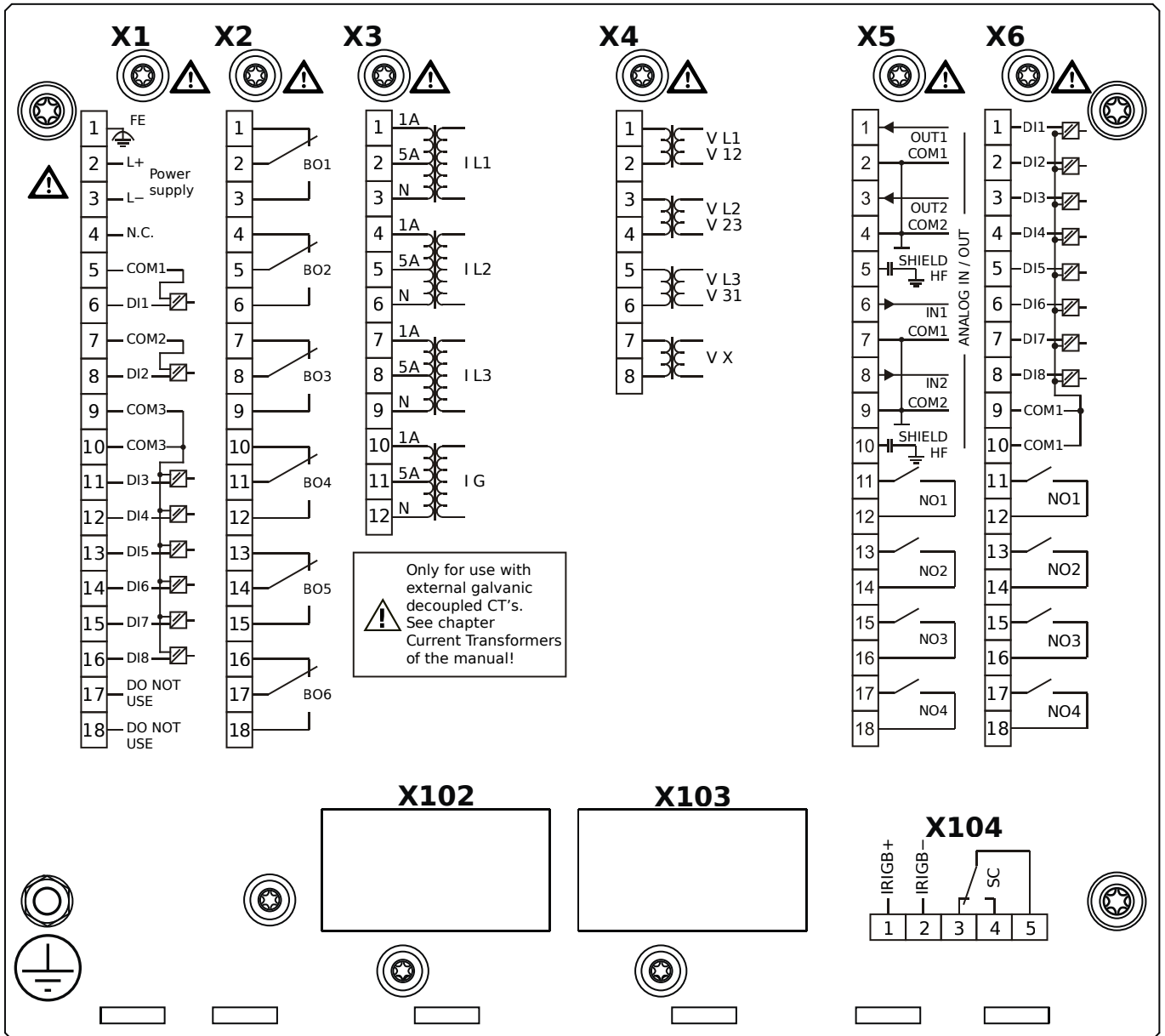
MRA4-2F0BTB



Housing B2, small display, 19" rack mounting

- + Conformal Coating (for installations in harsh environment)
- X1** – DI8-X1: Wide-range power supply unit, incl. 2 non-grouped digital inputs and 6 grouped digital inputs
- X2** – OR6: Assembly Group with 6 Output Relays
- X3** – TI: Standard current measuring card
- X4** – TU: Card with 4 voltage transformer measuring inputs
- X5** – AnIO2-OR4: Assembly Group with 2 Analog Inputs, 2 Analog Outputs and 4 Output Relays
- X6** – DI8-OR4: Assembly Group with 8 Digital Inputs and 4 Output Relays
- X100** – IEC 61850 / Modbus TCP / DNP3.0 TCP/UDP, Ethernet interface, 100 Mbit/s, RJ45 (BASE100-FX)
- X103** – IEC 60870-5-103 / Modbus RTU / DNP3.0 RTU, RS485, Terminals
- X104** – IRIG-B00X, incl. System Contact (Supervision Contact)

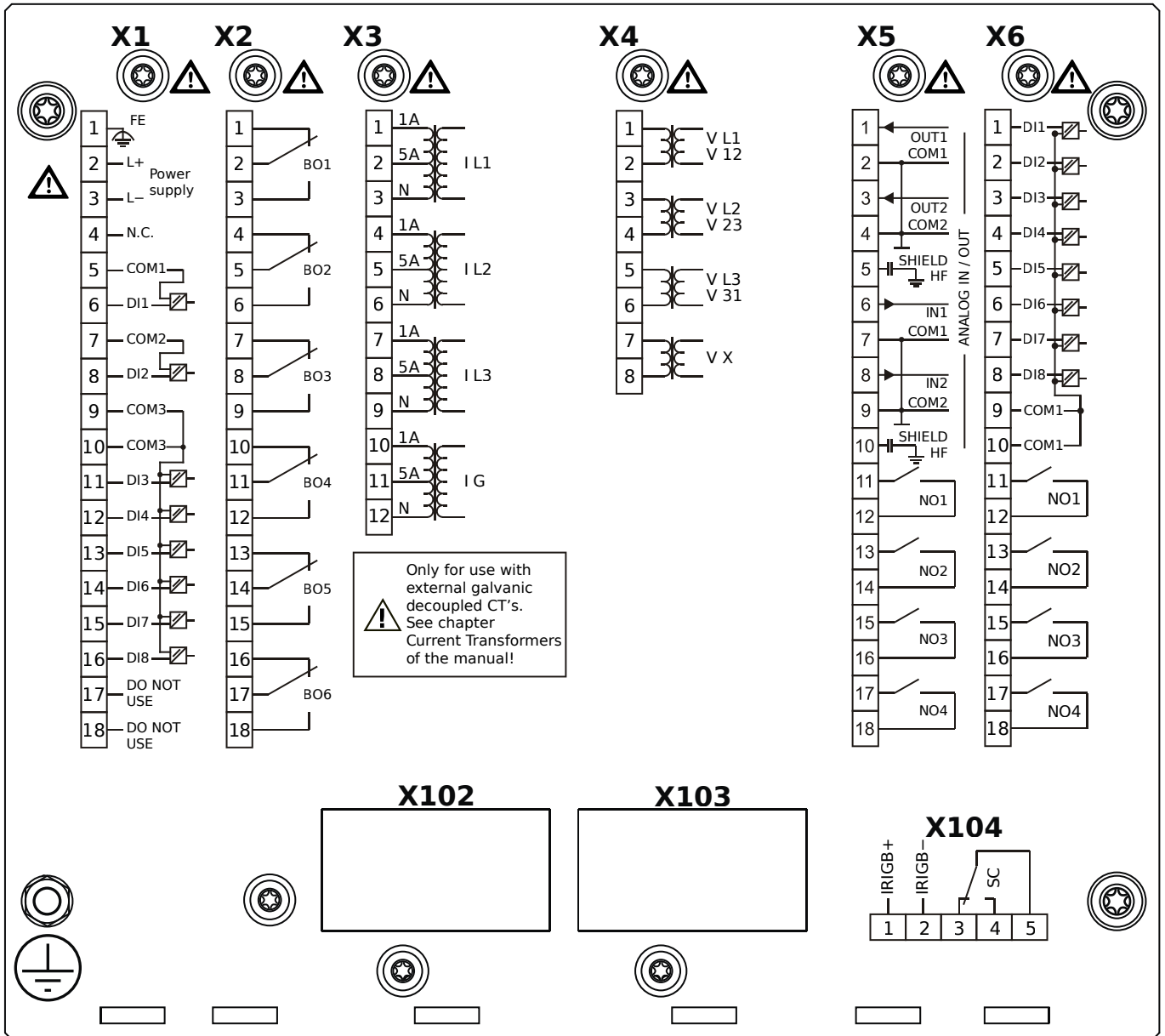
MRA4-2F0HAA



Housing B2, small display, door mounting

- X1** – DI8-X1: Wide-range power supply unit, incl. 2 non-grouped digital inputs and 6 grouped digital inputs
- X2** – OR6: Assembly Group with 6 Output Relays
- X3** – TI: Standard current measuring card
- X4** – TU: Card with 4 voltage transformer measuring inputs
- X5** – AnIO2-OR4: Assembly Group with 2 Analog Inputs, 2 Analog Outputs and 4 Output Relays
- X6** – DI8-OR4: Assembly Group with 8 Digital Inputs and 4 Output Relays
- X104** – IRIG-B00X, incl. System Contact (Supervision Contact)

MRA4-2F0HAB

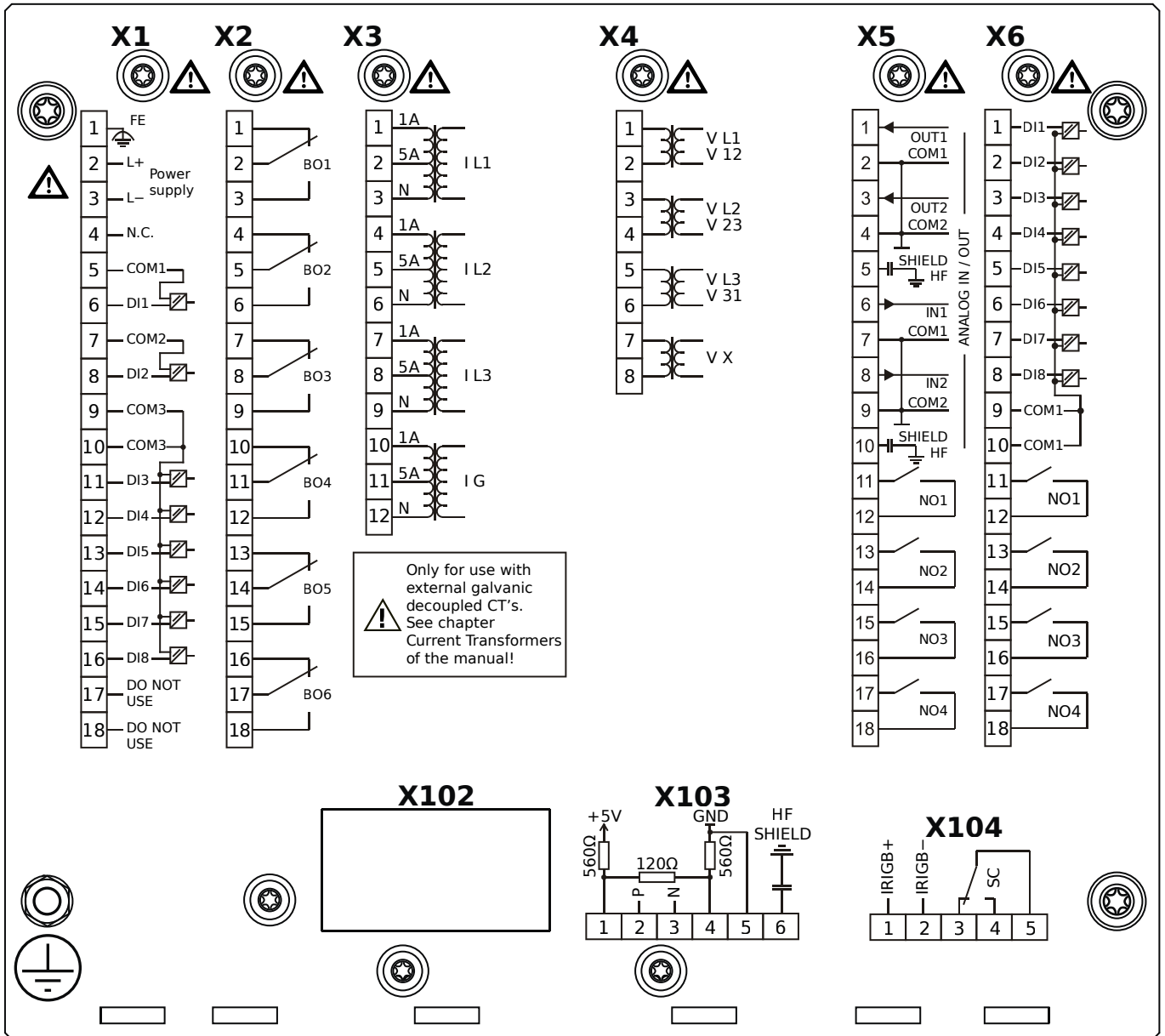


Housing B2, small display, door mounting

+ Conformal Coating (for installations in harsh environment)

- X1** – DI8-X1: Wide-range power supply unit, incl. 2 non-grouped digital inputs and 6 grouped digital inputs
- X2** – OR6: Assembly Group with 6 Output Relays
- X3** – TI: Standard current measuring card
- X4** – TU: Card with 4 voltage transformer measuring inputs
- X5** – AnIO2-OR4: Assembly Group with 2 Analog Inputs, 2 Analog Outputs and 4 Output Relays
- X6** – DI8-OR4: Assembly Group with 8 Digital Inputs and 4 Output Relays
- X104** – IRIG-B00X, incl. System Contact (Supervision Contact)

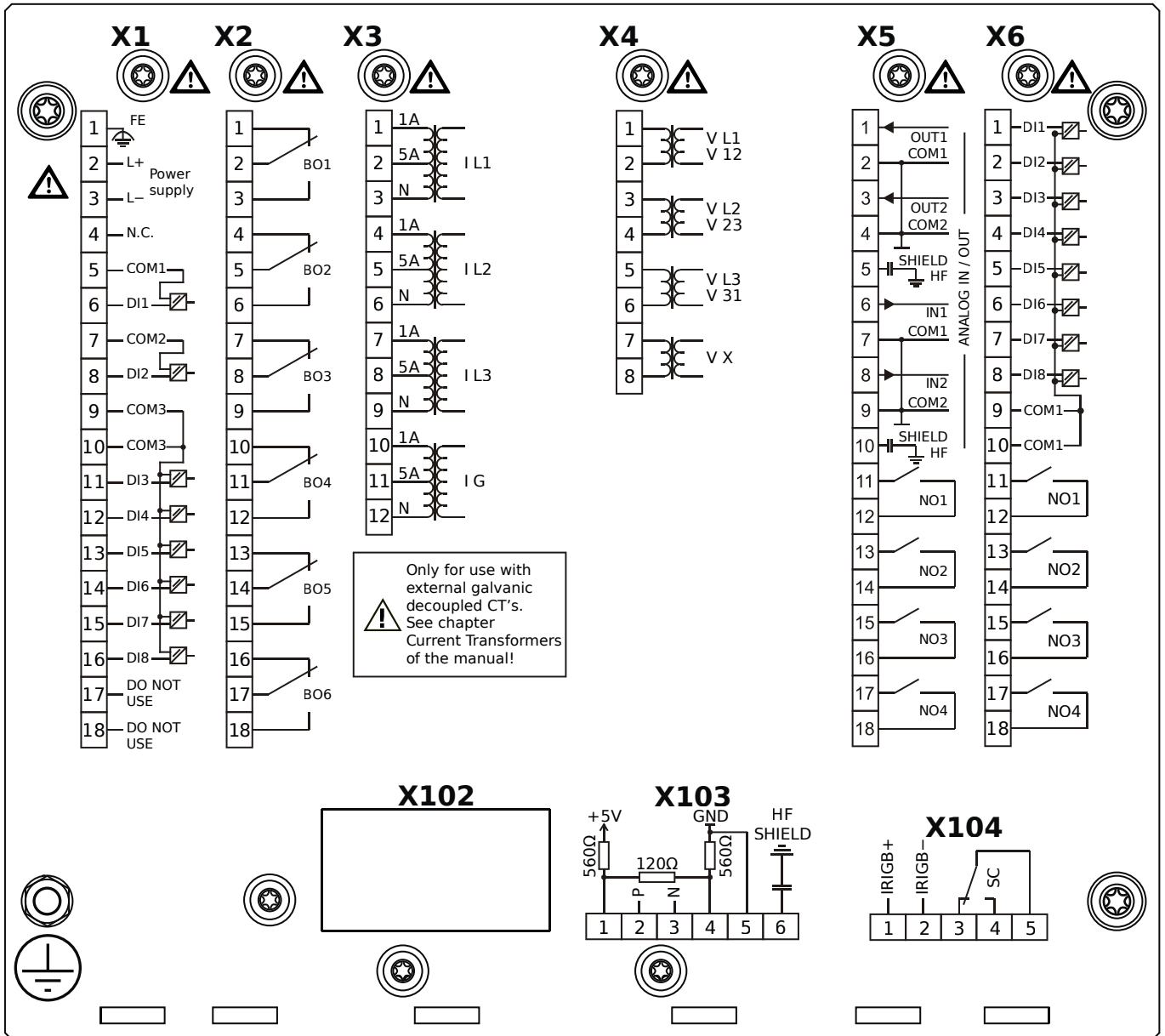
MRA4-2F0HBA



Housing B2, small display, door mounting

- X1** – DI8-X1: Wide-range power supply unit, incl. 2 non-grouped digital inputs and 6 grouped digital inputs
- X2** – OR6: Assembly Group with 6 Output Relays
- X3** – TI: Standard current measuring card
- X4** – TU: Card with 4 voltage transformer measuring inputs
- X5** – AnIO2-OR4: Assembly Group with 2 Analog Inputs, 2 Analog Outputs and 4 Output Relays
- X6** – DI8-OR4: Assembly Group with 8 Digital Inputs and 4 Output Relays
- X103** – Modbus RTU / IEC 60870-5-103 / DNP3.0 RTU, RS485, Terminals
- X104** – IRIG-B00X, incl. System Contact (Supervision Contact)

MRA4-2F0HBB

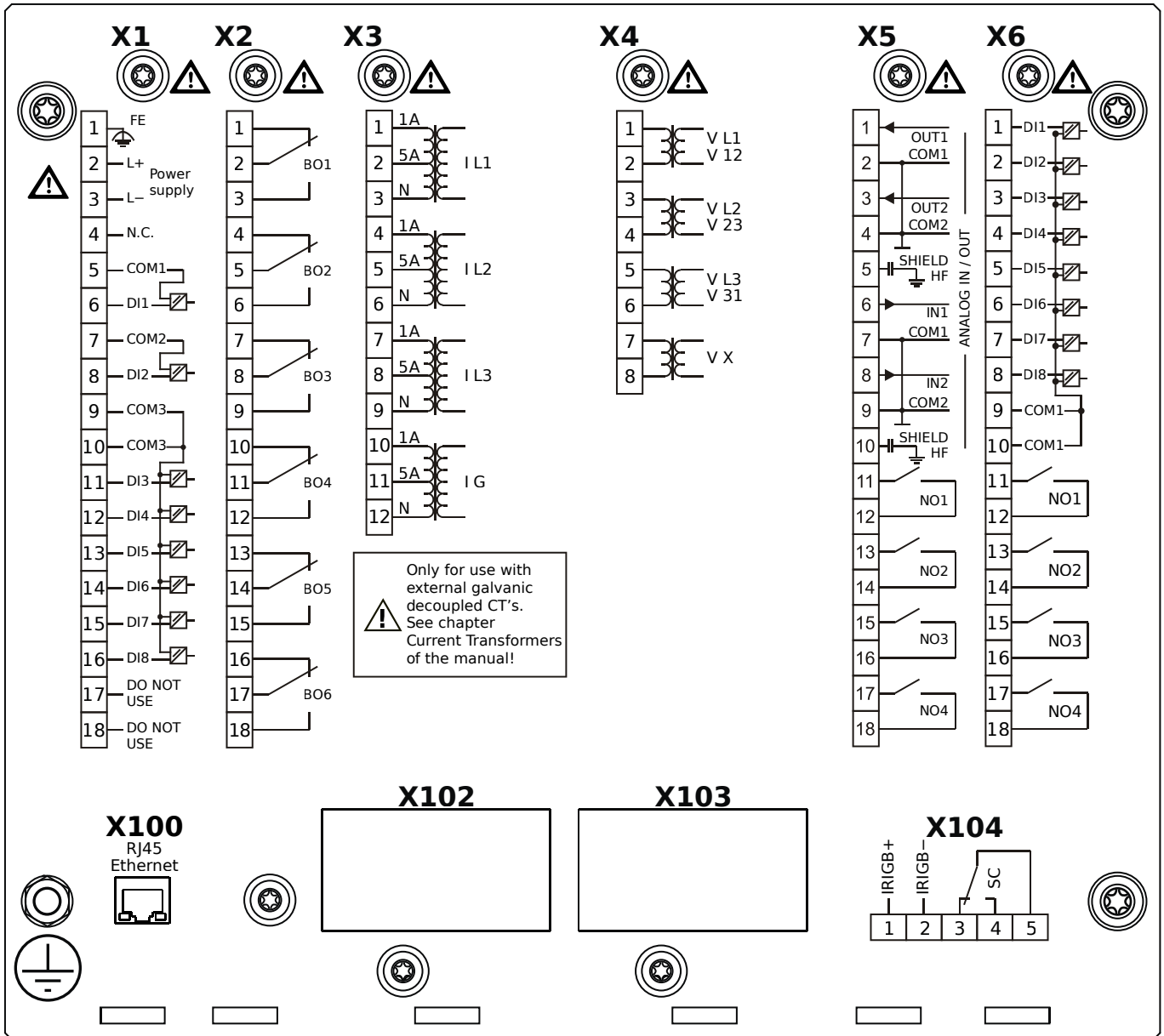


Housing B2, small display, door mounting

+ Conformal Coating (for installations in harsh environment)

- X1** – DI8-X1: Wide-range power supply unit, incl. 2 non-grouped digital inputs and 6 grouped digital inputs
- X2** – OR6: Assembly Group with 6 Output Relays
- X3** – TI: Standard current measuring card
- X4** – TU: Card with 4 voltage transformer measuring inputs
- X5** – AnIO2-OR4: Assembly Group with 2 Analog Inputs, 2 Analog Outputs and 4 Output Relays
- X6** – DI8-OR4: Assembly Group with 8 Digital Inputs and 4 Output Relays
- X103** – Modbus RTU / IEC 60870-5-103 / DNP3.0 RTU, RS485, Terminals
- X104** – IRIG-B00X, incl. System Contact (Supervision Contact)

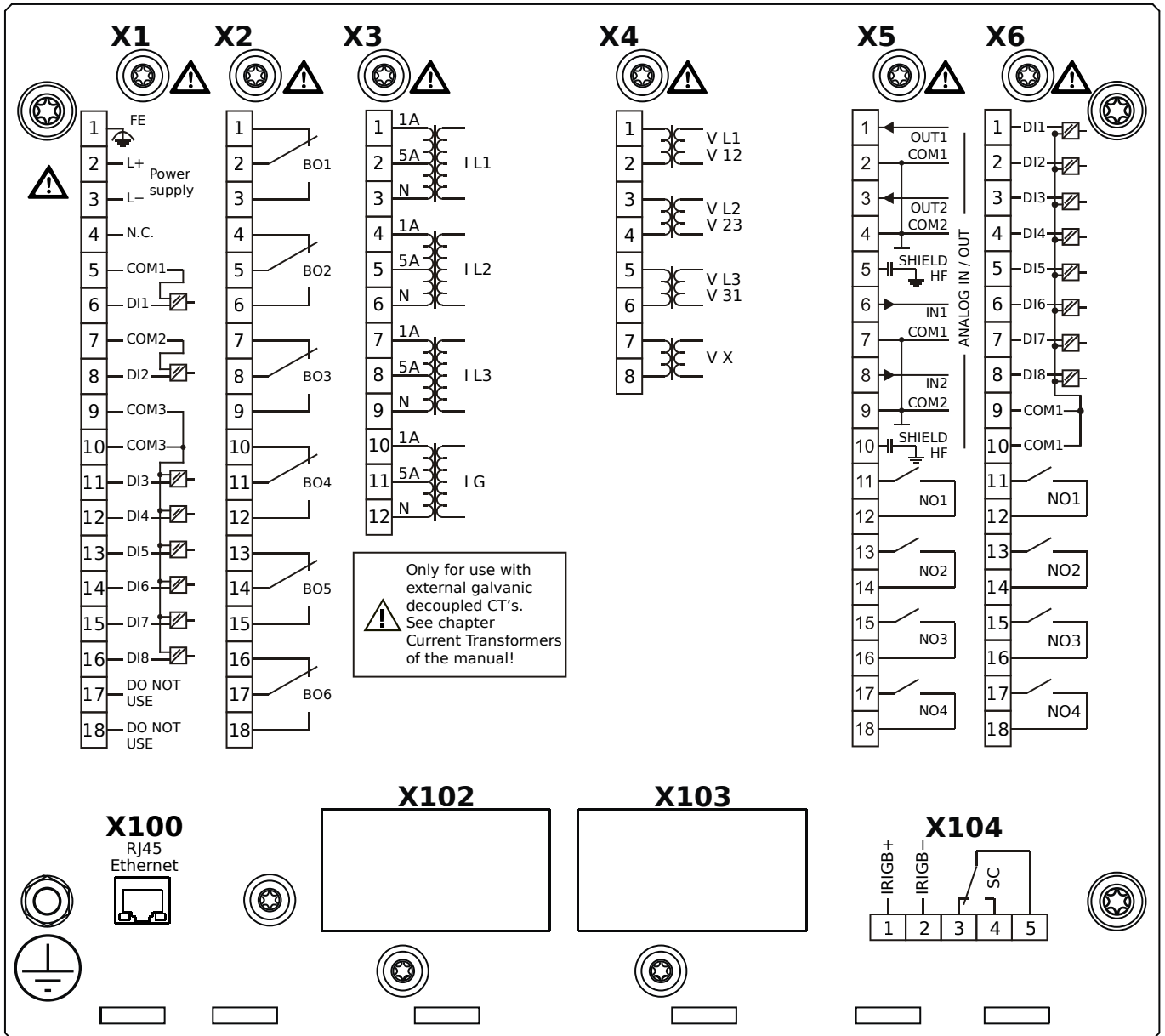
MRA4-2F0HCA



Housing B2, small display, door mounting

- X1** – DI8-X1: Wide-range power supply unit, incl. 2 non-grouped digital inputs and 6 grouped digital inputs
- X2** – OR6: Assembly Group with 6 Output Relays
- X3** – TI: Standard current measuring card
- X4** – TU: Card with 4 voltage transformer measuring inputs
- X5** – AnIO2-OR4: Assembly Group with 2 Analog Inputs, 2 Analog Outputs and 4 Output Relays
- X6** – DI8-OR4: Assembly Group with 8 Digital Inputs and 4 Output Relays
- X100** – Modbus TCP / DNP3.0 TCP/UDP, Ethernet interface, 100 Mbit/s, RJ45 (BASE100-FX)
- X104** – IRIG-B00X, incl. System Contact (Supervision Contact)

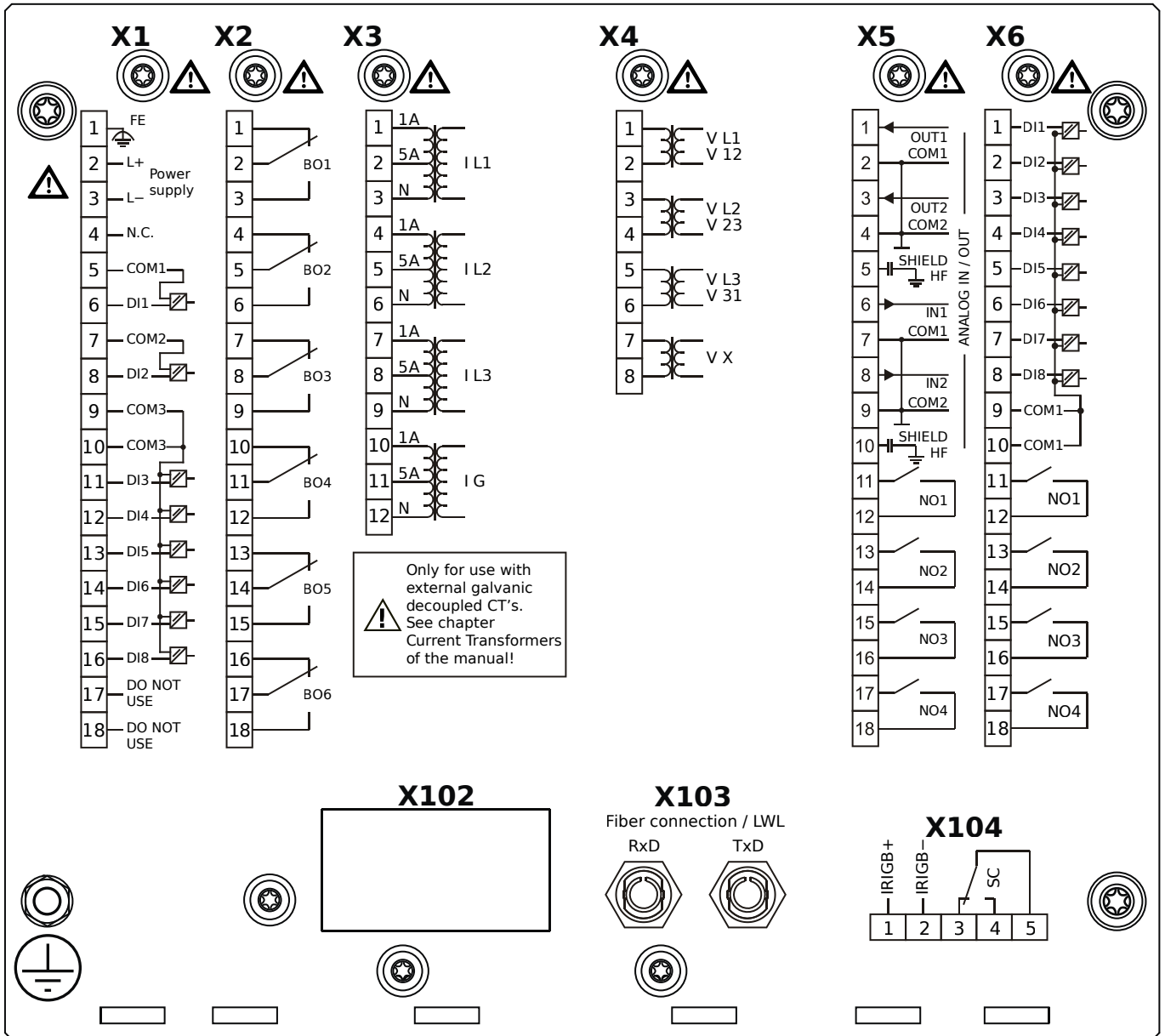
MRA4-2F0HCB



Housing B2, small display, door mounting

- + Conformal Coating (for installations in harsh environment)
- X1** – DI8-X1: Wide-range power supply unit, incl. 2 non-grouped digital inputs and 6 grouped digital inputs
- X2** – OR6: Assembly Group with 6 Output Relays
- X3** – TI: Standard current measuring card
- X4** – TU: Card with 4 voltage transformer measuring inputs
- X5** – AnIO2-OR4: Assembly Group with 2 Analog Inputs, 2 Analog Outputs and 4 Output Relays
- X6** – DI8-OR4: Assembly Group with 8 Digital Inputs and 4 Output Relays
- X100** – Modbus TCP / DNP3.0 TCP/UDP, Ethernet interface, 100 Mbit/s, RJ45 (BASE100-FX)
- X104** – IRIG-B00X, incl. System Contact (Supervision Contact)

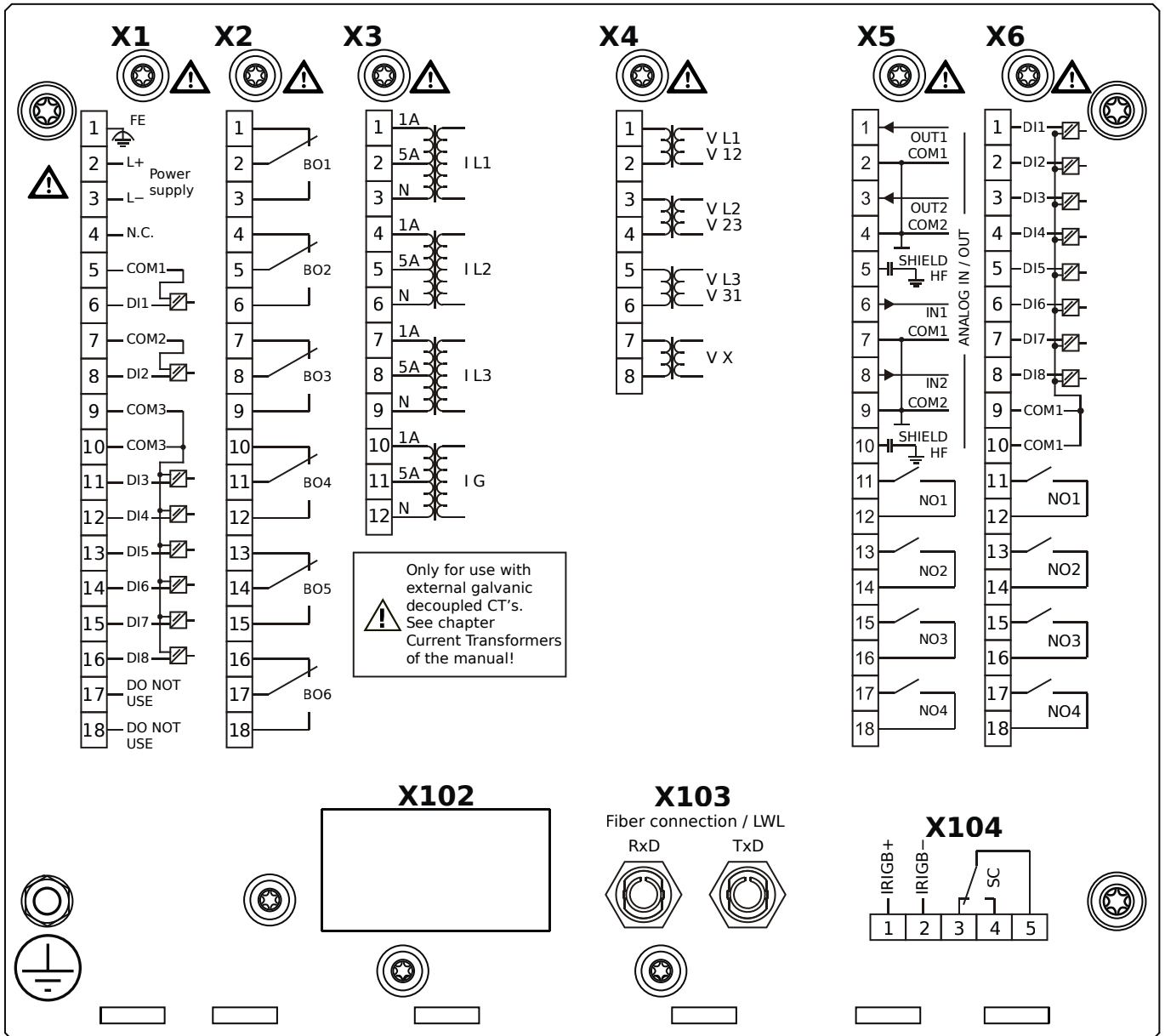
MRA4-2F0HDA



Housing B2, small display, door mounting

- X1** – DI8-X1: Wide-range power supply unit, incl. 2 non-grouped digital inputs and 6 grouped digital inputs
- X2** – OR6: Assembly Group with 6 Output Relays
- X3** – TI: Standard current measuring card
- X4** – TU: Card with 4 voltage transformer measuring inputs
- X5** – AnIO2-OR4: Assembly Group with 2 Analog Inputs, 2 Analog Outputs and 4 Output Relays
- X6** – DI8-OR4: Assembly Group with 8 Digital Inputs and 4 Output Relays
- X103** – Profibus-DP, Fiber optics interface, ST Connector
- X104** – IRIG-B00X, incl. System Contact (Supervision Contact)

MRA4-2F0HDB

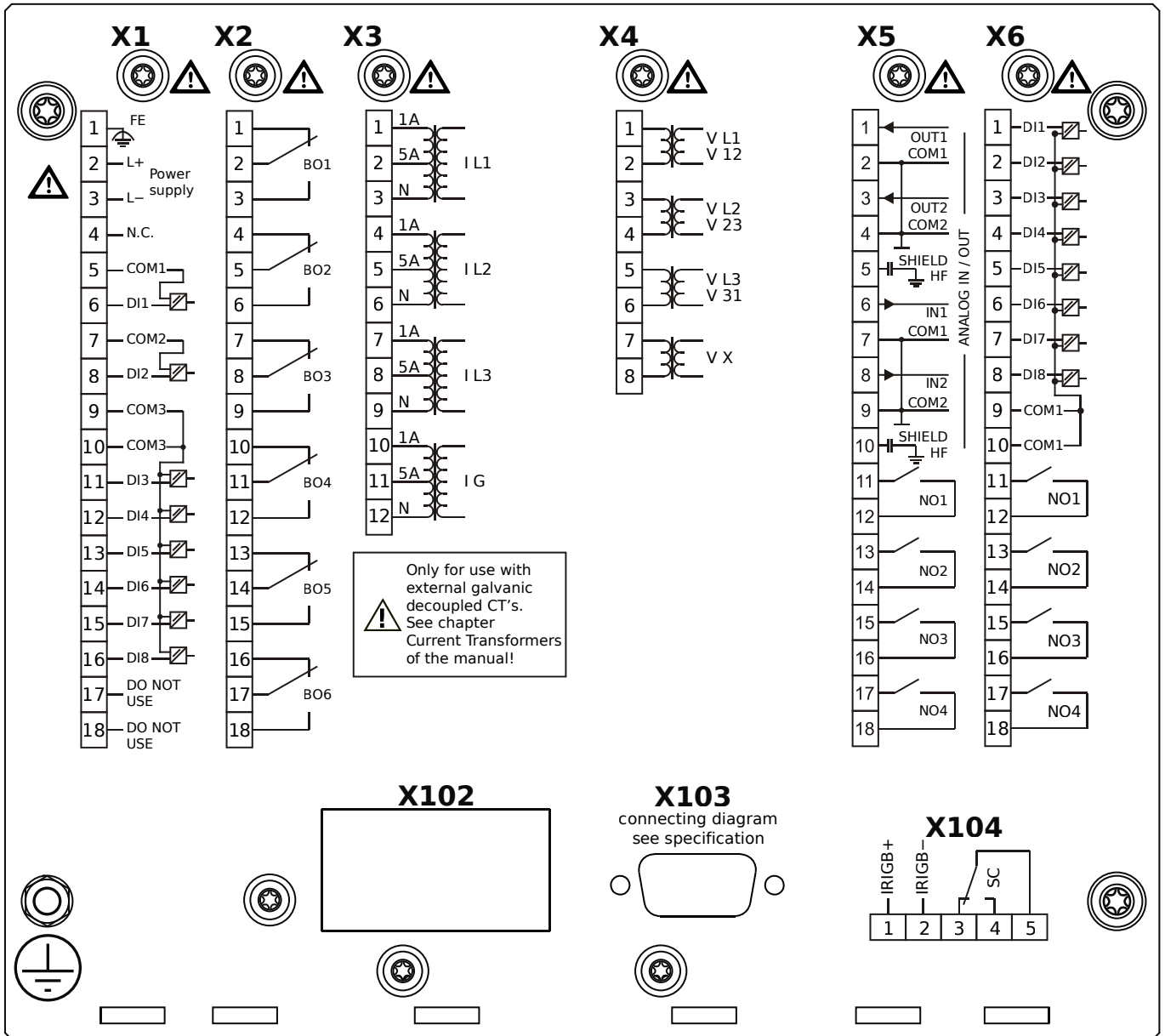


Housing B2, small display, door mounting

+ Conformal Coating (for installations in harsh environment)

- X1** – DI8-X1: Wide-range power supply unit, incl. 2 non-grouped digital inputs and 6 grouped digital inputs
- X2** – OR6: Assembly Group with 6 Output Relays
- X3** – TI: Standard current measuring card
- X4** – TU: Card with 4 voltage transformer measuring inputs
- X5** – AnIO2-OR4: Assembly Group with 2 Analog Inputs, 2 Analog Outputs and 4 Output Relays
- X6** – DI8-OR4: Assembly Group with 8 Digital Inputs and 4 Output Relays
- X103** – Profibus-DP, Fiber optics interface, ST Connector
- X104** – IRIG-B00X, incl. System Contact (Supervision Contact)

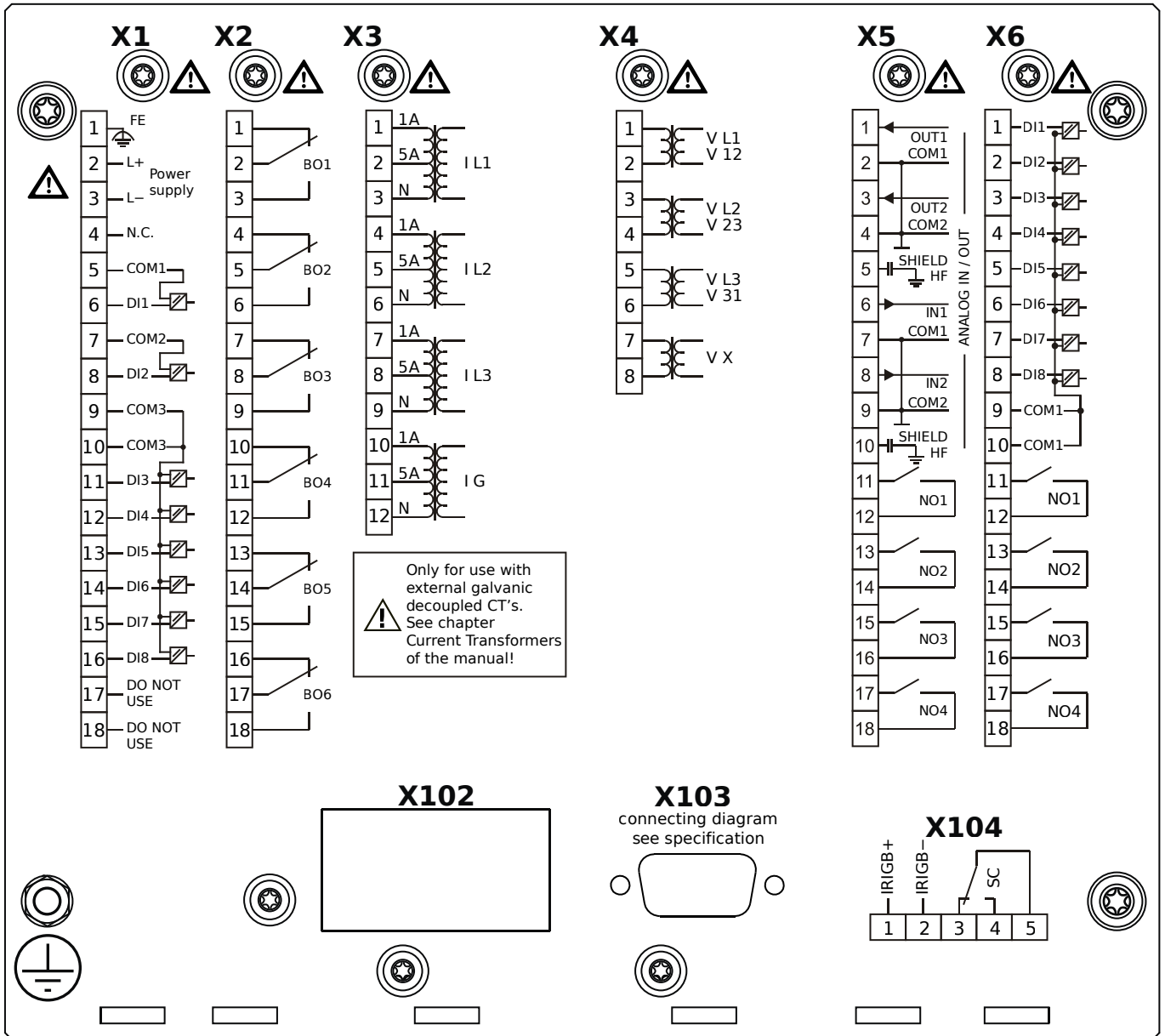
MRA4-2F0HEA



Housing B2, small display, door mounting

- X1** – DI8-X1: Wide-range power supply unit, incl. 2 non-grouped digital inputs and 6 grouped digital inputs
- X2** – OR6: Assembly Group with 6 Output Relays
- X3** – TI: Standard current measuring card
- X4** – TU: Card with 4 voltage transformer measuring inputs
- X5** – AnIO2-OR4: Assembly Group with 2 Analog Inputs, 2 Analog Outputs and 4 Output Relays
- X6** – DI8-OR4: Assembly Group with 8 Digital Inputs and 4 Output Relays
- X103** – Profibus-DP, RS485, D-SUB
- X104** – IRIG-B00X, incl. System Contact (Supervision Contact)

MRA4-2F0HEB

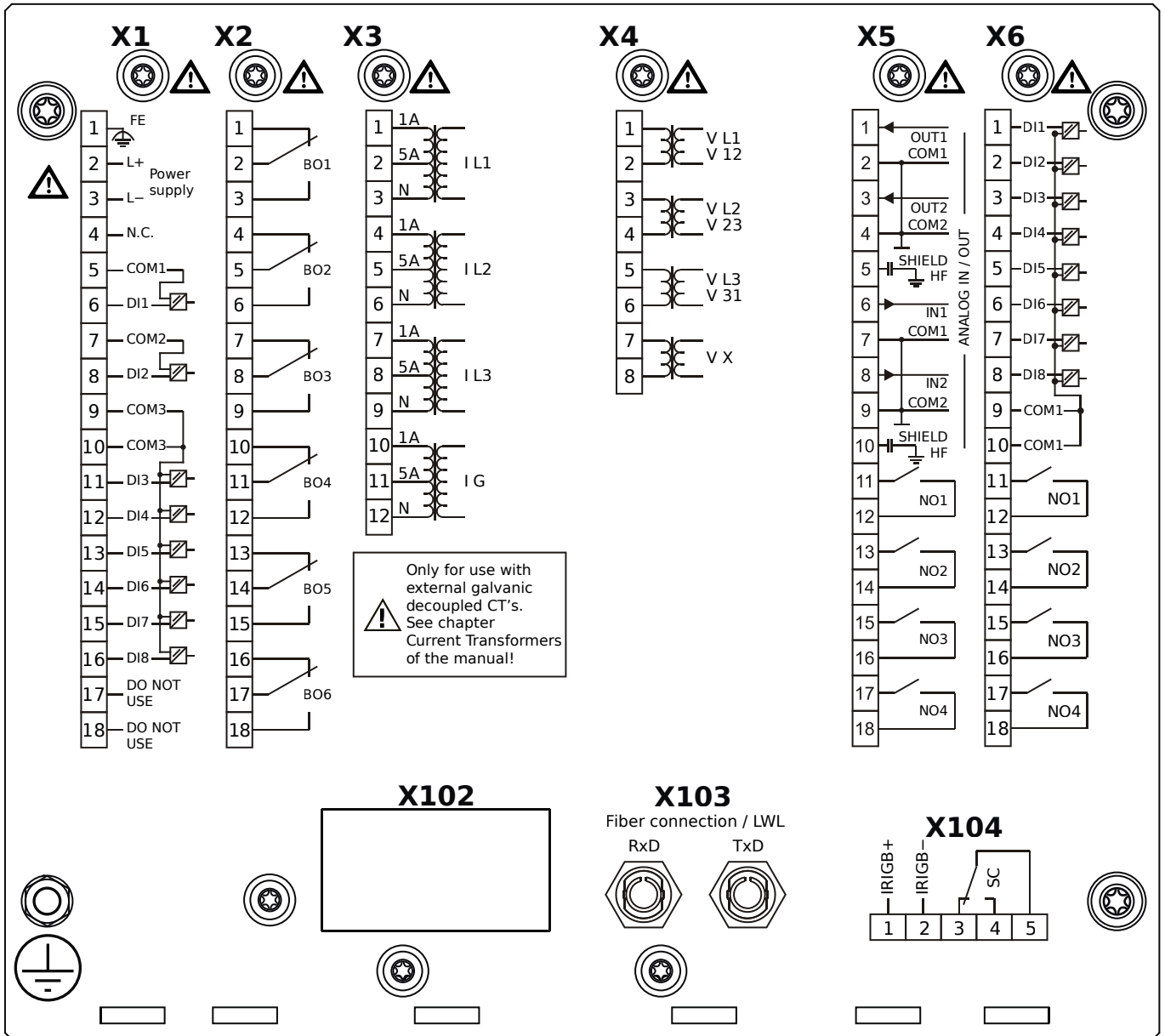


Housing B2, small display, door mounting

+ Conformal Coating (for installations in harsh environment)

- X1** – DI8-X1: Wide-range power supply unit, incl. 2 non-grouped digital inputs and 6 grouped digital inputs
- X2** – OR6: Assembly Group with 6 Output Relays
- X3** – TI: Standard current measuring card
- X4** – TU: Card with 4 voltage transformer measuring inputs
- X5** – AnIO2-OR4: Assembly Group with 2 Analog Inputs, 2 Analog Outputs and 4 Output Relays
- X6** – DI8-OR4: Assembly Group with 8 Digital Inputs and 4 Output Relays
- X103** – Profibus-DP, RS485, D-SUB
- X104** – IRIG-B00X, incl. System Contact (Supervision Contact)

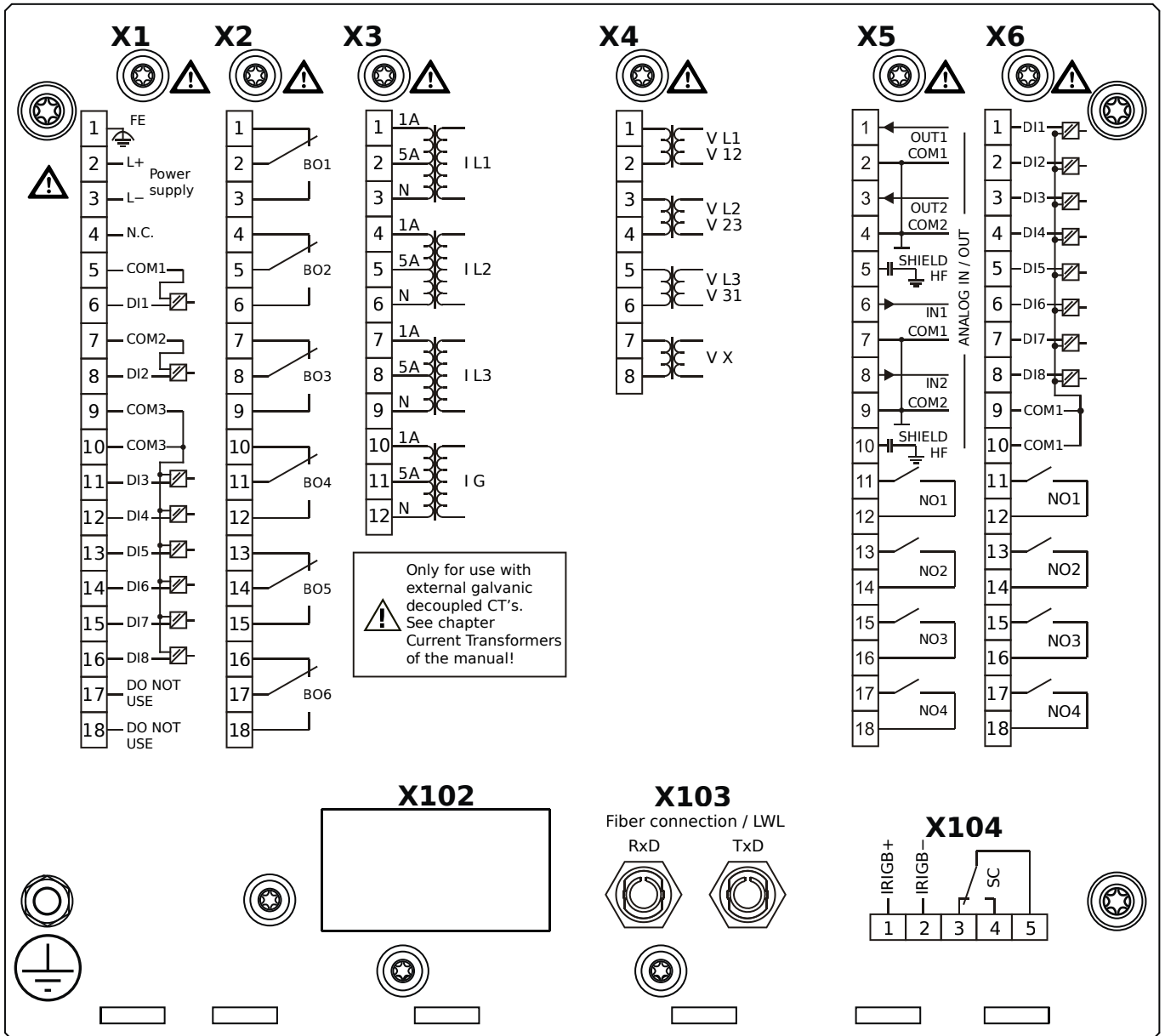
MRA4-2F0HFA



Housing B2, small display, door mounting

- X1** – DI8-X1: Wide-range power supply unit, incl. 2 non-grouped digital inputs and 6 grouped digital inputs
- X2** – OR6: Assembly Group with 6 Output Relays
- X3** – TI: Standard current measuring card
- X4** – TU: Card with 4 voltage transformer measuring inputs
- X5** – AnIO2-OR4: Assembly Group with 2 Analog Inputs, 2 Analog Outputs and 4 Output Relays
- X6** – DI8-OR4: Assembly Group with 8 Digital Inputs and 4 Output Relays
- X103** – Modbus RTU / IEC 60870-5-103 / DNP3.0 RTU, Fiber optics interface, ST Connector
- X104** – IRIG-B00X, incl. System Contact (Supervision Contact)

MRA4-2F0HFB

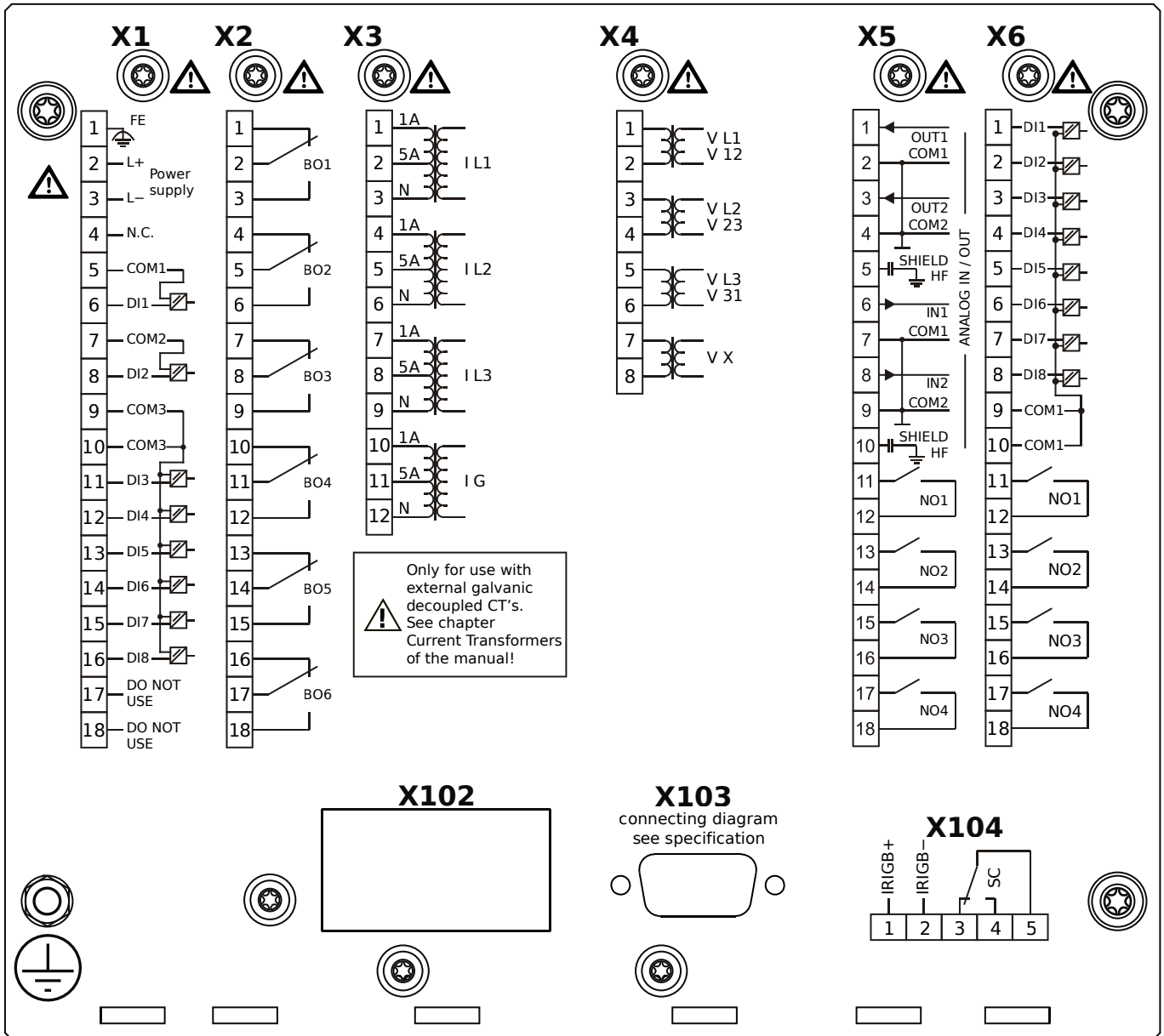


Housing B2, small display, door mounting

+ Conformal Coating (for installations in harsh environment)

- X1** – DI8-X1: Wide-range power supply unit, incl. 2 non-grouped digital inputs and 6 grouped digital inputs
- X2** – OR6: Assembly Group with 6 Output Relays
- X3** – TI: Standard current measuring card
- X4** – TU: Card with 4 voltage transformer measuring inputs
- X5** – AnIO2-OR4: Assembly Group with 2 Analog Inputs, 2 Analog Outputs and 4 Output Relays
- X6** – DI8-OR4: Assembly Group with 8 Digital Inputs and 4 Output Relays
- X103** – Modbus RTU / IEC 60870-5-103 / DNP3.0 RTU, Fiber optics interface, ST Connector
- X104** – IRIG-B00X, incl. System Contact (Supervision Contact)

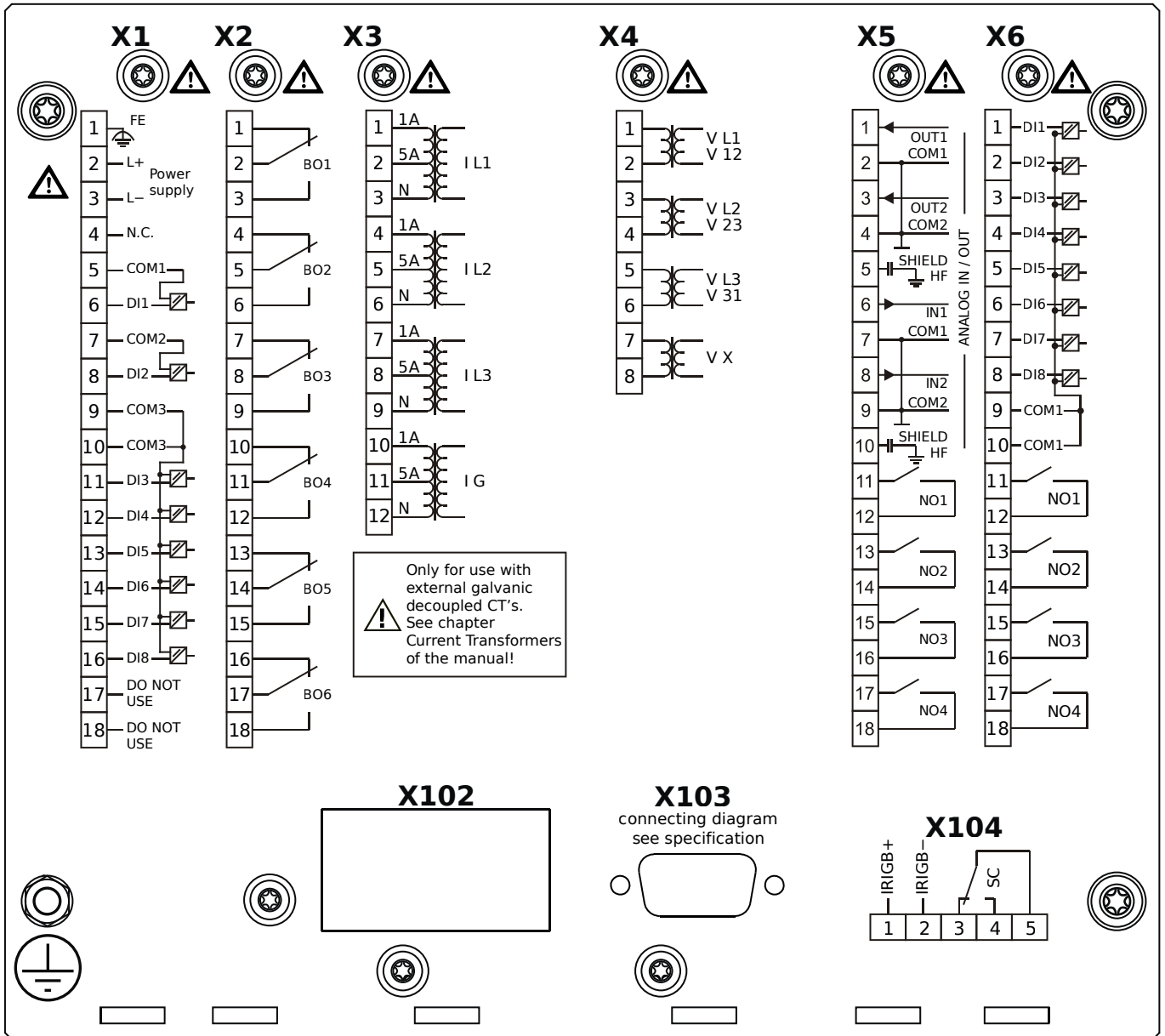
MRA4-2F0HGA



Housing B2, small display, door mounting

- X1** – DI8-X1: Wide-range power supply unit, incl. 2 non-grouped digital inputs and 6 grouped digital inputs
- X2** – OR6: Assembly Group with 6 Output Relays
- X3** – TI: Standard current measuring card
- X4** – TU: Card with 4 voltage transformer measuring inputs
- X5** – AnIO2-OR4: Assembly Group with 2 Analog Inputs, 2 Analog Outputs and 4 Output Relays
- X6** – DI8-OR4: Assembly Group with 8 Digital Inputs and 4 Output Relays
- X103** – Modbus RTU / IEC 60870-5-103 / DNP3.0 RTU, RS485, D-SUB
- X104** – IRIG-B00X, incl. System Contact (Supervision Contact)

MRA4-2F0HGB

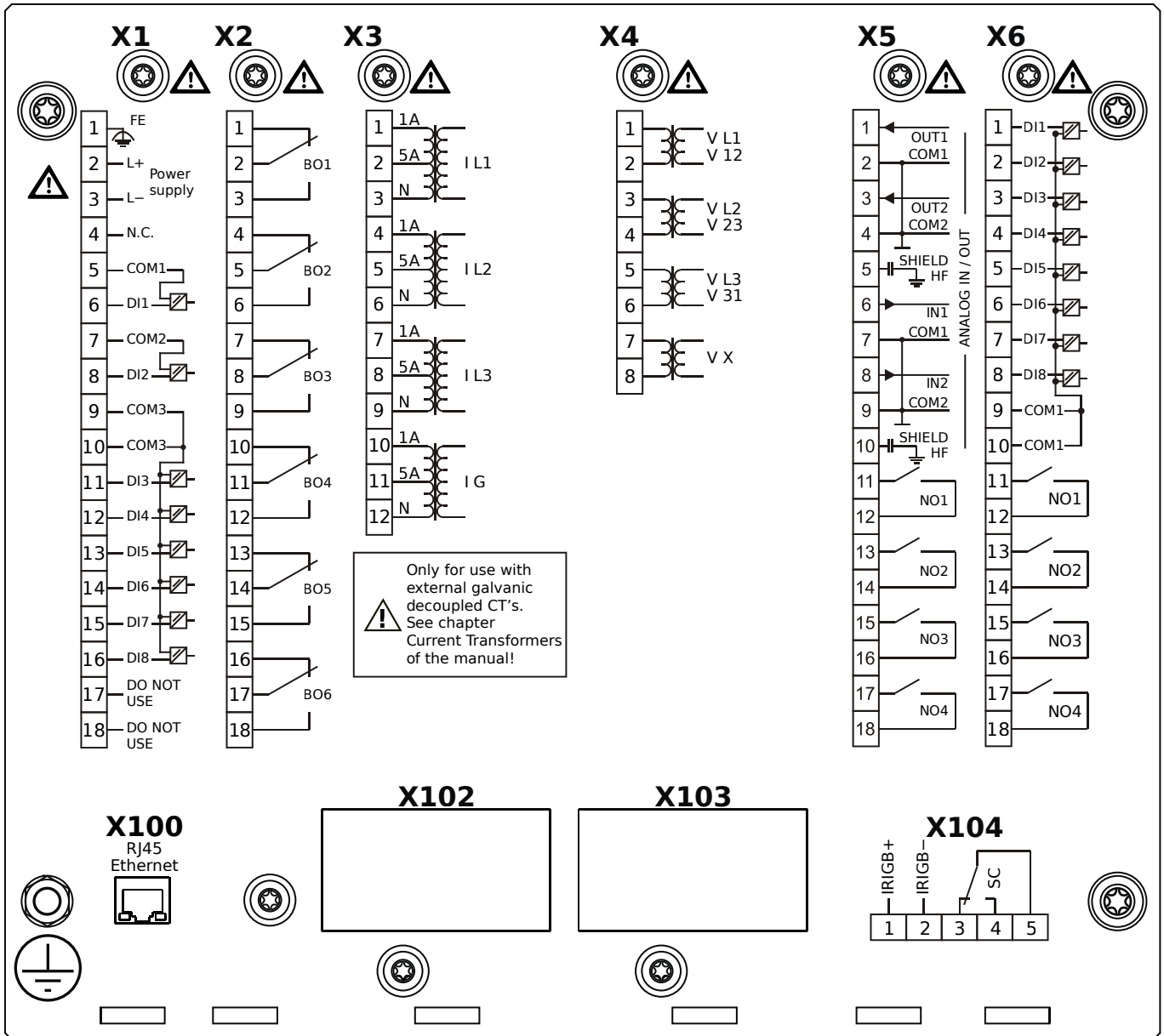


Housing B2, small display, door mounting

+ Conformal Coating (for installations in harsh environment)

- X1** – DI8-X1: Wide-range power supply unit, incl. 2 non-grouped digital inputs and 6 grouped digital inputs
- X2** – OR6: Assembly Group with 6 Output Relays
- X3** – TI: Standard current measuring card
- X4** – TU: Card with 4 voltage transformer measuring inputs
- X5** – AnIO2-OR4: Assembly Group with 2 Analog Inputs, 2 Analog Outputs and 4 Output Relays
- X6** – DI8-OR4: Assembly Group with 8 Digital Inputs and 4 Output Relays
- X103** – Modbus RTU / IEC 60870-5-103 / DNP3.0 RTU, RS485, D-SUB
- X104** – IRIG-B00X, incl. System Contact (Supervision Contact)

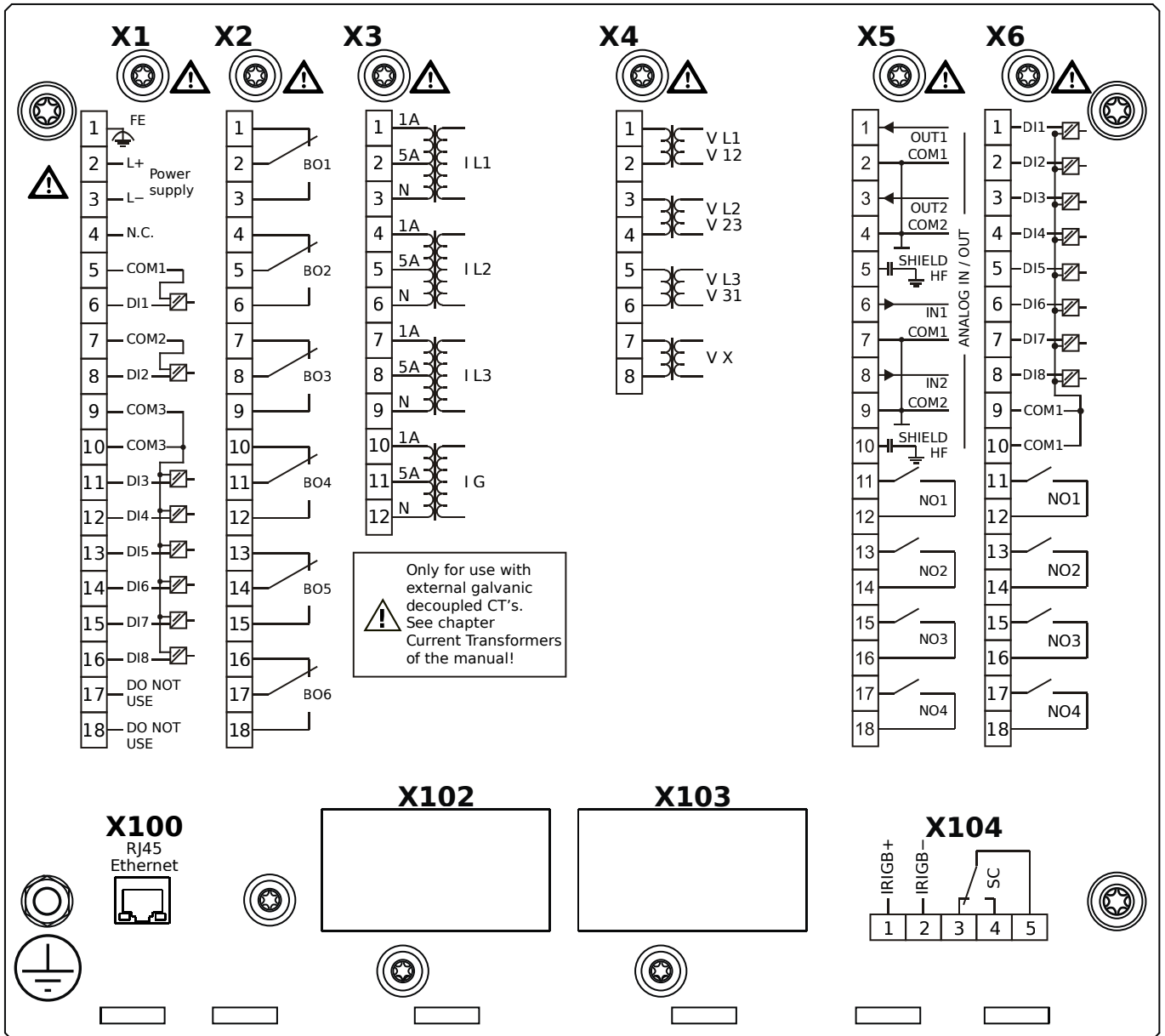
MRA4-2F0HHA



Housing B2, small display, door mounting

- X1** – DI8-X1: Wide-range power supply unit, incl. 2 non-grouped digital inputs and 6 grouped digital inputs
- X2** – OR6: Assembly Group with 6 Output Relays
- X3** – TI: Standard current measuring card
- X4** – TU: Card with 4 voltage transformer measuring inputs
- X5** – AnIO2-OR4: Assembly Group with 2 Analog Inputs, 2 Analog Outputs and 4 Output Relays
- X6** – DI8-OR4: Assembly Group with 8 Digital Inputs and 4 Output Relays
- X100** – IEC 61850 / Modbus TCP / DNP3.0 TCP/UDP, Ethernet interface, 100 Mbit/s, RJ45 (BASE100-FX)
- X104** – IRIG-B00X, incl. System Contact (Supervision Contact)

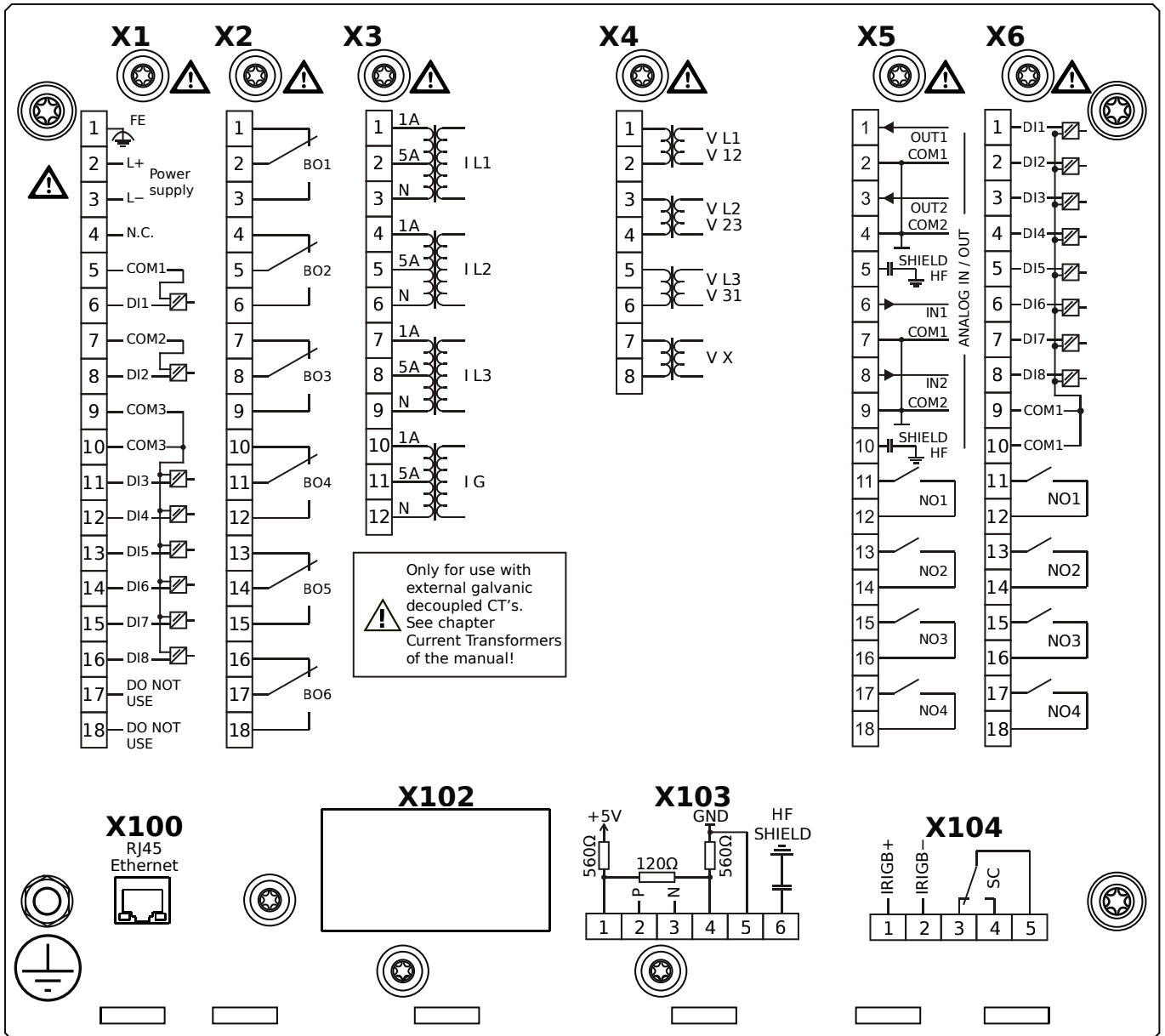
MRA4-2F0HHB



Housing B2, small display, door mounting

- + Conformal Coating (for installations in harsh environment)
- X1** – DI8-X1: Wide-range power supply unit, incl. 2 non-grouped digital inputs and 6 grouped digital inputs
- X2** – OR6: Assembly Group with 6 Output Relays
- X3** – TI: Standard current measuring card
- X4** – TU: Card with 4 voltage transformer measuring inputs
- X5** – AnIO2-OR4: Assembly Group with 2 Analog Inputs, 2 Analog Outputs and 4 Output Relays
- X6** – DI8-OR4: Assembly Group with 8 Digital Inputs and 4 Output Relays
- X100** – IEC 61850 / Modbus TCP / DNP3.0 TCP/UDP, Ethernet interface, 100 Mbit/s, RJ45 (BASE100-FX)
- X104** – IRIG-B00X, incl. System Contact (Supervision Contact)

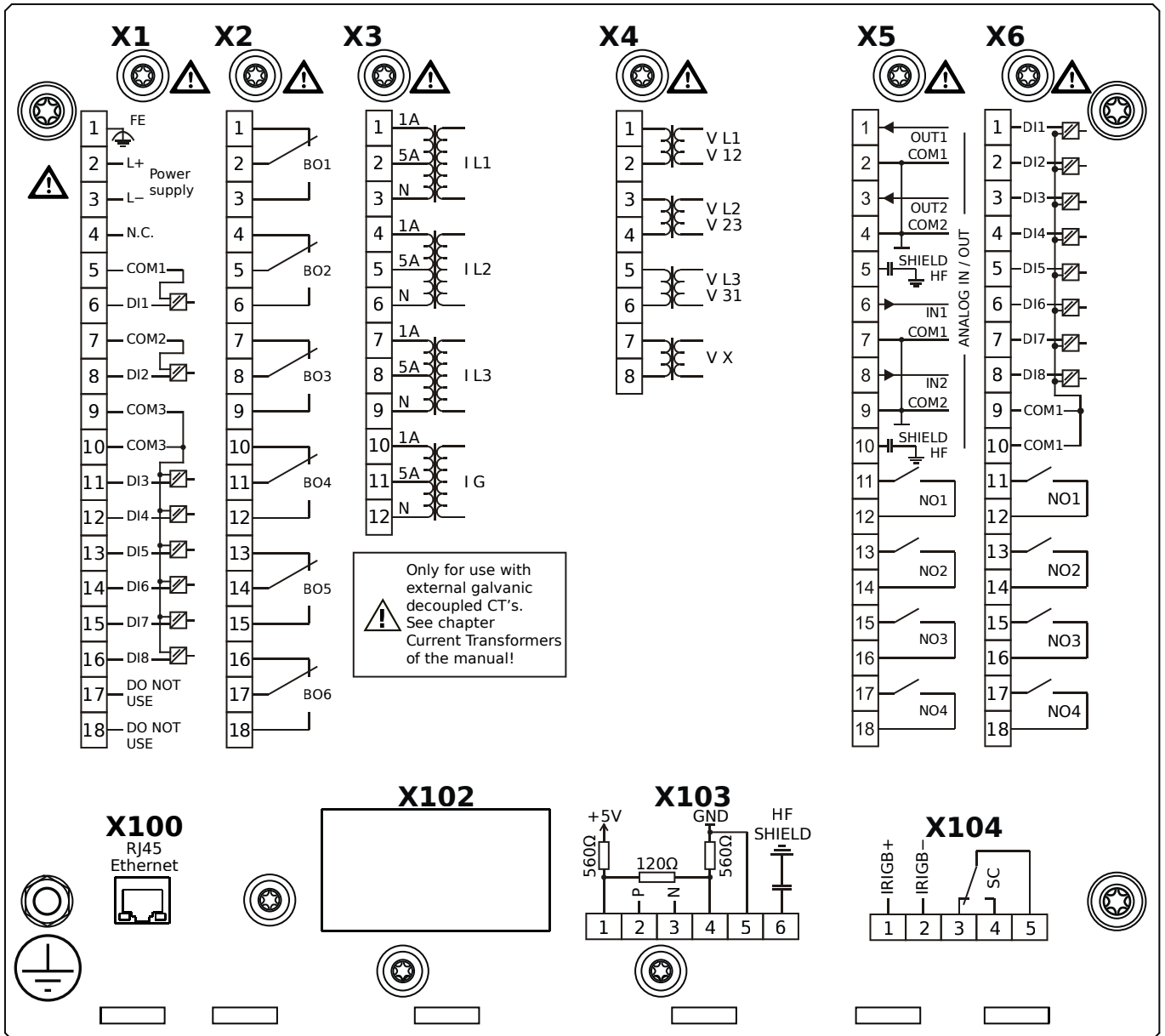
MRA4-2F0HIA



Housing B2, small display, door mounting

- X1** – DI8-X1: Wide-range power supply unit, incl. 2 non-grouped digital inputs and 6 grouped digital inputs
- X2** – OR6: Assembly Group with 6 Output Relays
- X3** – TI: Standard current measuring card
- X4** – TU: Card with 4 voltage transformer measuring inputs
- X5** – AnIO2-OR4: Assembly Group with 2 Analog Inputs, 2 Analog Outputs and 4 Output Relays
- X6** – DI8-OR4: Assembly Group with 8 Digital Inputs and 4 Output Relays
- X100** – Modbus TCP / DNP3.0 TCP/UDP, Ethernet interface, 100 Mbit/s, RJ45 (BASE100-FX)
- X103** – IEC 60870-5-103 / Modbus RTU / DNP3.0 RTU, RS485, Terminals
- X104** – IRIG-B00X, incl. System Contact (Supervision Contact)

MRA4-2F0HIB

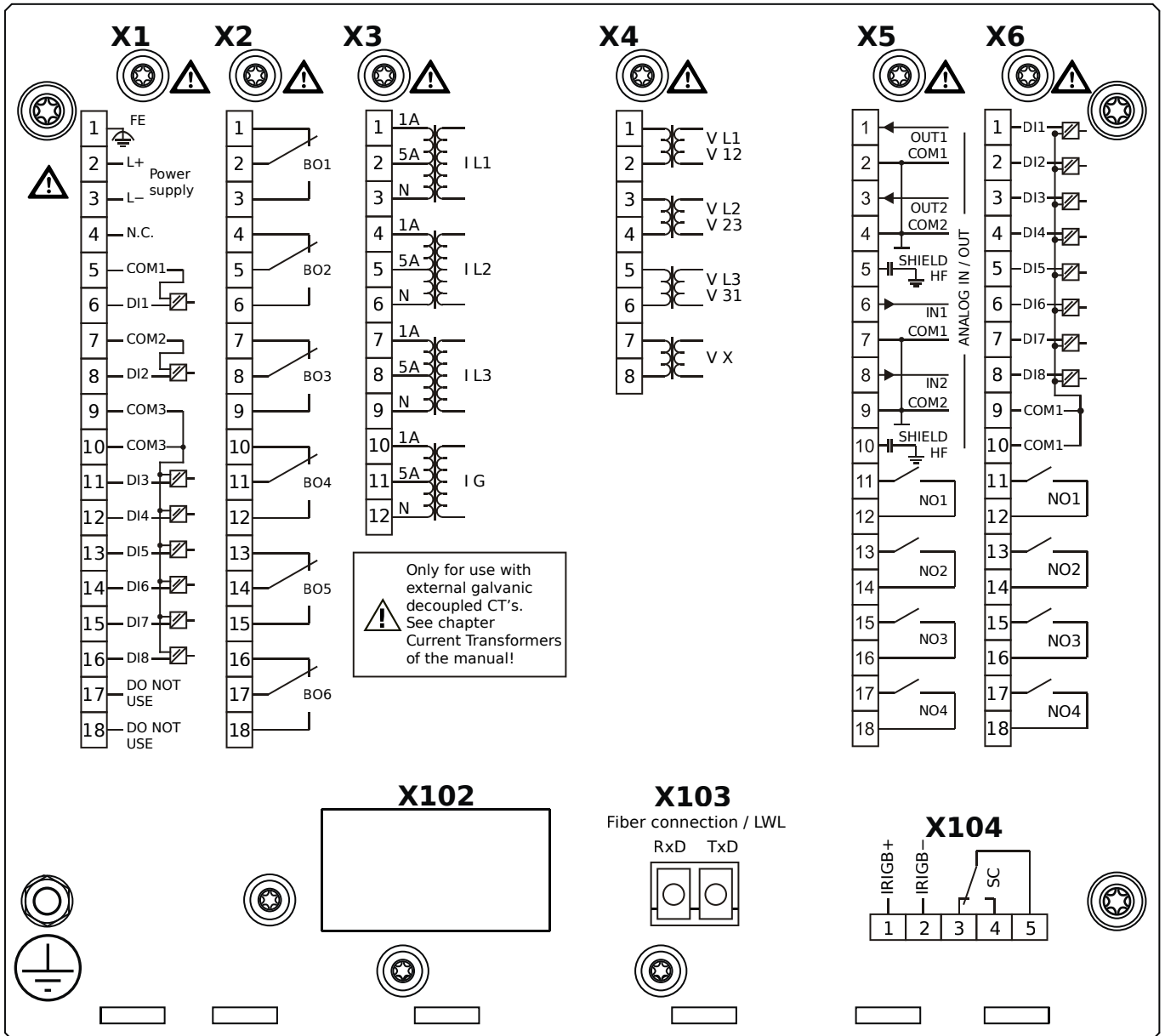


Housing B2, small display, door mounting

+ Conformal Coating (for installations in harsh environment)

- X1** – DI8-X1: Wide-range power supply unit, incl. 2 non-grouped digital inputs and 6 grouped digital inputs
- X2** – OR6: Assembly Group with 6 Output Relays
- X3** – TI: Standard current measuring card
- X4** – TU: Card with 4 voltage transformer measuring inputs
- X5** – AnIO2-OR4: Assembly Group with 2 Analog Inputs, 2 Analog Outputs and 4 Output Relays
- X6** – DI8-OR4: Assembly Group with 8 Digital Inputs and 4 Output Relays
- X100** – Modbus TCP / DNP3.0 TCP/UDP, Ethernet interface, 100 Mbit/s, RJ45 (BASE100-FX)
- X103** – IEC 60870-5-103 / Modbus RTU / DNP3.0 RTU, RS485, Terminals
- X104** – IRIG-B00X, incl. System Contact (Supervision Contact)

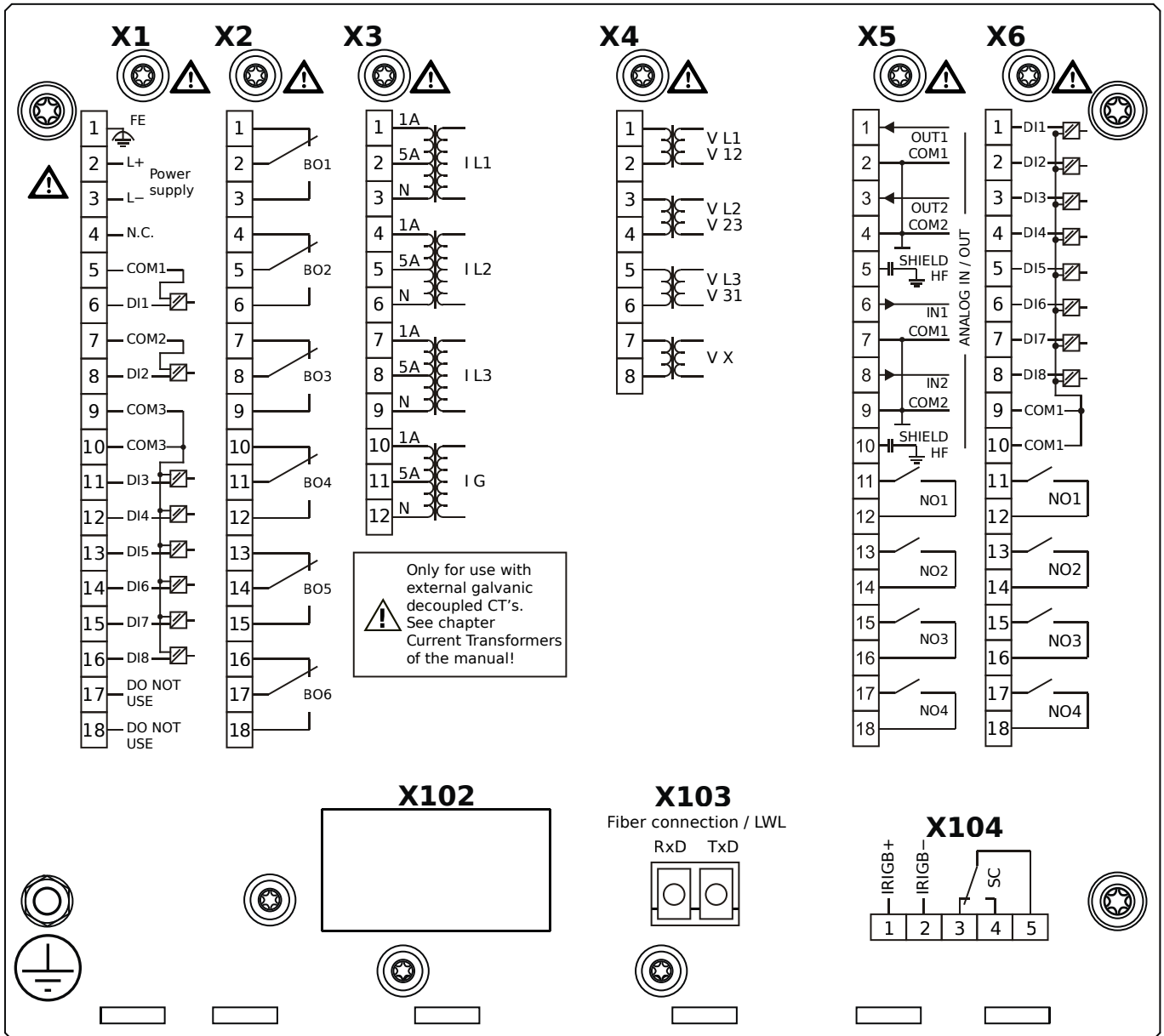
MRA4-2F0HKA



Housing B2, small display, door mounting

- X1** – DI8-X1: Wide-range power supply unit, incl. 2 non-grouped digital inputs and 6 grouped digital inputs
- X2** – OR6: Assembly Group with 6 Output Relays
- X3** – TI: Standard current measuring card
- X4** – TU: Card with 4 voltage transformer measuring inputs
- X5** – AnIO2-OR4: Assembly Group with 2 Analog Inputs, 2 Analog Outputs and 4 Output Relays
- X6** – DI8-OR4: Assembly Group with 8 Digital Inputs and 4 Output Relays
- X103** – IEC 61850 / Modbus TCP / DNP3.0 TCP/UDP, Fiber optics interface, LC Connector
- X104** – IRIG-B00X, incl. System Contact (Supervision Contact)

MRA4-2F0HKB

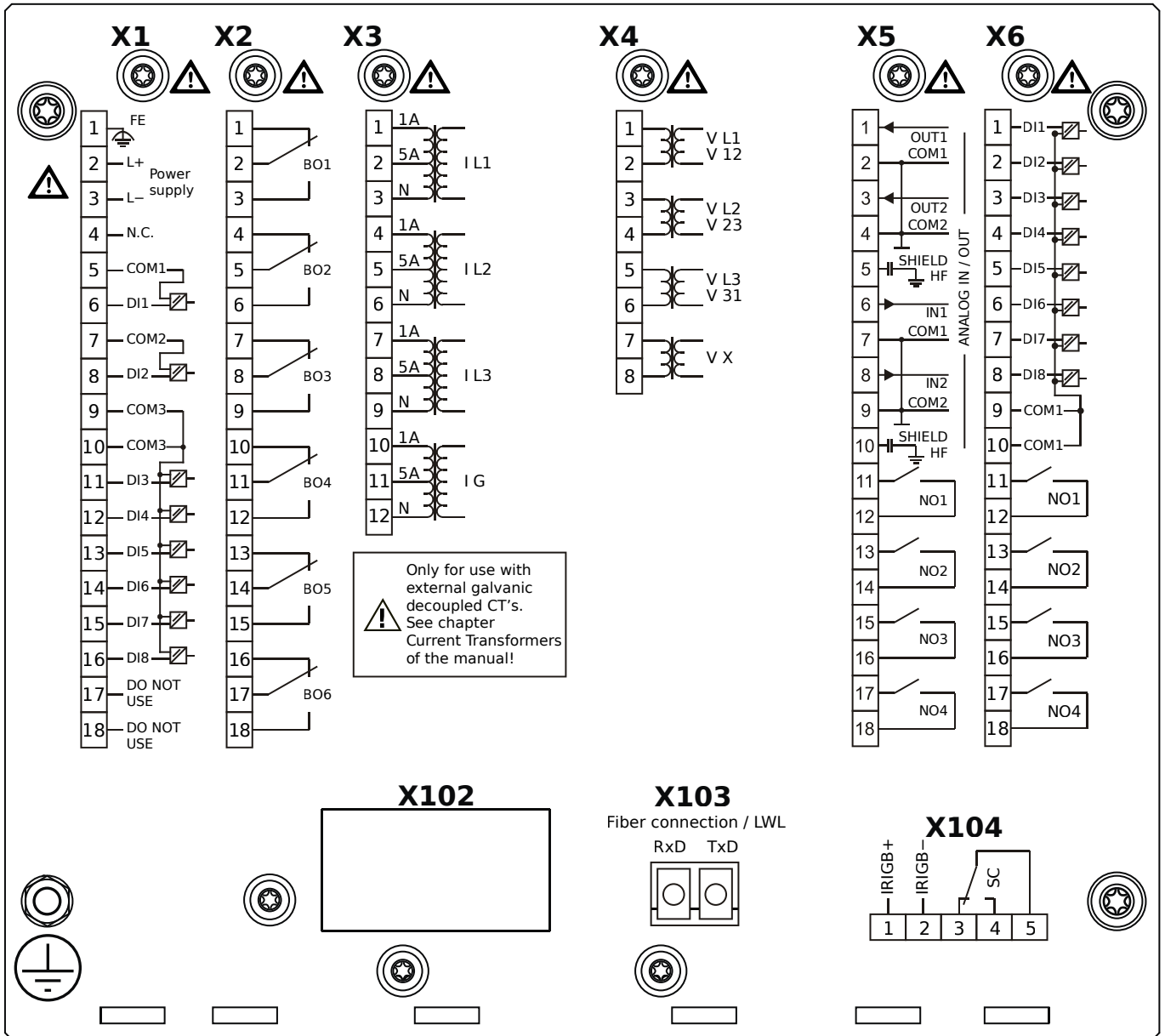


Housing B2, small display, door mounting

+ Conformal Coating (for installations in harsh environment)

- X1** – DI8-X1: Wide-range power supply unit, incl. 2 non-grouped digital inputs and 6 grouped digital inputs
- X2** – OR6: Assembly Group with 6 Output Relays
- X3** – TI: Standard current measuring card
- X4** – TU: Card with 4 voltage transformer measuring inputs
- X5** – AnIO2-OR4: Assembly Group with 2 Analog Inputs, 2 Analog Outputs and 4 Output Relays
- X6** – DI8-OR4: Assembly Group with 8 Digital Inputs and 4 Output Relays
- X103** – IEC 61850 / Modbus TCP / DNP3.0 TCP/UDP, Fiber optics interface, LC Connector
- X104** – IRIG-B00X, incl. System Contact (Supervision Contact)

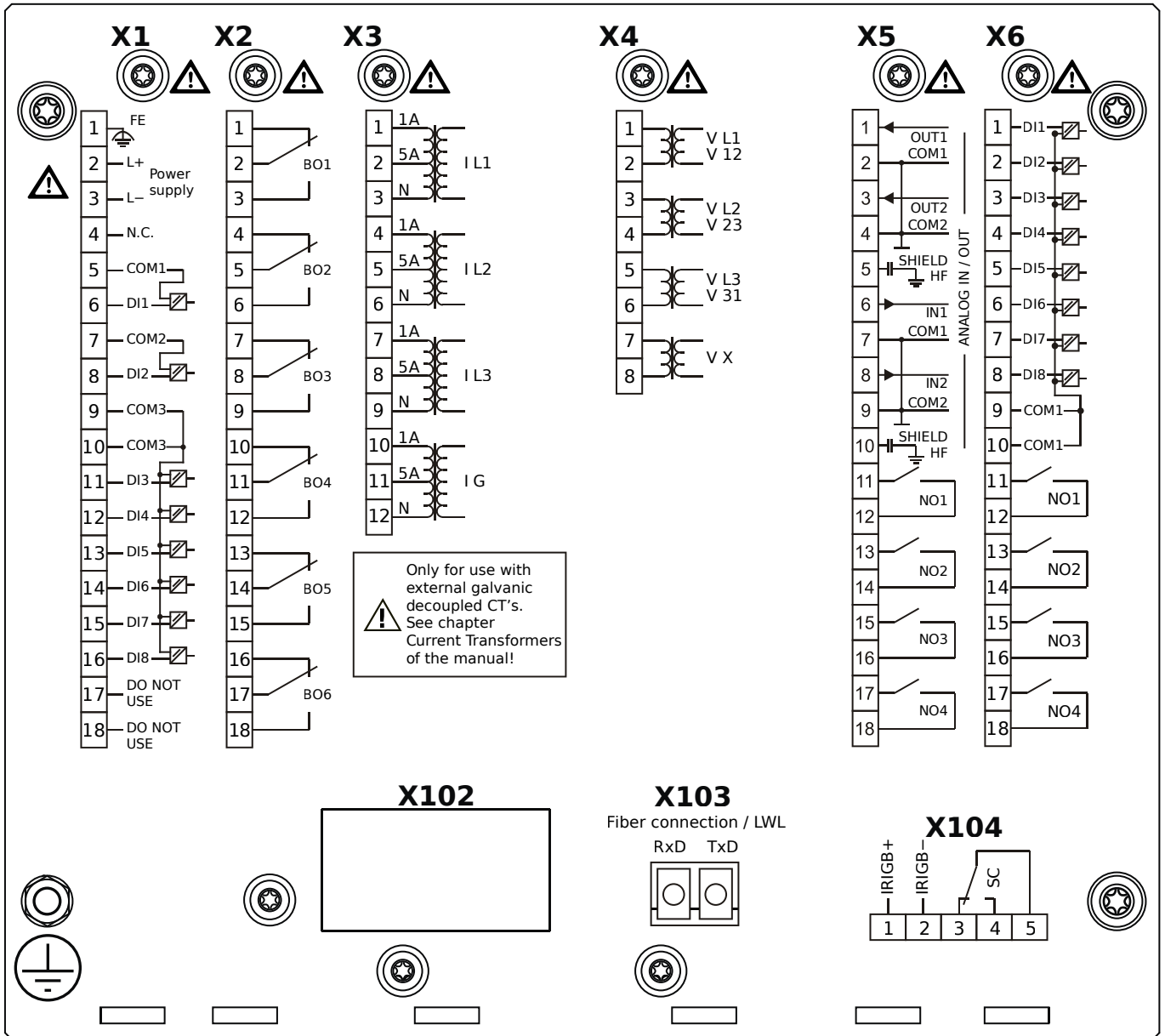
MRA4-2F0HLA



Housing B2, small display, door mounting

- X1** – DI8-X1: Wide-range power supply unit, incl. 2 non-grouped digital inputs and 6 grouped digital inputs
- X2** – OR6: Assembly Group with 6 Output Relays
- X3** – TI: Standard current measuring card
- X4** – TU: Card with 4 voltage transformer measuring inputs
- X5** – AnIO2-OR4: Assembly Group with 2 Analog Inputs, 2 Analog Outputs and 4 Output Relays
- X6** – DI8-OR4: Assembly Group with 8 Digital Inputs and 4 Output Relays
- X103** – Modbus TCP / DNP3.0 TCP/UDP, Fiber optics interface, LC Connector
- X104** – IRIG-B00X, incl. System Contact (Supervision Contact)

MRA4-2F0HLB

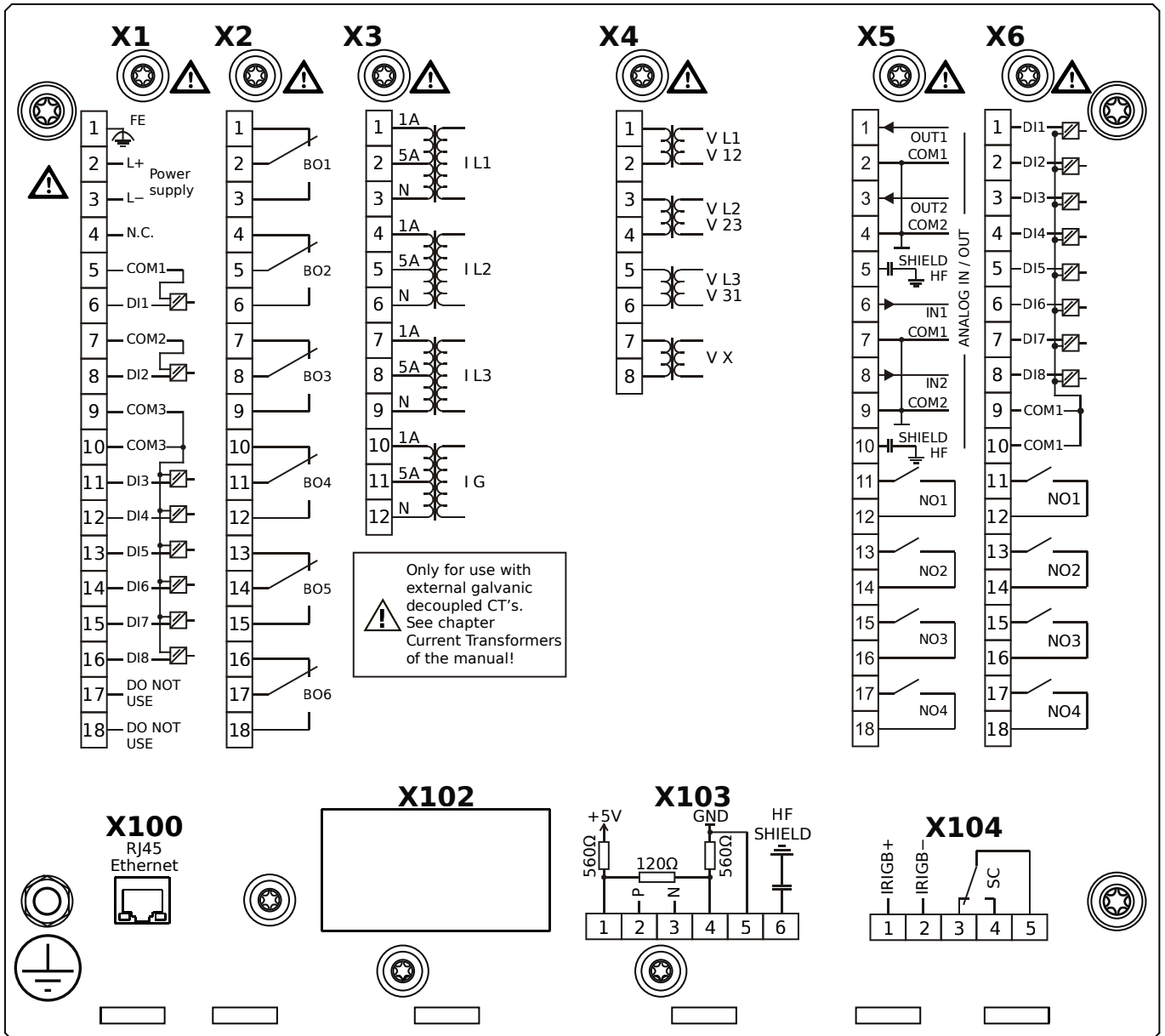


Housing B2, small display, door mounting

+ Conformal Coating (for installations in harsh environment)

- X1** – DI8-X1: Wide-range power supply unit, incl. 2 non-grouped digital inputs and 6 grouped digital inputs
- X2** – OR6: Assembly Group with 6 Output Relays
- X3** – TI: Standard current measuring card
- X4** – TU: Card with 4 voltage transformer measuring inputs
- X5** – AnIO2-OR4: Assembly Group with 2 Analog Inputs, 2 Analog Outputs and 4 Output Relays
- X6** – DI8-OR4: Assembly Group with 8 Digital Inputs and 4 Output Relays
- X103** – Modbus TCP / DNP3.0 TCP/UDP, Fiber optics interface, LC Connector
- X104** – IRIG-B00X, incl. System Contact (Supervision Contact)

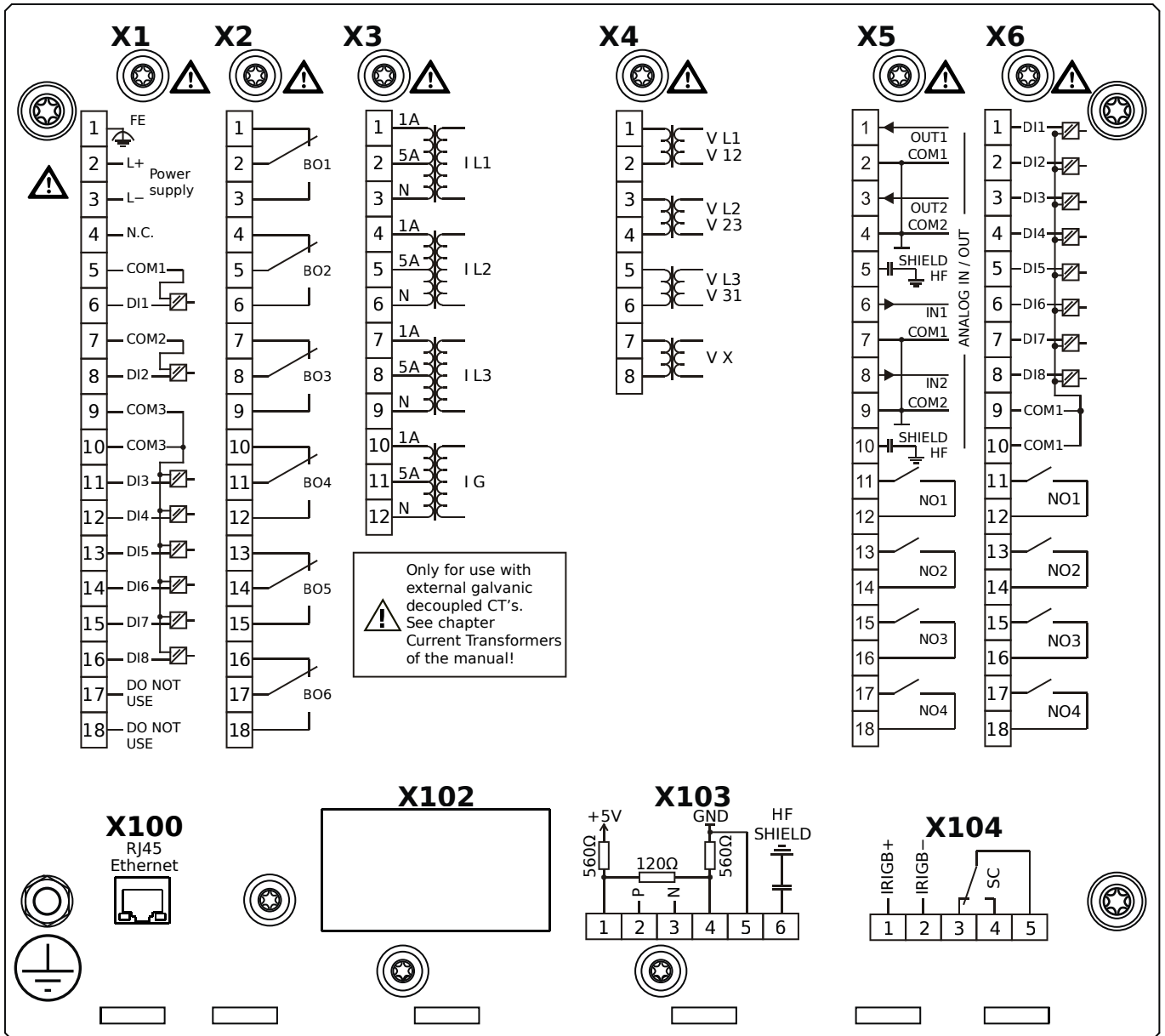
MRA4-2F0HTA



Housing B2, small display, door mounting

- X1** – DI8-X1: Wide-range power supply unit, incl. 2 non-grouped digital inputs and 6 grouped digital inputs
- X2** – OR6: Assembly Group with 6 Output Relays
- X3** – TI: Standard current measuring card
- X4** – TU: Card with 4 voltage transformer measuring inputs
- X5** – AnIO2-OR4: Assembly Group with 2 Analog Inputs, 2 Analog Outputs and 4 Output Relays
- X6** – DI8-OR4: Assembly Group with 8 Digital Inputs and 4 Output Relays
- X100** – IEC 61850 / Modbus TCP / DNP3.0 TCP/UDP, Ethernet interface, 100 Mbit/s, RJ45 (BASE100-FX)
- X103** – IEC 60870-5-103 / Modbus RTU / DNP3.0 RTU, RS485, Terminals
- X104** – IRIG-B00X, incl. System Contact (Supervision Contact)

MRA4-2F0HTB



Housing B2, small display, door mounting

+ Conformal Coating (for installations in harsh environment)

X1 – DI8-X1: Wide-range power supply unit, incl. 2 non-grouped digital inputs and 6 grouped digital inputs

X2 – OR6: Assembly Group with 6 Output Relays

X3 – TI: Standard current measuring card

X4 – TU: Card with 4 voltage transformer measuring inputs

X5 – AnIO2-OR4: Assembly Group with 2 Analog Inputs, 2 Analog Outputs and 4 Output Relays

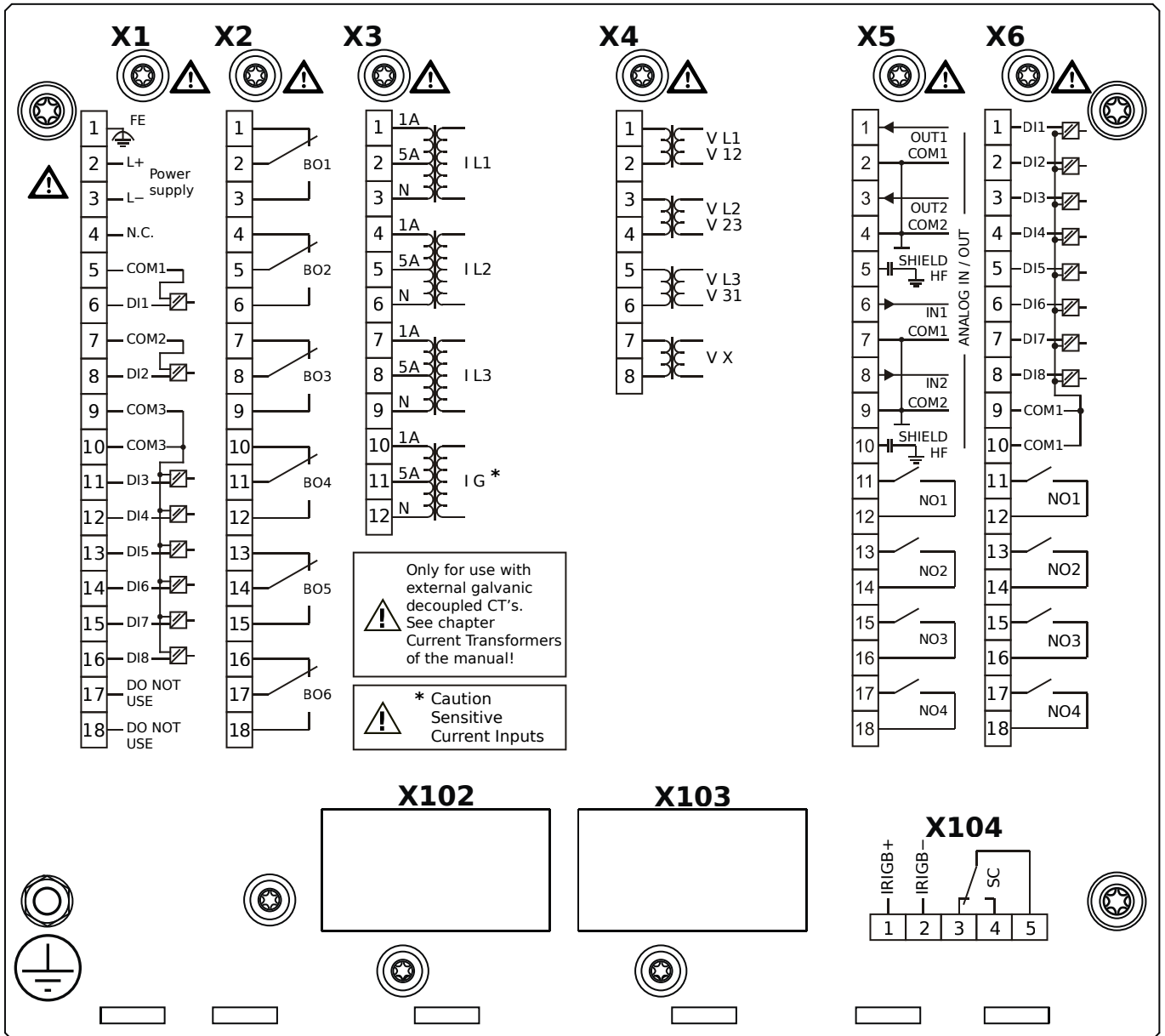
X6 – DI8-OR4: Assembly Group with 8 Digital Inputs and 4 Output Relays

X100 – IEC 61850 / Modbus TCP / DNP3.0 TCP/UDP, Ethernet interface, 100 Mbit/s, RJ45 (BASE100-FX)

X103 – IEC 60870-5-103 / Modbus RTU / DNP3.0 RTU, RS485, Terminals

X104 – IRIG-B00X, incl. System Contact (Supervision Contact)

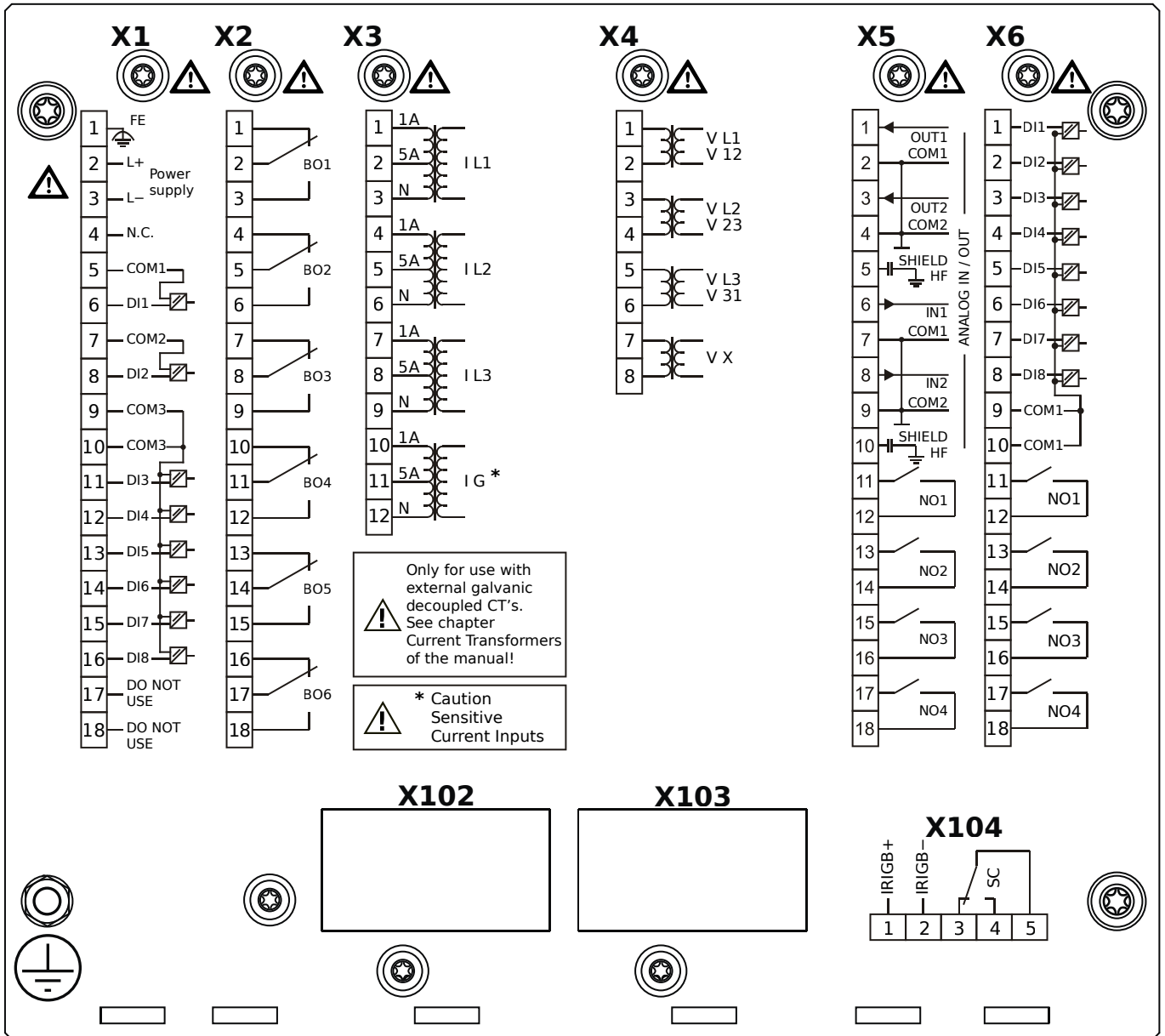
MRA4-2F1AAA



Housing B2, small display, door mounting

- X1** – DI8-X1: Wide-range power supply unit, incl. 2 non-grouped digital inputs and 6 grouped digital inputs
- X2** – OR6: Assembly Group with 6 Output Relays
- X3** – TIs: Standard phase current measuring card and sensitive ground current measuring
- X4** – TU: Card with 4 voltage transformer measuring inputs
- X5** – AnIO2-OR4: Assembly Group with 2 Analog Inputs, 2 Analog Outputs and 4 Output Relays
- X6** – DI8-OR4: Assembly Group with 8 Digital Inputs and 4 Output Relays
- X104** – IRIG-B00X, incl. System Contact (Supervision Contact)

MRA4-2F1AAB

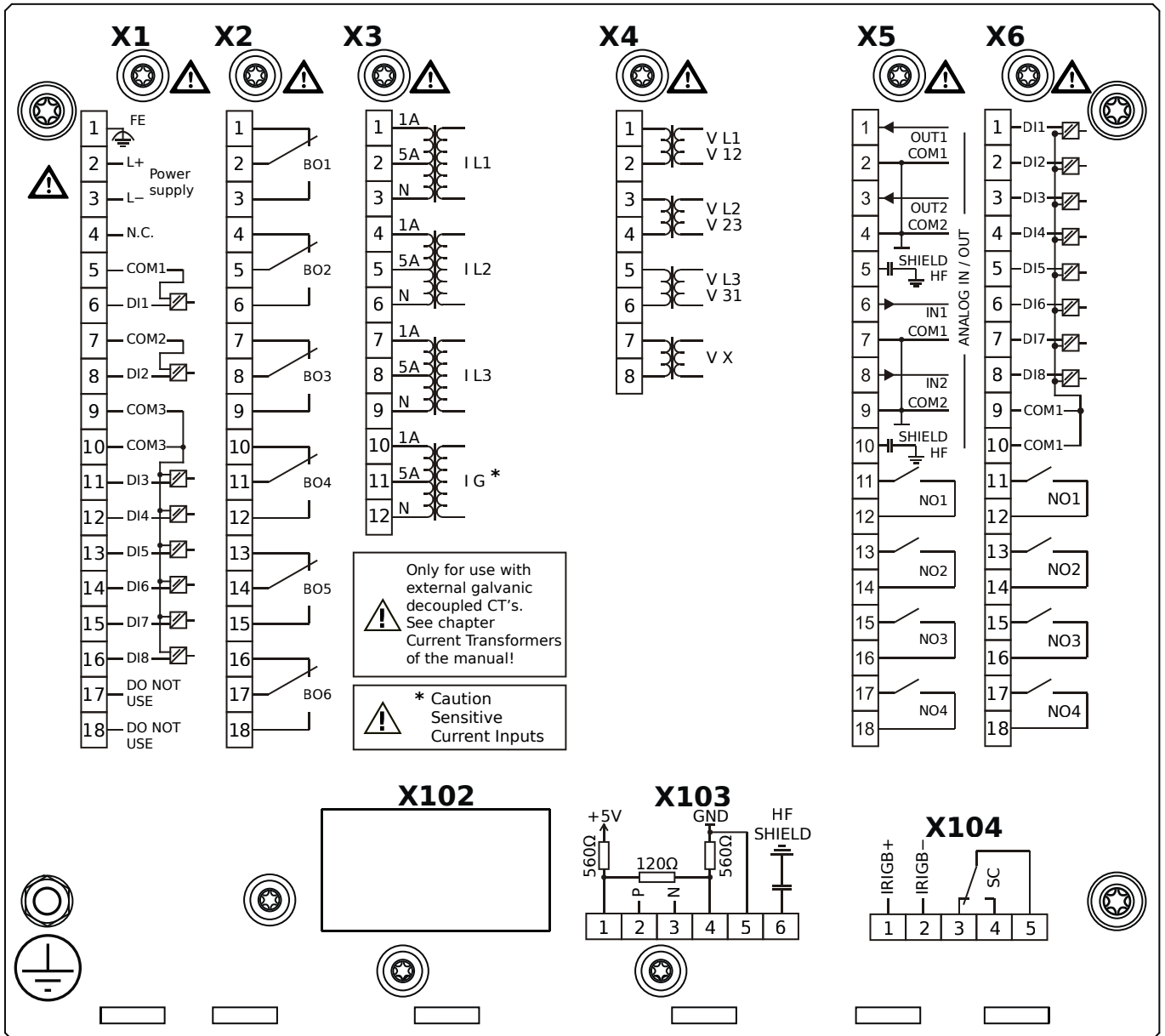


Housing B2, small display, door mounting

+ Conformal Coating (for installations in harsh environment)

- X1** – DI8-X1: Wide-range power supply unit, incl. 2 non-grouped digital inputs and 6 grouped digital inputs
- X2** – OR6: Assembly Group with 6 Output Relays
- X3** – TIs: Standard phase current measuring card and sensitive ground current measuring
- X4** – TU: Card with 4 voltage transformer measuring inputs
- X5** – AnIO2-OR4: Assembly Group with 2 Analog Inputs, 2 Analog Outputs and 4 Output Relays
- X6** – DI8-OR4: Assembly Group with 8 Digital Inputs and 4 Output Relays
- X104** – IRIG-B00X, incl. System Contact (Supervision Contact)

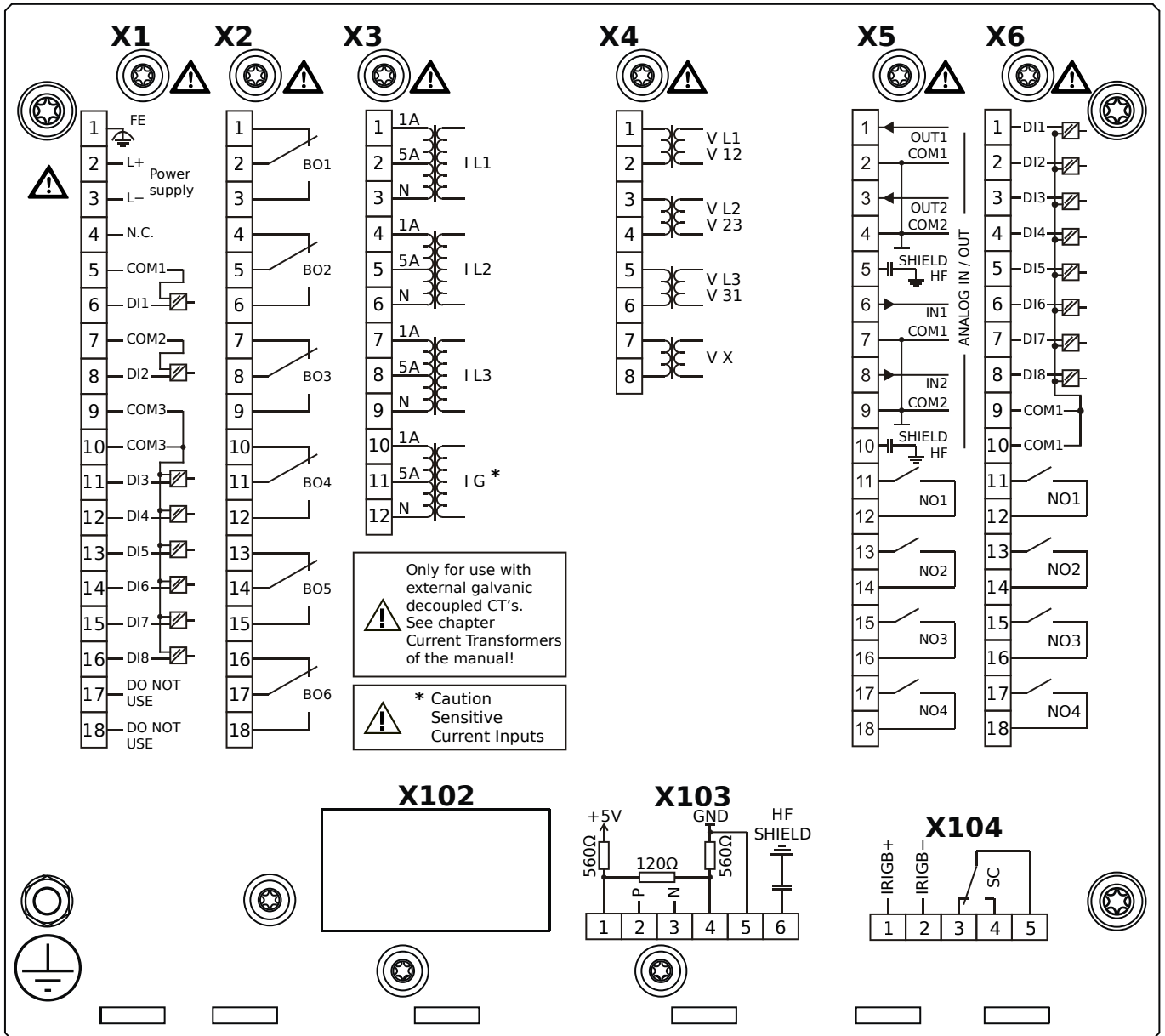
MRA4-2F1ABA



Housing B2, small display, door mounting

- X1** – DI8-X1: Wide-range power supply unit, incl. 2 non-grouped digital inputs and 6 grouped digital inputs
- X2** – OR6: Assembly Group with 6 Output Relays
- X3** – TIs: Standard phase current measuring card and sensitive ground current measuring
- X4** – TU: Card with 4 voltage transformer measuring inputs
- X5** – AnIO2-OR4: Assembly Group with 2 Analog Inputs, 2 Analog Outputs and 4 Output Relays
- X6** – DI8-OR4: Assembly Group with 8 Digital Inputs and 4 Output Relays
- X103** – Modbus RTU / IEC 60870-5-103 / DNP3.0 RTU, RS485, Terminals
- X104** – IRIG-B00X, incl. System Contact (Supervision Contact)

MRA4-2F1ABB

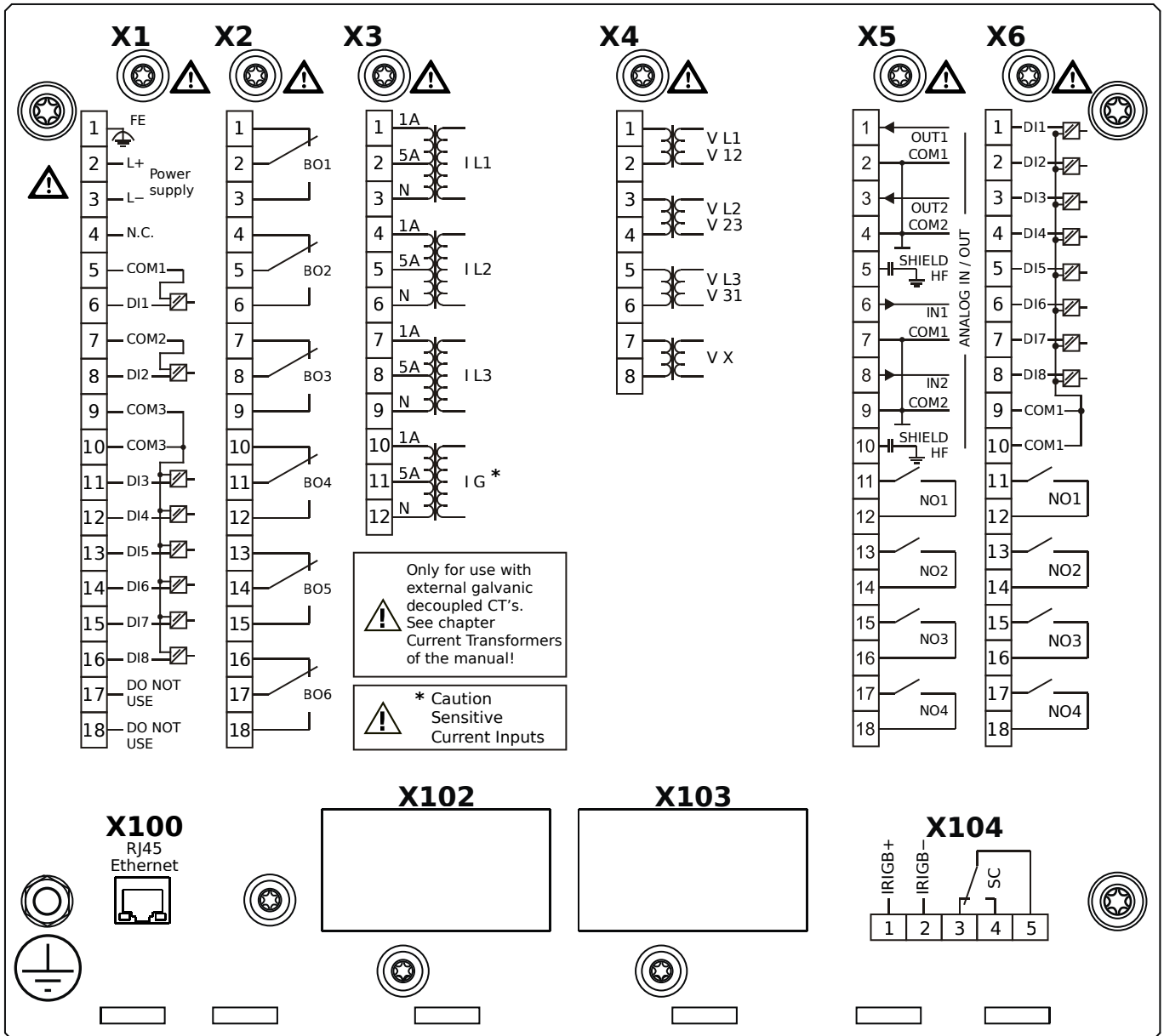


Housing B2, small display, door mounting

+ Conformal Coating (for installations in harsh environment)

- X1** – DI8-X1: Wide-range power supply unit, incl. 2 non-grouped digital inputs and 6 grouped digital inputs
- X2** – OR6: Assembly Group with 6 Output Relays
- X3** – TIs: Standard phase current measuring card and sensitive ground current measuring
- X4** – TU: Card with 4 voltage transformer measuring inputs
- X5** – AnIO2-OR4: Assembly Group with 2 Analog Inputs, 2 Analog Outputs and 4 Output Relays
- X6** – DI8-OR4: Assembly Group with 8 Digital Inputs and 4 Output Relays
- X103** – Modbus RTU / IEC 60870-5-103 / DNP3.0 RTU, RS485, Terminals
- X104** – IRIG-B00X, incl. System Contact (Supervision Contact)

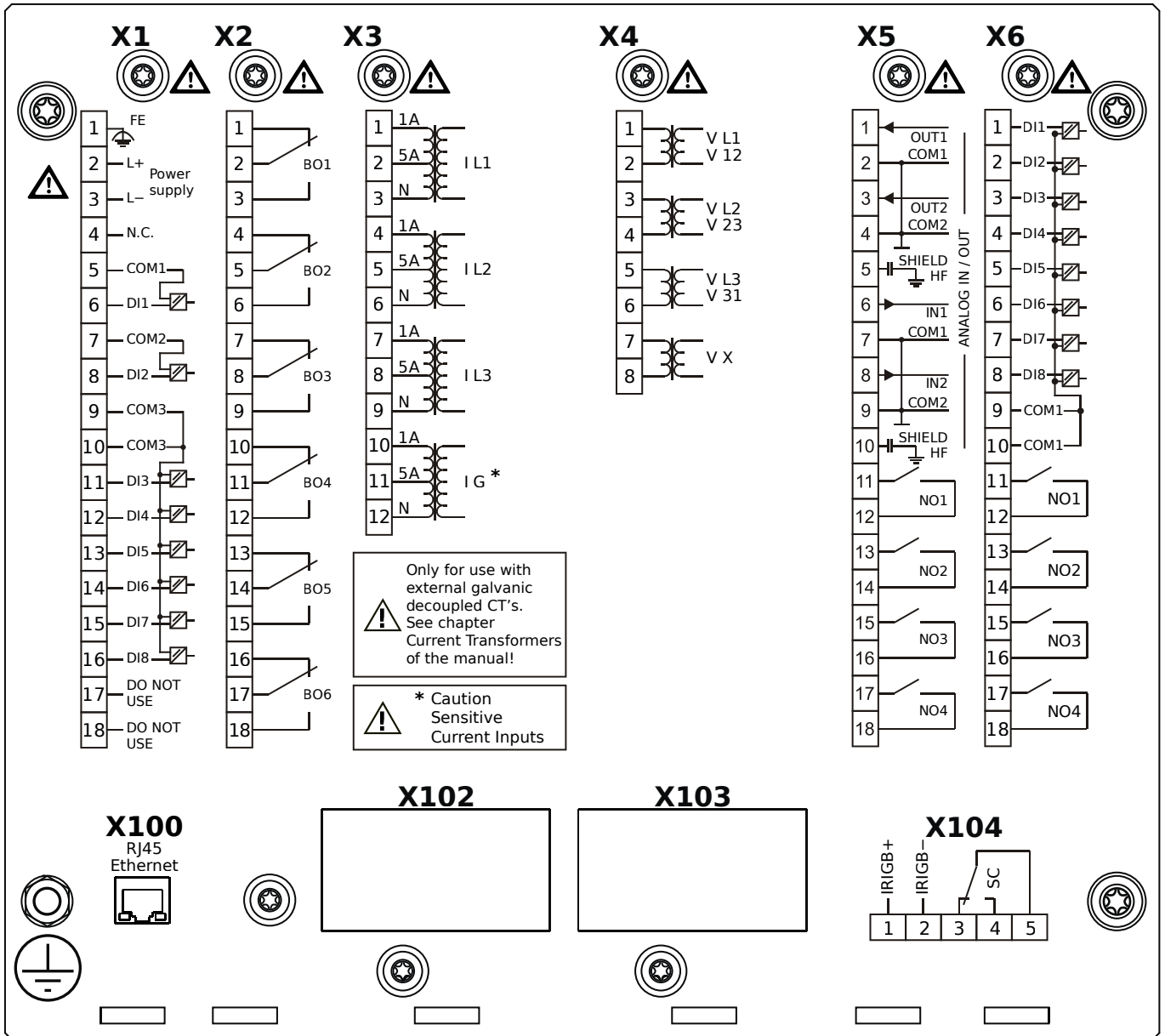
MRA4-2F1ACA



Housing B2, small display, door mounting

- X1** – DI8-X1: Wide-range power supply unit, incl. 2 non-grouped digital inputs and 6 grouped digital inputs
- X2** – OR6: Assembly Group with 6 Output Relays
- X3** – TIs: Standard phase current measuring card and sensitive ground current measuring
- X4** – TU: Card with 4 voltage transformer measuring inputs
- X5** – AnIO2-OR4: Assembly Group with 2 Analog Inputs, 2 Analog Outputs and 4 Output Relays
- X6** – DI8-OR4: Assembly Group with 8 Digital Inputs and 4 Output Relays
- X100** – Modbus TCP / DNP3.0 TCP/UDP, Ethernet interface, 100 Mbit/s, RJ45 (BASE100-FX)
- X104** – IRIG-B00X, incl. System Contact (Supervision Contact)

MRA4-2F1ACB

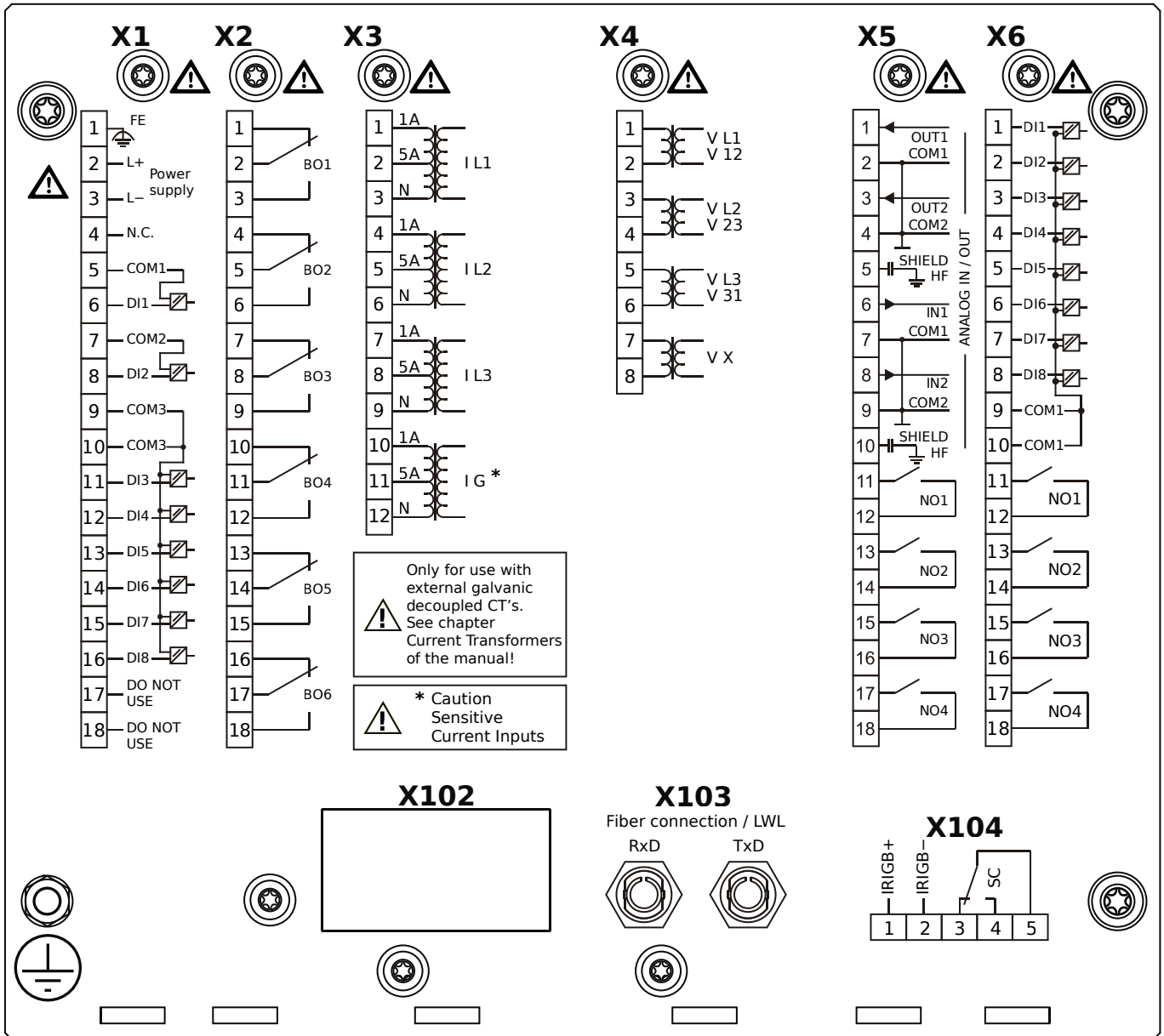


Housing B2, small display, door mounting

+ Conformal Coating (for installations in harsh environment)

- X1** – DI8-X1: Wide-range power supply unit, incl. 2 non-grouped digital inputs and 6 grouped digital inputs
- X2** – OR6: Assembly Group with 6 Output Relays
- X3** – TIs: Standard phase current measuring card and sensitive ground current measuring
- X4** – TU: Card with 4 voltage transformer measuring inputs
- X5** – AnIO2-OR4: Assembly Group with 2 Analog Inputs, 2 Analog Outputs and 4 Output Relays
- X6** – DI8-OR4: Assembly Group with 8 Digital Inputs and 4 Output Relays
- X100** – Modbus TCP / DNP3.0 TCP/UDP, Ethernet interface, 100 Mbit/s, RJ45 (BASE100-FX)
- X104** – IRIG-B00X, incl. System Contact (Supervision Contact)

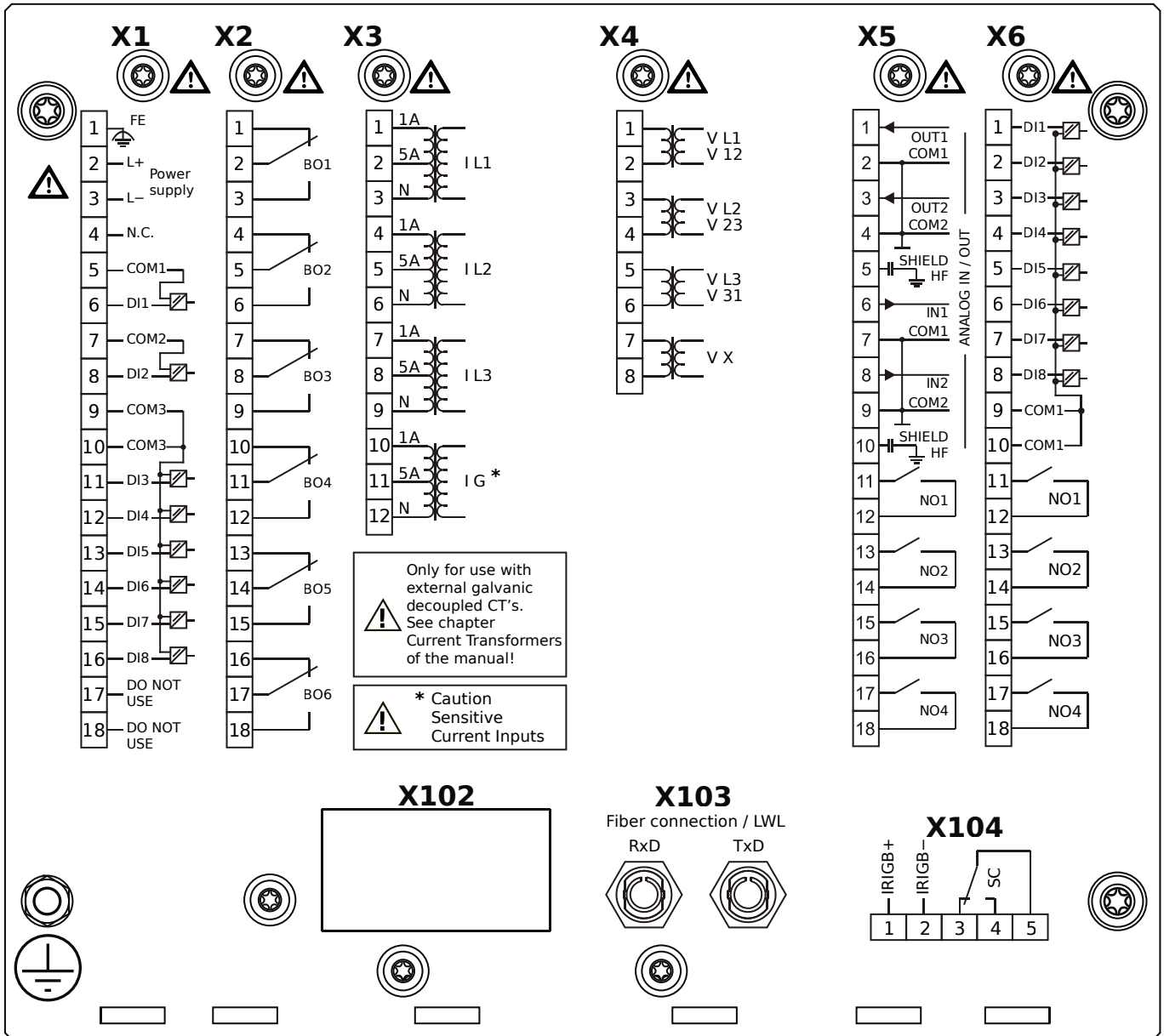
MRA4-2F1ADA



Housing B2, small display, door mounting

- X1** – DI8-X1: Wide-range power supply unit, incl. 2 non-grouped digital inputs and 6 grouped digital inputs
- X2** – OR6: Assembly Group with 6 Output Relays
- X3** – TIs: Standard phase current measuring card and sensitive ground current measuring
- X4** – TU: Card with 4 voltage transformer measuring inputs
- X5** – AnIO2-OR4: Assembly Group with 2 Analog Inputs, 2 Analog Outputs and 4 Output Relays
- X6** – DI8-OR4: Assembly Group with 8 Digital Inputs and 4 Output Relays
- X103** – Profibus-DP, Fiber optics interface, ST Connector
- X104** – IRIG-B00X, incl. System Contact (Supervision Contact)

MRA4-2F1ADB

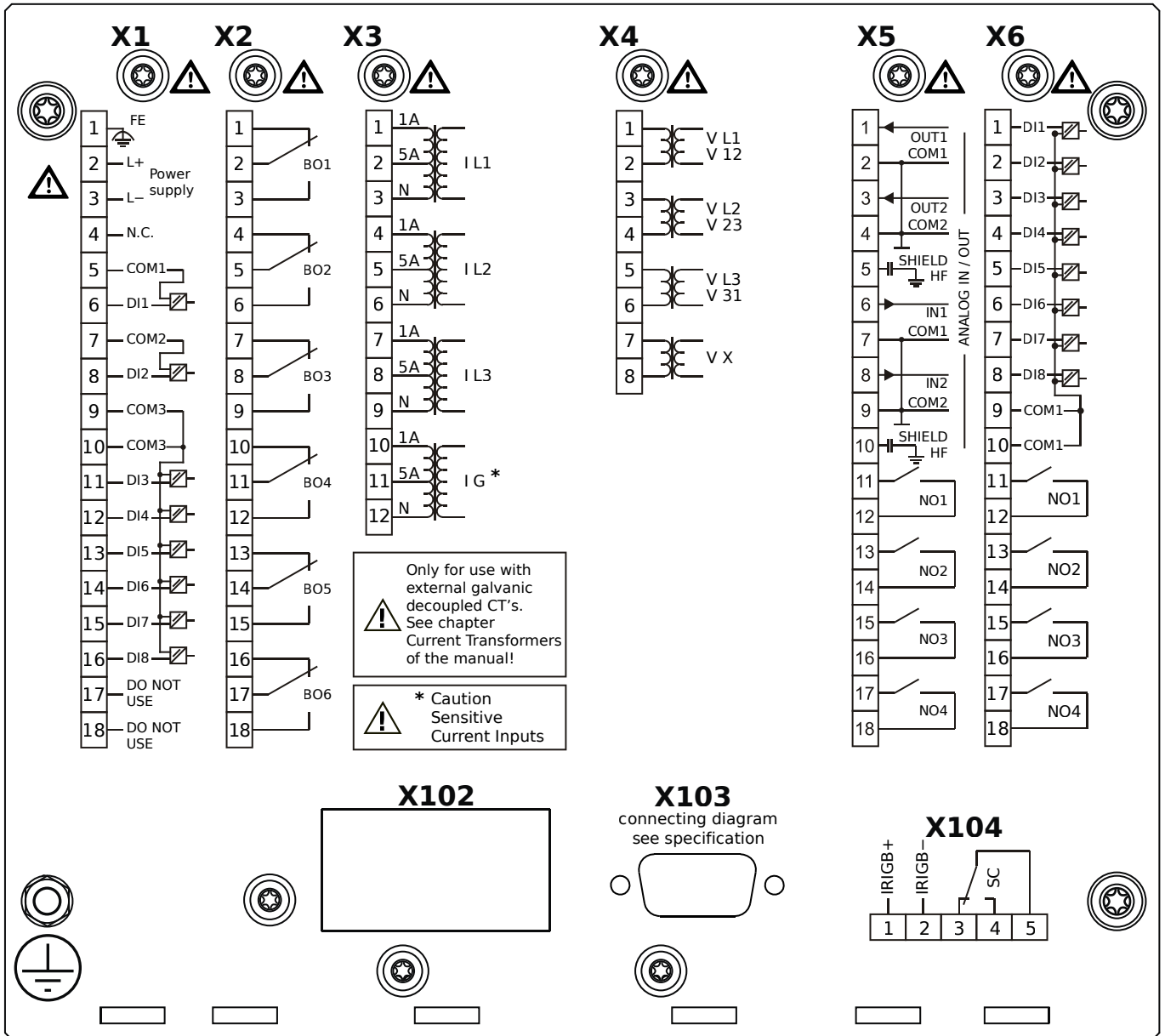


Housing B2, small display, door mounting

+ Conformal Coating (for installations in harsh environment)

- X1** – DI8-X1: Wide-range power supply unit, incl. 2 non-grouped digital inputs and 6 grouped digital inputs
- X2** – OR6: Assembly Group with 6 Output Relays
- X3** – TIs: Standard phase current measuring card and sensitive ground current measuring
- X4** – TU: Card with 4 voltage transformer measuring inputs
- X5** – AnIO2-OR4: Assembly Group with 2 Analog Inputs, 2 Analog Outputs and 4 Output Relays
- X6** – DI8-OR4: Assembly Group with 8 Digital Inputs and 4 Output Relays
- X103** – Profibus-DP, Fiber optics interface, ST Connector
- X104** – IRIG-B00X, incl. System Contact (Supervision Contact)

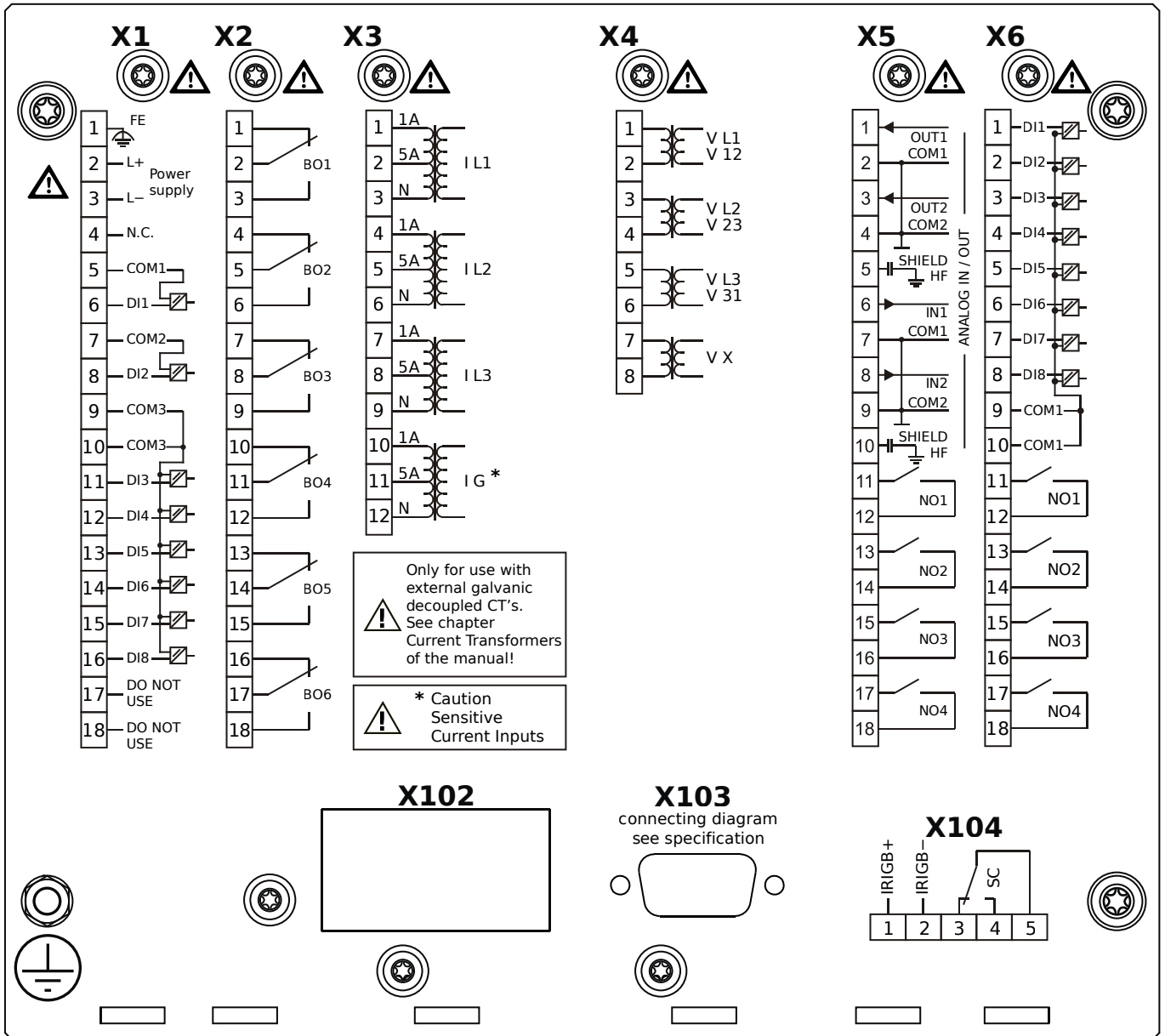
MRA4-2F1AEA



Housing B2, small display, door mounting

- X1** – DI8-X1: Wide-range power supply unit, incl. 2 non-grouped digital inputs and 6 grouped digital inputs
- X2** – OR6: Assembly Group with 6 Output Relays
- X3** – TIs: Standard phase current measuring card and sensitive ground current measuring
- X4** – TU: Card with 4 voltage transformer measuring inputs
- X5** – AnIO2-OR4: Assembly Group with 2 Analog Inputs, 2 Analog Outputs and 4 Output Relays
- X6** – DI8-OR4: Assembly Group with 8 Digital Inputs and 4 Output Relays
- X103** – Profibus-DP, RS485, D-SUB
- X104** – IRIG-B00X, incl. System Contact (Supervision Contact)

MRA4-2F1AEB

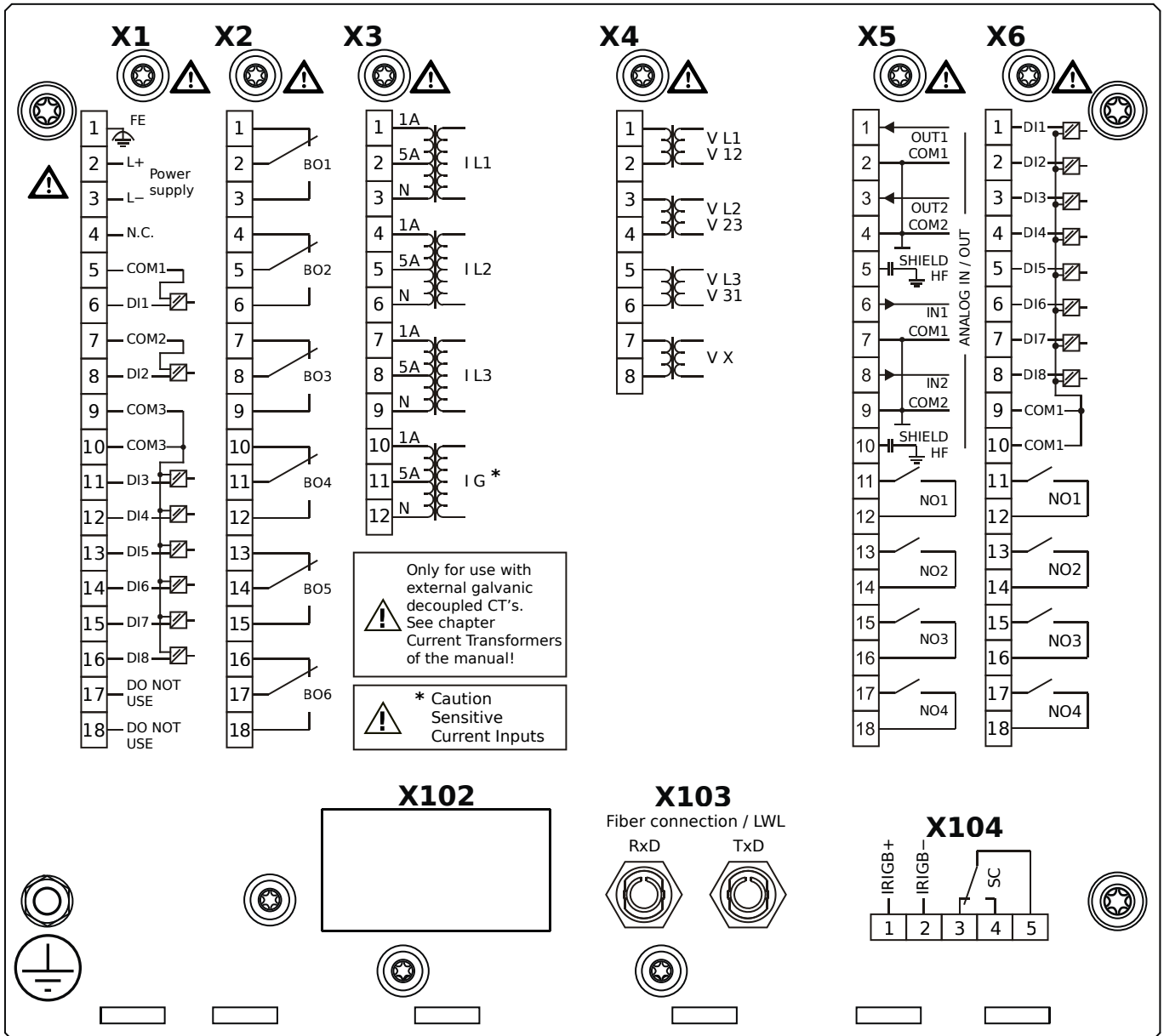


Housing B2, small display, door mounting

+ Conformal Coating (for installations in harsh environment)

- X1** – DI8-X1: Wide-range power supply unit, incl. 2 non-grouped digital inputs and 6 grouped digital inputs
- X2** – OR6: Assembly Group with 6 Output Relays
- X3** – TIs: Standard phase current measuring card and sensitive ground current measuring
- X4** – TU: Card with 4 voltage transformer measuring inputs
- X5** – AnIO2-OR4: Assembly Group with 2 Analog Inputs, 2 Analog Outputs and 4 Output Relays
- X6** – DI8-OR4: Assembly Group with 8 Digital Inputs and 4 Output Relays
- X103** – Profibus-DP, RS485, D-SUB
- X104** – IRIG-B00X, incl. System Contact (Supervision Contact)

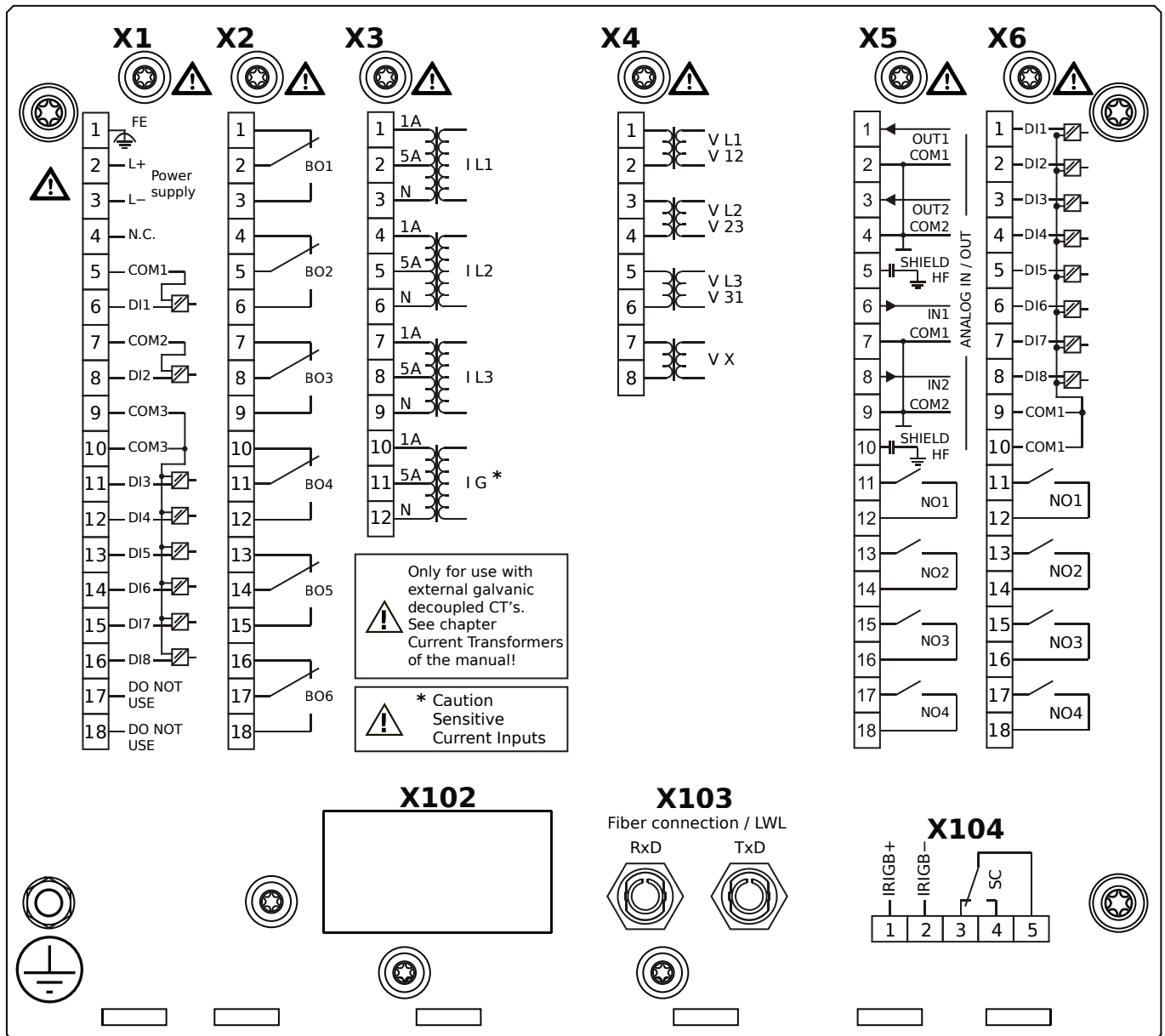
MRA4-2F1AFA



Housing B2, small display, door mounting

- X1** – DI8-X1: Wide-range power supply unit, incl. 2 non-grouped digital inputs and 6 grouped digital inputs
- X2** – OR6: Assembly Group with 6 Output Relays
- X3** – TIs: Standard phase current measuring card and sensitive ground current measuring
- X4** – TU: Card with 4 voltage transformer measuring inputs
- X5** – AnIO2-OR4: Assembly Group with 2 Analog Inputs, 2 Analog Outputs and 4 Output Relays
- X6** – DI8-OR4: Assembly Group with 8 Digital Inputs and 4 Output Relays
- X103** – Modbus RTU / IEC 60870-5-103 / DNP3.0 RTU, Fiber optics interface, ST Connector
- X104** – IRIG-B00X, incl. System Contact (Supervision Contact)

MRA4-2F1AFB

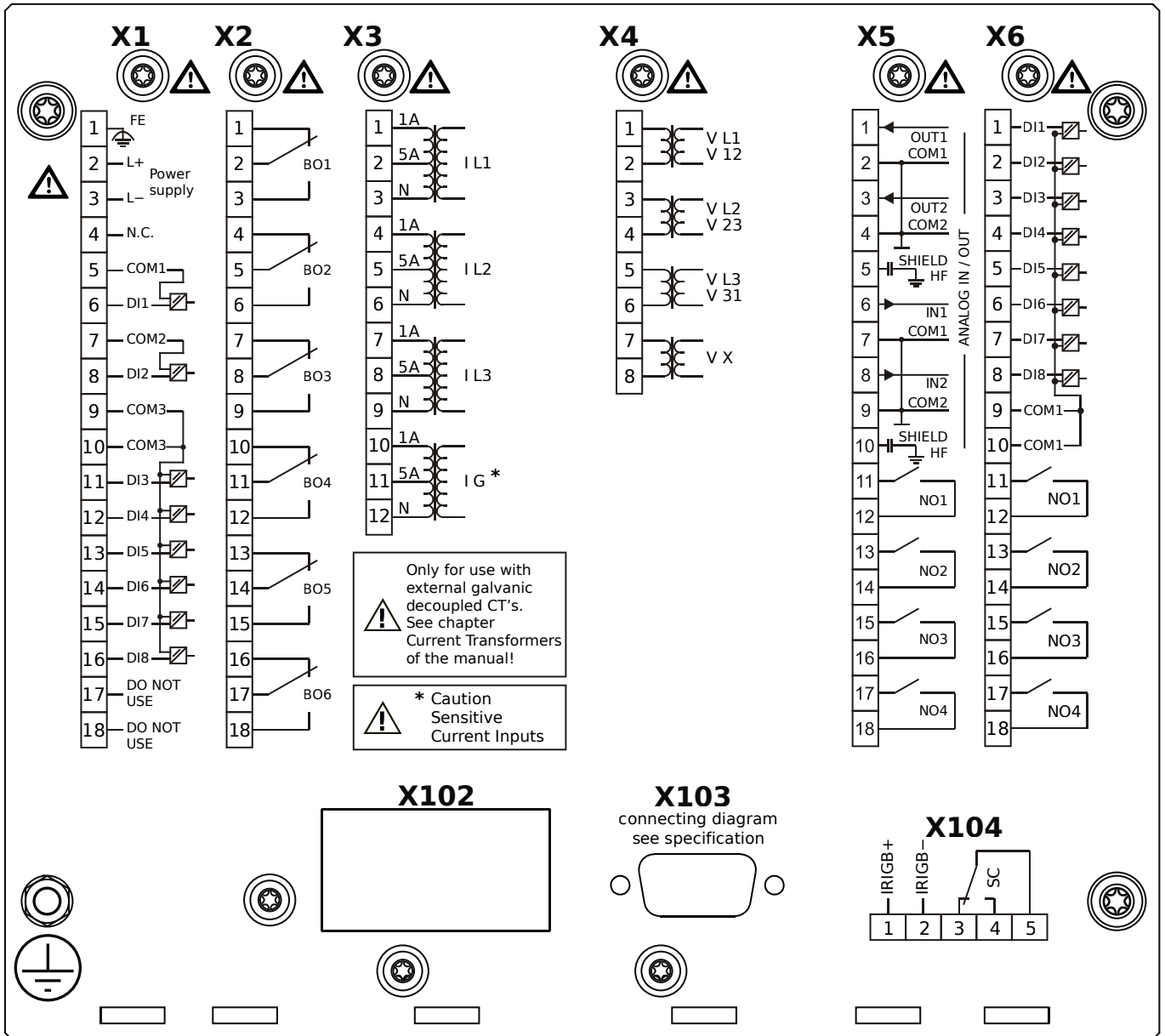


Housing B2, small display, door mounting

+ Conformal Coating (for installations in harsh environment)

- X1** – DI8-X1: Wide-range power supply unit, incl. 2 non-grouped digital inputs and 6 grouped digital inputs
- X2** – OR6: Assembly Group with 6 Output Relays
- X3** – TIs: Standard phase current measuring card and sensitive ground current measuring
- X4** – TU: Card with 4 voltage transformer measuring inputs
- X5** – AnIO2-OR4: Assembly Group with 2 Analog Inputs, 2 Analog Outputs and 4 Output Relays
- X6** – DI8-OR4: Assembly Group with 8 Digital Inputs and 4 Output Relays
- X103** – Modbus RTU / IEC 60870-5-103 / DNP3.0 RTU, Fiber optics interface, ST Connector
- X104** – IRIG-B00X, incl. System Contact (Supervision Contact)

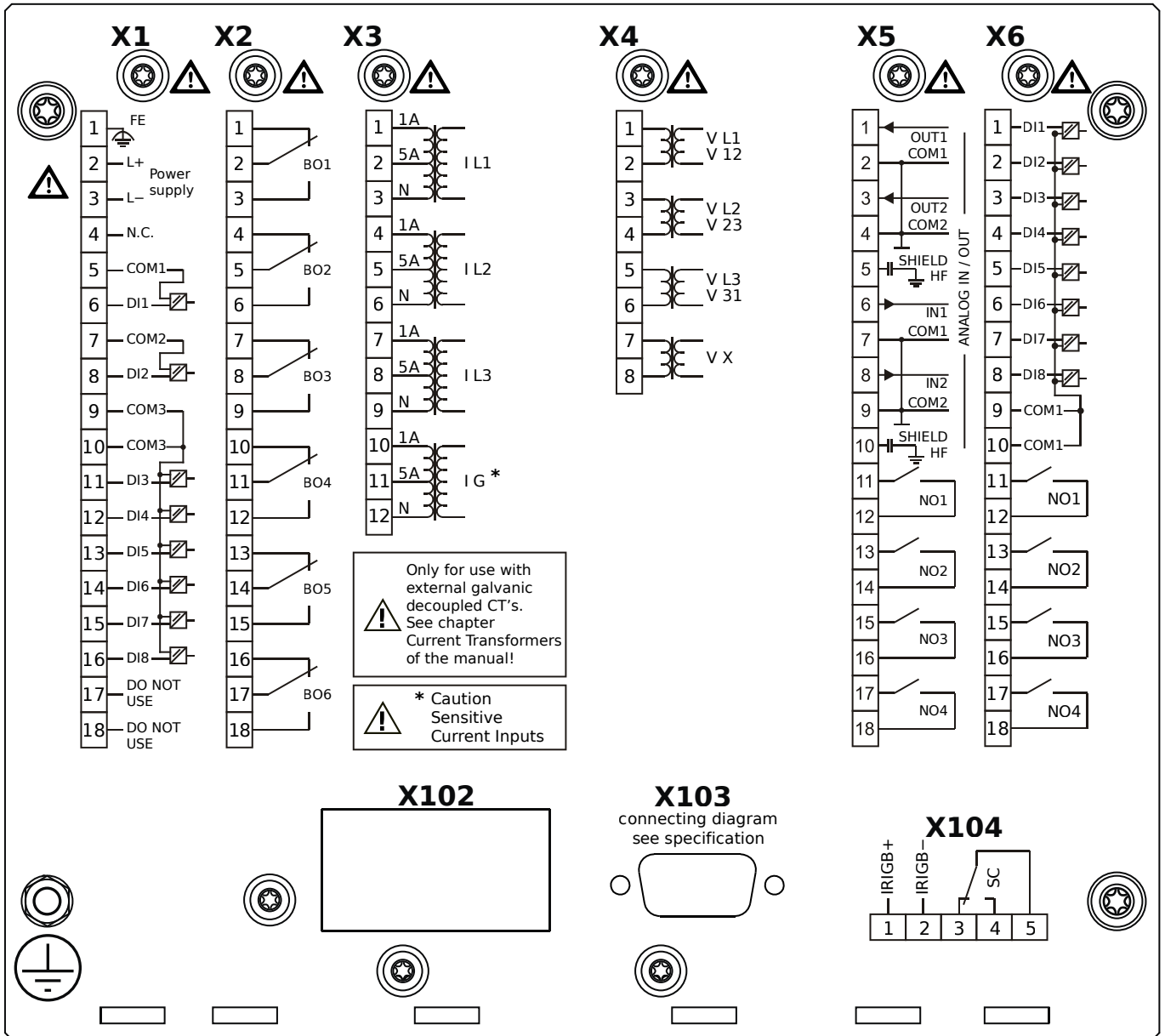
MRA4-2F1AGA



Housing B2, small display, door mounting

- X1** – DI8-X1: Wide-range power supply unit, incl. 2 non-grouped digital inputs and 6 grouped digital inputs
- X2** – OR6: Assembly Group with 6 Output Relays
- X3** – TIs: Standard phase current measuring card and sensitive ground current measuring
- X4** – TU: Card with 4 voltage transformer measuring inputs
- X5** – AnIO2-OR4: Assembly Group with 2 Analog Inputs, 2 Analog Outputs and 4 Output Relays
- X6** – DI8-OR4: Assembly Group with 8 Digital Inputs and 4 Output Relays
- X103** – Modbus RTU / IEC 60870-5-103 / DNP3.0 RTU, RS485, D-SUB
- X104** – IRIG-B00X, incl. System Contact (Supervision Contact)

MRA4-2F1AGB

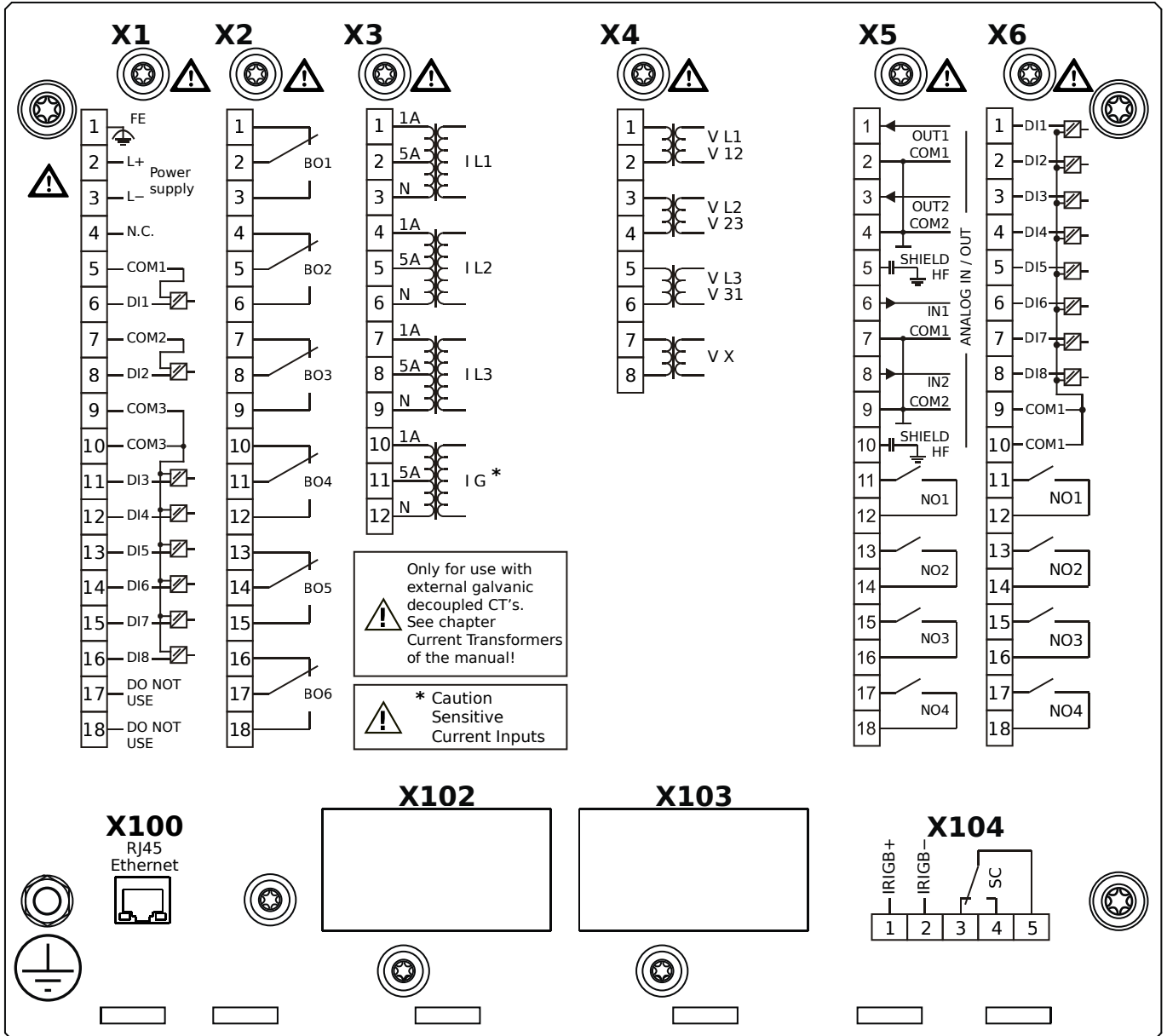


Housing B2, small display, door mounting

+ Conformal Coating (for installations in harsh environment)

- X1** – DI8-X1: Wide-range power supply unit, incl. 2 non-grouped digital inputs and 6 grouped digital inputs
- X2** – OR6: Assembly Group with 6 Output Relays
- X3** – TIs: Standard phase current measuring card and sensitive ground current measuring
- X4** – TU: Card with 4 voltage transformer measuring inputs
- X5** – AnIO2-OR4: Assembly Group with 2 Analog Inputs, 2 Analog Outputs and 4 Output Relays
- X6** – DI8-OR4: Assembly Group with 8 Digital Inputs and 4 Output Relays
- X103** – Modbus RTU / IEC 60870-5-103 / DNP3.0 RTU, RS485, D-SUB
- X104** – IRIG-B00X, incl. System Contact (Supervision Contact)

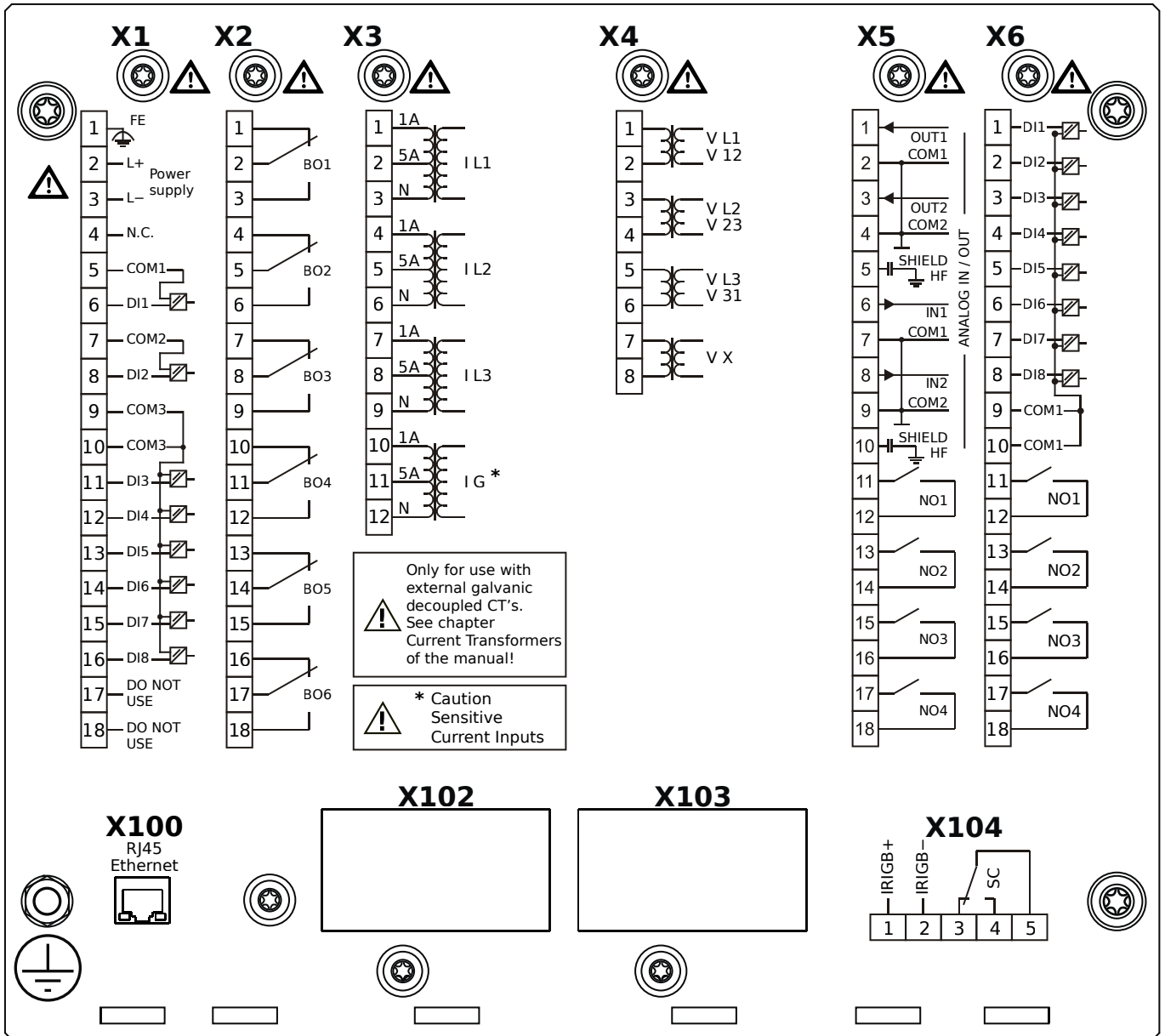
MRA4-2F1AHA



Housing B2, small display, door mounting

- X1** – DI8-X1: Wide-range power supply unit, incl. 2 non-grouped digital inputs and 6 grouped digital inputs
- X2** – OR6: Assembly Group with 6 Output Relays
- X3** – TIs: Standard phase current measuring card and sensitive ground current measuring
- X4** – TU: Card with 4 voltage transformer measuring inputs
- X5** – AnIO2-OR4: Assembly Group with 2 Analog Inputs, 2 Analog Outputs and 4 Output Relays
- X6** – DI8-OR4: Assembly Group with 8 Digital Inputs and 4 Output Relays
- X100** – IEC 61850 / Modbus TCP / DNP3.0 TCP/UDP, Ethernet interface, 100 Mbit/s, RJ45 (BASE100-FX)
- X104** – IRIG-B00X, incl. System Contact (Supervision Contact)

MRA4-2F1AHB

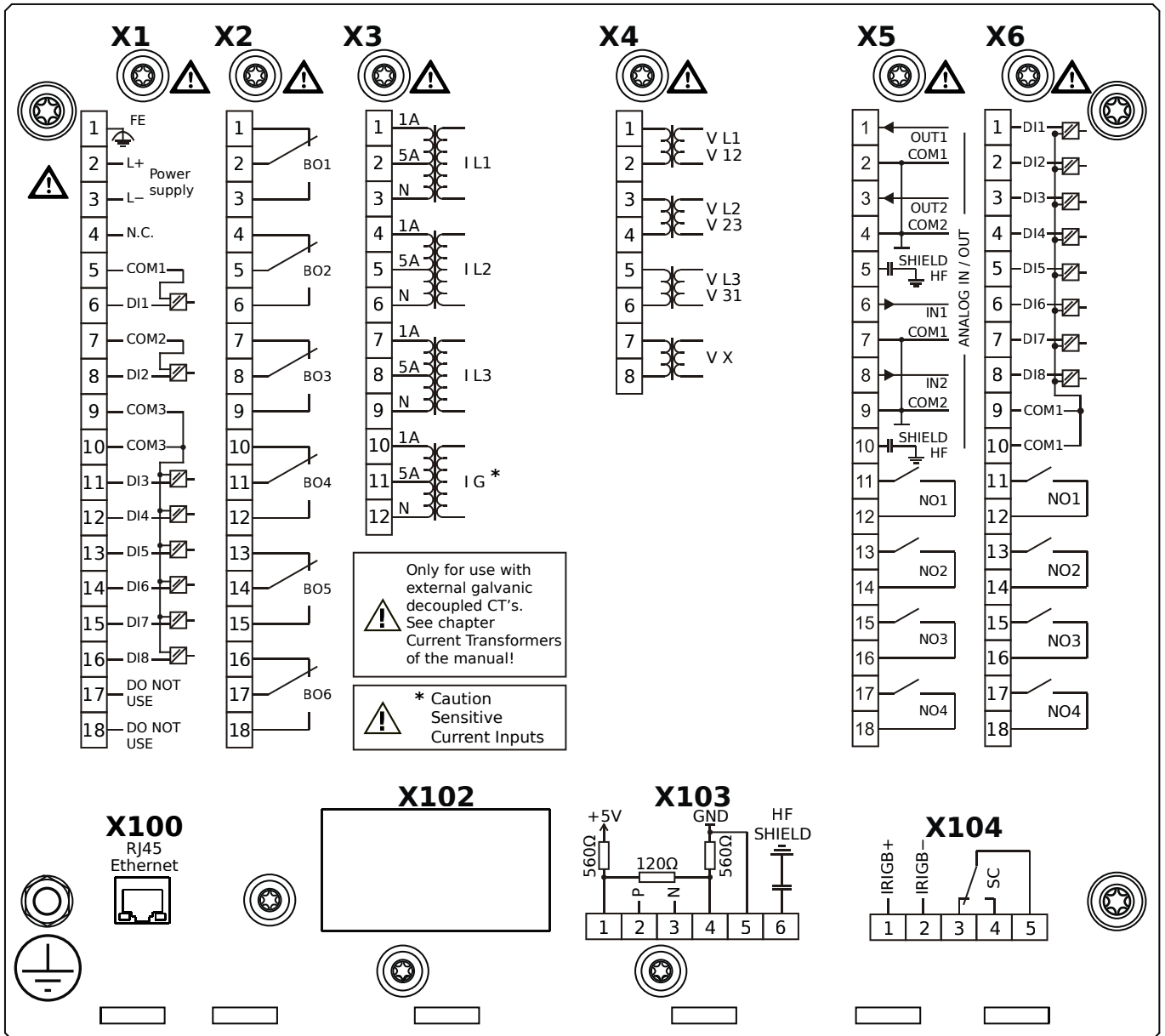


Housing B2, small display, door mounting

+ Conformal Coating (for installations in harsh environment)

- X1** – DI8-X1: Wide-range power supply unit, incl. 2 non-grouped digital inputs and 6 grouped digital inputs
- X2** – OR6: Assembly Group with 6 Output Relays
- X3** – TIs: Standard phase current measuring card and sensitive ground current measuring
- X4** – TU: Card with 4 voltage transformer measuring inputs
- X5** – AnIO2-OR4: Assembly Group with 2 Analog Inputs, 2 Analog Outputs and 4 Output Relays
- X6** – DI8-OR4: Assembly Group with 8 Digital Inputs and 4 Output Relays
- X100** – IEC 61850 / Modbus TCP / DNP3.0 TCP/UDP, Ethernet interface, 100 Mbit/s, RJ45 (BASE100-FX)
- X104** – IRIG-B00X, incl. System Contact (Supervision Contact)

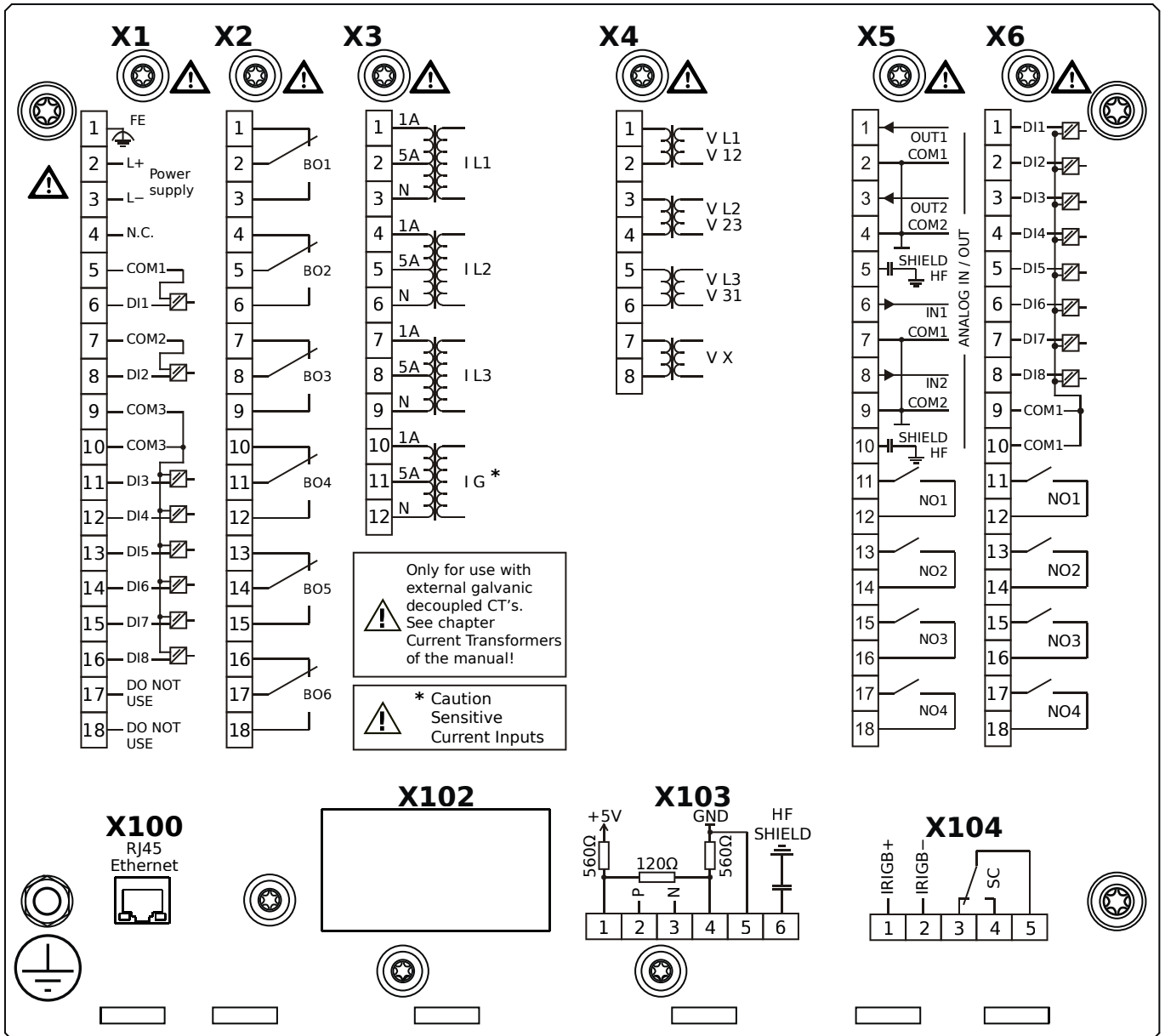
MRA4-2F1AIA



Housing B2, small display, door mounting

- X1** – DI8-X1: Wide-range power supply unit, incl. 2 non-grouped digital inputs and 6 grouped digital inputs
- X2** – OR6: Assembly Group with 6 Output Relays
- X3** – TIs: Standard phase current measuring card and sensitive ground current measuring
- X4** – TU: Card with 4 voltage transformer measuring inputs
- X5** – AnIO2-OR4: Assembly Group with 2 Analog Inputs, 2 Analog Outputs and 4 Output Relays
- X6** – DI8-OR4: Assembly Group with 8 Digital Inputs and 4 Output Relays
- X100** – Modbus TCP / DNP3.0 TCP/UDP, Ethernet interface, 100 Mbit/s, RJ45 (BASE100-FX)
- X103** – IEC 60870-5-103 / Modbus RTU / DNP3.0 RTU, RS485, Terminals
- X104** – IRIG-B00X, incl. System Contact (Supervision Contact)

MRA4-2F1AIB

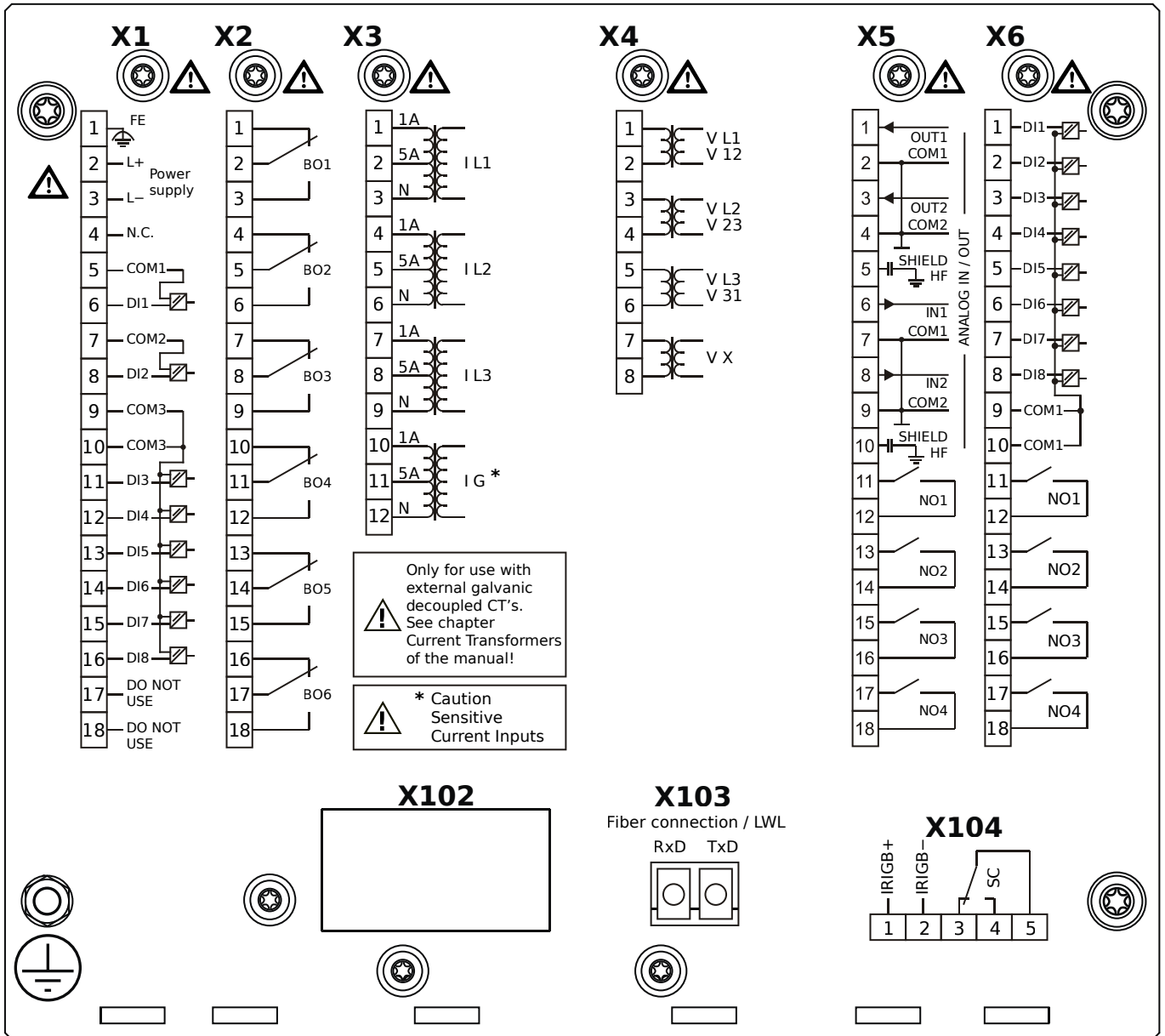


Housing B2, small display, door mounting

+ Conformal Coating (for installations in harsh environment)

- X1** – DI8-X1: Wide-range power supply unit, incl. 2 non-grouped digital inputs and 6 grouped digital inputs
- X2** – OR6: Assembly Group with 6 Output Relays
- X3** – TIs: Standard phase current measuring card and sensitive ground current measuring
- X4** – TU: Card with 4 voltage transformer measuring inputs
- X5** – AnIO2-OR4: Assembly Group with 2 Analog Inputs, 2 Analog Outputs and 4 Output Relays
- X6** – DI8-OR4: Assembly Group with 8 Digital Inputs and 4 Output Relays
- X100** – Modbus TCP / DNP3.0 TCP/UDP, Ethernet interface, 100 Mbit/s, RJ45 (BASE100-FX)
- X103** – IEC 60870-5-103 / Modbus RTU / DNP3.0 RTU, RS485, Terminals
- X104** – IRIG-B00X, incl. System Contact (Supervision Contact)

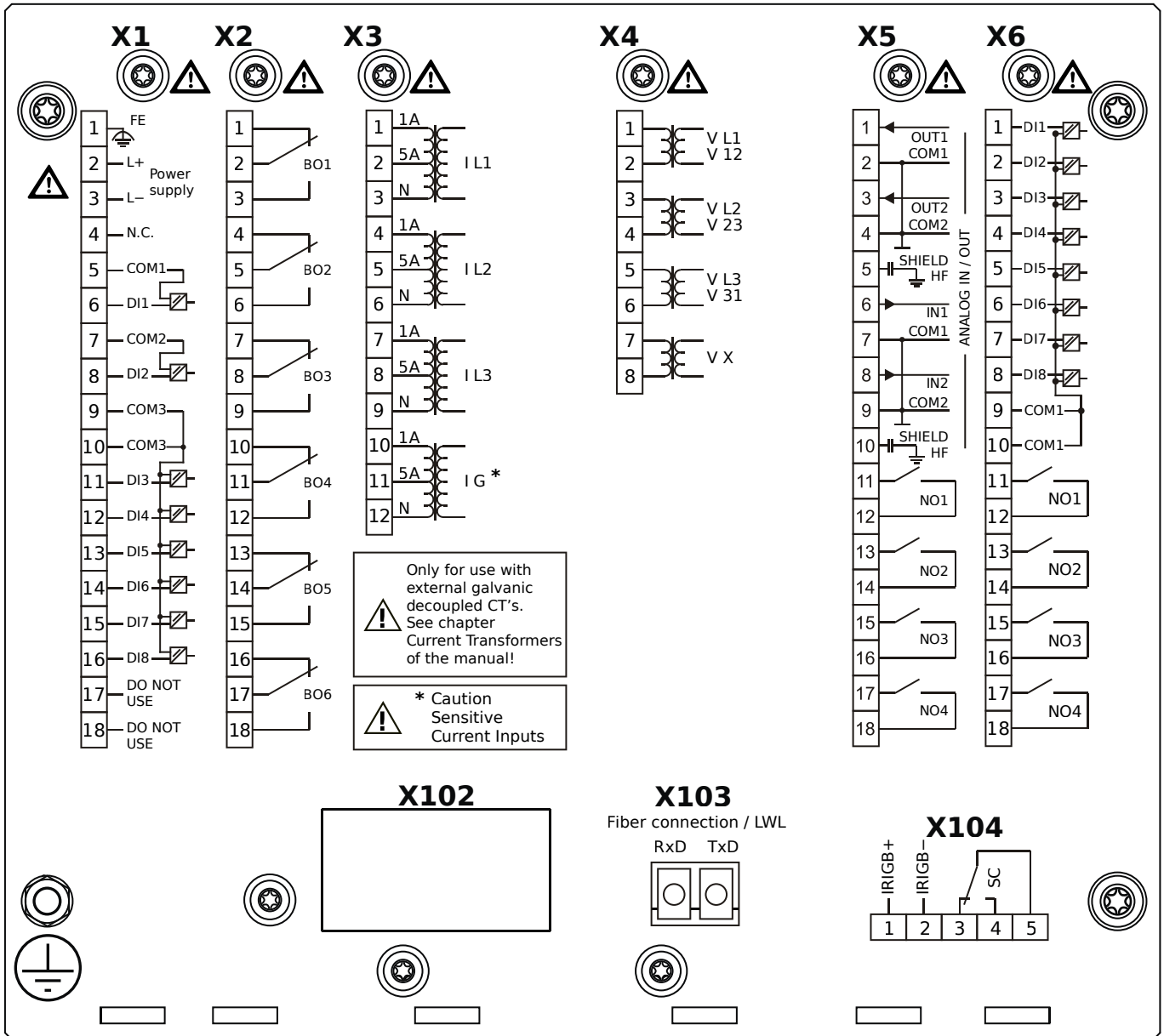
MRA4-2F1AKA



Housing B2, small display, door mounting

- X1** – DI8-X1: Wide-range power supply unit, incl. 2 non-grouped digital inputs and 6 grouped digital inputs
- X2** – OR6: Assembly Group with 6 Output Relays
- X3** – TIs: Standard phase current measuring card and sensitive ground current measuring
- X4** – TU: Card with 4 voltage transformer measuring inputs
- X5** – AnIO2-OR4: Assembly Group with 2 Analog Inputs, 2 Analog Outputs and 4 Output Relays
- X6** – DI8-OR4: Assembly Group with 8 Digital Inputs and 4 Output Relays
- X103** – IEC 61850 / Modbus TCP / DNP3.0 TCP/UDP, Fiber optics interface, LC Connector
- X104** – IRIG-B00X, incl. System Contact (Supervision Contact)

MRA4-2F1AKB

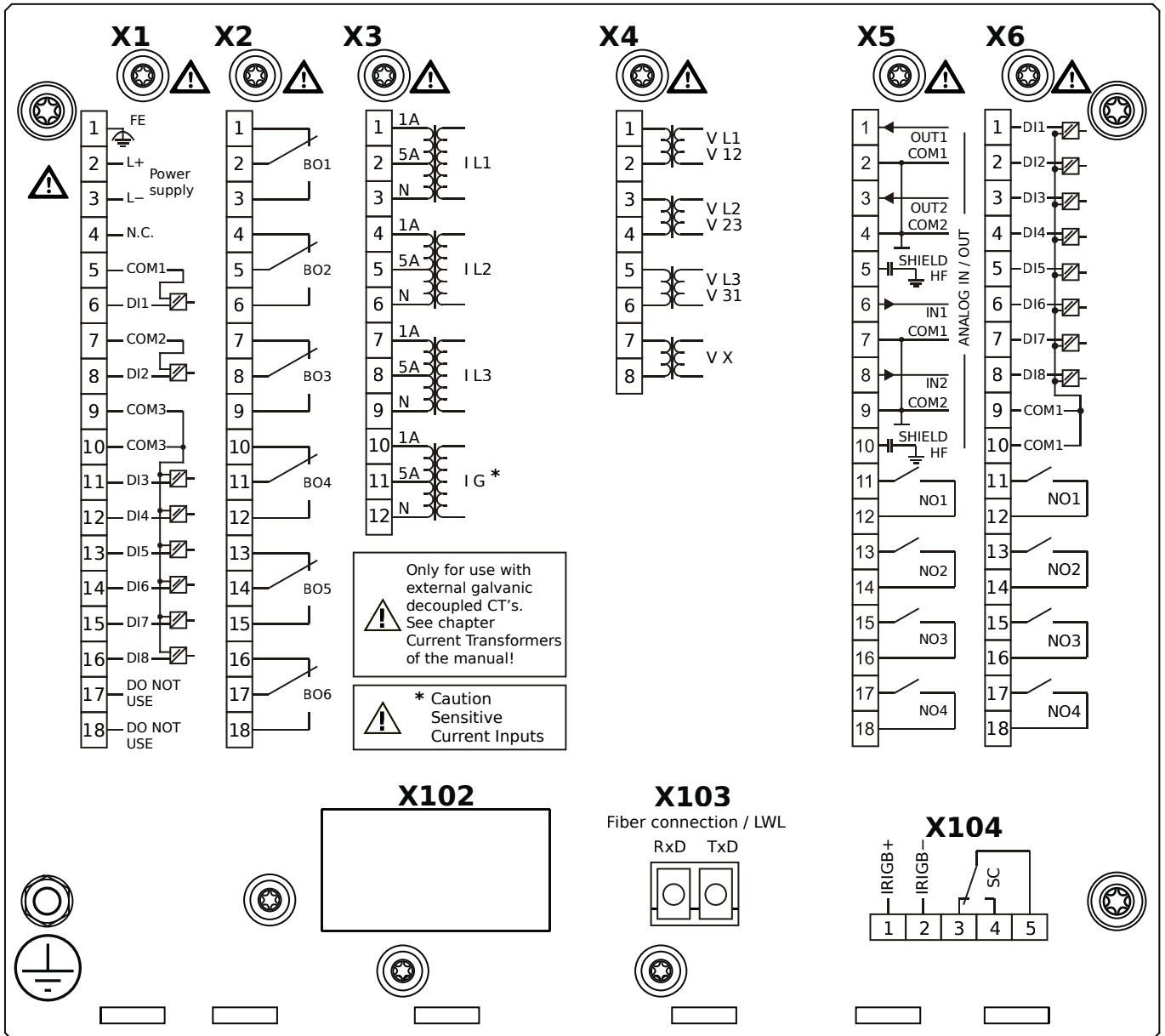


Housing B2, small display, door mounting

+ Conformal Coating (for installations in harsh environment)

- X1** – DI8-X1: Wide-range power supply unit, incl. 2 non-grouped digital inputs and 6 grouped digital inputs
- X2** – OR6: Assembly Group with 6 Output Relays
- X3** – TIs: Standard phase current measuring card and sensitive ground current measuring
- X4** – TU: Card with 4 voltage transformer measuring inputs
- X5** – AnIO2-OR4: Assembly Group with 2 Analog Inputs, 2 Analog Outputs and 4 Output Relays
- X6** – DI8-OR4: Assembly Group with 8 Digital Inputs and 4 Output Relays
- X103** – IEC 61850 / Modbus TCP / DNP3.0 TCP/UDP, Fiber optics interface, LC Connector
- X104** – IRIG-B00X, incl. System Contact (Supervision Contact)

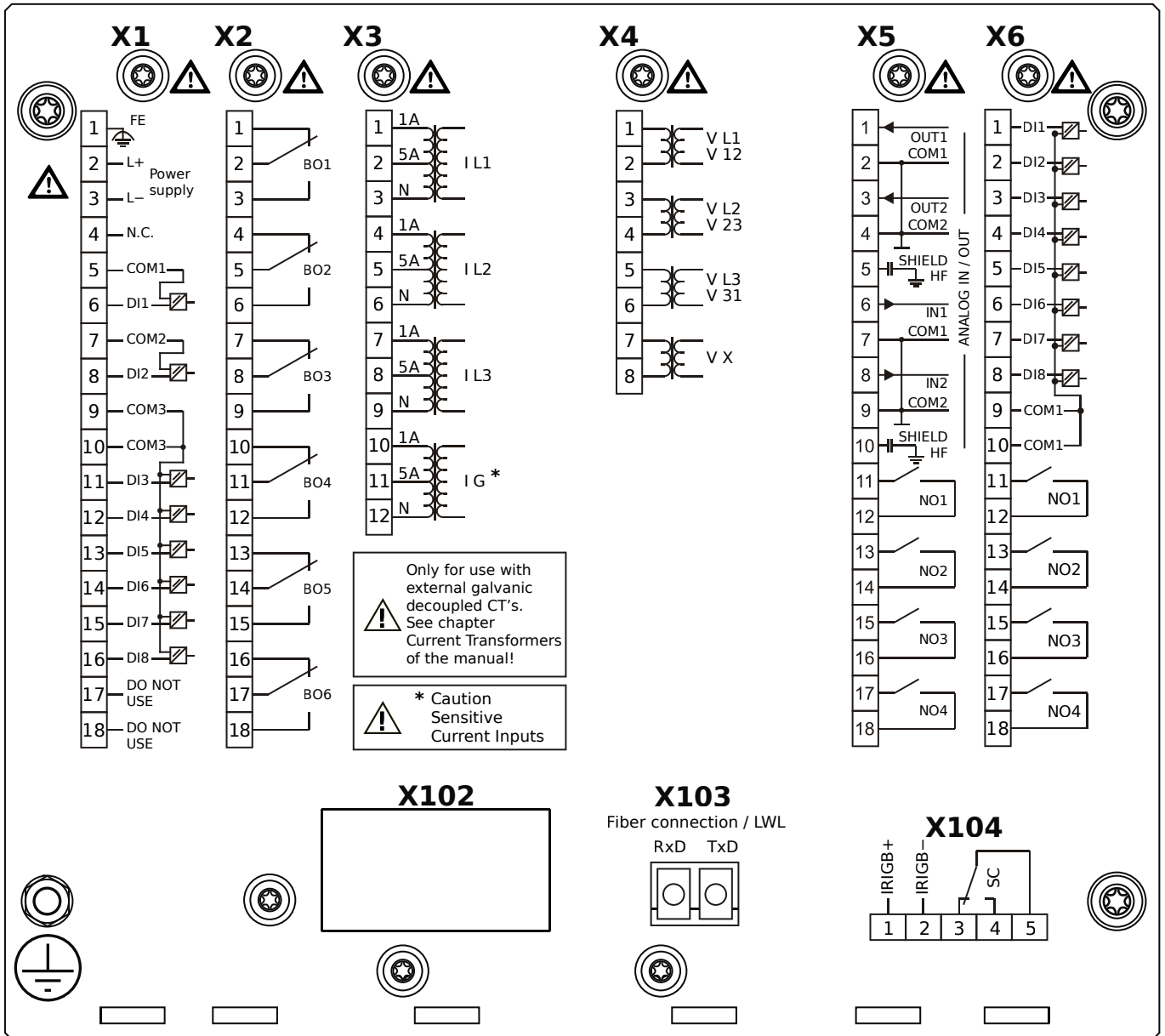
MRA4-2F1ALA



Housing B2, small display, door mounting

- X1** – DI8-X1: Wide-range power supply unit, incl. 2 non-grouped digital inputs and 6 grouped digital inputs
- X2** – OR6: Assembly Group with 6 Output Relays
- X3** – TIs: Standard phase current measuring card and sensitive ground current measuring
- X4** – TU: Card with 4 voltage transformer measuring inputs
- X5** – AnIO2-OR4: Assembly Group with 2 Analog Inputs, 2 Analog Outputs and 4 Output Relays
- X6** – DI8-OR4: Assembly Group with 8 Digital Inputs and 4 Output Relays
- X103** – Modbus TCP / DNP3.0 TCP/UDP, Fiber optics interface, LC Connector
- X104** – IRIG-B00X, incl. System Contact (Supervision Contact)

MRA4-2F1ALB

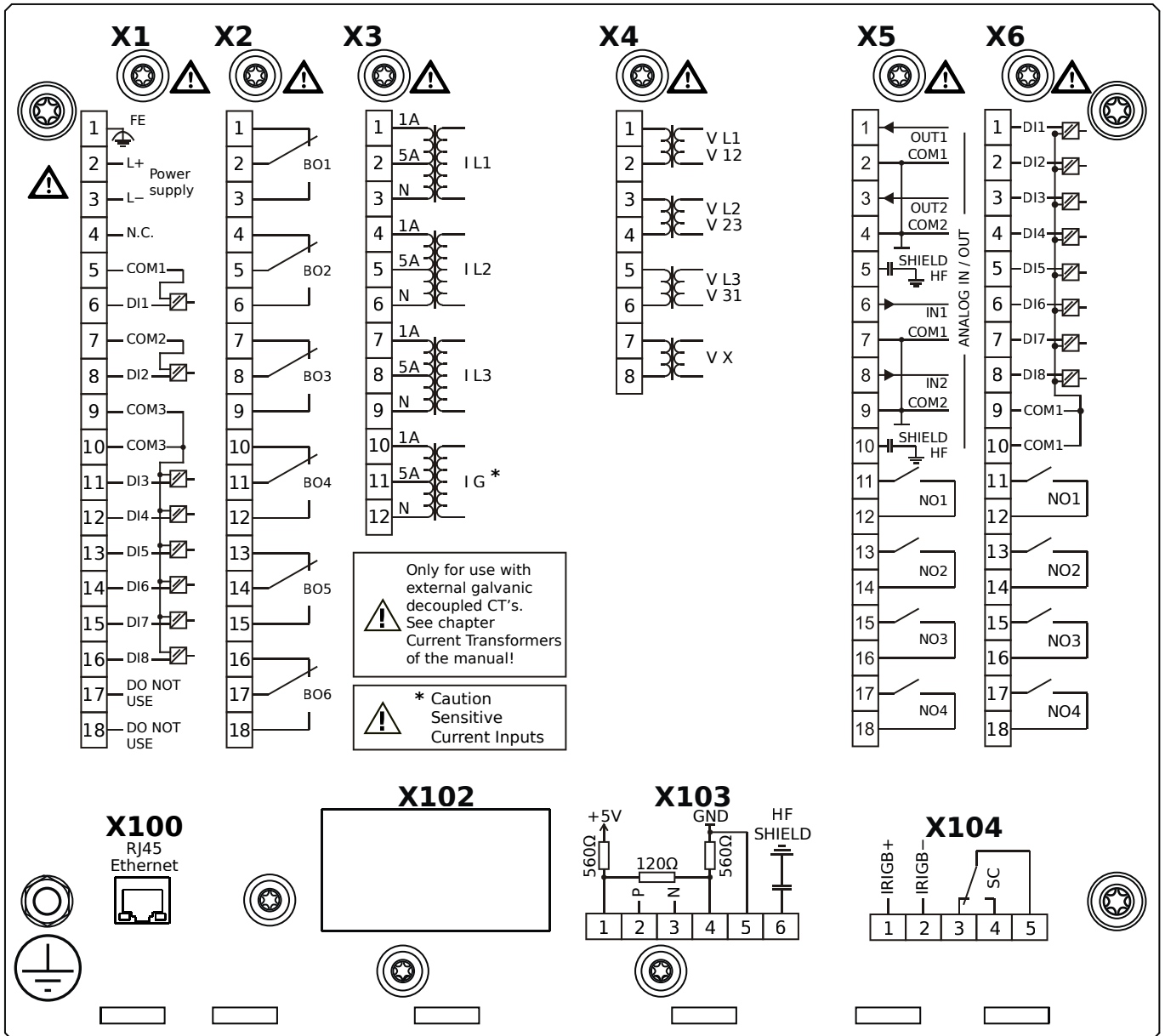


Housing B2, small display, door mounting

+ Conformal Coating (for installations in harsh environment)

- X1** – DI8-X1: Wide-range power supply unit, incl. 2 non-grouped digital inputs and 6 grouped digital inputs
- X2** – OR6: Assembly Group with 6 Output Relays
- X3** – TIs: Standard phase current measuring card and sensitive ground current measuring
- X4** – TU: Card with 4 voltage transformer measuring inputs
- X5** – AnIO2-OR4: Assembly Group with 2 Analog Inputs, 2 Analog Outputs and 4 Output Relays
- X6** – DI8-OR4: Assembly Group with 8 Digital Inputs and 4 Output Relays
- X103** – Modbus TCP / DNP3.0 TCP/UDP, Fiber optics interface, LC Connector
- X104** – IRIG-B00X, incl. System Contact (Supervision Contact)

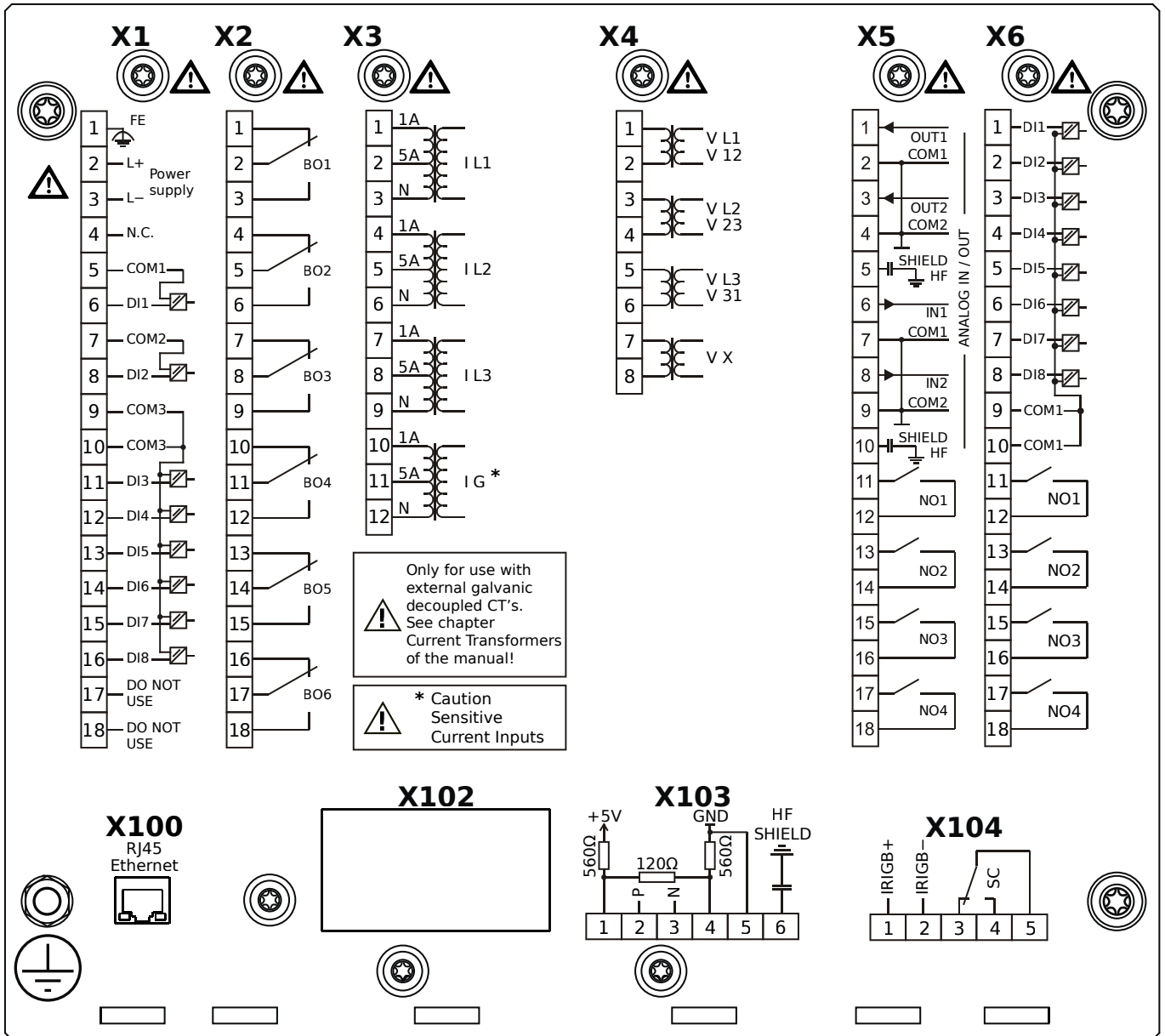
MRA4-2F1ATA



Housing B2, small display, door mounting

- X1** – DI8-X1: Wide-range power supply unit, incl. 2 non-grouped digital inputs and 6 grouped digital inputs
- X2** – OR6: Assembly Group with 6 Output Relays
- X3** – TIs: Standard phase current measuring card and sensitive ground current measuring
- X4** – TU: Card with 4 voltage transformer measuring inputs
- X5** – AnIO2-OR4: Assembly Group with 2 Analog Inputs, 2 Analog Outputs and 4 Output Relays
- X6** – DI8-OR4: Assembly Group with 8 Digital Inputs and 4 Output Relays
- X100** – IEC 61850 / Modbus TCP / DNP3.0 TCP/UDP, Ethernet interface, 100 Mbit/s, RJ45 (BASE100-FX)
- X103** – IEC 60870-5-103 / Modbus RTU / DNP3.0 RTU, RS485, Terminals
- X104** – IRIG-B00X, incl. System Contact (Supervision Contact)

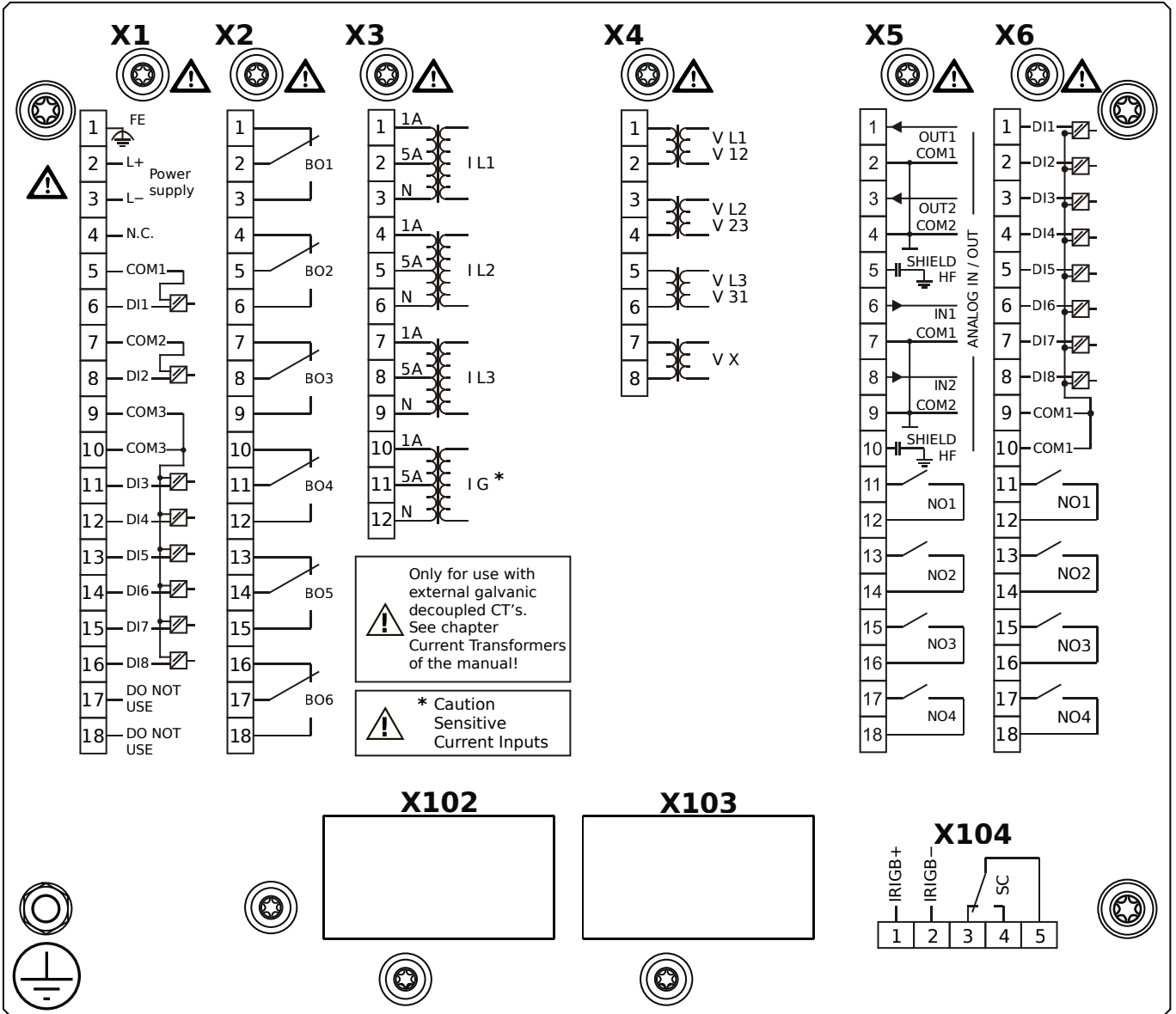
MRA4-2F1ATB



Housing B2, small display, door mounting

- + Conformal Coating (for installations in harsh environment)
- X1** – DI8-X1: Wide-range power supply unit, incl. 2 non-grouped digital inputs and 6 grouped digital inputs
- X2** – OR6: Assembly Group with 6 Output Relays
- X3** – TIs: Standard phase current measuring card and sensitive ground current measuring
- X4** – TU: Card with 4 voltage transformer measuring inputs
- X5** – AnIO2-OR4: Assembly Group with 2 Analog Inputs, 2 Analog Outputs and 4 Output Relays
- X6** – DI8-OR4: Assembly Group with 8 Digital Inputs and 4 Output Relays
- X100** – IEC 61850 / Modbus TCP / DNP3.0 TCP/UDP, Ethernet interface, 100 Mbit/s, RJ45 (BASE100-FX)
- X103** – IEC 60870-5-103 / Modbus RTU / DNP3.0 RTU, RS485, Terminals
- X104** – IRIG-B00X, incl. System Contact (Supervision Contact)

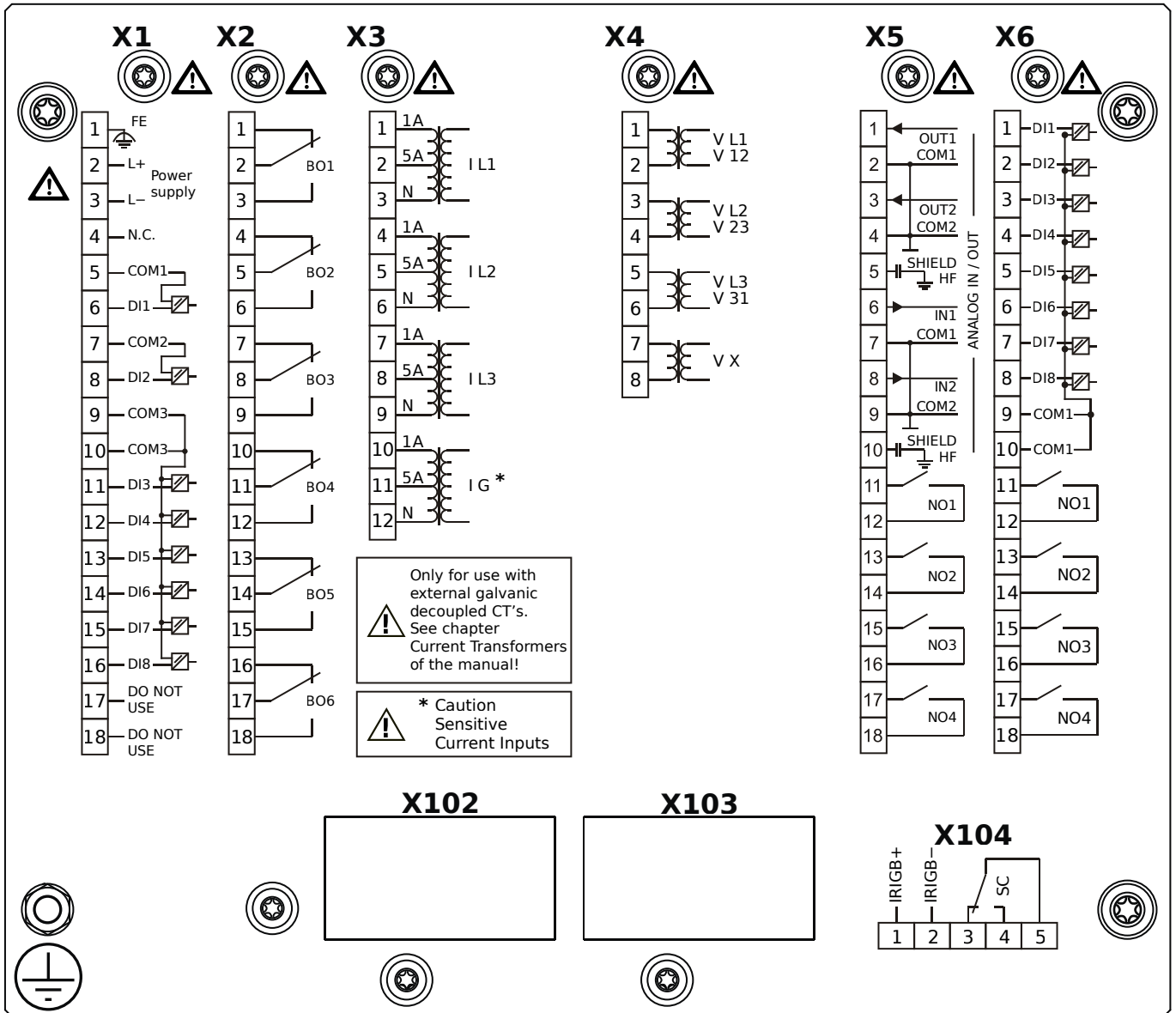
MRA4-2F1BAA



Housing B2, small display, 19" rack mounting

- X1** – DI8-X1: Wide-range power supply unit, incl. 2 non-grouped digital inputs and 6 grouped digital inputs
- X2** – OR6: Assembly Group with 6 Output Relays
- X3** – TIs: Standard phase current measuring card and sensitive ground current measuring
- X4** – TU: Card with 4 voltage transformer measuring inputs
- X5** – AnIO2-OR4: Assembly Group with 2 Analog Inputs, 2 Analog Outputs and 4 Output Relays
- X6** – DI8-OR4: Assembly Group with 8 Digital Inputs and 4 Output Relays
- X104** – IRIG-B00X, incl. System Contact (Supervision Contact)

MRA4-2F1BAB

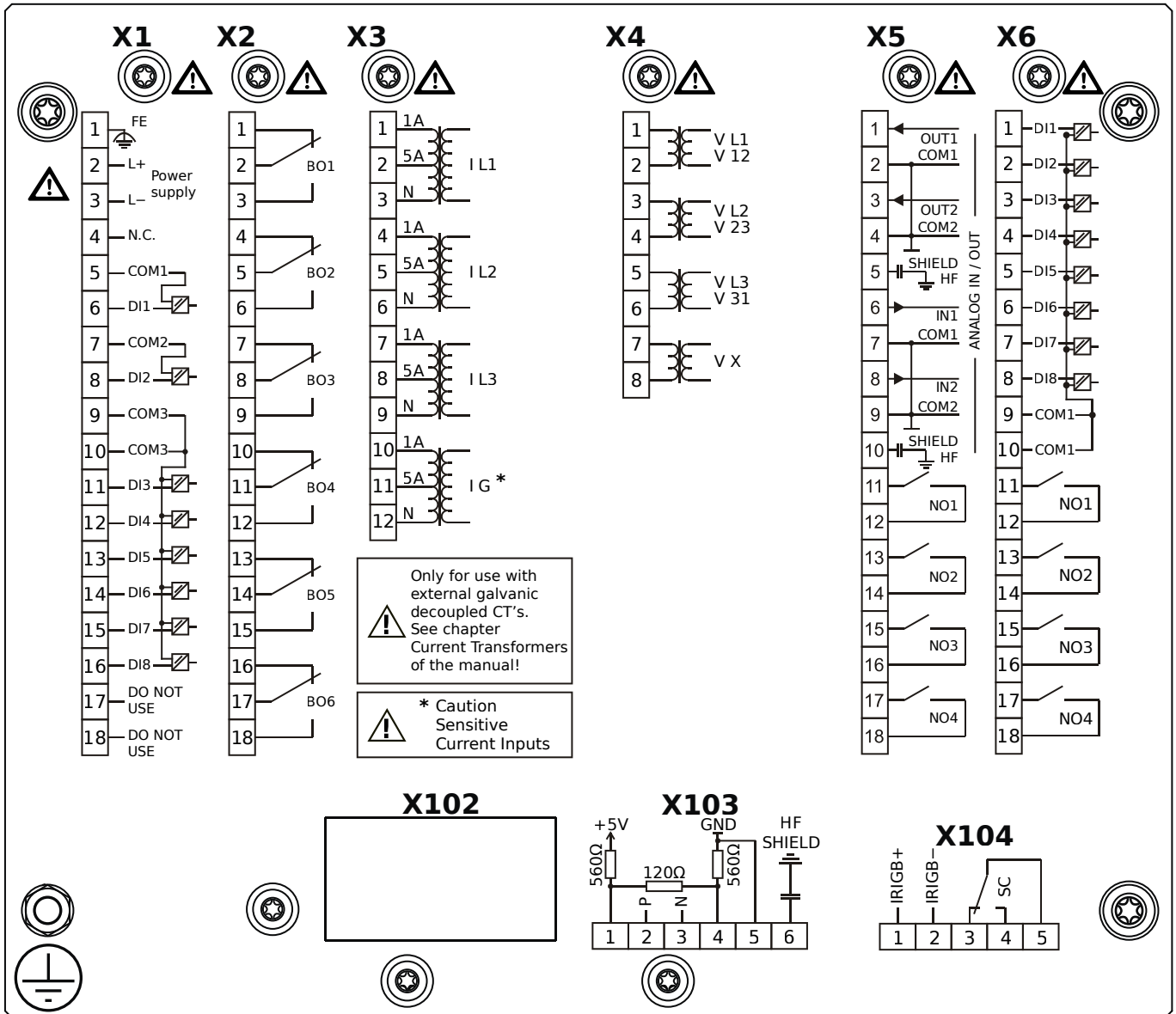


Housing B2, small display, 19" rack mounting

+ Conformal Coating (for installations in harsh environment)

- X1** – DI8-X1: Wide-range power supply unit, incl. 2 non-grouped digital inputs and 6 grouped digital inputs
- X2** – OR6: Assembly Group with 6 Output Relays
- X3** – TIs: Standard phase current measuring card and sensitive ground current measuring
- X4** – TU: Card with 4 voltage transformer measuring inputs
- X5** – AnIO2-OR4: Assembly Group with 2 Analog Inputs, 2 Analog Outputs and 4 Output Relays
- X6** – DI8-OR4: Assembly Group with 8 Digital Inputs and 4 Output Relays
- X104** – IRIG-B00X, incl. System Contact (Supervision Contact)

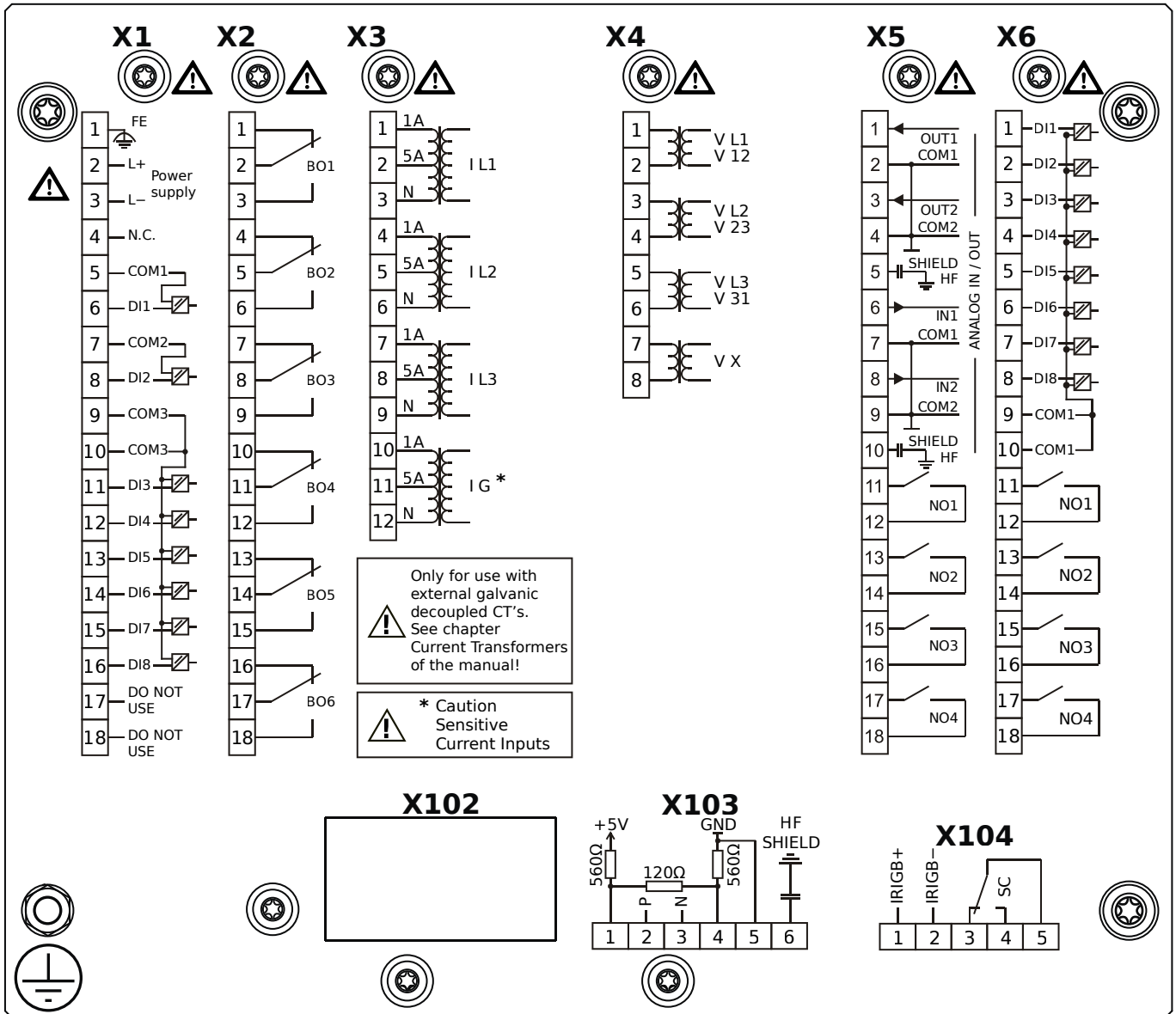
MRA4-2F1BBA



Housing B2, small display, 19" rack mounting

- X1** – DI8-X1: Wide-range power supply unit, incl. 2 non-grouped digital inputs and 6 grouped digital inputs
- X2** – OR6: Assembly Group with 6 Output Relays
- X3** – TIs: Standard phase current measuring card and sensitive ground current measuring
- X4** – TU: Card with 4 voltage transformer measuring inputs
- X5** – AnIO2-OR4: Assembly Group with 2 Analog Inputs, 2 Analog Outputs and 4 Output Relays
- X6** – DI8-OR4: Assembly Group with 8 Digital Inputs and 4 Output Relays
- X103** – Modbus RTU / IEC 60870-5-103 / DNP3.0 RTU, RS485, Terminals
- X104** – IRIG-B00X, incl. System Contact (Supervision Contact)

MRA4-2F1BBB

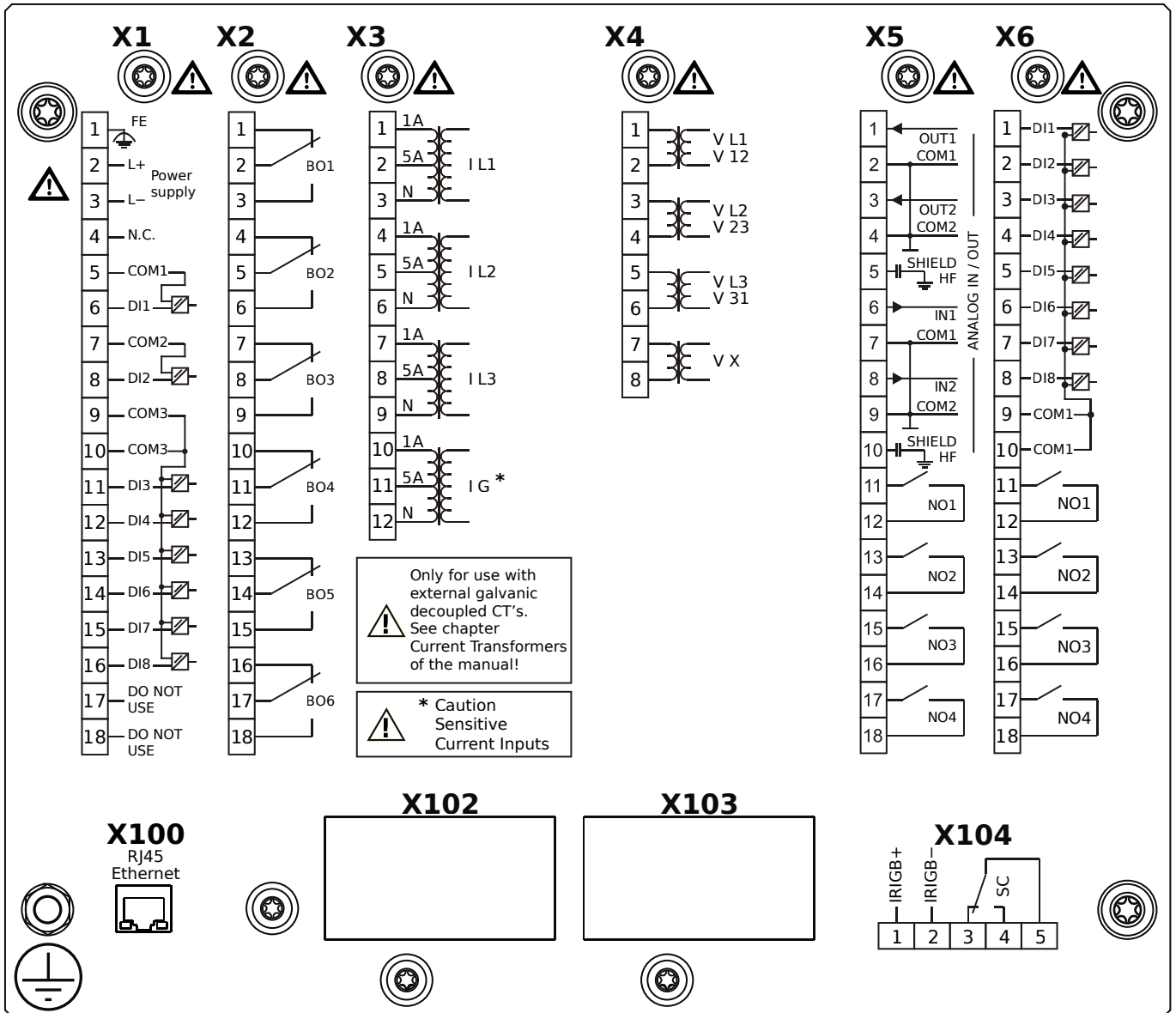


Housing B2, small display, 19" rack mounting

+ Conformal Coating (for installations in harsh environment)

- X1** – DI8-X1: Wide-range power supply unit, incl. 2 non-grouped digital inputs and 6 grouped digital inputs
- X2** – OR6: Assembly Group with 6 Output Relays
- X3** – TIs: Standard phase current measuring card and sensitive ground current measuring
- X4** – TU: Card with 4 voltage transformer measuring inputs
- X5** – AnIO2-OR4: Assembly Group with 2 Analog Inputs, 2 Analog Outputs and 4 Output Relays
- X6** – DI8-OR4: Assembly Group with 8 Digital Inputs and 4 Output Relays
- X103** – Modbus RTU / IEC 60870-5-103 / DNP3.0 RTU, RS485, Terminals
- X104** – IRIG-B00X, incl. System Contact (Supervision Contact)

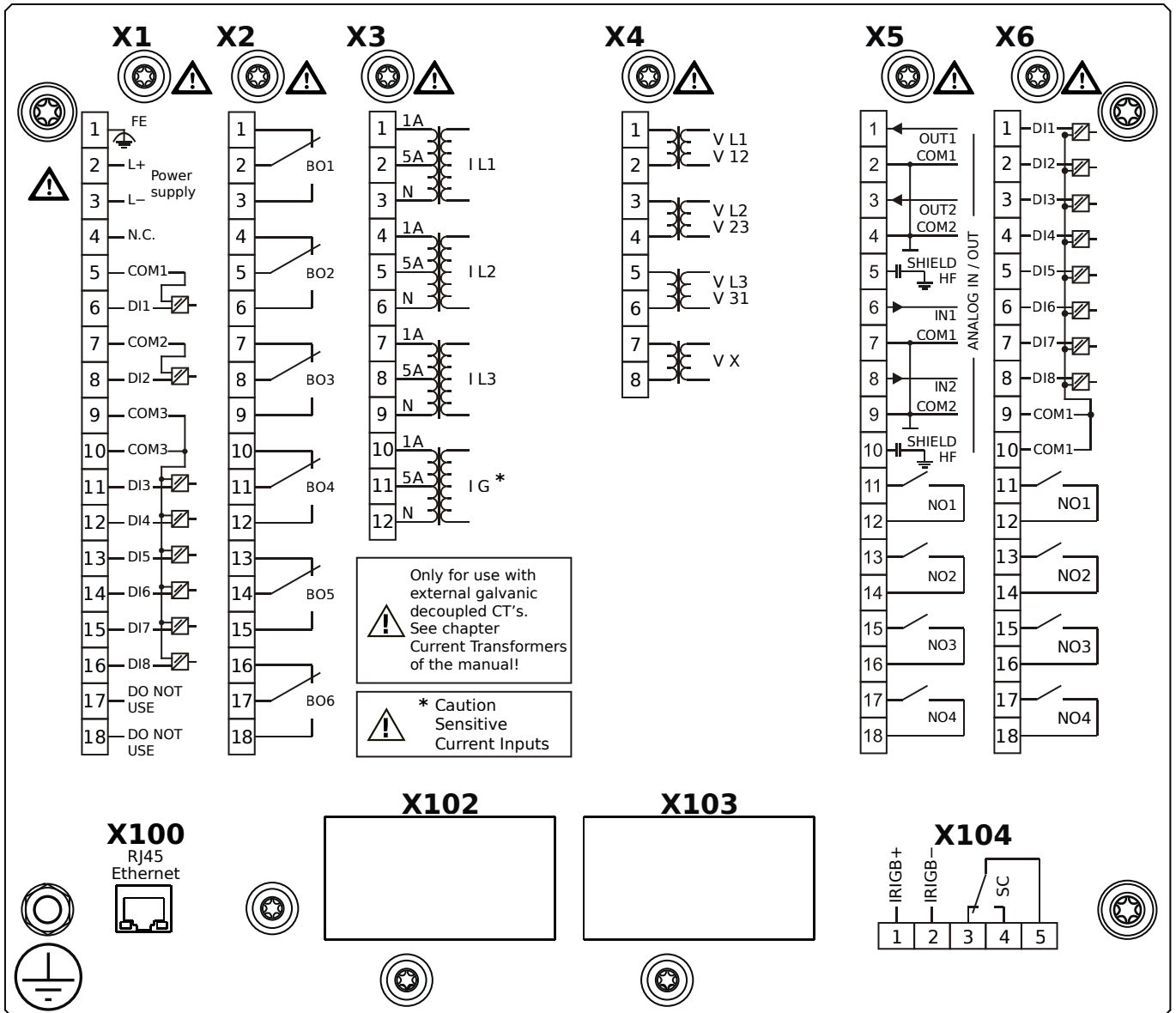
MRA4-2F1BCA



Housing B2, small display, 19" rack mounting

- X1** – DI8-X1: Wide-range power supply unit, incl. 2 non-grouped digital inputs and 6 grouped digital inputs
- X2** – OR6: Assembly Group with 6 Output Relays
- X3** – TIs: Standard phase current measuring card and sensitive ground current measuring
- X4** – TU: Card with 4 voltage transformer measuring inputs
- X5** – AnIO2-OR4: Assembly Group with 2 Analog Inputs, 2 Analog Outputs and 4 Output Relays
- X6** – DI8-OR4: Assembly Group with 8 Digital Inputs and 4 Output Relays
- X100** – Modbus TCP / DNP3.0 TCP/UDP, Ethernet interface, 100 Mbit/s, RJ45 (BASE100-FX)
- X104** – IRIG-B00X, incl. System Contact (Supervision Contact)

MRA4-2F1BCB

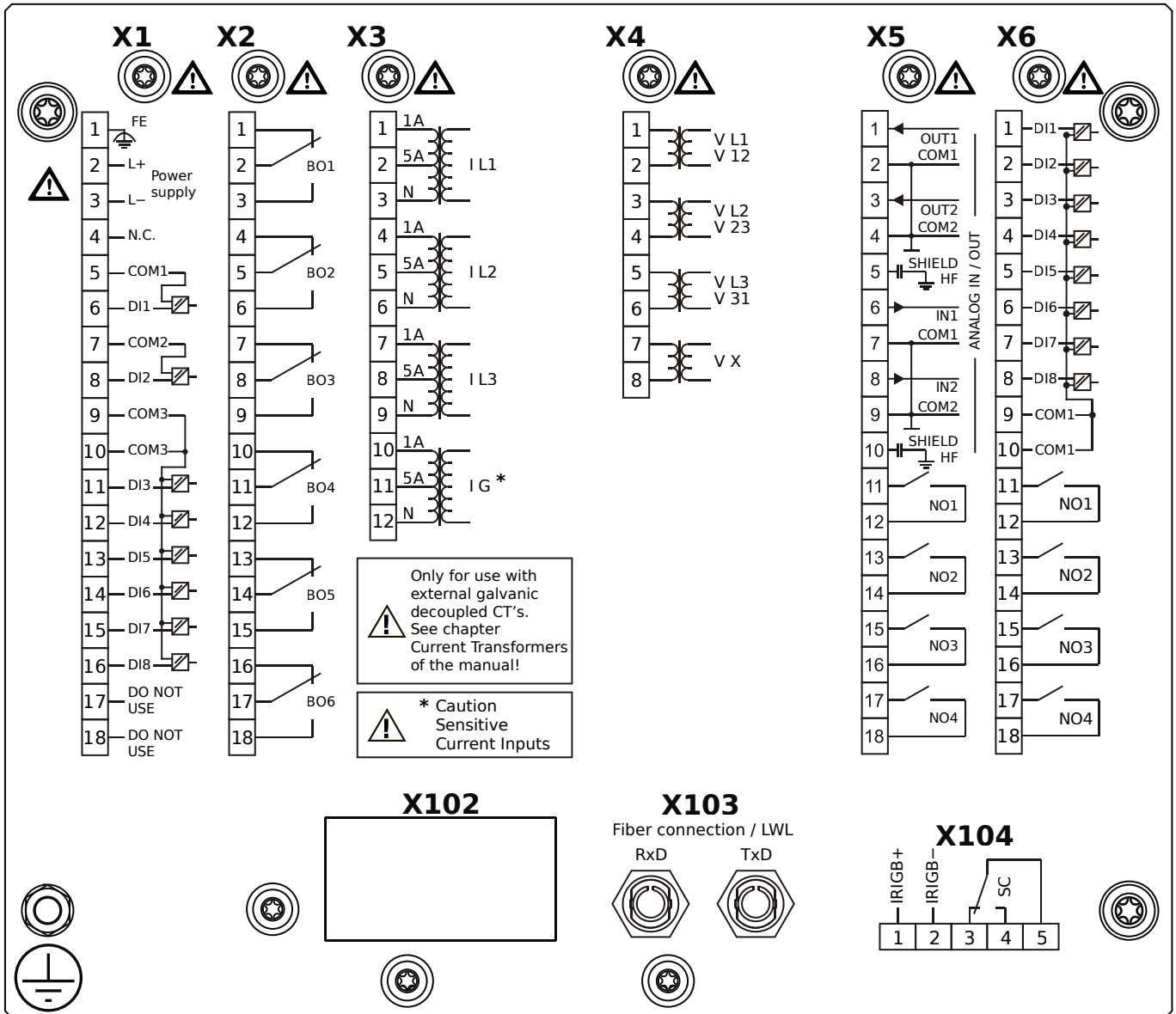


Housing B2, small display, 19" rack mounting

+ Conformal Coating (for installations in harsh environment)

- X1** – DI8-X1: Wide-range power supply unit, incl. 2 non-grouped digital inputs and 6 grouped digital inputs
- X2** – OR6: Assembly Group with 6 Output Relays
- X3** – TIs: Standard phase current measuring card and sensitive ground current measuring
- X4** – TU: Card with 4 voltage transformer measuring inputs
- X5** – AnIO2-OR4: Assembly Group with 2 Analog Inputs, 2 Analog Outputs and 4 Output Relays
- X6** – DI8-OR4: Assembly Group with 8 Digital Inputs and 4 Output Relays
- X100** – Modbus TCP / DNP3.0 TCP/UDP, Ethernet interface, 100 Mbit/s, RJ45 (BASE100-FX)
- X104** – IRIG-B00X, incl. System Contact (Supervision Contact)

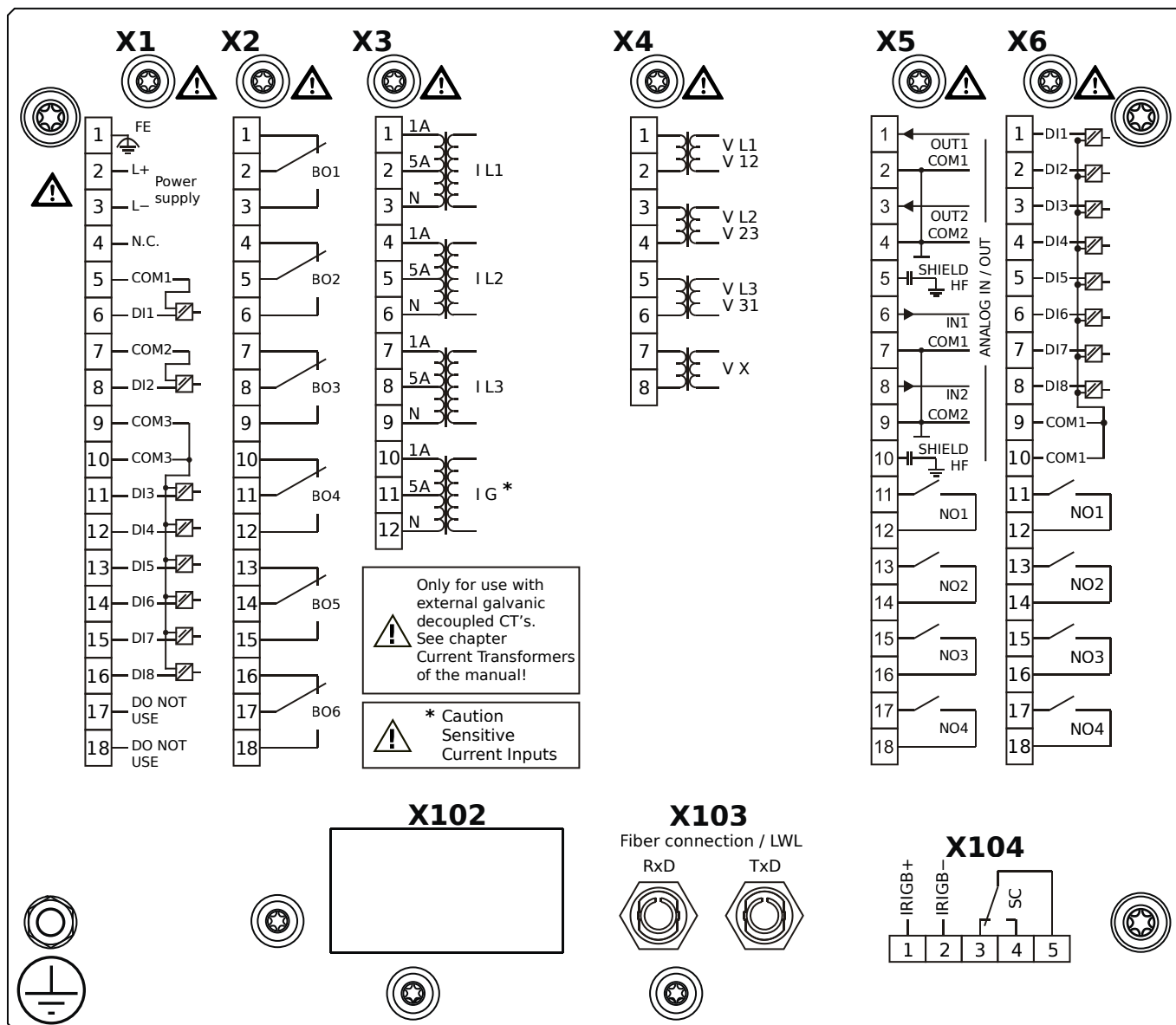
MRA4-2F1BDA



Housing B2, small display, 19" rack mounting

- X1** – DI8-X1: Wide-range power supply unit, incl. 2 non-grouped digital inputs and 6 grouped digital inputs
- X2** – OR6: Assembly Group with 6 Output Relays
- X3** – TIs: Standard phase current measuring card and sensitive ground current measuring
- X4** – TU: Card with 4 voltage transformer measuring inputs
- X5** – AnIO2-OR4: Assembly Group with 2 Analog Inputs, 2 Analog Outputs and 4 Output Relays
- X6** – DI8-OR4: Assembly Group with 8 Digital Inputs and 4 Output Relays
- X103** – Profibus-DP, Fiber optics interface, ST Connector
- X104** – IRIG-B00X, incl. System Contact (Supervision Contact)

MRA4-2F1BDB



Housing B2, small display, 19" rack mounting

+ Conformal Coating (for installations in harsh environment)

X1 – DI8-X1: Wide-range power supply unit, incl. 2 non-grouped digital inputs and 6 grouped digital inputs

X2 – OR6: Assembly Group with 6 Output Relays

X3 – TIs: Standard phase current measuring card and sensitive ground current measuring

X4 – TU: Card with 4 voltage transformer measuring inputs

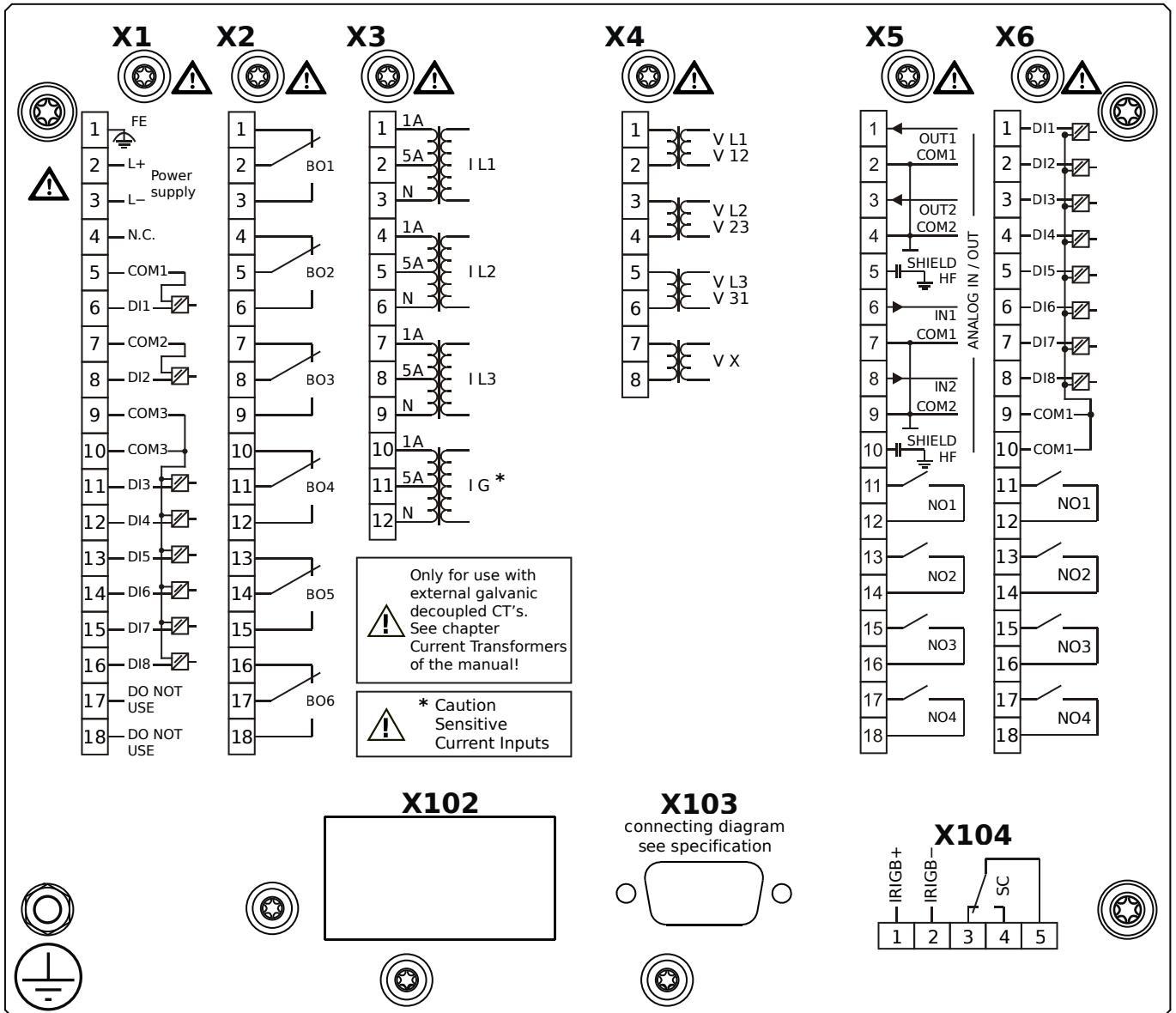
X5 – AnIO2-OR4: Assembly Group with 2 Analog Inputs, 2 Analog Outputs and 4 Output Relays

X6 – DI8-OR4: Assembly Group with 8 Digital Inputs and 4 Output Relays

X103 – Profibus-DP, Fiber optics interface, ST Connector

X104 – IRIG-B00X, incl. System Contact (Supervision Contact)

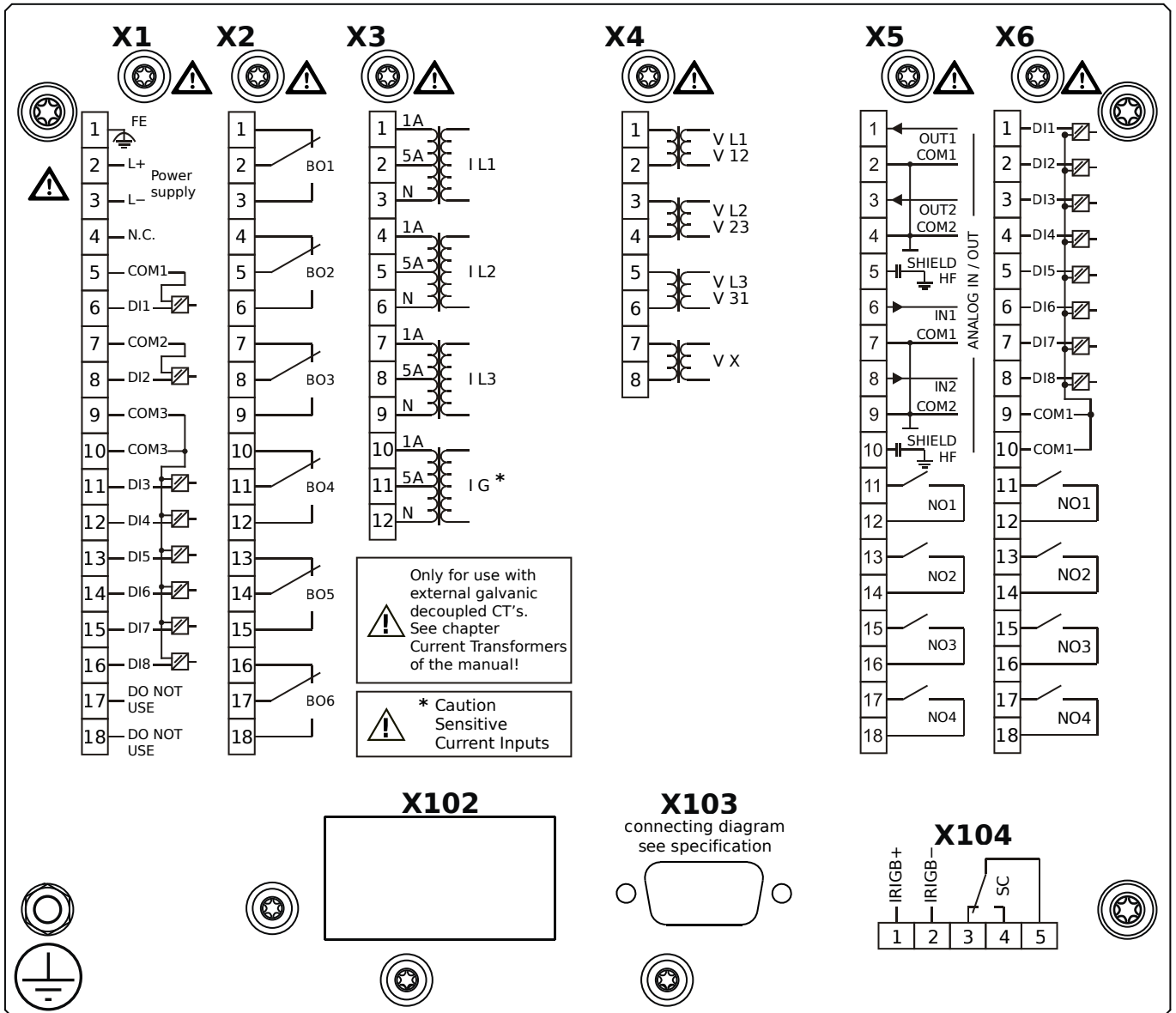
MRA4-2F1BEA



Housing B2, small display, 19" rack mounting

- X1** – DI8-X1: Wide-range power supply unit, incl. 2 non-grouped digital inputs and 6 grouped digital inputs
- X2** – OR6: Assembly Group with 6 Output Relays
- X3** – TIs: Standard phase current measuring card and sensitive ground current measuring
- X4** – TU: Card with 4 voltage transformer measuring inputs
- X5** – AnIO2-OR4: Assembly Group with 2 Analog Inputs, 2 Analog Outputs and 4 Output Relays
- X6** – DI8-OR4: Assembly Group with 8 Digital Inputs and 4 Output Relays
- X103** – Profibus-DP, RS485, D-SUB
- X104** – IRIG-B00X, incl. System Contact (Supervision Contact)

MRA4-2F1BEB

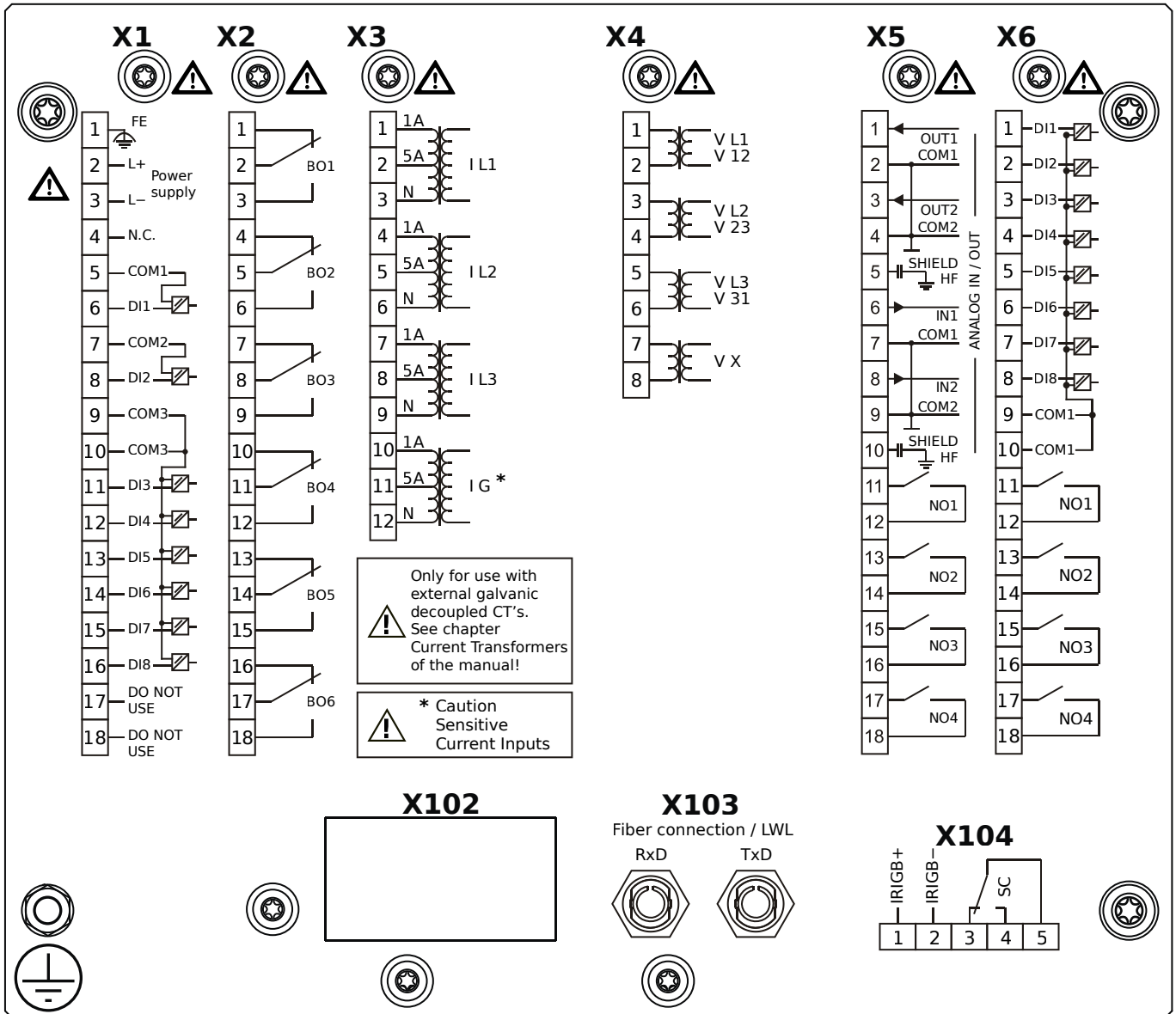


Housing B2, small display, 19" rack mounting

+ Conformal Coating (for installations in harsh environment)

- X1** – DI8-X1: Wide-range power supply unit, incl. 2 non-grouped digital inputs and 6 grouped digital inputs
- X2** – OR6: Assembly Group with 6 Output Relays
- X3** – TIs: Standard phase current measuring card and sensitive ground current measuring
- X4** – TU: Card with 4 voltage transformer measuring inputs
- X5** – AnIO2-OR4: Assembly Group with 2 Analog Inputs, 2 Analog Outputs and 4 Output Relays
- X6** – DI8-OR4: Assembly Group with 8 Digital Inputs and 4 Output Relays
- X103** – Profibus-DP, RS485, D-SUB
- X104** – IRIG-B00X, incl. System Contact (Supervision Contact)

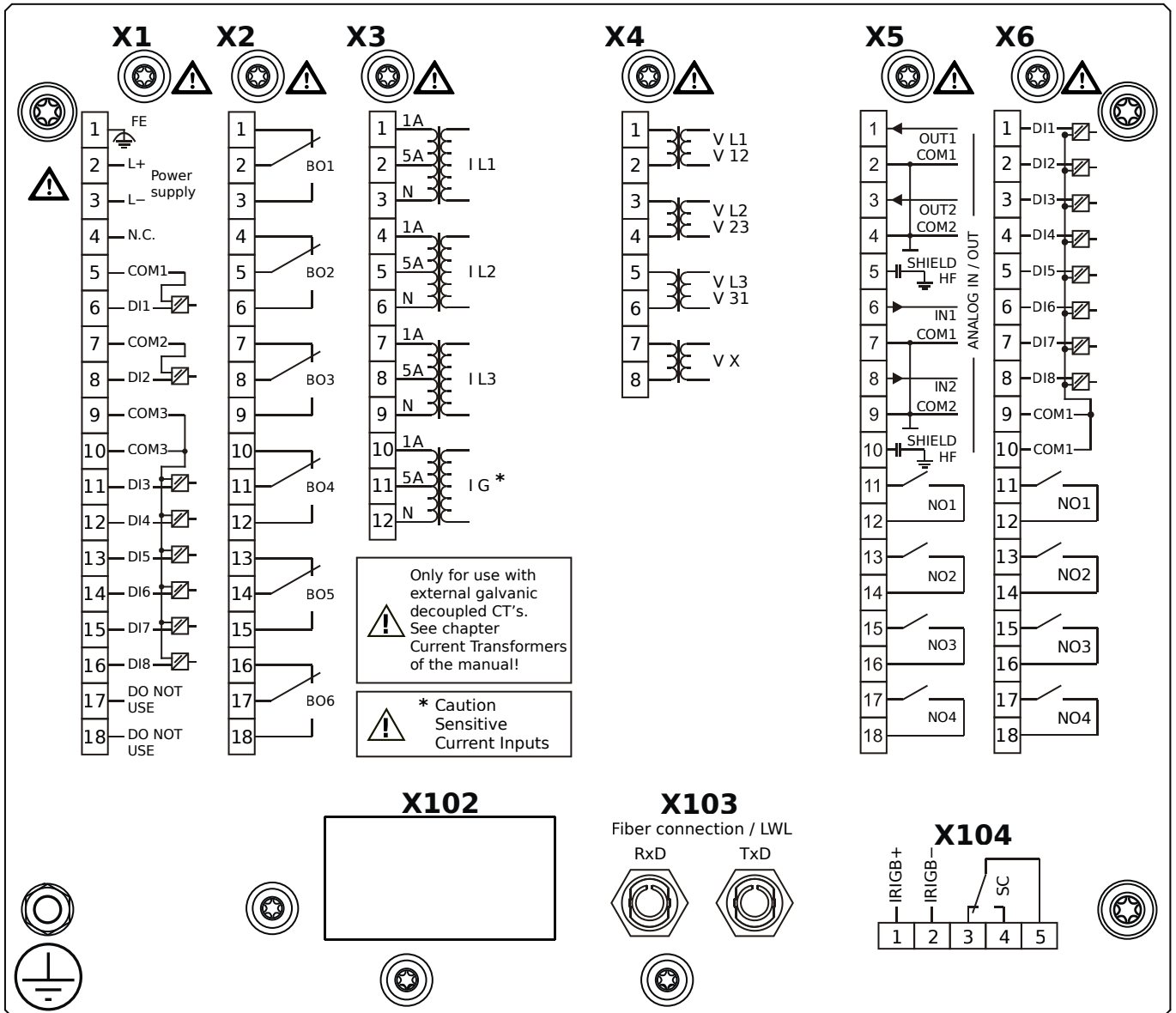
MRA4-2F1BFA



Housing B2, small display, 19" rack mounting

- X1** – DI8-X1: Wide-range power supply unit, incl. 2 non-grouped digital inputs and 6 grouped digital inputs
- X2** – OR6: Assembly Group with 6 Output Relays
- X3** – TIs: Standard phase current measuring card and sensitive ground current measuring
- X4** – TU: Card with 4 voltage transformer measuring inputs
- X5** – AnIO2-OR4: Assembly Group with 2 Analog Inputs, 2 Analog Outputs and 4 Output Relays
- X6** – DI8-OR4: Assembly Group with 8 Digital Inputs and 4 Output Relays
- X103** – Modbus RTU / IEC 60870-5-103 / DNP3.0 RTU, Fiber optics interface, ST Connector
- X104** – IRIG-B00X, incl. System Contact (Supervision Contact)

MRA4-2F1BFB

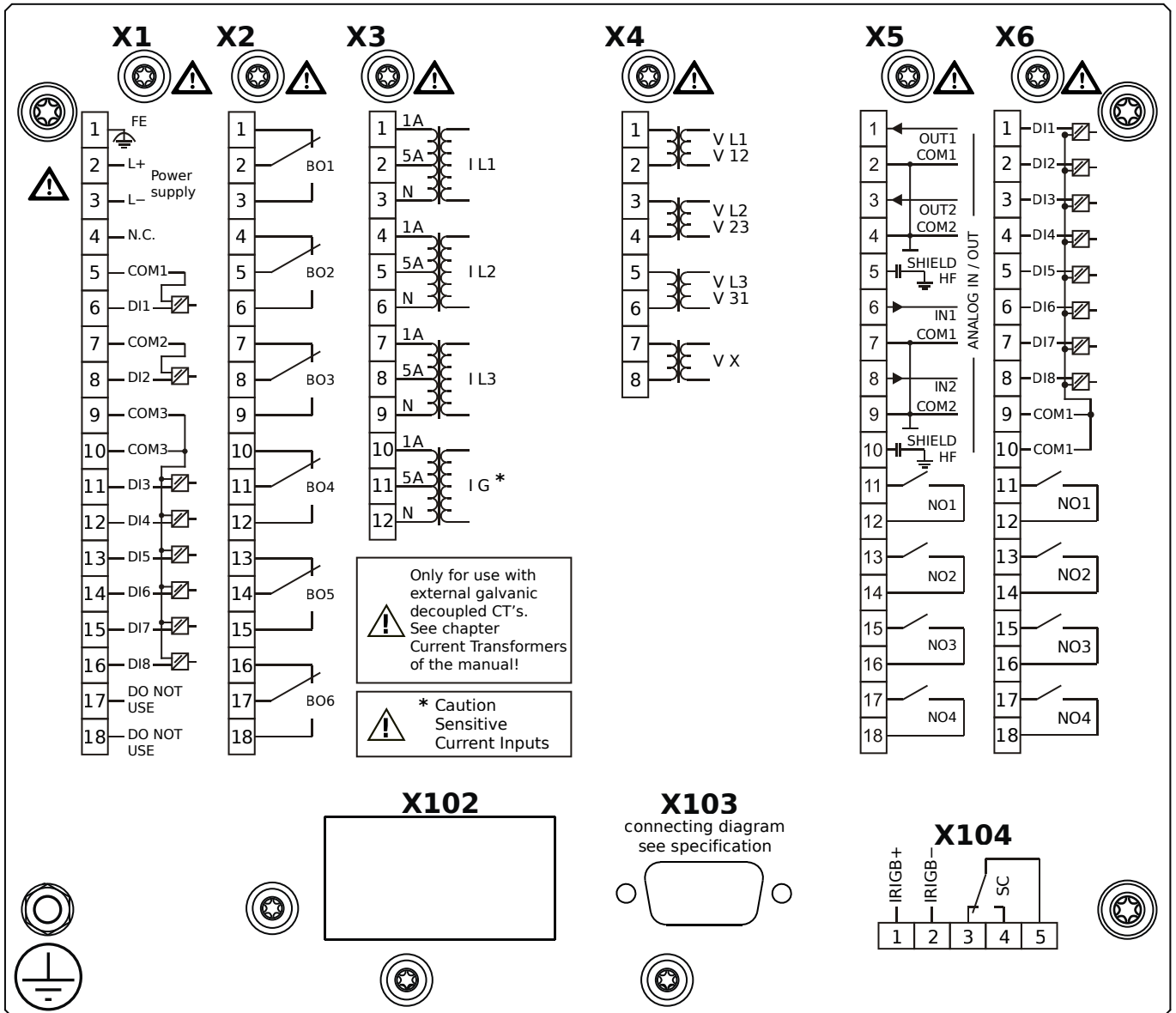


Housing B2, small display, 19" rack mounting

+ Conformal Coating (for installations in harsh environment)

- X1** – DI8-X1: Wide-range power supply unit, incl. 2 non-grouped digital inputs and 6 grouped digital inputs
- X2** – OR6: Assembly Group with 6 Output Relays
- X3** – TIs: Standard phase current measuring card and sensitive ground current measuring
- X4** – TU: Card with 4 voltage transformer measuring inputs
- X5** – AnIO2-OR4: Assembly Group with 2 Analog Inputs, 2 Analog Outputs and 4 Output Relays
- X6** – DI8-OR4: Assembly Group with 8 Digital Inputs and 4 Output Relays
- X103** – Modbus RTU / IEC 60870-5-103 / DNP3.0 RTU, Fiber optics interface, ST Connector
- X104** – IRIG-B00X, incl. System Contact (Supervision Contact)

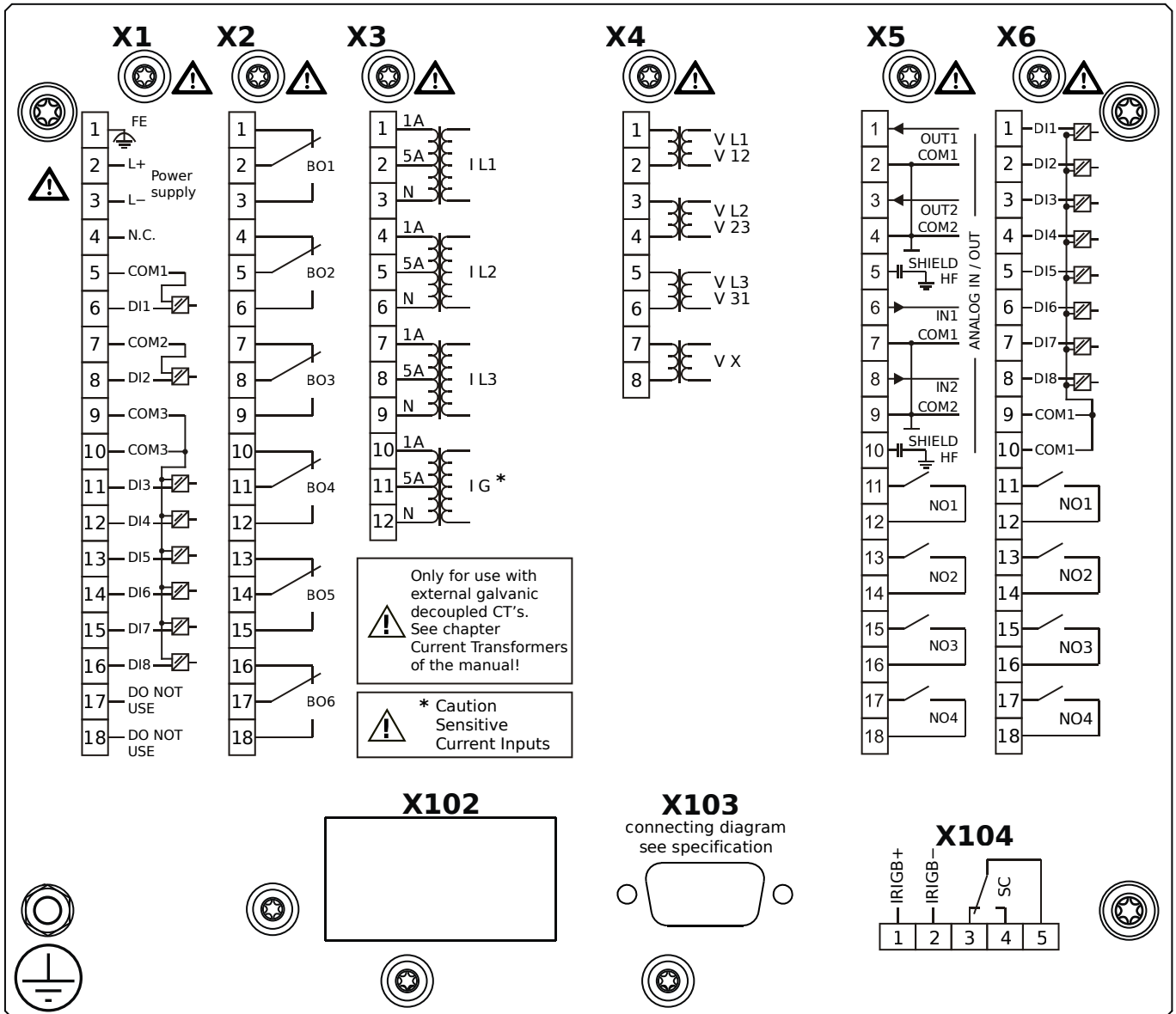
MRA4-2F1BGA



Housing B2, small display, 19" rack mounting

- X1** – DI8-X1: Wide-range power supply unit, incl. 2 non-grouped digital inputs and 6 grouped digital inputs
- X2** – OR6: Assembly Group with 6 Output Relays
- X3** – TIs: Standard phase current measuring card and sensitive ground current measuring
- X4** – TU: Card with 4 voltage transformer measuring inputs
- X5** – AnIO2-OR4: Assembly Group with 2 Analog Inputs, 2 Analog Outputs and 4 Output Relays
- X6** – DI8-OR4: Assembly Group with 8 Digital Inputs and 4 Output Relays
- X103** – Modbus RTU / IEC 60870-5-103 / DNP3.0 RTU, RS485, D-SUB
- X104** – IRIG-B00X, incl. System Contact (Supervision Contact)

MRA4-2F1BGB

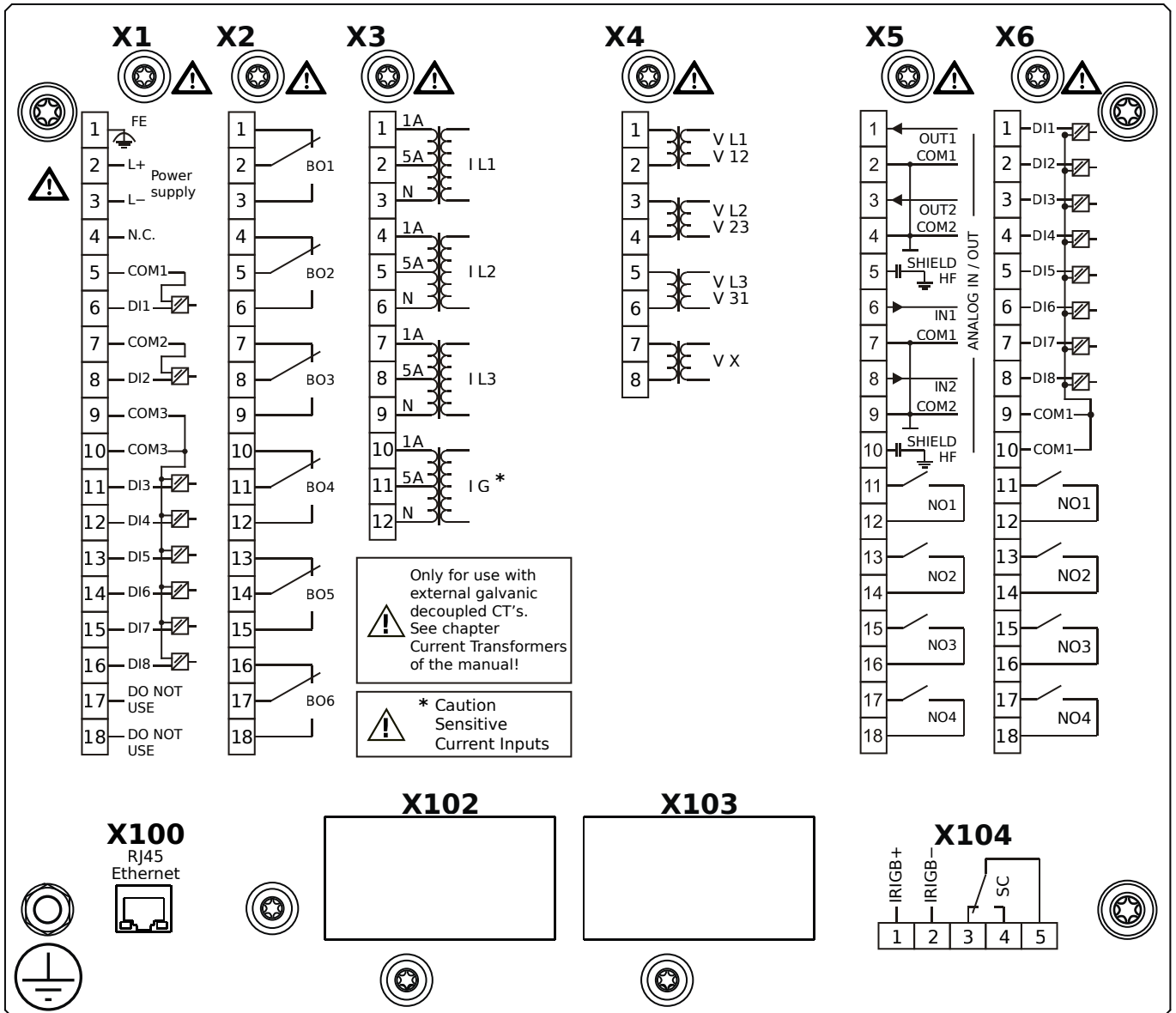


Housing B2, small display, 19" rack mounting

+ Conformal Coating (for installations in harsh environment)

- X1** – DI8-X1: Wide-range power supply unit, incl. 2 non-grouped digital inputs and 6 grouped digital inputs
- X2** – OR6: Assembly Group with 6 Output Relays
- X3** – TIs: Standard phase current measuring card and sensitive ground current measuring
- X4** – TU: Card with 4 voltage transformer measuring inputs
- X5** – AnIO2-OR4: Assembly Group with 2 Analog Inputs, 2 Analog Outputs and 4 Output Relays
- X6** – DI8-OR4: Assembly Group with 8 Digital Inputs and 4 Output Relays
- X103** – Modbus RTU / IEC 60870-5-103 / DNP3.0 RTU, RS485, D-SUB
- X104** – IRIG-B00X, incl. System Contact (Supervision Contact)

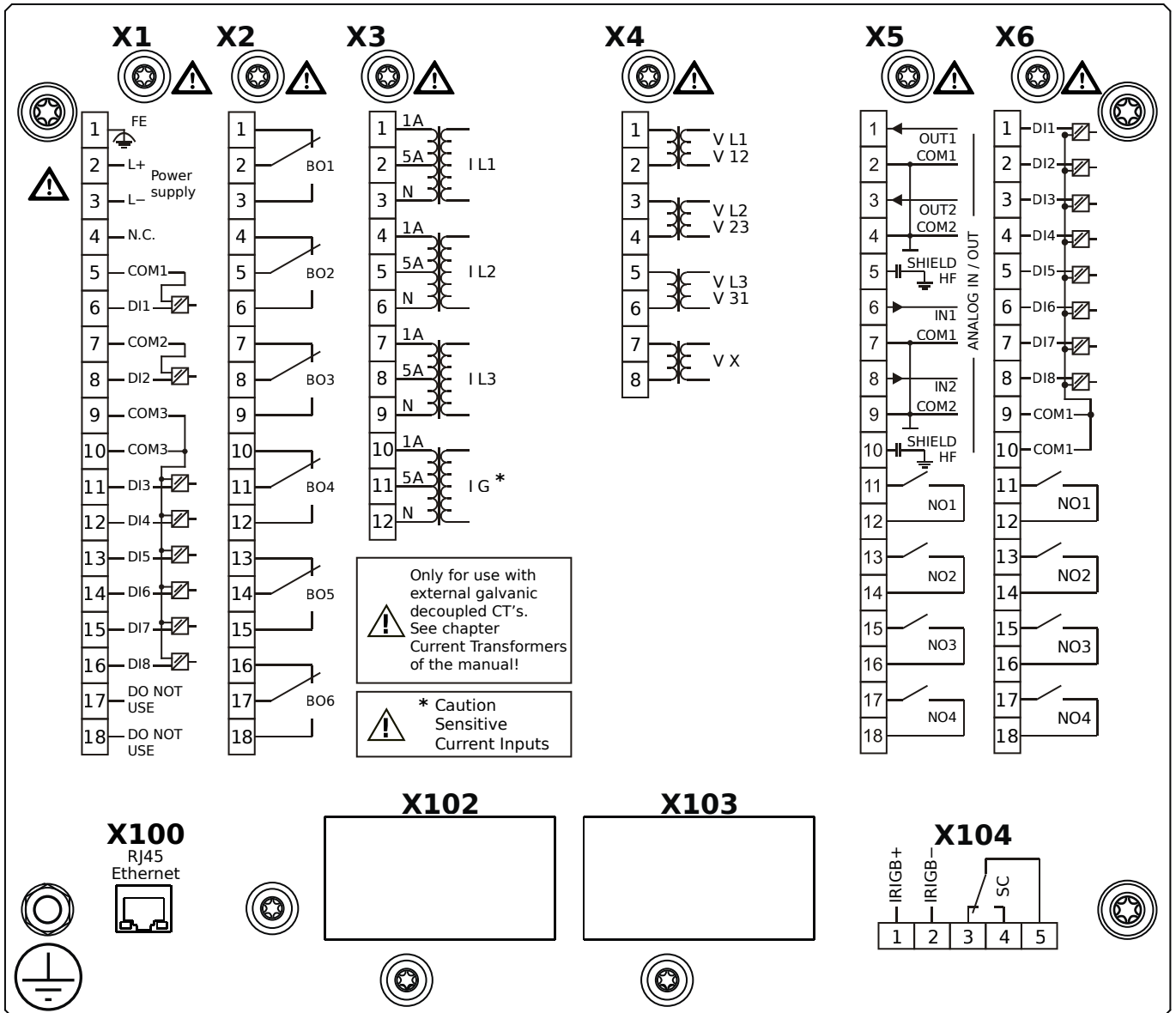
MRA4-2F1BHA



Housing B2, small display, 19" rack mounting

- X1** – DI8-X1: Wide-range power supply unit, incl. 2 non-grouped digital inputs and 6 grouped digital inputs
- X2** – OR6: Assembly Group with 6 Output Relays
- X3** – TIs: Standard phase current measuring card and sensitive ground current measuring
- X4** – TU: Card with 4 voltage transformer measuring inputs
- X5** – AnIO2-OR4: Assembly Group with 2 Analog Inputs, 2 Analog Outputs and 4 Output Relays
- X6** – DI8-OR4: Assembly Group with 8 Digital Inputs and 4 Output Relays
- X100** – IEC 61850 / Modbus TCP / DNP3.0 TCP/UDP, Ethernet interface, 100 Mbit/s, RJ45 (BASE100-FX)
- X104** – IRIG-B00X, incl. System Contact (Supervision Contact)

MRA4-2F1BHB



Housing B2, small display, 19" rack mounting

+ Conformal Coating (for installations in harsh environment)

X1 – DI8-X1: Wide-range power supply unit, incl. 2 non-grouped digital inputs and 6 grouped digital inputs

X2 – OR6: Assembly Group with 6 Output Relays

X3 – TIs: Standard phase current measuring card and sensitive ground current measuring

X4 – TU: Card with 4 voltage transformer measuring inputs

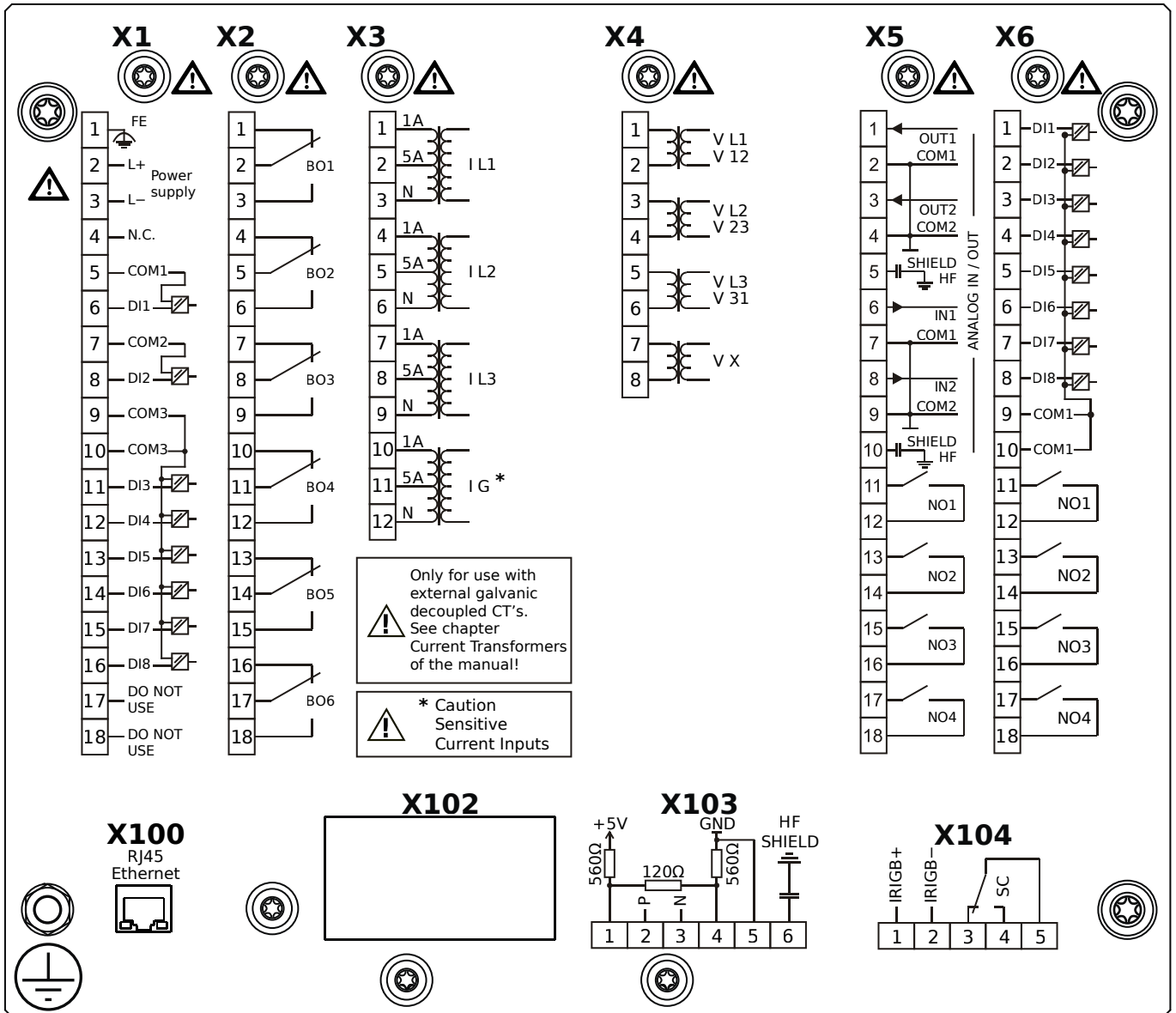
X5 – AnIO2-OR4: Assembly Group with 2 Analog Inputs, 2 Analog Outputs and 4 Output Relays

X6 – DI8-OR4: Assembly Group with 8 Digital Inputs and 4 Output Relays

X100 – IEC 61850 / Modbus TCP / DNP3.0 TCP/UDP, Ethernet interface, 100 Mbit/s, RJ45 (BASE100-FX)

X104 – IRIG-B00X, incl. System Contact (Supervision Contact)

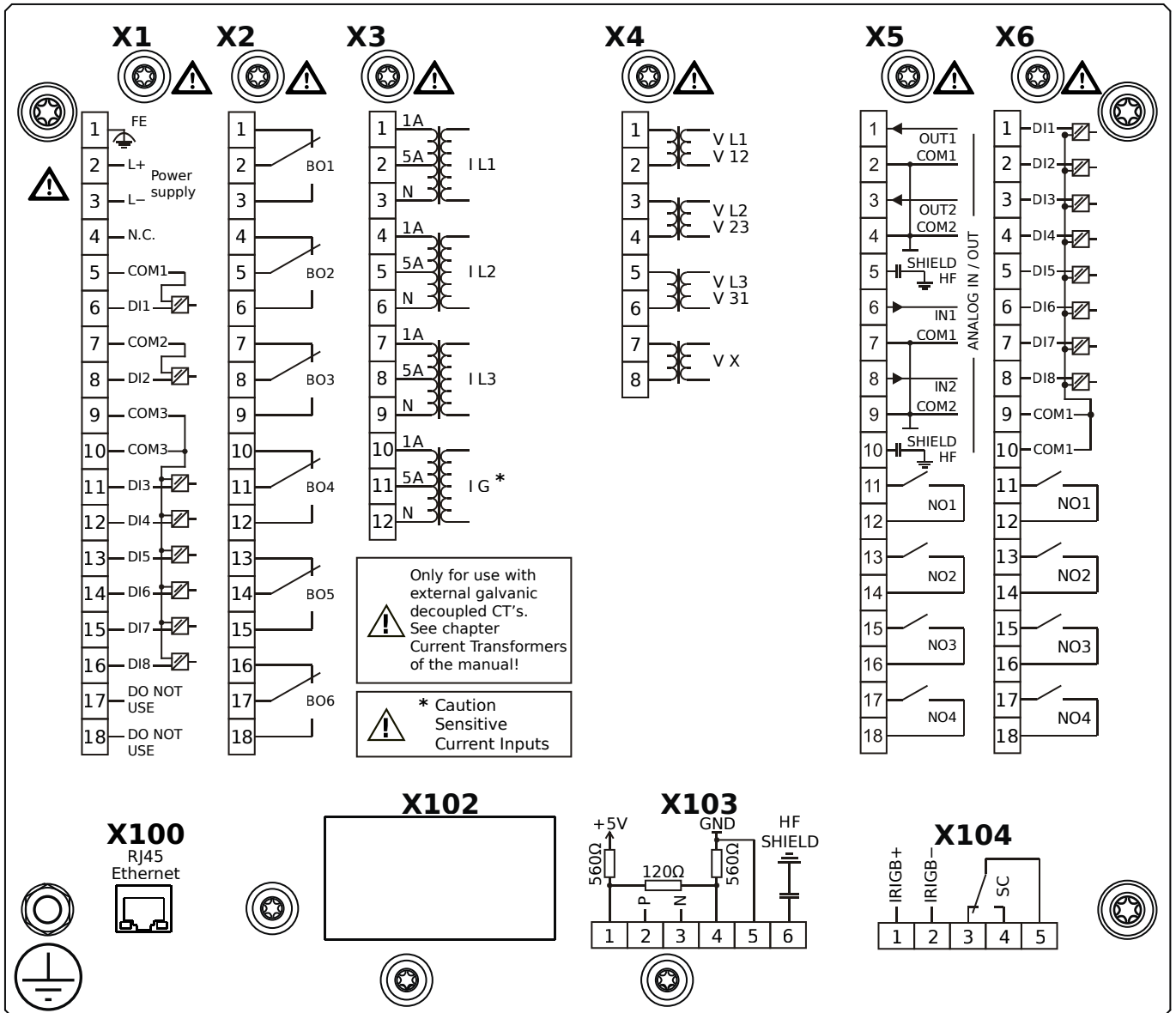
MRA4-2F1BIA



Housing B2, small display, 19" rack mounting

- X1** – DI8-X1: Wide-range power supply unit, incl. 2 non-grouped digital inputs and 6 grouped digital inputs
- X2** – OR6: Assembly Group with 6 Output Relays
- X3** – TIs: Standard phase current measuring card and sensitive ground current measuring
- X4** – TU: Card with 4 voltage transformer measuring inputs
- X5** – AnIO2-OR4: Assembly Group with 2 Analog Inputs, 2 Analog Outputs and 4 Output Relays
- X6** – DI8-OR4: Assembly Group with 8 Digital Inputs and 4 Output Relays
- X100** – Modbus TCP / DNP3.0 TCP/UDP, Ethernet interface, 100 Mbit/s, RJ45 (BASE100-FX)
- X103** – IEC 60870-5-103 / Modbus RTU / DNP3.0 RTU, RS485, Terminals
- X104** – IRIG-B00X, incl. System Contact (Supervision Contact)

MRA4-2F1BIB

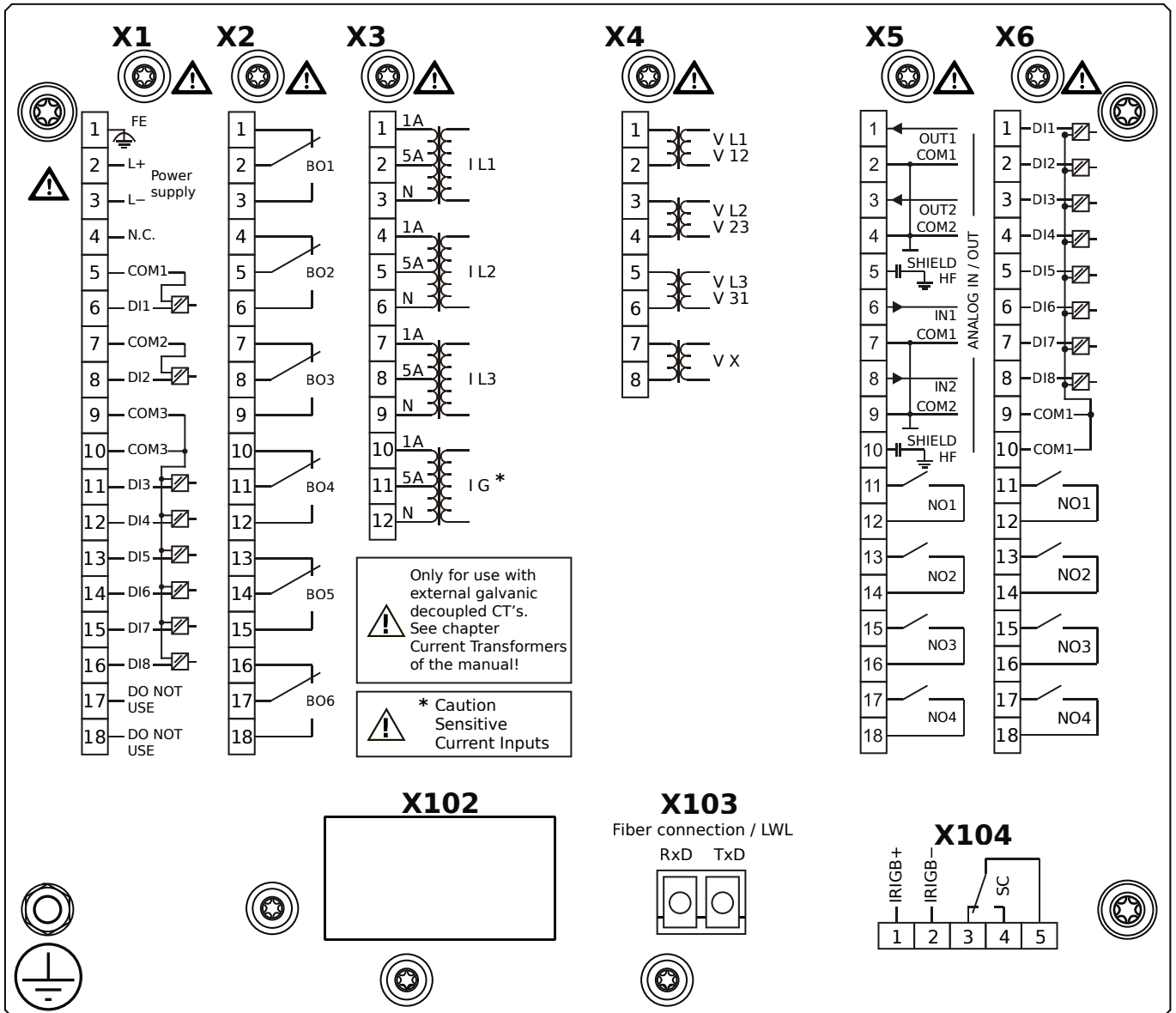


Housing B2, small display, 19" rack mounting

+ Conformal Coating (for installations in harsh environment)

- X1** – DI8-X1: Wide-range power supply unit, incl. 2 non-grouped digital inputs and 6 grouped digital inputs
- X2** – OR6: Assembly Group with 6 Output Relays
- X3** – TIs: Standard phase current measuring card and sensitive ground current measuring
- X4** – TU: Card with 4 voltage transformer measuring inputs
- X5** – AnIO2-OR4: Assembly Group with 2 Analog Inputs, 2 Analog Outputs and 4 Output Relays
- X6** – DI8-OR4: Assembly Group with 8 Digital Inputs and 4 Output Relays
- X100** – Modbus TCP / DNP3.0 TCP/UDP, Ethernet interface, 100 Mbit/s, RJ45 (BASE100-FX)
- X103** – IEC 60870-5-103 / Modbus RTU / DNP3.0 RTU, RS485, Terminals
- X104** – IRIG-B00X, incl. System Contact (Supervision Contact)

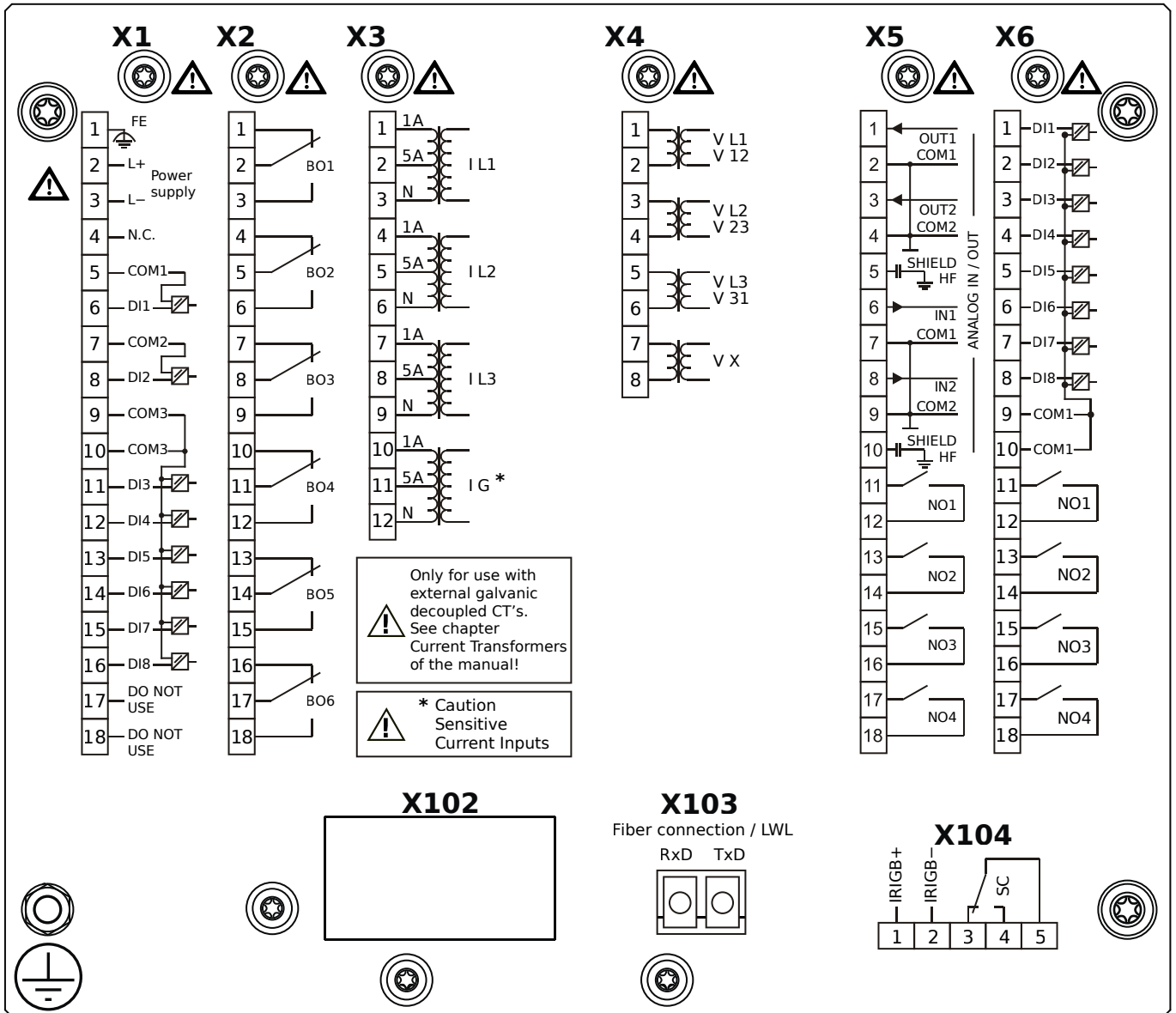
MRA4-2F1BKA



Housing B2, small display, 19" rack mounting

- X1** – DI8-X1: Wide-range power supply unit, incl. 2 non-grouped digital inputs and 6 grouped digital inputs
- X2** – OR6: Assembly Group with 6 Output Relays
- X3** – TIs: Standard phase current measuring card and sensitive ground current measuring
- X4** – TU: Card with 4 voltage transformer measuring inputs
- X5** – AnIO2-OR4: Assembly Group with 2 Analog Inputs, 2 Analog Outputs and 4 Output Relays
- X6** – DI8-OR4: Assembly Group with 8 Digital Inputs and 4 Output Relays
- X103** – IEC 61850 / Modbus TCP / DNP3.0 TCP/UDP, Fiber optics interface, LC Connector
- X104** – IRIG-B00X, incl. System Contact (Supervision Contact)

MRA4-2F1BKB

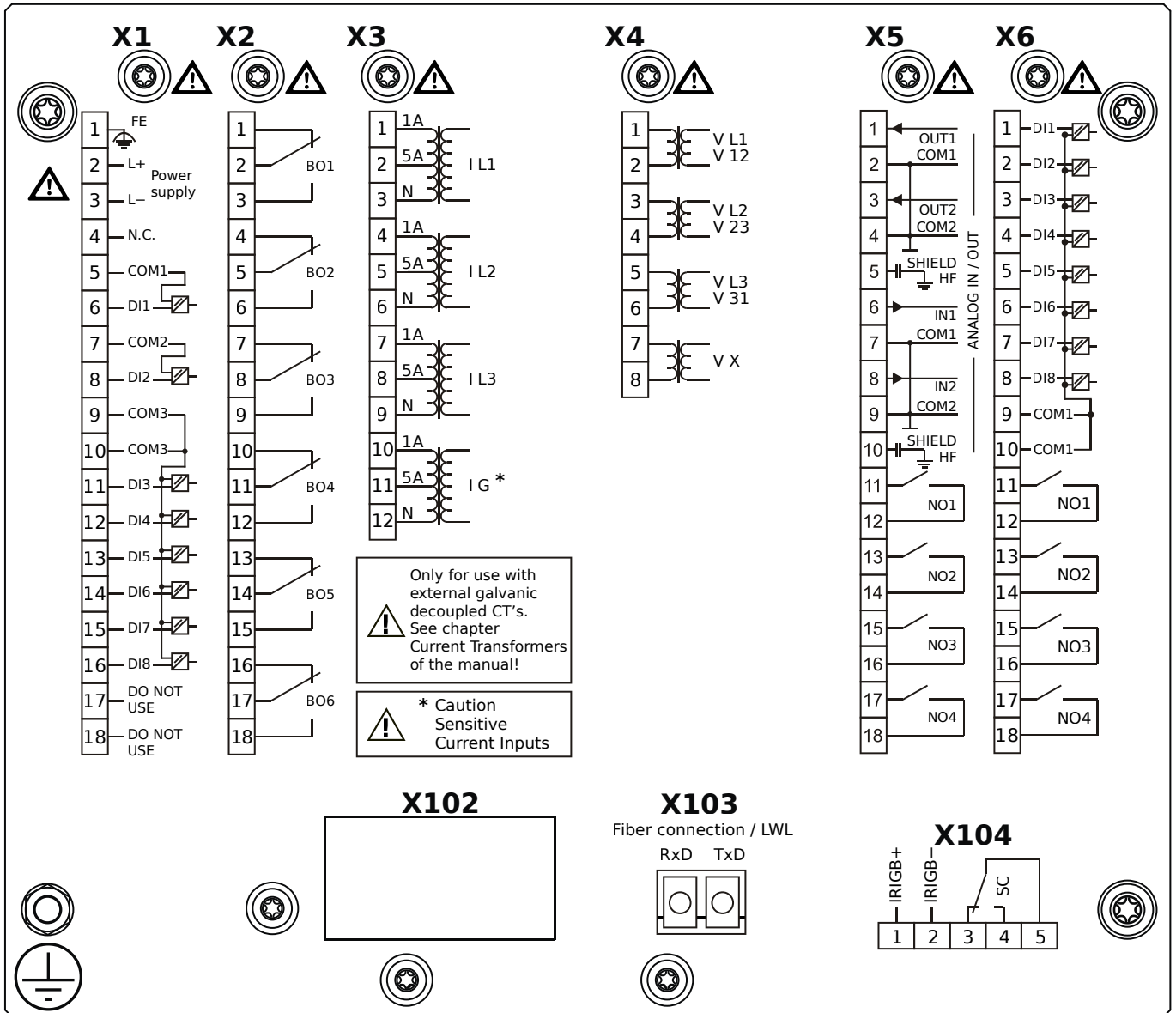


Housing B2, small display, 19" rack mounting

+ Conformal Coating (for installations in harsh environment)

- X1** – DI8-X1: Wide-range power supply unit, incl. 2 non-grouped digital inputs and 6 grouped digital inputs
- X2** – OR6: Assembly Group with 6 Output Relays
- X3** – TIs: Standard phase current measuring card and sensitive ground current measuring
- X4** – TU: Card with 4 voltage transformer measuring inputs
- X5** – AnIO2-OR4: Assembly Group with 2 Analog Inputs, 2 Analog Outputs and 4 Output Relays
- X6** – DI8-OR4: Assembly Group with 8 Digital Inputs and 4 Output Relays
- X103** – IEC 61850 / Modbus TCP / DNP3.0 TCP/UDP, Fiber optics interface, LC Connector
- X104** – IRIG-B00X, incl. System Contact (Supervision Contact)

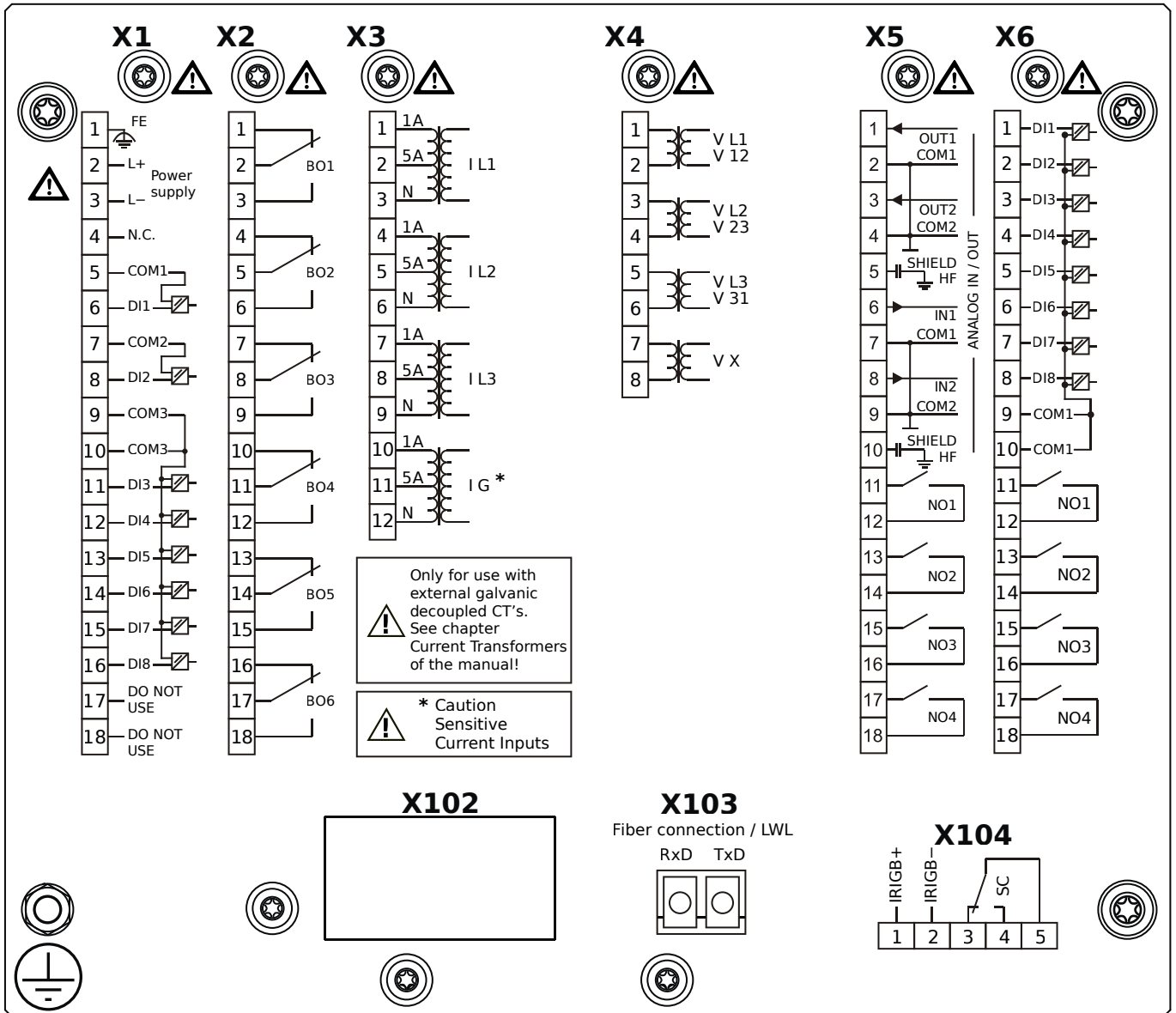
MRA4-2F1BLA



Housing B2, small display, 19" rack mounting

- X1** – DI8-X1: Wide-range power supply unit, incl. 2 non-grouped digital inputs and 6 grouped digital inputs
- X2** – OR6: Assembly Group with 6 Output Relays
- X3** – TIs: Standard phase current measuring card and sensitive ground current measuring
- X4** – TU: Card with 4 voltage transformer measuring inputs
- X5** – AnIO2-OR4: Assembly Group with 2 Analog Inputs, 2 Analog Outputs and 4 Output Relays
- X6** – DI8-OR4: Assembly Group with 8 Digital Inputs and 4 Output Relays
- X103** – Modbus TCP / DNP3.0 TCP/UDP, Fiber optics interface, LC Connector
- X104** – IRIG-B00X, incl. System Contact (Supervision Contact)

MRA4-2F1BLB

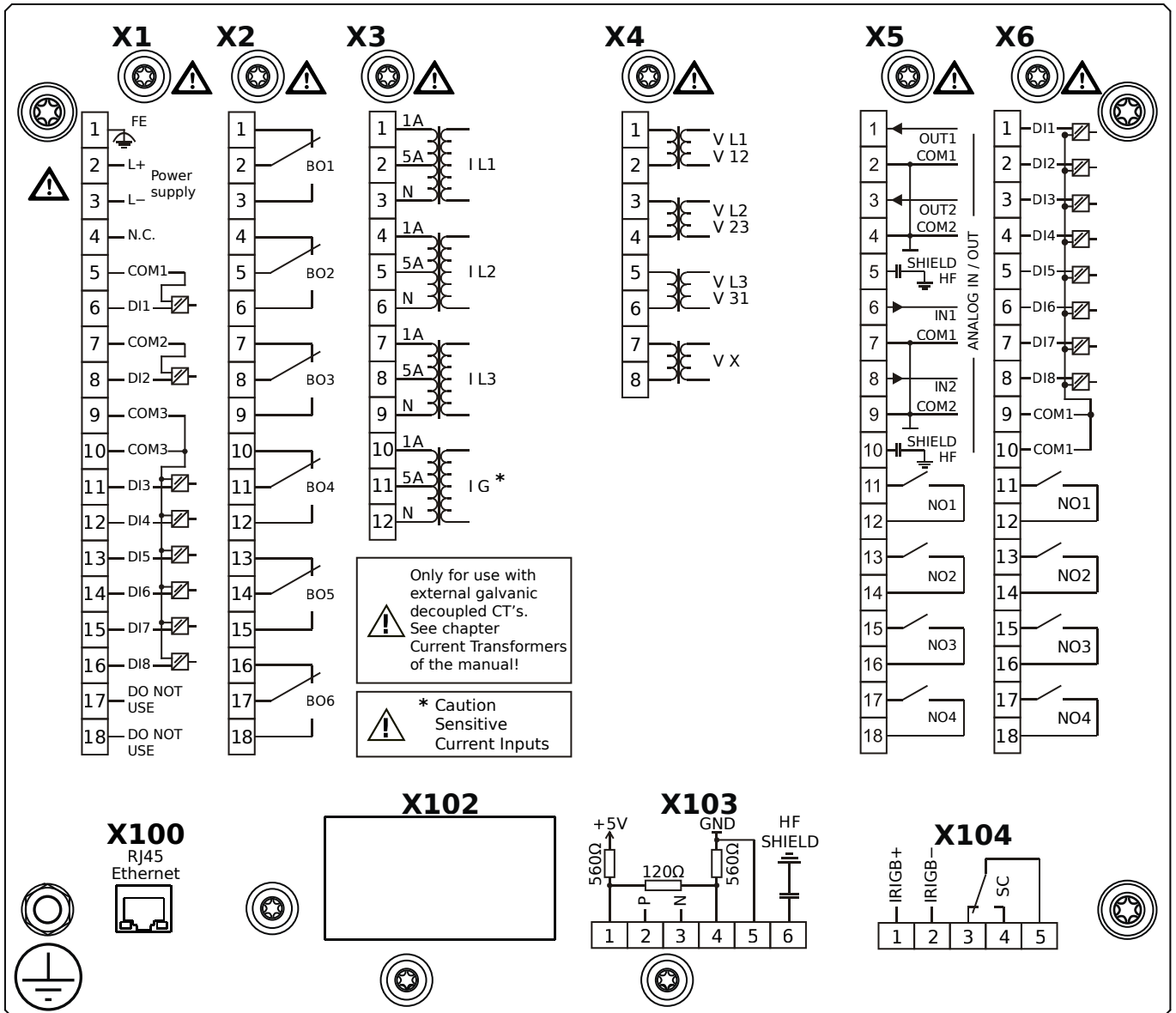


Housing B2, small display, 19" rack mounting

+ Conformal Coating (for installations in harsh environment)

- X1** – DI8-X1: Wide-range power supply unit, incl. 2 non-grouped digital inputs and 6 grouped digital inputs
- X2** – OR6: Assembly Group with 6 Output Relays
- X3** – TIs: Standard phase current measuring card and sensitive ground current measuring
- X4** – TU: Card with 4 voltage transformer measuring inputs
- X5** – AnIO2-OR4: Assembly Group with 2 Analog Inputs, 2 Analog Outputs and 4 Output Relays
- X6** – DI8-OR4: Assembly Group with 8 Digital Inputs and 4 Output Relays
- X103** – Modbus TCP / DNP3.0 TCP/UDP, Fiber optics interface, LC Connector
- X104** – IRIG-B00X, incl. System Contact (Supervision Contact)

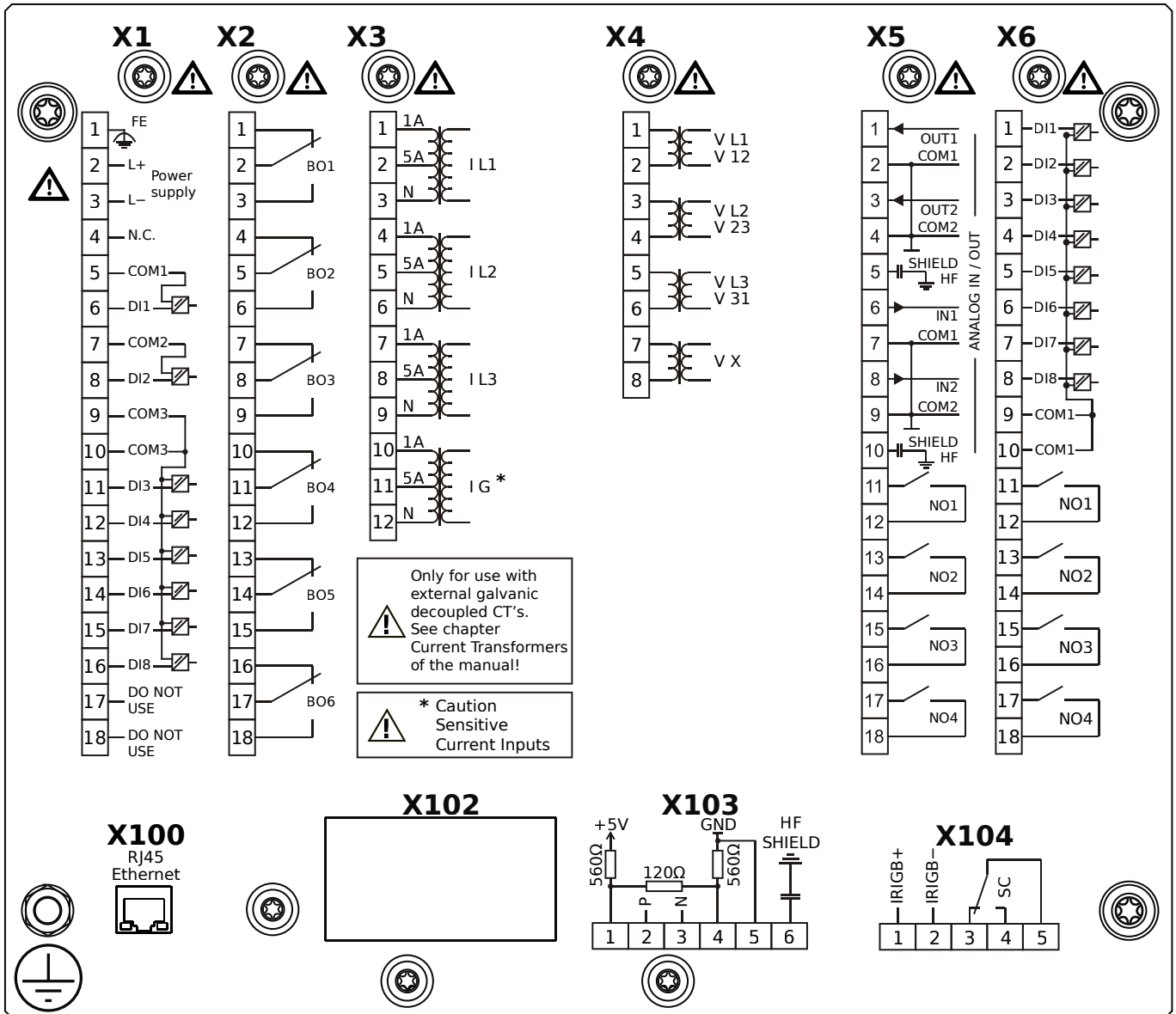
MRA4-2F1BTA



Housing B2, small display, 19" rack mounting

- X1** – DI8-X1: Wide-range power supply unit, incl. 2 non-grouped digital inputs and 6 grouped digital inputs
- X2** – OR6: Assembly Group with 6 Output Relays
- X3** – TIs: Standard phase current measuring card and sensitive ground current measuring
- X4** – TU: Card with 4 voltage transformer measuring inputs
- X5** – AnIO2-OR4: Assembly Group with 2 Analog Inputs, 2 Analog Outputs and 4 Output Relays
- X6** – DI8-OR4: Assembly Group with 8 Digital Inputs and 4 Output Relays
- X100** – IEC 61850 / Modbus TCP / DNP3.0 TCP/UDP, Ethernet interface, 100 Mbit/s, RJ45 (BASE100-FX)
- X103** – IEC 60870-5-103 / Modbus RTU / DNP3.0 RTU, RS485, Terminals
- X104** – IRIG-B00X, incl. System Contact (Supervision Contact)

MRA4-2F1BTB

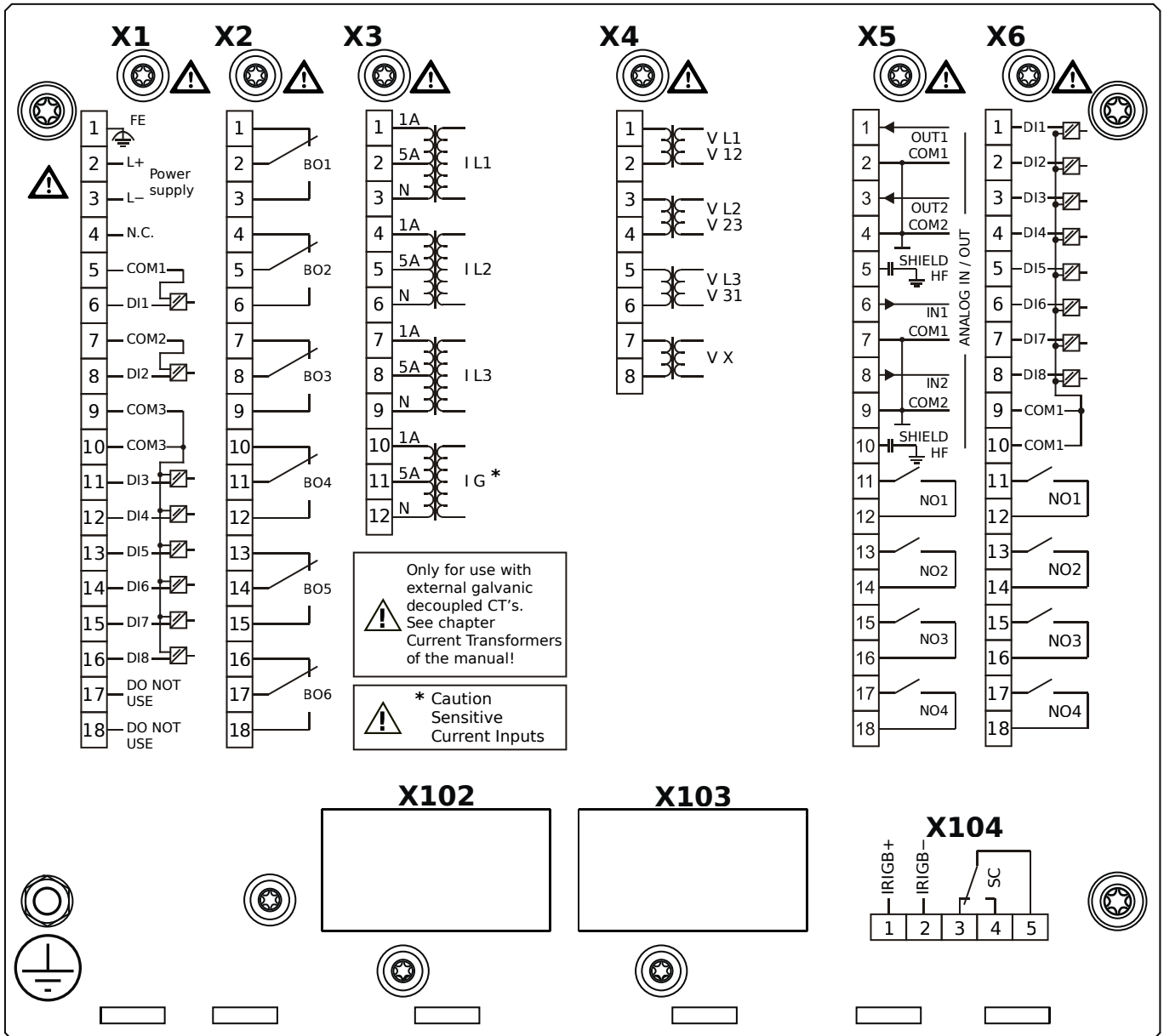


Housing B2, small display, 19" rack mounting

+ Conformal Coating (for installations in harsh environment)

- X1** – DI8-X1: Wide-range power supply unit, incl. 2 non-grouped digital inputs and 6 grouped digital inputs
- X2** – OR6: Assembly Group with 6 Output Relays
- X3** – TIs: Standard phase current measuring card and sensitive ground current measuring
- X4** – TU: Card with 4 voltage transformer measuring inputs
- X5** – AnIO2-OR4: Assembly Group with 2 Analog Inputs, 2 Analog Outputs and 4 Output Relays
- X6** – DI8-OR4: Assembly Group with 8 Digital Inputs and 4 Output Relays
- X100** – IEC 61850 / Modbus TCP / DNP3.0 TCP/UDP, Ethernet interface, 100 Mbit/s, RJ45 (BASE100-FX)
- X103** – IEC 60870-5-103 / Modbus RTU / DNP3.0 RTU, RS485, Terminals
- X104** – IRIG-B00X, incl. System Contact (Supervision Contact)

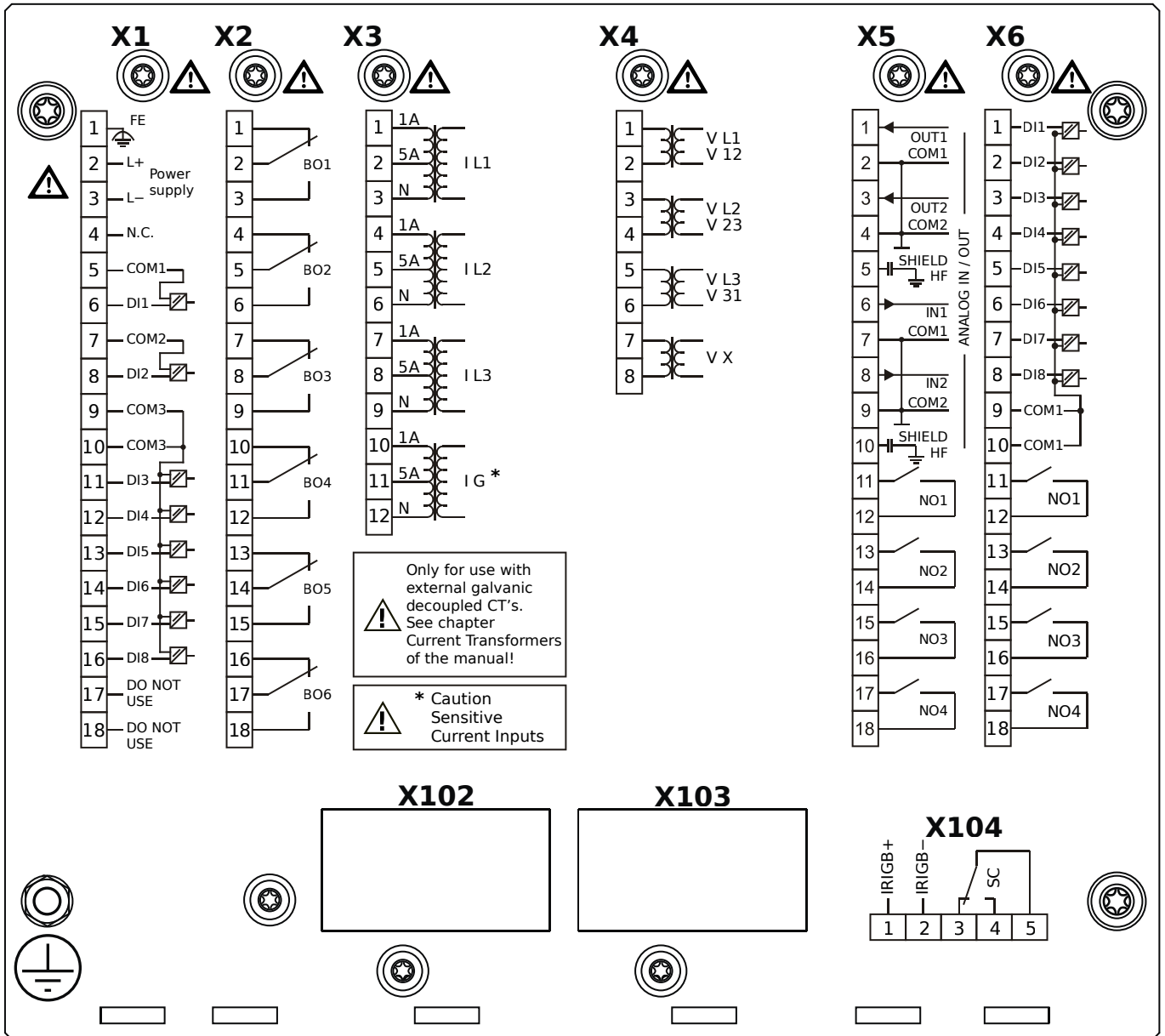
MRA4-2F1HAA



Housing B2, small display, door mounting

- X1** – DI8-X1: Wide-range power supply unit, incl. 2 non-grouped digital inputs and 6 grouped digital inputs
- X2** – OR6: Assembly Group with 6 Output Relays
- X3** – TIs: Standard phase current measuring card and sensitive ground current measuring
- X4** – TU: Card with 4 voltage transformer measuring inputs
- X5** – AnIO2-OR4: Assembly Group with 2 Analog Inputs, 2 Analog Outputs and 4 Output Relays
- X6** – DI8-OR4: Assembly Group with 8 Digital Inputs and 4 Output Relays
- X104** – IRIG-B00X, incl. System Contact (Supervision Contact)

MRA4-2F1HAB

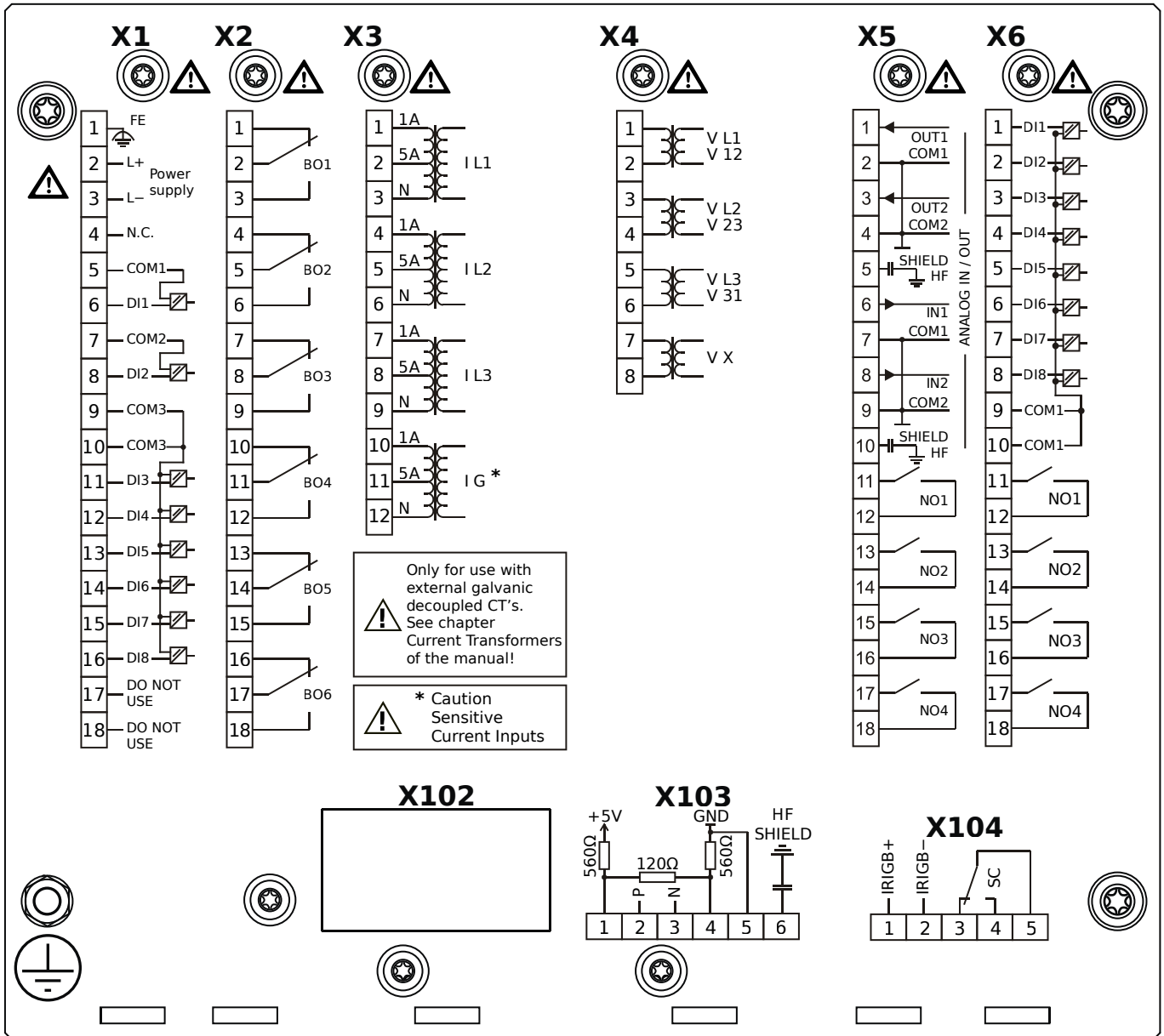


Housing B2, small display, door mounting

+ Conformal Coating (for installations in harsh environment)

- X1** – DI8-X1: Wide-range power supply unit, incl. 2 non-grouped digital inputs and 6 grouped digital inputs
- X2** – OR6: Assembly Group with 6 Output Relays
- X3** – TIs: Standard phase current measuring card and sensitive ground current measuring
- X4** – TU: Card with 4 voltage transformer measuring inputs
- X5** – AnIO2-OR4: Assembly Group with 2 Analog Inputs, 2 Analog Outputs and 4 Output Relays
- X6** – DI8-OR4: Assembly Group with 8 Digital Inputs and 4 Output Relays
- X104** – IRIG-B00X, incl. System Contact (Supervision Contact)

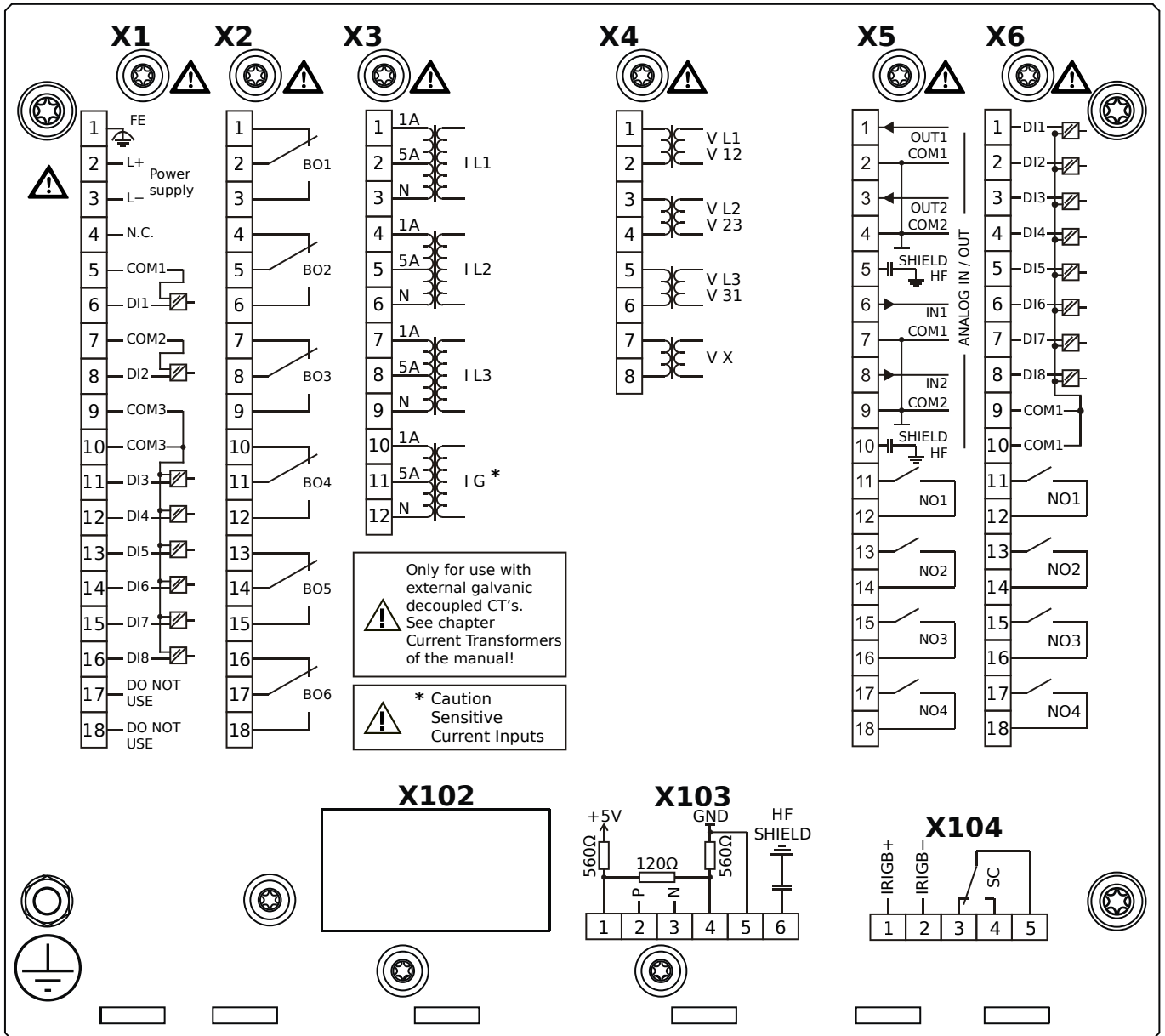
MRA4-2F1HBA



Housing B2, small display, door mounting

- X1** – DI8-X1: Wide-range power supply unit, incl. 2 non-grouped digital inputs and 6 grouped digital inputs
- X2** – OR6: Assembly Group with 6 Output Relays
- X3** – TIs: Standard phase current measuring card and sensitive ground current measuring
- X4** – TU: Card with 4 voltage transformer measuring inputs
- X5** – AnIO2-OR4: Assembly Group with 2 Analog Inputs, 2 Analog Outputs and 4 Output Relays
- X6** – DI8-OR4: Assembly Group with 8 Digital Inputs and 4 Output Relays
- X103** – Modbus RTU / IEC 60870-5-103 / DNP3.0 RTU, RS485, Terminals
- X104** – IRIG-B00X, incl. System Contact (Supervision Contact)

MRA4-2F1HBB

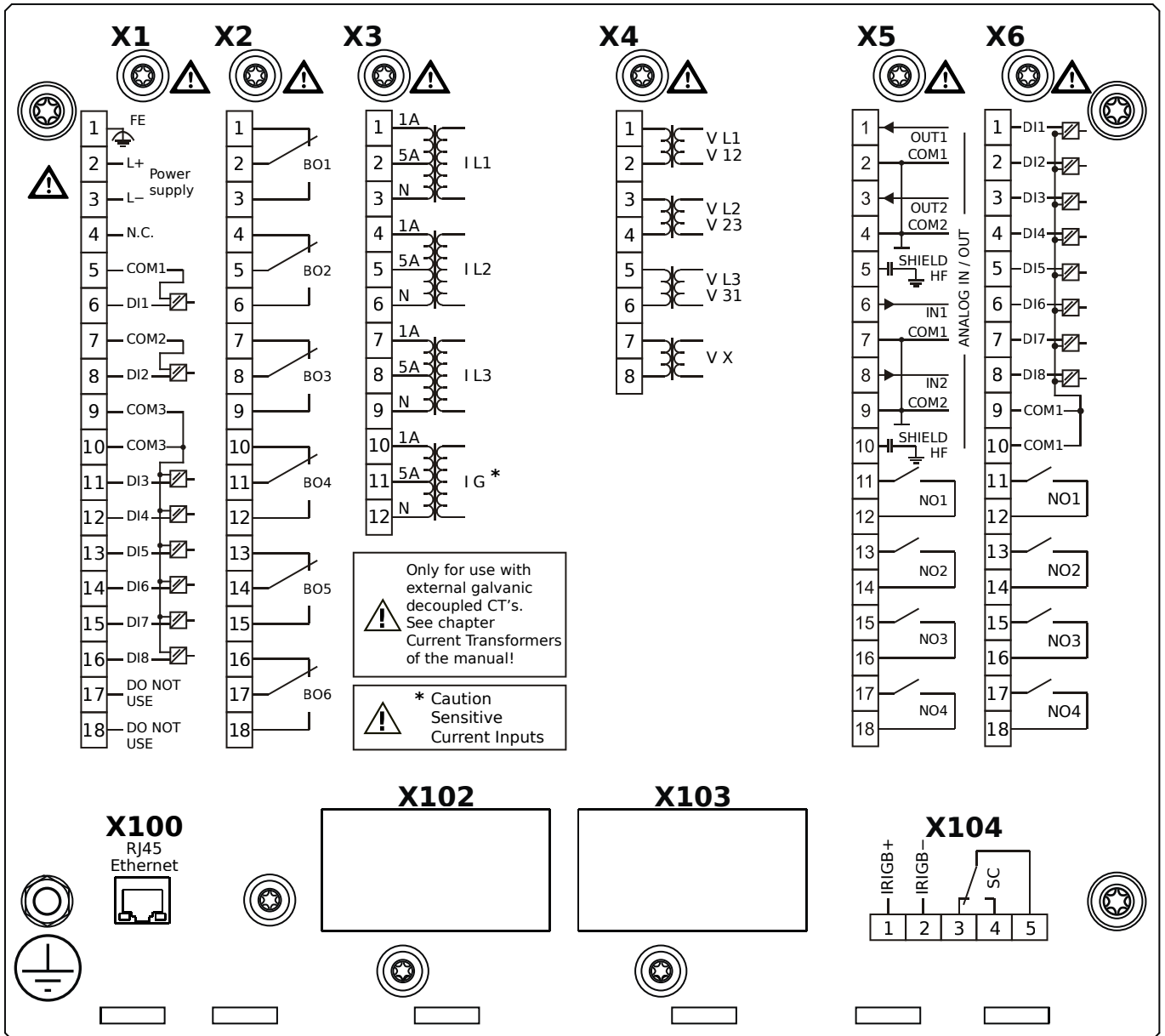


Housing B2, small display, door mounting

+ Conformal Coating (for installations in harsh environment)

- X1** – DI8-X1: Wide-range power supply unit, incl. 2 non-grouped digital inputs and 6 grouped digital inputs
- X2** – OR6: Assembly Group with 6 Output Relays
- X3** – TIs: Standard phase current measuring card and sensitive ground current measuring
- X4** – TU: Card with 4 voltage transformer measuring inputs
- X5** – AnIO2-OR4: Assembly Group with 2 Analog Inputs, 2 Analog Outputs and 4 Output Relays
- X6** – DI8-OR4: Assembly Group with 8 Digital Inputs and 4 Output Relays
- X103** – Modbus RTU / IEC 60870-5-103 / DNP3.0 RTU, RS485, Terminals
- X104** – IRIG-B00X, incl. System Contact (Supervision Contact)

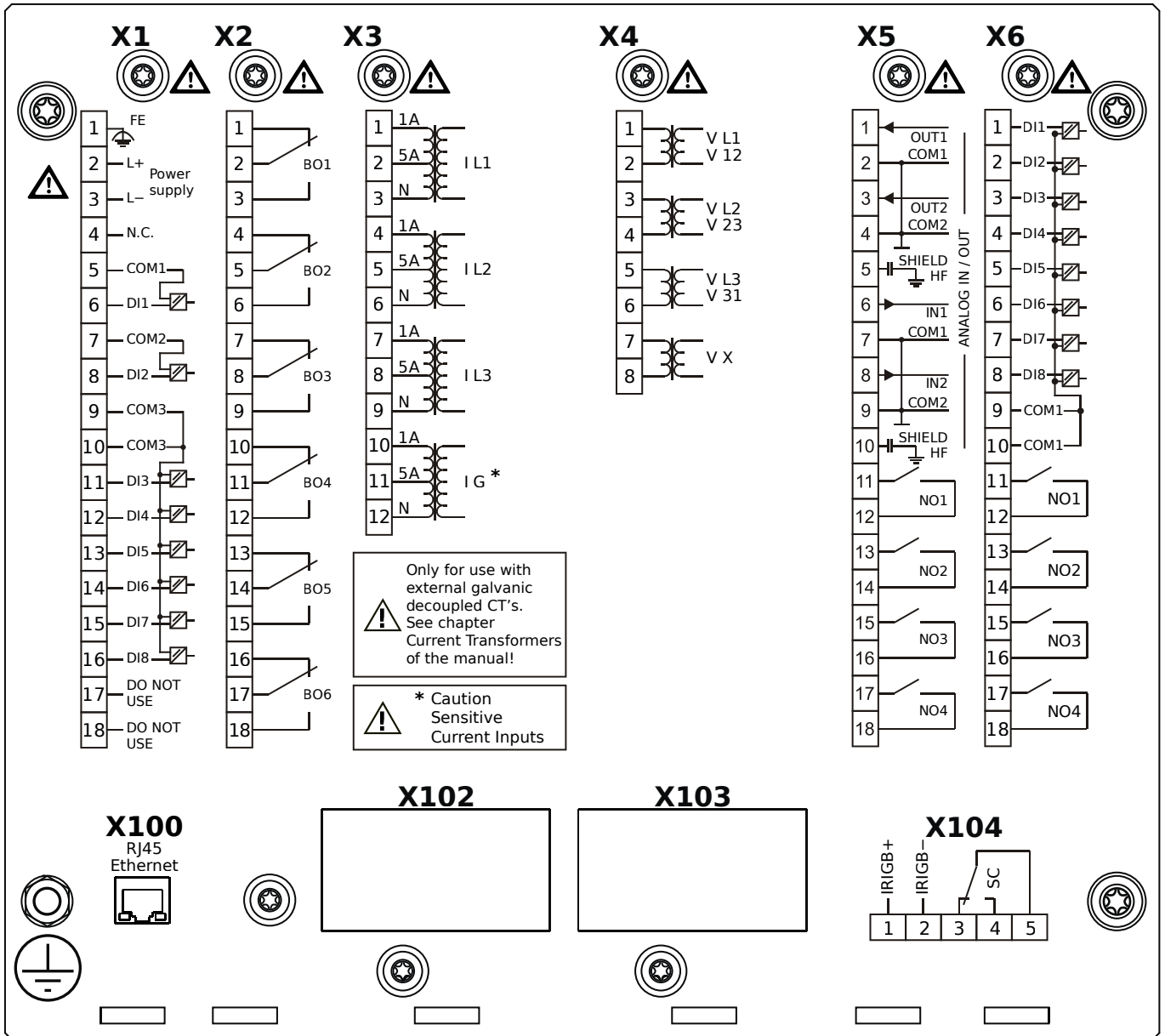
MRA4-2F1HCA



Housing B2, small display, door mounting

- X1** – DI8-X1: Wide-range power supply unit, incl. 2 non-grouped digital inputs and 6 grouped digital inputs
- X2** – OR6: Assembly Group with 6 Output Relays
- X3** – TIs: Standard phase current measuring card and sensitive ground current measuring
- X4** – TU: Card with 4 voltage transformer measuring inputs
- X5** – AnIO2-OR4: Assembly Group with 2 Analog Inputs, 2 Analog Outputs and 4 Output Relays
- X6** – DI8-OR4: Assembly Group with 8 Digital Inputs and 4 Output Relays
- X100** – Modbus TCP / DNP3.0 TCP/UDP, Ethernet interface, 100 Mbit/s, RJ45 (BASE100-FX)
- X104** – IRIG-B00X, incl. System Contact (Supervision Contact)

MRA4-2F1HCB

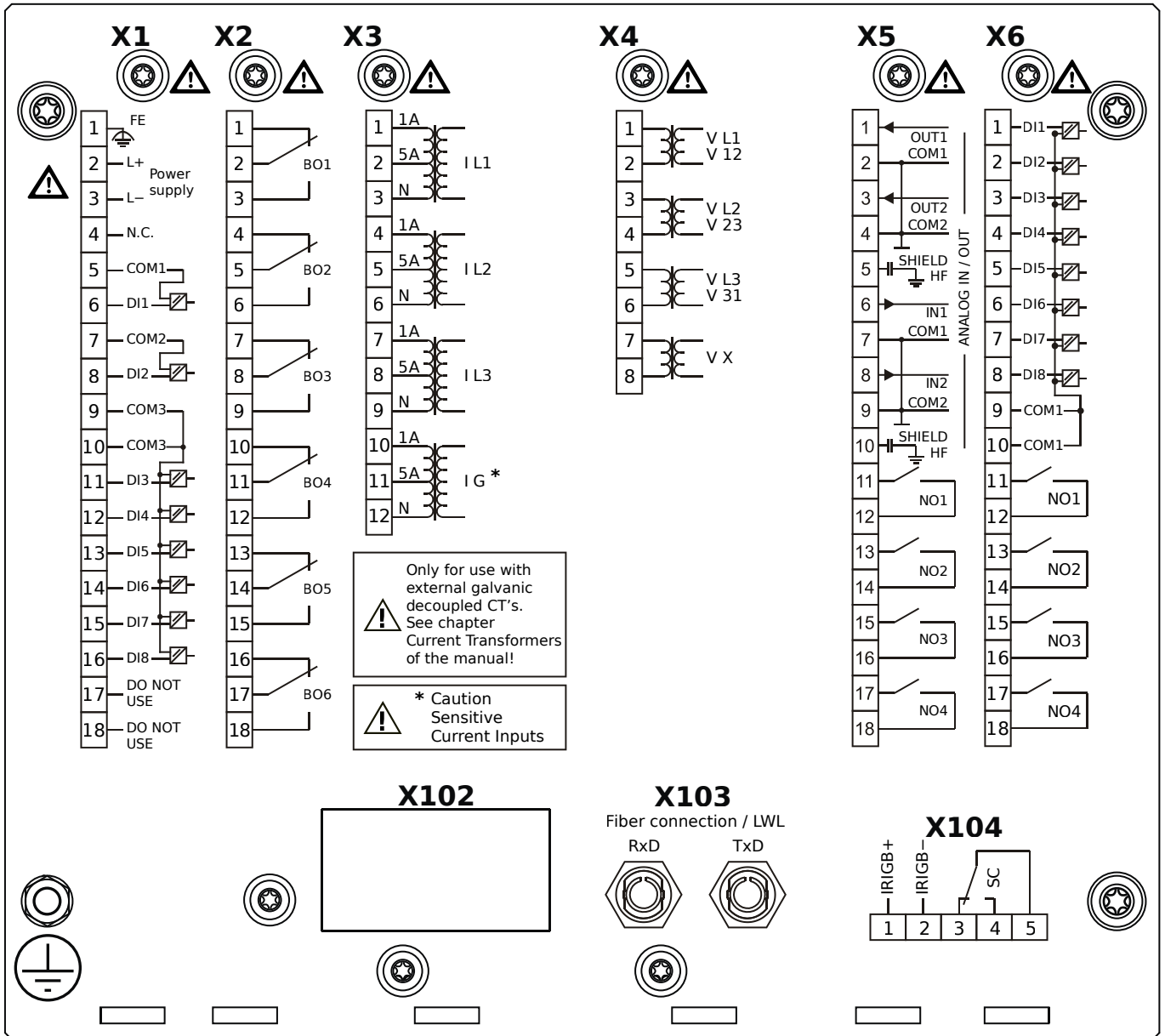


Housing B2, small display, door mounting

+ Conformal Coating (for installations in harsh environment)

- X1** – DI8-X1: Wide-range power supply unit, incl. 2 non-grouped digital inputs and 6 grouped digital inputs
- X2** – OR6: Assembly Group with 6 Output Relays
- X3** – TIs: Standard phase current measuring card and sensitive ground current measuring
- X4** – TU: Card with 4 voltage transformer measuring inputs
- X5** – AnIO2-OR4: Assembly Group with 2 Analog Inputs, 2 Analog Outputs and 4 Output Relays
- X6** – DI8-OR4: Assembly Group with 8 Digital Inputs and 4 Output Relays
- X100** – Modbus TCP / DNP3.0 TCP/UDP, Ethernet interface, 100 Mbit/s, RJ45 (BASE100-FX)
- X104** – IRIG-B00X, incl. System Contact (Supervision Contact)

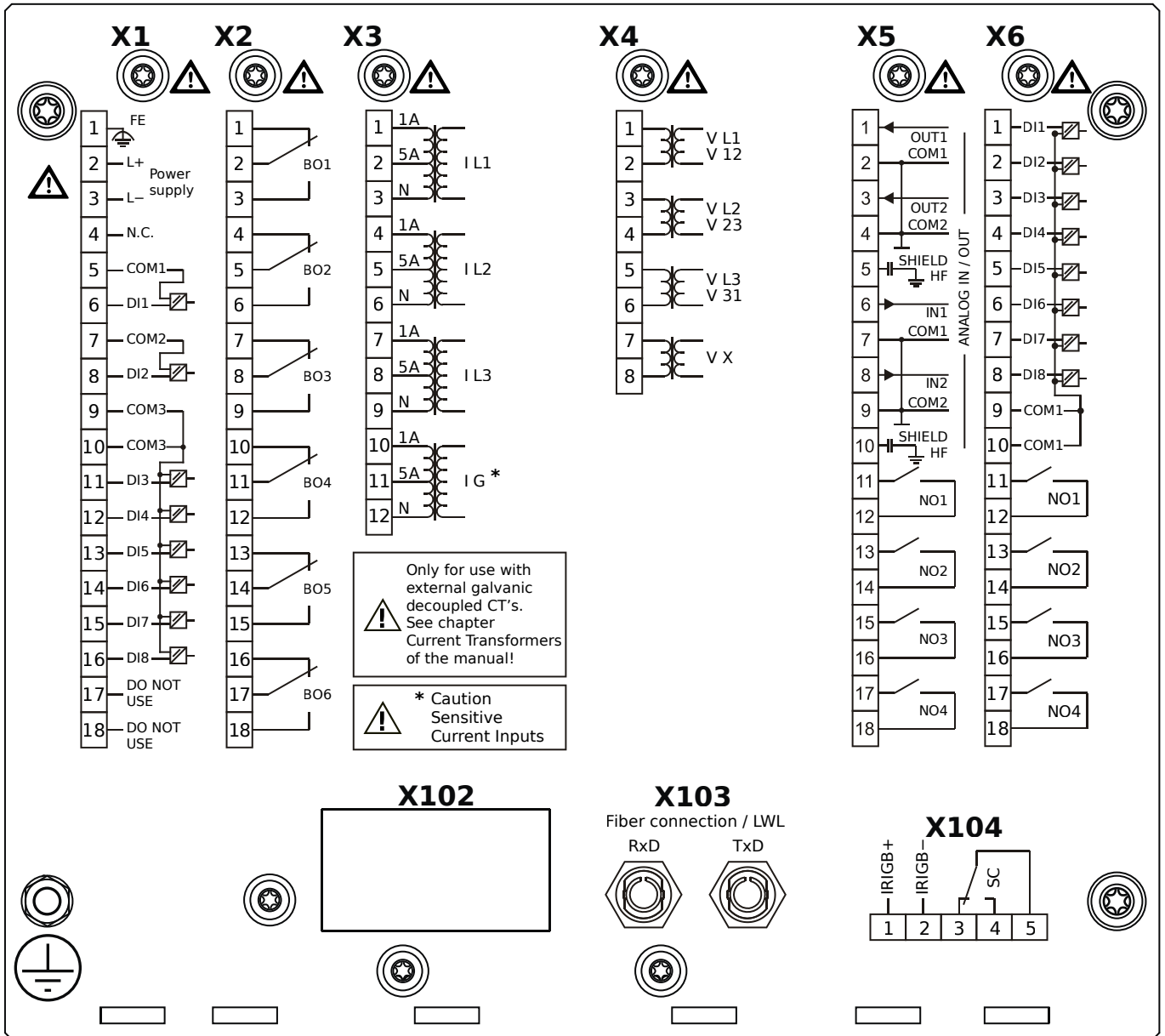
MRA4-2F1HDA



Housing B2, small display, door mounting

- X1** – DI8-X1: Wide-range power supply unit, incl. 2 non-grouped digital inputs and 6 grouped digital inputs
- X2** – OR6: Assembly Group with 6 Output Relays
- X3** – TIs: Standard phase current measuring card and sensitive ground current measuring
- X4** – TU: Card with 4 voltage transformer measuring inputs
- X5** – AnIO2-OR4: Assembly Group with 2 Analog Inputs, 2 Analog Outputs and 4 Output Relays
- X6** – DI8-OR4: Assembly Group with 8 Digital Inputs and 4 Output Relays
- X103** – Profibus-DP, Fiber optics interface, ST Connector
- X104** – IRIG-B00X, incl. System Contact (Supervision Contact)

MRA4-2F1HDB

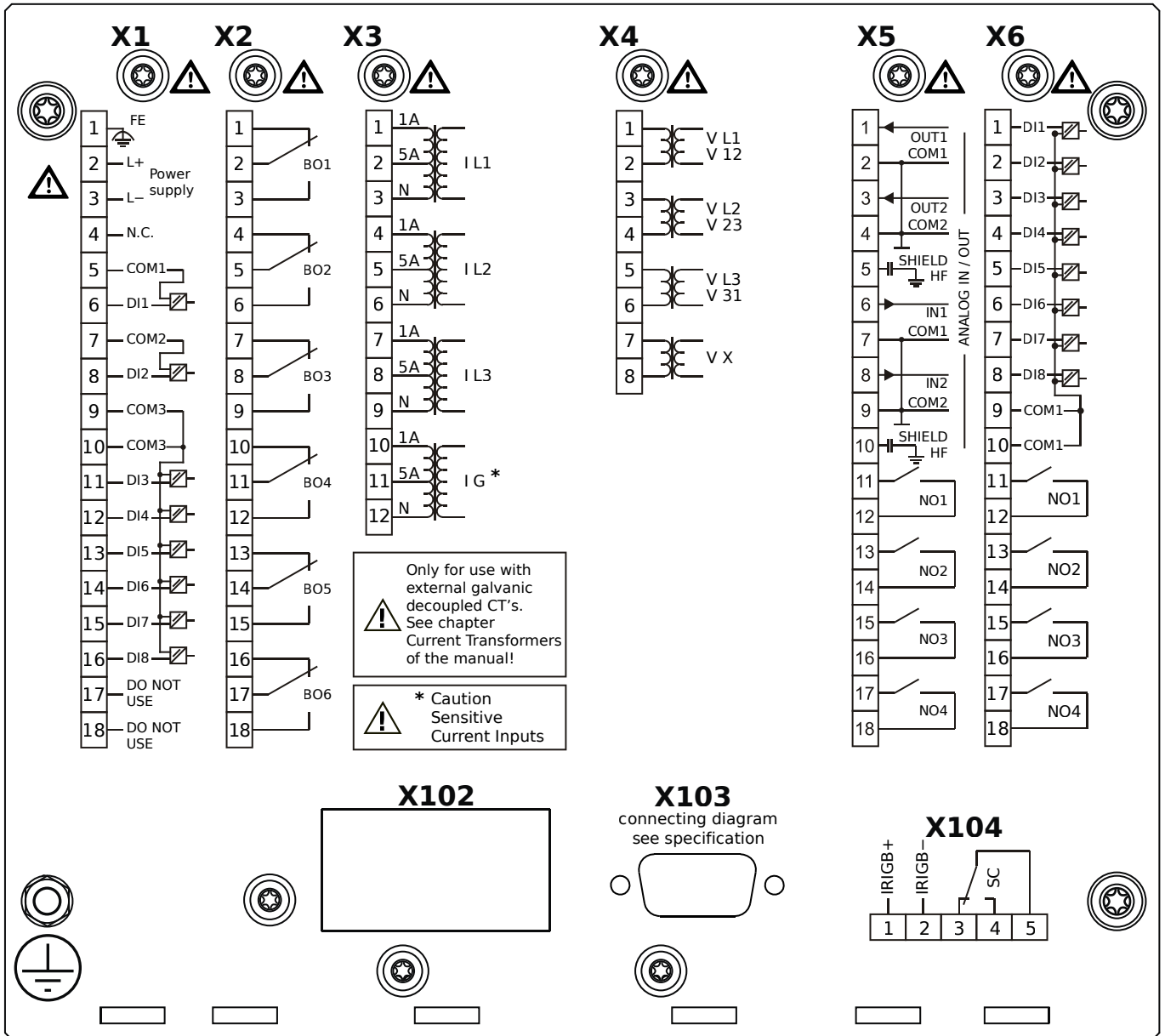


Housing B2, small display, door mounting

+ Conformal Coating (for installations in harsh environment)

- X1** – DI8-X1: Wide-range power supply unit, incl. 2 non-grouped digital inputs and 6 grouped digital inputs
- X2** – OR6: Assembly Group with 6 Output Relays
- X3** – TIs: Standard phase current measuring card and sensitive ground current measuring
- X4** – TU: Card with 4 voltage transformer measuring inputs
- X5** – AnIO2-OR4: Assembly Group with 2 Analog Inputs, 2 Analog Outputs and 4 Output Relays
- X6** – DI8-OR4: Assembly Group with 8 Digital Inputs and 4 Output Relays
- X103** – Profibus-DP, Fiber optics interface, ST Connector
- X104** – IRIG-B00X, incl. System Contact (Supervision Contact)

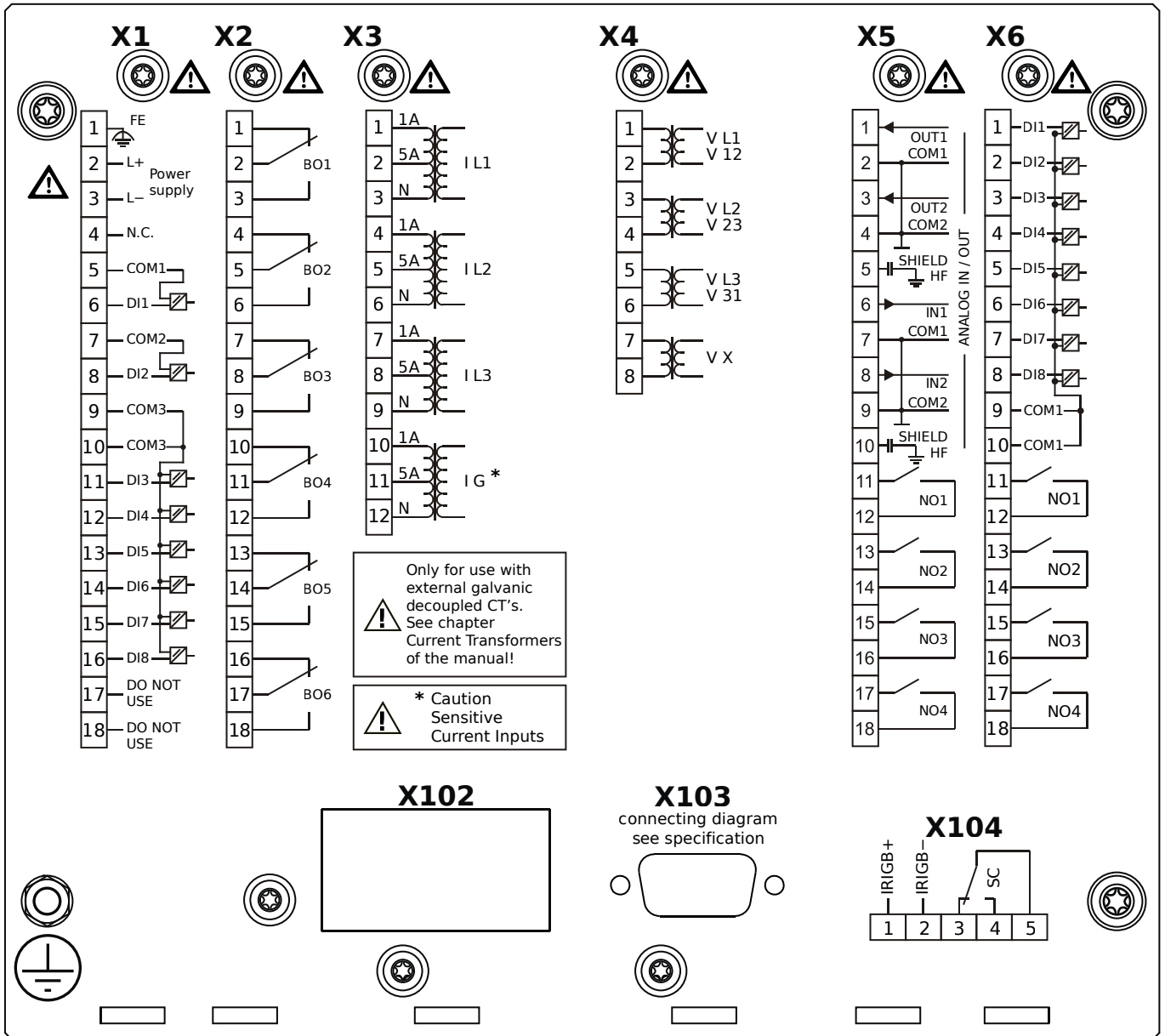
MRA4-2F1HEA



Housing B2, small display, door mounting

- X1** – DI8-X1: Wide-range power supply unit, incl. 2 non-grouped digital inputs and 6 grouped digital inputs
- X2** – OR6: Assembly Group with 6 Output Relays
- X3** – TIs: Standard phase current measuring card and sensitive ground current measuring
- X4** – TU: Card with 4 voltage transformer measuring inputs
- X5** – AnIO2-OR4: Assembly Group with 2 Analog Inputs, 2 Analog Outputs and 4 Output Relays
- X6** – DI8-OR4: Assembly Group with 8 Digital Inputs and 4 Output Relays
- X103** – Profibus-DP, RS485, D-SUB
- X104** – IRIG-B00X, incl. System Contact (Supervision Contact)

MRA4-2F1HEB

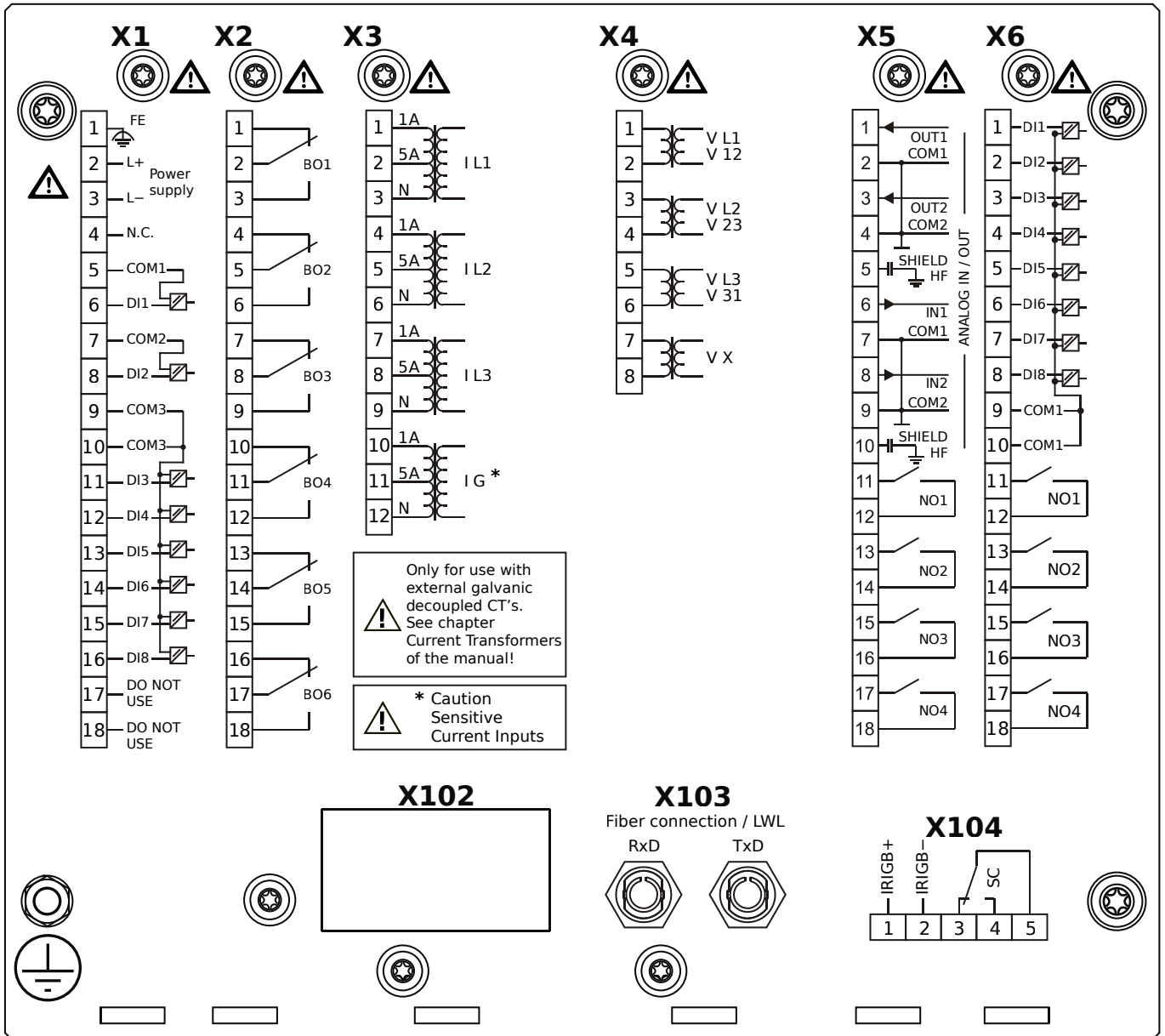


Housing B2, small display, door mounting

+ Conformal Coating (for installations in harsh environment)

- X1** – DI8-X1: Wide-range power supply unit, incl. 2 non-grouped digital inputs and 6 grouped digital inputs
- X2** – OR6: Assembly Group with 6 Output Relays
- X3** – TIs: Standard phase current measuring card and sensitive ground current measuring
- X4** – TU: Card with 4 voltage transformer measuring inputs
- X5** – AnIO2-OR4: Assembly Group with 2 Analog Inputs, 2 Analog Outputs and 4 Output Relays
- X6** – DI8-OR4: Assembly Group with 8 Digital Inputs and 4 Output Relays
- X103** – Profibus-DP, RS485, D-SUB
- X104** – IRIG-B00X, incl. System Contact (Supervision Contact)

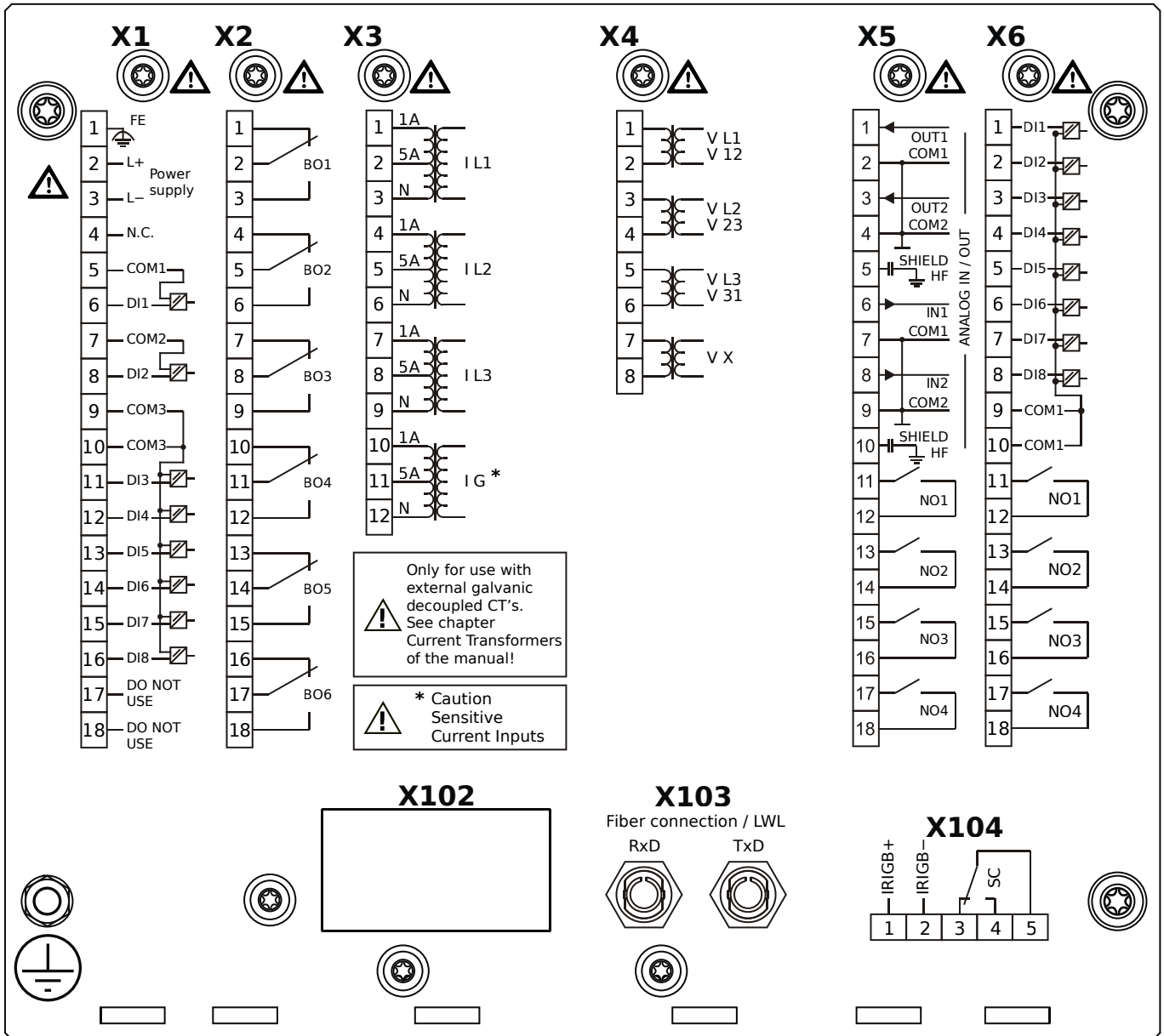
MRA4-2F1HFA



Housing B2, small display, door mounting

- X1** – DI8-X1: Wide-range power supply unit, incl. 2 non-grouped digital inputs and 6 grouped digital inputs
- X2** – OR6: Assembly Group with 6 Output Relays
- X3** – TIs: Standard phase current measuring card and sensitive ground current measuring
- X4** – TU: Card with 4 voltage transformer measuring inputs
- X5** – AnIO2-OR4: Assembly Group with 2 Analog Inputs, 2 Analog Outputs and 4 Output Relays
- X6** – DI8-OR4: Assembly Group with 8 Digital Inputs and 4 Output Relays
- X103** – Modbus RTU / IEC 60870-5-103 / DNP3.0 RTU, Fiber optics interface, ST Connector
- X104** – IRIG-B00X, incl. System Contact (Supervision Contact)

MRA4-2F1HFB

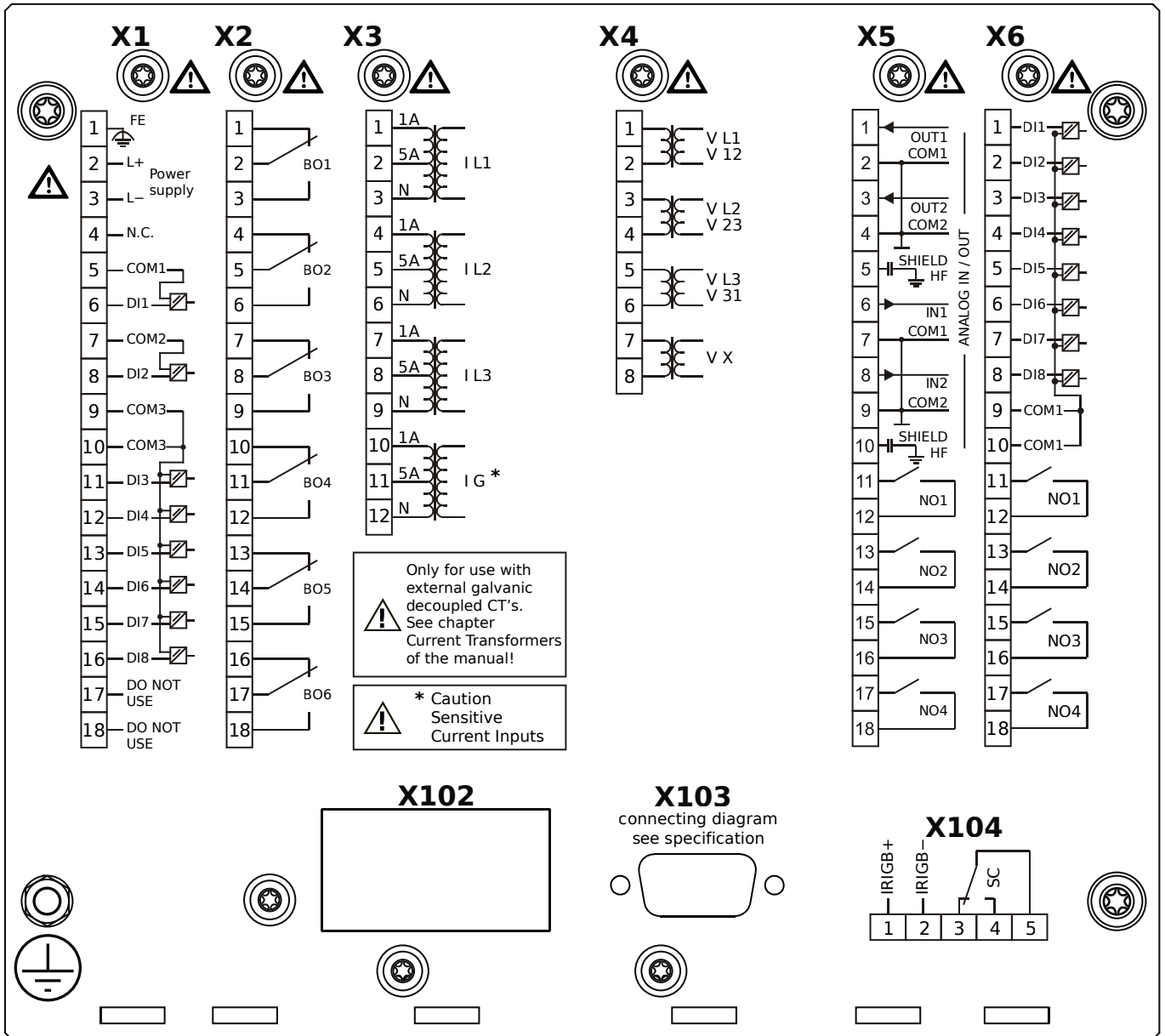


Housing B2, small display, door mounting

+ Conformal Coating (for installations in harsh environment)

- X1** – DI8-X1: Wide-range power supply unit, incl. 2 non-grouped digital inputs and 6 grouped digital inputs
- X2** – OR6: Assembly Group with 6 Output Relays
- X3** – TIs: Standard phase current measuring card and sensitive ground current measuring
- X4** – TU: Card with 4 voltage transformer measuring inputs
- X5** – AnIO2-OR4: Assembly Group with 2 Analog Inputs, 2 Analog Outputs and 4 Output Relays
- X6** – DI8-OR4: Assembly Group with 8 Digital Inputs and 4 Output Relays
- X103** – Modbus RTU / IEC 60870-5-103 / DNP3.0 RTU, Fiber optics interface, ST Connector
- X104** – IRIG-B00X, incl. System Contact (Supervision Contact)

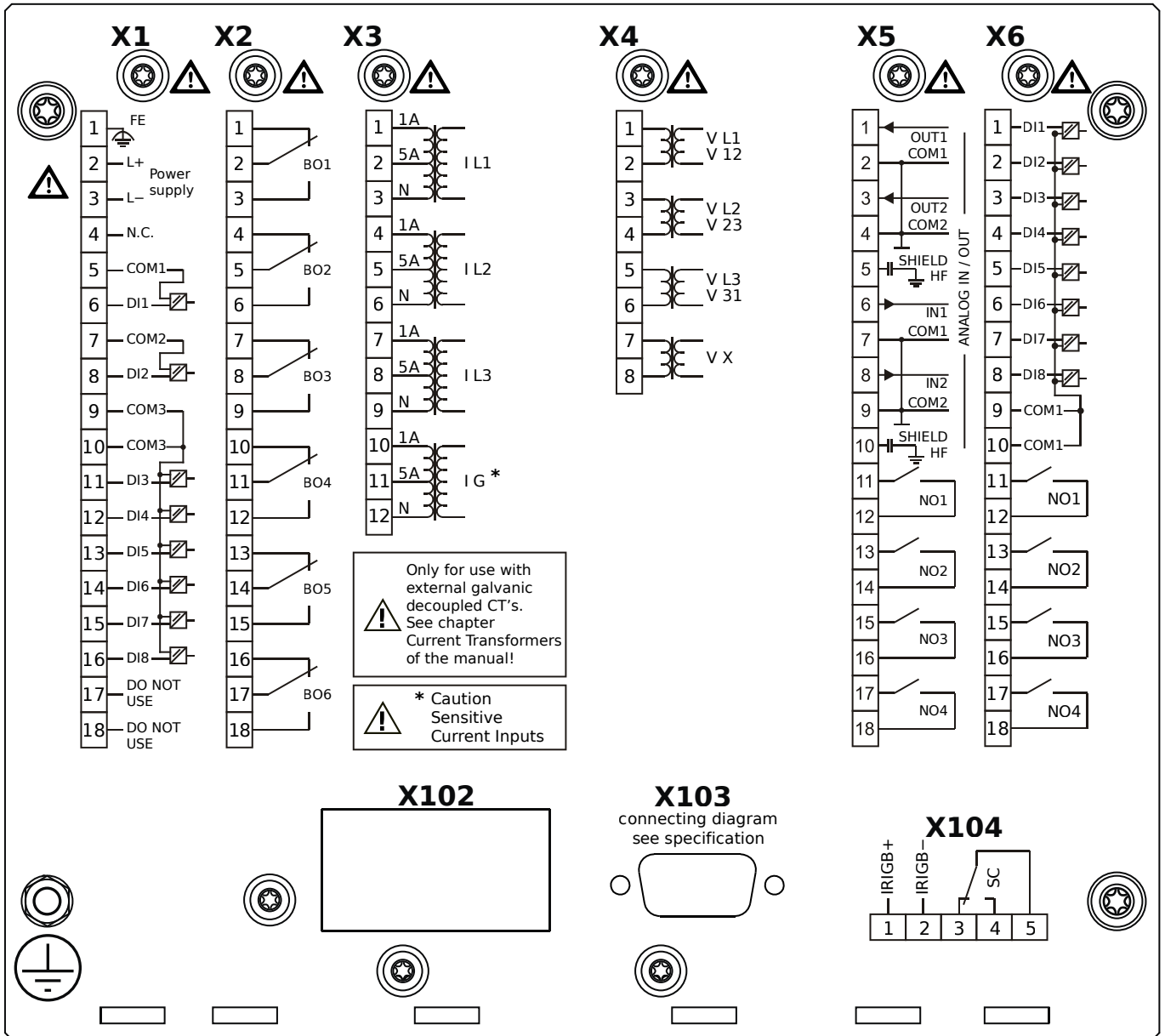
MRA4-2F1HGA



Housing B2, small display, door mounting

- X1** – DI8-X1: Wide-range power supply unit, incl. 2 non-grouped digital inputs and 6 grouped digital inputs
- X2** – OR6: Assembly Group with 6 Output Relays
- X3** – TIs: Standard phase current measuring card and sensitive ground current measuring
- X4** – TU: Card with 4 voltage transformer measuring inputs
- X5** – AnIO2-OR4: Assembly Group with 2 Analog Inputs, 2 Analog Outputs and 4 Output Relays
- X6** – DI8-OR4: Assembly Group with 8 Digital Inputs and 4 Output Relays
- X103** – Modbus RTU / IEC 60870-5-103 / DNP3.0 RTU, RS485, D-SUB
- X104** – IRIG-B00X, incl. System Contact (Supervision Contact)

MRA4-2F1HGB

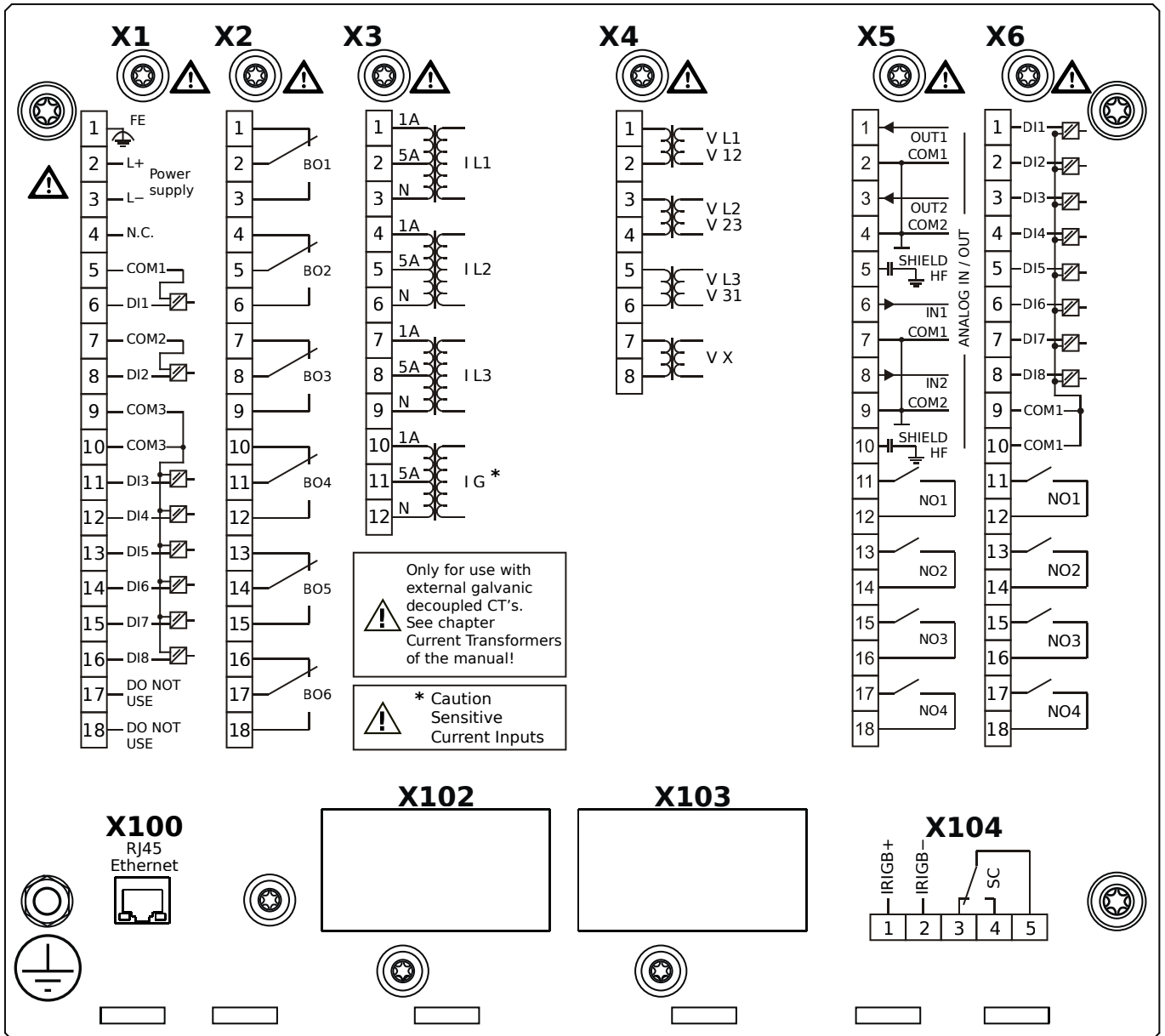


Housing B2, small display, door mounting

+ Conformal Coating (for installations in harsh environment)

- X1** – DI8-X1: Wide-range power supply unit, incl. 2 non-grouped digital inputs and 6 grouped digital inputs
- X2** – OR6: Assembly Group with 6 Output Relays
- X3** – TIs: Standard phase current measuring card and sensitive ground current measuring
- X4** – TU: Card with 4 voltage transformer measuring inputs
- X5** – AnIO2-OR4: Assembly Group with 2 Analog Inputs, 2 Analog Outputs and 4 Output Relays
- X6** – DI8-OR4: Assembly Group with 8 Digital Inputs and 4 Output Relays
- X103** – Modbus RTU / IEC 60870-5-103 / DNP3.0 RTU, RS485, D-SUB
- X104** – IRIG-B00X, incl. System Contact (Supervision Contact)

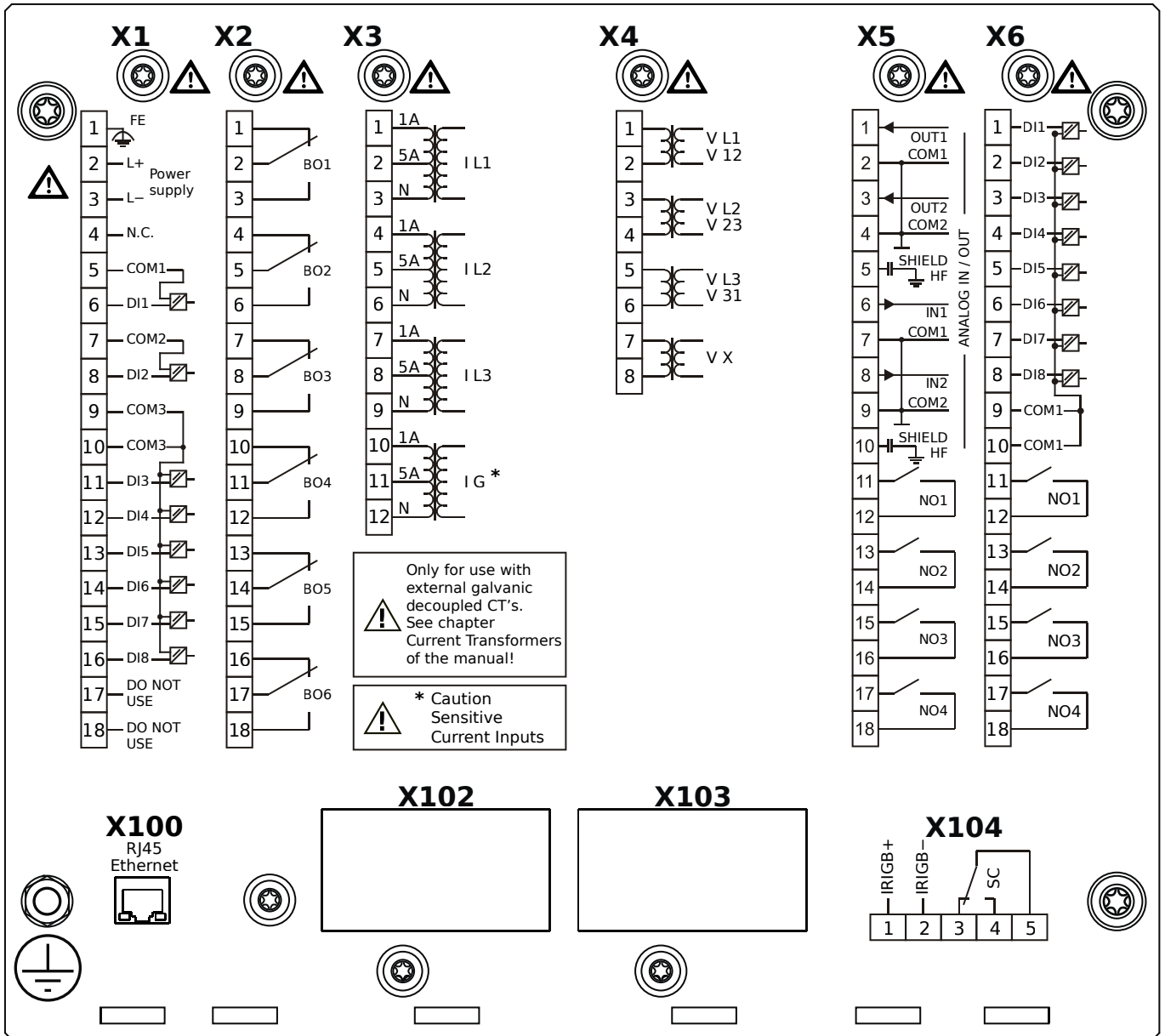
MRA4-2F1HHA



Housing B2, small display, door mounting

- X1** – DI8-X1: Wide-range power supply unit, incl. 2 non-grouped digital inputs and 6 grouped digital inputs
- X2** – OR6: Assembly Group with 6 Output Relays
- X3** – TIs: Standard phase current measuring card and sensitive ground current measuring
- X4** – TU: Card with 4 voltage transformer measuring inputs
- X5** – AnIO2-OR4: Assembly Group with 2 Analog Inputs, 2 Analog Outputs and 4 Output Relays
- X6** – DI8-OR4: Assembly Group with 8 Digital Inputs and 4 Output Relays
- X100** – IEC 61850 / Modbus TCP / DNP3.0 TCP/UDP, Ethernet interface, 100 Mbit/s, RJ45 (BASE100-FX)
- X104** – IRIG-B00X, incl. System Contact (Supervision Contact)

MRA4-2F1HHB



Housing B2, small display, door mounting

+ Conformal Coating (for installations in harsh environment)

X1 – DI8-X1: Wide-range power supply unit, incl. 2 non-grouped digital inputs and 6 grouped digital inputs

X2 – OR6: Assembly Group with 6 Output Relays

X3 – TIs: Standard phase current measuring card and sensitive ground current measuring

X4 – TU: Card with 4 voltage transformer measuring inputs

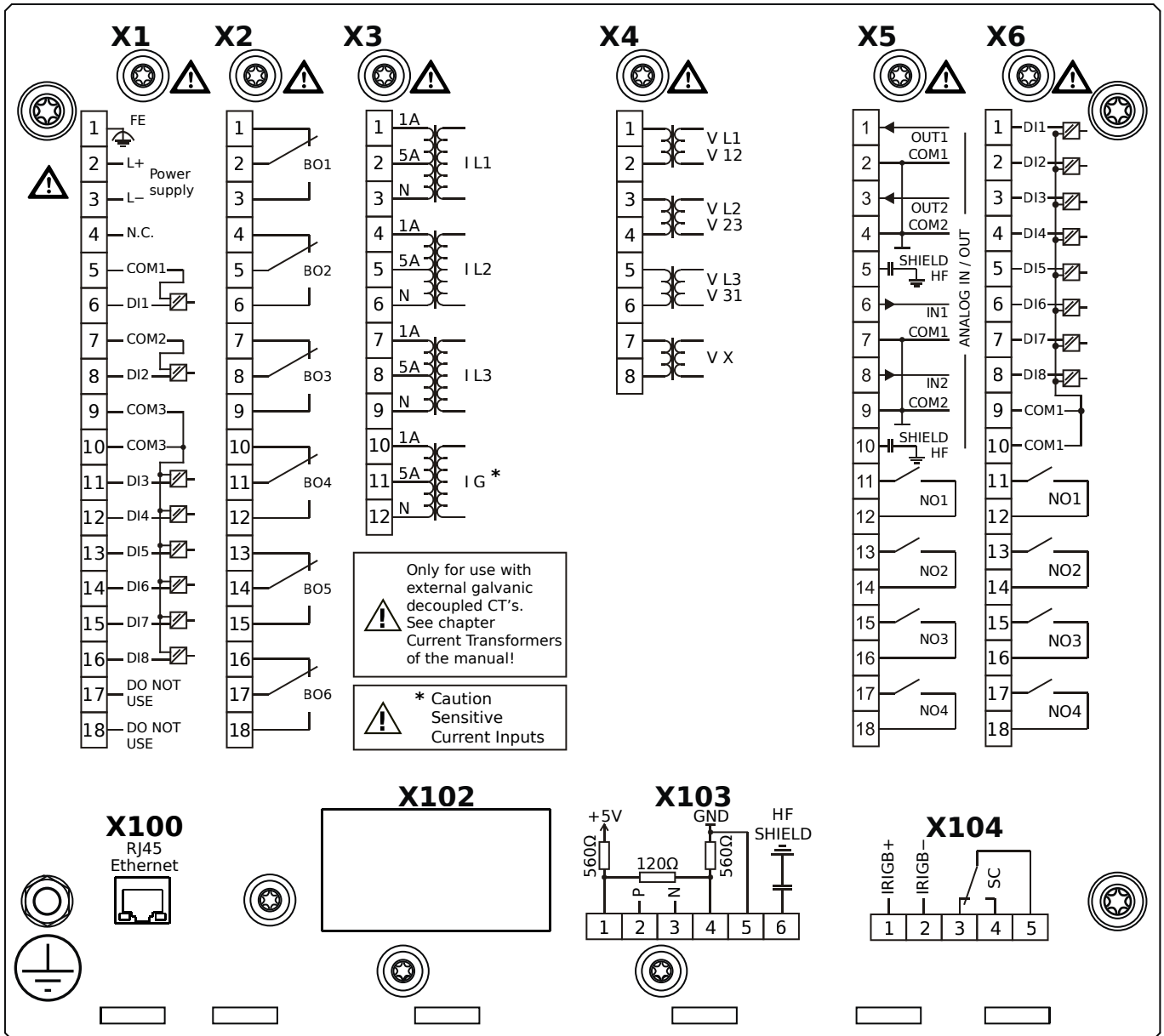
X5 – AnIO2-OR4: Assembly Group with 2 Analog Inputs, 2 Analog Outputs and 4 Output Relays

X6 – DI8-OR4: Assembly Group with 8 Digital Inputs and 4 Output Relays

X100 – IEC 61850 / Modbus TCP / DNP3.0 TCP/UDP, Ethernet interface, 100 Mbit/s, RJ45 (BASE100-FX)

X104 – IRIG-B00X, incl. System Contact (Supervision Contact)

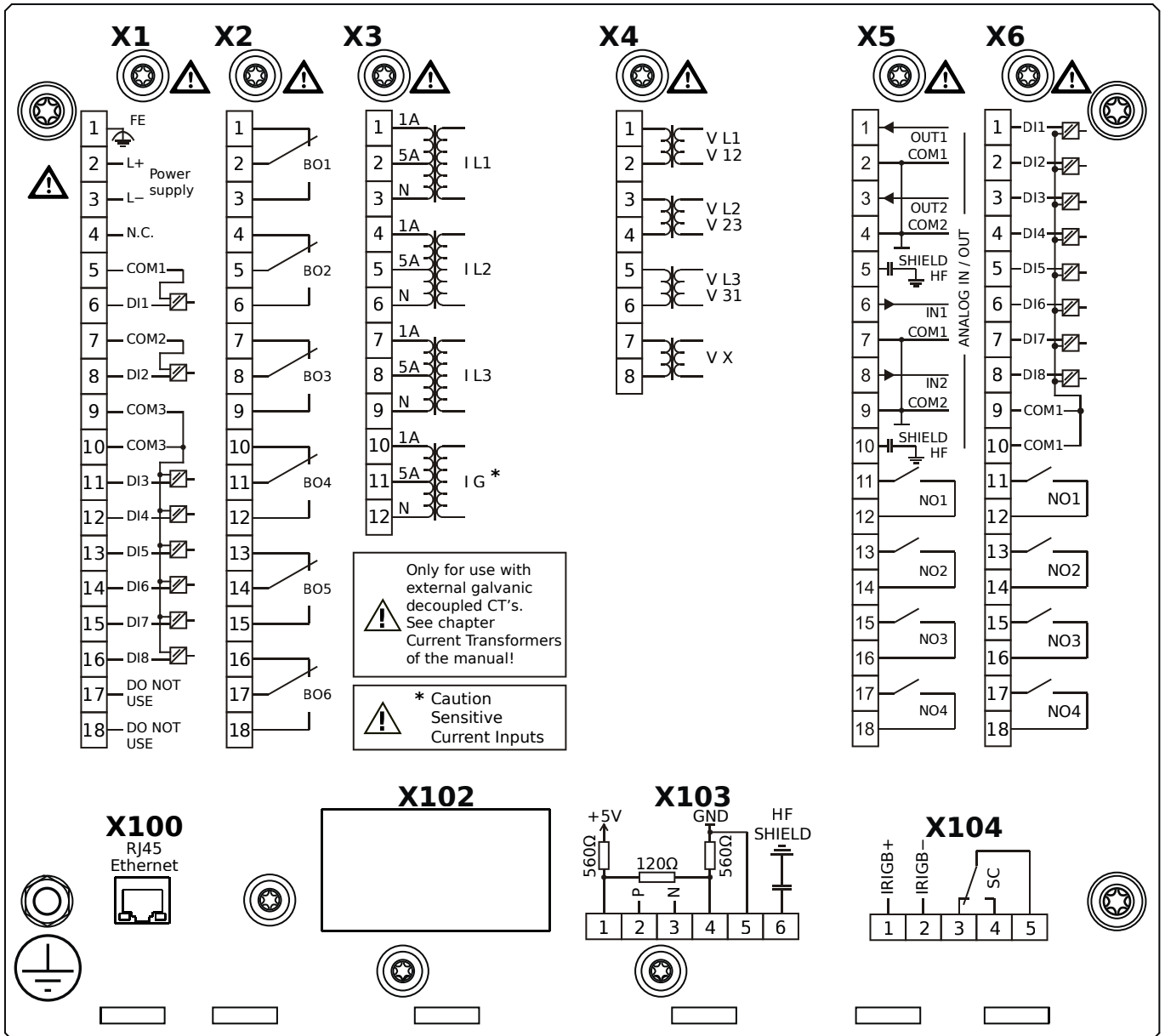
MRA4-2F1HIA



Housing B2, small display, door mounting

- X1** – DI8-X1: Wide-range power supply unit, incl. 2 non-grouped digital inputs and 6 grouped digital inputs
- X2** – OR6: Assembly Group with 6 Output Relays
- X3** – TIs: Standard phase current measuring card and sensitive ground current measuring
- X4** – TU: Card with 4 voltage transformer measuring inputs
- X5** – AnIO2-OR4: Assembly Group with 2 Analog Inputs, 2 Analog Outputs and 4 Output Relays
- X6** – DI8-OR4: Assembly Group with 8 Digital Inputs and 4 Output Relays
- X100** – Modbus TCP / DNP3.0 TCP/UDP, Ethernet interface, 100 Mbit/s, RJ45 (BASE100-FX)
- X103** – IEC 60870-5-103 / Modbus RTU / DNP3.0 RTU, RS485, Terminals
- X104** – IRIG-B00X, incl. System Contact (Supervision Contact)

MRA4-2F1HIB

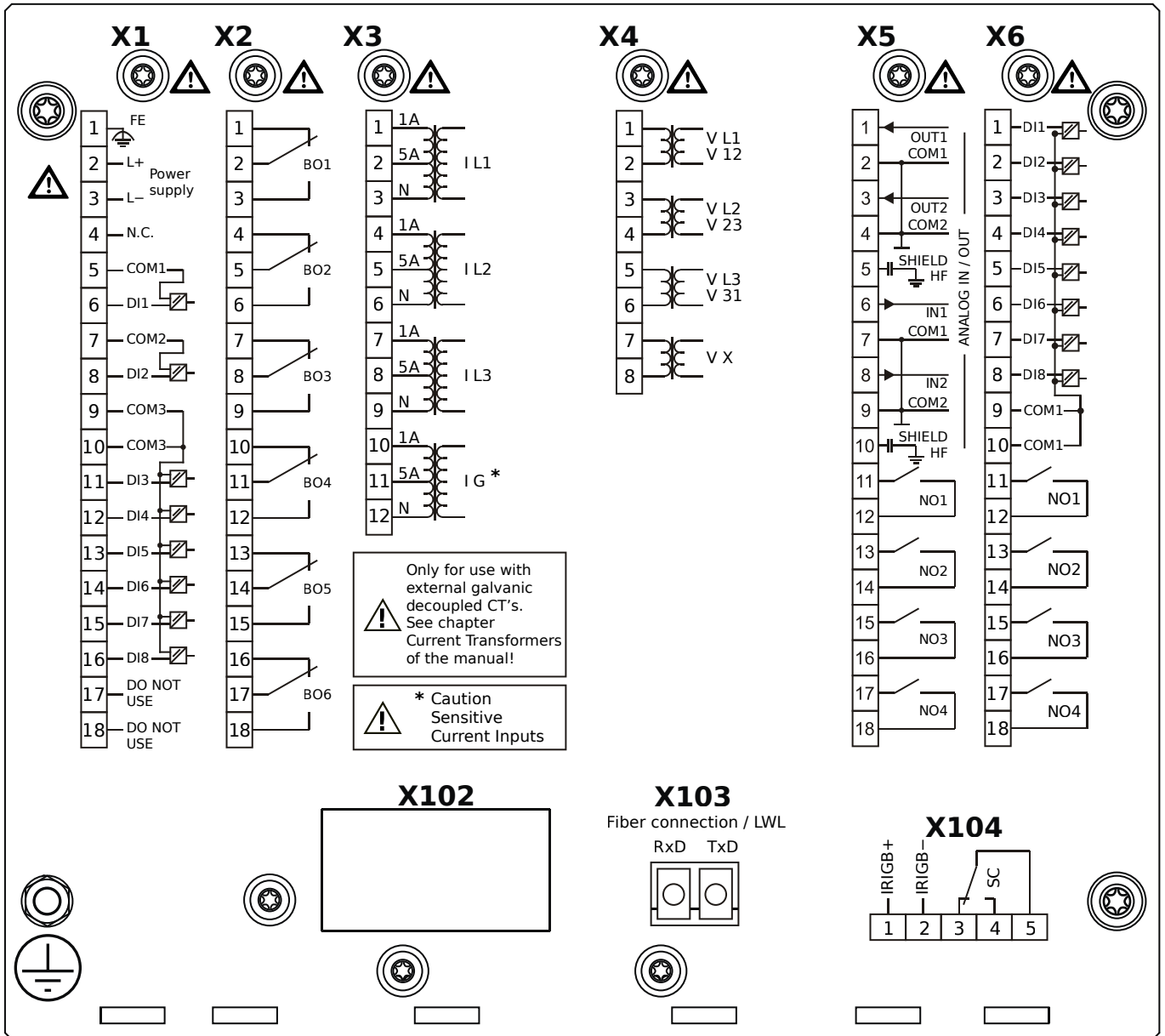


Housing B2, small display, door mounting

+ Conformal Coating (for installations in harsh environment)

- X1** – DI8-X1: Wide-range power supply unit, incl. 2 non-grouped digital inputs and 6 grouped digital inputs
- X2** – OR6: Assembly Group with 6 Output Relays
- X3** – TIs: Standard phase current measuring card and sensitive ground current measuring
- X4** – TU: Card with 4 voltage transformer measuring inputs
- X5** – AnIO2-OR4: Assembly Group with 2 Analog Inputs, 2 Analog Outputs and 4 Output Relays
- X6** – DI8-OR4: Assembly Group with 8 Digital Inputs and 4 Output Relays
- X100** – Modbus TCP / DNP3.0 TCP/UDP, Ethernet interface, 100 Mbit/s, RJ45 (BASE100-FX)
- X103** – IEC 60870-5-103 / Modbus RTU / DNP3.0 RTU, RS485, Terminals
- X104** – IRIG-B00X, incl. System Contact (Supervision Contact)

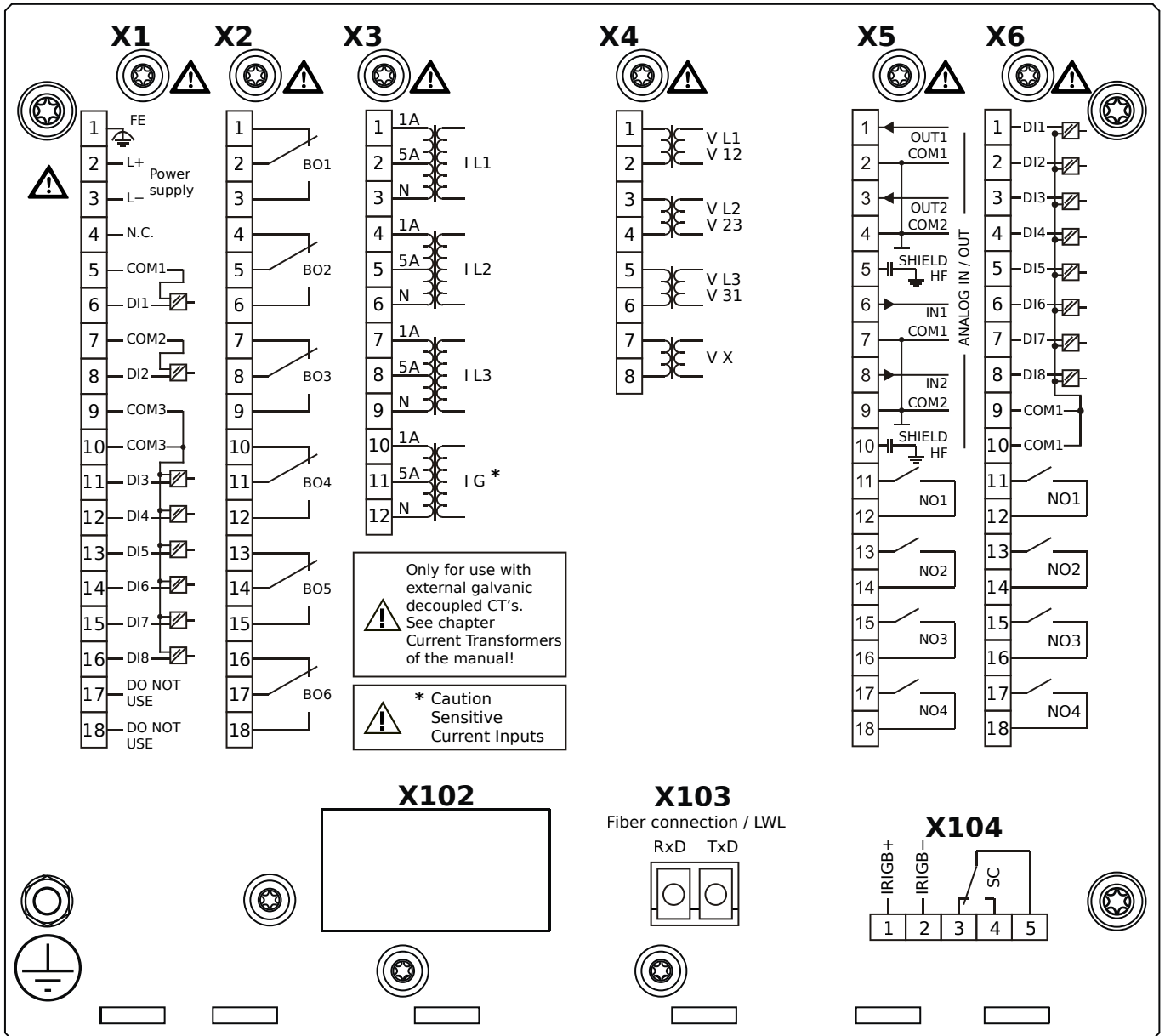
MRA4-2F1HKA



Housing B2, small display, door mounting

- X1** – DI8-X1: Wide-range power supply unit, incl. 2 non-grouped digital inputs and 6 grouped digital inputs
- X2** – OR6: Assembly Group with 6 Output Relays
- X3** – TIs: Standard phase current measuring card and sensitive ground current measuring
- X4** – TU: Card with 4 voltage transformer measuring inputs
- X5** – AnIO2-OR4: Assembly Group with 2 Analog Inputs, 2 Analog Outputs and 4 Output Relays
- X6** – DI8-OR4: Assembly Group with 8 Digital Inputs and 4 Output Relays
- X103** – IEC 61850 / Modbus TCP / DNP3.0 TCP/UDP, Fiber optics interface, LC Connector
- X104** – IRIG-B00X, incl. System Contact (Supervision Contact)

MRA4-2F1HKB

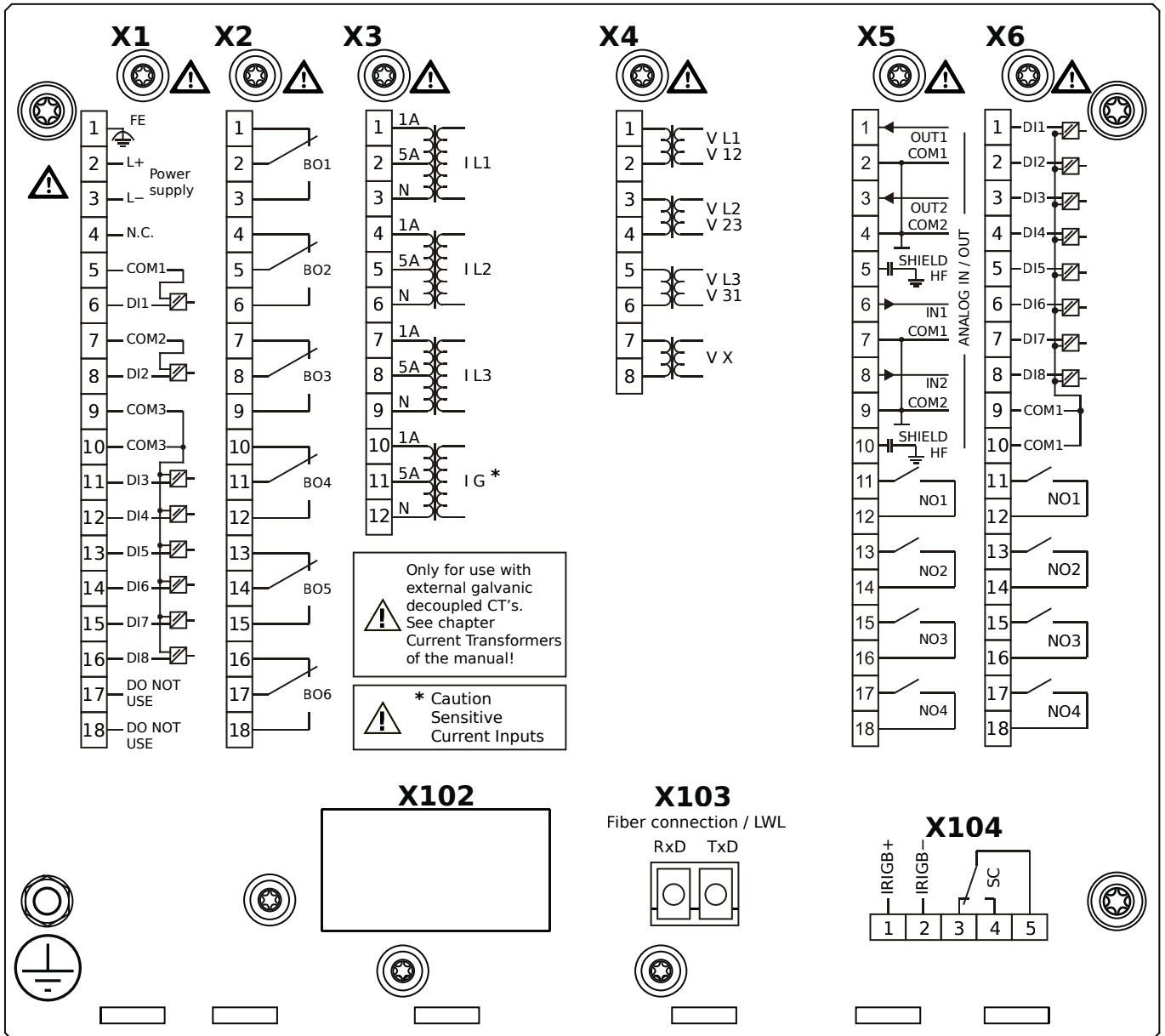


Housing B2, small display, door mounting

+ Conformal Coating (for installations in harsh environment)

- X1** – DI8-X1: Wide-range power supply unit, incl. 2 non-grouped digital inputs and 6 grouped digital inputs
- X2** – OR6: Assembly Group with 6 Output Relays
- X3** – TIs: Standard phase current measuring card and sensitive ground current measuring
- X4** – TU: Card with 4 voltage transformer measuring inputs
- X5** – AnIO2-OR4: Assembly Group with 2 Analog Inputs, 2 Analog Outputs and 4 Output Relays
- X6** – DI8-OR4: Assembly Group with 8 Digital Inputs and 4 Output Relays
- X103** – IEC 61850 / Modbus TCP / DNP3.0 TCP/UDP, Fiber optics interface, LC Connector
- X104** – IRIG-B00X, incl. System Contact (Supervision Contact)

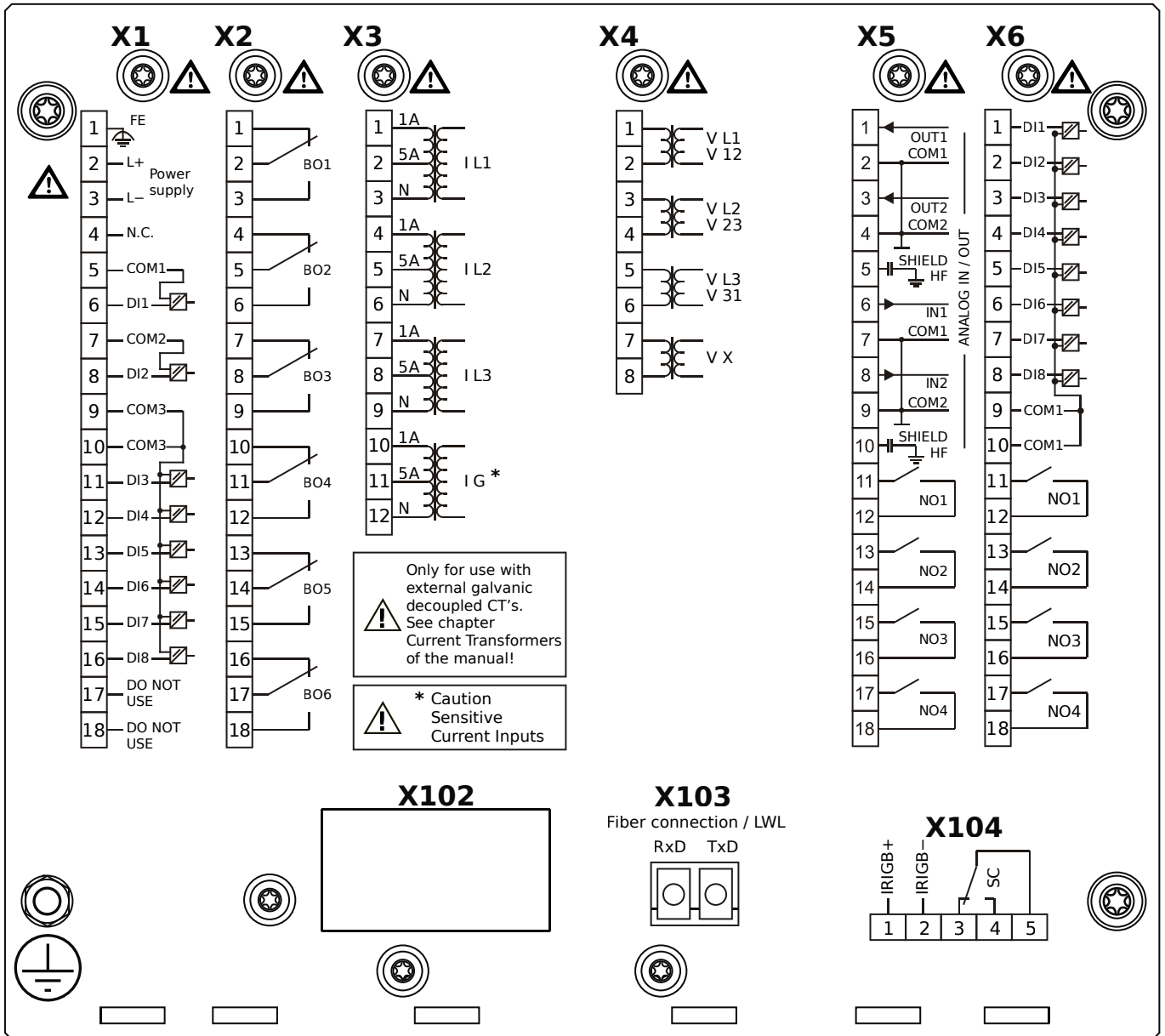
MRA4-2F1HLA



Housing B2, small display, door mounting

- X1** – DI8-X1: Wide-range power supply unit, incl. 2 non-grouped digital inputs and 6 grouped digital inputs
- X2** – OR6: Assembly Group with 6 Output Relays
- X3** – TIs: Standard phase current measuring card and sensitive ground current measuring
- X4** – TU: Card with 4 voltage transformer measuring inputs
- X5** – AnIO2-OR4: Assembly Group with 2 Analog Inputs, 2 Analog Outputs and 4 Output Relays
- X6** – DI8-OR4: Assembly Group with 8 Digital Inputs and 4 Output Relays
- X103** – Modbus TCP / DNP3.0 TCP/UDP, Fiber optics interface, LC Connector
- X104** – IRIG-B00X, incl. System Contact (Supervision Contact)

MRA4-2F1HLB

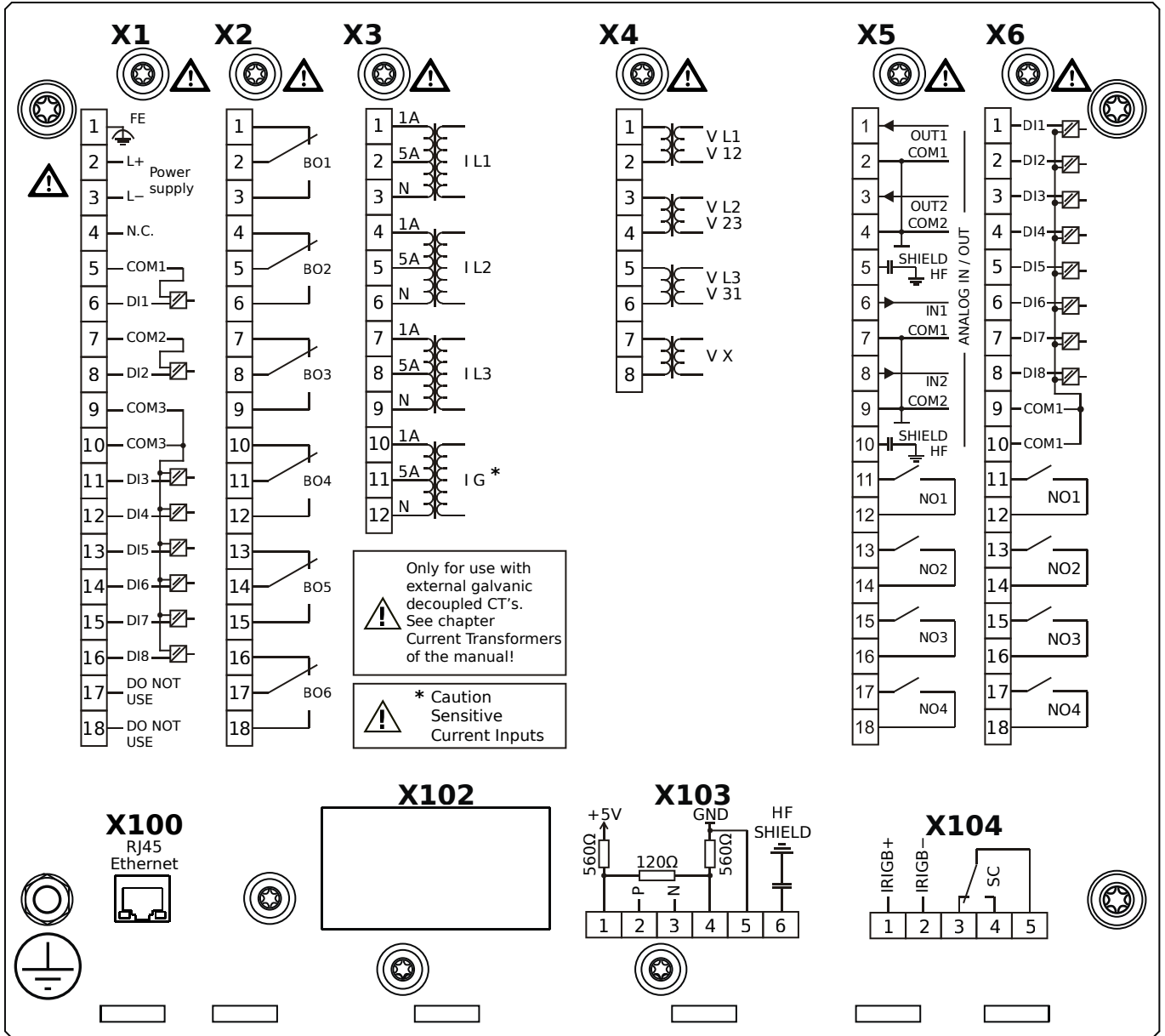


Housing B2, small display, door mounting

+ Conformal Coating (for installations in harsh environment)

- X1** – DI8-X1: Wide-range power supply unit, incl. 2 non-grouped digital inputs and 6 grouped digital inputs
- X2** – OR6: Assembly Group with 6 Output Relays
- X3** – TIs: Standard phase current measuring card and sensitive ground current measuring
- X4** – TU: Card with 4 voltage transformer measuring inputs
- X5** – AnIO2-OR4: Assembly Group with 2 Analog Inputs, 2 Analog Outputs and 4 Output Relays
- X6** – DI8-OR4: Assembly Group with 8 Digital Inputs and 4 Output Relays
- X103** – Modbus TCP / DNP3.0 TCP/UDP, Fiber optics interface, LC Connector
- X104** – IRIG-B00X, incl. System Contact (Supervision Contact)

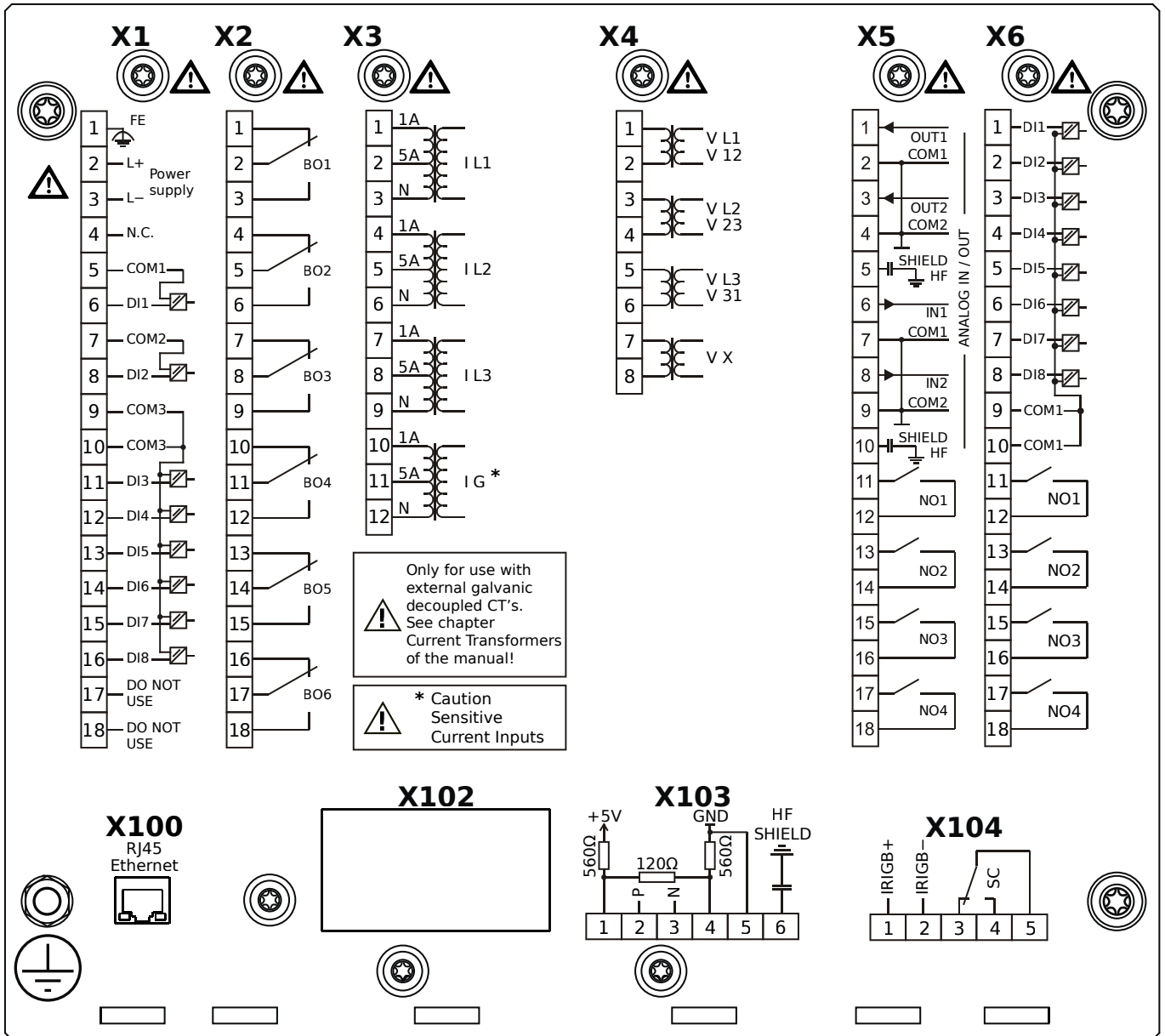
MRA4-2F1HTA



Housing B2, small display, door mounting

- X1** – DI8-X1: Wide-range power supply unit, incl. 2 non-grouped digital inputs and 6 grouped digital inputs
- X2** – OR6: Assembly Group with 6 Output Relays
- X3** – TIs: Standard phase current measuring card and sensitive ground current measuring
- X4** – TU: Card with 4 voltage transformer measuring inputs
- X5** – AnIO2-OR4: Assembly Group with 2 Analog Inputs, 2 Analog Outputs and 4 Output Relays
- X6** – DI8-OR4: Assembly Group with 8 Digital Inputs and 4 Output Relays
- X100** – IEC 61850 / Modbus TCP / DNP3.0 TCP/UDP, Ethernet interface, 100 Mbit/s, RJ45 (BASE100-FX)
- X103** – IEC 60870-5-103 / Modbus RTU / DNP3.0 RTU, RS485, Terminals
- X104** – IRIG-B00X, incl. System Contact (Supervision Contact)

MRA4-2F1HTB



Housing B2, small display, door mounting

+ Conformal Coating (for installations in harsh environment)

X1 – DI8-X1: Wide-range power supply unit, incl. 2 non-grouped digital inputs and 6 grouped digital inputs

X2 – OR6: Assembly Group with 6 Output Relays

X3 – TIs: Standard phase current measuring card and sensitive ground current measuring

X4 – TU: Card with 4 voltage transformer measuring inputs

X5 – AnIO2-OR4: Assembly Group with 2 Analog Inputs, 2 Analog Outputs and 4 Output Relays

X6 – DI8-OR4: Assembly Group with 8 Digital Inputs and 4 Output Relays

X100 – IEC 61850 / Modbus TCP / DNP3.0 TCP/UDP, Ethernet interface, 100 Mbit/s, RJ45 (BASE100-FX)

X103 – IEC 60870-5-103 / Modbus RTU / DNP3.0 RTU, RS485, Terminals

X104 – IRIG-B00X, incl. System Contact (Supervision Contact)

Appendix – Legend

In this legend designations of various device types are listed, e.g. transformer protection, motor protection, generator protection, etc. Therefore it can occur that not every designation actually appears on the wiring diagram of your device.

FE	– Connection of functional earth (see chapter Grounding in the Technical Manual).
Power Supply	– Connection for auxiliary power supply.
IL1	– Phase current input L1 (in some countries designated as IA).
IL2	– Phase current input L2 (in some countries designated as IB).
IL3	– Phase current input L3 (in some countries designated as IC).
IG	– Earth current input.
IL1 W1 ... IL3 W1	– Phase current input L1...L3, winding side 1.
IL1 W2 ... IL3 W2	– Phase current input L1...L3, winding side 2.
IG W1, IG W2	– Earth current input, winding side 1 / 2.
VL1	– Phase-to-neutral voltage L1 (in some countries designated as VA).
VL2	– Phase-to-neutral voltage L2 (in some countries designated as VB).
VL3	– Phase-to-neutral voltage L3 (in some countries designated as VC).
VL12	– Phase-to-phase voltage V12 (in some countries designated as VAB).
VL23	– Phase-to-phase voltage V23 (in some countries designated as VBC).
VL31	– Phase-to-phase voltage V31 (in some countries designated as VCA).
VX	– 4th voltage measuring input for measuring residual voltage or synchro-check.
BO	– Binary output relay.
NO / NC	– Contact output, normally open (Form A) / closed (Form B).
DI	– Digital input.
COM	– Common connection of digital inputs.
Out+, AnOut	– Analog output + (0/4...20 mA or 0...10 V).
In–, AnIn	– Analog input + (0/4...20 mA or 0...10 V).
n.c.	– Not connected.
DO NOT USE	– Do not use. (Caution: Non-usable internal wiring may exist.)
SC	– Self-supervision contact.
HF SHIELD	– Connection cable shield.
Fiber Optics / LWL	– Fiber optic connection.

**We appreciate your comments about the content of our publications.
Send comments to: kemp.doc@woodward.com
Please reference publication MRA4-3.7-EN-WDG**

Woodward Kempen GmbH reserves the right to update any portion of this publication at any time. Information provided by Woodward Kempen GmbH is believed to be correct and reliable. However, Woodward Kempen GmbH assumes no responsibility unless otherwise expressly undertaken.



Woodward Kempen GmbH
Krefelder Weg 47 · D-47906 Kempen (Germany)
Postfach 10 07 55 (P.O.Box) · D-47884 Kempen (Germany)
Telephone: +49 (0) 21 52 145 1

Internet: www.woodward.com

Sales

Telephone: +49 (0) 21 52 145 331
Fax: +49 (0) 21 52 145 354
Email: SalesPGD_EMEA@woodward.com

Service

Telephone: +49 (0) 21 52 145 600
Fax: +49 (0) 21 52 145 354
Email: industrial.support@woodward.com

Woodward has company-owned plants, subsidiaries, and branches, as well as authorized distributors and other authorized service and sales facilities throughout the world.

Complete address / phone / fax / email information for all locations is available on our website.