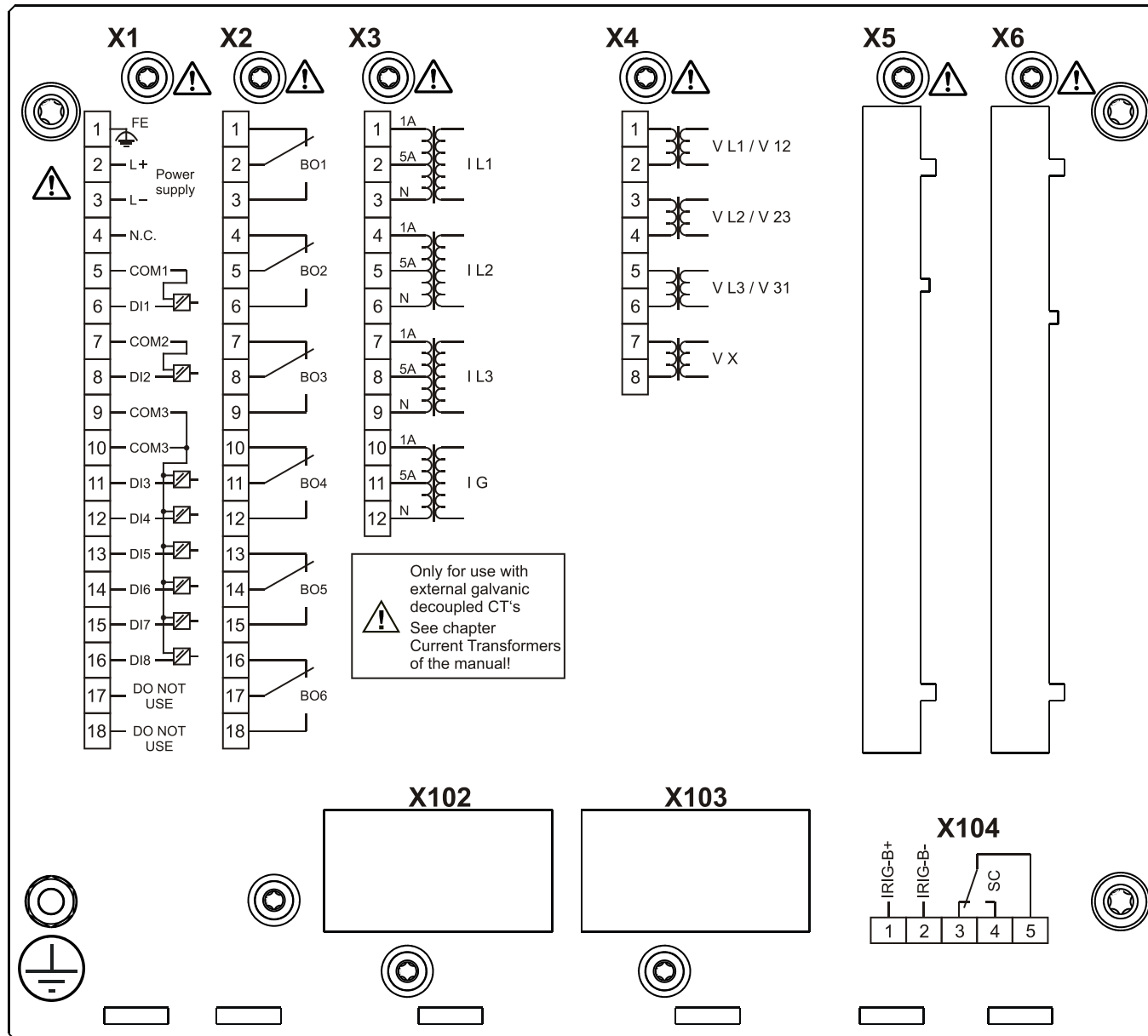
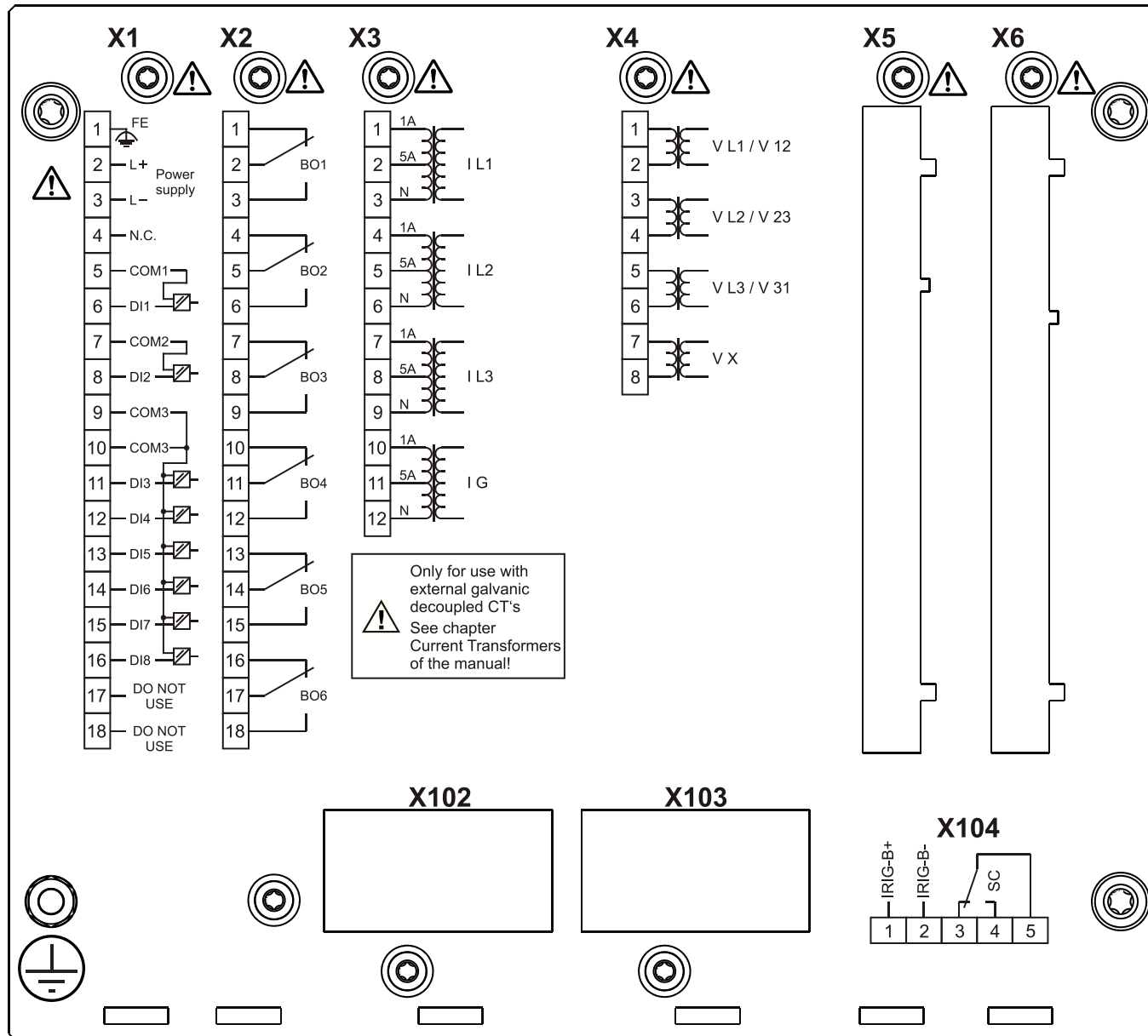


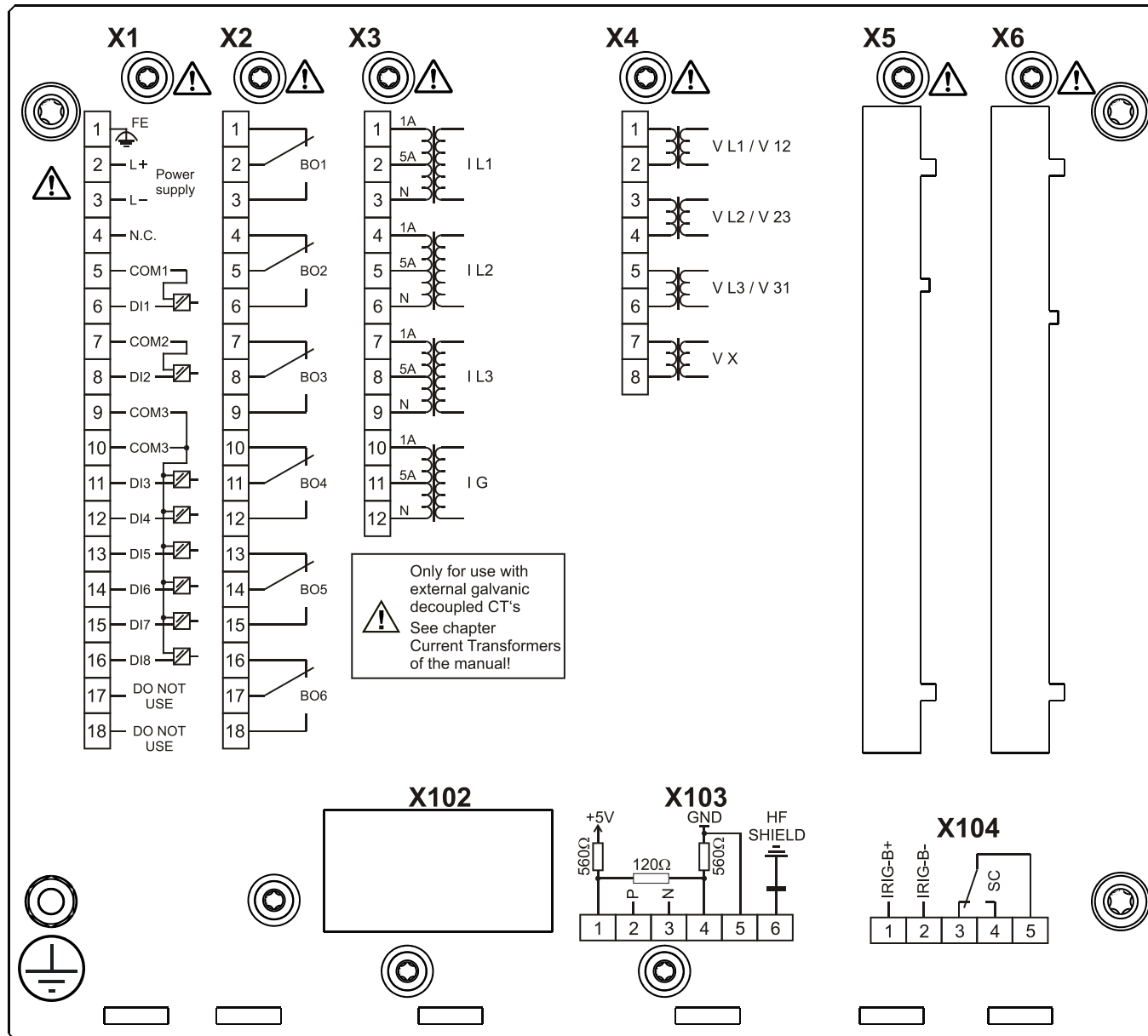
# MRA4-2A0AAA



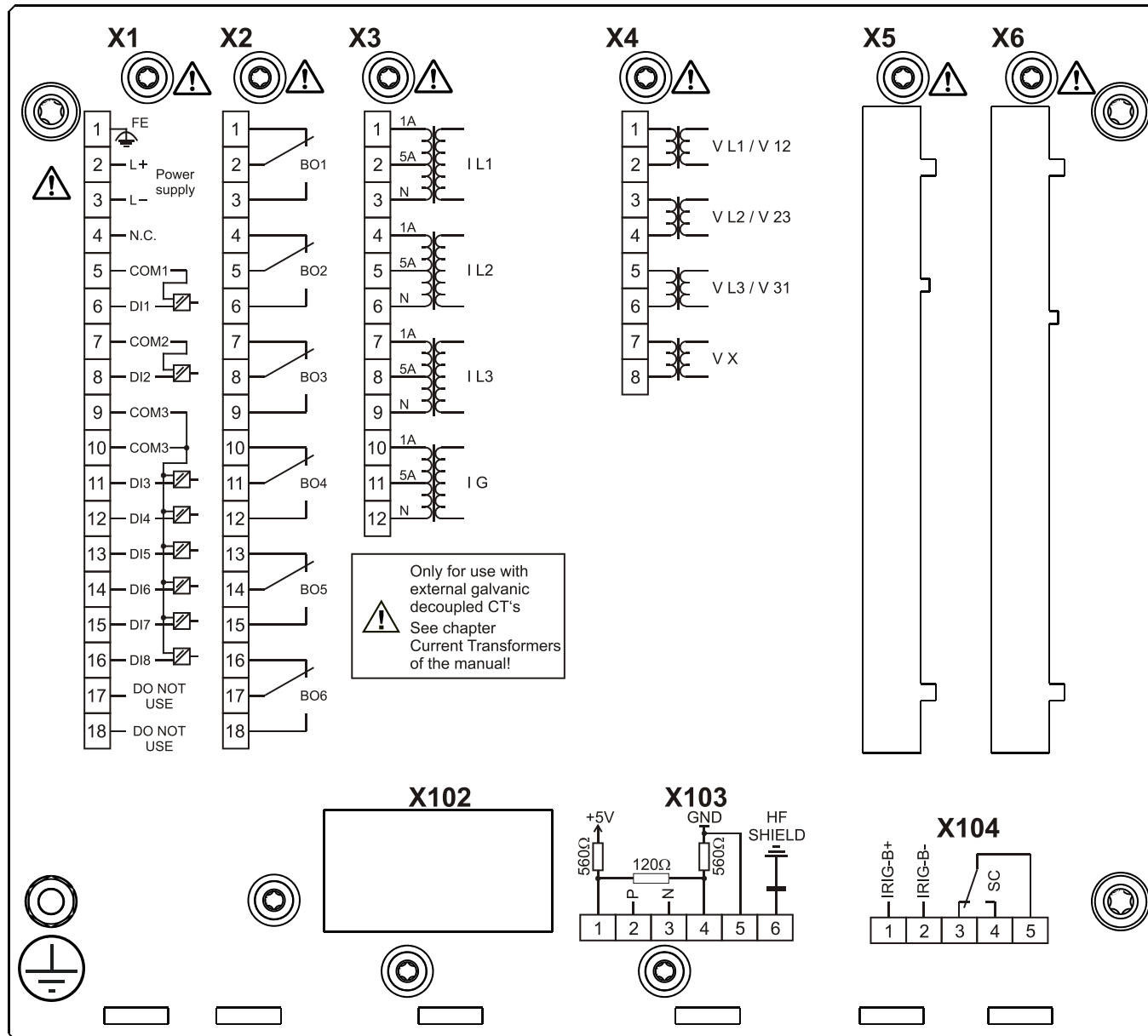
# MRA4-2A0AAB



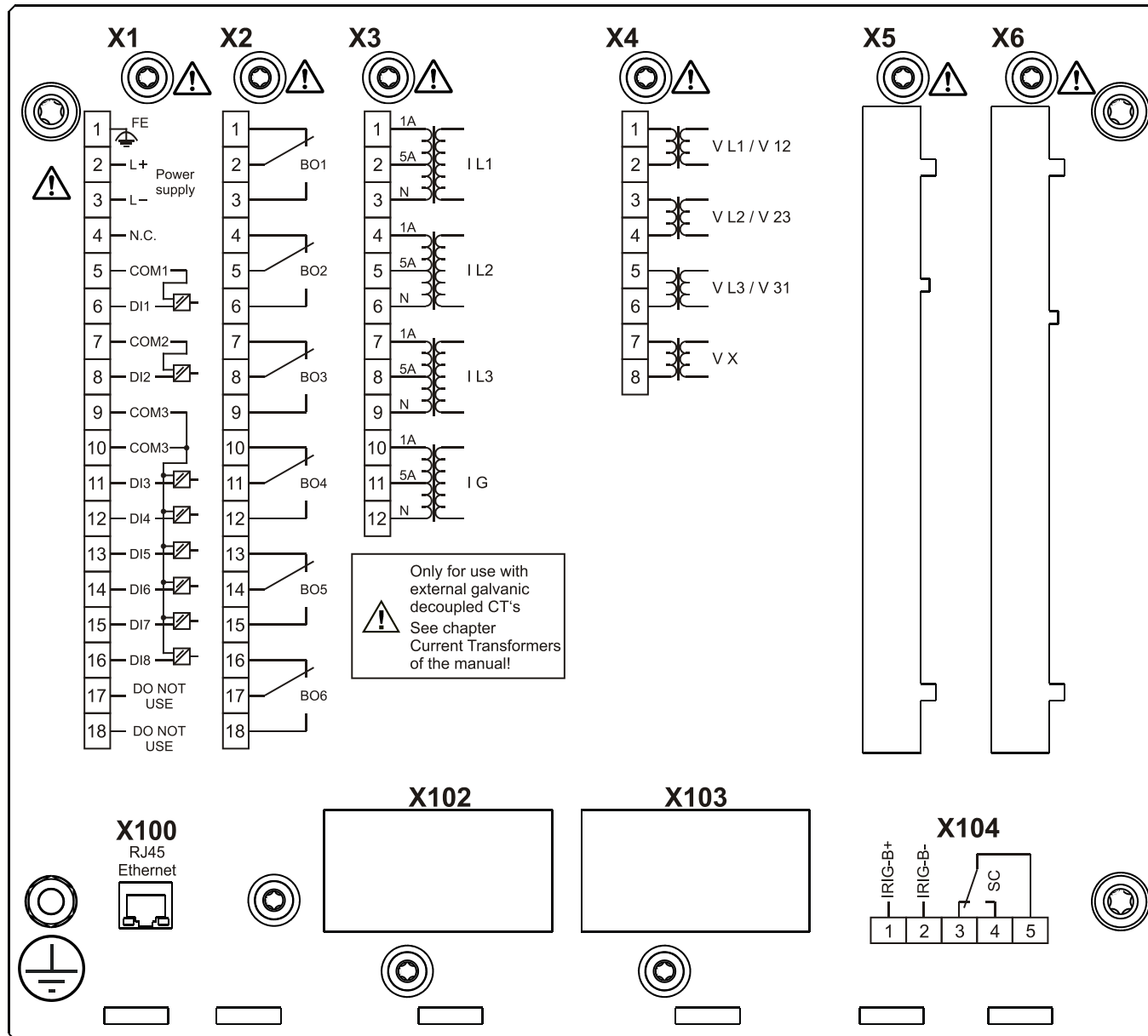
# MRA4-2A0ABA



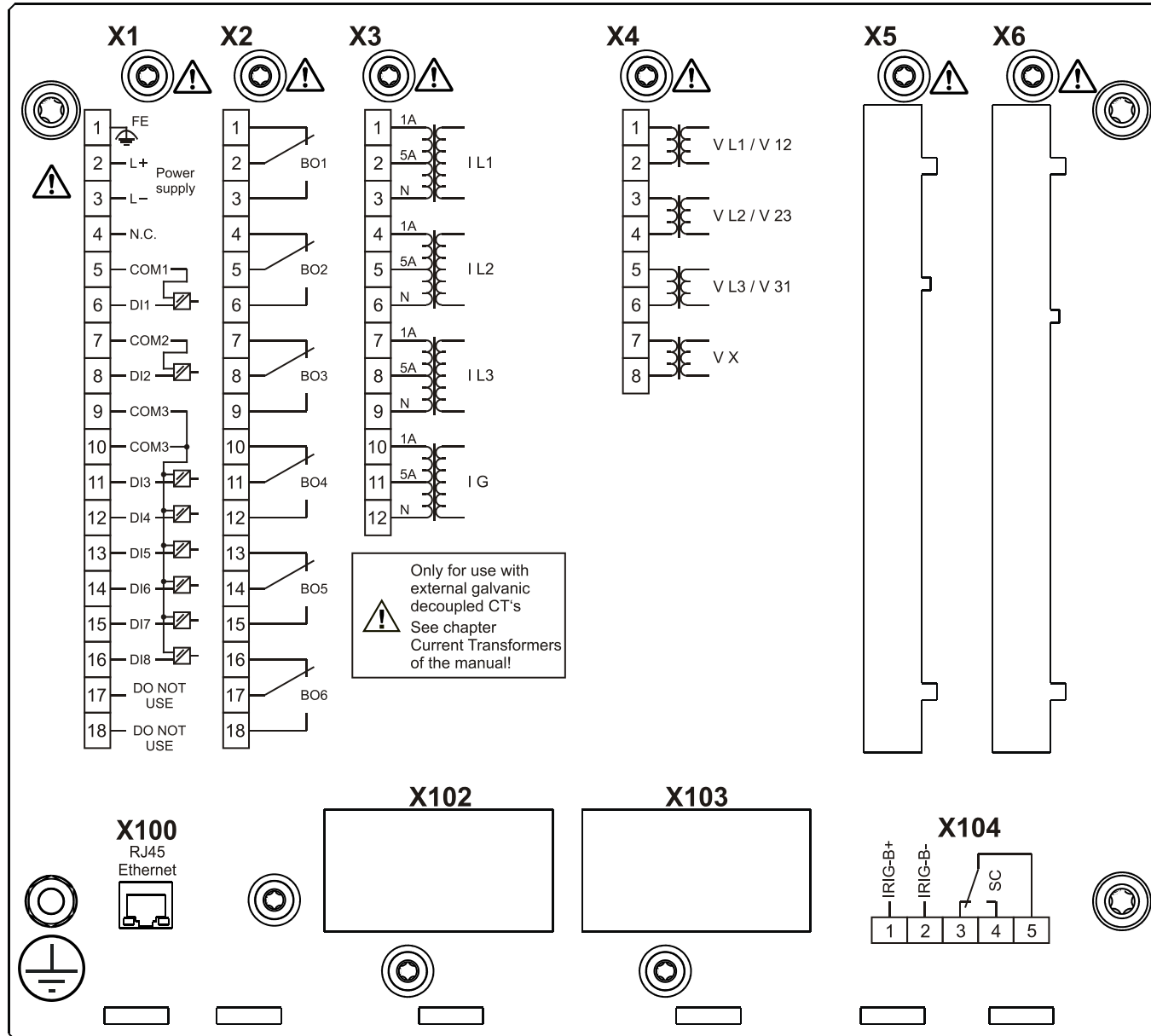
# MRA4-2A0ABB



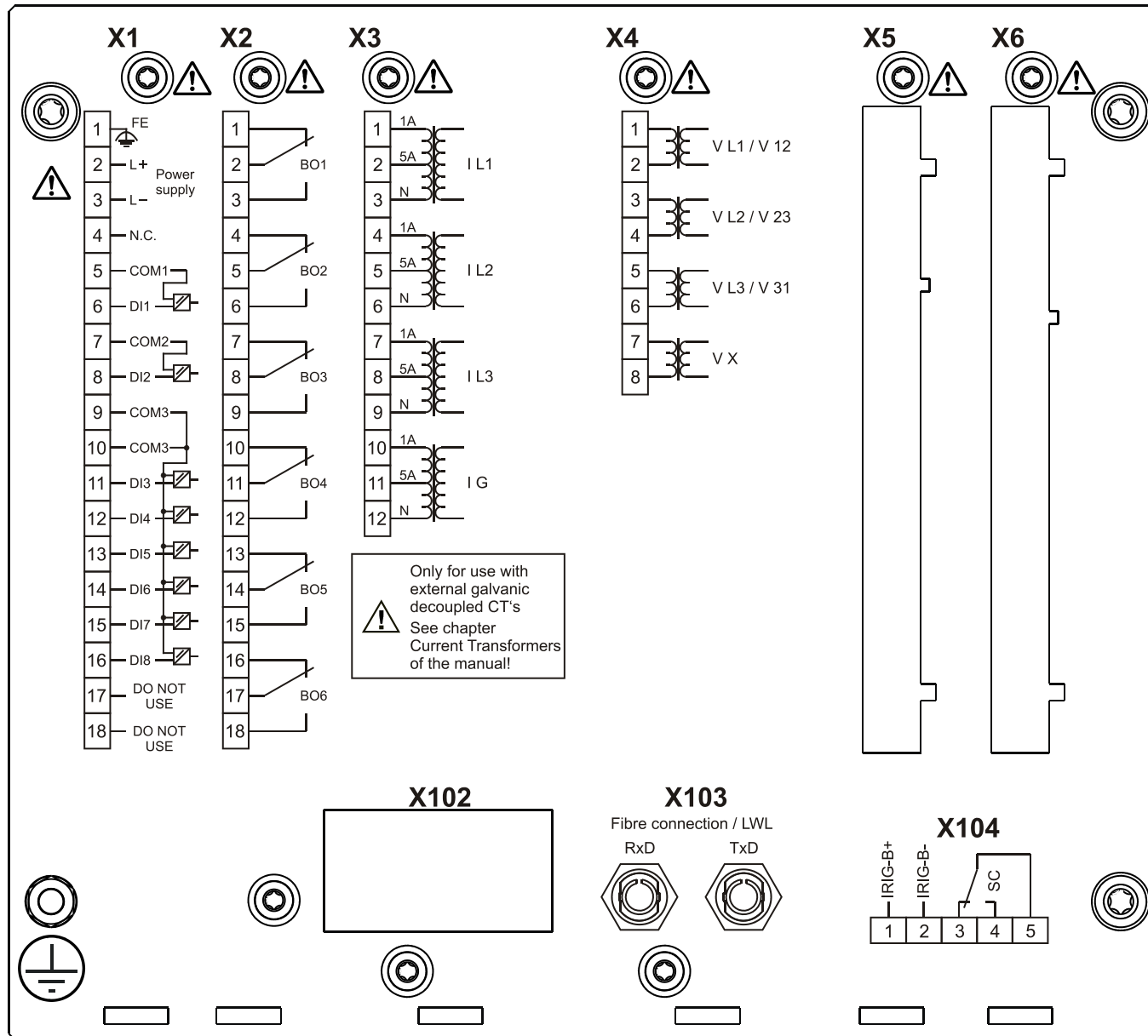
# MRA4-2A0ACA



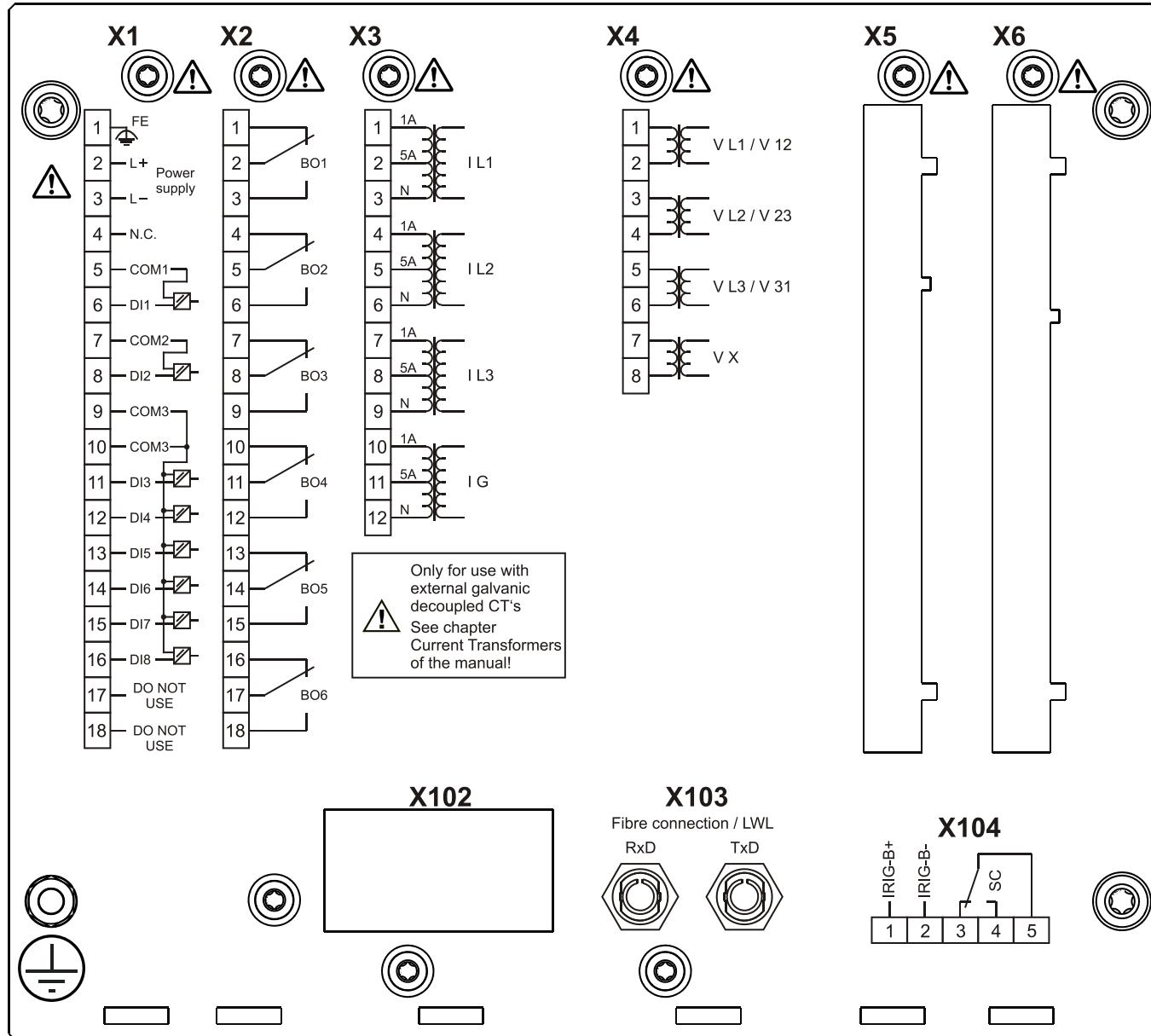
# MRA4-2A0ACB



# MRA4-2A0ADA

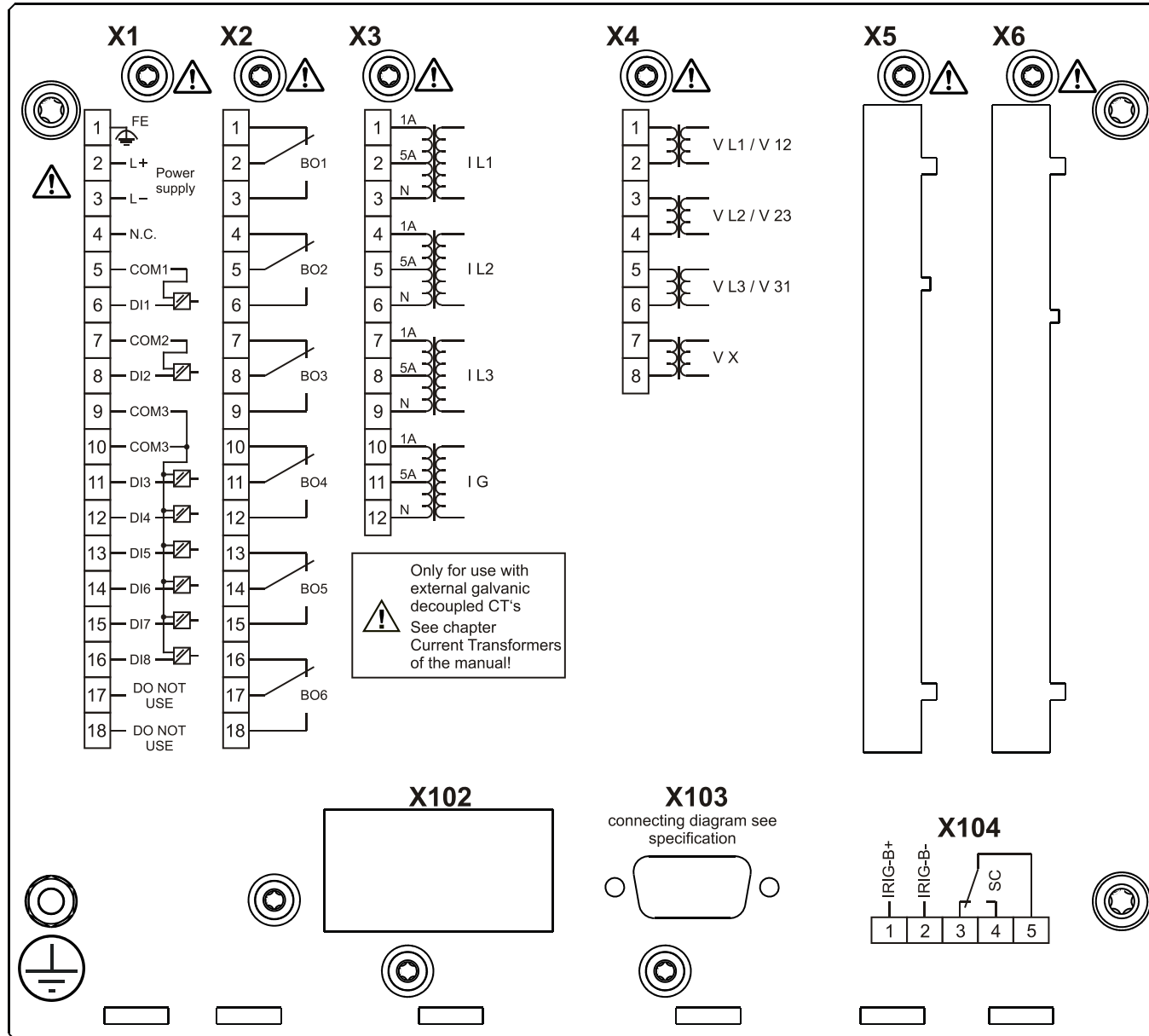


# MRA4-2A0ADB

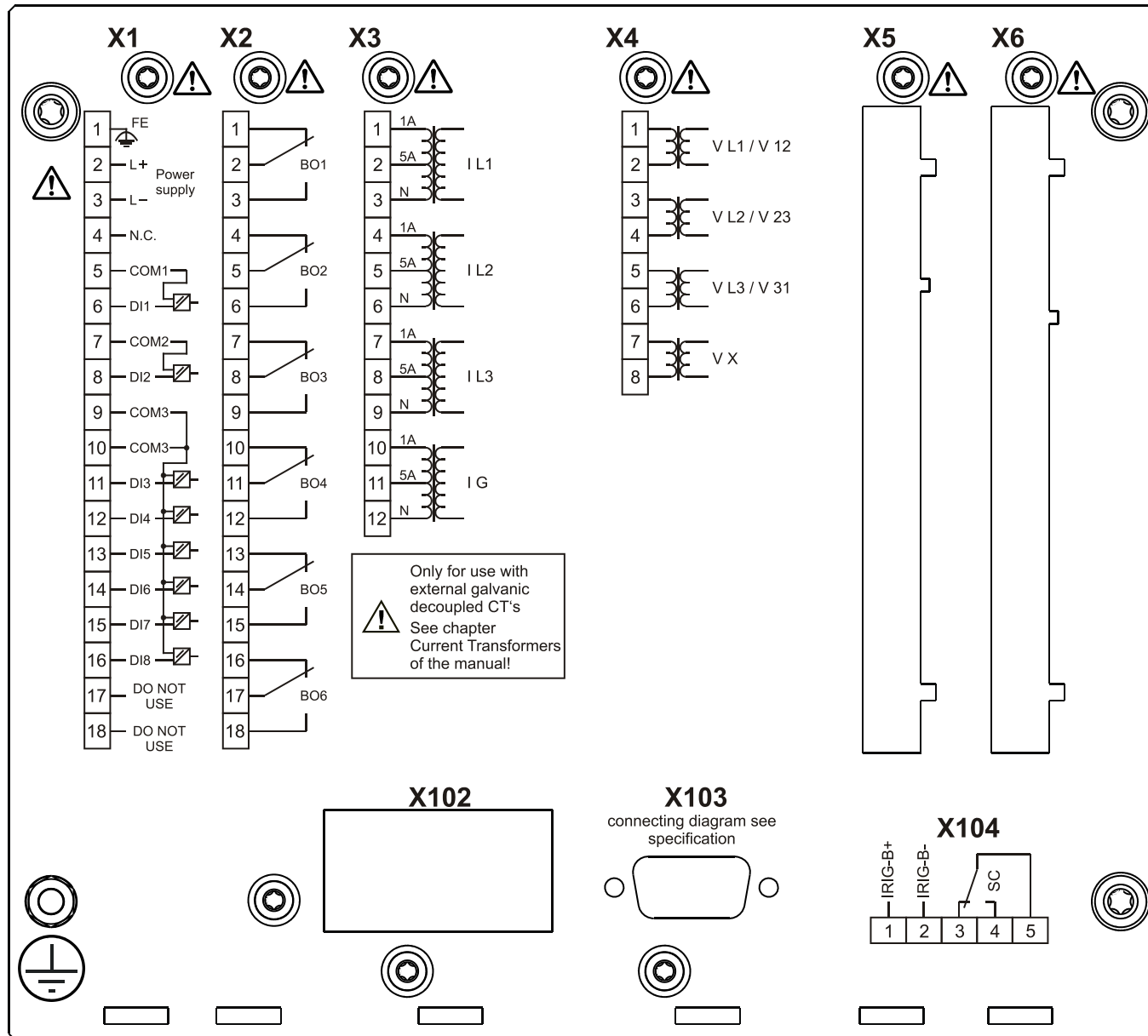




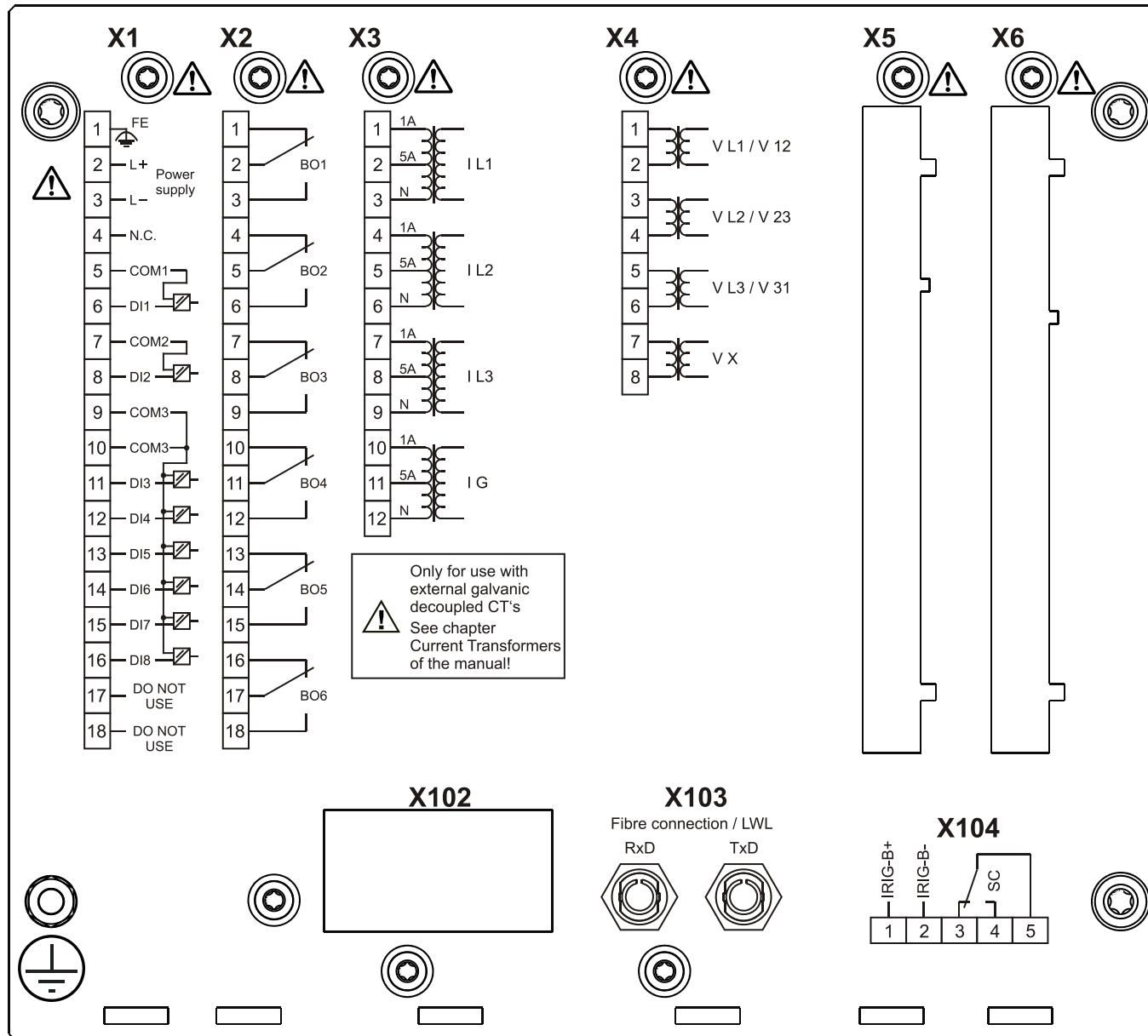
# MRA4-2A0AEA



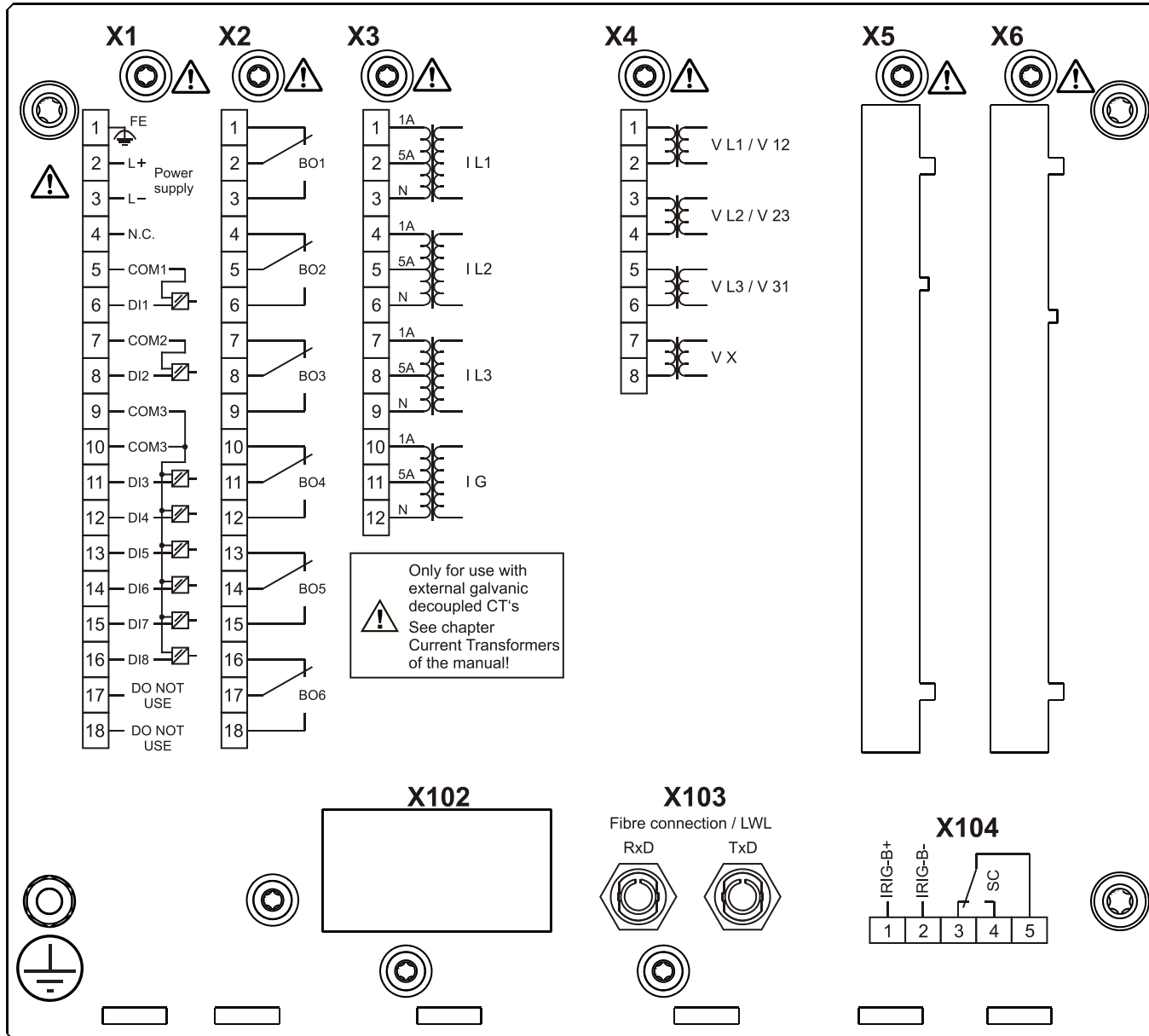
# MRA4-2A0AEB



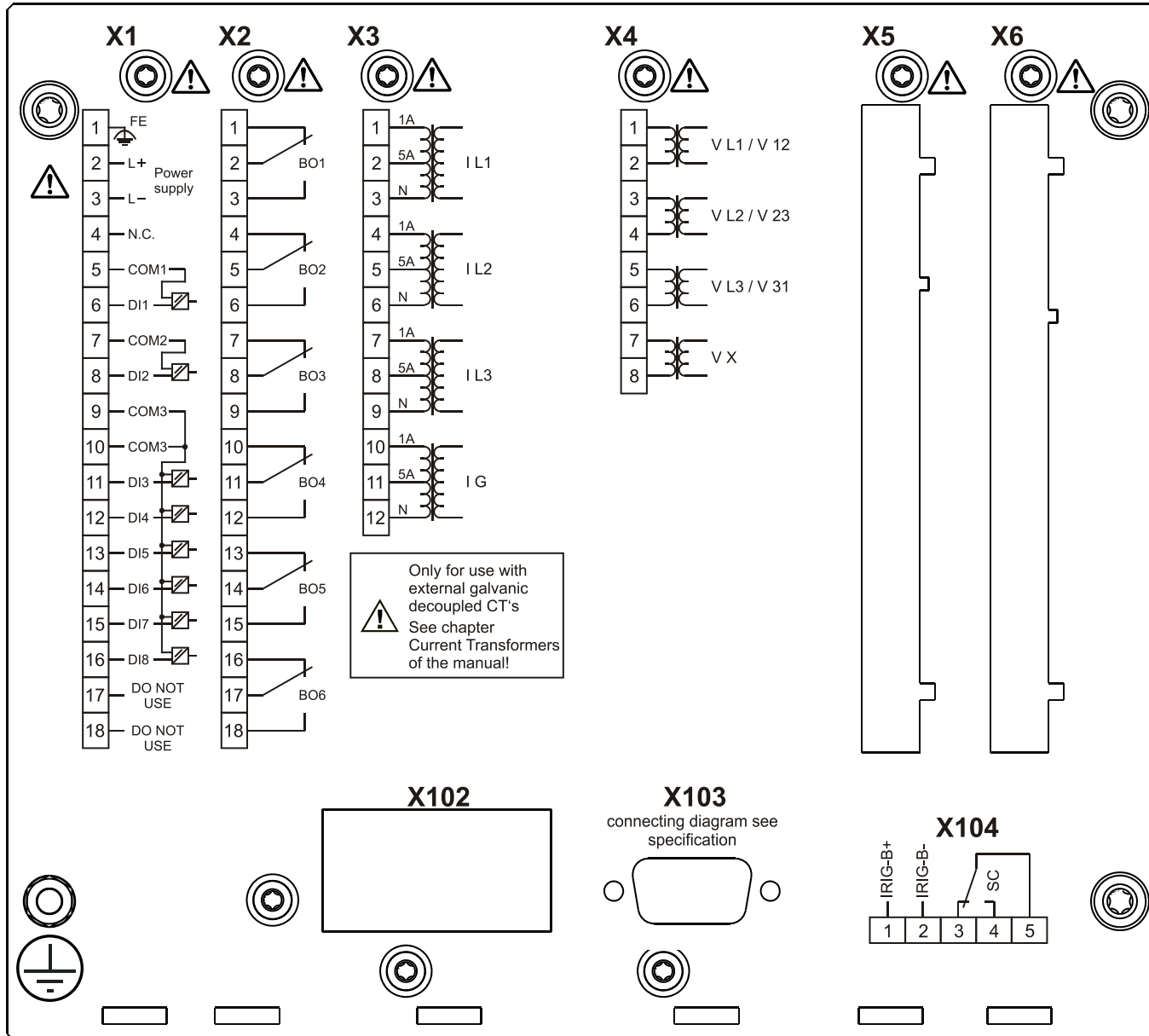
# MRA4-2A0AFA



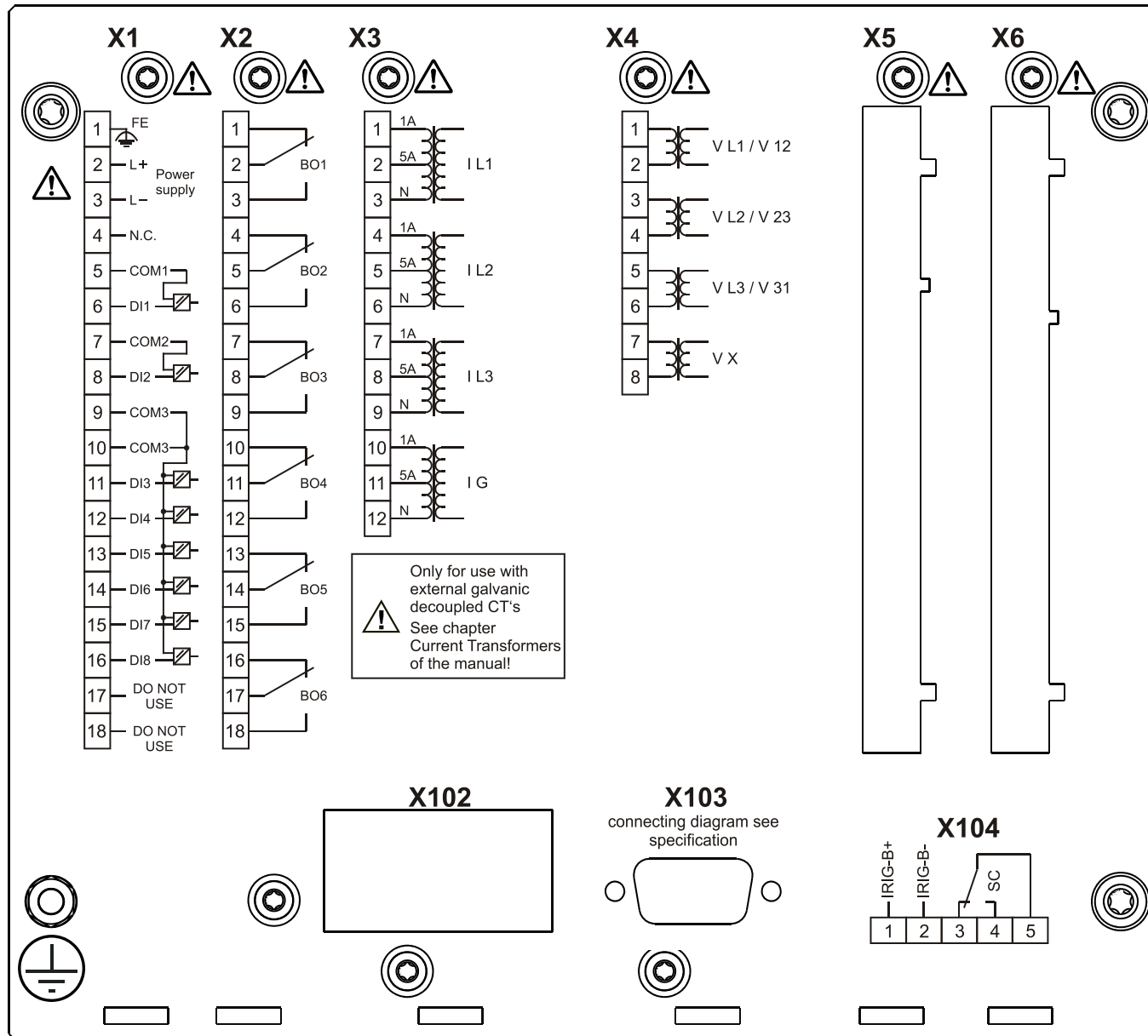
# MRA4-2A0AFB



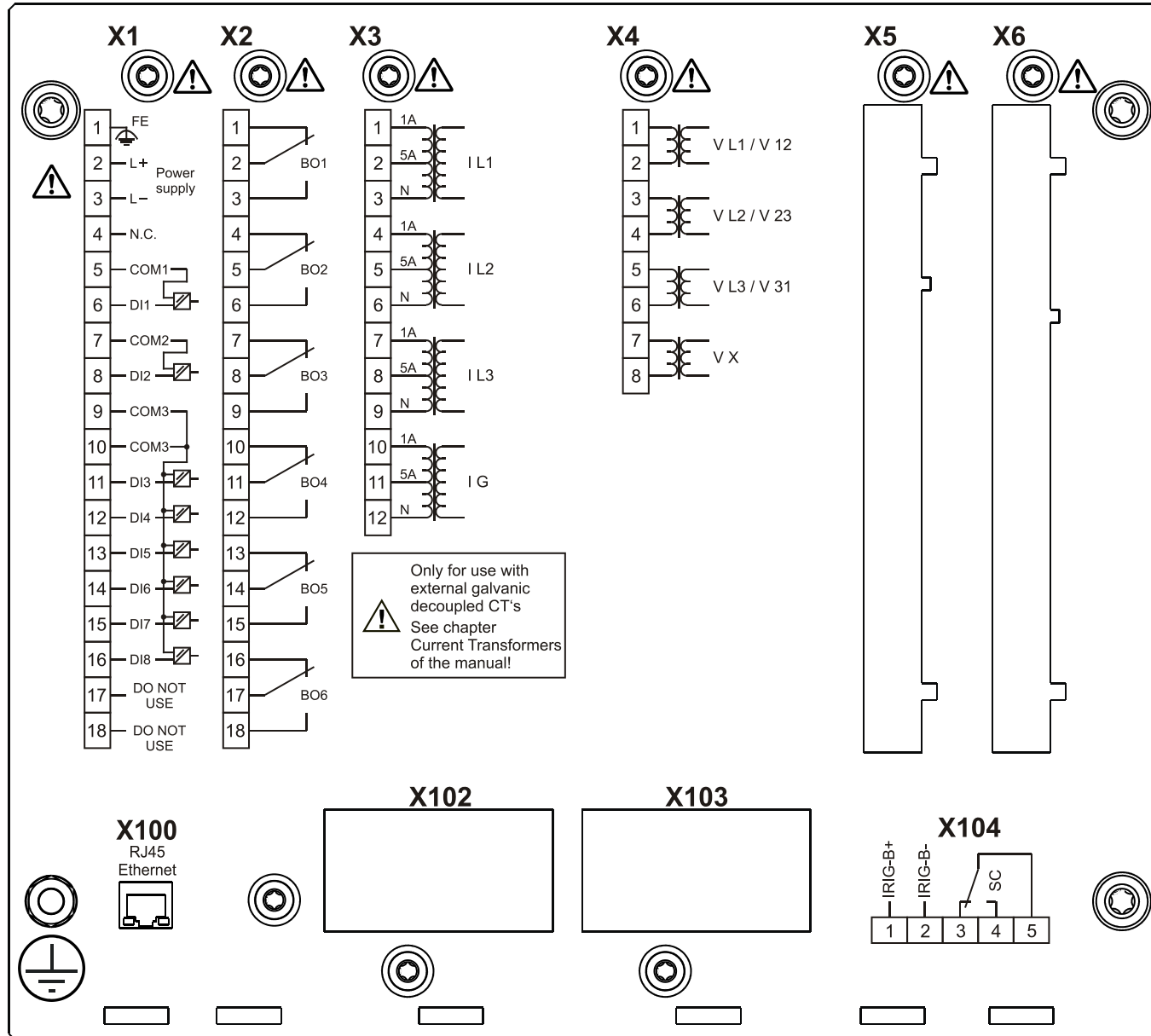
# MRA4-2A0AGA



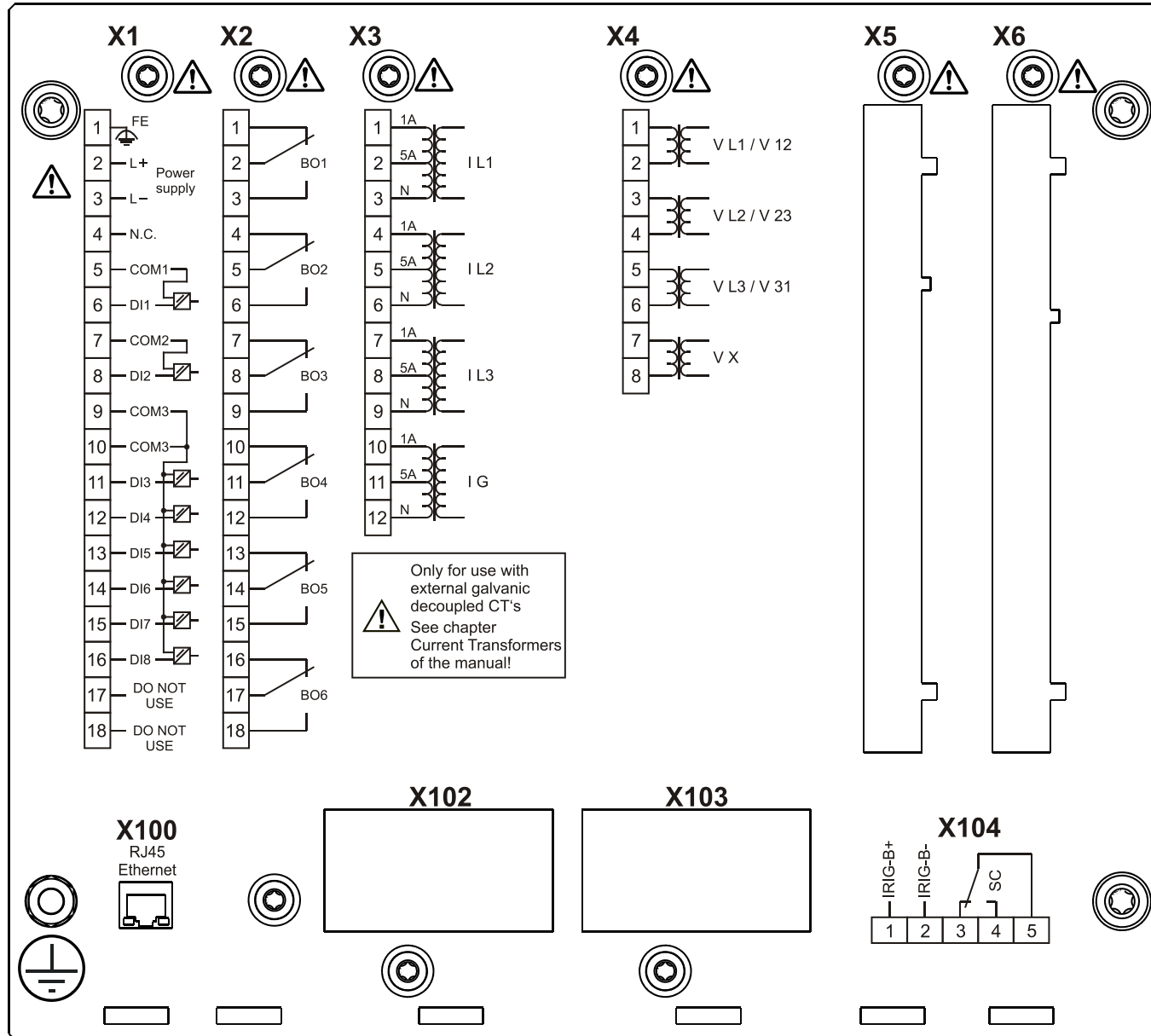
# MRA4-2A0AGB



# MRA4-2A0AHA

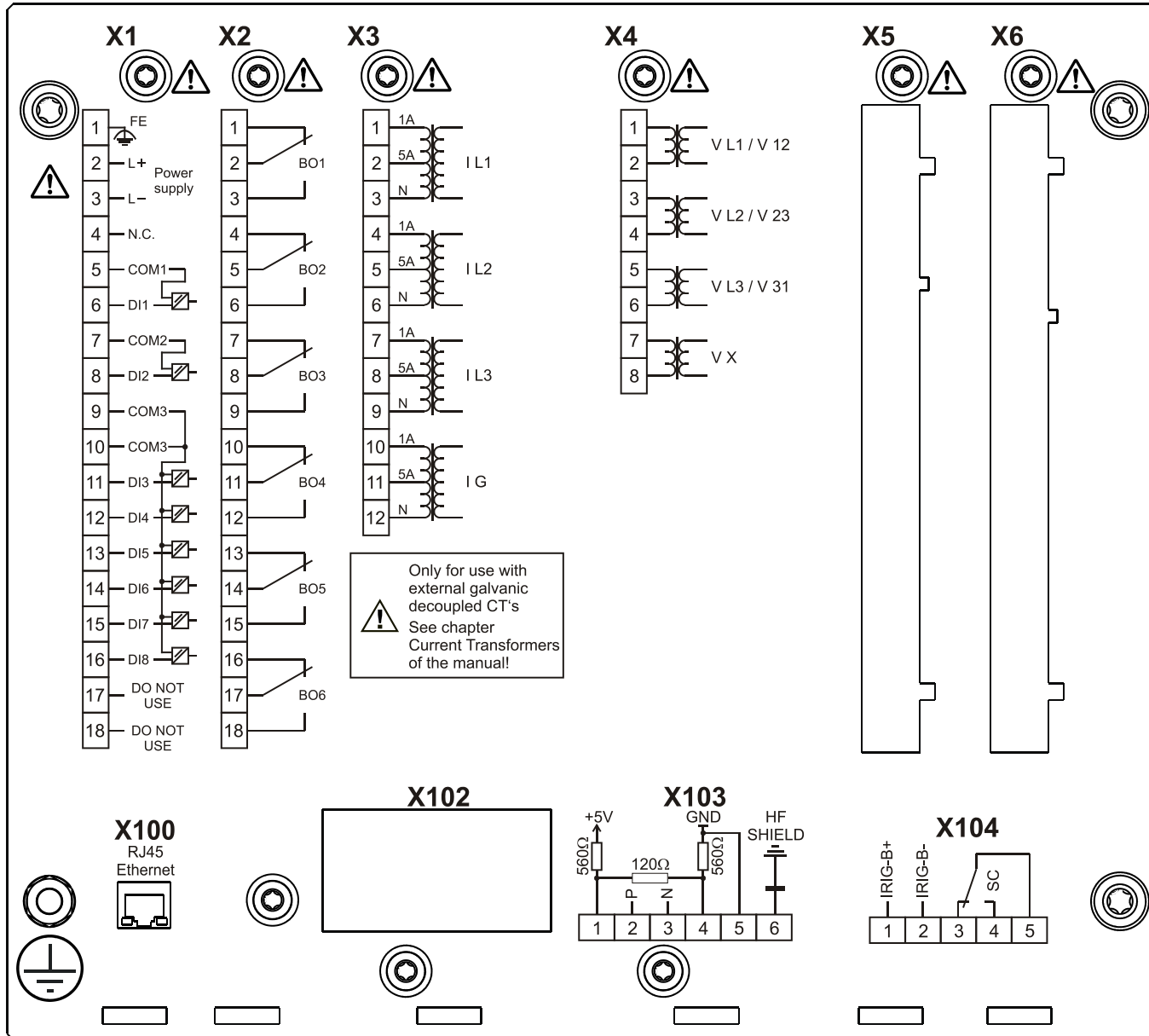


# MRA4-2A0AHB

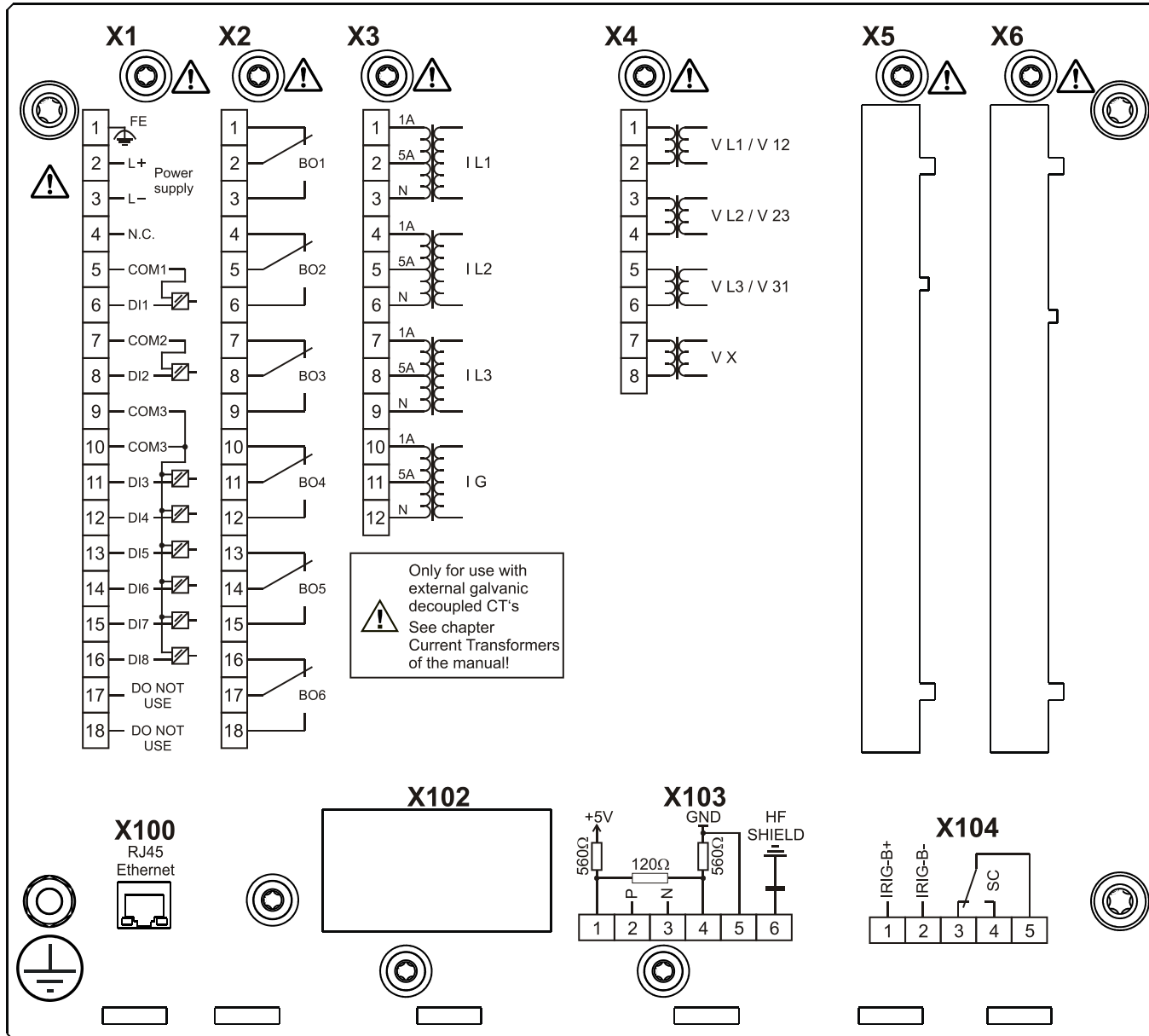




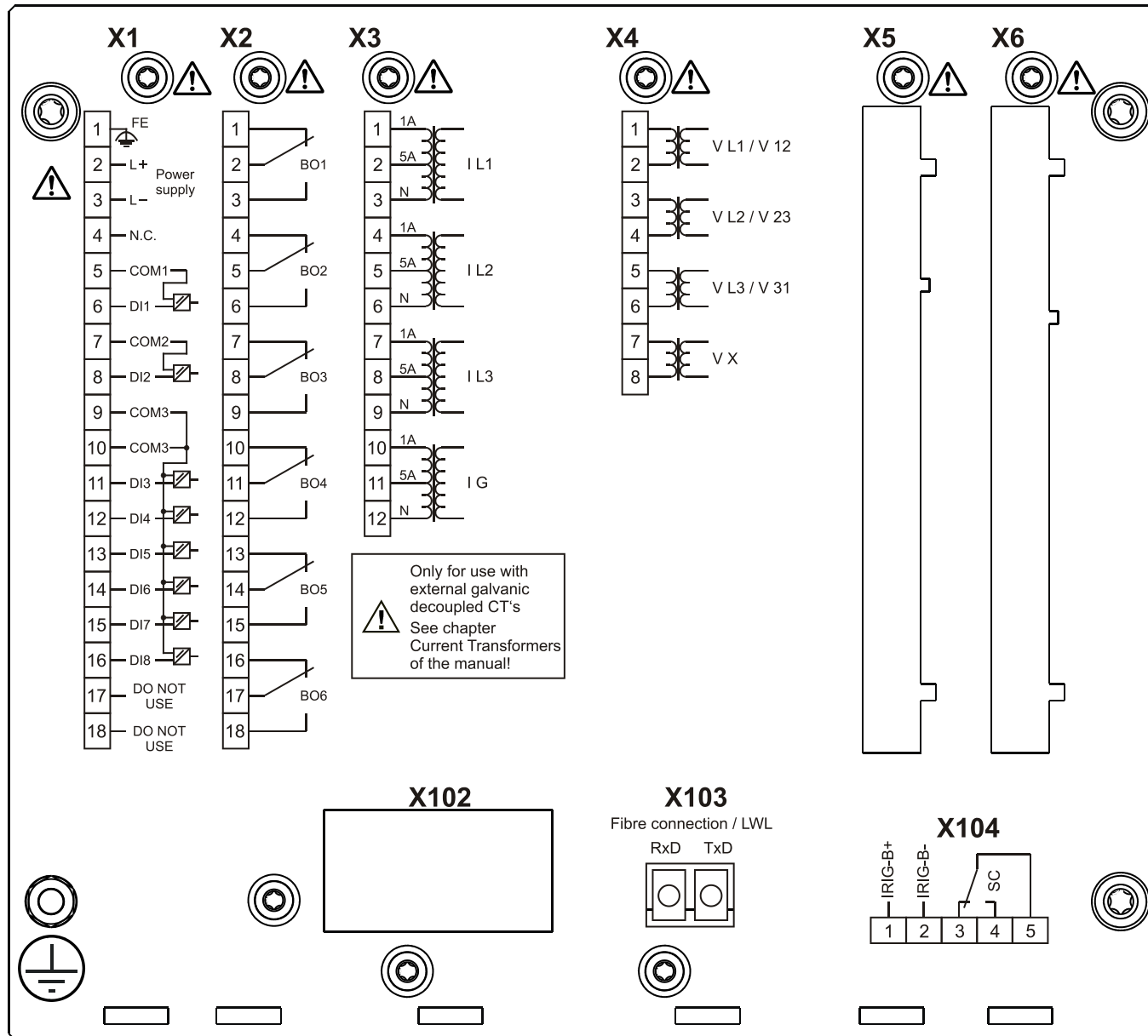
# MRA4-2A0AIA



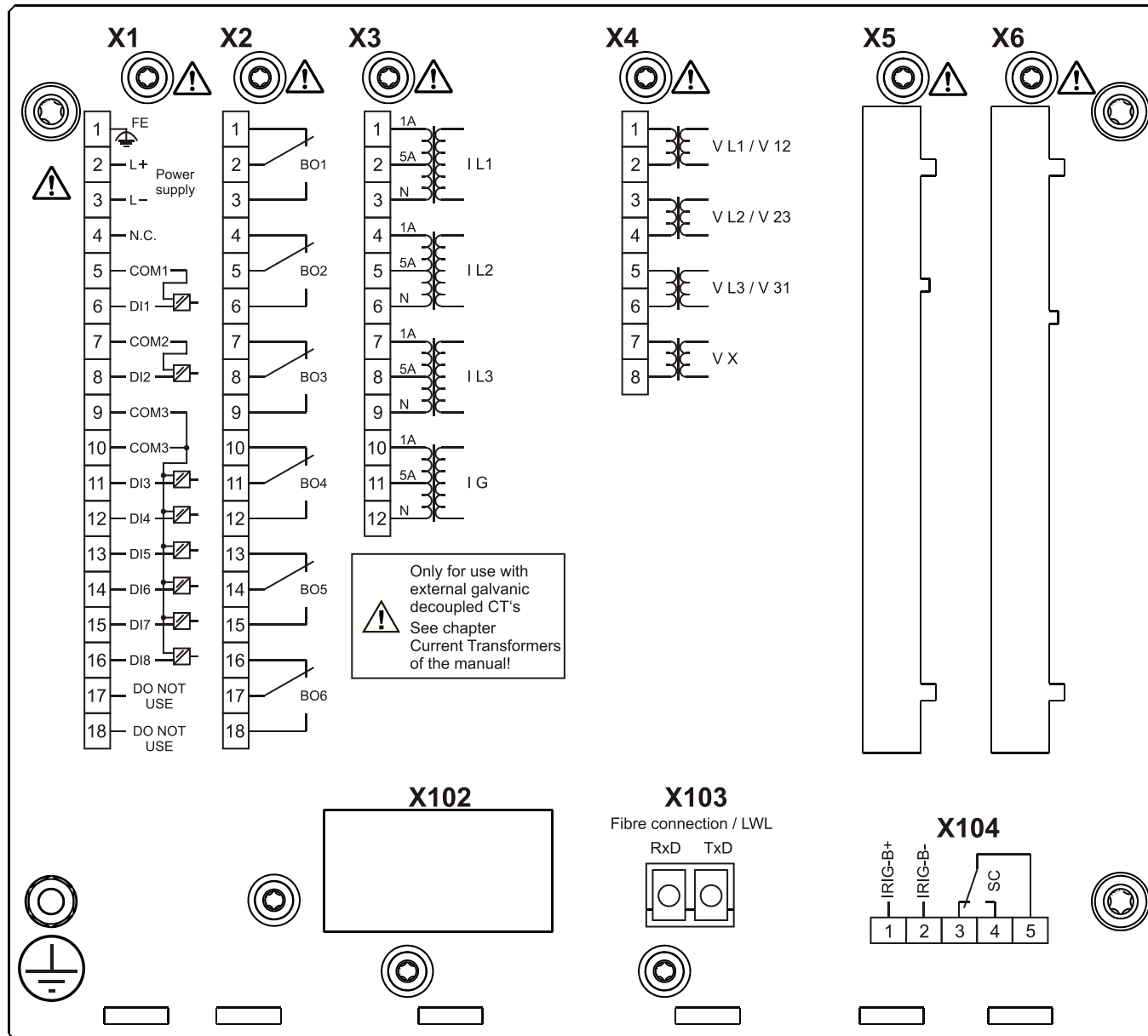
# MRA4-2A0AIB



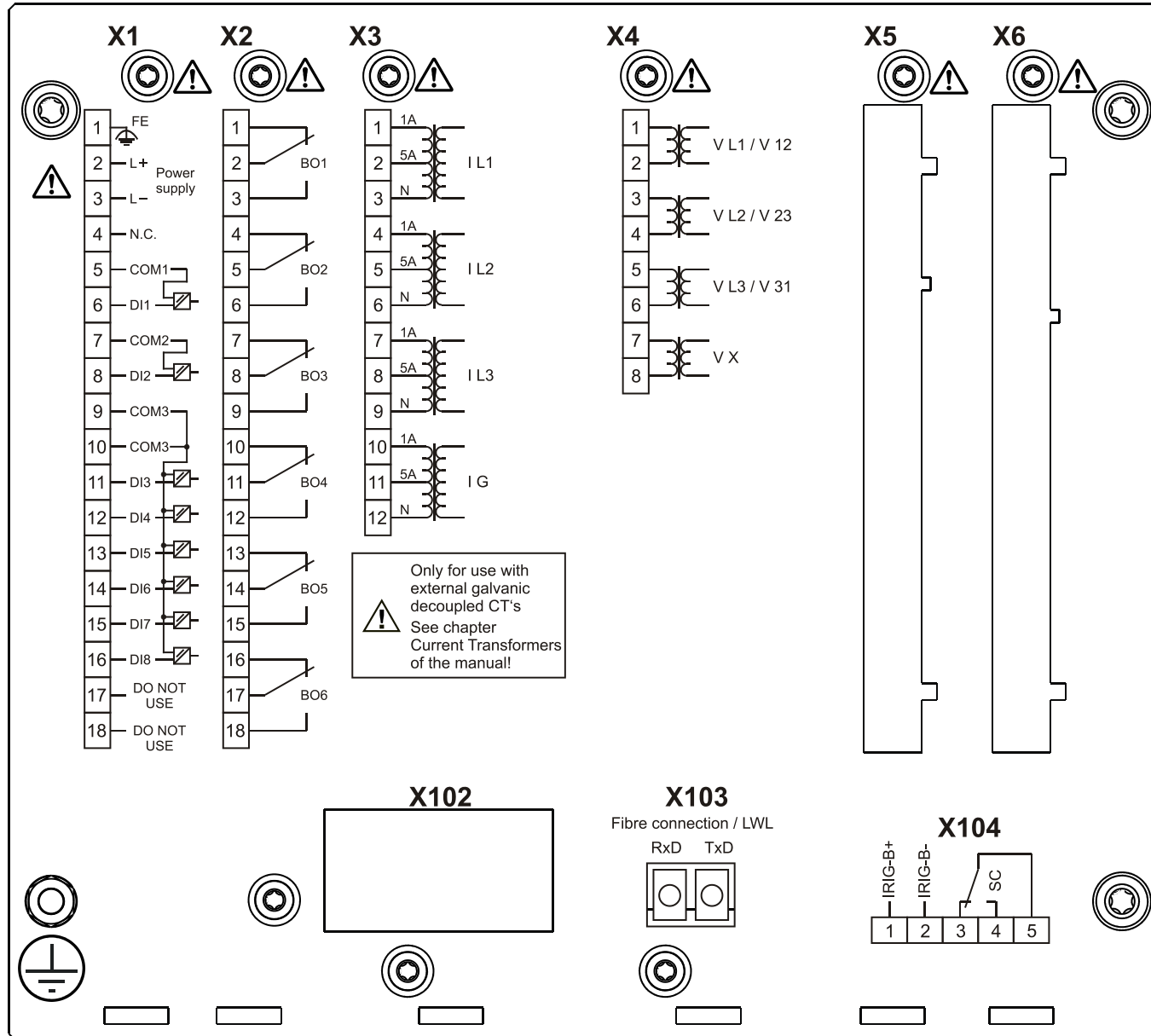
# MRA4-2A0AKA



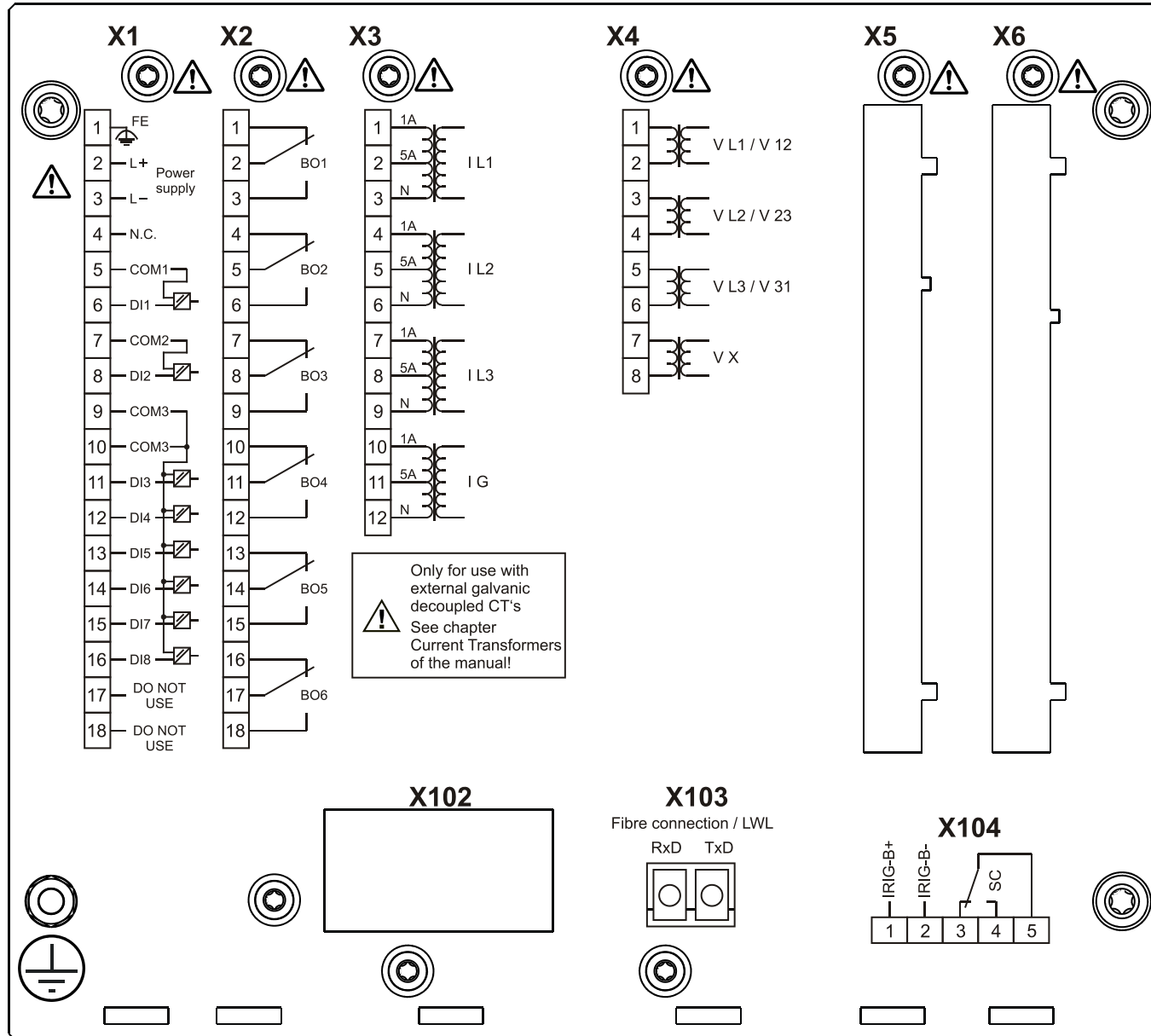
# MRA4-2A0AKB



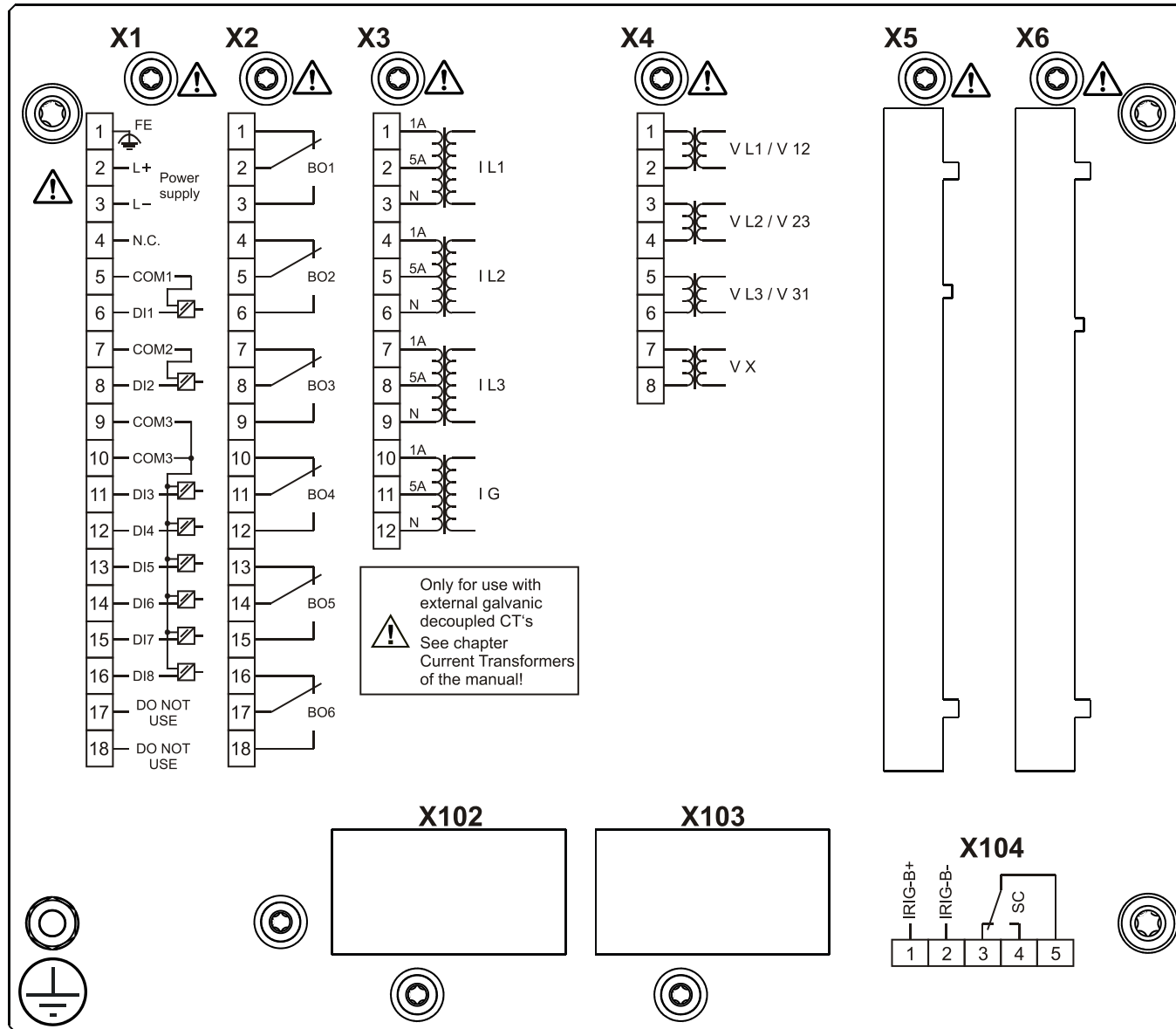
# MRA4-2A0ALA



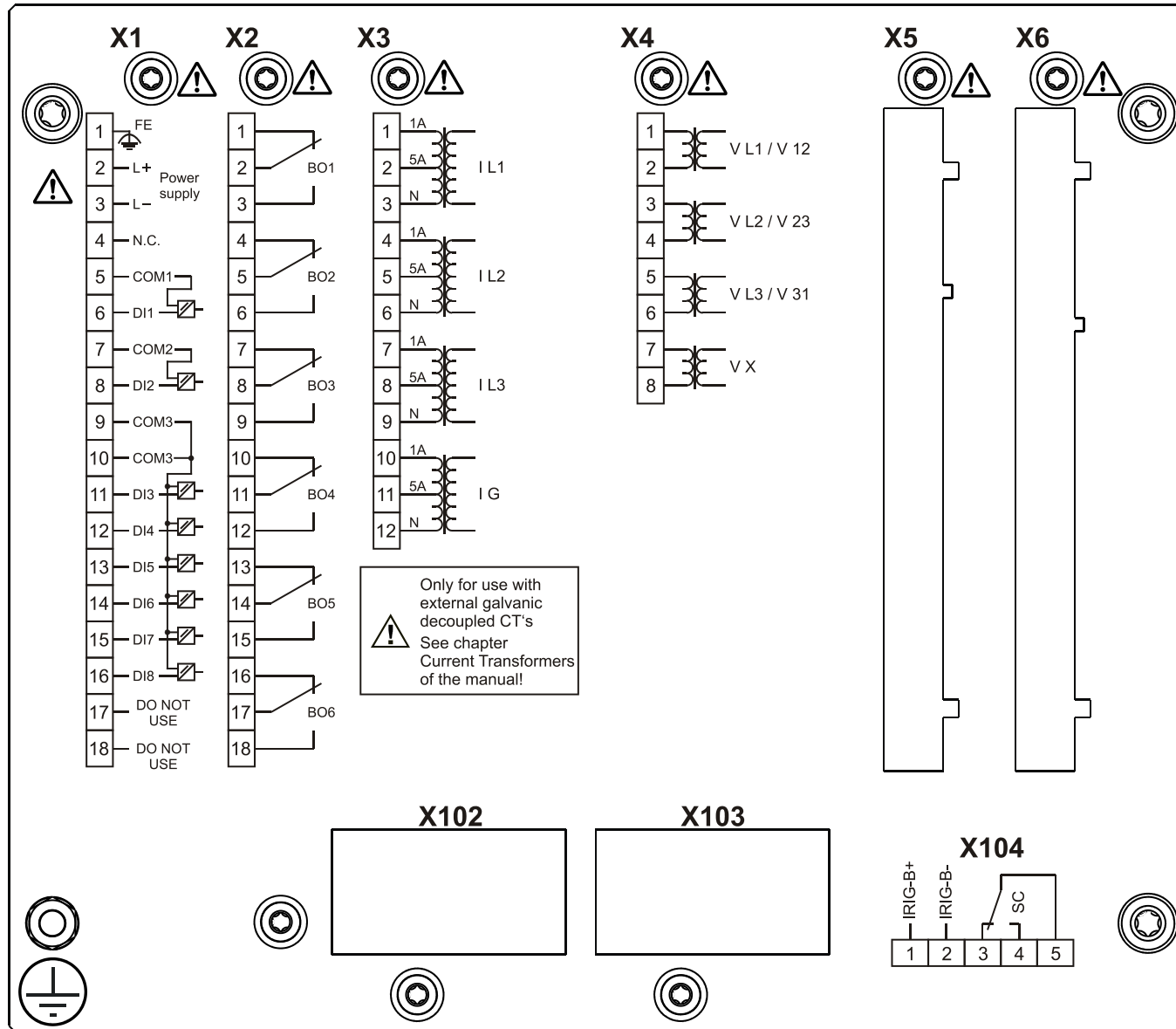
# MRA4-2A0ALB



# MRA4-2A0BAA

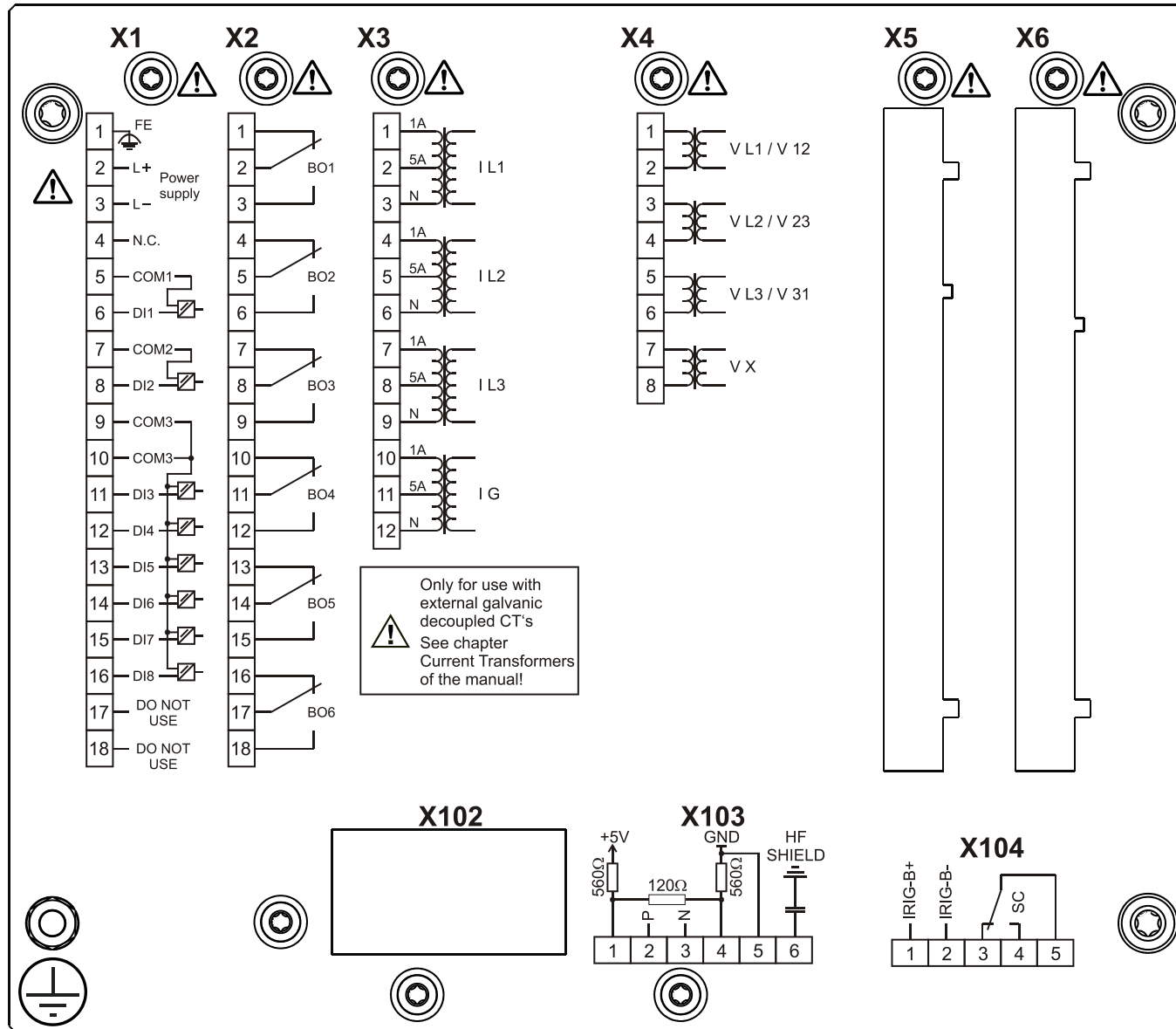


# MRA4-2A0BAB

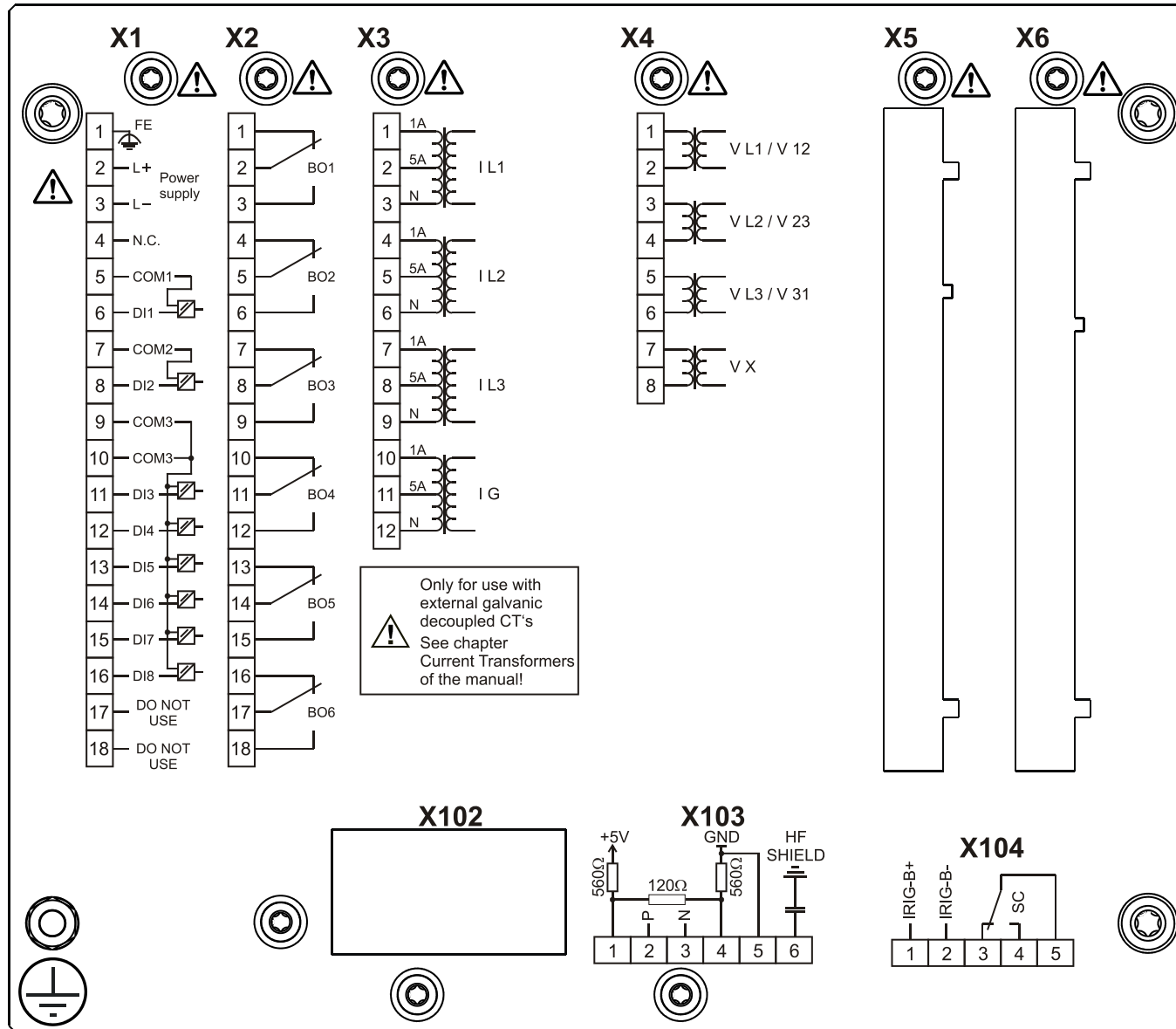




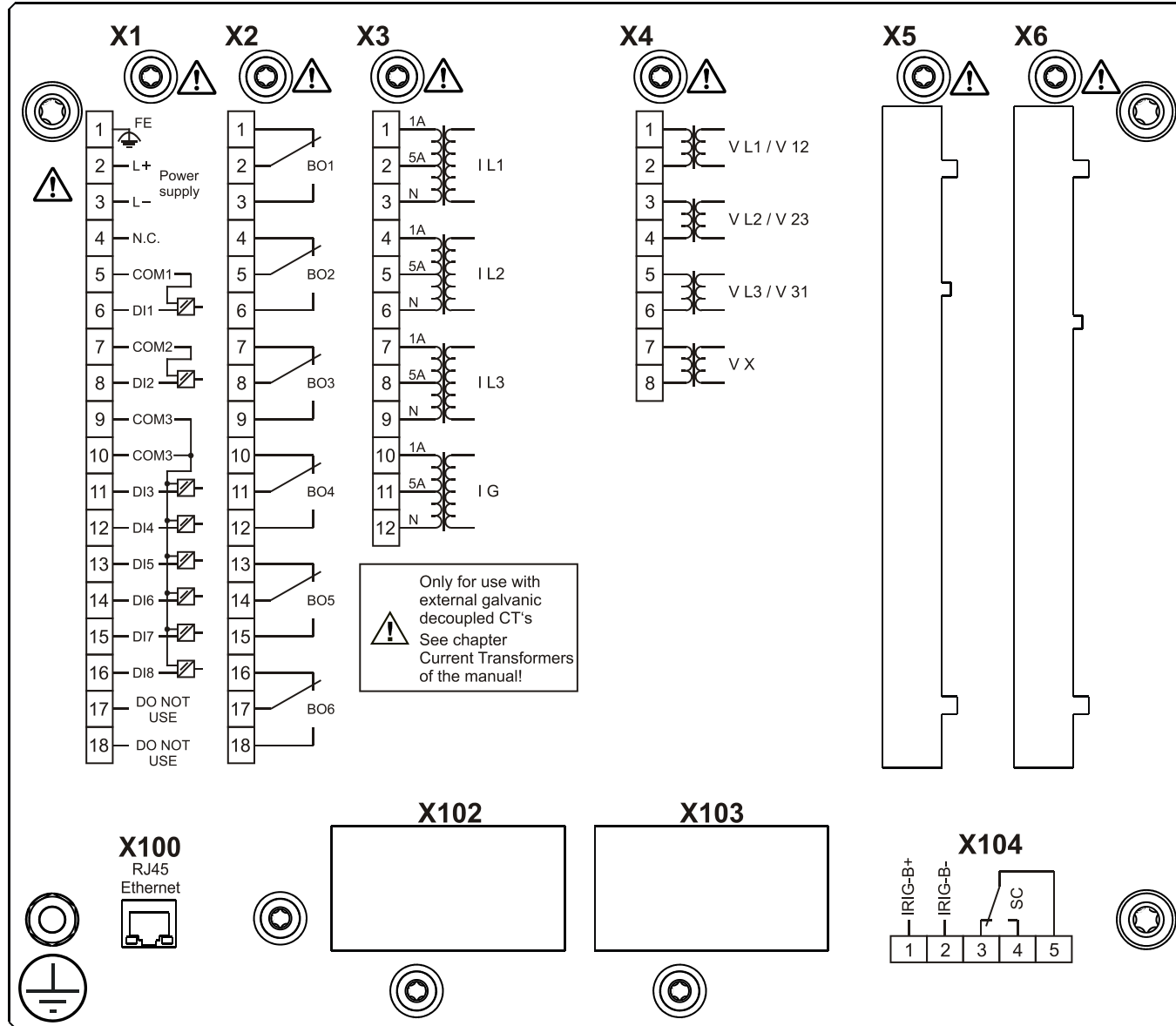
# MRA4-2A0BBA



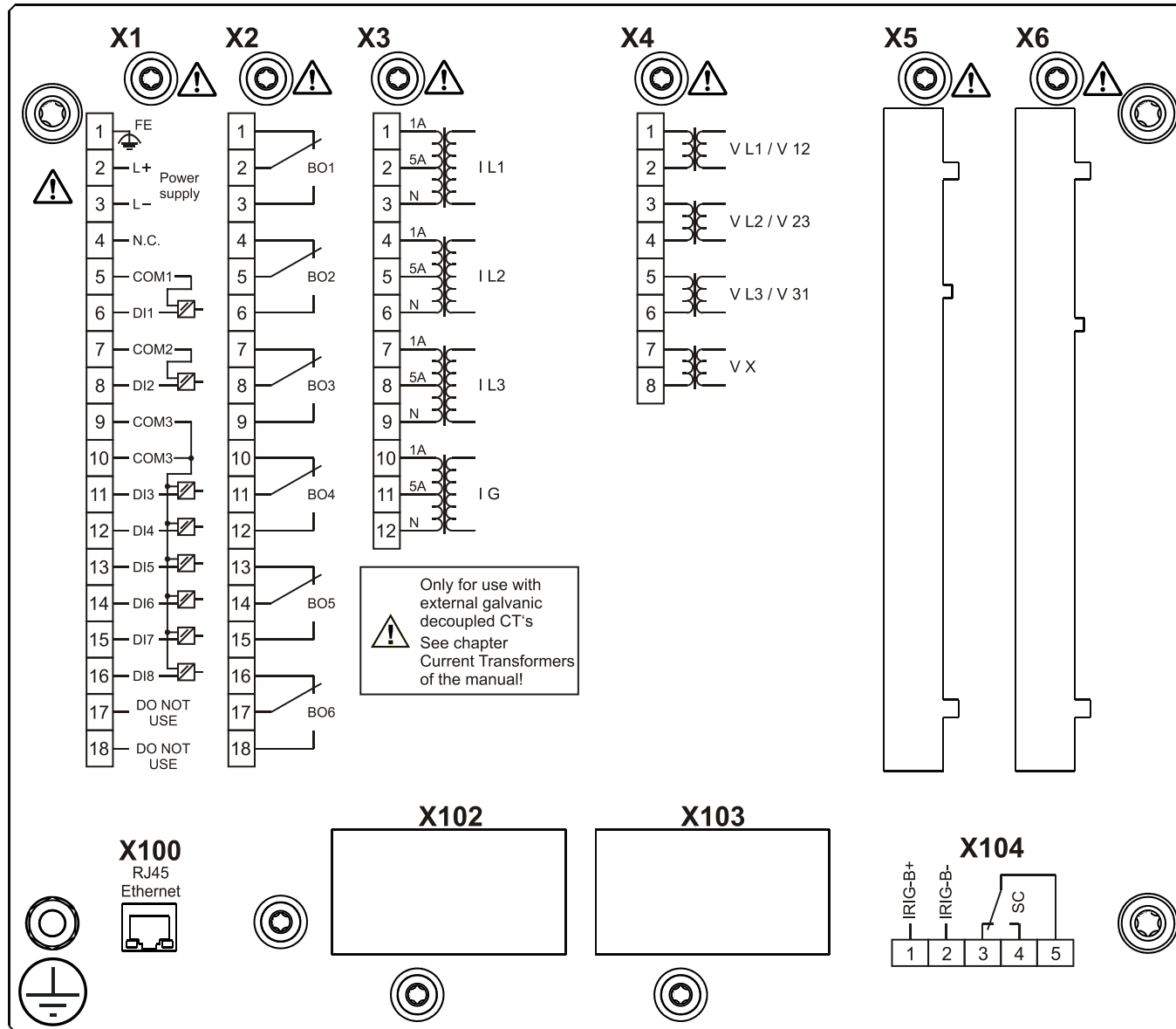
# MRA4-2A0BBB



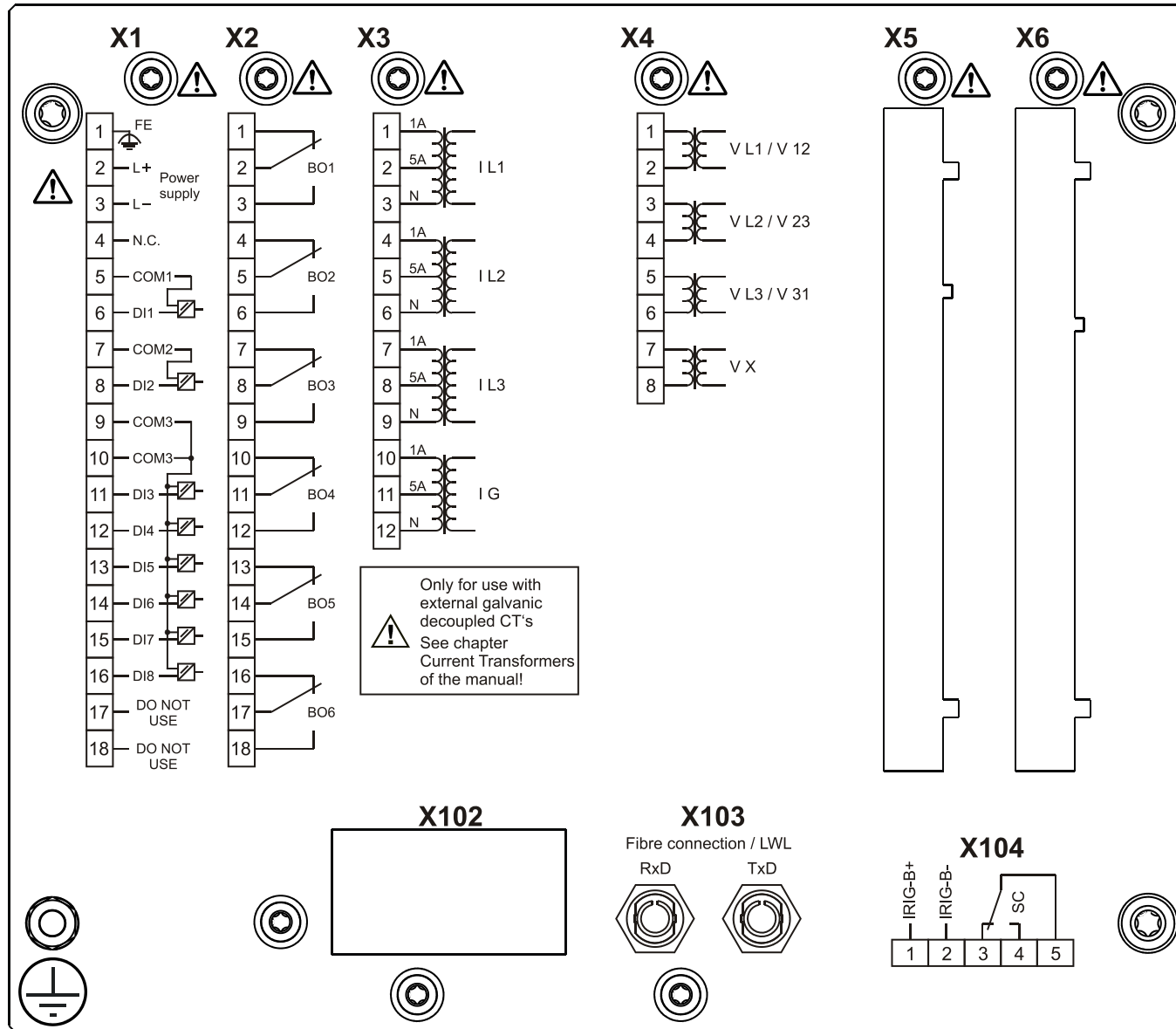
# MRA4-2A0BCA



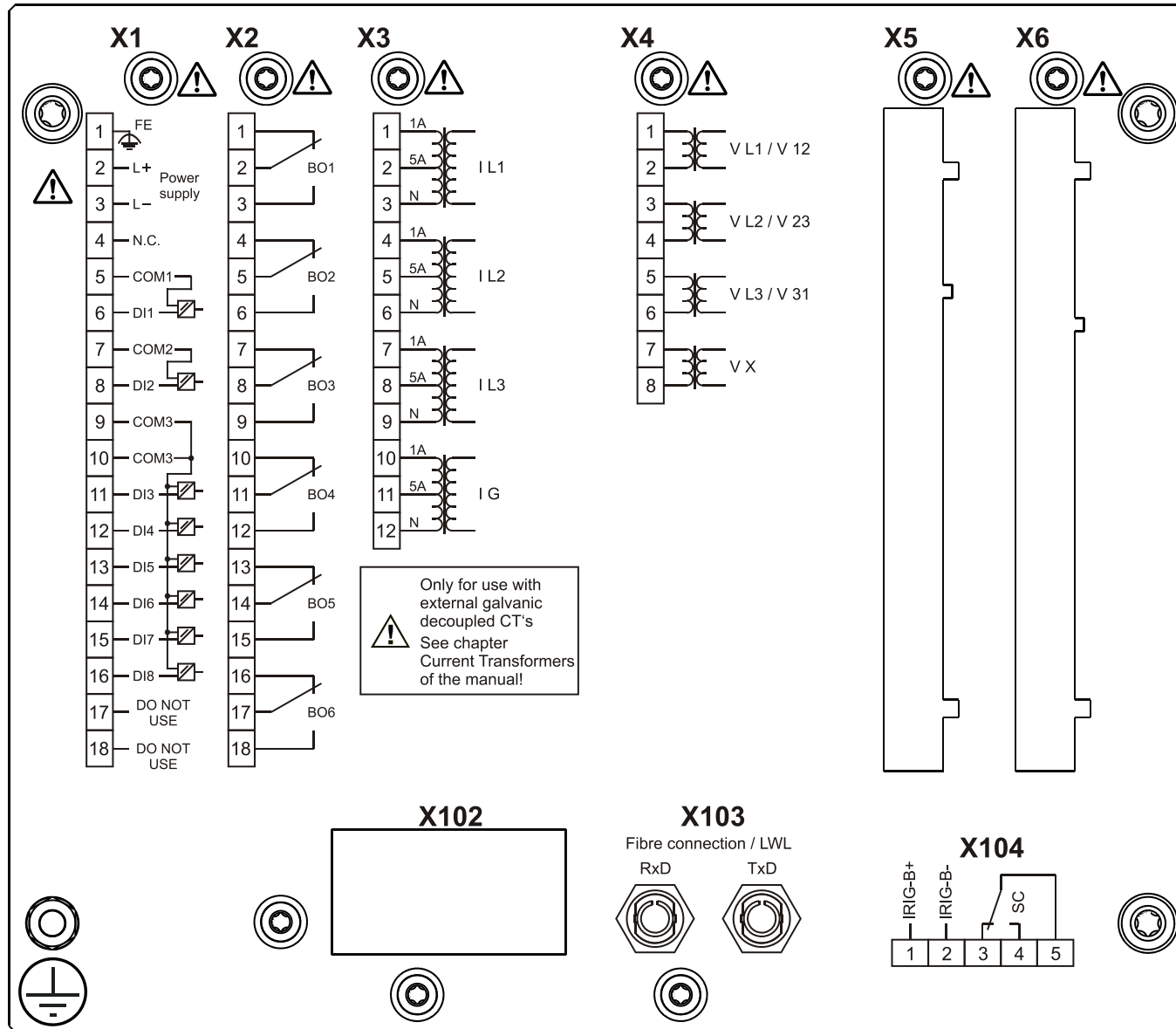
# MRA4-2A0BCB



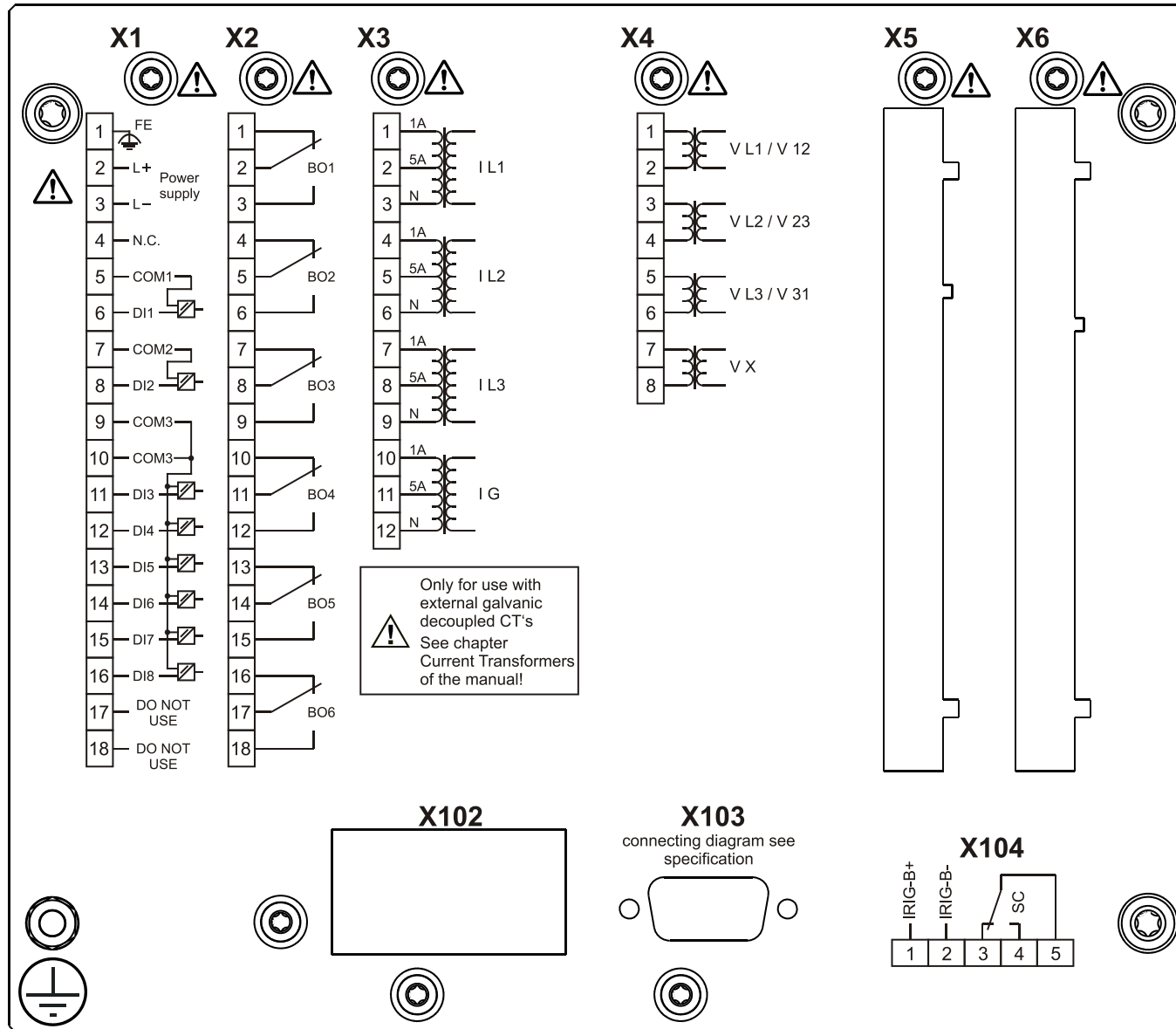
# MRA4-2A0BDA



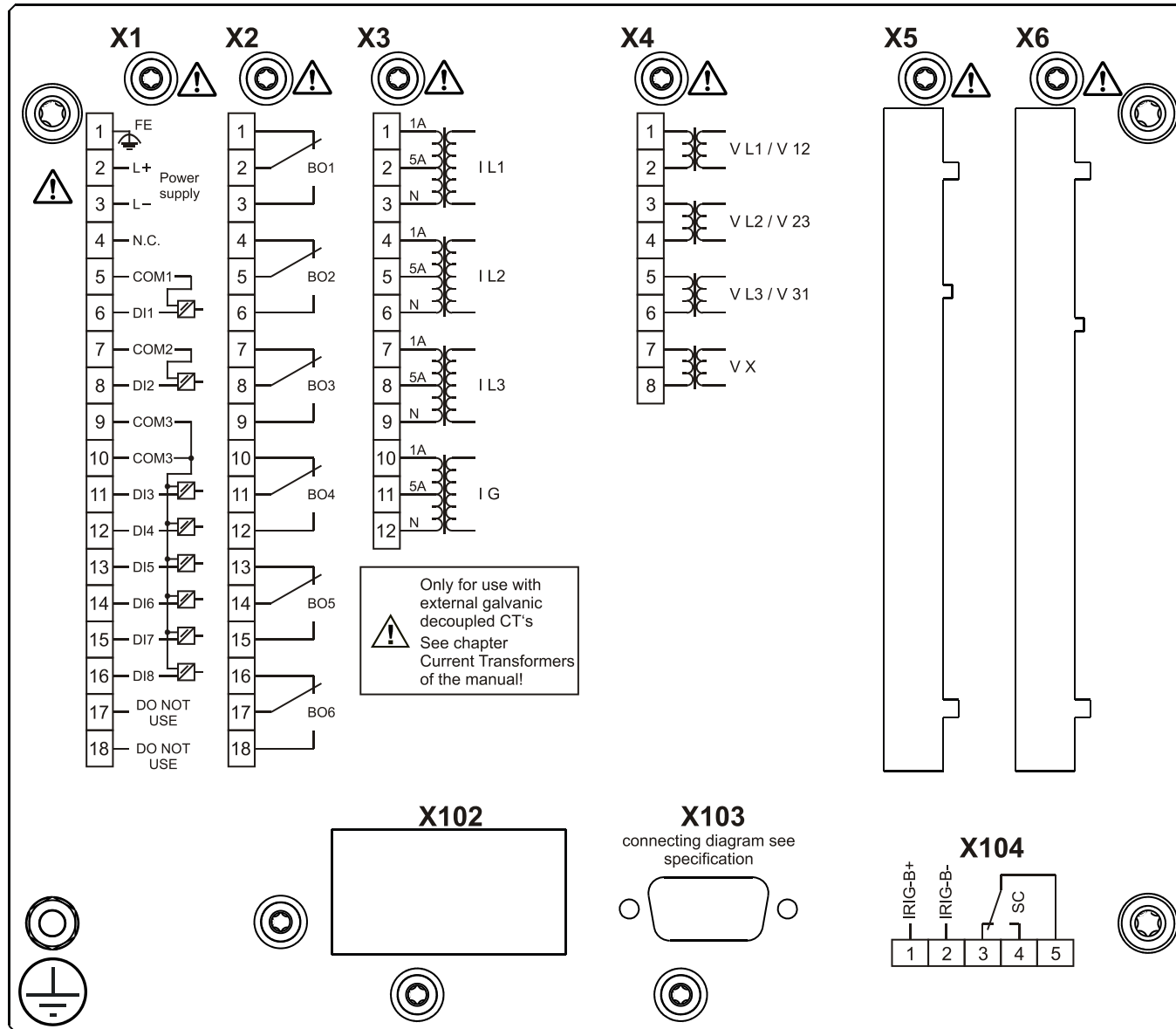
# MRA4-2A0BDB



# MRA4-2A0BEA

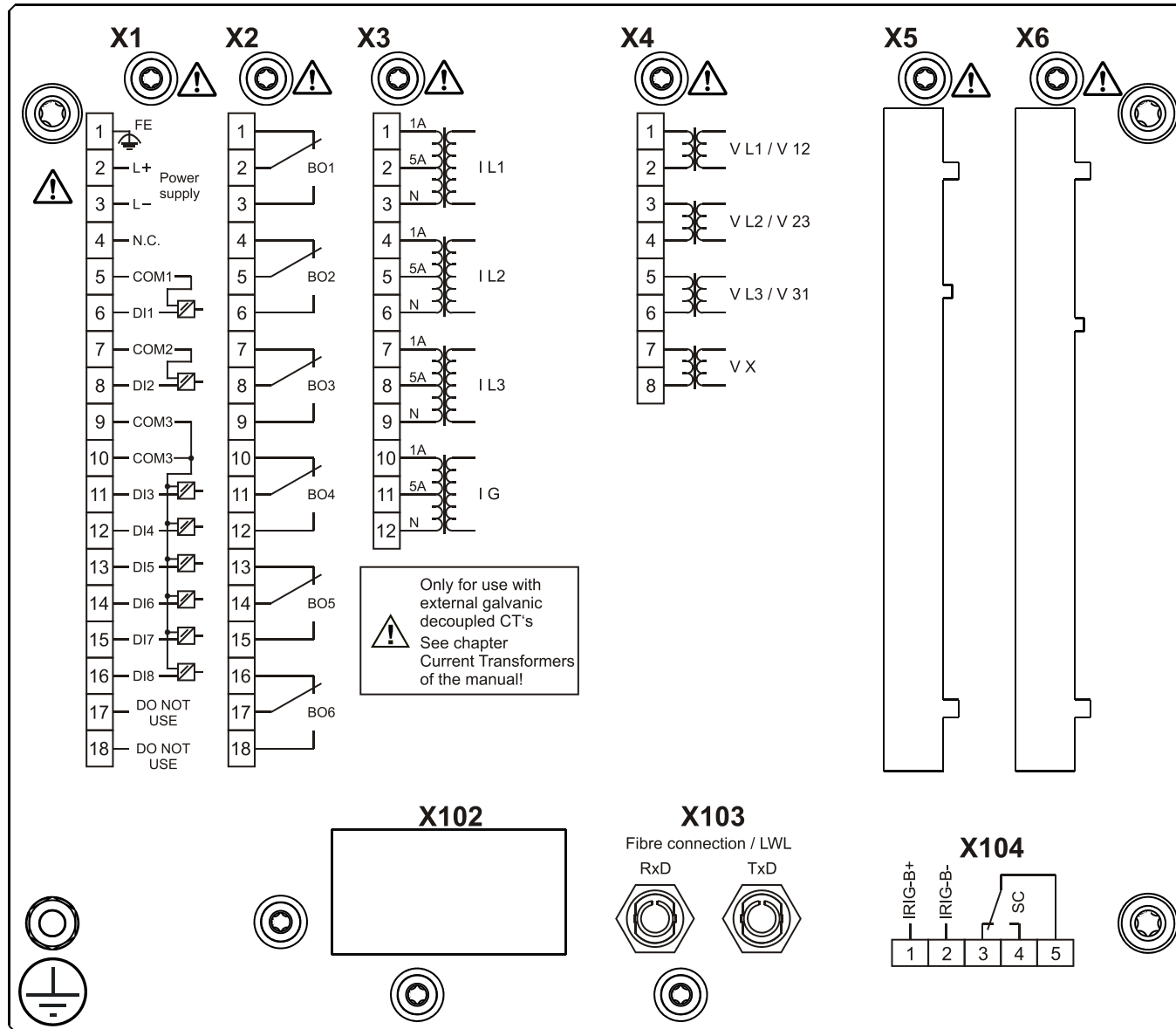


# MRA4-2A0BEB

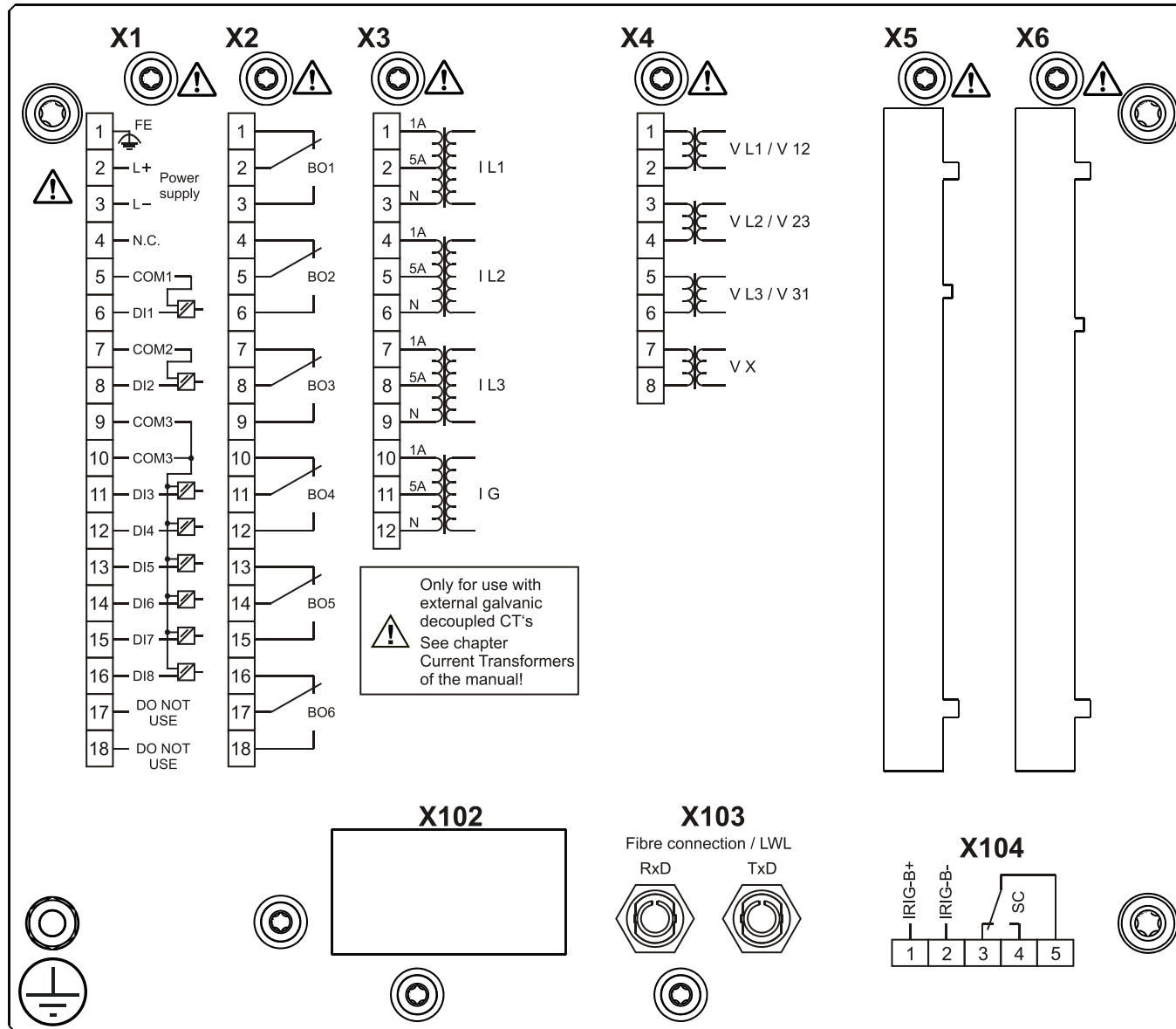




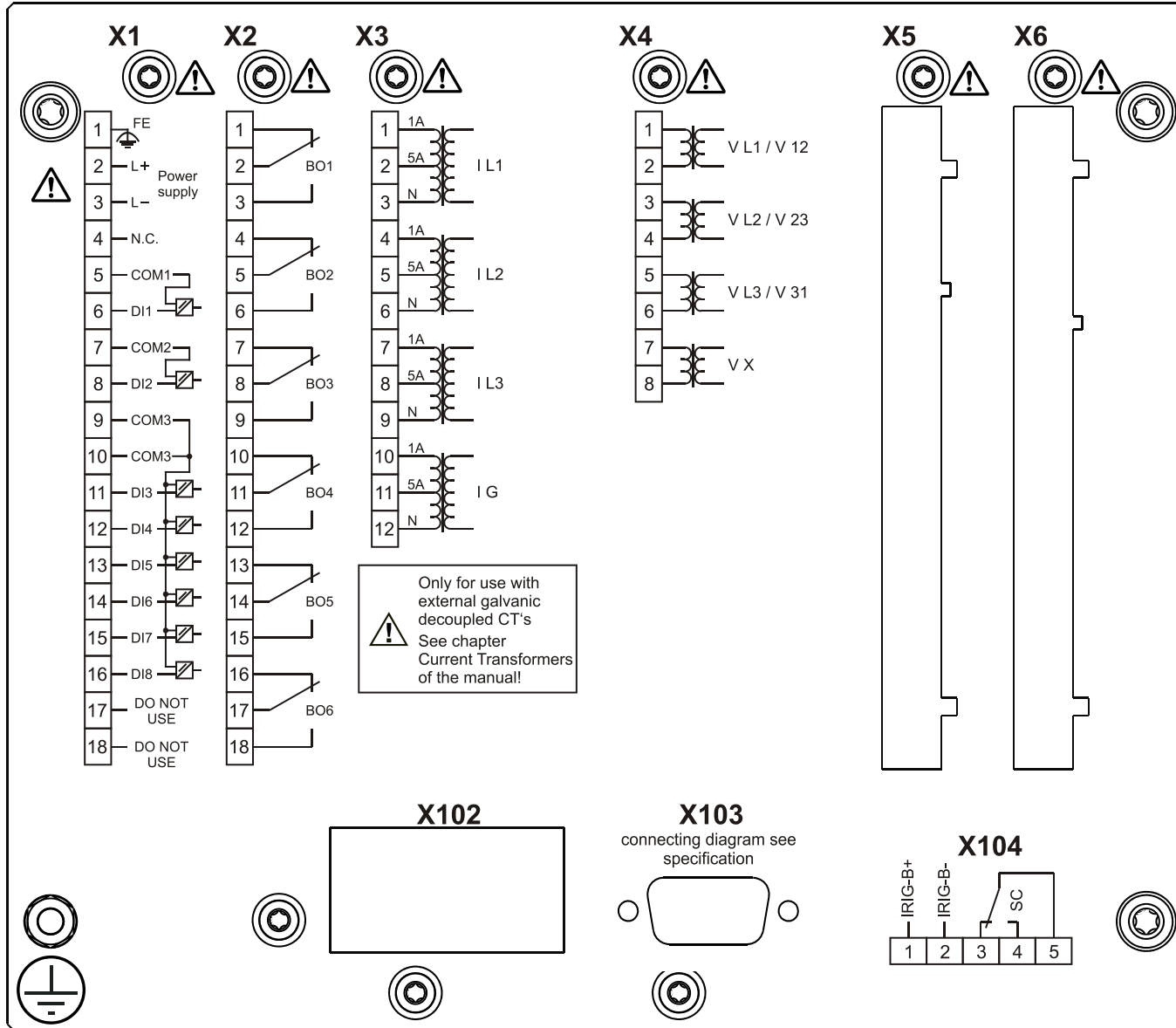
# MRA4-2A0BFA



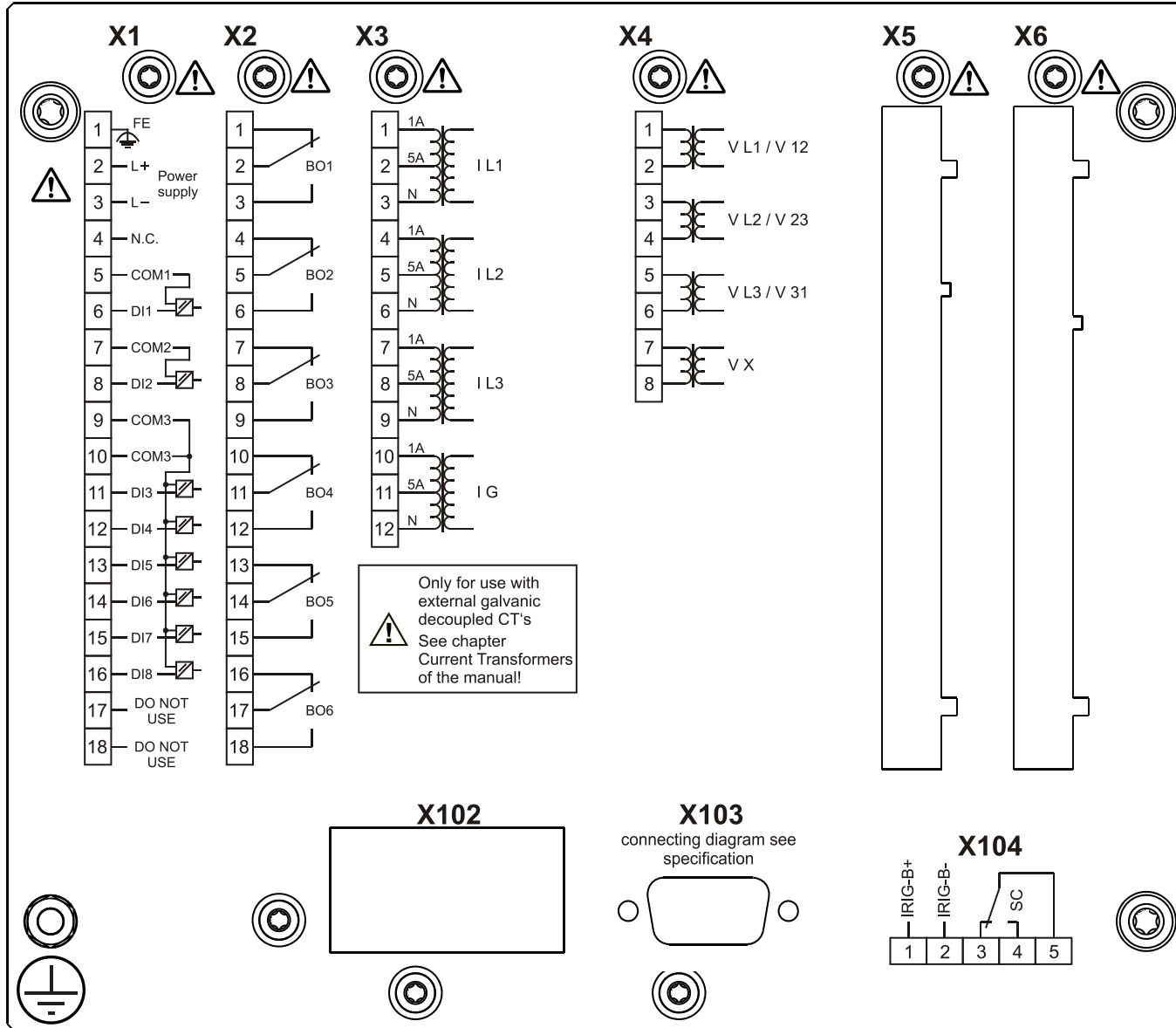
# MRA4-2A0BFB



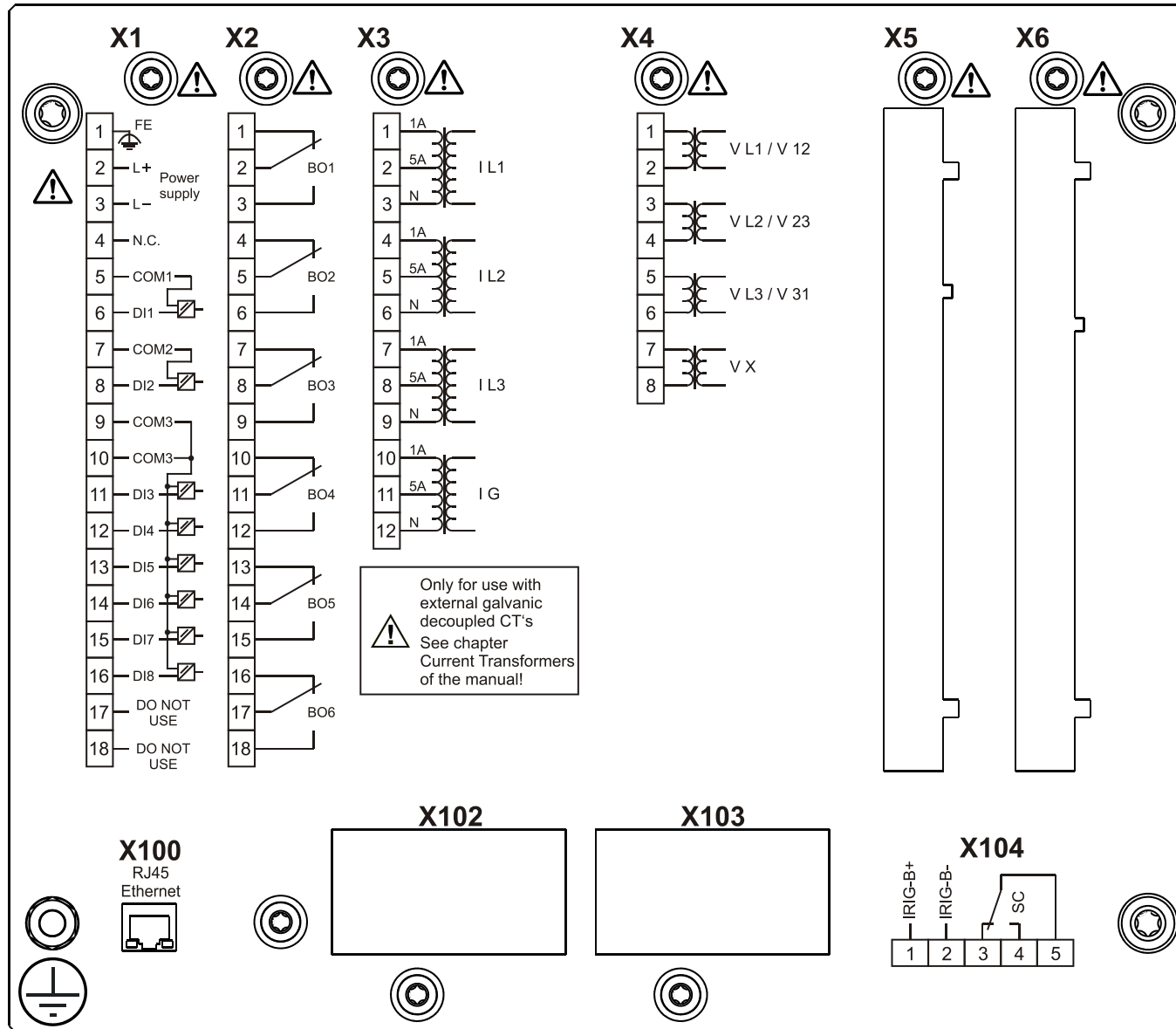
# MRA4-2A0BGA



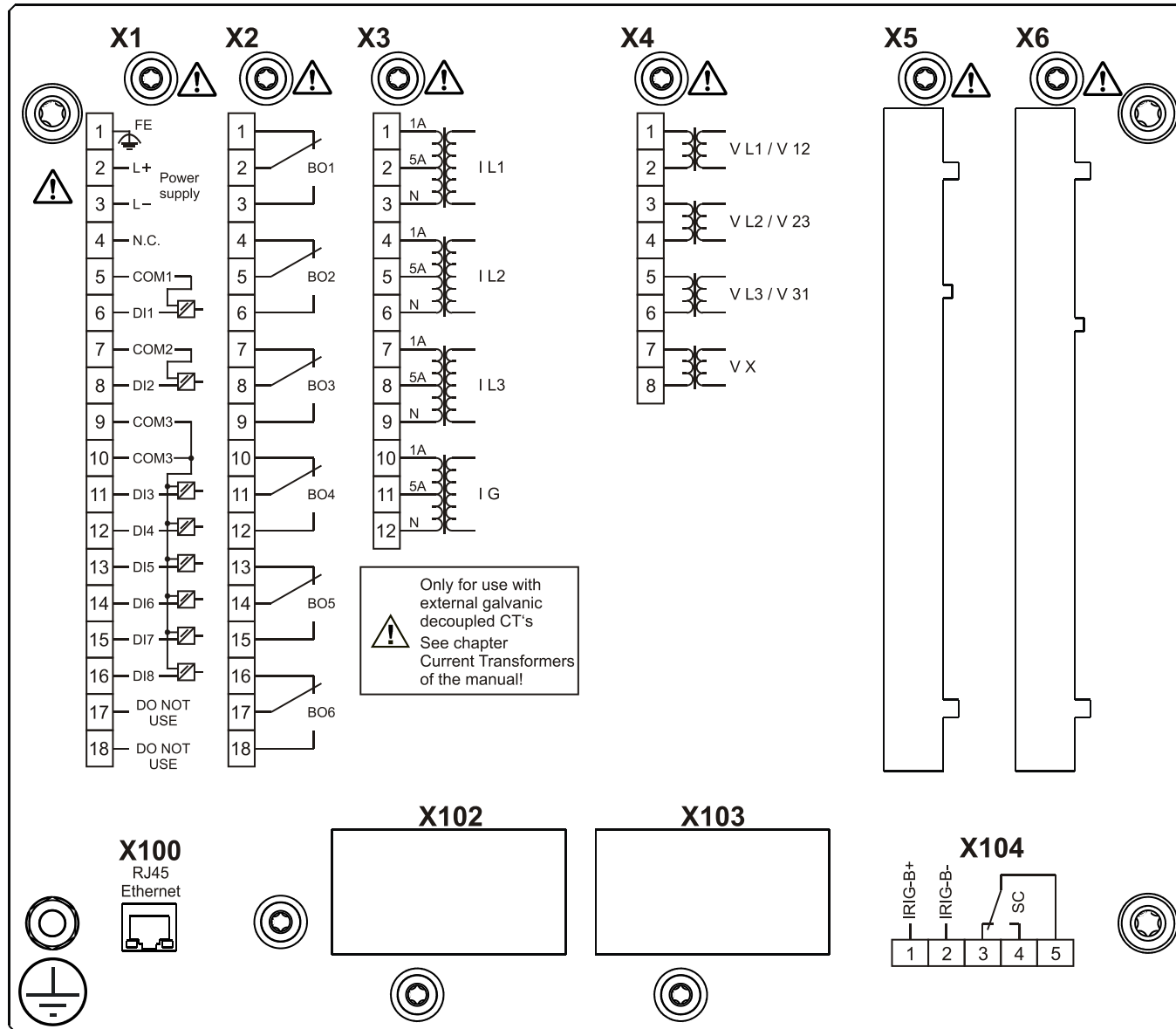
# MRA4-2A0BGB



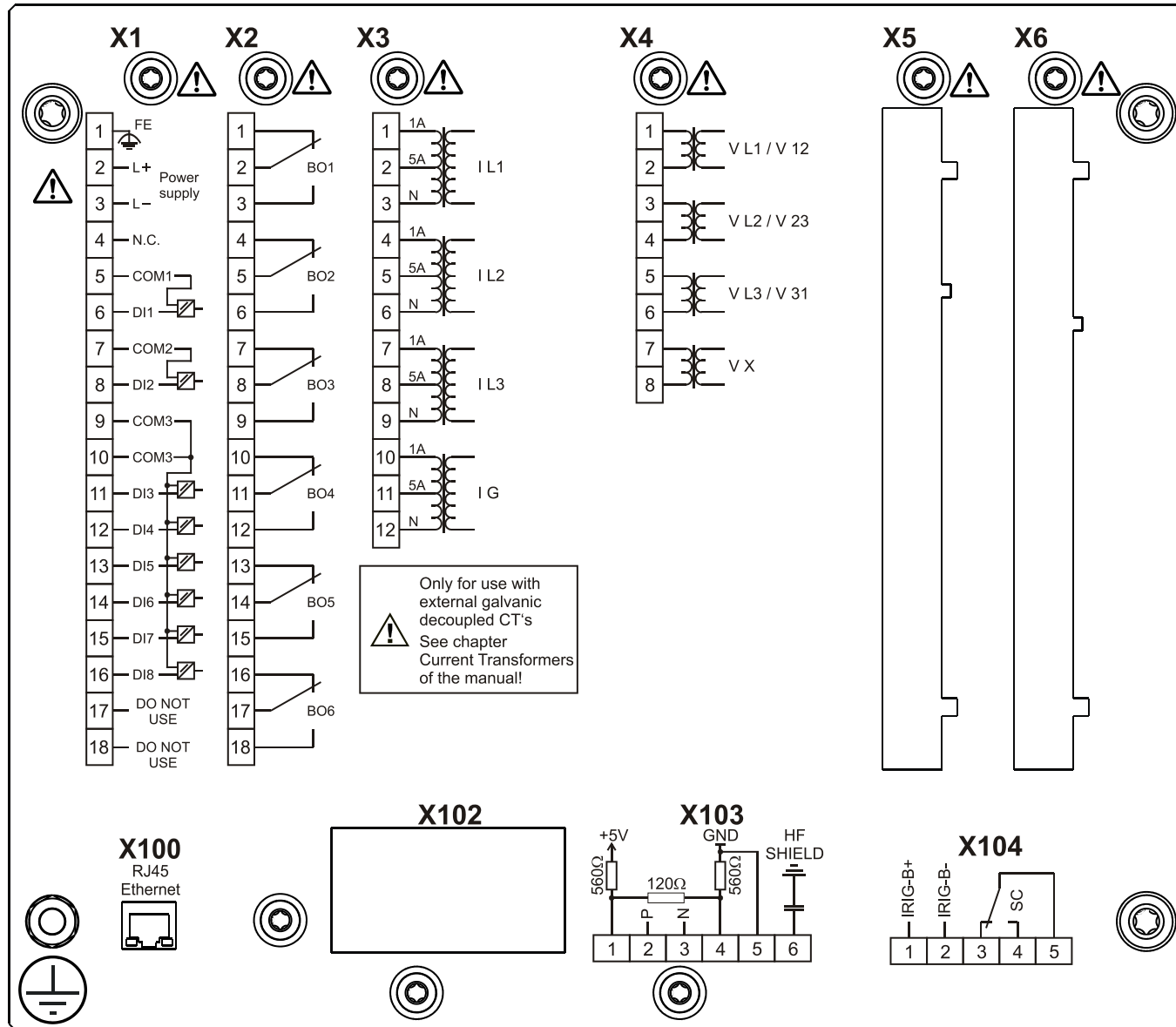
# MRA4-2A0BHA



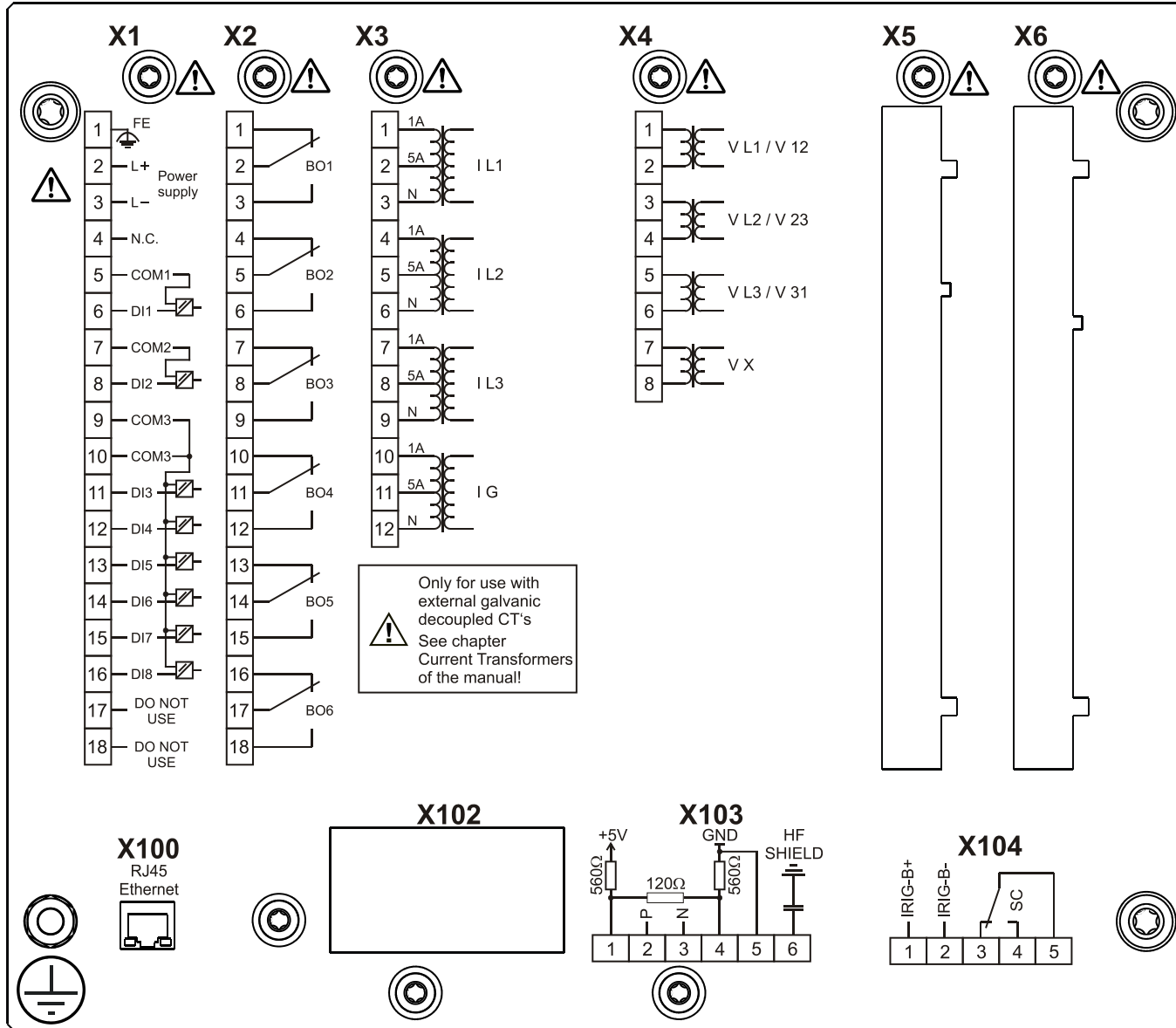
# MRA4-2A0BHB



# MRA4-2A0BIA

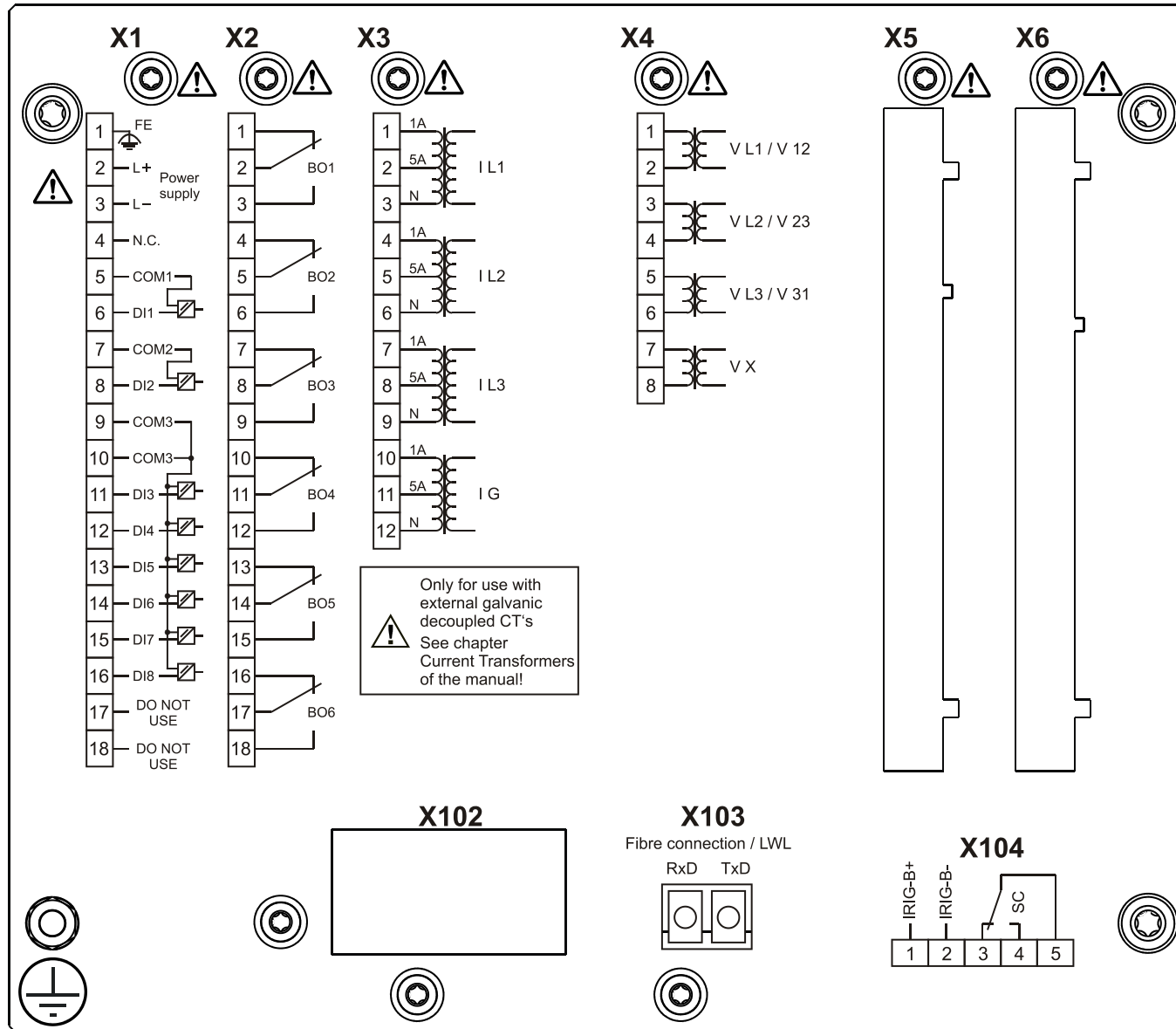


# MRA4-2A0BIB

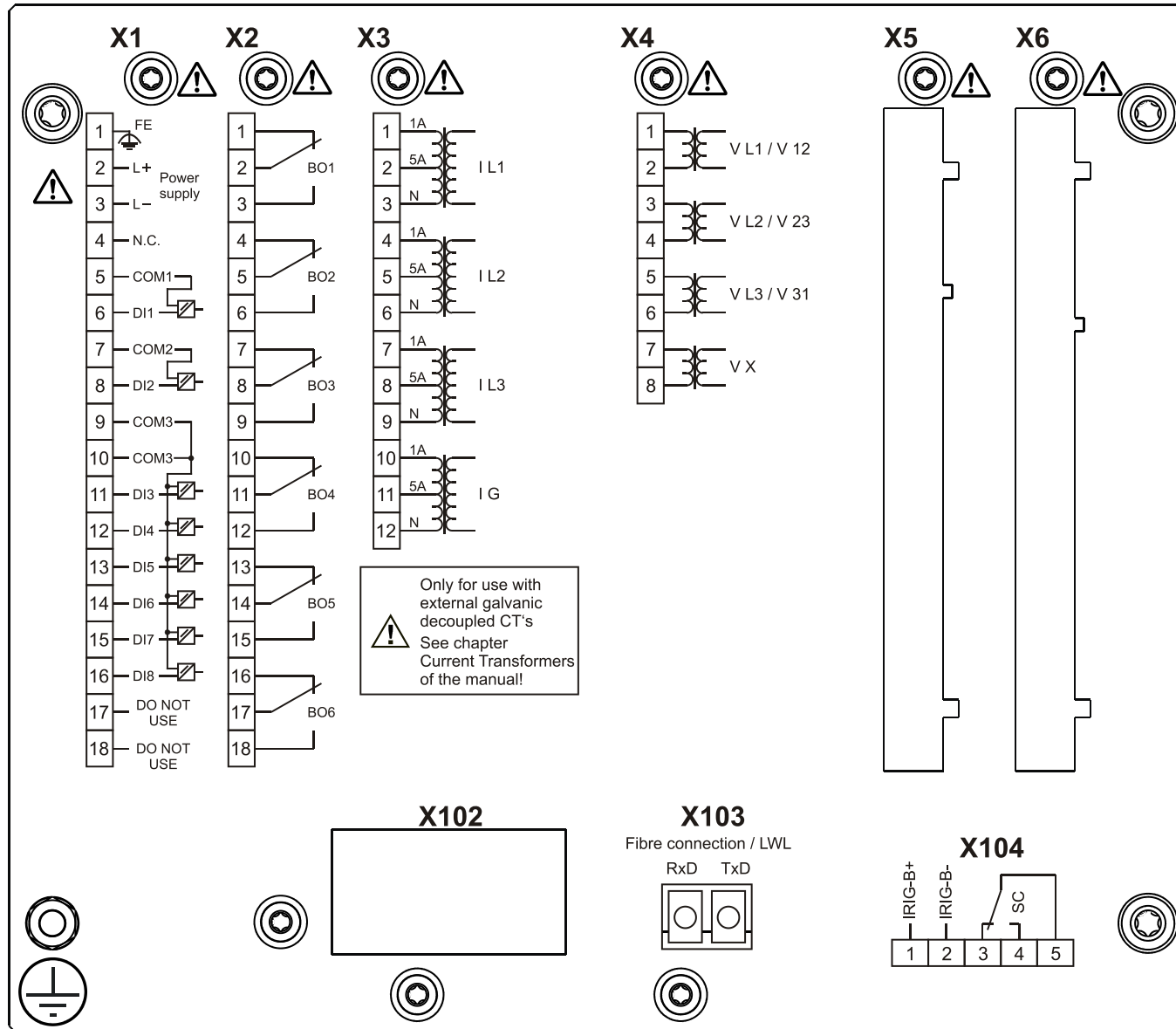




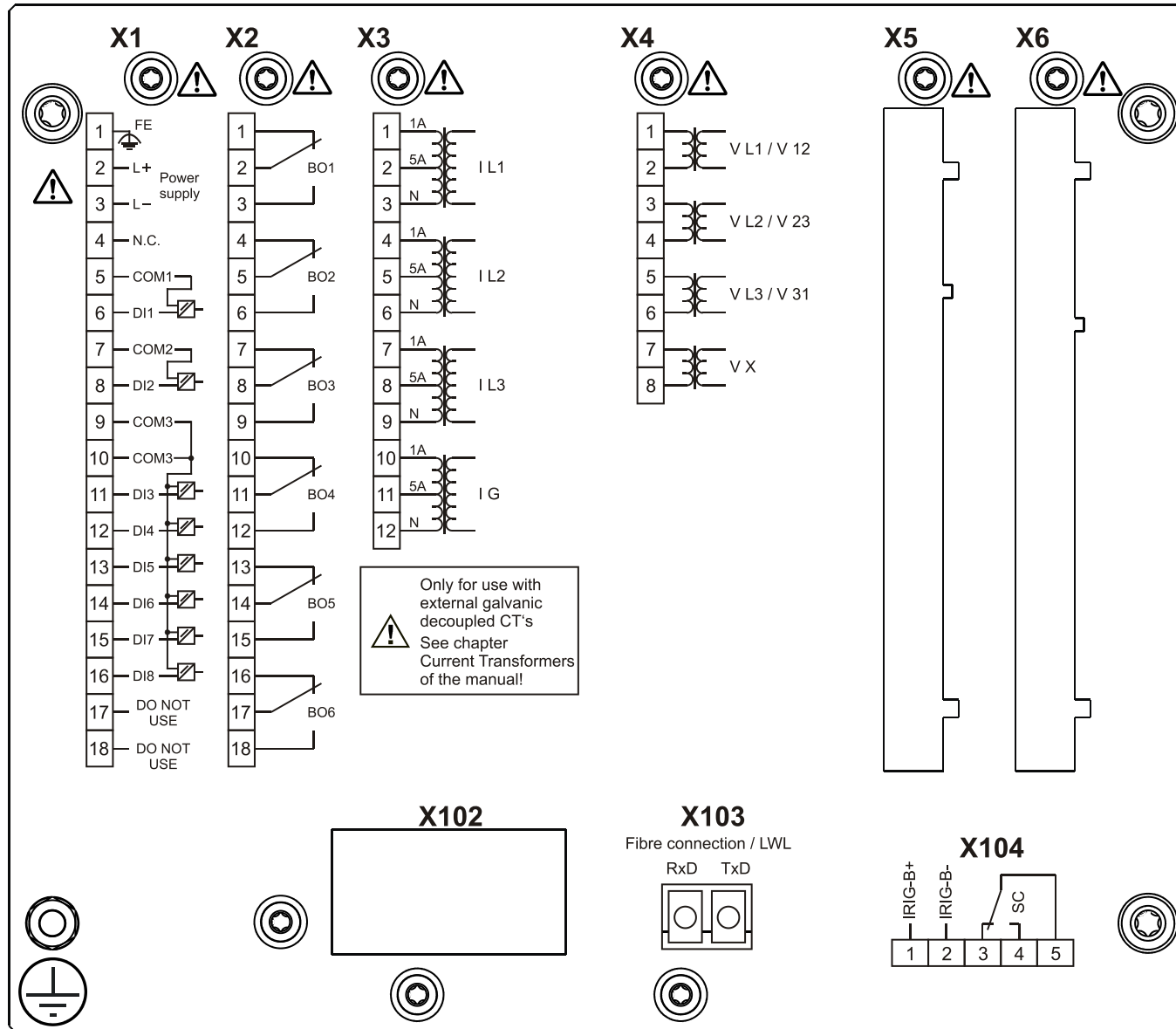
# MRA4-2A0BKA



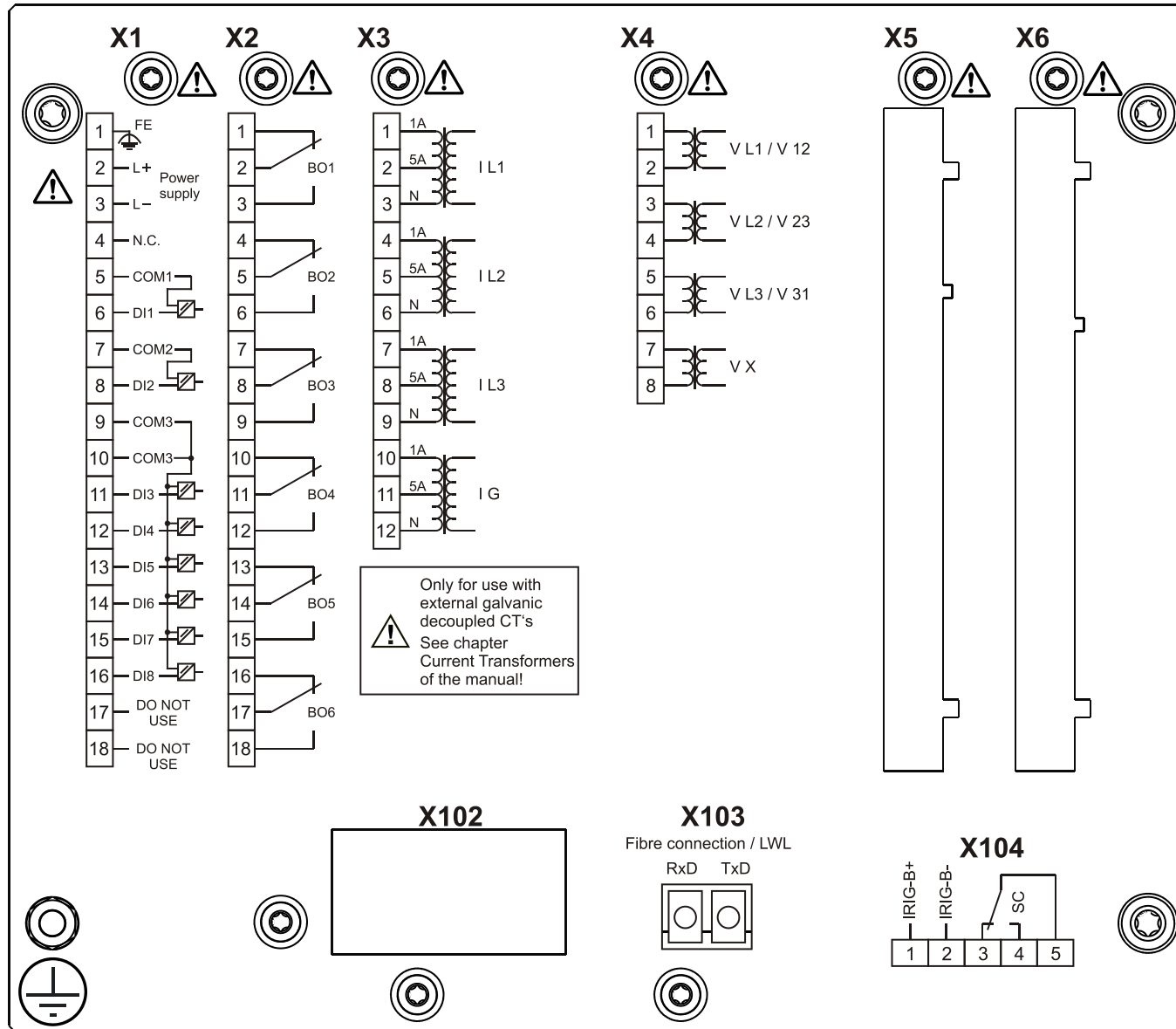
# MRA4-2A0BKB



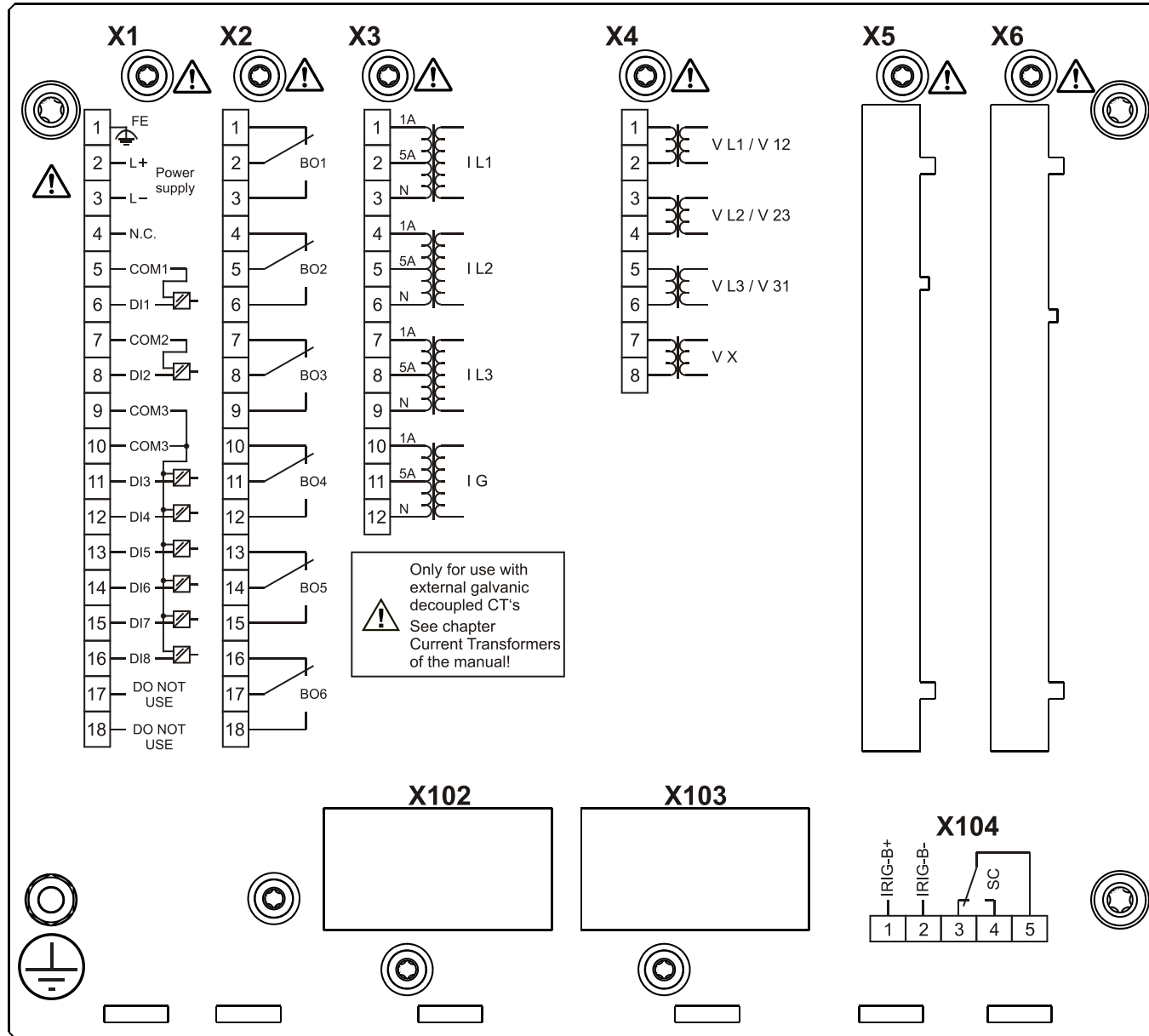
# MRA4-2A0BLA



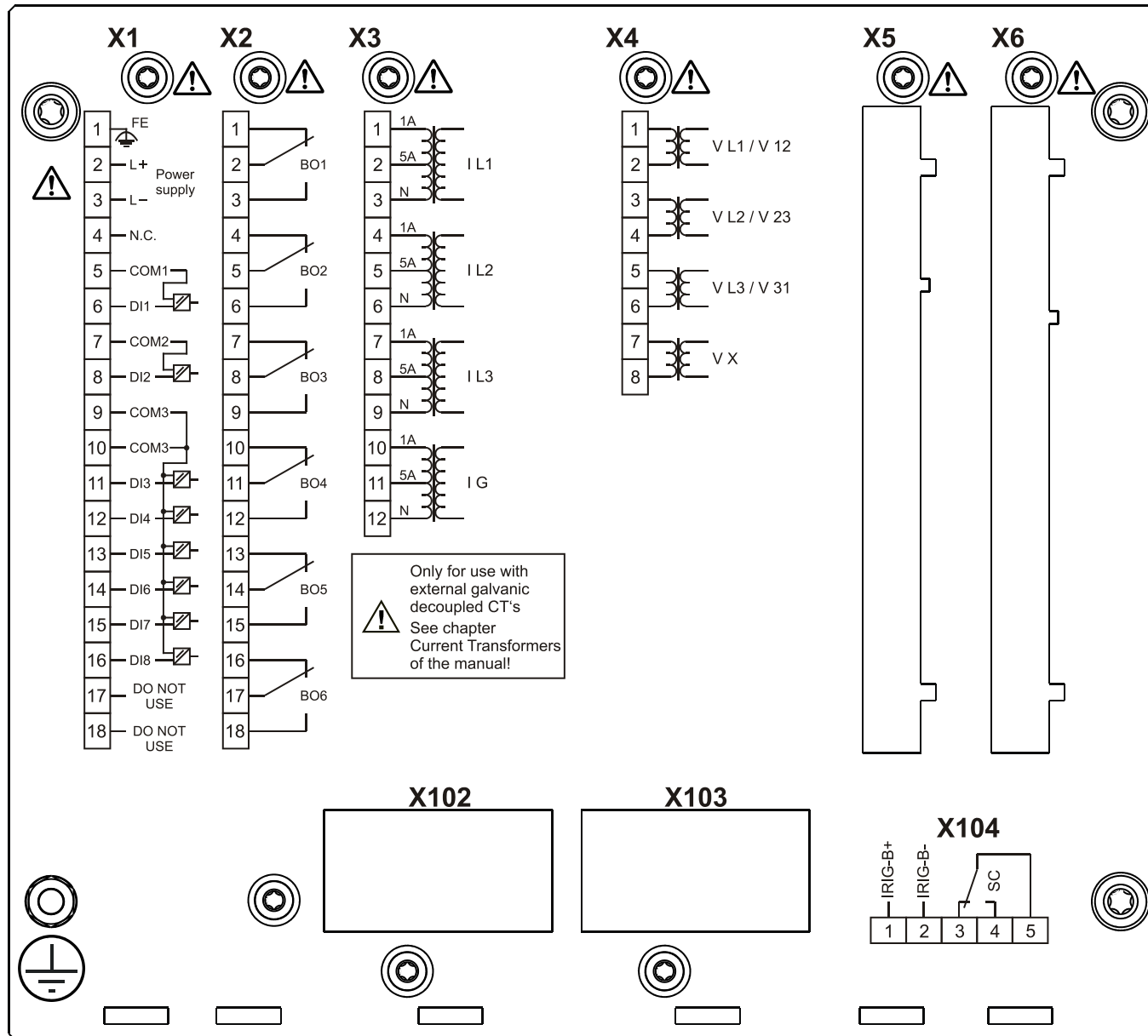
# MRA4-2A0BLB



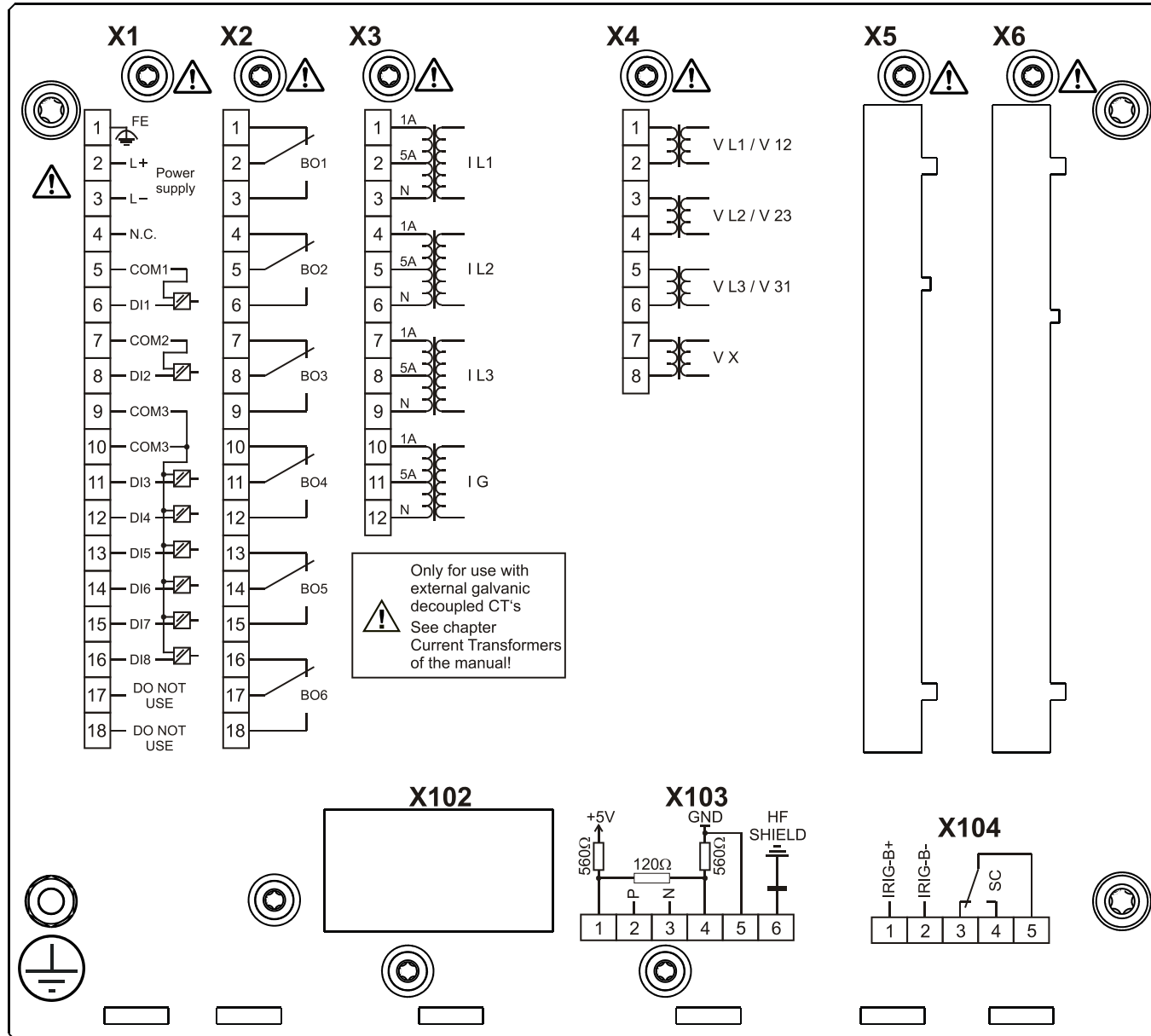
# MRA4-2A0HAA



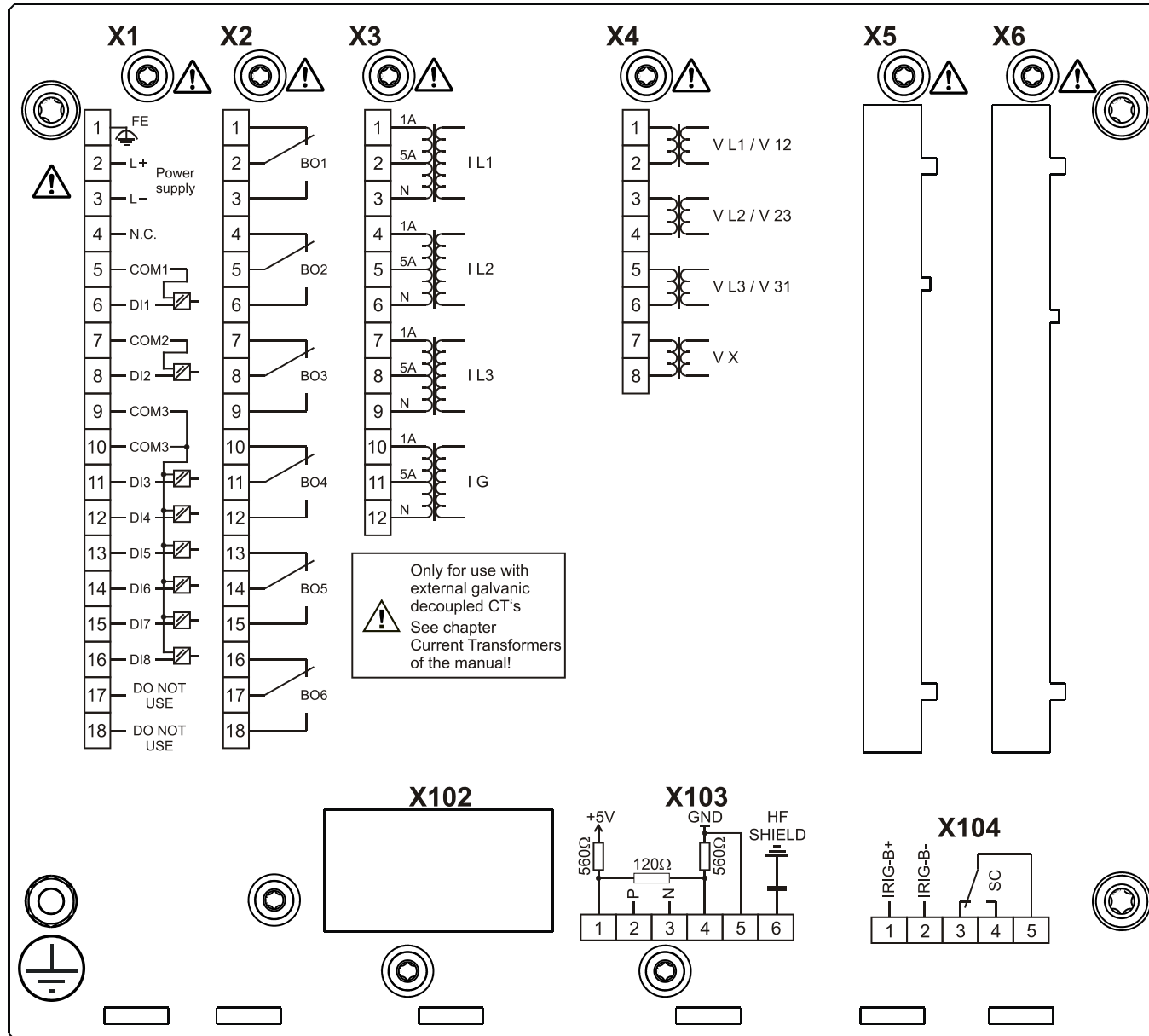
# MRA4-2A0HAB



# MRA4-2A0HBA

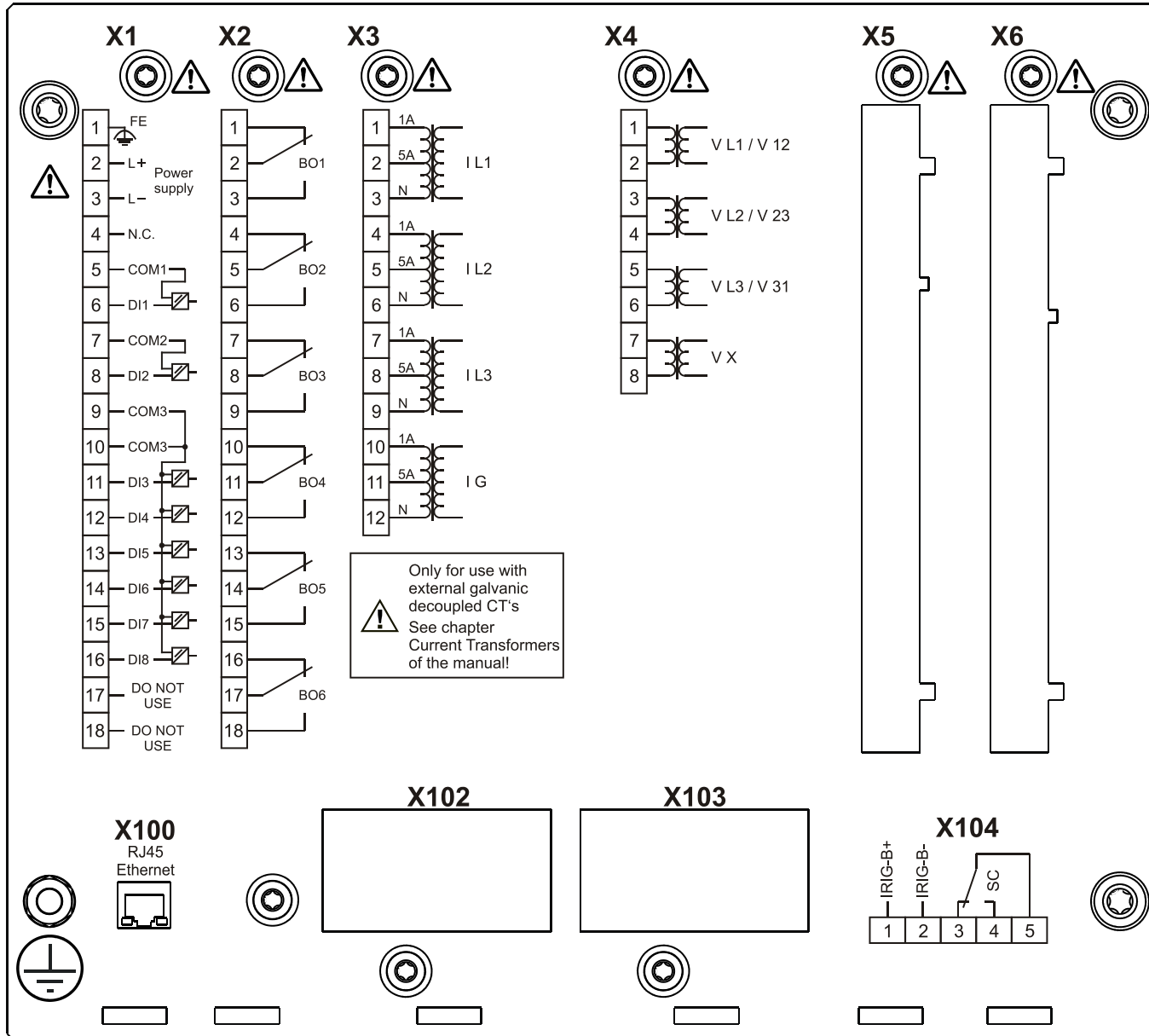


# MRA4-2A0HBB

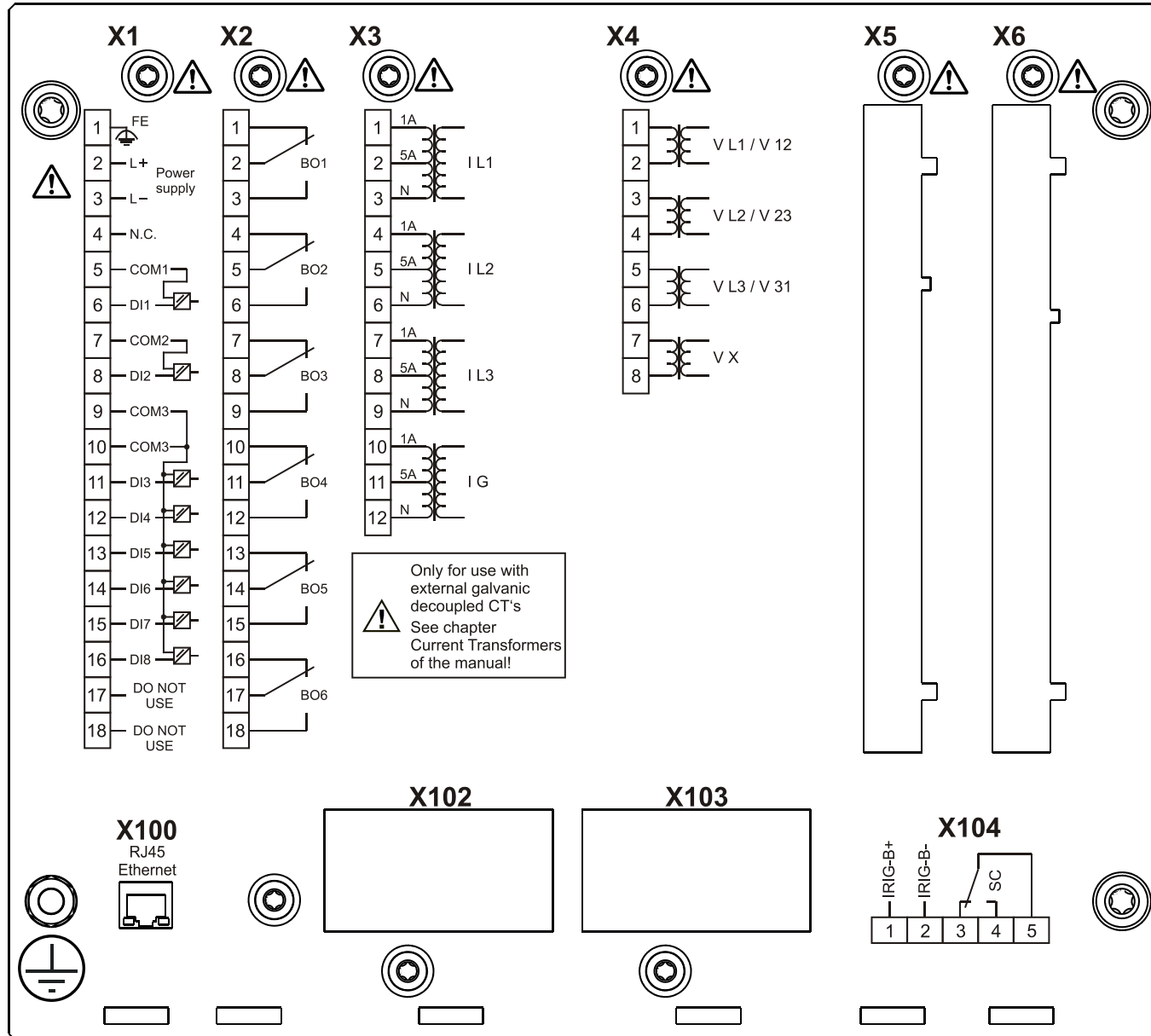




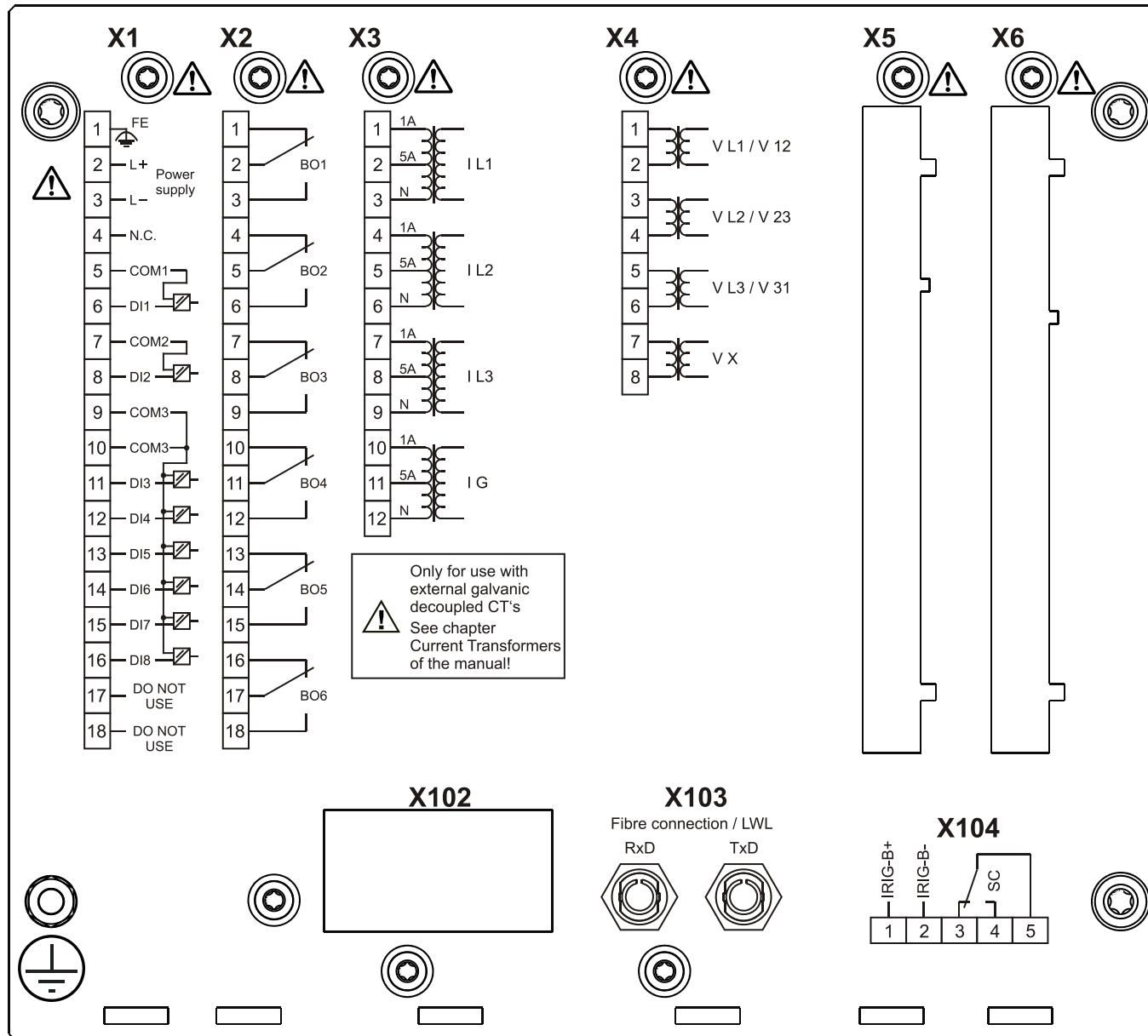
# MRA4-2A0HCA



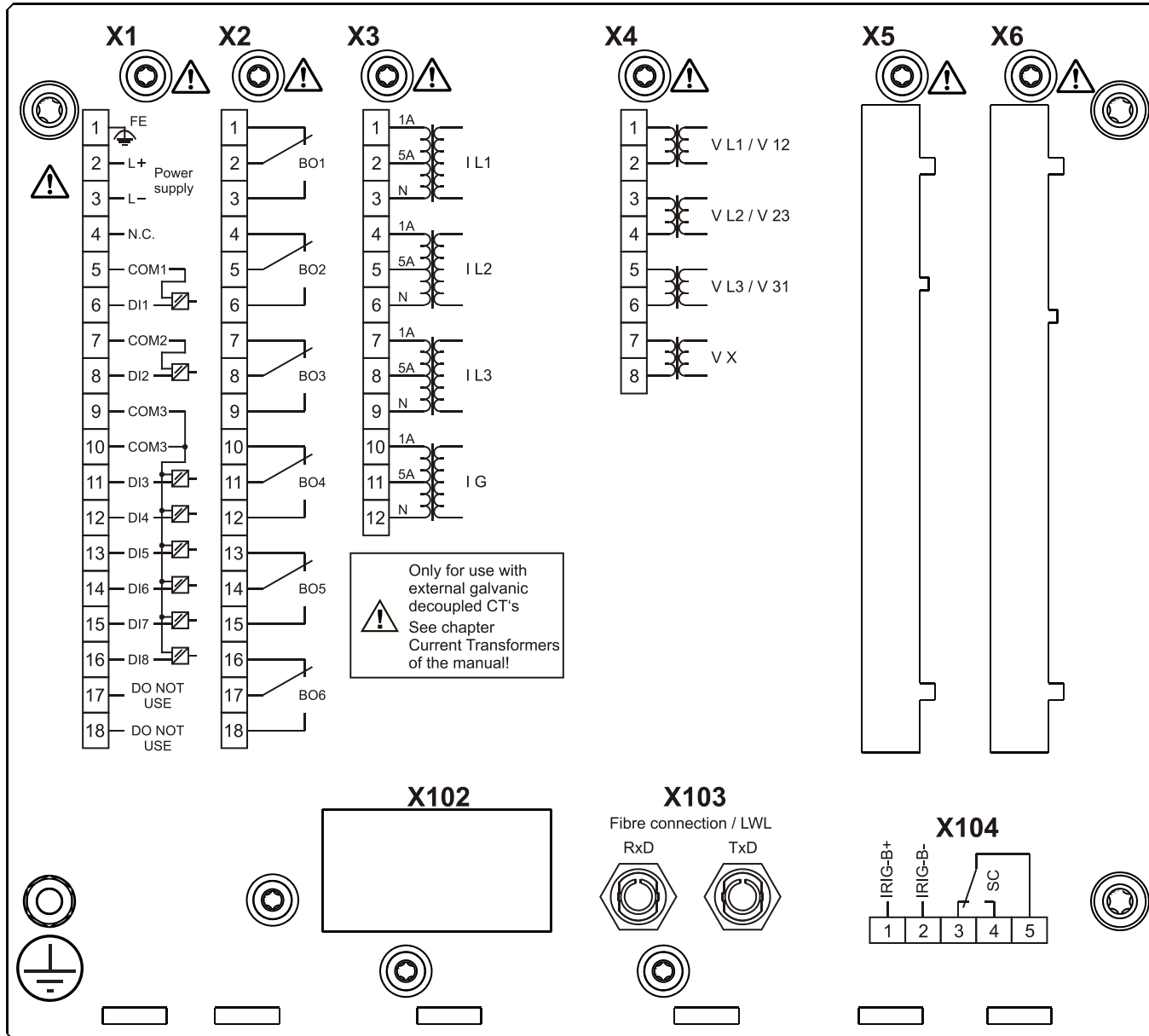
# MRA4-2A0HCB



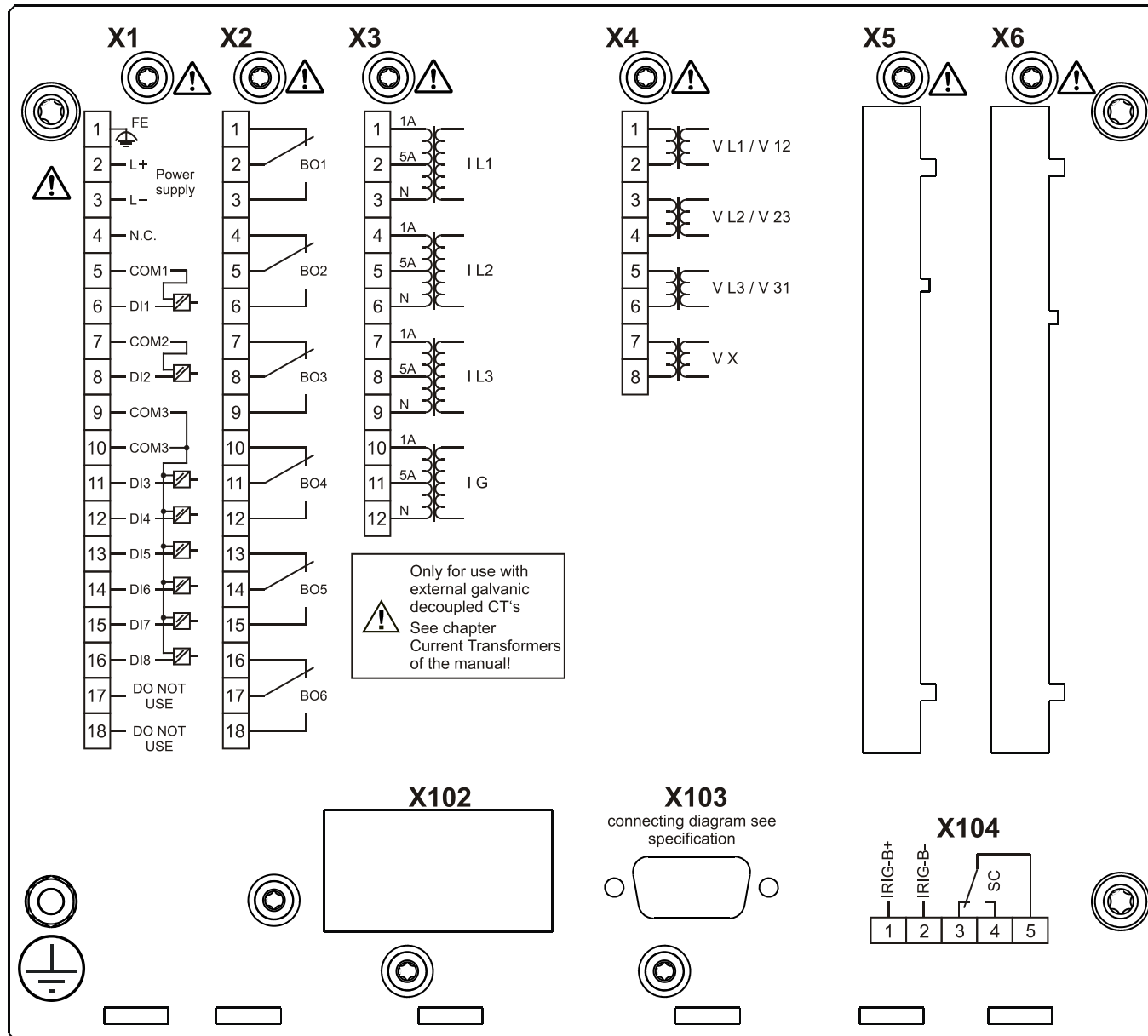
# MRA4-2A0HDA



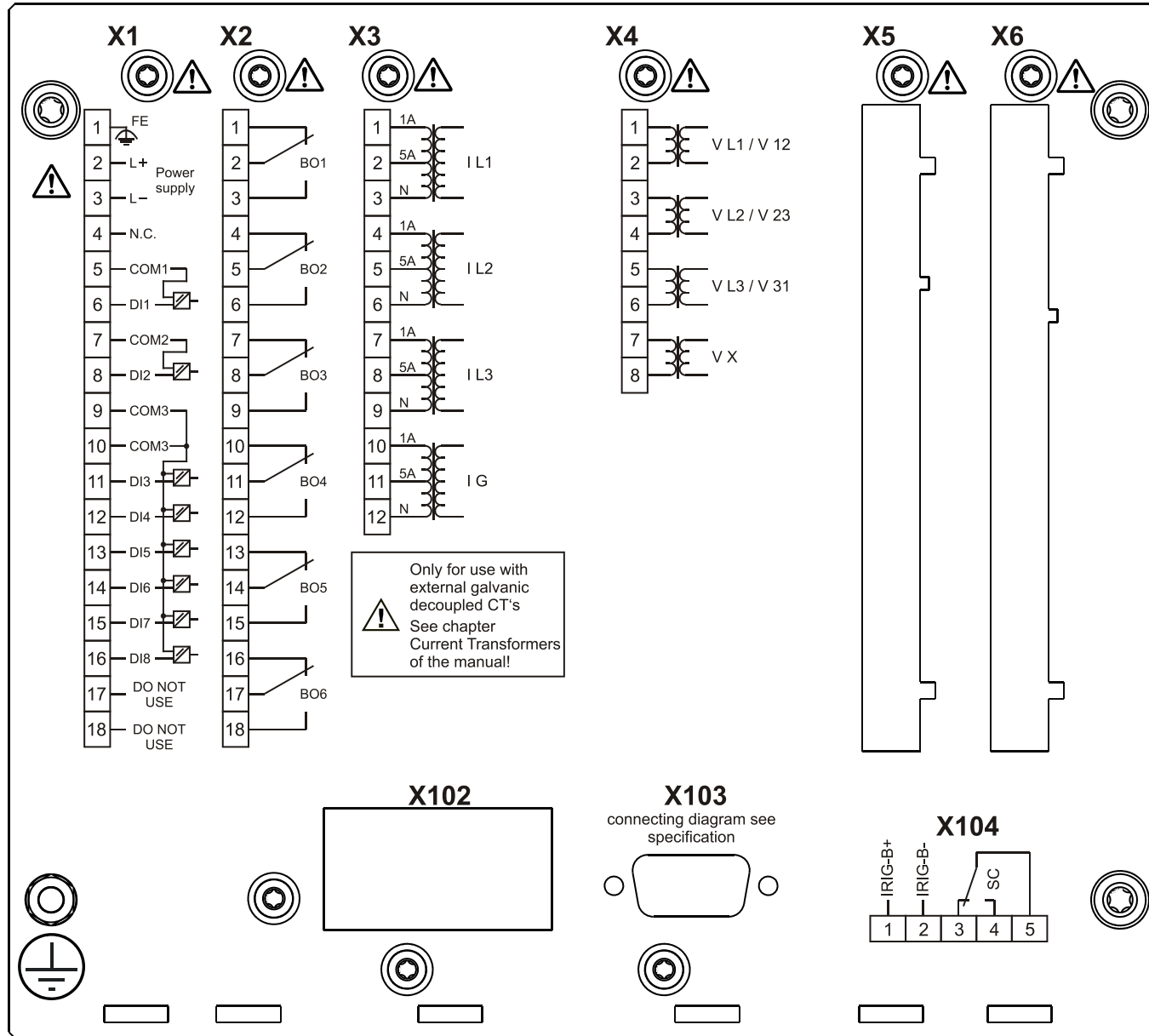
# MRA4-2A0HDB



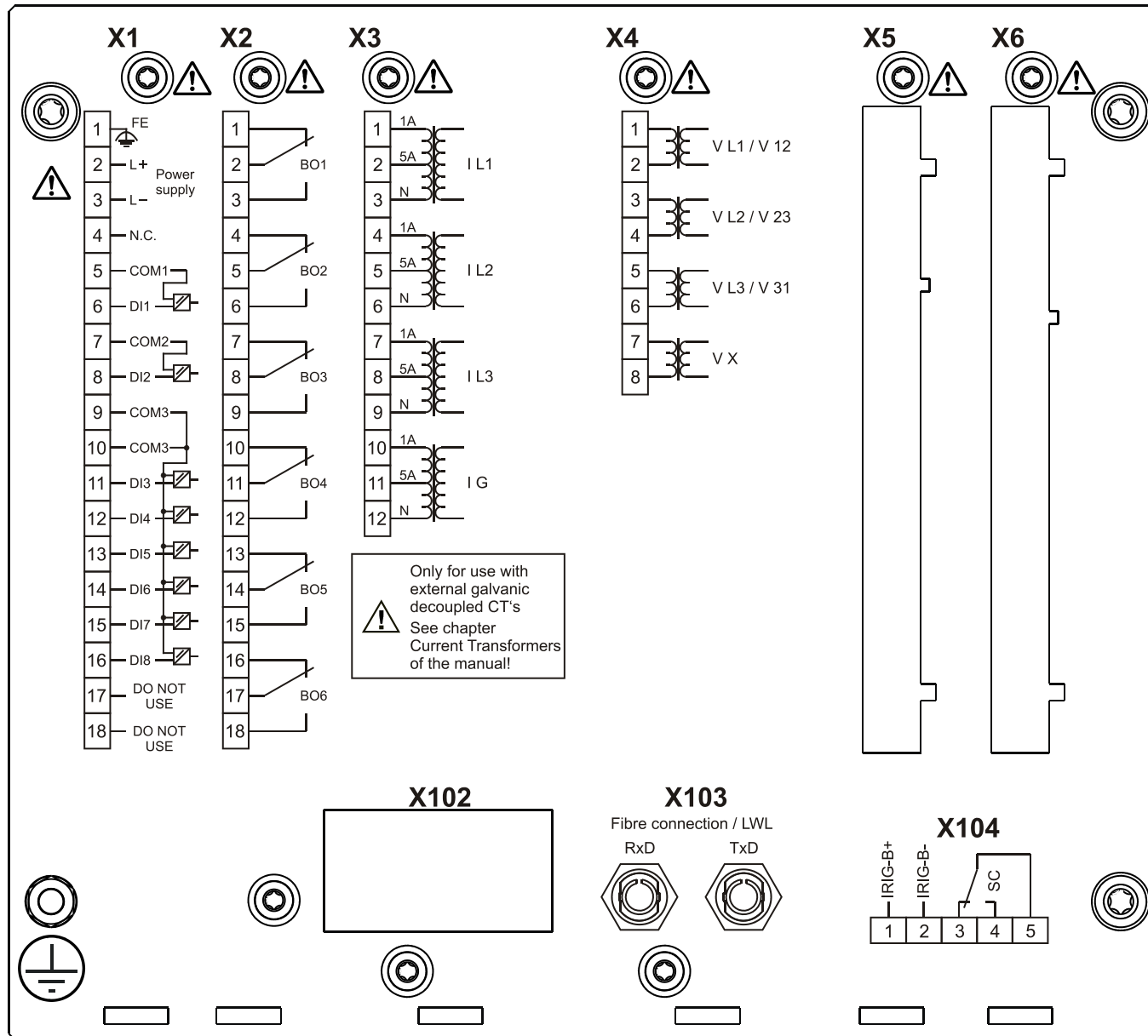
# MRA4-2A0HEA



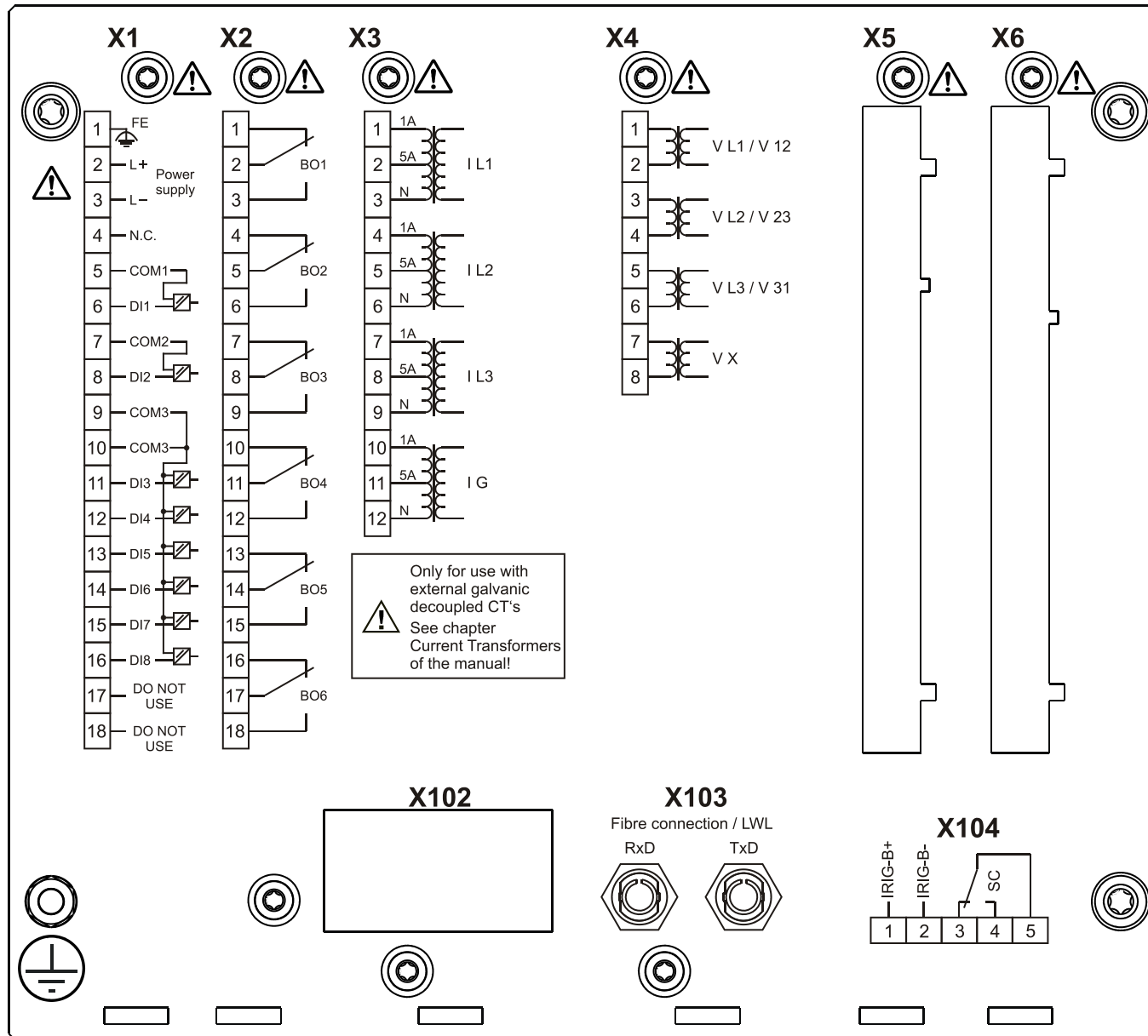
# MRA4-2A0HEB



# MRA4-2A0HFA

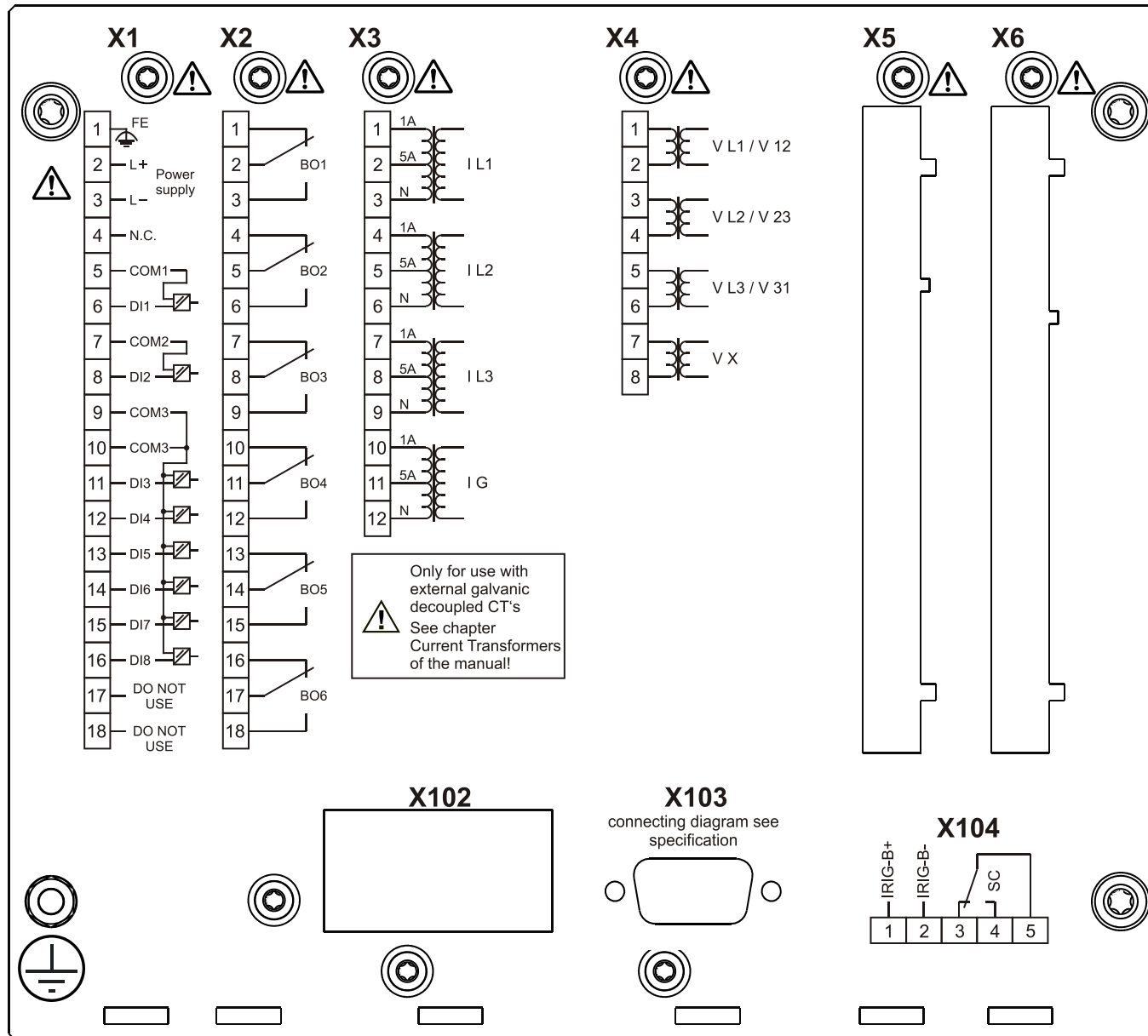


# MRA4-2A0HFB

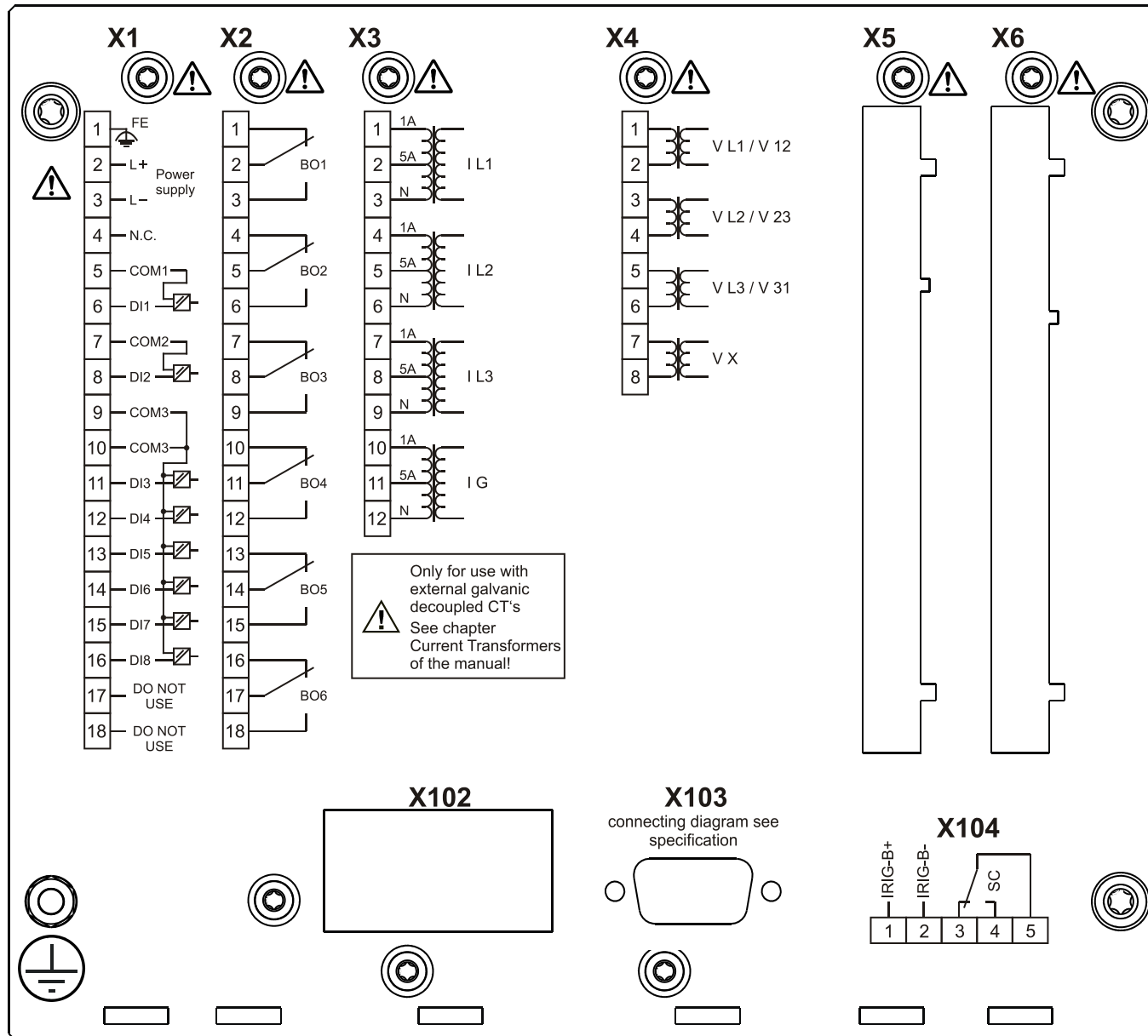




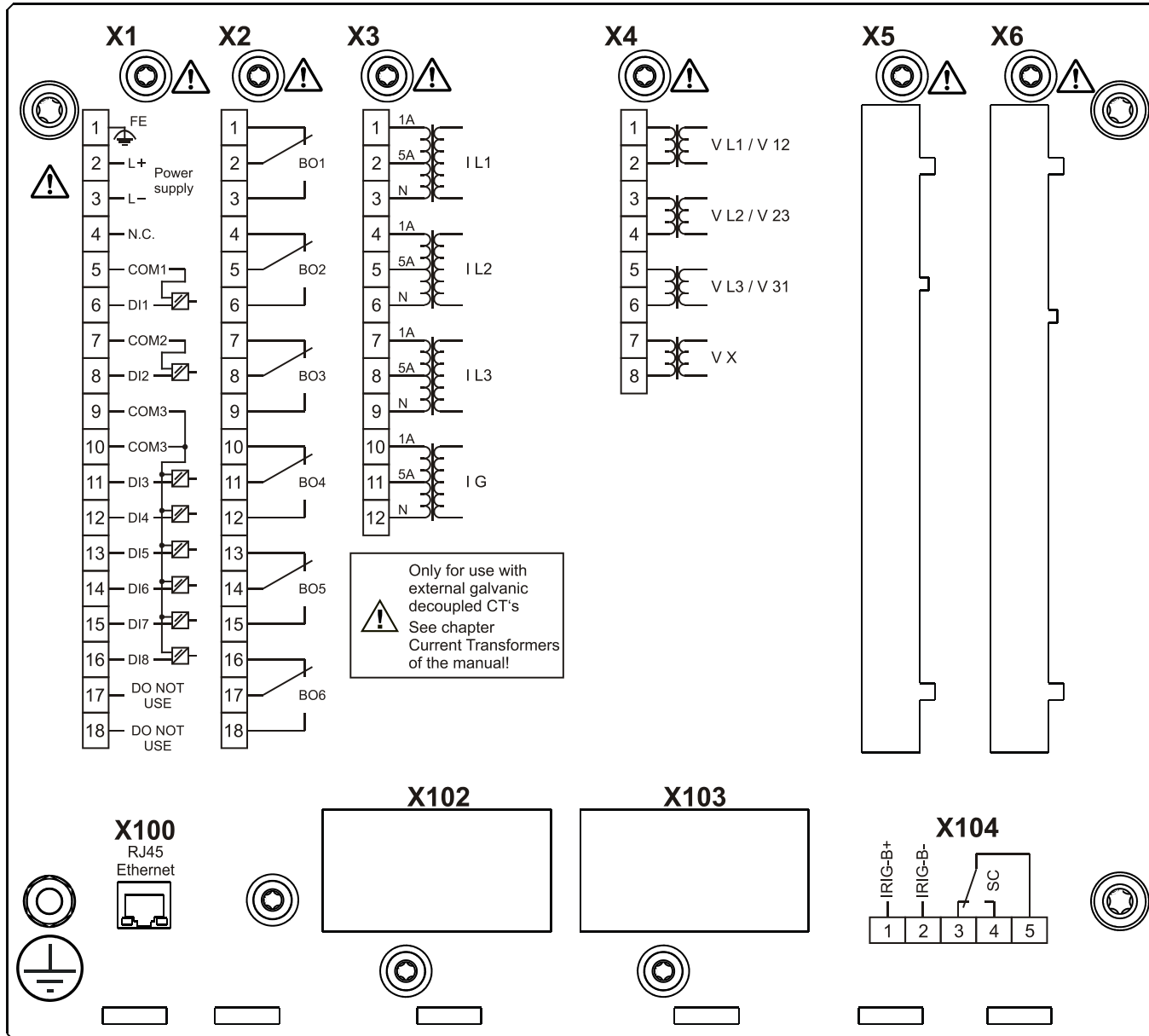
# MRA4-2A0HGA



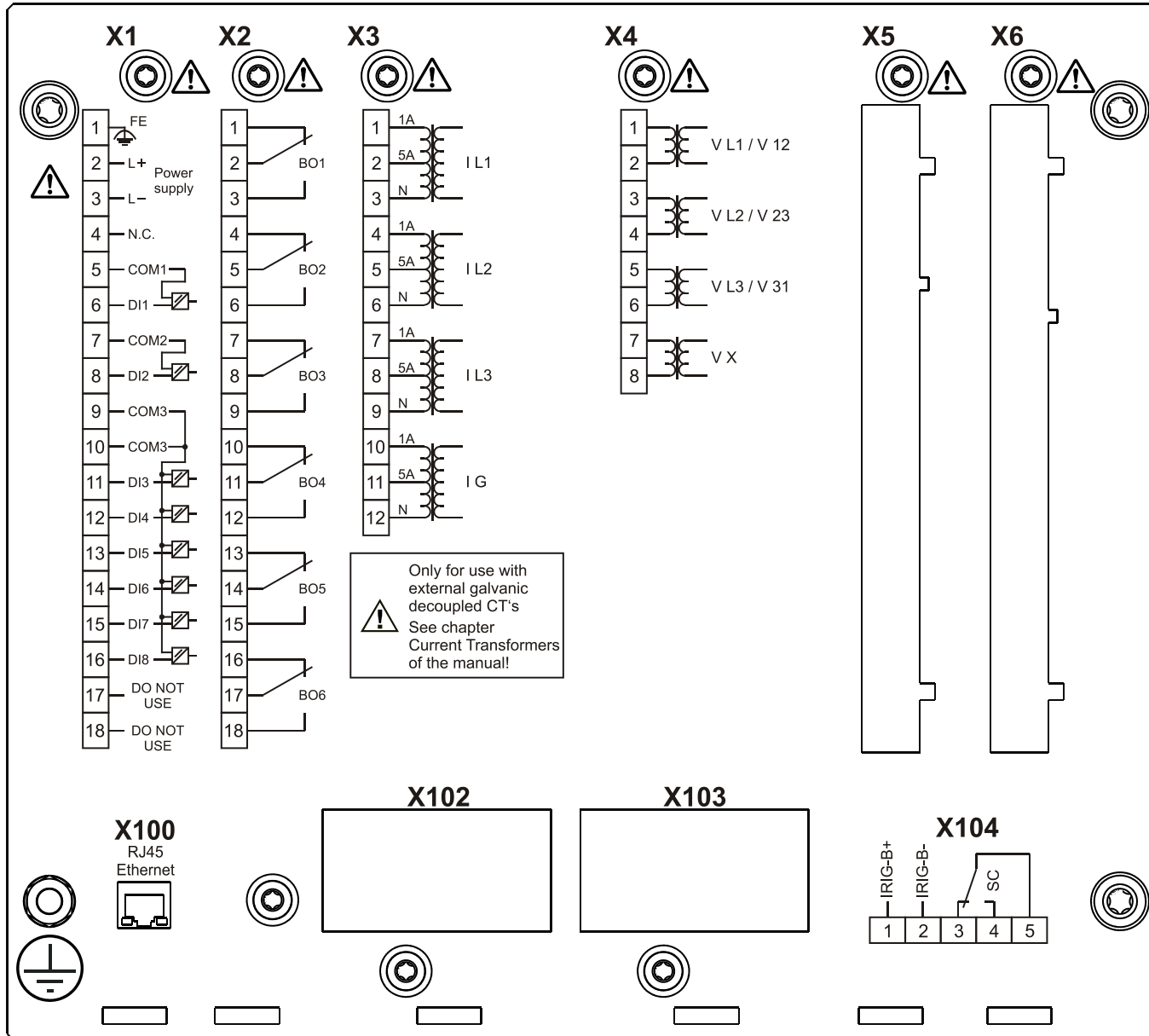
# MRA4-2A0HGB



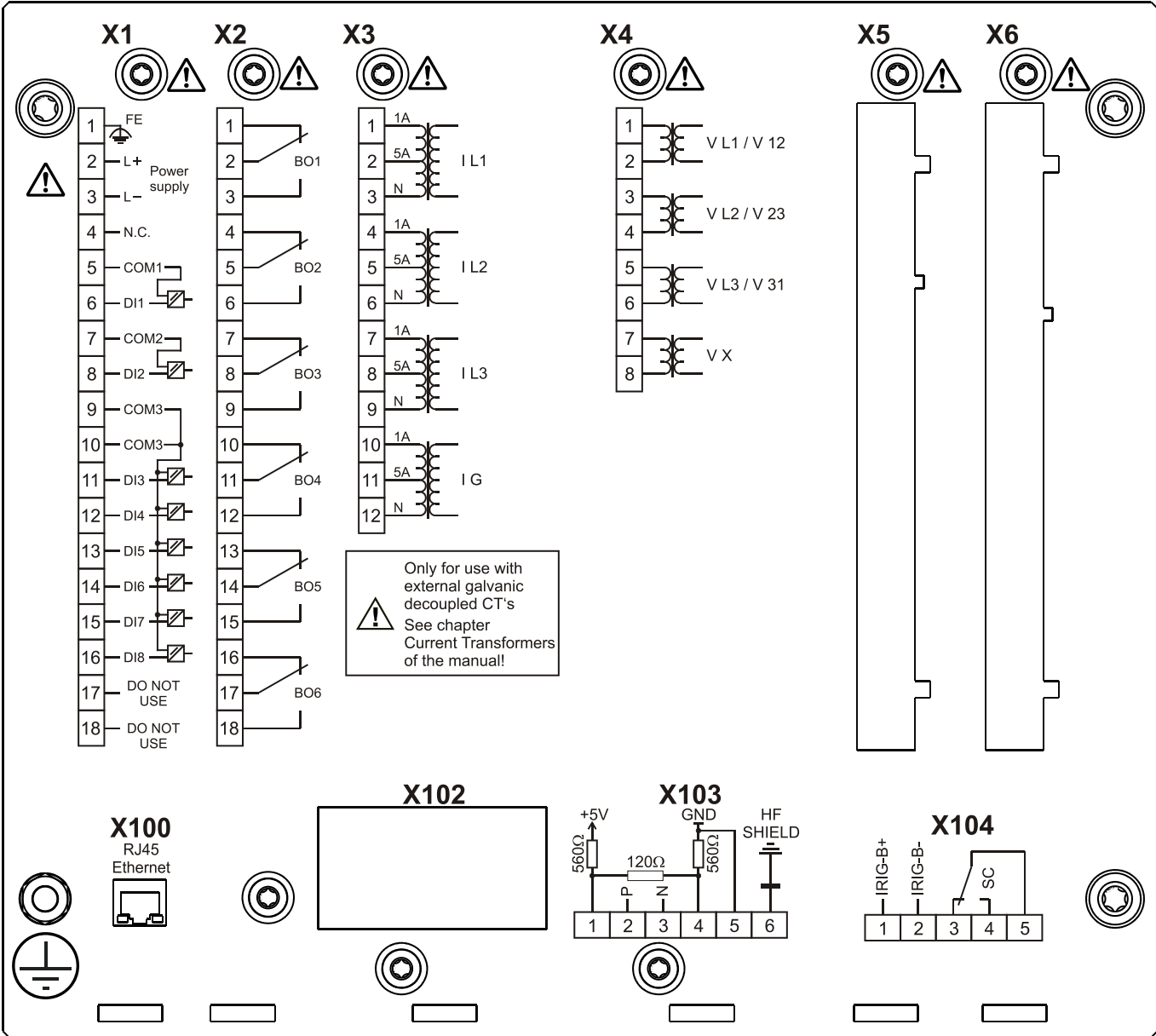
# MRA4-2A0HHA



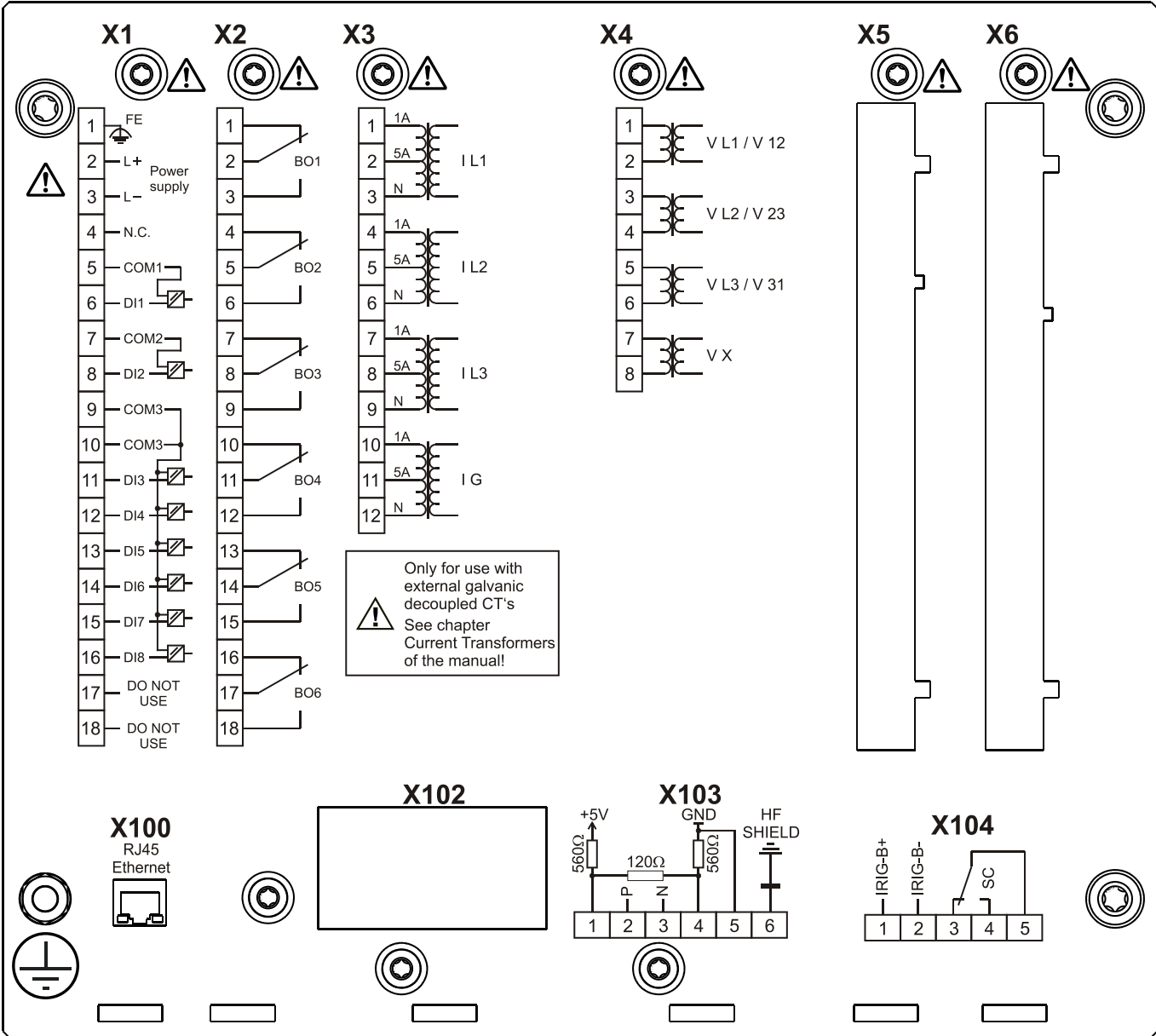
# MRA4-2A0HHB



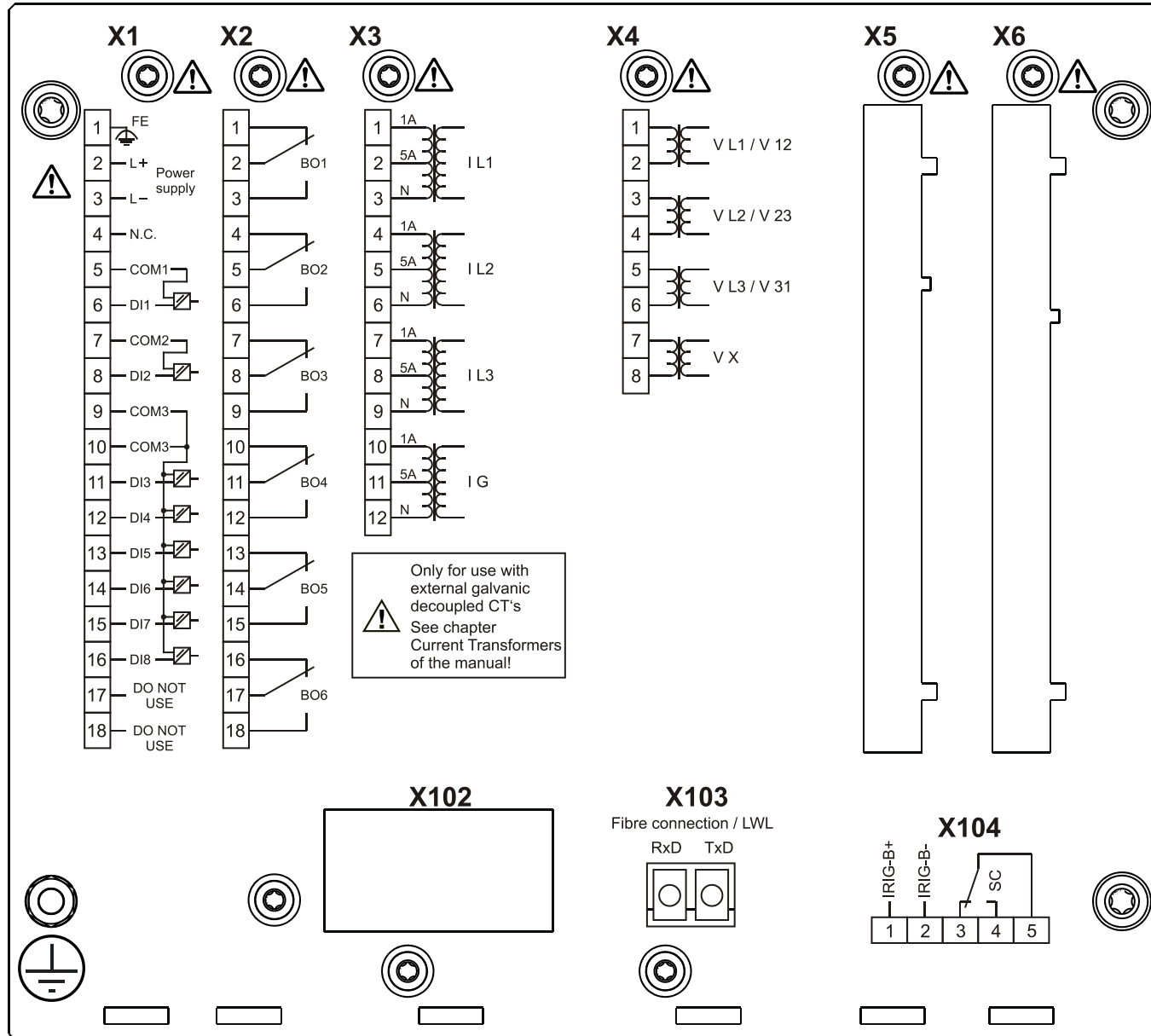
# MRA4-2A0HIA



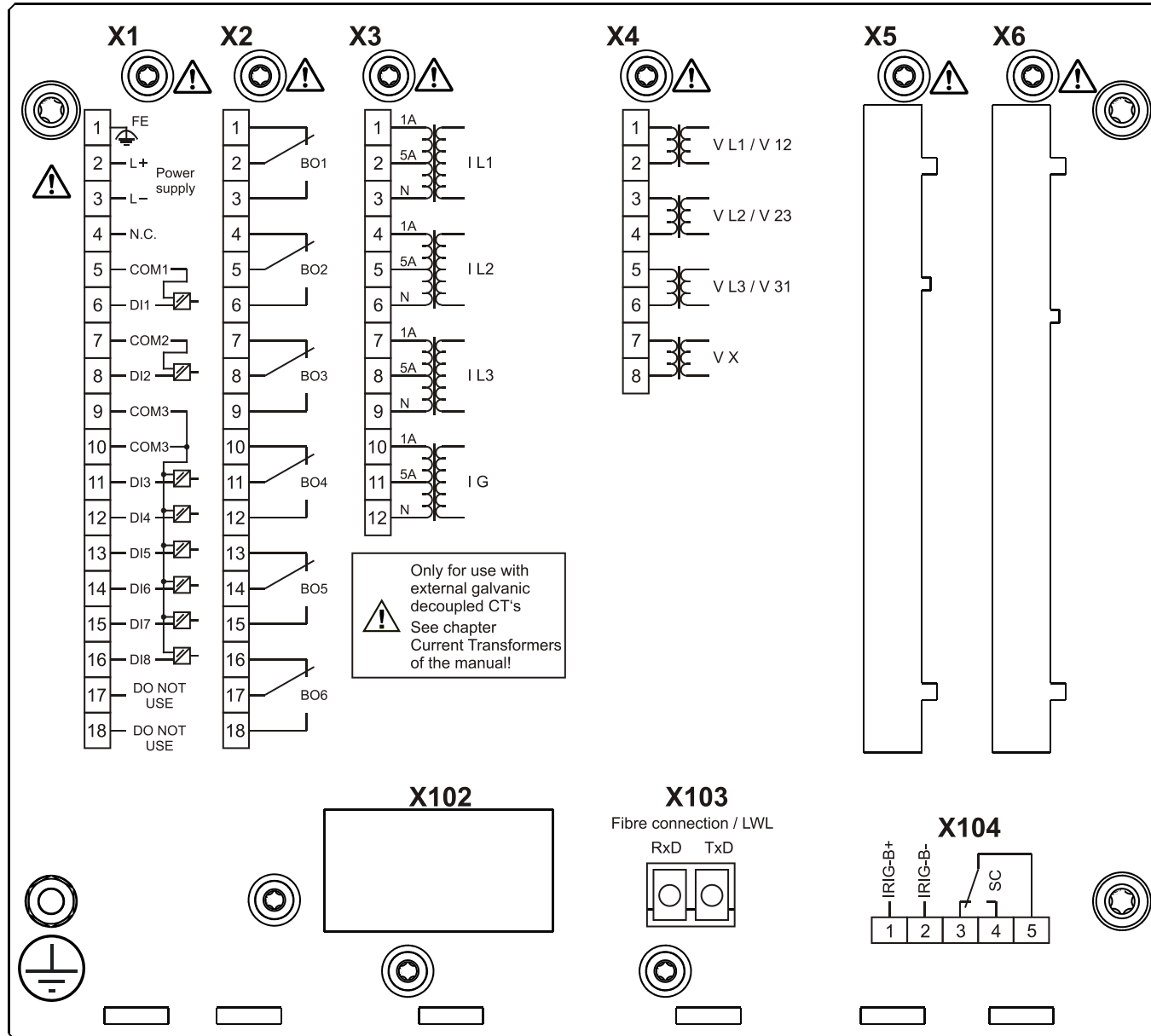
# MRA4-2A0HIB



# MRA4-2A0HKA

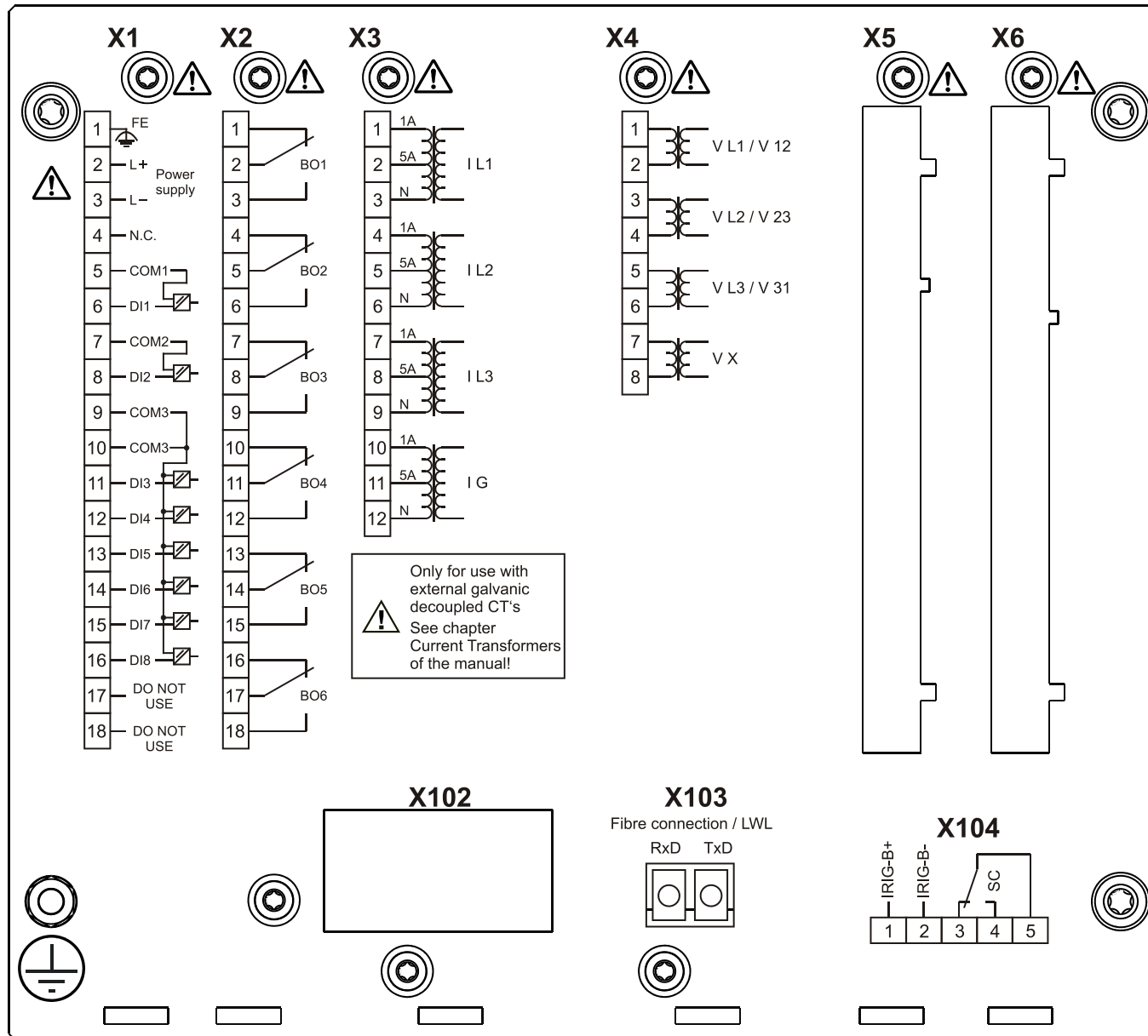


# MRA4-2A0HKB

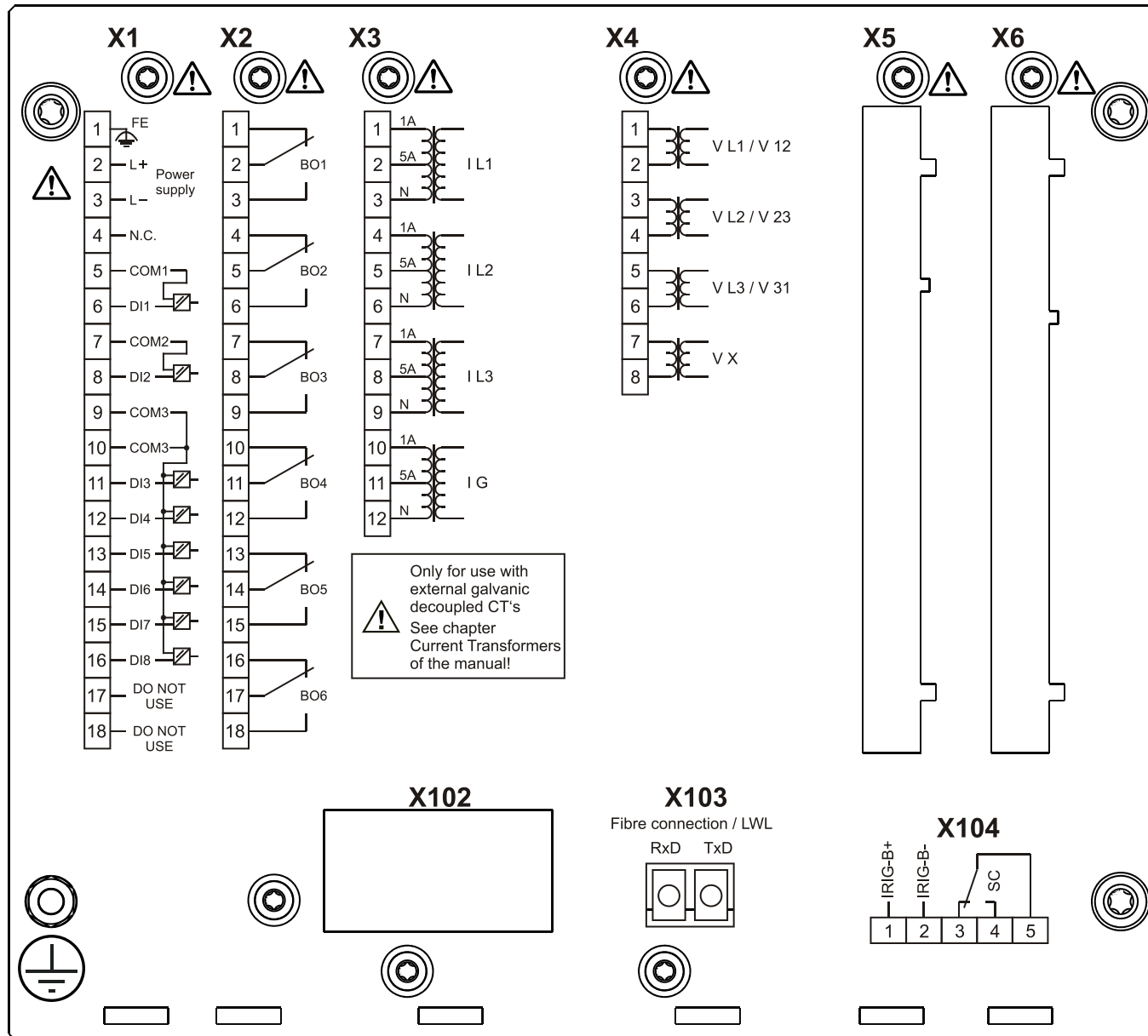




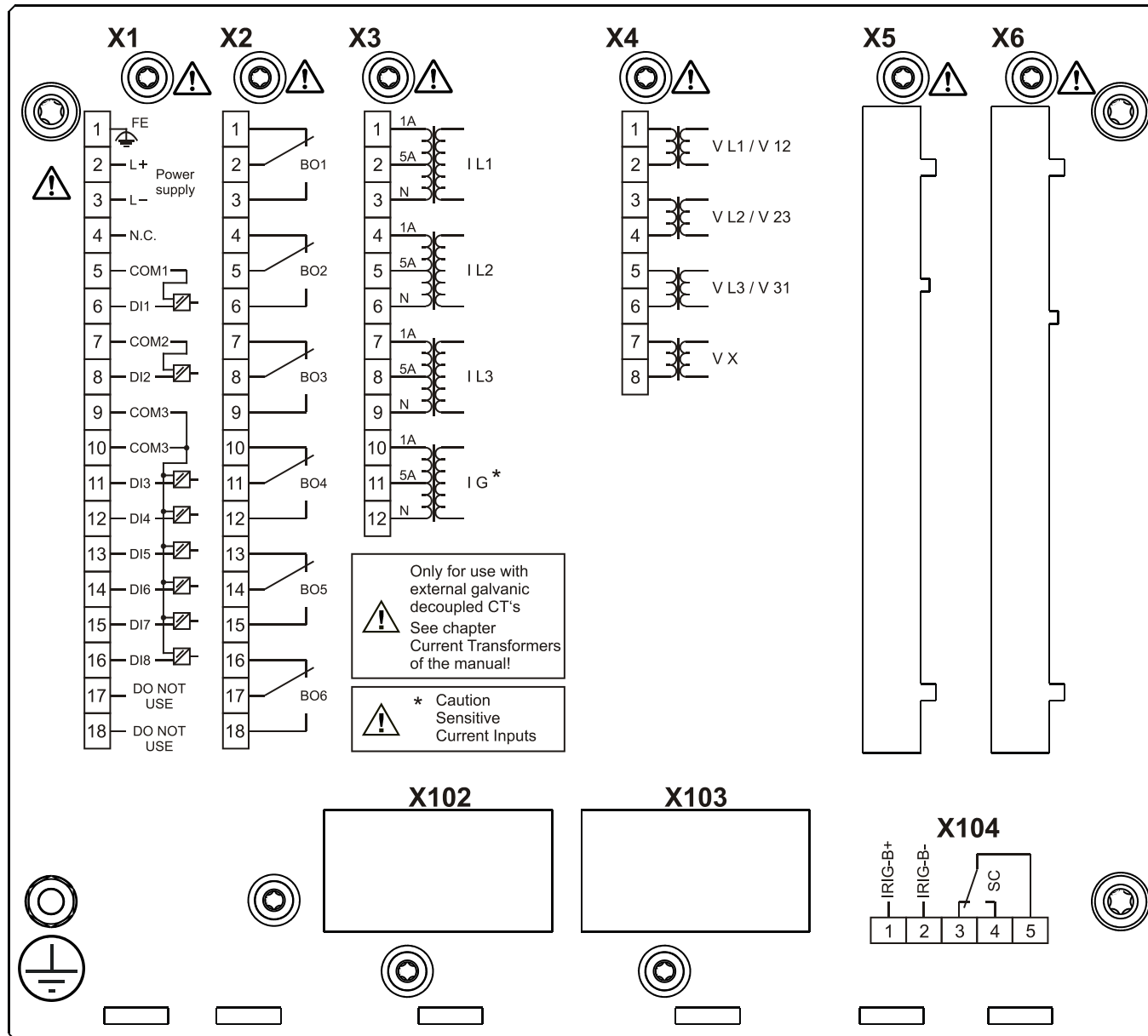
# MRA4-2A0HLA



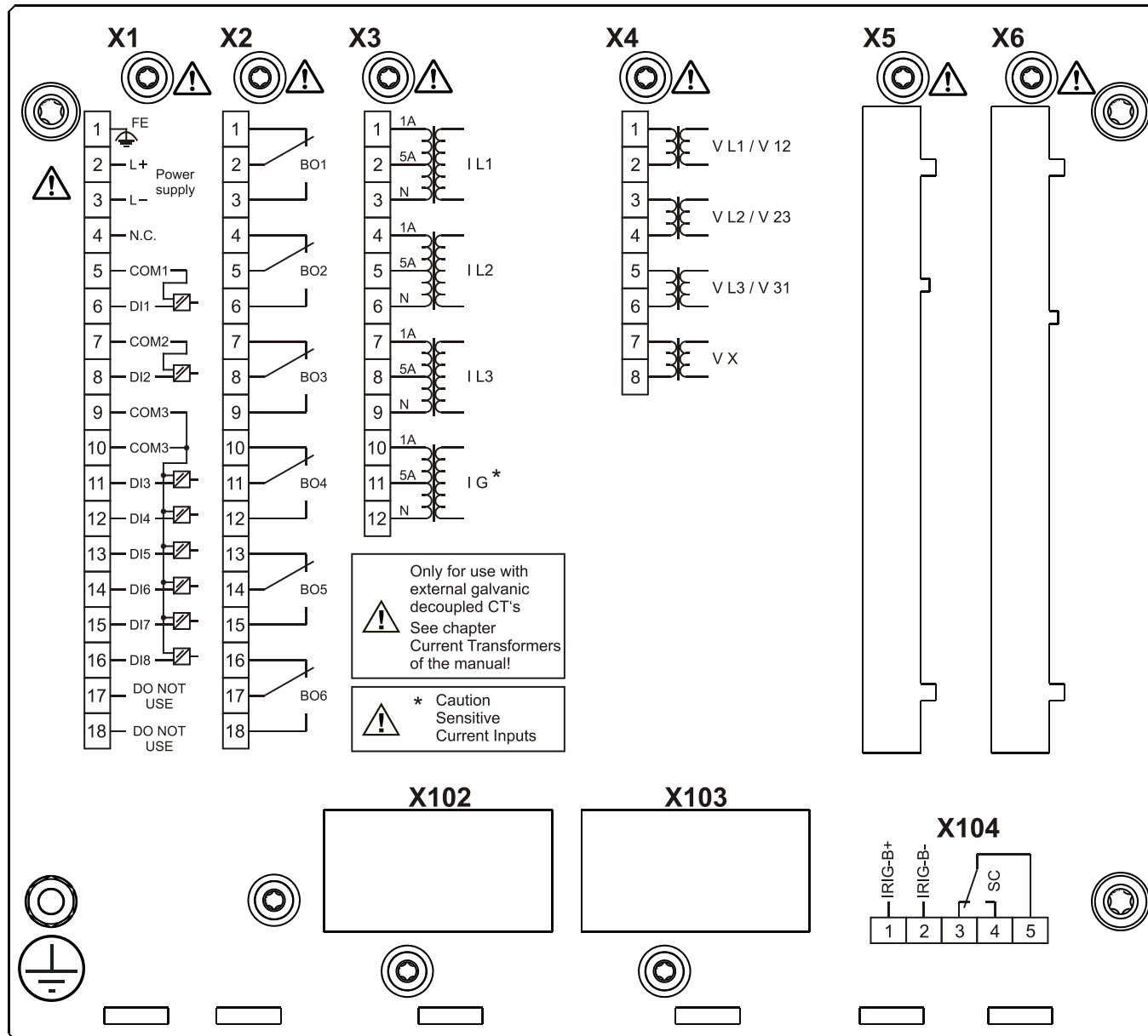
# MRA4-2A0HLB



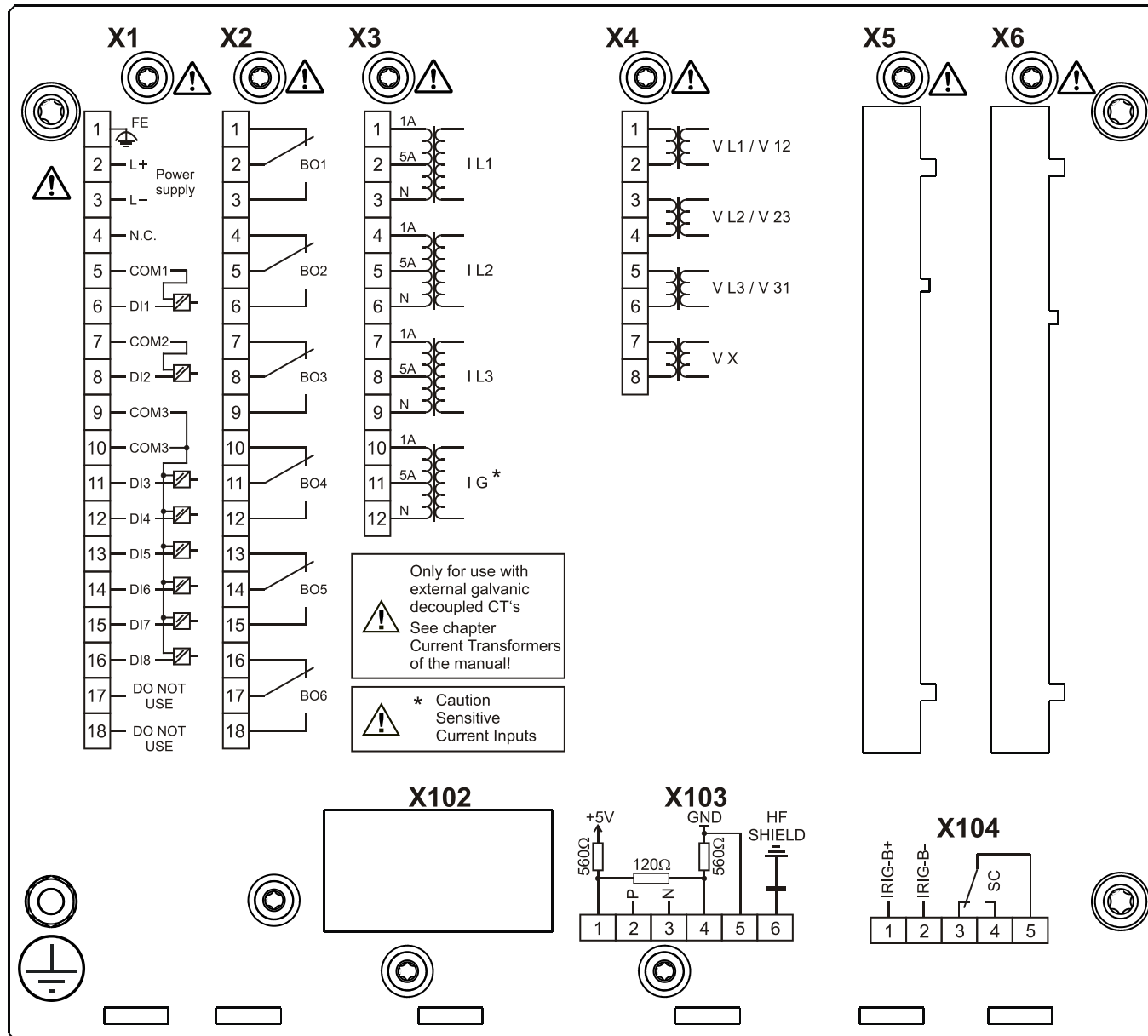
# MRA4-2A1AAA



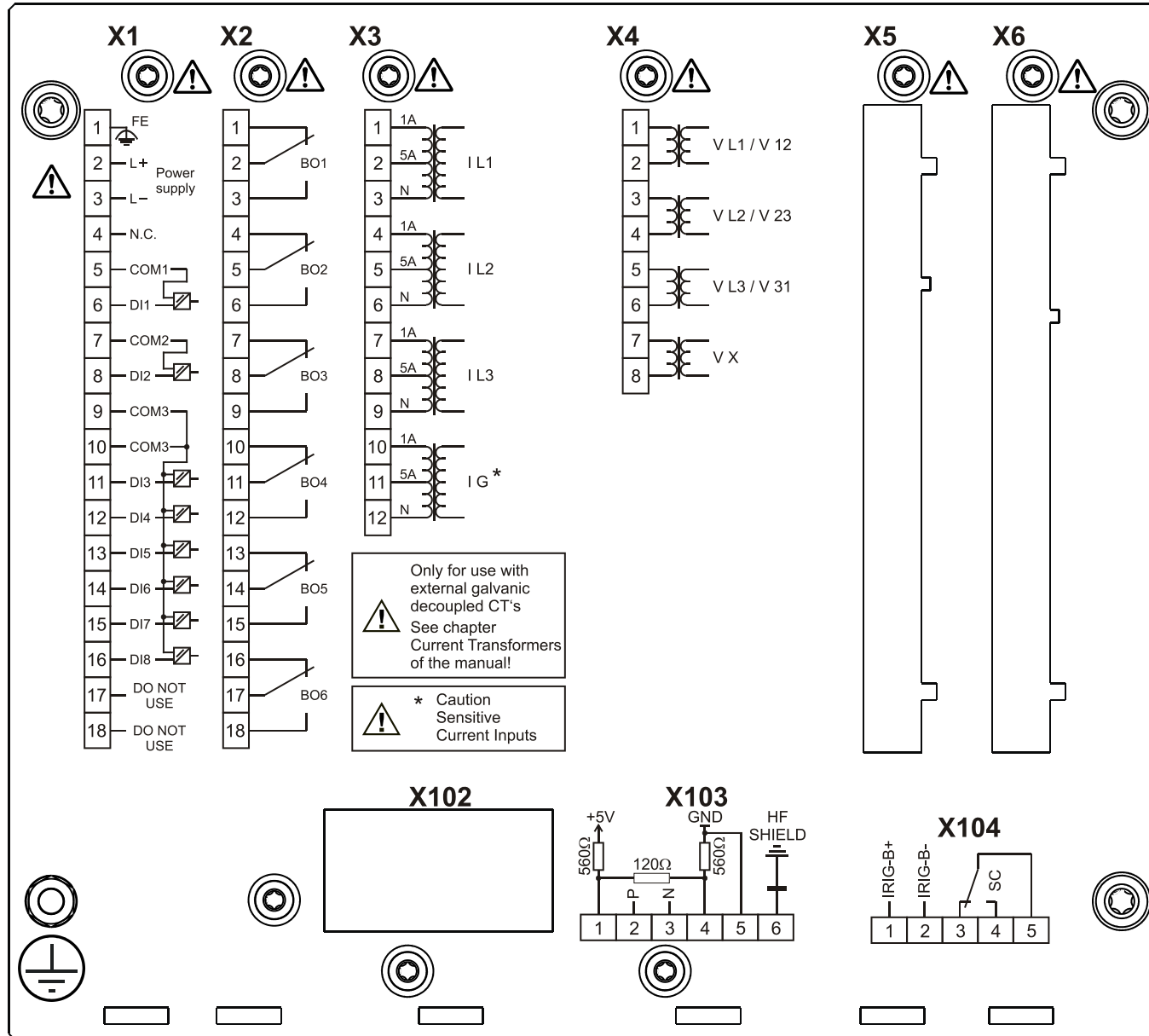
# MRA4-2A1AAB



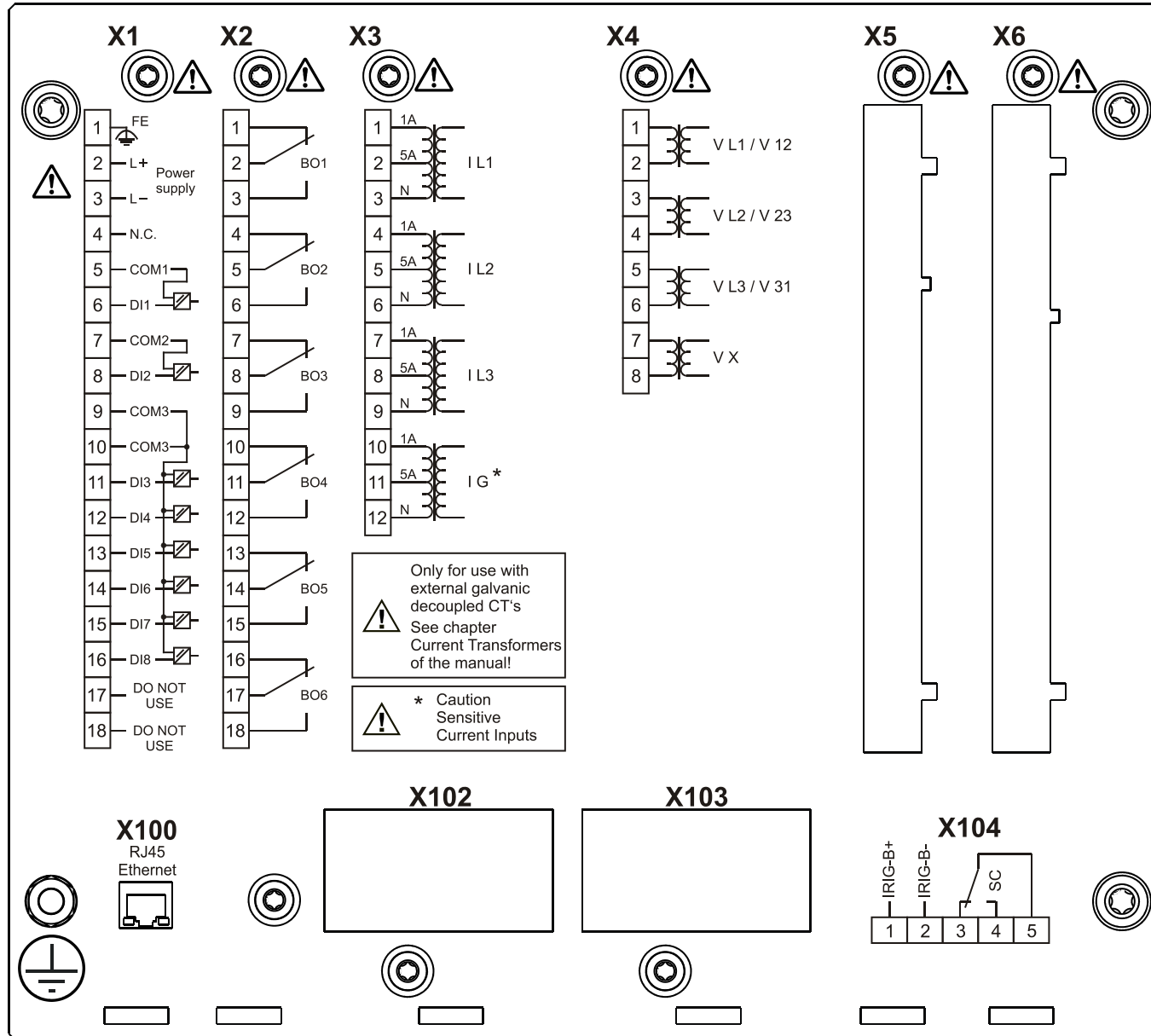
# MRA4-2A1ABA



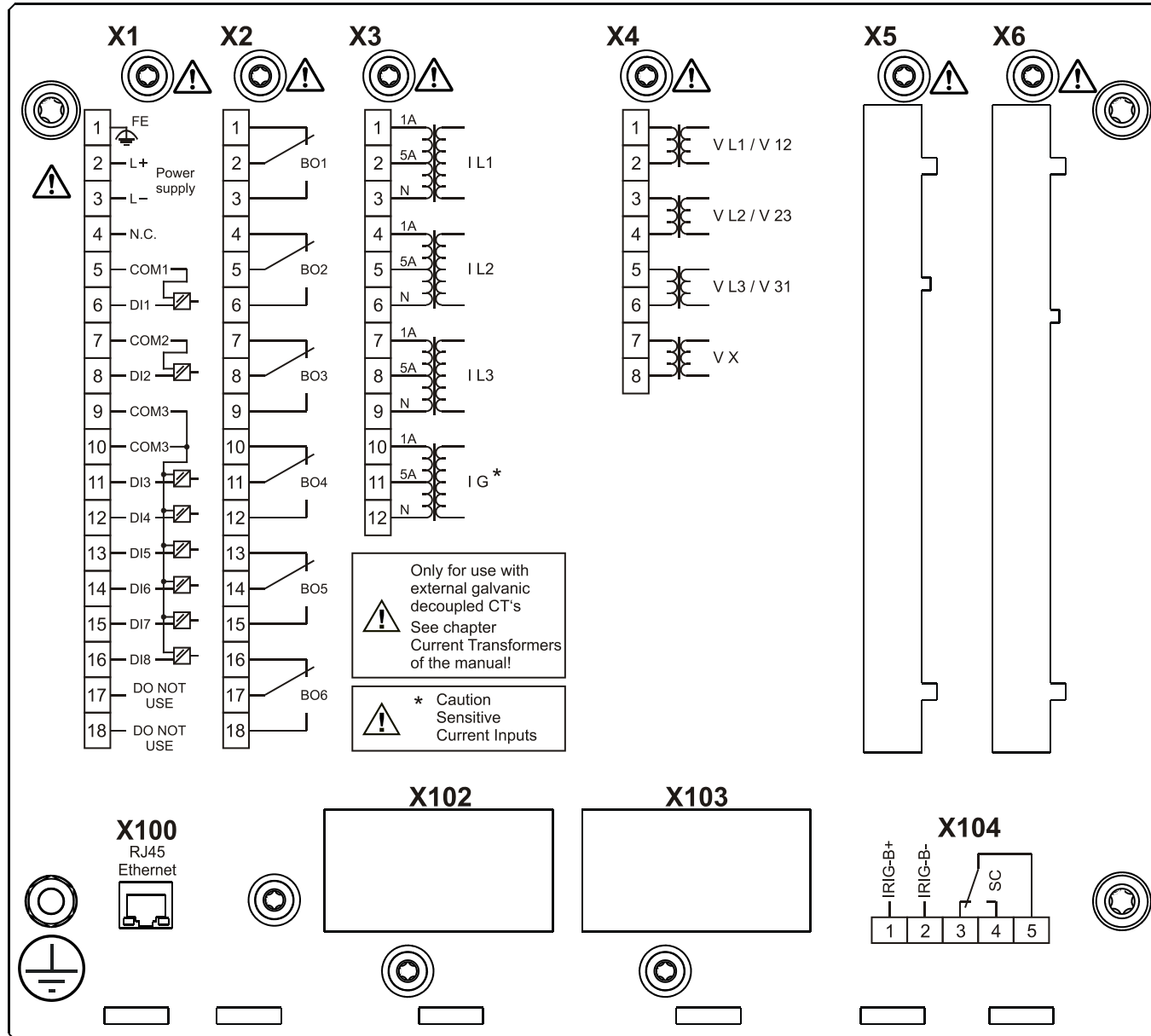
# MRA4-2A1ABB



# MRA4-2A1ACA

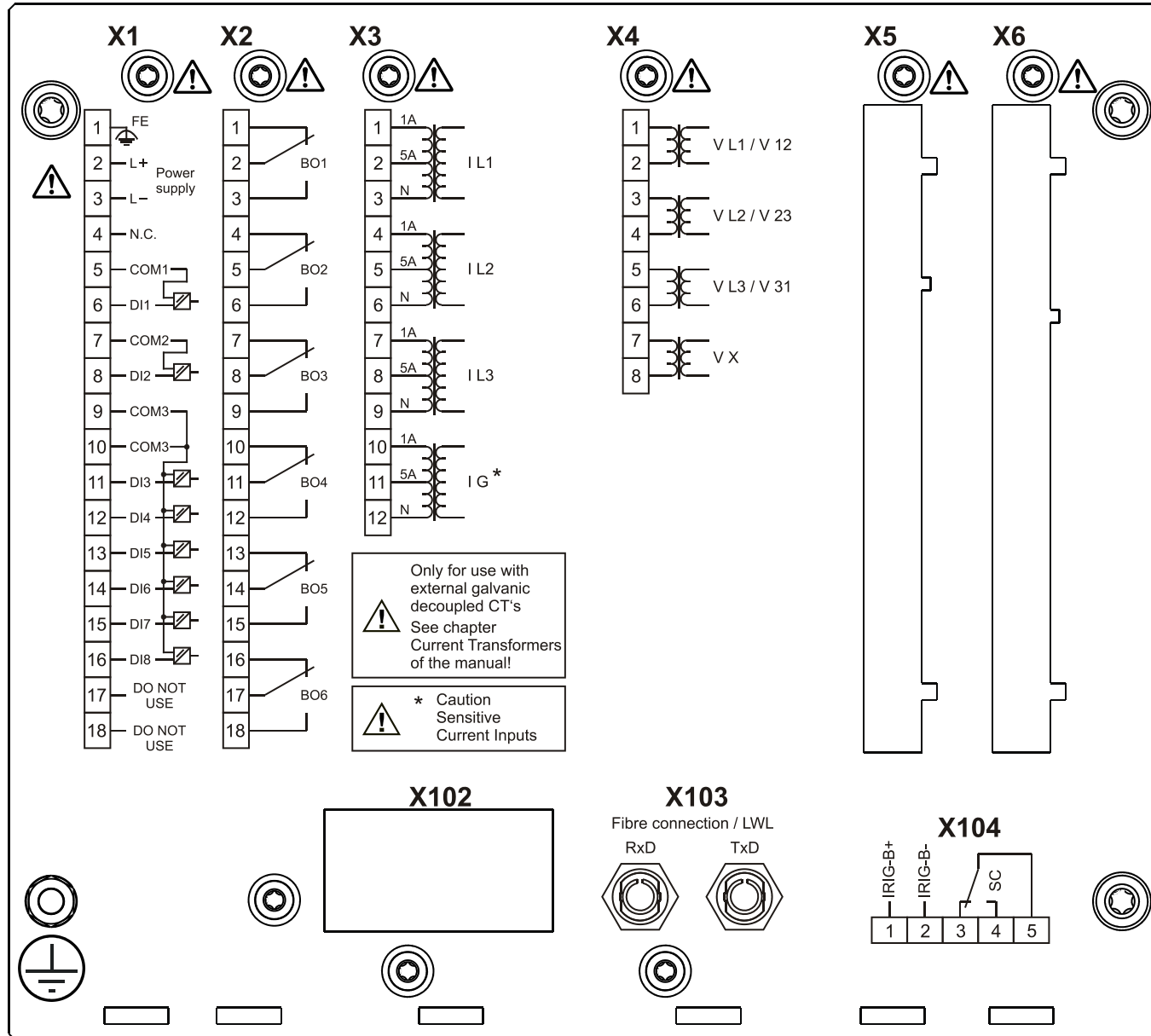


# MRA4-2A1ACB

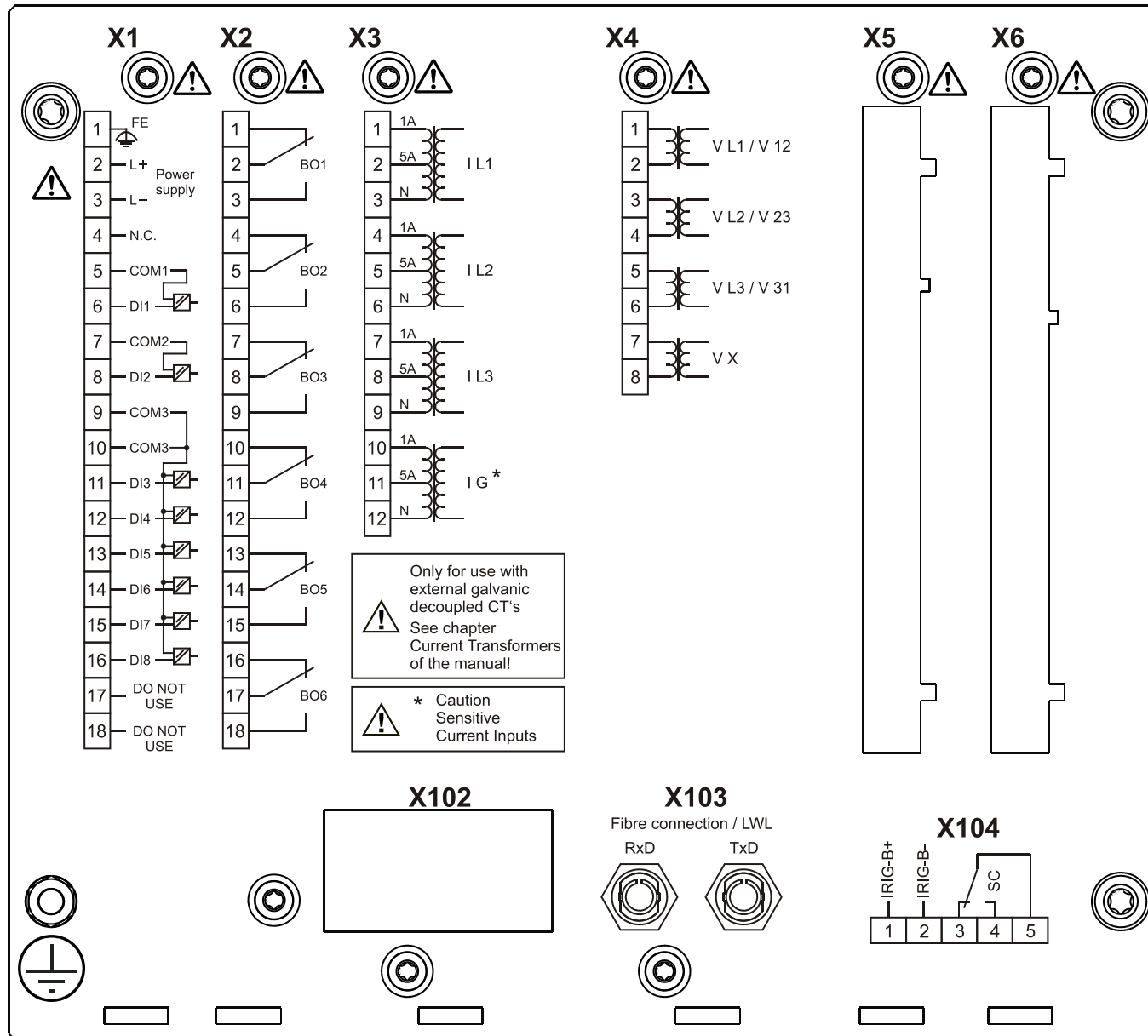




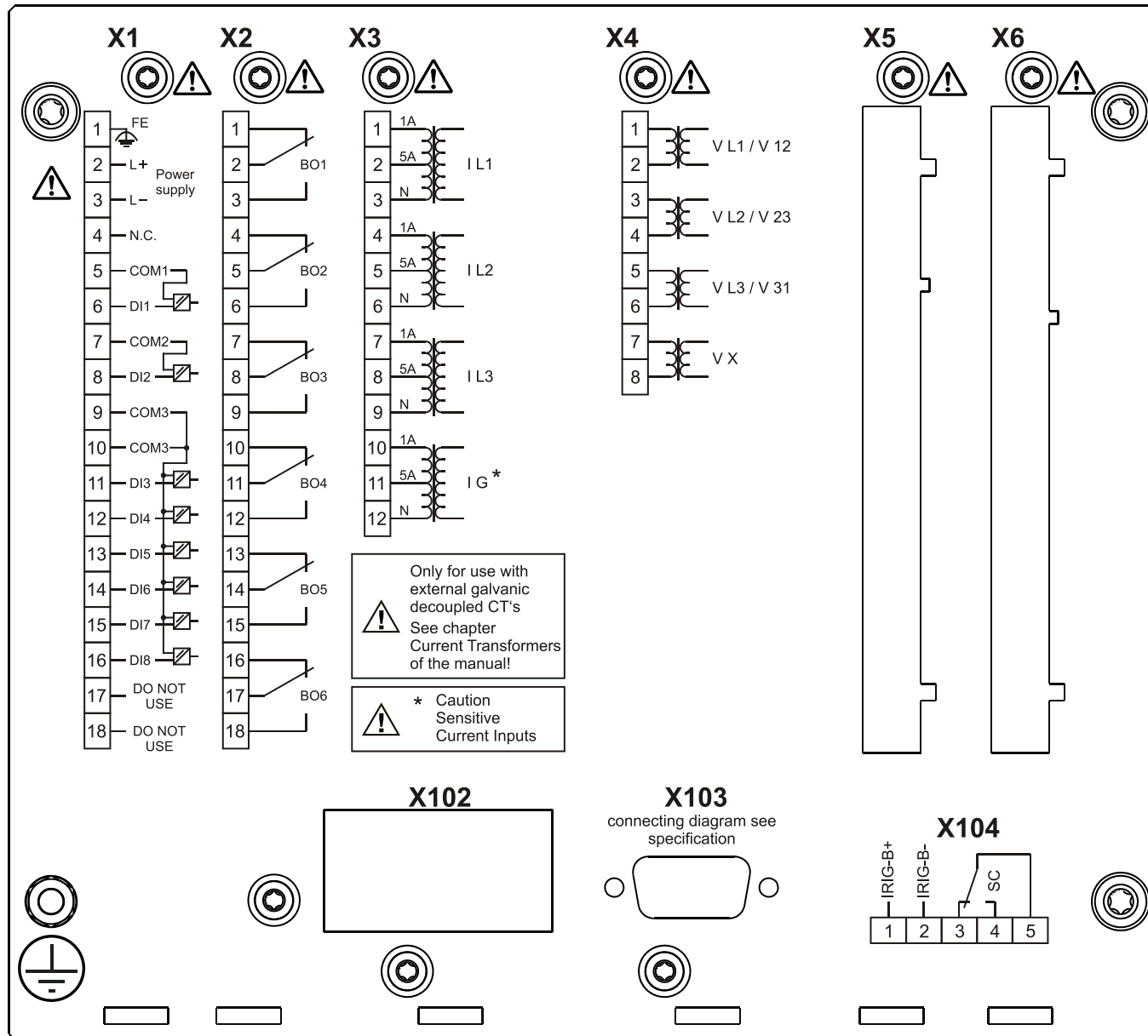
# MRA4-2A1ADA



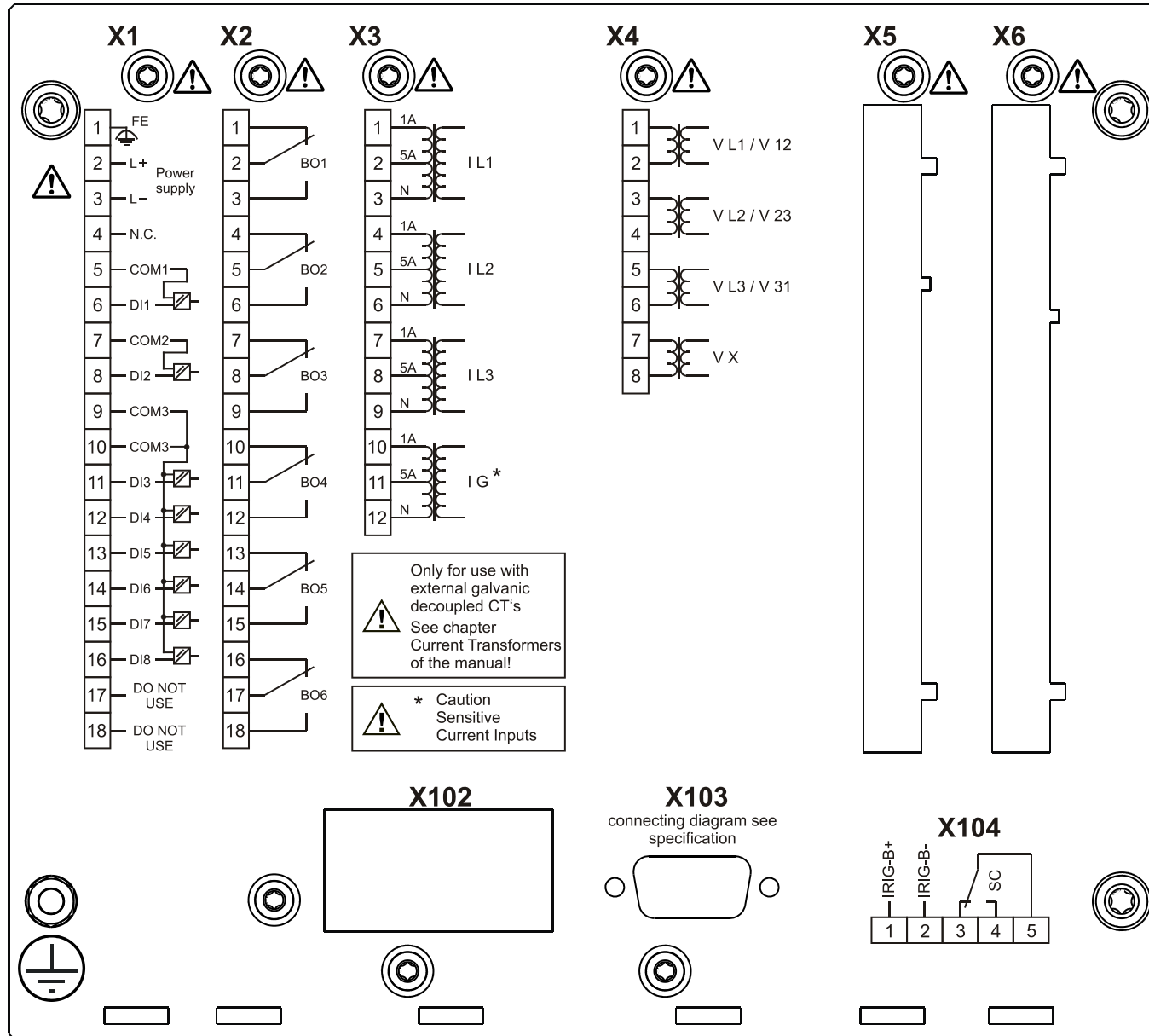
# MRA4-2A1ADB



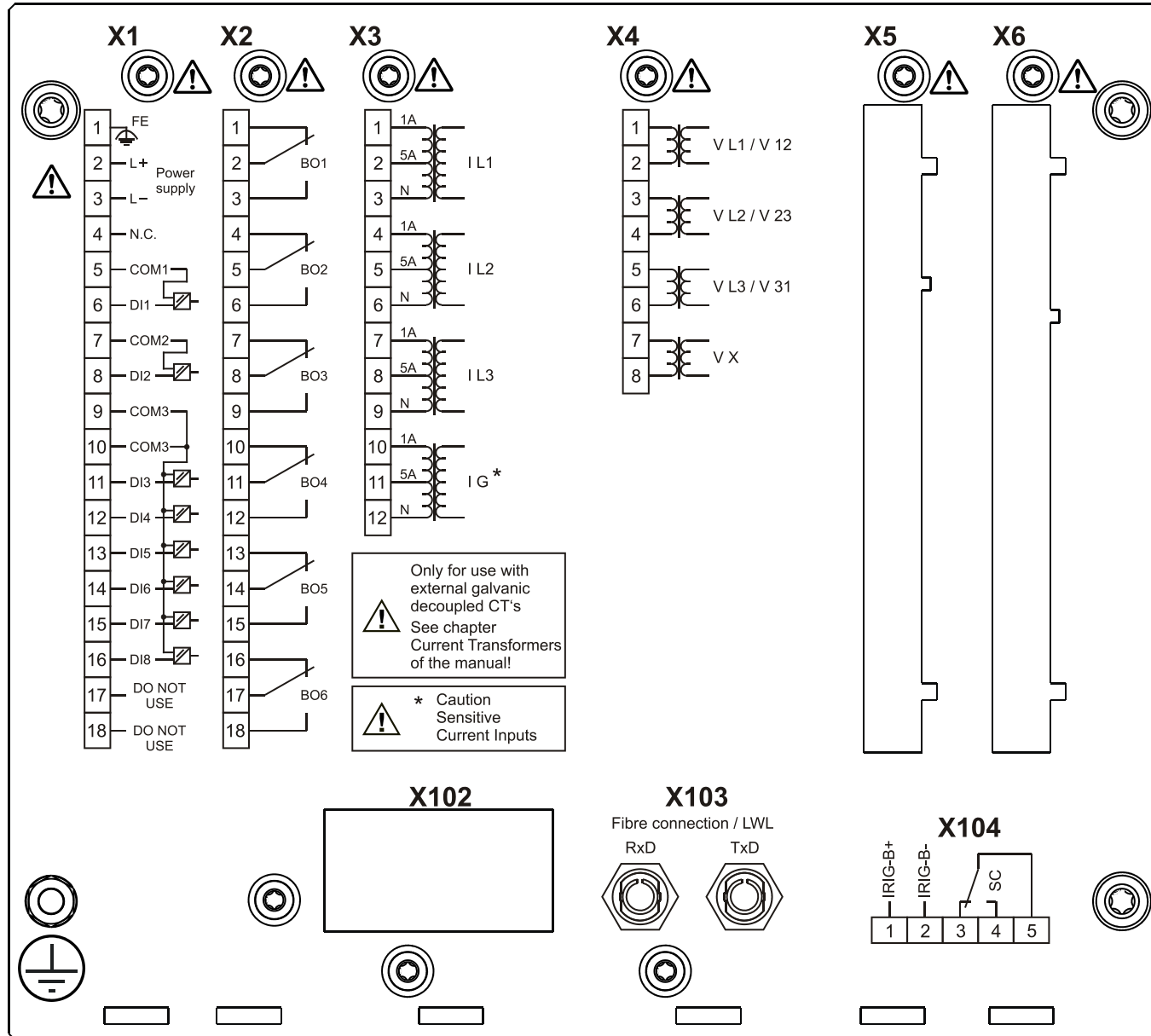
# MRA4-2A1AEA



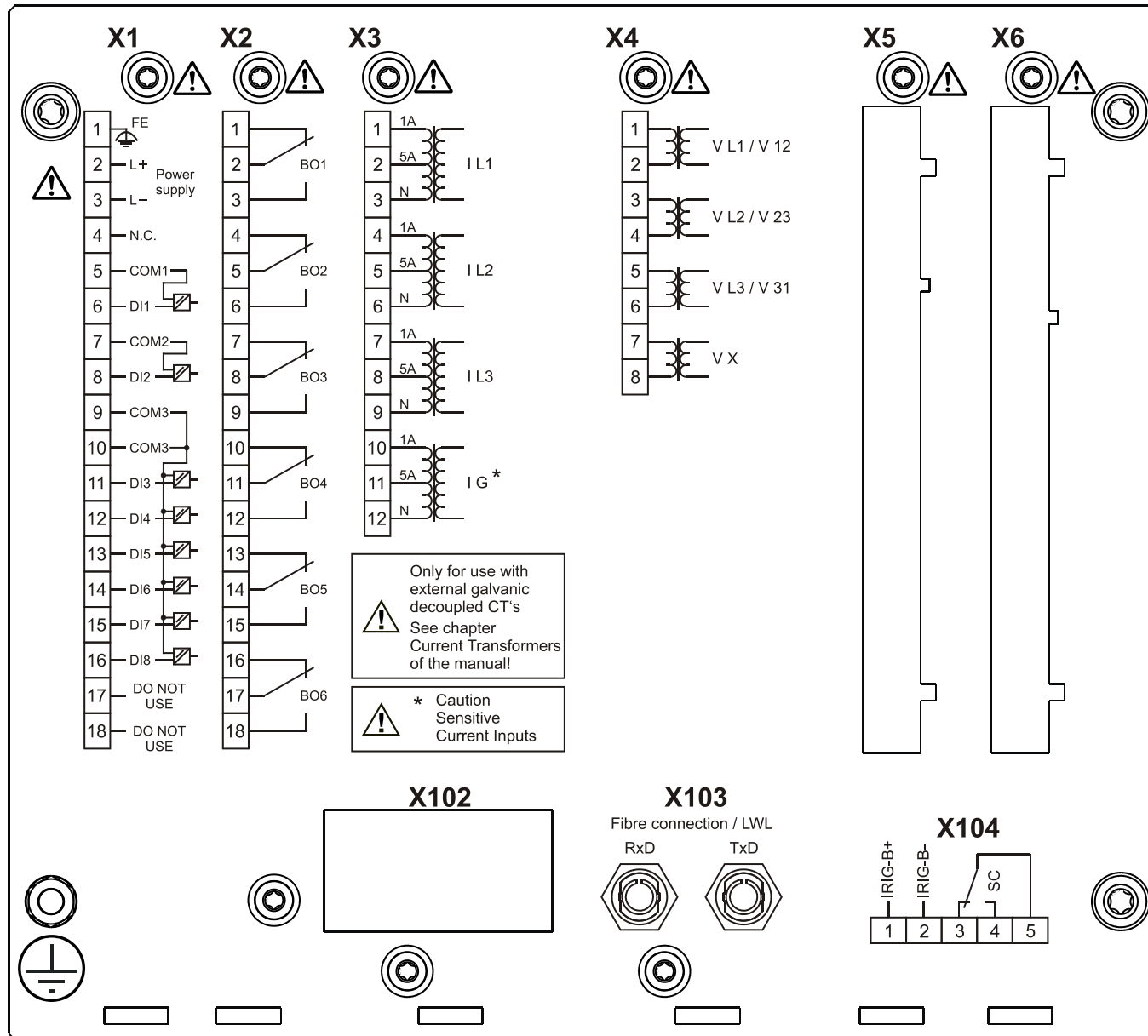
# MRA4-2A1AEB



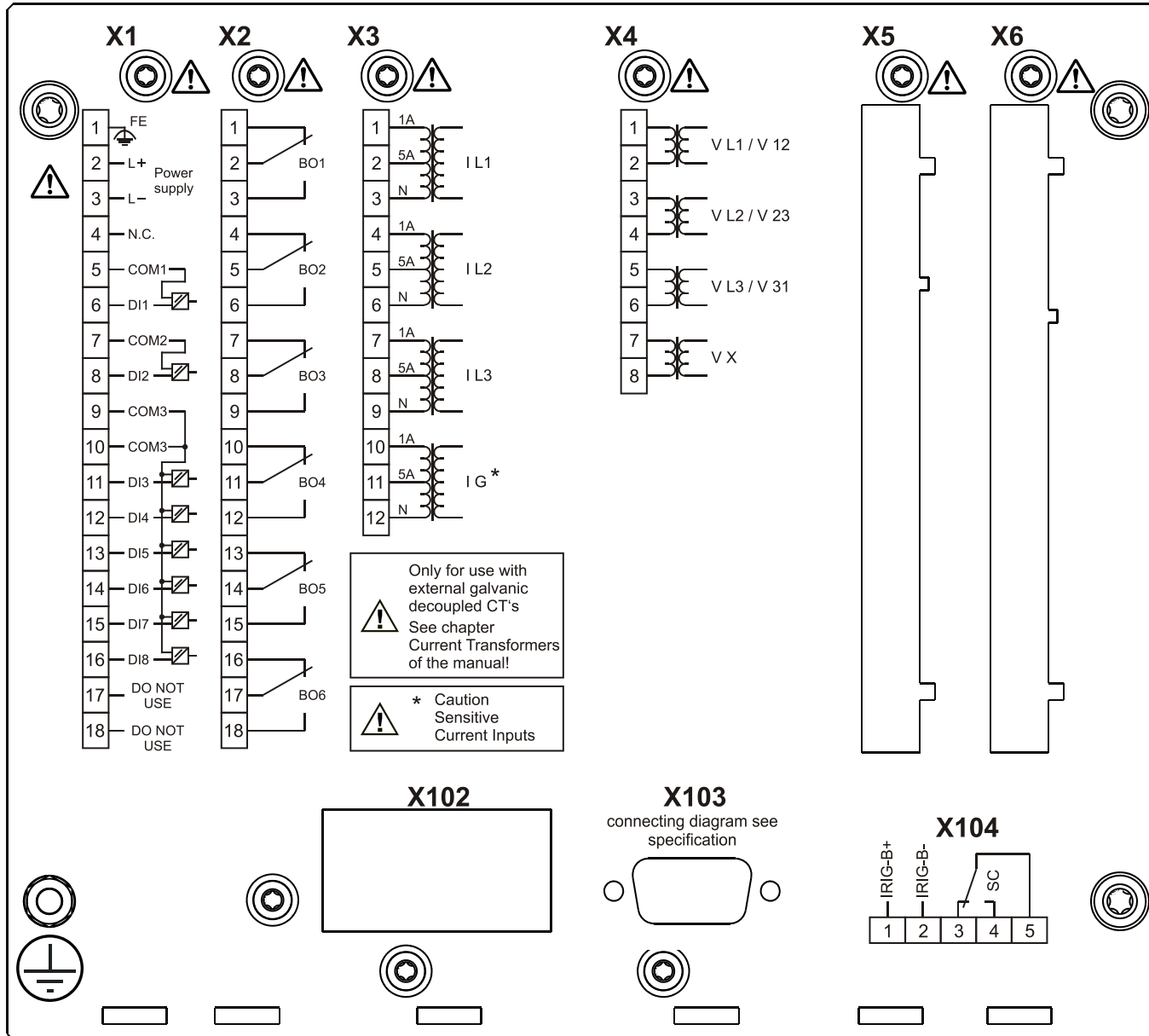
# MRA4-2A1AFA



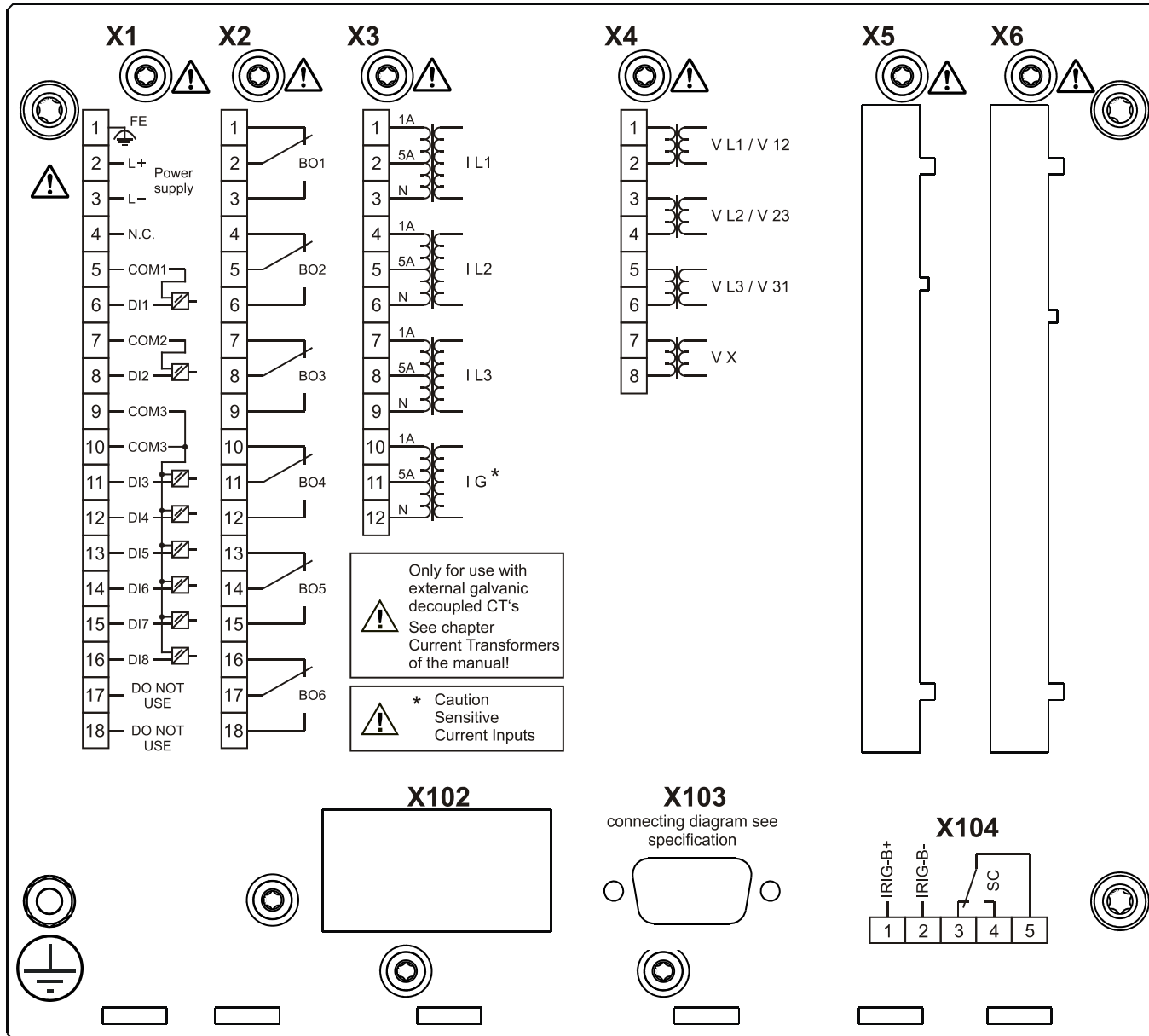
# MRA4-2A1AFB



# MRA4-2A1AGA

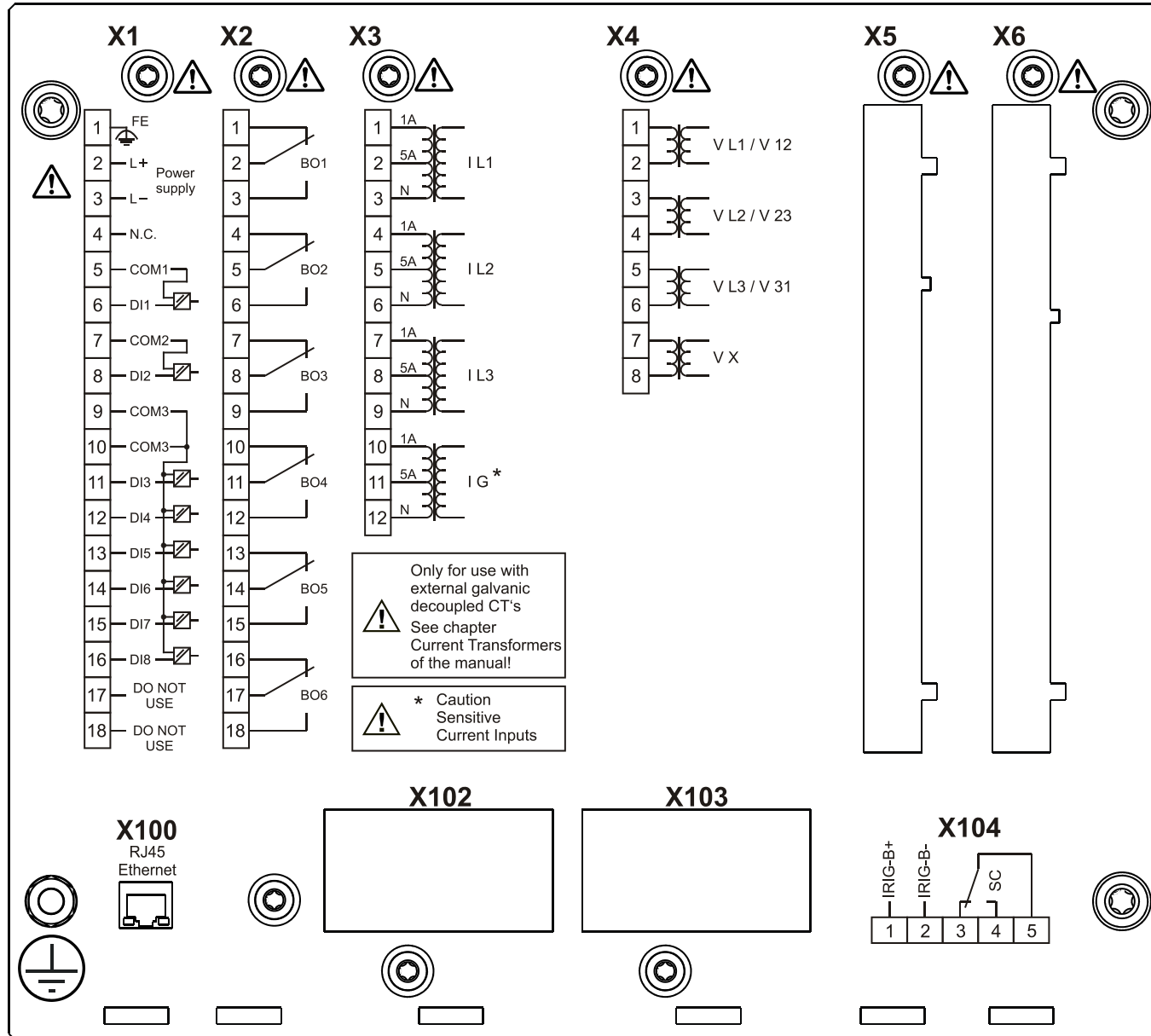


# MRA4-2A1AGB

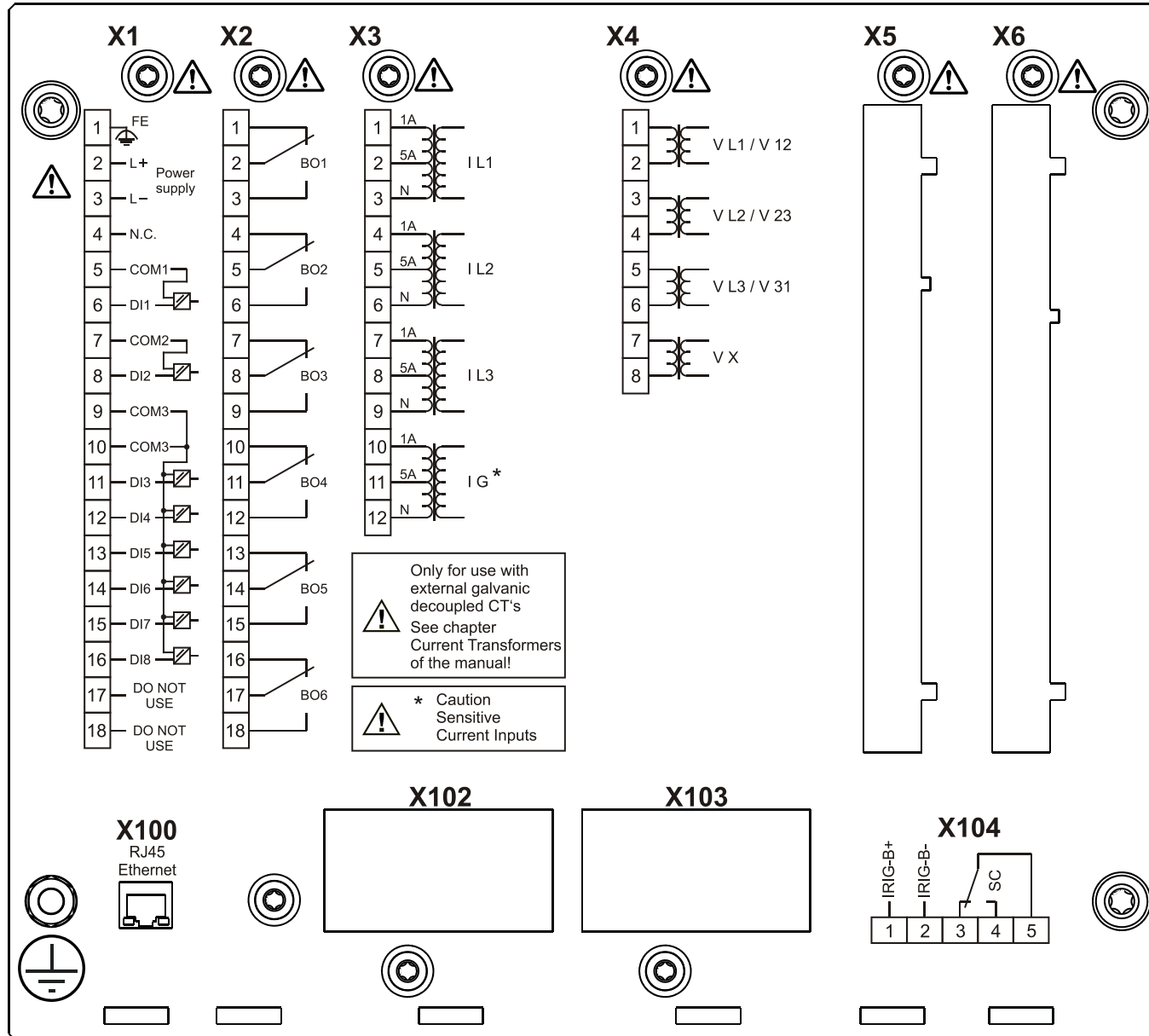




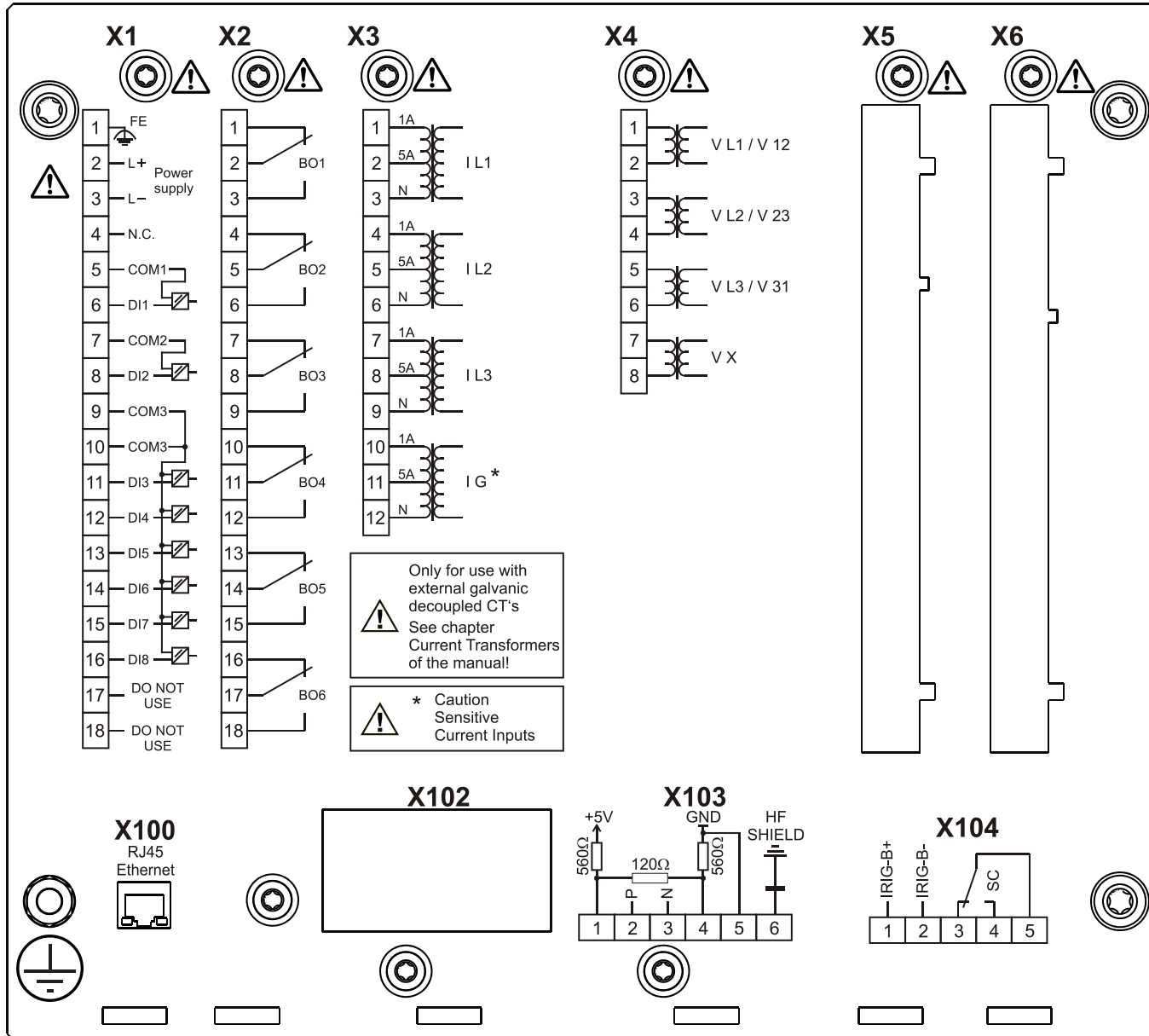
# MRA4-2A1AHA



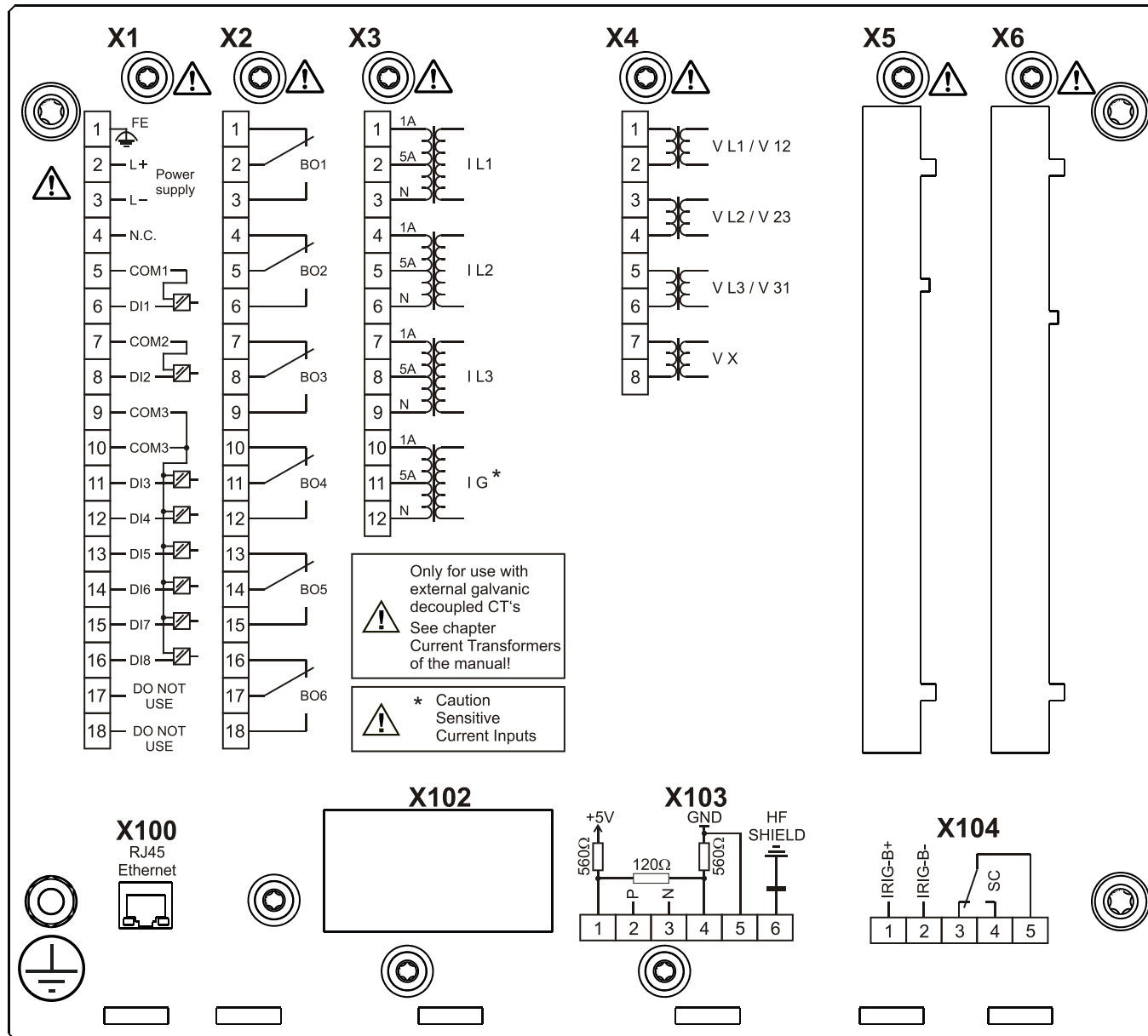
# MRA4-2A1AHB



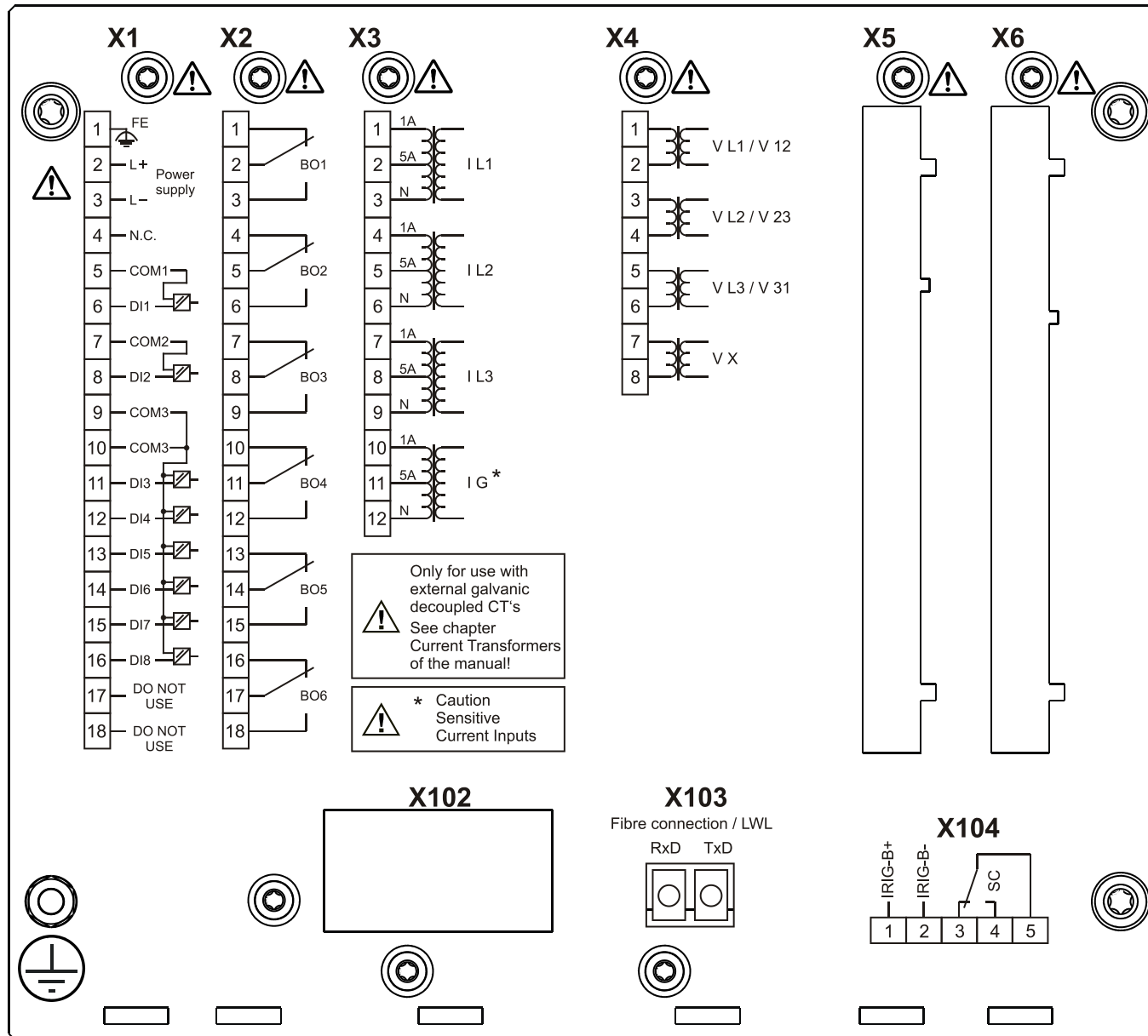
# MRA4-2A1AIA



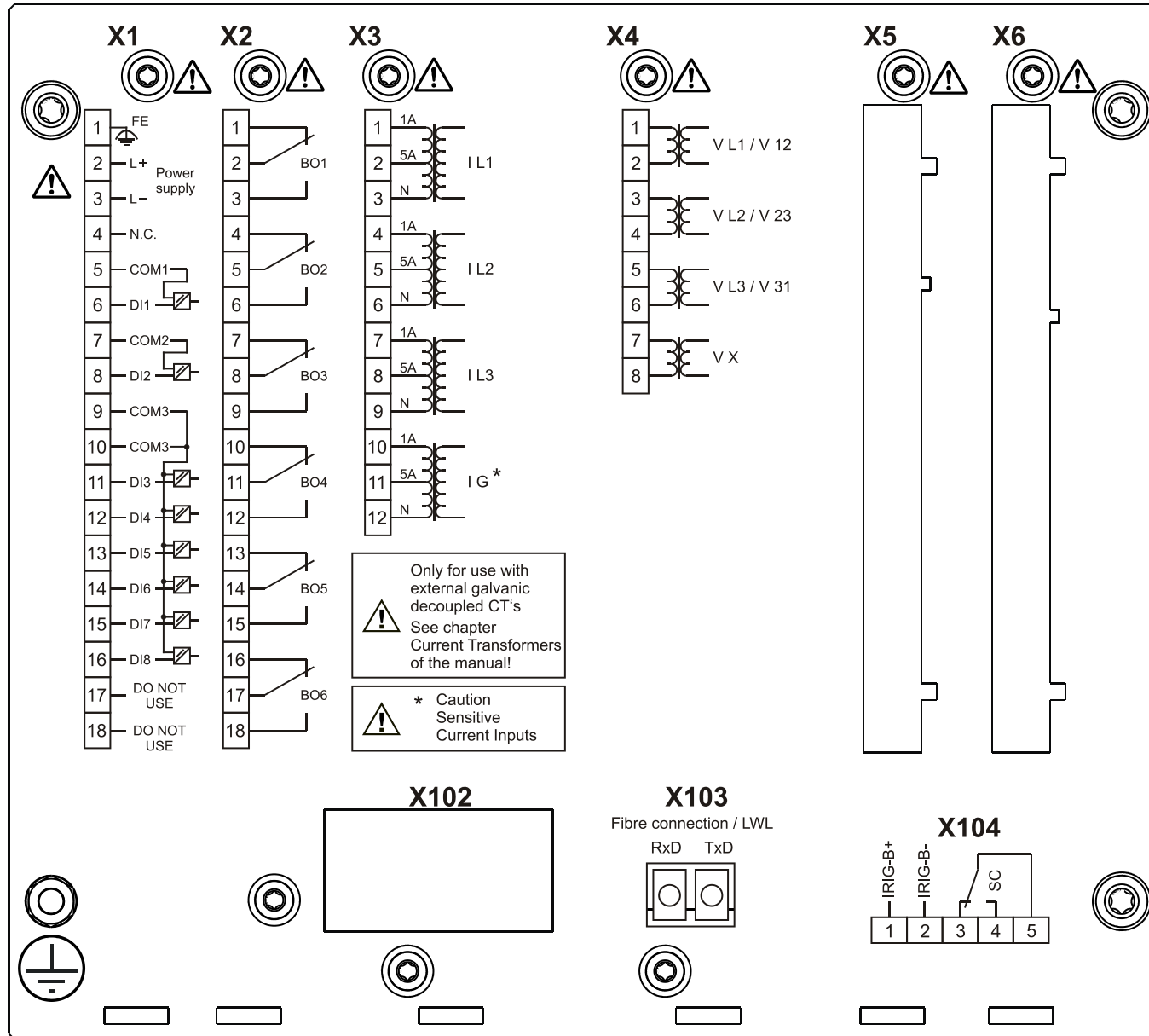
# MRA4-2A1AIB



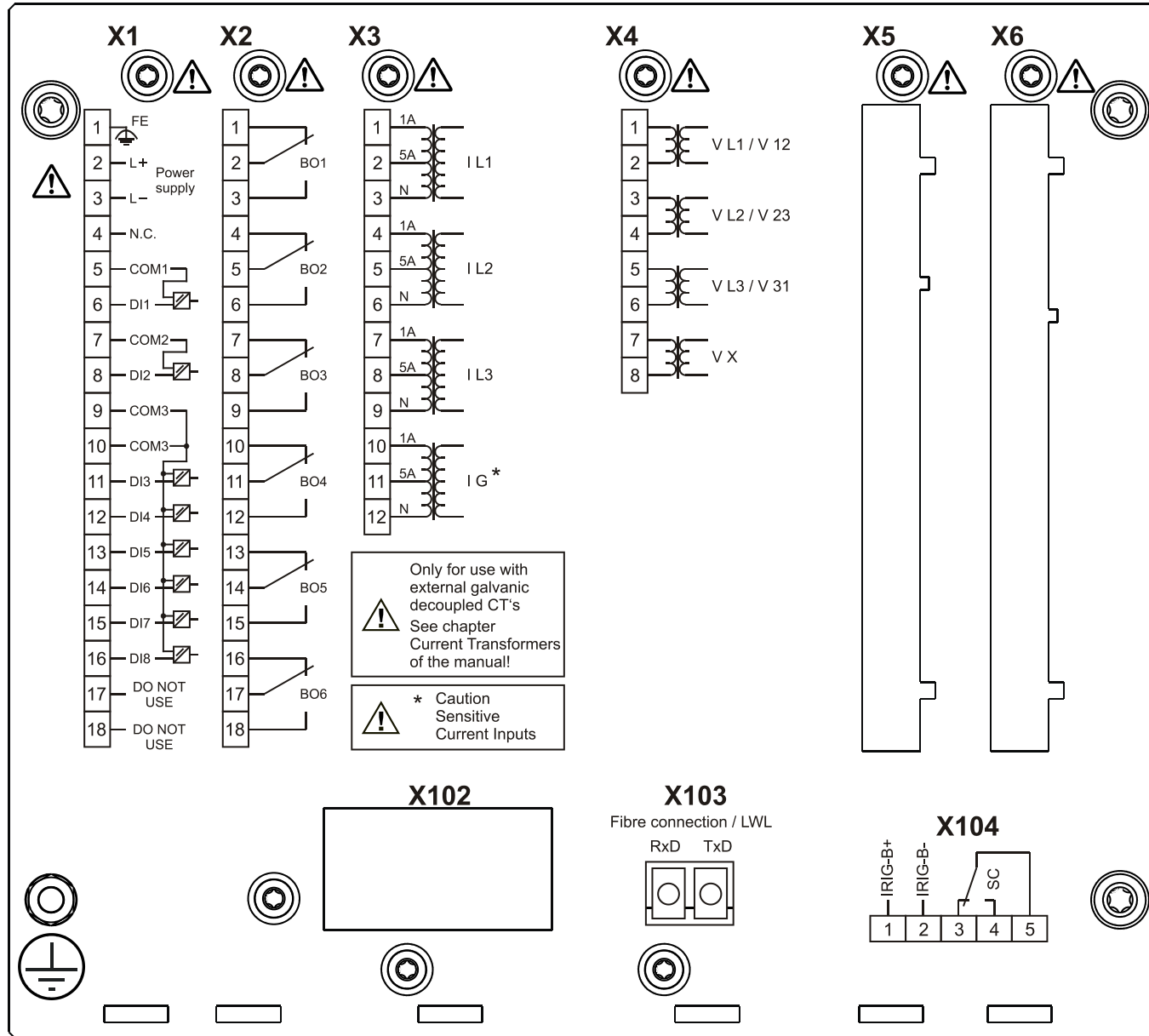
# MRA4-2A1AKA



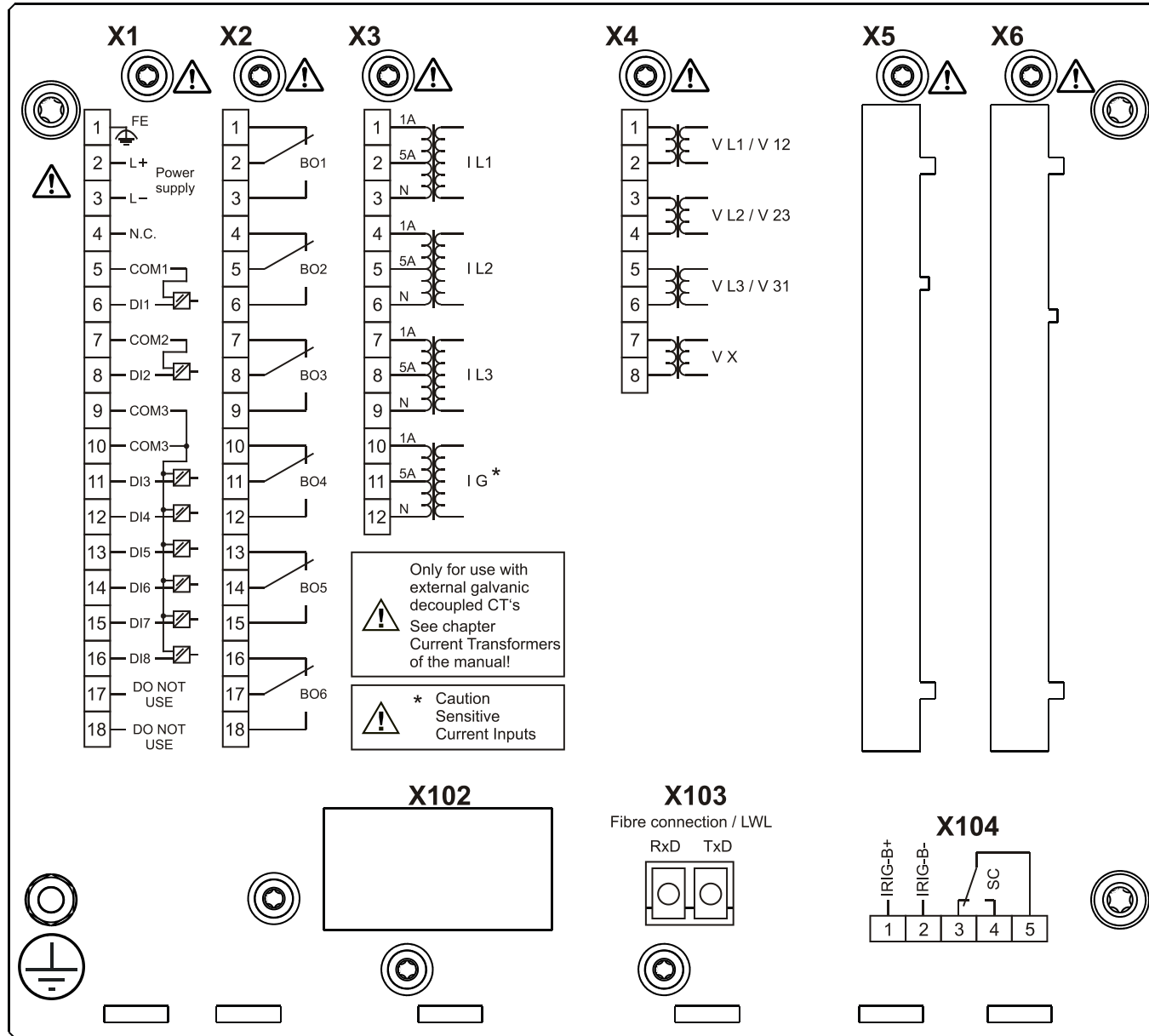
# MRA4-2A1AKB



# MRA4-2A1ALA

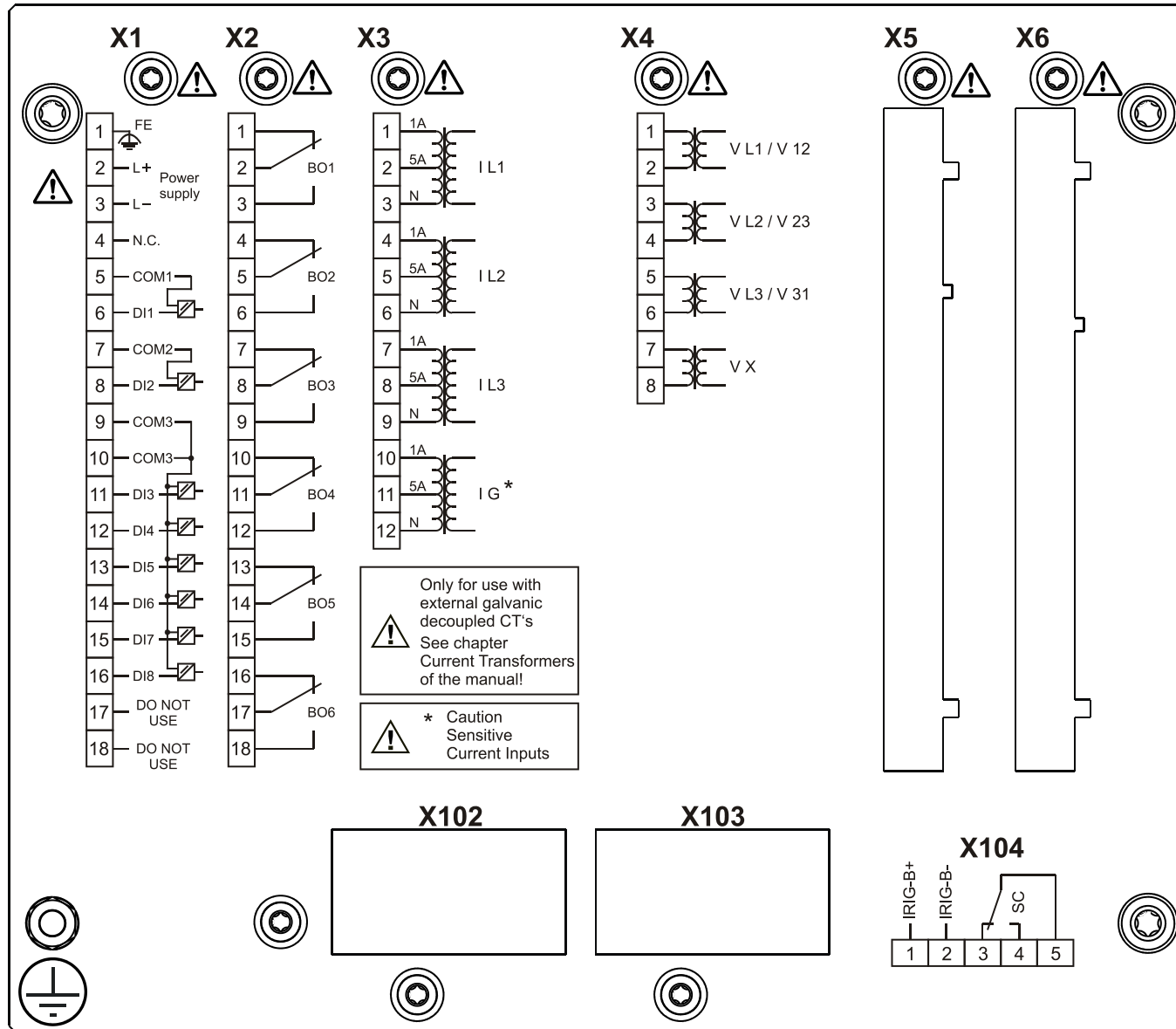


# MRA4-2A1ALB

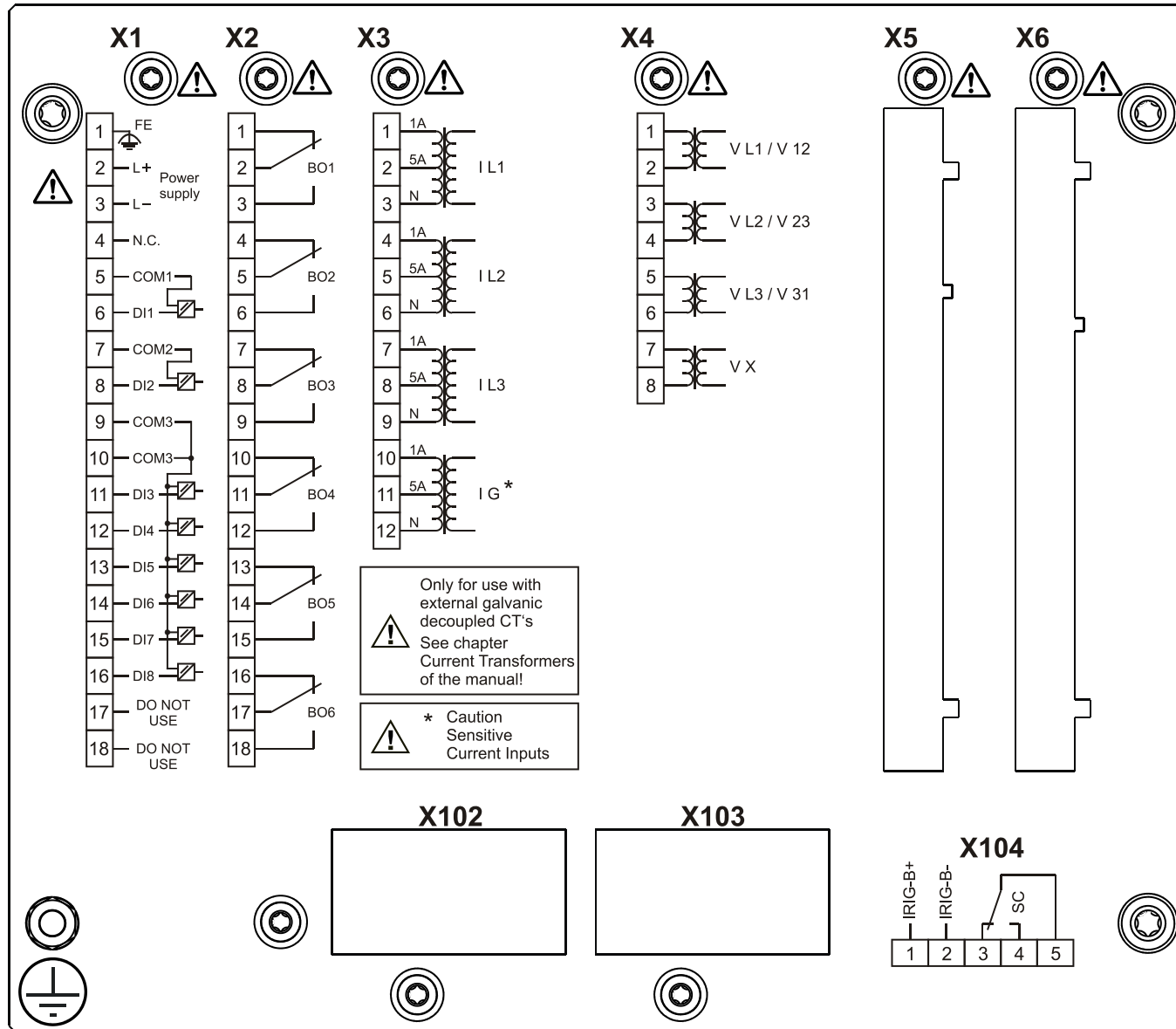




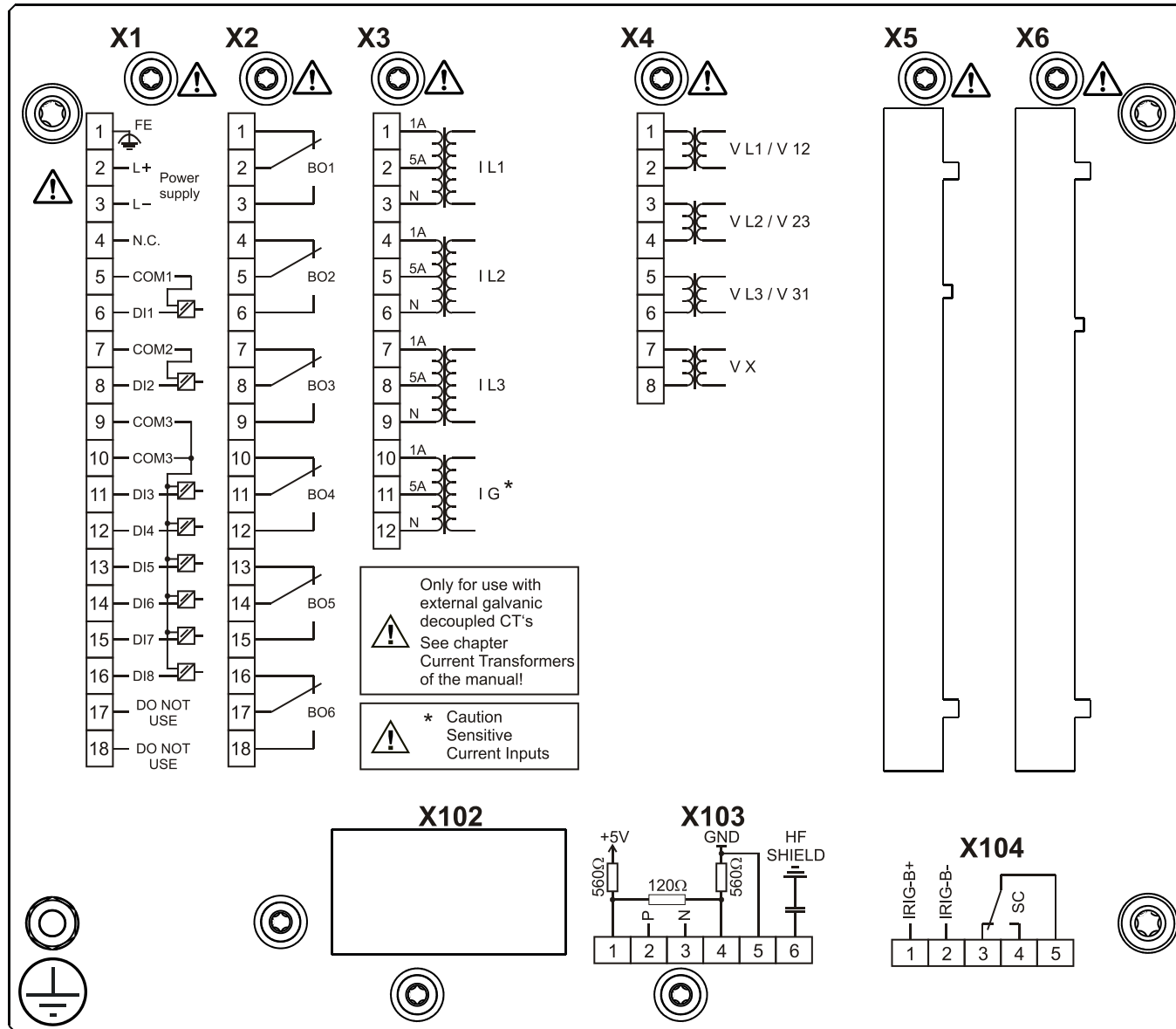
# MRA4-2A1BAA



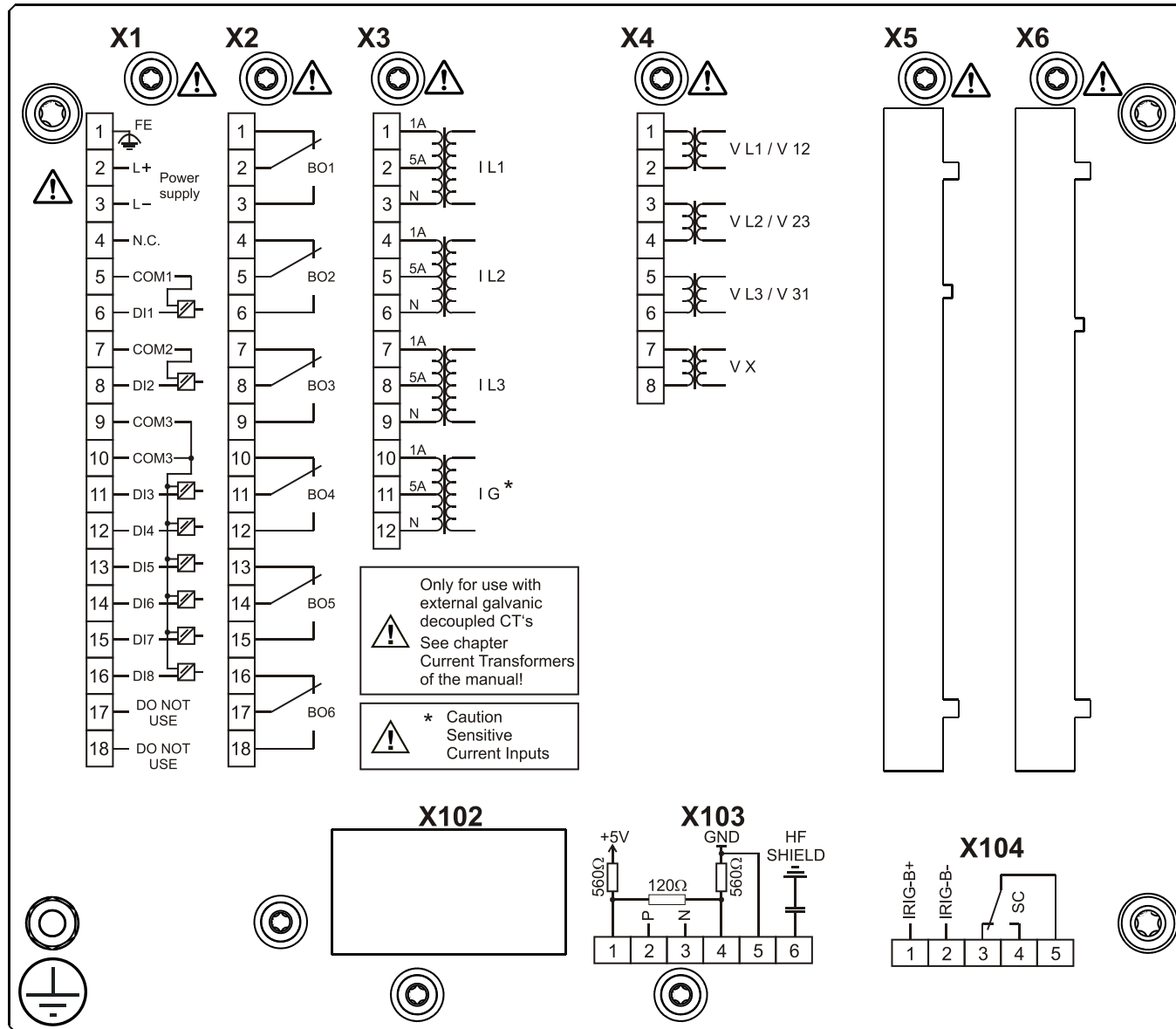
# MRA4-2A1BAB



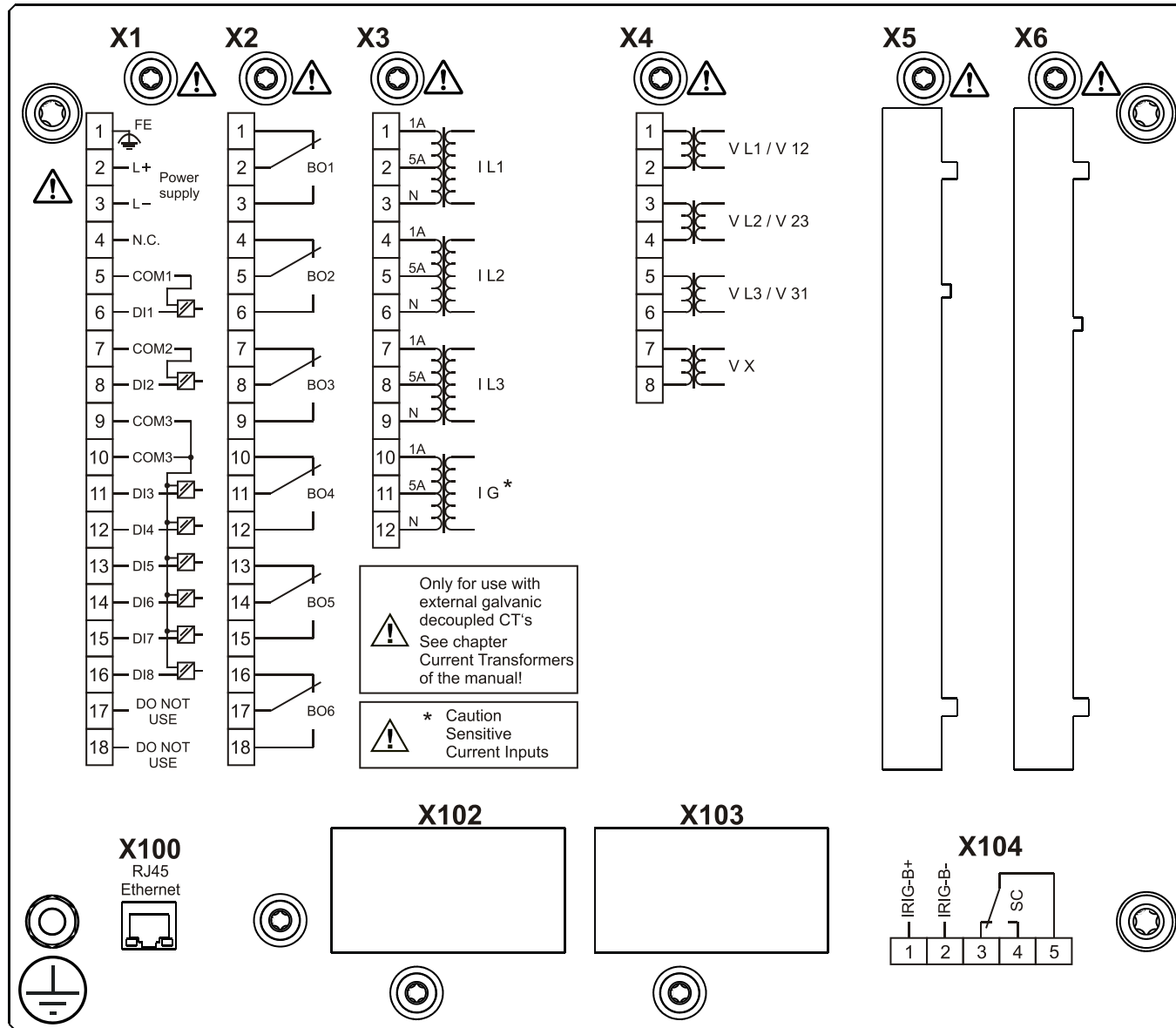
# MRA4-2A1BBA



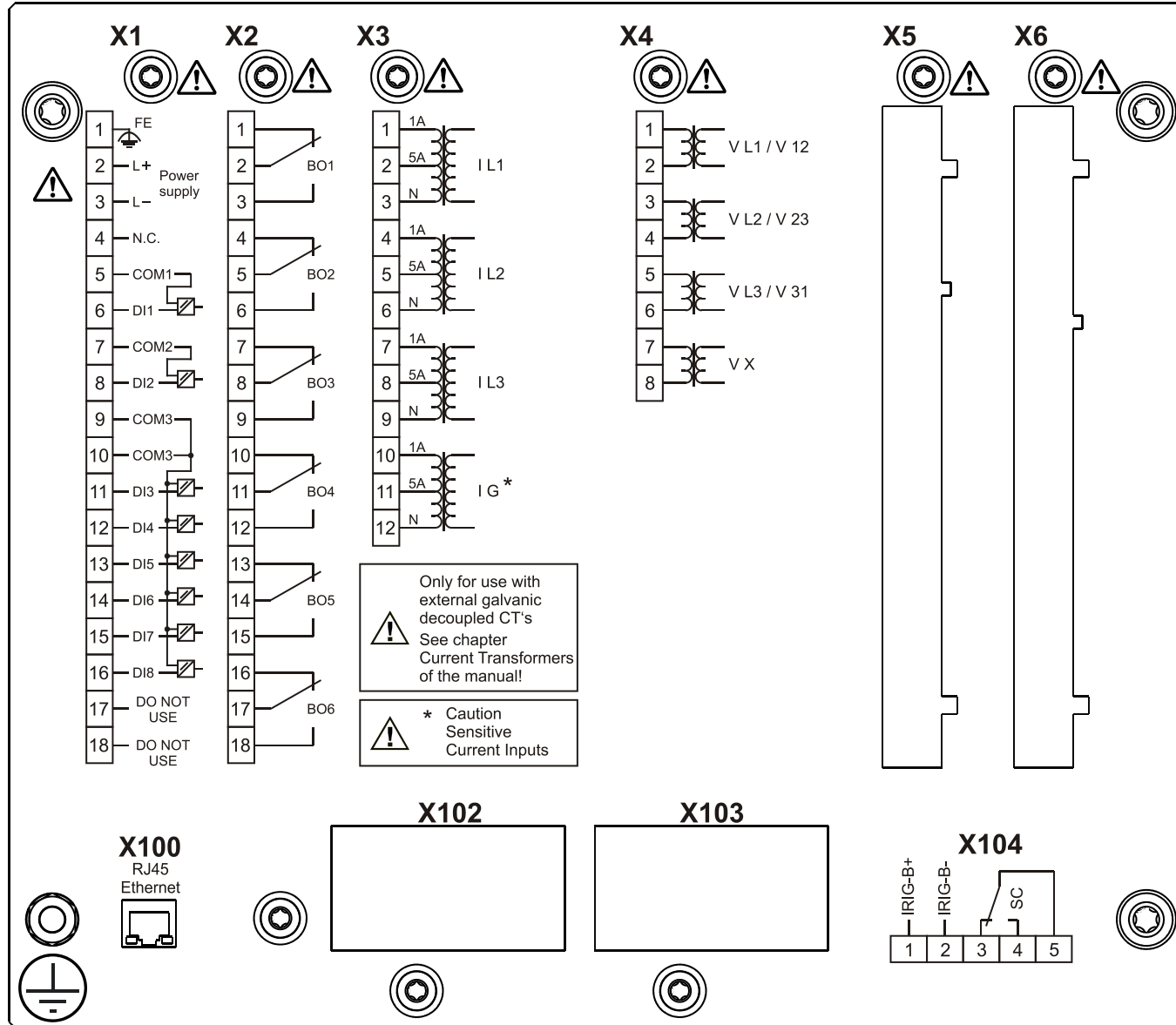
# MRA4-2A1BBB



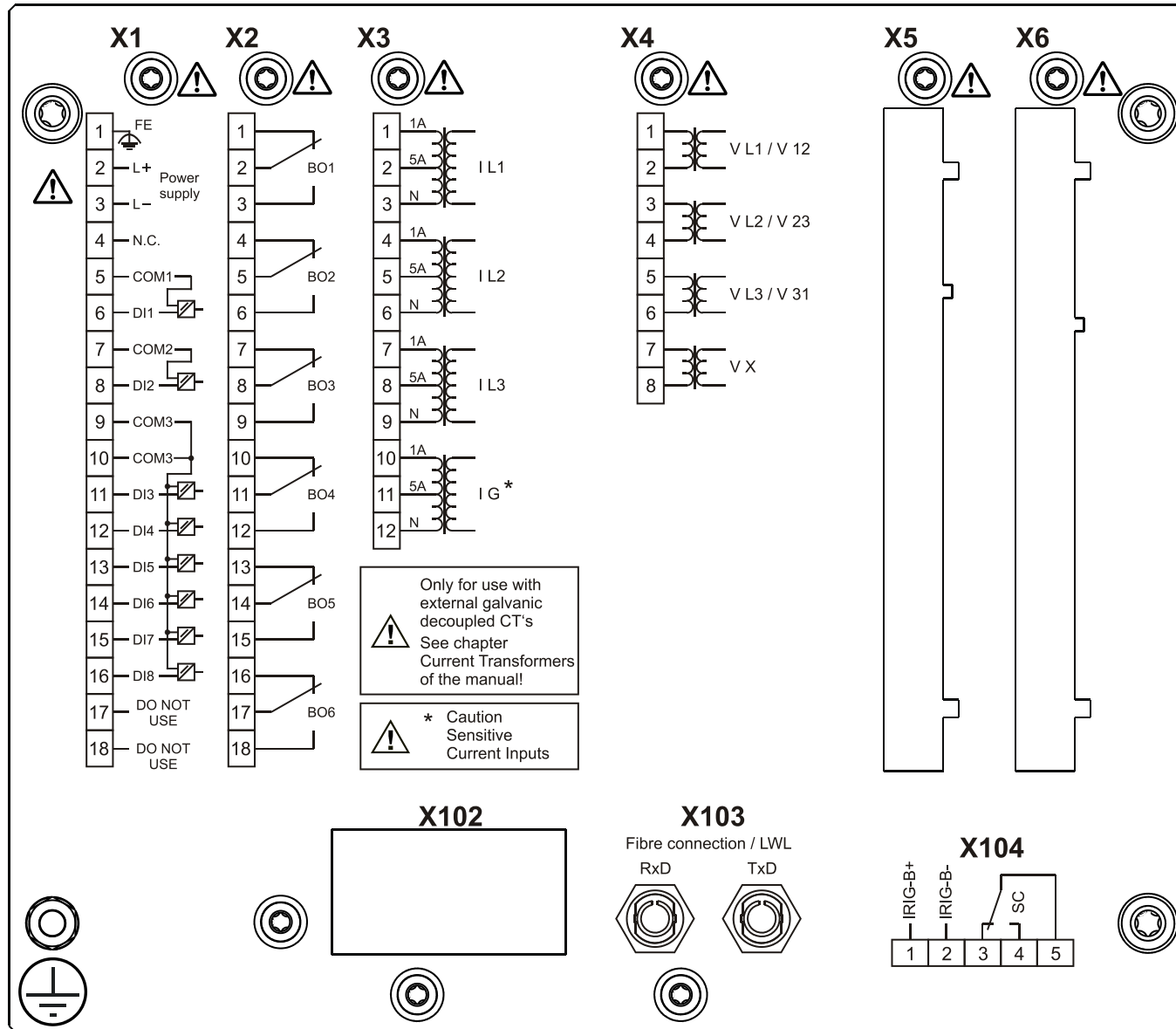
# MRA4-2A1BCA



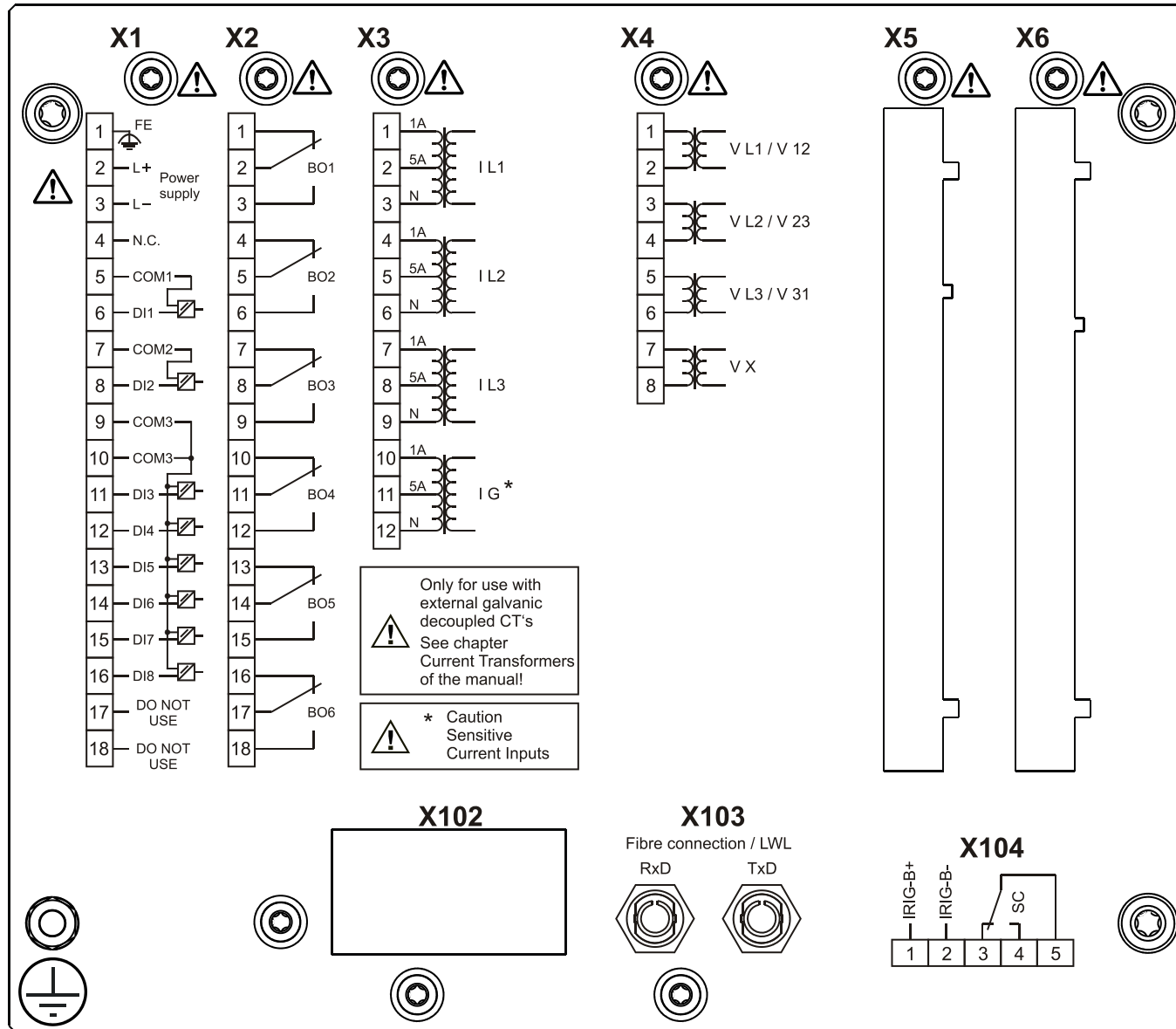
# MRA4-2A1BCB



# MRA4-2A1BDA

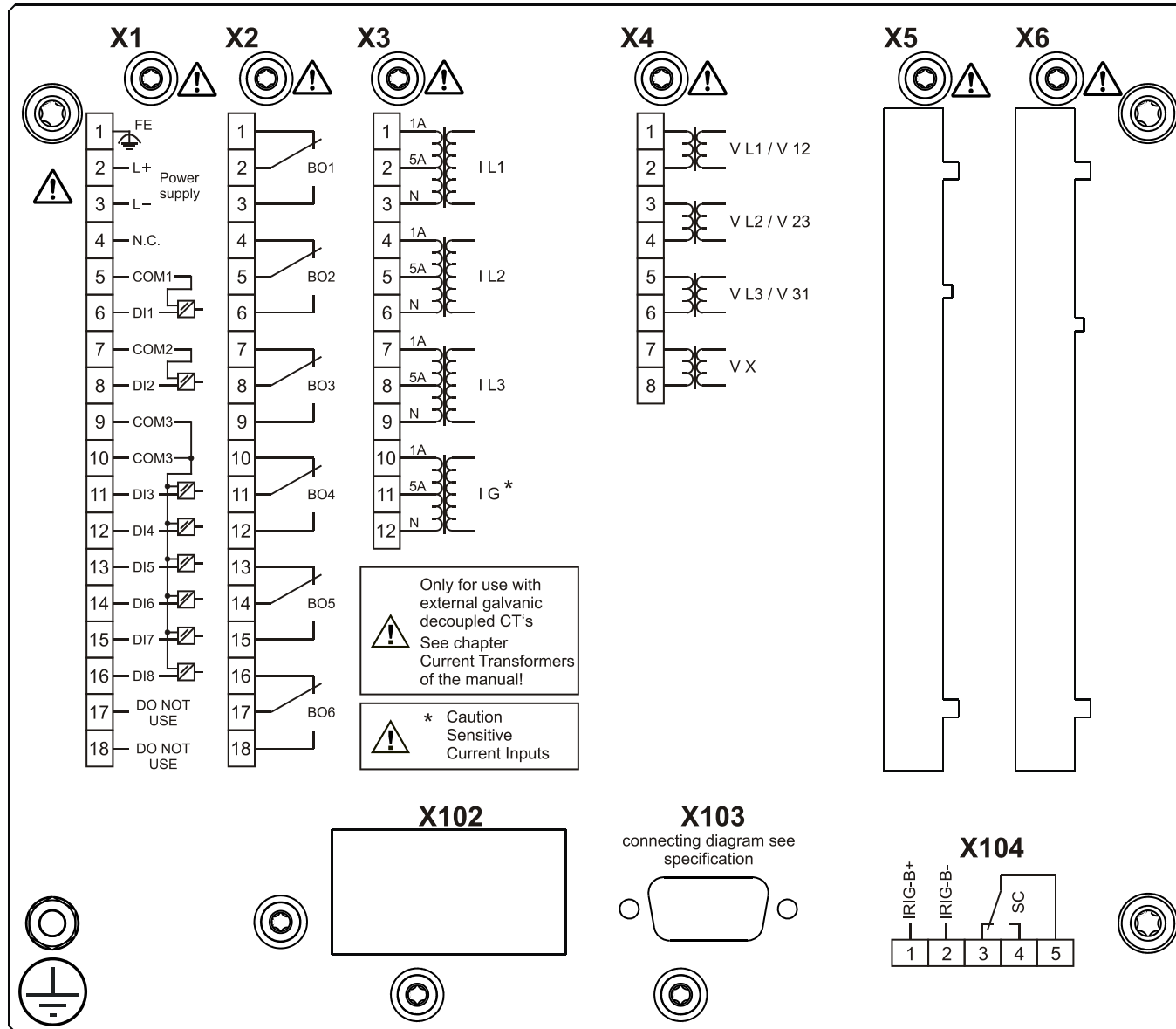


# MRA4-2A1BDB

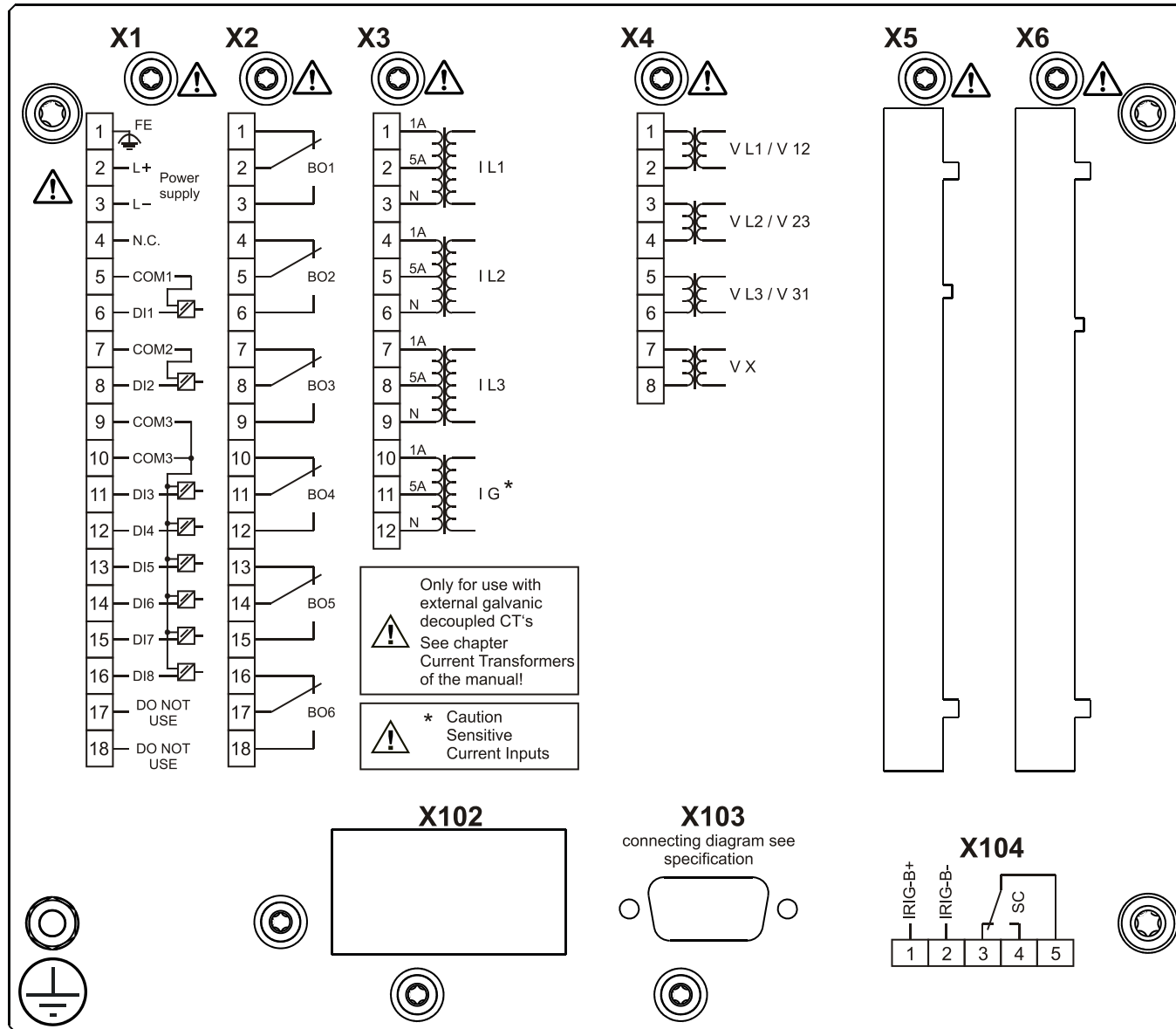




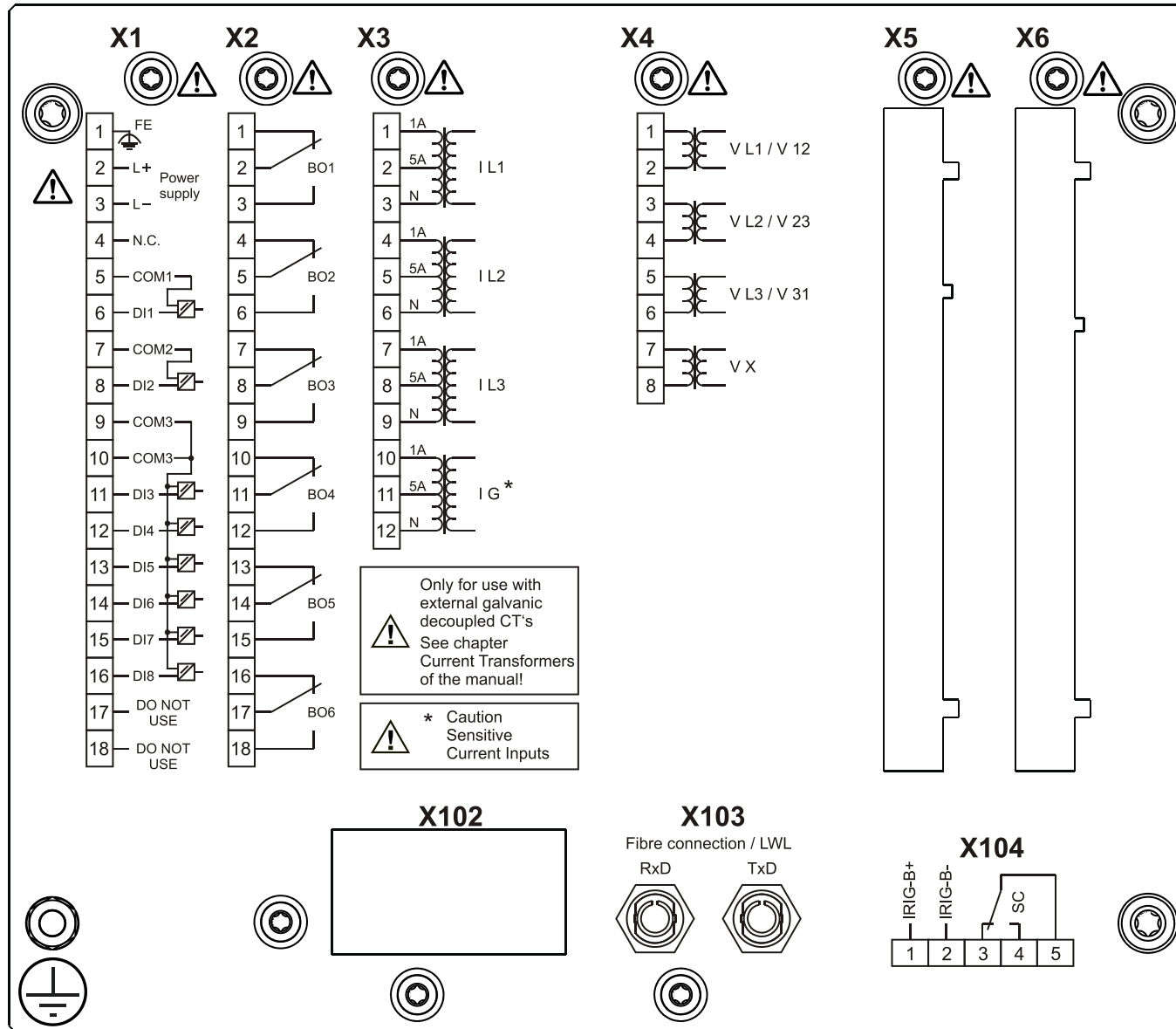
# MRA4-2A1BEA



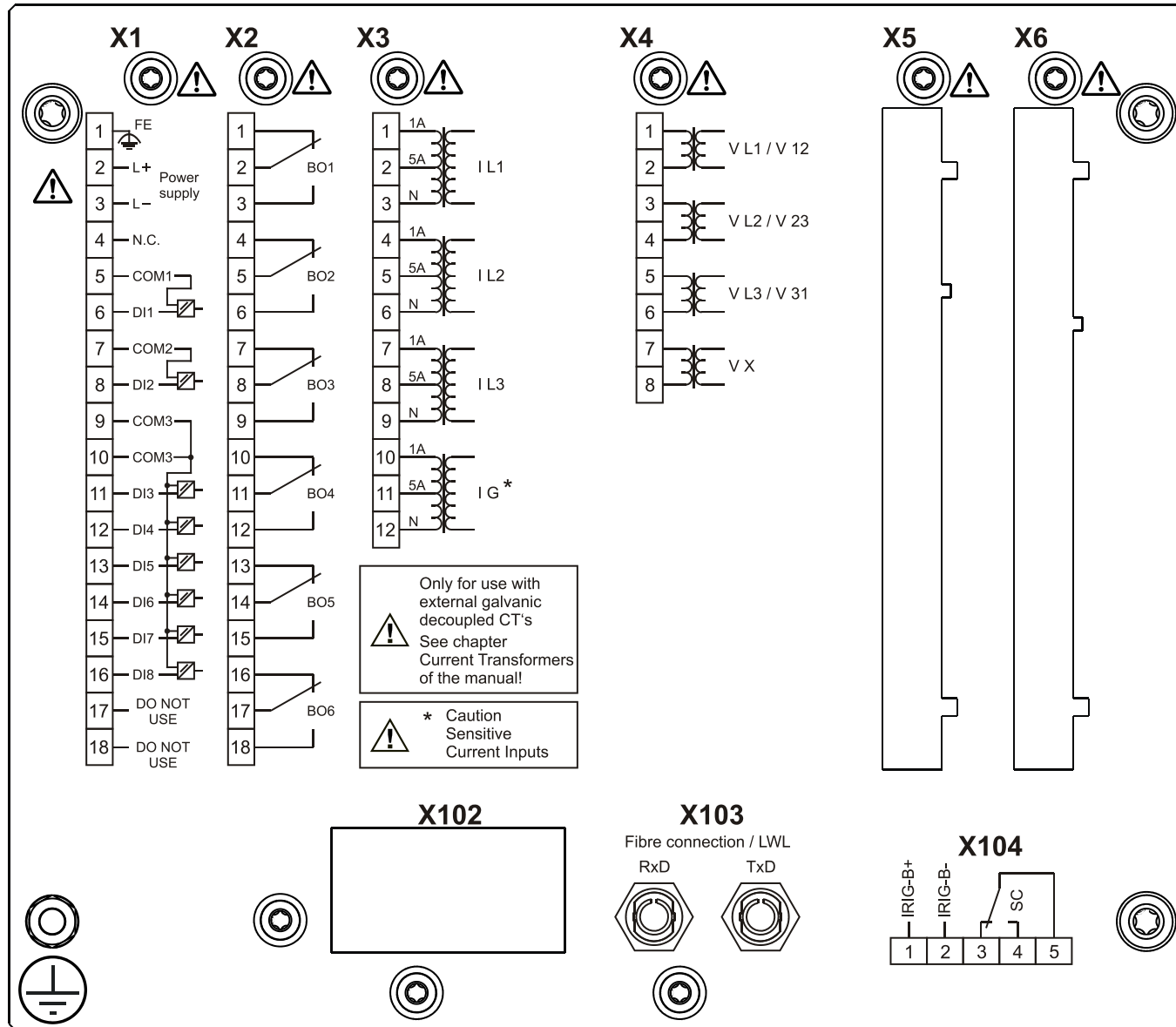
# MRA4-2A1BEB



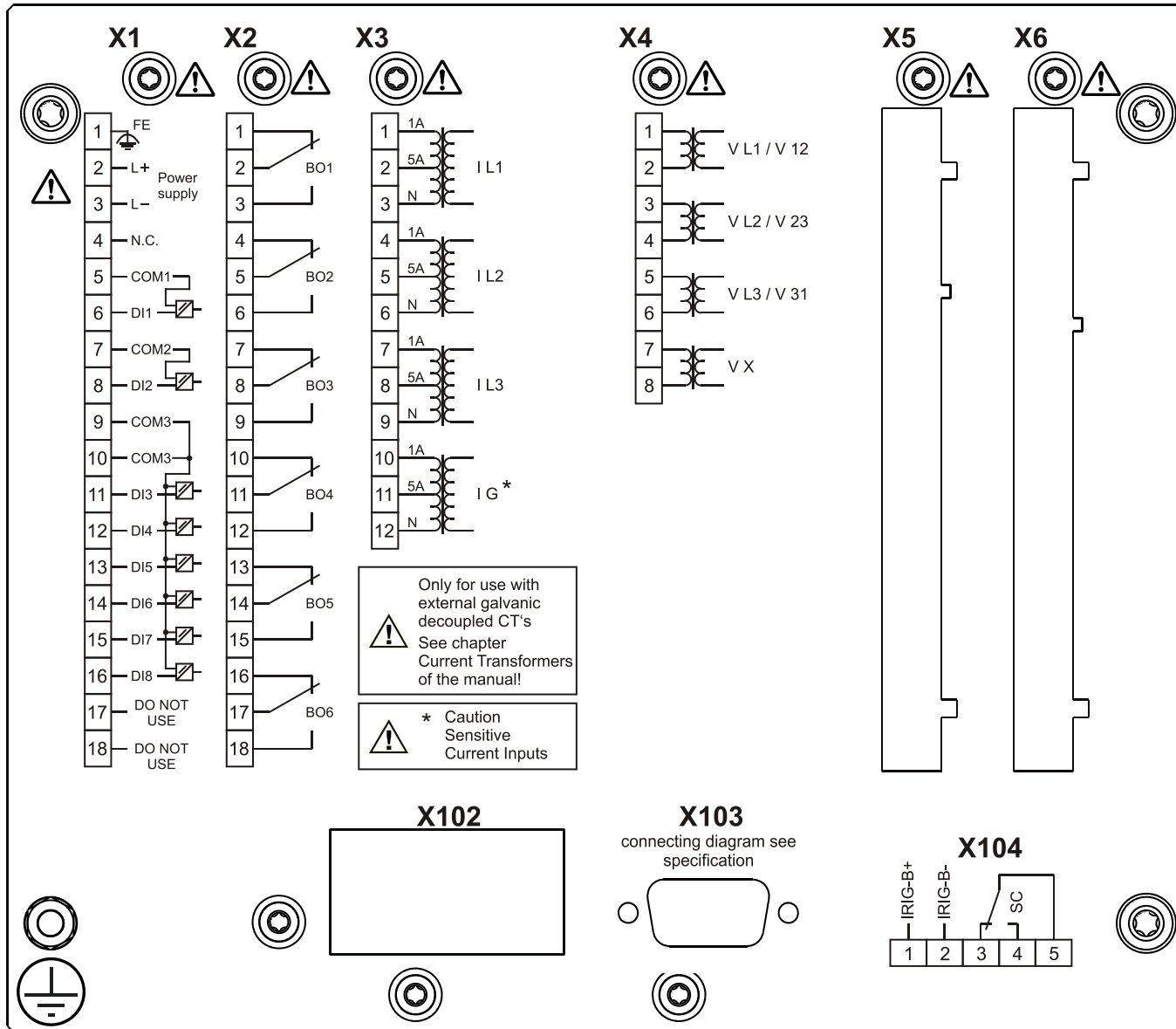
# MRA4-2A1BFA



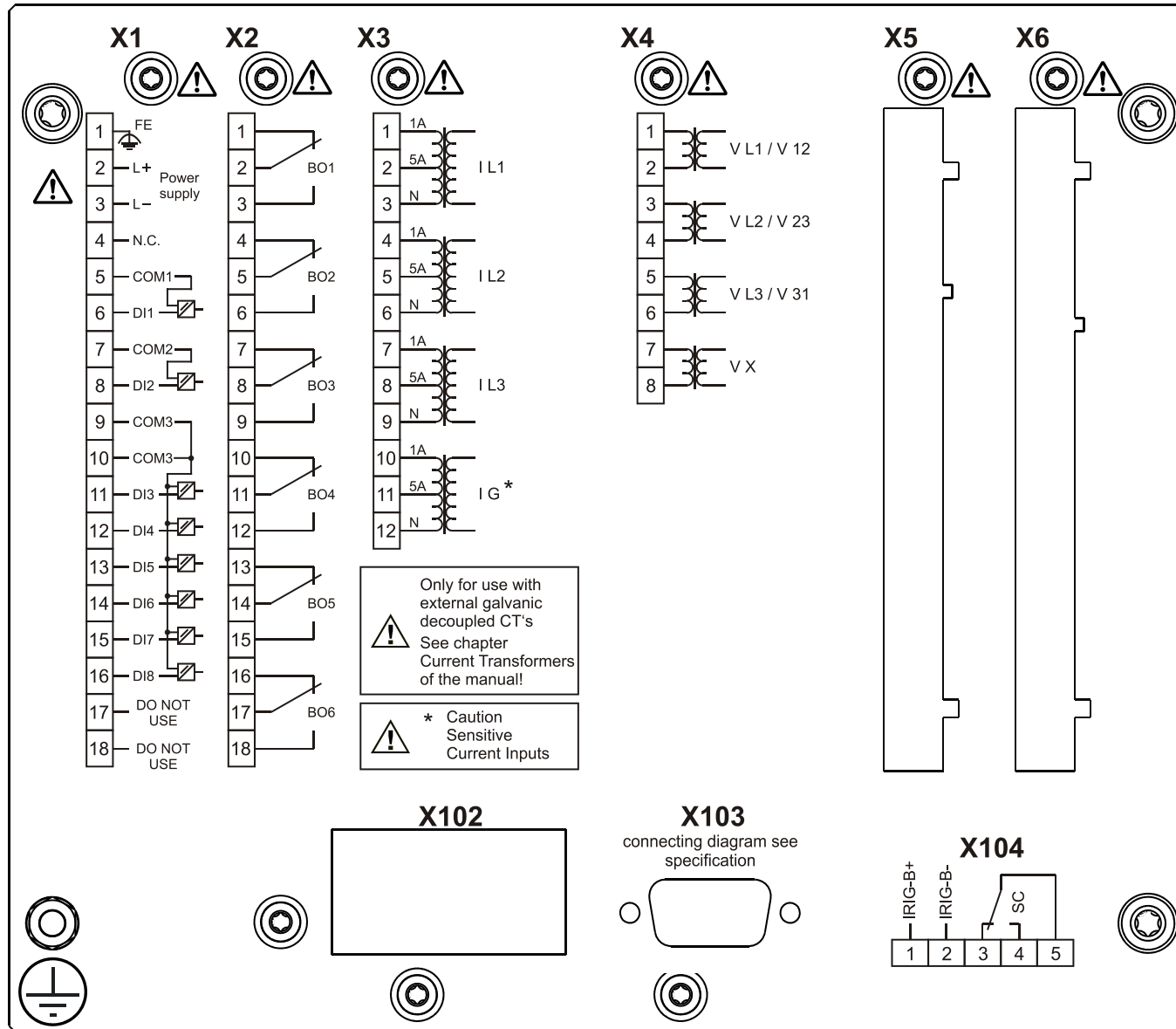
# MRA4-2A1BFB



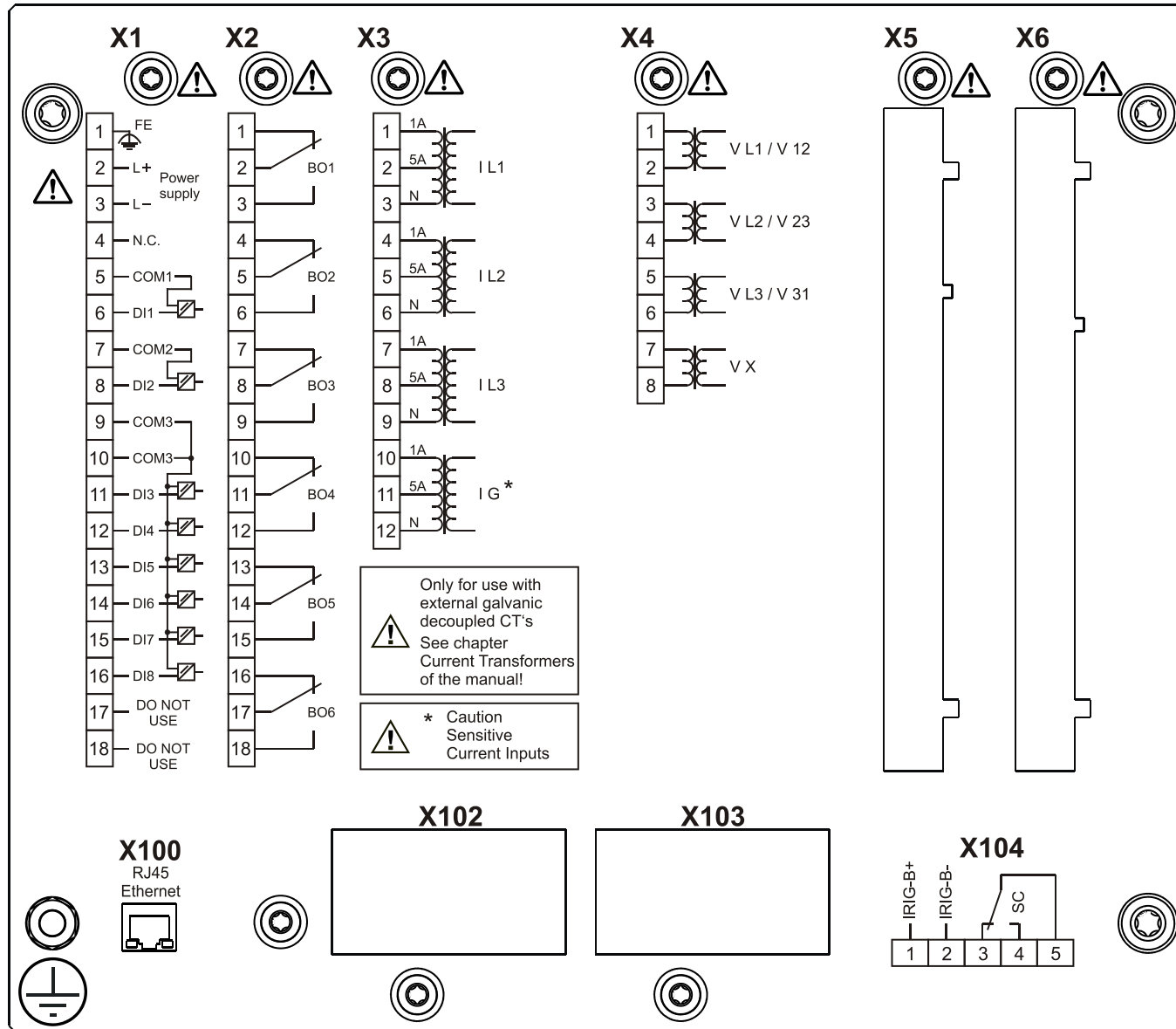
# MRA4-2A1BGA



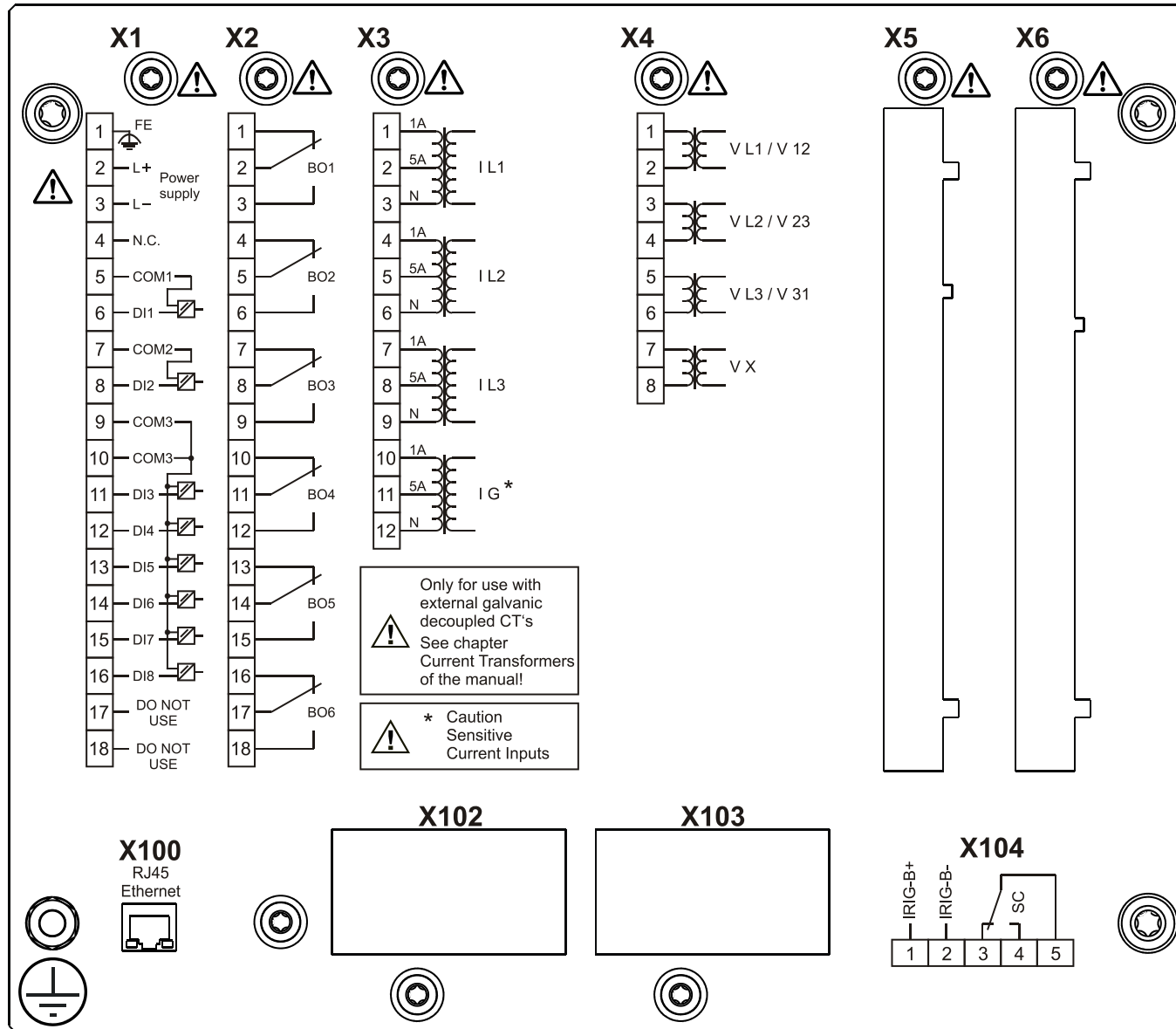
# MRA4-2A1BGB



# MRA4-2A1BHA

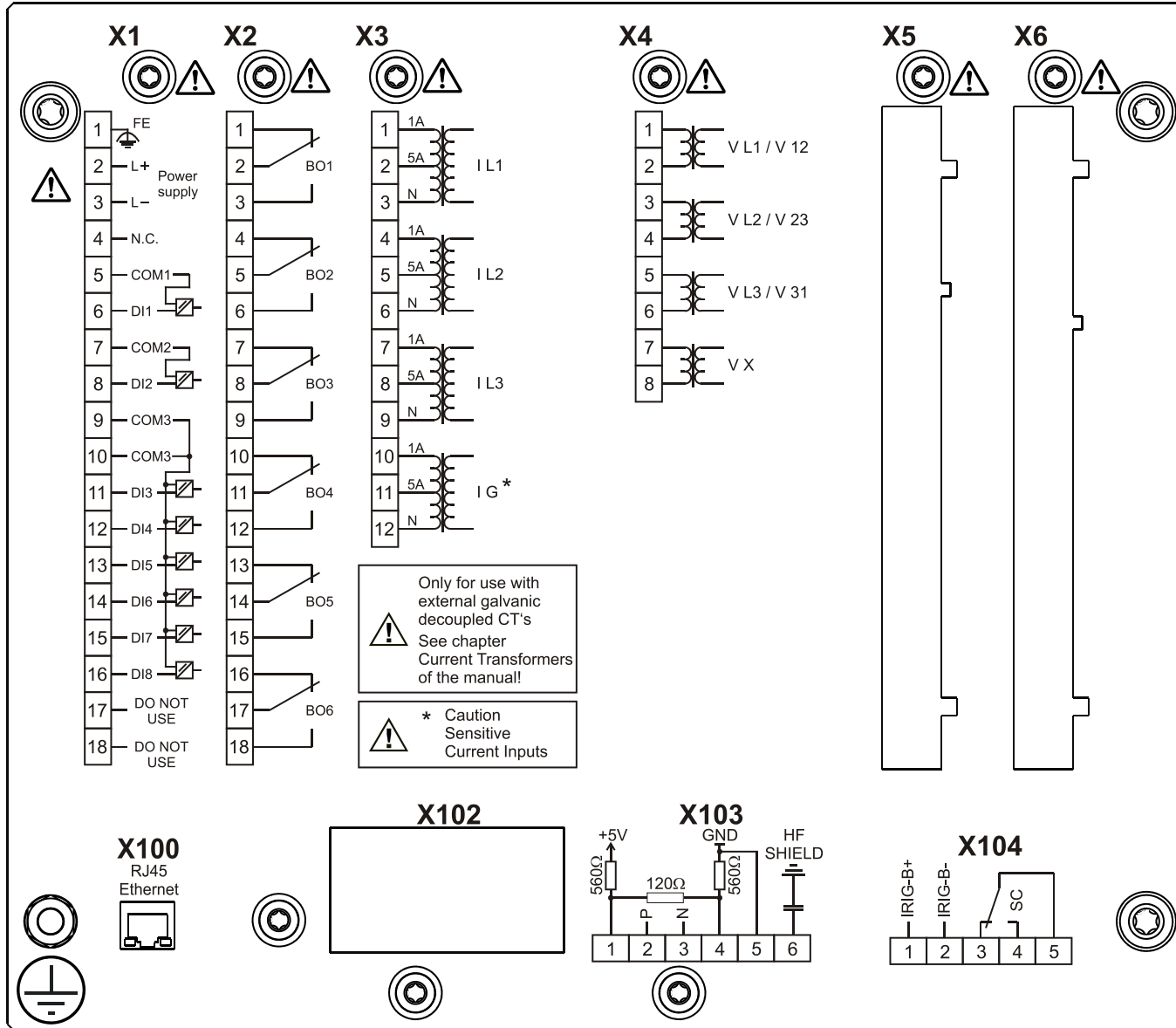


# MRA4-2A1BHB

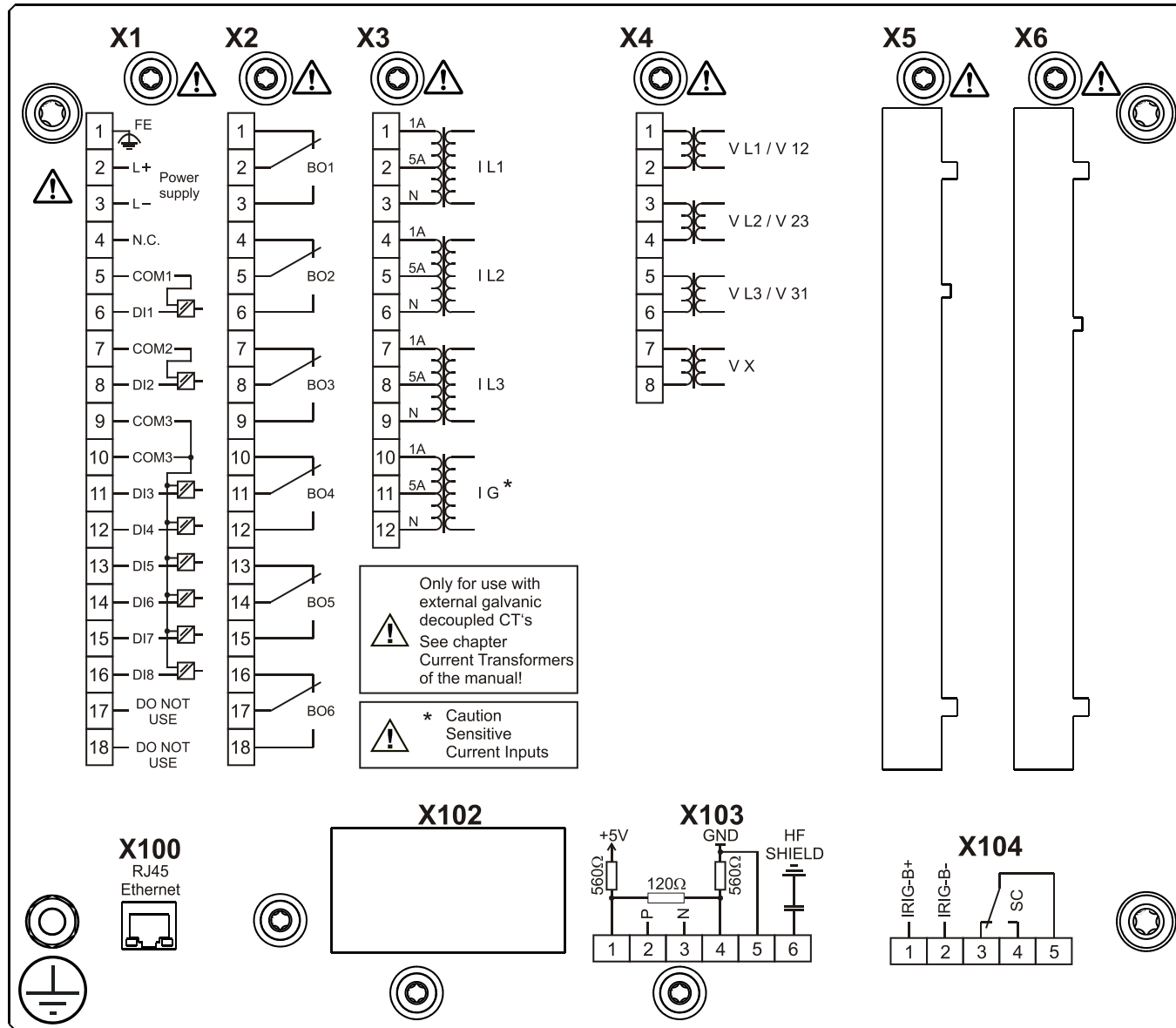




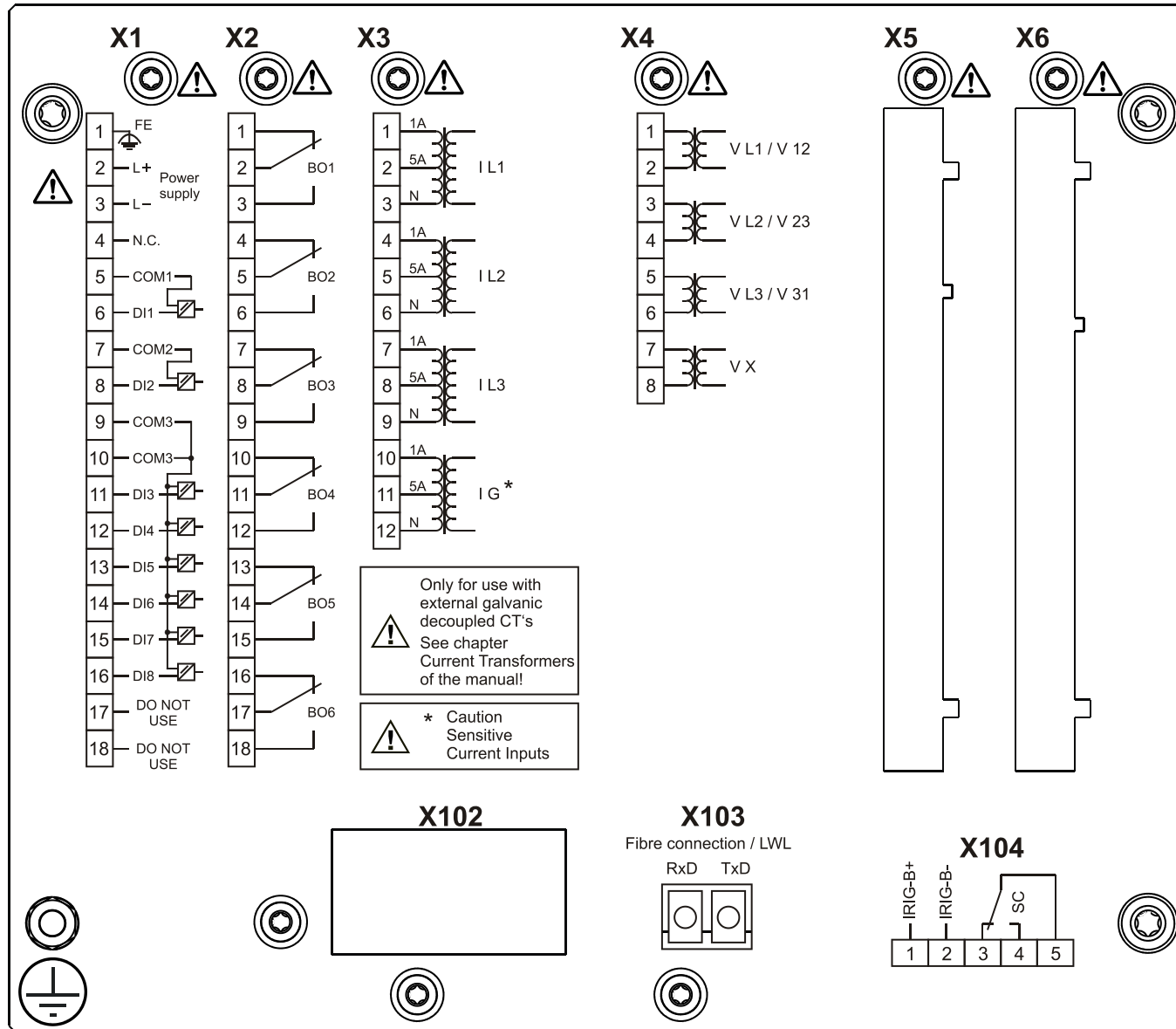
# MRA4-2A1BIA



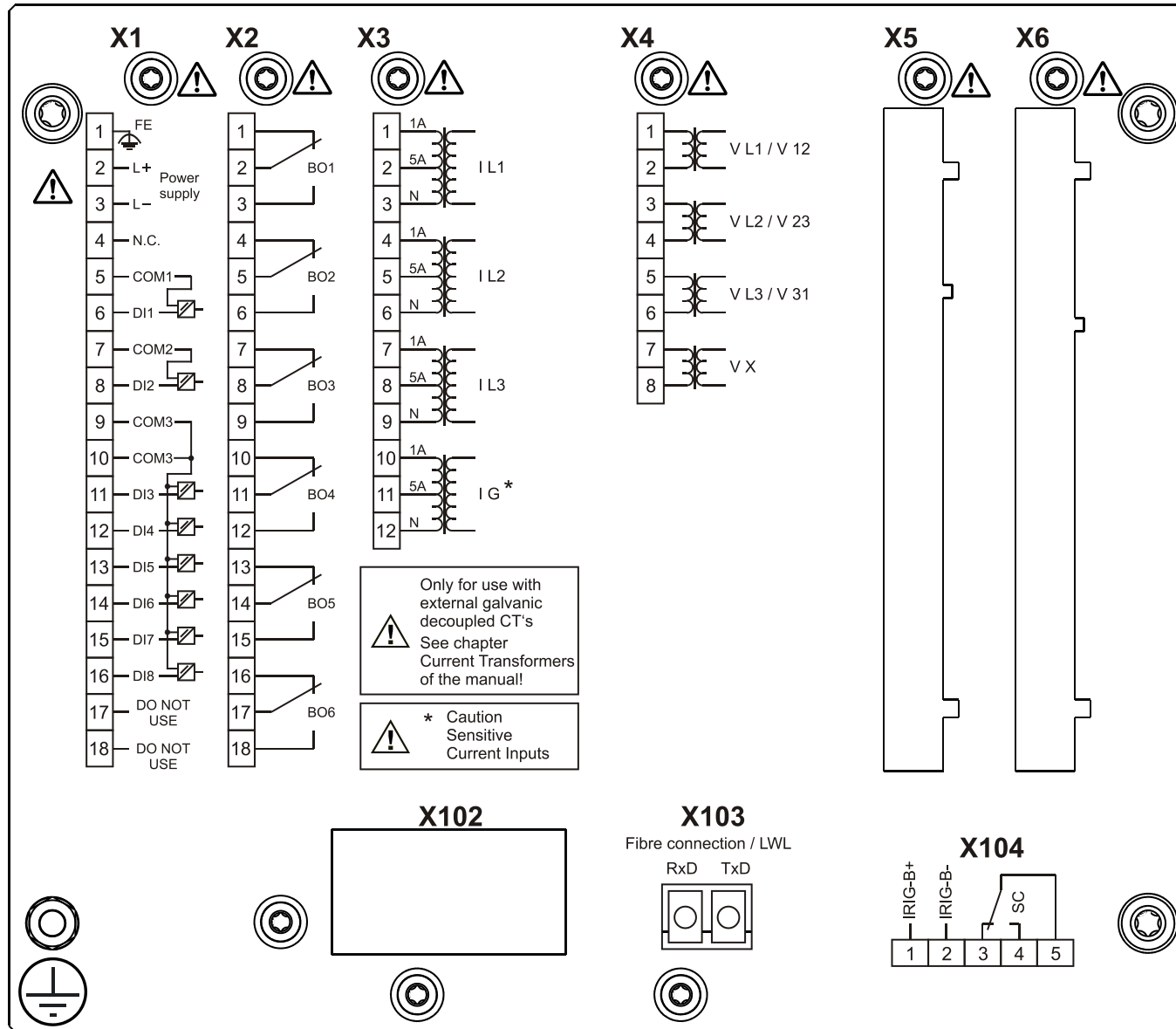
# MRA4-2A1BIB



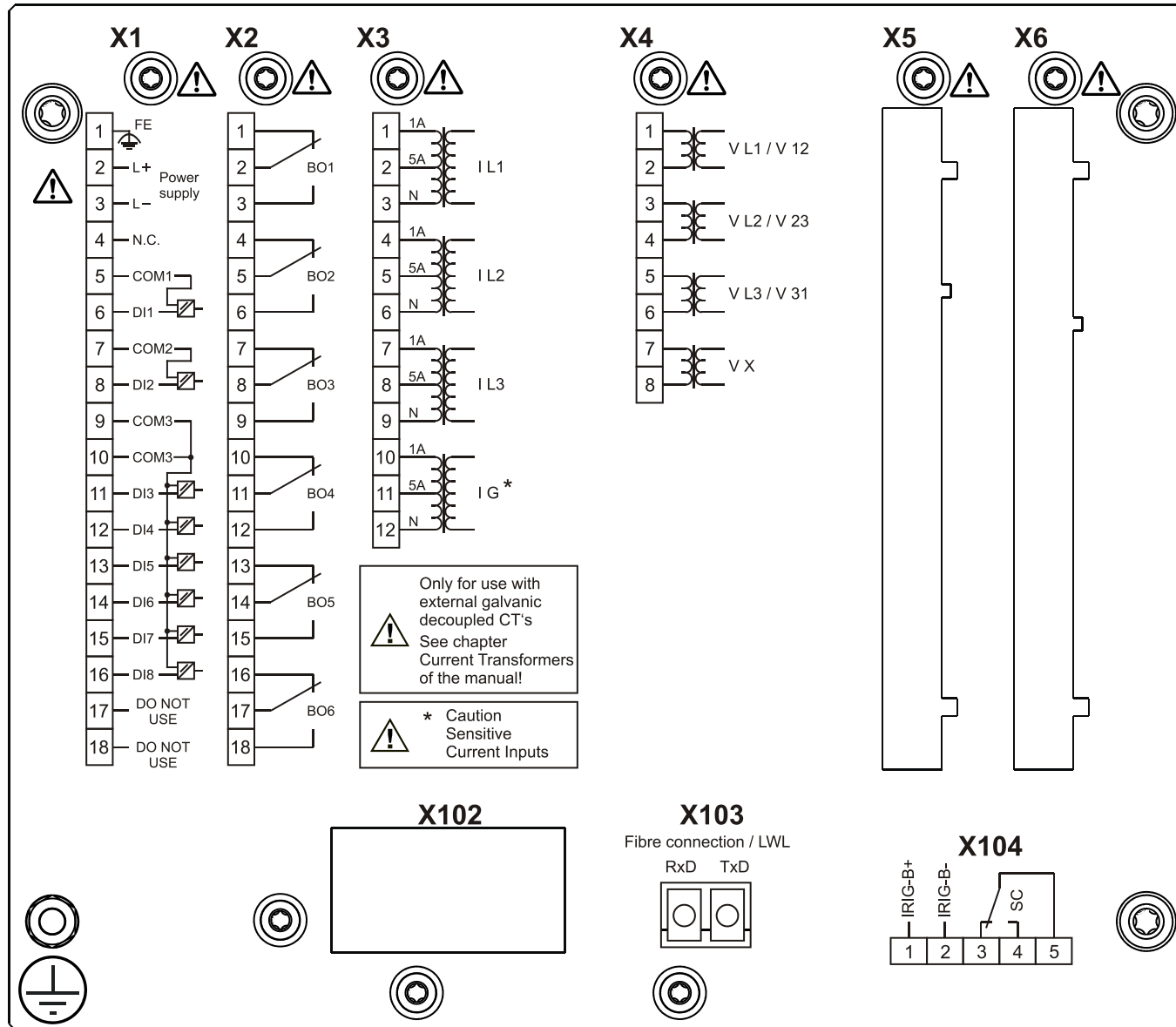
# MRA4-2A1BKA



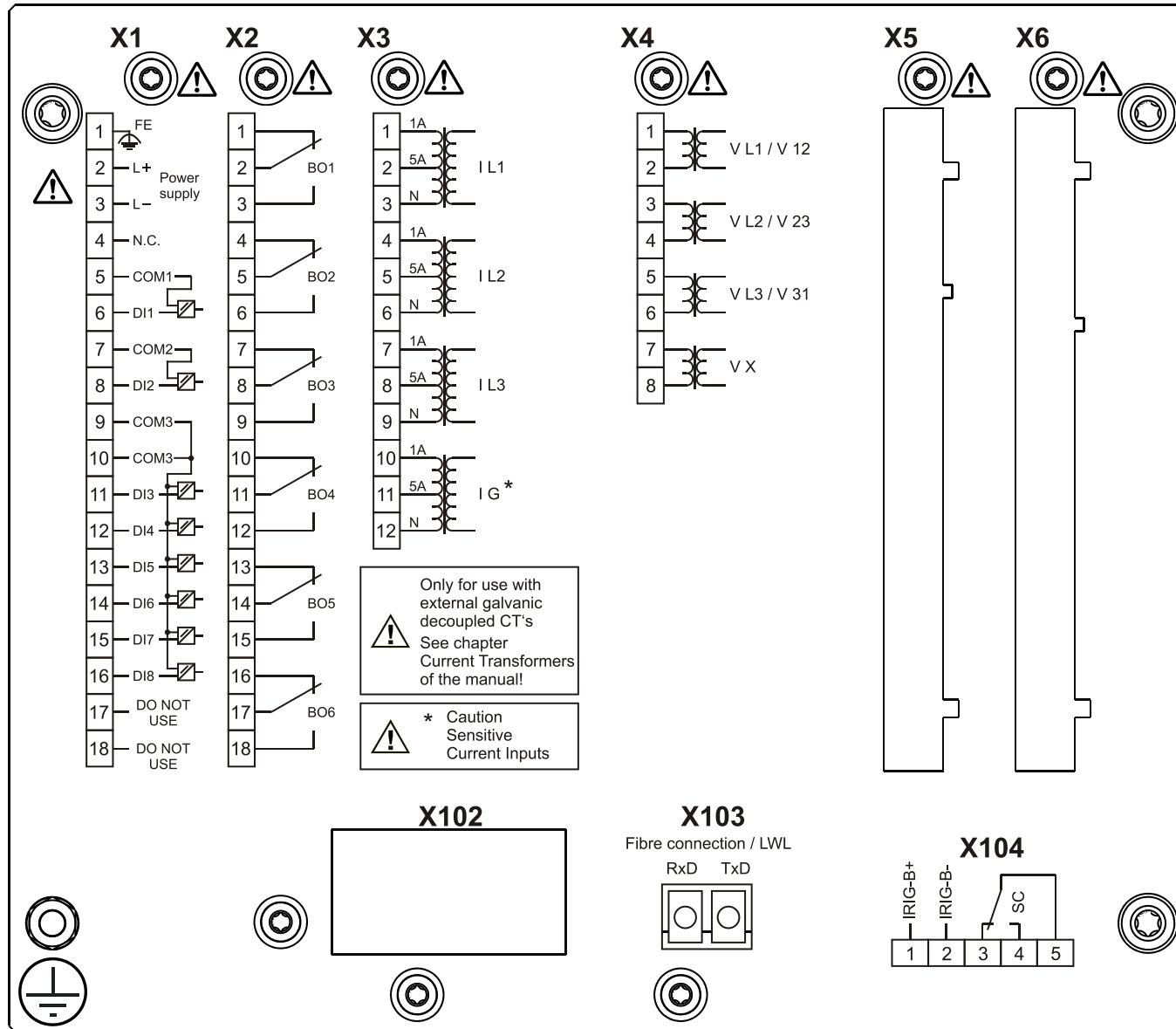
# MRA4-2A1BKB



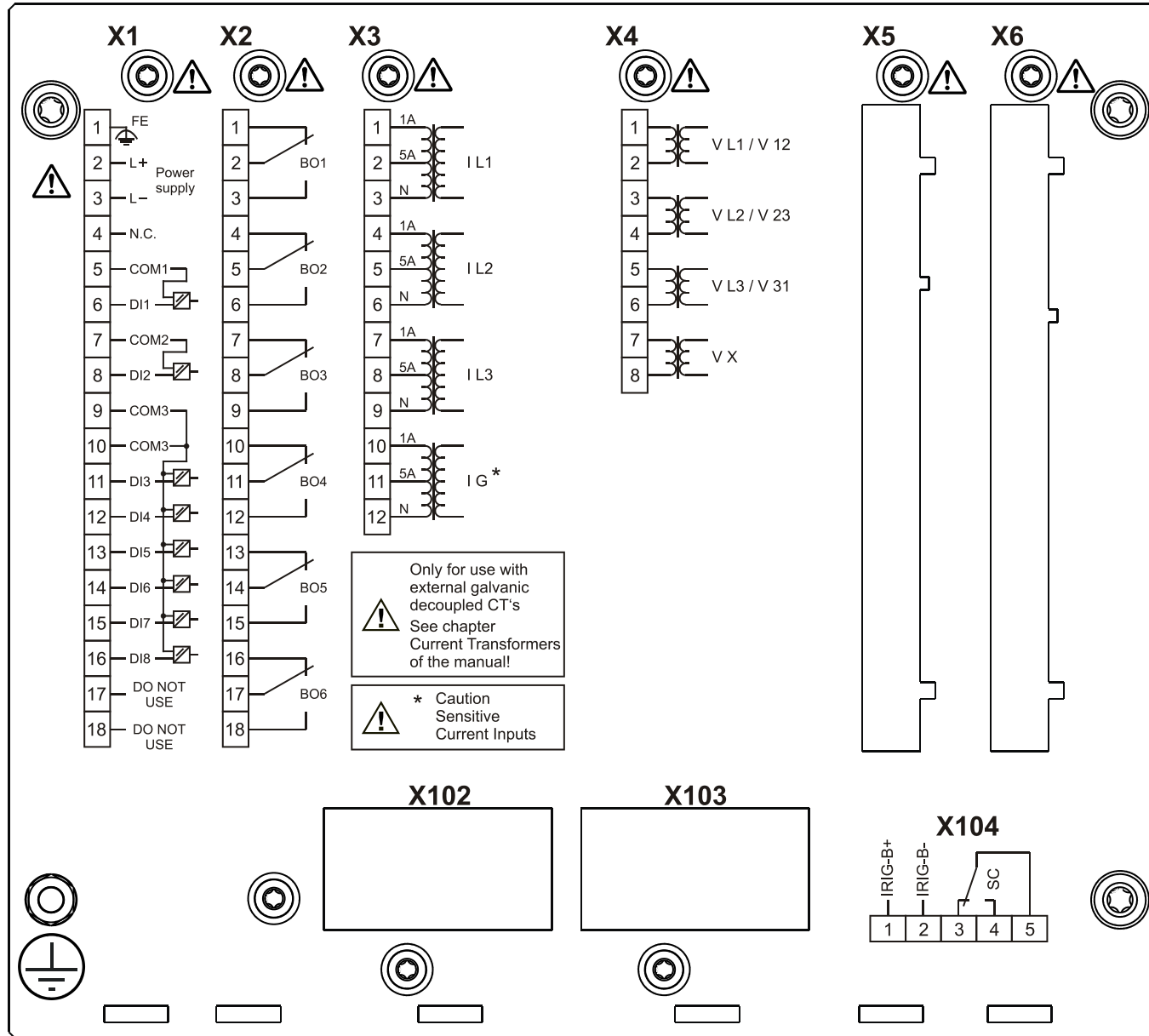
# MRA4-2A1BLA



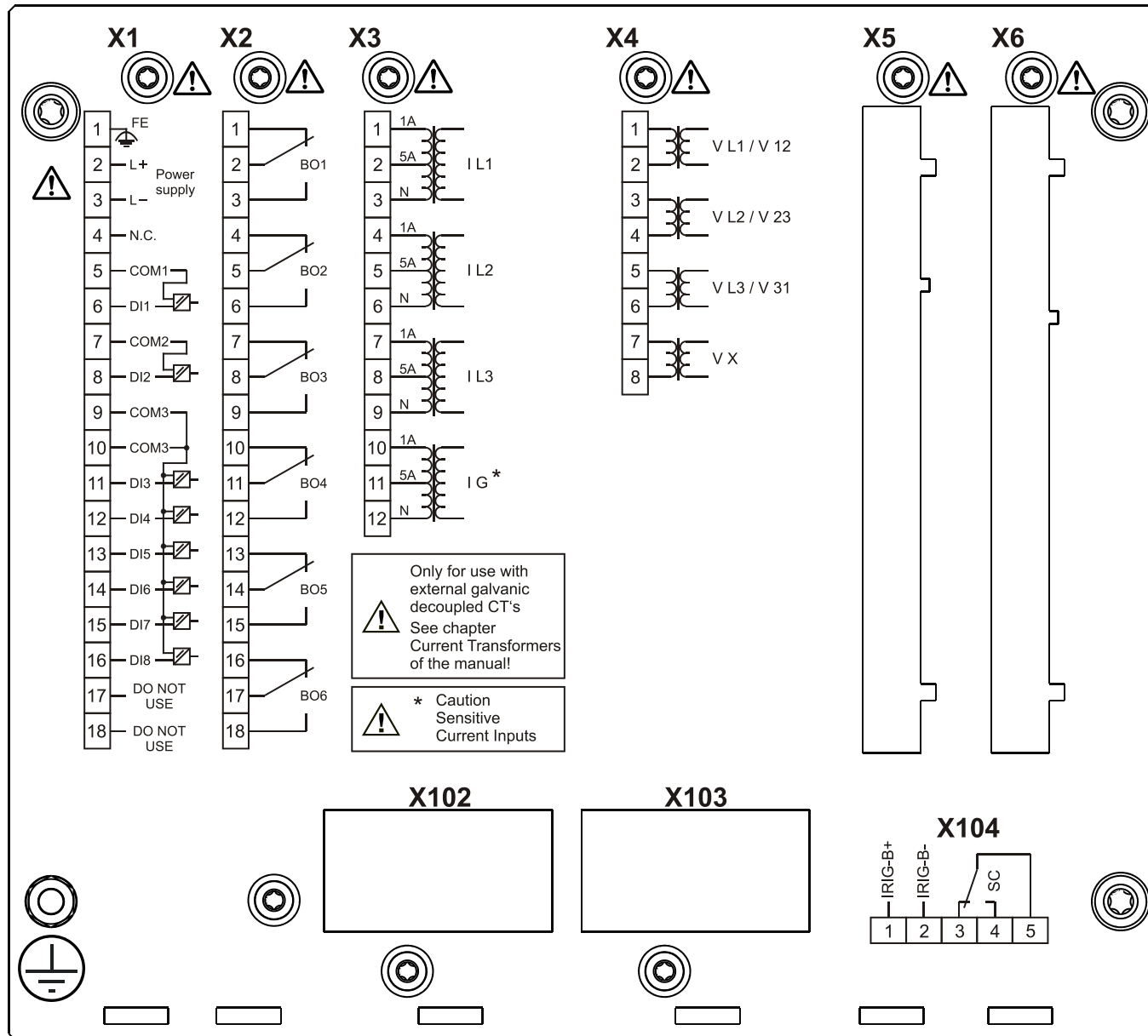
# MRA4-2A1BLB



# MRA4-2A1HAA

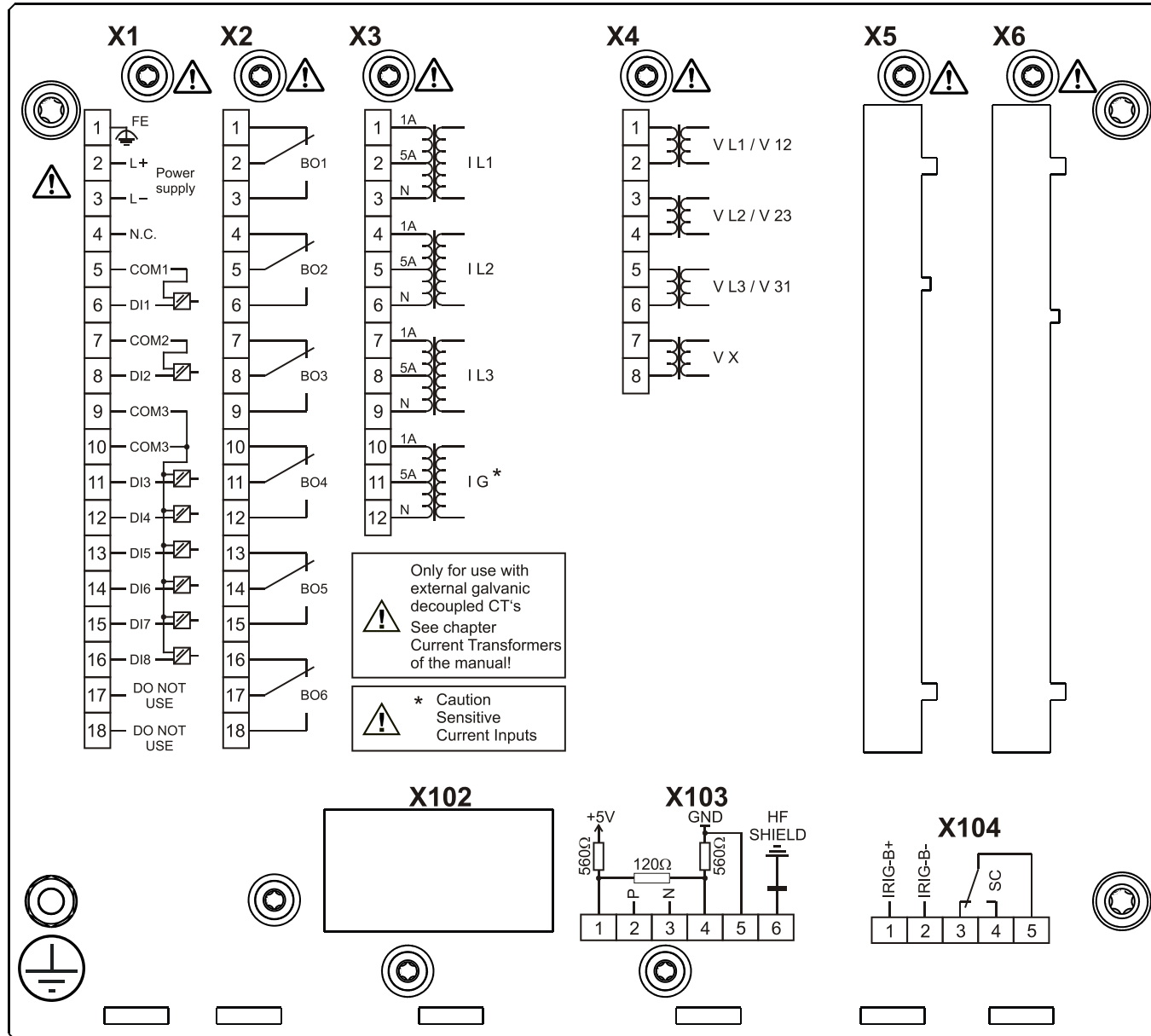


# MRA4-2A1HAB

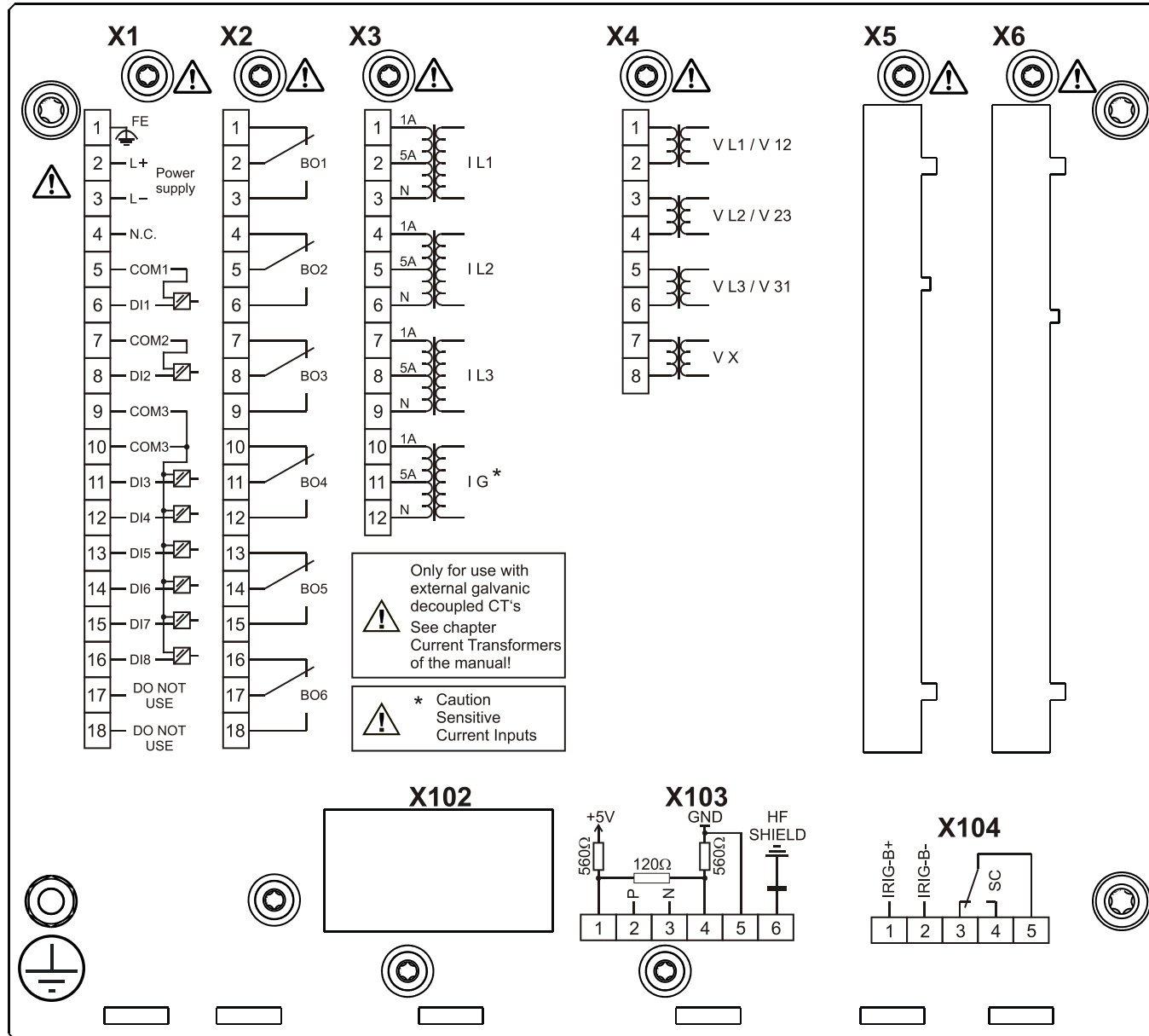




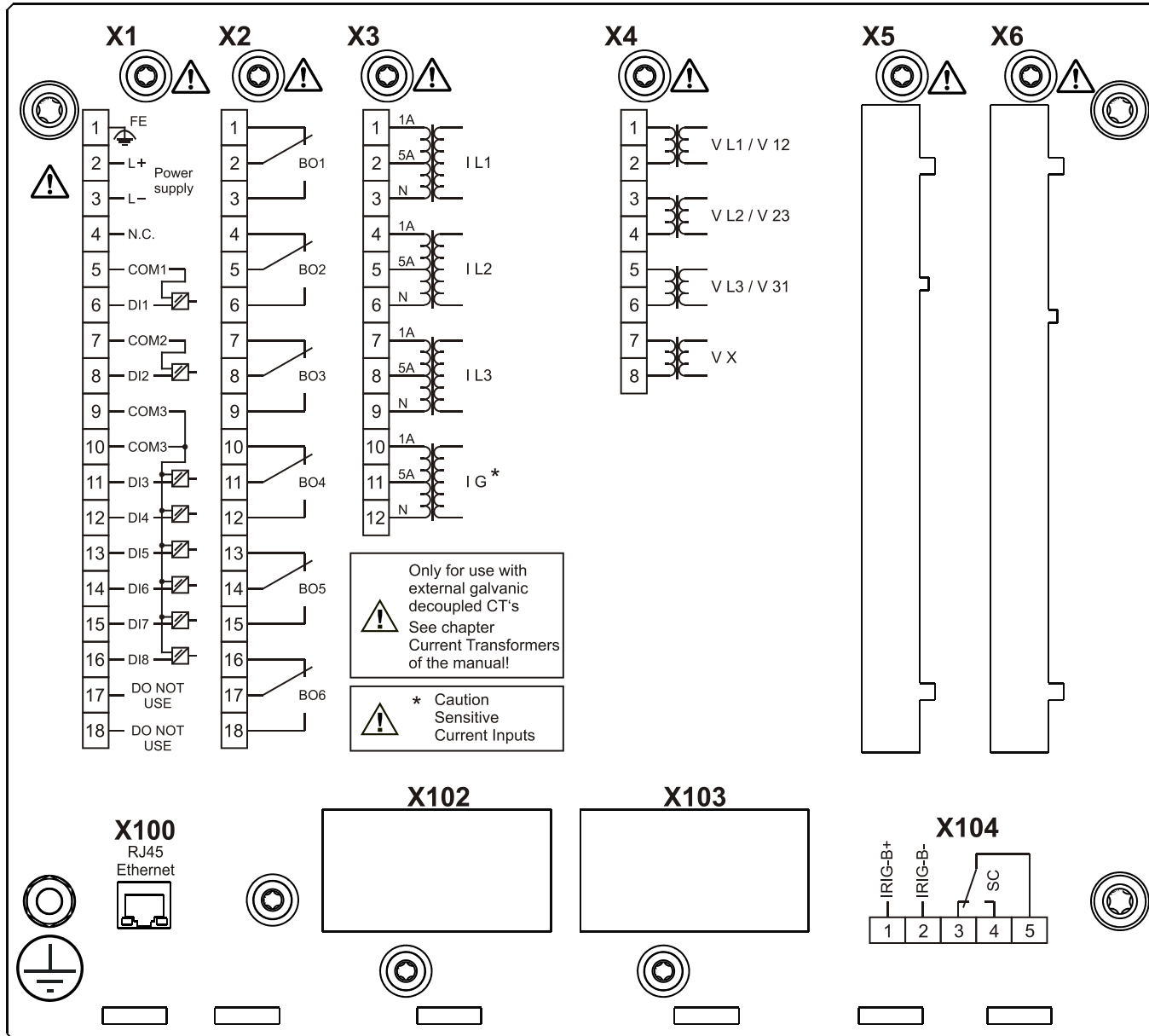
# MRA4-2A1HBA



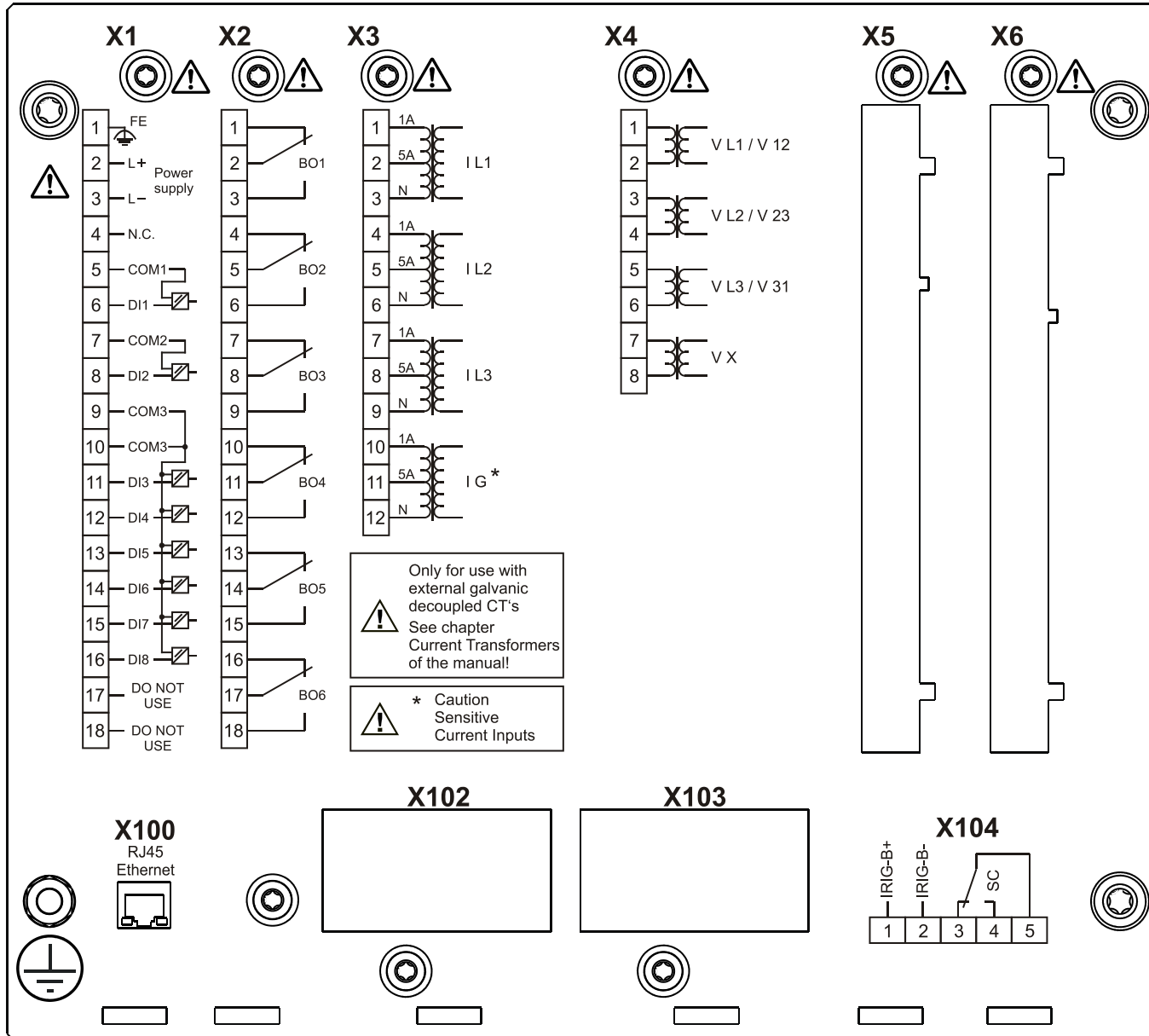
# MRA4-2A1HBB



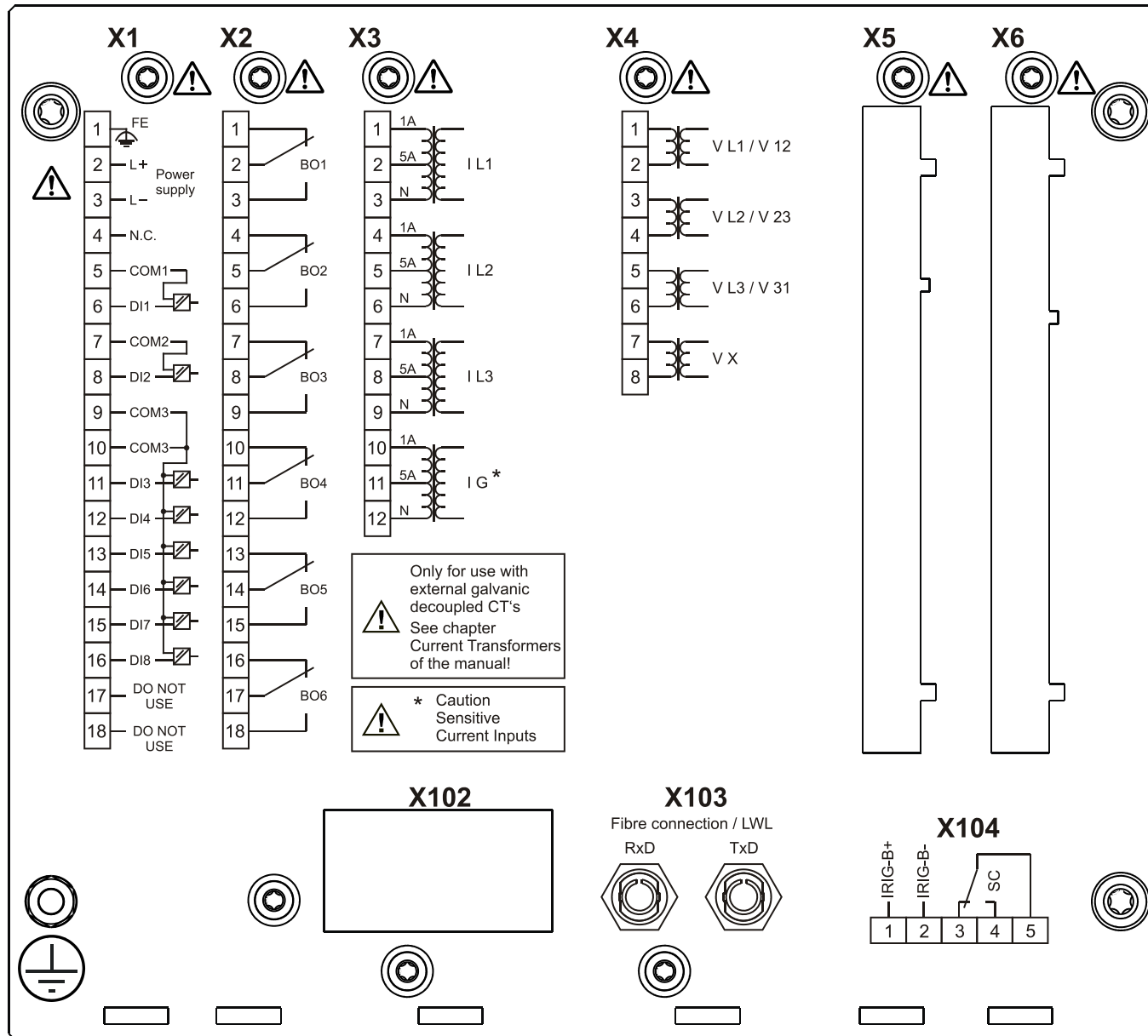
# MRA4-2A1HCA



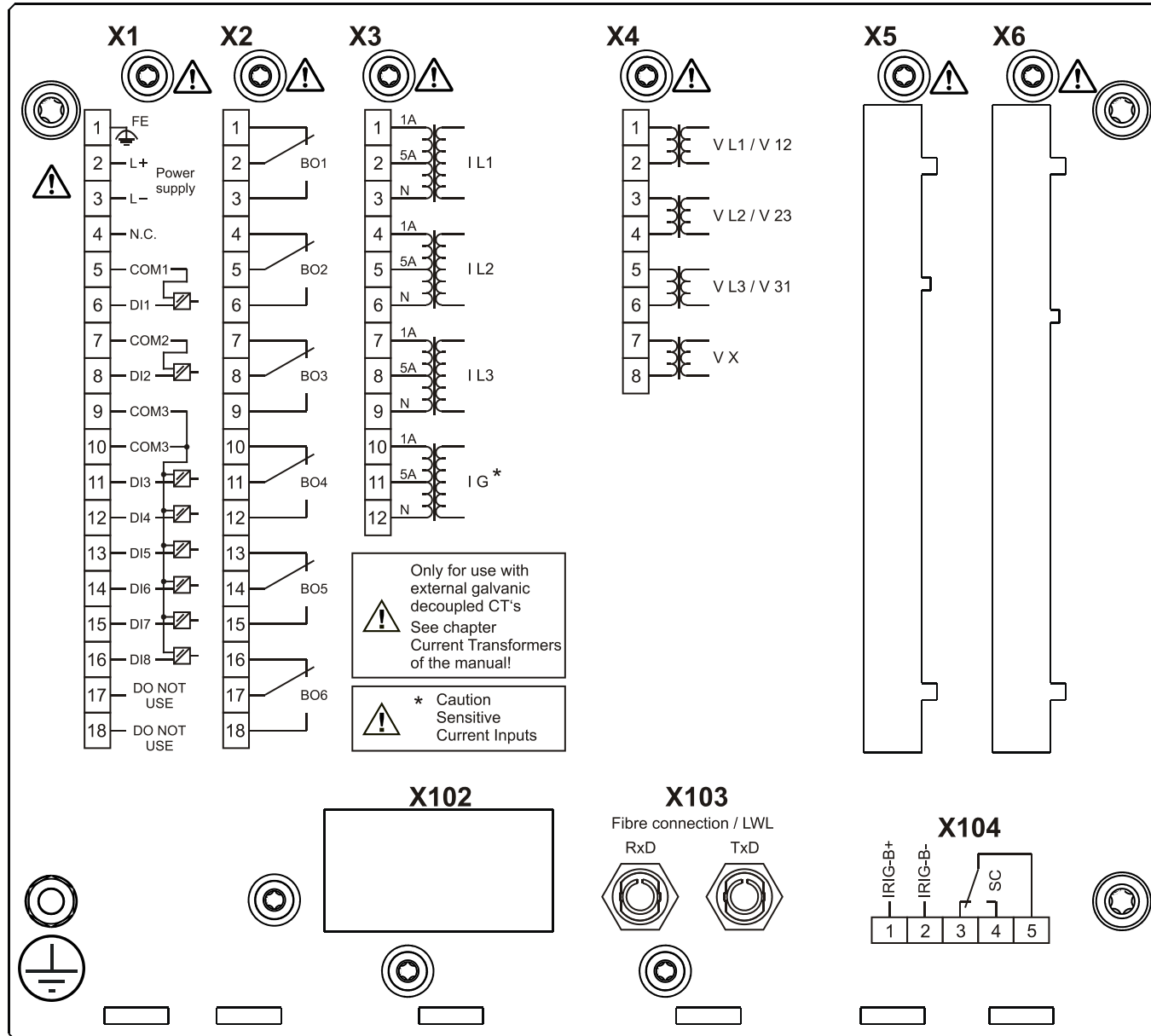
# MRA4-2A1HCB



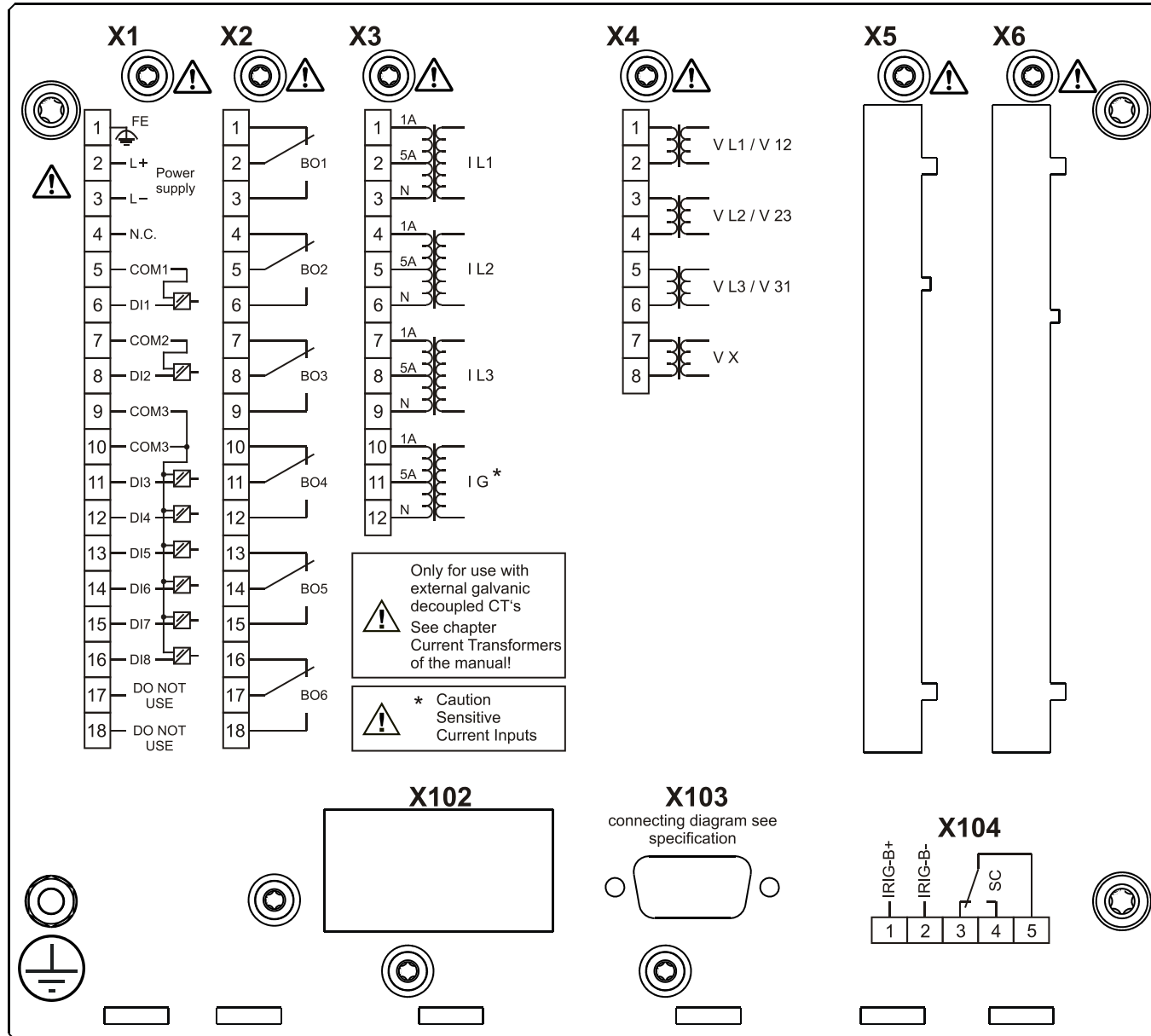
# MRA4-2A1HDA



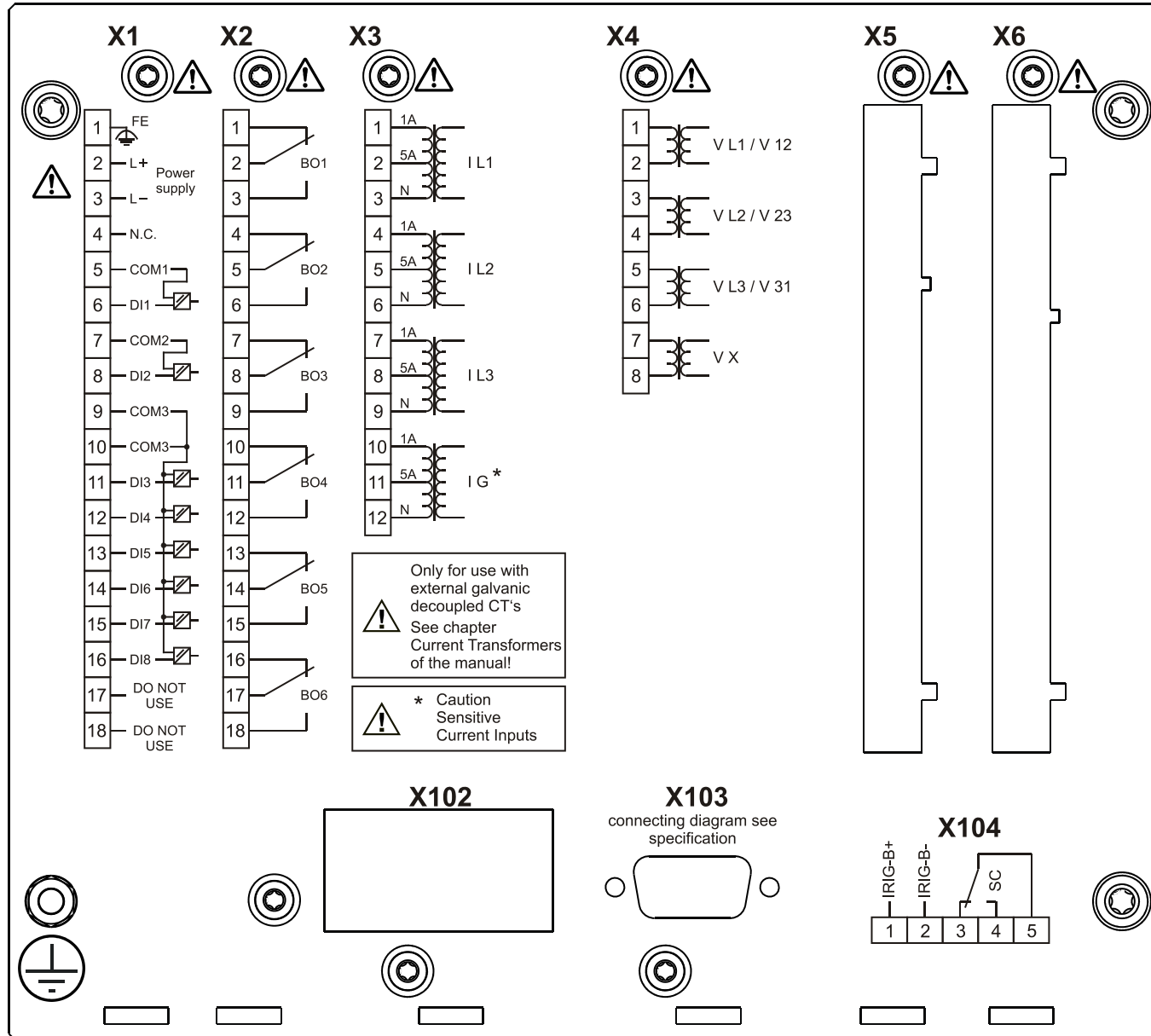
# MRA4-2A1HDB



# MRA4-2A1HEA

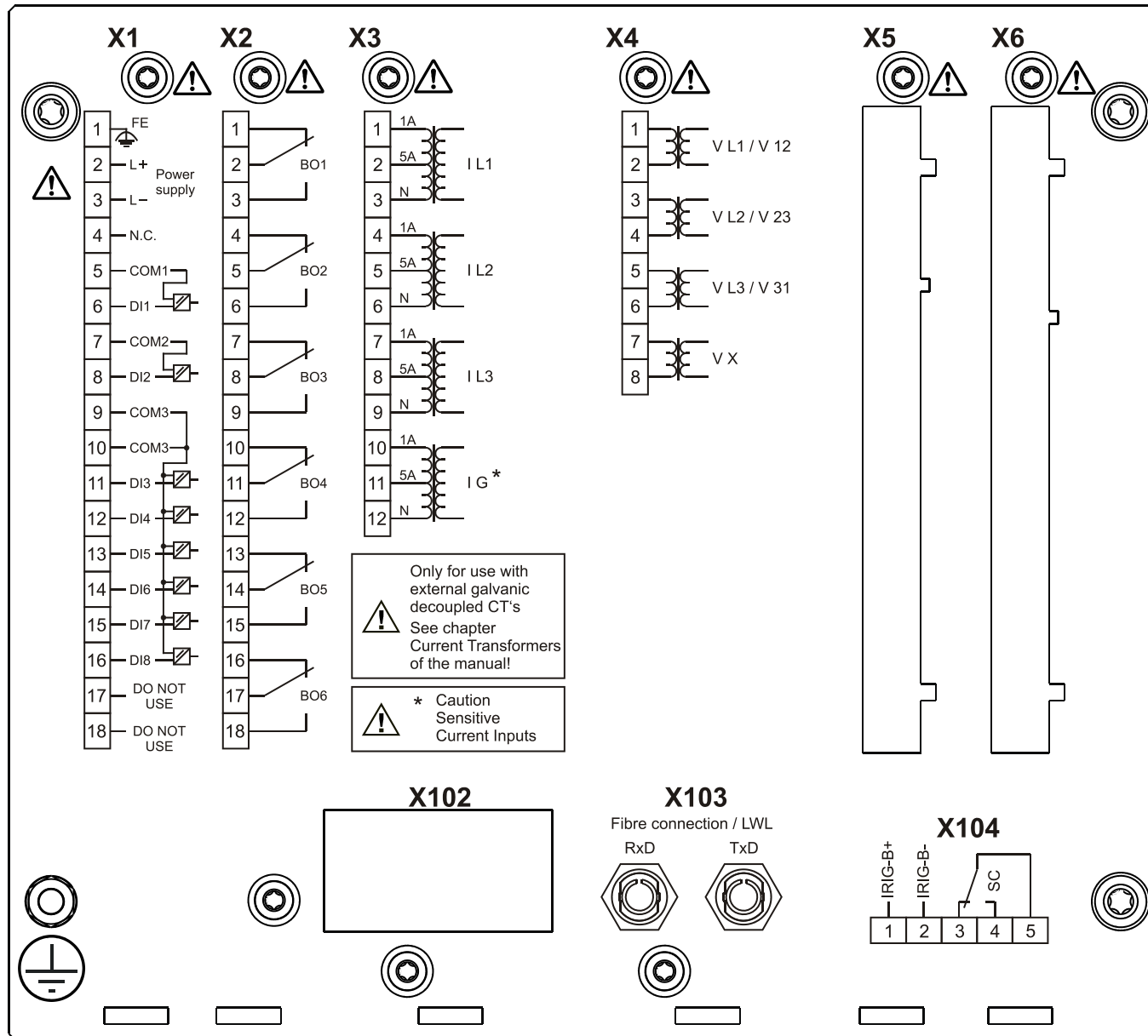


# MRA4-2A1HEB

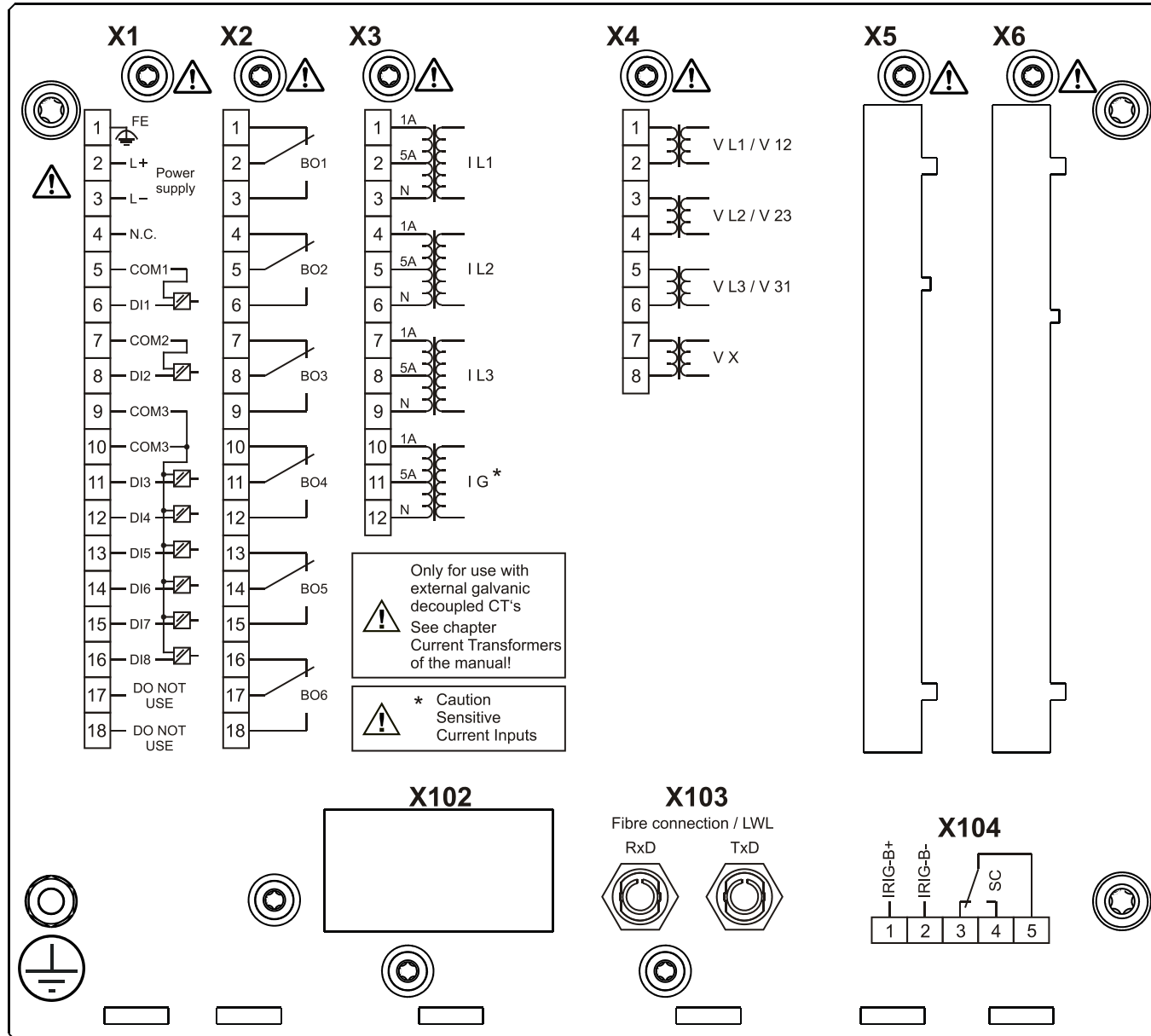




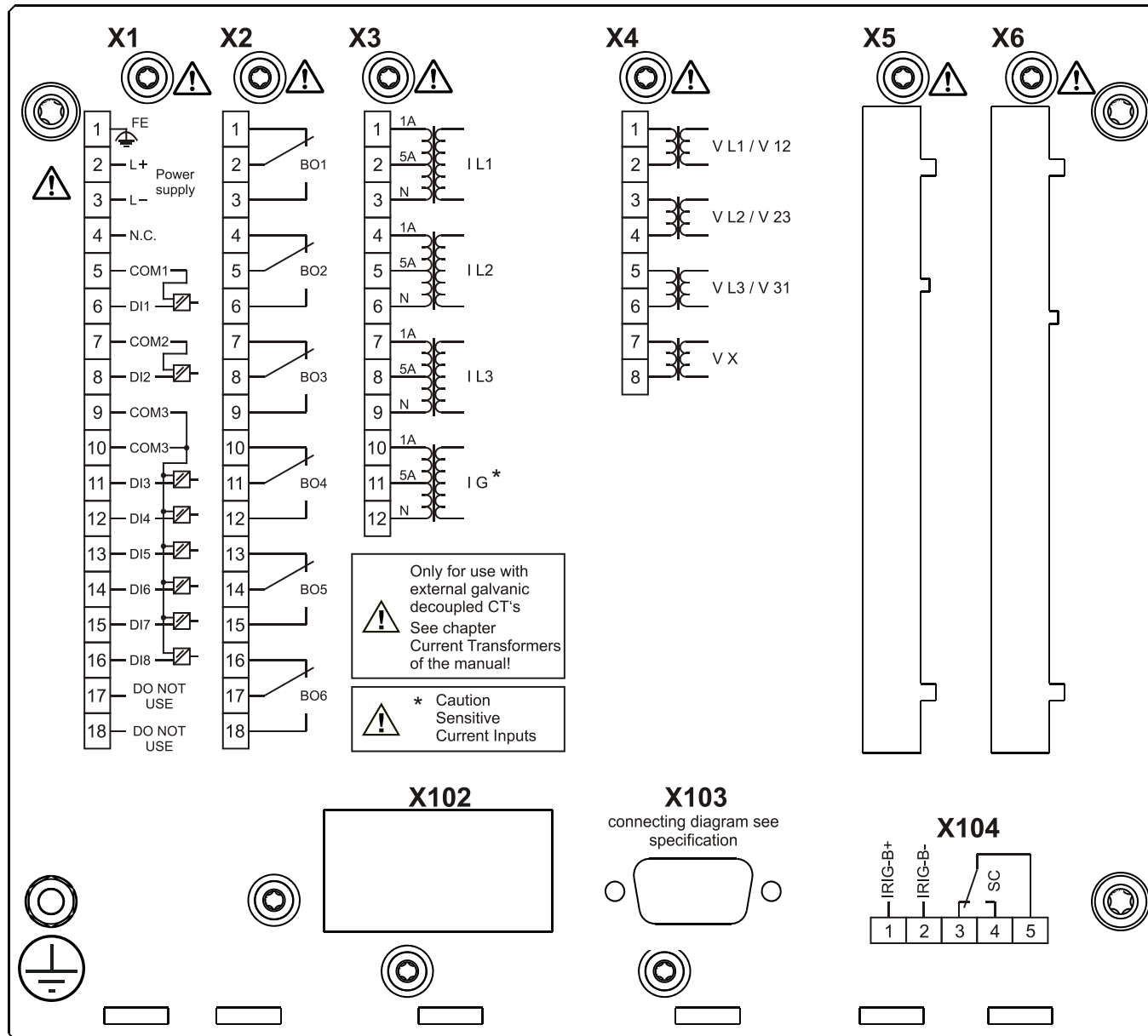
# MRA4-2A1HFA



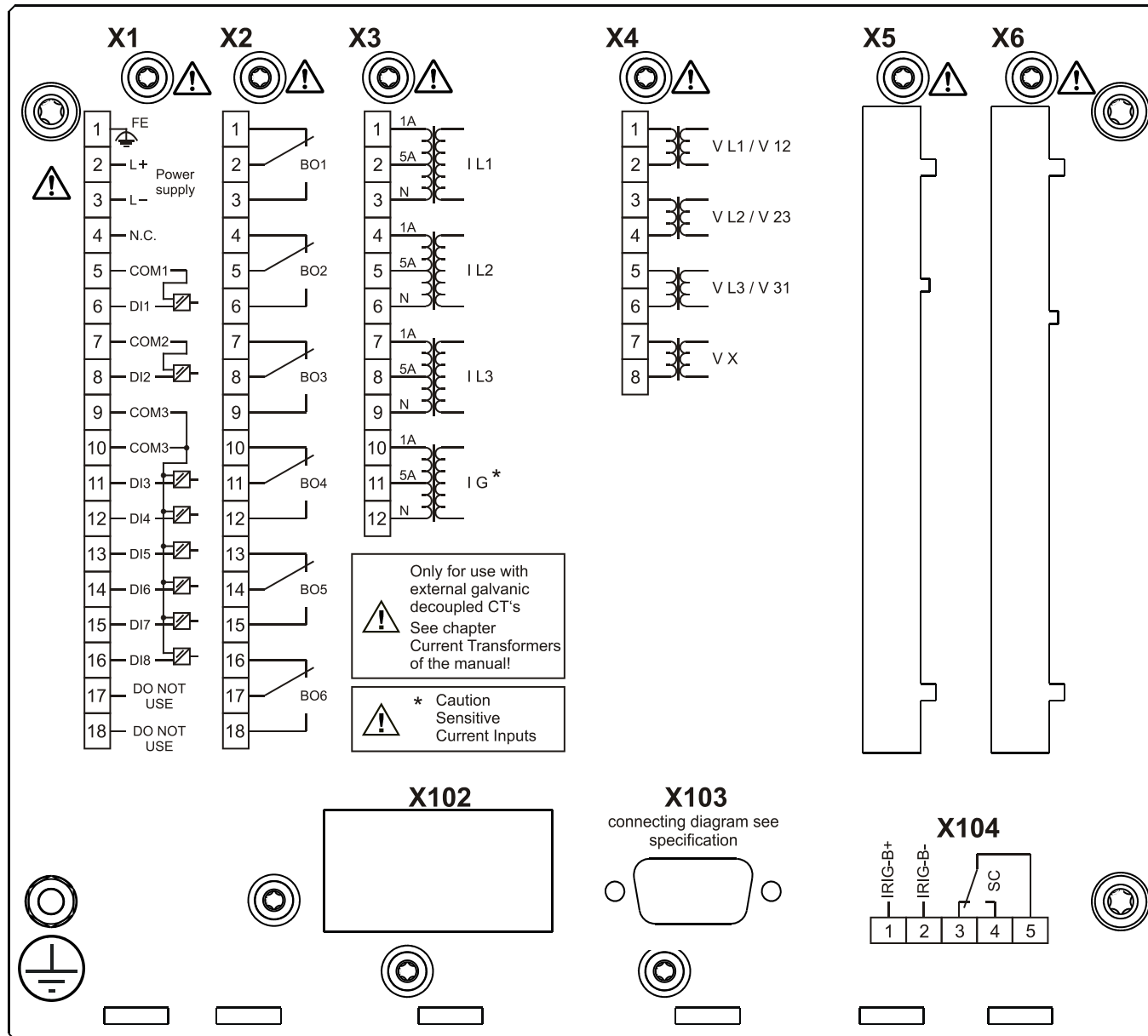
# MRA4-2A1HFB



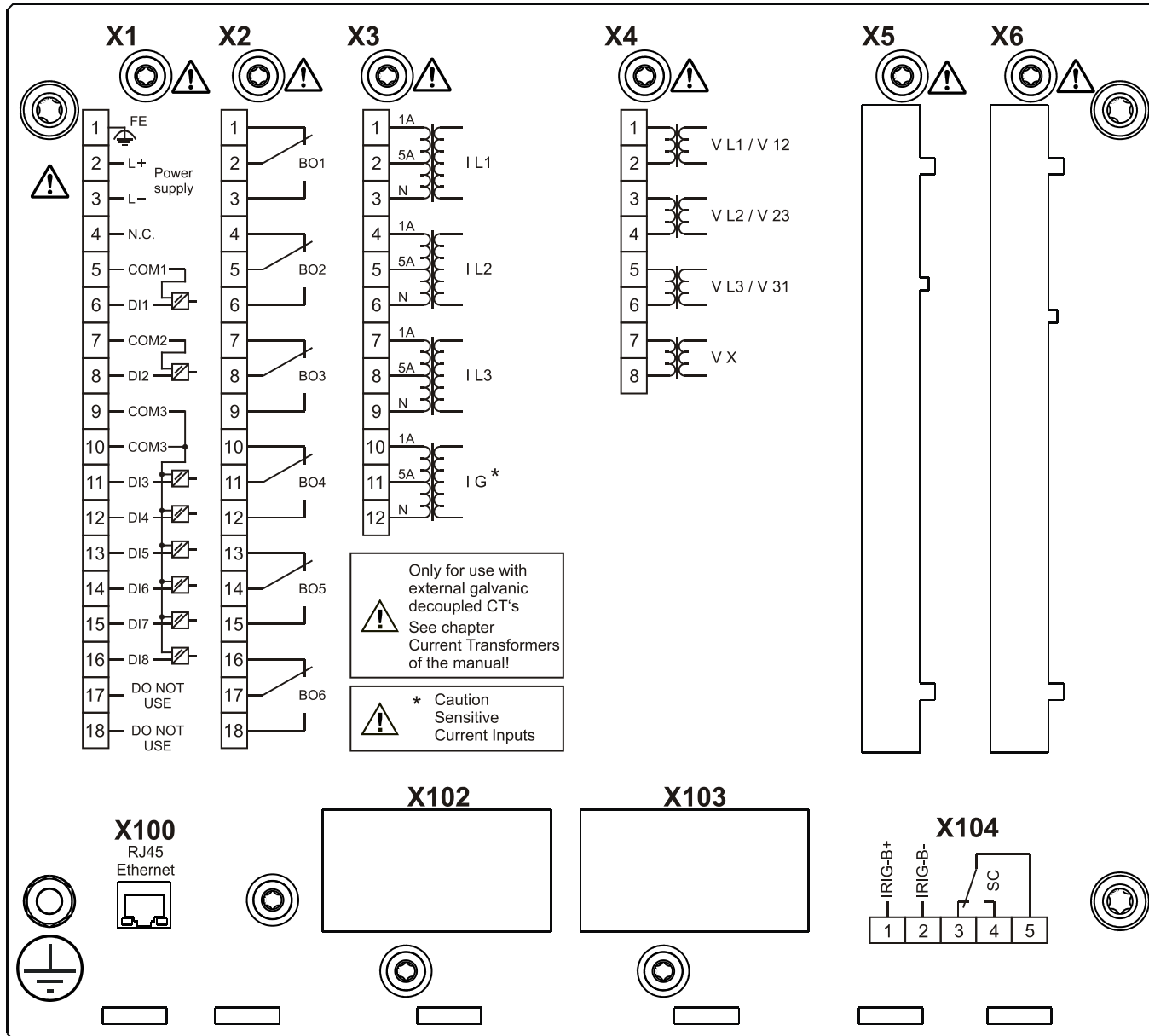
# MRA4-2A1HGA



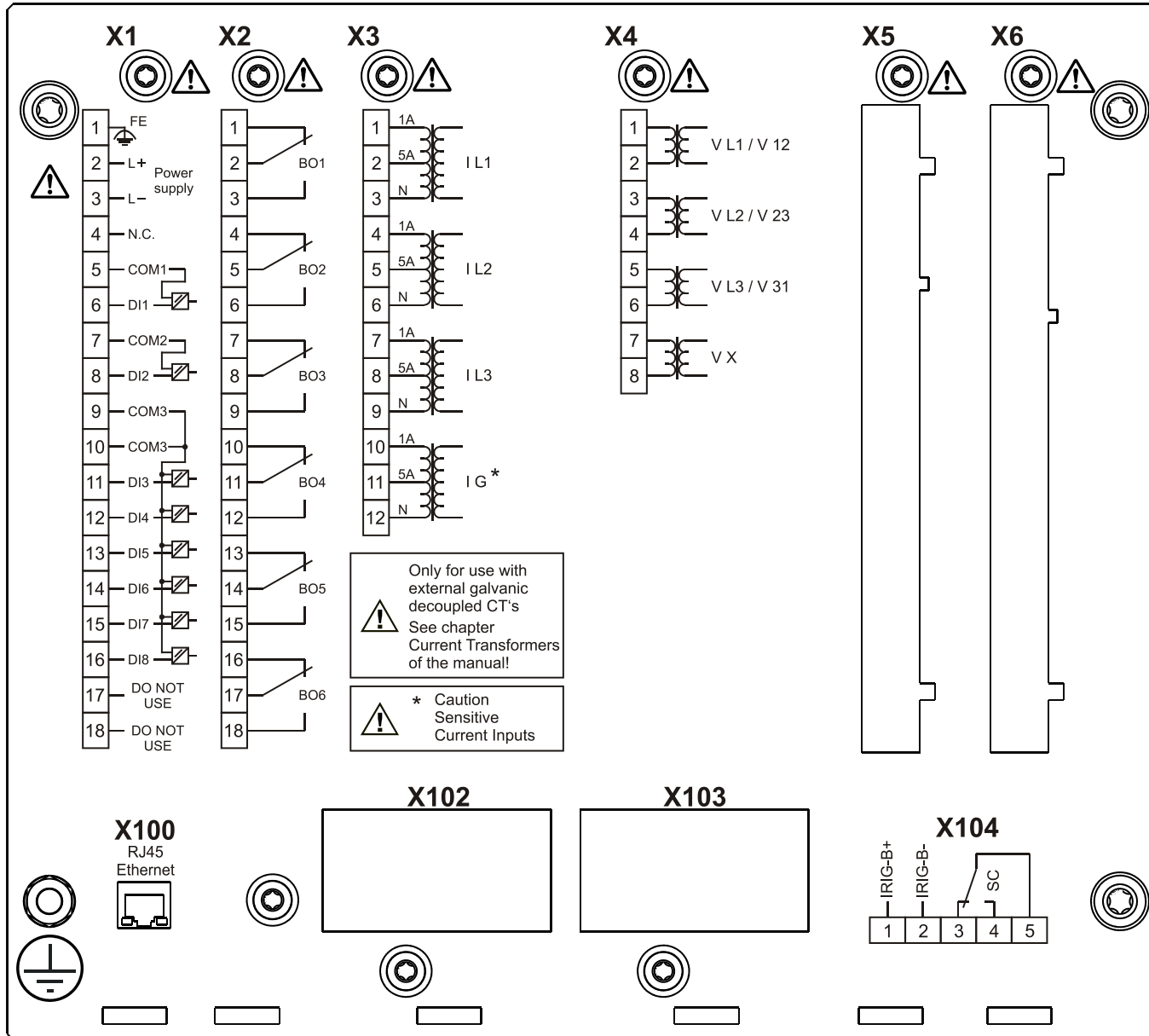
# MRA4-2A1HGB



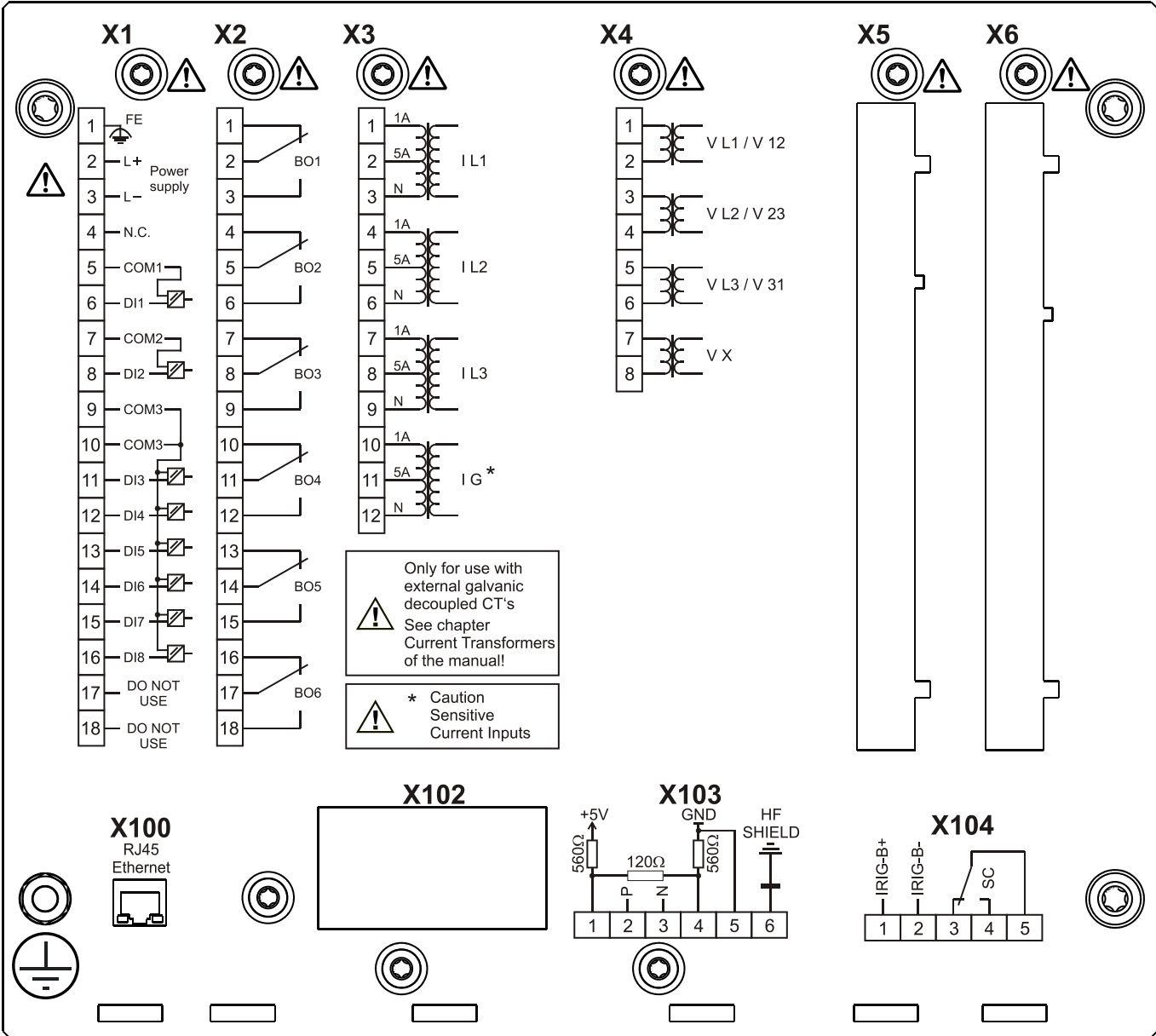
# MRA4-2A1HHA



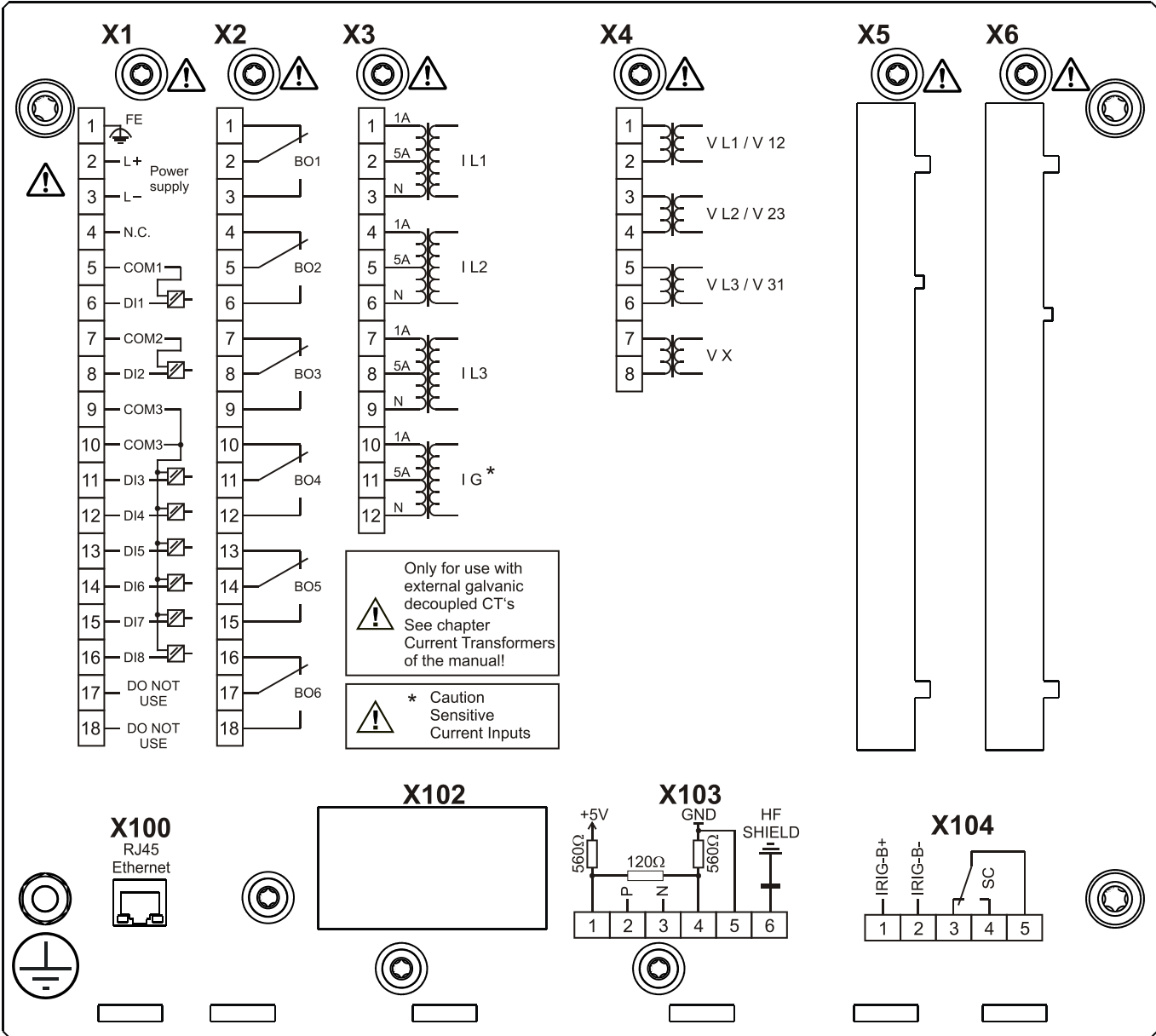
# MRA4-2A1HHB



# MRA4-2A1HIA

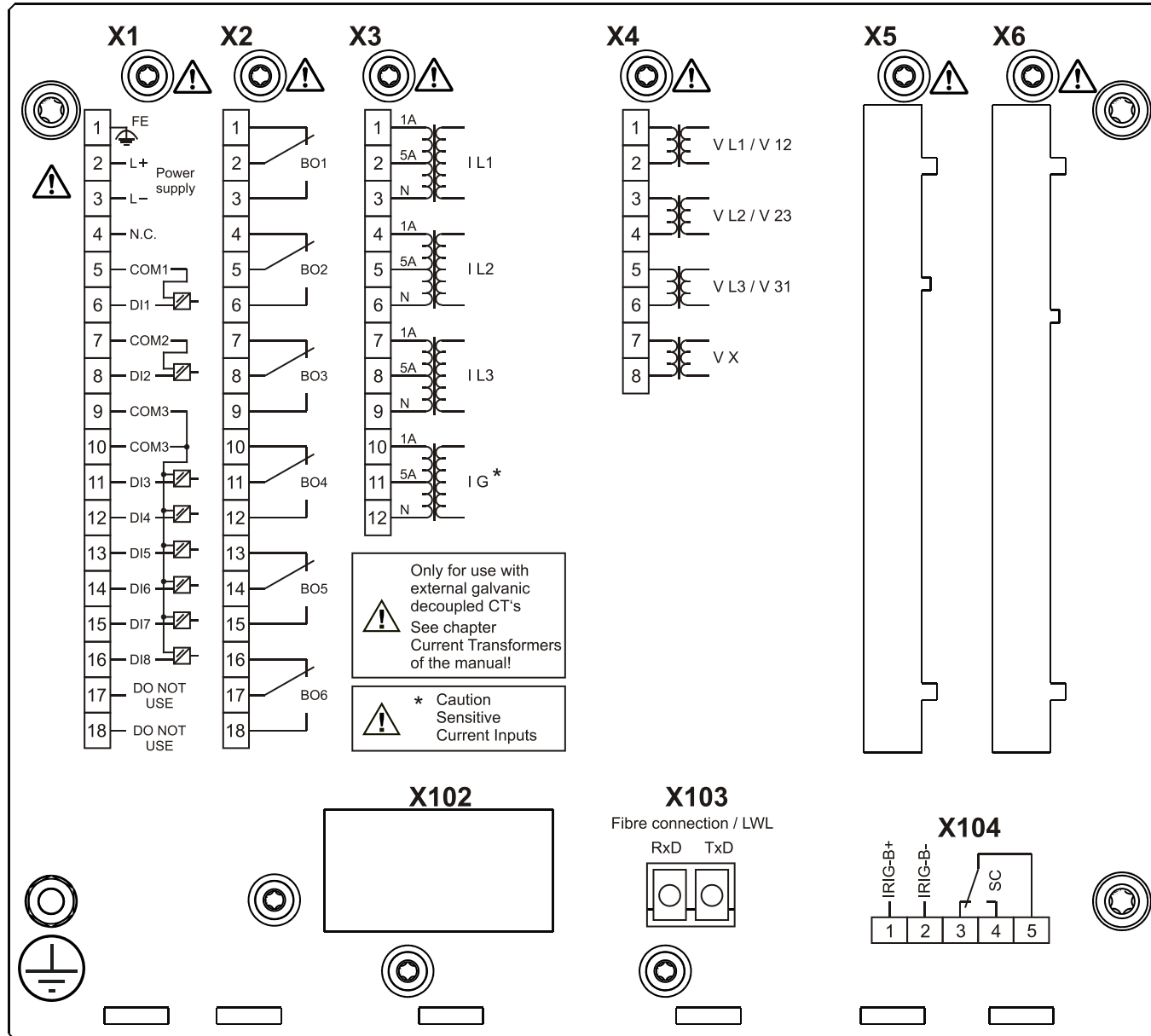


# MRA4-2A1HIB

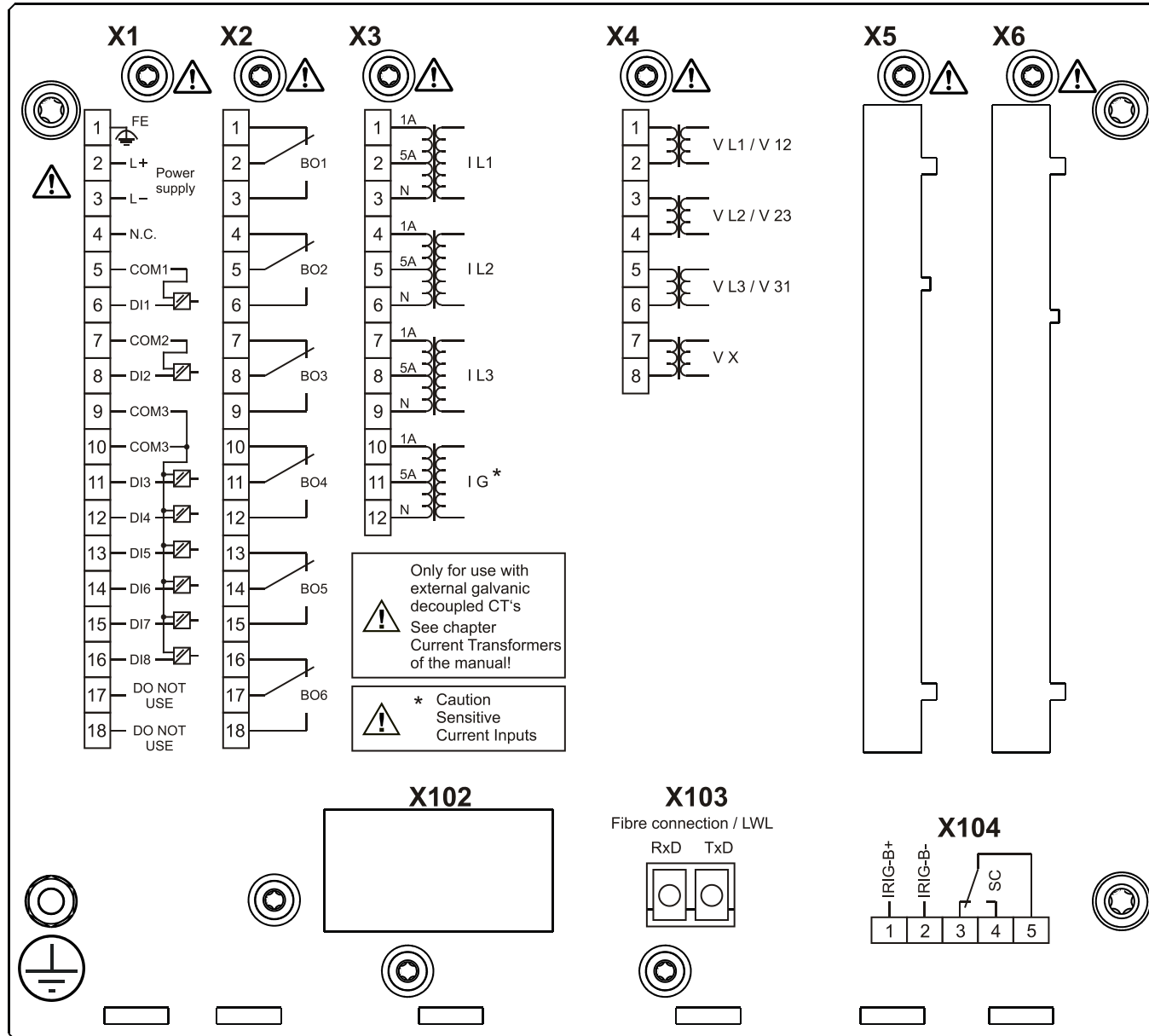




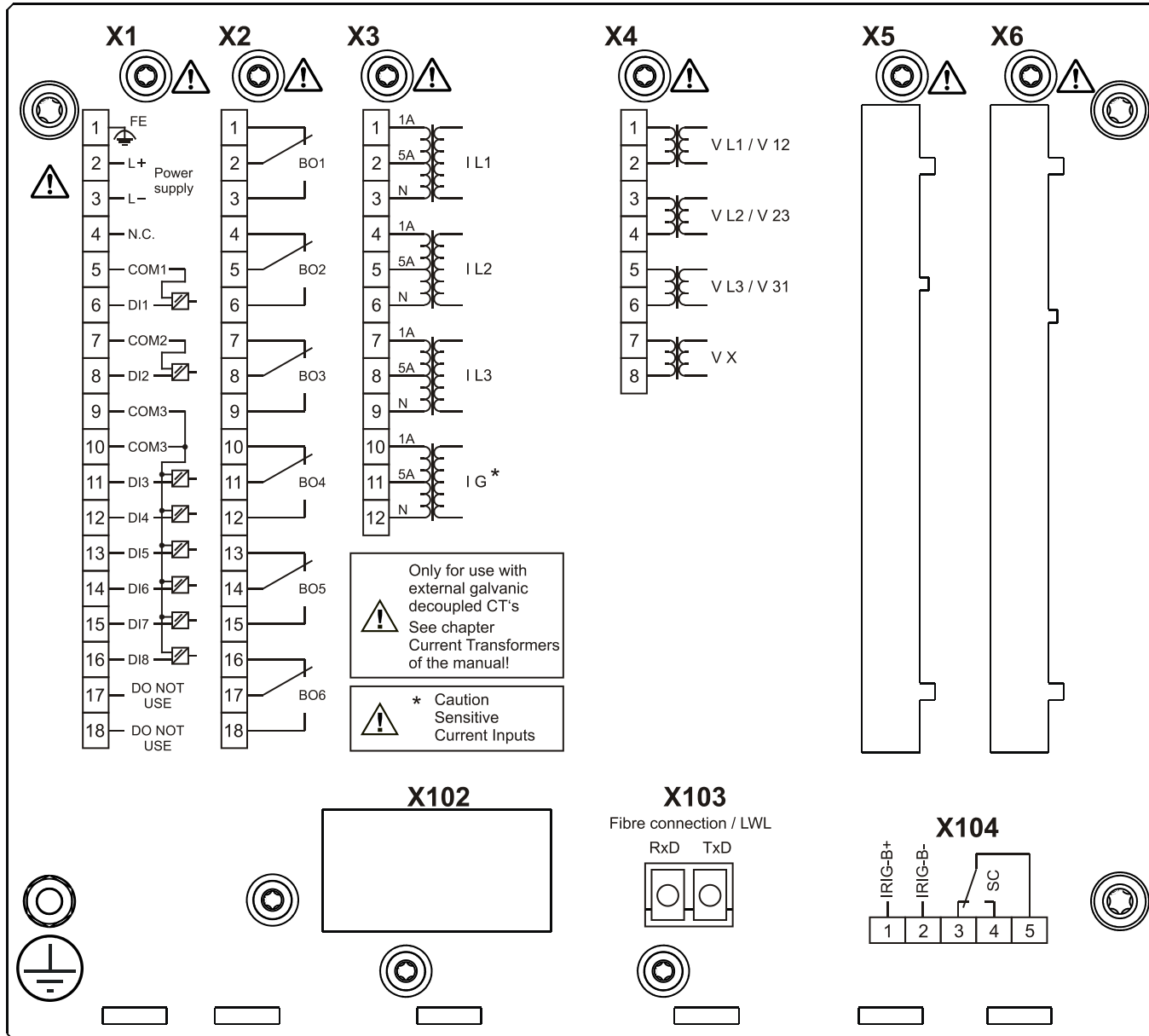
# MRA4-2A1HKA



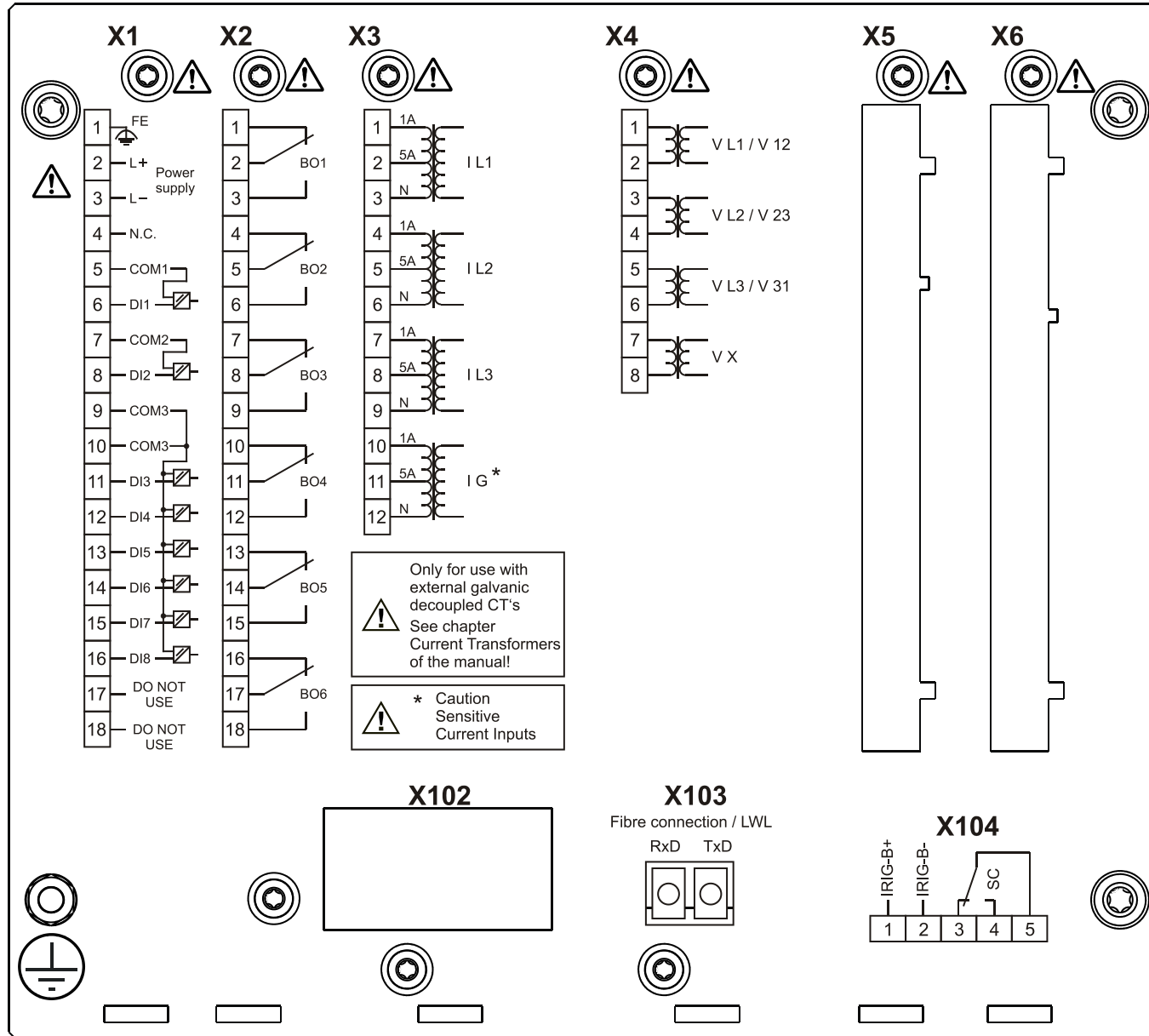
# MRA4-2A1HKB



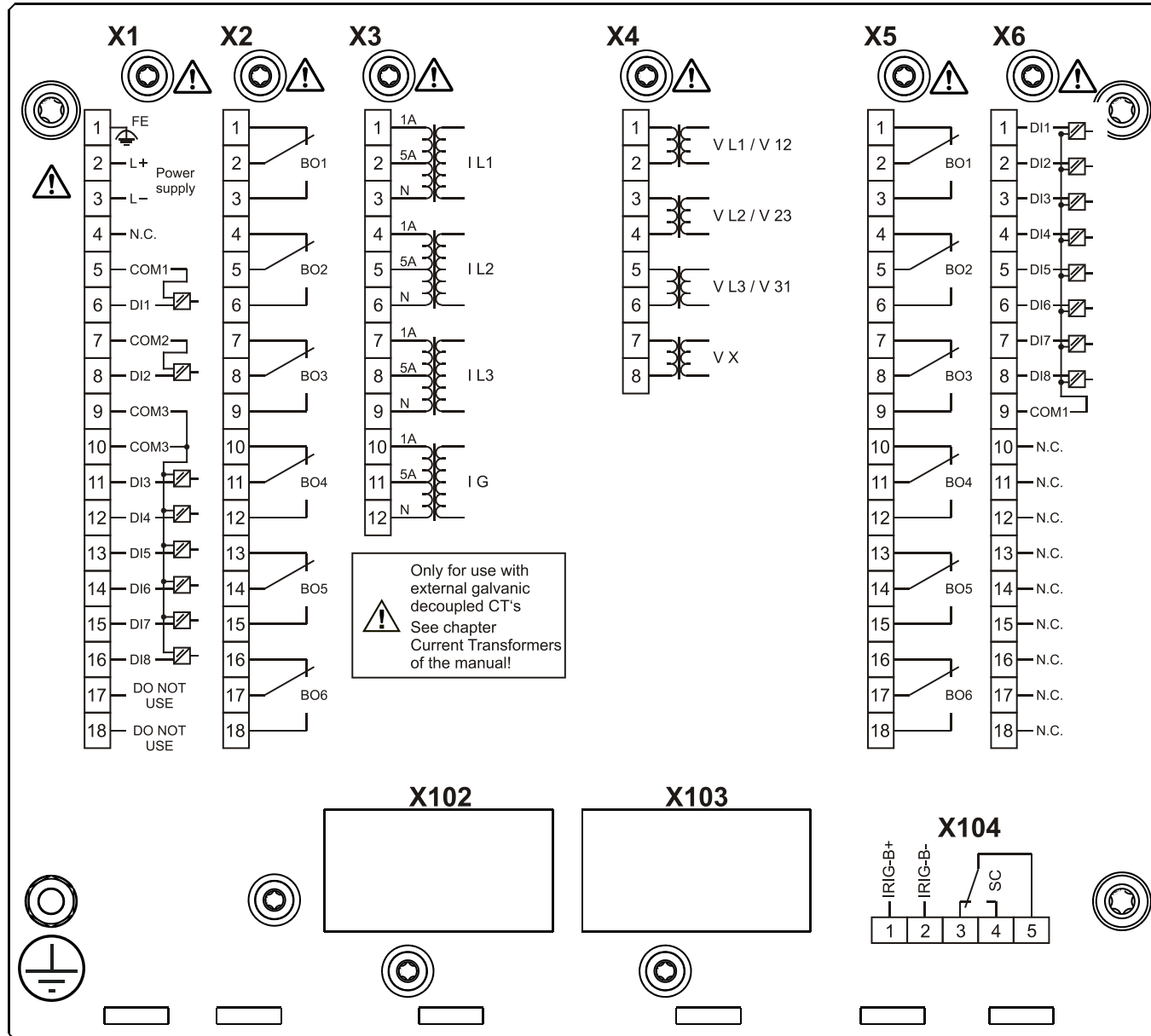
# MRA4-2A1HLA



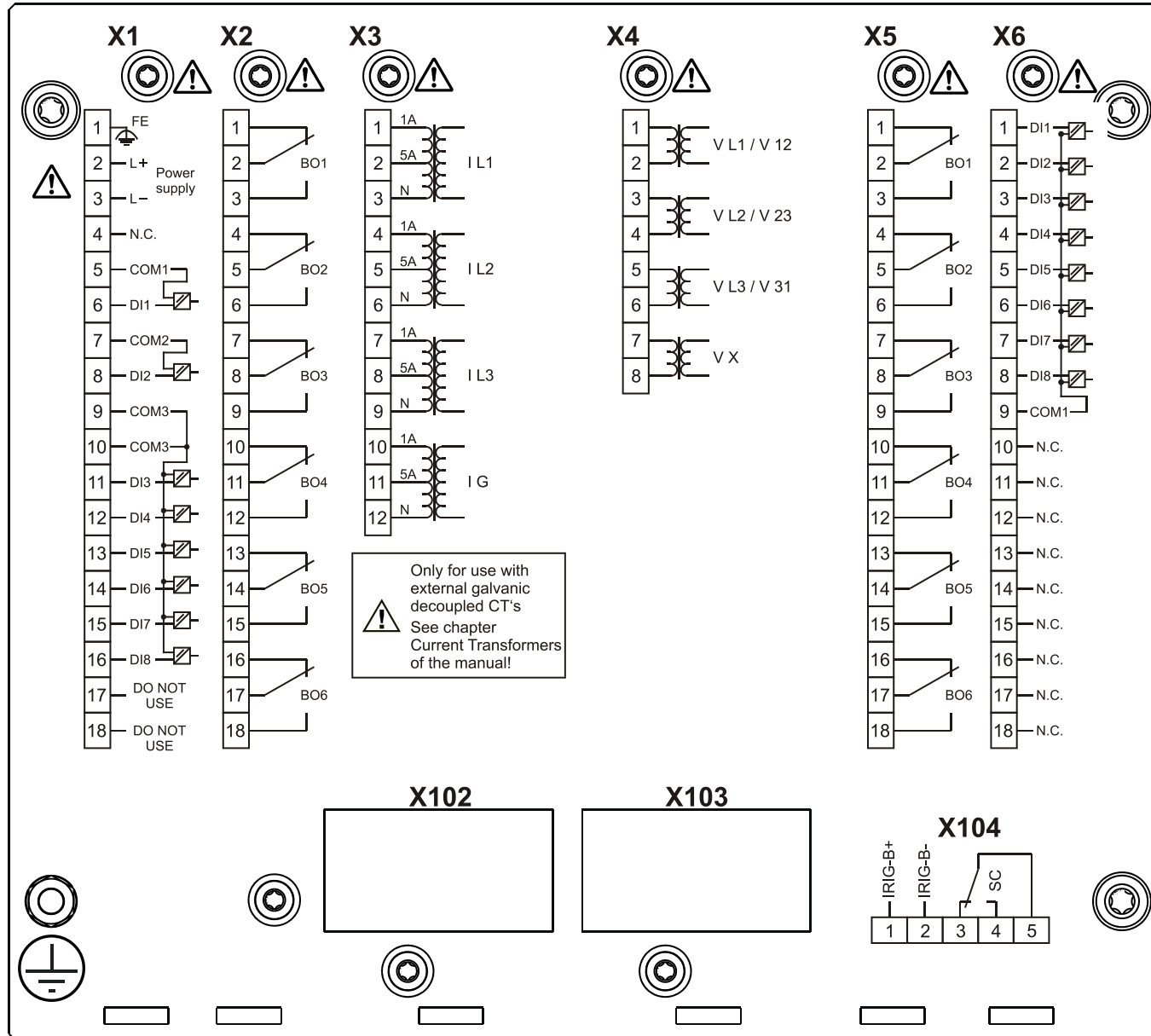
# MRA4-2A1HLB



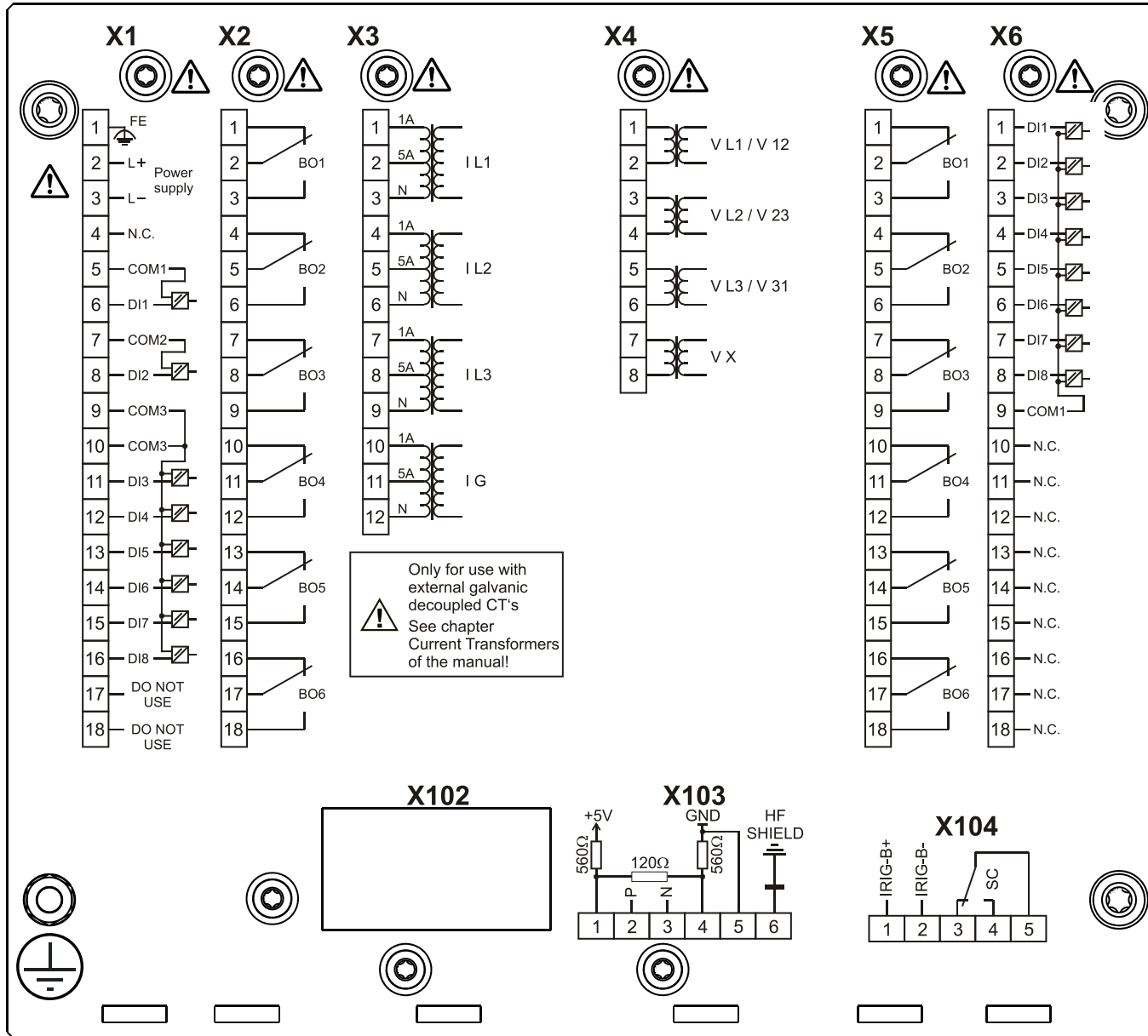
# MRA4-2D0AAA



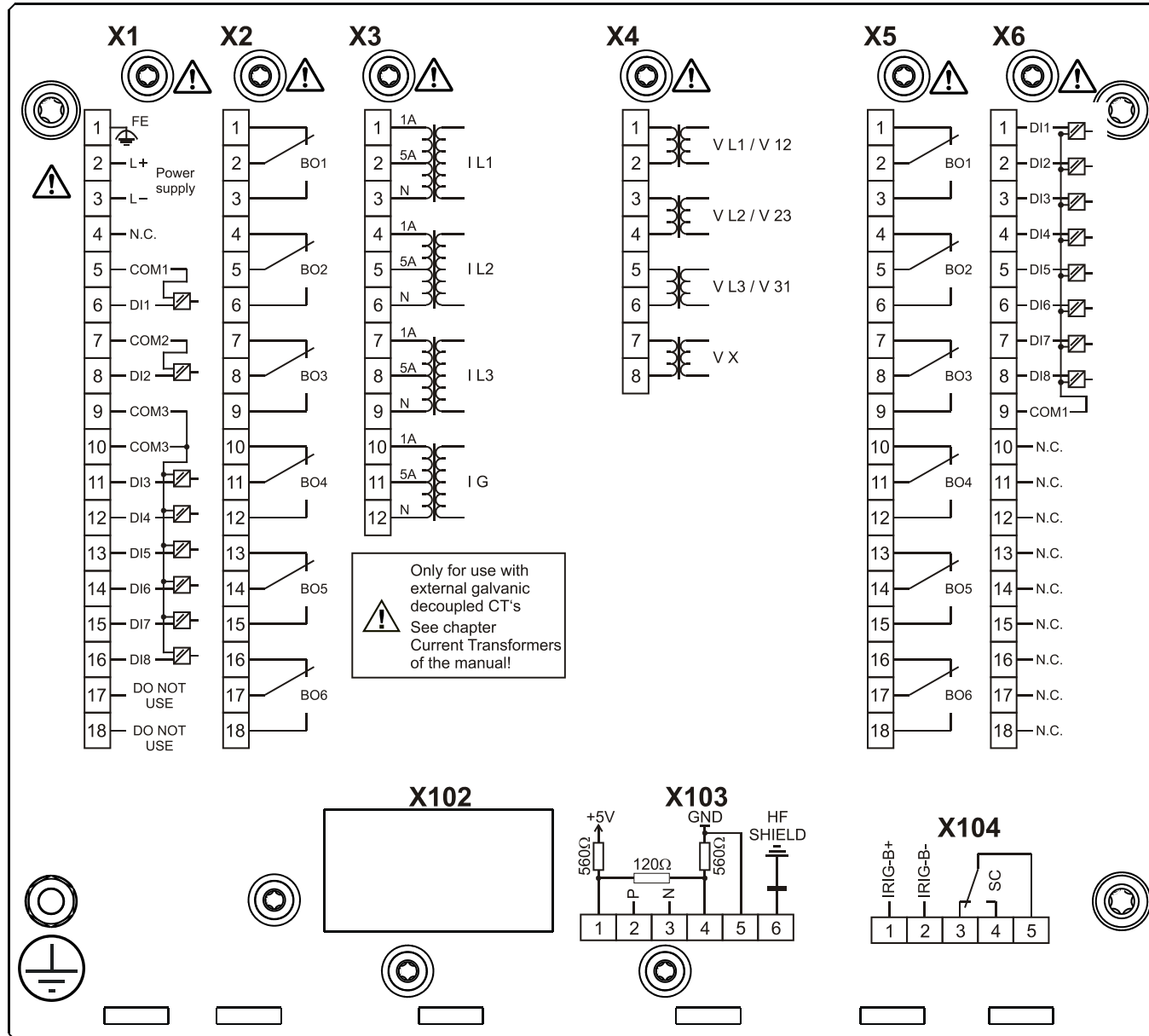
# MRA4-2D0AAB



# MRA4-2D0ABA

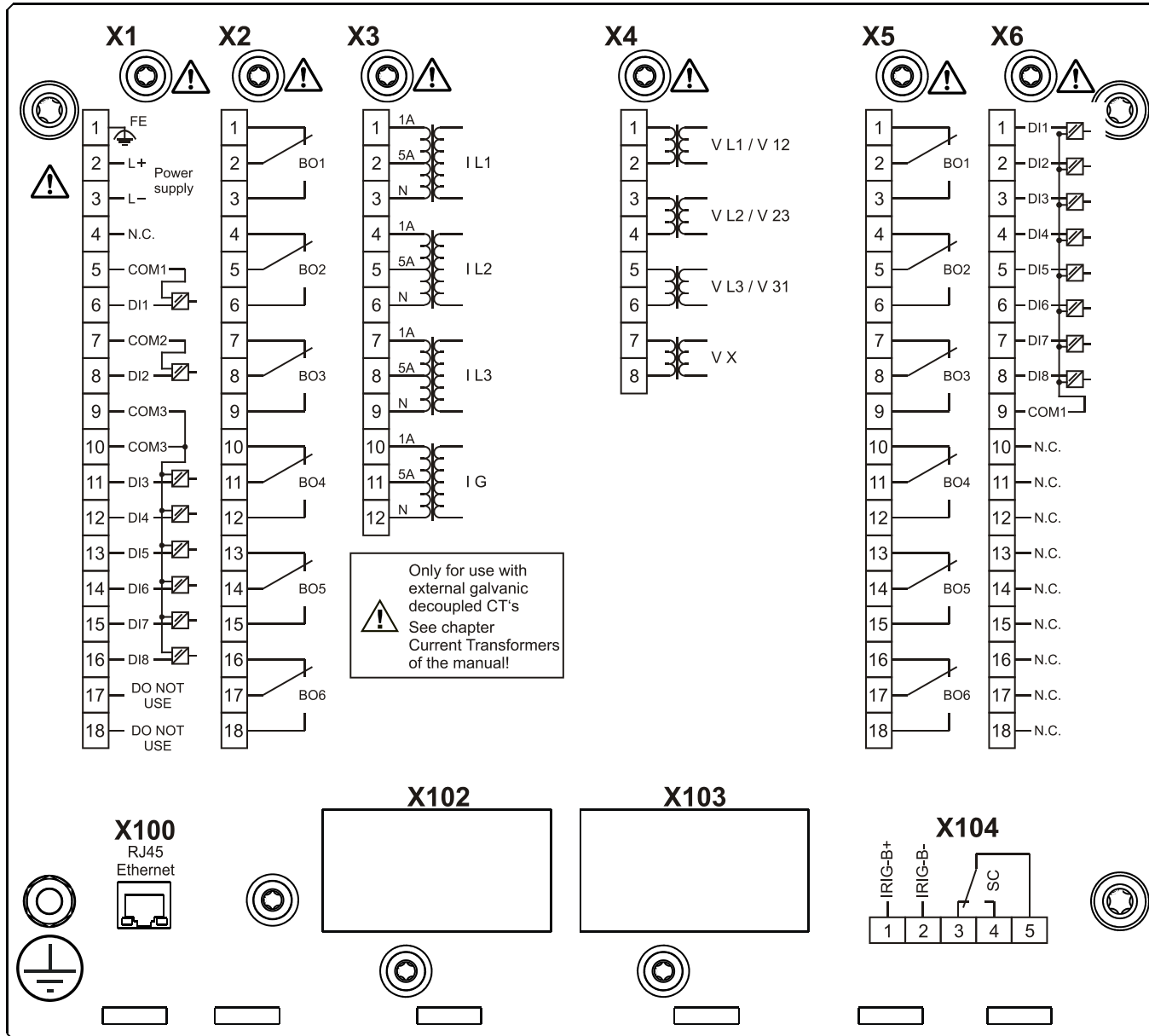


# MRA4-2D0ABB

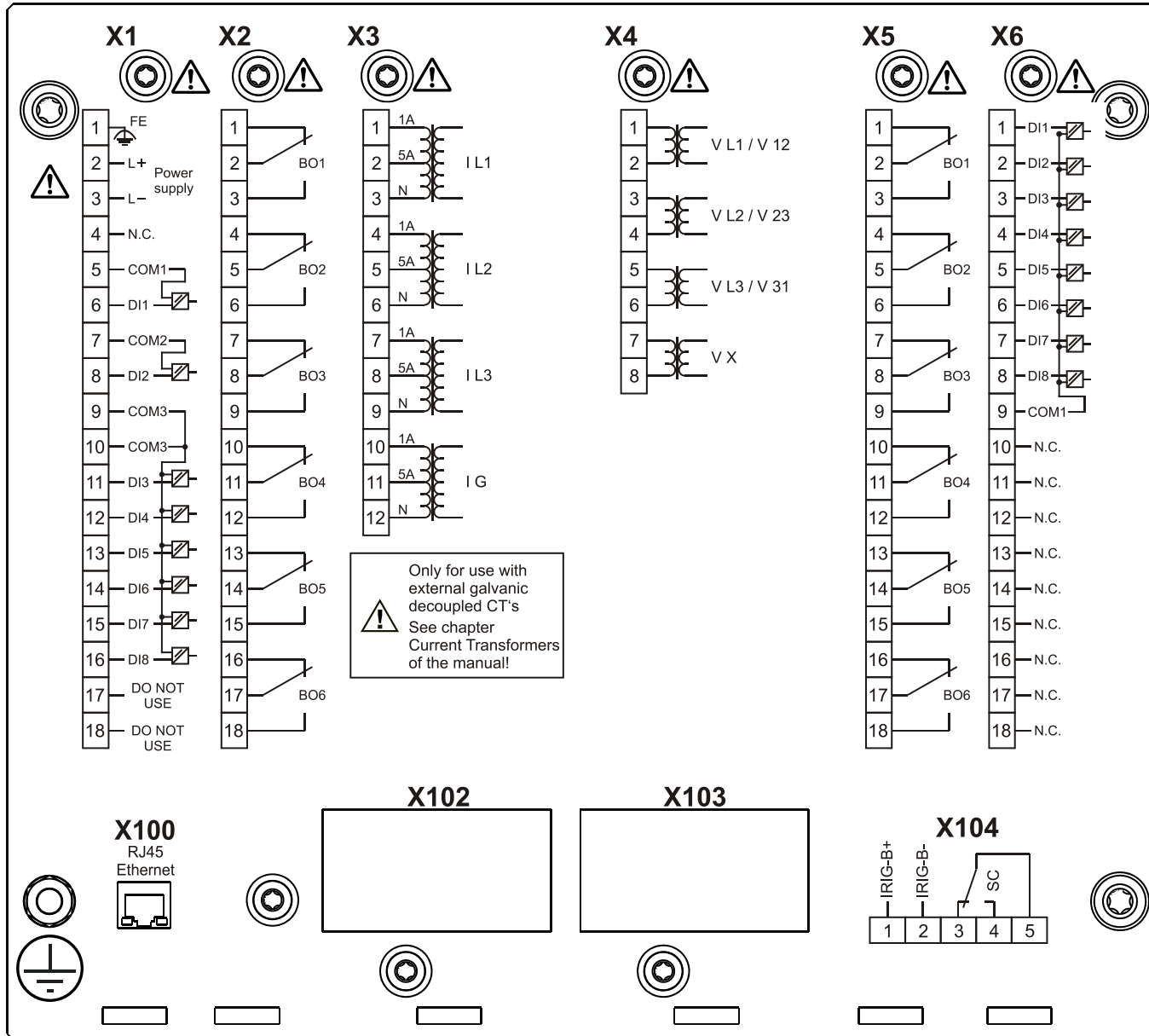




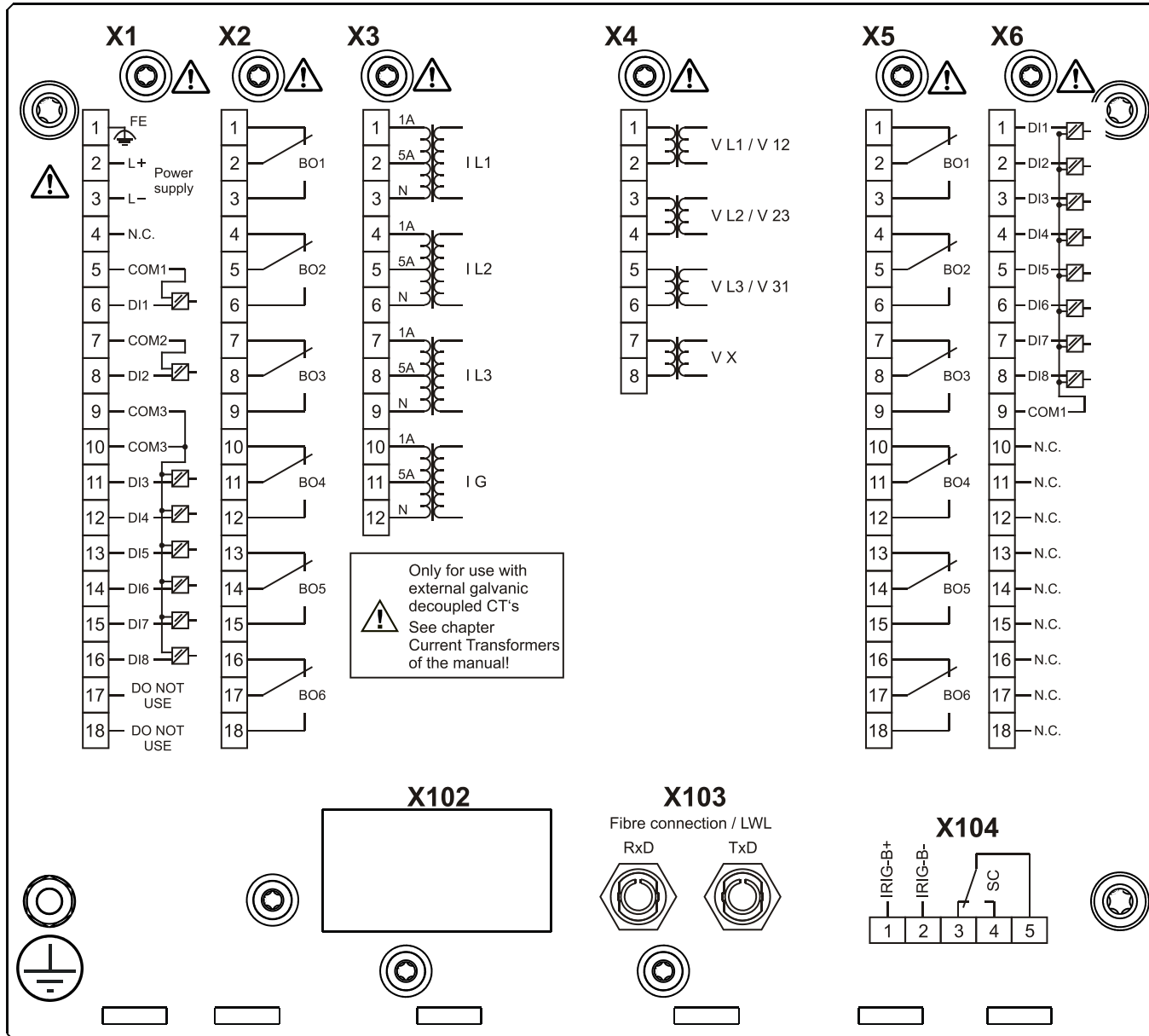
# MRA4-2D0ACA



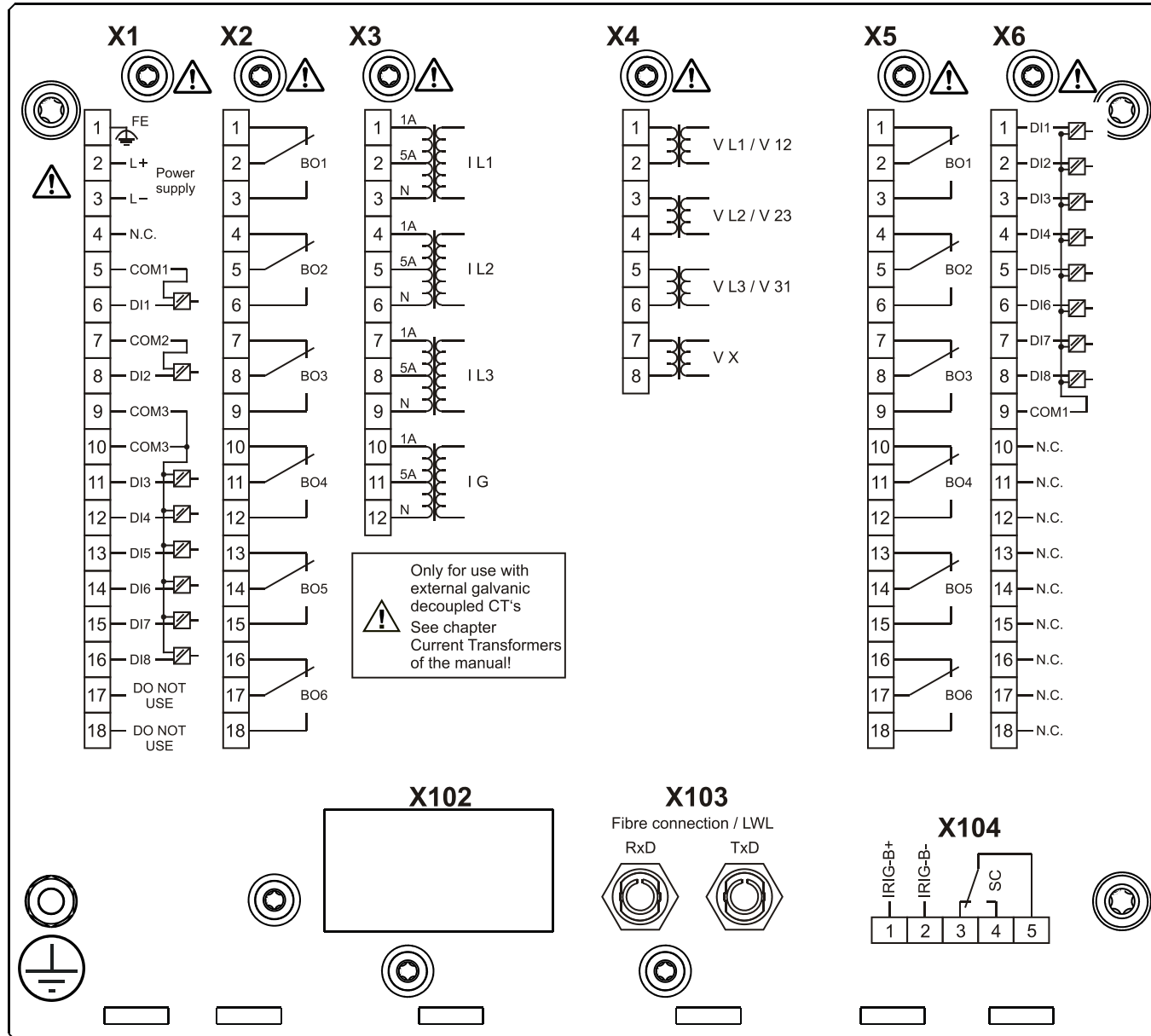
# MRA4-2D0ACB



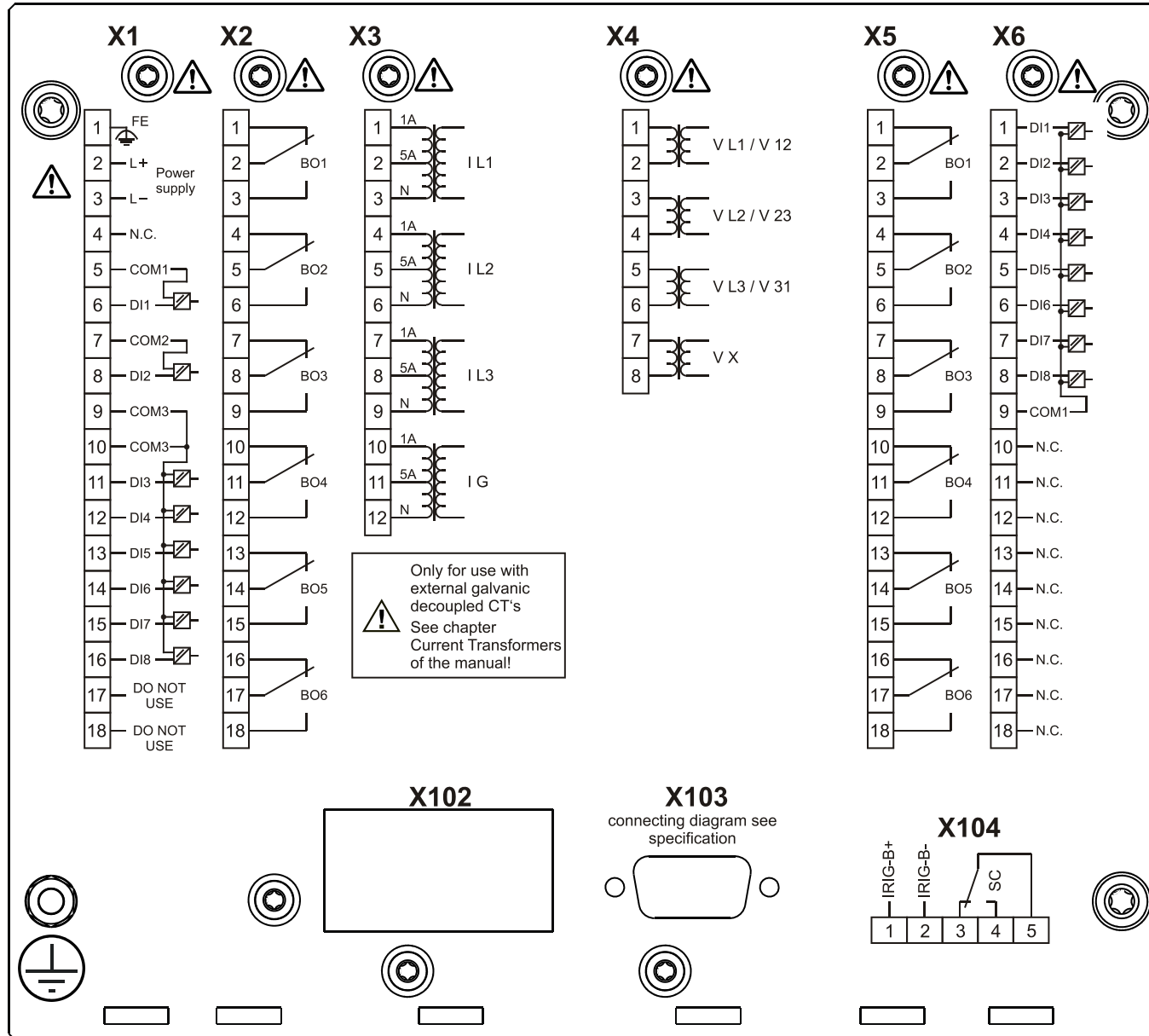
# MRA4-2D0ADA



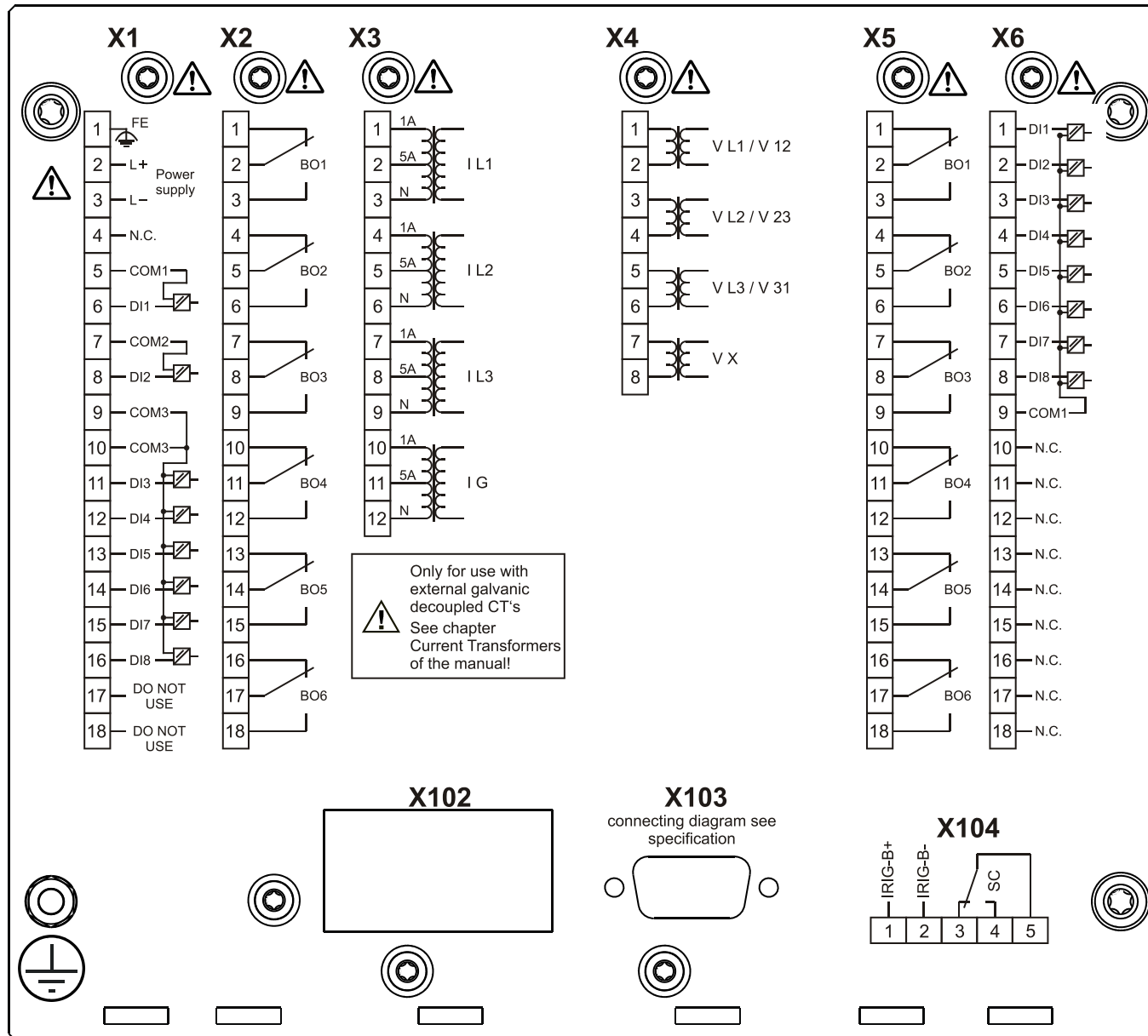
# MRA4-2D0ADB



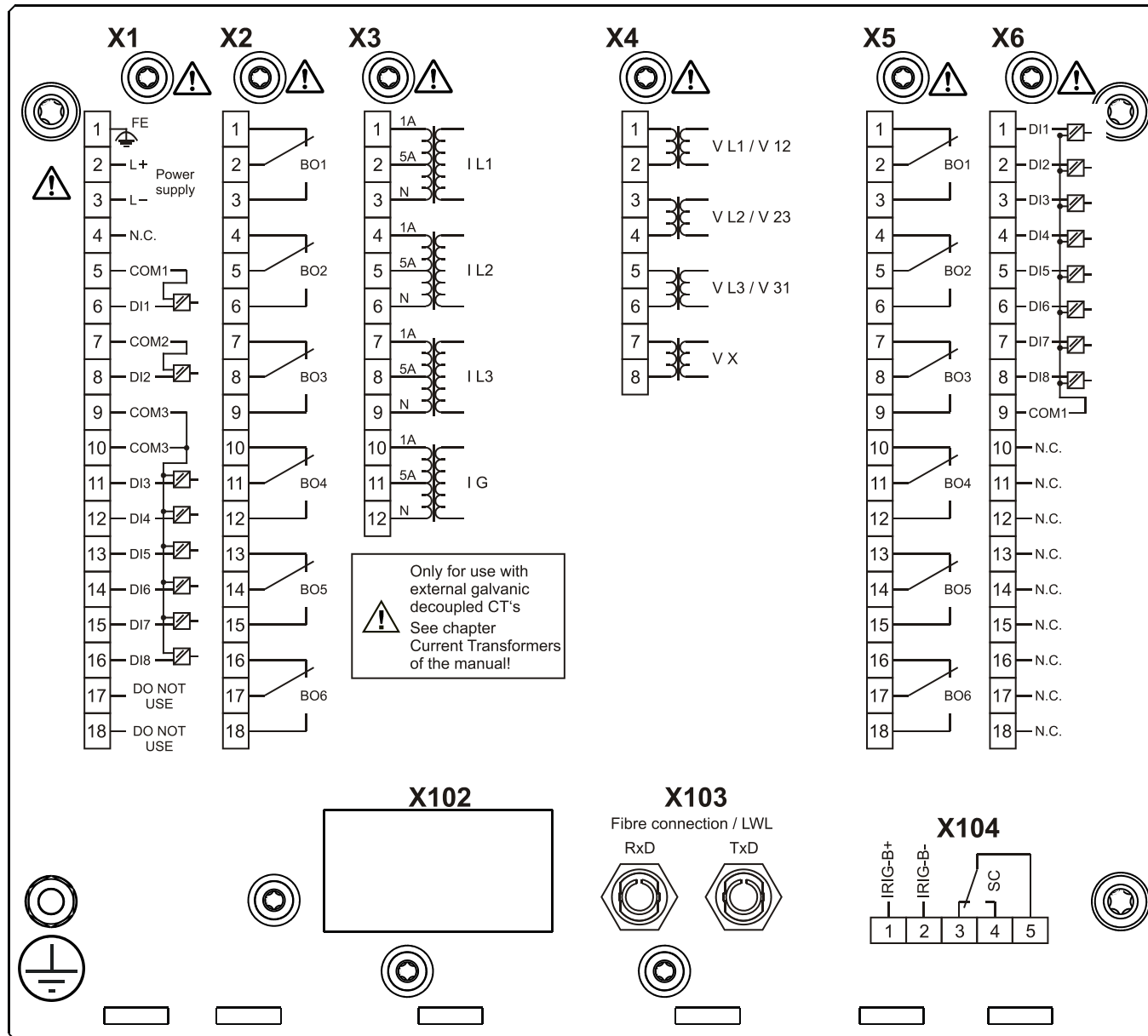
# MRA4-2D0AEA



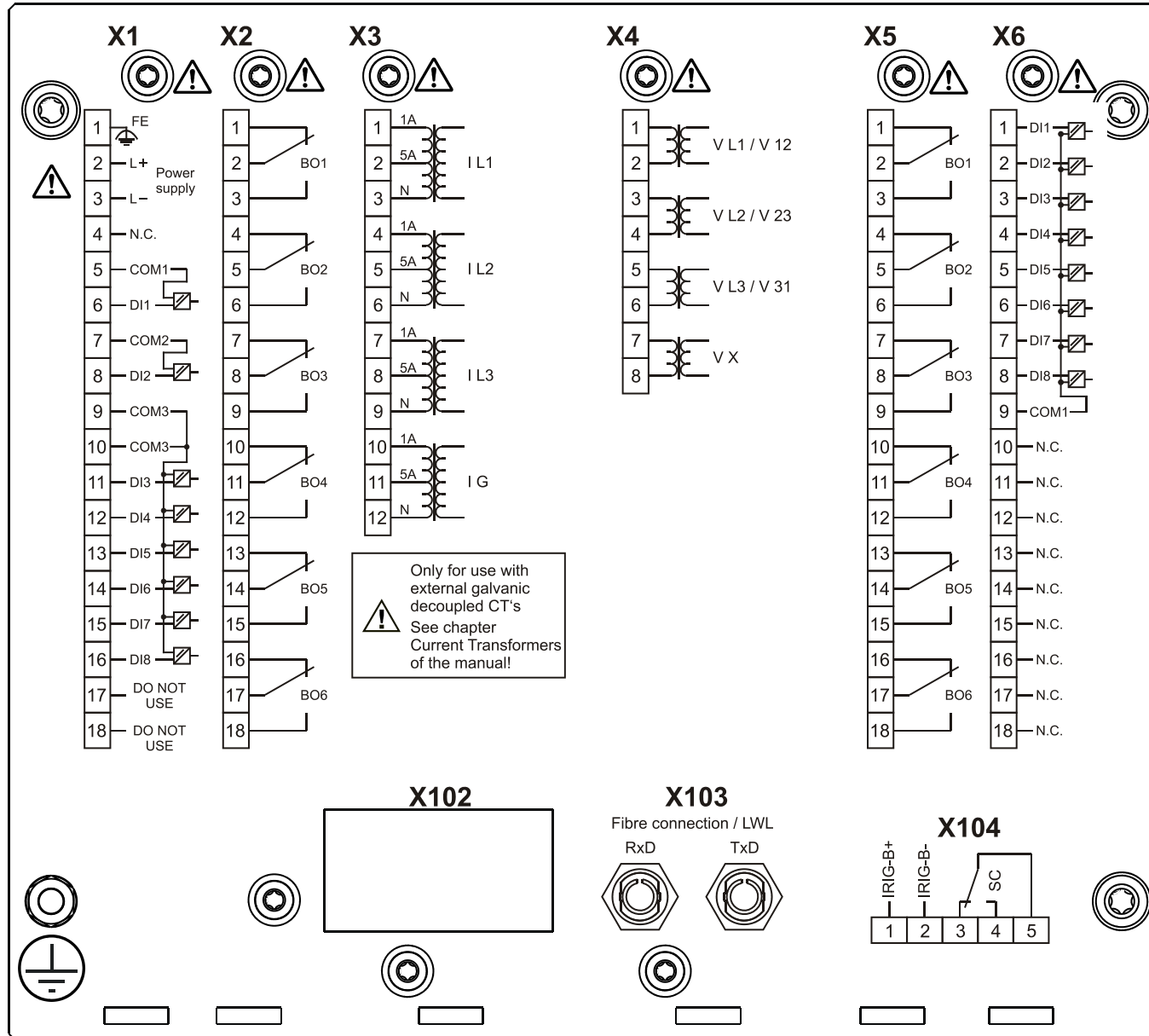
# MRA4-2D0AEB



# MRA4-2D0AFA

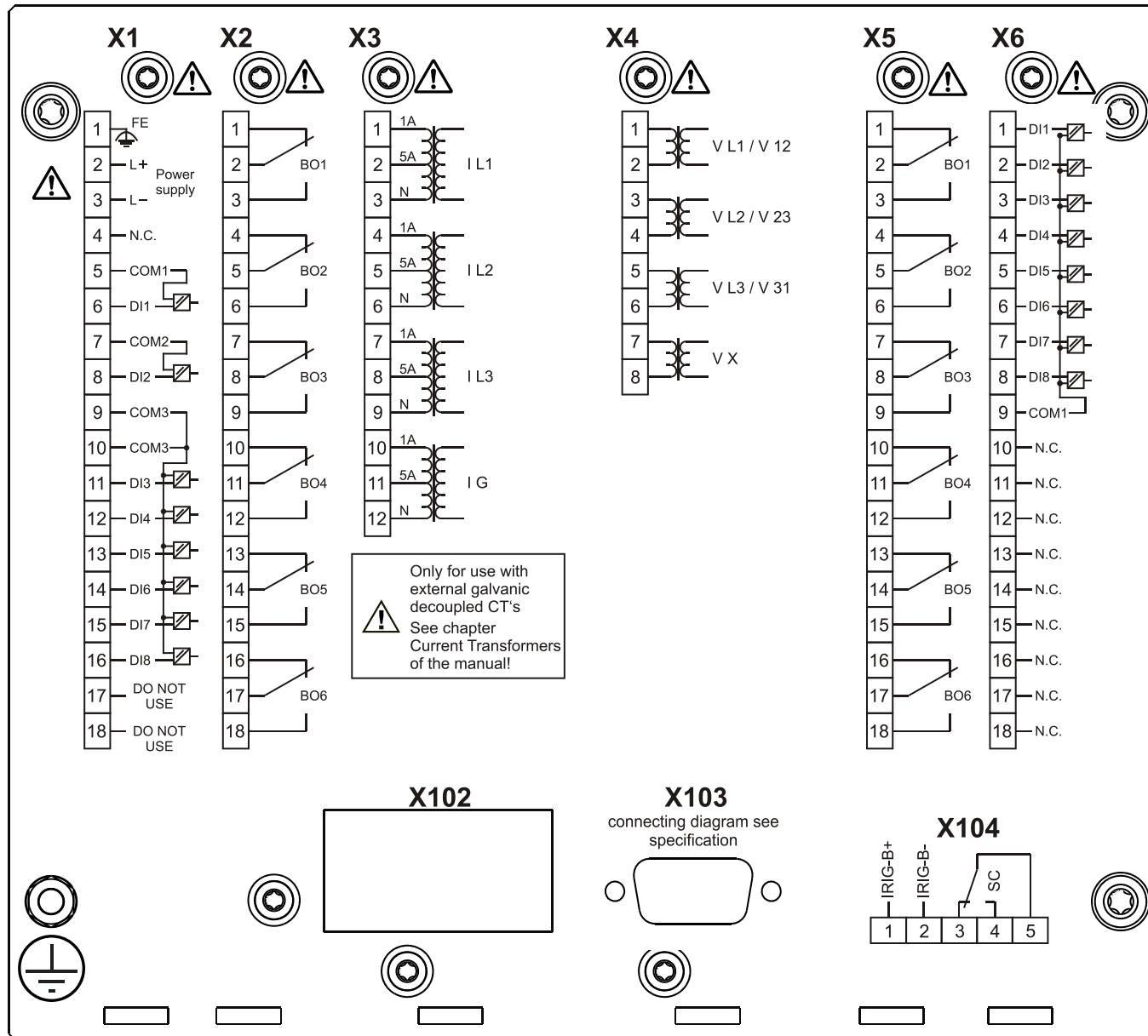


# MRA4-2D0AFB

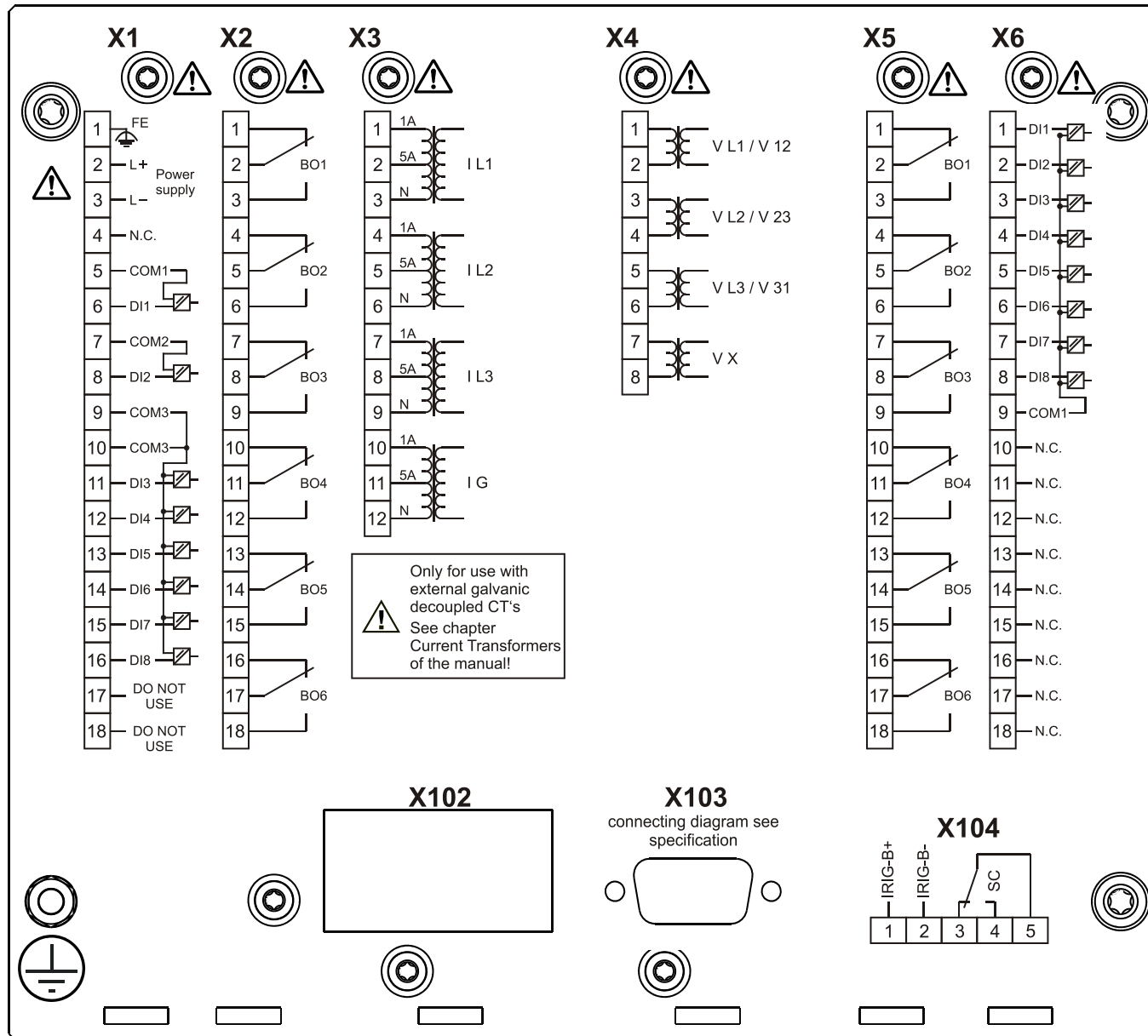




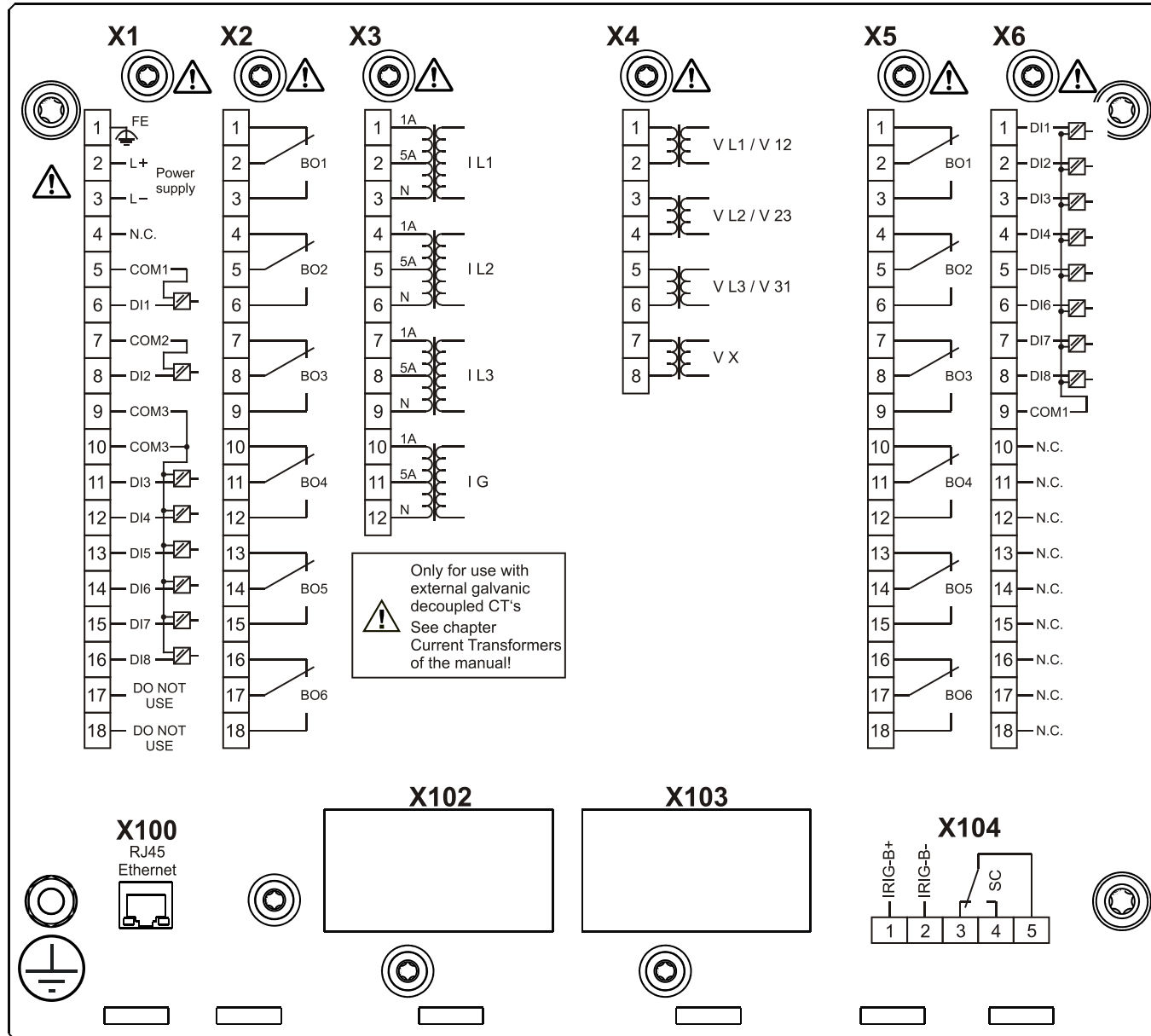
# MRA4-2D0AGA



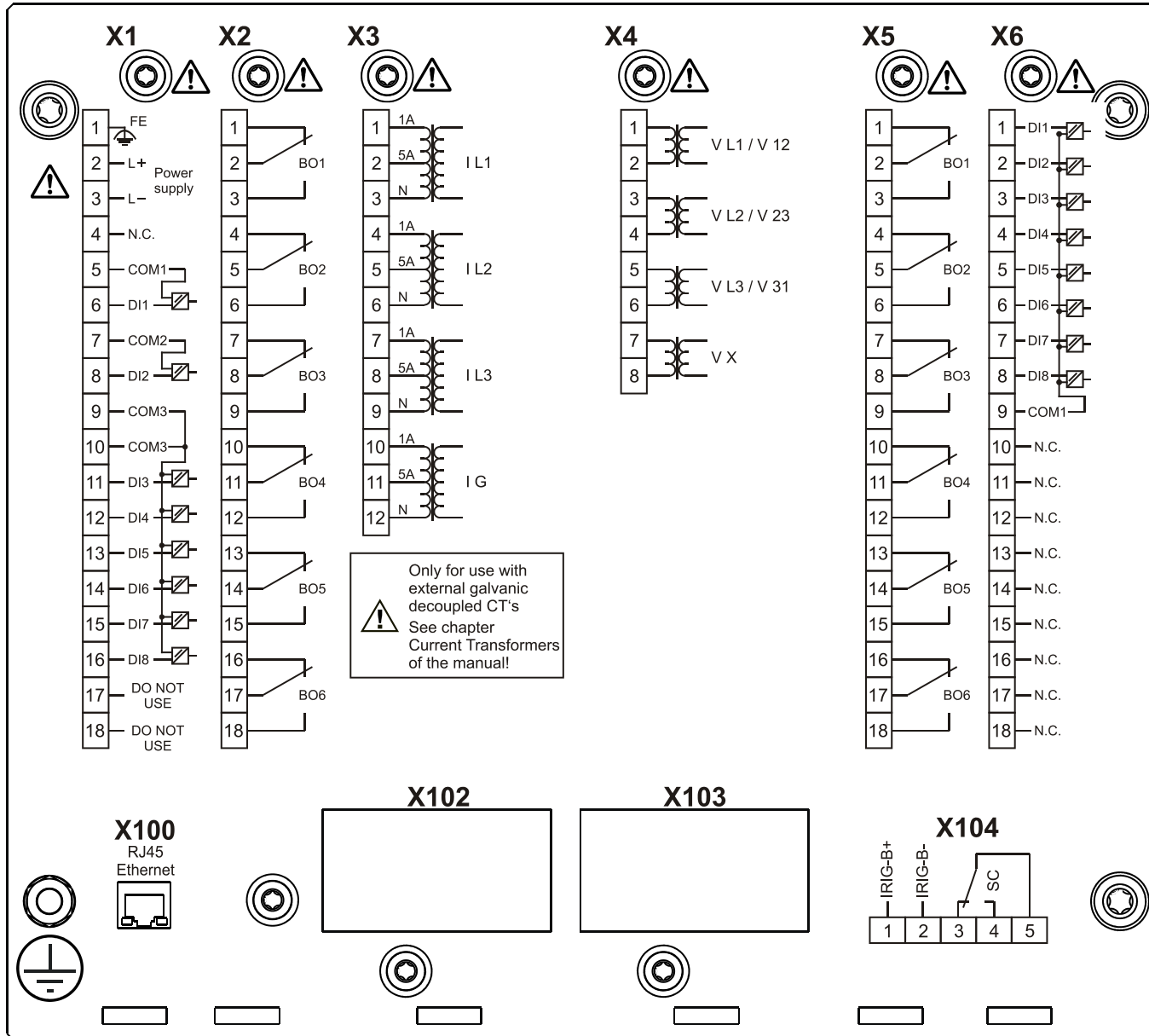
# MRA4-2D0AGB



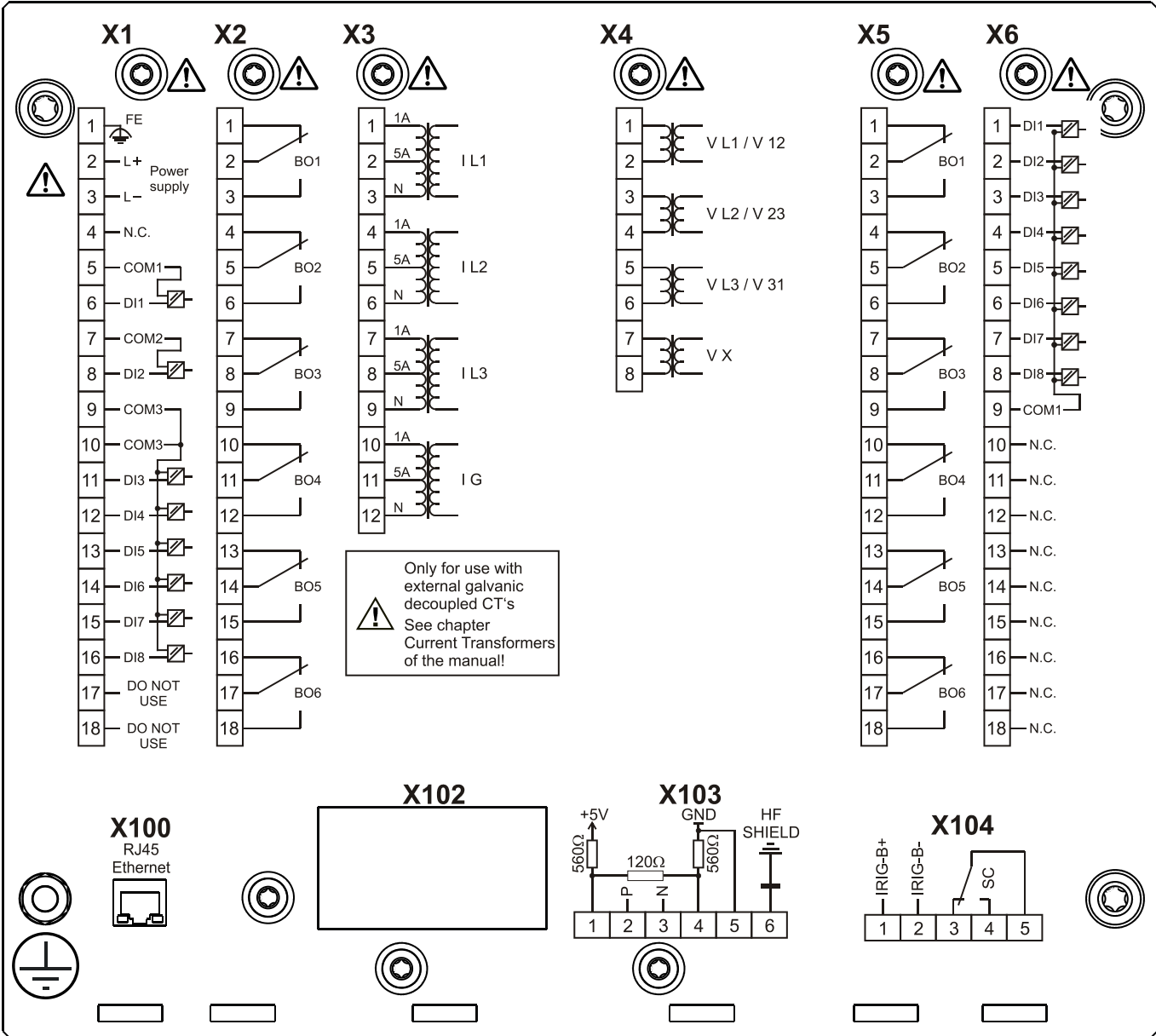
# MRA4-2D0AHA



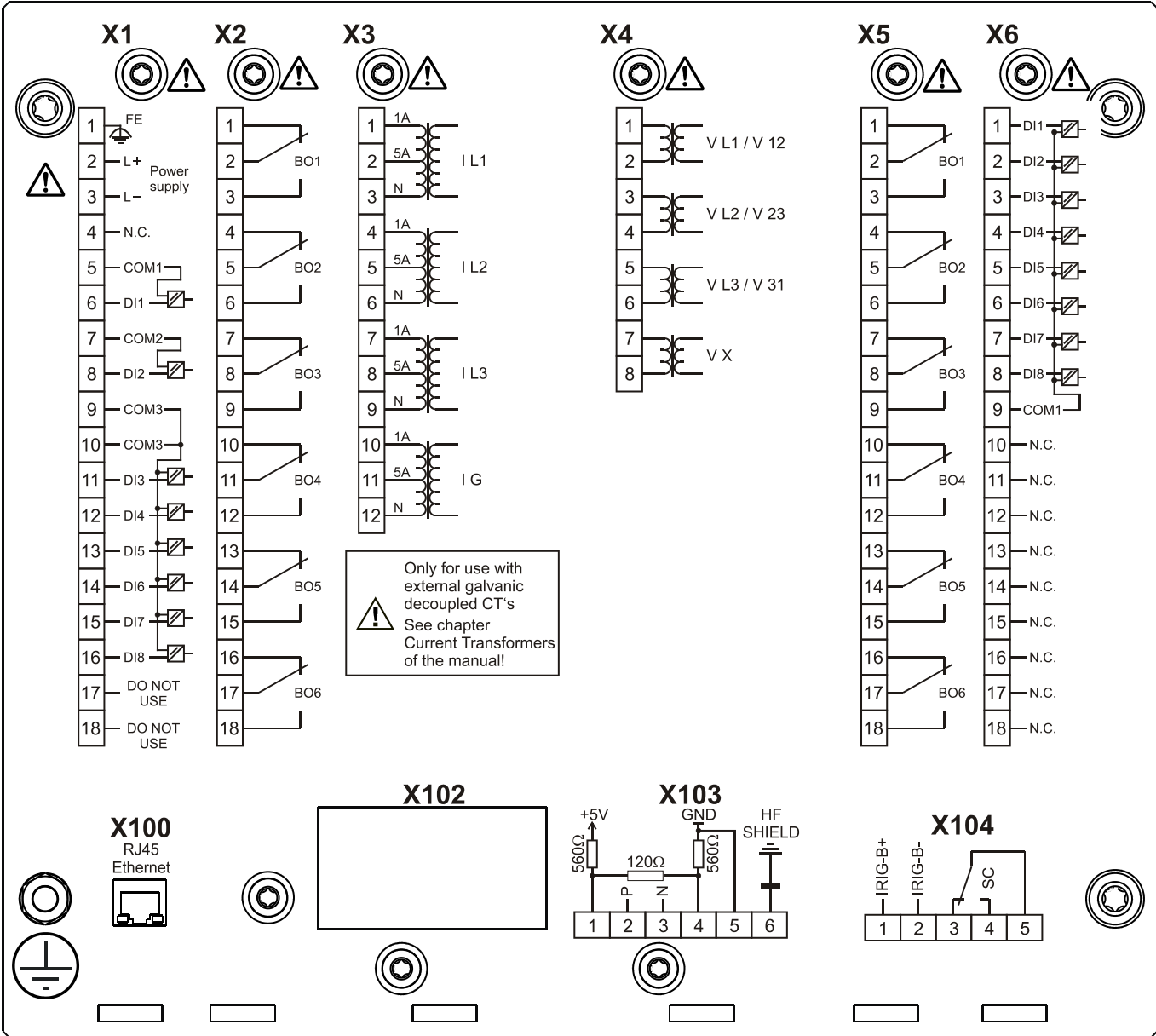
# MRA4-2D0AHB



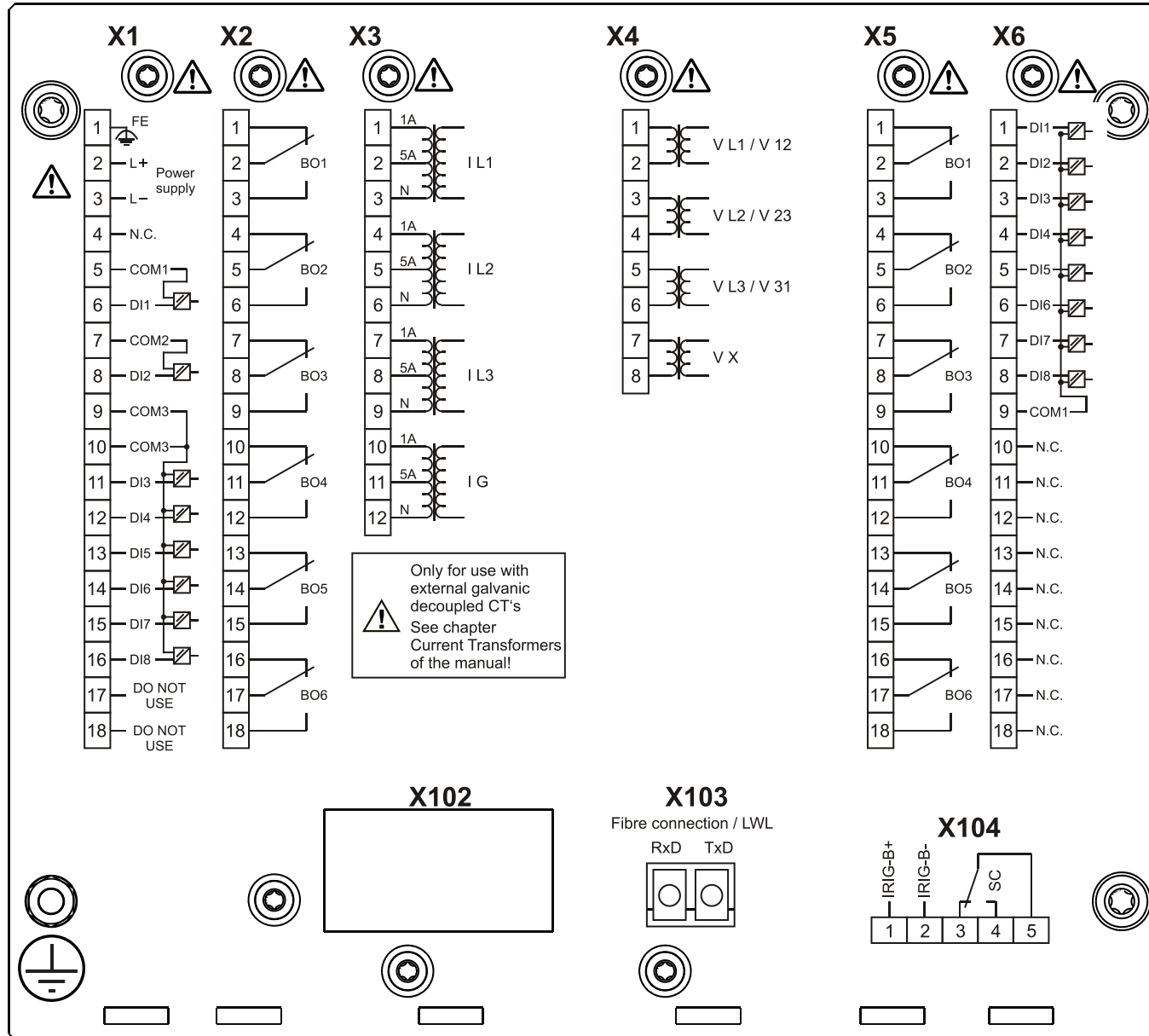
# MRA4-2D0AIA



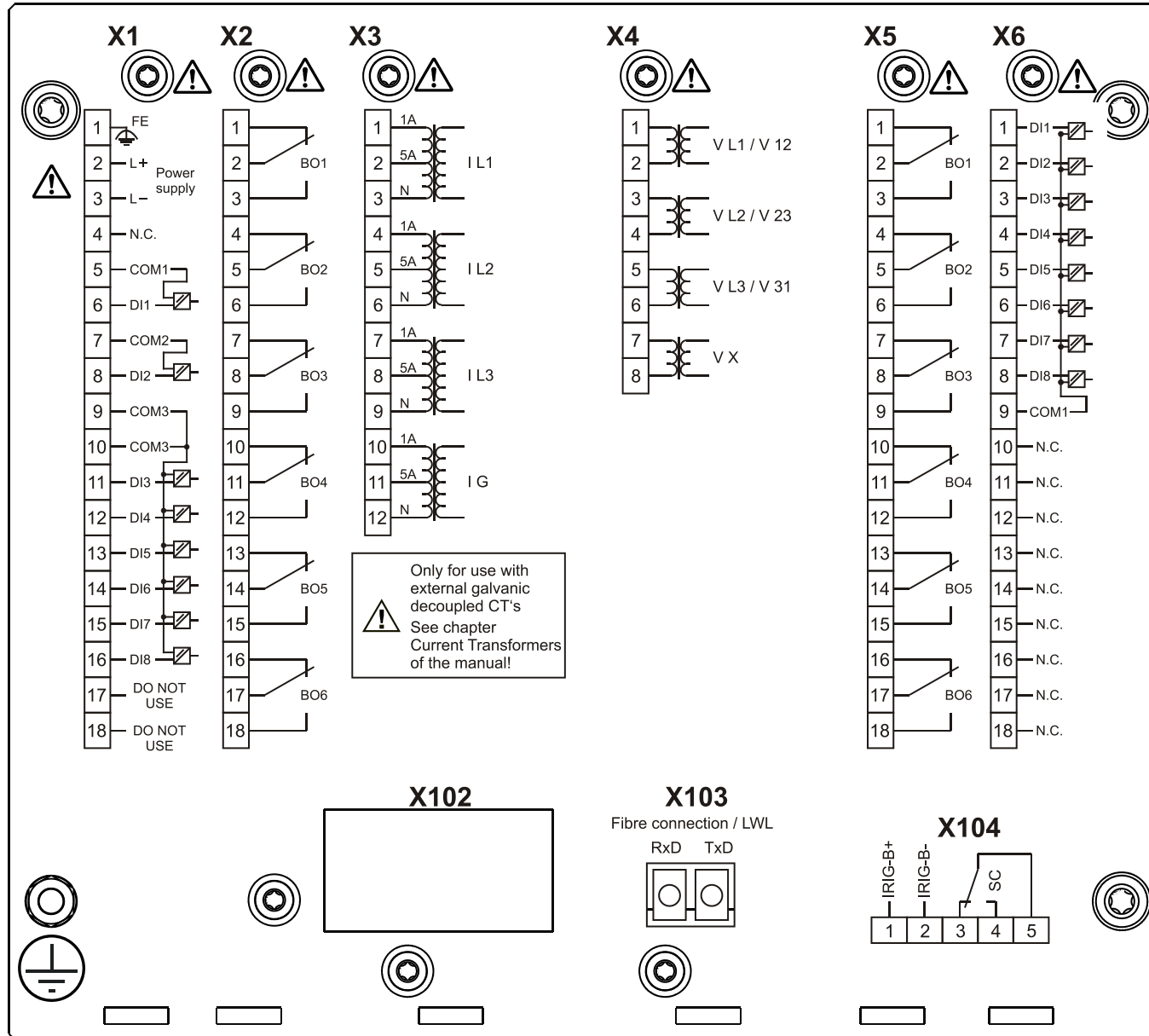
# MRA4-2D0AIB



# MRA4-2D0AKA

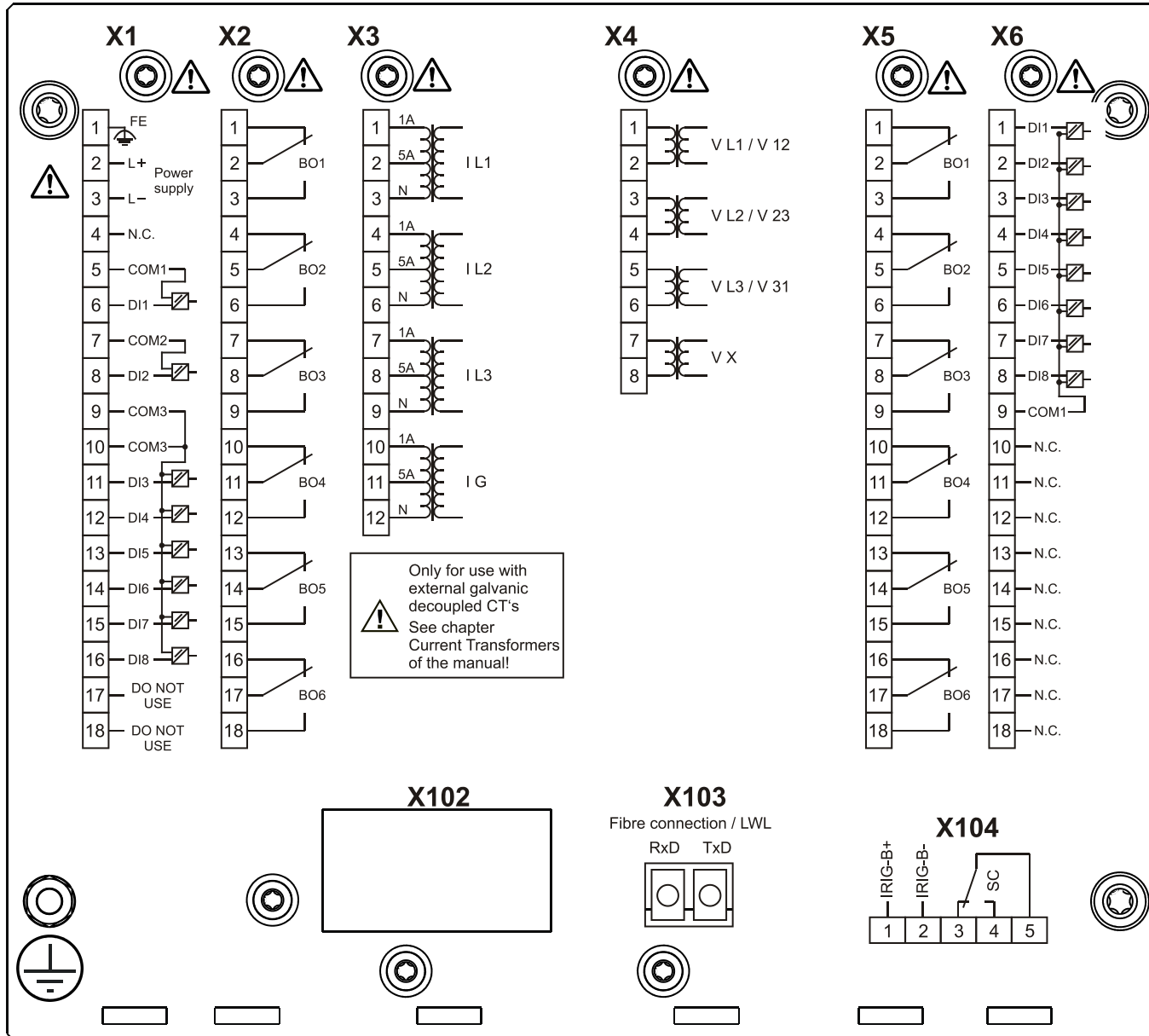


# MRA4-2D0AKB

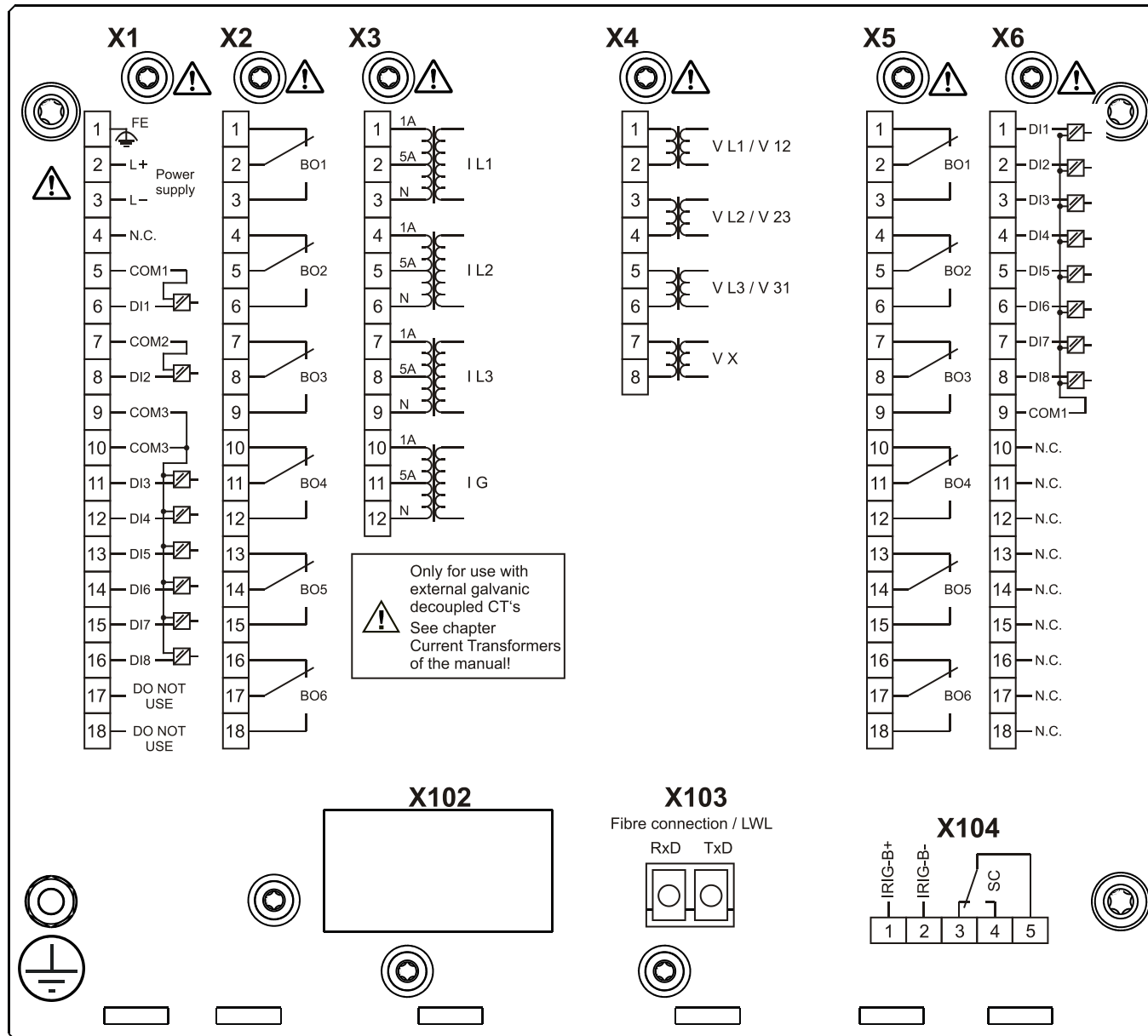




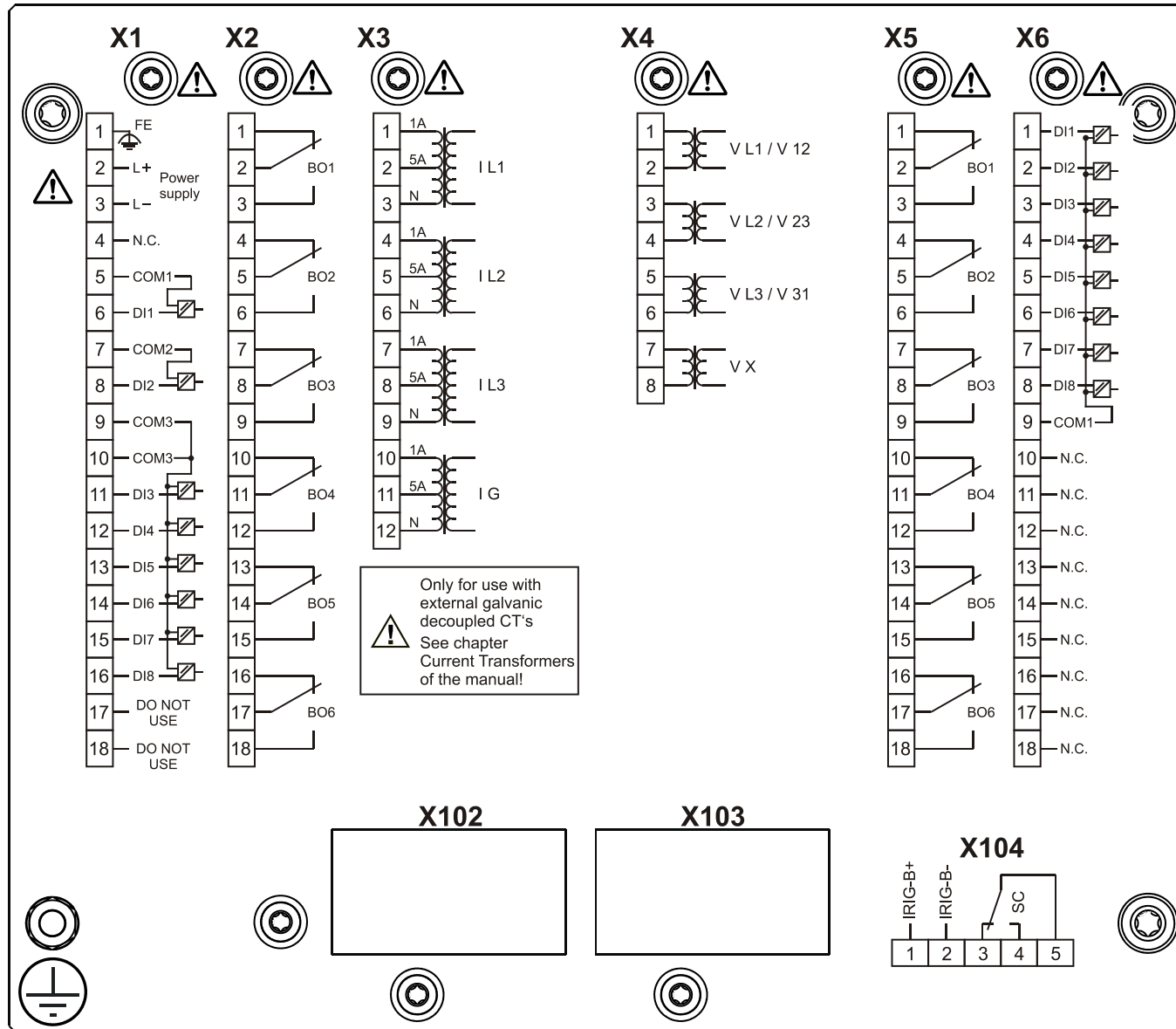
# MRA4-2D0ALA



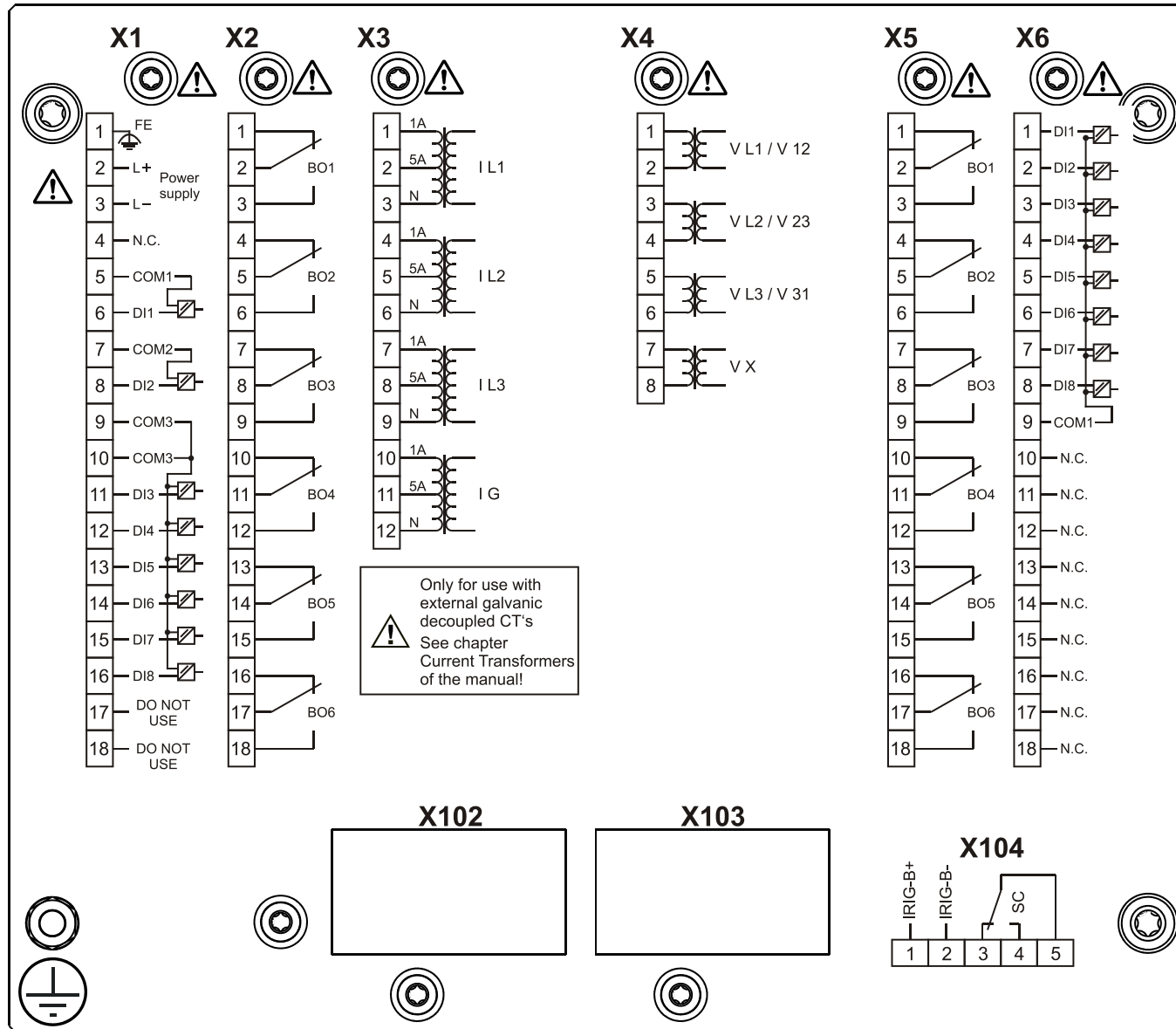
# MRA4-2D0ALB



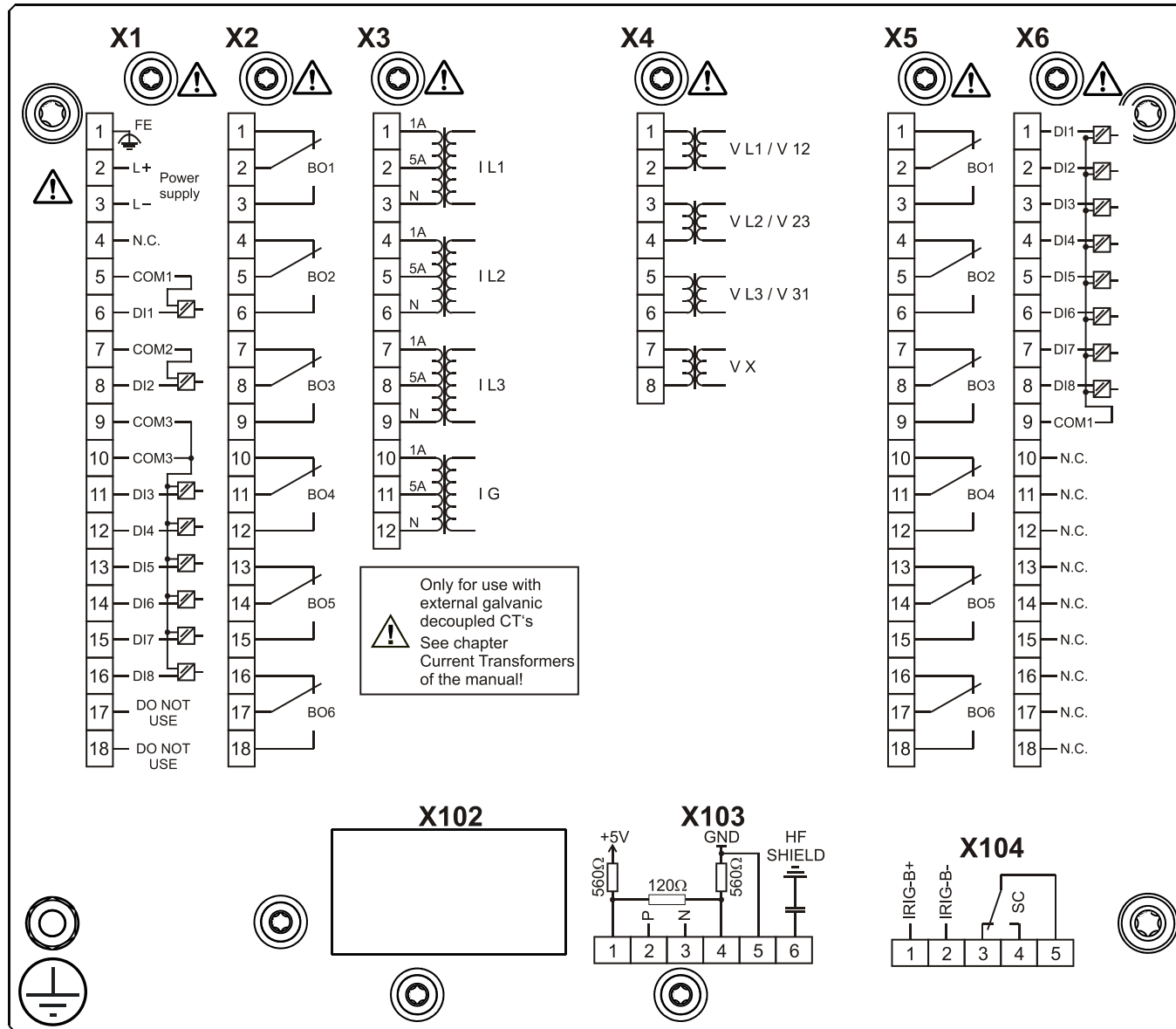
# MRA4-2D0BAA



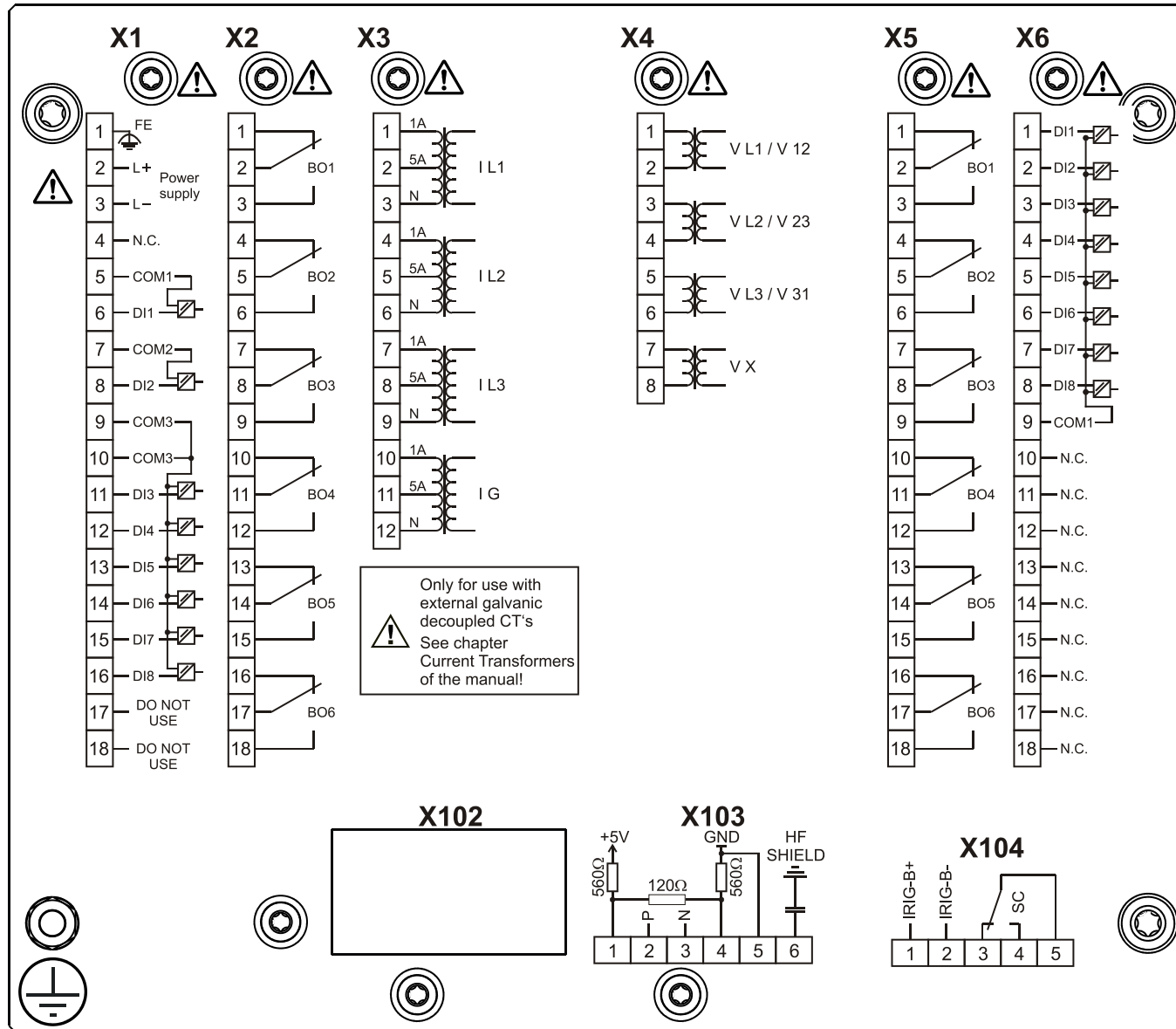
# MRA4-2D0BAB



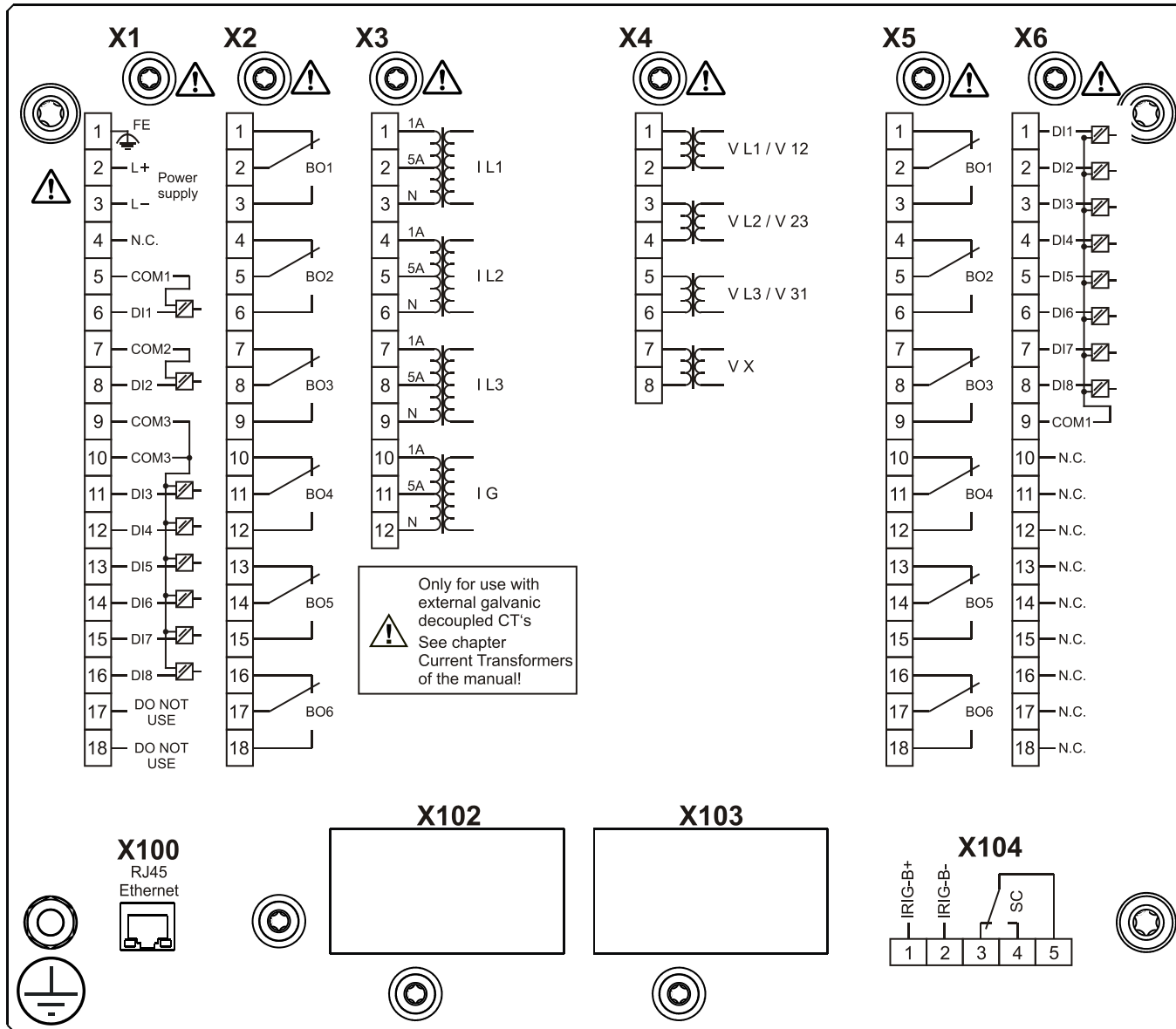
# MRA4-2D0BBA



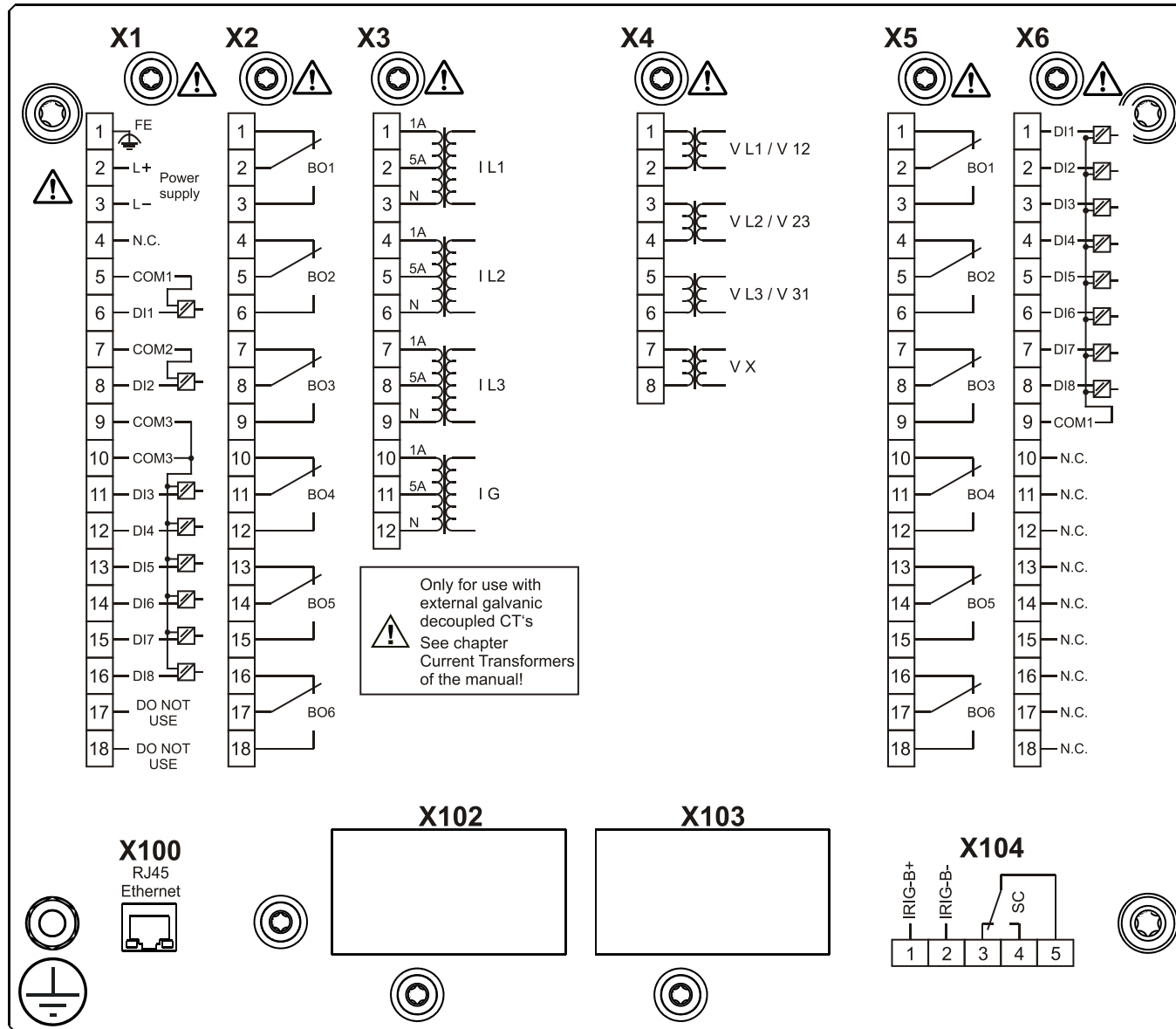
# MRA4-2D0BBB



# MRA4-2D0BCA

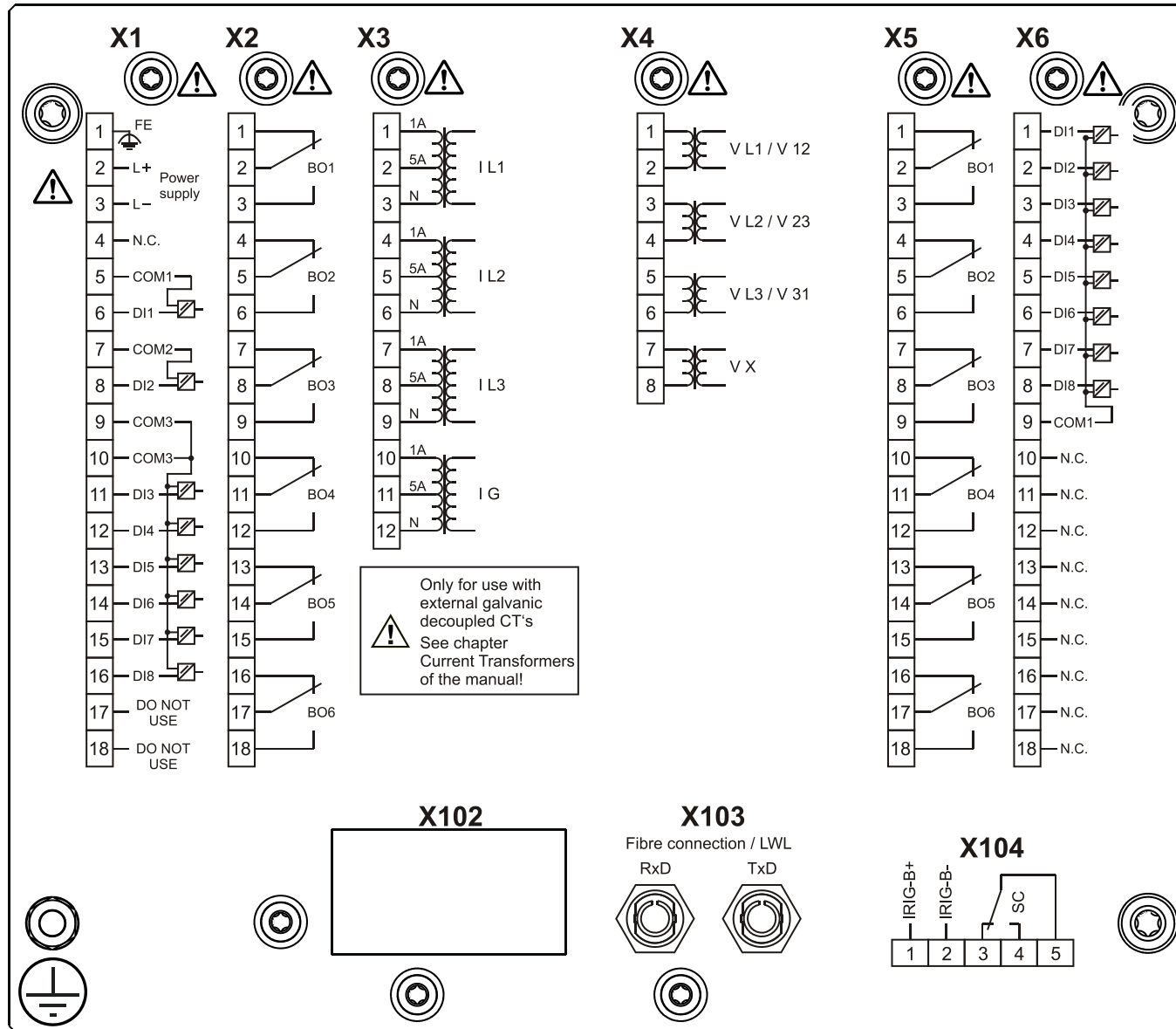


# MRA4-2D0BCB

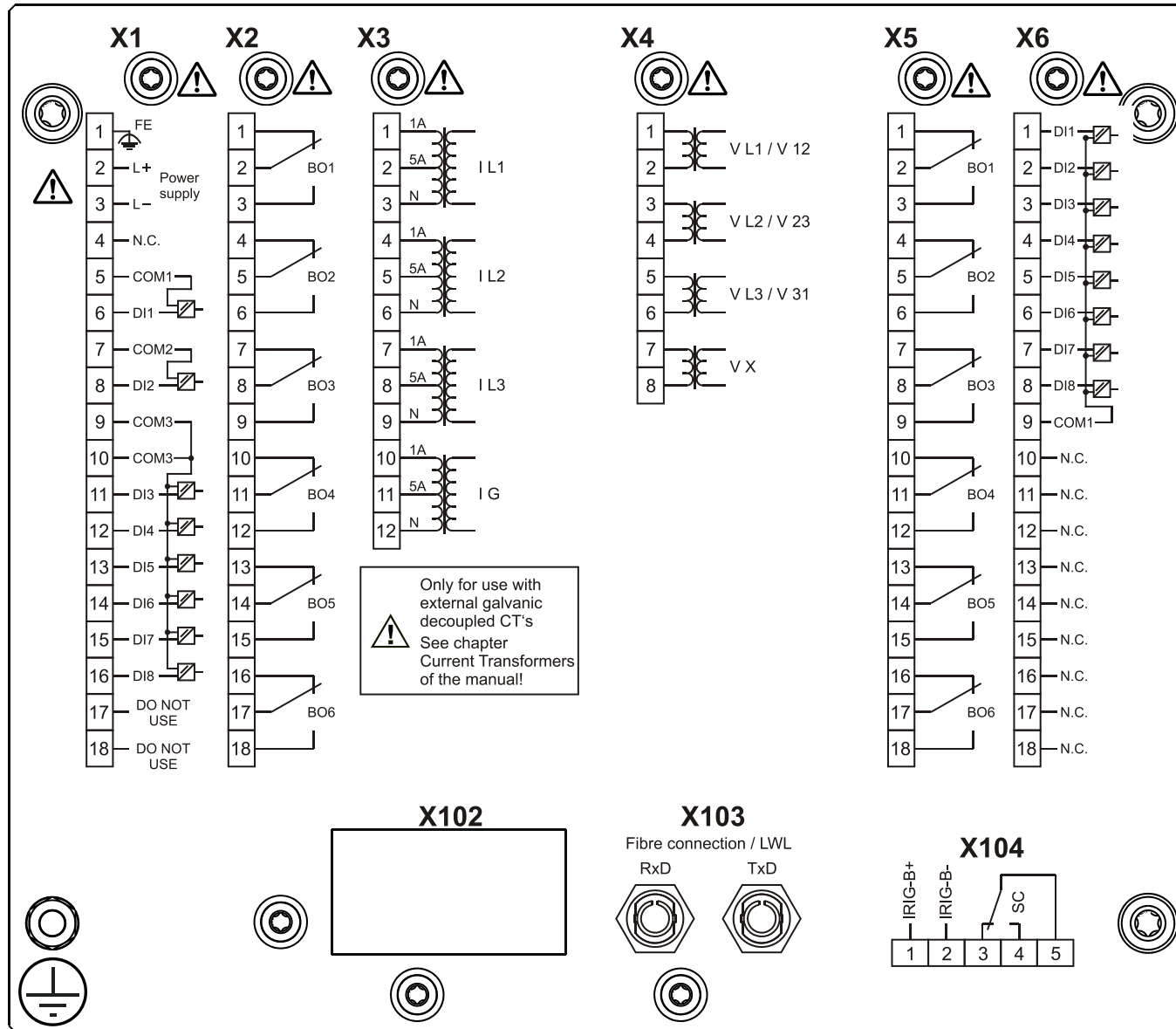




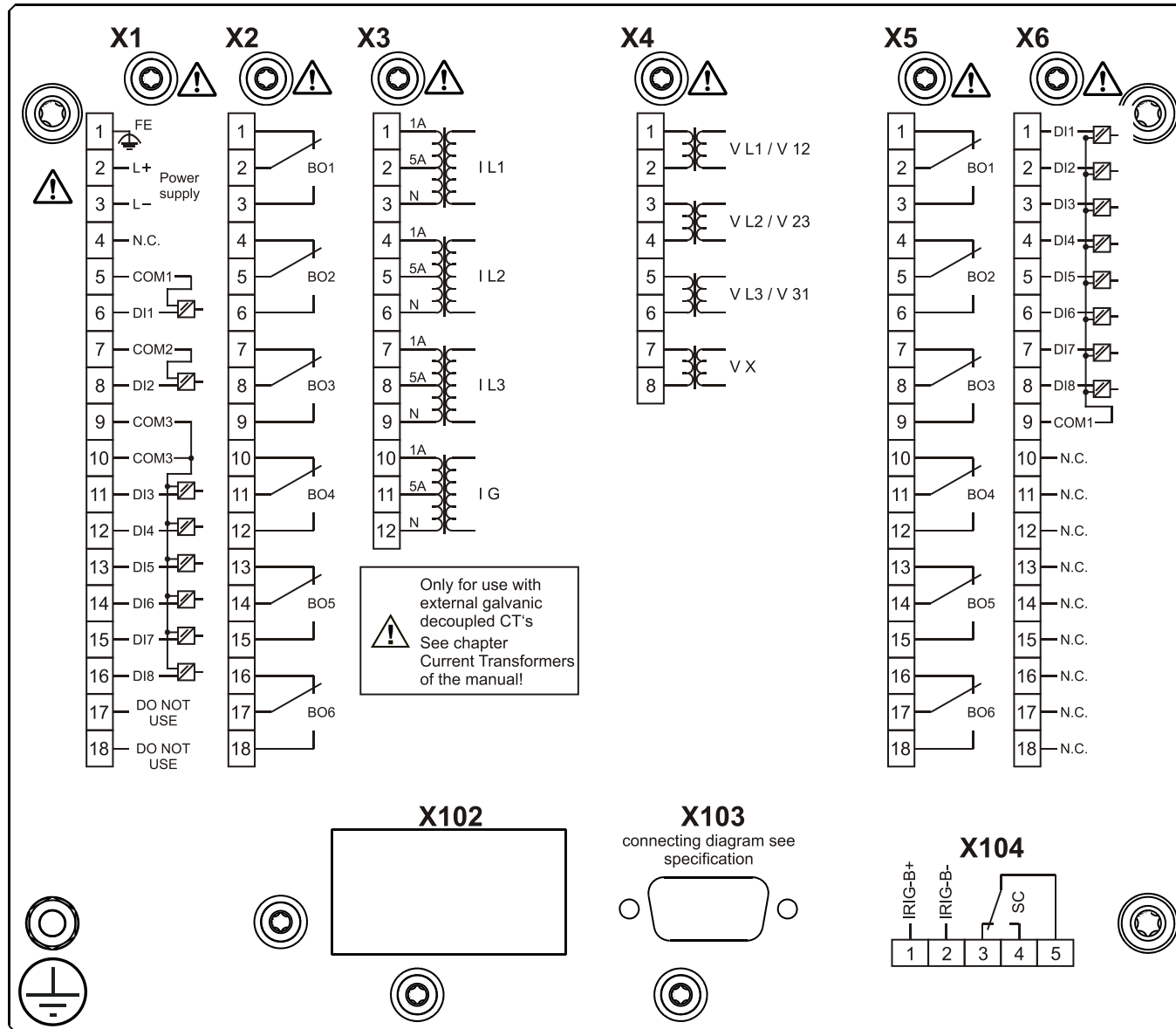
# MRA4-2D0BDA



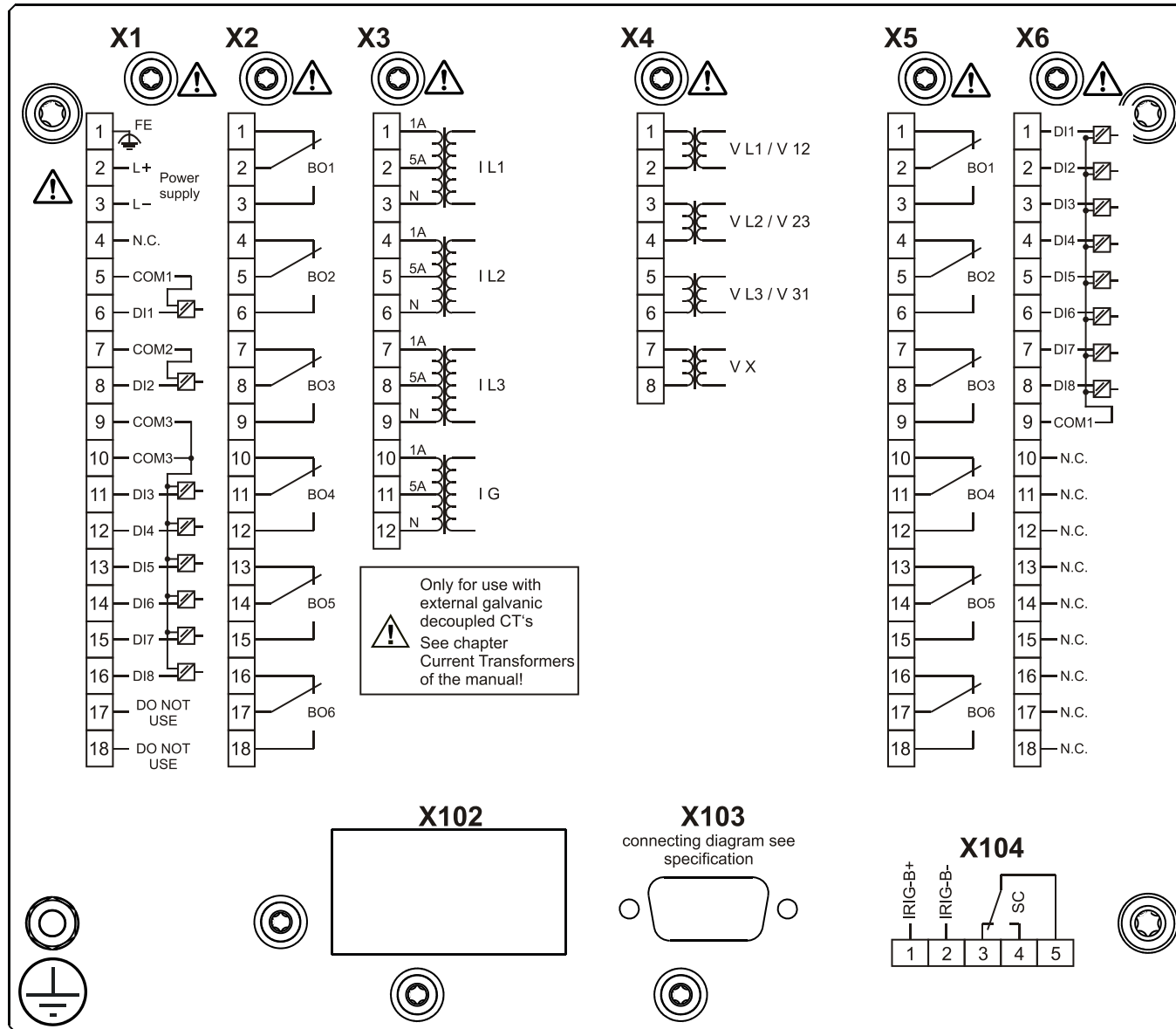
# MRA4-2D0BDB



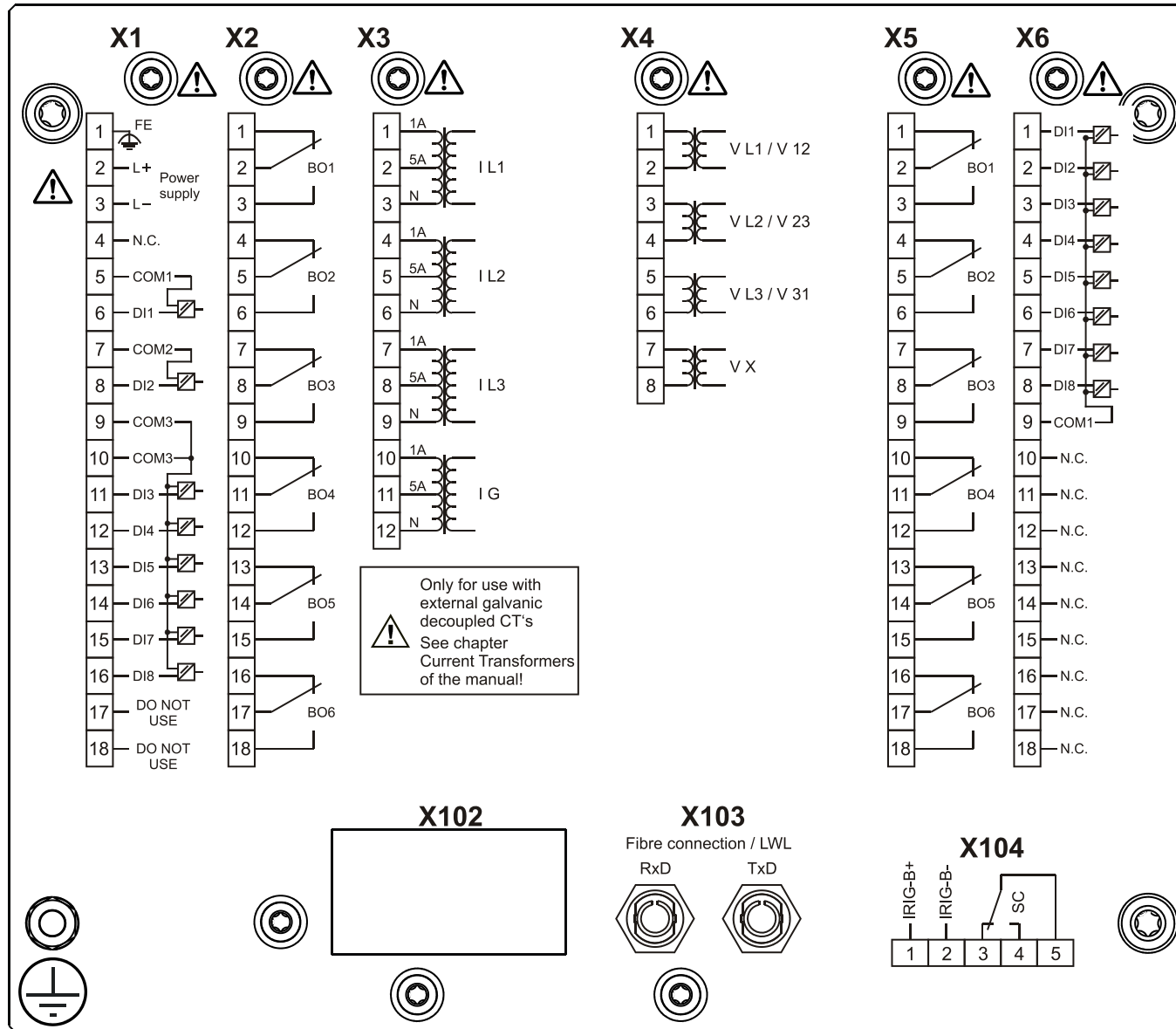
# MRA4-2D0BEA



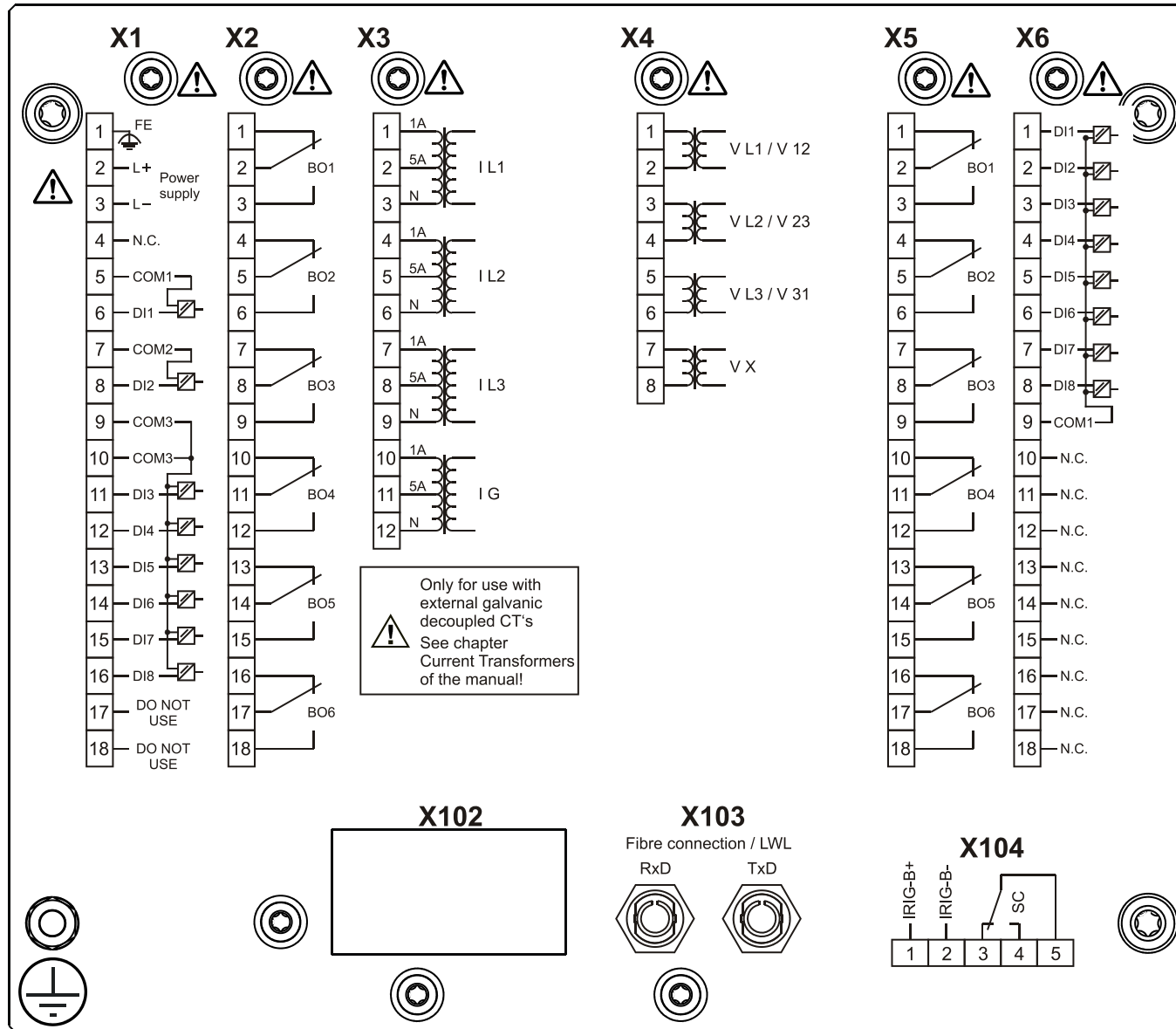
# MRA4-2D0BEB



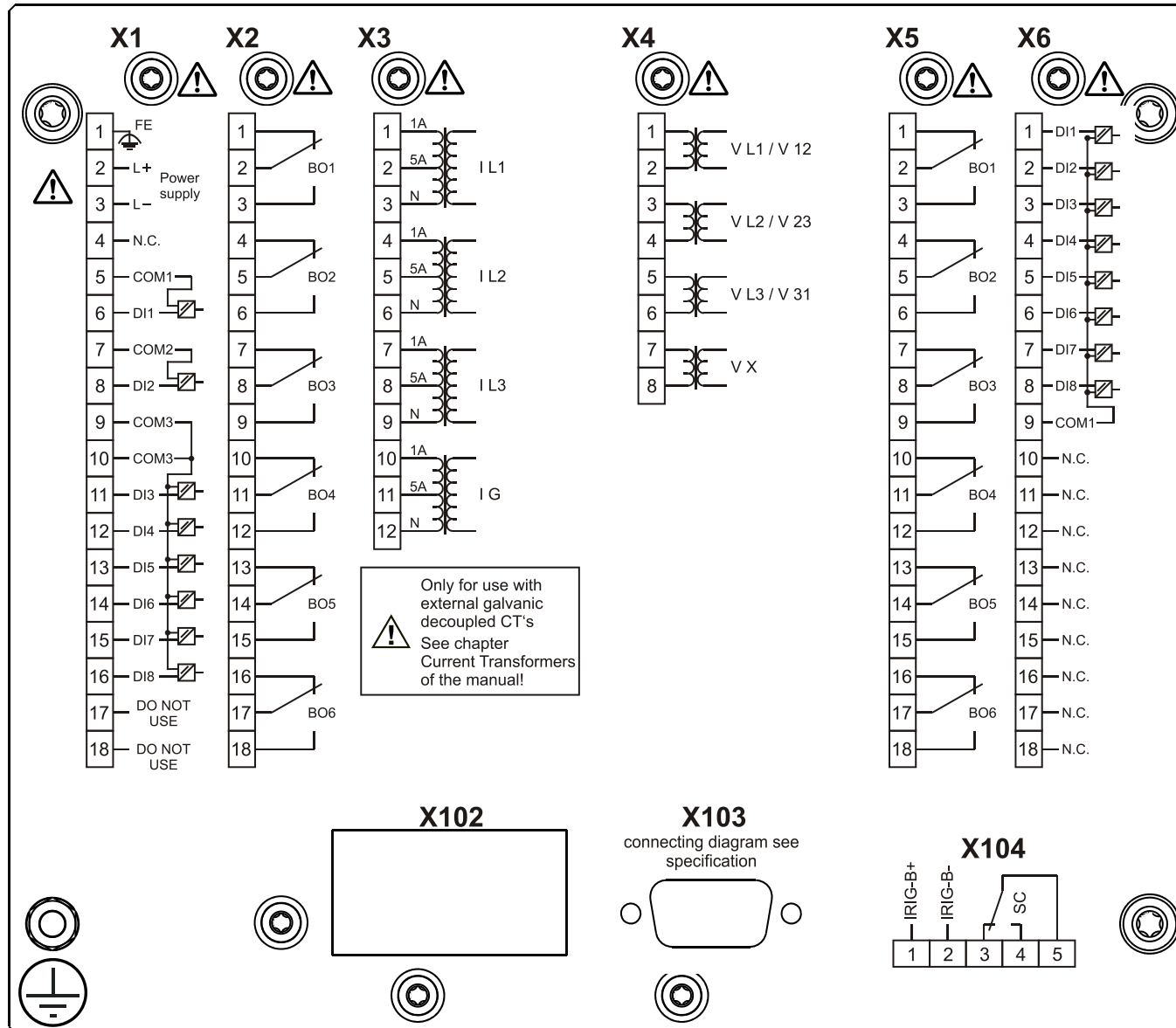
# MRA4-2D0BFA



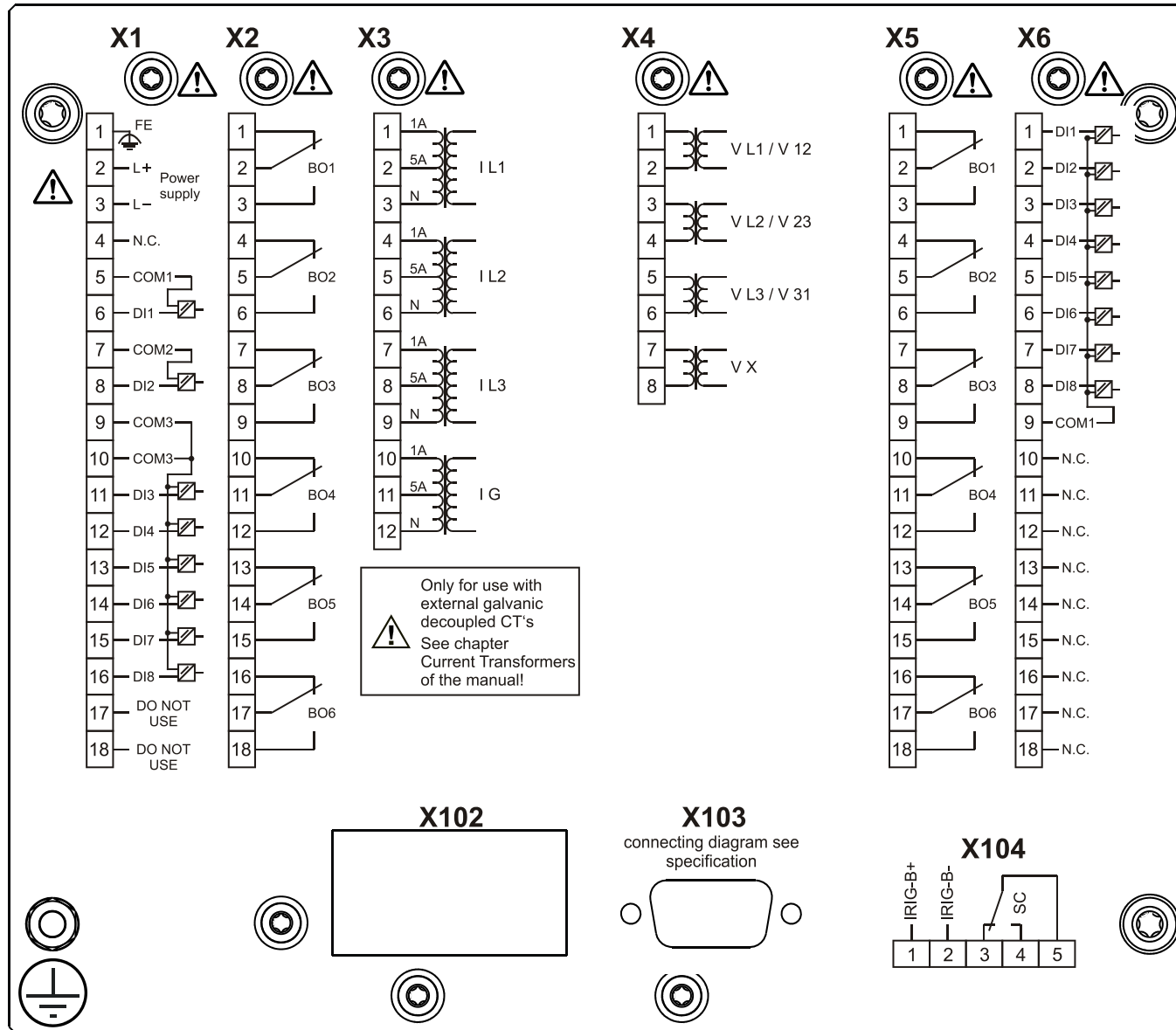
# MRA4-2D0BFB



# MRA4-2D0BGA

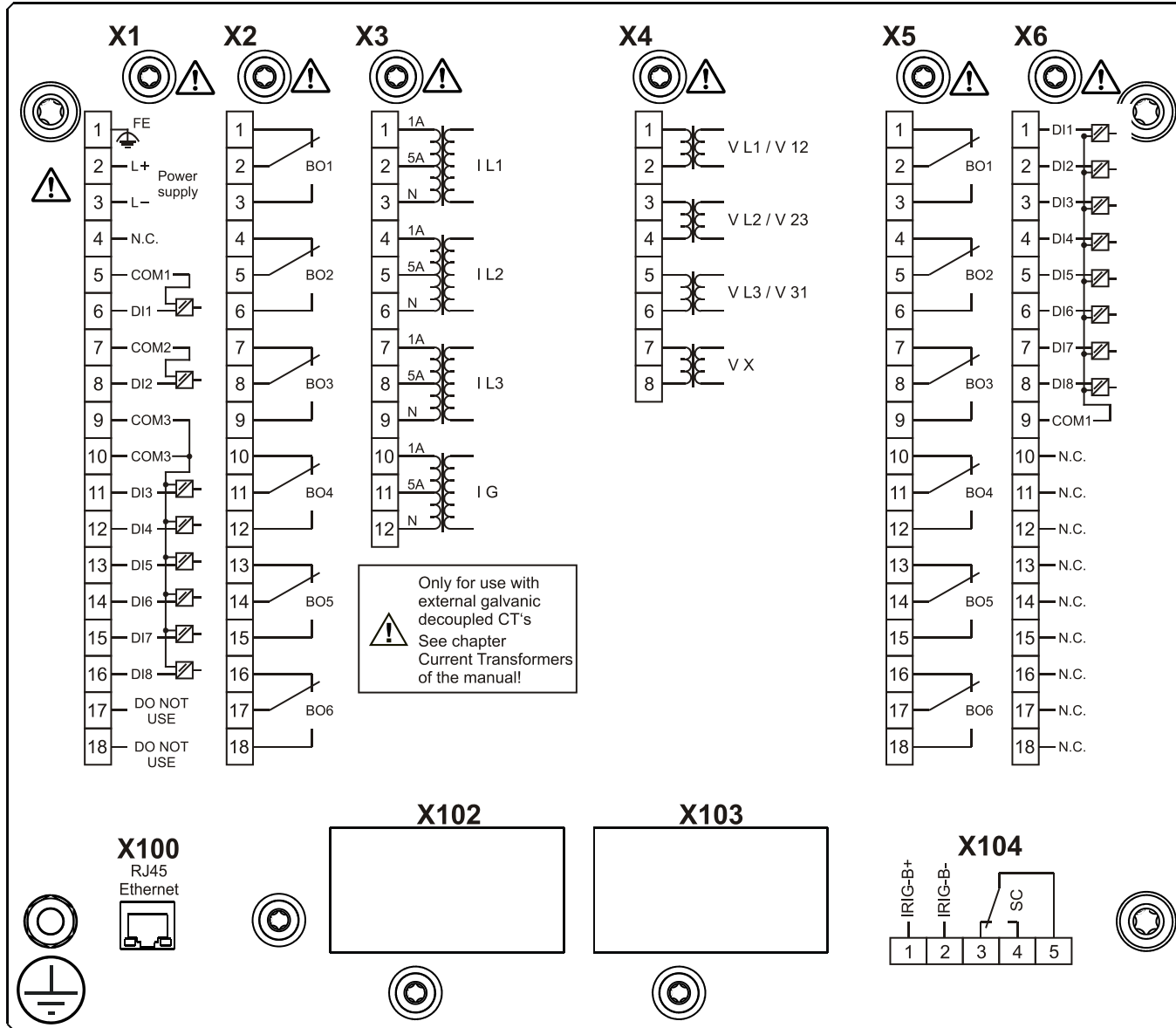


# MRA4-2D0BGB

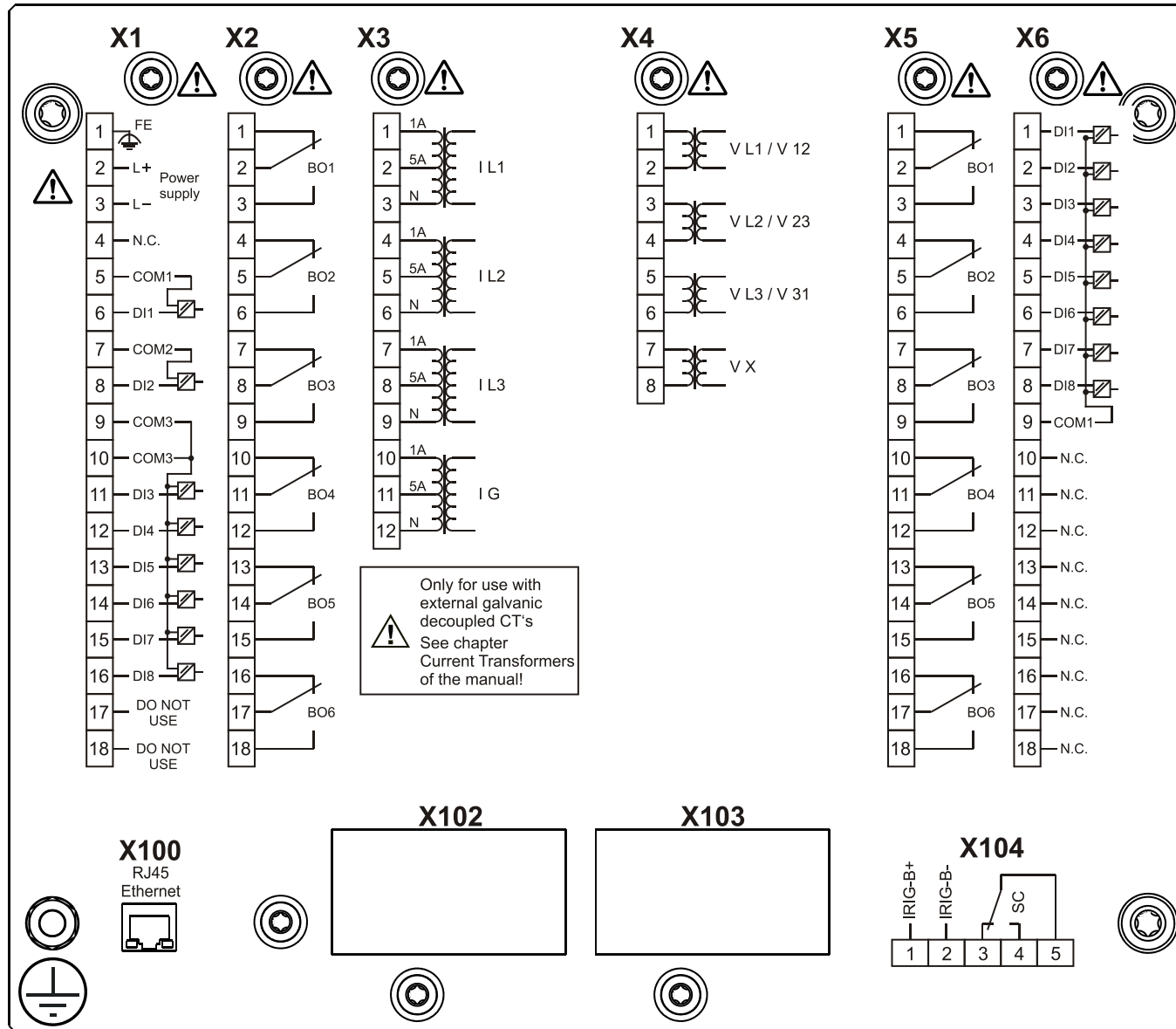




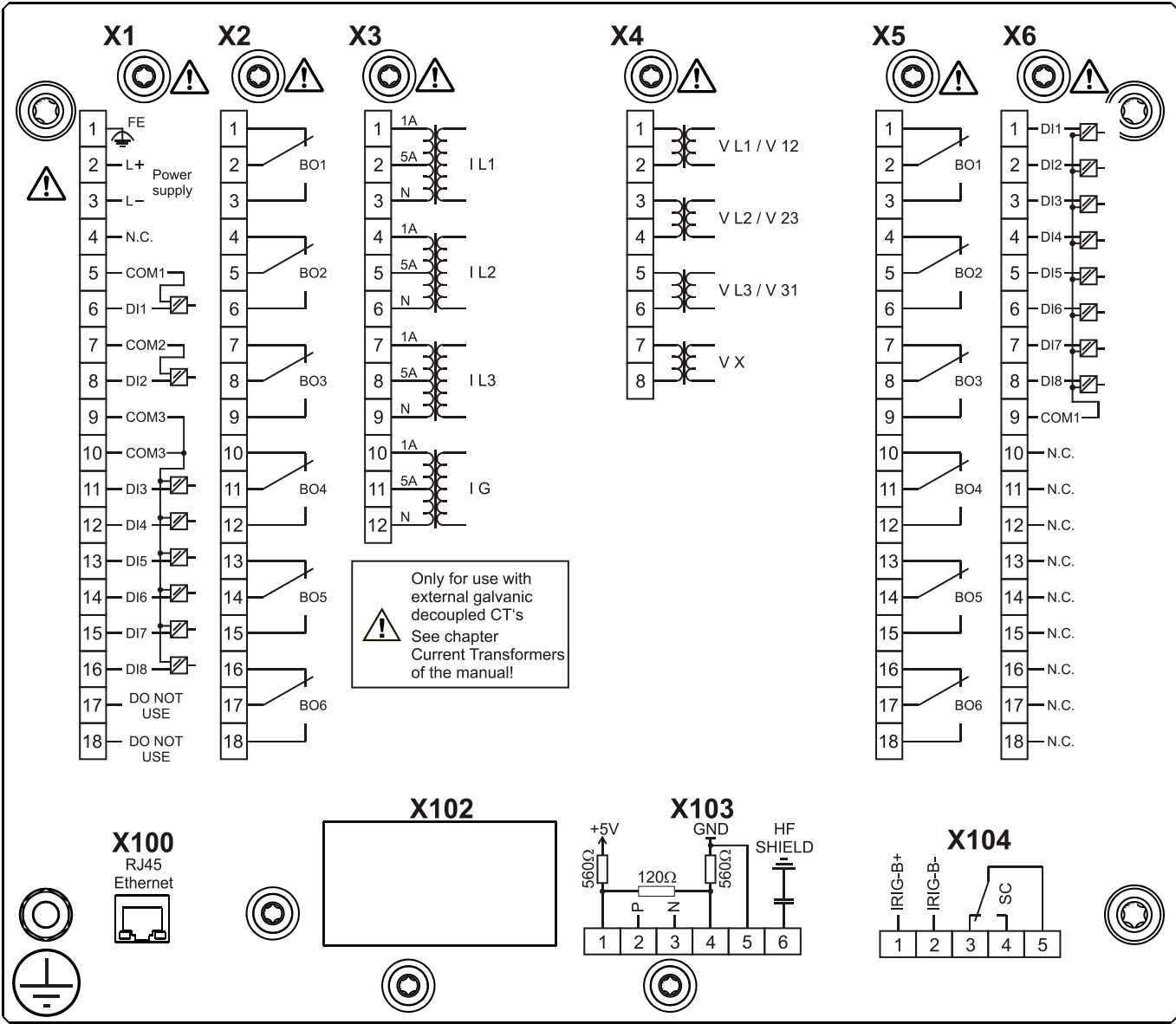
# MRA4-2D0BHA



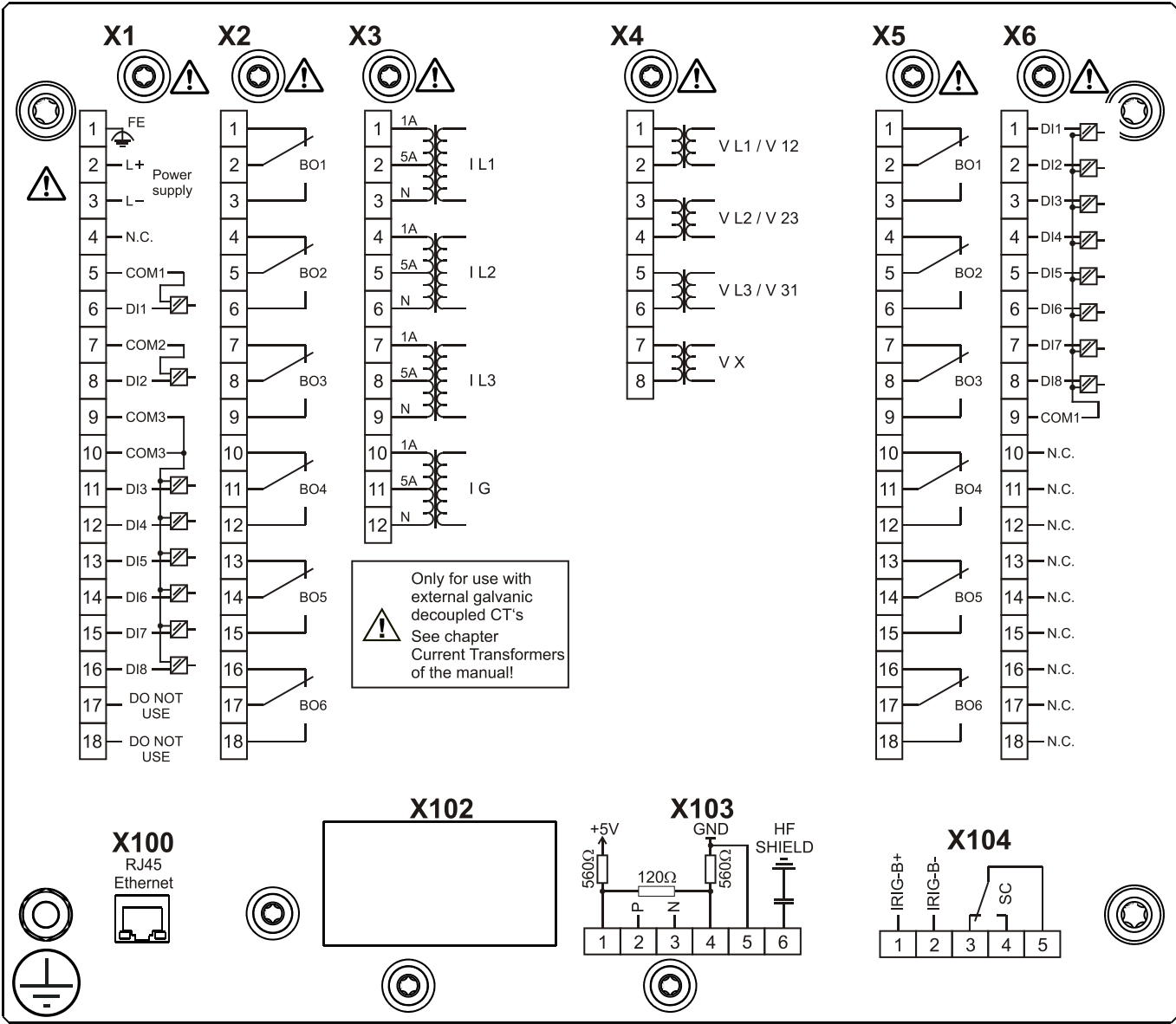
# MRA4-2D0BHB



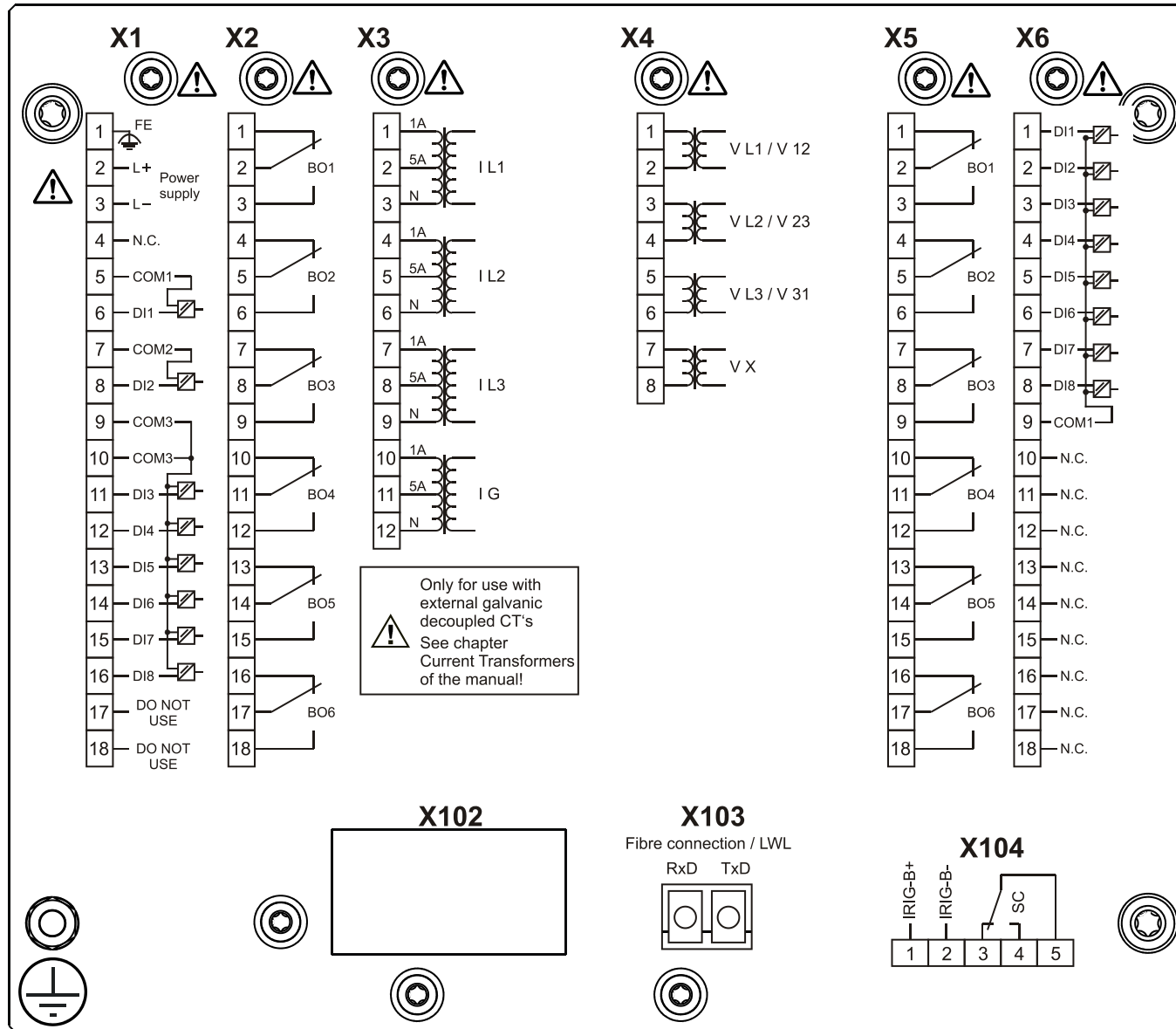
# MRA4-2D0BIA



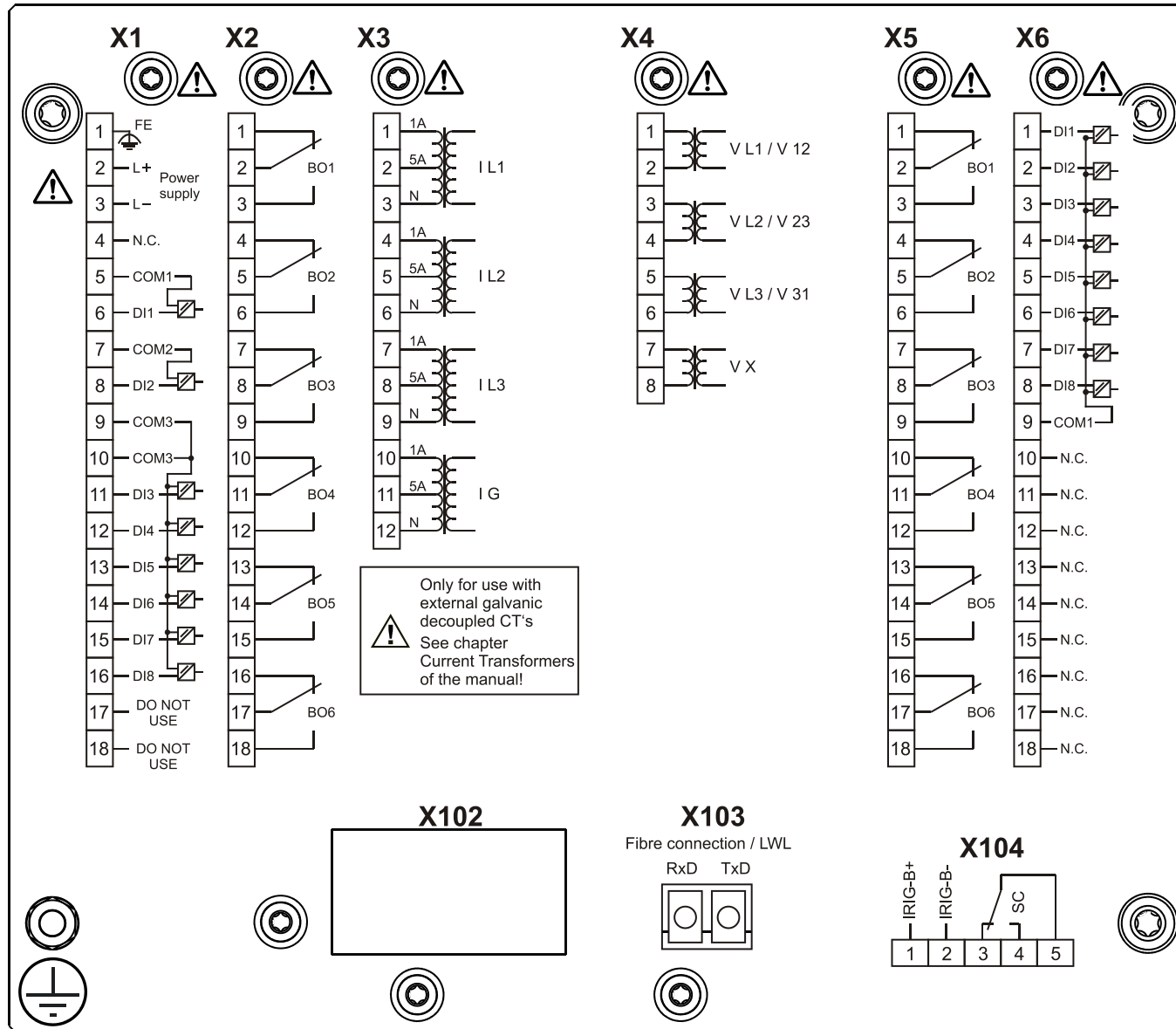
# MRA4-2D0BIB



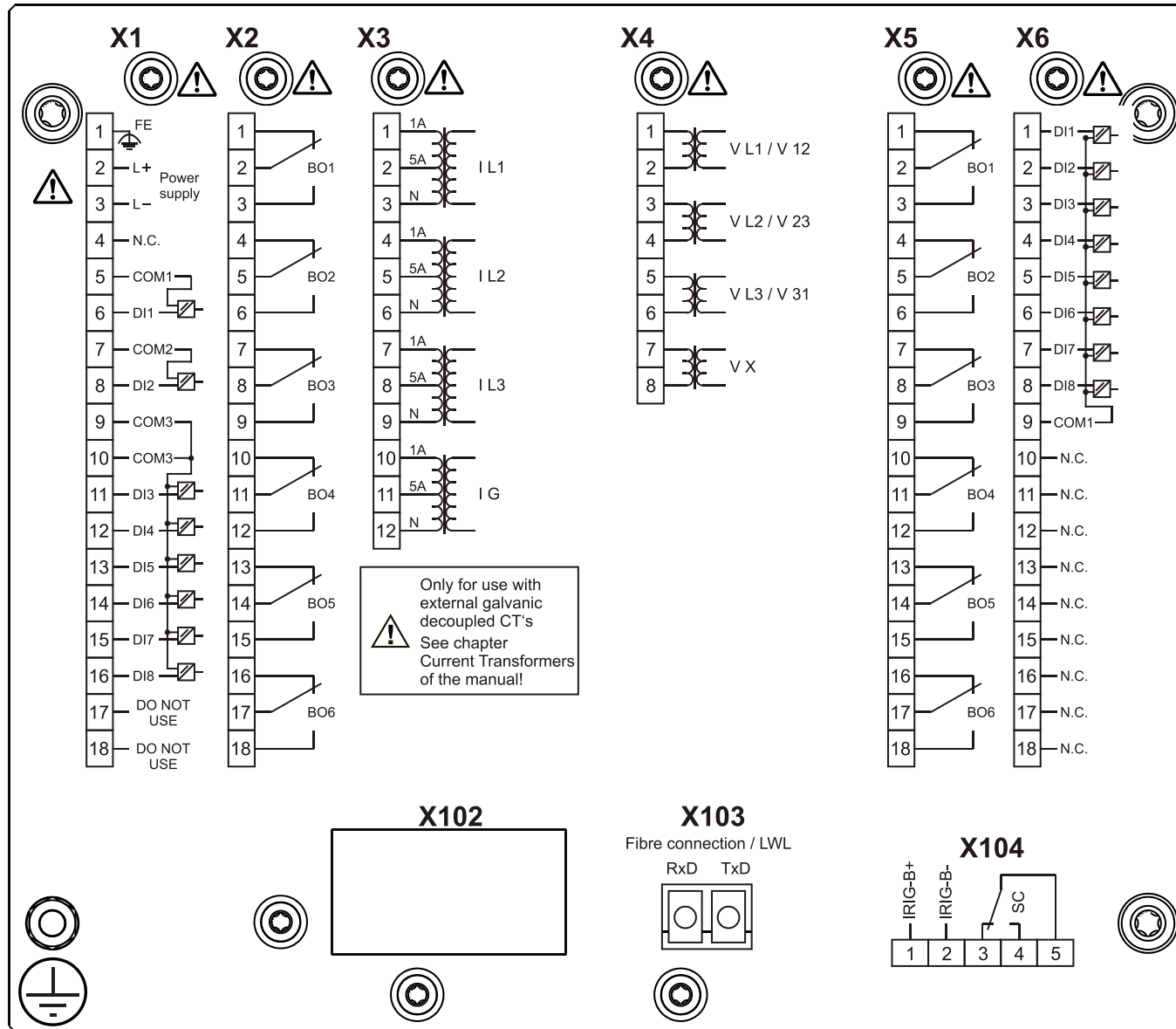
# MRA4-2D0BKA



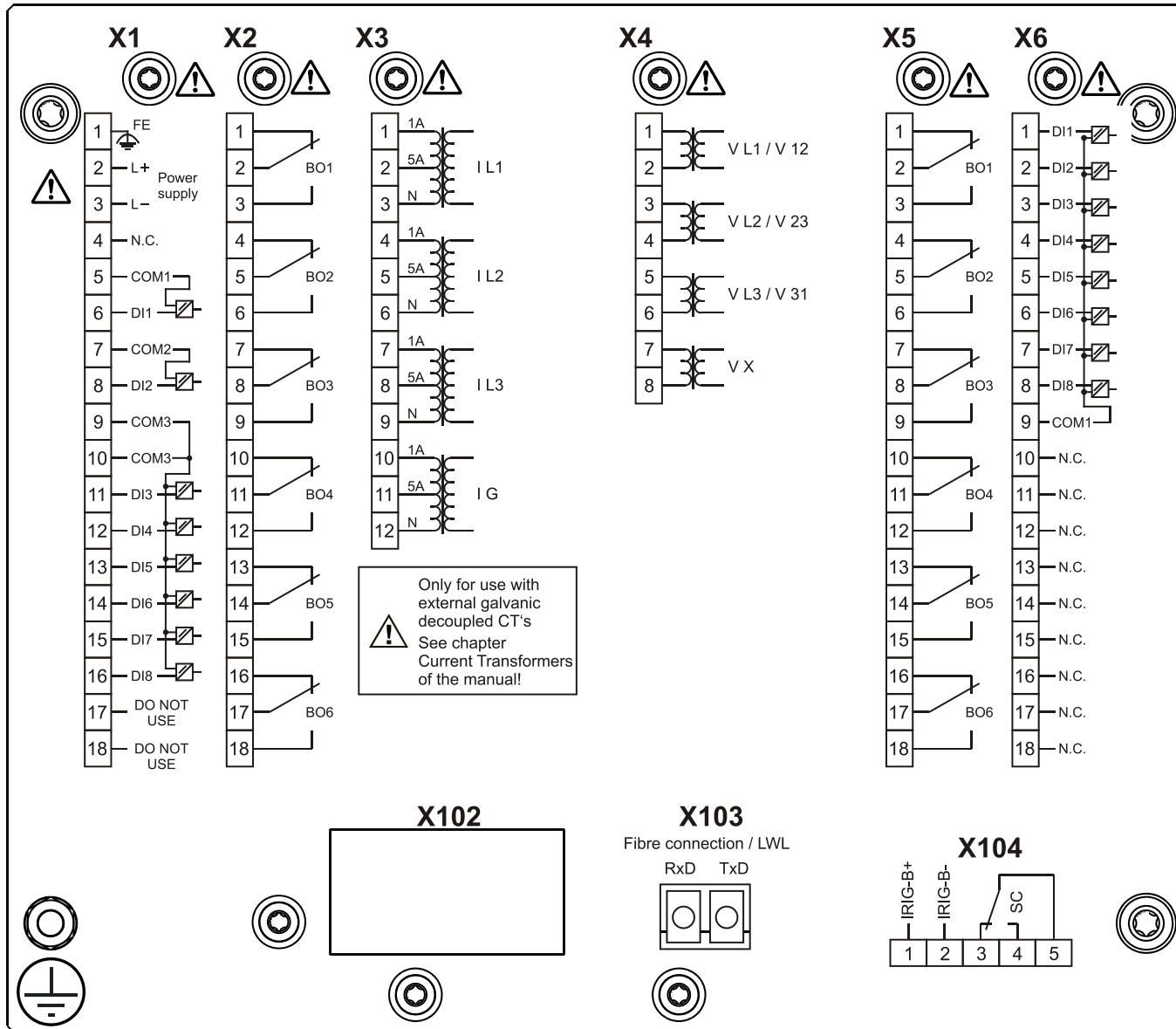
# MRA4-2D0BKB



# MRA4-2D0BLA

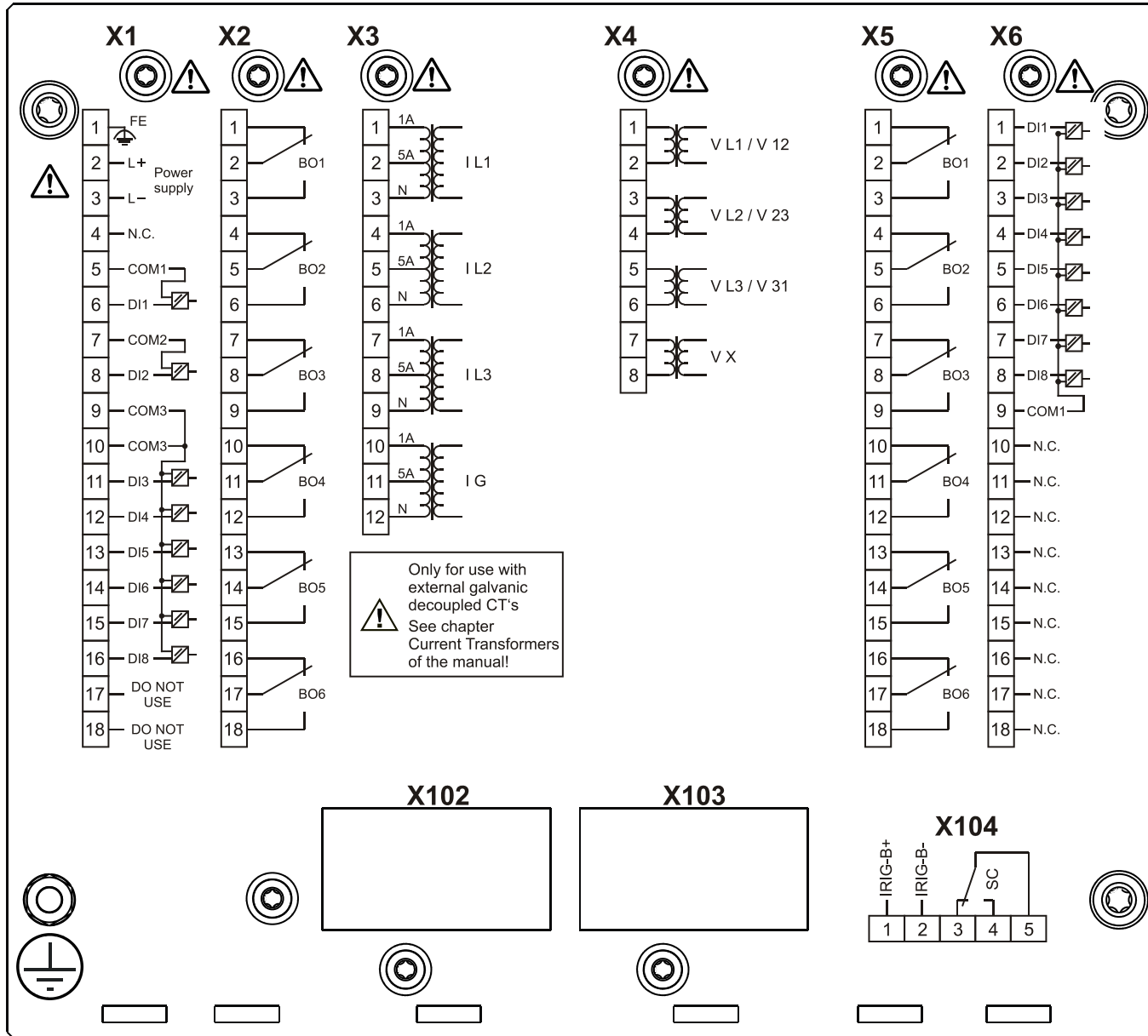


# MRA4-2D0BLB

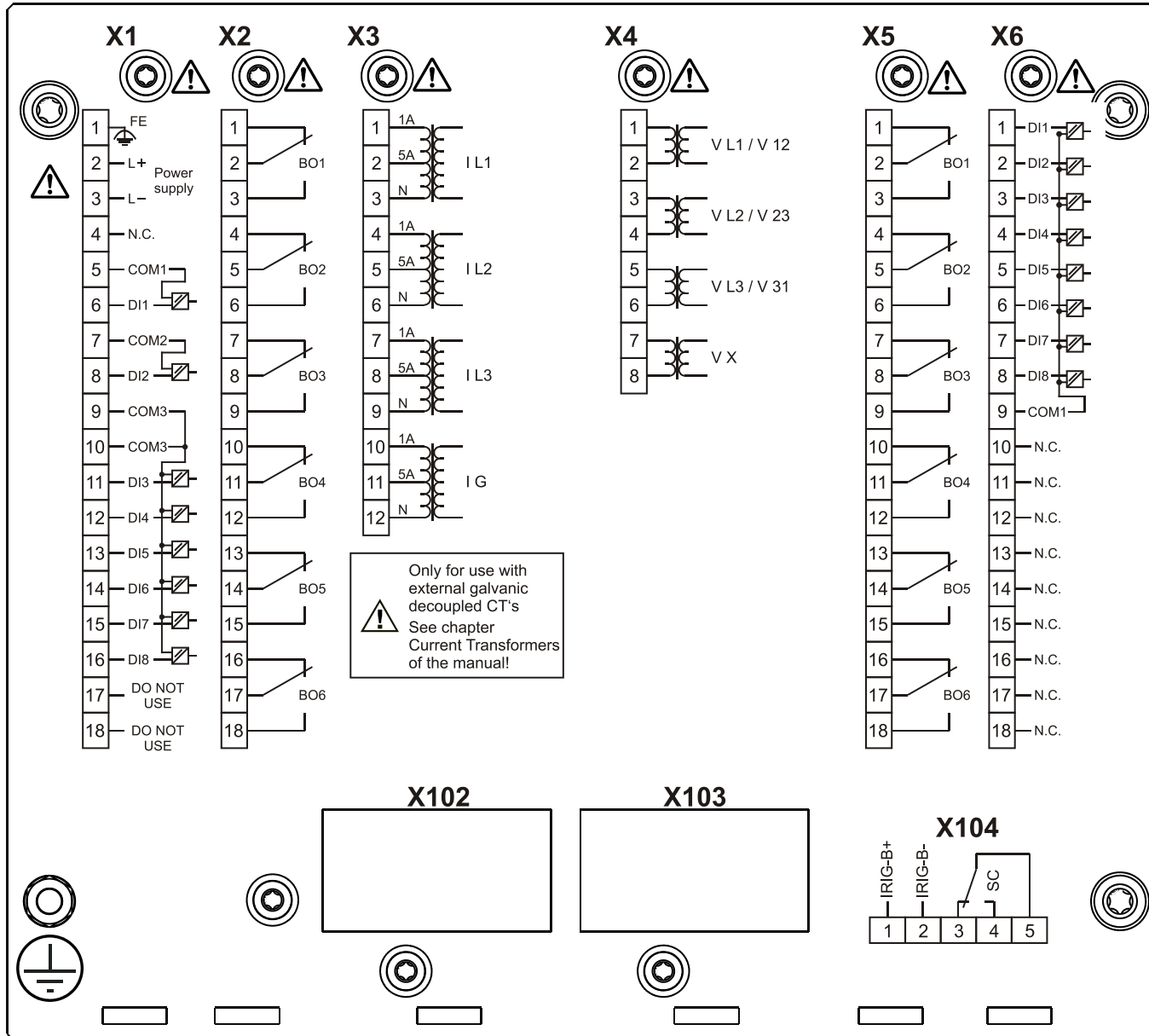




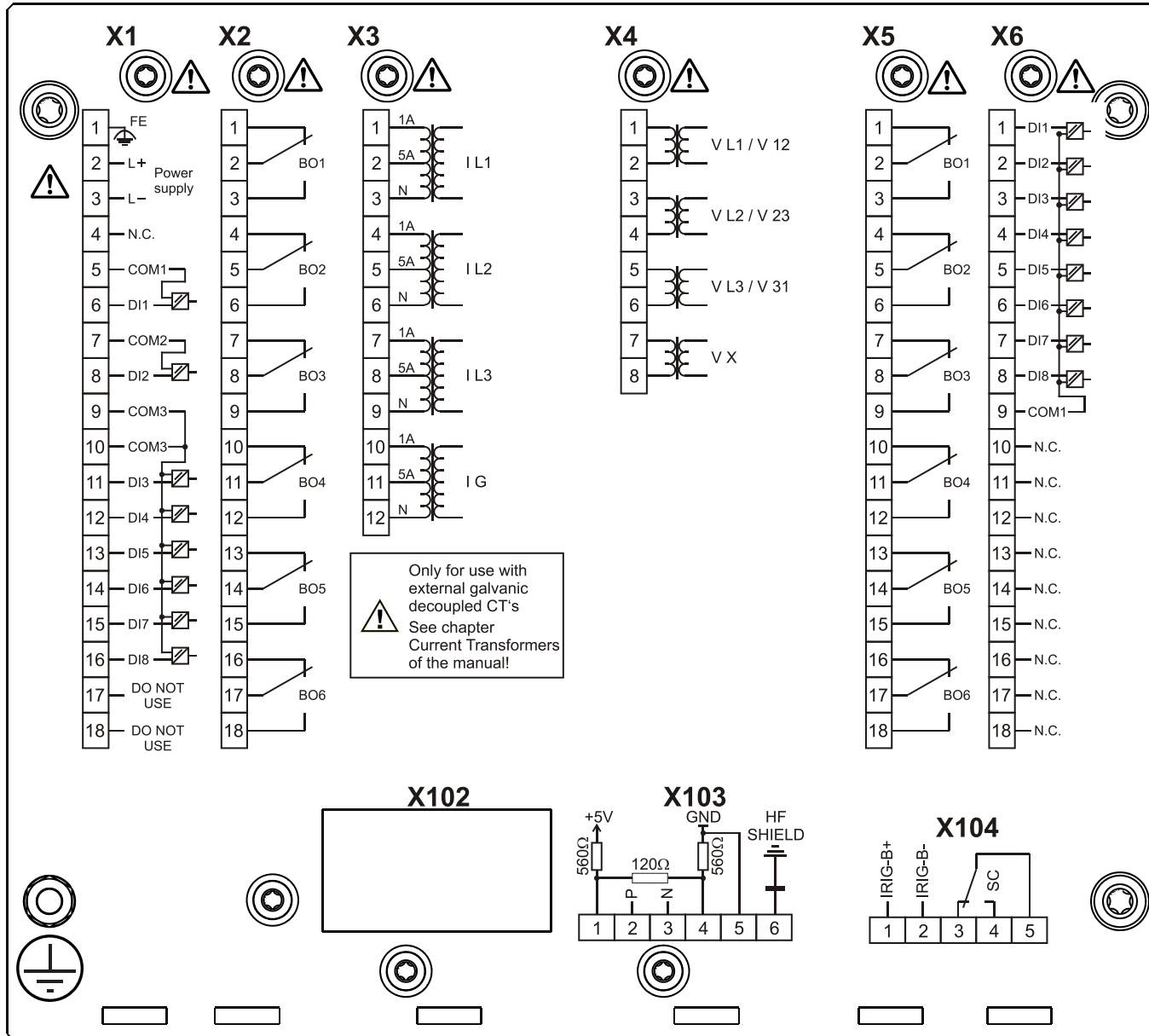
# MRA4-2D0HAA



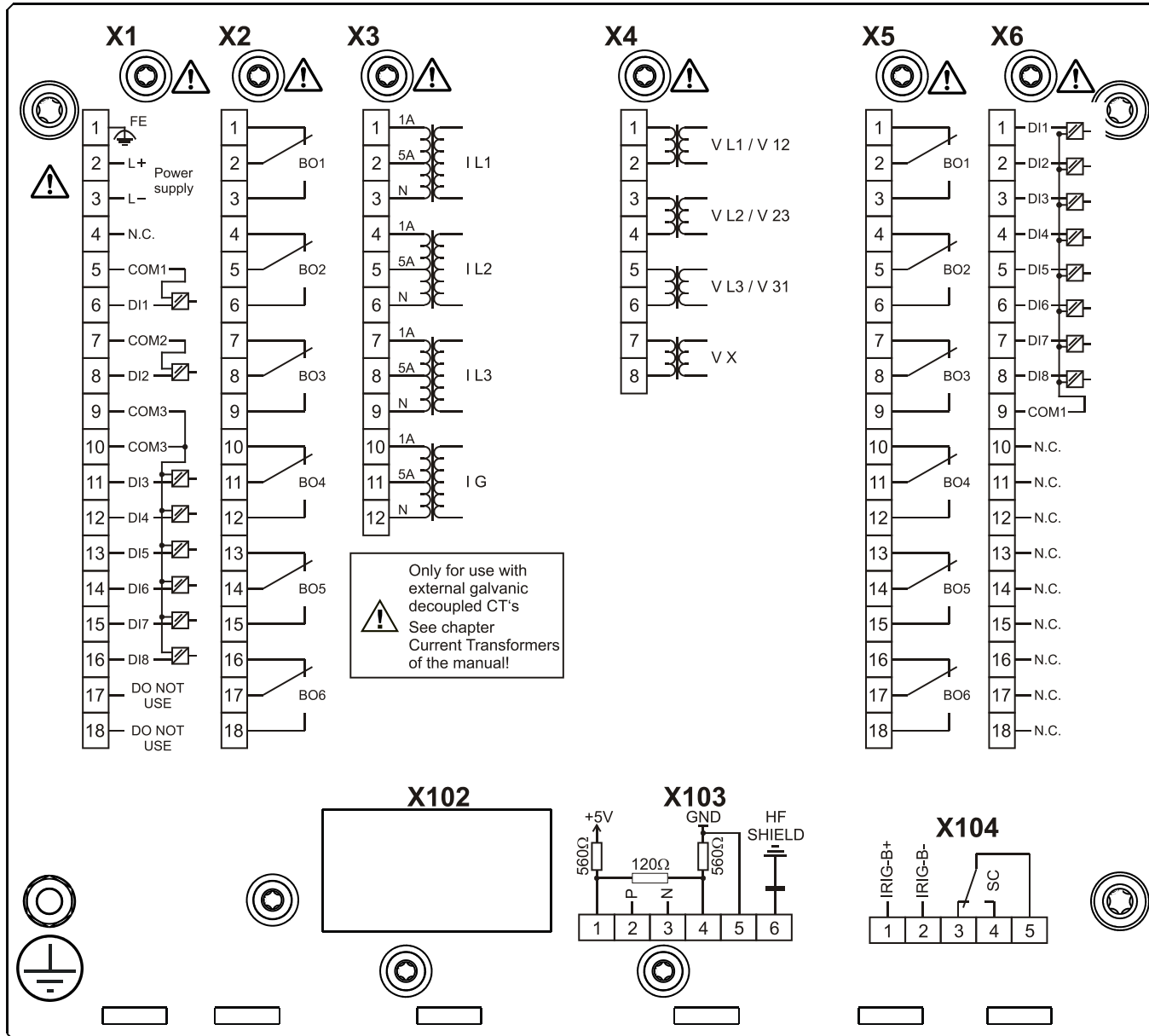
# MRA4-2D0HAB



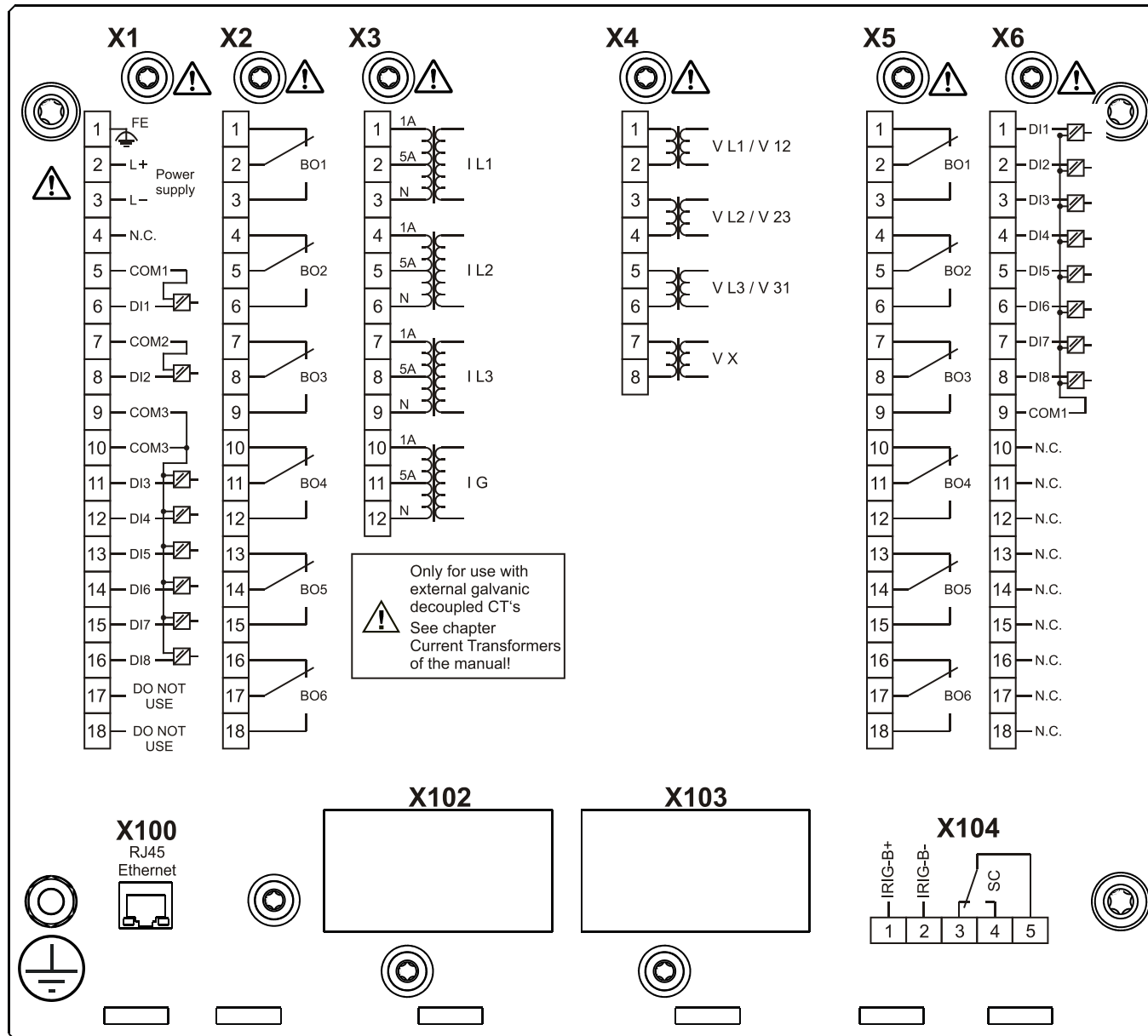
# MRA4-2D0HBA



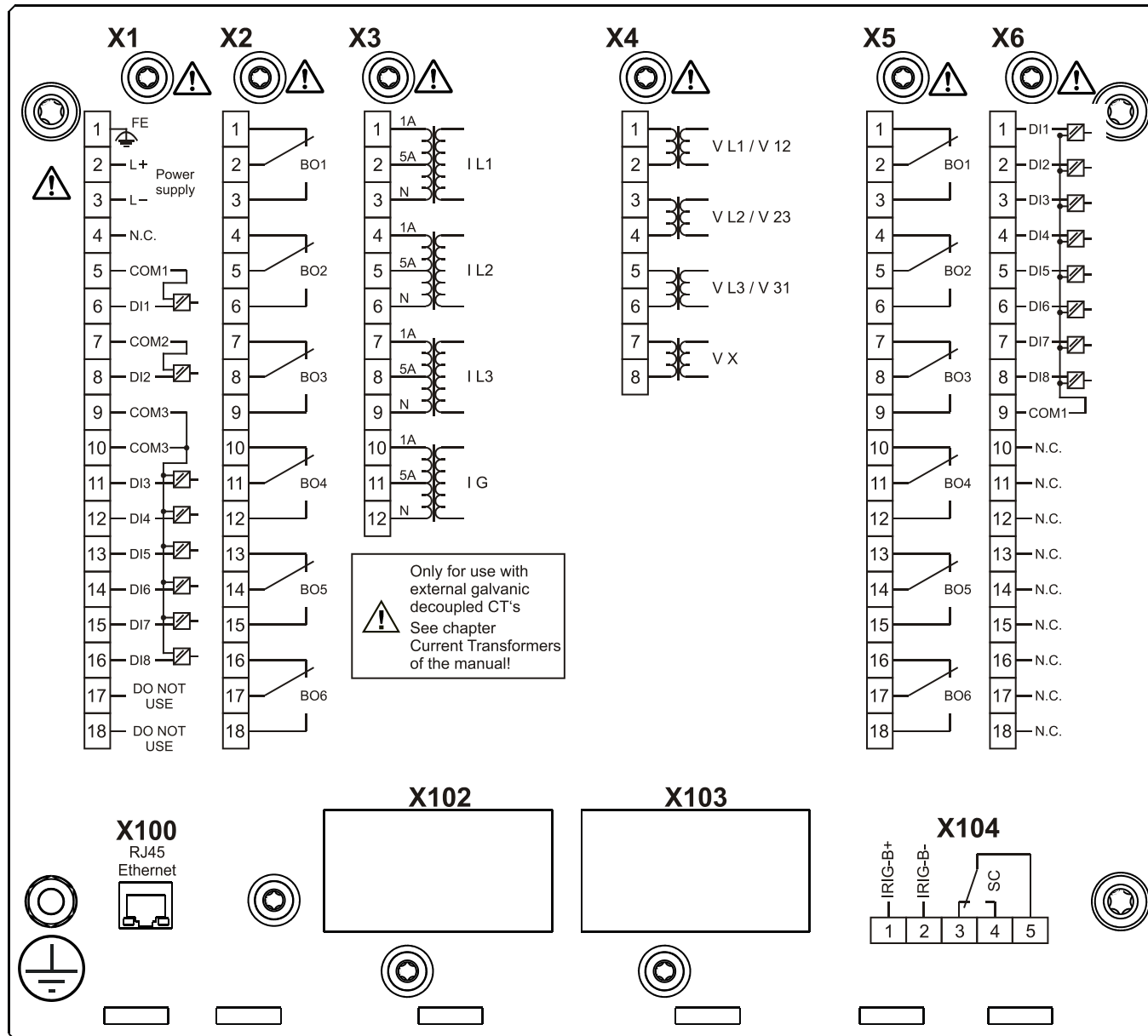
# MRA4-2D0HBB



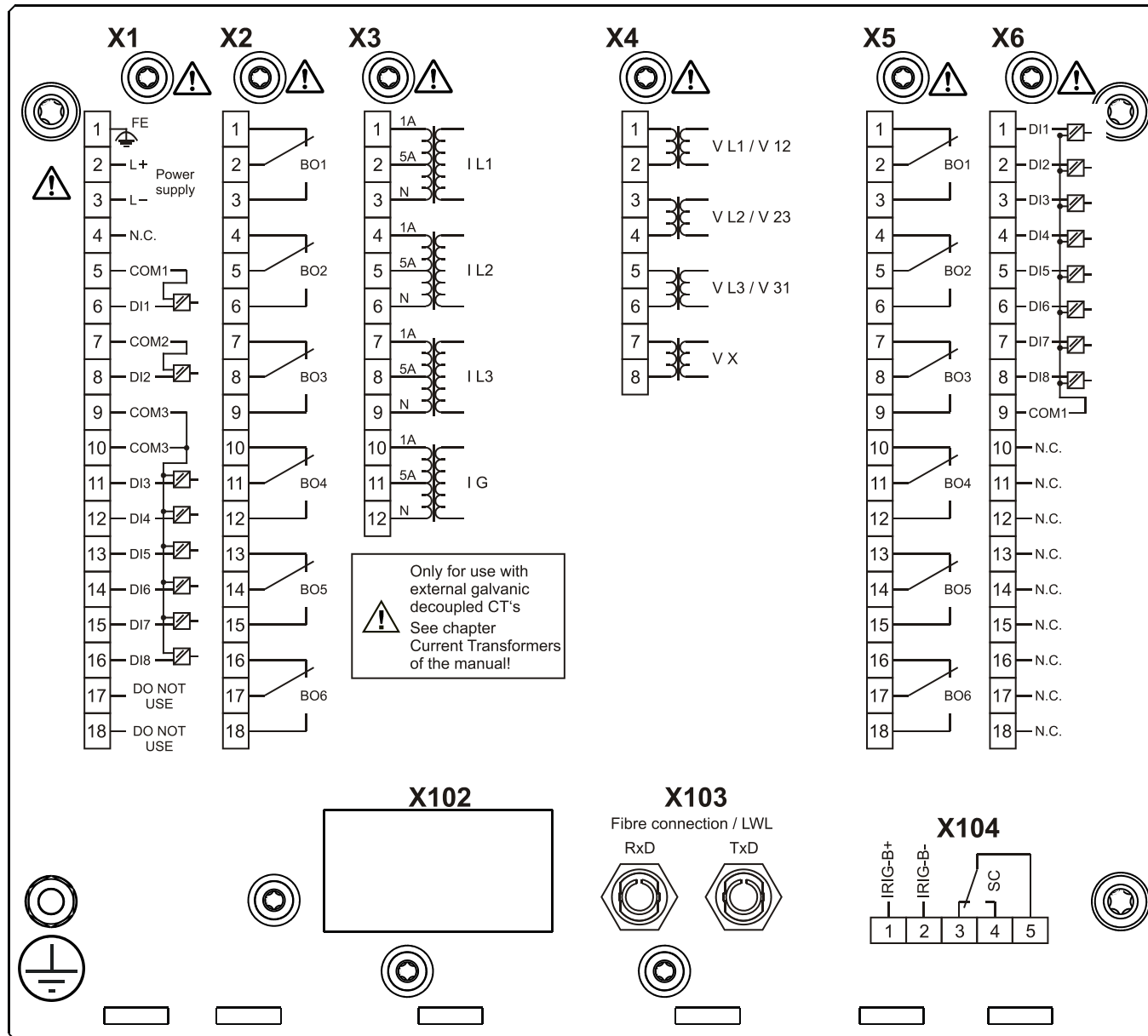
# MRA4-2D0HCA



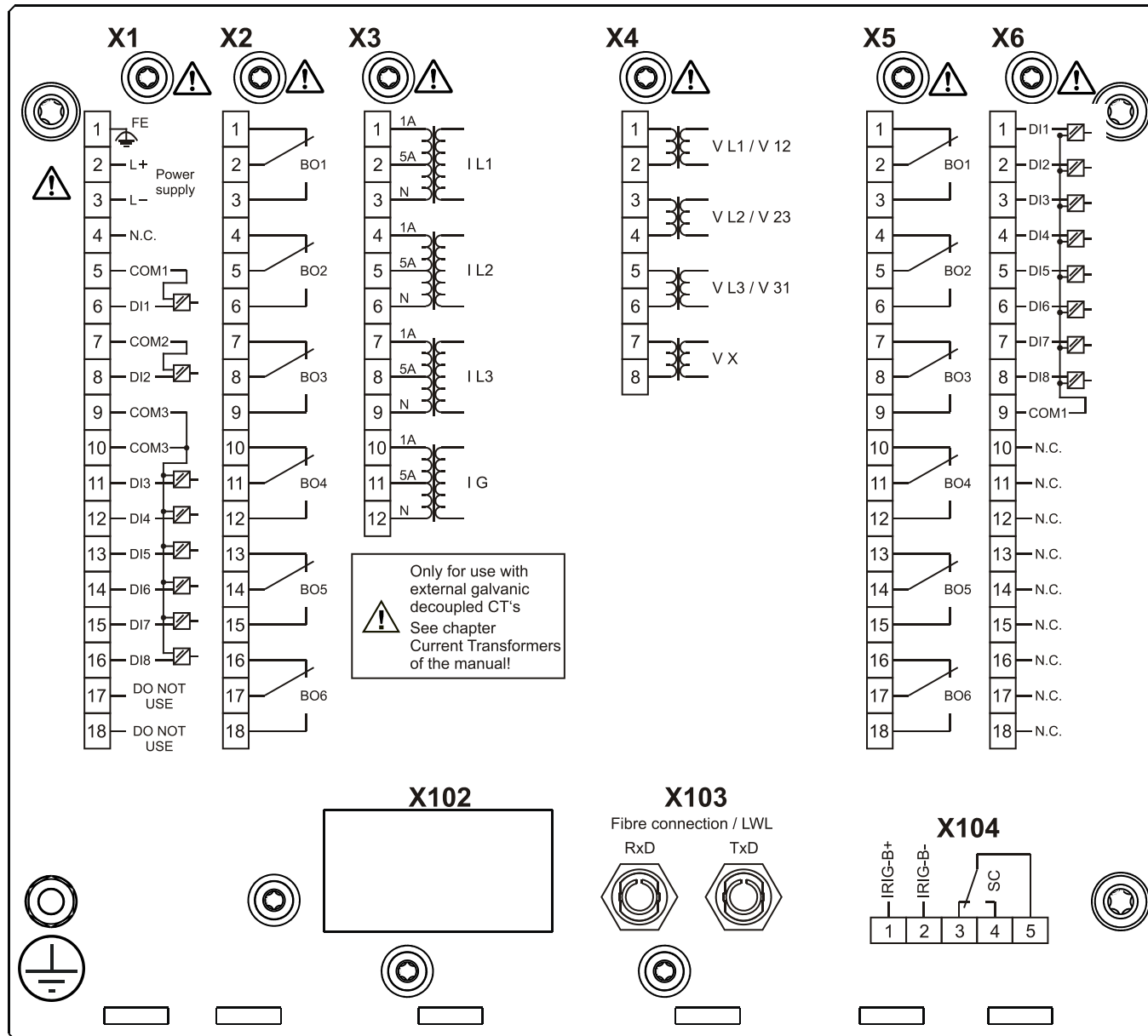
# MRA4-2D0HCB



# MRA4-2D0HDA

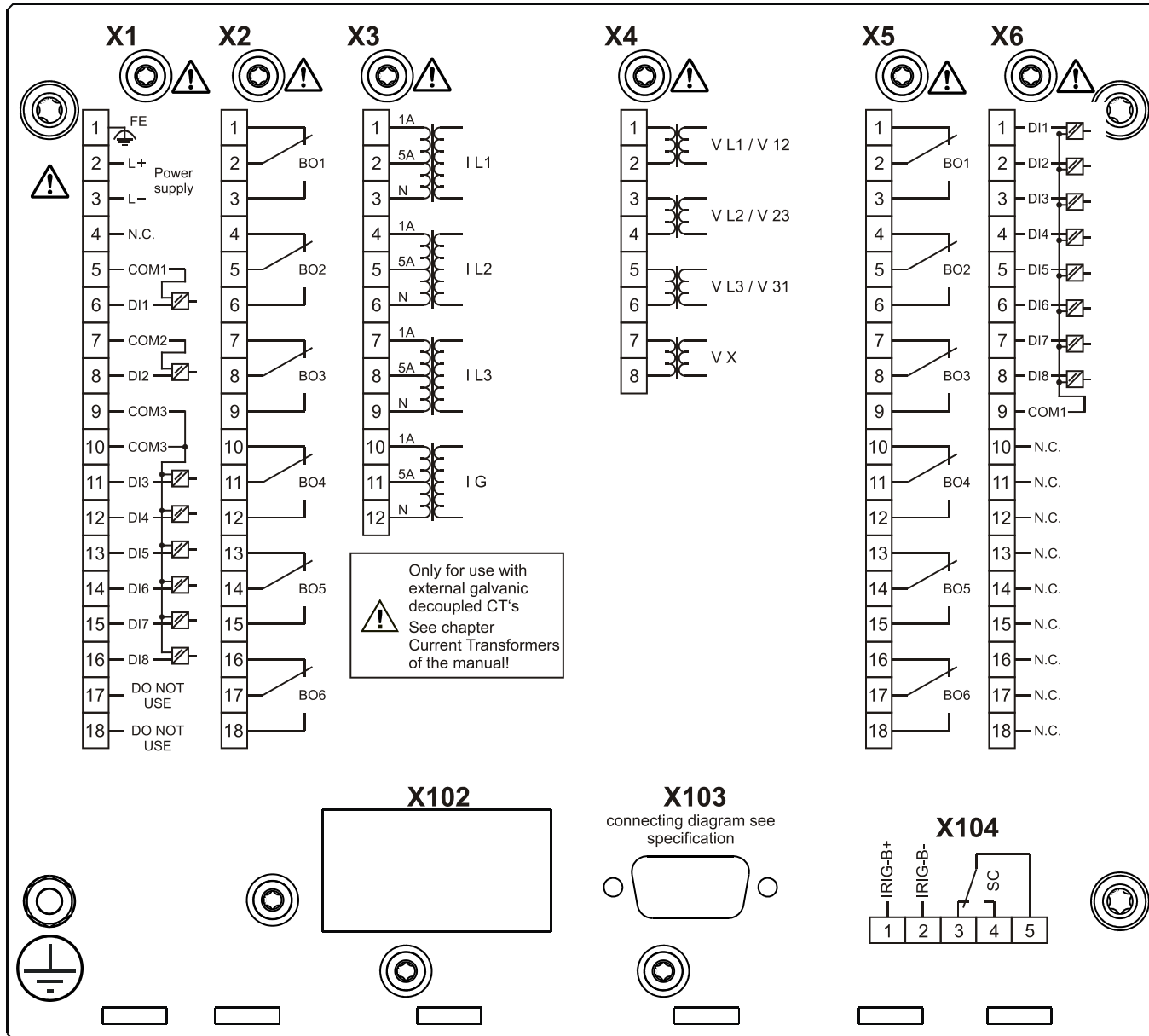


# MRA4-2D0HDB

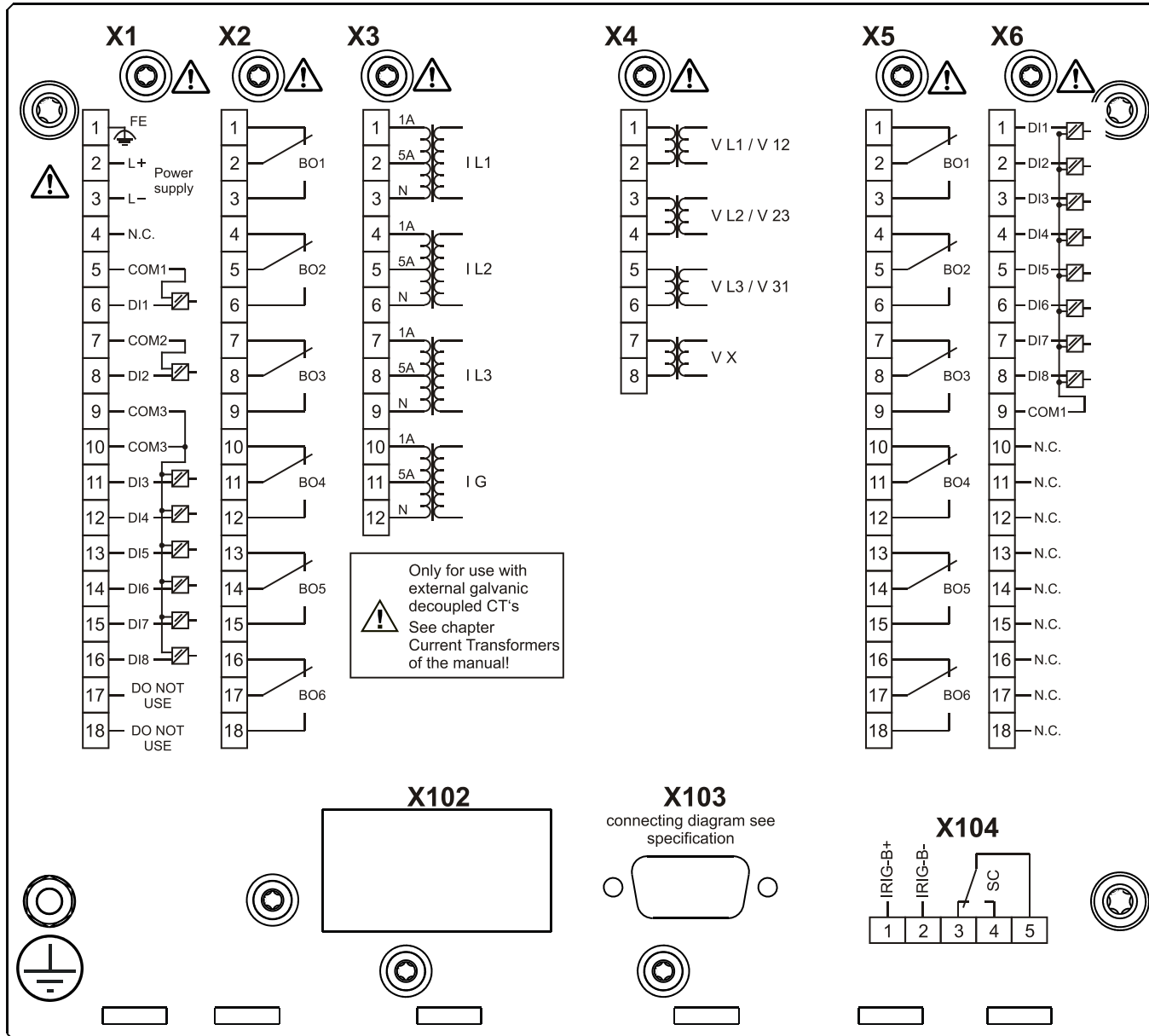




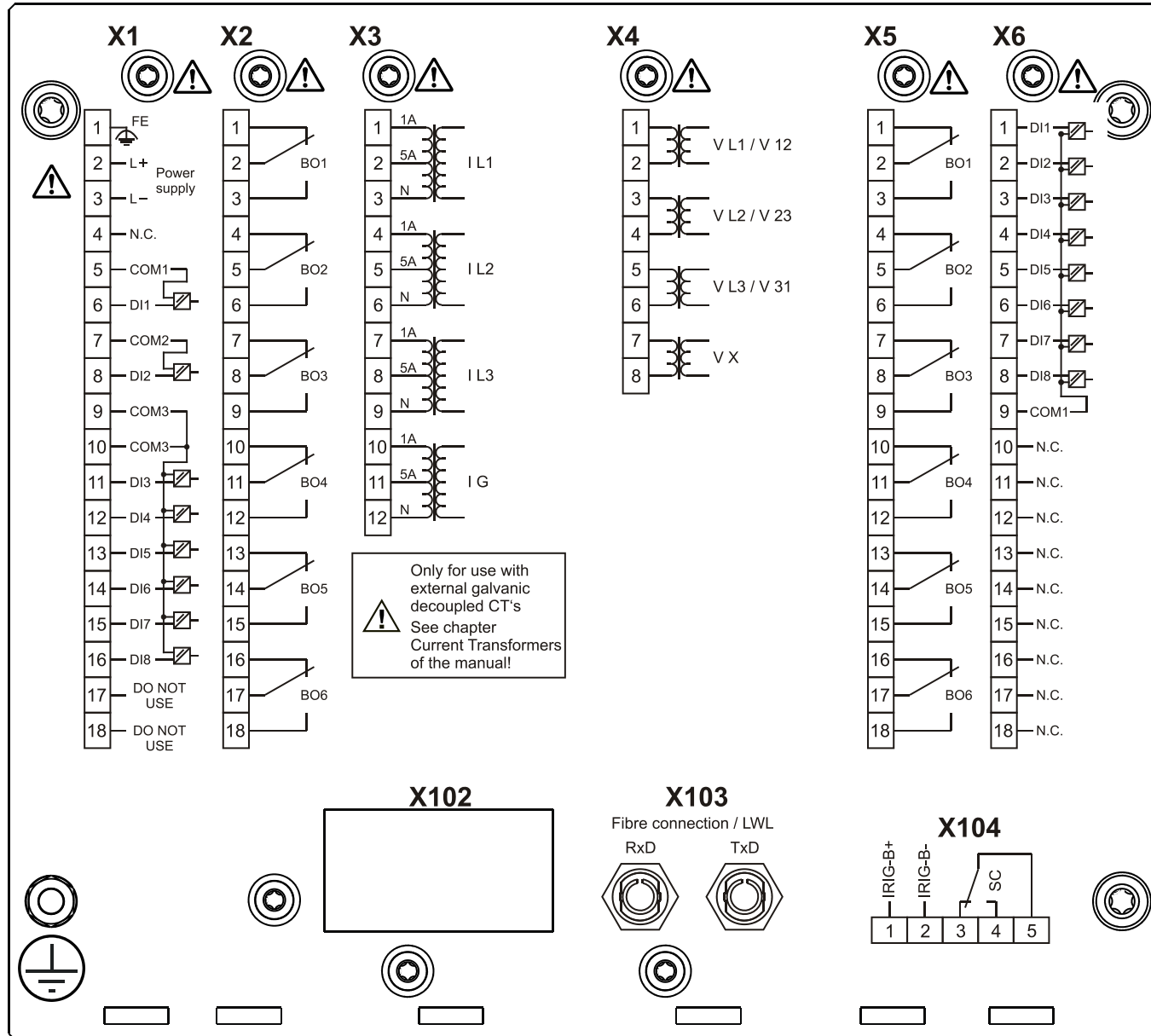
# MRA4-2D0HEA



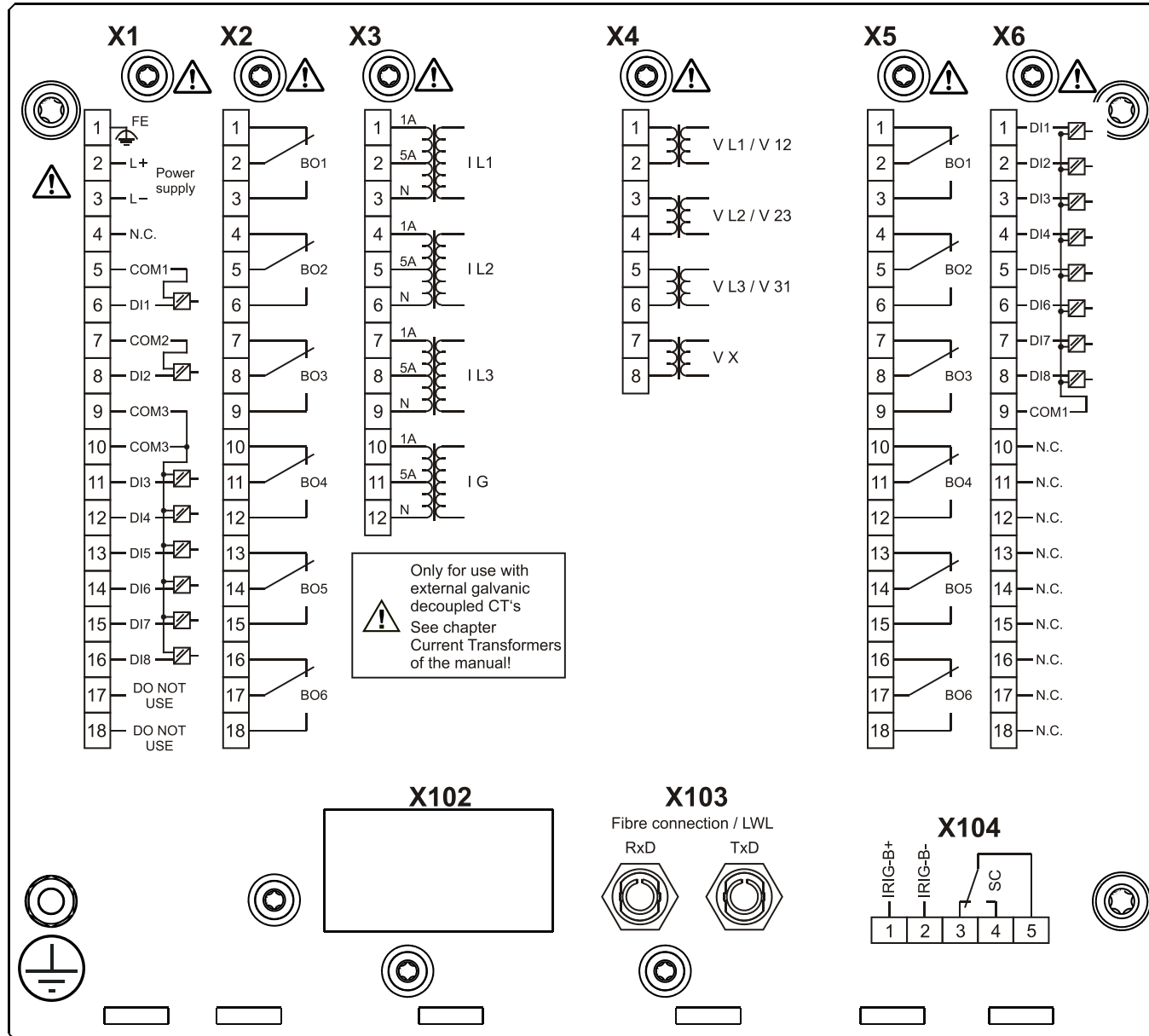
# MRA4-2D0HEB



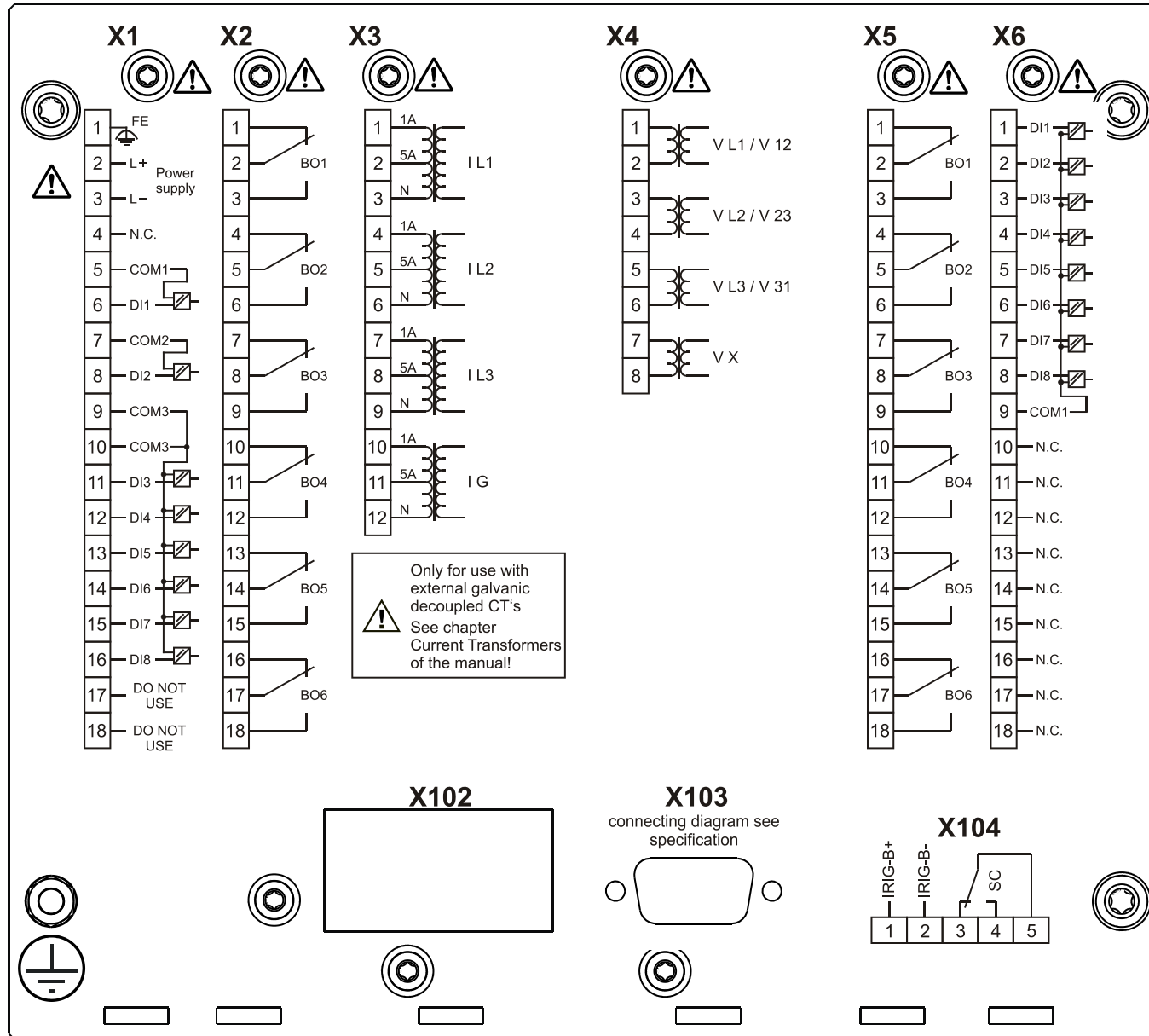
# MRA4-2D0HFA



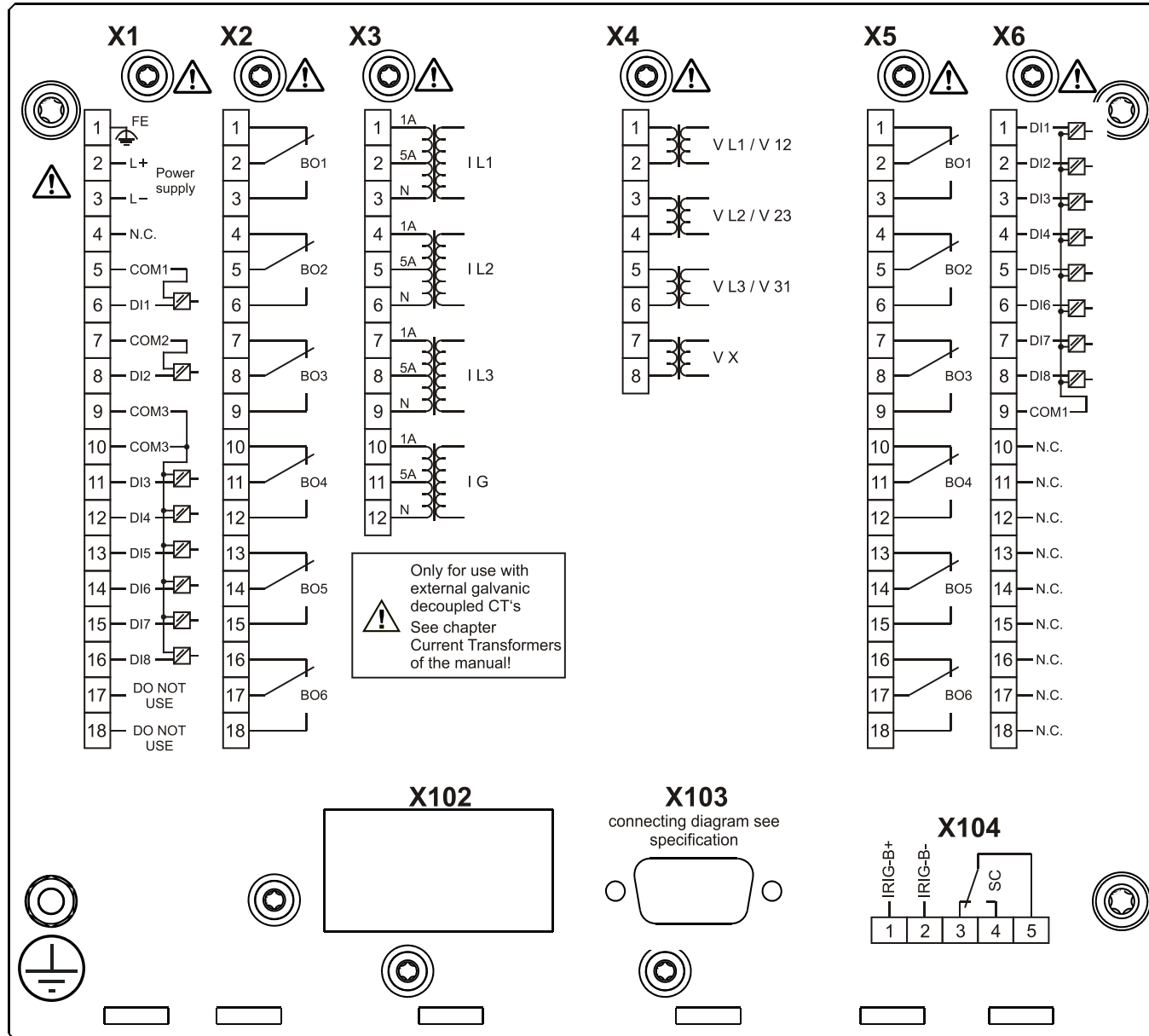
# MRA4-2D0HFB



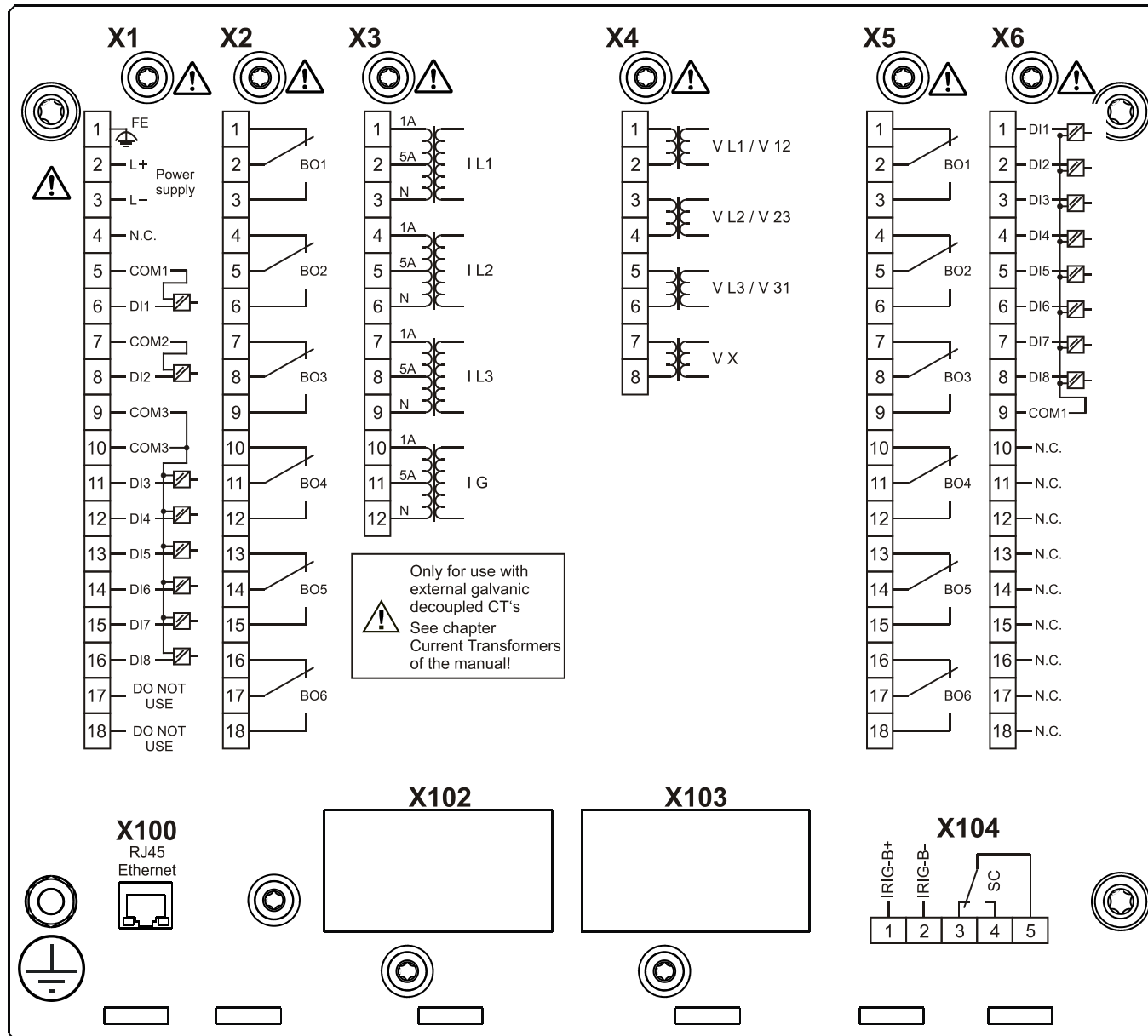
# MRA4-2D0HGA



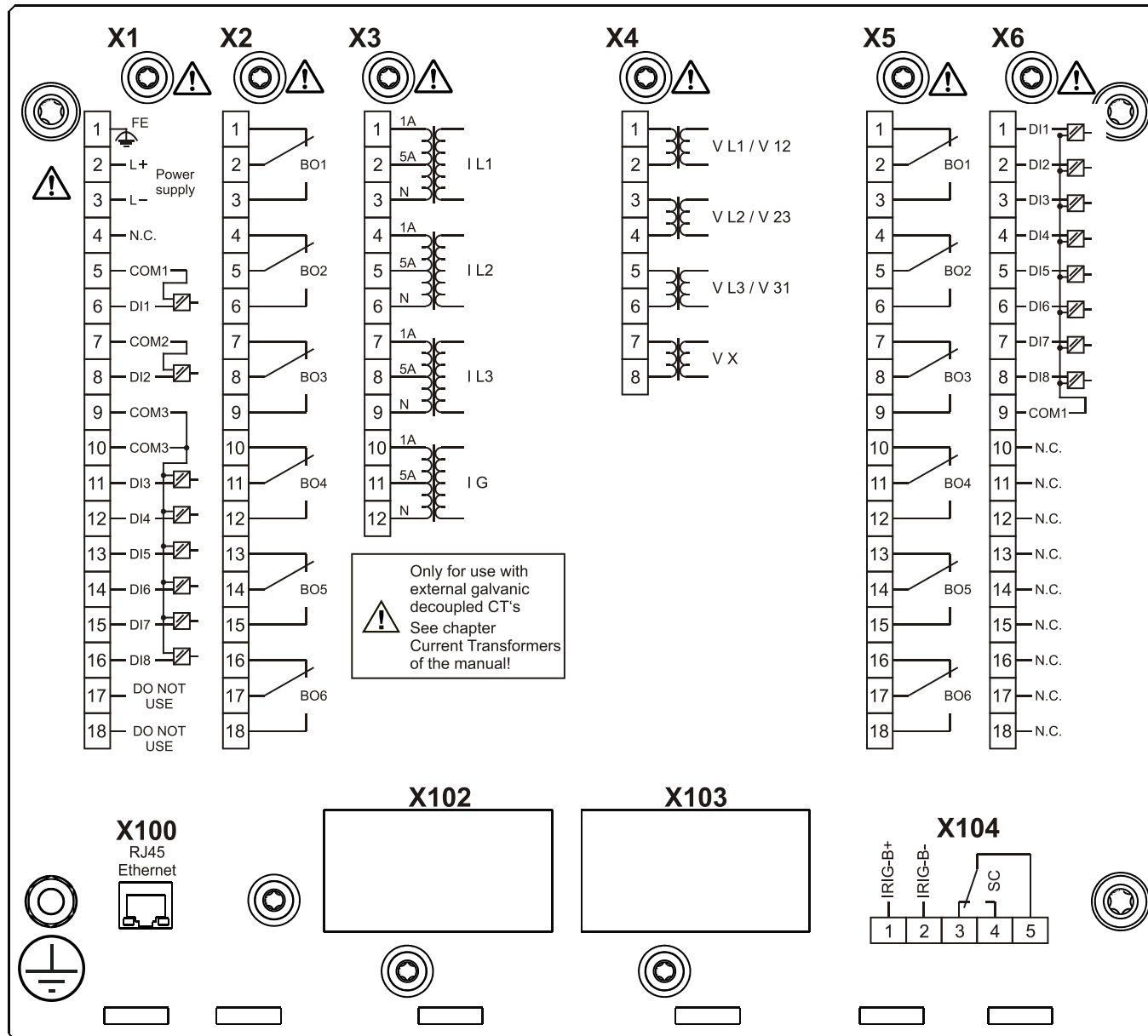
# MRA4-2D0HGB



# MRA4-2D0HHA

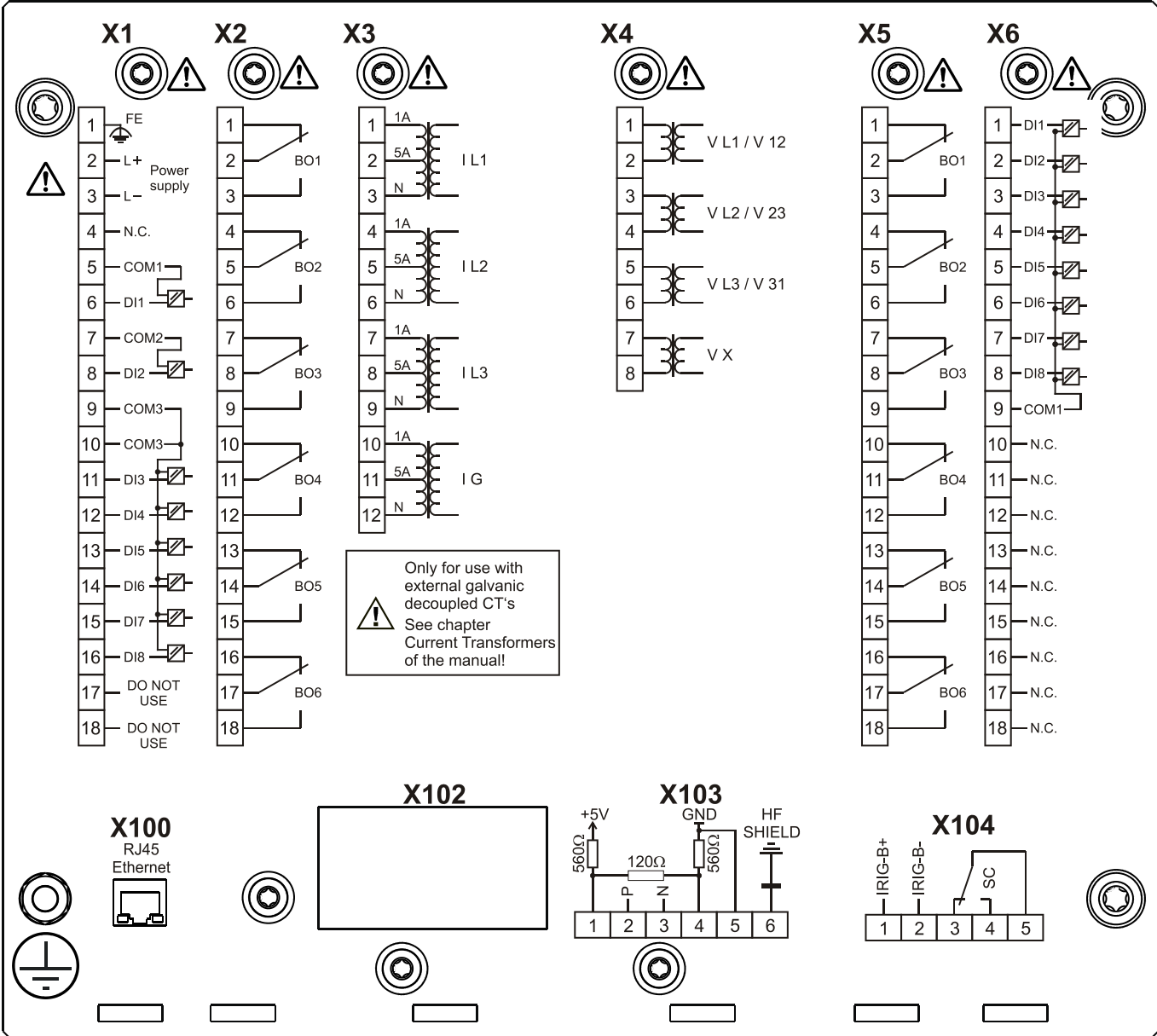


# MRA4-2D0HHB

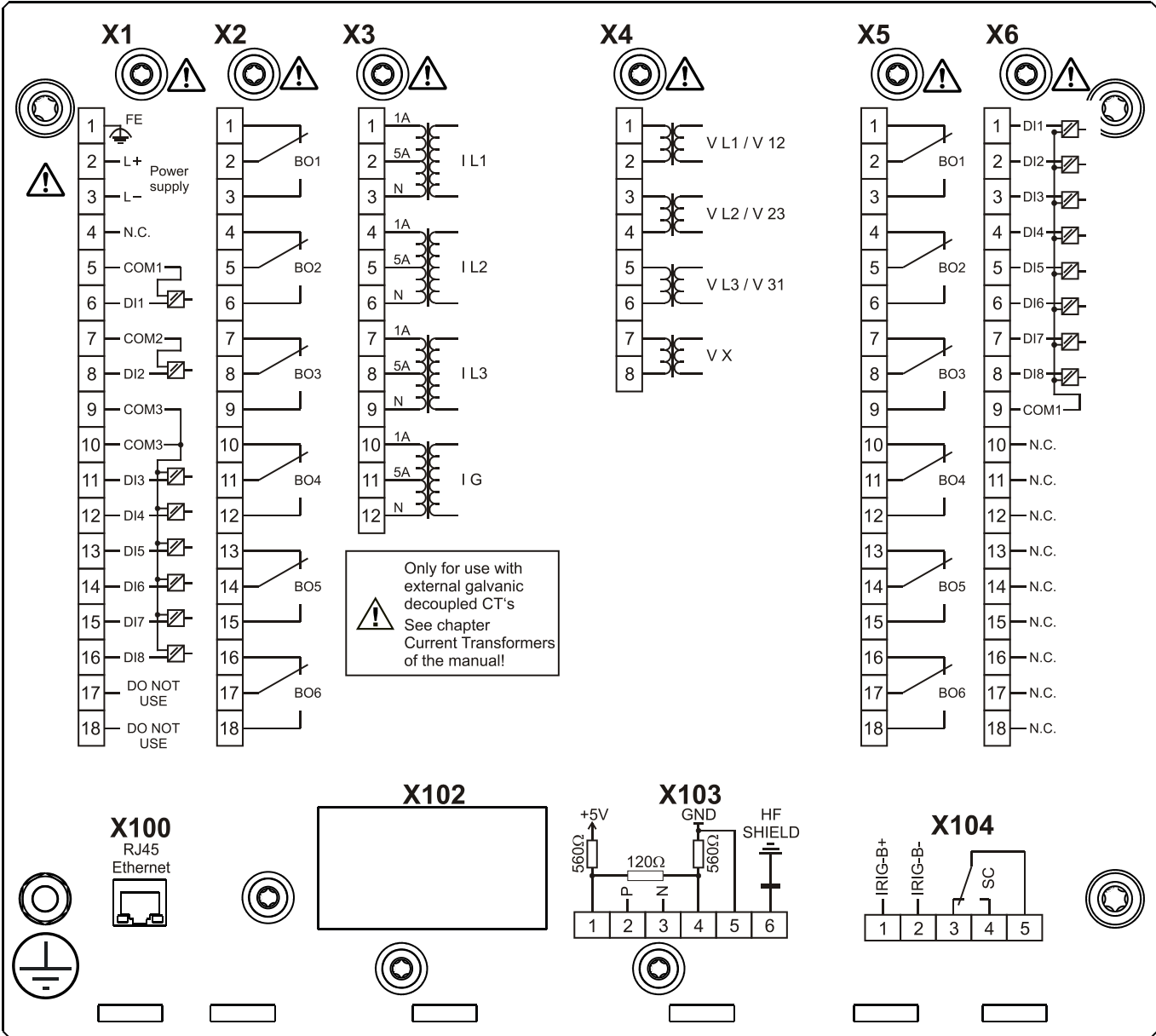




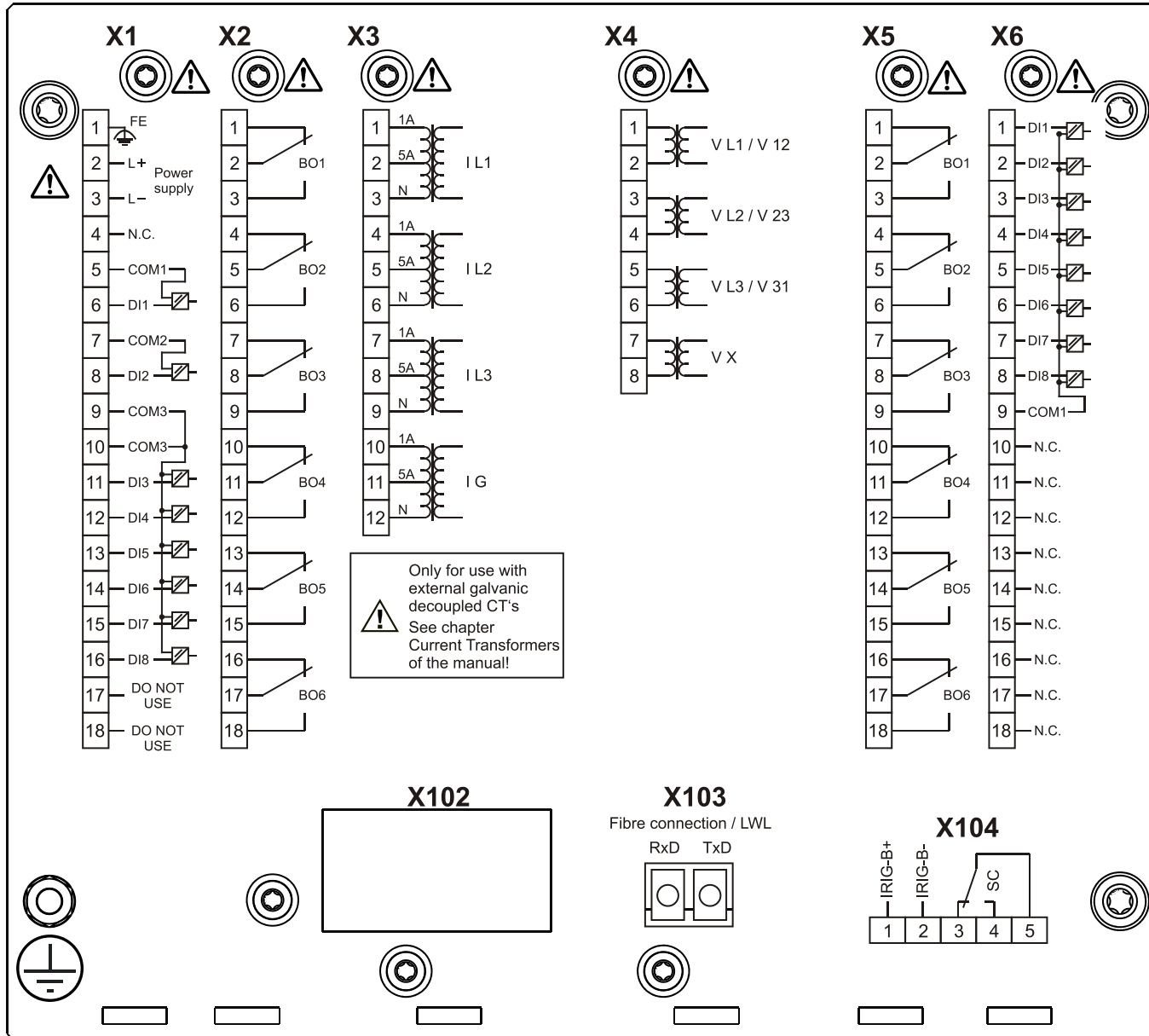
# MRA4-2D0HIA



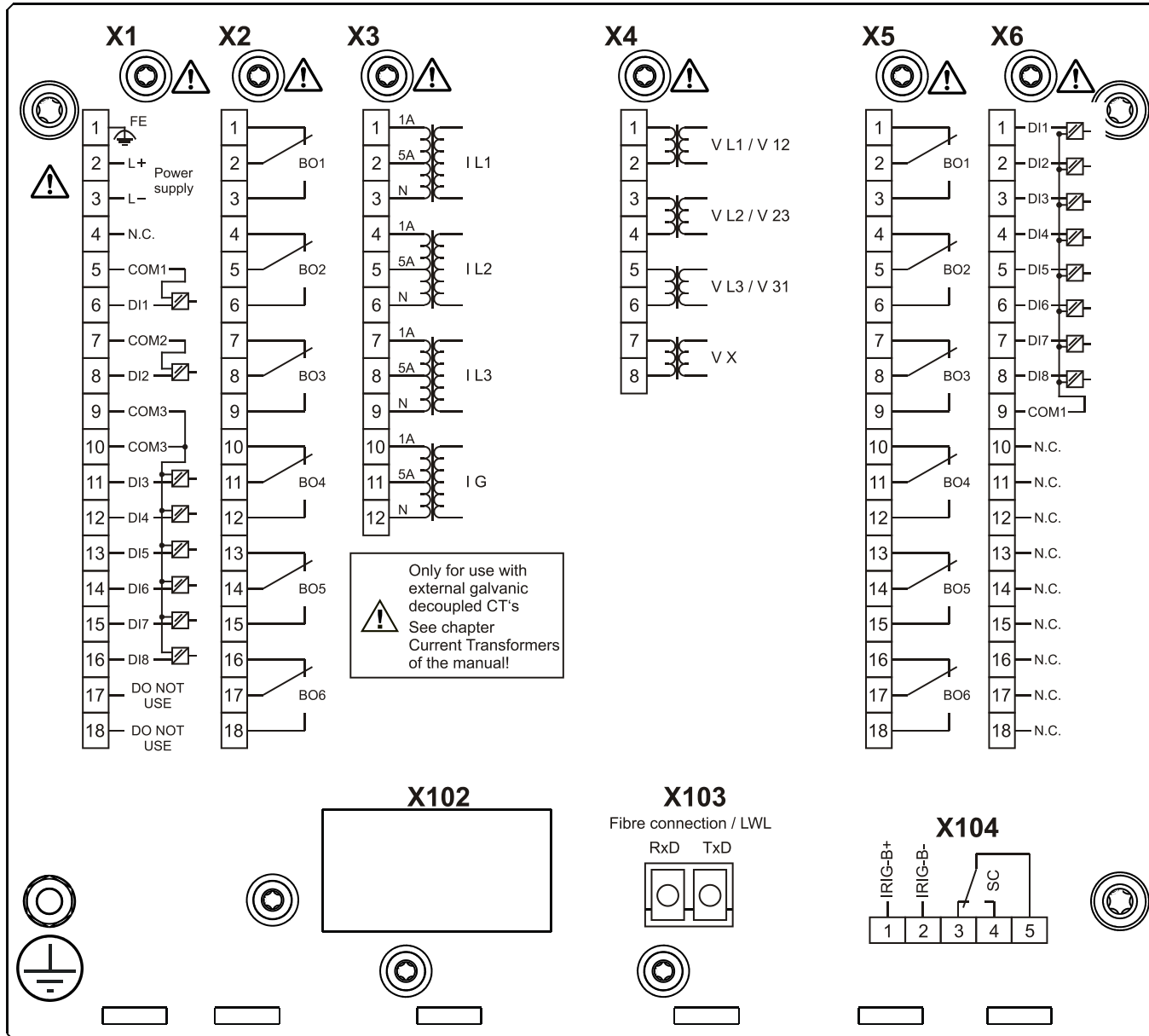
# MRA4-2D0HIB



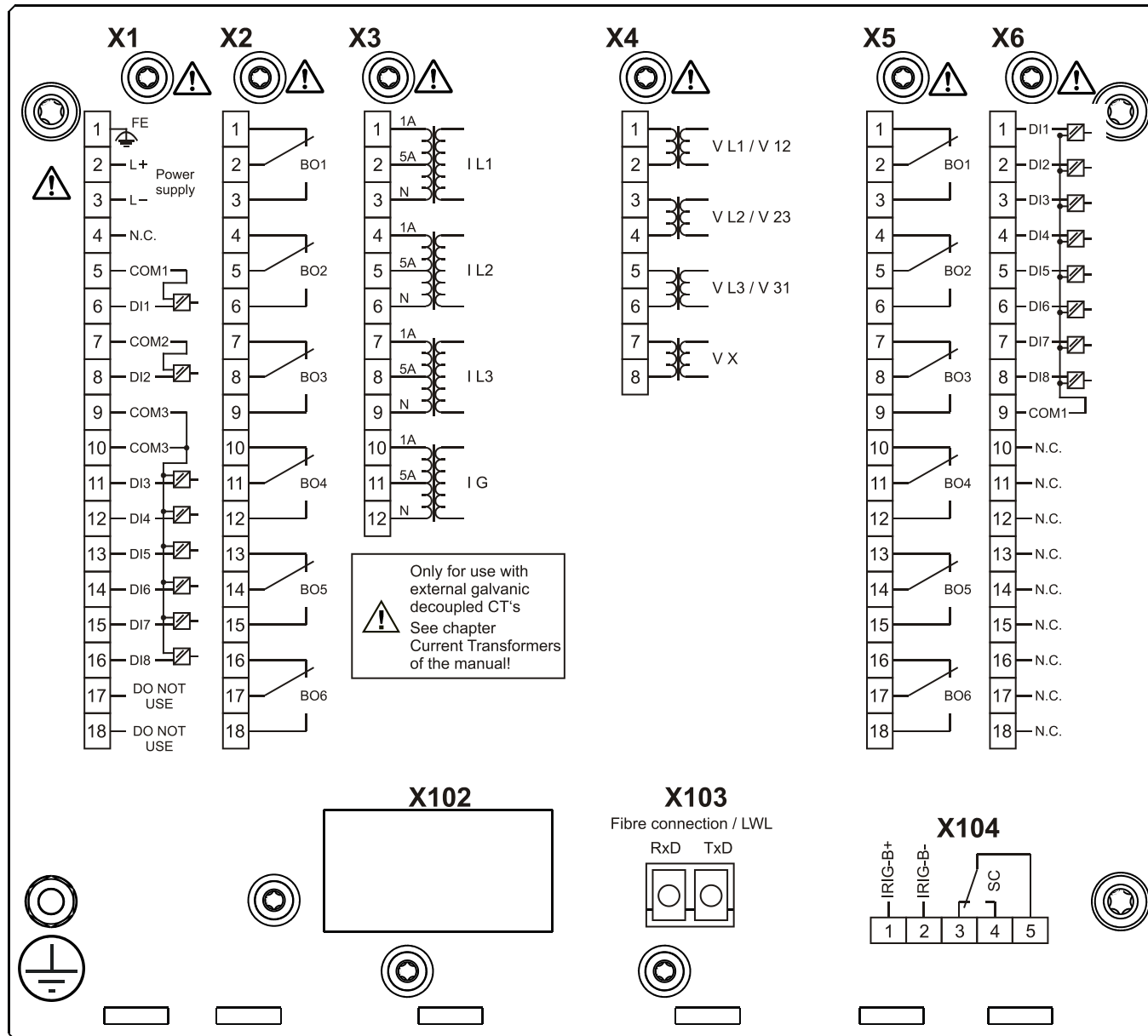
# MRA4-2D0HKA



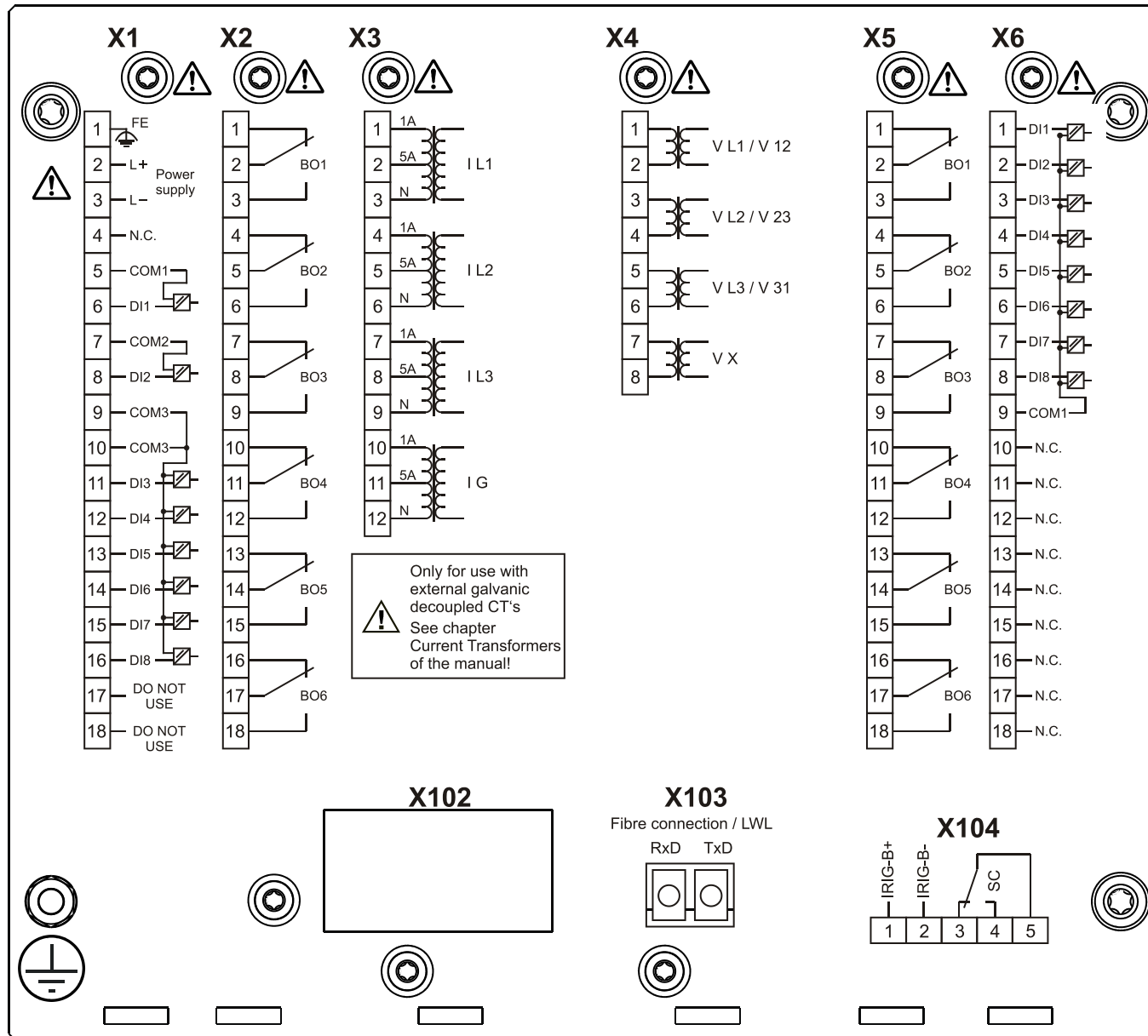
# MRA4-2D0HKB



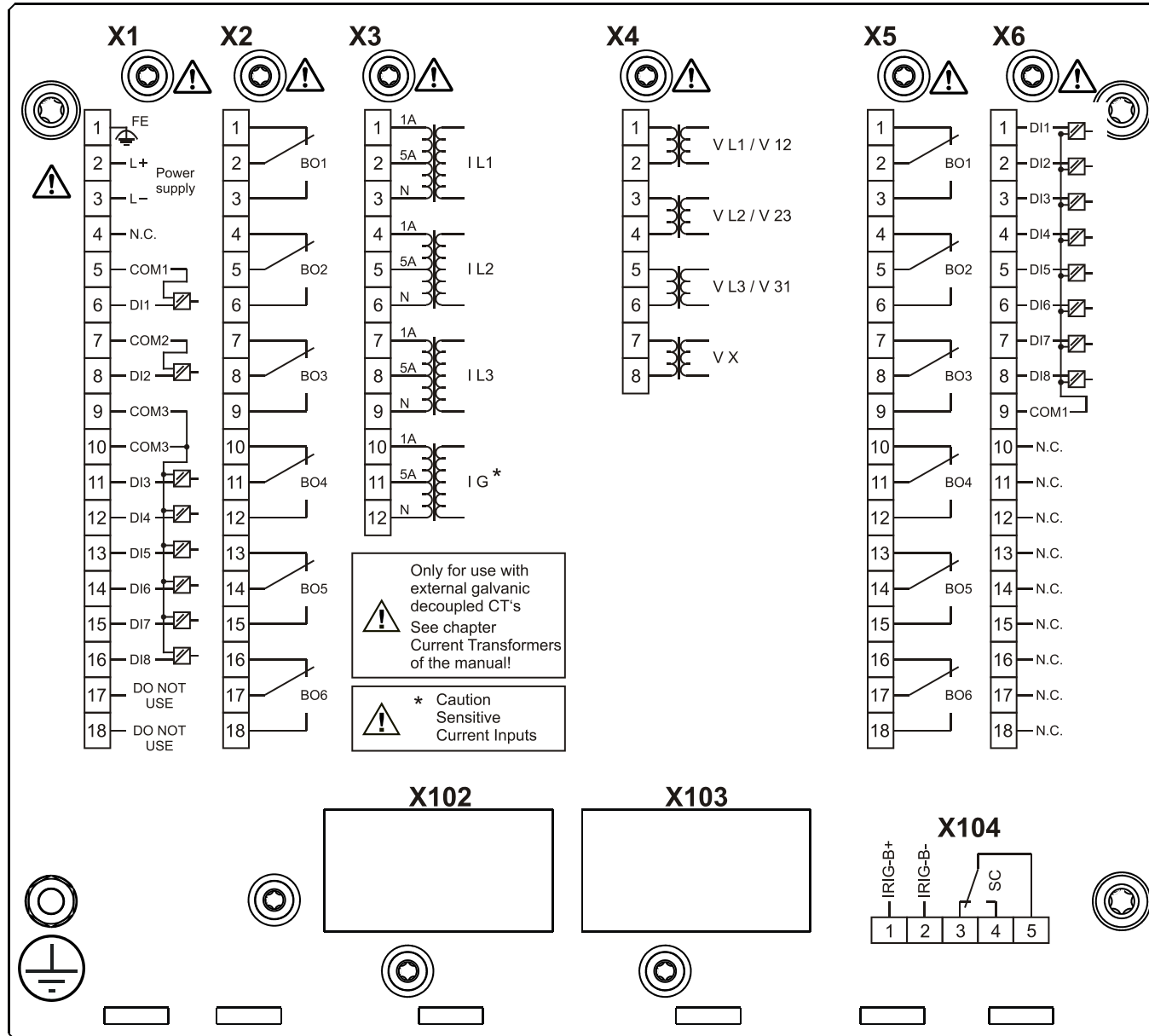
# MRA4-2D0HLA



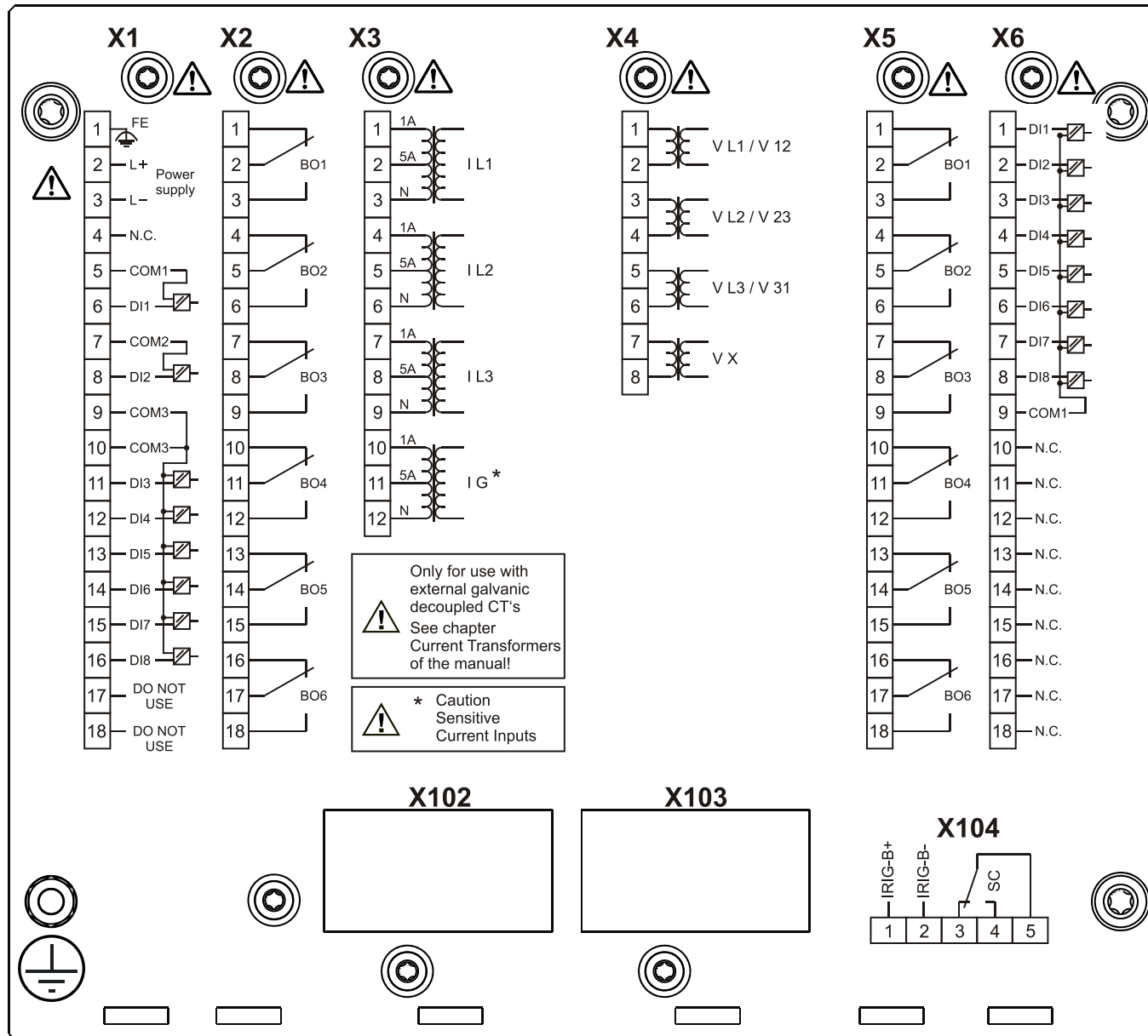
# MRA4-2D0HLB



# MRA4-2D1AAA

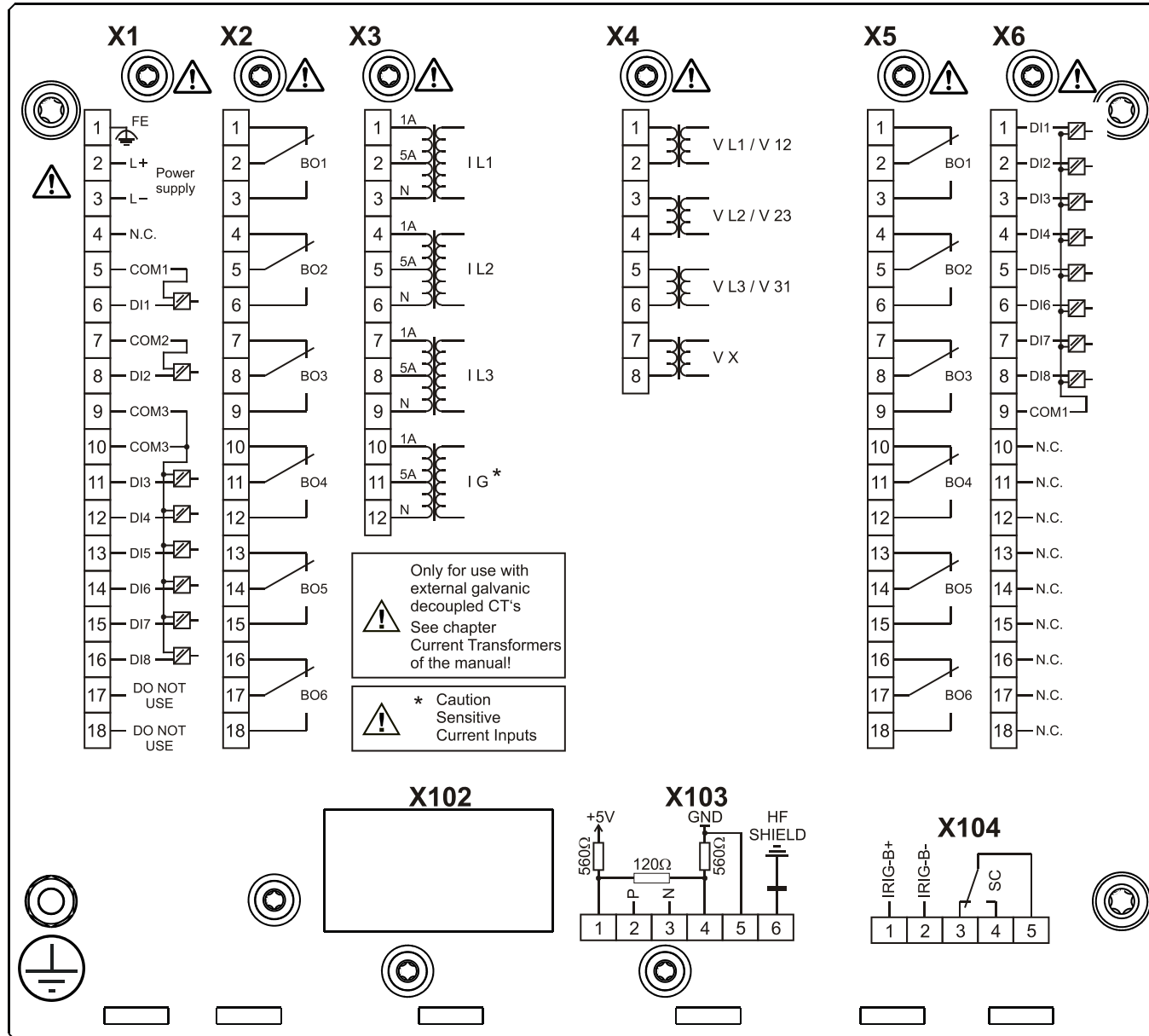


# MRA4-2D1AAB

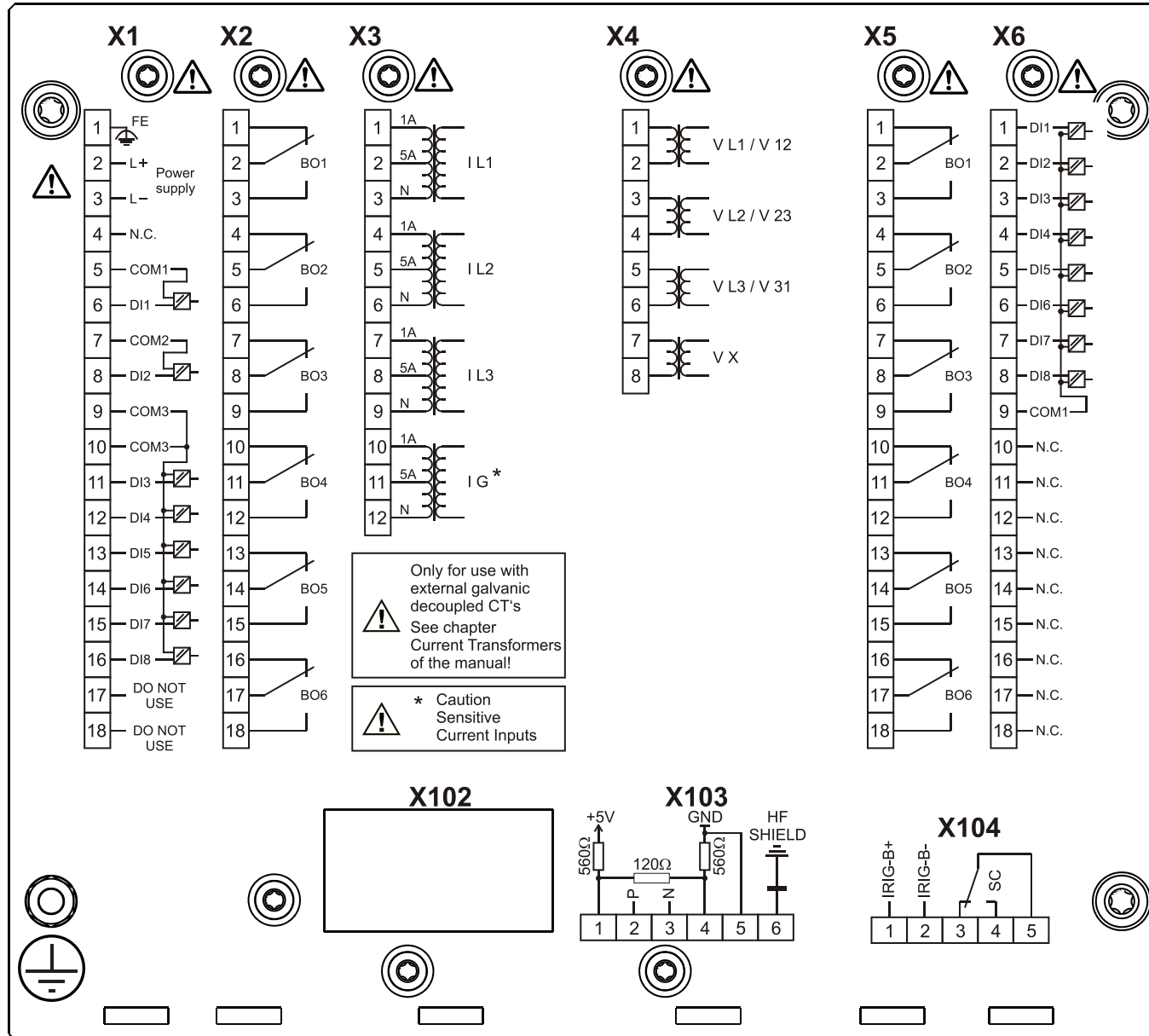




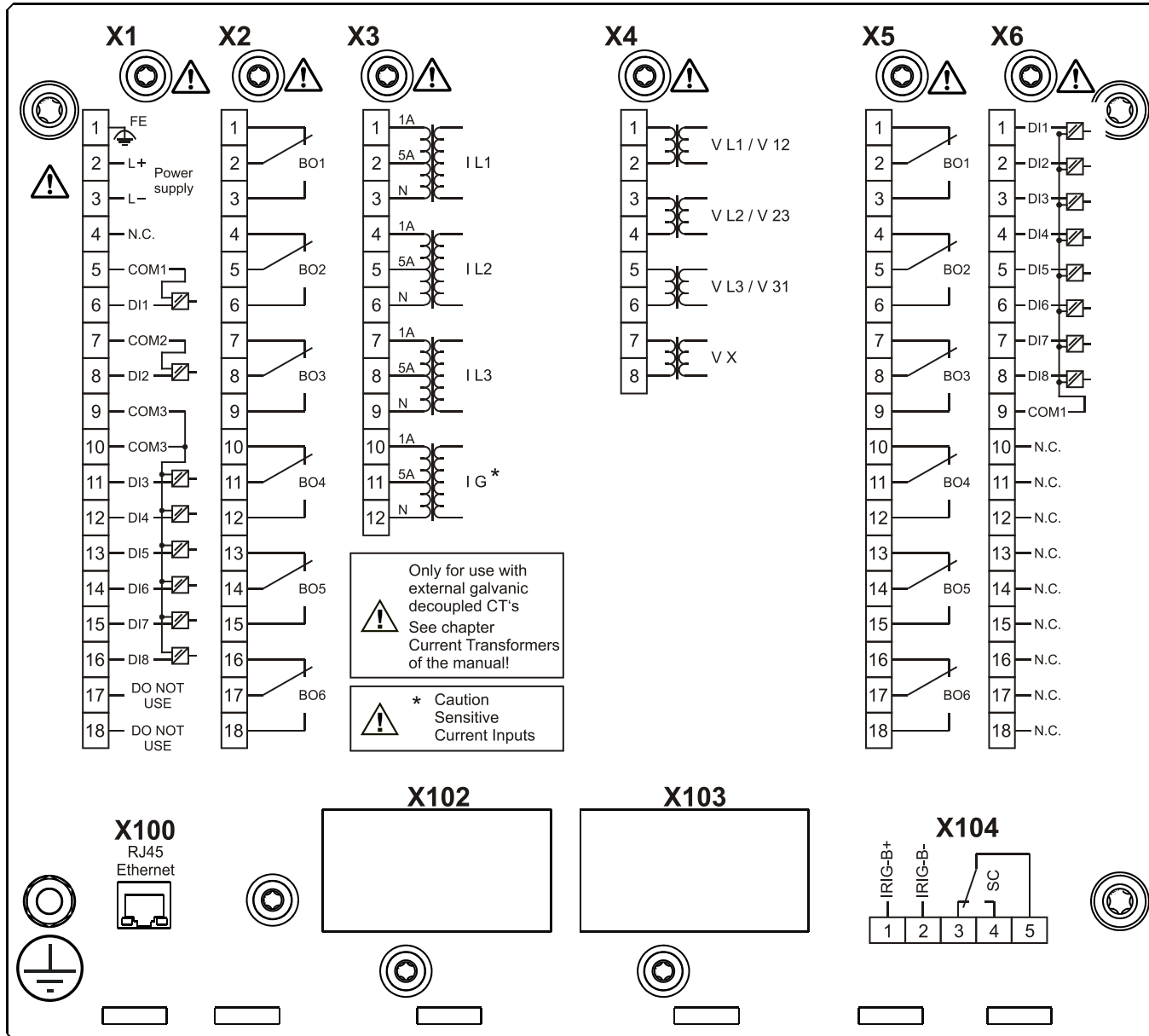
# MRA4-2D1ABA



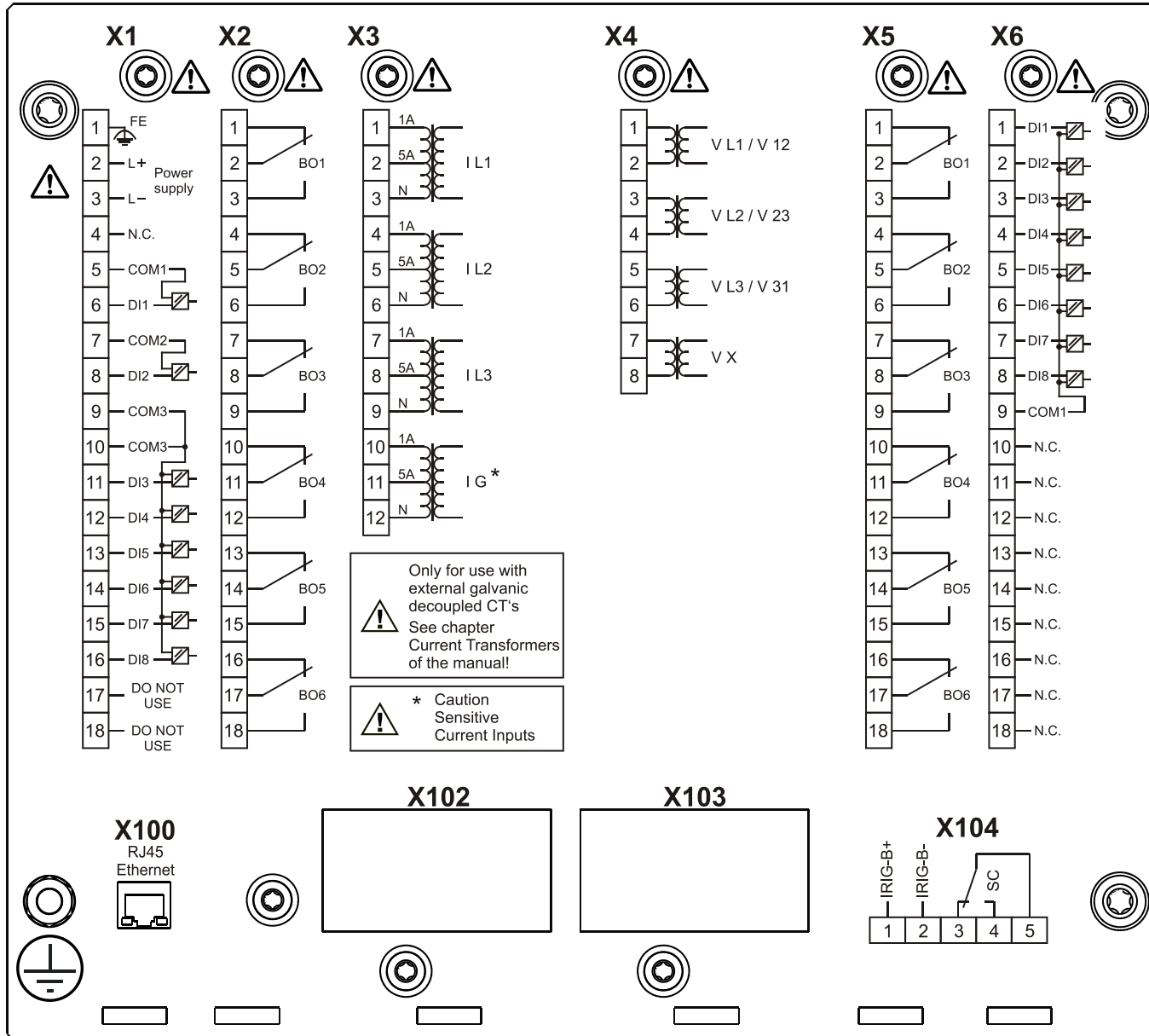
# MRA4-2D1ABB



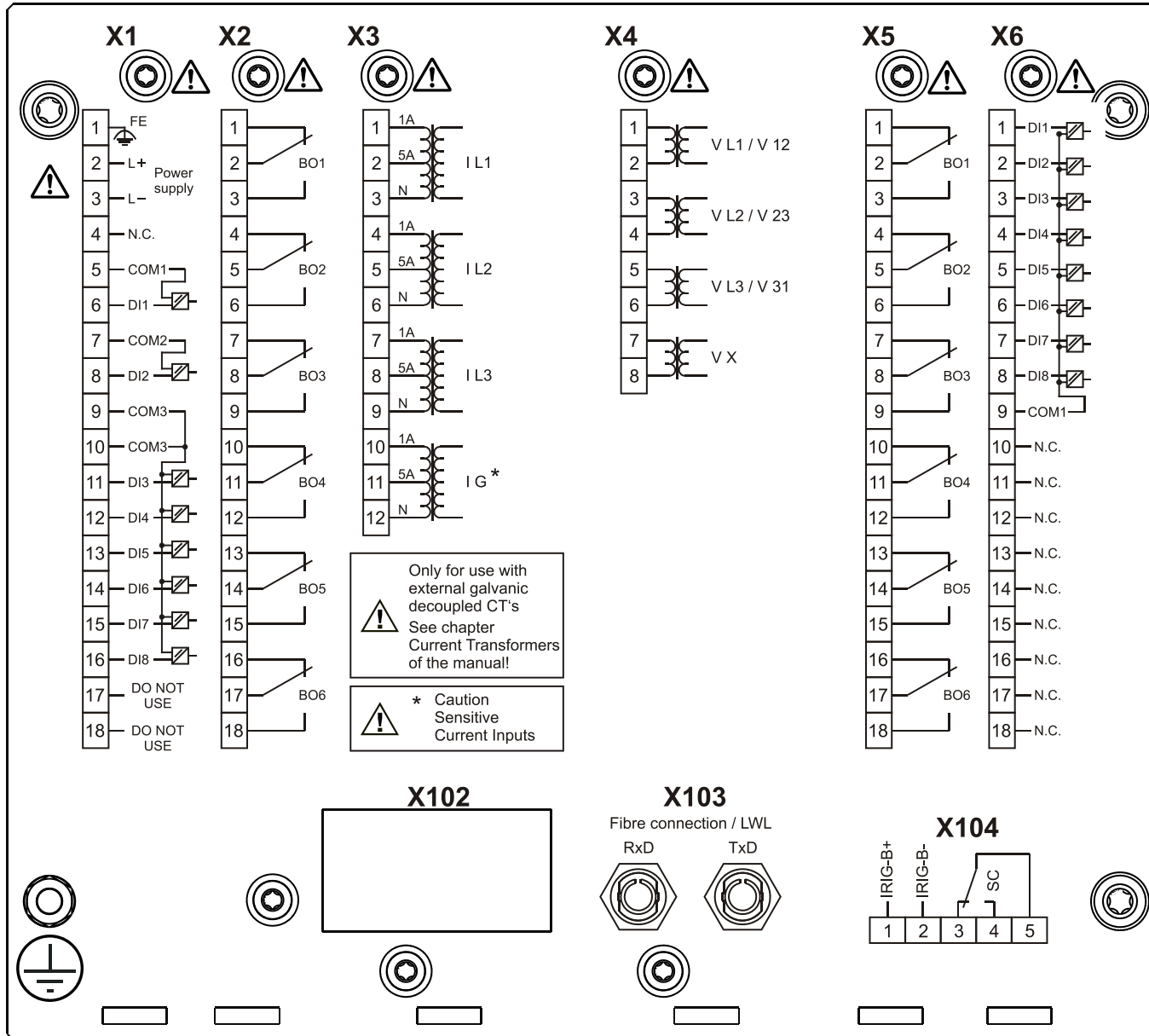
# MRA4-2D1ACA



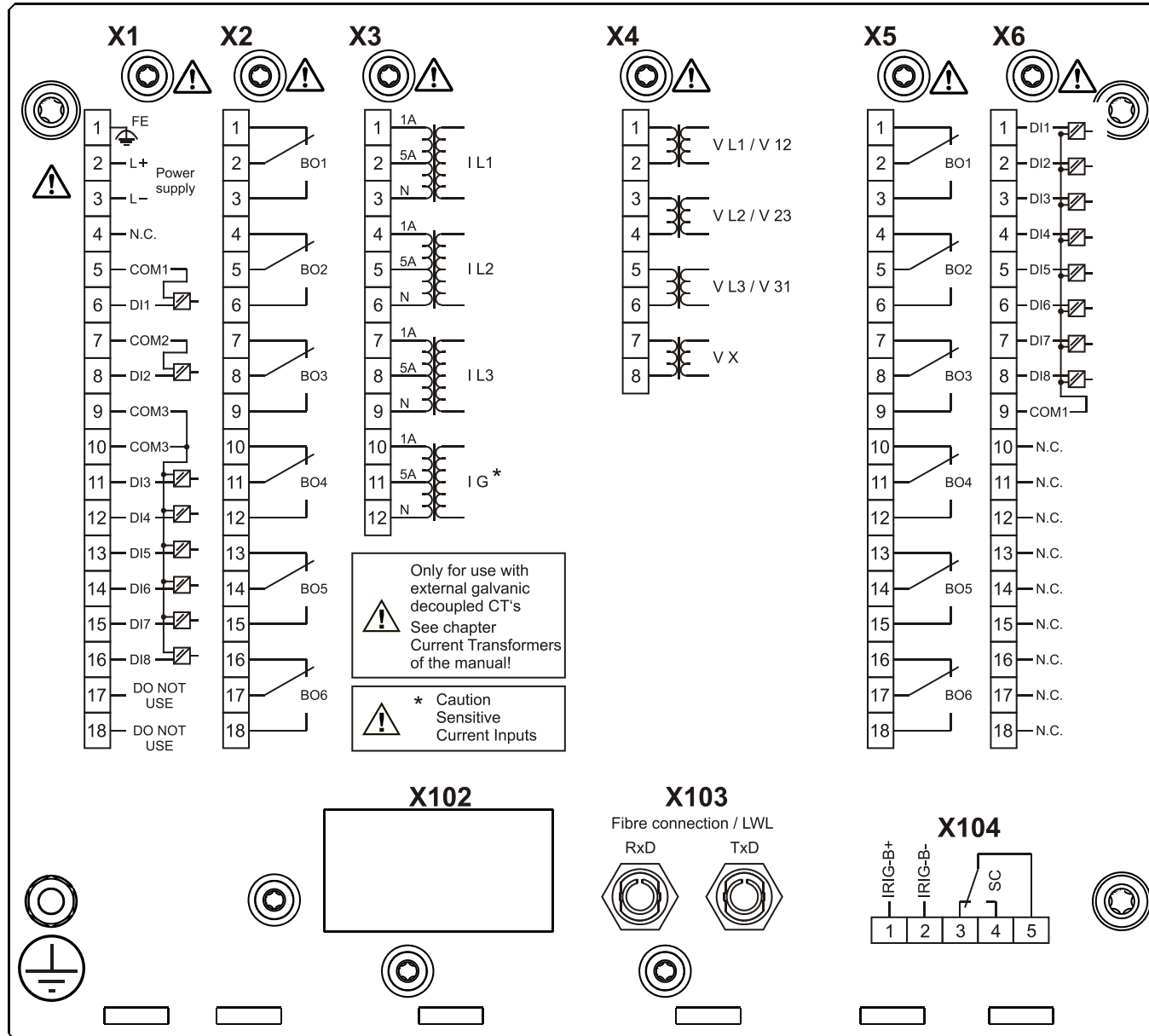
# MRA4-2D1ACB



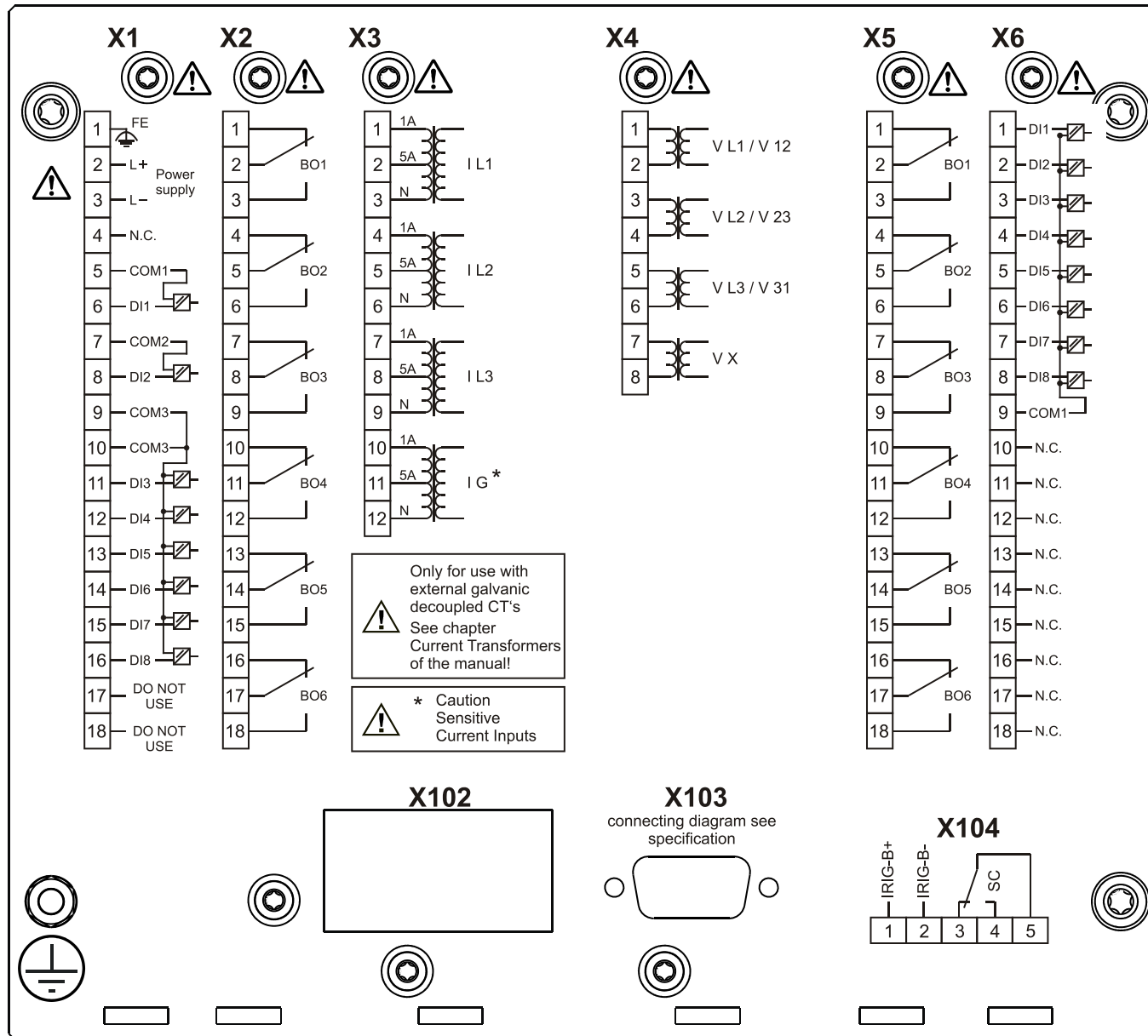
# MRA4-2D1ADA



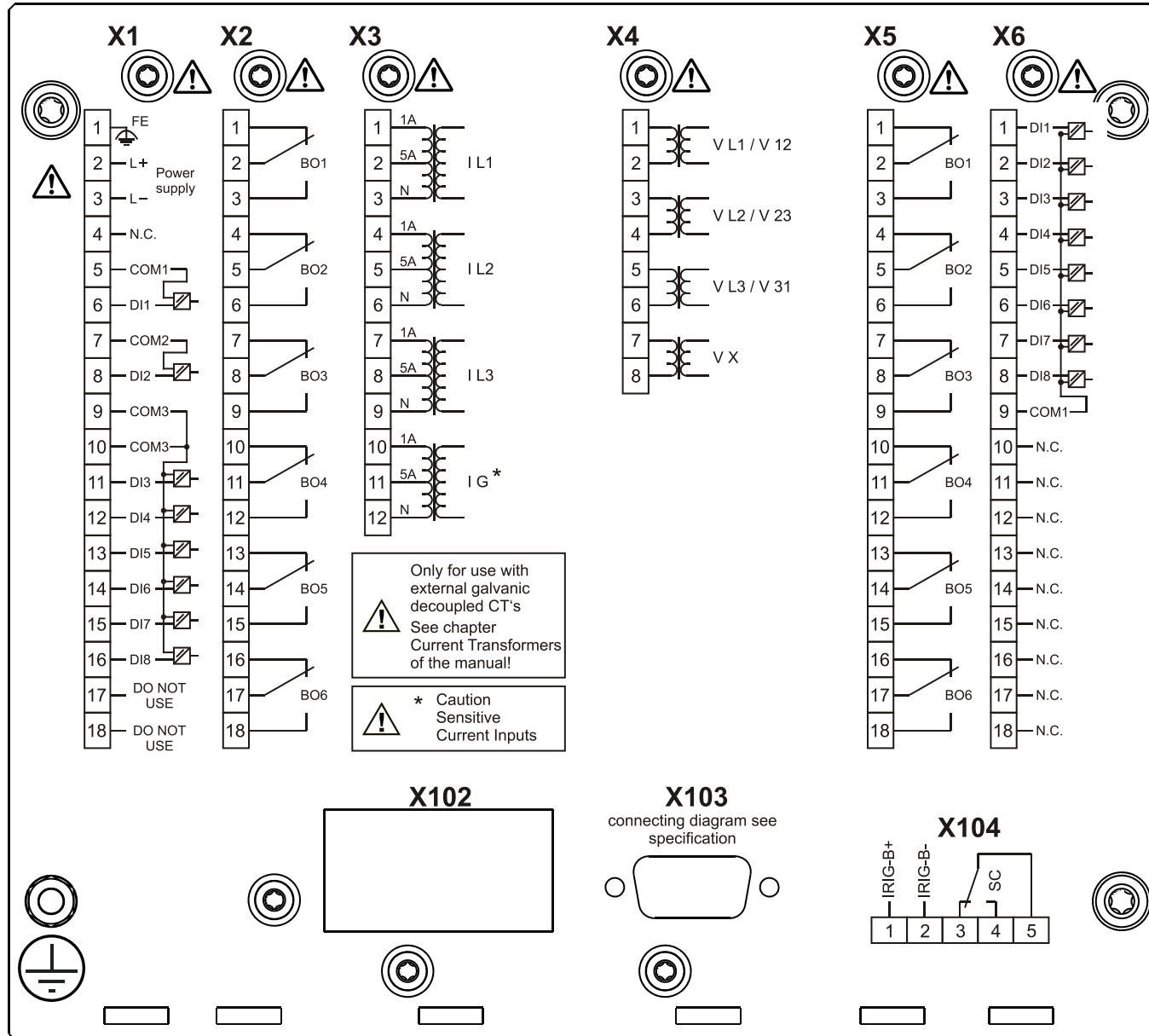
# MRA4-2D1ADB



# MRA4-2D1AEA

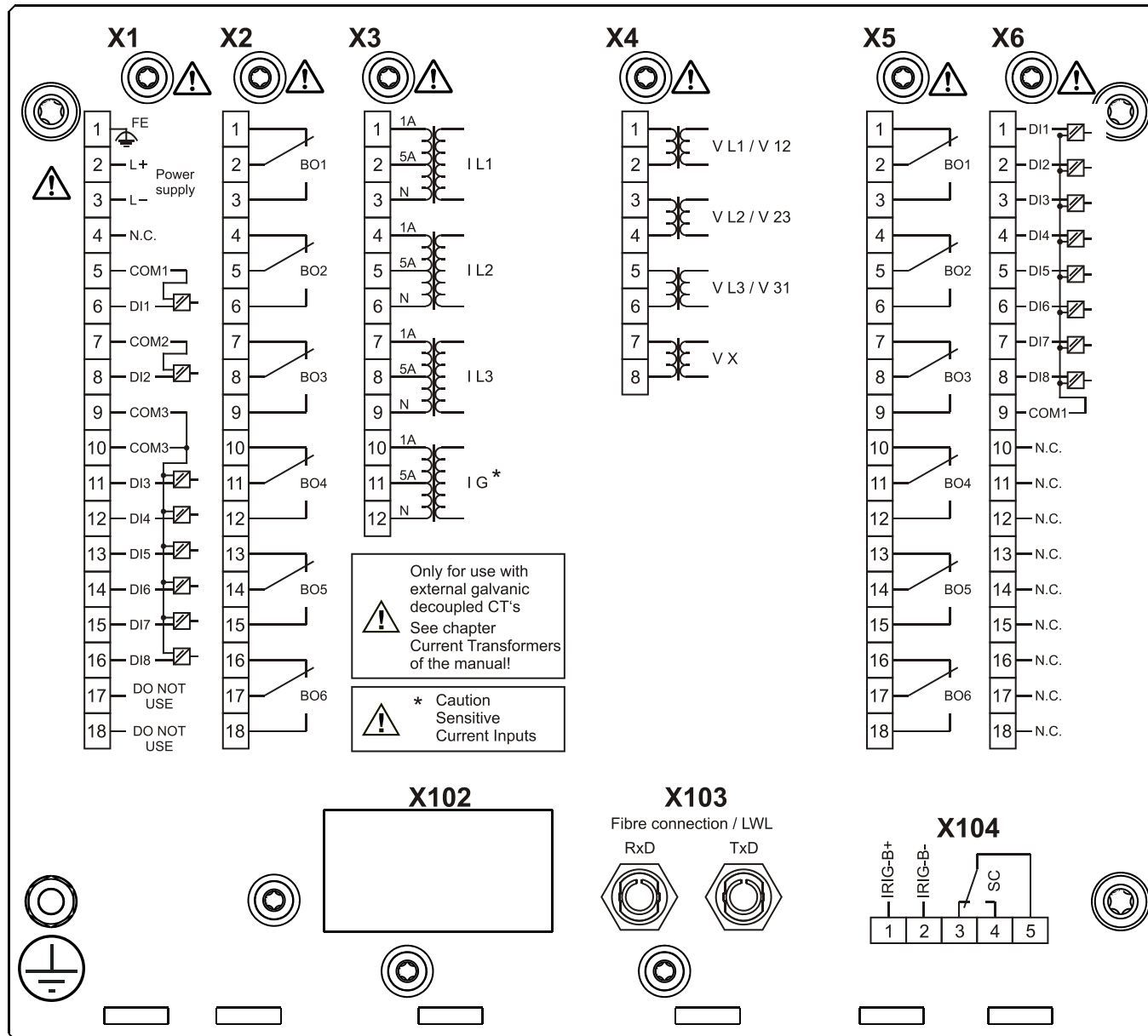


# MRA4-2D1AEB

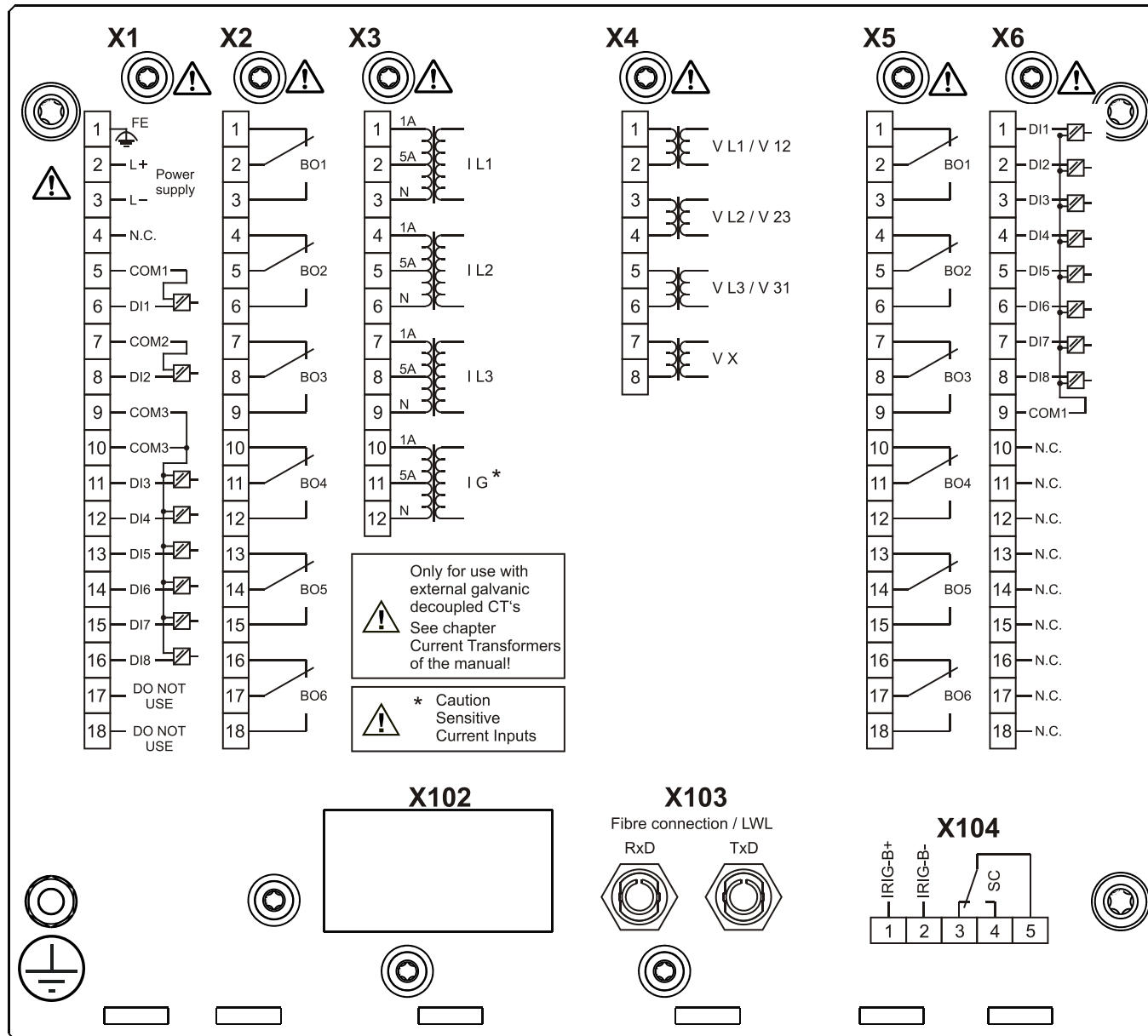




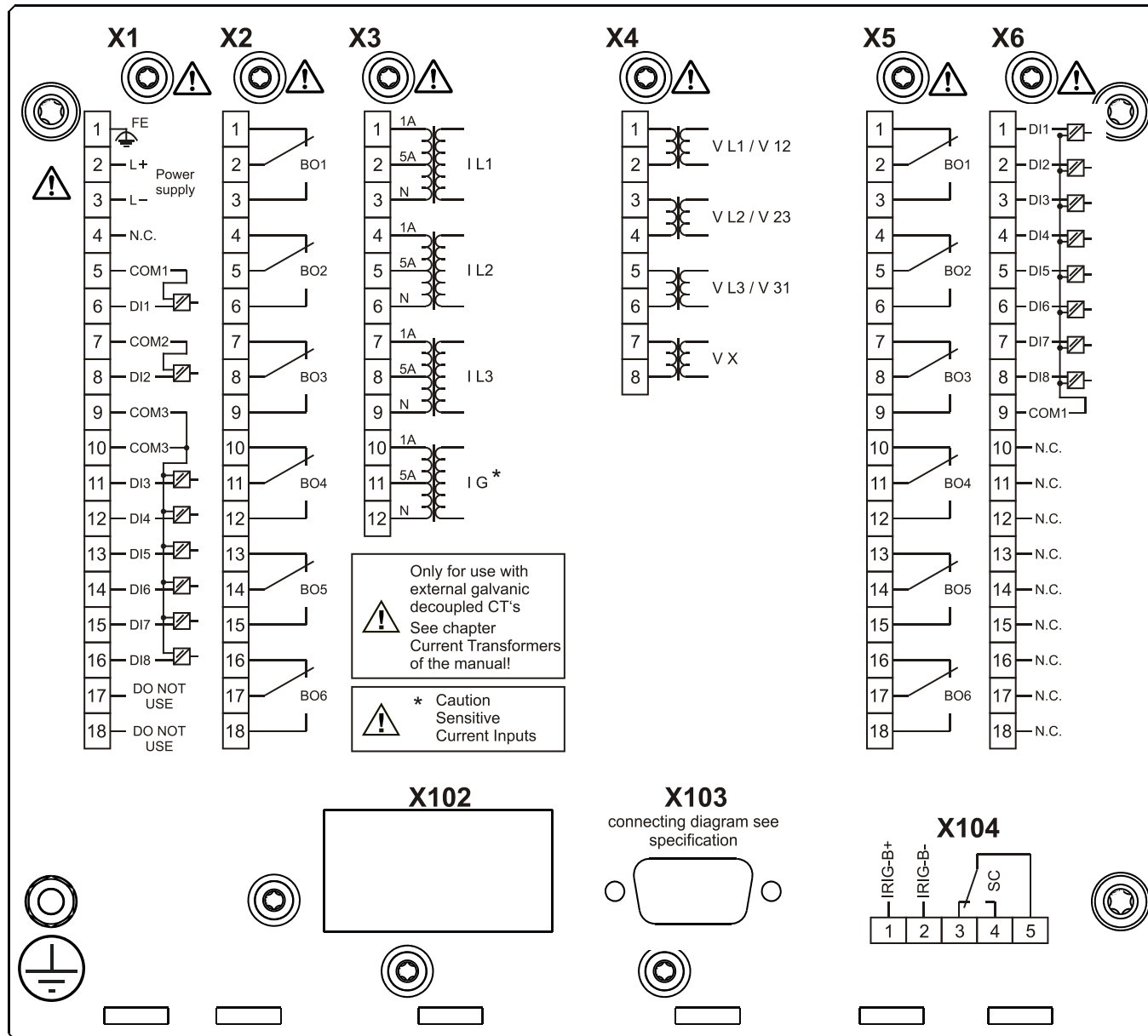
# MRA4-2D1AFA



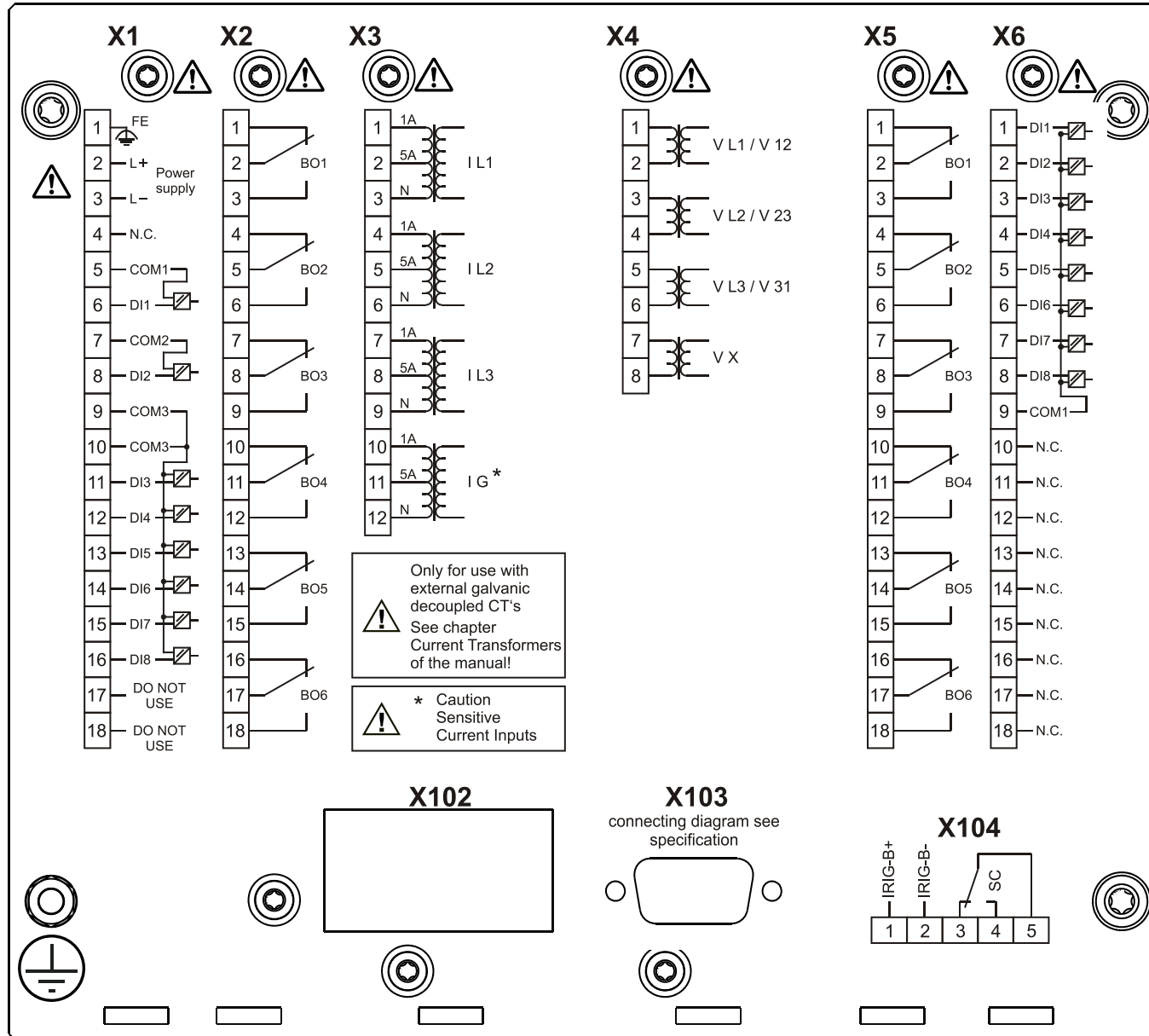
# MRA4-2D1AFB



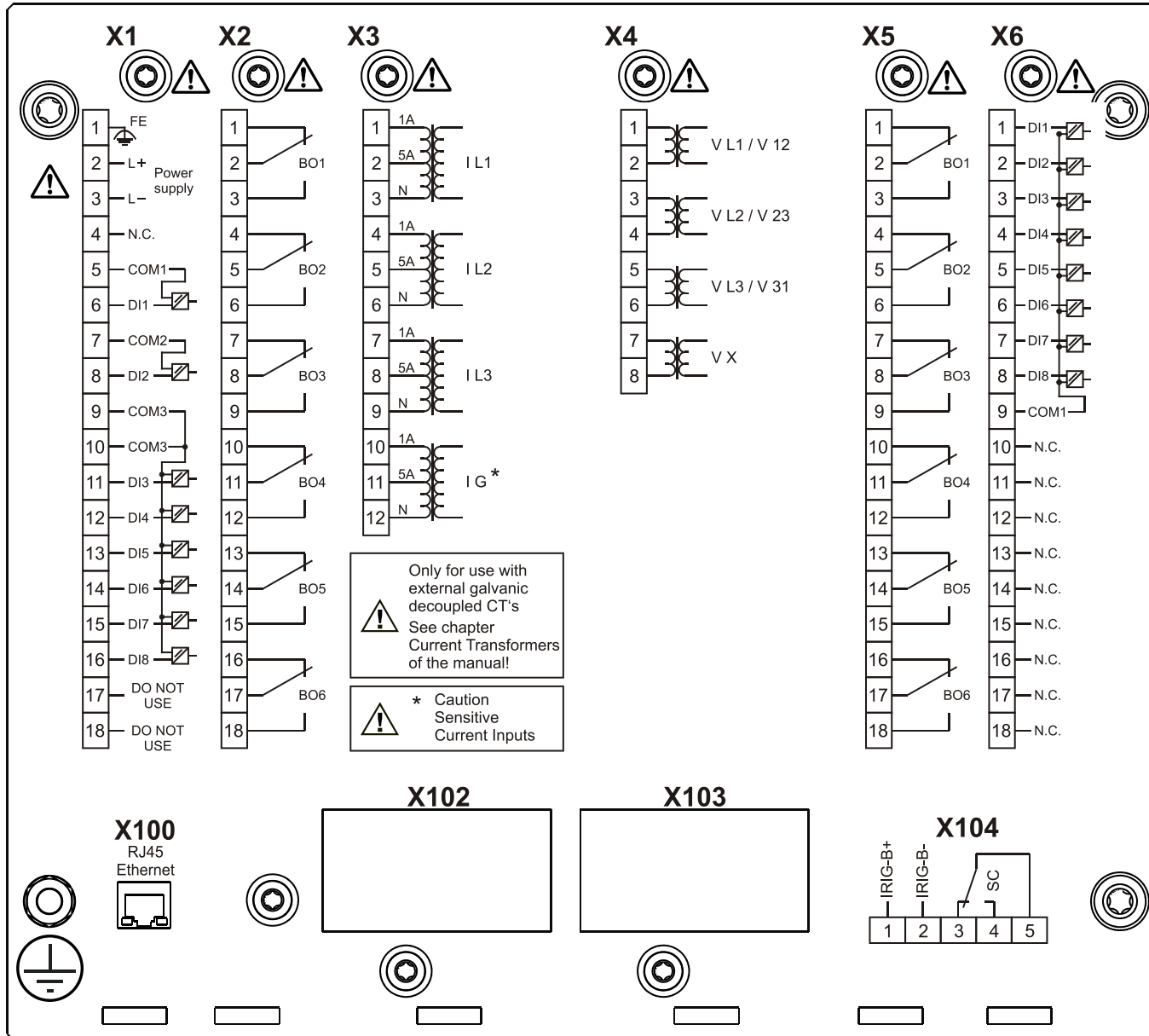
# MRA4-2D1AGA



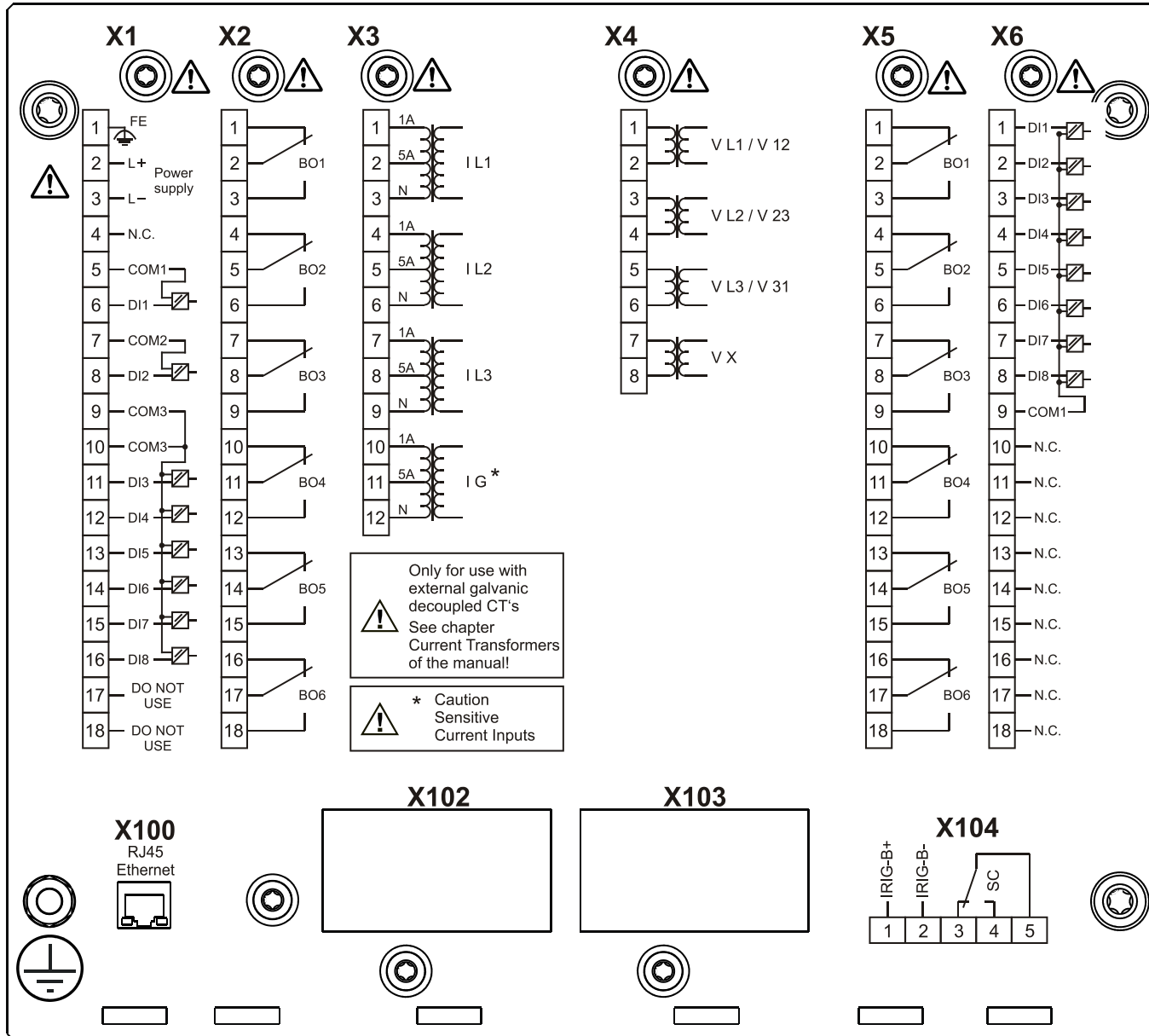
# MRA4-2D1AGB



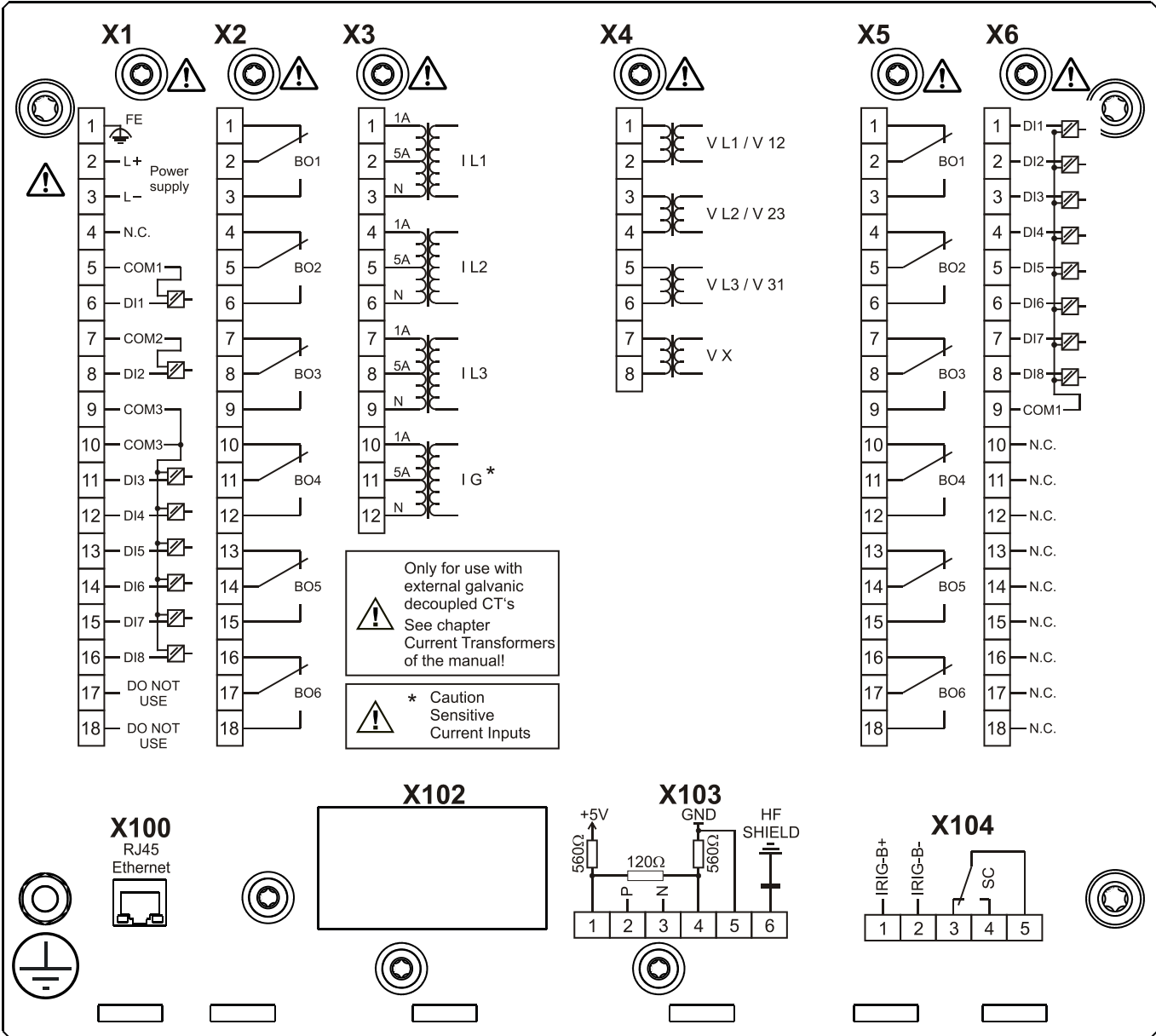
# MRA4-2D1AHA



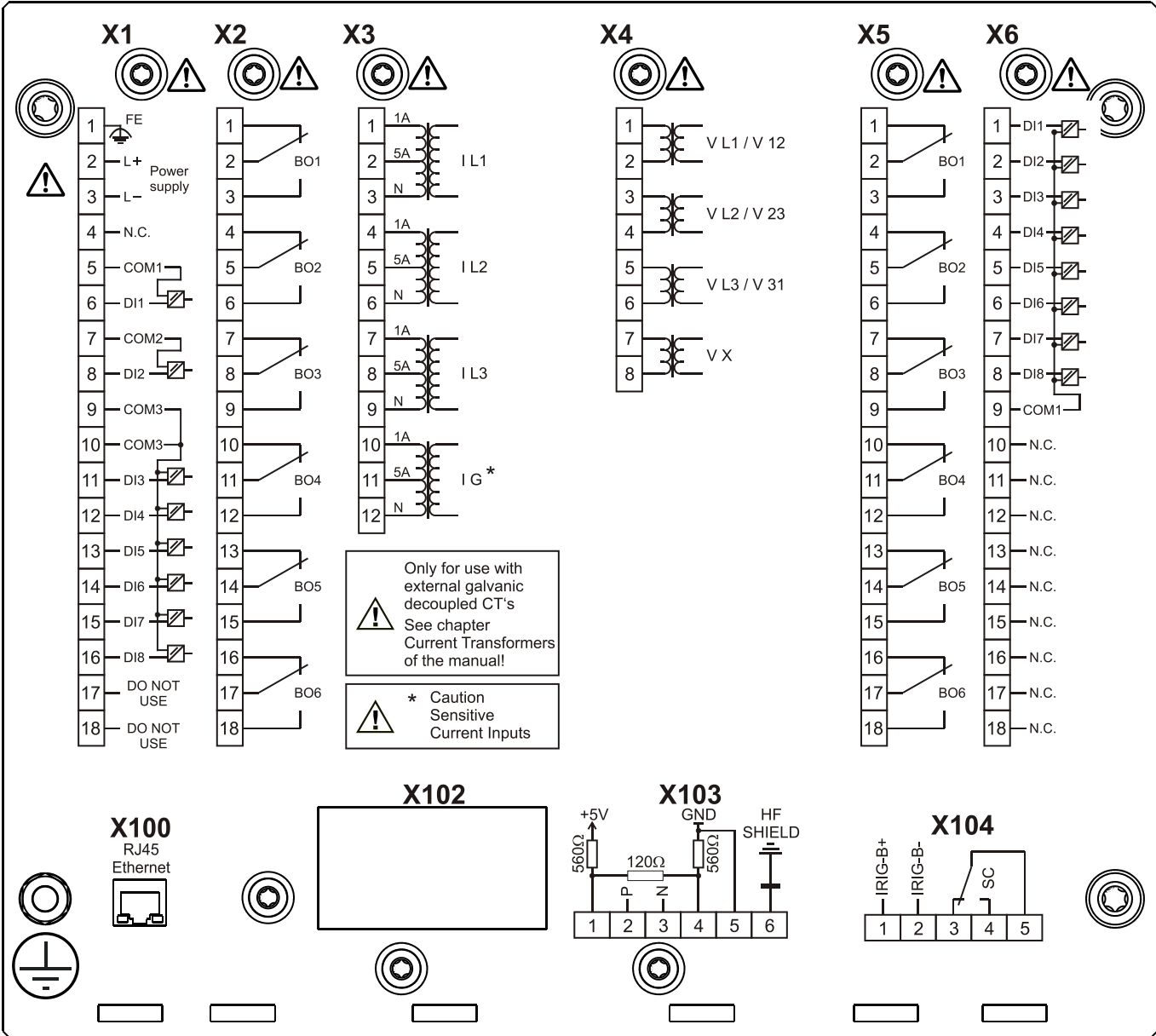
# MRA4-2D1AHB



# MRA4-2D1AIA

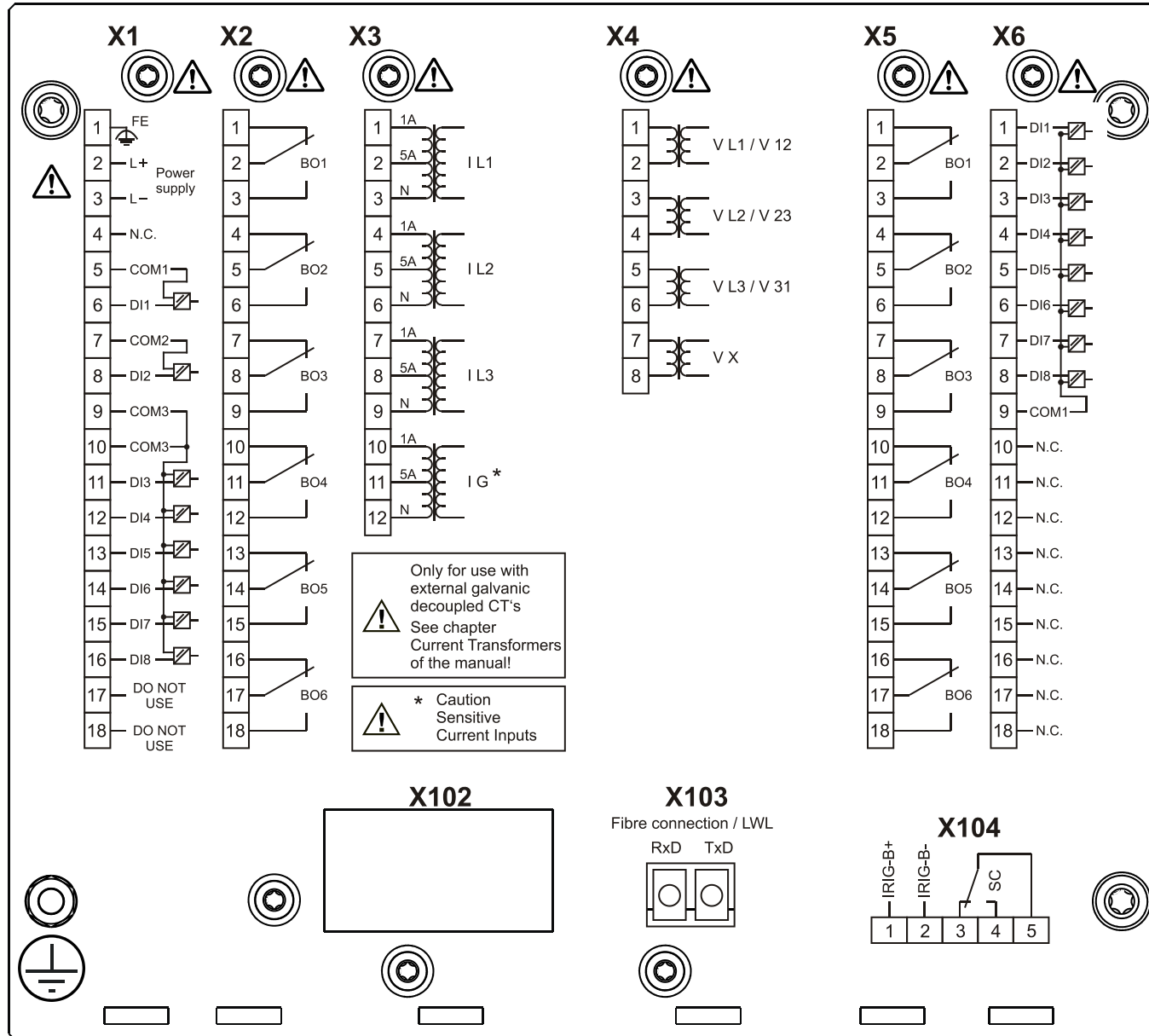


# MRA4-2D1AIB

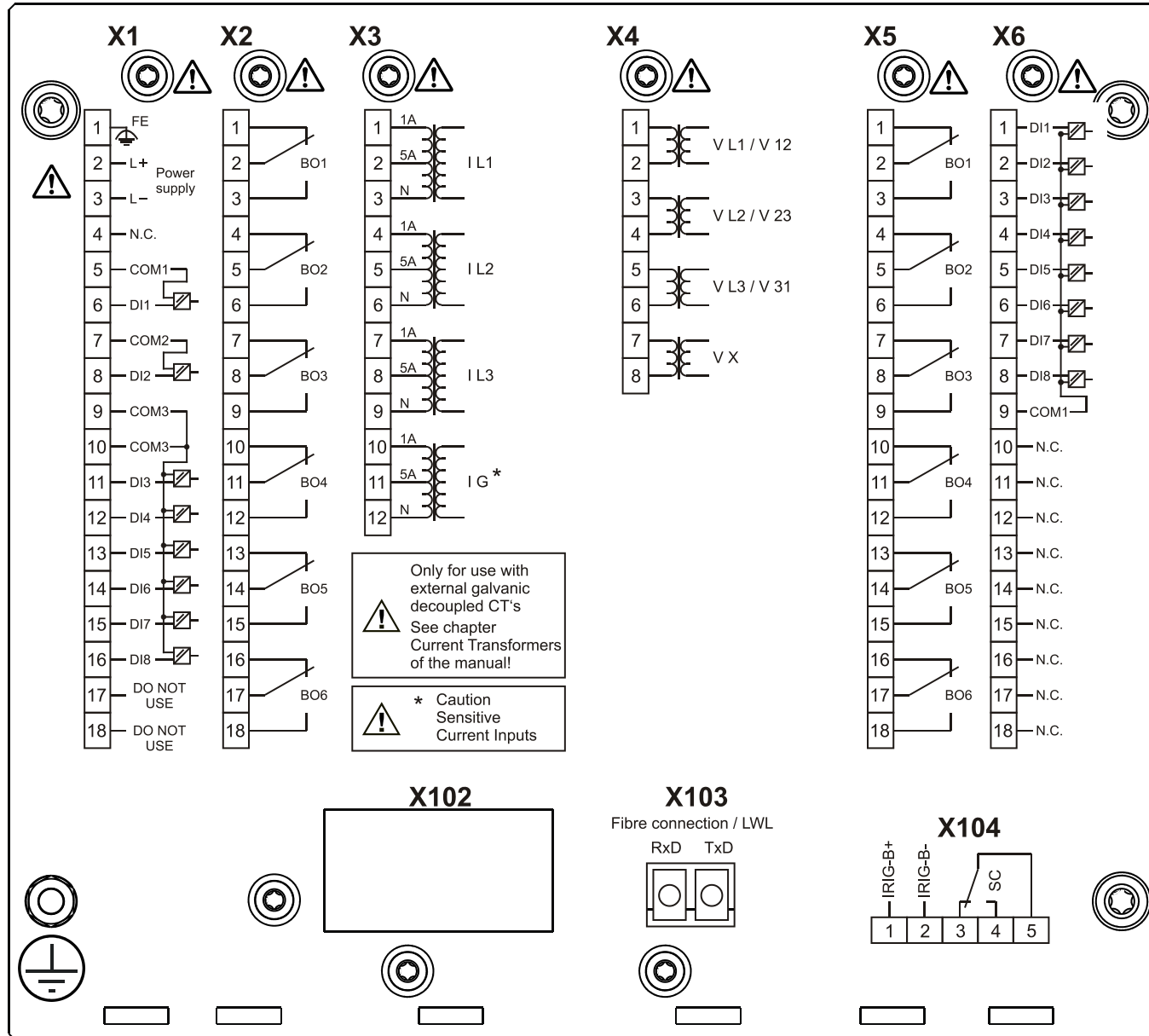




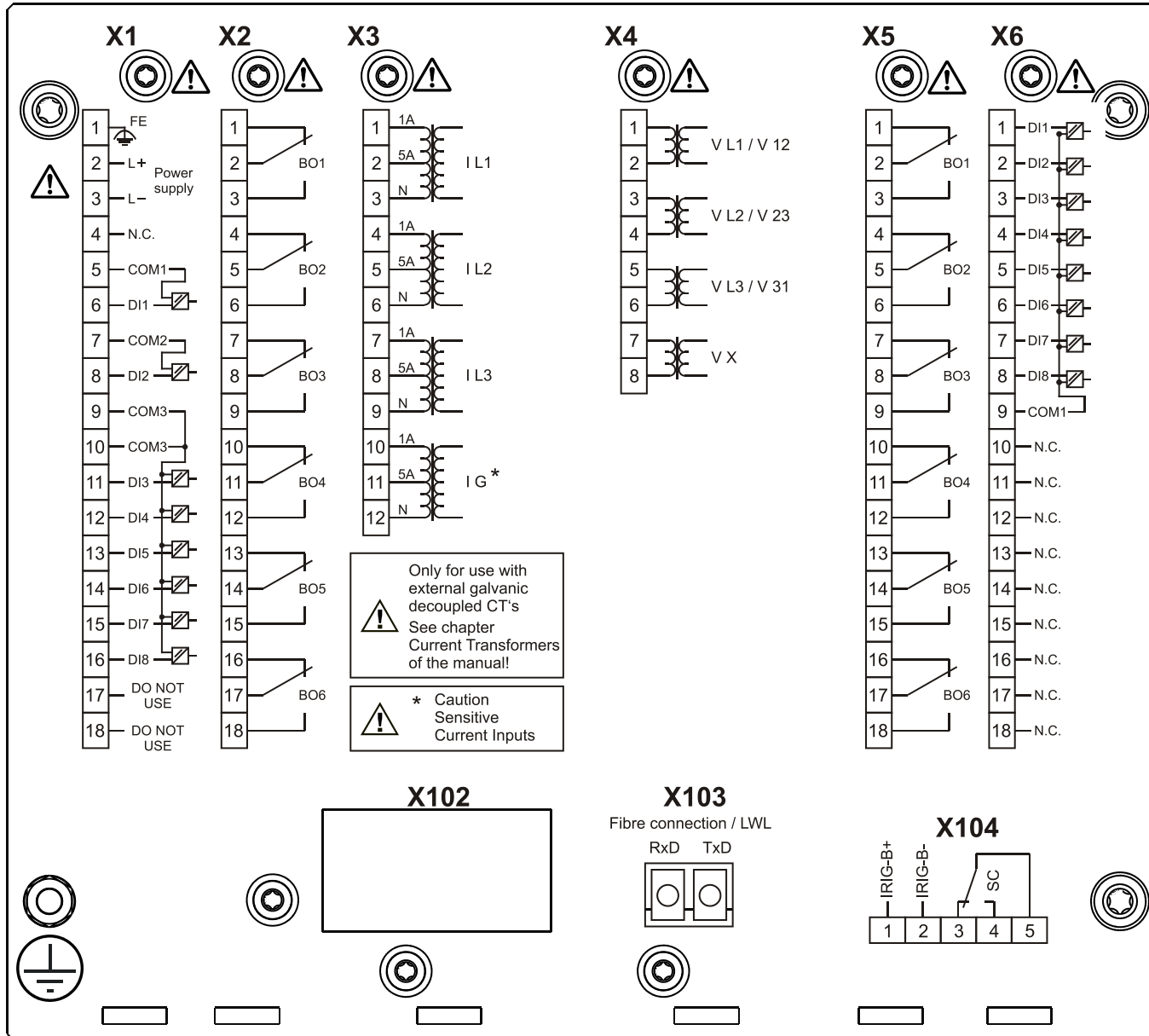
# MRA4-2D1AKA



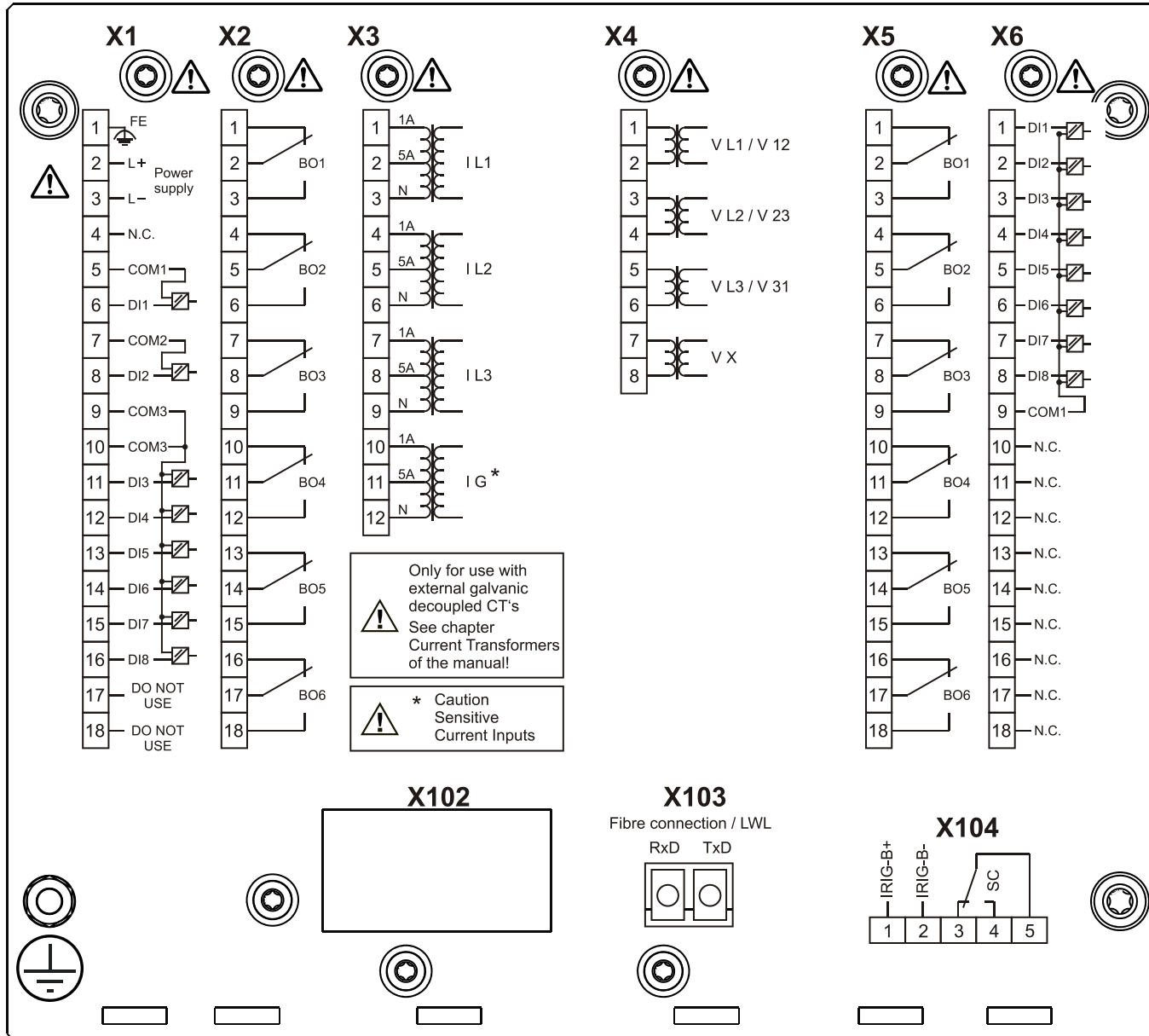
# MRA4-2D1AKB



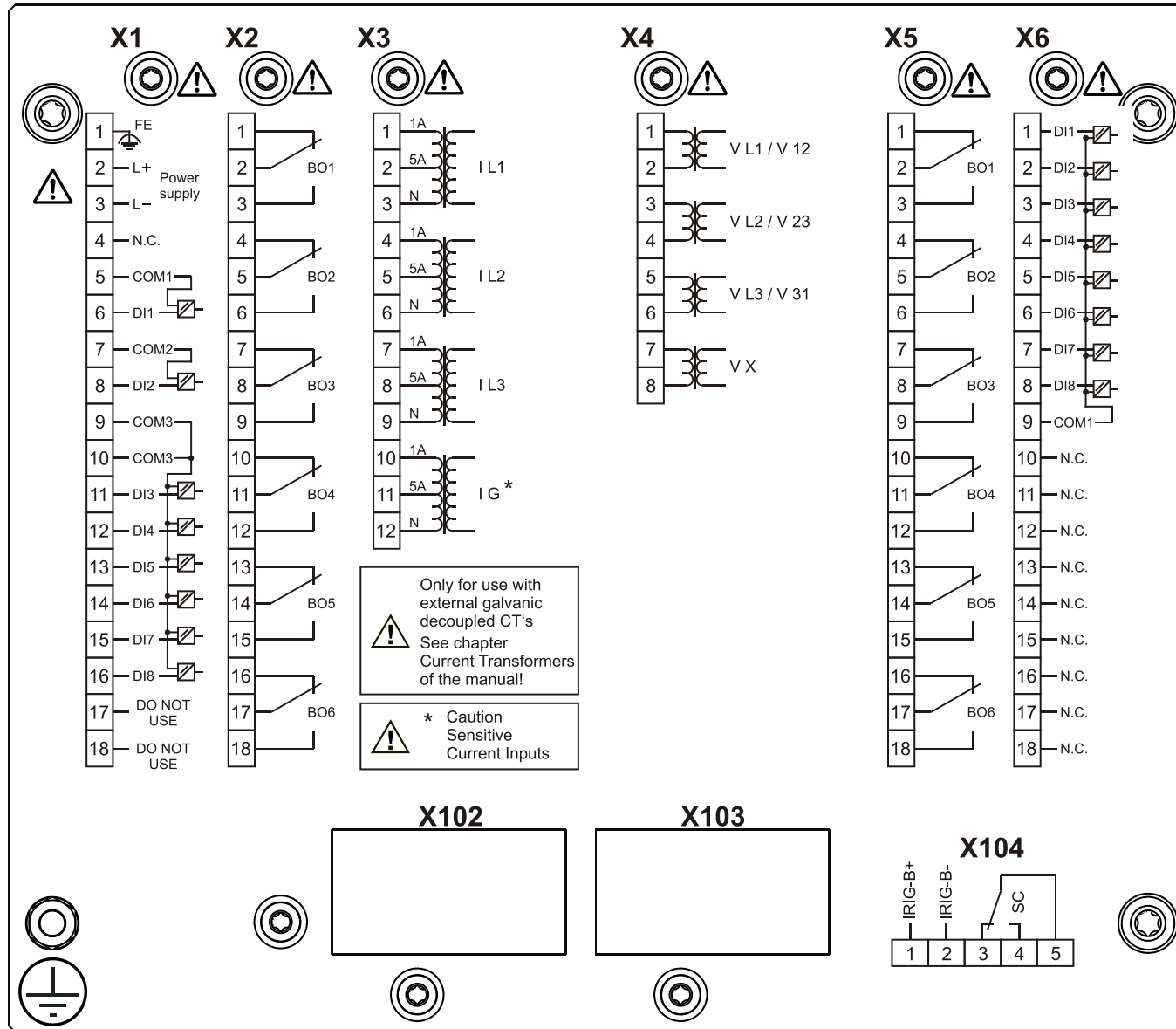
# MRA4-2D1ALA



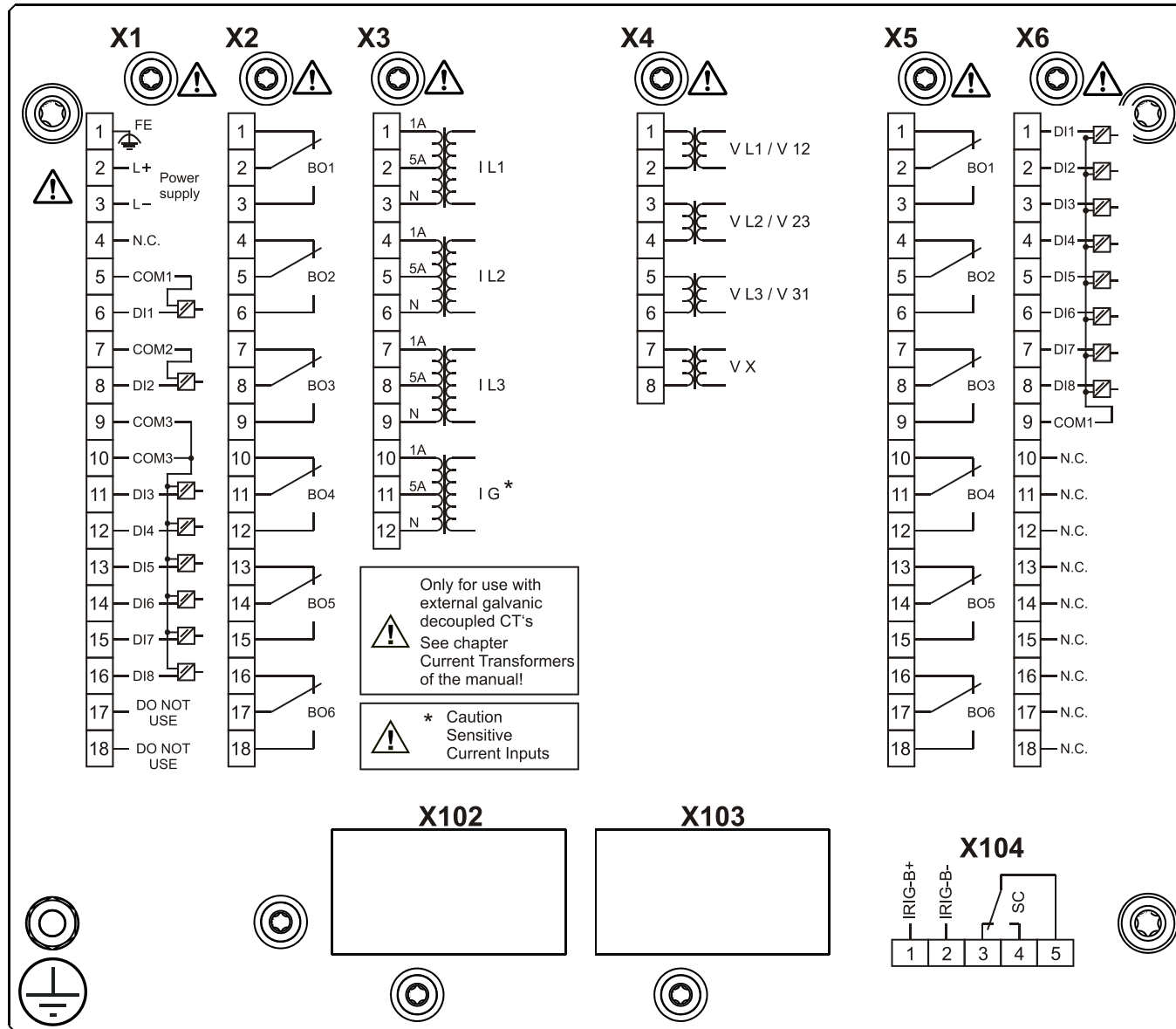
# MRA4-2D1ALB



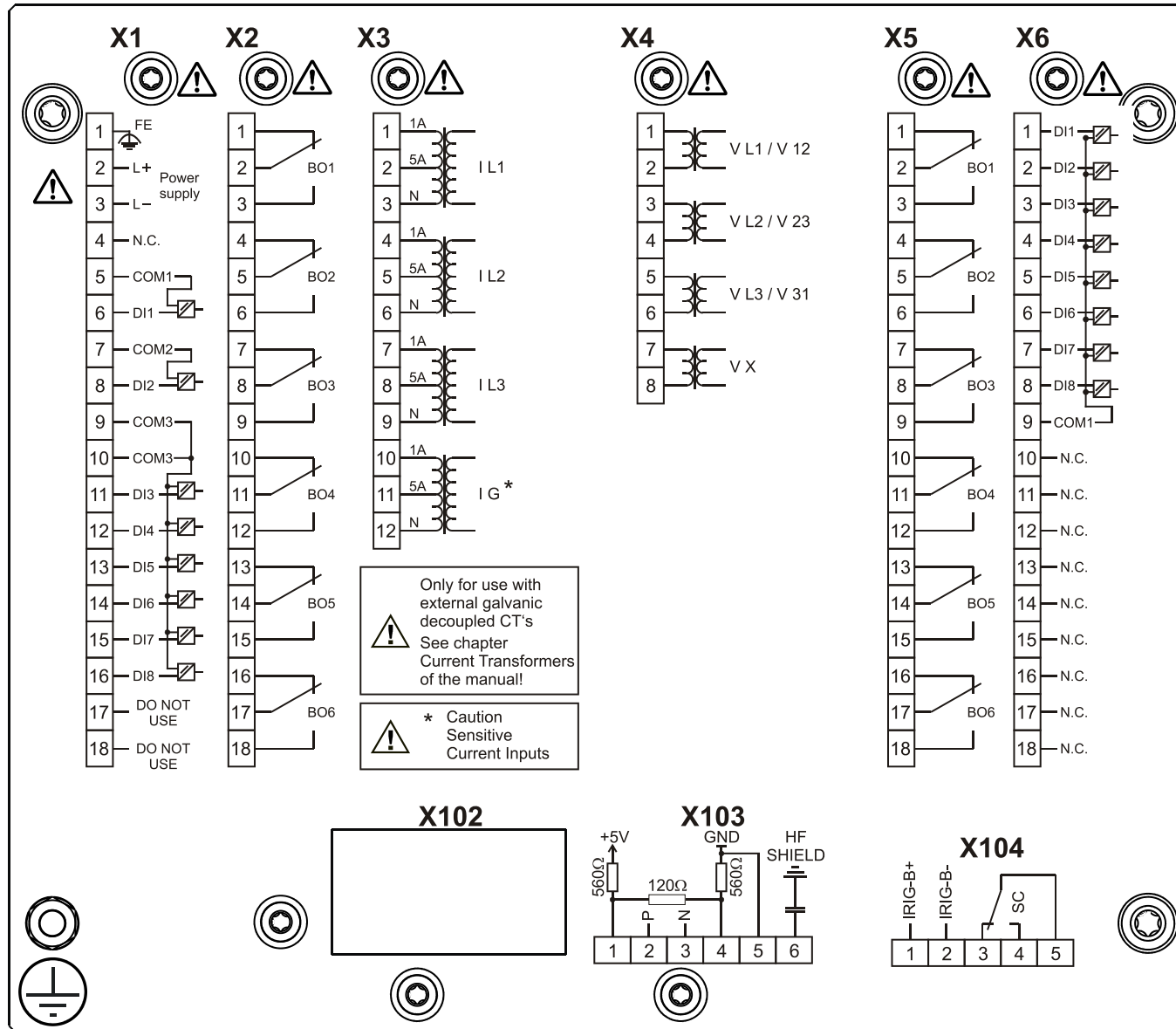
# MRA4-2D1BAA



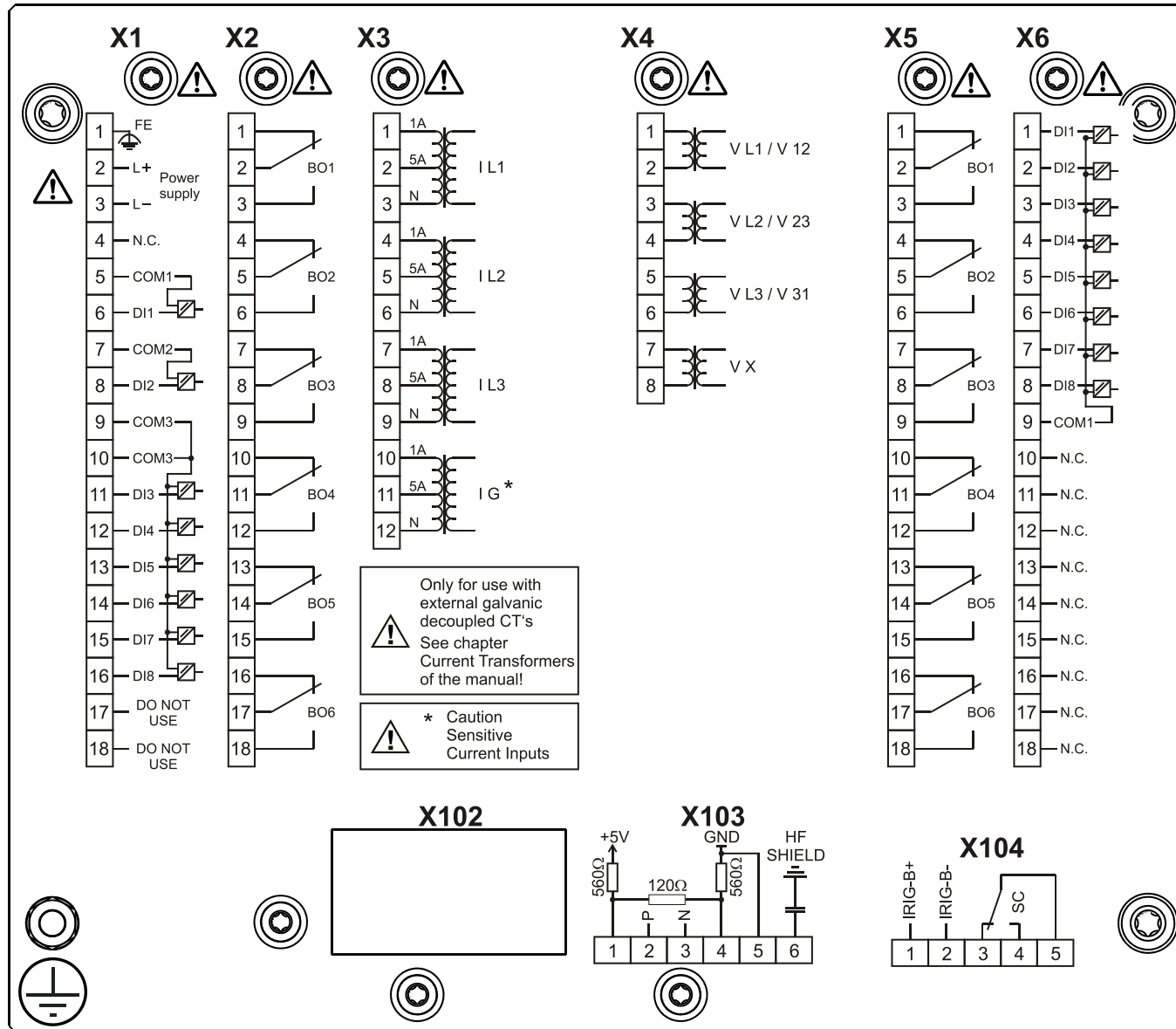
# MRA4-2D1BAB



# MRA4-2D1BBA

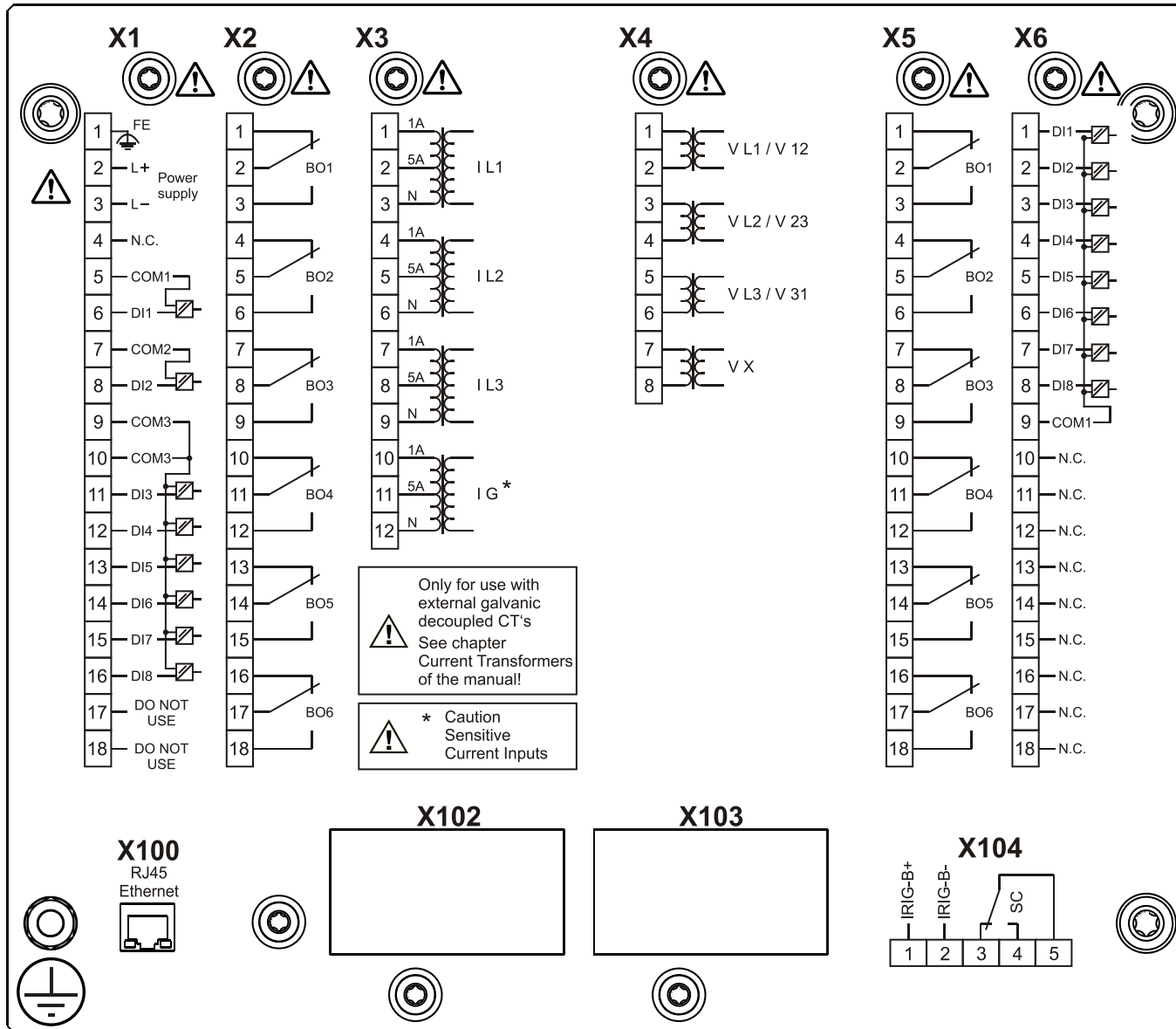


# MRA4-2D1BBB

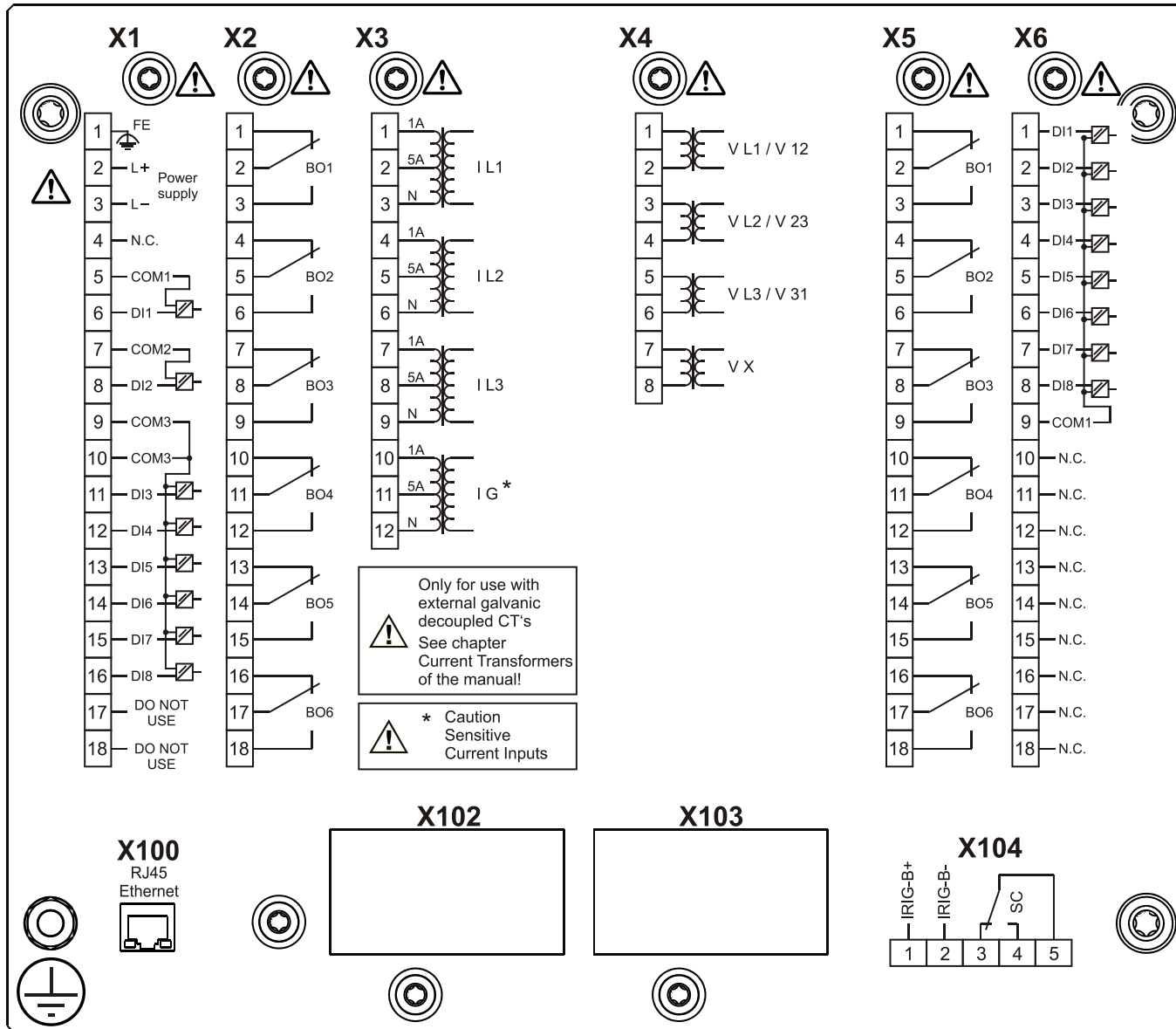




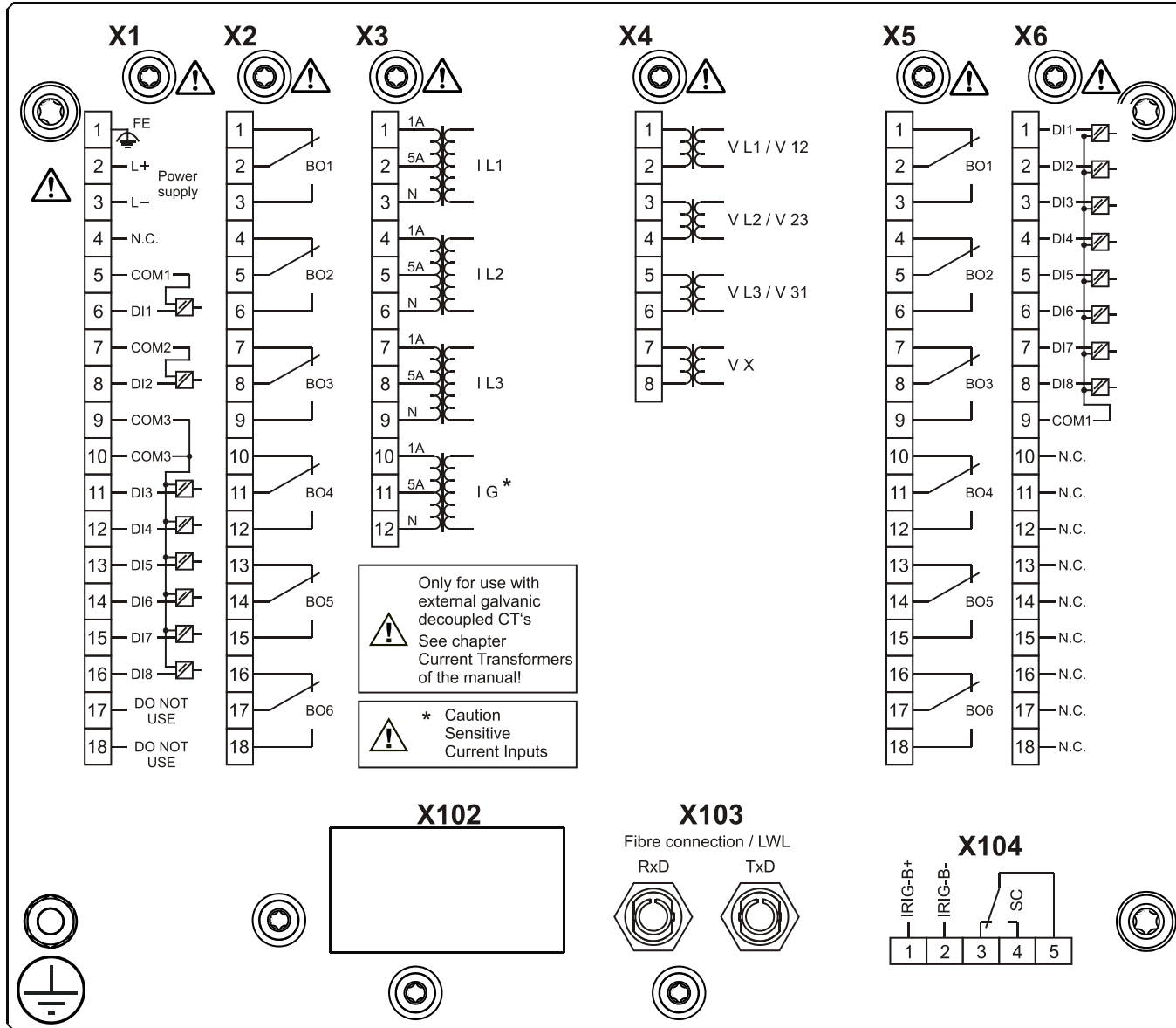
# MRA4-2D1BCA



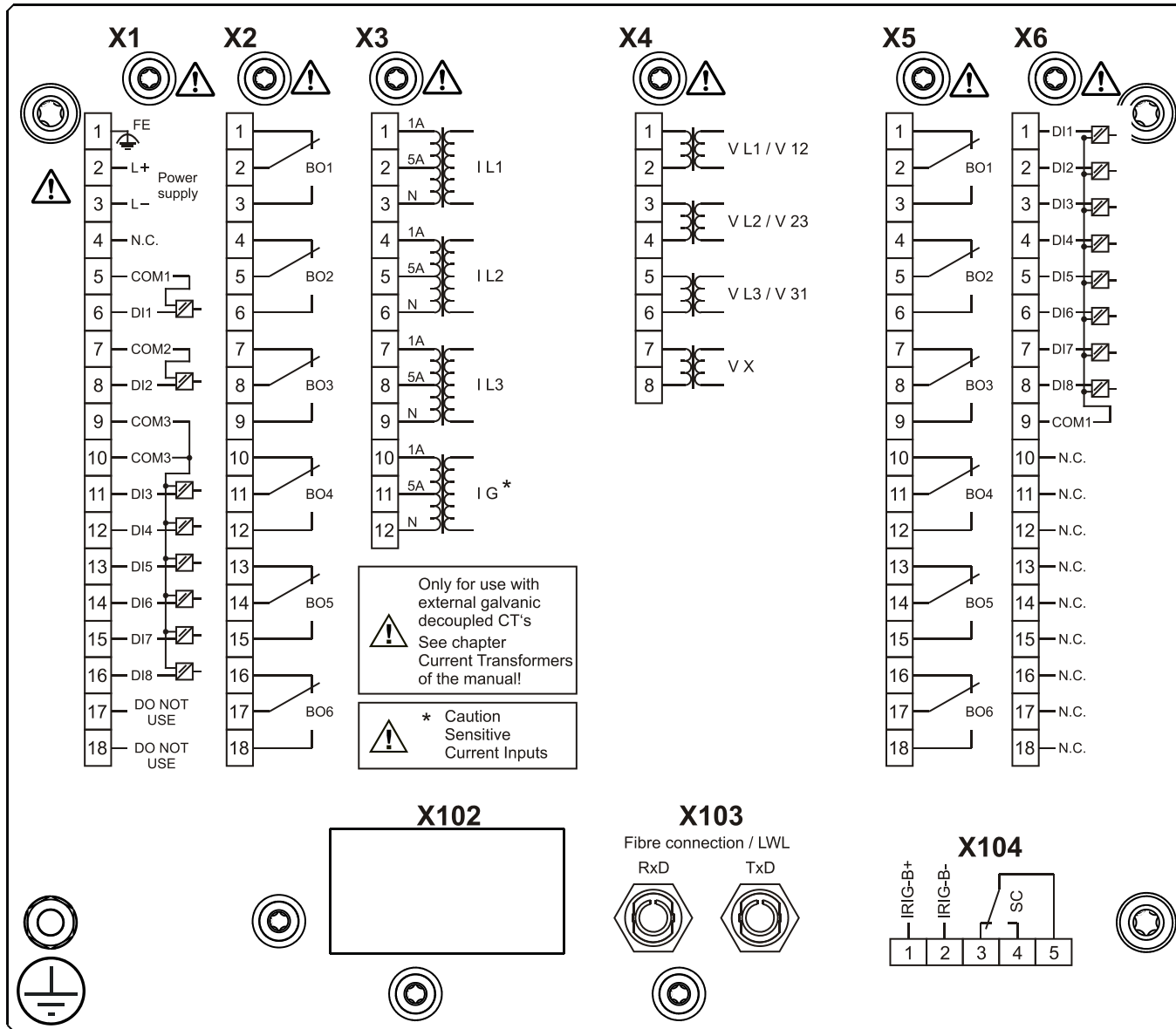
# MRA4-2D1BCB



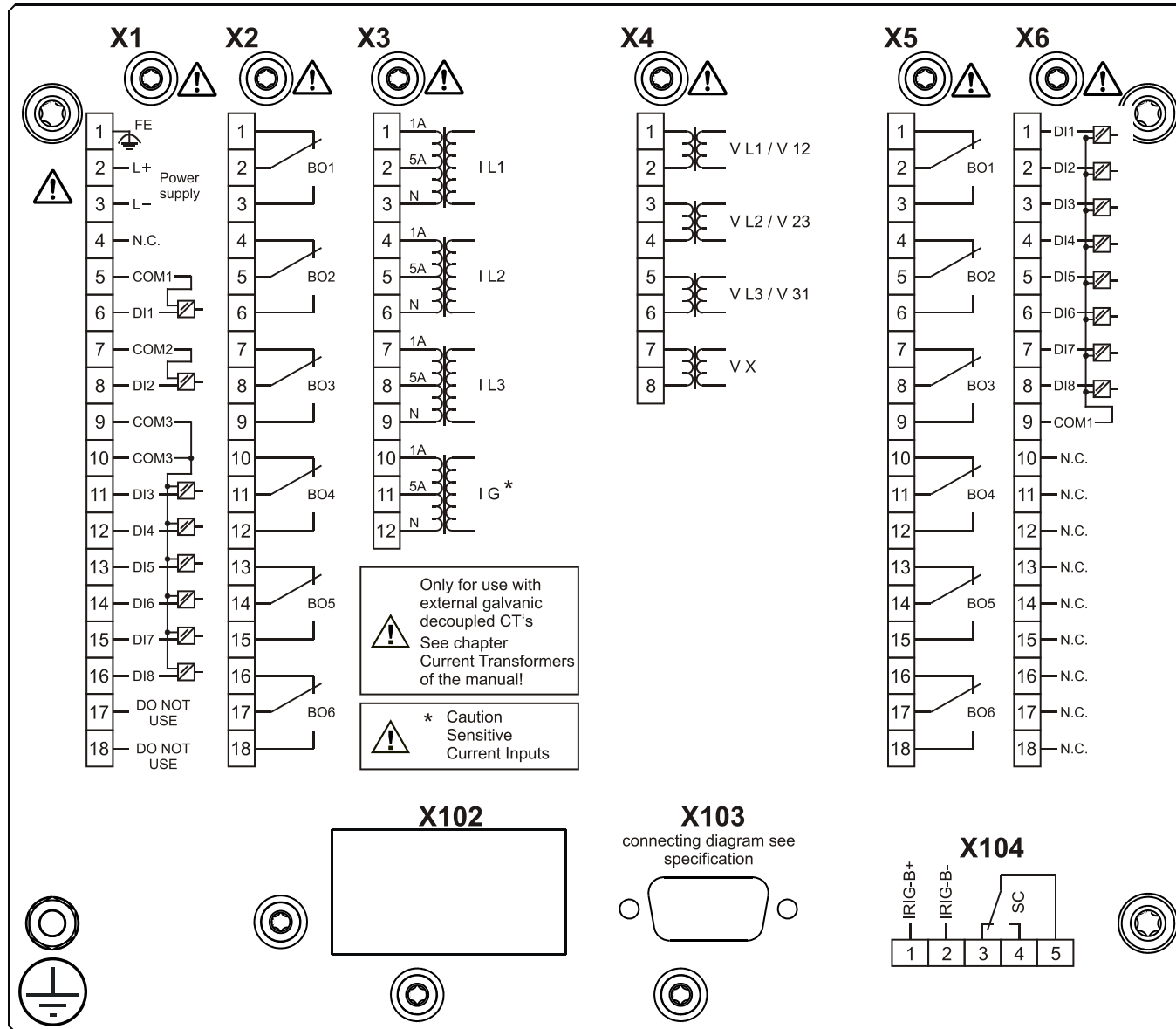
# MRA4-2D1BDA



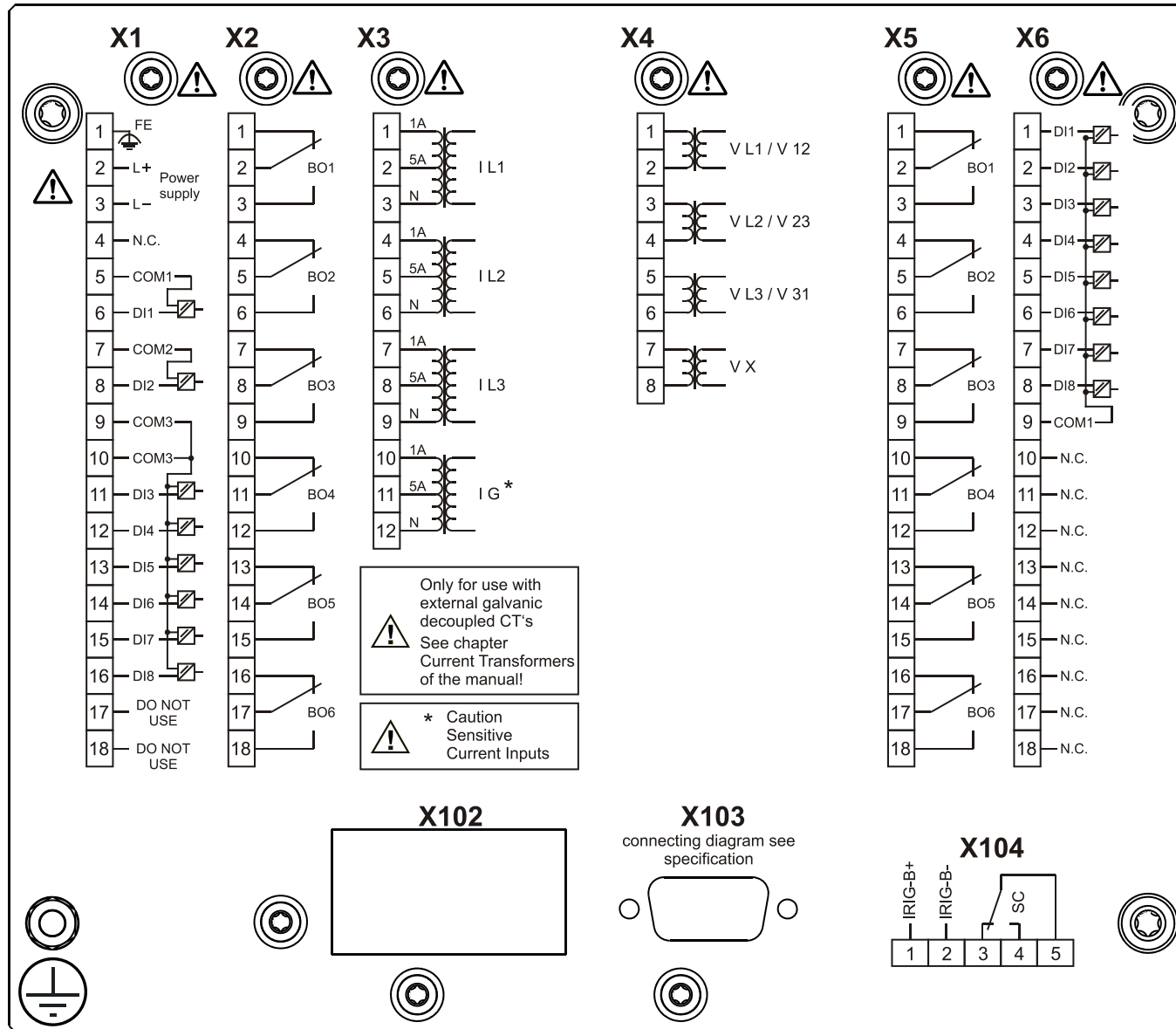
# MRA4-2D1BDB



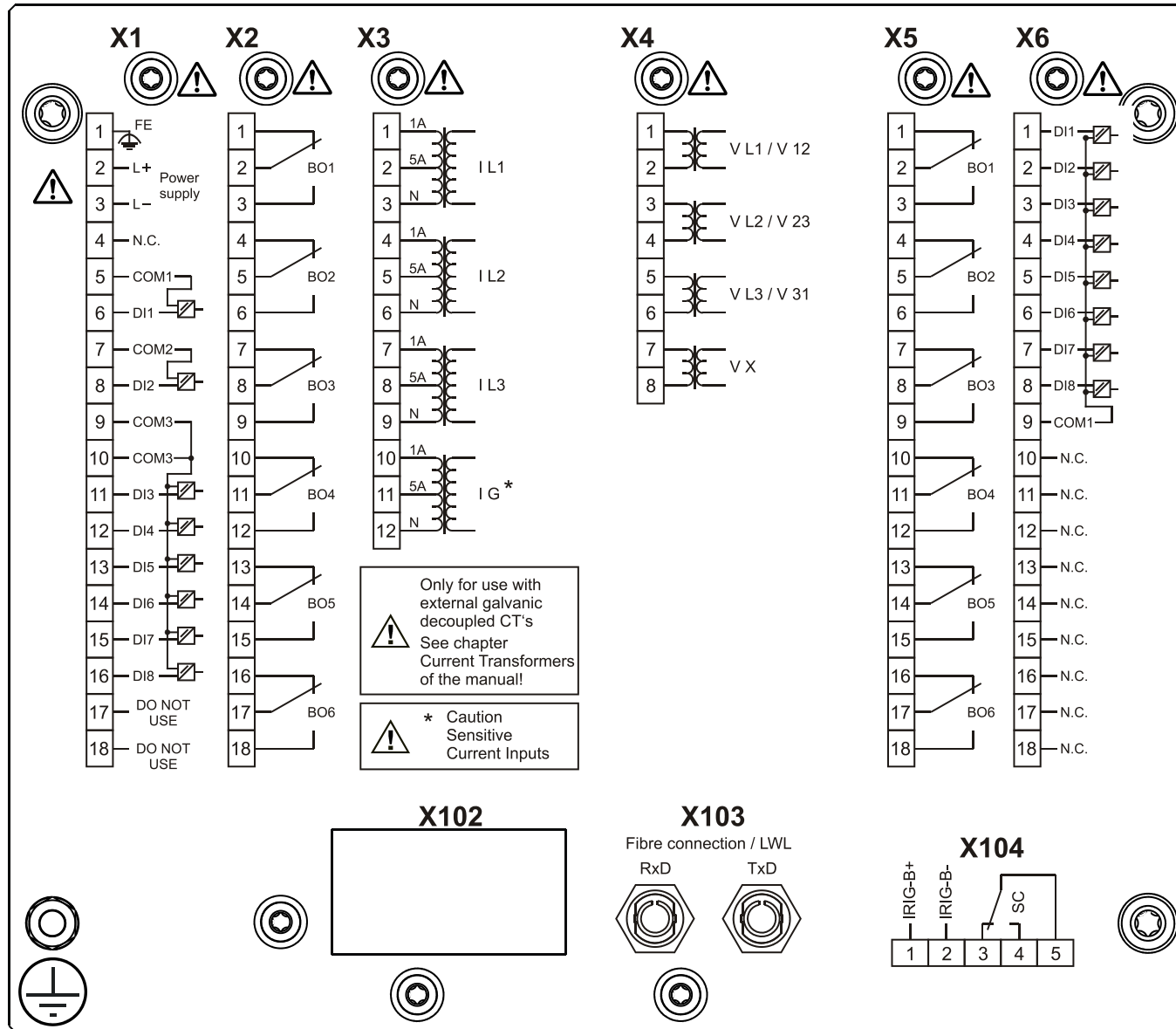
# MRA4-2D1BEA



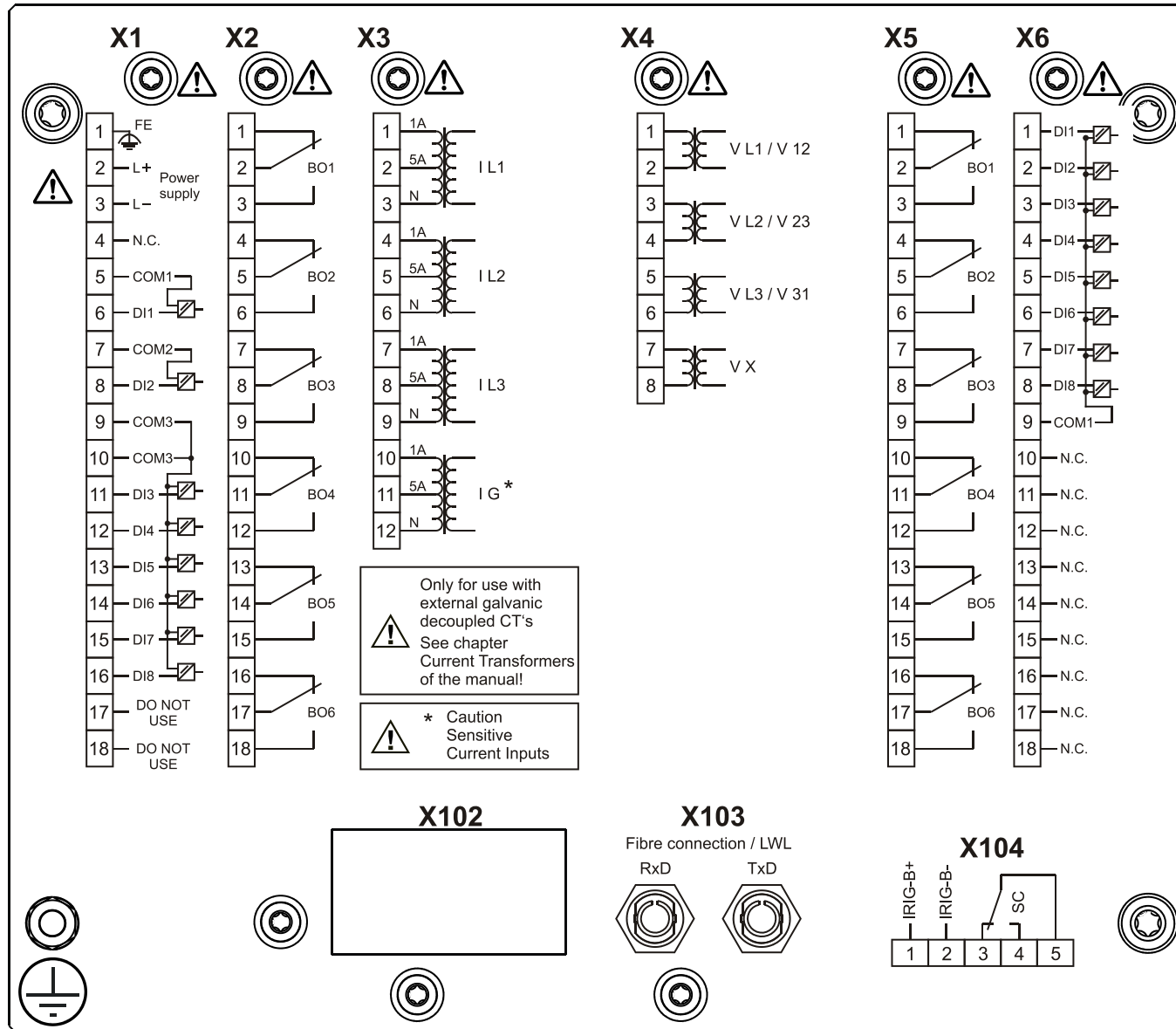
# MRA4-2D1BEB



# MRA4-2D1BFA

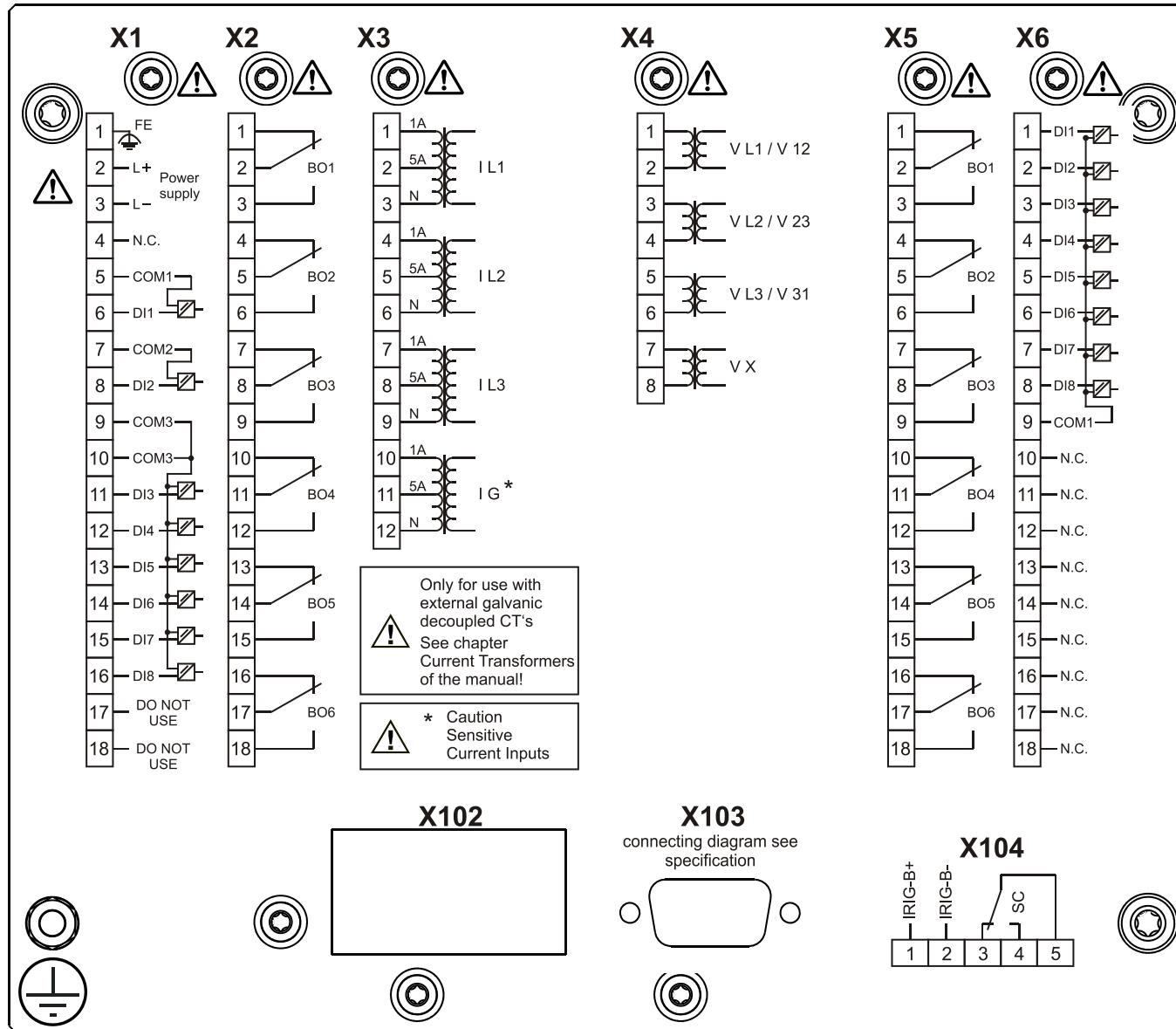


# MRA4-2D1BFB

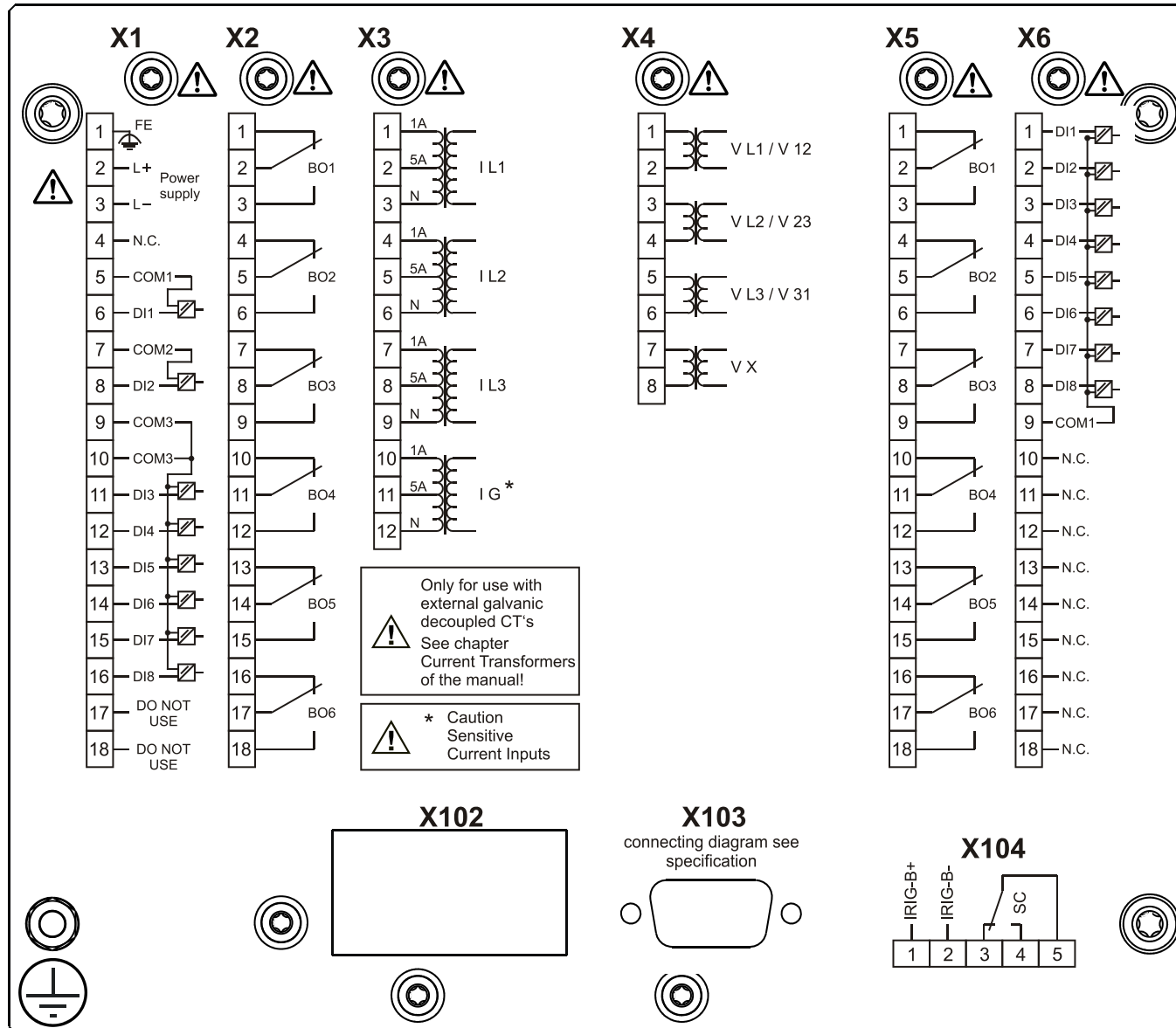




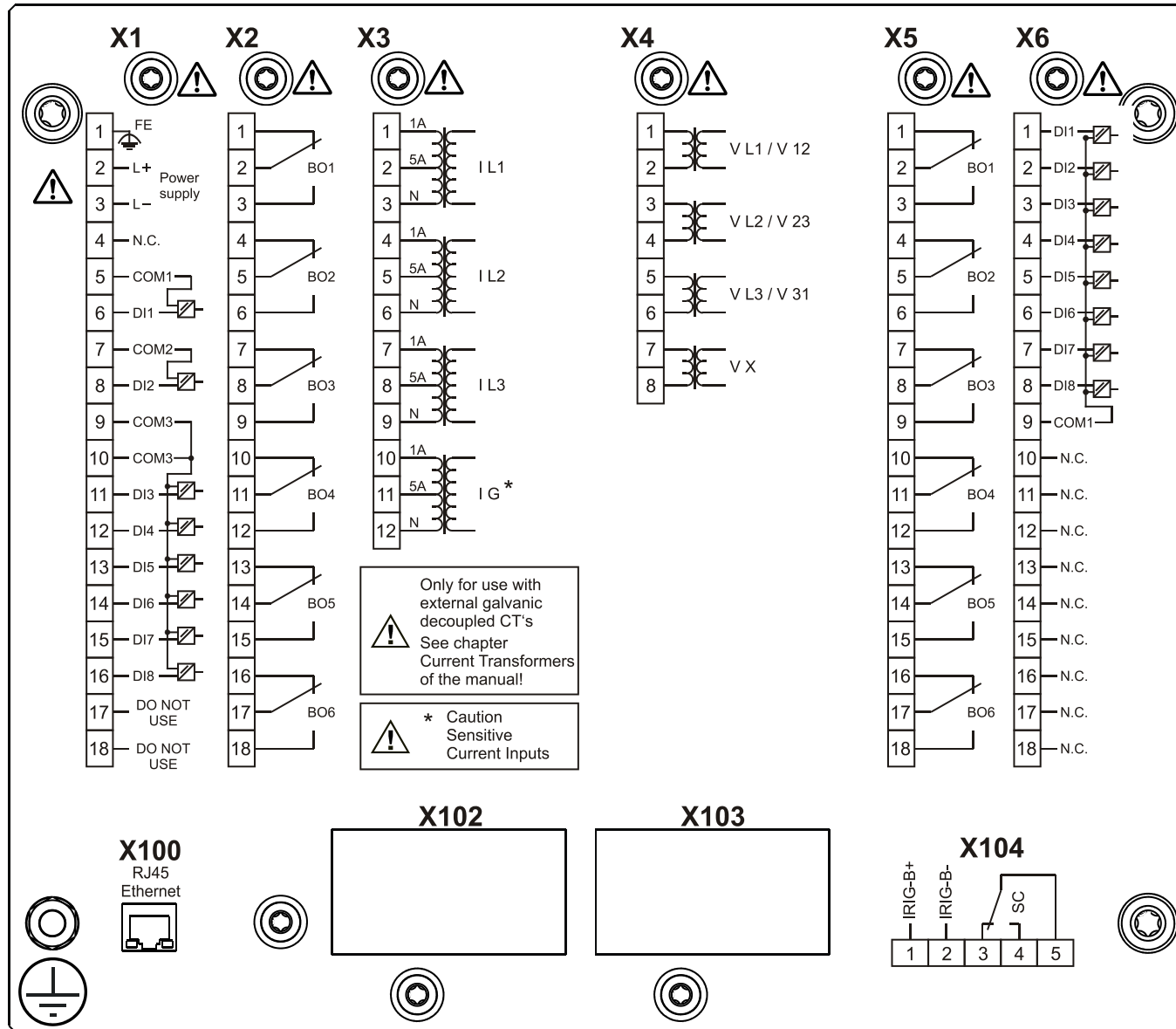
# MRA4-2D1BGA



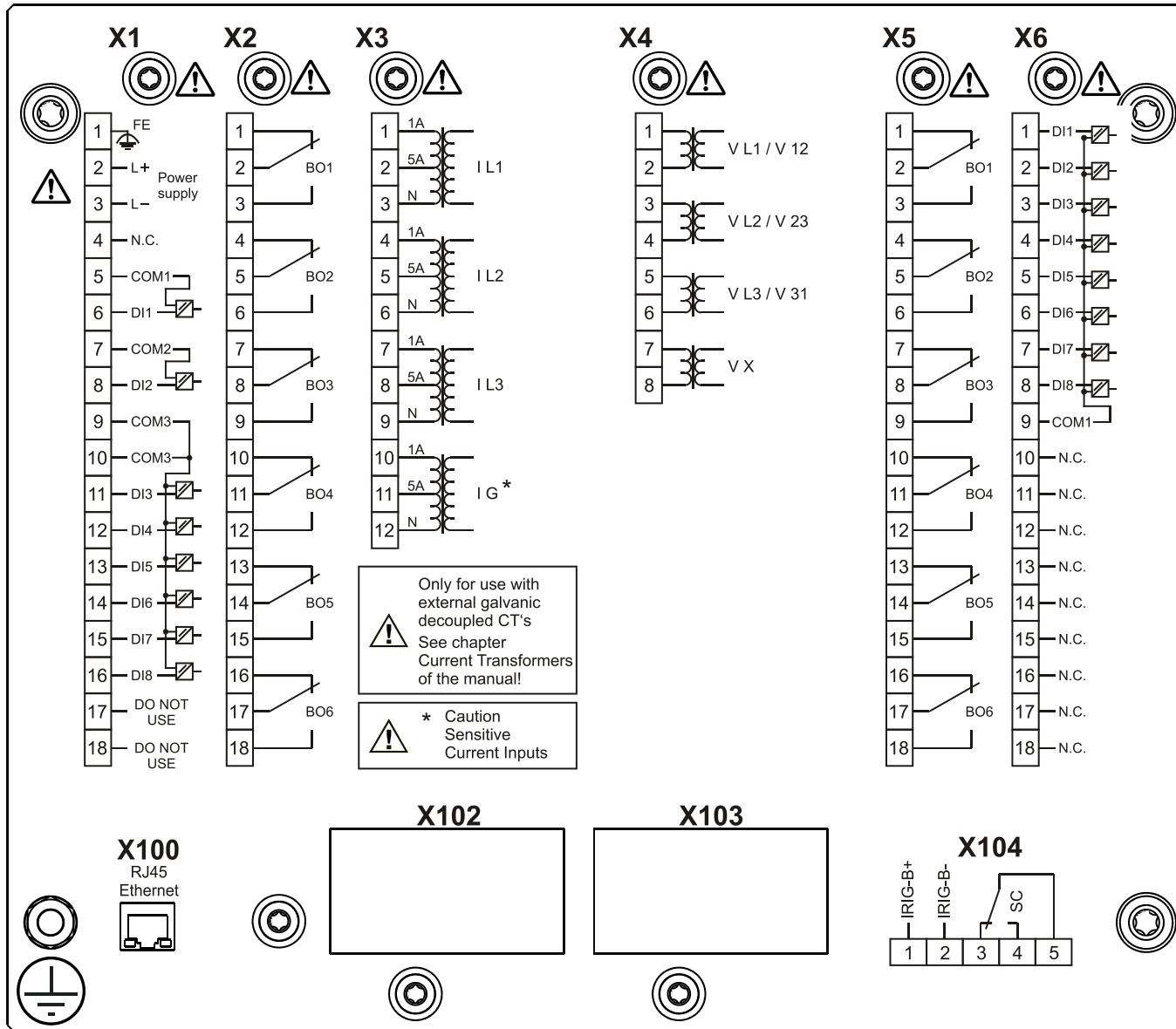
# MRA4-2D1BGB



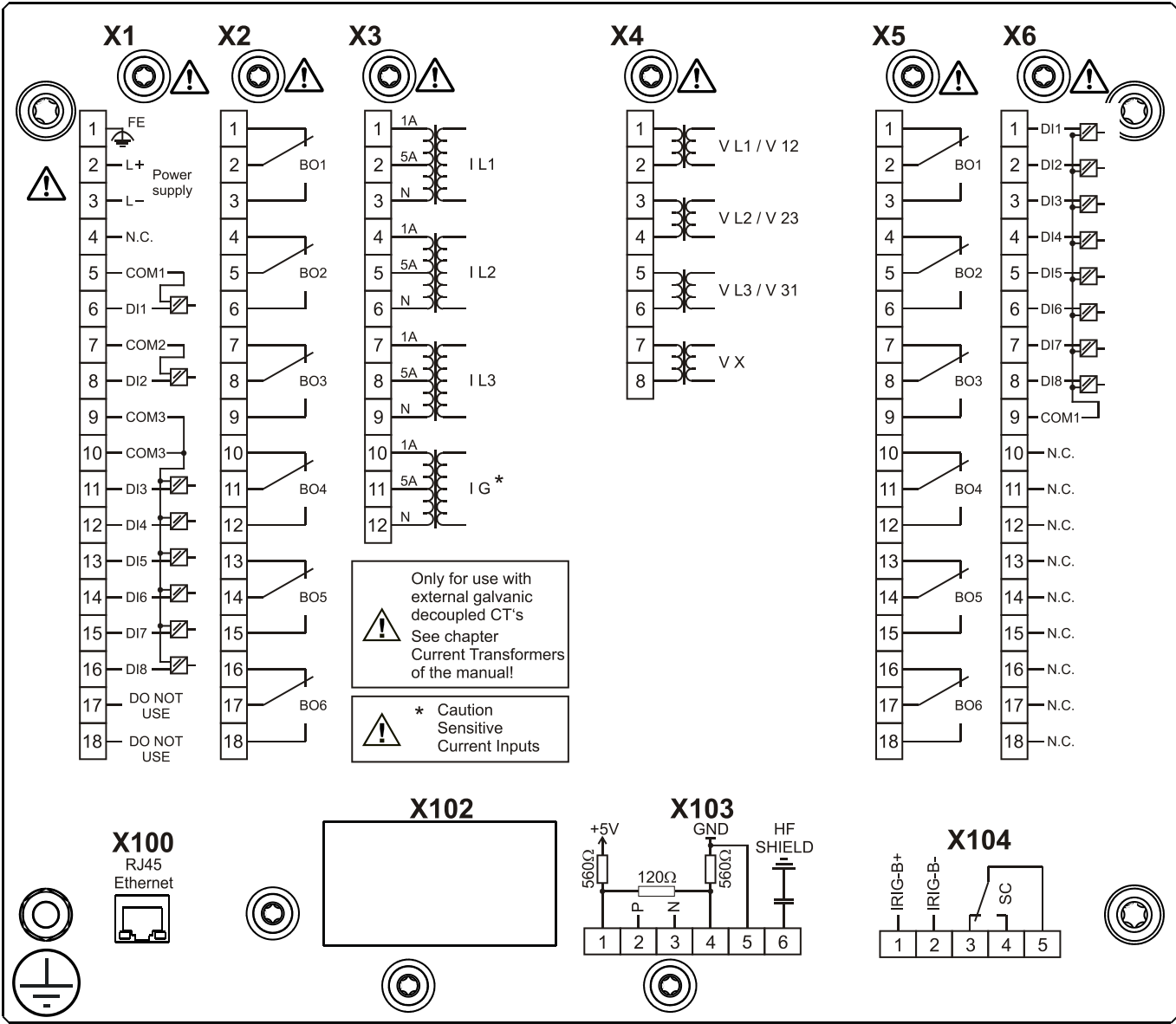
# MRA4-2D1BHA



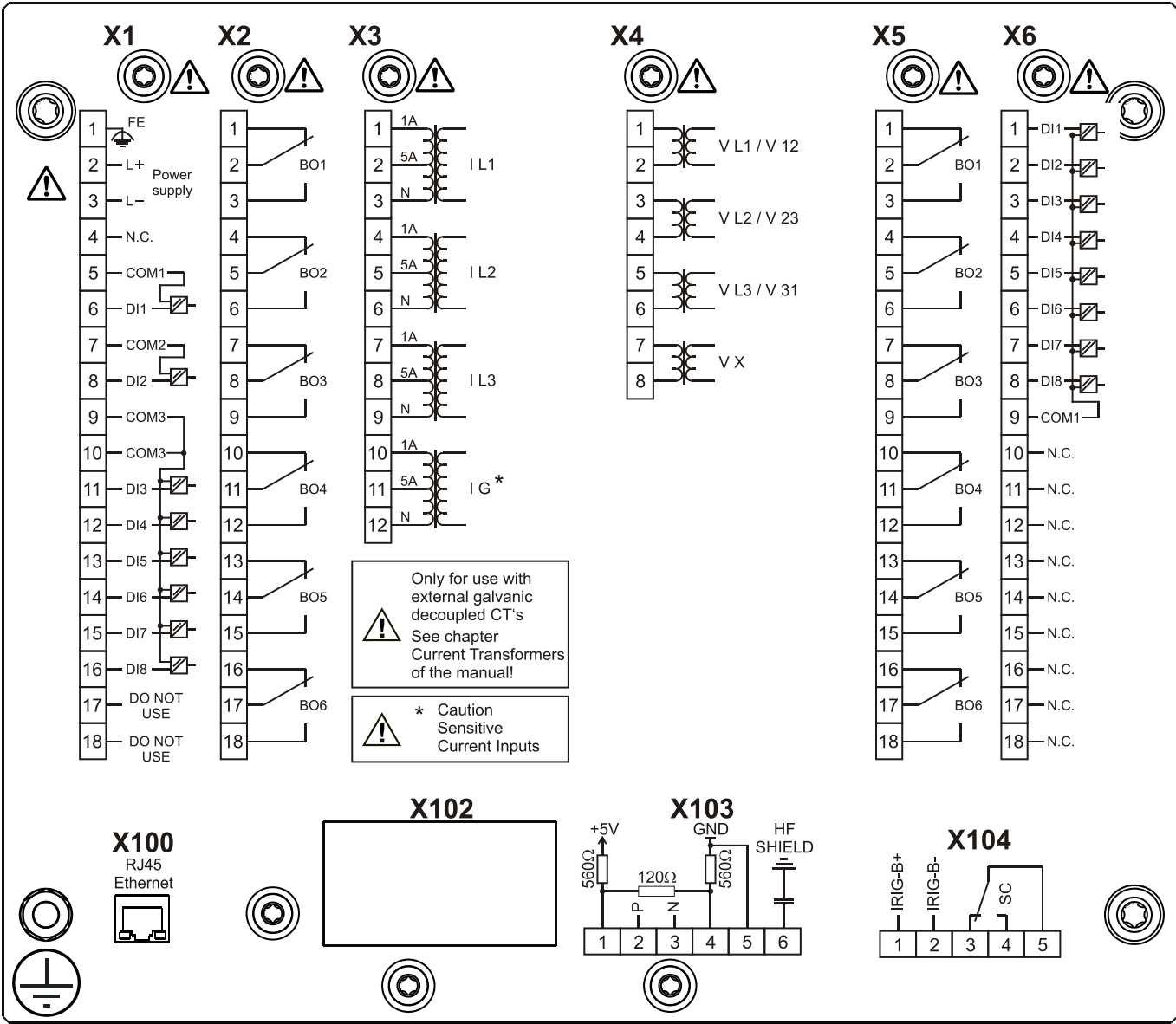
# MRA4-2D1BHB



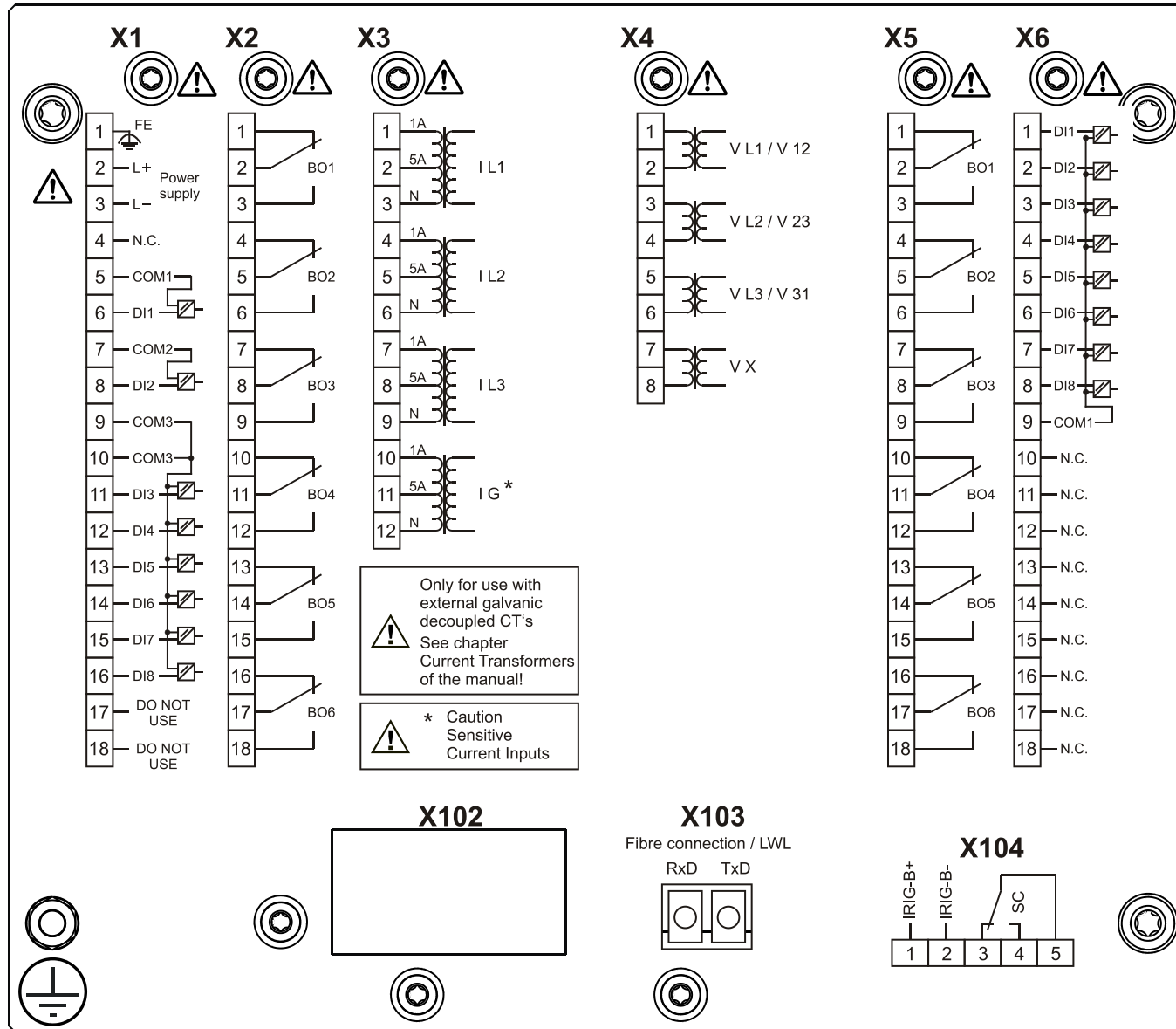
# MRA4-2D1BIA



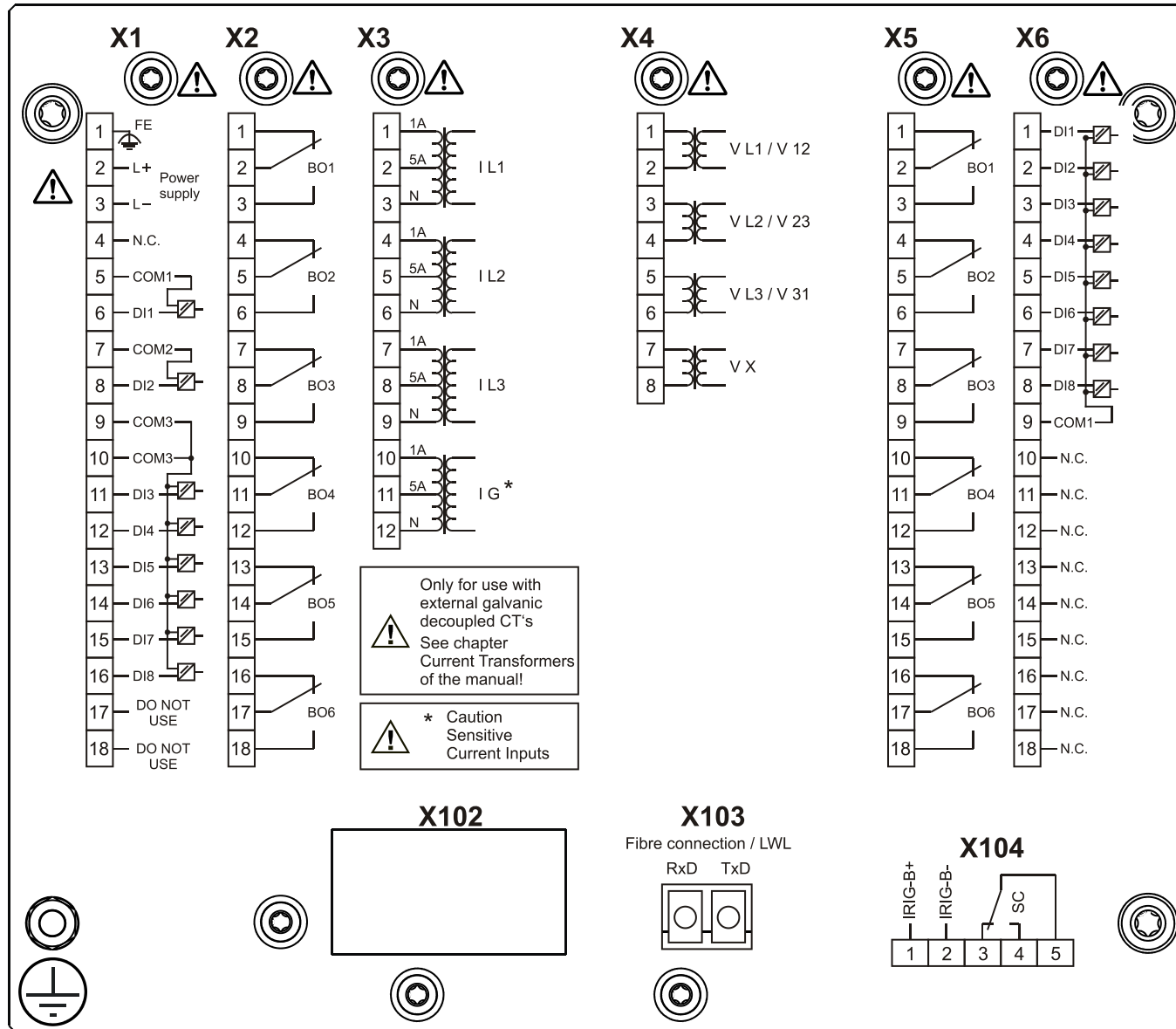
# MRA4-2D1BIB



# MRA4-2D1BKA

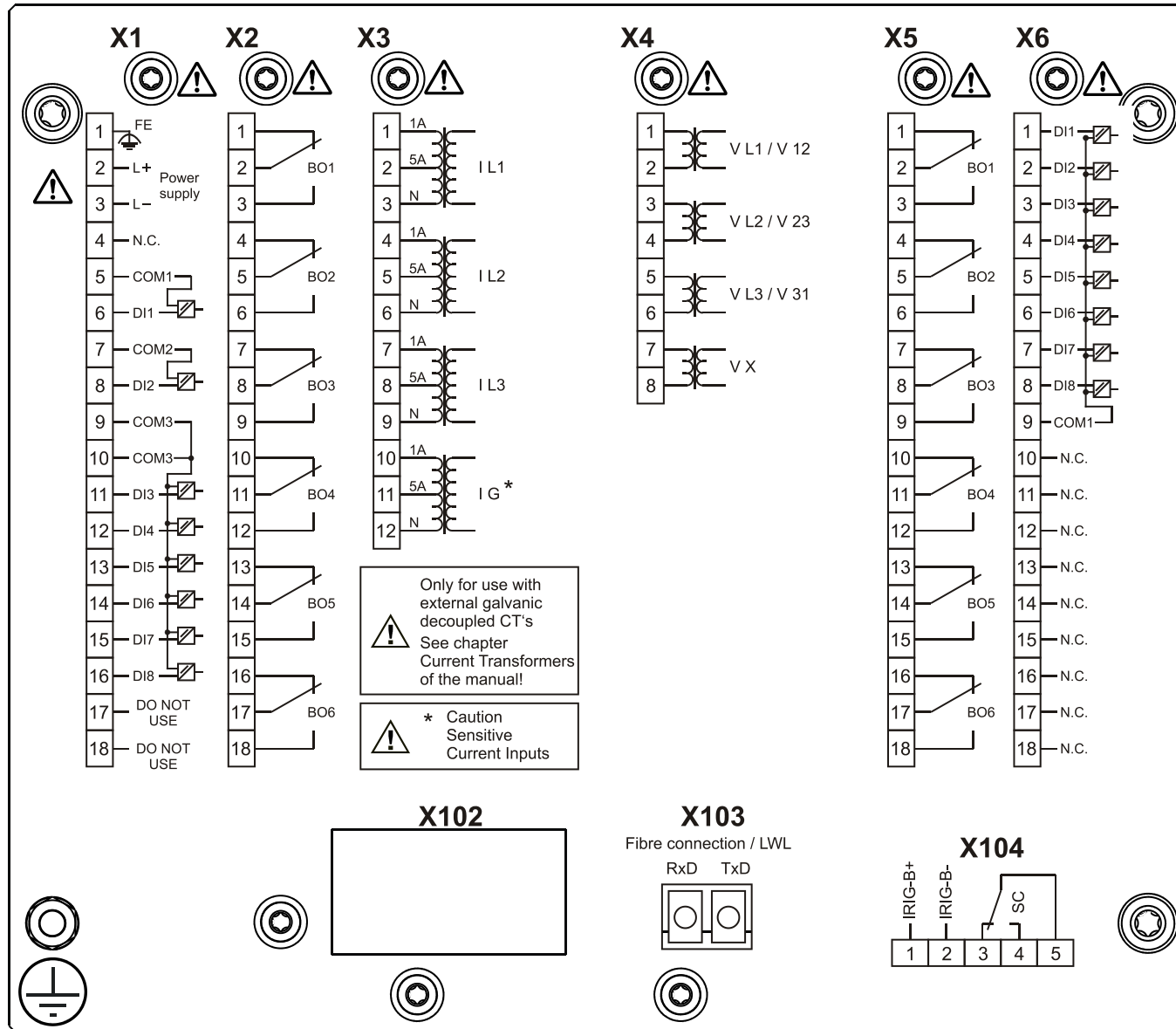


# MRA4-2D1BKB

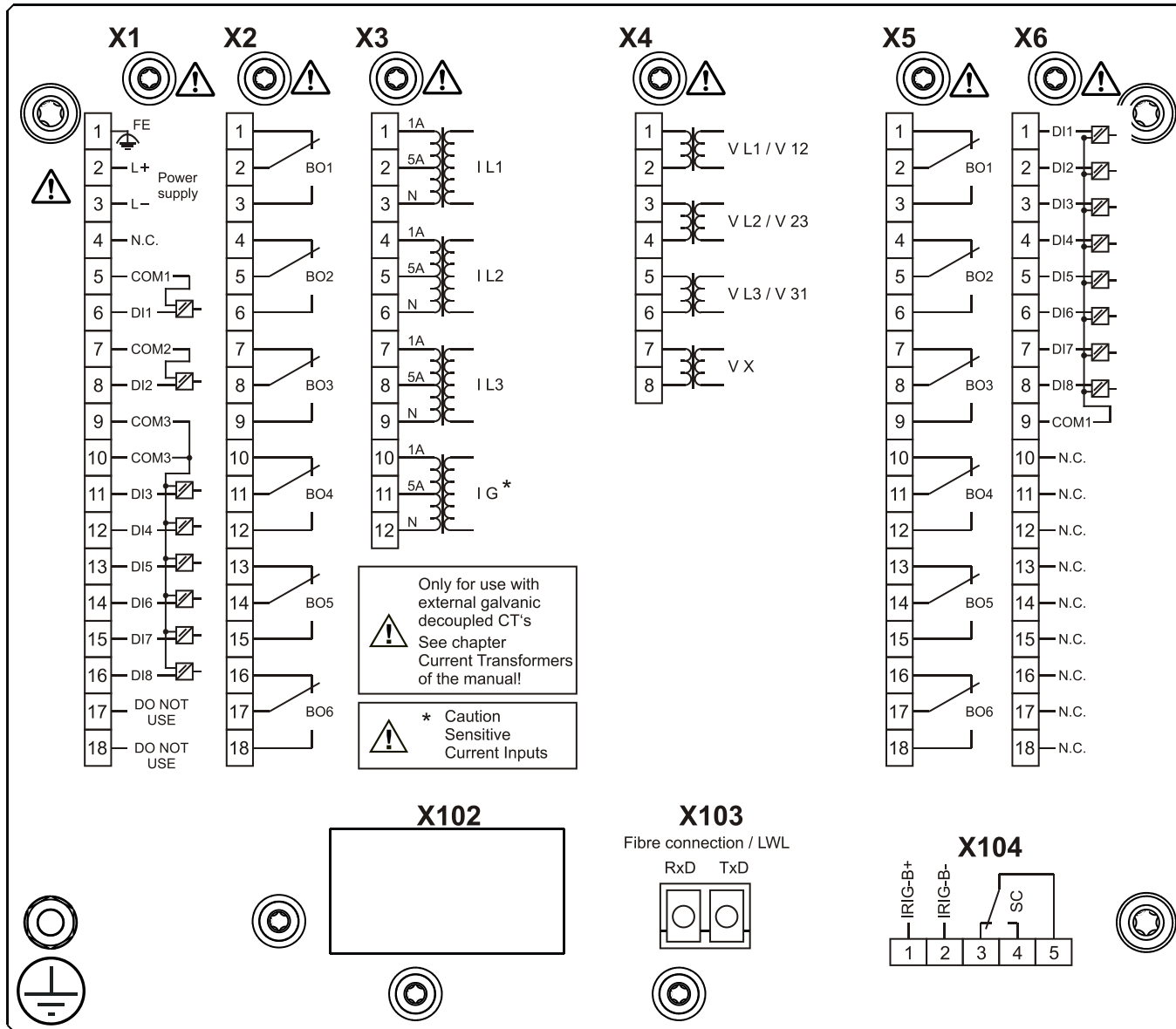




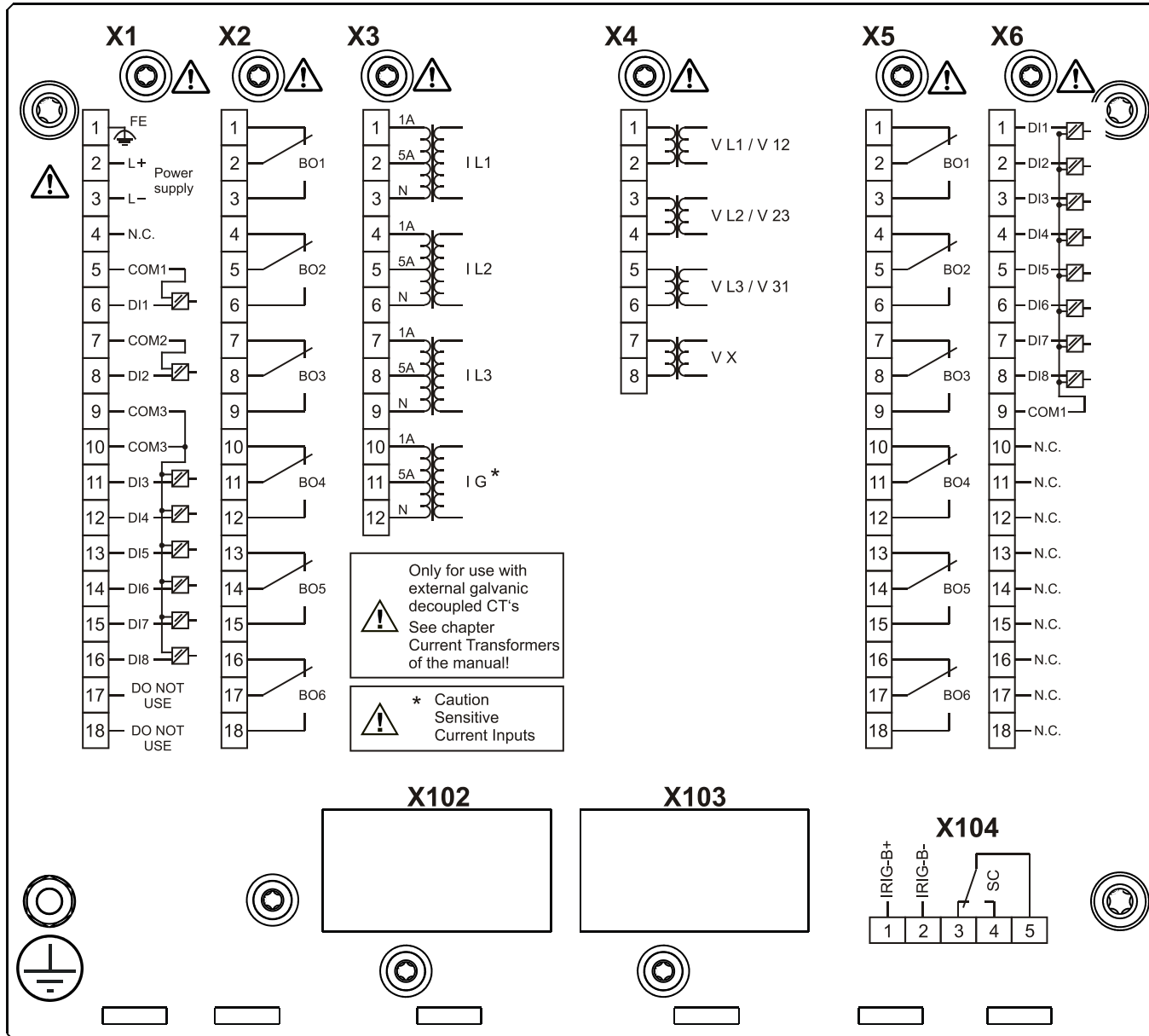
# MRA4-2D1BLA



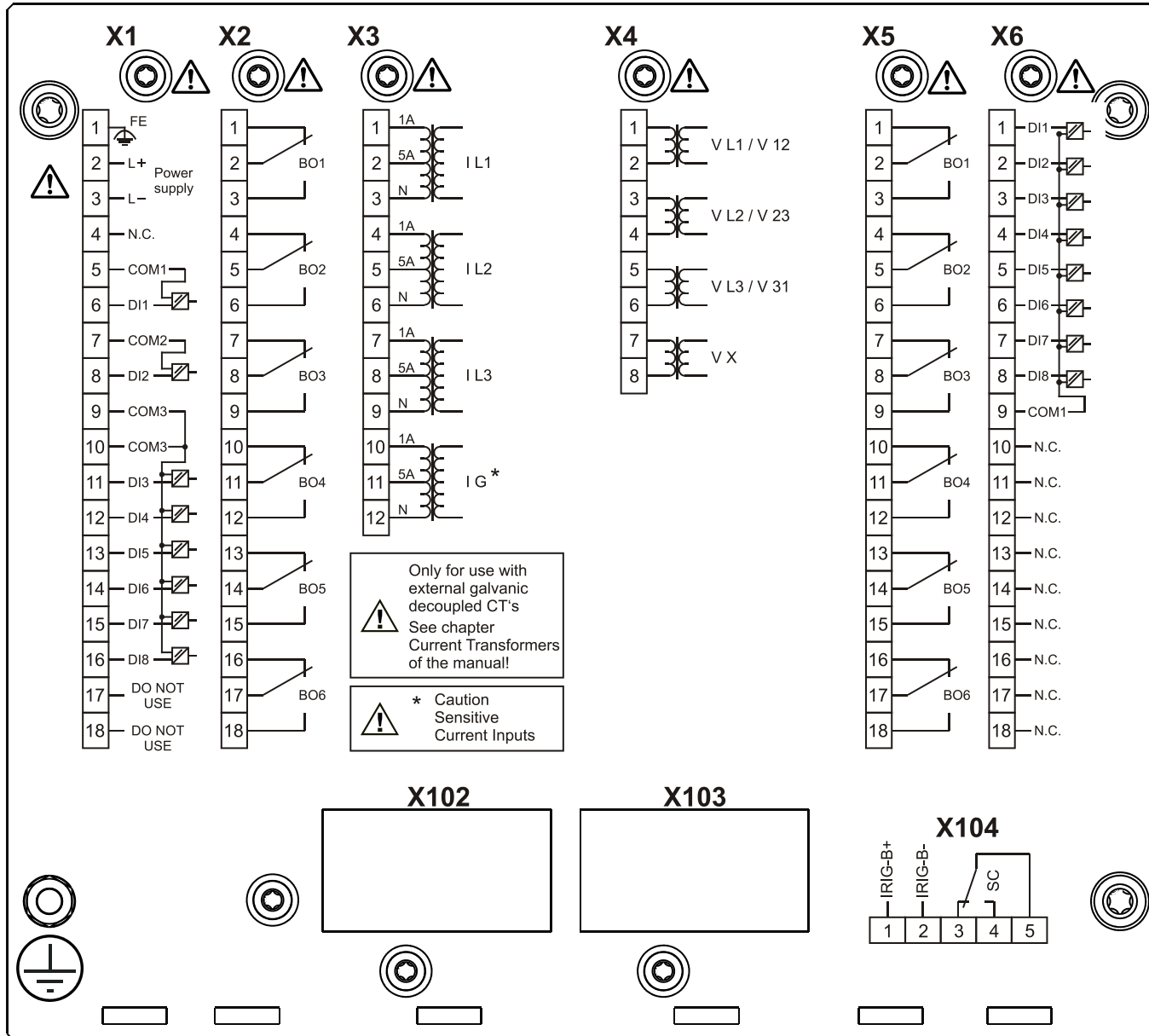
# MRA4-2D1BLB



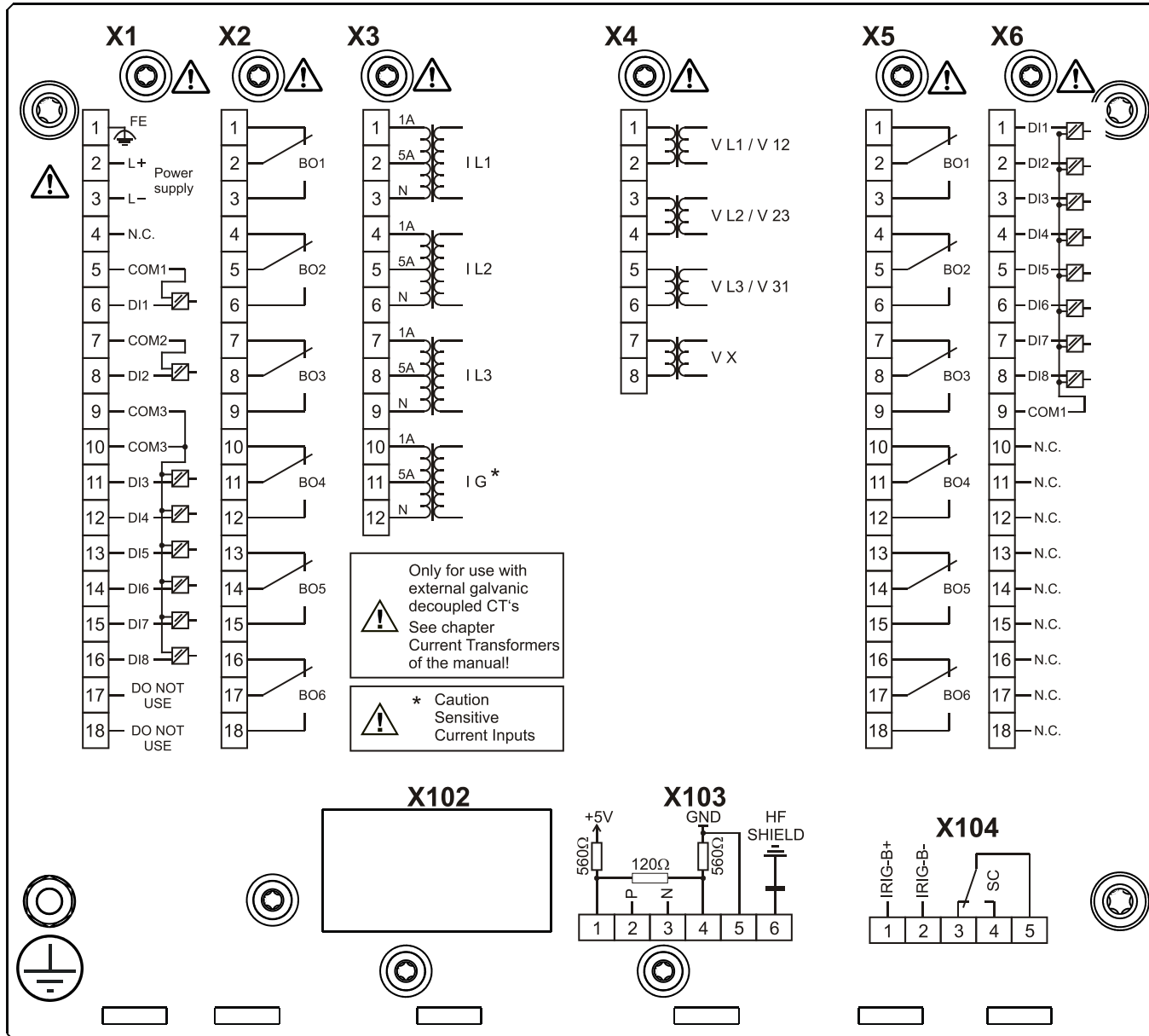
# MRA4-2D1HAA



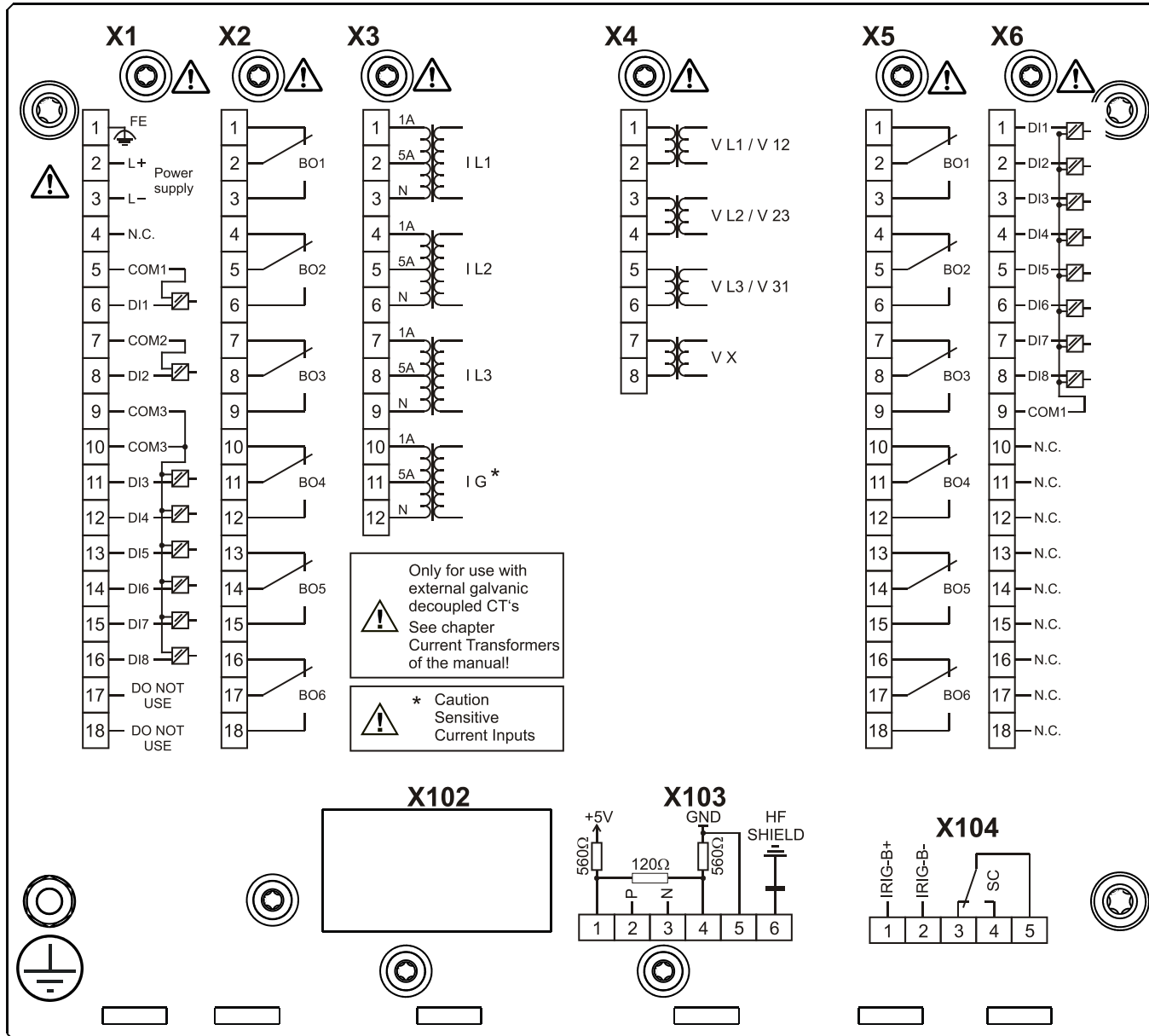
# MRA4-2D1HAB



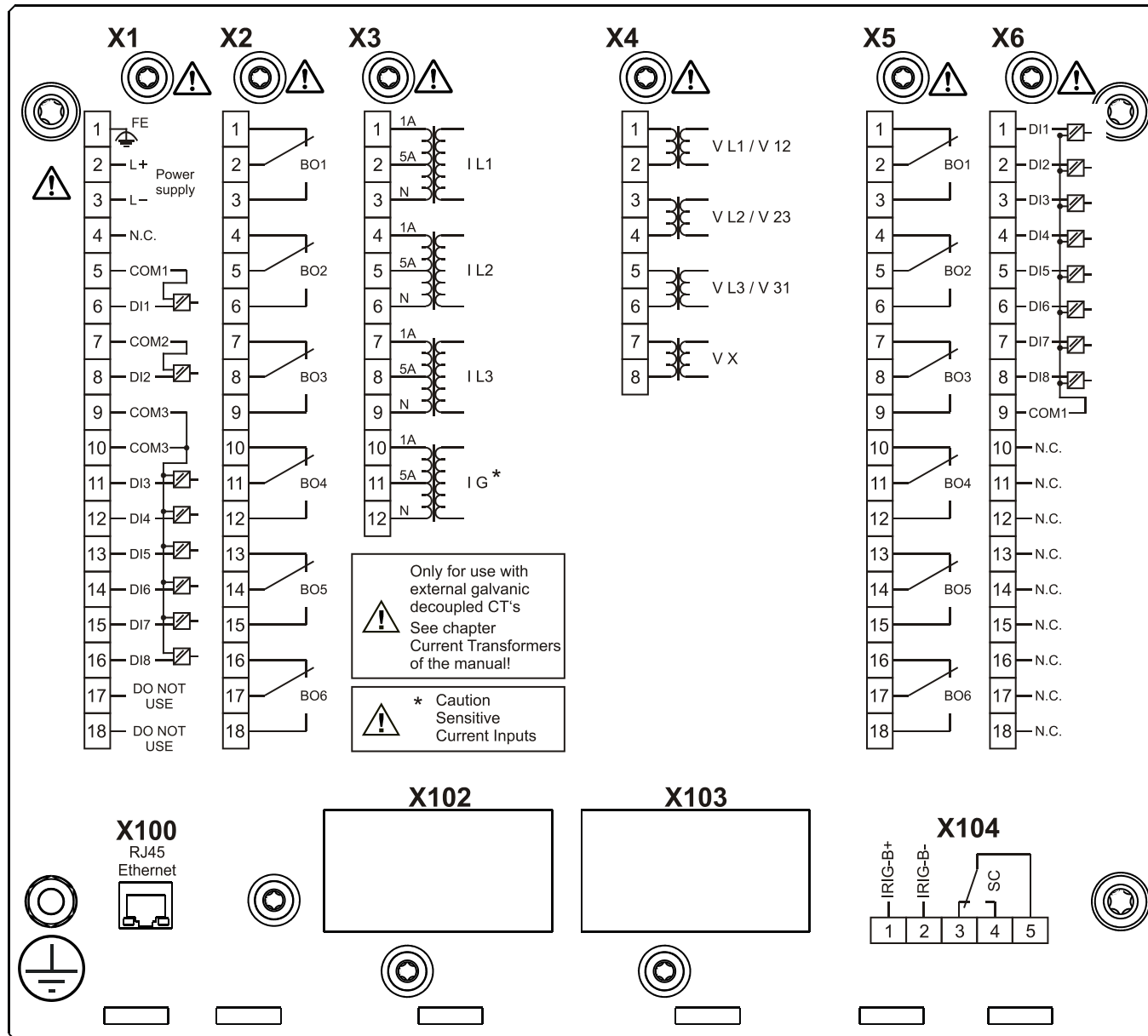
# MRA4-2D1HBA



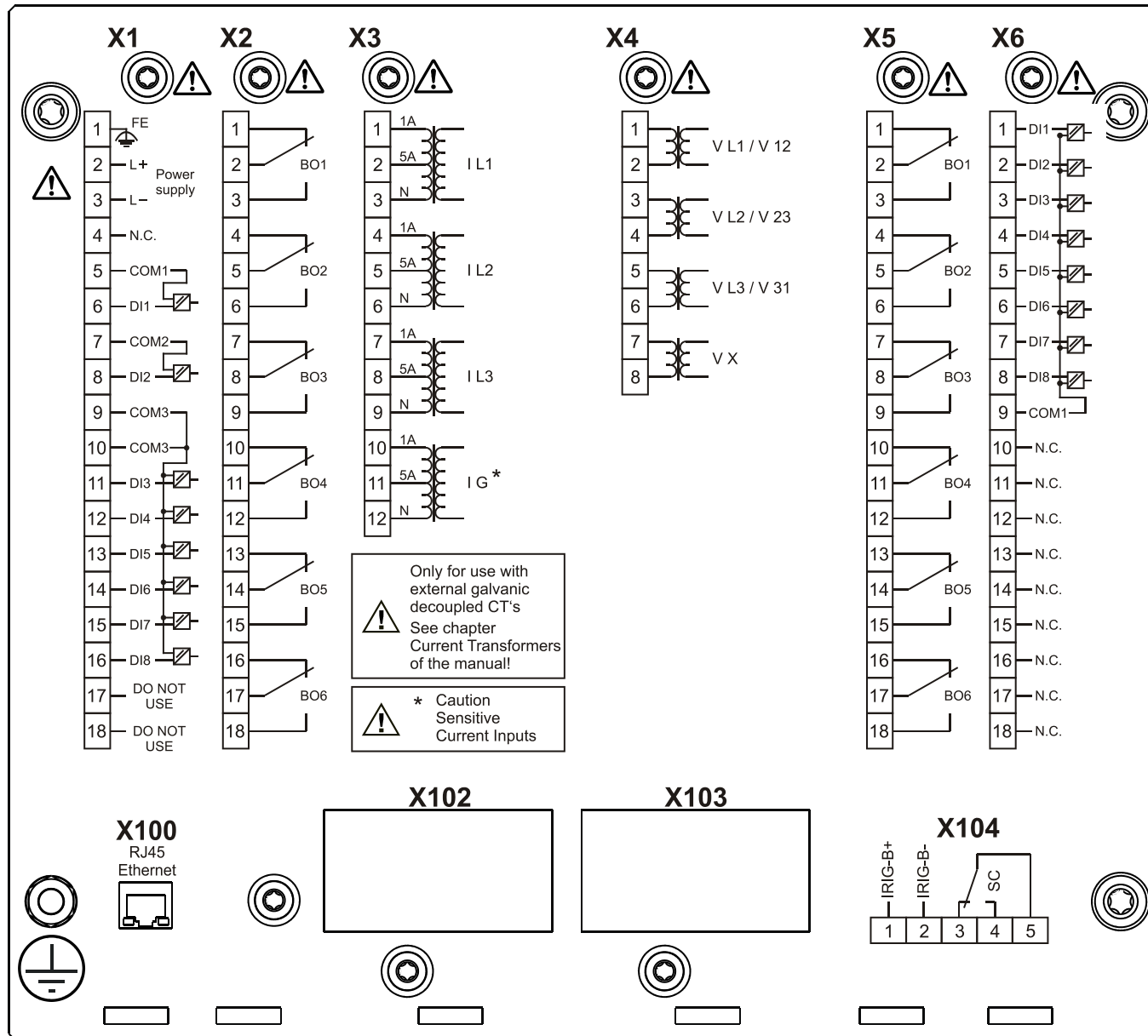
# MRA4-2D1HBB



# MRA4-2D1HCA

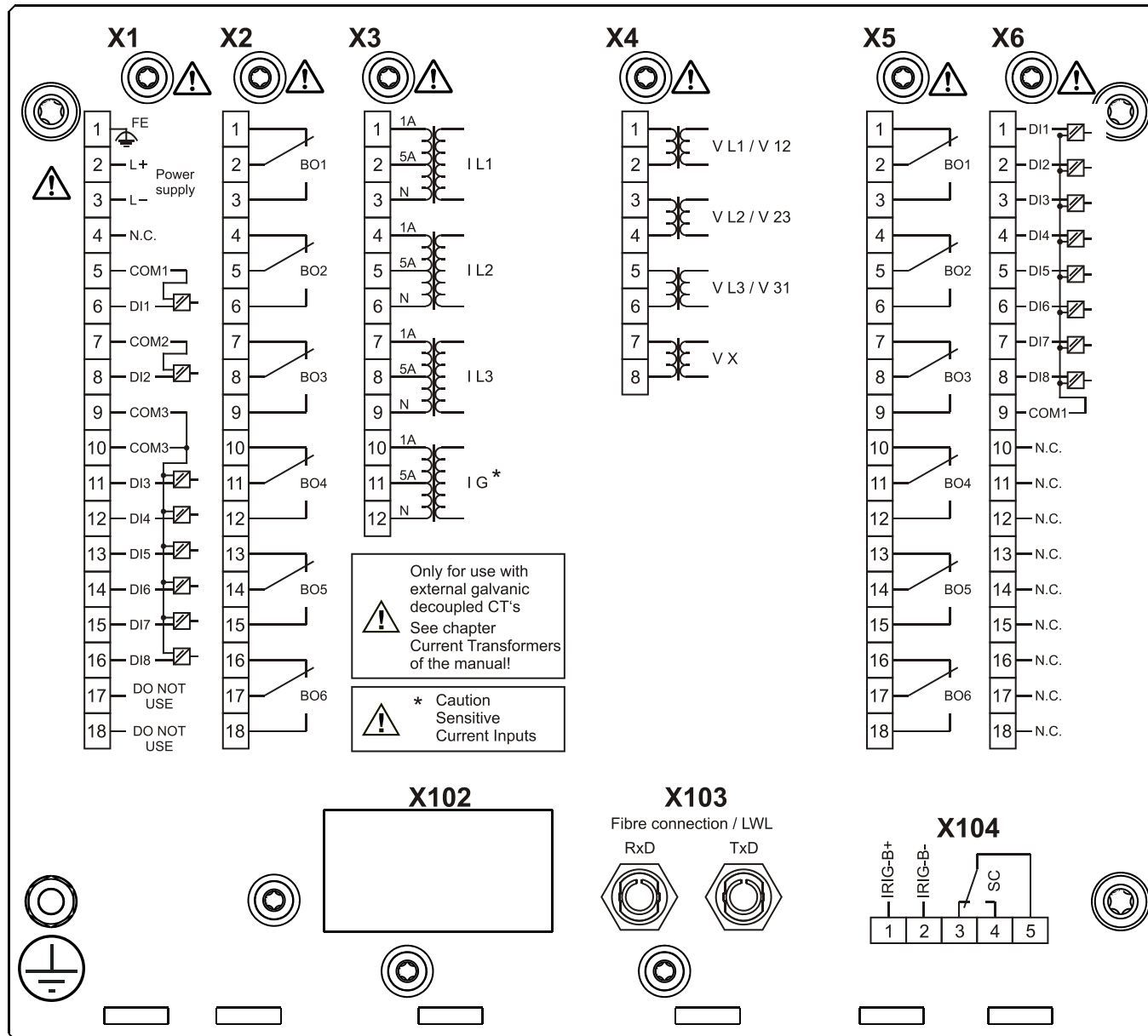


# MRA4-2D1HCB

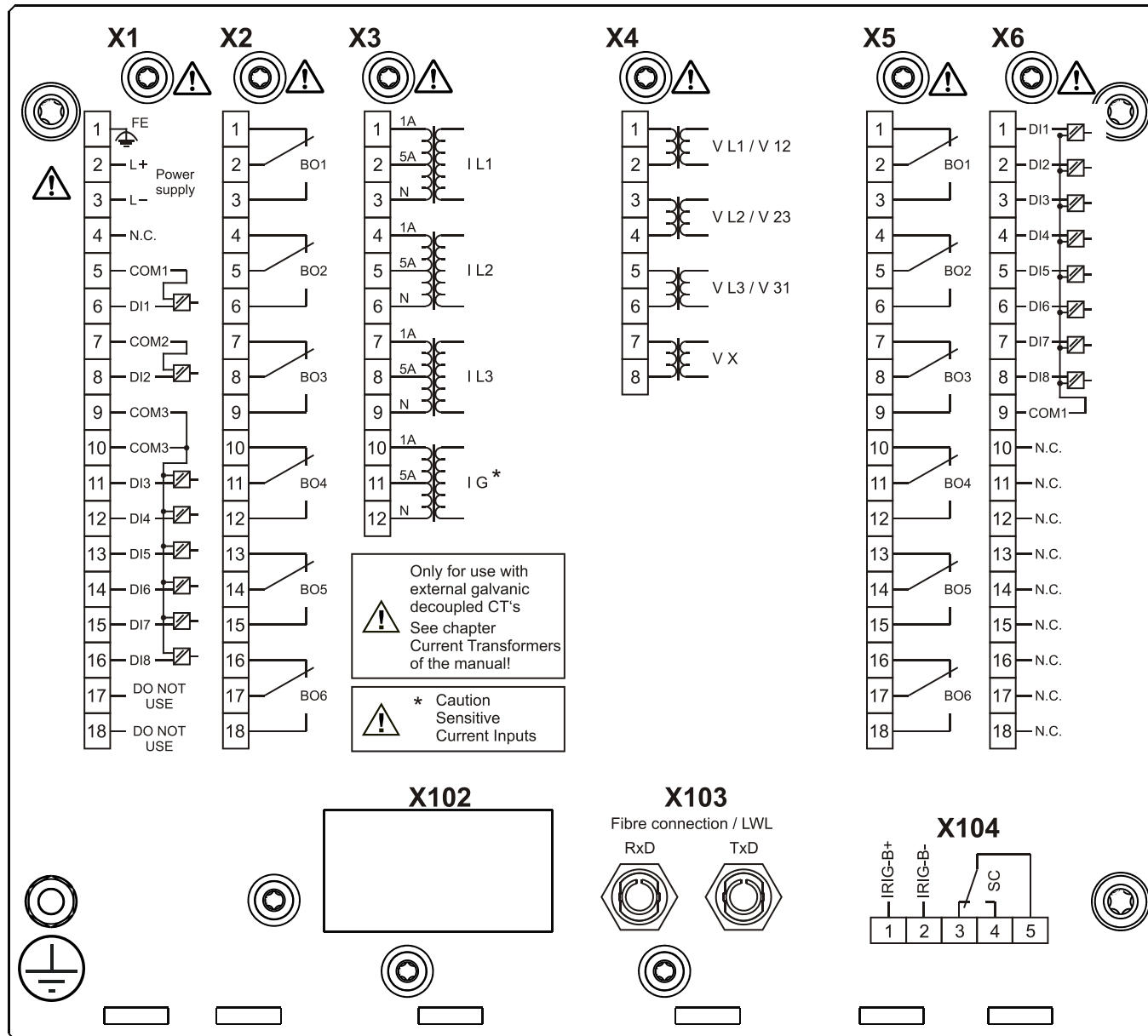




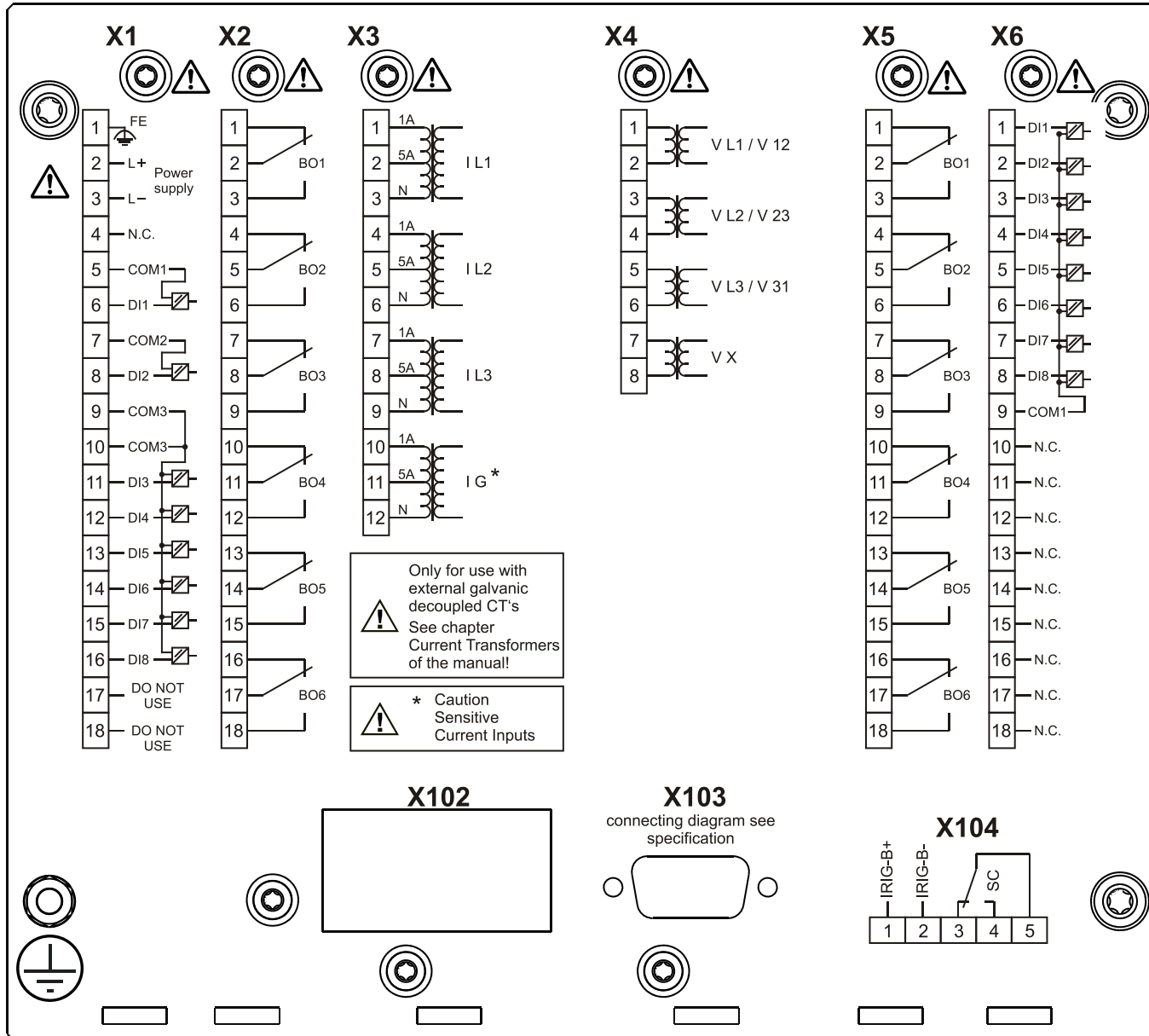
# MRA4-2D1HDA



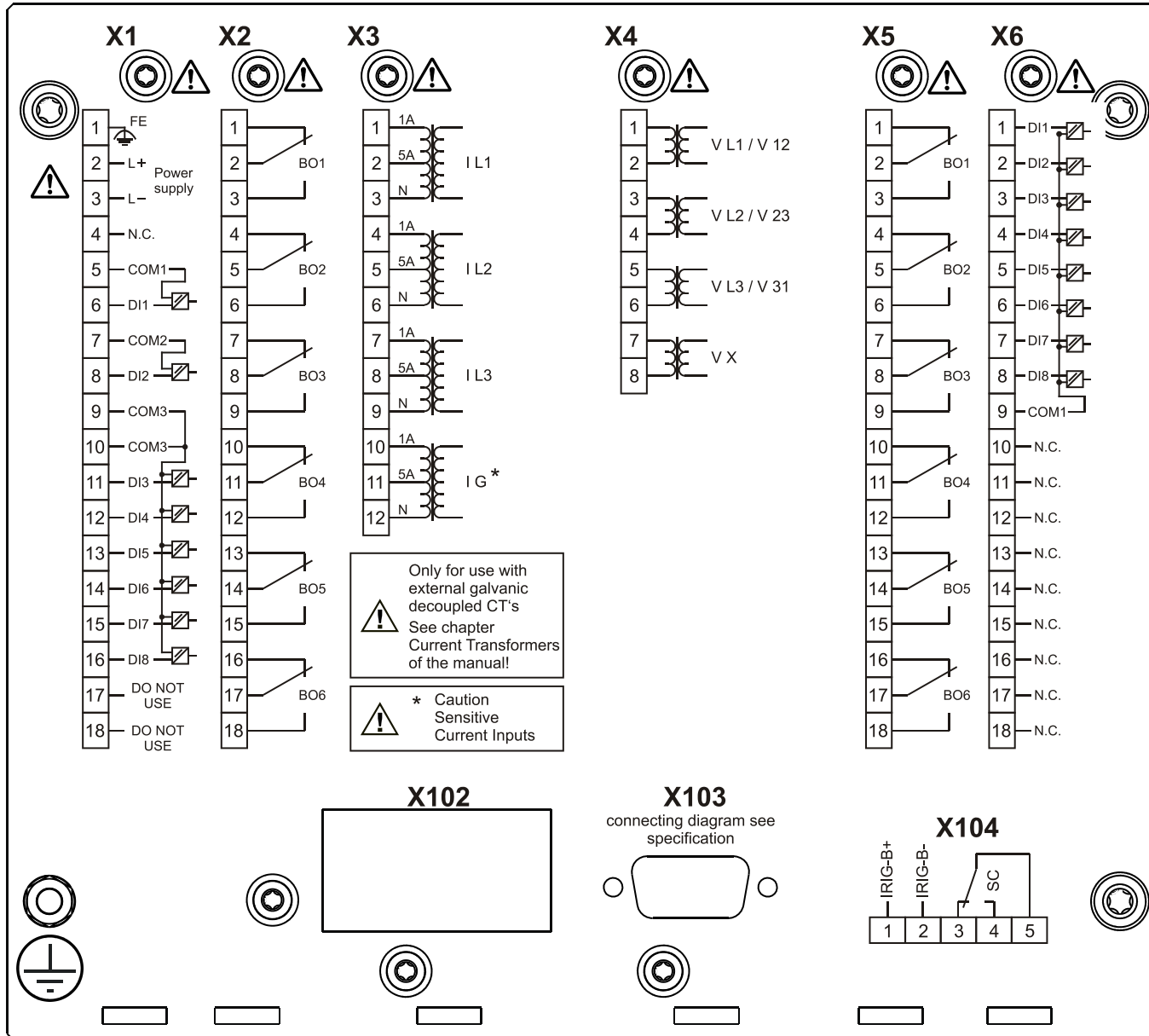
# MRA4-2D1HDB



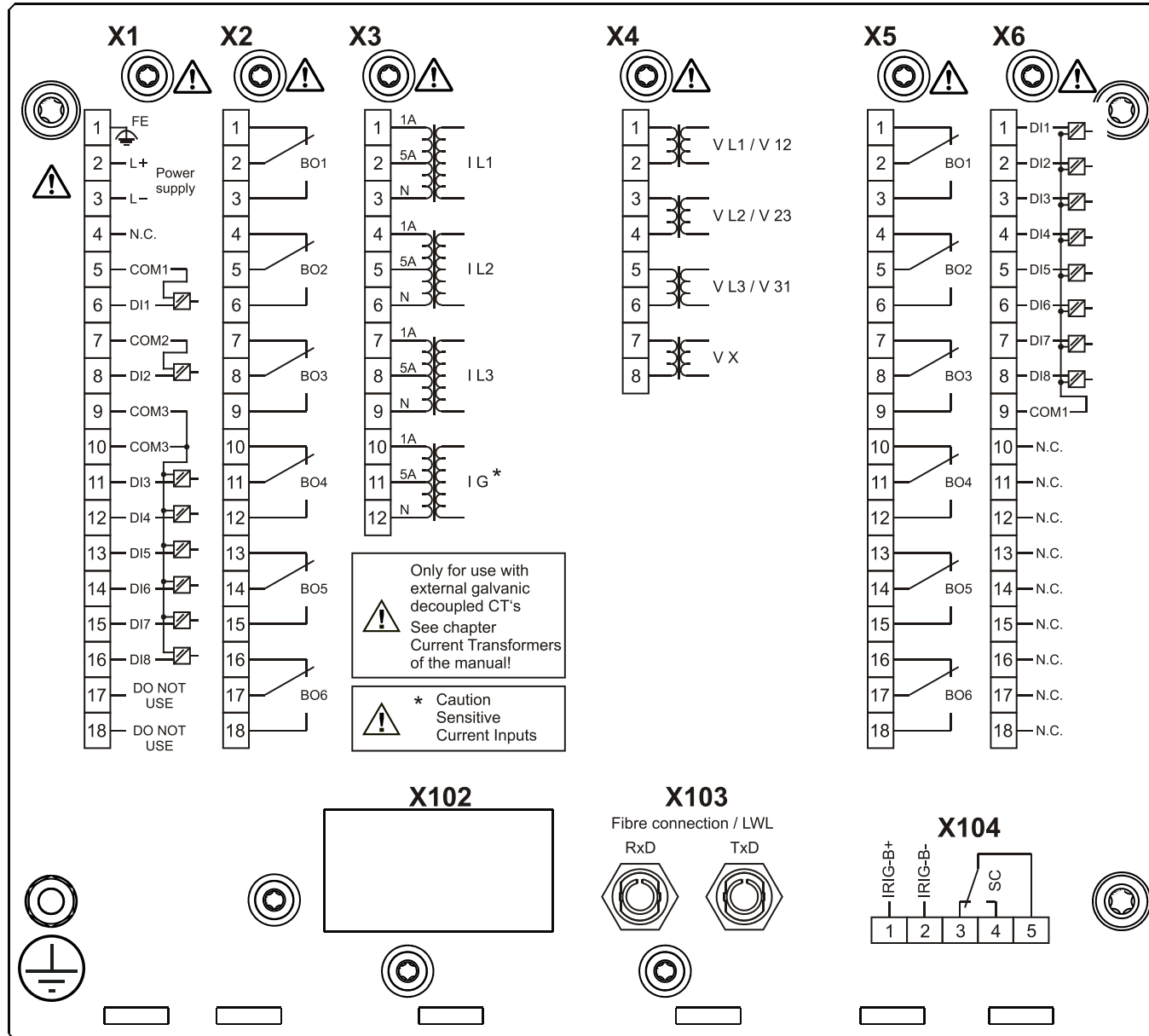
# MRA4-2D1HEA



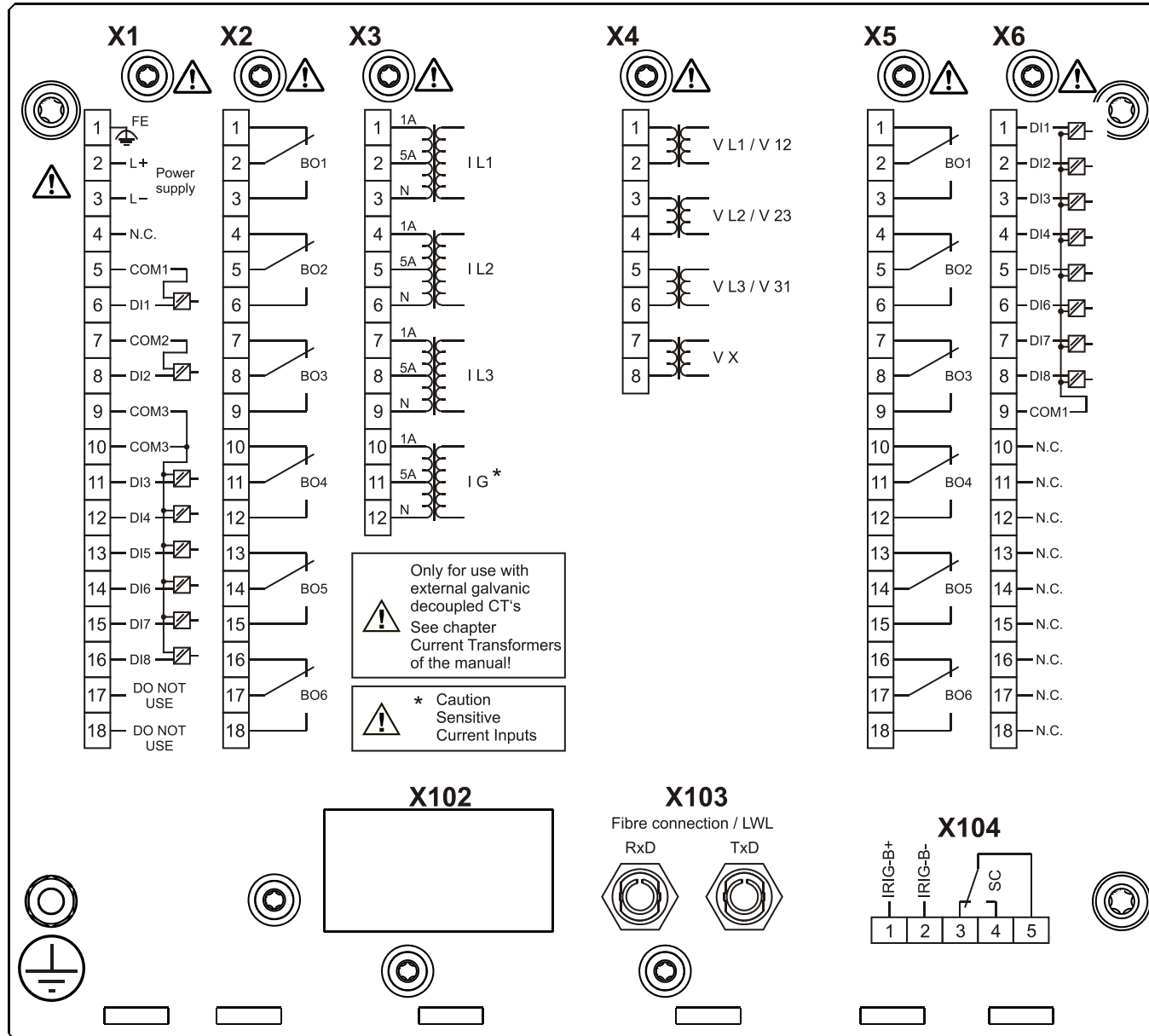
# MRA4-2D1HEB



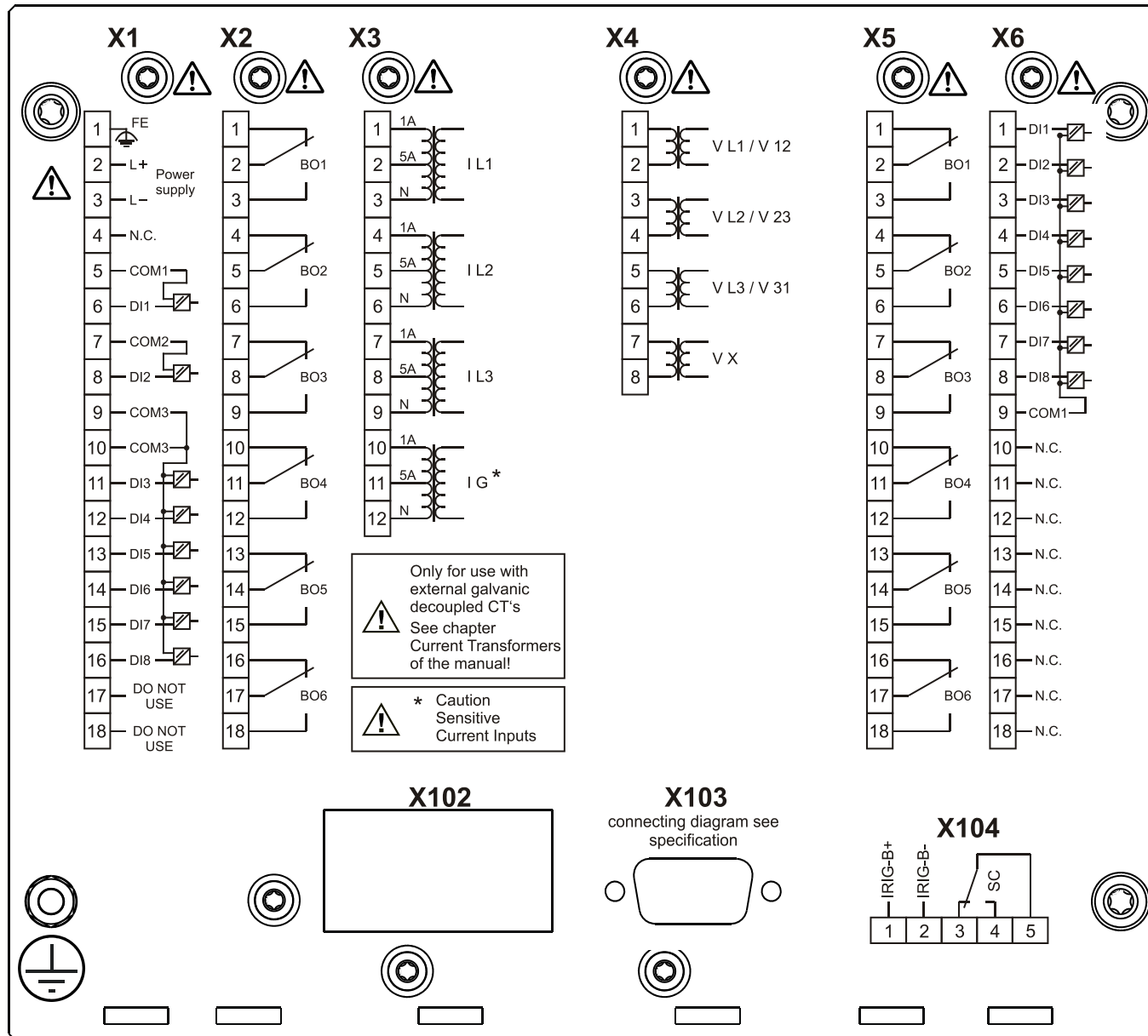
# MRA4-2D1HFA



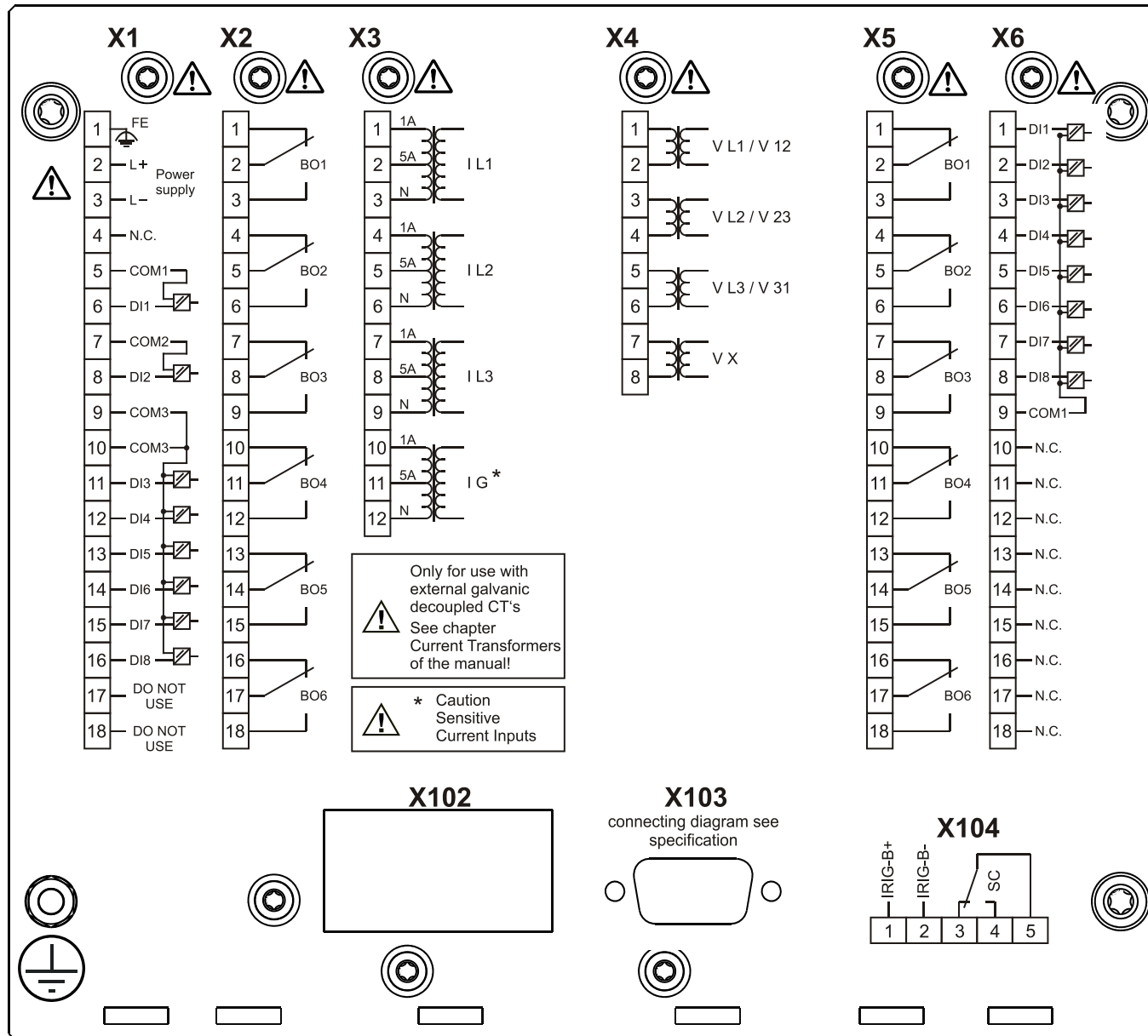
# MRA4-2D1HFB



# MRA4-2D1HGA

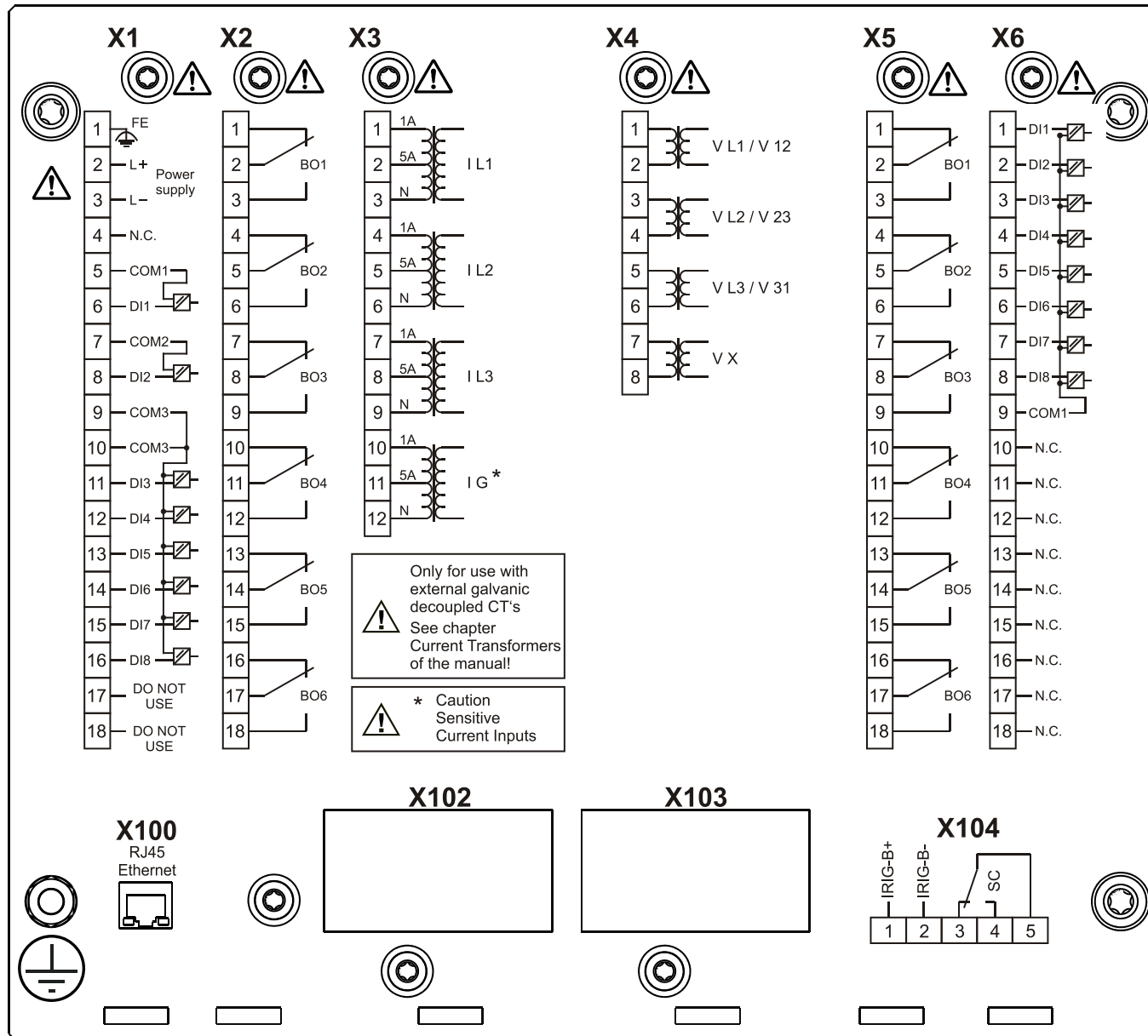


# MRA4-2D1HGB

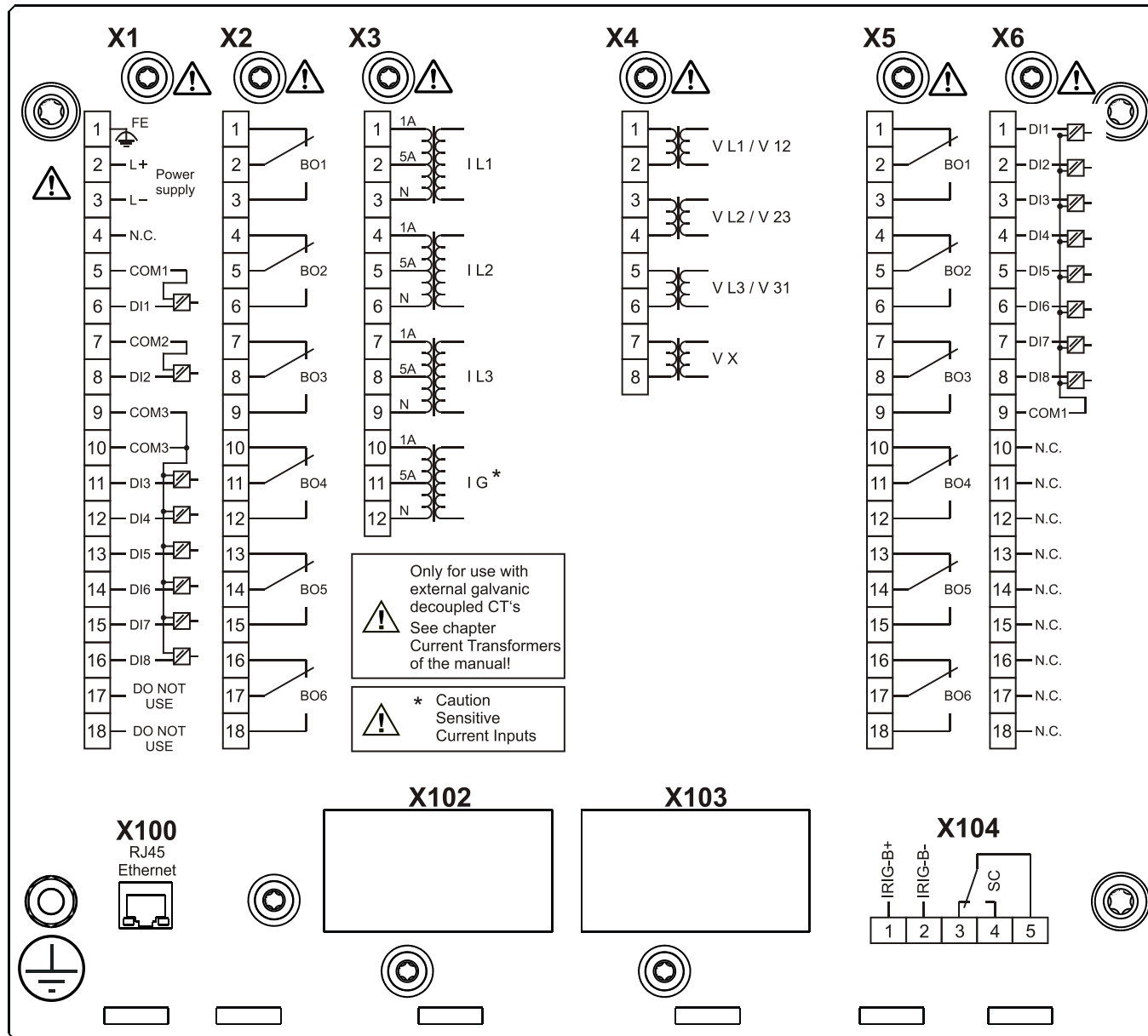




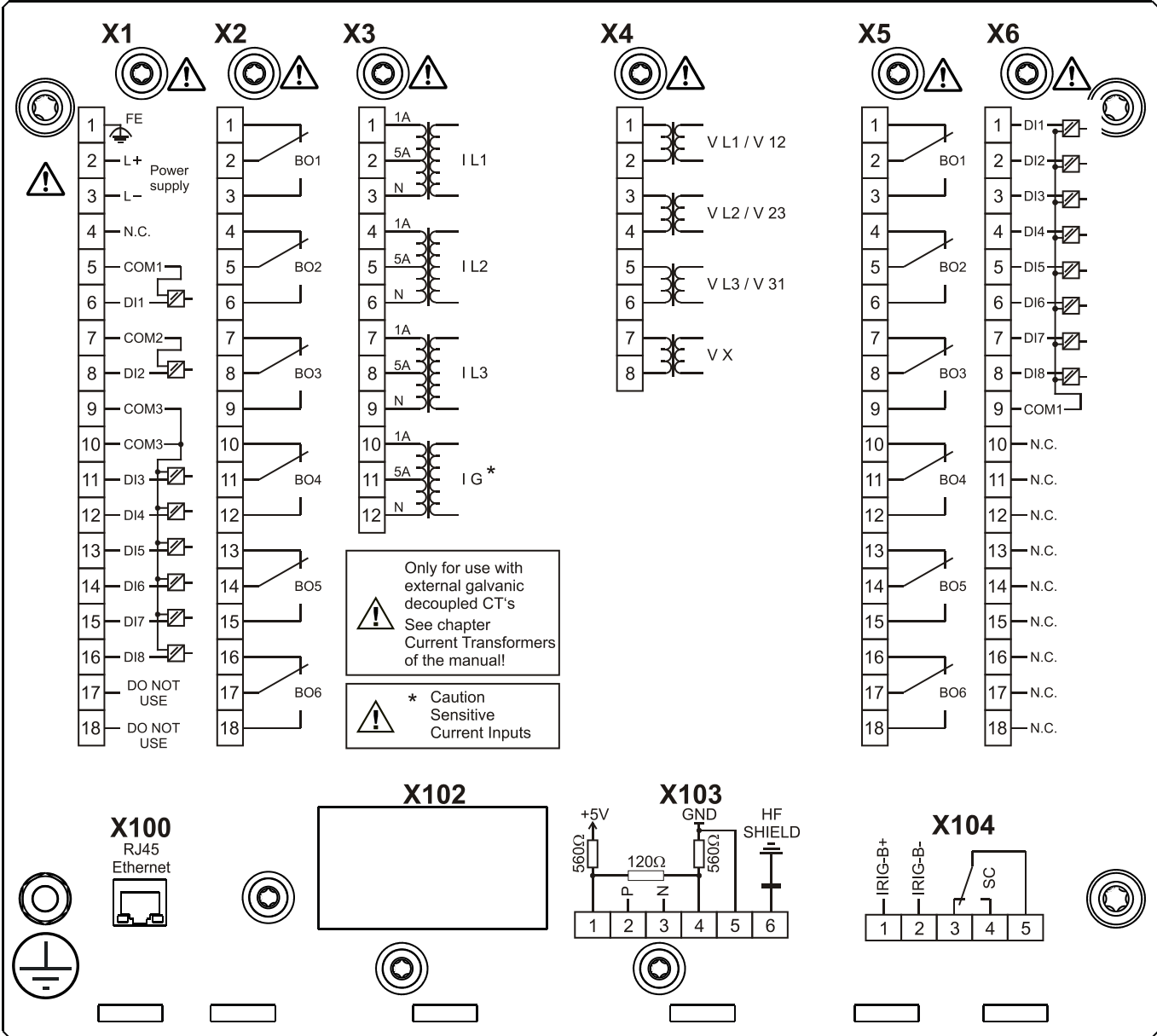
# MRA4-2D1HHA



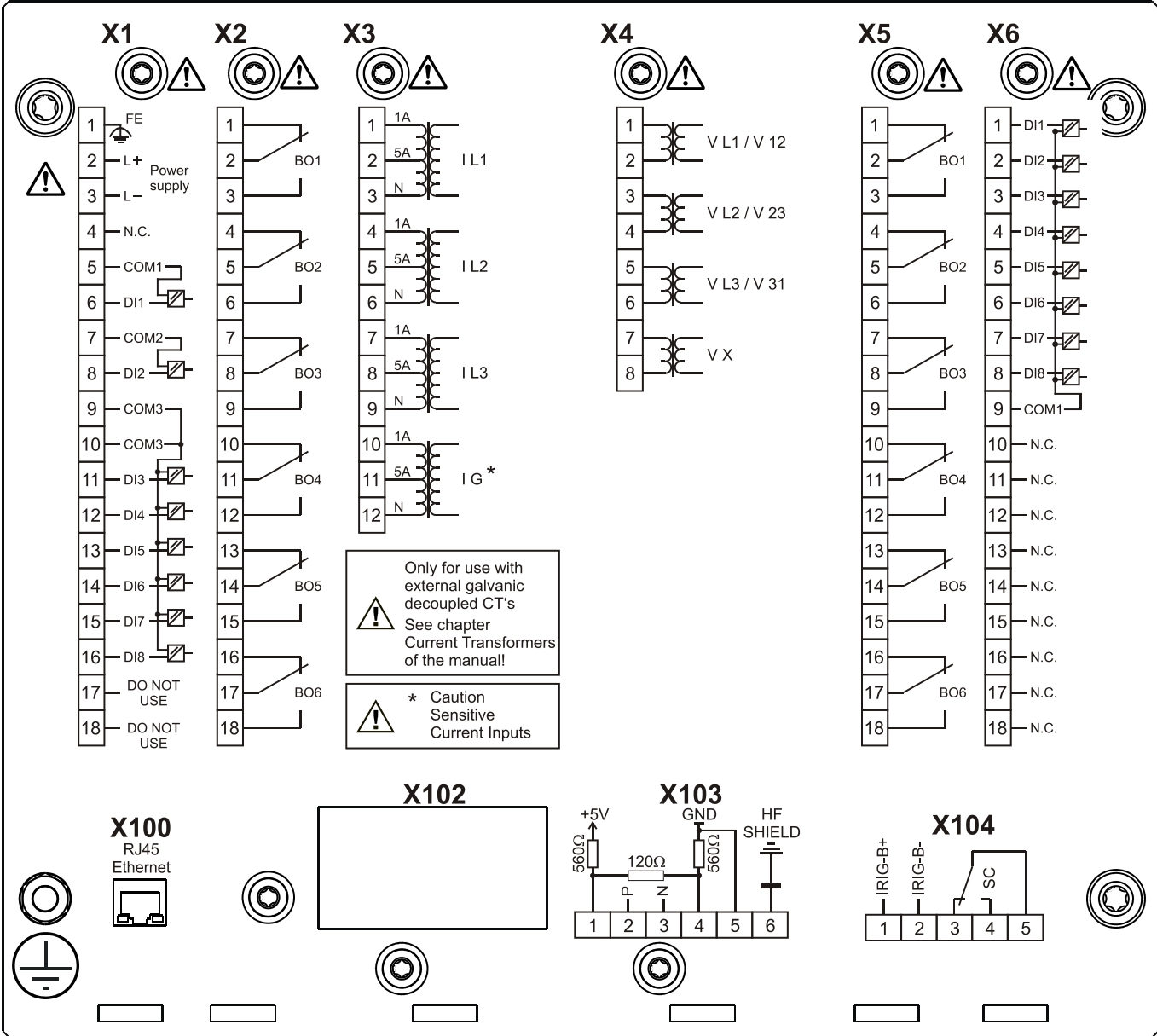
# MRA4-2D1HHB



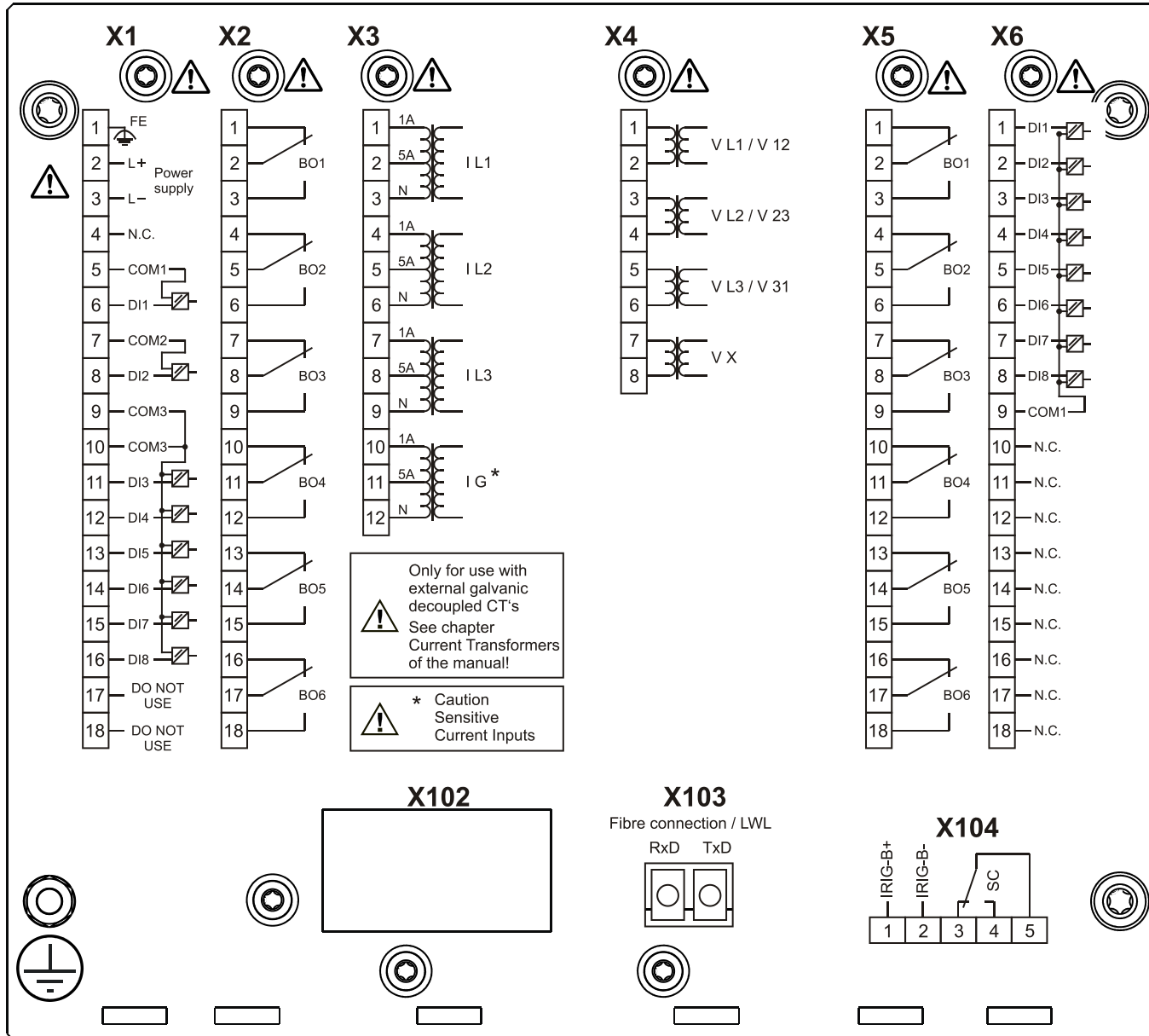
# MRA4-2D1HIA



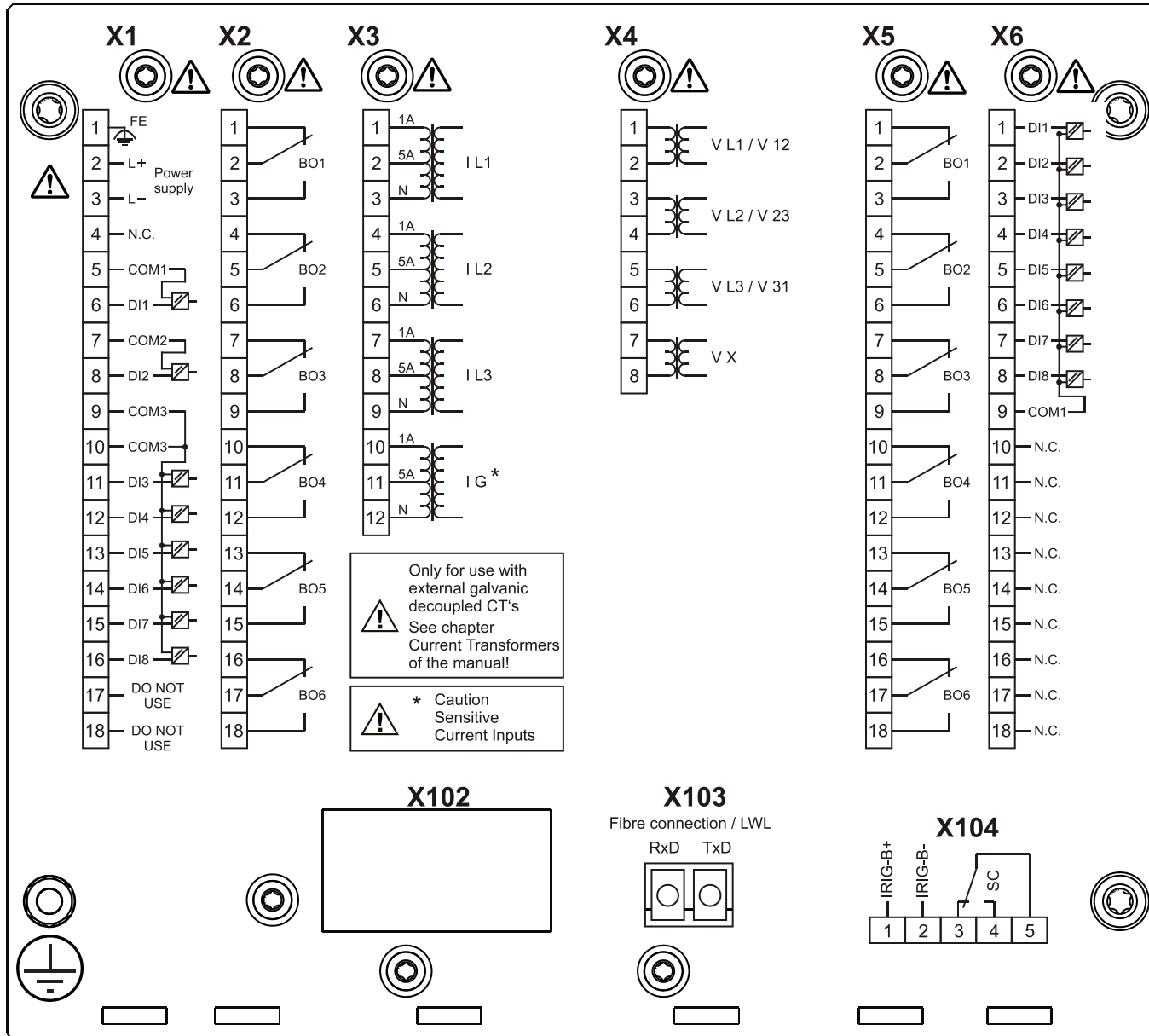
# MRA4-2D1HIB



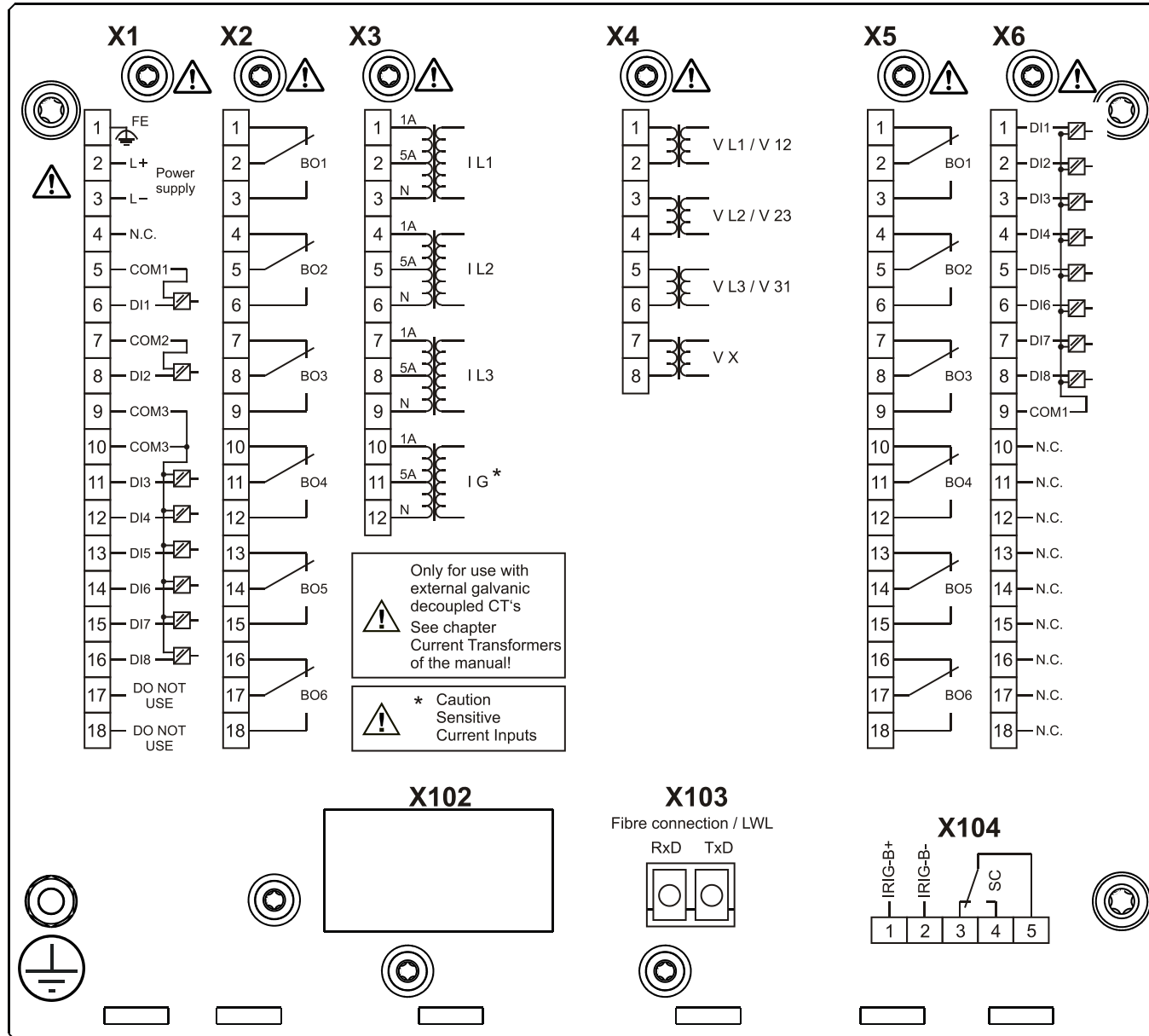
# MRA4-2D1HKA



# MRA4-2D1HKB



# MRA4-2D1HLA



# MRA4-2D1HLB

