

WIRING DIAGRAMS

High PROTEC | PROTECTION TECHNOLOGY
MADE SIMPLE

MCDTV4 | Transformer Differential Protection

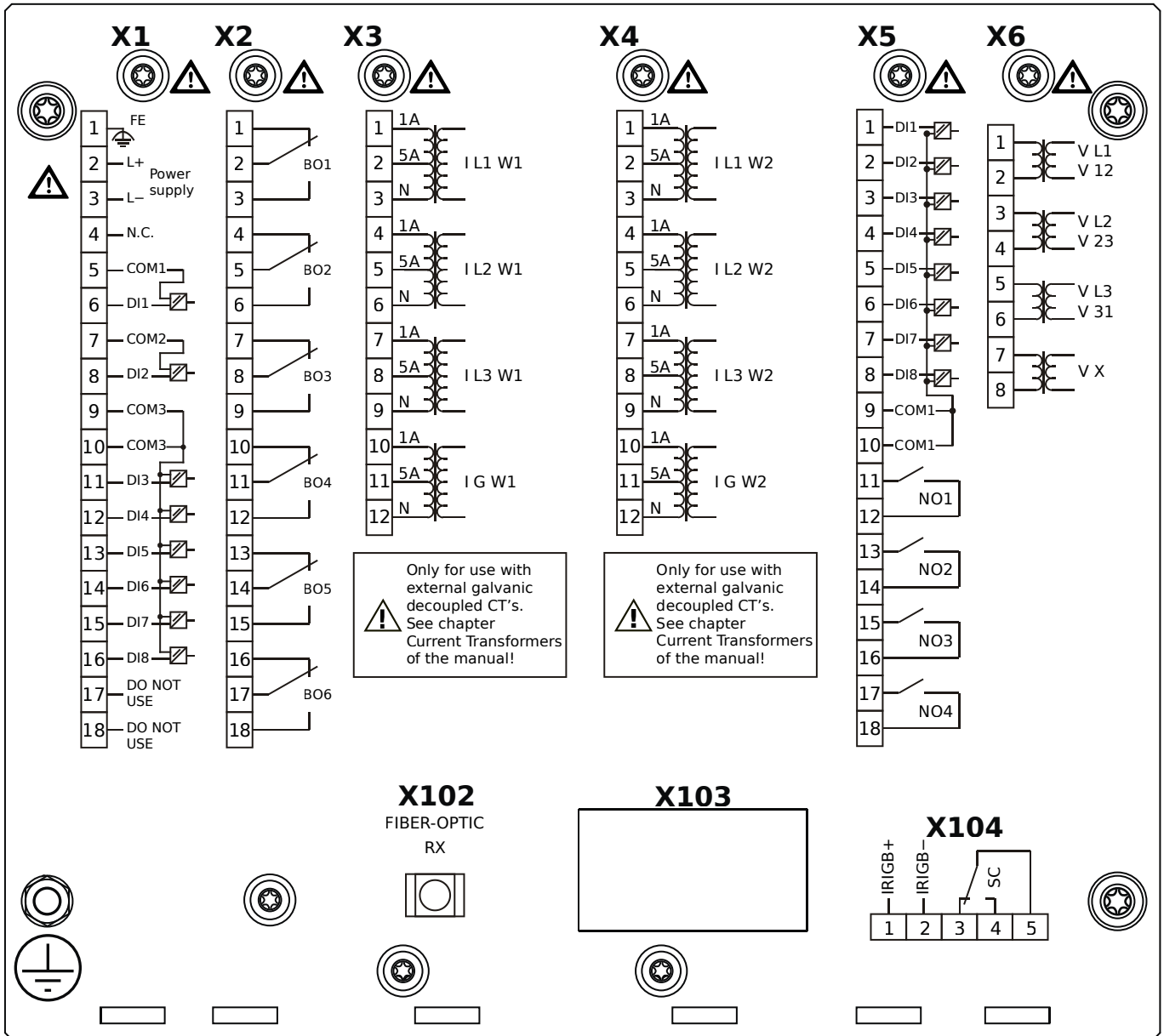
Version: 3.11

Original document

English

This document does not replace the Technical Manual.

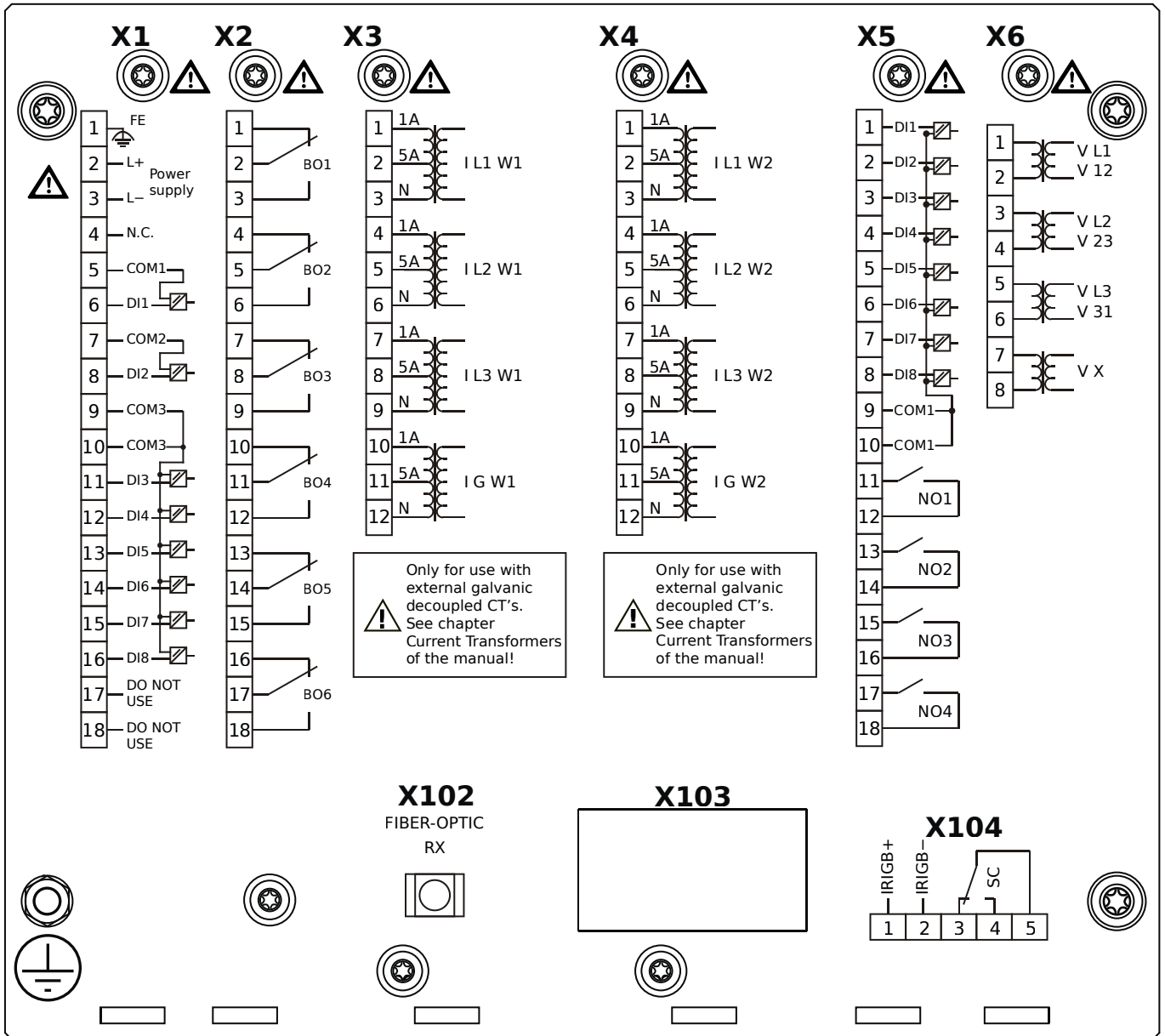
MCDTV4-2A0AAA



Housing B2, large display, door mounting

- X1** – DI8-X1: Wide-range power supply unit, incl. 2 non-grouped digital inputs and 6 grouped digital inputs
- X2** – OR6: Assembly Group with 6 Output Relays (Changeover / Form C)
- X3** – TI: Standard current measuring card (for the winding side 1)
- X4** – TI: Standard current measuring card (for the winding side 2)
- X5** – DI8-OR4: Assembly Group with 8 Digital Inputs and 4 Output Relays (NO / Form A)
- X6** – TU: Card with 4 voltage transformer measuring inputs (0 ... 800 VAC, under UL: 0 ... 600 VAC)
- X102** – Universal Resistance-Temperature Detector (URTD) input, Fiber optics interface, Versatile Link
- X104** – IRIG-B00X, incl. System Contact (Supervision Contact)

MCDTV4-2A0AAB

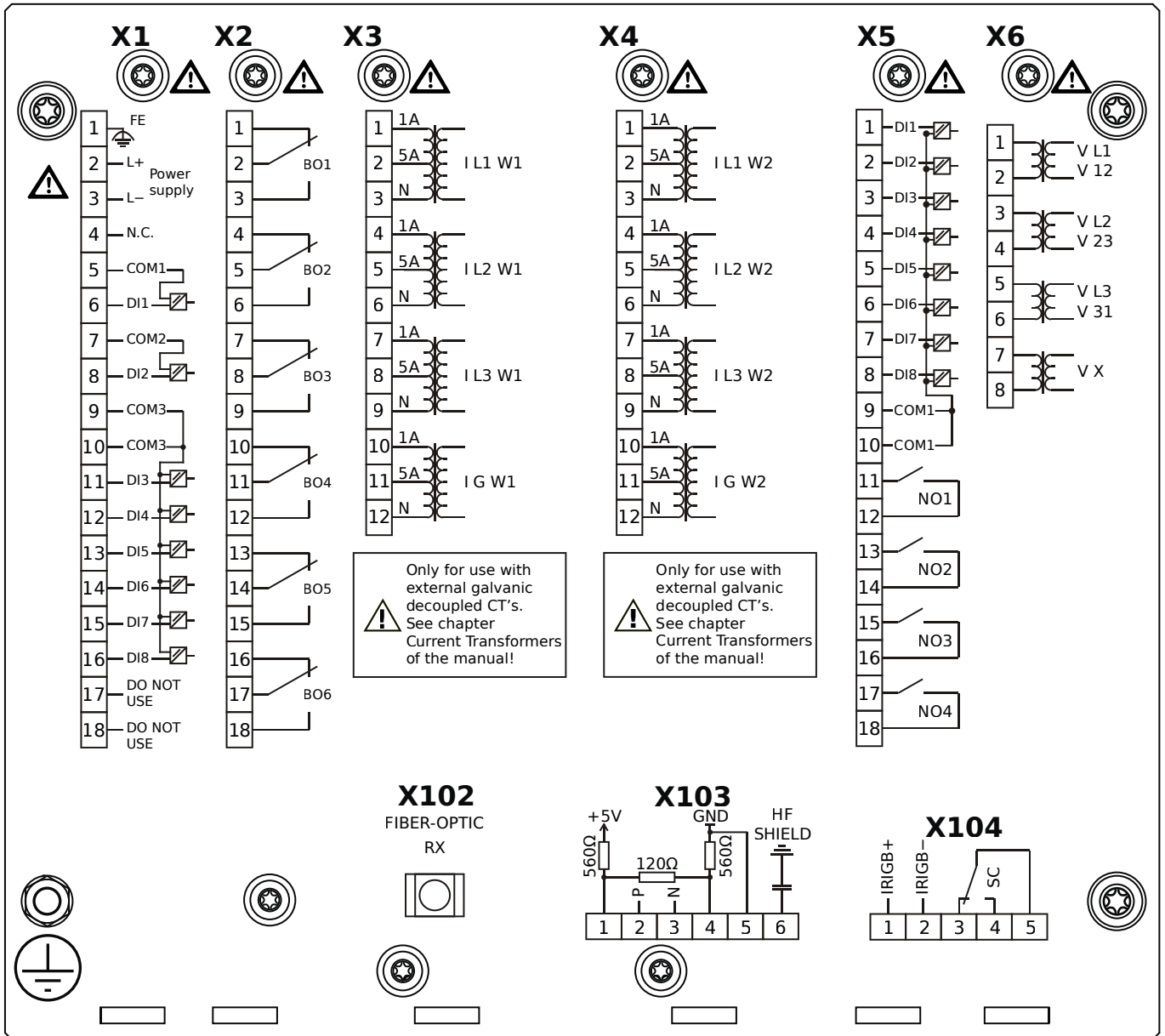


Housing B2, large display, door mounting

+ Conformal Coating (for installations in harsh environment)

- X1** – DI8-X1: Wide-range power supply unit, incl. 2 non-grouped digital inputs and 6 grouped digital inputs
- X2** – OR6: Assembly Group with 6 Output Relays (Changeover / Form C)
- X3** – TI: Standard current measuring card (for the winding side 1)
- X4** – TI: Standard current measuring card (for the winding side 2)
- X5** – DI8-OR4: Assembly Group with 8 Digital Inputs and 4 Output Relays (NO / Form A)
- X6** – TU: Card with 4 voltage transformer measuring inputs (0 ... 800 VAC, under UL: 0 ... 600 VAC)
- X102** – Universal Resistance-Temperature Detector (URTD) input, Fiber optics interface, Versatile Link
- X104** – IRIG-B00X, incl. System Contact (Supervision Contact)

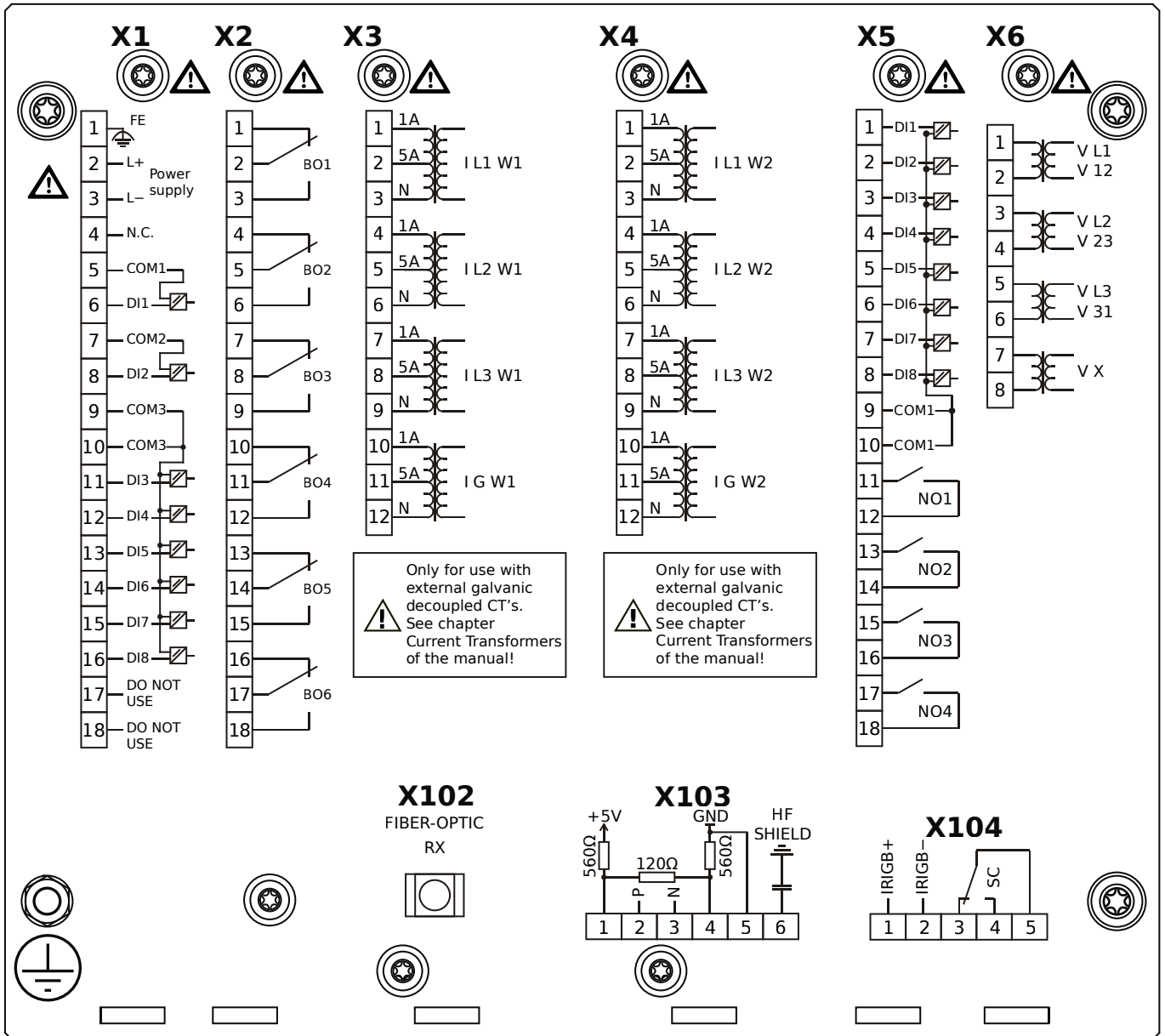
MCDTV4-2A0ABA



Housing B2, large display, door mounting

- X1** – DI8-X1: Wide-range power supply unit, incl. 2 non-grouped digital inputs and 6 grouped digital inputs
- X2** – OR6: Assembly Group with 6 Output Relays (Changeover / Form C)
- X3** – TI: Standard current measuring card (for the winding side 1)
- X4** – TI: Standard current measuring card (for the winding side 2)
- X5** – DI8-OR4: Assembly Group with 8 Digital Inputs and 4 Output Relays (NO / Form A)
- X6** – TU: Card with 4 voltage transformer measuring inputs (0 ... 800 VAC, under UL: 0 ... 600 VAC)
- X102** – Universal Resistance-Temperature Detector (URTD) input, Fiber optics interface, Versatile Link
- X103** – Modbus RTU / IEC 60870-5-103 / DNP3.0 RTU, RS485, Terminals
- X104** – IRIG-B00X, incl. System Contact (Supervision Contact)

MCDTV4-2A0ABB

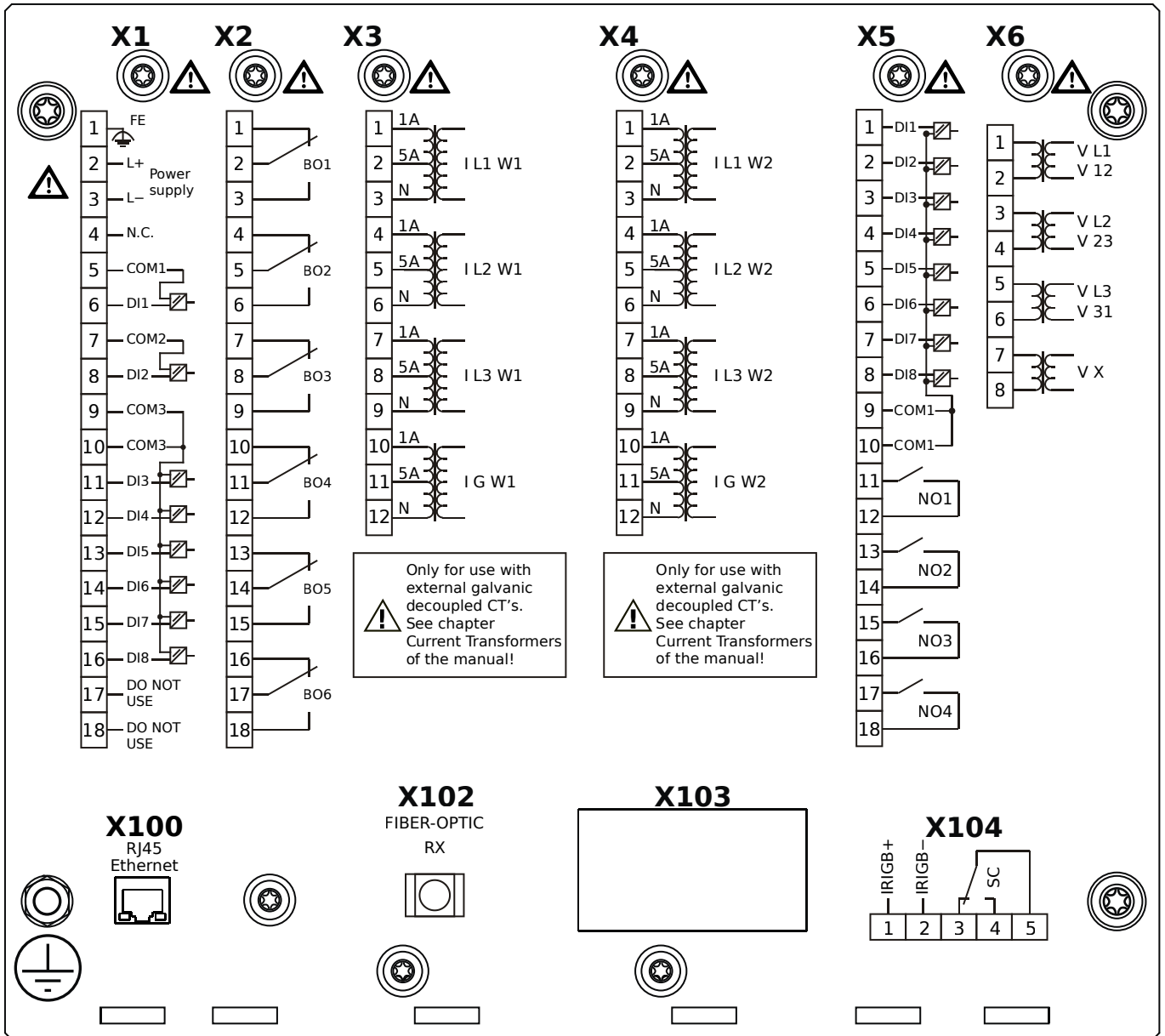


Housing B2, large display, door mounting

- + Conformal Coating (for installations in harsh environment)

- X1** – DI8-X1: Wide-range power supply unit, incl. 2 non-grouped digital inputs and 6 grouped digital inputs
- X2** – OR6: Assembly Group with 6 Output Relays (Changeover / Form C)
- X3** – TI: Standard current measuring card (for the winding side 1)
- X4** – TI: Standard current measuring card (for the winding side 2)
- X5** – DI8-OR4: Assembly Group with 8 Digital Inputs and 4 Output Relays (NO / Form A)
- X6** – TU: Card with 4 voltage transformer measuring inputs (0 ... 800 VAC, under UL: 0 ... 600 VAC)
- X102** – Universal Resistance-Temperature Detector (URTD) input, Fiber optics interface, Versatile Link
- X103** – Modbus RTU / IEC 60870-5-103 / DNP3.0 RTU, RS485, Terminals
- X104** – IRIG-B00X, incl. System Contact (Supervision Contact)

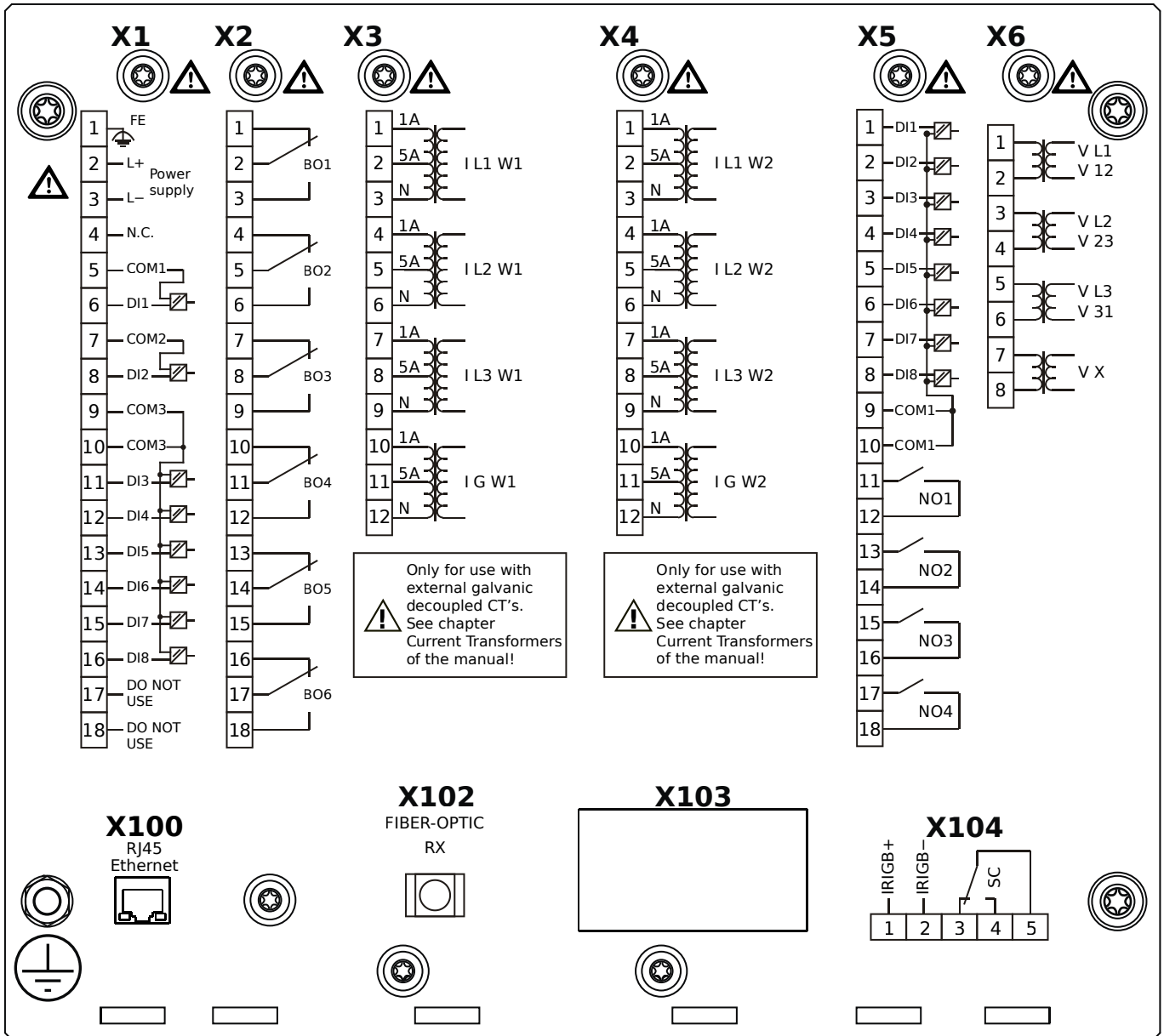
MCDTV4-2A0ACA



Housing B2, large display, door mounting

- X1** – DI8-X1: Wide-range power supply unit, incl. 2 non-grouped digital inputs and 6 grouped digital inputs
- X2** – OR6: Assembly Group with 6 Output Relays (Changeover / Form C)
- X3** – TI: Standard current measuring card (for the winding side 1)
- X4** – TI: Standard current measuring card (for the winding side 2)
- X5** – DI8-OR4: Assembly Group with 8 Digital Inputs and 4 Output Relays (NO / Form A)
- X6** – TU: Card with 4 voltage transformer measuring inputs (0 ... 800 VAC, under UL: 0 ... 600 VAC)
- X100** – Modbus TCP / IEC 60870-5-104 / DNP3.0 TCP/UDP, Ethernet interface, 100 Mbit/s, RJ45 (BASE100-FX)
- X102** – Universal Resistance-Temperature Detector (URTD) input, Fiber optics interface, Versatile Link
- X104** – IRIG-B00X, incl. System Contact (Supervision Contact)

MCDTV4-2A0ACB

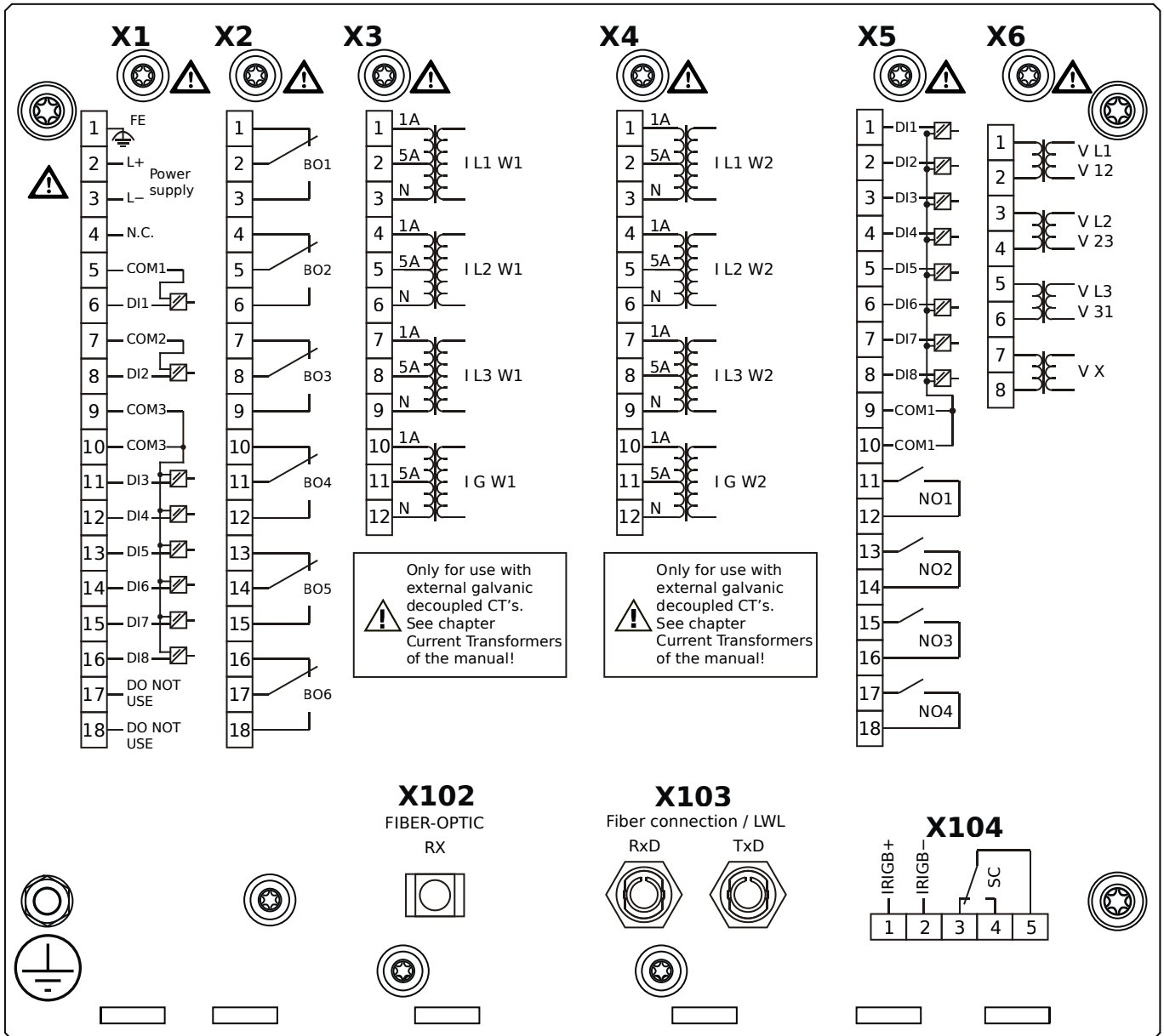


Housing B2, large display, door mounting

+ Conformal Coating (for installations in harsh environment)

- X1** – DI8-X1: Wide-range power supply unit, incl. 2 non-grouped digital inputs and 6 grouped digital inputs
- X2** – OR6: Assembly Group with 6 Output Relays (Changeover / Form C)
- X3** – TI: Standard current measuring card (for the winding side 1)
- X4** – TI: Standard current measuring card (for the winding side 2)
- X5** – DI8-OR4: Assembly Group with 8 Digital Inputs and 4 Output Relays (NO / Form A)
- X6** – TU: Card with 4 voltage transformer measuring inputs (0 ... 800 VAC, under UL: 0 ... 600 VAC)
- X100** – Modbus TCP / IEC 60870-5-104 / DNP3.0 TCP/UDP, Ethernet interface, 100 Mbit/s, RJ45 (BASE100-FX)
- X102** – Universal Resistance-Temperature Detector (URTD) input, Fiber optics interface, Versatile Link
- X104** – IRIG-B00X, incl. System Contact (Supervision Contact)

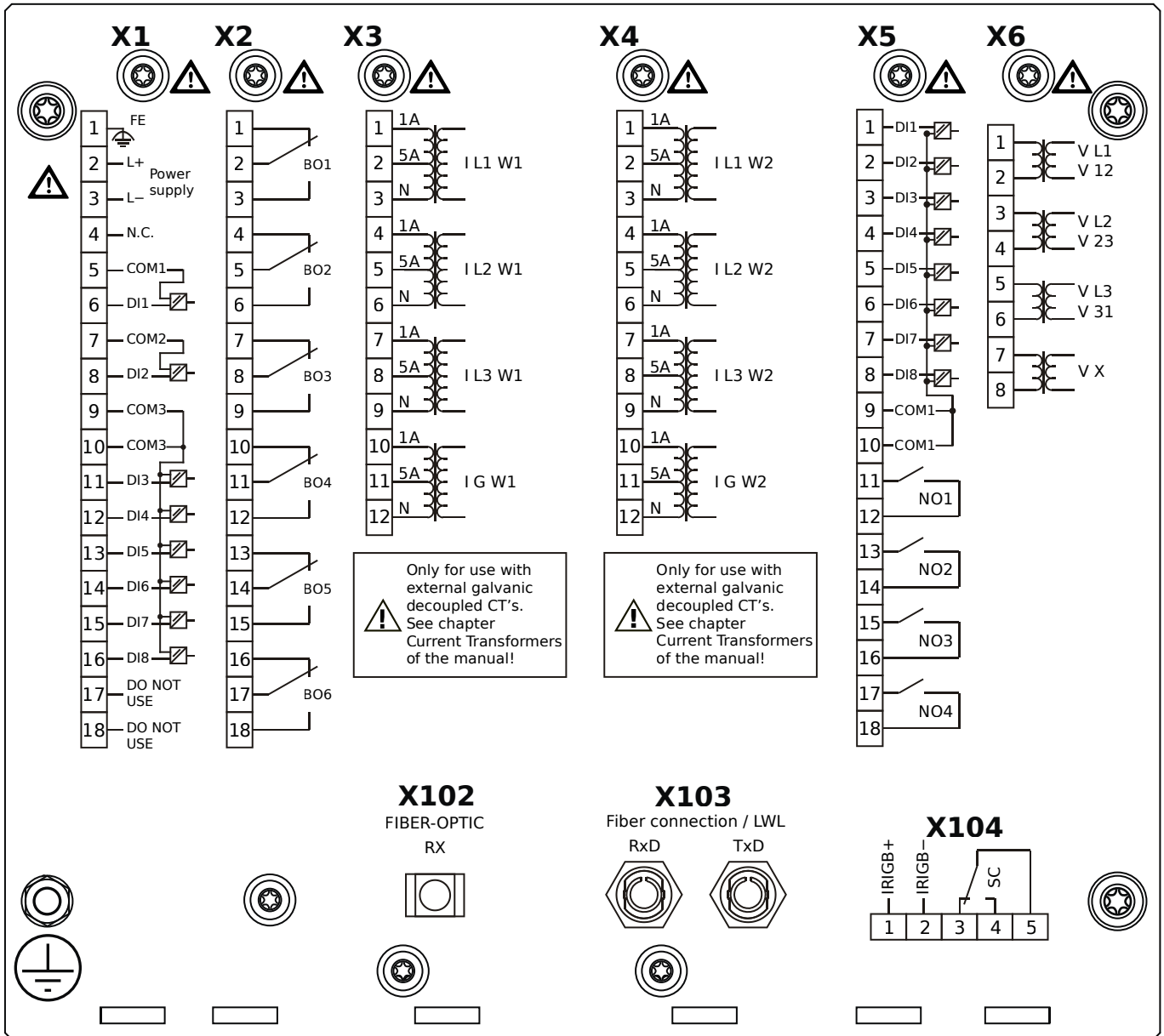
MCDTV4-2A0ADA



Housing B2, large display, door mounting

- X1** – DI8-X1: Wide-range power supply unit, incl. 2 non-grouped digital inputs and 6 grouped digital inputs
- X2** – OR6: Assembly Group with 6 Output Relays (Changeover / Form C)
- X3** – TI: Standard current measuring card (for the winding side 1)
- X4** – TI: Standard current measuring card (for the winding side 2)
- X5** – DI8-OR4: Assembly Group with 8 Digital Inputs and 4 Output Relays (NO / Form A)
- X6** – TU: Card with 4 voltage transformer measuring inputs (0 ... 800 VAC, under UL: 0 ... 600 VAC)
- X102** – Universal Resistance-Temperature Detector (URTD) input, Fiber optics interface, Versatile Link
- X103** – Profibus-DP, Fiber optics interface, ST Connector
- X104** – IRIG-B00X, incl. System Contact (Supervision Contact)

MCDTV4-2A0ADB

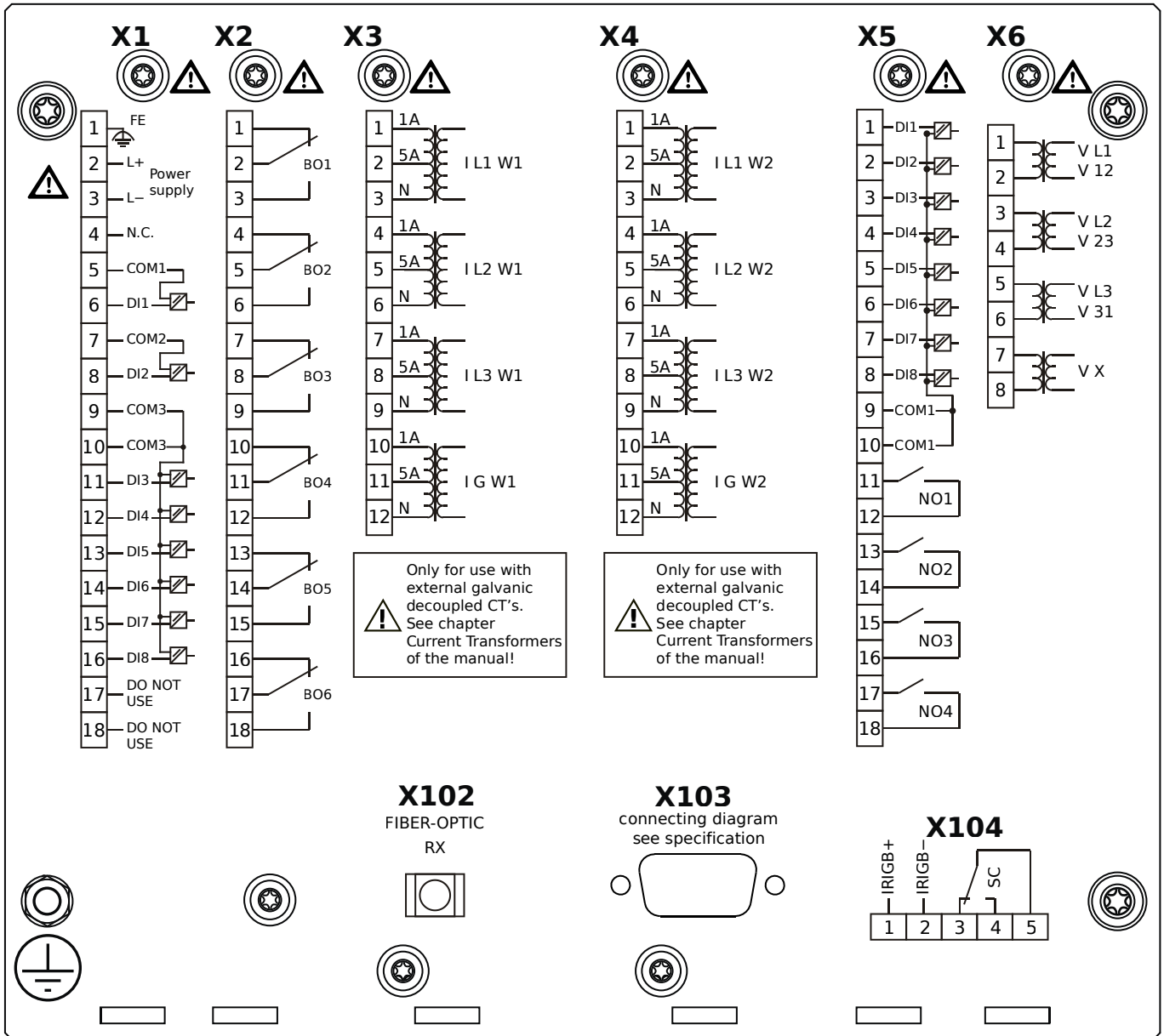


Housing B2, large display, door mounting

+ Conformal Coating (for installations in harsh environment)

- X1** – DI8-X1: Wide-range power supply unit, incl. 2 non-grouped digital inputs and 6 grouped digital inputs
- X2** – OR6: Assembly Group with 6 Output Relays (Changeover / Form C)
- X3** – TI: Standard current measuring card (for the winding side 1)
- X4** – TI: Standard current measuring card (for the winding side 2)
- X5** – DI8-OR4: Assembly Group with 8 Digital Inputs and 4 Output Relays (NO / Form A)
- X6** – TU: Card with 4 voltage transformer measuring inputs (0 ... 800 VAC, under UL: 0 ... 600 VAC)
- X102** – Universal Resistance-Temperature Detector (URTD) input, Fiber optics interface, Versatile Link
- X103** – Profibus-DP, Fiber optics interface, ST Connector
- X104** – IRIG-B00X, incl. System Contact (Supervision Contact)

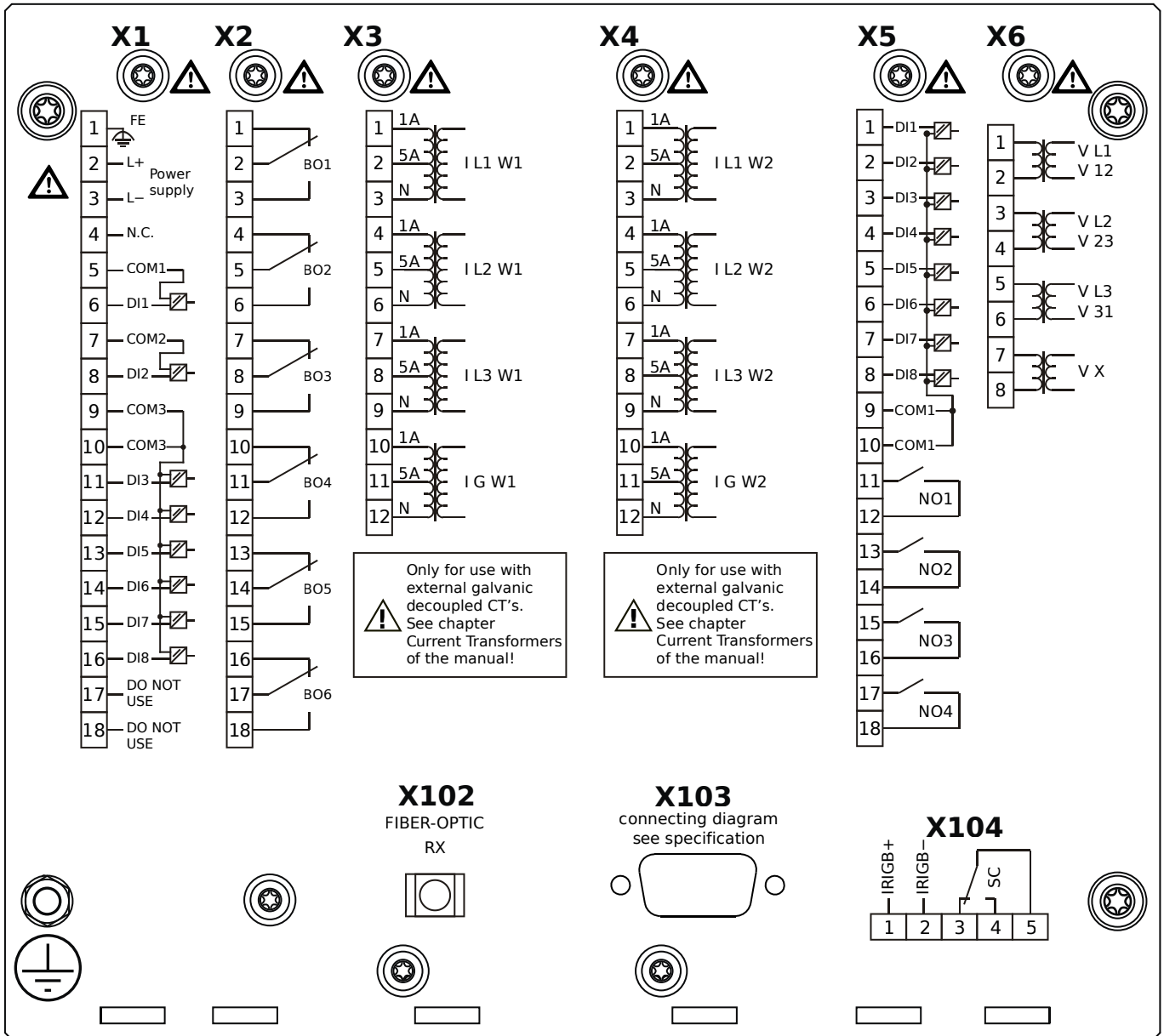
MCDTV4-2A0AEA



Housing B2, large display, door mounting

- X1** – DI8-X1: Wide-range power supply unit, incl. 2 non-grouped digital inputs and 6 grouped digital inputs
- X2** – OR6: Assembly Group with 6 Output Relays (Changeover / Form C)
- X3** – TI: Standard current measuring card (for the winding side 1)
- X4** – TI: Standard current measuring card (for the winding side 2)
- X5** – DI8-OR4: Assembly Group with 8 Digital Inputs and 4 Output Relays (NO / Form A)
- X6** – TU: Card with 4 voltage transformer measuring inputs (0 ... 800 VAC, under UL: 0 ... 600 VAC)
- X102** – Universal Resistance-Temperature Detector (URTD) input, Fiber optics interface, Versatile Link
- X103** – Profibus-DP, RS485, D-SUB
- X104** – IRIG-B00X, incl. System Contact (Supervision Contact)

MCDTV4-2A0AEB

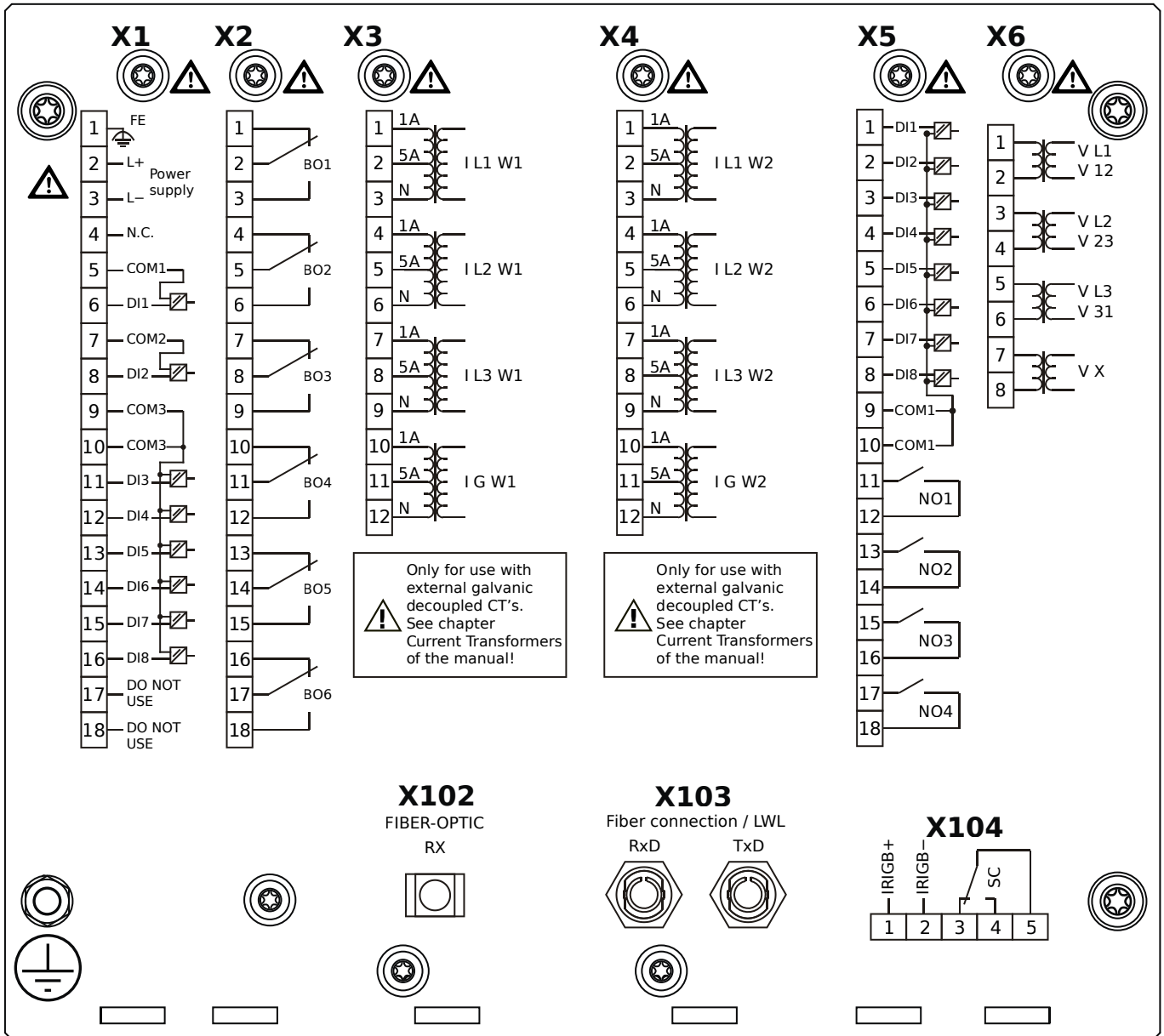


Housing B2, large display, door mounting

- + Conformal Coating (for installations in harsh environment)

- X1** – DI8-X1: Wide-range power supply unit, incl. 2 non-grouped digital inputs and 6 grouped digital inputs
- X2** – OR6: Assembly Group with 6 Output Relays (Changeover / Form C)
- X3** – TI: Standard current measuring card (for the winding side 1)
- X4** – TI: Standard current measuring card (for the winding side 2)
- X5** – DI8-OR4: Assembly Group with 8 Digital Inputs and 4 Output Relays (NO / Form A)
- X6** – TU: Card with 4 voltage transformer measuring inputs (0 ... 800 VAC, under UL: 0 ... 600 VAC)
- X102** – Universal Resistance-Temperature Detector (URTD) input, Fiber optics interface, Versatile Link
- X103** – Profibus-DP, RS485, D-SUB
- X104** – IRIG-B00X, incl. System Contact (Supervision Contact)

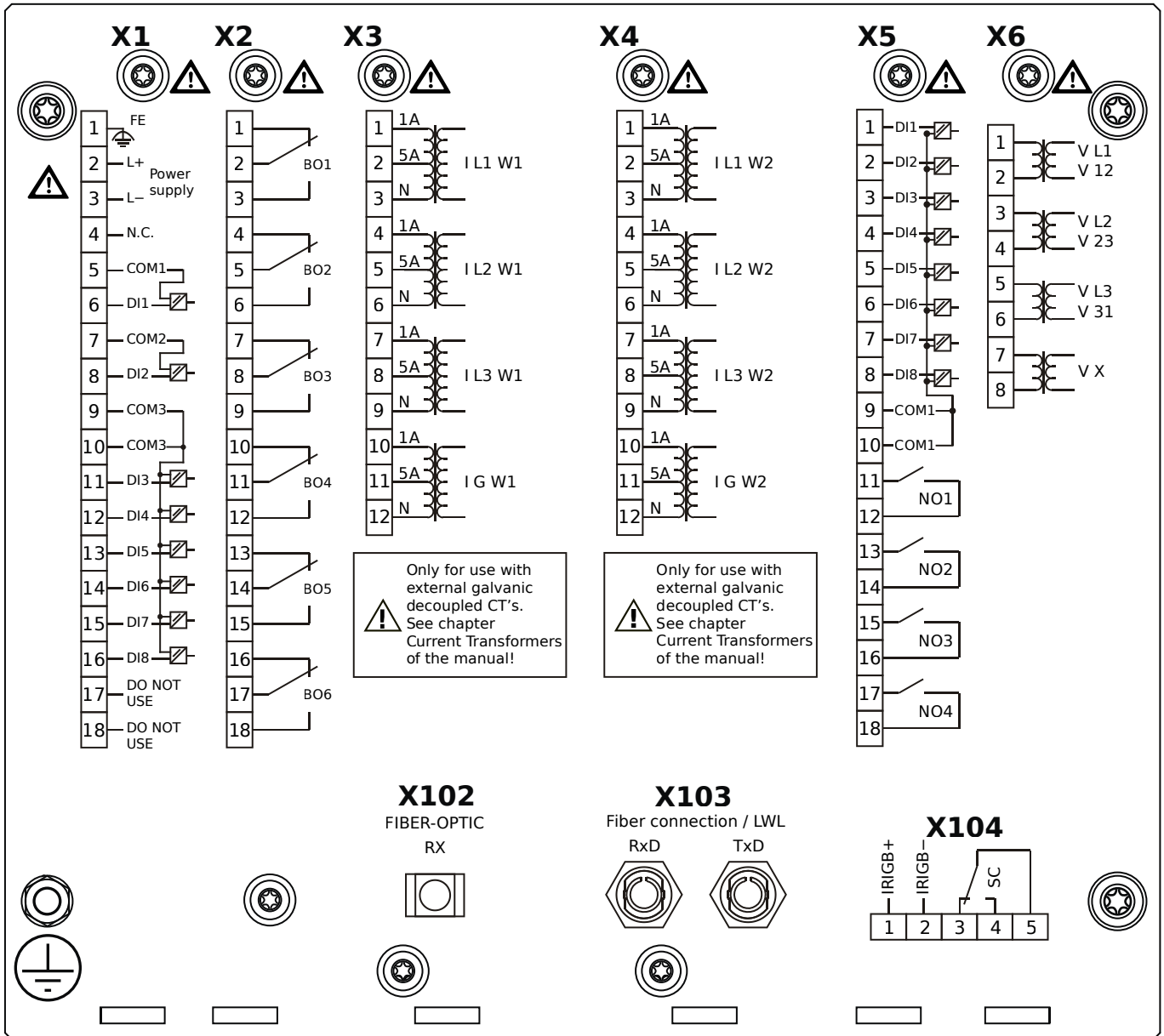
MCDTV4-2A0AFA



Housing B2, large display, door mounting

- X1** – DI8-X1: Wide-range power supply unit, incl. 2 non-grouped digital inputs and 6 grouped digital inputs
- X2** – OR6: Assembly Group with 6 Output Relays (Changeover / Form C)
- X3** – TI: Standard current measuring card (for the winding side 1)
- X4** – TI: Standard current measuring card (for the winding side 2)
- X5** – DI8-OR4: Assembly Group with 8 Digital Inputs and 4 Output Relays (NO / Form A)
- X6** – TU: Card with 4 voltage transformer measuring inputs (0 ... 800 VAC, under UL: 0 ... 600 VAC)
- X102** – Universal Resistance-Temperature Detector (URTD) input, Fiber optics interface, Versatile Link
- X103** – Modbus RTU / IEC 60870-5-103 / DNP3.0 RTU, Fiber optics interface, ST Connector
- X104** – IRIG-B00X, incl. System Contact (Supervision Contact)

MCDTV4-2A0AFB

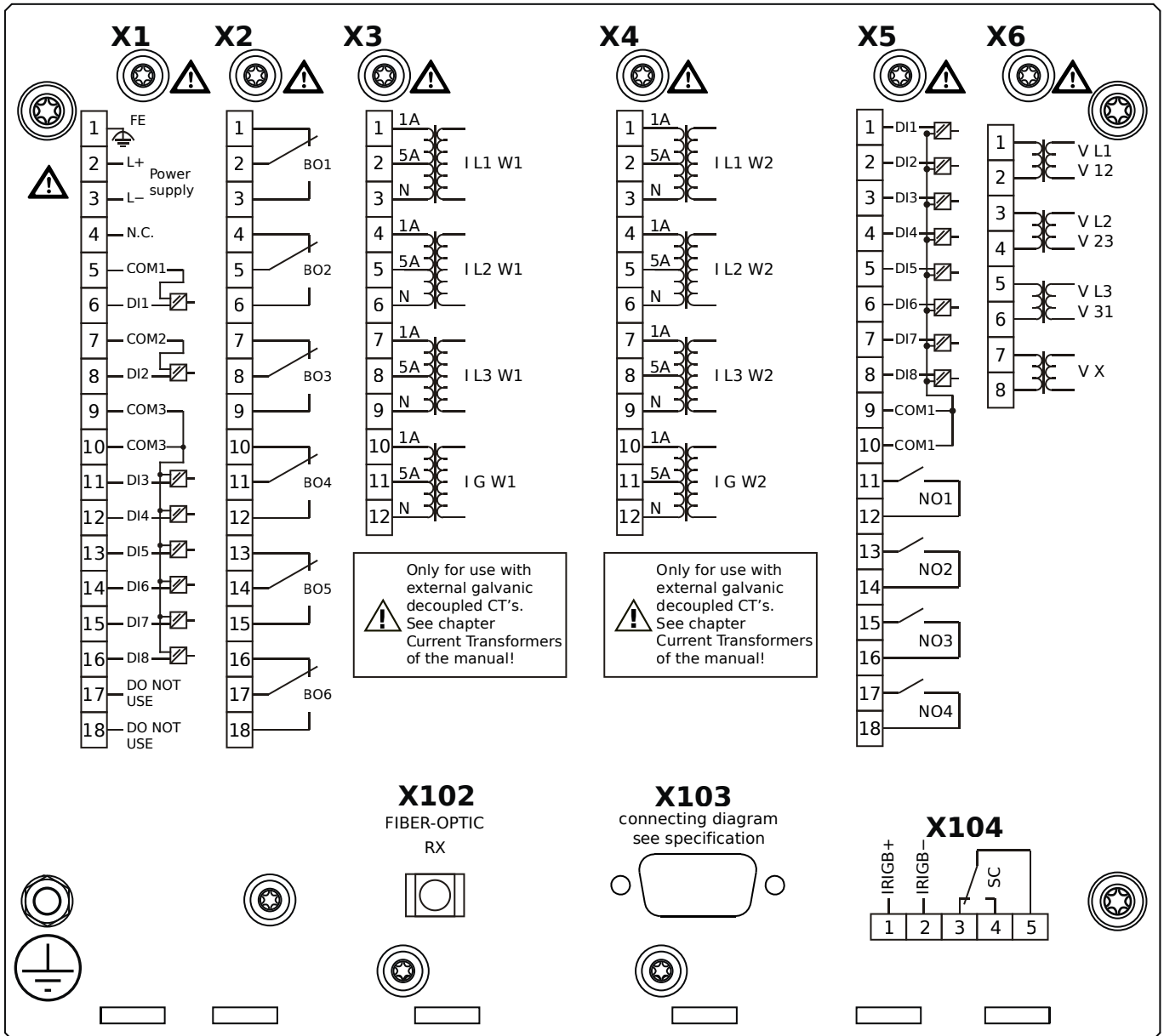


Housing B2, large display, door mounting

+ Conformal Coating (for installations in harsh environment)

- X1** – DI8-X1: Wide-range power supply unit, incl. 2 non-grouped digital inputs and 6 grouped digital inputs
- X2** – OR6: Assembly Group with 6 Output Relays (Changeover / Form C)
- X3** – TI: Standard current measuring card (for the winding side 1)
- X4** – TI: Standard current measuring card (for the winding side 2)
- X5** – DI8-OR4: Assembly Group with 8 Digital Inputs and 4 Output Relays (NO / Form A)
- X6** – TU: Card with 4 voltage transformer measuring inputs (0 ... 800 VAC, under UL: 0 ... 600 VAC)
- X102** – Universal Resistance-Temperature Detector (URTD) input, Fiber optics interface, Versatile Link
- X103** – Modbus RTU / IEC 60870-5-103 / DNP3.0 RTU, Fiber optics interface, ST Connector
- X104** – IRIG-B00X, incl. System Contact (Supervision Contact)

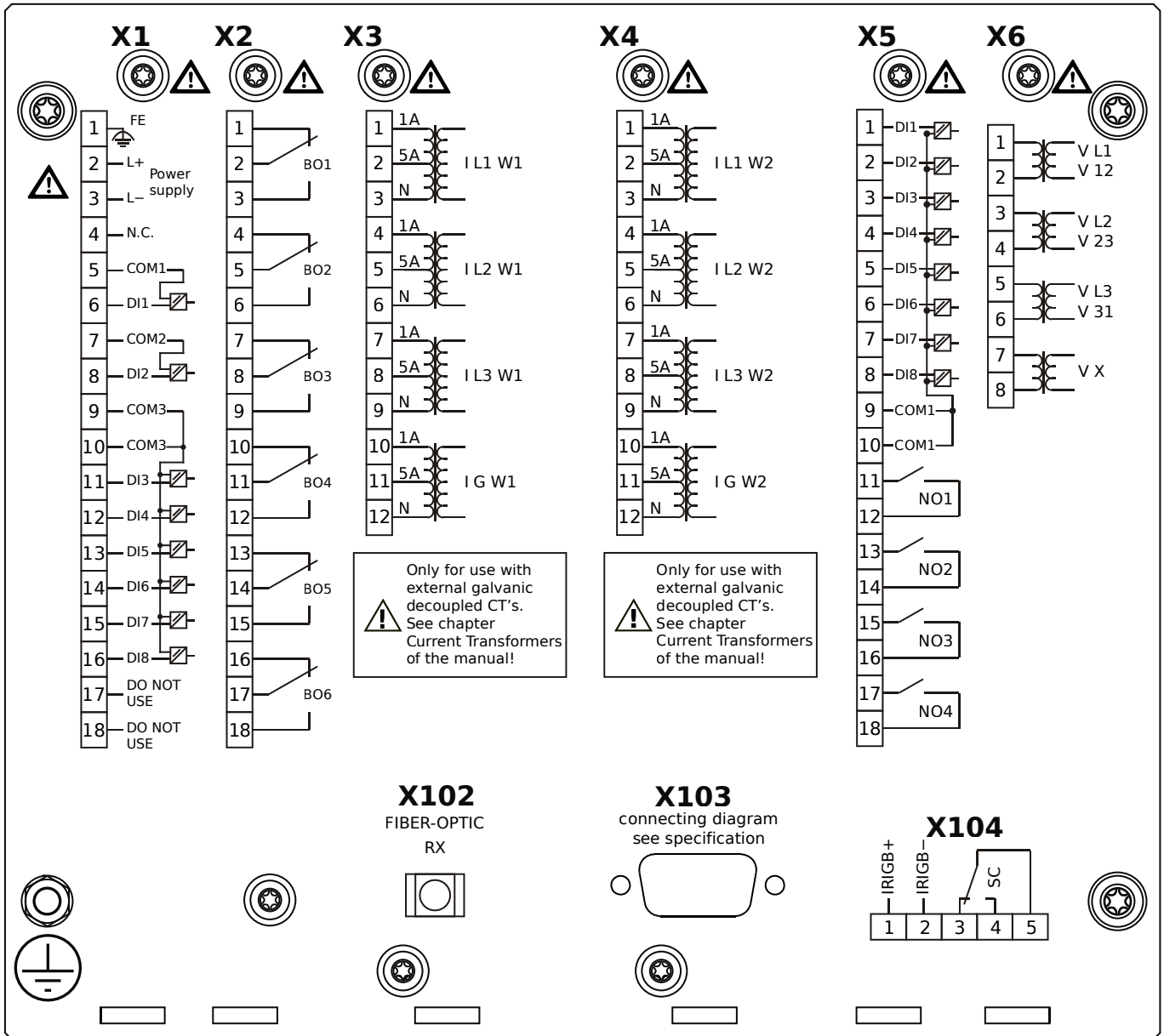
MCDTV4-2A0AGA



Housing B2, large display, door mounting

- X1** – DI8-X1: Wide-range power supply unit, incl. 2 non-grouped digital inputs and 6 grouped digital inputs
- X2** – OR6: Assembly Group with 6 Output Relays (Changeover / Form C)
- X3** – TI: Standard current measuring card (for the winding side 1)
- X4** – TI: Standard current measuring card (for the winding side 2)
- X5** – DI8-OR4: Assembly Group with 8 Digital Inputs and 4 Output Relays (NO / Form A)
- X6** – TU: Card with 4 voltage transformer measuring inputs (0 ... 800 VAC, under UL: 0 ... 600 VAC)
- X102** – Universal Resistance-Temperature Detector (URTD) input, Fiber optics interface, Versatile Link
- X103** – Modbus RTU / IEC 60870-5-103 / DNP3.0 RTU, RS485, D-SUB
- X104** – IRIG-B00X, incl. System Contact (Supervision Contact)

MCDTV4-2A0AGB

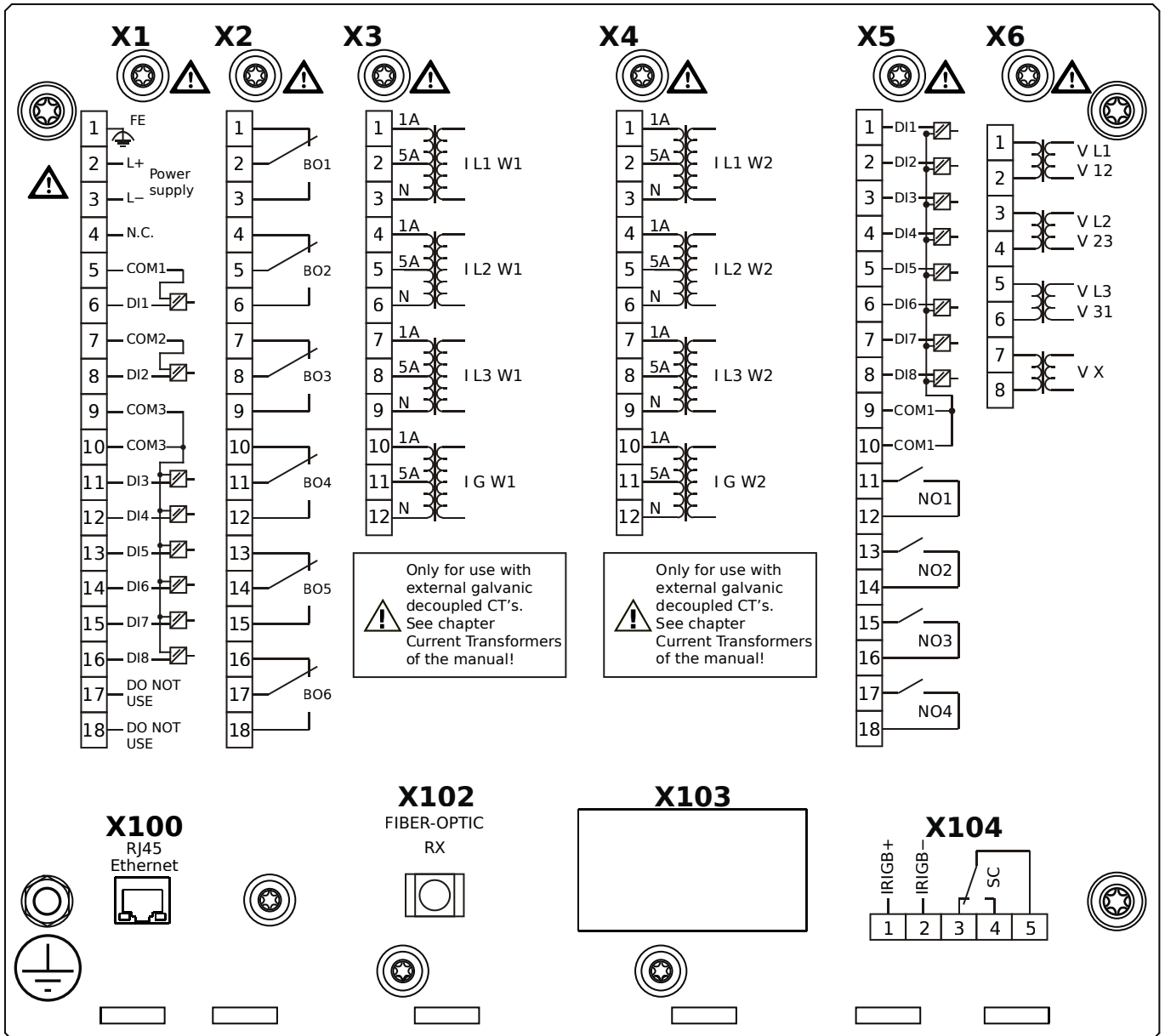


Housing B2, large display, door mounting

+ Conformal Coating (for installations in harsh environment)

- X1** – DI8-X1: Wide-range power supply unit, incl. 2 non-grouped digital inputs and 6 grouped digital inputs
- X2** – OR6: Assembly Group with 6 Output Relays (Changeover / Form C)
- X3** – TI: Standard current measuring card (for the winding side 1)
- X4** – TI: Standard current measuring card (for the winding side 2)
- X5** – DI8-OR4: Assembly Group with 8 Digital Inputs and 4 Output Relays (NO / Form A)
- X6** – TU: Card with 4 voltage transformer measuring inputs (0 ... 800 VAC, under UL: 0 ... 600 VAC)
- X102** – Universal Resistance-Temperature Detector (URTD) input, Fiber optics interface, Versatile Link
- X103** – Modbus RTU / IEC 60870-5-103 / DNP3.0 RTU, RS485, D-SUB
- X104** – IRIG-B00X, incl. System Contact (Supervision Contact)

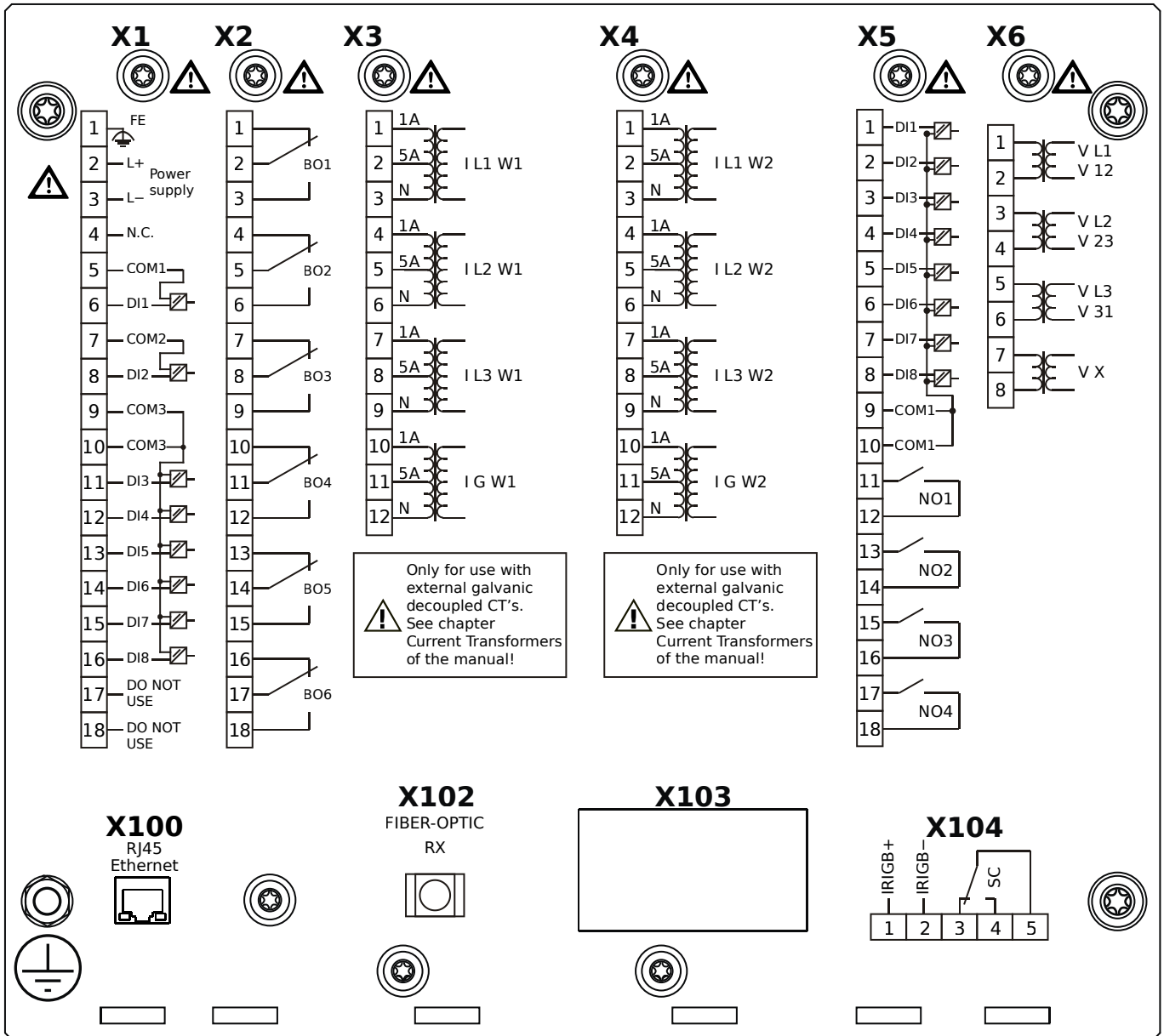
MCDTV4-2A0AHA



Housing B2, large display, door mounting

- X1** – DI8-X1: Wide-range power supply unit, incl. 2 non-grouped digital inputs and 6 grouped digital inputs
- X2** – OR6: Assembly Group with 6 Output Relays (Changeover / Form C)
- X3** – TI: Standard current measuring card (for the winding side 1)
- X4** – TI: Standard current measuring card (for the winding side 2)
- X5** – DI8-OR4: Assembly Group with 8 Digital Inputs and 4 Output Relays (NO / Form A)
- X6** – TU: Card with 4 voltage transformer measuring inputs (0 ... 800 VAC, under UL: 0 ... 600 VAC)
- X100** – IEC 61850 / Modbus TCP / IEC 60870-5-104 / DNP3.0 TCP/UDP, Ethernet interface, 100 Mbit/s, RJ45 (BASE100-FX)
- X102** – Universal Resistance-Temperature Detector (URTD) input, Fiber optics interface, Versatile Link
- X104** – IIRIG-B00X, incl. System Contact (Supervision Contact)

MCDTV4-2A0AHB

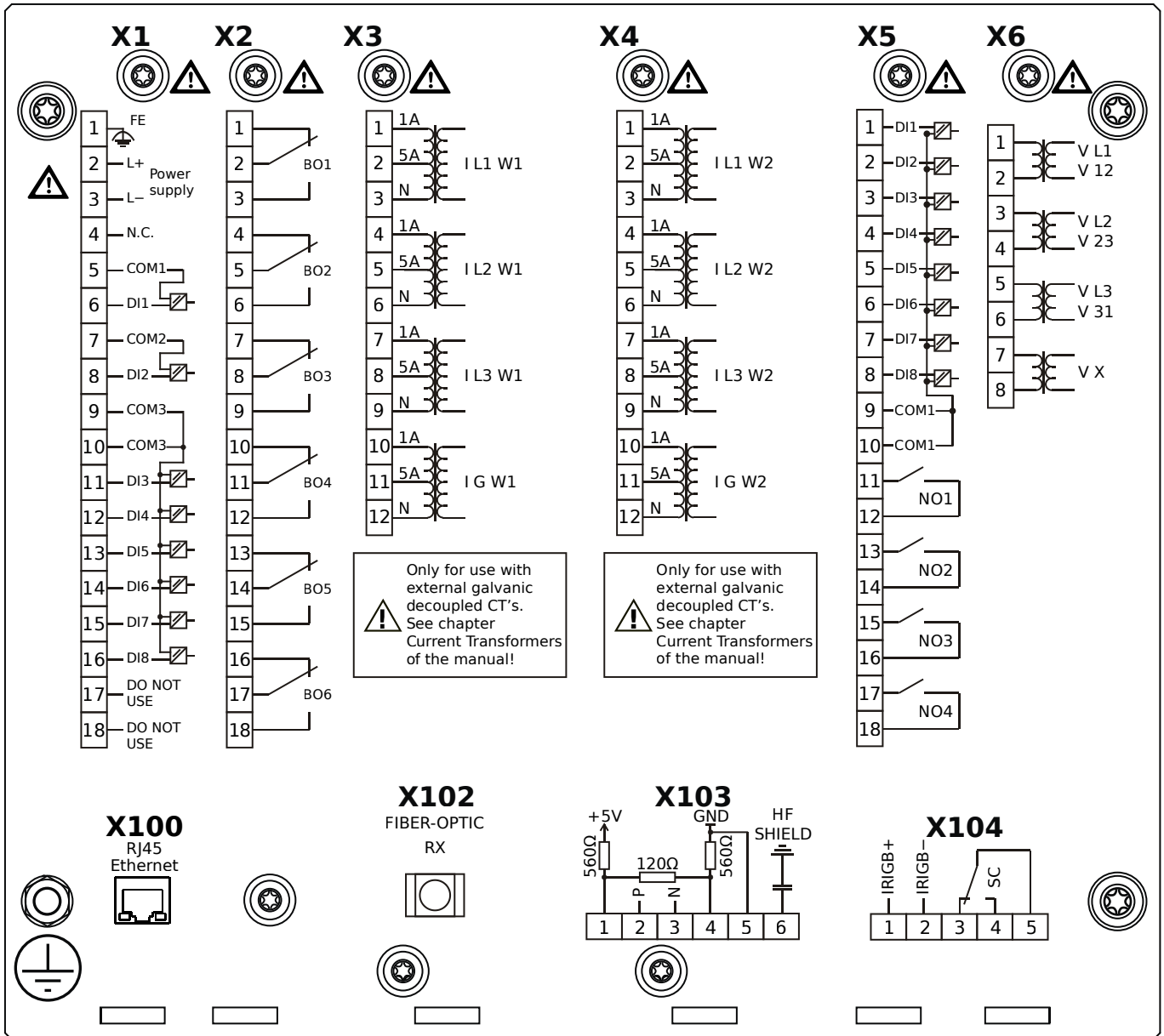


Housing B2, large display, door mounting

+ Conformal Coating (for installations in harsh environment)

- X1** – DI8-X1: Wide-range power supply unit, incl. 2 non-grouped digital inputs and 6 grouped digital inputs
- X2** – OR6: Assembly Group with 6 Output Relays (Changeover / Form C)
- X3** – TI: Standard current measuring card (for the winding side 1)
- X4** – TI: Standard current measuring card (for the winding side 2)
- X5** – DI8-OR4: Assembly Group with 8 Digital Inputs and 4 Output Relays (NO / Form A)
- X6** – TU: Card with 4 voltage transformer measuring inputs (0 ... 800 VAC, under UL: 0 ... 600 VAC)
- X100** – IEC 61850 / Modbus TCP / IEC 60870-5-104 / DNP3.0 TCP/UDP, Ethernet interface, 100 Mbit/s, RJ45 (BASE100-FX)
- X102** – Universal Resistance-Temperature Detector (URTD) input, Fiber optics interface, Versatile Link
- X104** – IRIG-B00X, incl. System Contact (Supervision Contact)

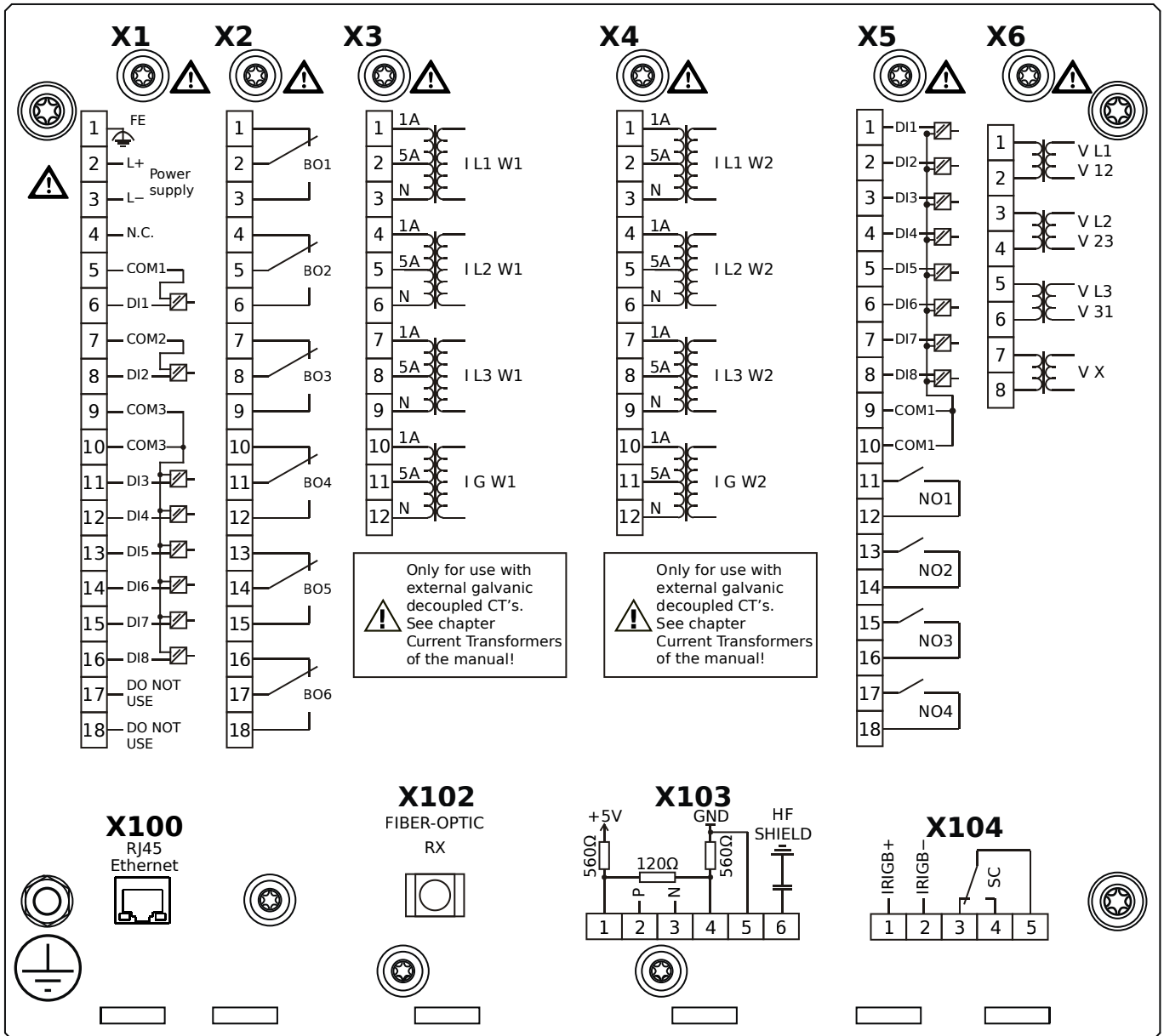
MCDTV4-2A0AIA



Housing B2, large display, door mounting

- X1** – DI8-X1: Wide-range power supply unit, incl. 2 non-grouped digital inputs and 6 grouped digital inputs
- X2** – OR6: Assembly Group with 6 Output Relays (Changeover / Form C)
- X3** – TI: Standard current measuring card (for the winding side 1)
- X4** – TI: Standard current measuring card (for the winding side 2)
- X5** – DI8-OR4: Assembly Group with 8 Digital Inputs and 4 Output Relays (NO / Form A)
- X6** – TU: Card with 4 voltage transformer measuring inputs (0 ... 800 VAC, under UL: 0 ... 600 VAC)
- X100** – Modbus TCP / IEC 60870-5-104 / DNP3.0 TCP/UDP, Ethernet interface, 100 Mbit/s, RJ45 (BASE100-FX)
- X102** – Universal Resistance-Temperature Detector (URTD) input, Fiber optics interface, Versatile Link
- X103** – IEC 60870-5-103 / Modbus RTU / DNP3.0 RTU, RS485, Terminals
- X104** – IRIG-B00X, incl. System Contact (Supervision Contact)

MCDTV4-2A0AIB

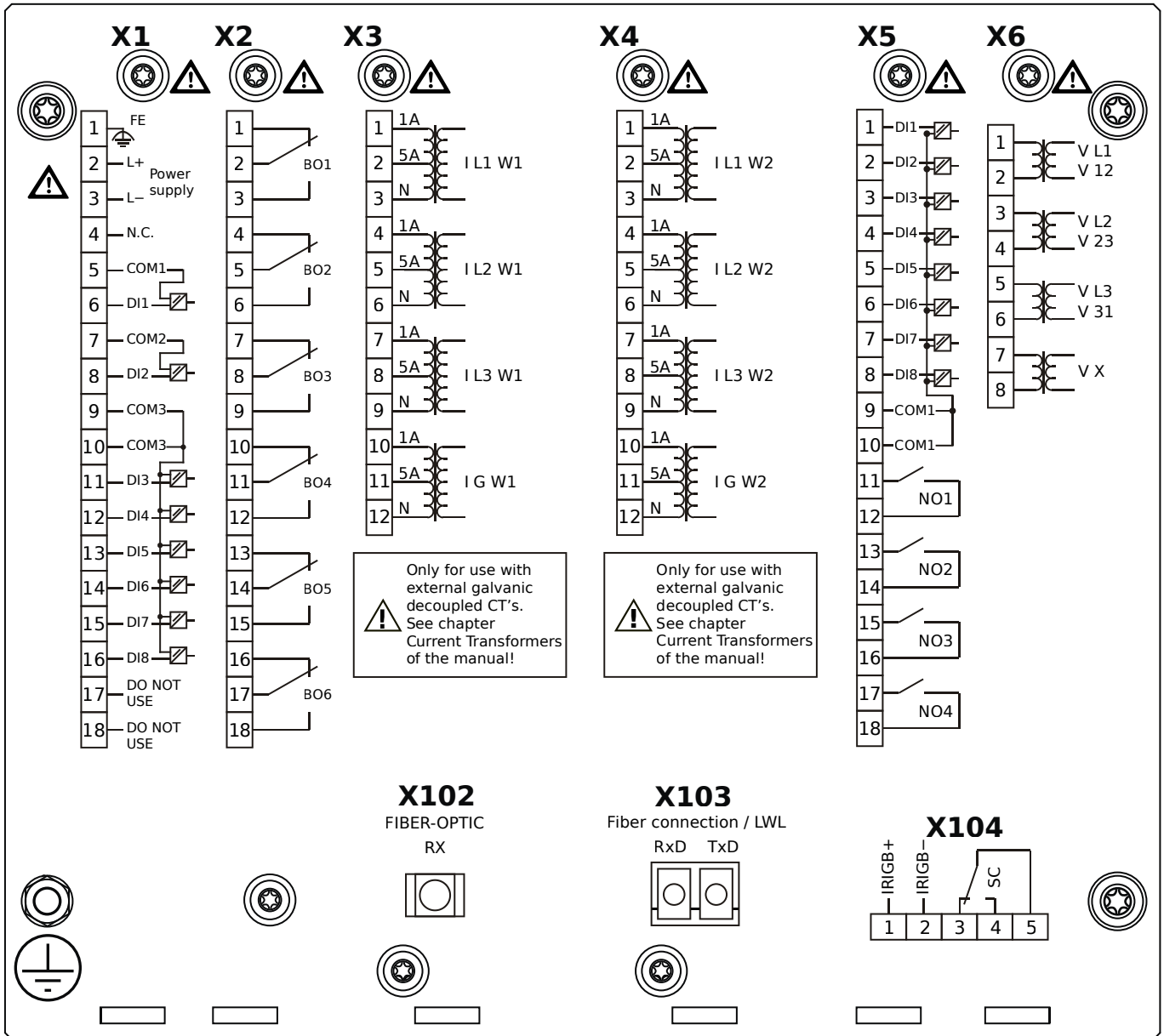


Housing B2, large display, door mounting

+ Conformal Coating (for installations in harsh environment)

- X1** – DI8-X1: Wide-range power supply unit, incl. 2 non-grouped digital inputs and 6 grouped digital inputs
- X2** – OR6: Assembly Group with 6 Output Relays (Changeover / Form C)
- X3** – TI: Standard current measuring card (for the winding side 1)
- X4** – TI: Standard current measuring card (for the winding side 2)
- X5** – DI8-OR4: Assembly Group with 8 Digital Inputs and 4 Output Relays (NO / Form A)
- X6** – TU: Card with 4 voltage transformer measuring inputs (0 ... 800 VAC, under UL: 0 ... 600 VAC)
- X100** – Modbus TCP / IEC 60870-5-104 / DNP3.0 TCP/UDP, Ethernet interface, 100 Mbit/s, RJ45 (BASE100-FX)
- X102** – Universal Resistance-Temperature Detector (URTD) input, Fiber optics interface, Versatile Link
- X103** – IEC 60870-5-103 / Modbus RTU / DNP3.0 RTU, RS485, Terminals
- X104** – IRIG-B00X, incl. System Contact (Supervision Contact)

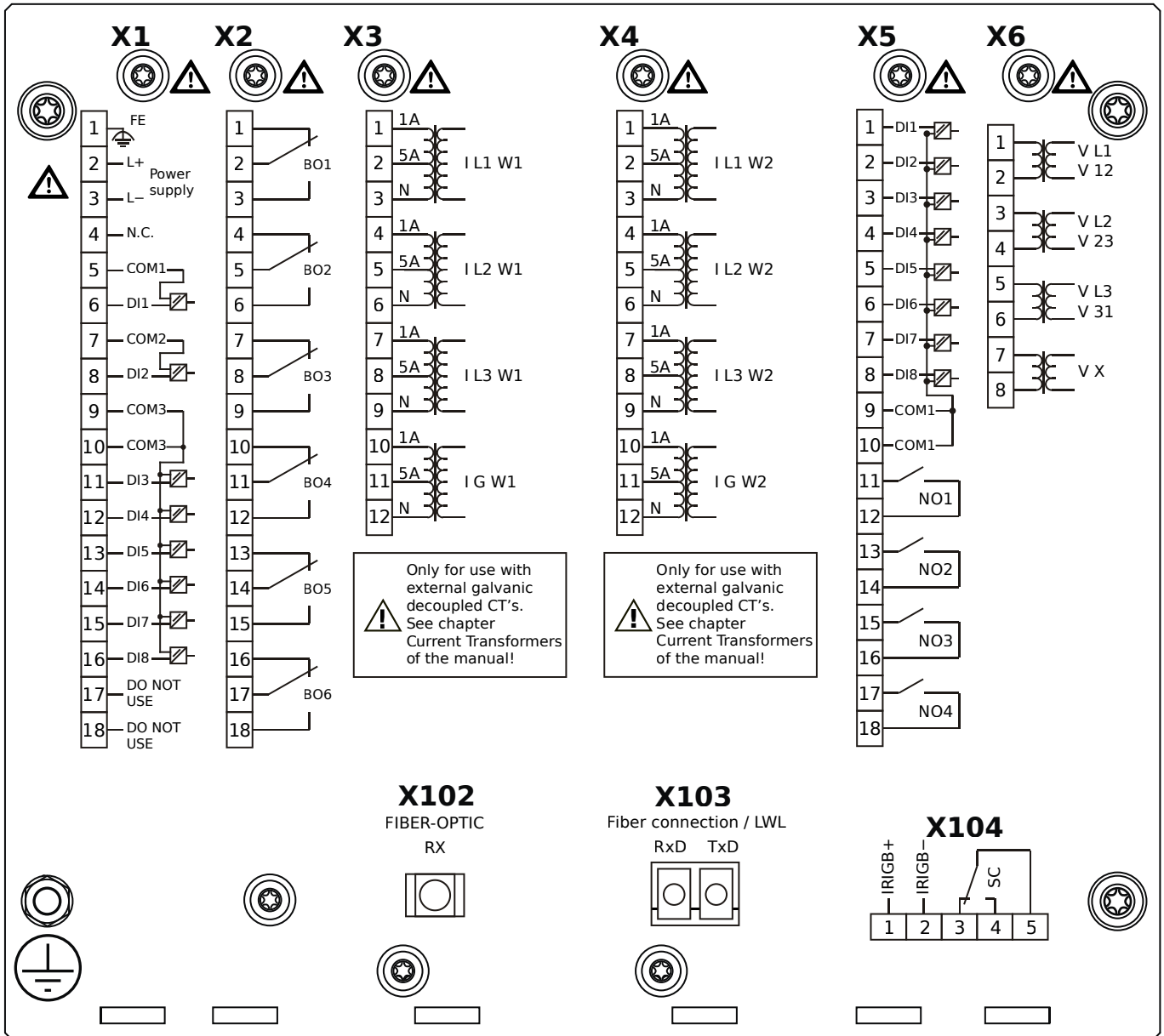
MCDTV4-2A0AKA



Housing B2, large display, door mounting

- X1** – DI8-X1: Wide-range power supply unit, incl. 2 non-grouped digital inputs and 6 grouped digital inputs
- X2** – OR6: Assembly Group with 6 Output Relays (Changeover / Form C)
- X3** – TI: Standard current measuring card (for the winding side 1)
- X4** – TI: Standard current measuring card (for the winding side 2)
- X5** – DI8-OR4: Assembly Group with 8 Digital Inputs and 4 Output Relays (NO / Form A)
- X6** – TU: Card with 4 voltage transformer measuring inputs (0 ... 800 VAC, under UL: 0 ... 600 VAC)
- X102** – Universal Resistance-Temperature Detector (URTD) input, Fiber optics interface, Versatile Link
- X103** – IEC 61850 / Modbus TCP / IEC 60870-5-104 / DNP3.0 TCP/UDP, Fiber optics interface, LC Connector
- X104** – IRIG-B00X, incl. System Contact (Supervision Contact)

MCDTV4-2A0AKB

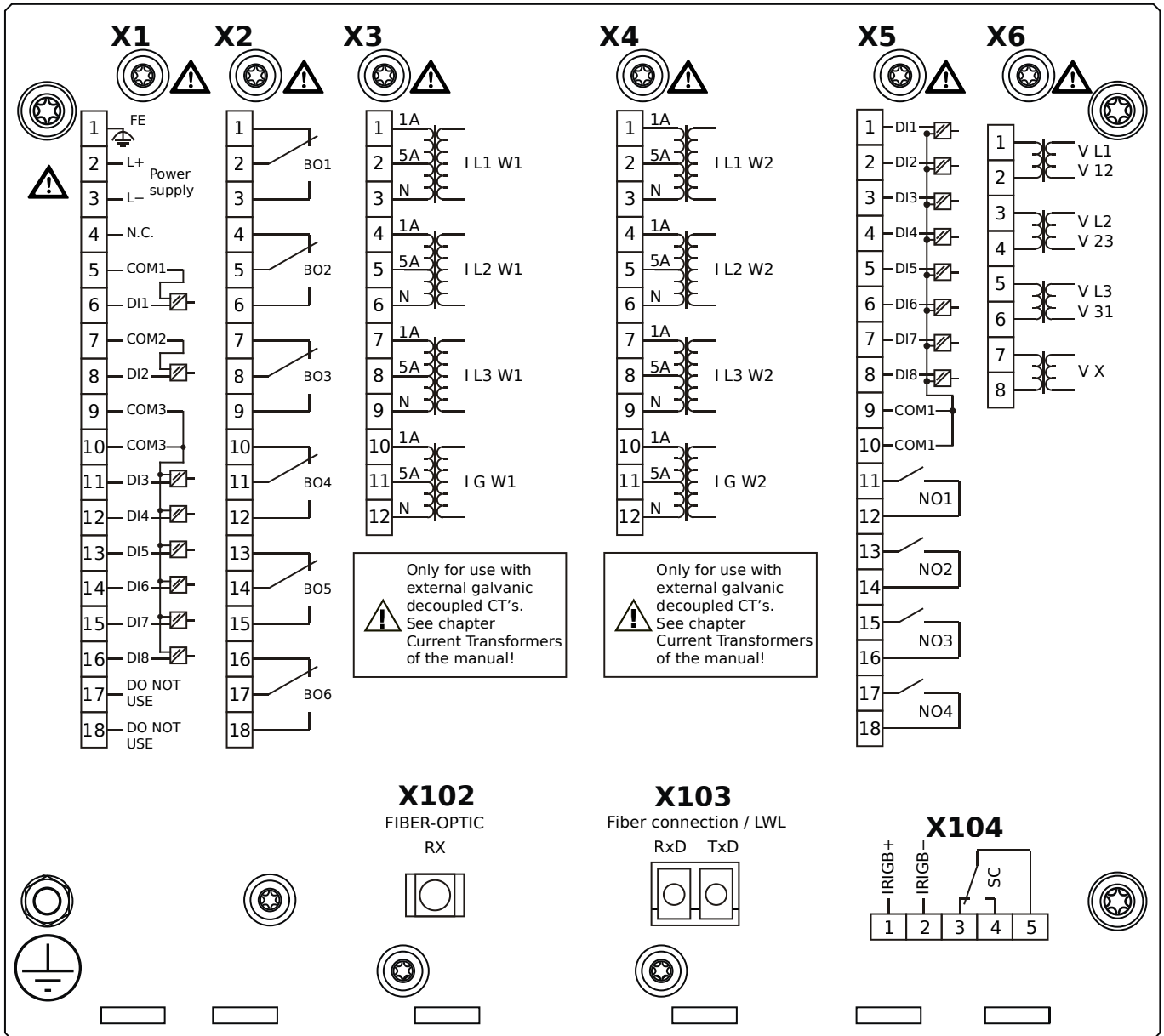


Housing B2, large display, door mounting

- + Conformal Coating (for installations in harsh environment)

- X1** – DI8-X1: Wide-range power supply unit, incl. 2 non-grouped digital inputs and 6 grouped digital inputs
- X2** – OR6: Assembly Group with 6 Output Relays (Changeover / Form C)
- X3** – TI: Standard current measuring card (for the winding side 1)
- X4** – TI: Standard current measuring card (for the winding side 2)
- X5** – DI8-OR4: Assembly Group with 8 Digital Inputs and 4 Output Relays (NO / Form A)
- X6** – TU: Card with 4 voltage transformer measuring inputs (0 ... 800 VAC, under UL: 0 ... 600 VAC)
- X102** – Universal Resistance-Temperature Detector (URTD) input, Fiber optics interface, Versatile Link
- X103** – IEC 61850 / Modbus TCP / IEC 60870-5-104 / DNP3.0 TCP/UDP, Fiber optics interface, LC Connector
- X104** – IRIG-B00X, incl. System Contact (Supervision Contact)

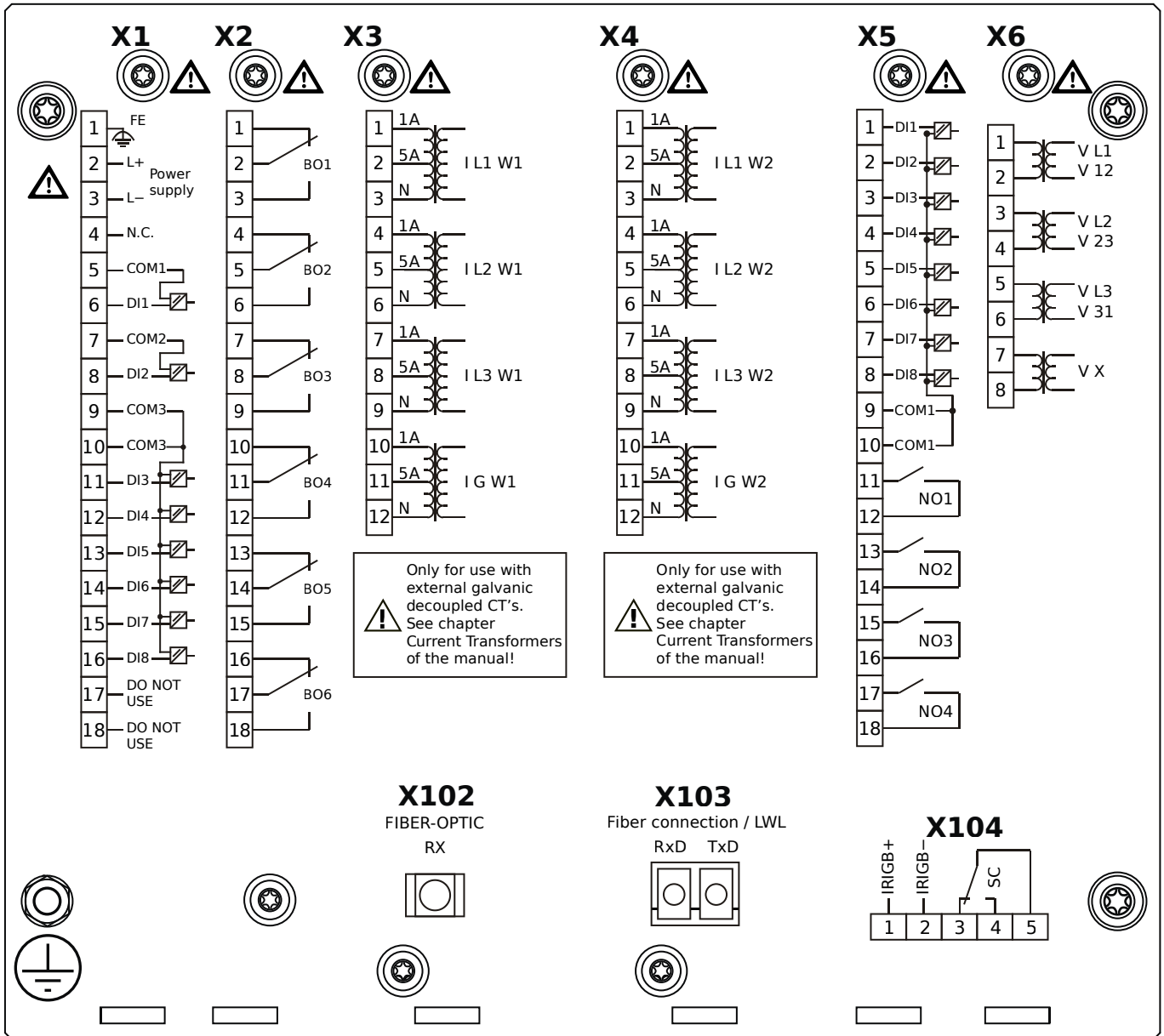
MCDTV4-2A0ALA



Housing B2, large display, door mounting

- X1** – DI8-X1: Wide-range power supply unit, incl. 2 non-grouped digital inputs and 6 grouped digital inputs
- X2** – OR6: Assembly Group with 6 Output Relays (Changeover / Form C)
- X3** – TI: Standard current measuring card (for the winding side 1)
- X4** – TI: Standard current measuring card (for the winding side 2)
- X5** – DI8-OR4: Assembly Group with 8 Digital Inputs and 4 Output Relays (NO / Form A)
- X6** – TU: Card with 4 voltage transformer measuring inputs (0 ... 800 VAC, under UL: 0 ... 600 VAC)
- X102** – Universal Resistance-Temperature Detector (URTD) input, Fiber optics interface, Versatile Link
- X103** – Modbus TCP / IEC 60870-5-104 / DNP3.0 TCP/UDP, Fiber optics interface, LC Connector
- X104** – IRIG-B00X, incl. System Contact (Supervision Contact)

MCDTV4-2A0ALB

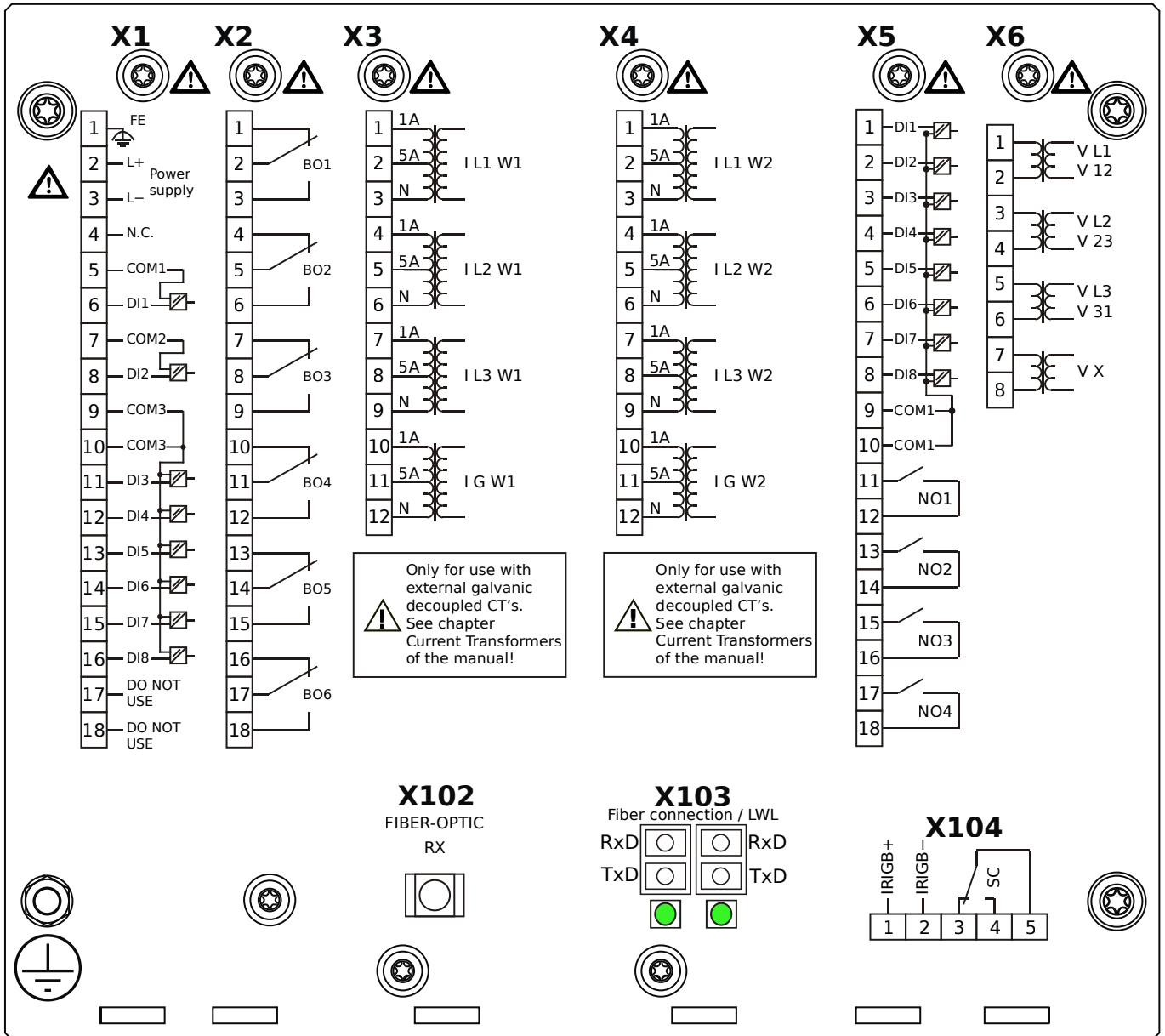


Housing B2, large display, door mounting

+ Conformal Coating (for installations in harsh environment)

- X1** – DI8-X1: Wide-range power supply unit, incl. 2 non-grouped digital inputs and 6 grouped digital inputs
- X2** – OR6: Assembly Group with 6 Output Relays (Changeover / Form C)
- X3** – TI: Standard current measuring card (for the winding side 1)
- X4** – TI: Standard current measuring card (for the winding side 2)
- X5** – DI8-OR4: Assembly Group with 8 Digital Inputs and 4 Output Relays (NO / Form A)
- X6** – TU: Card with 4 voltage transformer measuring inputs (0 ... 800 VAC, under UL: 0 ... 600 VAC)
- X102** – Universal Resistance-Temperature Detector (URTD) input, Fiber optics interface, Versatile Link
- X103** – Modbus TCP / IEC 60870-5-104 / DNP3.0 TCP/UDP, Fiber optics interface, LC Connector
- X104** – IRIG-B00X, incl. System Contact (Supervision Contact)

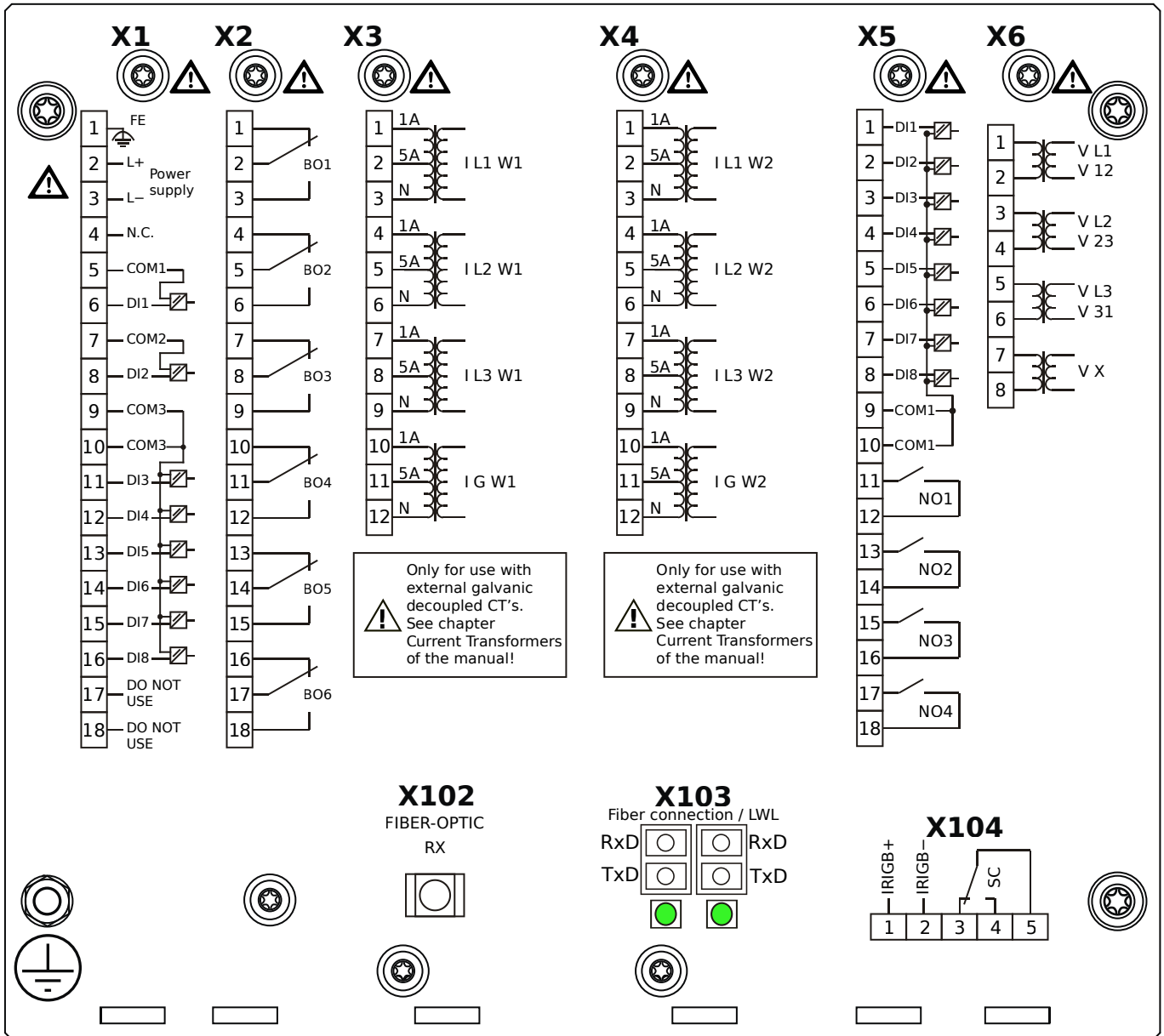
MCDTV4-2A0AOA



Housing B2, large display, door mounting

- X1** – DI8-X1: Wide-range power supply unit, incl. 2 non-grouped digital inputs and 6 grouped digital inputs
- X2** – OR6: Assembly Group with 6 Output Relays (Changeover / Form C)
- X3** – TI: Standard current measuring card (for the winding side 1)
- X4** – TI: Standard current measuring card (for the winding side 2)
- X5** – DI8-OR4: Assembly Group with 8 Digital Inputs and 4 Output Relays (NO / Form A)
- X6** – TU: Card with 4 voltage transformer measuring inputs (0 ... 800 VAC, under UL: 0 ... 600 VAC)
- X102** – Universal Resistance-Temperature Detector (URTD) input, Fiber optics interface, Versatile Link
- X103** – Modbus TCP / IEC 60870-5-104 / DNP3.0 TCP/UDP, Redundant Fiber optics interface, LC Connector
- X104** – IRIG-B00X, incl. System Contact (Supervision Contact)

MCDTV4-2A0AOB

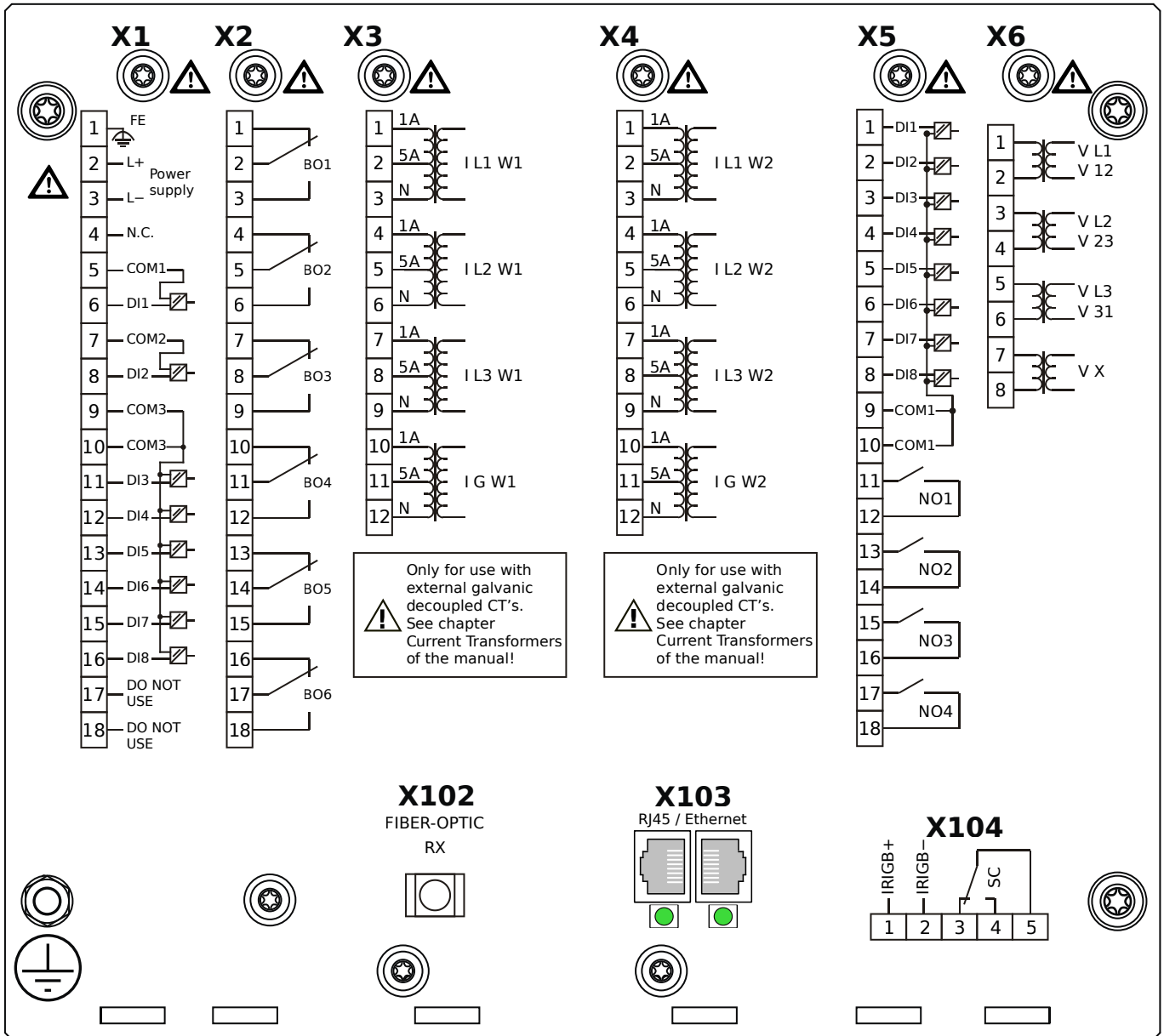


Housing B2, large display, door mounting

- + Conformal Coating (for installations in harsh environment)

- X1** – DI8-X1: Wide-range power supply unit, incl. 2 non-grouped digital inputs and 6 grouped digital inputs
- X2** – OR6: Assembly Group with 6 Output Relays (Changeover / Form C)
- X3** – TI: Standard current measuring card (for the winding side 1)
- X4** – TI: Standard current measuring card (for the winding side 2)
- X5** – DI8-OR4: Assembly Group with 8 Digital Inputs and 4 Output Relays (NO / Form A)
- X6** – TU: Card with 4 voltage transformer measuring inputs (0 ... 800 VAC, under UL: 0 ... 600 VAC)
- X102** – Universal Resistance-Temperature Detector (URTD) input, Fiber optics interface, Versatile Link
- X103** – Modbus TCP / IEC 60870-5-104 / DNP3.0 TCP/UDP, Redundant Fiber optics interface, LC Connector
- X104** – IRIG-B00X, incl. System Contact (Supervision Contact)

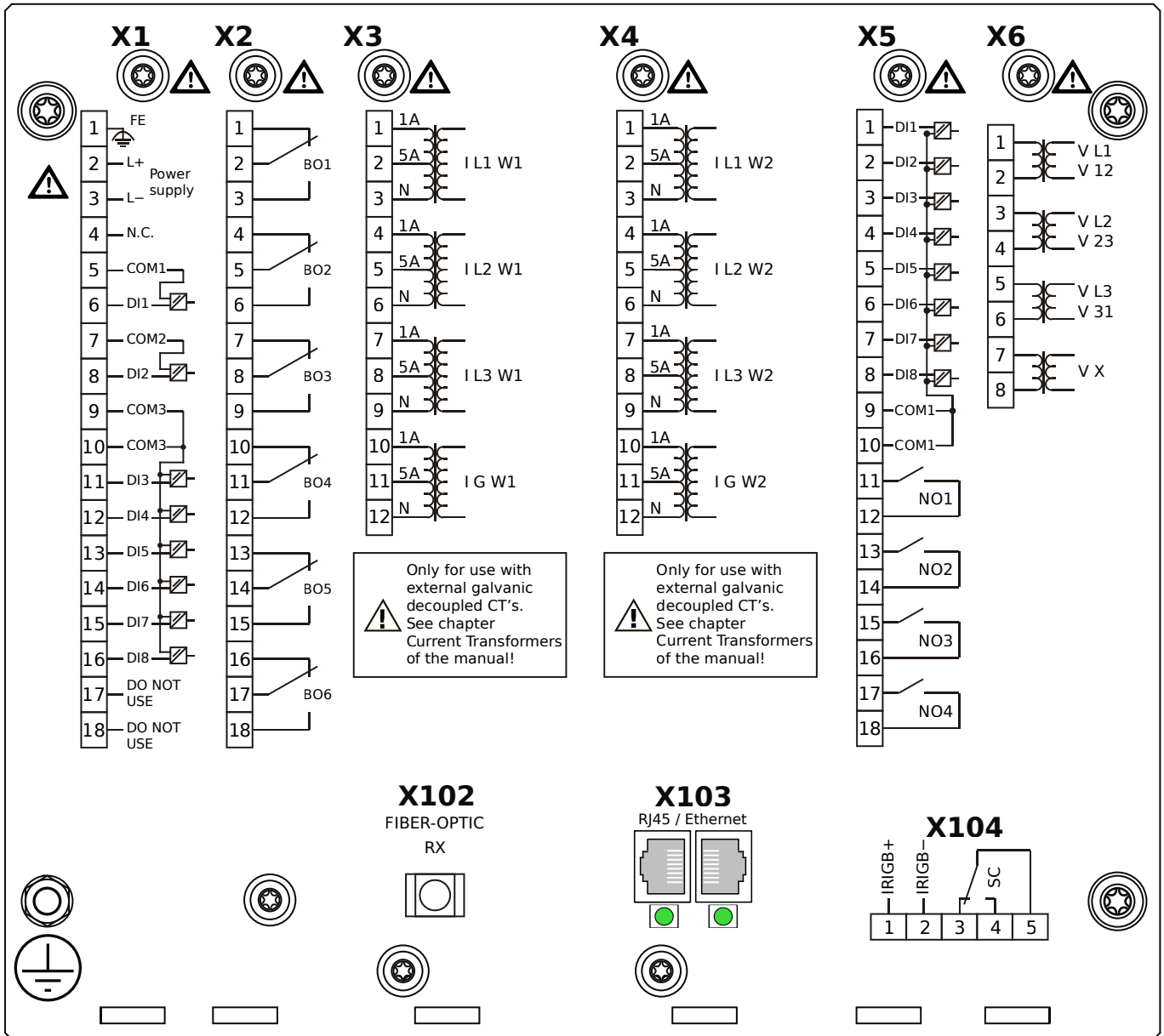
MCDTV4-2A0APA



Housing B2, large display, door mounting

- X1** – DI8-X1: Wide-range power supply unit, incl. 2 non-grouped digital inputs and 6 grouped digital inputs
- X2** – OR6: Assembly Group with 6 Output Relays (Changeover / Form C)
- X3** – TI: Standard current measuring card (for the winding side 1)
- X4** – TI: Standard current measuring card (for the winding side 2)
- X5** – DI8-OR4: Assembly Group with 8 Digital Inputs and 4 Output Relays (NO / Form A)
- X6** – TU: Card with 4 voltage transformer measuring inputs (0 ... 800 VAC, under UL: 0 ... 600 VAC)
- X102** – Universal Resistance-Temperature Detector (URTD) input, Fiber optics interface, Versatile Link
- X103** – Modbus TCP / IEC 60870-5-104 / DNP3.0 TCP/UDP, Redundant Ethernet interface, 100 Mbit/s, RJ45 (BASE100-FX)
- X104** – IRIG-B00X, incl. System Contact (Supervision Contact)

MCDTV4-2A0APB

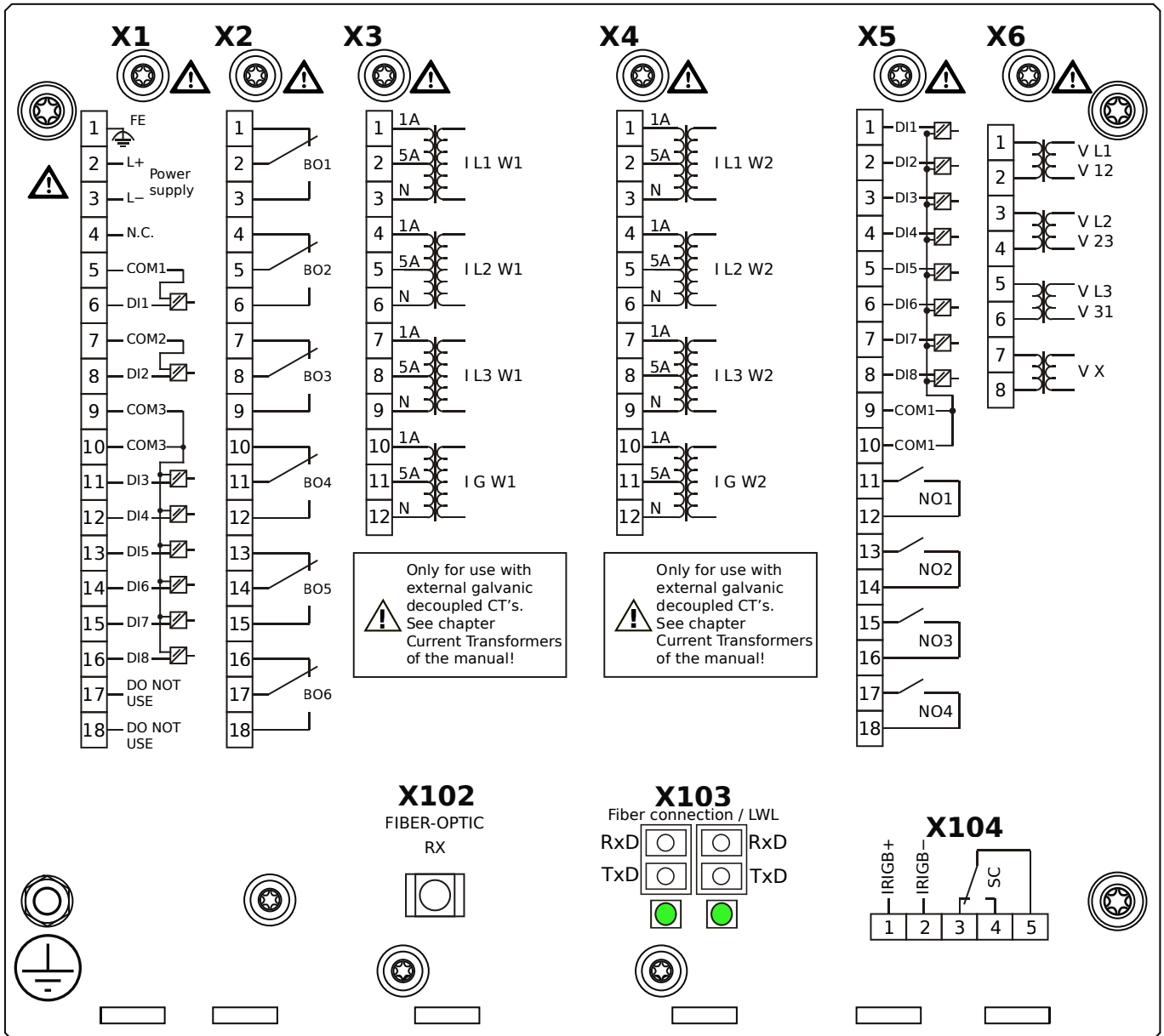


Housing B2, large display, door mounting

- + Conformal Coating (for installations in harsh environment)

- X1** – DI8-X1: Wide-range power supply unit, incl. 2 non-grouped digital inputs and 6 grouped digital inputs
- X2** – OR6: Assembly Group with 6 Output Relays (Changeover / Form C)
- X3** – TI: Standard current measuring card (for the winding side 1)
- X4** – TI: Standard current measuring card (for the winding side 2)
- X5** – DI8-OR4: Assembly Group with 8 Digital Inputs and 4 Output Relays (NO / Form A)
- X6** – TU: Card with 4 voltage transformer measuring inputs (0 ... 800 VAC, under UL: 0 ... 600 VAC)
- X102** – Universal Resistance-Temperature Detector (URTD) input, Fiber optics interface, Versatile Link
- X103** – Modbus TCP / IEC 60870-5-104 / DNP3.0 TCP/UDP, Redundant Ethernet interface, 100 Mbit/s, RJ45 (BASE100-FX)
- X104** – IRIG-B00X, incl. System Contact (Supervision Contact)

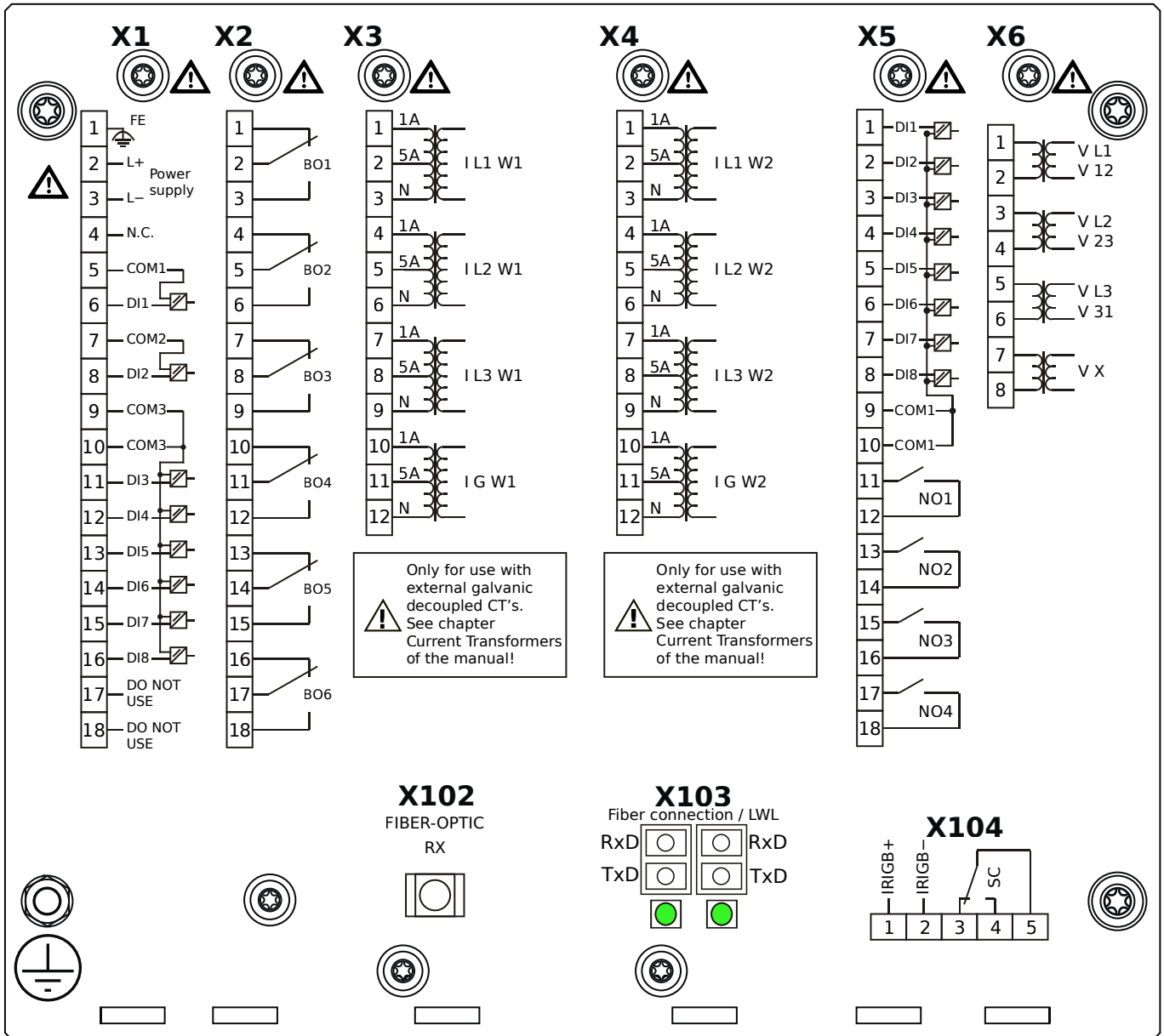
MCDTV4-2A0AQA



Housing B2, large display, door mounting

- X1** – DI8-X1: Wide-range power supply unit, incl. 2 non-grouped digital inputs and 6 grouped digital inputs
- X2** – OR6: Assembly Group with 6 Output Relays (Changeover / Form C)
- X3** – TI: Standard current measuring card (for the winding side 1)
- X4** – TI: Standard current measuring card (for the winding side 2)
- X5** – DI8-OR4: Assembly Group with 8 Digital Inputs and 4 Output Relays (NO / Form A)
- X6** – TU: Card with 4 voltage transformer measuring inputs (0 ... 800 VAC, under UL: 0 ... 600 VAC)
- X102** – Universal Resistance-Temperature Detector (URTD) input, Fiber optics interface, Versatile Link
- X103** – IEC 61850 / Modbus TCP / IEC 60870-5-104 / DNP3.0 TCP/UDP, Redundant Fiber optics interface, LC Connector
- X104** – IRIG-B00X, incl. System Contact (Supervision Contact)

MCDTV4-2A0AQB

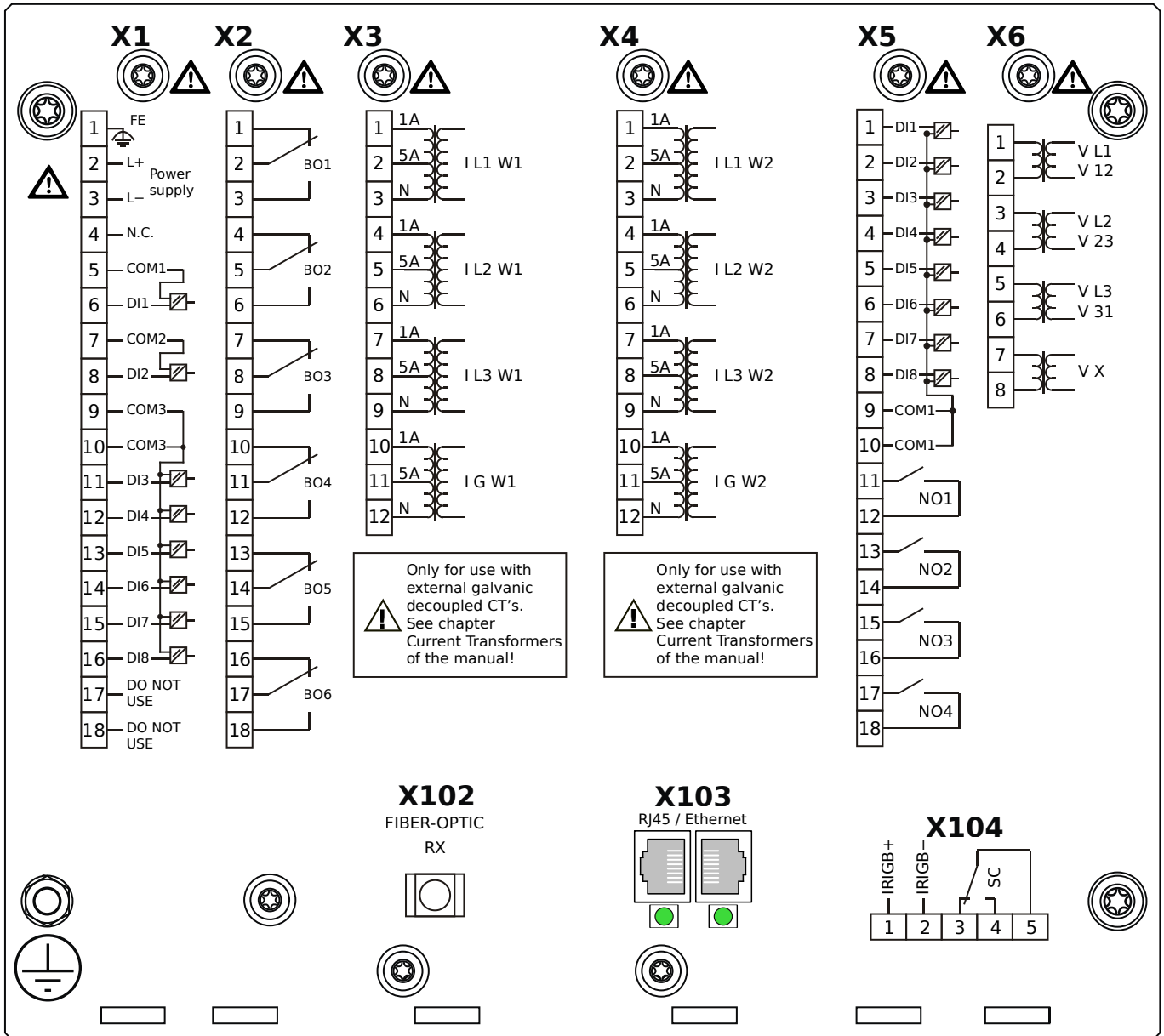


Housing B2, large display, door mounting

- + Conformal Coating (for installations in harsh environment)

- X1** – DI8-X1: Wide-range power supply unit, incl. 2 non-grouped digital inputs and 6 grouped digital inputs
- X2** – OR6: Assembly Group with 6 Output Relays (Changeover / Form C)
- X3** – TI: Standard current measuring card (for the winding side 1)
- X4** – TI: Standard current measuring card (for the winding side 2)
- X5** – DI8-OR4: Assembly Group with 8 Digital Inputs and 4 Output Relays (NO / Form A)
- X6** – TU: Card with 4 voltage transformer measuring inputs (0 ... 800 VAC, under UL: 0 ... 600 VAC)
- X102** – Universal Resistance-Temperature Detector (URTD) input, Fiber optics interface, Versatile Link
- X103** – IEC 61850 / Modbus TCP / IEC 60870-5-104 / DNP3.0 TCP/UDP, Redundant Fiber optics interface, LC Connector
- X104** – IRIG-B00X, incl. System Contact (Supervision Contact)

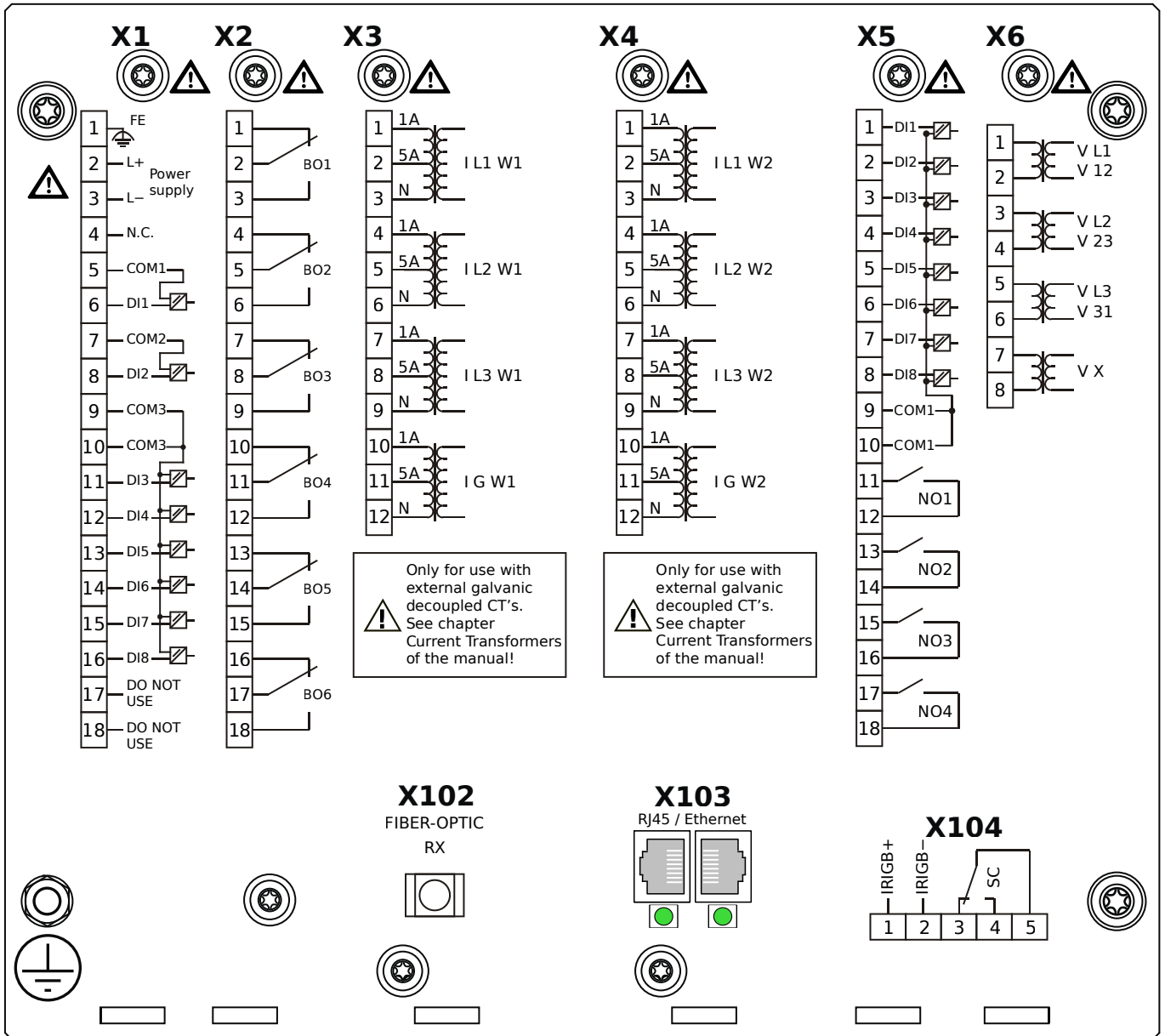
MCDTV4-2A0ARA



Housing B2, large display, door mounting

- X1** – DI8-X1: Wide-range power supply unit, incl. 2 non-grouped digital inputs and 6 grouped digital inputs
- X2** – OR6: Assembly Group with 6 Output Relays (Changeover / Form C)
- X3** – TI: Standard current measuring card (for the winding side 1)
- X4** – TI: Standard current measuring card (for the winding side 2)
- X5** – DI8-OR4: Assembly Group with 8 Digital Inputs and 4 Output Relays (NO / Form A)
- X6** – TU: Card with 4 voltage transformer measuring inputs (0 ... 800 VAC, under UL: 0 ... 600 VAC)
- X102** – Universal Resistance-Temperature Detector (URTD) input, Fiber optics interface, Versatile Link
- X103** – IEC 61850 / Modbus TCP / IEC 60870-5-104 / DNP3.0 TCP/UDP, Redundant Ethernet interface, 100 Mbit/s, RJ45
- (BASE100-FX)
- X104** – IRIG-B00X, incl. System Contact (Supervision Contact)

MCDTV4-2A0ARB



Housing B2, large display, door mounting

- + Conformal Coating (for installations in harsh environment)

X1 – DI8-X1: Wide-range power supply unit, incl. 2 non-grouped digital inputs and 6 grouped digital inputs

X2 – OR6: Assembly Group with 6 Output Relays (Changeover / Form C)

X3 – TI: Standard current measuring card (for the winding side 1)

X4 – TI: Standard current measuring card (for the winding side 2)

X5 – DI8-OR4: Assembly Group with 8 Digital Inputs and 4 Output Relays (NO / Form A)

X6 – TU: Card with 4 voltage transformer measuring inputs (0 ... 800 VAC, under UL: 0 ... 600 VAC)

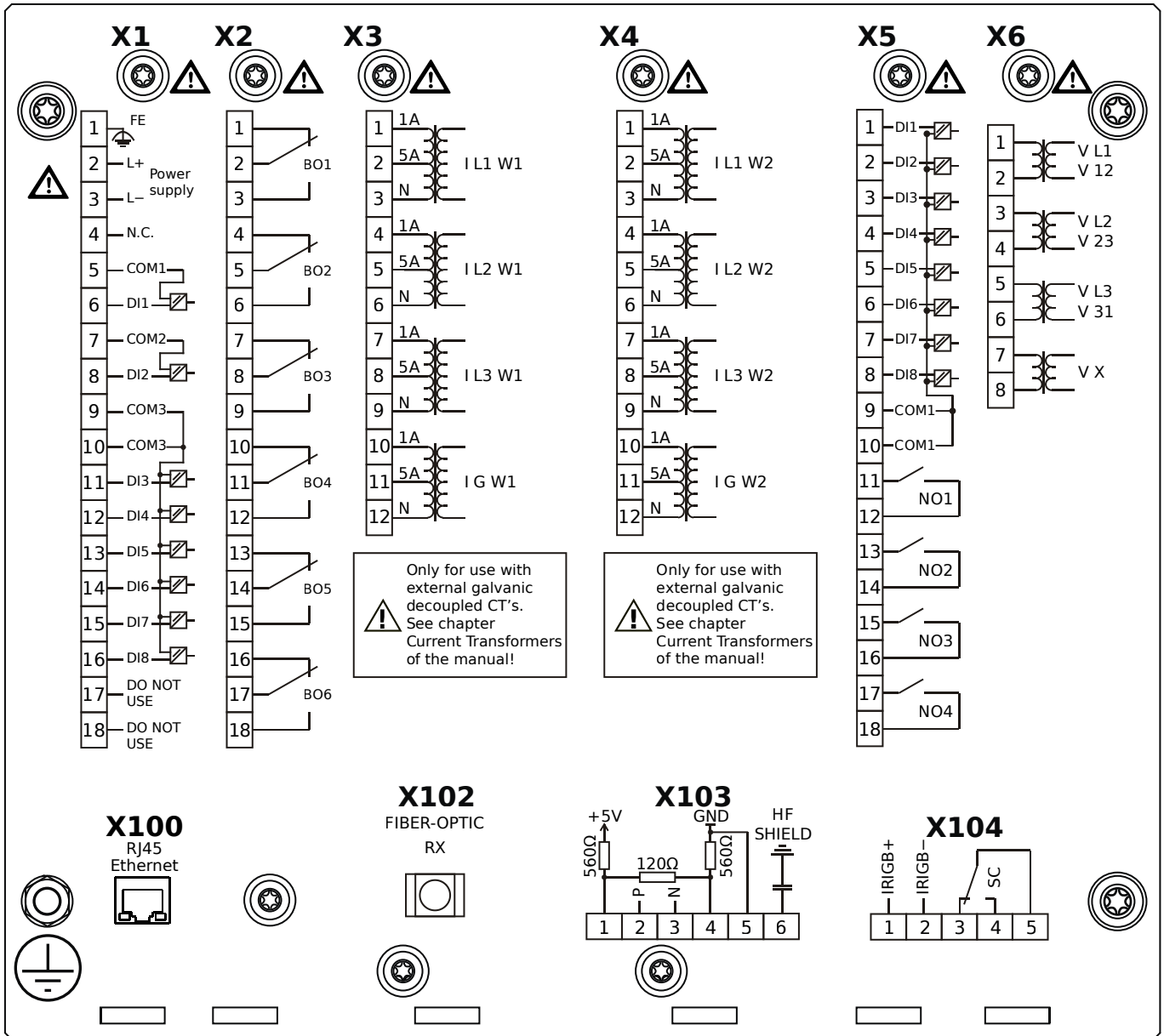
X102 – Universal Resistance-Temperature Detector (URTD) input, Fiber optics interface, Versatile Link

X103 – IEC 61850 / Modbus TCP / IEC 60870-5-104 / DNP3.0 TCP/UDP, Redundant Ethernet interface, 100 Mbit/s, RJ45

(BASE100-FX)

X104 – IRIG-B00X, incl. System Contact (Supervision Contact)

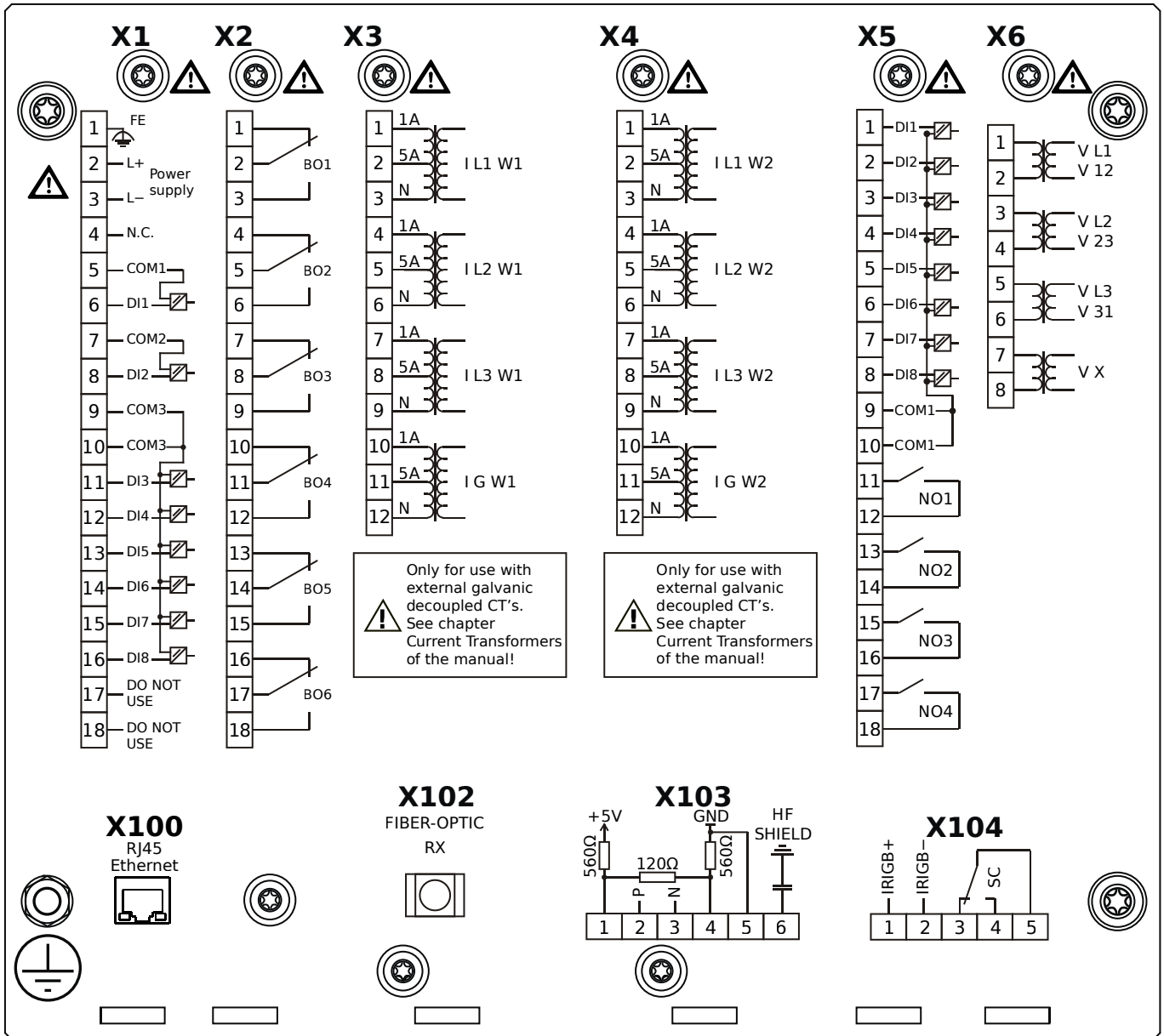
MCDTV4-2A0ATA



Housing B2, large display, door mounting

- X1** – DI8-X1: Wide-range power supply unit, incl. 2 non-grouped digital inputs and 6 grouped digital inputs
- X2** – OR6: Assembly Group with 6 Output Relays (Changeover / Form C)
- X3** – TI: Standard current measuring card (for the winding side 1)
- X4** – TI: Standard current measuring card (for the winding side 2)
- X5** – DI8-OR4: Assembly Group with 8 Digital Inputs and 4 Output Relays (NO / Form A)
- X6** – TU: Card with 4 voltage transformer measuring inputs (0 ... 800 VAC, under UL: 0 ... 600 VAC)
- X100** – IEC 61850 / Modbus TCP / IEC 60870-5-104 / DNP3.0 TCP/UDP, Ethernet interface, 100 Mbit/s, RJ45 (BASE100-FX)
- X102** – Universal Resistance-Temperature Detector (URTD) input, Fiber optics interface, Versatile Link
- X103** – IEC 60870-5-103 / Modbus RTU / DNP3.0 RTU, RS485, Terminals
- X104** – IRIG-B00X, incl. System Contact (Supervision Contact)

MCDTV4-2A0ATB

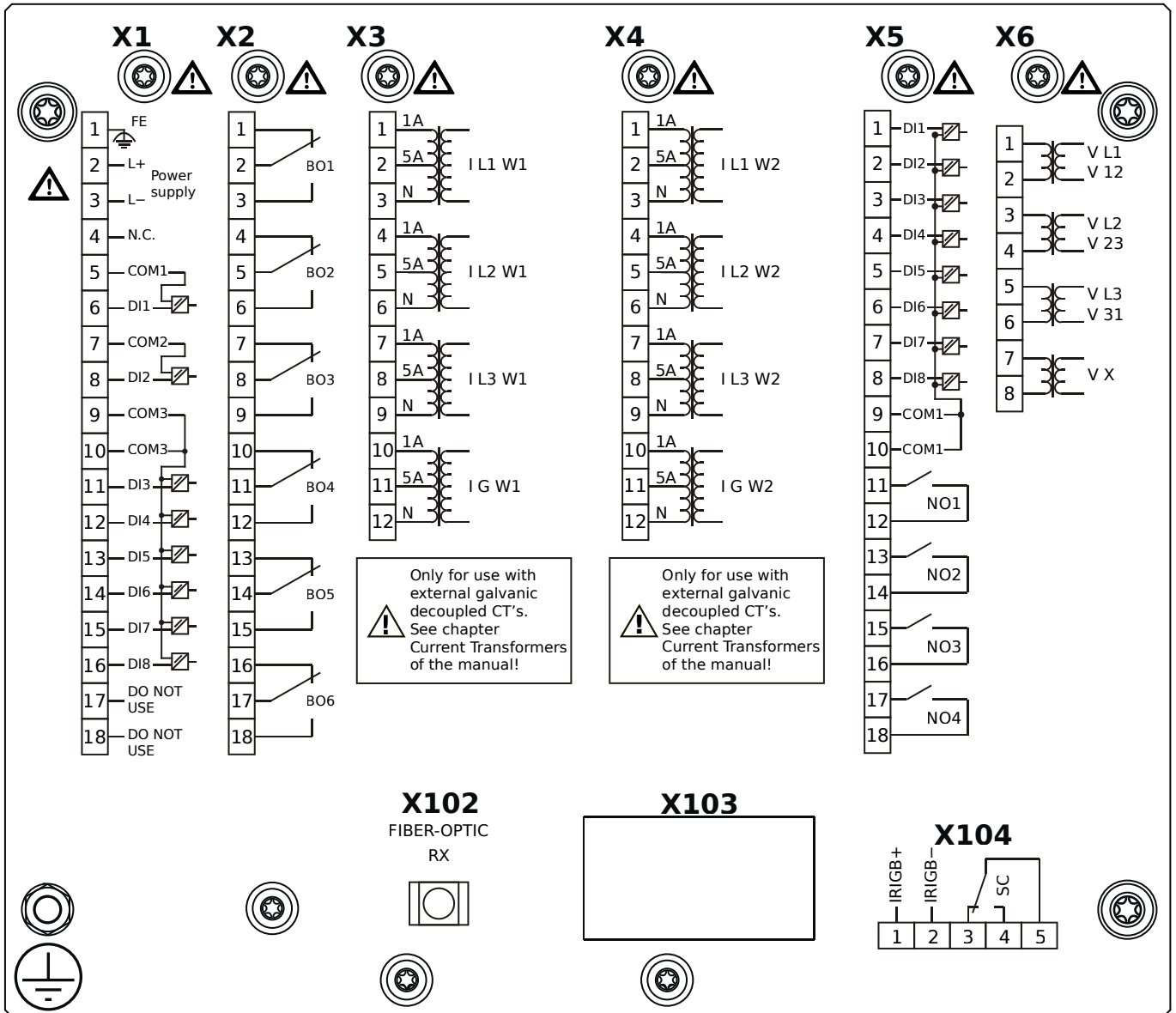


Housing B2, large display, door mounting

+ Conformal Coating (for installations in harsh environment)

- X1** – DI8-X1: Wide-range power supply unit, incl. 2 non-grouped digital inputs and 6 grouped digital inputs
- X2** – OR6: Assembly Group with 6 Output Relays (Changeover / Form C)
- X3** – TI: Standard current measuring card (for the winding side 1)
- X4** – TI: Standard current measuring card (for the winding side 2)
- X5** – DI8-OR4: Assembly Group with 8 Digital Inputs and 4 Output Relays (NO / Form A)
- X6** – TU: Card with 4 voltage transformer measuring inputs (0 ... 800 VAC, under UL: 0 ... 600 VAC)
- X100** – IEC 61850 / Modbus TCP / IEC 60870-5-104 / DNP3.0 TCP/UDP, Ethernet interface, 100 Mbit/s, RJ45 (BASE100-FX)
- X102** – Universal Resistance-Temperature Detector (URTD) input, Fiber optics interface, Versatile Link
- X103** – IEC 60870-5-103 / Modbus RTU / DNP3.0 RTU, RS485, Terminals
- X104** – IRIG-B00X, incl. System Contact (Supervision Contact)

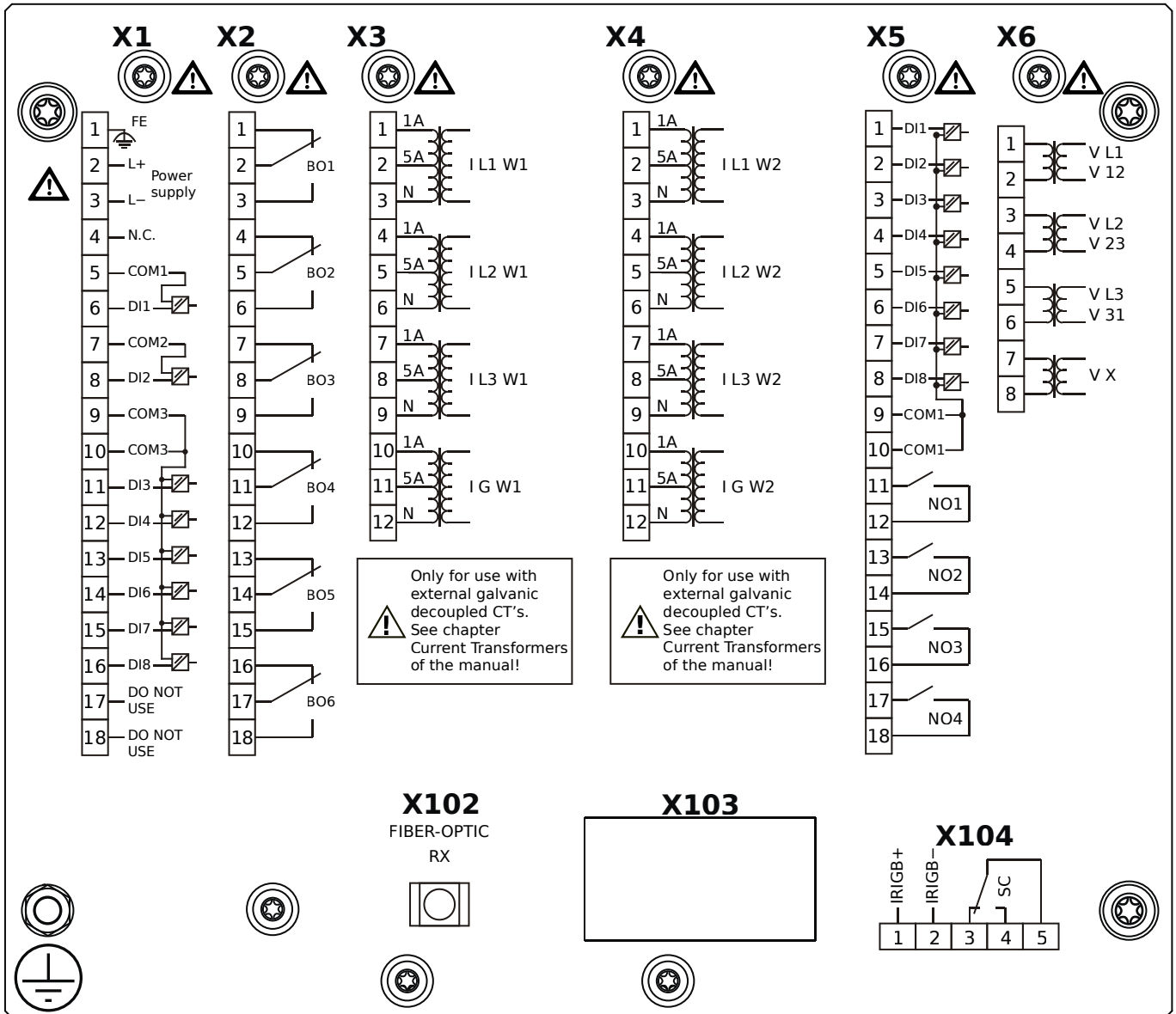
MCDTV4-2A0BAA



Housing B2, large display, 19" rack mounting

- X1** – DI8-X1: Wide-range power supply unit, incl. 2 non-grouped digital inputs and 6 grouped digital inputs
- X2** – OR6: Assembly Group with 6 Output Relays (Changeover / Form C)
- X3** – TI: Standard current measuring card (for the winding side 1)
- X4** – TI: Standard current measuring card (for the winding side 2)
- X5** – DI8-OR4: Assembly Group with 8 Digital Inputs and 4 Output Relays (NO / Form A)
- X6** – TU: Card with 4 voltage transformer measuring inputs (0 ... 800 VAC, under UL: 0 ... 600 VAC)
- X102** – Universal Resistance-Temperature Detector (URTD) input, Fiber optics interface, Versatile Link
- X104** – IRIG-B00X, incl. System Contact (Supervision Contact)

MCDTV4-2A0BAB

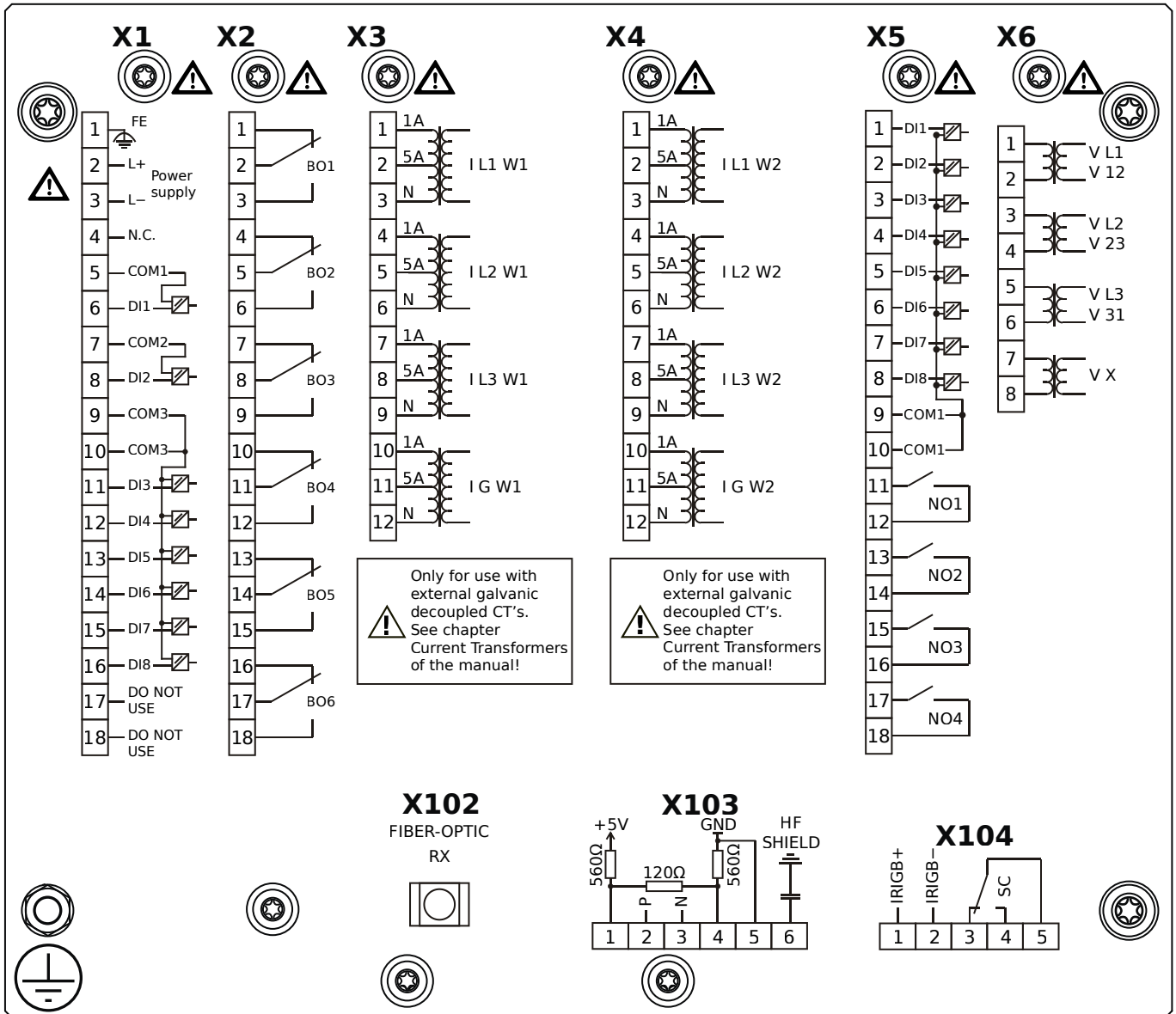


Housing B2, large display, 19" rack mounting

+ Conformal Coating (for installations in harsh environment)

- X1** – DI8-X1: Wide-range power supply unit, incl. 2 non-grouped digital inputs and 6 grouped digital inputs
- X2** – OR6: Assembly Group with 6 Output Relays (Changeover / Form C)
- X3** – TI: Standard current measuring card (for the winding side 1)
- X4** – TI: Standard current measuring card (for the winding side 2)
- X5** – DI8-OR4: Assembly Group with 8 Digital Inputs and 4 Output Relays (NO / Form A)
- X6** – TU: Card with 4 voltage transformer measuring inputs (0 ... 800 VAC, under UL: 0 ... 600 VAC)
- X102** – Universal Resistance-Temperature Detector (URTD) input, Fiber optics interface, Versatile Link
- X104** – IRIG-B00X, incl. System Contact (Supervision Contact)

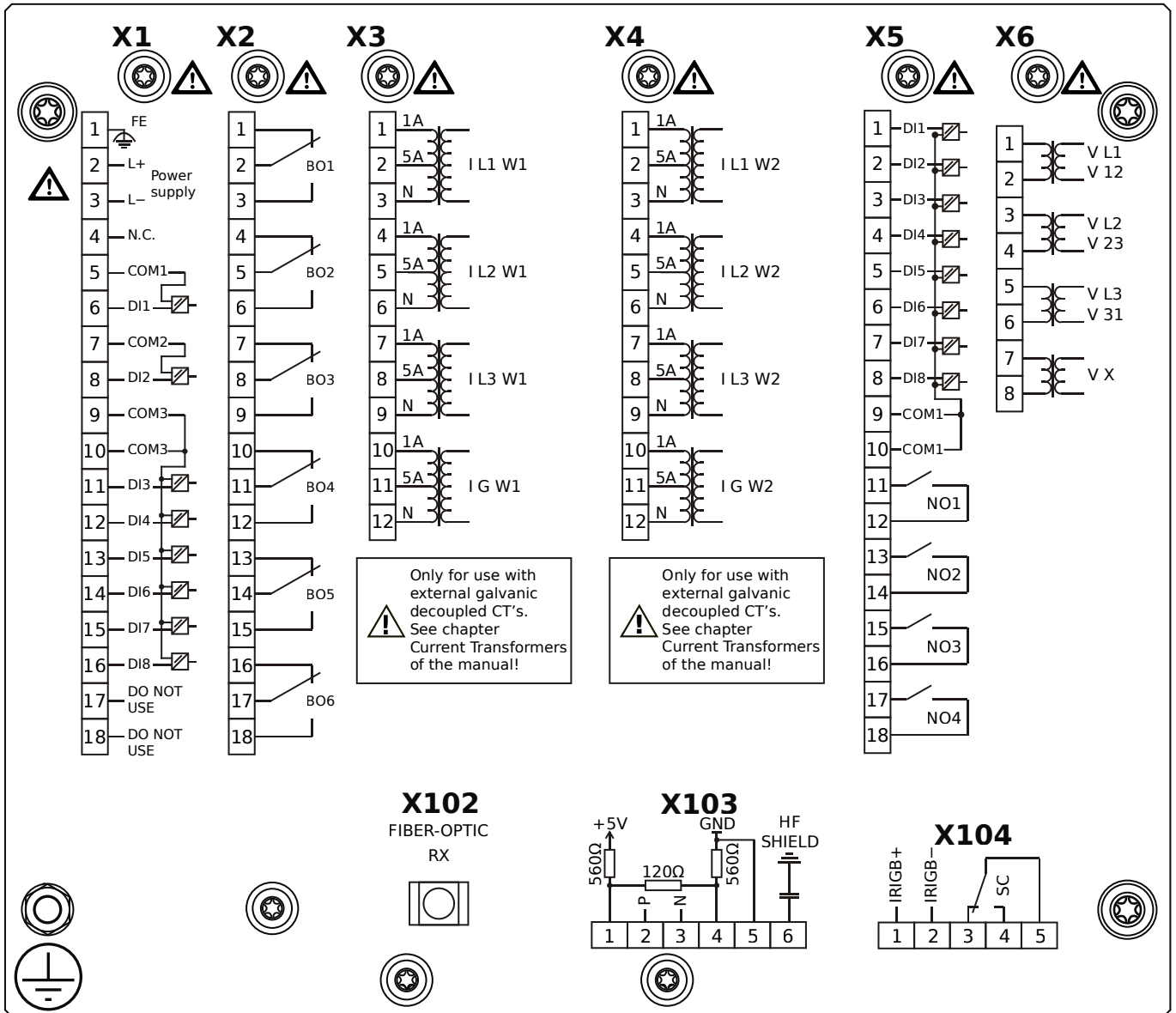
MCDTV4-2A0BBA



Housing B2, large display, 19" rack mounting

- X1** – DI8-X1: Wide-range power supply unit, incl. 2 non-grouped digital inputs and 6 grouped digital inputs
- X2** – OR6: Assembly Group with 6 Output Relays (Changeover / Form C)
- X3** – TI: Standard current measuring card (for the winding side 1)
- X4** – TI: Standard current measuring card (for the winding side 2)
- X5** – DI8-OR4: Assembly Group with 8 Digital Inputs and 4 Output Relays (NO / Form A)
- X6** – TU: Card with 4 voltage transformer measuring inputs (0 ... 800 VAC, under UL: 0 ... 600 VAC)
- X102** – Universal Resistance-Temperature Detector (URTD) input, Fiber optics interface, Versatile Link
- X103** – Modbus RTU / IEC 60870-5-103 / DNP3.0 RTU, RS485, Terminals
- X104** – IRIG-B00X, incl. System Contact (Supervision Contact)

MCDTV4-2A0BBB

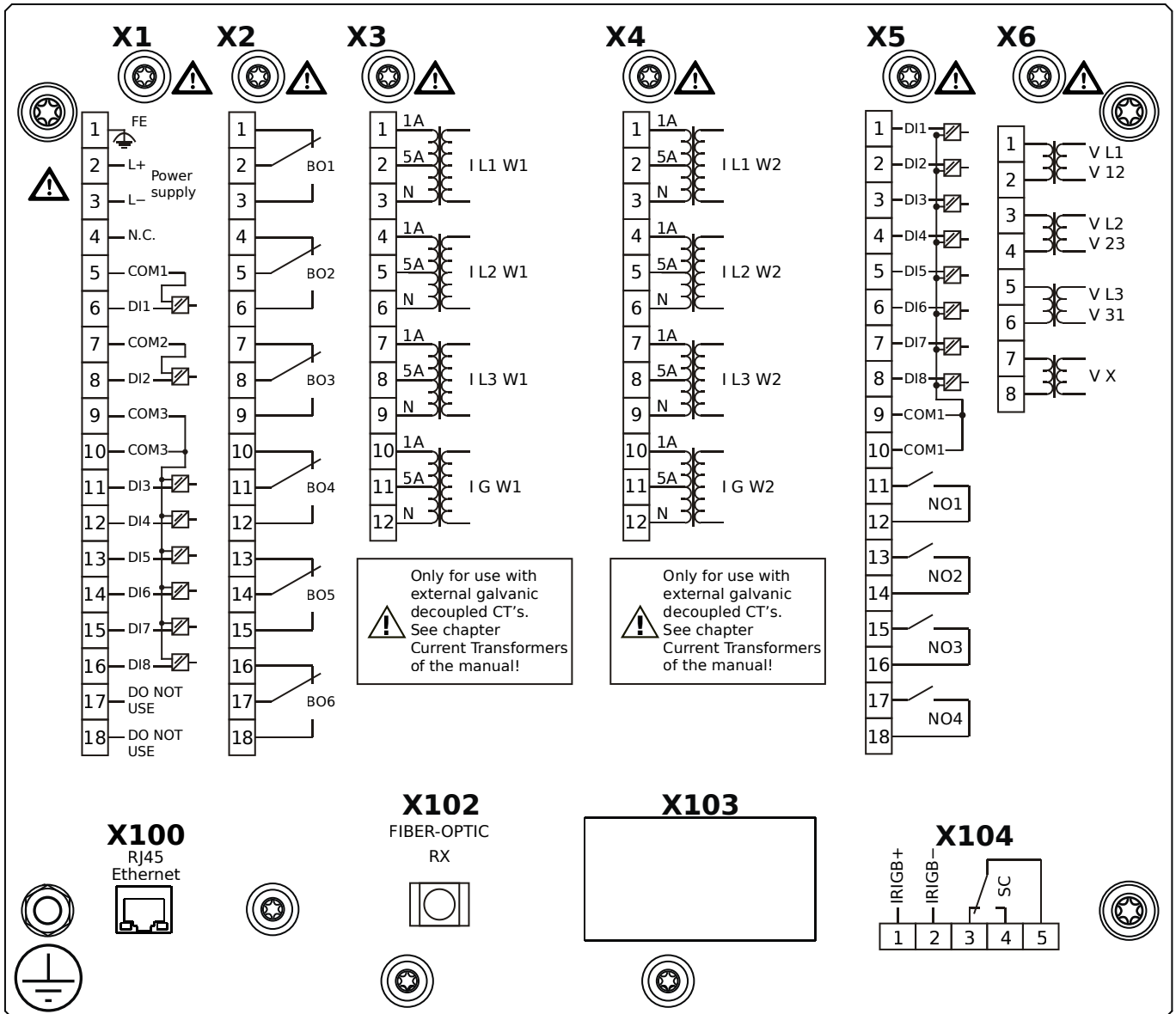


Housing B2, large display, 19" rack mounting

+ Conformal Coating (for installations in harsh environment)

- X1** – DI8-X1: Wide-range power supply unit, incl. 2 non-grouped digital inputs and 6 grouped digital inputs
- X2** – OR6: Assembly Group with 6 Output Relays (Changeover / Form C)
- X3** – TI: Standard current measuring card (for the winding side 1)
- X4** – TI: Standard current measuring card (for the winding side 2)
- X5** – DI8-OR4: Assembly Group with 8 Digital Inputs and 4 Output Relays (NO / Form A)
- X6** – TU: Card with 4 voltage transformer measuring inputs (0 ... 800 VAC, under UL: 0 ... 600 VAC)
- X102** – Universal Resistance-Temperature Detector (URTD) input, Fiber optics interface, Versatile Link
- X103** – Modbus RTU / IEC 60870-5-103 / DNP3.0 RTU, RS485, Terminals
- X104** – IRIG-B00X, incl. System Contact (Supervision Contact)

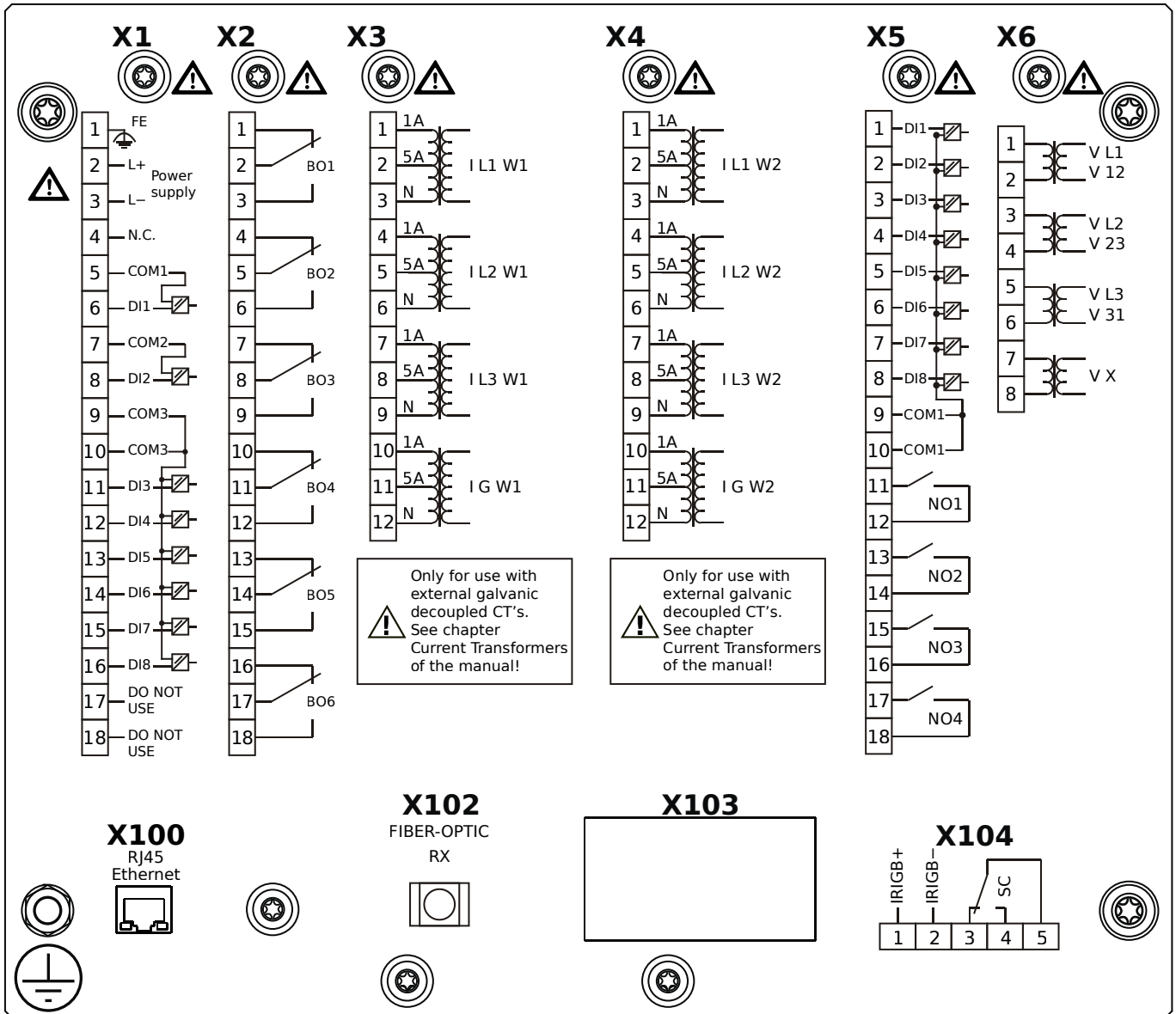
MCDTV4-2A0BCA



Housing B2, large display, 19" rack mounting

- X1** – DI8-X1: Wide-range power supply unit, incl. 2 non-grouped digital inputs and 6 grouped digital inputs
- X2** – OR6: Assembly Group with 6 Output Relays (Changeover / Form C)
- X3** – TI: Standard current measuring card (for the winding side 1)
- X4** – TI: Standard current measuring card (for the winding side 2)
- X5** – DI8-OR4: Assembly Group with 8 Digital Inputs and 4 Output Relays (NO / Form A)
- X6** – TU: Card with 4 voltage transformer measuring inputs (0 ... 800 VAC, under UL: 0 ... 600 VAC)
- X100** – Modbus TCP / IEC 60870-5-104 / DNP3.0 TCP/UDP, Ethernet interface, 100 Mbit/s, RJ45 (BASE100-FX)
- X102** – Universal Resistance-Temperature Detector (URTD) input, Fiber optics interface, Versatile Link
- X104** – IRIG-B00X, incl. System Contact (Supervision Contact)

MCDTV4-2A0BCB

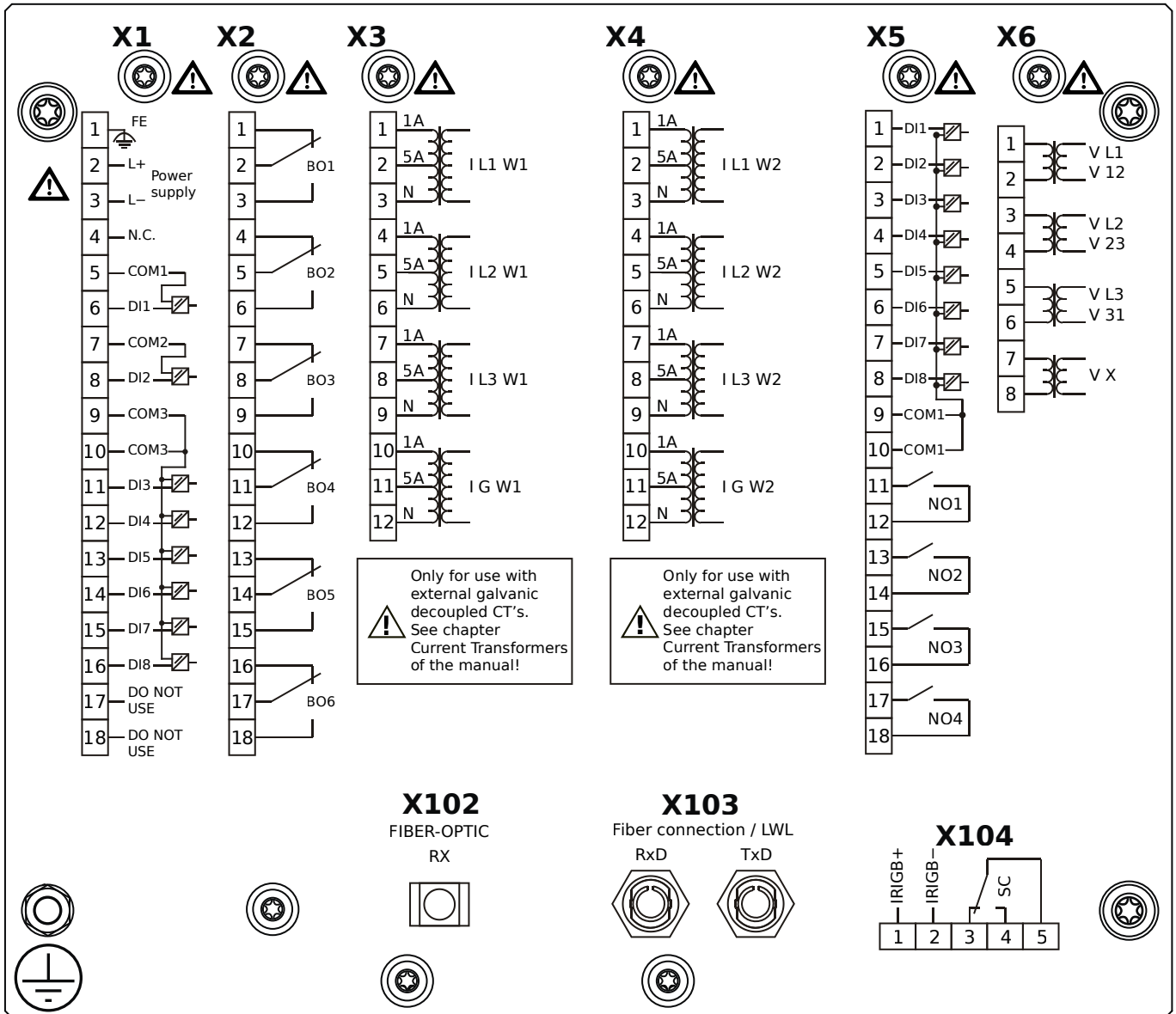


Housing B2, large display, 19" rack mounting

+ Conformal Coating (for installations in harsh environment)

- X1** – DI8-X1: Wide-range power supply unit, incl. 2 non-grouped digital inputs and 6 grouped digital inputs
- X2** – OR6: Assembly Group with 6 Output Relays (Changeover / Form C)
- X3** – TI: Standard current measuring card (for the winding side 1)
- X4** – TI: Standard current measuring card (for the winding side 2)
- X5** – DI8-OR4: Assembly Group with 8 Digital Inputs and 4 Output Relays (NO / Form A)
- X6** – TU: Card with 4 voltage transformer measuring inputs (0 ... 800 VAC, under UL: 0 ... 600 VAC)
- X100** – Modbus TCP / IEC 60870-5-104 / DNP3.0 TCP/UDP, Ethernet interface, 100 Mbit/s, RJ45 (BASE100-FX)
- X102** – Universal Resistance-Temperature Detector (URTD) input, Fiber optics interface, Versatile Link
- X104** – IRIG-B00X, incl. System Contact (Supervision Contact)

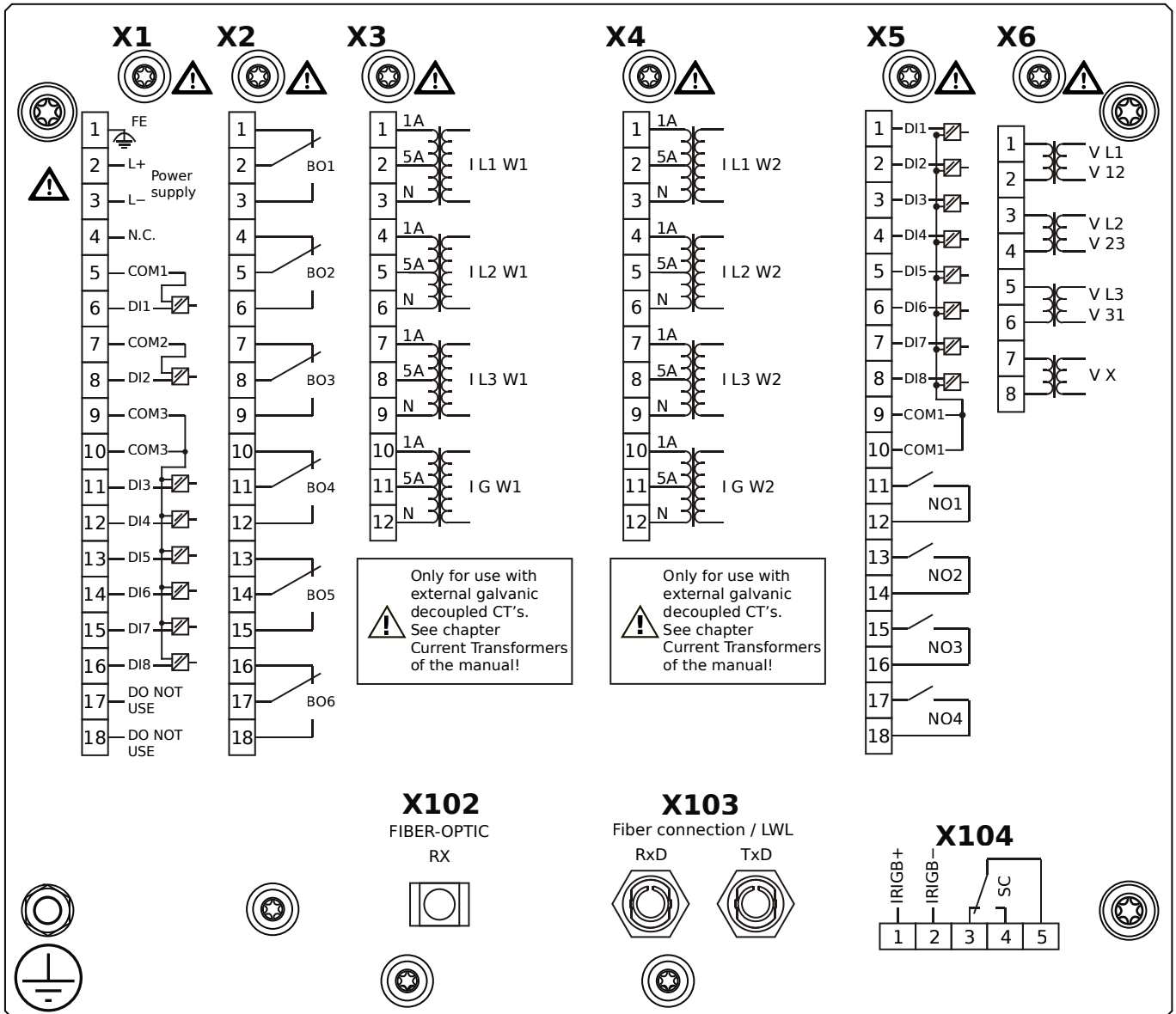
MCDTV4-2A0BDA



Housing B2, large display, 19" rack mounting

- X1** – DI8-X1: Wide-range power supply unit, incl. 2 non-grouped digital inputs and 6 grouped digital inputs
- X2** – OR6: Assembly Group with 6 Output Relays (Changeover / Form C)
- X3** – TI: Standard current measuring card (for the winding side 1)
- X4** – TI: Standard current measuring card (for the winding side 2)
- X5** – DI8-OR4: Assembly Group with 8 Digital Inputs and 4 Output Relays (NO / Form A)
- X6** – TU: Card with 4 voltage transformer measuring inputs (0 ... 800 VAC, under UL: 0 ... 600 VAC)
- X102** – Universal Resistance-Temperature Detector (URTD) input, Fiber optics interface, Versatile Link
- X103** – Profibus-DP, Fiber optics interface, ST Connector
- X104** – IRIG-B00X, incl. System Contact (Supervision Contact)

MCDTV4-2A0BDB

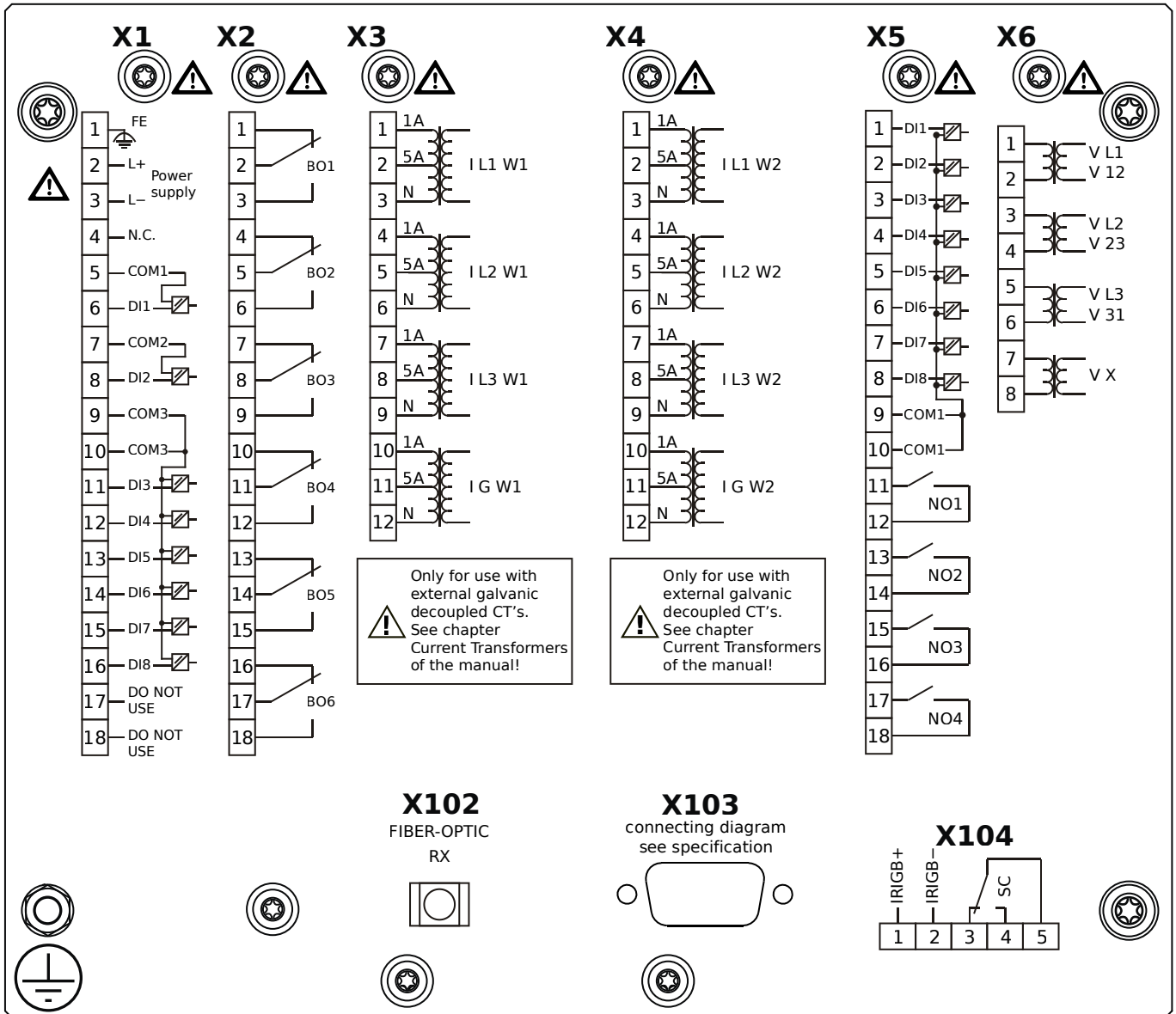


Housing B2, large display, 19" rack mounting

+ Conformal Coating (for installations in harsh environment)

- X1** – DI8-X1: Wide-range power supply unit, incl. 2 non-grouped digital inputs and 6 grouped digital inputs
- X2** – OR6: Assembly Group with 6 Output Relays (Changeover / Form C)
- X3** – TI: Standard current measuring card (for the winding side 1)
- X4** – TI: Standard current measuring card (for the winding side 2)
- X5** – DI8-OR4: Assembly Group with 8 Digital Inputs and 4 Output Relays (NO / Form A)
- X6** – TU: Card with 4 voltage transformer measuring inputs (0 ... 800 VAC, under UL: 0 ... 600 VAC)
- X102** – Universal Resistance-Temperature Detector (URTD) input, Fiber optics interface, Versatile Link
- X103** – Profibus-DP, Fiber optics interface, ST Connector
- X104** – IRIG-B00X, incl. System Contact (Supervision Contact)

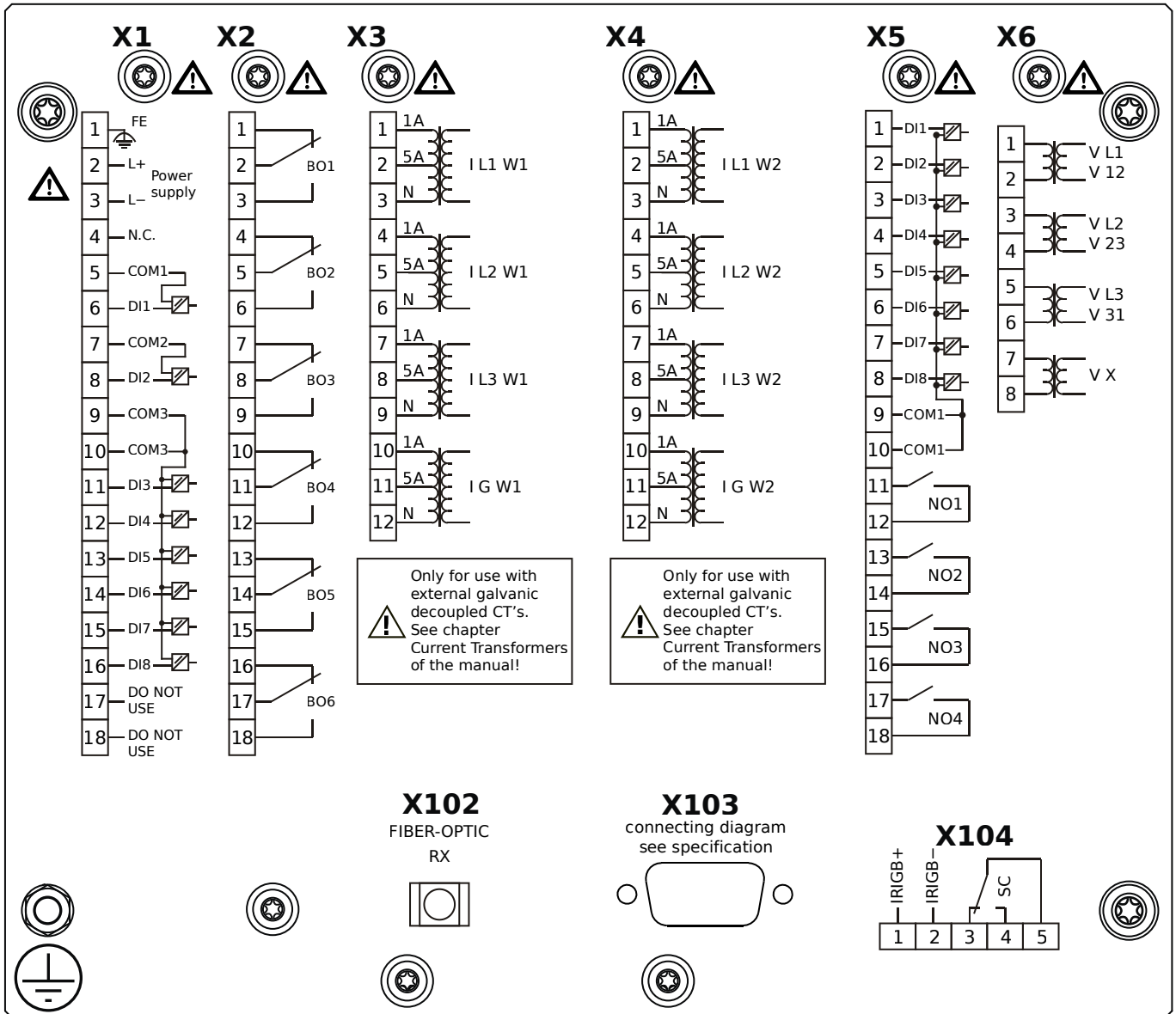
MCDTV4-2A0BEA



Housing B2, large display, 19" rack mounting

- X1** – DI8-X1: Wide-range power supply unit, incl. 2 non-grouped digital inputs and 6 grouped digital inputs
- X2** – OR6: Assembly Group with 6 Output Relays (Changeover / Form C)
- X3** – TI: Standard current measuring card (for the winding side 1)
- X4** – TI: Standard current measuring card (for the winding side 2)
- X5** – DI8-OR4: Assembly Group with 8 Digital Inputs and 4 Output Relays (NO / Form A)
- X6** – TU: Card with 4 voltage transformer measuring inputs (0 ... 800 VAC, under UL: 0 ... 600 VAC)
- X102** – Universal Resistance-Temperature Detector (URTD) input, Fiber optics interface, Versatile Link
- X103** – Profibus-DP, RS485, D-SUB
- X104** – IRIG-B00X, incl. System Contact (Supervision Contact)

MCDTV4-2A0BEB

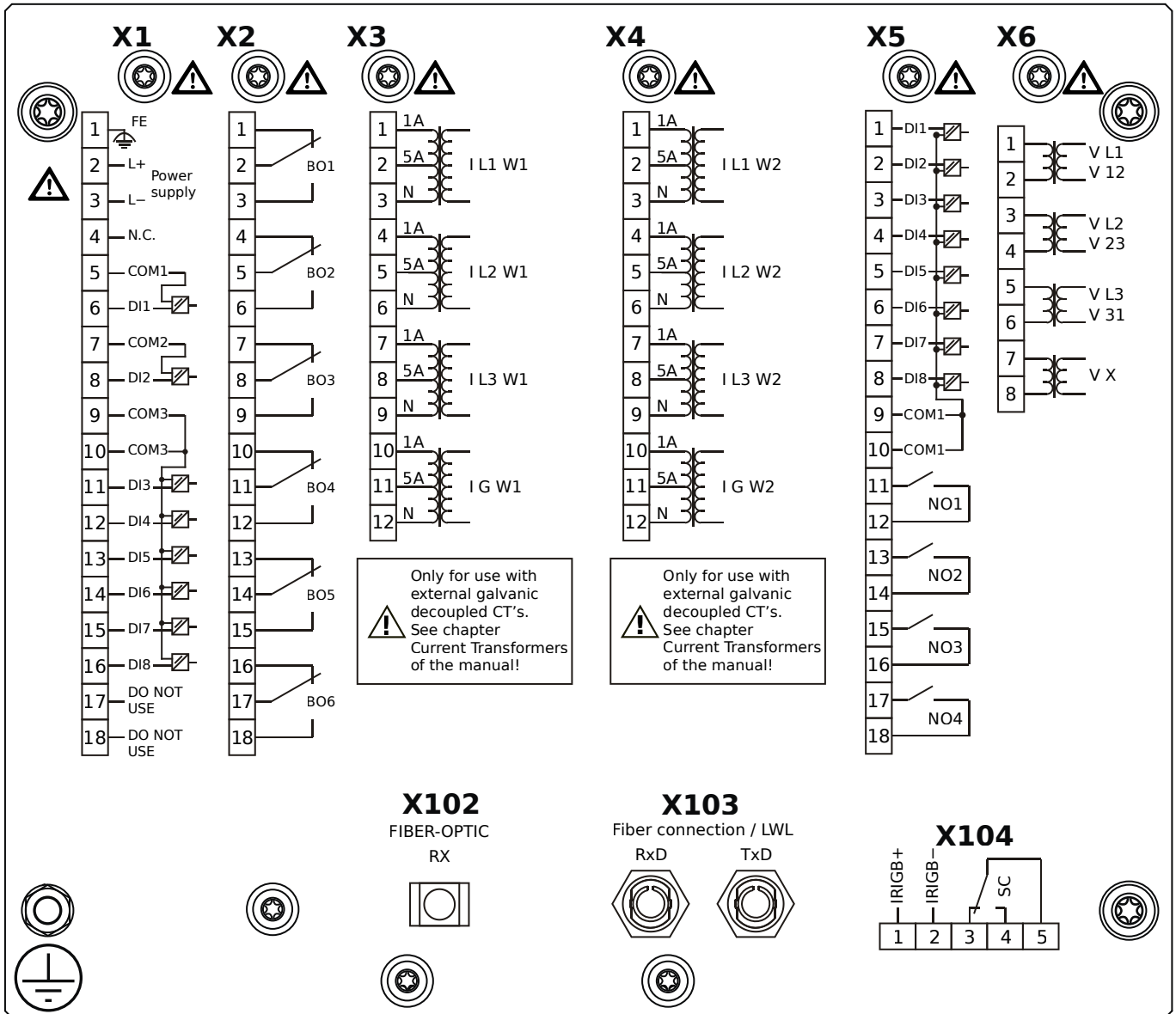


Housing B2, large display, 19" rack mounting

+ Conformal Coating (for installations in harsh environment)

- X1** – DI8-X1: Wide-range power supply unit, incl. 2 non-grouped digital inputs and 6 grouped digital inputs
- X2** – OR6: Assembly Group with 6 Output Relays (Changeover / Form C)
- X3** – TI: Standard current measuring card (for the winding side 1)
- X4** – TI: Standard current measuring card (for the winding side 2)
- X5** – DI8-OR4: Assembly Group with 8 Digital Inputs and 4 Output Relays (NO / Form A)
- X6** – TU: Card with 4 voltage transformer measuring inputs (0 ... 800 VAC, under UL: 0 ... 600 VAC)
- X102** – Universal Resistance-Temperature Detector (URTD) input, Fiber optics interface, Versatile Link
- X103** – Profibus-DP, RS485, D-SUB
- X104** – IRIG-B00X, incl. System Contact (Supervision Contact)

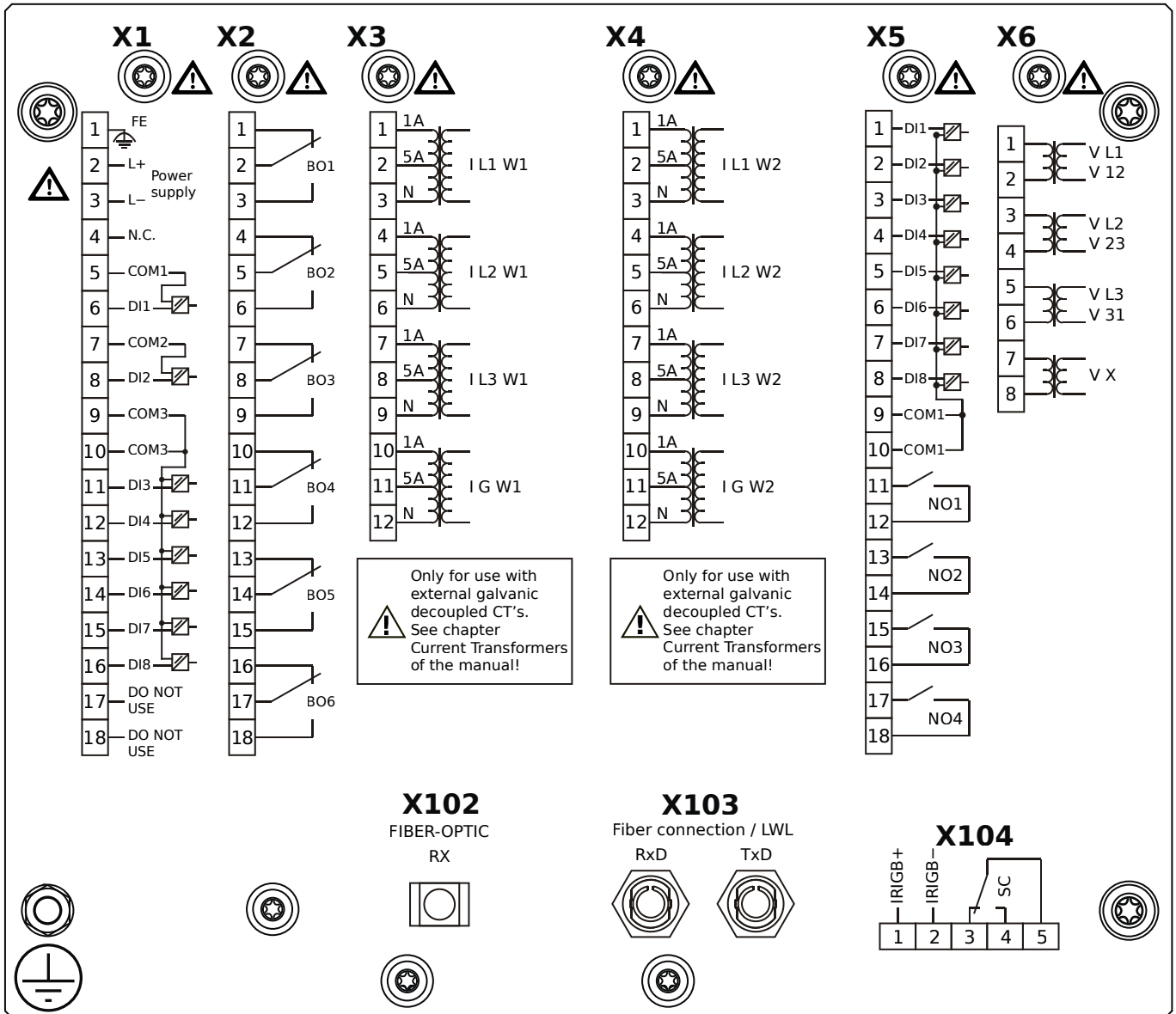
MCDTV4-2A0BFA



Housing B2, large display, 19" rack mounting

- X1** – DI8-X1: Wide-range power supply unit, incl. 2 non-grouped digital inputs and 6 grouped digital inputs
- X2** – OR6: Assembly Group with 6 Output Relays (Changeover / Form C)
- X3** – TI: Standard current measuring card (for the winding side 1)
- X4** – TI: Standard current measuring card (for the winding side 2)
- X5** – DI8-OR4: Assembly Group with 8 Digital Inputs and 4 Output Relays (NO / Form A)
- X6** – TU: Card with 4 voltage transformer measuring inputs (0 ... 800 VAC, under UL: 0 ... 600 VAC)
- X102** – Universal Resistance-Temperature Detector (URTD) input, Fiber optics interface, Versatile Link
- X103** – Modbus RTU / IEC 60870-5-103 / DNP3.0 RTU, Fiber optics interface, ST Connector
- X104** – IRIG-B00X, incl. System Contact (Supervision Contact)

MCDTV4-2A0BFB

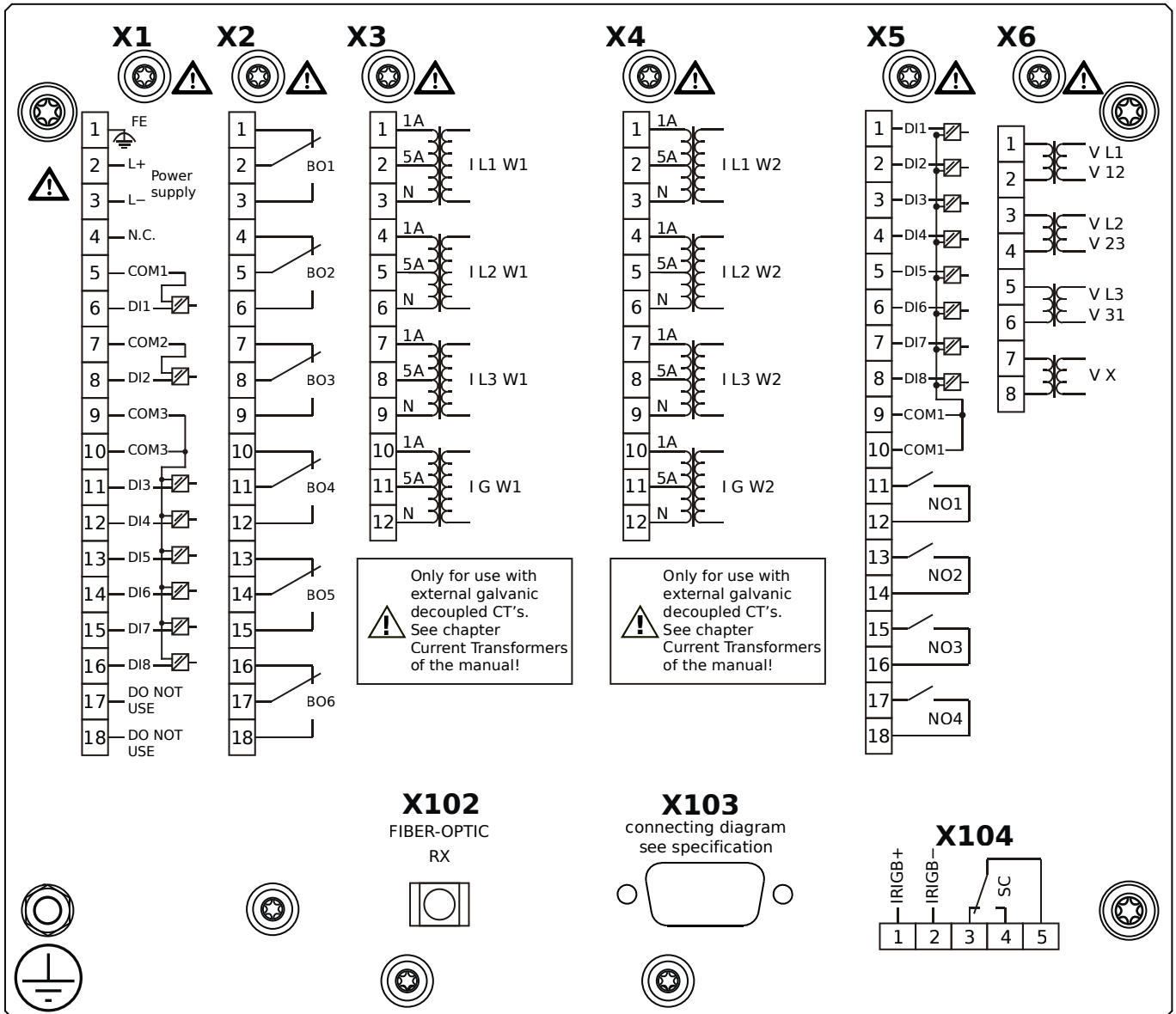


Housing B2, large display, 19" rack mounting

+ Conformal Coating (for installations in harsh environment)

- X1** – DI8-X1: Wide-range power supply unit, incl. 2 non-grouped digital inputs and 6 grouped digital inputs
- X2** – OR6: Assembly Group with 6 Output Relays (Changeover / Form C)
- X3** – TI: Standard current measuring card (for the winding side 1)
- X4** – TI: Standard current measuring card (for the winding side 2)
- X5** – DI8-OR4: Assembly Group with 8 Digital Inputs and 4 Output Relays (NO / Form A)
- X6** – TU: Card with 4 voltage transformer measuring inputs (0 ... 800 VAC, under UL: 0 ... 600 VAC)
- X102** – Universal Resistance-Temperature Detector (URTD) input, Fiber optics interface, Versatile Link
- X103** – Modbus RTU / IEC 60870-5-103 / DNP3.0 RTU, Fiber optics interface, ST Connector
- X104** – IRIG-B00X, incl. System Contact (Supervision Contact)

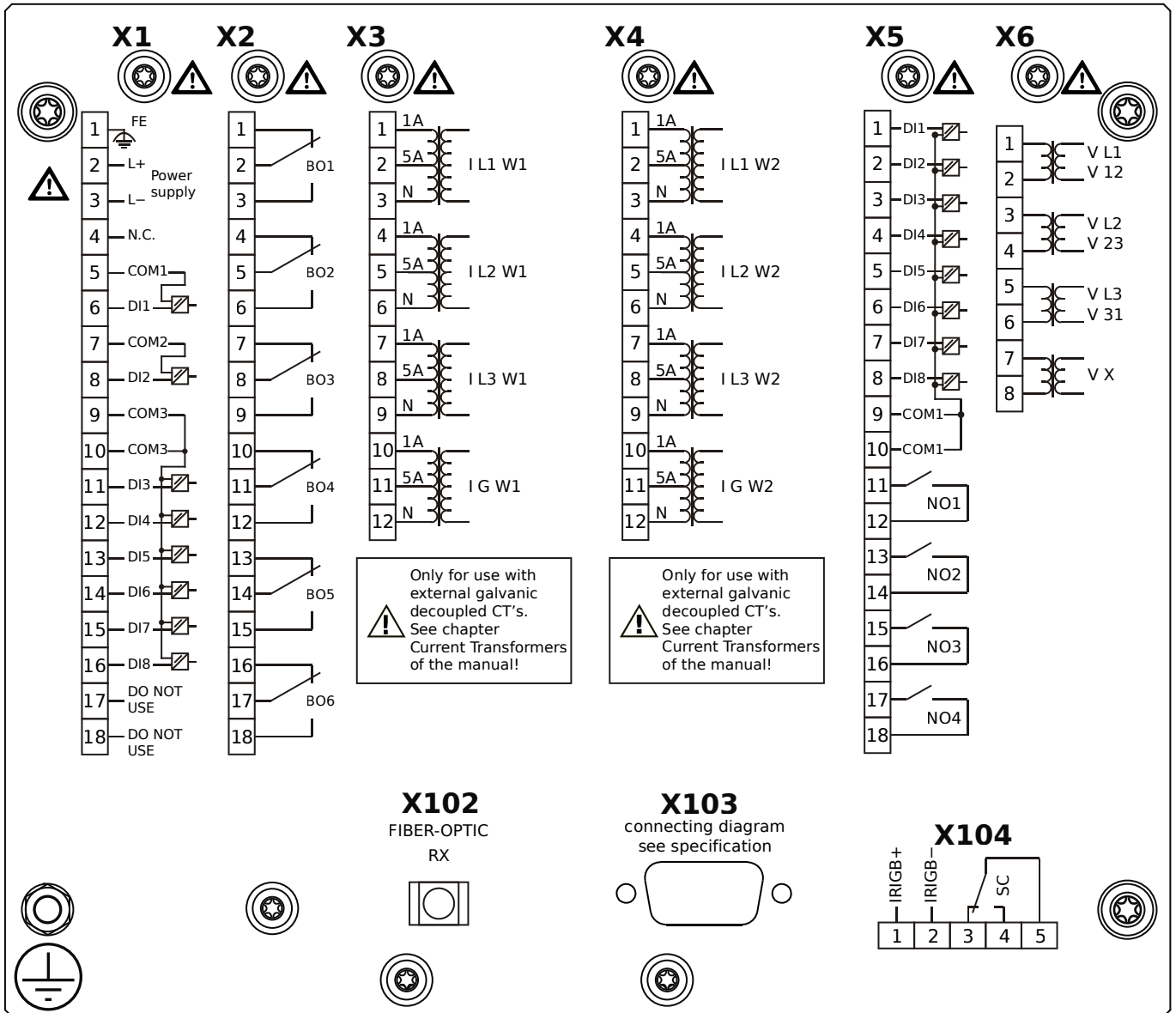
MCDTV4-2A0BGA



Housing B2, large display, 19" rack mounting

- X1** – DI8-X1: Wide-range power supply unit, incl. 2 non-grouped digital inputs and 6 grouped digital inputs
- X2** – OR6: Assembly Group with 6 Output Relays (Changeover / Form C)
- X3** – TI: Standard current measuring card (for the winding side 1)
- X4** – TI: Standard current measuring card (for the winding side 2)
- X5** – DI8-OR4: Assembly Group with 8 Digital Inputs and 4 Output Relays (NO / Form A)
- X6** – TU: Card with 4 voltage transformer measuring inputs (0 ... 800 VAC, under UL: 0 ... 600 VAC)
- X102** – Universal Resistance-Temperature Detector (URTD) input, Fiber optics interface, Versatile Link
- X103** – Modbus RTU / IEC 60870-5-103 / DNP3.0 RTU, RS485, D-SUB
- X104** – IRIG-B00X, incl. System Contact (Supervision Contact)

MCDTV4-2A0BGB

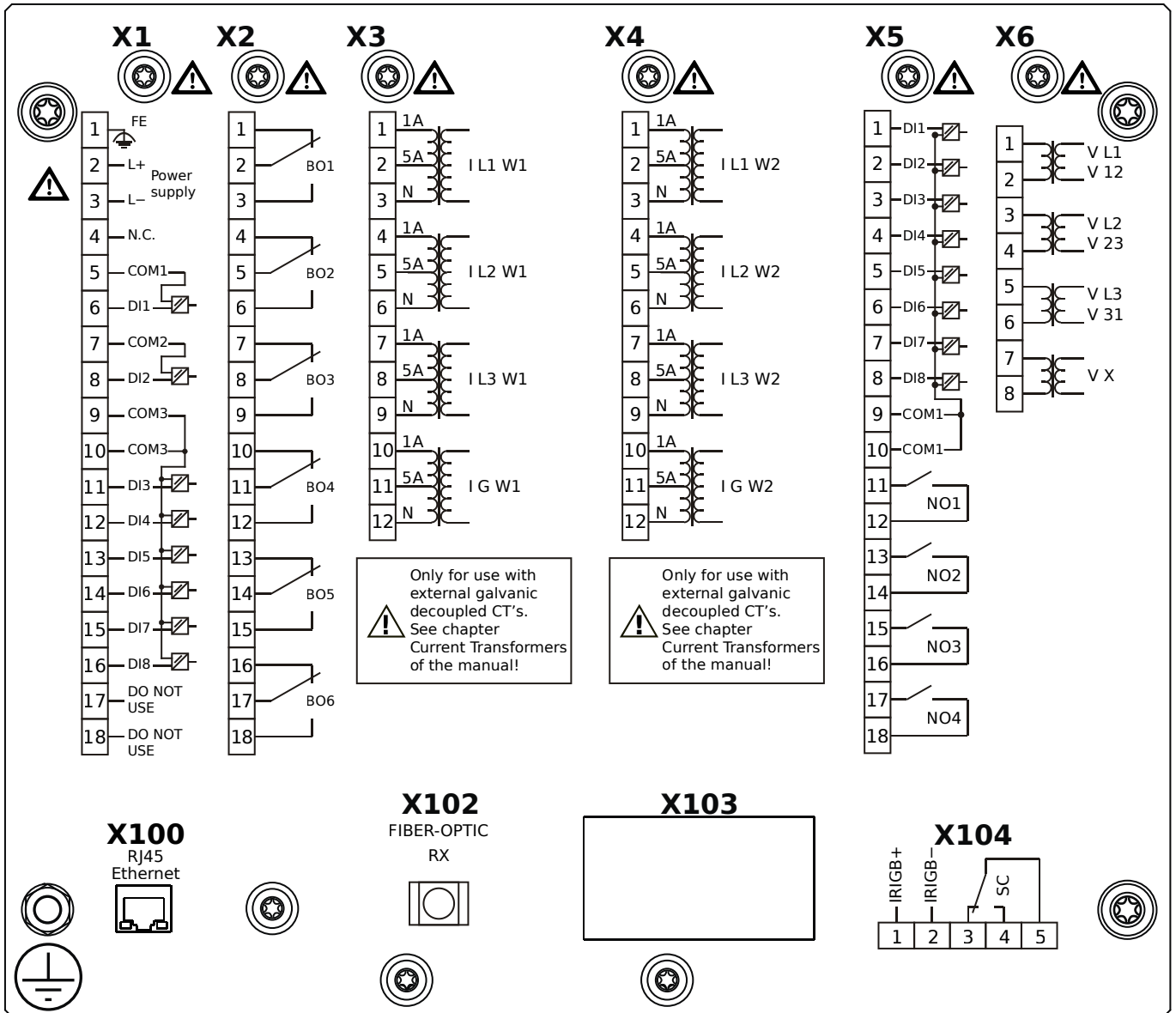


Housing B2, large display, 19" rack mounting

+ Conformal Coating (for installations in harsh environment)

- X1** – DI8-X1: Wide-range power supply unit, incl. 2 non-grouped digital inputs and 6 grouped digital inputs
- X2** – OR6: Assembly Group with 6 Output Relays (Changeover / Form C)
- X3** – TI: Standard current measuring card (for the winding side 1)
- X4** – TI: Standard current measuring card (for the winding side 2)
- X5** – DI8-OR4: Assembly Group with 8 Digital Inputs and 4 Output Relays (NO / Form A)
- X6** – TU: Card with 4 voltage transformer measuring inputs (0 ... 800 VAC, under UL: 0 ... 600 VAC)
- X102** – Universal Resistance-Temperature Detector (URTD) input, Fiber optics interface, Versatile Link
- X103** – Modbus RTU / IEC 60870-5-103 / DNP3.0 RTU, RS485, D-SUB
- X104** – IRIG-B00X, incl. System Contact (Supervision Contact)

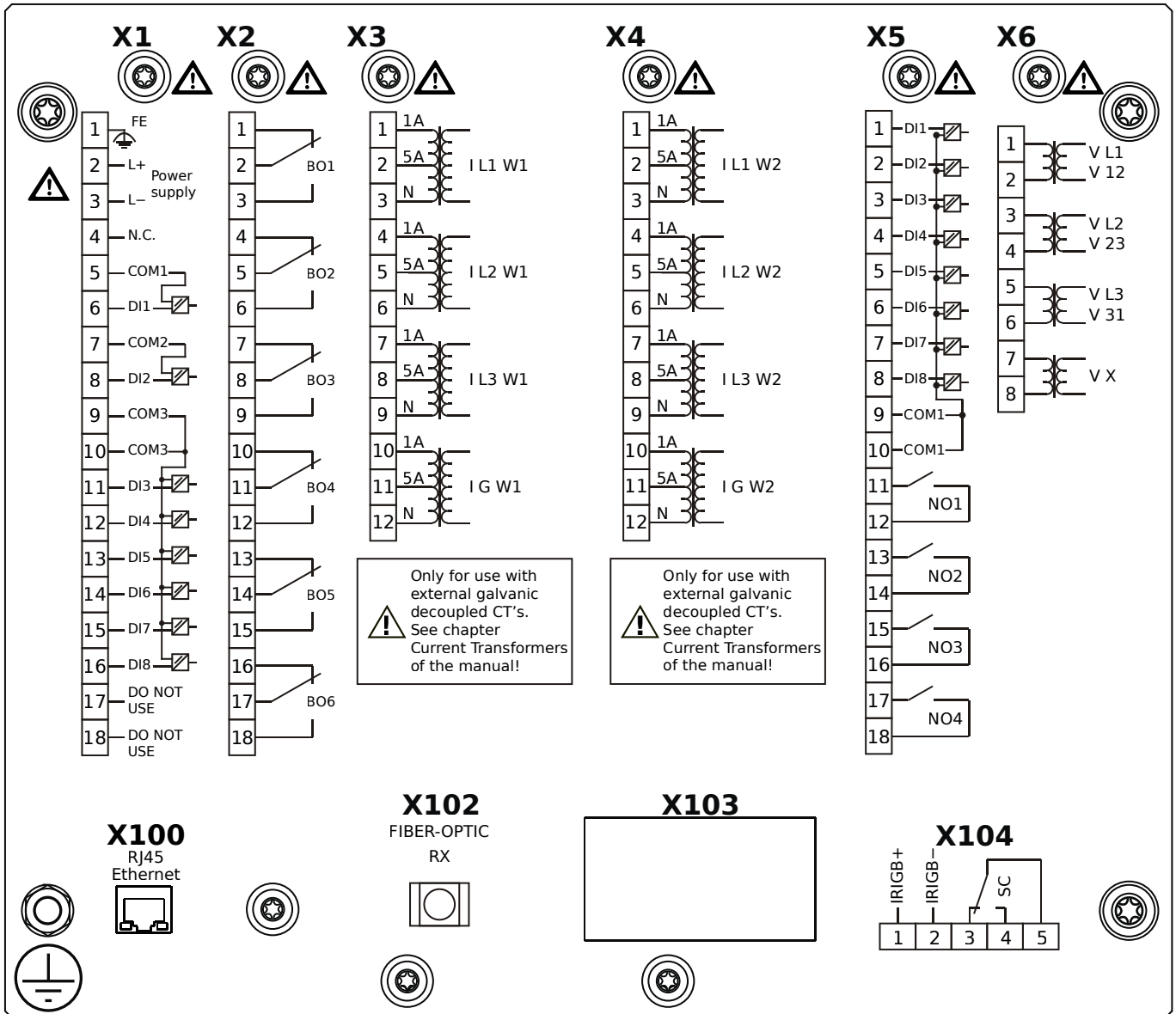
MCDTV4-2A0BHA



Housing B2, large display, 19" rack mounting

- X1** – DI8-X1: Wide-range power supply unit, incl. 2 non-grouped digital inputs and 6 grouped digital inputs
- X2** – OR6: Assembly Group with 6 Output Relays (Changeover / Form C)
- X3** – TI: Standard current measuring card (for the winding side 1)
- X4** – TI: Standard current measuring card (for the winding side 2)
- X5** – DI8-OR4: Assembly Group with 8 Digital Inputs and 4 Output Relays (NO / Form A)
- X6** – TU: Card with 4 voltage transformer measuring inputs (0 ... 800 VAC, under UL: 0 ... 600 VAC)
- X100** – IEC 61850 / Modbus TCP / IEC 60870-5-104 / DNP3.0 TCP/UDP, Ethernet interface, 100 Mbit/s, RJ45 (BASE100-FX)
- X102** – Universal Resistance-Temperature Detector (URTD) input, Fiber optics interface, Versatile Link
- X104** – IRIG-B00X, incl. System Contact (Supervision Contact)

MCDTV4-2A0BHB



Housing B2, large display, 19" rack mounting

+ Conformal Coating (for installations in harsh environment)

X1 – DI8-X1: Wide-range power supply unit, incl. 2 non-grouped digital inputs and 6 grouped digital inputs

X2 – OR6: Assembly Group with 6 Output Relays (Changeover / Form C)

X3 – TI: Standard current measuring card (for the winding side 1)

X4 – TI: Standard current measuring card (for the winding side 2)

X5 – DI8-OR4: Assembly Group with 8 Digital Inputs and 4 Output Relays (NO / Form A)

X6 – TU: Card with 4 voltage transformer measuring inputs (0 ... 800 VAC, under UL: 0 ... 600 VAC)

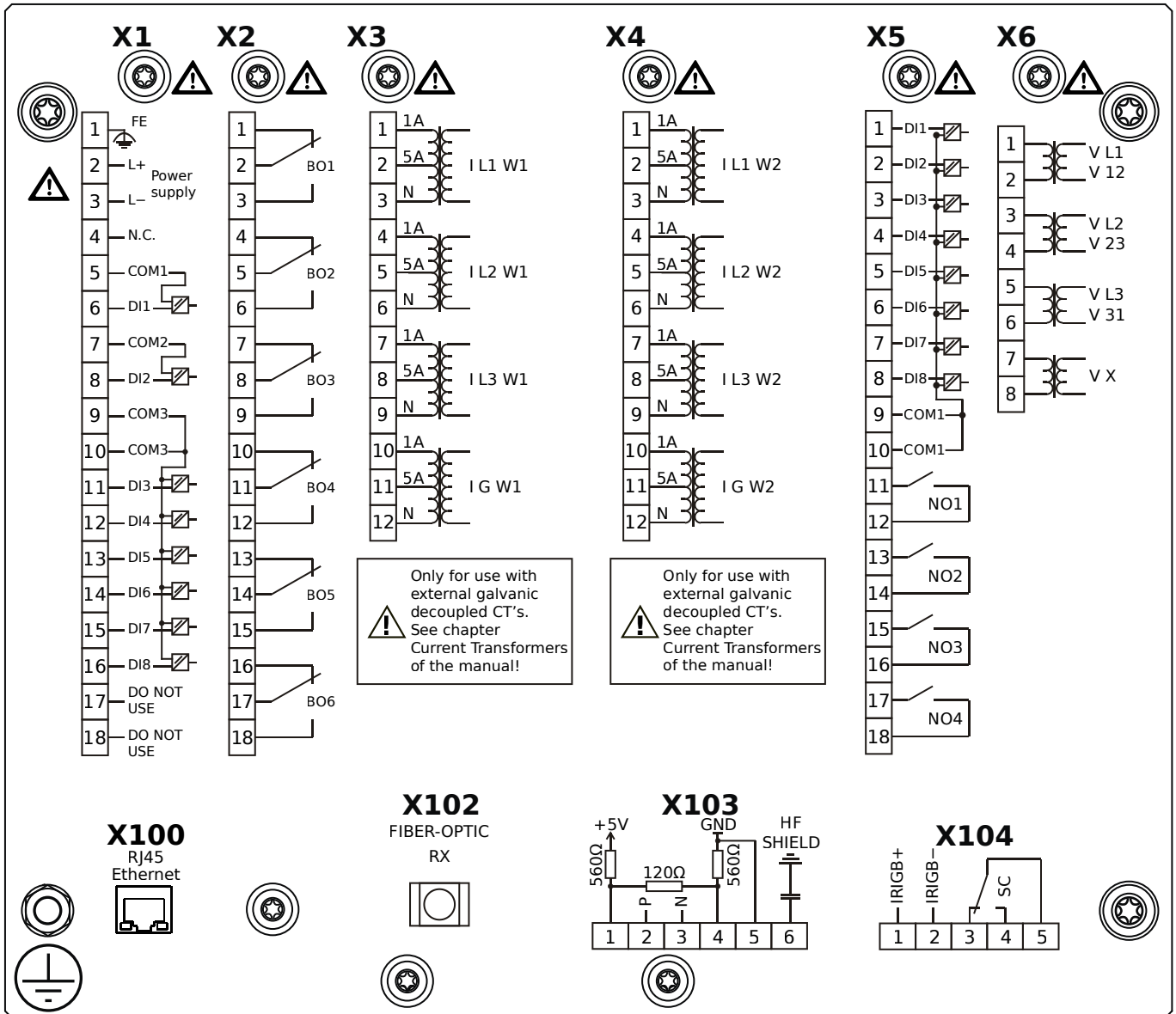
X100 – IEC 61850 / Modbus TCP / IEC 60870-5-104 / DNP3.0 TCP/UDP, Ethernet interface, 100 Mbit/s, RJ45 (BASE100-

FX)

X102 – Universal Resistance-Temperature Detector (URTD) input, Fiber optics interface, Versatile Link

X104 – IRIG-B00X, incl. System Contact (Supervision Contact)

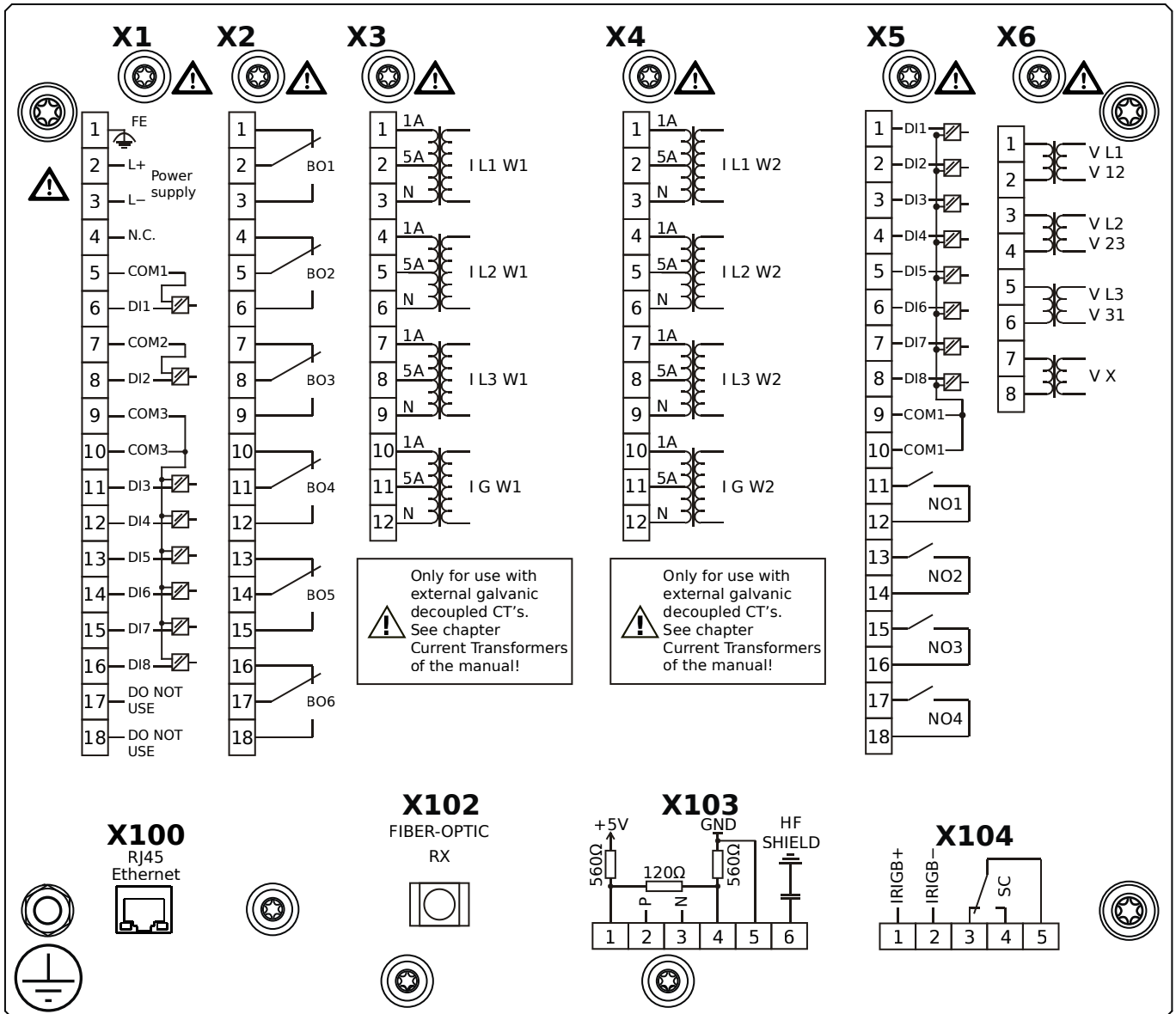
MCDTV4-2A0BIA



Housing B2, large display, 19" rack mounting

- X1** – DI8-X1: Wide-range power supply unit, incl. 2 non-grouped digital inputs and 6 grouped digital inputs
- X2** – OR6: Assembly Group with 6 Output Relays (Changeover / Form C)
- X3** – TI: Standard current measuring card (for the winding side 1)
- X4** – TI: Standard current measuring card (for the winding side 2)
- X5** – DI8-OR4: Assembly Group with 8 Digital Inputs and 4 Output Relays (NO / Form A)
- X6** – TU: Card with 4 voltage transformer measuring inputs (0 ... 800 VAC, under UL: 0 ... 600 VAC)
- X100** – Modbus TCP / IEC 60870-5-104 / DNP3.0 TCP/UDP, Ethernet interface, 100 Mbit/s, RJ45 (BASE100-FX)
- X102** – Universal Resistance-Temperature Detector (URTD) input, Fiber optics interface, Versatile Link
- X103** – IEC 60870-5-103 / Modbus RTU / DNP3.0 RTU, RS485, Terminals
- X104** – IRIG-B00X, incl. System Contact (Supervision Contact)

MCDTV4-2A0BIB

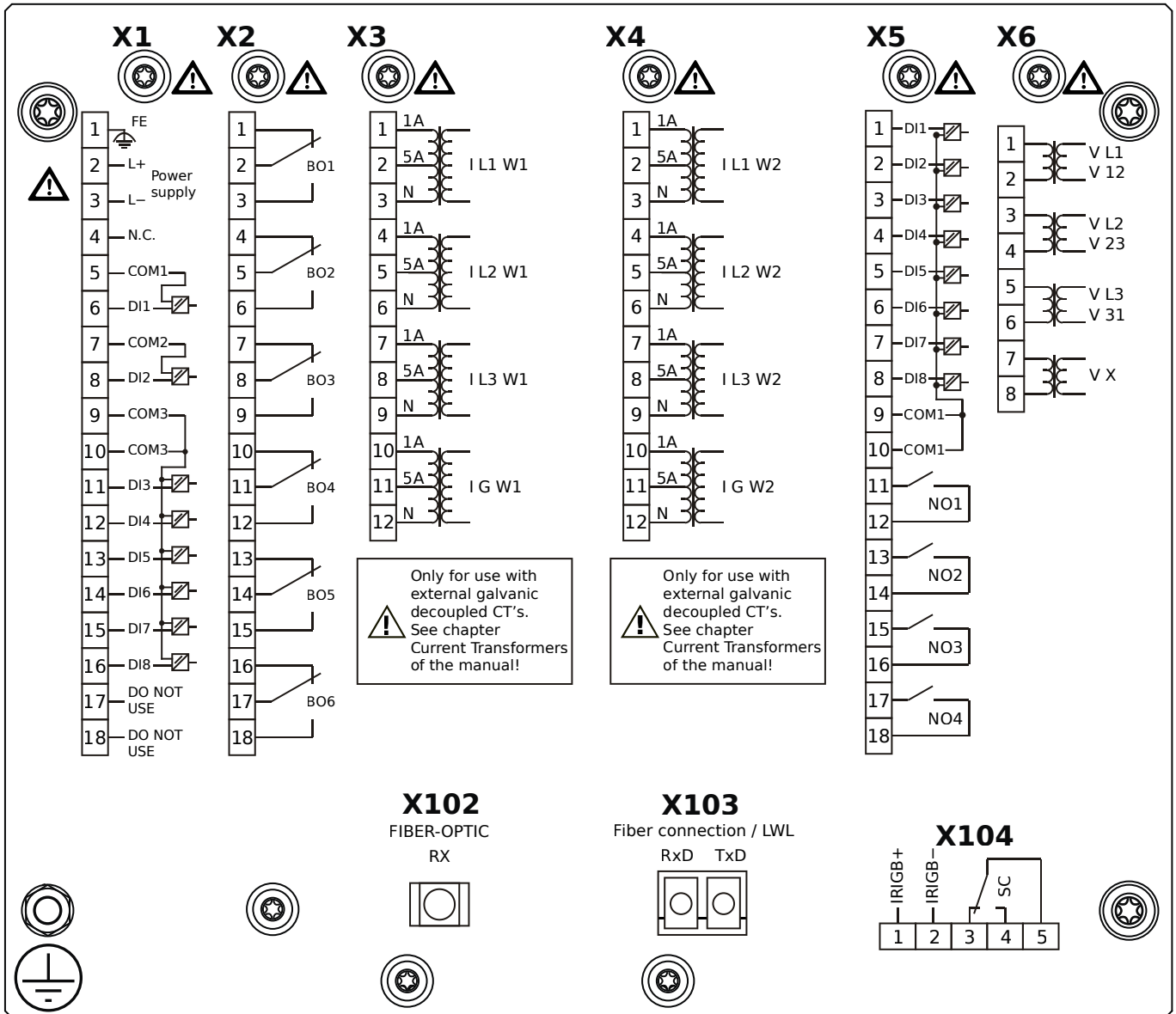


Housing B2, large display, 19" rack mounting

+ Conformal Coating (for installations in harsh environment)

- X1** – DI8-X1: Wide-range power supply unit, incl. 2 non-grouped digital inputs and 6 grouped digital inputs
- X2** – OR6: Assembly Group with 6 Output Relays (Changeover / Form C)
- X3** – TI: Standard current measuring card (for the winding side 1)
- X4** – TI: Standard current measuring card (for the winding side 2)
- X5** – DI8-OR4: Assembly Group with 8 Digital Inputs and 4 Output Relays (NO / Form A)
- X6** – TU: Card with 4 voltage transformer measuring inputs (0 ... 800 VAC, under UL: 0 ... 600 VAC)
- X100** – Modbus TCP / IEC 60870-5-104 / DNP3.0 TCP/UDP, Ethernet interface, 100 Mbit/s, RJ45 (BASE100-FX)
- X102** – Universal Resistance-Temperature Detector (URTD) input, Fiber optics interface, Versatile Link
- X103** – IEC 60870-5-103 / Modbus RTU / DNP3.0 RTU, RS485, Terminals
- X104** – I/RGB-B00X, incl. System Contact (Supervision Contact)

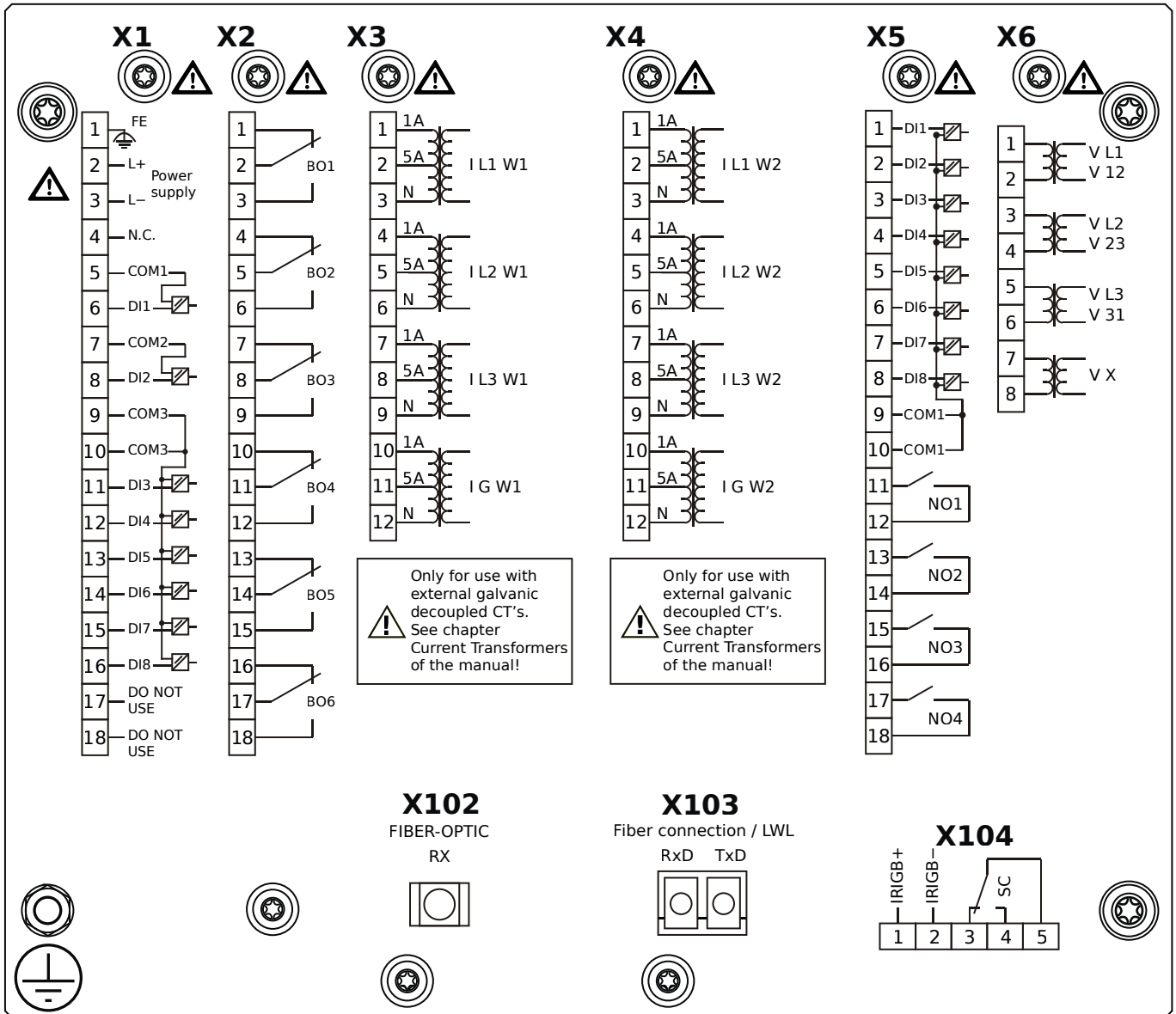
MCDTV4-2A0BKA



Housing B2, large display, 19" rack mounting

- X1** – DI8-X1: Wide-range power supply unit, incl. 2 non-grouped digital inputs and 6 grouped digital inputs
- X2** – OR6: Assembly Group with 6 Output Relays (Changeover / Form C)
- X3** – TI: Standard current measuring card (for the winding side 1)
- X4** – TI: Standard current measuring card (for the winding side 2)
- X5** – DI8-OR4: Assembly Group with 8 Digital Inputs and 4 Output Relays (NO / Form A)
- X6** – TU: Card with 4 voltage transformer measuring inputs (0 ... 800 VAC, under UL: 0 ... 600 VAC)
- X102** – Universal Resistance-Temperature Detector (URTD) input, Fiber optics interface, Versatile Link
- X103** – IEC 61850 / Modbus TCP / IEC 60870-5-104 / DNP3.0 TCP/UDP, Fiber optics interface, LC Connector
- X104** – IRIG-B00X, incl. System Contact (Supervision Contact)

MCDTV4-2A0BKB

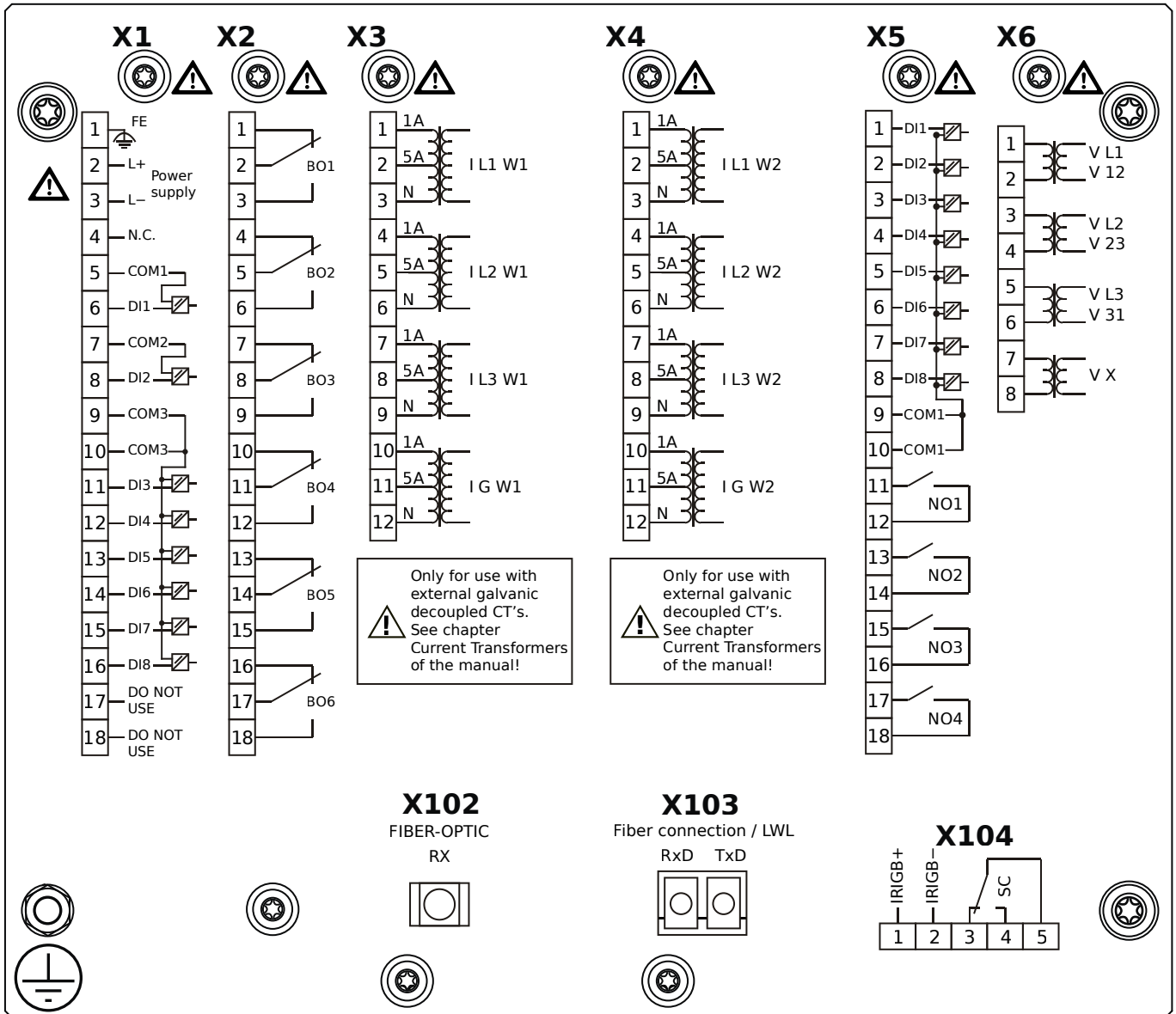


Housing B2, large display, 19" rack mounting

- + Conformal Coating (for installations in harsh environment)

- X1** – DI8-X1: Wide-range power supply unit, incl. 2 non-grouped digital inputs and 6 grouped digital inputs
- X2** – OR6: Assembly Group with 6 Output Relays (Changeover / Form C)
- X3** – TI: Standard current measuring card (for the winding side 1)
- X4** – TI: Standard current measuring card (for the winding side 2)
- X5** – DI8-OR4: Assembly Group with 8 Digital Inputs and 4 Output Relays (NO / Form A)
- X6** – TU: Card with 4 voltage transformer measuring inputs (0 ... 800 VAC, under UL: 0 ... 600 VAC)
- X102** – Universal Resistance-Temperature Detector (URTD) input, Fiber optics interface, Versatile Link
- X103** – IEC 61850 / Modbus TCP / IEC 60870-5-104 / DNP3.0 TCP/UDP, Fiber optics interface, LC Connector
- X104** – IRIG-B00X, incl. System Contact (Supervision Contact)

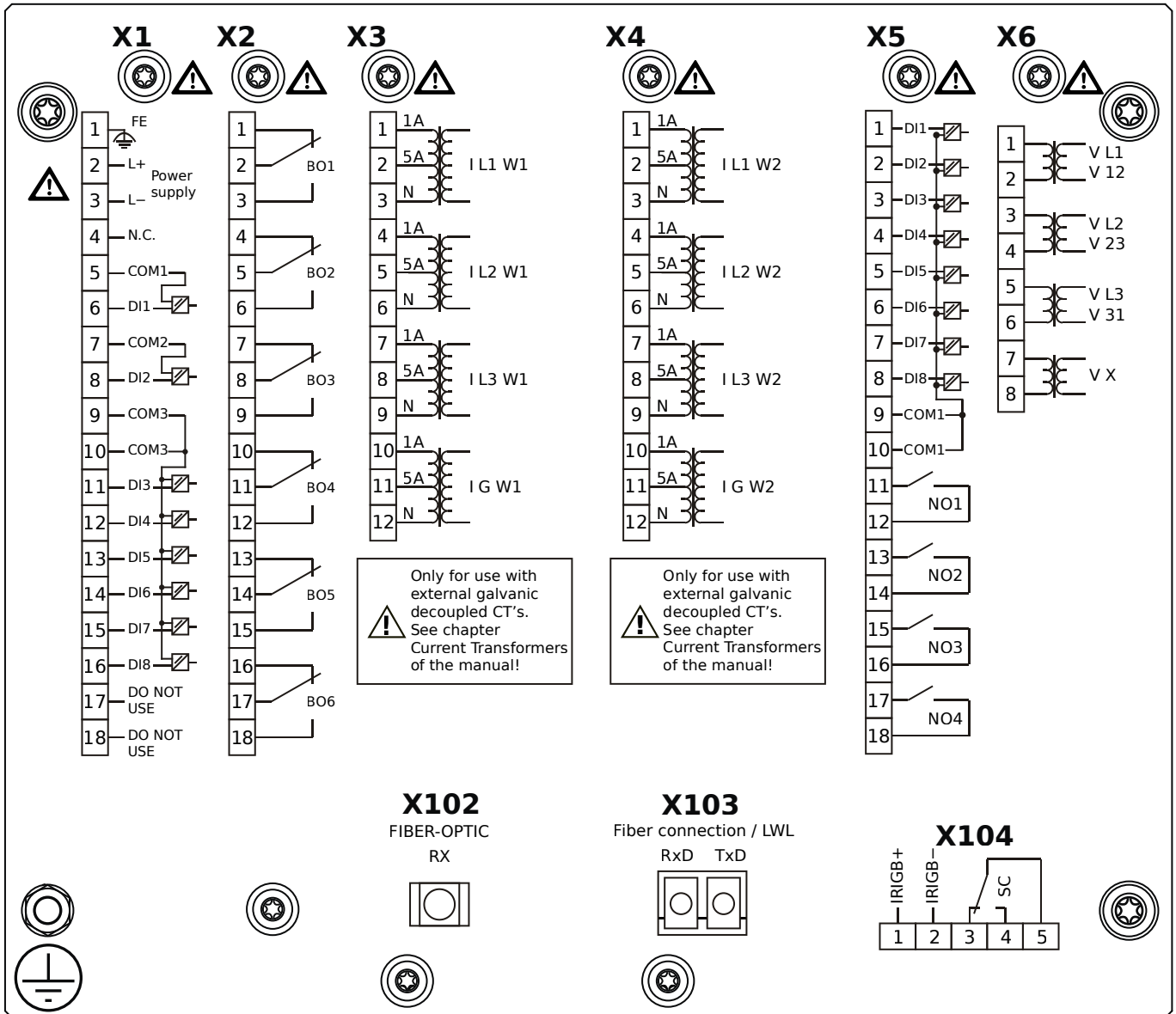
MCDTV4-2A0BLA



Housing B2, large display, 19" rack mounting

- X1** – DI8-X1: Wide-range power supply unit, incl. 2 non-grouped digital inputs and 6 grouped digital inputs
- X2** – OR6: Assembly Group with 6 Output Relays (Changeover / Form C)
- X3** – TI: Standard current measuring card (for the winding side 1)
- X4** – TI: Standard current measuring card (for the winding side 2)
- X5** – DI8-OR4: Assembly Group with 8 Digital Inputs and 4 Output Relays (NO / Form A)
- X6** – TU: Card with 4 voltage transformer measuring inputs (0 ... 800 VAC, under UL: 0 ... 600 VAC)
- X102** – Universal Resistance-Temperature Detector (URTD) input, Fiber optics interface, Versatile Link
- X103** – Modbus TCP / IEC 60870-5-104 / DNP3.0 TCP/UDP, Fiber optics interface, LC Connector
- X104** – IRIG-B00X, incl. System Contact (Supervision Contact)

MCDTV4-2A0BLB

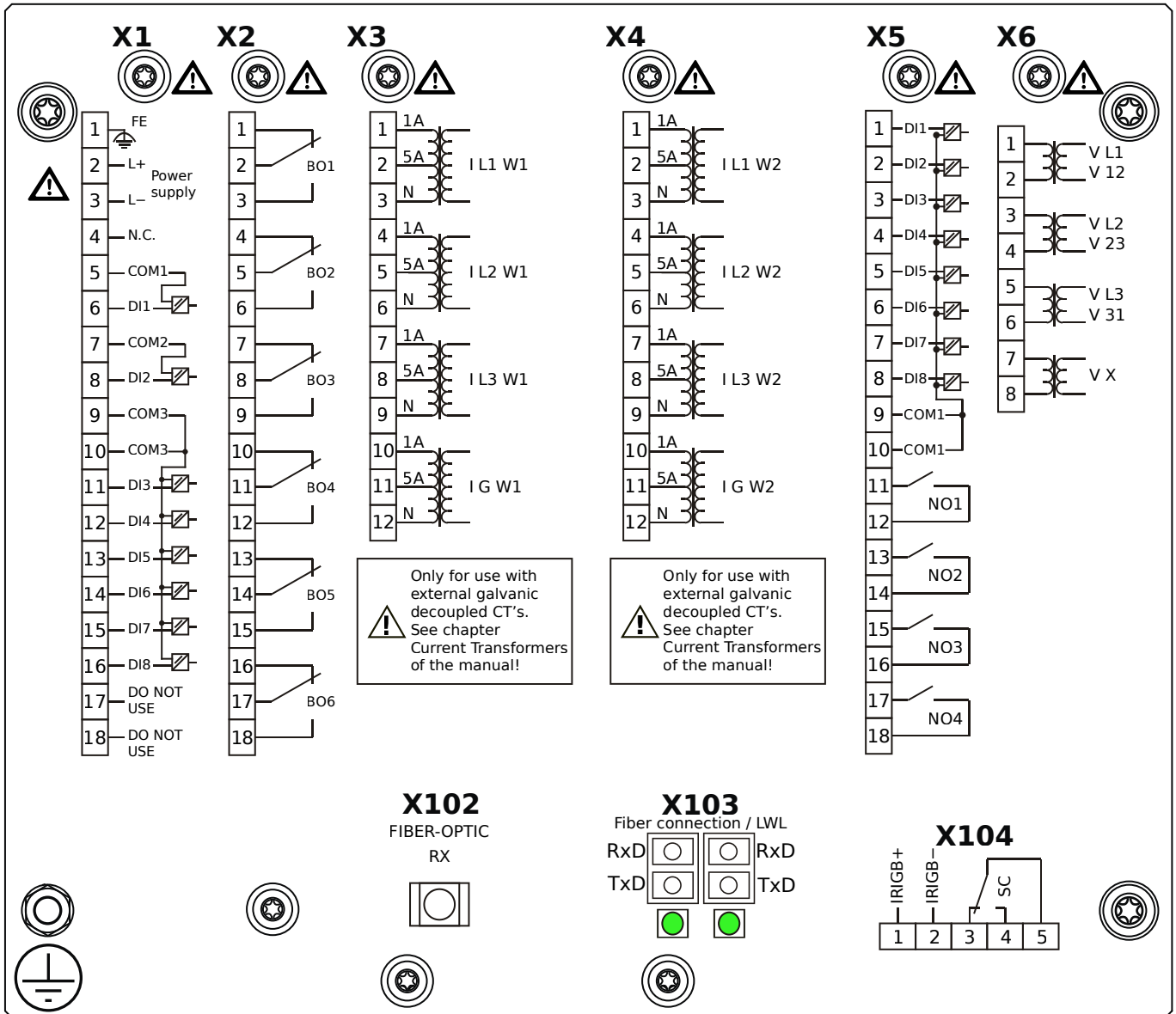


Housing B2, large display, 19" rack mounting

+ Conformal Coating (for installations in harsh environment)

- X1** – DI8-X1: Wide-range power supply unit, incl. 2 non-grouped digital inputs and 6 grouped digital inputs
- X2** – OR6: Assembly Group with 6 Output Relays (Changeover / Form C)
- X3** – TI: Standard current measuring card (for the winding side 1)
- X4** – TI: Standard current measuring card (for the winding side 2)
- X5** – DI8-OR4: Assembly Group with 8 Digital Inputs and 4 Output Relays (NO / Form A)
- X6** – TU: Card with 4 voltage transformer measuring inputs (0 ... 800 VAC, under UL: 0 ... 600 VAC)
- X102** – Universal Resistance-Temperature Detector (URTD) input, Fiber optics interface, Versatile Link
- X103** – Modbus TCP / IEC 60870-5-104 / DNP3.0 TCP/UDP, Fiber optics interface, LC Connector
- X104** – IRIG-B00X, incl. System Contact (Supervision Contact)

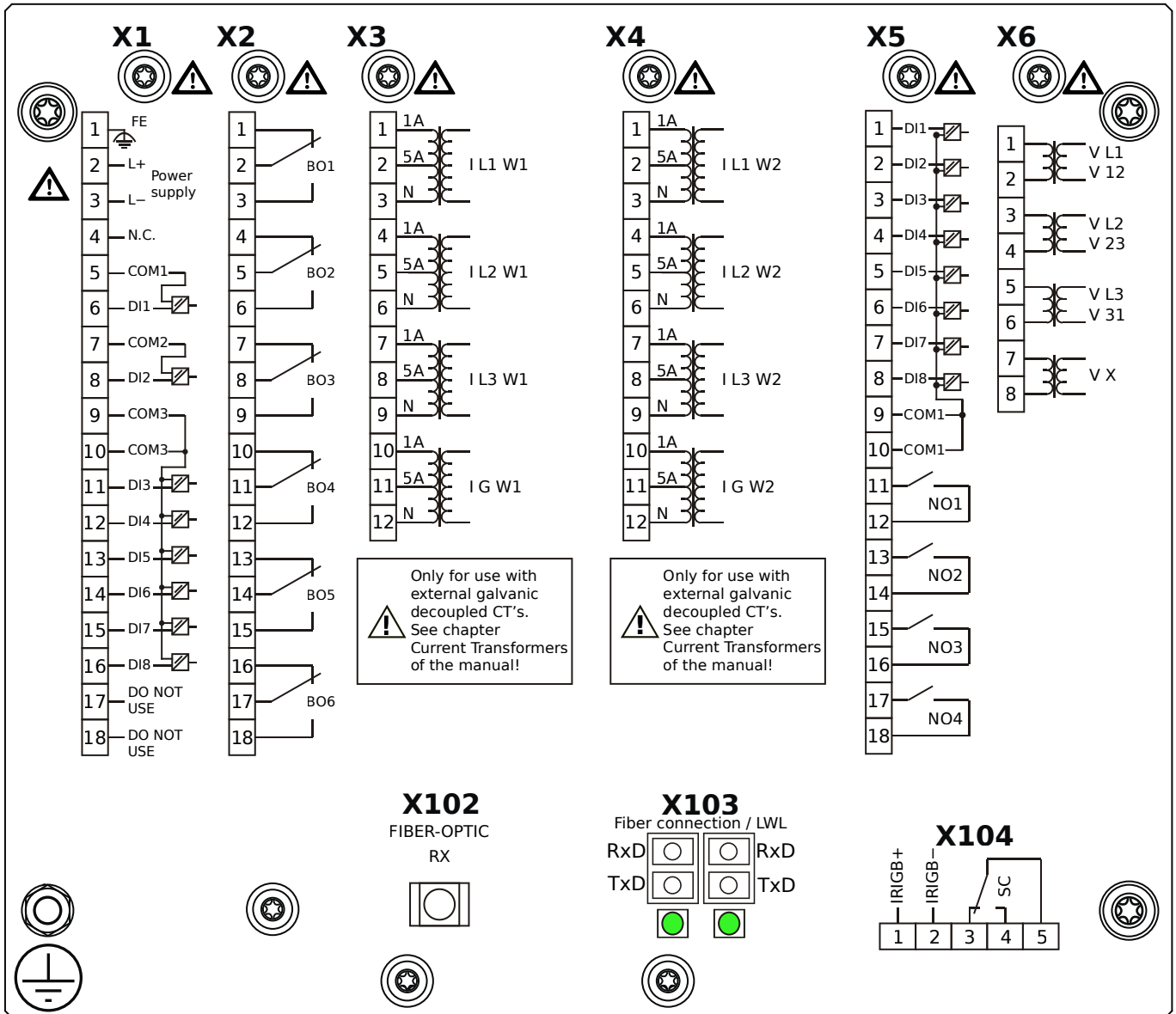
MCDTV4-2A0BOA



Housing B2, large display, 19" rack mounting

- X1** – DI8-X1: Wide-range power supply unit, incl. 2 non-grouped digital inputs and 6 grouped digital inputs
- X2** – OR6: Assembly Group with 6 Output Relays (Changeover / Form C)
- X3** – TI: Standard current measuring card (for the winding side 1)
- X4** – TI: Standard current measuring card (for the winding side 2)
- X5** – DI8-OR4: Assembly Group with 8 Digital Inputs and 4 Output Relays (NO / Form A)
- X6** – TU: Card with 4 voltage transformer measuring inputs (0 ... 800 VAC, under UL: 0 ... 600 VAC)
- X102** – Universal Resistance-Temperature Detector (URTD) input, Fiber optics interface, Versatile Link
- X103** – Modbus TCP / IEC 60870-5-104 / DNP3.0 TCP/UDP, Redundant Fiber optics interface, LC Connector
- X104** – IRIG-B00X, incl. System Contact (Supervision Contact)

MCDTV4-2A0BOB

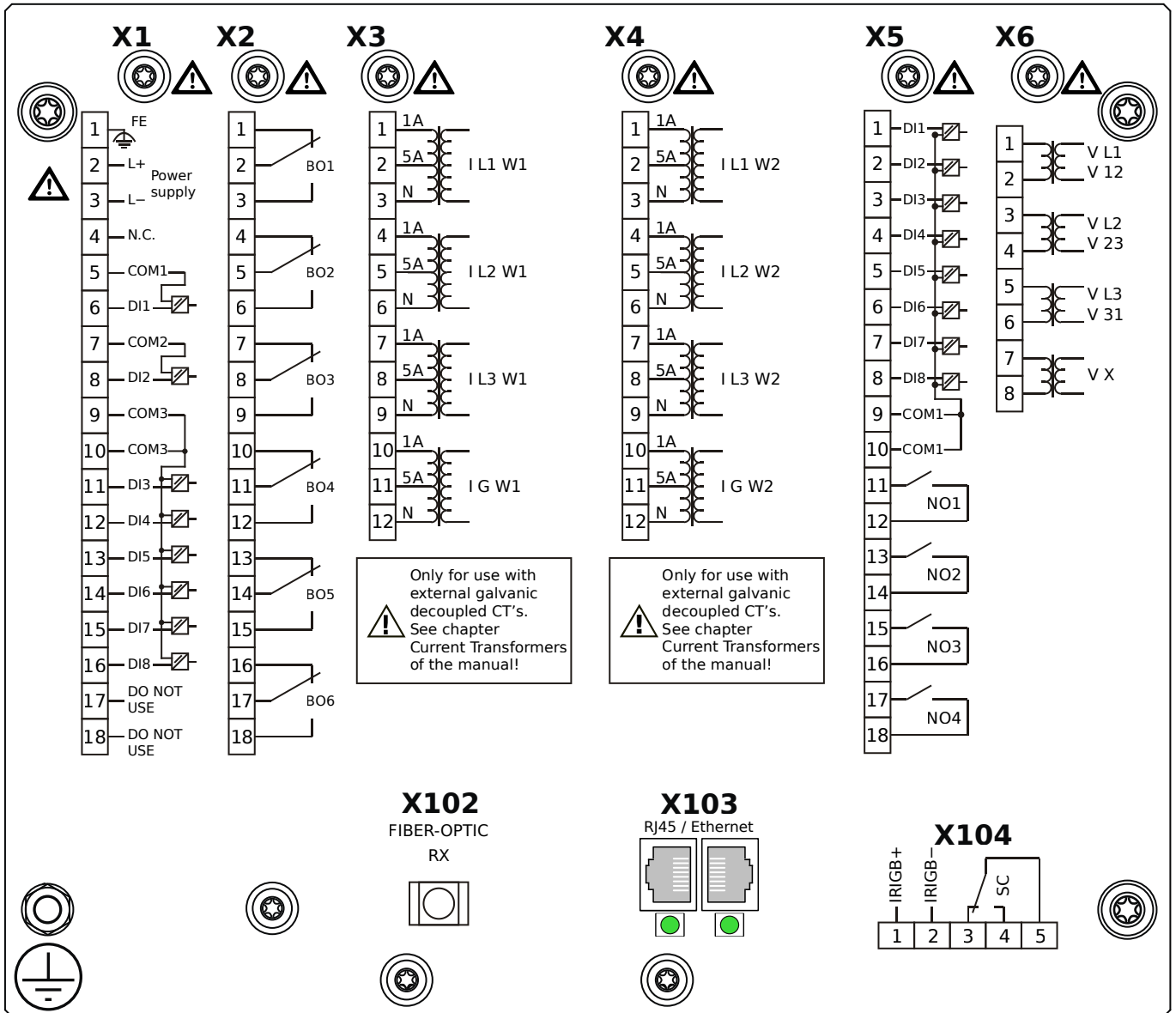


Housing B2, large display, 19" rack mounting

- + Conformal Coating (for installations in harsh environment)

- X1** – DI8-X1: Wide-range power supply unit, incl. 2 non-grouped digital inputs and 6 grouped digital inputs
- X2** – OR6: Assembly Group with 6 Output Relays (Changeover / Form C)
- X3** – TI: Standard current measuring card (for the winding side 1)
- X4** – TI: Standard current measuring card (for the winding side 2)
- X5** – DI8-OR4: Assembly Group with 8 Digital Inputs and 4 Output Relays (NO / Form A)
- X6** – TU: Card with 4 voltage transformer measuring inputs (0 ... 800 VAC, under UL: 0 ... 600 VAC)
- X102** – Universal Resistance-Temperature Detector (URTD) input, Fiber optics interface, Versatile Link
- X103** – Modbus TCP / IEC 60870-5-104 / DNP3.0 TCP/UDP, Redundant Fiber optics interface, LC Connector
- X104** – IRIG-B00X, incl. System Contact (Supervision Contact)

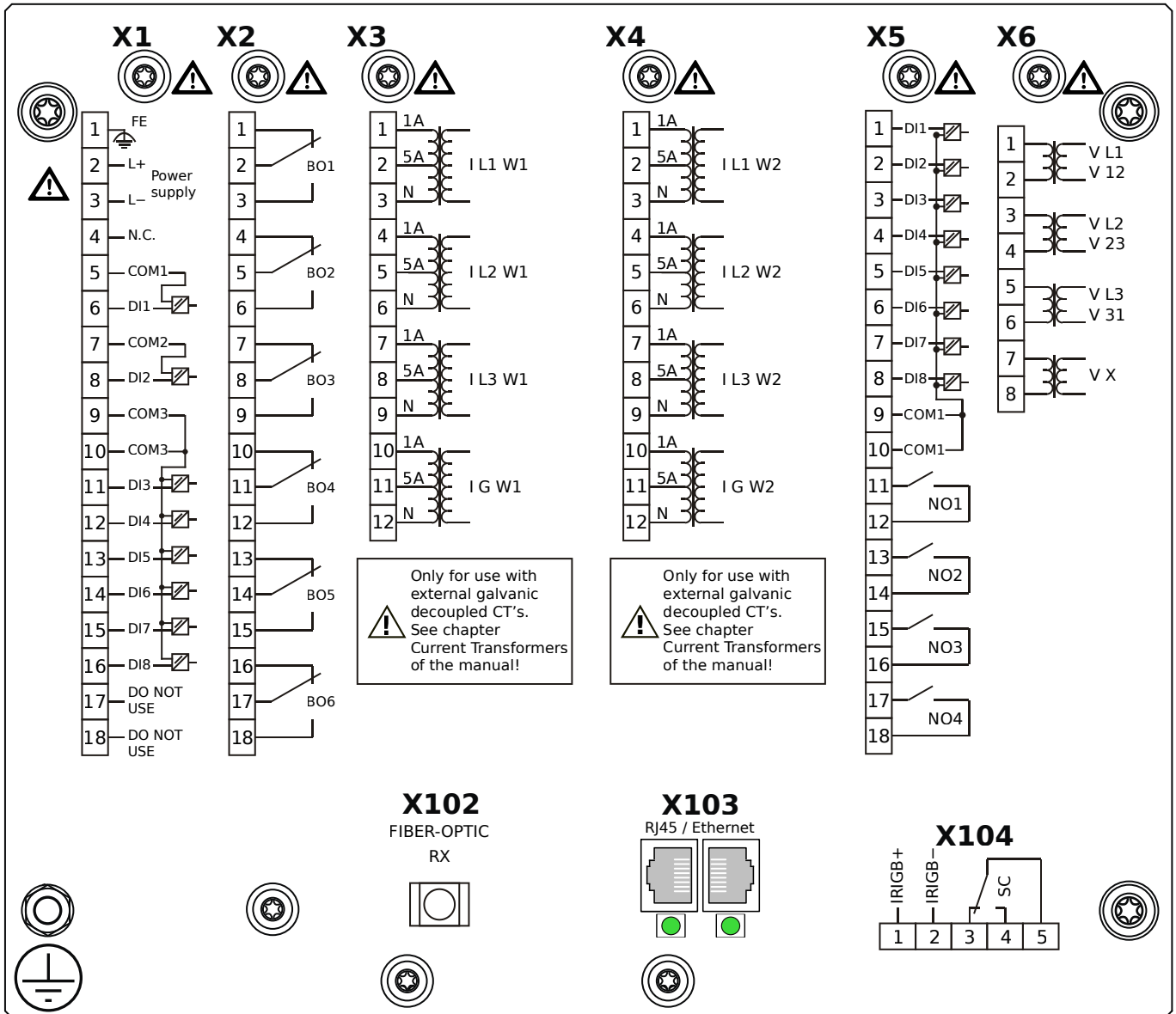
MCDTV4-2A0BPA



Housing B2, large display, 19" rack mounting

- X1** – DI8-X1: Wide-range power supply unit, incl. 2 non-grouped digital inputs and 6 grouped digital inputs
- X2** – OR6: Assembly Group with 6 Output Relays (Changeover / Form C)
- X3** – TI: Standard current measuring card (for the winding side 1)
- X4** – TI: Standard current measuring card (for the winding side 2)
- X5** – DI8-OR4: Assembly Group with 8 Digital Inputs and 4 Output Relays (NO / Form A)
- X6** – TU: Card with 4 voltage transformer measuring inputs (0 ... 800 VAC, under UL: 0 ... 600 VAC)
- X102** – Universal Resistance-Temperature Detector (URTD) input, Fiber optics interface, Versatile Link
- X103** – Modbus TCP / IEC 60870-5-104 / DNP3.0 TCP/UDP, Redundant Ethernet interface, 100 Mbit/s, RJ45 (BASE100-FX)
- X104** – IRIG-B00X, incl. System Contact (Supervision Contact)

MCDTV4-2A0BPB

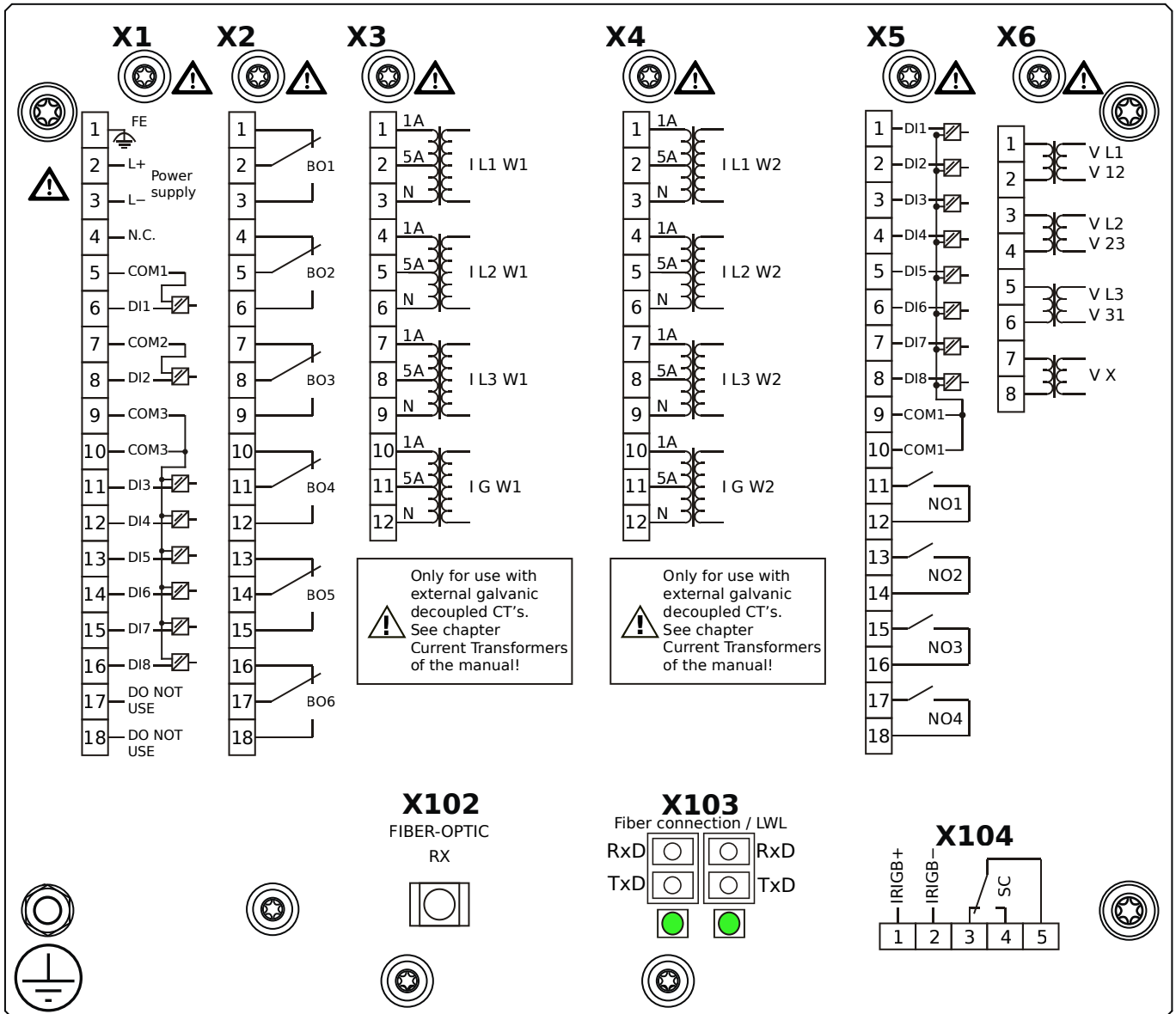


Housing B2, large display, 19" rack mounting

- + Conformal Coating (for installations in harsh environment)

- X1** – DI8-X1: Wide-range power supply unit, incl. 2 non-grouped digital inputs and 6 grouped digital inputs
- X2** – OR6: Assembly Group with 6 Output Relays (Changeover / Form C)
- X3** – TI: Standard current measuring card (for the winding side 1)
- X4** – TI: Standard current measuring card (for the winding side 2)
- X5** – DI8-OR4: Assembly Group with 8 Digital Inputs and 4 Output Relays (NO / Form A)
- X6** – TU: Card with 4 voltage transformer measuring inputs (0 ... 800 VAC, under UL: 0 ... 600 VAC)
- X102** – Universal Resistance-Temperature Detector (URTD) input, Fiber optics interface, Versatile Link
- X103** – Modbus TCP / IEC 60870-5-104 / DNP3.0 TCP/UDP, Redundant Ethernet interface, 100 Mbit/s, RJ45 (BASE100-FX)
- X104** – IRIG-B00X, incl. System Contact (Supervision Contact)

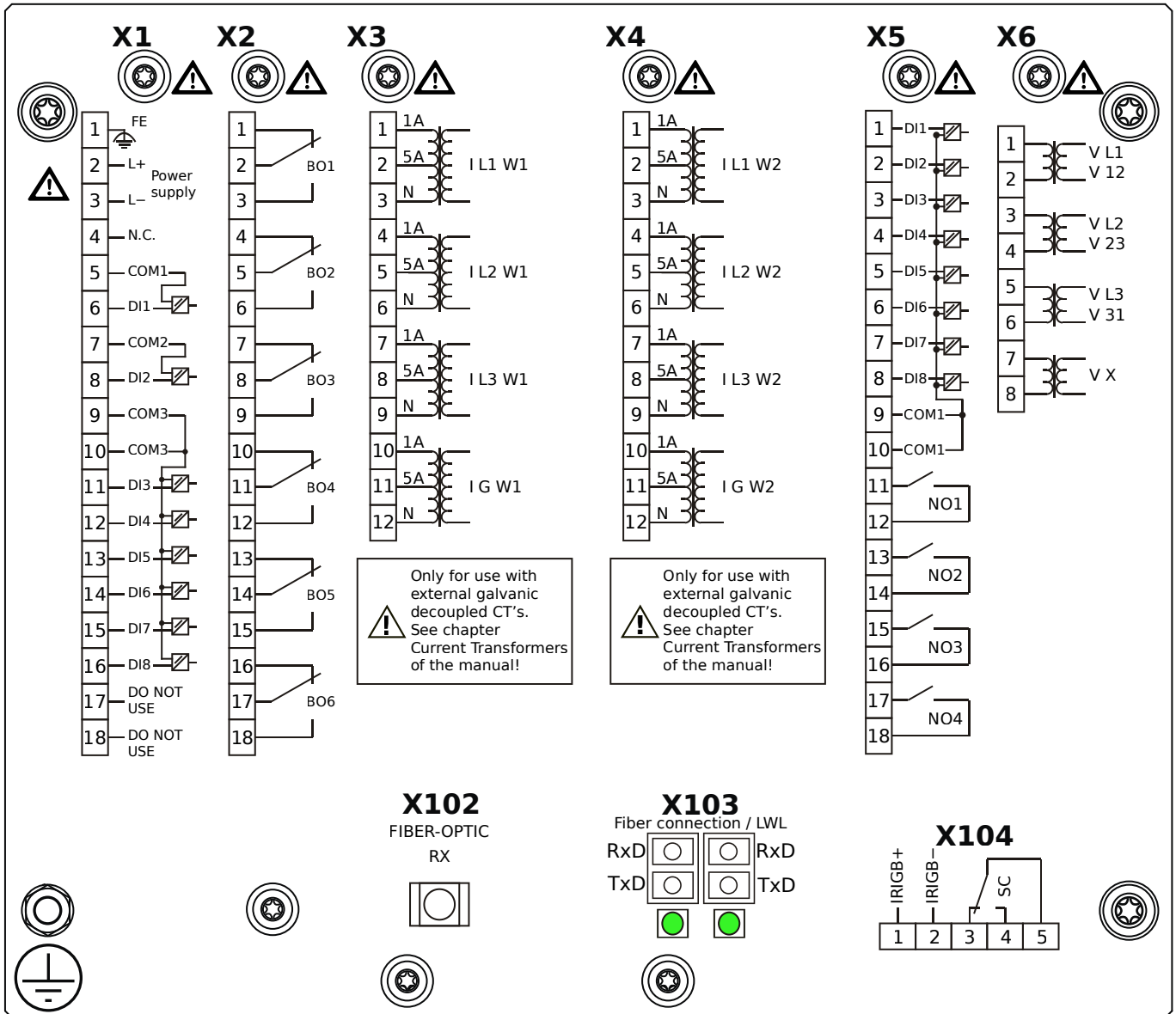
MCDTV4-2A0BQA



Housing B2, large display, 19" rack mounting

- X1** – DI8-X1: Wide-range power supply unit, incl. 2 non-grouped digital inputs and 6 grouped digital inputs
- X2** – OR6: Assembly Group with 6 Output Relays (Changeover / Form C)
- X3** – TI: Standard current measuring card (for the winding side 1)
- X4** – TI: Standard current measuring card (for the winding side 2)
- X5** – DI8-OR4: Assembly Group with 8 Digital Inputs and 4 Output Relays (NO / Form A)
- X6** – TU: Card with 4 voltage transformer measuring inputs (0 ... 800 VAC, under UL: 0 ... 600 VAC)
- X102** – Universal Resistance-Temperature Detector (URTD) input, Fiber optics interface, Versatile Link
- X103** – IEC 61850 / Modbus TCP / IEC 60870-5-104 / DNP3.0 TCP/UDP, Redundant Fiber optics interface, LC Connector
- X104** – IRIG-B00X, incl. System Contact (Supervision Contact)

MCDTV4-2A0BQB

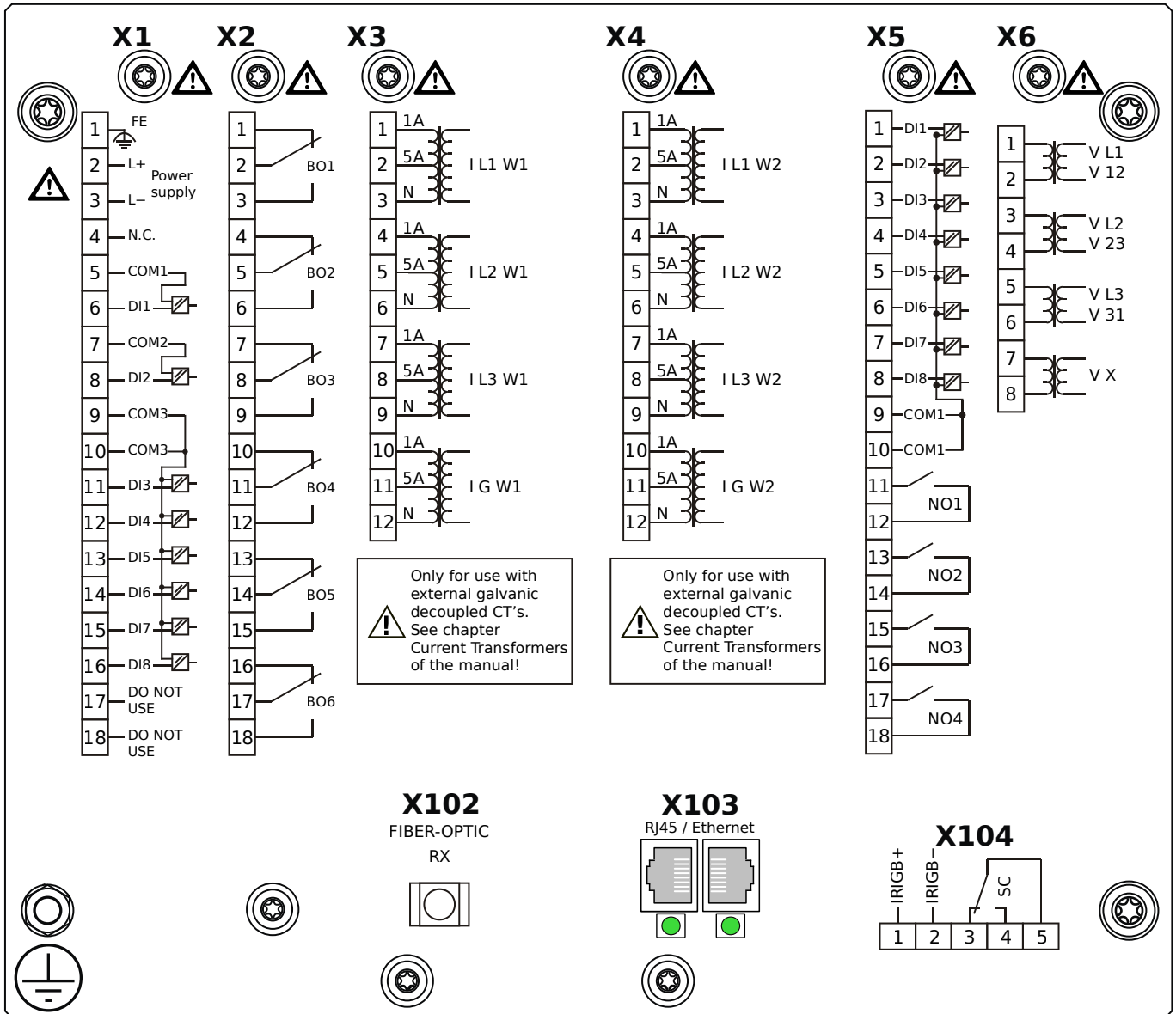


Housing B2, large display, 19" rack mounting

- + Conformal Coating (for installations in harsh environment)

- X1** – DI8-X1: Wide-range power supply unit, incl. 2 non-grouped digital inputs and 6 grouped digital inputs
- X2** – OR6: Assembly Group with 6 Output Relays (Changeover / Form C)
- X3** – TI: Standard current measuring card (for the winding side 1)
- X4** – TI: Standard current measuring card (for the winding side 2)
- X5** – DI8-OR4: Assembly Group with 8 Digital Inputs and 4 Output Relays (NO / Form A)
- X6** – TU: Card with 4 voltage transformer measuring inputs (0 ... 800 VAC, under UL: 0 ... 600 VAC)
- X102** – Universal Resistance-Temperature Detector (URTD) input, Fiber optics interface, Versatile Link
- X103** – IEC 61850 / Modbus TCP / IEC 60870-5-104 / DNP3.0 TCP/UDP, Redundant Fiber optics interface, LC Connector
- X104** – IRIG-B00X, incl. System Contact (Supervision Contact)

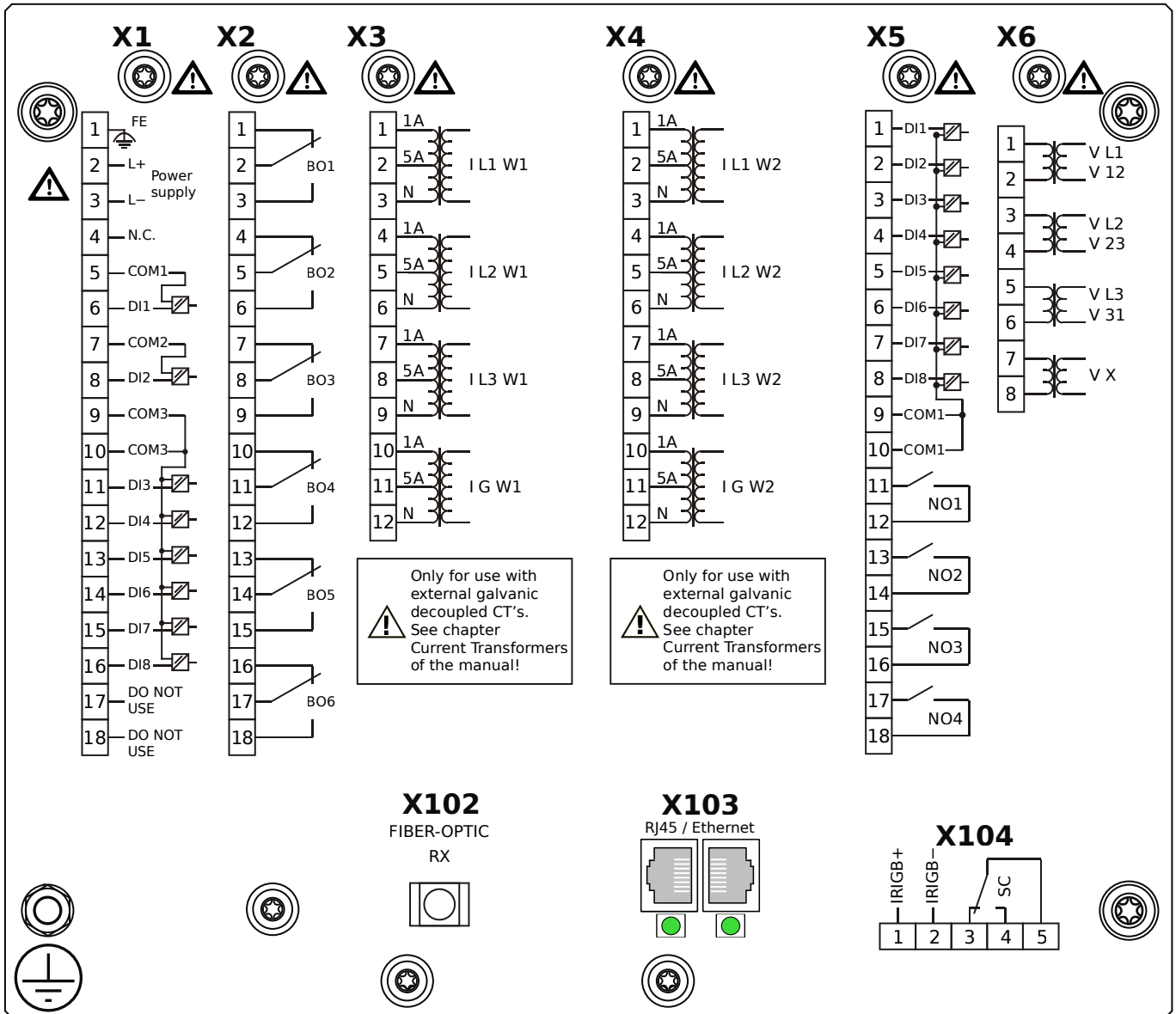
MCDTV4-2A0BRA



Housing B2, large display, 19" rack mounting

- X1** – DI8-X1: Wide-range power supply unit, incl. 2 non-grouped digital inputs and 6 grouped digital inputs
- X2** – OR6: Assembly Group with 6 Output Relays (Changeover / Form C)
- X3** – TI: Standard current measuring card (for the winding side 1)
- X4** – TI: Standard current measuring card (for the winding side 2)
- X5** – DI8-OR4: Assembly Group with 8 Digital Inputs and 4 Output Relays (NO / Form A)
- X6** – TU: Card with 4 voltage transformer measuring inputs (0 ... 800 VAC, under UL: 0 ... 600 VAC)
- X102** – Universal Resistance-Temperature Detector (URTD) input, Fiber optics interface, Versatile Link
- X103** – IEC 61850 / Modbus TCP / IEC 60870-5-104 / DNP3.0 TCP/UDP, Redundant Ethernet interface, 100 Mbit/s, RJ45 (BASE100-FX)
- X104** – IRIG-B00X, incl. System Contact (Supervision Contact)

MCDTV4-2A0BRB



Housing B2, large display, 19" rack mounting

- + Conformal Coating (for installations in harsh environment)

X1 – DI8-X1: Wide-range power supply unit, incl. 2 non-grouped digital inputs and 6 grouped digital inputs

X2 – OR6: Assembly Group with 6 Output Relays (Changeover / Form C)

X3 – TI: Standard current measuring card (for the winding side 1)

X4 – TI: Standard current measuring card (for the winding side 2)

X5 – DI8-OR4: Assembly Group with 8 Digital Inputs and 4 Output Relays (NO / Form A)

X6 – TU: Card with 4 voltage transformer measuring inputs (0 ... 800 VAC, under UL: 0 ... 600 VAC)

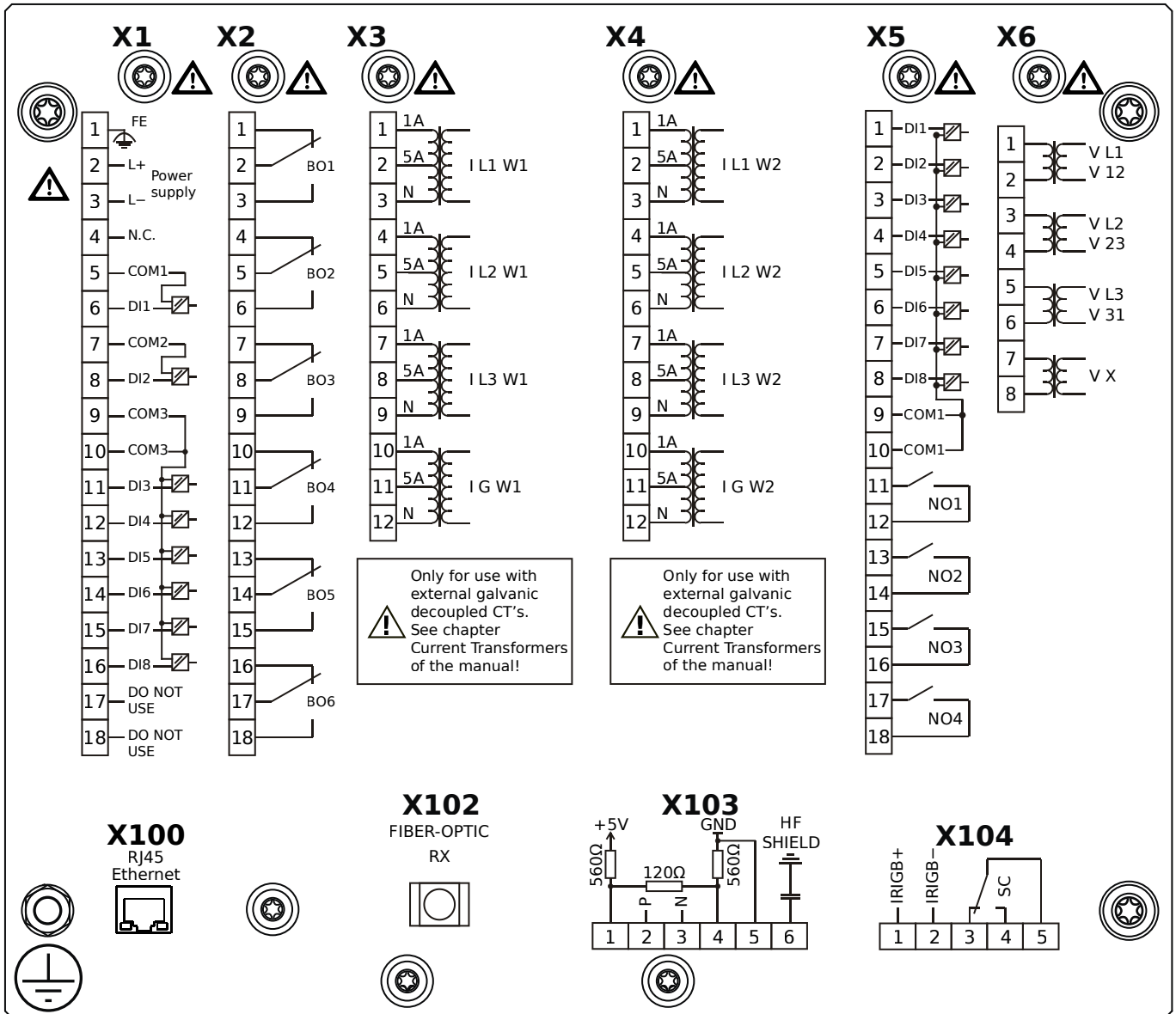
X102 – Universal Resistance-Temperature Detector (URTD) input, Fiber optics interface, Versatile Link

X103 – IEC 61850 / Modbus TCP / IEC 60870-5-104 / DNP3.0 TCP/UDP, Redundant Ethernet interface, 100 Mbit/s, RJ45

(BASE100-FX)

X104 – IRIG-B00X, incl. System Contact (Supervision Contact)

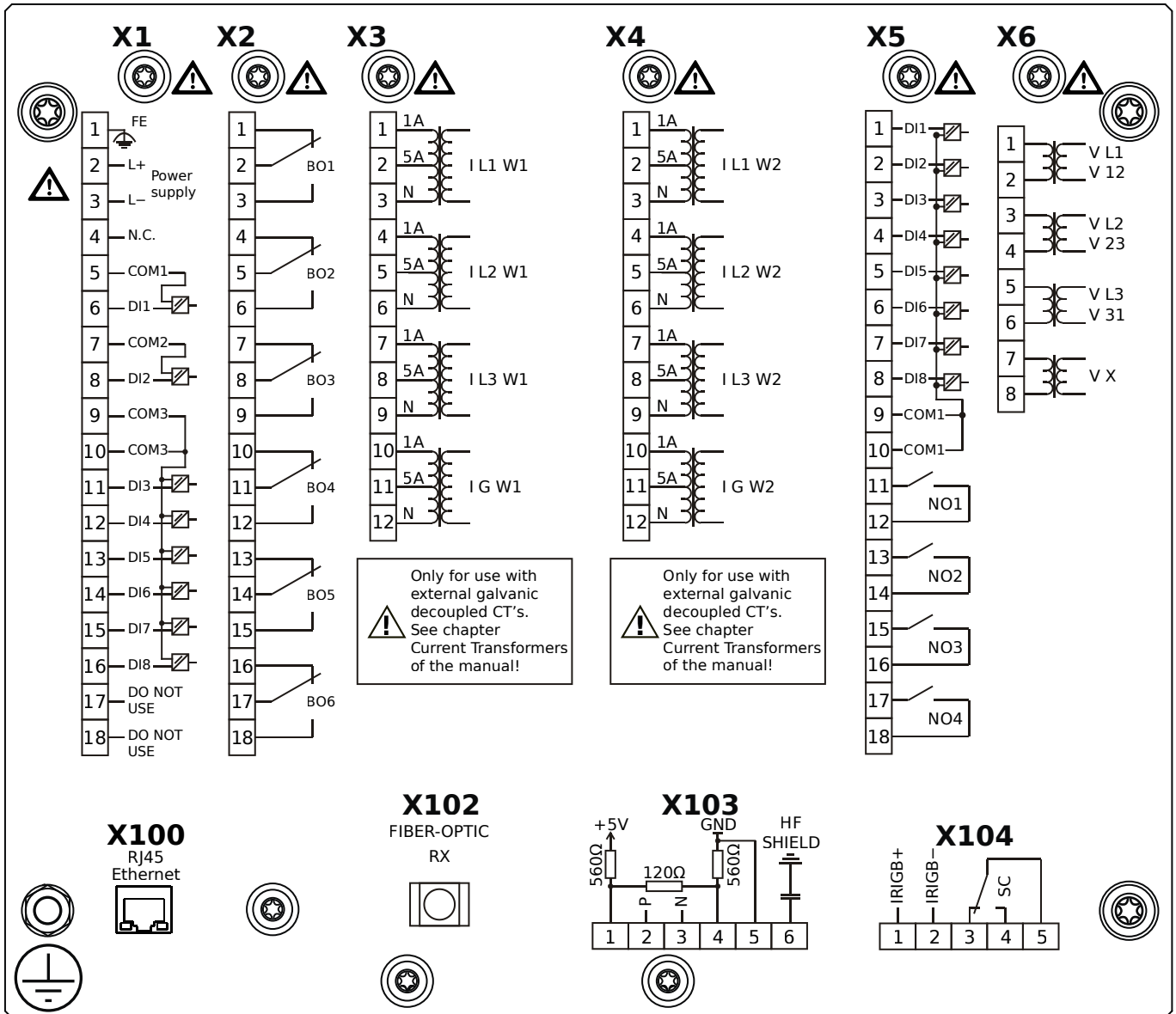
MCDTV4-2A0BTA



Housing B2, large display, 19" rack mounting

- X1** – DI8-X1: Wide-range power supply unit, incl. 2 non-grouped digital inputs and 6 grouped digital inputs
- X2** – OR6: Assembly Group with 6 Output Relays (Changeover / Form C)
- X3** – TI: Standard current measuring card (for the winding side 1)
- X4** – TI: Standard current measuring card (for the winding side 2)
- X5** – DI8-OR4: Assembly Group with 8 Digital Inputs and 4 Output Relays (NO / Form A)
- X6** – TU: Card with 4 voltage transformer measuring inputs (0 ... 800 VAC, under UL: 0 ... 600 VAC)
- X100** – IEC 61850 / Modbus TCP / IEC 60870-5-104 / DNP3.0 TCP/UDP, Ethernet interface, 100 Mbit/s, RJ45 (BASE100-FX)
- X102** – Universal Resistance-Temperature Detector (URTD) input, Fiber optics interface, Versatile Link
- X103** – IEC 60870-5-103 / Modbus RTU / DNP3.0 RTU, RS485, Terminals
- X104** – IRIG-B00X, incl. System Contact (Supervision Contact)

MCDTV4-2A0BTB

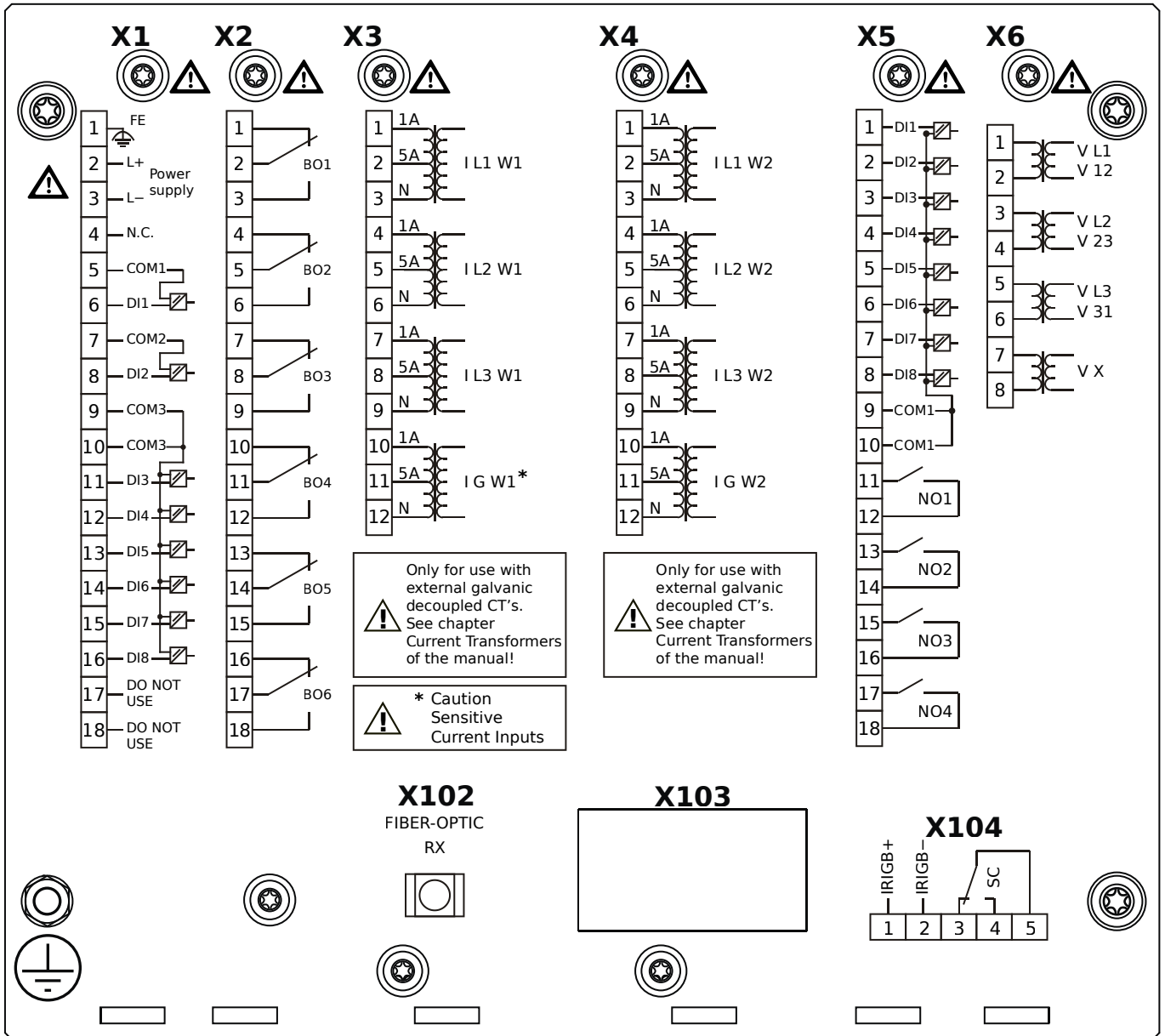


Housing B2, large display, 19" rack mounting

+ Conformal Coating (for installations in harsh environment)

- X1** – DI8-X1: Wide-range power supply unit, incl. 2 non-grouped digital inputs and 6 grouped digital inputs
- X2** – OR6: Assembly Group with 6 Output Relays (Changeover / Form C)
- X3** – TI: Standard current measuring card (for the winding side 1)
- X4** – TI: Standard current measuring card (for the winding side 2)
- X5** – DI8-OR4: Assembly Group with 8 Digital Inputs and 4 Output Relays (NO / Form A)
- X6** – TU: Card with 4 voltage transformer measuring inputs (0 ... 800 VAC, under UL: 0 ... 600 VAC)
- X100** – IEC 61850 / Modbus TCP / IEC 60870-5-104 / DNP3.0 TCP/UDP, Ethernet interface, 100 Mbit/s, RJ45 (BASE100-FX)
- X102** – Universal Resistance-Temperature Detector (URTD) input, Fiber optics interface, Versatile Link
- X103** – IEC 60870-5-103 / Modbus RTU / DNP3.0 RTU, RS485, Terminals
- X104** – IRIG-B00X, incl. System Contact (Supervision Contact)

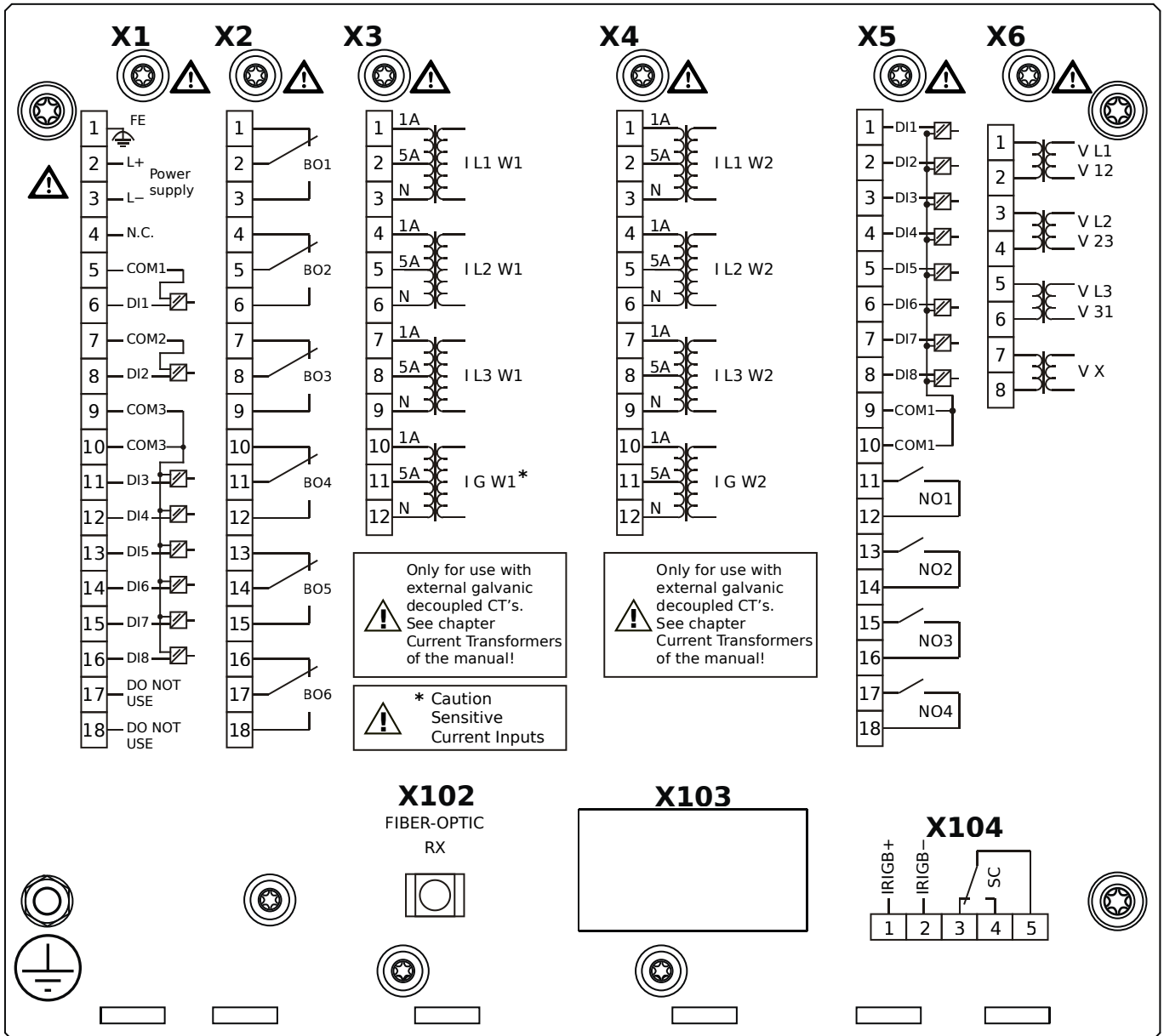
MCDTV4-2A1AAA



Housing B2, large display, door mounting

- X1** – DI8-X1: Wide-range power supply unit, incl. 2 non-grouped digital inputs and 6 grouped digital inputs
- X2** – OR6: Assembly Group with 6 Output Relays (Changeover / Form C)
- X3** – TIs: Standard phase current measuring card and sensitive ground current measuring (winding side 1)
- X4** – TI: Standard current measuring card (for the winding side 2)
- X5** – DI8-OR4: Assembly Group with 8 Digital Inputs and 4 Output Relays (NO / Form A)
- X6** – TU: Card with 4 voltage transformer measuring inputs (0 ... 800 VAC, under UL: 0 ... 600 VAC)
- X102** – Universal Resistance-Temperature Detector (URTD) input, Fiber optics interface, Versatile Link
- X104** – IRIG-B00X, incl. System Contact (Supervision Contact)

MCDTV4-2A1AAB

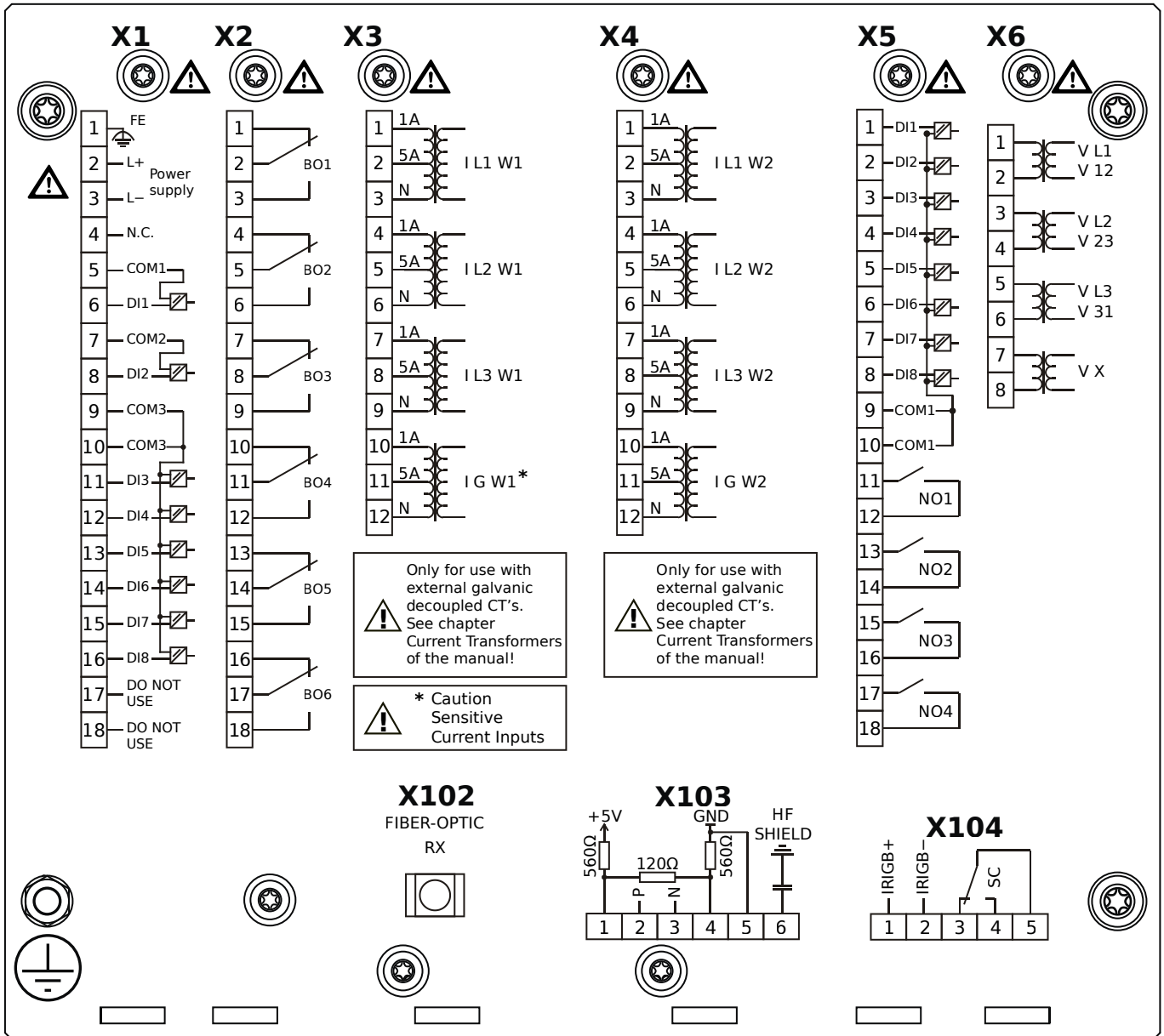


Housing B2, large display, door mounting

+ Conformal Coating (for installations in harsh environment)

- X1** – DI8-X1: Wide-range power supply unit, incl. 2 non-grouped digital inputs and 6 grouped digital inputs
- X2** – OR6: Assembly Group with 6 Output Relays (Changeover / Form C)
- X3** – TIs: Standard phase current measuring card and sensitive ground current measuring (winding side 1)
- X4** – TI: Standard current measuring card (for the winding side 2)
- X5** – DI8-OR4: Assembly Group with 8 Digital Inputs and 4 Output Relays (NO / Form A)
- X6** – TU: Card with 4 voltage transformer measuring inputs (0 ... 800 VAC, under UL: 0 ... 600 VAC)
- X102** – Universal Resistance-Temperature Detector (URTD) input, Fiber optics interface, Versatile Link
- X104** – IRIG-B00X, incl. System Contact (Supervision Contact)

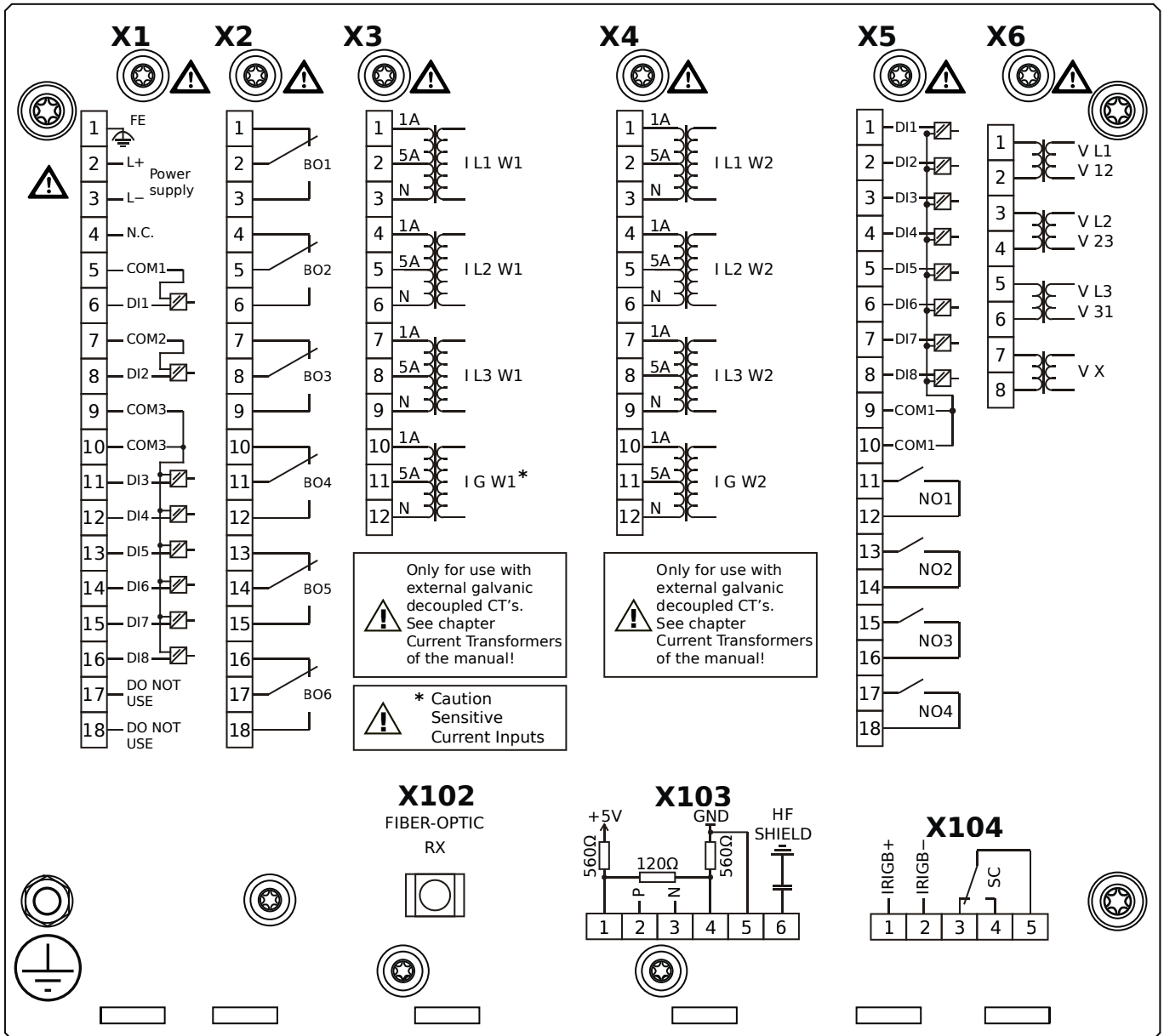
MCDTV4-2A1ABA



Housing B2, large display, door mounting

- X1** – DI8-X1: Wide-range power supply unit, incl. 2 non-grouped digital inputs and 6 grouped digital inputs
- X2** – OR6: Assembly Group with 6 Output Relays (Changeover / Form C)
- X3** – TIs: Standard phase current measuring card and sensitive ground current measuring (winding side 1)
- X4** – TI: Standard current measuring card (for the winding side 2)
- X5** – DI8-OR4: Assembly Group with 8 Digital Inputs and 4 Output Relays (NO / Form A)
- X6** – TU: Card with 4 voltage transformer measuring inputs (0 ... 800 VAC, under UL: 0 ... 600 VAC)
- X102** – Universal Resistance-Temperature Detector (URTD) input, Fiber optics interface, Versatile Link
- X103** – Modbus RTU / IEC 60870-5-103 / DNP3.0 RTU, RS485, Terminals
- X104** – IRIG-B00X, incl. System Contact (Supervision Contact)

MCDTV4-2A1ABB

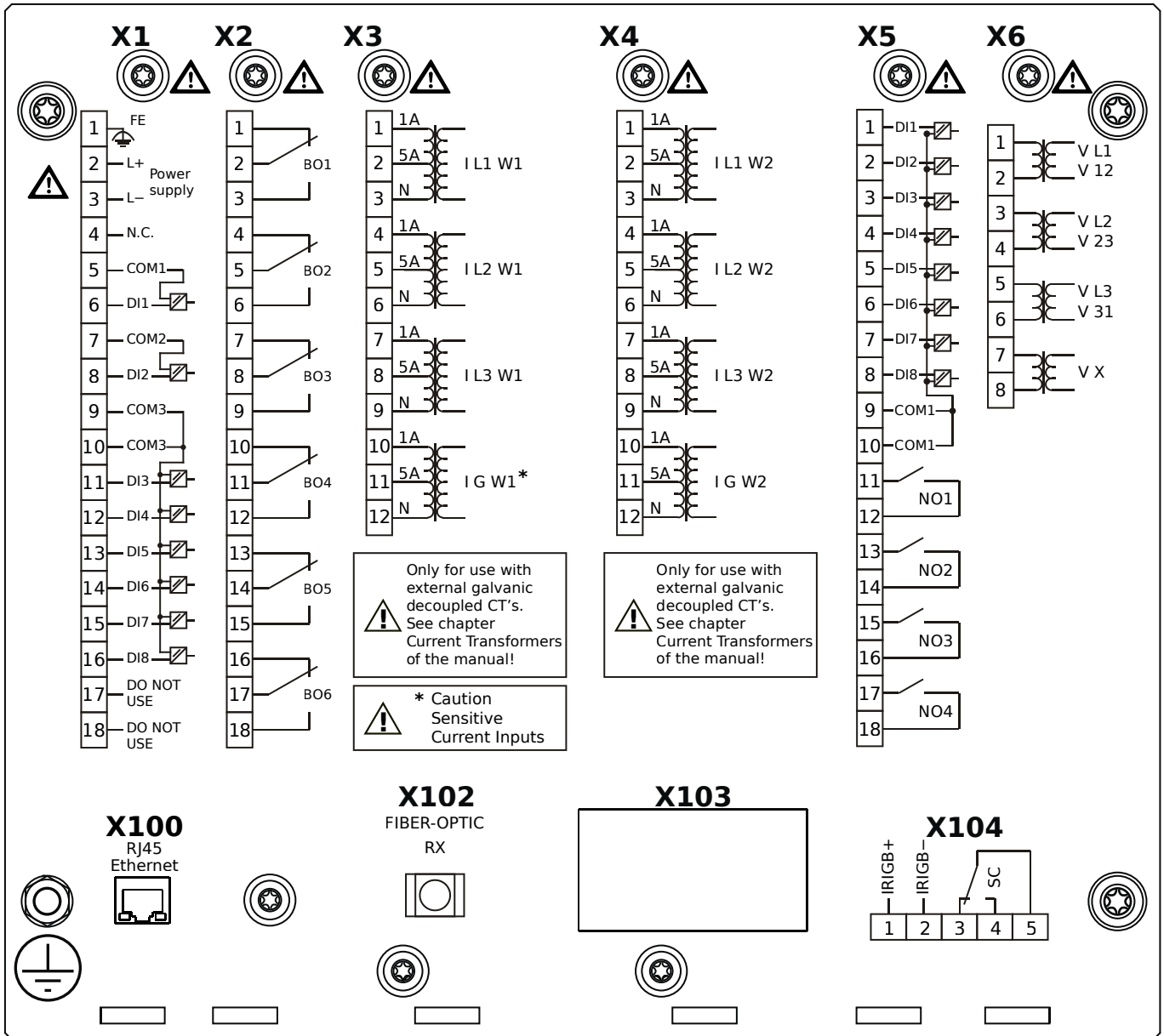


Housing B2, large display, door mounting

+ Conformal Coating (for installations in harsh environment)

- X1** – DI8-X1: Wide-range power supply unit, incl. 2 non-grouped digital inputs and 6 grouped digital inputs
- X2** – OR6: Assembly Group with 6 Output Relays (Changeover / Form C)
- X3** – TIs: Standard phase current measuring card and sensitive ground current measuring (winding side 1)
- X4** – TI: Standard current measuring card (for the winding side 2)
- X5** – DI8-OR4: Assembly Group with 8 Digital Inputs and 4 Output Relays (NO / Form A)
- X6** – TU: Card with 4 voltage transformer measuring inputs (0 ... 800 VAC, under UL: 0 ... 600 VAC)
- X102** – Universal Resistance-Temperature Detector (URTD) input, Fiber optics interface, Versatile Link
- X103** – Modbus RTU / IEC 60870-5-103 / DNP3.0 RTU, RS485, Terminals
- X104** – IRIG-B00X, incl. System Contact (Supervision Contact)

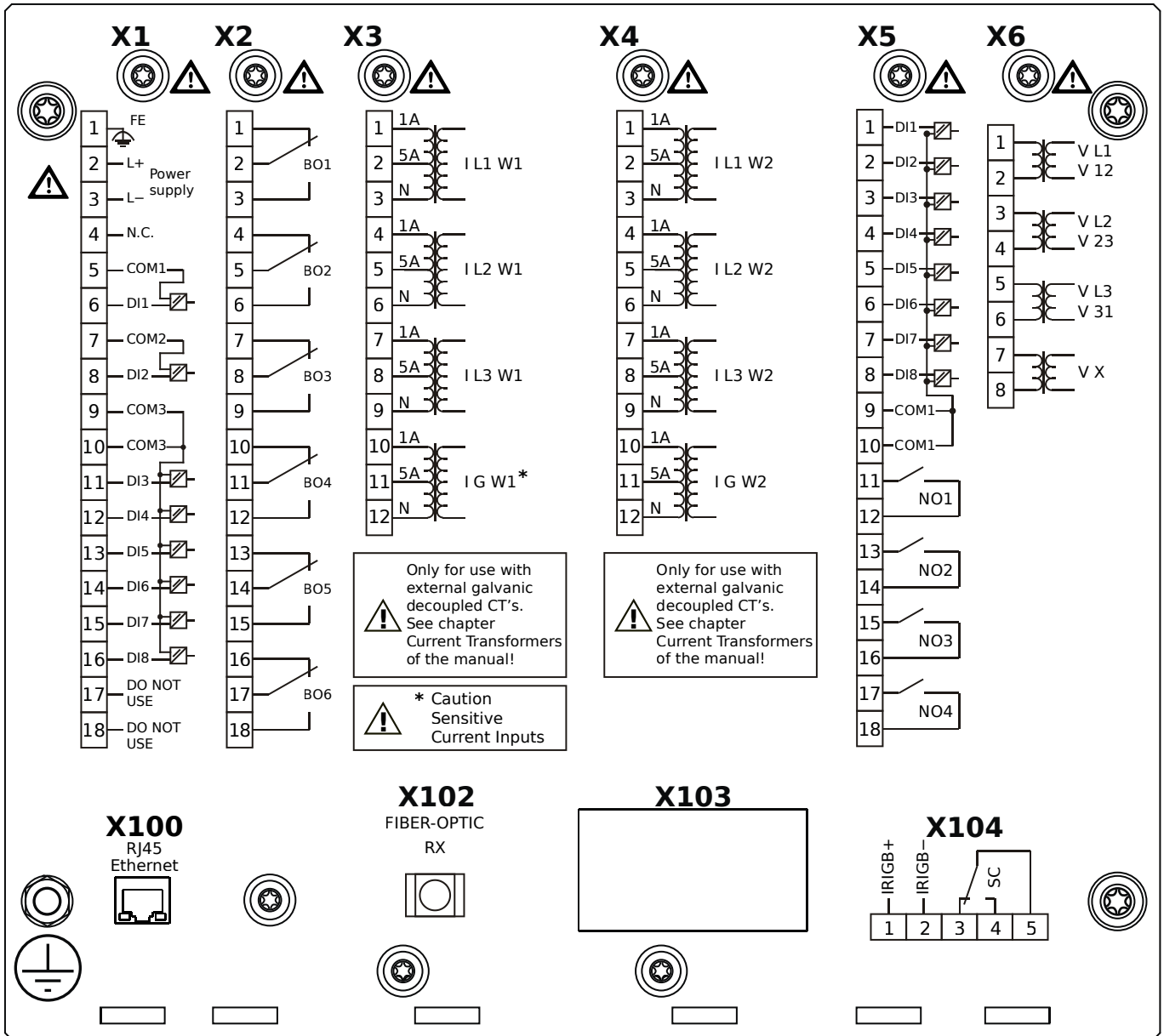
MCDTV4-2A1ACA



Housing B2, large display, door mounting

- X1** – DI8-X1: Wide-range power supply unit, incl. 2 non-grouped digital inputs and 6 grouped digital inputs
- X2** – OR6: Assembly Group with 6 Output Relays (Changeover / Form C)
- X3** – TIs: Standard phase current measuring card and sensitive ground current measuring (winding side 1)
- X4** – TI: Standard current measuring card (for the winding side 2)
- X5** – DI8-OR4: Assembly Group with 8 Digital Inputs and 4 Output Relays (NO / Form A)
- X6** – TU: Card with 4 voltage transformer measuring inputs (0 ... 800 VAC, under UL: 0 ... 600 VAC)
- X100** – Modbus TCP / IEC 60870-5-104 / DNP3.0 TCP/UDP, Ethernet interface, 100 Mbit/s, RJ45 (BASE100-FX)
- X102** – Universal Resistance-Temperature Detector (URTD) input, Fiber optics interface, Versatile Link
- X104** – IRIG-B00X, incl. System Contact (Supervision Contact)

MCDTV4-2A1ACB

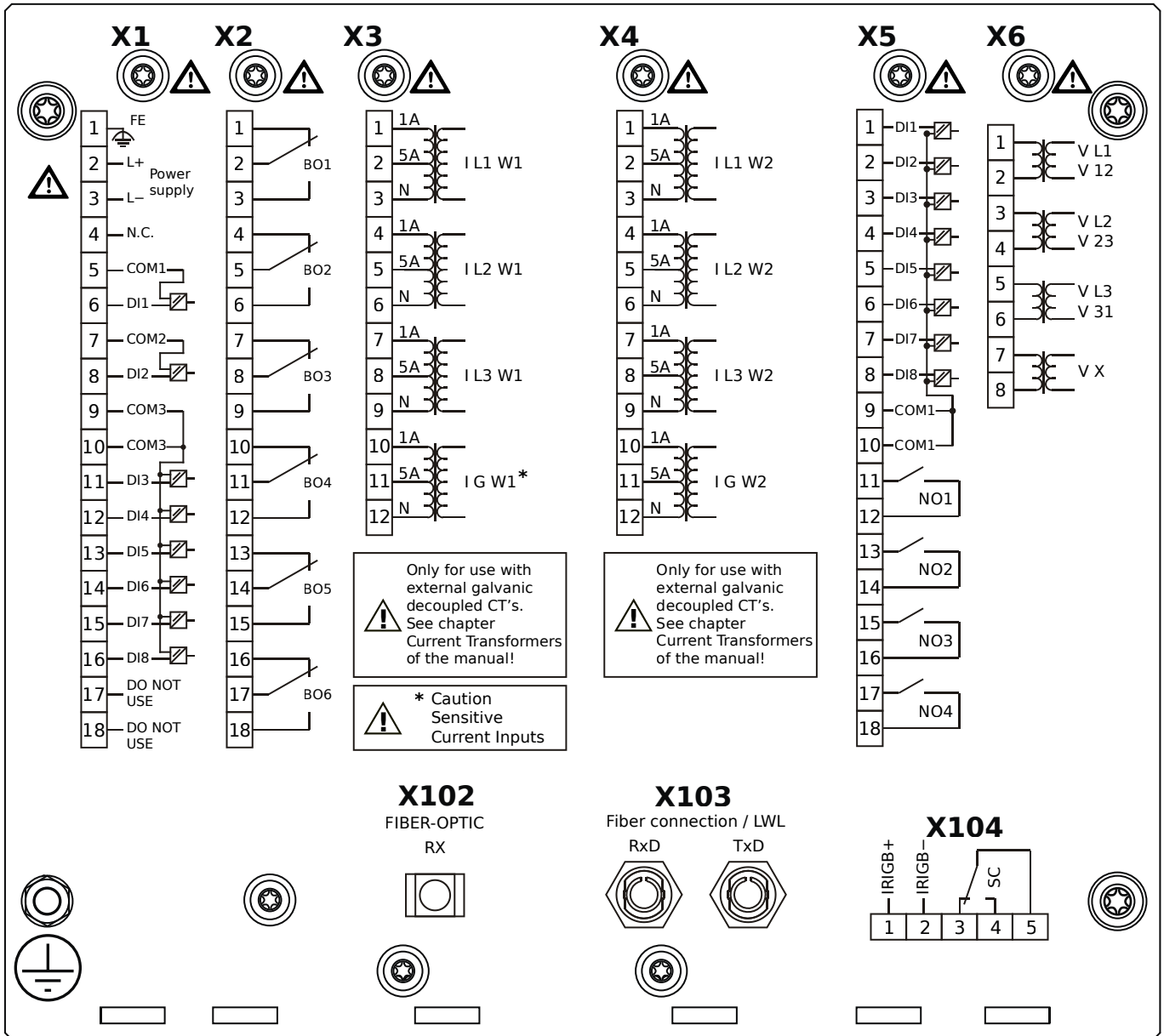


Housing B2, large display, door mounting

- + Conformal Coating (for installations in harsh environment)

- X1** – DI8-X1: Wide-range power supply unit, incl. 2 non-grouped digital inputs and 6 grouped digital inputs
- X2** – OR6: Assembly Group with 6 Output Relays (Changeover / Form C)
- X3** – TIs: Standard phase current measuring card and sensitive ground current measuring (winding side 1)
- X4** – TI: Standard current measuring card (for the winding side 2)
- X5** – DI8-OR4: Assembly Group with 8 Digital Inputs and 4 Output Relays (NO / Form A)
- X6** – TU: Card with 4 voltage transformer measuring inputs (0 ... 800 VAC, under UL: 0 ... 600 VAC)
- X100** – Modbus TCP / IEC 60870-5-104 / DNP3.0 TCP/UDP, Ethernet interface, 100 Mbit/s, RJ45 (BASE100-FX)
- X102** – Universal Resistance-Temperature Detector (URTD) input, Fiber optics interface, Versatile Link
- X104** – IRIG-B00X, incl. System Contact (Supervision Contact)

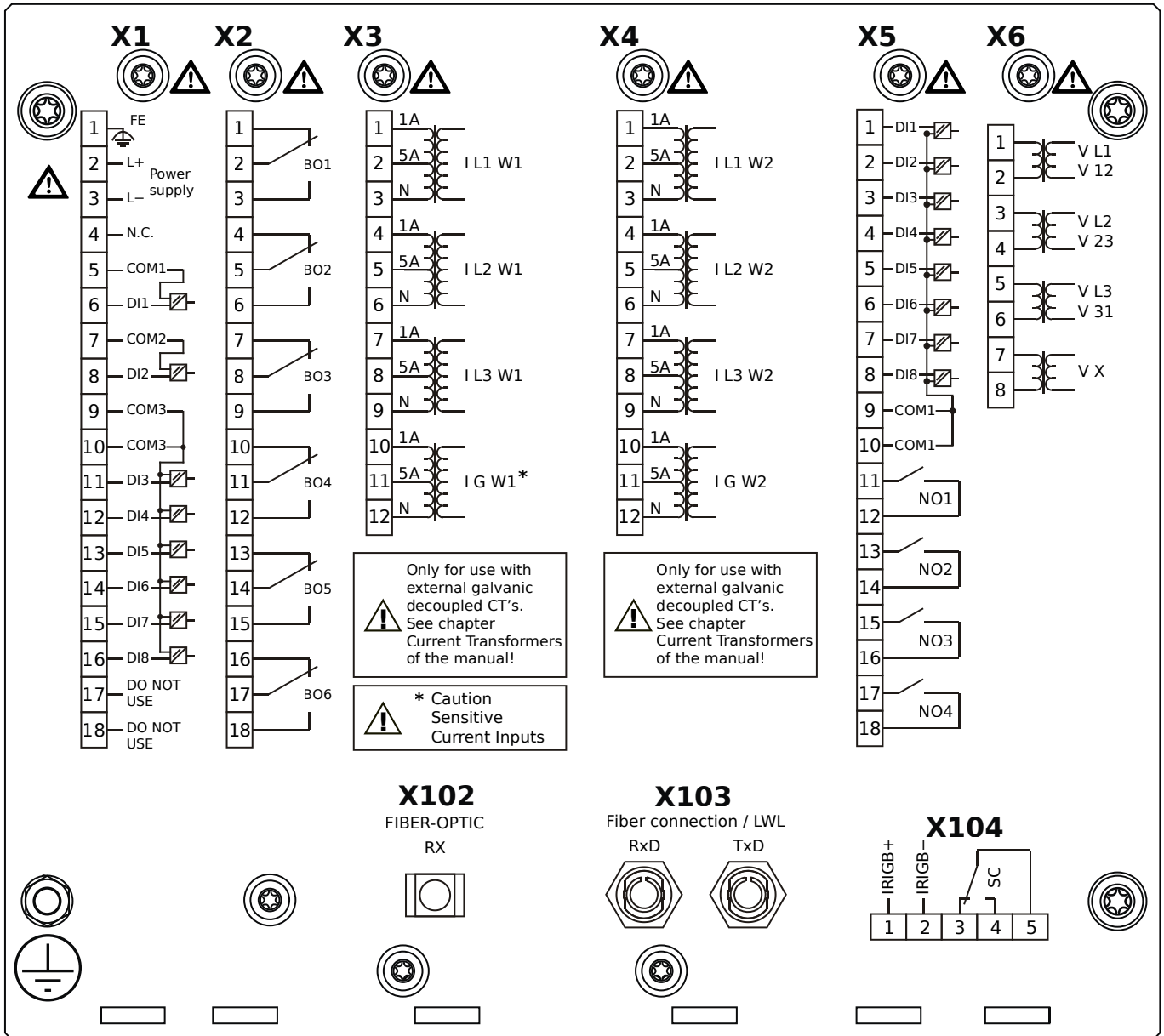
MCDTV4-2A1ADA



Housing B2, large display, door mounting

- X1** – DI8-X1: Wide-range power supply unit, incl. 2 non-grouped digital inputs and 6 grouped digital inputs
- X2** – OR6: Assembly Group with 6 Output Relays (Changeover / Form C)
- X3** – TIs: Standard phase current measuring card and sensitive ground current measuring (winding side 1)
- X4** – TI: Standard current measuring card (for the winding side 2)
- X5** – DI8-OR4: Assembly Group with 8 Digital Inputs and 4 Output Relays (NO / Form A)
- X6** – TU: Card with 4 voltage transformer measuring inputs (0 ... 800 VAC, under UL: 0 ... 600 VAC)
- X102** – Universal Resistance-Temperature Detector (URTD) input, Fiber optics interface, Versatile Link
- X103** – Profibus-DP, Fiber optics interface, ST Connector
- X104** – IRIG-B00X, incl. System Contact (Supervision Contact)

MCDTV4-2A1ADB

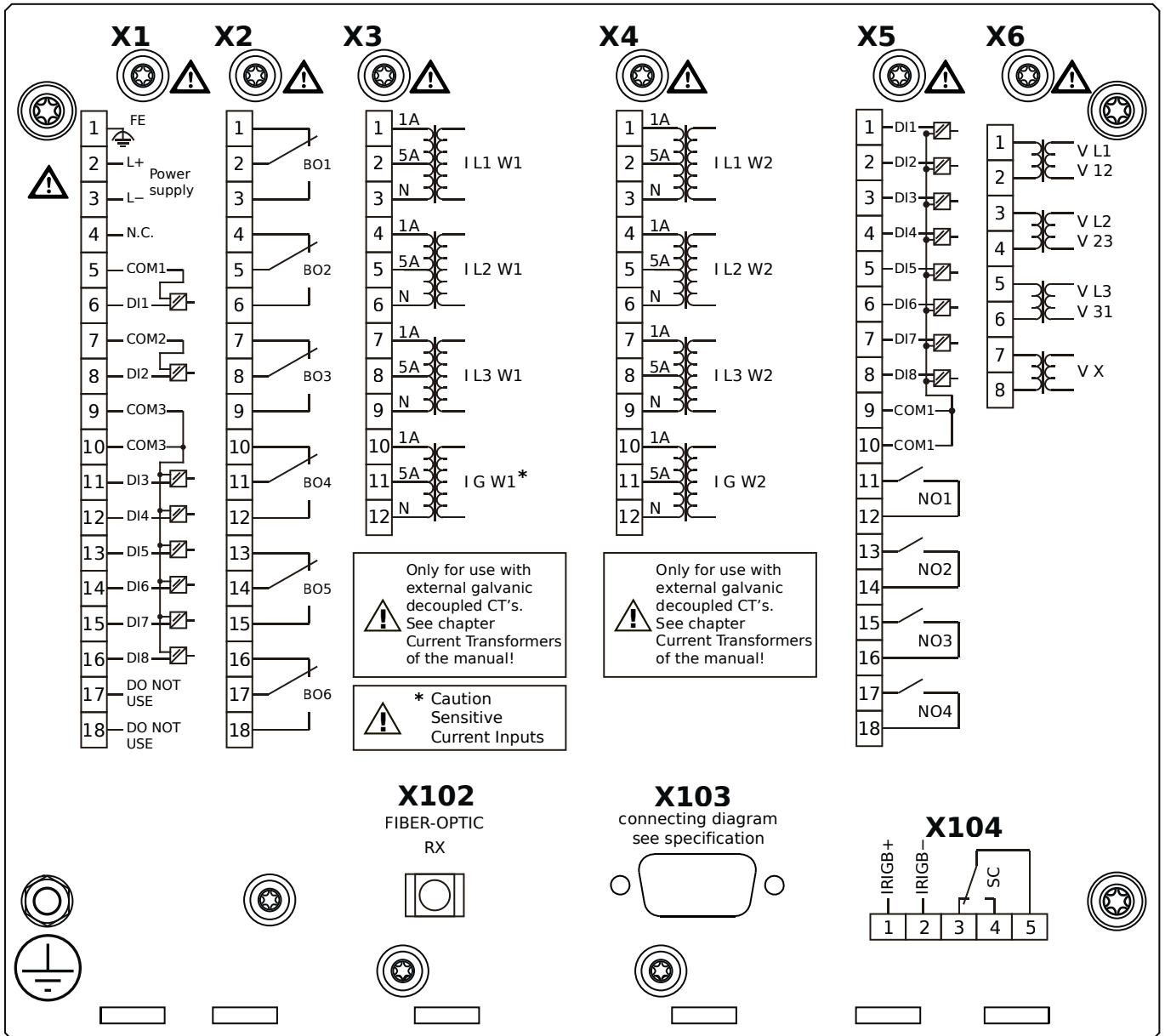


Housing B2, large display, door mounting

+ Conformal Coating (for installations in harsh environment)

- X1** – DI8-X1: Wide-range power supply unit, incl. 2 non-grouped digital inputs and 6 grouped digital inputs
- X2** – OR6: Assembly Group with 6 Output Relays (Changeover / Form C)
- X3** – TIs: Standard phase current measuring card and sensitive ground current measuring (winding side 1)
- X4** – TI: Standard current measuring card (for the winding side 2)
- X5** – DI8-OR4: Assembly Group with 8 Digital Inputs and 4 Output Relays (NO / Form A)
- X6** – TU: Card with 4 voltage transformer measuring inputs (0 ... 800 VAC, under UL: 0 ... 600 VAC)
- X102** – Universal Resistance-Temperature Detector (URTD) input, Fiber optics interface, Versatile Link
- X103** – Profibus-DP, Fiber optics interface, ST Connector
- X104** – IRIG-B00X, incl. System Contact (Supervision Contact)

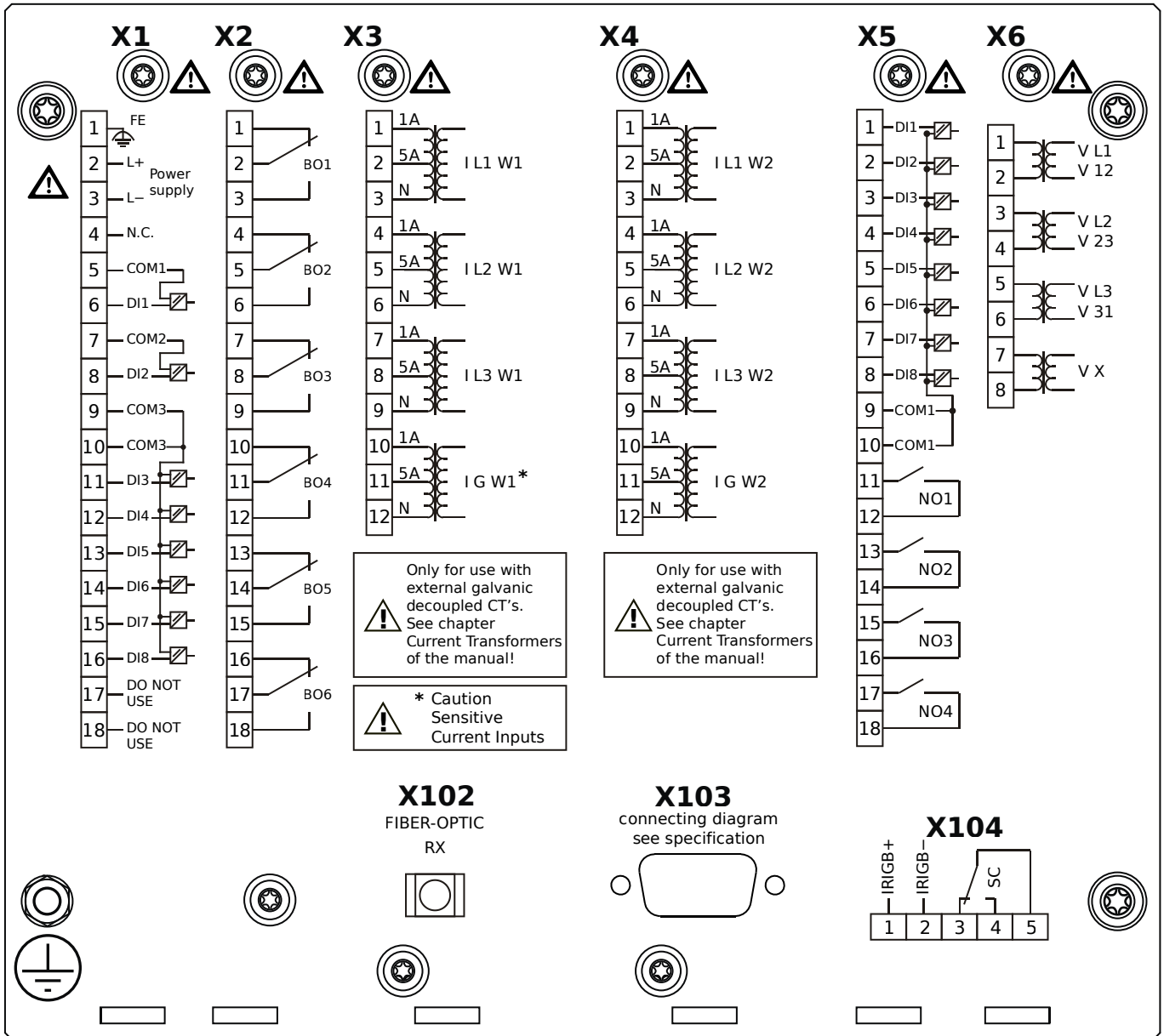
MCDTV4-2A1AEA



Housing B2, large display, door mounting

- X1** – DI8-X1: Wide-range power supply unit, incl. 2 non-grouped digital inputs and 6 grouped digital inputs
- X2** – OR6: Assembly Group with 6 Output Relays (Changeover / Form C)
- X3** – TIs: Standard phase current measuring card and sensitive ground current measuring (winding side 1)
- X4** – TI: Standard current measuring card (for the winding side 2)
- X5** – DI8-OR4: Assembly Group with 8 Digital Inputs and 4 Output Relays (NO / Form A)
- X6** – TU: Card with 4 voltage transformer measuring inputs (0 ... 800 VAC, under UL: 0 ... 600 VAC)
- X102** – Universal Resistance-Temperature Detector (URTD) input, Fiber optics interface, Versatile Link
- X103** – Profibus-DP, RS485, D-SUB
- X104** – IRIG-B00X, incl. System Contact (Supervision Contact)

MCDTV4-2A1AEB

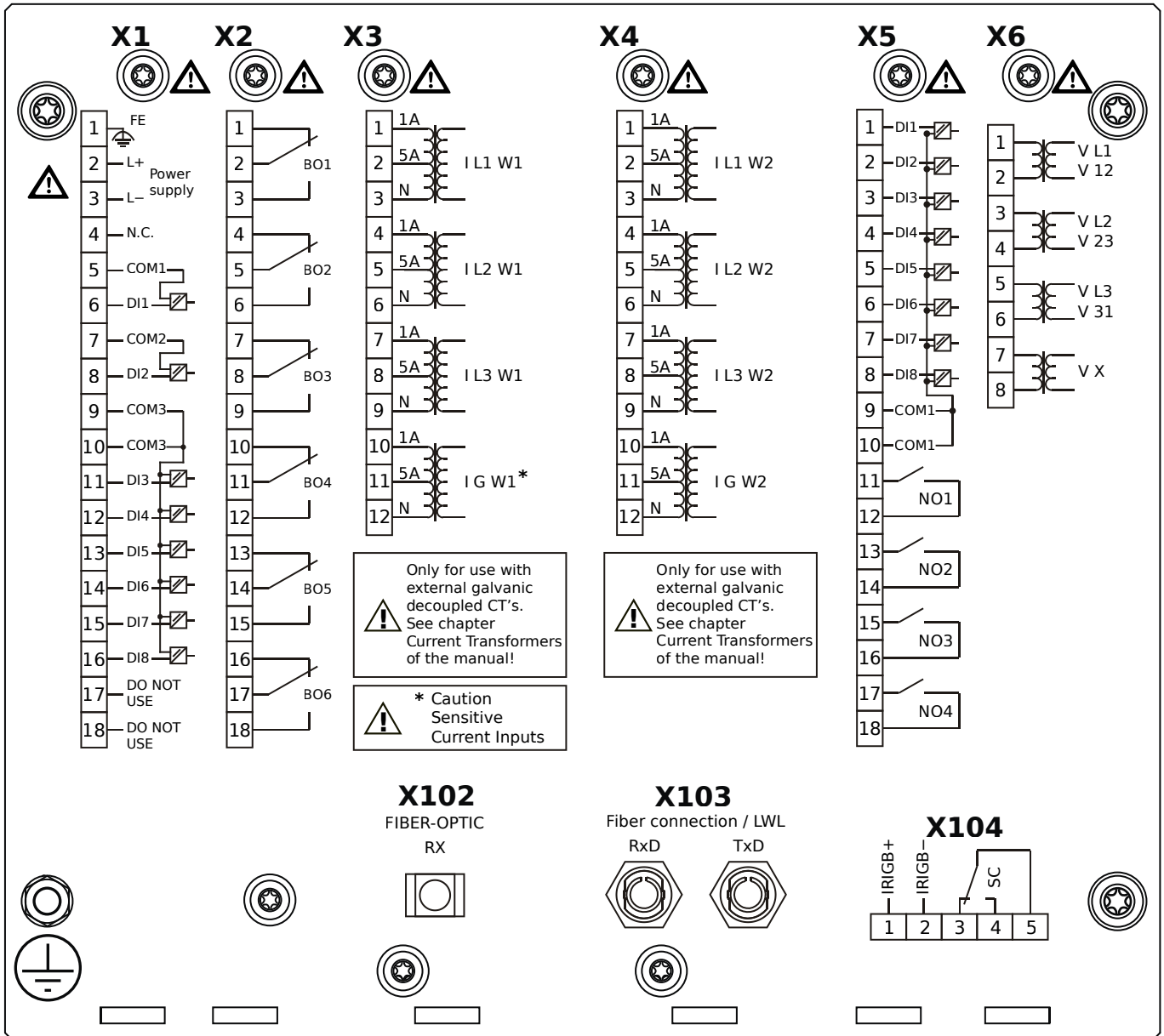


Housing B2, large display, door mounting

+ Conformal Coating (for installations in harsh environment)

- X1** – DI8-X1: Wide-range power supply unit, incl. 2 non-grouped digital inputs and 6 grouped digital inputs
- X2** – OR6: Assembly Group with 6 Output Relays (Changeover / Form C)
- X3** – TIs: Standard phase current measuring card and sensitive ground current measuring (winding side 1)
- X4** – TI: Standard current measuring card (for the winding side 2)
- X5** – DI8-OR4: Assembly Group with 8 Digital Inputs and 4 Output Relays (NO / Form A)
- X6** – TU: Card with 4 voltage transformer measuring inputs (0 ... 800 VAC, under UL: 0 ... 600 VAC)
- X102** – Universal Resistance-Temperature Detector (URTD) input, Fiber optics interface, Versatile Link
- X103** – Profibus-DP, RS485, D-SUB
- X104** – IRIG-B00X, incl. System Contact (Supervision Contact)

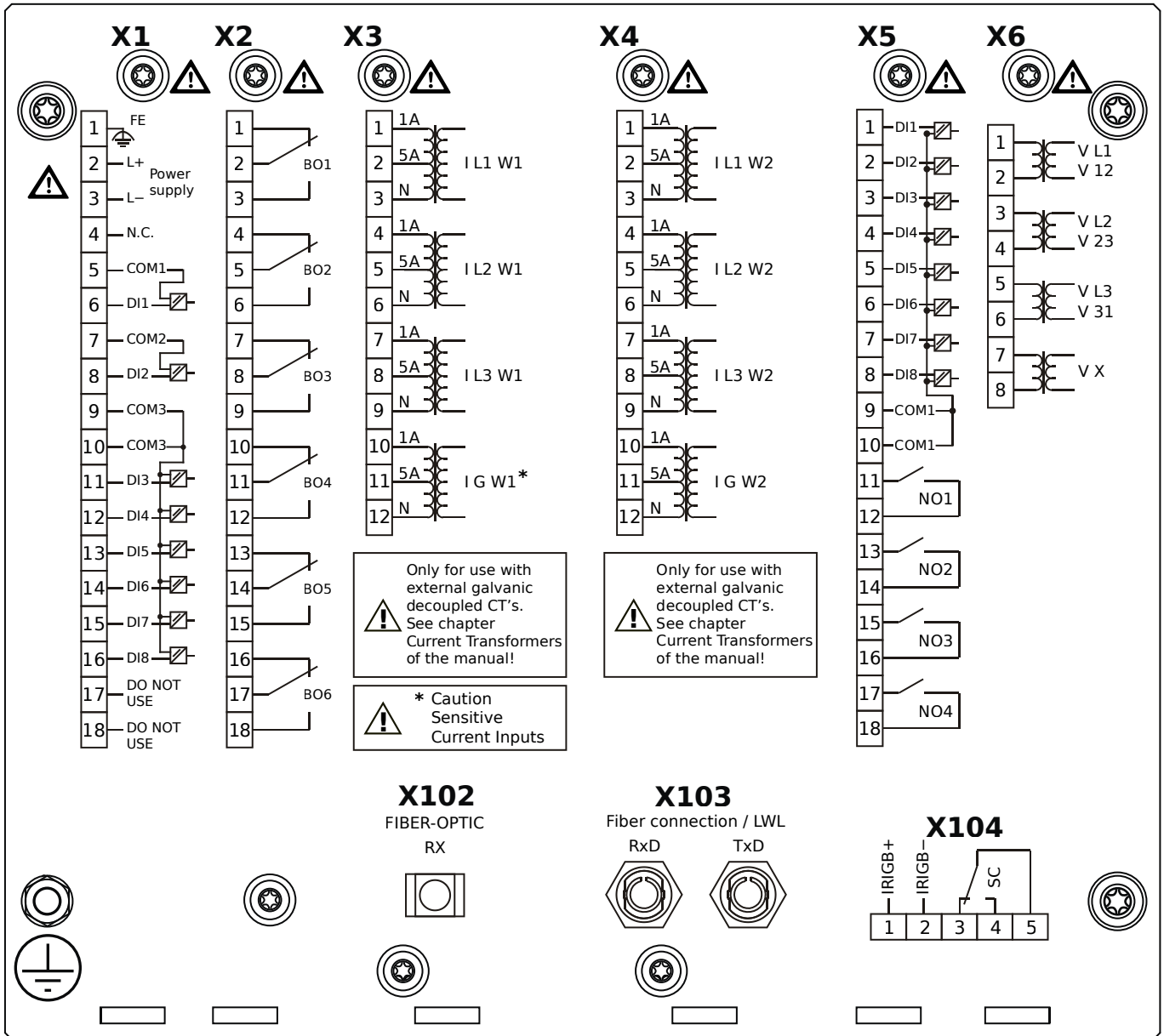
MCDTV4-2A1AFA



Housing B2, large display, door mounting

- X1** – DI8-X1: Wide-range power supply unit, incl. 2 non-grouped digital inputs and 6 grouped digital inputs
- X2** – OR6: Assembly Group with 6 Output Relays (Changeover / Form C)
- X3** – TIs: Standard phase current measuring card and sensitive ground current measuring (winding side 1)
- X4** – TI: Standard current measuring card (for the winding side 2)
- X5** – DI8-OR4: Assembly Group with 8 Digital Inputs and 4 Output Relays (NO / Form A)
- X6** – TU: Card with 4 voltage transformer measuring inputs (0 ... 800 VAC, under UL: 0 ... 600 VAC)
- X102** – Universal Resistance-Temperature Detector (URTD) input, Fiber optics interface, Versatile Link
- X103** – Modbus RTU / IEC 60870-5-103 / DNP3.0 RTU, Fiber optics interface, ST Connector
- X104** – IRIG-B00X, incl. System Contact (Supervision Contact)

MCDTV4-2A1AFB

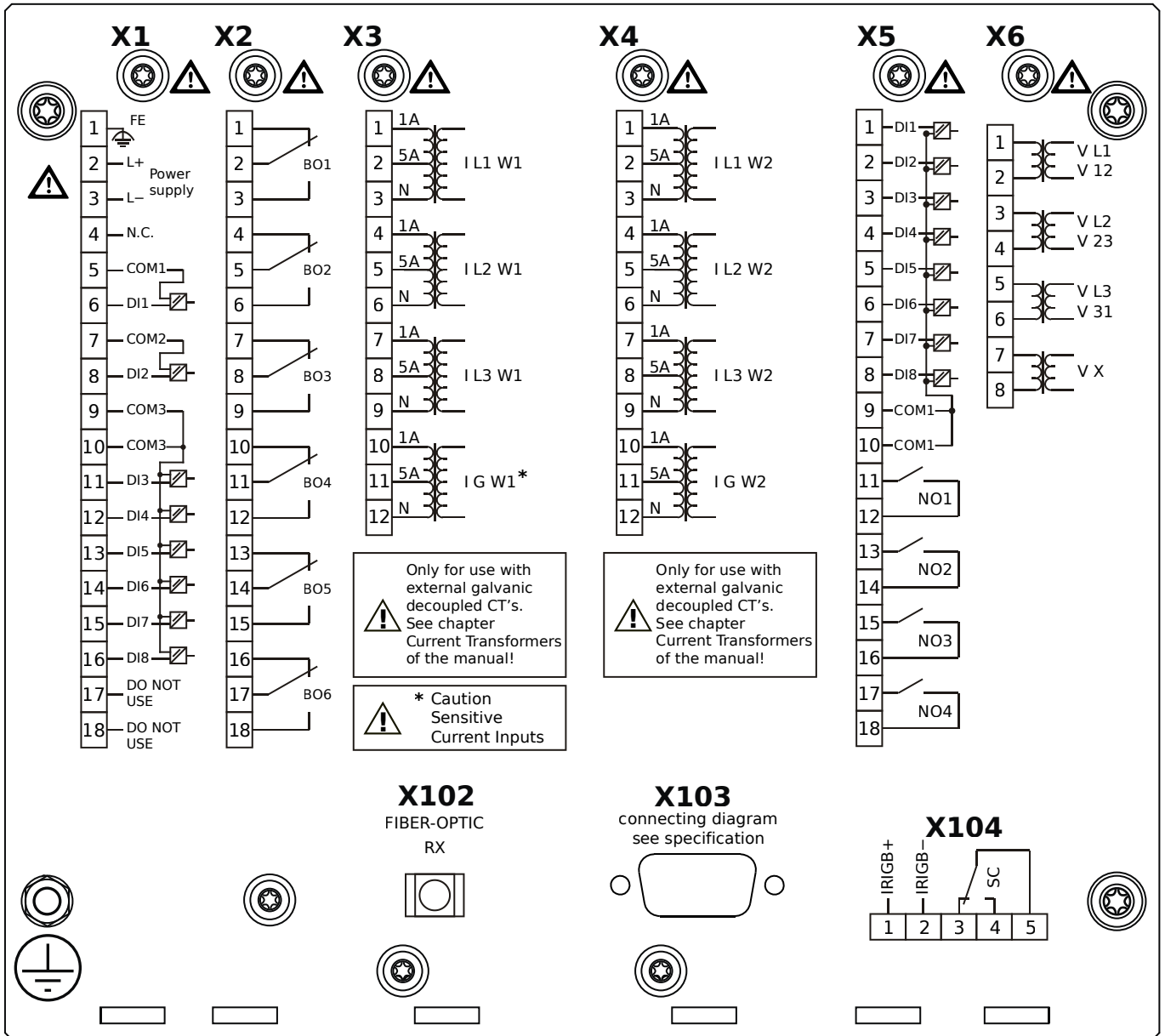


Housing B2, large display, door mounting

+ Conformal Coating (for installations in harsh environment)

- X1** – DI8-X1: Wide-range power supply unit, incl. 2 non-grouped digital inputs and 6 grouped digital inputs
- X2** – OR6: Assembly Group with 6 Output Relays (Changeover / Form C)
- X3** – TIs: Standard phase current measuring card and sensitive ground current measuring (winding side 1)
- X4** – TI: Standard current measuring card (for the winding side 2)
- X5** – DI8-OR4: Assembly Group with 8 Digital Inputs and 4 Output Relays (NO / Form A)
- X6** – TU: Card with 4 voltage transformer measuring inputs (0 ... 800 VAC, under UL: 0 ... 600 VAC)
- X102** – Universal Resistance-Temperature Detector (URTD) input, Fiber optics interface, Versatile Link
- X103** – Modbus RTU / IEC 60870-5-103 / DNP3.0 RTU, Fiber optics interface, ST Connector
- X104** – IRIG-B00X, incl. System Contact (Supervision Contact)

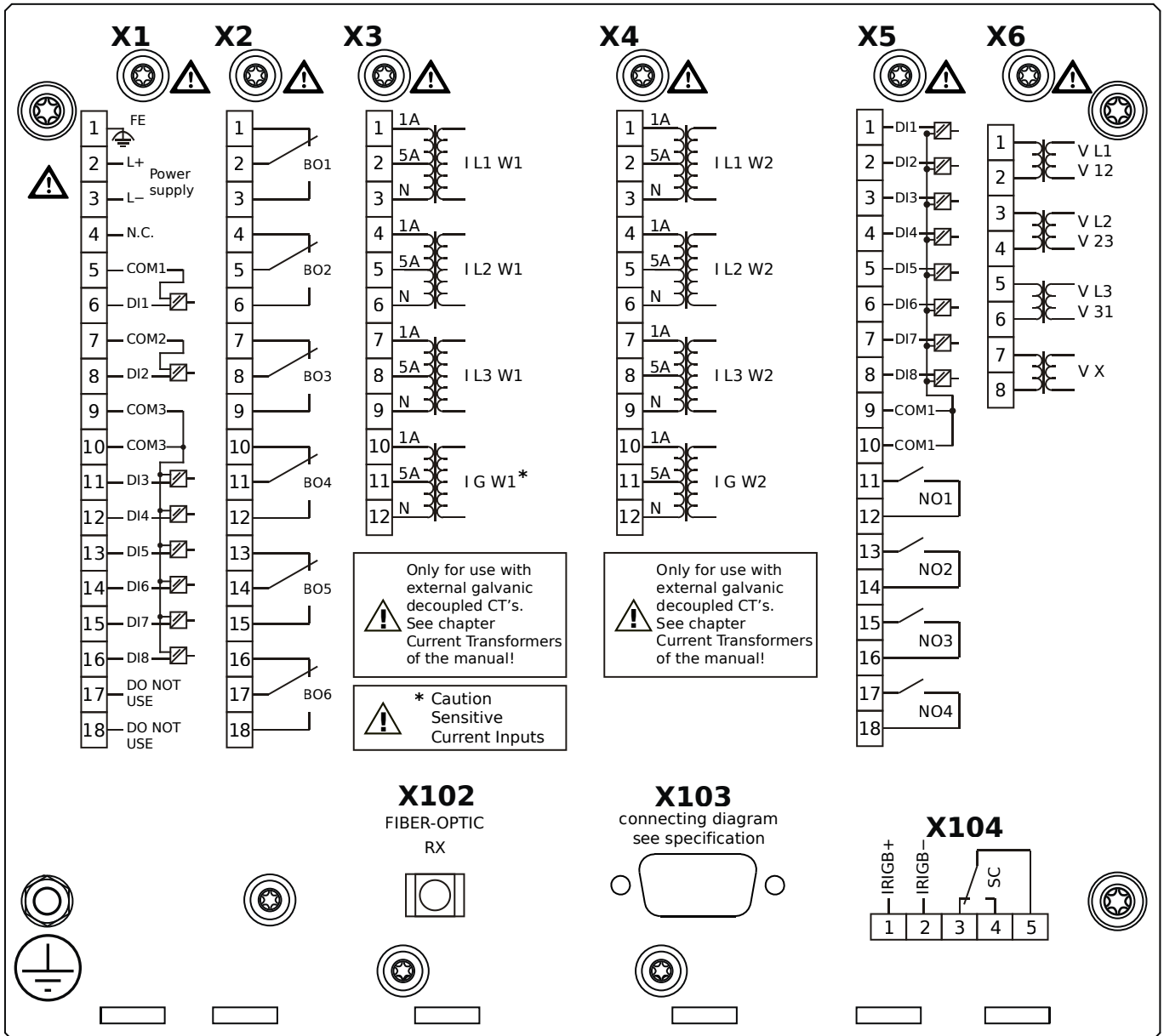
MCDTV4-2A1AGA



Housing B2, large display, door mounting

- X1** – DI8-X1: Wide-range power supply unit, incl. 2 non-grouped digital inputs and 6 grouped digital inputs
- X2** – OR6: Assembly Group with 6 Output Relays (Changeover / Form C)
- X3** – TIs: Standard phase current measuring card and sensitive ground current measuring (winding side 1)
- X4** – TI: Standard current measuring card (for the winding side 2)
- X5** – DI8-OR4: Assembly Group with 8 Digital Inputs and 4 Output Relays (NO / Form A)
- X6** – TU: Card with 4 voltage transformer measuring inputs (0 ... 800 VAC, under UL: 0 ... 600 VAC)
- X102** – Universal Resistance-Temperature Detector (URTD) input, Fiber optics interface, Versatile Link
- X103** – Modbus RTU / IEC 60870-5-103 / DNP3.0 RTU, RS485, D-SUB
- X104** – IRIG-B00X, incl. System Contact (Supervision Contact)

MCDTV4-2A1AGB

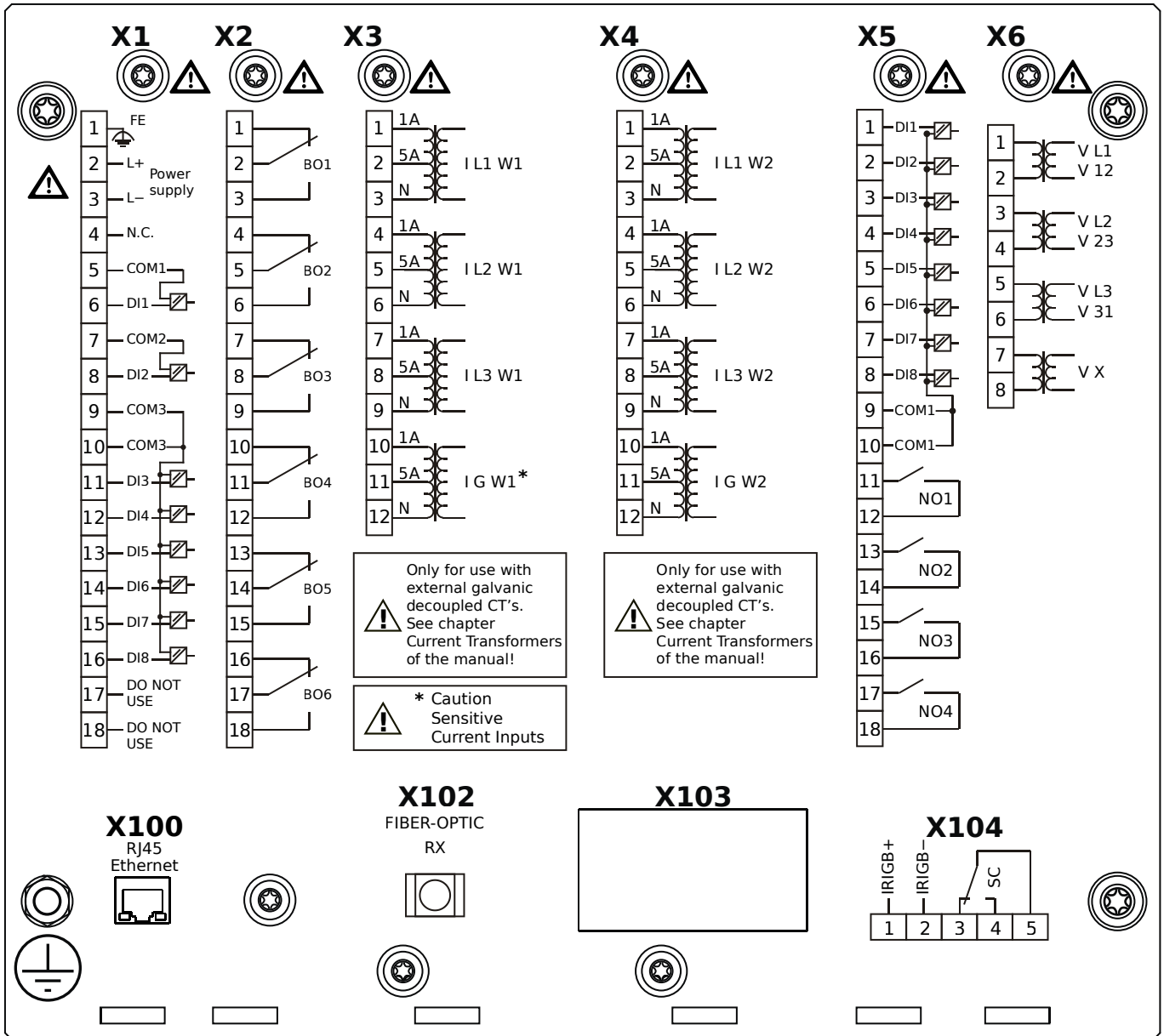


Housing B2, large display, door mounting

+ Conformal Coating (for installations in harsh environment)

- X1** – DI8-X1: Wide-range power supply unit, incl. 2 non-grouped digital inputs and 6 grouped digital inputs
- X2** – OR6: Assembly Group with 6 Output Relays (Changeover / Form C)
- X3** – TIs: Standard phase current measuring card and sensitive ground current measuring (winding side 1)
- X4** – TI: Standard current measuring card (for the winding side 2)
- X5** – DI8-OR4: Assembly Group with 8 Digital Inputs and 4 Output Relays (NO / Form A)
- X6** – TU: Card with 4 voltage transformer measuring inputs (0 ... 800 VAC, under UL: 0 ... 600 VAC)
- X102** – Universal Resistance-Temperature Detector (URTD) input, Fiber optics interface, Versatile Link
- X103** – Modbus RTU / IEC 60870-5-103 / DNP3.0 RTU, RS485, D-SUB
- X104** – IRIG-B00X, incl. System Contact (Supervision Contact)

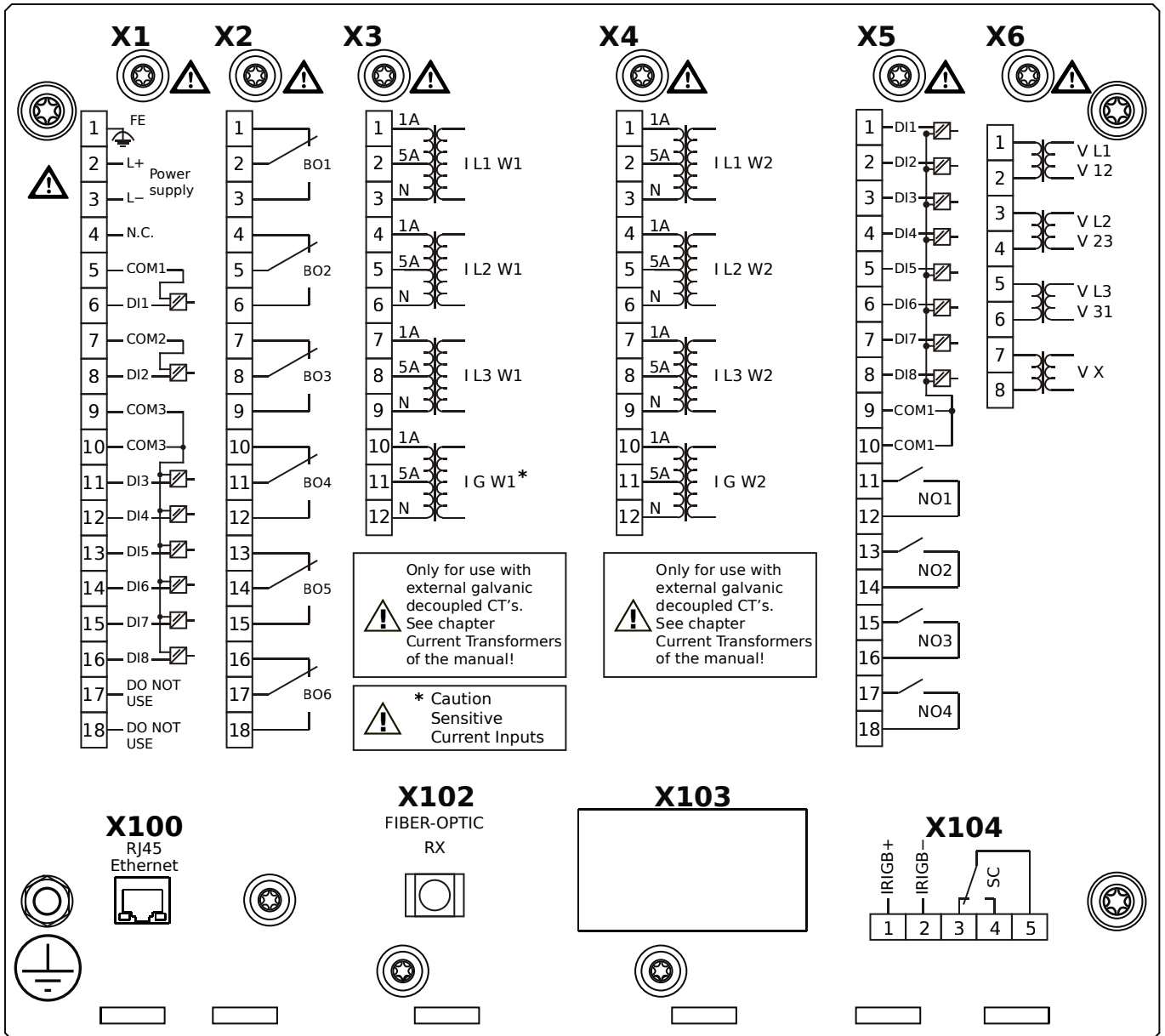
MCDTV4-2A1AHA



Housing B2, large display, door mounting

- X1** – DI8-X1: Wide-range power supply unit, incl. 2 non-grouped digital inputs and 6 grouped digital inputs
- X2** – OR6: Assembly Group with 6 Output Relays (Changeover / Form C)
- X3** – TIs: Standard phase current measuring card and sensitive ground current measuring (winding side 1)
- X4** – TI: Standard current measuring card (for the winding side 2)
- X5** – DI8-OR4: Assembly Group with 8 Digital Inputs and 4 Output Relays (NO / Form A)
- X6** – TU: Card with 4 voltage transformer measuring inputs (0 ... 800 VAC, under UL: 0 ... 600 VAC)
- X100** – IEC 61850 / Modbus TCP / IEC 60870-5-104 / DNP3.0 TCP/UDP, Ethernet interface, 100 Mbit/s, RJ45 (BASE100-FX)
- X102** – Universal Resistance-Temperature Detector (URTD) input, Fiber optics interface, Versatile Link
- X104** – IRIG-B00X, incl. System Contact (Supervision Contact)

MCDTV4-2A1AHB

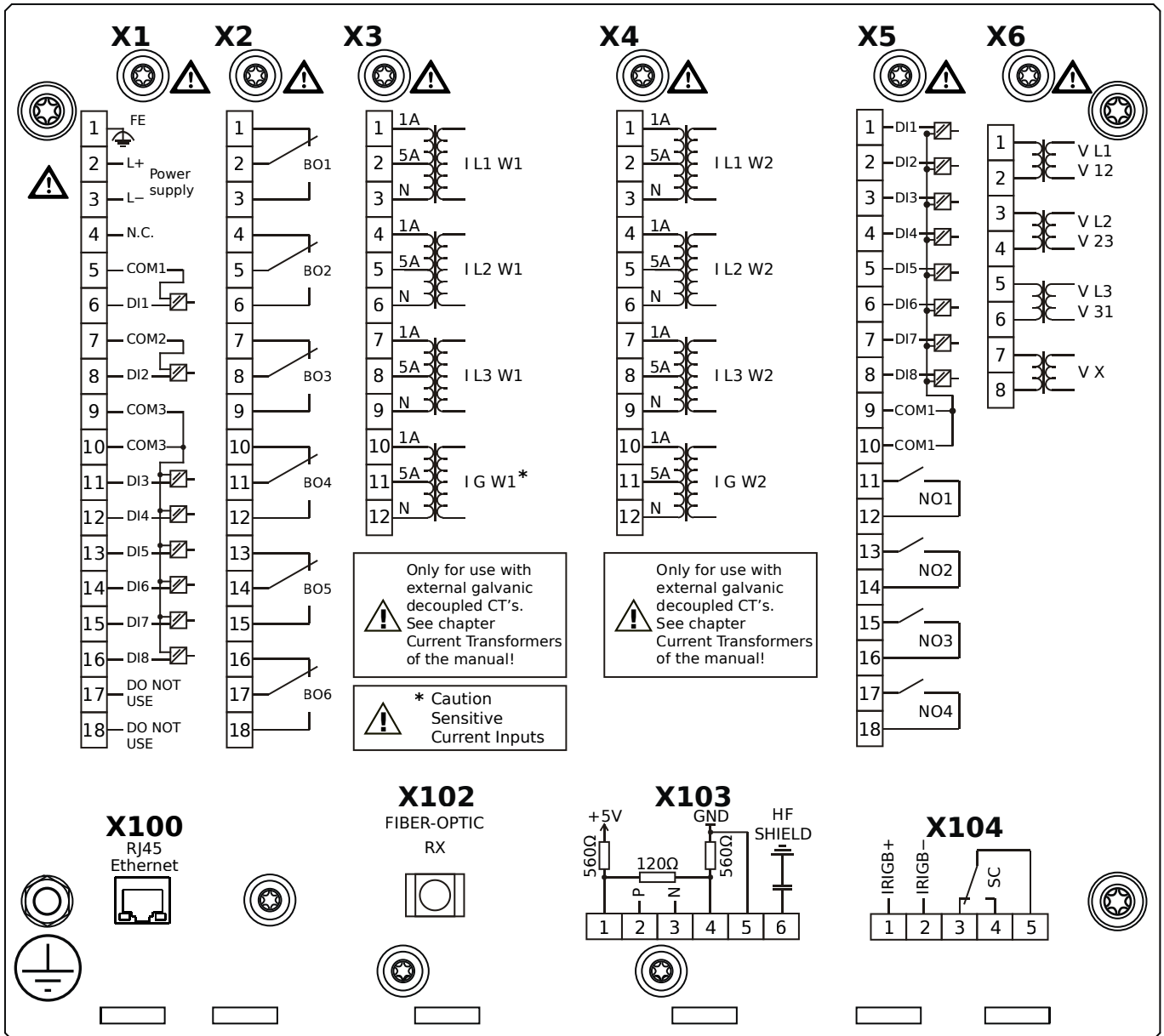


Housing B2, large display, door mounting

+ Conformal Coating (for installations in harsh environment)

- X1** – DI8-X1: Wide-range power supply unit, incl. 2 non-grouped digital inputs and 6 grouped digital inputs
- X2** – OR6: Assembly Group with 6 Output Relays (Changeover / Form C)
- X3** – TIs: Standard phase current measuring card and sensitive ground current measuring (winding side 1)
- X4** – TI: Standard current measuring card (for the winding side 2)
- X5** – DI8-OR4: Assembly Group with 8 Digital Inputs and 4 Output Relays (NO / Form A)
- X6** – TU: Card with 4 voltage transformer measuring inputs (0 ... 800 VAC, under UL: 0 ... 600 VAC)
- X100** – IEC 61850 / Modbus TCP / IEC 60870-5-104 / DNP3.0 TCP/UDP, Ethernet interface, 100 Mbit/s, RJ45 (BASE100-FX)
- X102** – Universal Resistance-Temperature Detector (URTD) input, Fiber optics interface, Versatile Link
- X104** – IRIG-B00X, incl. System Contact (Supervision Contact)

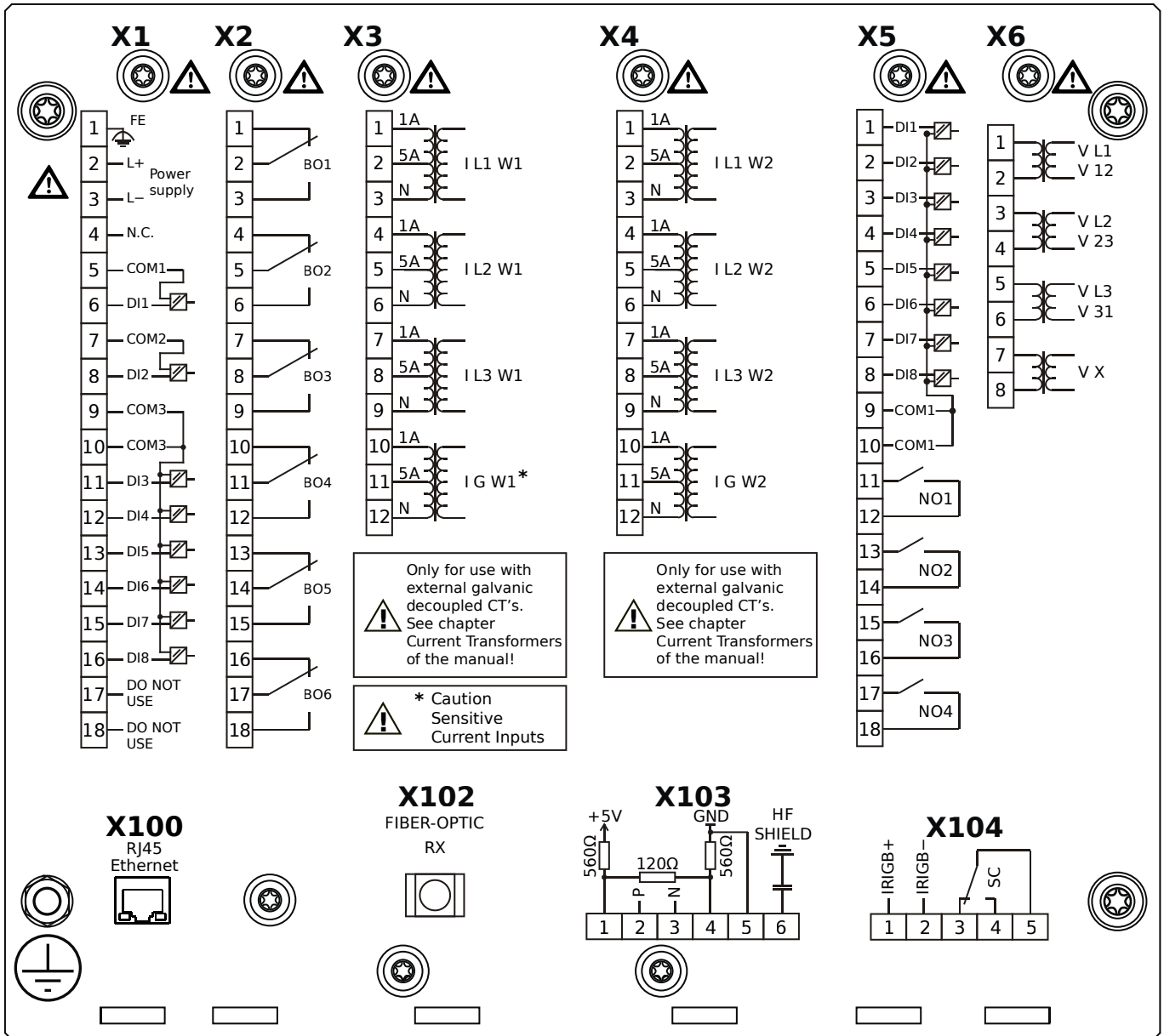
MCDTV4-2A1AIA



Housing B2, large display, door mounting

- X1** – DI8-X1: Wide-range power supply unit, incl. 2 non-grouped digital inputs and 6 grouped digital inputs
- X2** – OR6: Assembly Group with 6 Output Relays (Changeover / Form C)
- X3** – TIs: Standard phase current measuring card and sensitive ground current measuring (winding side 1)
- X4** – TI: Standard current measuring card (for the winding side 2)
- X5** – DI8-OR4: Assembly Group with 8 Digital Inputs and 4 Output Relays (NO / Form A)
- X6** – TU: Card with 4 voltage transformer measuring inputs (0 ... 800 VAC, under UL: 0 ... 600 VAC)
- X100** – Modbus TCP / IEC 60870-5-104 / DNP3.0 TCP/UDP, Ethernet interface, 100 Mbit/s, RJ45 (BASE100-FX)
- X102** – Universal Resistance-Temperature Detector (URTD) input, Fiber optics interface, Versatile Link
- X103** – IEC 60870-5-103 / Modbus RTU / DNP3.0 RTU, RS485, Terminals
- X104** – IRIG-B00X, incl. System Contact (Supervision Contact)

MCDTV4-2A1AIB

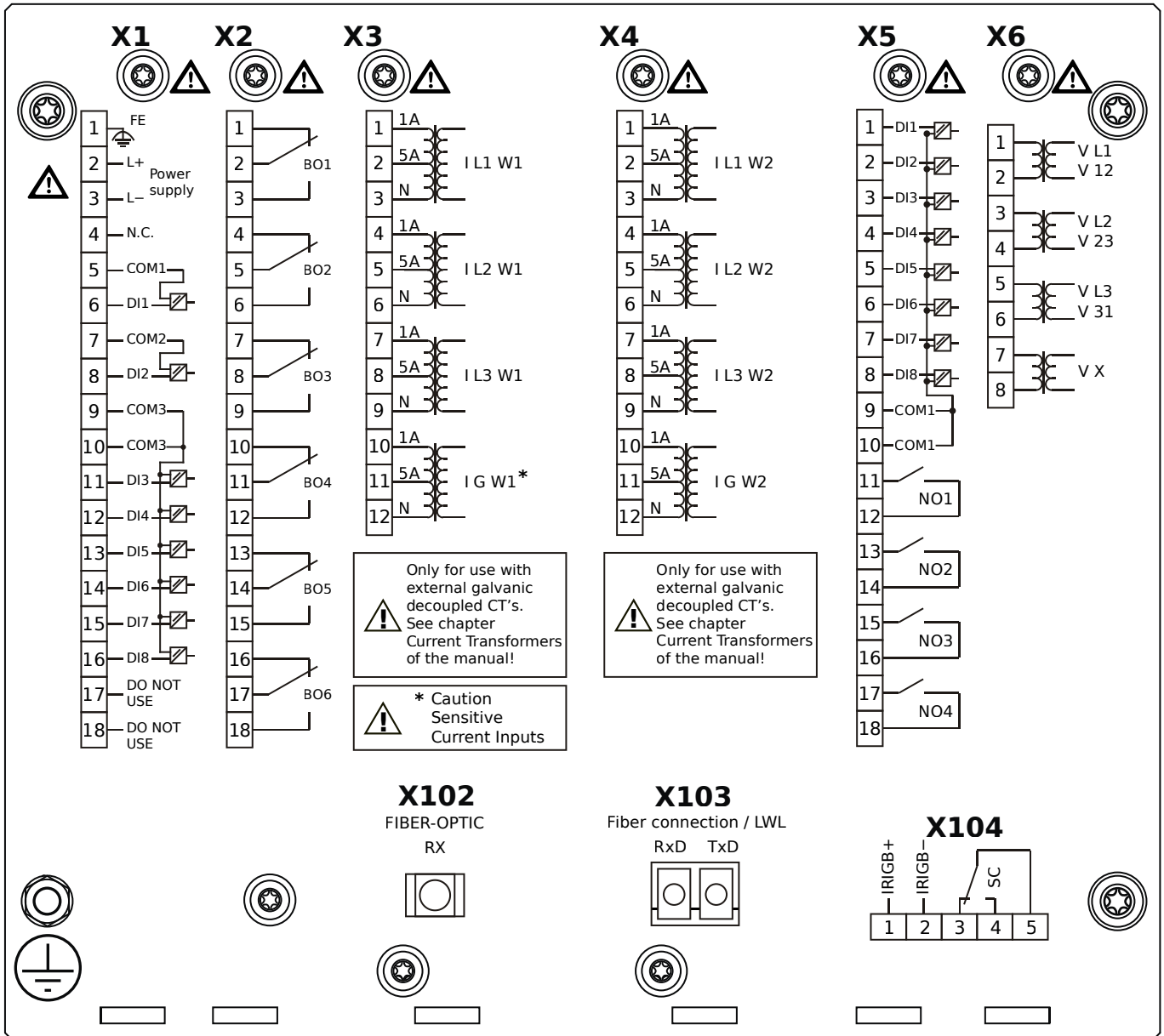


Housing B2, large display, door mounting

+ Conformal Coating (for installations in harsh environment)

- X1** – DI8-X1: Wide-range power supply unit, incl. 2 non-grouped digital inputs and 6 grouped digital inputs
- X2** – OR6: Assembly Group with 6 Output Relays (Changeover / Form C)
- X3** – TIs: Standard phase current measuring card and sensitive ground current measuring (winding side 1)
- X4** – TI: Standard current measuring card (for the winding side 2)
- X5** – DI8-OR4: Assembly Group with 8 Digital Inputs and 4 Output Relays (NO / Form A)
- X6** – TU: Card with 4 voltage transformer measuring inputs (0 ... 800 VAC, under UL: 0 ... 600 VAC)
- X100** – Modbus TCP / IEC 60870-5-104 / DNP3.0 TCP/UDP, Ethernet interface, 100 Mbit/s, RJ45 (BASE100-FX)
- X102** – Universal Resistance-Temperature Detector (URTD) input, Fiber optics interface, Versatile Link
- X103** – IEC 60870-5-103 / Modbus RTU / DNP3.0 RTU, RS485, Terminals
- X104** – IRIG-B00X, incl. System Contact (Supervision Contact)

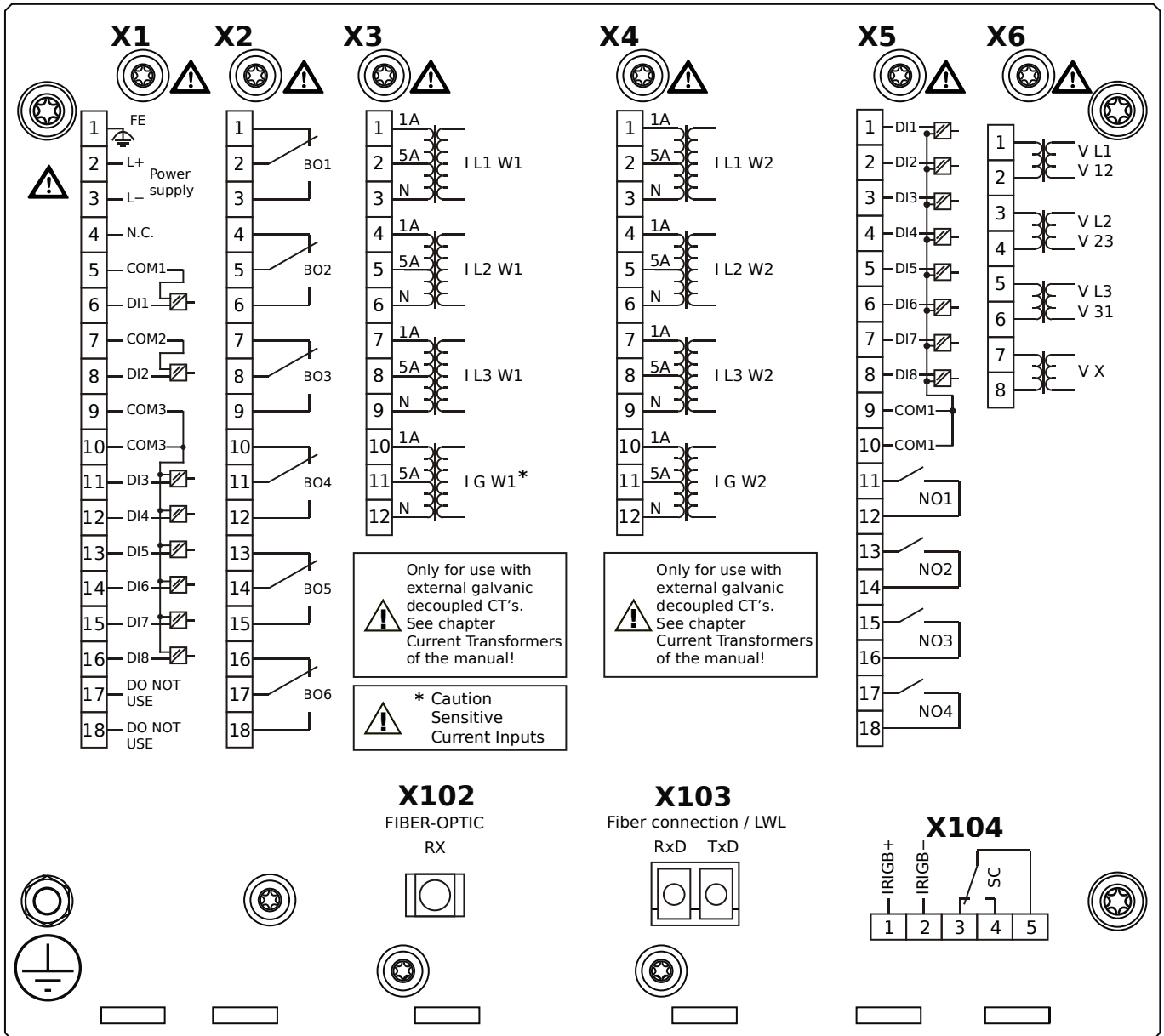
MCDTV4-2A1AKA



Housing B2, large display, door mounting

- X1** – DI8-X1: Wide-range power supply unit, incl. 2 non-grouped digital inputs and 6 grouped digital inputs
- X2** – OR6: Assembly Group with 6 Output Relays (Changeover / Form C)
- X3** – TIs: Standard phase current measuring card and sensitive ground current measuring (winding side 1)
- X4** – TI: Standard current measuring card (for the winding side 2)
- X5** – DI8-OR4: Assembly Group with 8 Digital Inputs and 4 Output Relays (NO / Form A)
- X6** – TU: Card with 4 voltage transformer measuring inputs (0 ... 800 VAC, under UL: 0 ... 600 VAC)
- X102** – Universal Resistance-Temperature Detector (URTD) input, Fiber optics interface, Versatile Link
- X103** – IEC 61850 / Modbus TCP / IEC 60870-5-104 / DNP3.0 TCP/UDP, Fiber optics interface, LC Connector
- X104** – IRIG-B00X, incl. System Contact (Supervision Contact)

MCDTV4-2A1AKB

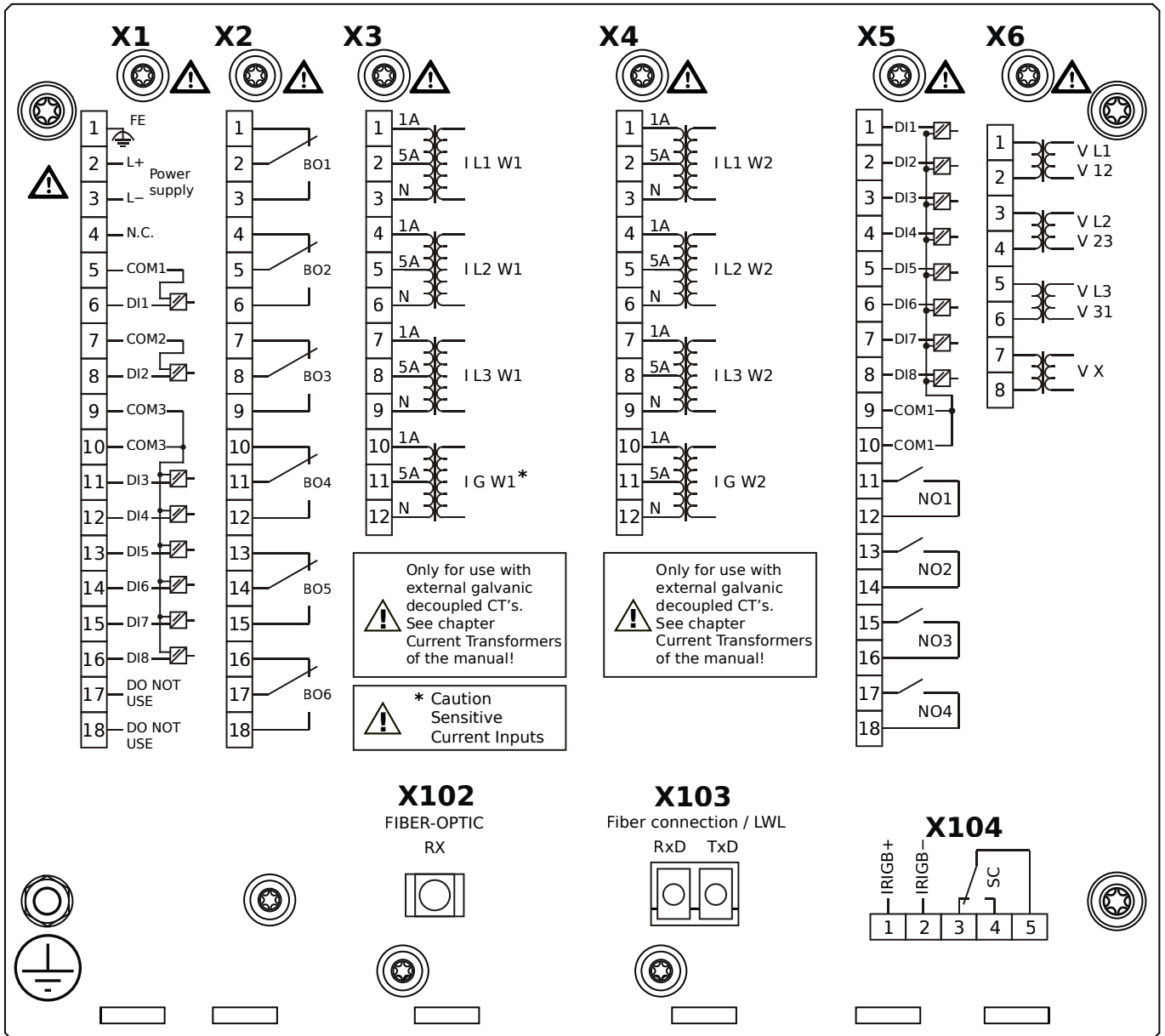


Housing B2, large display, door mounting

+ Conformal Coating (for installations in harsh environment)

- X1** – DI8-X1: Wide-range power supply unit, incl. 2 non-grouped digital inputs and 6 grouped digital inputs
- X2** – OR6: Assembly Group with 6 Output Relays (Changeover / Form C)
- X3** – TIs: Standard phase current measuring card and sensitive ground current measuring (winding side 1)
- X4** – TI: Standard current measuring card (for the winding side 2)
- X5** – DI8-OR4: Assembly Group with 8 Digital Inputs and 4 Output Relays (NO / Form A)
- X6** – TU: Card with 4 voltage transformer measuring inputs (0 ... 800 VAC, under UL: 0 ... 600 VAC)
- X102** – Universal Resistance-Temperature Detector (URTD) input, Fiber optics interface, Versatile Link
- X103** – IEC 61850 / Modbus TCP / IEC 60870-5-104 / DNP3.0 TCP/UDP, Fiber optics interface, LC Connector
- X104** – IRIG-B00X, incl. System Contact (Supervision Contact)

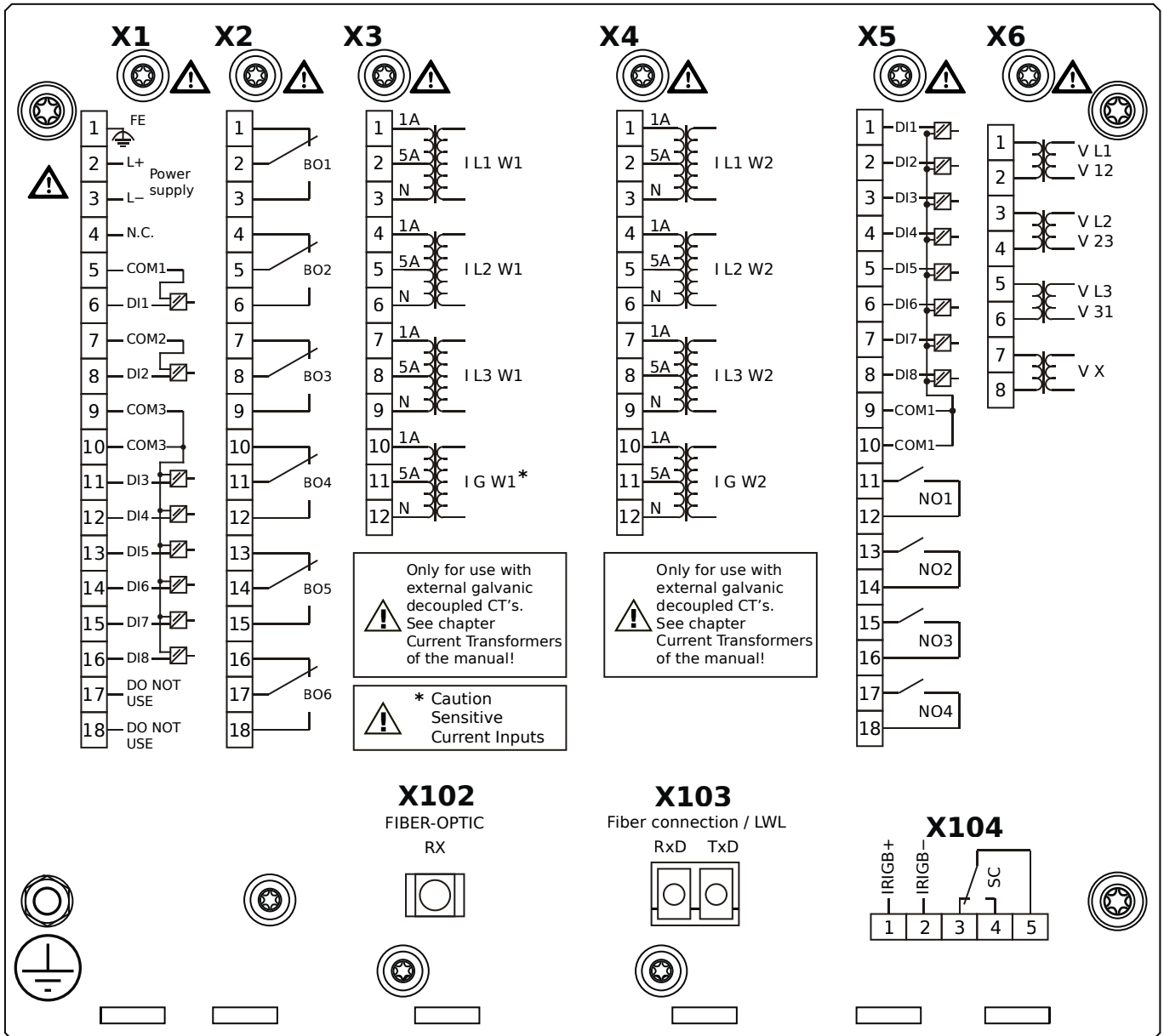
MCDTV4-2A1ALA



Housing B2, large display, door mounting

- X1** – DI8-X1: Wide-range power supply unit, incl. 2 non-grouped digital inputs and 6 grouped digital inputs
- X2** – OR6: Assembly Group with 6 Output Relays (Changeover / Form C)
- X3** – TIs: Standard phase current measuring card and sensitive ground current measuring (winding side 1)
- X4** – TI: Standard current measuring card (for the winding side 2)
- X5** – DI8-OR4: Assembly Group with 8 Digital Inputs and 4 Output Relays (NO / Form A)
- X6** – TU: Card with 4 voltage transformer measuring inputs (0 ... 800 VAC, under UL: 0 ... 600 VAC)
- X102** – Universal Resistance-Temperature Detector (URTD) input, Fiber optics interface, Versatile Link
- X103** – Modbus TCP / IEC 60870-5-104 / DNP3.0 TCP/UDP, Fiber optics interface, LC Connector
- X104** – IRIG-B00X, incl. System Contact (Supervision Contact)

MCDTV4-2A1ALB

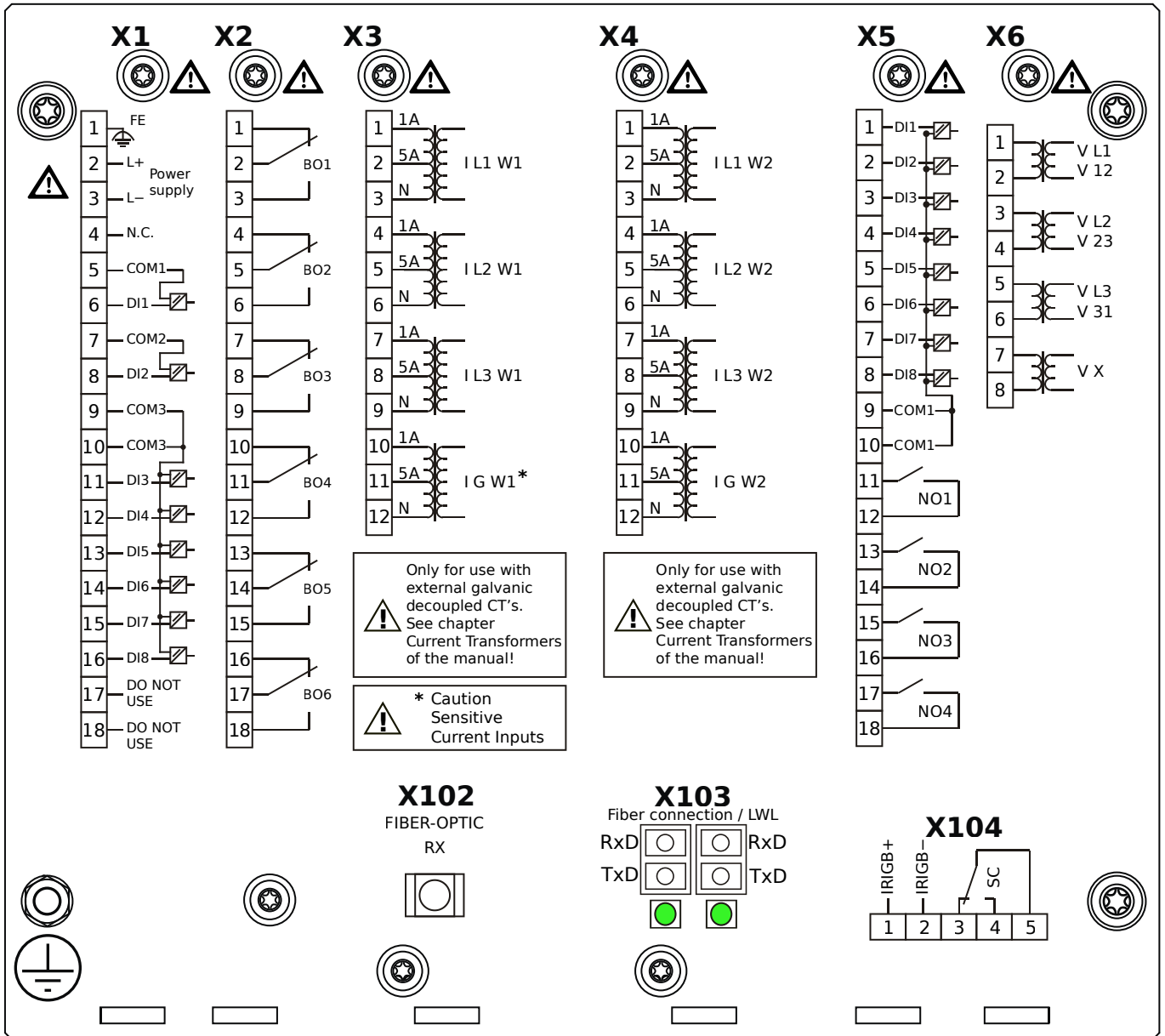


Housing B2, large display, door mounting

+ Conformal Coating (for installations in harsh environment)

- X1** – DI8-X1: Wide-range power supply unit, incl. 2 non-grouped digital inputs and 6 grouped digital inputs
- X2** – OR6: Assembly Group with 6 Output Relays (Changeover / Form C)
- X3** – TIs: Standard phase current measuring card and sensitive ground current measuring (winding side 1)
- X4** – TI: Standard current measuring card (for the winding side 2)
- X5** – DI8-OR4: Assembly Group with 8 Digital Inputs and 4 Output Relays (NO / Form A)
- X6** – TU: Card with 4 voltage transformer measuring inputs (0 ... 800 VAC, under UL: 0 ... 600 VAC)
- X102** – Universal Resistance-Temperature Detector (URTD) input, Fiber optics interface, Versatile Link
- X103** – Modbus TCP / IEC 60870-5-104 / DNP3.0 TCP/UDP, Fiber optics interface, LC Connector
- X104** – IRIG-B00X, incl. System Contact (Supervision Contact)

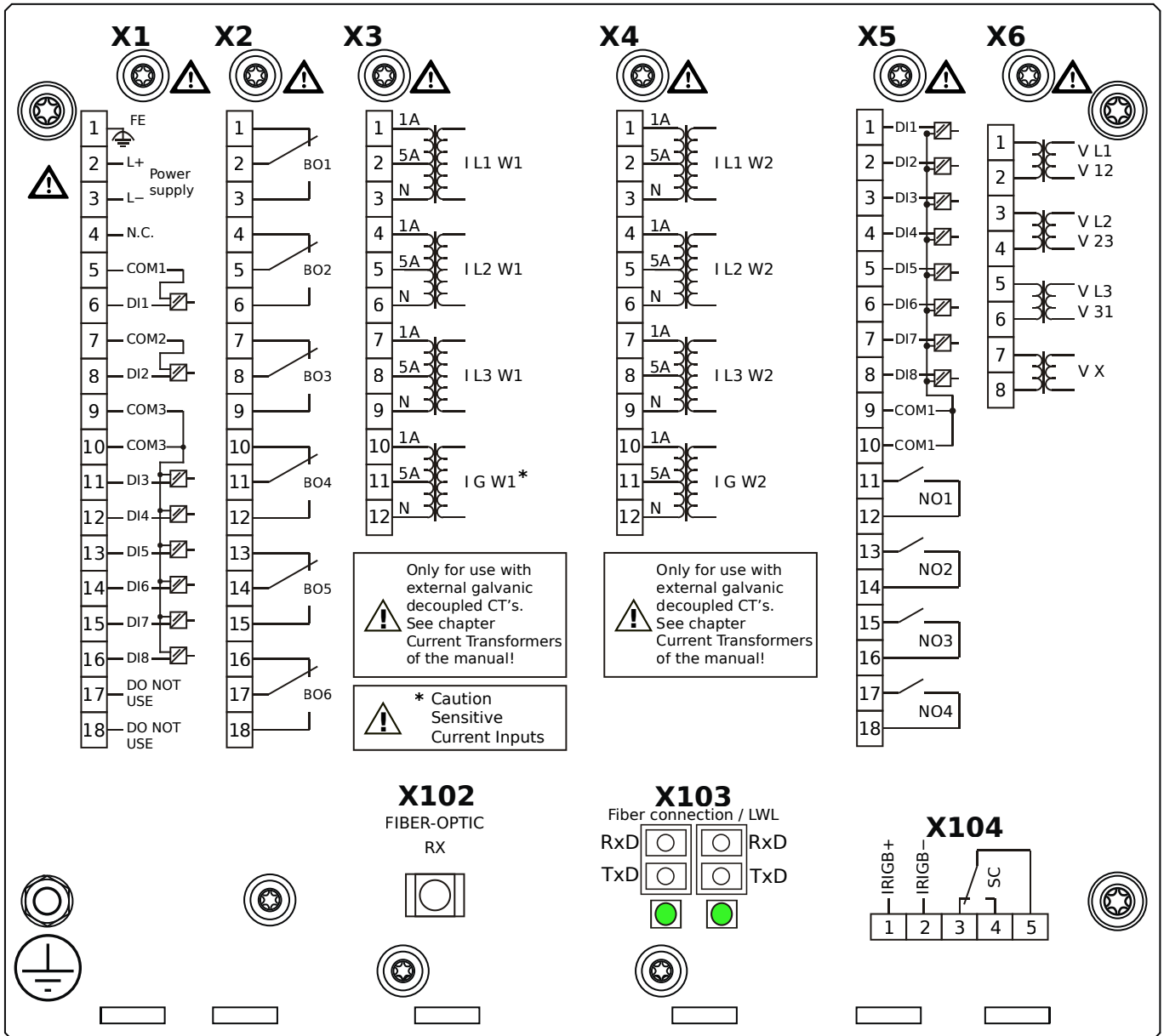
MCDTV4-2A1AOA



Housing B2, large display, door mounting

- X1** – DI8-X1: Wide-range power supply unit, incl. 2 non-grouped digital inputs and 6 grouped digital inputs
- X2** – OR6: Assembly Group with 6 Output Relays (Changeover / Form C)
- X3** – TIs: Standard phase current measuring card and sensitive ground current measuring (winding side 1)
- X4** – TI: Standard current measuring card (for the winding side 2)
- X5** – DI8-OR4: Assembly Group with 8 Digital Inputs and 4 Output Relays (NO / Form A)
- X6** – TU: Card with 4 voltage transformer measuring inputs (0 ... 800 VAC, under UL: 0 ... 600 VAC)
- X102** – Universal Resistance-Temperature Detector (URTD) input, Fiber optics interface, Versatile Link
- X103** – Modbus TCP / IEC 60870-5-104 / DNP3.0 TCP/UDP, Redundant Fiber optics interface, LC Connector
- X104** – IRIG-B00X, incl. System Contact (Supervision Contact)

MCDTV4-2A1AOB

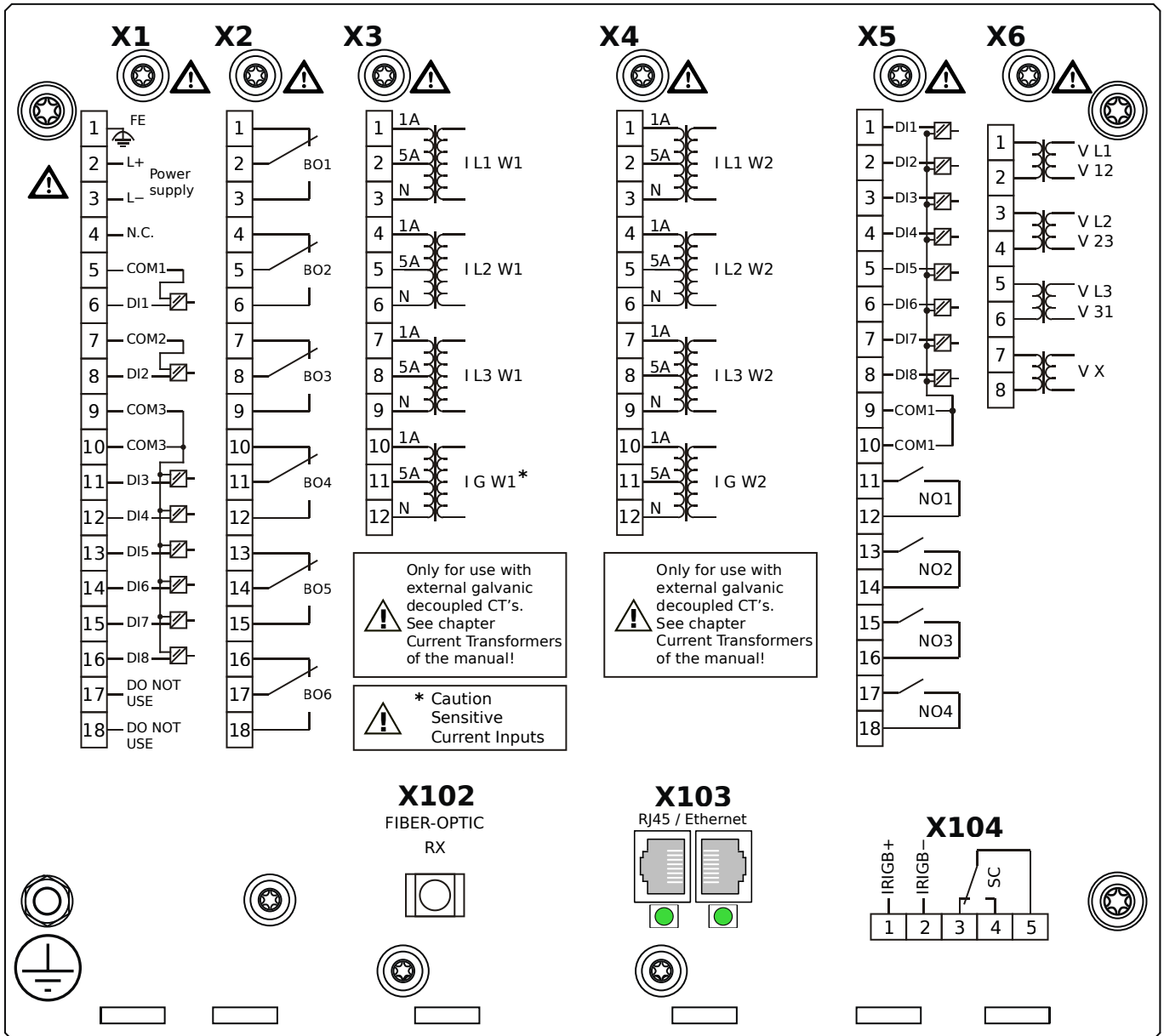


Housing B2, large display, door mounting

+ Conformal Coating (for installations in harsh environment)

- X1** – DI8-X1: Wide-range power supply unit, incl. 2 non-grouped digital inputs and 6 grouped digital inputs
- X2** – OR6: Assembly Group with 6 Output Relays (Changeover / Form C)
- X3** – TIs: Standard phase current measuring card and sensitive ground current measuring (winding side 1)
- X4** – TI: Standard current measuring card (for the winding side 2)
- X5** – DI8-OR4: Assembly Group with 8 Digital Inputs and 4 Output Relays (NO / Form A)
- X6** – TU: Card with 4 voltage transformer measuring inputs (0 ... 800 VAC, under UL: 0 ... 600 VAC)
- X102** – Universal Resistance-Temperature Detector (URTD) input, Fiber optics interface, Versatile Link
- X103** – Modbus TCP / IEC 60870-5-104 / DNP3.0 TCP/UDP, Redundant Fiber optics interface, LC Connector
- X104** – IRIG-B00X, incl. System Contact (Supervision Contact)

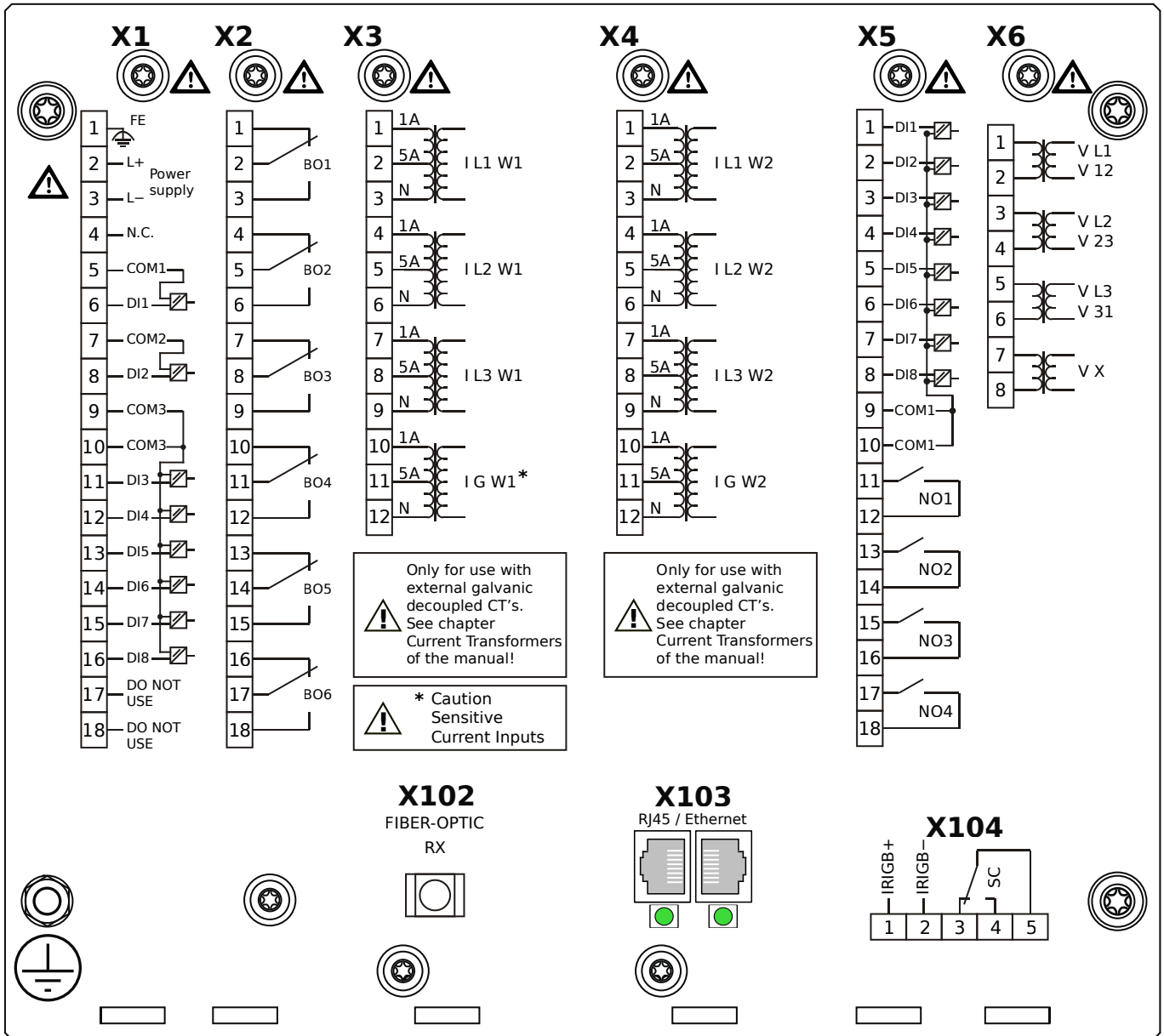
MCDTV4-2A1APA



Housing B2, large display, door mounting

- X1** – DI8-X1: Wide-range power supply unit, incl. 2 non-grouped digital inputs and 6 grouped digital inputs
- X2** – OR6: Assembly Group with 6 Output Relays (Changeover / Form C)
- X3** – TIs: Standard phase current measuring card and sensitive ground current measuring (winding side 1)
- X4** – TI: Standard current measuring card (for the winding side 2)
- X5** – DI8-OR4: Assembly Group with 8 Digital Inputs and 4 Output Relays (NO / Form A)
- X6** – TU: Card with 4 voltage transformer measuring inputs (0 ... 800 VAC, under UL: 0 ... 600 VAC)
- X102** – Universal Resistance-Temperature Detector (URTD) input, Fiber optics interface, Versatile Link
- X103** – Modbus TCP / IEC 60870-5-104 / DNP3.0 TCP/UDP, Redundant Ethernet interface, 100 Mbit/s, RJ45 (BASE100-FX)
- X104** – IRIG-B00X, incl. System Contact (Supervision Contact)

MCDTV4-2A1APB

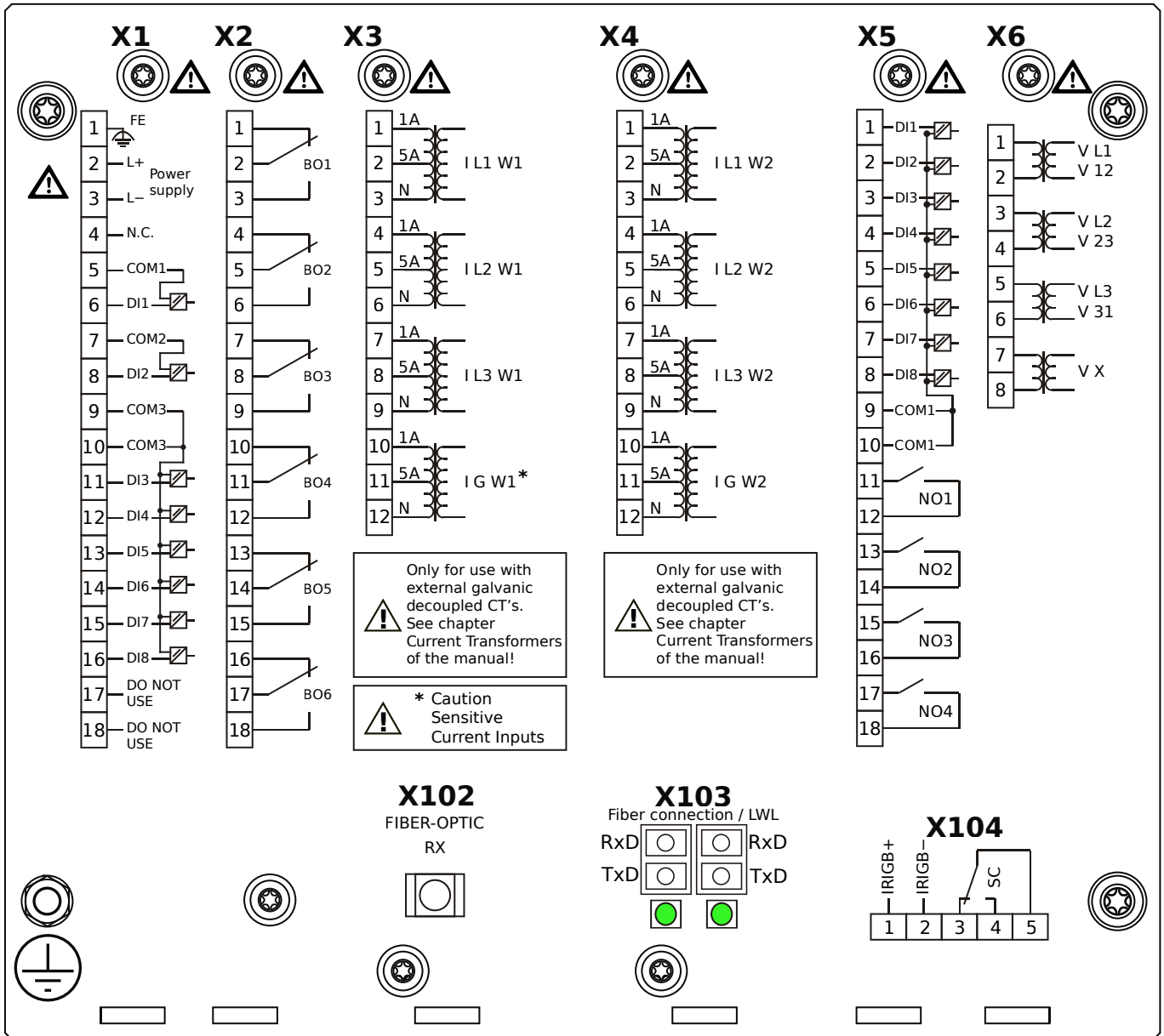


Housing B2, large display, door mounting

+ Conformal Coating (for installations in harsh environment)

- X1** – DI8-X1: Wide-range power supply unit, incl. 2 non-grouped digital inputs and 6 grouped digital inputs
- X2** – OR6: Assembly Group with 6 Output Relays (Changeover / Form C)
- X3** – TIs: Standard phase current measuring card and sensitive ground current measuring (winding side 1)
- X4** – TI: Standard current measuring card (for the winding side 2)
- X5** – DI8-OR4: Assembly Group with 8 Digital Inputs and 4 Output Relays (NO / Form A)
- X6** – TU: Card with 4 voltage transformer measuring inputs (0 ... 800 VAC, under UL: 0 ... 600 VAC)
- X102** – Universal Resistance-Temperature Detector (URTD) input, Fiber optics interface, Versatile Link
- X103** – Modbus TCP / IEC 60870-5-104 / DNP3.0 TCP/UDP, Redundant Ethernet interface, 100 Mbit/s, RJ45 (BASE100-FX)
- X104** – IRIG-B00X, incl. System Contact (Supervision Contact)

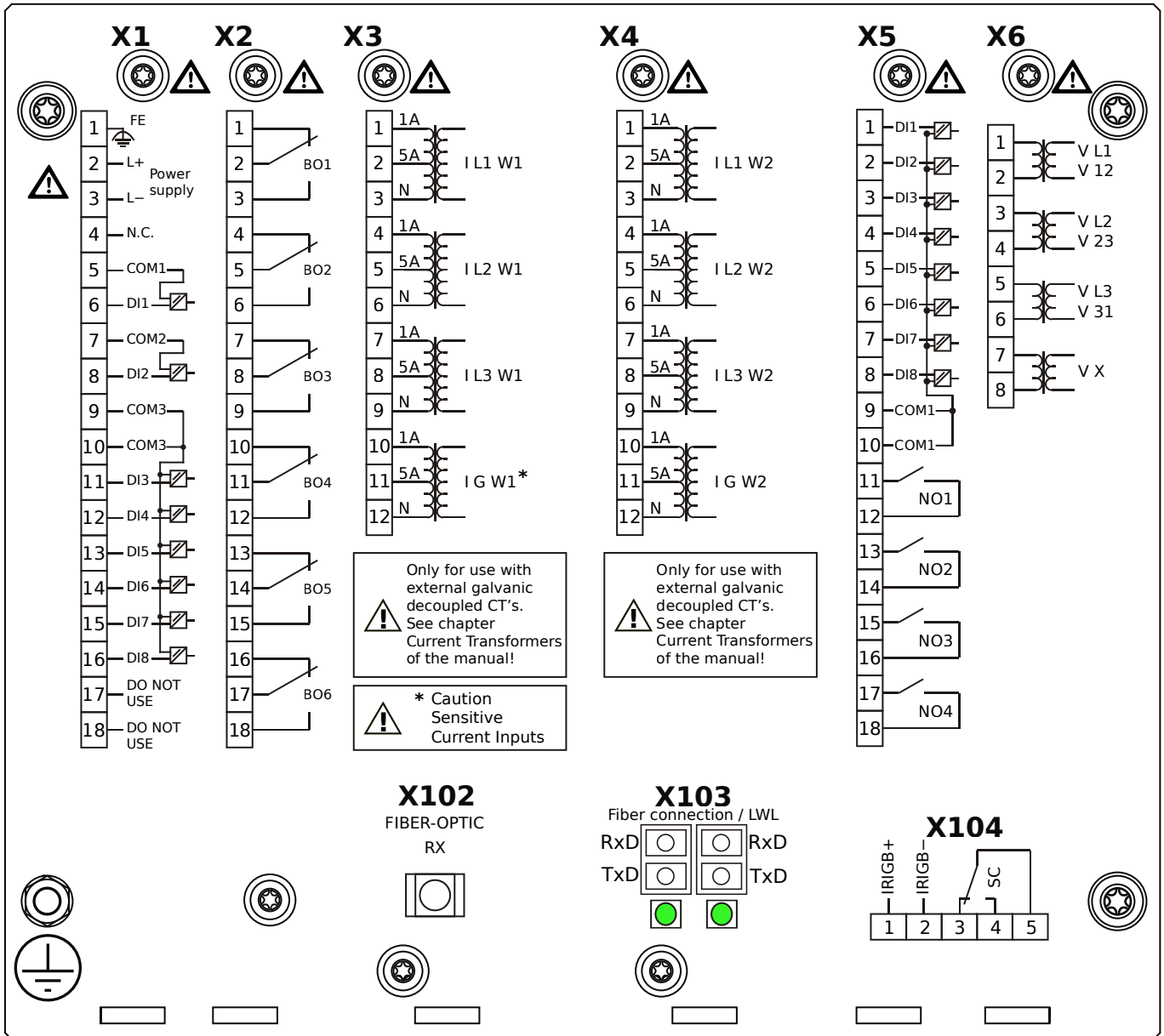
MCDTV4-2A1AQA



Housing B2, large display, door mounting

- X1** – DI8-X1: Wide-range power supply unit, incl. 2 non-grouped digital inputs and 6 grouped digital inputs
- X2** – OR6: Assembly Group with 6 Output Relays (Changeover / Form C)
- X3** – TIs: Standard phase current measuring card and sensitive ground current measuring (winding side 1)
- X4** – TI: Standard current measuring card (for the winding side 2)
- X5** – DI8-OR4: Assembly Group with 8 Digital Inputs and 4 Output Relays (NO / Form A)
- X6** – TU: Card with 4 voltage transformer measuring inputs (0 ... 800 VAC, under UL: 0 ... 600 VAC)
- X102** – Universal Resistance-Temperature Detector (URTD) input, Fiber optics interface, Versatile Link
- X103** – IEC 61850 / Modbus TCP / IEC 60870-5-104 / DNP3.0 TCP/UDP, Redundant Fiber optics interface, LC Connector
- X104** – IRIG-B00X, incl. System Contact (Supervision Contact)

MCDTV4-2A1AQB

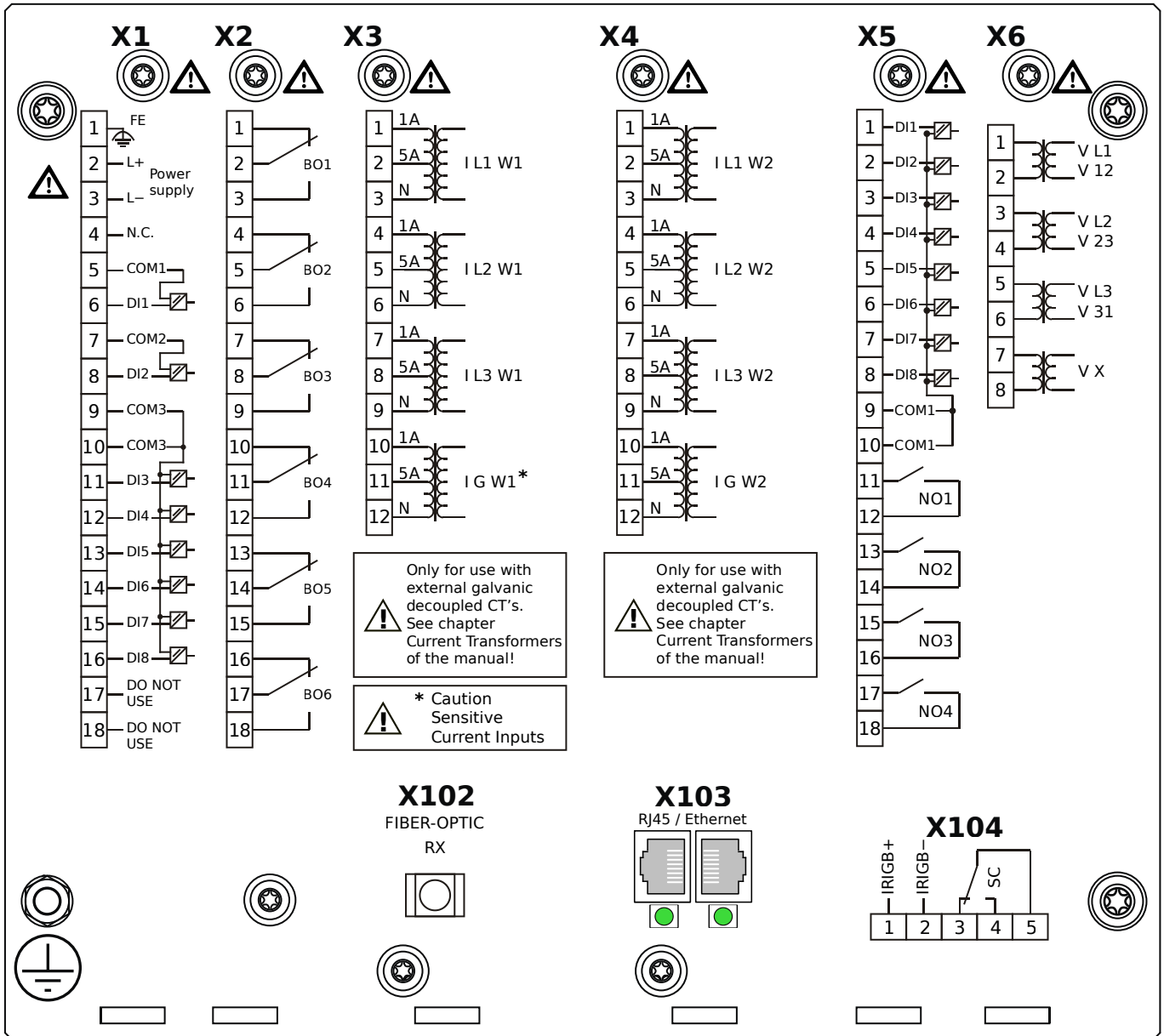


Housing B2, large display, door mounting

+ Conformal Coating (for installations in harsh environment)

- X1** – DI8-X1: Wide-range power supply unit, incl. 2 non-grouped digital inputs and 6 grouped digital inputs
- X2** – OR6: Assembly Group with 6 Output Relays (Changeover / Form C)
- X3** – TIs: Standard phase current measuring card and sensitive ground current measuring (winding side 1)
- X4** – TI: Standard current measuring card (for the winding side 2)
- X5** – DI8-OR4: Assembly Group with 8 Digital Inputs and 4 Output Relays (NO / Form A)
- X6** – TU: Card with 4 voltage transformer measuring inputs (0 ... 800 VAC, under UL: 0 ... 600 VAC)
- X102** – Universal Resistance-Temperature Detector (URTD) input, Fiber optics interface, Versatile Link
- X103** – IEC 61850 / Modbus TCP / IEC 60870-5-104 / DNP3.0 TCP/UDP, Redundant Fiber optics interface, LC Connector
- X104** – IRIG-B00X, incl. System Contact (Supervision Contact)

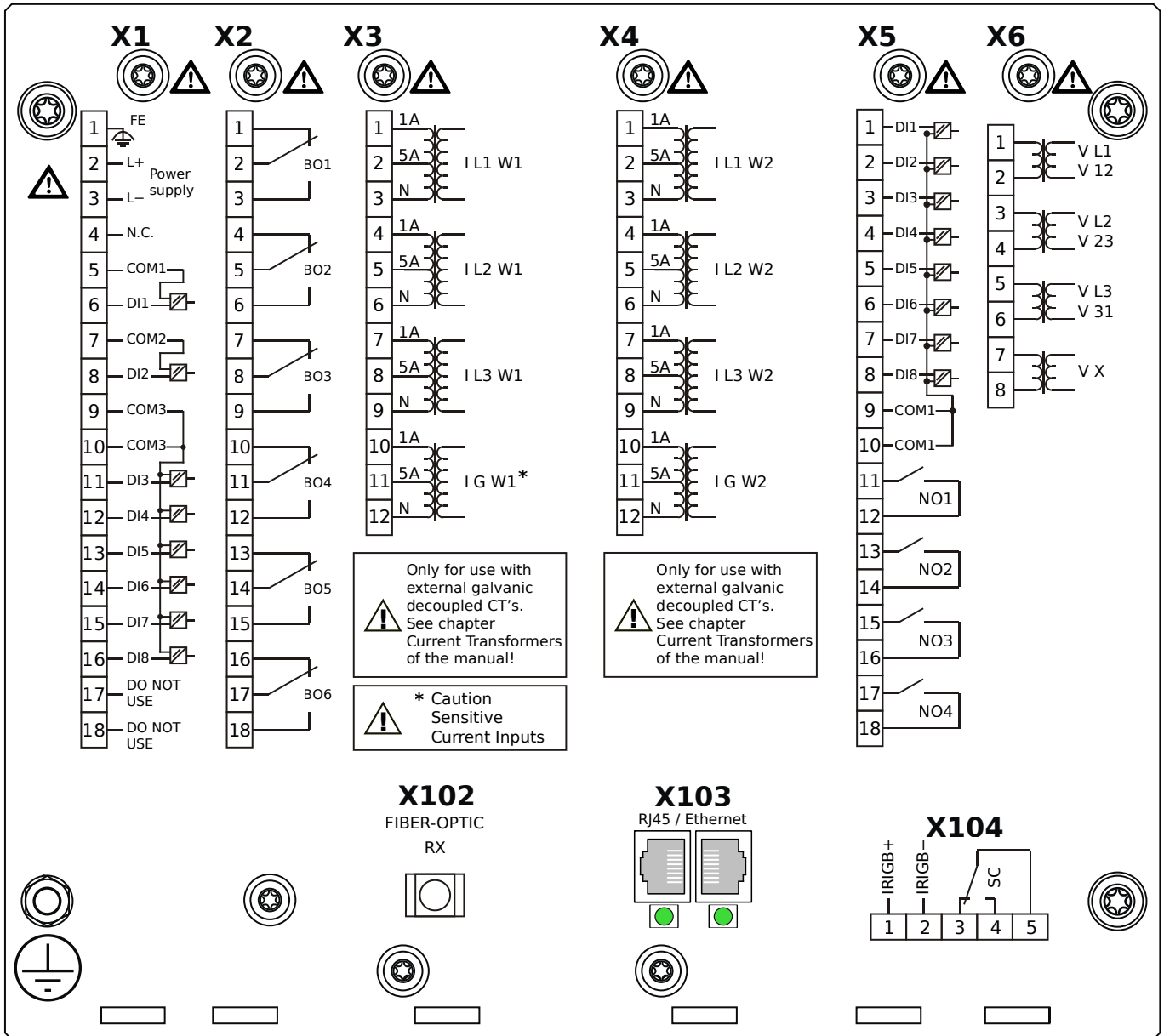
MCDTV4-2A1ARA



Housing B2, large display, door mounting

- X1** – DI8-X1: Wide-range power supply unit, incl. 2 non-grouped digital inputs and 6 grouped digital inputs
- X2** – OR6: Assembly Group with 6 Output Relays (Changeover / Form C)
- X3** – TIs: Standard phase current measuring card and sensitive ground current measuring (winding side 1)
- X4** – TI: Standard current measuring card (for the winding side 2)
- X5** – DI8-OR4: Assembly Group with 8 Digital Inputs and 4 Output Relays (NO / Form A)
- X6** – TU: Card with 4 voltage transformer measuring inputs (0 ... 800 VAC, under UL: 0 ... 600 VAC)
- X102** – Universal Resistance-Temperature Detector (URTD) input, Fiber optics interface, Versatile Link
- X103** – IEC 61850 / Modbus TCP / IEC 60870-5-104 / DNP3.0 TCP/UDP, Redundant Ethernet interface, 100 Mbit/s, RJ45
- X104** – IRIG-B00X, incl. System Contact (Supervision Contact)

MCDTV4-2A1ARB



Housing B2, large display, door mounting

+ Conformal Coating (for installations in harsh environment)

X1 – DI8-X1: Wide-range power supply unit, incl. 2 non-grouped digital inputs and 6 grouped digital inputs

X2 – OR6: Assembly Group with 6 Output Relays (Changeover / Form C)

X3 – TIs: Standard phase current measuring card and sensitive ground current measuring (winding side 1)

X4 – TI: Standard current measuring card (for the winding side 2)

X5 – DI8-OR4: Assembly Group with 8 Digital Inputs and 4 Output Relays (NO / Form A)

X6 – TU: Card with 4 voltage transformer measuring inputs (0 ... 800 VAC, under UL: 0 ... 600 VAC)

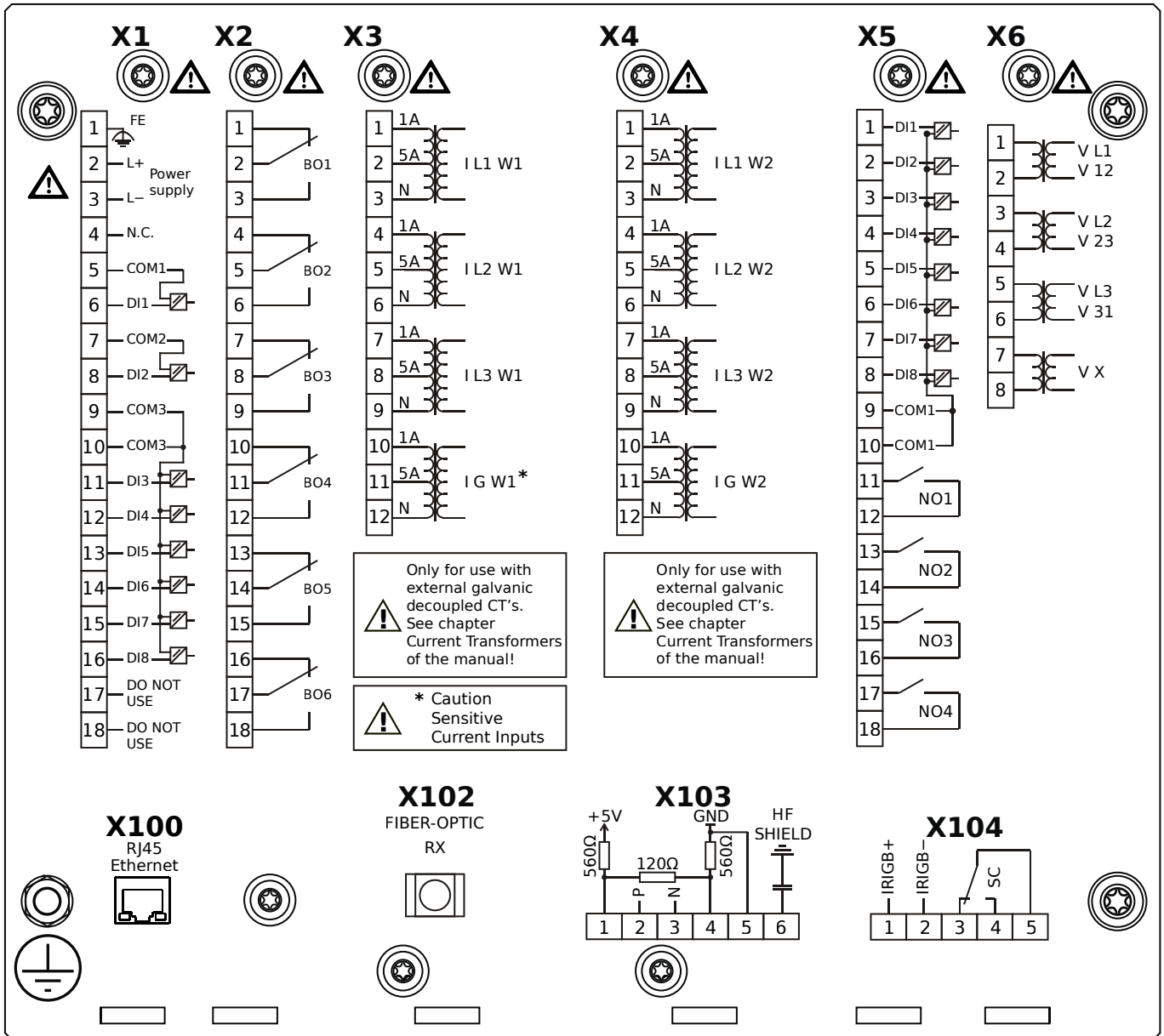
X102 – Universal Resistance-Temperature Detector (URTD) input, Fiber optics interface, Versatile Link

X103 – IEC 61850 / Modbus TCP / IEC 60870-5-104 / DNP3.0 TCP/UDP, Redundant Ethernet interface, 100 Mbit/s, RJ45

(BASE100-FX)

X104 – IRIG-B00X, incl. System Contact (Supervision Contact)

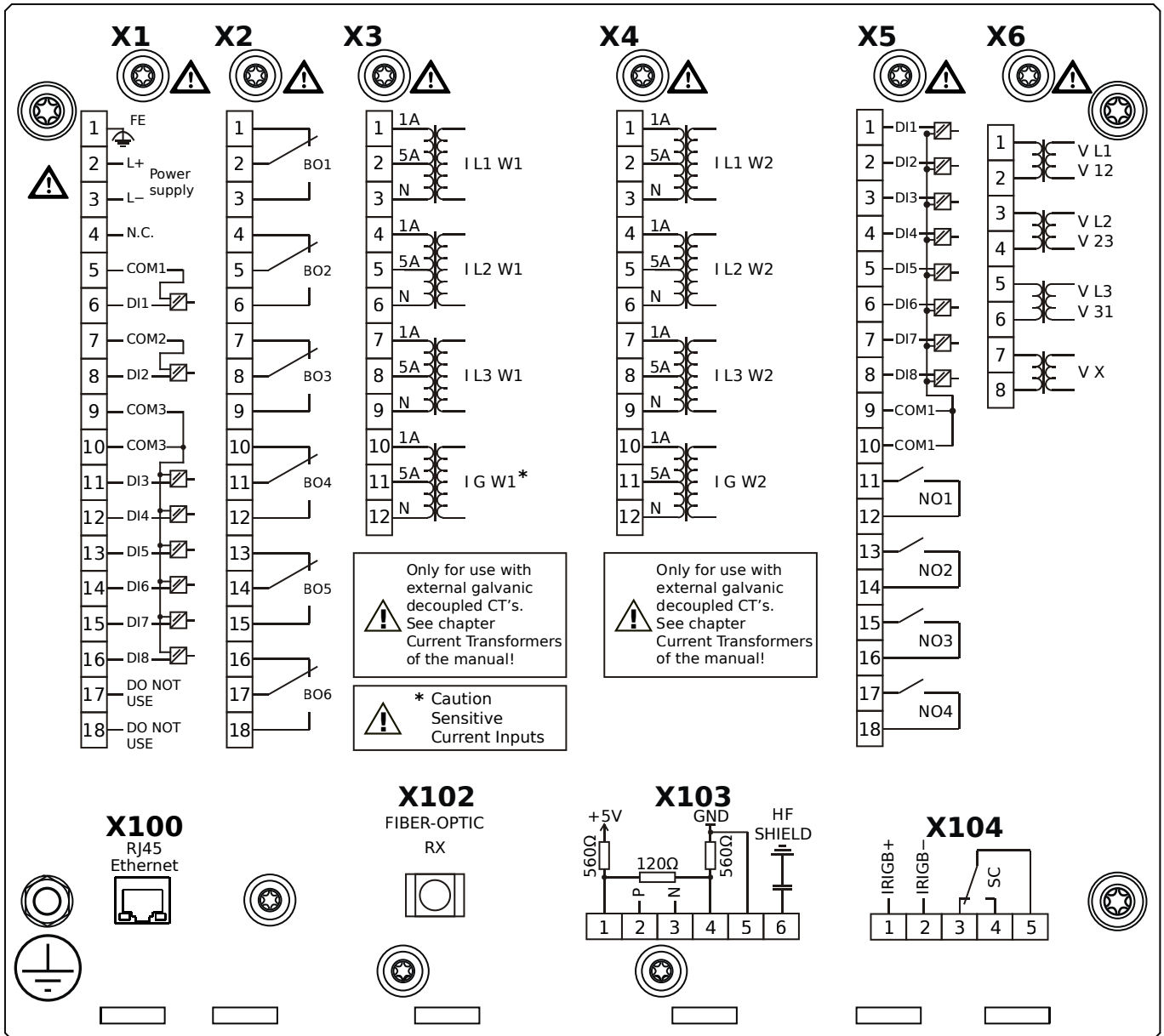
MCDTV4-2A1ATA



Housing B2, large display, door mounting

- X1** – DI8-X1: Wide-range power supply unit, incl. 2 non-grouped digital inputs and 6 grouped digital inputs
- X2** – OR6: Assembly Group with 6 Output Relays (Changeover / Form C)
- X3** – TIs: Standard phase current measuring card and sensitive ground current measuring (winding side 1)
- X4** – TI: Standard current measuring card (for the winding side 2)
- X5** – DI8-OR4: Assembly Group with 8 Digital Inputs and 4 Output Relays (NO / Form A)
- X6** – TU: Card with 4 voltage transformer measuring inputs (0 ... 800 VAC, under UL: 0 ... 600 VAC)
- X100** – IEC 61850 / Modbus TCP / IEC 60870-5-104 / DNP3.0 TCP/UDP, Ethernet interface, 100 Mbit/s, RJ45 (BASE100-FX)
- X102** – Universal Resistance-Temperature Detector (URTD) input, Fiber optics interface, Versatile Link
- X103** – IEC 60870-5-103 / Modbus RTU / DNP3.0 RTU, RS485, Terminals
- X104** – IRIG-B00X, incl. System Contact (Supervision Contact)

MCDTV4-2A1ATB

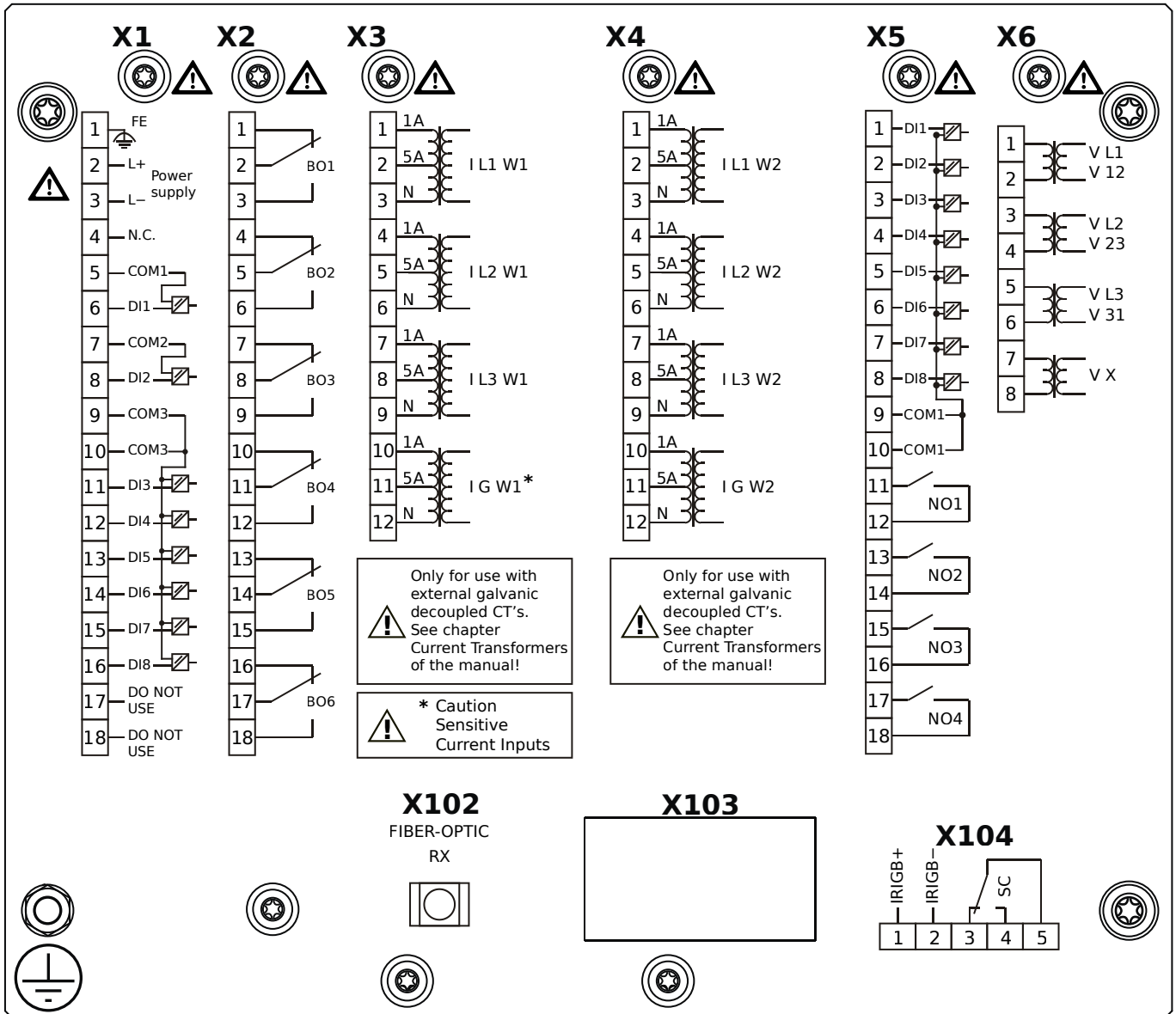


Housing B2, large display, door mounting

+ Conformal Coating (for installations in harsh environment)

- X1** – DI8-X1: Wide-range power supply unit, incl. 2 non-grouped digital inputs and 6 grouped digital inputs
- X2** – OR6: Assembly Group with 6 Output Relays (Changeover / Form C)
- X3** – TIs: Standard phase current measuring card and sensitive ground current measuring (winding side 1)
- X4** – TI: Standard current measuring card (for the winding side 2)
- X5** – DI8-OR4: Assembly Group with 8 Digital Inputs and 4 Output Relays (NO / Form A)
- X6** – TU: Card with 4 voltage transformer measuring inputs (0 ... 800 VAC, under UL: 0 ... 600 VAC)
- X100** – IEC 61850 / Modbus TCP / IEC 60870-5-104 / DNP3.0 TCP/UDP, Ethernet interface, 100 Mbit/s, RJ45 (BASE100-FX)
- X102** – Universal Resistance-Temperature Detector (URTD) input, Fiber optics interface, Versatile Link
- X103** – IEC 60870-5-103 / Modbus RTU / DNP3.0 RTU, RS485, Terminals
- X104** – IRIG-B00X, incl. System Contact (Supervision Contact)

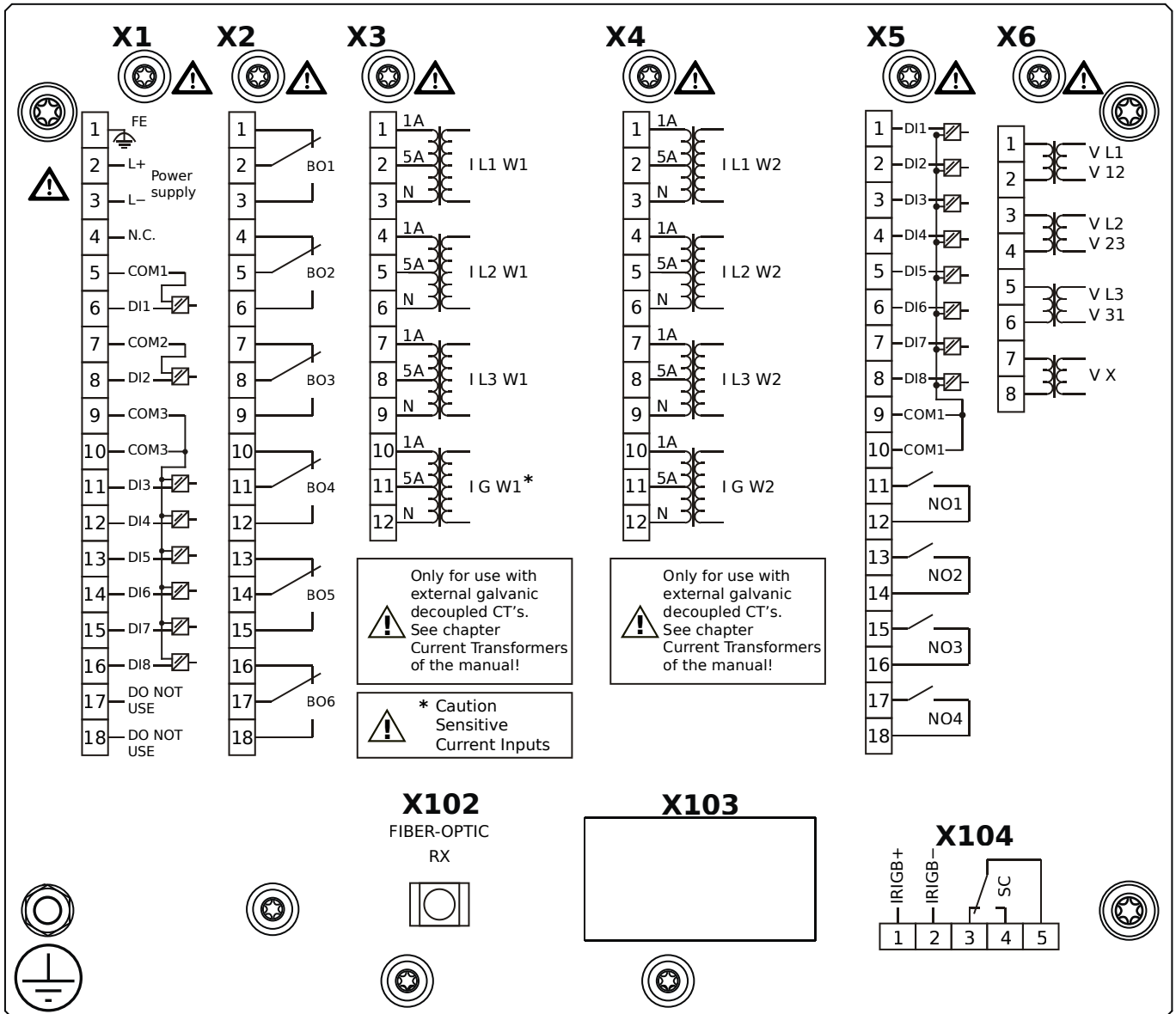
MCDTV4-2A1BAA



Housing B2, large display, 19" rack mounting

- X1** – DI8-X1: Wide-range power supply unit, incl. 2 non-grouped digital inputs and 6 grouped digital inputs
- X2** – OR6: Assembly Group with 6 Output Relays (Changeover / Form C)
- X3** – TIs: Standard phase current measuring card and sensitive ground current measuring (winding side 1)
- X4** – TI: Standard current measuring card (for the winding side 2)
- X5** – DI8-OR4: Assembly Group with 8 Digital Inputs and 4 Output Relays (NO / Form A)
- X6** – TU: Card with 4 voltage transformer measuring inputs (0 ... 800 VAC, under UL: 0 ... 600 VAC)
- X102** – Universal Resistance-Temperature Detector (URTD) input, Fiber optics interface, Versatile Link
- X104** – IRIG-B00X, incl. System Contact (Supervision Contact)

MCDTV4-2A1BAB

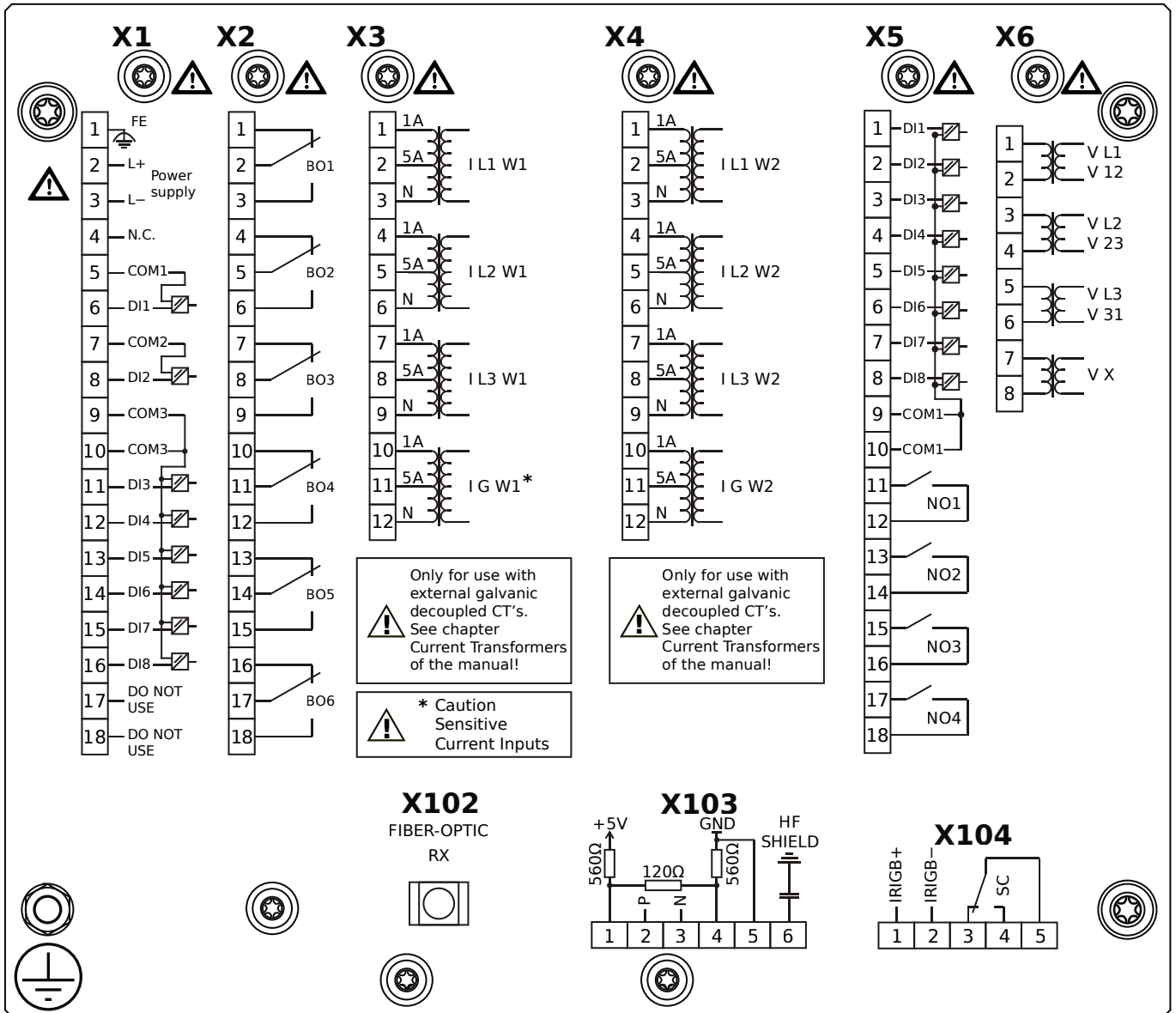


Housing B2, large display, 19" rack mounting

+ Conformal Coating (for installations in harsh environment)

- X1** – DI8-X1: Wide-range power supply unit, incl. 2 non-grouped digital inputs and 6 grouped digital inputs
- X2** – OR6: Assembly Group with 6 Output Relays (Changeover / Form C)
- X3** – TIs: Standard phase current measuring card and sensitive ground current measuring (winding side 1)
- X4** – TI: Standard current measuring card (for the winding side 2)
- X5** – DI8-OR4: Assembly Group with 8 Digital Inputs and 4 Output Relays (NO / Form A)
- X6** – TU: Card with 4 voltage transformer measuring inputs (0 ... 800 VAC, under UL: 0 ... 600 VAC)
- X102** – Universal Resistance-Temperature Detector (URTD) input, Fiber optics interface, Versatile Link
- X104** – IRIG-B00X, incl. System Contact (Supervision Contact)

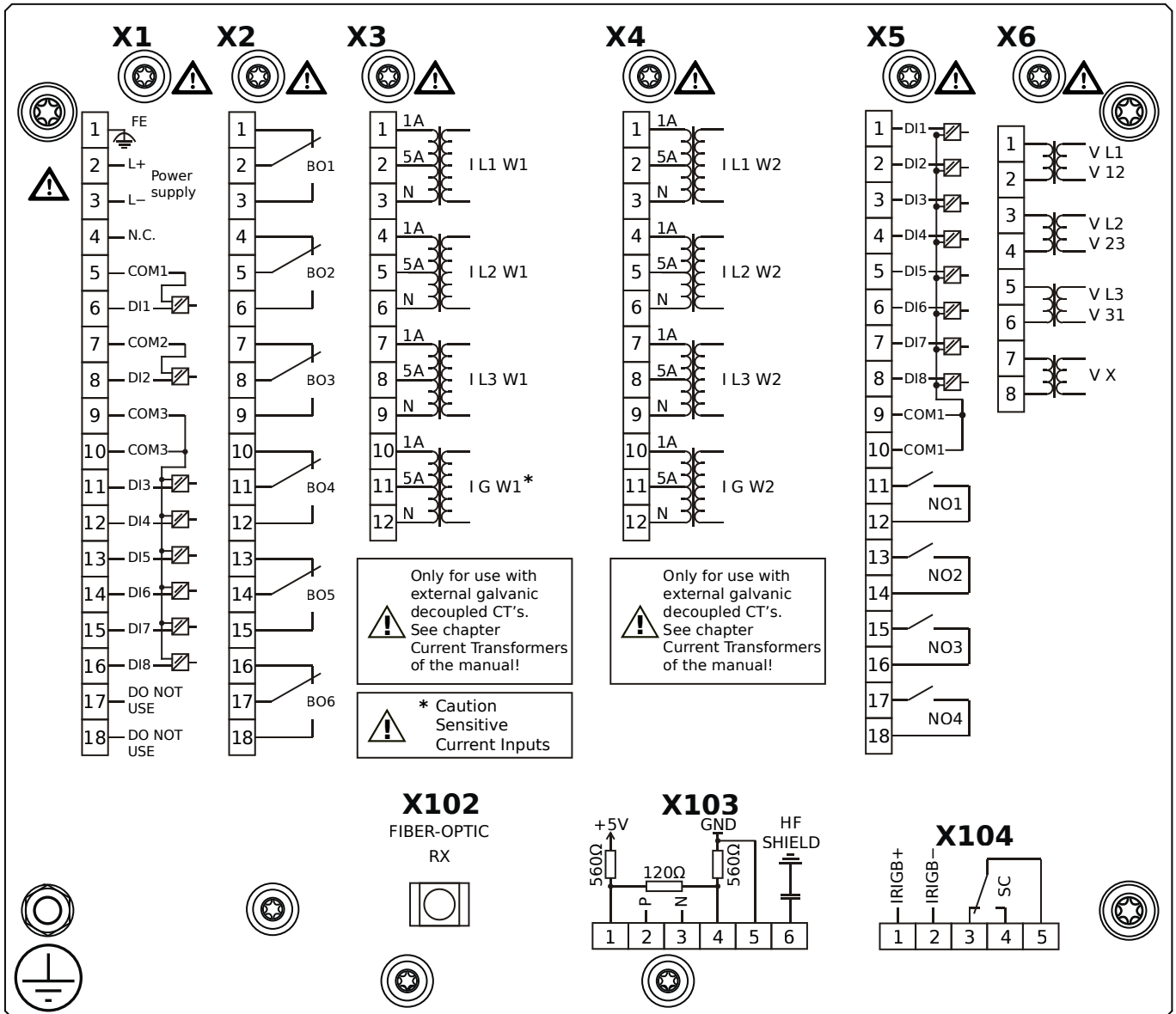
MCDTV4-2A1BBA



Housing B2, large display, 19" rack mounting

- X1** – DI8-X1: Wide-range power supply unit, incl. 2 non-grouped digital inputs and 6 grouped digital inputs
- X2** – OR6: Assembly Group with 6 Output Relays (Changeover / Form C)
- X3** – TIs: Standard phase current measuring card and sensitive ground current measuring (winding side 1)
- X4** – TI: Standard current measuring card (for the winding side 2)
- X5** – DI8-OR4: Assembly Group with 8 Digital Inputs and 4 Output Relays (NO / Form A)
- X6** – TU: Card with 4 voltage transformer measuring inputs (0 ... 800 VAC, under UL: 0 ... 600 VAC)
- X102** – Universal Resistance-Temperature Detector (URTD) input, Fiber optics interface, Versatile Link
- X103** – Modbus RTU / IEC 60870-5-103 / DNP3.0 RTU, RS485, Terminals
- X104** – IRIG-B00X, incl. System Contact (Supervision Contact)

MCDTV4-2A1BBB

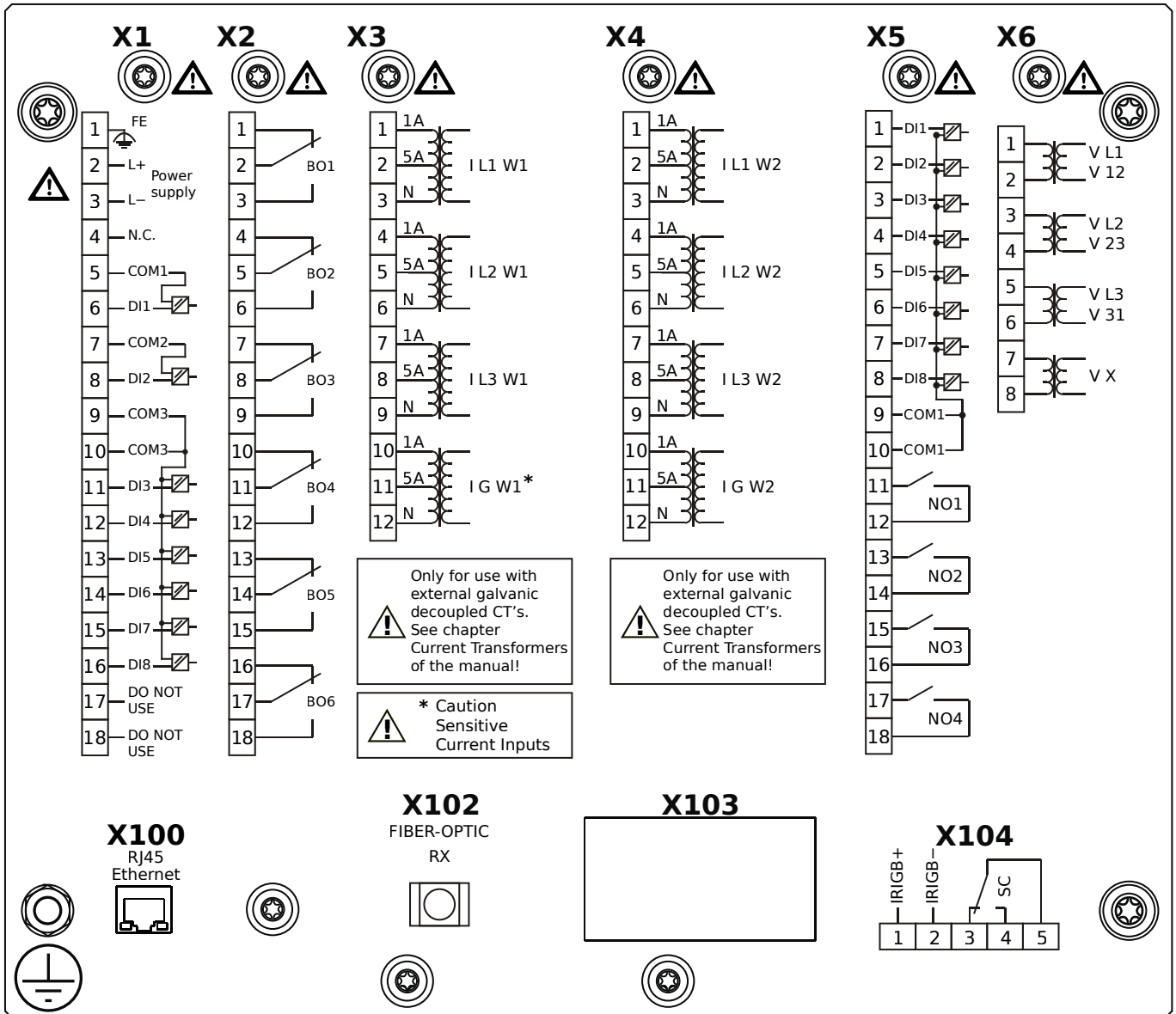


Housing B2, large display, 19" rack mounting

+ Conformal Coating (for installations in harsh environment)

- X1** – DI8-X1: Wide-range power supply unit, incl. 2 non-grouped digital inputs and 6 grouped digital inputs
- X2** – OR6: Assembly Group with 6 Output Relays (Changeover / Form C)
- X3** – TIs: Standard phase current measuring card and sensitive ground current measuring (winding side 1)
- X4** – TI: Standard current measuring card (for the winding side 2)
- X5** – DI8-OR4: Assembly Group with 8 Digital Inputs and 4 Output Relays (NO / Form A)
- X6** – TU: Card with 4 voltage transformer measuring inputs (0 ... 800 VAC, under UL: 0 ... 600 VAC)
- X102** – Universal Resistance-Temperature Detector (URTD) input, Fiber optics interface, Versatile Link
- X103** – Modbus RTU / IEC 60870-5-103 / DNP3.0 RTU, RS485, Terminals
- X104** – IRIG-B00X, incl. System Contact (Supervision Contact)

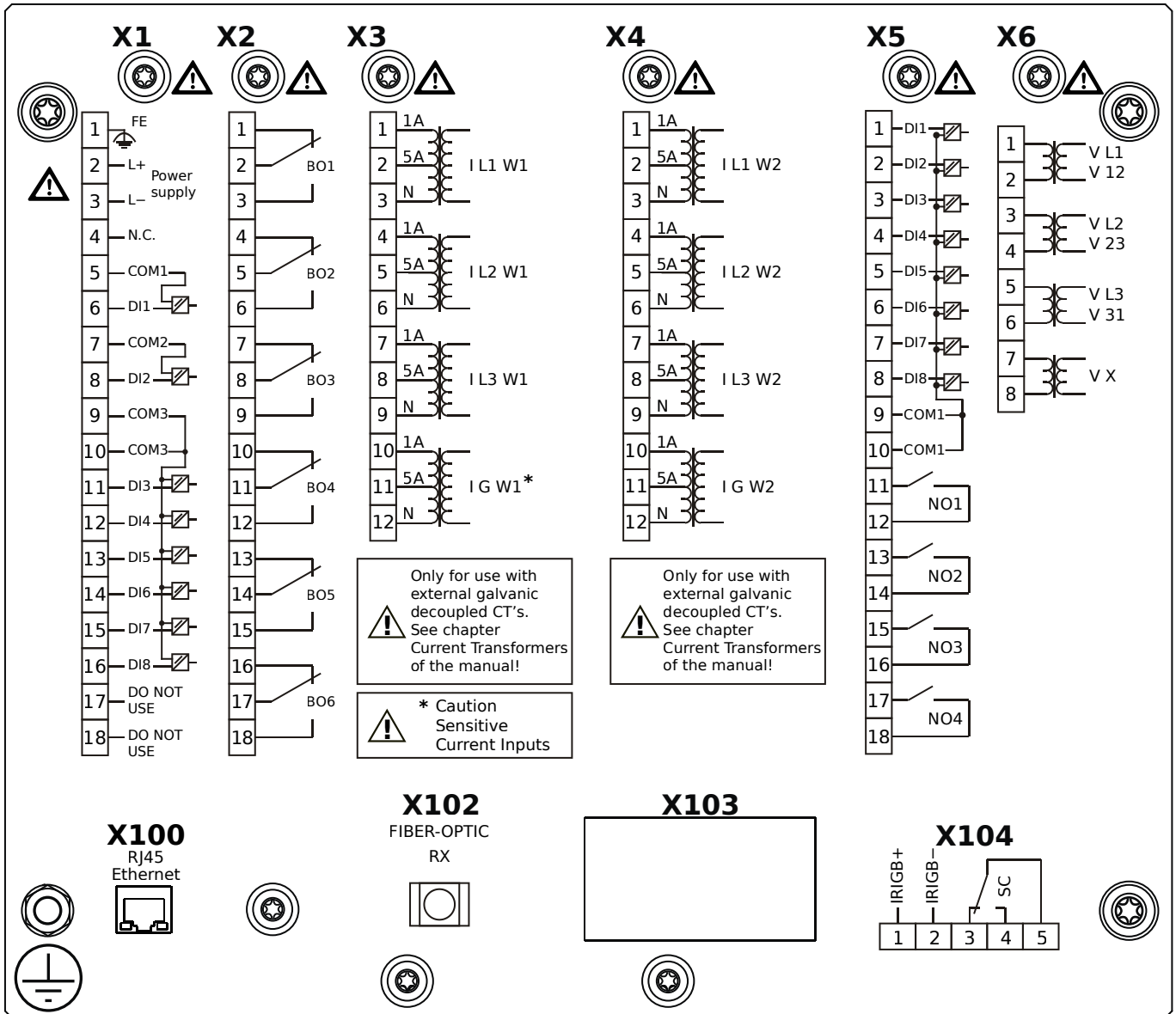
MCDTV4-2A1BCA



Housing B2, large display, 19" rack mounting

- X1** – DI8-X1: Wide-range power supply unit, incl. 2 non-grouped digital inputs and 6 grouped digital inputs
- X2** – OR6: Assembly Group with 6 Output Relays (Changeover / Form C)
- X3** – TIs: Standard phase current measuring card and sensitive ground current measuring (winding side 1)
- X4** – TI: Standard current measuring card (for the winding side 2)
- X5** – DI8-OR4: Assembly Group with 8 Digital Inputs and 4 Output Relays (NO / Form A)
- X6** – TU: Card with 4 voltage transformer measuring inputs (0 ... 800 VAC, under UL: 0 ... 600 VAC)
- X100** – Modbus TCP / IEC 60870-5-104 / DNP3.0 TCP/UDP, Ethernet interface, 100 Mbit/s, RJ45 (BASE100-FX)
- X102** – Universal Resistance-Temperature Detector (URTD) input, Fiber optics interface, Versatile Link
- X104** – IRIG-B00X, incl. System Contact (Supervision Contact)

MCDTV4-2A1BCB

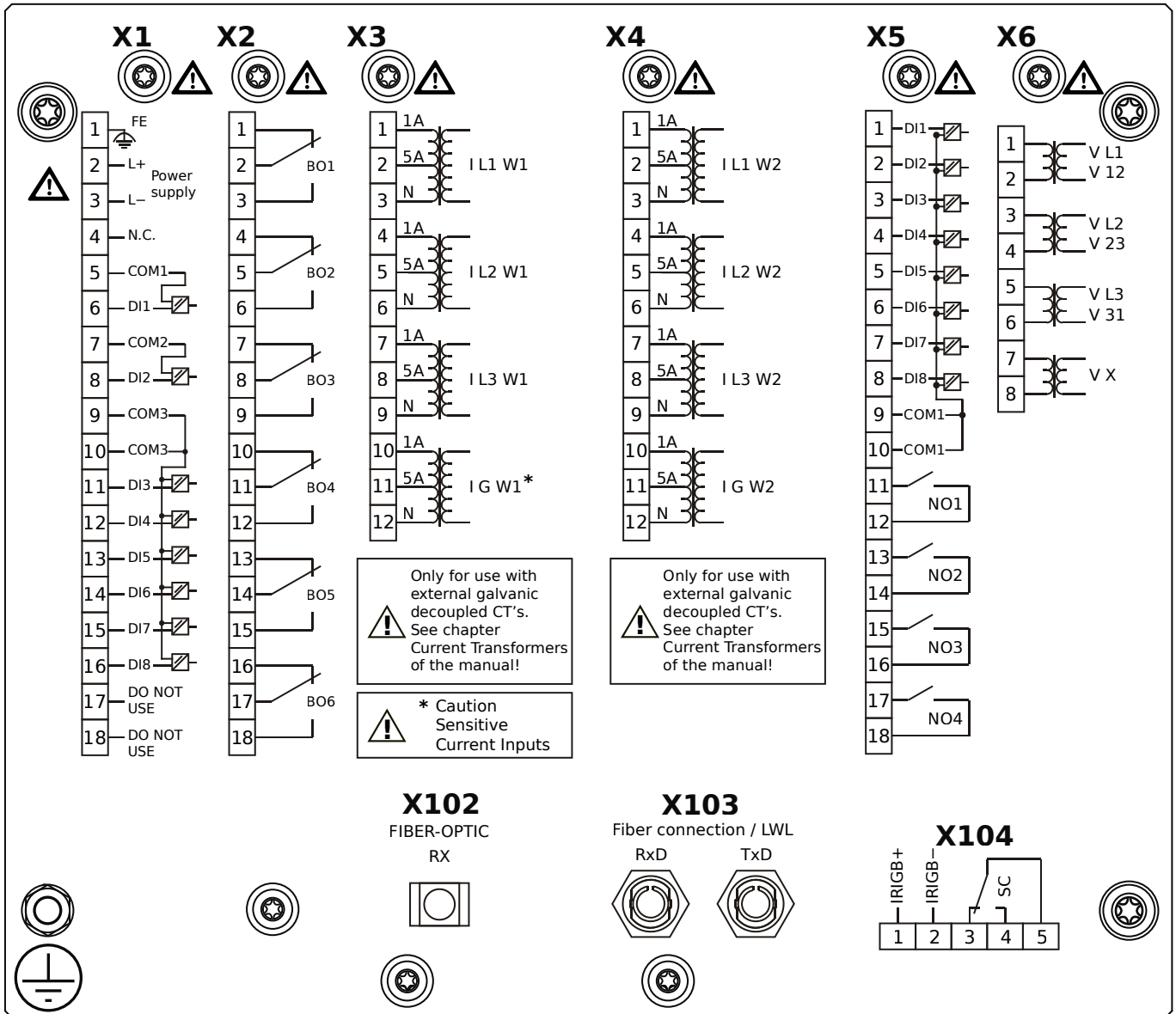


Housing B2, large display, 19" rack mounting

+ Conformal Coating (for installations in harsh environment)

- X1** – DI8-X1: Wide-range power supply unit, incl. 2 non-grouped digital inputs and 6 grouped digital inputs
- X2** – OR6: Assembly Group with 6 Output Relays (Changeover / Form C)
- X3** – TIs: Standard phase current measuring card and sensitive ground current measuring (winding side 1)
- X4** – TI: Standard current measuring card (for the winding side 2)
- X5** – DI8-OR4: Assembly Group with 8 Digital Inputs and 4 Output Relays (NO / Form A)
- X6** – TU: Card with 4 voltage transformer measuring inputs (0 ... 800 VAC, under UL: 0 ... 600 VAC)
- X100** – Modbus TCP / IEC 60870-5-104 / DNP3.0 TCP/UDP, Ethernet interface, 100 Mbit/s, RJ45 (BASE100-FX)
- X102** – Universal Resistance-Temperature Detector (URTD) input, Fiber optics interface, Versatile Link
- X104** – IRIG-B00X, incl. System Contact (Supervision Contact)

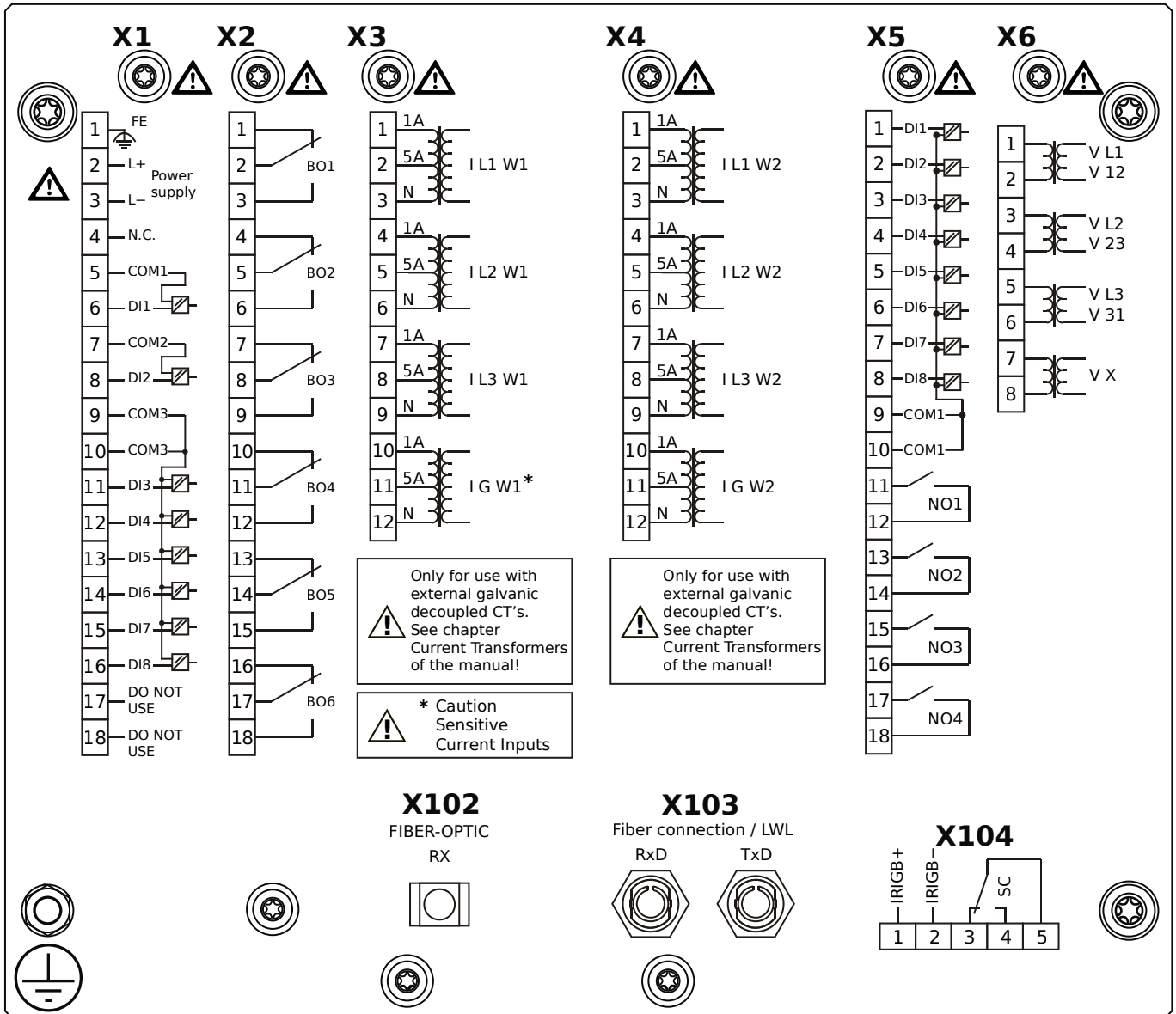
MCDTV4-2A1BDA



Housing B2, large display, 19" rack mounting

- X1** – DI8-X1: Wide-range power supply unit, incl. 2 non-grouped digital inputs and 6 grouped digital inputs
- X2** – OR6: Assembly Group with 6 Output Relays (Changeover / Form C)
- X3** – TIs: Standard phase current measuring card and sensitive ground current measuring (winding side 1)
- X4** – TI: Standard current measuring card (for the winding side 2)
- X5** – DI8-OR4: Assembly Group with 8 Digital Inputs and 4 Output Relays (NO / Form A)
- X6** – TU: Card with 4 voltage transformer measuring inputs (0 ... 800 VAC, under UL: 0 ... 600 VAC)
- X102** – Universal Resistance-Temperature Detector (URTD) input, Fiber optics interface, Versatile Link
- X103** – Profibus-DP, Fiber optics interface, ST Connector
- X104** – IRIG-B00X, incl. System Contact (Supervision Contact)

MCDTV4-2A1BDB

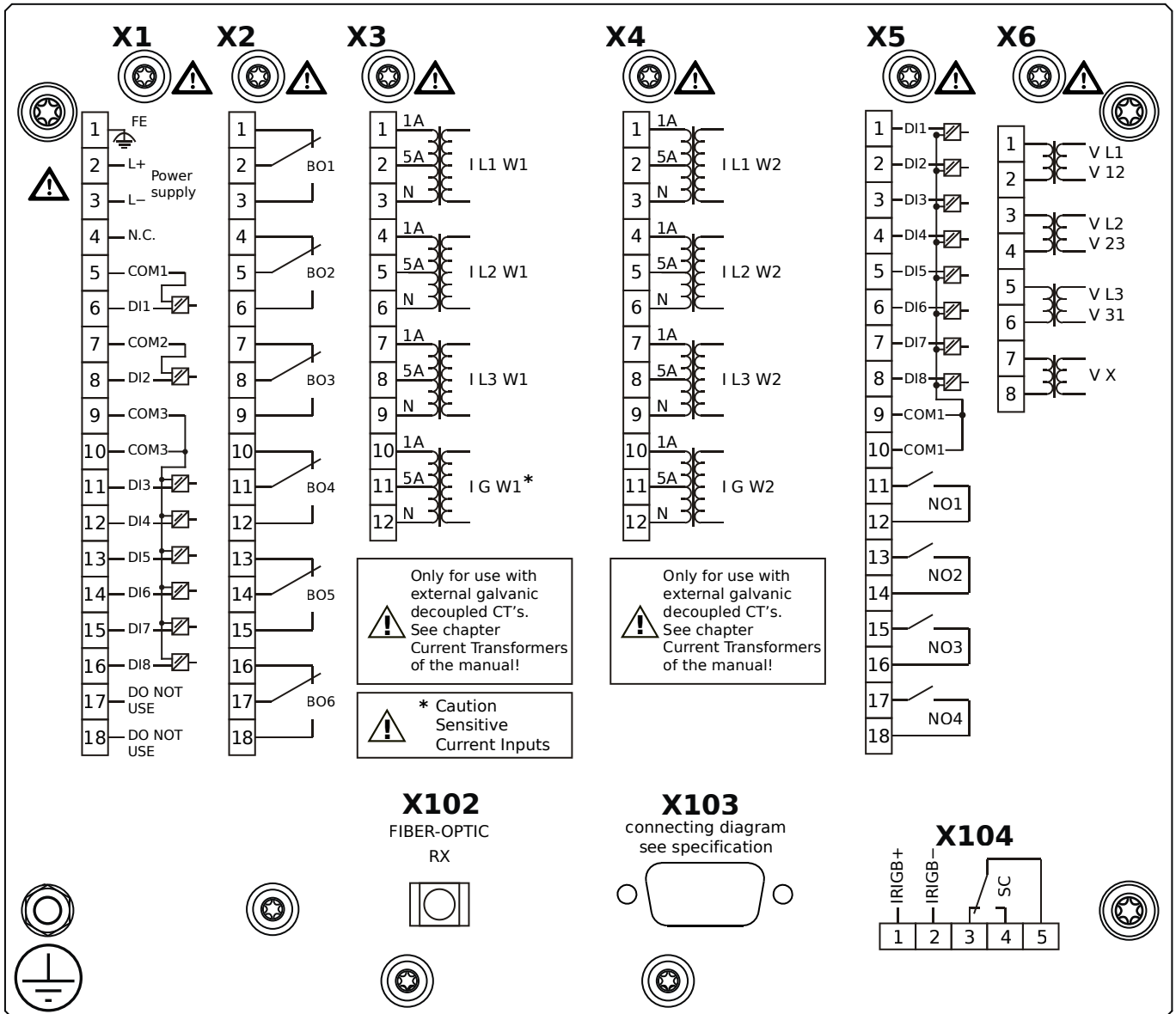


Housing B2, large display, 19" rack mounting

+ Conformal Coating (for installations in harsh environment)

- X1** – DI8-X1: Wide-range power supply unit, incl. 2 non-grouped digital inputs and 6 grouped digital inputs
- X2** – OR6: Assembly Group with 6 Output Relays (Changeover / Form C)
- X3** – TIs: Standard phase current measuring card and sensitive ground current measuring (winding side 1)
- X4** – TI: Standard current measuring card (for the winding side 2)
- X5** – DI8-OR4: Assembly Group with 8 Digital Inputs and 4 Output Relays (NO / Form A)
- X6** – TU: Card with 4 voltage transformer measuring inputs (0 ... 800 VAC, under UL: 0 ... 600 VAC)
- X102** – Universal Resistance-Temperature Detector (URTD) input, Fiber optics interface, Versatile Link
- X103** – Profibus-DP, Fiber optics interface, ST Connector
- X104** – IRIG-B00X, incl. System Contact (Supervision Contact)

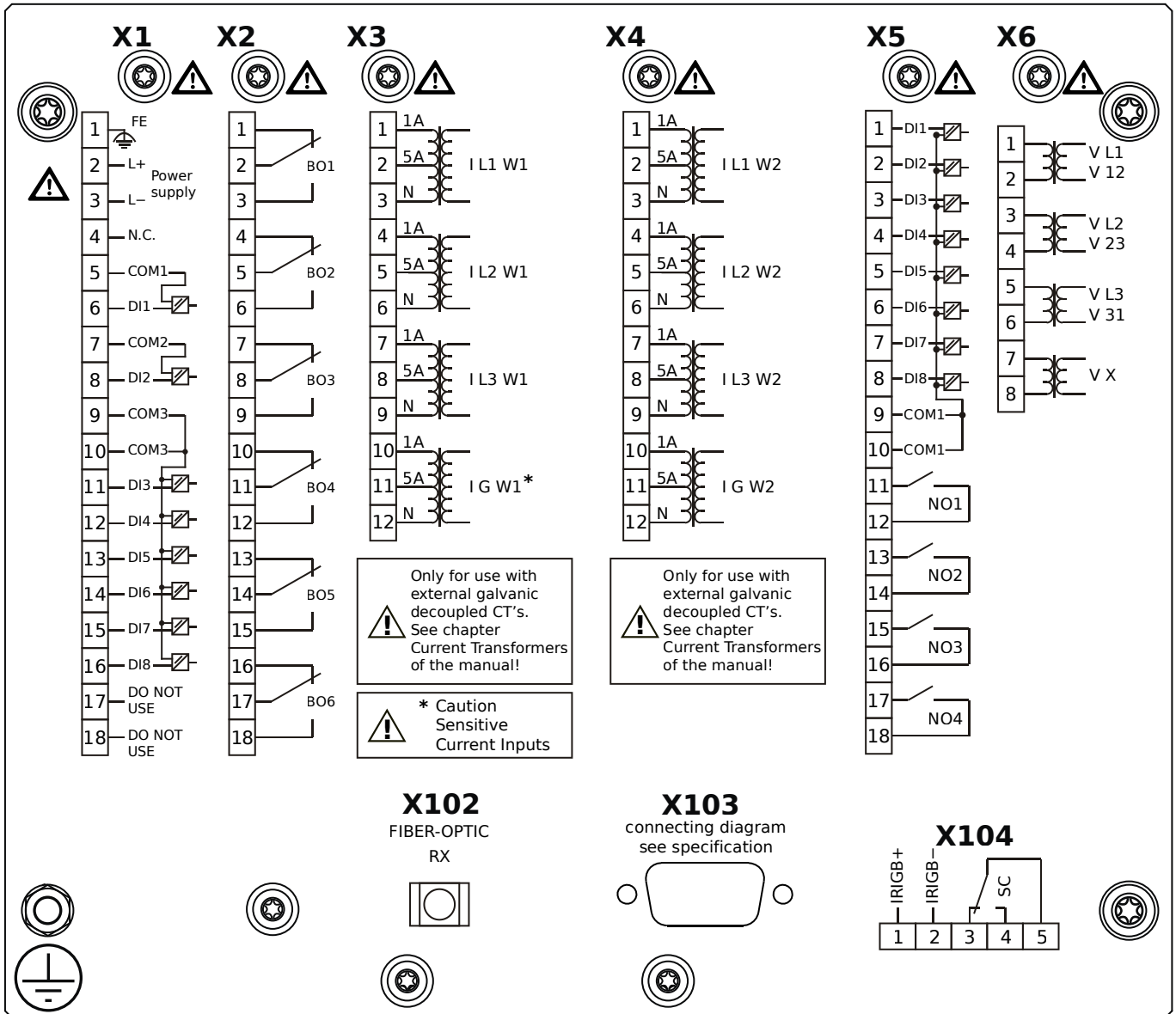
MCDTV4-2A1BEA



Housing B2, large display, 19" rack mounting

- X1** – DI8-X1: Wide-range power supply unit, incl. 2 non-grouped digital inputs and 6 grouped digital inputs
- X2** – OR6: Assembly Group with 6 Output Relays (Changeover / Form C)
- X3** – TIs: Standard phase current measuring card and sensitive ground current measuring (winding side 1)
- X4** – TI: Standard current measuring card (for the winding side 2)
- X5** – DI8-OR4: Assembly Group with 8 Digital Inputs and 4 Output Relays (NO / Form A)
- X6** – TU: Card with 4 voltage transformer measuring inputs (0 ... 800 VAC, under UL: 0 ... 600 VAC)
- X102** – Universal Resistance-Temperature Detector (URTD) input, Fiber optics interface, Versatile Link
- X103** – Profibus-DP, RS485, D-SUB
- X104** – IRIG-B00X, incl. System Contact (Supervision Contact)

MCDTV4-2A1BEB

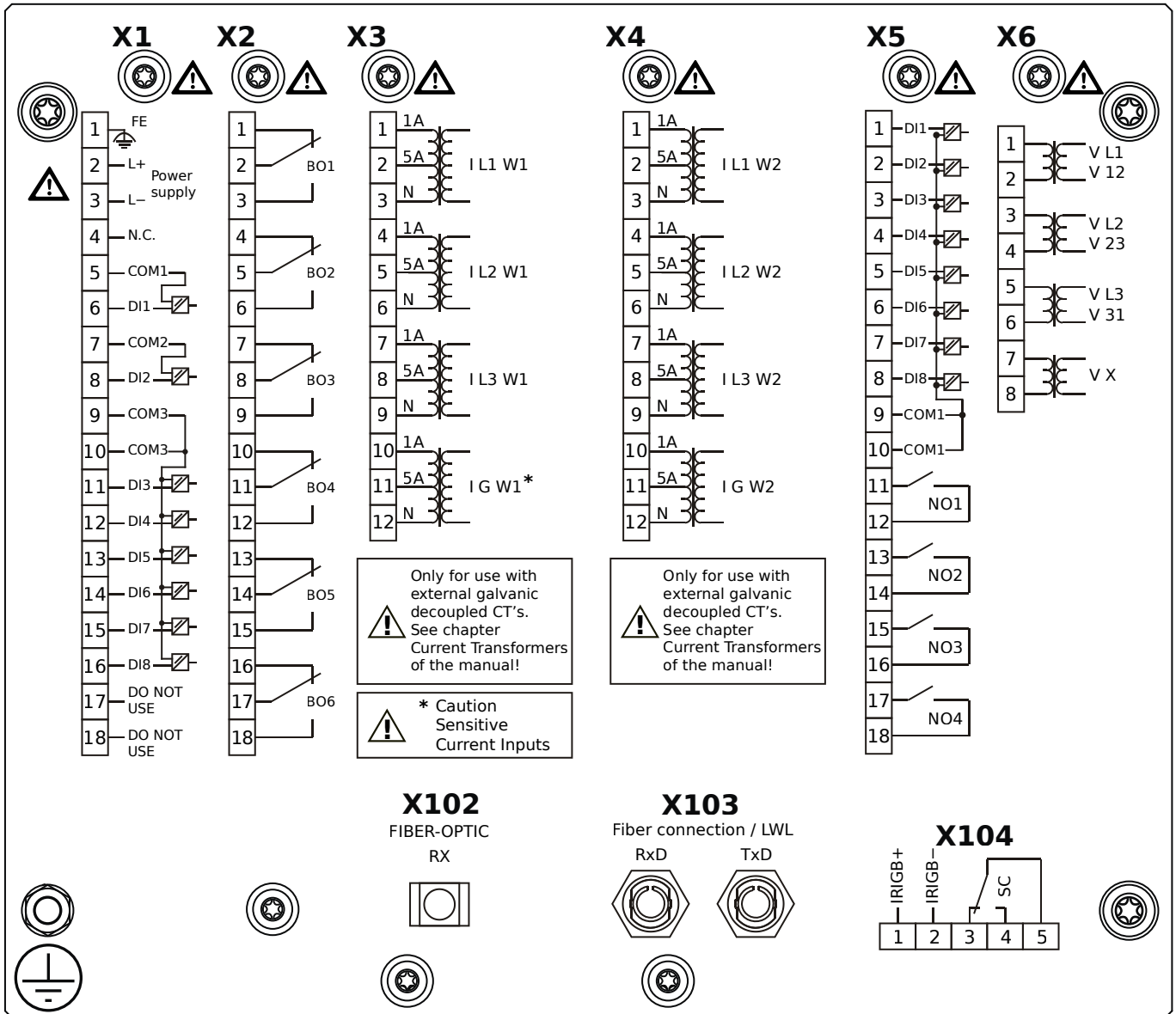


Housing B2, large display, 19" rack mounting

+ Conformal Coating (for installations in harsh environment)

- X1** – DI8-X1: Wide-range power supply unit, incl. 2 non-grouped digital inputs and 6 grouped digital inputs
- X2** – OR6: Assembly Group with 6 Output Relays (Changeover / Form C)
- X3** – TIs: Standard phase current measuring card and sensitive ground current measuring (winding side 1)
- X4** – TI: Standard current measuring card (for the winding side 2)
- X5** – DI8-OR4: Assembly Group with 8 Digital Inputs and 4 Output Relays (NO / Form A)
- X6** – TU: Card with 4 voltage transformer measuring inputs (0 ... 800 VAC, under UL: 0 ... 600 VAC)
- X102** – Universal Resistance-Temperature Detector (URTD) input, Fiber optics interface, Versatile Link
- X103** – Profibus-DP, RS485, D-SUB
- X104** – IRIG-B00X, incl. System Contact (Supervision Contact)

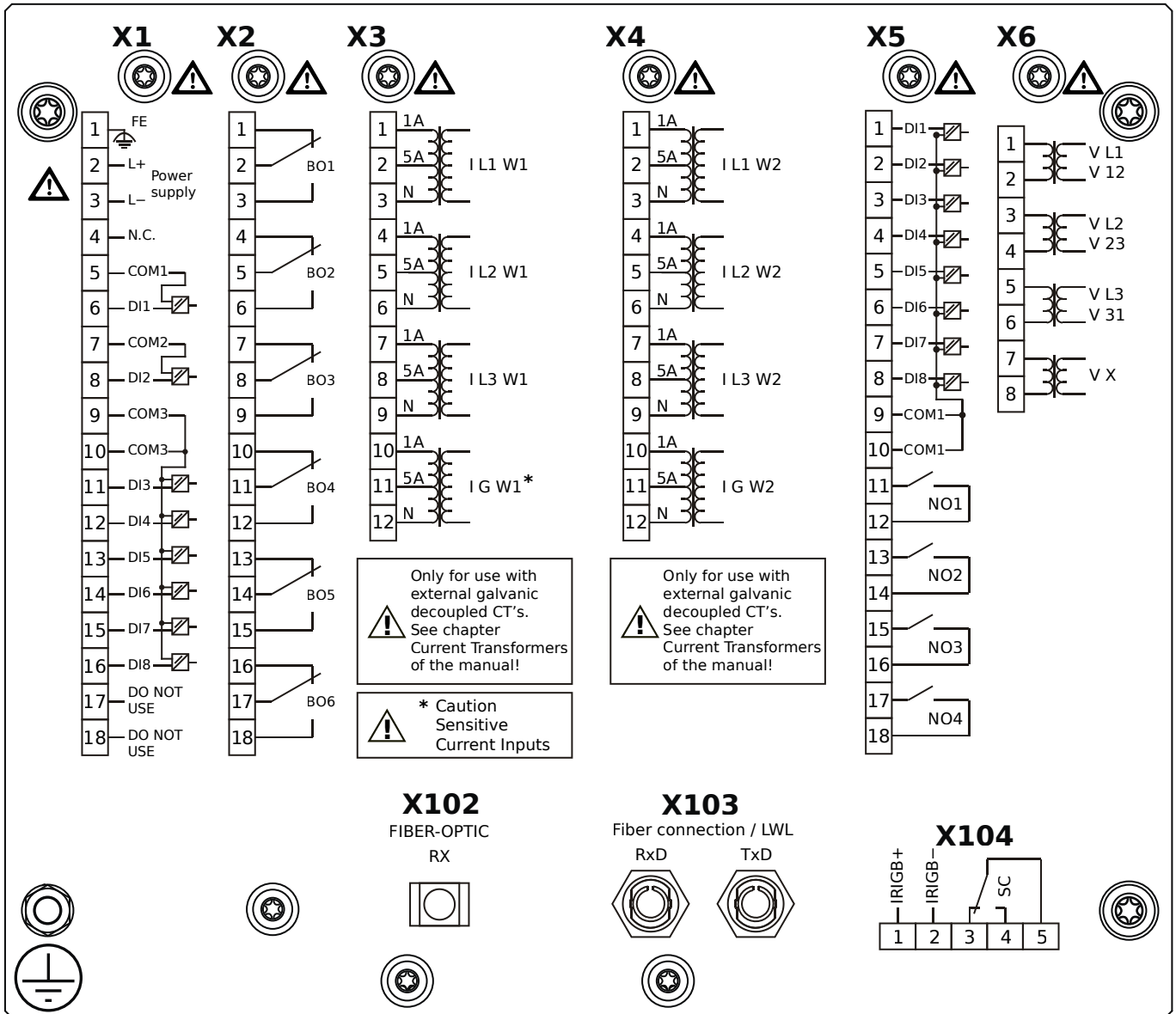
MCDTV4-2A1BFA



Housing B2, large display, 19" rack mounting

- X1** – DI8-X1: Wide-range power supply unit, incl. 2 non-grouped digital inputs and 6 grouped digital inputs
- X2** – OR6: Assembly Group with 6 Output Relays (Changeover / Form C)
- X3** – TIs: Standard phase current measuring card and sensitive ground current measuring (winding side 1)
- X4** – TI: Standard current measuring card (for the winding side 2)
- X5** – DI8-OR4: Assembly Group with 8 Digital Inputs and 4 Output Relays (NO / Form A)
- X6** – TU: Card with 4 voltage transformer measuring inputs (0 ... 800 VAC, under UL: 0 ... 600 VAC)
- X102** – Universal Resistance-Temperature Detector (URTD) input, Fiber optics interface, Versatile Link
- X103** – Modbus RTU / IEC 60870-5-103 / DNP3.0 RTU, Fiber optics interface, ST Connector
- X104** – IRIG-B00X, incl. System Contact (Supervision Contact)

MCDTV4-2A1BFB

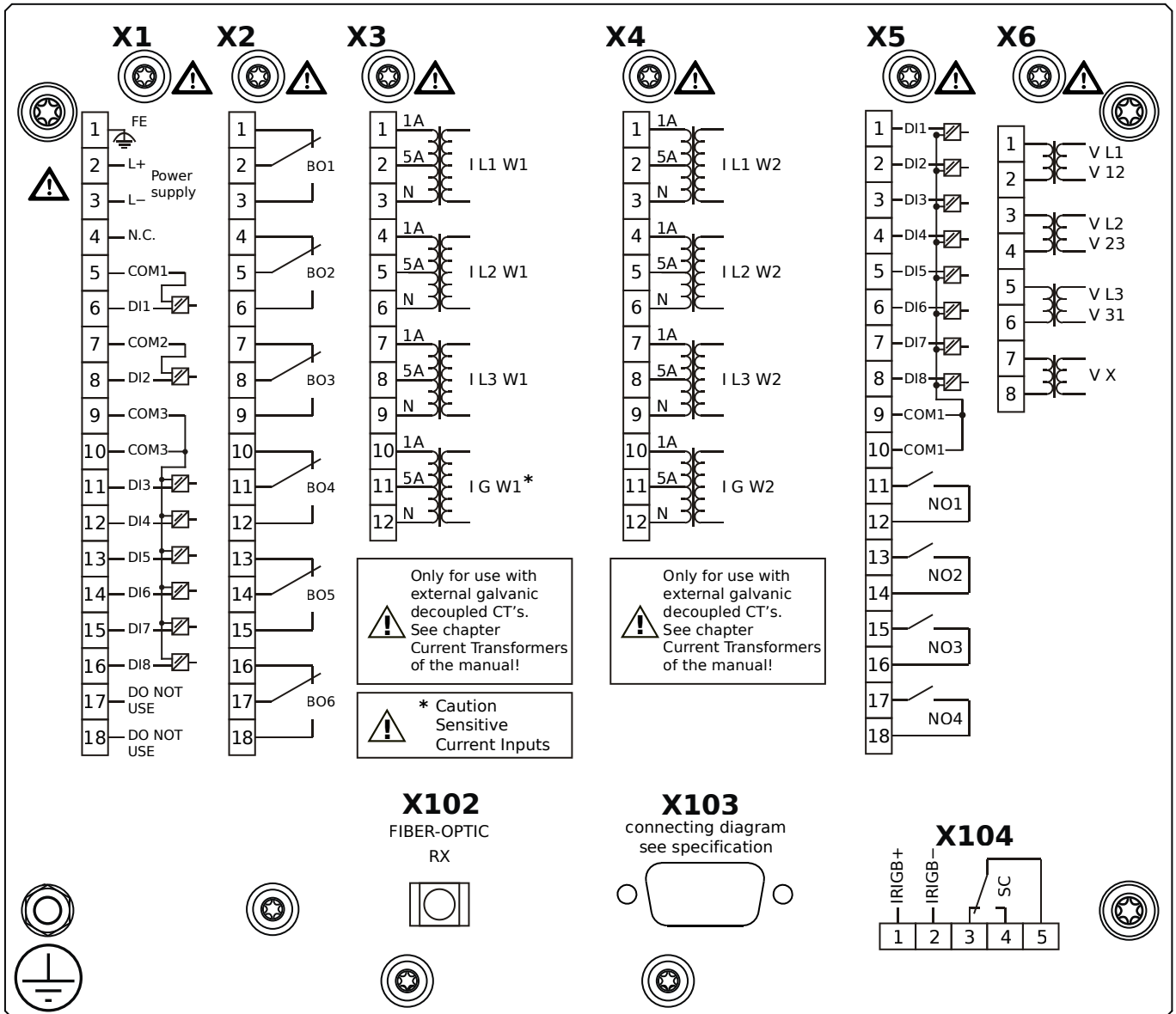


Housing B2, large display, 19" rack mounting

+ Conformal Coating (for installations in harsh environment)

- X1** – DI8-X1: Wide-range power supply unit, incl. 2 non-grouped digital inputs and 6 grouped digital inputs
- X2** – OR6: Assembly Group with 6 Output Relays (Changeover / Form C)
- X3** – TIs: Standard phase current measuring card and sensitive ground current measuring (winding side 1)
- X4** – TI: Standard current measuring card (for the winding side 2)
- X5** – DI8-OR4: Assembly Group with 8 Digital Inputs and 4 Output Relays (NO / Form A)
- X6** – TU: Card with 4 voltage transformer measuring inputs (0 ... 800 VAC, under UL: 0 ... 600 VAC)
- X102** – Universal Resistance-Temperature Detector (URTD) input, Fiber optics interface, Versatile Link
- X103** – Modbus RTU / IEC 60870-5-103 / DNP3.0 RTU, Fiber optics interface, ST Connector
- X104** – IRIG-B00X, incl. System Contact (Supervision Contact)

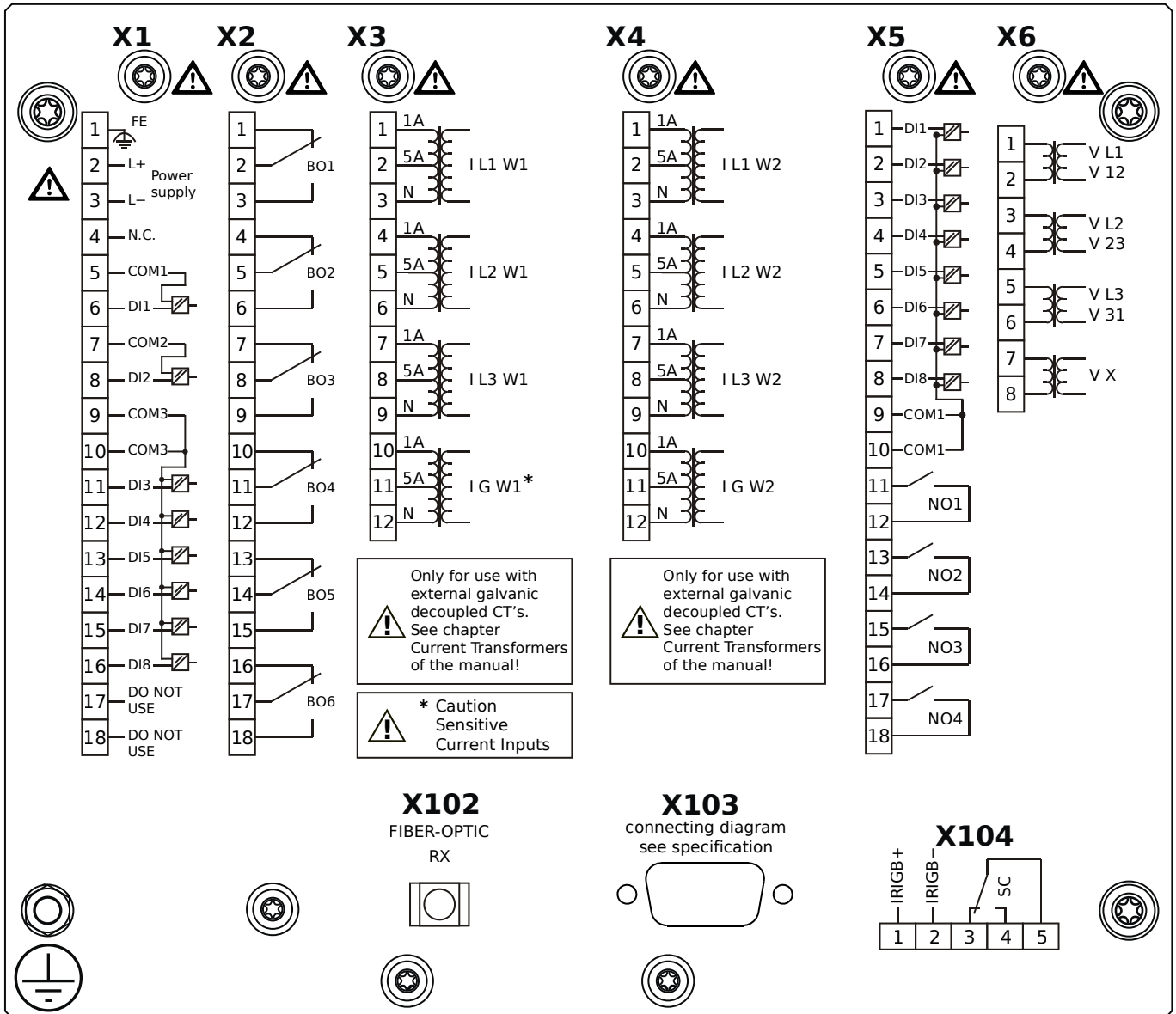
MCDTV4-2A1BGA



Housing B2, large display, 19" rack mounting

- X1** – DI8-X1: Wide-range power supply unit, incl. 2 non-grouped digital inputs and 6 grouped digital inputs
- X2** – OR6: Assembly Group with 6 Output Relays (Changeover / Form C)
- X3** – TIs: Standard phase current measuring card and sensitive ground current measuring (winding side 1)
- X4** – TI: Standard current measuring card (for the winding side 2)
- X5** – DI8-OR4: Assembly Group with 8 Digital Inputs and 4 Output Relays (NO / Form A)
- X6** – TU: Card with 4 voltage transformer measuring inputs (0 ... 800 VAC, under UL: 0 ... 600 VAC)
- X102** – Universal Resistance-Temperature Detector (URTD) input, Fiber optics interface, Versatile Link
- X103** – Modbus RTU / IEC 60870-5-103 / DNP3.0 RTU, RS485, D-SUB
- X104** – IRIG-B00X, incl. System Contact (Supervision Contact)

MCDTV4-2A1BGB

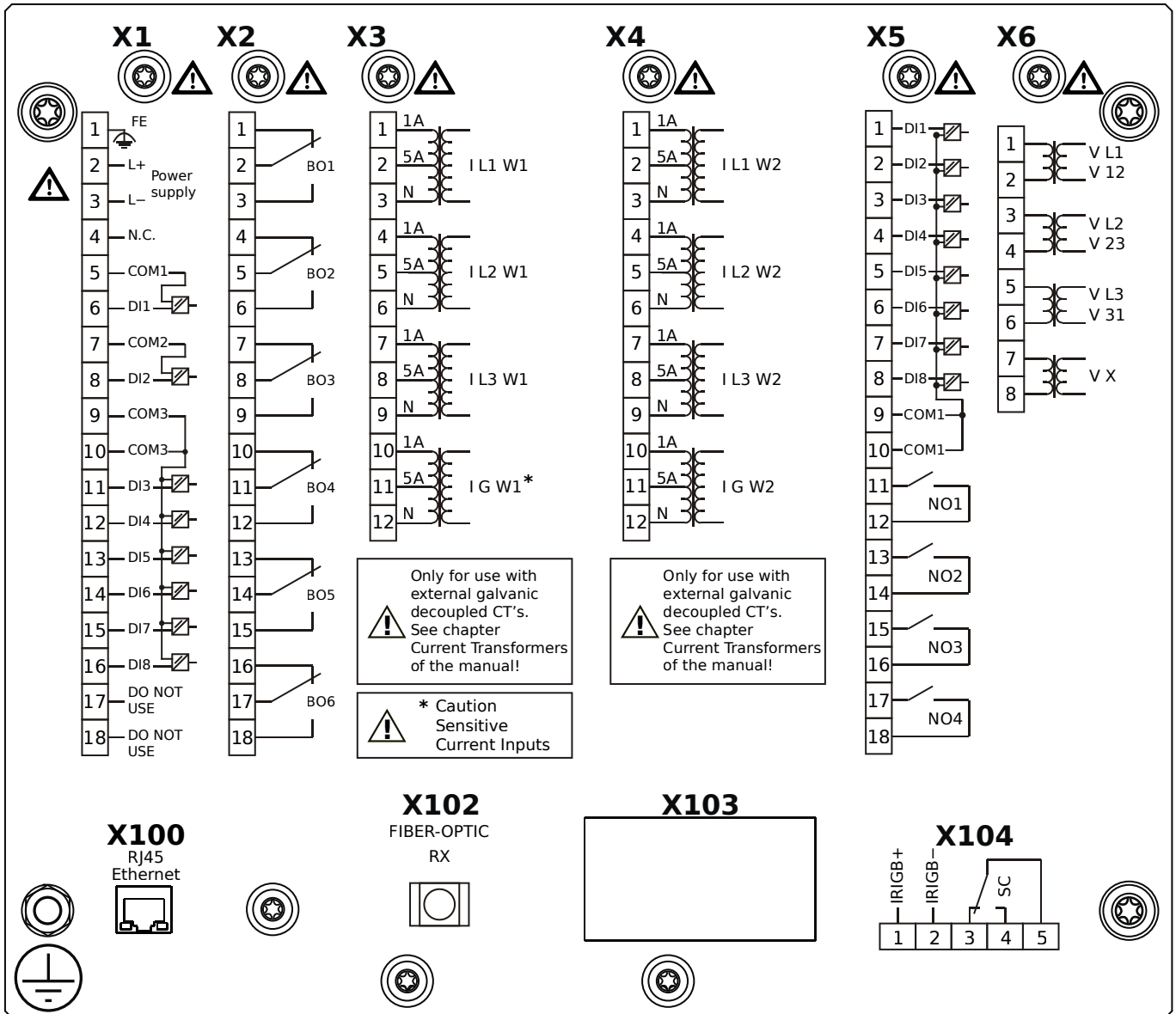


Housing B2, large display, 19" rack mounting

+ Conformal Coating (for installations in harsh environment)

- X1** – DI8-X1: Wide-range power supply unit, incl. 2 non-grouped digital inputs and 6 grouped digital inputs
- X2** – OR6: Assembly Group with 6 Output Relays (Changeover / Form C)
- X3** – TIs: Standard phase current measuring card and sensitive ground current measuring (winding side 1)
- X4** – TI: Standard current measuring card (for the winding side 2)
- X5** – DI8-OR4: Assembly Group with 8 Digital Inputs and 4 Output Relays (NO / Form A)
- X6** – TU: Card with 4 voltage transformer measuring inputs (0 ... 800 VAC, under UL: 0 ... 600 VAC)
- X102** – Universal Resistance-Temperature Detector (URTD) input, Fiber optics interface, Versatile Link
- X103** – Modbus RTU / IEC 60870-5-103 / DNP3.0 RTU, RS485, D-SUB
- X104** – IRIG-B00X, incl. System Contact (Supervision Contact)

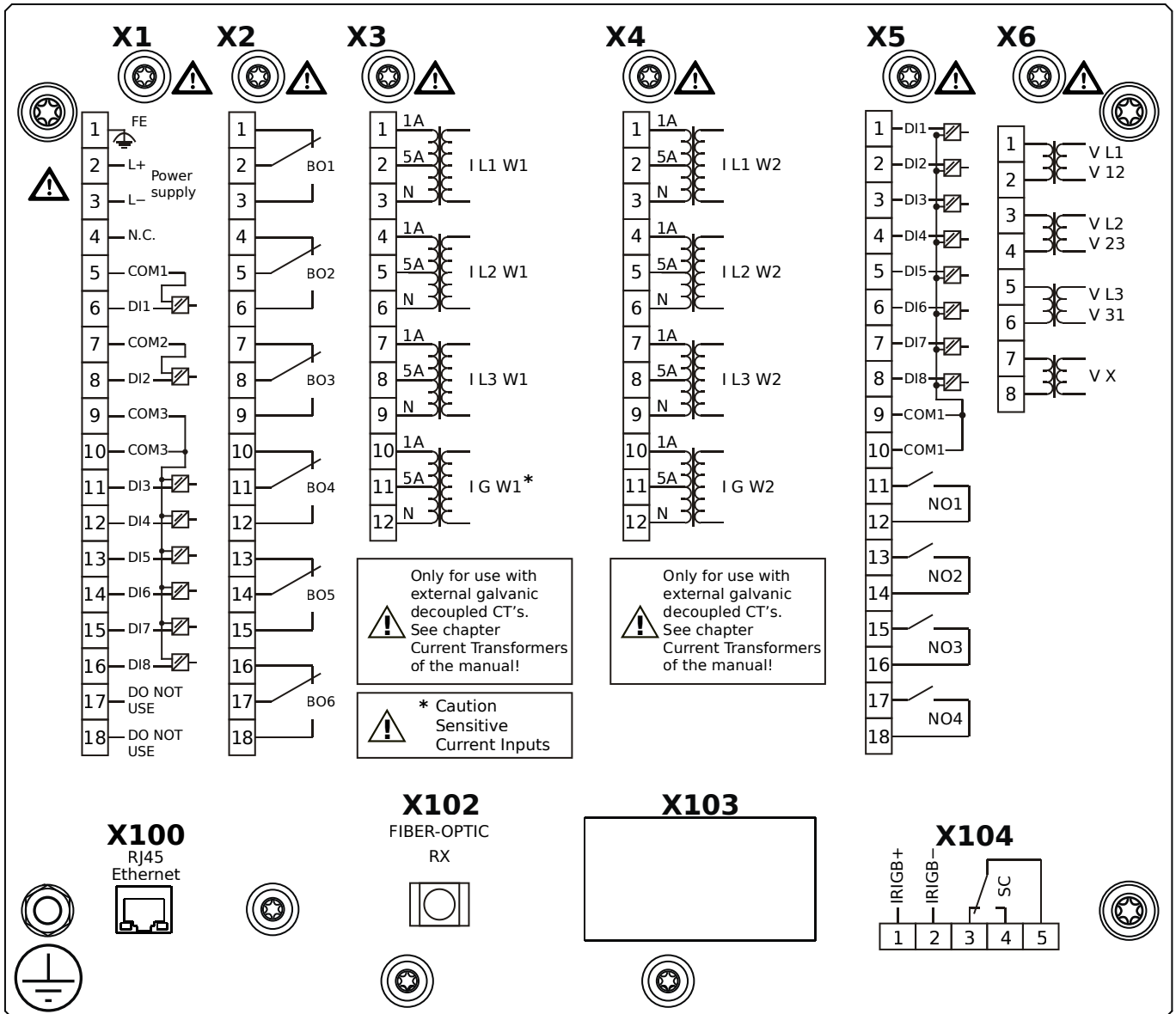
MCDTV4-2A1BHA



Housing B2, large display, 19" rack mounting

- X1** – DI8-X1: Wide-range power supply unit, incl. 2 non-grouped digital inputs and 6 grouped digital inputs
- X2** – OR6: Assembly Group with 6 Output Relays (Changeover / Form C)
- X3** – TIs: Standard phase current measuring card and sensitive ground current measuring (winding side 1)
- X4** – TI: Standard current measuring card (for the winding side 2)
- X5** – DI8-OR4: Assembly Group with 8 Digital Inputs and 4 Output Relays (NO / Form A)
- X6** – TU: Card with 4 voltage transformer measuring inputs (0 ... 800 VAC, under UL: 0 ... 600 VAC)
- X100** – IEC 61850 / Modbus TCP / IEC 60870-5-104 / DNP3.0 TCP/UDP, Ethernet interface, 100 Mbit/s, RJ45 (BASE100-FX)
- X102** – Universal Resistance-Temperature Detector (URTD) input, Fiber optics interface, Versatile Link
- X104** – IRIG-B00X, incl. System Contact (Supervision Contact)

MCDTV4-2A1BHB



Housing B2, large display, 19" rack mounting

+ Conformal Coating (for installations in harsh environment)

X1 – DI8-X1: Wide-range power supply unit, incl. 2 non-grouped digital inputs and 6 grouped digital inputs

X2 – OR6: Assembly Group with 6 Output Relays (Changeover / Form C)

X3 – TIs: Standard phase current measuring card and sensitive ground current measuring (winding side 1)

X4 – TI: Standard current measuring card (for the winding side 2)

X5 – DI8-OR4: Assembly Group with 8 Digital Inputs and 4 Output Relays (NO / Form A)

X6 – TU: Card with 4 voltage transformer measuring inputs (0 ... 800 VAC, under UL: 0 ... 600 VAC)

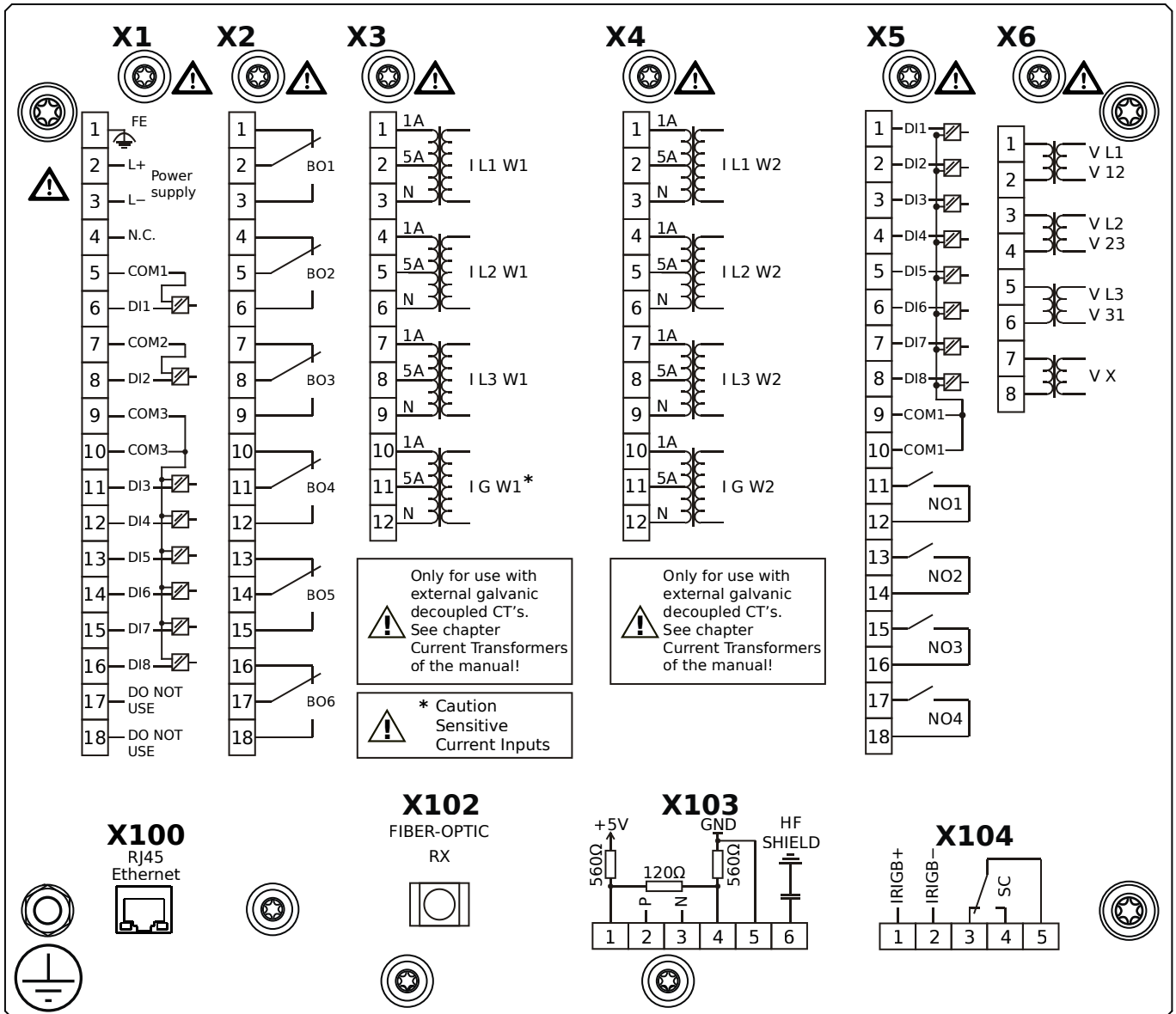
X100 – IEC 61850 / Modbus TCP / IEC 60870-5-104 / DNP3.0 TCP/UDP, Ethernet interface, 100 Mbit/s, RJ45 (BASE100-

FX)

X102 – Universal Resistance-Temperature Detector (URTD) input, Fiber optics interface, Versatile Link

X104 – IRIG-B00X, incl. System Contact (Supervision Contact)

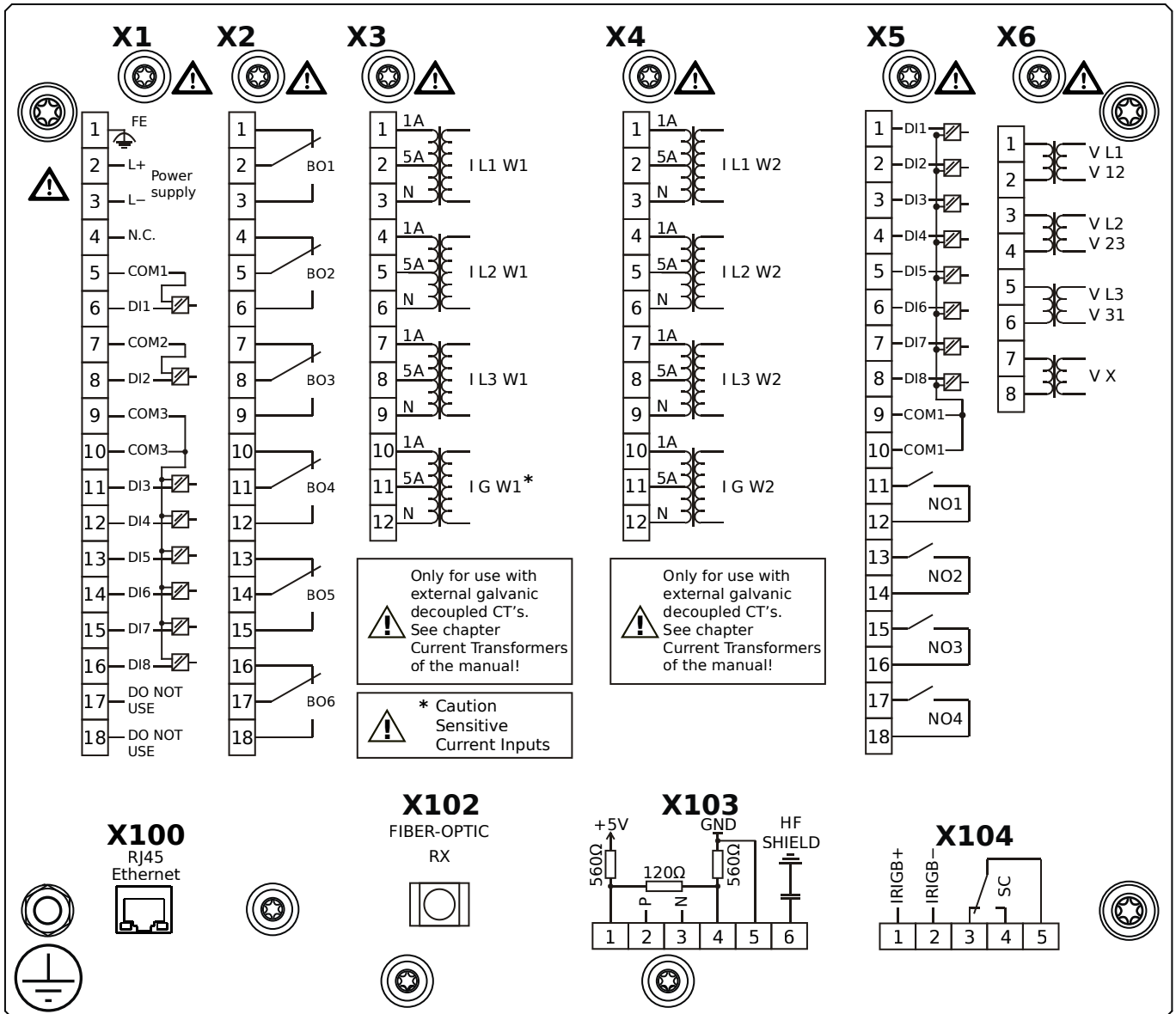
MCDTV4-2A1BIA



Housing B2, large display, 19" rack mounting

- X1** – DI8-X1: Wide-range power supply unit, incl. 2 non-grouped digital inputs and 6 grouped digital inputs
- X2** – OR6: Assembly Group with 6 Output Relays (Changeover / Form C)
- X3** – TIs: Standard phase current measuring card and sensitive ground current measuring (winding side 1)
- X4** – TI: Standard current measuring card (for the winding side 2)
- X5** – DI8-OR4: Assembly Group with 8 Digital Inputs and 4 Output Relays (NO / Form A)
- X6** – TU: Card with 4 voltage transformer measuring inputs (0 ... 800 VAC, under UL: 0 ... 600 VAC)
- X100** – Modbus TCP / IEC 60870-5-104 / DNP3.0 TCP/UDP, Ethernet interface, 100 Mbit/s, RJ45 (BASE100-FX)
- X102** – Universal Resistance-Temperature Detector (URTD) input, Fiber optics interface, Versatile Link
- X103** – IEC 60870-5-103 / Modbus RTU / DNP3.0 RTU, RS485, Terminals
- X104** – IRIG-B00X, incl. System Contact (Supervision Contact)

MCDTV4-2A1BIB

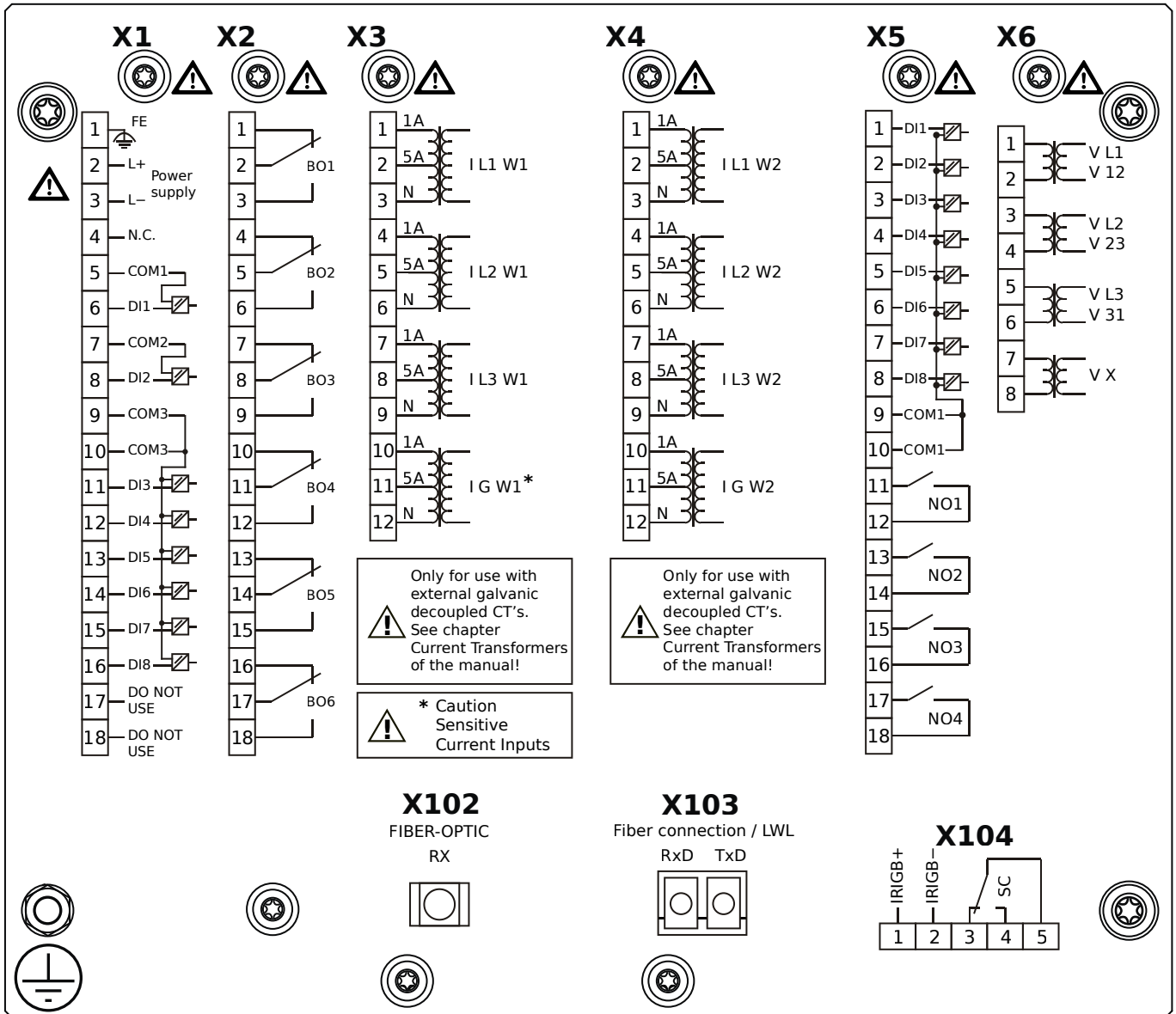


Housing B2, large display, 19" rack mounting

+ Conformal Coating (for installations in harsh environment)

- X1** – DI8-X1: Wide-range power supply unit, incl. 2 non-grouped digital inputs and 6 grouped digital inputs
- X2** – OR6: Assembly Group with 6 Output Relays (Changeover / Form C)
- X3** – TIs: Standard phase current measuring card and sensitive ground current measuring (winding side 1)
- X4** – TI: Standard current measuring card (for the winding side 2)
- X5** – DI8-OR4: Assembly Group with 8 Digital Inputs and 4 Output Relays (NO / Form A)
- X6** – TU: Card with 4 voltage transformer measuring inputs (0 ... 800 VAC, under UL: 0 ... 600 VAC)
- X100** – Modbus TCP / IEC 60870-5-104 / DNP3.0 TCP/UDP, Ethernet interface, 100 Mbit/s, RJ45 (BASE100-FX)
- X102** – Universal Resistance-Temperature Detector (URTD) input, Fiber optics interface, Versatile Link
- X103** – IEC 60870-5-103 / Modbus RTU / DNP3.0 RTU, RS485, Terminals
- X104** – IRIG-B00X, incl. System Contact (Supervision Contact)

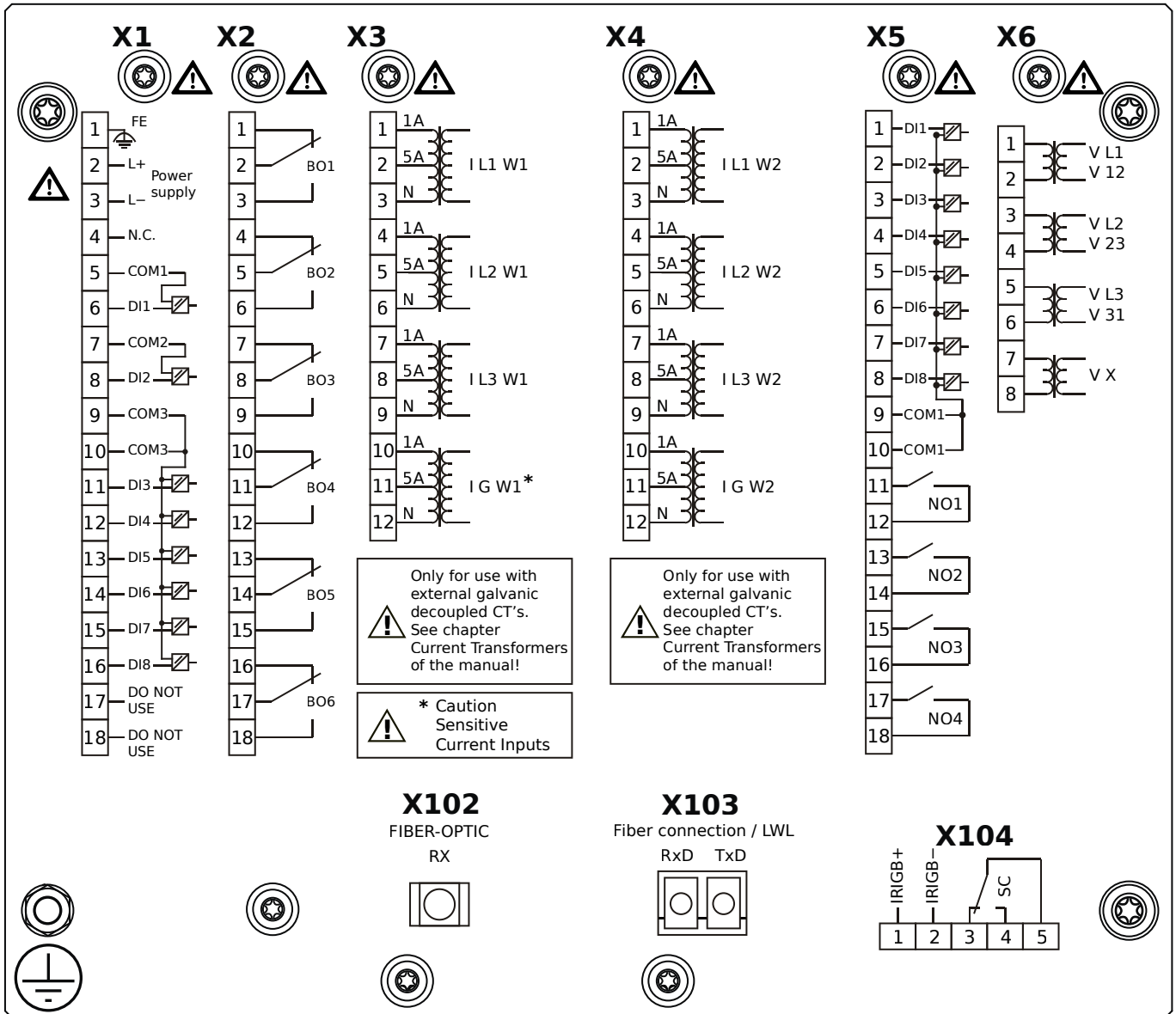
MCDTV4-2A1BKA



Housing B2, large display, 19" rack mounting

- X1** – DI8-X1: Wide-range power supply unit, incl. 2 non-grouped digital inputs and 6 grouped digital inputs
- X2** – OR6: Assembly Group with 6 Output Relays (Changeover / Form C)
- X3** – TIs: Standard phase current measuring card and sensitive ground current measuring (winding side 1)
- X4** – TI: Standard current measuring card (for the winding side 2)
- X5** – DI8-OR4: Assembly Group with 8 Digital Inputs and 4 Output Relays (NO / Form A)
- X6** – TU: Card with 4 voltage transformer measuring inputs (0 ... 800 VAC, under UL: 0 ... 600 VAC)
- X102** – Universal Resistance-Temperature Detector (URTD) input, Fiber optics interface, Versatile Link
- X103** – IEC 61850 / Modbus TCP / IEC 60870-5-104 / DNP3.0 TCP/UDP, Fiber optics interface, LC Connector
- X104** – IRIG-B00X, incl. System Contact (Supervision Contact)

MCDTV4-2A1BKB

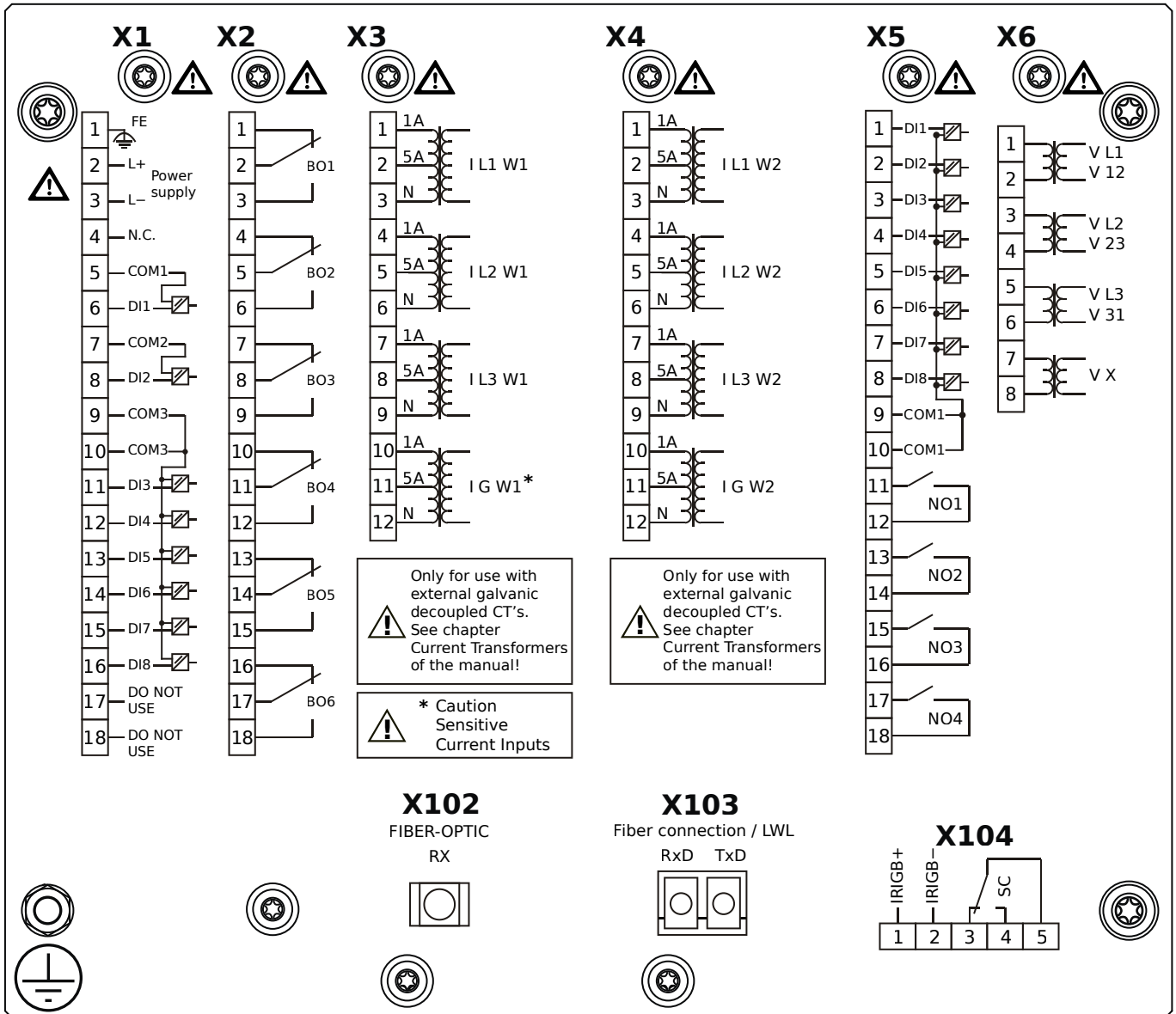


Housing B2, large display, 19" rack mounting

+ Conformal Coating (for installations in harsh environment)

- X1** – DI8-X1: Wide-range power supply unit, incl. 2 non-grouped digital inputs and 6 grouped digital inputs
- X2** – OR6: Assembly Group with 6 Output Relays (Changeover / Form C)
- X3** – TIs: Standard phase current measuring card and sensitive ground current measuring (winding side 1)
- X4** – TI: Standard current measuring card (for the winding side 2)
- X5** – DI8-OR4: Assembly Group with 8 Digital Inputs and 4 Output Relays (NO / Form A)
- X6** – TU: Card with 4 voltage transformer measuring inputs (0 ... 800 VAC, under UL: 0 ... 600 VAC)
- X102** – Universal Resistance-Temperature Detector (URTD) input, Fiber optics interface, Versatile Link
- X103** – IEC 61850 / Modbus TCP / IEC 60870-5-104 / DNP3.0 TCP/UDP, Fiber optics interface, LC Connector
- X104** – IRIG-B00X, incl. System Contact (Supervision Contact)

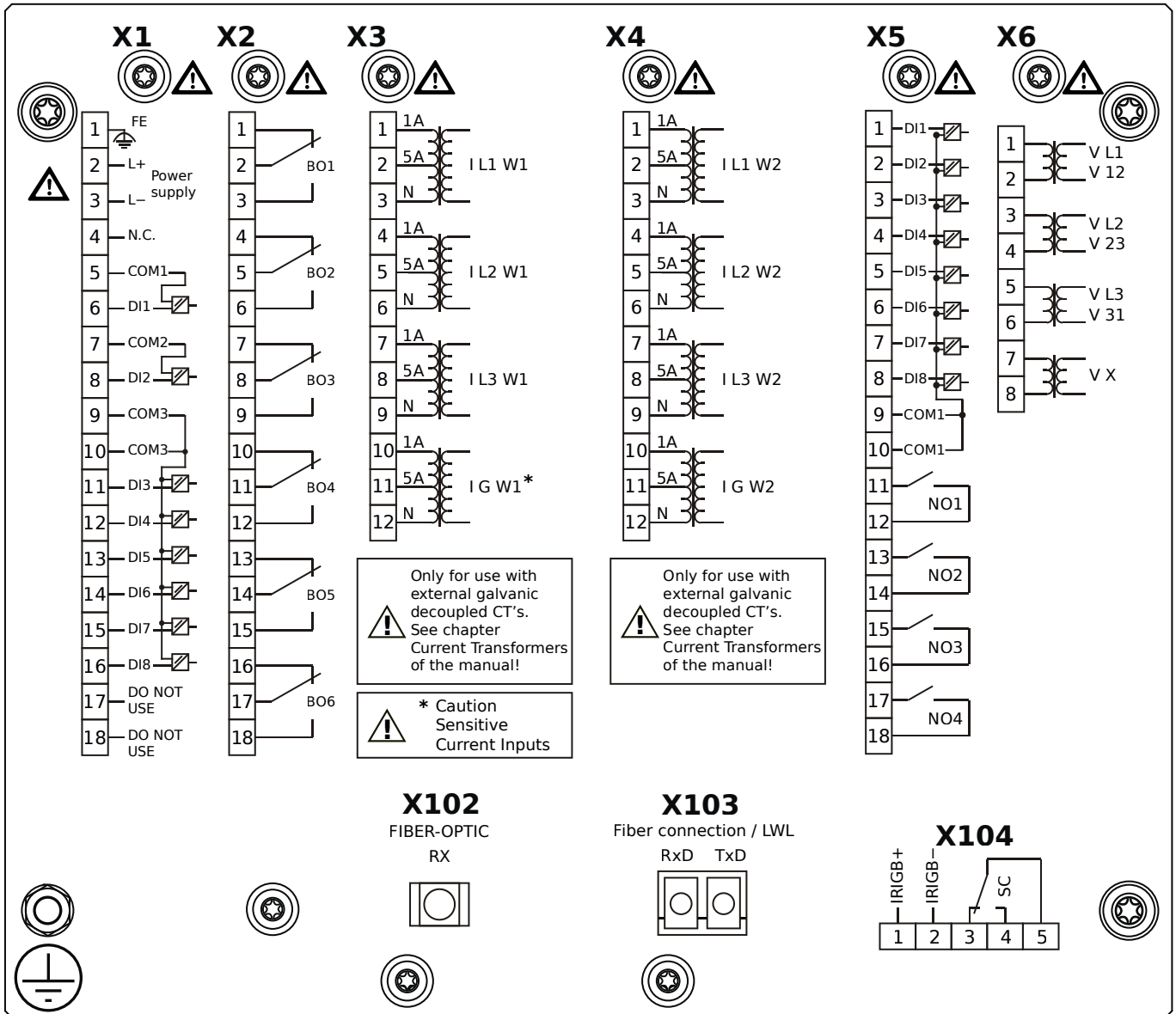
MCDTV4-2A1BLA



Housing B2, large display, 19" rack mounting

- X1** – DI8-X1: Wide-range power supply unit, incl. 2 non-grouped digital inputs and 6 grouped digital inputs
- X2** – OR6: Assembly Group with 6 Output Relays (Changeover / Form C)
- X3** – TIs: Standard phase current measuring card and sensitive ground current measuring (winding side 1)
- X4** – TI: Standard current measuring card (for the winding side 2)
- X5** – DI8-OR4: Assembly Group with 8 Digital Inputs and 4 Output Relays (NO / Form A)
- X6** – TU: Card with 4 voltage transformer measuring inputs (0 ... 800 VAC, under UL: 0 ... 600 VAC)
- X102** – Universal Resistance-Temperature Detector (URTD) input, Fiber optics interface, Versatile Link
- X103** – Modbus TCP / IEC 60870-5-104 / DNP3.0 TCP/UDP, Fiber optics interface, LC Connector
- X104** – IRIG-B00X, incl. System Contact (Supervision Contact)

MCDTV4-2A1BLB

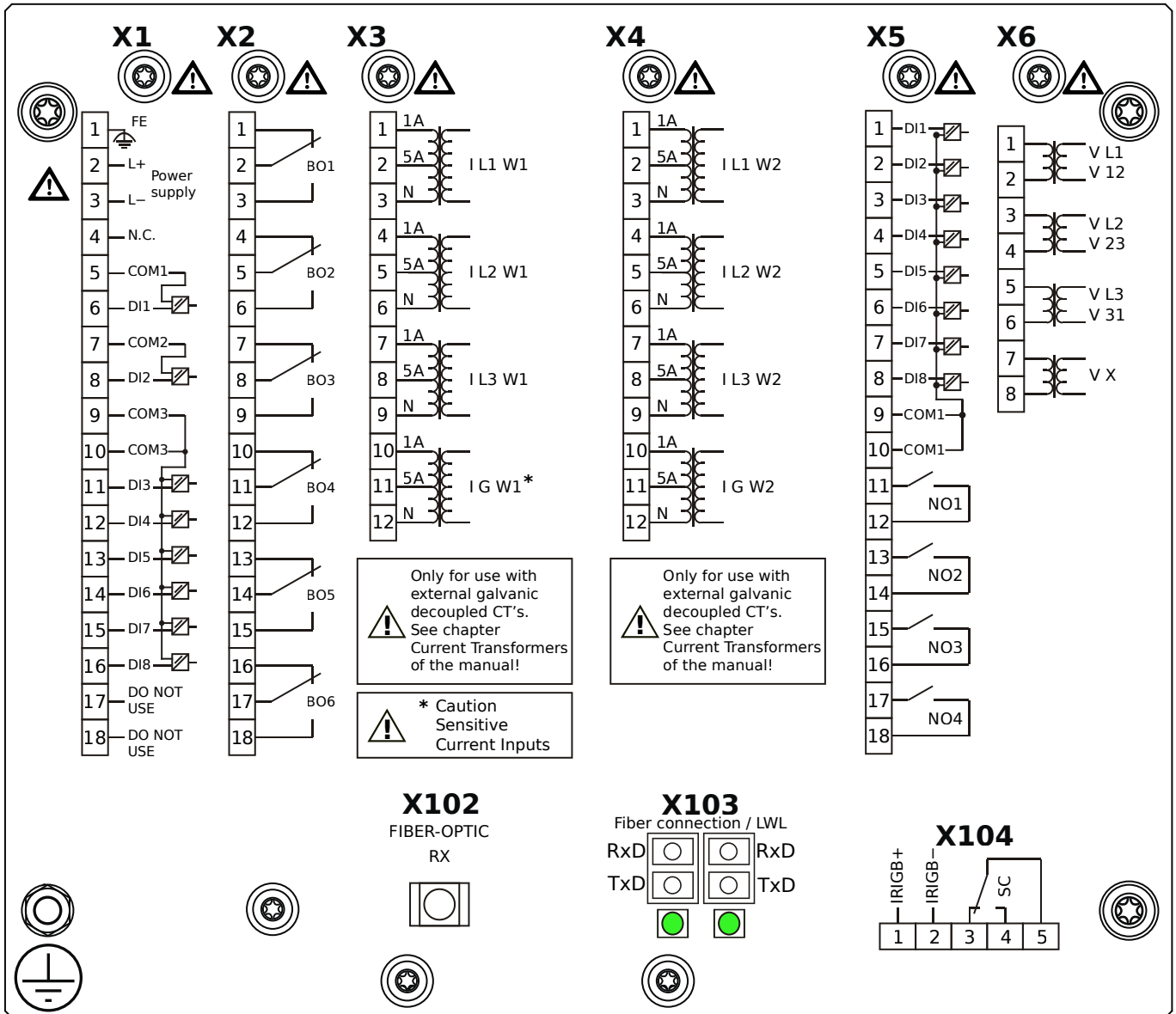


Housing B2, large display, 19" rack mounting

+ Conformal Coating (for installations in harsh environment)

- X1** – DI8-X1: Wide-range power supply unit, incl. 2 non-grouped digital inputs and 6 grouped digital inputs
- X2** – OR6: Assembly Group with 6 Output Relays (Changeover / Form C)
- X3** – TIs: Standard phase current measuring card and sensitive ground current measuring (winding side 1)
- X4** – TI: Standard current measuring card (for the winding side 2)
- X5** – DI8-OR4: Assembly Group with 8 Digital Inputs and 4 Output Relays (NO / Form A)
- X6** – TU: Card with 4 voltage transformer measuring inputs (0 ... 800 VAC, under UL: 0 ... 600 VAC)
- X102** – Universal Resistance-Temperature Detector (URTD) input, Fiber optics interface, Versatile Link
- X103** – Modbus TCP / IEC 60870-5-104 / DNP3.0 TCP/UDP, Fiber optics interface, LC Connector
- X104** – IRIG-B00X, incl. System Contact (Supervision Contact)

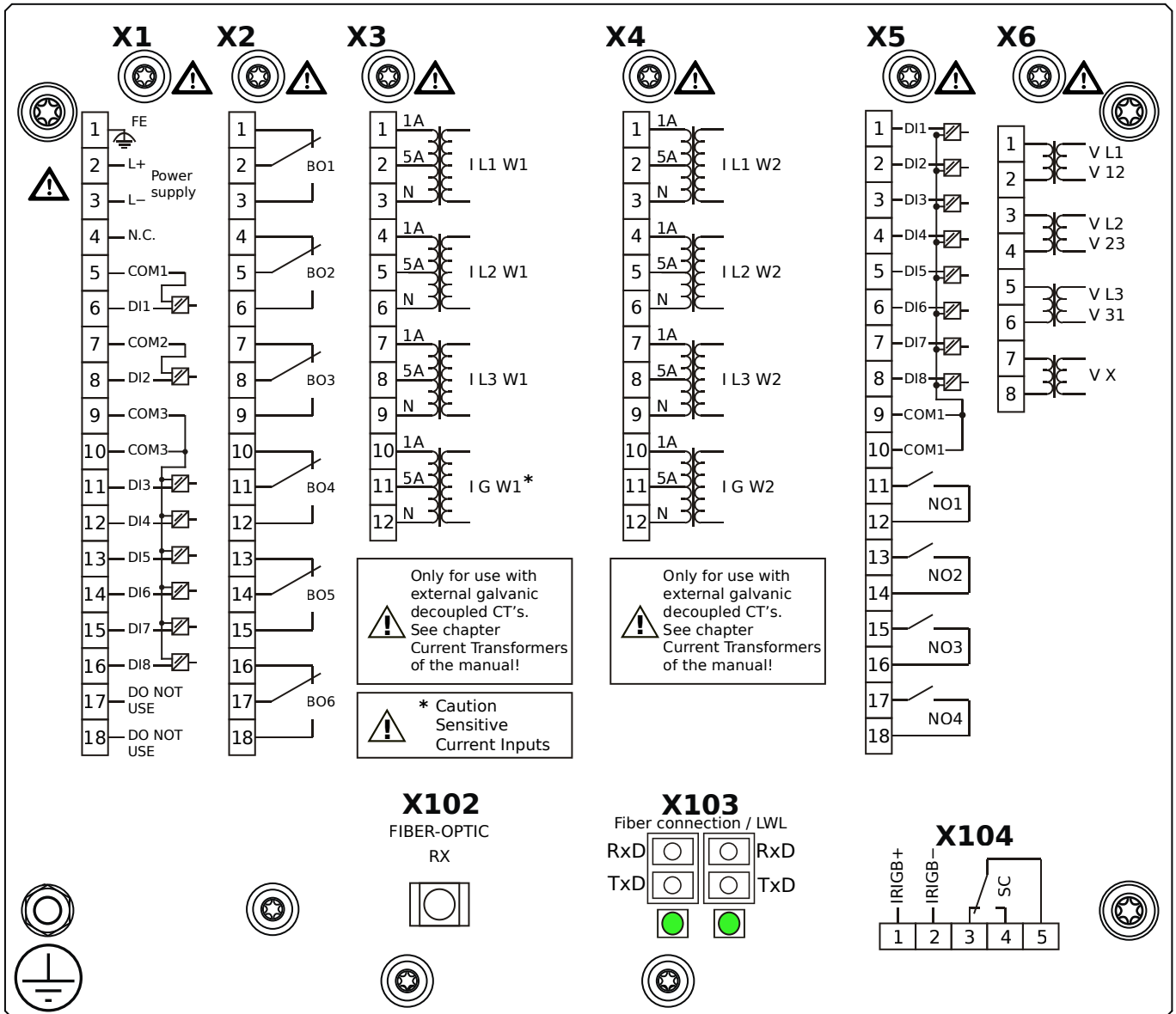
MCDTV4-2A1BOA



Housing B2, large display, 19" rack mounting

- X1** – DI8-X1: Wide-range power supply unit, incl. 2 non-grouped digital inputs and 6 grouped digital inputs
- X2** – OR6: Assembly Group with 6 Output Relays (Changeover / Form C)
- X3** – TIs: Standard phase current measuring card and sensitive ground current measuring (winding side 1)
- X4** – TI: Standard current measuring card (for the winding side 2)
- X5** – DI8-OR4: Assembly Group with 8 Digital Inputs and 4 Output Relays (NO / Form A)
- X6** – TU: Card with 4 voltage transformer measuring inputs (0 ... 800 VAC, under UL: 0 ... 600 VAC)
- X102** – Universal Resistance-Temperature Detector (URTD) input, Fiber optics interface, Versatile Link
- X103** – Modbus TCP / IEC 60870-5-104 / DNP3.0 TCP/UDP, Redundant Fiber optics interface, LC Connector
- X104** – IRIG-B00X, incl. System Contact (Supervision Contact)

MCDTV4-2A1BOB

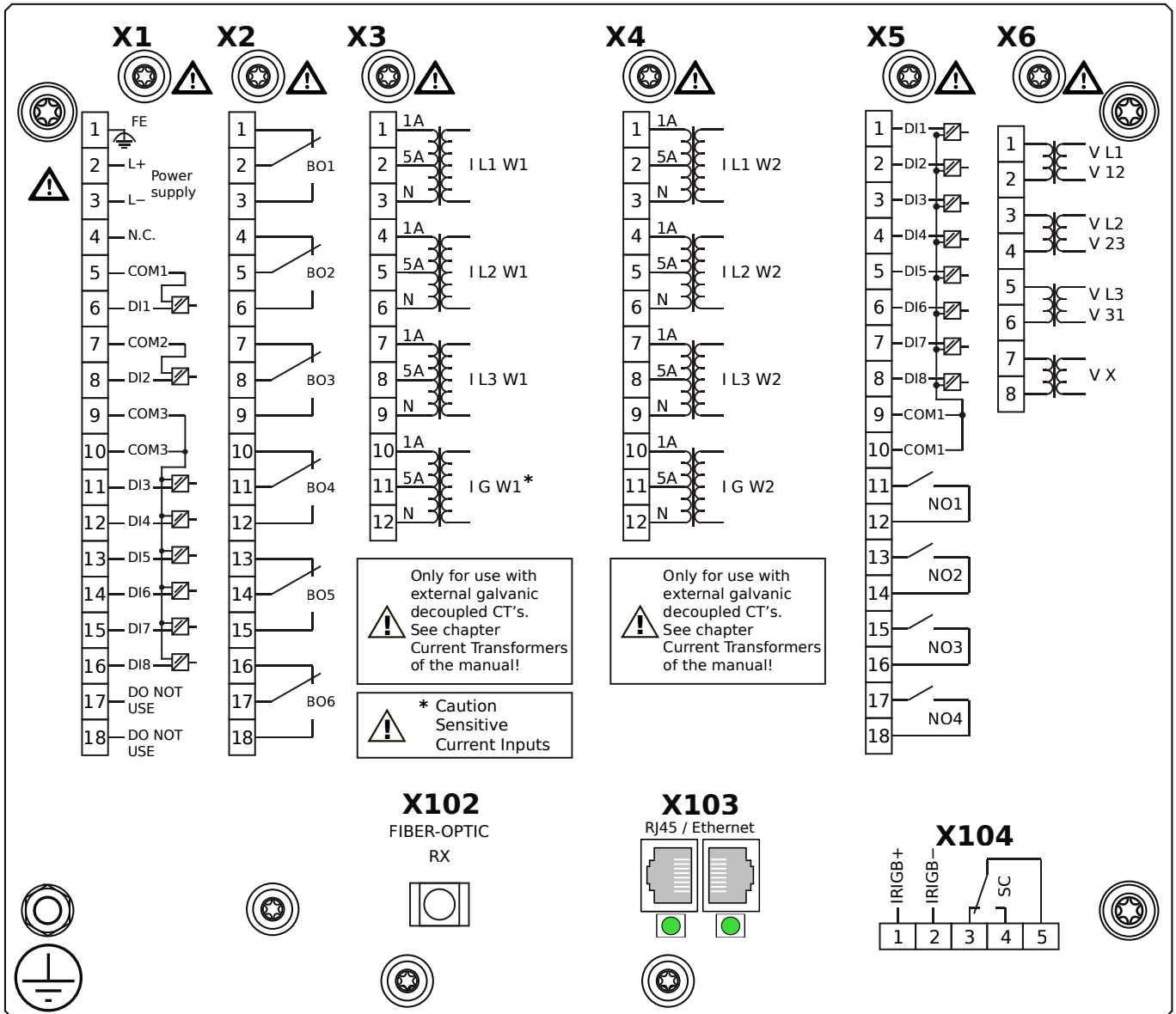


Housing B2, large display, 19" rack mounting

+ Conformal Coating (for installations in harsh environment)

- X1** – DI8-X1: Wide-range power supply unit, incl. 2 non-grouped digital inputs and 6 grouped digital inputs
- X2** – OR6: Assembly Group with 6 Output Relays (Changeover / Form C)
- X3** – TIs: Standard phase current measuring card and sensitive ground current measuring (winding side 1)
- X4** – TI: Standard current measuring card (for the winding side 2)
- X5** – DI8-OR4: Assembly Group with 8 Digital Inputs and 4 Output Relays (NO / Form A)
- X6** – TU: Card with 4 voltage transformer measuring inputs (0 ... 800 VAC, under UL: 0 ... 600 VAC)
- X102** – Universal Resistance-Temperature Detector (URTD) input, Fiber optics interface, Versatile Link
- X103** – Modbus TCP / IEC 60870-5-104 / DNP3.0 TCP/UDP, Redundant Fiber optics interface, LC Connector
- X104** – IRIG-B00X, incl. System Contact (Supervision Contact)

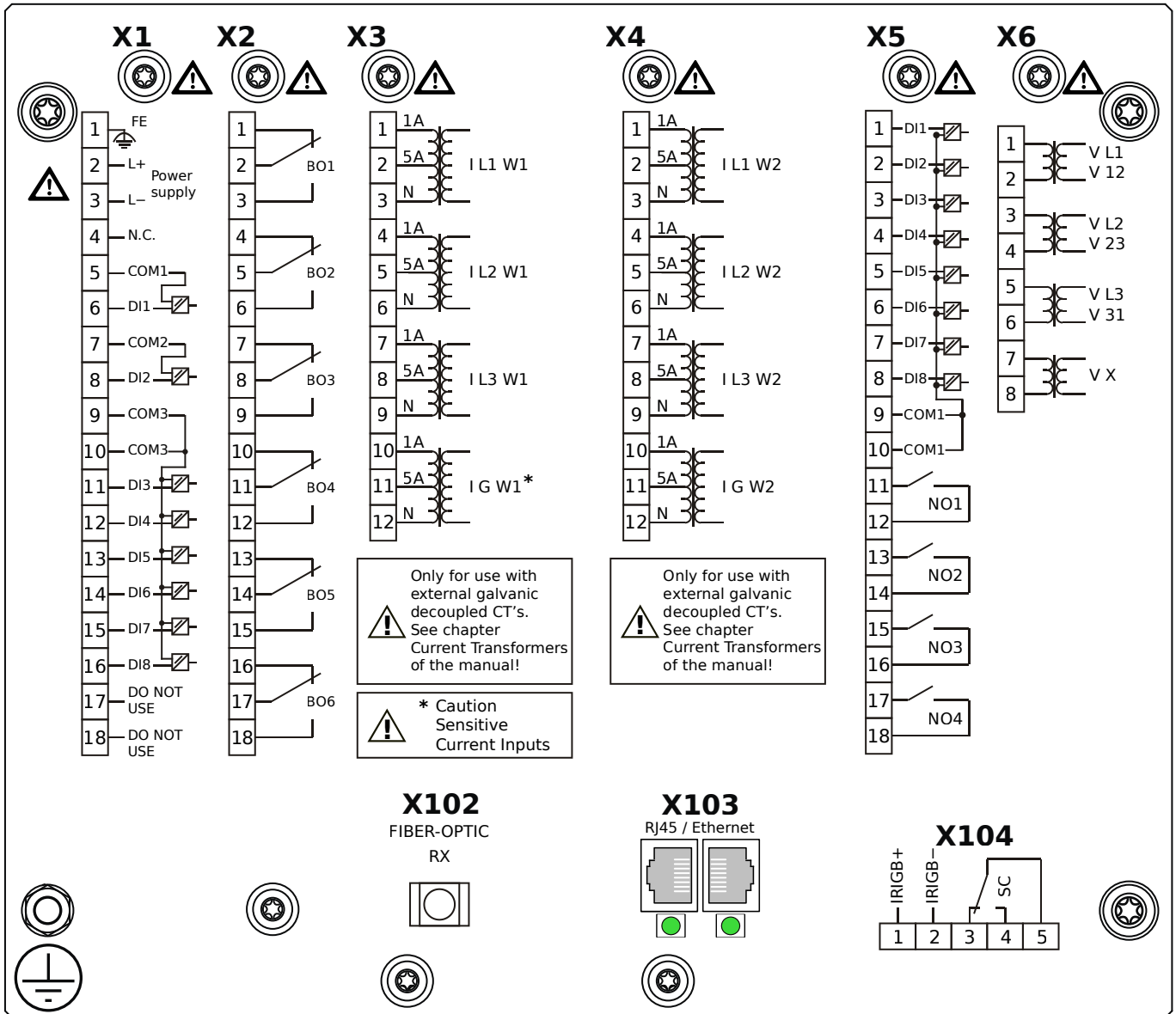
MCDTV4-2A1BPA



Housing B2, large display, 19" rack mounting

- X1** – DI8-X1: Wide-range power supply unit, incl. 2 non-grouped digital inputs and 6 grouped digital inputs
- X2** – OR6: Assembly Group with 6 Output Relays (Changeover / Form C)
- X3** – TIs: Standard phase current measuring card and sensitive ground current measuring (winding side 1)
- X4** – TI: Standard current measuring card (for the winding side 2)
- X5** – DI8-OR4: Assembly Group with 8 Digital Inputs and 4 Output Relays (NO / Form A)
- X6** – TU: Card with 4 voltage transformer measuring inputs (0 ... 800 VAC, under UL: 0 ... 600 VAC)
- X102** – Universal Resistance-Temperature Detector (URTD) input, Fiber optics interface, Versatile Link
- X103** – Modbus TCP / IEC 60870-5-104 / DNP3.0 TCP/UDP, Redundant Ethernet interface, 100 Mbit/s, RJ45 (BASE100-FX)
- X104** – IRIG-B00X, incl. System Contact (Supervision Contact)

MCDTV4-2A1BPB

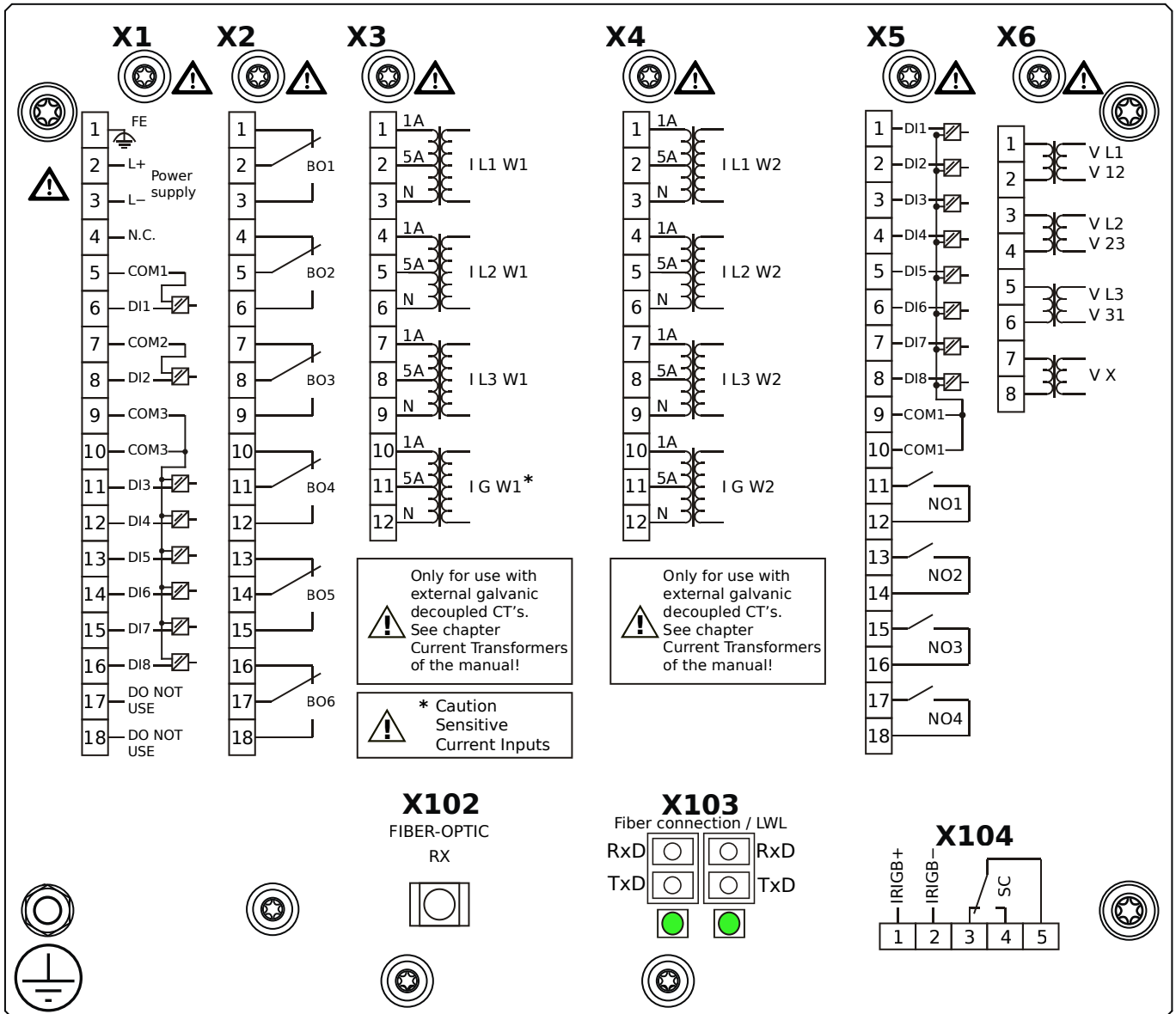


Housing B2, large display, 19" rack mounting

+ Conformal Coating (for installations in harsh environment)

- X1** – DI8-X1: Wide-range power supply unit, incl. 2 non-grouped digital inputs and 6 grouped digital inputs
- X2** – OR6: Assembly Group with 6 Output Relays (Changeover / Form C)
- X3** – TIs: Standard phase current measuring card and sensitive ground current measuring (winding side 1)
- X4** – TI: Standard current measuring card (for the winding side 2)
- X5** – DI8-OR4: Assembly Group with 8 Digital Inputs and 4 Output Relays (NO / Form A)
- X6** – TU: Card with 4 voltage transformer measuring inputs (0 ... 800 VAC, under UL: 0 ... 600 VAC)
- X102** – Universal Resistance-Temperature Detector (URTD) input, Fiber optics interface, Versatile Link
- X103** – Modbus TCP / IEC 60870-5-104 / DNP3.0 TCP/UDP, Redundant Ethernet interface, 100 Mbit/s, RJ45 (BASE100-FX)
- X104** – IRIG-B00X, incl. System Contact (Supervision Contact)

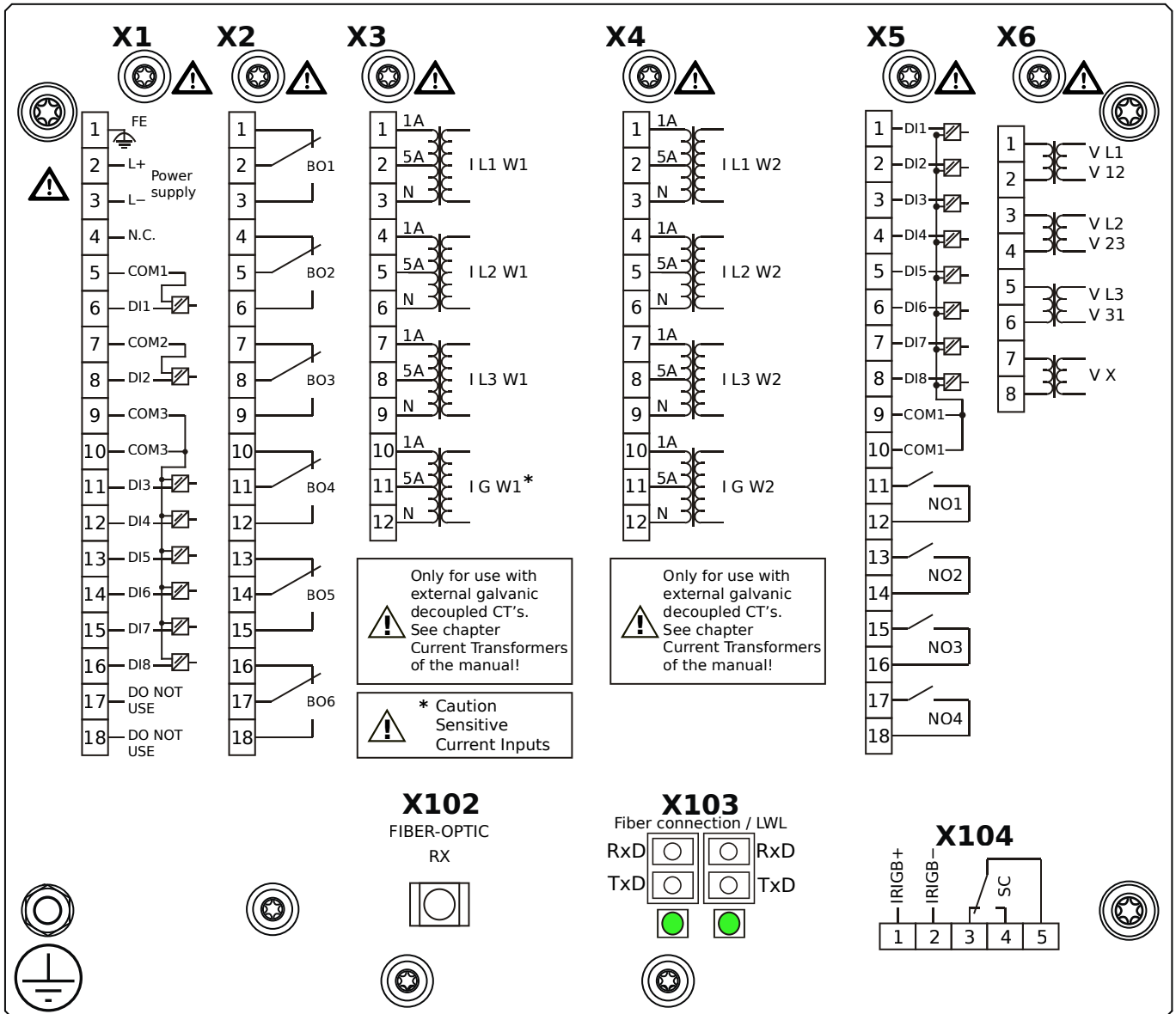
MCDTV4-2A1BQA



Housing B2, large display, 19" rack mounting

- X1** – DI8-X1: Wide-range power supply unit, incl. 2 non-grouped digital inputs and 6 grouped digital inputs
- X2** – OR6: Assembly Group with 6 Output Relays (Changeover / Form C)
- X3** – TIs: Standard phase current measuring card and sensitive ground current measuring (winding side 1)
- X4** – TI: Standard current measuring card (for the winding side 2)
- X5** – DI8-OR4: Assembly Group with 8 Digital Inputs and 4 Output Relays (NO / Form A)
- X6** – TU: Card with 4 voltage transformer measuring inputs (0 ... 800 VAC, under UL: 0 ... 600 VAC)
- X102** – Universal Resistance-Temperature Detector (URTD) input, Fiber optics interface, Versatile Link
- X103** – IEC 61850 / Modbus TCP / IEC 60870-5-104 / DNP3.0 TCP/UDP, Redundant Fiber optics interface, LC Connector
- X104** – IRIG-B00X, incl. System Contact (Supervision Contact)

MCDTV4-2A1BQB

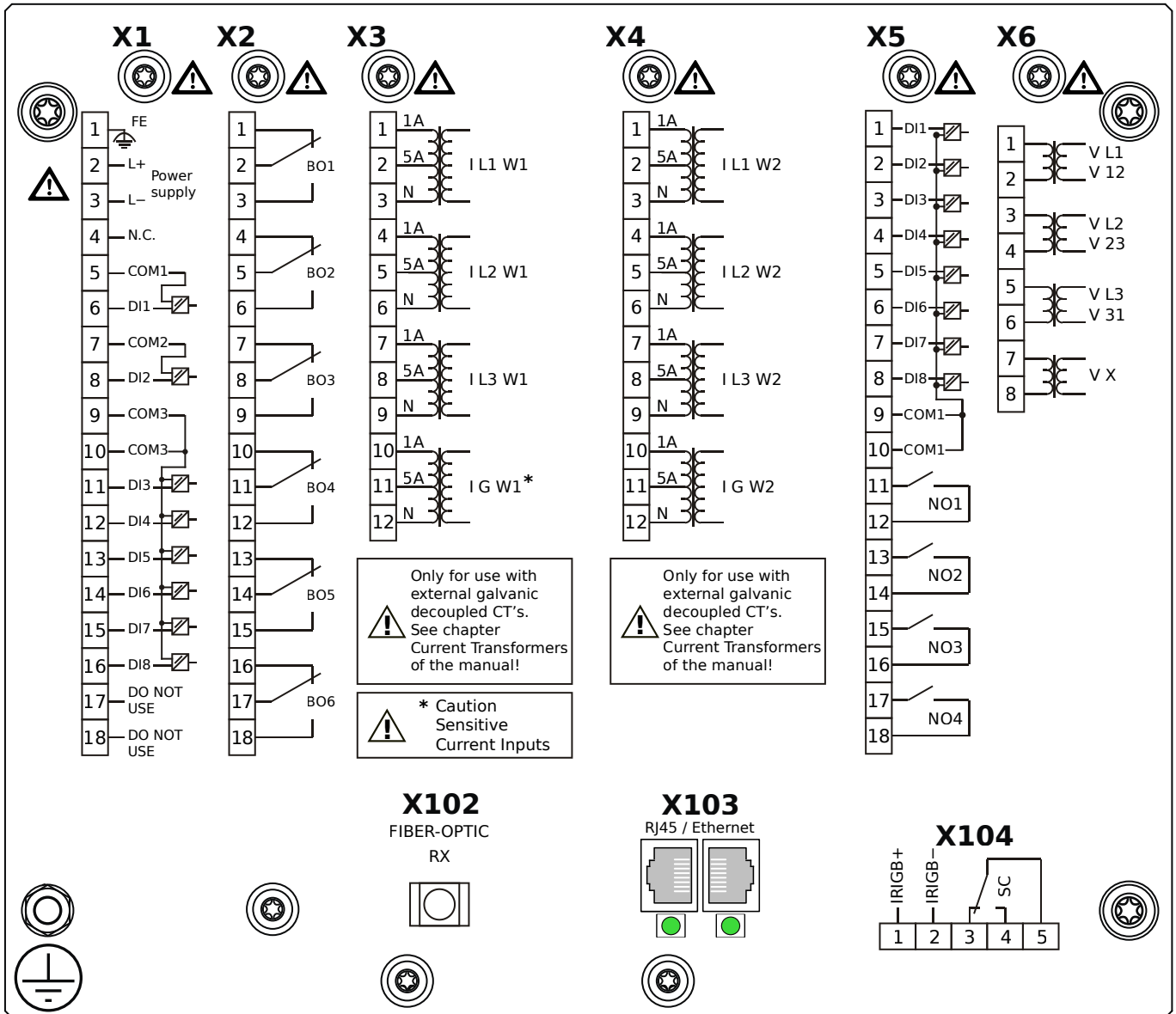


Housing B2, large display, 19" rack mounting

+ Conformal Coating (for installations in harsh environment)

- X1** – DI8-X1: Wide-range power supply unit, incl. 2 non-grouped digital inputs and 6 grouped digital inputs
- X2** – OR6: Assembly Group with 6 Output Relays (Changeover / Form C)
- X3** – TIs: Standard phase current measuring card and sensitive ground current measuring (winding side 1)
- X4** – TI: Standard current measuring card (for the winding side 2)
- X5** – DI8-OR4: Assembly Group with 8 Digital Inputs and 4 Output Relays (NO / Form A)
- X6** – TU: Card with 4 voltage transformer measuring inputs (0 ... 800 VAC, under UL: 0 ... 600 VAC)
- X102** – Universal Resistance-Temperature Detector (URTD) input, Fiber optics interface, Versatile Link
- X103** – IEC 61850 / Modbus TCP / IEC 60870-5-104 / DNP3.0 TCP/UDP, Redundant Fiber optics interface, LC Connector
- X104** – IRIG-B00X, incl. System Contact (Supervision Contact)

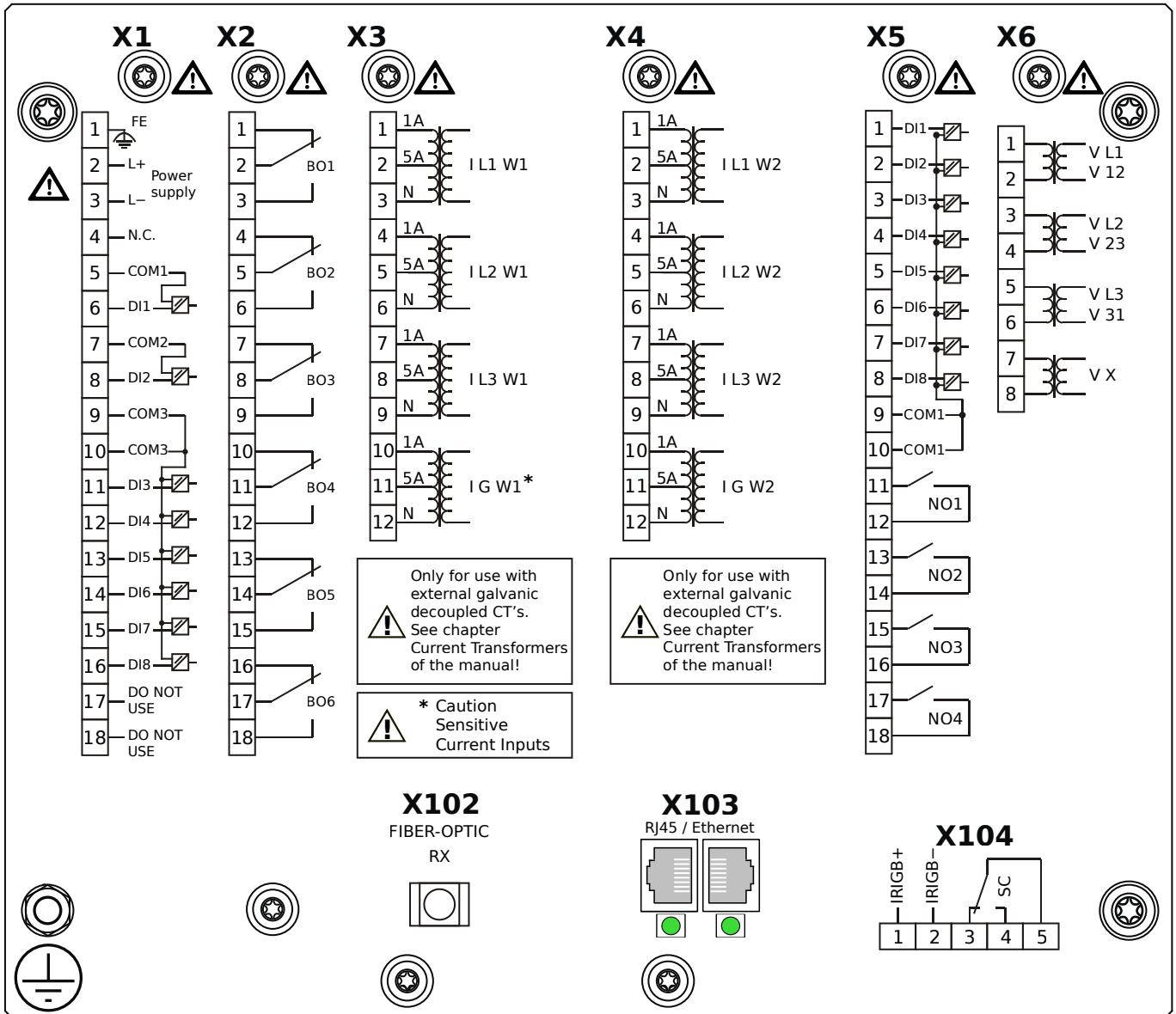
MCDTV4-2A1BRA



Housing B2, large display, 19" rack mounting

- X1** – DI8-X1: Wide-range power supply unit, incl. 2 non-grouped digital inputs and 6 grouped digital inputs
- X2** – OR6: Assembly Group with 6 Output Relays (Changeover / Form C)
- X3** – TIs: Standard phase current measuring card and sensitive ground current measuring (winding side 1)
- X4** – TI: Standard current measuring card (for the winding side 2)
- X5** – DI8-OR4: Assembly Group with 8 Digital Inputs and 4 Output Relays (NO / Form A)
- X6** – TU: Card with 4 voltage transformer measuring inputs (0 ... 800 VAC, under UL: 0 ... 600 VAC)
- X102** – Universal Resistance-Temperature Detector (URTD) input, Fiber optics interface, Versatile Link
- X103** – IEC 61850 / Modbus TCP / IEC 60870-5-104 / DNP3.0 TCP/UDP, Redundant Ethernet interface, 100 Mbit/s, RJ45
- (BASE100-FX)
- X104** – IRIG-B00X, incl. System Contact (Supervision Contact)

MCDTV4-2A1BRB



Housing B2, large display, 19" rack mounting

+ Conformal Coating (for installations in harsh environment)

X1 – DI8-X1: Wide-range power supply unit, incl. 2 non-grouped digital inputs and 6 grouped digital inputs

X2 – OR6: Assembly Group with 6 Output Relays (Changeover / Form C)

X3 – TIs: Standard phase current measuring card and sensitive ground current measuring (winding side 1)

X4 – TI: Standard current measuring card (for the winding side 2)

X5 – DI8-OR4: Assembly Group with 8 Digital Inputs and 4 Output Relays (NO / Form A)

X6 – TU: Card with 4 voltage transformer measuring inputs (0 ... 800 VAC, under UL: 0 ... 600 VAC)

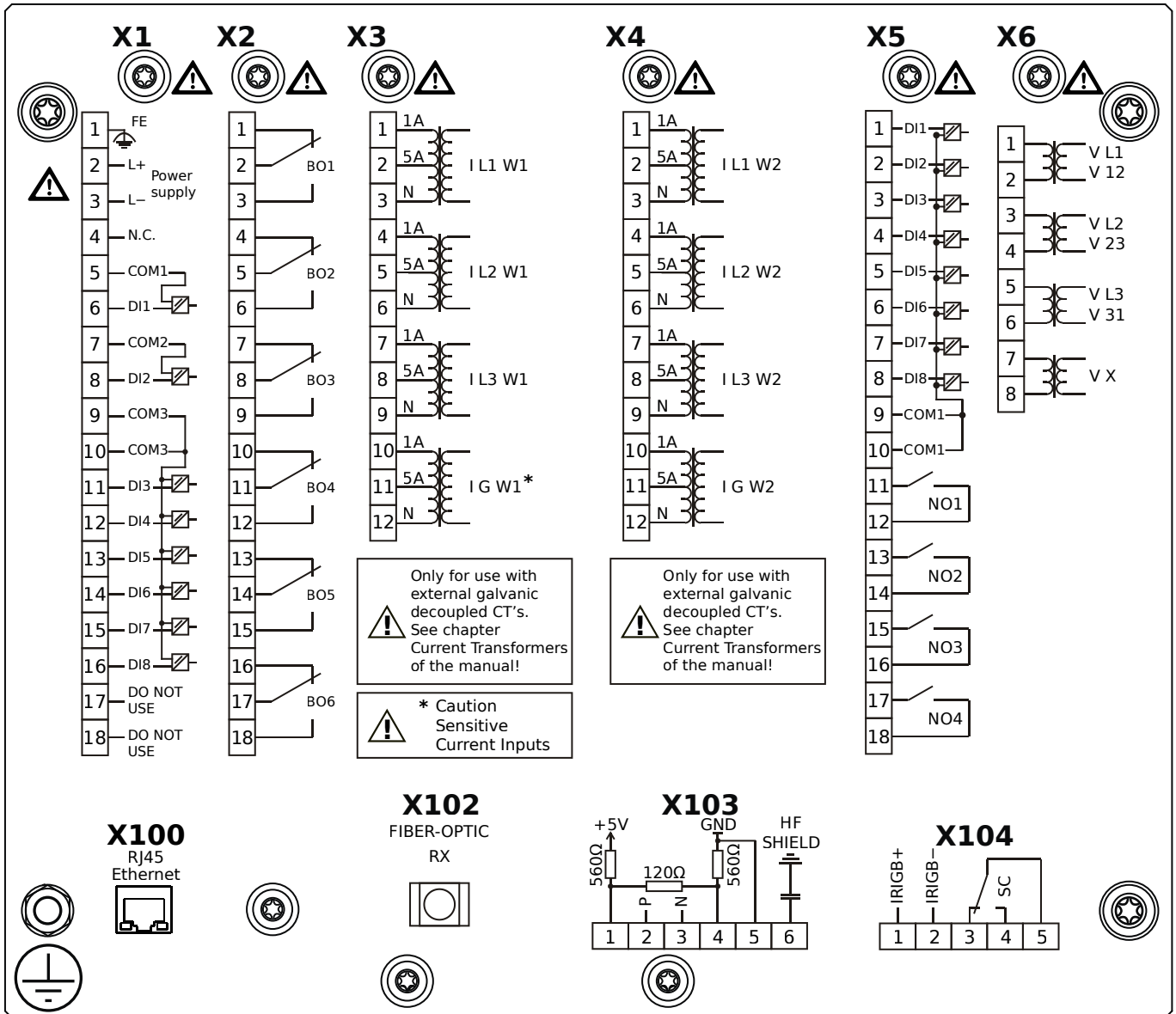
X102 – Universal Resistance-Temperature Detector (URTD) input, Fiber optics interface, Versatile Link

X103 – IEC 61850 / Modbus TCP / IEC 60870-5-104 / DNP3.0 TCP/UDP, Redundant Ethernet interface, 100 Mbit/s, RJ45

(BASE100-FX)

X104 – IRIG-B00X, incl. System Contact (Supervision Contact)

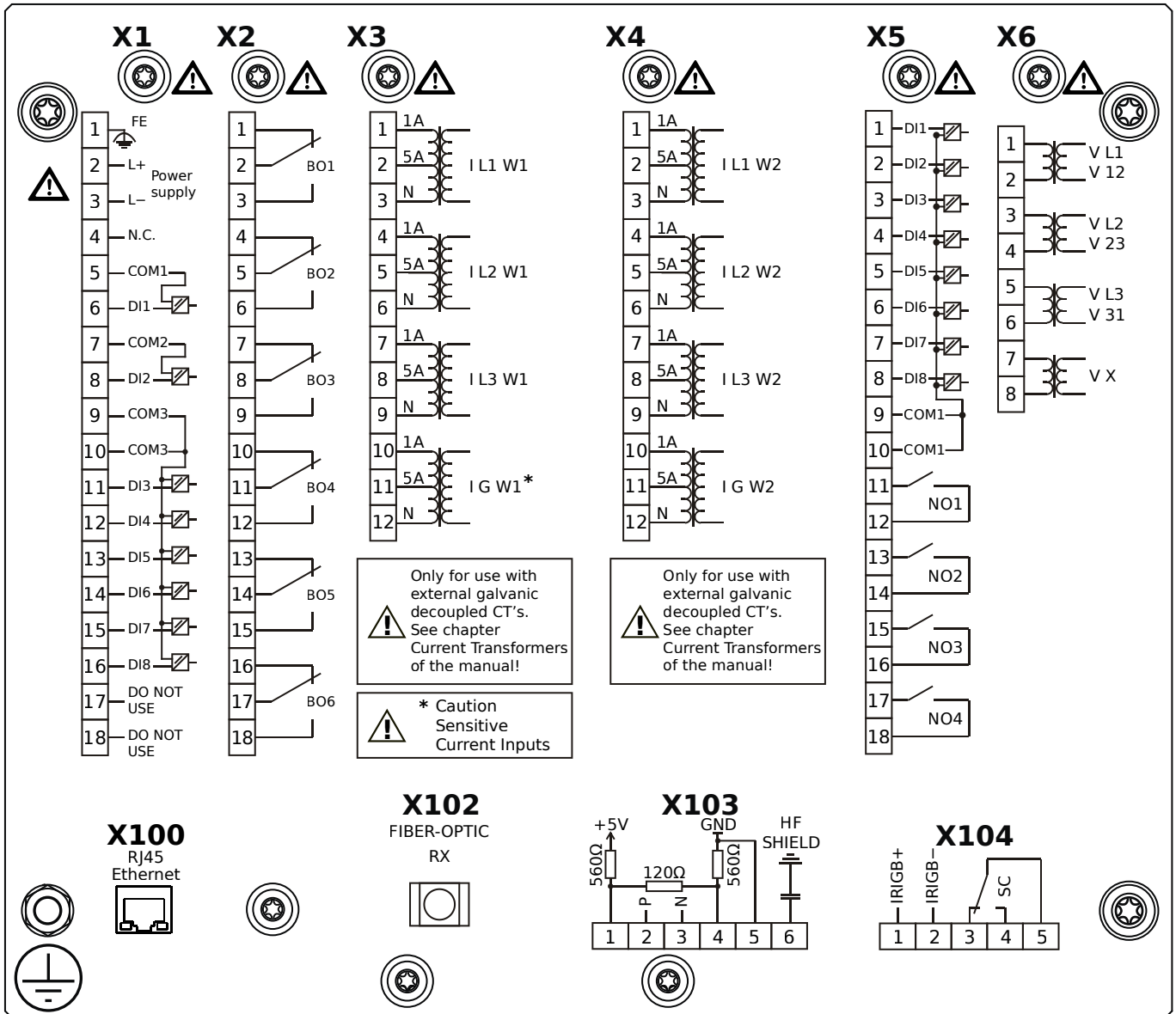
MCDTV4-2A1BTA



Housing B2, large display, 19" rack mounting

- X1** – DI8-X1: Wide-range power supply unit, incl. 2 non-grouped digital inputs and 6 grouped digital inputs
- X2** – OR6: Assembly Group with 6 Output Relays (Changeover / Form C)
- X3** – TIs: Standard phase current measuring card and sensitive ground current measuring (winding side 1)
- X4** – TI: Standard current measuring card (for the winding side 2)
- X5** – DI8-OR4: Assembly Group with 8 Digital Inputs and 4 Output Relays (NO / Form A)
- X6** – TU: Card with 4 voltage transformer measuring inputs (0 ... 800 VAC, under UL: 0 ... 600 VAC)
- X100** – IEC 61850 / Modbus TCP / IEC 60870-5-104 / DNP3.0 TCP/UDP, Ethernet interface, 100 Mbit/s, RJ45 (BASE100-FX)
- X102** – Universal Resistance-Temperature Detector (URTD) input, Fiber optics interface, Versatile Link
- X103** – IEC 60870-5-103 / Modbus RTU / DNP3.0 RTU, RS485, Terminals
- X104** – IRIG-B00X, incl. System Contact (Supervision Contact)

MCDTV4-2A1BTB

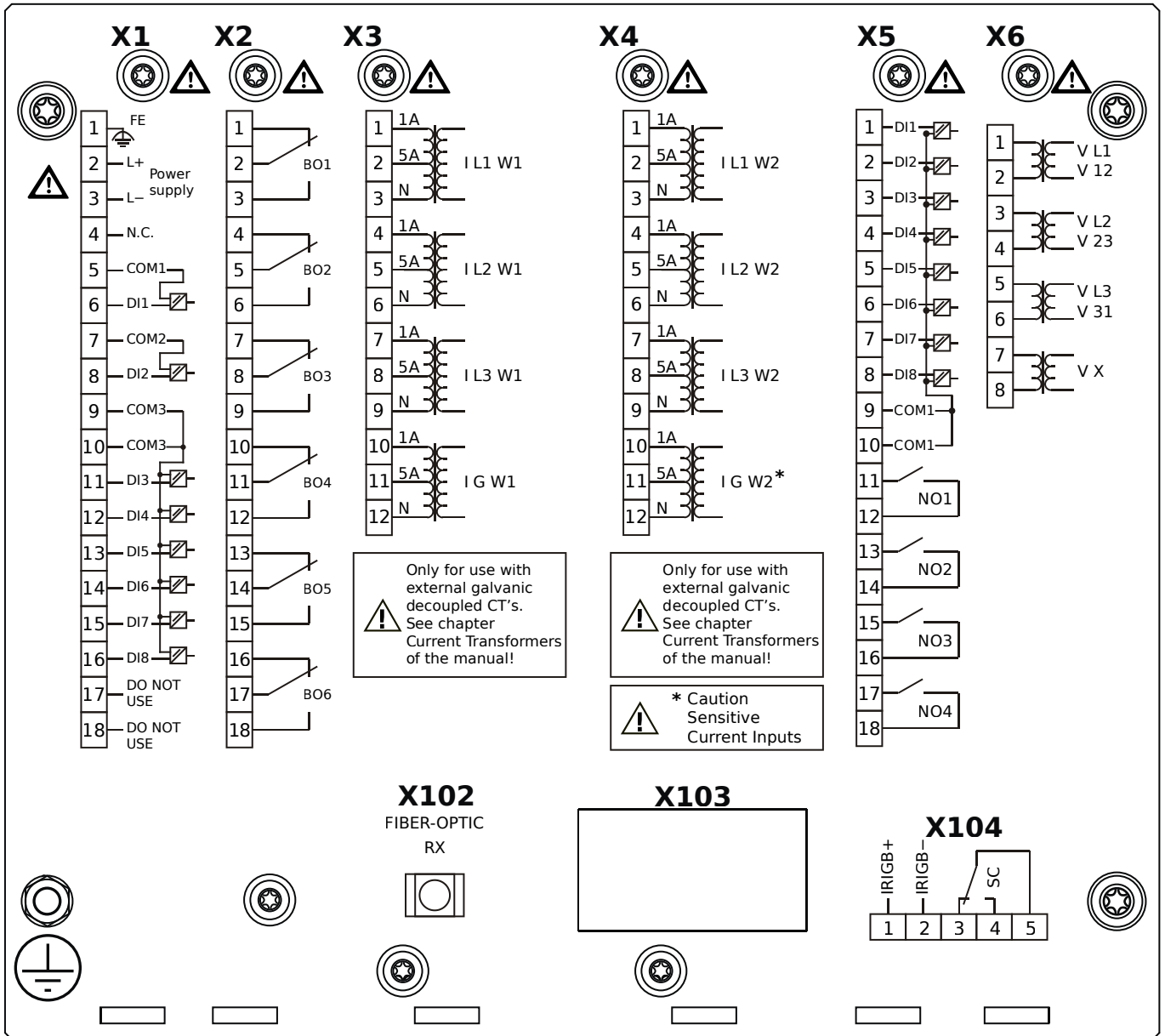


Housing B2, large display, 19" rack mounting

+ Conformal Coating (for installations in harsh environment)

- X1** – DI8-X1: Wide-range power supply unit, incl. 2 non-grouped digital inputs and 6 grouped digital inputs
- X2** – OR6: Assembly Group with 6 Output Relays (Changeover / Form C)
- X3** – TIs: Standard phase current measuring card and sensitive ground current measuring (winding side 1)
- X4** – TI: Standard current measuring card (for the winding side 2)
- X5** – DI8-OR4: Assembly Group with 8 Digital Inputs and 4 Output Relays (NO / Form A)
- X6** – TU: Card with 4 voltage transformer measuring inputs (0 ... 800 VAC, under UL: 0 ... 600 VAC)
- X100** – IEC 61850 / Modbus TCP / IEC 60870-5-104 / DNP3.0 TCP/UDP, Ethernet interface, 100 Mbit/s, RJ45 (BASE100-FX)
- X102** – Universal Resistance-Temperature Detector (URTD) input, Fiber optics interface, Versatile Link
- X103** – IEC 60870-5-103 / Modbus RTU / DNP3.0 RTU, RS485, Terminals
- X104** – IRIG-B00X, incl. System Contact (Supervision Contact)

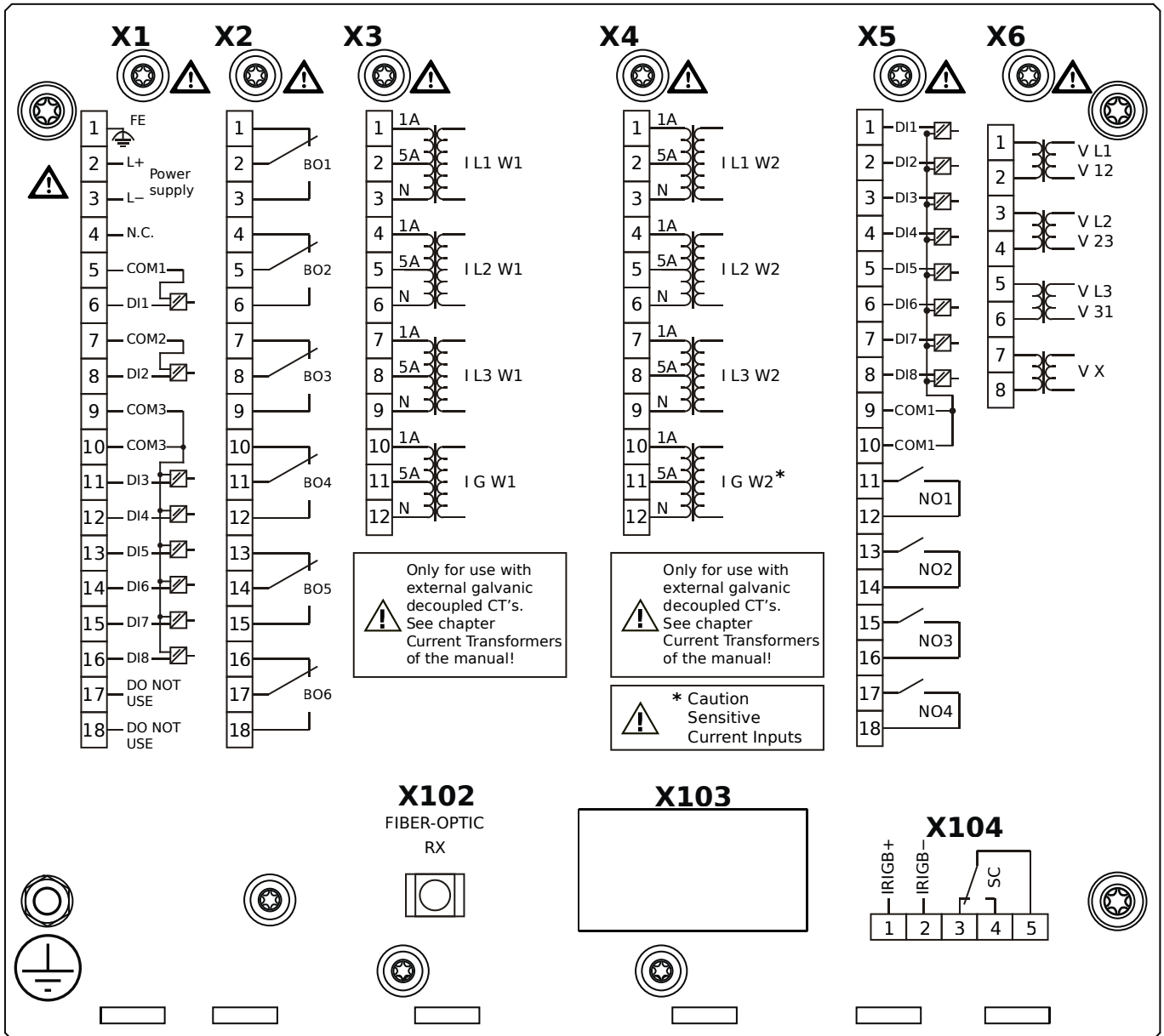
MCDTV4-2A2AAA



Housing B2, large display, door mounting

- X1** – DI8-X1: Wide-range power supply unit, incl. 2 non-grouped digital inputs and 6 grouped digital inputs
- X2** – OR6: Assembly Group with 6 Output Relays (Changeover / Form C)
- X3** – TI: Standard current measuring card (for the winding side 1)
- X4** – TIs: Standard phase current measuring card and sensitive ground current measuring (winding side 2)
- X5** – DI8-OR4: Assembly Group with 8 Digital Inputs and 4 Output Relays (NO / Form A)
- X6** – TU: Card with 4 voltage transformer measuring inputs (0 ... 800 VAC, under UL: 0 ... 600 VAC)
- X102** – Universal Resistance-Temperature Detector (URTD) input, Fiber optics interface, Versatile Link
- X104** – IRIG-B00X, incl. System Contact (Supervision Contact)

MCDTV4-2A2AAB

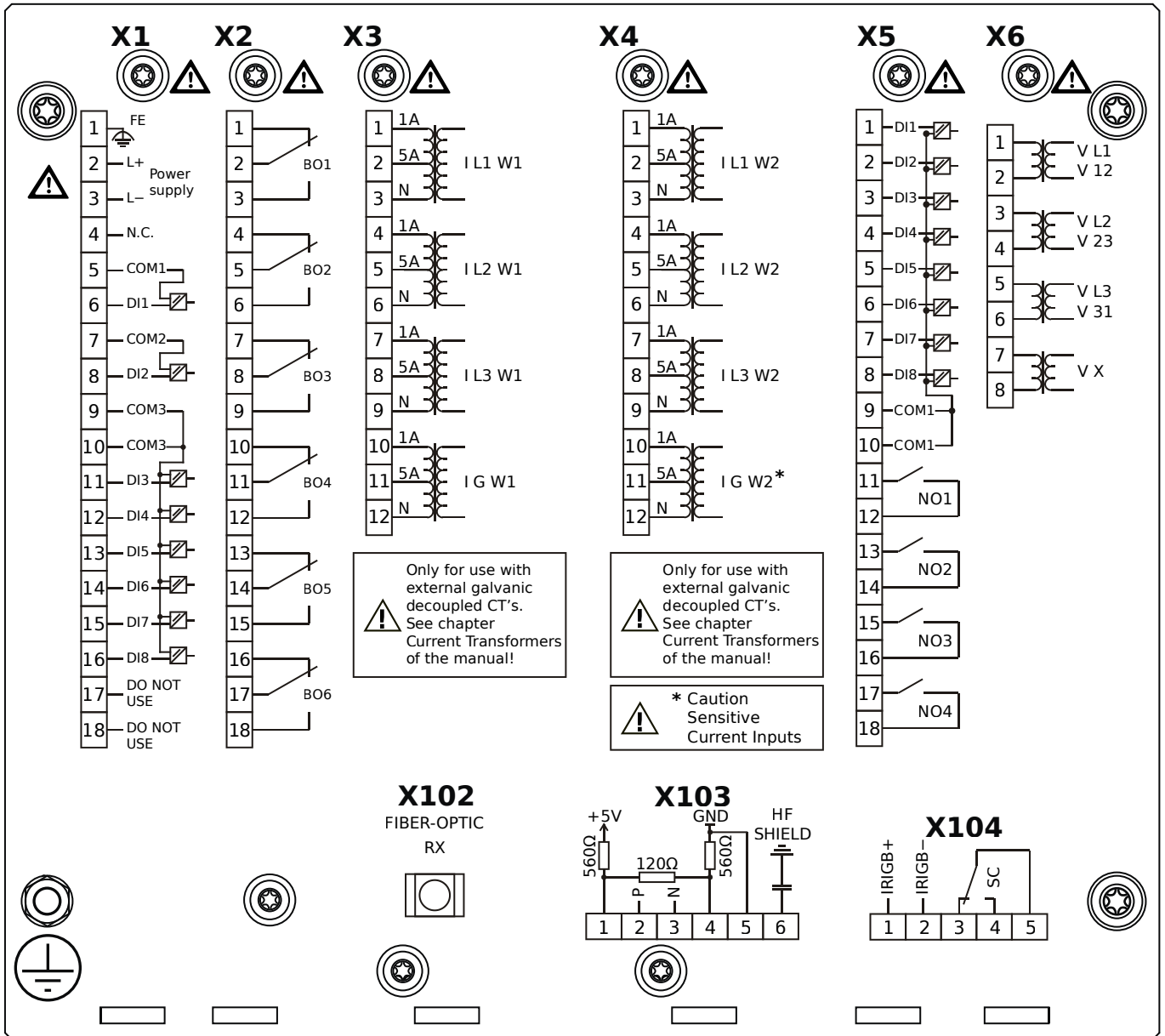


Housing B2, large display, door mounting

+ Conformal Coating (for installations in harsh environment)

- X1** – DI8-X1: Wide-range power supply unit, incl. 2 non-grouped digital inputs and 6 grouped digital inputs
- X2** – OR6: Assembly Group with 6 Output Relays (Changeover / Form C)
- X3** – TI: Standard current measuring card (for the winding side 1)
- X4** – TIs: Standard phase current measuring card and sensitive ground current measuring (winding side 2)
- X5** – DI8-OR4: Assembly Group with 8 Digital Inputs and 4 Output Relays (NO / Form A)
- X6** – TU: Card with 4 voltage transformer measuring inputs (0 ... 800 VAC, under UL: 0 ... 600 VAC)
- X102** – Universal Resistance-Temperature Detector (URTD) input, Fiber optics interface, Versatile Link
- X104** – IRIG-B00X, incl. System Contact (Supervision Contact)

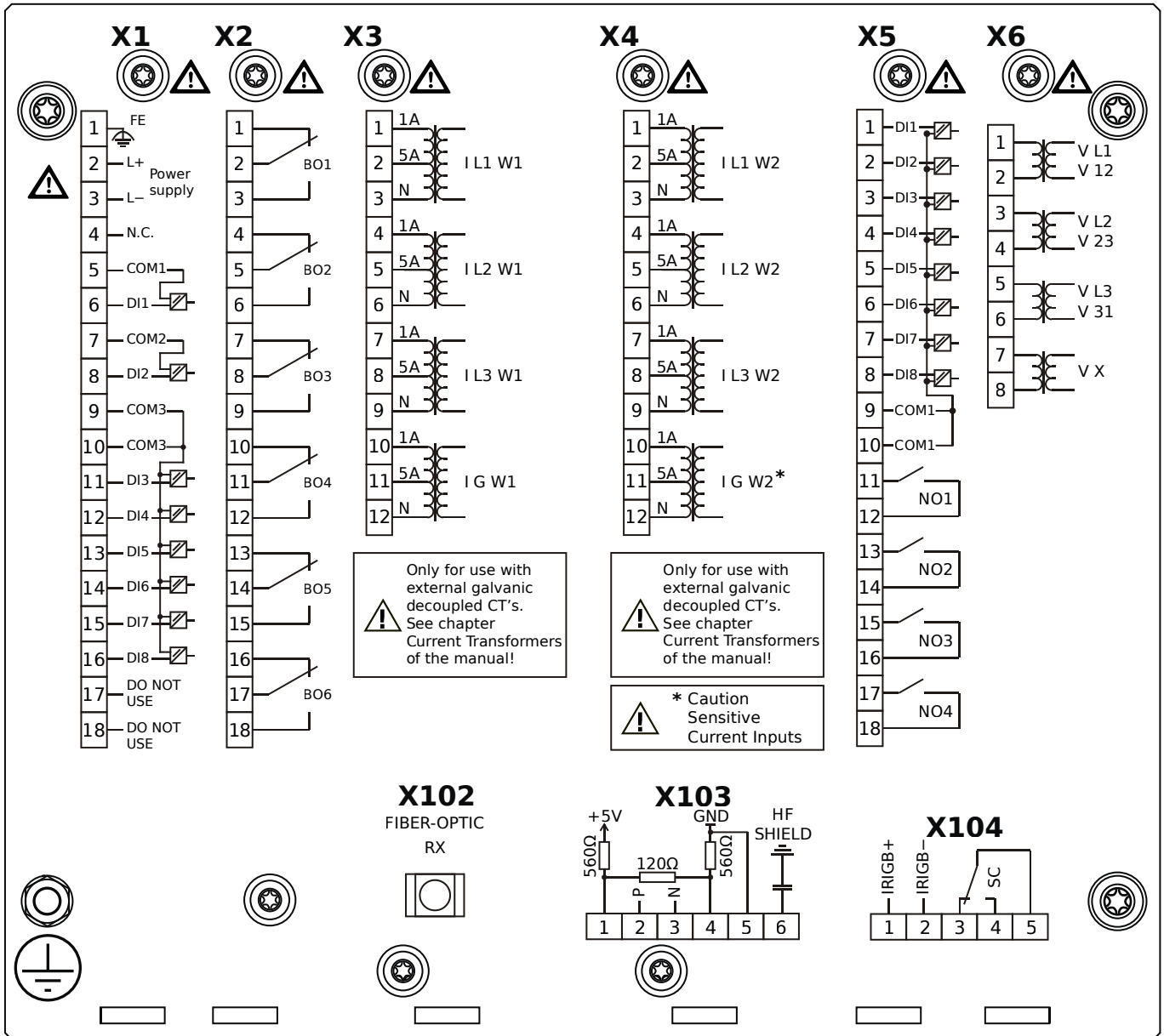
MCDTV4-2A2ABA



Housing B2, large display, door mounting

- X1** – DI8-X1: Wide-range power supply unit, incl. 2 non-grouped digital inputs and 6 grouped digital inputs
- X2** – OR6: Assembly Group with 6 Output Relays (Changeover / Form C)
- X3** – TI: Standard current measuring card (for the winding side 1)
- X4** – TIs: Standard phase current measuring card and sensitive ground current measuring (winding side 2)
- X5** – DI8-OR4: Assembly Group with 8 Digital Inputs and 4 Output Relays (NO / Form A)
- X6** – TU: Card with 4 voltage transformer measuring inputs (0 ... 800 VAC, under UL: 0 ... 600 VAC)
- X102** – Universal Resistance-Temperature Detector (URTD) input, Fiber optics interface, Versatile Link
- X103** – Modbus RTU / IEC 60870-5-103 / DNP3.0 RTU, RS485, Terminals
- X104** – IRIG-B00X, incl. System Contact (Supervision Contact)

MCDTV4-2A2ABB

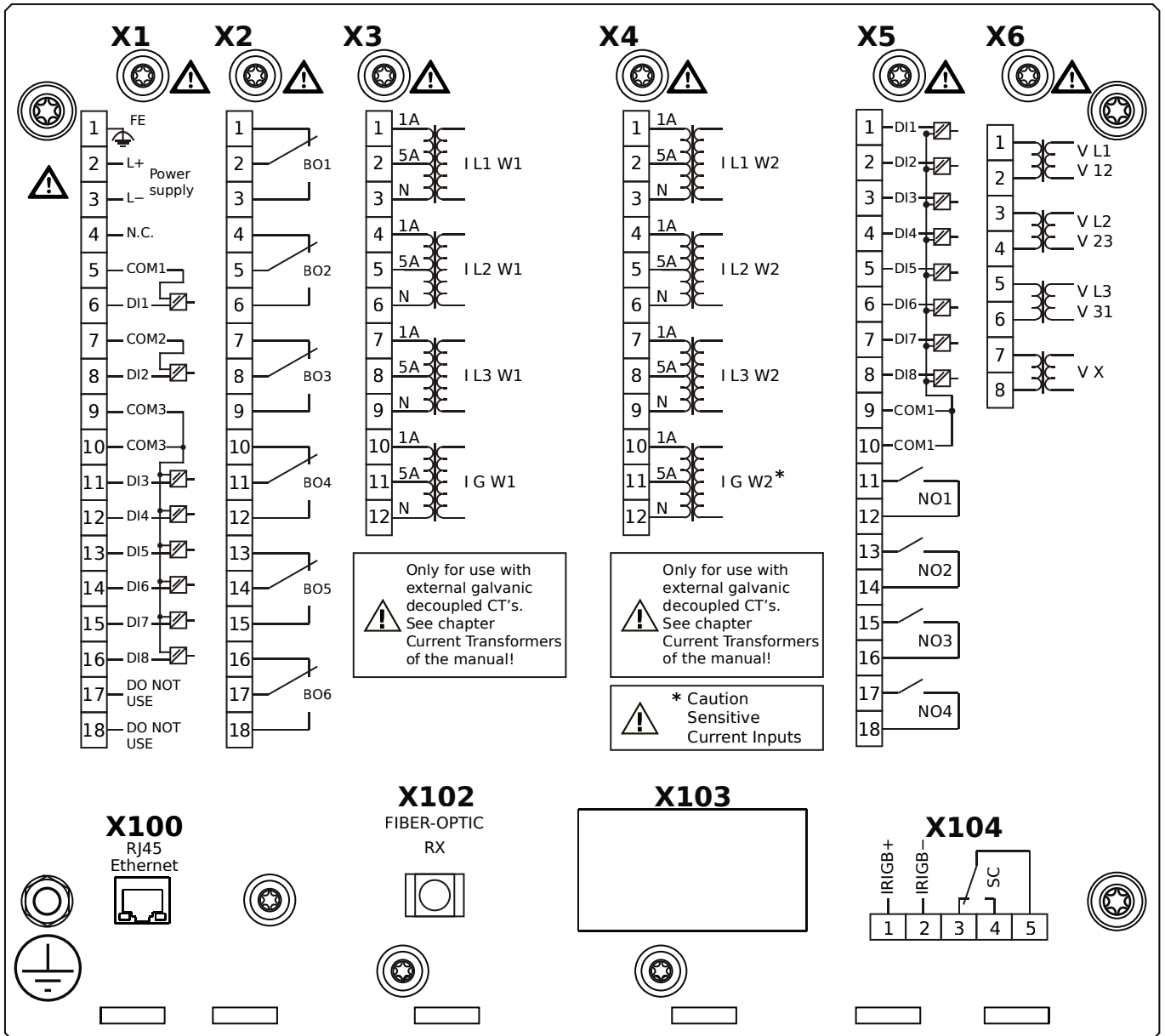


Housing B2, large display, door mounting

+ Conformal Coating (for installations in harsh environment)

- X1** – DI8-X1: Wide-range power supply unit, incl. 2 non-grouped digital inputs and 6 grouped digital inputs
- X2** – OR6: Assembly Group with 6 Output Relays (Changeover / Form C)
- X3** – TI: Standard current measuring card (for the winding side 1)
- X4** – TIs: Standard phase current measuring card and sensitive ground current measuring (winding side 2)
- X5** – DI8-OR4: Assembly Group with 8 Digital Inputs and 4 Output Relays (NO / Form A)
- X6** – TU: Card with 4 voltage transformer measuring inputs (0 ... 800 VAC, under UL: 0 ... 600 VAC)
- X102** – Universal Resistance-Temperature Detector (URTD) input, Fiber optics interface, Versatile Link
- X103** – Modbus RTU / IEC 60870-5-103 / DNP3.0 RTU, RS485, Terminals
- X104** – IRIG-B00X, incl. System Contact (Supervision Contact)

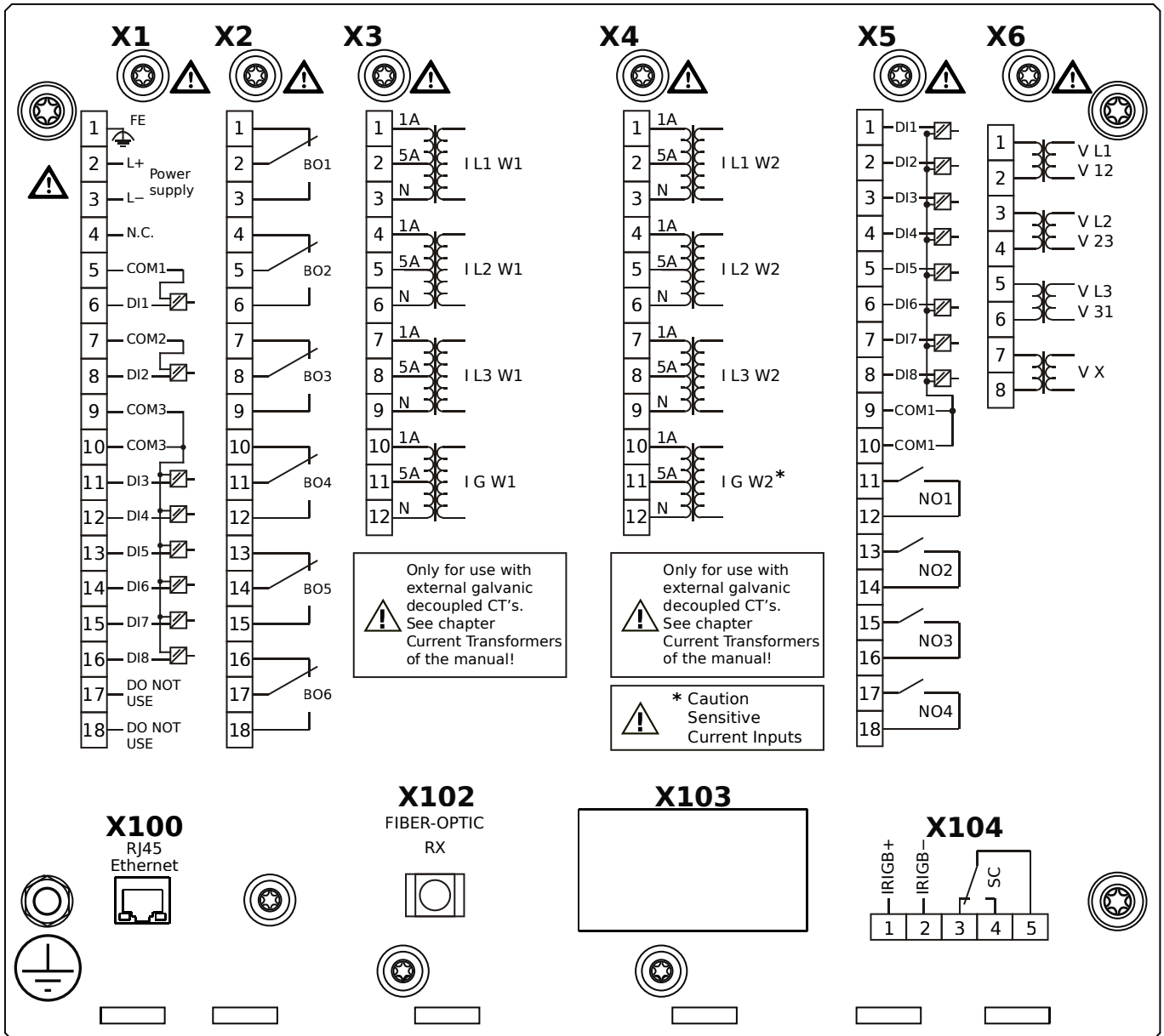
MCDTV4-2A2ACA



Housing B2, large display, door mounting

- X1** – DI8-X1: Wide-range power supply unit, incl. 2 non-grouped digital inputs and 6 grouped digital inputs
- X2** – OR6: Assembly Group with 6 Output Relays (Changeover / Form C)
- X3** – TI: Standard current measuring card (for the winding side 1)
- X4** – TIs: Standard phase current measuring card and sensitive ground current measuring (winding side 2)
- X5** – DI8-OR4: Assembly Group with 8 Digital Inputs and 4 Output Relays (NO / Form A)
- X6** – TU: Card with 4 voltage transformer measuring inputs (0 ... 800 VAC, under UL: 0 ... 600 VAC)
- X100** – Modbus TCP / IEC 60870-5-104 / DNP3.0 TCP/UDP, Ethernet interface, 100 Mbit/s, RJ45 (BASE100-FX)
- X102** – Universal Resistance-Temperature Detector (URTD) input, Fiber optics interface, Versatile Link
- X104** – IRIG-B00X, incl. System Contact (Supervision Contact)

MCDTV4-2A2ACB

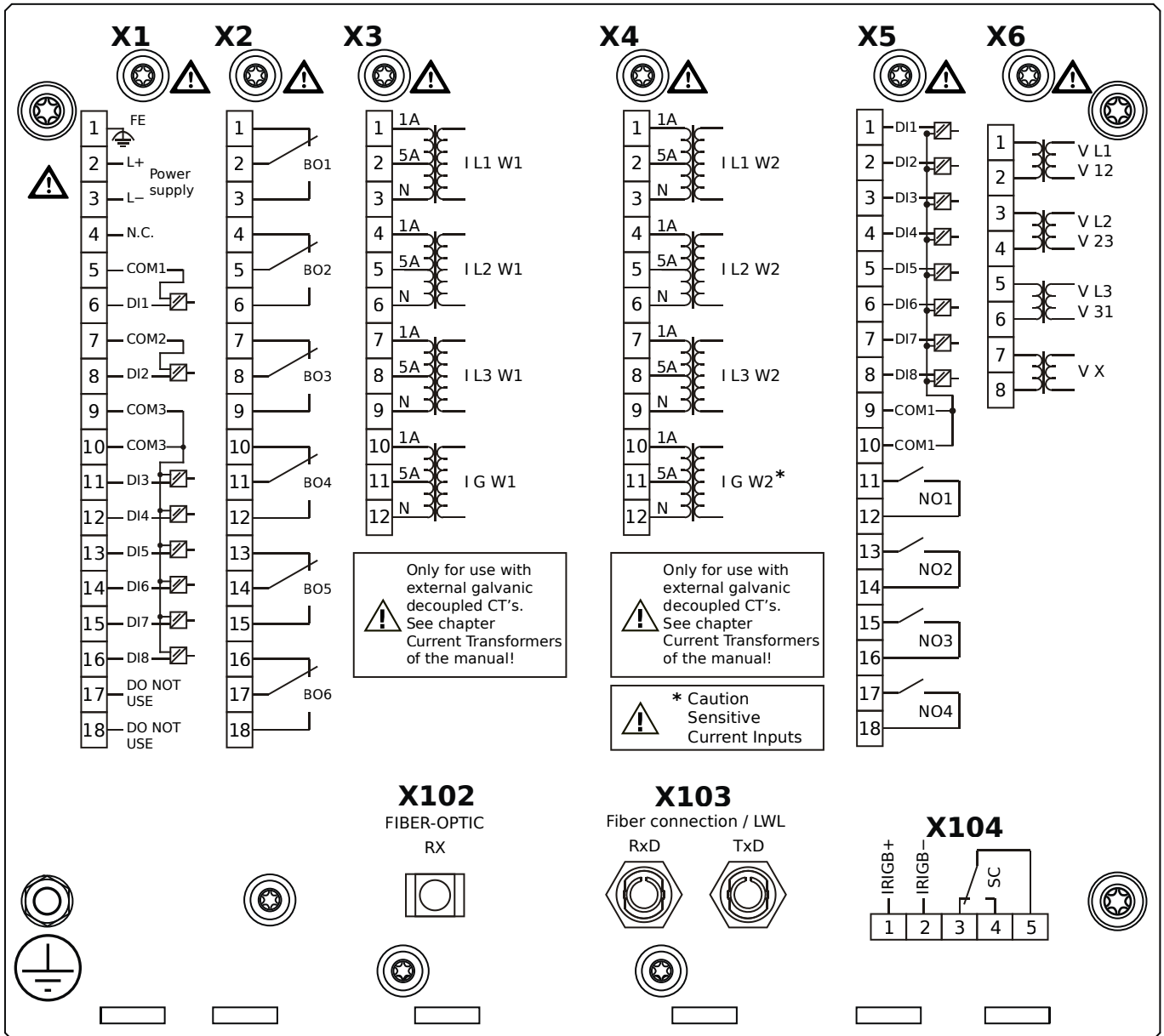


Housing B2, large display, door mounting

+ Conformal Coating (for installations in harsh environment)

- X1** – DI8-X1: Wide-range power supply unit, incl. 2 non-grouped digital inputs and 6 grouped digital inputs
- X2** – OR6: Assembly Group with 6 Output Relays (Changeover / Form C)
- X3** – TI: Standard current measuring card (for the winding side 1)
- X4** – TIs: Standard phase current measuring card and sensitive ground current measuring (winding side 2)
- X5** – DI8-OR4: Assembly Group with 8 Digital Inputs and 4 Output Relays (NO / Form A)
- X6** – TU: Card with 4 voltage transformer measuring inputs (0 ... 800 VAC, under UL: 0 ... 600 VAC)
- X100** – Modbus TCP / IEC 60870-5-104 / DNP3.0 TCP/UDP, Ethernet interface, 100 Mbit/s, RJ45 (BASE100-FX)
- X102** – Universal Resistance-Temperature Detector (URTD) input, Fiber optics interface, Versatile Link
- X104** – IRIG-B00X, incl. System Contact (Supervision Contact)

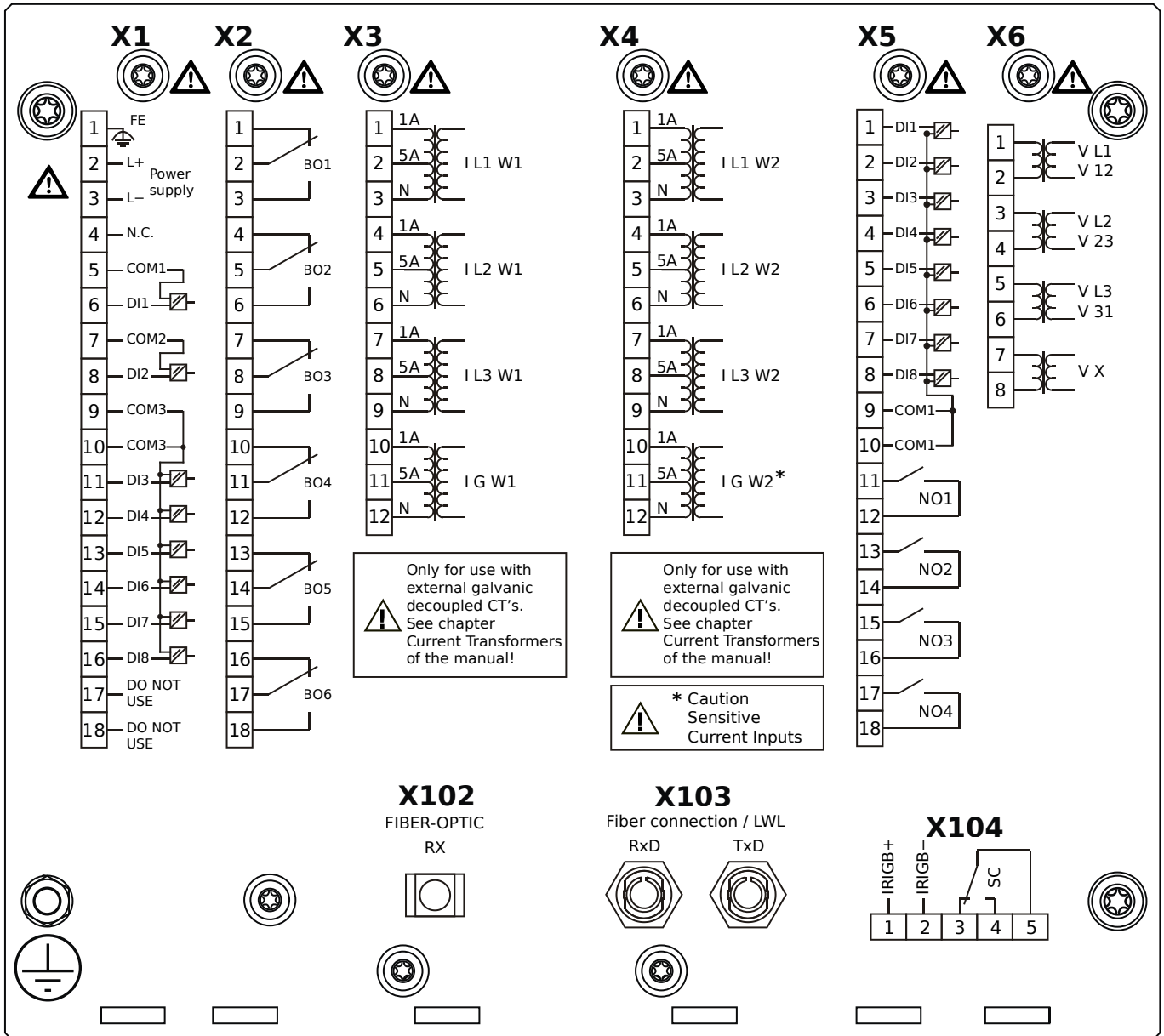
MCDTV4-2A2ADA



Housing B2, large display, door mounting

- X1** – DI8-X1: Wide-range power supply unit, incl. 2 non-grouped digital inputs and 6 grouped digital inputs
- X2** – OR6: Assembly Group with 6 Output Relays (Changeover / Form C)
- X3** – TI: Standard current measuring card (for the winding side 1)
- X4** – TIs: Standard phase current measuring card and sensitive ground current measuring (winding side 2)
- X5** – DI8-OR4: Assembly Group with 8 Digital Inputs and 4 Output Relays (NO / Form A)
- X6** – TU: Card with 4 voltage transformer measuring inputs (0 ... 800 VAC, under UL: 0 ... 600 VAC)
- X102** – Universal Resistance-Temperature Detector (URTD) input, Fiber optics interface, Versatile Link
- X103** – Profibus-DP, Fiber optics interface, ST Connector
- X104** – IRIG-B00X, incl. System Contact (Supervision Contact)

MCDTV4-2A2ADB

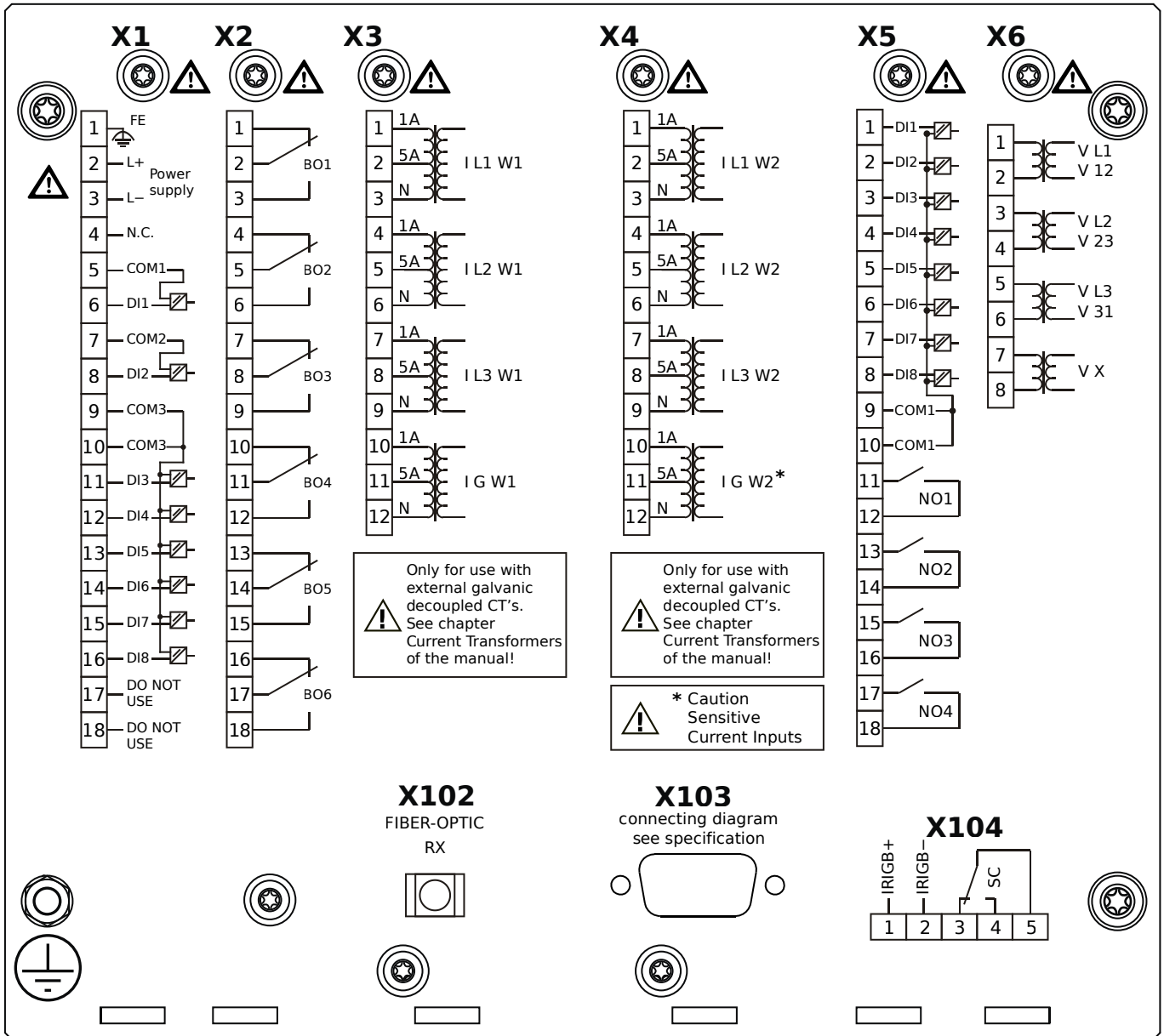


Housing B2, large display, door mounting

+ Conformal Coating (for installations in harsh environment)

- X1** – DI8-X1: Wide-range power supply unit, incl. 2 non-grouped digital inputs and 6 grouped digital inputs
- X2** – OR6: Assembly Group with 6 Output Relays (Changeover / Form C)
- X3** – TI: Standard current measuring card (for the winding side 1)
- X4** – TIs: Standard phase current measuring card and sensitive ground current measuring (winding side 2)
- X5** – DI8-OR4: Assembly Group with 8 Digital Inputs and 4 Output Relays (NO / Form A)
- X6** – TU: Card with 4 voltage transformer measuring inputs (0 ... 800 VAC, under UL: 0 ... 600 VAC)
- X102** – Universal Resistance-Temperature Detector (URTD) input, Fiber optics interface, Versatile Link
- X103** – Profibus-DP, Fiber optics interface, ST Connector
- X104** – IRIG-B00X, incl. System Contact (Supervision Contact)

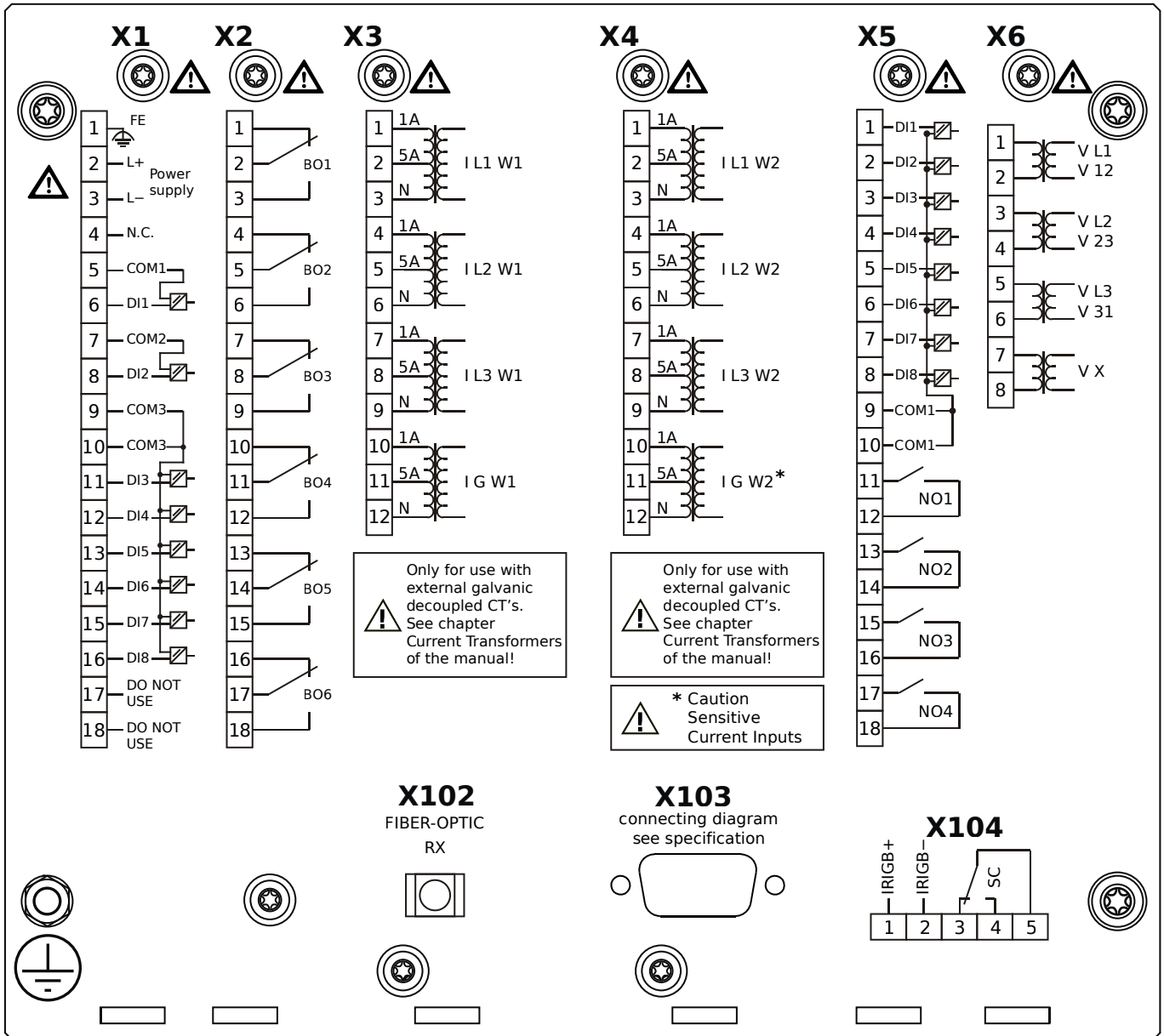
MCDTV4-2A2AEA



Housing B2, large display, door mounting

- X1** – DI8-X1: Wide-range power supply unit, incl. 2 non-grouped digital inputs and 6 grouped digital inputs
- X2** – OR6: Assembly Group with 6 Output Relays (Changeover / Form C)
- X3** – TI: Standard current measuring card (for the winding side 1)
- X4** – TIs: Standard phase current measuring card and sensitive ground current measuring (winding side 2)
- X5** – DI8-OR4: Assembly Group with 8 Digital Inputs and 4 Output Relays (NO / Form A)
- X6** – TU: Card with 4 voltage transformer measuring inputs (0 ... 800 VAC, under UL: 0 ... 600 VAC)
- X102** – Universal Resistance-Temperature Detector (URTD) input, Fiber optics interface, Versatile Link
- X103** – Profibus-DP, RS485, D-SUB
- X104** – IRIG-B00X, incl. System Contact (Supervision Contact)

MCDTV4-2A2AEB

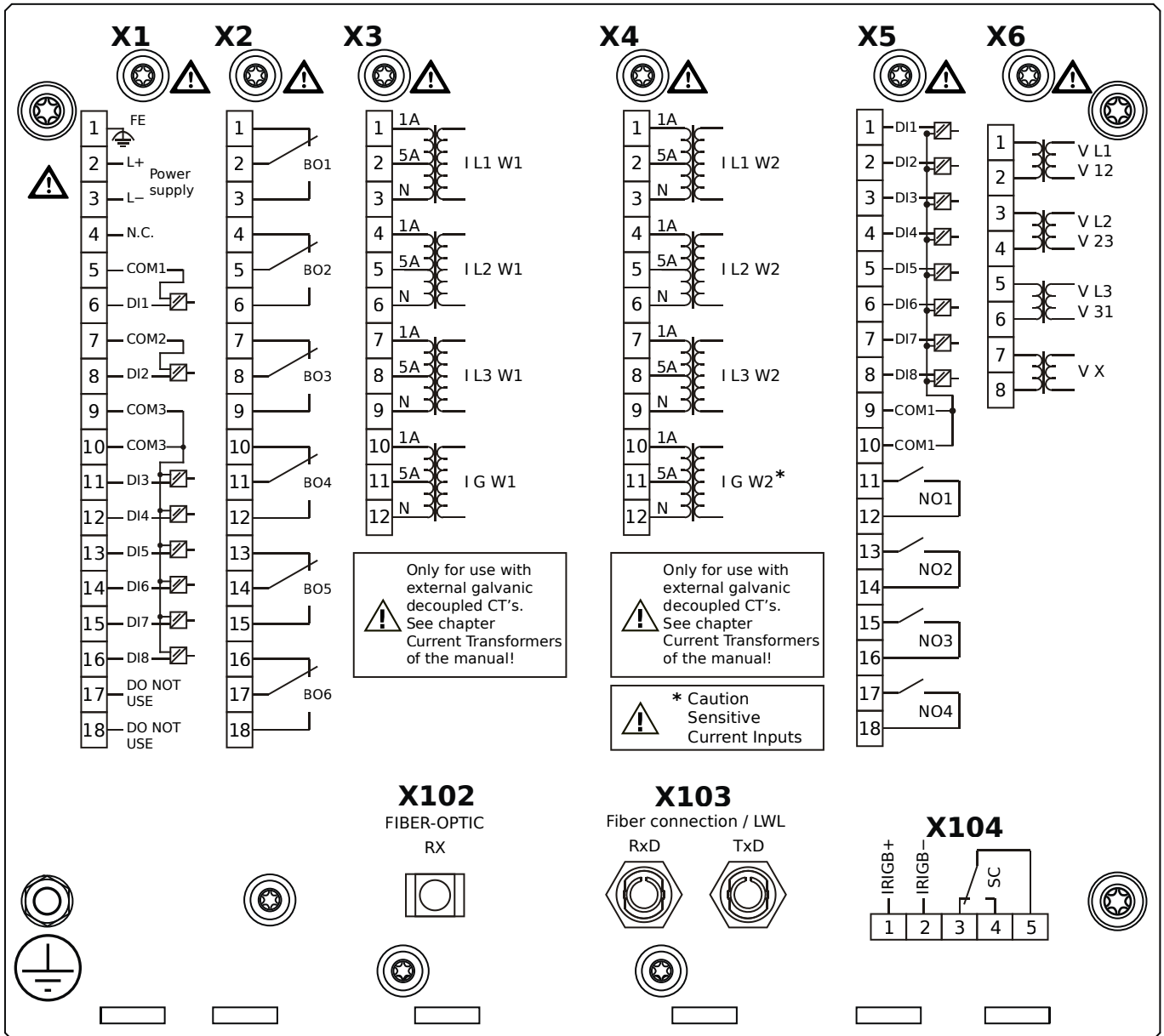


Housing B2, large display, door mounting

+ Conformal Coating (for installations in harsh environment)

- X1** – DI8-X1: Wide-range power supply unit, incl. 2 non-grouped digital inputs and 6 grouped digital inputs
- X2** – OR6: Assembly Group with 6 Output Relays (Changeover / Form C)
- X3** – TI: Standard current measuring card (for the winding side 1)
- X4** – TIs: Standard phase current measuring card and sensitive ground current measuring (winding side 2)
- X5** – DI8-OR4: Assembly Group with 8 Digital Inputs and 4 Output Relays (NO / Form A)
- X6** – TU: Card with 4 voltage transformer measuring inputs (0 ... 800 VAC, under UL: 0 ... 600 VAC)
- X102** – Universal Resistance-Temperature Detector (URTD) input, Fiber optics interface, Versatile Link
- X103** – Profibus-DP, RS485, D-SUB
- X104** – IRIG-B00X, incl. System Contact (Supervision Contact)

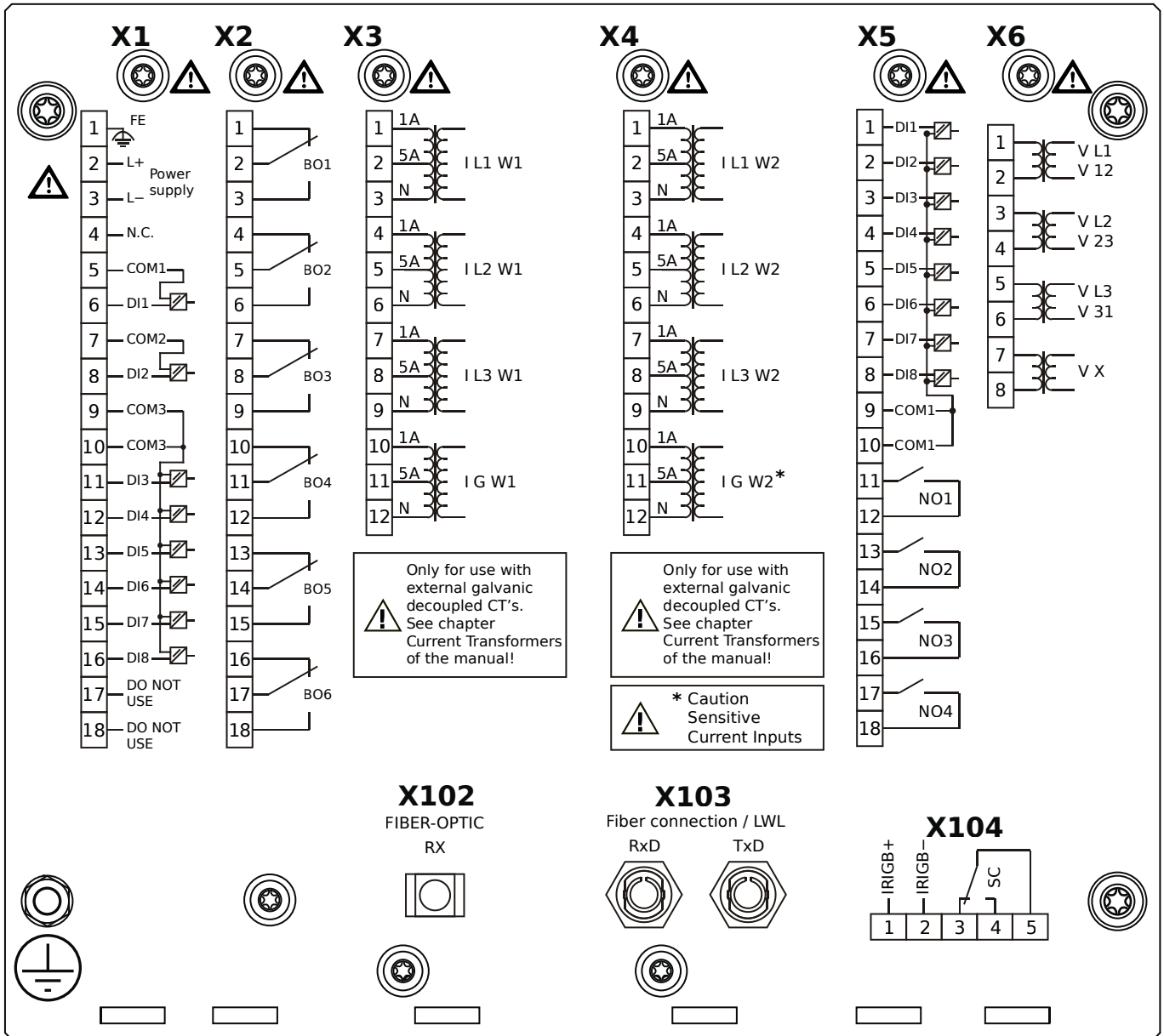
MCDTV4-2A2AFA



Housing B2, large display, door mounting

- X1** – DI8-X1: Wide-range power supply unit, incl. 2 non-grouped digital inputs and 6 grouped digital inputs
- X2** – OR6: Assembly Group with 6 Output Relays (Changeover / Form C)
- X3** – TI: Standard current measuring card (for the winding side 1)
- X4** – TIs: Standard phase current measuring card and sensitive ground current measuring (winding side 2)
- X5** – DI8-OR4: Assembly Group with 8 Digital Inputs and 4 Output Relays (NO / Form A)
- X6** – TU: Card with 4 voltage transformer measuring inputs (0 ... 800 VAC, under UL: 0 ... 600 VAC)
- X102** – Universal Resistance-Temperature Detector (URTD) input, Fiber optics interface, Versatile Link
- X103** – Modbus RTU / IEC 60870-5-103 / DNP3.0 RTU, Fiber optics interface, ST Connector
- X104** – IRIG-B00X, incl. System Contact (Supervision Contact)

MCDTV4-2A2AFB

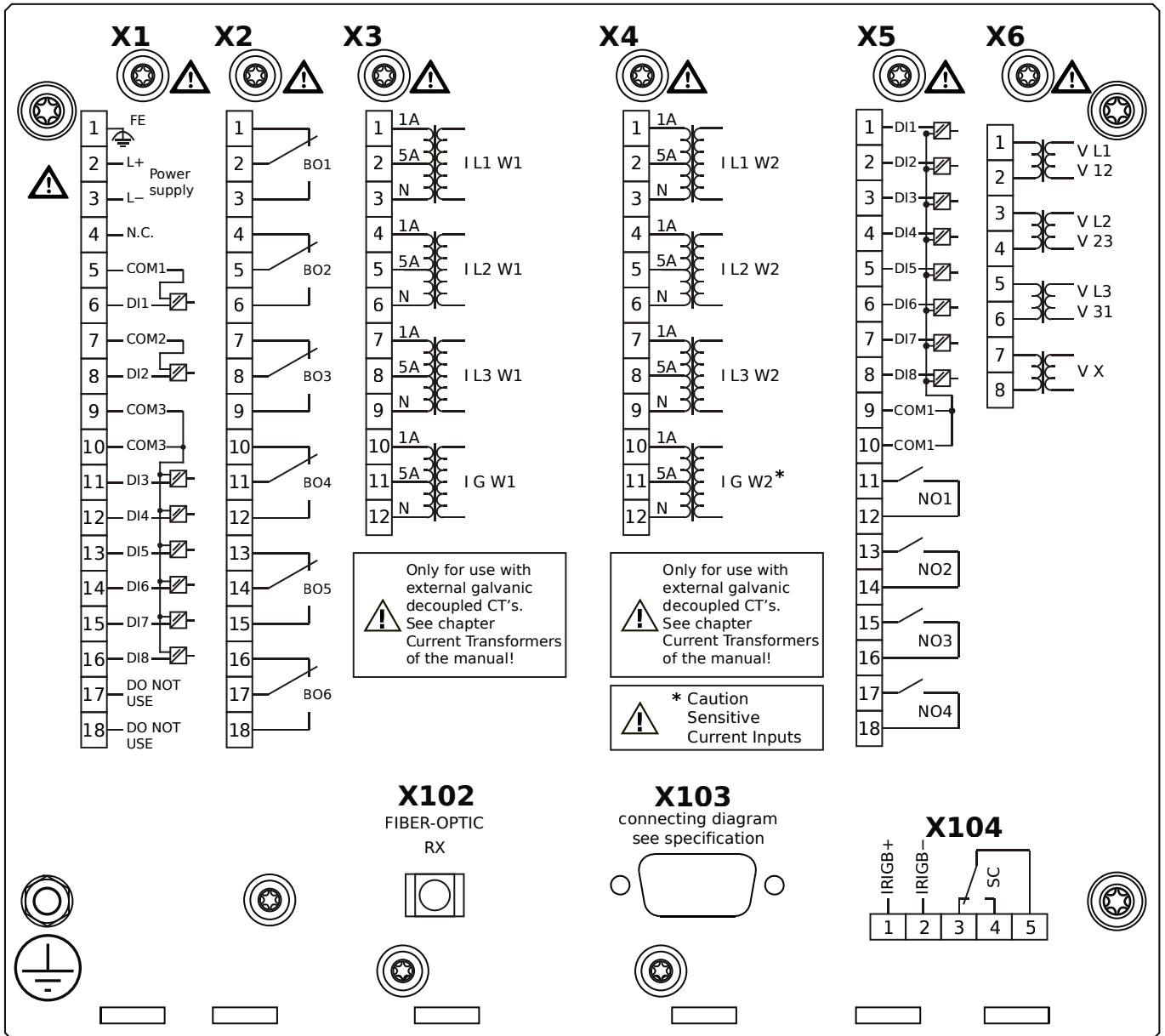


Housing B2, large display, door mounting

+ Conformal Coating (for installations in harsh environment)

- X1** – DI8-X1: Wide-range power supply unit, incl. 2 non-grouped digital inputs and 6 grouped digital inputs
- X2** – OR6: Assembly Group with 6 Output Relays (Changeover / Form C)
- X3** – TI: Standard current measuring card (for the winding side 1)
- X4** – TIs: Standard phase current measuring card and sensitive ground current measuring (winding side 2)
- X5** – DI8-OR4: Assembly Group with 8 Digital Inputs and 4 Output Relays (NO / Form A)
- X6** – TU: Card with 4 voltage transformer measuring inputs (0 ... 800 VAC, under UL: 0 ... 600 VAC)
- X102** – Universal Resistance-Temperature Detector (URTD) input, Fiber optics interface, Versatile Link
- X103** – Modbus RTU / IEC 60870-5-103 / DNP3.0 RTU, Fiber optics interface, ST Connector
- X104** – IRIG-B00X, incl. System Contact (Supervision Contact)

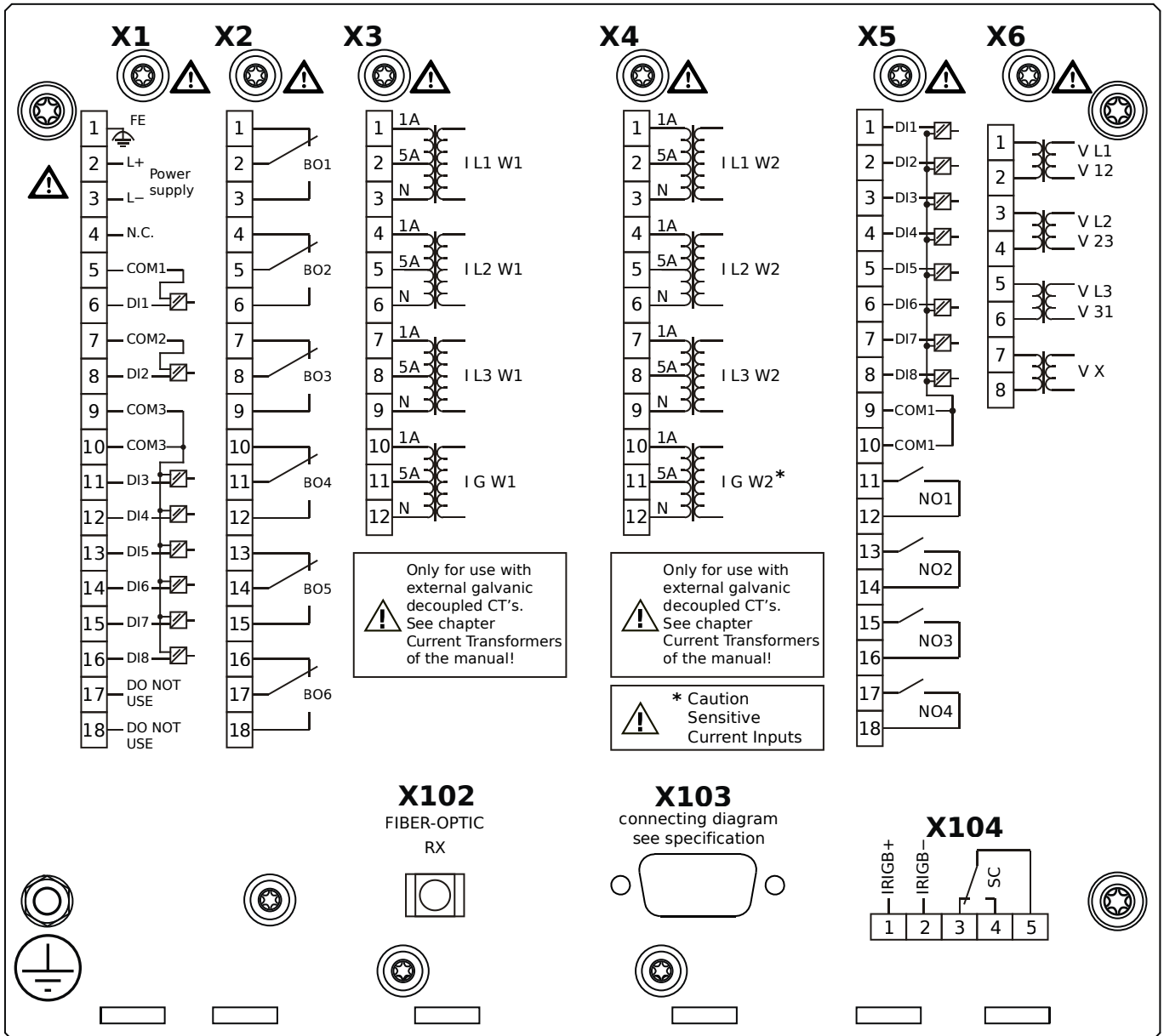
MCDTV4-2A2AGA



Housing B2, large display, door mounting

- X1** – DI8-X1: Wide-range power supply unit, incl. 2 non-grouped digital inputs and 6 grouped digital inputs
- X2** – OR6: Assembly Group with 6 Output Relays (Changeover / Form C)
- X3** – TI: Standard current measuring card (for the winding side 1)
- X4** – TIs: Standard phase current measuring card and sensitive ground current measuring (winding side 2)
- X5** – DI8-OR4: Assembly Group with 8 Digital Inputs and 4 Output Relays (NO / Form A)
- X6** – TU: Card with 4 voltage transformer measuring inputs (0 ... 800 VAC, under UL: 0 ... 600 VAC)
- X102** – Universal Resistance-Temperature Detector (URTD) input, Fiber optics interface, Versatile Link
- X103** – Modbus RTU / IEC 60870-5-103 / DNP3.0 RTU, RS485, D-SUB
- X104** – IRIG-B00X, incl. System Contact (Supervision Contact)

MCDTV4-2A2AGB

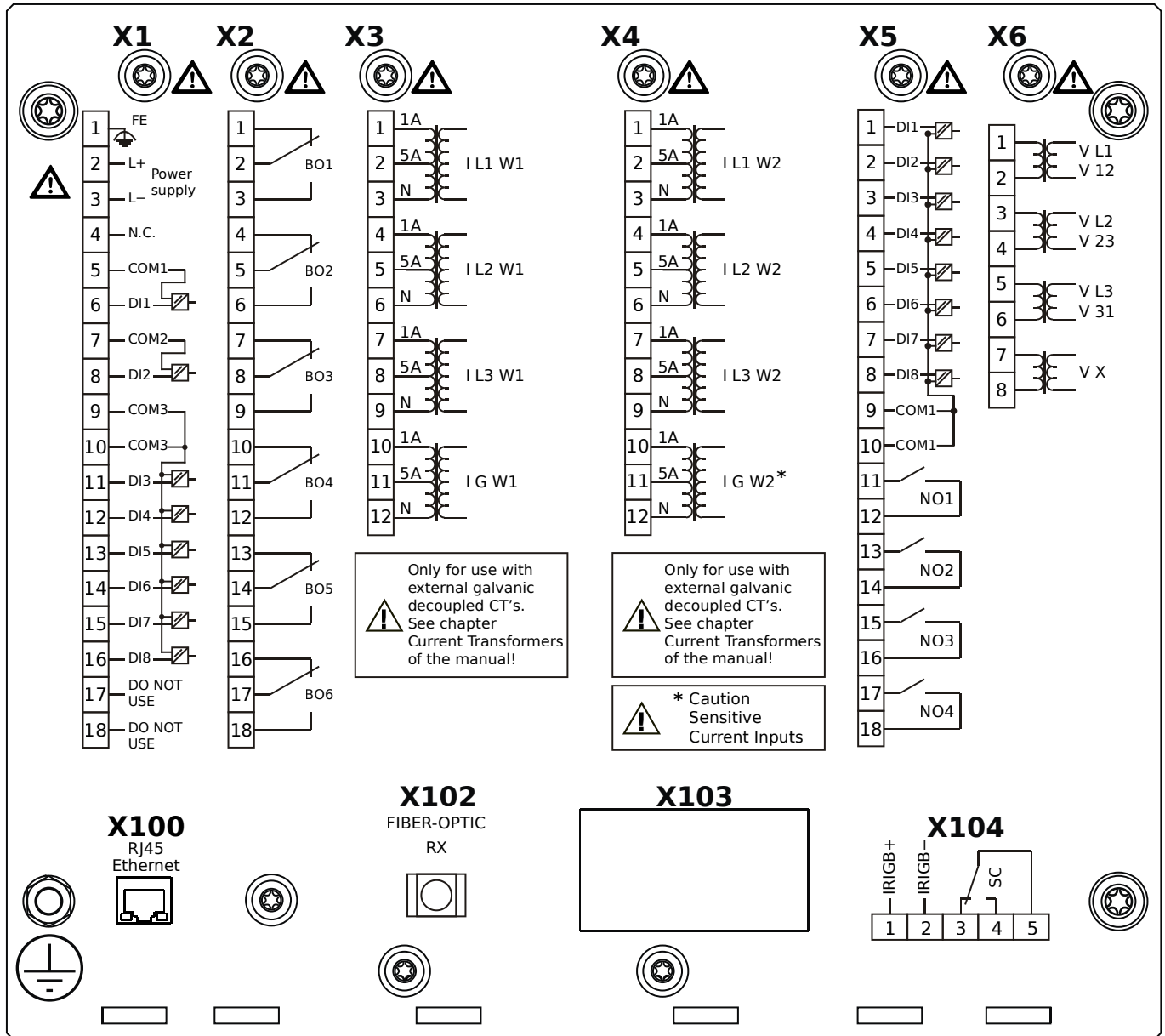


Housing B2, large display, door mounting

+ Conformal Coating (for installations in harsh environment)

- X1** – DI8-X1: Wide-range power supply unit, incl. 2 non-grouped digital inputs and 6 grouped digital inputs
- X2** – OR6: Assembly Group with 6 Output Relays (Changeover / Form C)
- X3** – TI: Standard current measuring card (for the winding side 1)
- X4** – TIs: Standard phase current measuring card and sensitive ground current measuring (winding side 2)
- X5** – DI8-OR4: Assembly Group with 8 Digital Inputs and 4 Output Relays (NO / Form A)
- X6** – TU: Card with 4 voltage transformer measuring inputs (0 ... 800 VAC, under UL: 0 ... 600 VAC)
- X102** – Universal Resistance-Temperature Detector (URTD) input, Fiber optics interface, Versatile Link
- X103** – Modbus RTU / IEC 60870-5-103 / DNP3.0 RTU, RS485, D-SUB
- X104** – IRIG-B00X, incl. System Contact (Supervision Contact)

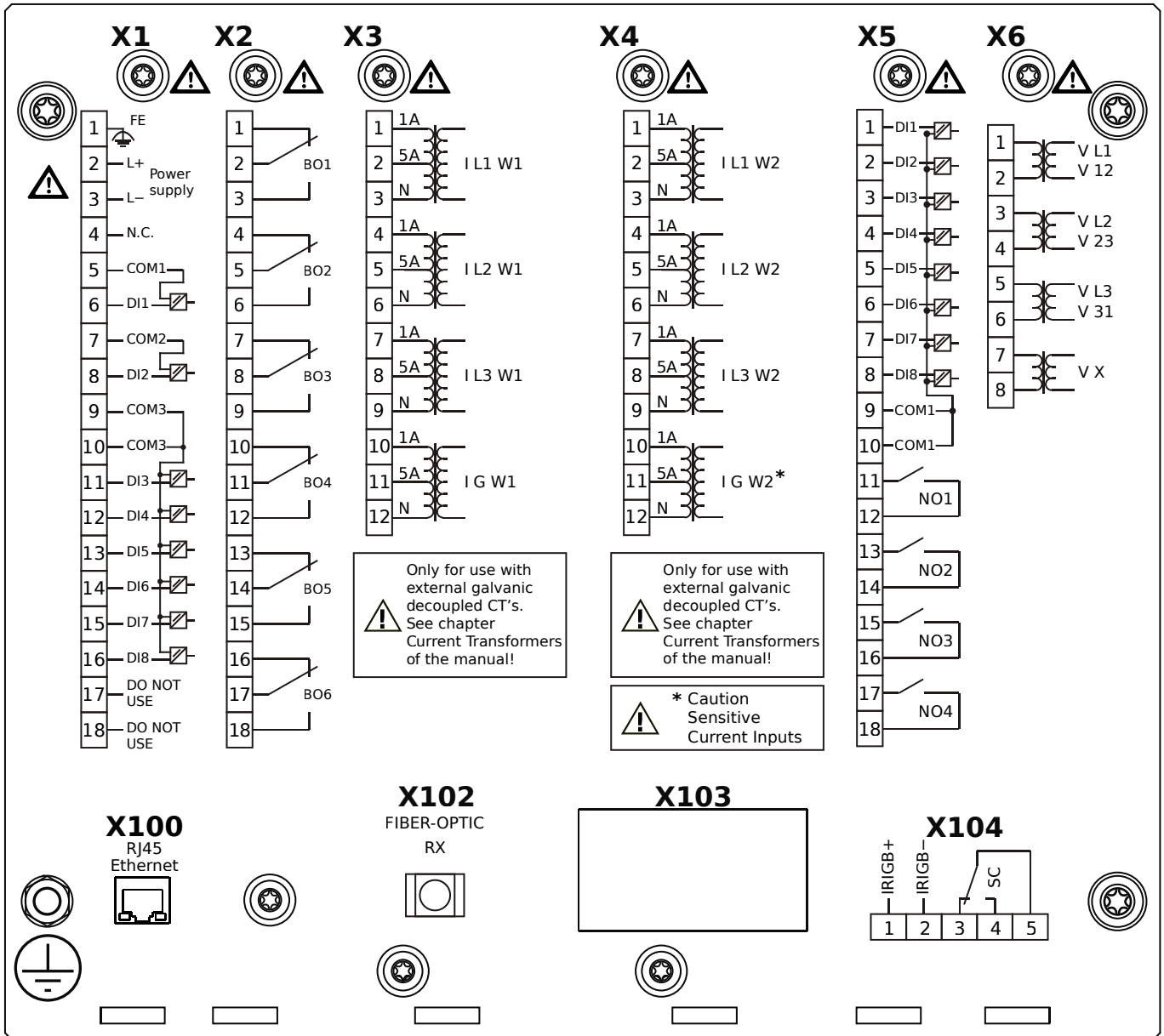
MCDTV4-2A2AHA



Housing B2, large display, door mounting

- X1** – DI8-X1: Wide-range power supply unit, incl. 2 non-grouped digital inputs and 6 grouped digital inputs
- X2** – OR6: Assembly Group with 6 Output Relays (Changeover / Form C)
- X3** – TI: Standard current measuring card (for the winding side 1)
- X4** – TIs: Standard phase current measuring card and sensitive ground current measuring (winding side 2)
- X5** – DI8-OR4: Assembly Group with 8 Digital Inputs and 4 Output Relays (NO / Form A)
- X6** – TU: Card with 4 voltage transformer measuring inputs (0 ... 800 VAC, under UL: 0 ... 600 VAC)
- X100** – IEC 61850 / Modbus TCP / IEC 60870-5-104 / DNP3.0 TCP/UDP, Ethernet interface, 100 Mbit/s, RJ45 (BASE100-FX)
- X102** – Universal Resistance-Temperature Detector (URTD) input, Fiber optics interface, Versatile Link
- X104** – IRIG-B00X, incl. System Contact (Supervision Contact)

MCDTV4-2A2AHB

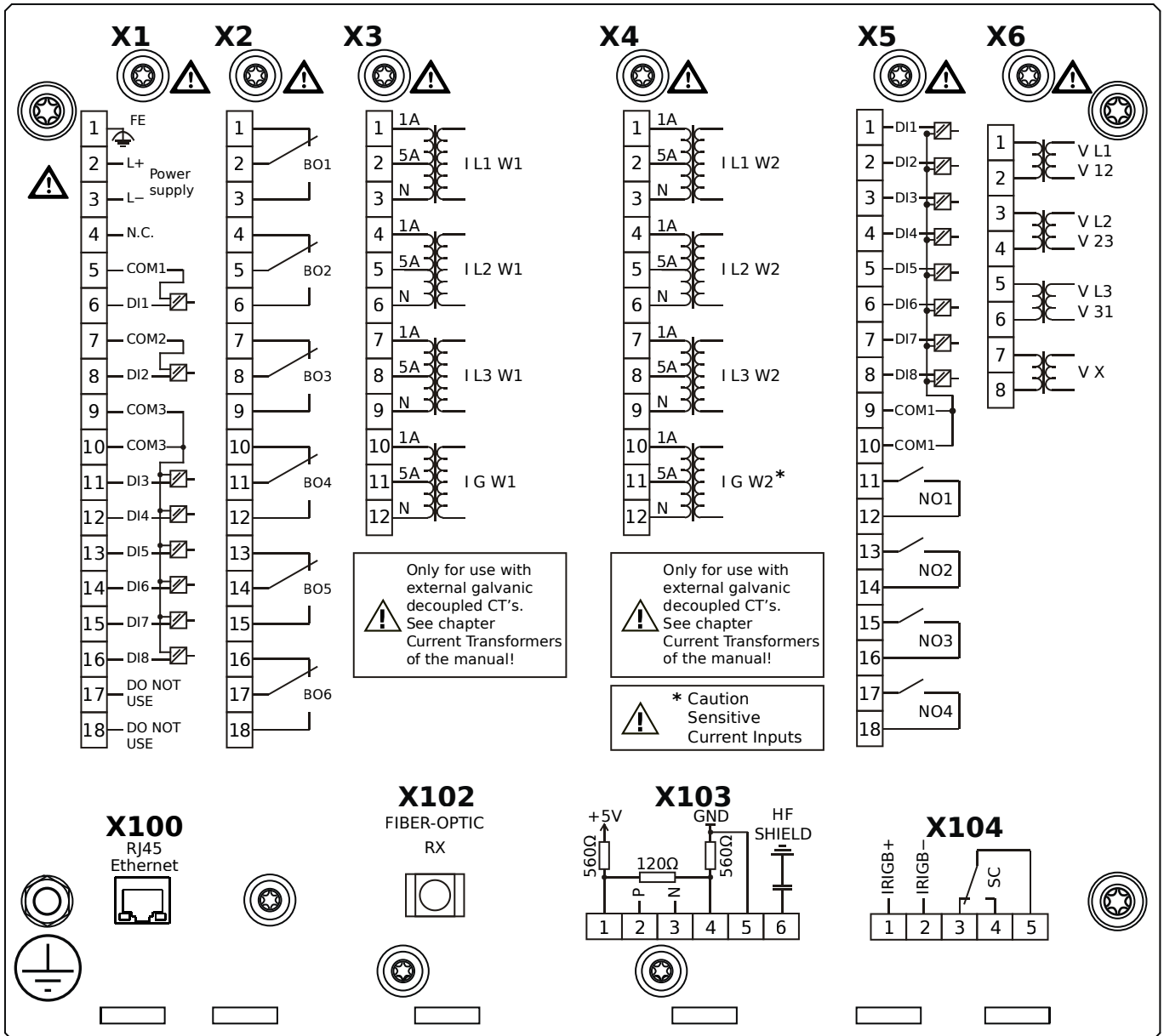


Housing B2, large display, door mounting

+ Conformal Coating (for installations in harsh environment)

- X1** – DI8-X1: Wide-range power supply unit, incl. 2 non-grouped digital inputs and 6 grouped digital inputs
- X2** – OR6: Assembly Group with 6 Output Relays (Changeover / Form C)
- X3** – TI: Standard current measuring card (for the winding side 1)
- X4** – TIs: Standard phase current measuring card and sensitive ground current measuring (winding side 2)
- X5** – DI8-OR4: Assembly Group with 8 Digital Inputs and 4 Output Relays (NO / Form A)
- X6** – TU: Card with 4 voltage transformer measuring inputs (0 ... 800 VAC, under UL: 0 ... 600 VAC)
- X100** – IEC 61850 / Modbus TCP / IEC 60870-5-104 / DNP3.0 TCP/UDP, Ethernet interface, 100 Mbit/s, RJ45 (BASE100-FX)
- X102** – Universal Resistance-Temperature Detector (URTD) input, Fiber optics interface, Versatile Link
- X104** – IRIG-B00X, incl. System Contact (Supervision Contact)

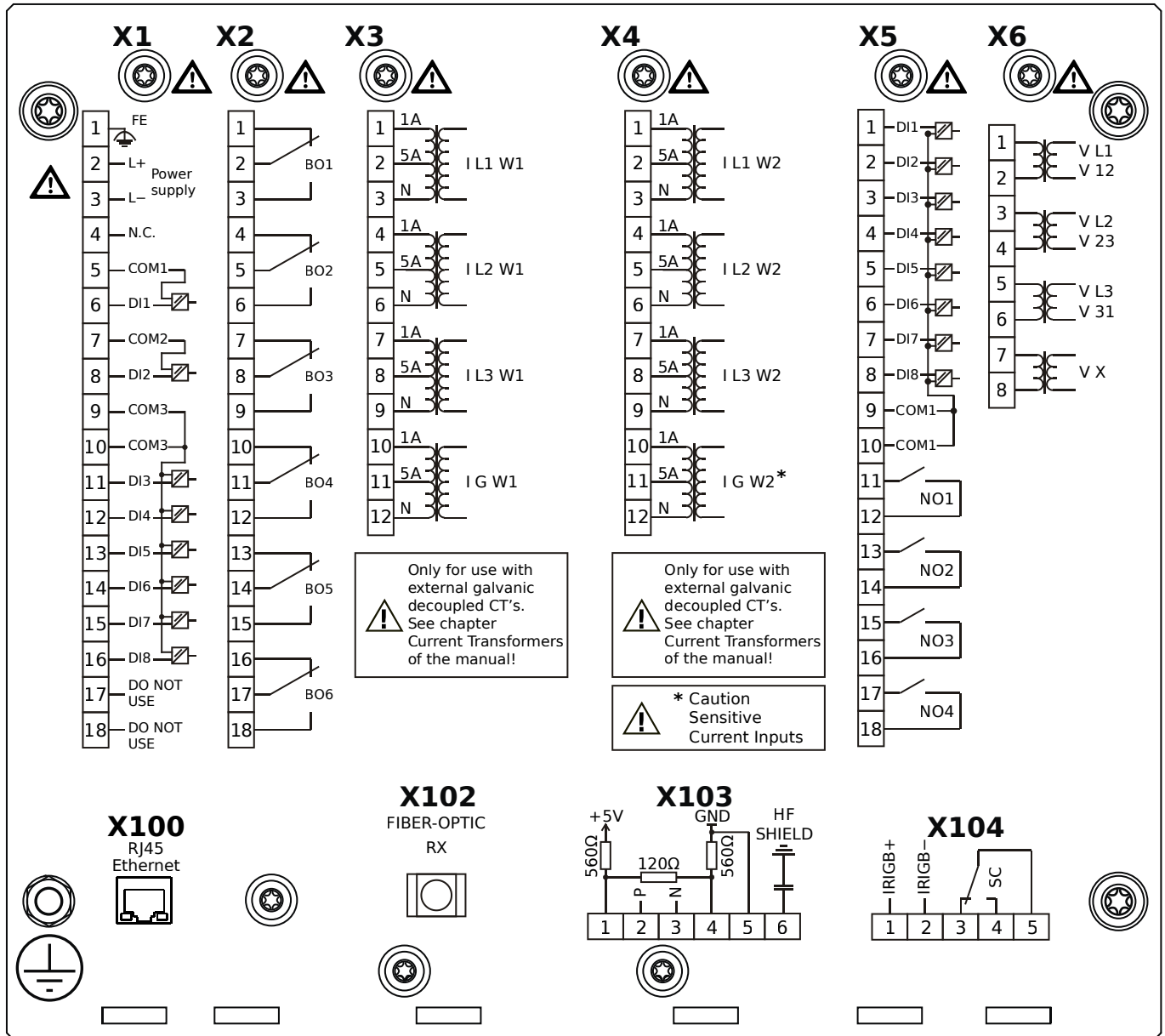
MCDTV4-2A2AIA



Housing B2, large display, door mounting

- X1** – DI8-X1: Wide-range power supply unit, incl. 2 non-grouped digital inputs and 6 grouped digital inputs
- X2** – OR6: Assembly Group with 6 Output Relays (Changeover / Form C)
- X3** – TI: Standard current measuring card (for the winding side 1)
- X4** – TIs: Standard phase current measuring card and sensitive ground current measuring (winding side 2)
- X5** – DI8-OR4: Assembly Group with 8 Digital Inputs and 4 Output Relays (NO / Form A)
- X6** – TU: Card with 4 voltage transformer measuring inputs (0 ... 800 VAC, under UL: 0 ... 600 VAC)
- X100** – Modbus TCP / IEC 60870-5-104 / DNP3.0 TCP/UDP, Ethernet interface, 100 Mbit/s, RJ45 (BASE100-FX)
- X102** – Universal Resistance-Temperature Detector (URTD) input, Fiber optics interface, Versatile Link
- X103** – IEC 60870-5-103 / Modbus RTU / DNP3.0 RTU, RS485, Terminals
- X104** – IRIG-B00X, incl. System Contact (Supervision Contact)

MCDTV4-2A2AIB

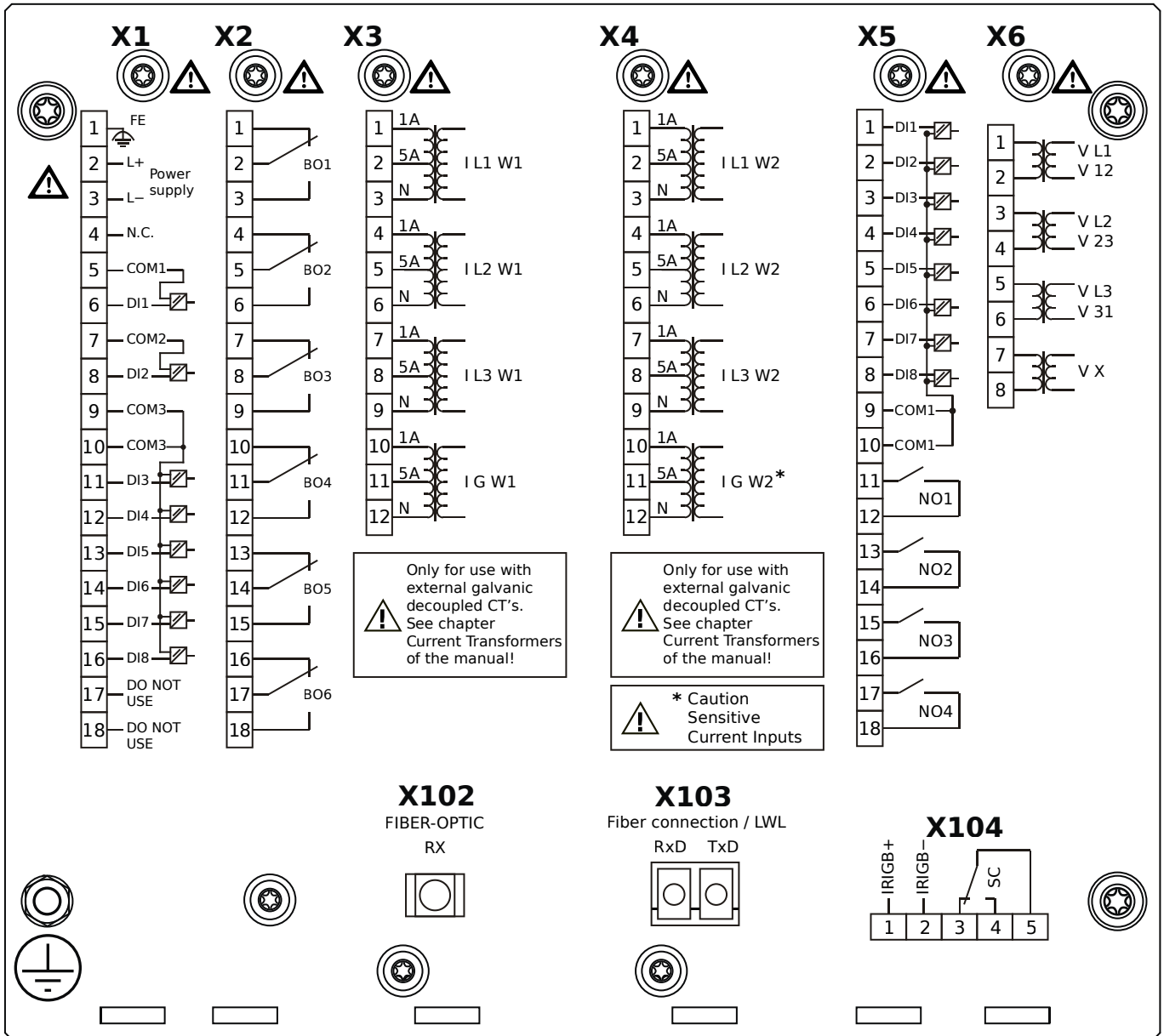


Housing B2, large display, door mounting

+ Conformal Coating (for installations in harsh environment)

- X1** – DI8-X1: Wide-range power supply unit, incl. 2 non-grouped digital inputs and 6 grouped digital inputs
- X2** – OR6: Assembly Group with 6 Output Relays (Changeover / Form C)
- X3** – TI: Standard current measuring card (for the winding side 1)
- X4** – TIs: Standard phase current measuring card and sensitive ground current measuring (winding side 2)
- X5** – DI8-OR4: Assembly Group with 8 Digital Inputs and 4 Output Relays (NO / Form A)
- X6** – TU: Card with 4 voltage transformer measuring inputs (0 ... 800 VAC, under UL: 0 ... 600 VAC)
- X100** – Modbus TCP / IEC 60870-5-104 / DNP3.0 TCP/UDP, Ethernet interface, 100 Mbit/s, RJ45 (BASE100-FX)
- X102** – Universal Resistance-Temperature Detector (URTD) input, Fiber optics interface, Versatile Link
- X103** – IEC 60870-5-103 / Modbus RTU / DNP3.0 RTU, RS485, Terminals
- X104** – IRIG-B00X, incl. System Contact (Supervision Contact)

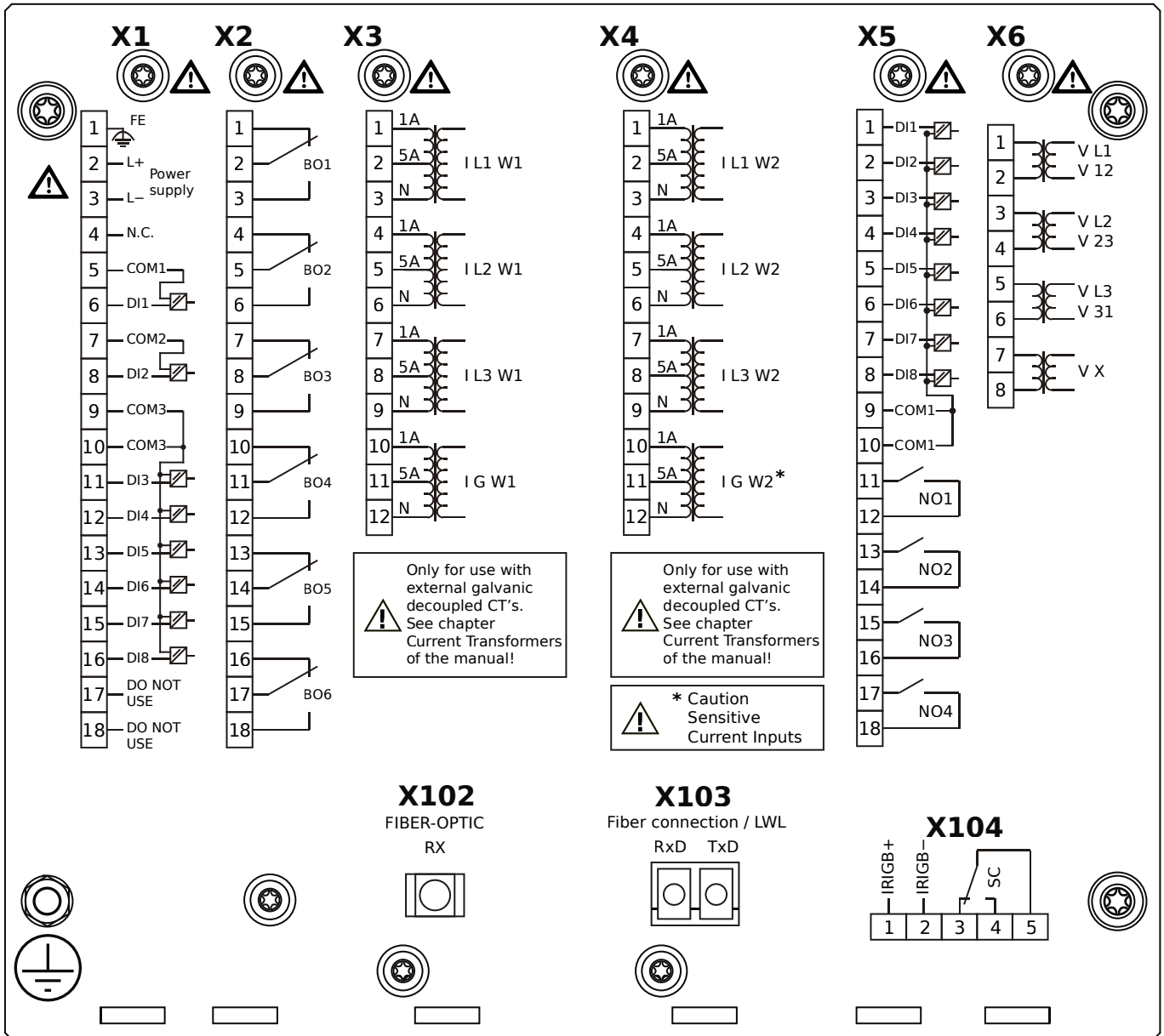
MCDTV4-2A2AKA



Housing B2, large display, door mounting

- X1** – DI8-X1: Wide-range power supply unit, incl. 2 non-grouped digital inputs and 6 grouped digital inputs
- X2** – OR6: Assembly Group with 6 Output Relays (Changeover / Form C)
- X3** – TI: Standard current measuring card (for the winding side 1)
- X4** – TIs: Standard phase current measuring card and sensitive ground current measuring (winding side 2)
- X5** – DI8-OR4: Assembly Group with 8 Digital Inputs and 4 Output Relays (NO / Form A)
- X6** – TU: Card with 4 voltage transformer measuring inputs (0 ... 800 VAC, under UL: 0 ... 600 VAC)
- X102** – Universal Resistance-Temperature Detector (URTD) input, Fiber optics interface, Versatile Link
- X103** – IEC 61850 / Modbus TCP / IEC 60870-5-104 / DNP3.0 TCP/UDP, Fiber optics interface, LC Connector
- X104** – IRIG-B00X, incl. System Contact (Supervision Contact)

MCDTV4-2A2AKB

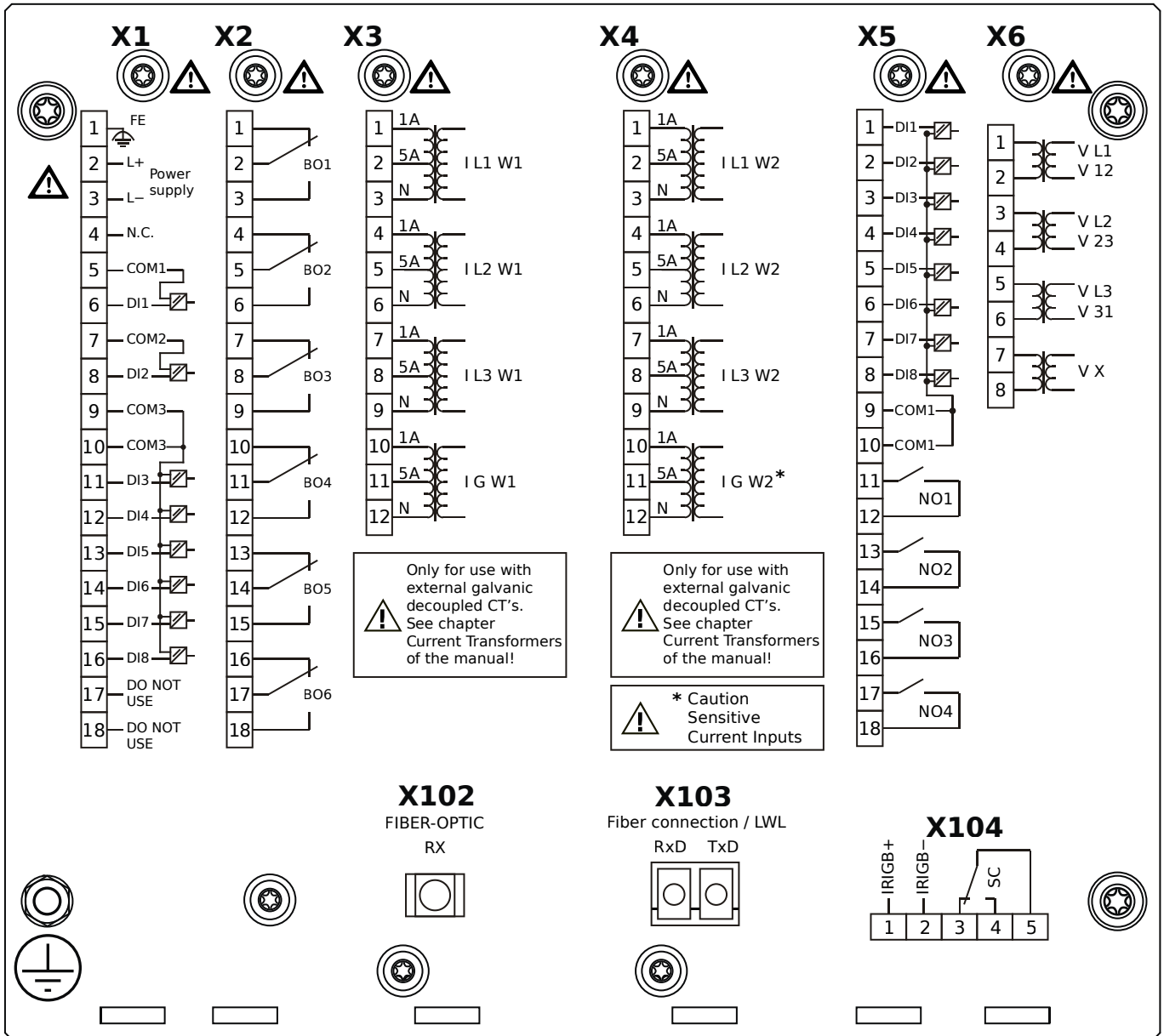


Housing B2, large display, door mounting

+ Conformal Coating (for installations in harsh environment)

- X1** – DI8-X1: Wide-range power supply unit, incl. 2 non-grouped digital inputs and 6 grouped digital inputs
- X2** – OR6: Assembly Group with 6 Output Relays (Changeover / Form C)
- X3** – TI: Standard current measuring card (for the winding side 1)
- X4** – TIs: Standard phase current measuring card and sensitive ground current measuring (winding side 2)
- X5** – DI8-OR4: Assembly Group with 8 Digital Inputs and 4 Output Relays (NO / Form A)
- X6** – TU: Card with 4 voltage transformer measuring inputs (0 ... 800 VAC, under UL: 0 ... 600 VAC)
- X102** – Universal Resistance-Temperature Detector (URTD) input, Fiber optics interface, Versatile Link
- X103** – IEC 61850 / Modbus TCP / IEC 60870-5-104 / DNP3.0 TCP/UDP, Fiber optics interface, LC Connector
- X104** – IRIG-B00X, incl. System Contact (Supervision Contact)

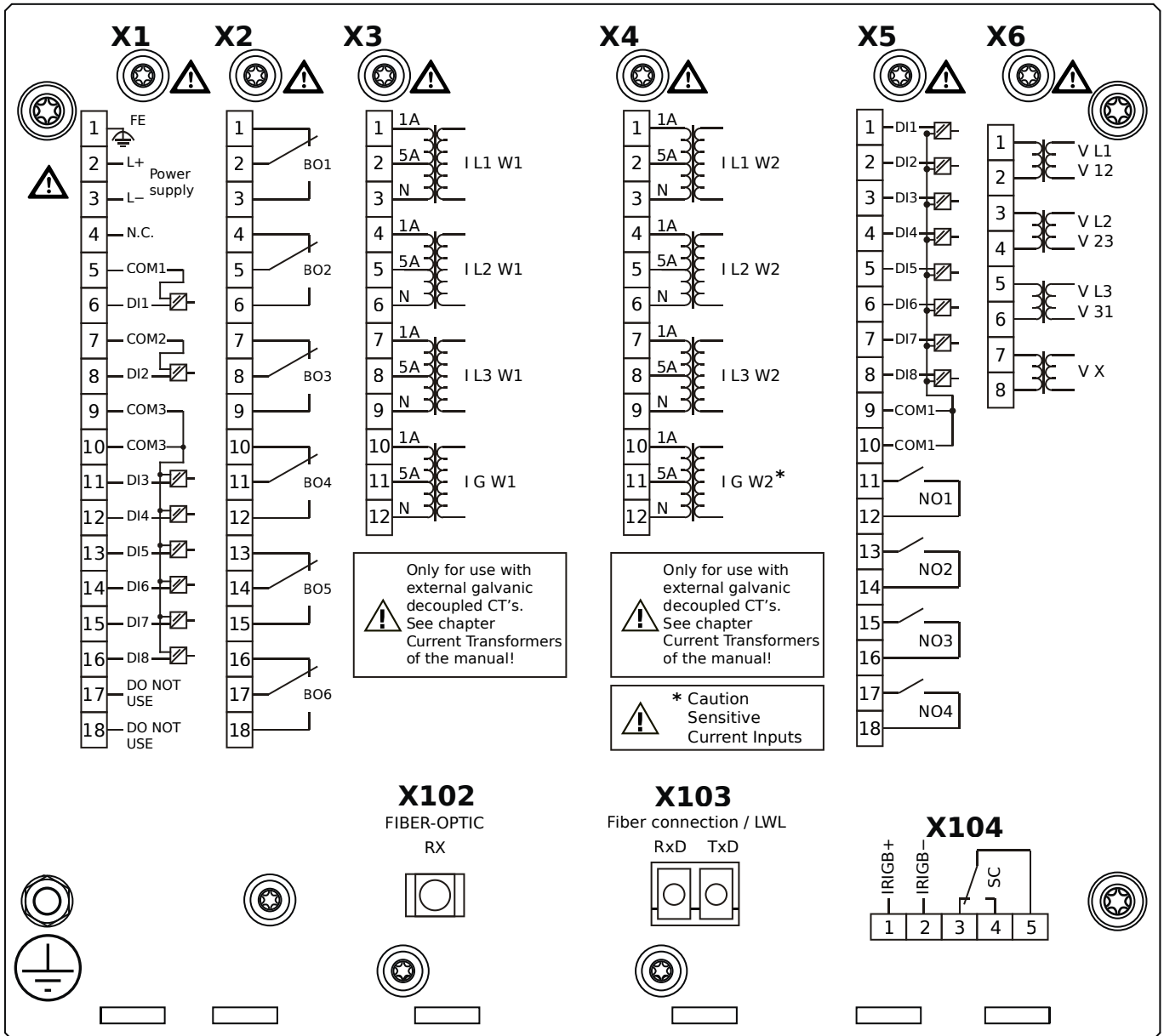
MCDTV4-2A2ALA



Housing B2, large display, door mounting

- X1** – DI8-X1: Wide-range power supply unit, incl. 2 non-grouped digital inputs and 6 grouped digital inputs
- X2** – OR6: Assembly Group with 6 Output Relays (Changeover / Form C)
- X3** – TI: Standard current measuring card (for the winding side 1)
- X4** – TIs: Standard phase current measuring card and sensitive ground current measuring (winding side 2)
- X5** – DI8-OR4: Assembly Group with 8 Digital Inputs and 4 Output Relays (NO / Form A)
- X6** – TU: Card with 4 voltage transformer measuring inputs (0 ... 800 VAC, under UL: 0 ... 600 VAC)
- X102** – Universal Resistance-Temperature Detector (URTD) input, Fiber optics interface, Versatile Link
- X103** – Modbus TCP / IEC 60870-5-104 / DNP3.0 TCP/UDP, Fiber optics interface, LC Connector
- X104** – IRIG-B00X, incl. System Contact (Supervision Contact)

MCDTV4-2A2ALB

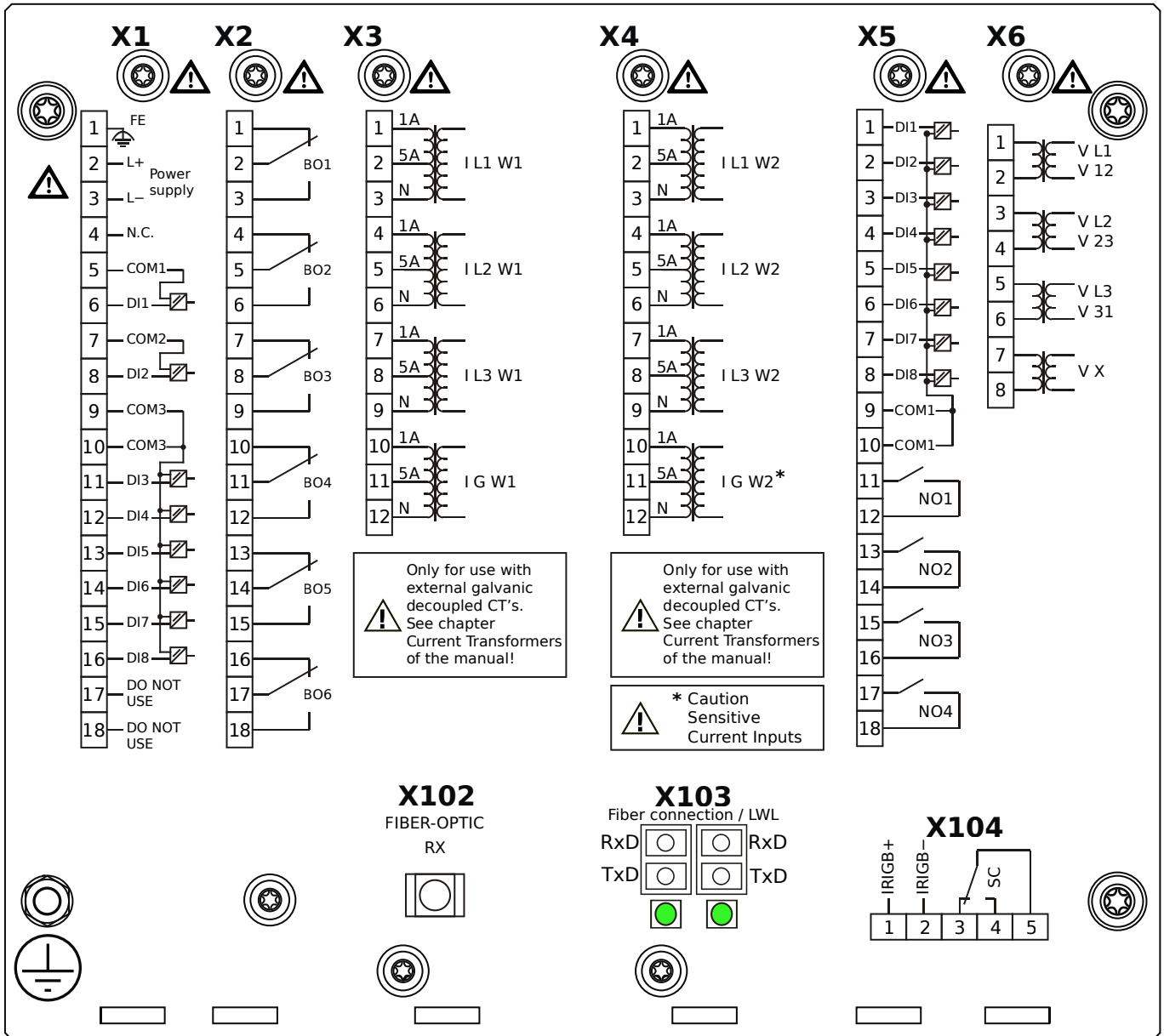


Housing B2, large display, door mounting

+ Conformal Coating (for installations in harsh environment)

- X1** – DI8-X1: Wide-range power supply unit, incl. 2 non-grouped digital inputs and 6 grouped digital inputs
- X2** – OR6: Assembly Group with 6 Output Relays (Changeover / Form C)
- X3** – TI: Standard current measuring card (for the winding side 1)
- X4** – TIs: Standard phase current measuring card and sensitive ground current measuring (winding side 2)
- X5** – DI8-OR4: Assembly Group with 8 Digital Inputs and 4 Output Relays (NO / Form A)
- X6** – TU: Card with 4 voltage transformer measuring inputs (0 ... 800 VAC, under UL: 0 ... 600 VAC)
- X102** – Universal Resistance-Temperature Detector (URTD) input, Fiber optics interface, Versatile Link
- X103** – Modbus TCP / IEC 60870-5-104 / DNP3.0 TCP/UDP, Fiber optics interface, LC Connector
- X104** – IRIG-B00X, incl. System Contact (Supervision Contact)

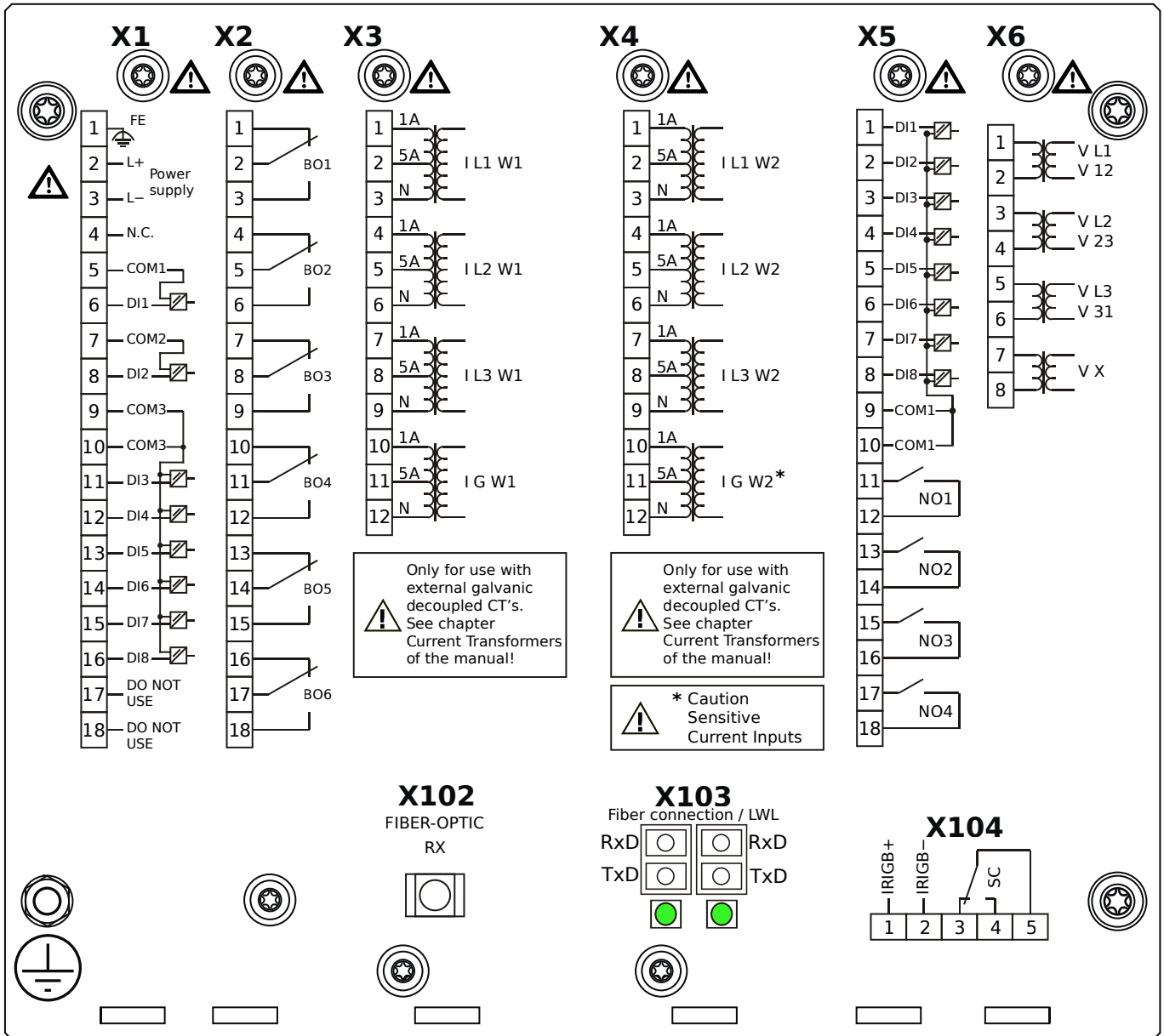
MCDTV4-2A2AOA



Housing B2, large display, door mounting

- X1** – DI8-X1: Wide-range power supply unit, incl. 2 non-grouped digital inputs and 6 grouped digital inputs
- X2** – OR6: Assembly Group with 6 Output Relays (Changeover / Form C)
- X3** – TI: Standard current measuring card (for the winding side 1)
- X4** – TIs: Standard phase current measuring card and sensitive ground current measuring (winding side 2)
- X5** – DI8-OR4: Assembly Group with 8 Digital Inputs and 4 Output Relays (NO / Form A)
- X6** – TU: Card with 4 voltage transformer measuring inputs (0 ... 800 VAC, under UL: 0 ... 600 VAC)
- X102** – Universal Resistance-Temperature Detector (URTD) input, Fiber optics interface, Versatile Link
- X103** – Modbus TCP / IEC 60870-5-104 / DNP3.0 TCP/UDP, Redundant Fiber optics interface, LC Connector
- X104** – IRIG-B00X, incl. System Contact (Supervision Contact)

MCDTV4-2A2AOB

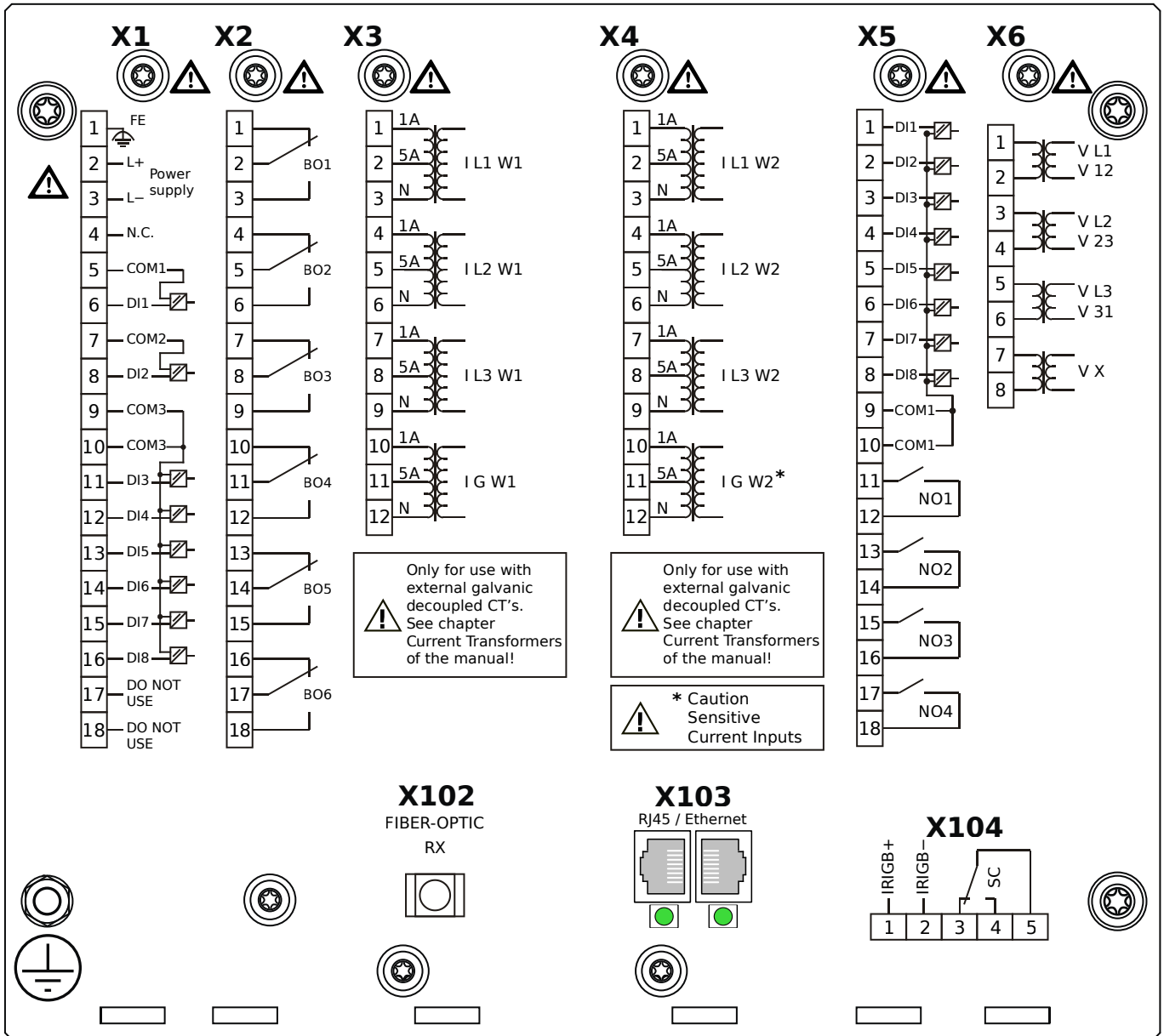


Housing B2, large display, door mounting

+ Conformal Coating (for installations in harsh environment)

- X1** – DI8-X1: Wide-range power supply unit, incl. 2 non-grouped digital inputs and 6 grouped digital inputs
- X2** – OR6: Assembly Group with 6 Output Relays (Changeover / Form C)
- X3** – TI: Standard current measuring card (for the winding side 1)
- X4** – TIs: Standard phase current measuring card and sensitive ground current measuring (winding side 2)
- X5** – DI8-OR4: Assembly Group with 8 Digital Inputs and 4 Output Relays (NO / Form A)
- X6** – TU: Card with 4 voltage transformer measuring inputs (0 ... 800 VAC, under UL: 0 ... 600 VAC)
- X102** – Universal Resistance-Temperature Detector (URTD) input, Fiber optics interface, Versatile Link
- X103** – Modbus TCP / IEC 60870-5-104 / DNP3.0 TCP/UDP, Redundant Fiber optics interface, LC Connector
- X104** – IRIG-B00X, incl. System Contact (Supervision Contact)

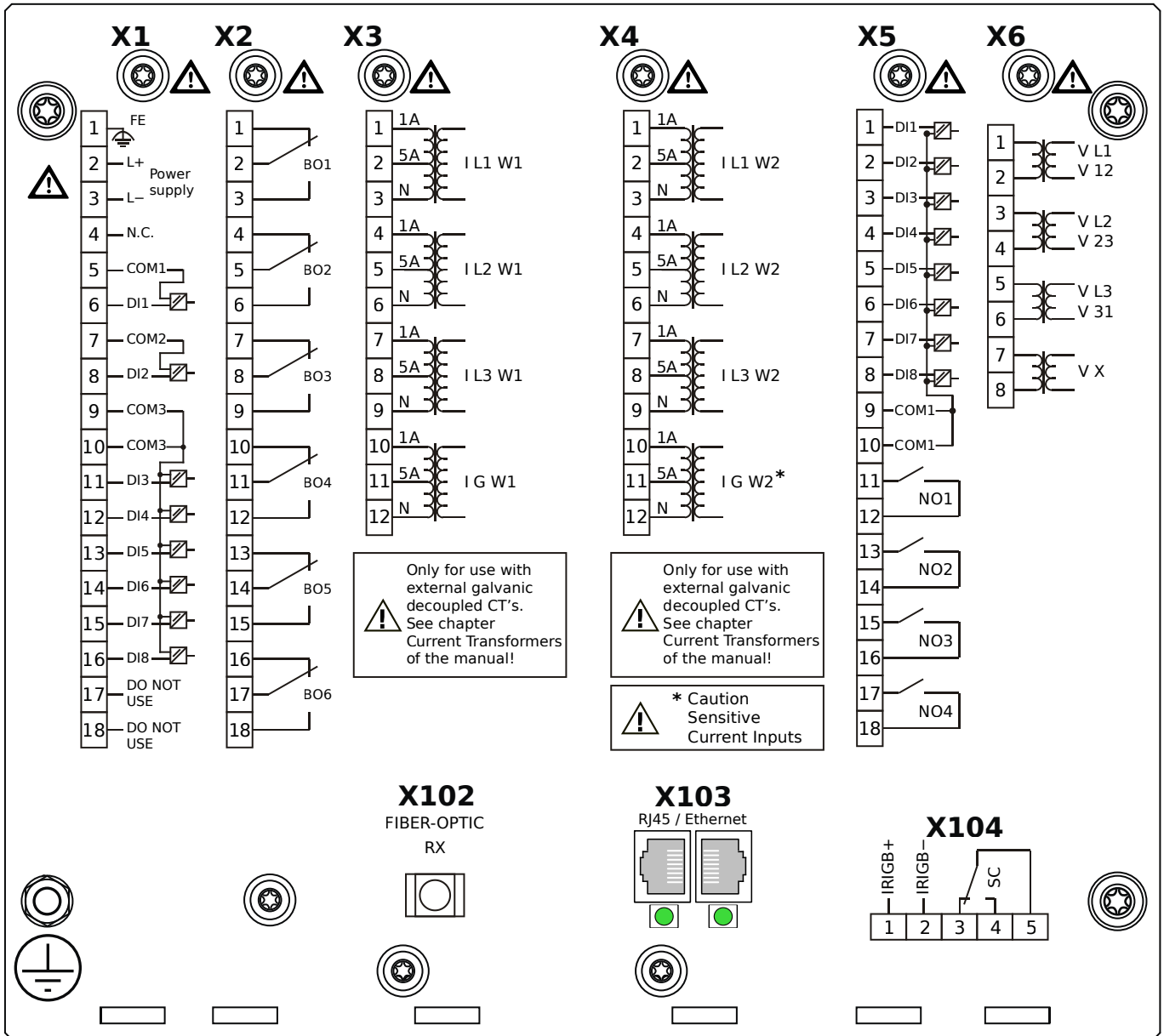
MCDTV4-2A2APA



Housing B2, large display, door mounting

- X1** – DI8-X1: Wide-range power supply unit, incl. 2 non-grouped digital inputs and 6 grouped digital inputs
- X2** – OR6: Assembly Group with 6 Output Relays (Changeover / Form C)
- X3** – TI: Standard current measuring card (for the winding side 1)
- X4** – TIs: Standard phase current measuring card and sensitive ground current measuring (winding side 2)
- X5** – DI8-OR4: Assembly Group with 8 Digital Inputs and 4 Output Relays (NO / Form A)
- X6** – TU: Card with 4 voltage transformer measuring inputs (0 ... 800 VAC, under UL: 0 ... 600 VAC)
- X102** – Universal Resistance-Temperature Detector (URTD) input, Fiber optics interface, Versatile Link
- X103** – Modbus TCP / IEC 60870-5-104 / DNP3.0 TCP/UDP, Redundant Ethernet interface, 100 Mbit/s, RJ45 (BASE100-FX)
- X104** – IRIG-B00X, incl. System Contact (Supervision Contact)

MCDTV4-2A2APB

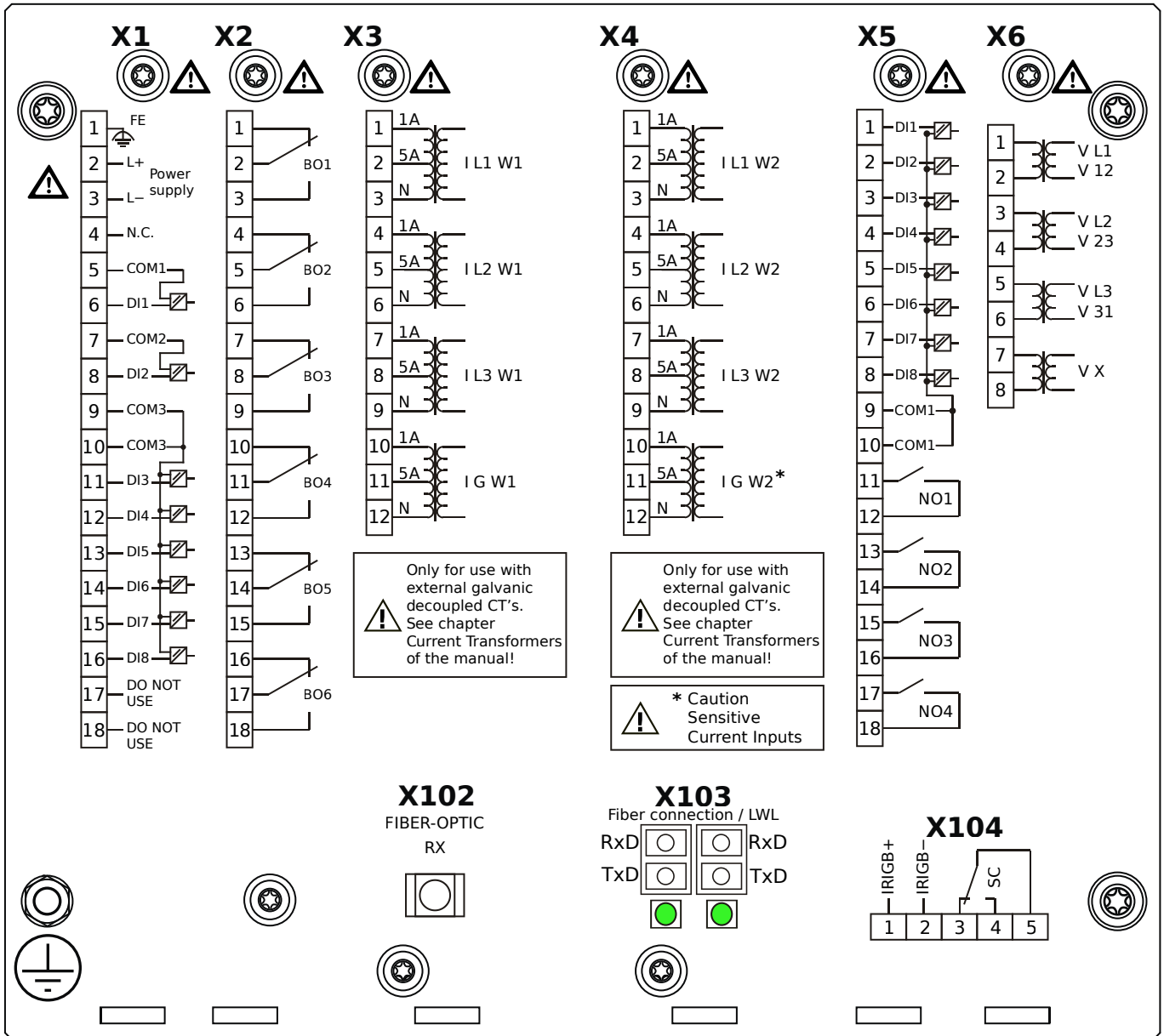


Housing B2, large display, door mounting

+ Conformal Coating (for installations in harsh environment)

- X1** – DI8-X1: Wide-range power supply unit, incl. 2 non-grouped digital inputs and 6 grouped digital inputs
- X2** – OR6: Assembly Group with 6 Output Relays (Changeover / Form C)
- X3** – TI: Standard current measuring card (for the winding side 1)
- X4** – TIs: Standard phase current measuring card and sensitive ground current measuring (winding side 2)
- X5** – DI8-OR4: Assembly Group with 8 Digital Inputs and 4 Output Relays (NO / Form A)
- X6** – TU: Card with 4 voltage transformer measuring inputs (0 ... 800 VAC, under UL: 0 ... 600 VAC)
- X102** – Universal Resistance-Temperature Detector (URTD) input, Fiber optics interface, Versatile Link
- X103** – Modbus TCP / IEC 60870-5-104 / DNP3.0 TCP/UDP, Redundant Ethernet interface, 100 Mbit/s, RJ45 (BASE100-FX)
- X104** – IRIG-B00X, incl. System Contact (Supervision Contact)

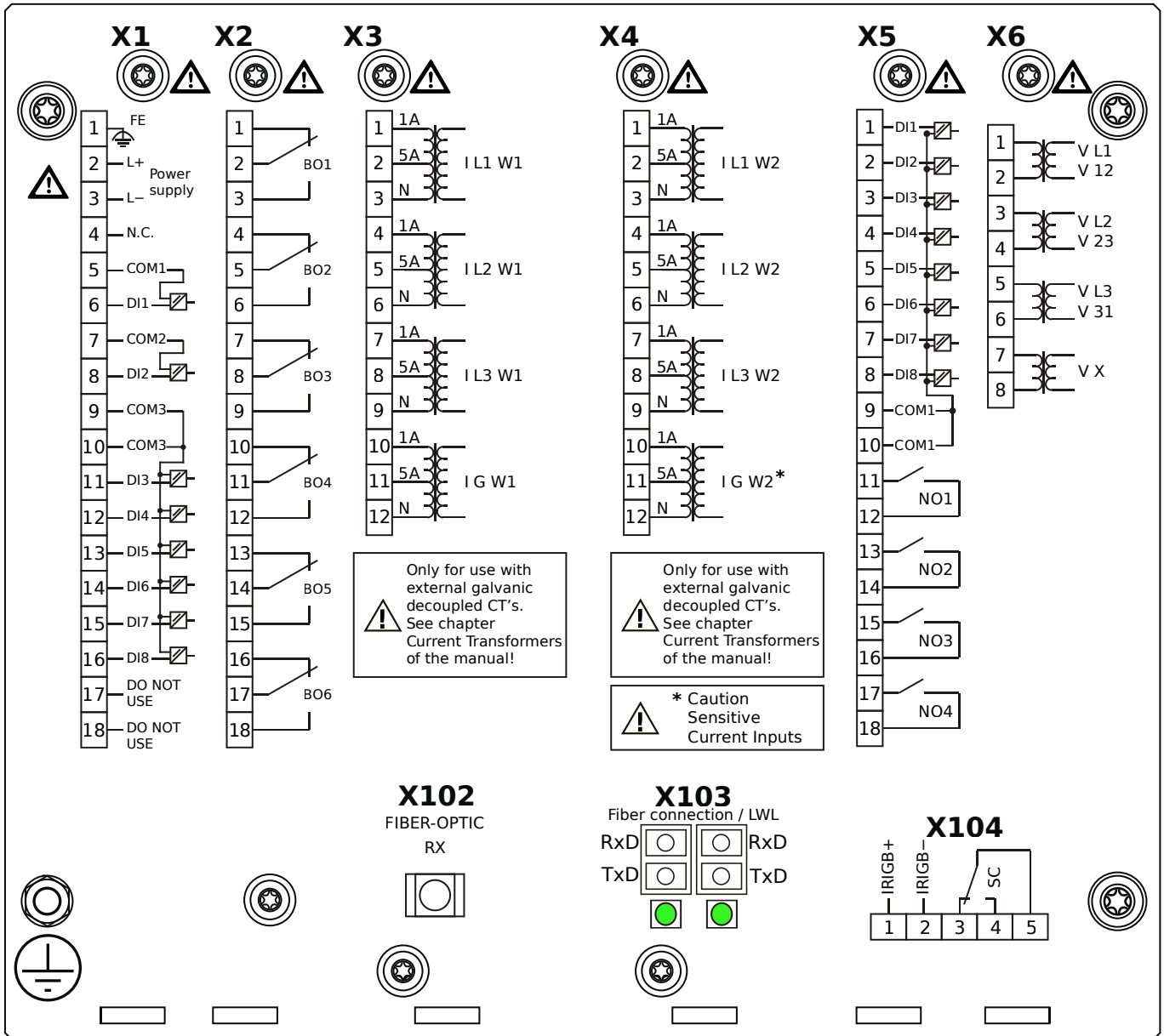
MCDTV4-2A2AQA



Housing B2, large display, door mounting

- X1** – DI8-X1: Wide-range power supply unit, incl. 2 non-grouped digital inputs and 6 grouped digital inputs
- X2** – OR6: Assembly Group with 6 Output Relays (Changeover / Form C)
- X3** – TI: Standard current measuring card (for the winding side 1)
- X4** – TIs: Standard phase current measuring card and sensitive ground current measuring (winding side 2)
- X5** – DI8-OR4: Assembly Group with 8 Digital Inputs and 4 Output Relays (NO / Form A)
- X6** – TU: Card with 4 voltage transformer measuring inputs (0 ... 800 VAC, under UL: 0 ... 600 VAC)
- X102** – Universal Resistance-Temperature Detector (URTD) input, Fiber optics interface, Versatile Link
- X103** – IEC 61850 / Modbus TCP / IEC 60870-5-104 / DNP3.0 TCP/UDP, Redundant Fiber optics interface, LC Connector
- X104** – IRIG-B00X, incl. System Contact (Supervision Contact)

MCDTV4-2A2AQB

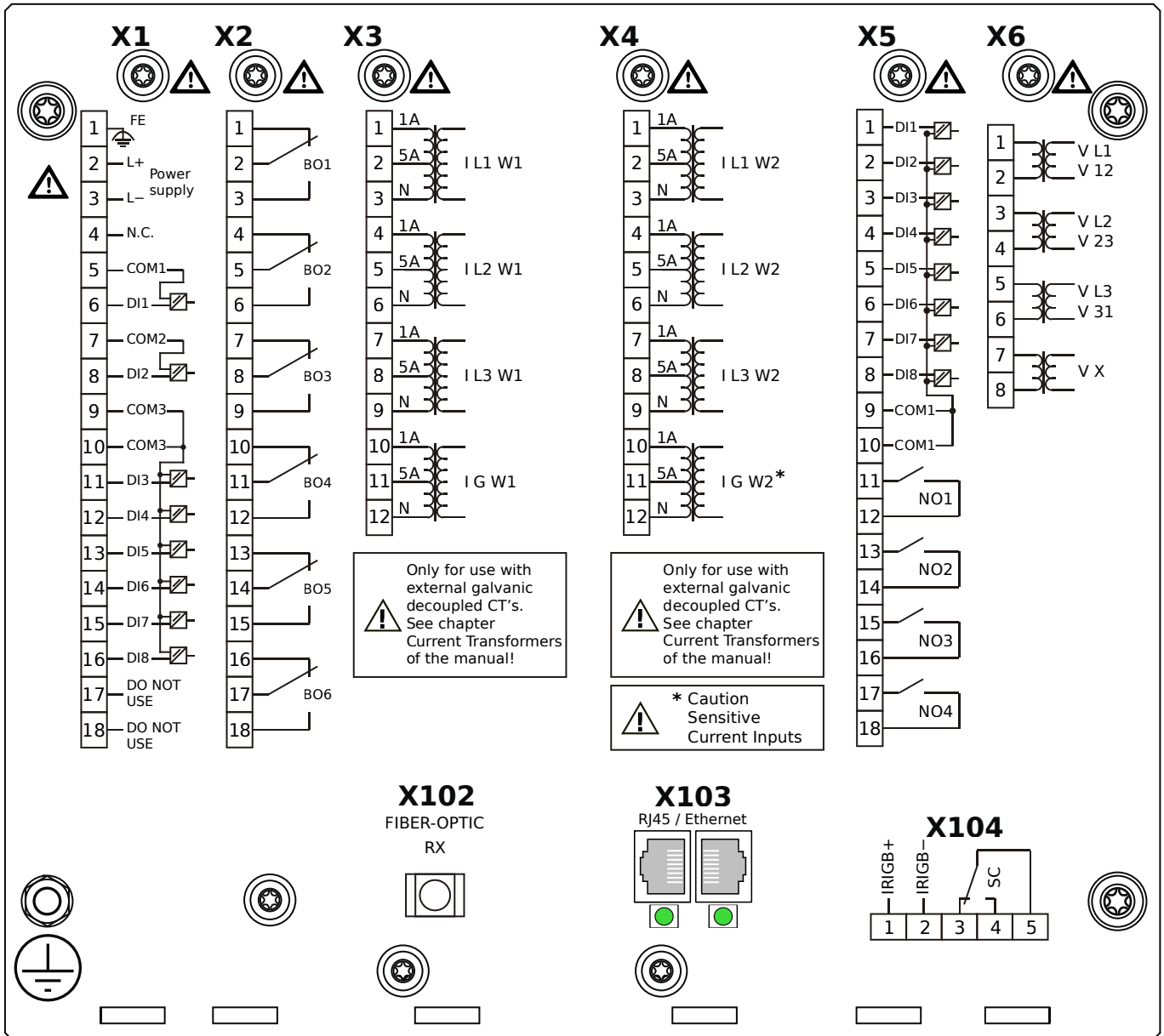


Housing B2, large display, door mounting

+ Conformal Coating (for installations in harsh environment)

- X1** – DI8-X1: Wide-range power supply unit, incl. 2 non-grouped digital inputs and 6 grouped digital inputs
- X2** – OR6: Assembly Group with 6 Output Relays (Changeover / Form C)
- X3** – TI: Standard current measuring card (for the winding side 1)
- X4** – TIs: Standard phase current measuring card and sensitive ground current measuring (winding side 2)
- X5** – DI8-OR4: Assembly Group with 8 Digital Inputs and 4 Output Relays (NO / Form A)
- X6** – TU: Card with 4 voltage transformer measuring inputs (0 ... 800 VAC, under UL: 0 ... 600 VAC)
- X102** – Universal Resistance-Temperature Detector (URTD) input, Fiber optics interface, Versatile Link
- X103** – IEC 61850 / Modbus TCP / IEC 60870-5-104 / DNP3.0 TCP/UDP, Redundant Fiber optics interface, LC Connector
- X104** – IRIG-B00X, incl. System Contact (Supervision Contact)

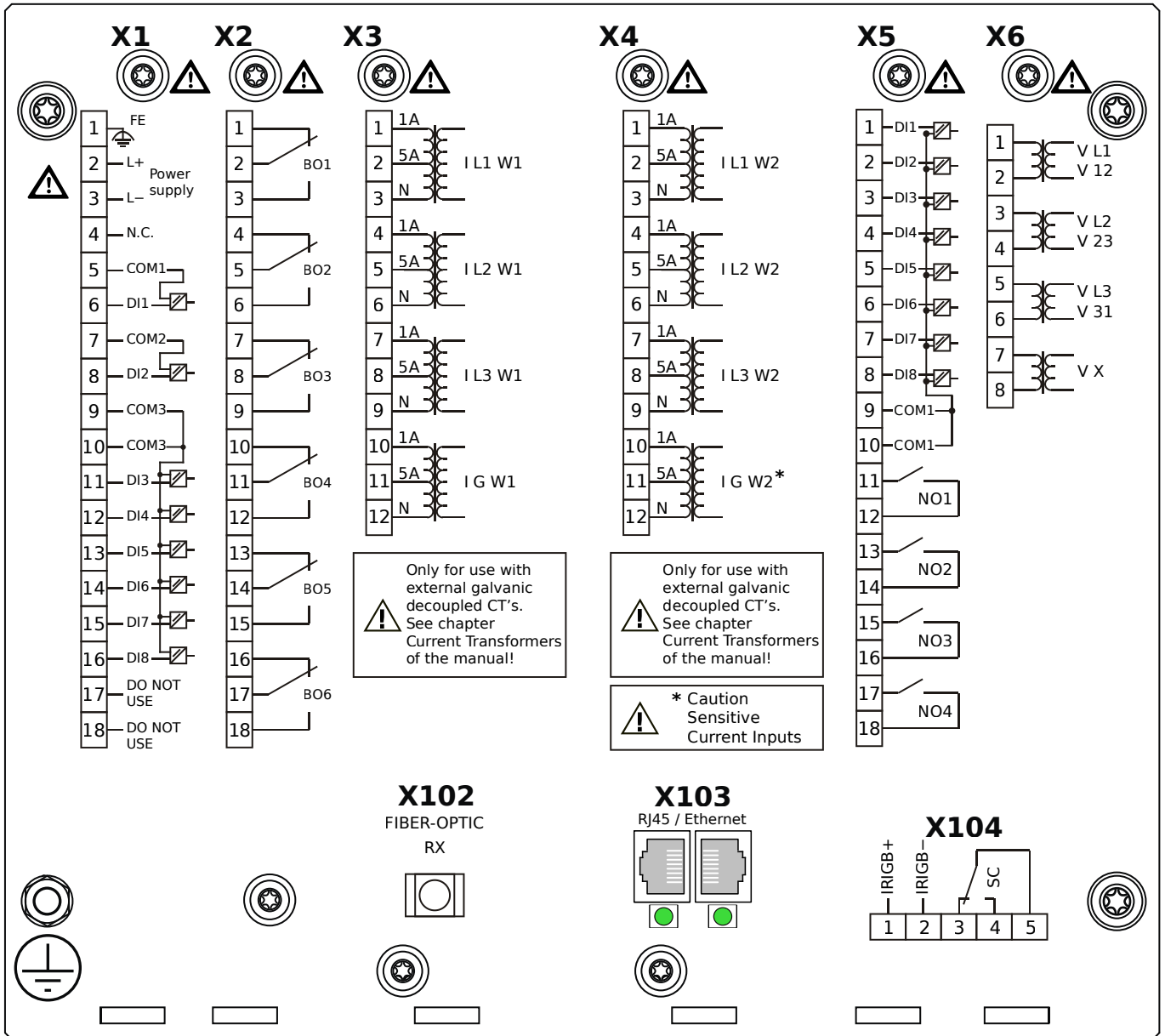
MCDTV4-2A2ARA



Housing B2, large display, door mounting

- X1** – DI8-X1: Wide-range power supply unit, incl. 2 non-grouped digital inputs and 6 grouped digital inputs
- X2** – OR6: Assembly Group with 6 Output Relays (Changeover / Form C)
- X3** – TI: Standard current measuring card (for the winding side 1)
- X4** – TIs: Standard phase current measuring card and sensitive ground current measuring (winding side 2)
- X5** – DI8-OR4: Assembly Group with 8 Digital Inputs and 4 Output Relays (NO / Form A)
- X6** – TU: Card with 4 voltage transformer measuring inputs (0 ... 800 VAC, under UL: 0 ... 600 VAC)
- X102** – Universal Resistance-Temperature Detector (URTD) input, Fiber optics interface, Versatile Link
- X103** – IEC 61850 / Modbus TCP / IEC 60870-5-104 / DNP3.0 TCP/UDP, Redundant Ethernet interface, 100 Mbit/s, RJ45
- X104** – IRIG-B00X, incl. System Contact (Supervision Contact)

MCDTV4-2A2ARB



Housing B2, large display, door mounting

+ Conformal Coating (for installations in harsh environment)

X1 – DI8-X1: Wide-range power supply unit, incl. 2 non-grouped digital inputs and 6 grouped digital inputs

X2 – OR6: Assembly Group with 6 Output Relays (Changeover / Form C)

X3 – TI: Standard current measuring card (for the winding side 1)

X4 – TIs: Standard phase current measuring card and sensitive ground current measuring (winding side 2)

X5 – DI8-OR4: Assembly Group with 8 Digital Inputs and 4 Output Relays (NO / Form A)

X6 – TU: Card with 4 voltage transformer measuring inputs (0 ... 800 VAC, under UL: 0 ... 600 VAC)

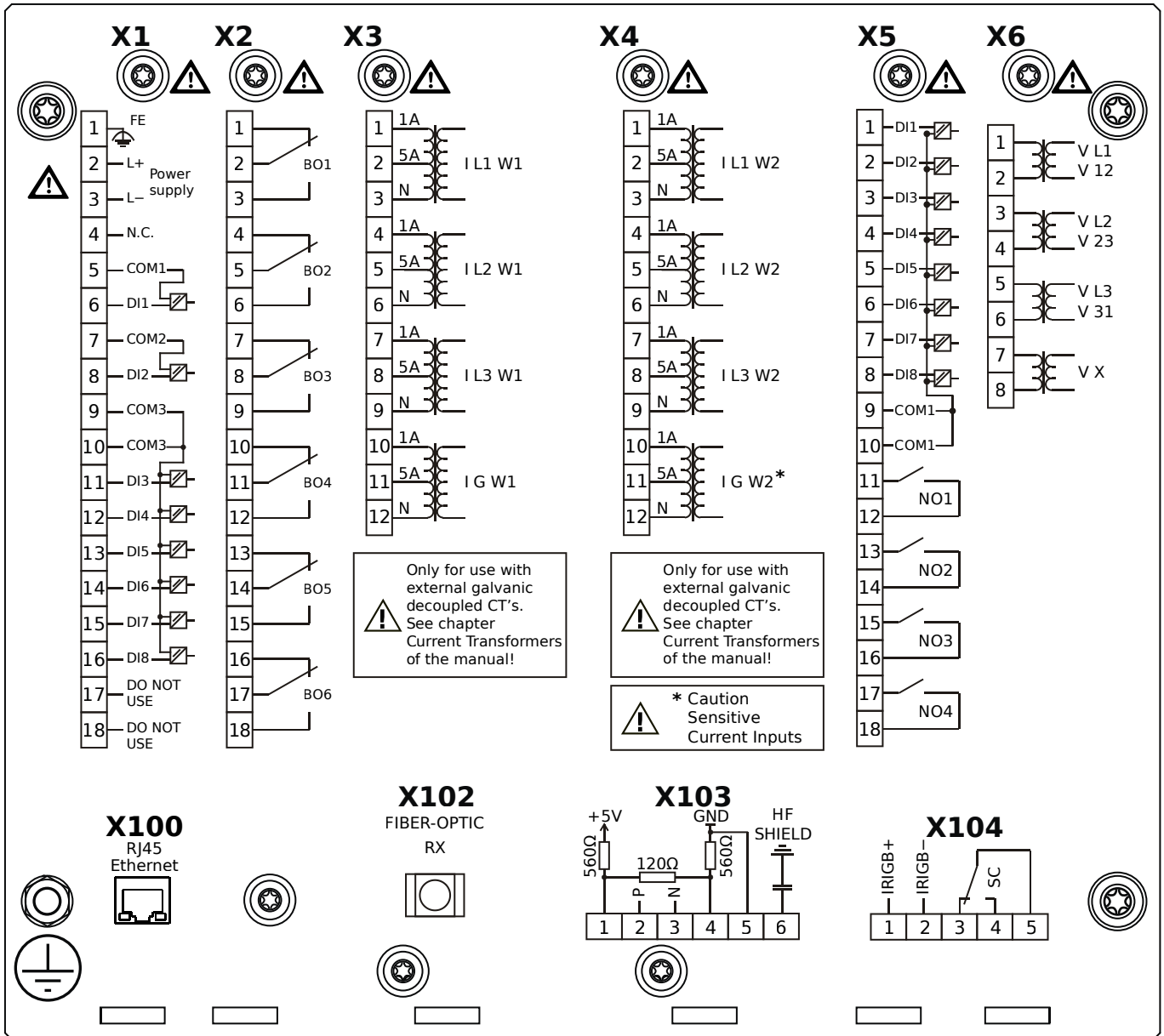
X102 – Universal Resistance-Temperature Detector (URTD) input, Fiber optics interface, Versatile Link

X103 – IEC 61850 / Modbus TCP / IEC 60870-5-104 / DNP3.0 TCP/UDP, Redundant Ethernet interface, 100 Mbit/s, RJ45

(BASE100-FX)

X104 – IRIG-B00X, incl. System Contact (Supervision Contact)

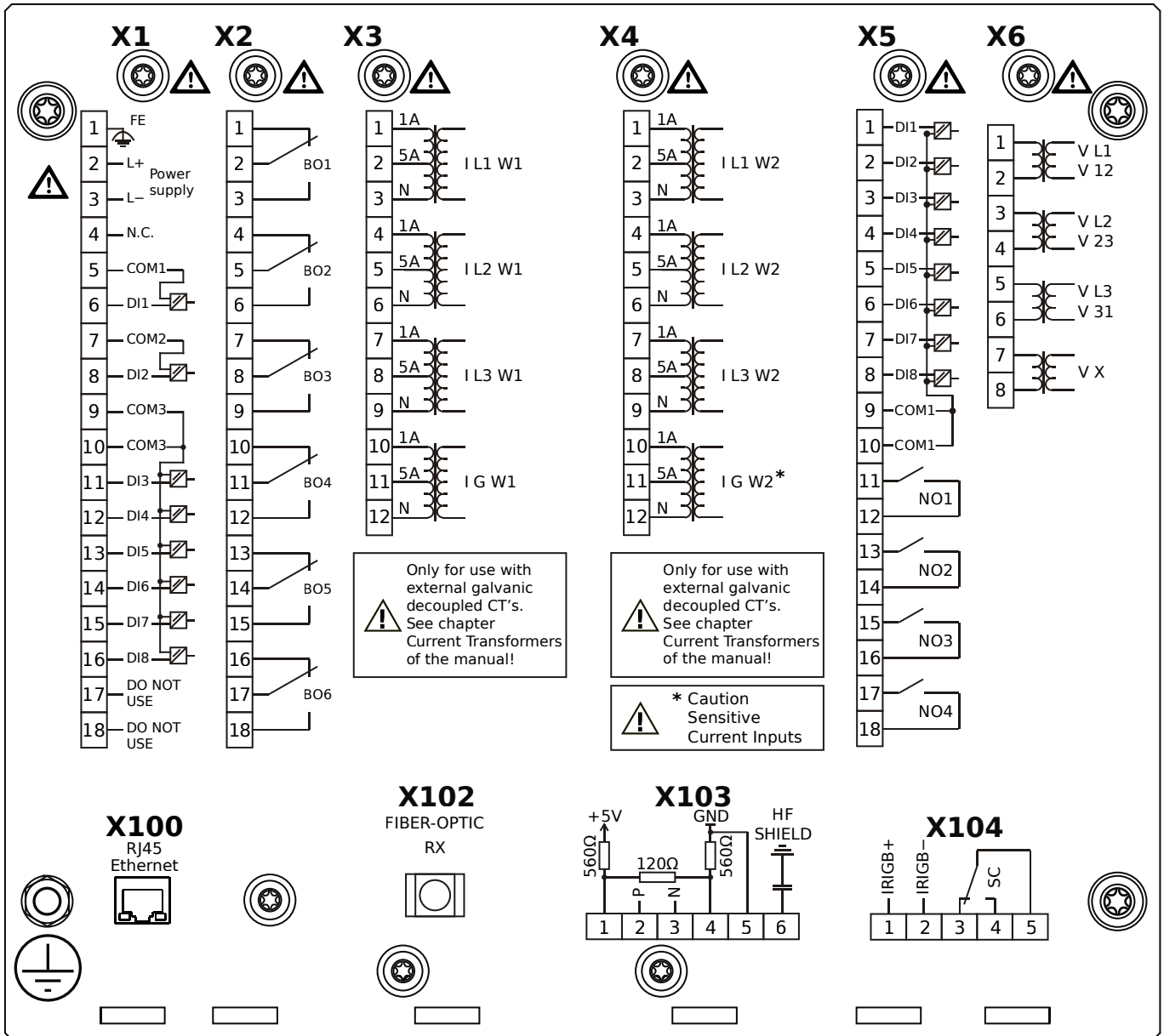
MCDTV4-2A2ATA



Housing B2, large display, door mounting

- X1** – DI8-X1: Wide-range power supply unit, incl. 2 non-grouped digital inputs and 6 grouped digital inputs
- X2** – OR6: Assembly Group with 6 Output Relays (Changeover / Form C)
- X3** – TI: Standard current measuring card (for the winding side 1)
- X4** – TIs: Standard phase current measuring card and sensitive ground current measuring (winding side 2)
- X5** – DI8-OR4: Assembly Group with 8 Digital Inputs and 4 Output Relays (NO / Form A)
- X6** – TU: Card with 4 voltage transformer measuring inputs (0 ... 800 VAC, under UL: 0 ... 600 VAC)
- X100** – IEC 61850 / Modbus TCP / IEC 60870-5-104 / DNP3.0 TCP/UDP, Ethernet interface, 100 Mbit/s, RJ45 (BASE100-FX)
- X102** – Universal Resistance-Temperature Detector (URTD) input, Fiber optics interface, Versatile Link
- X103** – IEC 60870-5-103 / Modbus RTU / DNP3.0 RTU, RS485, Terminals
- X104** – IRIG-B00X, incl. System Contact (Supervision Contact)

MCDTV4-2A2ATB

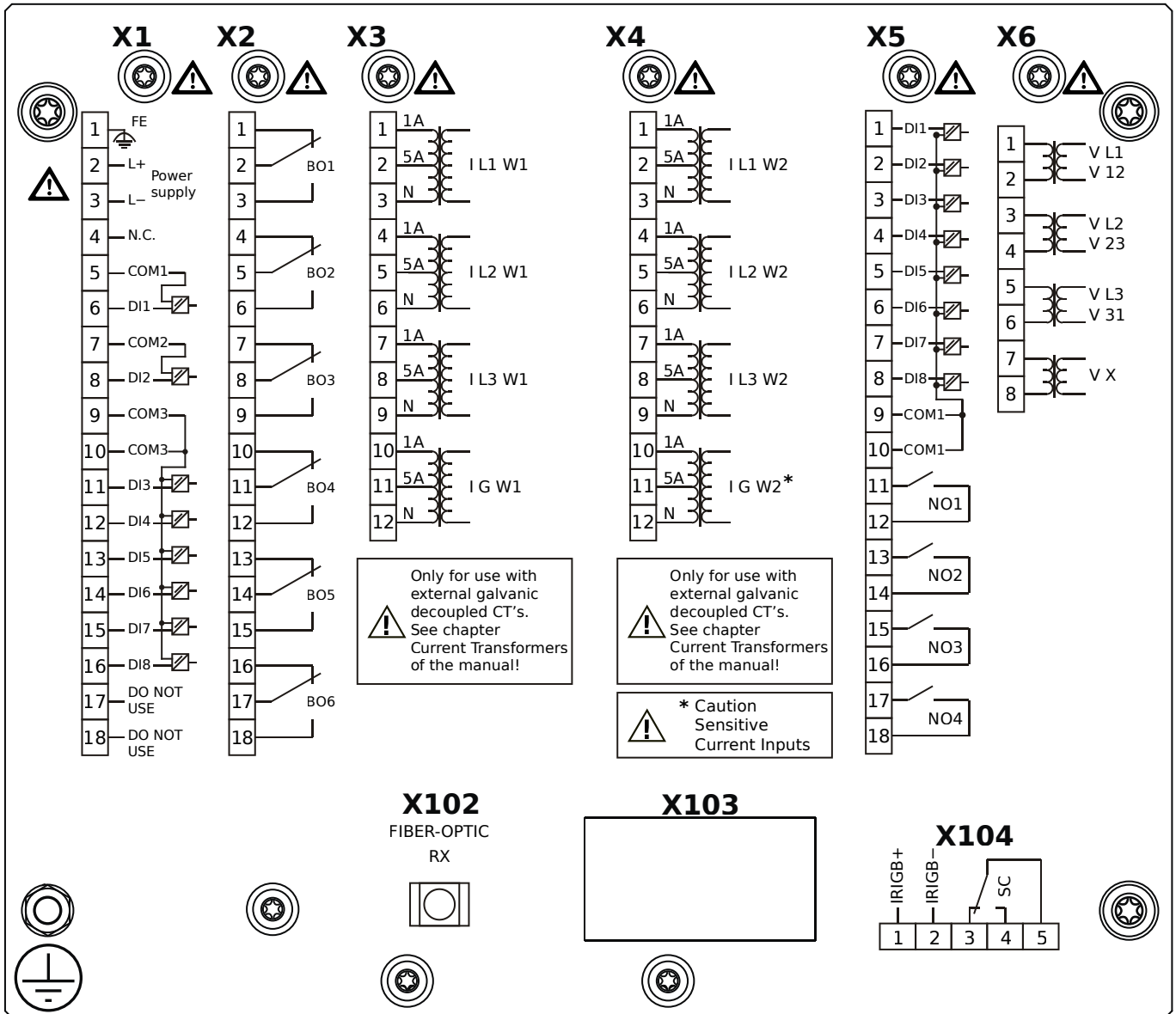


Housing B2, large display, door mounting

+ Conformal Coating (for installations in harsh environment)

- X1** – DI8-X1: Wide-range power supply unit, incl. 2 non-grouped digital inputs and 6 grouped digital inputs
- X2** – OR6: Assembly Group with 6 Output Relays (Changeover / Form C)
- X3** – TI: Standard current measuring card (for the winding side 1)
- X4** – TIs: Standard phase current measuring card and sensitive ground current measuring (winding side 2)
- X5** – DI8-OR4: Assembly Group with 8 Digital Inputs and 4 Output Relays (NO / Form A)
- X6** – TU: Card with 4 voltage transformer measuring inputs (0 ... 800 VAC, under UL: 0 ... 600 VAC)
- X100** – IEC 61850 / Modbus TCP / IEC 60870-5-104 / DNP3.0 TCP/UDP, Ethernet interface, 100 Mbit/s, RJ45 (BASE100-FX)
- X102** – Universal Resistance-Temperature Detector (URTD) input, Fiber optics interface, Versatile Link
- X103** – IEC 60870-5-103 / Modbus RTU / DNP3.0 RTU, RS485, Terminals
- X104** – IRIG-B00X, incl. System Contact (Supervision Contact)

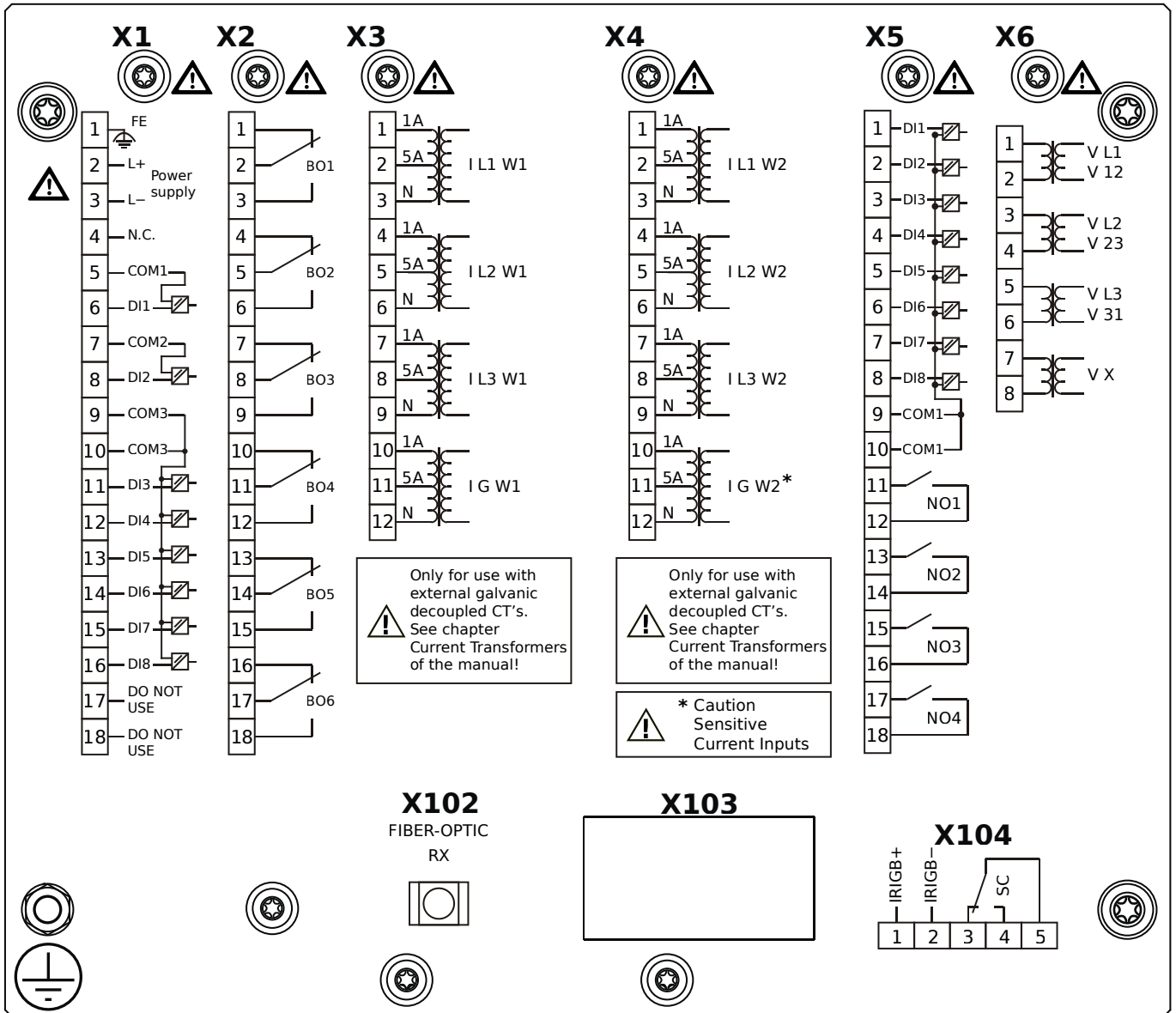
MCDTV4-2A2BAA



Housing B2, large display, 19" rack mounting

- X1** – DI8-X1: Wide-range power supply unit, incl. 2 non-grouped digital inputs and 6 grouped digital inputs
- X2** – OR6: Assembly Group with 6 Output Relays (Changeover / Form C)
- X3** – TI: Standard current measuring card (for the winding side 1)
- X4** – TIs: Standard phase current measuring card and sensitive ground current measuring (winding side 2)
- X5** – DI8-OR4: Assembly Group with 8 Digital Inputs and 4 Output Relays (NO / Form A)
- X6** – TU: Card with 4 voltage transformer measuring inputs (0 ... 800 VAC, under UL: 0 ... 600 VAC)
- X102** – Universal Resistance-Temperature Detector (URTD) input, Fiber optics interface, Versatile Link
- X104** – IRIG-B00X, incl. System Contact (Supervision Contact)

MCDTV4-2A2BAB

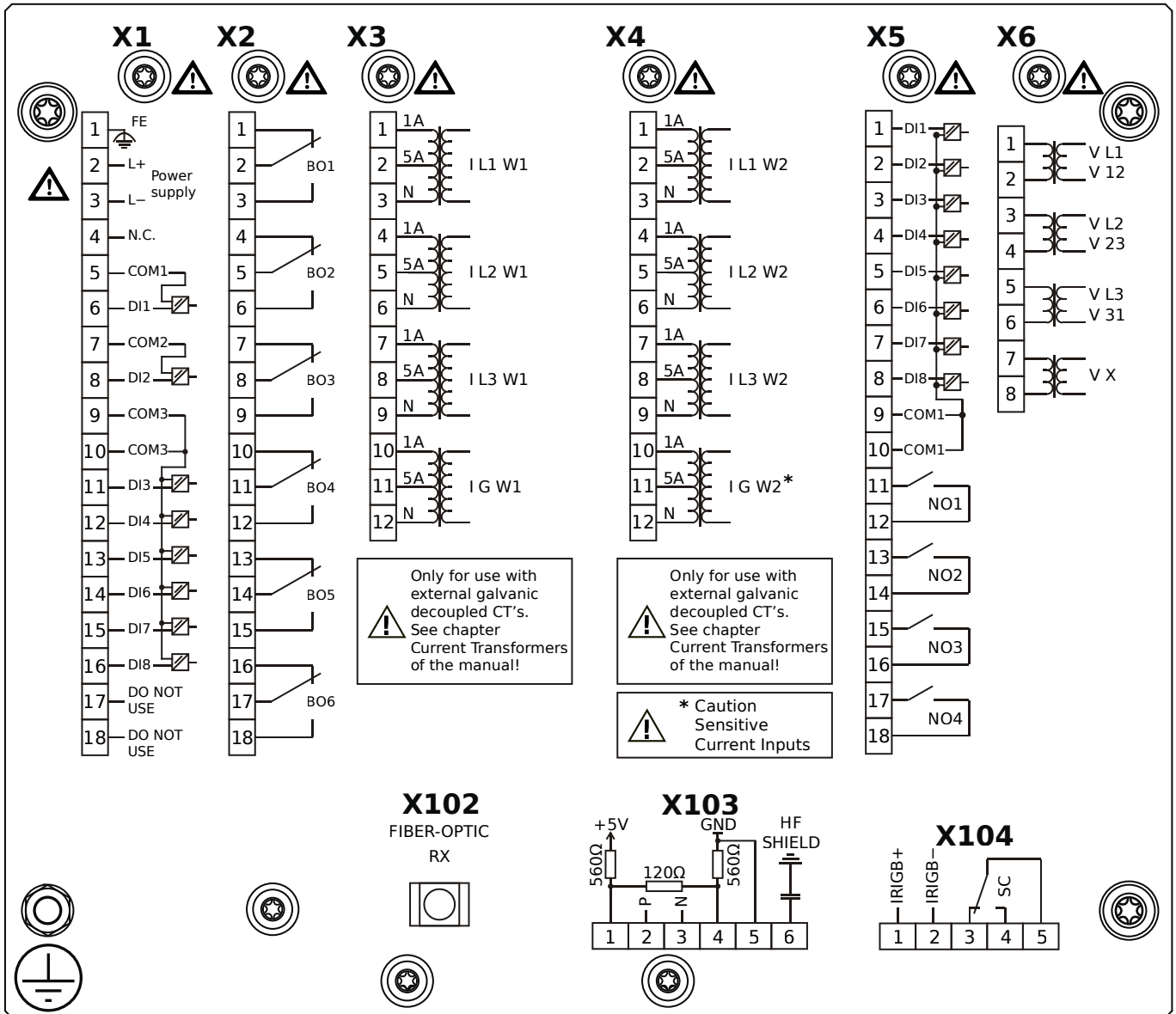


Housing B2, large display, 19" rack mounting

+ Conformal Coating (for installations in harsh environment)

- X1** – DI8-X1: Wide-range power supply unit, incl. 2 non-grouped digital inputs and 6 grouped digital inputs
- X2** – OR6: Assembly Group with 6 Output Relays (Changeover / Form C)
- X3** – TI: Standard current measuring card (for the winding side 1)
- X4** – TIs: Standard phase current measuring card and sensitive ground current measuring (winding side 2)
- X5** – DI8-OR4: Assembly Group with 8 Digital Inputs and 4 Output Relays (NO / Form A)
- X6** – TU: Card with 4 voltage transformer measuring inputs (0 ... 800 VAC, under UL: 0 ... 600 VAC)
- X102** – Universal Resistance-Temperature Detector (URTD) input, Fiber optics interface, Versatile Link
- X104** – IRIG-B00X, incl. System Contact (Supervision Contact)

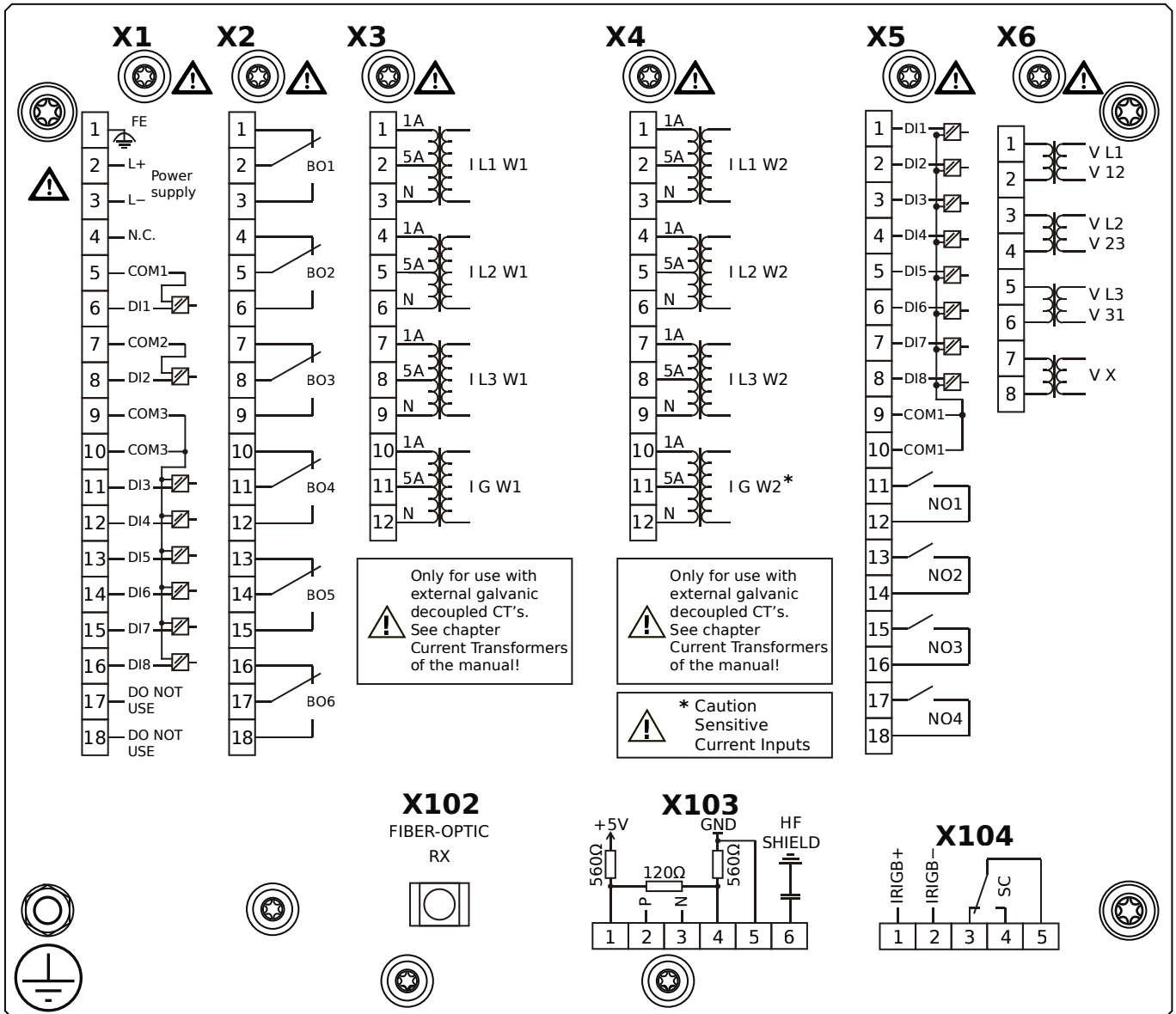
MCDTV4-2A2BBA



Housing B2, large display, 19" rack mounting

- X1** – DI8-X1: Wide-range power supply unit, incl. 2 non-grouped digital inputs and 6 grouped digital inputs
- X2** – OR6: Assembly Group with 6 Output Relays (Changeover / Form C)
- X3** – TI: Standard current measuring card (for the winding side 1)
- X4** – TIs: Standard phase current measuring card and sensitive ground current measuring (winding side 2)
- X5** – DI8-OR4: Assembly Group with 8 Digital Inputs and 4 Output Relays (NO / Form A)
- X6** – TU: Card with 4 voltage transformer measuring inputs (0 ... 800 VAC, under UL: 0 ... 600 VAC)
- X102** – Universal Resistance-Temperature Detector (URTD) input, Fiber optics interface, Versatile Link
- X103** – Modbus RTU / IEC 60870-5-103 / DNP3.0 RTU, RS485, Terminals
- X104** – IRIG-B00X, incl. System Contact (Supervision Contact)

MCDTV4-2A2BBB

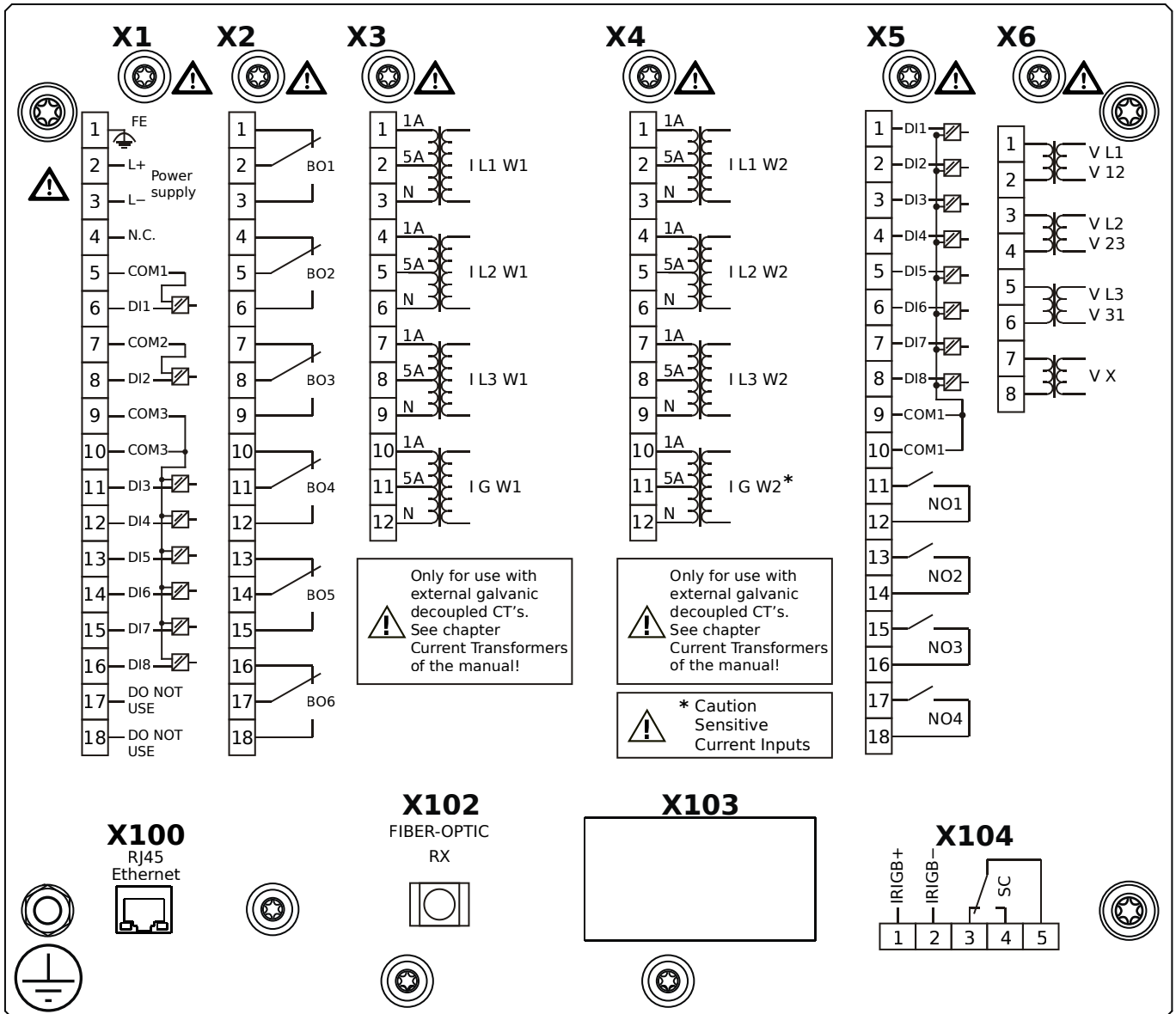


Housing B2, large display, 19" rack mounting

+ Conformal Coating (for installations in harsh environment)

- X1** – DI8-X1: Wide-range power supply unit, incl. 2 non-grouped digital inputs and 6 grouped digital inputs
- X2** – OR6: Assembly Group with 6 Output Relays (Changeover / Form C)
- X3** – TI: Standard current measuring card (for the winding side 1)
- X4** – TIs: Standard phase current measuring card and sensitive ground current measuring (winding side 2)
- X5** – DI8-OR4: Assembly Group with 8 Digital Inputs and 4 Output Relays (NO / Form A)
- X6** – TU: Card with 4 voltage transformer measuring inputs (0 ... 800 VAC, under UL: 0 ... 600 VAC)
- X102** – Universal Resistance-Temperature Detector (URTD) input, Fiber optics interface, Versatile Link
- X103** – Modbus RTU / IEC 60870-5-103 / DNP3.0 RTU, RS485, Terminals
- X104** – IRIG-B00X, incl. System Contact (Supervision Contact)

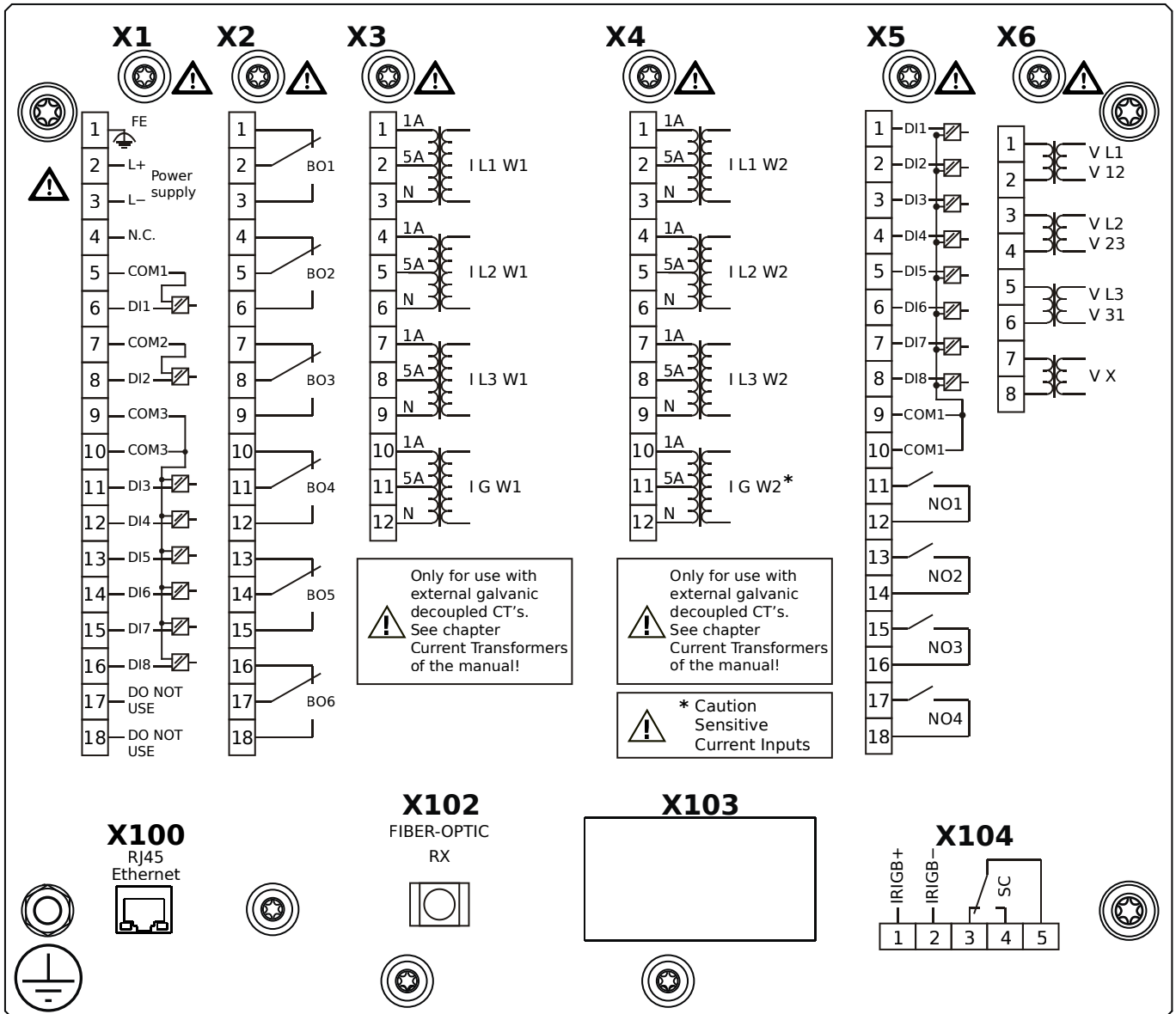
MCDTV4-2A2BCA



Housing B2, large display, 19" rack mounting

- X1** – DI8-X1: Wide-range power supply unit, incl. 2 non-grouped digital inputs and 6 grouped digital inputs
- X2** – OR6: Assembly Group with 6 Output Relays (Changeover / Form C)
- X3** – TI: Standard current measuring card (for the winding side 1)
- X4** – TIs: Standard phase current measuring card and sensitive ground current measuring (winding side 2)
- X5** – DI8-OR4: Assembly Group with 8 Digital Inputs and 4 Output Relays (NO / Form A)
- X6** – TU: Card with 4 voltage transformer measuring inputs (0 ... 800 VAC, under UL: 0 ... 600 VAC)
- X100** – Modbus TCP / IEC 60870-5-104 / DNP3.0 TCP/UDP, Ethernet interface, 100 Mbit/s, RJ45 (BASE100-FX)
- X102** – Universal Resistance-Temperature Detector (URTD) input, Fiber optics interface, Versatile Link
- X104** – IRIG-B00X, incl. System Contact (Supervision Contact)

MCDTV4-2A2BCB

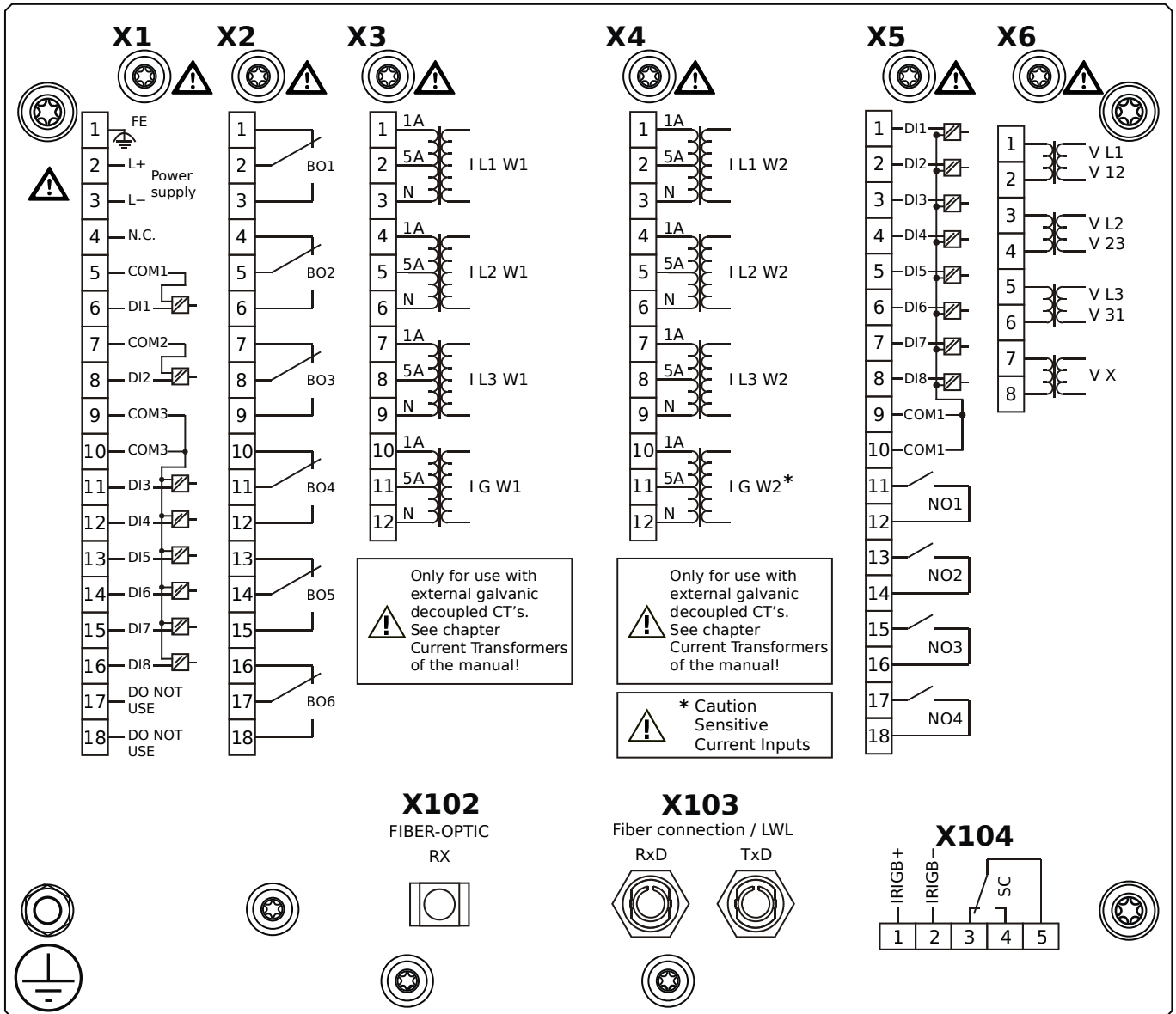


Housing B2, large display, 19" rack mounting

+ Conformal Coating (for installations in harsh environment)

- X1** – DI8-X1: Wide-range power supply unit, incl. 2 non-grouped digital inputs and 6 grouped digital inputs
- X2** – OR6: Assembly Group with 6 Output Relays (Changeover / Form C)
- X3** – TI: Standard current measuring card (for the winding side 1)
- X4** – TIs: Standard phase current measuring card and sensitive ground current measuring (winding side 2)
- X5** – DI8-OR4: Assembly Group with 8 Digital Inputs and 4 Output Relays (NO / Form A)
- X6** – TU: Card with 4 voltage transformer measuring inputs (0 ... 800 VAC, under UL: 0 ... 600 VAC)
- X100** – Modbus TCP / IEC 60870-5-104 / DNP3.0 TCP/UDP, Ethernet interface, 100 Mbit/s, RJ45 (BASE100-FX)
- X102** – Universal Resistance-Temperature Detector (URTD) input, Fiber optics interface, Versatile Link
- X104** – IRIG-B00X, incl. System Contact (Supervision Contact)

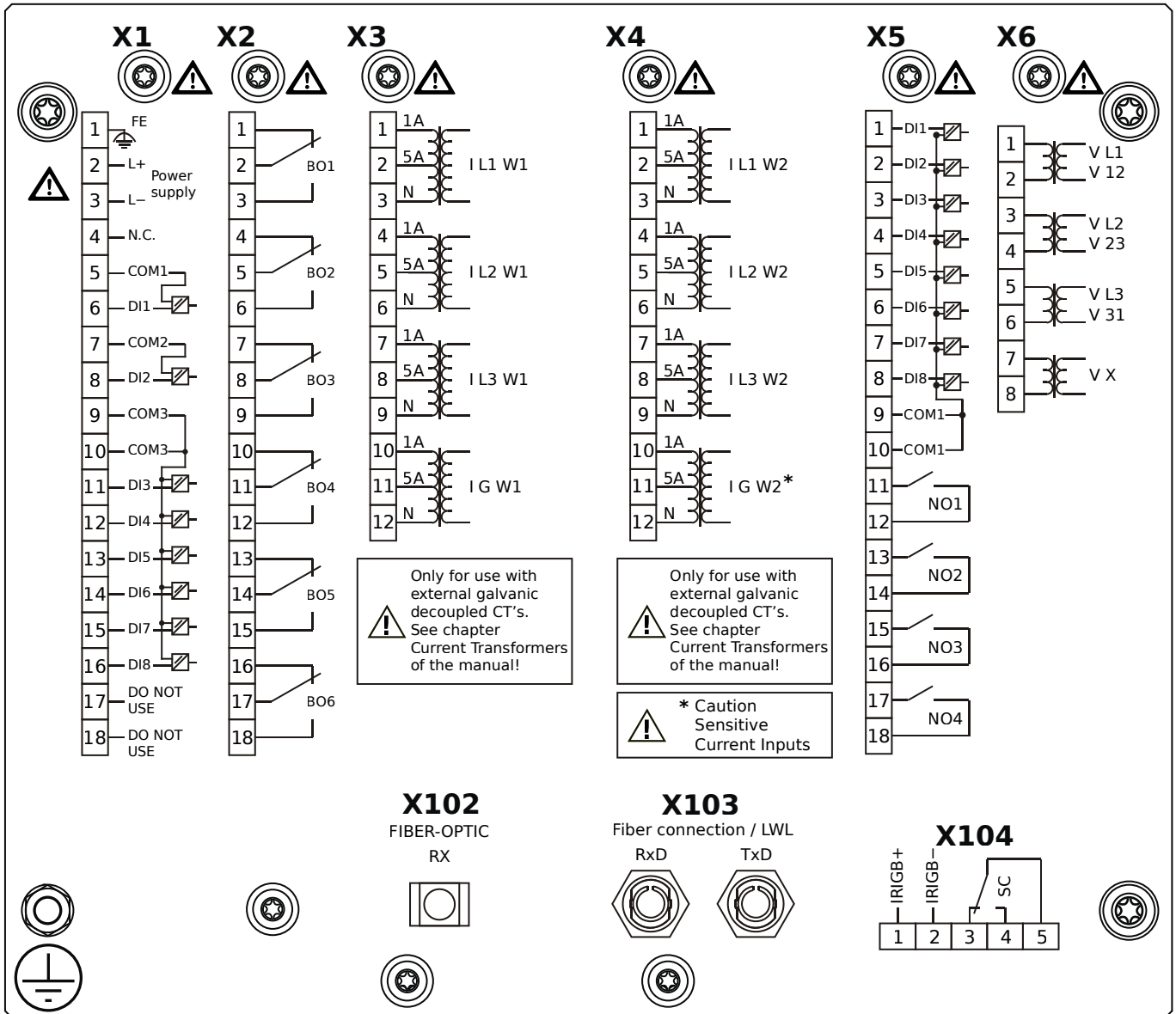
MCDTV4-2A2BDA



Housing B2, large display, 19" rack mounting

- X1** – DI8-X1: Wide-range power supply unit, incl. 2 non-grouped digital inputs and 6 grouped digital inputs
- X2** – OR6: Assembly Group with 6 Output Relays (Changeover / Form C)
- X3** – TI: Standard current measuring card (for the winding side 1)
- X4** – TIs: Standard phase current measuring card and sensitive ground current measuring (winding side 2)
- X5** – DI8-OR4: Assembly Group with 8 Digital Inputs and 4 Output Relays (NO / Form A)
- X6** – TU: Card with 4 voltage transformer measuring inputs (0 ... 800 VAC, under UL: 0 ... 600 VAC)
- X102** – Universal Resistance-Temperature Detector (URTD) input, Fiber optics interface, Versatile Link
- X103** – Profibus-DP, Fiber optics interface, ST Connector
- X104** – IRIG-B00X, incl. System Contact (Supervision Contact)

MCDTV4-2A2BDB

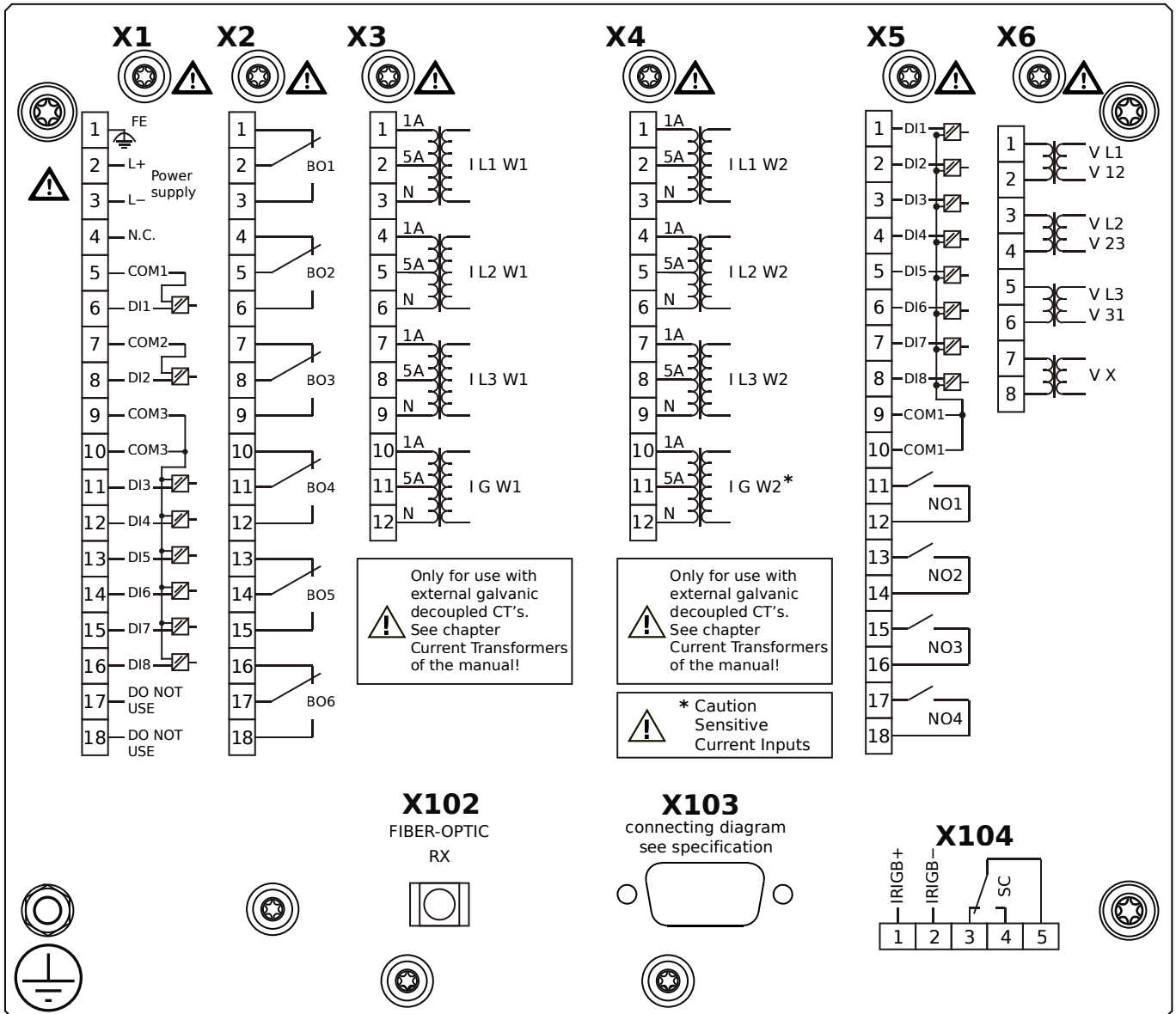


Housing B2, large display, 19" rack mounting

+ Conformal Coating (for installations in harsh environment)

- X1** – DI8-X1: Wide-range power supply unit, incl. 2 non-grouped digital inputs and 6 grouped digital inputs
- X2** – OR6: Assembly Group with 6 Output Relays (Changeover / Form C)
- X3** – TI: Standard current measuring card (for the winding side 1)
- X4** – TIs: Standard phase current measuring card and sensitive ground current measuring (winding side 2)
- X5** – DI8-OR4: Assembly Group with 8 Digital Inputs and 4 Output Relays (NO / Form A)
- X6** – TU: Card with 4 voltage transformer measuring inputs (0 ... 800 VAC, under UL: 0 ... 600 VAC)
- X102** – Universal Resistance-Temperature Detector (URTD) input, Fiber optics interface, Versatile Link
- X103** – Profibus-DP, Fiber optics interface, ST Connector
- X104** – IRIG-B00X, incl. System Contact (Supervision Contact)

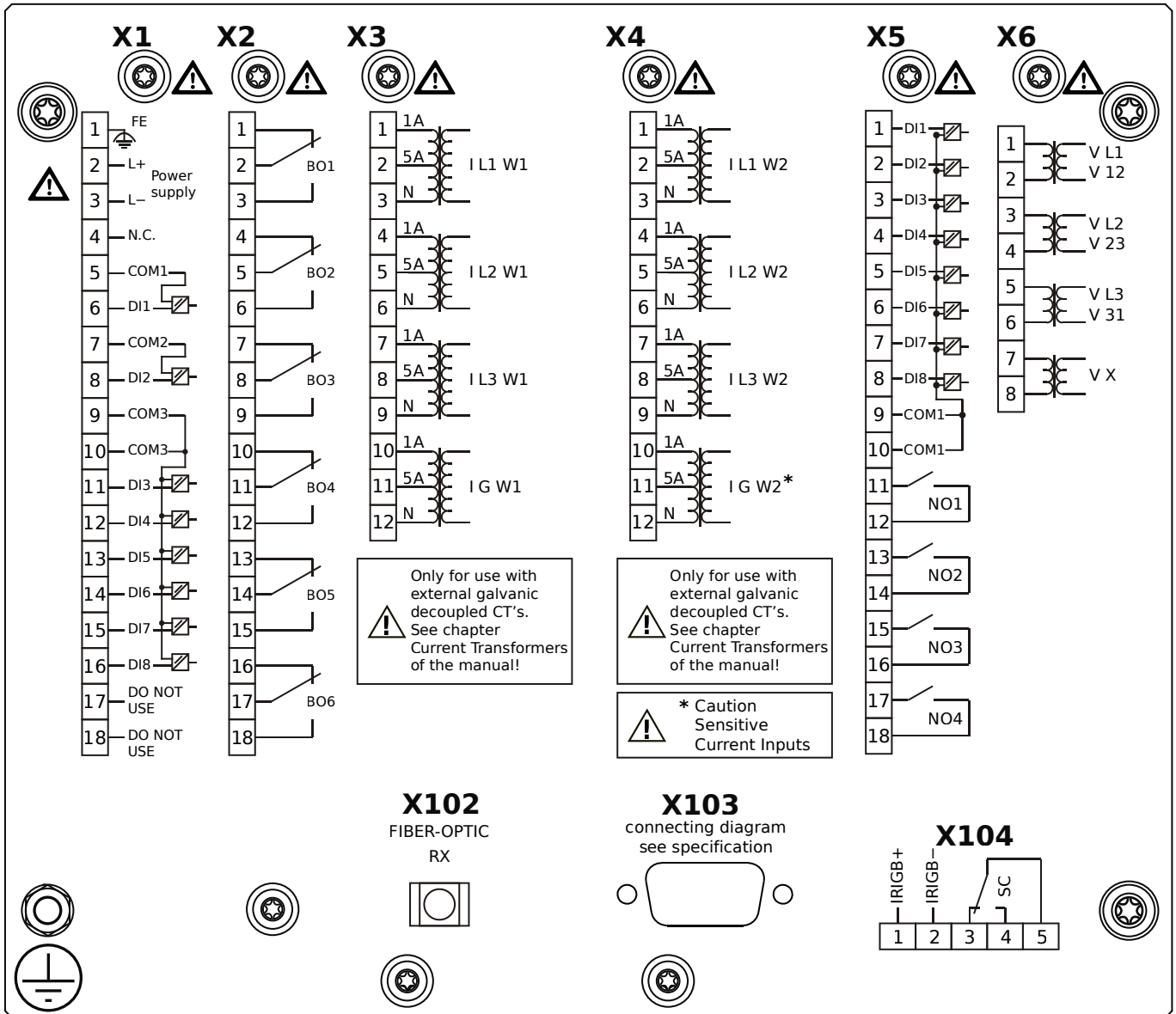
MCDTV4-2A2BEA



Housing B2, large display, 19" rack mounting

- X1** – DI8-X1: Wide-range power supply unit, incl. 2 non-grouped digital inputs and 6 grouped digital inputs
- X2** – OR6: Assembly Group with 6 Output Relays (Changeover / Form C)
- X3** – TI: Standard current measuring card (for the winding side 1)
- X4** – TIs: Standard phase current measuring card and sensitive ground current measuring (winding side 2)
- X5** – DI8-OR4: Assembly Group with 8 Digital Inputs and 4 Output Relays (NO / Form A)
- X6** – TU: Card with 4 voltage transformer measuring inputs (0 ... 800 VAC, under UL: 0 ... 600 VAC)
- X102** – Universal Resistance-Temperature Detector (URTD) input, Fiber optics interface, Versatile Link
- X103** – Profibus-DP, RS485, D-SUB
- X104** – IRIG-B00X, incl. System Contact (Supervision Contact)

MCDTV4-2A2BEB

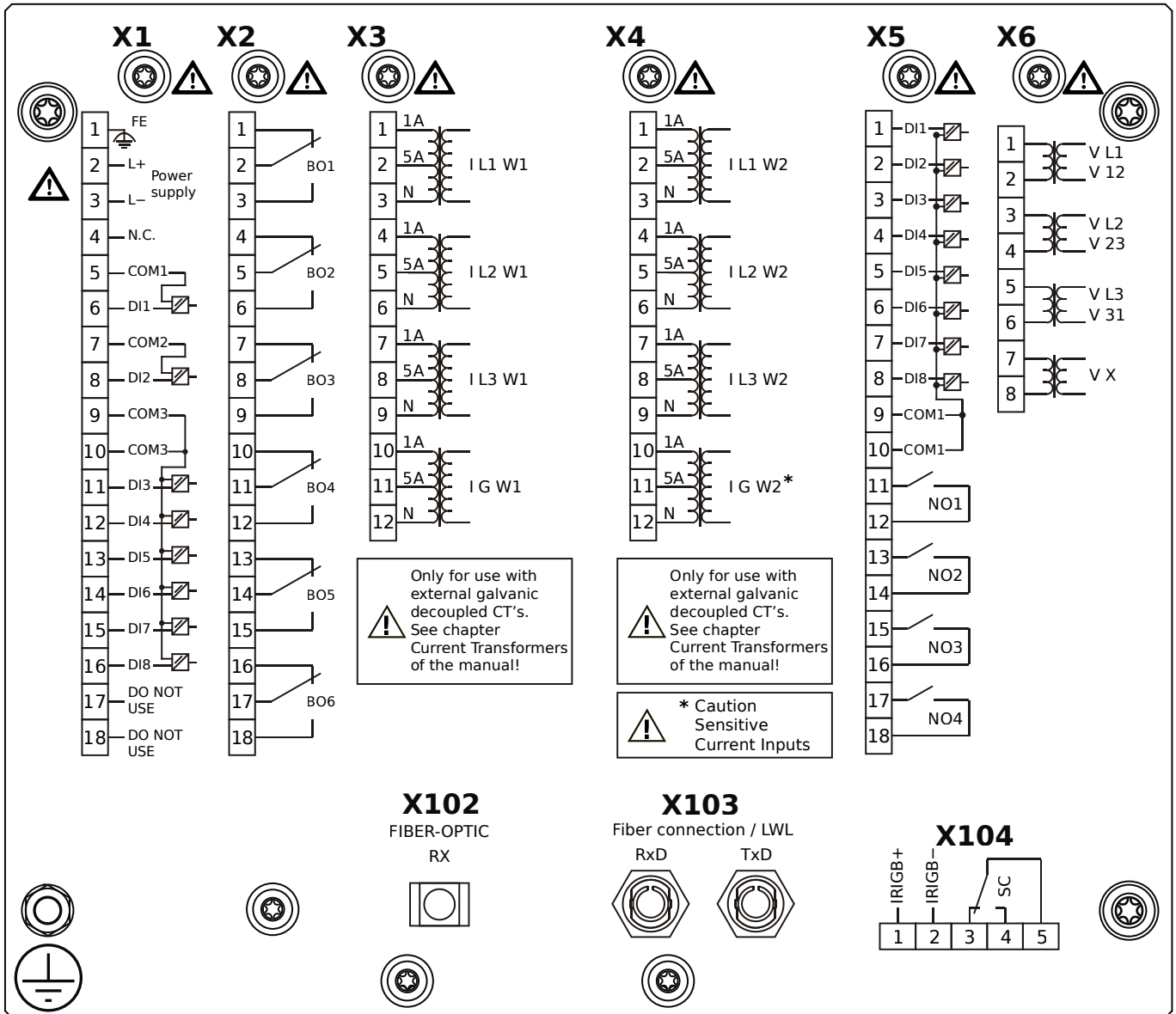


Housing B2, large display, 19" rack mounting

+ Conformal Coating (for installations in harsh environment)

- X1** – DI8-X1: Wide-range power supply unit, incl. 2 non-grouped digital inputs and 6 grouped digital inputs
- X2** – OR6: Assembly Group with 6 Output Relays (Changeover / Form C)
- X3** – TI: Standard current measuring card (for the winding side 1)
- X4** – TIs: Standard phase current measuring card and sensitive ground current measuring (winding side 2)
- X5** – DI8-OR4: Assembly Group with 8 Digital Inputs and 4 Output Relays (NO / Form A)
- X6** – TU: Card with 4 voltage transformer measuring inputs (0 ... 800 VAC, under UL: 0 ... 600 VAC)
- X102** – Universal Resistance-Temperature Detector (URTD) input, Fiber optics interface, Versatile Link
- X103** – Profibus-DP, RS485, D-SUB
- X104** – IRIG-B00X, incl. System Contact (Supervision Contact)

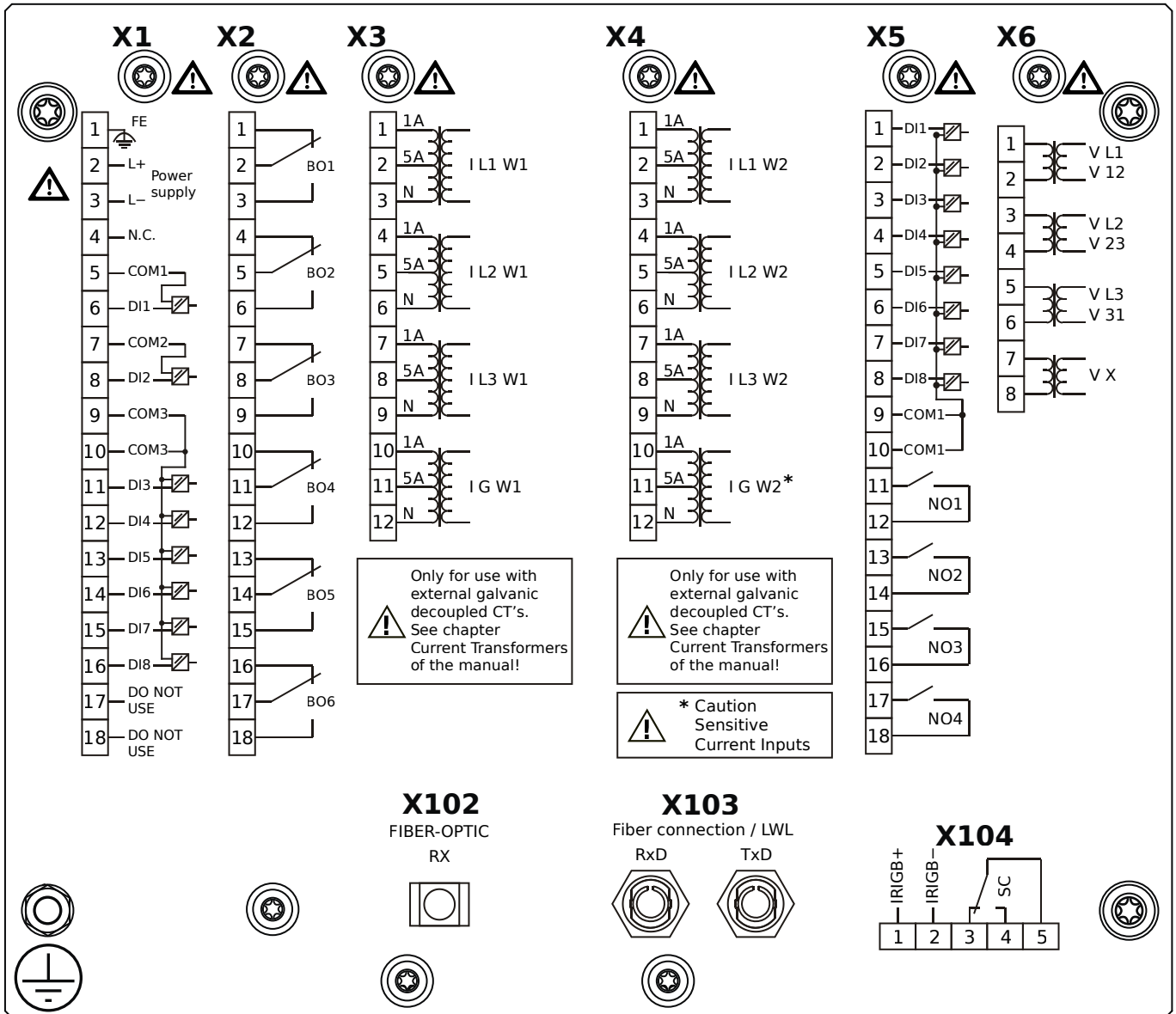
MCDTV4-2A2BFA



Housing B2, large display, 19" rack mounting

- X1** – DI8-X1: Wide-range power supply unit, incl. 2 non-grouped digital inputs and 6 grouped digital inputs
- X2** – OR6: Assembly Group with 6 Output Relays (Changeover / Form C)
- X3** – TI: Standard current measuring card (for the winding side 1)
- X4** – TIs: Standard phase current measuring card and sensitive ground current measuring (winding side 2)
- X5** – DI8-OR4: Assembly Group with 8 Digital Inputs and 4 Output Relays (NO / Form A)
- X6** – TU: Card with 4 voltage transformer measuring inputs (0 ... 800 VAC, under UL: 0 ... 600 VAC)
- X102** – Universal Resistance-Temperature Detector (URTD) input, Fiber optics interface, Versatile Link
- X103** – Modbus RTU / IEC 60870-5-103 / DNP3.0 RTU, Fiber optics interface, ST Connector
- X104** – IRIG-B00X, incl. System Contact (Supervision Contact)

MCDTV4-2A2BFB

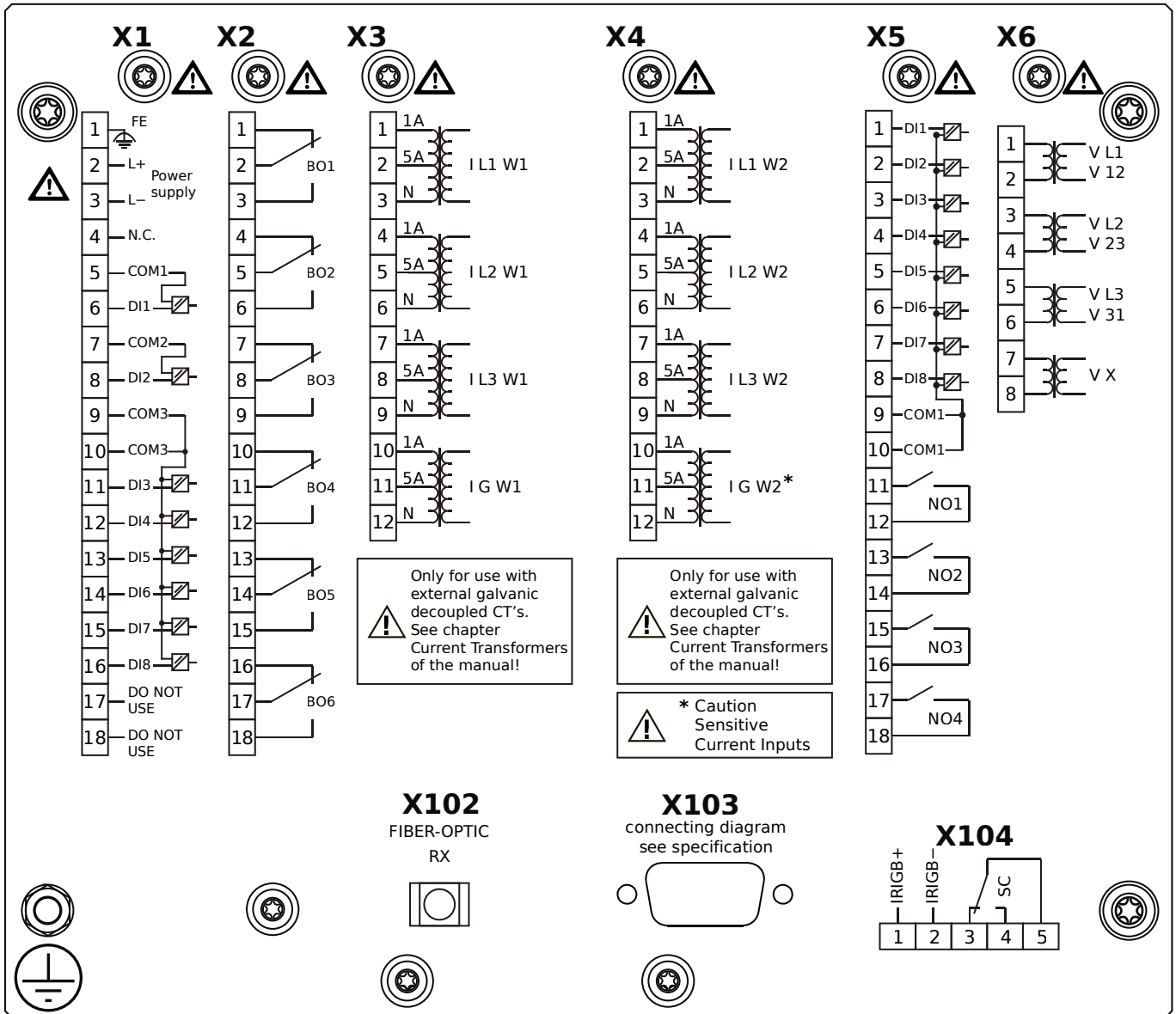


Housing B2, large display, 19" rack mounting

+ Conformal Coating (for installations in harsh environment)

- X1** – DI8-X1: Wide-range power supply unit, incl. 2 non-grouped digital inputs and 6 grouped digital inputs
- X2** – OR6: Assembly Group with 6 Output Relays (Changeover / Form C)
- X3** – TI: Standard current measuring card (for the winding side 1)
- X4** – TIs: Standard phase current measuring card and sensitive ground current measuring (winding side 2)
- X5** – DI8-OR4: Assembly Group with 8 Digital Inputs and 4 Output Relays (NO / Form A)
- X6** – TU: Card with 4 voltage transformer measuring inputs (0 ... 800 VAC, under UL: 0 ... 600 VAC)
- X102** – Universal Resistance-Temperature Detector (URTD) input, Fiber optics interface, Versatile Link
- X103** – Modbus RTU / IEC 60870-5-103 / DNP3.0 RTU, Fiber optics interface, ST Connector
- X104** – IRIG-B00X, incl. System Contact (Supervision Contact)

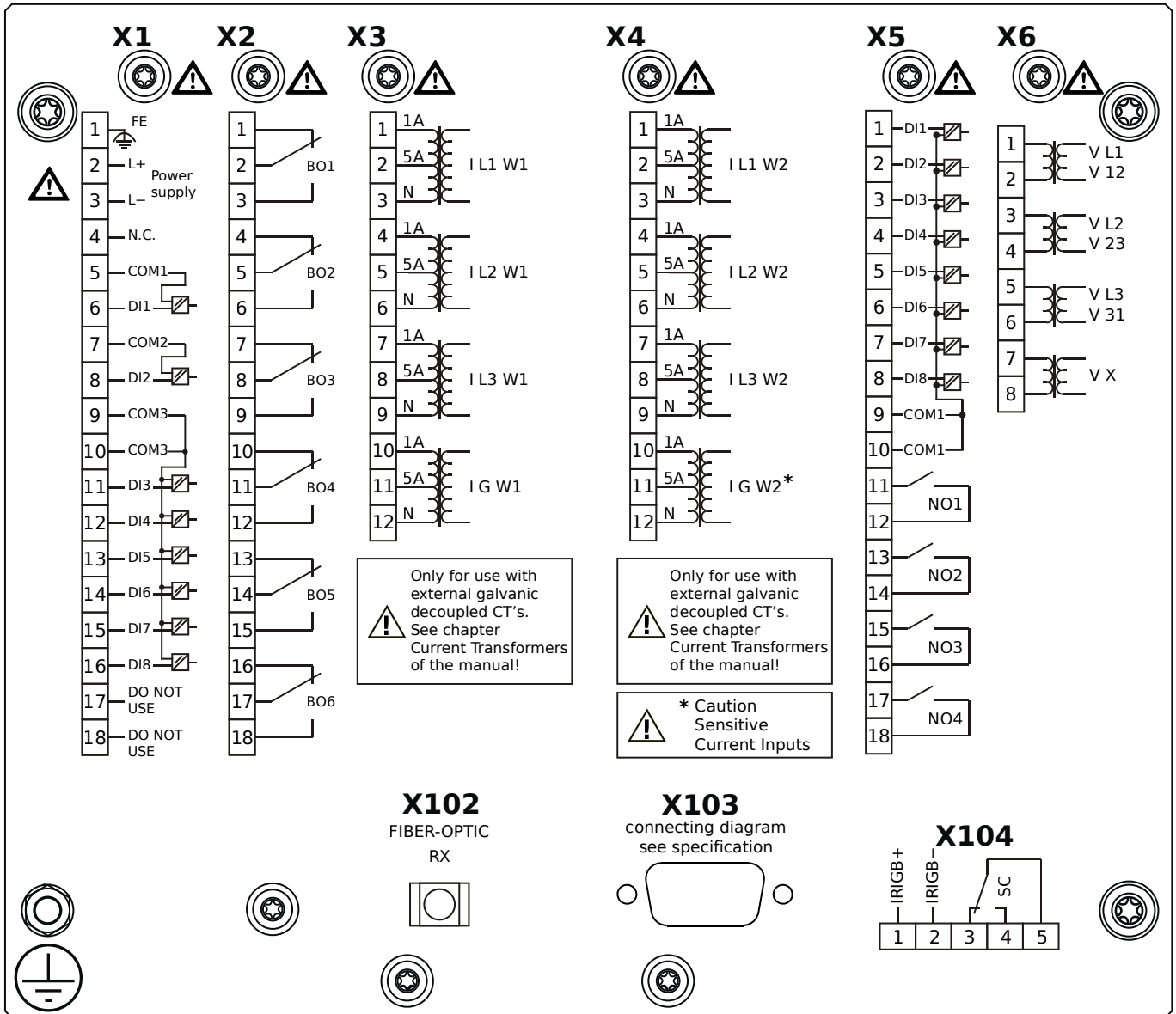
MCDTV4-2A2BGA



Housing B2, large display, 19" rack mounting

- X1** – DI8-X1: Wide-range power supply unit, incl. 2 non-grouped digital inputs and 6 grouped digital inputs
- X2** – OR6: Assembly Group with 6 Output Relays (Changeover / Form C)
- X3** – TI: Standard current measuring card (for the winding side 1)
- X4** – TIs: Standard phase current measuring card and sensitive ground current measuring (winding side 2)
- X5** – DI8-OR4: Assembly Group with 8 Digital Inputs and 4 Output Relays (NO / Form A)
- X6** – TU: Card with 4 voltage transformer measuring inputs (0 ... 800 VAC, under UL: 0 ... 600 VAC)
- X102** – Universal Resistance-Temperature Detector (URTD) input, Fiber optics interface, Versatile Link
- X103** – Modbus RTU / IEC 60870-5-103 / DNP3.0 RTU, RS485, D-SUB
- X104** – IRIG-B00X, incl. System Contact (Supervision Contact)

MCDTV4-2A2BGB

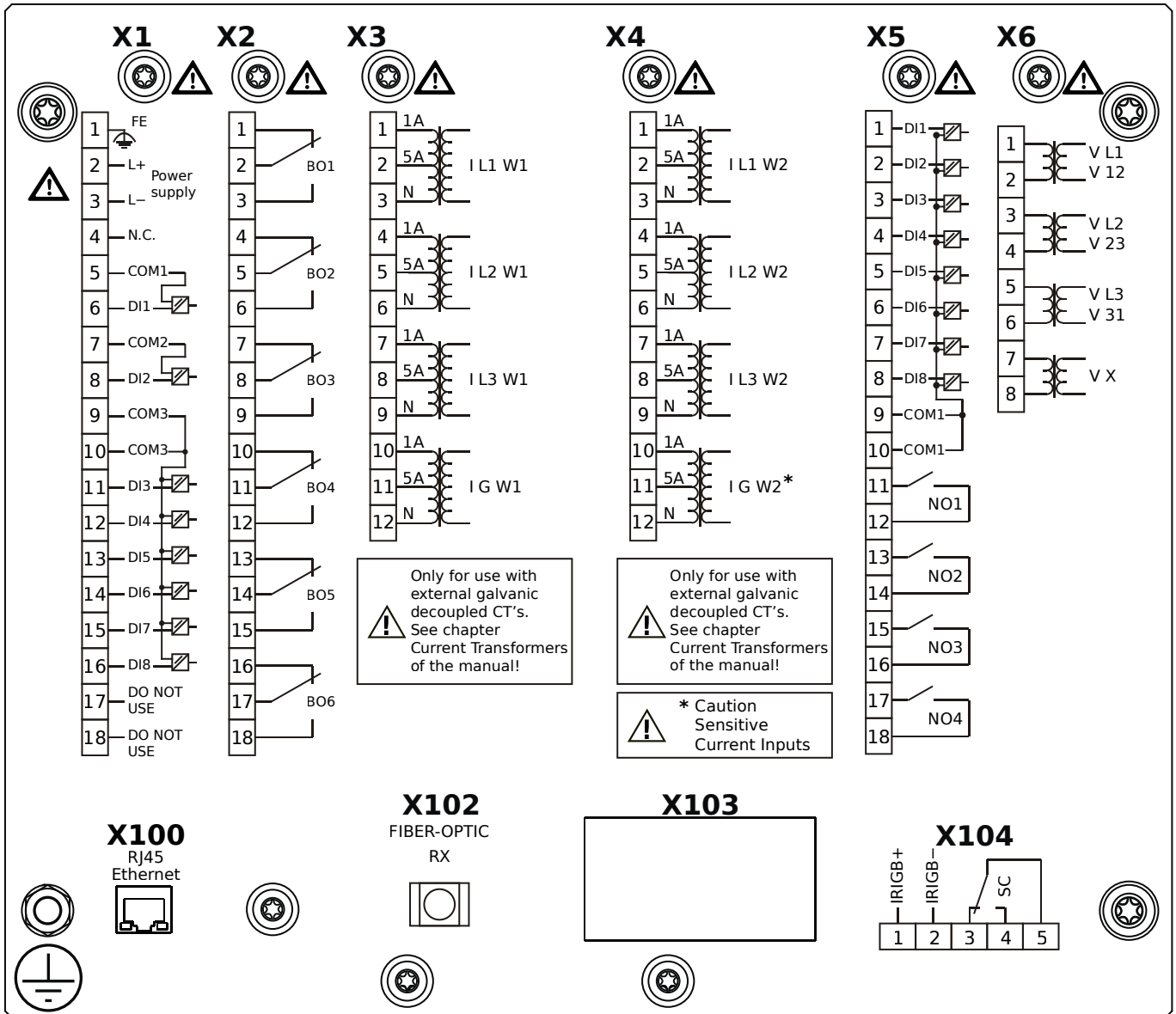


Housing B2, large display, 19" rack mounting

+ Conformal Coating (for installations in harsh environment)

- X1** – DI8-X1: Wide-range power supply unit, incl. 2 non-grouped digital inputs and 6 grouped digital inputs
- X2** – OR6: Assembly Group with 6 Output Relays (Changeover / Form C)
- X3** – TI: Standard current measuring card (for the winding side 1)
- X4** – TIs: Standard phase current measuring card and sensitive ground current measuring (winding side 2)
- X5** – DI8-OR4: Assembly Group with 8 Digital Inputs and 4 Output Relays (NO / Form A)
- X6** – TU: Card with 4 voltage transformer measuring inputs (0 ... 800 VAC, under UL: 0 ... 600 VAC)
- X102** – Universal Resistance-Temperature Detector (URTD) input, Fiber optics interface, Versatile Link
- X103** – Modbus RTU / IEC 60870-5-103 / DNP3.0 RTU, RS485, D-SUB
- X104** – IRIG-B00X, incl. System Contact (Supervision Contact)

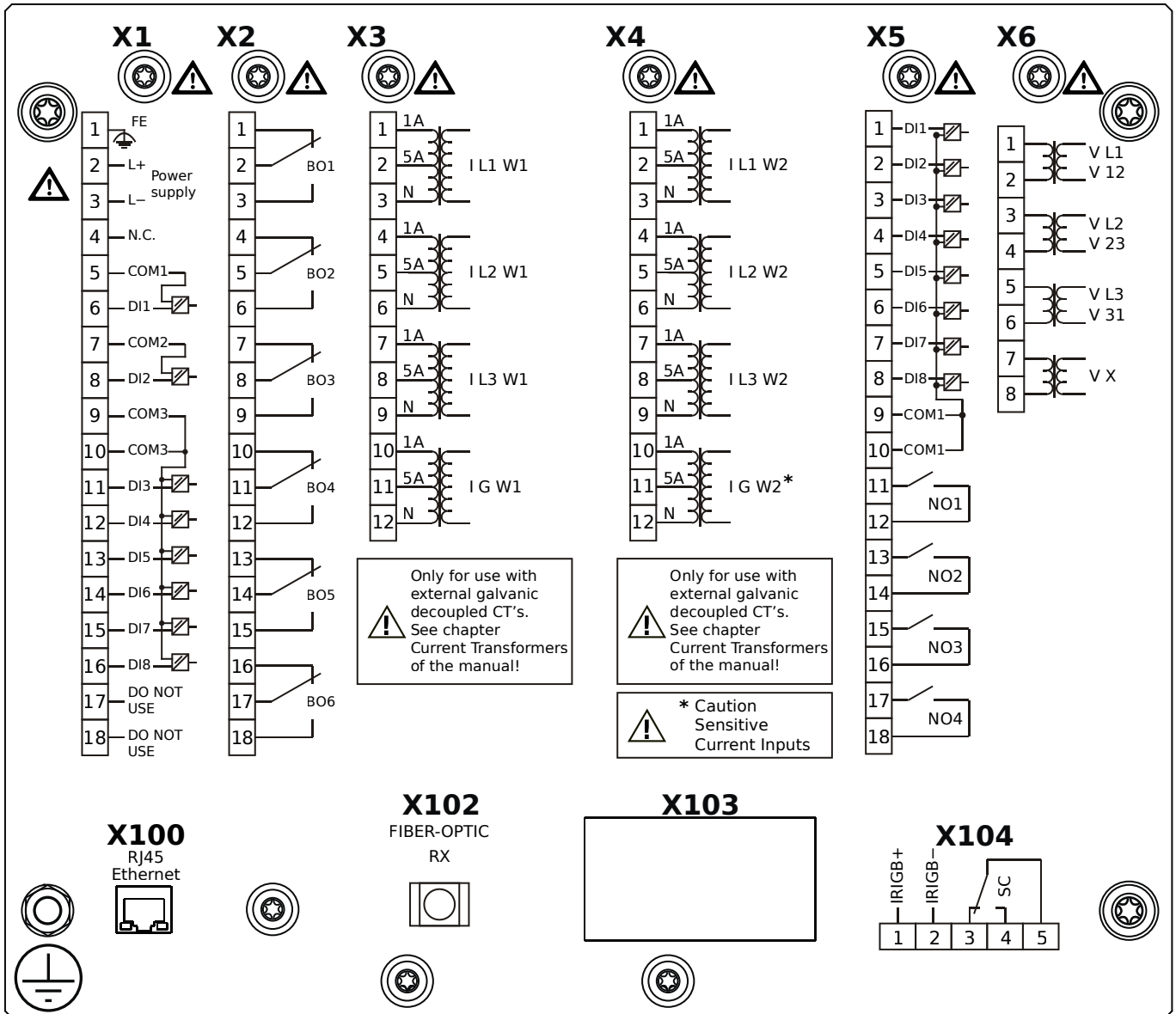
MCDTV4-2A2BHA



Housing B2, large display, 19" rack mounting

- X1** – DI8-X1: Wide-range power supply unit, incl. 2 non-grouped digital inputs and 6 grouped digital inputs
- X2** – OR6: Assembly Group with 6 Output Relays (Changeover / Form C)
- X3** – TI: Standard current measuring card (for the winding side 1)
- X4** – TIs: Standard phase current measuring card and sensitive ground current measuring (winding side 2)
- X5** – DI8-OR4: Assembly Group with 8 Digital Inputs and 4 Output Relays (NO / Form A)
- X6** – TU: Card with 4 voltage transformer measuring inputs (0 ... 800 VAC, under UL: 0 ... 600 VAC)
- X100** – IEC 61850 / Modbus TCP / IEC 60870-5-104 / DNP3.0 TCP/UDP, Ethernet interface, 100 Mbit/s, RJ45 (BASE100-FX)
- X102** – Universal Resistance-Temperature Detector (URTD) input, Fiber optics interface, Versatile Link
- X104** – IRIG-B00X, incl. System Contact (Supervision Contact)

MCDTV4-2A2BHB



Housing B2, large display, 19" rack mounting

+ Conformal Coating (for installations in harsh environment)

X1 – DI8-X1: Wide-range power supply unit, incl. 2 non-grouped digital inputs and 6 grouped digital inputs

X2 – OR6: Assembly Group with 6 Output Relays (Changeover / Form C)

X3 – TI: Standard current measuring card (for the winding side 1)

X4 – TIs: Standard phase current measuring card and sensitive ground current measuring (winding side 2)

X5 – DI8-OR4: Assembly Group with 8 Digital Inputs and 4 Output Relays (NO / Form A)

X6 – TU: Card with 4 voltage transformer measuring inputs (0 ... 800 VAC, under UL: 0 ... 600 VAC)

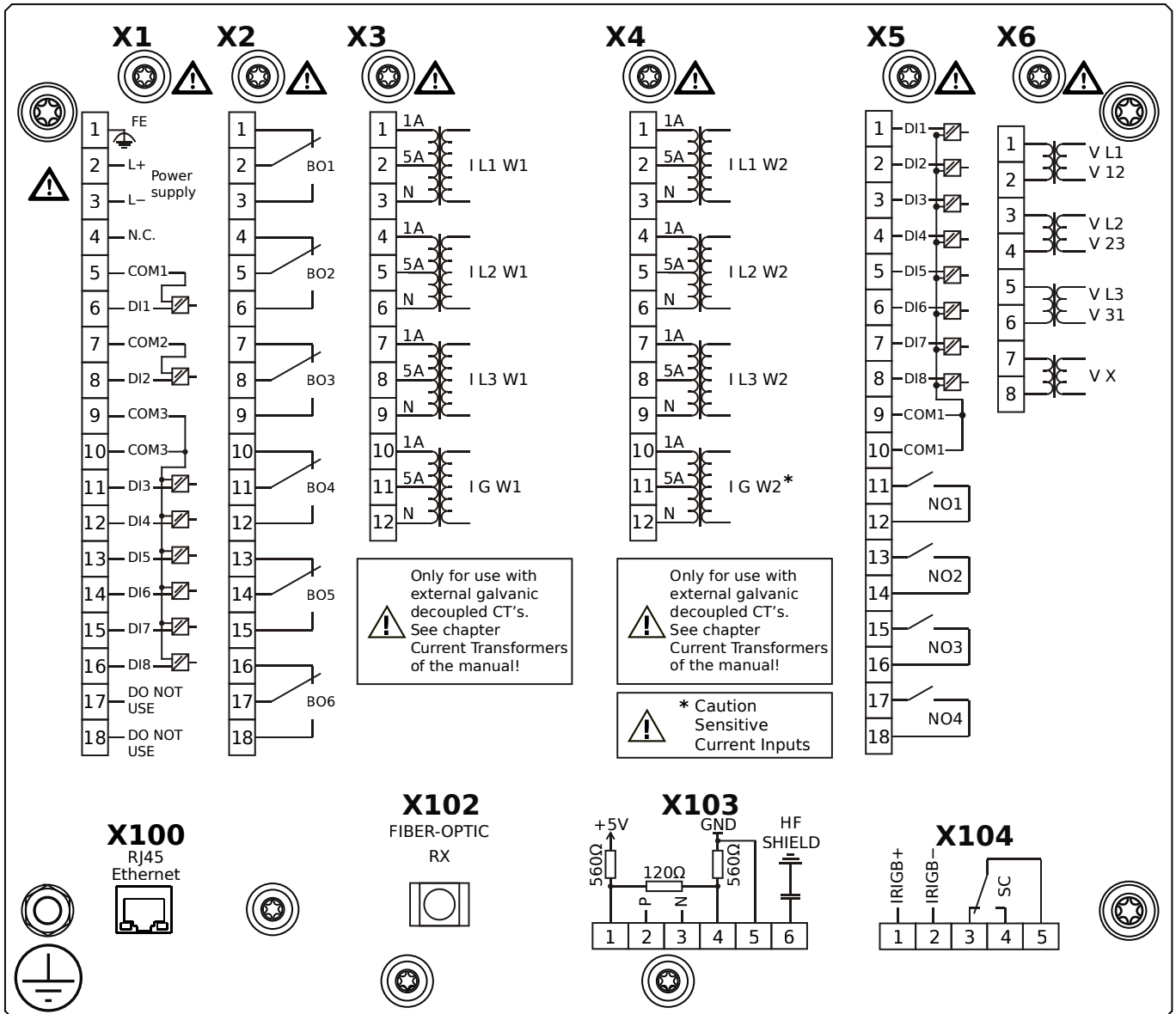
X100 – IEC 61850 / Modbus TCP / IEC 60870-5-104 / DNP3.0 TCP/UDP, Ethernet interface, 100 Mbit/s, RJ45 (BASE100-

FX)

X102 – Universal Resistance-Temperature Detector (URTD) input, Fiber optics interface, Versatile Link

X104 – IRIG-B00X, incl. System Contact (Supervision Contact)

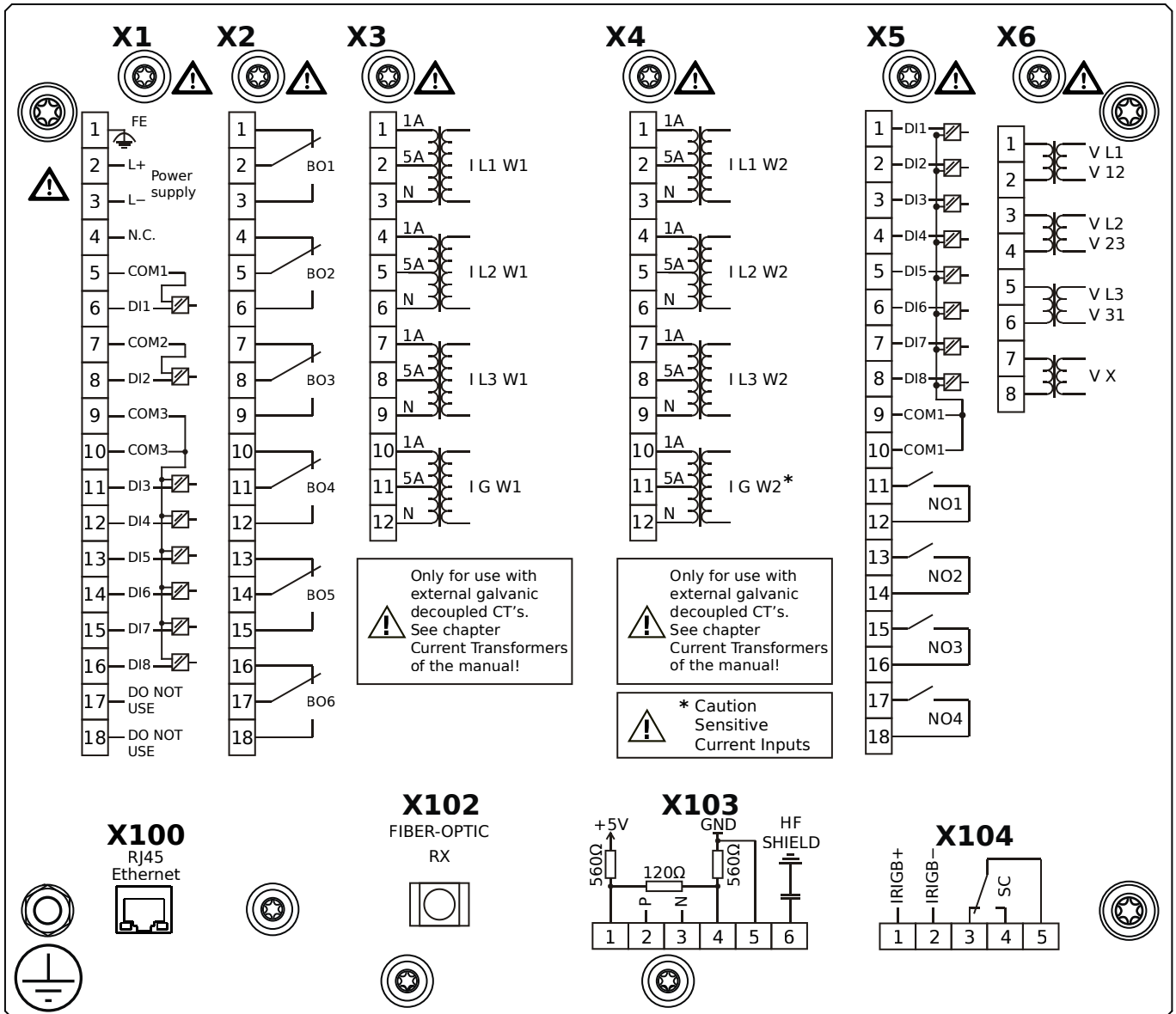
MCDTV4-2A2BIA



Housing B2, large display, 19" rack mounting

- X1** – DI8-X1: Wide-range power supply unit, incl. 2 non-grouped digital inputs and 6 grouped digital inputs
- X2** – OR6: Assembly Group with 6 Output Relays (Changeover / Form C)
- X3** – TI: Standard current measuring card (for the winding side 1)
- X4** – TIs: Standard phase current measuring card and sensitive ground current measuring (winding side 2)
- X5** – DI8-OR4: Assembly Group with 8 Digital Inputs and 4 Output Relays (NO / Form A)
- X6** – TU: Card with 4 voltage transformer measuring inputs (0 ... 800 VAC, under UL: 0 ... 600 VAC)
- X100** – Modbus TCP / IEC 60870-5-104 / DNP3.0 TCP/UDP, Ethernet interface, 100 Mbit/s, RJ45 (BASE100-FX)
- X102** – Universal Resistance-Temperature Detector (URTD) input, Fiber optics interface, Versatile Link
- X103** – IEC 60870-5-103 / Modbus RTU / DNP3.0 RTU, RS485, Terminals
- X104** – IRIG-B00X, incl. System Contact (Supervision Contact)

MCDTV4-2A2BIB

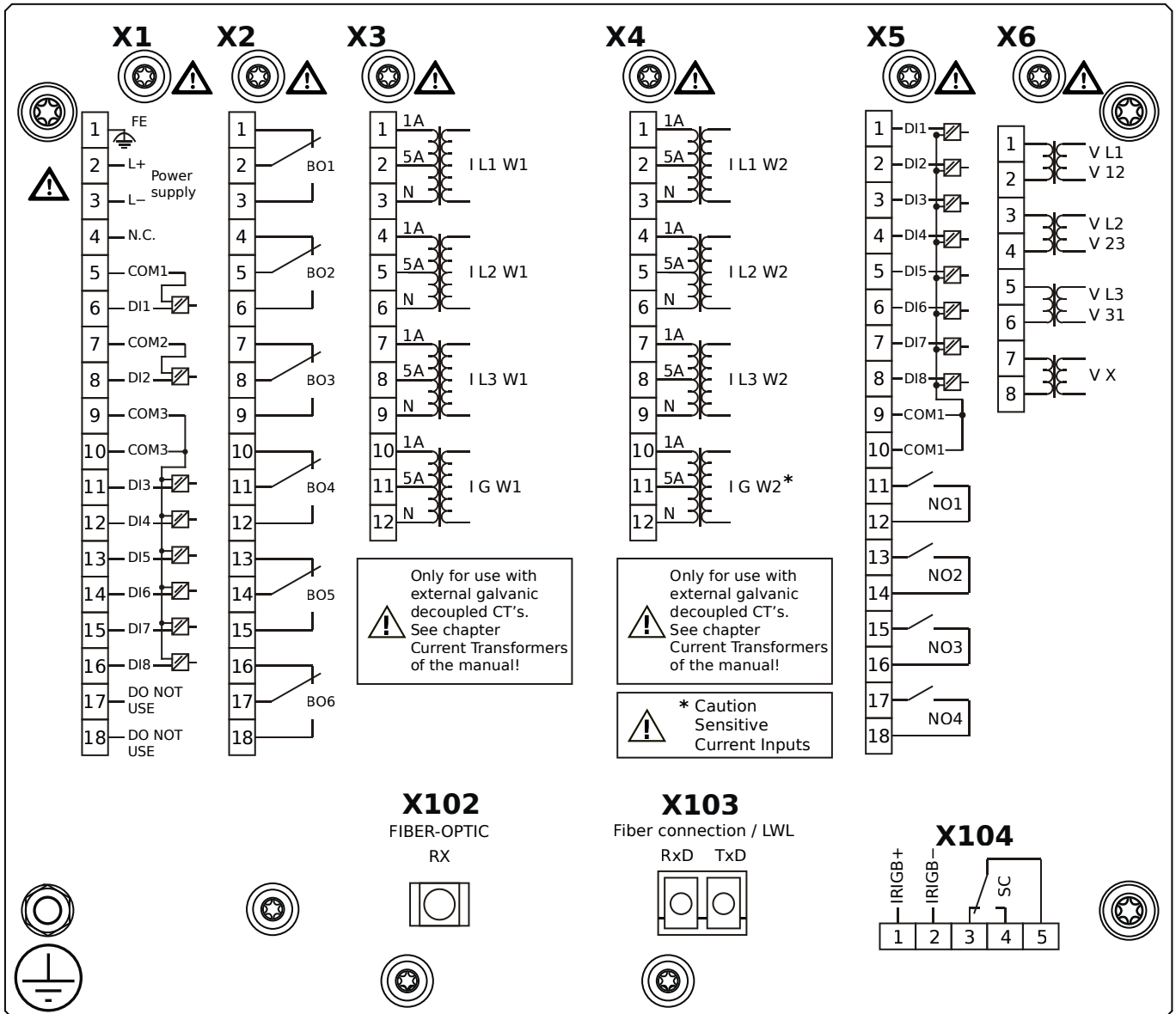


Housing B2, large display, 19" rack mounting

+ Conformal Coating (for installations in harsh environment)

- X1** – DI8-X1: Wide-range power supply unit, incl. 2 non-grouped digital inputs and 6 grouped digital inputs
- X2** – OR6: Assembly Group with 6 Output Relays (Changeover / Form C)
- X3** – TI: Standard current measuring card (for the winding side 1)
- X4** – TIs: Standard phase current measuring card and sensitive ground current measuring (winding side 2)
- X5** – DI8-OR4: Assembly Group with 8 Digital Inputs and 4 Output Relays (NO / Form A)
- X6** – TU: Card with 4 voltage transformer measuring inputs (0 ... 800 VAC, under UL: 0 ... 600 VAC)
- X100** – Modbus TCP / IEC 60870-5-104 / DNP3.0 TCP/UDP, Ethernet interface, 100 Mbit/s, RJ45 (BASE100-FX)
- X102** – Universal Resistance-Temperature Detector (URTD) input, Fiber optics interface, Versatile Link
- X103** – IEC 60870-5-103 / Modbus RTU / DNP3.0 RTU, RS485, Terminals
- X104** – IRIG-B00X, incl. System Contact (Supervision Contact)

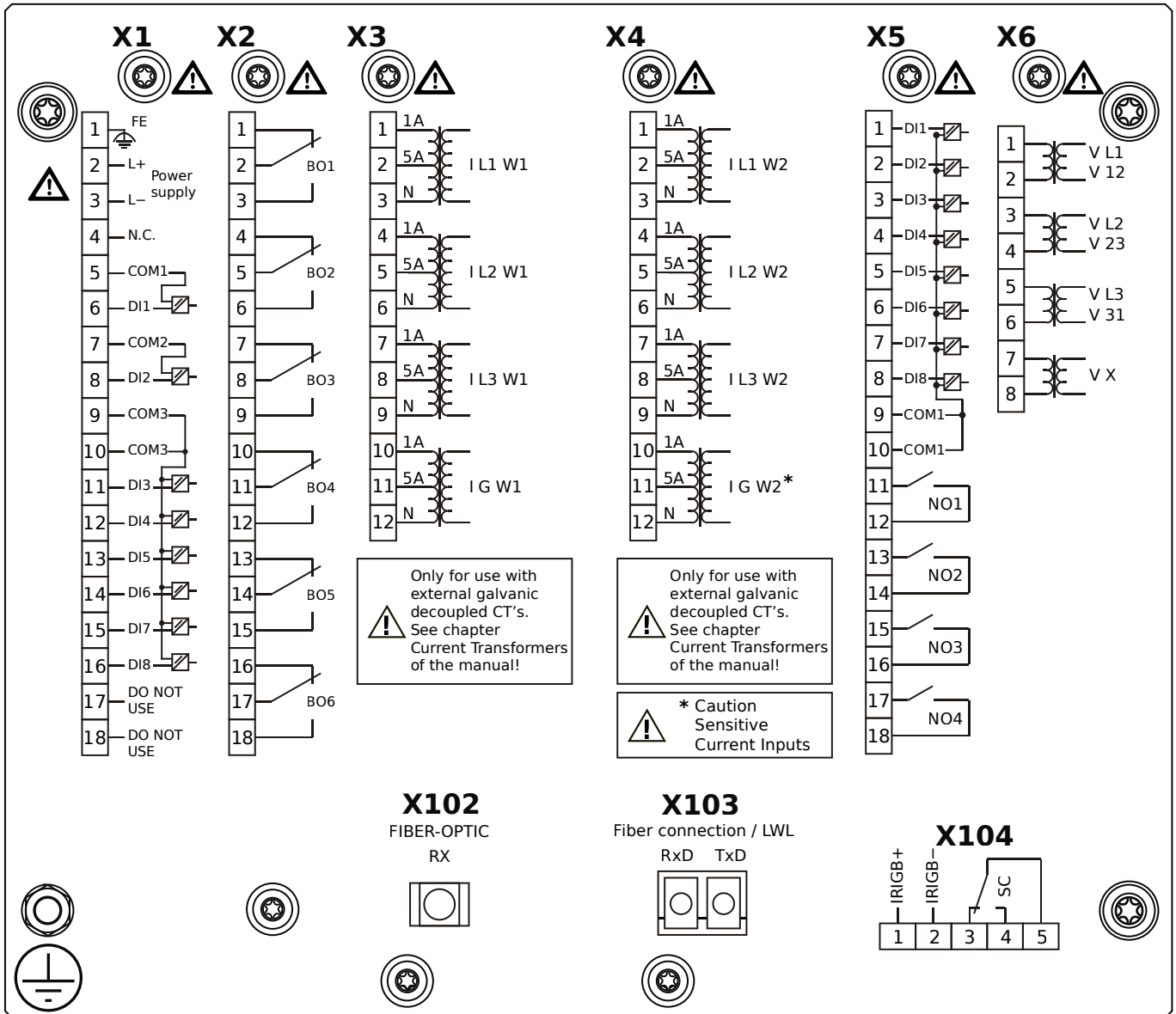
MCDTV4-2A2BKA



Housing B2, large display, 19" rack mounting

- X1** – DI8-X1: Wide-range power supply unit, incl. 2 non-grouped digital inputs and 6 grouped digital inputs
- X2** – OR6: Assembly Group with 6 Output Relays (Changeover / Form C)
- X3** – TI: Standard current measuring card (for the winding side 1)
- X4** – TIs: Standard phase current measuring card and sensitive ground current measuring (winding side 2)
- X5** – DI8-OR4: Assembly Group with 8 Digital Inputs and 4 Output Relays (NO / Form A)
- X6** – TU: Card with 4 voltage transformer measuring inputs (0 ... 800 VAC, under UL: 0 ... 600 VAC)
- X102** – Universal Resistance-Temperature Detector (URTD) input, Fiber optics interface, Versatile Link
- X103** – IEC 61850 / Modbus TCP / IEC 60870-5-104 / DNP3.0 TCP/UDP, Fiber optics interface, LC Connector
- X104** – IRIG-B00X, incl. System Contact (Supervision Contact)

MCDTV4-2A2BKB

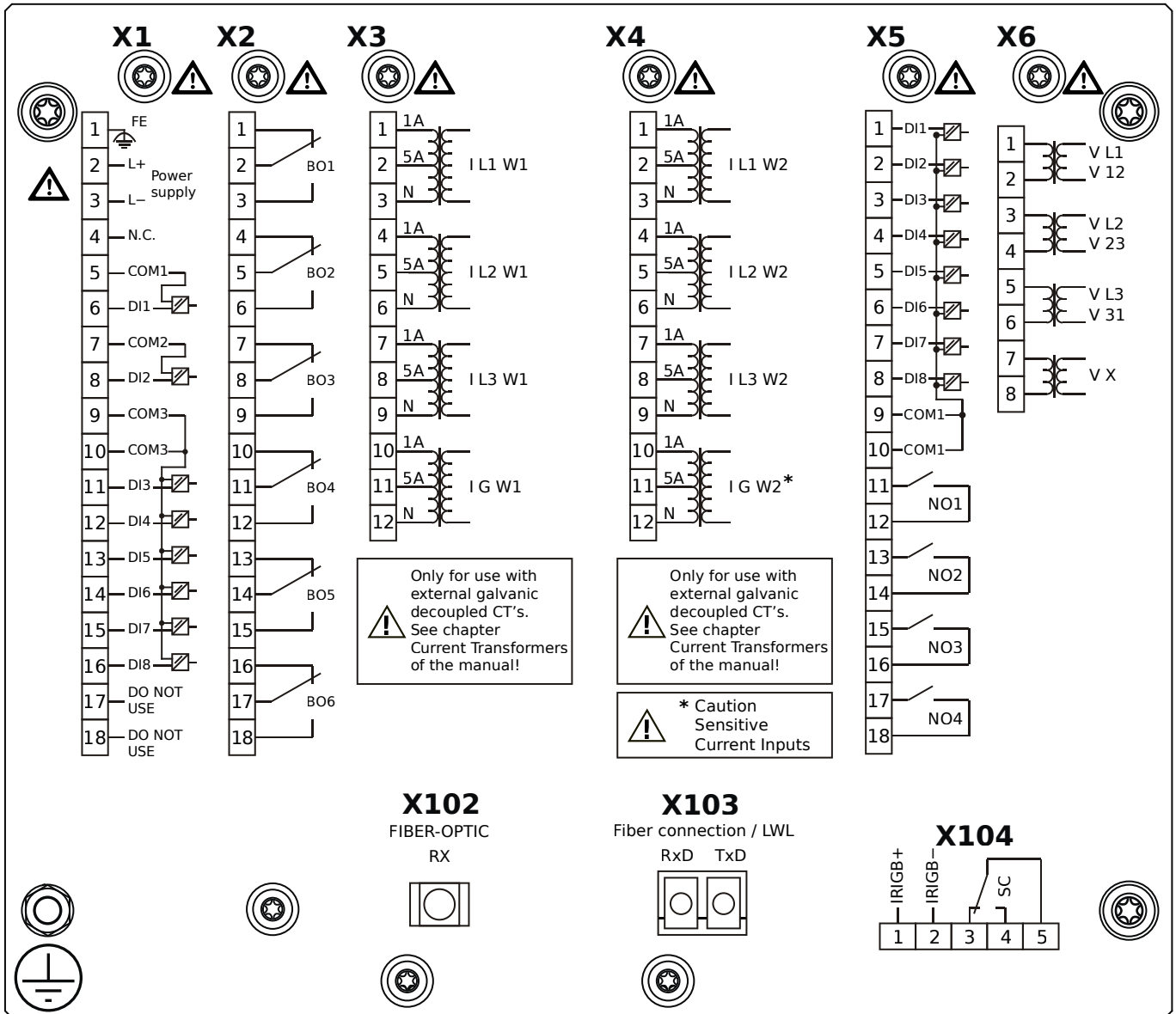


Housing B2, large display, 19" rack mounting

+ Conformal Coating (for installations in harsh environment)

- X1** – DI8-X1: Wide-range power supply unit, incl. 2 non-grouped digital inputs and 6 grouped digital inputs
- X2** – OR6: Assembly Group with 6 Output Relays (Changeover / Form C)
- X3** – TI: Standard current measuring card (for the winding side 1)
- X4** – TIs: Standard phase current measuring card and sensitive ground current measuring (winding side 2)
- X5** – DI8-OR4: Assembly Group with 8 Digital Inputs and 4 Output Relays (NO / Form A)
- X6** – TU: Card with 4 voltage transformer measuring inputs (0 ... 800 VAC, under UL: 0 ... 600 VAC)
- X102** – Universal Resistance-Temperature Detector (URTD) input, Fiber optics interface, Versatile Link
- X103** – IEC 61850 / Modbus TCP / IEC 60870-5-104 / DNP3.0 TCP/UDP, Fiber optics interface, LC Connector
- X104** – IRIG-B00X, incl. System Contact (Supervision Contact)

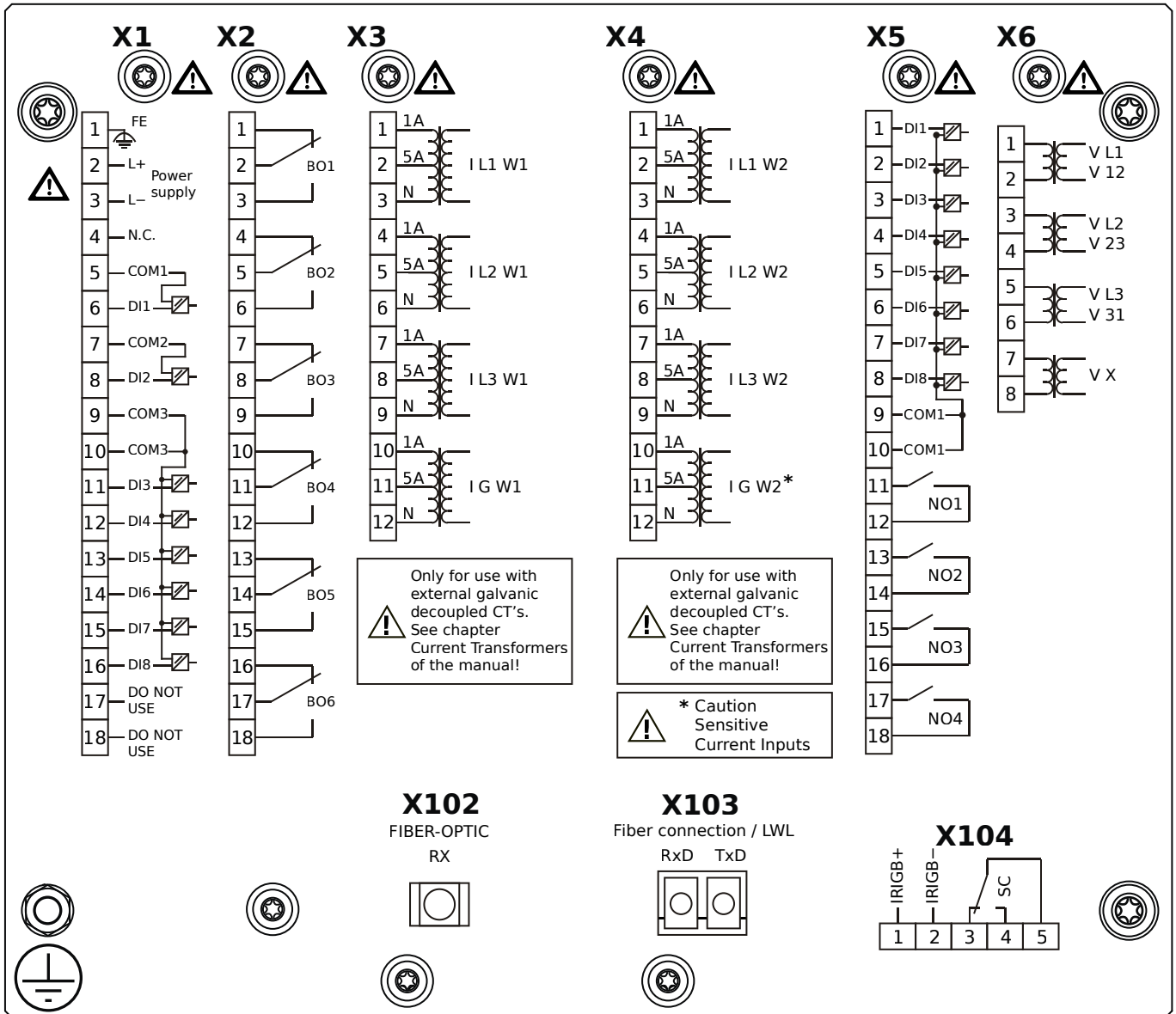
MCDTV4-2A2BLA



Housing B2, large display, 19" rack mounting

- X1** – DI8-X1: Wide-range power supply unit, incl. 2 non-grouped digital inputs and 6 grouped digital inputs
- X2** – OR6: Assembly Group with 6 Output Relays (Changeover / Form C)
- X3** – TI: Standard current measuring card (for the winding side 1)
- X4** – TIs: Standard phase current measuring card and sensitive ground current measuring (winding side 2)
- X5** – DI8-OR4: Assembly Group with 8 Digital Inputs and 4 Output Relays (NO / Form A)
- X6** – TU: Card with 4 voltage transformer measuring inputs (0 ... 800 VAC, under UL: 0 ... 600 VAC)
- X102** – Universal Resistance-Temperature Detector (URTD) input, Fiber optics interface, Versatile Link
- X103** – Modbus TCP / IEC 60870-5-104 / DNP3.0 TCP/UDP, Fiber optics interface, LC Connector
- X104** – IRIG-B00X, incl. System Contact (Supervision Contact)

MCDTV4-2A2BLB

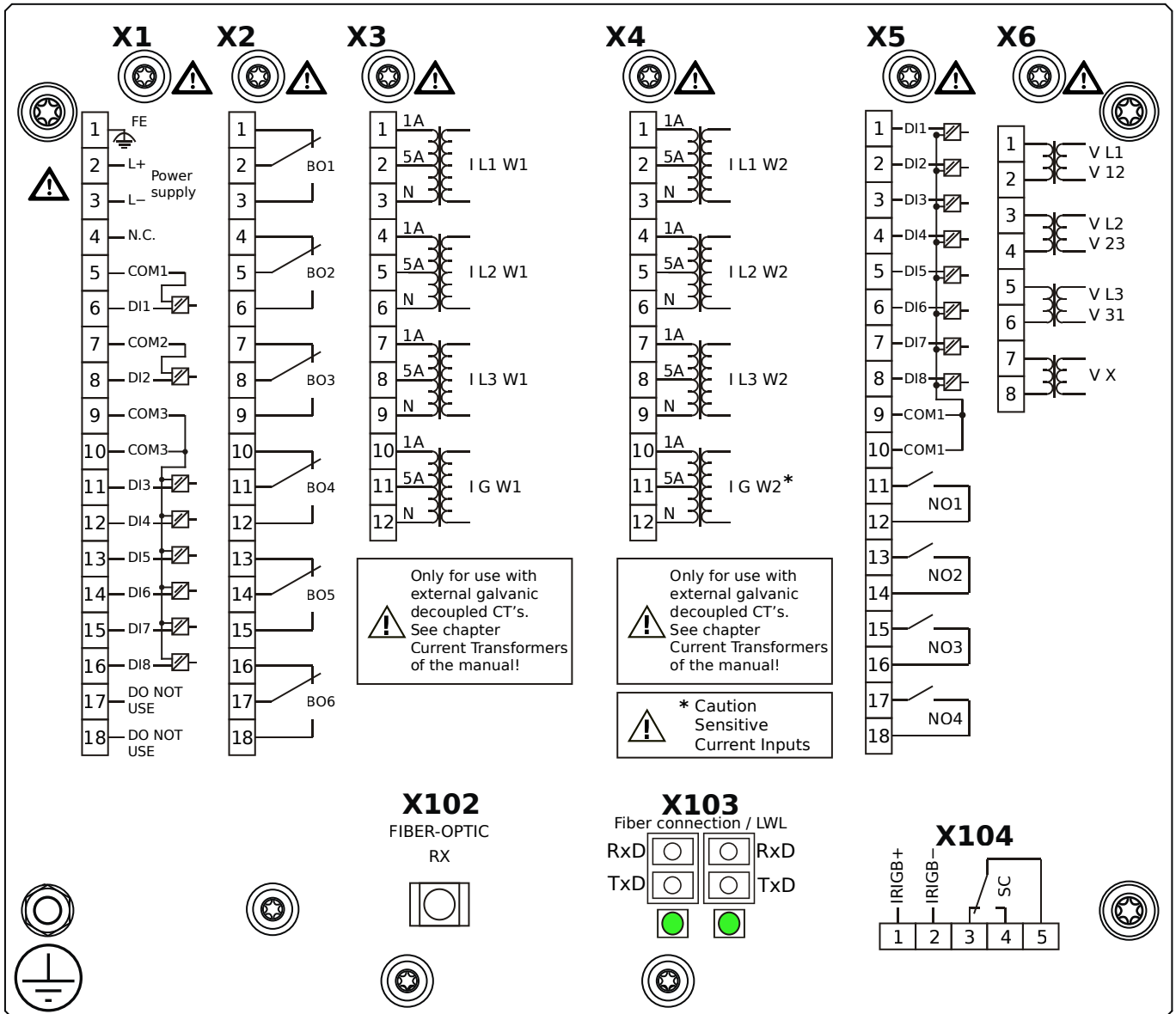


Housing B2, large display, 19" rack mounting

+ Conformal Coating (for installations in harsh environment)

- X1** – DI8-X1: Wide-range power supply unit, incl. 2 non-grouped digital inputs and 6 grouped digital inputs
- X2** – OR6: Assembly Group with 6 Output Relays (Changeover / Form C)
- X3** – TI: Standard current measuring card (for the winding side 1)
- X4** – TIs: Standard phase current measuring card and sensitive ground current measuring (winding side 2)
- X5** – DI8-OR4: Assembly Group with 8 Digital Inputs and 4 Output Relays (NO / Form A)
- X6** – TU: Card with 4 voltage transformer measuring inputs (0 ... 800 VAC, under UL: 0 ... 600 VAC)
- X102** – Universal Resistance-Temperature Detector (URTD) input, Fiber optics interface, Versatile Link
- X103** – Modbus TCP / IEC 60870-5-104 / DNP3.0 TCP/UDP, Fiber optics interface, LC Connector
- X104** – IRIG-B00X, incl. System Contact (Supervision Contact)

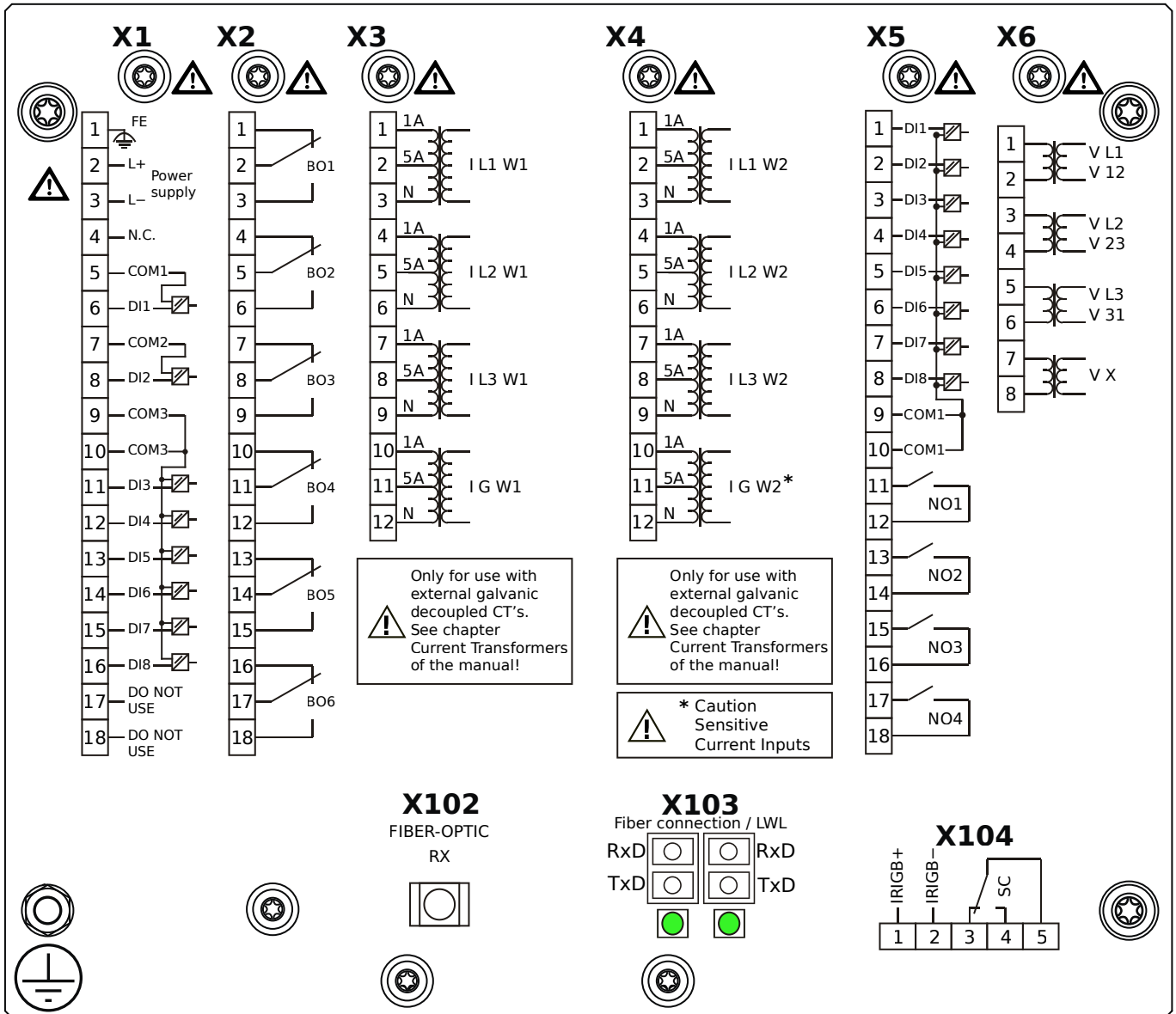
MCDTV4-2A2BOA



Housing B2, large display, 19" rack mounting

- X1** – DI8-X1: Wide-range power supply unit, incl. 2 non-grouped digital inputs and 6 grouped digital inputs
- X2** – OR6: Assembly Group with 6 Output Relays (Changeover / Form C)
- X3** – TI: Standard current measuring card (for the winding side 1)
- X4** – TIs: Standard phase current measuring card and sensitive ground current measuring (winding side 2)
- X5** – DI8-OR4: Assembly Group with 8 Digital Inputs and 4 Output Relays (NO / Form A)
- X6** – TU: Card with 4 voltage transformer measuring inputs (0 ... 800 VAC, under UL: 0 ... 600 VAC)
- X102** – Universal Resistance-Temperature Detector (URTD) input, Fiber optics interface, Versatile Link
- X103** – Modbus TCP / IEC 60870-5-104 / DNP3.0 TCP/UDP, Redundant Fiber optics interface, LC Connector
- X104** – IRIG-B00X, incl. System Contact (Supervision Contact)

MCDTV4-2A2BOB

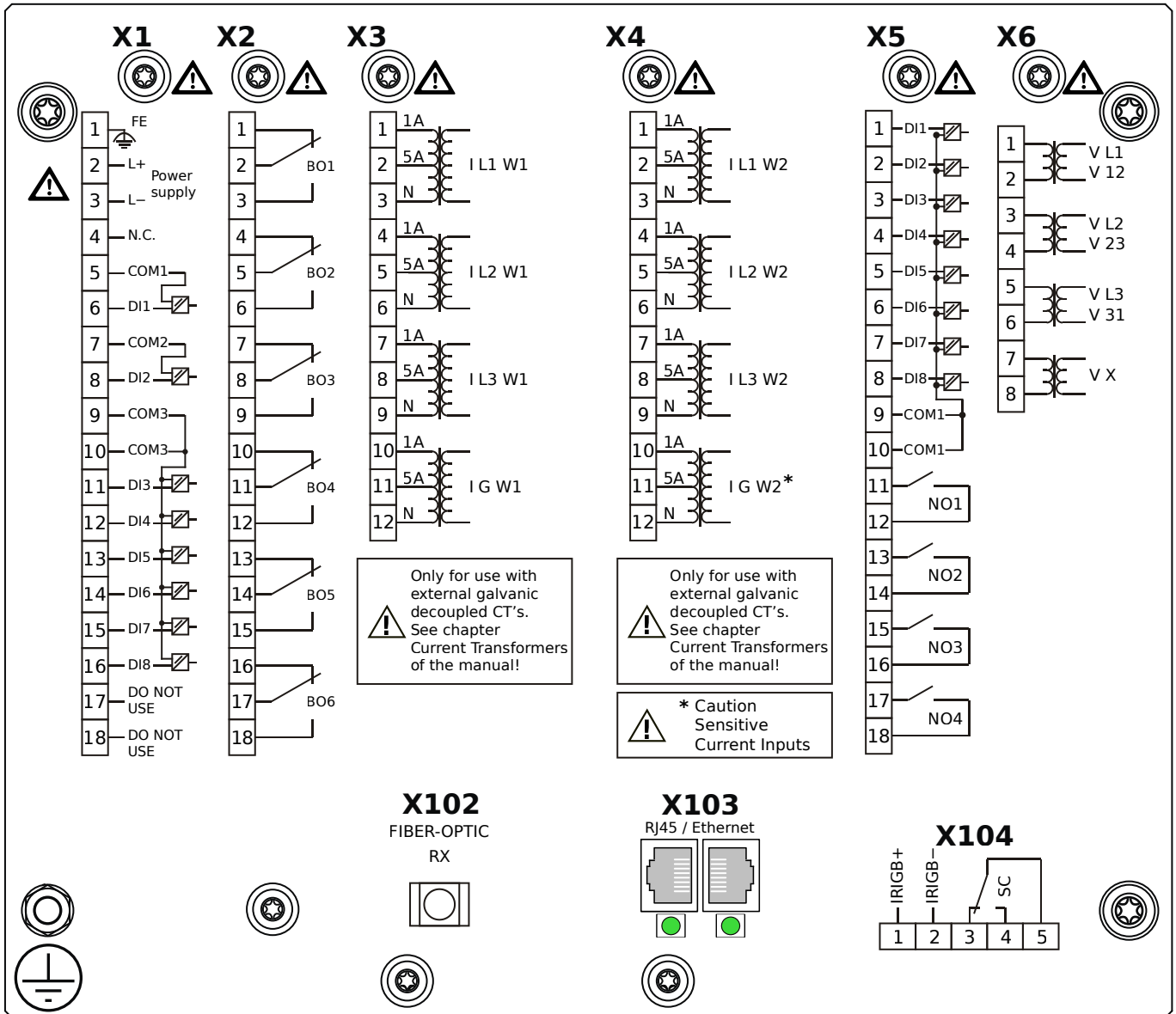


Housing B2, large display, 19" rack mounting

- + Conformal Coating (for installations in harsh environment)

- X1** – DI8-X1: Wide-range power supply unit, incl. 2 non-grouped digital inputs and 6 grouped digital inputs
- X2** – OR6: Assembly Group with 6 Output Relays (Changeover / Form C)
- X3** – TI: Standard current measuring card (for the winding side 1)
- X4** – TIs: Standard phase current measuring card and sensitive ground current measuring (winding side 2)
- X5** – DI8-OR4: Assembly Group with 8 Digital Inputs and 4 Output Relays (NO / Form A)
- X6** – TU: Card with 4 voltage transformer measuring inputs (0 ... 800 VAC, under UL: 0 ... 600 VAC)
- X102** – Universal Resistance-Temperature Detector (URTD) input, Fiber optics interface, Versatile Link
- X103** – Modbus TCP / IEC 60870-5-104 / DNP3.0 TCP/UDP, Redundant Fiber optics interface, LC Connector
- X104** – IRIG-B00X, incl. System Contact (Supervision Contact)

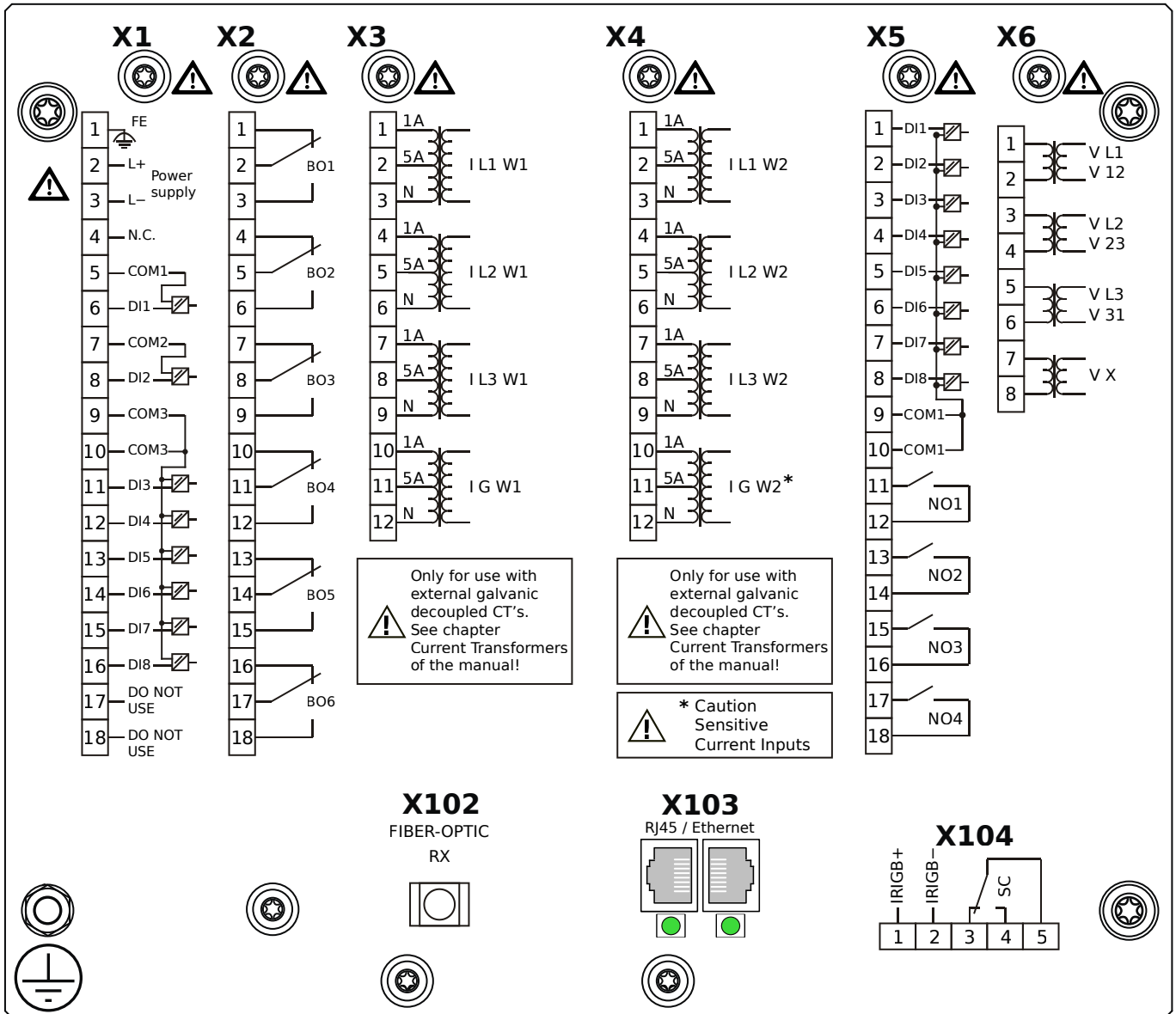
MCDTV4-2A2BPA



Housing B2, large display, 19" rack mounting

- X1** – DI8-X1: Wide-range power supply unit, incl. 2 non-grouped digital inputs and 6 grouped digital inputs
- X2** – OR6: Assembly Group with 6 Output Relays (Changeover / Form C)
- X3** – TI: Standard current measuring card (for the winding side 1)
- X4** – TIs: Standard phase current measuring card and sensitive ground current measuring (winding side 2)
- X5** – DI8-OR4: Assembly Group with 8 Digital Inputs and 4 Output Relays (NO / Form A)
- X6** – TU: Card with 4 voltage transformer measuring inputs (0 ... 800 VAC, under UL: 0 ... 600 VAC)
- X102** – Universal Resistance-Temperature Detector (URTD) input, Fiber optics interface, Versatile Link
- X103** – Modbus TCP / IEC 60870-5-104 / DNP3.0 TCP/UDP, Redundant Ethernet interface, 100 Mbit/s, RJ45 (BASE100-FX)
- X104** – IRIG-B00X, incl. System Contact (Supervision Contact)

MCDTV4-2A2BPB

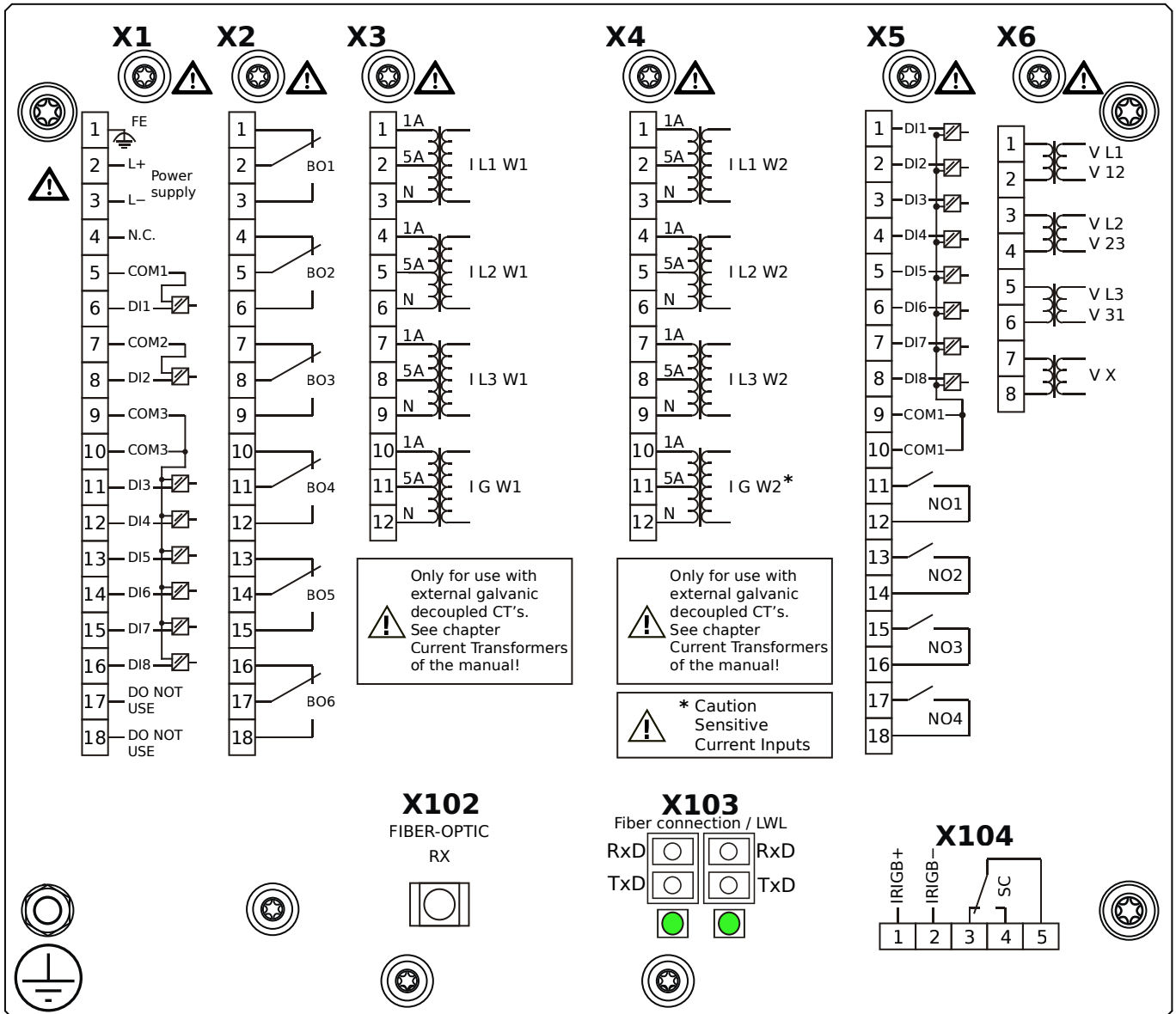


Housing B2, large display, 19" rack mounting

+ Conformal Coating (for installations in harsh environment)

- X1** – DI8-X1: Wide-range power supply unit, incl. 2 non-grouped digital inputs and 6 grouped digital inputs
- X2** – OR6: Assembly Group with 6 Output Relays (Changeover / Form C)
- X3** – TI: Standard current measuring card (for the winding side 1)
- X4** – TIs: Standard phase current measuring card and sensitive ground current measuring (winding side 2)
- X5** – DI8-OR4: Assembly Group with 8 Digital Inputs and 4 Output Relays (NO / Form A)
- X6** – TU: Card with 4 voltage transformer measuring inputs (0 ... 800 VAC, under UL: 0 ... 600 VAC)
- X102** – Universal Resistance-Temperature Detector (URTD) input, Fiber optics interface, Versatile Link
- X103** – Modbus TCP / IEC 60870-5-104 / DNP3.0 TCP/UDP, Redundant Ethernet interface, 100 Mbit/s, RJ45 (BASE100-FX)
- X104** – IRIG-B00X, incl. System Contact (Supervision Contact)

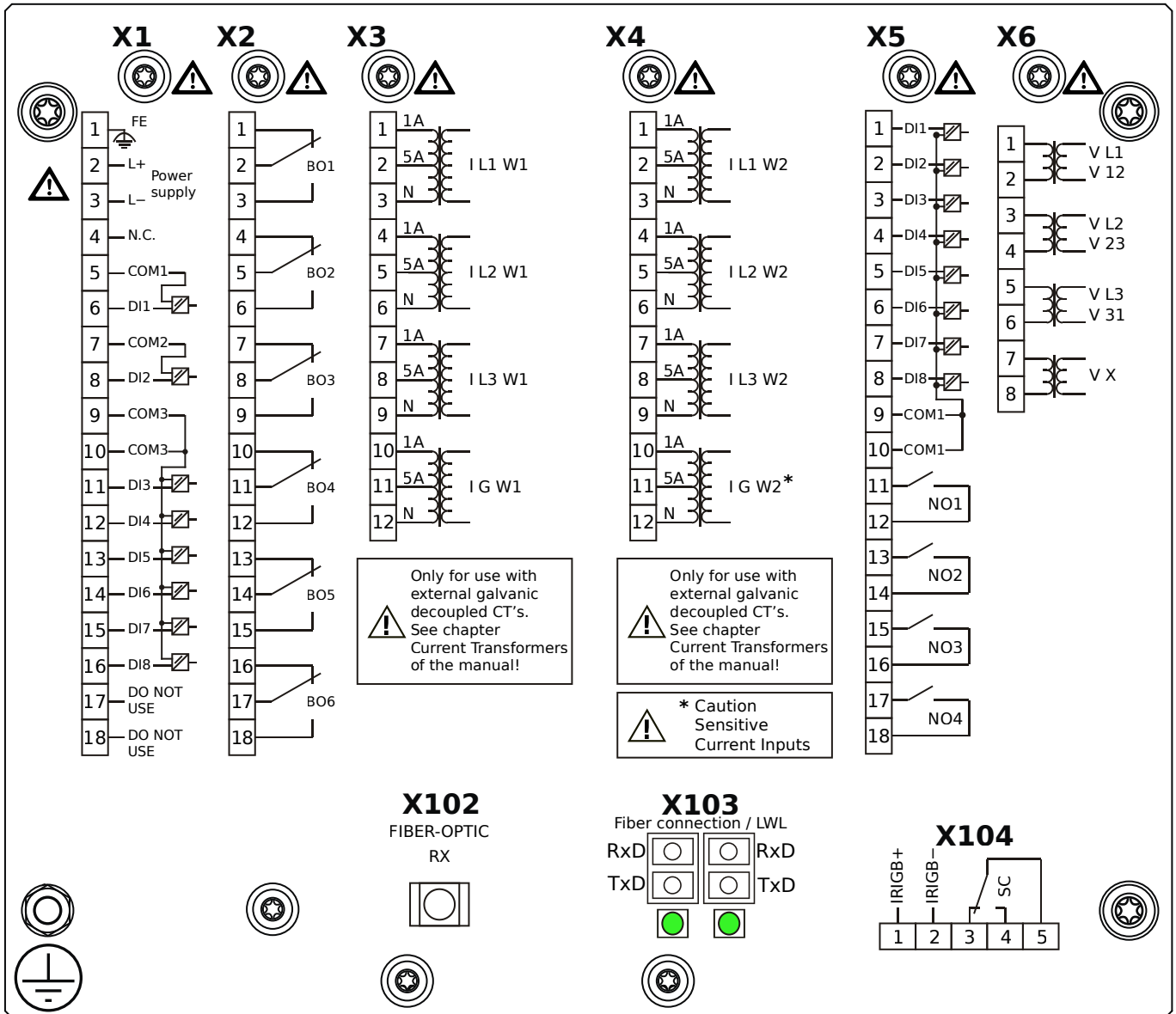
MCDTV4-2A2BQA



Housing B2, large display, 19" rack mounting

- X1** – DI8-X1: Wide-range power supply unit, incl. 2 non-grouped digital inputs and 6 grouped digital inputs
- X2** – OR6: Assembly Group with 6 Output Relays (Changeover / Form C)
- X3** – TI: Standard current measuring card (for the winding side 1)
- X4** – TIs: Standard phase current measuring card and sensitive ground current measuring (winding side 2)
- X5** – DI8-OR4: Assembly Group with 8 Digital Inputs and 4 Output Relays (NO / Form A)
- X6** – TU: Card with 4 voltage transformer measuring inputs (0 ... 800 VAC, under UL: 0 ... 600 VAC)
- X102** – Universal Resistance-Temperature Detector (URTD) input, Fiber optics interface, Versatile Link
- X103** – IEC 61850 / Modbus TCP / IEC 60870-5-104 / DNP3.0 TCP/UDP, Redundant Fiber optics interface, LC Connector
- X104** – IRIG-B00X, incl. System Contact (Supervision Contact)

MCDTV4-2A2BQB

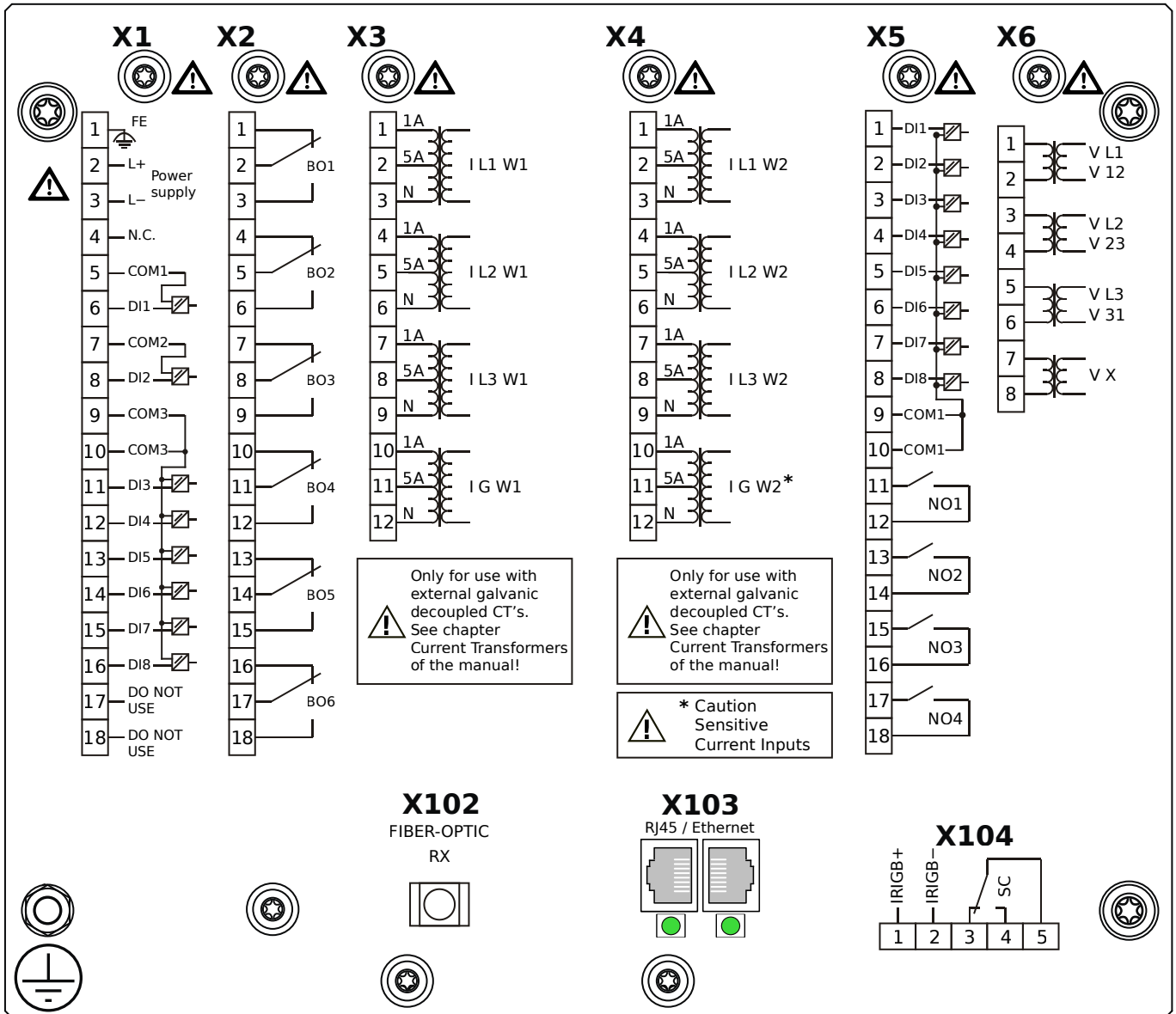


Housing B2, large display, 19" rack mounting

+ Conformal Coating (for installations in harsh environment)

- X1** – DI8-X1: Wide-range power supply unit, incl. 2 non-grouped digital inputs and 6 grouped digital inputs
- X2** – OR6: Assembly Group with 6 Output Relays (Changeover / Form C)
- X3** – TI: Standard current measuring card (for the winding side 1)
- X4** – TIs: Standard phase current measuring card and sensitive ground current measuring (winding side 2)
- X5** – DI8-OR4: Assembly Group with 8 Digital Inputs and 4 Output Relays (NO / Form A)
- X6** – TU: Card with 4 voltage transformer measuring inputs (0 ... 800 VAC, under UL: 0 ... 600 VAC)
- X102** – Universal Resistance-Temperature Detector (URTD) input, Fiber optics interface, Versatile Link
- X103** – IEC 61850 / Modbus TCP / IEC 60870-5-104 / DNP3.0 TCP/UDP, Redundant Fiber optics interface, LC Connector
- X104** – IRIG-B00X, incl. System Contact (Supervision Contact)

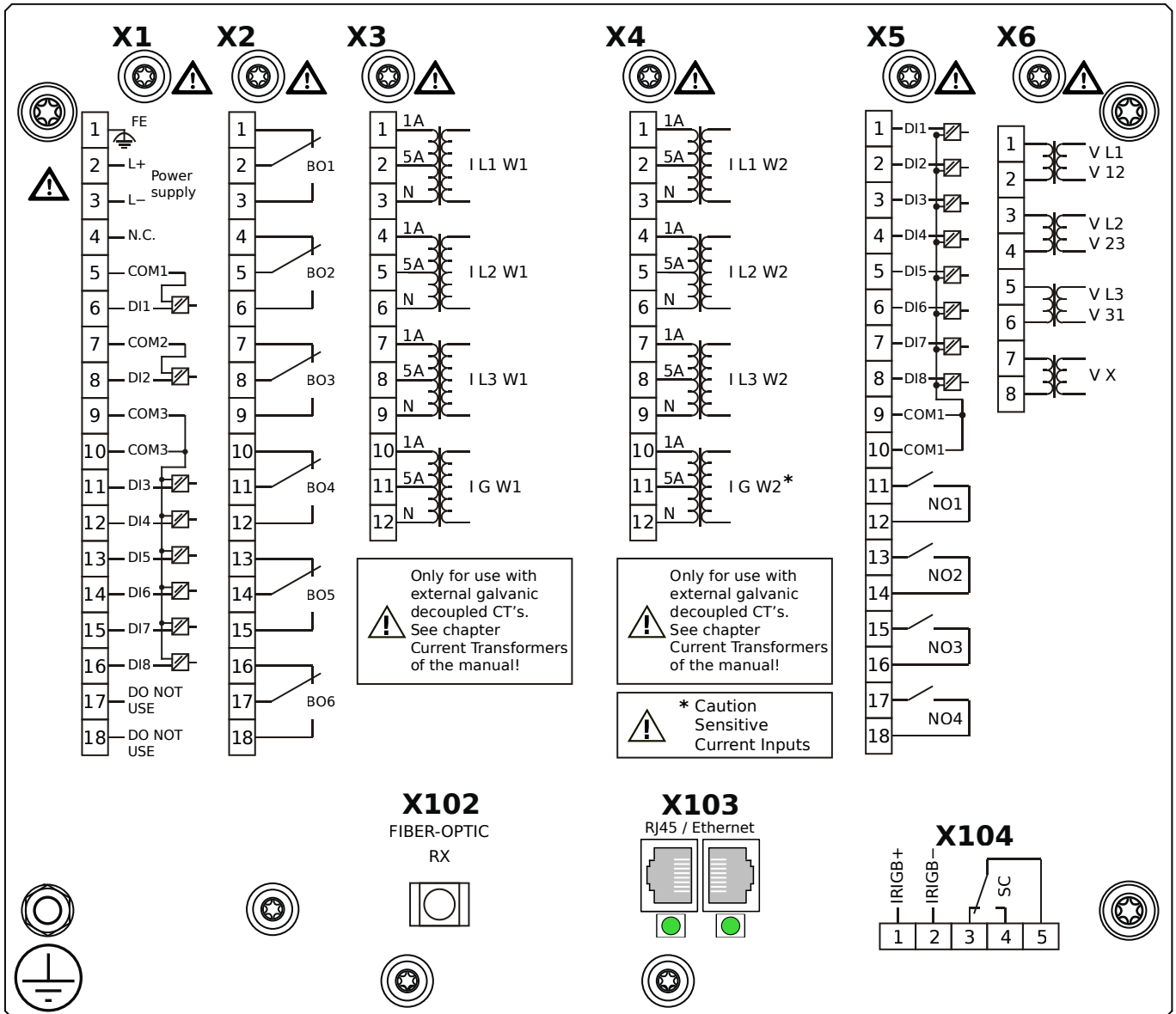
MCDTV4-2A2BRA



Housing B2, large display, 19" rack mounting

- X1** – DI8-X1: Wide-range power supply unit, incl. 2 non-grouped digital inputs and 6 grouped digital inputs
- X2** – OR6: Assembly Group with 6 Output Relays (Changeover / Form C)
- X3** – TI: Standard current measuring card (for the winding side 1)
- X4** – TIs: Standard phase current measuring card and sensitive ground current measuring (winding side 2)
- X5** – DI8-OR4: Assembly Group with 8 Digital Inputs and 4 Output Relays (NO / Form A)
- X6** – TU: Card with 4 voltage transformer measuring inputs (0 ... 800 VAC, under UL: 0 ... 600 VAC)
- X102** – Universal Resistance-Temperature Detector (URTD) input, Fiber optics interface, Versatile Link
- X103** – IEC 61850 / Modbus TCP / IEC 60870-5-104 / DNP3.0 TCP/UDP, Redundant Ethernet interface, 100 Mbit/s, RJ45
- (BASE100-FX)
- X104** – IRIG-B00X, incl. System Contact (Supervision Contact)

MCDTV4-2A2BRB



Housing B2, large display, 19" rack mounting

+ Conformal Coating (for installations in harsh environment)

X1 – DI8-X1: Wide-range power supply unit, incl. 2 non-grouped digital inputs and 6 grouped digital inputs

X2 – OR6: Assembly Group with 6 Output Relays (Changeover / Form C)

X3 – TI: Standard current measuring card (for the winding side 1)

X4 – TIs: Standard phase current measuring card and sensitive ground current measuring (winding side 2)

X5 – DI8-OR4: Assembly Group with 8 Digital Inputs and 4 Output Relays (NO / Form A)

X6 – TU: Card with 4 voltage transformer measuring inputs (0 ... 800 VAC, under UL: 0 ... 600 VAC)

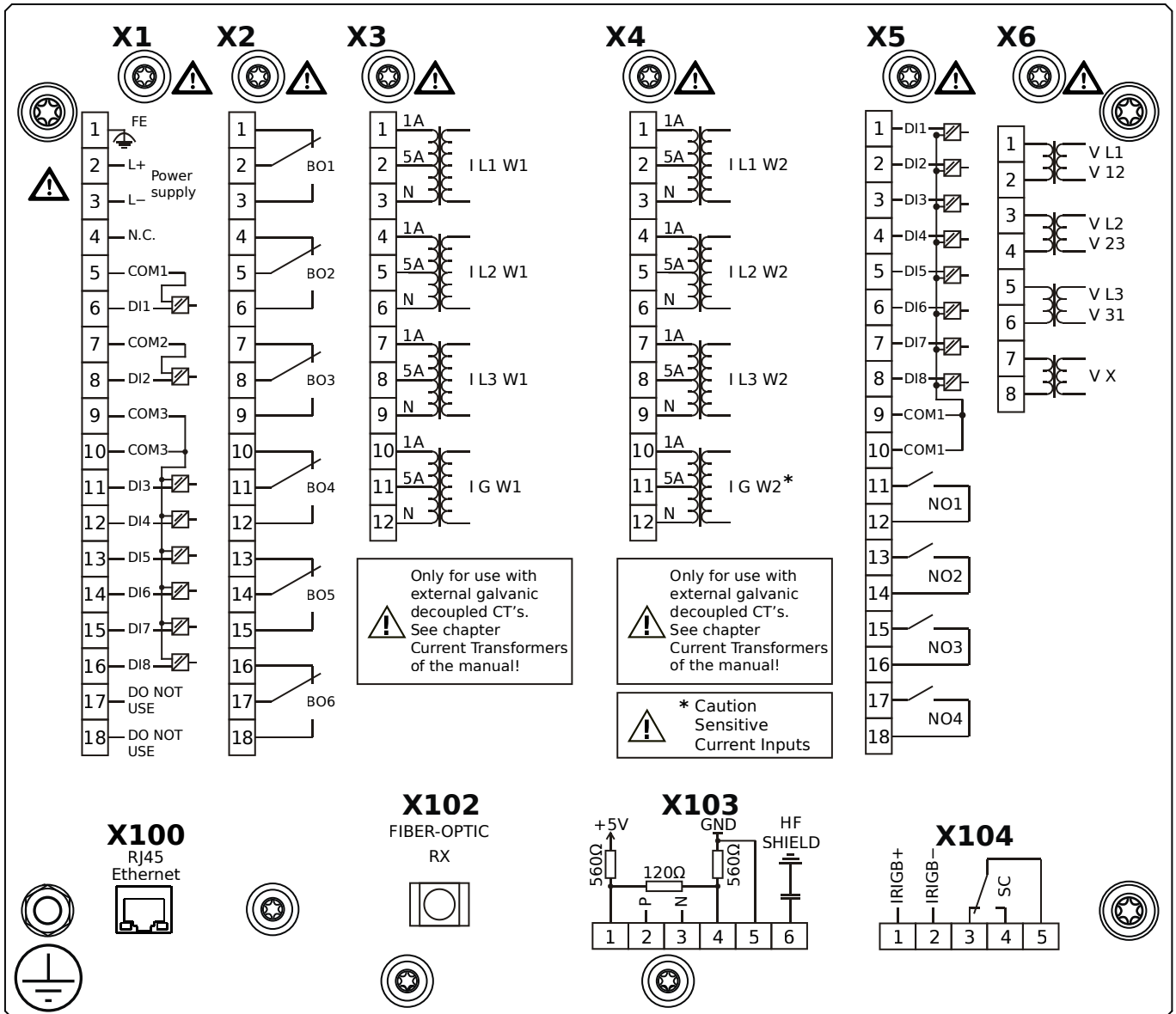
X102 – Universal Resistance-Temperature Detector (URTD) input, Fiber optics interface, Versatile Link

X103 – IEC 61850 / Modbus TCP / IEC 60870-5-104 / DNP3.0 TCP/UDP, Redundant Ethernet interface, 100 Mbit/s, RJ45

(BASE100-FX)

X104 – IRIG-B00X, incl. System Contact (Supervision Contact)

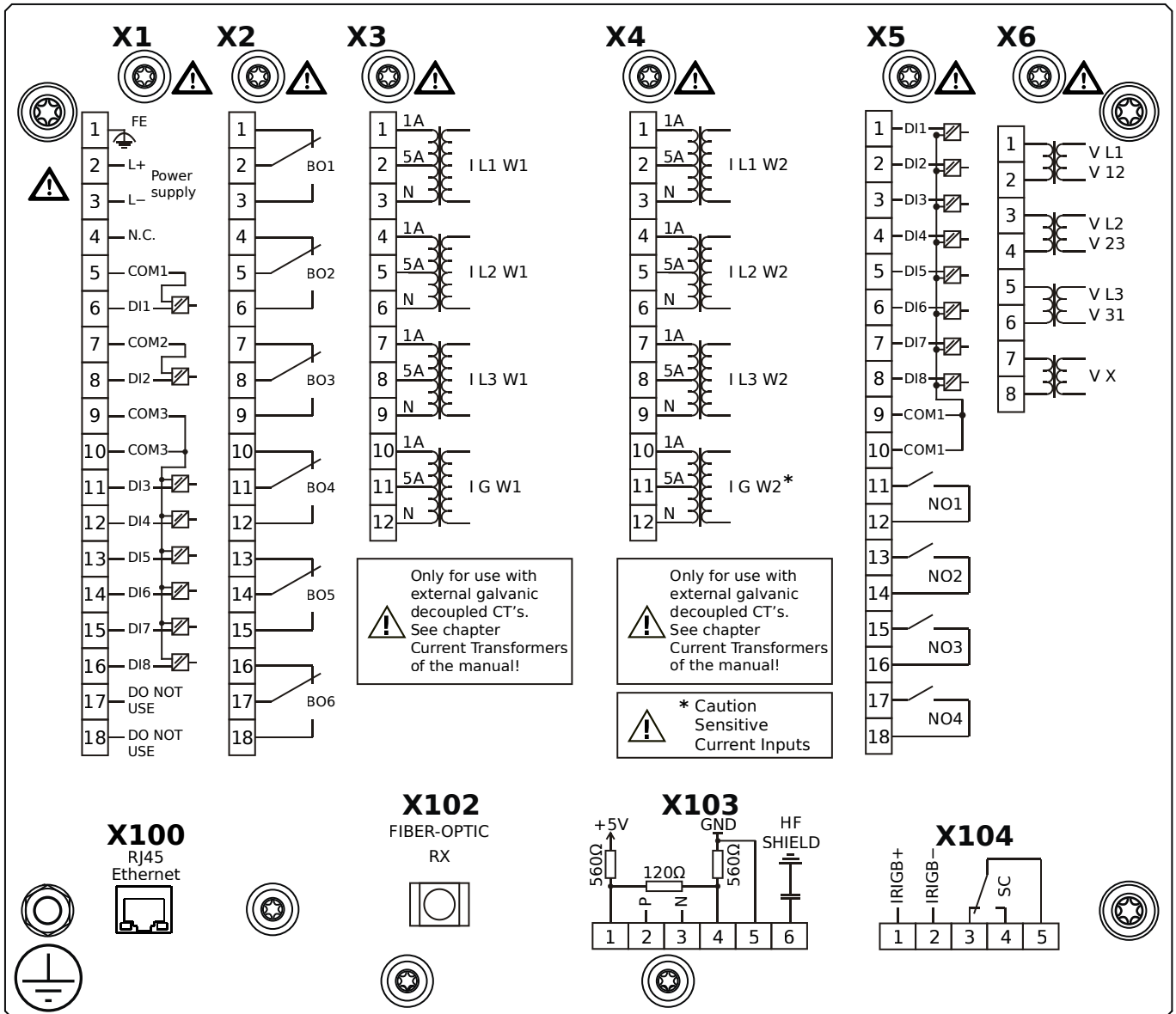
MCDTV4-2A2BTA



Housing B2, large display, 19" rack mounting

- X1** – DI8-X1: Wide-range power supply unit, incl. 2 non-grouped digital inputs and 6 grouped digital inputs
- X2** – OR6: Assembly Group with 6 Output Relays (Changeover / Form C)
- X3** – TI: Standard current measuring card (for the winding side 1)
- X4** – TIs: Standard phase current measuring card and sensitive ground current measuring (winding side 2)
- X5** – DI8-OR4: Assembly Group with 8 Digital Inputs and 4 Output Relays (NO / Form A)
- X6** – TU: Card with 4 voltage transformer measuring inputs (0 ... 800 VAC, under UL: 0 ... 600 VAC)
- X100** – IEC 61850 / Modbus TCP / IEC 60870-5-104 / DNP3.0 TCP/UDP, Ethernet interface, 100 Mbit/s, RJ45 (BASE100-FX)
- X102** – Universal Resistance-Temperature Detector (URTD) input, Fiber optics interface, Versatile Link
- X103** – IEC 60870-5-103 / Modbus RTU / DNP3.0 RTU, RS485, Terminals
- X104** – IRIG-B00X, incl. System Contact (Supervision Contact)

MCDTV4-2A2BTB

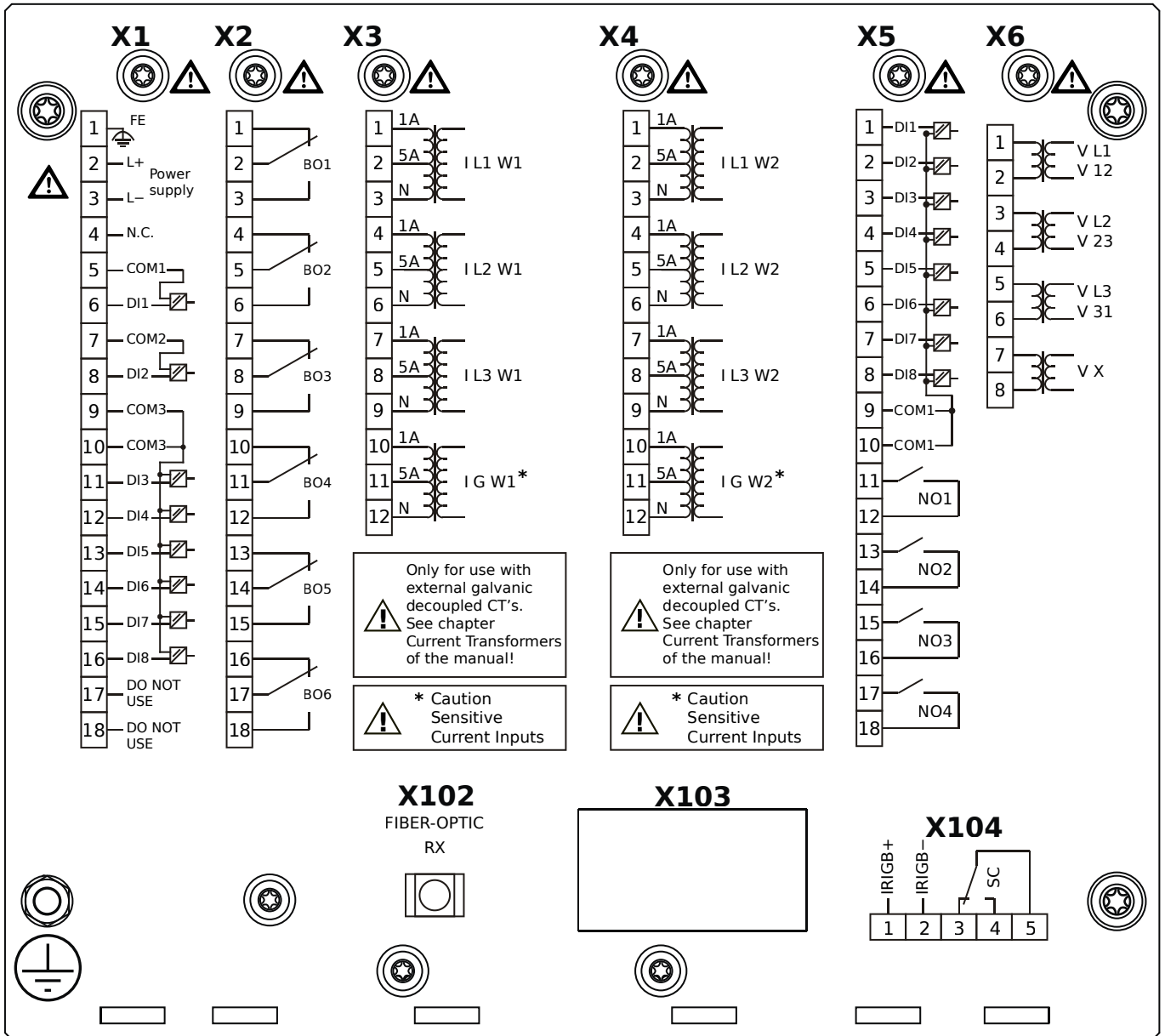


Housing B2, large display, 19" rack mounting

+ Conformal Coating (for installations in harsh environment)

- X1** – DI8-X1: Wide-range power supply unit, incl. 2 non-grouped digital inputs and 6 grouped digital inputs
- X2** – OR6: Assembly Group with 6 Output Relays (Changeover / Form C)
- X3** – TI: Standard current measuring card (for the winding side 1)
- X4** – TIs: Standard phase current measuring card and sensitive ground current measuring (winding side 2)
- X5** – DI8-OR4: Assembly Group with 8 Digital Inputs and 4 Output Relays (NO / Form A)
- X6** – TU: Card with 4 voltage transformer measuring inputs (0 ... 800 VAC, under UL: 0 ... 600 VAC)
- X100** – IEC 61850 / Modbus TCP / IEC 60870-5-104 / DNP3.0 TCP/UDP, Ethernet interface, 100 Mbit/s, RJ45 (BASE100-FX)
- X102** – Universal Resistance-Temperature Detector (URTD) input, Fiber optics interface, Versatile Link
- X103** – IEC 60870-5-103 / Modbus RTU / DNP3.0 RTU, RS485, Terminals
- X104** – IRIG-B00X, incl. System Contact (Supervision Contact)

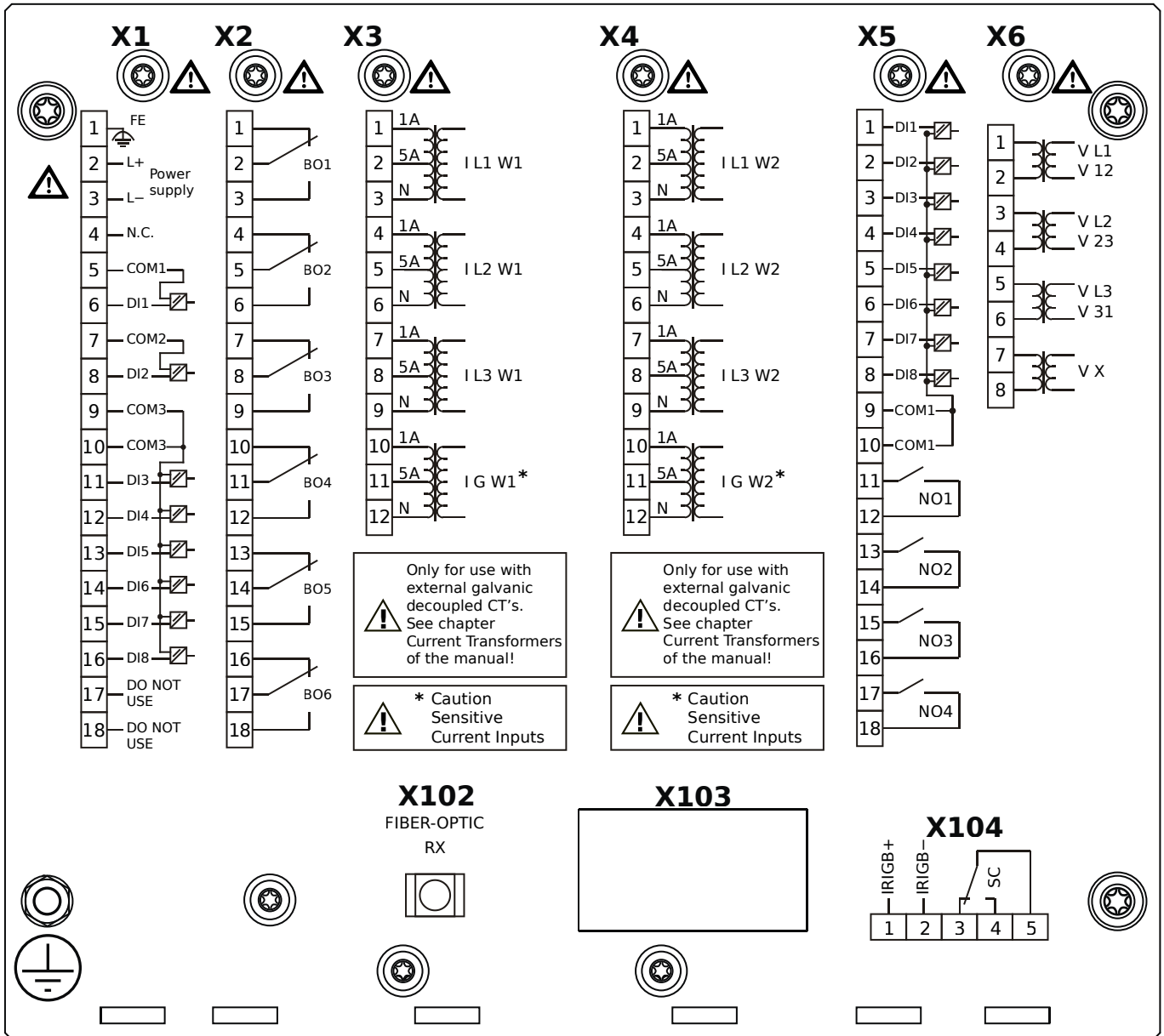
MCDTV4-2A3AAA



Housing B2, large display, door mounting

- X1** – DI8-X1: Wide-range power supply unit, incl. 2 non-grouped digital inputs and 6 grouped digital inputs
- X2** – OR6: Assembly Group with 6 Output Relays (Changeover / Form C)
- X3** – TIs: Standard phase current measuring card and sensitive ground current measuring (winding side 1)
- X4** – TIs: Standard phase current measuring card and sensitive ground current measuring (winding side 2)
- X5** – DI8-OR4: Assembly Group with 8 Digital Inputs and 4 Output Relays (NO / Form A)
- X6** – TU: Card with 4 voltage transformer measuring inputs (0 ... 800 VAC, under UL: 0 ... 600 VAC)
- X102** – Universal Resistance-Temperature Detector (URTD) input, Fiber optics interface, Versatile Link
- X104** – IRIG-B00X, incl. System Contact (Supervision Contact)

MCDTV4-2A3AAB

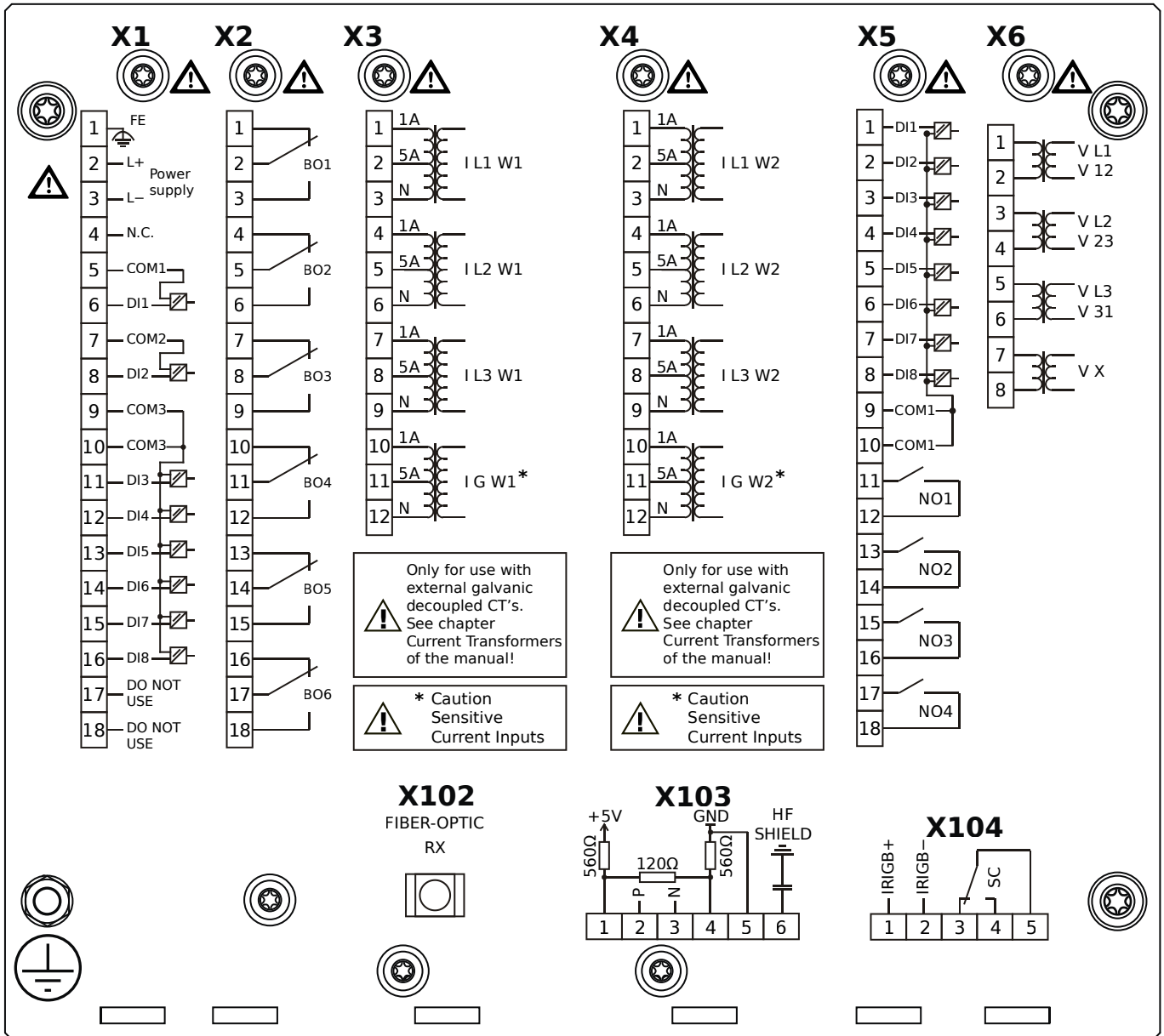


Housing B2, large display, door mounting

+ Conformal Coating (for installations in harsh environment)

- X1** – DI8-X1: Wide-range power supply unit, incl. 2 non-grouped digital inputs and 6 grouped digital inputs
- X2** – OR6: Assembly Group with 6 Output Relays (Changeover / Form C)
- X3** – TIs: Standard phase current measuring card and sensitive ground current measuring (winding side 1)
- X4** – TIs: Standard phase current measuring card and sensitive ground current measuring (winding side 2)
- X5** – DI8-OR4: Assembly Group with 8 Digital Inputs and 4 Output Relays (NO / Form A)
- X6** – TU: Card with 4 voltage transformer measuring inputs (0 ... 800 VAC, under UL: 0 ... 600 VAC)
- X102** – Universal Resistance-Temperature Detector (URTD) input, Fiber optics interface, Versatile Link
- X104** – IRIG-B00X, incl. System Contact (Supervision Contact)

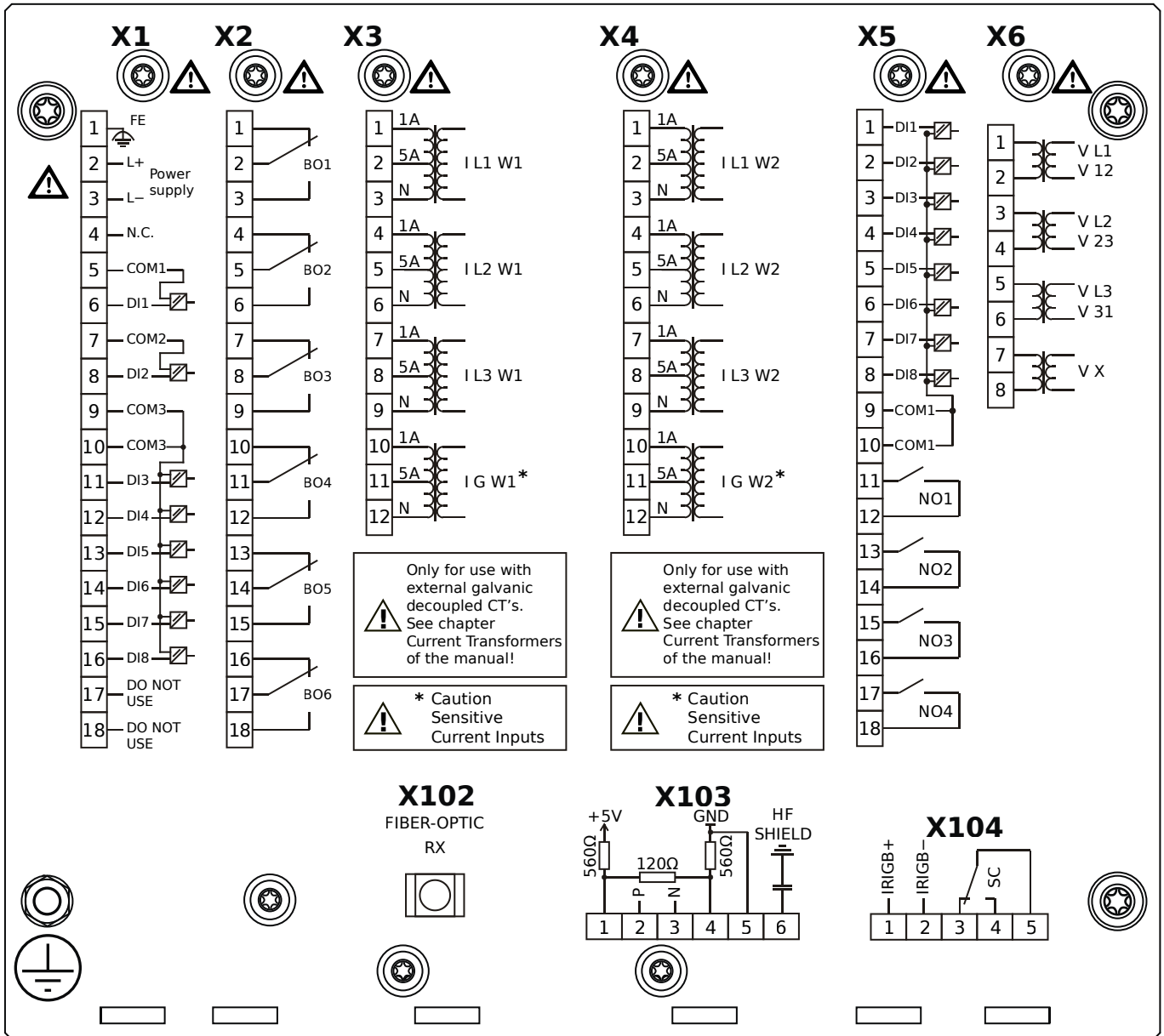
MCDTV4-2A3ABA



Housing B2, large display, door mounting

- X1** – DI8-X1: Wide-range power supply unit, incl. 2 non-grouped digital inputs and 6 grouped digital inputs
- X2** – OR6: Assembly Group with 6 Output Relays (Changeover / Form C)
- X3** – TIs: Standard phase current measuring card and sensitive ground current measuring (winding side 1)
- X4** – TIs: Standard phase current measuring card and sensitive ground current measuring (winding side 2)
- X5** – DI8-OR4: Assembly Group with 8 Digital Inputs and 4 Output Relays (NO / Form A)
- X6** – TU: Card with 4 voltage transformer measuring inputs (0 ... 800 VAC, under UL: 0 ... 600 VAC)
- X102** – Universal Resistance-Temperature Detector (URTD) input, Fiber optics interface, Versatile Link
- X103** – Modbus RTU / IEC 60870-5-103 / DNP3.0 RTU, RS485, Terminals
- X104** – IRIG-B00X, incl. System Contact (Supervision Contact)

MCDTV4-2A3ABB

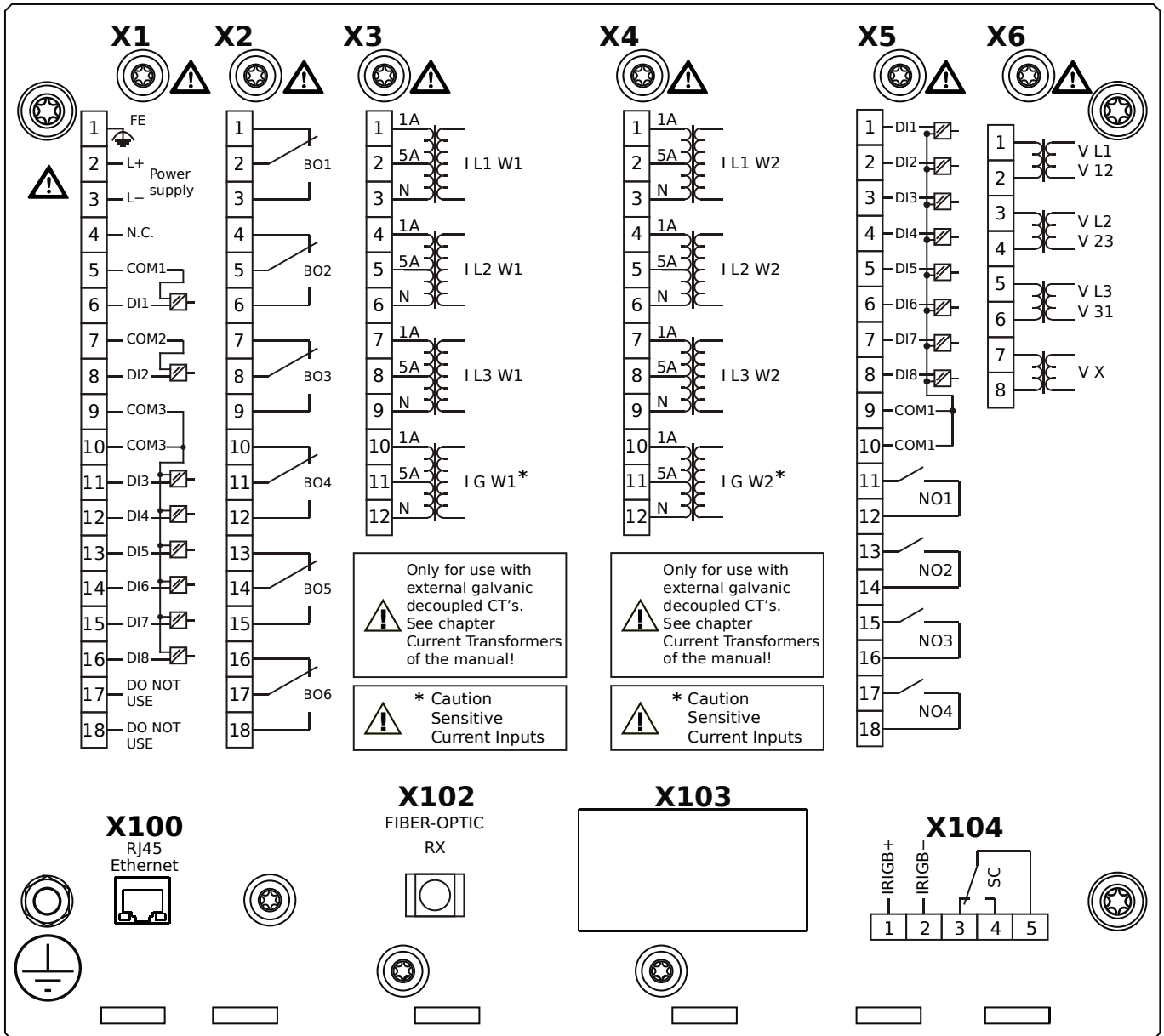


Housing B2, large display, door mounting

+ Conformal Coating (for installations in harsh environment)

- X1** – DI8-X1: Wide-range power supply unit, incl. 2 non-grouped digital inputs and 6 grouped digital inputs
- X2** – OR6: Assembly Group with 6 Output Relays (Changeover / Form C)
- X3** – TIs: Standard phase current measuring card and sensitive ground current measuring (winding side 1)
- X4** – TIs: Standard phase current measuring card and sensitive ground current measuring (winding side 2)
- X5** – DI8-OR4: Assembly Group with 8 Digital Inputs and 4 Output Relays (NO / Form A)
- X6** – TU: Card with 4 voltage transformer measuring inputs (0 ... 800 VAC, under UL: 0 ... 600 VAC)
- X102** – Universal Resistance-Temperature Detector (URTD) input, Fiber optics interface, Versatile Link
- X103** – Modbus RTU / IEC 60870-5-103 / DNP3.0 RTU, RS485, Terminals
- X104** – IRIG-B00X, incl. System Contact (Supervision Contact)

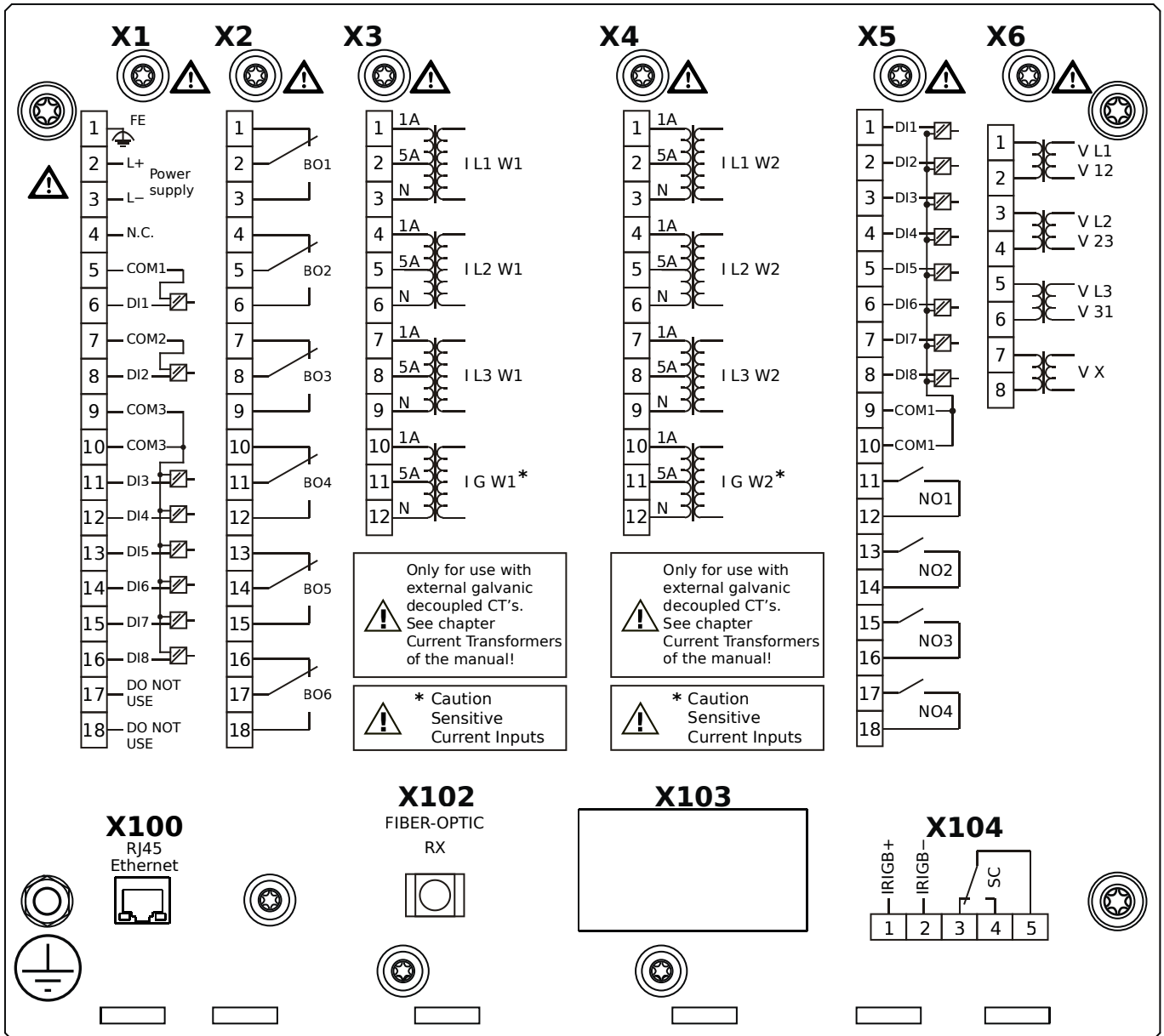
MCDTV4-2A3ACA



Housing B2, large display, door mounting

- X1** – DI8-X1: Wide-range power supply unit, incl. 2 non-grouped digital inputs and 6 grouped digital inputs
- X2** – OR6: Assembly Group with 6 Output Relays (Changeover / Form C)
- X3** – TIs: Standard phase current measuring card and sensitive ground current measuring (winding side 1)
- X4** – TIs: Standard phase current measuring card and sensitive ground current measuring (winding side 2)
- X5** – DI8-OR4: Assembly Group with 8 Digital Inputs and 4 Output Relays (NO / Form A)
- X6** – TU: Card with 4 voltage transformer measuring inputs (0 ... 800 VAC, under UL: 0 ... 600 VAC)
- X100** – Modbus TCP / IEC 60870-5-104 / DNP3.0 TCP/UDP, Ethernet interface, 100 Mbit/s, RJ45 (BASE100-FX)
- X102** – Universal Resistance-Temperature Detector (URTD) input, Fiber optics interface, Versatile Link
- X104** – IRIG-B00X, incl. System Contact (Supervision Contact)

MCDTV4-2A3ACB

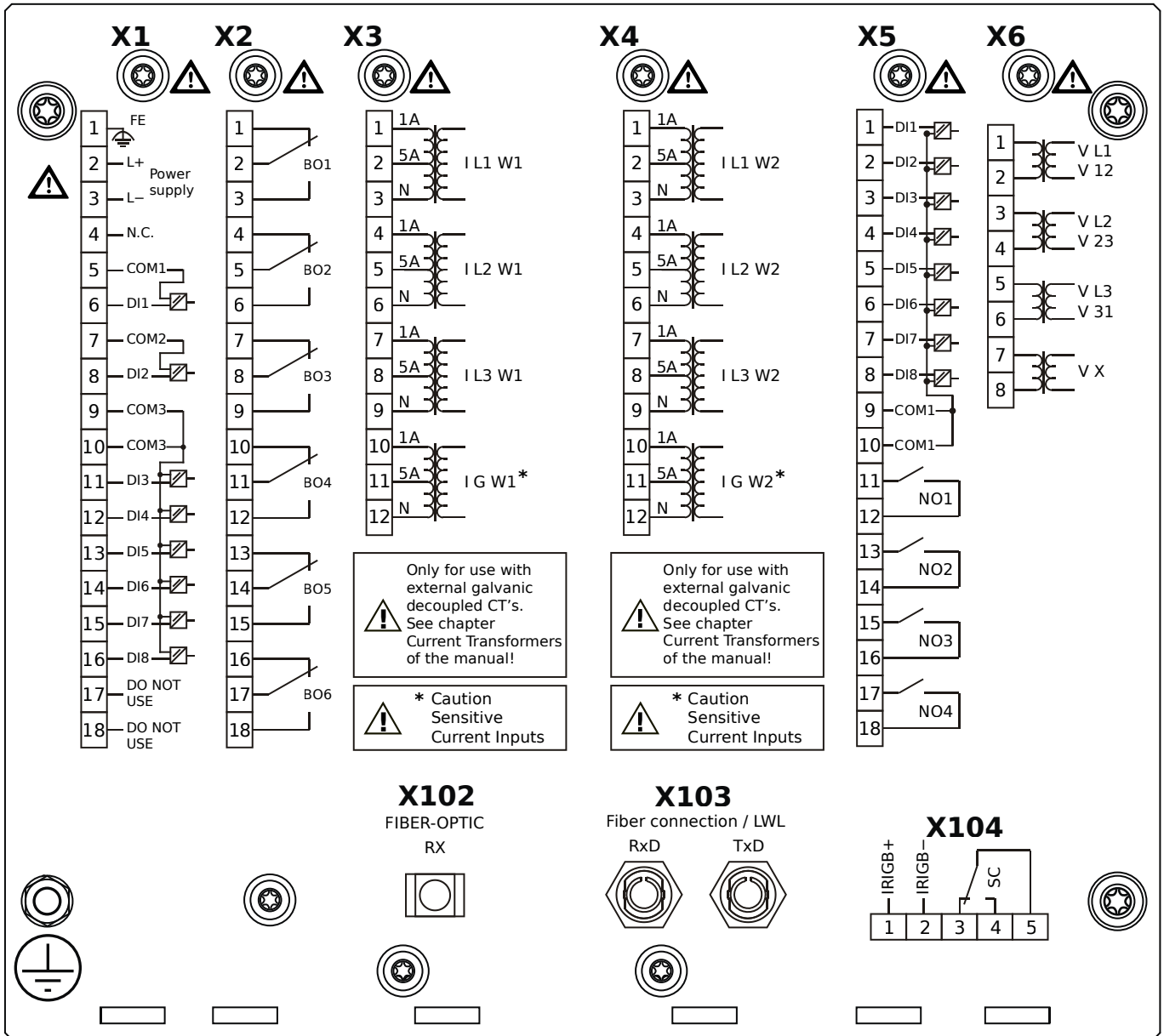


Housing B2, large display, door mounting

+ Conformal Coating (for installations in harsh environment)

- X1** – DI8-X1: Wide-range power supply unit, incl. 2 non-grouped digital inputs and 6 grouped digital inputs
- X2** – OR6: Assembly Group with 6 Output Relays (Changeover / Form C)
- X3** – TIs: Standard phase current measuring card and sensitive ground current measuring (winding side 1)
- X4** – TIs: Standard phase current measuring card and sensitive ground current measuring (winding side 2)
- X5** – DI8-OR4: Assembly Group with 8 Digital Inputs and 4 Output Relays (NO / Form A)
- X6** – TU: Card with 4 voltage transformer measuring inputs (0 ... 800 VAC, under UL: 0 ... 600 VAC)
- X100** – Modbus TCP / IEC 60870-5-104 / DNP3.0 TCP/UDP, Ethernet interface, 100 Mbit/s, RJ45 (BASE100-FX)
- X102** – Universal Resistance-Temperature Detector (URTD) input, Fiber optics interface, Versatile Link
- X104** – IRIG-B00X, incl. System Contact (Supervision Contact)

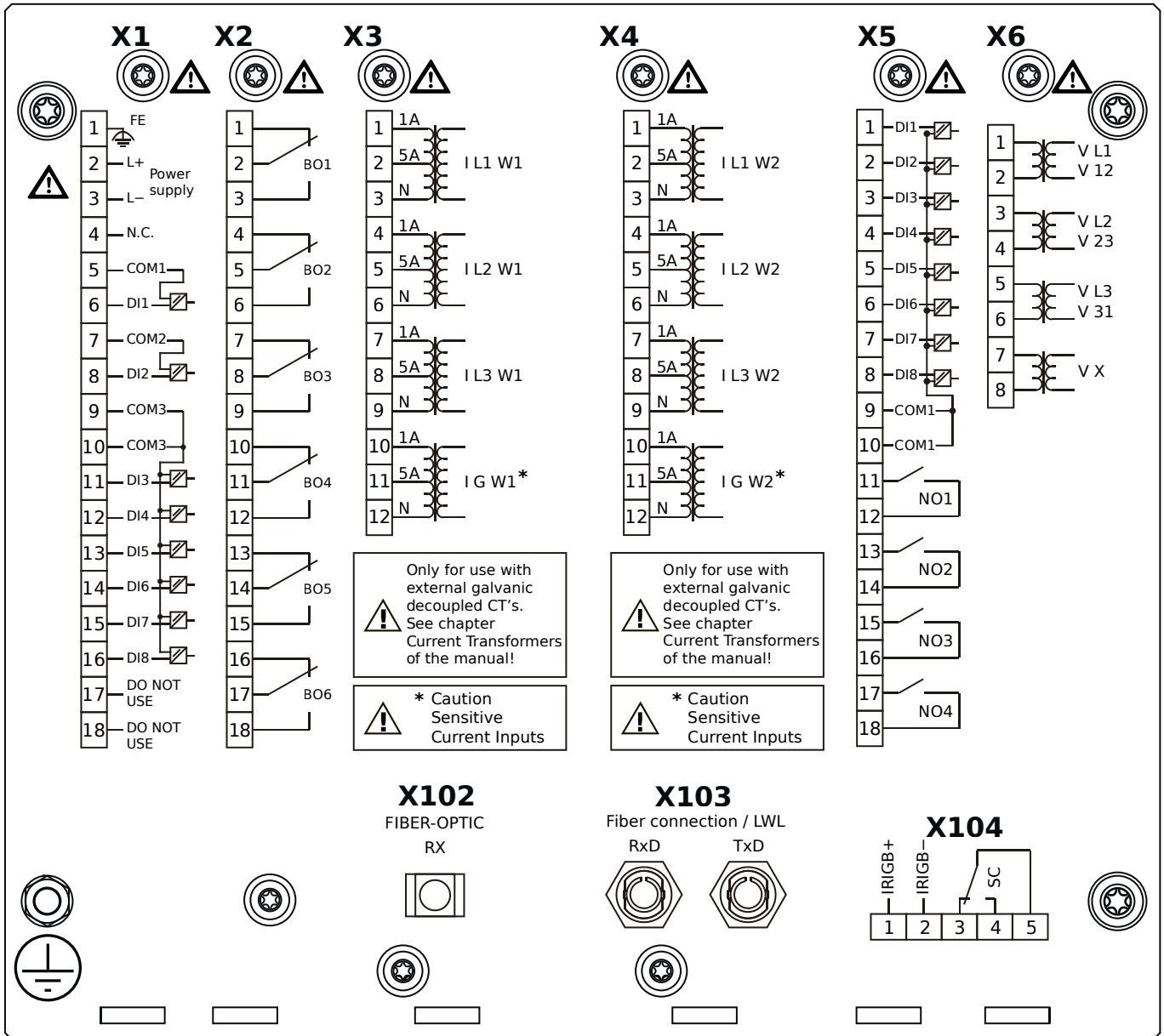
MCDTV4-2A3ADA



Housing B2, large display, door mounting

- X1** – DI8-X1: Wide-range power supply unit, incl. 2 non-grouped digital inputs and 6 grouped digital inputs
- X2** – OR6: Assembly Group with 6 Output Relays (Changeover / Form C)
- X3** – TIs: Standard phase current measuring card and sensitive ground current measuring (winding side 1)
- X4** – TIs: Standard phase current measuring card and sensitive ground current measuring (winding side 2)
- X5** – DI8-OR4: Assembly Group with 8 Digital Inputs and 4 Output Relays (NO / Form A)
- X6** – TU: Card with 4 voltage transformer measuring inputs (0 ... 800 VAC, under UL: 0 ... 600 VAC)
- X102** – Universal Resistance-Temperature Detector (URTD) input, Fiber optics interface, Versatile Link
- X103** – Profibus-DP, Fiber optics interface, ST Connector
- X104** – IRIG-B00X, incl. System Contact (Supervision Contact)

MCDTV4-2A3ADB

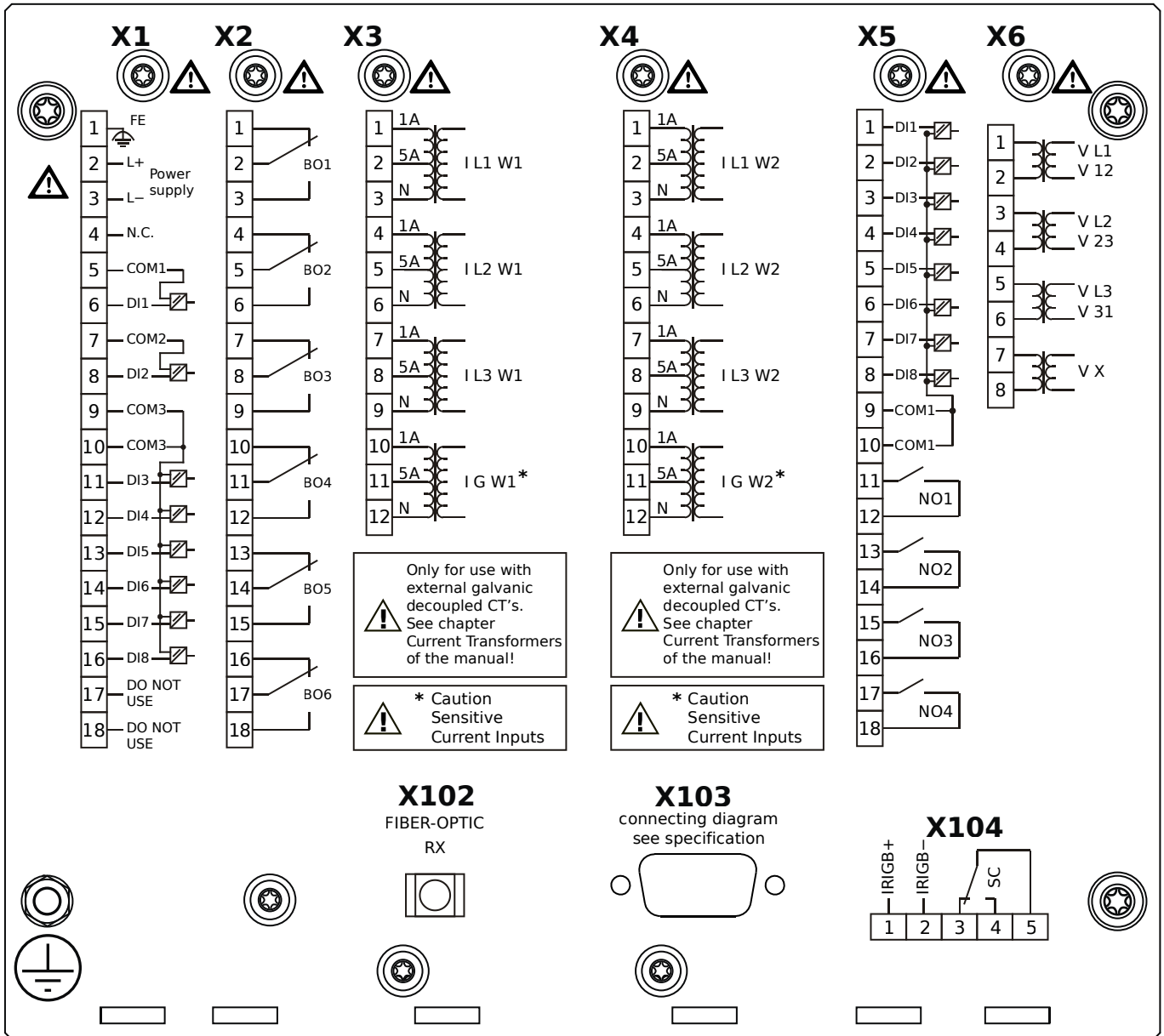


Housing B2, large display, door mounting

+ Conformal Coating (for installations in harsh environment)

- X1** – DI8-X1: Wide-range power supply unit, incl. 2 non-grouped digital inputs and 6 grouped digital inputs
- X2** – OR6: Assembly Group with 6 Output Relays (Changeover / Form C)
- X3** – TIs: Standard phase current measuring card and sensitive ground current measuring (winding side 1)
- X4** – TIs: Standard phase current measuring card and sensitive ground current measuring (winding side 2)
- X5** – DI8-OR4: Assembly Group with 8 Digital Inputs and 4 Output Relays (NO / Form A)
- X6** – TU: Card with 4 voltage transformer measuring inputs (0 ... 800 VAC, under UL: 0 ... 600 VAC)
- X102** – Universal Resistance-Temperature Detector (URTD) input, Fiber optics interface, Versatile Link
- X103** – Profibus-DP, Fiber optics interface, ST Connector
- X104** – IRIG-B00X, incl. System Contact (Supervision Contact)

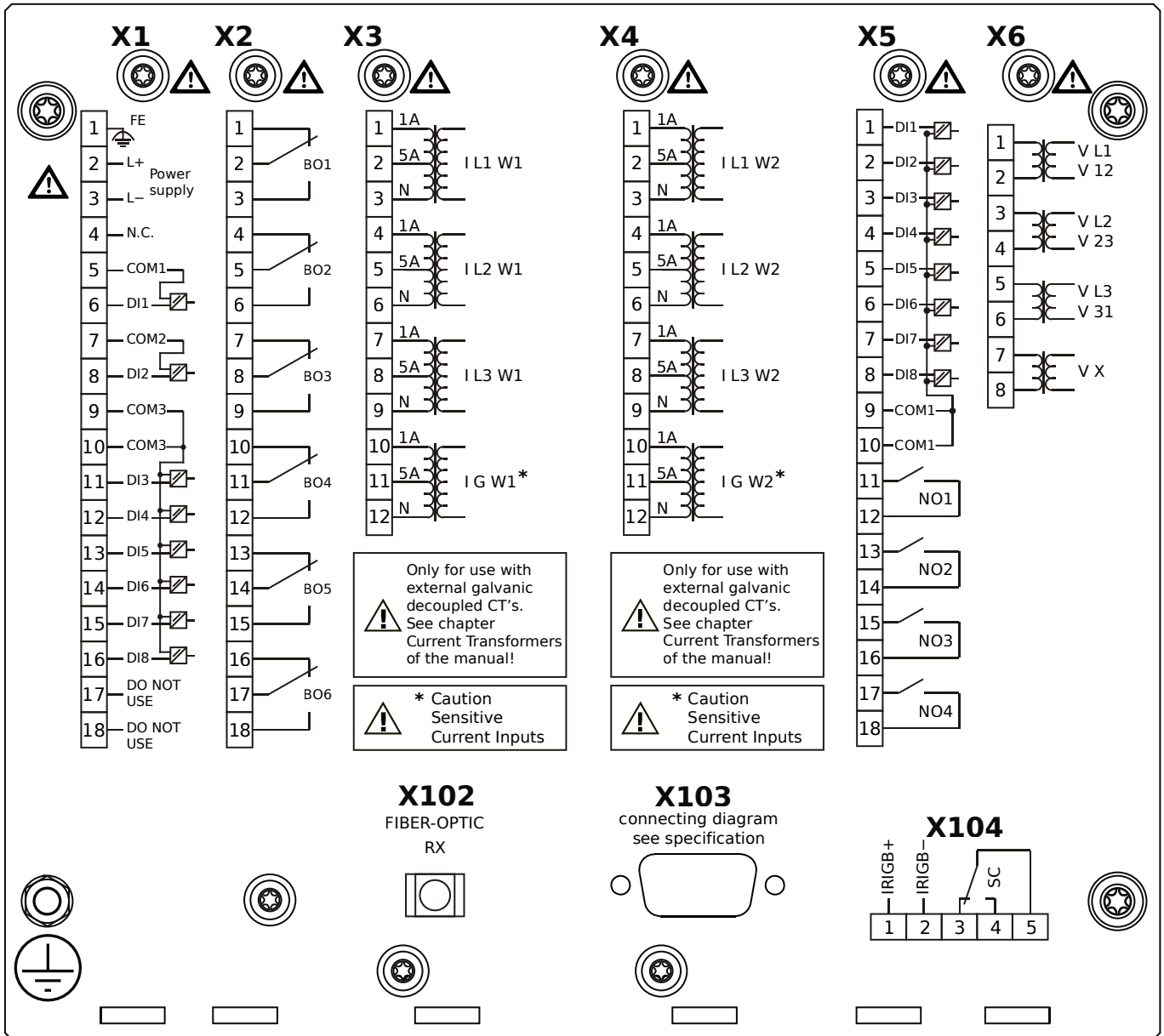
MCDTV4-2A3AEA



Housing B2, large display, door mounting

- X1** – DI8-X1: Wide-range power supply unit, incl. 2 non-grouped digital inputs and 6 grouped digital inputs
- X2** – OR6: Assembly Group with 6 Output Relays (Changeover / Form C)
- X3** – TIs: Standard phase current measuring card and sensitive ground current measuring (winding side 1)
- X4** – TIs: Standard phase current measuring card and sensitive ground current measuring (winding side 2)
- X5** – DI8-OR4: Assembly Group with 8 Digital Inputs and 4 Output Relays (NO / Form A)
- X6** – TU: Card with 4 voltage transformer measuring inputs (0 ... 800 VAC, under UL: 0 ... 600 VAC)
- X102** – Universal Resistance-Temperature Detector (URTD) input, Fiber optics interface, Versatile Link
- X103** – Profibus-DP, RS485, D-SUB
- X104** – IRIG-B00X, incl. System Contact (Supervision Contact)

MCDTV4-2A3AEB

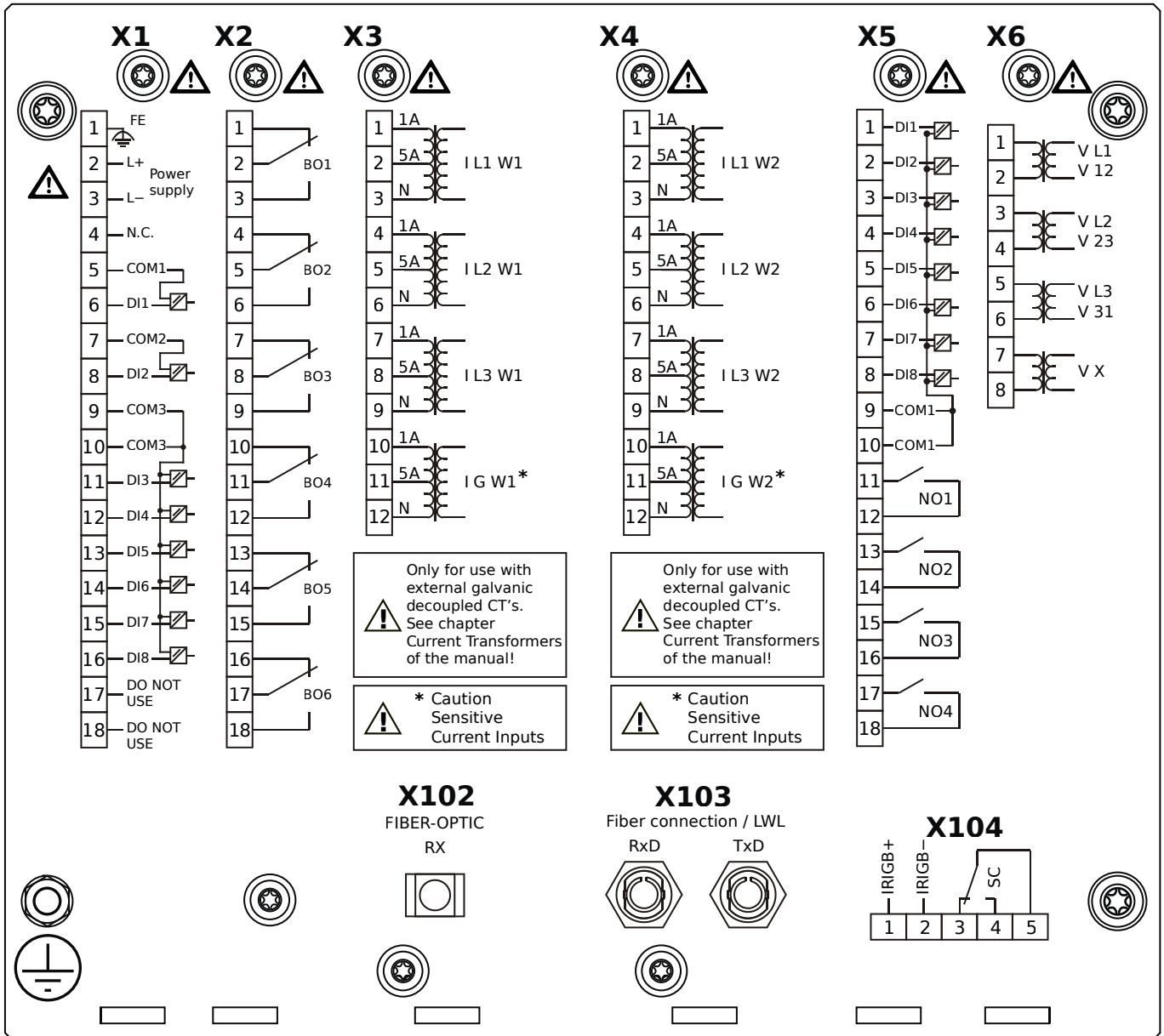


Housing B2, large display, door mounting

+ Conformal Coating (for installations in harsh environment)

- X1** – DI8-X1: Wide-range power supply unit, incl. 2 non-grouped digital inputs and 6 grouped digital inputs
- X2** – OR6: Assembly Group with 6 Output Relays (Changeover / Form C)
- X3** – TIs: Standard phase current measuring card and sensitive ground current measuring (winding side 1)
- X4** – TIs: Standard phase current measuring card and sensitive ground current measuring (winding side 2)
- X5** – DI8-OR4: Assembly Group with 8 Digital Inputs and 4 Output Relays (NO / Form A)
- X6** – TU: Card with 4 voltage transformer measuring inputs (0 ... 800 VAC, under UL: 0 ... 600 VAC)
- X102** – Universal Resistance-Temperature Detector (URTD) input, Fiber optics interface, Versatile Link
- X103** – Profibus-DP, RS485, D-SUB
- X104** – IRIG-B00X, incl. System Contact (Supervision Contact)

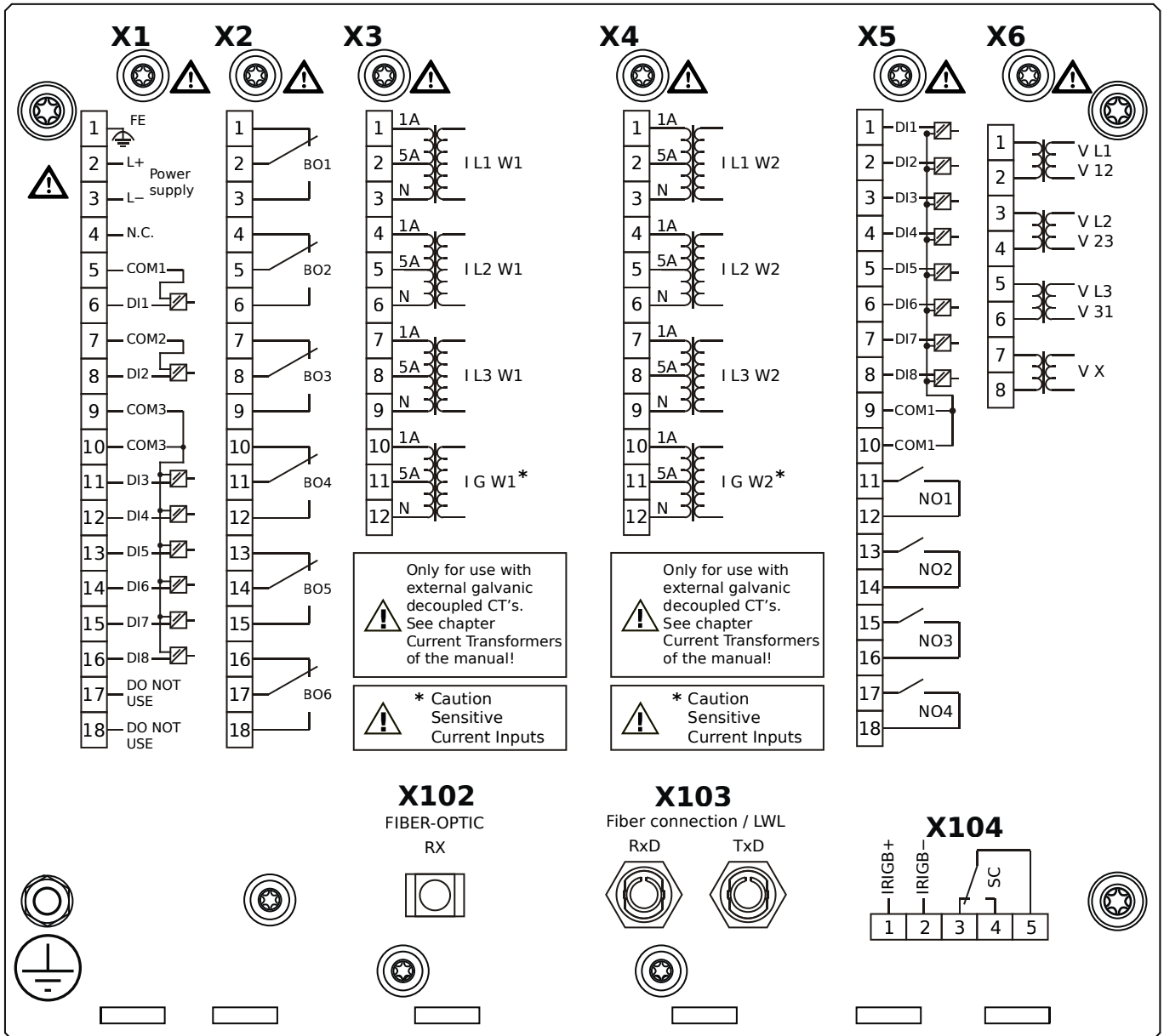
MCDTV4-2A3AFA



Housing B2, large display, door mounting

- X1** – DI8-X1: Wide-range power supply unit, incl. 2 non-grouped digital inputs and 6 grouped digital inputs
- X2** – OR6: Assembly Group with 6 Output Relays (Changeover / Form C)
- X3** – TIs: Standard phase current measuring card and sensitive ground current measuring (winding side 1)
- X4** – TIs: Standard phase current measuring card and sensitive ground current measuring (winding side 2)
- X5** – DI8-OR4: Assembly Group with 8 Digital Inputs and 4 Output Relays (NO / Form A)
- X6** – TU: Card with 4 voltage transformer measuring inputs (0 ... 800 VAC, under UL: 0 ... 600 VAC)
- X102** – Universal Resistance-Temperature Detector (URTD) input, Fiber optics interface, Versatile Link
- X103** – Modbus RTU / IEC 60870-5-103 / DNP3.0 RTU, Fiber optics interface, ST Connector
- X104** – IRIG-B00X, incl. System Contact (Supervision Contact)

MCDTV4-2A3AFB

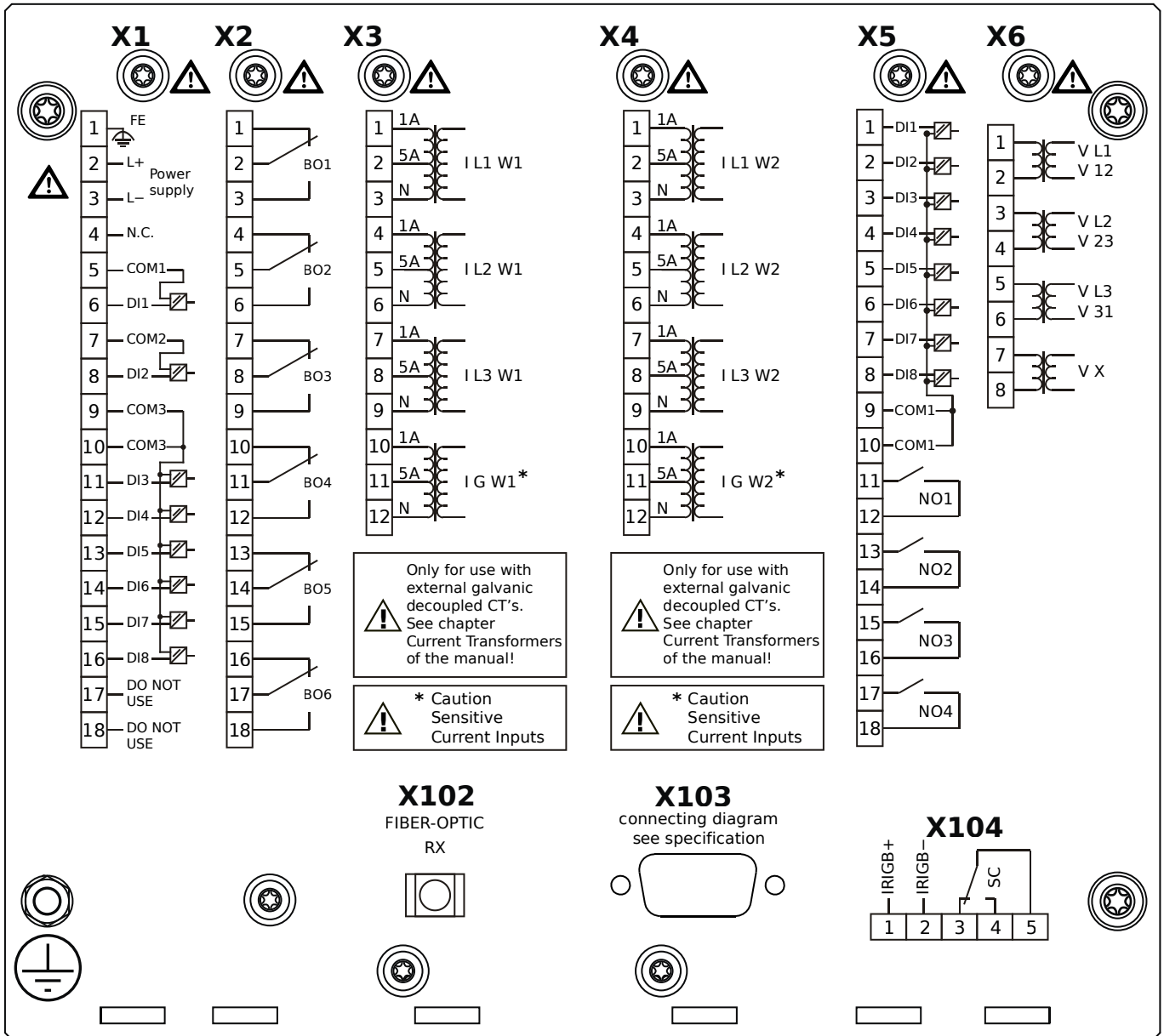


Housing B2, large display, door mounting

+ Conformal Coating (for installations in harsh environment)

- X1** – DI8-X1: Wide-range power supply unit, incl. 2 non-grouped digital inputs and 6 grouped digital inputs
- X2** – OR6: Assembly Group with 6 Output Relays (Changeover / Form C)
- X3** – TIs: Standard phase current measuring card and sensitive ground current measuring (winding side 1)
- X4** – TIs: Standard phase current measuring card and sensitive ground current measuring (winding side 2)
- X5** – DI8-OR4: Assembly Group with 8 Digital Inputs and 4 Output Relays (NO / Form A)
- X6** – TU: Card with 4 voltage transformer measuring inputs (0 ... 800 VAC, under UL: 0 ... 600 VAC)
- X102** – Universal Resistance-Temperature Detector (URTD) input, Fiber optics interface, Versatile Link
- X103** – Modbus RTU / IEC 60870-5-103 / DNP3.0 RTU, Fiber optics interface, ST Connector
- X104** – IRIG-B00X, incl. System Contact (Supervision Contact)

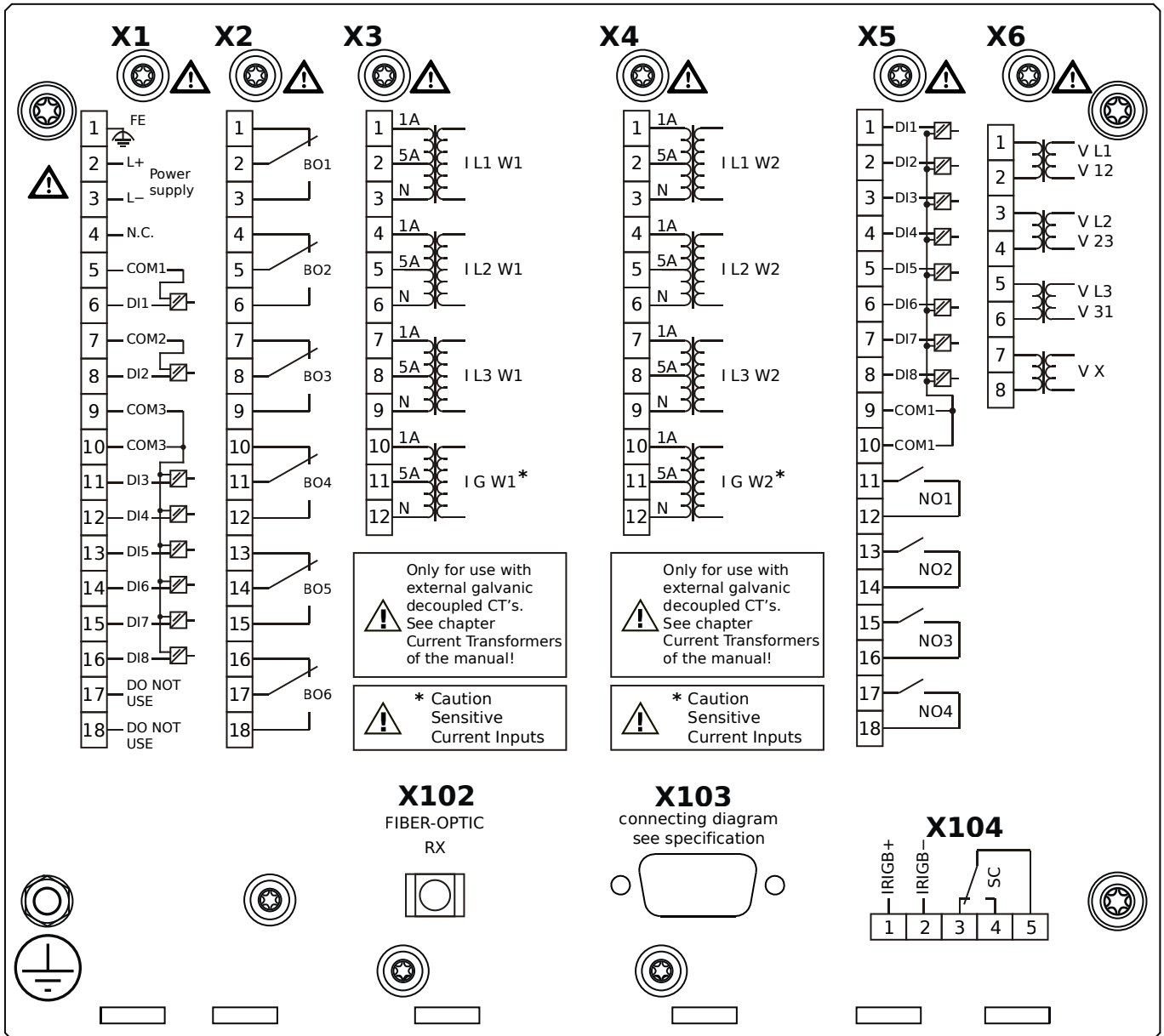
MCDTV4-2A3AGA



Housing B2, large display, door mounting

- X1** – DI8-X1: Wide-range power supply unit, incl. 2 non-grouped digital inputs and 6 grouped digital inputs
- X2** – OR6: Assembly Group with 6 Output Relays (Changeover / Form C)
- X3** – TIs: Standard phase current measuring card and sensitive ground current measuring (winding side 1)
- X4** – TIs: Standard phase current measuring card and sensitive ground current measuring (winding side 2)
- X5** – DI8-OR4: Assembly Group with 8 Digital Inputs and 4 Output Relays (NO / Form A)
- X6** – TU: Card with 4 voltage transformer measuring inputs (0 ... 800 VAC, under UL: 0 ... 600 VAC)
- X102** – Universal Resistance-Temperature Detector (URTD) input, Fiber optics interface, Versatile Link
- X103** – Modbus RTU / IEC 60870-5-103 / DNP3.0 RTU, RS485, D-SUB
- X104** – IRIG-B00X, incl. System Contact (Supervision Contact)

MCDTV4-2A3AGB

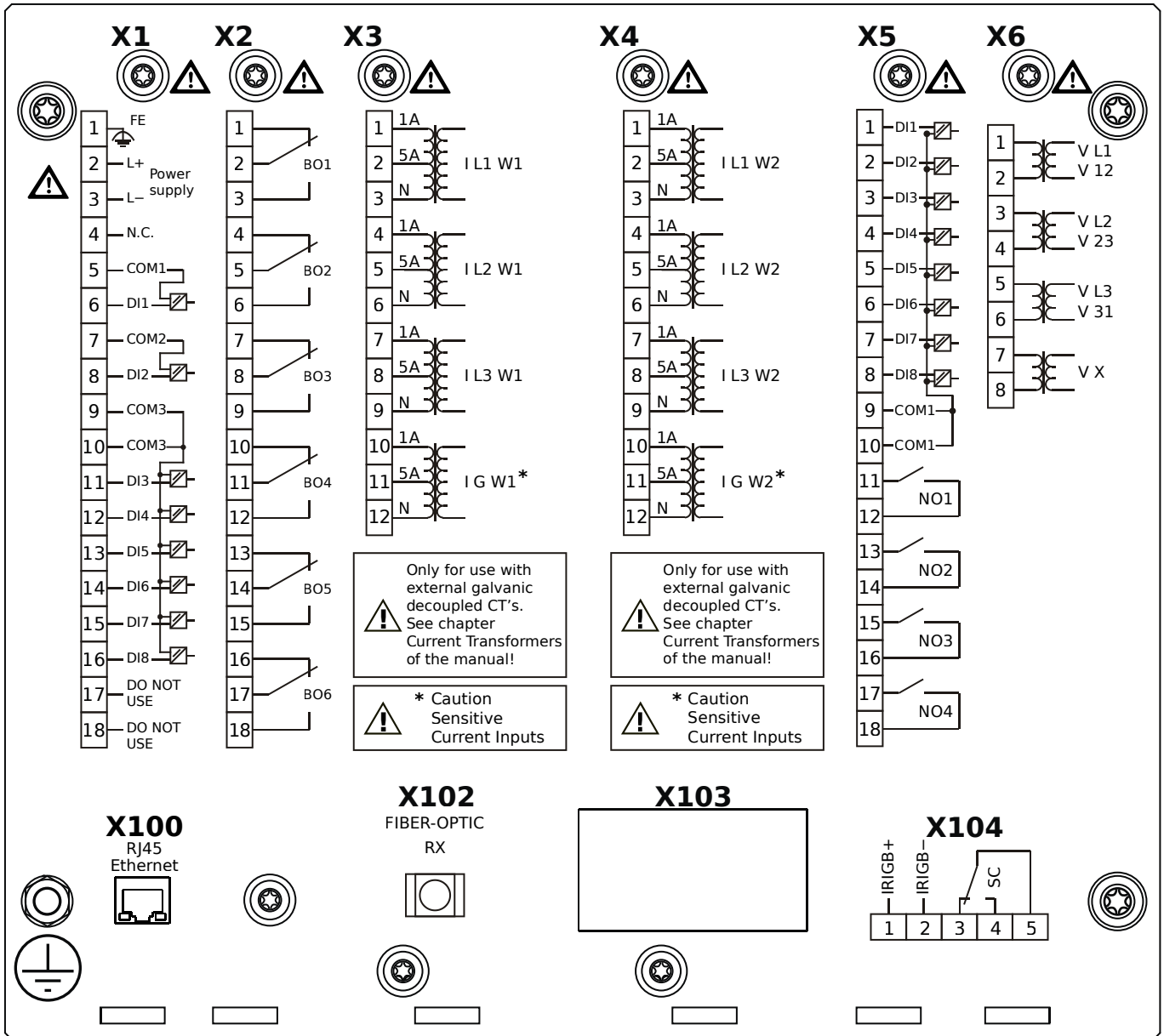


Housing B2, large display, door mounting

+ Conformal Coating (for installations in harsh environment)

- X1** – DI8-X1: Wide-range power supply unit, incl. 2 non-grouped digital inputs and 6 grouped digital inputs
- X2** – OR6: Assembly Group with 6 Output Relays (Changeover / Form C)
- X3** – TIs: Standard phase current measuring card and sensitive ground current measuring (winding side 1)
- X4** – TIs: Standard phase current measuring card and sensitive ground current measuring (winding side 2)
- X5** – DI8-OR4: Assembly Group with 8 Digital Inputs and 4 Output Relays (NO / Form A)
- X6** – TU: Card with 4 voltage transformer measuring inputs (0 ... 800 VAC, under UL: 0 ... 600 VAC)
- X102** – Universal Resistance-Temperature Detector (URTD) input, Fiber optics interface, Versatile Link
- X103** – Modbus RTU / IEC 60870-5-103 / DNP3.0 RTU, RS485, D-SUB
- X104** – IRIG-B00X, incl. System Contact (Supervision Contact)

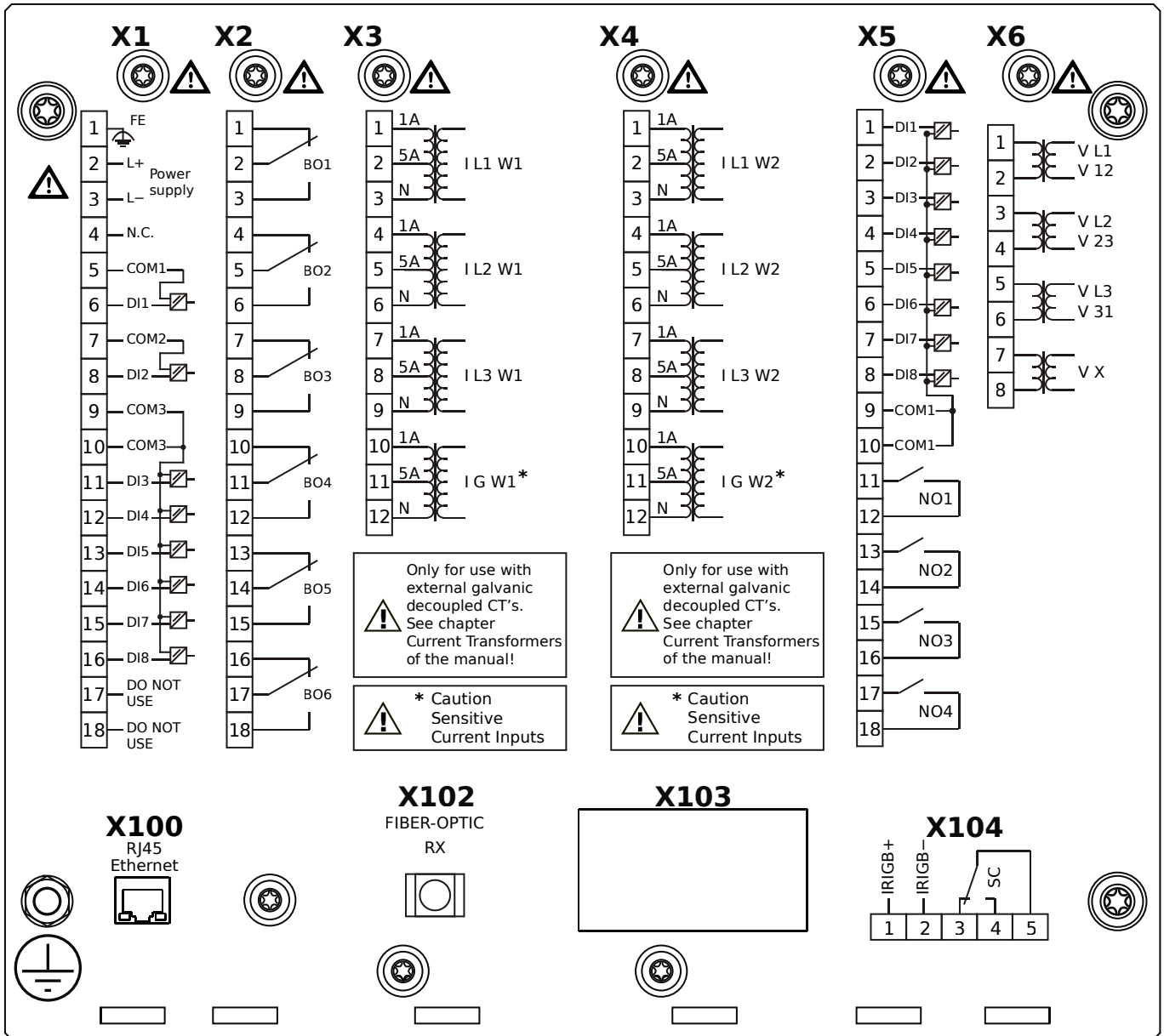
MCDTV4-2A3AHA



Housing B2, large display, door mounting

- X1** – DI8-X1: Wide-range power supply unit, incl. 2 non-grouped digital inputs and 6 grouped digital inputs
- X2** – OR6: Assembly Group with 6 Output Relays (Changeover / Form C)
- X3** – TIs: Standard phase current measuring card and sensitive ground current measuring (winding side 1)
- X4** – TIs: Standard phase current measuring card and sensitive ground current measuring (winding side 2)
- X5** – DI8-OR4: Assembly Group with 8 Digital Inputs and 4 Output Relays (NO / Form A)
- X6** – TU: Card with 4 voltage transformer measuring inputs (0 ... 800 VAC, under UL: 0 ... 600 VAC)
- X100** – IEC 61850 / Modbus TCP / IEC 60870-5-104 / DNP3.0 TCP/UDP, Ethernet interface, 100 Mbit/s, RJ45 (BASE100-FX)
- X102** – Universal Resistance-Temperature Detector (URTD) input, Fiber optics interface, Versatile Link
- X104** – IRIG-B00X, incl. System Contact (Supervision Contact)

MCDTV4-2A3AHB

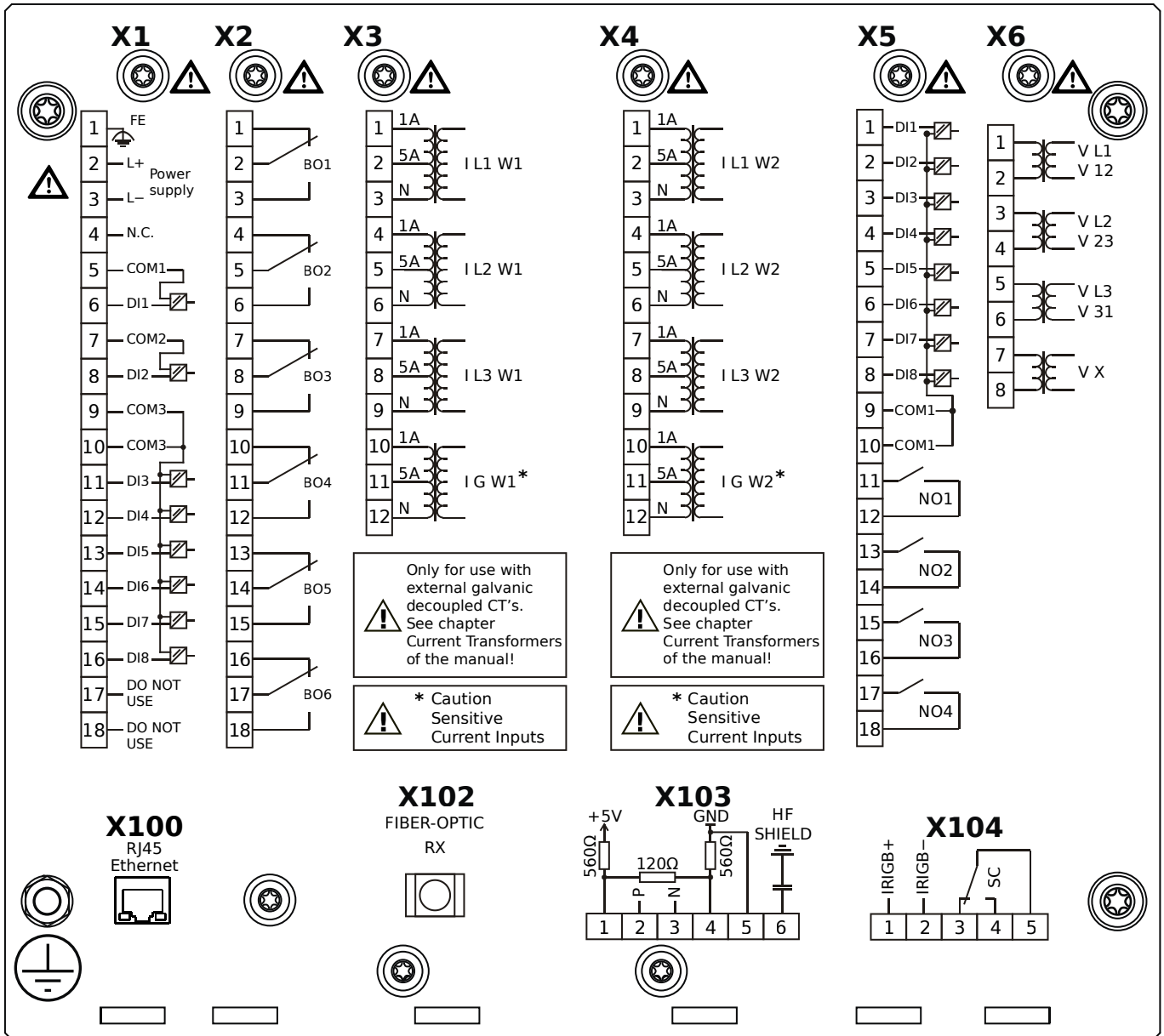


Housing B2, large display, door mounting

+ Conformal Coating (for installations in harsh environment)

- X1** – DI8-X1: Wide-range power supply unit, incl. 2 non-grouped digital inputs and 6 grouped digital inputs
- X2** – OR6: Assembly Group with 6 Output Relays (Changeover / Form C)
- X3** – TIs: Standard phase current measuring card and sensitive ground current measuring (winding side 1)
- X4** – TIs: Standard phase current measuring card and sensitive ground current measuring (winding side 2)
- X5** – DI8-OR4: Assembly Group with 8 Digital Inputs and 4 Output Relays (NO / Form A)
- X6** – TU: Card with 4 voltage transformer measuring inputs (0 ... 800 VAC, under UL: 0 ... 600 VAC)
- X100** – IEC 61850 / Modbus TCP / IEC 60870-5-104 / DNP3.0 TCP/UDP, Ethernet interface, 100 Mbit/s, RJ45 (BASE100-FX)
- X102** – Universal Resistance-Temperature Detector (URTD) input, Fiber optics interface, Versatile Link
- X104** – IRIG-B00X, incl. System Contact (Supervision Contact)

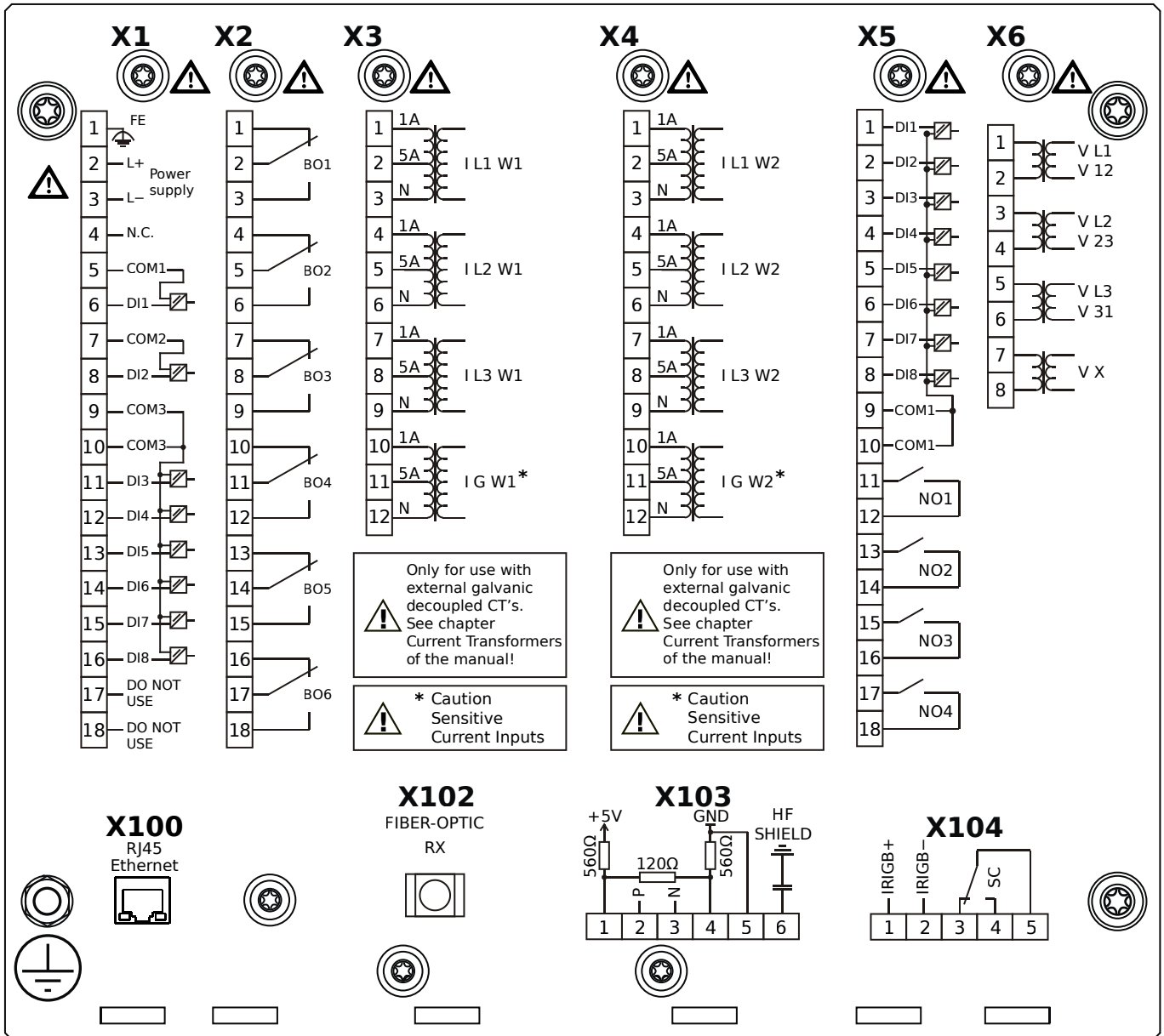
MCDTV4-2A3AIA



Housing B2, large display, door mounting

- X1** – DI8-X1: Wide-range power supply unit, incl. 2 non-grouped digital inputs and 6 grouped digital inputs
- X2** – OR6: Assembly Group with 6 Output Relays (Changeover / Form C)
- X3** – TIs: Standard phase current measuring card and sensitive ground current measuring (winding side 1)
- X4** – TIs: Standard phase current measuring card and sensitive ground current measuring (winding side 2)
- X5** – DI8-OR4: Assembly Group with 8 Digital Inputs and 4 Output Relays (NO / Form A)
- X6** – TU: Card with 4 voltage transformer measuring inputs (0 ... 800 VAC, under UL: 0 ... 600 VAC)
- X100** – Modbus TCP / IEC 60870-5-104 / DNP3.0 TCP/UDP, Ethernet interface, 100 Mbit/s, RJ45 (BASE100-FX)
- X102** – Universal Resistance-Temperature Detector (URTD) input, Fiber optics interface, Versatile Link
- X103** – IEC 60870-5-103 / Modbus RTU / DNP3.0 RTU, RS485, Terminals
- X104** – IRIG-B00X, incl. System Contact (Supervision Contact)

MCDTV4-2A3AIB

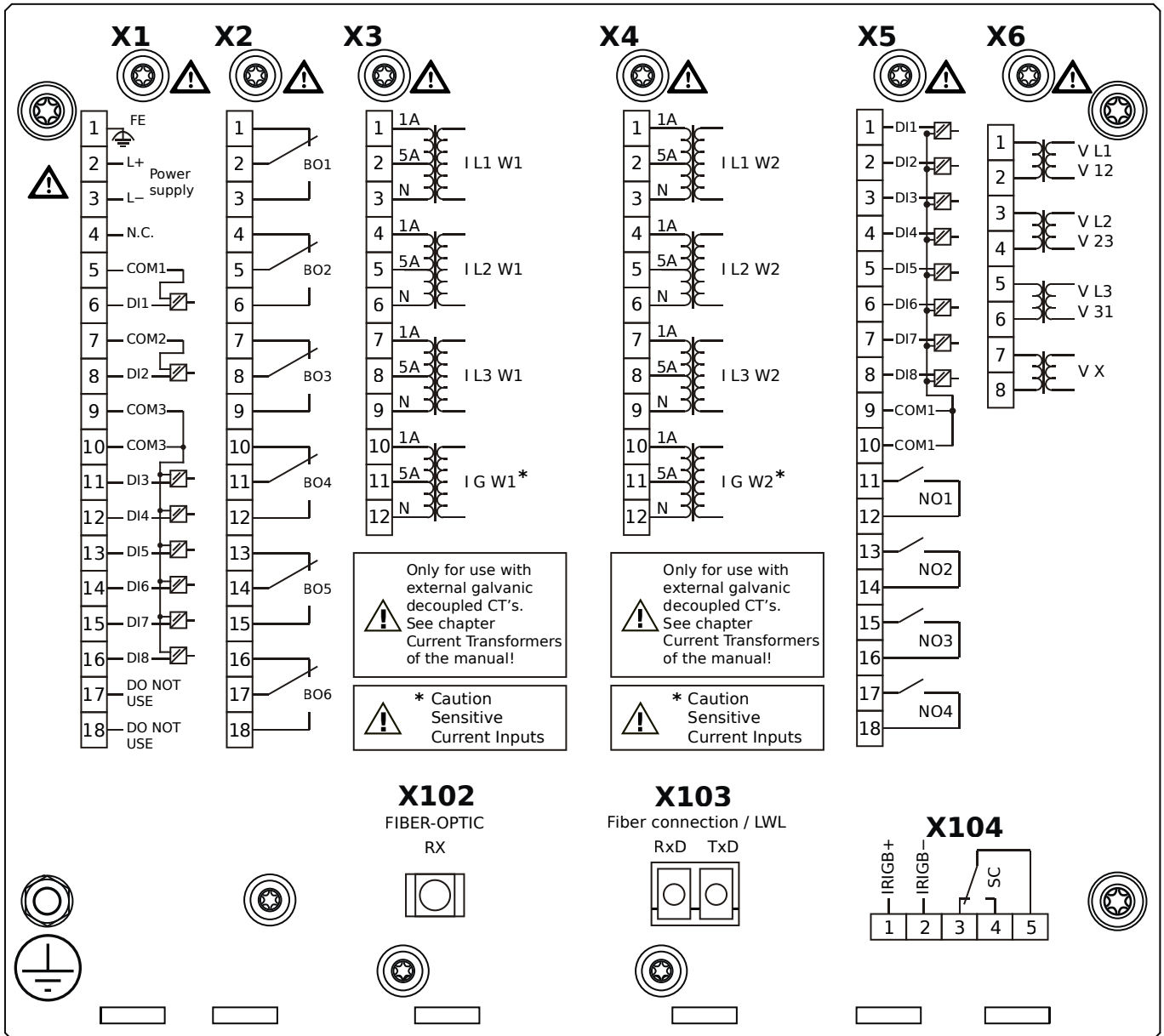


Housing B2, large display, door mounting

+ Conformal Coating (for installations in harsh environment)

- X1** – DI8-X1: Wide-range power supply unit, incl. 2 non-grouped digital inputs and 6 grouped digital inputs
- X2** – OR6: Assembly Group with 6 Output Relays (Changeover / Form C)
- X3** – TIs: Standard phase current measuring card and sensitive ground current measuring (winding side 1)
- X4** – TIs: Standard phase current measuring card and sensitive ground current measuring (winding side 2)
- X5** – DI8-OR4: Assembly Group with 8 Digital Inputs and 4 Output Relays (NO / Form A)
- X6** – TU: Card with 4 voltage transformer measuring inputs (0 ... 800 VAC, under UL: 0 ... 600 VAC)
- X100** – Modbus TCP / IEC 60870-5-104 / DNP3.0 TCP/UDP, Ethernet interface, 100 Mbit/s, RJ45 (BASE100-FX)
- X102** – Universal Resistance-Temperature Detector (URTD) input, Fiber optics interface, Versatile Link
- X103** – IEC 60870-5-103 / Modbus RTU / DNP3.0 RTU, RS485, Terminals
- X104** – IRIG-B00X, incl. System Contact (Supervision Contact)

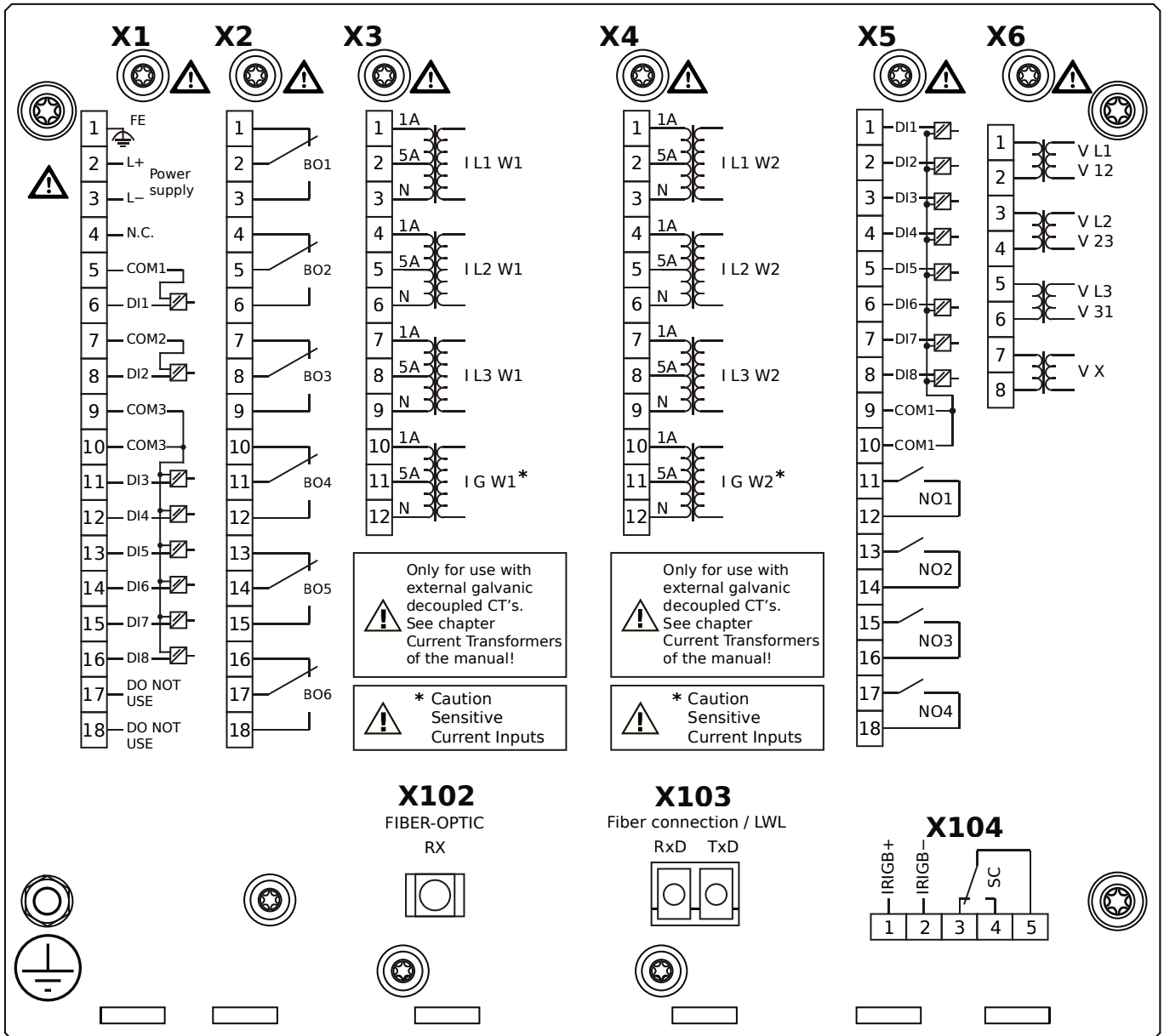
MCDTV4-2A3AKA



Housing B2, large display, door mounting

- X1** – DI8-X1: Wide-range power supply unit, incl. 2 non-grouped digital inputs and 6 grouped digital inputs
- X2** – OR6: Assembly Group with 6 Output Relays (Changeover / Form C)
- X3** – TIs: Standard phase current measuring card and sensitive ground current measuring (winding side 1)
- X4** – TIs: Standard phase current measuring card and sensitive ground current measuring (winding side 2)
- X5** – DI8-OR4: Assembly Group with 8 Digital Inputs and 4 Output Relays (NO / Form A)
- X6** – TU: Card with 4 voltage transformer measuring inputs (0 ... 800 VAC, under UL: 0 ... 600 VAC)
- X102** – Universal Resistance-Temperature Detector (URTD) input, Fiber optics interface, Versatile Link
- X103** – IEC 61850 / Modbus TCP / IEC 60870-5-104 / DNP3.0 TCP/UDP, Fiber optics interface, LC Connector
- X104** – IRIG-B00X, incl. System Contact (Supervision Contact)

MCDTV4-2A3AKB

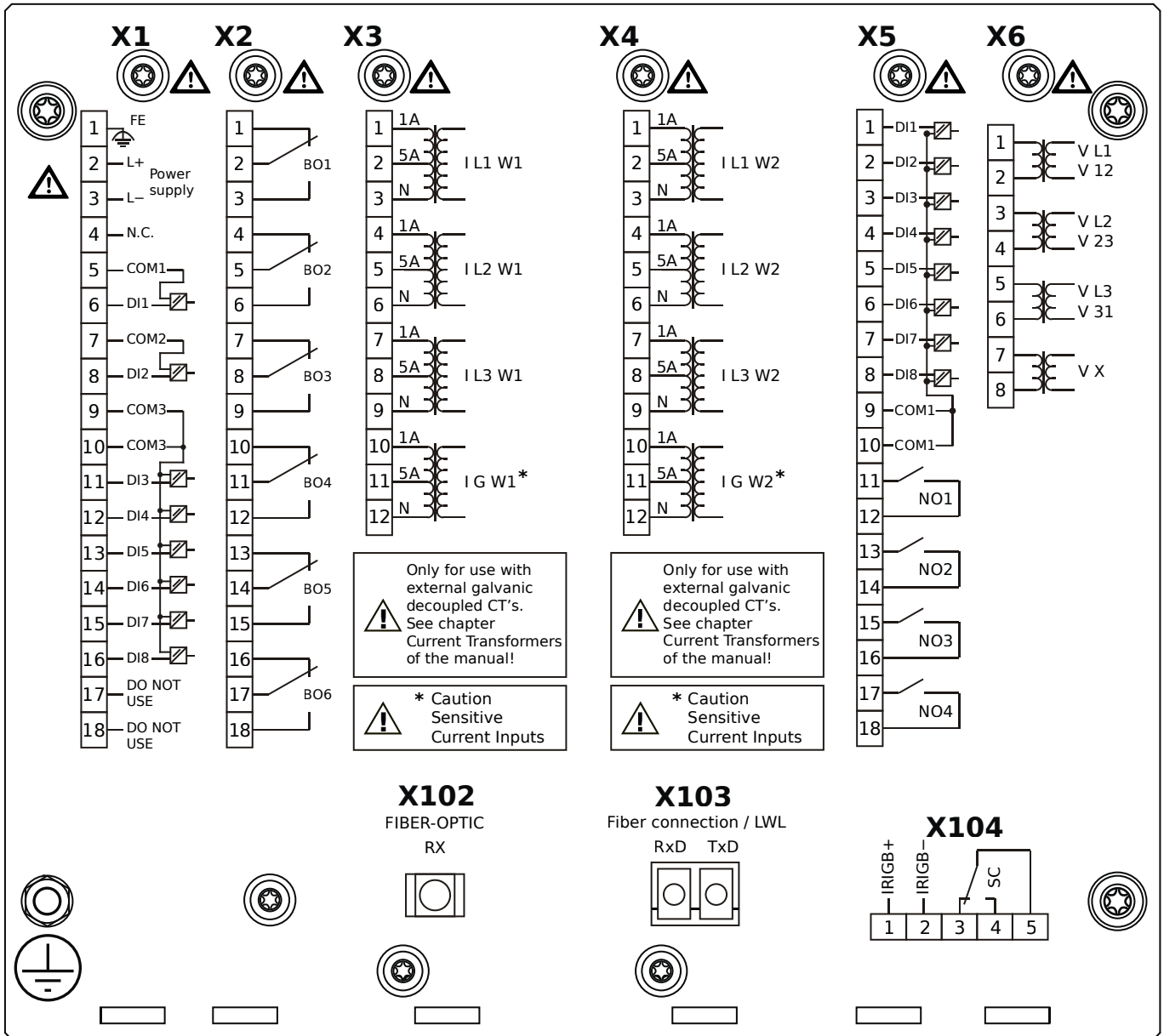


Housing B2, large display, door mounting

+ Conformal Coating (for installations in harsh environment)

- X1** – DI8-X1: Wide-range power supply unit, incl. 2 non-grouped digital inputs and 6 grouped digital inputs
- X2** – OR6: Assembly Group with 6 Output Relays (Changeover / Form C)
- X3** – TIs: Standard phase current measuring card and sensitive ground current measuring (winding side 1)
- X4** – TIs: Standard phase current measuring card and sensitive ground current measuring (winding side 2)
- X5** – DI8-OR4: Assembly Group with 8 Digital Inputs and 4 Output Relays (NO / Form A)
- X6** – TU: Card with 4 voltage transformer measuring inputs (0 ... 800 VAC, under UL: 0 ... 600 VAC)
- X102** – Universal Resistance-Temperature Detector (URTD) input, Fiber optics interface, Versatile Link
- X103** – IEC 61850 / Modbus TCP / IEC 60870-5-104 / DNP3.0 TCP/UDP, Fiber optics interface, LC Connector
- X104** – IRIG-B00X, incl. System Contact (Supervision Contact)

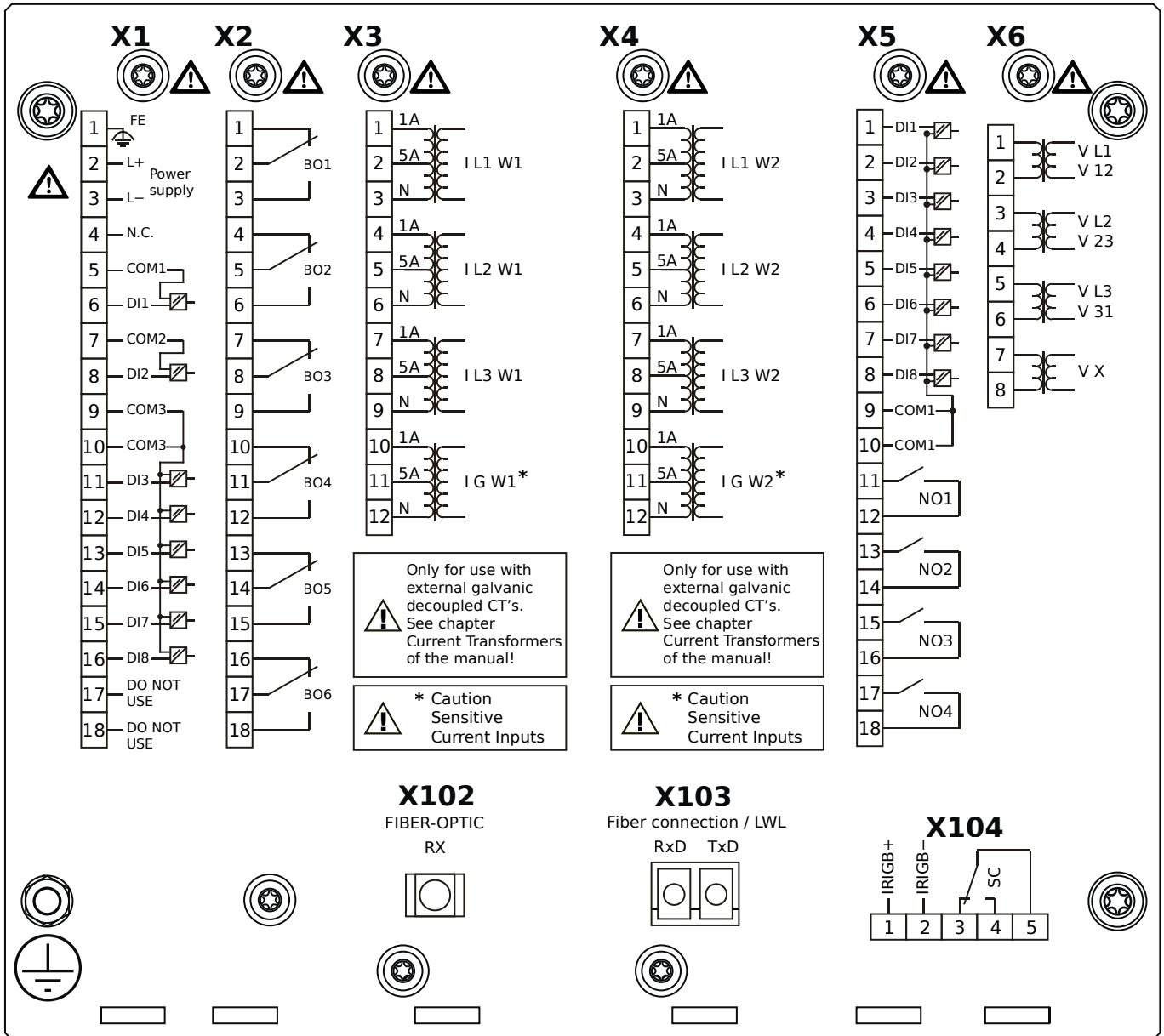
MCDTV4-2A3ALA



Housing B2, large display, door mounting

- X1** – DI8-X1: Wide-range power supply unit, incl. 2 non-grouped digital inputs and 6 grouped digital inputs
- X2** – OR6: Assembly Group with 6 Output Relays (Changeover / Form C)
- X3** – TIs: Standard phase current measuring card and sensitive ground current measuring (winding side 1)
- X4** – TIs: Standard phase current measuring card and sensitive ground current measuring (winding side 2)
- X5** – DI8-OR4: Assembly Group with 8 Digital Inputs and 4 Output Relays (NO / Form A)
- X6** – TU: Card with 4 voltage transformer measuring inputs (0 ... 800 VAC, under UL: 0 ... 600 VAC)
- X102** – Universal Resistance-Temperature Detector (URTD) input, Fiber optics interface, Versatile Link
- X103** – Modbus TCP / IEC 60870-5-104 / DNP3.0 TCP/UDP, Fiber optics interface, LC Connector
- X104** – IRIG-B00X, incl. System Contact (Supervision Contact)

MCDTV4-2A3ALB

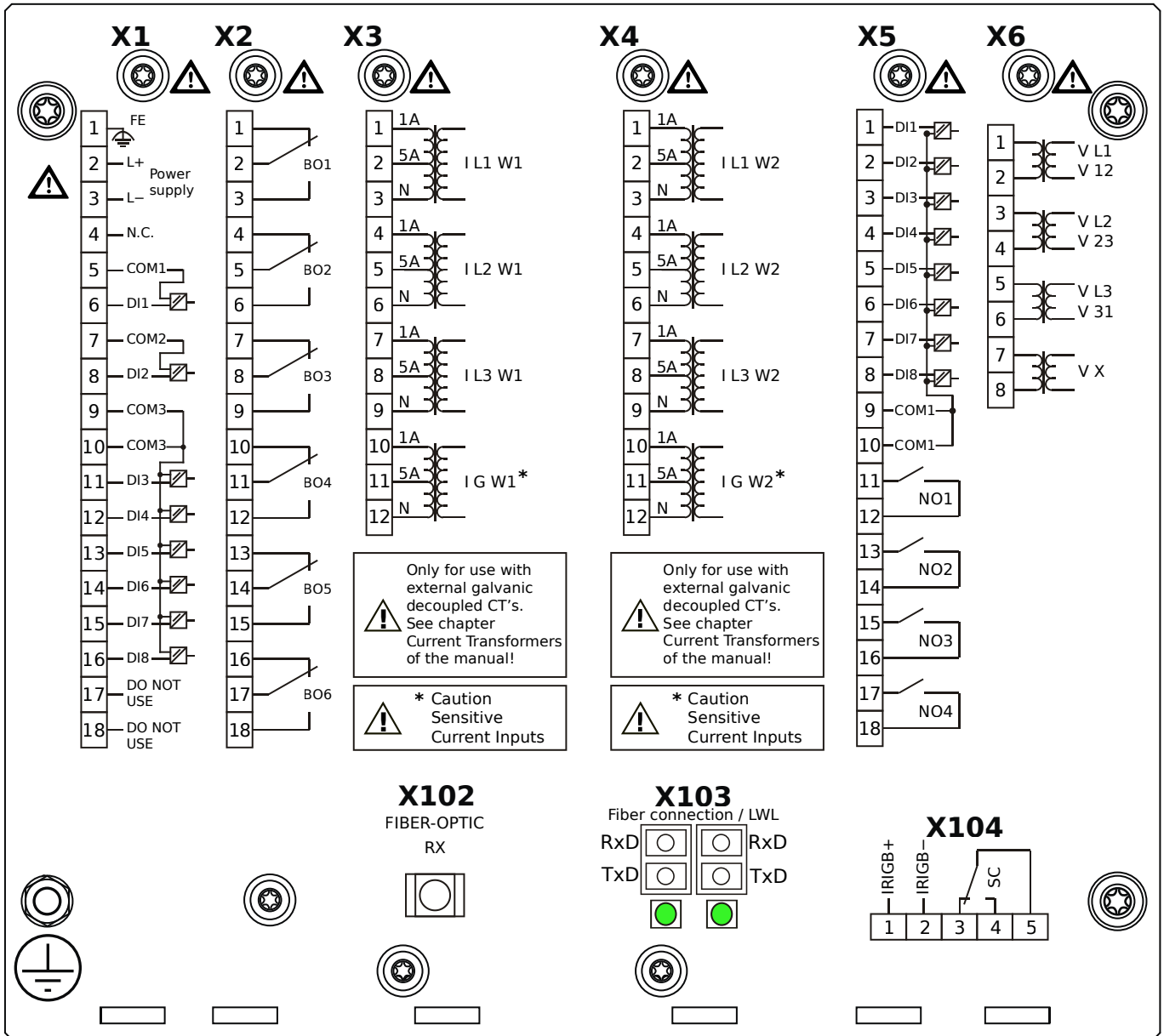


Housing B2, large display, door mounting

+ Conformal Coating (for installations in harsh environment)

- X1** – DI8-X1: Wide-range power supply unit, incl. 2 non-grouped digital inputs and 6 grouped digital inputs
- X2** – OR6: Assembly Group with 6 Output Relays (Changeover / Form C)
- X3** – TIs: Standard phase current measuring card and sensitive ground current measuring (winding side 1)
- X4** – TIs: Standard phase current measuring card and sensitive ground current measuring (winding side 2)
- X5** – DI8-OR4: Assembly Group with 8 Digital Inputs and 4 Output Relays (NO / Form A)
- X6** – TU: Card with 4 voltage transformer measuring inputs (0 ... 800 VAC, under UL: 0 ... 600 VAC)
- X102** – Universal Resistance-Temperature Detector (URTD) input, Fiber optics interface, Versatile Link
- X103** – Modbus TCP / IEC 60870-5-104 / DNP3.0 TCP/UDP, Fiber optics interface, LC Connector
- X104** – IRIG-B00X, incl. System Contact (Supervision Contact)

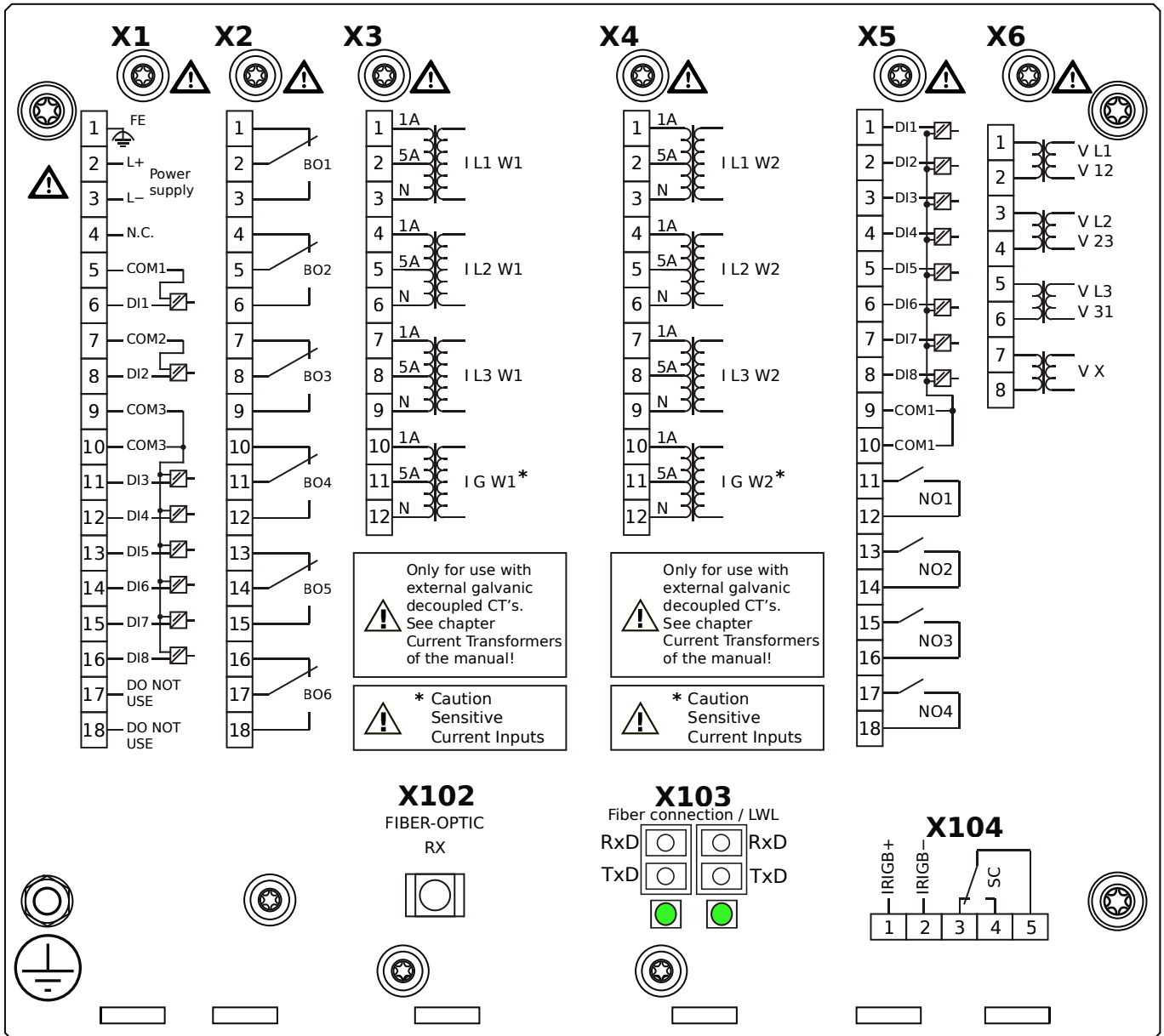
MCDTV4-2A3AOA



Housing B2, large display, door mounting

- X1** – DI8-X1: Wide-range power supply unit, incl. 2 non-grouped digital inputs and 6 grouped digital inputs
- X2** – OR6: Assembly Group with 6 Output Relays (Changeover / Form C)
- X3** – TIs: Standard phase current measuring card and sensitive ground current measuring (winding side 1)
- X4** – TIs: Standard phase current measuring card and sensitive ground current measuring (winding side 2)
- X5** – DI8-OR4: Assembly Group with 8 Digital Inputs and 4 Output Relays (NO / Form A)
- X6** – TU: Card with 4 voltage transformer measuring inputs (0 ... 800 VAC, under UL: 0 ... 600 VAC)
- X102** – Universal Resistance-Temperature Detector (URTD) input, Fiber optics interface, Versatile Link
- X103** – Modbus TCP / IEC 60870-5-104 / DNP3.0 TCP/UDP, Redundant Fiber optics interface, LC Connector
- X104** – IRIG-B00X, incl. System Contact (Supervision Contact)

MCDTV4-2A3A0B

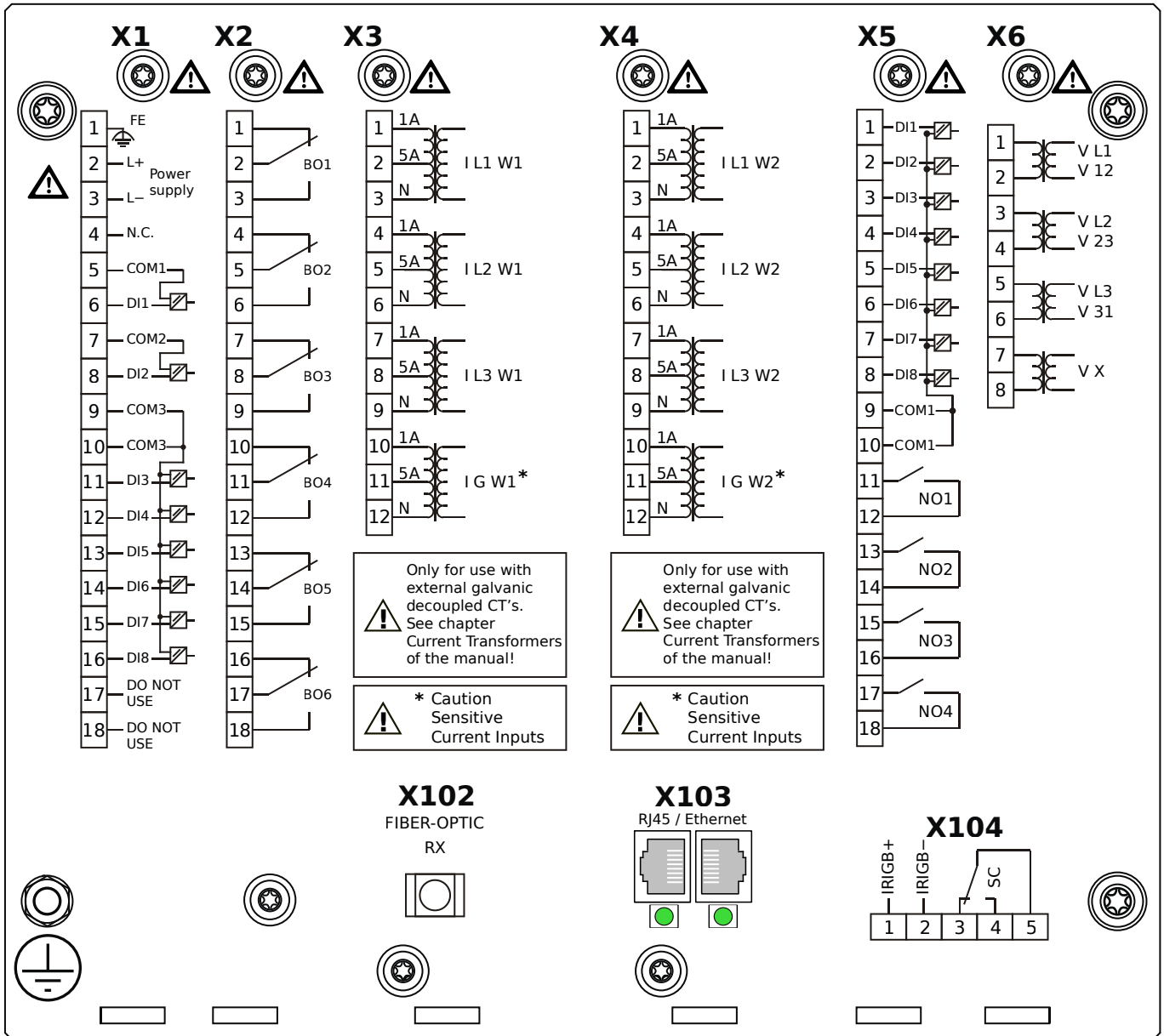


Housing B2, large display, door mounting

+ Conformal Coating (for installations in harsh environment)

- X1** – DI8-X1: Wide-range power supply unit, incl. 2 non-grouped digital inputs and 6 grouped digital inputs
- X2** – OR6: Assembly Group with 6 Output Relays (Changeover / Form C)
- X3** – TIs: Standard phase current measuring card and sensitive ground current measuring (winding side 1)
- X4** – TIs: Standard phase current measuring card and sensitive ground current measuring (winding side 2)
- X5** – DI8-OR4: Assembly Group with 8 Digital Inputs and 4 Output Relays (NO / Form A)
- X6** – TU: Card with 4 voltage transformer measuring inputs (0 ... 800 VAC, under UL: 0 ... 600 VAC)
- X102** – Universal Resistance-Temperature Detector (URTD) input, Fiber optics interface, Versatile Link
- X103** – Modbus TCP / IEC 60870-5-104 / DNP3.0 TCP/UDP, Redundant Fiber optics interface, LC Connector
- X104** – IRIG-B00X, incl. System Contact (Supervision Contact)

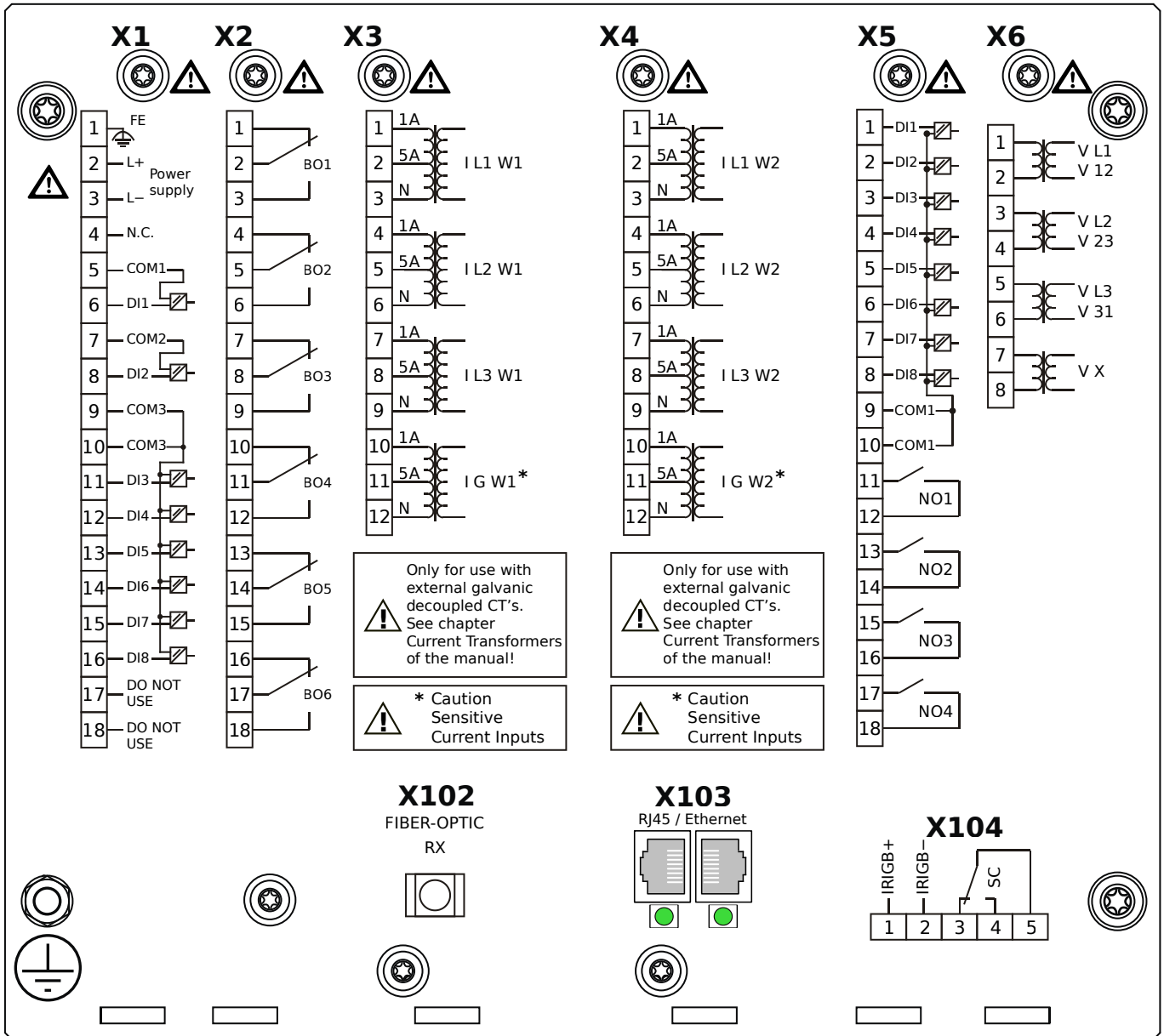
MCDTV4-2A3APA



Housing B2, large display, door mounting

- X1** – DI8-X1: Wide-range power supply unit, incl. 2 non-grouped digital inputs and 6 grouped digital inputs
- X2** – OR6: Assembly Group with 6 Output Relays (Changeover / Form C)
- X3** – TIs: Standard phase current measuring card and sensitive ground current measuring (winding side 1)
- X4** – TIs: Standard phase current measuring card and sensitive ground current measuring (winding side 2)
- X5** – DI8-OR4: Assembly Group with 8 Digital Inputs and 4 Output Relays (NO / Form A)
- X6** – TU: Card with 4 voltage transformer measuring inputs (0 ... 800 VAC, under UL: 0 ... 600 VAC)
- X102** – Universal Resistance-Temperature Detector (URTD) input, Fiber optics interface, Versatile Link
- X103** – Modbus TCP / IEC 60870-5-104 / DNP3.0 TCP/UDP, Redundant Ethernet interface, 100 Mbit/s, RJ45 (BASE100-FX)
- X104** – IRIG-B00X, incl. System Contact (Supervision Contact)

MCDTV4-2A3APB

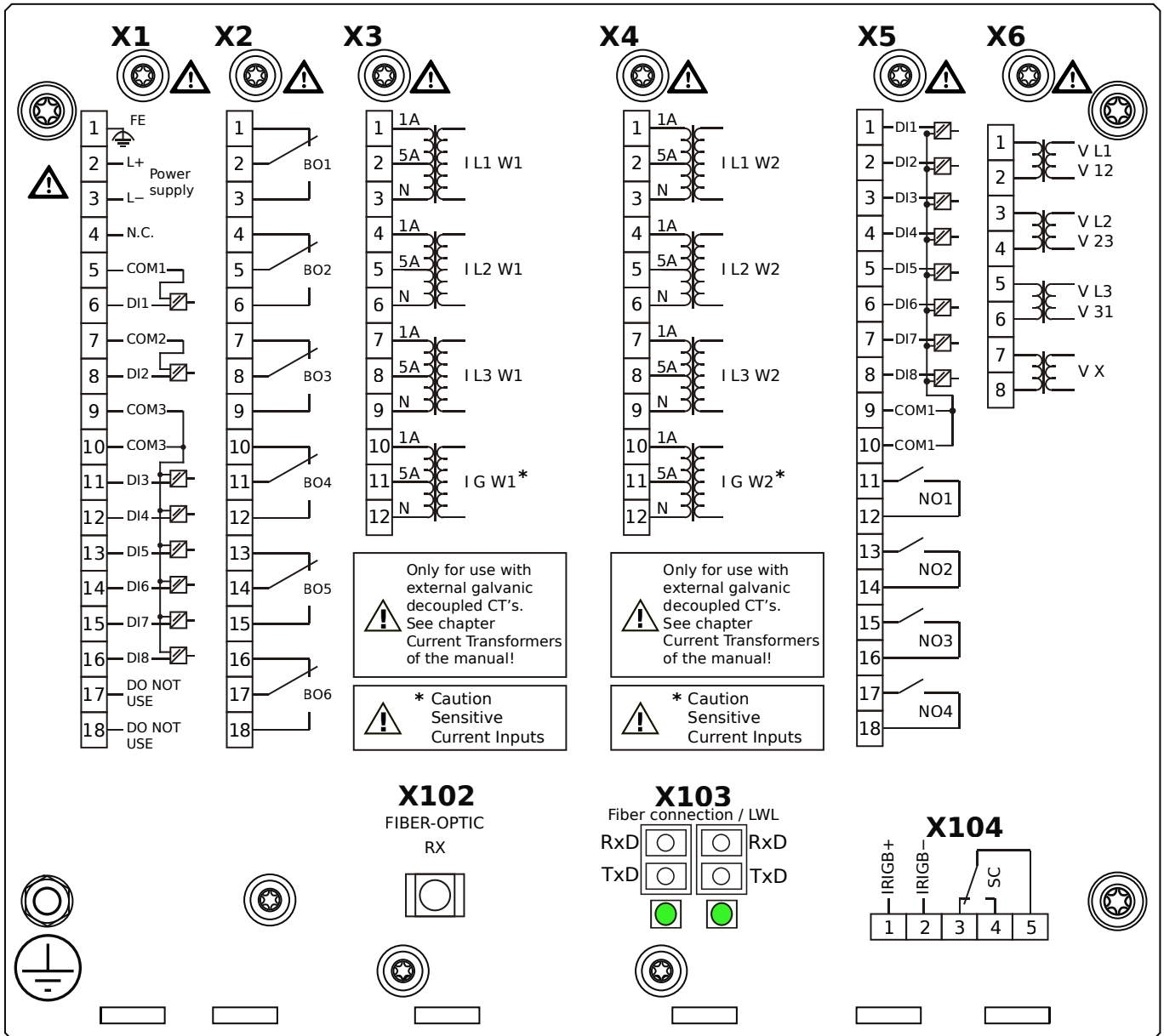


Housing B2, large display, door mounting

+ Conformal Coating (for installations in harsh environment)

- X1** – DI8-X1: Wide-range power supply unit, incl. 2 non-grouped digital inputs and 6 grouped digital inputs
- X2** – OR6: Assembly Group with 6 Output Relays (Changeover / Form C)
- X3** – TIs: Standard phase current measuring card and sensitive ground current measuring (winding side 1)
- X4** – TIs: Standard phase current measuring card and sensitive ground current measuring (winding side 2)
- X5** – DI8-OR4: Assembly Group with 8 Digital Inputs and 4 Output Relays (NO / Form A)
- X6** – TU: Card with 4 voltage transformer measuring inputs (0 ... 800 VAC, under UL: 0 ... 600 VAC)
- X102** – Universal Resistance-Temperature Detector (URTD) input, Fiber optics interface, Versatile Link
- X103** – Modbus TCP / IEC 60870-5-104 / DNP3.0 TCP/UDP, Redundant Ethernet interface, 100 Mbit/s, RJ45 (BASE100-FX)
- X104** – IRIG-B00X, incl. System Contact (Supervision Contact)

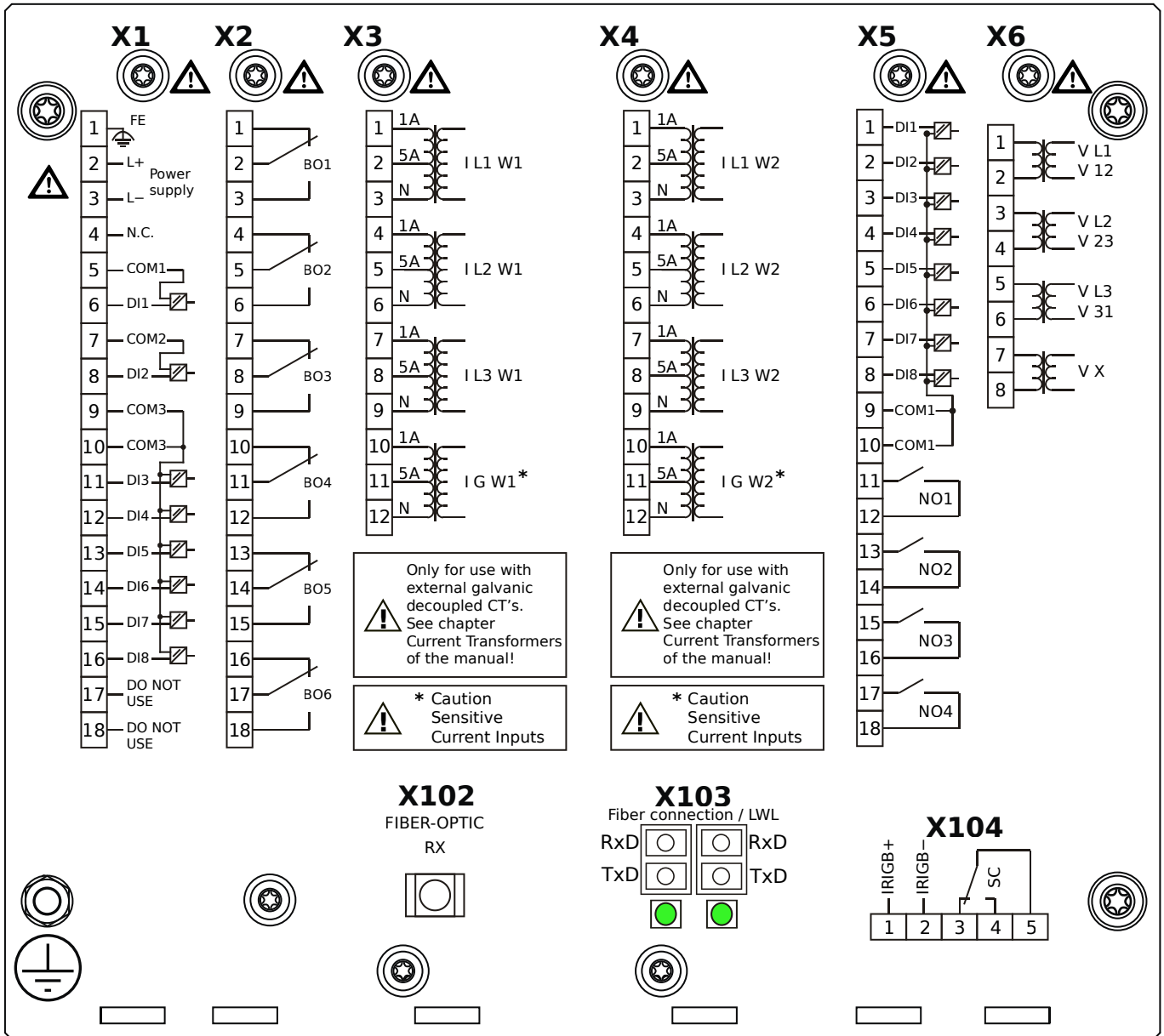
MCDTV4-2A3AQA



Housing B2, large display, door mounting

- X1** – DI8-X1: Wide-range power supply unit, incl. 2 non-grouped digital inputs and 6 grouped digital inputs
- X2** – OR6: Assembly Group with 6 Output Relays (Changeover / Form C)
- X3** – TIs: Standard phase current measuring card and sensitive ground current measuring (winding side 1)
- X4** – TIs: Standard phase current measuring card and sensitive ground current measuring (winding side 2)
- X5** – DI8-OR4: Assembly Group with 8 Digital Inputs and 4 Output Relays (NO / Form A)
- X6** – TU: Card with 4 voltage transformer measuring inputs (0 ... 800 VAC, under UL: 0 ... 600 VAC)
- X102** – Universal Resistance-Temperature Detector (URTD) input, Fiber optics interface, Versatile Link
- X103** – IEC 61850 / Modbus TCP / IEC 60870-5-104 / DNP3.0 TCP/UDP, Redundant Fiber optics interface, LC Connector
- X104** – IRIG-B00X, incl. System Contact (Supervision Contact)

MCDTV4-2A3AQB

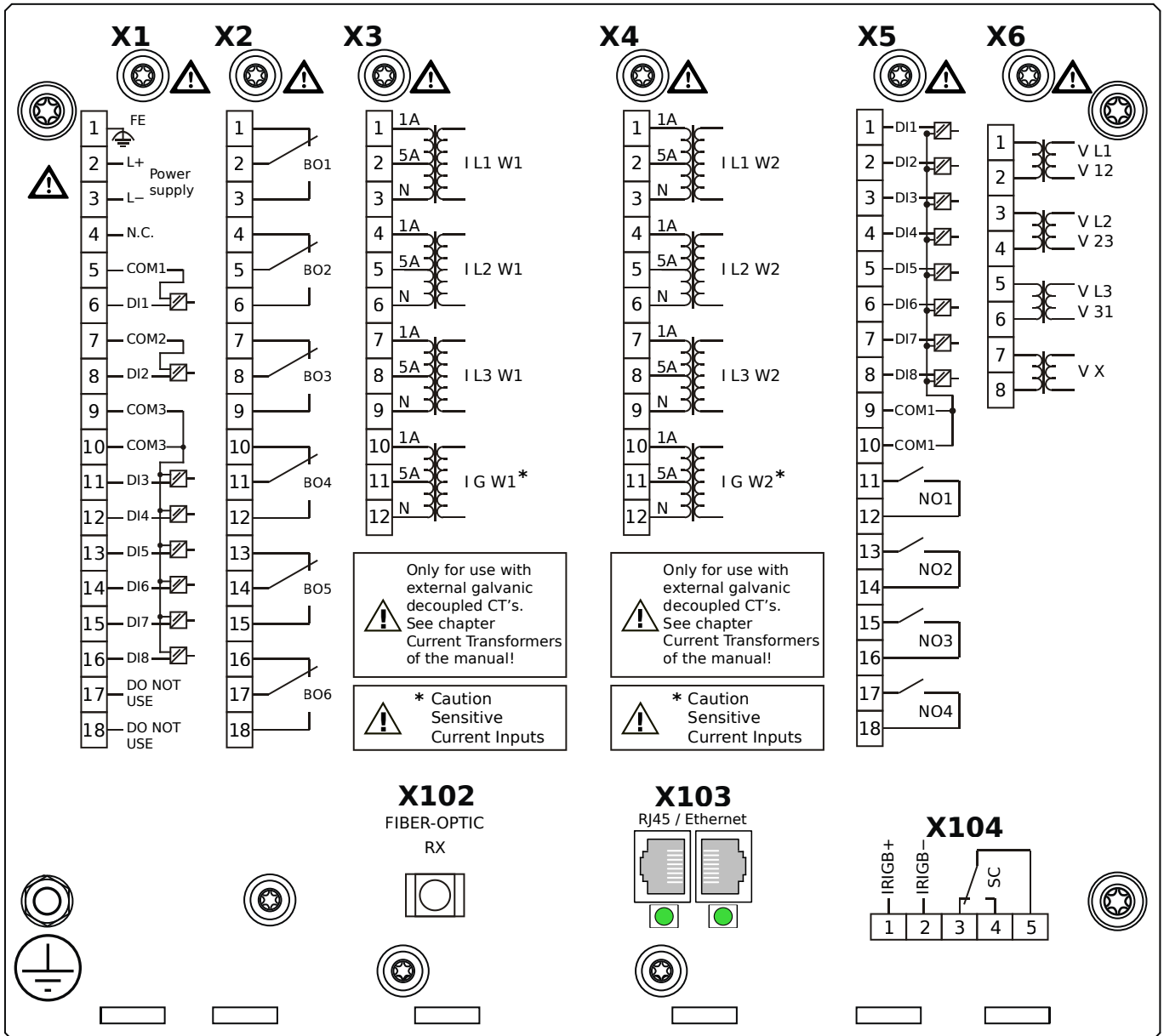


Housing B2, large display, door mounting

+ Conformal Coating (for installations in harsh environment)

- X1** – DI8-X1: Wide-range power supply unit, incl. 2 non-grouped digital inputs and 6 grouped digital inputs
- X2** – OR6: Assembly Group with 6 Output Relays (Changeover / Form C)
- X3** – TIs: Standard phase current measuring card and sensitive ground current measuring (winding side 1)
- X4** – TIs: Standard phase current measuring card and sensitive ground current measuring (winding side 2)
- X5** – DI8-OR4: Assembly Group with 8 Digital Inputs and 4 Output Relays (NO / Form A)
- X6** – TU: Card with 4 voltage transformer measuring inputs (0 ... 800 VAC, under UL: 0 ... 600 VAC)
- X102** – Universal Resistance-Temperature Detector (URTD) input, Fiber optics interface, Versatile Link
- X103** – IEC 61850 / Modbus TCP / IEC 60870-5-104 / DNP3.0 TCP/UDP, Redundant Fiber optics interface, LC Connector
- X104** – IRIG-B00X, incl. System Contact (Supervision Contact)

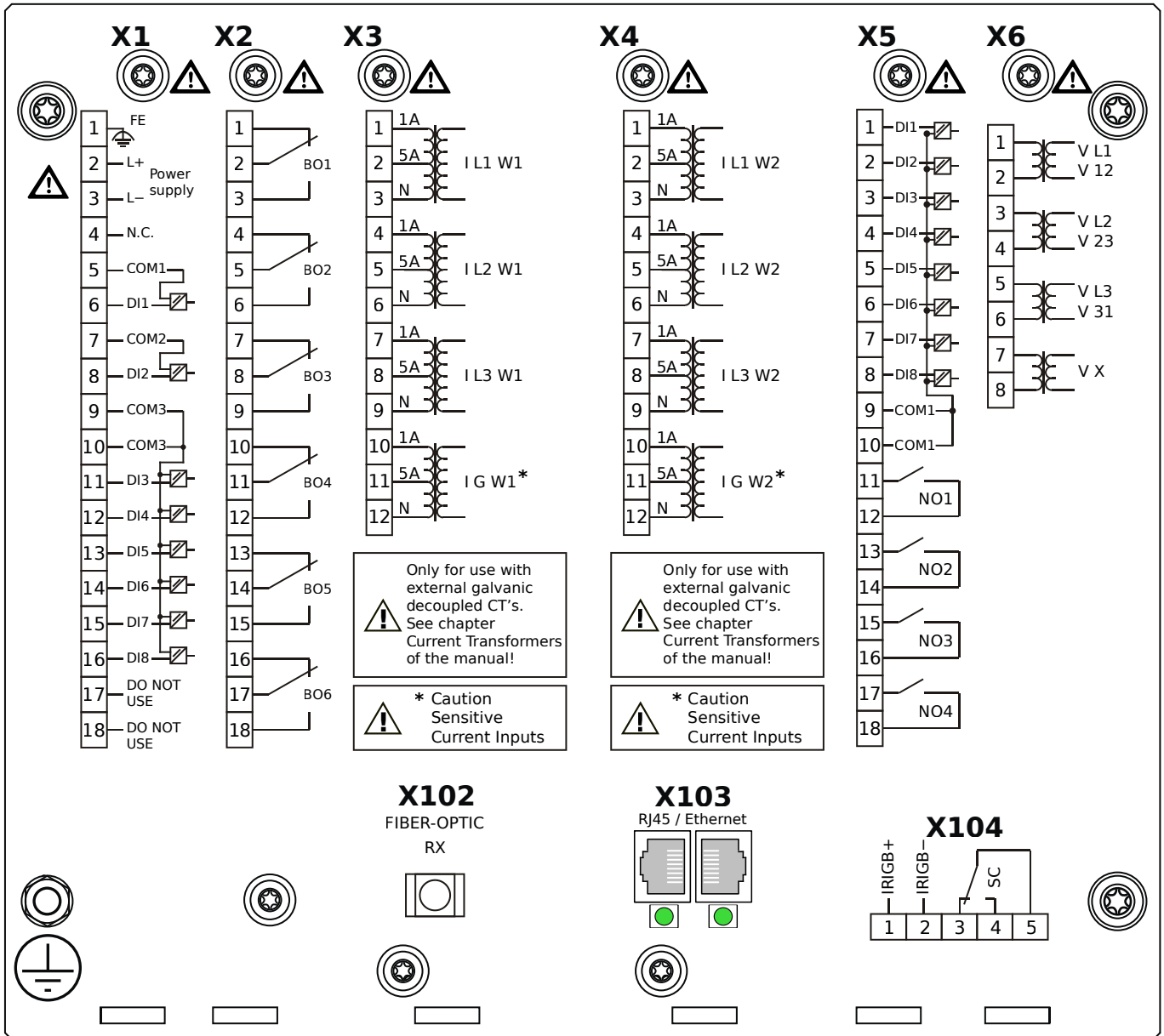
MCDTV4-2A3ARA



Housing B2, large display, door mounting

- X1** – DI8-X1: Wide-range power supply unit, incl. 2 non-grouped digital inputs and 6 grouped digital inputs
- X2** – OR6: Assembly Group with 6 Output Relays (Changeover / Form C)
- X3** – TIs: Standard phase current measuring card and sensitive ground current measuring (winding side 1)
- X4** – TIs: Standard phase current measuring card and sensitive ground current measuring (winding side 2)
- X5** – DI8-OR4: Assembly Group with 8 Digital Inputs and 4 Output Relays (NO / Form A)
- X6** – TU: Card with 4 voltage transformer measuring inputs (0 ... 800 VAC, under UL: 0 ... 600 VAC)
- X102** – Universal Resistance-Temperature Detector (URTD) input, Fiber optics interface, Versatile Link
- X103** – IEC 61850 / Modbus TCP / IEC 60870-5-104 / DNP3.0 TCP/UDP, Redundant Ethernet interface, 100 Mbit/s, RJ45
- X104** – IRIG-B00X, incl. System Contact (Supervision Contact)

MCDTV4-2A3ARB



Housing B2, large display, door mounting

+ Conformal Coating (for installations in harsh environment)

X1 – DI8-X1: Wide-range power supply unit, incl. 2 non-grouped digital inputs and 6 grouped digital inputs

X2 – OR6: Assembly Group with 6 Output Relays (Changeover / Form C)

X3 – TIs: Standard phase current measuring card and sensitive ground current measuring (winding side 1)

X4 – TIs: Standard phase current measuring card and sensitive ground current measuring (winding side 2)

X5 – DI8-OR4: Assembly Group with 8 Digital Inputs and 4 Output Relays (NO / Form A)

X6 – TU: Card with 4 voltage transformer measuring inputs (0 ... 800 VAC, under UL: 0 ... 600 VAC)

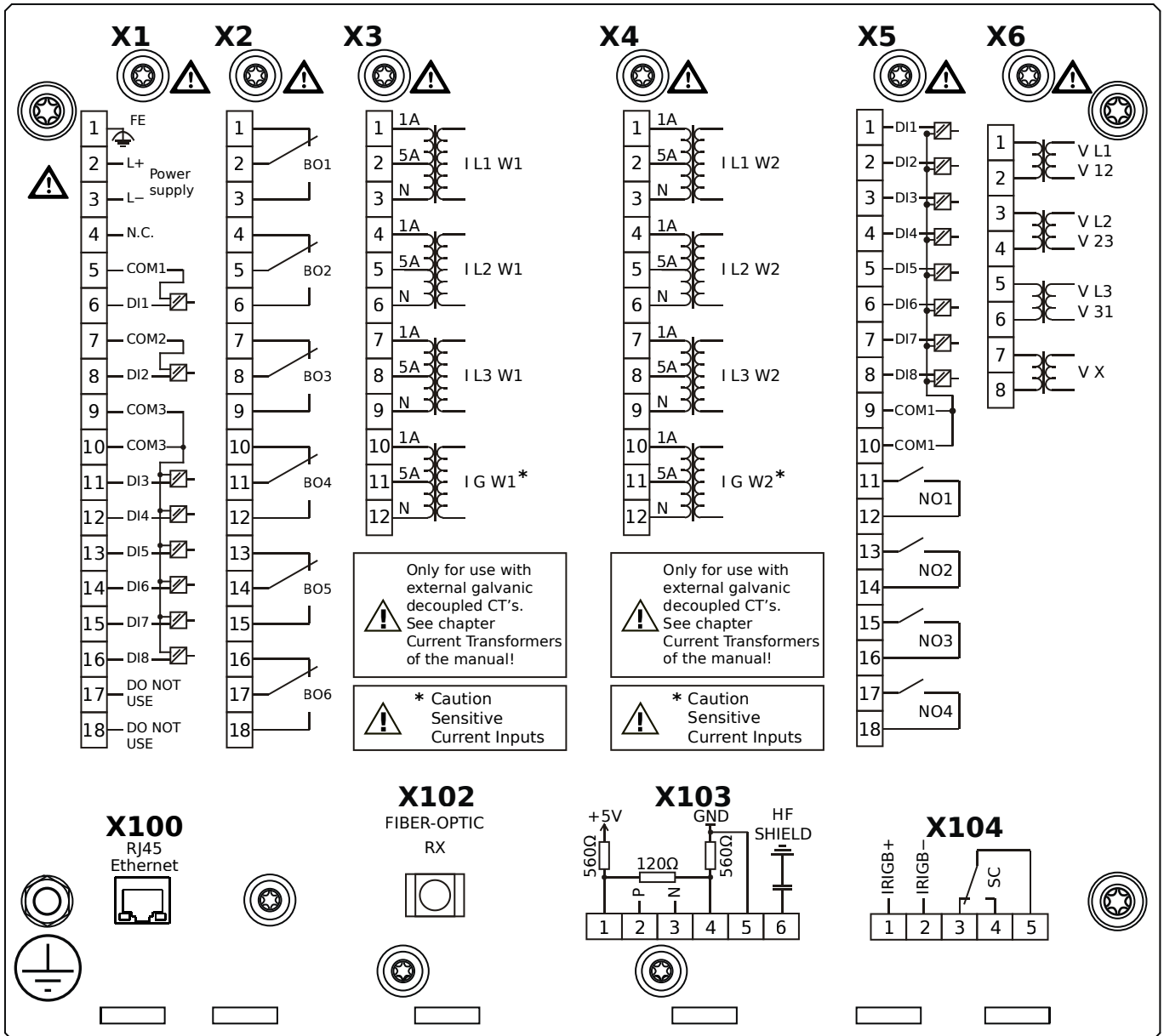
X102 – Universal Resistance-Temperature Detector (URTD) input, Fiber optics interface, Versatile Link

X103 – IEC 61850 / Modbus TCP / IEC 60870-5-104 / DNP3.0 TCP/UDP, Redundant Ethernet interface, 100 Mbit/s, RJ45

(BASE100-FX)

X104 – IRIG-B00X, incl. System Contact (Supervision Contact)

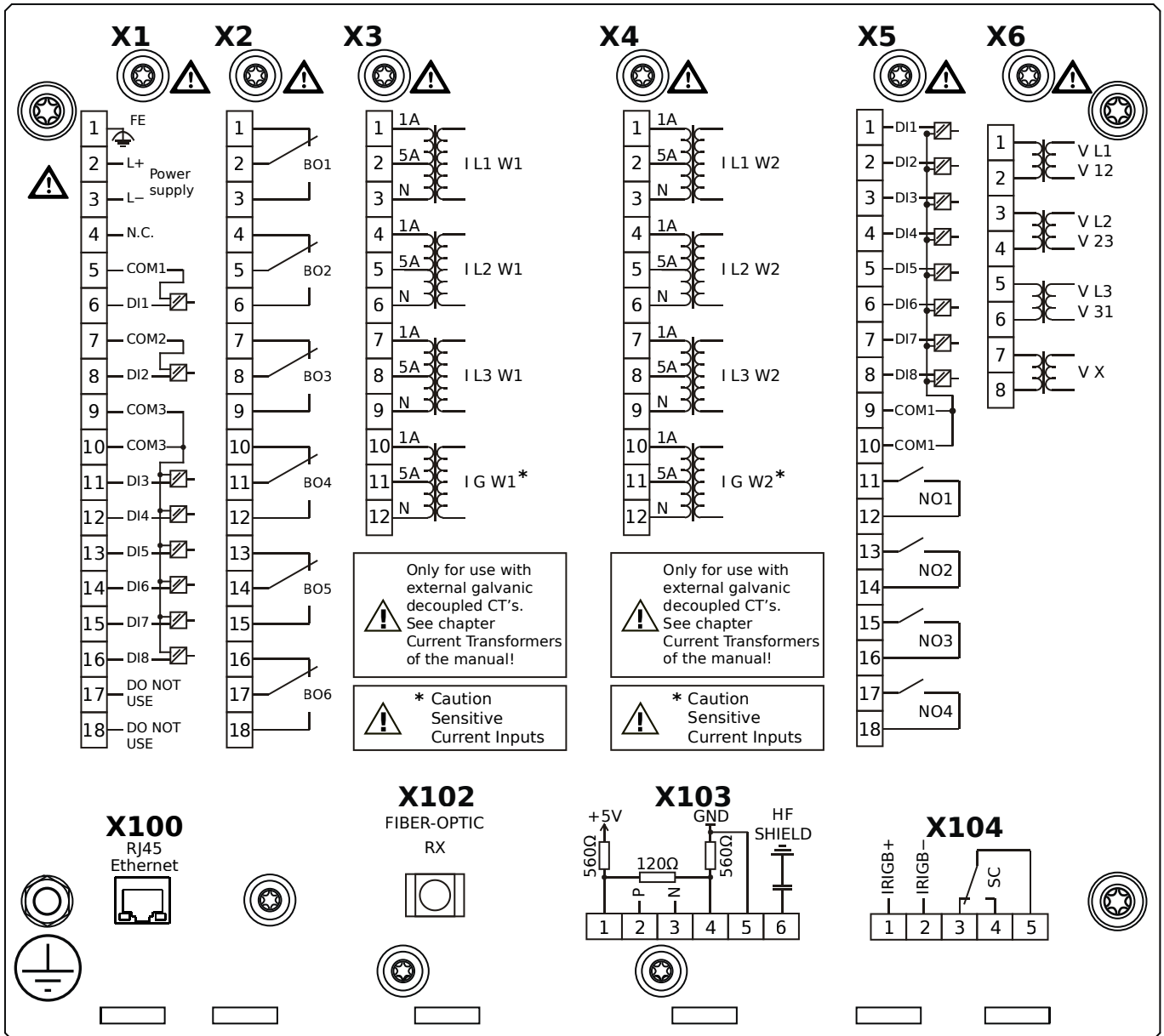
MCDTV4-2A3ATA



Housing B2, large display, door mounting

- X1** – DI8-X1: Wide-range power supply unit, incl. 2 non-grouped digital inputs and 6 grouped digital inputs
- X2** – OR6: Assembly Group with 6 Output Relays (Changeover / Form C)
- X3** – TIs: Standard phase current measuring card and sensitive ground current measuring (winding side 1)
- X4** – TIs: Standard phase current measuring card and sensitive ground current measuring (winding side 2)
- X5** – DI8-OR4: Assembly Group with 8 Digital Inputs and 4 Output Relays (NO / Form A)
- X6** – TU: Card with 4 voltage transformer measuring inputs (0 ... 800 VAC, under UL: 0 ... 600 VAC)
- X100** – IEC 61850 / Modbus TCP / IEC 60870-5-104 / DNP3.0 TCP/UDP, Ethernet interface, 100 Mbit/s, RJ45 (BASE100-FX)
- X102** – Universal Resistance-Temperature Detector (URTD) input, Fiber optics interface, Versatile Link
- X103** – IEC 60870-5-103 / Modbus RTU / DNP3.0 RTU, RS485, Terminals
- X104** – IRIG-B00X, incl. System Contact (Supervision Contact)

MCDTV4-2A3ATB

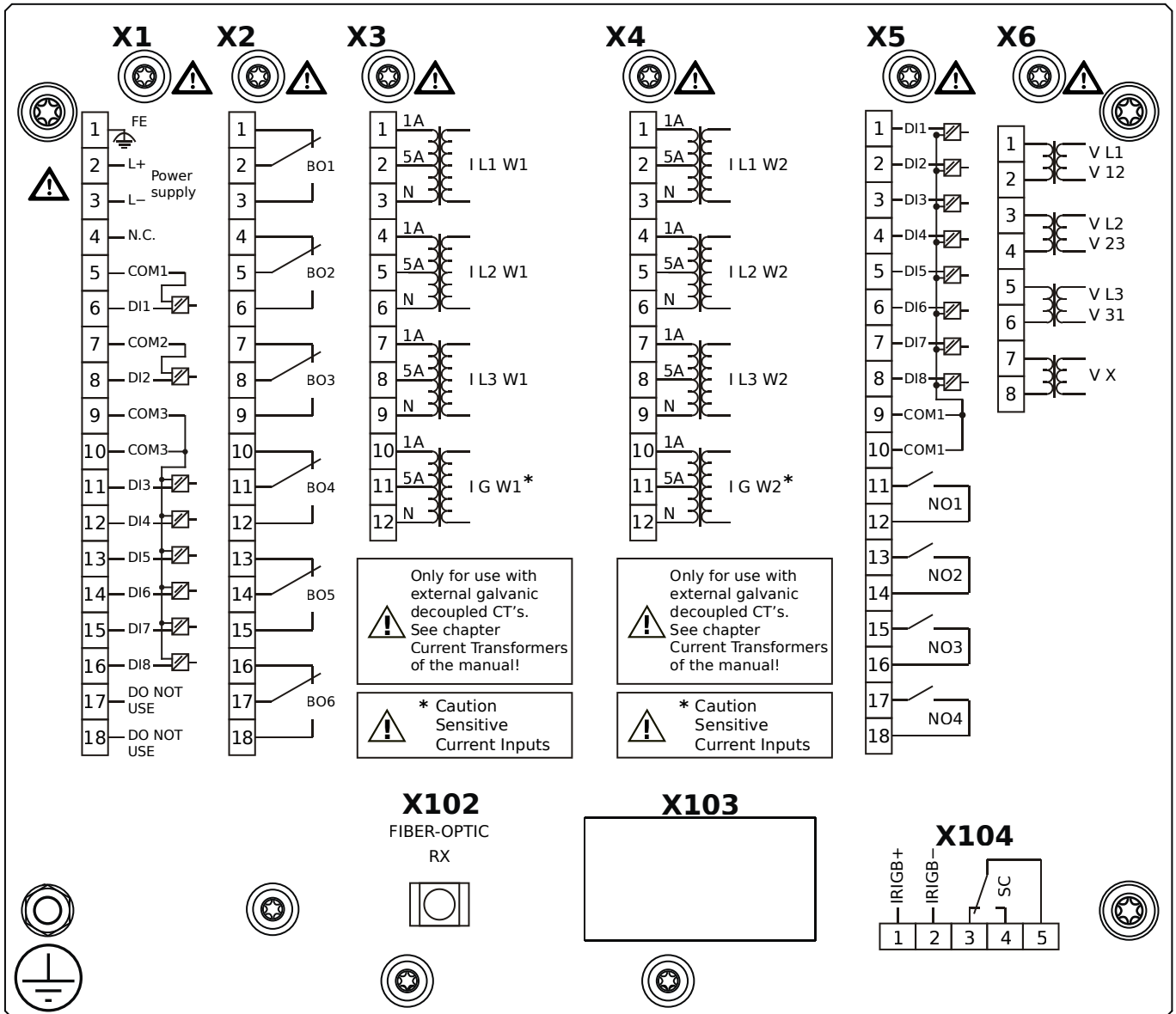


Housing B2, large display, door mounting

+ Conformal Coating (for installations in harsh environment)

- X1** – DI8-X1: Wide-range power supply unit, incl. 2 non-grouped digital inputs and 6 grouped digital inputs
- X2** – OR6: Assembly Group with 6 Output Relays (Changeover / Form C)
- X3** – TIs: Standard phase current measuring card and sensitive ground current measuring (winding side 1)
- X4** – TIs: Standard phase current measuring card and sensitive ground current measuring (winding side 2)
- X5** – DI8-OR4: Assembly Group with 8 Digital Inputs and 4 Output Relays (NO / Form A)
- X6** – TU: Card with 4 voltage transformer measuring inputs (0 ... 800 VAC, under UL: 0 ... 600 VAC)
- X100** – IEC 61850 / Modbus TCP / IEC 60870-5-104 / DNP3.0 TCP/UDP, Ethernet interface, 100 Mbit/s, RJ45 (BASE100-FX)
- X102** – Universal Resistance-Temperature Detector (URTD) input, Fiber optics interface, Versatile Link
- X103** – IEC 60870-5-103 / Modbus RTU / DNP3.0 RTU, RS485, Terminals
- X104** – IRIG-B00X, incl. System Contact (Supervision Contact)

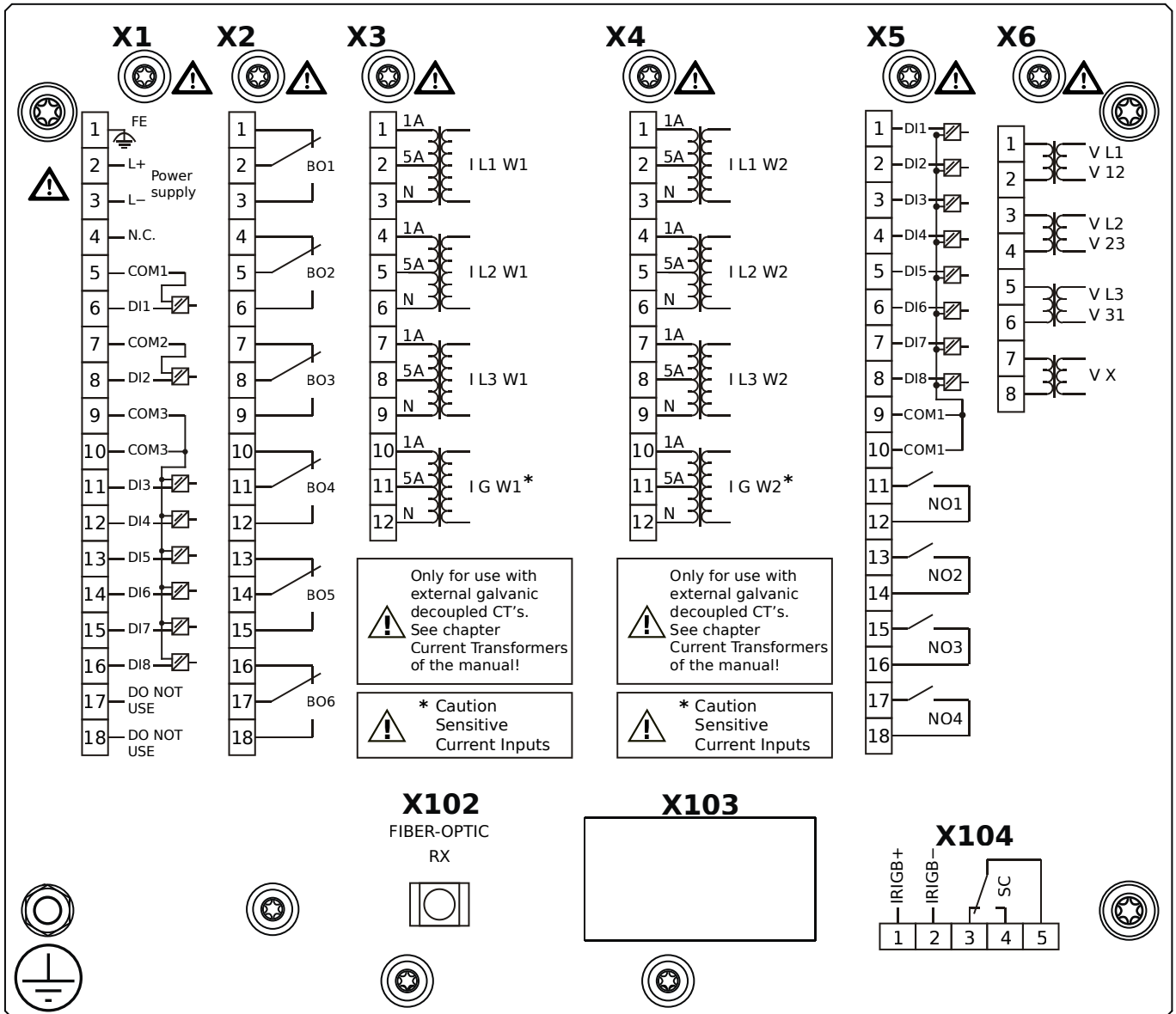
MCDTV4-2A3BAA



Housing B2, large display, 19" rack mounting

- X1** – DI8-X1: Wide-range power supply unit, incl. 2 non-grouped digital inputs and 6 grouped digital inputs
- X2** – OR6: Assembly Group with 6 Output Relays (Changeover / Form C)
- X3** – TIs: Standard phase current measuring card and sensitive ground current measuring (winding side 1)
- X4** – TIs: Standard phase current measuring card and sensitive ground current measuring (winding side 2)
- X5** – DI8-OR4: Assembly Group with 8 Digital Inputs and 4 Output Relays (NO / Form A)
- X6** – TU: Card with 4 voltage transformer measuring inputs (0 ... 800 VAC, under UL: 0 ... 600 VAC)
- X102** – Universal Resistance-Temperature Detector (URTD) input, Fiber optics interface, Versatile Link
- X104** – IRIG-B00X, incl. System Contact (Supervision Contact)

MCDTV4-2A3BAB

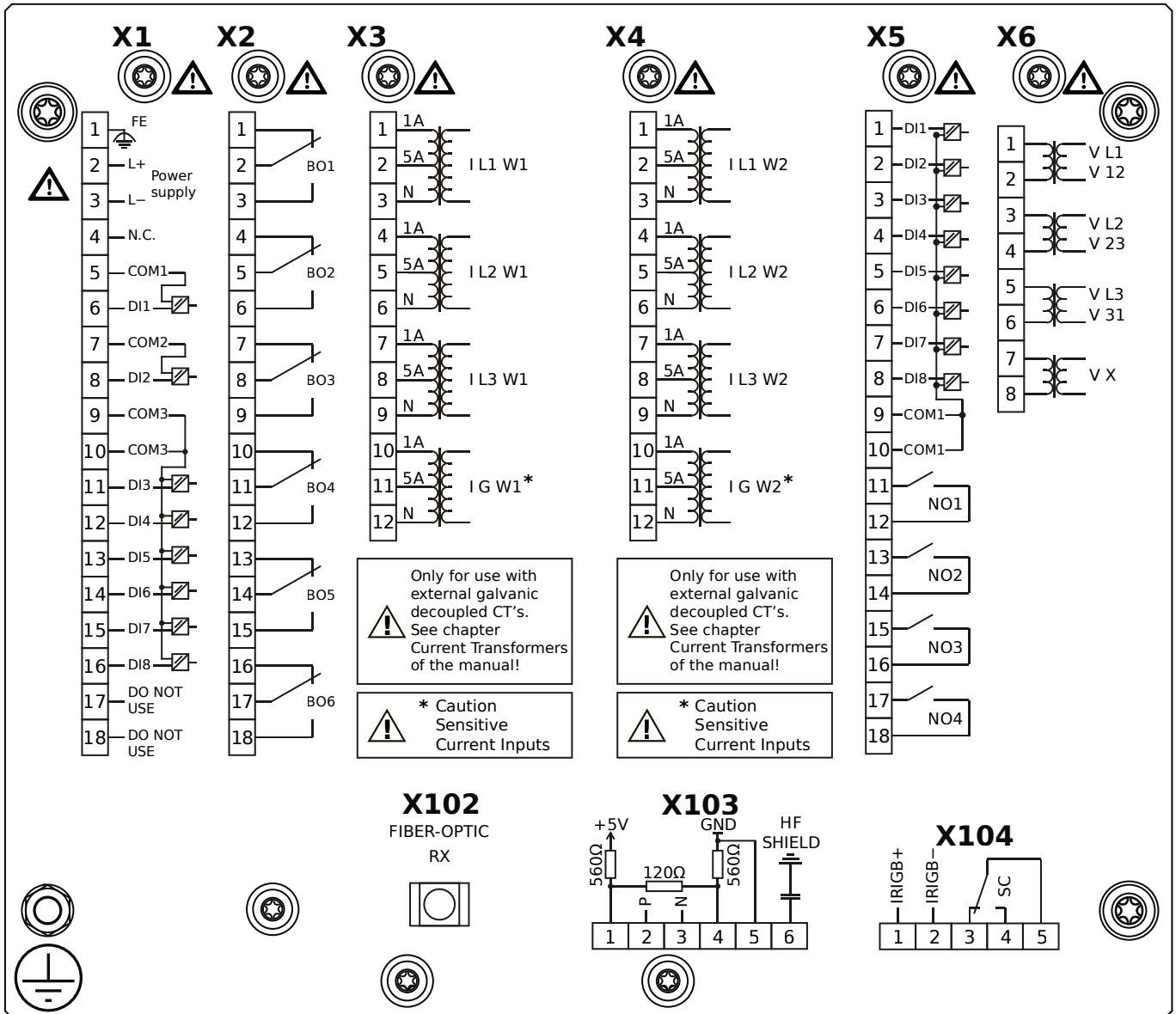


Housing B2, large display, 19" rack mounting

+ Conformal Coating (for installations in harsh environment)

- X1** – DI8-X1: Wide-range power supply unit, incl. 2 non-grouped digital inputs and 6 grouped digital inputs
- X2** – OR6: Assembly Group with 6 Output Relays (Changeover / Form C)
- X3** – TIs: Standard phase current measuring card and sensitive ground current measuring (winding side 1)
- X4** – TIs: Standard phase current measuring card and sensitive ground current measuring (winding side 2)
- X5** – DI8-OR4: Assembly Group with 8 Digital Inputs and 4 Output Relays (NO / Form A)
- X6** – TU: Card with 4 voltage transformer measuring inputs (0 ... 800 VAC, under UL: 0 ... 600 VAC)
- X102** – Universal Resistance-Temperature Detector (URTD) input, Fiber optics interface, Versatile Link
- X104** – IRIG-B00X, incl. System Contact (Supervision Contact)

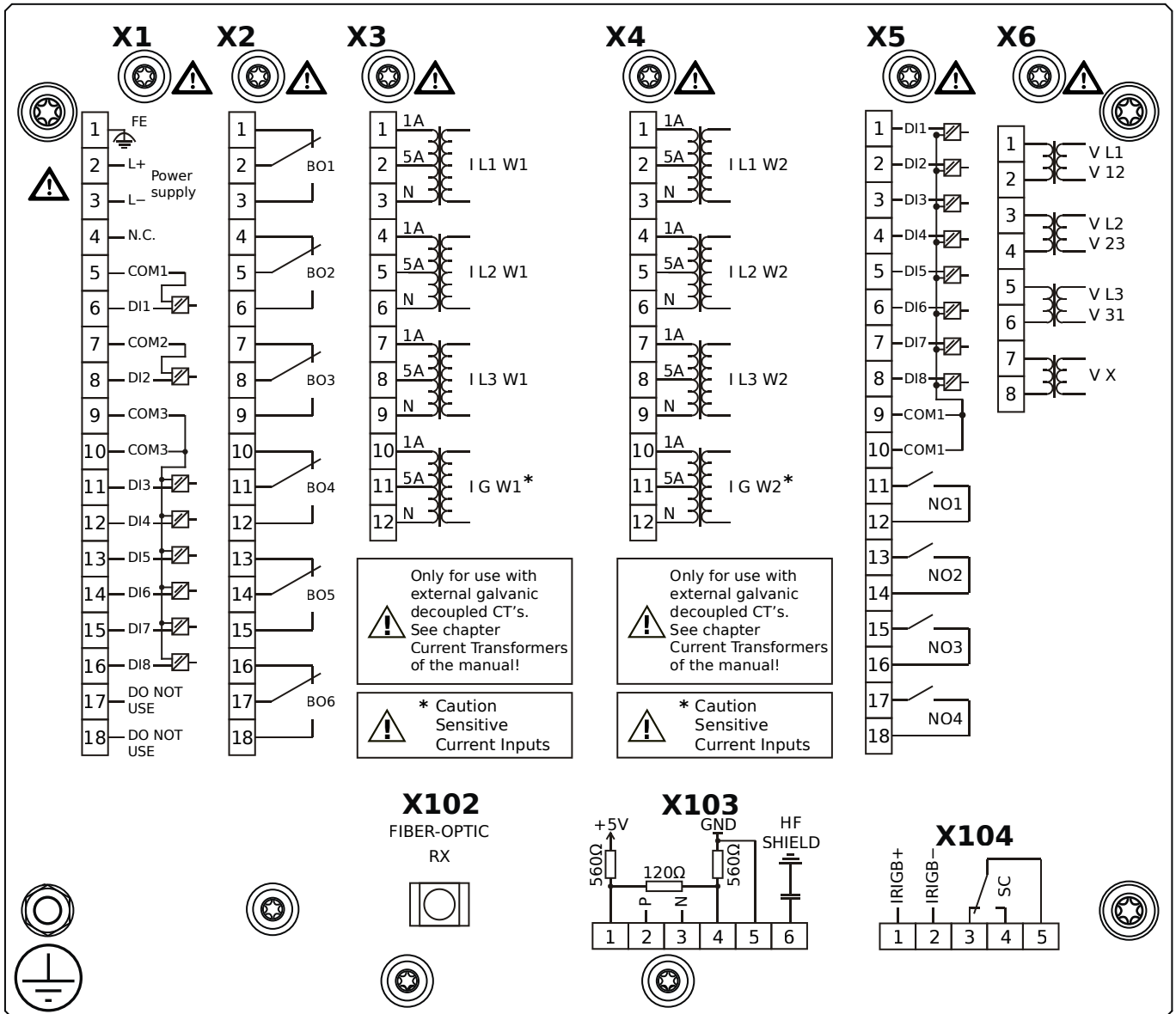
MCDTV4-2A3BBA



Housing B2, large display, 19" rack mounting

- X1** – DI8-X1: Wide-range power supply unit, incl. 2 non-grouped digital inputs and 6 grouped digital inputs
- X2** – OR6: Assembly Group with 6 Output Relays (Changeover / Form C)
- X3** – TIs: Standard phase current measuring card and sensitive ground current measuring (winding side 1)
- X4** – TIs: Standard phase current measuring card and sensitive ground current measuring (winding side 2)
- X5** – DI8-OR4: Assembly Group with 8 Digital Inputs and 4 Output Relays (NO / Form A)
- X6** – TU: Card with 4 voltage transformer measuring inputs (0 ... 800 VAC, under UL: 0 ... 600 VAC)
- X102** – Universal Resistance-Temperature Detector (URTD) input, Fiber optics interface, Versatile Link
- X103** – Modbus RTU / IEC 60870-5-103 / DNP3.0 RTU, RS485, Terminals
- X104** – IRIG-B00X, incl. System Contact (Supervision Contact)

MCDTV4-2A3BBB

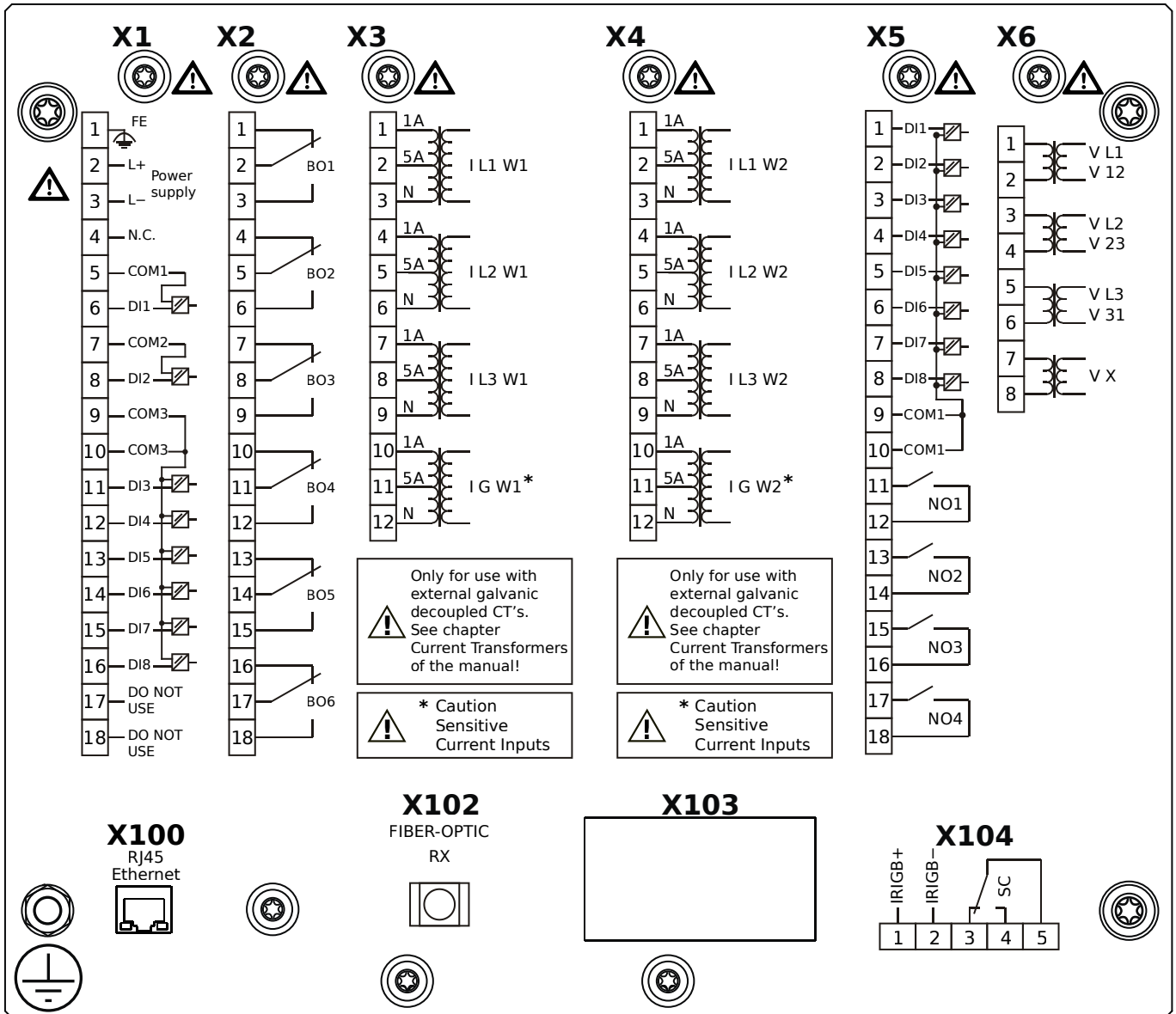


Housing B2, large display, 19" rack mounting

+ Conformal Coating (for installations in harsh environment)

- X1** – DI8-X1: Wide-range power supply unit, incl. 2 non-grouped digital inputs and 6 grouped digital inputs
- X2** – OR6: Assembly Group with 6 Output Relays (Changeover / Form C)
- X3** – TIs: Standard phase current measuring card and sensitive ground current measuring (winding side 1)
- X4** – TIs: Standard phase current measuring card and sensitive ground current measuring (winding side 2)
- X5** – DI8-OR4: Assembly Group with 8 Digital Inputs and 4 Output Relays (NO / Form A)
- X6** – TU: Card with 4 voltage transformer measuring inputs (0 ... 800 VAC, under UL: 0 ... 600 VAC)
- X102** – Universal Resistance-Temperature Detector (URTD) input, Fiber optics interface, Versatile Link
- X103** – Modbus RTU / IEC 60870-5-103 / DNP3.0 RTU, RS485, Terminals
- X104** – IRIG-B00X, incl. System Contact (Supervision Contact)

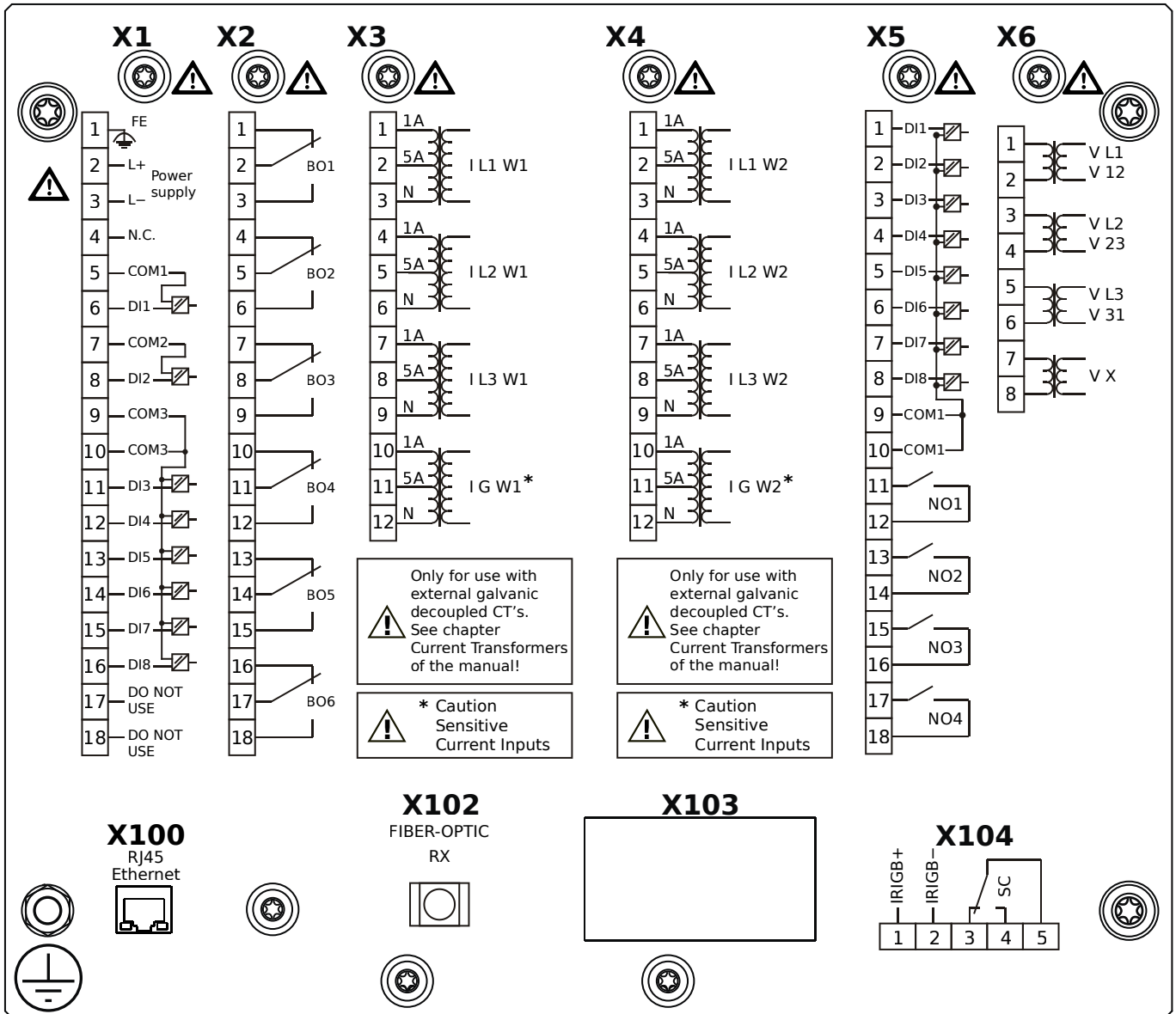
MCDTV4-2A3BCA



Housing B2, large display, 19" rack mounting

- X1** – DI8-X1: Wide-range power supply unit, incl. 2 non-grouped digital inputs and 6 grouped digital inputs
- X2** – OR6: Assembly Group with 6 Output Relays (Changeover / Form C)
- X3** – TIs: Standard phase current measuring card and sensitive ground current measuring (winding side 1)
- X4** – TIs: Standard phase current measuring card and sensitive ground current measuring (winding side 2)
- X5** – DI8-OR4: Assembly Group with 8 Digital Inputs and 4 Output Relays (NO / Form A)
- X6** – TU: Card with 4 voltage transformer measuring inputs (0 ... 800 VAC, under UL: 0 ... 600 VAC)
- X100** – Modbus TCP / IEC 60870-5-104 / DNP3.0 TCP/UDP, Ethernet interface, 100 Mbit/s, RJ45 (BASE100-FX)
- X102** – Universal Resistance-Temperature Detector (URTD) input, Fiber optics interface, Versatile Link
- X104** – IRIG-B00X, incl. System Contact (Supervision Contact)

MCDTV4-2A3BCB

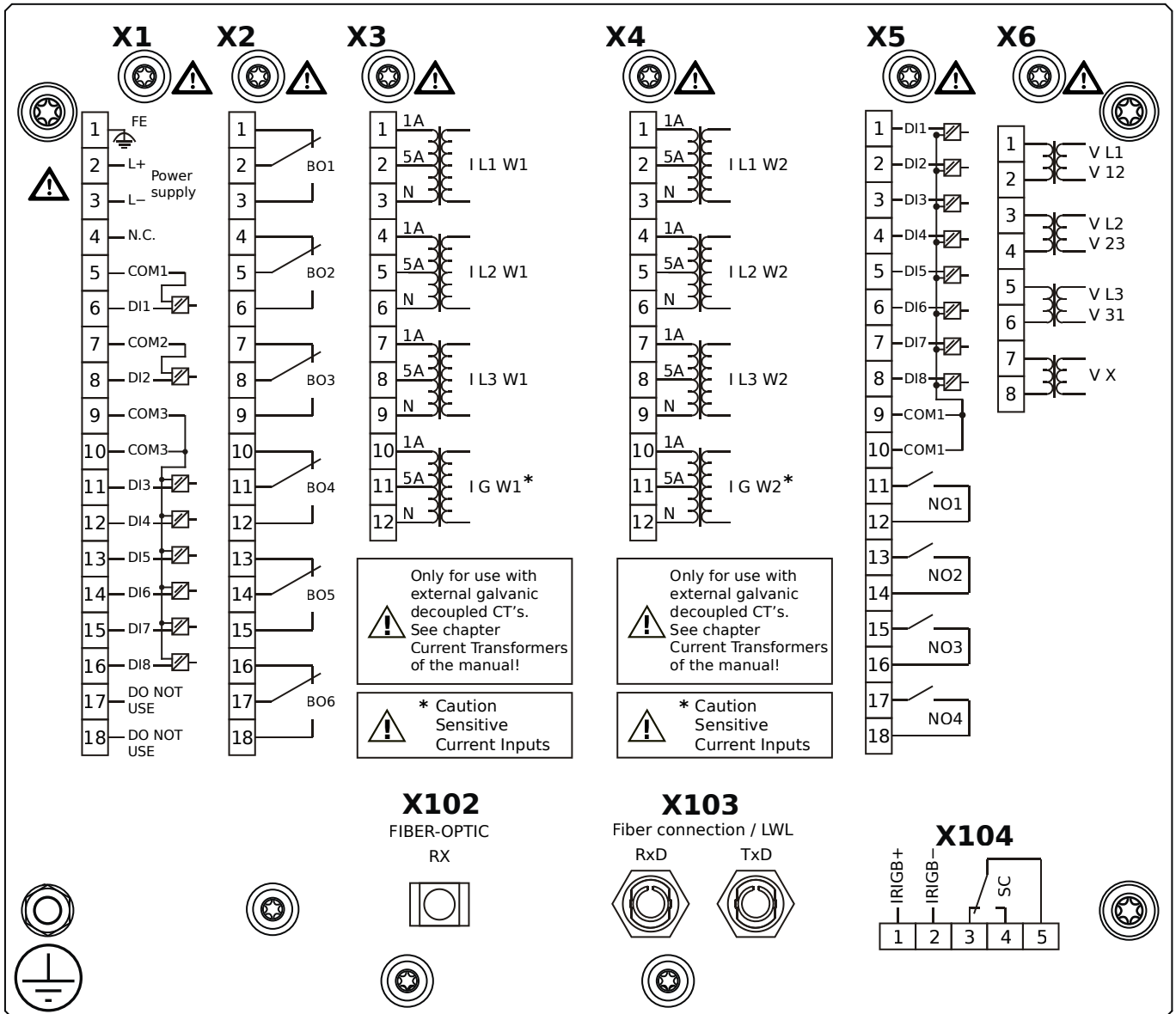


Housing B2, large display, 19" rack mounting

+ Conformal Coating (for installations in harsh environment)

- X1** – DI8-X1: Wide-range power supply unit, incl. 2 non-grouped digital inputs and 6 grouped digital inputs
- X2** – OR6: Assembly Group with 6 Output Relays (Changeover / Form C)
- X3** – TIs: Standard phase current measuring card and sensitive ground current measuring (winding side 1)
- X4** – TIs: Standard phase current measuring card and sensitive ground current measuring (winding side 2)
- X5** – DI8-OR4: Assembly Group with 8 Digital Inputs and 4 Output Relays (NO / Form A)
- X6** – TU: Card with 4 voltage transformer measuring inputs (0 ... 800 VAC, under UL: 0 ... 600 VAC)
- X100** – Modbus TCP / IEC 60870-5-104 / DNP3.0 TCP/UDP, Ethernet interface, 100 Mbit/s, RJ45 (BASE100-FX)
- X102** – Universal Resistance-Temperature Detector (URTD) input, Fiber optics interface, Versatile Link
- X104** – IRIG-B00X, incl. System Contact (Supervision Contact)

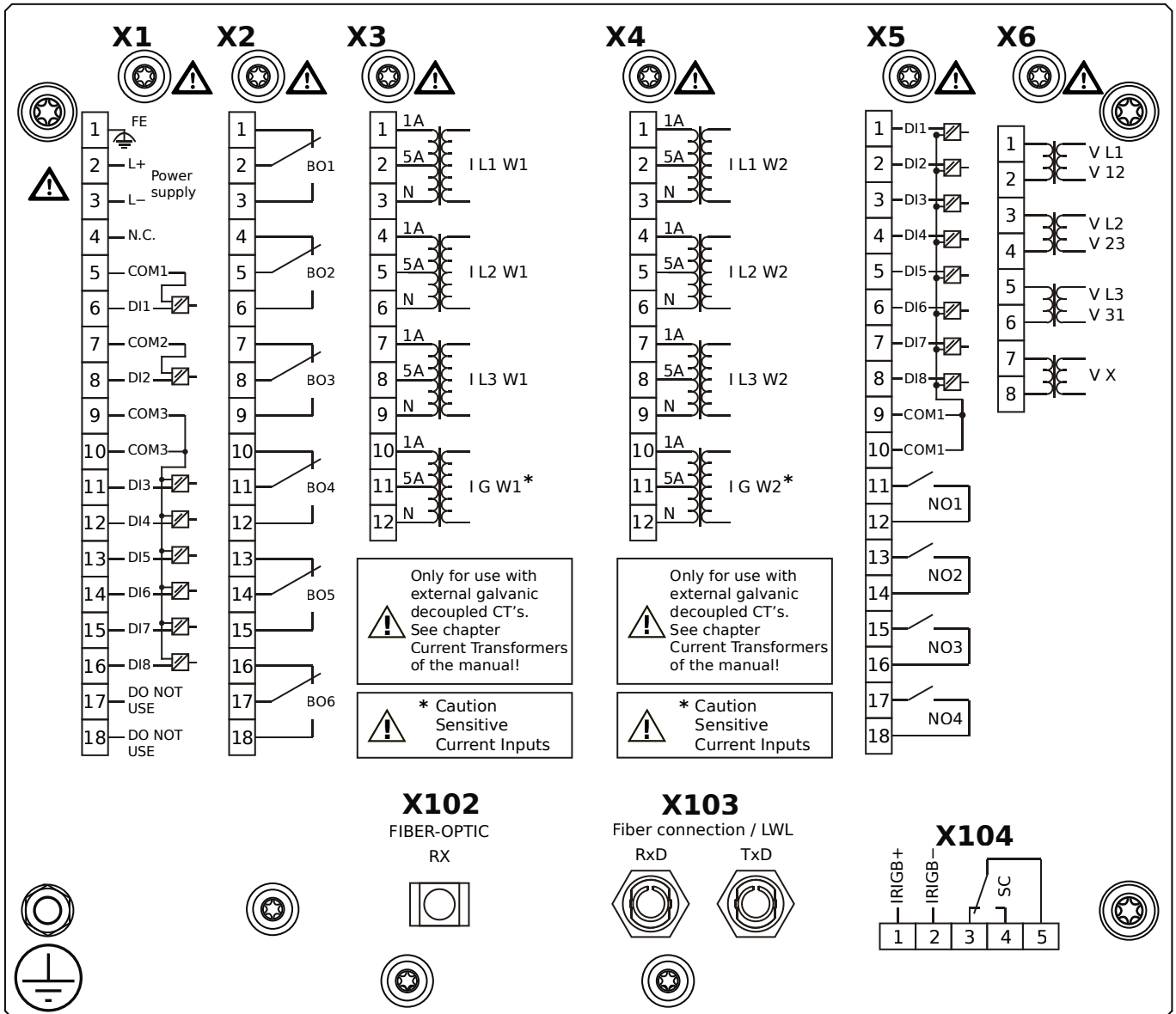
MCDTV4-2A3BDA



Housing B2, large display, 19" rack mounting

- X1** – DI8-X1: Wide-range power supply unit, incl. 2 non-grouped digital inputs and 6 grouped digital inputs
- X2** – OR6: Assembly Group with 6 Output Relays (Changeover / Form C)
- X3** – TIs: Standard phase current measuring card and sensitive ground current measuring (winding side 1)
- X4** – TIs: Standard phase current measuring card and sensitive ground current measuring (winding side 2)
- X5** – DI8-OR4: Assembly Group with 8 Digital Inputs and 4 Output Relays (NO / Form A)
- X6** – TU: Card with 4 voltage transformer measuring inputs (0 ... 800 VAC, under UL: 0 ... 600 VAC)
- X102** – Universal Resistance-Temperature Detector (URTD) input, Fiber optics interface, Versatile Link
- X103** – Profibus-DP, Fiber optics interface, ST Connector
- X104** – IRIG-B00X, incl. System Contact (Supervision Contact)

MCDTV4-2A3BDB

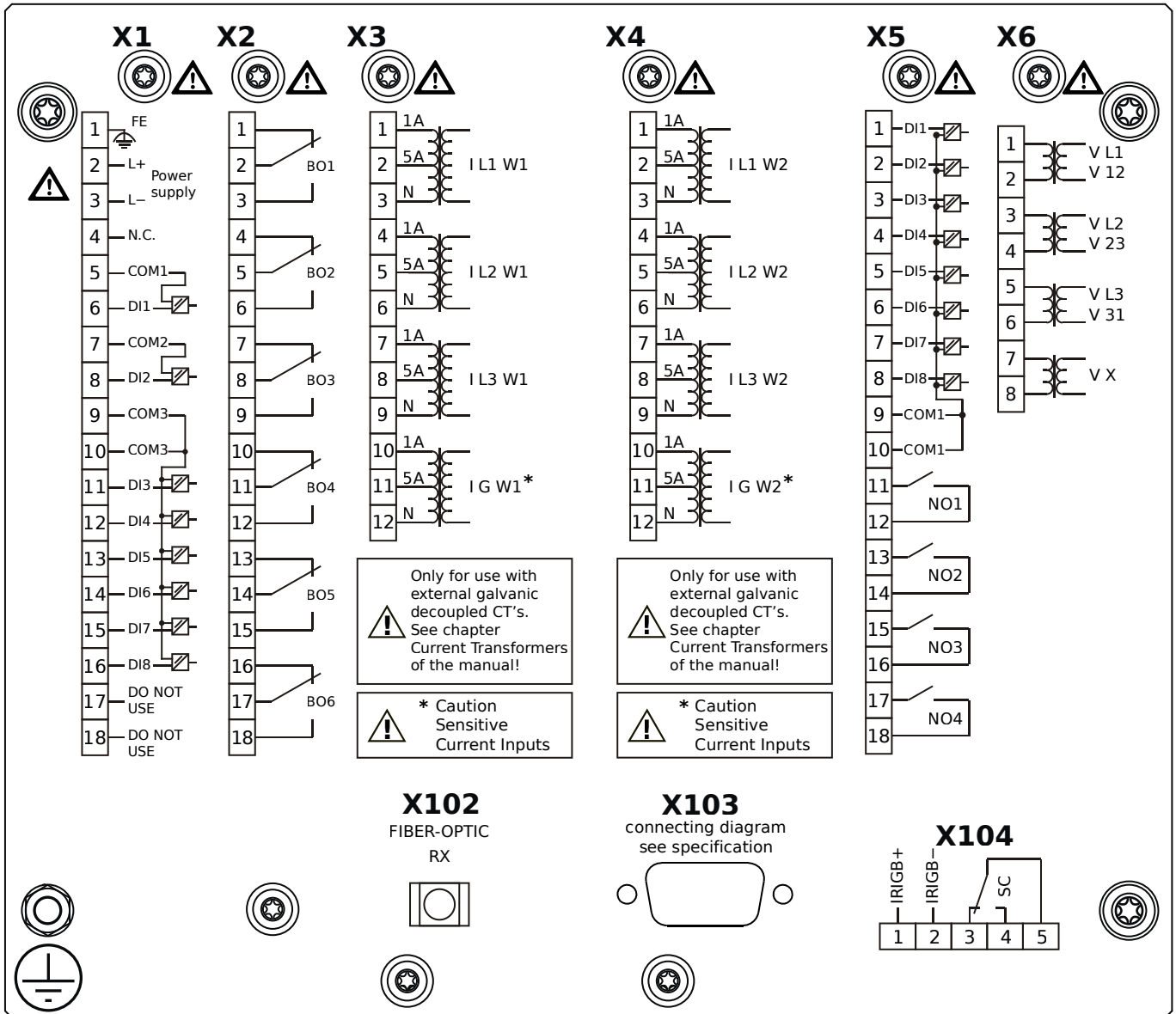


Housing B2, large display, 19" rack mounting

+ Conformal Coating (for installations in harsh environment)

- X1** – DI8-X1: Wide-range power supply unit, incl. 2 non-grouped digital inputs and 6 grouped digital inputs
- X2** – OR6: Assembly Group with 6 Output Relays (Changeover / Form C)
- X3** – TIs: Standard phase current measuring card and sensitive ground current measuring (winding side 1)
- X4** – TIs: Standard phase current measuring card and sensitive ground current measuring (winding side 2)
- X5** – DI8-OR4: Assembly Group with 8 Digital Inputs and 4 Output Relays (NO / Form A)
- X6** – TU: Card with 4 voltage transformer measuring inputs (0 ... 800 VAC, under UL: 0 ... 600 VAC)
- X102** – Universal Resistance-Temperature Detector (URTD) input, Fiber optics interface, Versatile Link
- X103** – Profibus-DP, Fiber optics interface, ST Connector
- X104** – IRIG-B00X, incl. System Contact (Supervision Contact)

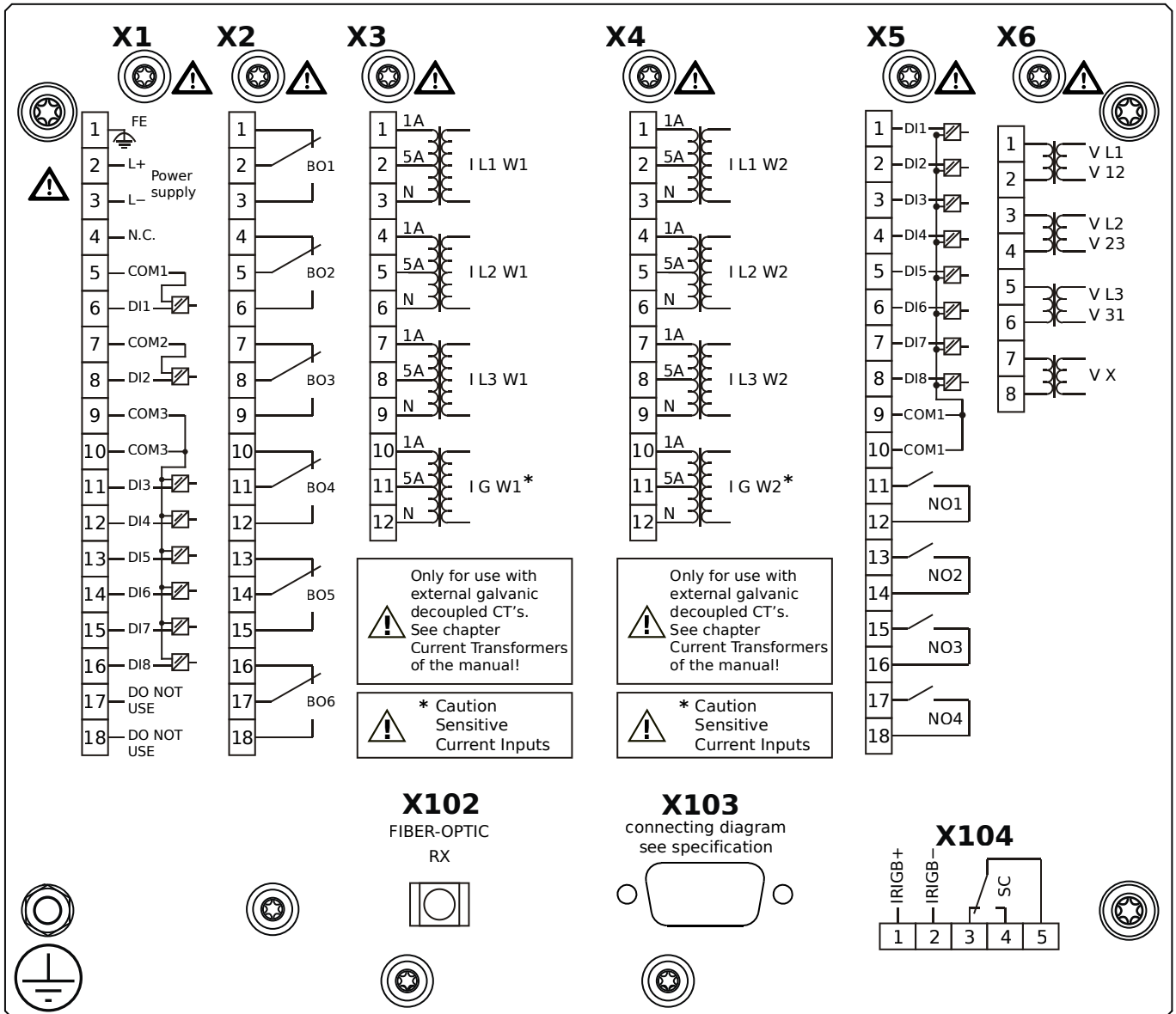
MCDTV4-2A3BEA



Housing B2, large display, 19" rack mounting

- X1** – DI8-X1: Wide-range power supply unit, incl. 2 non-grouped digital inputs and 6 grouped digital inputs
- X2** – OR6: Assembly Group with 6 Output Relays (Changeover / Form C)
- X3** – TIs: Standard phase current measuring card and sensitive ground current measuring (winding side 1)
- X4** – TIs: Standard phase current measuring card and sensitive ground current measuring (winding side 2)
- X5** – DI8-OR4: Assembly Group with 8 Digital Inputs and 4 Output Relays (NO / Form A)
- X6** – TU: Card with 4 voltage transformer measuring inputs (0 ... 800 VAC, under UL: 0 ... 600 VAC)
- X102** – Universal Resistance-Temperature Detector (URTD) input, Fiber optics interface, Versatile Link
- X103** – Profibus-DP, RS485, D-SUB
- X104** – IRIG-B00X, incl. System Contact (Supervision Contact)

MCDTV4-2A3BEB

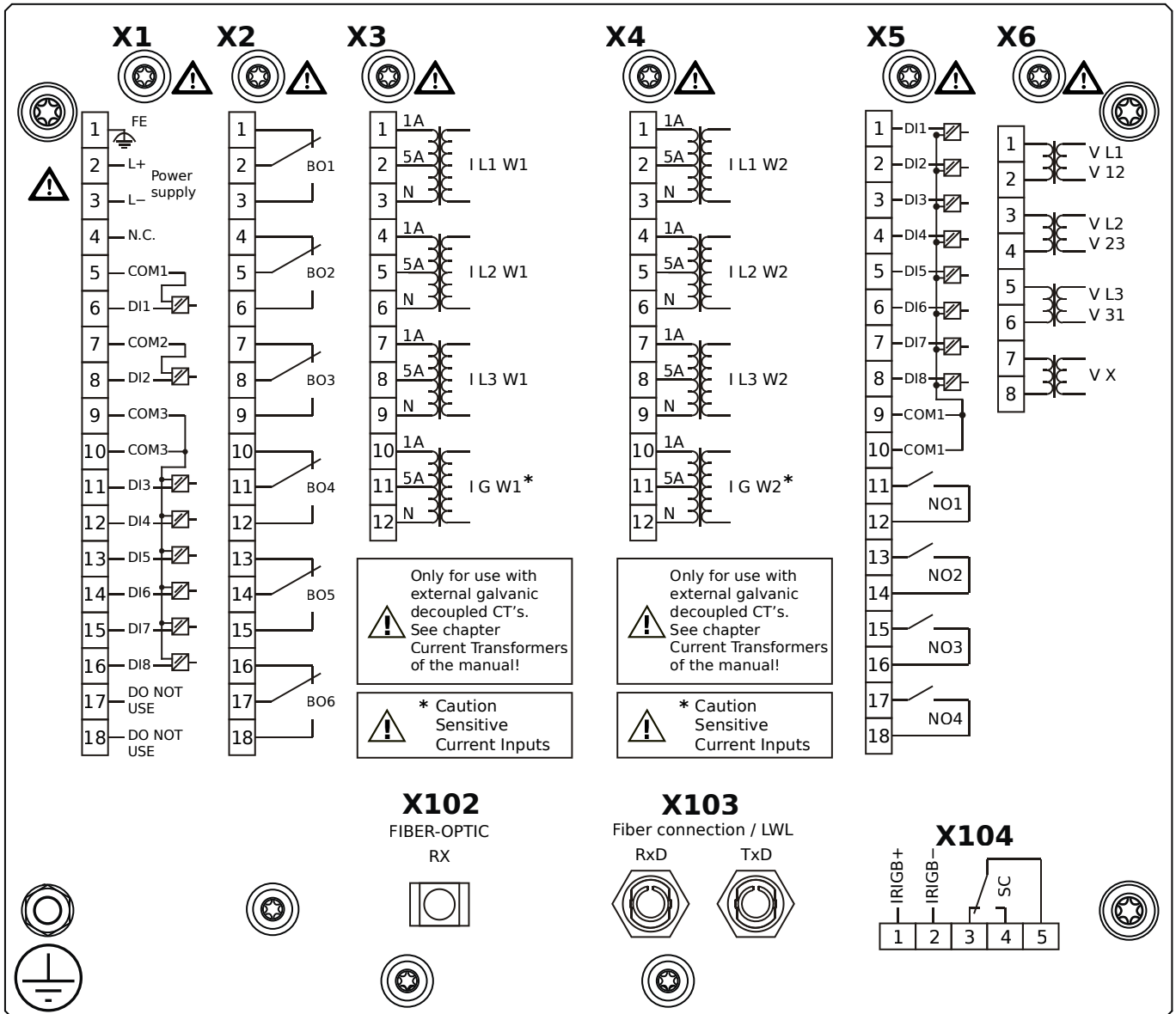


Housing B2, large display, 19" rack mounting

+ Conformal Coating (for installations in harsh environment)

- X1** – DI8-X1: Wide-range power supply unit, incl. 2 non-grouped digital inputs and 6 grouped digital inputs
- X2** – OR6: Assembly Group with 6 Output Relays (Changeover / Form C)
- X3** – TIs: Standard phase current measuring card and sensitive ground current measuring (winding side 1)
- X4** – TIs: Standard phase current measuring card and sensitive ground current measuring (winding side 2)
- X5** – DI8-OR4: Assembly Group with 8 Digital Inputs and 4 Output Relays (NO / Form A)
- X6** – TU: Card with 4 voltage transformer measuring inputs (0 ... 800 VAC, under UL: 0 ... 600 VAC)
- X102** – Universal Resistance-Temperature Detector (URTD) input, Fiber optics interface, Versatile Link
- X103** – Profibus-DP, RS485, D-SUB
- X104** – IRIG-B00X, incl. System Contact (Supervision Contact)

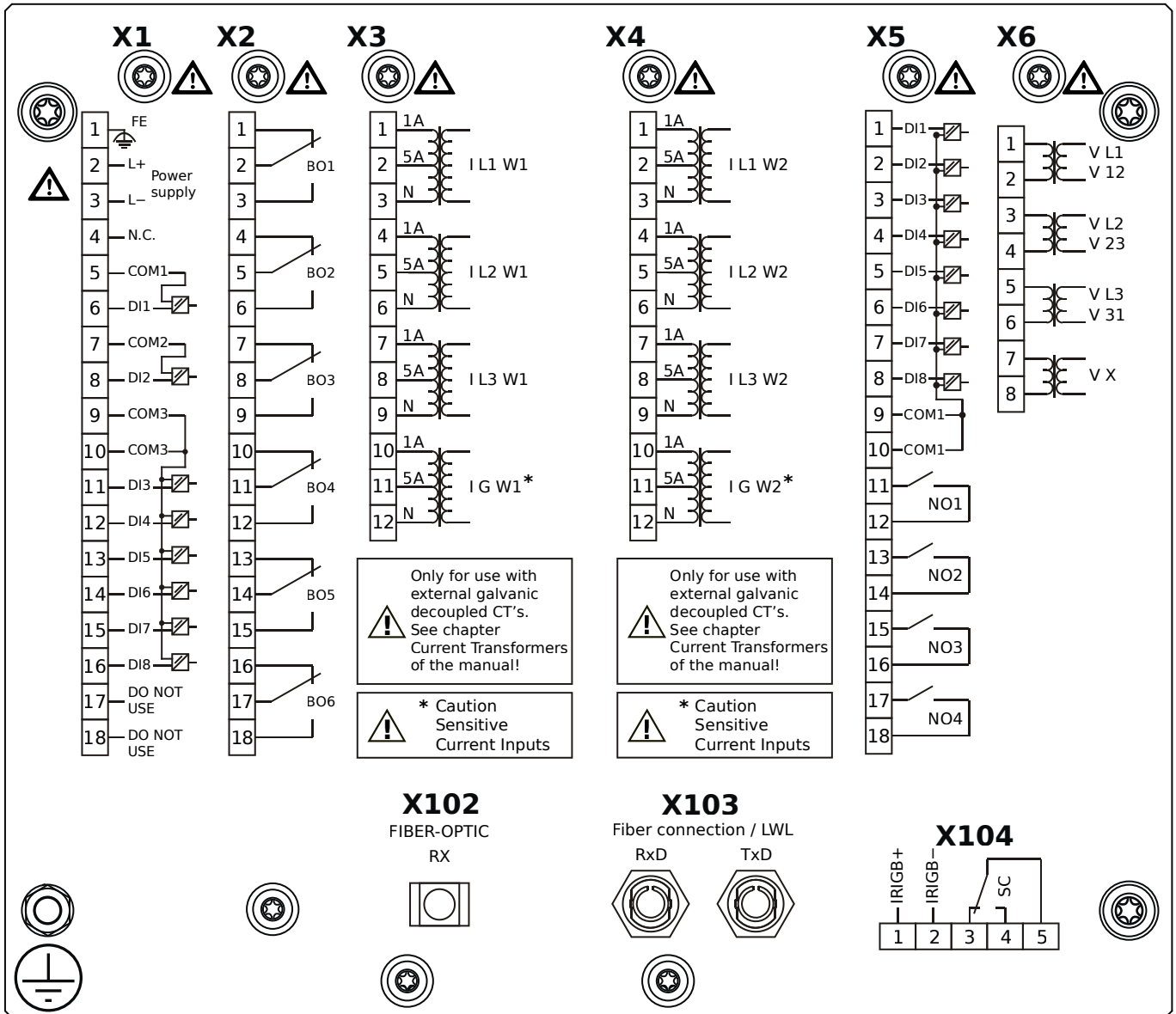
MCDTV4-2A3BFA



Housing B2, large display, 19" rack mounting

- X1** – DI8-X1: Wide-range power supply unit, incl. 2 non-grouped digital inputs and 6 grouped digital inputs
- X2** – OR6: Assembly Group with 6 Output Relays (Changeover / Form C)
- X3** – TIs: Standard phase current measuring card and sensitive ground current measuring (winding side 1)
- X4** – TIs: Standard phase current measuring card and sensitive ground current measuring (winding side 2)
- X5** – DI8-OR4: Assembly Group with 8 Digital Inputs and 4 Output Relays (NO / Form A)
- X6** – TU: Card with 4 voltage transformer measuring inputs (0 ... 800 VAC, under UL: 0 ... 600 VAC)
- X102** – Universal Resistance-Temperature Detector (URTD) input, Fiber optics interface, Versatile Link
- X103** – Modbus RTU / IEC 60870-5-103 / DNP3.0 RTU, Fiber optics interface, ST Connector
- X104** – IRIG-B00X, incl. System Contact (Supervision Contact)

MCDTV4-2A3BFB

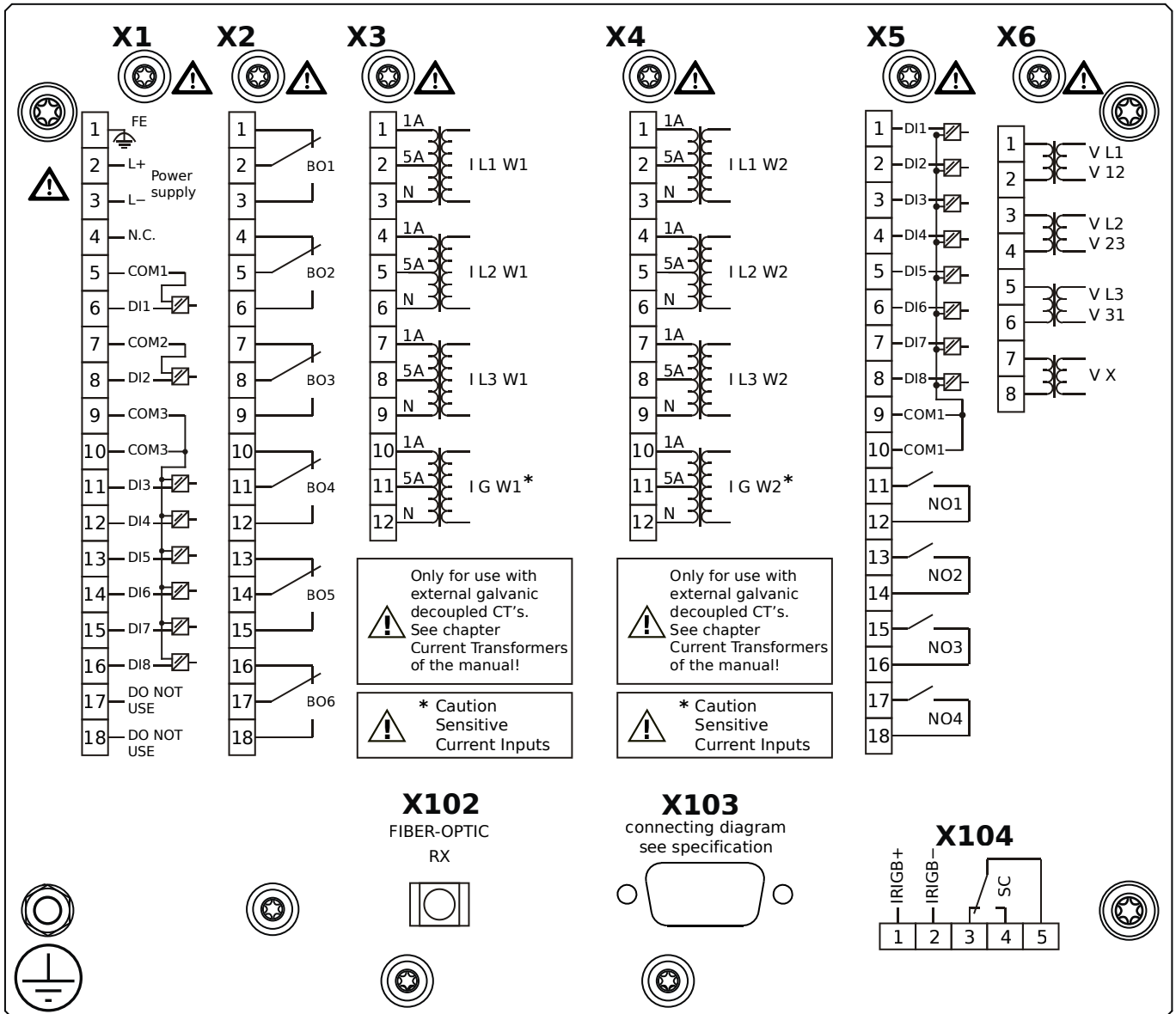


Housing B2, large display, 19" rack mounting

+ Conformal Coating (for installations in harsh environment)

- X1** – DI8-X1: Wide-range power supply unit, incl. 2 non-grouped digital inputs and 6 grouped digital inputs
- X2** – OR6: Assembly Group with 6 Output Relays (Changeover / Form C)
- X3** – TIs: Standard phase current measuring card and sensitive ground current measuring (winding side 1)
- X4** – TIs: Standard phase current measuring card and sensitive ground current measuring (winding side 2)
- X5** – DI8-OR4: Assembly Group with 8 Digital Inputs and 4 Output Relays (NO / Form A)
- X6** – TU: Card with 4 voltage transformer measuring inputs (0 ... 800 VAC, under UL: 0 ... 600 VAC)
- X102** – Universal Resistance-Temperature Detector (URTD) input, Fiber optics interface, Versatile Link
- X103** – Modbus RTU / IEC 60870-5-103 / DNP3.0 RTU, Fiber optics interface, ST Connector
- X104** – IRIG-B00X, incl. System Contact (Supervision Contact)

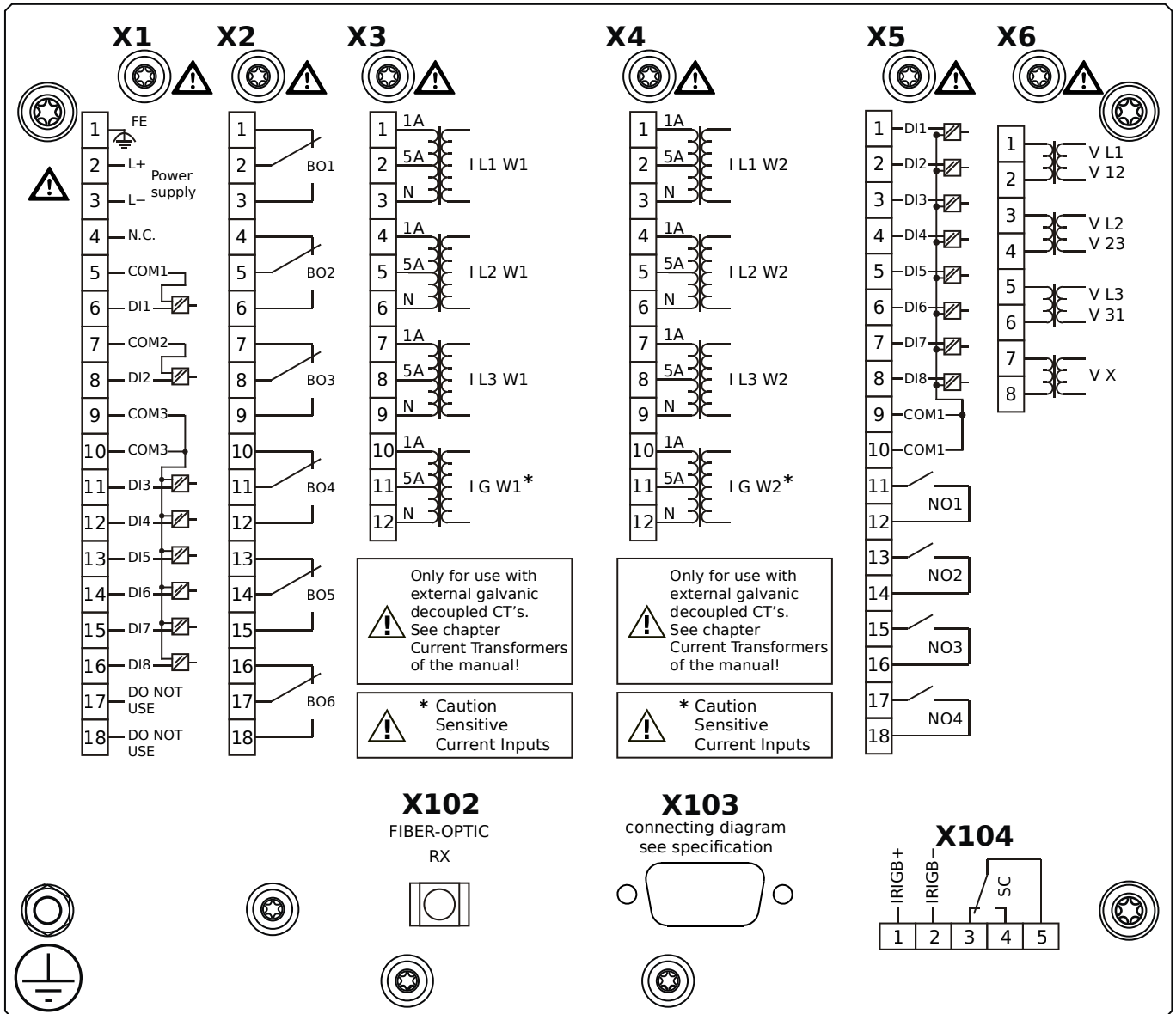
MCDTV4-2A3BGA



Housing B2, large display, 19" rack mounting

- X1** – DI8-X1: Wide-range power supply unit, incl. 2 non-grouped digital inputs and 6 grouped digital inputs
- X2** – OR6: Assembly Group with 6 Output Relays (Changeover / Form C)
- X3** – TIs: Standard phase current measuring card and sensitive ground current measuring (winding side 1)
- X4** – TIs: Standard phase current measuring card and sensitive ground current measuring (winding side 2)
- X5** – DI8-OR4: Assembly Group with 8 Digital Inputs and 4 Output Relays (NO / Form A)
- X6** – TU: Card with 4 voltage transformer measuring inputs (0 ... 800 VAC, under UL: 0 ... 600 VAC)
- X102** – Universal Resistance-Temperature Detector (URTD) input, Fiber optics interface, Versatile Link
- X103** – Modbus RTU / IEC 60870-5-103 / DNP3.0 RTU, RS485, D-SUB
- X104** – IRIG-B00X, incl. System Contact (Supervision Contact)

MCDTV4-2A3BGB

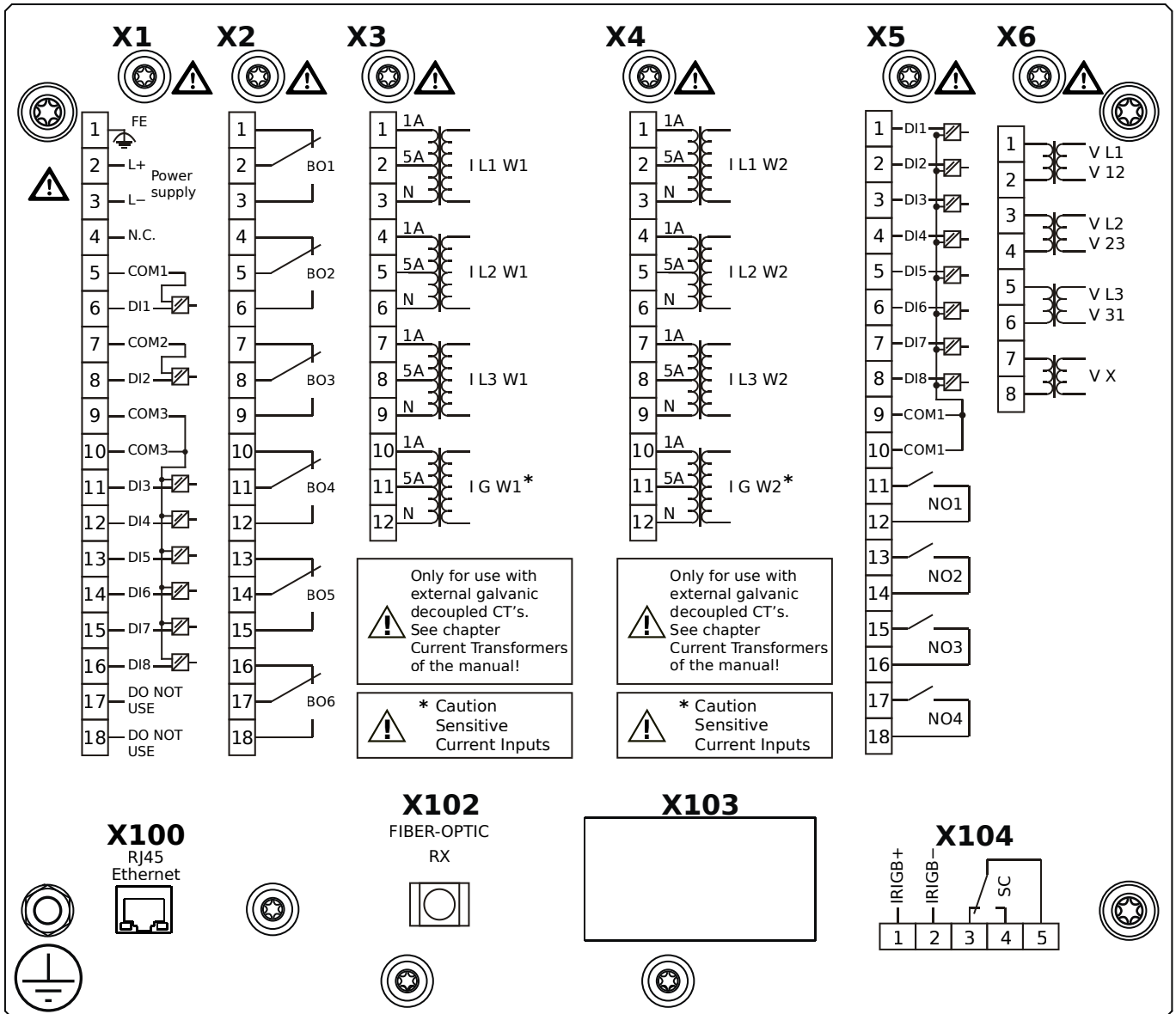


Housing B2, large display, 19" rack mounting

+ Conformal Coating (for installations in harsh environment)

- X1** – DI8-X1: Wide-range power supply unit, incl. 2 non-grouped digital inputs and 6 grouped digital inputs
- X2** – OR6: Assembly Group with 6 Output Relays (Changeover / Form C)
- X3** – TIs: Standard phase current measuring card and sensitive ground current measuring (winding side 1)
- X4** – TIs: Standard phase current measuring card and sensitive ground current measuring (winding side 2)
- X5** – DI8-OR4: Assembly Group with 8 Digital Inputs and 4 Output Relays (NO / Form A)
- X6** – TU: Card with 4 voltage transformer measuring inputs (0 ... 800 VAC, under UL: 0 ... 600 VAC)
- X102** – Universal Resistance-Temperature Detector (URTD) input, Fiber optics interface, Versatile Link
- X103** – Modbus RTU / IEC 60870-5-103 / DNP3.0 RTU, RS485, D-SUB
- X104** – IRIG-B00X, incl. System Contact (Supervision Contact)

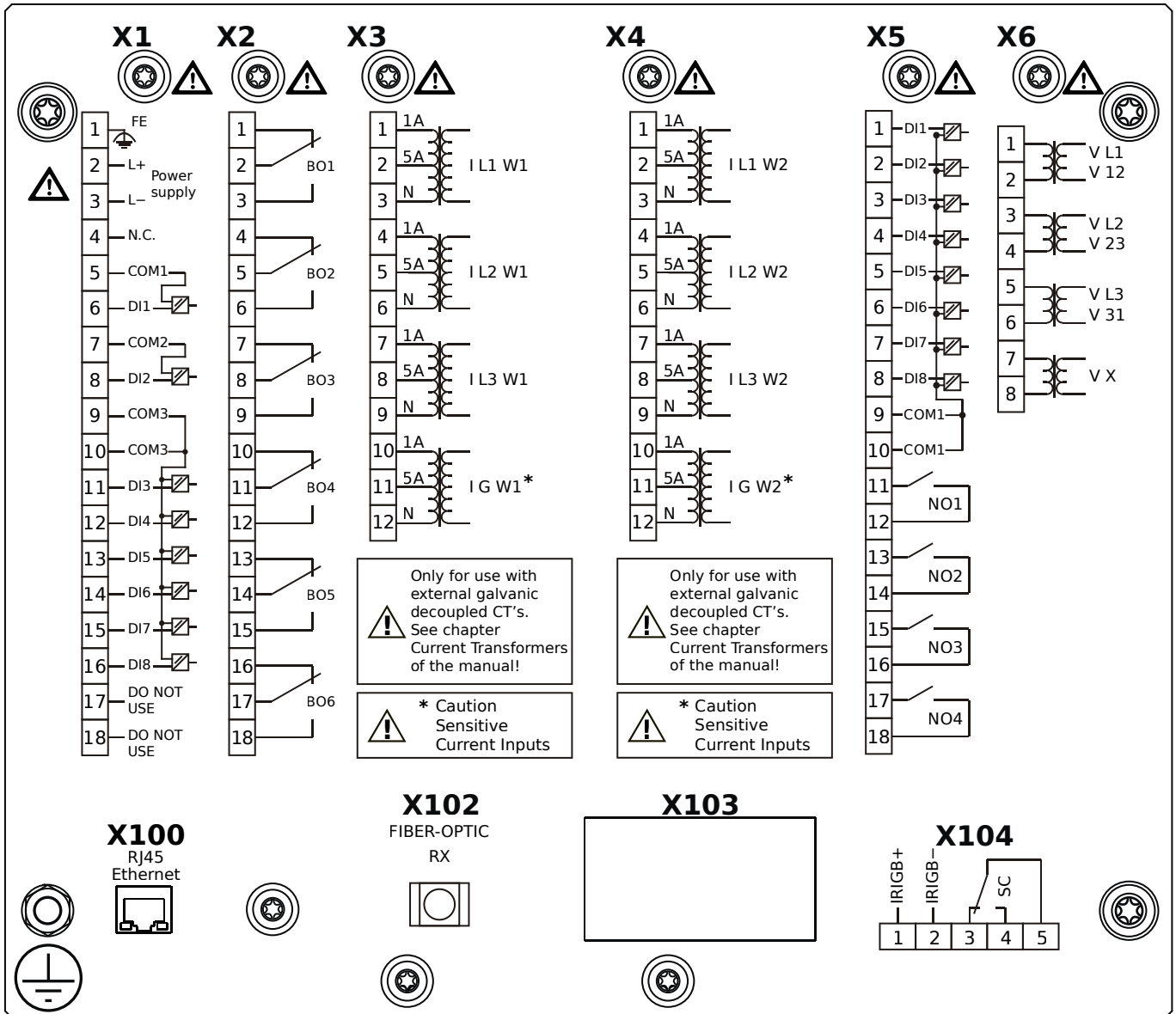
MCDTV4-2A3BHA



Housing B2, large display, 19" rack mounting

- X1** – DI8-X1: Wide-range power supply unit, incl. 2 non-grouped digital inputs and 6 grouped digital inputs
- X2** – OR6: Assembly Group with 6 Output Relays (Changeover / Form C)
- X3** – TIs: Standard phase current measuring card and sensitive ground current measuring (winding side 1)
- X4** – TIs: Standard phase current measuring card and sensitive ground current measuring (winding side 2)
- X5** – DI8-OR4: Assembly Group with 8 Digital Inputs and 4 Output Relays (NO / Form A)
- X6** – TU: Card with 4 voltage transformer measuring inputs (0 ... 800 VAC, under UL: 0 ... 600 VAC)
- X100** – IEC 61850 / Modbus TCP / IEC 60870-5-104 / DNP3.0 TCP/UDP, Ethernet interface, 100 Mbit/s, RJ45 (BASE100-FX)
- X102** – Universal Resistance-Temperature Detector (URTD) input, Fiber optics interface, Versatile Link
- X104** – IRIG-B00X, incl. System Contact (Supervision Contact)

MCDTV4-2A3BHB

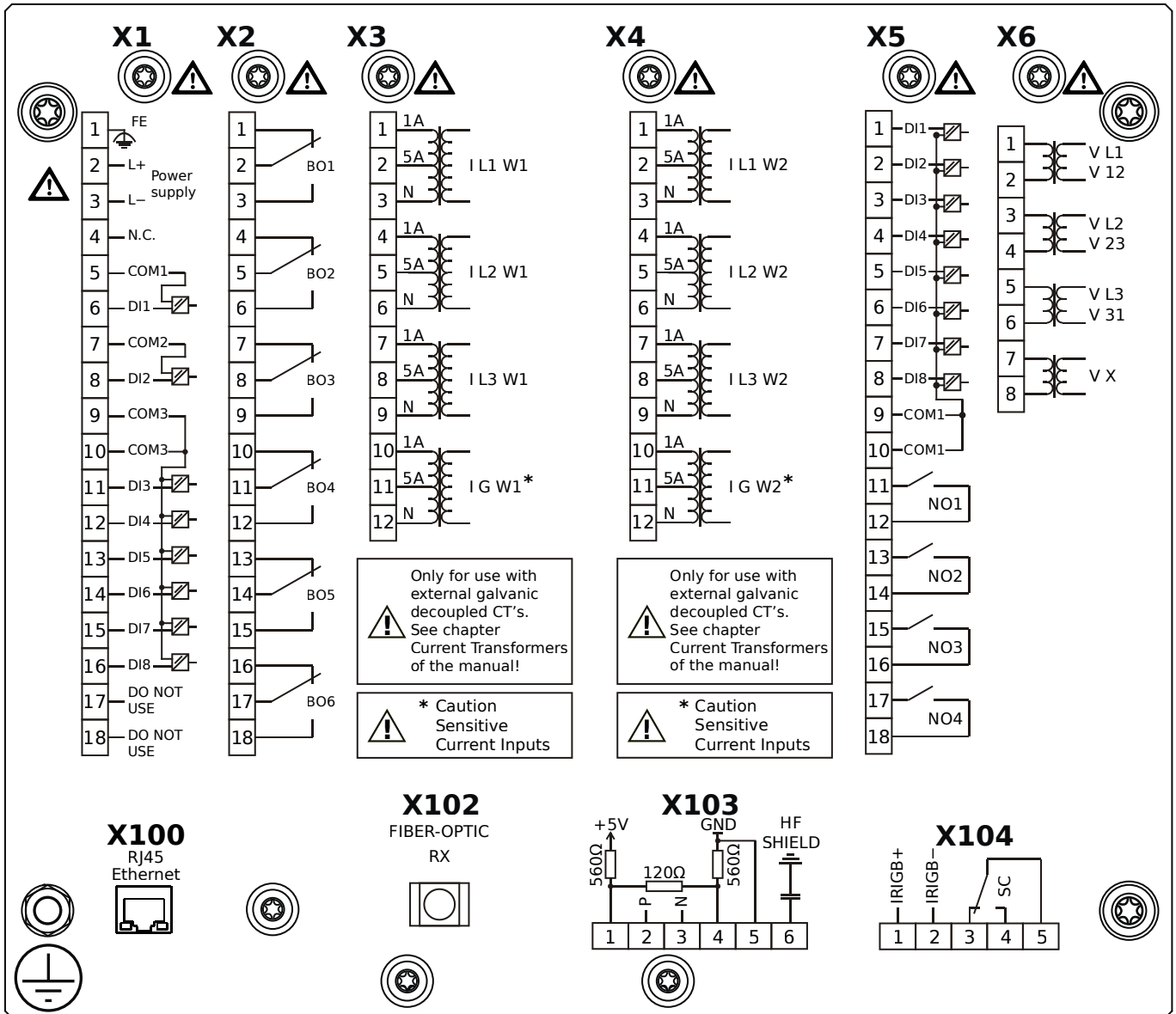


Housing B2, large display, 19" rack mounting

+ Conformal Coating (for installations in harsh environment)

- X1** – DI8-X1: Wide-range power supply unit, incl. 2 non-grouped digital inputs and 6 grouped digital inputs
- X2** – OR6: Assembly Group with 6 Output Relays (Changeover / Form C)
- X3** – TIs: Standard phase current measuring card and sensitive ground current measuring (winding side 1)
- X4** – TIs: Standard phase current measuring card and sensitive ground current measuring (winding side 2)
- X5** – DI8-OR4: Assembly Group with 8 Digital Inputs and 4 Output Relays (NO / Form A)
- X6** – TU: Card with 4 voltage transformer measuring inputs (0 ... 800 VAC, under UL: 0 ... 600 VAC)
- X100** – IEC 61850 / Modbus TCP / IEC 60870-5-104 / DNP3.0 TCP/UDP, Ethernet interface, 100 Mbit/s, RJ45 (BASE100-FX)
- X102** – Universal Resistance-Temperature Detector (URTD) input, Fiber optics interface, Versatile Link
- X104** – IRIG-B00X, incl. System Contact (Supervision Contact)

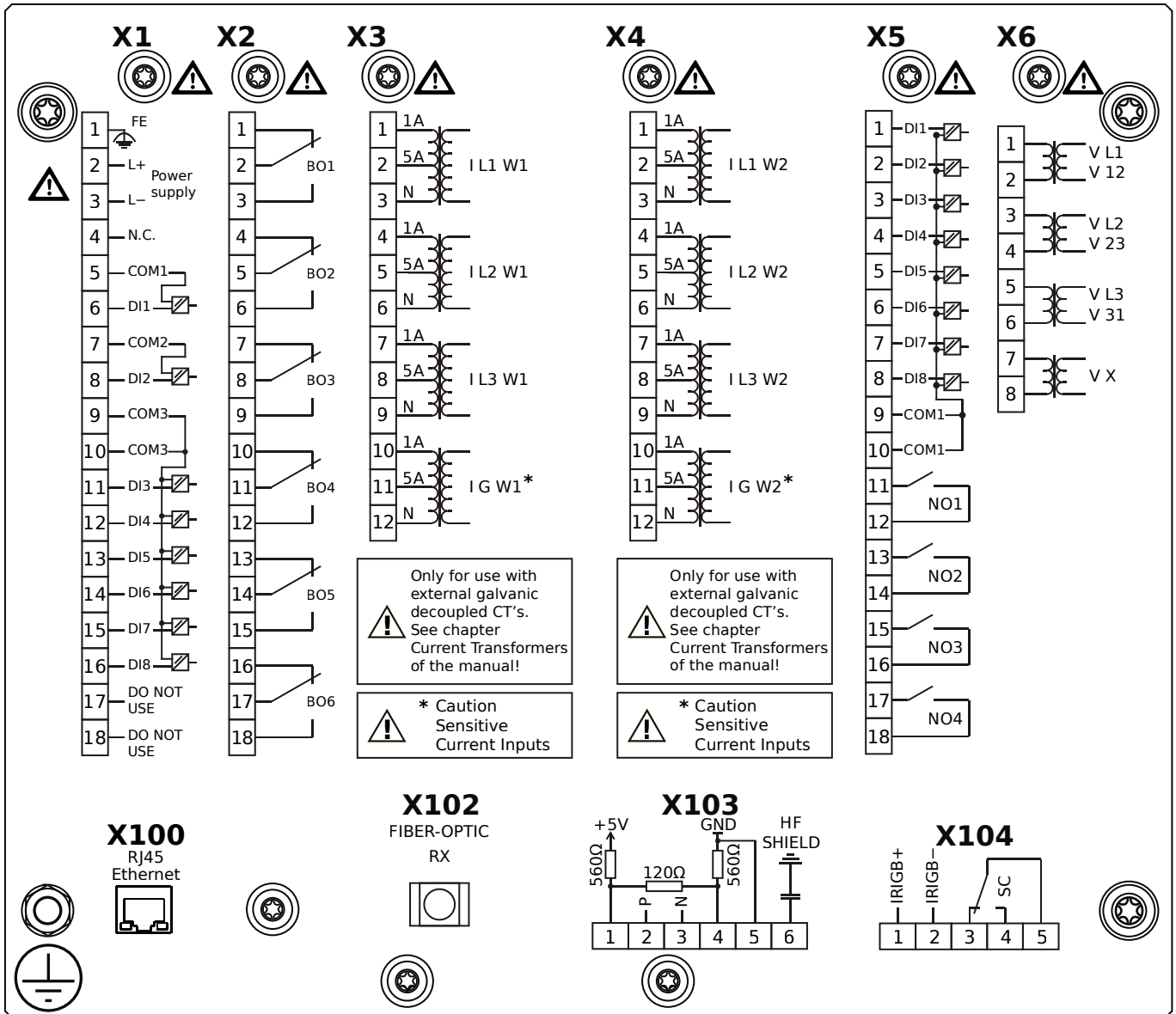
MCDTV4-2A3BIA



Housing B2, large display, 19" rack mounting

- X1** – DI8-X1: Wide-range power supply unit, incl. 2 non-grouped digital inputs and 6 grouped digital inputs
- X2** – OR6: Assembly Group with 6 Output Relays (Changeover / Form C)
- X3** – TIs: Standard phase current measuring card and sensitive ground current measuring (winding side 1)
- X4** – TIs: Standard phase current measuring card and sensitive ground current measuring (winding side 2)
- X5** – DI8-OR4: Assembly Group with 8 Digital Inputs and 4 Output Relays (NO / Form A)
- X6** – TU: Card with 4 voltage transformer measuring inputs (0 ... 800 VAC, under UL: 0 ... 600 VAC)
- X100** – Modbus TCP / IEC 60870-5-104 / DNP3.0 TCP/UDP, Ethernet interface, 100 Mbit/s, RJ45 (BASE100-FX)
- X102** – Universal Resistance-Temperature Detector (URTD) input, Fiber optics interface, Versatile Link
- X103** – IEC 60870-5-103 / Modbus RTU / DNP3.0 RTU, RS485, Terminals
- X104** – IRIG-B00X, incl. System Contact (Supervision Contact)

MCDTV4-2A3BIB

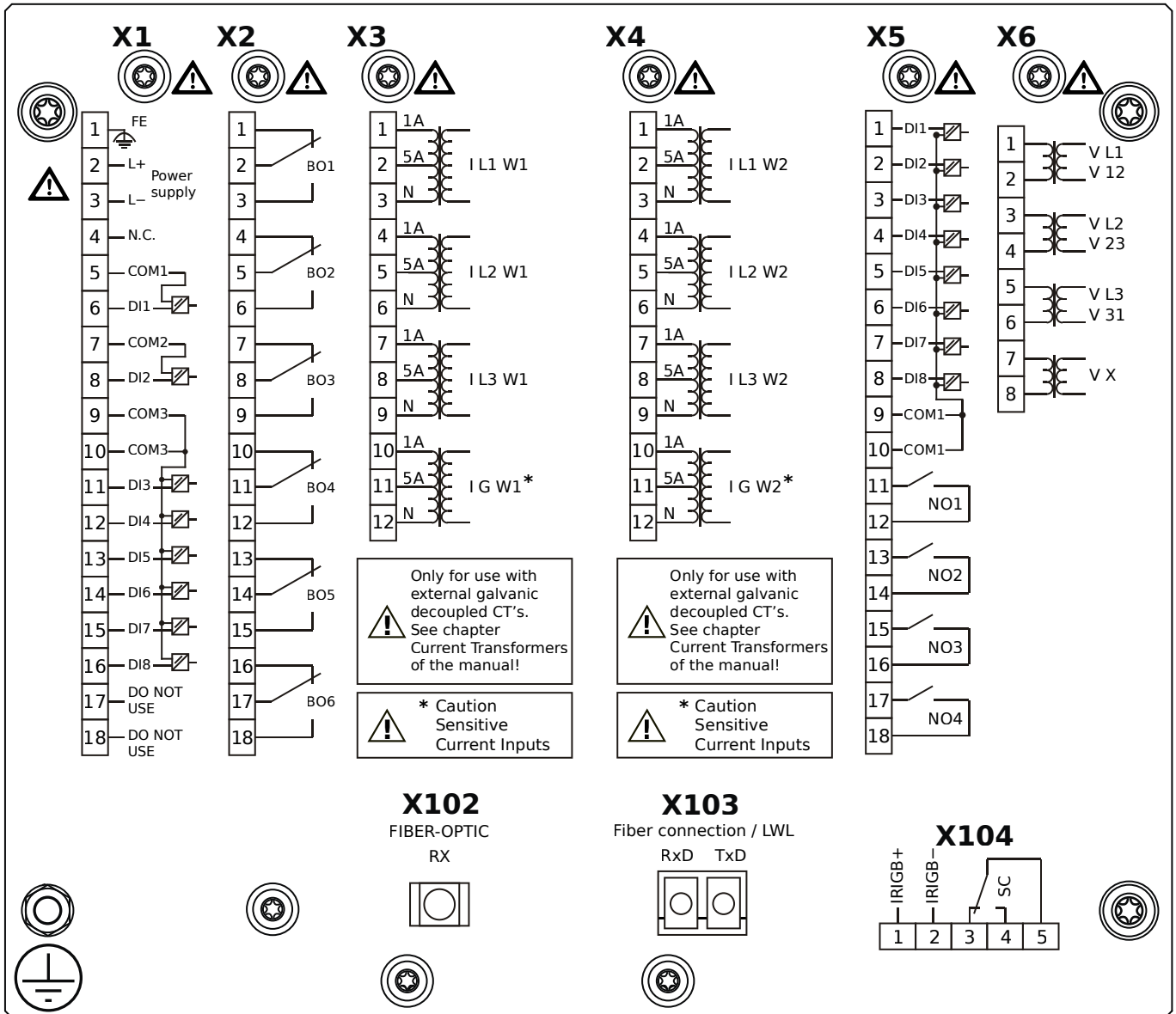


Housing B2, large display, 19" rack mounting

+ Conformal Coating (for installations in harsh environment)

- X1** – DI8-X1: Wide-range power supply unit, incl. 2 non-grouped digital inputs and 6 grouped digital inputs
- X2** – OR6: Assembly Group with 6 Output Relays (Changeover / Form C)
- X3** – TIs: Standard phase current measuring card and sensitive ground current measuring (winding side 1)
- X4** – TIs: Standard phase current measuring card and sensitive ground current measuring (winding side 2)
- X5** – DI8-OR4: Assembly Group with 8 Digital Inputs and 4 Output Relays (NO / Form A)
- X6** – TU: Card with 4 voltage transformer measuring inputs (0 ... 800 VAC, under UL: 0 ... 600 VAC)
- X100** – Modbus TCP / IEC 60870-5-104 / DNP3.0 TCP/UDP, Ethernet interface, 100 Mbit/s, RJ45 (BASE100-FX)
- X102** – Universal Resistance-Temperature Detector (URTD) input, Fiber optics interface, Versatile Link
- X103** – IEC 60870-5-103 / Modbus RTU / DNP3.0 RTU, RS485, Terminals
- X104** – IRIG-B00X, incl. System Contact (Supervision Contact)

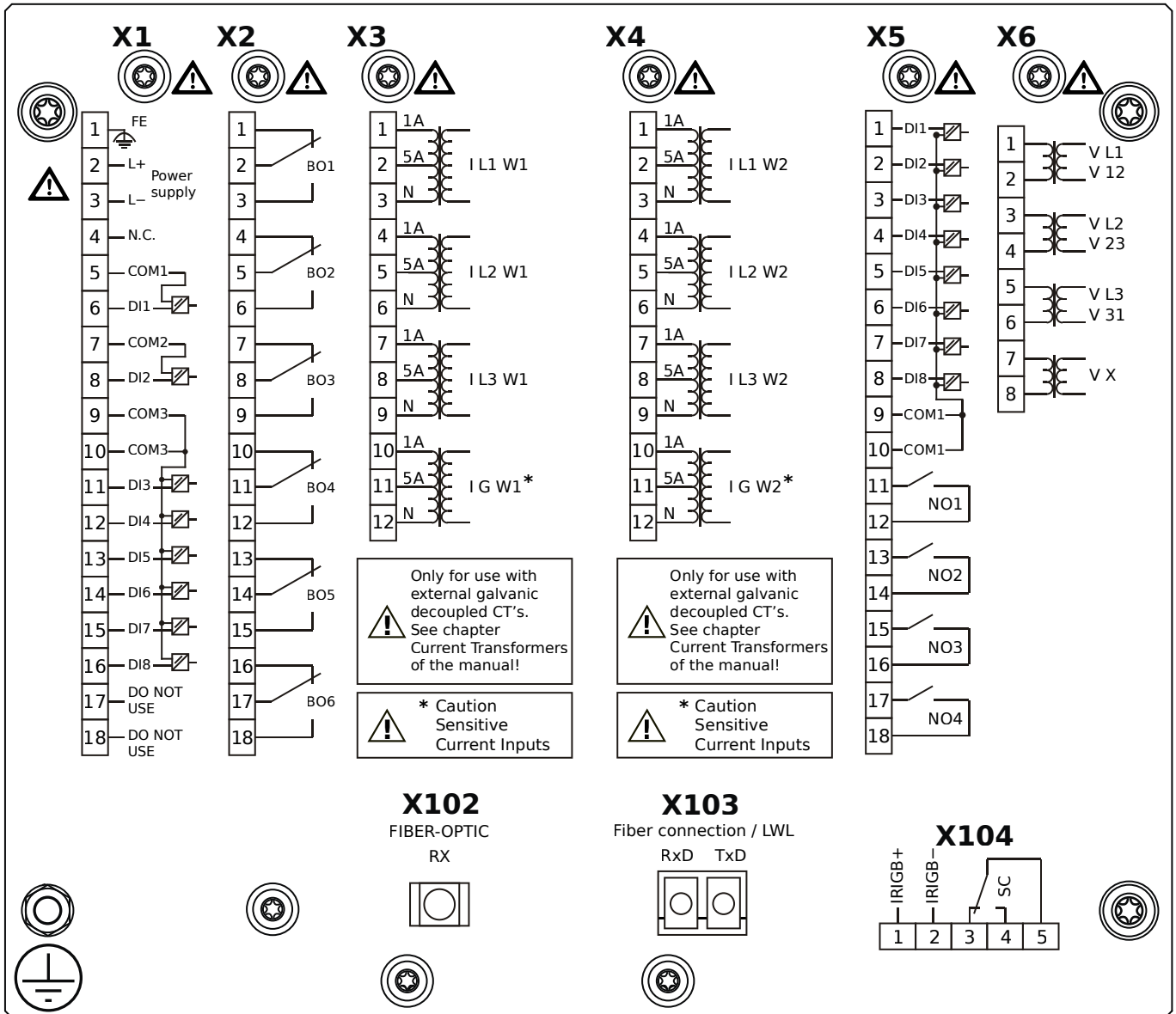
MCDTV4-2A3BKA



Housing B2, large display, 19" rack mounting

- X1** – DI8-X1: Wide-range power supply unit, incl. 2 non-grouped digital inputs and 6 grouped digital inputs
- X2** – OR6: Assembly Group with 6 Output Relays (Changeover / Form C)
- X3** – TIs: Standard phase current measuring card and sensitive ground current measuring (winding side 1)
- X4** – TIs: Standard phase current measuring card and sensitive ground current measuring (winding side 2)
- X5** – DI8-OR4: Assembly Group with 8 Digital Inputs and 4 Output Relays (NO / Form A)
- X6** – TU: Card with 4 voltage transformer measuring inputs (0 ... 800 VAC, under UL: 0 ... 600 VAC)
- X102** – Universal Resistance-Temperature Detector (URTD) input, Fiber optics interface, Versatile Link
- X103** – IEC 61850 / Modbus TCP / IEC 60870-5-104 / DNP3.0 TCP/UDP, Fiber optics interface, LC Connector
- X104** – IRIG-B00X, incl. System Contact (Supervision Contact)

MCDTV4-2A3BKB

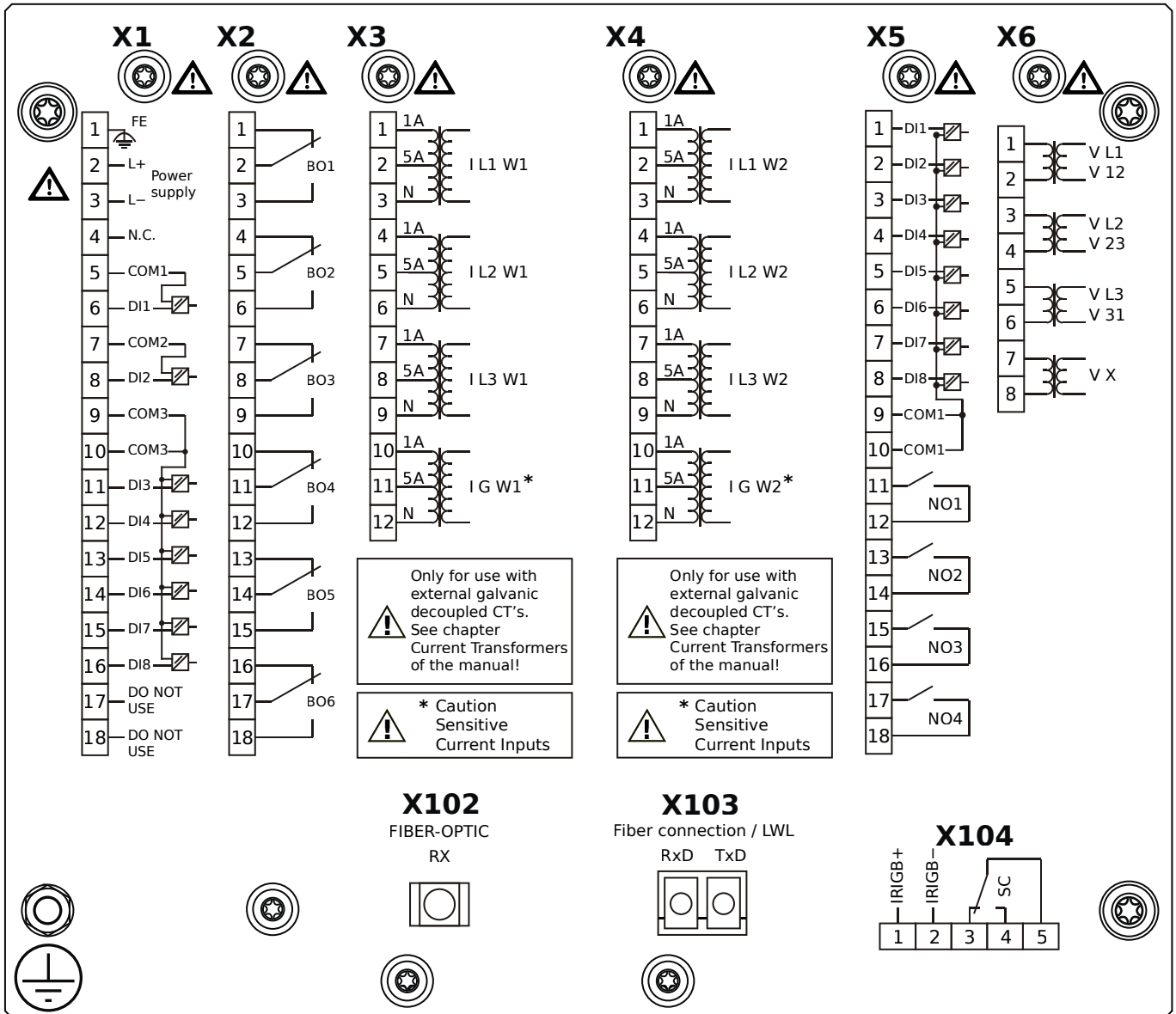


Housing B2, large display, 19" rack mounting

+ Conformal Coating (for installations in harsh environment)

- X1** – DI8-X1: Wide-range power supply unit, incl. 2 non-grouped digital inputs and 6 grouped digital inputs
- X2** – OR6: Assembly Group with 6 Output Relays (Changeover / Form C)
- X3** – TIs: Standard phase current measuring card and sensitive ground current measuring (winding side 1)
- X4** – TIs: Standard phase current measuring card and sensitive ground current measuring (winding side 2)
- X5** – DI8-OR4: Assembly Group with 8 Digital Inputs and 4 Output Relays (NO / Form A)
- X6** – TU: Card with 4 voltage transformer measuring inputs (0 ... 800 VAC, under UL: 0 ... 600 VAC)
- X102** – Universal Resistance-Temperature Detector (URTD) input, Fiber optics interface, Versatile Link
- X103** – IEC 61850 / Modbus TCP / IEC 60870-5-104 / DNP3.0 TCP/UDP, Fiber optics interface, LC Connector
- X104** – IRIG-B00X, incl. System Contact (Supervision Contact)

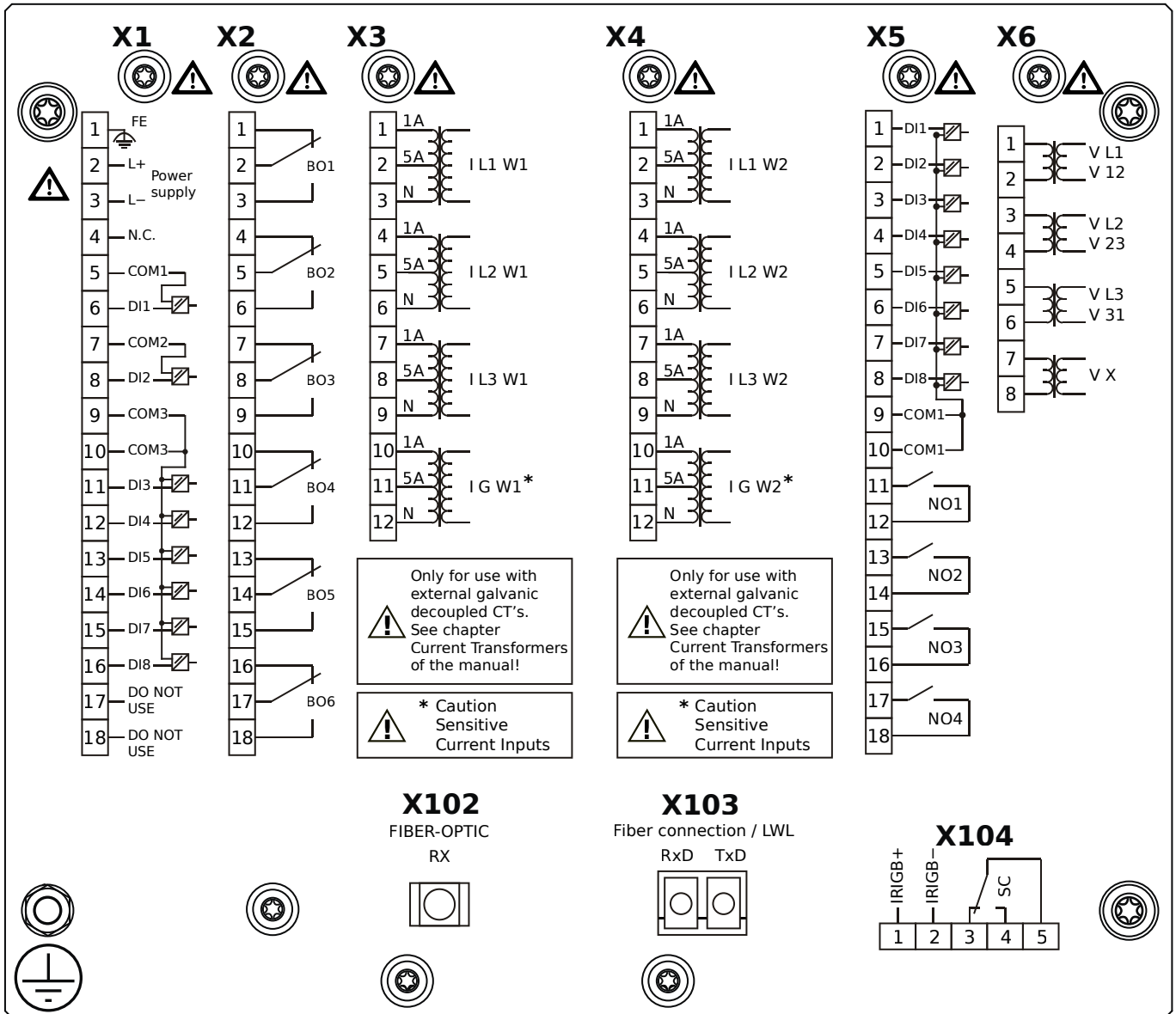
MCDTV4-2A3BLA



Housing B2, large display, 19" rack mounting

- X1** – DI8-X1: Wide-range power supply unit, incl. 2 non-grouped digital inputs and 6 grouped digital inputs
- X2** – OR6: Assembly Group with 6 Output Relays (Changeover / Form C)
- X3** – TIs: Standard phase current measuring card and sensitive ground current measuring (winding side 1)
- X4** – TIs: Standard phase current measuring card and sensitive ground current measuring (winding side 2)
- X5** – DI8-OR4: Assembly Group with 8 Digital Inputs and 4 Output Relays (NO / Form A)
- X6** – TU: Card with 4 voltage transformer measuring inputs (0 ... 800 VAC, under UL: 0 ... 600 VAC)
- X102** – Universal Resistance-Temperature Detector (URTD) input, Fiber optics interface, Versatile Link
- X103** – Modbus TCP / IEC 60870-5-104 / DNP3.0 TCP/UDP, Fiber optics interface, LC Connector
- X104** – IRIG-B00X, incl. System Contact (Supervision Contact)

MCDTV4-2A3BLB

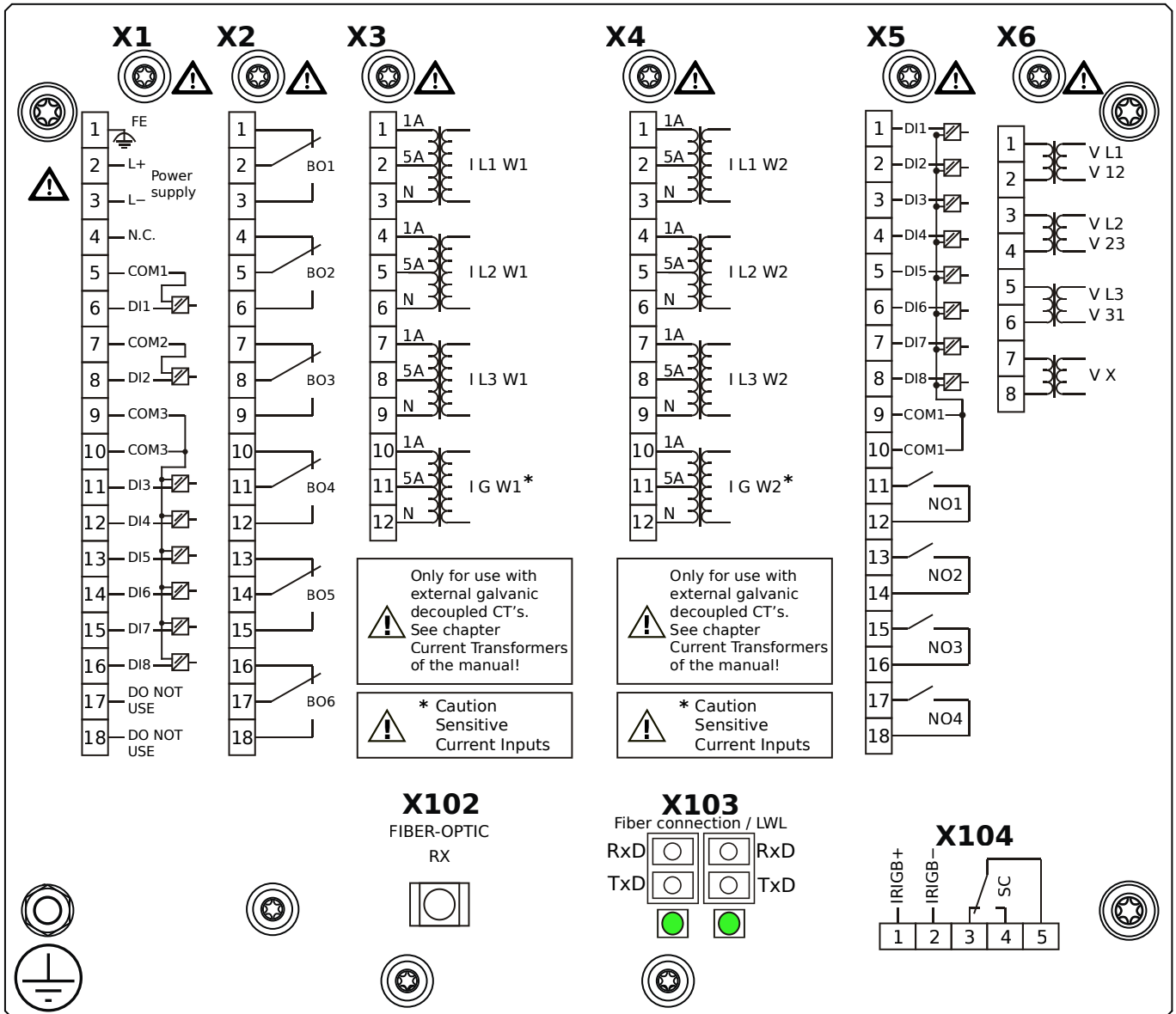


Housing B2, large display, 19" rack mounting

+ Conformal Coating (for installations in harsh environment)

- X1** – DI8-X1: Wide-range power supply unit, incl. 2 non-grouped digital inputs and 6 grouped digital inputs
- X2** – OR6: Assembly Group with 6 Output Relays (Changeover / Form C)
- X3** – TIs: Standard phase current measuring card and sensitive ground current measuring (winding side 1)
- X4** – TIs: Standard phase current measuring card and sensitive ground current measuring (winding side 2)
- X5** – DI8-OR4: Assembly Group with 8 Digital Inputs and 4 Output Relays (NO / Form A)
- X6** – TU: Card with 4 voltage transformer measuring inputs (0 ... 800 VAC, under UL: 0 ... 600 VAC)
- X102** – Universal Resistance-Temperature Detector (URTD) input, Fiber optics interface, Versatile Link
- X103** – Modbus TCP / IEC 60870-5-104 / DNP3.0 TCP/UDP, Fiber optics interface, LC Connector
- X104** – IRIG-B00X, incl. System Contact (Supervision Contact)

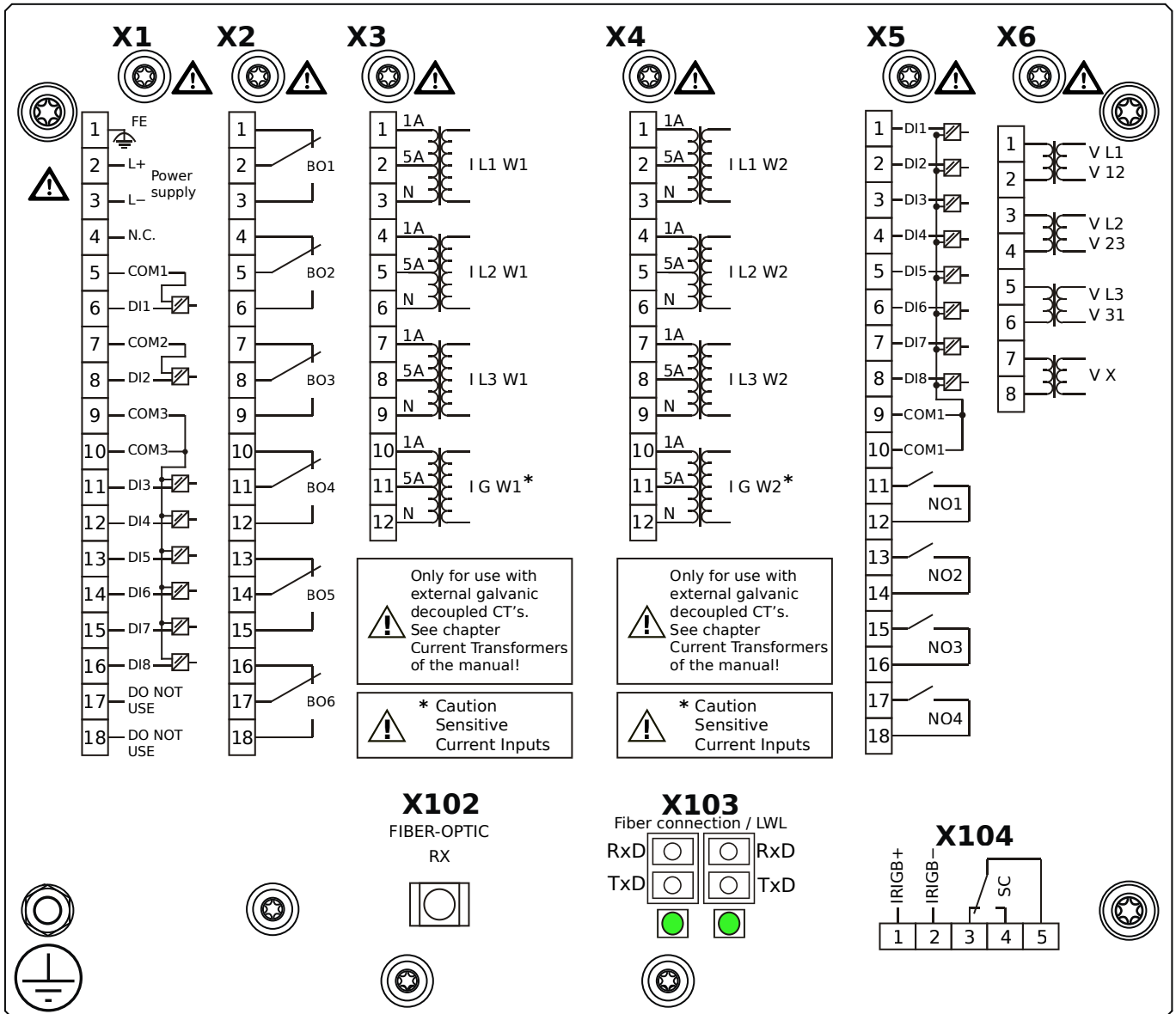
MCDTV4-2A3BOA



Housing B2, large display, 19" rack mounting

- X1** – DI8-X1: Wide-range power supply unit, incl. 2 non-grouped digital inputs and 6 grouped digital inputs
- X2** – OR6: Assembly Group with 6 Output Relays (Changeover / Form C)
- X3** – TIs: Standard phase current measuring card and sensitive ground current measuring (winding side 1)
- X4** – TIs: Standard phase current measuring card and sensitive ground current measuring (winding side 2)
- X5** – DI8-OR4: Assembly Group with 8 Digital Inputs and 4 Output Relays (NO / Form A)
- X6** – TU: Card with 4 voltage transformer measuring inputs (0 ... 800 VAC, under UL: 0 ... 600 VAC)
- X102** – Universal Resistance-Temperature Detector (URTD) input, Fiber optics interface, Versatile Link
- X103** – Modbus TCP / IEC 60870-5-104 / DNP3.0 TCP/UDP, Redundant Fiber optics interface, LC Connector
- X104** – IRIG-B00X, incl. System Contact (Supervision Contact)

MCDTV4-2A3BOB

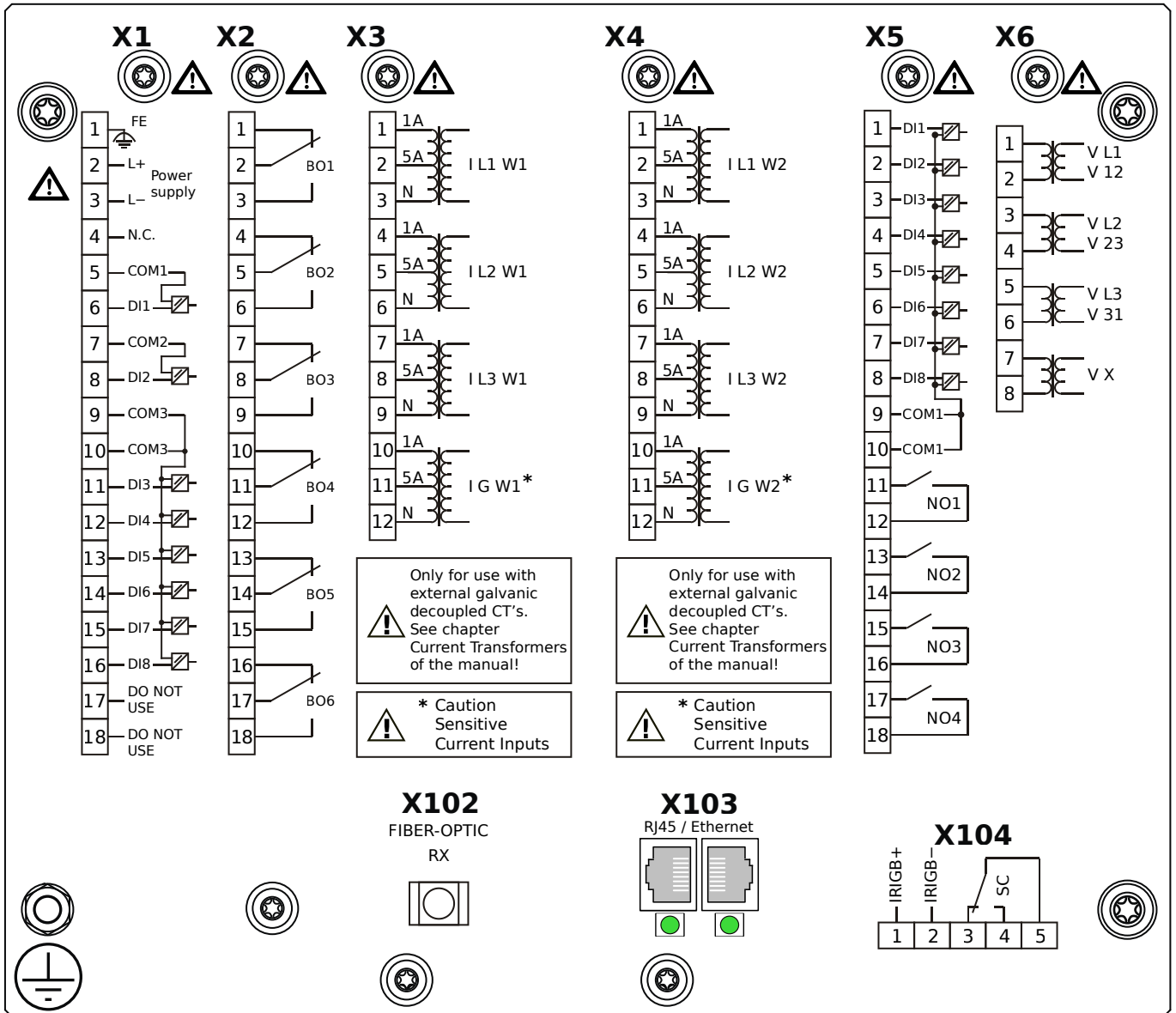


Housing B2, large display, 19" rack mounting

+ Conformal Coating (for installations in harsh environment)

- X1** – DI8-X1: Wide-range power supply unit, incl. 2 non-grouped digital inputs and 6 grouped digital inputs
- X2** – OR6: Assembly Group with 6 Output Relays (Changeover / Form C)
- X3** – TIs: Standard phase current measuring card and sensitive ground current measuring (winding side 1)
- X4** – TIs: Standard phase current measuring card and sensitive ground current measuring (winding side 2)
- X5** – DI8-OR4: Assembly Group with 8 Digital Inputs and 4 Output Relays (NO / Form A)
- X6** – TU: Card with 4 voltage transformer measuring inputs (0 ... 800 VAC, under UL: 0 ... 600 VAC)
- X102** – Universal Resistance-Temperature Detector (URTD) input, Fiber optics interface, Versatile Link
- X103** – Modbus TCP / IEC 60870-5-104 / DNP3.0 TCP/UDP, Redundant Fiber optics interface, LC Connector
- X104** – IRIG-B00X, incl. System Contact (Supervision Contact)

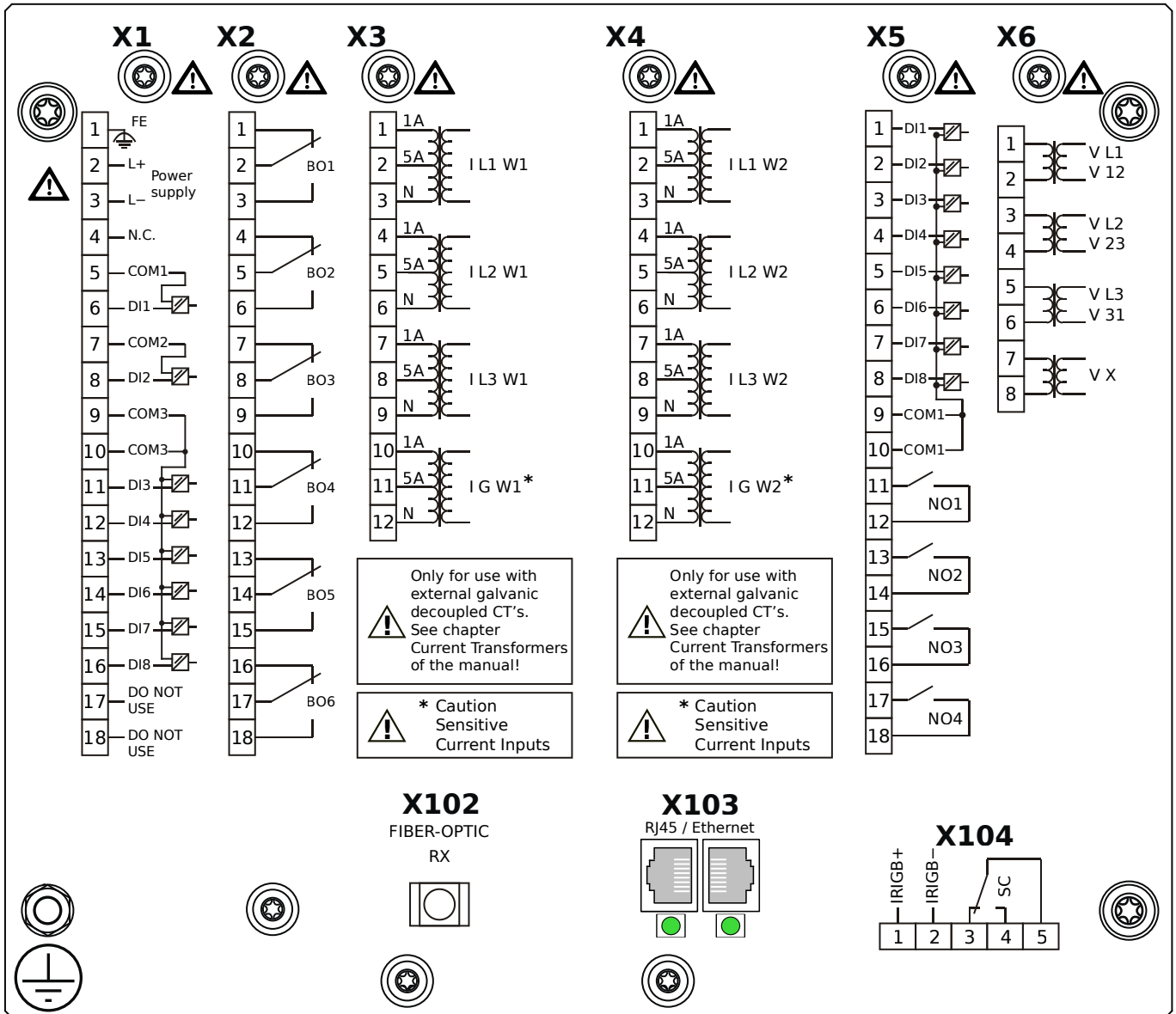
MCDTV4-2A3BPA



Housing B2, large display, 19" rack mounting

- X1** – DI8-X1: Wide-range power supply unit, incl. 2 non-grouped digital inputs and 6 grouped digital inputs
- X2** – OR6: Assembly Group with 6 Output Relays (Changeover / Form C)
- X3** – TIs: Standard phase current measuring card and sensitive ground current measuring (winding side 1)
- X4** – TIs: Standard phase current measuring card and sensitive ground current measuring (winding side 2)
- X5** – DI8-OR4: Assembly Group with 8 Digital Inputs and 4 Output Relays (NO / Form A)
- X6** – TU: Card with 4 voltage transformer measuring inputs (0 ... 800 VAC, under UL: 0 ... 600 VAC)
- X102** – Universal Resistance-Temperature Detector (URTD) input, Fiber optics interface, Versatile Link
- X103** – Modbus TCP / IEC 60870-5-104 / DNP3.0 TCP/UDP, Redundant Ethernet interface, 100 Mbit/s, RJ45 (BASE100-FX)
- X104** – IRIG-B00X, incl. System Contact (Supervision Contact)

MCDTV4-2A3BPB

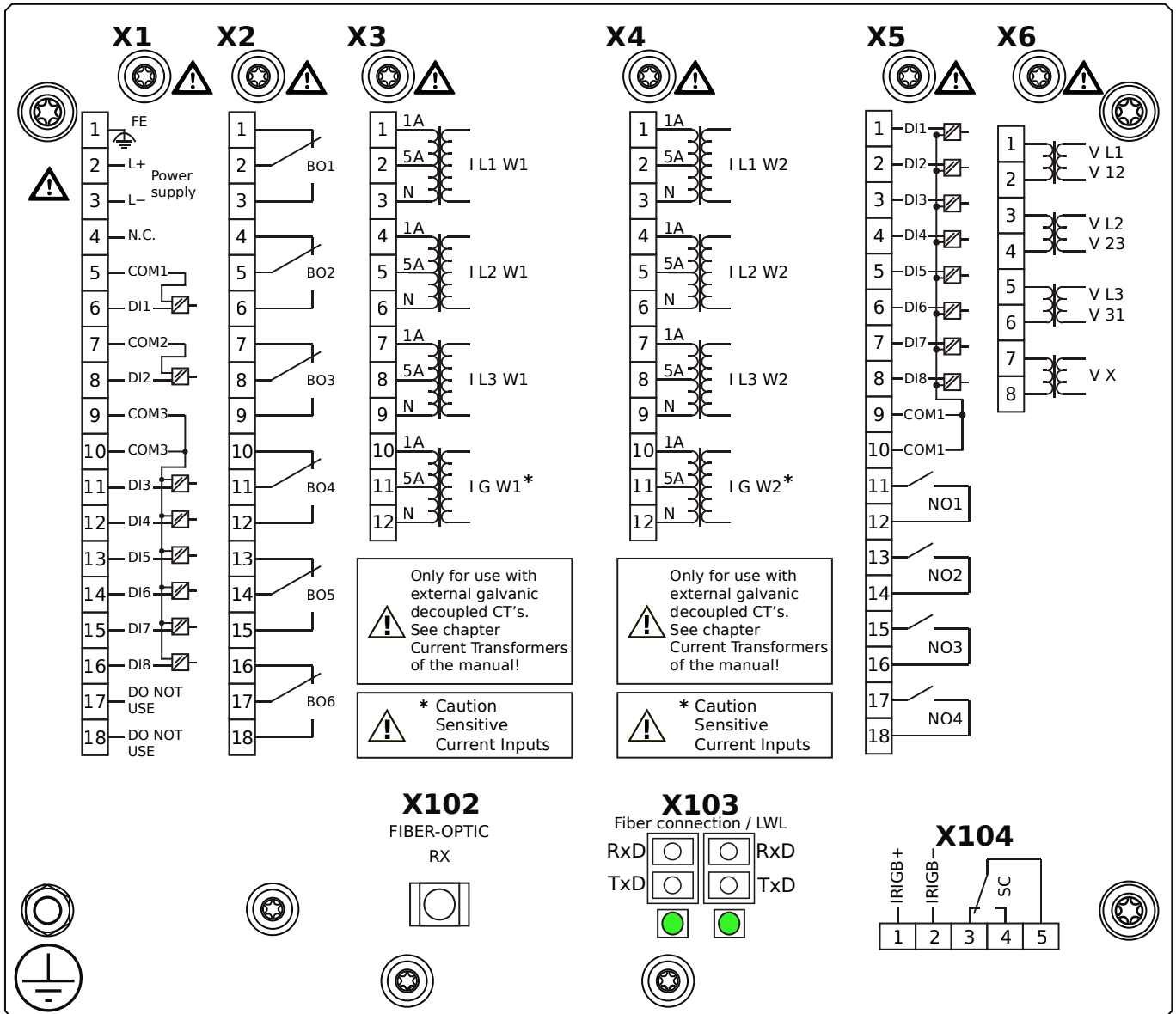


Housing B2, large display, 19" rack mounting

+ Conformal Coating (for installations in harsh environment)

- X1** – DI8-X1: Wide-range power supply unit, incl. 2 non-grouped digital inputs and 6 grouped digital inputs
- X2** – OR6: Assembly Group with 6 Output Relays (Changeover / Form C)
- X3** – TIs: Standard phase current measuring card and sensitive ground current measuring (winding side 1)
- X4** – TIs: Standard phase current measuring card and sensitive ground current measuring (winding side 2)
- X5** – DI8-OR4: Assembly Group with 8 Digital Inputs and 4 Output Relays (NO / Form A)
- X6** – TU: Card with 4 voltage transformer measuring inputs (0 ... 800 VAC, under UL: 0 ... 600 VAC)
- X102** – Universal Resistance-Temperature Detector (URTD) input, Fiber optics interface, Versatile Link
- X103** – Modbus TCP / IEC 60870-5-104 / DNP3.0 TCP/UDP, Redundant Ethernet interface, 100 Mbit/s, RJ45 (BASE100-FX)
- X104** – IRIG-B00X, incl. System Contact (Supervision Contact)

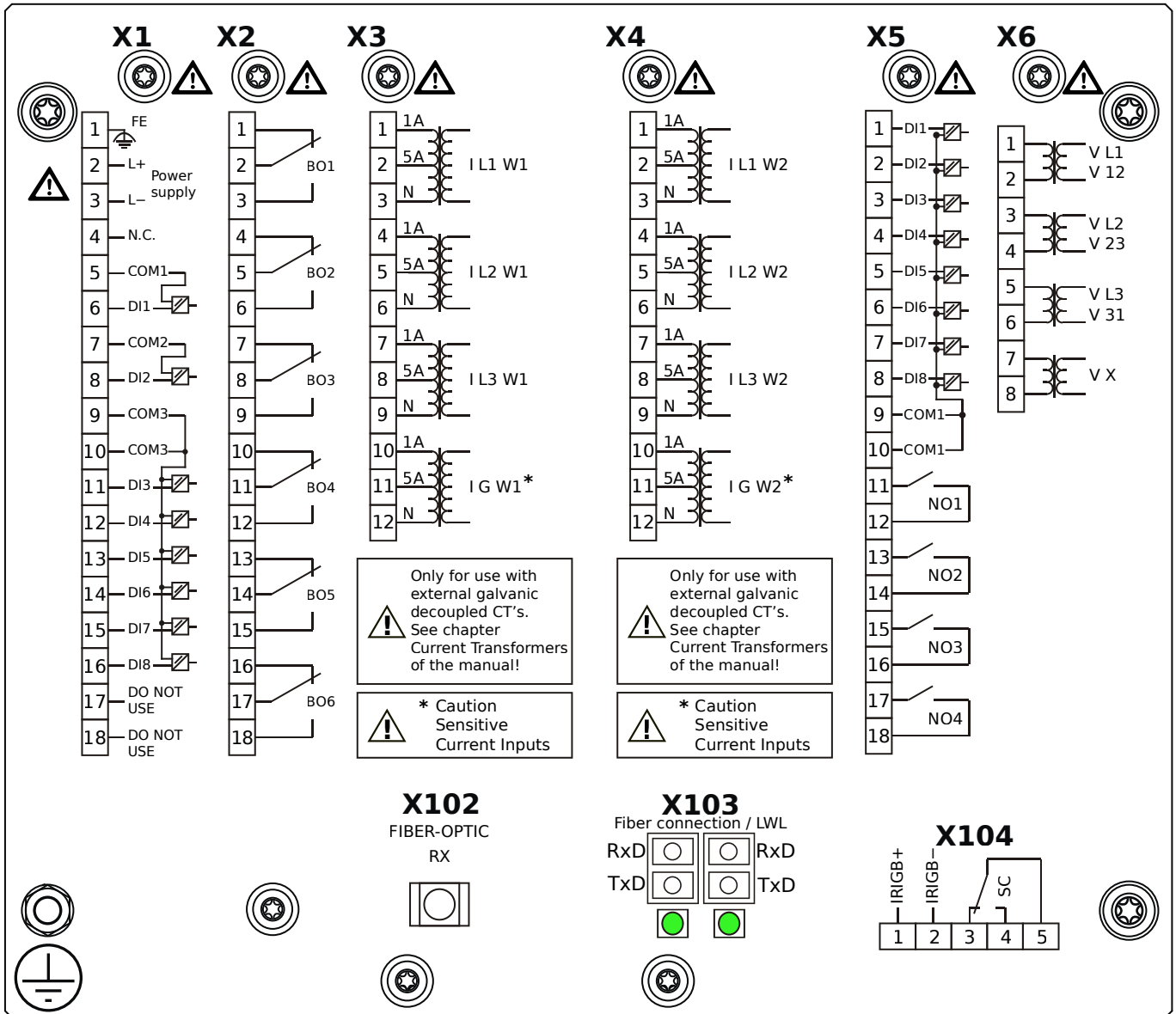
MCDTV4-2A3BQA



Housing B2, large display, 19" rack mounting

- X1** – DI8-X1: Wide-range power supply unit, incl. 2 non-grouped digital inputs and 6 grouped digital inputs
- X2** – OR6: Assembly Group with 6 Output Relays (Changeover / Form C)
- X3** – TIs: Standard phase current measuring card and sensitive ground current measuring (winding side 1)
- X4** – TIs: Standard phase current measuring card and sensitive ground current measuring (winding side 2)
- X5** – DI8-OR4: Assembly Group with 8 Digital Inputs and 4 Output Relays (NO / Form A)
- X6** – TU: Card with 4 voltage transformer measuring inputs (0 ... 800 VAC, under UL: 0 ... 600 VAC)
- X102** – Universal Resistance-Temperature Detector (URTD) input, Fiber optics interface, Versatile Link
- X103** – IEC 61850 / Modbus TCP / IEC 60870-5-104 / DNP3.0 TCP/UDP, Redundant Fiber optics interface, LC Connector
- X104** – IRIG-B00X, incl. System Contact (Supervision Contact)

MCDTV4-2A3BQB

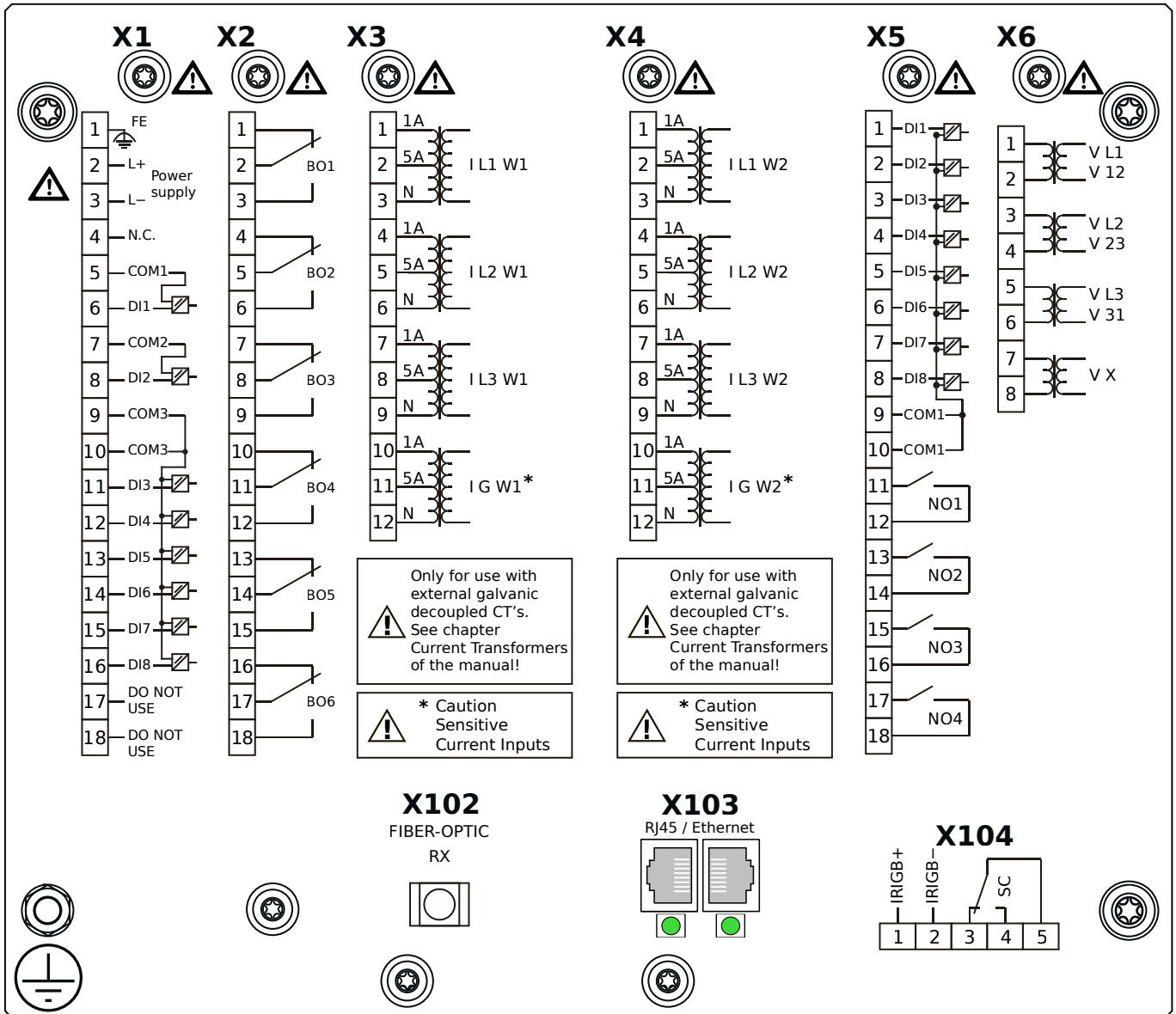


Housing B2, large display, 19" rack mounting

+ Conformal Coating (for installations in harsh environment)

- X1** – DI8-X1: Wide-range power supply unit, incl. 2 non-grouped digital inputs and 6 grouped digital inputs
- X2** – OR6: Assembly Group with 6 Output Relays (Changeover / Form C)
- X3** – TIs: Standard phase current measuring card and sensitive ground current measuring (winding side 1)
- X4** – TIs: Standard phase current measuring card and sensitive ground current measuring (winding side 2)
- X5** – DI8-OR4: Assembly Group with 8 Digital Inputs and 4 Output Relays (NO / Form A)
- X6** – TU: Card with 4 voltage transformer measuring inputs (0 ... 800 VAC, under UL: 0 ... 600 VAC)
- X102** – Universal Resistance-Temperature Detector (URTD) input, Fiber optics interface, Versatile Link
- X103** – IEC 61850 / Modbus TCP / IEC 60870-5-104 / DNP3.0 TCP/UDP, Redundant Fiber optics interface, LC Connector
- X104** – IRIG-B00X, incl. System Contact (Supervision Contact)

MCDTV4-2A3BRA



Housing B2, large display, 19" rack mounting

X1 – DI8-X1: Wide-range power supply unit, incl. 2 non-grouped digital inputs and 6 grouped digital inputs

X2 – OR6: Assembly Group with 6 Output Relays (Changeover / Form C)

X3 – TIs: Standard phase current measuring card and sensitive ground current measuring (winding side 1)

X4 – TIs: Standard phase current measuring card and sensitive ground current measuring (winding side 2)

X5 – DI8-OR4: Assembly Group with 8 Digital Inputs and 4 Output Relays (NO / Form A)

X6 – TU: Card with 4 voltage transformer measuring inputs (0 ... 800 VAC, under UL: 0 ... 600 VAC)

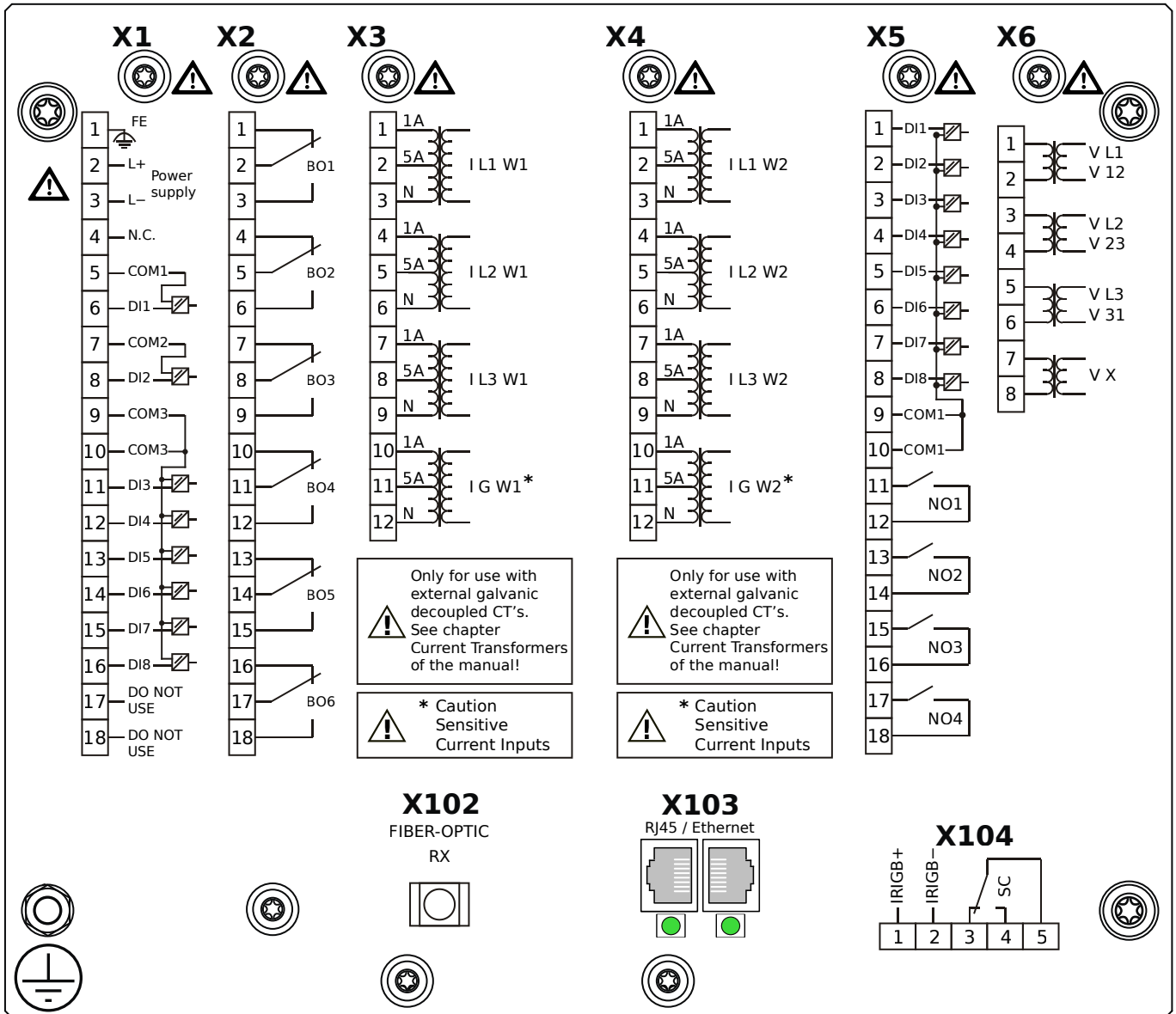
X102 – Universal Resistance-Temperature Detector (URTD) input, Fiber optics interface, Versatile Link

X103 – IEC 61850 / Modbus TCP / IEC 60870-5-104 / DNP3.0 TCP/UDP, Redundant Ethernet interface, 100 Mbit/s, RJ45

(BASE100-FX)

X104 – IRIG-B00X, incl. System Contact (Supervision Contact)

MCDTV4-2A3BRB



Housing B2, large display, 19" rack mounting

+ Conformal Coating (for installations in harsh environment)

X1 – DI8-X1: Wide-range power supply unit, incl. 2 non-grouped digital inputs and 6 grouped digital inputs

X2 – OR6: Assembly Group with 6 Output Relays (Changeover / Form C)

X3 – TIs: Standard phase current measuring card and sensitive ground current measuring (winding side 1)

X4 – TIs: Standard phase current measuring card and sensitive ground current measuring (winding side 2)

X5 – DI8-OR4: Assembly Group with 8 Digital Inputs and 4 Output Relays (NO / Form A)

X6 – TU: Card with 4 voltage transformer measuring inputs (0 ... 800 VAC, under UL: 0 ... 600 VAC)

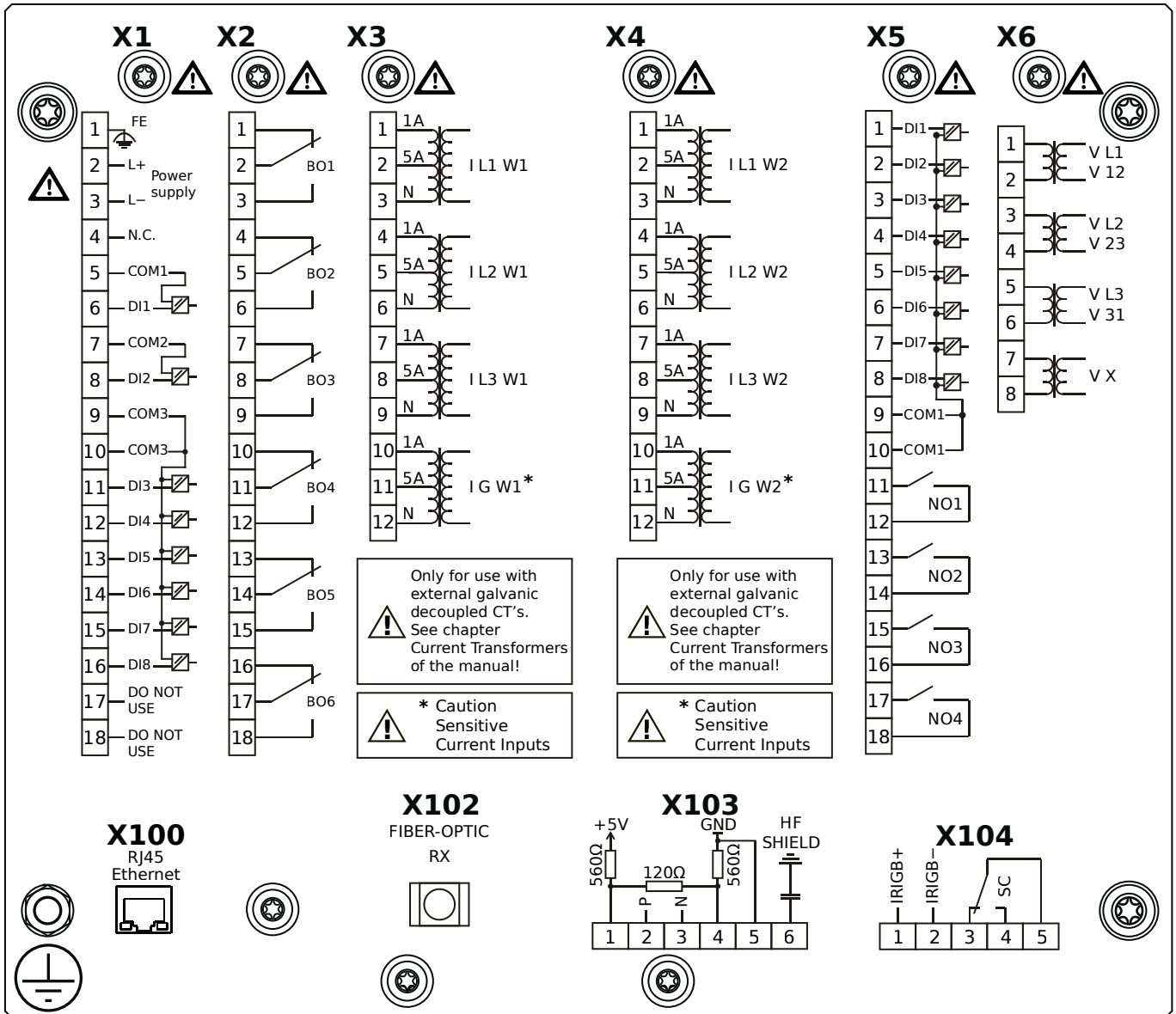
X102 – Universal Resistance-Temperature Detector (URTD) input, Fiber optics interface, Versatile Link

X103 – IEC 61850 / Modbus TCP / IEC 60870-5-104 / DNP3.0 TCP/UDP, Redundant Ethernet interface, 100 Mbit/s, RJ45

(BASE100-FX)

X104 – IRIG-B00X, incl. System Contact (Supervision Contact)

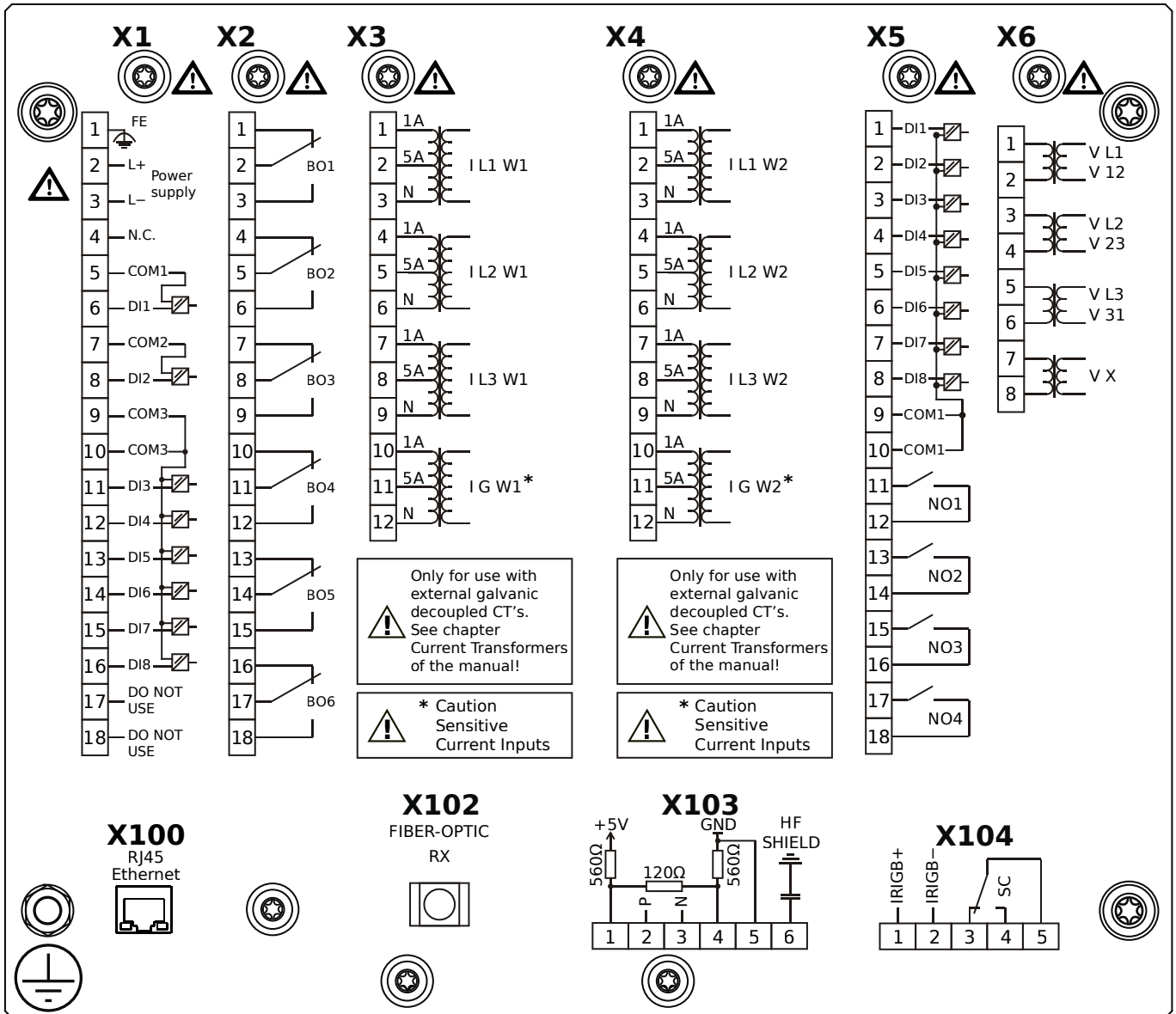
MCDTV4-2A3BTA



Housing B2, large display, 19" rack mounting

- X1** – DI8-X1: Wide-range power supply unit, incl. 2 non-grouped digital inputs and 6 grouped digital inputs
- X2** – OR6: Assembly Group with 6 Output Relays (Changeover / Form C)
- X3** – TIs: Standard phase current measuring card and sensitive ground current measuring (winding side 1)
- X4** – TIs: Standard phase current measuring card and sensitive ground current measuring (winding side 2)
- X5** – DI8-OR4: Assembly Group with 8 Digital Inputs and 4 Output Relays (NO / Form A)
- X6** – TU: Card with 4 voltage transformer measuring inputs (0 ... 800 VAC, under UL: 0 ... 600 VAC)
- X100** – IEC 61850 / Modbus TCP / IEC 60870-5-104 / DNP3.0 TCP/UDP, Ethernet interface, 100 Mbit/s, RJ45 (BASE100-FX)
- X102** – Universal Resistance-Temperature Detector (URTD) input, Fiber optics interface, Versatile Link
- X103** – IEC 60870-5-103 / Modbus RTU / DNP3.0 RTU, RS485, Terminals
- X104** – IRIG-B00X, incl. System Contact (Supervision Contact)

MCDTV4-2A3BTB

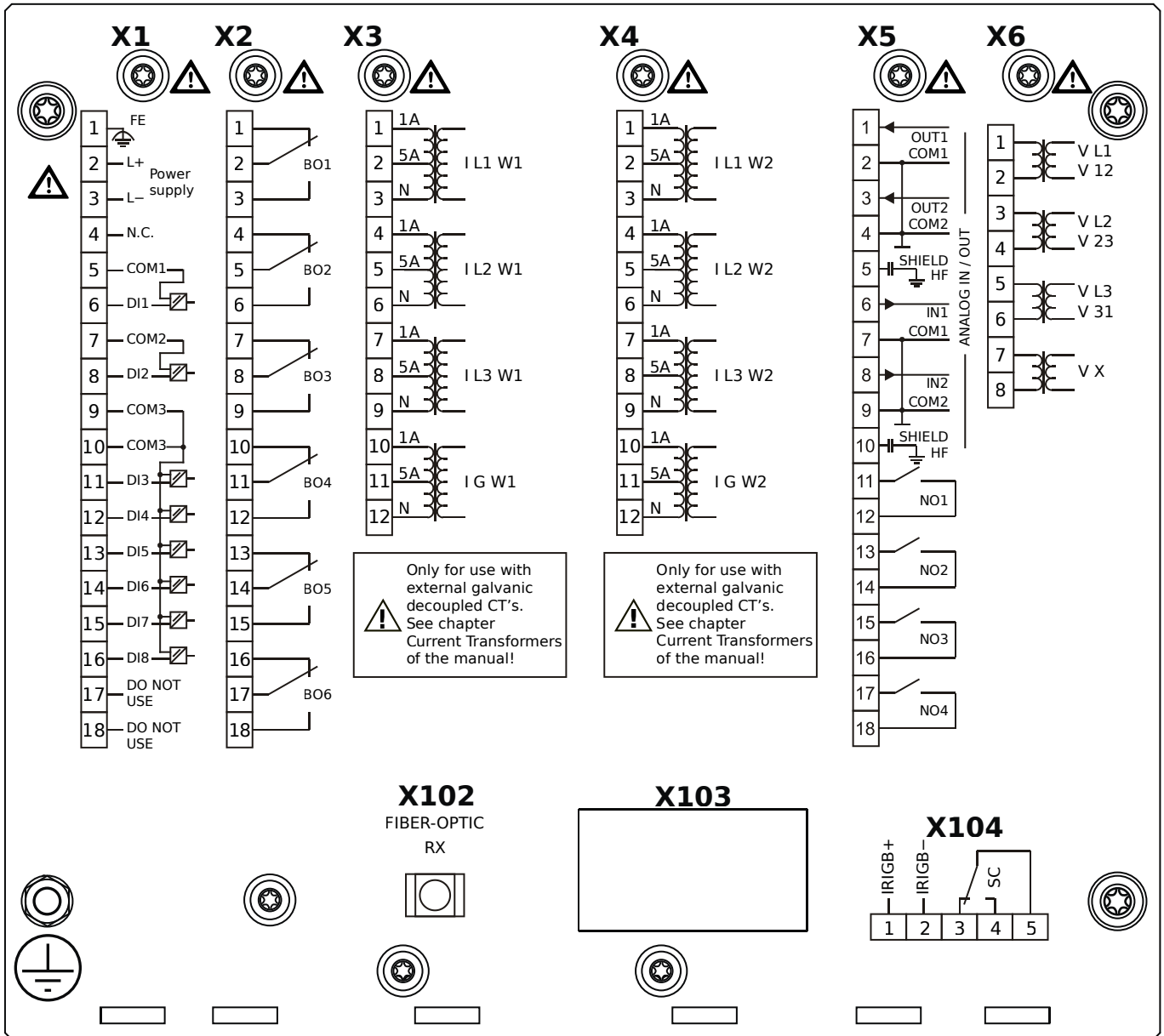


Housing B2, large display, 19" rack mounting

+ Conformal Coating (for installations in harsh environment)

- X1** – DI8-X1: Wide-range power supply unit, incl. 2 non-grouped digital inputs and 6 grouped digital inputs
- X2** – OR6: Assembly Group with 6 Output Relays (Changeover / Form C)
- X3** – TIs: Standard phase current measuring card and sensitive ground current measuring (winding side 1)
- X4** – TIs: Standard phase current measuring card and sensitive ground current measuring (winding side 2)
- X5** – DI8-OR4: Assembly Group with 8 Digital Inputs and 4 Output Relays (NO / Form A)
- X6** – TU: Card with 4 voltage transformer measuring inputs (0 ... 800 VAC, under UL: 0 ... 600 VAC)
- X100** – IEC 61850 / Modbus TCP / IEC 60870-5-104 / DNP3.0 TCP/UDP, Ethernet interface, 100 Mbit/s, RJ45 (BASE100-FX)
- X102** – Universal Resistance-Temperature Detector (URTD) input, Fiber optics interface, Versatile Link
- X103** – IEC 60870-5-103 / Modbus RTU / DNP3.0 RTU, RS485, Terminals
- X104** – IRIG-B00X, incl. System Contact (Supervision Contact)

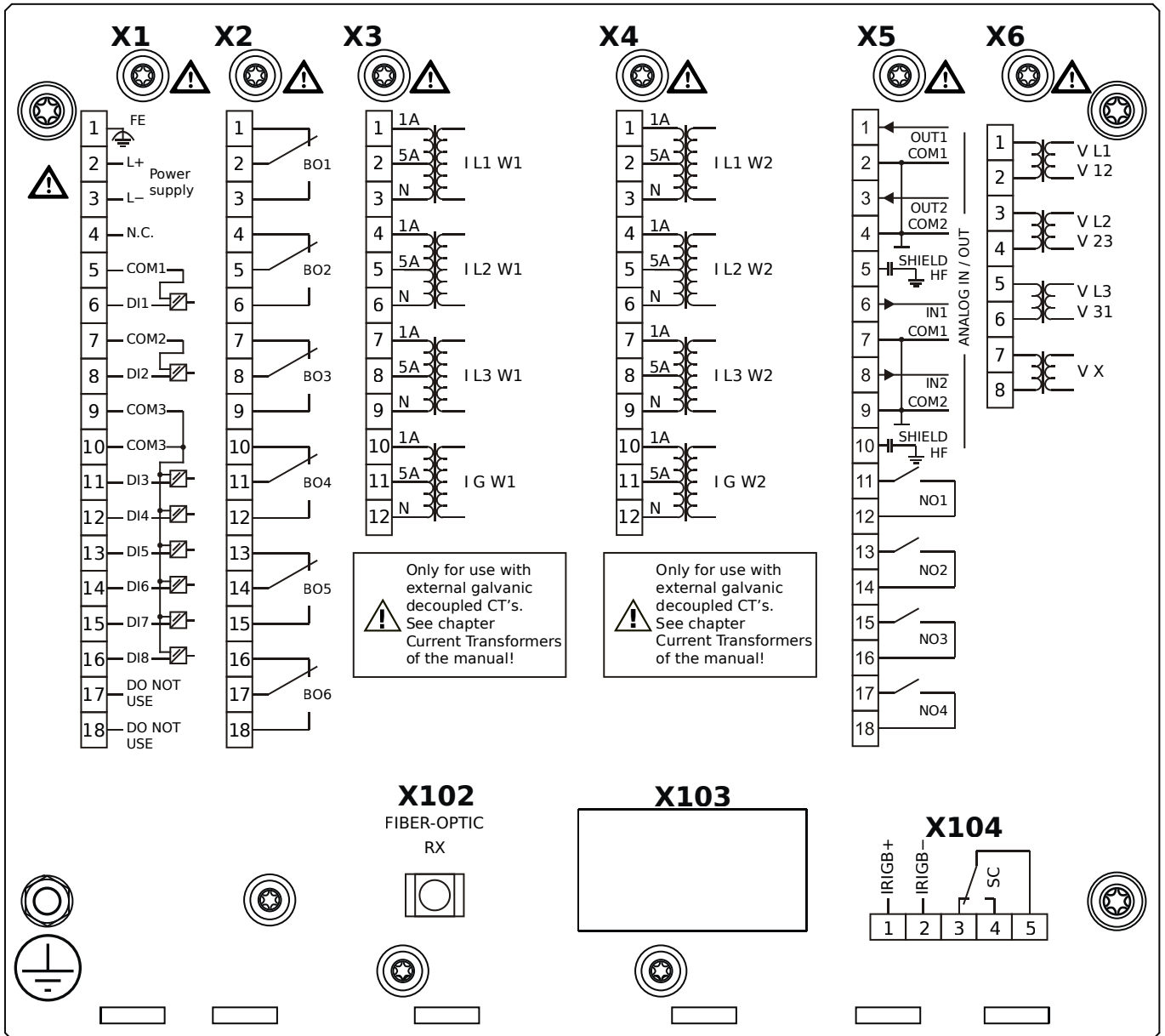
MCDTV4-2B0AAA



Housing B2, large display, door mounting

- X1** – DI8-X1: Wide-range power supply unit, incl. 2 non-grouped digital inputs and 6 grouped digital inputs
- X2** – OR6: Assembly Group with 6 Output Relays (Changeover / Form C)
- X3** – TI: Standard current measuring card (for the winding side 1)
- X4** – TI: Standard current measuring card (for the winding side 2)
- X5** – AnIO2-OR4: Assembly Group with 2 Analog Inputs, 2 Analog Outputs and 4 Output Relays
- X6** – TU: Card with 4 voltage transformer measuring inputs (0 ... 800 VAC, under UL: 0 ... 600 VAC)
- X102** – Universal Resistance-Temperature Detector (URTD) input, Fiber optics interface, Versatile Link
- X104** – IRIG-B00X, incl. System Contact (Supervision Contact)

MCDTV4-2B0AAB

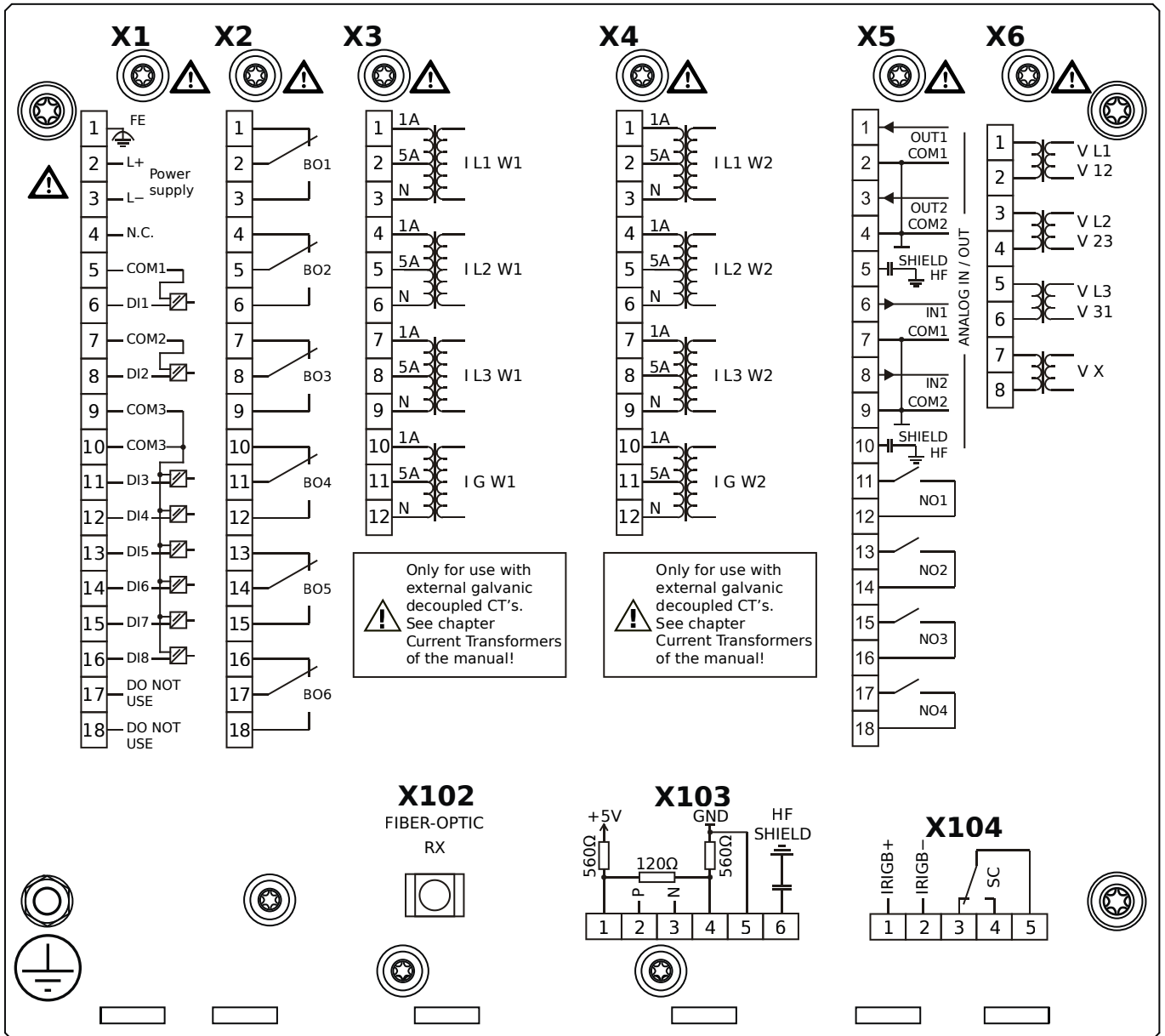


Housing B2, large display, door mounting

- + Conformal Coating (for installations in harsh environment)

- X1** – DI8-X1: Wide-range power supply unit, incl. 2 non-grouped digital inputs and 6 grouped digital inputs
- X2** – OR6: Assembly Group with 6 Output Relays (Changeover / Form C)
- X3** – TI: Standard current measuring card (for the winding side 1)
- X4** – TI: Standard current measuring card (for the winding side 2)
- X5** – AnIO2-OR4: Assembly Group with 2 Analog Inputs, 2 Analog Outputs and 4 Output Relays
- X6** – TU: Card with 4 voltage transformer measuring inputs (0 ... 800 VAC, under UL: 0 ... 600 VAC)
- X102** – Universal Resistance-Temperature Detector (URTD) input, Fiber optics interface, Versatile Link
- X104** – IRIG-B00X, incl. System Contact (Supervision Contact)

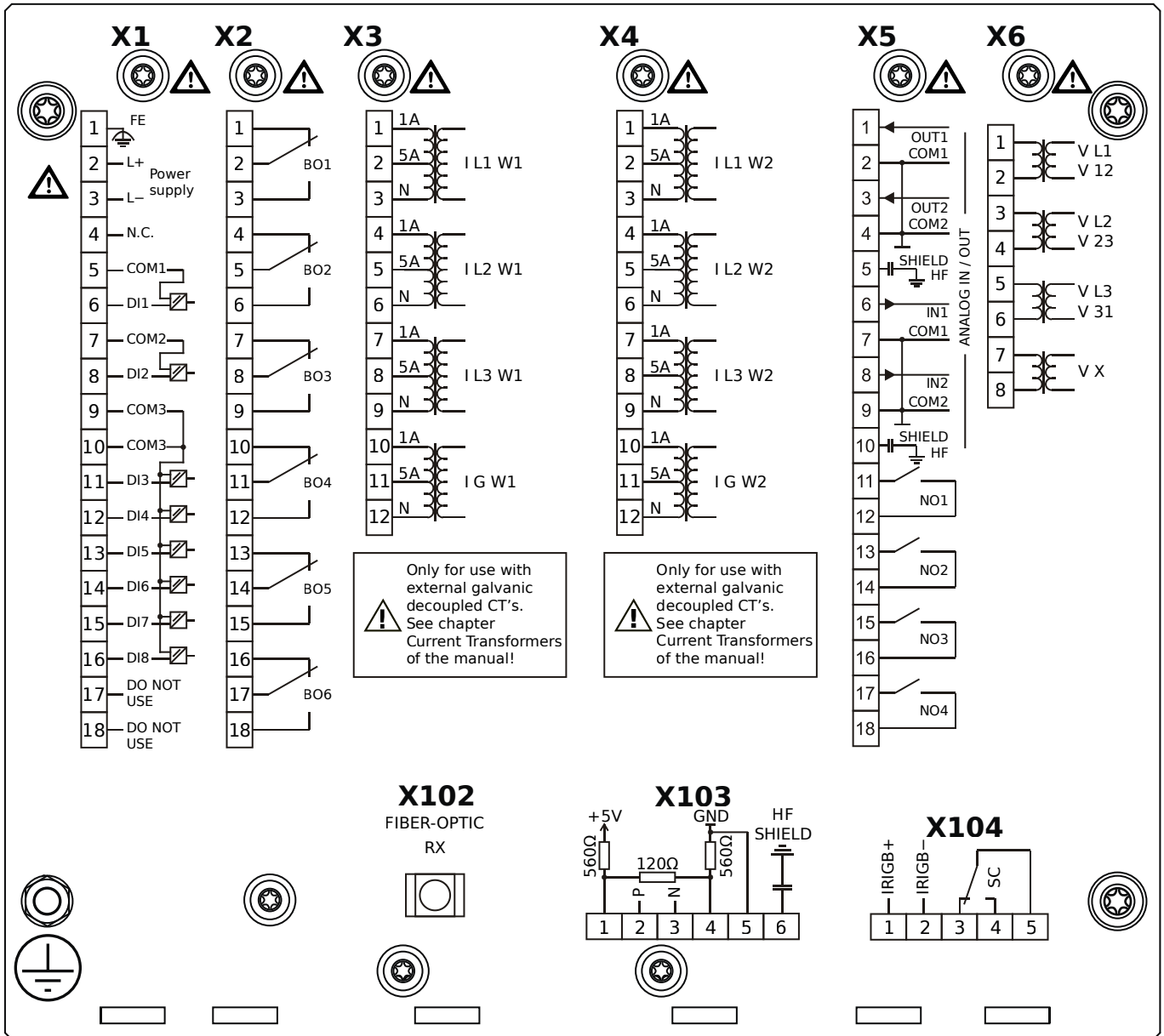
MCDTV4-2B0ABA



Housing B2, large display, door mounting

- X1** – DI8-X1: Wide-range power supply unit, incl. 2 non-grouped digital inputs and 6 grouped digital inputs
- X2** – OR6: Assembly Group with 6 Output Relays (Changeover / Form C)
- X3** – TI: Standard current measuring card (for the winding side 1)
- X4** – TI: Standard current measuring card (for the winding side 2)
- X5** – AnIO2-OR4: Assembly Group with 2 Analog Inputs, 2 Analog Outputs and 4 Output Relays
- X6** – TU: Card with 4 voltage transformer measuring inputs (0 ... 800 VAC, under UL: 0 ... 600 VAC)
- X102** – Universal Resistance-Temperature Detector (URTD) input, Fiber optics interface, Versatile Link
- X103** – Modbus RTU / IEC 60870-5-103 / DNP3.0 RTU, RS485, Terminals
- X104** – IRIG-B00X, incl. System Contact (Supervision Contact)

MCDTV4-2B0ABB

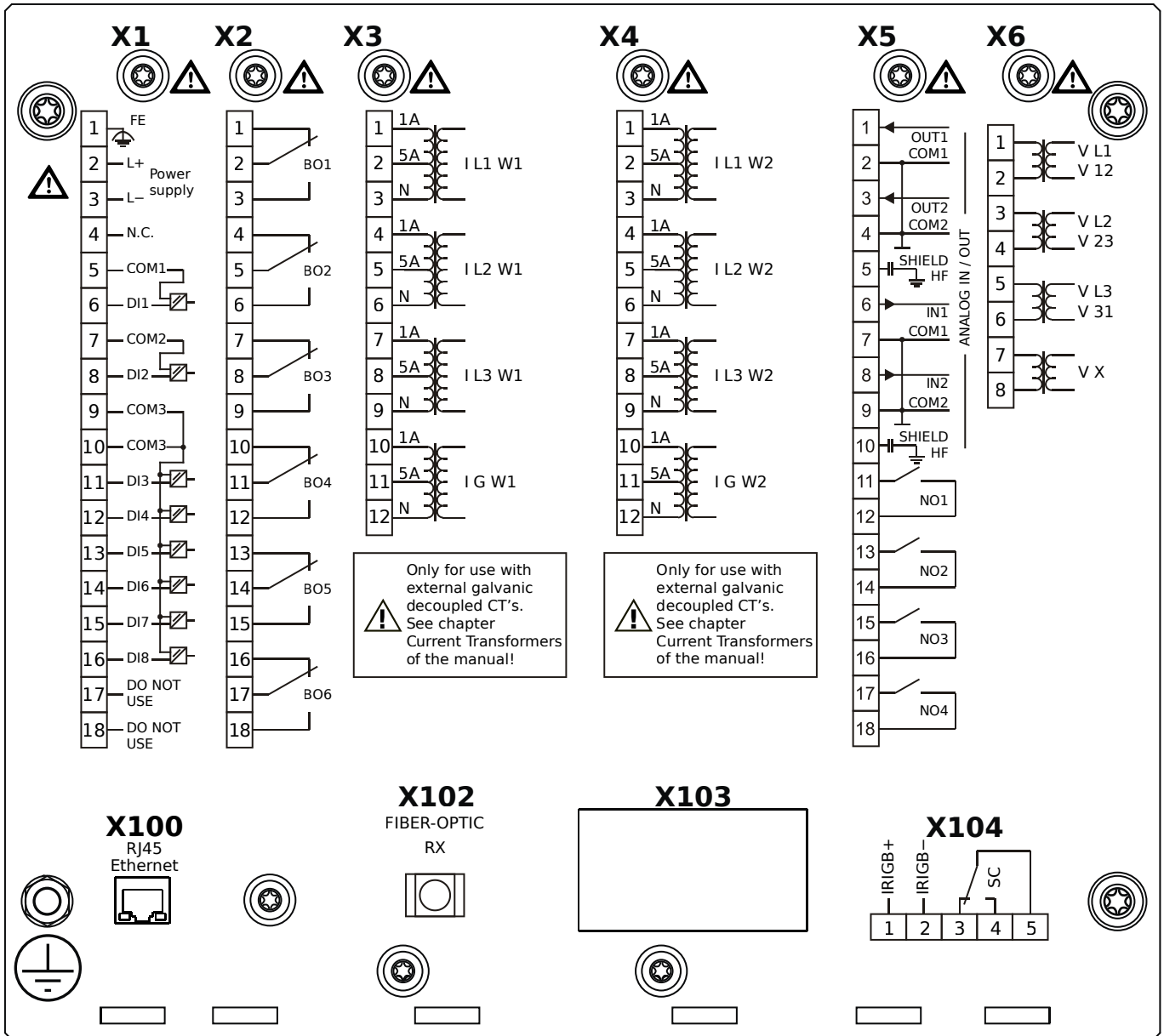


Housing B2, large display, door mounting

- + Conformal Coating (for installations in harsh environment)

- X1** – DI8-X1: Wide-range power supply unit, incl. 2 non-grouped digital inputs and 6 grouped digital inputs
- X2** – OR6: Assembly Group with 6 Output Relays (Changeover / Form C)
- X3** – TI: Standard current measuring card (for the winding side 1)
- X4** – TI: Standard current measuring card (for the winding side 2)
- X5** – AnIO2-OR4: Assembly Group with 2 Analog Inputs, 2 Analog Outputs and 4 Output Relays
- X6** – TU: Card with 4 voltage transformer measuring inputs (0 ... 800 VAC, under UL: 0 ... 600 VAC)
- X102** – Universal Resistance-Temperature Detector (URTD) input, Fiber optics interface, Versatile Link
- X103** – Modbus RTU / IEC 60870-5-103 / DNP3.0 RTU, RS485, Terminals
- X104** – IRIG-B00X, incl. System Contact (Supervision Contact)

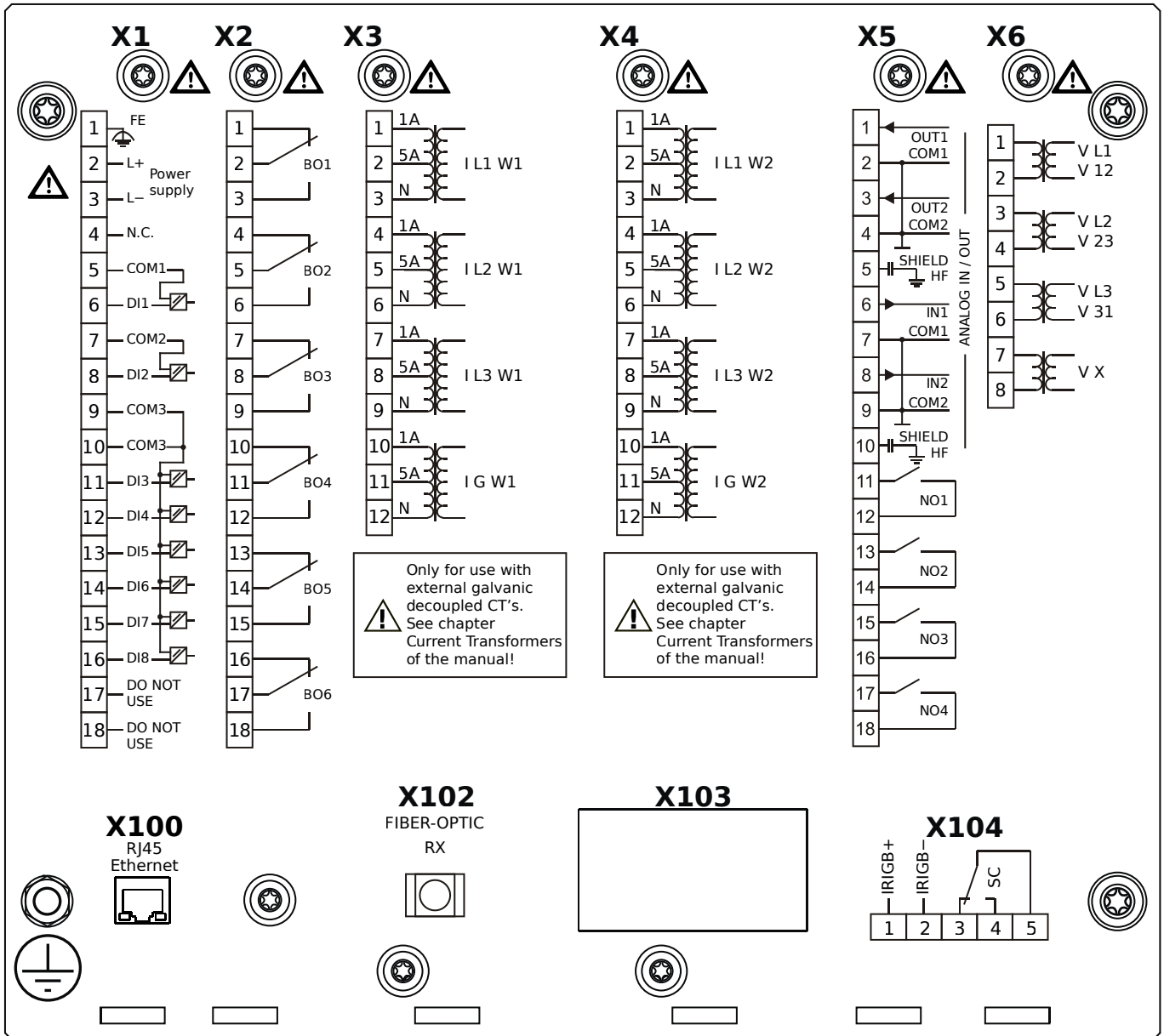
MCDTV4-2B0ACA



Housing B2, large display, door mounting

- X1** – DI8-X1: Wide-range power supply unit, incl. 2 non-grouped digital inputs and 6 grouped digital inputs
- X2** – OR6: Assembly Group with 6 Output Relays (Changeover / Form C)
- X3** – TI: Standard current measuring card (for the winding side 1)
- X4** – TI: Standard current measuring card (for the winding side 2)
- X5** – AnIO2-OR4: Assembly Group with 2 Analog Inputs, 2 Analog Outputs and 4 Output Relays
- X6** – TU: Card with 4 voltage transformer measuring inputs (0 ... 800 VAC, under UL: 0 ... 600 VAC)
- X100** – Modbus TCP / IEC 60870-5-104 / DNP3.0 TCP/UDP, Ethernet interface, 100 Mbit/s, RJ45 (BASE100-FX)
- X102** – Universal Resistance-Temperature Detector (URTD) input, Fiber optics interface, Versatile Link
- X104** – IRIG-B00X, incl. System Contact (Supervision Contact)

MCDTV4-2B0ACB

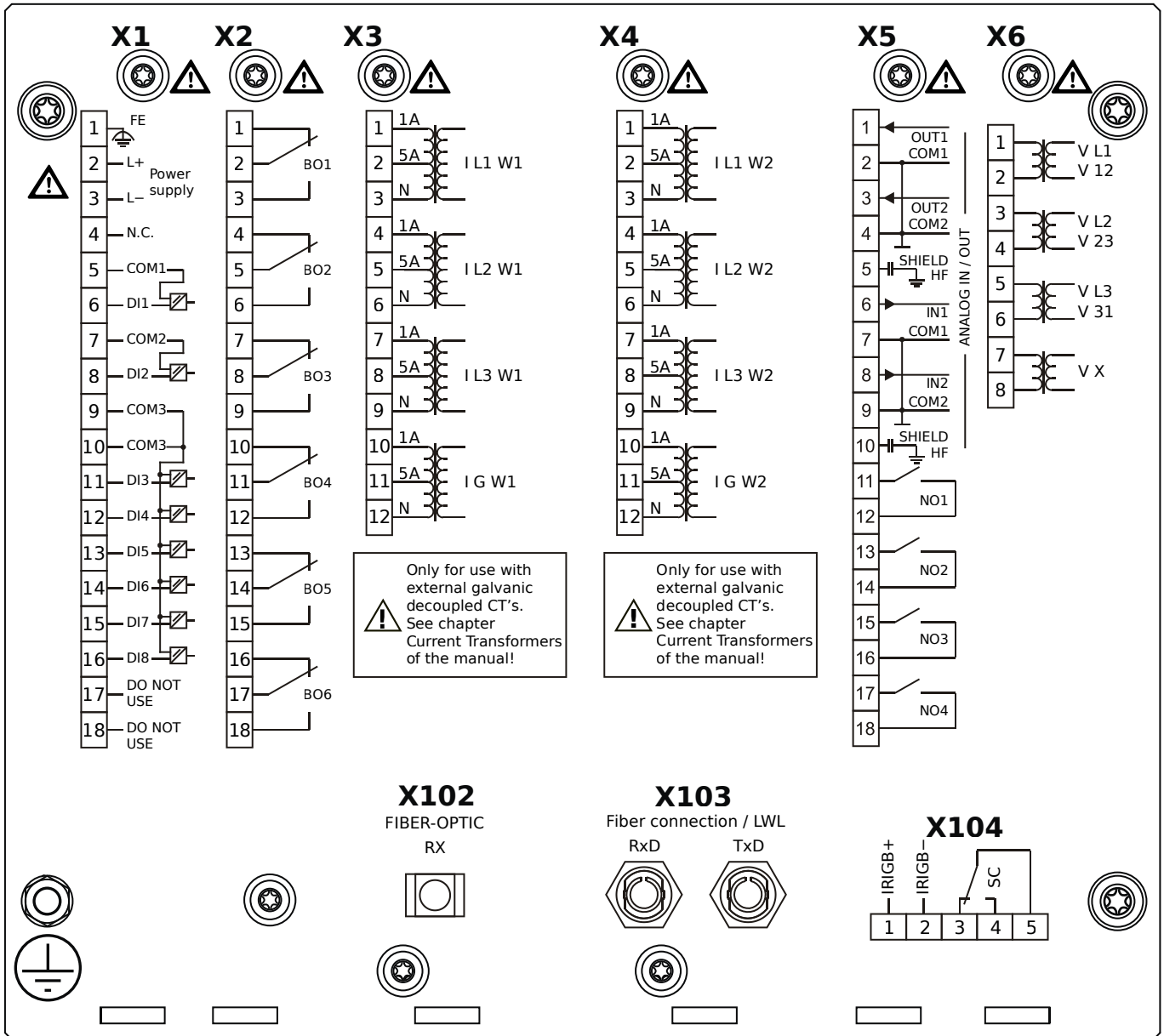


Housing B2, large display, door mounting

- + Conformal Coating (for installations in harsh environment)

- X1** – DI8-X1: Wide-range power supply unit, incl. 2 non-grouped digital inputs and 6 grouped digital inputs
- X2** – OR6: Assembly Group with 6 Output Relays (Changeover / Form C)
- X3** – TI: Standard current measuring card (for the winding side 1)
- X4** – TI: Standard current measuring card (for the winding side 2)
- X5** – AnIO2-OR4: Assembly Group with 2 Analog Inputs, 2 Analog Outputs and 4 Output Relays
- X6** – TU: Card with 4 voltage transformer measuring inputs (0 ... 800 VAC, under UL: 0 ... 600 VAC)
- X100** – Modbus TCP / IEC 60870-5-104 / DNP3.0 TCP/UDP, Ethernet interface, 100 Mbit/s, RJ45 (BASE100-FX)
- X102** – Universal Resistance-Temperature Detector (URTD) input, Fiber optics interface, Versatile Link
- X104** – IRIG-B00X, incl. System Contact (Supervision Contact)

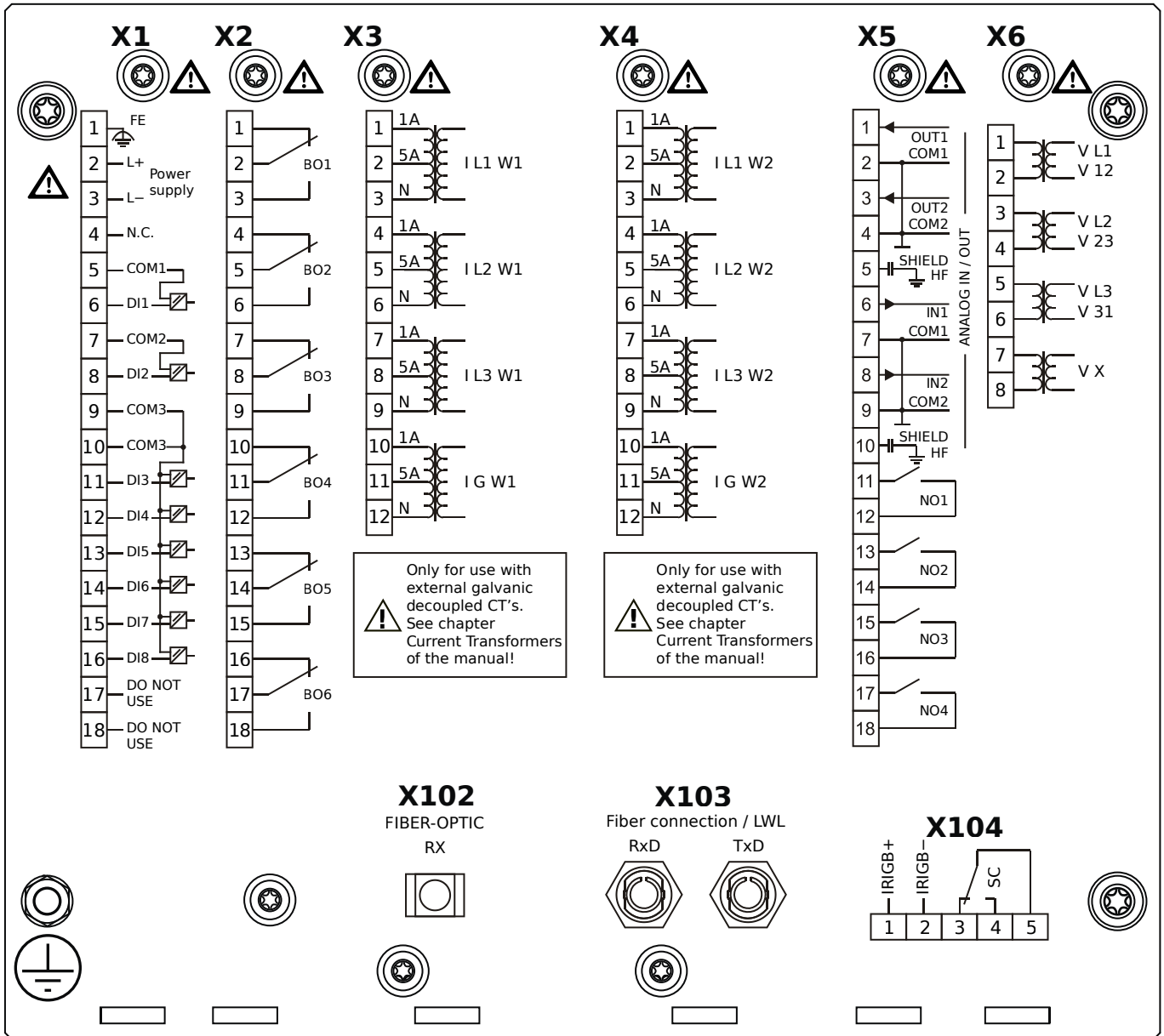
MCDTV4-2B0ADA



Housing B2, large display, door mounting

- X1** – DI8-X1: Wide-range power supply unit, incl. 2 non-grouped digital inputs and 6 grouped digital inputs
- X2** – OR6: Assembly Group with 6 Output Relays (Changeover / Form C)
- X3** – TI: Standard current measuring card (for the winding side 1)
- X4** – TI: Standard current measuring card (for the winding side 2)
- X5** – AnIO2-OR4: Assembly Group with 2 Analog Inputs, 2 Analog Outputs and 4 Output Relays
- X6** – TU: Card with 4 voltage transformer measuring inputs (0 ... 800 VAC, under UL: 0 ... 600 VAC)
- X102** – Universal Resistance-Temperature Detector (URTD) input, Fiber optics interface, Versatile Link
- X103** – Profibus-DP, Fiber optics interface, ST Connector
- X104** – IRIG-B00X, incl. System Contact (Supervision Contact)

MCDTV4-2B0ADB

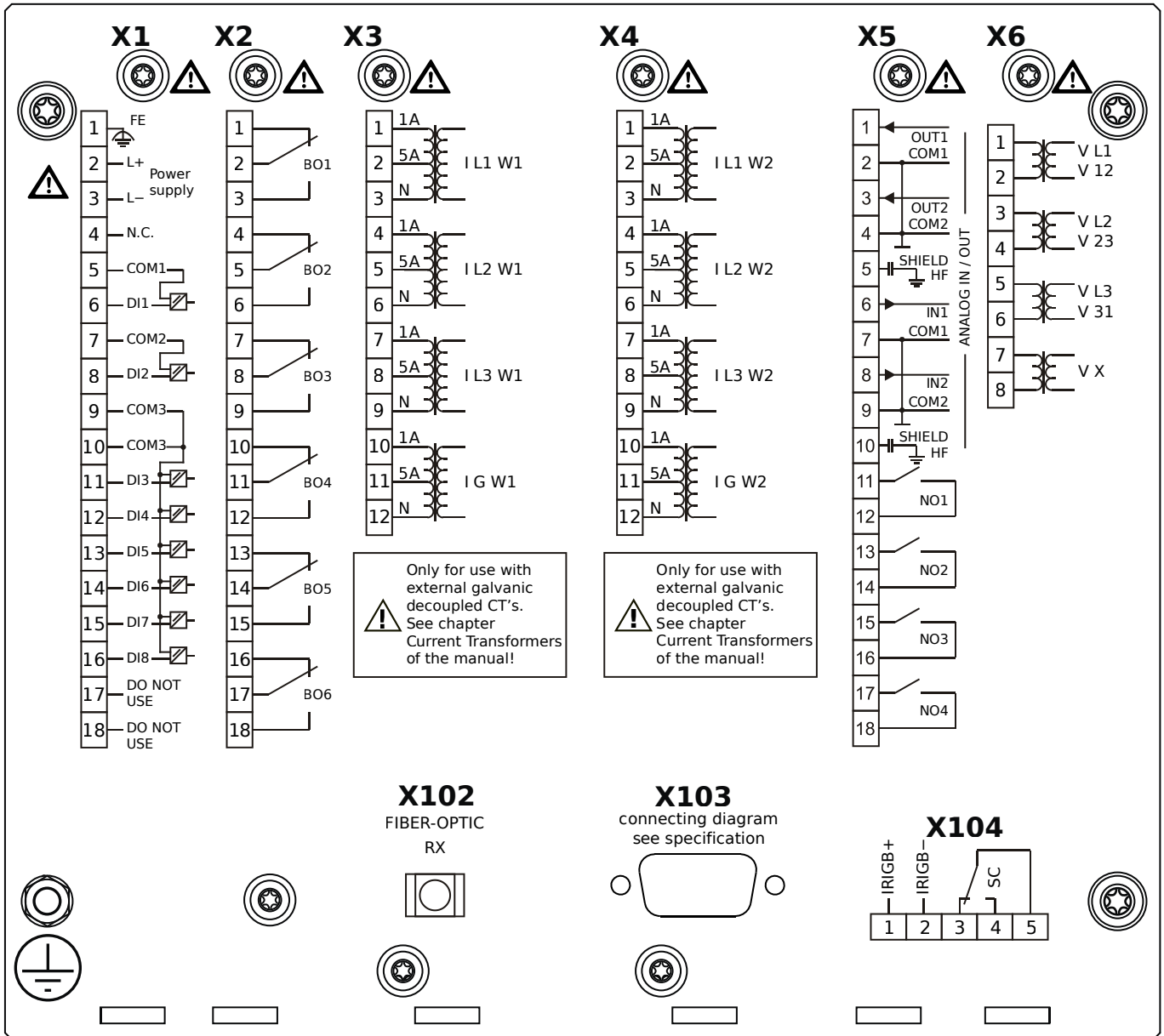


Housing B2, large display, door mounting

+ Conformal Coating (for installations in harsh environment)

- X1** – DI8-X1: Wide-range power supply unit, incl. 2 non-grouped digital inputs and 6 grouped digital inputs
- X2** – OR6: Assembly Group with 6 Output Relays (Changeover / Form C)
- X3** – TI: Standard current measuring card (for the winding side 1)
- X4** – TI: Standard current measuring card (for the winding side 2)
- X5** – AnIO2-OR4: Assembly Group with 2 Analog Inputs, 2 Analog Outputs and 4 Output Relays
- X6** – TU: Card with 4 voltage transformer measuring inputs (0 ... 800 VAC, under UL: 0 ... 600 VAC)
- X102** – Universal Resistance-Temperature Detector (URTD) input, Fiber optics interface, Versatile Link
- X103** – Profibus-DP, Fiber optics interface, ST Connector
- X104** – IRIG-B00X, incl. System Contact (Supervision Contact)

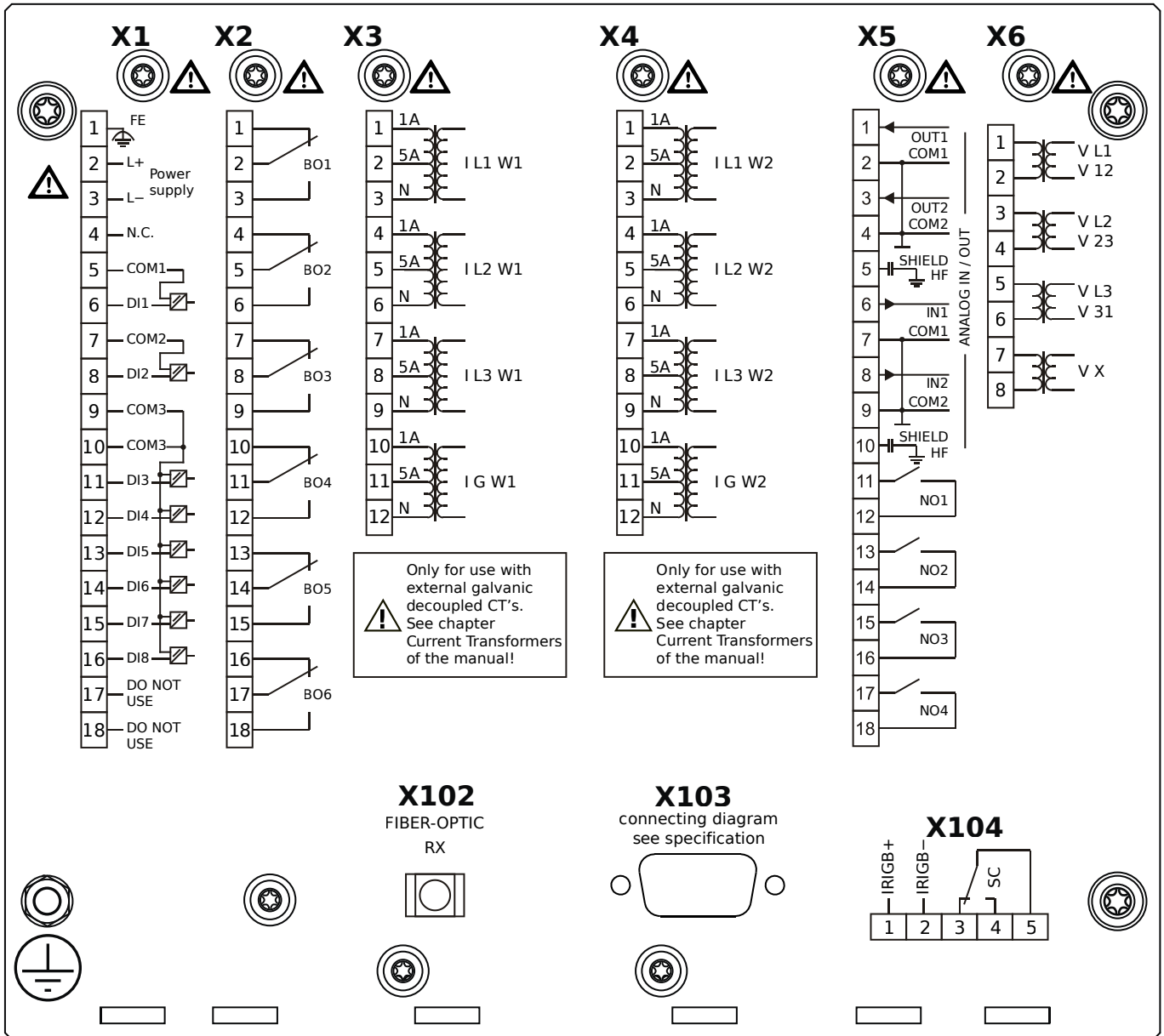
MCDTV4-2B0AEA



Housing B2, large display, door mounting

- X1** – DI8-X1: Wide-range power supply unit, incl. 2 non-grouped digital inputs and 6 grouped digital inputs
- X2** – OR6: Assembly Group with 6 Output Relays (Changeover / Form C)
- X3** – TI: Standard current measuring card (for the winding side 1)
- X4** – TI: Standard current measuring card (for the winding side 2)
- X5** – AnIO2-OR4: Assembly Group with 2 Analog Inputs, 2 Analog Outputs and 4 Output Relays
- X6** – TU: Card with 4 voltage transformer measuring inputs (0 ... 800 VAC, under UL: 0 ... 600 VAC)
- X102** – Universal Resistance-Temperature Detector (URTD) input, Fiber optics interface, Versatile Link
- X103** – Profibus-DP, RS485, D-SUB
- X104** – IRIG-B00X, incl. System Contact (Supervision Contact)

MCDTV4-2B0AEB

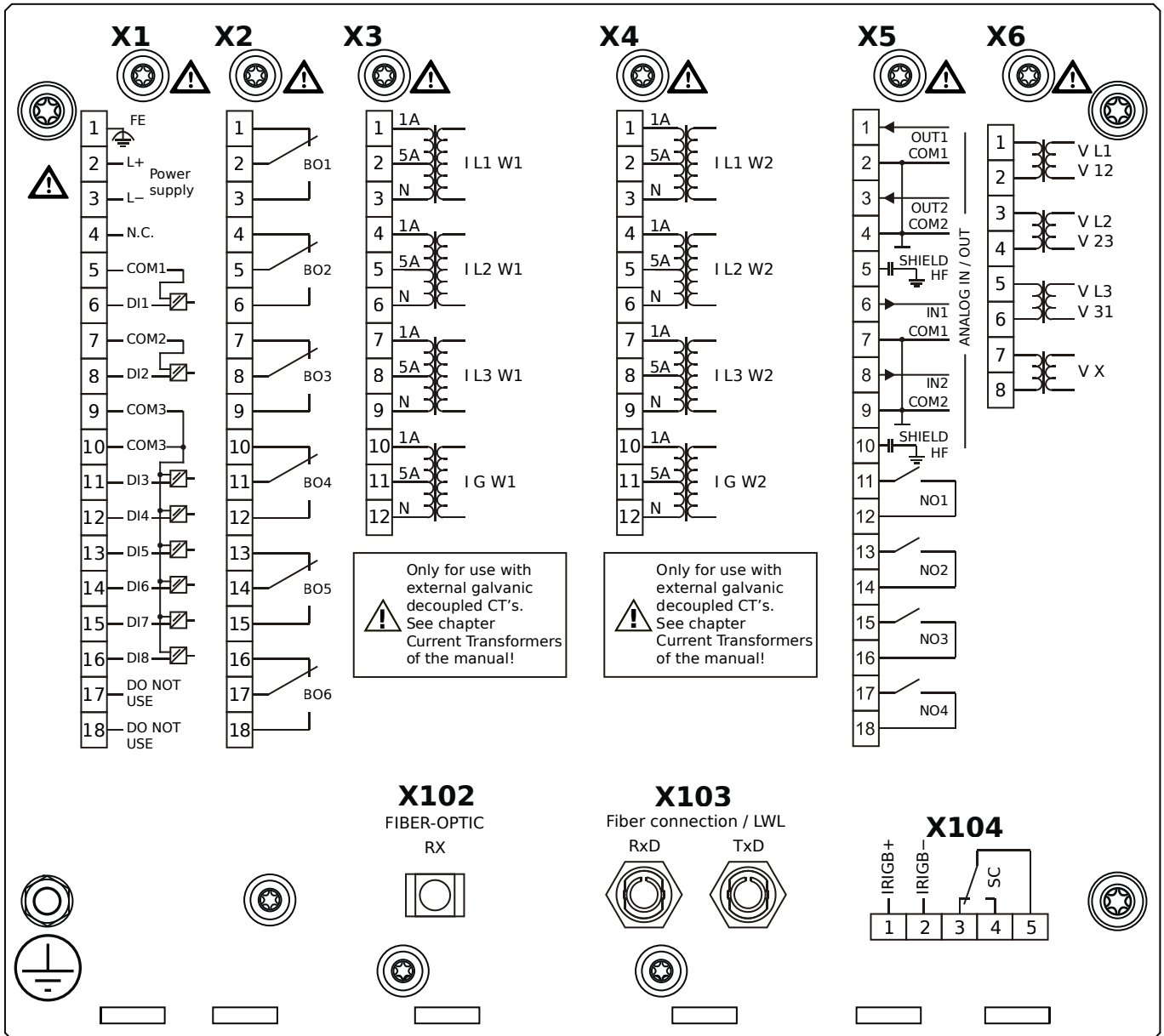


Housing B2, large display, door mounting

+ Conformal Coating (for installations in harsh environment)

- X1** – DI8-X1: Wide-range power supply unit, incl. 2 non-grouped digital inputs and 6 grouped digital inputs
- X2** – OR6: Assembly Group with 6 Output Relays (Changeover / Form C)
- X3** – TI: Standard current measuring card (for the winding side 1)
- X4** – TI: Standard current measuring card (for the winding side 2)
- X5** – AnIO2-OR4: Assembly Group with 2 Analog Inputs, 2 Analog Outputs and 4 Output Relays
- X6** – TU: Card with 4 voltage transformer measuring inputs (0 ... 800 VAC, under UL: 0 ... 600 VAC)
- X102** – Universal Resistance-Temperature Detector (URTD) input, Fiber optics interface, Versatile Link
- X103** – Profibus-DP, RS485, D-SUB
- X104** – IRIG-B00X, incl. System Contact (Supervision Contact)

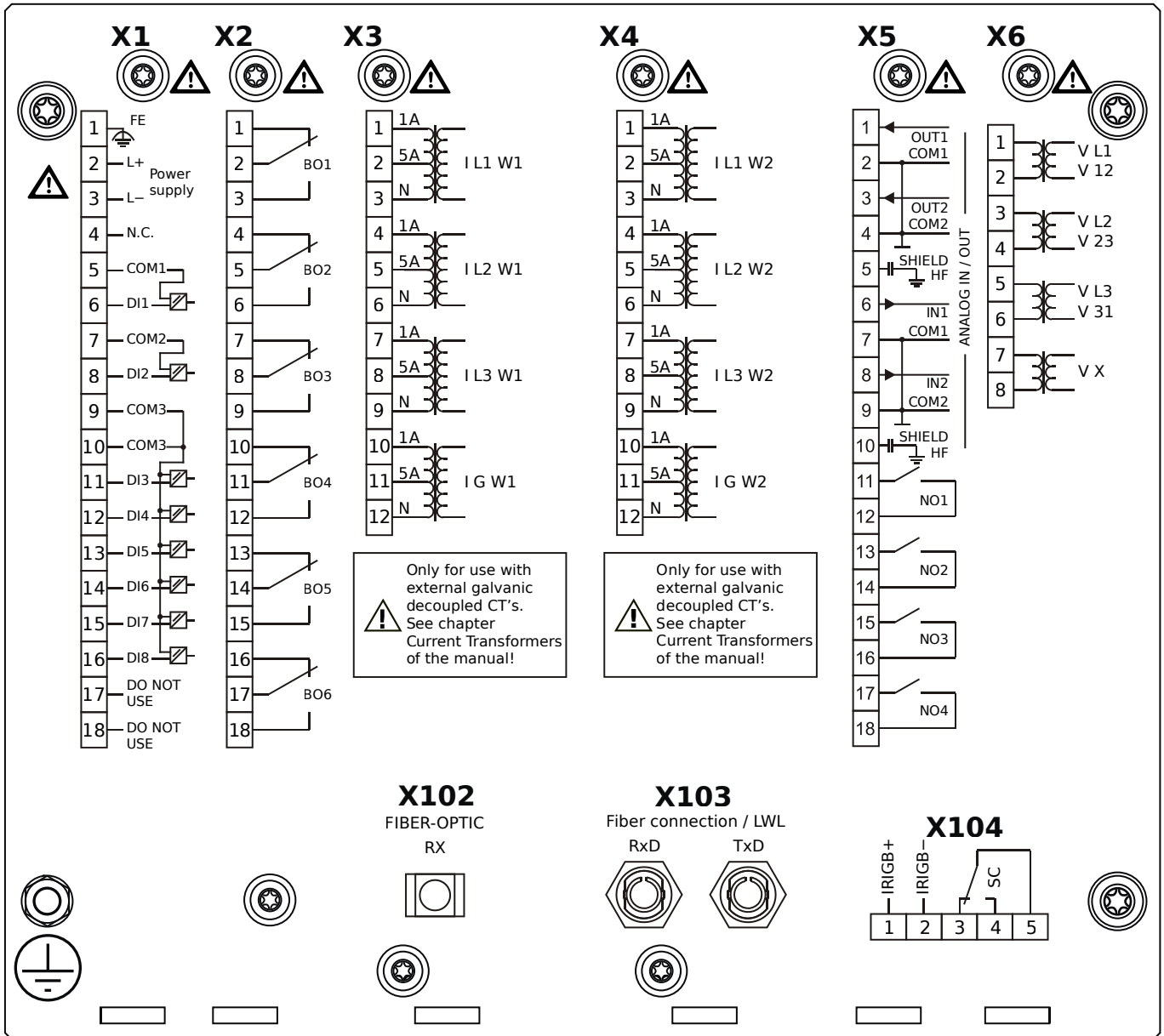
MCDTV4-2B0AFA



Housing B2, large display, door mounting

- X1** – DI8-X1: Wide-range power supply unit, incl. 2 non-grouped digital inputs and 6 grouped digital inputs
- X2** – OR6: Assembly Group with 6 Output Relays (Changeover / Form C)
- X3** – TI: Standard current measuring card (for the winding side 1)
- X4** – TI: Standard current measuring card (for the winding side 2)
- X5** – AnIO2-OR4: Assembly Group with 2 Analog Inputs, 2 Analog Outputs and 4 Output Relays
- X6** – TU: Card with 4 voltage transformer measuring inputs (0 ... 800 VAC, under UL: 0 ... 600 VAC)
- X102** – Universal Resistance-Temperature Detector (URTD) input, Fiber optics interface, Versatile Link
- X103** – Modbus RTU / IEC 60870-5-103 / DNP3.0 RTU, Fiber optics interface, ST Connector
- X104** – IRIG-B00X, incl. System Contact (Supervision Contact)

MCDTV4-2B0AFB

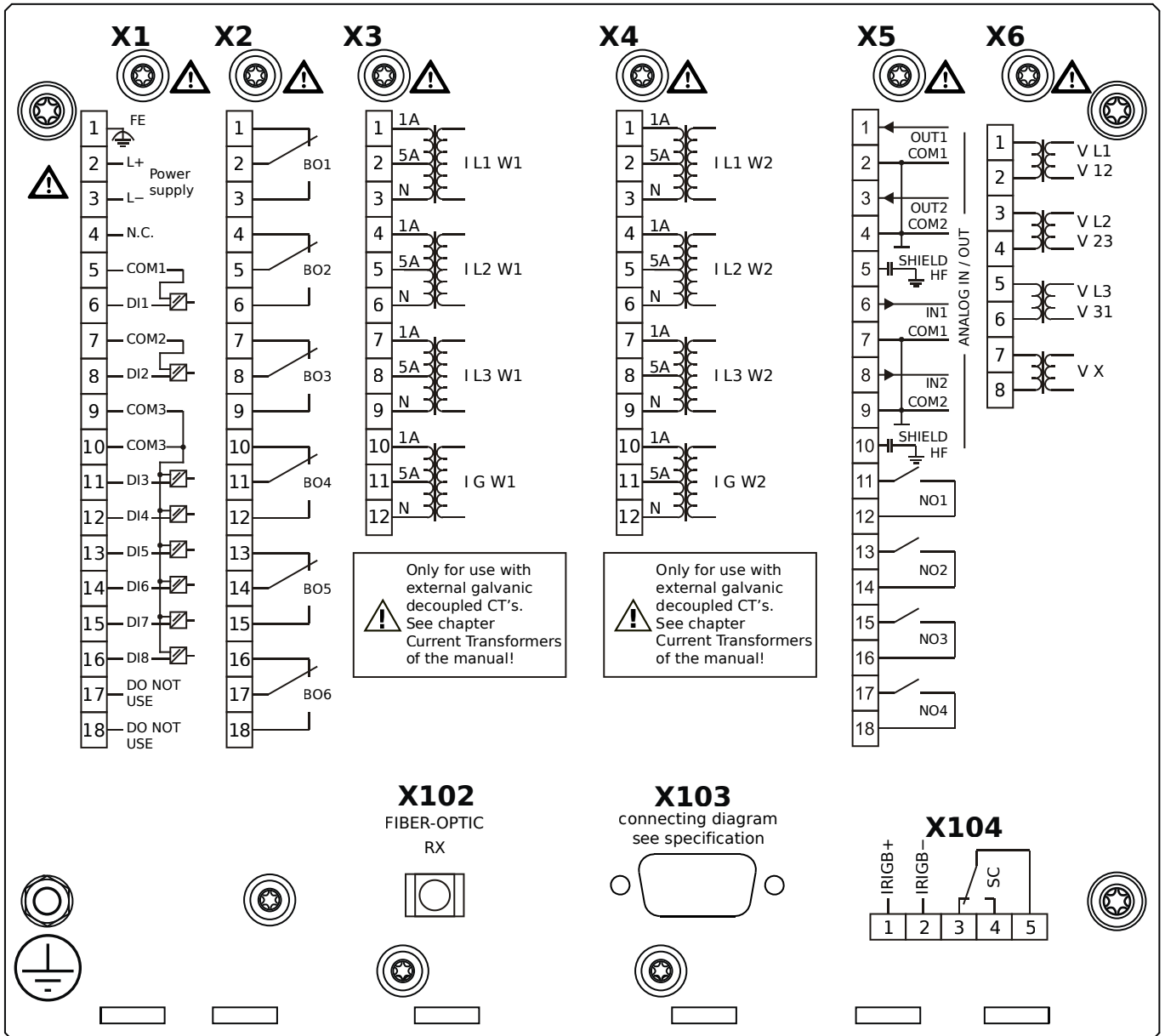


Housing B2, large display, door mounting

- + Conformal Coating (for installations in harsh environment)

- X1** – DI8-X1: Wide-range power supply unit, incl. 2 non-grouped digital inputs and 6 grouped digital inputs
- X2** – OR6: Assembly Group with 6 Output Relays (Changeover / Form C)
- X3** – TI: Standard current measuring card (for the winding side 1)
- X4** – TI: Standard current measuring card (for the winding side 2)
- X5** – AnIO2-OR4: Assembly Group with 2 Analog Inputs, 2 Analog Outputs and 4 Output Relays
- X6** – TU: Card with 4 voltage transformer measuring inputs (0 ... 800 VAC, under UL: 0 ... 600 VAC)
- X102** – Universal Resistance-Temperature Detector (URTD) input, Fiber optics interface, Versatile Link
- X103** – Modbus RTU / IEC 60870-5-103 / DNP3.0 RTU, Fiber optics interface, ST Connector
- X104** – IRIG-B00X, incl. System Contact (Supervision Contact)

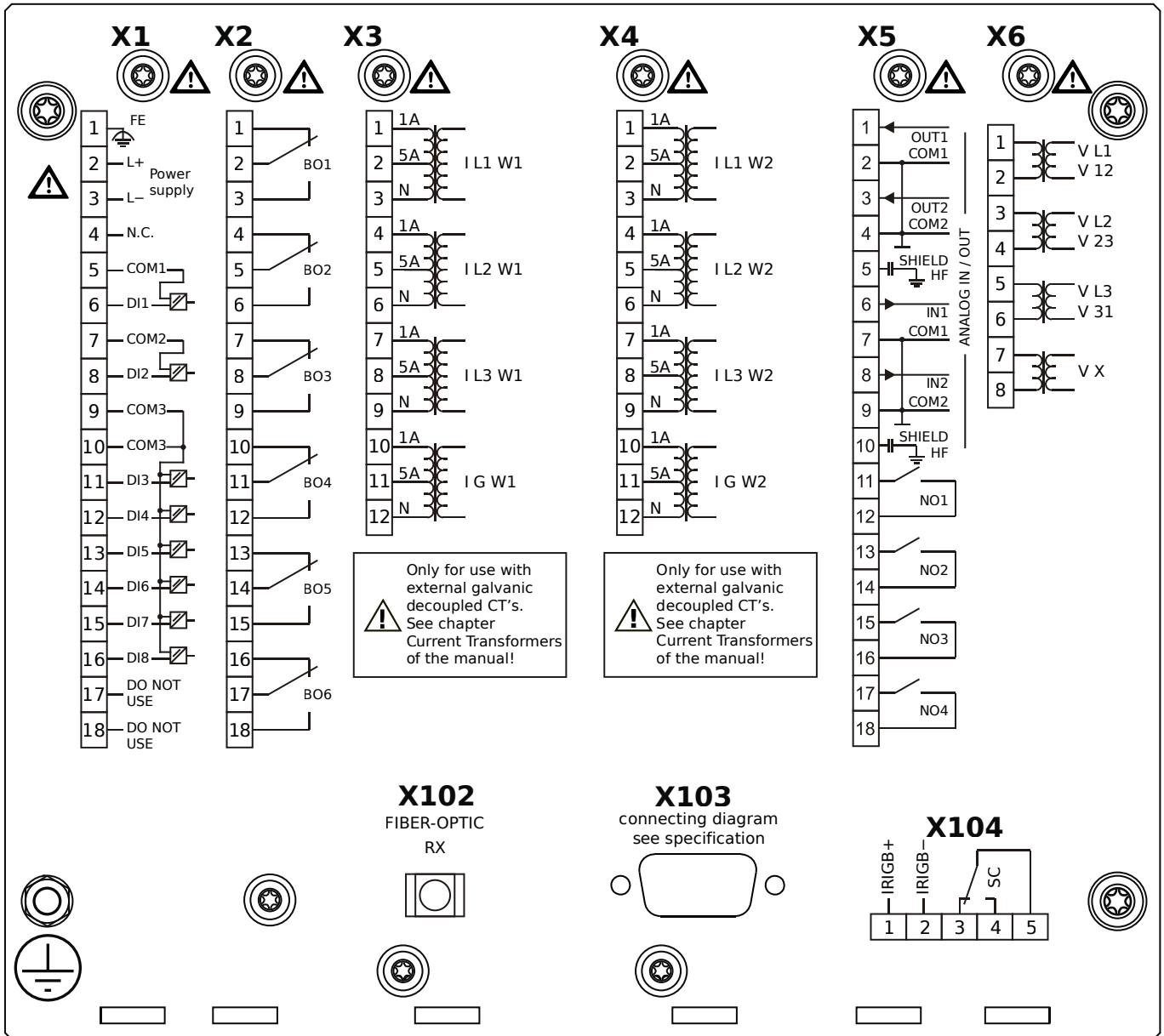
MCDTV4-2B0AGA



Housing B2, large display, door mounting

- X1** – DI8-X1: Wide-range power supply unit, incl. 2 non-grouped digital inputs and 6 grouped digital inputs
- X2** – OR6: Assembly Group with 6 Output Relays (Changeover / Form C)
- X3** – TI: Standard current measuring card (for the winding side 1)
- X4** – TI: Standard current measuring card (for the winding side 2)
- X5** – AnIO2-OR4: Assembly Group with 2 Analog Inputs, 2 Analog Outputs and 4 Output Relays
- X6** – TU: Card with 4 voltage transformer measuring inputs (0 ... 800 VAC, under UL: 0 ... 600 VAC)
- X102** – Universal Resistance-Temperature Detector (URTD) input, Fiber optics interface, Versatile Link
- X103** – Modbus RTU / IEC 60870-5-103 / DNP3.0 RTU, RS485, D-SUB
- X104** – IRIG-B00X, incl. System Contact (Supervision Contact)

MCDTV4-2B0AGB

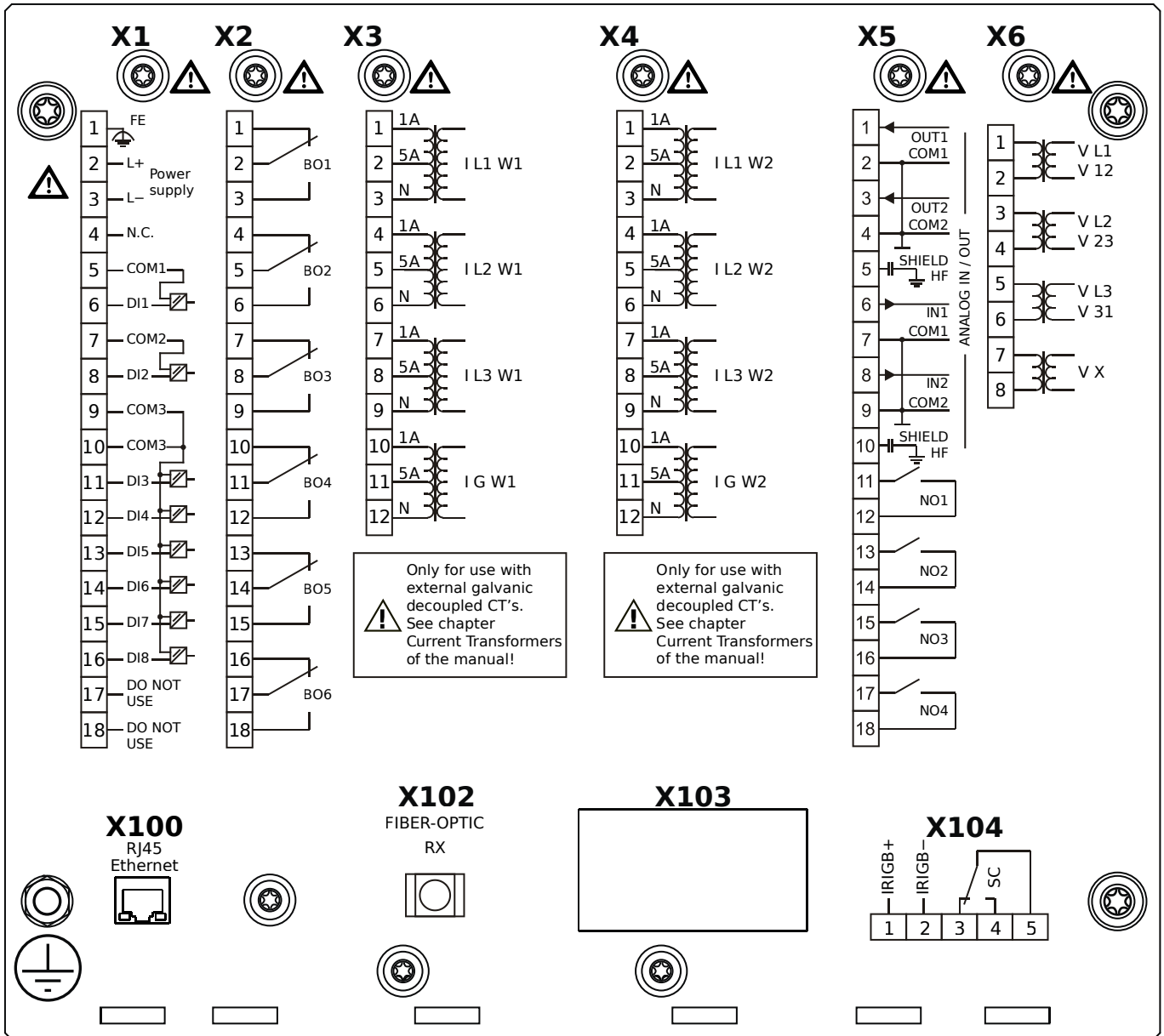


Housing B2, large display, door mounting

+ Conformal Coating (for installations in harsh environment)

- X1** – DI8-X1: Wide-range power supply unit, incl. 2 non-grouped digital inputs and 6 grouped digital inputs
- X2** – OR6: Assembly Group with 6 Output Relays (Changeover / Form C)
- X3** – TI: Standard current measuring card (for the winding side 1)
- X4** – TI: Standard current measuring card (for the winding side 2)
- X5** – AnIO2-OR4: Assembly Group with 2 Analog Inputs, 2 Analog Outputs and 4 Output Relays
- X6** – TU: Card with 4 voltage transformer measuring inputs (0 ... 800 VAC, under UL: 0 ... 600 VAC)
- X102** – Universal Resistance-Temperature Detector (URTD) input, Fiber optics interface, Versatile Link
- X103** – Modbus RTU / IEC 60870-5-103 / DNP3.0 RTU, RS485, D-SUB
- X104** – IRIG-B00X, incl. System Contact (Supervision Contact)

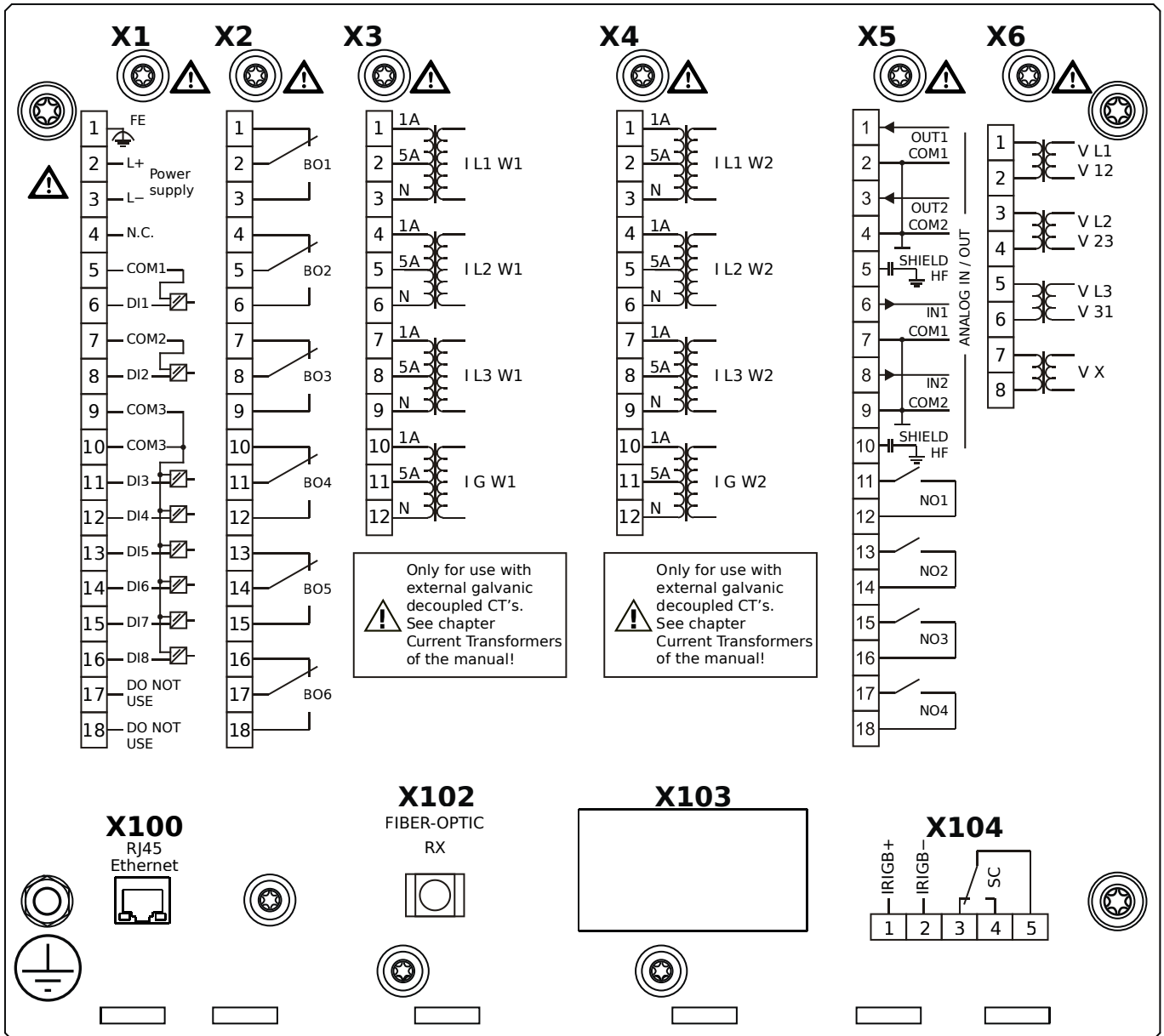
MCDTV4-2B0AHA



Housing B2, large display, door mounting

- X1** – DI8-X1: Wide-range power supply unit, incl. 2 non-grouped digital inputs and 6 grouped digital inputs
- X2** – OR6: Assembly Group with 6 Output Relays (Changeover / Form C)
- X3** – TI: Standard current measuring card (for the winding side 1)
- X4** – TI: Standard current measuring card (for the winding side 2)
- X5** – AnIO2-OR4: Assembly Group with 2 Analog Inputs, 2 Analog Outputs and 4 Output Relays
- X6** – TU: Card with 4 voltage transformer measuring inputs (0 ... 800 VAC, under UL: 0 ... 600 VAC)
- X100** – IEC 61850 / Modbus TCP / IEC 60870-5-104 / DNP3.0 TCP/UDP, Ethernet interface, 100 Mbit/s, RJ45 (BASE100-FX)
- X102** – Universal Resistance-Temperature Detector (URTD) input, Fiber optics interface, Versatile Link
- X104** – IRIG-B00X, incl. System Contact (Supervision Contact)

MCDTV4-2B0AHB



Housing B2, large display, door mounting

+ Conformal Coating (for installations in harsh environment)

X1 – DI8-X1: Wide-range power supply unit, incl. 2 non-grouped digital inputs and 6 grouped digital inputs

X2 – OR6: Assembly Group with 6 Output Relays (Changeover / Form C)

X3 – TI: Standard current measuring card (for the winding side 1)

X4 – TI: Standard current measuring card (for the winding side 2)

X5 – AnIO2-OR4: Assembly Group with 2 Analog Inputs, 2 Analog Outputs and 4 Output Relays

X6 – TU: Card with 4 voltage transformer measuring inputs (0 ... 800 VAC, under UL: 0 ... 600 VAC)

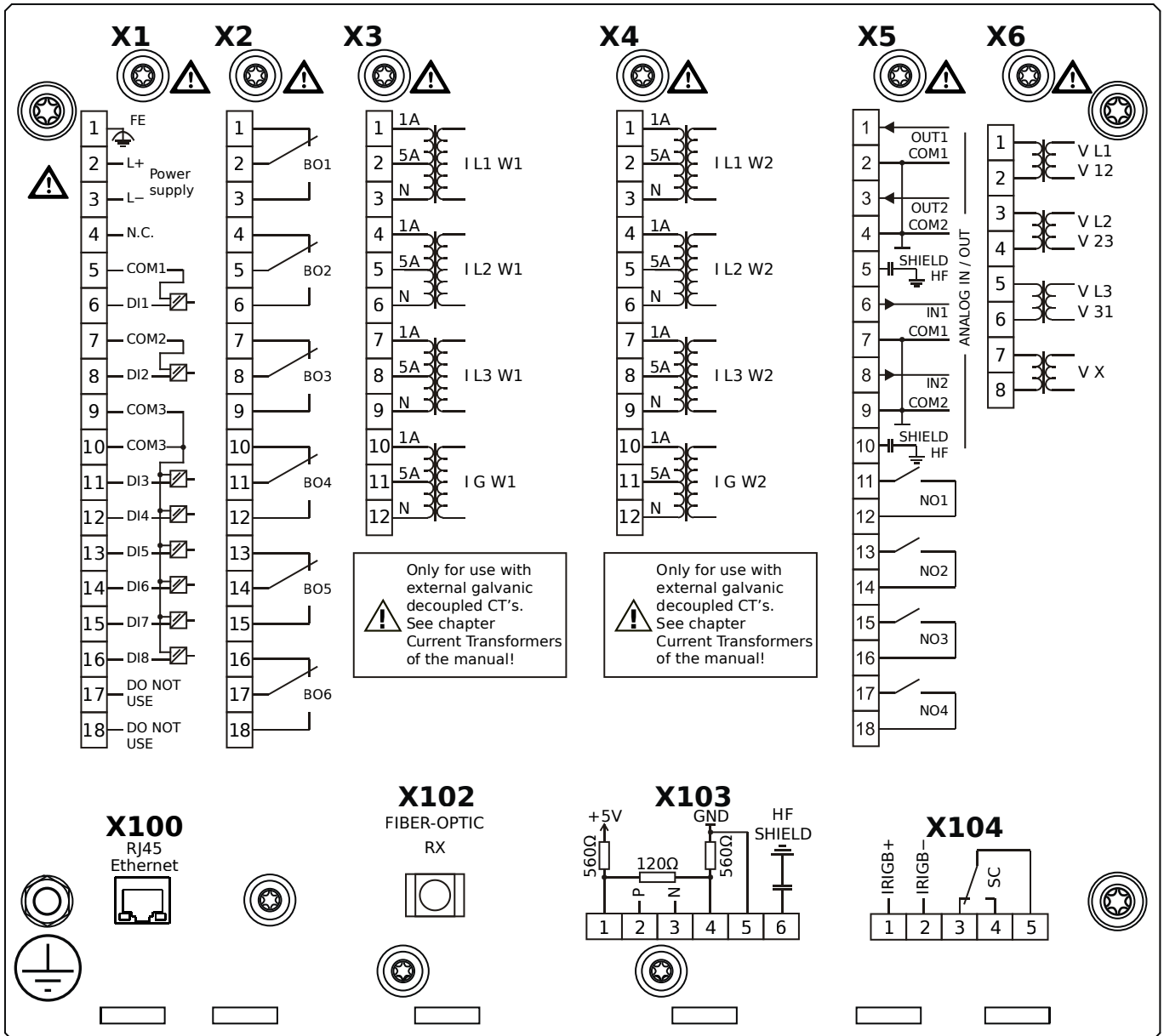
X100 – IEC 61850 / Modbus TCP / IEC 60870-5-104 / DNP3.0 TCP/UDP, Ethernet interface, 100 Mbit/s, RJ45 (BASE100-

FX)

X102 – Universal Resistance-Temperature Detector (URTD) input, Fiber optics interface, Versatile Link

X104 – IRIG-B00X, incl. System Contact (Supervision Contact)

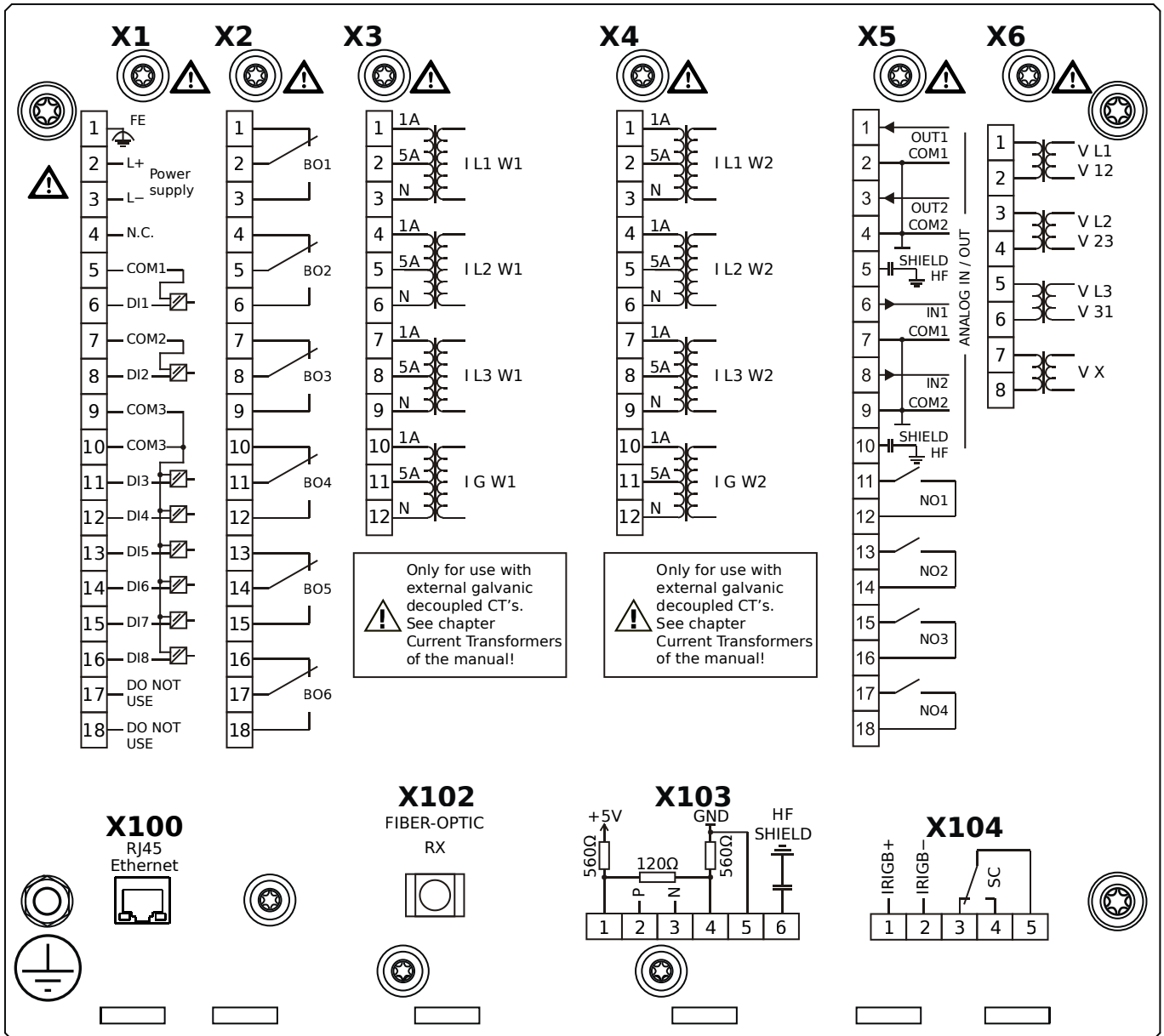
MCDTV4-2B0AIA



Housing B2, large display, door mounting

- X1** – DI8-X1: Wide-range power supply unit, incl. 2 non-grouped digital inputs and 6 grouped digital inputs
- X2** – OR6: Assembly Group with 6 Output Relays (Changeover / Form C)
- X3** – TI: Standard current measuring card (for the winding side 1)
- X4** – TI: Standard current measuring card (for the winding side 2)
- X5** – AnIO2-OR4: Assembly Group with 2 Analog Inputs, 2 Analog Outputs and 4 Output Relays
- X6** – TU: Card with 4 voltage transformer measuring inputs (0 ... 800 VAC, under UL: 0 ... 600 VAC)
- X100** – Modbus TCP / IEC 60870-5-104 / DNP3.0 TCP/UDP, Ethernet interface, 100 Mbit/s, RJ45 (BASE100-FX)
- X102** – Universal Resistance-Temperature Detector (URTD) input, Fiber optics interface, Versatile Link
- X103** – IEC 60870-5-103 / Modbus RTU / DNP3.0 RTU, RS485, Terminals
- X104** – IRIG-B00X, incl. System Contact (Supervision Contact)

MCDTV4-2B0AIB

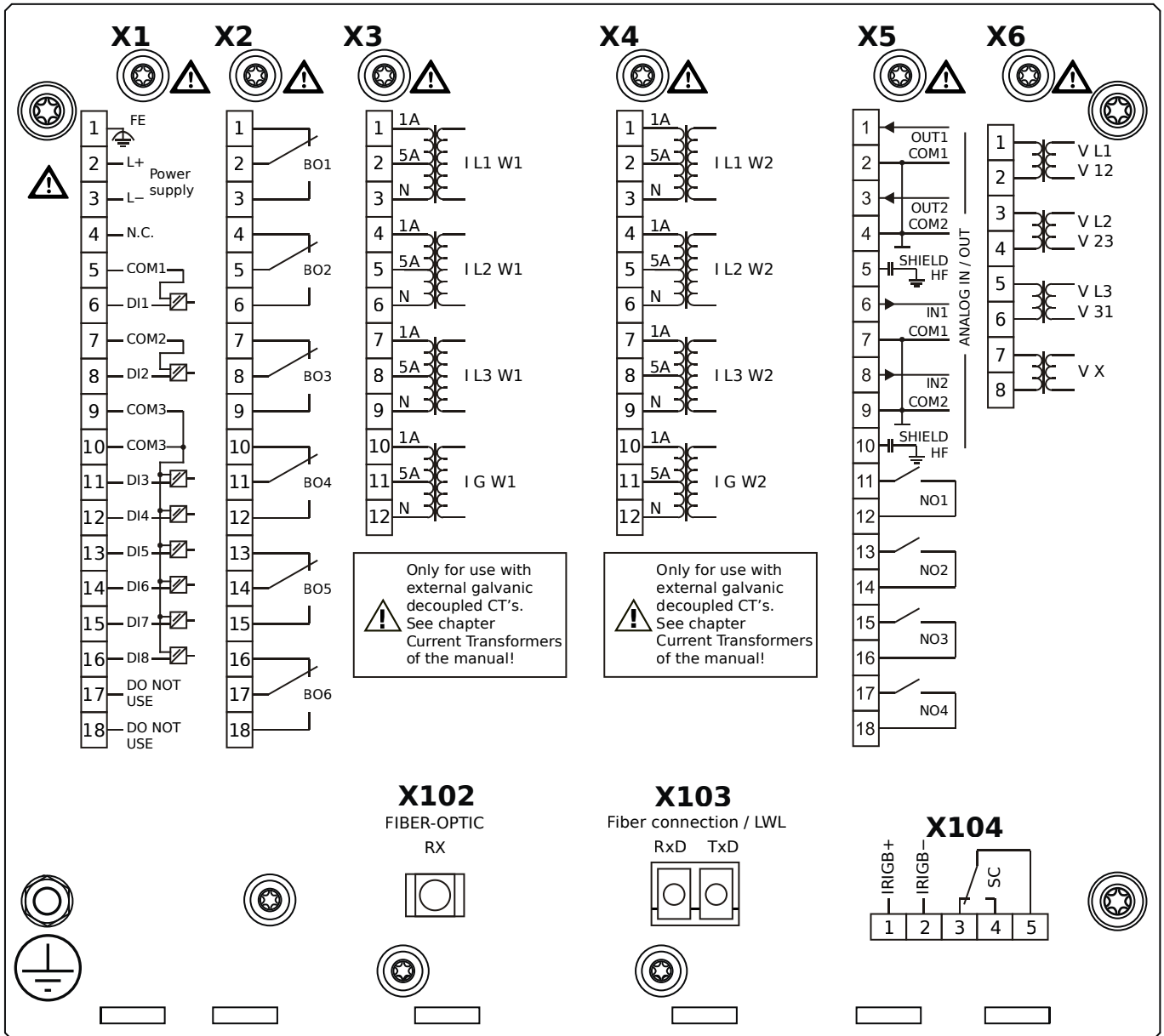


Housing B2, large display, door mounting

+ Conformal Coating (for installations in harsh environment)

- X1** – DI8-X1: Wide-range power supply unit, incl. 2 non-grouped digital inputs and 6 grouped digital inputs
- X2** – OR6: Assembly Group with 6 Output Relays (Changeover / Form C)
- X3** – TI: Standard current measuring card (for the winding side 1)
- X4** – TI: Standard current measuring card (for the winding side 2)
- X5** – AnIO2-OR4: Assembly Group with 2 Analog Inputs, 2 Analog Outputs and 4 Output Relays
- X6** – TU: Card with 4 voltage transformer measuring inputs (0 ... 800 VAC, under UL: 0 ... 600 VAC)
- X100** – Modbus TCP / IEC 60870-5-104 / DNP3.0 TCP/UDP, Ethernet interface, 100 Mbit/s, RJ45 (BASE100-FX)
- X102** – Universal Resistance-Temperature Detector (URTD) input, Fiber optics interface, Versatile Link
- X103** – IEC 60870-5-103 / Modbus RTU / DNP3.0 RTU, RS485, Terminals
- X104** – IRIG-B00X, incl. System Contact (Supervision Contact)

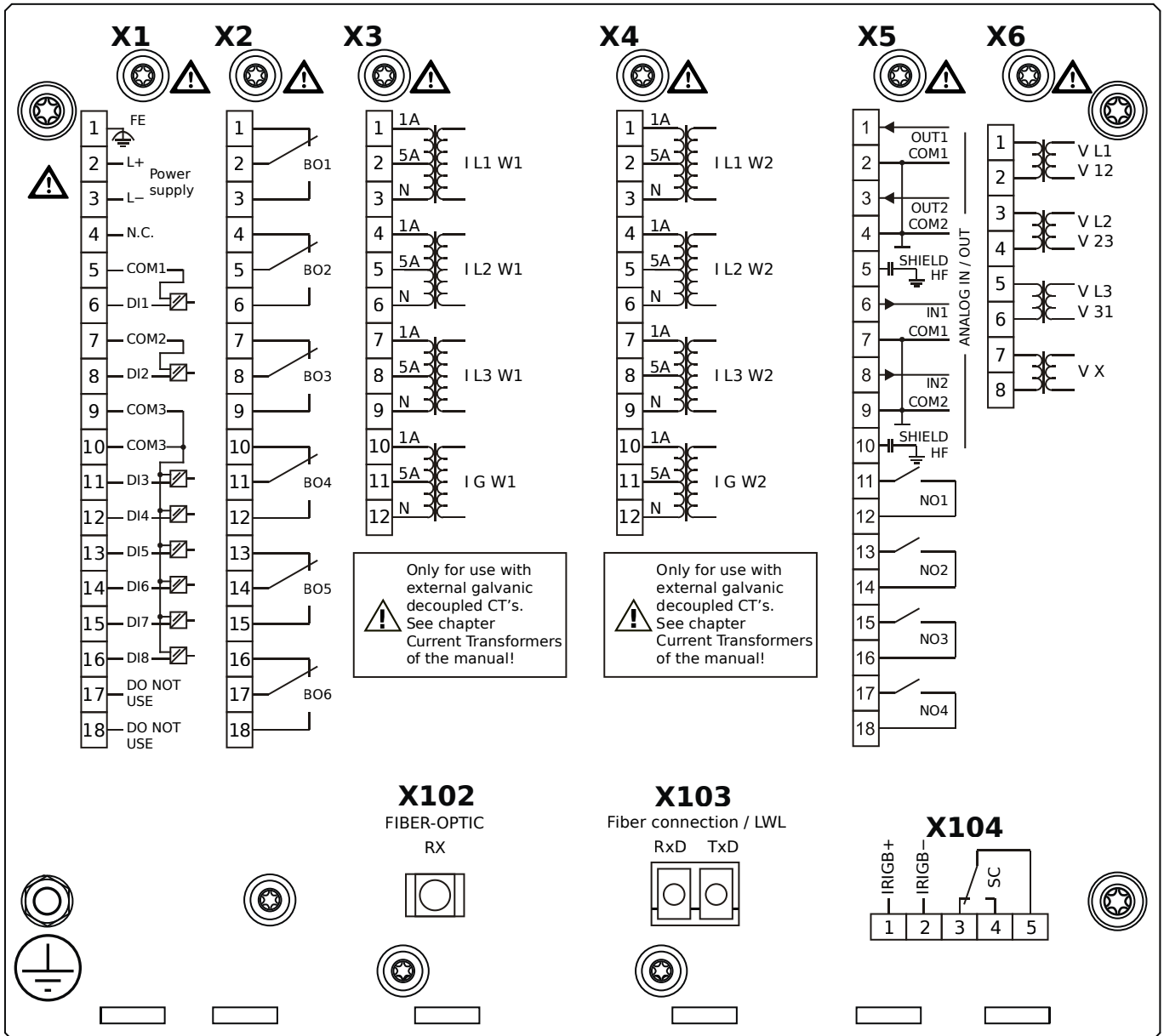
MCDTV4-2B0AKA



Housing B2, large display, door mounting

- X1** – DI8-X1: Wide-range power supply unit, incl. 2 non-grouped digital inputs and 6 grouped digital inputs
- X2** – OR6: Assembly Group with 6 Output Relays (Changeover / Form C)
- X3** – TI: Standard current measuring card (for the winding side 1)
- X4** – TI: Standard current measuring card (for the winding side 2)
- X5** – AnIO2-OR4: Assembly Group with 2 Analog Inputs, 2 Analog Outputs and 4 Output Relays
- X6** – TU: Card with 4 voltage transformer measuring inputs (0 ... 800 VAC, under UL: 0 ... 600 VAC)
- X102** – Universal Resistance-Temperature Detector (URTD) input, Fiber optics interface, Versatile Link
- X103** – IEC 61850 / Modbus TCP / IEC 60870-5-104 / DNP3.0 TCP/UDP, Fiber optics interface, LC Connector
- X104** – IRIG-B00X, incl. System Contact (Supervision Contact)

MCDTV4-2B0AKB

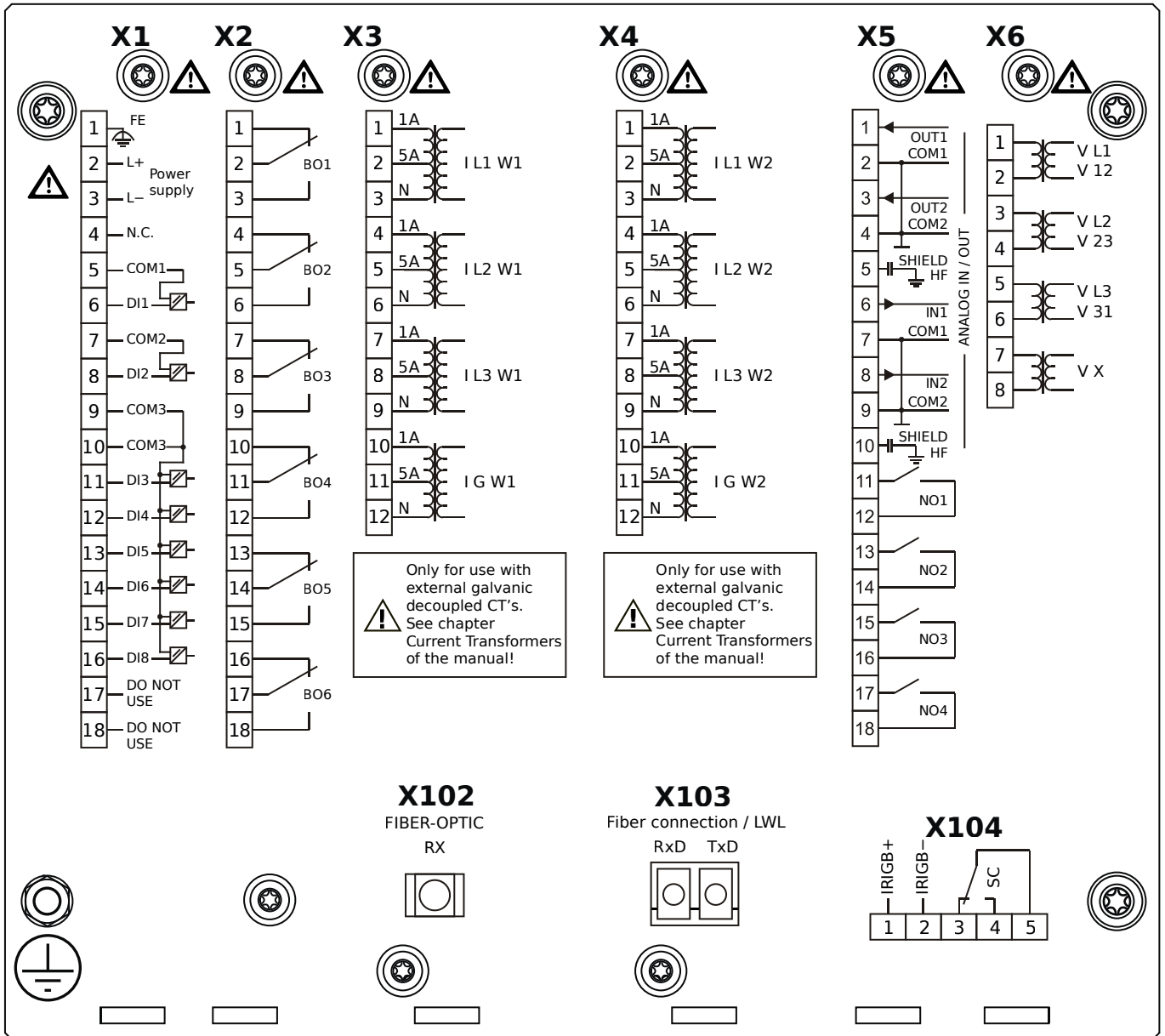


Housing B2, large display, door mounting

- + Conformal Coating (for installations in harsh environment)

- X1** – DI8-X1: Wide-range power supply unit, incl. 2 non-grouped digital inputs and 6 grouped digital inputs
- X2** – OR6: Assembly Group with 6 Output Relays (Changeover / Form C)
- X3** – TI: Standard current measuring card (for the winding side 1)
- X4** – TI: Standard current measuring card (for the winding side 2)
- X5** – AnIO2-OR4: Assembly Group with 2 Analog Inputs, 2 Analog Outputs and 4 Output Relays
- X6** – TU: Card with 4 voltage transformer measuring inputs (0 ... 800 VAC, under UL: 0 ... 600 VAC)
- X102** – Universal Resistance-Temperature Detector (URTD) input, Fiber optics interface, Versatile Link
- X103** – IEC 61850 / Modbus TCP / IEC 60870-5-104 / DNP3.0 TCP/UDP, Fiber optics interface, LC Connector
- X104** – IRIG-B00X, incl. System Contact (Supervision Contact)

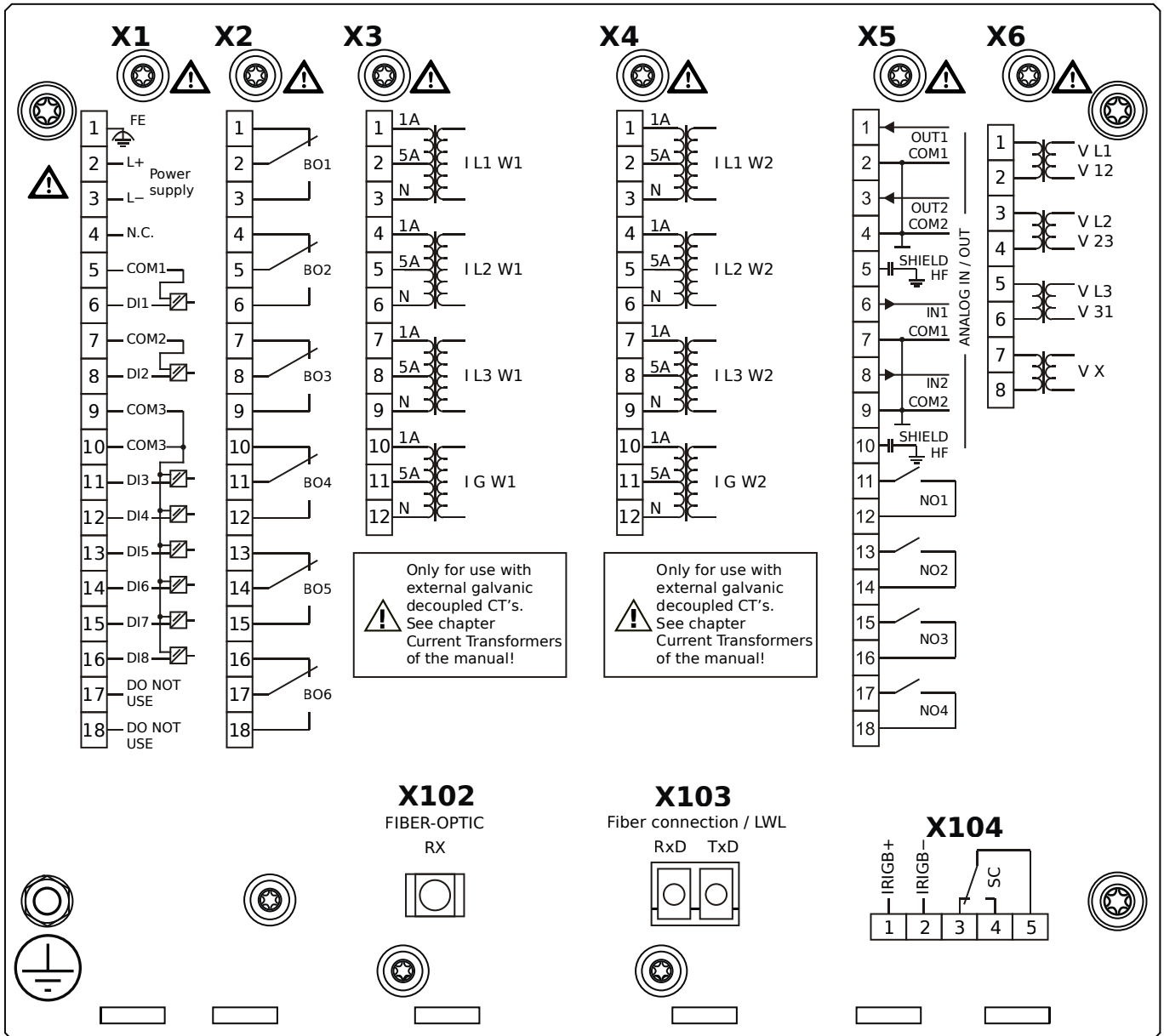
MCDTV4-2B0ALA



Housing B2, large display, door mounting

- X1** – DI8-X1: Wide-range power supply unit, incl. 2 non-grouped digital inputs and 6 grouped digital inputs
- X2** – OR6: Assembly Group with 6 Output Relays (Changeover / Form C)
- X3** – TI: Standard current measuring card (for the winding side 1)
- X4** – TI: Standard current measuring card (for the winding side 2)
- X5** – AnIO2-OR4: Assembly Group with 2 Analog Inputs, 2 Analog Outputs and 4 Output Relays
- X6** – TU: Card with 4 voltage transformer measuring inputs (0 ... 800 VAC, under UL: 0 ... 600 VAC)
- X102** – Universal Resistance-Temperature Detector (URTD) input, Fiber optics interface, Versatile Link
- X103** – Modbus TCP / IEC 60870-5-104 / DNP3.0 TCP/UDP, Fiber optics interface, LC Connector
- X104** – IRIG-B00X, incl. System Contact (Supervision Contact)

MCDTV4-2B0ALB

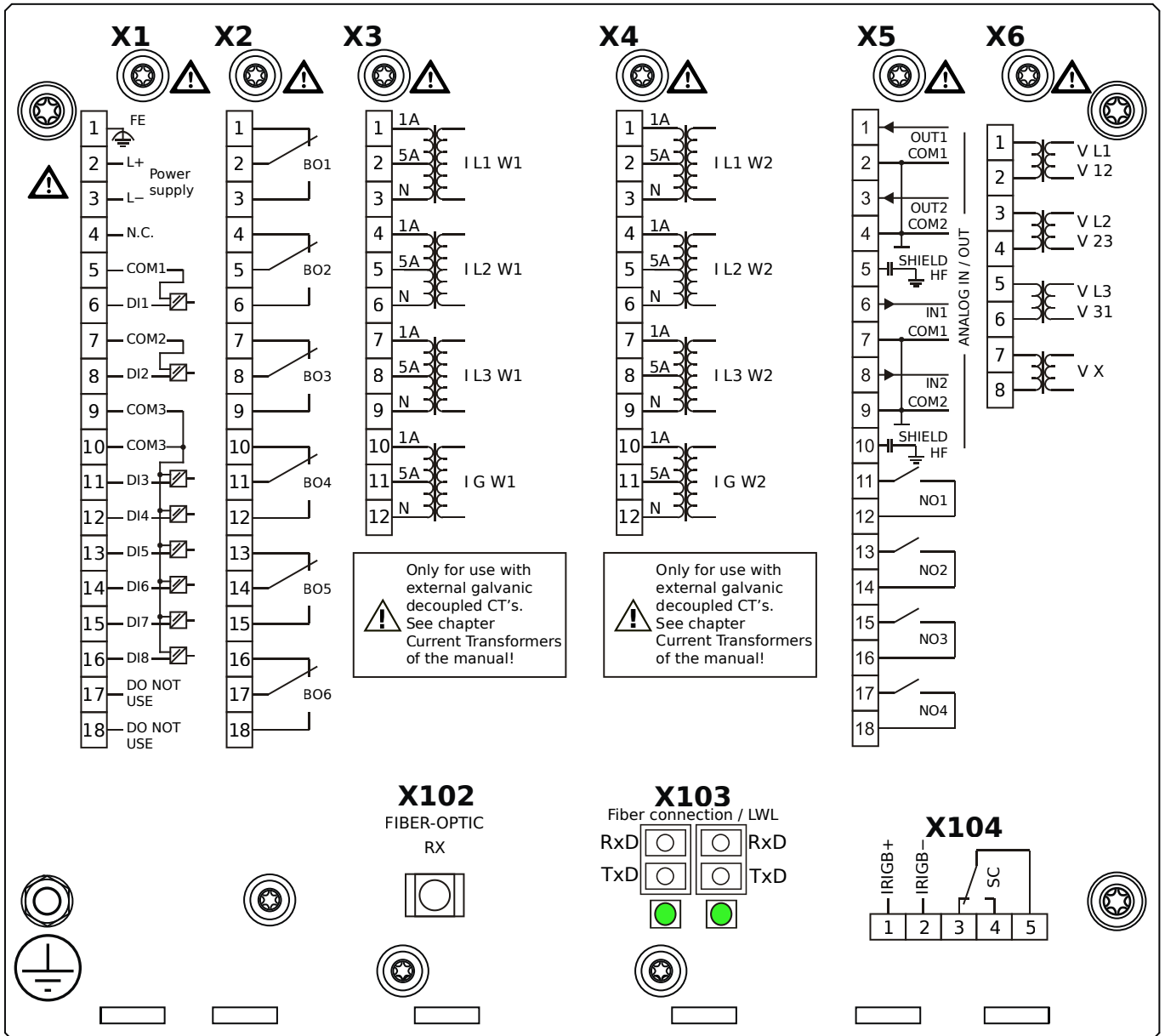


Housing B2, large display, door mounting

- + Conformal Coating (for installations in harsh environment)

- X1** – DI8-X1: Wide-range power supply unit, incl. 2 non-grouped digital inputs and 6 grouped digital inputs
- X2** – OR6: Assembly Group with 6 Output Relays (Changeover / Form C)
- X3** – TI: Standard current measuring card (for the winding side 1)
- X4** – TI: Standard current measuring card (for the winding side 2)
- X5** – AnIO2-OR4: Assembly Group with 2 Analog Inputs, 2 Analog Outputs and 4 Output Relays
- X6** – TU: Card with 4 voltage transformer measuring inputs (0 ... 800 VAC, under UL: 0 ... 600 VAC)
- X102** – Universal Resistance-Temperature Detector (URTD) input, Fiber optics interface, Versatile Link
- X103** – Modbus TCP / IEC 60870-5-104 / DNP3.0 TCP/UDP, Fiber optics interface, LC Connector
- X104** – IRIG-B00X, incl. System Contact (Supervision Contact)

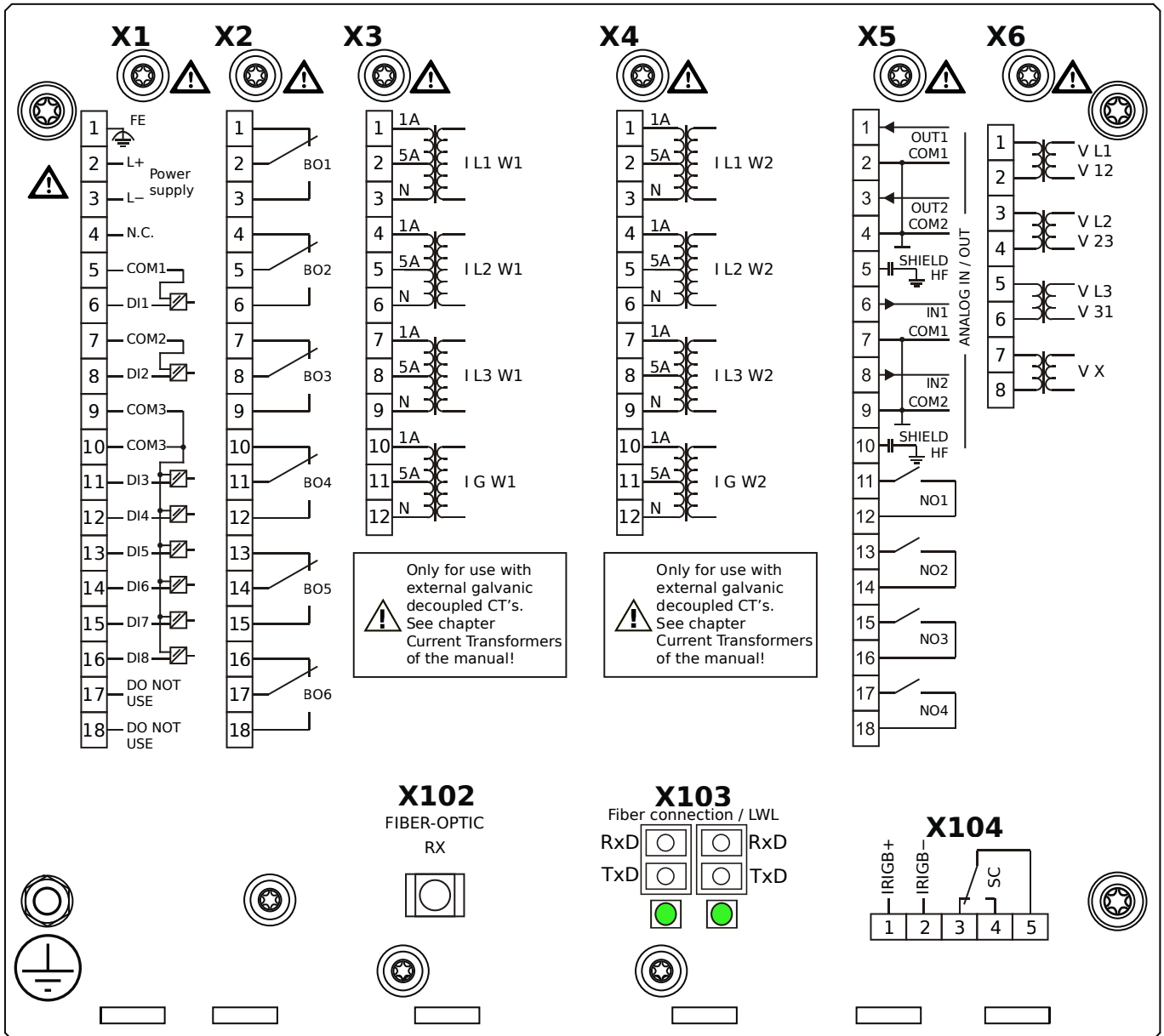
MCDTV4-2B0AOA



Housing B2, large display, door mounting

- X1** – DI8-X1: Wide-range power supply unit, incl. 2 non-grouped digital inputs and 6 grouped digital inputs
- X2** – OR6: Assembly Group with 6 Output Relays (Changeover / Form C)
- X3** – TI: Standard current measuring card (for the winding side 1)
- X4** – TI: Standard current measuring card (for the winding side 2)
- X5** – AnIO2-OR4: Assembly Group with 2 Analog Inputs, 2 Analog Outputs and 4 Output Relays
- X6** – TU: Card with 4 voltage transformer measuring inputs (0 ... 800 VAC, under UL: 0 ... 600 VAC)
- X102** – Universal Resistance-Temperature Detector (URTD) input, Fiber optics interface, Versatile Link
- X103** – Modbus TCP / IEC 60870-5-104 / DNP3.0 TCP/UDP, Redundant Fiber optics interface, LC Connector
- X104** – IRIG-B00X, incl. System Contact (Supervision Contact)

MCDTV4-2B0AOB

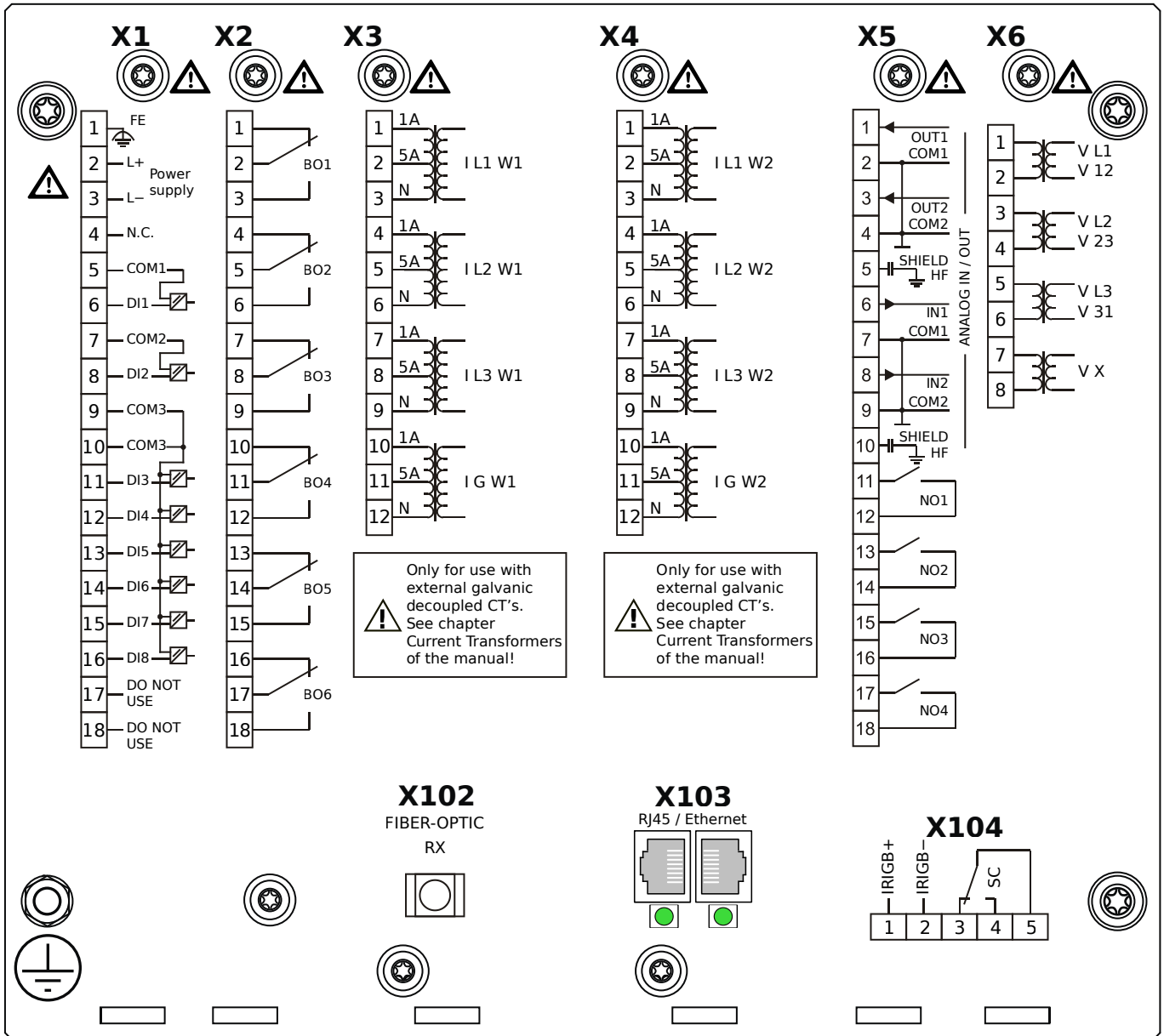


Housing B2, large display, door mounting

- + Conformal Coating (for installations in harsh environment)

- X1** – DI8-X1: Wide-range power supply unit, incl. 2 non-grouped digital inputs and 6 grouped digital inputs
- X2** – OR6: Assembly Group with 6 Output Relays (Changeover / Form C)
- X3** – TI: Standard current measuring card (for the winding side 1)
- X4** – TI: Standard current measuring card (for the winding side 2)
- X5** – AnIO2-OR4: Assembly Group with 2 Analog Inputs, 2 Analog Outputs and 4 Output Relays
- X6** – TU: Card with 4 voltage transformer measuring inputs (0 ... 800 VAC, under UL: 0 ... 600 VAC)
- X102** – Universal Resistance-Temperature Detector (URTD) input, Fiber optics interface, Versatile Link
- X103** – Modbus TCP / IEC 60870-5-104 / DNP3.0 TCP/UDP, Redundant Fiber optics interface, LC Connector
- X104** – IRIG-B00X, incl. System Contact (Supervision Contact)

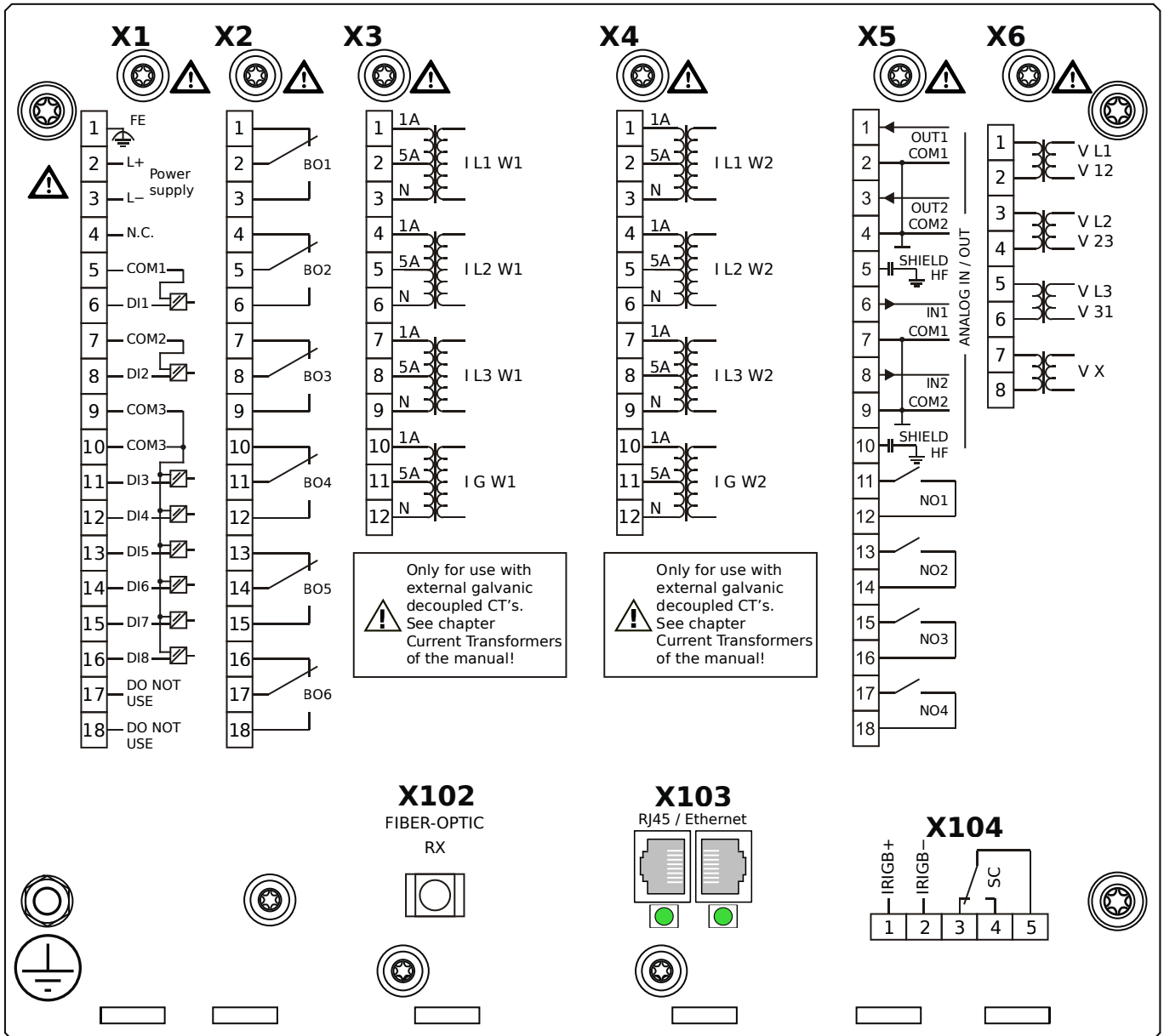
MCDTV4-2B0APA



Housing B2, large display, door mounting

- X1** – DI8-X1: Wide-range power supply unit, incl. 2 non-grouped digital inputs and 6 grouped digital inputs
- X2** – OR6: Assembly Group with 6 Output Relays (Changeover / Form C)
- X3** – TI: Standard current measuring card (for the winding side 1)
- X4** – TI: Standard current measuring card (for the winding side 2)
- X5** – AnIO2-OR4: Assembly Group with 2 Analog Inputs, 2 Analog Outputs and 4 Output Relays
- X6** – TU: Card with 4 voltage transformer measuring inputs (0 ... 800 VAC, under UL: 0 ... 600 VAC)
- X102** – Universal Resistance-Temperature Detector (URTD) input, Fiber optics interface, Versatile Link
- X103** – Modbus TCP / IEC 60870-5-104 / DNP3.0 TCP/UDP, Redundant Ethernet interface, 100 Mbit/s, RJ45 (BASE100-FX)
- X104** – IRIG-B00X, incl. System Contact (Supervision Contact)

MCDTV4-2B0APB

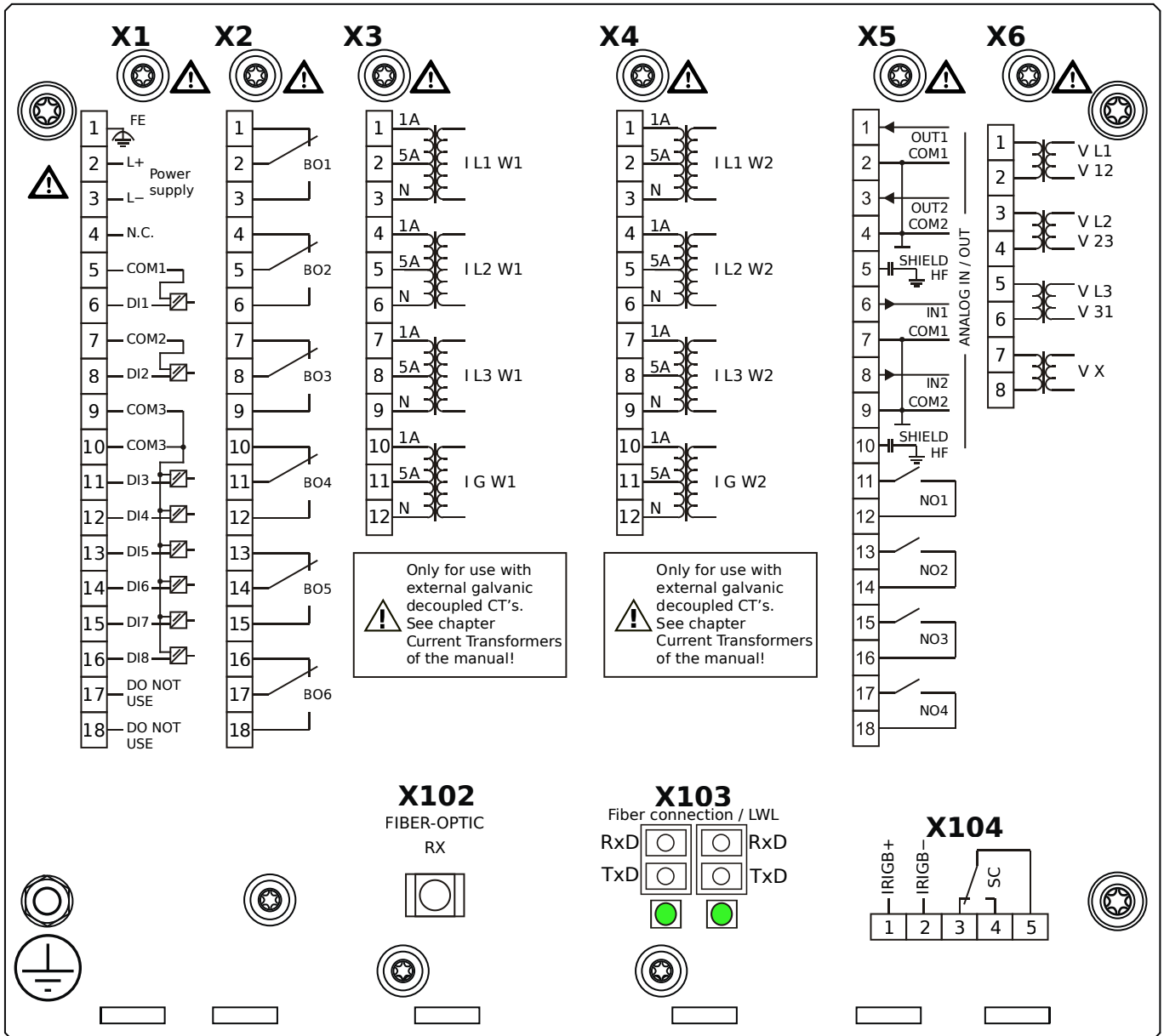


Housing B2, large display, door mounting

- + Conformal Coating (for installations in harsh environment)

- X1** – DI8-X1: Wide-range power supply unit, incl. 2 non-grouped digital inputs and 6 grouped digital inputs
- X2** – OR6: Assembly Group with 6 Output Relays (Changeover / Form C)
- X3** – TI: Standard current measuring card (for the winding side 1)
- X4** – TI: Standard current measuring card (for the winding side 2)
- X5** – AnIO2-OR4: Assembly Group with 2 Analog Inputs, 2 Analog Outputs and 4 Output Relays
- X6** – TU: Card with 4 voltage transformer measuring inputs (0 ... 800 VAC, under UL: 0 ... 600 VAC)
- X102** – Universal Resistance-Temperature Detector (URTD) input, Fiber optics interface, Versatile Link
- X103** – Modbus TCP / IEC 60870-5-104 / DNP3.0 TCP/UDP, Redundant Ethernet interface, 100 Mbit/s, RJ45 (BASE100-FX)
- X104** – IRIG-B00X, incl. System Contact (Supervision Contact)

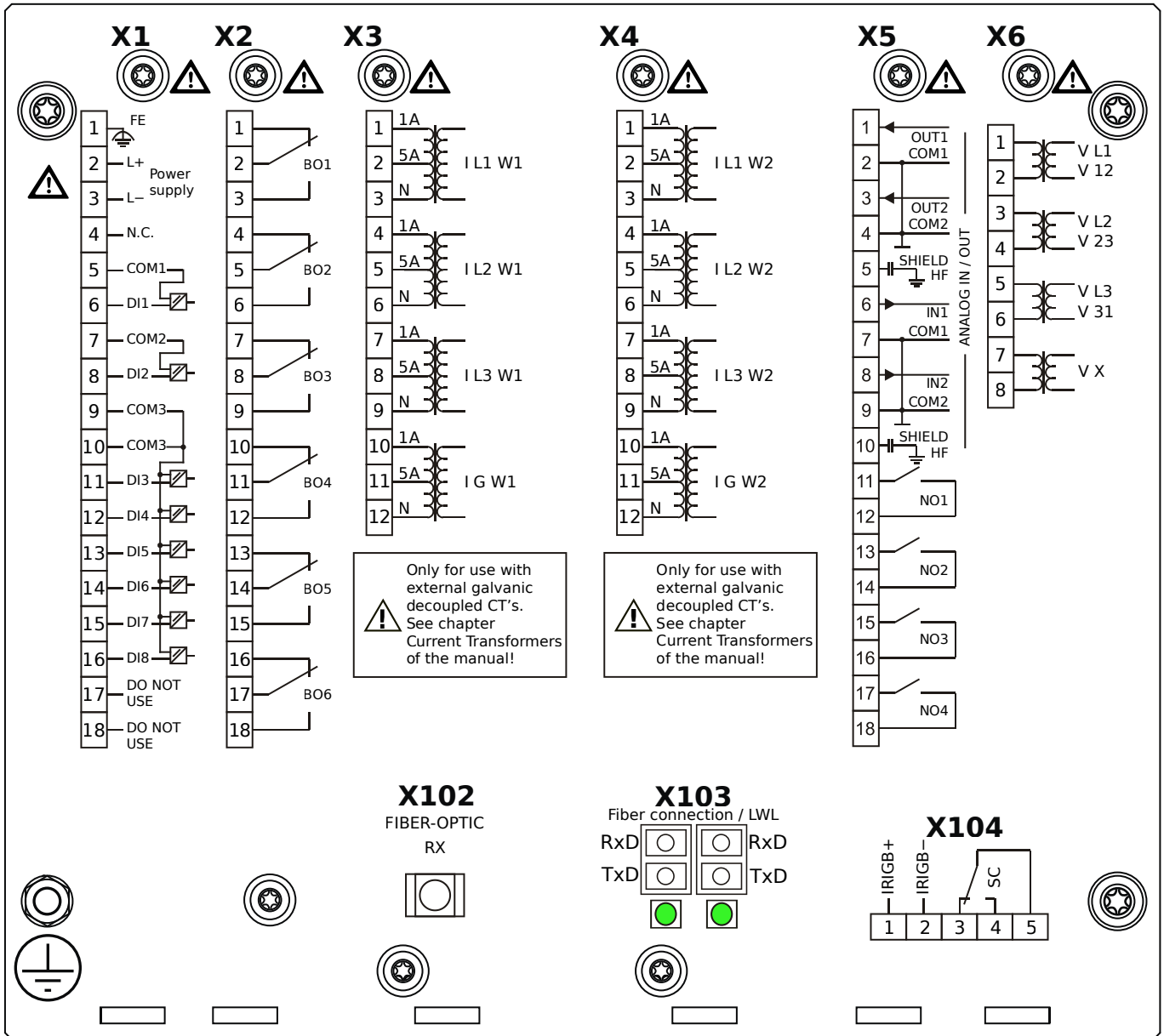
MCDTV4-2B0AQA



Housing B2, large display, door mounting

- X1** – DI8-X1: Wide-range power supply unit, incl. 2 non-grouped digital inputs and 6 grouped digital inputs
- X2** – OR6: Assembly Group with 6 Output Relays (Changeover / Form C)
- X3** – TI: Standard current measuring card (for the winding side 1)
- X4** – TI: Standard current measuring card (for the winding side 2)
- X5** – AnIO2-OR4: Assembly Group with 2 Analog Inputs, 2 Analog Outputs and 4 Output Relays
- X6** – TU: Card with 4 voltage transformer measuring inputs (0 ... 800 VAC, under UL: 0 ... 600 VAC)
- X102** – Universal Resistance-Temperature Detector (URTD) input, Fiber optics interface, Versatile Link
- X103** – IEC 61850 / Modbus TCP / IEC 60870-5-104 / DNP3.0 TCP/UDP, Redundant Fiber optics interface, LC Connector
- X104** – IRIG-B00X, incl. System Contact (Supervision Contact)

MCDTV4-2B0AQB

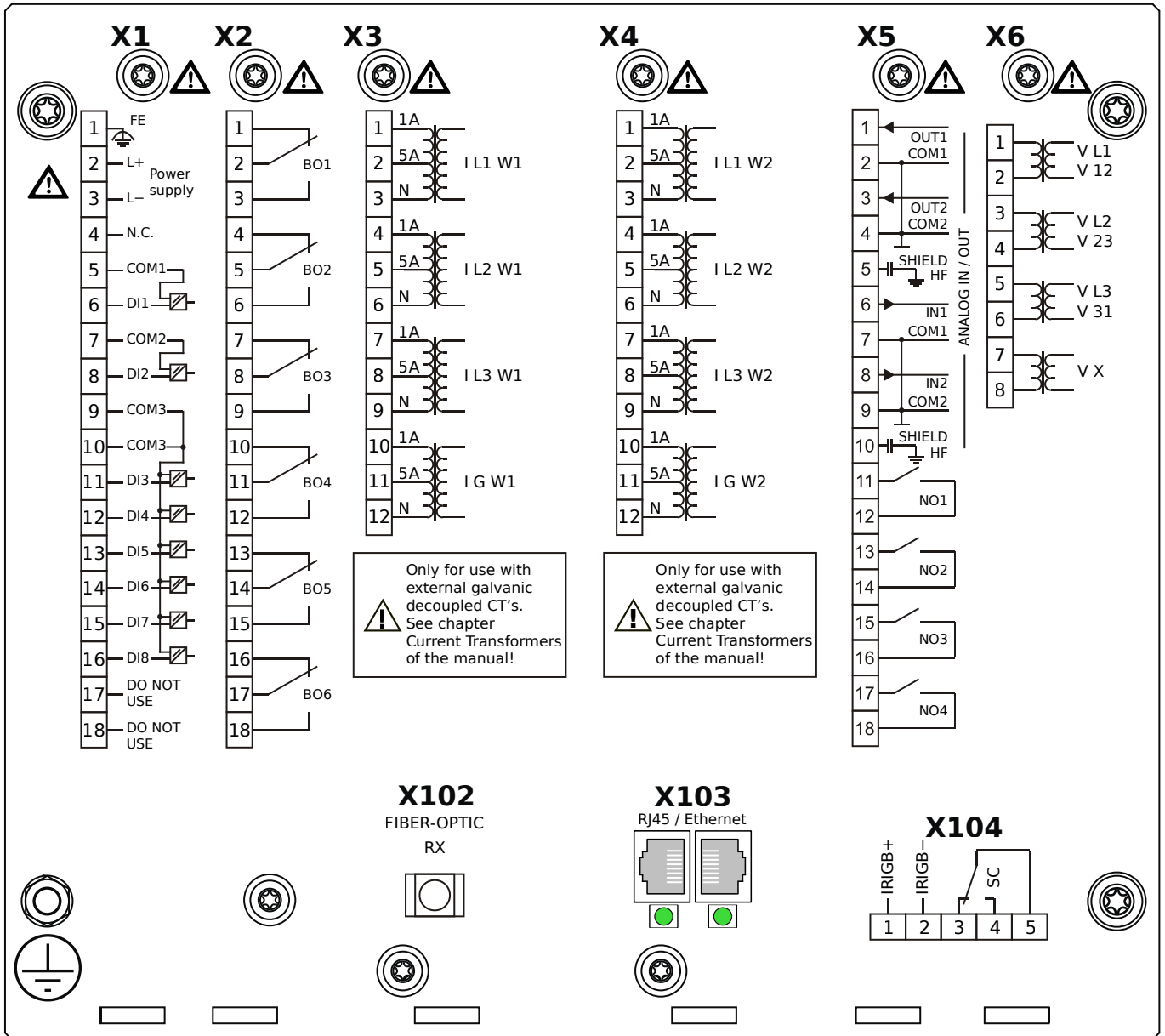


Housing B2, large display, door mounting

- + Conformal Coating (for installations in harsh environment)

- X1** – DI8-X1: Wide-range power supply unit, incl. 2 non-grouped digital inputs and 6 grouped digital inputs
- X2** – OR6: Assembly Group with 6 Output Relays (Changeover / Form C)
- X3** – TI: Standard current measuring card (for the winding side 1)
- X4** – TI: Standard current measuring card (for the winding side 2)
- X5** – AnIO2-OR4: Assembly Group with 2 Analog Inputs, 2 Analog Outputs and 4 Output Relays
- X6** – TU: Card with 4 voltage transformer measuring inputs (0 ... 800 VAC, under UL: 0 ... 600 VAC)
- X102** – Universal Resistance-Temperature Detector (URTD) input, Fiber optics interface, Versatile Link
- X103** – IEC 61850 / Modbus TCP / IEC 60870-5-104 / DNP3.0 TCP/UDP, Redundant Fiber optics interface, LC Connector
- X104** – IRIG-B00X, incl. System Contact (Supervision Contact)

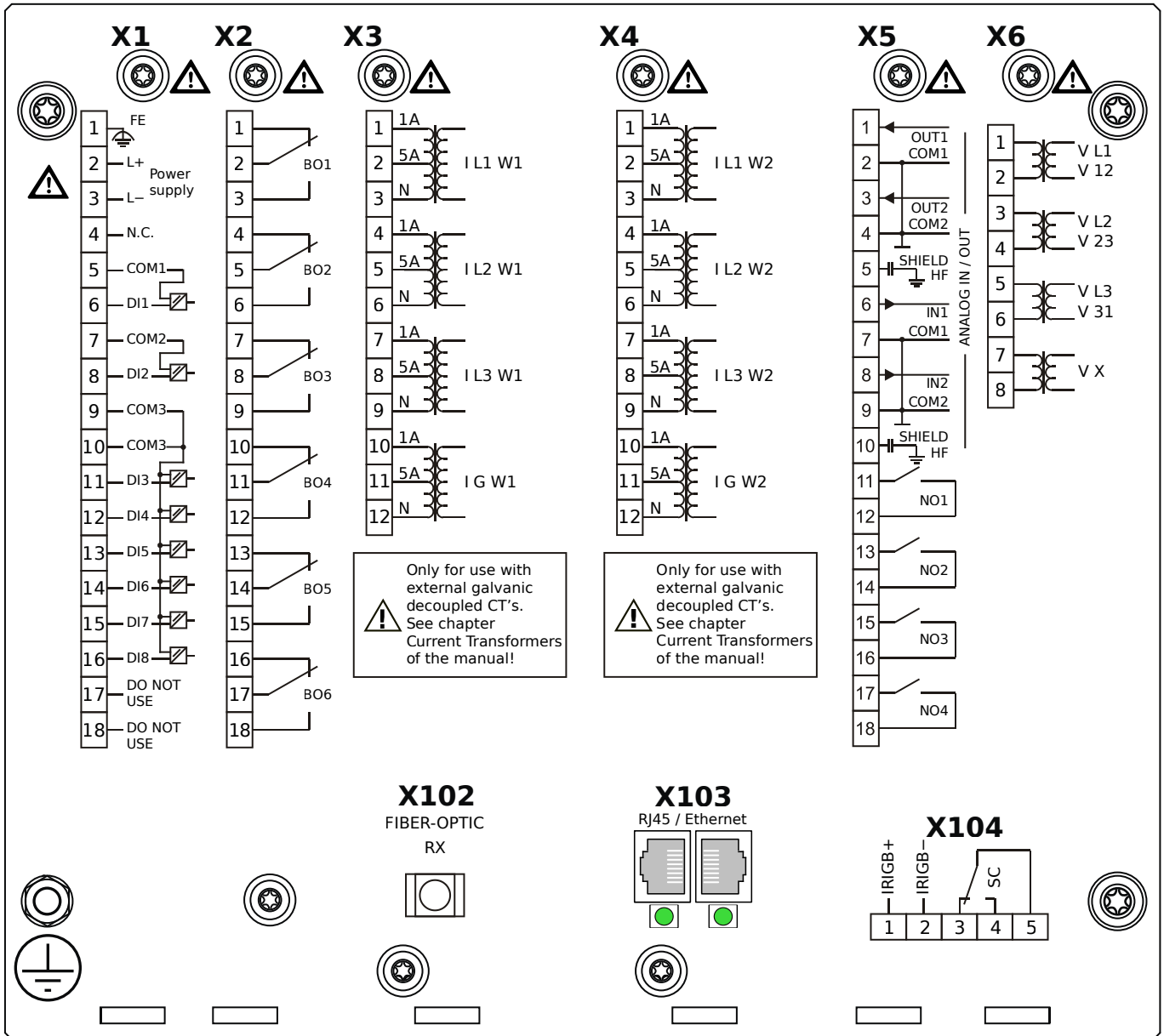
MCDTV4-2B0ARA



Housing B2, large display, door mounting

- X1** – DI8-X1: Wide-range power supply unit, incl. 2 non-grouped digital inputs and 6 grouped digital inputs
 - X2** – OR6: Assembly Group with 6 Output Relays (Changeover / Form C)
 - X3** – TI: Standard current measuring card (for the winding side 1)
 - X4** – TI: Standard current measuring card (for the winding side 2)
 - X5** – AnIO2-OR4: Assembly Group with 2 Analog Inputs, 2 Analog Outputs and 4 Output Relays
 - X6** – TU: Card with 4 voltage transformer measuring inputs (0 ... 800 VAC, under UL: 0 ... 600 VAC)
 - X102** – Universal Resistance-Temperature Detector (URTD) input, Fiber optics interface, Versatile Link
 - X103** – IEC 61850 / Modbus TCP / IEC 60870-5-104 / DNP3.0 TCP/UDP, Redundant Ethernet interface, 100 Mbit/s, RJ45
 - X104** – IRIG-B00X, incl. System Contact (Supervision Contact)
- (BASE100-FX)

MCDTV4-2B0ARB



Housing B2, large display, door mounting

- + Conformal Coating (for installations in harsh environment)

X1 – DI8-X1: Wide-range power supply unit, incl. 2 non-grouped digital inputs and 6 grouped digital inputs

X2 – OR6: Assembly Group with 6 Output Relays (Changeover / Form C)

X3 – TI: Standard current measuring card (for the winding side 1)

X4 – TI: Standard current measuring card (for the winding side 2)

X5 – AnIO2-OR4: Assembly Group with 2 Analog Inputs, 2 Analog Outputs and 4 Output Relays

X6 – TU: Card with 4 voltage transformer measuring inputs (0 ... 800 VAC, under UL: 0 ... 600 VAC)

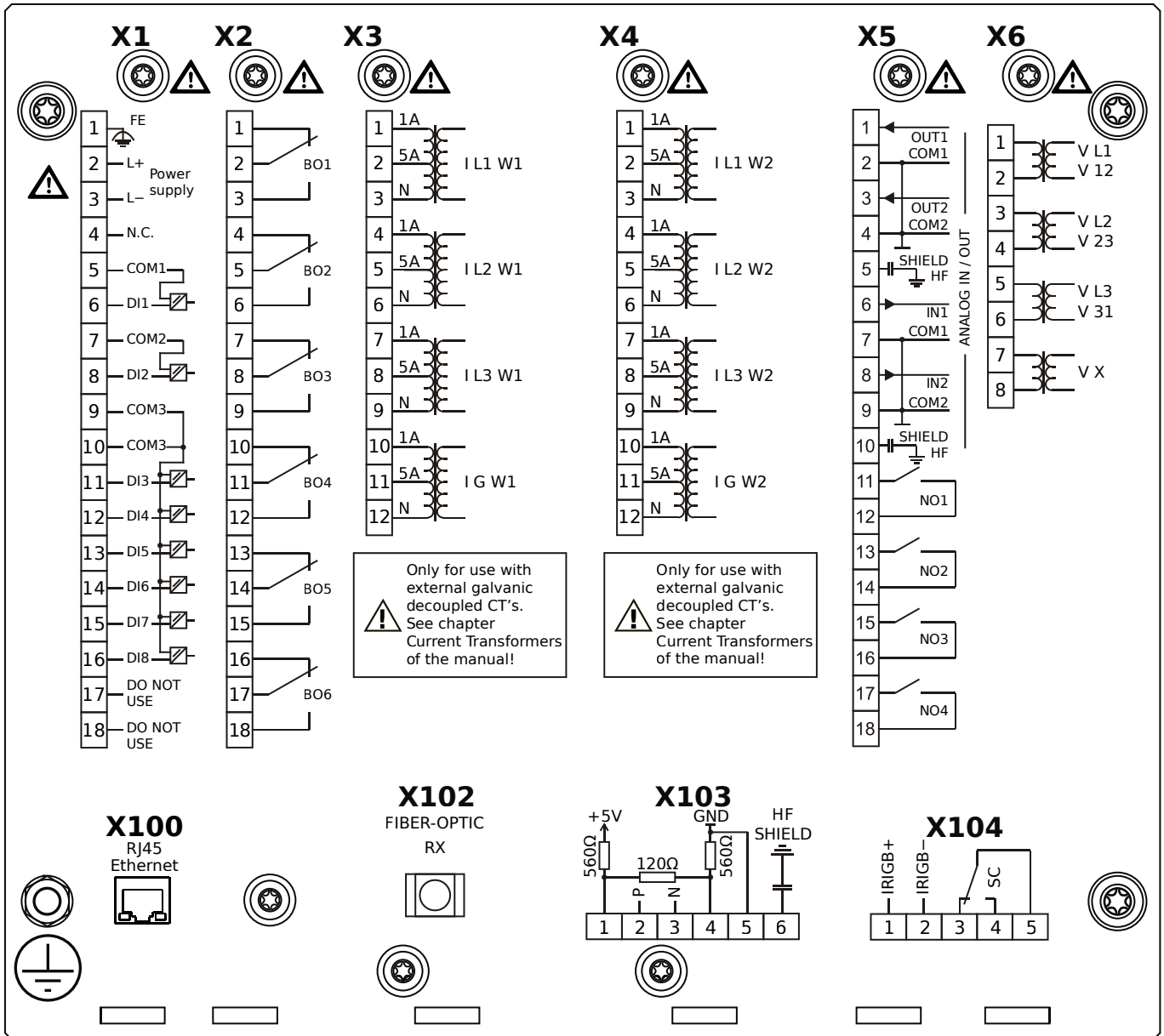
X102 – Universal Resistance-Temperature Detector (URTD) input, Fiber optics interface, Versatile Link

X103 – IEC 61850 / Modbus TCP / IEC 60870-5-104 / DNP3.0 TCP/UDP, Redundant Ethernet interface, 100 Mbit/s, RJ45

(BASE100-FX)

X104 – IRIG-B00X, incl. System Contact (Supervision Contact)

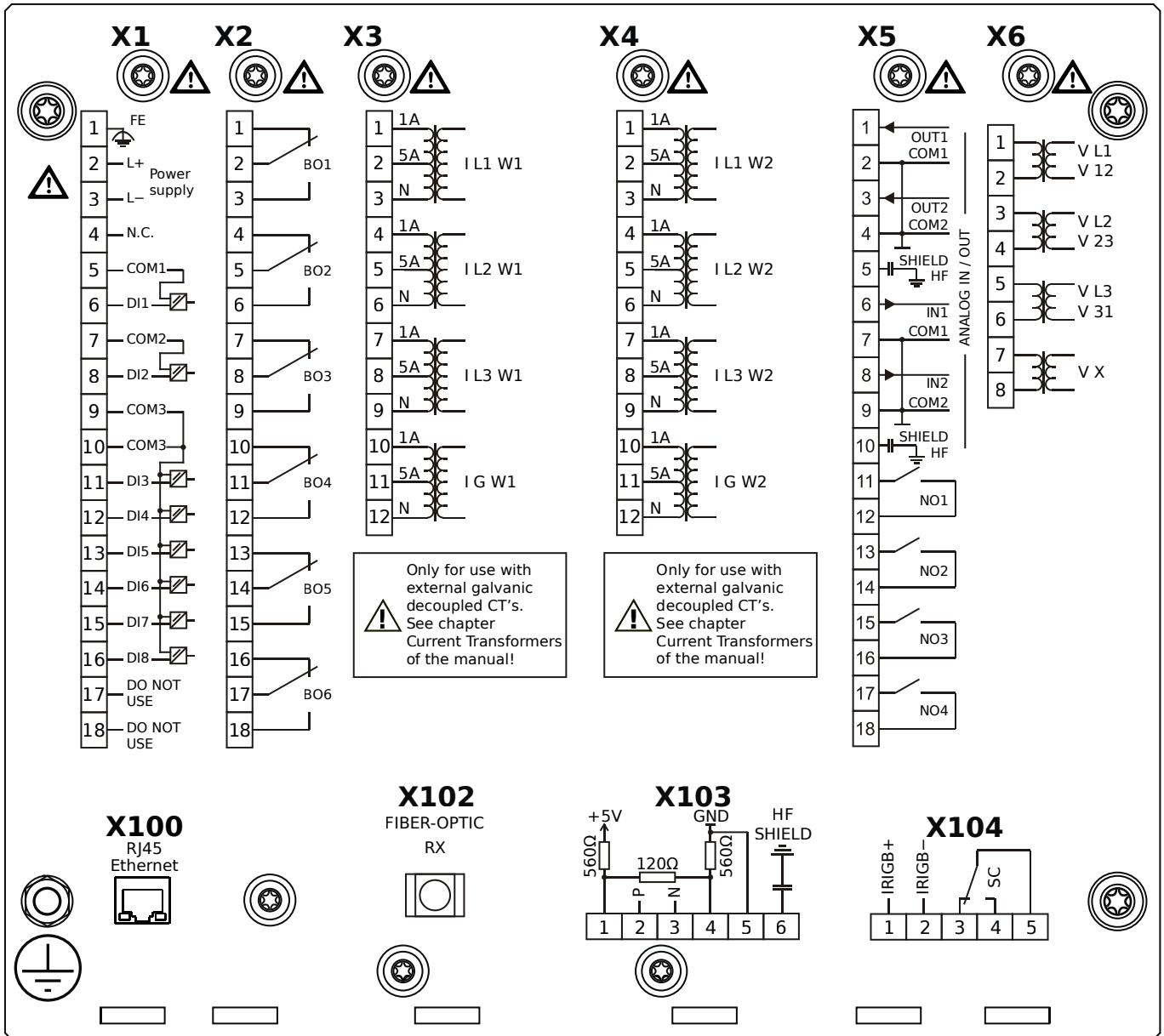
MCDTV4-2B0ATA



Housing B2, large display, door mounting

- X1** – DI8-X1: Wide-range power supply unit, incl. 2 non-grouped digital inputs and 6 grouped digital inputs
- X2** – OR6: Assembly Group with 6 Output Relays (Changeover / Form C)
- X3** – TI: Standard current measuring card (for the winding side 1)
- X4** – TI: Standard current measuring card (for the winding side 2)
- X5** – AnIO2-OR4: Assembly Group with 2 Analog Inputs, 2 Analog Outputs and 4 Output Relays
- X6** – TU: Card with 4 voltage transformer measuring inputs (0 ... 800 VAC, under UL: 0 ... 600 VAC)
- X100** – IEC 61850 / Modbus TCP / IEC 60870-5-104 / DNP3.0 TCP/UDP, Ethernet interface, 100 Mbit/s, RJ45 (BASE100-FX)
- X102** – Universal Resistance-Temperature Detector (URTD) input, Fiber optics interface, Versatile Link
- X103** – IEC 60870-5-103 / Modbus RTU / DNP3.0 RTU, RS485, Terminals
- X104** – IRIG-B00X, incl. System Contact (Supervision Contact)

MCDTV4-2B0ATB

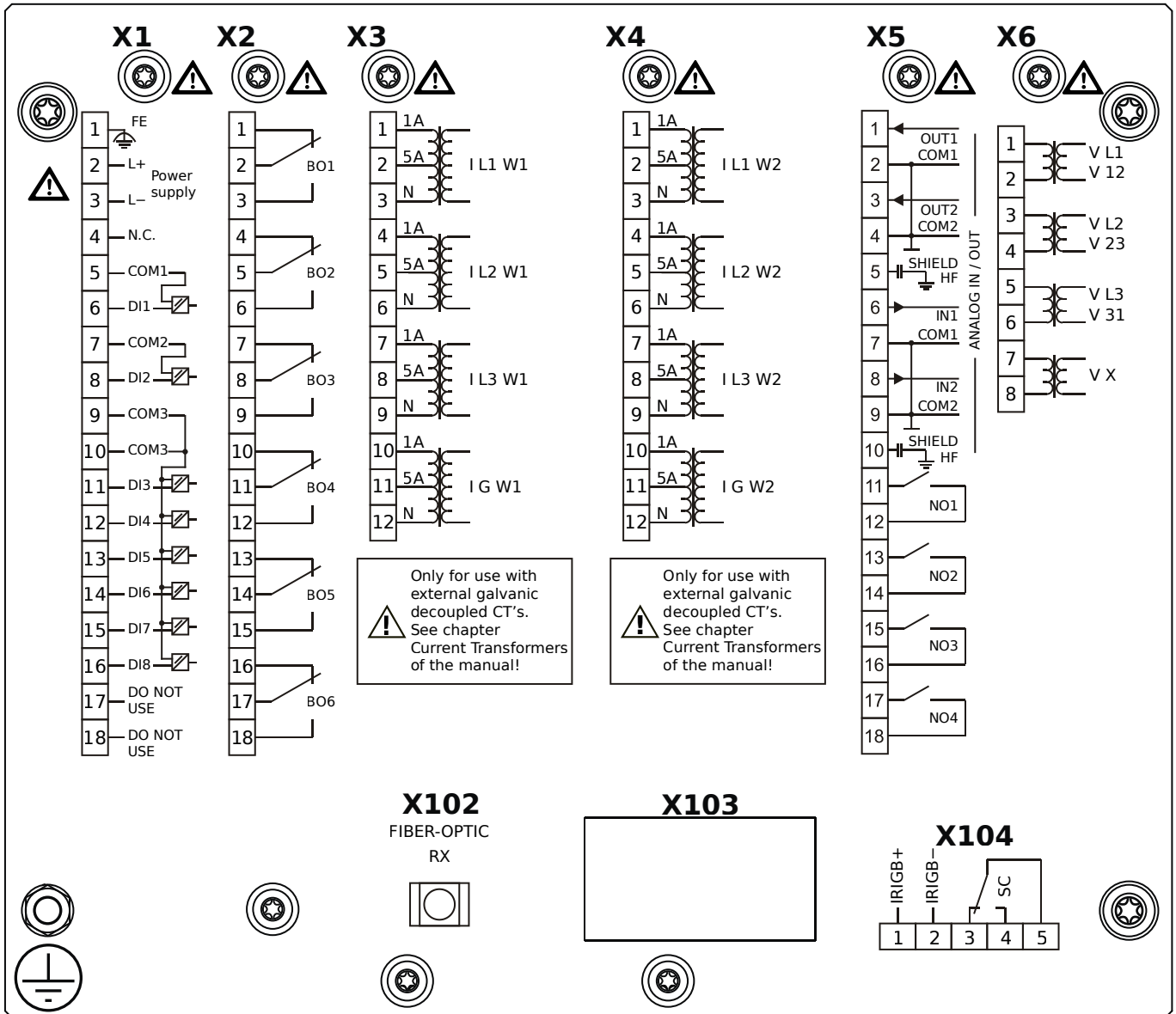


Housing B2, large display, door mounting

+ Conformal Coating (for installations in harsh environment)

- X1** – DI8-X1: Wide-range power supply unit, incl. 2 non-grouped digital inputs and 6 grouped digital inputs
- X2** – OR6: Assembly Group with 6 Output Relays (Changeover / Form C)
- X3** – TI: Standard current measuring card (for the winding side 1)
- X4** – TI: Standard current measuring card (for the winding side 2)
- X5** – AnIO2-OR4: Assembly Group with 2 Analog Inputs, 2 Analog Outputs and 4 Output Relays
- X6** – TU: Card with 4 voltage transformer measuring inputs (0 ... 800 VAC, under UL: 0 ... 600 VAC)
- X100** – IEC 61850 / Modbus TCP / IEC 60870-5-104 / DNP3.0 TCP/UDP, Ethernet interface, 100 Mbit/s, RJ45 (BASE100-FX)
- X102** – Universal Resistance-Temperature Detector (URTD) input, Fiber optics interface, Versatile Link
- X103** – IEC 60870-5-103 / Modbus RTU / DNP3.0 RTU, RS485, Terminals
- X104** – IRIG-B00X, incl. System Contact (Supervision Contact)

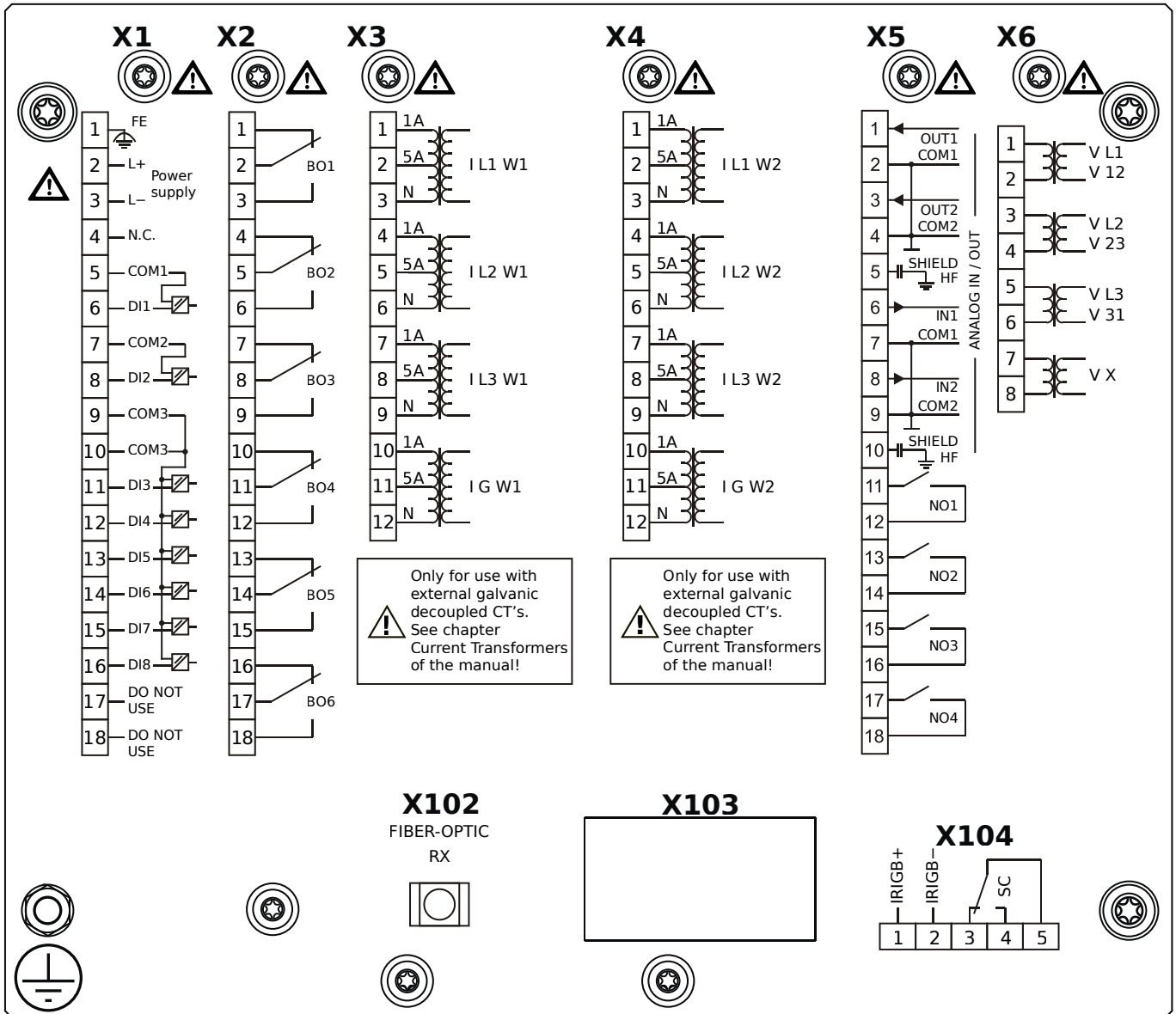
MCDTV4-2B0BAA



Housing B2, large display, 19" rack mounting

- X1** – DI8-X1: Wide-range power supply unit, incl. 2 non-grouped digital inputs and 6 grouped digital inputs
- X2** – OR6: Assembly Group with 6 Output Relays (Changeover / Form C)
- X3** – TI: Standard current measuring card (for the winding side 1)
- X4** – TI: Standard current measuring card (for the winding side 2)
- X5** – AnIO2-OR4: Assembly Group with 2 Analog Inputs, 2 Analog Outputs and 4 Output Relays
- X6** – TU: Card with 4 voltage transformer measuring inputs (0 ... 800 VAC, under UL: 0 ... 600 VAC)
- X102** – Universal Resistance-Temperature Detector (URTD) input, Fiber optics interface, Versatile Link
- X104** – IRIG-B00X, incl. System Contact (Supervision Contact)

MCDTV4-2B0BAB

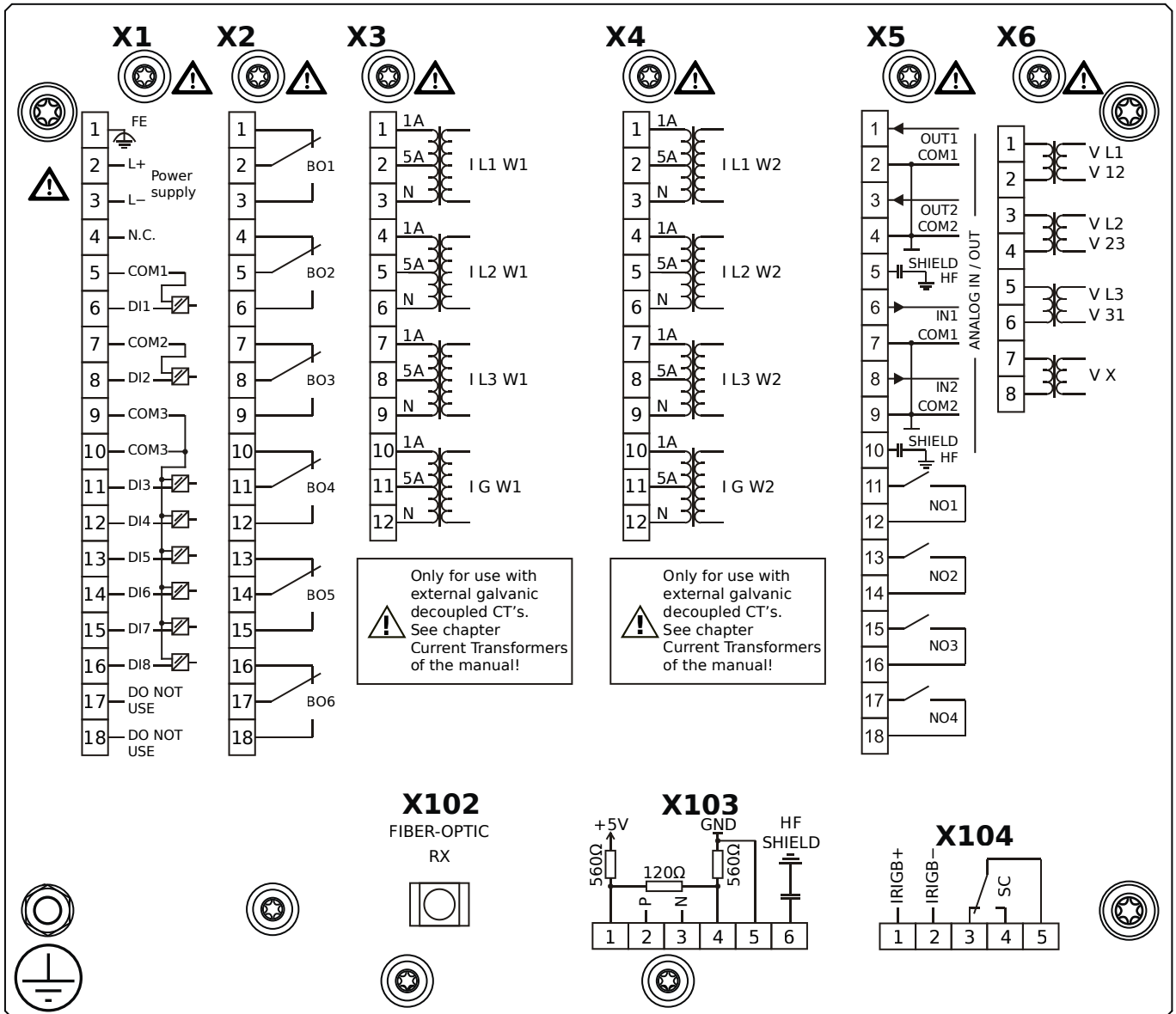


Housing B2, large display, 19" rack mounting

+ Conformal Coating (for installations in harsh environment)

- X1** – DI8-X1: Wide-range power supply unit, incl. 2 non-grouped digital inputs and 6 grouped digital inputs
- X2** – OR6: Assembly Group with 6 Output Relays (Changeover / Form C)
- X3** – TI: Standard current measuring card (for the winding side 1)
- X4** – TI: Standard current measuring card (for the winding side 2)
- X5** – AnIO2-OR4: Assembly Group with 2 Analog Inputs, 2 Analog Outputs and 4 Output Relays
- X6** – TU: Card with 4 voltage transformer measuring inputs (0 ... 800 VAC, under UL: 0 ... 600 VAC)
- X102** – Universal Resistance-Temperature Detector (URTD) input, Fiber optics interface, Versatile Link
- X104** – IRIG-B00X, incl. System Contact (Supervision Contact)

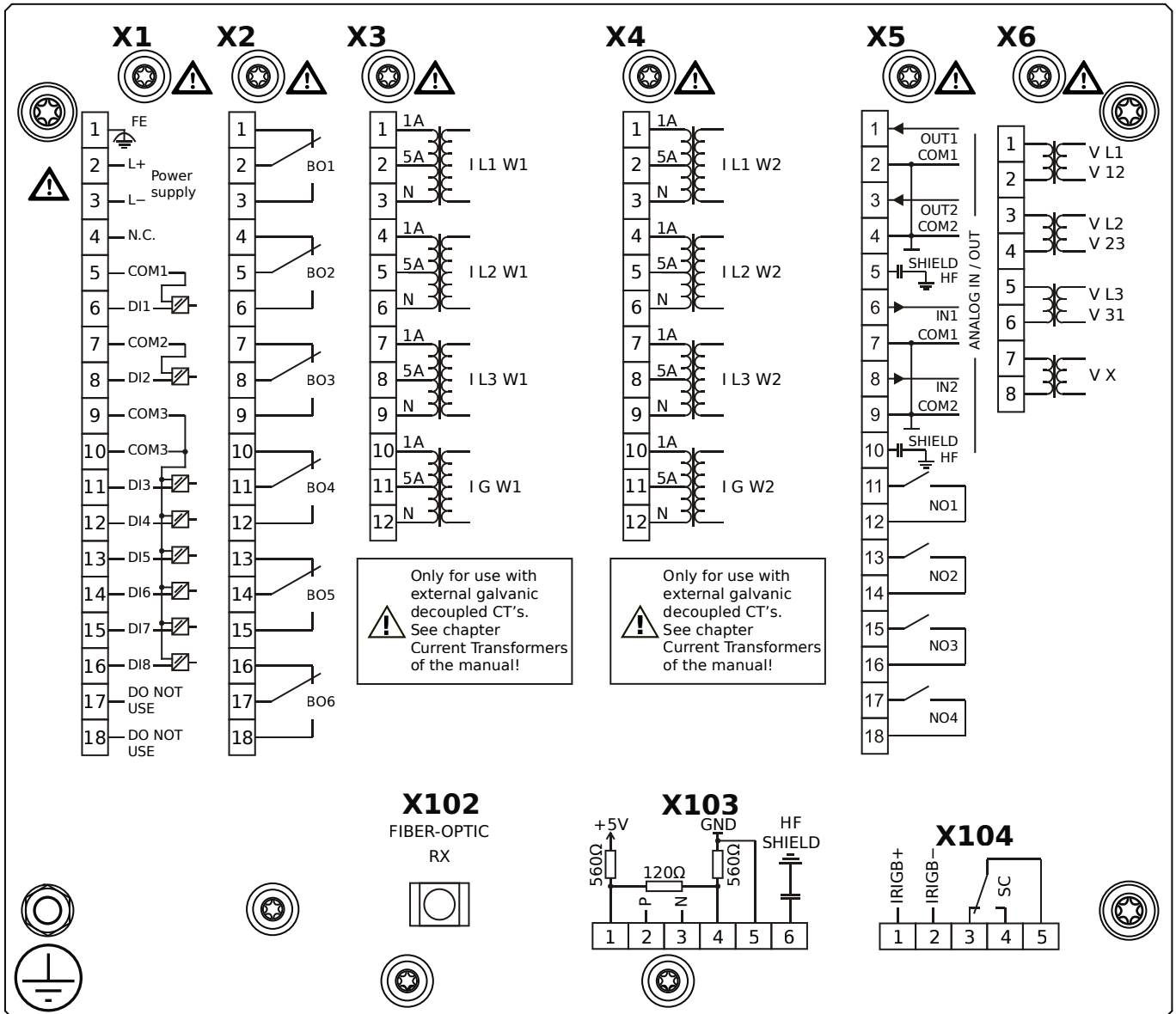
MCDTV4-2B0BBA



Housing B2, large display, 19" rack mounting

- X1** – DI8-X1: Wide-range power supply unit, incl. 2 non-grouped digital inputs and 6 grouped digital inputs
- X2** – OR6: Assembly Group with 6 Output Relays (Changeover / Form C)
- X3** – TI: Standard current measuring card (for the winding side 1)
- X4** – TI: Standard current measuring card (for the winding side 2)
- X5** – AnIO2-OR4: Assembly Group with 2 Analog Inputs, 2 Analog Outputs and 4 Output Relays
- X6** – TU: Card with 4 voltage transformer measuring inputs (0 ... 800 VAC, under UL: 0 ... 600 VAC)
- X102** – Universal Resistance-Temperature Detector (URTD) input, Fiber optics interface, Versatile Link
- X103** – Modbus RTU / IEC 60870-5-103 / DNP3.0 RTU, RS485, Terminals
- X104** – IRIG-B00X, incl. System Contact (Supervision Contact)

MCDTV4-2B0BBB

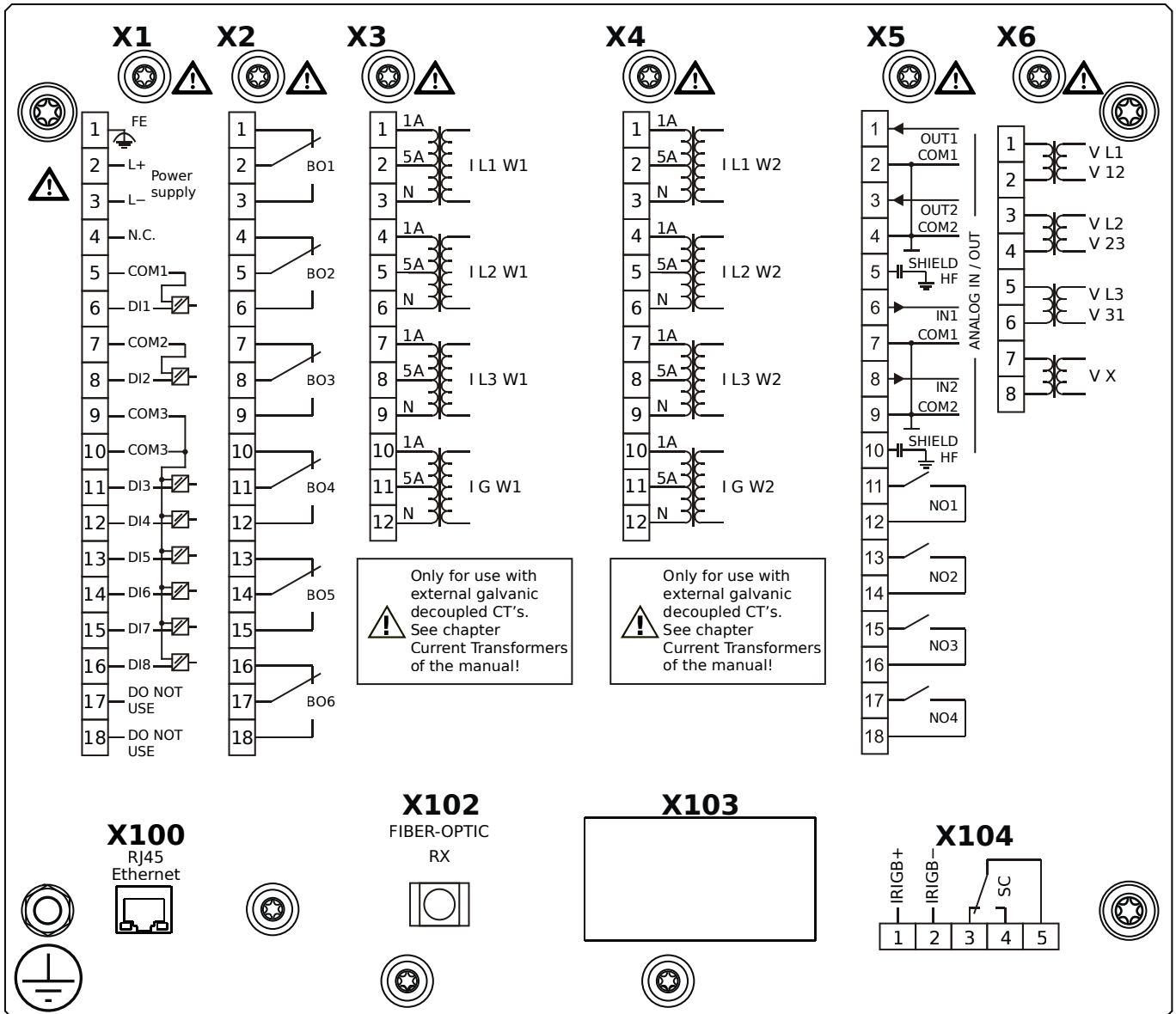


Housing B2, large display, 19" rack mounting

- + Conformal Coating (for installations in harsh environment)

- X1** – DI8-X1: Wide-range power supply unit, incl. 2 non-grouped digital inputs and 6 grouped digital inputs
- X2** – OR6: Assembly Group with 6 Output Relays (Changeover / Form C)
- X3** – TI: Standard current measuring card (for the winding side 1)
- X4** – TI: Standard current measuring card (for the winding side 2)
- X5** – AnIO2-OR4: Assembly Group with 2 Analog Inputs, 2 Analog Outputs and 4 Output Relays
- X6** – TU: Card with 4 voltage transformer measuring inputs (0 ... 800 VAC, under UL: 0 ... 600 VAC)
- X102** – Universal Resistance-Temperature Detector (URTD) input, Fiber optics interface, Versatile Link
- X103** – Modbus RTU / IEC 60870-5-103 / DNP3.0 RTU, RS485, Terminals
- X104** – IRIG-B00X, incl. System Contact (Supervision Contact)

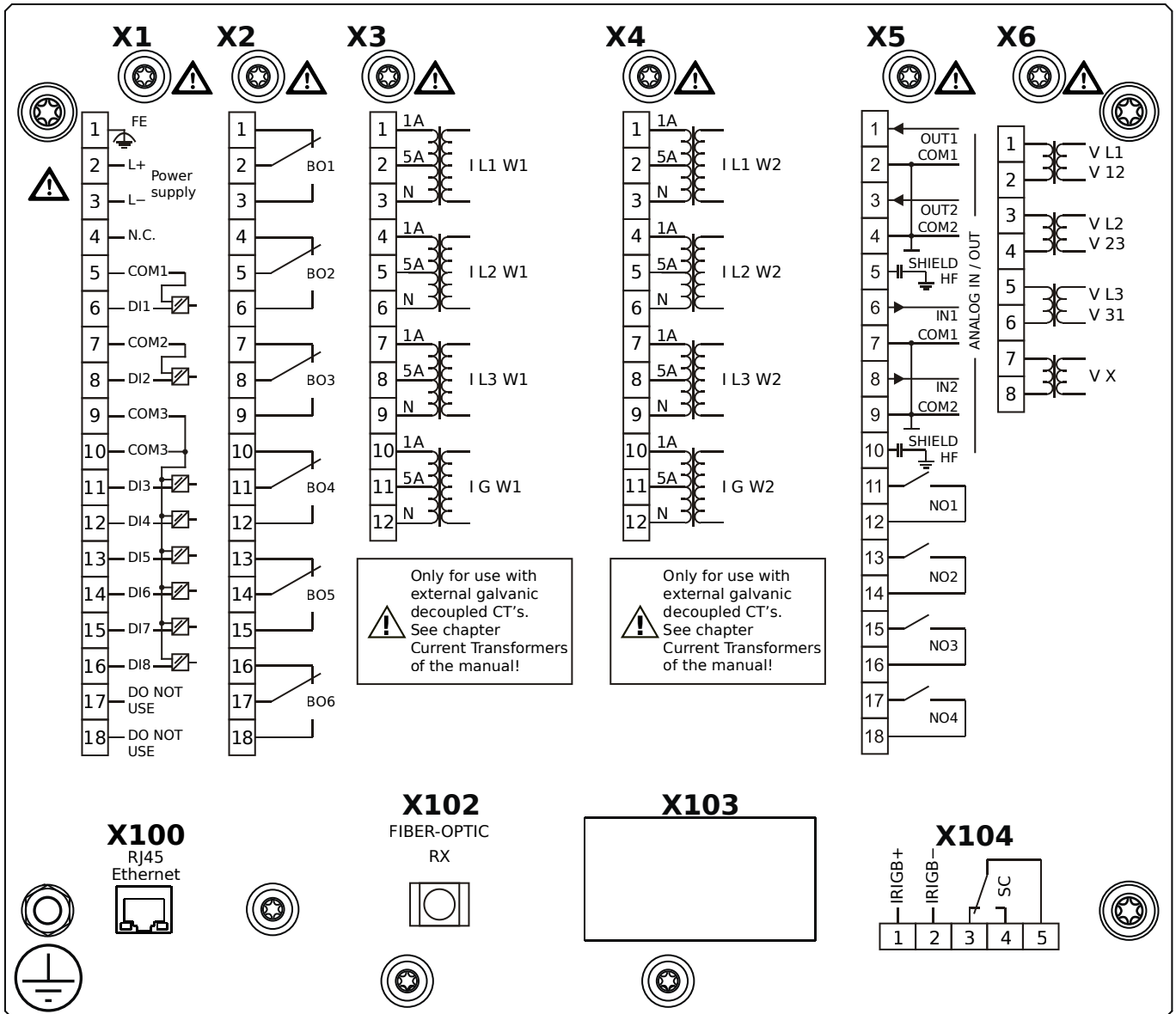
MCDTV4-2B0BCA



Housing B2, large display, 19" rack mounting

- X1** – DI8-X1: Wide-range power supply unit, incl. 2 non-grouped digital inputs and 6 grouped digital inputs
- X2** – OR6: Assembly Group with 6 Output Relays (Changeover / Form C)
- X3** – TI: Standard current measuring card (for the winding side 1)
- X4** – TI: Standard current measuring card (for the winding side 2)
- X5** – AnIO2-OR4: Assembly Group with 2 Analog Inputs, 2 Analog Outputs and 4 Output Relays
- X6** – TU: Card with 4 voltage transformer measuring inputs (0 ... 800 VAC, under UL: 0 ... 600 VAC)
- X100** – Modbus TCP / IEC 60870-5-104 / DNP3.0 TCP/UDP, Ethernet interface, 100 Mbit/s, RJ45 (BASE100-FX)
- X102** – Universal Resistance-Temperature Detector (URTD) input, Fiber optics interface, Versatile Link
- X104** – IRIG-B00X, incl. System Contact (Supervision Contact)

MCDTV4-2B0BCB

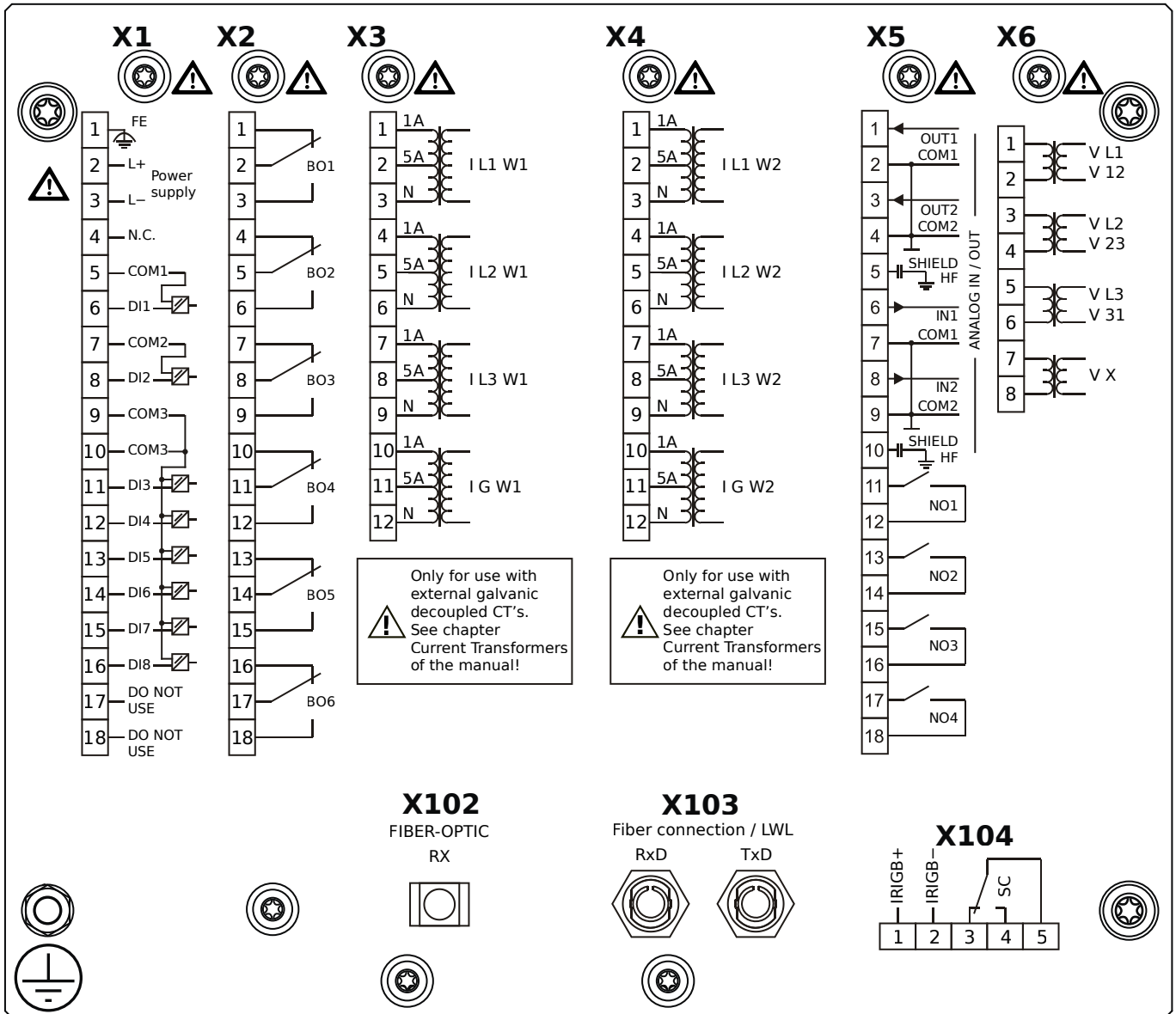


Housing B2, large display, 19" rack mounting

+ Conformal Coating (for installations in harsh environment)

- X1** – DI8-X1: Wide-range power supply unit, incl. 2 non-grouped digital inputs and 6 grouped digital inputs
- X2** – OR6: Assembly Group with 6 Output Relays (Changeover / Form C)
- X3** – TI: Standard current measuring card (for the winding side 1)
- X4** – TI: Standard current measuring card (for the winding side 2)
- X5** – AnIO2-OR4: Assembly Group with 2 Analog Inputs, 2 Analog Outputs and 4 Output Relays
- X6** – TU: Card with 4 voltage transformer measuring inputs (0 ... 800 VAC, under UL: 0 ... 600 VAC)
- X100** – Modbus TCP / IEC 60870-5-104 / DNP3.0 TCP/UDP, Ethernet interface, 100 Mbit/s, RJ45 (BASE100-FX)
- X102** – Universal Resistance-Temperature Detector (URTD) input, Fiber optics interface, Versatile Link
- X104** – IRIG-B00X, incl. System Contact (Supervision Contact)

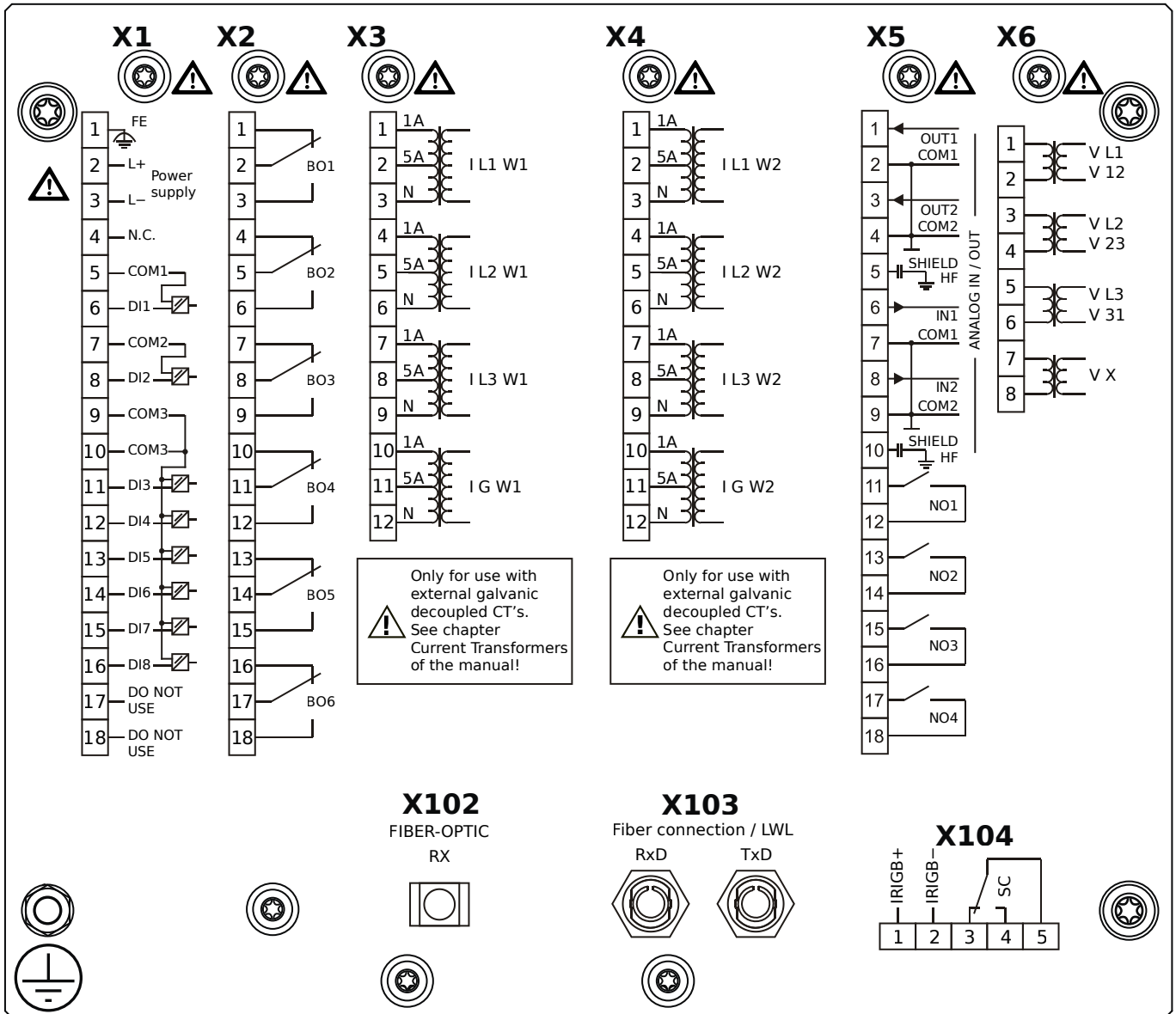
MCDTV4-2B0BDA



Housing B2, large display, 19" rack mounting

- X1** – DI8-X1: Wide-range power supply unit, incl. 2 non-grouped digital inputs and 6 grouped digital inputs
- X2** – OR6: Assembly Group with 6 Output Relays (Changeover / Form C)
- X3** – TI: Standard current measuring card (for the winding side 1)
- X4** – TI: Standard current measuring card (for the winding side 2)
- X5** – AnIO2-OR4: Assembly Group with 2 Analog Inputs, 2 Analog Outputs and 4 Output Relays
- X6** – TU: Card with 4 voltage transformer measuring inputs (0 ... 800 VAC, under UL: 0 ... 600 VAC)
- X102** – Universal Resistance-Temperature Detector (URTD) input, Fiber optics interface, Versatile Link
- X103** – Profibus-DP, Fiber optics interface, ST Connector
- X104** – IRIG-B00X, incl. System Contact (Supervision Contact)

MCDTV4-2B0BDB

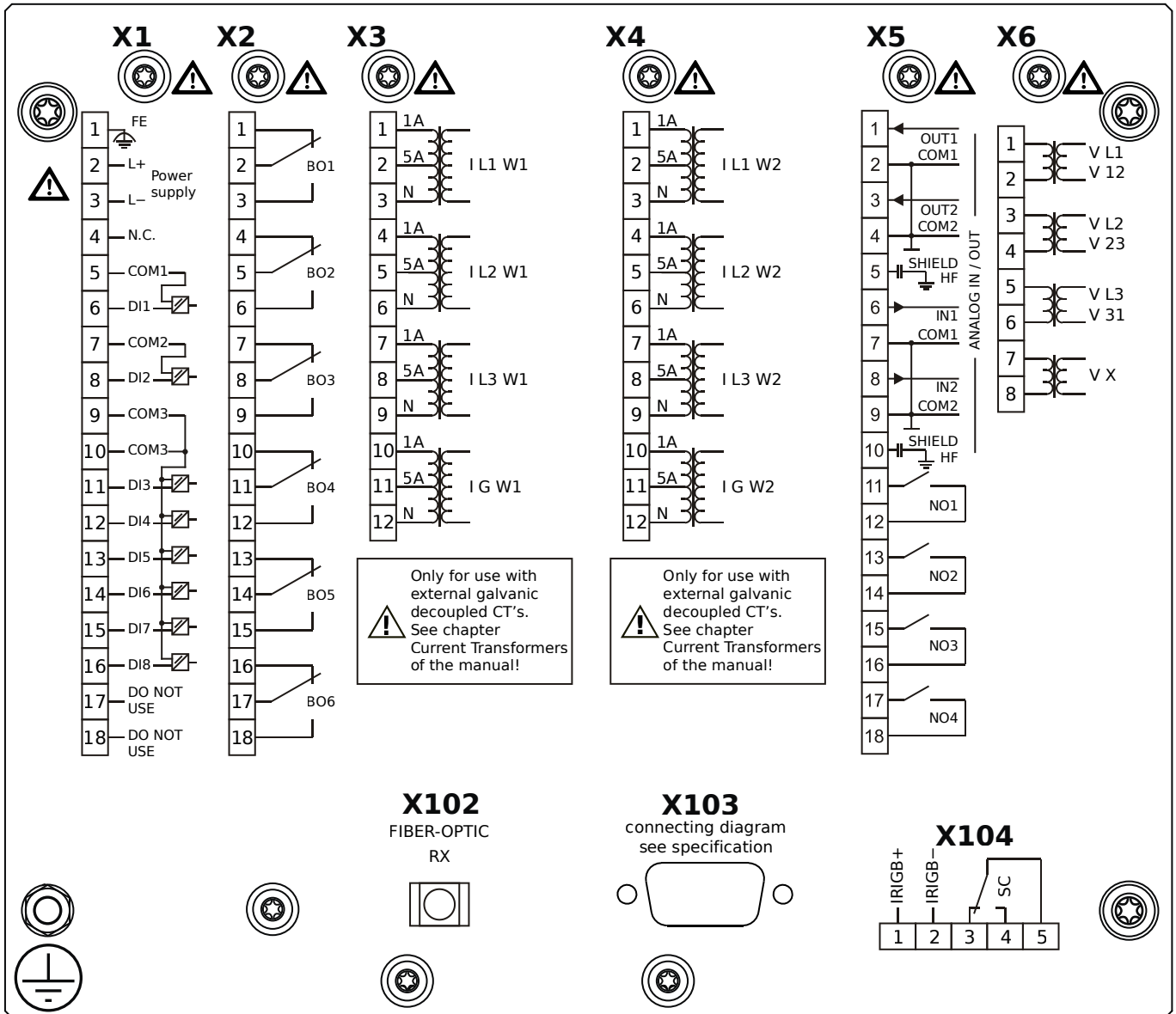


Housing B2, large display, 19" rack mounting

+ Conformal Coating (for installations in harsh environment)

- X1** – DI8-X1: Wide-range power supply unit, incl. 2 non-grouped digital inputs and 6 grouped digital inputs
- X2** – OR6: Assembly Group with 6 Output Relays (Changeover / Form C)
- X3** – TI: Standard current measuring card (for the winding side 1)
- X4** – TI: Standard current measuring card (for the winding side 2)
- X5** – AnIO2-OR4: Assembly Group with 2 Analog Inputs, 2 Analog Outputs and 4 Output Relays
- X6** – TU: Card with 4 voltage transformer measuring inputs (0 ... 800 VAC, under UL: 0 ... 600 VAC)
- X102** – Universal Resistance-Temperature Detector (URTD) input, Fiber optics interface, Versatile Link
- X103** – Profibus-DP, Fiber optics interface, ST Connector
- X104** – IRIG-B00X, incl. System Contact (Supervision Contact)

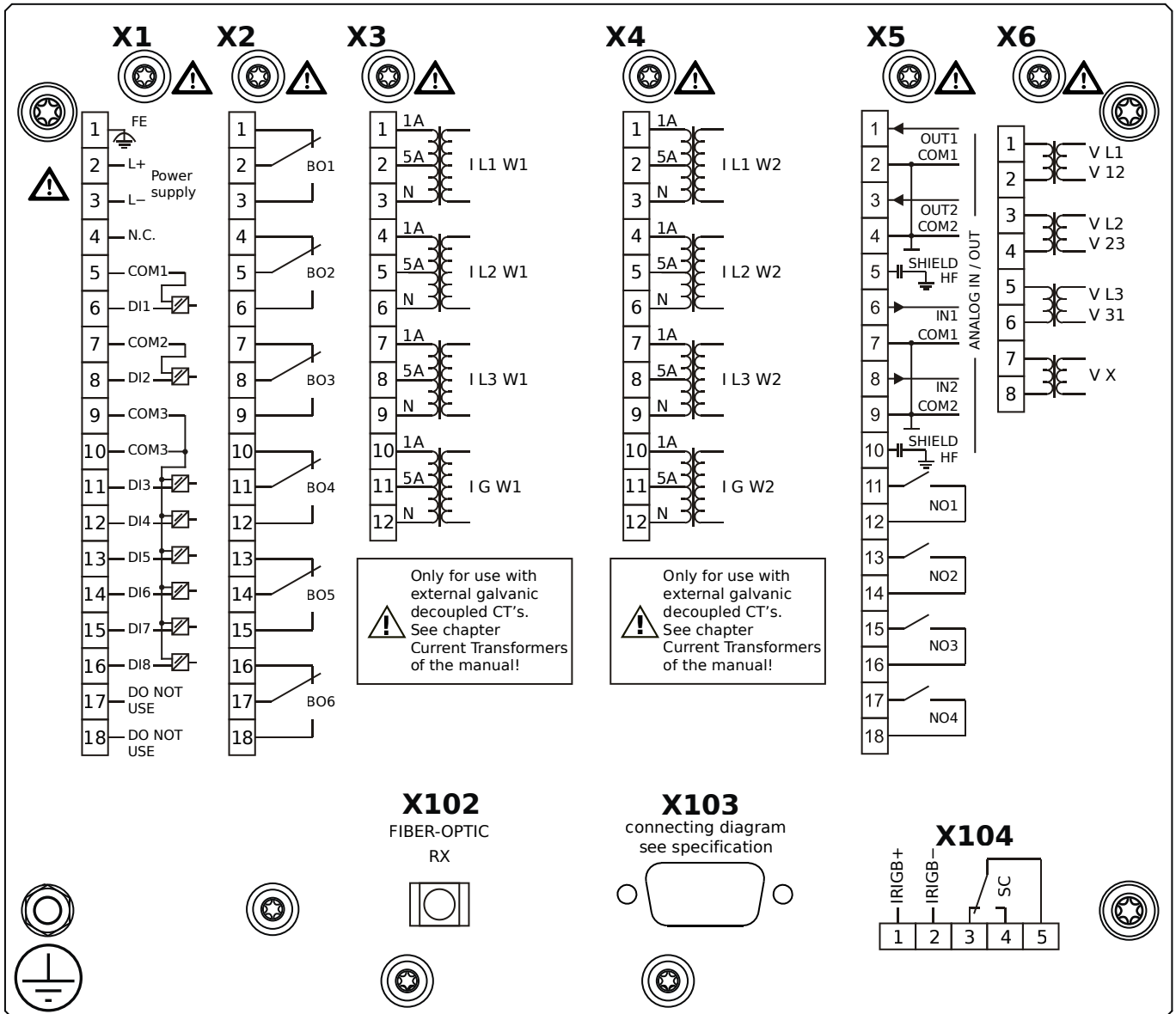
MCDTV4-2B0BEA



Housing B2, large display, 19" rack mounting

- X1** – DI8-X1: Wide-range power supply unit, incl. 2 non-grouped digital inputs and 6 grouped digital inputs
- X2** – OR6: Assembly Group with 6 Output Relays (Changeover / Form C)
- X3** – TI: Standard current measuring card (for the winding side 1)
- X4** – TI: Standard current measuring card (for the winding side 2)
- X5** – AnIO2-OR4: Assembly Group with 2 Analog Inputs, 2 Analog Outputs and 4 Output Relays
- X6** – TU: Card with 4 voltage transformer measuring inputs (0 ... 800 VAC, under UL: 0 ... 600 VAC)
- X102** – Universal Resistance-Temperature Detector (URTD) input, Fiber optics interface, Versatile Link
- X103** – Profibus-DP, RS485, D-SUB
- X104** – IRIG-B00X, incl. System Contact (Supervision Contact)

MCDTV4-2B0BEB

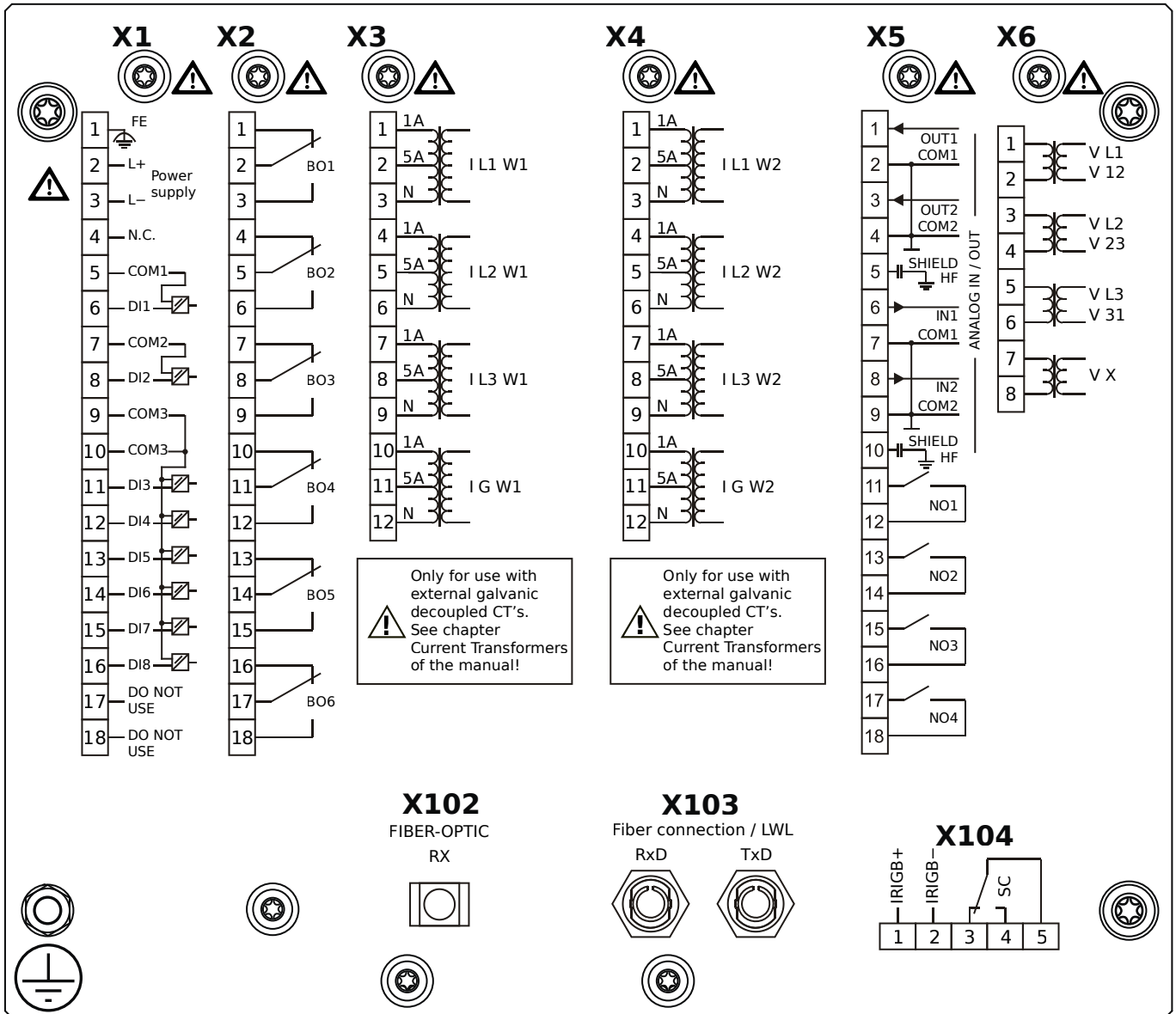


Housing B2, large display, 19" rack mounting

+ Conformal Coating (for installations in harsh environment)

- X1** – DI8-X1: Wide-range power supply unit, incl. 2 non-grouped digital inputs and 6 grouped digital inputs
- X2** – OR6: Assembly Group with 6 Output Relays (Changeover / Form C)
- X3** – TI: Standard current measuring card (for the winding side 1)
- X4** – TI: Standard current measuring card (for the winding side 2)
- X5** – AnIO2-OR4: Assembly Group with 2 Analog Inputs, 2 Analog Outputs and 4 Output Relays
- X6** – TU: Card with 4 voltage transformer measuring inputs (0 ... 800 VAC, under UL: 0 ... 600 VAC)
- X102** – Universal Resistance-Temperature Detector (URTD) input, Fiber optics interface, Versatile Link
- X103** – Profibus-DP, RS485, D-SUB
- X104** – IRIG-B00X, incl. System Contact (Supervision Contact)

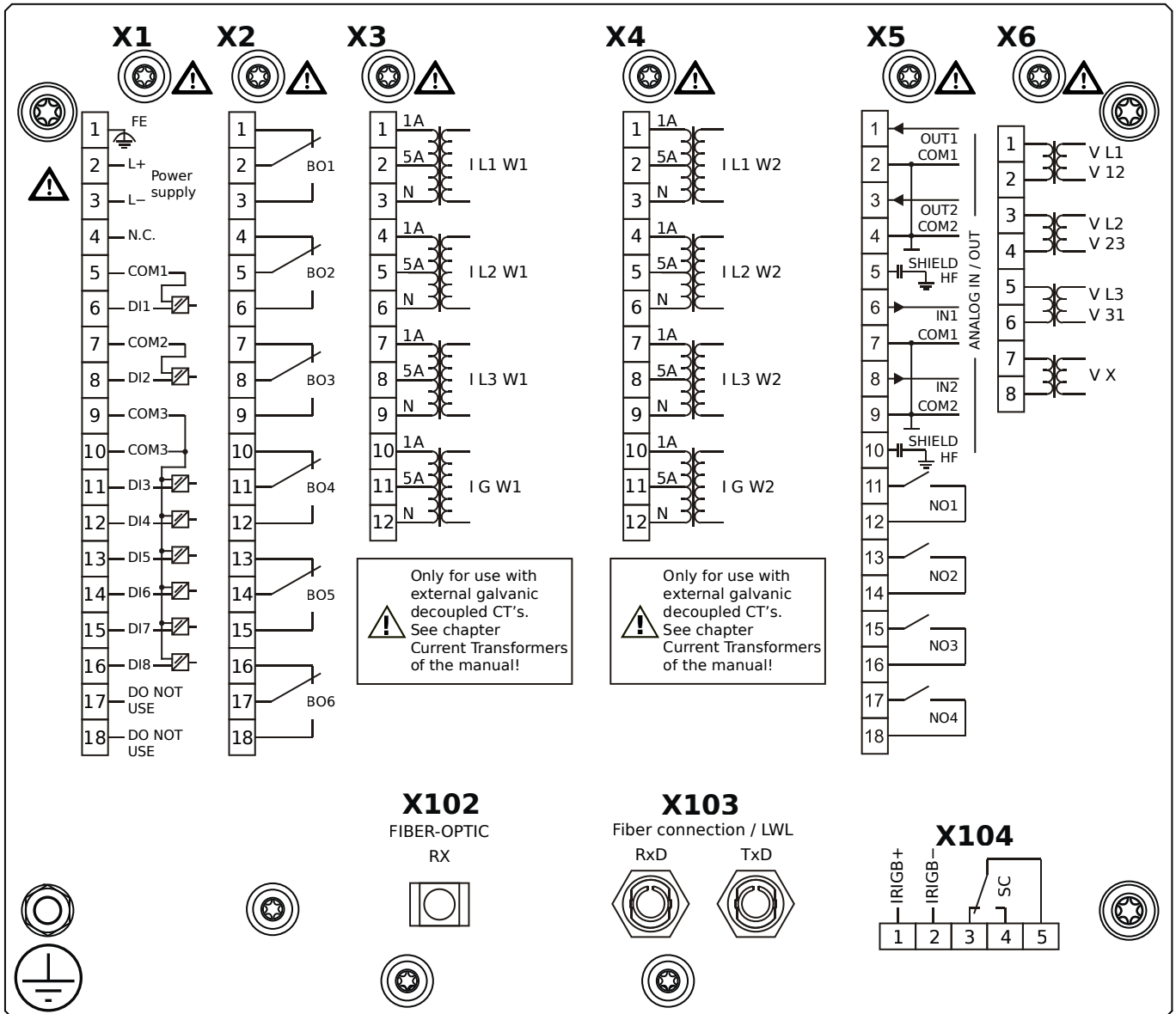
MCDTV4-2B0BFA



Housing B2, large display, 19" rack mounting

- X1** – DI8-X1: Wide-range power supply unit, incl. 2 non-grouped digital inputs and 6 grouped digital inputs
- X2** – OR6: Assembly Group with 6 Output Relays (Changeover / Form C)
- X3** – TI: Standard current measuring card (for the winding side 1)
- X4** – TI: Standard current measuring card (for the winding side 2)
- X5** – AnIO2-OR4: Assembly Group with 2 Analog Inputs, 2 Analog Outputs and 4 Output Relays
- X6** – TU: Card with 4 voltage transformer measuring inputs (0 ... 800 VAC, under UL: 0 ... 600 VAC)
- X102** – Universal Resistance-Temperature Detector (URTD) input, Fiber optics interface, Versatile Link
- X103** – Modbus RTU / IEC 60870-5-103 / DNP3.0 RTU, Fiber optics interface, ST Connector
- X104** – IRIG-B00X, incl. System Contact (Supervision Contact)

MCDTV4-2B0BFB

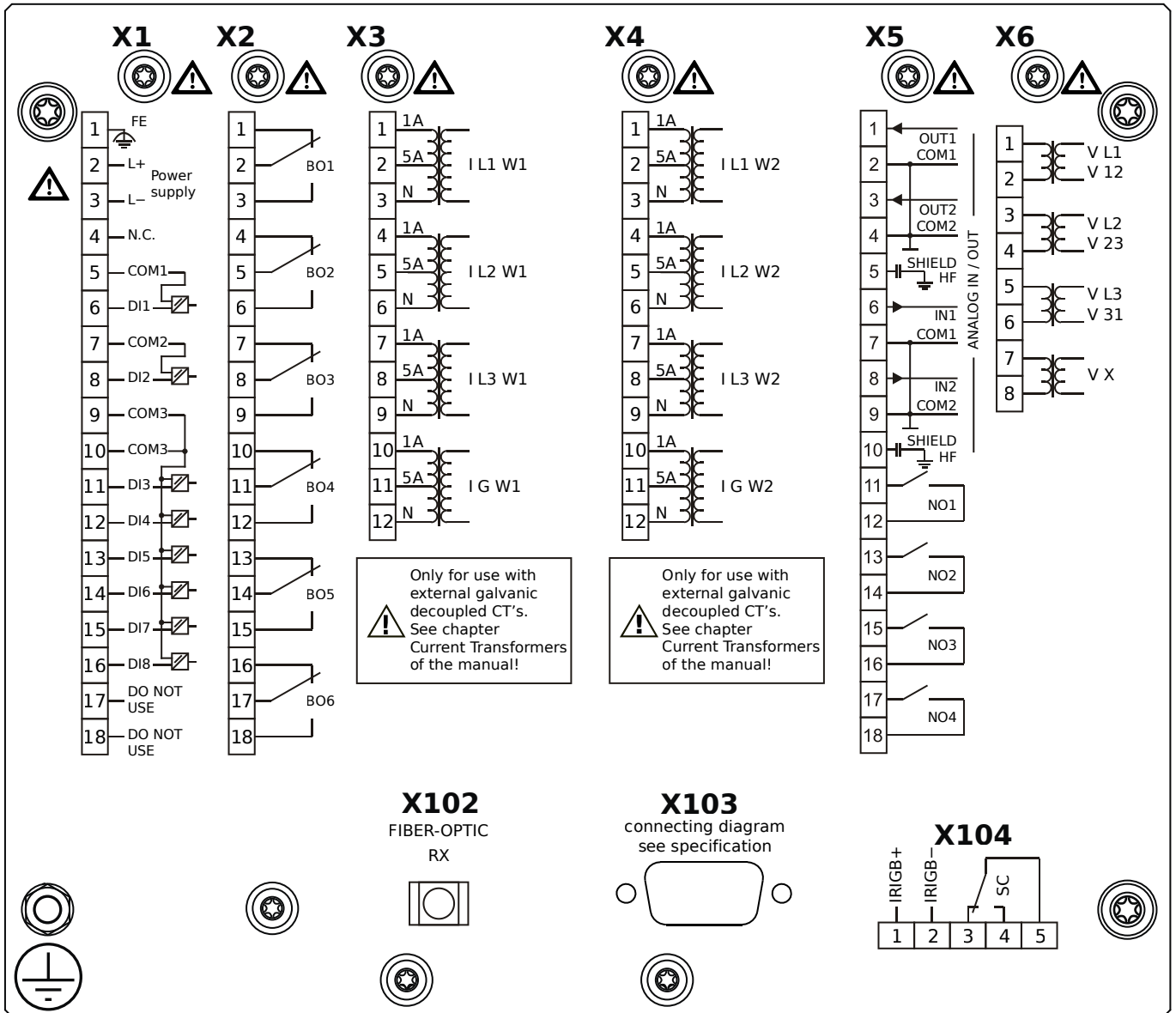


Housing B2, large display, 19" rack mounting

+ Conformal Coating (for installations in harsh environment)

- X1** – DI8-X1: Wide-range power supply unit, incl. 2 non-grouped digital inputs and 6 grouped digital inputs
- X2** – OR6: Assembly Group with 6 Output Relays (Changeover / Form C)
- X3** – TI: Standard current measuring card (for the winding side 1)
- X4** – TI: Standard current measuring card (for the winding side 2)
- X5** – AnIO2-OR4: Assembly Group with 2 Analog Inputs, 2 Analog Outputs and 4 Output Relays
- X6** – TU: Card with 4 voltage transformer measuring inputs (0 ... 800 VAC, under UL: 0 ... 600 VAC)
- X102** – Universal Resistance-Temperature Detector (URTD) input, Fiber optics interface, Versatile Link
- X103** – Modbus RTU / IEC 60870-5-103 / DNP3.0 RTU, Fiber optics interface, ST Connector
- X104** – IRIG-B00X, incl. System Contact (Supervision Contact)

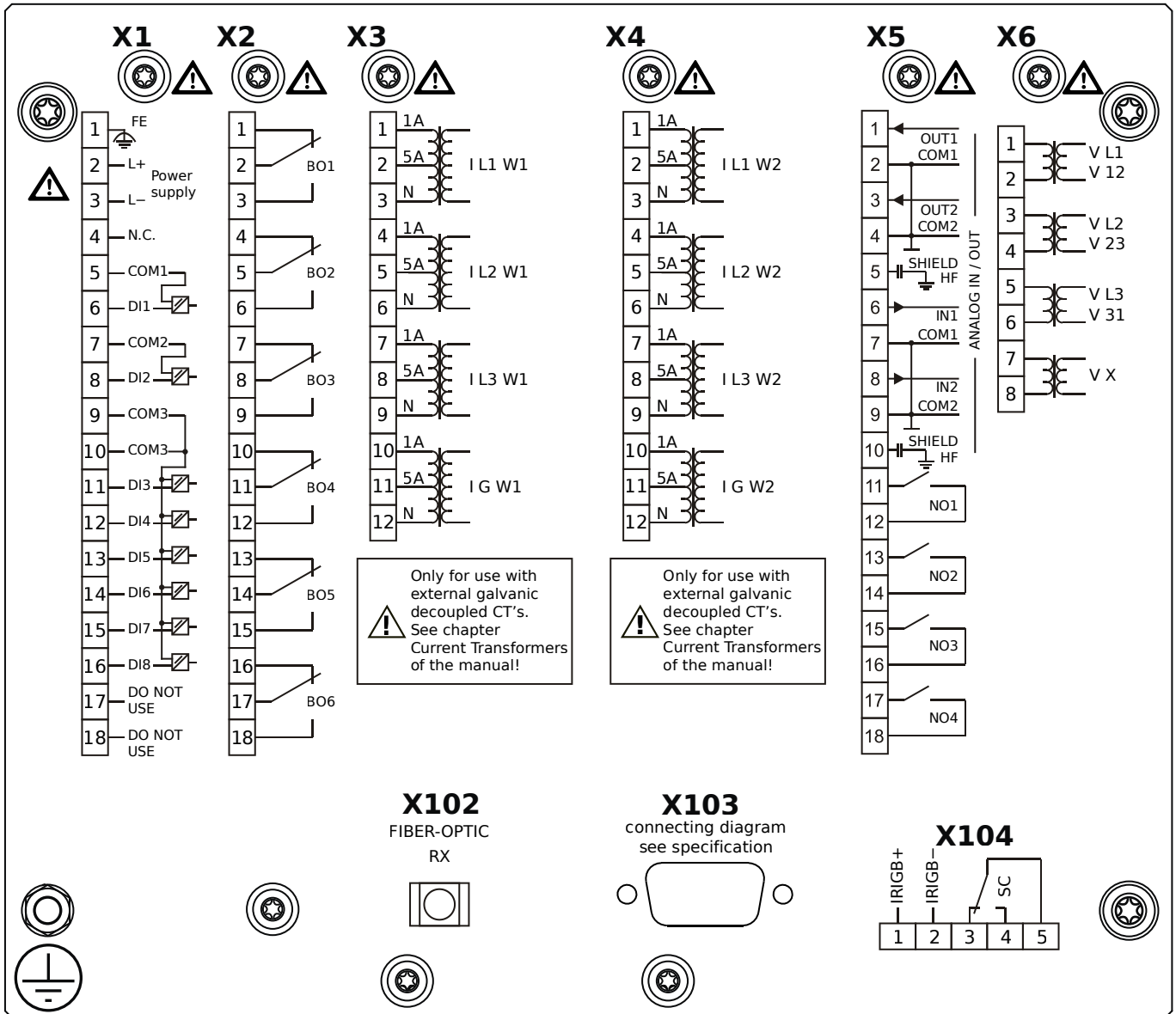
MCDTV4-2B0BGA



Housing B2, large display, 19" rack mounting

- X1** – DI8-X1: Wide-range power supply unit, incl. 2 non-grouped digital inputs and 6 grouped digital inputs
- X2** – OR6: Assembly Group with 6 Output Relays (Changeover / Form C)
- X3** – TI: Standard current measuring card (for the winding side 1)
- X4** – TI: Standard current measuring card (for the winding side 2)
- X5** – AnIO2-OR4: Assembly Group with 2 Analog Inputs, 2 Analog Outputs and 4 Output Relays
- X6** – TU: Card with 4 voltage transformer measuring inputs (0 ... 800 VAC, under UL: 0 ... 600 VAC)
- X102** – Universal Resistance-Temperature Detector (URTD) input, Fiber optics interface, Versatile Link
- X103** – Modbus RTU / IEC 60870-5-103 / DNP3.0 RTU, RS485, D-SUB
- X104** – IRIG-B00X, incl. System Contact (Supervision Contact)

MCDTV4-2B0BGB

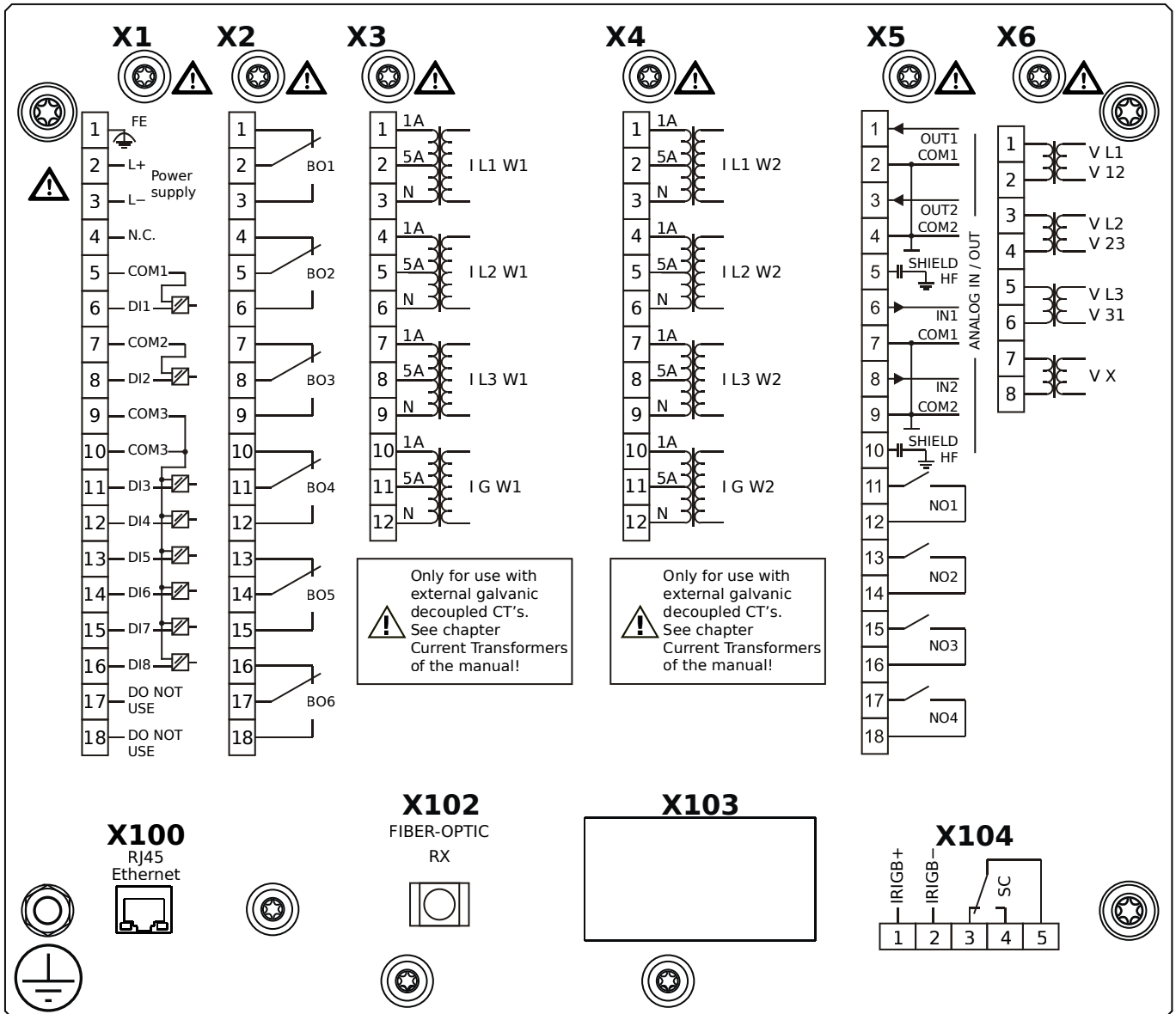


Housing B2, large display, 19" rack mounting

+ Conformal Coating (for installations in harsh environment)

- X1** – DI8-X1: Wide-range power supply unit, incl. 2 non-grouped digital inputs and 6 grouped digital inputs
- X2** – OR6: Assembly Group with 6 Output Relays (Changeover / Form C)
- X3** – TI: Standard current measuring card (for the winding side 1)
- X4** – TI: Standard current measuring card (for the winding side 2)
- X5** – AnIO2-OR4: Assembly Group with 2 Analog Inputs, 2 Analog Outputs and 4 Output Relays
- X6** – TU: Card with 4 voltage transformer measuring inputs (0 ... 800 VAC, under UL: 0 ... 600 VAC)
- X102** – Universal Resistance-Temperature Detector (URTD) input, Fiber optics interface, Versatile Link
- X103** – Modbus RTU / IEC 60870-5-103 / DNP3.0 RTU, RS485, D-SUB
- X104** – IRIG-B00X, incl. System Contact (Supervision Contact)

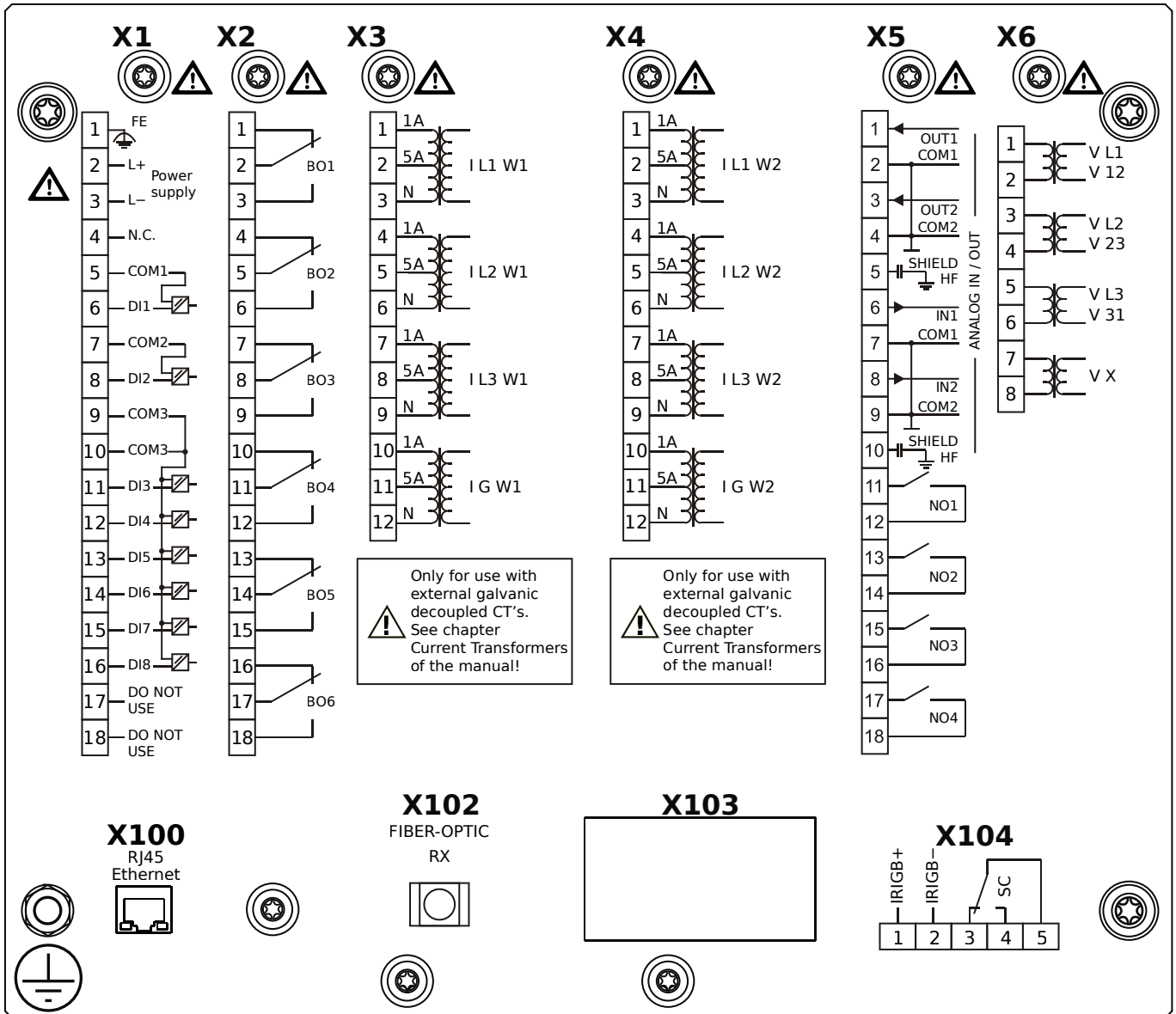
MCDTV4-2B0BHA



Housing B2, large display, 19" rack mounting

- X1** – DI8-X1: Wide-range power supply unit, incl. 2 non-grouped digital inputs and 6 grouped digital inputs
- X2** – OR6: Assembly Group with 6 Output Relays (Changeover / Form C)
- X3** – TI: Standard current measuring card (for the winding side 1)
- X4** – TI: Standard current measuring card (for the winding side 2)
- X5** – AnIO2-OR4: Assembly Group with 2 Analog Inputs, 2 Analog Outputs and 4 Output Relays
- X6** – TU: Card with 4 voltage transformer measuring inputs (0 ... 800 VAC, under UL: 0 ... 600 VAC)
- X100** – IEC 61850 / Modbus TCP / IEC 60870-5-104 / DNP3.0 TCP/UDP, Ethernet interface, 100 Mbit/s, RJ45 (BASE100-FX)
- X102** – Universal Resistance-Temperature Detector (URTD) input, Fiber optics interface, Versatile Link
- X104** – IRIG-B00X, incl. System Contact (Supervision Contact)

MCDTV4-2B0BHB

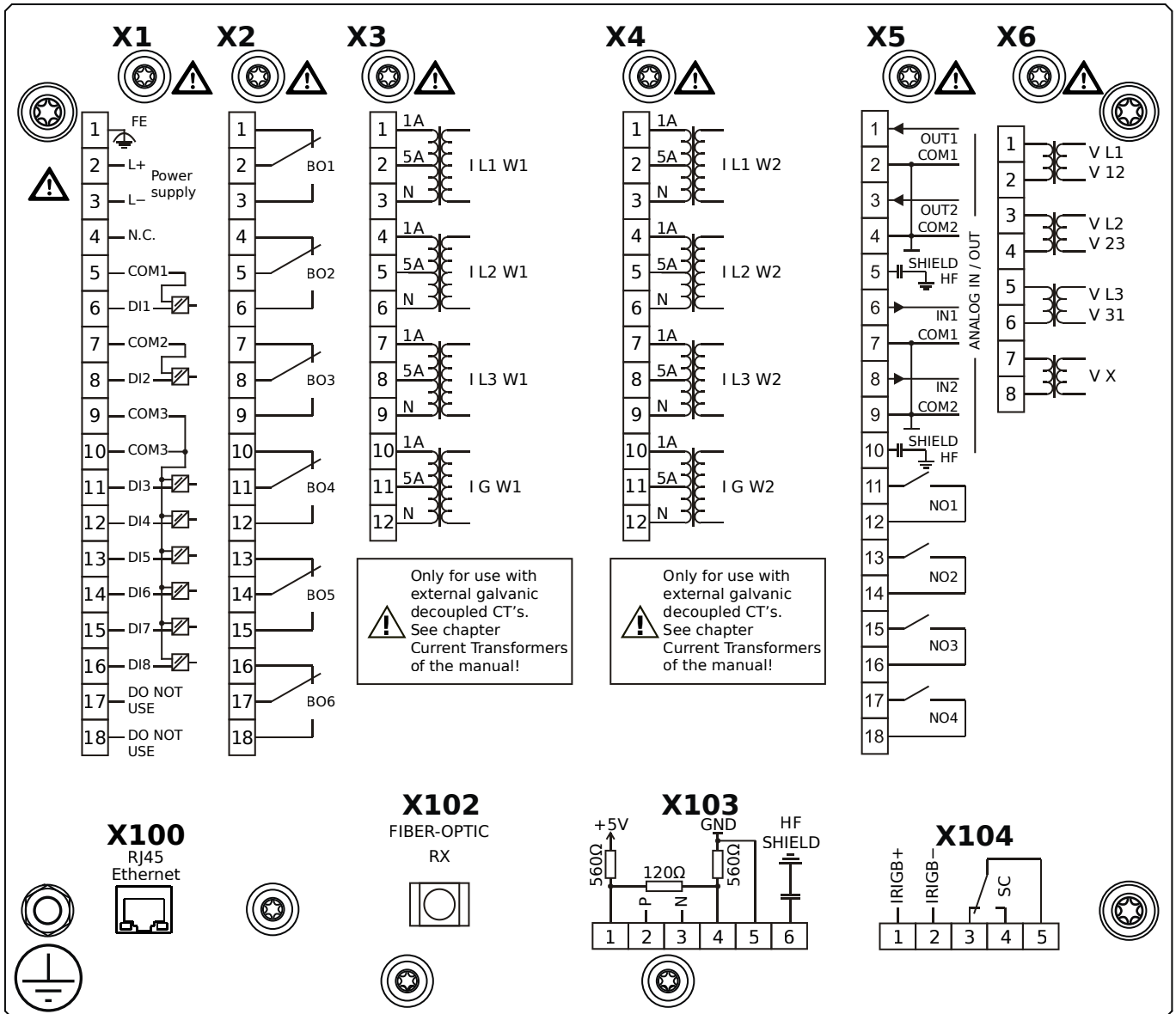


Housing B2, large display, 19" rack mounting

+ Conformal Coating (for installations in harsh environment)

- X1** – DI8-X1: Wide-range power supply unit, incl. 2 non-grouped digital inputs and 6 grouped digital inputs
- X2** – OR6: Assembly Group with 6 Output Relays (Changeover / Form C)
- X3** – TI: Standard current measuring card (for the winding side 1)
- X4** – TI: Standard current measuring card (for the winding side 2)
- X5** – AnIO2-OR4: Assembly Group with 2 Analog Inputs, 2 Analog Outputs and 4 Output Relays
- X6** – TU: Card with 4 voltage transformer measuring inputs (0 ... 800 VAC, under UL: 0 ... 600 VAC)
- X100** – IEC 61850 / Modbus TCP / IEC 60870-5-104 / DNP3.0 TCP/UDP, Ethernet interface, 100 Mbit/s, RJ45 (BASE100-FX)
- X102** – Universal Resistance-Temperature Detector (URTD) input, Fiber optics interface, Versatile Link
- X104** – IRIG-B00X, incl. System Contact (Supervision Contact)

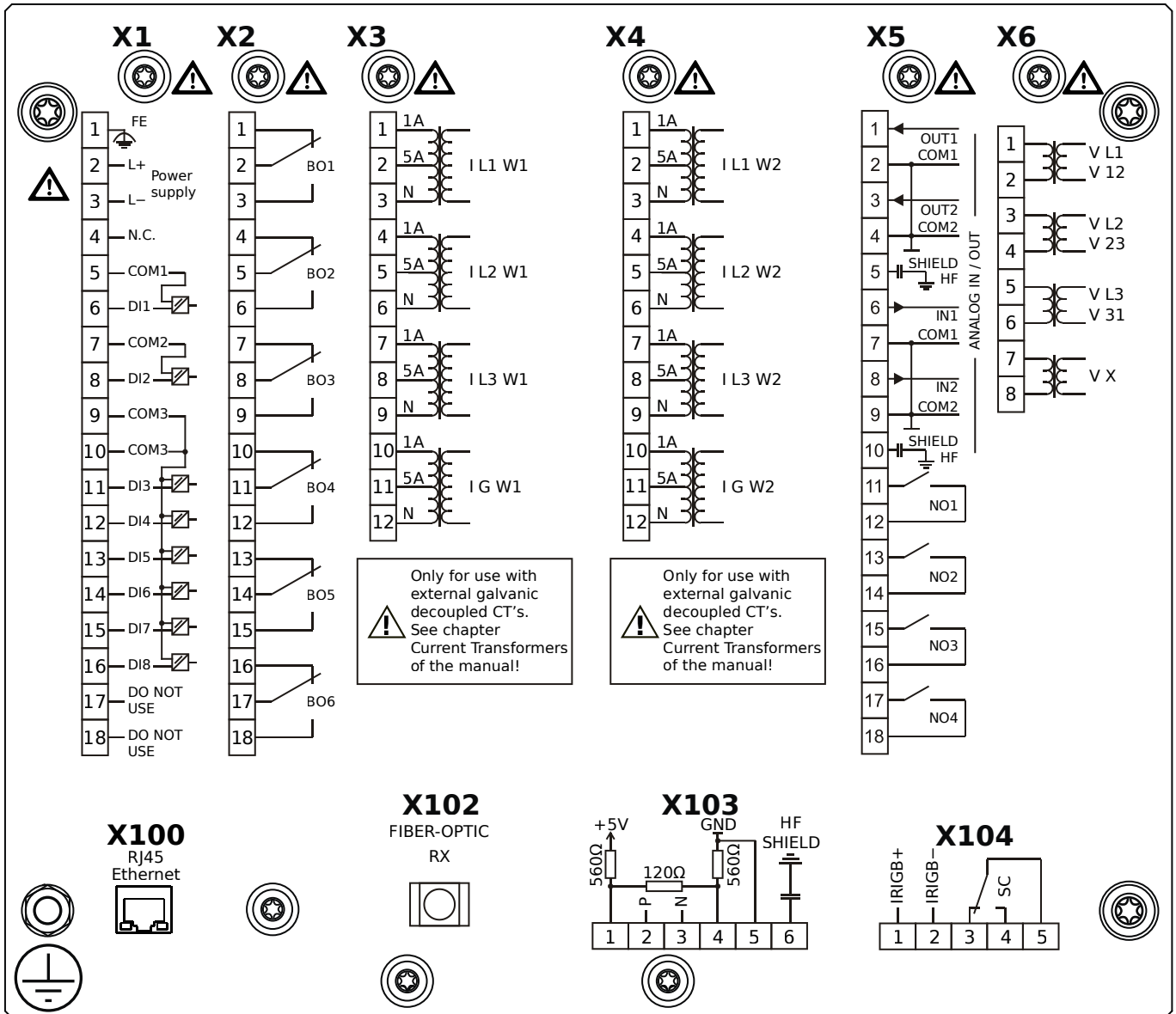
MCDTV4-2B0BIA



Housing B2, large display, 19" rack mounting

- X1** – DI8-X1: Wide-range power supply unit, incl. 2 non-grouped digital inputs and 6 grouped digital inputs
- X2** – OR6: Assembly Group with 6 Output Relays (Changeover / Form C)
- X3** – TI: Standard current measuring card (for the winding side 1)
- X4** – TI: Standard current measuring card (for the winding side 2)
- X5** – AnIO2-OR4: Assembly Group with 2 Analog Inputs, 2 Analog Outputs and 4 Output Relays
- X6** – TU: Card with 4 voltage transformer measuring inputs (0 ... 800 VAC, under UL: 0 ... 600 VAC)
- X100** – Modbus TCP / IEC 60870-5-104 / DNP3.0 TCP/UDP, Ethernet interface, 100 Mbit/s, RJ45 (BASE100-FX)
- X102** – Universal Resistance-Temperature Detector (URTD) input, Fiber optics interface, Versatile Link
- X103** – IEC 60870-5-103 / Modbus RTU / DNP3.0 RTU, RS485, Terminals
- X104** – IRIG-B00X, incl. System Contact (Supervision Contact)

MCDTV4-2B0BIB

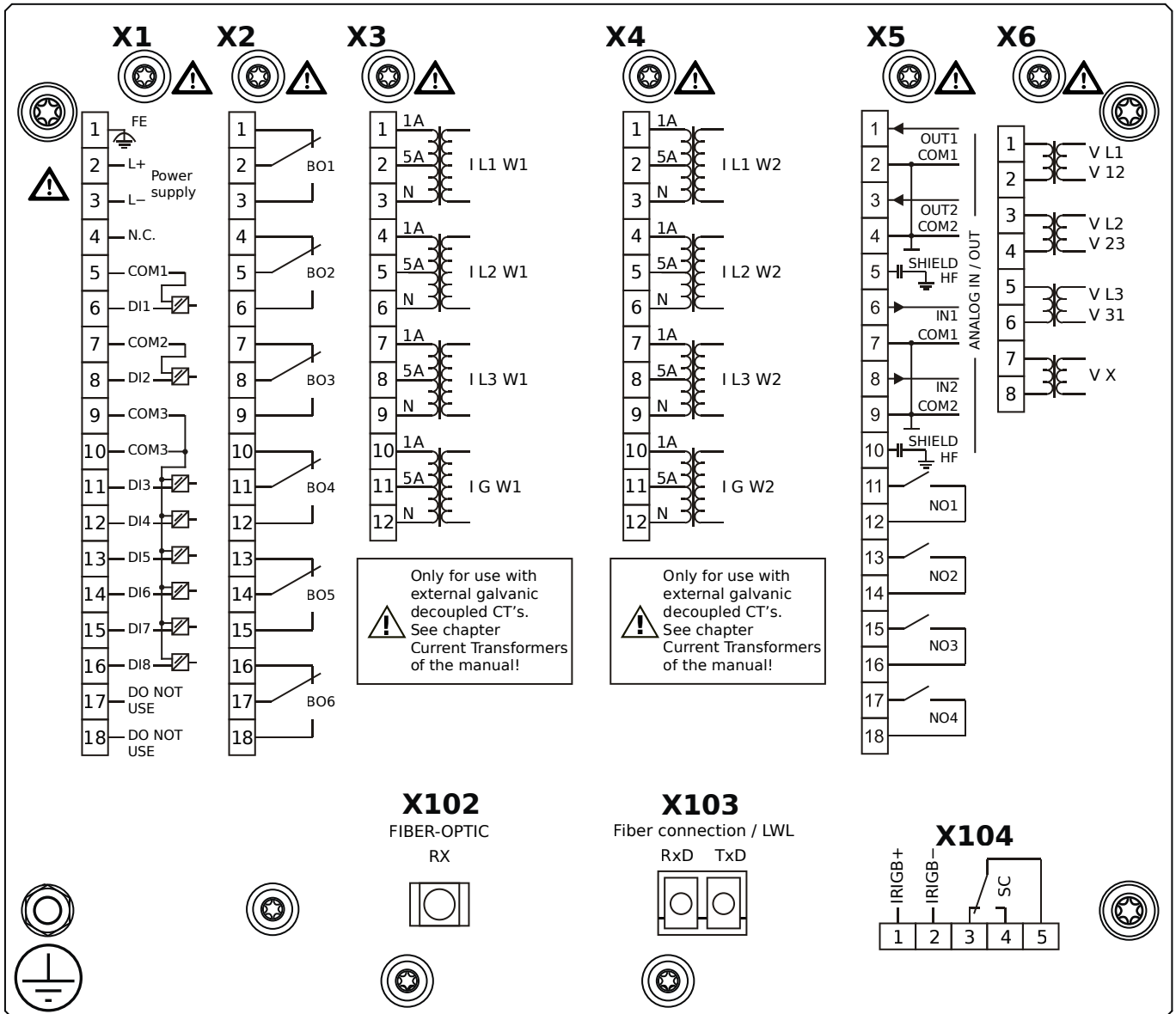


Housing B2, large display, 19" rack mounting

+ Conformal Coating (for installations in harsh environment)

- X1** – DI8-X1: Wide-range power supply unit, incl. 2 non-grouped digital inputs and 6 grouped digital inputs
- X2** – OR6: Assembly Group with 6 Output Relays (Changeover / Form C)
- X3** – TI: Standard current measuring card (for the winding side 1)
- X4** – TI: Standard current measuring card (for the winding side 2)
- X5** – AnIO2-OR4: Assembly Group with 2 Analog Inputs, 2 Analog Outputs and 4 Output Relays
- X6** – TU: Card with 4 voltage transformer measuring inputs (0 ... 800 VAC, under UL: 0 ... 600 VAC)
- X100** – Modbus TCP / IEC 60870-5-104 / DNP3.0 TCP/UDP, Ethernet interface, 100 Mbit/s, RJ45 (BASE100-FX)
- X102** – Universal Resistance-Temperature Detector (URTD) input, Fiber optics interface, Versatile Link
- X103** – IEC 60870-5-103 / Modbus RTU / DNP3.0 RTU, RS485, Terminals
- X104** – IRIG-B00X, incl. System Contact (Supervision Contact)

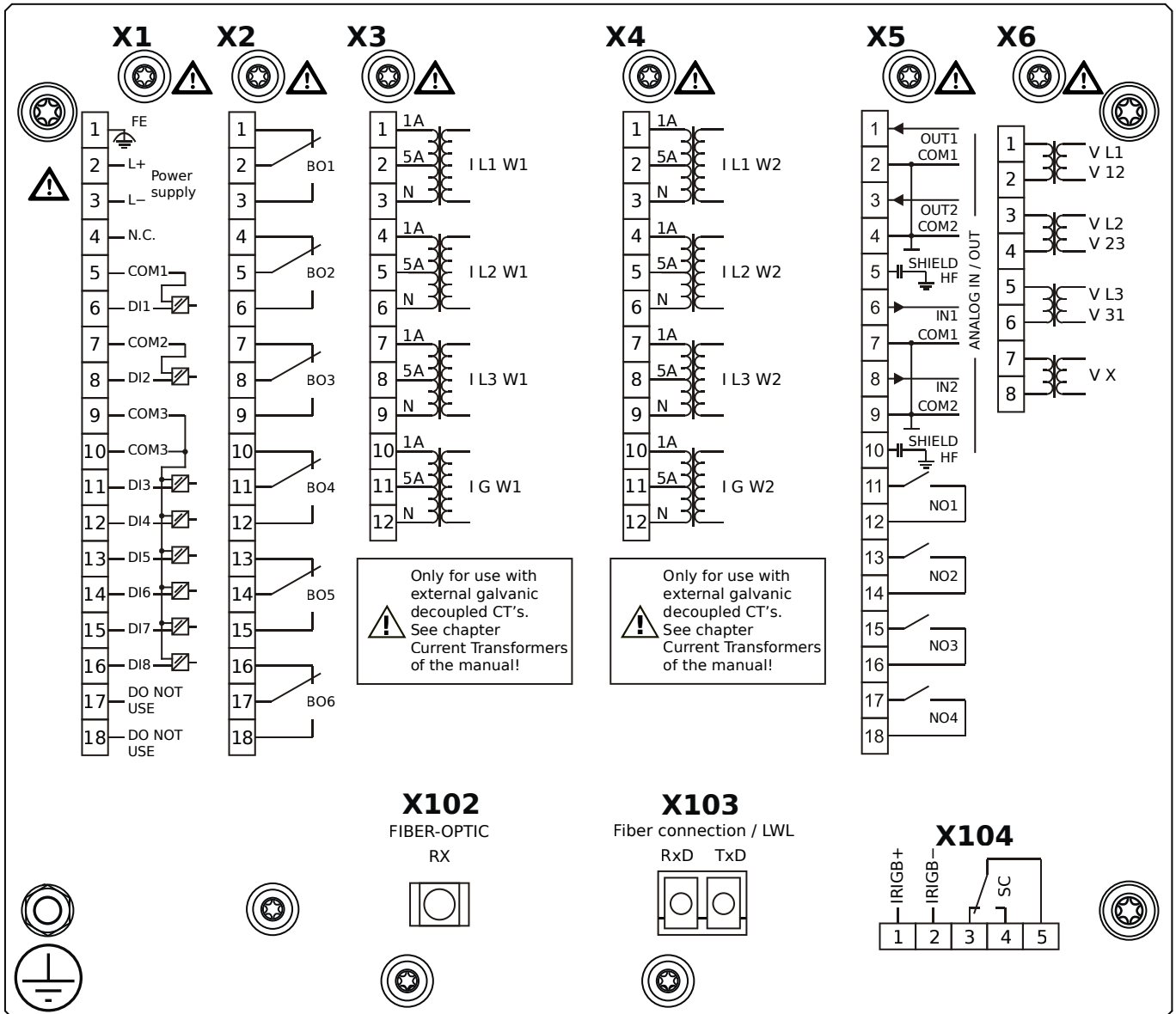
MCDTV4-2B0BKA



Housing B2, large display, 19" rack mounting

- X1** – DI8-X1: Wide-range power supply unit, incl. 2 non-grouped digital inputs and 6 grouped digital inputs
- X2** – OR6: Assembly Group with 6 Output Relays (Changeover / Form C)
- X3** – TI: Standard current measuring card (for the winding side 1)
- X4** – TI: Standard current measuring card (for the winding side 2)
- X5** – AnIO2-OR4: Assembly Group with 2 Analog Inputs, 2 Analog Outputs and 4 Output Relays
- X6** – TU: Card with 4 voltage transformer measuring inputs (0 ... 800 VAC, under UL: 0 ... 600 VAC)
- X102** – Universal Resistance-Temperature Detector (URTD) input, Fiber optics interface, Versatile Link
- X103** – IEC 61850 / Modbus TCP / IEC 60870-5-104 / DNP3.0 TCP/UDP, Fiber optics interface, LC Connector
- X104** – IRIG-B00X, incl. System Contact (Supervision Contact)

MCDTV4-2B0BKB

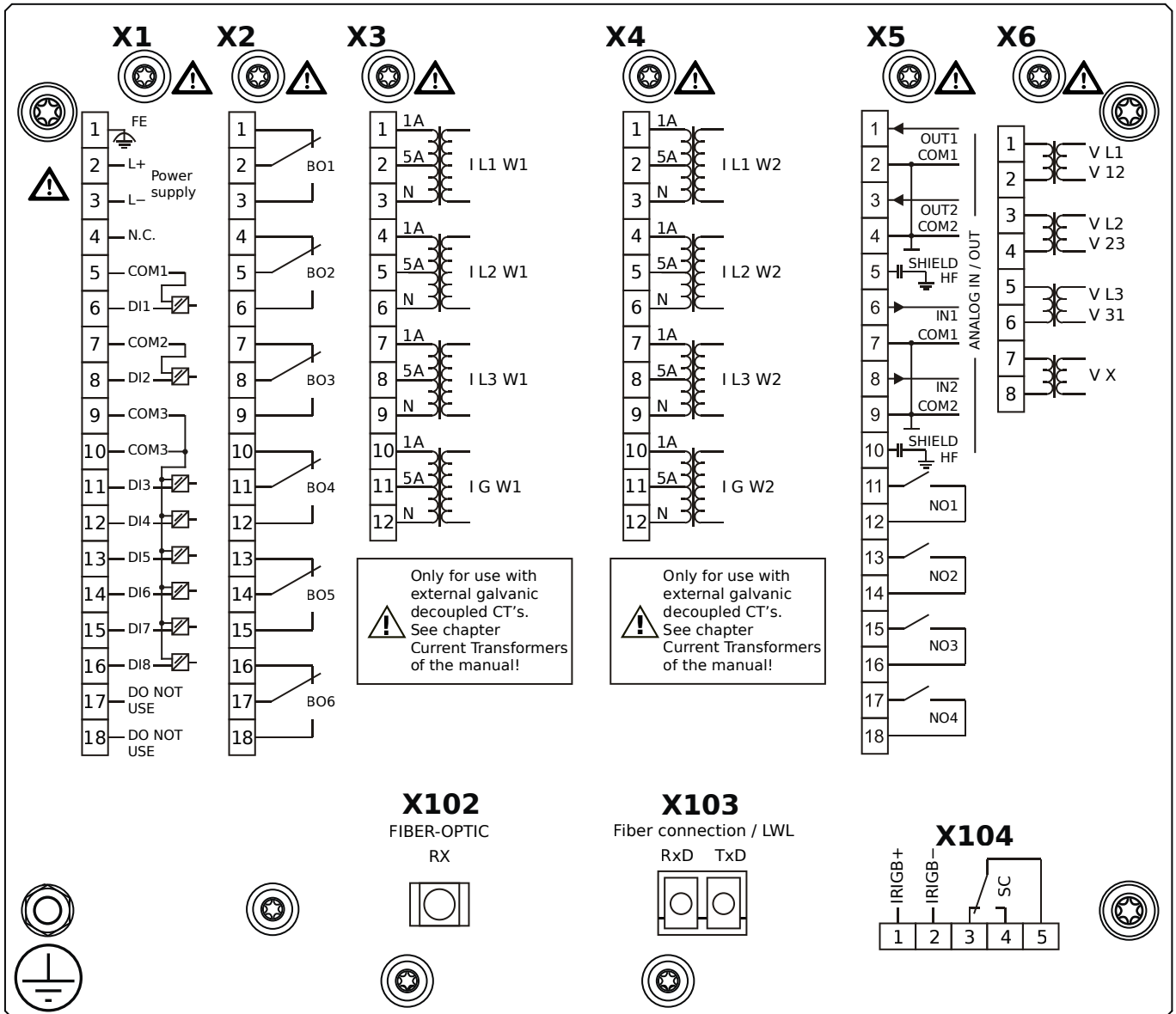


Housing B2, large display, 19" rack mounting

+ Conformal Coating (for installations in harsh environment)

- X1** – DI8-X1: Wide-range power supply unit, incl. 2 non-grouped digital inputs and 6 grouped digital inputs
- X2** – OR6: Assembly Group with 6 Output Relays (Changeover / Form C)
- X3** – TI: Standard current measuring card (for the winding side 1)
- X4** – TI: Standard current measuring card (for the winding side 2)
- X5** – AnIO2-OR4: Assembly Group with 2 Analog Inputs, 2 Analog Outputs and 4 Output Relays
- X6** – TU: Card with 4 voltage transformer measuring inputs (0 ... 800 VAC, under UL: 0 ... 600 VAC)
- X102** – Universal Resistance-Temperature Detector (URTD) input, Fiber optics interface, Versatile Link
- X103** – IEC 61850 / Modbus TCP / IEC 60870-5-104 / DNP3.0 TCP/UDP, Fiber optics interface, LC Connector
- X104** – IRIG-B00X, incl. System Contact (Supervision Contact)

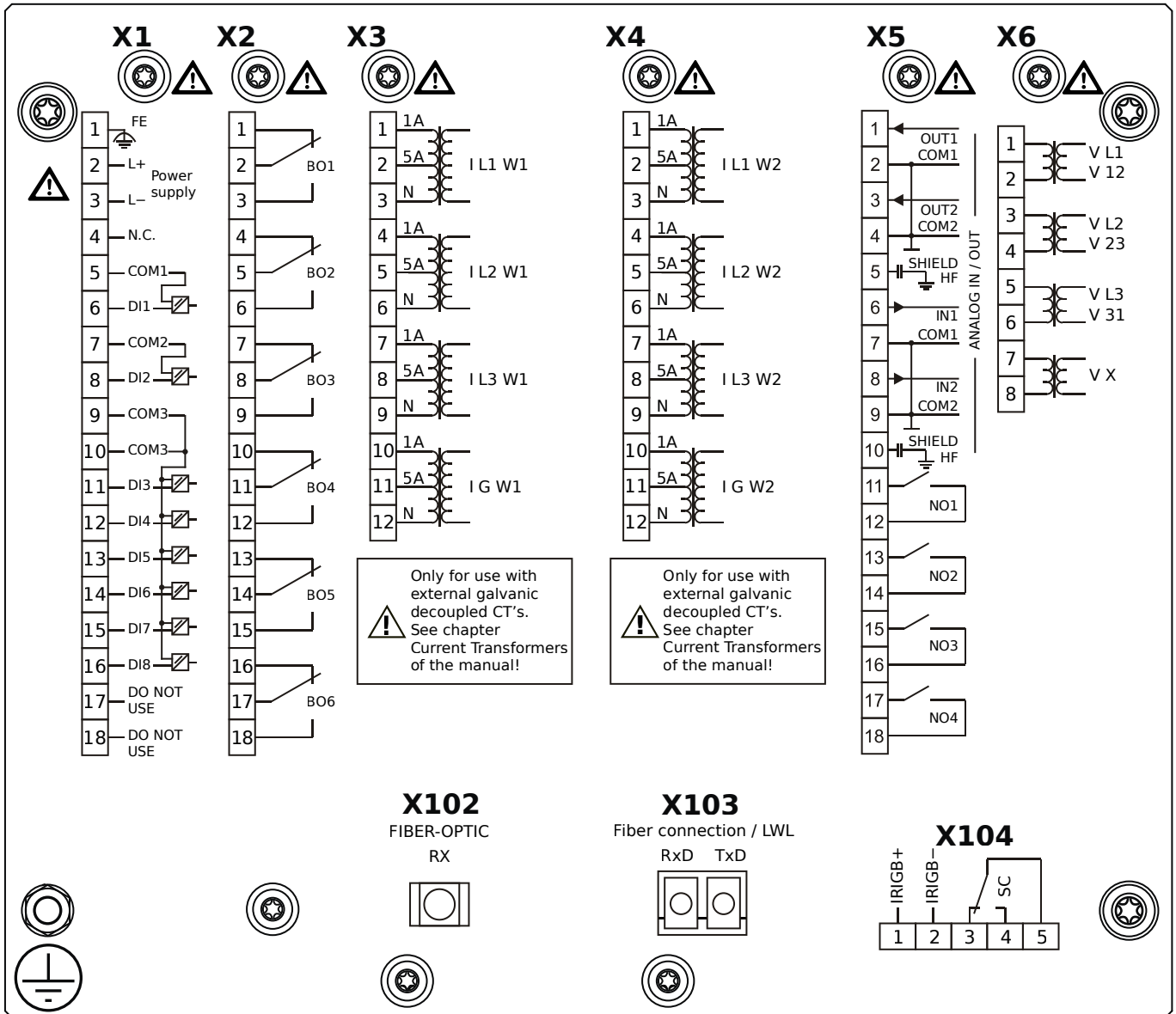
MCDTV4-2B0BLA



Housing B2, large display, 19" rack mounting

- X1** – DI8-X1: Wide-range power supply unit, incl. 2 non-grouped digital inputs and 6 grouped digital inputs
- X2** – OR6: Assembly Group with 6 Output Relays (Changeover / Form C)
- X3** – TI: Standard current measuring card (for the winding side 1)
- X4** – TI: Standard current measuring card (for the winding side 2)
- X5** – AnIO2-OR4: Assembly Group with 2 Analog Inputs, 2 Analog Outputs and 4 Output Relays
- X6** – TU: Card with 4 voltage transformer measuring inputs (0 ... 800 VAC, under UL: 0 ... 600 VAC)
- X102** – Universal Resistance-Temperature Detector (URTD) input, Fiber optics interface, Versatile Link
- X103** – Modbus TCP / IEC 60870-5-104 / DNP3.0 TCP/UDP, Fiber optics interface, LC Connector
- X104** – IRIG-B00X, incl. System Contact (Supervision Contact)

MCDTV4-2B0BLB

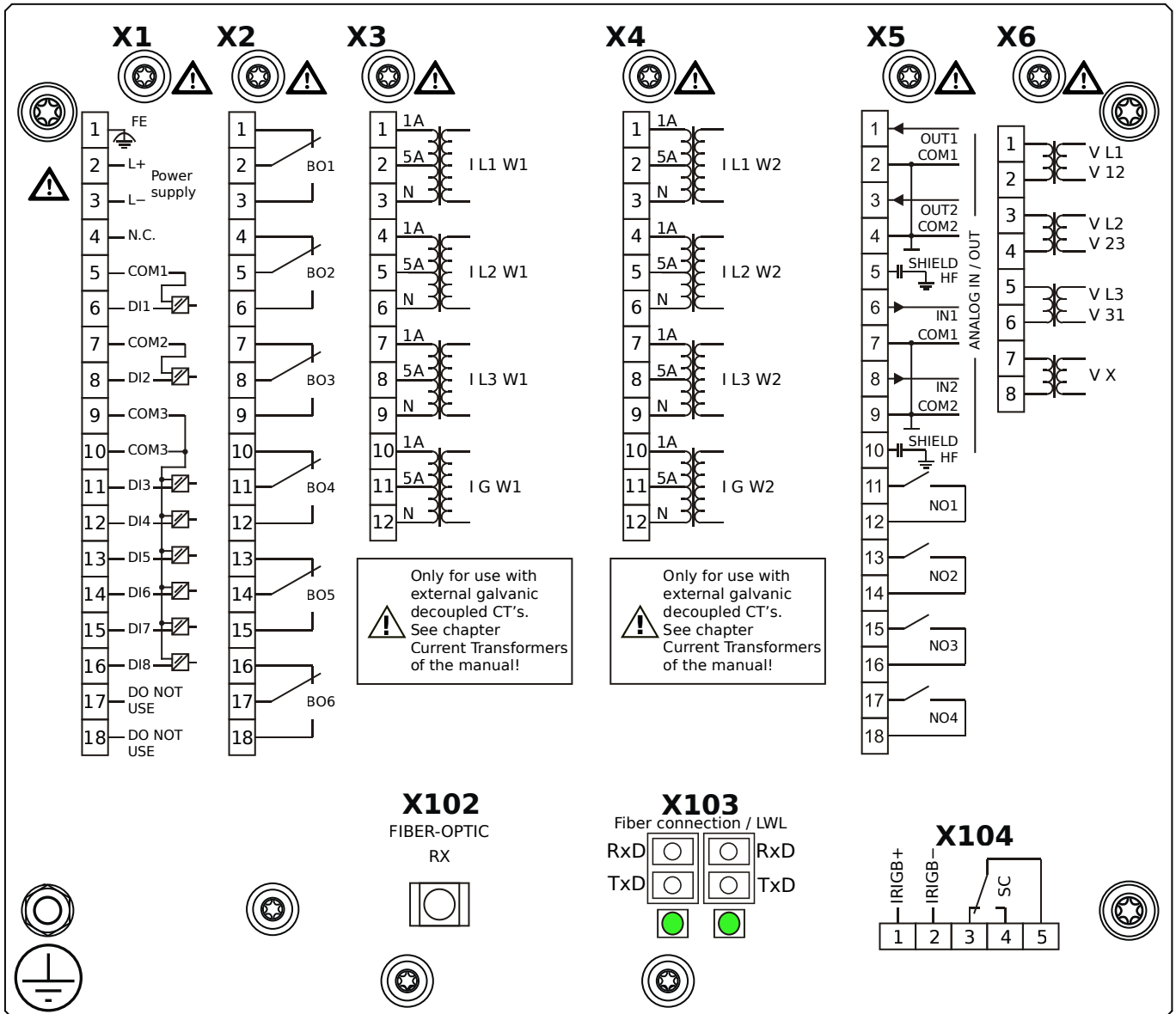


Housing B2, large display, 19" rack mounting

+ Conformal Coating (for installations in harsh environment)

- X1** – DI8-X1: Wide-range power supply unit, incl. 2 non-grouped digital inputs and 6 grouped digital inputs
- X2** – OR6: Assembly Group with 6 Output Relays (Changeover / Form C)
- X3** – TI: Standard current measuring card (for the winding side 1)
- X4** – TI: Standard current measuring card (for the winding side 2)
- X5** – AnIO2-OR4: Assembly Group with 2 Analog Inputs, 2 Analog Outputs and 4 Output Relays
- X6** – TU: Card with 4 voltage transformer measuring inputs (0 ... 800 VAC, under UL: 0 ... 600 VAC)
- X102** – Universal Resistance-Temperature Detector (URTD) input, Fiber optics interface, Versatile Link
- X103** – Modbus TCP / IEC 60870-5-104 / DNP3.0 TCP/UDP, Fiber optics interface, LC Connector
- X104** – IRIG-B00X, incl. System Contact (Supervision Contact)

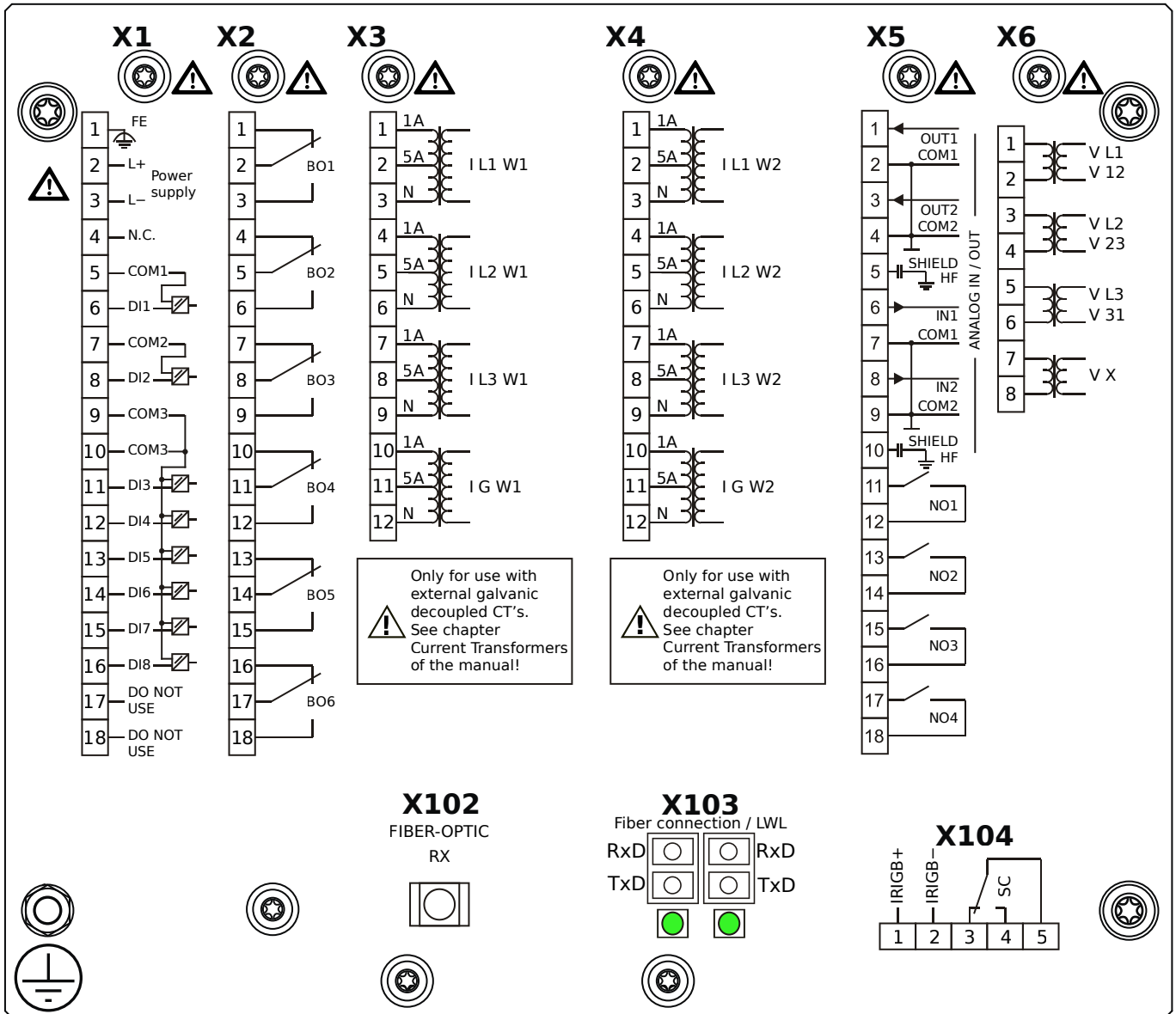
MCDTV4-2B0BOA



Housing B2, large display, 19" rack mounting

- X1** – DI8-X1: Wide-range power supply unit, incl. 2 non-grouped digital inputs and 6 grouped digital inputs
- X2** – OR6: Assembly Group with 6 Output Relays (Changeover / Form C)
- X3** – TI: Standard current measuring card (for the winding side 1)
- X4** – TI: Standard current measuring card (for the winding side 2)
- X5** – AnIO2-OR4: Assembly Group with 2 Analog Inputs, 2 Analog Outputs and 4 Output Relays
- X6** – TU: Card with 4 voltage transformer measuring inputs (0 ... 800 VAC, under UL: 0 ... 600 VAC)
- X102** – Universal Resistance-Temperature Detector (URTD) input, Fiber optics interface, Versatile Link
- X103** – Modbus TCP / IEC 60870-5-104 / DNP3.0 TCP/UDP, Redundant Fiber optics interface, LC Connector
- X104** – IRIG-B00X, incl. System Contact (Supervision Contact)

MCDTV4-2B0B0B

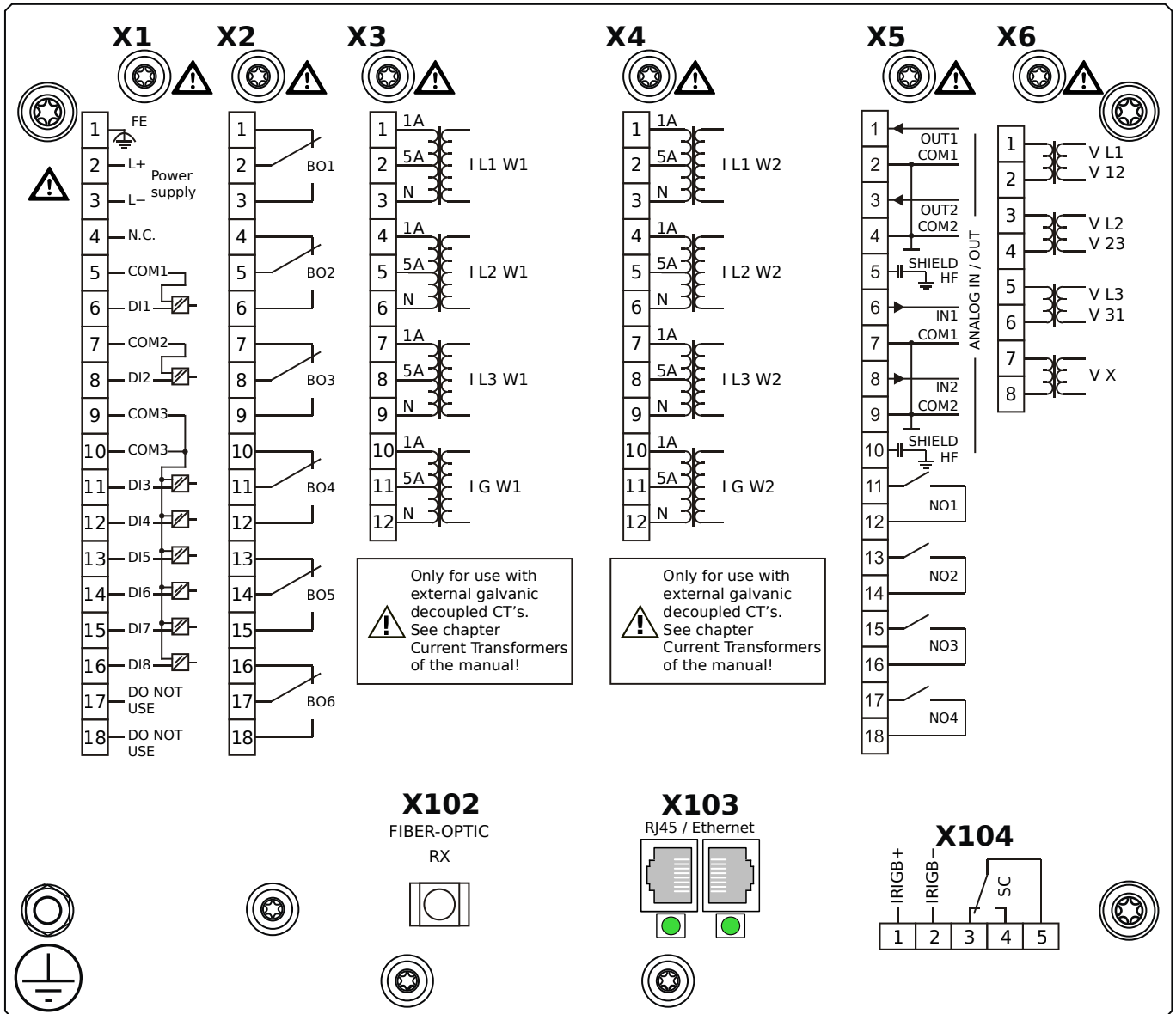


Housing B2, large display, 19" rack mounting

- + Conformal Coating (for installations in harsh environment)

- X1** – DI8-X1: Wide-range power supply unit, incl. 2 non-grouped digital inputs and 6 grouped digital inputs
- X2** – OR6: Assembly Group with 6 Output Relays (Changeover / Form C)
- X3** – TI: Standard current measuring card (for the winding side 1)
- X4** – TI: Standard current measuring card (for the winding side 2)
- X5** – AnIO2-OR4: Assembly Group with 2 Analog Inputs, 2 Analog Outputs and 4 Output Relays
- X6** – TU: Card with 4 voltage transformer measuring inputs (0 ... 800 VAC, under UL: 0 ... 600 VAC)
- X102** – Universal Resistance-Temperature Detector (URTD) input, Fiber optics interface, Versatile Link
- X103** – Modbus TCP / IEC 60870-5-104 / DNP3.0 TCP/UDP, Redundant Fiber optics interface, LC Connector
- X104** – IRIG-B00X, incl. System Contact (Supervision Contact)

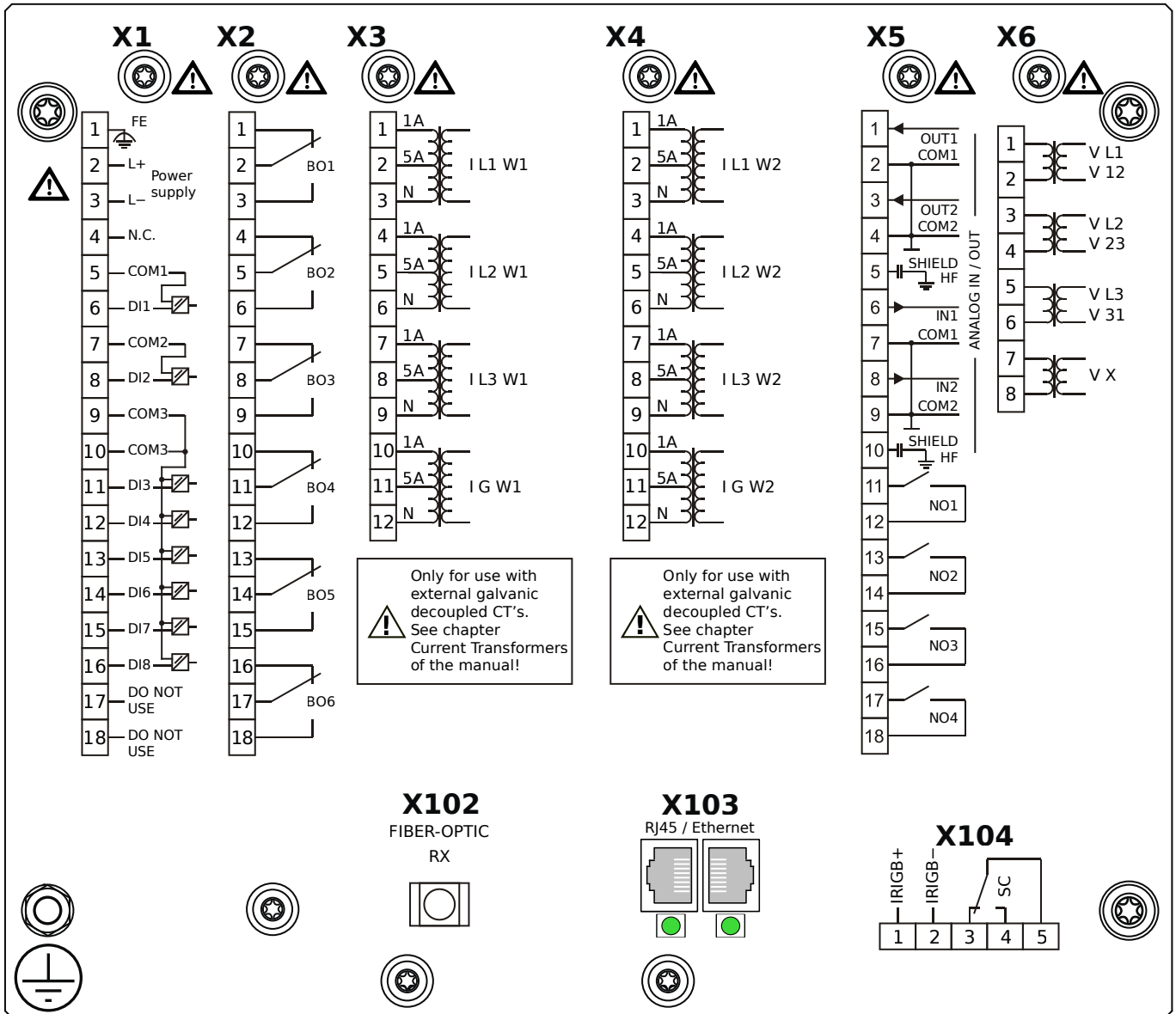
MCDTV4-2B0BPA



Housing B2, large display, 19" rack mounting

- X1** – DI8-X1: Wide-range power supply unit, incl. 2 non-grouped digital inputs and 6 grouped digital inputs
- X2** – OR6: Assembly Group with 6 Output Relays (Changeover / Form C)
- X3** – TI: Standard current measuring card (for the winding side 1)
- X4** – TI: Standard current measuring card (for the winding side 2)
- X5** – AnIO2-OR4: Assembly Group with 2 Analog Inputs, 2 Analog Outputs and 4 Output Relays
- X6** – TU: Card with 4 voltage transformer measuring inputs (0 ... 800 VAC, under UL: 0 ... 600 VAC)
- X102** – Universal Resistance-Temperature Detector (URTD) input, Fiber optics interface, Versatile Link
- X103** – Modbus TCP / IEC 60870-5-104 / DNP3.0 TCP/UDP, Redundant Ethernet interface, 100 Mbit/s, RJ45 (BASE100-FX)
- X104** – IRIG-B00X, incl. System Contact (Supervision Contact)

MCDTV4-2B0BPB

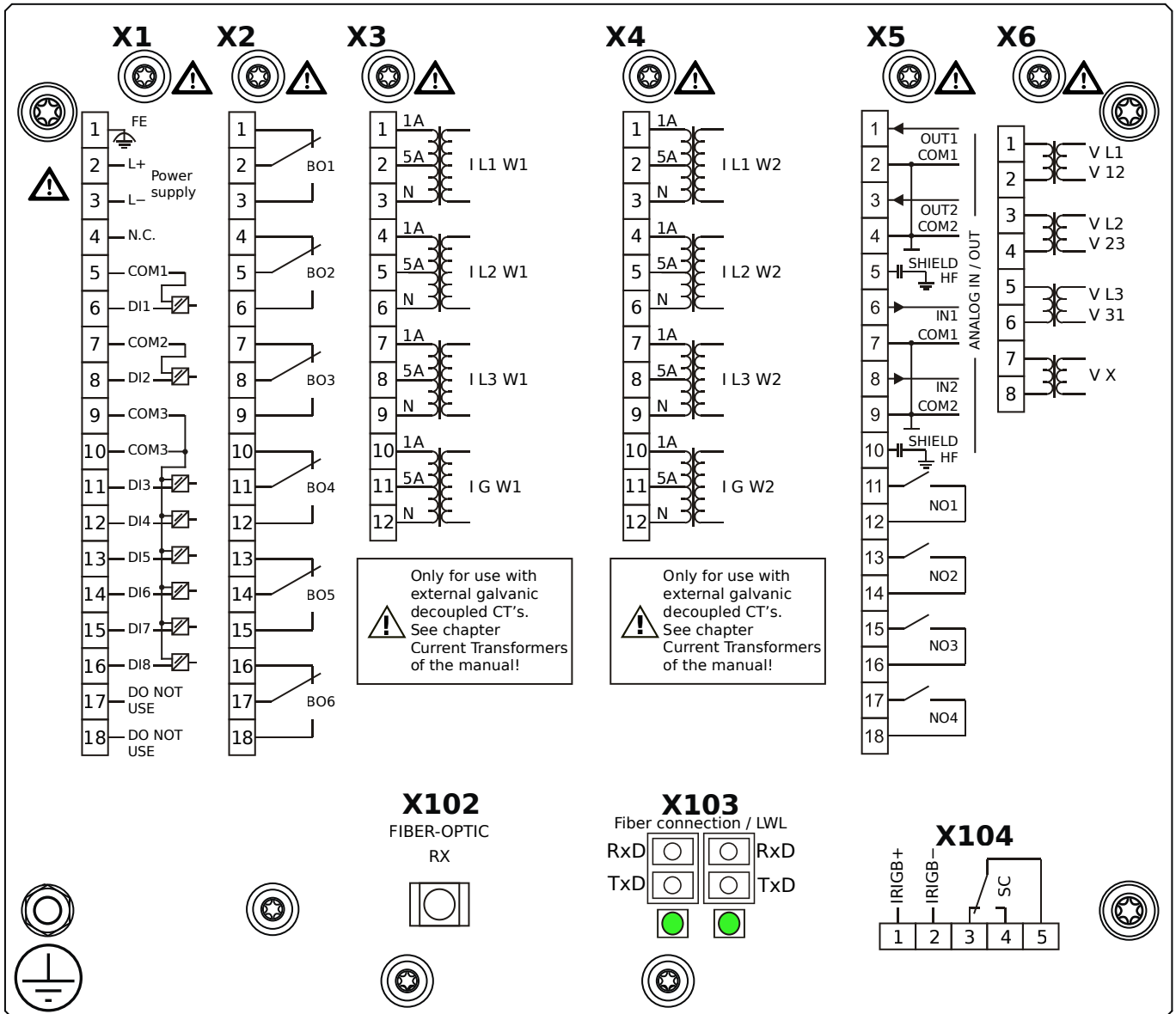


Housing B2, large display, 19" rack mounting

- + Conformal Coating (for installations in harsh environment)

- X1** – DI8-X1: Wide-range power supply unit, incl. 2 non-grouped digital inputs and 6 grouped digital inputs
- X2** – OR6: Assembly Group with 6 Output Relays (Changeover / Form C)
- X3** – TI: Standard current measuring card (for the winding side 1)
- X4** – TI: Standard current measuring card (for the winding side 2)
- X5** – AnIO2-OR4: Assembly Group with 2 Analog Inputs, 2 Analog Outputs and 4 Output Relays
- X6** – TU: Card with 4 voltage transformer measuring inputs (0 ... 800 VAC, under UL: 0 ... 600 VAC)
- X102** – Universal Resistance-Temperature Detector (URTD) input, Fiber optics interface, Versatile Link
- X103** – Modbus TCP / IEC 60870-5-104 / DNP3.0 TCP/UDP, Redundant Ethernet interface, 100 Mbit/s, RJ45 (BASE100-FX)
- X104** – IRIG-B00X, incl. System Contact (Supervision Contact)

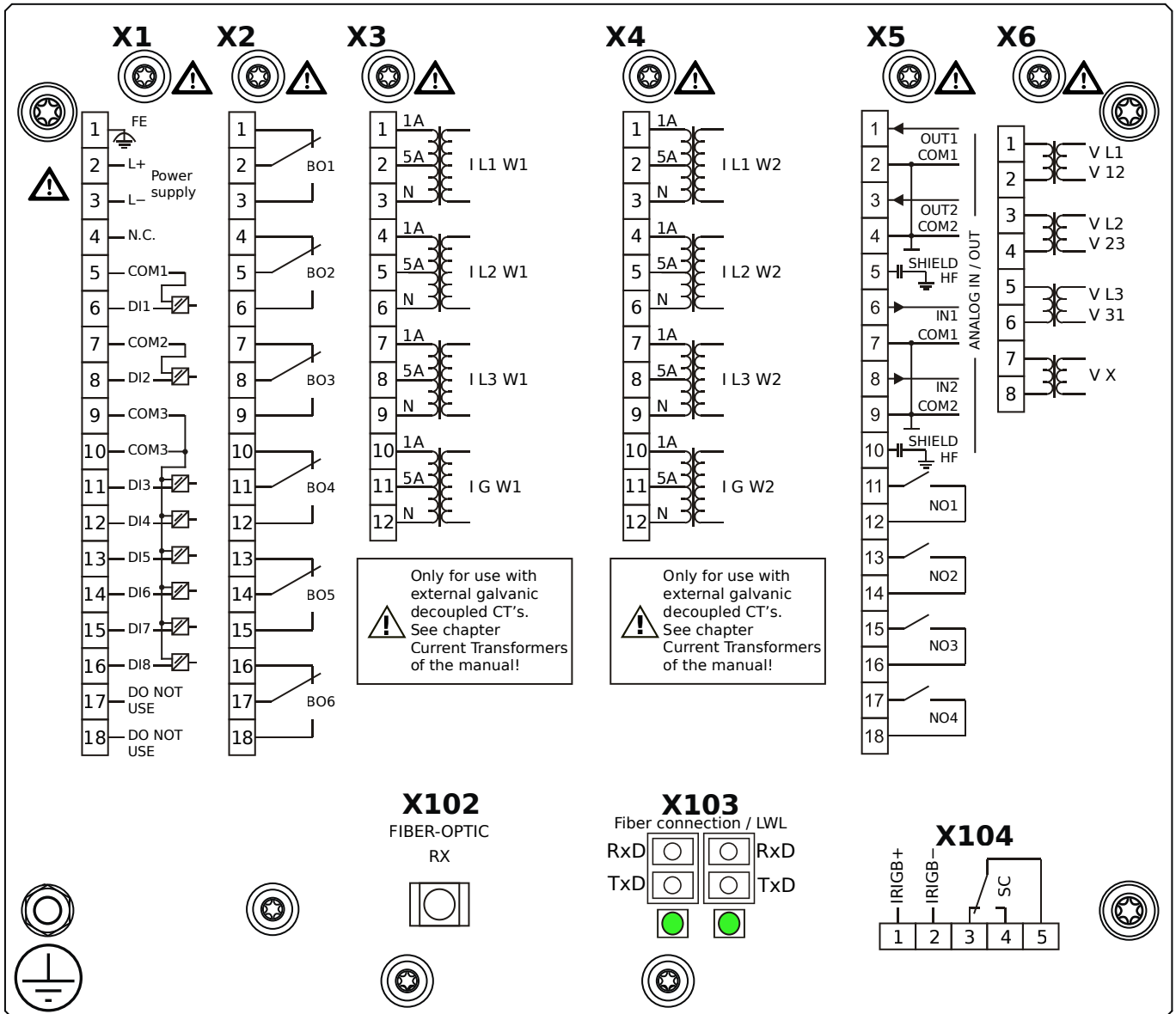
MCDTV4-2B0BQA



Housing B2, large display, 19" rack mounting

- X1** – DI8-X1: Wide-range power supply unit, incl. 2 non-grouped digital inputs and 6 grouped digital inputs
- X2** – OR6: Assembly Group with 6 Output Relays (Changeover / Form C)
- X3** – TI: Standard current measuring card (for the winding side 1)
- X4** – TI: Standard current measuring card (for the winding side 2)
- X5** – AnIO2-OR4: Assembly Group with 2 Analog Inputs, 2 Analog Outputs and 4 Output Relays
- X6** – TU: Card with 4 voltage transformer measuring inputs (0 ... 800 VAC, under UL: 0 ... 600 VAC)
- X102** – Universal Resistance-Temperature Detector (URTD) input, Fiber optics interface, Versatile Link
- X103** – IEC 61850 / Modbus TCP / IEC 60870-5-104 / DNP3.0 TCP/UDP, Redundant Fiber optics interface, LC Connector
- X104** – IRIG-B00X, incl. System Contact (Supervision Contact)

MCDTV4-2B0BQB

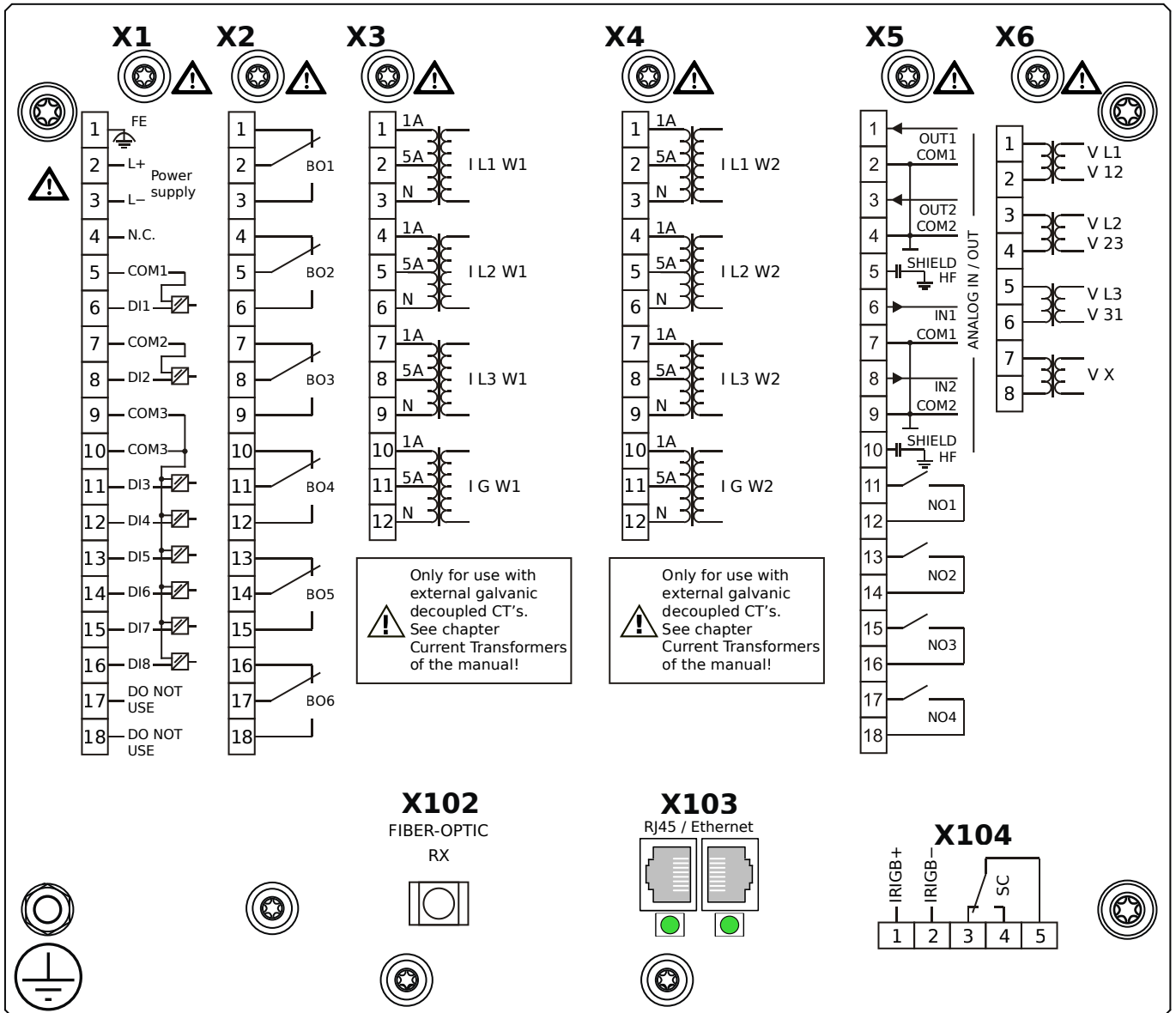


Housing B2, large display, 19" rack mounting

- + Conformal Coating (for installations in harsh environment)

- X1** – DI8-X1: Wide-range power supply unit, incl. 2 non-grouped digital inputs and 6 grouped digital inputs
- X2** – OR6: Assembly Group with 6 Output Relays (Changeover / Form C)
- X3** – TI: Standard current measuring card (for the winding side 1)
- X4** – TI: Standard current measuring card (for the winding side 2)
- X5** – AnIO2-OR4: Assembly Group with 2 Analog Inputs, 2 Analog Outputs and 4 Output Relays
- X6** – TU: Card with 4 voltage transformer measuring inputs (0 ... 800 VAC, under UL: 0 ... 600 VAC)
- X102** – Universal Resistance-Temperature Detector (URTD) input, Fiber optics interface, Versatile Link
- X103** – IEC 61850 / Modbus TCP / IEC 60870-5-104 / DNP3.0 TCP/UDP, Redundant Fiber optics interface, LC Connector
- X104** – IRIG-B00X, incl. System Contact (Supervision Contact)

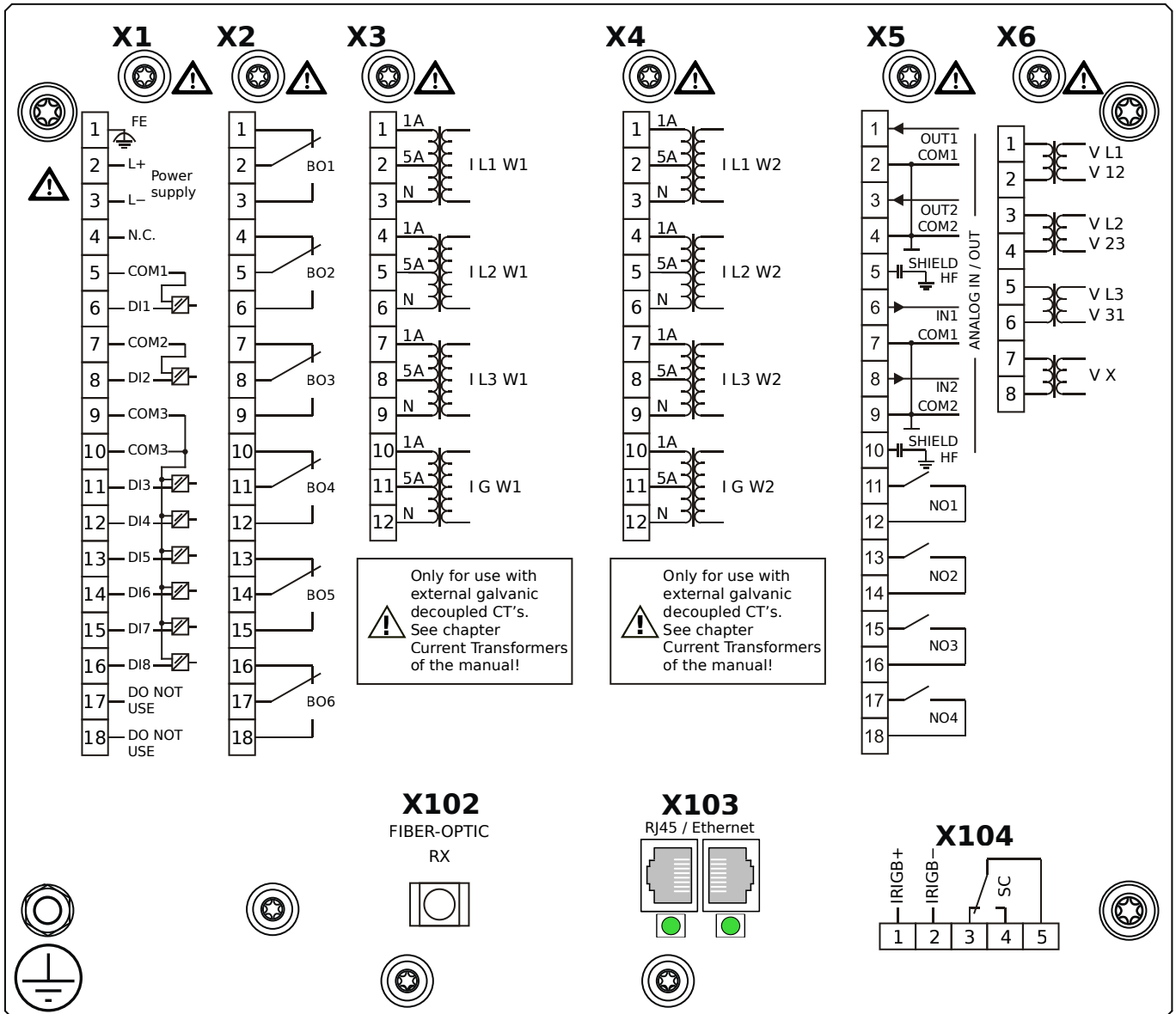
MCDTV4-2B0BRA



Housing B2, large display, 19" rack mounting

- X1** – DI8-X1: Wide-range power supply unit, incl. 2 non-grouped digital inputs and 6 grouped digital inputs
- X2** – OR6: Assembly Group with 6 Output Relays (Changeover / Form C)
- X3** – TI: Standard current measuring card (for the winding side 1)
- X4** – TI: Standard current measuring card (for the winding side 2)
- X5** – AnIO2-OR4: Assembly Group with 2 Analog Inputs, 2 Analog Outputs and 4 Output Relays
- X6** – TU: Card with 4 voltage transformer measuring inputs (0 ... 800 VAC, under UL: 0 ... 600 VAC)
- X102** – Universal Resistance-Temperature Detector (URTD) input, Fiber optics interface, Versatile Link
- X103** – IEC 61850 / Modbus TCP / IEC 60870-5-104 / DNP3.0 TCP/UDP, Redundant Ethernet interface, 100 Mbit/s, RJ45
- X104** – IRIG-B00X, incl. System Contact (Supervision Contact)

MCDTV4-2B0BRB



Housing B2, large display, 19" rack mounting

- + Conformal Coating (for installations in harsh environment)

X1 – DI8-X1: Wide-range power supply unit, incl. 2 non-grouped digital inputs and 6 grouped digital inputs

X2 – OR6: Assembly Group with 6 Output Relays (Changeover / Form C)

X3 – TI: Standard current measuring card (for the winding side 1)

X4 – TI: Standard current measuring card (for the winding side 2)

X5 – AnIO2-OR4: Assembly Group with 2 Analog Inputs, 2 Analog Outputs and 4 Output Relays

X6 – TU: Card with 4 voltage transformer measuring inputs (0 ... 800 VAC, under UL: 0 ... 600 VAC)

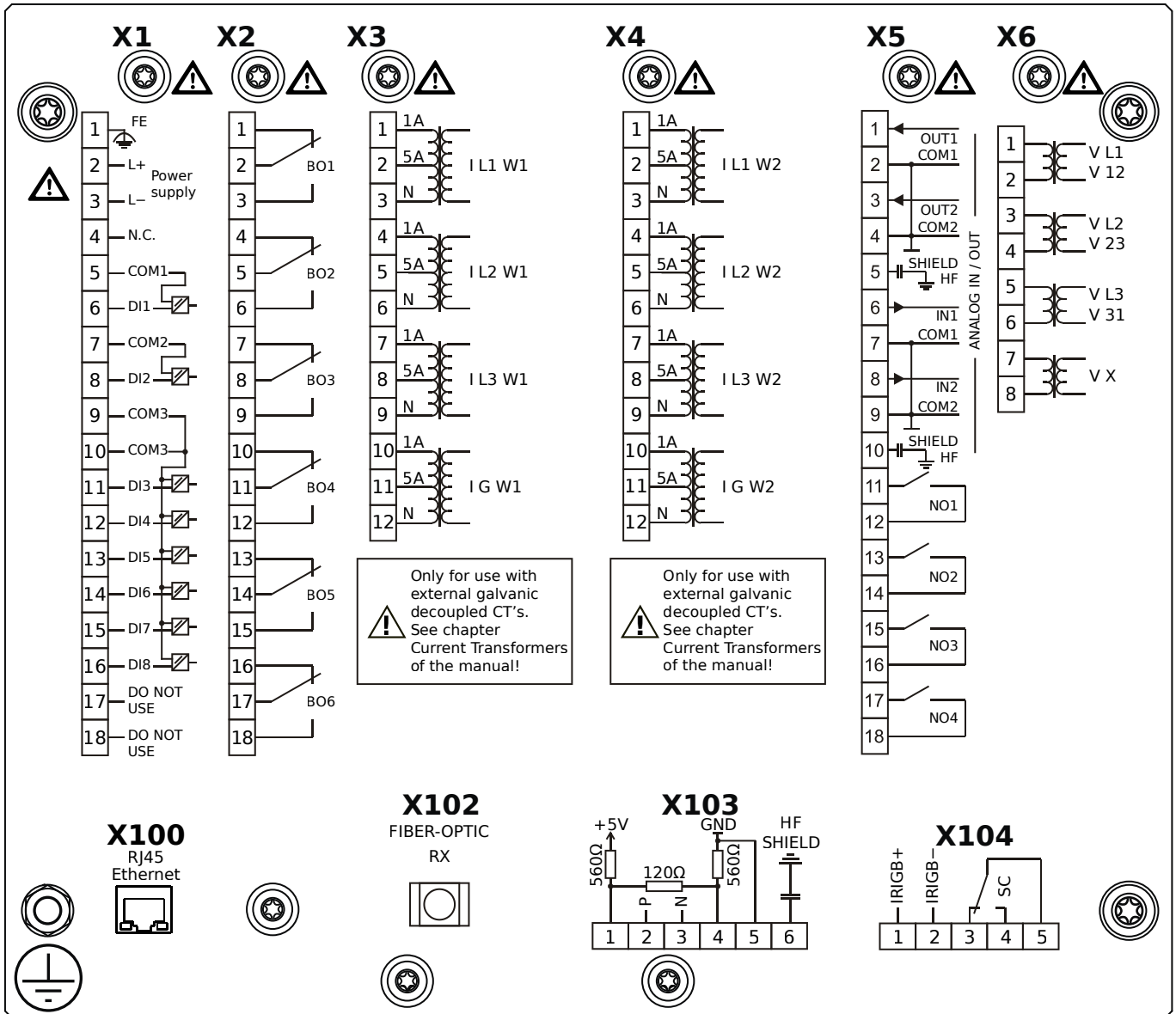
X102 – Universal Resistance-Temperature Detector (URTD) input, Fiber optics interface, Versatile Link

X103 – IEC 61850 / Modbus TCP / IEC 60870-5-104 / DNP3.0 TCP/UDP, Redundant Ethernet interface, 100 Mbit/s, RJ45

(BASE100-FX)

X104 – IRIG-B00X, incl. System Contact (Supervision Contact)

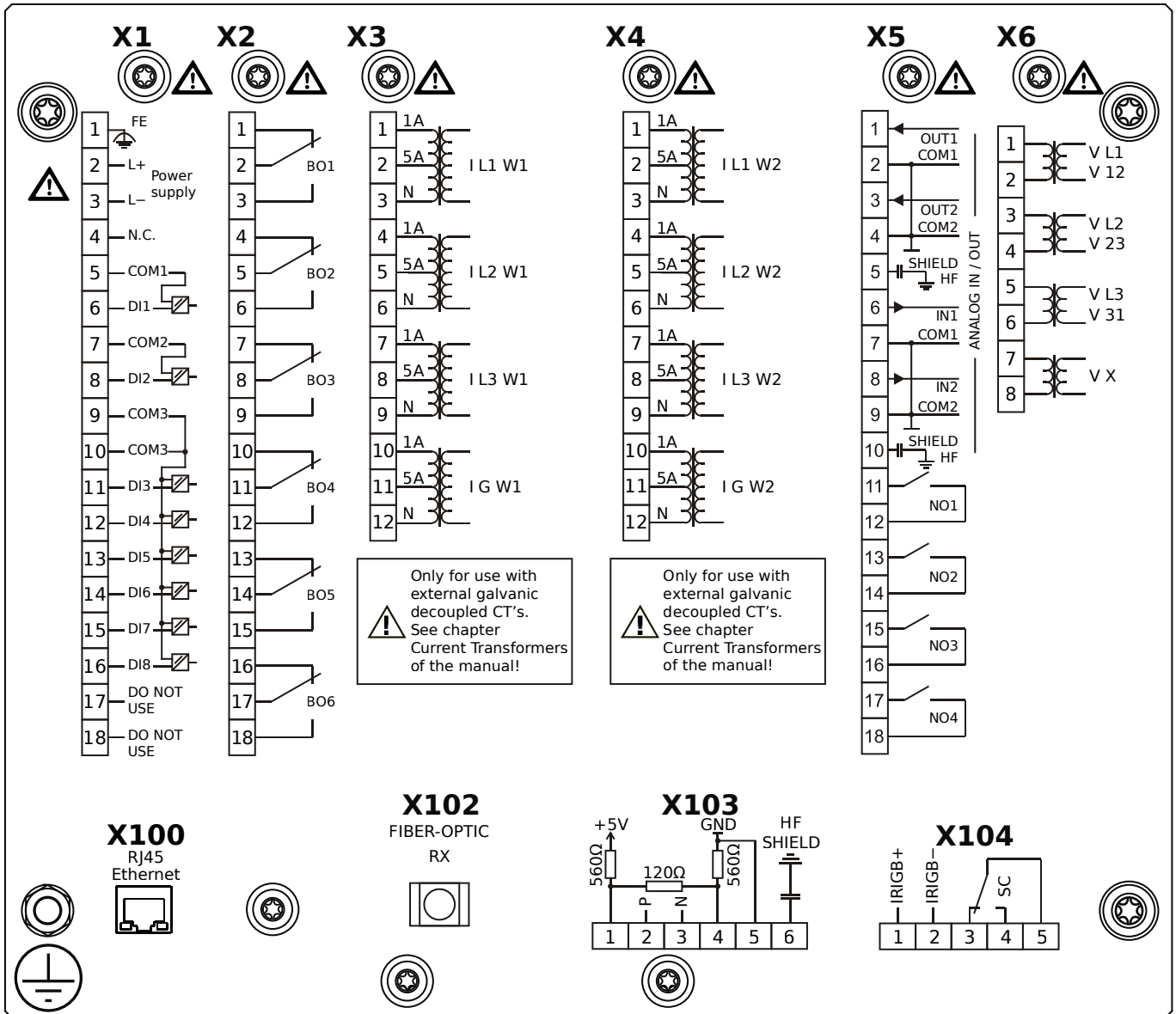
MCDTV4-2B0BTA



Housing B2, large display, 19" rack mounting

- X1** – DI8-X1: Wide-range power supply unit, incl. 2 non-grouped digital inputs and 6 grouped digital inputs
- X2** – OR6: Assembly Group with 6 Output Relays (Changeover / Form C)
- X3** – TI: Standard current measuring card (for the winding side 1)
- X4** – TI: Standard current measuring card (for the winding side 2)
- X5** – AnIO2-OR4: Assembly Group with 2 Analog Inputs, 2 Analog Outputs and 4 Output Relays
- X6** – TU: Card with 4 voltage transformer measuring inputs (0 ... 800 VAC, under UL: 0 ... 600 VAC)
- X100** – IEC 61850 / Modbus TCP / IEC 60870-5-104 / DNP3.0 TCP/UDP, Ethernet interface, 100 Mbit/s, RJ45 (BASE100-FX)
- X102** – Universal Resistance-Temperature Detector (URTD) input, Fiber optics interface, Versatile Link
- X103** – IEC 60870-5-103 / Modbus RTU / DNP3.0 RTU, RS485, Terminals
- X104** – IRIG-B00X, incl. System Contact (Supervision Contact)

MCDTV4-2B0BTB



Housing B2, large display, 19" rack mounting

+ Conformal Coating (for installations in harsh environment)

X1 – DI8-X1: Wide-range power supply unit, incl. 2 non-grouped digital inputs and 6 grouped digital inputs

X2 – OR6: Assembly Group with 6 Output Relays (Changeover / Form C)

X3 – TI: Standard current measuring card (for the winding side 1)

X4 – TI: Standard current measuring card (for the winding side 2)

X5 – AnIO2-OR4: Assembly Group with 2 Analog Inputs, 2 Analog Outputs and 4 Output Relays

X6 – TU: Card with 4 voltage transformer measuring inputs (0 ... 800 VAC, under UL: 0 ... 600 VAC)

X100 – IEC 61850 / Modbus TCP / IEC 60870-5-104 / DNP3.0 TCP/UDP, Ethernet interface, 100 Mbit/s, RJ45 (BASE100-

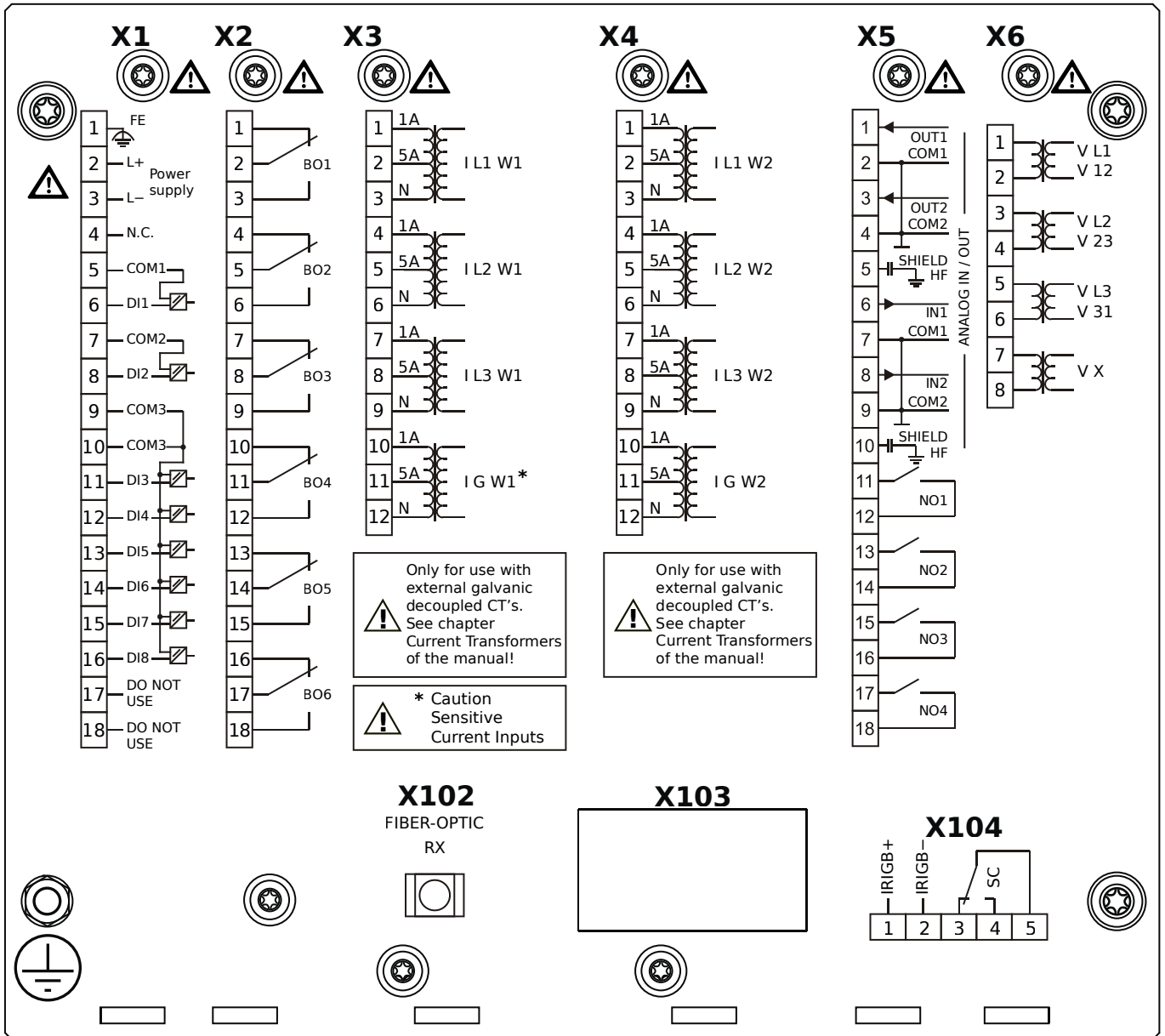
FX)

X102 – Universal Resistance-Temperature Detector (URTD) input, Fiber optics interface, Versatile Link

X103 – IEC 60870-5-103 / Modbus RTU / DNP3.0 RTU, RS485, Terminals

X104 – IRIG-B00X, incl. System Contact (Supervision Contact)

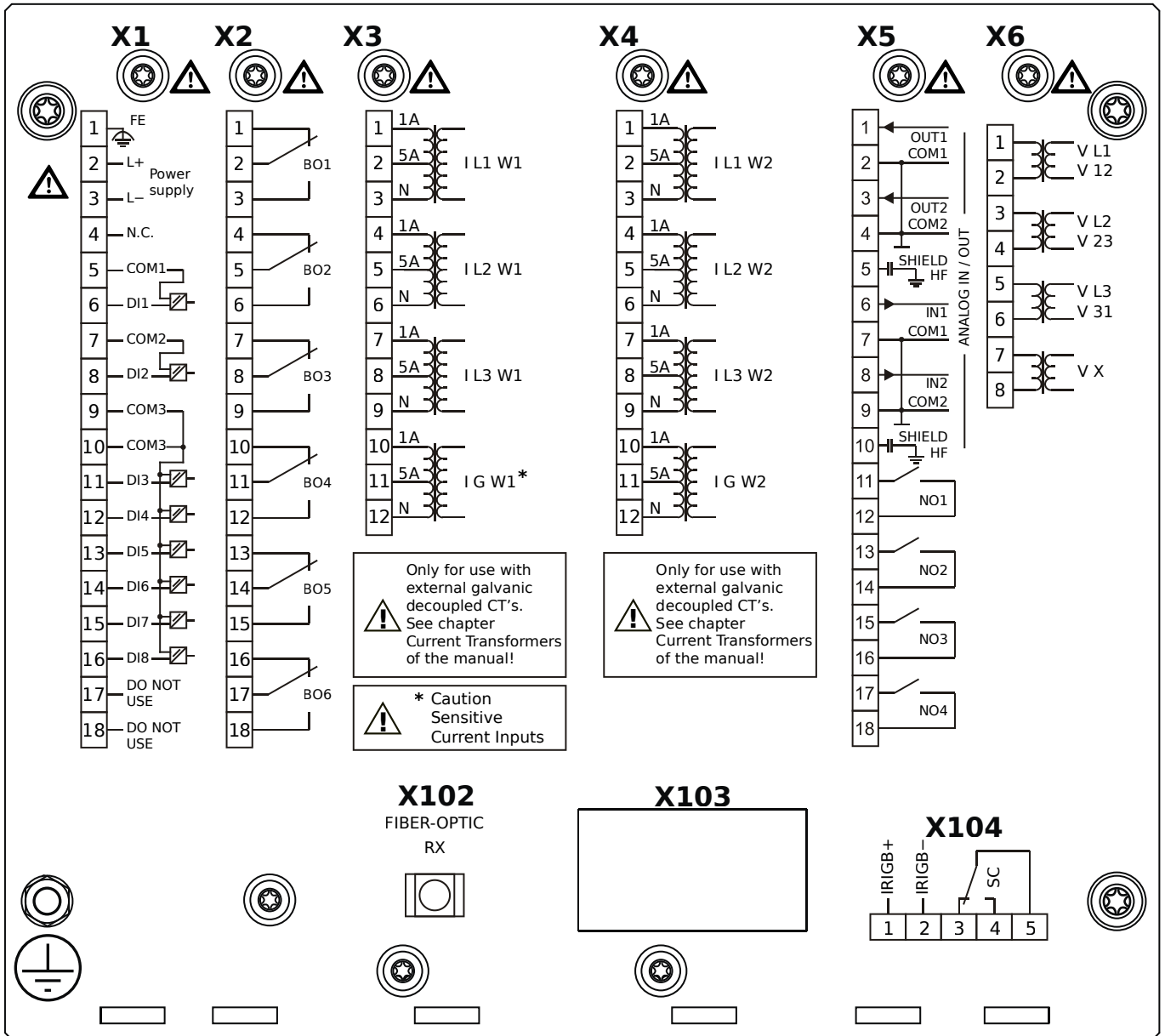
MCDTV4-2B1AAA



Housing B2, large display, door mounting

- X1** – DI8-X1: Wide-range power supply unit, incl. 2 non-grouped digital inputs and 6 grouped digital inputs
- X2** – OR6: Assembly Group with 6 Output Relays (Changeover / Form C)
- X3** – TIs: Standard phase current measuring card and sensitive ground current measuring (winding side 1)
- X4** – TI: Standard current measuring card (for the winding side 2)
- X5** – AnIO2-OR4: Assembly Group with 2 Analog Inputs, 2 Analog Outputs and 4 Output Relays
- X6** – TU: Card with 4 voltage transformer measuring inputs (0 ... 800 VAC, under UL: 0 ... 600 VAC)
- X102** – Universal Resistance-Temperature Detector (URTD) input, Fiber optics interface, Versatile Link
- X104** – IRIG-B00X, incl. System Contact (Supervision Contact)

MCDTV4-2B1AAB

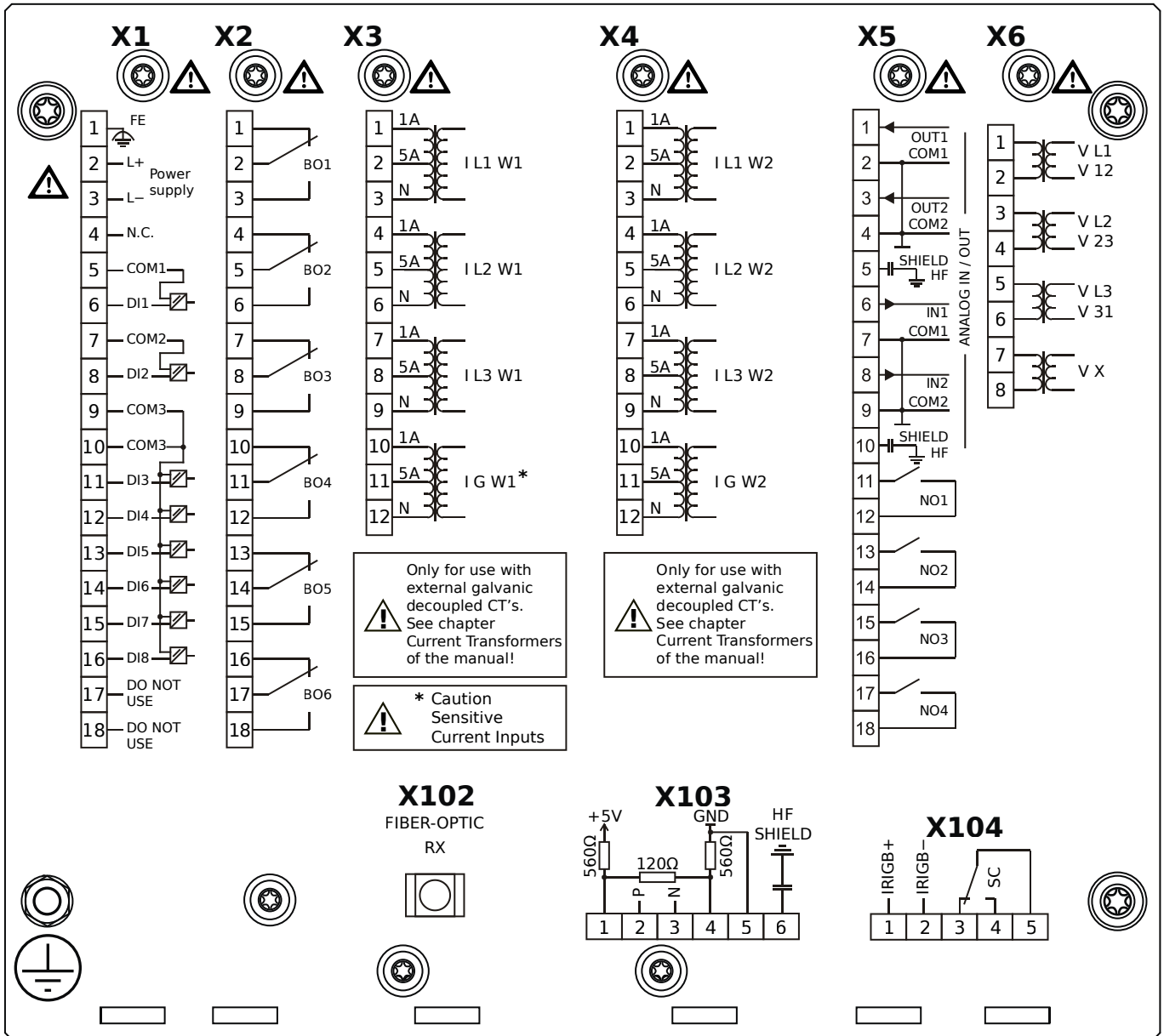


Housing B2, large display, door mounting

+ Conformal Coating (for installations in harsh environment)

- X1** – DI8-X1: Wide-range power supply unit, incl. 2 non-grouped digital inputs and 6 grouped digital inputs
- X2** – OR6: Assembly Group with 6 Output Relays (Changeover / Form C)
- X3** – TIs: Standard phase current measuring card and sensitive ground current measuring (winding side 1)
- X4** – TI: Standard current measuring card (for the winding side 2)
- X5** – AnIO2-OR4: Assembly Group with 2 Analog Inputs, 2 Analog Outputs and 4 Output Relays
- X6** – TU: Card with 4 voltage transformer measuring inputs (0 ... 800 VAC, under UL: 0 ... 600 VAC)
- X102** – Universal Resistance-Temperature Detector (URTD) input, Fiber optics interface, Versatile Link
- X104** – IRIG-B00X, incl. System Contact (Supervision Contact)

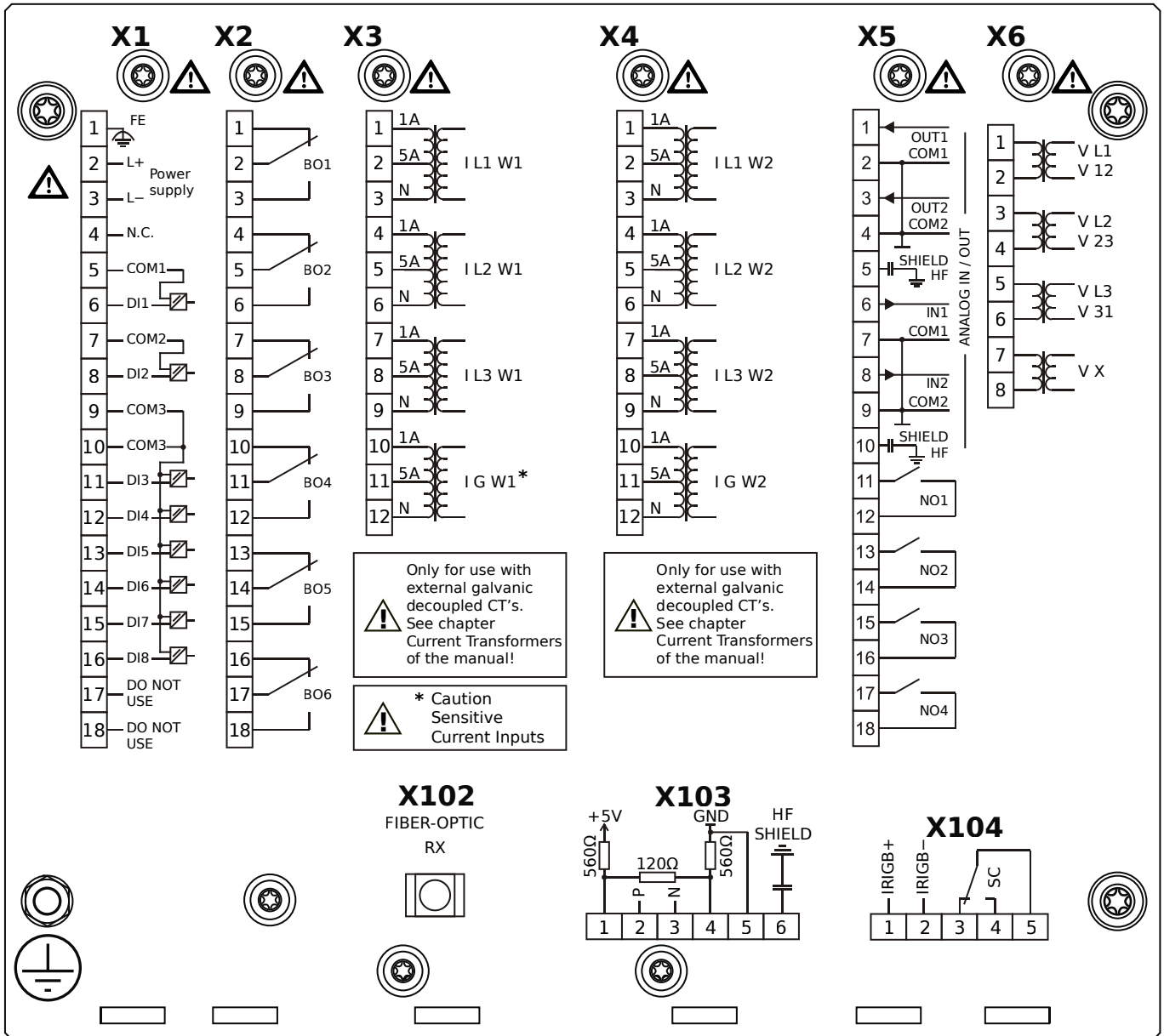
MCDTV4-2B1ABA



Housing B2, large display, door mounting

- X1** – DI8-X1: Wide-range power supply unit, incl. 2 non-grouped digital inputs and 6 grouped digital inputs
- X2** – OR6: Assembly Group with 6 Output Relays (Changeover / Form C)
- X3** – TIs: Standard phase current measuring card and sensitive ground current measuring (winding side 1)
- X4** – TI: Standard current measuring card (for the winding side 2)
- X5** – AnIO2-OR4: Assembly Group with 2 Analog Inputs, 2 Analog Outputs and 4 Output Relays
- X6** – TU: Card with 4 voltage transformer measuring inputs (0 ... 800 VAC, under UL: 0 ... 600 VAC)
- X102** – Universal Resistance-Temperature Detector (URTD) input, Fiber optics interface, Versatile Link
- X103** – Modbus RTU / IEC 60870-5-103 / DNP3.0 RTU, RS485, Terminals
- X104** – IRIG-B00X, incl. System Contact (Supervision Contact)

MCDTV4-2B1ABB

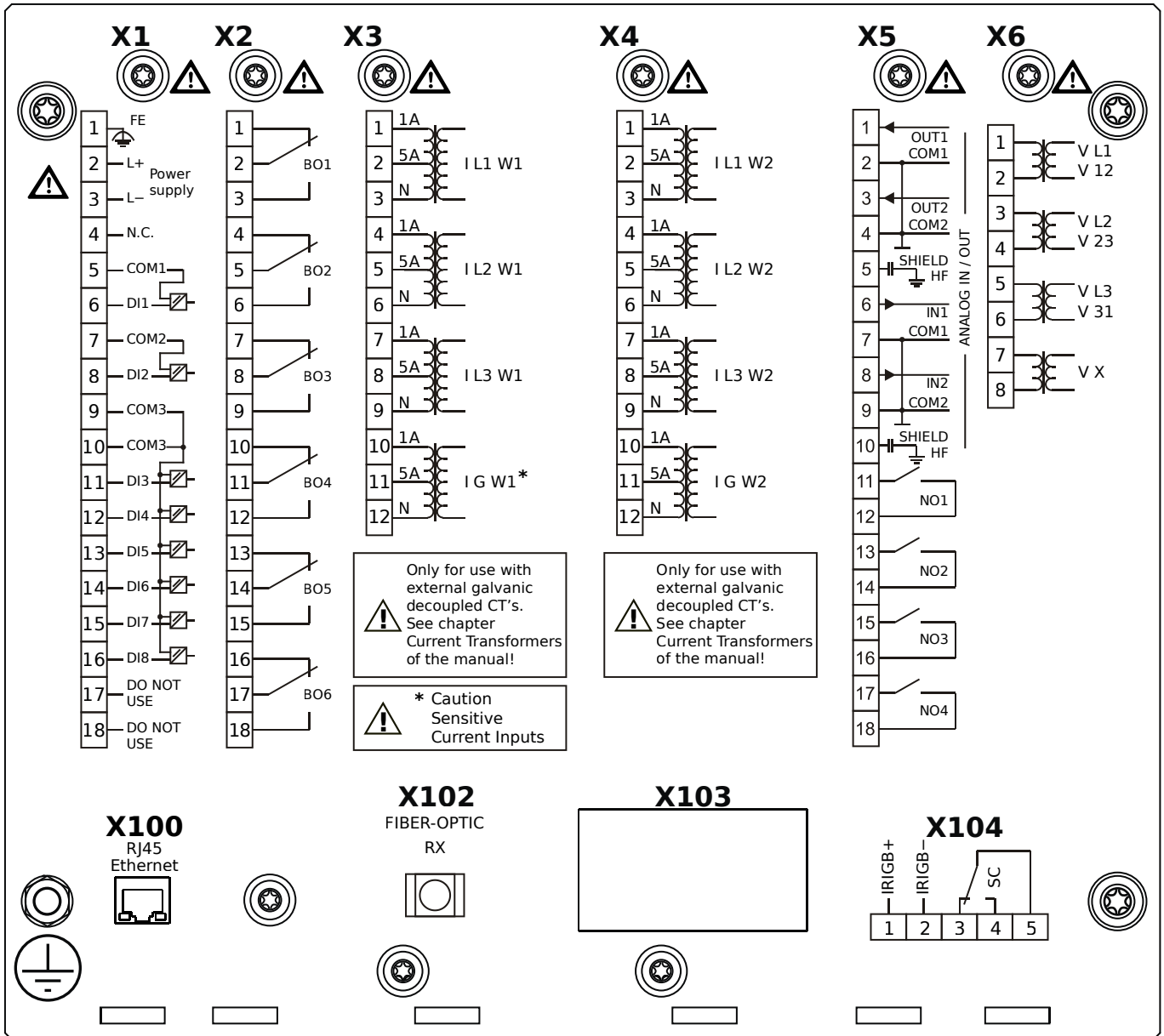


Housing B2, large display, door mounting

+ Conformal Coating (for installations in harsh environment)

- X1** – DI8-X1: Wide-range power supply unit, incl. 2 non-grouped digital inputs and 6 grouped digital inputs
- X2** – OR6: Assembly Group with 6 Output Relays (Changeover / Form C)
- X3** – TIs: Standard phase current measuring card and sensitive ground current measuring (winding side 1)
- X4** – TI: Standard current measuring card (for the winding side 2)
- X5** – AnIO2-OR4: Assembly Group with 2 Analog Inputs, 2 Analog Outputs and 4 Output Relays
- X6** – TU: Card with 4 voltage transformer measuring inputs (0 ... 800 VAC, under UL: 0 ... 600 VAC)
- X102** – Universal Resistance-Temperature Detector (URTD) input, Fiber optics interface, Versatile Link
- X103** – Modbus RTU / IEC 60870-5-103 / DNP3.0 RTU, RS485, Terminals
- X104** – IRIG-B00X, incl. System Contact (Supervision Contact)

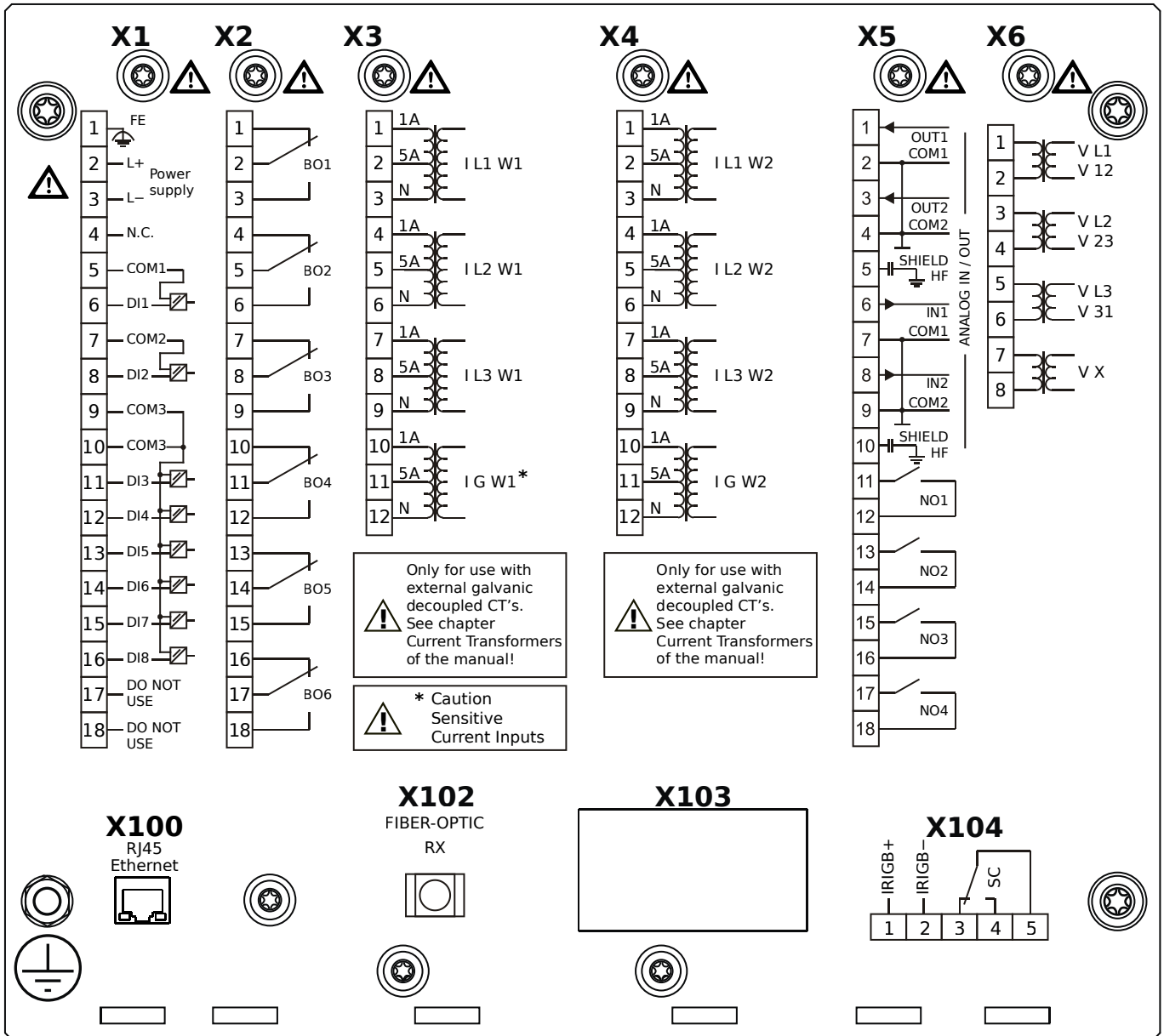
MCDTV4-2B1ACA



Housing B2, large display, door mounting

- X1** – DI8-X1: Wide-range power supply unit, incl. 2 non-grouped digital inputs and 6 grouped digital inputs
- X2** – OR6: Assembly Group with 6 Output Relays (Changeover / Form C)
- X3** – TIs: Standard phase current measuring card and sensitive ground current measuring (winding side 1)
- X4** – TI: Standard current measuring card (for the winding side 2)
- X5** – AnIO2-OR4: Assembly Group with 2 Analog Inputs, 2 Analog Outputs and 4 Output Relays
- X6** – TU: Card with 4 voltage transformer measuring inputs (0 ... 800 VAC, under UL: 0 ... 600 VAC)
- X100** – Modbus TCP / IEC 60870-5-104 / DNP3.0 TCP/UDP, Ethernet interface, 100 Mbit/s, RJ45 (BASE100-FX)
- X102** – Universal Resistance-Temperature Detector (URTD) input, Fiber optics interface, Versatile Link
- X104** – IRIG-B00X, incl. System Contact (Supervision Contact)

MCDTV4-2B1ACB

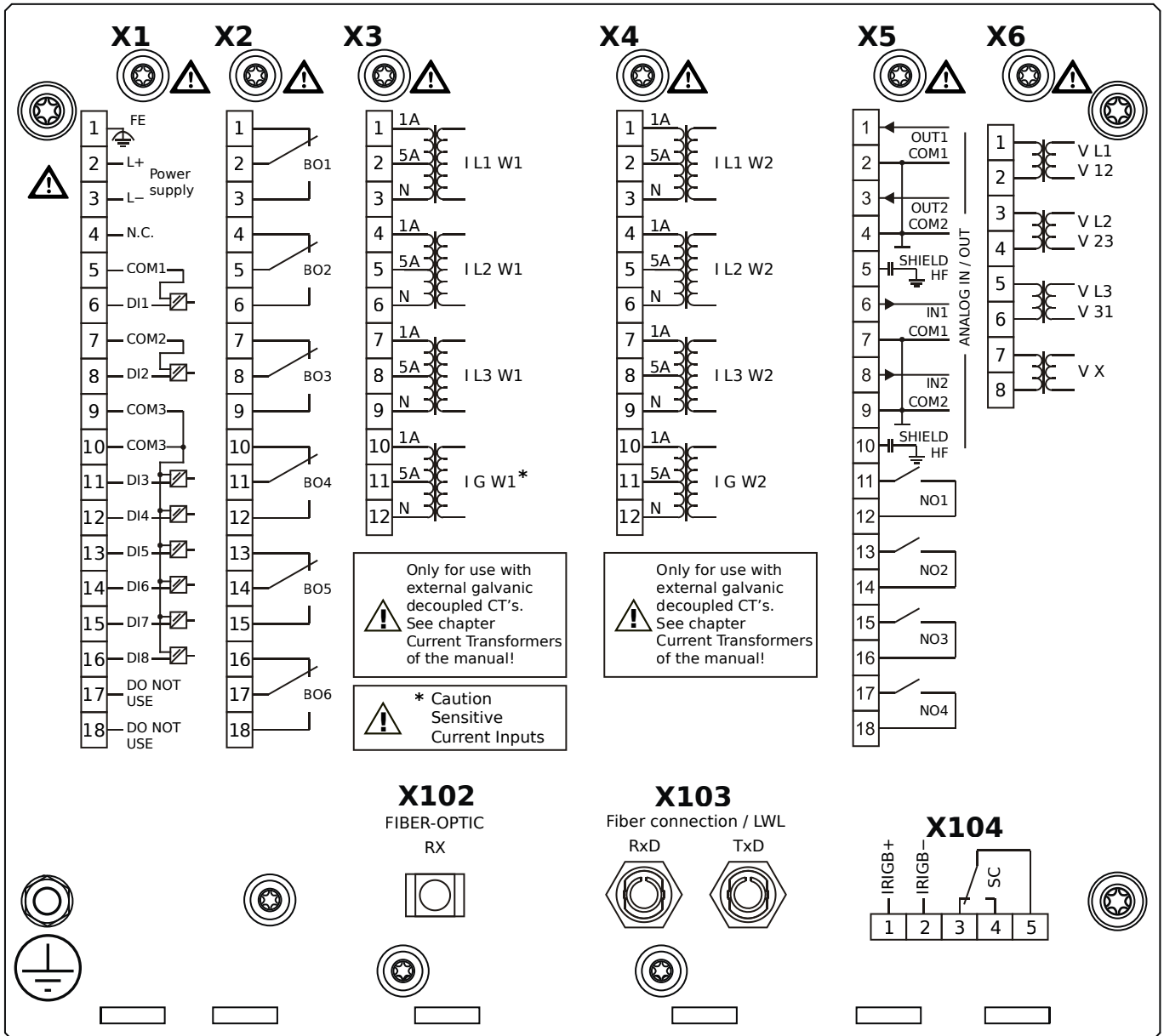


Housing B2, large display, door mounting

+ Conformal Coating (for installations in harsh environment)

- X1** – DI8-X1: Wide-range power supply unit, incl. 2 non-grouped digital inputs and 6 grouped digital inputs
- X2** – OR6: Assembly Group with 6 Output Relays (Changeover / Form C)
- X3** – TIs: Standard phase current measuring card and sensitive ground current measuring (winding side 1)
- X4** – TI: Standard current measuring card (for the winding side 2)
- X5** – AnIO2-OR4: Assembly Group with 2 Analog Inputs, 2 Analog Outputs and 4 Output Relays
- X6** – TU: Card with 4 voltage transformer measuring inputs (0 ... 800 VAC, under UL: 0 ... 600 VAC)
- X100** – Modbus TCP / IEC 60870-5-104 / DNP3.0 TCP/UDP, Ethernet interface, 100 Mbit/s, RJ45 (BASE100-FX)
- X102** – Universal Resistance-Temperature Detector (URTD) input, Fiber optics interface, Versatile Link
- X104** – IRIG-B00X, incl. System Contact (Supervision Contact)

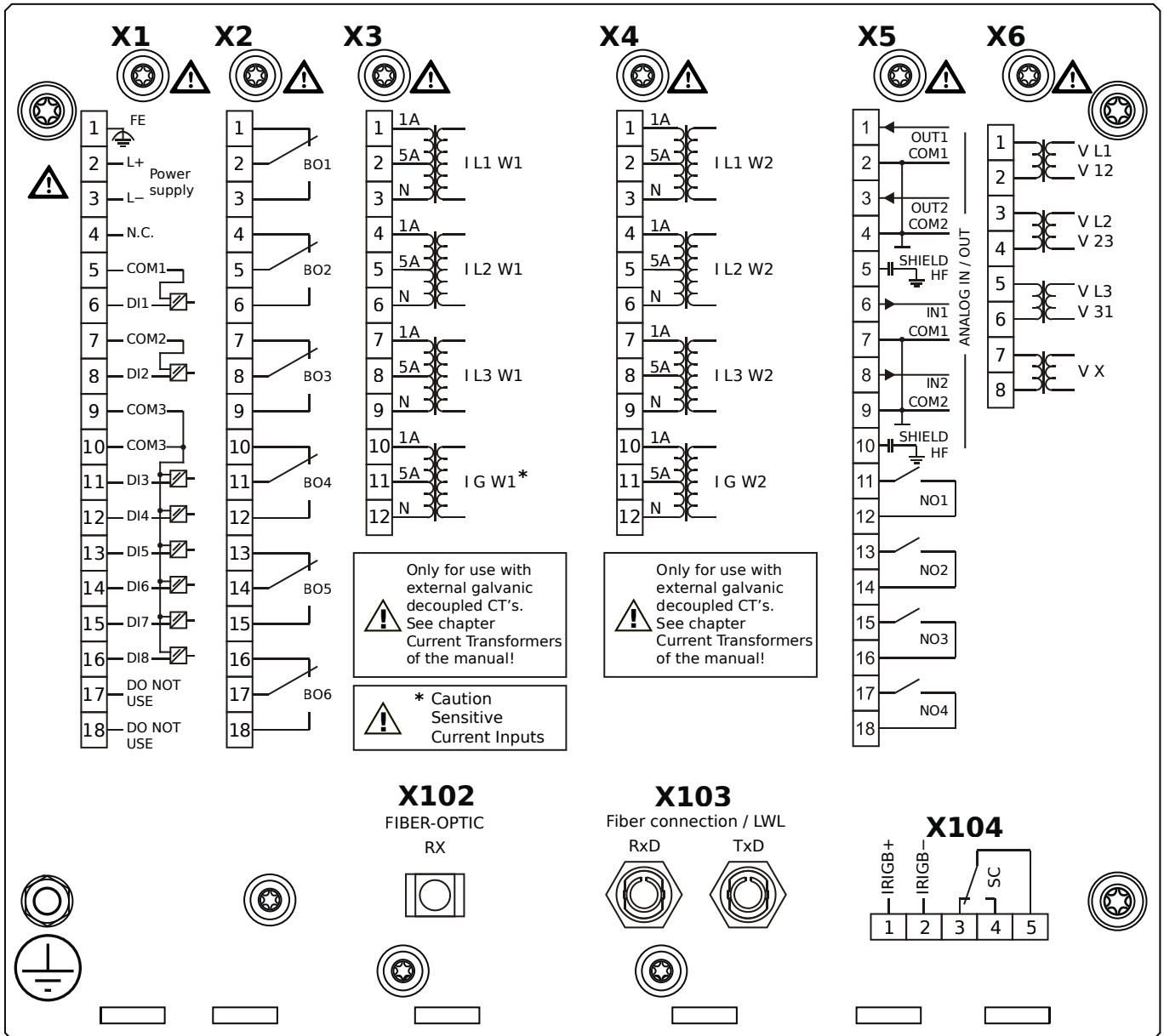
MCDTV4-2B1ADA



Housing B2, large display, door mounting

- X1** – DI8-X1: Wide-range power supply unit, incl. 2 non-grouped digital inputs and 6 grouped digital inputs
- X2** – OR6: Assembly Group with 6 Output Relays (Changeover / Form C)
- X3** – TIs: Standard phase current measuring card and sensitive ground current measuring (winding side 1)
- X4** – TI: Standard current measuring card (for the winding side 2)
- X5** – AnIO2-OR4: Assembly Group with 2 Analog Inputs, 2 Analog Outputs and 4 Output Relays
- X6** – TU: Card with 4 voltage transformer measuring inputs (0 ... 800 VAC, under UL: 0 ... 600 VAC)
- X102** – Universal Resistance-Temperature Detector (URTD) input, Fiber optics interface, Versatile Link
- X103** – Profibus-DP, Fiber optics interface, ST Connector
- X104** – IRIG-B00X, incl. System Contact (Supervision Contact)

MCDTV4-2B1ADB

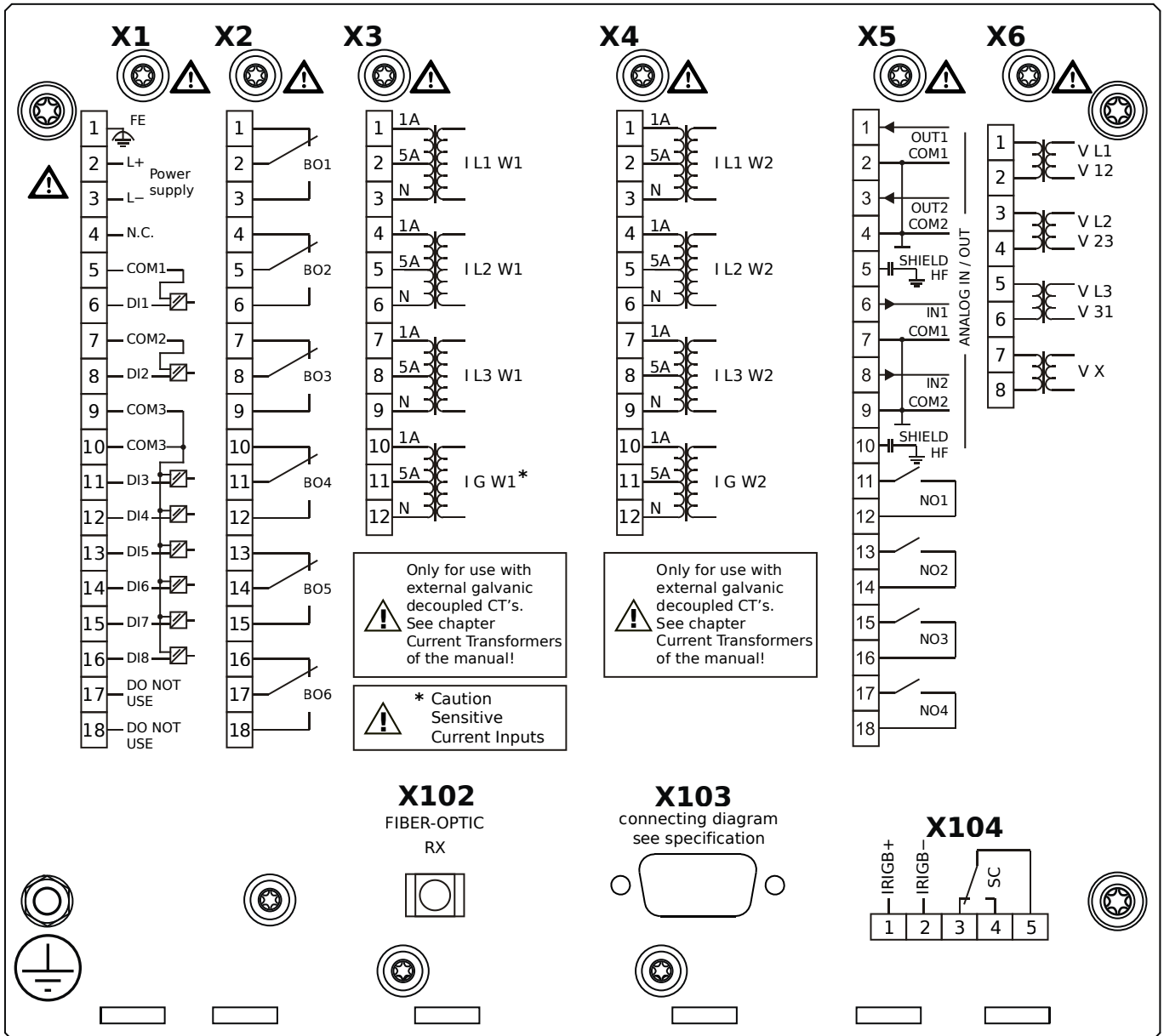


Housing B2, large display, door mounting

+ Conformal Coating (for installations in harsh environment)

- X1** – DI8-X1: Wide-range power supply unit, incl. 2 non-grouped digital inputs and 6 grouped digital inputs
- X2** – OR6: Assembly Group with 6 Output Relays (Changeover / Form C)
- X3** – TIs: Standard phase current measuring card and sensitive ground current measuring (winding side 1)
- X4** – TI: Standard current measuring card (for the winding side 2)
- X5** – AnIO2-OR4: Assembly Group with 2 Analog Inputs, 2 Analog Outputs and 4 Output Relays
- X6** – TU: Card with 4 voltage transformer measuring inputs (0 ... 800 VAC, under UL: 0 ... 600 VAC)
- X102** – Universal Resistance-Temperature Detector (URTD) input, Fiber optics interface, Versatile Link
- X103** – Profibus-DP, Fiber optics interface, ST Connector
- X104** – IRIG-B00X, incl. System Contact (Supervision Contact)

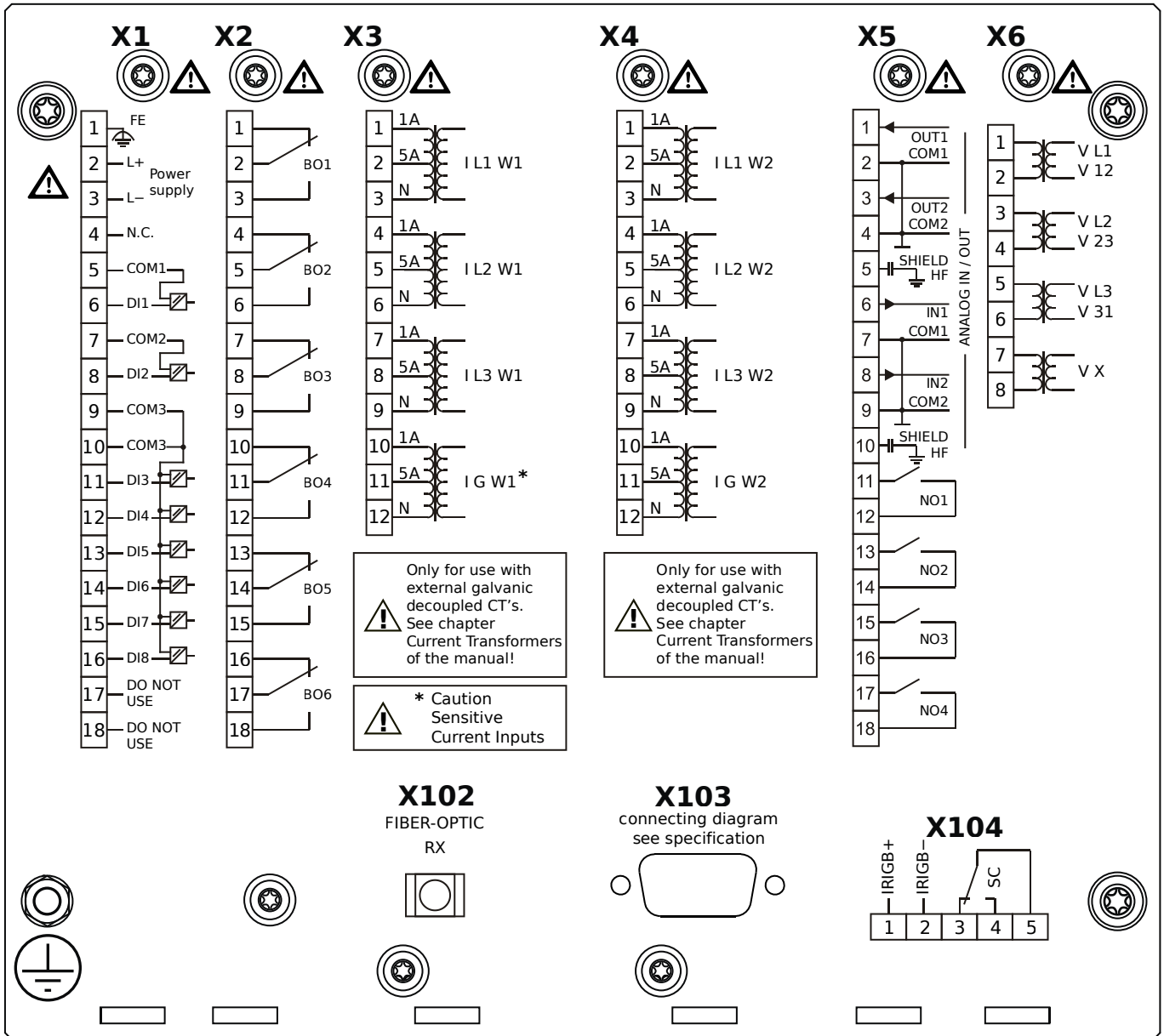
MCDTV4-2B1AEA



Housing B2, large display, door mounting

- X1** – DI8-X1: Wide-range power supply unit, incl. 2 non-grouped digital inputs and 6 grouped digital inputs
- X2** – OR6: Assembly Group with 6 Output Relays (Changeover / Form C)
- X3** – TIs: Standard phase current measuring card and sensitive ground current measuring (winding side 1)
- X4** – TI: Standard current measuring card (for the winding side 2)
- X5** – AnIO2-OR4: Assembly Group with 2 Analog Inputs, 2 Analog Outputs and 4 Output Relays
- X6** – TU: Card with 4 voltage transformer measuring inputs (0 ... 800 VAC, under UL: 0 ... 600 VAC)
- X102** – Universal Resistance-Temperature Detector (URTD) input, Fiber optics interface, Versatile Link
- X103** – Profibus-DP, RS485, D-SUB
- X104** – IRIG-B00X, incl. System Contact (Supervision Contact)

MCDTV4-2B1AEB

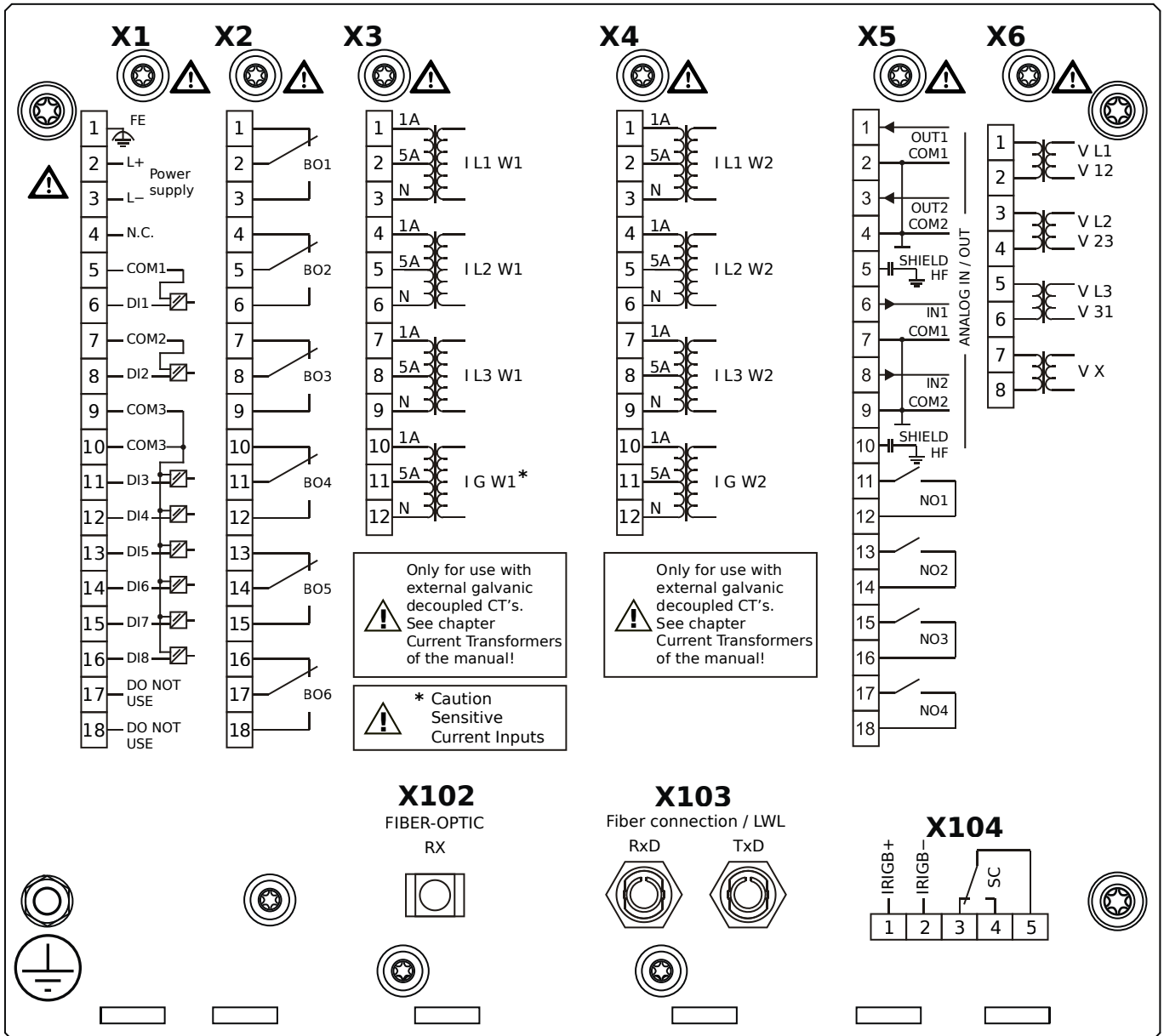


Housing B2, large display, door mounting

+ Conformal Coating (for installations in harsh environment)

- X1** – DI8-X1: Wide-range power supply unit, incl. 2 non-grouped digital inputs and 6 grouped digital inputs
- X2** – OR6: Assembly Group with 6 Output Relays (Changeover / Form C)
- X3** – TIs: Standard phase current measuring card and sensitive ground current measuring (winding side 1)
- X4** – TI: Standard current measuring card (for the winding side 2)
- X5** – AnIO2-OR4: Assembly Group with 2 Analog Inputs, 2 Analog Outputs and 4 Output Relays
- X6** – TU: Card with 4 voltage transformer measuring inputs (0 ... 800 VAC, under UL: 0 ... 600 VAC)
- X102** – Universal Resistance-Temperature Detector (URTD) input, Fiber optics interface, Versatile Link
- X103** – Profibus-DP, RS485, D-SUB
- X104** – IRIG-B00X, incl. System Contact (Supervision Contact)

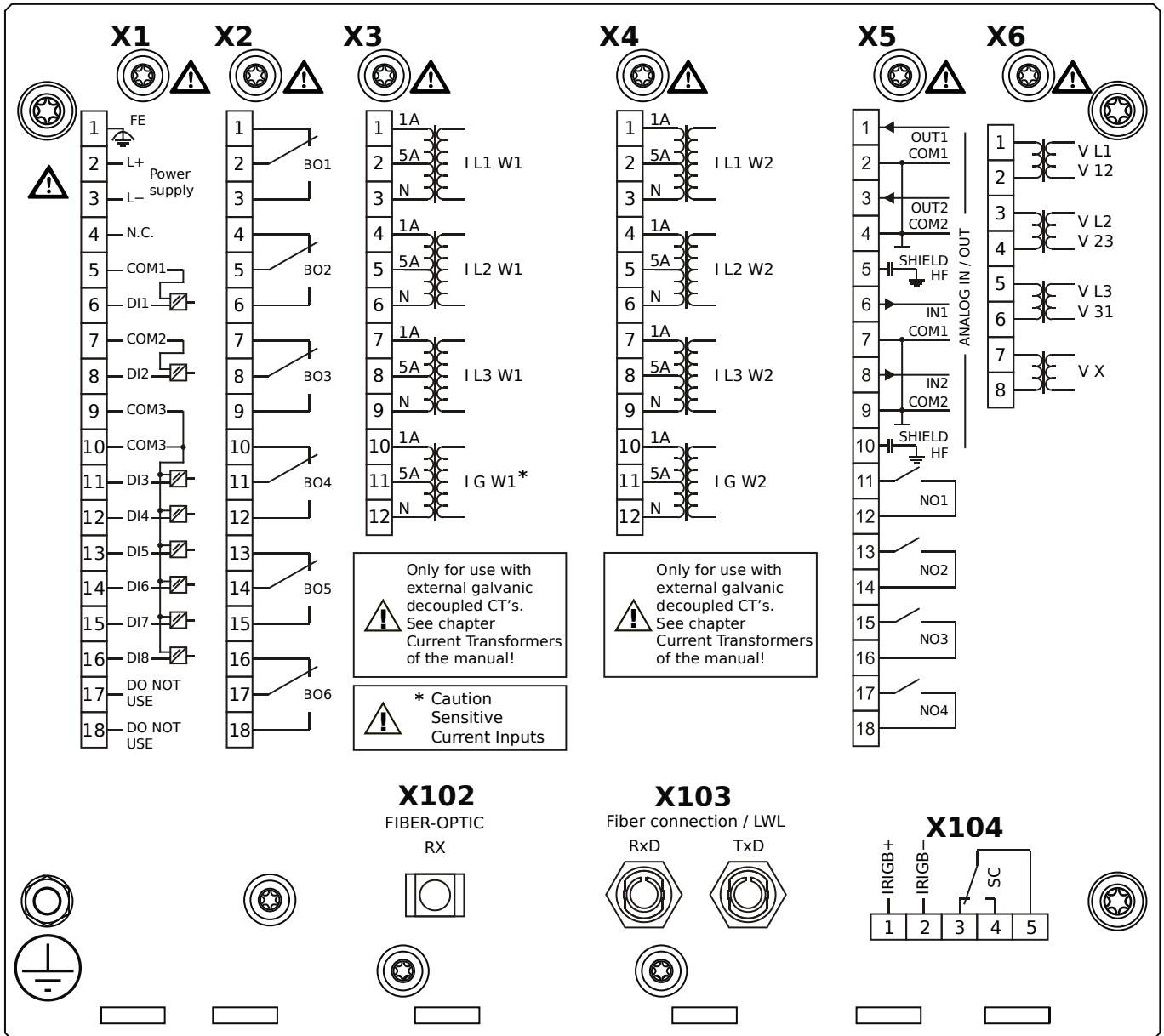
MCDTV4-2B1AFA



Housing B2, large display, door mounting

- X1** – DI8-X1: Wide-range power supply unit, incl. 2 non-grouped digital inputs and 6 grouped digital inputs
- X2** – OR6: Assembly Group with 6 Output Relays (Changeover / Form C)
- X3** – TIs: Standard phase current measuring card and sensitive ground current measuring (winding side 1)
- X4** – TI: Standard current measuring card (for the winding side 2)
- X5** – AnIO2-OR4: Assembly Group with 2 Analog Inputs, 2 Analog Outputs and 4 Output Relays
- X6** – TU: Card with 4 voltage transformer measuring inputs (0 ... 800 VAC, under UL: 0 ... 600 VAC)
- X102** – Universal Resistance-Temperature Detector (URTD) input, Fiber optics interface, Versatile Link
- X103** – Modbus RTU / IEC 60870-5-103 / DNP3.0 RTU, Fiber optics interface, ST Connector
- X104** – IRIG-B00X, incl. System Contact (Supervision Contact)

MCDTV4-2B1AFB

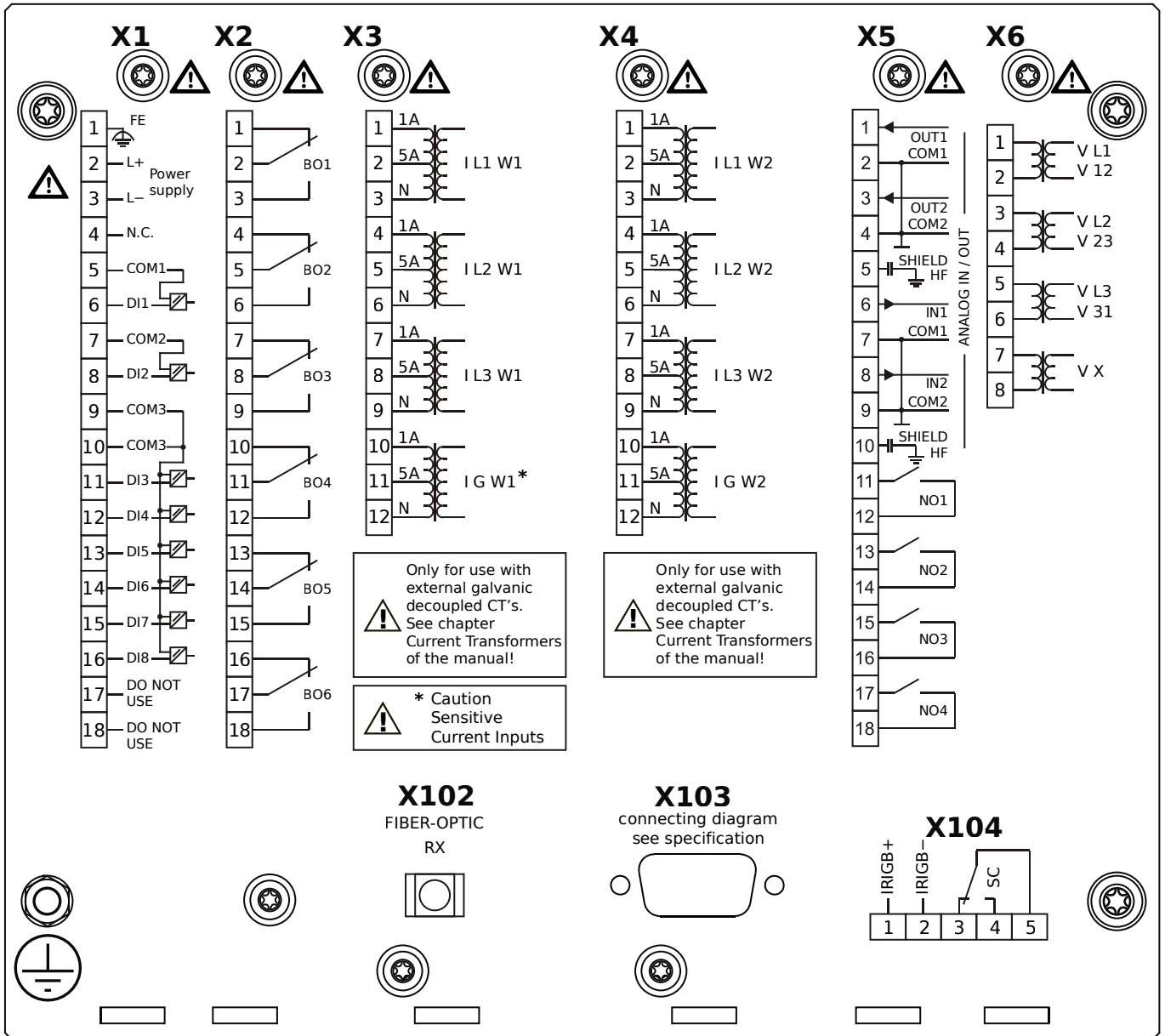


Housing B2, large display, door mounting

+ Conformal Coating (for installations in harsh environment)

- X1** – DI8-X1: Wide-range power supply unit, incl. 2 non-grouped digital inputs and 6 grouped digital inputs
- X2** – OR6: Assembly Group with 6 Output Relays (Changeover / Form C)
- X3** – TIs: Standard phase current measuring card and sensitive ground current measuring (winding side 1)
- X4** – TI: Standard current measuring card (for the winding side 2)
- X5** – AnIO2-OR4: Assembly Group with 2 Analog Inputs, 2 Analog Outputs and 4 Output Relays
- X6** – TU: Card with 4 voltage transformer measuring inputs (0 ... 800 VAC, under UL: 0 ... 600 VAC)
- X102** – Universal Resistance-Temperature Detector (URTD) input, Fiber optics interface, Versatile Link
- X103** – Modbus RTU / IEC 60870-5-103 / DNP3.0 RTU, Fiber optics interface, ST Connector
- X104** – IRIG-B00X, incl. System Contact (Supervision Contact)

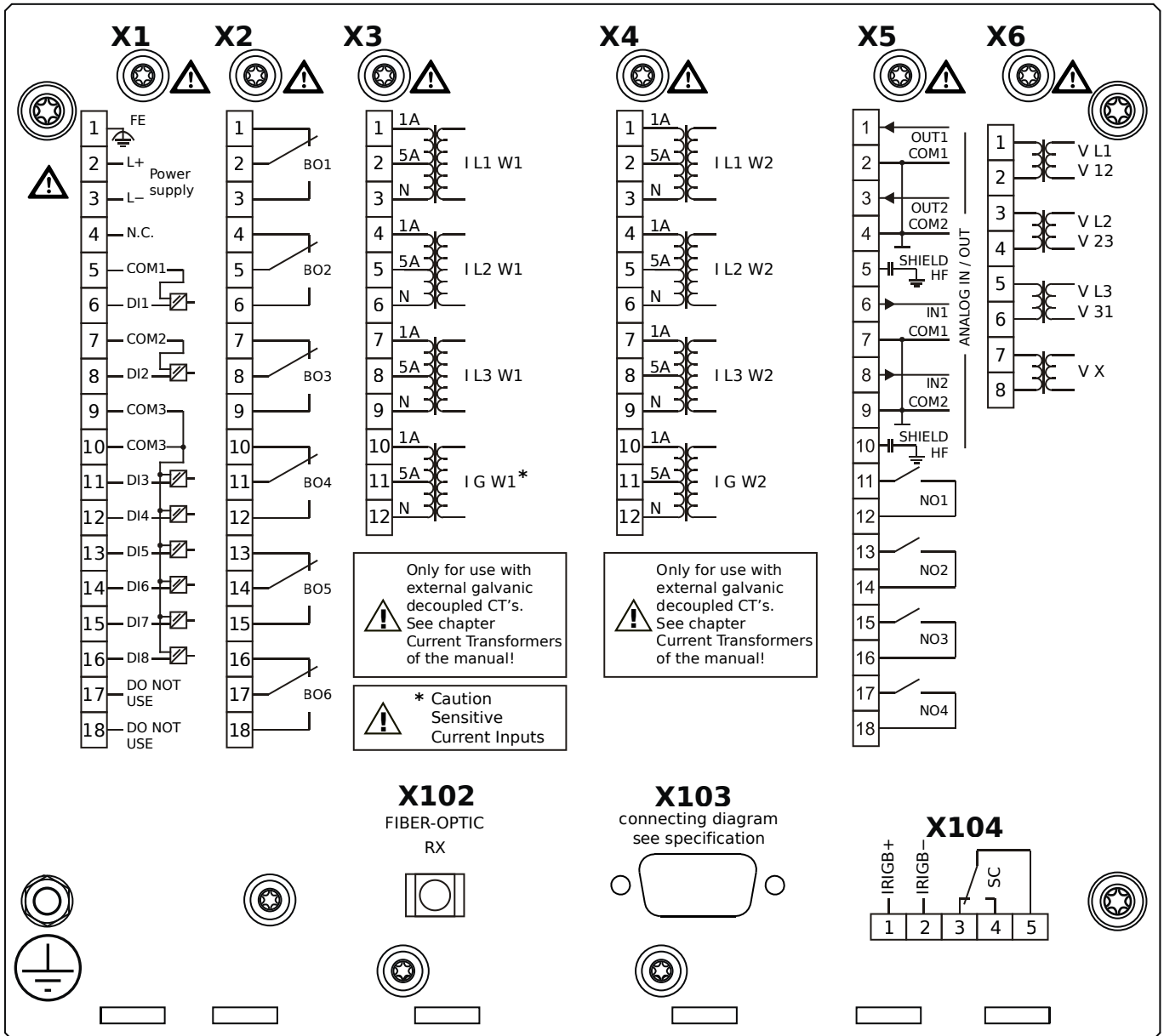
MCDTV4-2B1AGA



Housing B2, large display, door mounting

- X1** – DI8-X1: Wide-range power supply unit, incl. 2 non-grouped digital inputs and 6 grouped digital inputs
- X2** – OR6: Assembly Group with 6 Output Relays (Changeover / Form C)
- X3** – TIs: Standard phase current measuring card and sensitive ground current measuring (winding side 1)
- X4** – TI: Standard current measuring card (for the winding side 2)
- X5** – AnIO2-OR4: Assembly Group with 2 Analog Inputs, 2 Analog Outputs and 4 Output Relays
- X6** – TU: Card with 4 voltage transformer measuring inputs (0 ... 800 VAC, under UL: 0 ... 600 VAC)
- X102** – Universal Resistance-Temperature Detector (URTD) input, Fiber optics interface, Versatile Link
- X103** – Modbus RTU / IEC 60870-5-103 / DNP3.0 RTU, RS485, D-SUB
- X104** – IRIG-B00X, incl. System Contact (Supervision Contact)

MCDTV4-2B1AGB

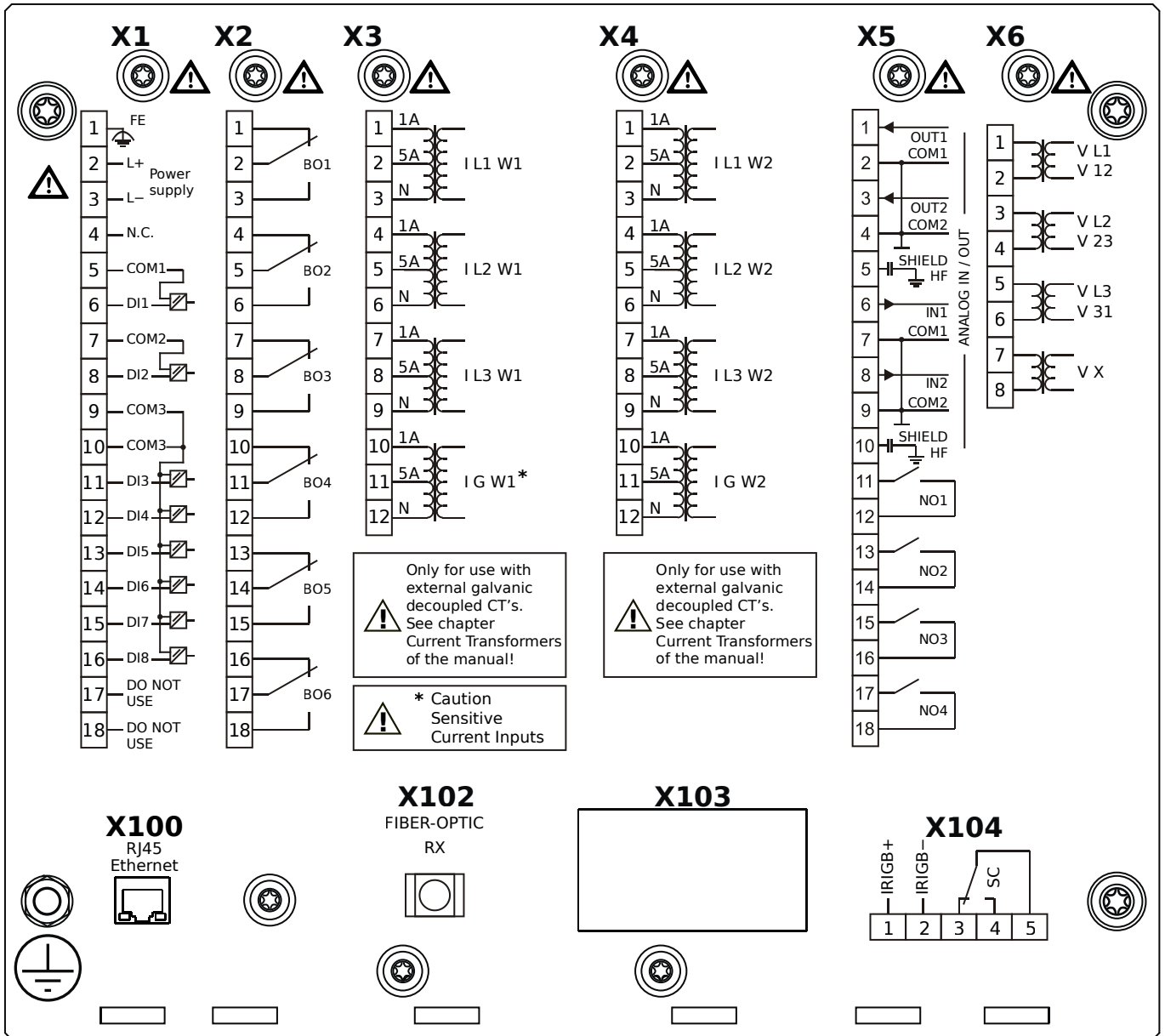


Housing B2, large display, door mounting

+ Conformal Coating (for installations in harsh environment)

- X1** – DI8-X1: Wide-range power supply unit, incl. 2 non-grouped digital inputs and 6 grouped digital inputs
- X2** – OR6: Assembly Group with 6 Output Relays (Changeover / Form C)
- X3** – TIs: Standard phase current measuring card and sensitive ground current measuring (winding side 1)
- X4** – TI: Standard current measuring card (for the winding side 2)
- X5** – AnIO2-OR4: Assembly Group with 2 Analog Inputs, 2 Analog Outputs and 4 Output Relays
- X6** – TU: Card with 4 voltage transformer measuring inputs (0 ... 800 VAC, under UL: 0 ... 600 VAC)
- X102** – Universal Resistance-Temperature Detector (URTD) input, Fiber optics interface, Versatile Link
- X103** – Modbus RTU / IEC 60870-5-103 / DNP3.0 RTU, RS485, D-SUB
- X104** – IRIG-B00X, incl. System Contact (Supervision Contact)

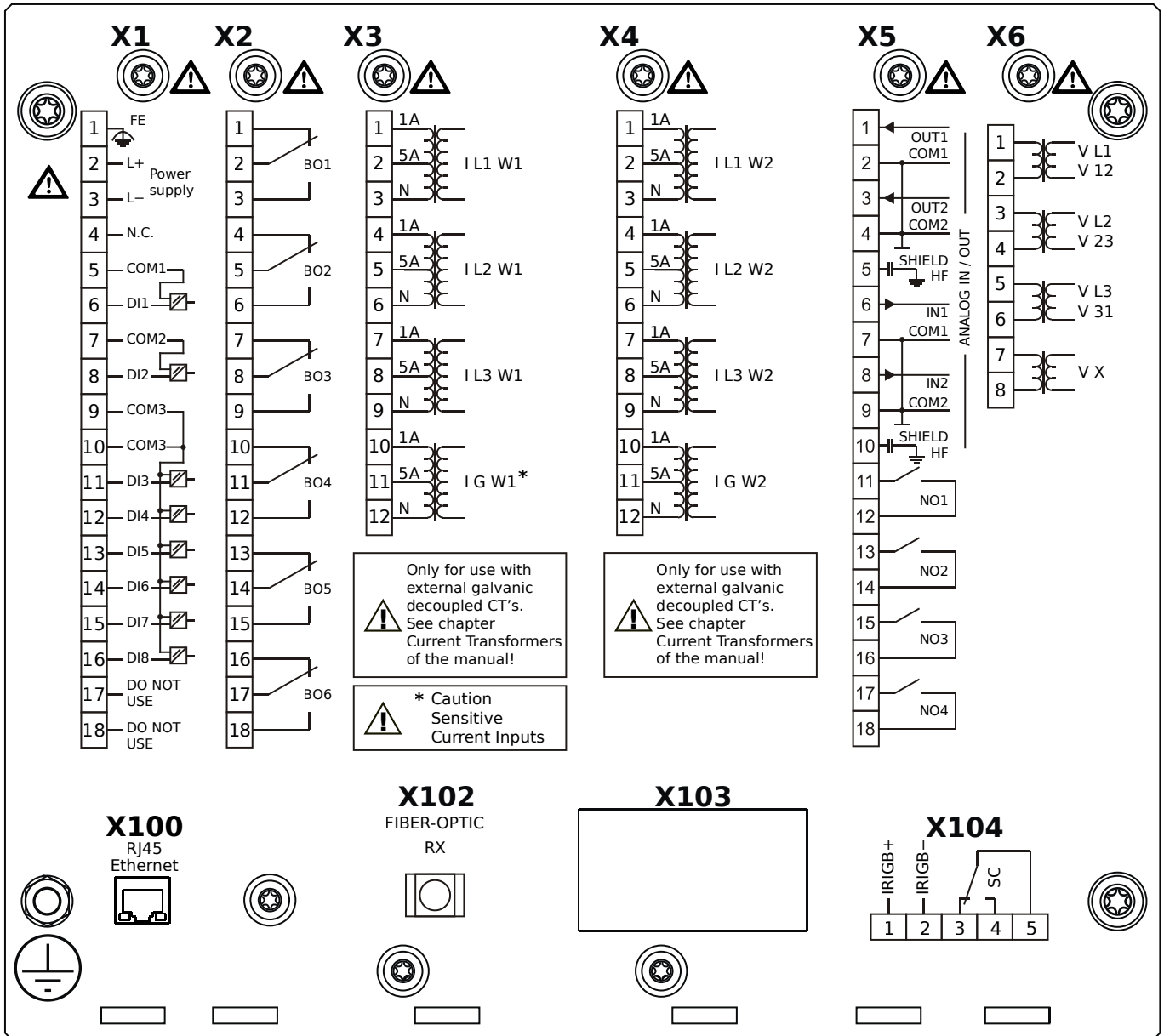
MCDTV4-2B1AHA



Housing B2, large display, door mounting

- X1** – DI8-X1: Wide-range power supply unit, incl. 2 non-grouped digital inputs and 6 grouped digital inputs
- X2** – OR6: Assembly Group with 6 Output Relays (Changeover / Form C)
- X3** – TIs: Standard phase current measuring card and sensitive ground current measuring (winding side 1)
- X4** – TI: Standard current measuring card (for the winding side 2)
- X5** – AnIO2-OR4: Assembly Group with 2 Analog Inputs, 2 Analog Outputs and 4 Output Relays
- X6** – TU: Card with 4 voltage transformer measuring inputs (0 ... 800 VAC, under UL: 0 ... 600 VAC)
- X100** – IEC 61850 / Modbus TCP / IEC 60870-5-104 / DNP3.0 TCP/UDP, Ethernet interface, 100 Mbit/s, RJ45 (BASE100-FX)
- X102** – Universal Resistance-Temperature Detector (URTD) input, Fiber optics interface, Versatile Link
- X104** – IRIG-B00X, incl. System Contact (Supervision Contact)

MCDTV4-2B1AHB



Housing B2, large display, door mounting

+ Conformal Coating (for installations in harsh environment)

X1 – DI8-X1: Wide-range power supply unit, incl. 2 non-grouped digital inputs and 6 grouped digital inputs

X2 – OR6: Assembly Group with 6 Output Relays (Changeover / Form C)

X3 – TIs: Standard phase current measuring card and sensitive ground current measuring (winding side 1)

X4 – TI: Standard current measuring card (for the winding side 2)

X5 – AnIO2-OR4: Assembly Group with 2 Analog Inputs, 2 Analog Outputs and 4 Output Relays

X6 – TU: Card with 4 voltage transformer measuring inputs (0 ... 800 VAC, under UL: 0 ... 600 VAC)

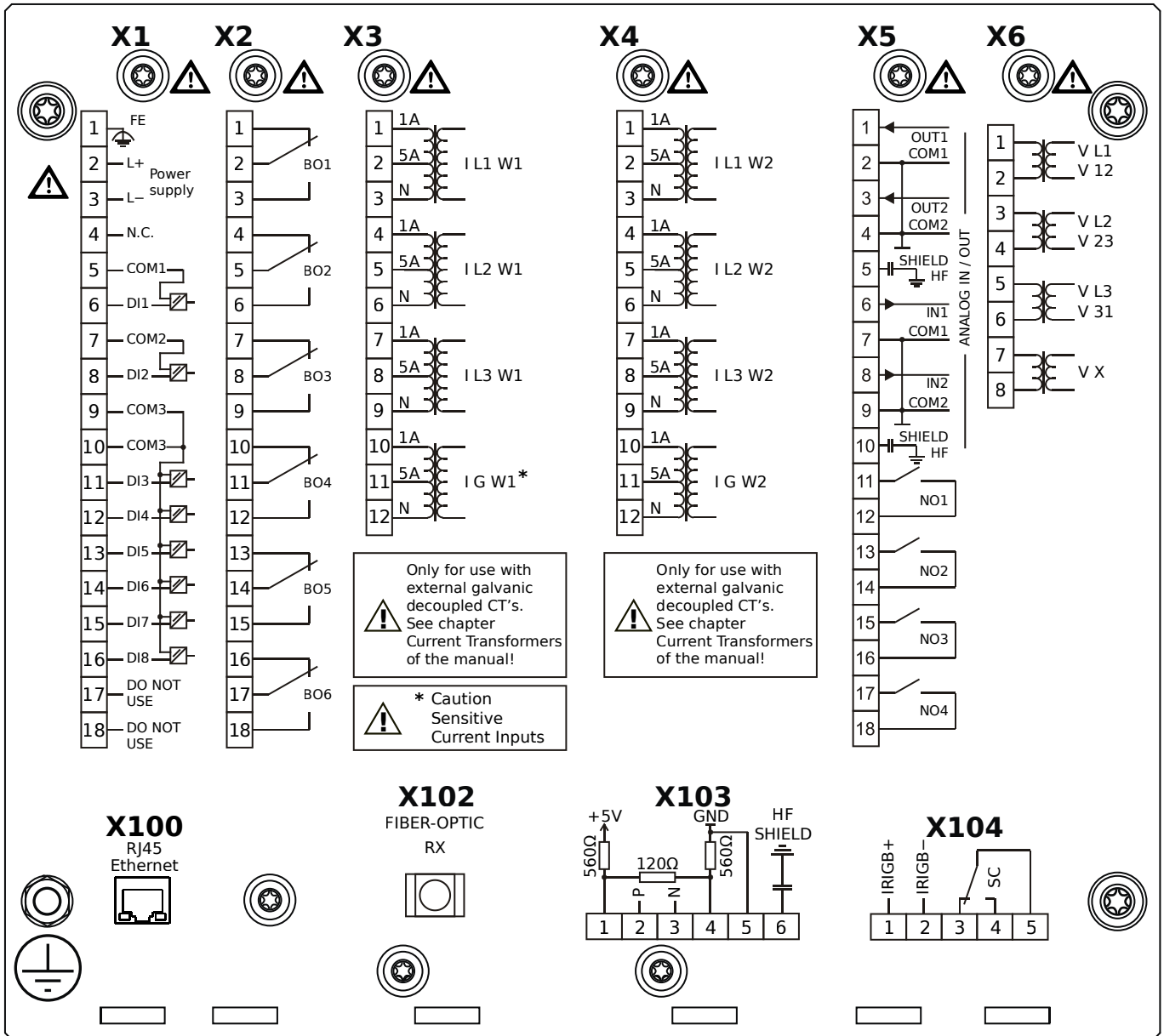
X100 – IEC 61850 / Modbus TCP / IEC 60870-5-104 / DNP3.0 TCP/UDP, Ethernet interface, 100 Mbit/s, RJ45 (BASE100-

FX)

X102 – Universal Resistance-Temperature Detector (URTD) input, Fiber optics interface, Versatile Link

X104 – IRIG-B00X, incl. System Contact (Supervision Contact)

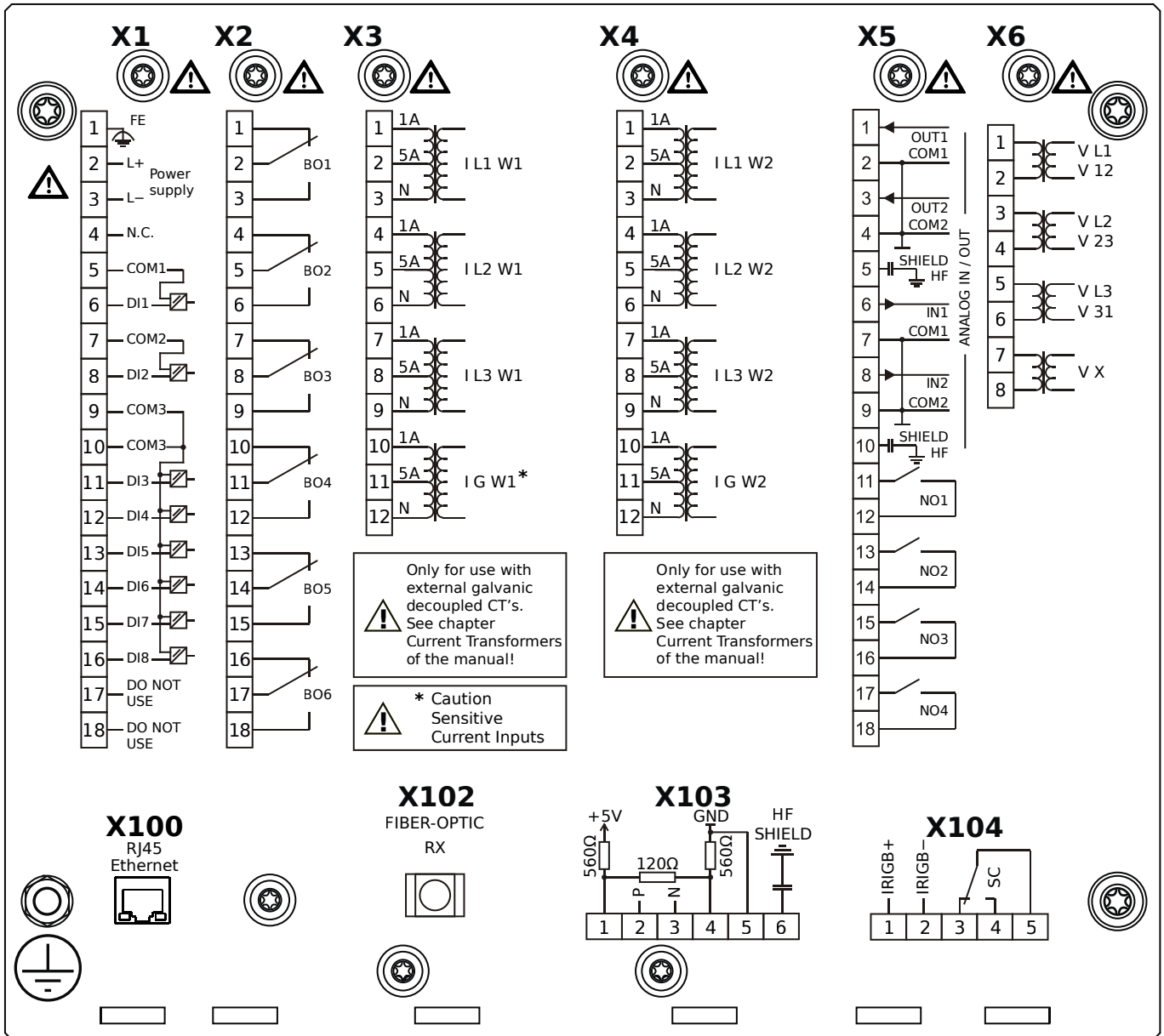
MCDTV4-2B1AIA



Housing B2, large display, door mounting

- X1** – DI8-X1: Wide-range power supply unit, incl. 2 non-grouped digital inputs and 6 grouped digital inputs
- X2** – OR6: Assembly Group with 6 Output Relays (Changeover / Form C)
- X3** – TIs: Standard phase current measuring card and sensitive ground current measuring (winding side 1)
- X4** – TI: Standard current measuring card (for the winding side 2)
- X5** – AnIO2-OR4: Assembly Group with 2 Analog Inputs, 2 Analog Outputs and 4 Output Relays
- X6** – TU: Card with 4 voltage transformer measuring inputs (0 ... 800 VAC, under UL: 0 ... 600 VAC)
- X100** – Modbus TCP / IEC 60870-5-104 / DNP3.0 TCP/UDP, Ethernet interface, 100 Mbit/s, RJ45 (BASE100-FX)
- X102** – Universal Resistance-Temperature Detector (URTD) input, Fiber optics interface, Versatile Link
- X103** – IEC 60870-5-103 / Modbus RTU / DNP3.0 RTU, RS485, Terminals
- X104** – IRIG-B00X, incl. System Contact (Supervision Contact)

MCDTV4-2B1AIB

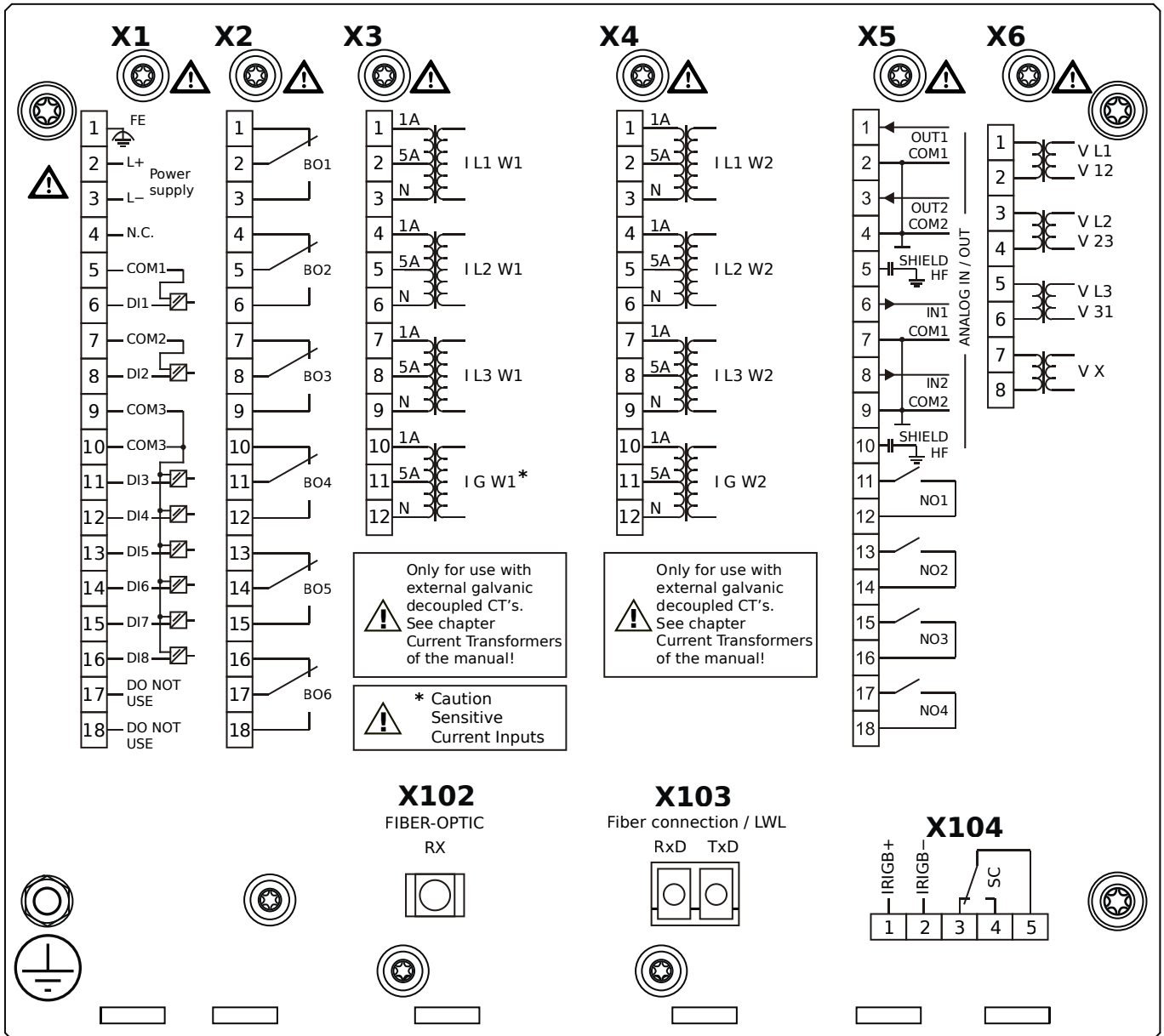


Housing B2, large display, door mounting

+ Conformal Coating (for installations in harsh environment)

- X1** – DI8-X1: Wide-range power supply unit, incl. 2 non-grouped digital inputs and 6 grouped digital inputs
- X2** – OR6: Assembly Group with 6 Output Relays (Changeover / Form C)
- X3** – TIs: Standard phase current measuring card and sensitive ground current measuring (winding side 1)
- X4** – TI: Standard current measuring card (for the winding side 2)
- X5** – AnIO2-OR4: Assembly Group with 2 Analog Inputs, 2 Analog Outputs and 4 Output Relays
- X6** – TU: Card with 4 voltage transformer measuring inputs (0 ... 800 VAC, under UL: 0 ... 600 VAC)
- X100** – Modbus TCP / IEC 60870-5-104 / DNP3.0 TCP/UDP, Ethernet interface, 100 Mbit/s, RJ45 (BASE100-FX)
- X102** – Universal Resistance-Temperature Detector (URTD) input, Fiber optics interface, Versatile Link
- X103** – IEC 60870-5-103 / Modbus RTU / DNP3.0 RTU, RS485, Terminals
- X104** – IRIG-B00X, incl. System Contact (Supervision Contact)

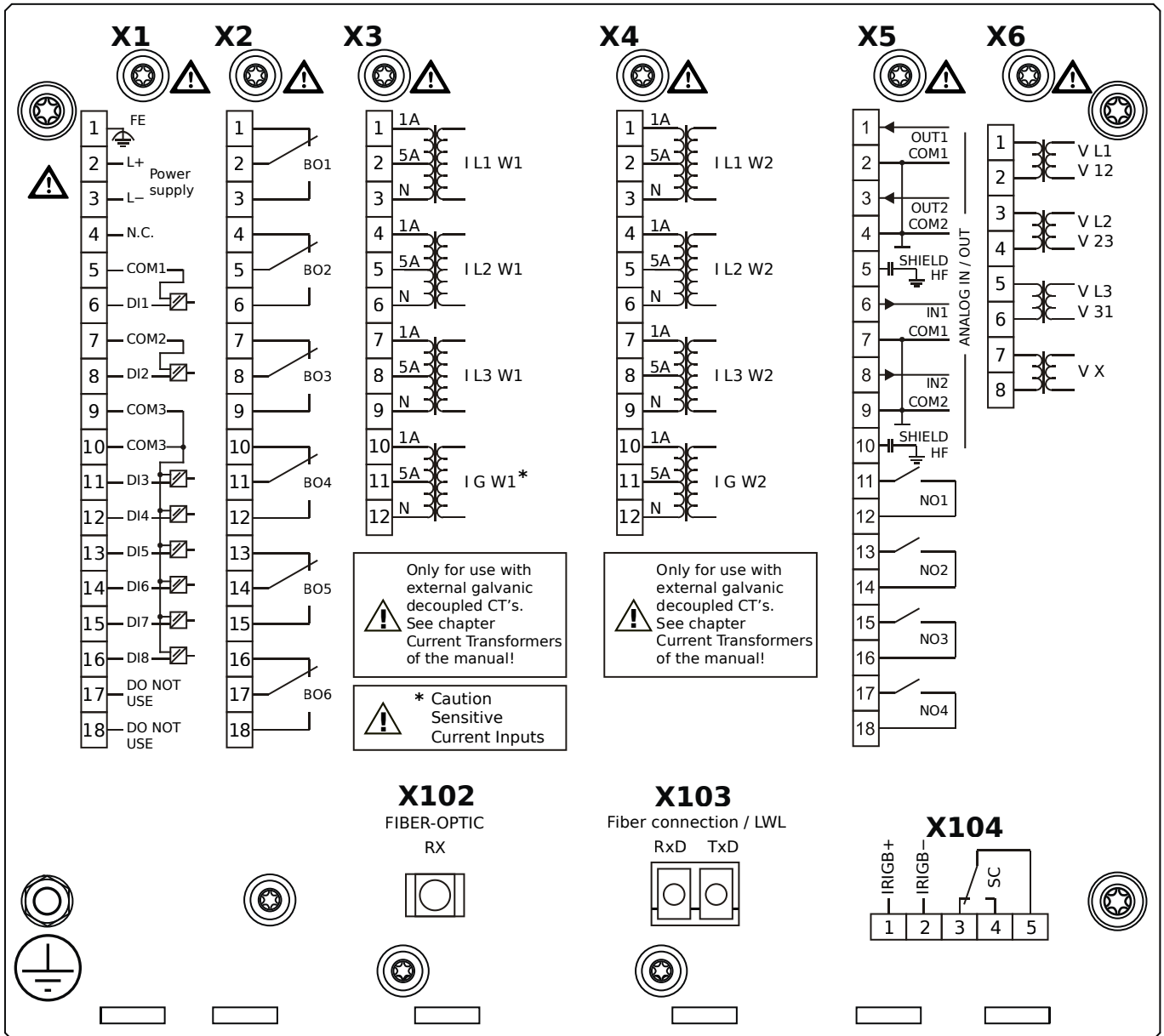
MCDTV4-2B1AKA



Housing B2, large display, door mounting

- X1** – DI8-X1: Wide-range power supply unit, incl. 2 non-grouped digital inputs and 6 grouped digital inputs
- X2** – OR6: Assembly Group with 6 Output Relays (Changeover / Form C)
- X3** – TIs: Standard phase current measuring card and sensitive ground current measuring (winding side 1)
- X4** – TI: Standard current measuring card (for the winding side 2)
- X5** – AnIO2-OR4: Assembly Group with 2 Analog Inputs, 2 Analog Outputs and 4 Output Relays
- X6** – TU: Card with 4 voltage transformer measuring inputs (0 ... 800 VAC, under UL: 0 ... 600 VAC)
- X102** – Universal Resistance-Temperature Detector (URTD) input, Fiber optics interface, Versatile Link
- X103** – IEC 61850 / Modbus TCP / IEC 60870-5-104 / DNP3.0 TCP/UDP, Fiber optics interface, LC Connector
- X104** – IRIG-B00X, incl. System Contact (Supervision Contact)

MCDTV4-2B1AKB

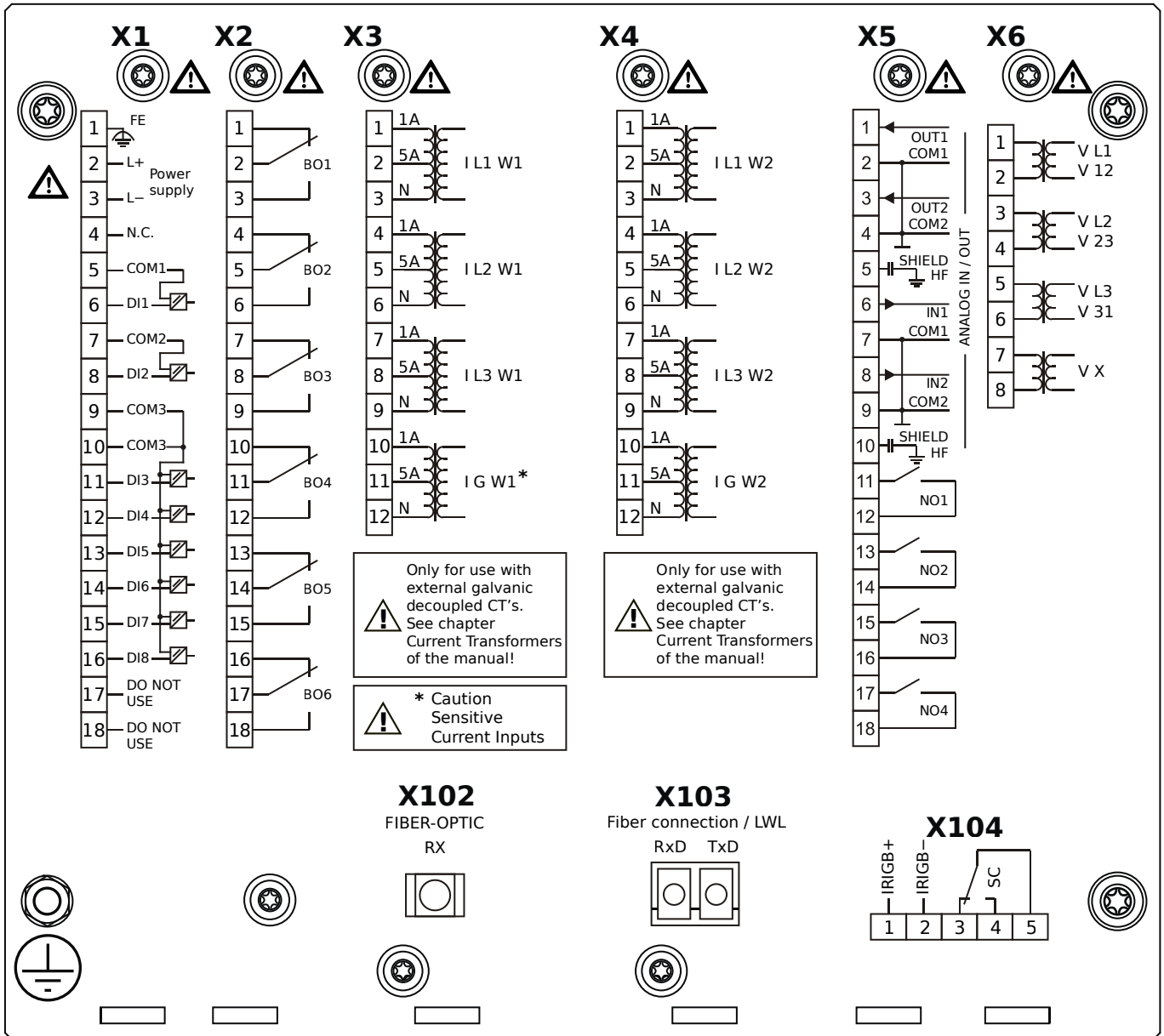


Housing B2, large display, door mounting

+ Conformal Coating (for installations in harsh environment)

- X1** – DI8-X1: Wide-range power supply unit, incl. 2 non-grouped digital inputs and 6 grouped digital inputs
- X2** – OR6: Assembly Group with 6 Output Relays (Changeover / Form C)
- X3** – TIs: Standard phase current measuring card and sensitive ground current measuring (winding side 1)
- X4** – TI: Standard current measuring card (for the winding side 2)
- X5** – AnIO2-OR4: Assembly Group with 2 Analog Inputs, 2 Analog Outputs and 4 Output Relays
- X6** – TU: Card with 4 voltage transformer measuring inputs (0 ... 800 VAC, under UL: 0 ... 600 VAC)
- X102** – Universal Resistance-Temperature Detector (URTD) input, Fiber optics interface, Versatile Link
- X103** – IEC 61850 / Modbus TCP / IEC 60870-5-104 / DNP3.0 TCP/UDP, Fiber optics interface, LC Connector
- X104** – IRIG-B00X, incl. System Contact (Supervision Contact)

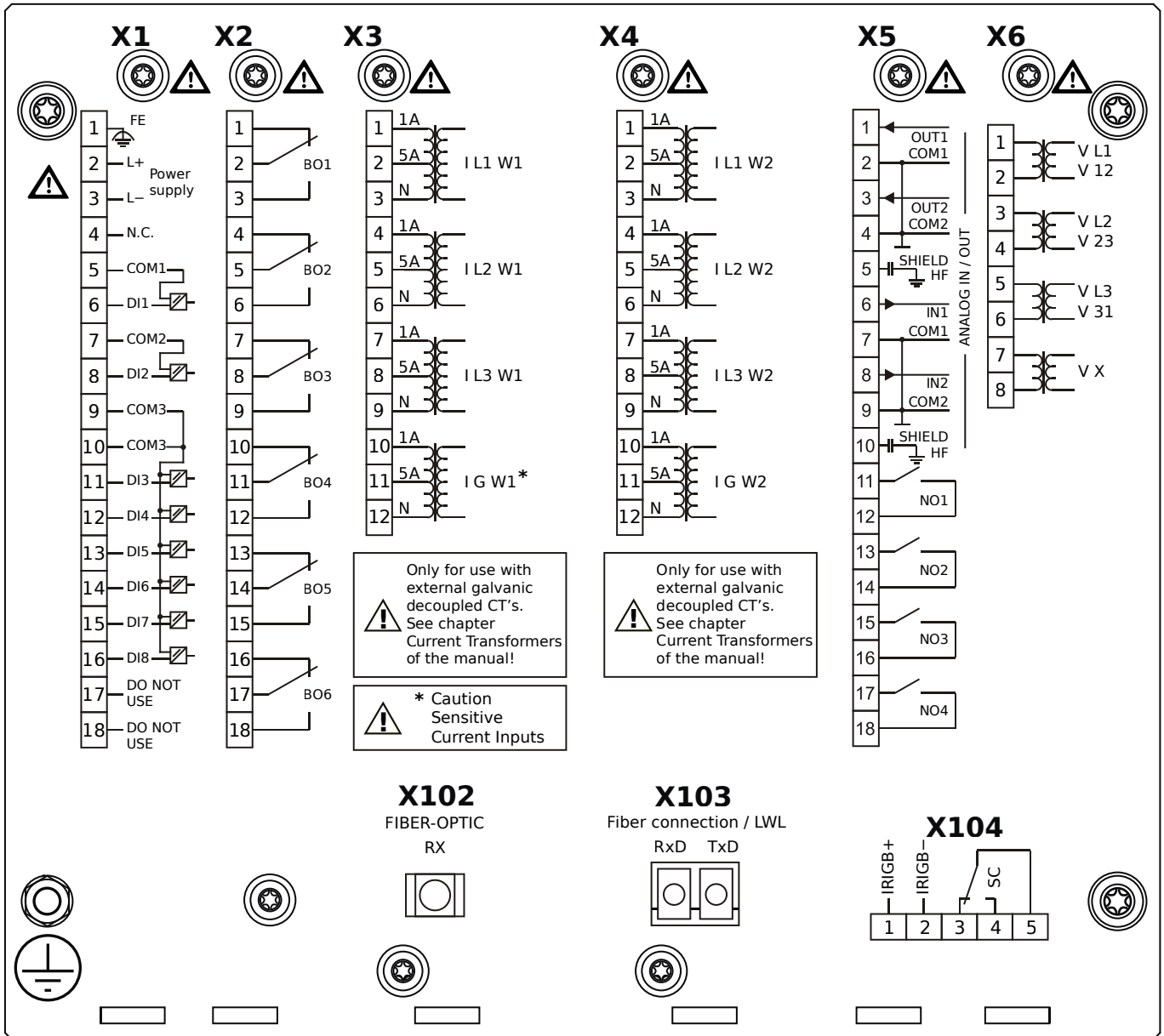
MCDTV4-2B1ALA



Housing B2, large display, door mounting

- X1** – DI8-X1: Wide-range power supply unit, incl. 2 non-grouped digital inputs and 6 grouped digital inputs
- X2** – OR6: Assembly Group with 6 Output Relays (Changeover / Form C)
- X3** – TIs: Standard phase current measuring card and sensitive ground current measuring (winding side 1)
- X4** – TI: Standard current measuring card (for the winding side 2)
- X5** – AnIO2-OR4: Assembly Group with 2 Analog Inputs, 2 Analog Outputs and 4 Output Relays
- X6** – TU: Card with 4 voltage transformer measuring inputs (0 ... 800 VAC, under UL: 0 ... 600 VAC)
- X102** – Universal Resistance-Temperature Detector (URTD) input, Fiber optics interface, Versatile Link
- X103** – Modbus TCP / IEC 60870-5-104 / DNP3.0 TCP/UDP, Fiber optics interface, LC Connector
- X104** – IRIG-B00X, incl. System Contact (Supervision Contact)

MCDTV4-2B1ALB

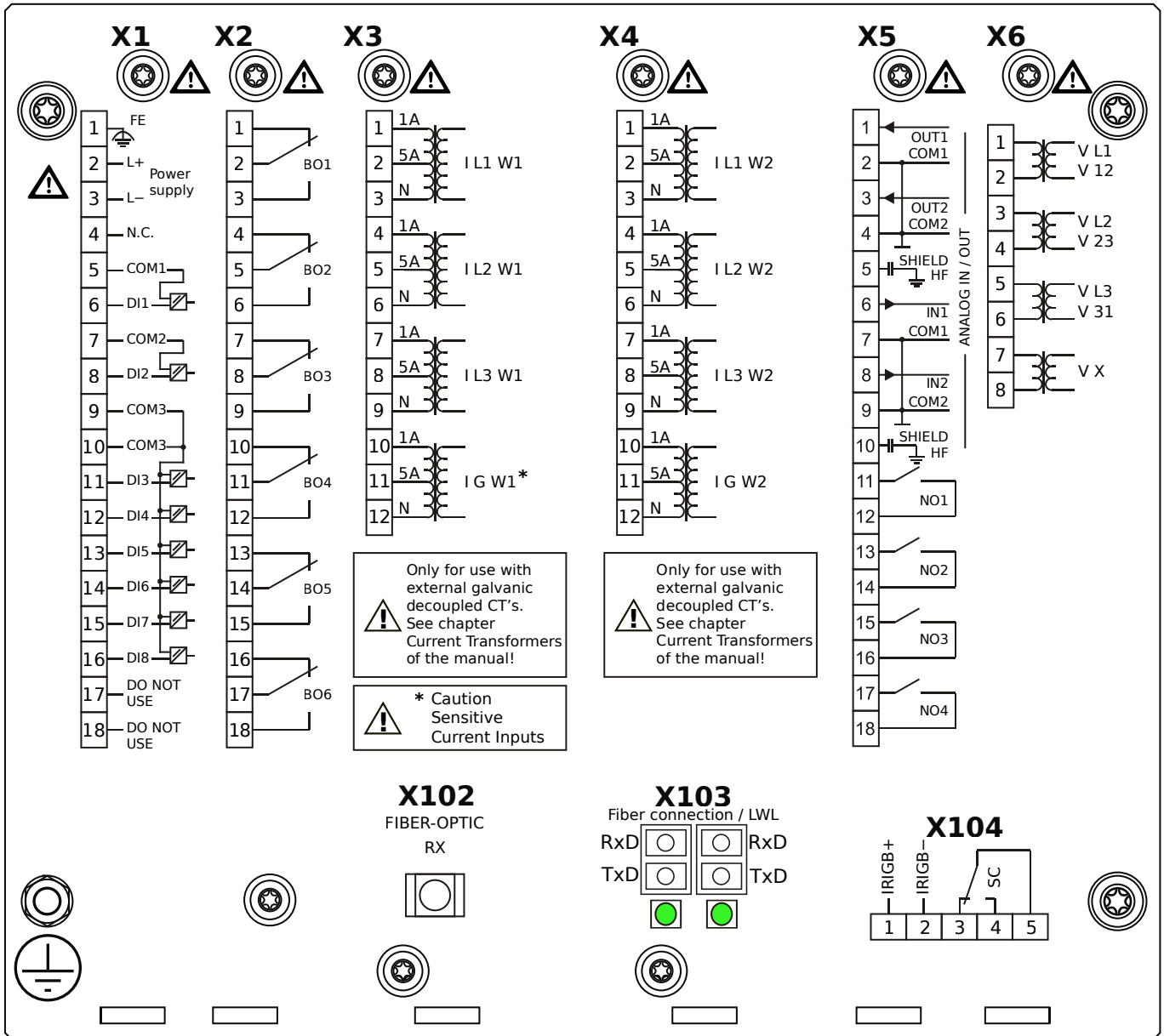


Housing B2, large display, door mounting

+ Conformal Coating (for installations in harsh environment)

- X1** – DI8-X1: Wide-range power supply unit, incl. 2 non-grouped digital inputs and 6 grouped digital inputs
- X2** – OR6: Assembly Group with 6 Output Relays (Changeover / Form C)
- X3** – TIs: Standard phase current measuring card and sensitive ground current measuring (winding side 1)
- X4** – TI: Standard current measuring card (for the winding side 2)
- X5** – AnIO2-OR4: Assembly Group with 2 Analog Inputs, 2 Analog Outputs and 4 Output Relays
- X6** – TU: Card with 4 voltage transformer measuring inputs (0 ... 800 VAC, under UL: 0 ... 600 VAC)
- X102** – Universal Resistance-Temperature Detector (URTD) input, Fiber optics interface, Versatile Link
- X103** – Modbus TCP / IEC 60870-5-104 / DNP3.0 TCP/UDP, Fiber optics interface, LC Connector
- X104** – IRIG-B00X, incl. System Contact (Supervision Contact)

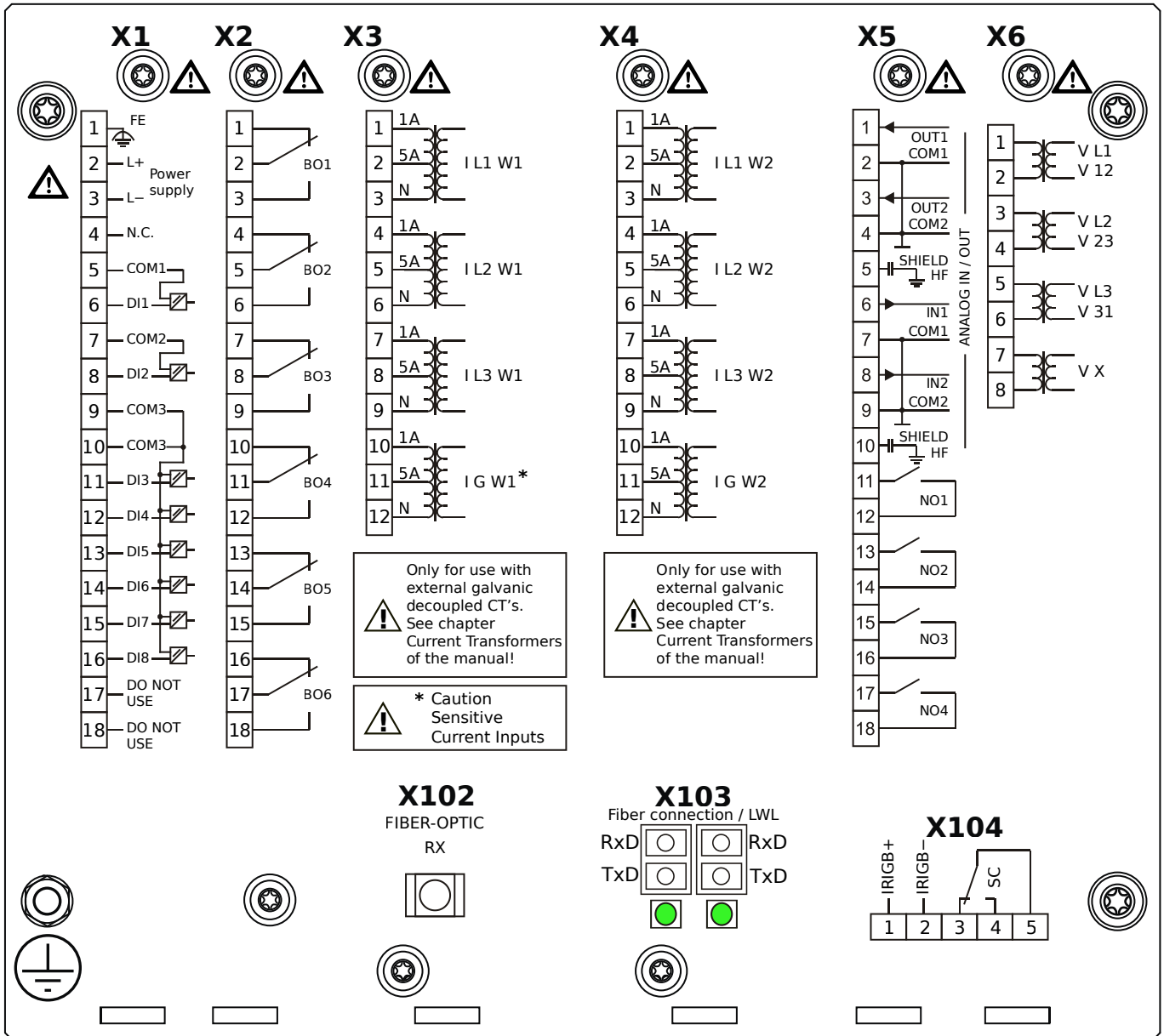
MCDTV4-2B1AOA



Housing B2, large display, door mounting

- X1** – DI8-X1: Wide-range power supply unit, incl. 2 non-grouped digital inputs and 6 grouped digital inputs
- X2** – OR6: Assembly Group with 6 Output Relays (Changeover / Form C)
- X3** – TIs: Standard phase current measuring card and sensitive ground current measuring (winding side 1)
- X4** – TI: Standard current measuring card (for the winding side 2)
- X5** – AnIO2-OR4: Assembly Group with 2 Analog Inputs, 2 Analog Outputs and 4 Output Relays
- X6** – TU: Card with 4 voltage transformer measuring inputs (0 ... 800 VAC, under UL: 0 ... 600 VAC)
- X102** – Universal Resistance-Temperature Detector (URTD) input, Fiber optics interface, Versatile Link
- X103** – Modbus TCP / IEC 60870-5-104 / DNP3.0 TCP/UDP, Redundant Fiber optics interface, LC Connector
- X104** – IRIG-B00X, incl. System Contact (Supervision Contact)

MCDTV4-2B1AOB

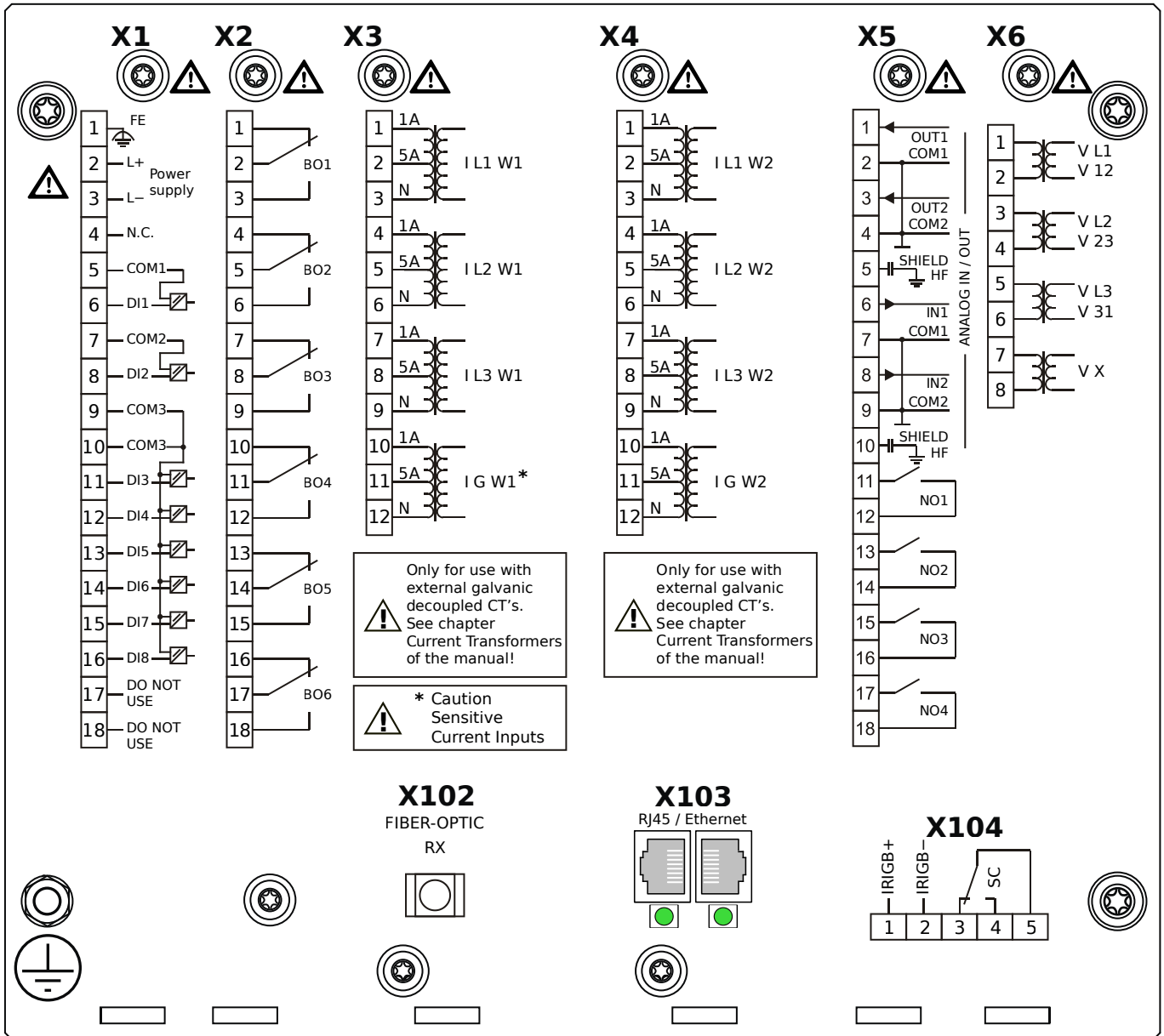


Housing B2, large display, door mounting

+ Conformal Coating (for installations in harsh environment)

- X1** – DI8-X1: Wide-range power supply unit, incl. 2 non-grouped digital inputs and 6 grouped digital inputs
- X2** – OR6: Assembly Group with 6 Output Relays (Changeover / Form C)
- X3** – TIs: Standard phase current measuring card and sensitive ground current measuring (winding side 1)
- X4** – TI: Standard current measuring card (for the winding side 2)
- X5** – AnIO2-OR4: Assembly Group with 2 Analog Inputs, 2 Analog Outputs and 4 Output Relays
- X6** – TU: Card with 4 voltage transformer measuring inputs (0 ... 800 VAC, under UL: 0 ... 600 VAC)
- X102** – Universal Resistance-Temperature Detector (URTD) input, Fiber optics interface, Versatile Link
- X103** – Modbus TCP / IEC 60870-5-104 / DNP3.0 TCP/UDP, Redundant Fiber optics interface, LC Connector
- X104** – IRIG-B00X, incl. System Contact (Supervision Contact)

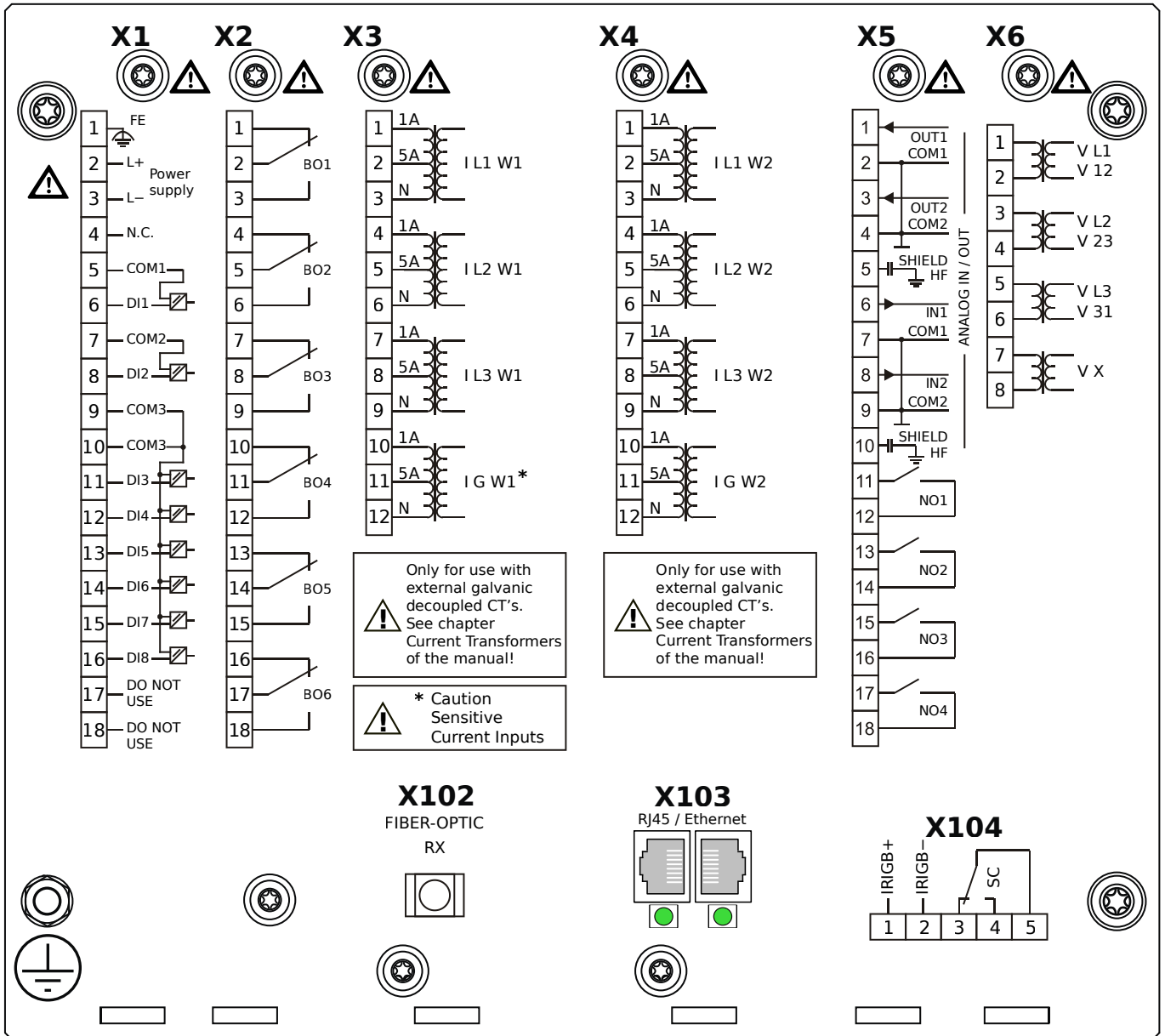
MCDTV4-2B1APA



Housing B2, large display, door mounting

- X1** – DI8-X1: Wide-range power supply unit, incl. 2 non-grouped digital inputs and 6 grouped digital inputs
- X2** – OR6: Assembly Group with 6 Output Relays (Changeover / Form C)
- X3** – TIs: Standard phase current measuring card and sensitive ground current measuring (winding side 1)
- X4** – TI: Standard current measuring card (for the winding side 2)
- X5** – AnIO2-OR4: Assembly Group with 2 Analog Inputs, 2 Analog Outputs and 4 Output Relays
- X6** – TU: Card with 4 voltage transformer measuring inputs (0 ... 800 VAC, under UL: 0 ... 600 VAC)
- X102** – Universal Resistance-Temperature Detector (URTD) input, Fiber optics interface, Versatile Link
- X103** – Modbus TCP / IEC 60870-5-104 / DNP3.0 TCP/UDP, Redundant Ethernet interface, 100 Mbit/s, RJ45 (BASE100-FX)
- X104** – IRIG-B00X, incl. System Contact (Supervision Contact)

MCDTV4-2B1APB

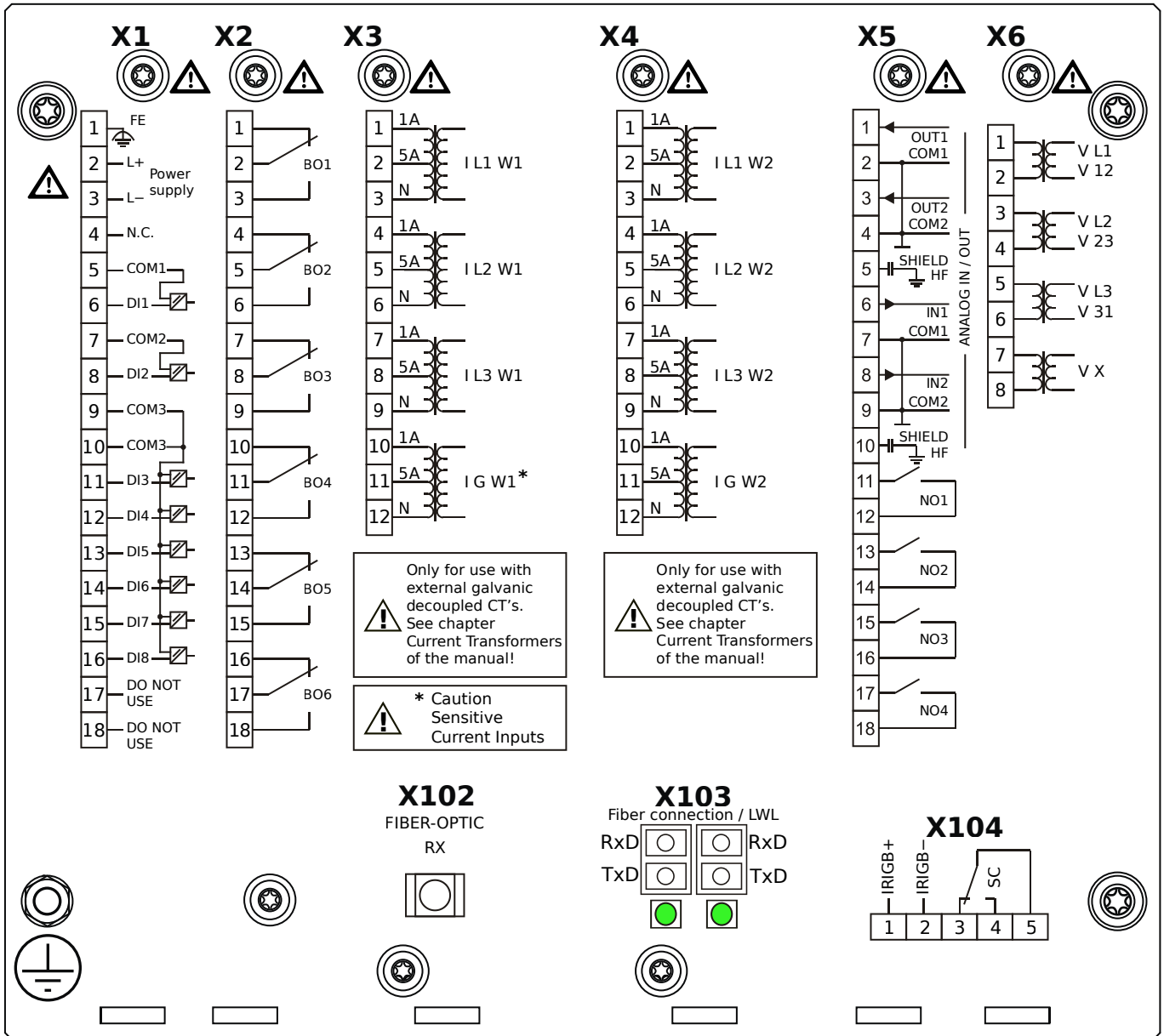


Housing B2, large display, door mounting

- + Conformal Coating (for installations in harsh environment)

- X1** – DI8-X1: Wide-range power supply unit, incl. 2 non-grouped digital inputs and 6 grouped digital inputs
- X2** – OR6: Assembly Group with 6 Output Relays (Changeover / Form C)
- X3** – TIs: Standard phase current measuring card and sensitive ground current measuring (winding side 1)
- X4** – TI: Standard current measuring card (for the winding side 2)
- X5** – AnIO2-OR4: Assembly Group with 2 Analog Inputs, 2 Analog Outputs and 4 Output Relays
- X6** – TU: Card with 4 voltage transformer measuring inputs (0 ... 800 VAC, under UL: 0 ... 600 VAC)
- X102** – Universal Resistance-Temperature Detector (URTD) input, Fiber optics interface, Versatile Link
- X103** – Modbus TCP / IEC 60870-5-104 / DNP3.0 TCP/UDP, Redundant Ethernet interface, 100 Mbit/s, RJ45 (BASE100-FX)
- X104** – IRIG-B00X, incl. System Contact (Supervision Contact)

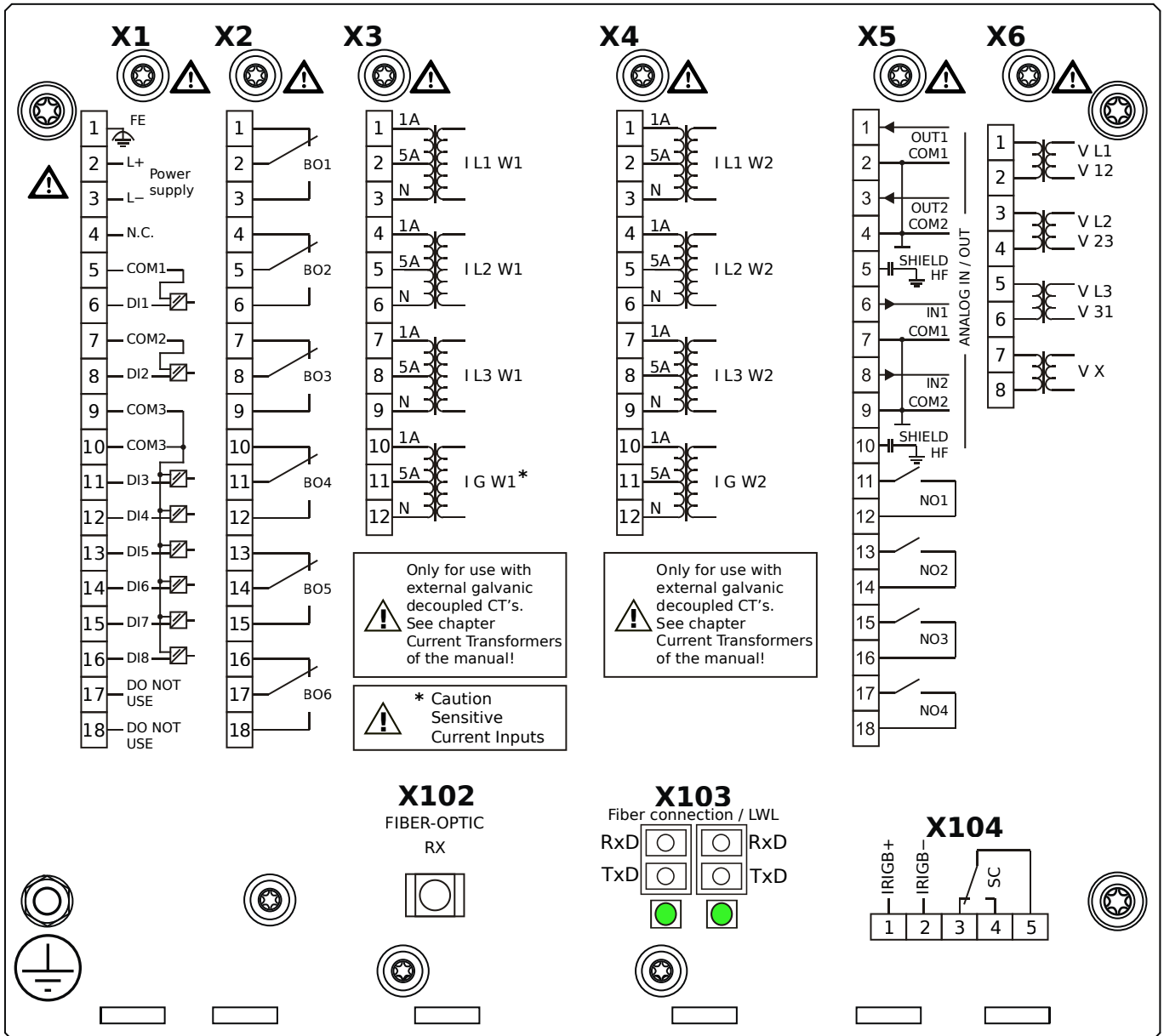
MCDTV4-2B1AQA



Housing B2, large display, door mounting

- X1** – DI8-X1: Wide-range power supply unit, incl. 2 non-grouped digital inputs and 6 grouped digital inputs
- X2** – OR6: Assembly Group with 6 Output Relays (Changeover / Form C)
- X3** – TIs: Standard phase current measuring card and sensitive ground current measuring (winding side 1)
- X4** – TI: Standard current measuring card (for the winding side 2)
- X5** – AnIO2-OR4: Assembly Group with 2 Analog Inputs, 2 Analog Outputs and 4 Output Relays
- X6** – TU: Card with 4 voltage transformer measuring inputs (0 ... 800 VAC, under UL: 0 ... 600 VAC)
- X102** – Universal Resistance-Temperature Detector (URTD) input, Fiber optics interface, Versatile Link
- X103** – IEC 61850 / Modbus TCP / IEC 60870-5-104 / DNP3.0 TCP/UDP, Redundant Fiber optics interface, LC Connector
- X104** – IRIG-B00X, incl. System Contact (Supervision Contact)

MCDTV4-2B1AQB

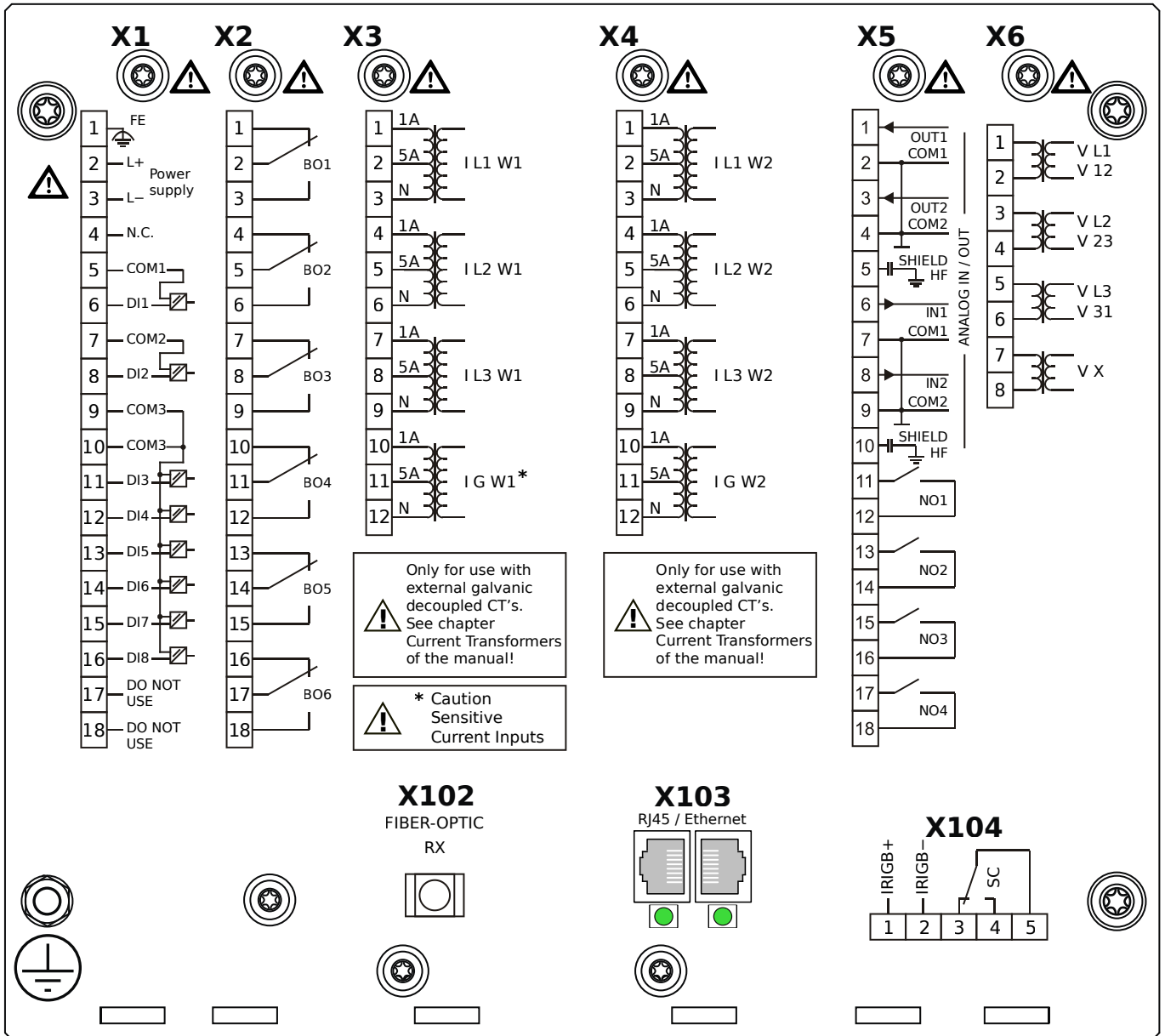


Housing B2, large display, door mounting

- + Conformal Coating (for installations in harsh environment)

- X1** – DI8-X1: Wide-range power supply unit, incl. 2 non-grouped digital inputs and 6 grouped digital inputs
- X2** – OR6: Assembly Group with 6 Output Relays (Changeover / Form C)
- X3** – TIs: Standard phase current measuring card and sensitive ground current measuring (winding side 1)
- X4** – TI: Standard current measuring card (for the winding side 2)
- X5** – AnIO2-OR4: Assembly Group with 2 Analog Inputs, 2 Analog Outputs and 4 Output Relays
- X6** – TU: Card with 4 voltage transformer measuring inputs (0 ... 800 VAC, under UL: 0 ... 600 VAC)
- X102** – Universal Resistance-Temperature Detector (URTD) input, Fiber optics interface, Versatile Link
- X103** – IEC 61850 / Modbus TCP / IEC 60870-5-104 / DNP3.0 TCP/UDP, Redundant Fiber optics interface, LC Connector
- X104** – IRIG-B00X, incl. System Contact (Supervision Contact)

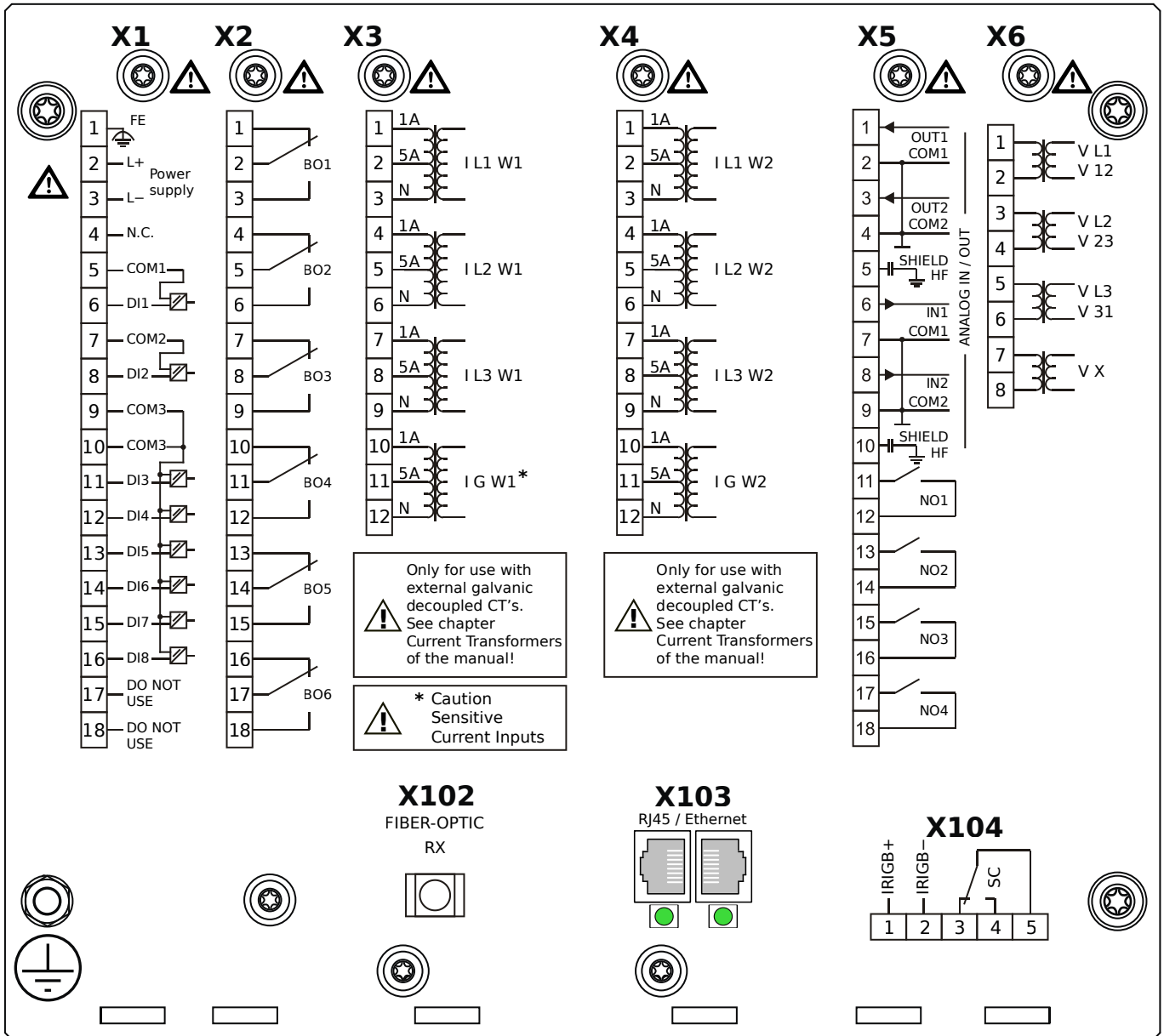
MCDTV4-2B1ARA



Housing B2, large display, door mounting

- X1** – DI8-X1: Wide-range power supply unit, incl. 2 non-grouped digital inputs and 6 grouped digital inputs
- X2** – OR6: Assembly Group with 6 Output Relays (Changeover / Form C)
- X3** – TIs: Standard phase current measuring card and sensitive ground current measuring (winding side 1)
- X4** – TI: Standard current measuring card (for the winding side 2)
- X5** – AnIO2-OR4: Assembly Group with 2 Analog Inputs, 2 Analog Outputs and 4 Output Relays
- X6** – TU: Card with 4 voltage transformer measuring inputs (0 ... 800 VAC, under UL: 0 ... 600 VAC)
- X102** – Universal Resistance-Temperature Detector (URTD) input, Fiber optics interface, Versatile Link
- X103** – IEC 61850 / Modbus TCP / IEC 60870-5-104 / DNP3.0 TCP/UDP, Redundant Ethernet interface, 100 Mbit/s, RJ45
- X104** – IRIG-B00X, incl. System Contact (Supervision Contact)

MCDTV4-2B1ARB



Housing B2, large display, door mounting

+ Conformal Coating (for installations in harsh environment)

X1 – DI8-X1: Wide-range power supply unit, incl. 2 non-grouped digital inputs and 6 grouped digital inputs

X2 – OR6: Assembly Group with 6 Output Relays (Changeover / Form C)

X3 – TIs: Standard phase current measuring card and sensitive ground current measuring (winding side 1)

X4 – TI: Standard current measuring card (for the winding side 2)

X5 – AnIO2-OR4: Assembly Group with 2 Analog Inputs, 2 Analog Outputs and 4 Output Relays

X6 – TU: Card with 4 voltage transformer measuring inputs (0 ... 800 VAC, under UL: 0 ... 600 VAC)

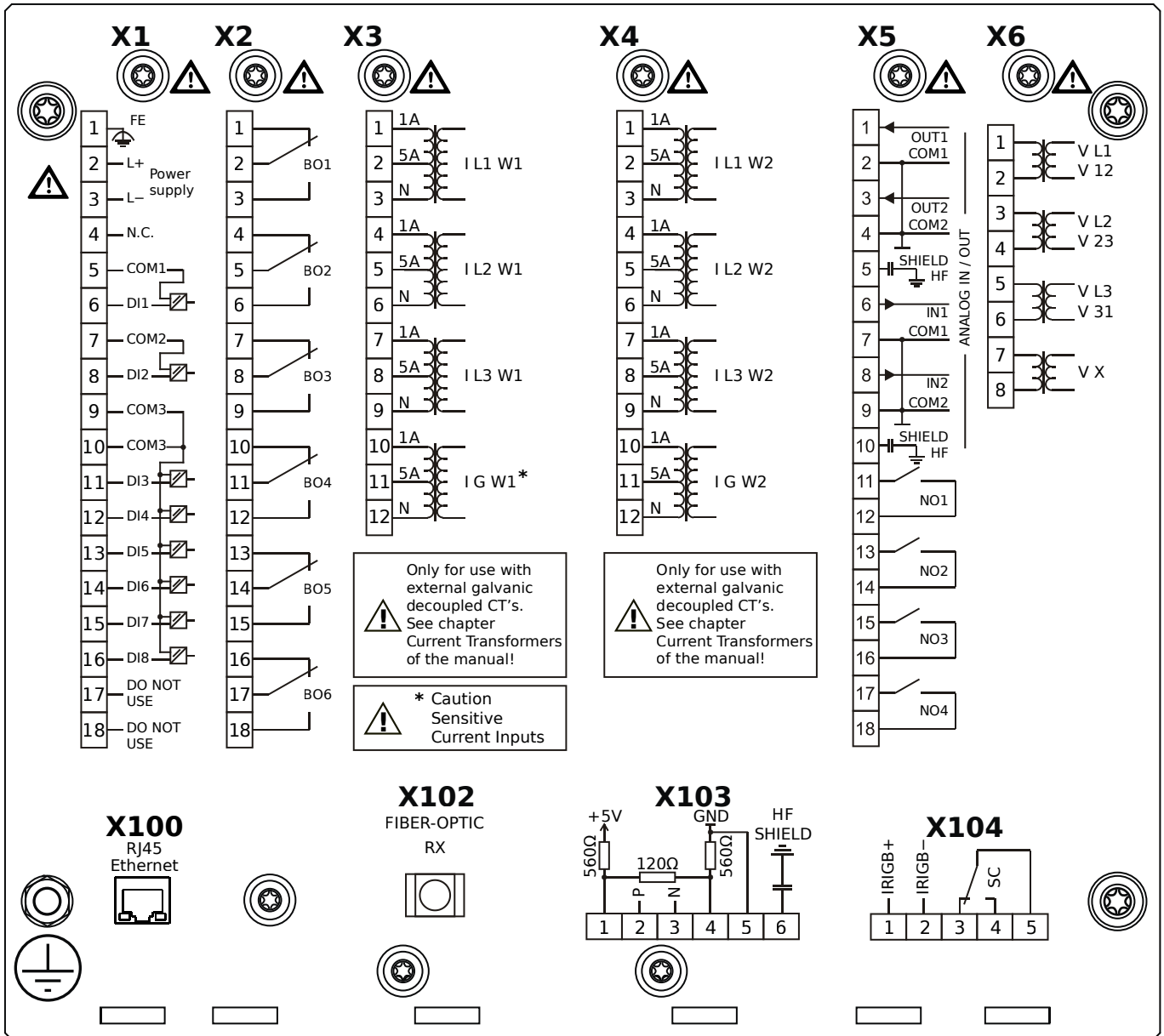
X102 – Universal Resistance-Temperature Detector (URTD) input, Fiber optics interface, Versatile Link

X103 – IEC 61850 / Modbus TCP / IEC 60870-5-104 / DNP3.0 TCP/UDP, Redundant Ethernet interface, 100 Mbit/s, RJ45

(BASE100-FX)

X104 – IRIG-B00X, incl. System Contact (Supervision Contact)

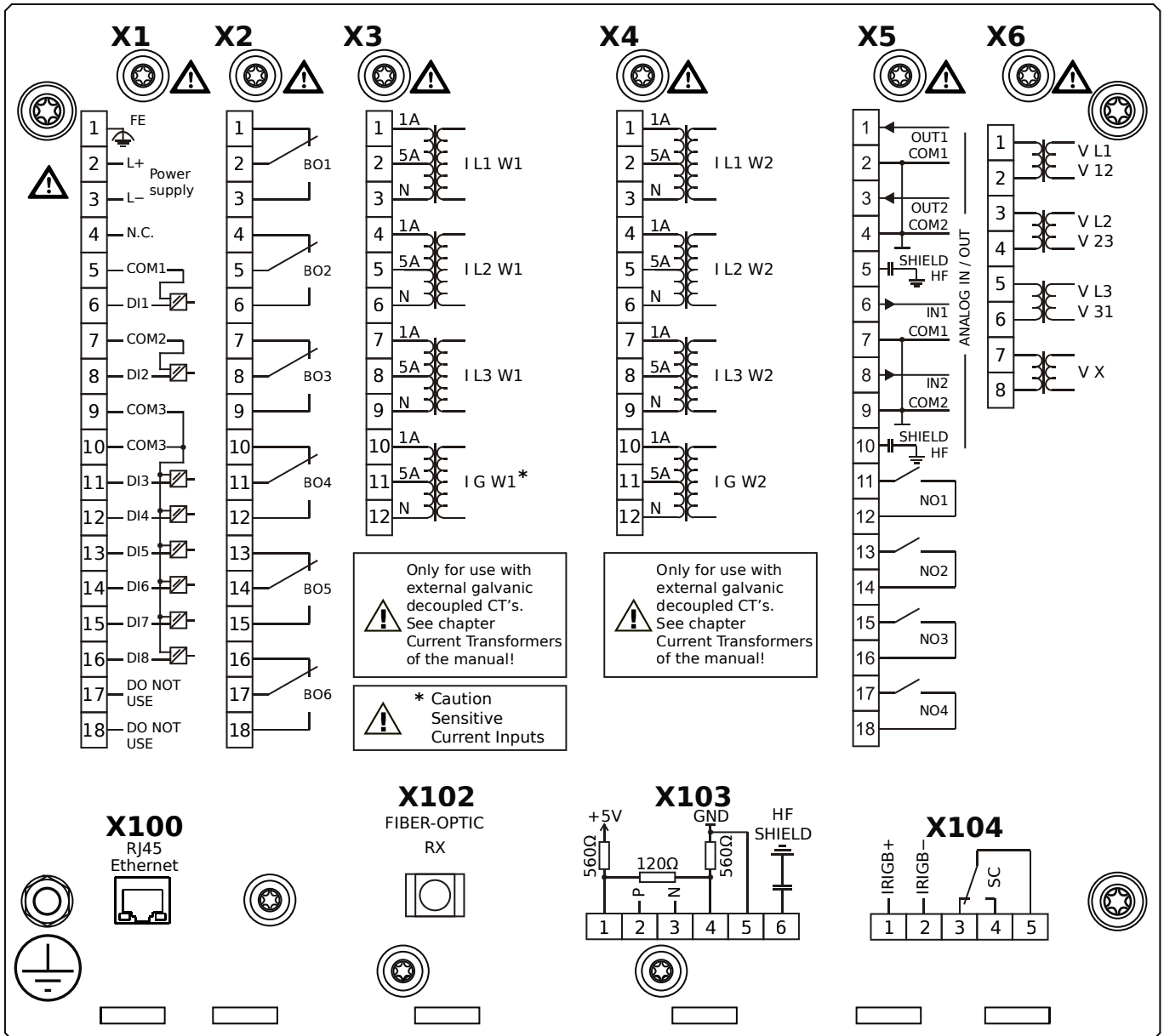
MCDTV4-2B1ATA



Housing B2, large display, door mounting

- X1** – DI8-X1: Wide-range power supply unit, incl. 2 non-grouped digital inputs and 6 grouped digital inputs
- X2** – OR6: Assembly Group with 6 Output Relays (Changeover / Form C)
- X3** – TIs: Standard phase current measuring card and sensitive ground current measuring (winding side 1)
- X4** – TI: Standard current measuring card (for the winding side 2)
- X5** – AnIO2-OR4: Assembly Group with 2 Analog Inputs, 2 Analog Outputs and 4 Output Relays
- X6** – TU: Card with 4 voltage transformer measuring inputs (0 ... 800 VAC, under UL: 0 ... 600 VAC)
- X100** – IEC 61850 / Modbus TCP / IEC 60870-5-104 / DNP3.0 TCP/UDP, Ethernet interface, 100 Mbit/s, RJ45 (BASE100-FX)
- X102** – Universal Resistance-Temperature Detector (URTD) input, Fiber optics interface, Versatile Link
- X103** – IEC 60870-5-103 / Modbus RTU / DNP3.0 RTU, RS485, Terminals
- X104** – IRIG-B00X, incl. System Contact (Supervision Contact)

MCDTV4-2B1ATB

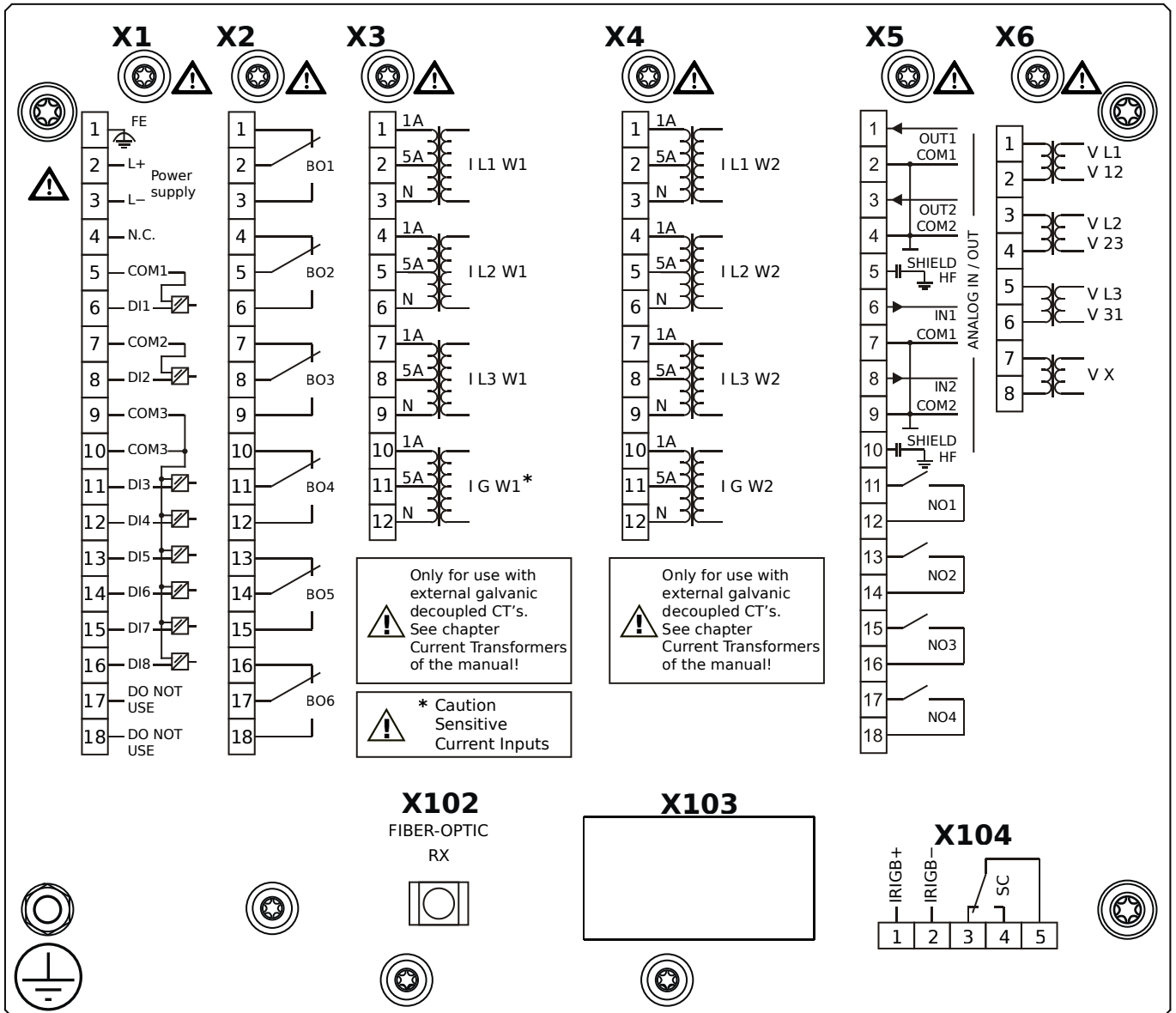


Housing B2, large display, door mounting

+ Conformal Coating (for installations in harsh environment)

- X1** – DI8-X1: Wide-range power supply unit, incl. 2 non-grouped digital inputs and 6 grouped digital inputs
- X2** – OR6: Assembly Group with 6 Output Relays (Changeover / Form C)
- X3** – TIs: Standard phase current measuring card and sensitive ground current measuring (winding side 1)
- X4** – TI: Standard current measuring card (for the winding side 2)
- X5** – AnIO2-OR4: Assembly Group with 2 Analog Inputs, 2 Analog Outputs and 4 Output Relays
- X6** – TU: Card with 4 voltage transformer measuring inputs (0 ... 800 VAC, under UL: 0 ... 600 VAC)
- X100** – IEC 61850 / Modbus TCP / IEC 60870-5-104 / DNP3.0 TCP/UDP, Ethernet interface, 100 Mbit/s, RJ45 (BASE100-FX)
- X102** – Universal Resistance-Temperature Detector (URTD) input, Fiber optics interface, Versatile Link
- X103** – IEC 60870-5-103 / Modbus RTU / DNP3.0 RTU, RS485, Terminals
- X104** – IRIG-B00X, incl. System Contact (Supervision Contact)

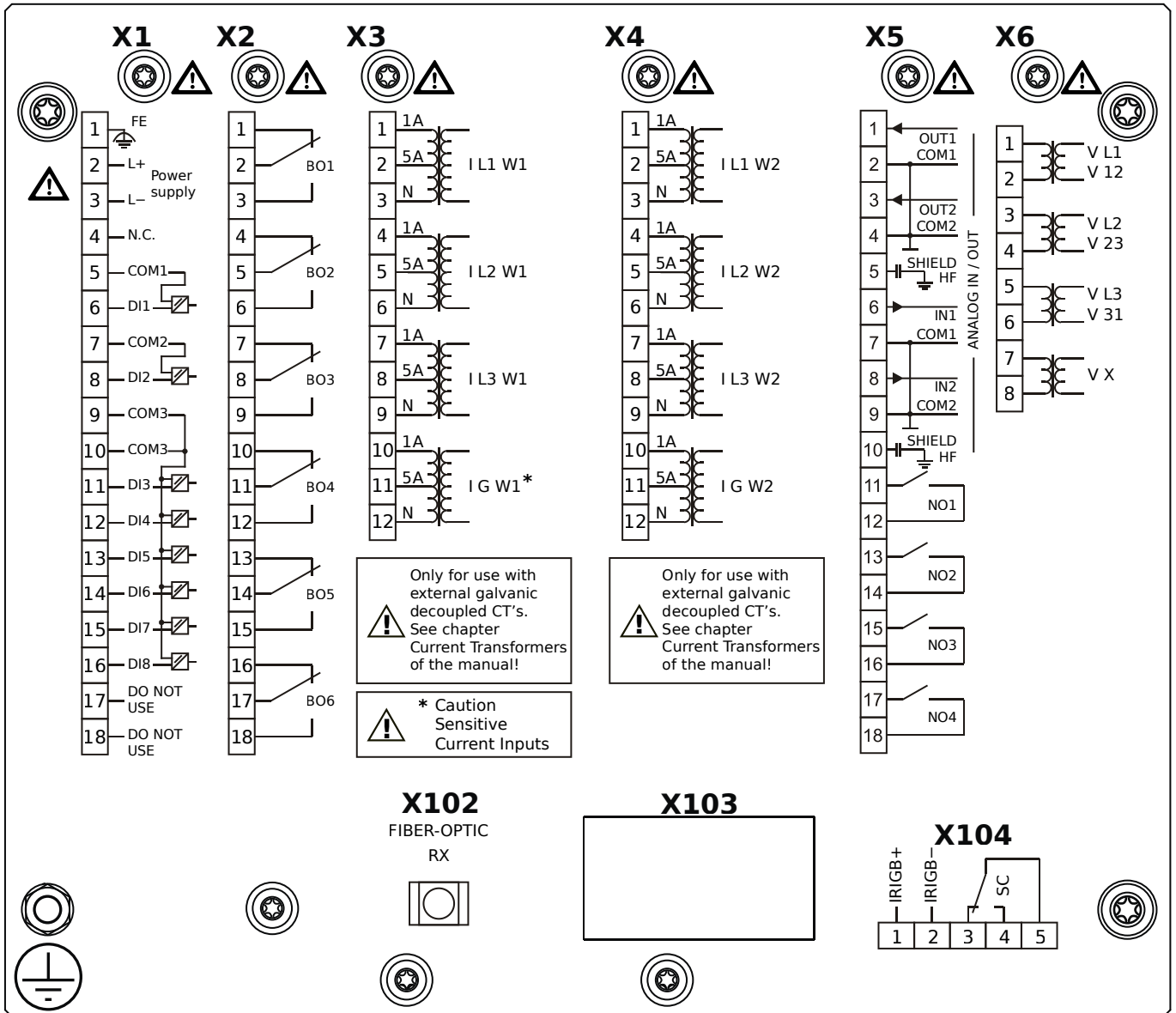
MCDTV4-2B1BAA



Housing B2, large display, 19" rack mounting

- X1** – DI8-X1: Wide-range power supply unit, incl. 2 non-grouped digital inputs and 6 grouped digital inputs
- X2** – OR6: Assembly Group with 6 Output Relays (Changeover / Form C)
- X3** – TIs: Standard phase current measuring card and sensitive ground current measuring (winding side 1)
- X4** – TI: Standard current measuring card (for the winding side 2)
- X5** – AnIO2-OR4: Assembly Group with 2 Analog Inputs, 2 Analog Outputs and 4 Output Relays
- X6** – TU: Card with 4 voltage transformer measuring inputs (0 ... 800 VAC, under UL: 0 ... 600 VAC)
- X102** – Universal Resistance-Temperature Detector (URTD) input, Fiber optics interface, Versatile Link
- X104** – IRIG-B00X, incl. System Contact (Supervision Contact)

MCDTV4-2B1BAB

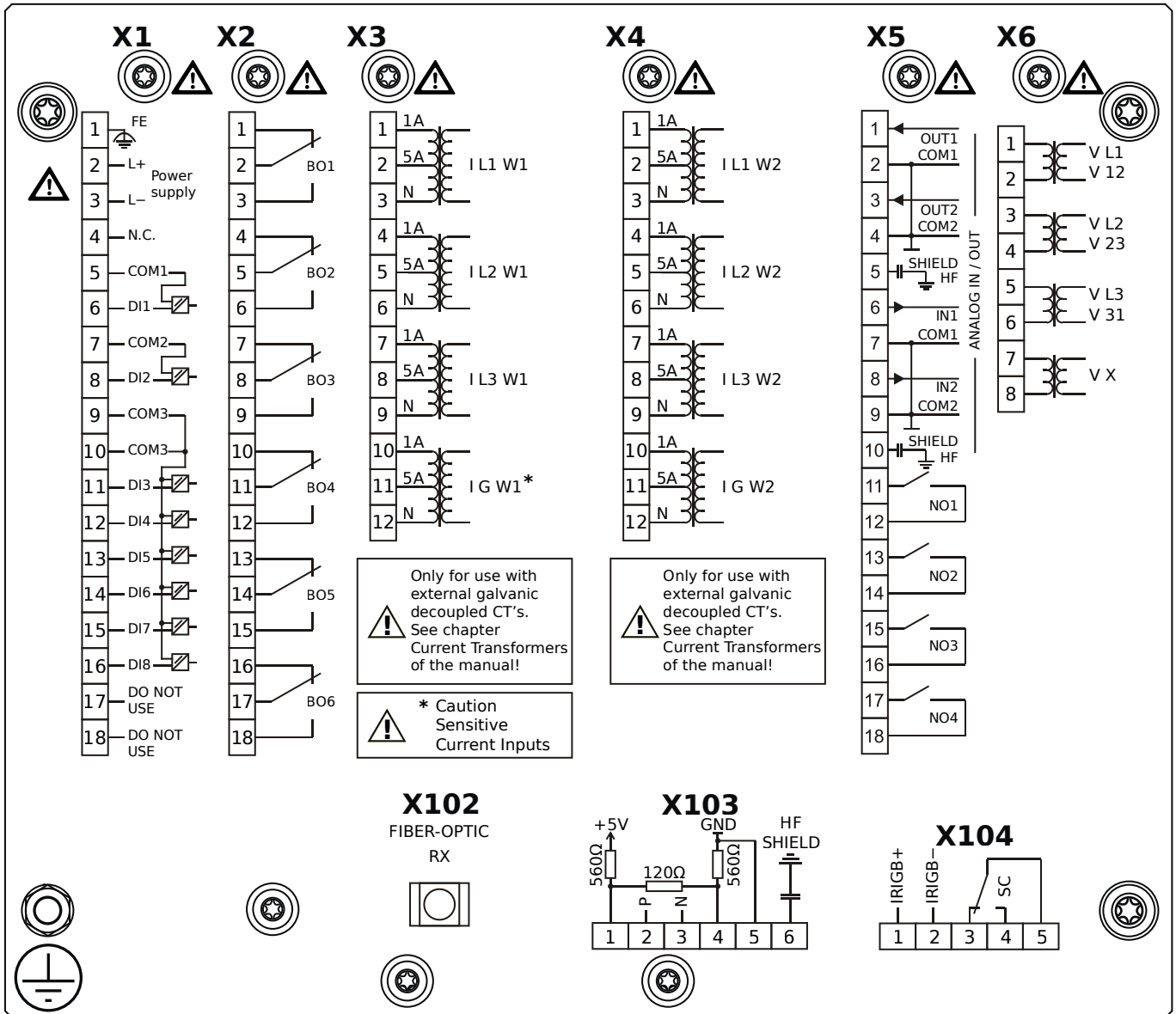


Housing B2, large display, 19" rack mounting

+ Conformal Coating (for installations in harsh environment)

- X1** – DI8-X1: Wide-range power supply unit, incl. 2 non-grouped digital inputs and 6 grouped digital inputs
- X2** – OR6: Assembly Group with 6 Output Relays (Changeover / Form C)
- X3** – TIs: Standard phase current measuring card and sensitive ground current measuring (winding side 1)
- X4** – TI: Standard current measuring card (for the winding side 2)
- X5** – AnIO2-OR4: Assembly Group with 2 Analog Inputs, 2 Analog Outputs and 4 Output Relays
- X6** – TU: Card with 4 voltage transformer measuring inputs (0 ... 800 VAC, under UL: 0 ... 600 VAC)
- X102** – Universal Resistance-Temperature Detector (URTD) input, Fiber optics interface, Versatile Link
- X104** – IRIG-B00X, incl. System Contact (Supervision Contact)

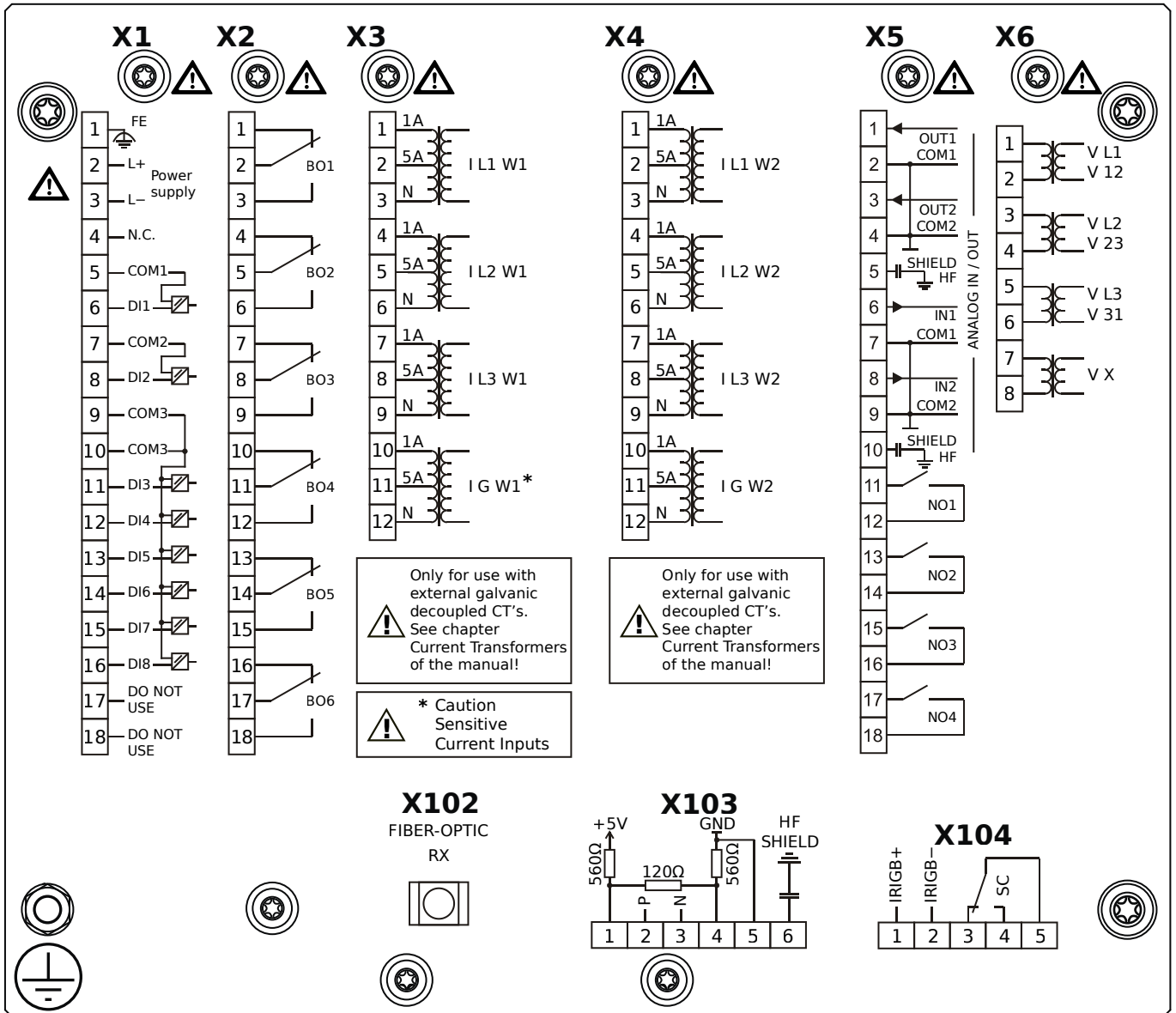
MCDTV4-2B1BBA



Housing B2, large display, 19" rack mounting

- X1** – DI8-X1: Wide-range power supply unit, incl. 2 non-grouped digital inputs and 6 grouped digital inputs
- X2** – OR6: Assembly Group with 6 Output Relays (Changeover / Form C)
- X3** – TIs: Standard phase current measuring card and sensitive ground current measuring (winding side 1)
- X4** – TI: Standard current measuring card (for the winding side 2)
- X5** – AnIO2-OR4: Assembly Group with 2 Analog Inputs, 2 Analog Outputs and 4 Output Relays
- X6** – TU: Card with 4 voltage transformer measuring inputs (0 ... 800 VAC, under UL: 0 ... 600 VAC)
- X102** – Universal Resistance-Temperature Detector (URTD) input, Fiber optics interface, Versatile Link
- X103** – Modbus RTU / IEC 60870-5-103 / DNP3.0 RTU, RS485, Terminals
- X104** – IRIG-B00X, incl. System Contact (Supervision Contact)

MCDTV4-2B1BBB

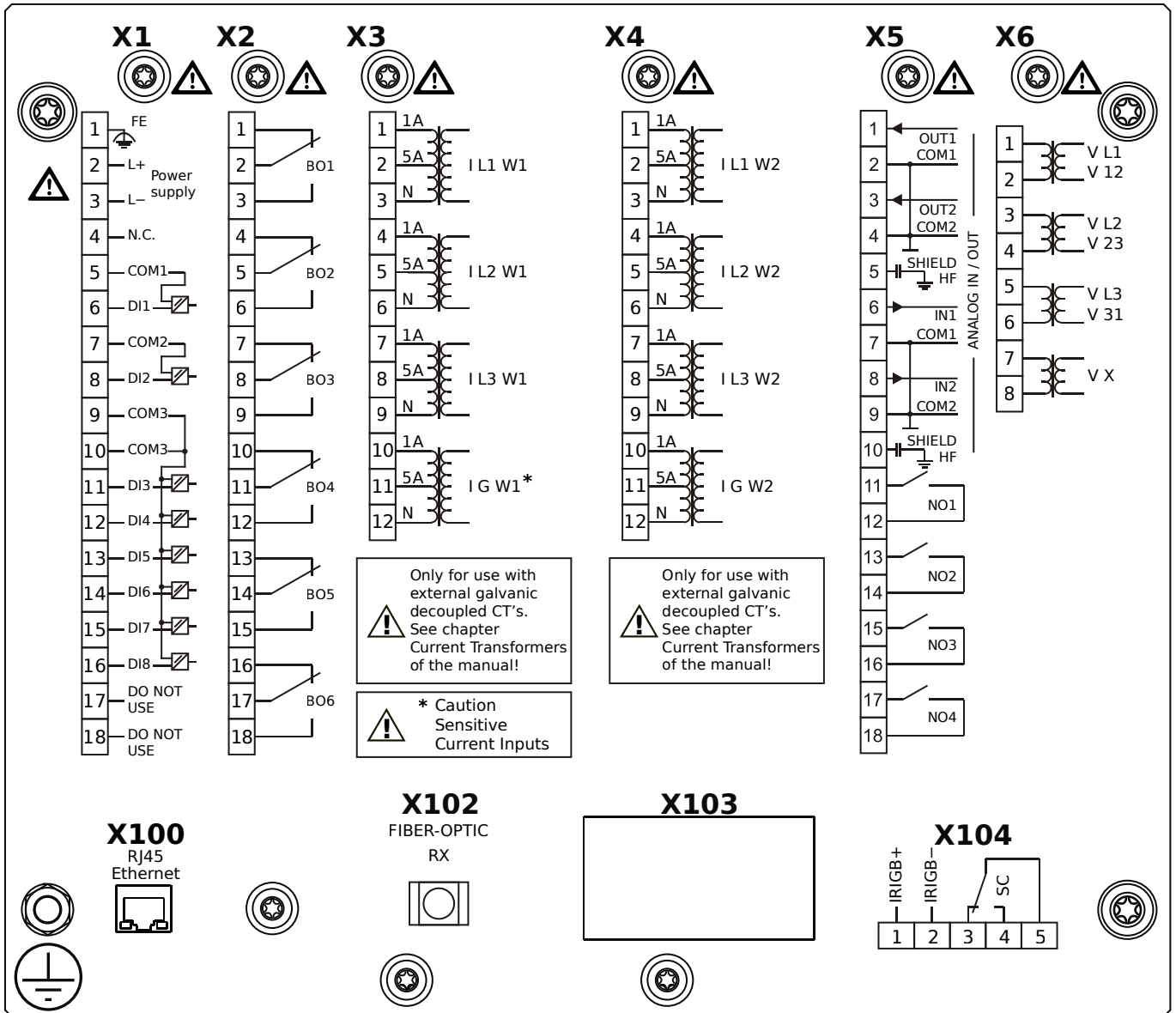


Housing B2, large display, 19" rack mounting

+ Conformal Coating (for installations in harsh environment)

- X1** – DI8-X1: Wide-range power supply unit, incl. 2 non-grouped digital inputs and 6 grouped digital inputs
- X2** – OR6: Assembly Group with 6 Output Relays (Changeover / Form C)
- X3** – TIs: Standard phase current measuring card and sensitive ground current measuring (winding side 1)
- X4** – TI: Standard current measuring card (for the winding side 2)
- X5** – AnIO2-OR4: Assembly Group with 2 Analog Inputs, 2 Analog Outputs and 4 Output Relays
- X6** – TU: Card with 4 voltage transformer measuring inputs (0 ... 800 VAC, under UL: 0 ... 600 VAC)
- X102** – Universal Resistance-Temperature Detector (URTD) input, Fiber optics interface, Versatile Link
- X103** – Modbus RTU / IEC 60870-5-103 / DNP3.0 RTU, RS485, Terminals
- X104** – IRIG-B00X, incl. System Contact (Supervision Contact)

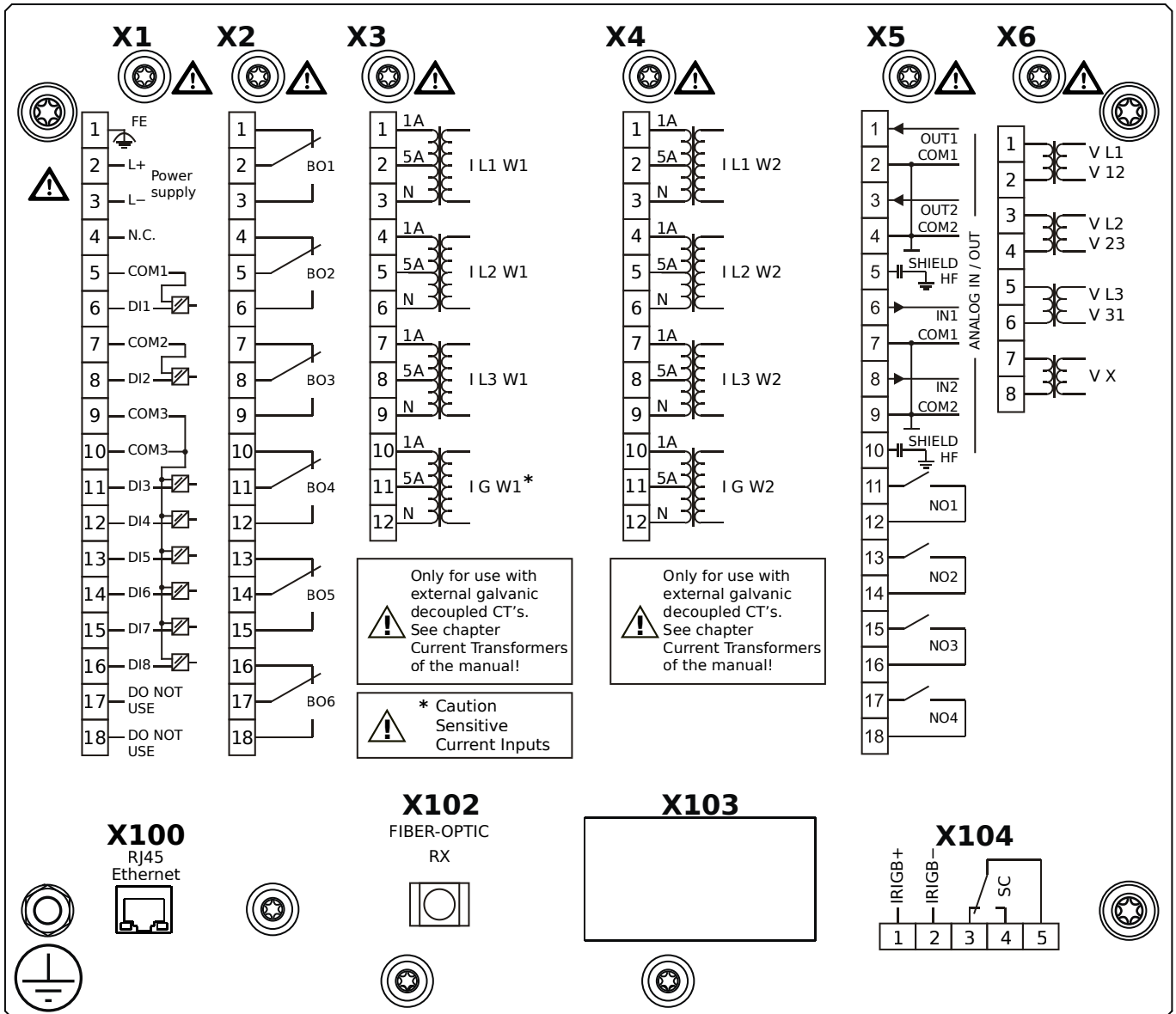
MCDTV4-2B1BCA



Housing B2, large display, 19" rack mounting

- X1** – DI8-X1: Wide-range power supply unit, incl. 2 non-grouped digital inputs and 6 grouped digital inputs
- X2** – OR6: Assembly Group with 6 Output Relays (Changeover / Form C)
- X3** – TIs: Standard phase current measuring card and sensitive ground current measuring (winding side 1)
- X4** – TI: Standard current measuring card (for the winding side 2)
- X5** – AnIO2-OR4: Assembly Group with 2 Analog Inputs, 2 Analog Outputs and 4 Output Relays
- X6** – TU: Card with 4 voltage transformer measuring inputs (0 ... 800 VAC, under UL: 0 ... 600 VAC)
- X100** – Modbus TCP / IEC 60870-5-104 / DNP3.0 TCP/UDP, Ethernet interface, 100 Mbit/s, RJ45 (BASE100-FX)
- X102** – Universal Resistance-Temperature Detector (URTD) input, Fiber optics interface, Versatile Link
- X104** – IRIG-B00X, incl. System Contact (Supervision Contact)

MCDTV4-2B1BCB

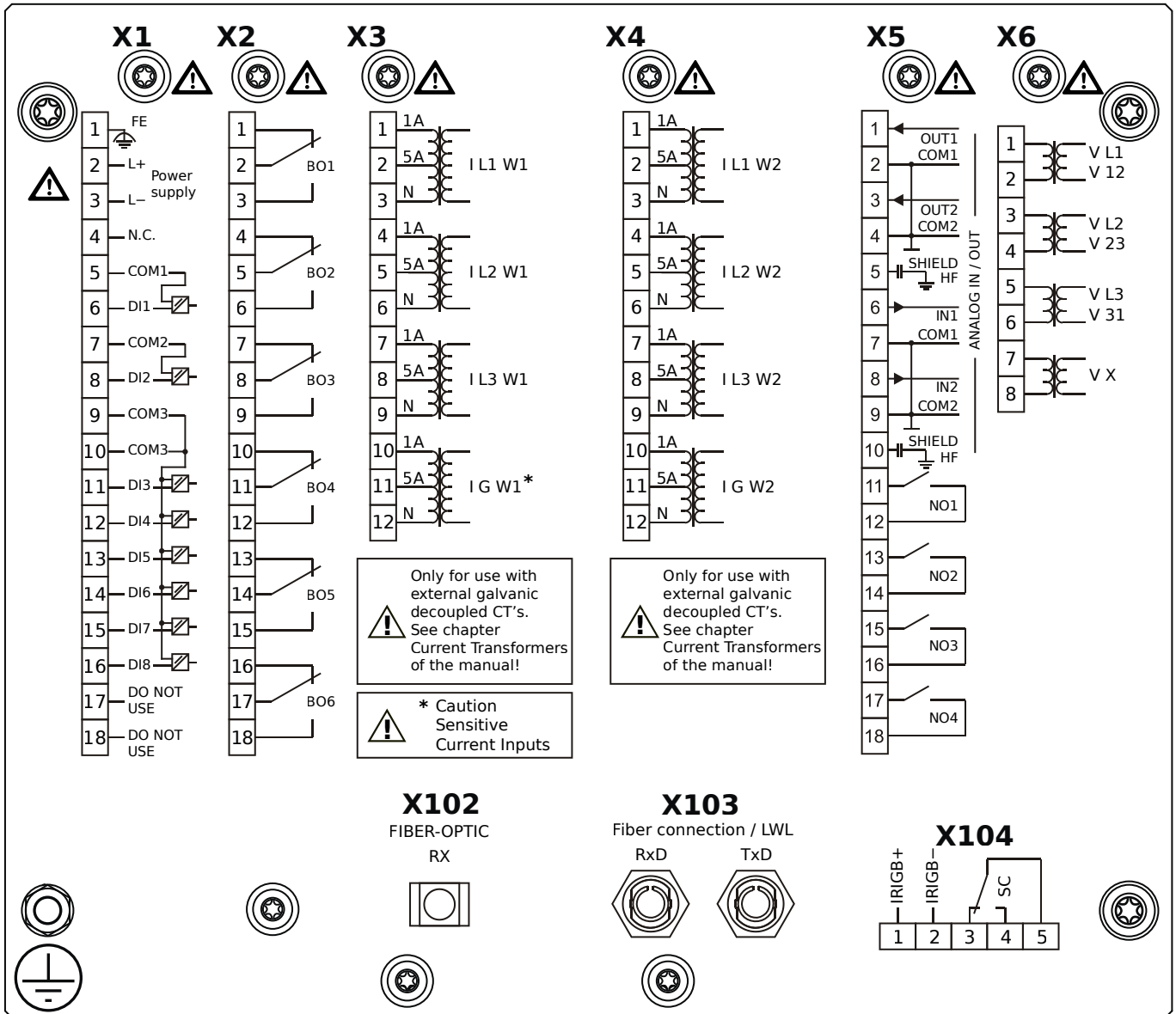


Housing B2, large display, 19" rack mounting

+ Conformal Coating (for installations in harsh environment)

- X1** – DI8-X1: Wide-range power supply unit, incl. 2 non-grouped digital inputs and 6 grouped digital inputs
- X2** – OR6: Assembly Group with 6 Output Relays (Changeover / Form C)
- X3** – TIs: Standard phase current measuring card and sensitive ground current measuring (winding side 1)
- X4** – TI: Standard current measuring card (for the winding side 2)
- X5** – AnIO2-OR4: Assembly Group with 2 Analog Inputs, 2 Analog Outputs and 4 Output Relays
- X6** – TU: Card with 4 voltage transformer measuring inputs (0 ... 800 VAC, under UL: 0 ... 600 VAC)
- X100** – Modbus TCP / IEC 60870-5-104 / DNP3.0 TCP/UDP, Ethernet interface, 100 Mbit/s, RJ45 (BASE100-FX)
- X102** – Universal Resistance-Temperature Detector (URTD) input, Fiber optics interface, Versatile Link
- X104** – IRIG-B00X, incl. System Contact (Supervision Contact)

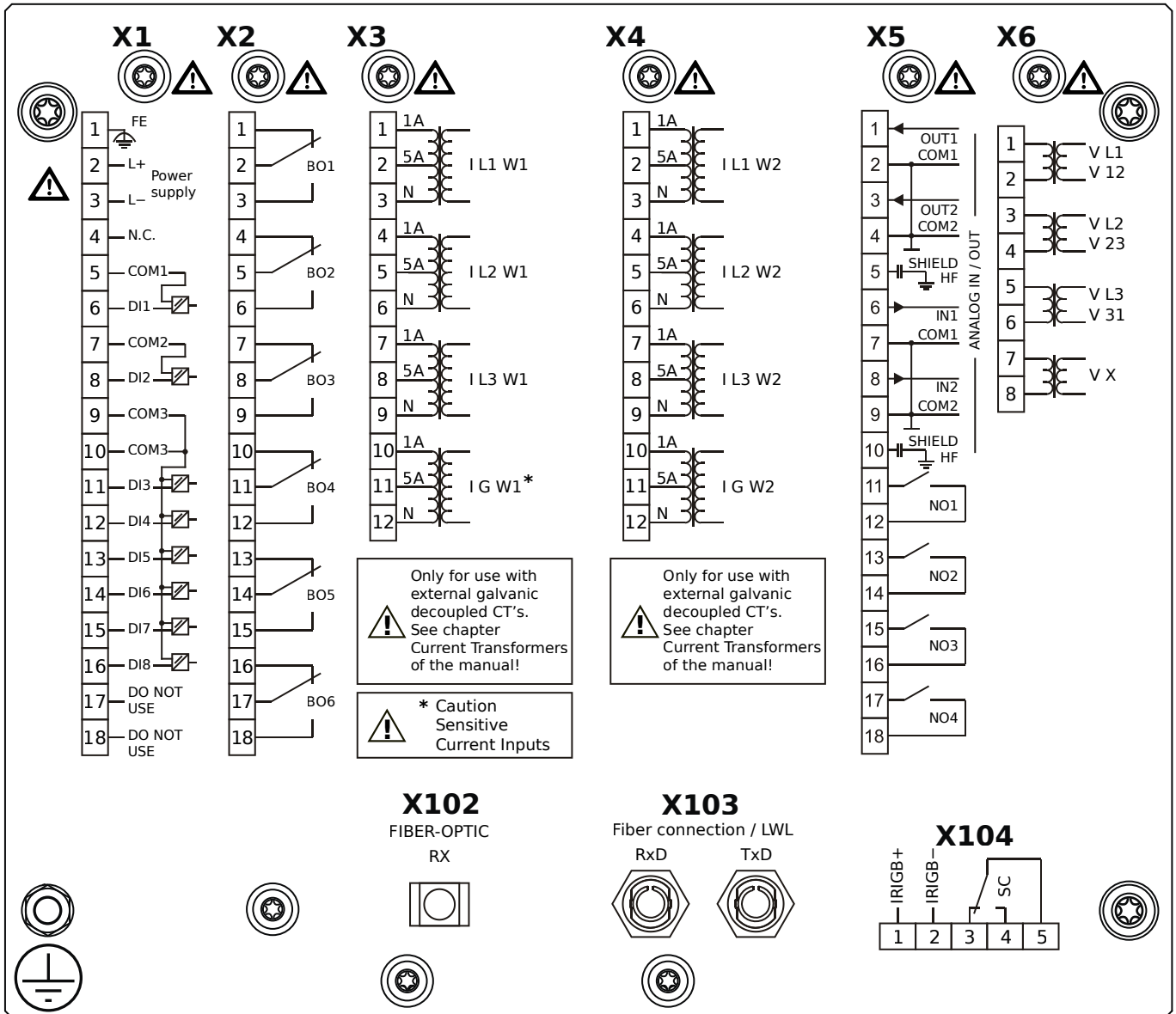
MCDTV4-2B1BDA



Housing B2, large display, 19" rack mounting

- X1** – DI8-X1: Wide-range power supply unit, incl. 2 non-grouped digital inputs and 6 grouped digital inputs
- X2** – OR6: Assembly Group with 6 Output Relays (Changeover / Form C)
- X3** – TIs: Standard phase current measuring card and sensitive ground current measuring (winding side 1)
- X4** – TI: Standard current measuring card (for the winding side 2)
- X5** – AnIO2-OR4: Assembly Group with 2 Analog Inputs, 2 Analog Outputs and 4 Output Relays
- X6** – TU: Card with 4 voltage transformer measuring inputs (0 ... 800 VAC, under UL: 0 ... 600 VAC)
- X102** – Universal Resistance-Temperature Detector (URTD) input, Fiber optics interface, Versatile Link
- X103** – Profibus-DP, Fiber optics interface, ST Connector
- X104** – IRIG-B00X, incl. System Contact (Supervision Contact)

MCDTV4-2B1BDB

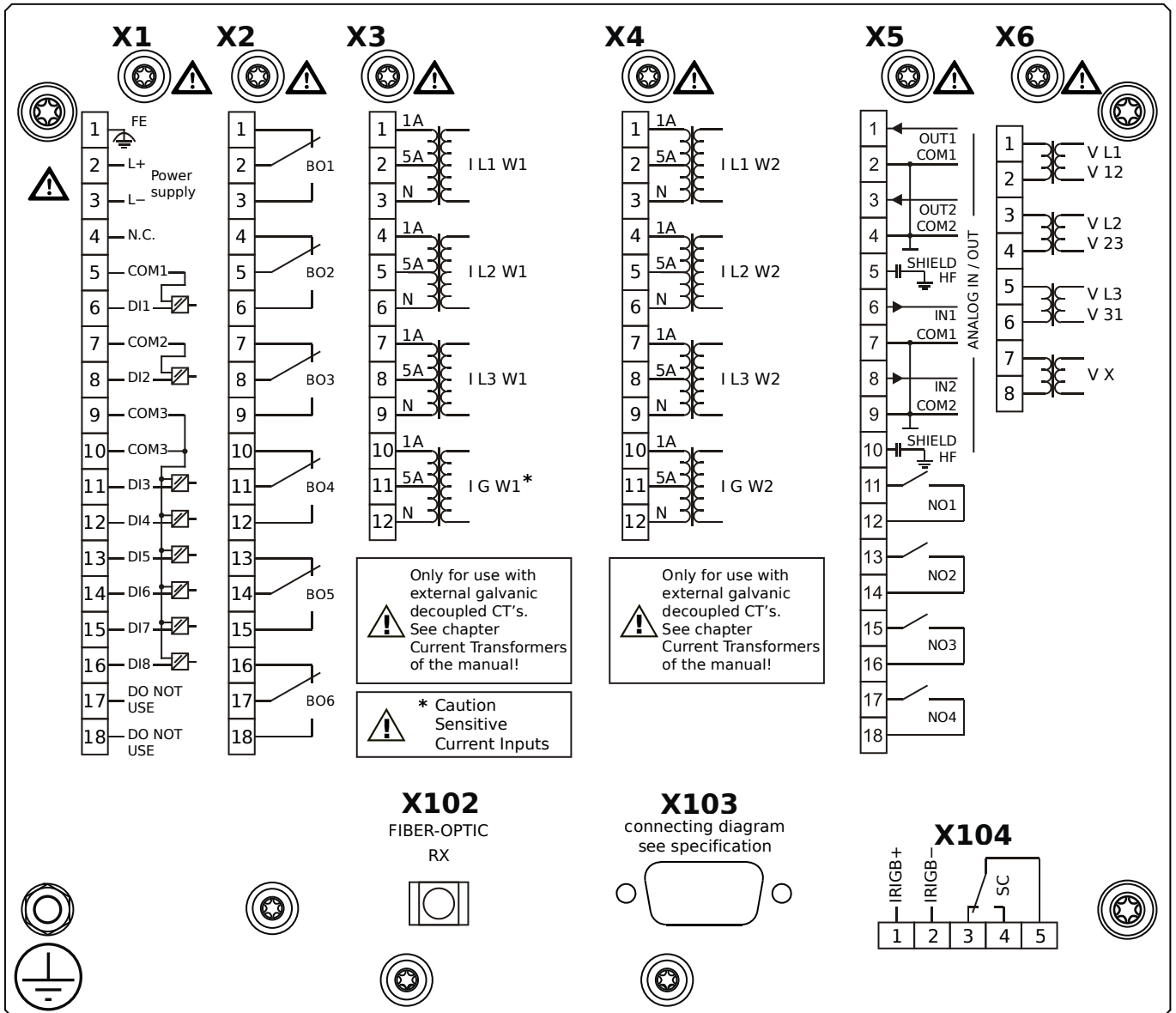


Housing B2, large display, 19" rack mounting

+ Conformal Coating (for installations in harsh environment)

- X1** – DI8-X1: Wide-range power supply unit, incl. 2 non-grouped digital inputs and 6 grouped digital inputs
- X2** – OR6: Assembly Group with 6 Output Relays (Changeover / Form C)
- X3** – TIs: Standard phase current measuring card and sensitive ground current measuring (winding side 1)
- X4** – TI: Standard current measuring card (for the winding side 2)
- X5** – AnIO2-OR4: Assembly Group with 2 Analog Inputs, 2 Analog Outputs and 4 Output Relays
- X6** – TU: Card with 4 voltage transformer measuring inputs (0 ... 800 VAC, under UL: 0 ... 600 VAC)
- X102** – Universal Resistance-Temperature Detector (URTD) input, Fiber optics interface, Versatile Link
- X103** – Profibus-DP, Fiber optics interface, ST Connector
- X104** – IRIG-B00X, incl. System Contact (Supervision Contact)

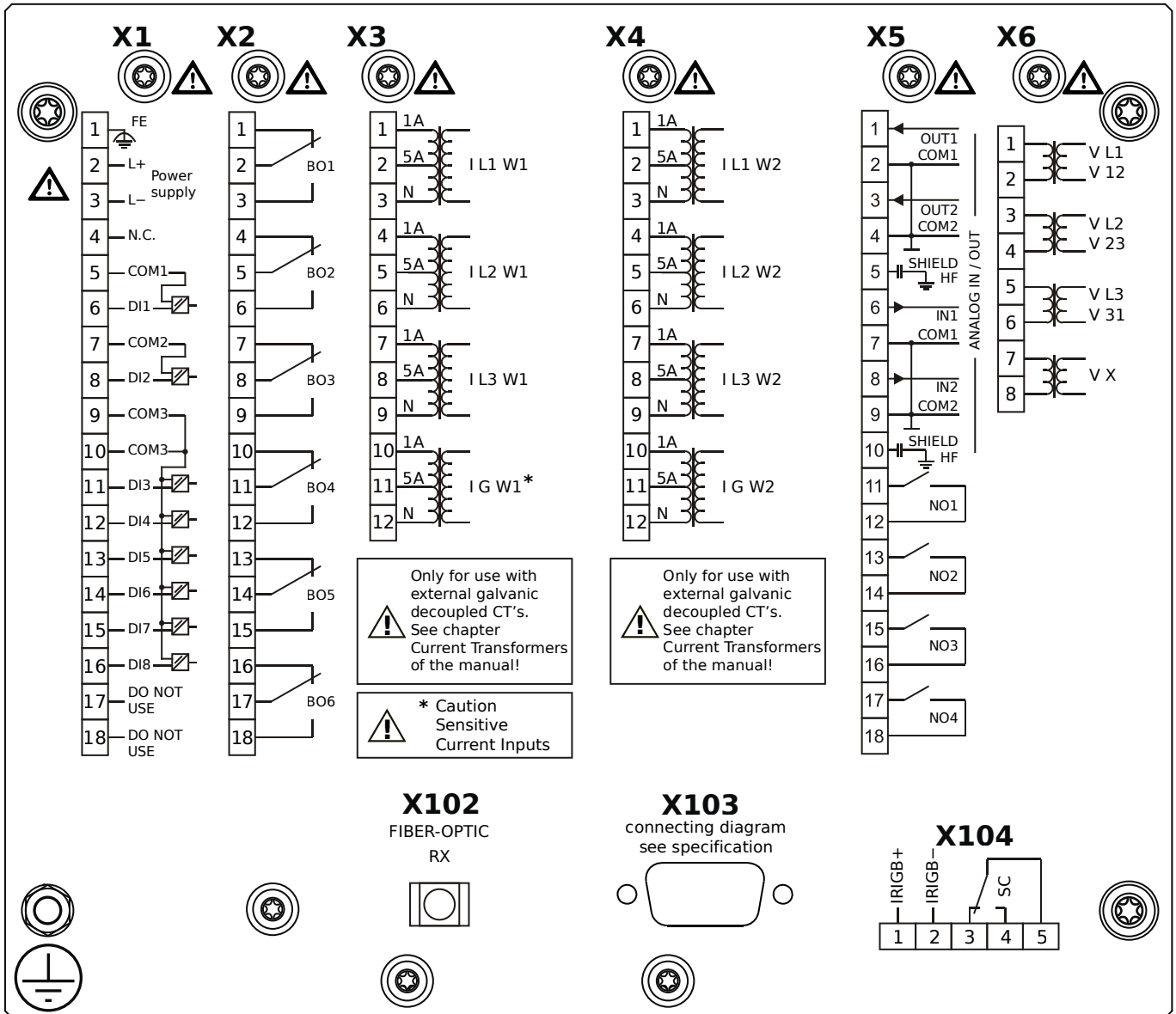
MCDTV4-2B1BEA



Housing B2, large display, 19" rack mounting

- X1** – DI8-X1: Wide-range power supply unit, incl. 2 non-grouped digital inputs and 6 grouped digital inputs
- X2** – OR6: Assembly Group with 6 Output Relays (Changeover / Form C)
- X3** – TIs: Standard phase current measuring card and sensitive ground current measuring (winding side 1)
- X4** – TI: Standard current measuring card (for the winding side 2)
- X5** – AnIO2-OR4: Assembly Group with 2 Analog Inputs, 2 Analog Outputs and 4 Output Relays
- X6** – TU: Card with 4 voltage transformer measuring inputs (0 ... 800 VAC, under UL: 0 ... 600 VAC)
- X102** – Universal Resistance-Temperature Detector (URTD) input, Fiber optics interface, Versatile Link
- X103** – Profibus-DP, RS485, D-SUB
- X104** – IRIG-B00X, incl. System Contact (Supervision Contact)

MCDTV4-2B1BEB

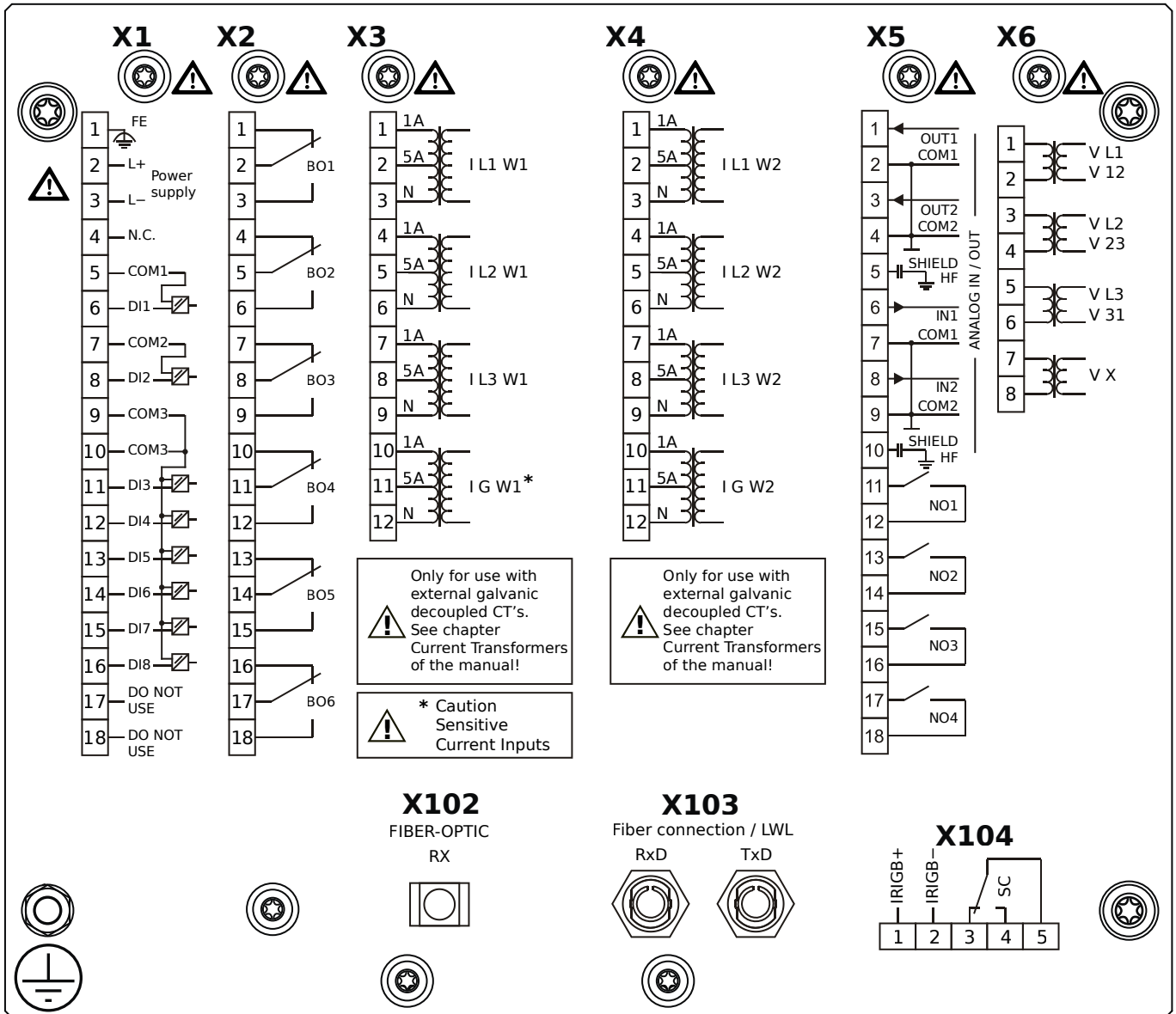


Housing B2, large display, 19" rack mounting

+ Conformal Coating (for installations in harsh environment)

- X1** – DI8-X1: Wide-range power supply unit, incl. 2 non-grouped digital inputs and 6 grouped digital inputs
- X2** – OR6: Assembly Group with 6 Output Relays (Changeover / Form C)
- X3** – TIs: Standard phase current measuring card and sensitive ground current measuring (winding side 1)
- X4** – TI: Standard current measuring card (for the winding side 2)
- X5** – AnIO2-OR4: Assembly Group with 2 Analog Inputs, 2 Analog Outputs and 4 Output Relays
- X6** – TU: Card with 4 voltage transformer measuring inputs (0 ... 800 VAC, under UL: 0 ... 600 VAC)
- X102** – Universal Resistance-Temperature Detector (URTD) input, Fiber optics interface, Versatile Link
- X103** – Profibus-DP, RS485, D-SUB
- X104** – IRIG-B00X, incl. System Contact (Supervision Contact)

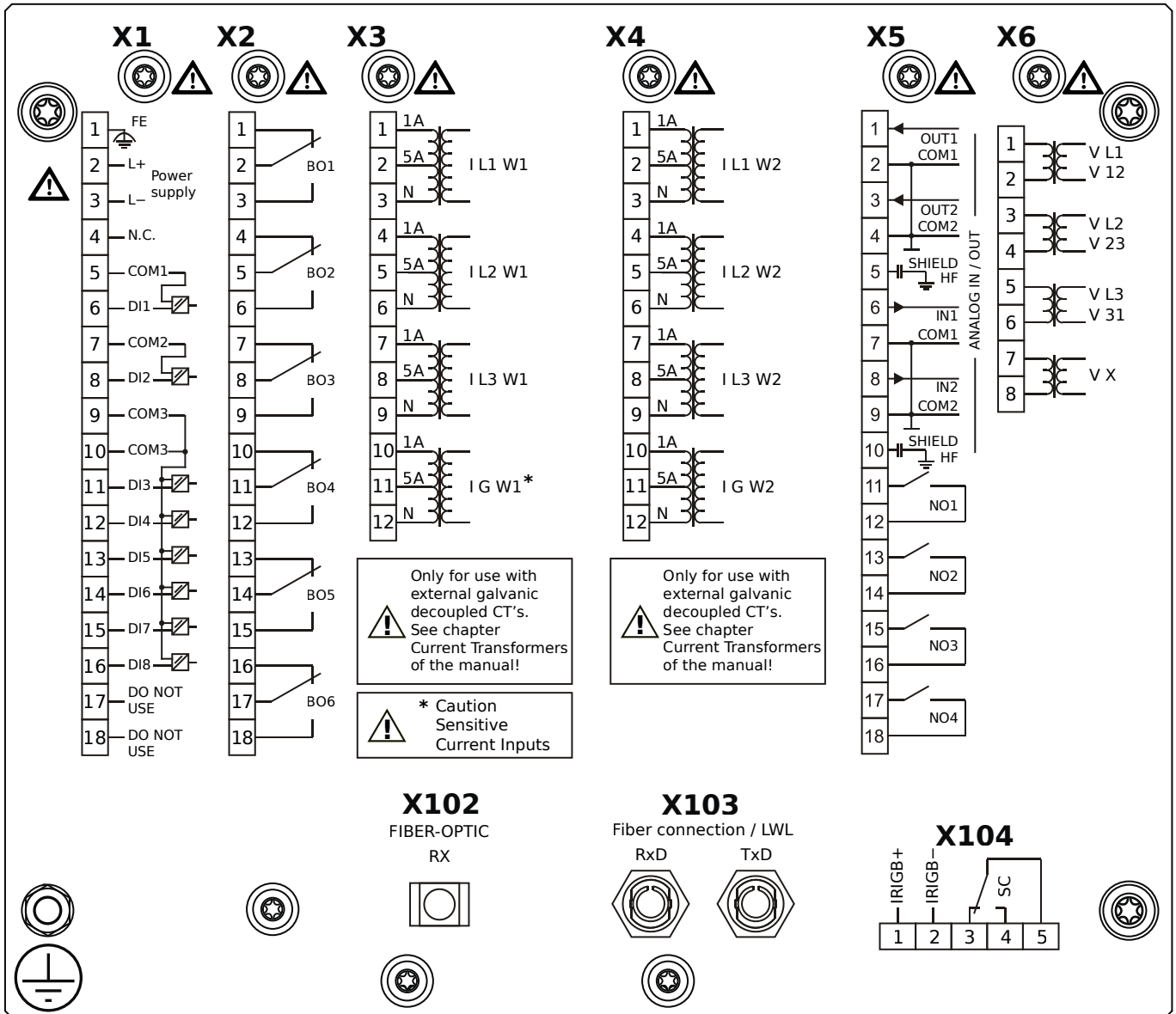
MCDTV4-2B1BFA



Housing B2, large display, 19" rack mounting

- X1** – DI8-X1: Wide-range power supply unit, incl. 2 non-grouped digital inputs and 6 grouped digital inputs
- X2** – OR6: Assembly Group with 6 Output Relays (Changeover / Form C)
- X3** – TIs: Standard phase current measuring card and sensitive ground current measuring (winding side 1)
- X4** – TI: Standard current measuring card (for the winding side 2)
- X5** – AnIO2-OR4: Assembly Group with 2 Analog Inputs, 2 Analog Outputs and 4 Output Relays
- X6** – TU: Card with 4 voltage transformer measuring inputs (0 ... 800 VAC, under UL: 0 ... 600 VAC)
- X102** – Universal Resistance-Temperature Detector (URTD) input, Fiber optics interface, Versatile Link
- X103** – Modbus RTU / IEC 60870-5-103 / DNP3.0 RTU, Fiber optics interface, ST Connector
- X104** – IRIG-B00X, incl. System Contact (Supervision Contact)

MCDTV4-2B1BFB

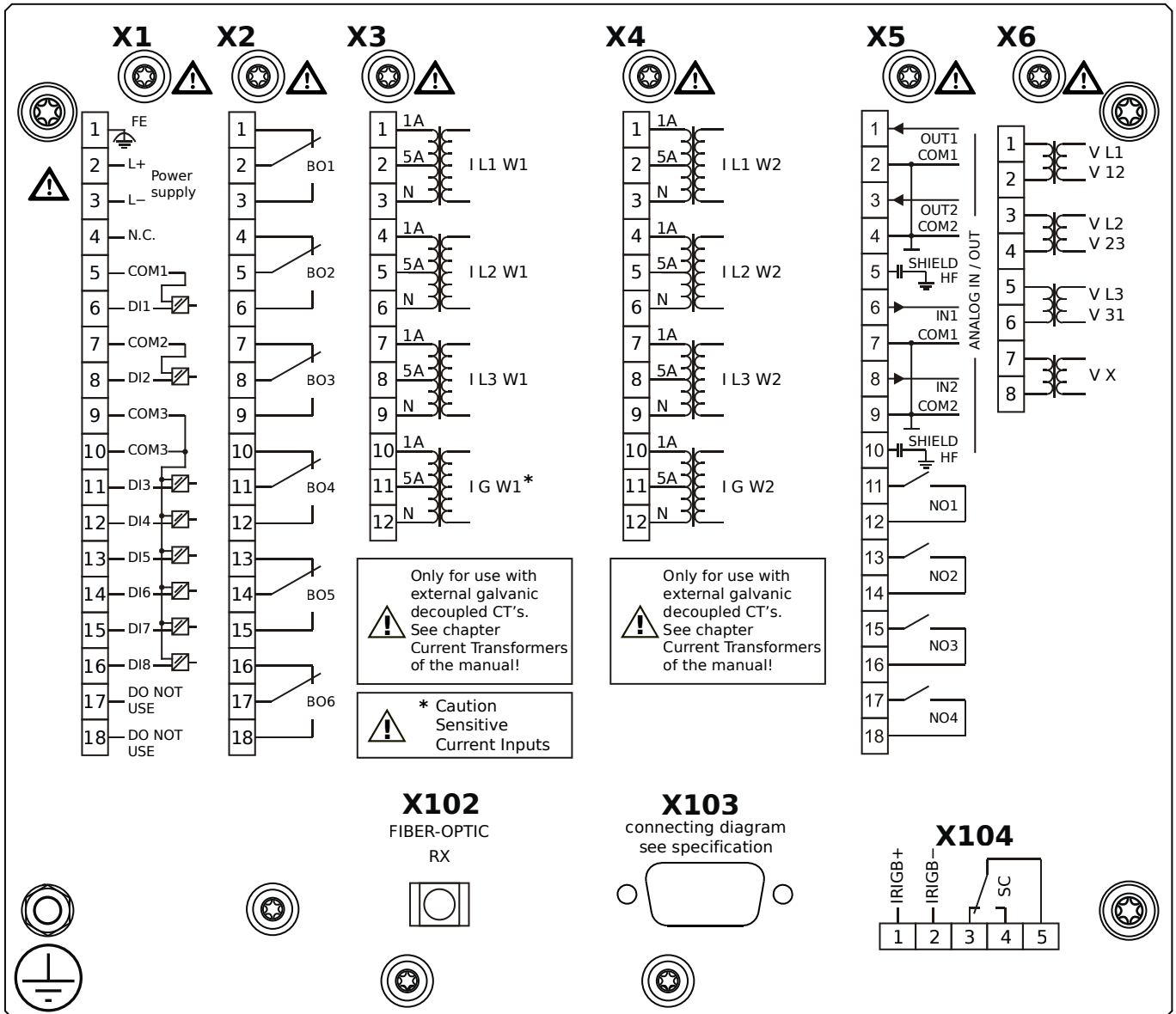


Housing B2, large display, 19" rack mounting

+ Conformal Coating (for installations in harsh environment)

- X1** – DI8-X1: Wide-range power supply unit, incl. 2 non-grouped digital inputs and 6 grouped digital inputs
- X2** – OR6: Assembly Group with 6 Output Relays (Changeover / Form C)
- X3** – TIs: Standard phase current measuring card and sensitive ground current measuring (winding side 1)
- X4** – TI: Standard current measuring card (for the winding side 2)
- X5** – AnIO2-OR4: Assembly Group with 2 Analog Inputs, 2 Analog Outputs and 4 Output Relays
- X6** – TU: Card with 4 voltage transformer measuring inputs (0 ... 800 VAC, under UL: 0 ... 600 VAC)
- X102** – Universal Resistance-Temperature Detector (URTD) input, Fiber optics interface, Versatile Link
- X103** – Modbus RTU / IEC 60870-5-103 / DNP3.0 RTU, Fiber optics interface, ST Connector
- X104** – IRIG-B00X, incl. System Contact (Supervision Contact)

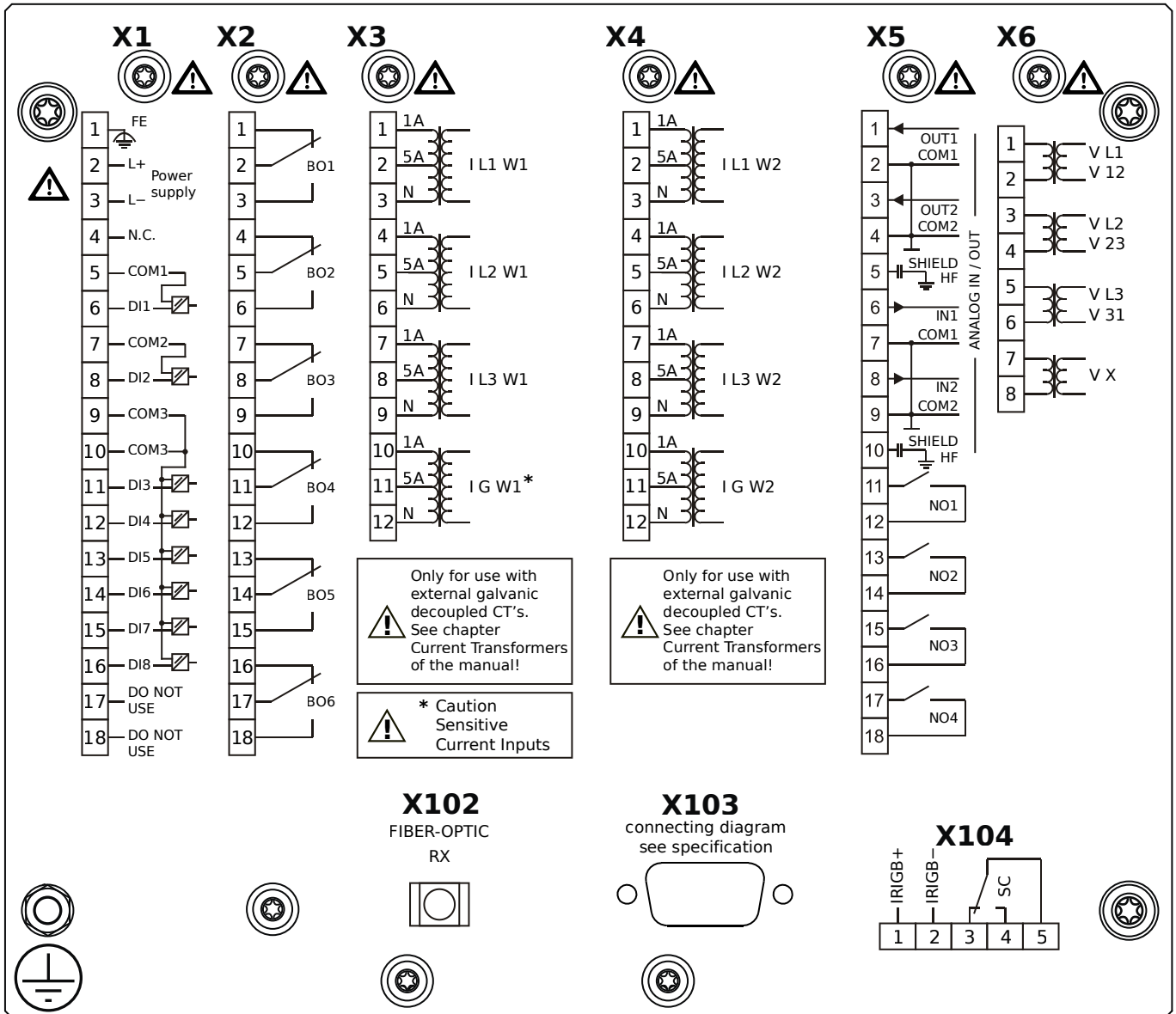
MCDTV4-2B1BGA



Housing B2, large display, 19" rack mounting

- X1** – DI8-X1: Wide-range power supply unit, incl. 2 non-grouped digital inputs and 6 grouped digital inputs
- X2** – OR6: Assembly Group with 6 Output Relays (Changeover / Form C)
- X3** – TIs: Standard phase current measuring card and sensitive ground current measuring (winding side 1)
- X4** – TI: Standard current measuring card (for the winding side 2)
- X5** – AnIO2-OR4: Assembly Group with 2 Analog Inputs, 2 Analog Outputs and 4 Output Relays
- X6** – TU: Card with 4 voltage transformer measuring inputs (0 ... 800 VAC, under UL: 0 ... 600 VAC)
- X102** – Universal Resistance-Temperature Detector (URTD) input, Fiber optics interface, Versatile Link
- X103** – Modbus RTU / IEC 60870-5-103 / DNP3.0 RTU, RS485, D-SUB
- X104** – IRIG-B00X, incl. System Contact (Supervision Contact)

MCDTV4-2B1BGB

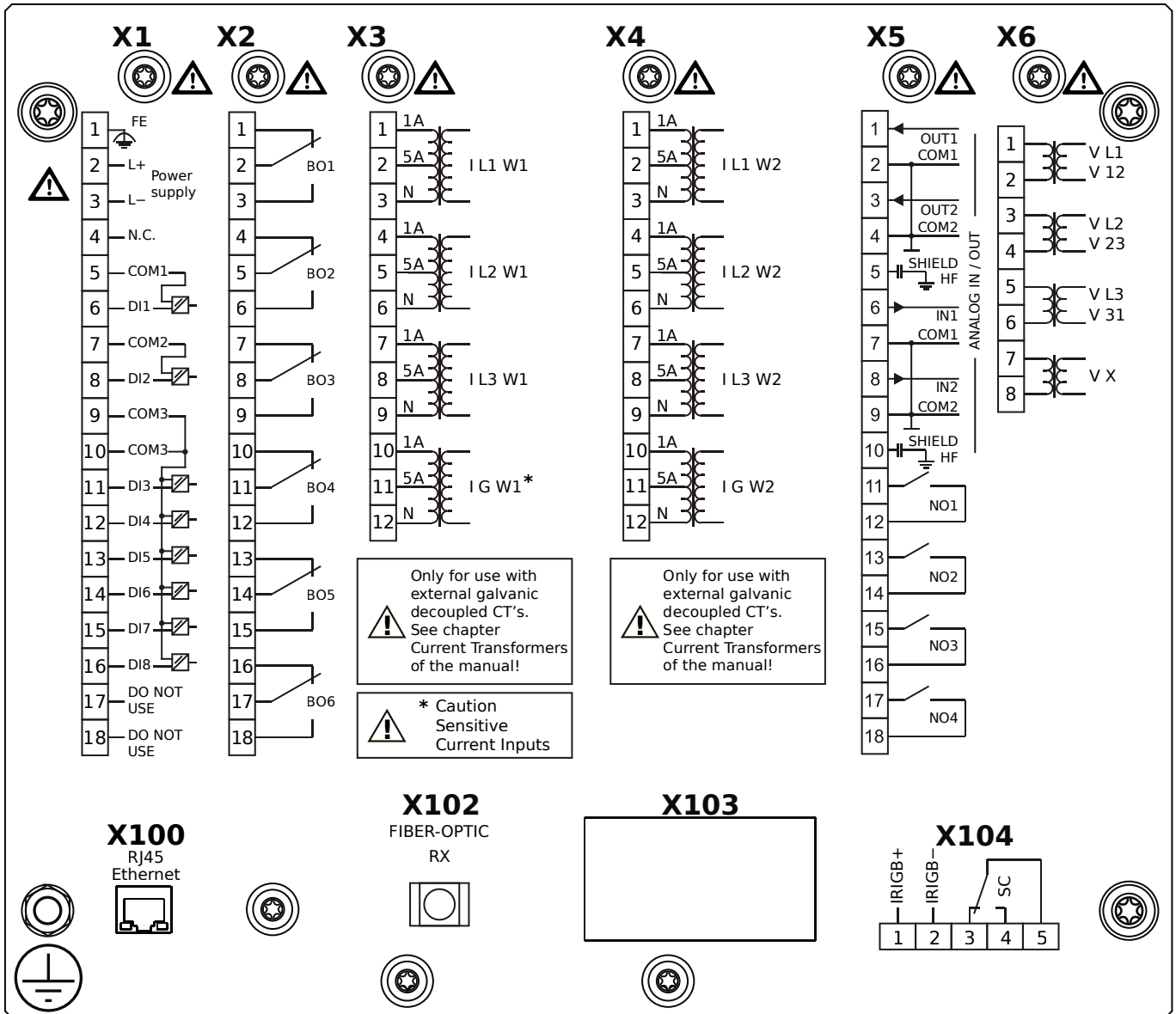


Housing B2, large display, 19" rack mounting

+ Conformal Coating (for installations in harsh environment)

- X1** – DI8-X1: Wide-range power supply unit, incl. 2 non-grouped digital inputs and 6 grouped digital inputs
- X2** – OR6: Assembly Group with 6 Output Relays (Changeover / Form C)
- X3** – TIs: Standard phase current measuring card and sensitive ground current measuring (winding side 1)
- X4** – TI: Standard current measuring card (for the winding side 2)
- X5** – AnIO2-OR4: Assembly Group with 2 Analog Inputs, 2 Analog Outputs and 4 Output Relays
- X6** – TU: Card with 4 voltage transformer measuring inputs (0 ... 800 VAC, under UL: 0 ... 600 VAC)
- X102** – Universal Resistance-Temperature Detector (URTD) input, Fiber optics interface, Versatile Link
- X103** – Modbus RTU / IEC 60870-5-103 / DNP3.0 RTU, RS485, D-SUB
- X104** – IRIG-B00X, incl. System Contact (Supervision Contact)

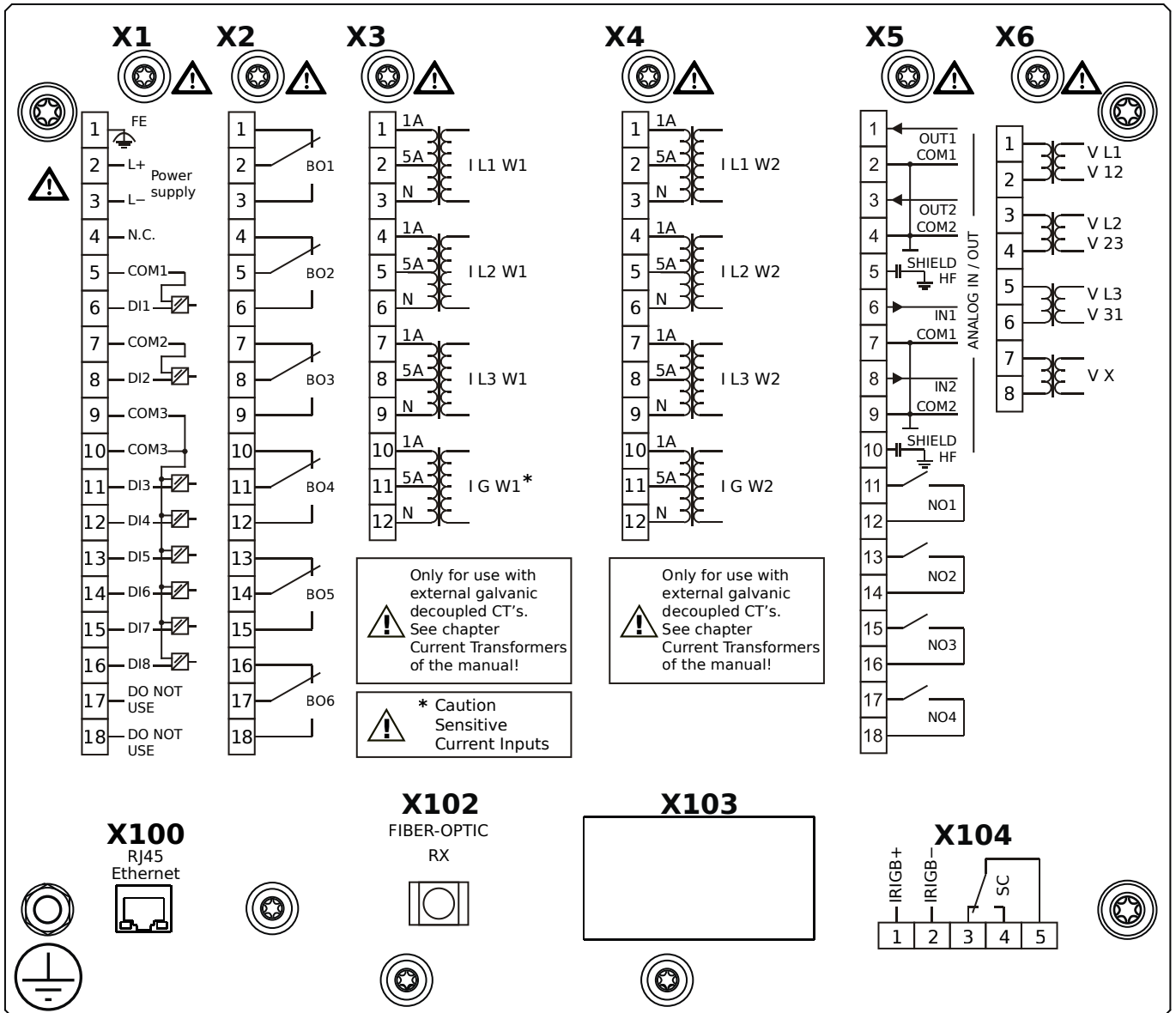
MCDTV4-2B1BHA



Housing B2, large display, 19" rack mounting

- X1** – DI8-X1: Wide-range power supply unit, incl. 2 non-grouped digital inputs and 6 grouped digital inputs
- X2** – OR6: Assembly Group with 6 Output Relays (Changeover / Form C)
- X3** – TIs: Standard phase current measuring card and sensitive ground current measuring (winding side 1)
- X4** – TI: Standard current measuring card (for the winding side 2)
- X5** – AnIO2-OR4: Assembly Group with 2 Analog Inputs, 2 Analog Outputs and 4 Output Relays
- X6** – TU: Card with 4 voltage transformer measuring inputs (0 ... 800 VAC, under UL: 0 ... 600 VAC)
- X100** – IEC 61850 / Modbus TCP / IEC 60870-5-104 / DNP3.0 TCP/UDP, Ethernet interface, 100 Mbit/s, RJ45 (BASE100-FX)
- X102** – Universal Resistance-Temperature Detector (URTD) input, Fiber optics interface, Versatile Link
- X104** – IRIG-B00X, incl. System Contact (Supervision Contact)

MCDTV4-2B1BHB



Housing B2, large display, 19" rack mounting

+ Conformal Coating (for installations in harsh environment)

X1 – DI8-X1: Wide-range power supply unit, incl. 2 non-grouped digital inputs and 6 grouped digital inputs

X2 – OR6: Assembly Group with 6 Output Relays (Changeover / Form C)

X3 – TIs: Standard phase current measuring card and sensitive ground current measuring (winding side 1)

X4 – TI: Standard current measuring card (for the winding side 2)

X5 – AnIO2-OR4: Assembly Group with 2 Analog Inputs, 2 Analog Outputs and 4 Output Relays

X6 – TU: Card with 4 voltage transformer measuring inputs (0 ... 800 VAC, under UL: 0 ... 600 VAC)

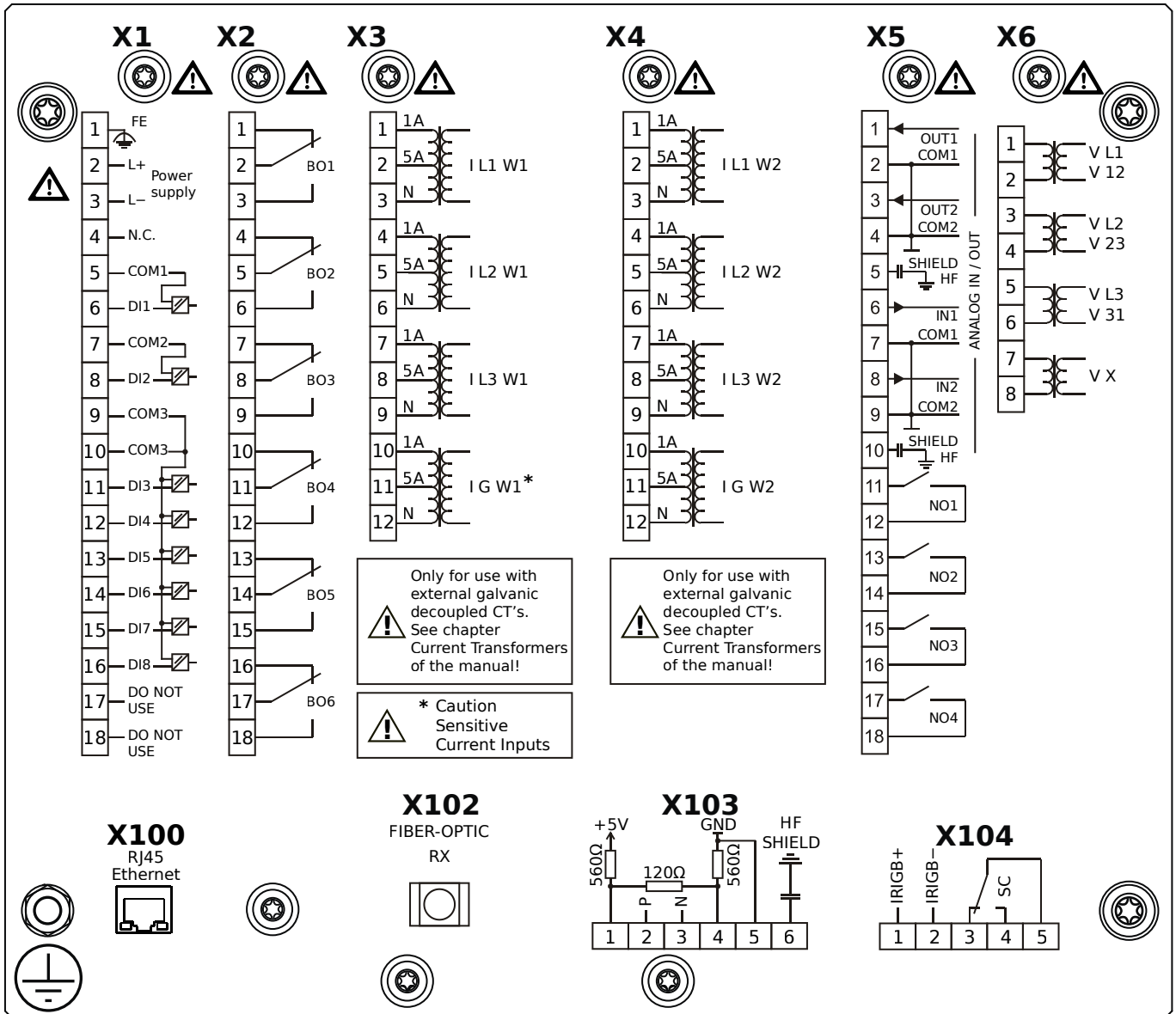
X100 – IEC 61850 / Modbus TCP / IEC 60870-5-104 / DNP3.0 TCP/UDP, Ethernet interface, 100 Mbit/s, RJ45 (BASE100-

FX)

X102 – Universal Resistance-Temperature Detector (URTD) input, Fiber optics interface, Versatile Link

X104 – IRIG-B00X, incl. System Contact (Supervision Contact)

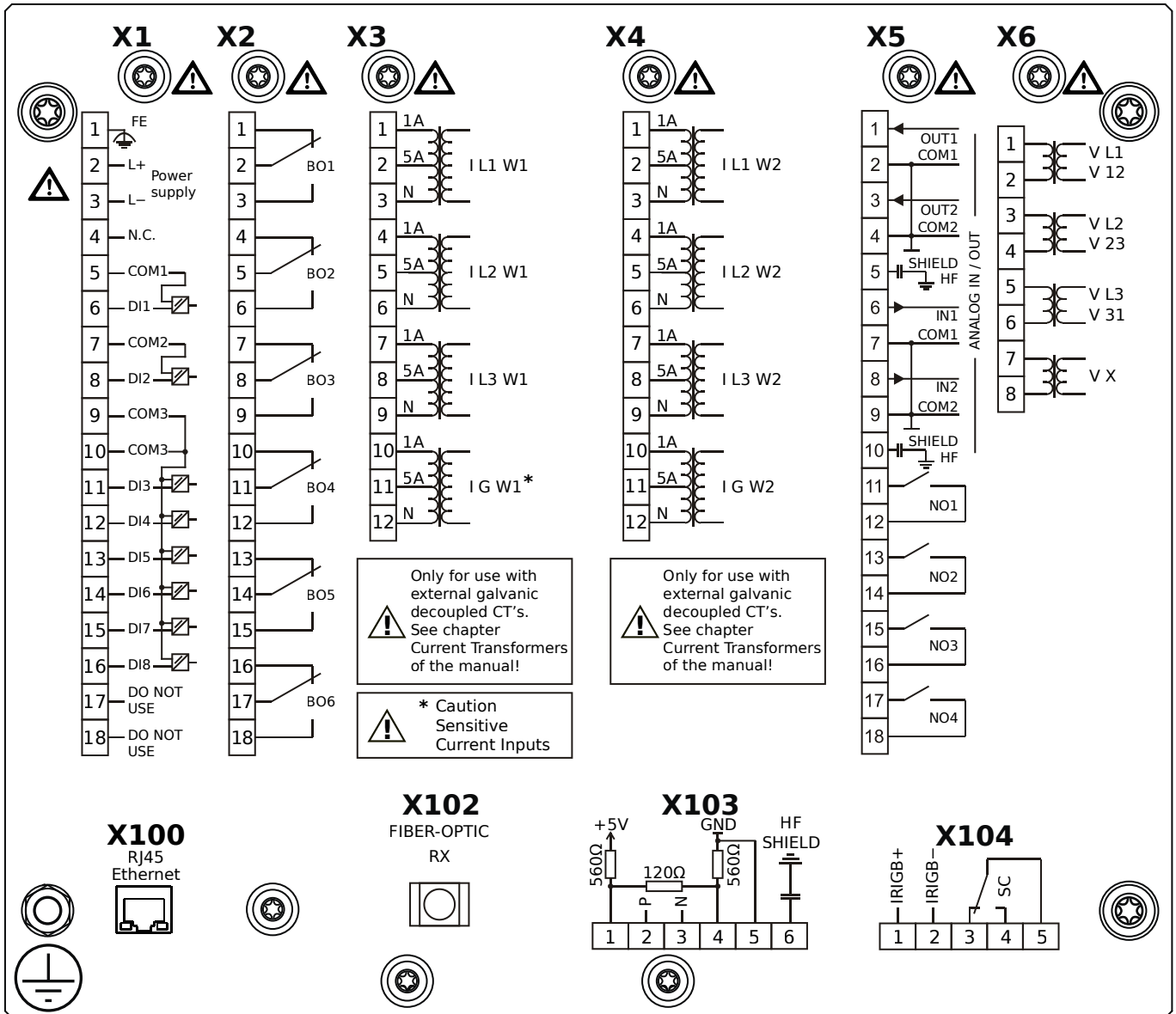
MCDTV4-2B1BIA



Housing B2, large display, 19" rack mounting

- X1** – DI8-X1: Wide-range power supply unit, incl. 2 non-grouped digital inputs and 6 grouped digital inputs
- X2** – OR6: Assembly Group with 6 Output Relays (Changeover / Form C)
- X3** – TIs: Standard phase current measuring card and sensitive ground current measuring (winding side 1)
- X4** – TI: Standard current measuring card (for the winding side 2)
- X5** – AnIO2-OR4: Assembly Group with 2 Analog Inputs, 2 Analog Outputs and 4 Output Relays
- X6** – TU: Card with 4 voltage transformer measuring inputs (0 ... 800 VAC, under UL: 0 ... 600 VAC)
- X100** – Modbus TCP / IEC 60870-5-104 / DNP3.0 TCP/UDP, Ethernet interface, 100 Mbit/s, RJ45 (BASE100-FX)
- X102** – Universal Resistance-Temperature Detector (URTD) input, Fiber optics interface, Versatile Link
- X103** – IEC 60870-5-103 / Modbus RTU / DNP3.0 RTU, RS485, Terminals
- X104** – IRIG-B00X, incl. System Contact (Supervision Contact)

MCDTV4-2B1BIB

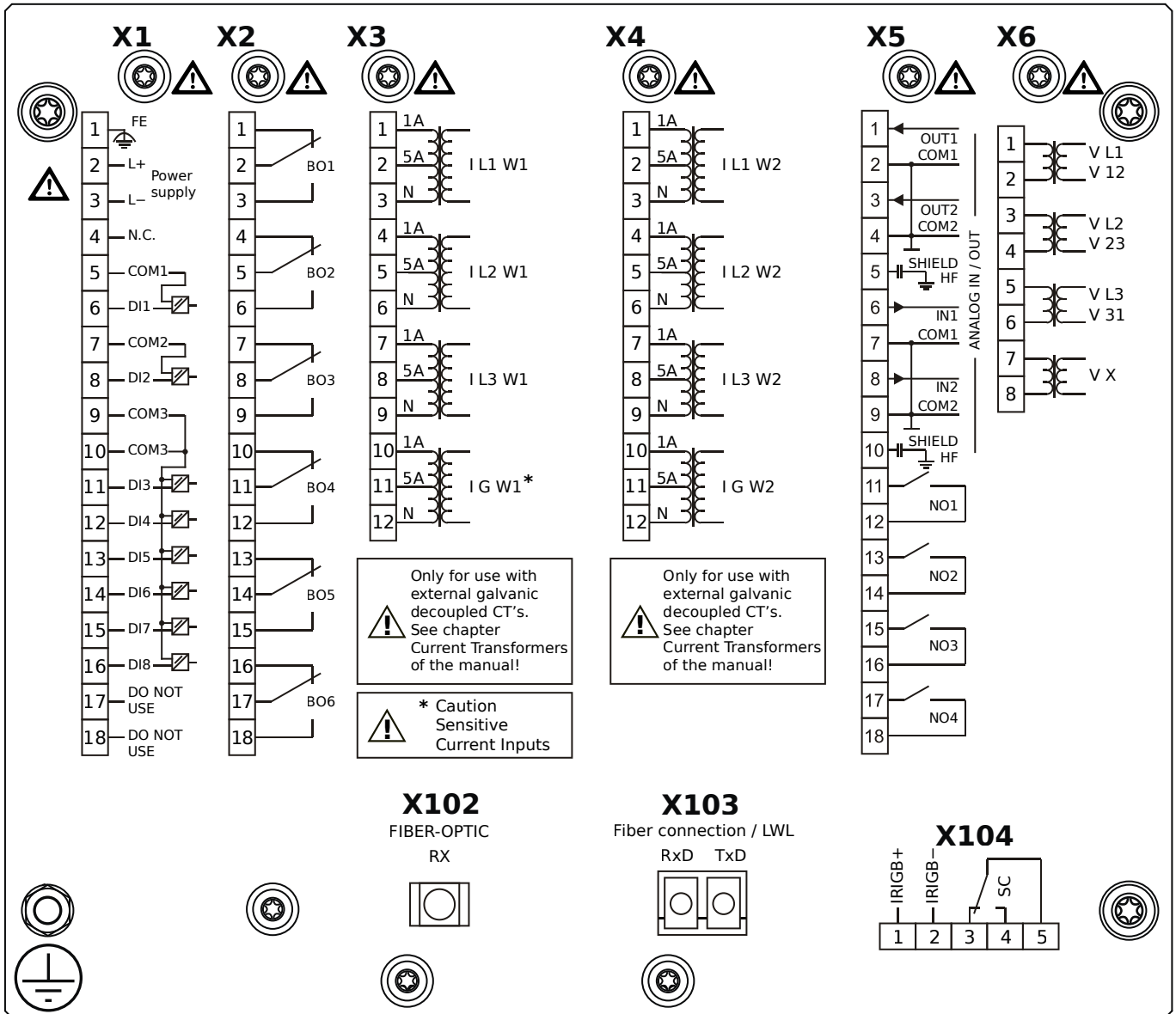


Housing B2, large display, 19" rack mounting

+ Conformal Coating (for installations in harsh environment)

- X1** – DI8-X1: Wide-range power supply unit, incl. 2 non-grouped digital inputs and 6 grouped digital inputs
- X2** – OR6: Assembly Group with 6 Output Relays (Changeover / Form C)
- X3** – TIs: Standard phase current measuring card and sensitive ground current measuring (winding side 1)
- X4** – TI: Standard current measuring card (for the winding side 2)
- X5** – AnIO2-OR4: Assembly Group with 2 Analog Inputs, 2 Analog Outputs and 4 Output Relays
- X6** – TU: Card with 4 voltage transformer measuring inputs (0 ... 800 VAC, under UL: 0 ... 600 VAC)
- X100** – Modbus TCP / IEC 60870-5-104 / DNP3.0 TCP/UDP, Ethernet interface, 100 Mbit/s, RJ45 (BASE100-FX)
- X102** – Universal Resistance-Temperature Detector (URTD) input, Fiber optics interface, Versatile Link
- X103** – IEC 60870-5-103 / Modbus RTU / DNP3.0 RTU, RS485, Terminals
- X104** – IRIG-B00X, incl. System Contact (Supervision Contact)

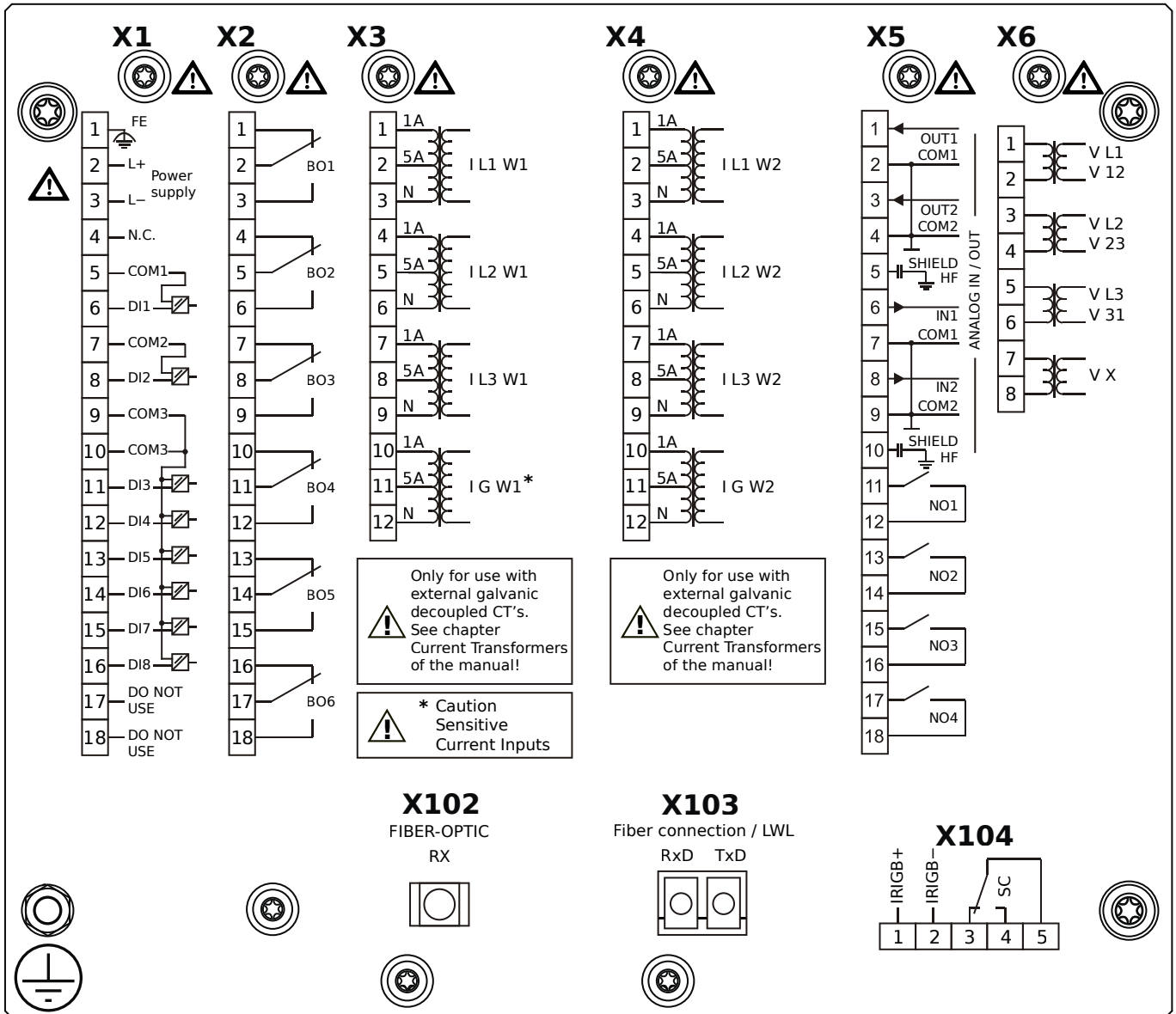
MCDTV4-2B1BKA



Housing B2, large display, 19" rack mounting

- X1** – DI8-X1: Wide-range power supply unit, incl. 2 non-grouped digital inputs and 6 grouped digital inputs
- X2** – OR6: Assembly Group with 6 Output Relays (Changeover / Form C)
- X3** – TIs: Standard phase current measuring card and sensitive ground current measuring (winding side 1)
- X4** – TI: Standard current measuring card (for the winding side 2)
- X5** – AnIO2-OR4: Assembly Group with 2 Analog Inputs, 2 Analog Outputs and 4 Output Relays
- X6** – TU: Card with 4 voltage transformer measuring inputs (0 ... 800 VAC, under UL: 0 ... 600 VAC)
- X102** – Universal Resistance-Temperature Detector (URTD) input, Fiber optics interface, Versatile Link
- X103** – IEC 61850 / Modbus TCP / IEC 60870-5-104 / DNP3.0 TCP/UDP, Fiber optics interface, LC Connector
- X104** – IRIG-B00X, incl. System Contact (Supervision Contact)

MCDTV4-2B1BKB

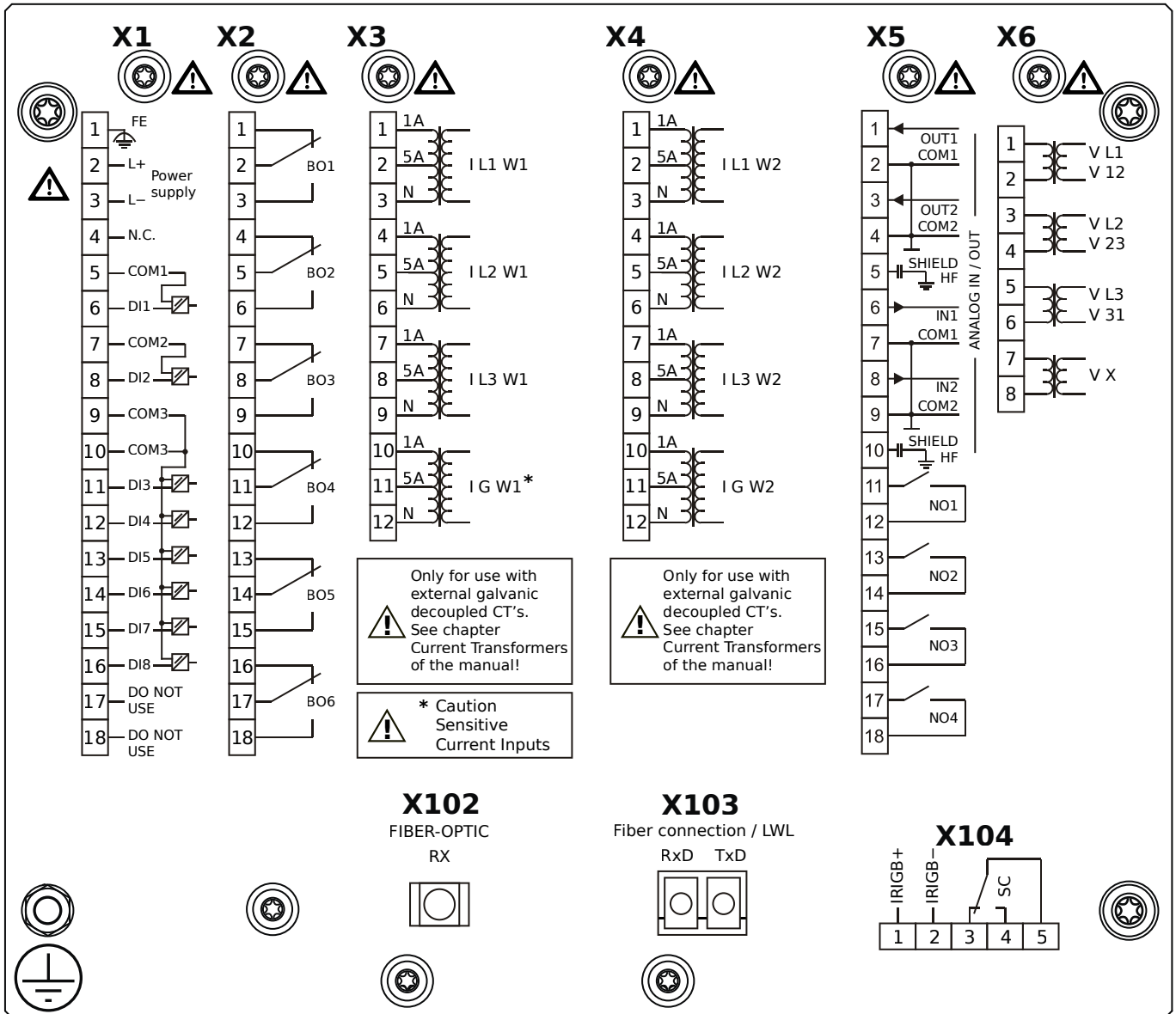


Housing B2, large display, 19" rack mounting

+ Conformal Coating (for installations in harsh environment)

- X1** – DI8-X1: Wide-range power supply unit, incl. 2 non-grouped digital inputs and 6 grouped digital inputs
- X2** – OR6: Assembly Group with 6 Output Relays (Changeover / Form C)
- X3** – TIs: Standard phase current measuring card and sensitive ground current measuring (winding side 1)
- X4** – TI: Standard current measuring card (for the winding side 2)
- X5** – AnIO2-OR4: Assembly Group with 2 Analog Inputs, 2 Analog Outputs and 4 Output Relays
- X6** – TU: Card with 4 voltage transformer measuring inputs (0 ... 800 VAC, under UL: 0 ... 600 VAC)
- X102** – Universal Resistance-Temperature Detector (URTD) input, Fiber optics interface, Versatile Link
- X103** – IEC 61850 / Modbus TCP / IEC 60870-5-104 / DNP3.0 TCP/UDP, Fiber optics interface, LC Connector
- X104** – IRIG-B00X, incl. System Contact (Supervision Contact)

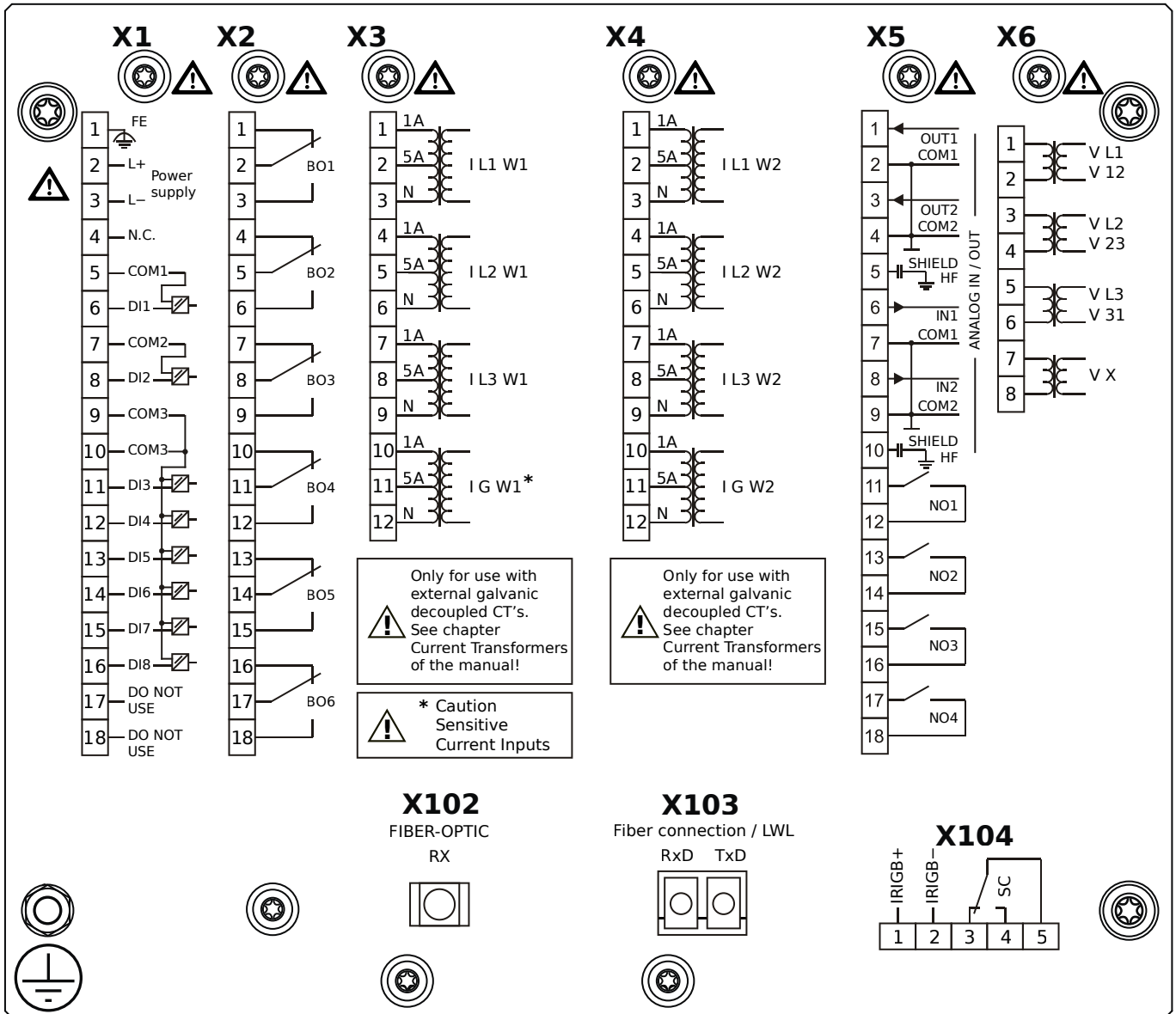
MCDTV4-2B1BLA



Housing B2, large display, 19" rack mounting

- X1** – DI8-X1: Wide-range power supply unit, incl. 2 non-grouped digital inputs and 6 grouped digital inputs
- X2** – OR6: Assembly Group with 6 Output Relays (Changeover / Form C)
- X3** – TIs: Standard phase current measuring card and sensitive ground current measuring (winding side 1)
- X4** – TI: Standard current measuring card (for the winding side 2)
- X5** – AnIO2-OR4: Assembly Group with 2 Analog Inputs, 2 Analog Outputs and 4 Output Relays
- X6** – TU: Card with 4 voltage transformer measuring inputs (0 ... 800 VAC, under UL: 0 ... 600 VAC)
- X102** – Universal Resistance-Temperature Detector (URTD) input, Fiber optics interface, Versatile Link
- X103** – Modbus TCP / IEC 60870-5-104 / DNP3.0 TCP/UDP, Fiber optics interface, LC Connector
- X104** – IRIG-B00X, incl. System Contact (Supervision Contact)

MCDTV4-2B1BLB

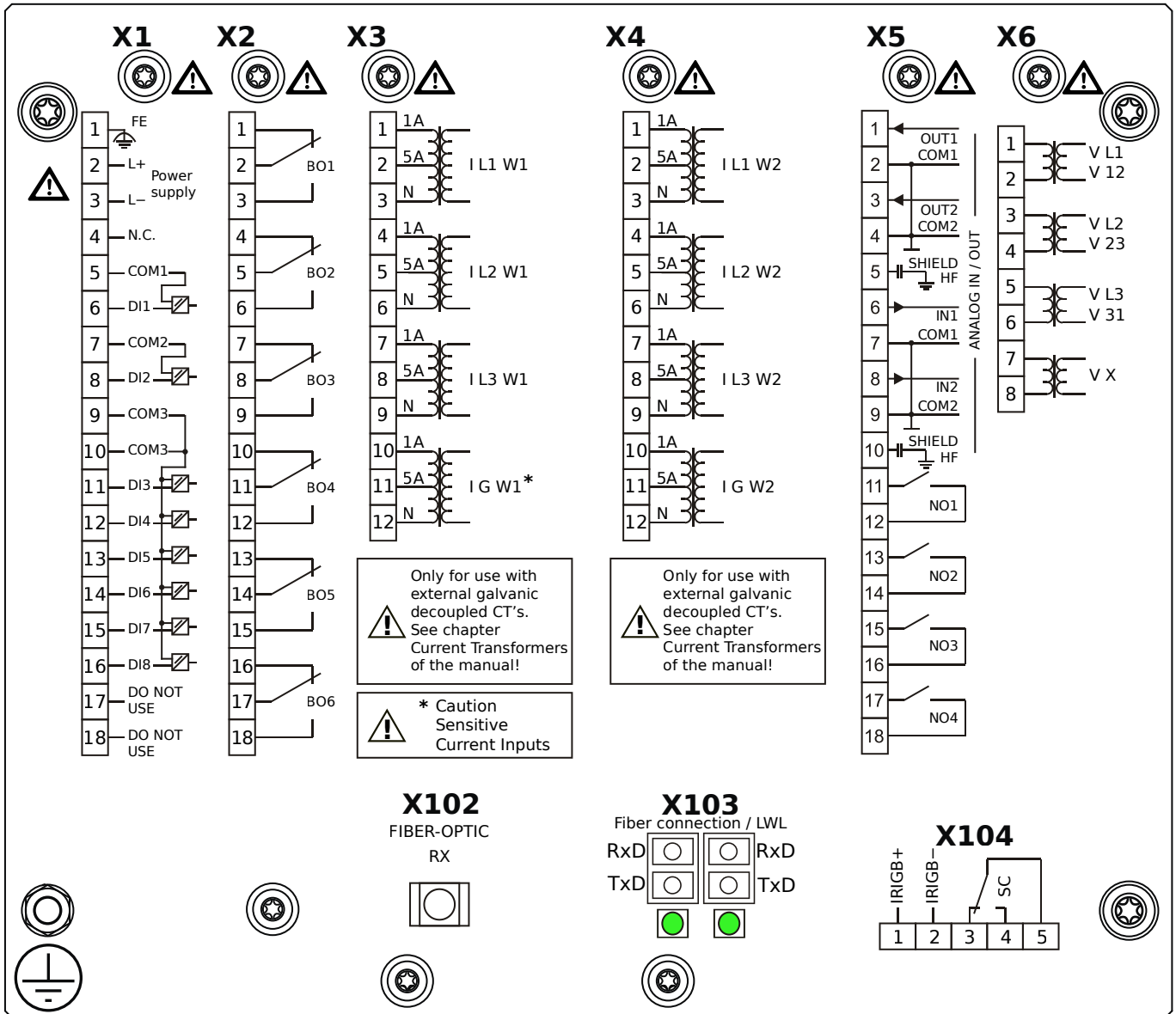


Housing B2, large display, 19" rack mounting

+ Conformal Coating (for installations in harsh environment)

- X1** – DI8-X1: Wide-range power supply unit, incl. 2 non-grouped digital inputs and 6 grouped digital inputs
- X2** – OR6: Assembly Group with 6 Output Relays (Changeover / Form C)
- X3** – TIs: Standard phase current measuring card and sensitive ground current measuring (winding side 1)
- X4** – TI: Standard current measuring card (for the winding side 2)
- X5** – AnIO2-OR4: Assembly Group with 2 Analog Inputs, 2 Analog Outputs and 4 Output Relays
- X6** – TU: Card with 4 voltage transformer measuring inputs (0 ... 800 VAC, under UL: 0 ... 600 VAC)
- X102** – Universal Resistance-Temperature Detector (URTD) input, Fiber optics interface, Versatile Link
- X103** – Modbus TCP / IEC 60870-5-104 / DNP3.0 TCP/UDP, Fiber optics interface, LC Connector
- X104** – IRIG-B00X, incl. System Contact (Supervision Contact)

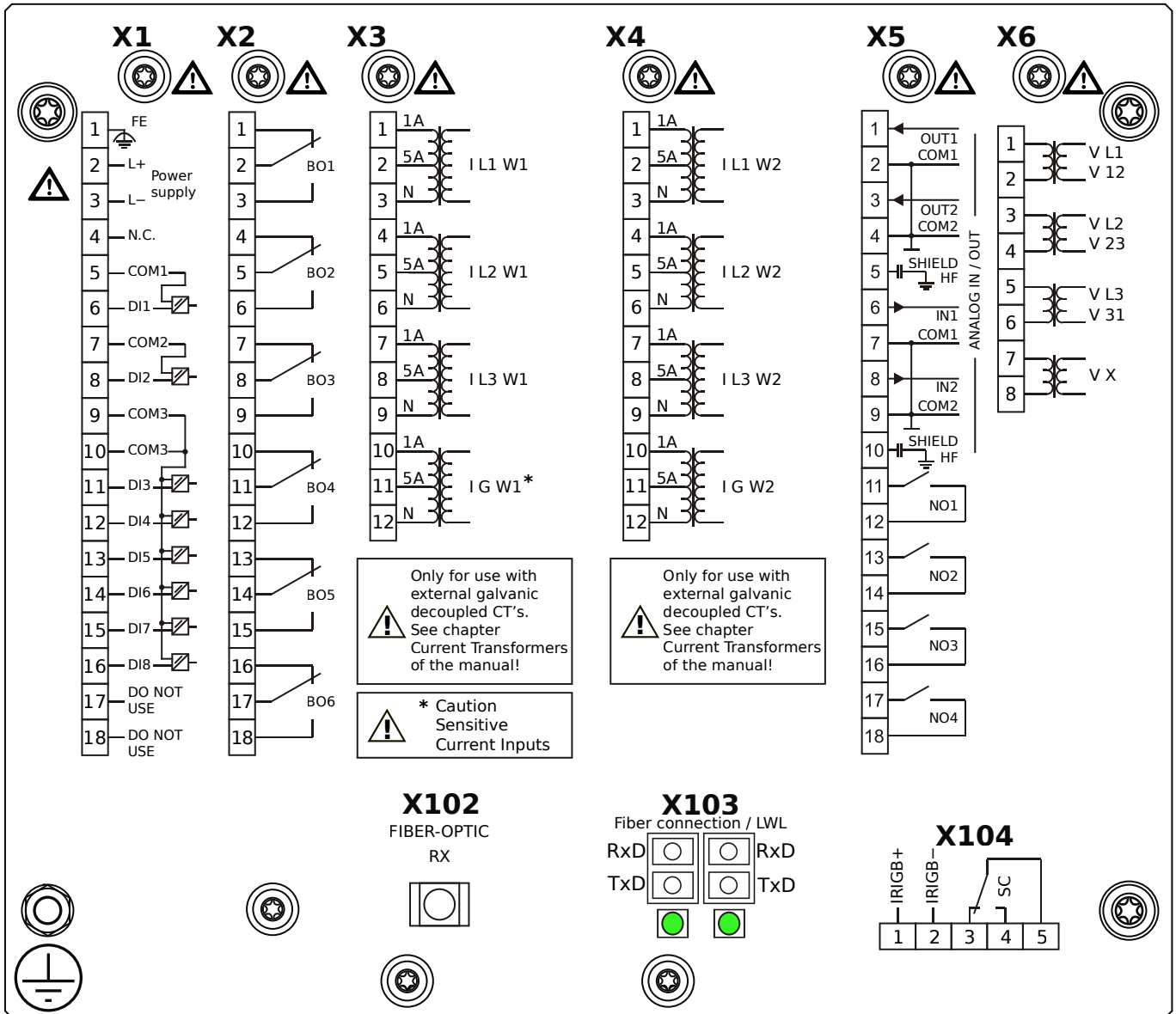
MCDTV4-2B1BOA



Housing B2, large display, 19" rack mounting

- X1** – DI8-X1: Wide-range power supply unit, incl. 2 non-grouped digital inputs and 6 grouped digital inputs
- X2** – OR6: Assembly Group with 6 Output Relays (Changeover / Form C)
- X3** – TIs: Standard phase current measuring card and sensitive ground current measuring (winding side 1)
- X4** – TI: Standard current measuring card (for the winding side 2)
- X5** – AnIO2-OR4: Assembly Group with 2 Analog Inputs, 2 Analog Outputs and 4 Output Relays
- X6** – TU: Card with 4 voltage transformer measuring inputs (0 ... 800 VAC, under UL: 0 ... 600 VAC)
- X102** – Universal Resistance-Temperature Detector (URTD) input, Fiber optics interface, Versatile Link
- X103** – Modbus TCP / IEC 60870-5-104 / DNP3.0 TCP/UDP, Redundant Fiber optics interface, LC Connector
- X104** – IRIG-B00X, incl. System Contact (Supervision Contact)

MCDTV4-2B1BOB

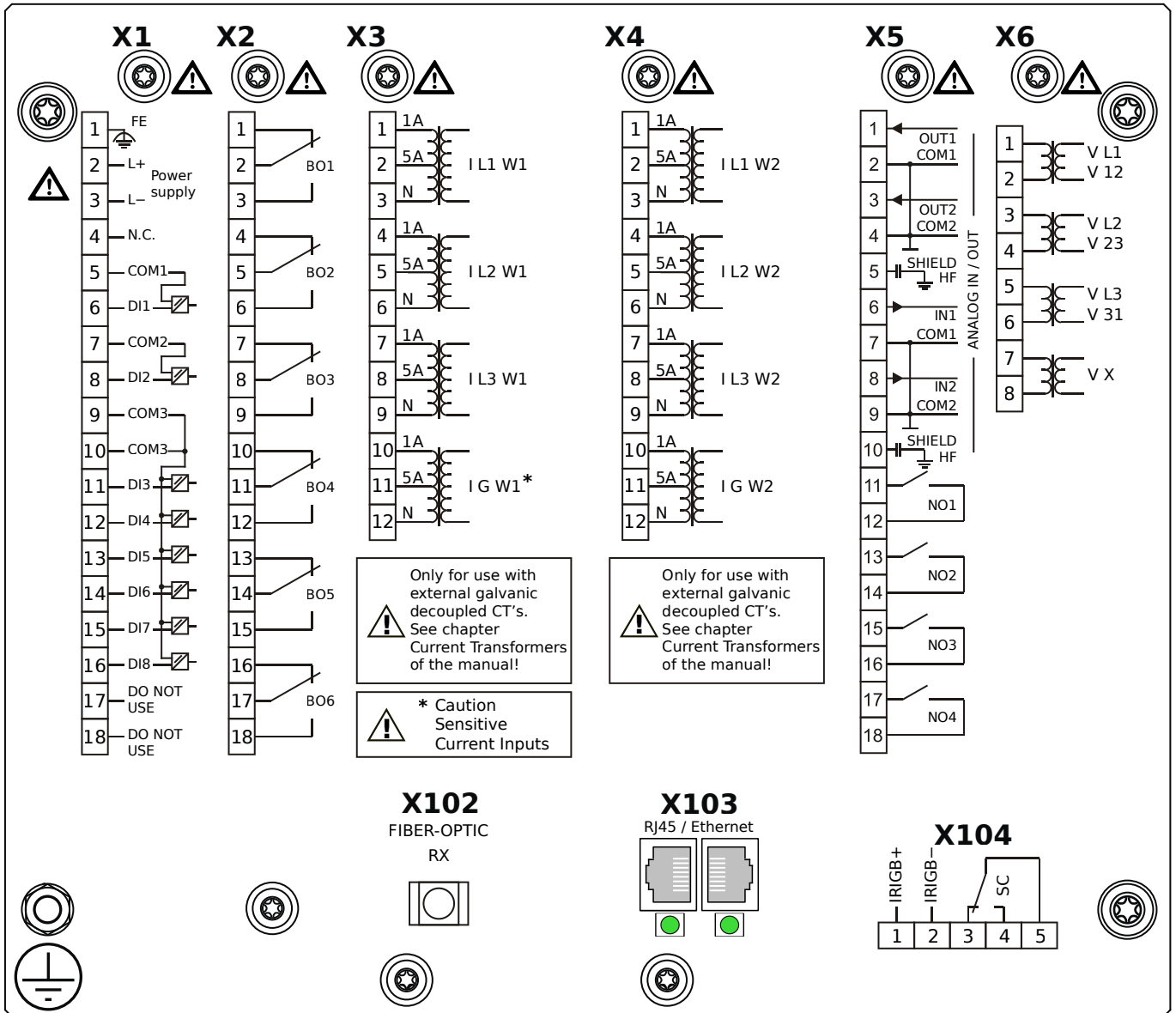


Housing B2, large display, 19" rack mounting

+ Conformal Coating (for installations in harsh environment)

- X1** – DI8-X1: Wide-range power supply unit, incl. 2 non-grouped digital inputs and 6 grouped digital inputs
- X2** – OR6: Assembly Group with 6 Output Relays (Changeover / Form C)
- X3** – TIs: Standard phase current measuring card and sensitive ground current measuring (winding side 1)
- X4** – TI: Standard current measuring card (for the winding side 2)
- X5** – AnIO2-OR4: Assembly Group with 2 Analog Inputs, 2 Analog Outputs and 4 Output Relays
- X6** – TU: Card with 4 voltage transformer measuring inputs (0 ... 800 VAC, under UL: 0 ... 600 VAC)
- X102** – Universal Resistance-Temperature Detector (URTD) input, Fiber optics interface, Versatile Link
- X103** – Modbus TCP / IEC 60870-5-104 / DNP3.0 TCP/UDP, Redundant Fiber optics interface, LC Connector
- X104** – IRIG-B00X, incl. System Contact (Supervision Contact)

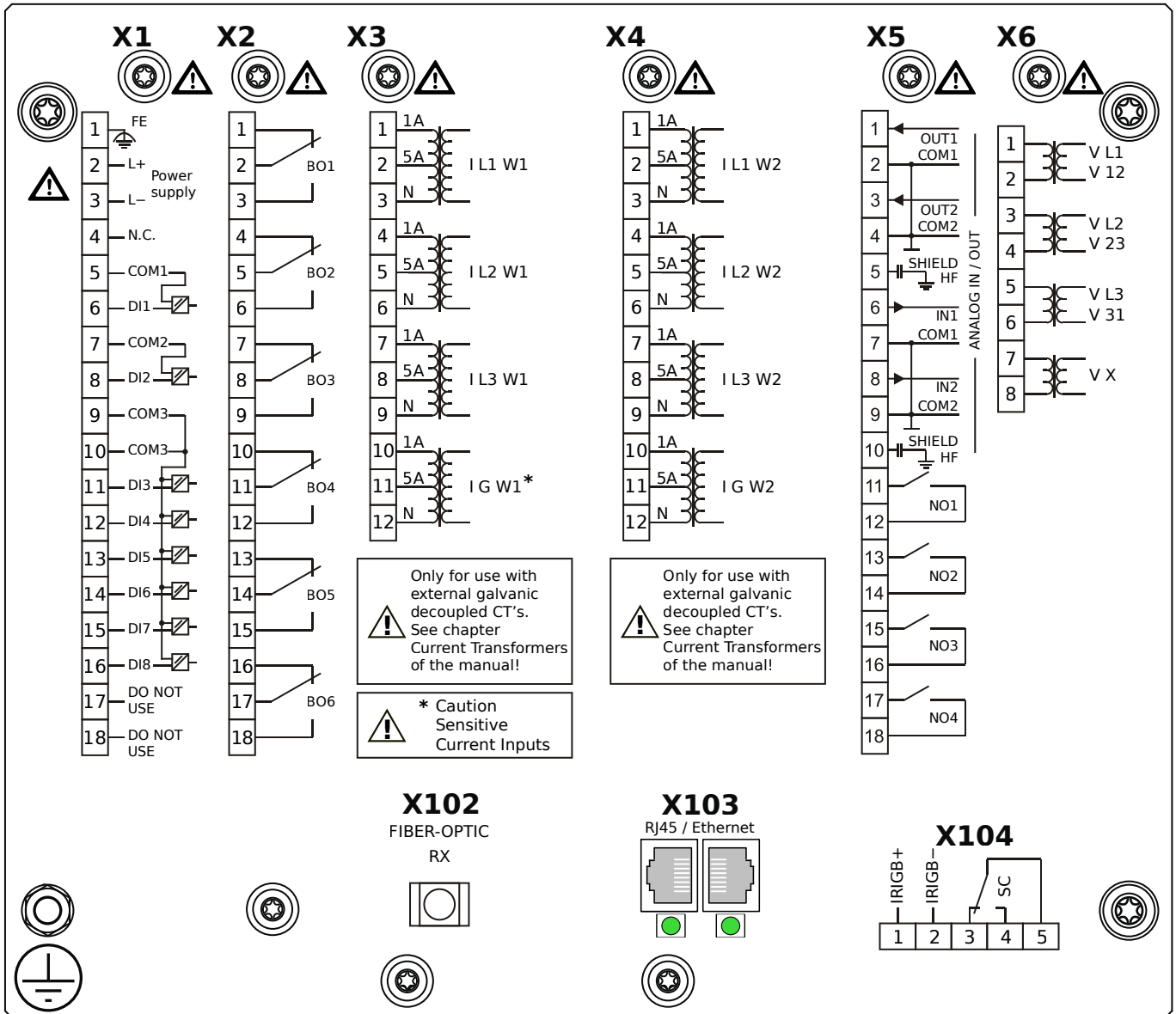
MCDTV4-2B1BPA



Housing B2, large display, 19" rack mounting

- X1** – DI8-X1: Wide-range power supply unit, incl. 2 non-grouped digital inputs and 6 grouped digital inputs
- X2** – OR6: Assembly Group with 6 Output Relays (Changeover / Form C)
- X3** – TIs: Standard phase current measuring card and sensitive ground current measuring (winding side 1)
- X4** – TI: Standard current measuring card (for the winding side 2)
- X5** – AnIO2-OR4: Assembly Group with 2 Analog Inputs, 2 Analog Outputs and 4 Output Relays
- X6** – TU: Card with 4 voltage transformer measuring inputs (0 ... 800 VAC, under UL: 0 ... 600 VAC)
- X102** – Universal Resistance-Temperature Detector (URTD) input, Fiber optics interface, Versatile Link
- X103** – Modbus TCP / IEC 60870-5-104 / DNP3.0 TCP/UDP, Redundant Ethernet interface, 100 Mbit/s, RJ45 (BASE100-FX)
- X104** – IRIG-B00X, incl. System Contact (Supervision Contact)

MCDTV4-2B1BPB



Housing B2, large display, 19" rack mounting

+ Conformal Coating (for installations in harsh environment)

X1 – DI8-X1: Wide-range power supply unit, incl. 2 non-grouped digital inputs and 6 grouped digital inputs

X2 – OR6: Assembly Group with 6 Output Relays (Changeover / Form C)

X3 – TIs: Standard phase current measuring card and sensitive ground current measuring (winding side 1)

X4 – TI: Standard current measuring card (for the winding side 2)

X5 – AnIO2-OR4: Assembly Group with 2 Analog Inputs, 2 Analog Outputs and 4 Output Relays

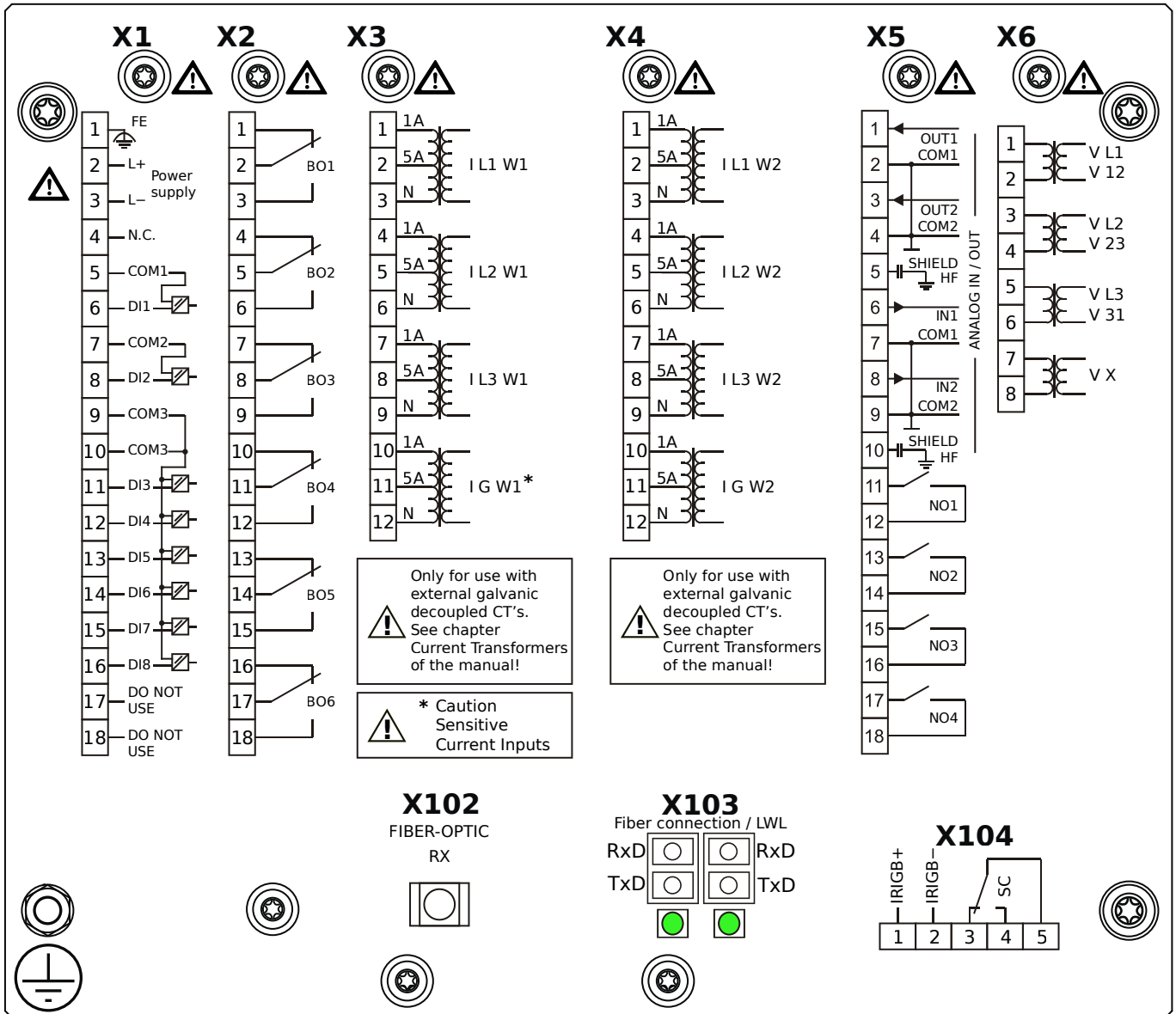
X6 – TU: Card with 4 voltage transformer measuring inputs (0 ... 800 VAC, under UL: 0 ... 600 VAC)

X102 – Universal Resistance-Temperature Detector (URTD) input, Fiber optics interface, Versatile Link

X103 – Modbus TCP / IEC 60870-5-104 / DNP3.0 TCP/UDP, Redundant Ethernet interface, 100 Mbit/s, RJ45 (BASE100-FX)

X104 – IRIG-B00X, incl. System Contact (Supervision Contact)

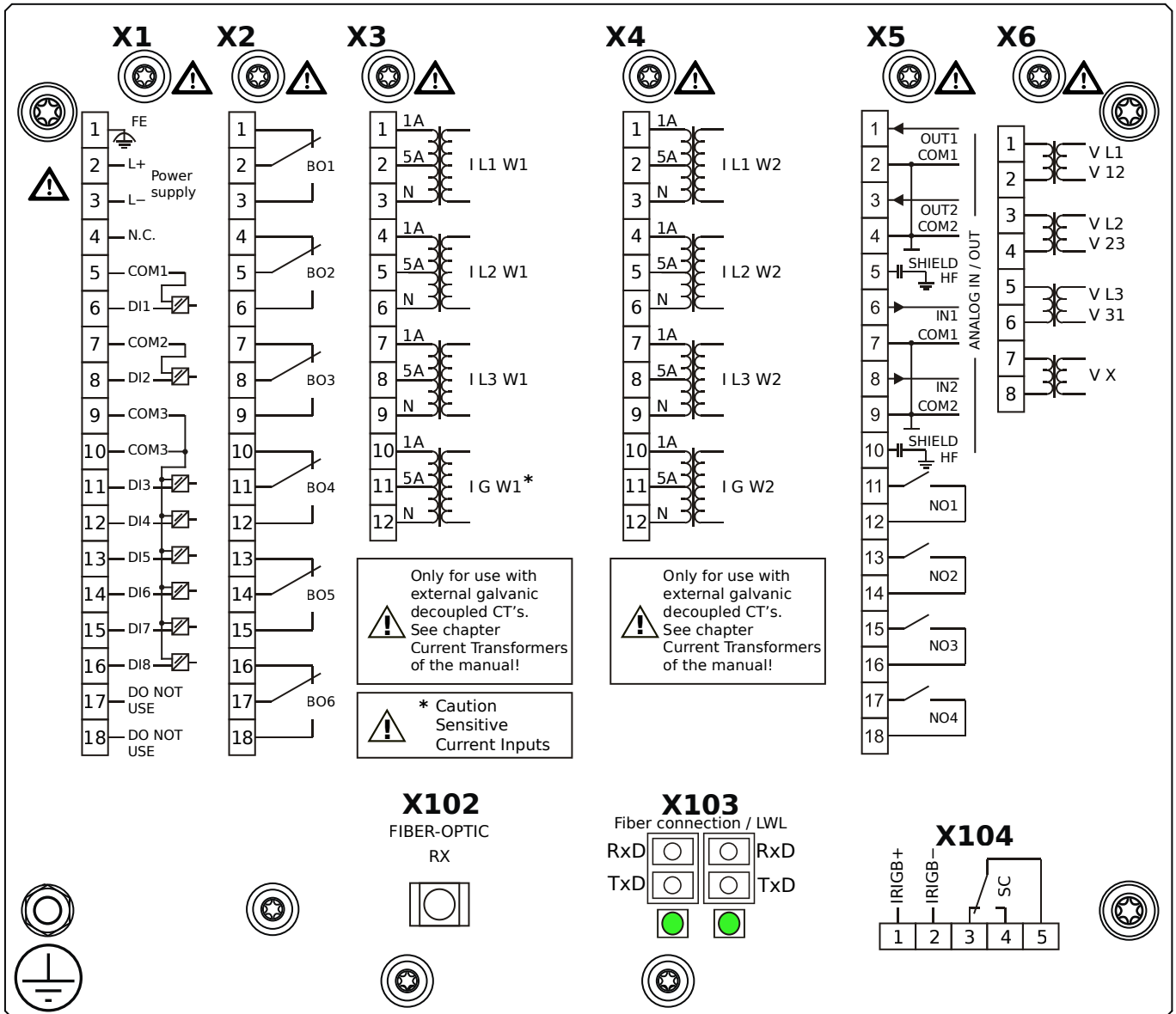
MCDTV4-2B1BQA



Housing B2, large display, 19" rack mounting

- X1** – DI8-X1: Wide-range power supply unit, incl. 2 non-grouped digital inputs and 6 grouped digital inputs
- X2** – OR6: Assembly Group with 6 Output Relays (Changeover / Form C)
- X3** – TIs: Standard phase current measuring card and sensitive ground current measuring (winding side 1)
- X4** – TI: Standard current measuring card (for the winding side 2)
- X5** – AnIO2-OR4: Assembly Group with 2 Analog Inputs, 2 Analog Outputs and 4 Output Relays
- X6** – TU: Card with 4 voltage transformer measuring inputs (0 ... 800 VAC, under UL: 0 ... 600 VAC)
- X102** – Universal Resistance-Temperature Detector (URTD) input, Fiber optics interface, Versatile Link
- X103** – IEC 61850 / Modbus TCP / IEC 60870-5-104 / DNP3.0 TCP/UDP, Redundant Fiber optics interface, LC Connector
- X104** – IRIG-B00X, incl. System Contact (Supervision Contact)

MCDTV4-2B1BQB



Housing B2, large display, 19" rack mounting

+ Conformal Coating (for installations in harsh environment)

X1 – DI8-X1: Wide-range power supply unit, incl. 2 non-grouped digital inputs and 6 grouped digital inputs

X2 – OR6: Assembly Group with 6 Output Relays (Changeover / Form C)

X3 – TIs: Standard phase current measuring card and sensitive ground current measuring (winding side 1)

X4 – TI: Standard current measuring card (for the winding side 2)

X5 – AnIO2-OR4: Assembly Group with 2 Analog Inputs, 2 Analog Outputs and 4 Output Relays

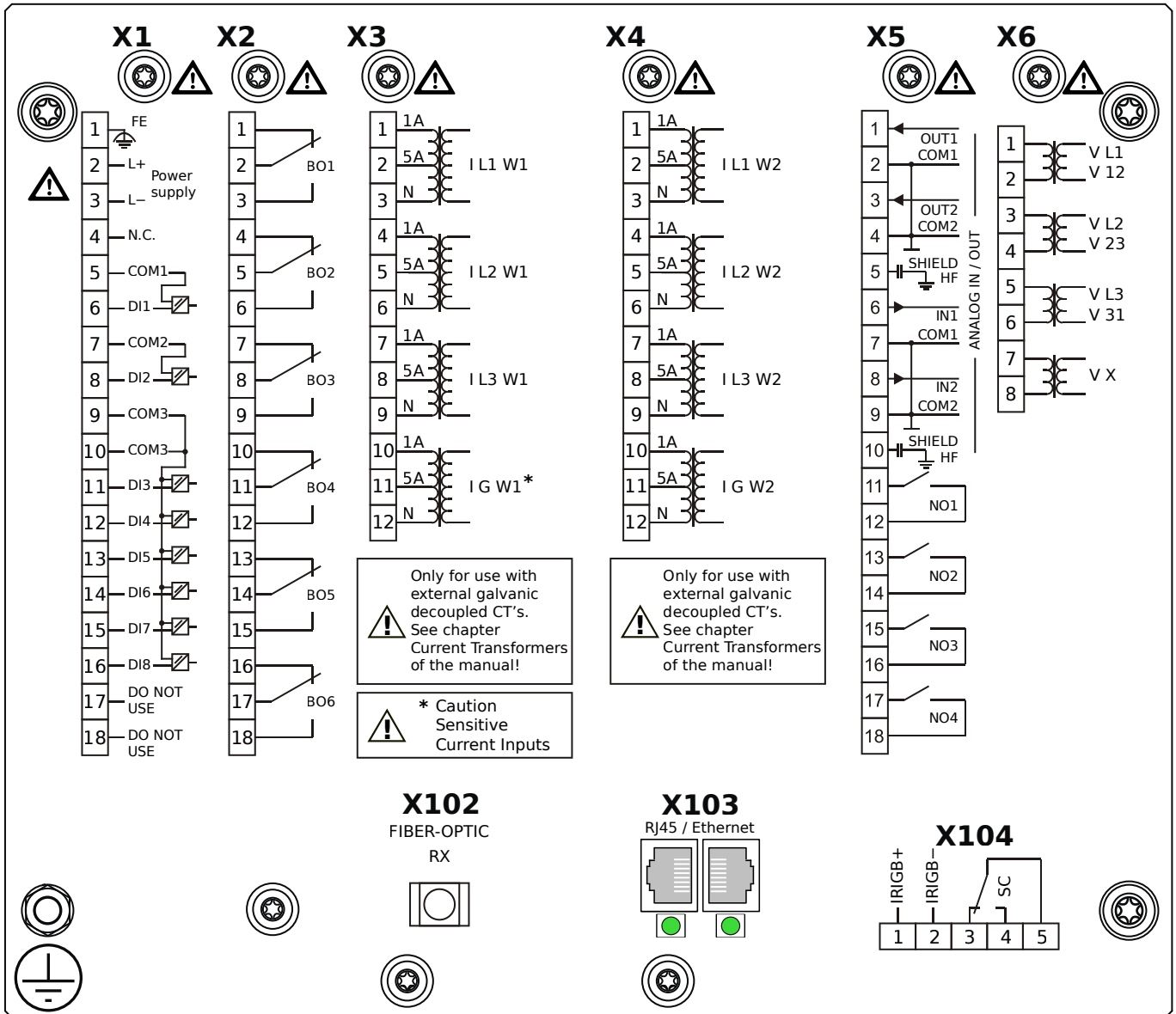
X6 – TU: Card with 4 voltage transformer measuring inputs (0 ... 800 VAC, under UL: 0 ... 600 VAC)

X102 – Universal Resistance-Temperature Detector (URTD) input, Fiber optics interface, Versatile Link

X103 – IEC 61850 / Modbus TCP / IEC 60870-5-104 / DNP3.0 TCP/UDP, Redundant Fiber optics interface, LC Connector

X104 – IRIG-B00X, incl. System Contact (Supervision Contact)

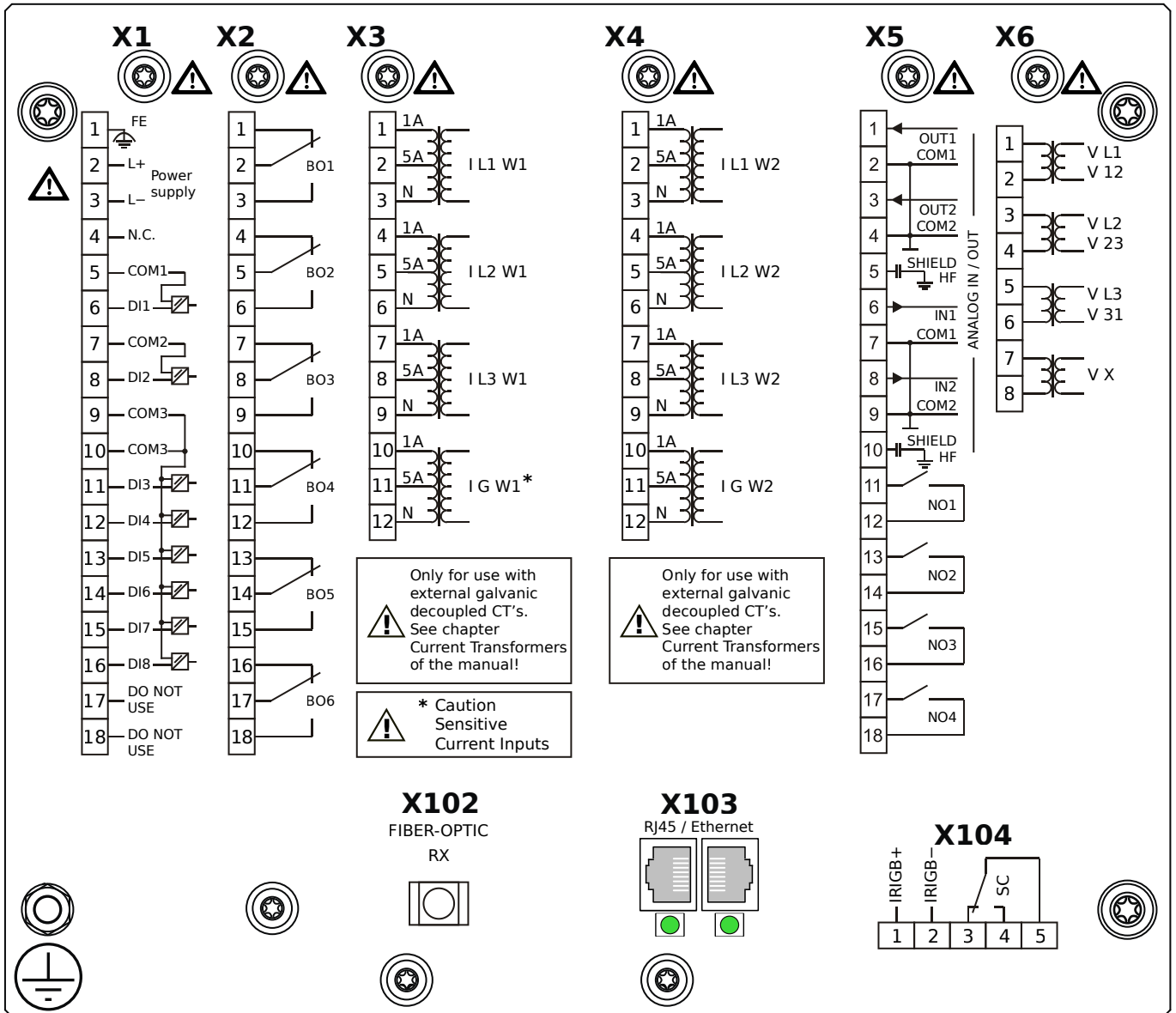
MCDTV4-2B1BRA



Housing B2, large display, 19" rack mounting

- X1** – DI8-X1: Wide-range power supply unit, incl. 2 non-grouped digital inputs and 6 grouped digital inputs
- X2** – OR6: Assembly Group with 6 Output Relays (Changeover / Form C)
- X3** – TIs: Standard phase current measuring card and sensitive ground current measuring (winding side 1)
- X4** – TI: Standard current measuring card (for the winding side 2)
- X5** – AnIO2-OR4: Assembly Group with 2 Analog Inputs, 2 Analog Outputs and 4 Output Relays
- X6** – TU: Card with 4 voltage transformer measuring inputs (0 ... 800 VAC, under UL: 0 ... 600 VAC)
- X102** – Universal Resistance-Temperature Detector (URTD) input, Fiber optics interface, Versatile Link
- X103** – IEC 61850 / Modbus TCP / IEC 60870-5-104 / DNP3.0 TCP/UDP, Redundant Ethernet interface, 100 Mbit/s, RJ45
- X104** – IRIG-B00X, incl. System Contact (Supervision Contact)

MCDTV4-2B1BRB



Housing B2, large display, 19" rack mounting

+ Conformal Coating (for installations in harsh environment)

X1 – DI8-X1: Wide-range power supply unit, incl. 2 non-grouped digital inputs and 6 grouped digital inputs

X2 – OR6: Assembly Group with 6 Output Relays (Changeover / Form C)

X3 – TIs: Standard phase current measuring card and sensitive ground current measuring (winding side 1)

X4 – TI: Standard current measuring card (for the winding side 2)

X5 – AnIO2-OR4: Assembly Group with 2 Analog Inputs, 2 Analog Outputs and 4 Output Relays

X6 – TU: Card with 4 voltage transformer measuring inputs (0 ... 800 VAC, under UL: 0 ... 600 VAC)

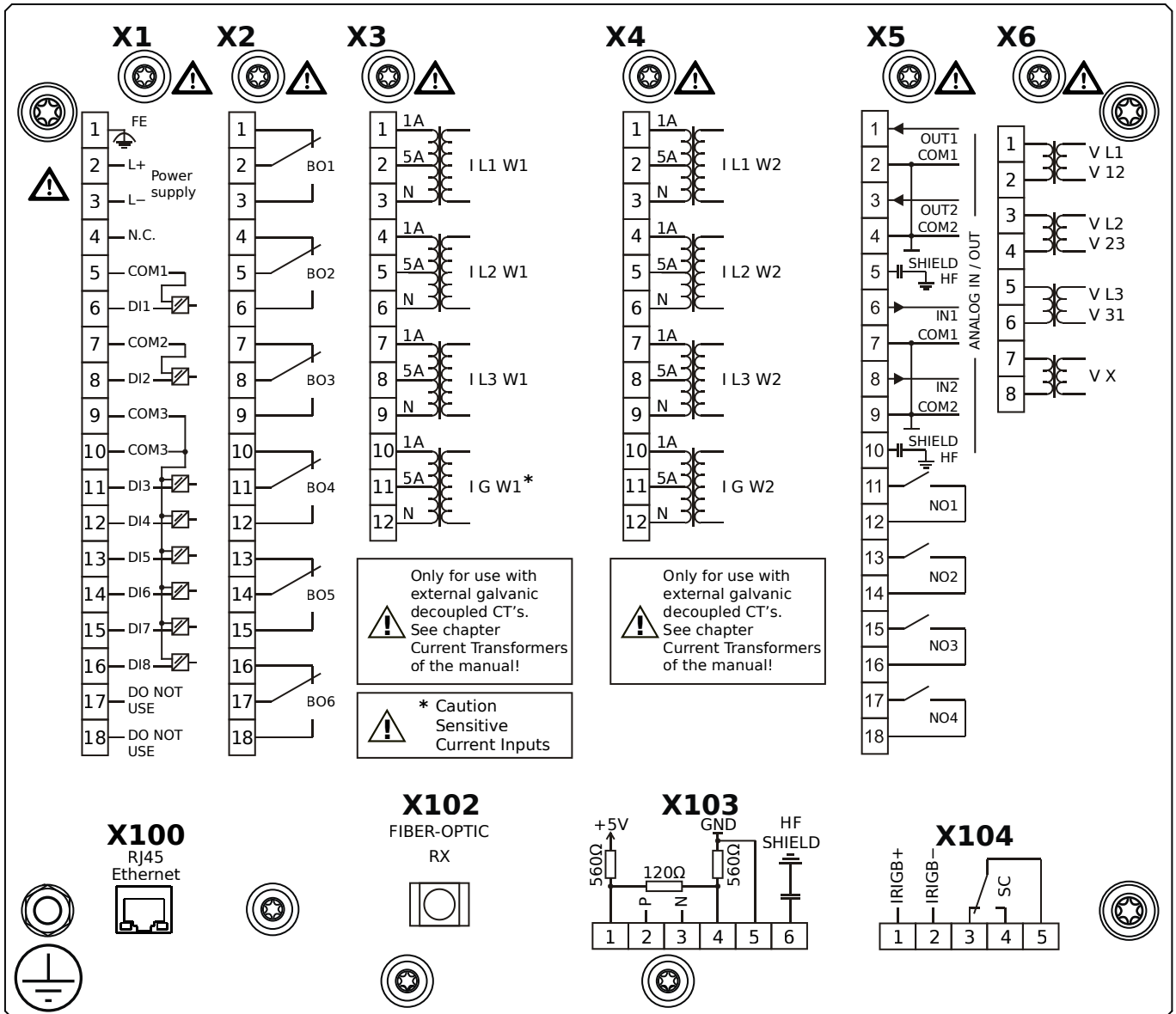
X102 – Universal Resistance-Temperature Detector (URTD) input, Fiber optics interface, Versatile Link

X103 – IEC 61850 / Modbus TCP / IEC 60870-5-104 / DNP3.0 TCP/UDP, Redundant Ethernet interface, 100 Mbit/s, RJ45

(BASE100-FX)

X104 – IRIG-B00X, incl. System Contact (Supervision Contact)

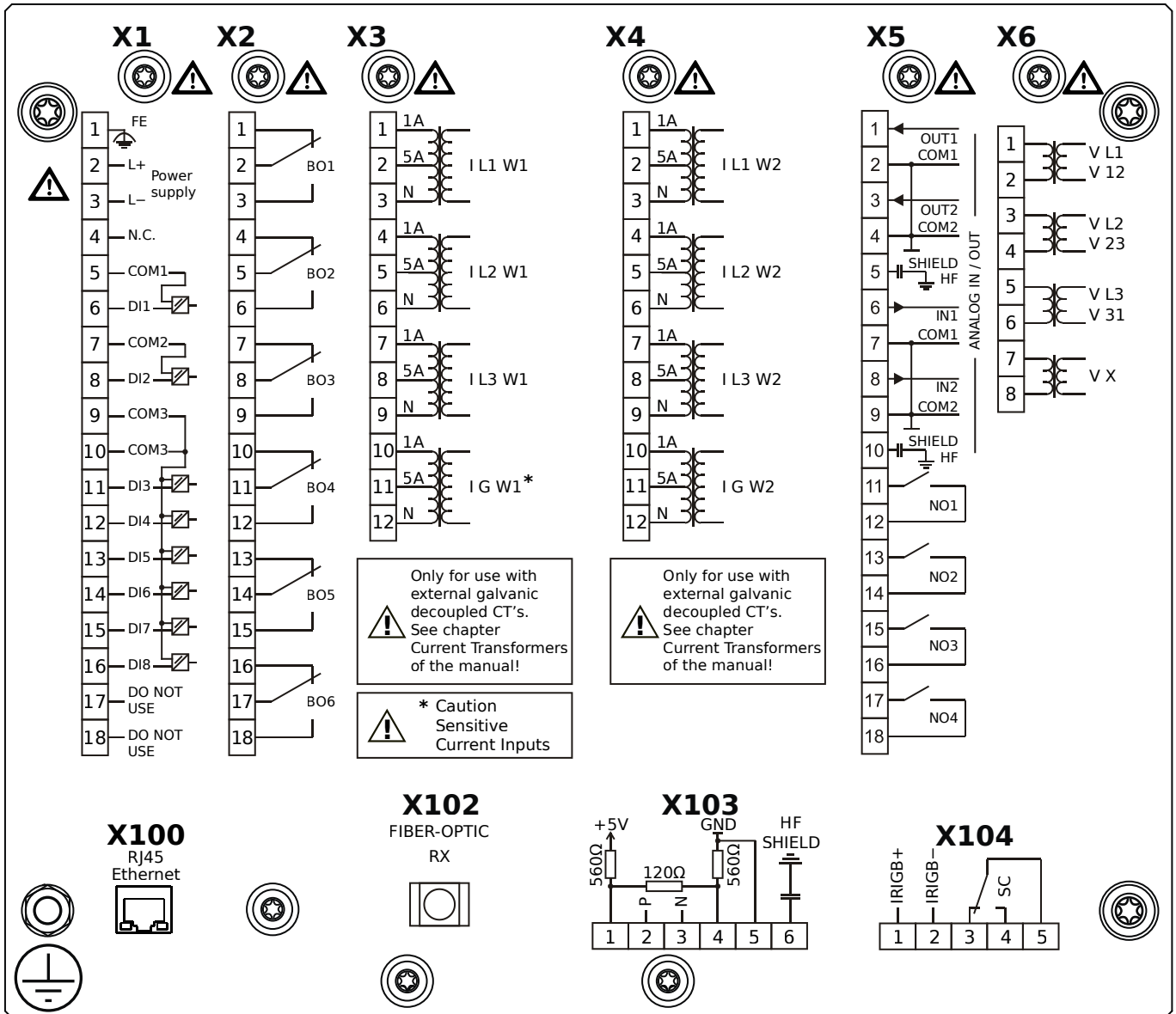
MCDTV4-2B1BTA



Housing B2, large display, 19" rack mounting

- X1** – DI8-X1: Wide-range power supply unit, incl. 2 non-grouped digital inputs and 6 grouped digital inputs
- X2** – OR6: Assembly Group with 6 Output Relays (Changeover / Form C)
- X3** – TIs: Standard phase current measuring card and sensitive ground current measuring (winding side 1)
- X4** – TI: Standard current measuring card (for the winding side 2)
- X5** – AnIO2-OR4: Assembly Group with 2 Analog Inputs, 2 Analog Outputs and 4 Output Relays
- X6** – TU: Card with 4 voltage transformer measuring inputs (0 ... 800 VAC, under UL: 0 ... 600 VAC)
- X100** – IEC 61850 / Modbus TCP / IEC 60870-5-104 / DNP3.0 TCP/UDP, Ethernet interface, 100 Mbit/s, RJ45 (BASE100-FX)
- X102** – Universal Resistance-Temperature Detector (URTD) input, Fiber optics interface, Versatile Link
- X103** – IEC 60870-5-103 / Modbus RTU / DNP3.0 RTU, RS485, Terminals
- X104** – IRIG-B00X, incl. System Contact (Supervision Contact)

MCDTV4-2B1BTB

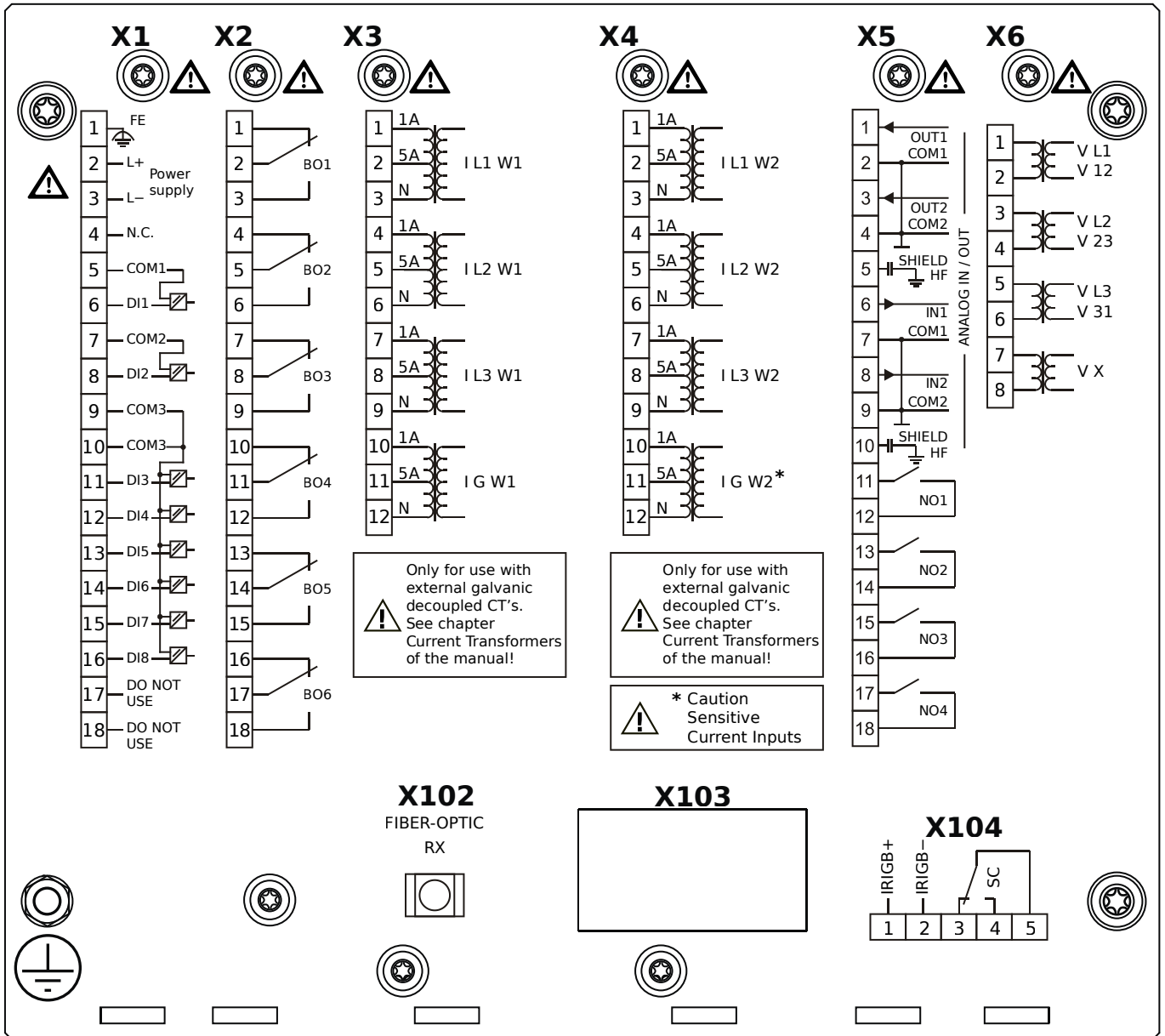


Housing B2, large display, 19" rack mounting

+ Conformal Coating (for installations in harsh environment)

- X1** – DI8-X1: Wide-range power supply unit, incl. 2 non-grouped digital inputs and 6 grouped digital inputs
- X2** – OR6: Assembly Group with 6 Output Relays (Changeover / Form C)
- X3** – TIs: Standard phase current measuring card and sensitive ground current measuring (winding side 1)
- X4** – TI: Standard current measuring card (for the winding side 2)
- X5** – AnIO2-OR4: Assembly Group with 2 Analog Inputs, 2 Analog Outputs and 4 Output Relays
- X6** – TU: Card with 4 voltage transformer measuring inputs (0 ... 800 VAC, under UL: 0 ... 600 VAC)
- X100** – IEC 61850 / Modbus TCP / IEC 60870-5-104 / DNP3.0 TCP/UDP, Ethernet interface, 100 Mbit/s, RJ45 (BASE100-FX)
- X102** – Universal Resistance-Temperature Detector (URTD) input, Fiber optics interface, Versatile Link
- X103** – IEC 60870-5-103 / Modbus RTU / DNP3.0 RTU, RS485, Terminals
- X104** – IRIG-B00X, incl. System Contact (Supervision Contact)

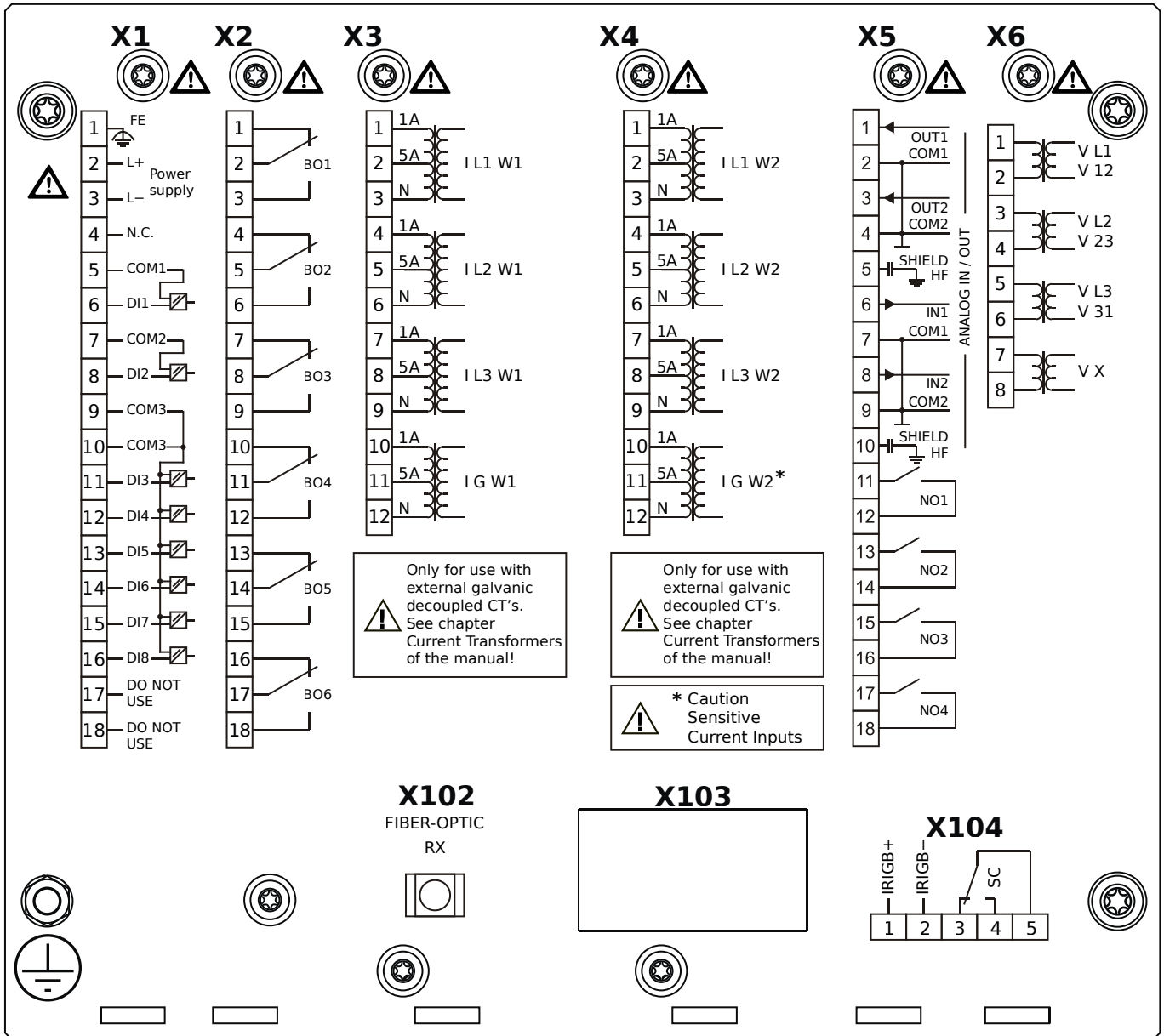
MCDTV4-2B2AAA



Housing B2, large display, door mounting

- X1** – DI8-X1: Wide-range power supply unit, incl. 2 non-grouped digital inputs and 6 grouped digital inputs
- X2** – OR6: Assembly Group with 6 Output Relays (Changeover / Form C)
- X3** – TI: Standard current measuring card (for the winding side 1)
- X4** – TIs: Standard phase current measuring card and sensitive ground current measuring (winding side 2)
- X5** – AnIO2-OR4: Assembly Group with 2 Analog Inputs, 2 Analog Outputs and 4 Output Relays
- X6** – TU: Card with 4 voltage transformer measuring inputs (0 ... 800 VAC, under UL: 0 ... 600 VAC)
- X102** – Universal Resistance-Temperature Detector (URTD) input, Fiber optics interface, Versatile Link
- X104** – IRIG-B00X, incl. System Contact (Supervision Contact)

MCDTV4-2B2AAB

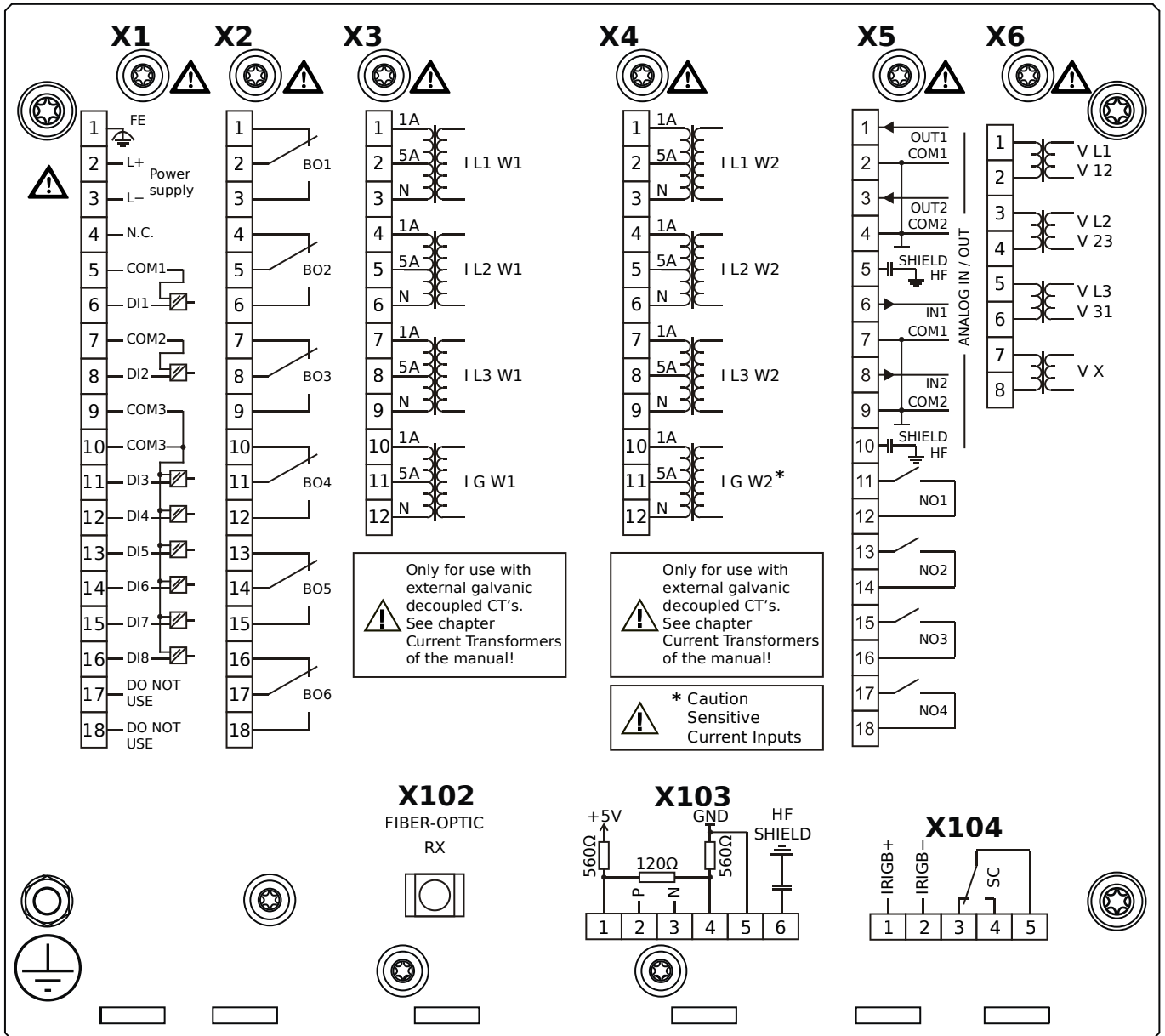


Housing B2, large display, door mounting

+ Conformal Coating (for installations in harsh environment)

- X1** – DI8-X1: Wide-range power supply unit, incl. 2 non-grouped digital inputs and 6 grouped digital inputs
- X2** – OR6: Assembly Group with 6 Output Relays (Changeover / Form C)
- X3** – TI: Standard current measuring card (for the winding side 1)
- X4** – TIs: Standard phase current measuring card and sensitive ground current measuring (winding side 2)
- X5** – AnIO2-OR4: Assembly Group with 2 Analog Inputs, 2 Analog Outputs and 4 Output Relays
- X6** – TU: Card with 4 voltage transformer measuring inputs (0 ... 800 VAC, under UL: 0 ... 600 VAC)
- X102** – Universal Resistance-Temperature Detector (URTD) input, Fiber optics interface, Versatile Link
- X104** – IRIG-B00X, incl. System Contact (Supervision Contact)

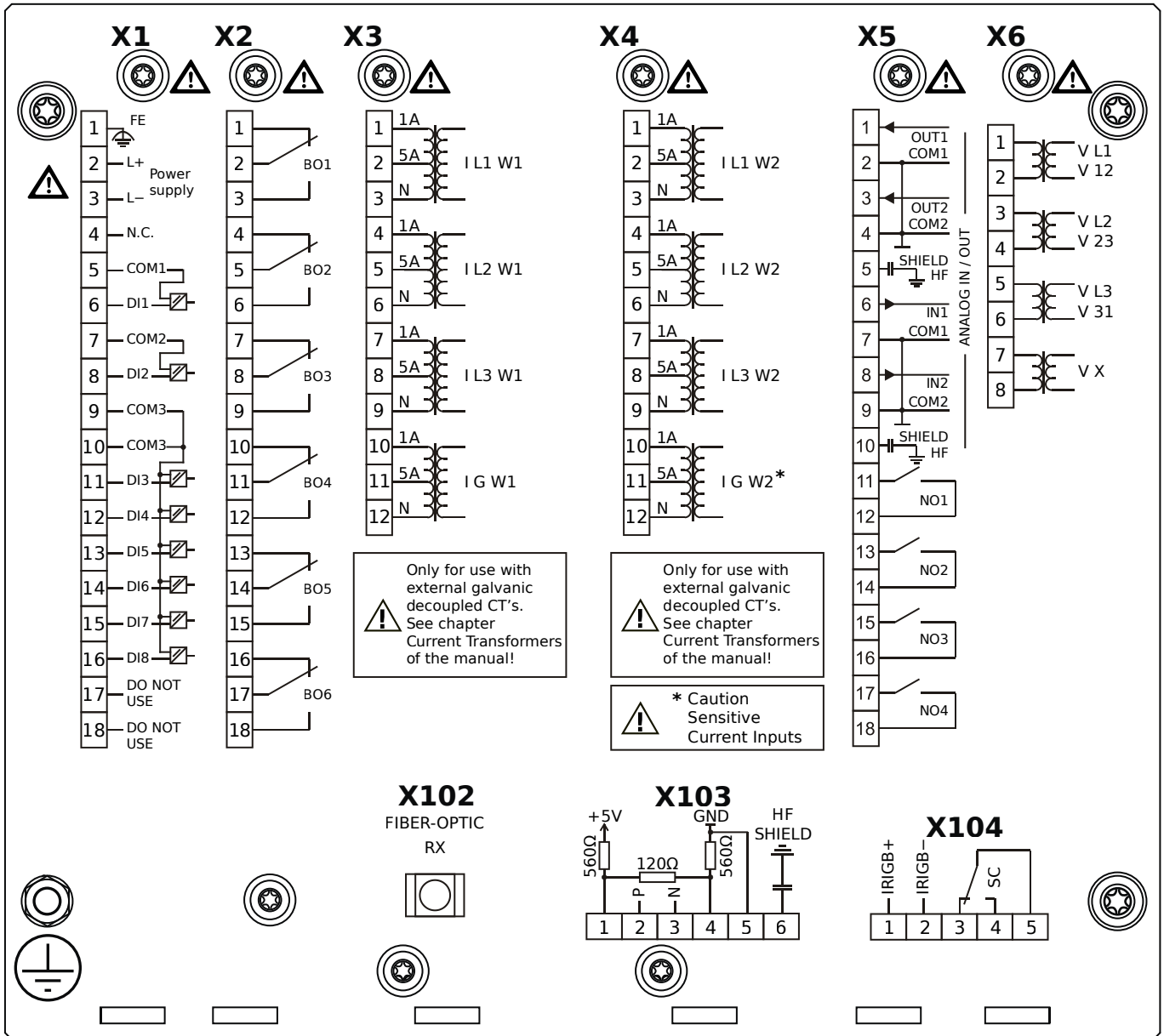
MCDTV4-2B2ABA



Housing B2, large display, door mounting

- X1** – DI8-X1: Wide-range power supply unit, incl. 2 non-grouped digital inputs and 6 grouped digital inputs
- X2** – OR6: Assembly Group with 6 Output Relays (Changeover / Form C)
- X3** – TI: Standard current measuring card (for the winding side 1)
- X4** – TIs: Standard phase current measuring card and sensitive ground current measuring (winding side 2)
- X5** – AnIO2-OR4: Assembly Group with 2 Analog Inputs, 2 Analog Outputs and 4 Output Relays
- X6** – TU: Card with 4 voltage transformer measuring inputs (0 ... 800 VAC, under UL: 0 ... 600 VAC)
- X102** – Universal Resistance-Temperature Detector (URTD) input, Fiber optics interface, Versatile Link
- X103** – Modbus RTU / IEC 60870-5-103 / DNP3.0 RTU, RS485, Terminals
- X104** – IRIG-B00X, incl. System Contact (Supervision Contact)

MCDTV4-2B2ABB

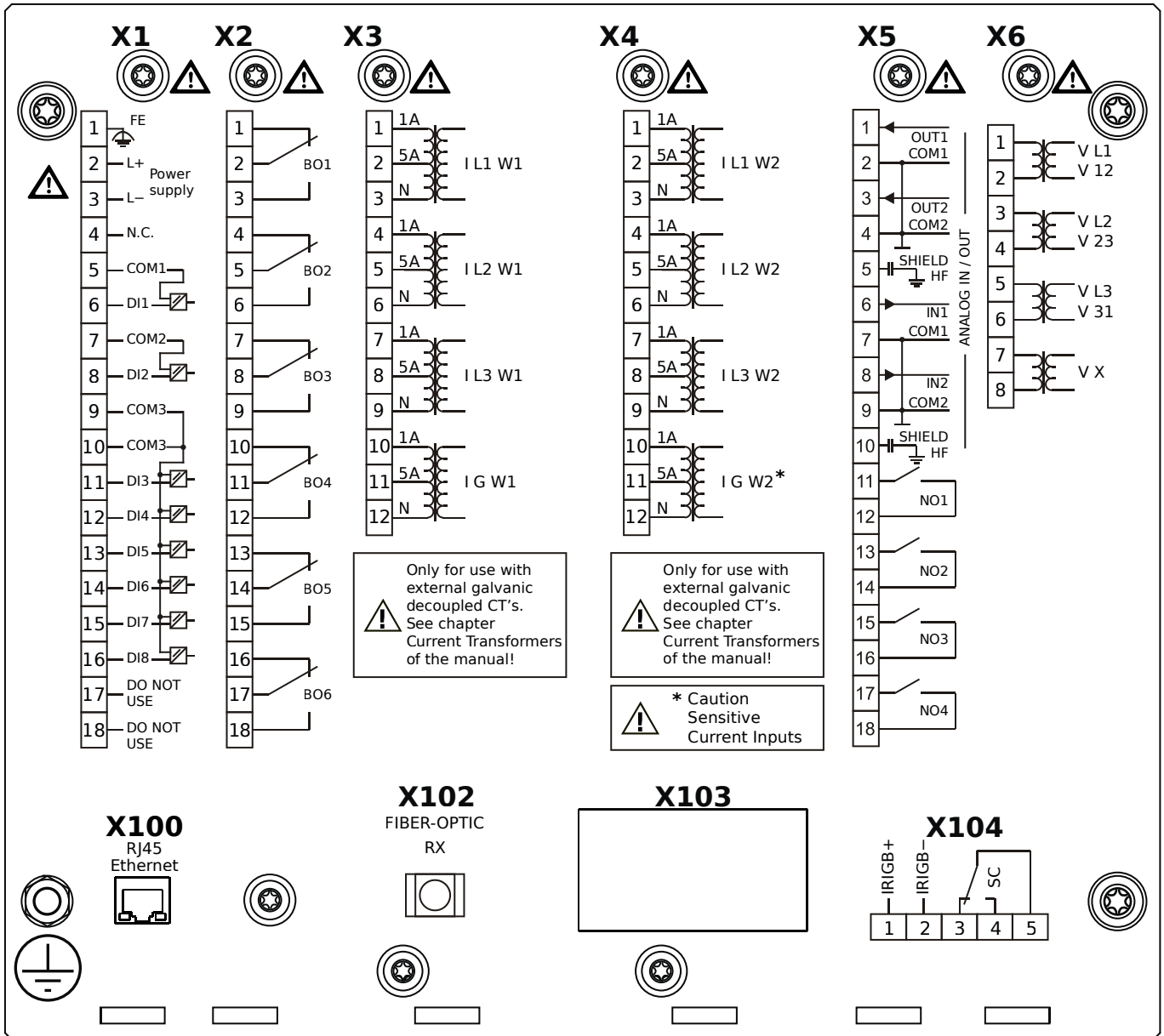


Housing B2, large display, door mounting

+ Conformal Coating (for installations in harsh environment)

- X1** – DI8-X1: Wide-range power supply unit, incl. 2 non-grouped digital inputs and 6 grouped digital inputs
- X2** – OR6: Assembly Group with 6 Output Relays (Changeover / Form C)
- X3** – TI: Standard current measuring card (for the winding side 1)
- X4** – TIs: Standard phase current measuring card and sensitive ground current measuring (winding side 2)
- X5** – AnIO2-OR4: Assembly Group with 2 Analog Inputs, 2 Analog Outputs and 4 Output Relays
- X6** – TU: Card with 4 voltage transformer measuring inputs (0 ... 800 VAC, under UL: 0 ... 600 VAC)
- X102** – Universal Resistance-Temperature Detector (URTD) input, Fiber optics interface, Versatile Link
- X103** – Modbus RTU / IEC 60870-5-103 / DNP3.0 RTU, RS485, Terminals
- X104** – IRIG-B00X, incl. System Contact (Supervision Contact)

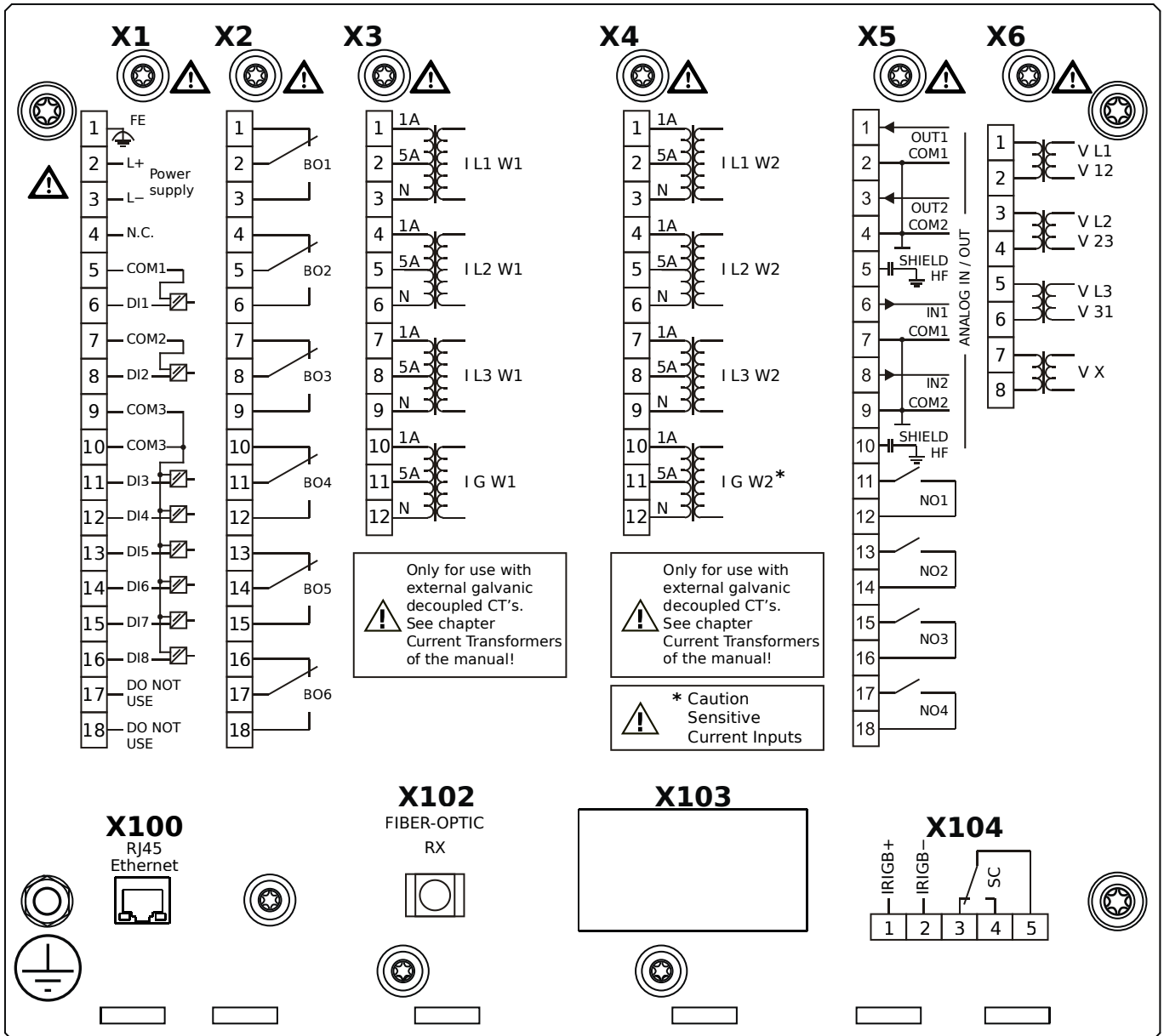
MCDTV4-2B2ACA



Housing B2, large display, door mounting

- X1** – DI8-X1: Wide-range power supply unit, incl. 2 non-grouped digital inputs and 6 grouped digital inputs
- X2** – OR6: Assembly Group with 6 Output Relays (Changeover / Form C)
- X3** – TI: Standard current measuring card (for the winding side 1)
- X4** – TIs: Standard phase current measuring card and sensitive ground current measuring (winding side 2)
- X5** – AnIO2-OR4: Assembly Group with 2 Analog Inputs, 2 Analog Outputs and 4 Output Relays
- X6** – TU: Card with 4 voltage transformer measuring inputs (0 ... 800 VAC, under UL: 0 ... 600 VAC)
- X100** – Modbus TCP / IEC 60870-5-104 / DNP3.0 TCP/UDP, Ethernet interface, 100 Mbit/s, RJ45 (BASE100-FX)
- X102** – Universal Resistance-Temperature Detector (URTD) input, Fiber optics interface, Versatile Link
- X104** – IRIG-B00X, incl. System Contact (Supervision Contact)

MCDTV4-2B2ACB

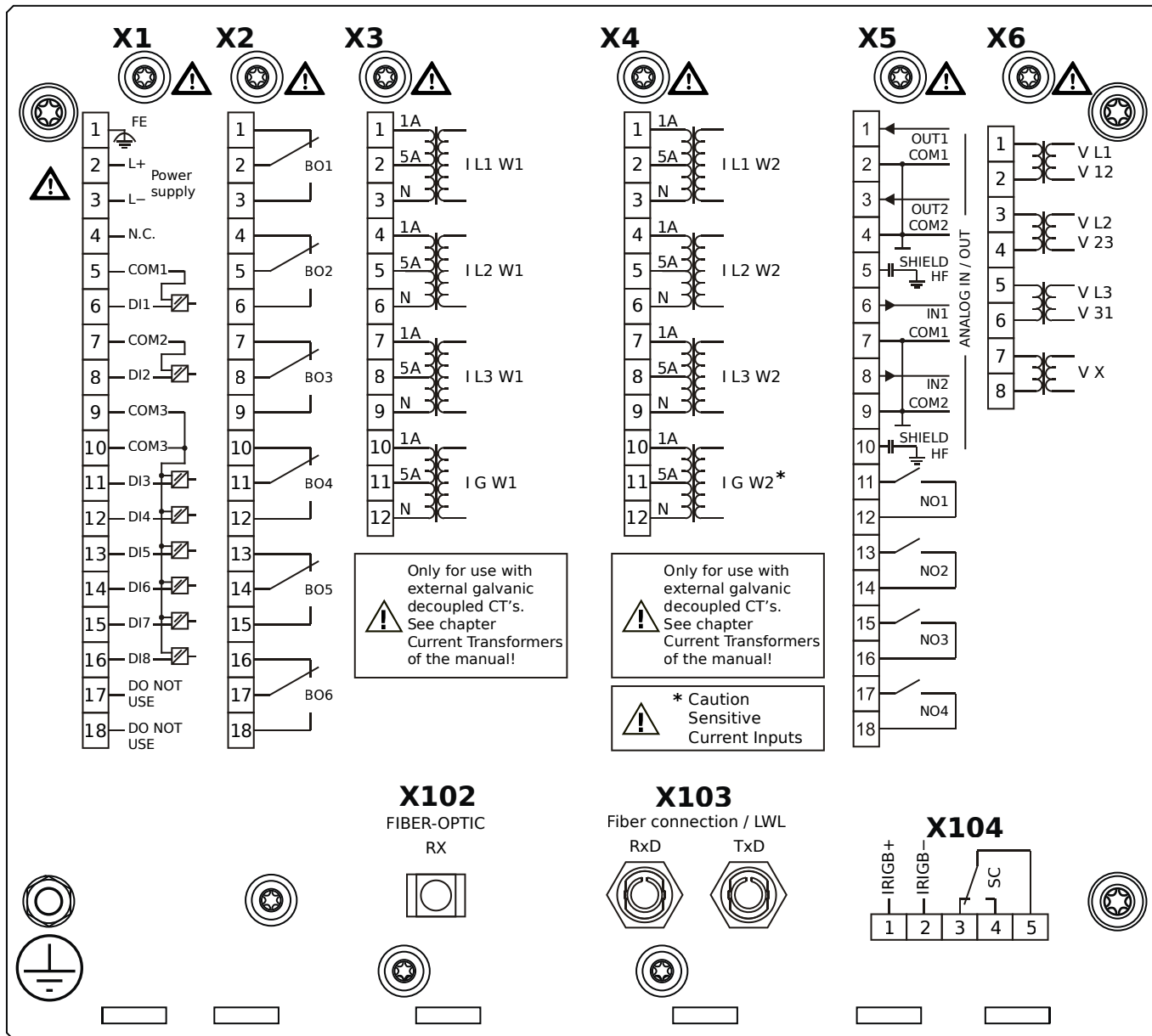


Housing B2, large display, door mounting

+ Conformal Coating (for installations in harsh environment)

- X1** – DI8-X1: Wide-range power supply unit, incl. 2 non-grouped digital inputs and 6 grouped digital inputs
- X2** – OR6: Assembly Group with 6 Output Relays (Changeover / Form C)
- X3** – TI: Standard current measuring card (for the winding side 1)
- X4** – TIs: Standard phase current measuring card and sensitive ground current measuring (winding side 2)
- X5** – AnIO2-OR4: Assembly Group with 2 Analog Inputs, 2 Analog Outputs and 4 Output Relays
- X6** – TU: Card with 4 voltage transformer measuring inputs (0 ... 800 VAC, under UL: 0 ... 600 VAC)
- X100** – Modbus TCP / IEC 60870-5-104 / DNP3.0 TCP/UDP, Ethernet interface, 100 Mbit/s, RJ45 (BASE100-FX)
- X102** – Universal Resistance-Temperature Detector (URTD) input, Fiber optics interface, Versatile Link
- X104** – IRIG-B00X, incl. System Contact (Supervision Contact)

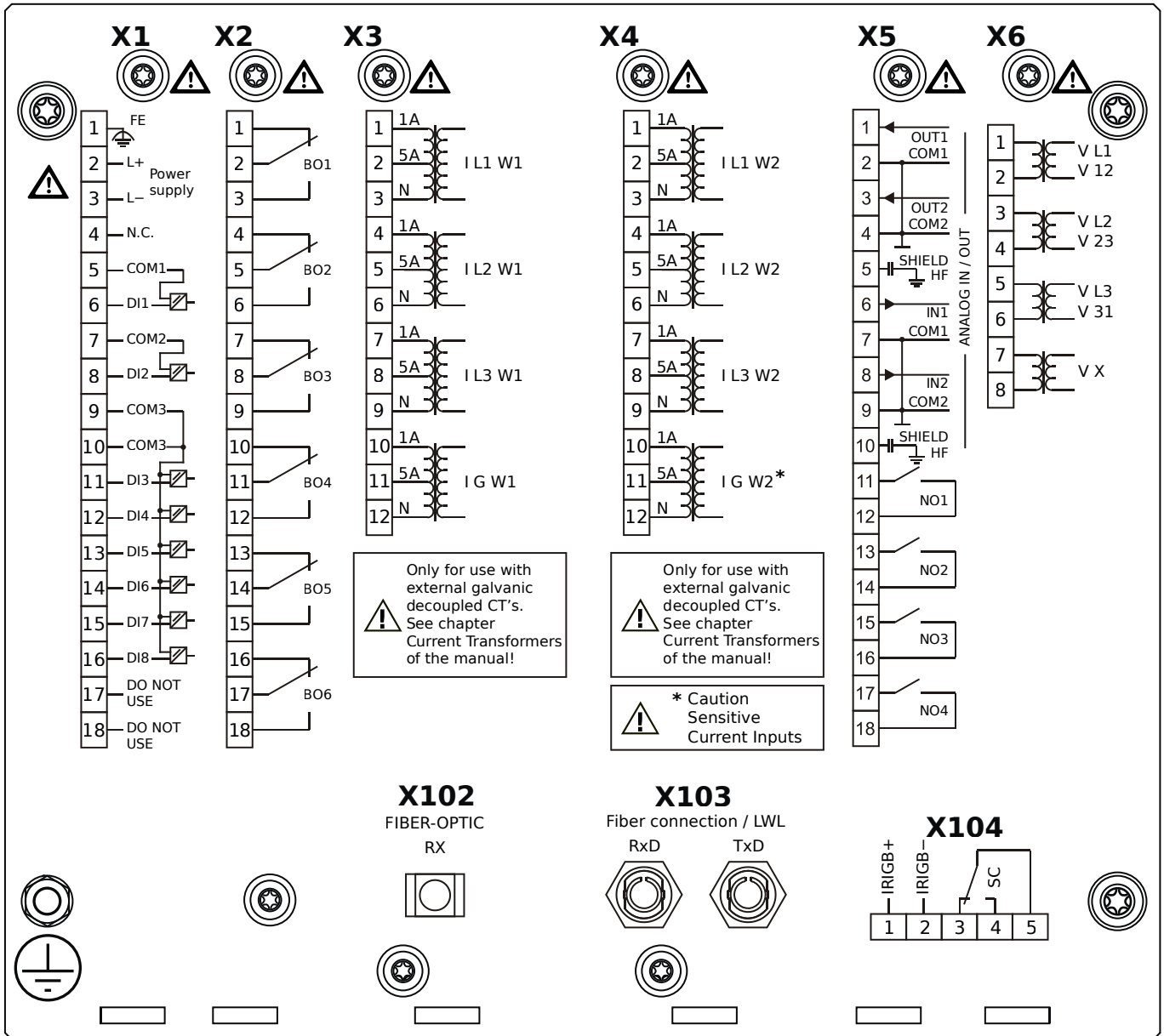
MCDTV4-2B2ADA



Housing B2, large display, door mounting

- X1** – DI8-X1: Wide-range power supply unit, incl. 2 non-grouped digital inputs and 6 grouped digital inputs
- X2** – OR6: Assembly Group with 6 Output Relays (Changeover / Form C)
- X3** – TI: Standard current measuring card (for the winding side 1)
- X4** – TIs: Standard phase current measuring card and sensitive ground current measuring (winding side 2)
- X5** – AnIO2-OR4: Assembly Group with 2 Analog Inputs, 2 Analog Outputs and 4 Output Relays
- X6** – TU: Card with 4 voltage transformer measuring inputs (0 ... 800 VAC, under UL: 0 ... 600 VAC)
- X102** – Universal Resistance-Temperature Detector (URTD) input, Fiber optics interface, Versatile Link
- X103** – Profibus-DP, Fiber optics interface, ST Connector
- X104** – IRIG-B00X, incl. System Contact (Supervision Contact)

MCDTV4-2B2ADB

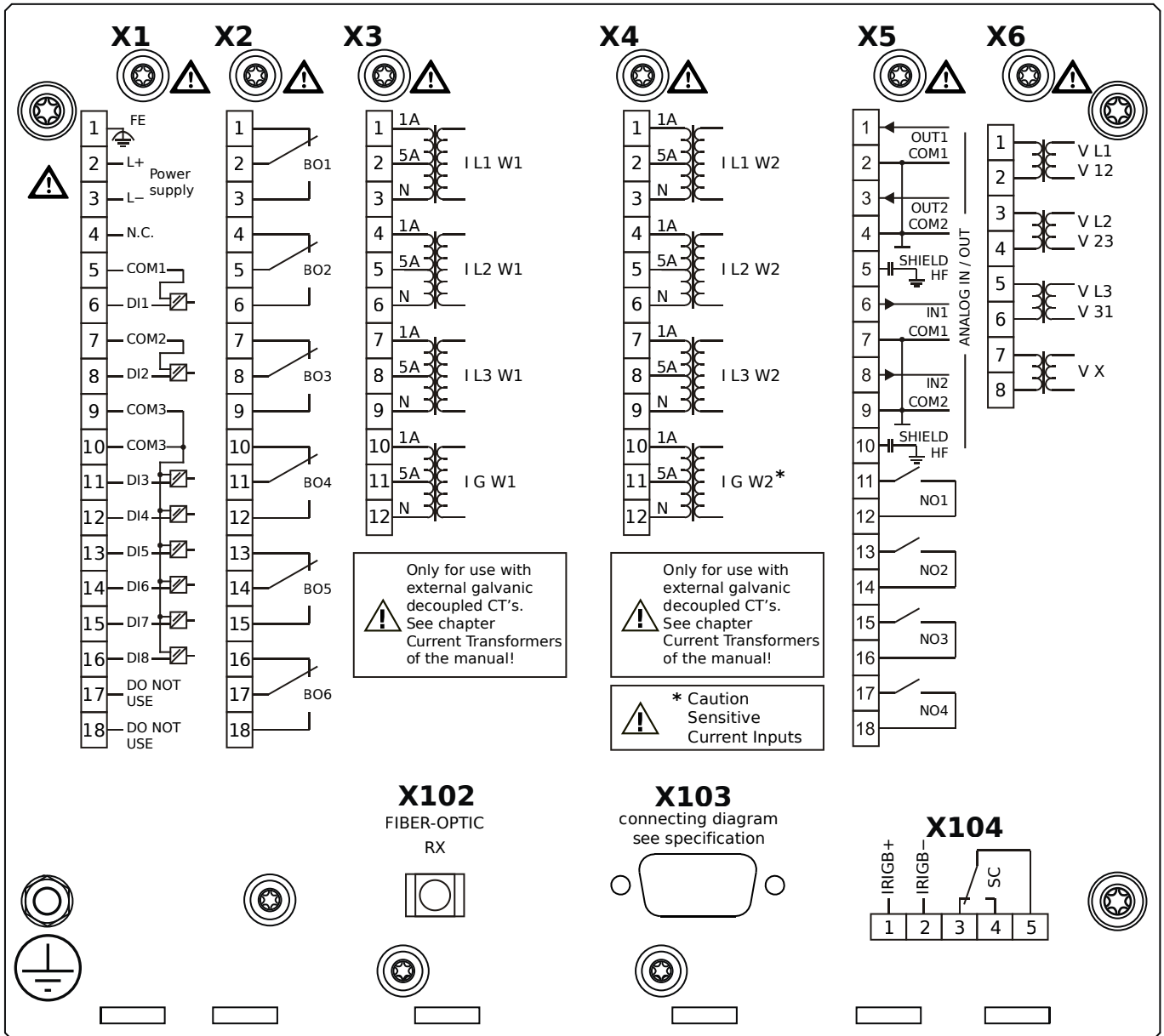


Housing B2, large display, door mounting

+ Conformal Coating (for installations in harsh environment)

- X1** – DI8-X1: Wide-range power supply unit, incl. 2 non-grouped digital inputs and 6 grouped digital inputs
- X2** – OR6: Assembly Group with 6 Output Relays (Changeover / Form C)
- X3** – TI: Standard current measuring card (for the winding side 1)
- X4** – TIs: Standard phase current measuring card and sensitive ground current measuring (winding side 2)
- X5** – AnIO2-OR4: Assembly Group with 2 Analog Inputs, 2 Analog Outputs and 4 Output Relays
- X6** – TU: Card with 4 voltage transformer measuring inputs (0 ... 800 VAC, under UL: 0 ... 600 VAC)
- X102** – Universal Resistance-Temperature Detector (URTD) input, Fiber optics interface, Versatile Link
- X103** – Profibus-DP, Fiber optics interface, ST Connector
- X104** – IRIG-B00X, incl. System Contact (Supervision Contact)

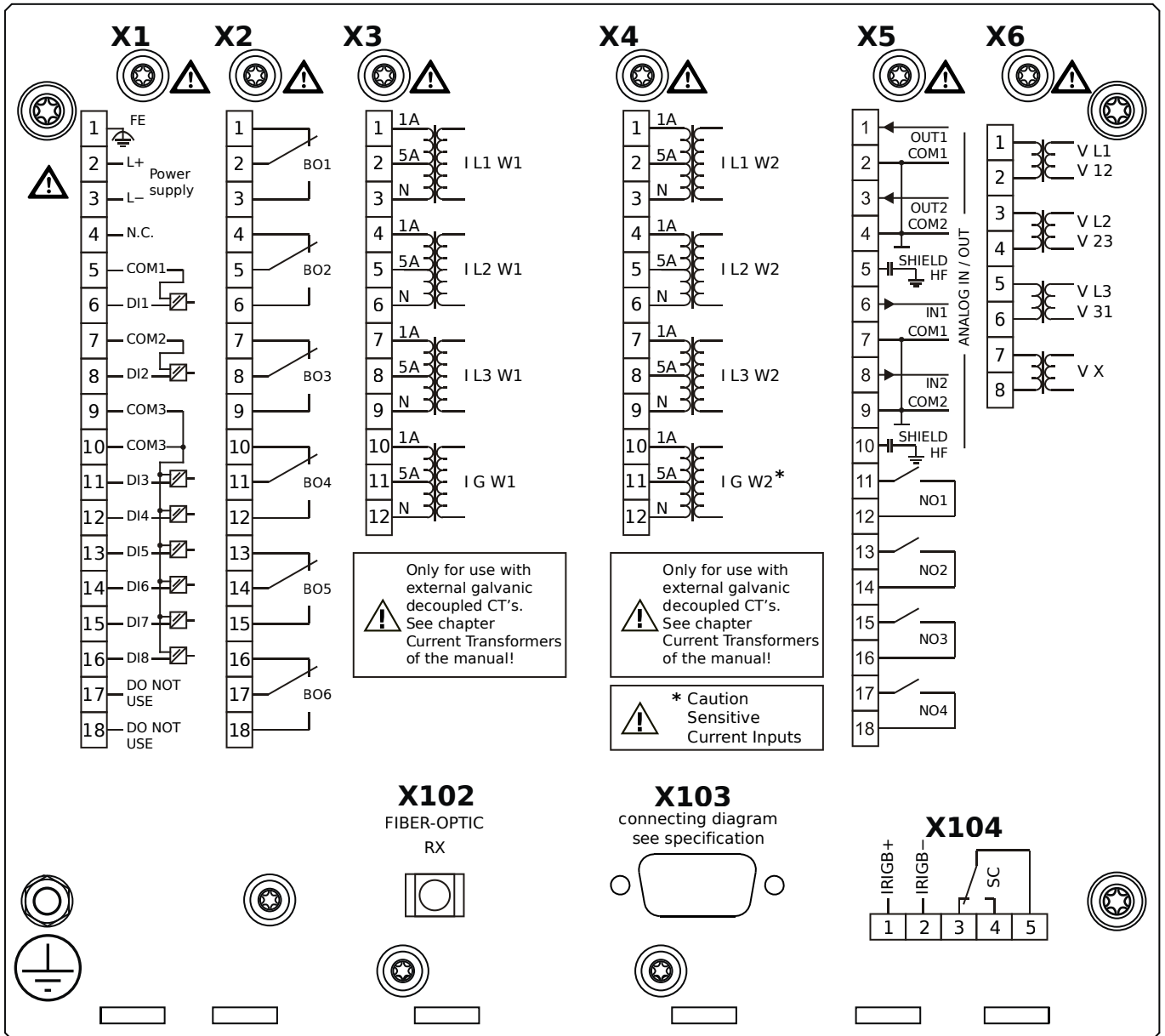
MCDTV4-2B2AEA



Housing B2, large display, door mounting

- X1** – DI8-X1: Wide-range power supply unit, incl. 2 non-grouped digital inputs and 6 grouped digital inputs
- X2** – OR6: Assembly Group with 6 Output Relays (Changeover / Form C)
- X3** – TI: Standard current measuring card (for the winding side 1)
- X4** – TIs: Standard phase current measuring card and sensitive ground current measuring (winding side 2)
- X5** – AnIO2-OR4: Assembly Group with 2 Analog Inputs, 2 Analog Outputs and 4 Output Relays
- X6** – TU: Card with 4 voltage transformer measuring inputs (0 ... 800 VAC, under UL: 0 ... 600 VAC)
- X102** – Universal Resistance-Temperature Detector (URTD) input, Fiber optics interface, Versatile Link
- X103** – Profibus-DP, RS485, D-SUB
- X104** – IRIG-B00X, incl. System Contact (Supervision Contact)

MCDTV4-2B2AEB

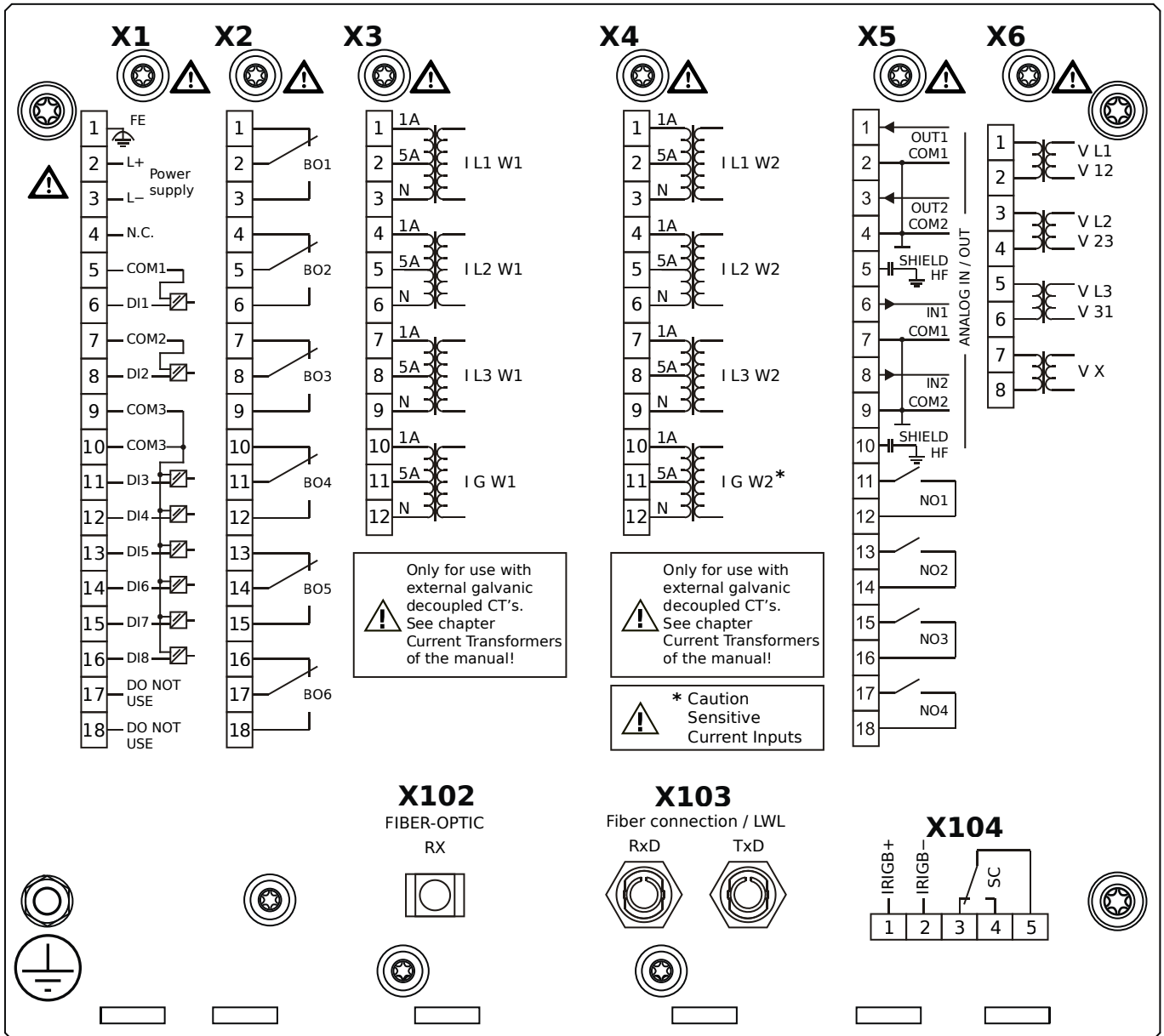


Housing B2, large display, door mounting

+ Conformal Coating (for installations in harsh environment)

- X1** – DI8-X1: Wide-range power supply unit, incl. 2 non-grouped digital inputs and 6 grouped digital inputs
- X2** – OR6: Assembly Group with 6 Output Relays (Changeover / Form C)
- X3** – TI: Standard current measuring card (for the winding side 1)
- X4** – TIs: Standard phase current measuring card and sensitive ground current measuring (winding side 2)
- X5** – AnIO2-OR4: Assembly Group with 2 Analog Inputs, 2 Analog Outputs and 4 Output Relays
- X6** – TU: Card with 4 voltage transformer measuring inputs (0 ... 800 VAC, under UL: 0 ... 600 VAC)
- X102** – Universal Resistance-Temperature Detector (URTD) input, Fiber optics interface, Versatile Link
- X103** – Profibus-DP, RS485, D-SUB
- X104** – IRIG-B00X, incl. System Contact (Supervision Contact)

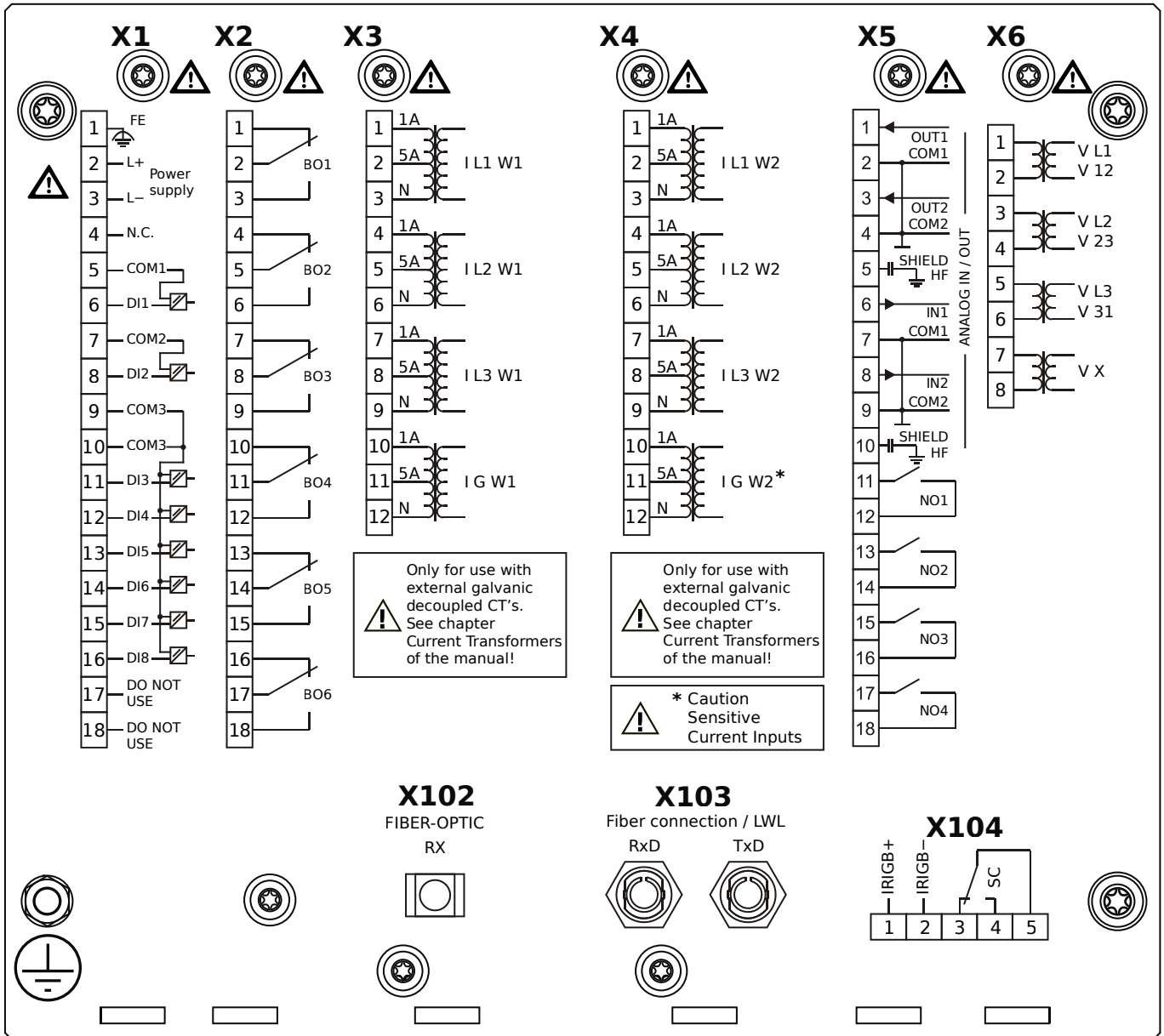
MCDTV4-2B2AFA



Housing B2, large display, door mounting

- X1** – DI8-X1: Wide-range power supply unit, incl. 2 non-grouped digital inputs and 6 grouped digital inputs
- X2** – OR6: Assembly Group with 6 Output Relays (Changeover / Form C)
- X3** – TI: Standard current measuring card (for the winding side 1)
- X4** – TIs: Standard phase current measuring card and sensitive ground current measuring (winding side 2)
- X5** – AnIO2-OR4: Assembly Group with 2 Analog Inputs, 2 Analog Outputs and 4 Output Relays
- X6** – TU: Card with 4 voltage transformer measuring inputs (0 ... 800 VAC, under UL: 0 ... 600 VAC)
- X102** – Universal Resistance-Temperature Detector (URTD) input, Fiber optics interface, Versatile Link
- X103** – Modbus RTU / IEC 60870-5-103 / DNP3.0 RTU, Fiber optics interface, ST Connector
- X104** – IRIG-B00X, incl. System Contact (Supervision Contact)

MCDTV4-2B2AFB

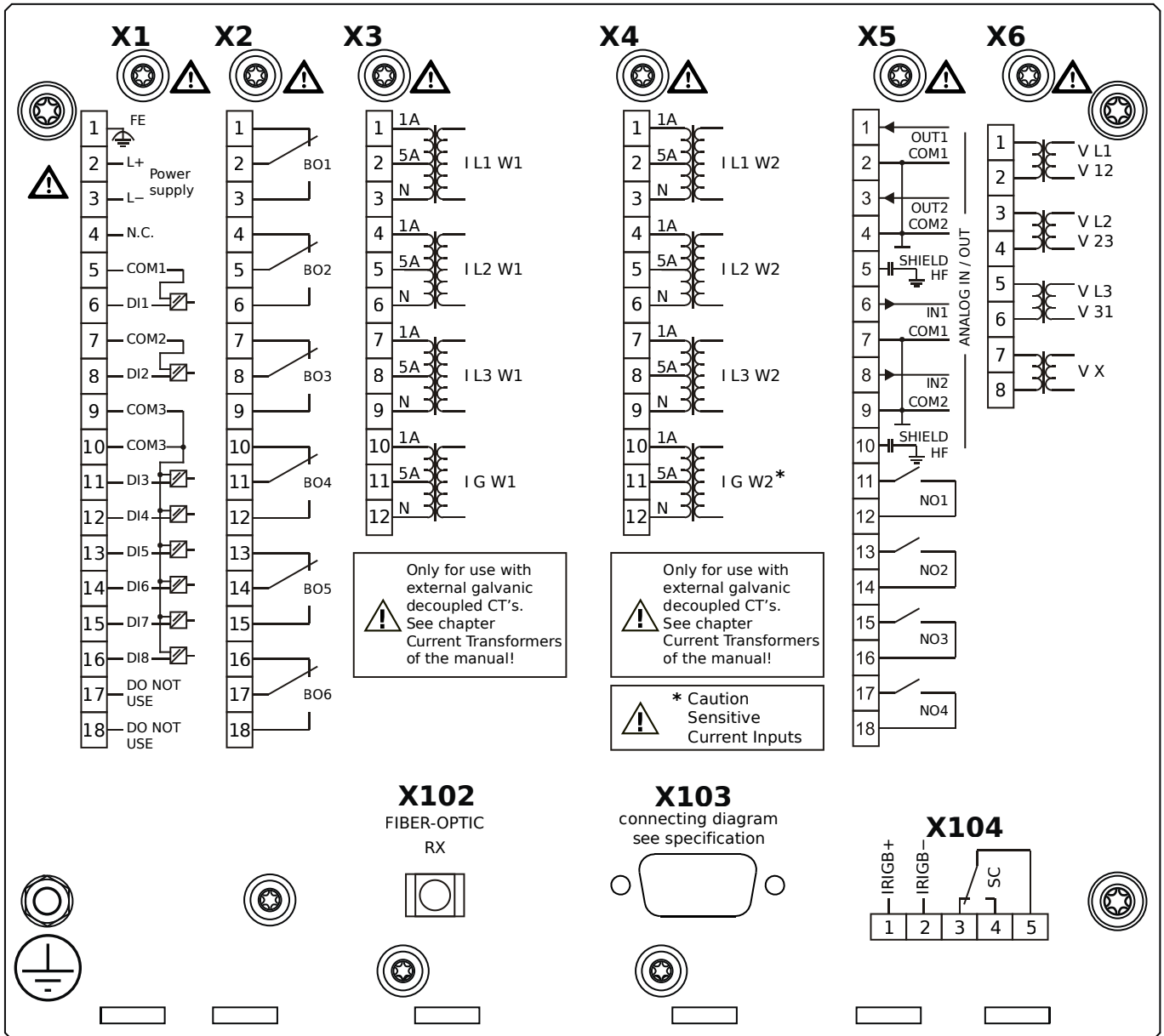


Housing B2, large display, door mounting

+ Conformal Coating (for installations in harsh environment)

- X1** – DI8-X1: Wide-range power supply unit, incl. 2 non-grouped digital inputs and 6 grouped digital inputs
- X2** – OR6: Assembly Group with 6 Output Relays (Changeover / Form C)
- X3** – TI: Standard current measuring card (for the winding side 1)
- X4** – TIs: Standard phase current measuring card and sensitive ground current measuring (winding side 2)
- X5** – AnIO2-OR4: Assembly Group with 2 Analog Inputs, 2 Analog Outputs and 4 Output Relays
- X6** – TU: Card with 4 voltage transformer measuring inputs (0 ... 800 VAC, under UL: 0 ... 600 VAC)
- X102** – Universal Resistance-Temperature Detector (URTD) input, Fiber optics interface, Versatile Link
- X103** – Modbus RTU / IEC 60870-5-103 / DNP3.0 RTU, Fiber optics interface, ST Connector
- X104** – IRIG-B00X, incl. System Contact (Supervision Contact)

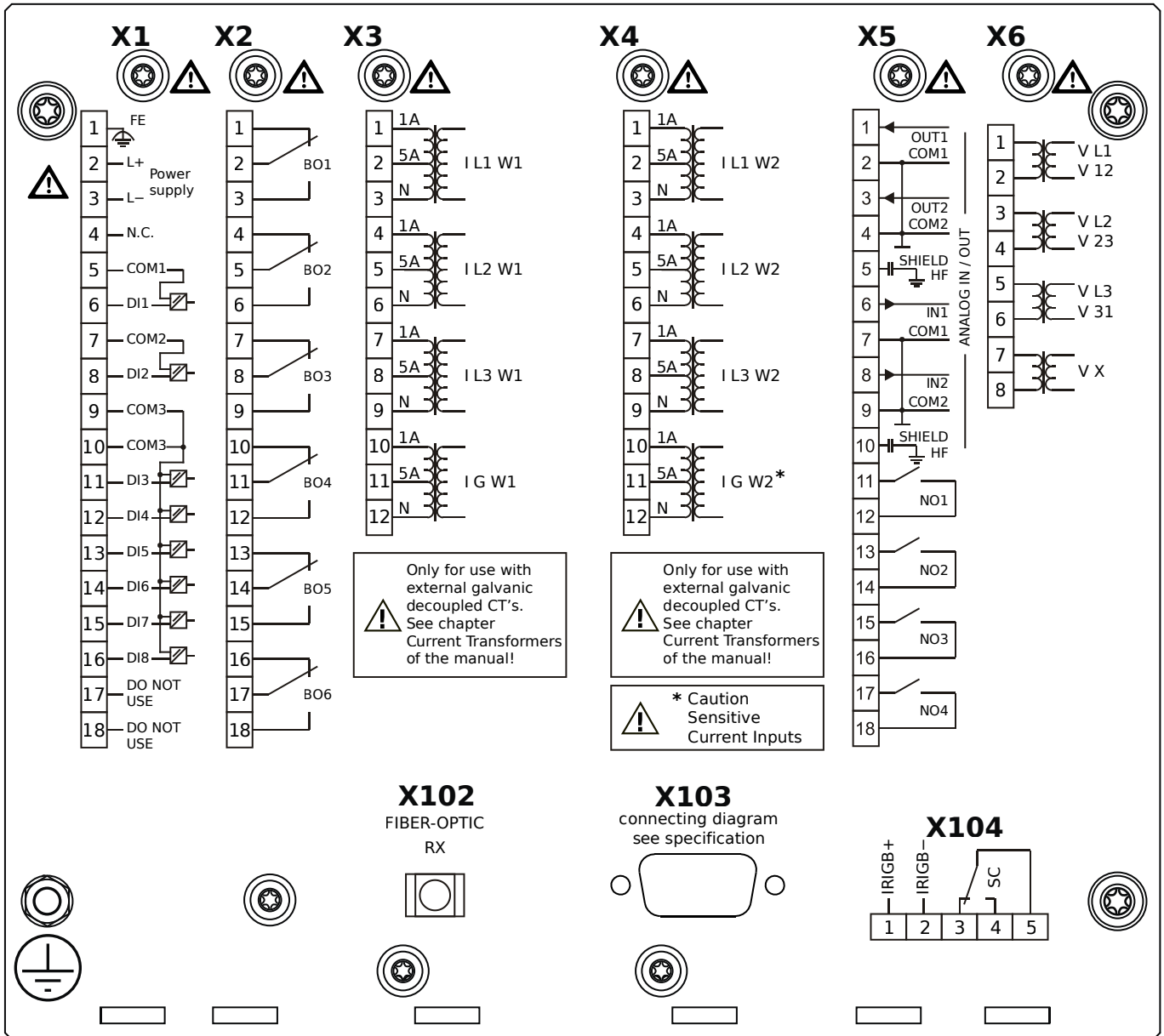
MCDTV4-2B2AGA



Housing B2, large display, door mounting

- X1** – DI8-X1: Wide-range power supply unit, incl. 2 non-grouped digital inputs and 6 grouped digital inputs
- X2** – OR6: Assembly Group with 6 Output Relays (Changeover / Form C)
- X3** – TI: Standard current measuring card (for the winding side 1)
- X4** – TIs: Standard phase current measuring card and sensitive ground current measuring (winding side 2)
- X5** – AnIO2-OR4: Assembly Group with 2 Analog Inputs, 2 Analog Outputs and 4 Output Relays
- X6** – TU: Card with 4 voltage transformer measuring inputs (0 ... 800 VAC, under UL: 0 ... 600 VAC)
- X102** – Universal Resistance-Temperature Detector (URTD) input, Fiber optics interface, Versatile Link
- X103** – Modbus RTU / IEC 60870-5-103 / DNP3.0 RTU, RS485, D-SUB
- X104** – IRIG-B00X, incl. System Contact (Supervision Contact)

MCDTV4-2B2AGB

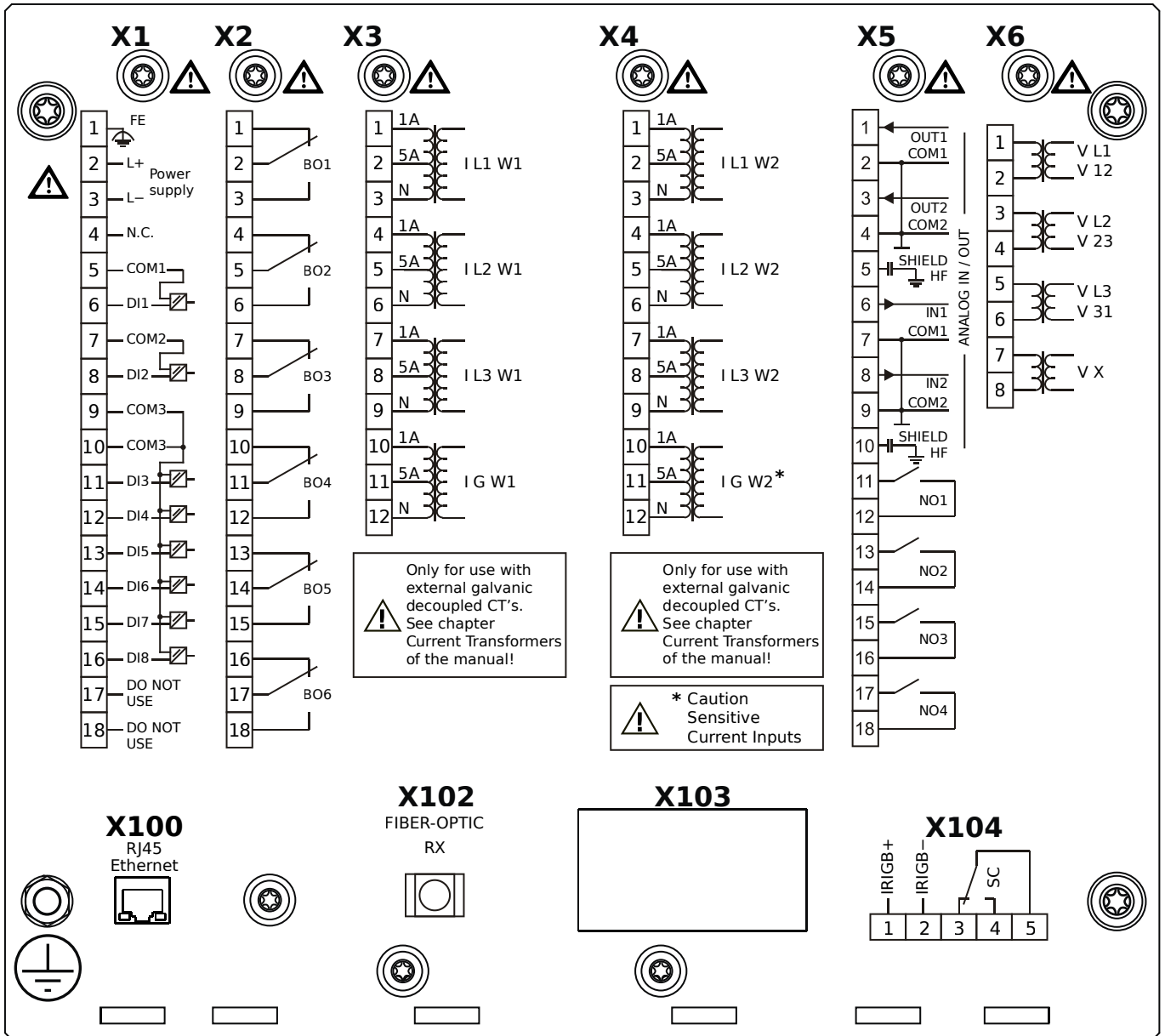


Housing B2, large display, door mounting

+ Conformal Coating (for installations in harsh environment)

- X1** – DI8-X1: Wide-range power supply unit, incl. 2 non-grouped digital inputs and 6 grouped digital inputs
- X2** – OR6: Assembly Group with 6 Output Relays (Changeover / Form C)
- X3** – TI: Standard current measuring card (for the winding side 1)
- X4** – TIs: Standard phase current measuring card and sensitive ground current measuring (winding side 2)
- X5** – AnIO2-OR4: Assembly Group with 2 Analog Inputs, 2 Analog Outputs and 4 Output Relays
- X6** – TU: Card with 4 voltage transformer measuring inputs (0 ... 800 VAC, under UL: 0 ... 600 VAC)
- X102** – Universal Resistance-Temperature Detector (URTD) input, Fiber optics interface, Versatile Link
- X103** – Modbus RTU / IEC 60870-5-103 / DNP3.0 RTU, RS485, D-SUB
- X104** – IRIG-B00X, incl. System Contact (Supervision Contact)

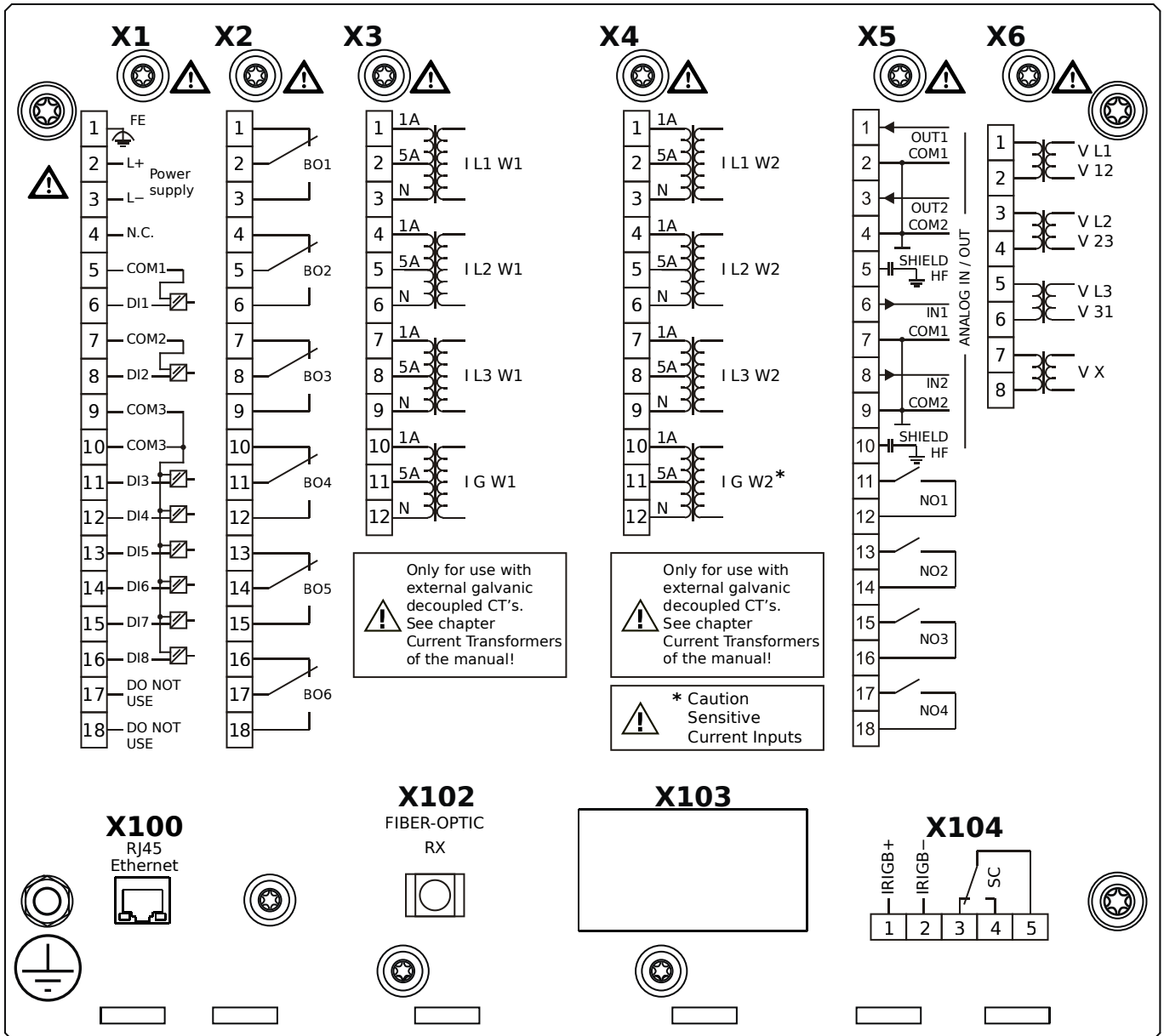
MCDTV4-2B2AHA



Housing B2, large display, door mounting

- X1** – DI8-X1: Wide-range power supply unit, incl. 2 non-grouped digital inputs and 6 grouped digital inputs
- X2** – OR6: Assembly Group with 6 Output Relays (Changeover / Form C)
- X3** – TI: Standard current measuring card (for the winding side 1)
- X4** – TIs: Standard phase current measuring card and sensitive ground current measuring (winding side 2)
- X5** – AnIO2-OR4: Assembly Group with 2 Analog Inputs, 2 Analog Outputs and 4 Output Relays
- X6** – TU: Card with 4 voltage transformer measuring inputs (0 ... 800 VAC, under UL: 0 ... 600 VAC)
- X100** – IEC 61850 / Modbus TCP / IEC 60870-5-104 / DNP3.0 TCP/UDP, Ethernet interface, 100 Mbit/s, RJ45 (BASE100-FX)
- X102** – Universal Resistance-Temperature Detector (URTD) input, Fiber optics interface, Versatile Link
- X104** – IRIG-B00X, incl. System Contact (Supervision Contact)

MCDTV4-2B2AHB

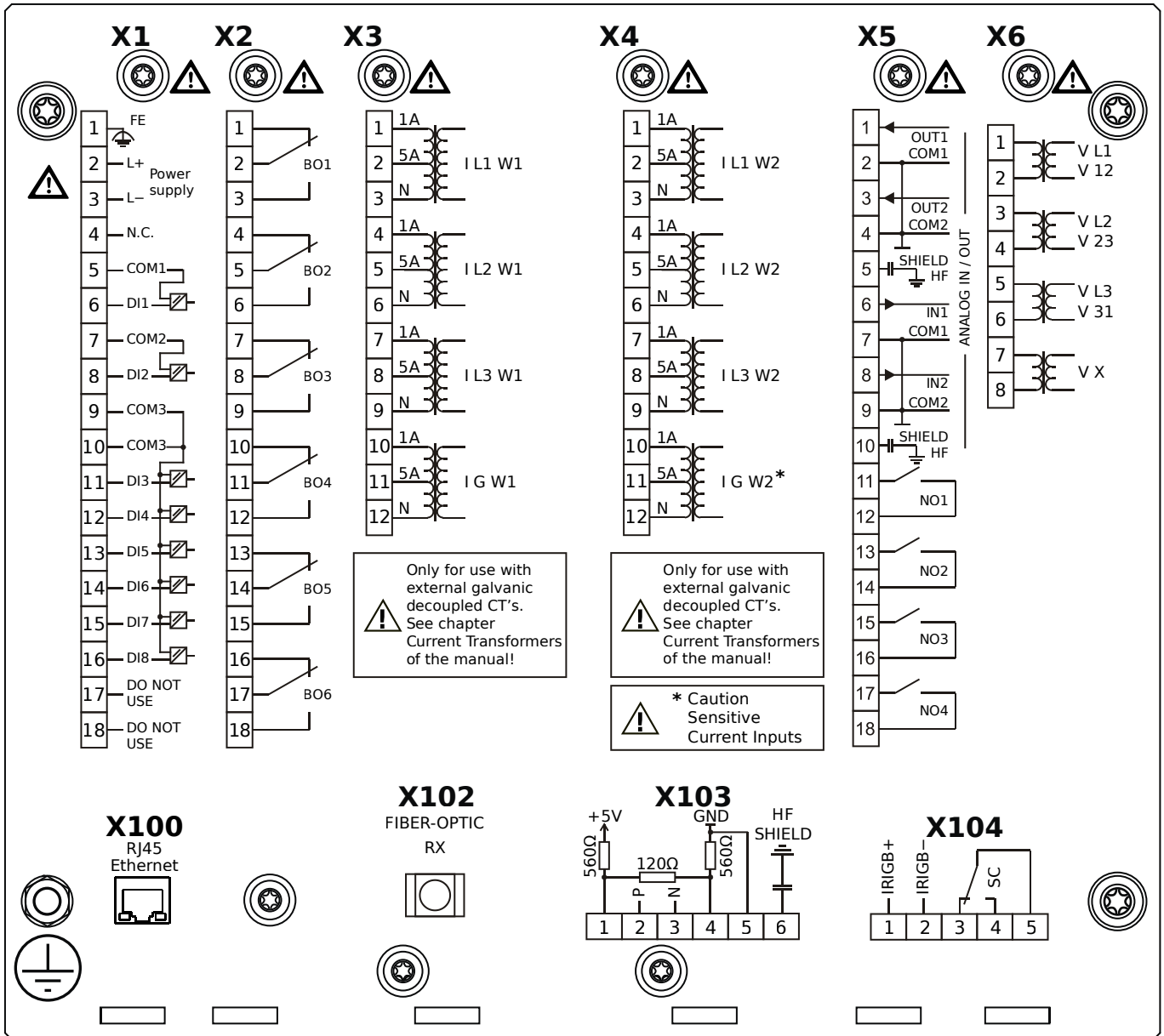


Housing B2, large display, door mounting

+ Conformal Coating (for installations in harsh environment)

- X1** – DI8-X1: Wide-range power supply unit, incl. 2 non-grouped digital inputs and 6 grouped digital inputs
- X2** – OR6: Assembly Group with 6 Output Relays (Changeover / Form C)
- X3** – TI: Standard current measuring card (for the winding side 1)
- X4** – TIs: Standard phase current measuring card and sensitive ground current measuring (winding side 2)
- X5** – AnIO2-OR4: Assembly Group with 2 Analog Inputs, 2 Analog Outputs and 4 Output Relays
- X6** – TU: Card with 4 voltage transformer measuring inputs (0 ... 800 VAC, under UL: 0 ... 600 VAC)
- X100** – IEC 61850 / Modbus TCP / IEC 60870-5-104 / DNP3.0 TCP/UDP, Ethernet interface, 100 Mbit/s, RJ45 (BASE100-FX)
- X102** – Universal Resistance-Temperature Detector (URTD) input, Fiber optics interface, Versatile Link
- X104** – IRIG-B00X, incl. System Contact (Supervision Contact)

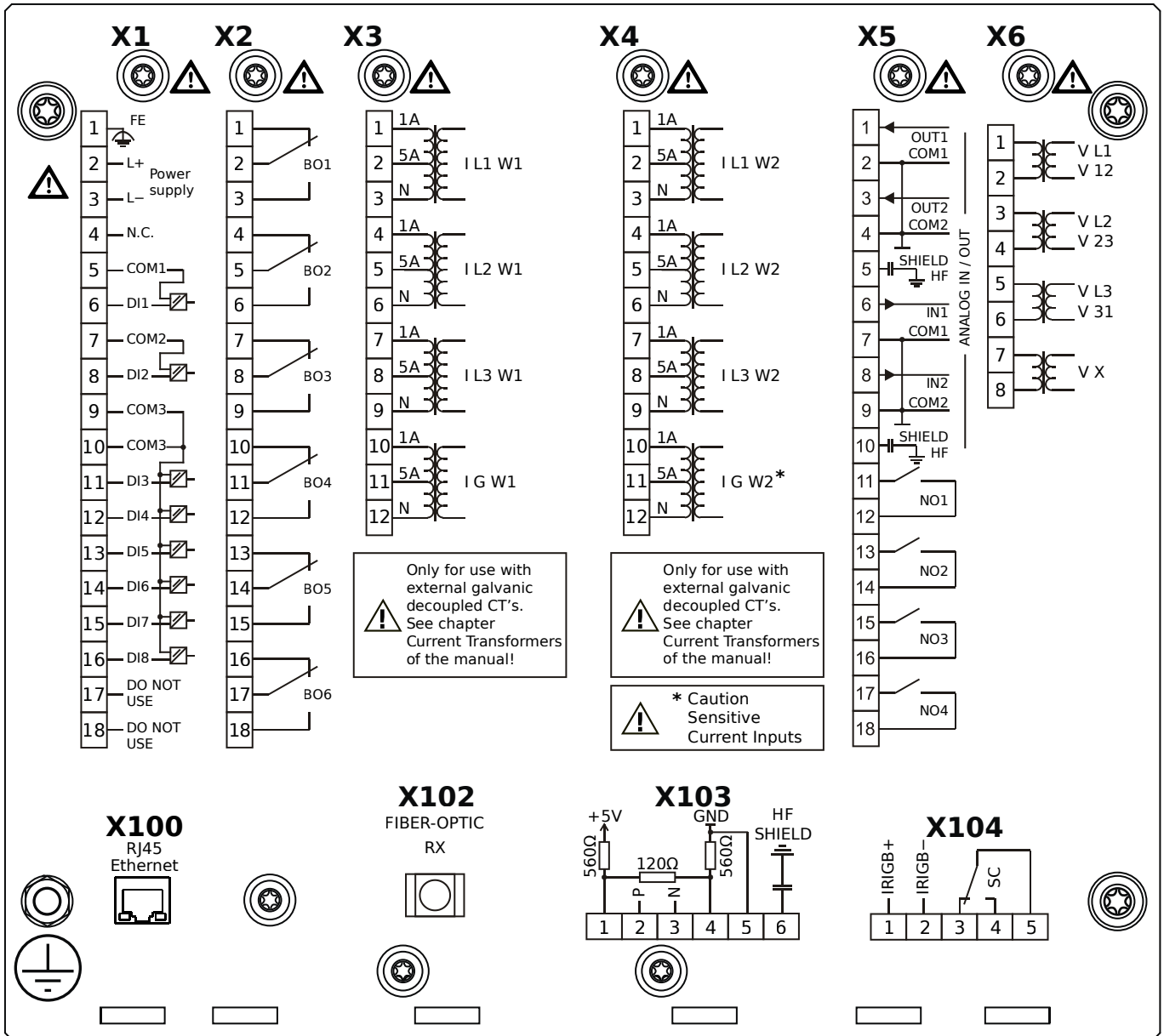
MCDTV4-2B2AIA



Housing B2, large display, door mounting

- X1** – DI8-X1: Wide-range power supply unit, incl. 2 non-grouped digital inputs and 6 grouped digital inputs
- X2** – OR6: Assembly Group with 6 Output Relays (Changeover / Form C)
- X3** – TI: Standard current measuring card (for the winding side 1)
- X4** – TIs: Standard phase current measuring card and sensitive ground current measuring (winding side 2)
- X5** – AnIO2-OR4: Assembly Group with 2 Analog Inputs, 2 Analog Outputs and 4 Output Relays
- X6** – TU: Card with 4 voltage transformer measuring inputs (0 ... 800 VAC, under UL: 0 ... 600 VAC)
- X100** – Modbus TCP / IEC 60870-5-104 / DNP3.0 TCP/UDP, Ethernet interface, 100 Mbit/s, RJ45 (BASE100-FX)
- X102** – Universal Resistance-Temperature Detector (URTD) input, Fiber optics interface, Versatile Link
- X103** – IEC 60870-5-103 / Modbus RTU / DNP3.0 RTU, RS485, Terminals
- X104** – IRIG-B00X, incl. System Contact (Supervision Contact)

MCDTV4-2B2AIB

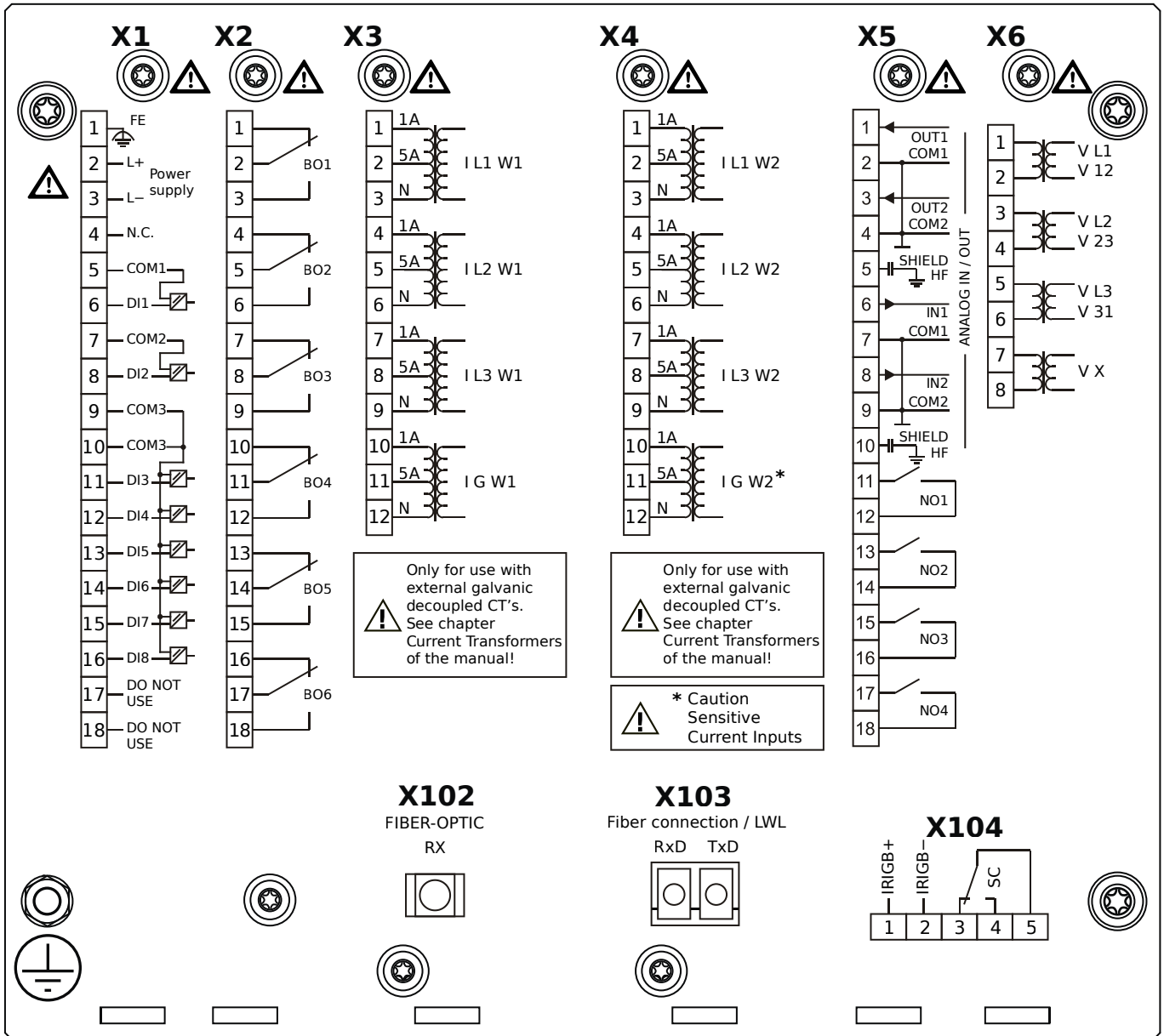


Housing B2, large display, door mounting

+ Conformal Coating (for installations in harsh environment)

- X1** – DI8-X1: Wide-range power supply unit, incl. 2 non-grouped digital inputs and 6 grouped digital inputs
- X2** – OR6: Assembly Group with 6 Output Relays (Changeover / Form C)
- X3** – TI: Standard current measuring card (for the winding side 1)
- X4** – TIs: Standard phase current measuring card and sensitive ground current measuring (winding side 2)
- X5** – AnIO2-OR4: Assembly Group with 2 Analog Inputs, 2 Analog Outputs and 4 Output Relays
- X6** – TU: Card with 4 voltage transformer measuring inputs (0 ... 800 VAC, under UL: 0 ... 600 VAC)
- X100** – Modbus TCP / IEC 60870-5-104 / DNP3.0 TCP/UDP, Ethernet interface, 100 Mbit/s, RJ45 (BASE100-FX)
- X102** – Universal Resistance-Temperature Detector (URTD) input, Fiber optics interface, Versatile Link
- X103** – IEC 60870-5-103 / Modbus RTU / DNP3.0 RTU, RS485, Terminals
- X104** – IRIG-B00X, incl. System Contact (Supervision Contact)

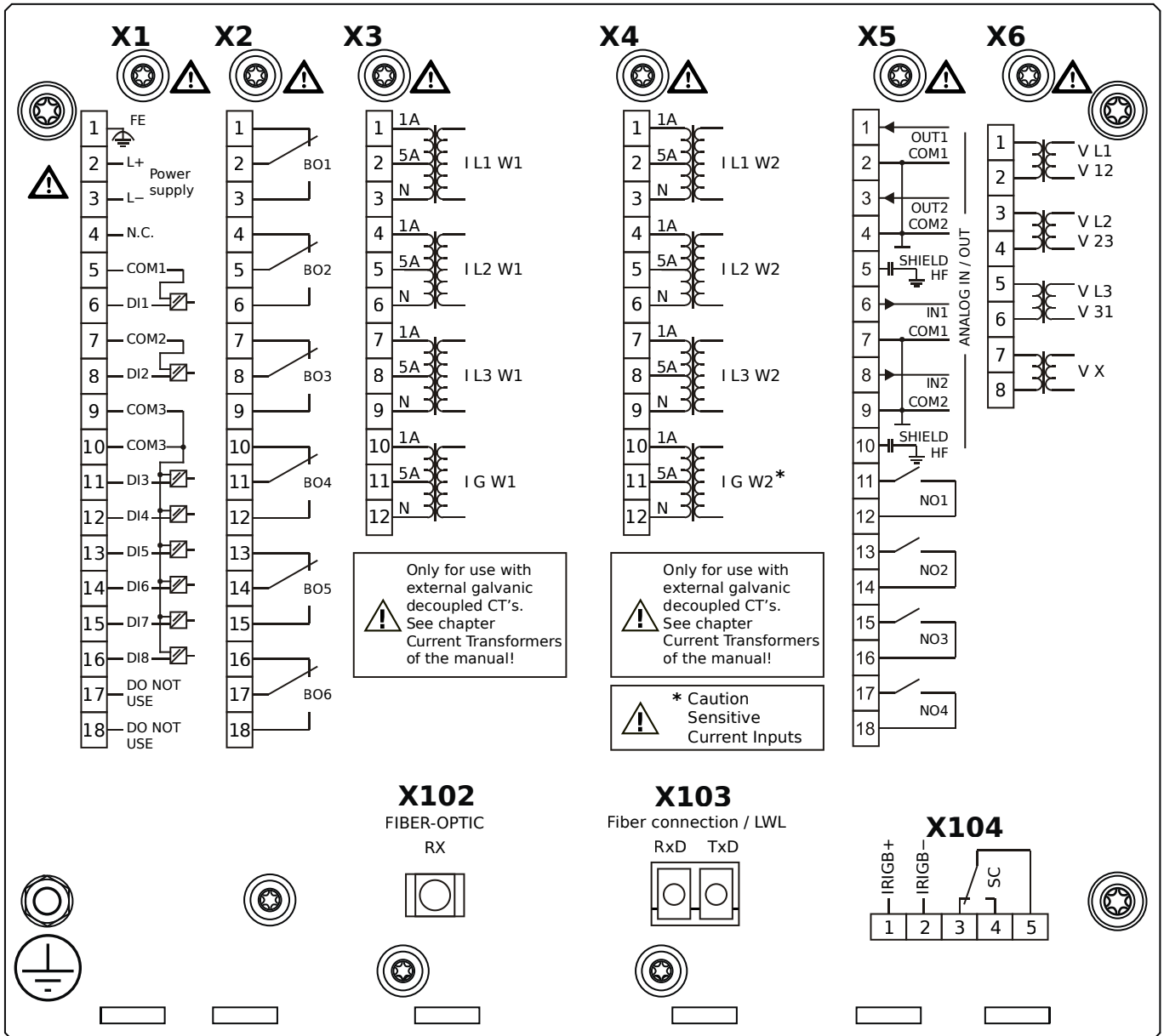
MCDTV4-2B2AKA



Housing B2, large display, door mounting

- X1** – DI8-X1: Wide-range power supply unit, incl. 2 non-grouped digital inputs and 6 grouped digital inputs
- X2** – OR6: Assembly Group with 6 Output Relays (Changeover / Form C)
- X3** – TI: Standard current measuring card (for the winding side 1)
- X4** – TIs: Standard phase current measuring card and sensitive ground current measuring (winding side 2)
- X5** – AnIO2-OR4: Assembly Group with 2 Analog Inputs, 2 Analog Outputs and 4 Output Relays
- X6** – TU: Card with 4 voltage transformer measuring inputs (0 ... 800 VAC, under UL: 0 ... 600 VAC)
- X102** – Universal Resistance-Temperature Detector (URTD) input, Fiber optics interface, Versatile Link
- X103** – IEC 61850 / Modbus TCP / IEC 60870-5-104 / DNP3.0 TCP/UDP, Fiber optics interface, LC Connector
- X104** – IRIG-B00X, incl. System Contact (Supervision Contact)

MCDTV4-2B2AKB

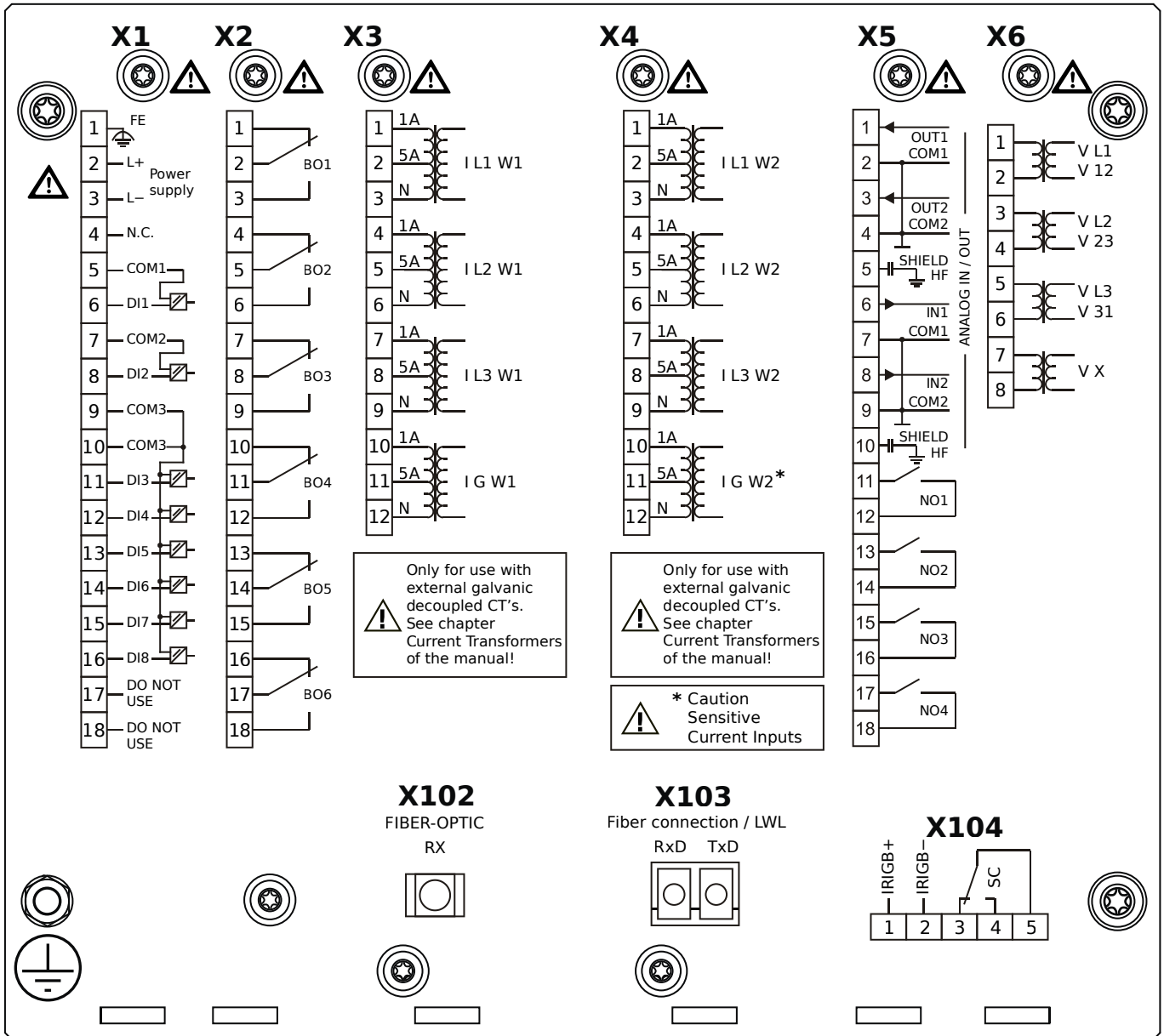


Housing B2, large display, door mounting

+ Conformal Coating (for installations in harsh environment)

- X1** – DI8-X1: Wide-range power supply unit, incl. 2 non-grouped digital inputs and 6 grouped digital inputs
- X2** – OR6: Assembly Group with 6 Output Relays (Changeover / Form C)
- X3** – TI: Standard current measuring card (for the winding side 1)
- X4** – TIs: Standard phase current measuring card and sensitive ground current measuring (winding side 2)
- X5** – AnIO2-OR4: Assembly Group with 2 Analog Inputs, 2 Analog Outputs and 4 Output Relays
- X6** – TU: Card with 4 voltage transformer measuring inputs (0 ... 800 VAC, under UL: 0 ... 600 VAC)
- X102** – Universal Resistance-Temperature Detector (URTD) input, Fiber optics interface, Versatile Link
- X103** – IEC 61850 / Modbus TCP / IEC 60870-5-104 / DNP3.0 TCP/UDP, Fiber optics interface, LC Connector
- X104** – IRIG-B00X, incl. System Contact (Supervision Contact)

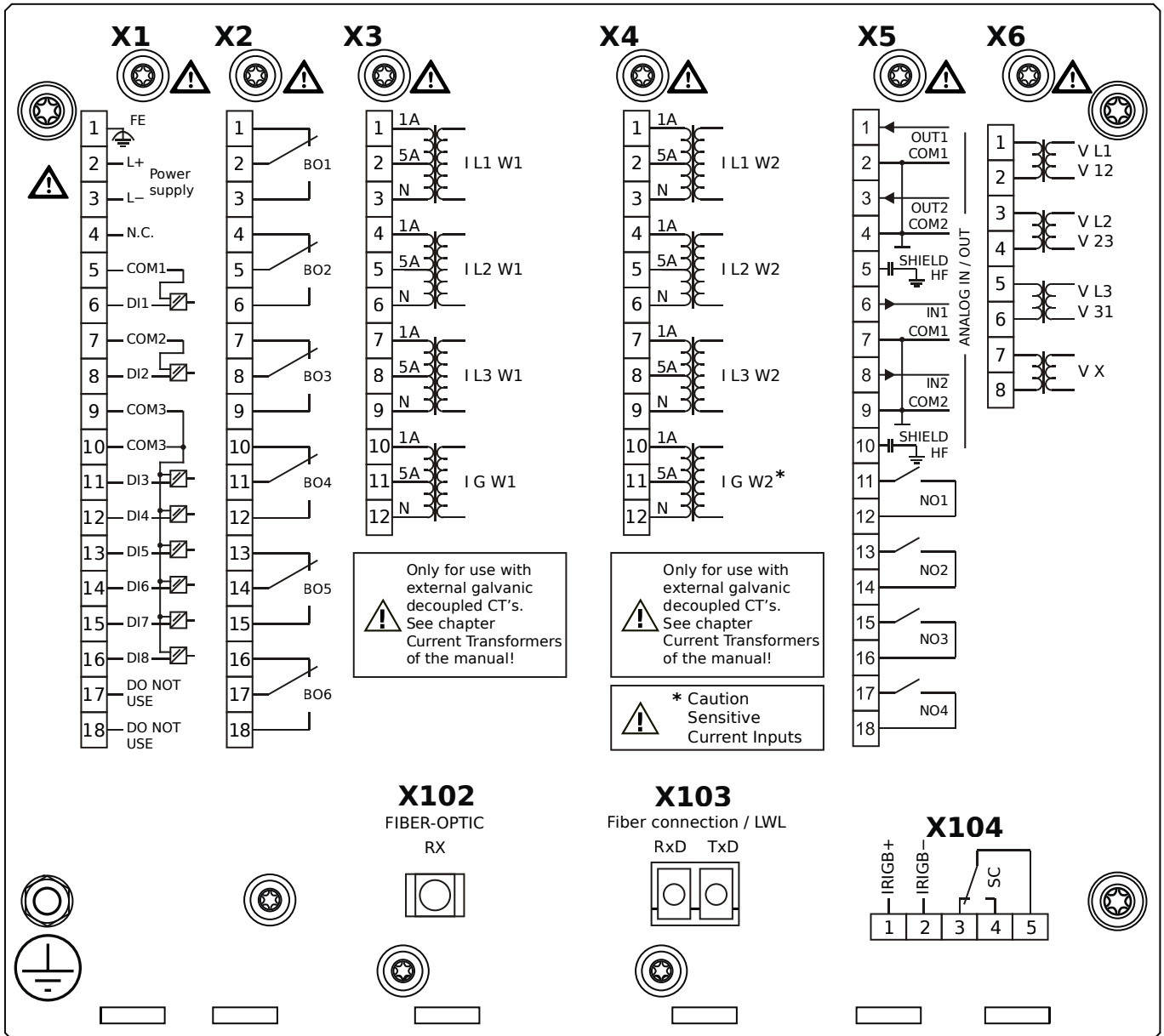
MCDTV4-2B2ALA



Housing B2, large display, door mounting

- X1** – DI8-X1: Wide-range power supply unit, incl. 2 non-grouped digital inputs and 6 grouped digital inputs
- X2** – OR6: Assembly Group with 6 Output Relays (Changeover / Form C)
- X3** – TI: Standard current measuring card (for the winding side 1)
- X4** – TIs: Standard phase current measuring card and sensitive ground current measuring (winding side 2)
- X5** – AnIO2-OR4: Assembly Group with 2 Analog Inputs, 2 Analog Outputs and 4 Output Relays
- X6** – TU: Card with 4 voltage transformer measuring inputs (0 ... 800 VAC, under UL: 0 ... 600 VAC)
- X102** – Universal Resistance-Temperature Detector (URTD) input, Fiber optics interface, Versatile Link
- X103** – Modbus TCP / IEC 60870-5-104 / DNP3.0 TCP/UDP, Fiber optics interface, LC Connector
- X104** – IRIG-B00X, incl. System Contact (Supervision Contact)

MCDTV4-2B2ALB

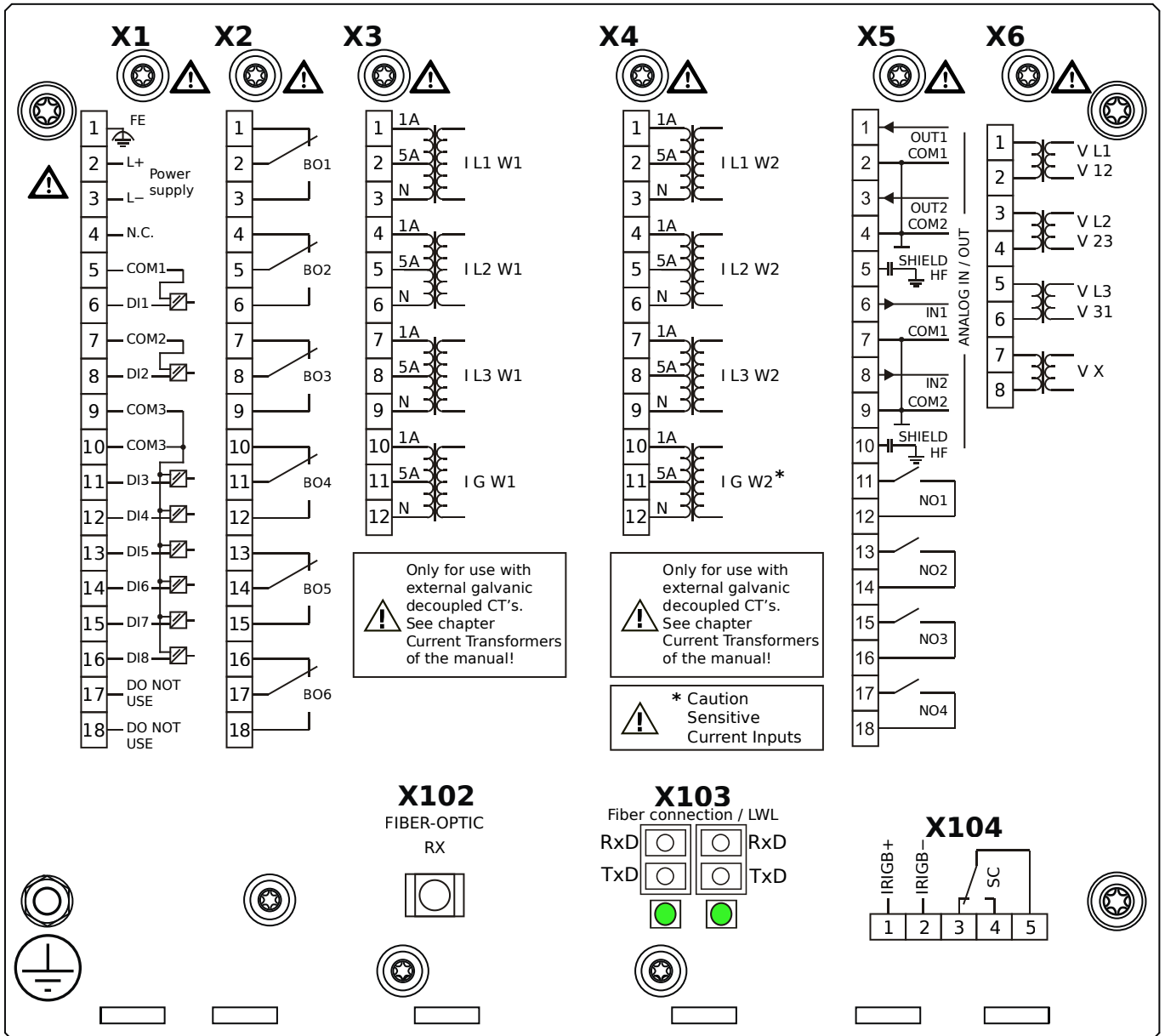


Housing B2, large display, door mounting

+ Conformal Coating (for installations in harsh environment)

- X1** – DI8-X1: Wide-range power supply unit, incl. 2 non-grouped digital inputs and 6 grouped digital inputs
- X2** – OR6: Assembly Group with 6 Output Relays (Changeover / Form C)
- X3** – TI: Standard current measuring card (for the winding side 1)
- X4** – TIs: Standard phase current measuring card and sensitive ground current measuring (winding side 2)
- X5** – AnIO2-OR4: Assembly Group with 2 Analog Inputs, 2 Analog Outputs and 4 Output Relays
- X6** – TU: Card with 4 voltage transformer measuring inputs (0 ... 800 VAC, under UL: 0 ... 600 VAC)
- X102** – Universal Resistance-Temperature Detector (URTD) input, Fiber optics interface, Versatile Link
- X103** – Modbus TCP / IEC 60870-5-104 / DNP3.0 TCP/UDP, Fiber optics interface, LC Connector
- X104** – IRIG-B00X, incl. System Contact (Supervision Contact)

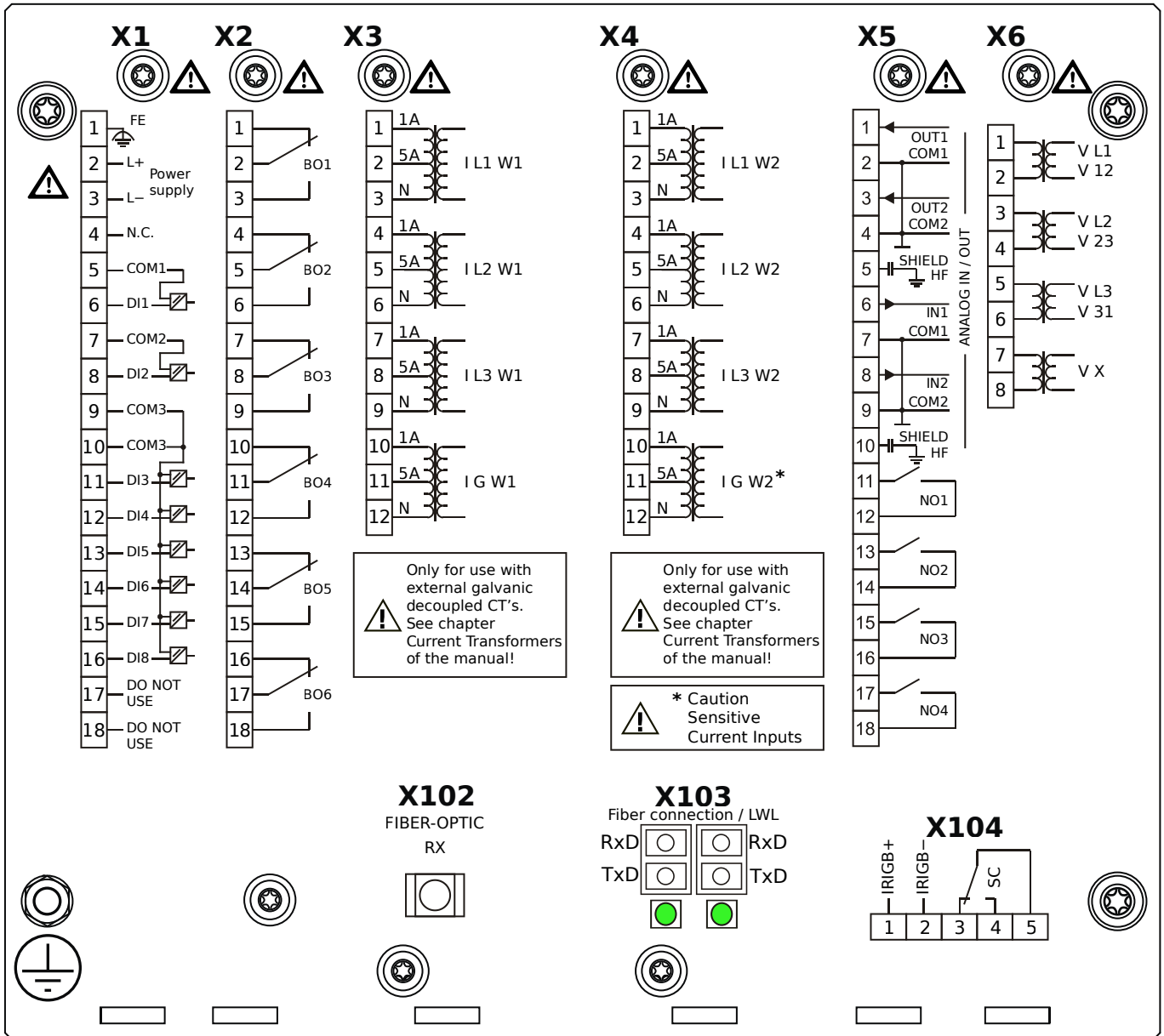
MCDTV4-2B2AOA



Housing B2, large display, door mounting

- X1** – DI8-X1: Wide-range power supply unit, incl. 2 non-grouped digital inputs and 6 grouped digital inputs
- X2** – OR6: Assembly Group with 6 Output Relays (Changeover / Form C)
- X3** – TI: Standard current measuring card (for the winding side 1)
- X4** – TIs: Standard phase current measuring card and sensitive ground current measuring (winding side 2)
- X5** – AnIO2-OR4: Assembly Group with 2 Analog Inputs, 2 Analog Outputs and 4 Output Relays
- X6** – TU: Card with 4 voltage transformer measuring inputs (0 ... 800 VAC, under UL: 0 ... 600 VAC)
- X102** – Universal Resistance-Temperature Detector (URTD) input, Fiber optics interface, Versatile Link
- X103** – Modbus TCP / IEC 60870-5-104 / DNP3.0 TCP/UDP, Redundant Fiber optics interface, LC Connector
- X104** – IRIG-B00X, incl. System Contact (Supervision Contact)

MCDTV4-2B2AOB

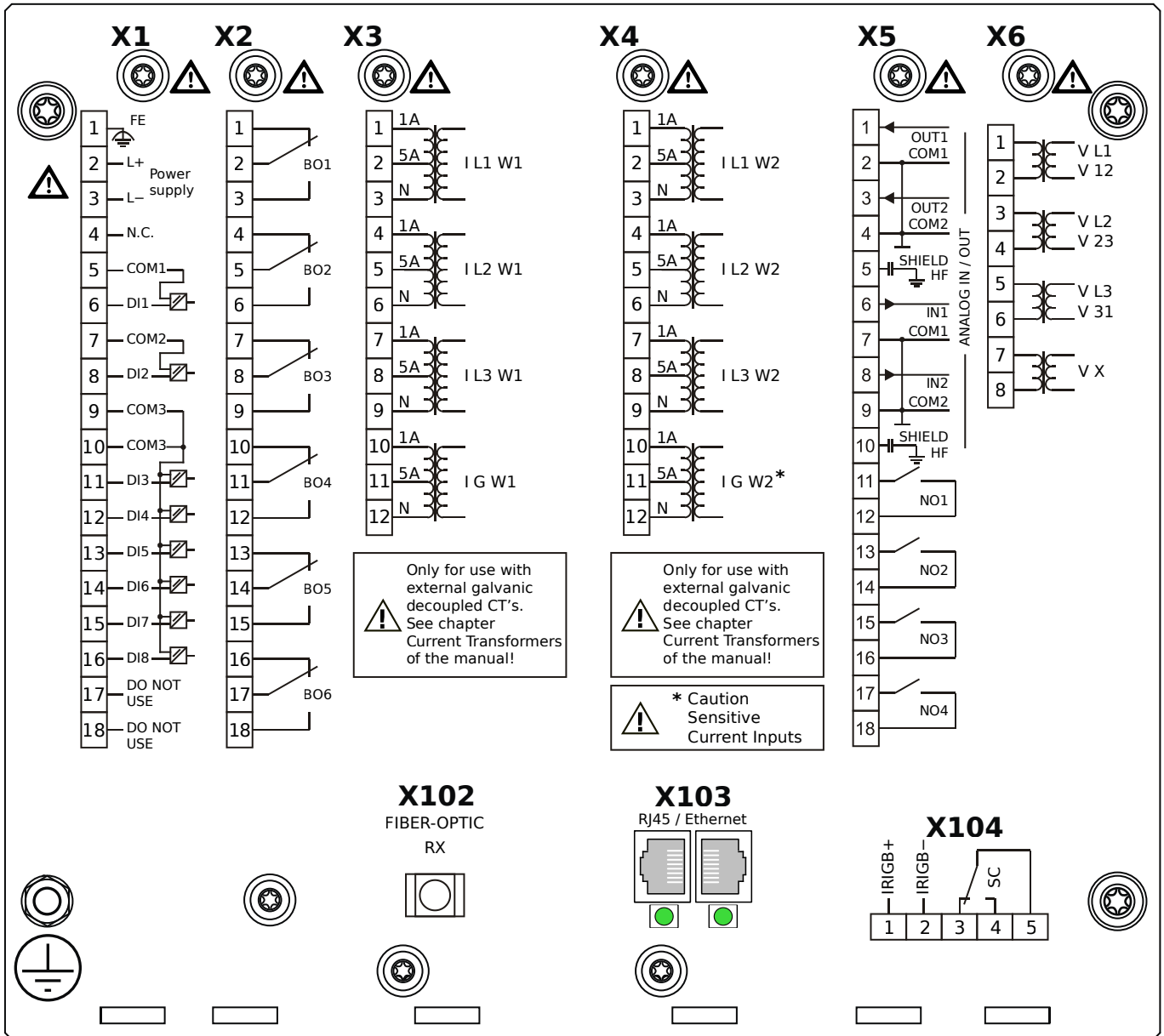


Housing B2, large display, door mounting

+ Conformal Coating (for installations in harsh environment)

- X1** – DI8-X1: Wide-range power supply unit, incl. 2 non-grouped digital inputs and 6 grouped digital inputs
- X2** – OR6: Assembly Group with 6 Output Relays (Changeover / Form C)
- X3** – TI: Standard current measuring card (for the winding side 1)
- X4** – TIs: Standard phase current measuring card and sensitive ground current measuring (winding side 2)
- X5** – AnIO2-OR4: Assembly Group with 2 Analog Inputs, 2 Analog Outputs and 4 Output Relays
- X6** – TU: Card with 4 voltage transformer measuring inputs (0 ... 800 VAC, under UL: 0 ... 600 VAC)
- X102** – Universal Resistance-Temperature Detector (URTD) input, Fiber optics interface, Versatile Link
- X103** – Modbus TCP / IEC 60870-5-104 / DNP3.0 TCP/UDP, Redundant Fiber optics interface, LC Connector
- X104** – IRIG-B00X, incl. System Contact (Supervision Contact)

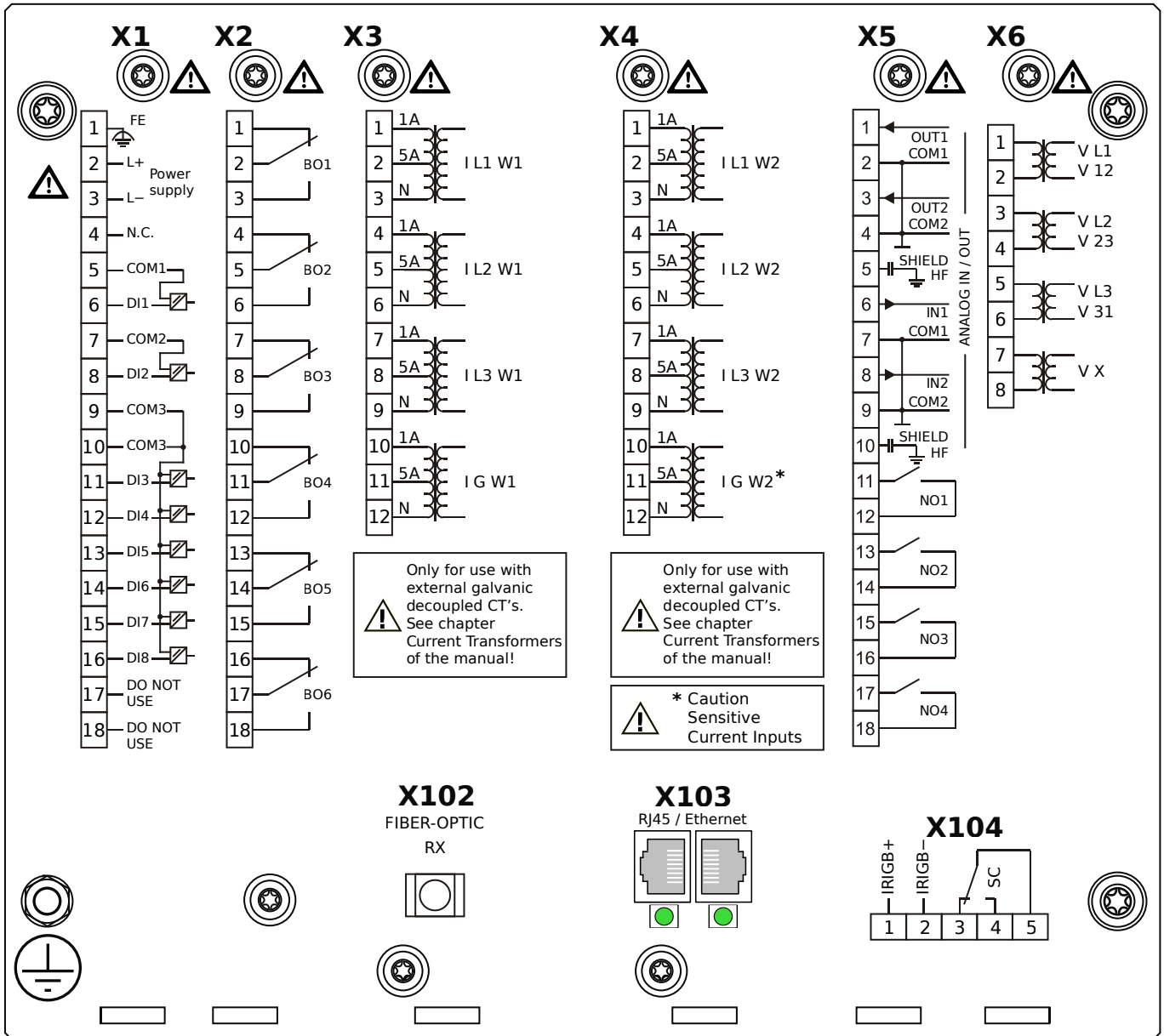
MCDTV4-2B2APA



Housing B2, large display, door mounting

- X1** – DI8-X1: Wide-range power supply unit, incl. 2 non-grouped digital inputs and 6 grouped digital inputs
- X2** – OR6: Assembly Group with 6 Output Relays (Changeover / Form C)
- X3** – TI: Standard current measuring card (for the winding side 1)
- X4** – TIs: Standard phase current measuring card and sensitive ground current measuring (winding side 2)
- X5** – AnIO2-OR4: Assembly Group with 2 Analog Inputs, 2 Analog Outputs and 4 Output Relays
- X6** – TU: Card with 4 voltage transformer measuring inputs (0 ... 800 VAC, under UL: 0 ... 600 VAC)
- X102** – Universal Resistance-Temperature Detector (URTD) input, Fiber optics interface, Versatile Link
- X103** – Modbus TCP / IEC 60870-5-104 / DNP3.0 TCP/UDP, Redundant Ethernet interface, 100 Mbit/s, RJ45 (BASE100-FX)
- X104** – IRIG-B00X, incl. System Contact (Supervision Contact)

MCDTV4-2B2APB

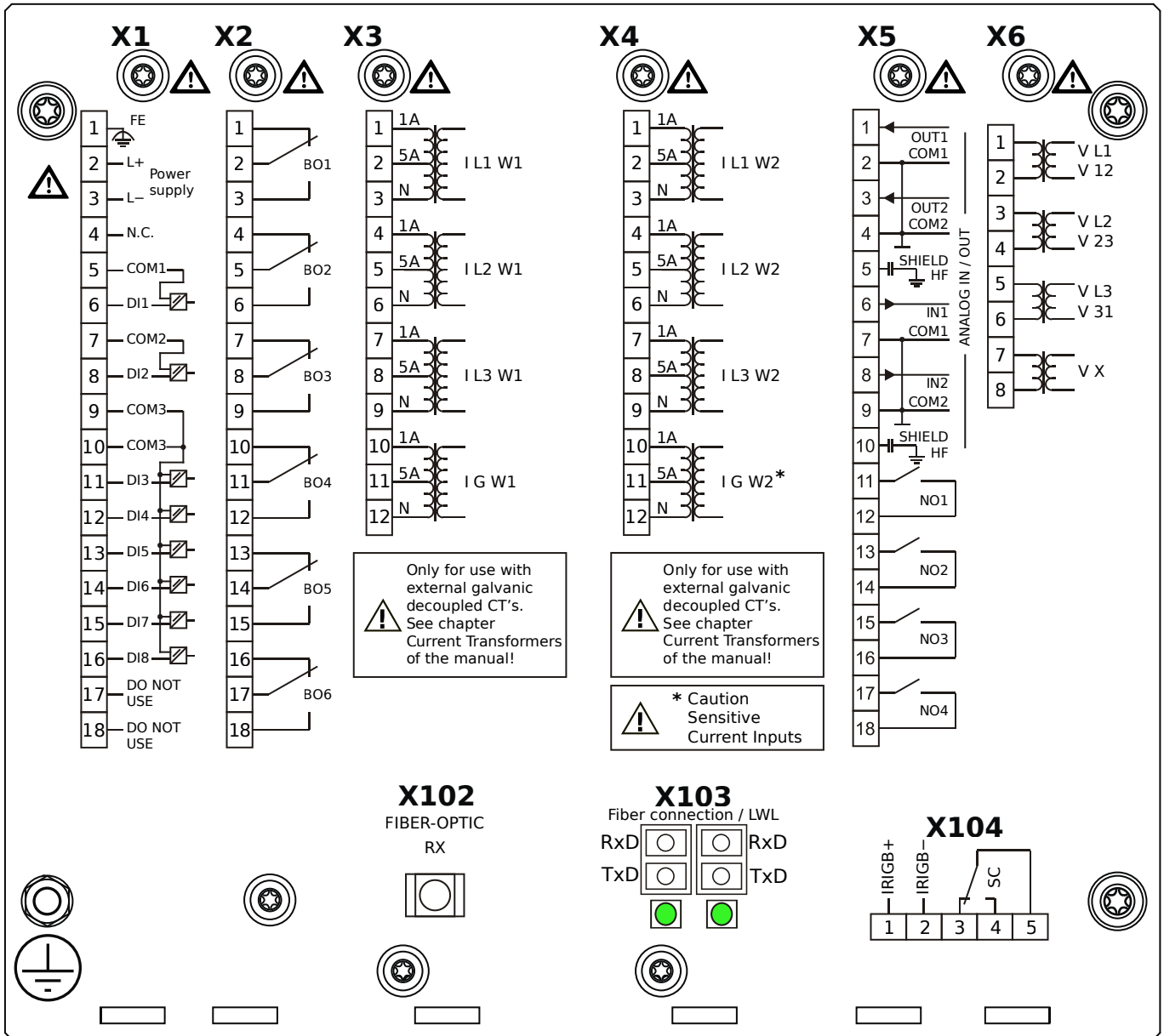


Housing B2, large display, door mounting

+ Conformal Coating (for installations in harsh environment)

- X1** – DI8-X1: Wide-range power supply unit, incl. 2 non-grouped digital inputs and 6 grouped digital inputs
- X2** – OR6: Assembly Group with 6 Output Relays (Changeover / Form C)
- X3** – TI: Standard current measuring card (for the winding side 1)
- X4** – TIs: Standard phase current measuring card and sensitive ground current measuring (winding side 2)
- X5** – AnIO2-OR4: Assembly Group with 2 Analog Inputs, 2 Analog Outputs and 4 Output Relays
- X6** – TU: Card with 4 voltage transformer measuring inputs (0 ... 800 VAC, under UL: 0 ... 600 VAC)
- X102** – Universal Resistance-Temperature Detector (URTD) input, Fiber optics interface, Versatile Link
- X103** – Modbus TCP / IEC 60870-5-104 / DNP3.0 TCP/UDP, Redundant Ethernet interface, 100 Mbit/s, RJ45 (BASE100-FX)
- X104** – IRIG-B00X, incl. System Contact (Supervision Contact)

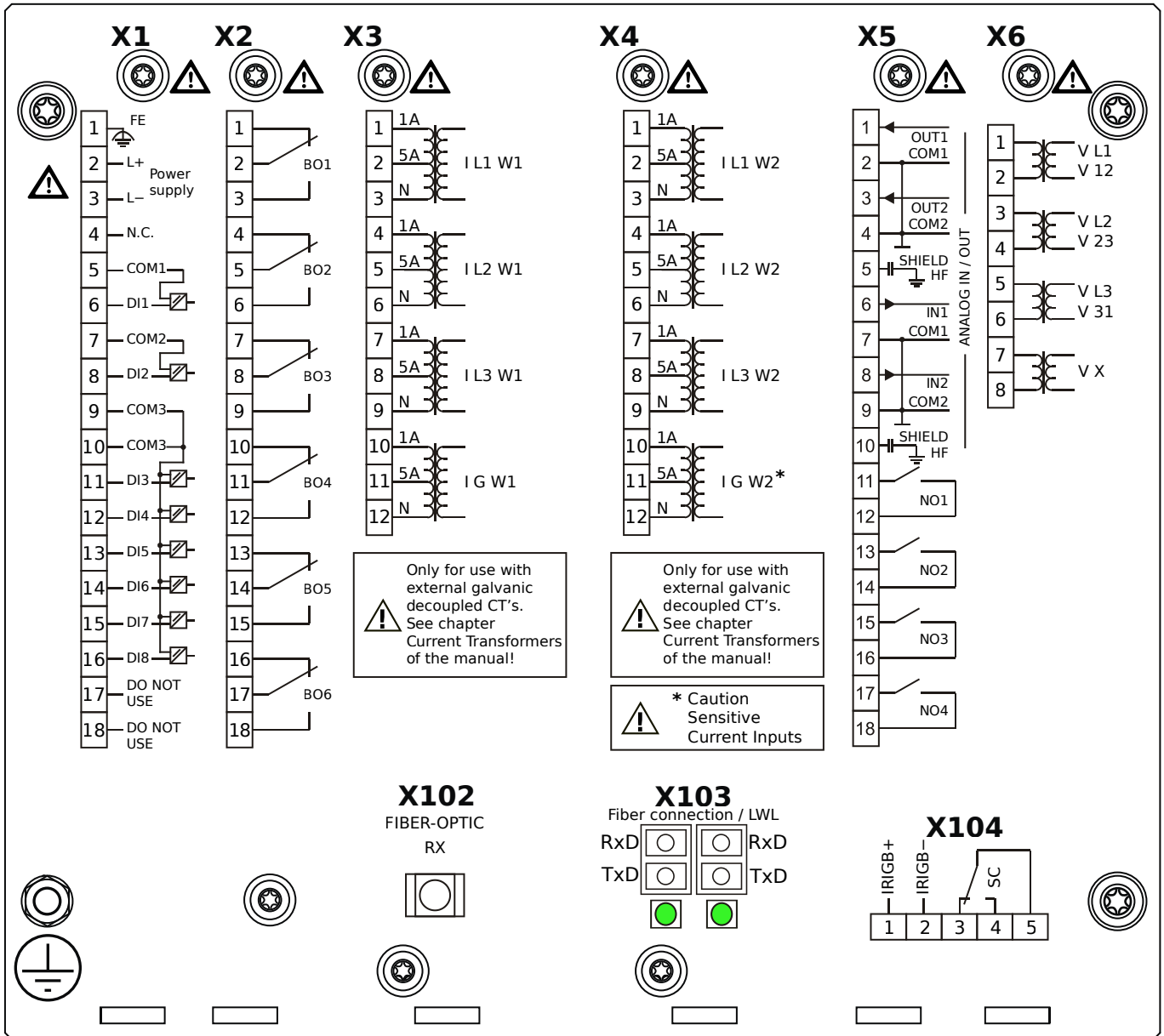
MCDTV4-2B2AQA



Housing B2, large display, door mounting

- X1** – DI8-X1: Wide-range power supply unit, incl. 2 non-grouped digital inputs and 6 grouped digital inputs
- X2** – OR6: Assembly Group with 6 Output Relays (Changeover / Form C)
- X3** – TI: Standard current measuring card (for the winding side 1)
- X4** – TIs: Standard phase current measuring card and sensitive ground current measuring (winding side 2)
- X5** – AnIO2-OR4: Assembly Group with 2 Analog Inputs, 2 Analog Outputs and 4 Output Relays
- X6** – TU: Card with 4 voltage transformer measuring inputs (0 ... 800 VAC, under UL: 0 ... 600 VAC)
- X102** – Universal Resistance-Temperature Detector (URTD) input, Fiber optics interface, Versatile Link
- X103** – IEC 61850 / Modbus TCP / IEC 60870-5-104 / DNP3.0 TCP/UDP, Redundant Fiber optics interface, LC Connector
- X104** – IRIG-B00X, incl. System Contact (Supervision Contact)

MCDTV4-2B2AQB



Housing B2, large display, door mounting

+ Conformal Coating (for installations in harsh environment)

X1 – DI8-X1: Wide-range power supply unit, incl. 2 non-grouped digital inputs and 6 grouped digital inputs

X2 – OR6: Assembly Group with 6 Output Relays (Changeover / Form C)

X3 – TI: Standard current measuring card (for the winding side 1)

X4 – TIs: Standard phase current measuring card and sensitive ground current measuring (winding side 2)

X5 – AnIO2-OR4: Assembly Group with 2 Analog Inputs, 2 Analog Outputs and 4 Output Relays

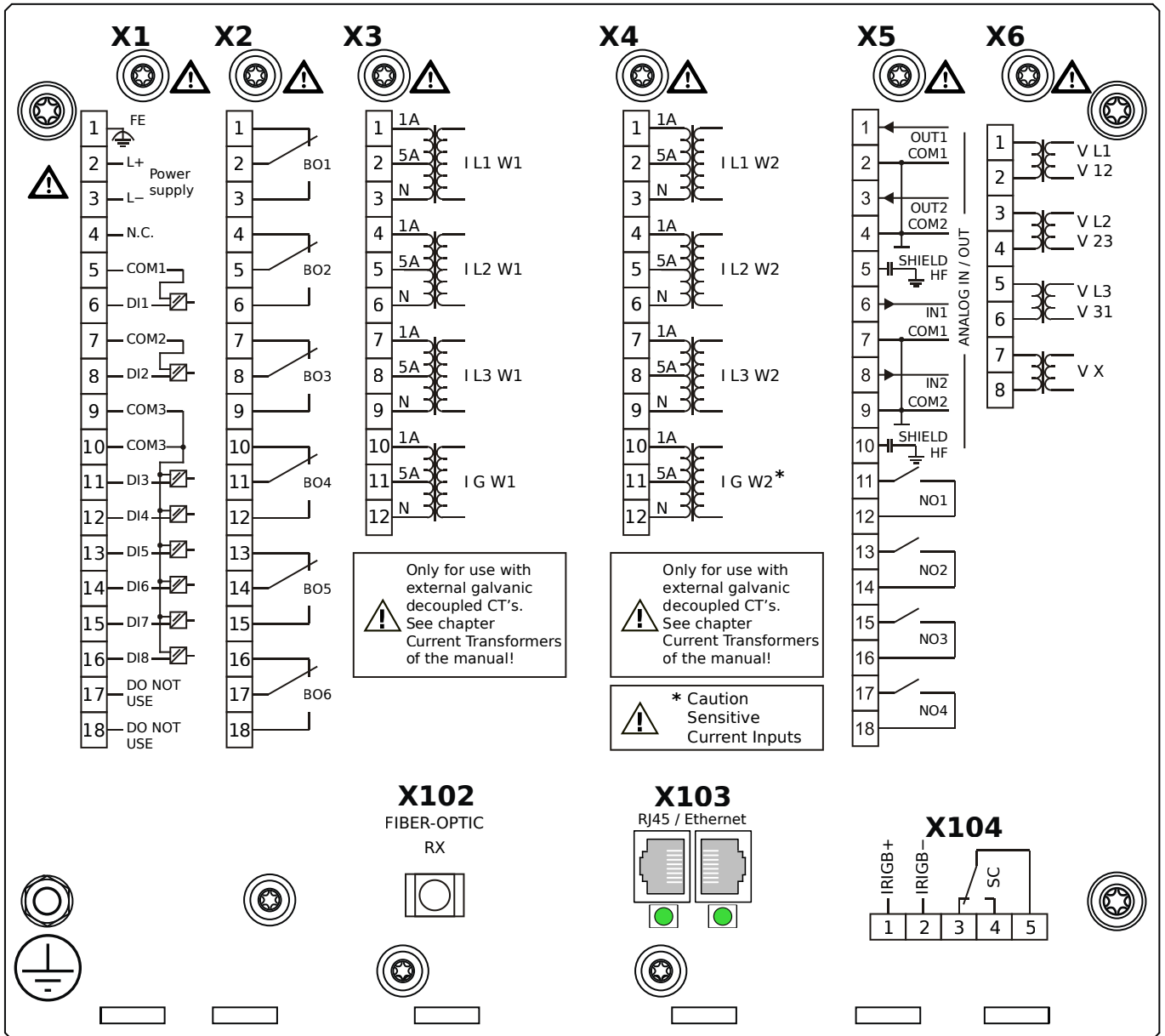
X6 – TU: Card with 4 voltage transformer measuring inputs (0 ... 800 VAC, under UL: 0 ... 600 VAC)

X102 – Universal Resistance-Temperature Detector (URTD) input, Fiber optics interface, Versatile Link

X103 – IEC 61850 / Modbus TCP / IEC 60870-5-104 / DNP3.0 TCP/UDP, Redundant Fiber optics interface, LC Connector

X104 – IRIG-B00X, incl. System Contact (Supervision Contact)

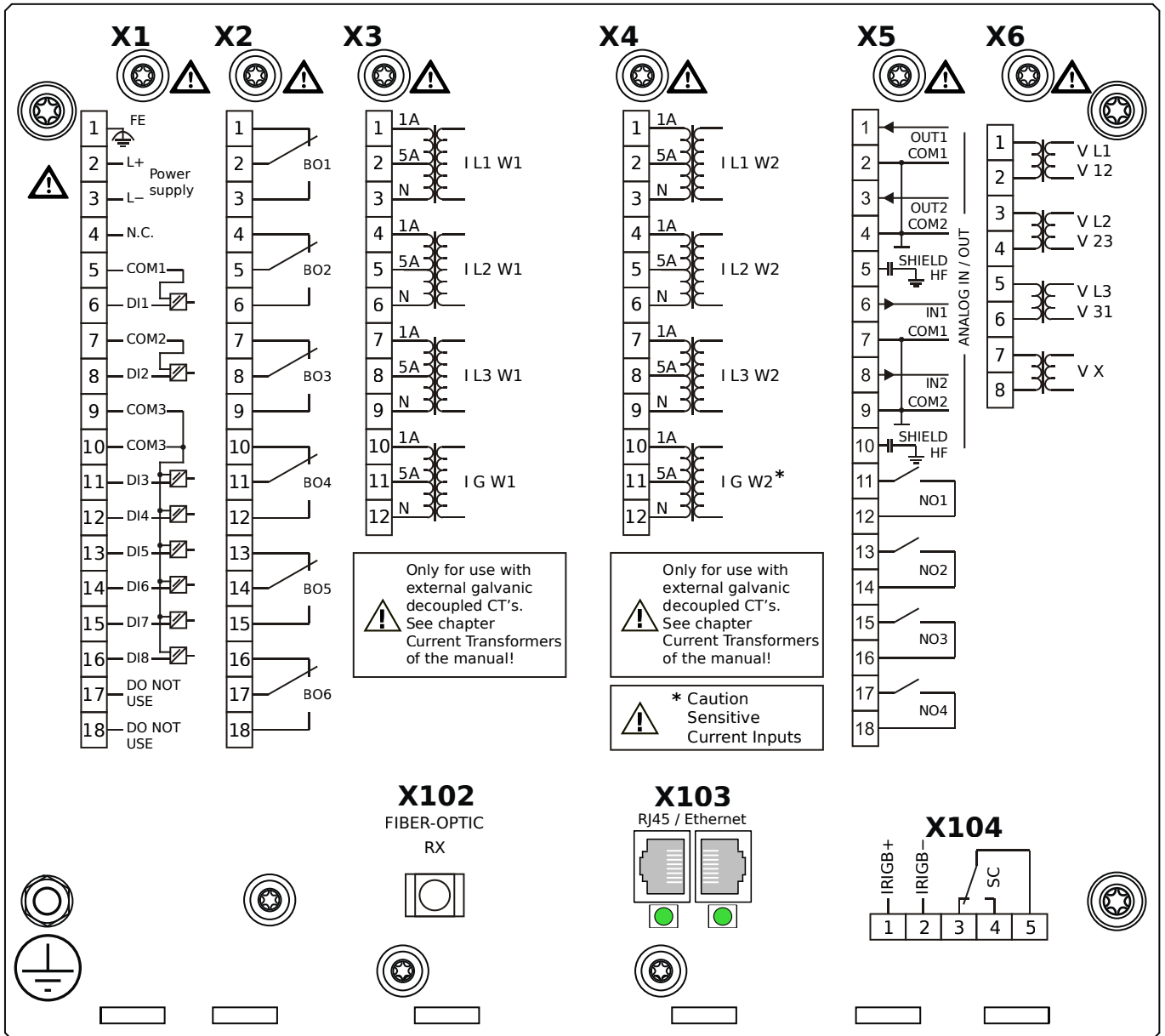
MCDTV4-2B2ARA



Housing B2, large display, door mounting

- X1** – DI8-X1: Wide-range power supply unit, incl. 2 non-grouped digital inputs and 6 grouped digital inputs
- X2** – OR6: Assembly Group with 6 Output Relays (Changeover / Form C)
- X3** – TI: Standard current measuring card (for the winding side 1)
- X4** – TIs: Standard phase current measuring card and sensitive ground current measuring (winding side 2)
- X5** – AnIO2-OR4: Assembly Group with 2 Analog Inputs, 2 Analog Outputs and 4 Output Relays
- X6** – TU: Card with 4 voltage transformer measuring inputs (0 ... 800 VAC, under UL: 0 ... 600 VAC)
- X102** – Universal Resistance-Temperature Detector (URTD) input, Fiber optics interface, Versatile Link
- X103** – IEC 61850 / Modbus TCP / IEC 60870-5-104 / DNP3.0 TCP/UDP, Redundant Ethernet interface, 100 Mbit/s, RJ45
- X104** – IRIG-B00X, incl. System Contact (Supervision Contact)

MCDTV4-2B2ARB



Housing B2, large display, door mounting

+ Conformal Coating (for installations in harsh environment)

X1 – DI8-X1: Wide-range power supply unit, incl. 2 non-grouped digital inputs and 6 grouped digital inputs

X2 – OR6: Assembly Group with 6 Output Relays (Changeover / Form C)

X3 – TI: Standard current measuring card (for the winding side 1)

X4 – TIs: Standard phase current measuring card and sensitive ground current measuring (winding side 2)

X5 – AnIO2-OR4: Assembly Group with 2 Analog Inputs, 2 Analog Outputs and 4 Output Relays

X6 – TU: Card with 4 voltage transformer measuring inputs (0 ... 800 VAC, under UL: 0 ... 600 VAC)

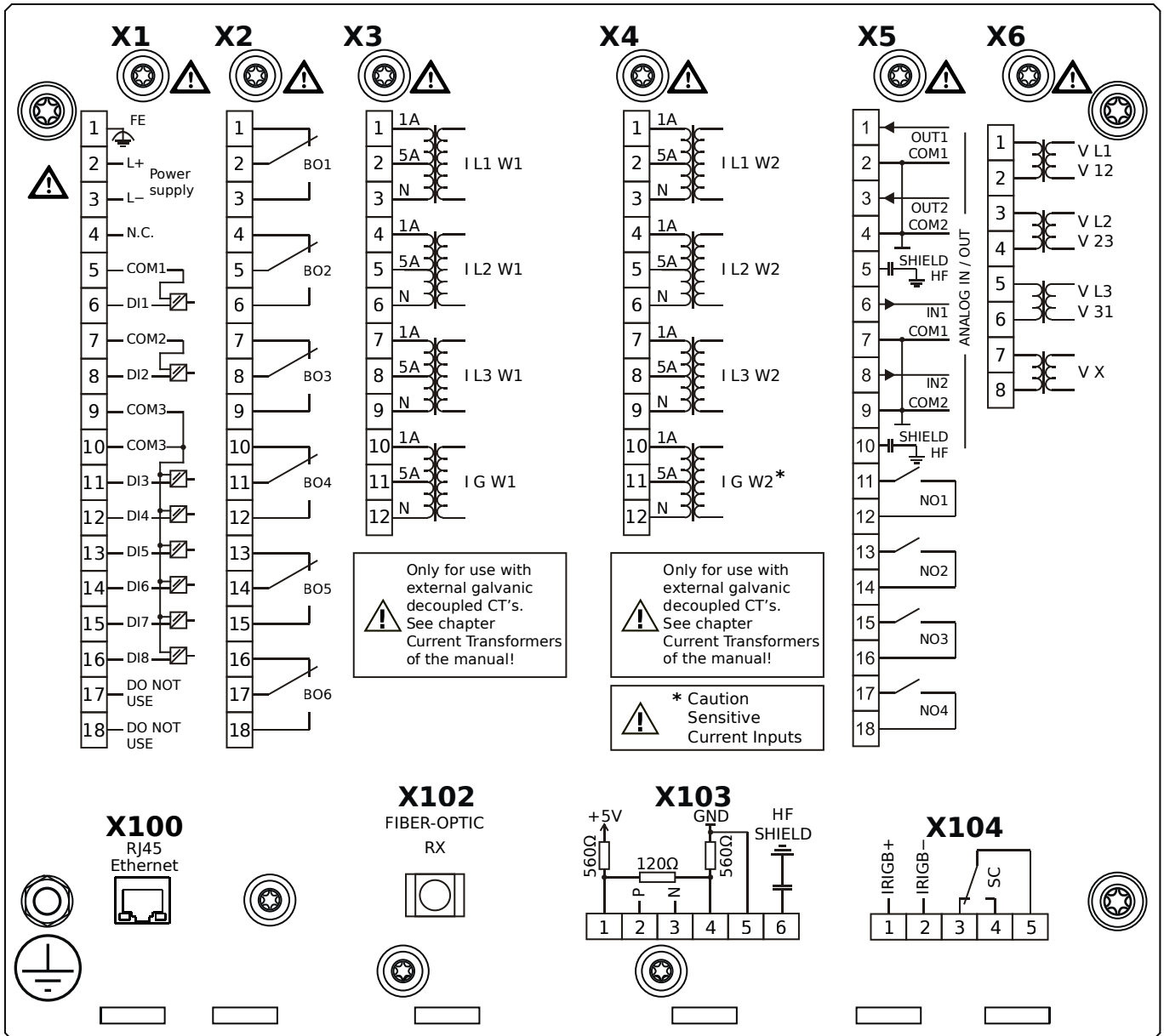
X102 – Universal Resistance-Temperature Detector (URTD) input, Fiber optics interface, Versatile Link

X103 – IEC 61850 / Modbus TCP / IEC 60870-5-104 / DNP3.0 TCP/UDP, Redundant Ethernet interface, 100 Mbit/s, RJ45

(BASE100-FX)

X104 – IRIG-B00X, incl. System Contact (Supervision Contact)

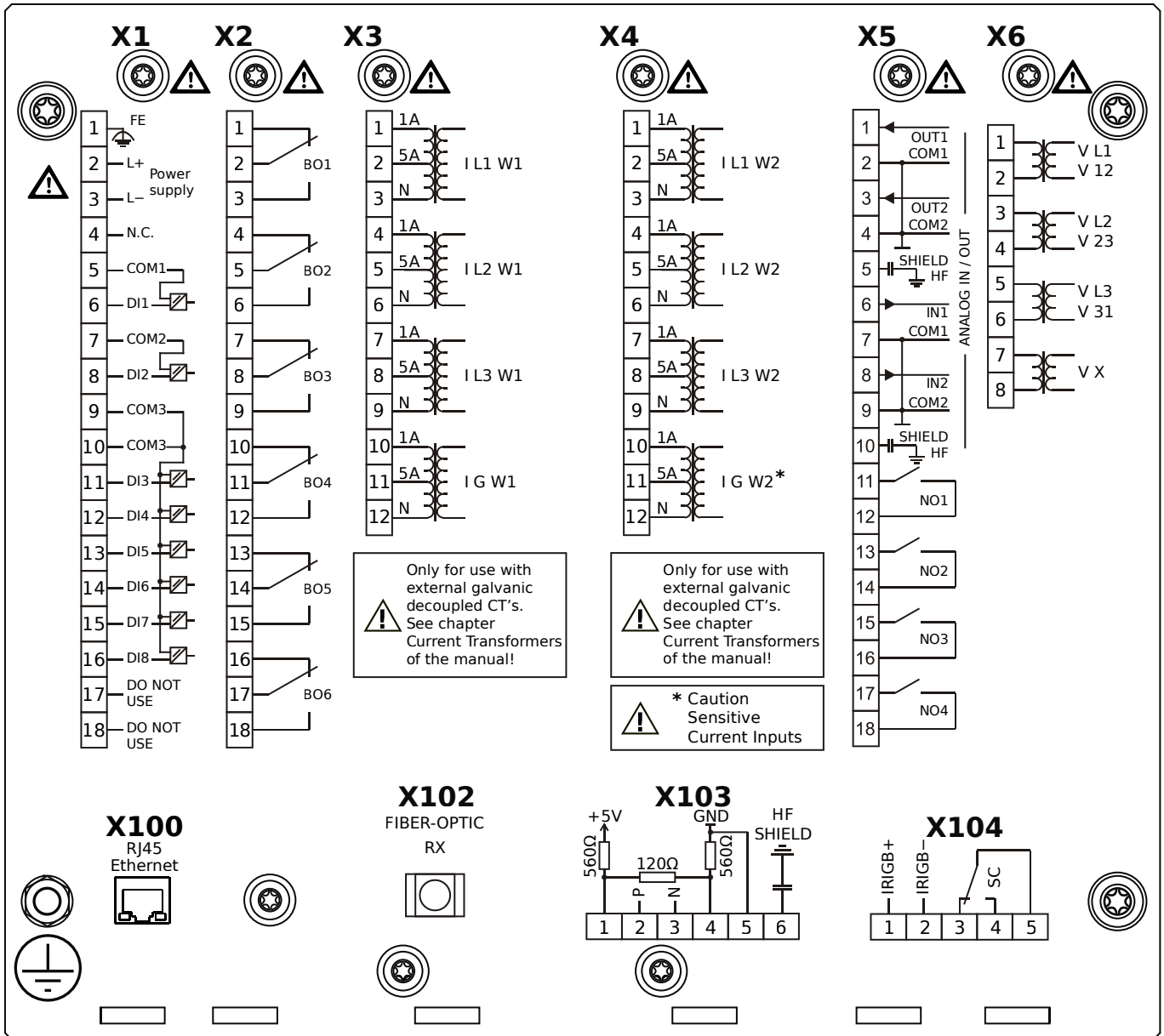
MCDTV4-2B2ATA



Housing B2, large display, door mounting

- X1** – DI8-X1: Wide-range power supply unit, incl. 2 non-grouped digital inputs and 6 grouped digital inputs
- X2** – OR6: Assembly Group with 6 Output Relays (Changeover / Form C)
- X3** – TI: Standard current measuring card (for the winding side 1)
- X4** – TIs: Standard phase current measuring card and sensitive ground current measuring (winding side 2)
- X5** – AnIO2-OR4: Assembly Group with 2 Analog Inputs, 2 Analog Outputs and 4 Output Relays
- X6** – TU: Card with 4 voltage transformer measuring inputs (0 ... 800 VAC, under UL: 0 ... 600 VAC)
- X100** – IEC 61850 / Modbus TCP / IEC 60870-5-104 / DNP3.0 TCP/UDP, Ethernet interface, 100 Mbit/s, RJ45 (BASE100-FX)
- X102** – Universal Resistance-Temperature Detector (URTD) input, Fiber optics interface, Versatile Link
- X103** – IEC 60870-5-103 / Modbus RTU / DNP3.0 RTU, RS485, Terminals
- X104** – IRIG-B00X, incl. System Contact (Supervision Contact)

MCDTV4-2B2ATB



Housing B2, large display, door mounting

+ Conformal Coating (for installations in harsh environment)

X1 – DI8-X1: Wide-range power supply unit, incl. 2 non-grouped digital inputs and 6 grouped digital inputs

X2 – OR6: Assembly Group with 6 Output Relays (Changeover / Form C)

X3 – TI: Standard current measuring card (for the winding side 1)

X4 – TIs: Standard phase current measuring card and sensitive ground current measuring (winding side 2)

X5 – AnIO2-OR4: Assembly Group with 2 Analog Inputs, 2 Analog Outputs and 4 Output Relays

X6 – TU: Card with 4 voltage transformer measuring inputs (0 ... 800 VAC, under UL: 0 ... 600 VAC)

X100 – IEC 61850 / Modbus TCP / IEC 60870-5-104 / DNP3.0 TCP/UDP, Ethernet interface, 100 Mbit/s, RJ45 (BASE100-

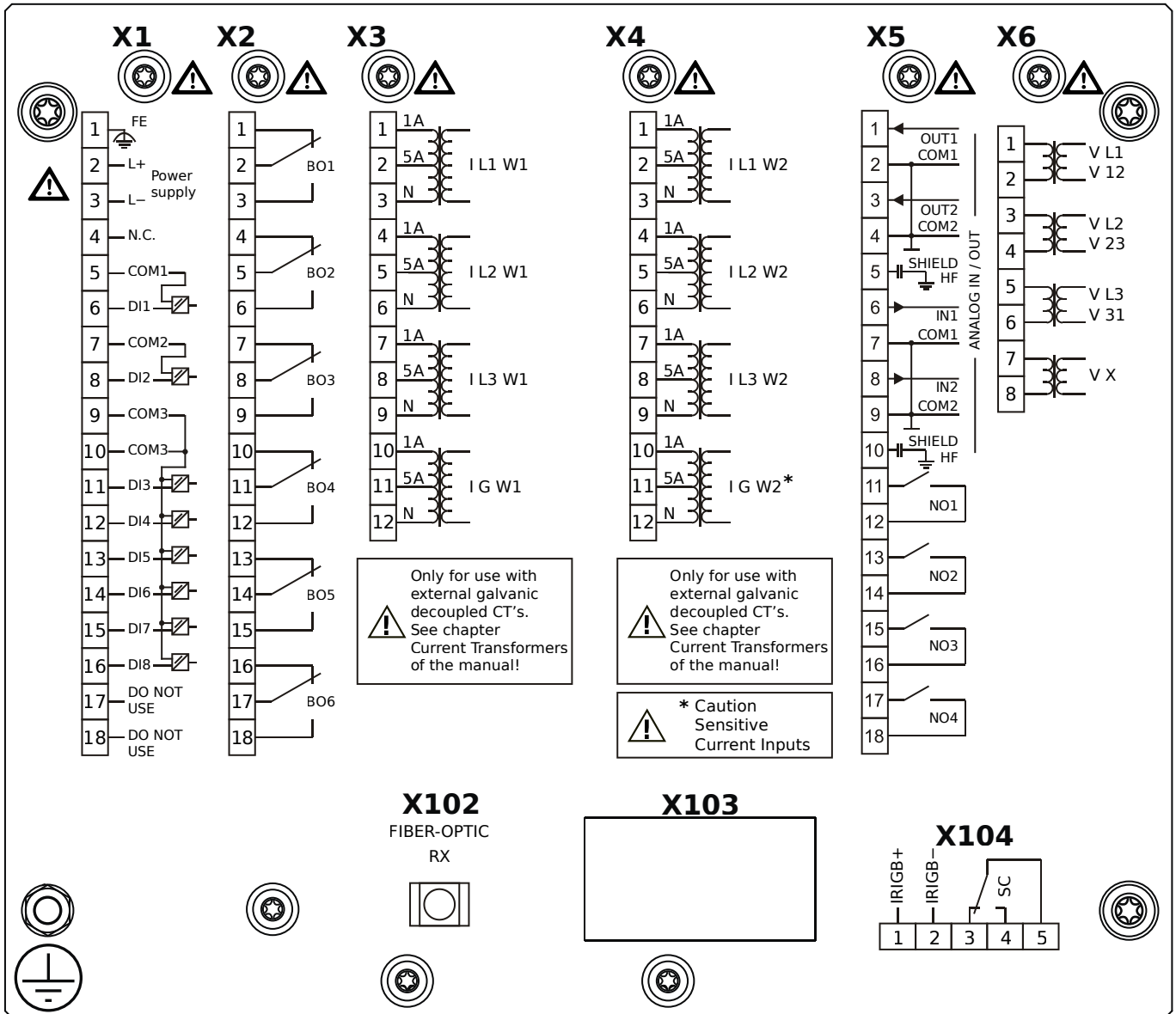
FX)

X102 – Universal Resistance-Temperature Detector (URTD) input, Fiber optics interface, Versatile Link

X103 – IEC 60870-5-103 / Modbus RTU / DNP3.0 RTU, RS485, Terminals

X104 – IRIG-B00X, incl. System Contact (Supervision Contact)

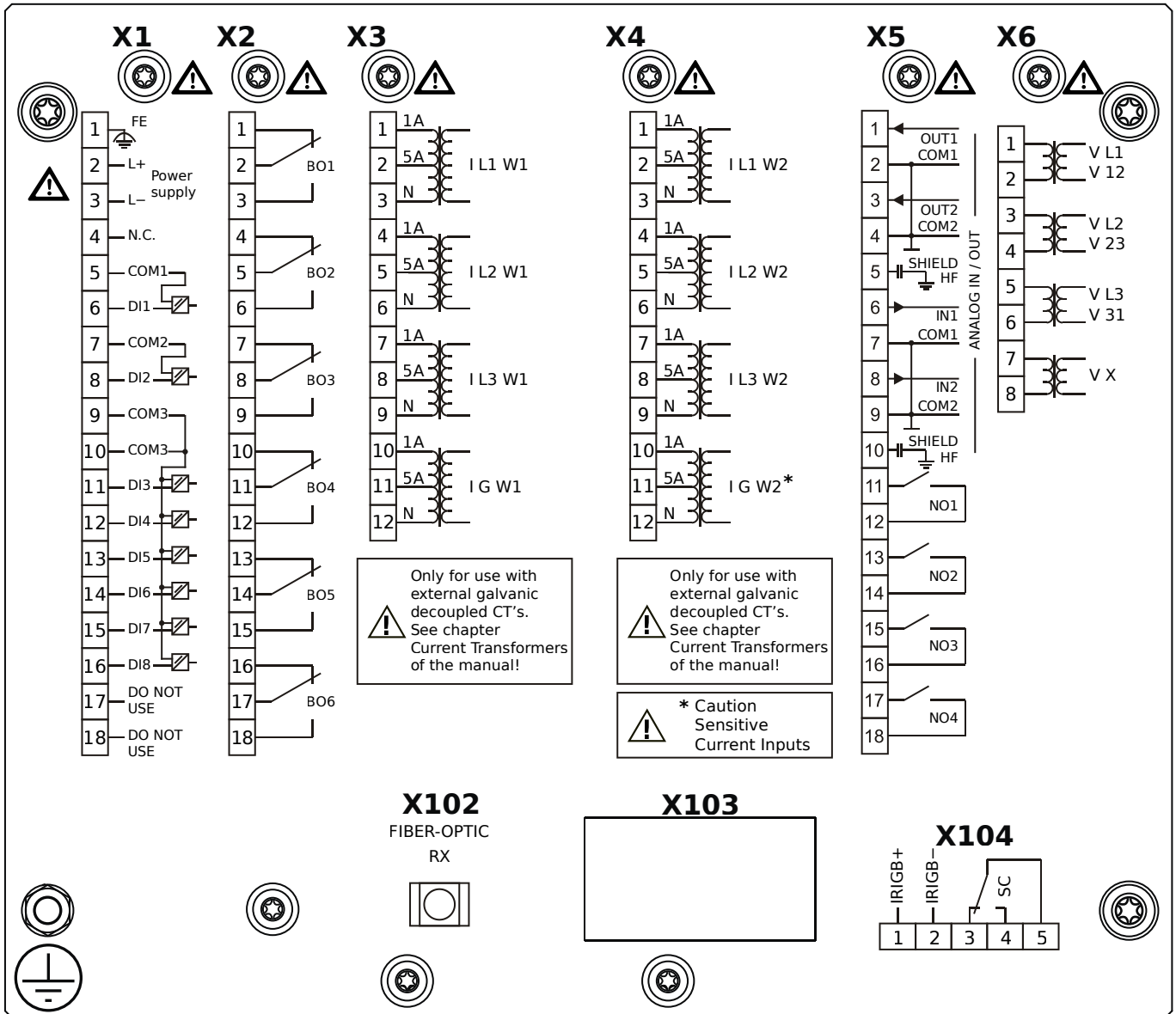
MCDTV4-2B2BAA



Housing B2, large display, 19" rack mounting

- X1** – DI8-X1: Wide-range power supply unit, incl. 2 non-grouped digital inputs and 6 grouped digital inputs
- X2** – OR6: Assembly Group with 6 Output Relays (Changeover / Form C)
- X3** – TI: Standard current measuring card (for the winding side 1)
- X4** – TIs: Standard phase current measuring card and sensitive ground current measuring (winding side 2)
- X5** – AnIO2-OR4: Assembly Group with 2 Analog Inputs, 2 Analog Outputs and 4 Output Relays
- X6** – TU: Card with 4 voltage transformer measuring inputs (0 ... 800 VAC, under UL: 0 ... 600 VAC)
- X102** – Universal Resistance-Temperature Detector (URTD) input, Fiber optics interface, Versatile Link
- X104** – IRIG-B00X, incl. System Contact (Supervision Contact)

MCDTV4-2B2BAB

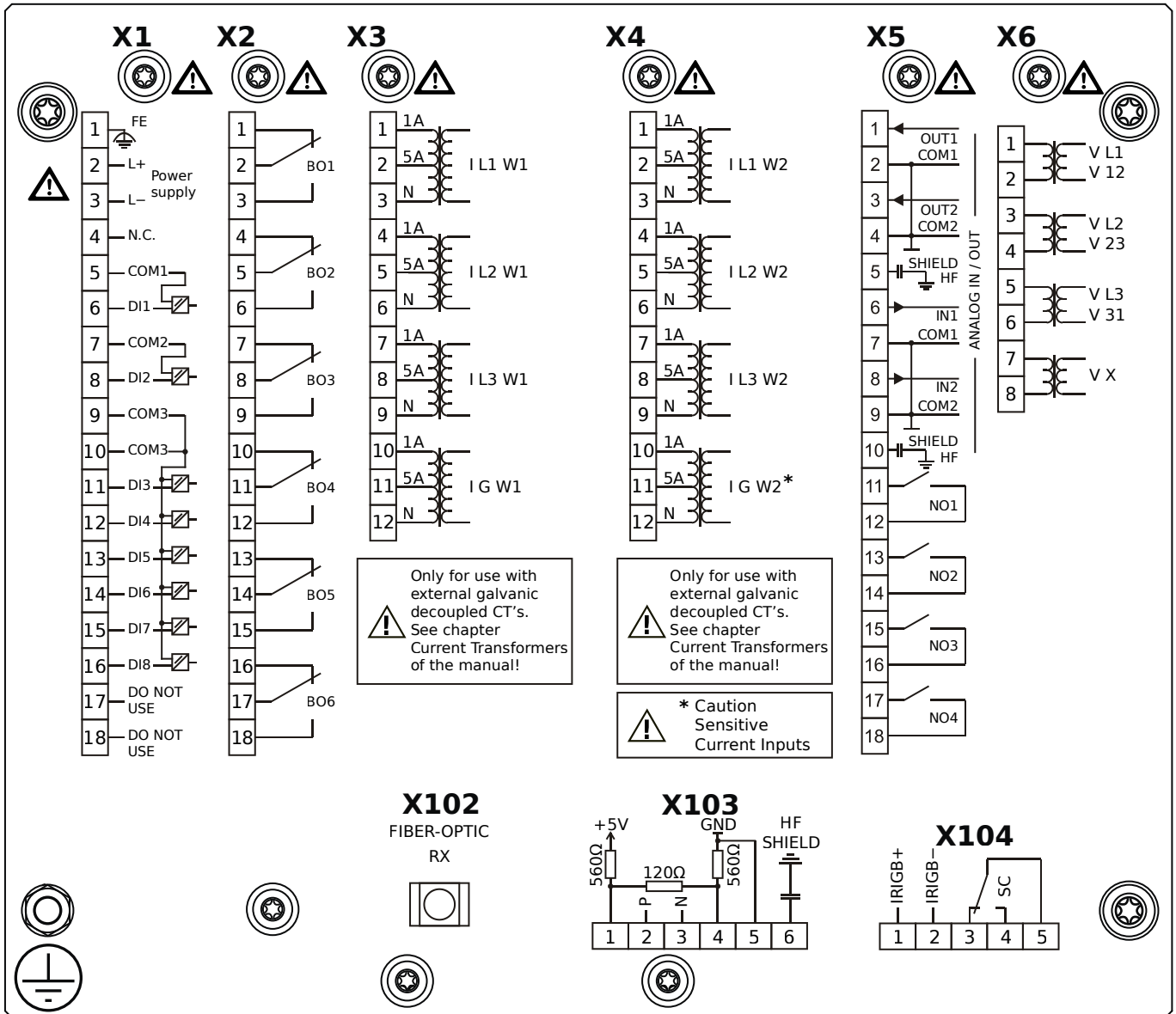


Housing B2, large display, 19" rack mounting

+ Conformal Coating (for installations in harsh environment)

- X1** – DI8-X1: Wide-range power supply unit, incl. 2 non-grouped digital inputs and 6 grouped digital inputs
- X2** – OR6: Assembly Group with 6 Output Relays (Changeover / Form C)
- X3** – TI: Standard current measuring card (for the winding side 1)
- X4** – TIs: Standard phase current measuring card and sensitive ground current measuring (winding side 2)
- X5** – AnIO2-OR4: Assembly Group with 2 Analog Inputs, 2 Analog Outputs and 4 Output Relays
- X6** – TU: Card with 4 voltage transformer measuring inputs (0 ... 800 VAC, under UL: 0 ... 600 VAC)
- X102** – Universal Resistance-Temperature Detector (URTD) input, Fiber optics interface, Versatile Link
- X104** – IRIG-B00X, incl. System Contact (Supervision Contact)

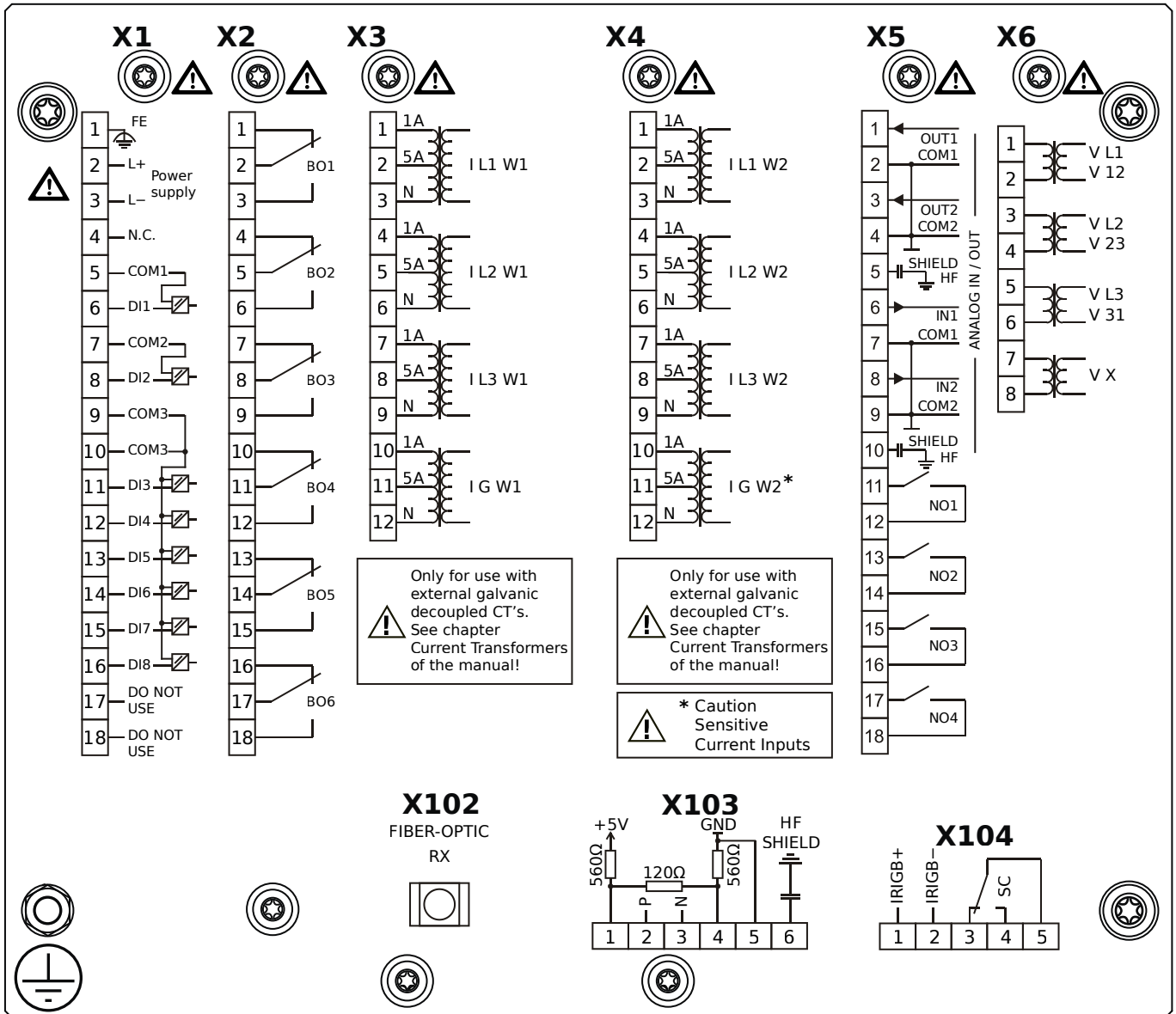
MCDTV4-2B2BBA



Housing B2, large display, 19" rack mounting

- X1** – DI8-X1: Wide-range power supply unit, incl. 2 non-grouped digital inputs and 6 grouped digital inputs
- X2** – OR6: Assembly Group with 6 Output Relays (Changeover / Form C)
- X3** – TI: Standard current measuring card (for the winding side 1)
- X4** – TIs: Standard phase current measuring card and sensitive ground current measuring (winding side 2)
- X5** – AnIO2-OR4: Assembly Group with 2 Analog Inputs, 2 Analog Outputs and 4 Output Relays
- X6** – TU: Card with 4 voltage transformer measuring inputs (0 ... 800 VAC, under UL: 0 ... 600 VAC)
- X102** – Universal Resistance-Temperature Detector (URTD) input, Fiber optics interface, Versatile Link
- X103** – Modbus RTU / IEC 60870-5-103 / DNP3.0 RTU, RS485, Terminals
- X104** – IRIG-B00X, incl. System Contact (Supervision Contact)

MCDTV4-2B2BBB

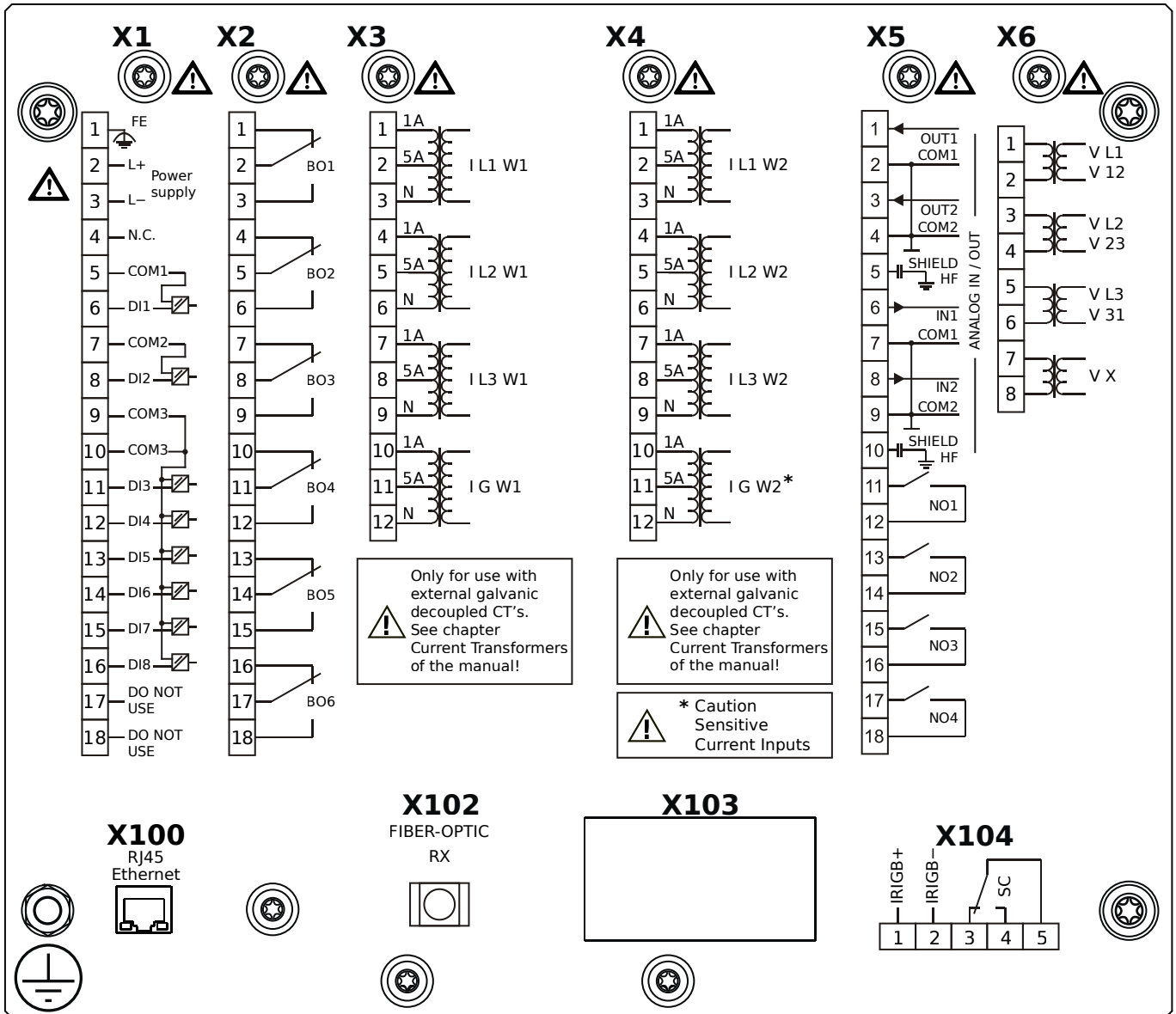


Housing B2, large display, 19" rack mounting

+ Conformal Coating (for installations in harsh environment)

- X1** – DI8-X1: Wide-range power supply unit, incl. 2 non-grouped digital inputs and 6 grouped digital inputs
- X2** – OR6: Assembly Group with 6 Output Relays (Changeover / Form C)
- X3** – TI: Standard current measuring card (for the winding side 1)
- X4** – TIs: Standard phase current measuring card and sensitive ground current measuring (winding side 2)
- X5** – AnIO2-OR4: Assembly Group with 2 Analog Inputs, 2 Analog Outputs and 4 Output Relays
- X6** – TU: Card with 4 voltage transformer measuring inputs (0 ... 800 VAC, under UL: 0 ... 600 VAC)
- X102** – Universal Resistance-Temperature Detector (URTD) input, Fiber optics interface, Versatile Link
- X103** – Modbus RTU / IEC 60870-5-103 / DNP3.0 RTU, RS485, Terminals
- X104** – IRIG-B00X, incl. System Contact (Supervision Contact)

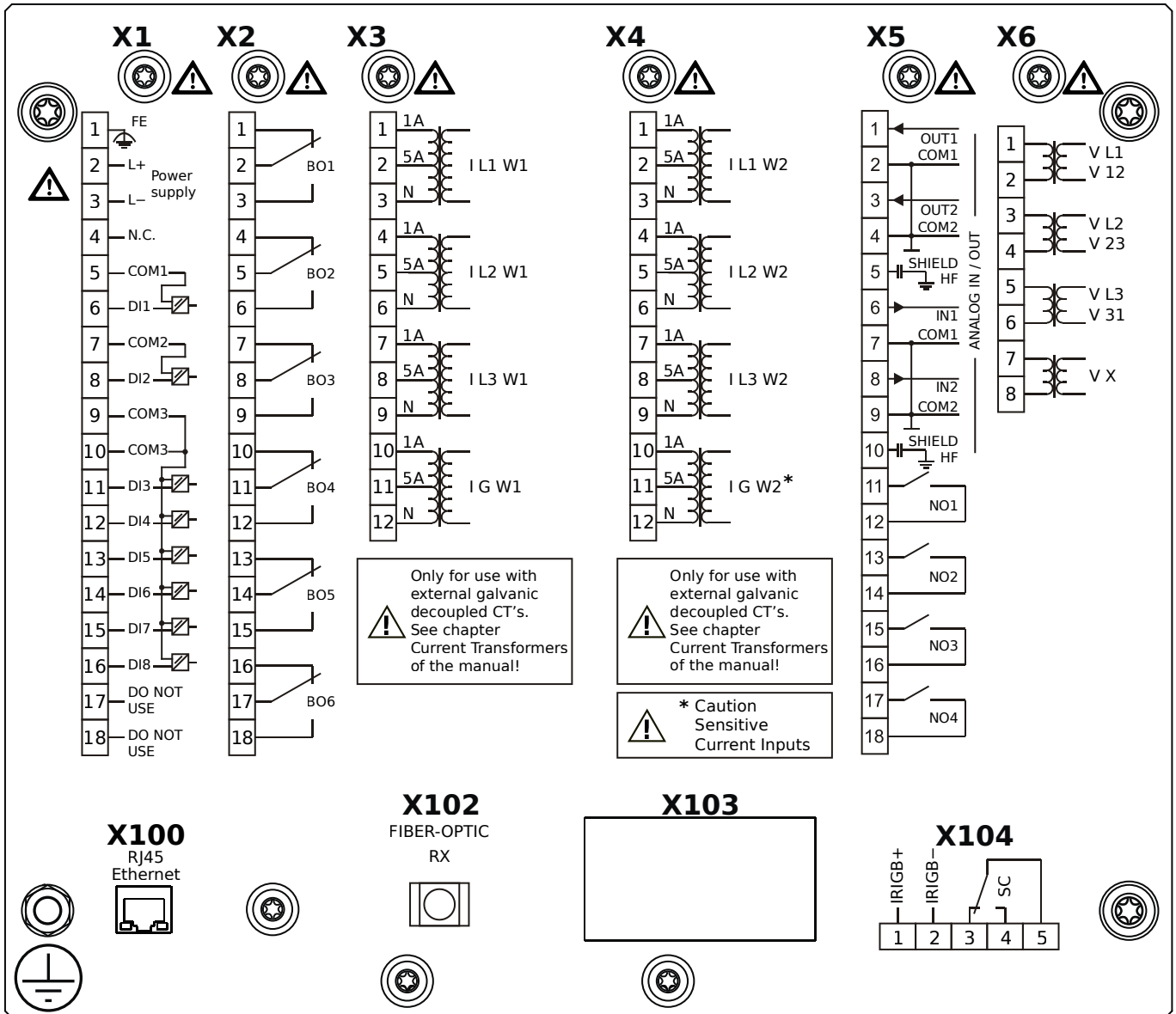
MCDTV4-2B2BCA



Housing B2, large display, 19" rack mounting

- X1** – DI8-X1: Wide-range power supply unit, incl. 2 non-grouped digital inputs and 6 grouped digital inputs
- X2** – OR6: Assembly Group with 6 Output Relays (Changeover / Form C)
- X3** – TI: Standard current measuring card (for the winding side 1)
- X4** – TIs: Standard phase current measuring card and sensitive ground current measuring (winding side 2)
- X5** – AnIO2-OR4: Assembly Group with 2 Analog Inputs, 2 Analog Outputs and 4 Output Relays
- X6** – TU: Card with 4 voltage transformer measuring inputs (0 ... 800 VAC, under UL: 0 ... 600 VAC)
- X100** – Modbus TCP / IEC 60870-5-104 / DNP3.0 TCP/UDP, Ethernet interface, 100 Mbit/s, RJ45 (BASE100-FX)
- X102** – Universal Resistance-Temperature Detector (URTD) input, Fiber optics interface, Versatile Link
- X104** – IRIG-B00X, incl. System Contact (Supervision Contact)

MCDTV4-2B2BCB

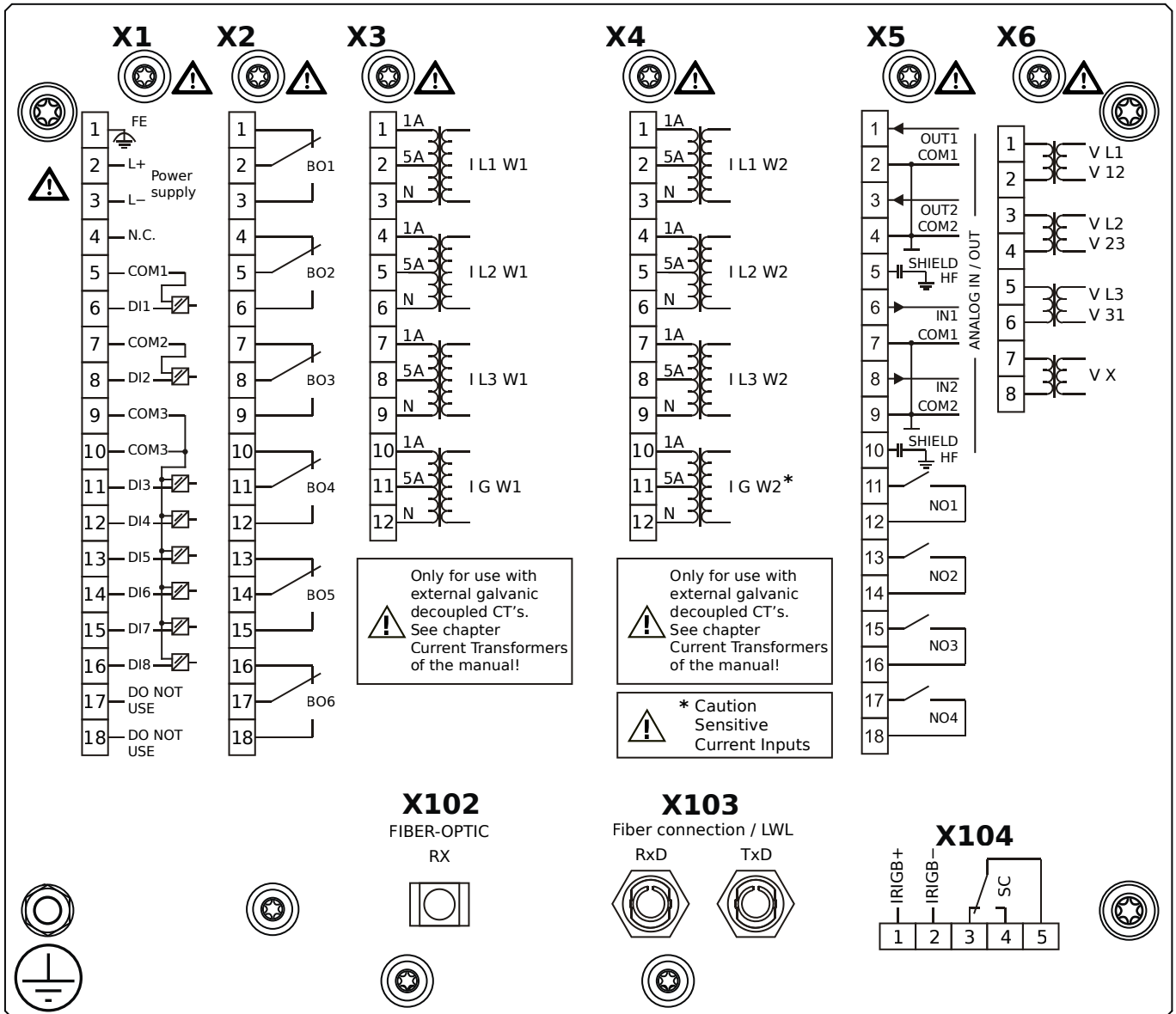


Housing B2, large display, 19" rack mounting

+ Conformal Coating (for installations in harsh environment)

- X1** – DI8-X1: Wide-range power supply unit, incl. 2 non-grouped digital inputs and 6 grouped digital inputs
- X2** – OR6: Assembly Group with 6 Output Relays (Changeover / Form C)
- X3** – TI: Standard current measuring card (for the winding side 1)
- X4** – TIs: Standard phase current measuring card and sensitive ground current measuring (winding side 2)
- X5** – AnIO2-OR4: Assembly Group with 2 Analog Inputs, 2 Analog Outputs and 4 Output Relays
- X6** – TU: Card with 4 voltage transformer measuring inputs (0 ... 800 VAC, under UL: 0 ... 600 VAC)
- X100** – Modbus TCP / IEC 60870-5-104 / DNP3.0 TCP/UDP, Ethernet interface, 100 Mbit/s, RJ45 (BASE100-FX)
- X102** – Universal Resistance-Temperature Detector (URTD) input, Fiber optics interface, Versatile Link
- X104** – IRIG-B00X, incl. System Contact (Supervision Contact)

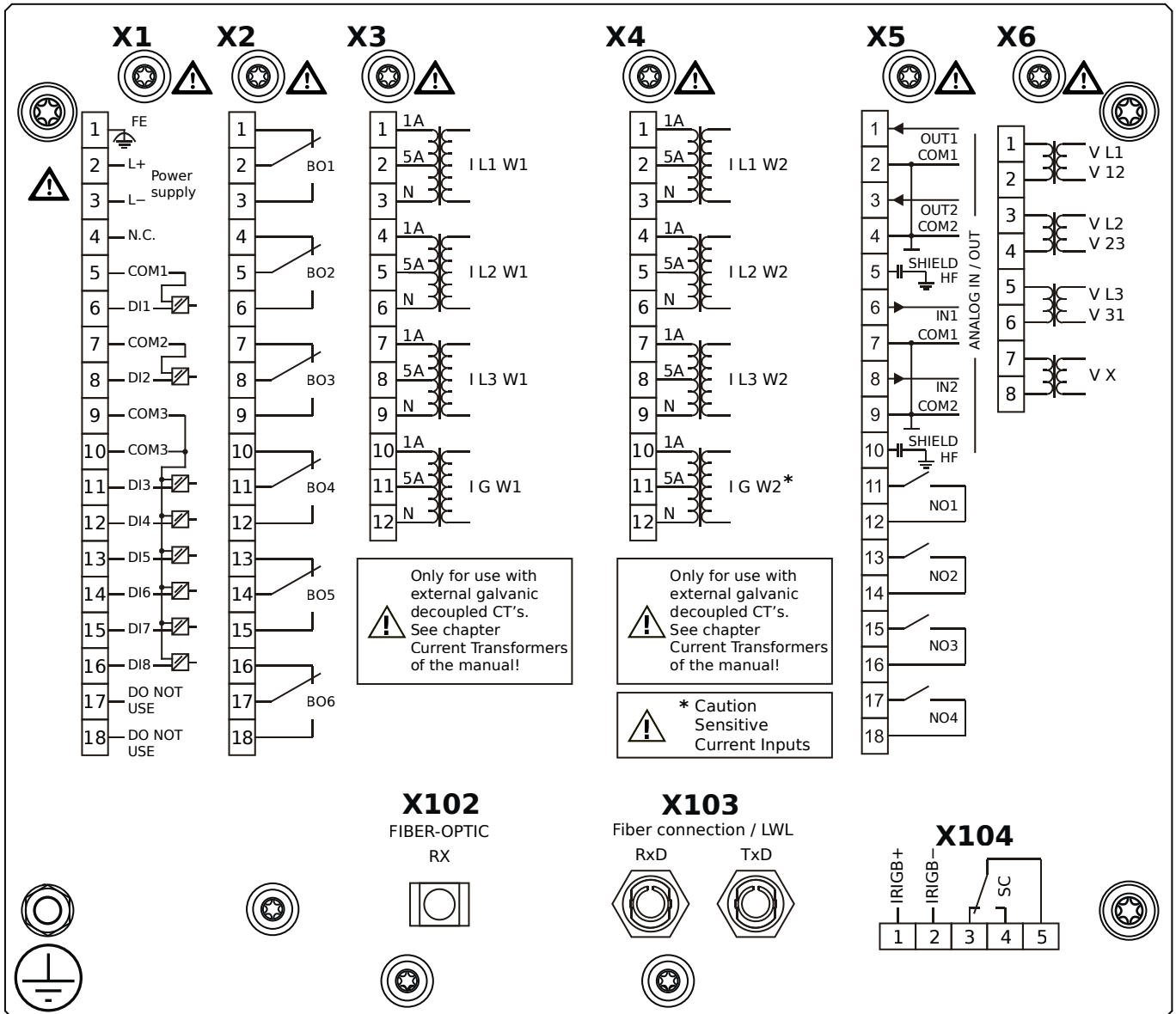
MCDTV4-2B2BDA



Housing B2, large display, 19" rack mounting

- X1** – DI8-X1: Wide-range power supply unit, incl. 2 non-grouped digital inputs and 6 grouped digital inputs
- X2** – OR6: Assembly Group with 6 Output Relays (Changeover / Form C)
- X3** – TI: Standard current measuring card (for the winding side 1)
- X4** – TIs: Standard phase current measuring card and sensitive ground current measuring (winding side 2)
- X5** – AnIO2-OR4: Assembly Group with 2 Analog Inputs, 2 Analog Outputs and 4 Output Relays
- X6** – TU: Card with 4 voltage transformer measuring inputs (0 ... 800 VAC, under UL: 0 ... 600 VAC)
- X102** – Universal Resistance-Temperature Detector (URTD) input, Fiber optics interface, Versatile Link
- X103** – Profibus-DP, Fiber optics interface, ST Connector
- X104** – IRIG-B00X, incl. System Contact (Supervision Contact)

MCDTV4-2B2BDB

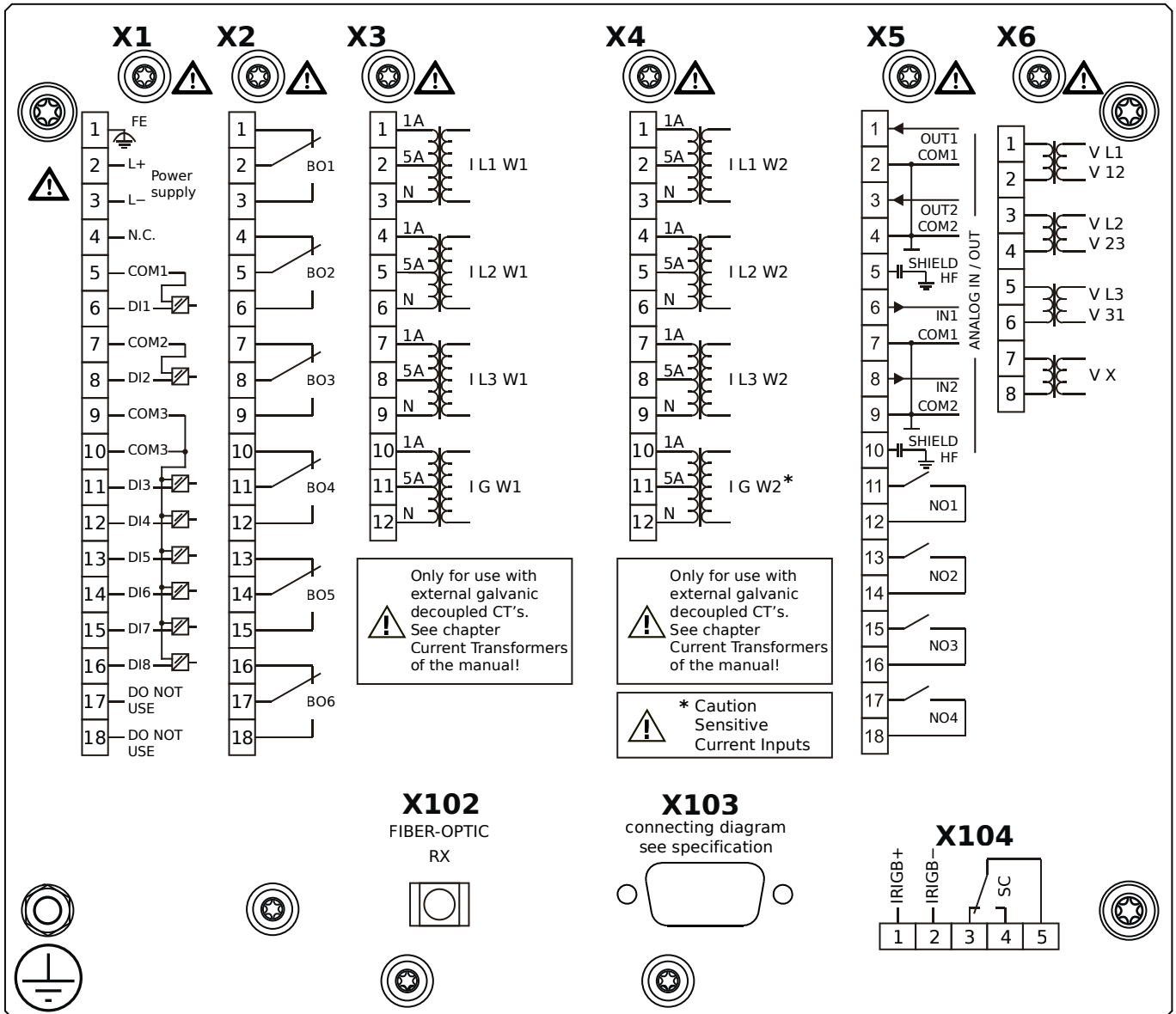


Housing B2, large display, 19" rack mounting

+ Conformal Coating (for installations in harsh environment)

- X1** – DI8-X1: Wide-range power supply unit, incl. 2 non-grouped digital inputs and 6 grouped digital inputs
- X2** – OR6: Assembly Group with 6 Output Relays (Changeover / Form C)
- X3** – TI: Standard current measuring card (for the winding side 1)
- X4** – TIs: Standard phase current measuring card and sensitive ground current measuring (winding side 2)
- X5** – AnIO2-OR4: Assembly Group with 2 Analog Inputs, 2 Analog Outputs and 4 Output Relays
- X6** – TU: Card with 4 voltage transformer measuring inputs (0 ... 800 VAC, under UL: 0 ... 600 VAC)
- X102** – Universal Resistance-Temperature Detector (URTD) input, Fiber optics interface, Versatile Link
- X103** – Profibus-DP, Fiber optics interface, ST Connector
- X104** – IRIG-B00X, incl. System Contact (Supervision Contact)

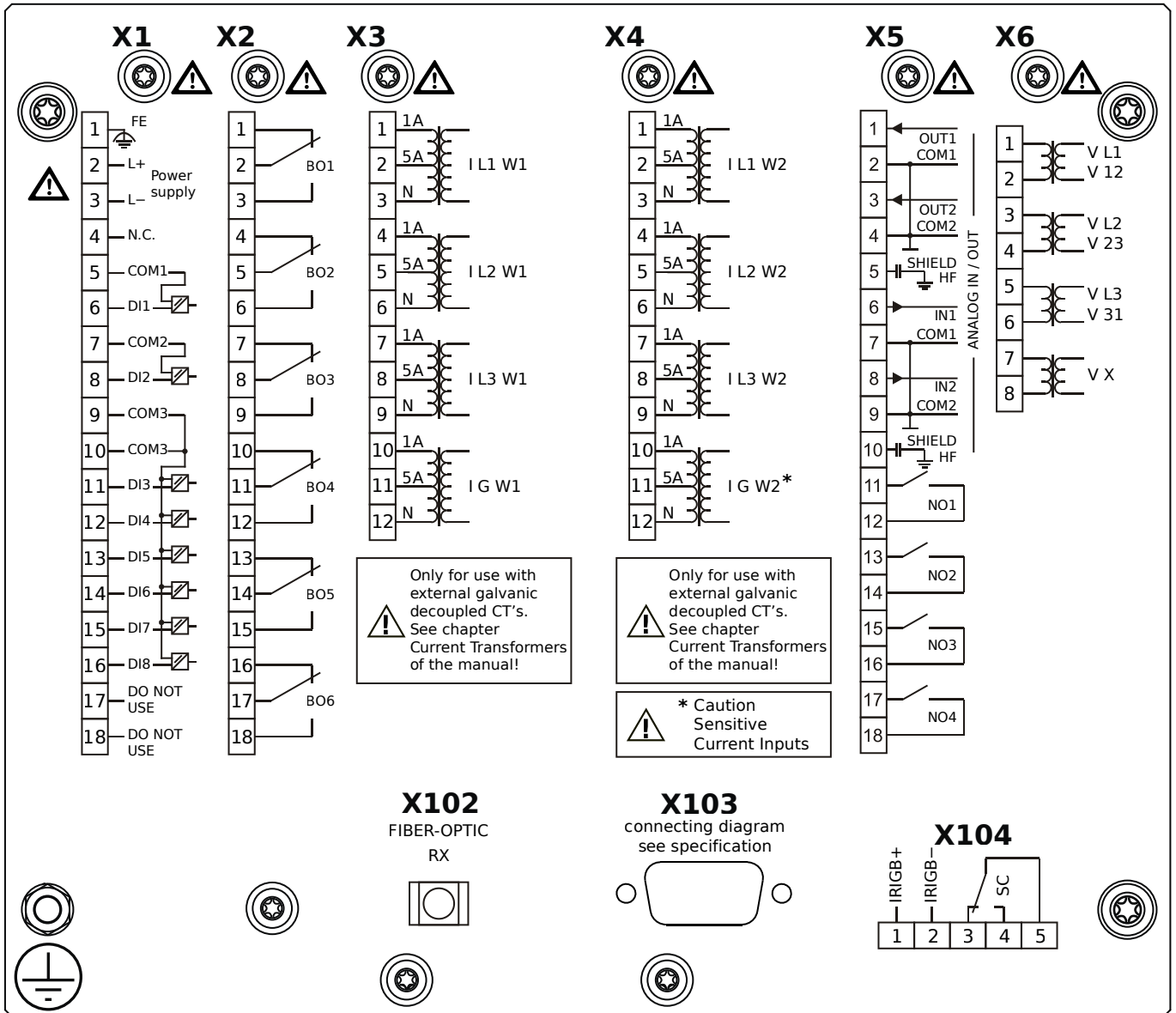
MCDTV4-2B2BEA



Housing B2, large display, 19" rack mounting

- X1** – DI8-X1: Wide-range power supply unit, incl. 2 non-grouped digital inputs and 6 grouped digital inputs
- X2** – OR6: Assembly Group with 6 Output Relays (Changeover / Form C)
- X3** – TI: Standard current measuring card (for the winding side 1)
- X4** – TIs: Standard phase current measuring card and sensitive ground current measuring (winding side 2)
- X5** – AnIO2-OR4: Assembly Group with 2 Analog Inputs, 2 Analog Outputs and 4 Output Relays
- X6** – TU: Card with 4 voltage transformer measuring inputs (0 ... 800 VAC, under UL: 0 ... 600 VAC)
- X102** – Universal Resistance-Temperature Detector (URTD) input, Fiber optics interface, Versatile Link
- X103** – Profibus-DP, RS485, D-SUB
- X104** – IRIG-B00X, incl. System Contact (Supervision Contact)

MCDTV4-2B2BEB

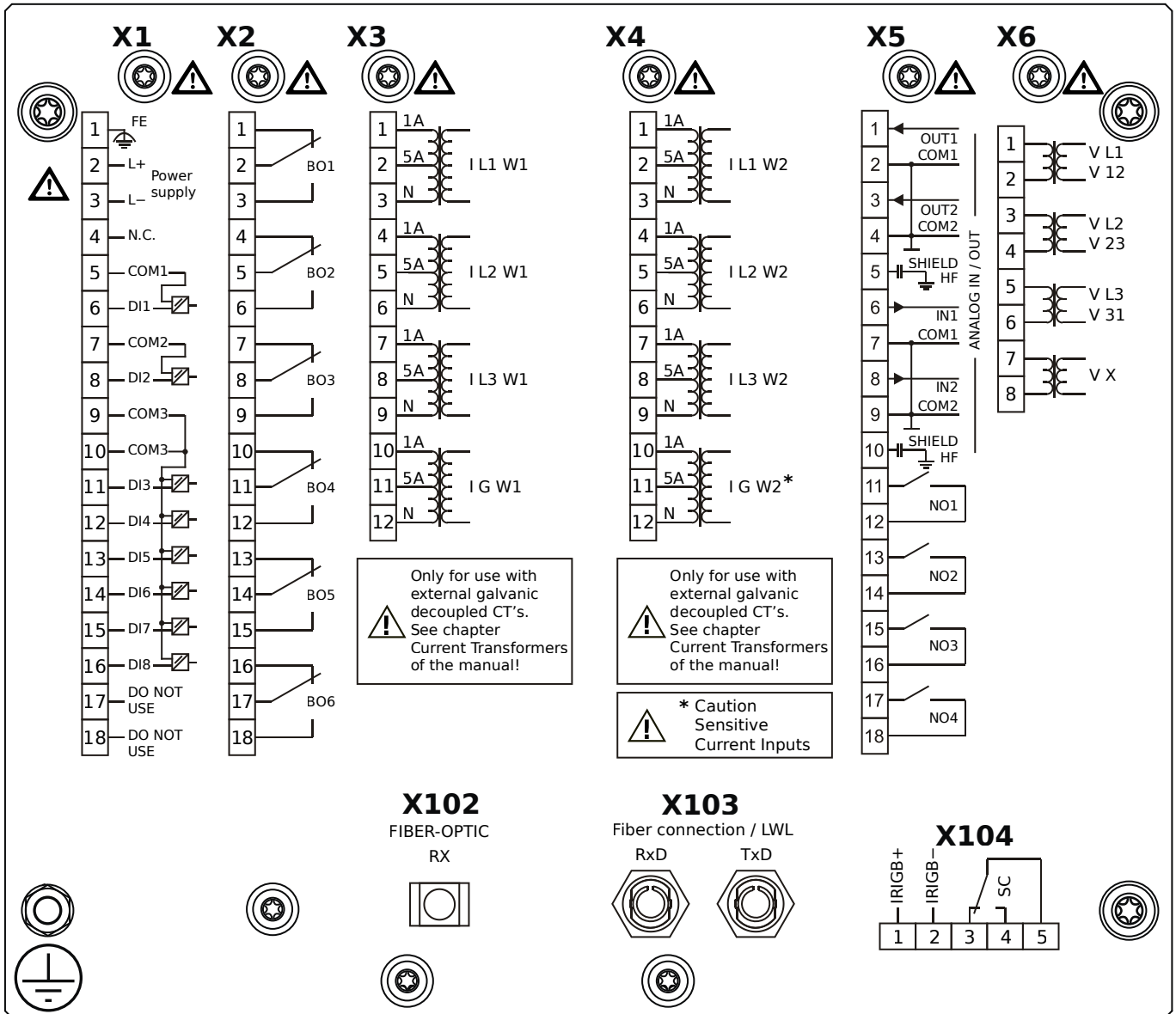


Housing B2, large display, 19" rack mounting

+ Conformal Coating (for installations in harsh environment)

- X1** – DI8-X1: Wide-range power supply unit, incl. 2 non-grouped digital inputs and 6 grouped digital inputs
- X2** – OR6: Assembly Group with 6 Output Relays (Changeover / Form C)
- X3** – TI: Standard current measuring card (for the winding side 1)
- X4** – TIs: Standard phase current measuring card and sensitive ground current measuring (winding side 2)
- X5** – AnIO2-OR4: Assembly Group with 2 Analog Inputs, 2 Analog Outputs and 4 Output Relays
- X6** – TU: Card with 4 voltage transformer measuring inputs (0 ... 800 VAC, under UL: 0 ... 600 VAC)
- X102** – Universal Resistance-Temperature Detector (URTD) input, Fiber optics interface, Versatile Link
- X103** – Profibus-DP, RS485, D-SUB
- X104** – IRIG-B00X, incl. System Contact (Supervision Contact)

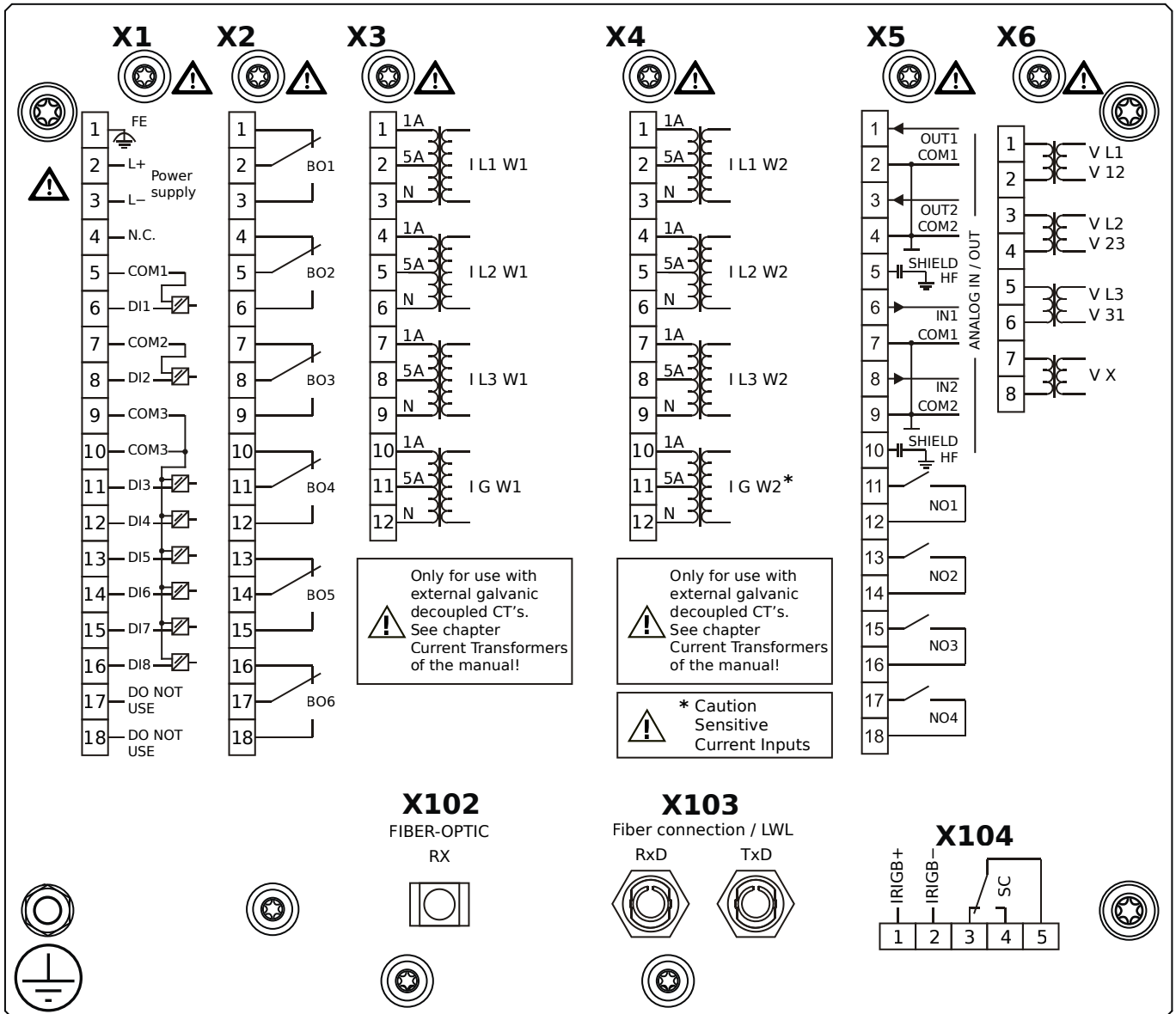
MCDTV4-2B2BFA



Housing B2, large display, 19" rack mounting

- X1** – DI8-X1: Wide-range power supply unit, incl. 2 non-grouped digital inputs and 6 grouped digital inputs
- X2** – OR6: Assembly Group with 6 Output Relays (Changeover / Form C)
- X3** – TI: Standard current measuring card (for the winding side 1)
- X4** – TIs: Standard phase current measuring card and sensitive ground current measuring (winding side 2)
- X5** – AnIO2-OR4: Assembly Group with 2 Analog Inputs, 2 Analog Outputs and 4 Output Relays
- X6** – TU: Card with 4 voltage transformer measuring inputs (0 ... 800 VAC, under UL: 0 ... 600 VAC)
- X102** – Universal Resistance-Temperature Detector (URTD) input, Fiber optics interface, Versatile Link
- X103** – Modbus RTU / IEC 60870-5-103 / DNP3.0 RTU, Fiber optics interface, ST Connector
- X104** – IRIG-B00X, incl. System Contact (Supervision Contact)

MCDTV4-2B2BFB

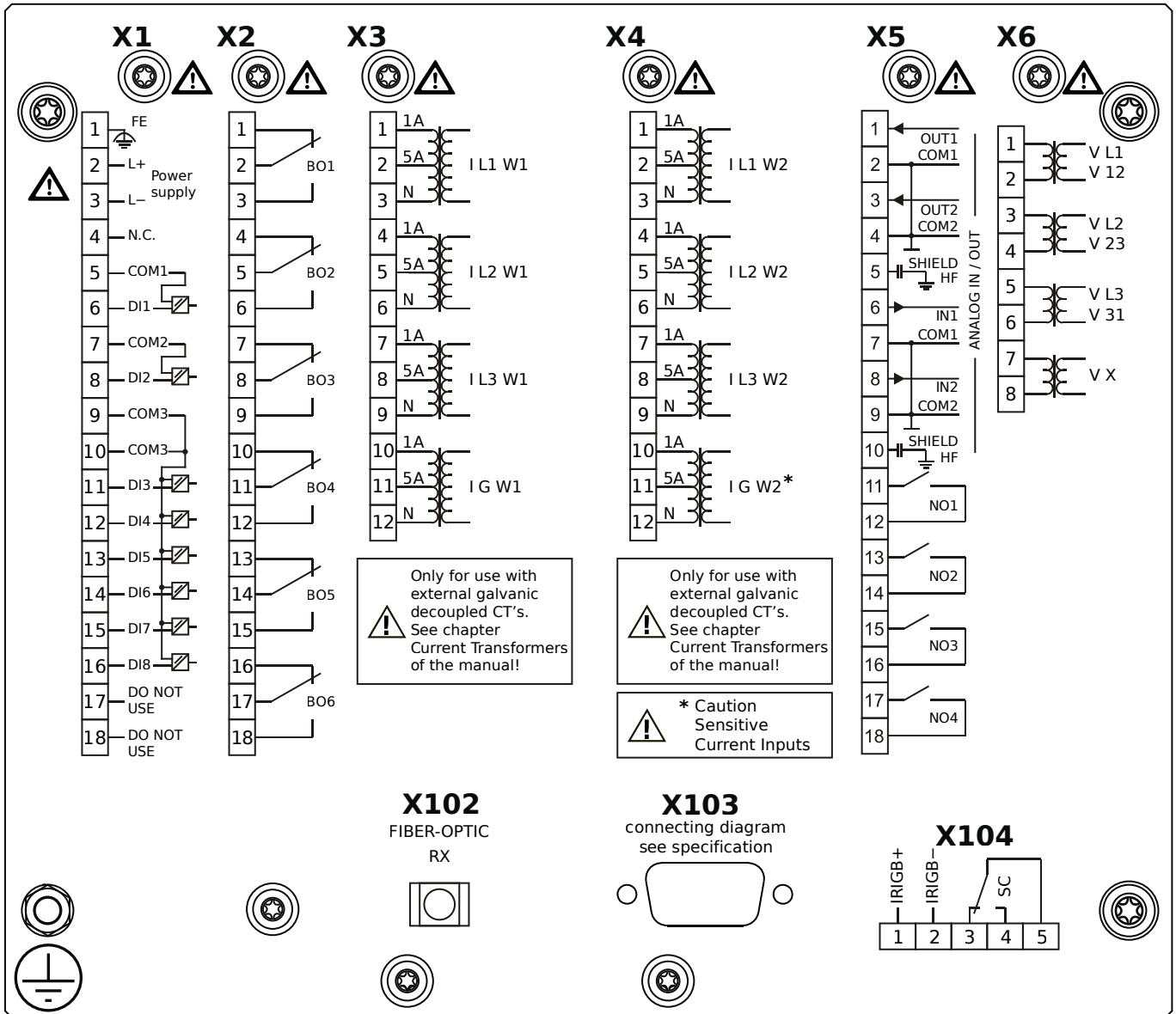


Housing B2, large display, 19" rack mounting

+ Conformal Coating (for installations in harsh environment)

- X1** – DI8-X1: Wide-range power supply unit, incl. 2 non-grouped digital inputs and 6 grouped digital inputs
- X2** – OR6: Assembly Group with 6 Output Relays (Changeover / Form C)
- X3** – TI: Standard current measuring card (for the winding side 1)
- X4** – TIs: Standard phase current measuring card and sensitive ground current measuring (winding side 2)
- X5** – AnIO2-OR4: Assembly Group with 2 Analog Inputs, 2 Analog Outputs and 4 Output Relays
- X6** – TU: Card with 4 voltage transformer measuring inputs (0 ... 800 VAC, under UL: 0 ... 600 VAC)
- X102** – Universal Resistance-Temperature Detector (URTD) input, Fiber optics interface, Versatile Link
- X103** – Modbus RTU / IEC 60870-5-103 / DNP3.0 RTU, Fiber optics interface, ST Connector
- X104** – IRIG-B00X, incl. System Contact (Supervision Contact)

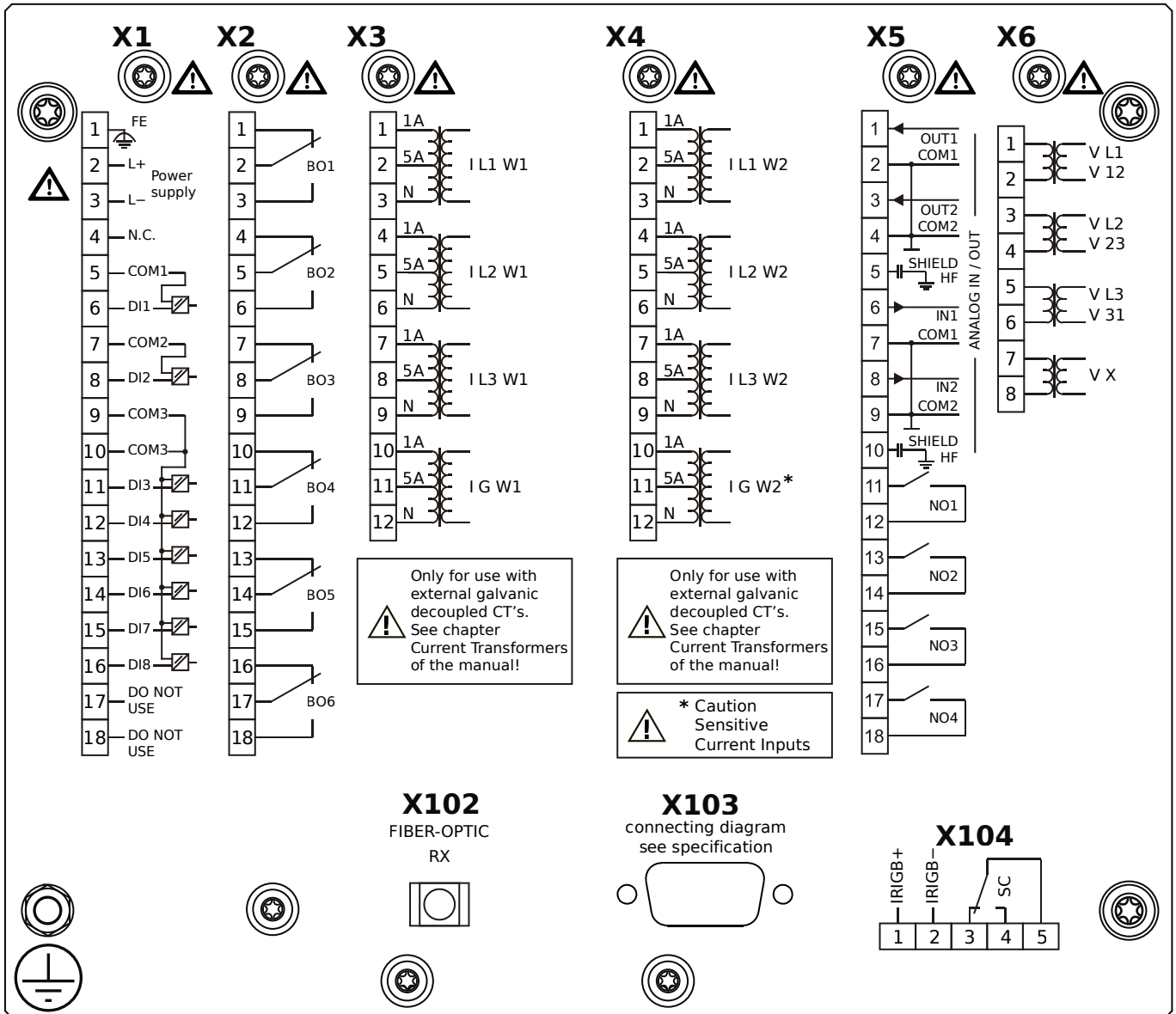
MCDTV4-2B2BGA



Housing B2, large display, 19" rack mounting

- X1** – DI8-X1: Wide-range power supply unit, incl. 2 non-grouped digital inputs and 6 grouped digital inputs
- X2** – OR6: Assembly Group with 6 Output Relays (Changeover / Form C)
- X3** – TI: Standard current measuring card (for the winding side 1)
- X4** – TIs: Standard phase current measuring card and sensitive ground current measuring (winding side 2)
- X5** – AnIO2-OR4: Assembly Group with 2 Analog Inputs, 2 Analog Outputs and 4 Output Relays
- X6** – TU: Card with 4 voltage transformer measuring inputs (0 ... 800 VAC, under UL: 0 ... 600 VAC)
- X102** – Universal Resistance-Temperature Detector (URTD) input, Fiber optics interface, Versatile Link
- X103** – Modbus RTU / IEC 60870-5-103 / DNP3.0 RTU, RS485, D-SUB
- X104** – IRIG-B00X, incl. System Contact (Supervision Contact)

MCDTV4-2B2BGB

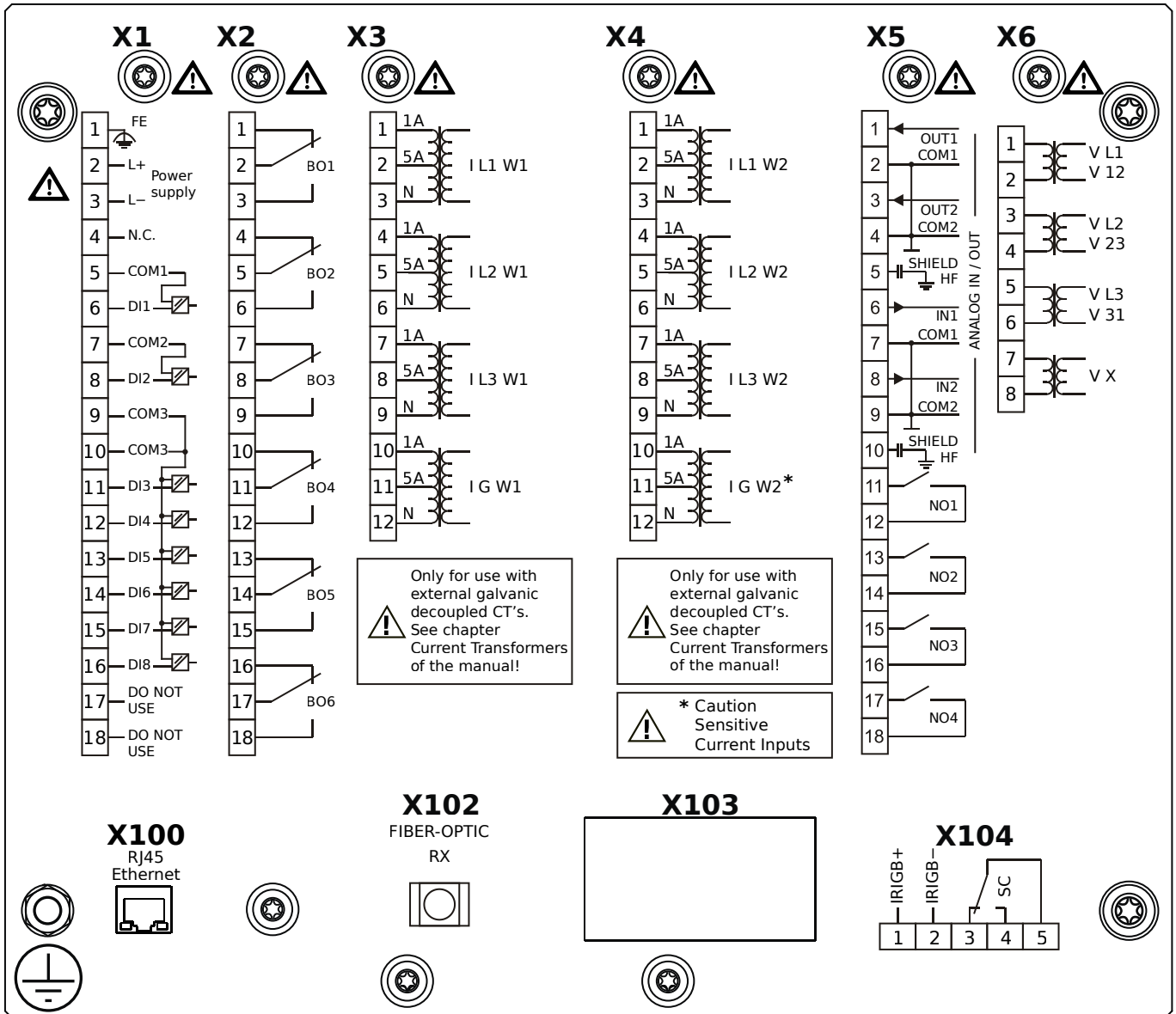


Housing B2, large display, 19" rack mounting

+ Conformal Coating (for installations in harsh environment)

- X1** – DI8-X1: Wide-range power supply unit, incl. 2 non-grouped digital inputs and 6 grouped digital inputs
- X2** – OR6: Assembly Group with 6 Output Relays (Changeover / Form C)
- X3** – TI: Standard current measuring card (for the winding side 1)
- X4** – TIs: Standard phase current measuring card and sensitive ground current measuring (winding side 2)
- X5** – AnIO2-OR4: Assembly Group with 2 Analog Inputs, 2 Analog Outputs and 4 Output Relays
- X6** – TU: Card with 4 voltage transformer measuring inputs (0 ... 800 VAC, under UL: 0 ... 600 VAC)
- X102** – Universal Resistance-Temperature Detector (URTD) input, Fiber optics interface, Versatile Link
- X103** – Modbus RTU / IEC 60870-5-103 / DNP3.0 RTU, RS485, D-SUB
- X104** – IRIG-B00X, incl. System Contact (Supervision Contact)

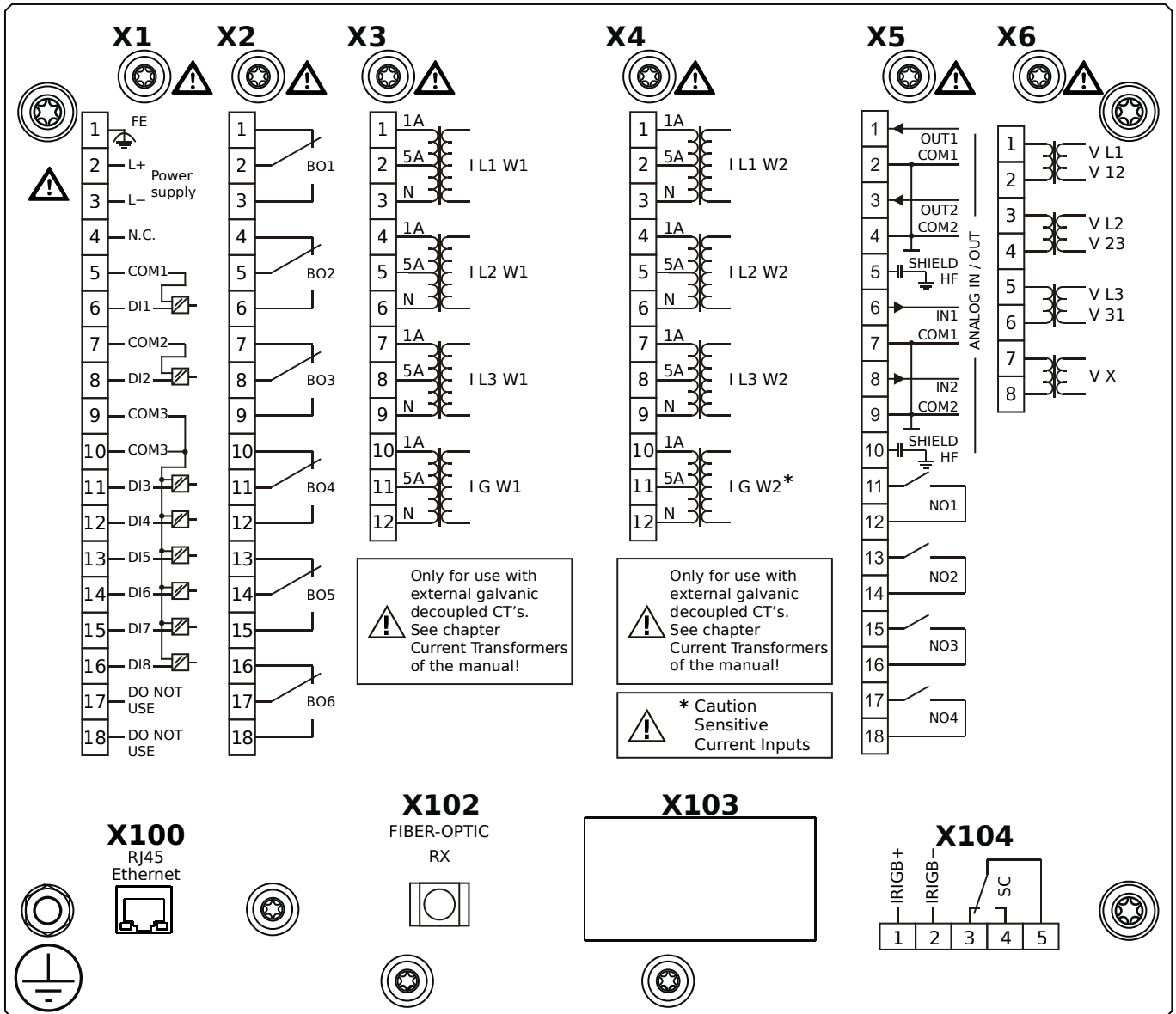
MCDTV4-2B2BHA



Housing B2, large display, 19" rack mounting

- X1** – DI8-X1: Wide-range power supply unit, incl. 2 non-grouped digital inputs and 6 grouped digital inputs
- X2** – OR6: Assembly Group with 6 Output Relays (Changeover / Form C)
- X3** – TI: Standard current measuring card (for the winding side 1)
- X4** – TIs: Standard phase current measuring card and sensitive ground current measuring (winding side 2)
- X5** – AnIO2-OR4: Assembly Group with 2 Analog Inputs, 2 Analog Outputs and 4 Output Relays
- X6** – TU: Card with 4 voltage transformer measuring inputs (0 ... 800 VAC, under UL: 0 ... 600 VAC)
- X100** – IEC 61850 / Modbus TCP / IEC 60870-5-104 / DNP3.0 TCP/UDP, Ethernet interface, 100 Mbit/s, RJ45 (BASE100-FX)
- X102** – Universal Resistance-Temperature Detector (URTD) input, Fiber optics interface, Versatile Link
- X104** – IRIG-B00X, incl. System Contact (Supervision Contact)

MCDTV4-2B2BHB

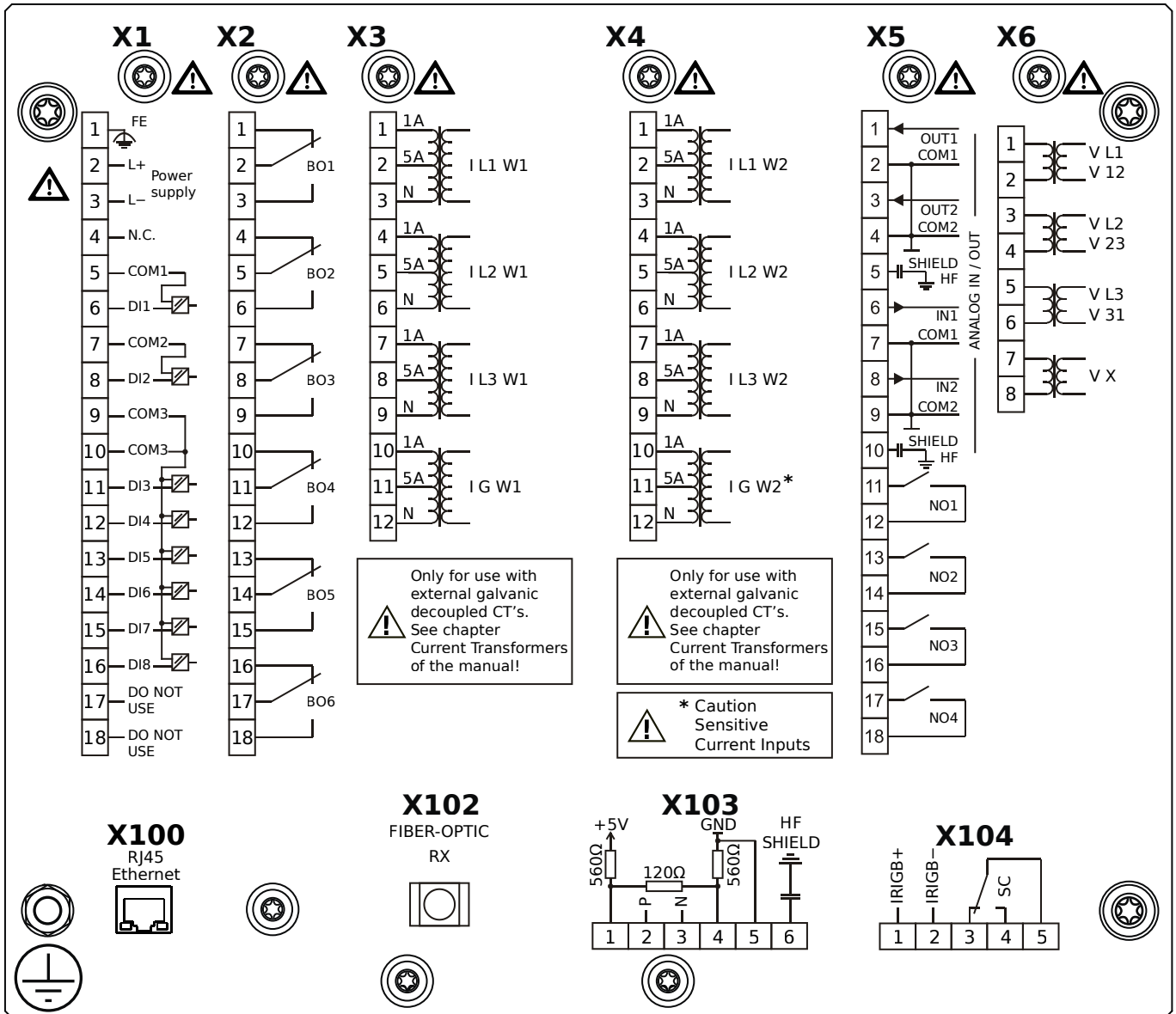


Housing B2, large display, 19" rack mounting

+ Conformal Coating (for installations in harsh environment)

- X1** – DI8-X1: Wide-range power supply unit, incl. 2 non-grouped digital inputs and 6 grouped digital inputs
- X2** – OR6: Assembly Group with 6 Output Relays (Changeover / Form C)
- X3** – TI: Standard current measuring card (for the winding side 1)
- X4** – TIs: Standard phase current measuring card and sensitive ground current measuring (winding side 2)
- X5** – AnIO2-OR4: Assembly Group with 2 Analog Inputs, 2 Analog Outputs and 4 Output Relays
- X6** – TU: Card with 4 voltage transformer measuring inputs (0 ... 800 VAC, under UL: 0 ... 600 VAC)
- X100** – IEC 61850 / Modbus TCP / IEC 60870-5-104 / DNP3.0 TCP/UDP, Ethernet interface, 100 Mbit/s, RJ45 (BASE100-FX)
- X102** – Universal Resistance-Temperature Detector (URTD) input, Fiber optics interface, Versatile Link
- X104** – IRIG-B00X, incl. System Contact (Supervision Contact)

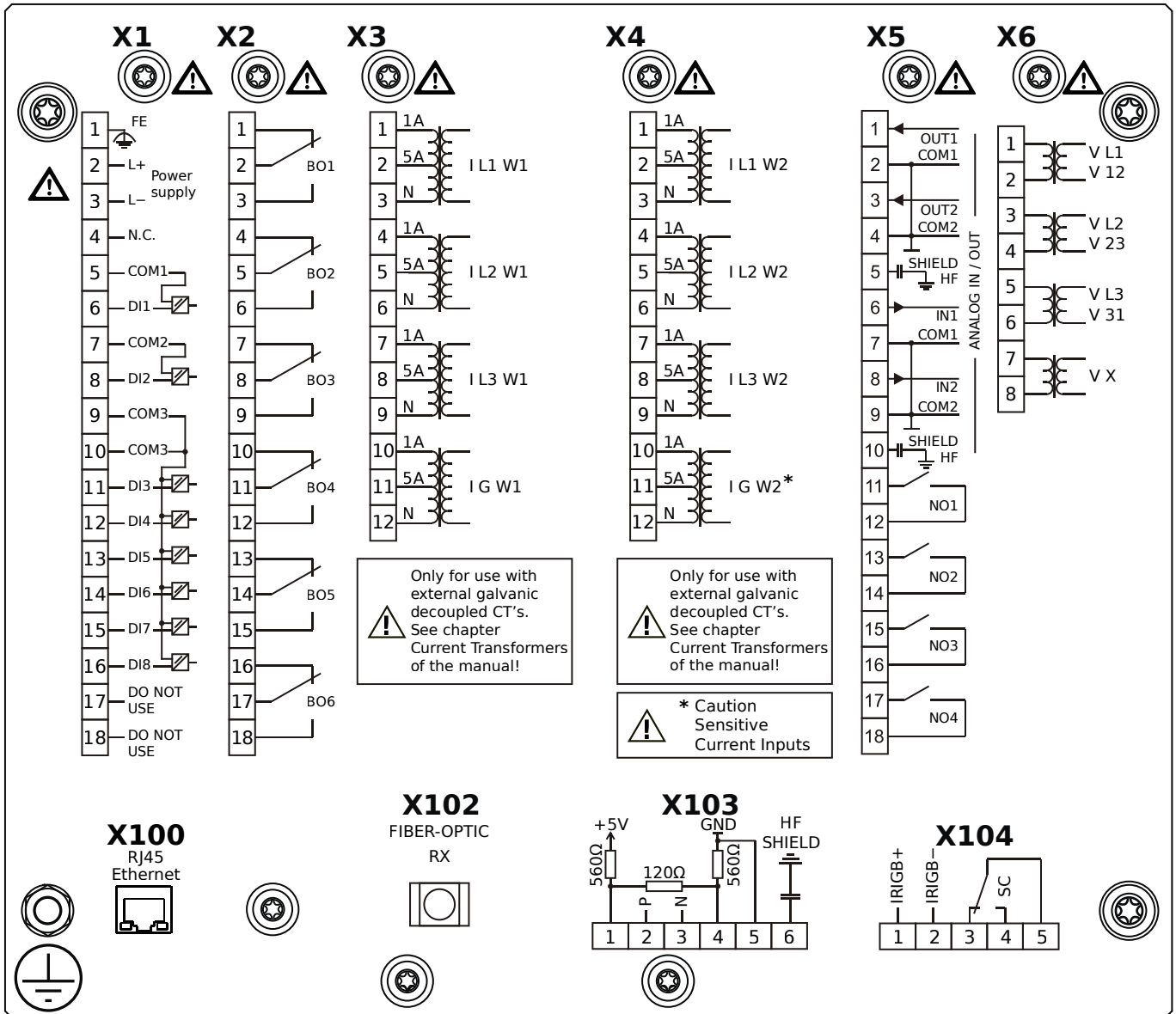
MCDTV4-2B2BIA



Housing B2, large display, 19" rack mounting

- X1** – DI8-X1: Wide-range power supply unit, incl. 2 non-grouped digital inputs and 6 grouped digital inputs
- X2** – OR6: Assembly Group with 6 Output Relays (Changeover / Form C)
- X3** – TI: Standard current measuring card (for the winding side 1)
- X4** – TIs: Standard phase current measuring card and sensitive ground current measuring (winding side 2)
- X5** – AnIO2-OR4: Assembly Group with 2 Analog Inputs, 2 Analog Outputs and 4 Output Relays
- X6** – TU: Card with 4 voltage transformer measuring inputs (0 ... 800 VAC, under UL: 0 ... 600 VAC)
- X100** – Modbus TCP / IEC 60870-5-104 / DNP3.0 TCP/UDP, Ethernet interface, 100 Mbit/s, RJ45 (BASE100-FX)
- X102** – Universal Resistance-Temperature Detector (URTD) input, Fiber optics interface, Versatile Link
- X103** – IEC 60870-5-103 / Modbus RTU / DNP3.0 RTU, RS485, Terminals
- X104** – IRIG-B00X, incl. System Contact (Supervision Contact)

MCDTV4-2B2BIB

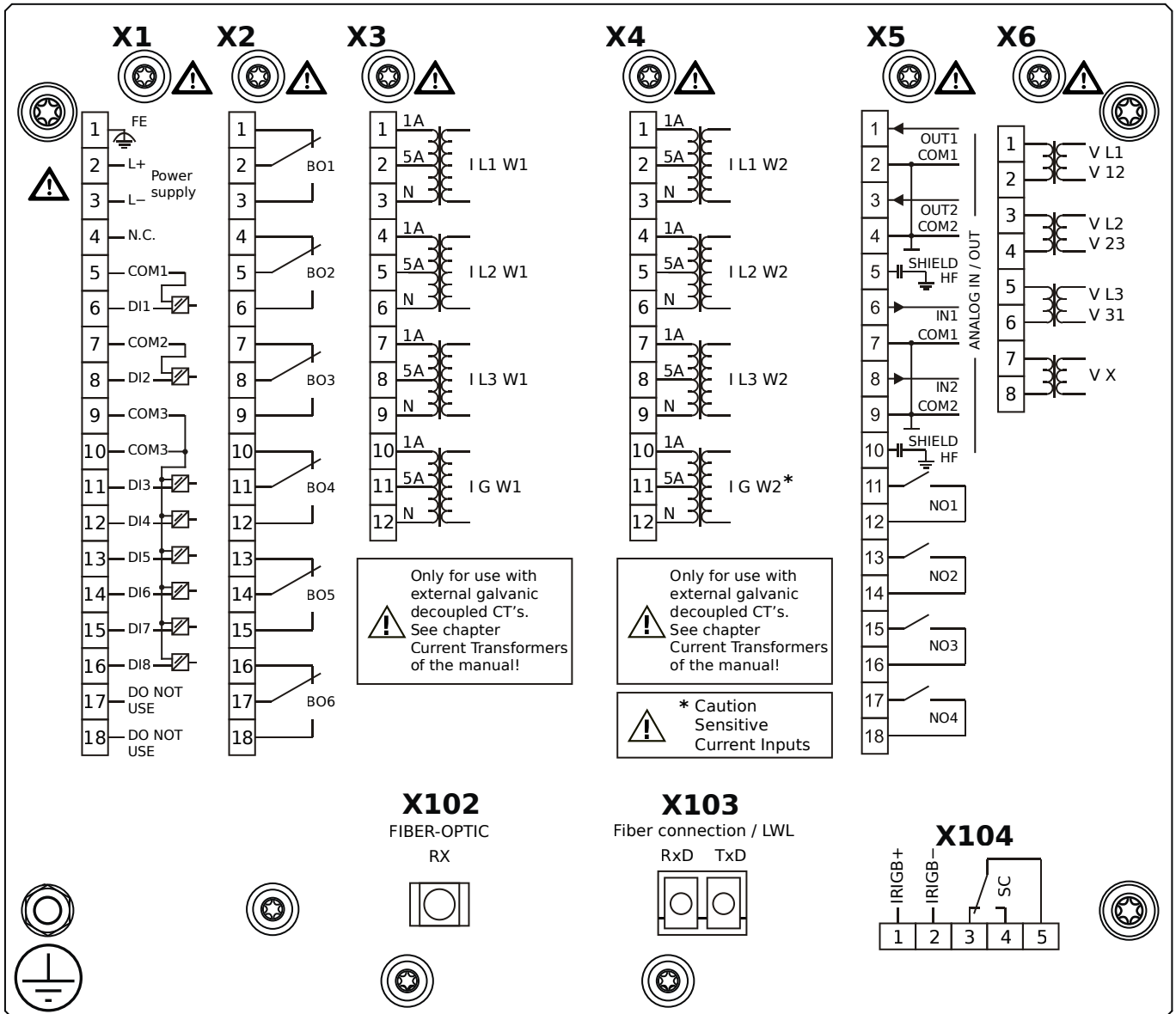


Housing B2, large display, 19" rack mounting

+ Conformal Coating (for installations in harsh environment)

- X1** – DI8-X1: Wide-range power supply unit, incl. 2 non-grouped digital inputs and 6 grouped digital inputs
- X2** – OR6: Assembly Group with 6 Output Relays (Changeover / Form C)
- X3** – TI: Standard current measuring card (for the winding side 1)
- X4** – TIs: Standard phase current measuring card and sensitive ground current measuring (winding side 2)
- X5** – AnIO2-OR4: Assembly Group with 2 Analog Inputs, 2 Analog Outputs and 4 Output Relays
- X6** – TU: Card with 4 voltage transformer measuring inputs (0 ... 800 VAC, under UL: 0 ... 600 VAC)
- X100** – Modbus TCP / IEC 60870-5-104 / DNP3.0 TCP/UDP, Ethernet interface, 100 Mbit/s, RJ45 (BASE100-FX)
- X102** – Universal Resistance-Temperature Detector (URTD) input, Fiber optics interface, Versatile Link
- X103** – IEC 60870-5-103 / Modbus RTU / DNP3.0 RTU, RS485, Terminals
- X104** – IRIG-B00X, incl. System Contact (Supervision Contact)

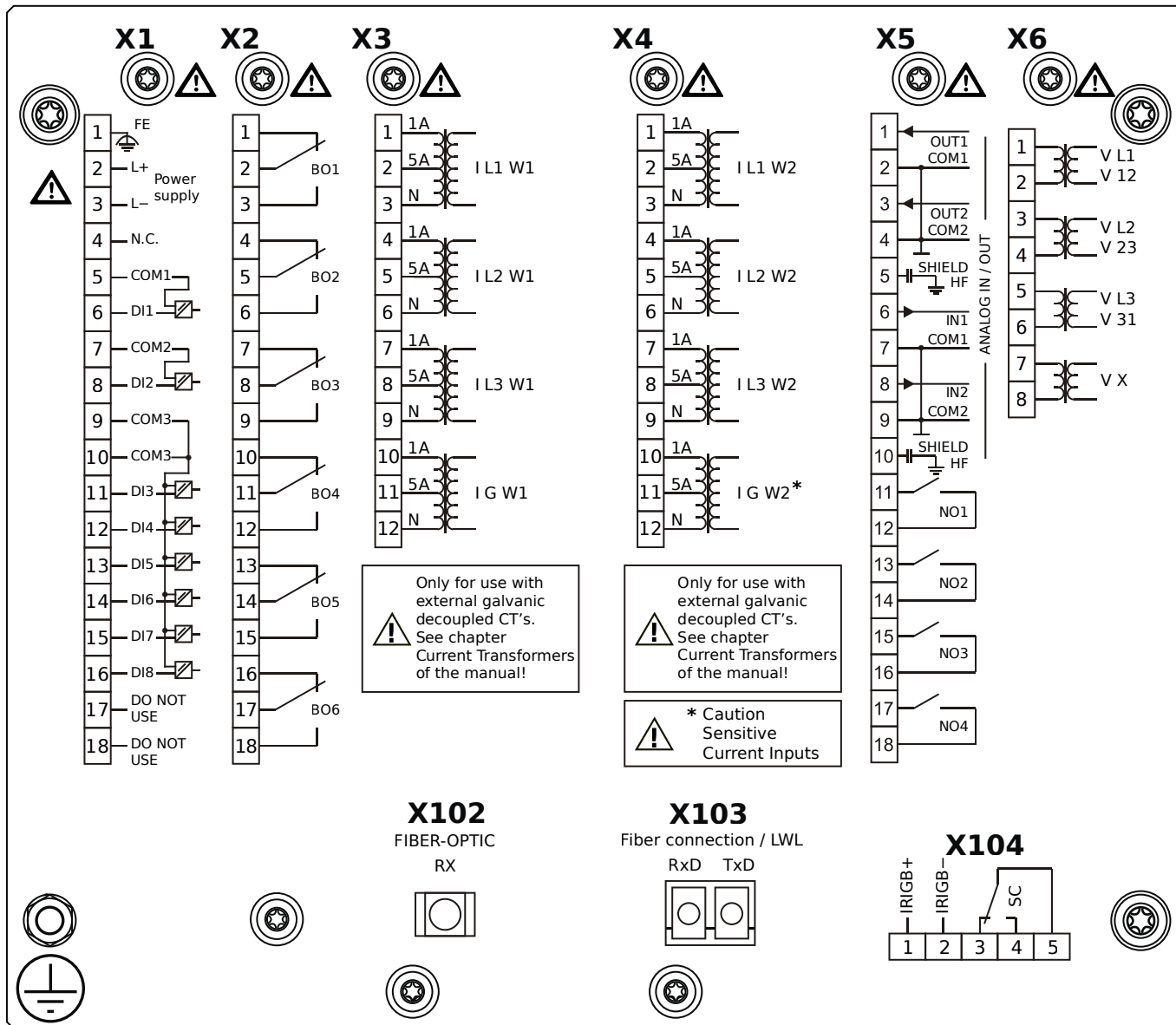
MCDTV4-2B2BKA



Housing B2, large display, 19" rack mounting

- X1** – DI8-X1: Wide-range power supply unit, incl. 2 non-grouped digital inputs and 6 grouped digital inputs
- X2** – OR6: Assembly Group with 6 Output Relays (Changeover / Form C)
- X3** – TI: Standard current measuring card (for the winding side 1)
- X4** – TIs: Standard phase current measuring card and sensitive ground current measuring (winding side 2)
- X5** – AnIO2-OR4: Assembly Group with 2 Analog Inputs, 2 Analog Outputs and 4 Output Relays
- X6** – TU: Card with 4 voltage transformer measuring inputs (0 ... 800 VAC, under UL: 0 ... 600 VAC)
- X102** – Universal Resistance-Temperature Detector (URTD) input, Fiber optics interface, Versatile Link
- X103** – IEC 61850 / Modbus TCP / IEC 60870-5-104 / DNP3.0 TCP/UDP, Fiber optics interface, LC Connector
- X104** – IRIG-B00X, incl. System Contact (Supervision Contact)

MCDTV4-2B2BKB

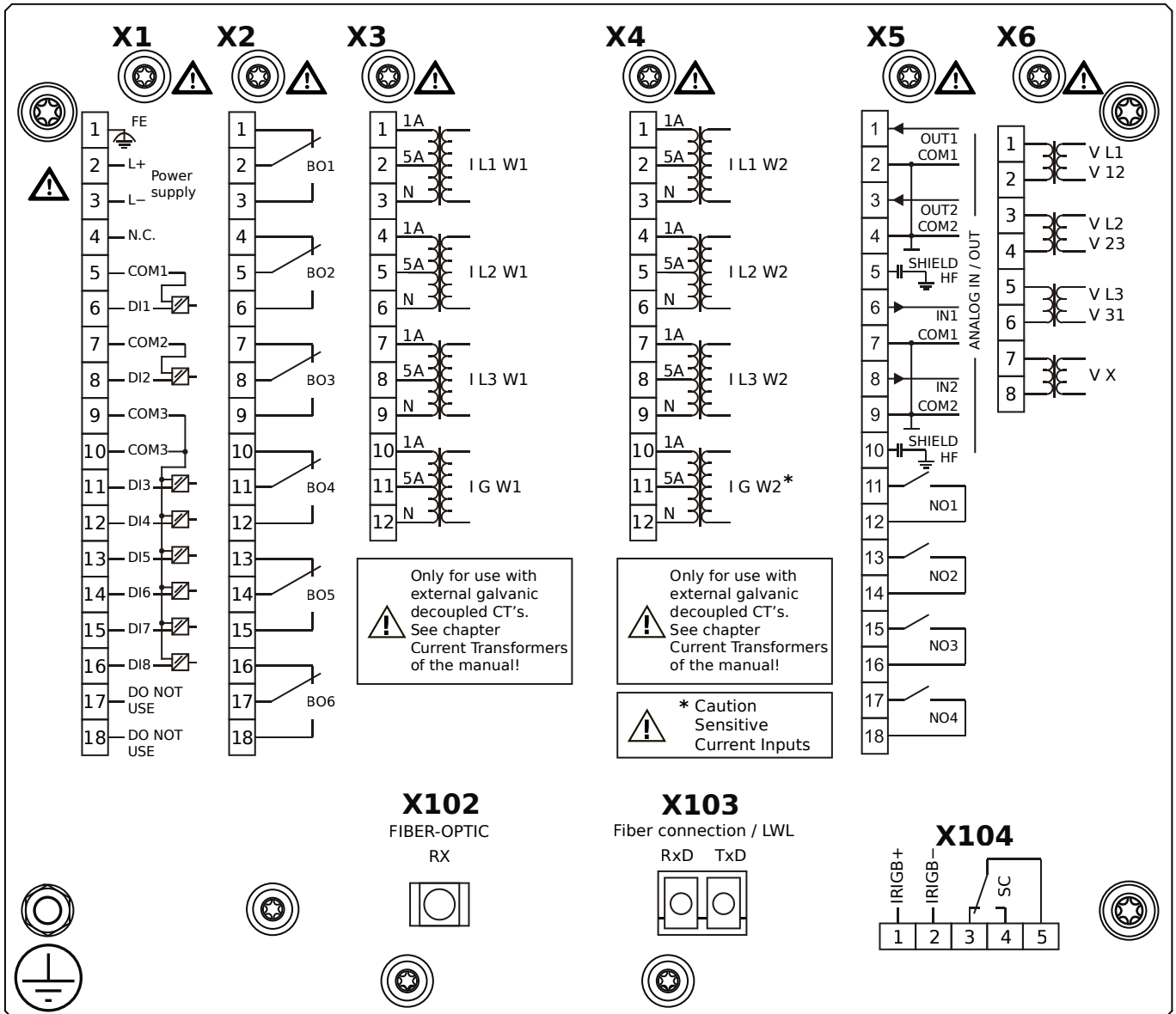


Housing B2, large display, 19" rack mounting

+ Conformal Coating (for installations in harsh environment)

- X1** – DI8-X1: Wide-range power supply unit, incl. 2 non-grouped digital inputs and 6 grouped digital inputs
- X2** – OR6: Assembly Group with 6 Output Relays (Changeover / Form C)
- X3** – TI: Standard current measuring card (for the winding side 1)
- X4** – TIs: Standard phase current measuring card and sensitive ground current measuring (winding side 2)
- X5** – AnIO2-OR4: Assembly Group with 2 Analog Inputs, 2 Analog Outputs and 4 Output Relays
- X6** – TU: Card with 4 voltage transformer measuring inputs (0 ... 800 VAC, under UL: 0 ... 600 VAC)
- X102** – Universal Resistance-Temperature Detector (URTD) input, Fiber optics interface, Versatile Link
- X103** – IEC 61850 / Modbus TCP / IEC 60870-5-104 / DNP3.0 TCP/UDP, Fiber optics interface, LC Connector
- X104** – IRIG-B00X, incl. System Contact (Supervision Contact)

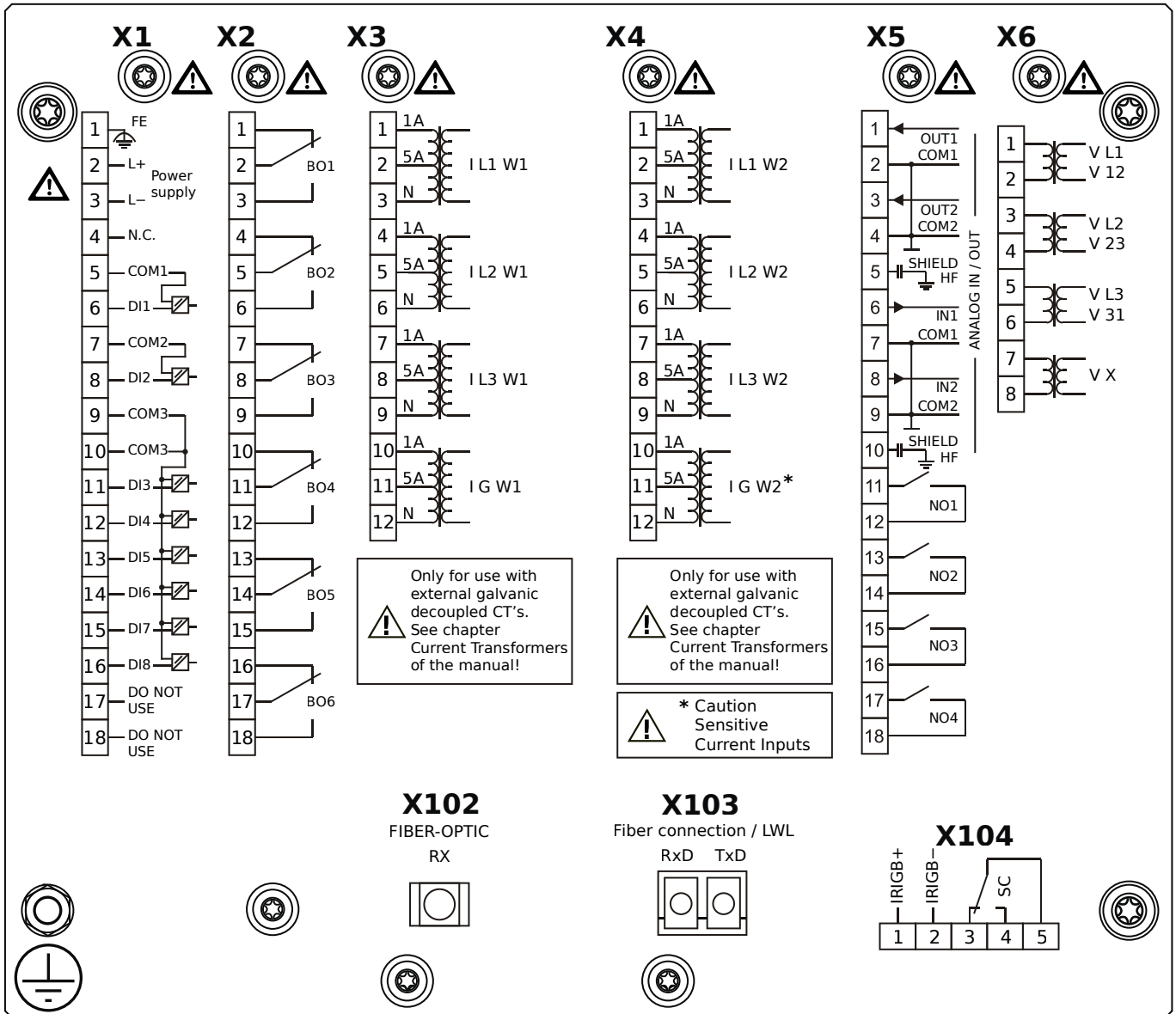
MCDTV4-2B2BLA



Housing B2, large display, 19" rack mounting

- X1** – DI8-X1: Wide-range power supply unit, incl. 2 non-grouped digital inputs and 6 grouped digital inputs
- X2** – OR6: Assembly Group with 6 Output Relays (Changeover / Form C)
- X3** – TI: Standard current measuring card (for the winding side 1)
- X4** – TIs: Standard phase current measuring card and sensitive ground current measuring (winding side 2)
- X5** – AnIO2-OR4: Assembly Group with 2 Analog Inputs, 2 Analog Outputs and 4 Output Relays
- X6** – TU: Card with 4 voltage transformer measuring inputs (0 ... 800 VAC, under UL: 0 ... 600 VAC)
- X102** – Universal Resistance-Temperature Detector (URTD) input, Fiber optics interface, Versatile Link
- X103** – Modbus TCP / IEC 60870-5-104 / DNP3.0 TCP/UDP, Fiber optics interface, LC Connector
- X104** – IRIG-B00X, incl. System Contact (Supervision Contact)

MCDTV4-2B2BLB

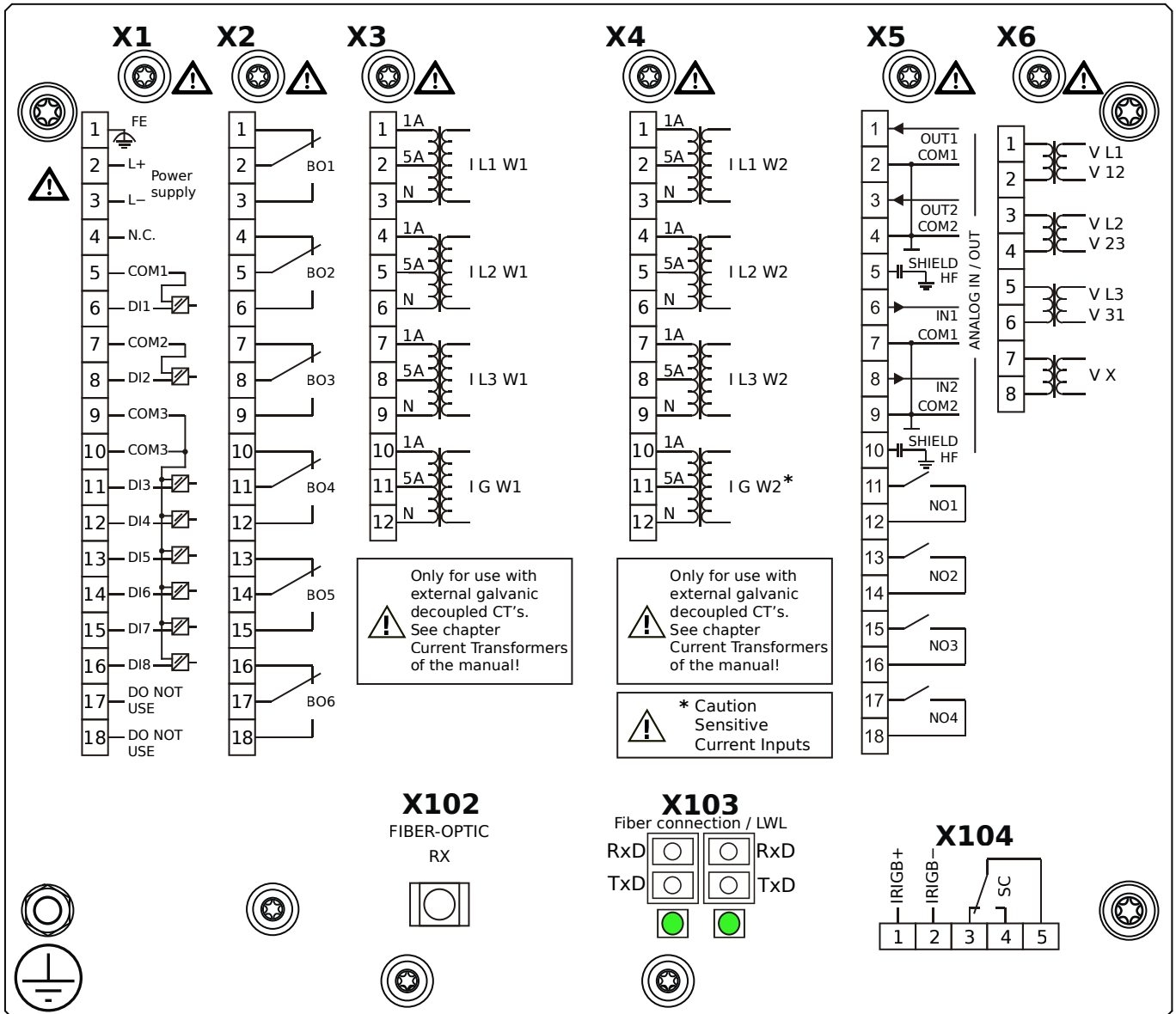


Housing B2, large display, 19" rack mounting

+ Conformal Coating (for installations in harsh environment)

- X1** – DI8-X1: Wide-range power supply unit, incl. 2 non-grouped digital inputs and 6 grouped digital inputs
- X2** – OR6: Assembly Group with 6 Output Relays (Changeover / Form C)
- X3** – TI: Standard current measuring card (for the winding side 1)
- X4** – TIs: Standard phase current measuring card and sensitive ground current measuring (winding side 2)
- X5** – AnIO2-OR4: Assembly Group with 2 Analog Inputs, 2 Analog Outputs and 4 Output Relays
- X6** – TU: Card with 4 voltage transformer measuring inputs (0 ... 800 VAC, under UL: 0 ... 600 VAC)
- X102** – Universal Resistance-Temperature Detector (URTD) input, Fiber optics interface, Versatile Link
- X103** – Modbus TCP / IEC 60870-5-104 / DNP3.0 TCP/UDP, Fiber optics interface, LC Connector
- X104** – IRIG-B00X, incl. System Contact (Supervision Contact)

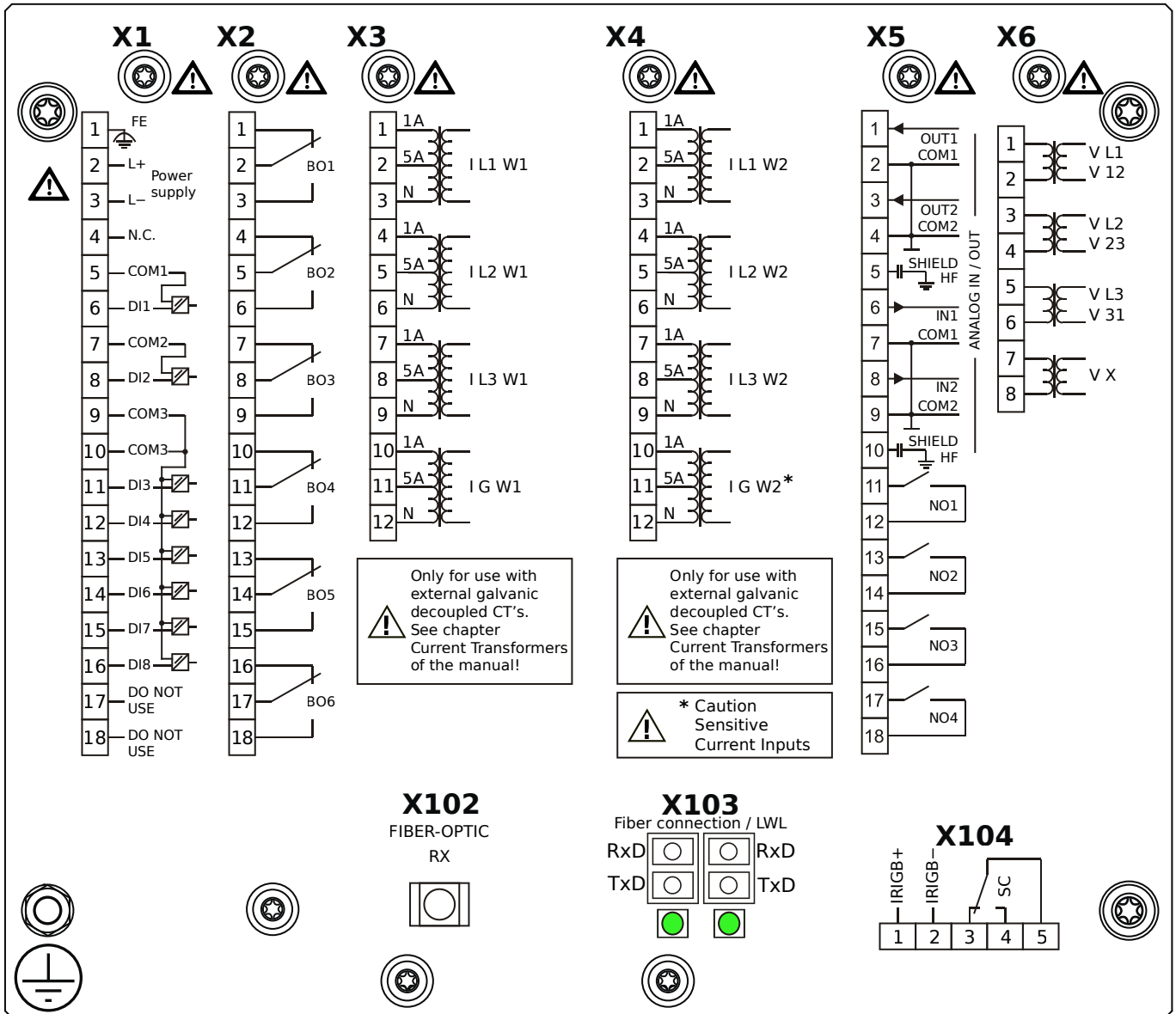
MCDTV4-2B2BOA



Housing B2, large display, 19" rack mounting

- X1** – DI8-X1: Wide-range power supply unit, incl. 2 non-grouped digital inputs and 6 grouped digital inputs
- X2** – OR6: Assembly Group with 6 Output Relays (Changeover / Form C)
- X3** – TI: Standard current measuring card (for the winding side 1)
- X4** – TIs: Standard phase current measuring card and sensitive ground current measuring (winding side 2)
- X5** – AnIO2-OR4: Assembly Group with 2 Analog Inputs, 2 Analog Outputs and 4 Output Relays
- X6** – TU: Card with 4 voltage transformer measuring inputs (0 ... 800 VAC, under UL: 0 ... 600 VAC)
- X102** – Universal Resistance-Temperature Detector (URTD) input, Fiber optics interface, Versatile Link
- X103** – Modbus TCP / IEC 60870-5-104 / DNP3.0 TCP/UDP, Redundant Fiber optics interface, LC Connector
- X104** – IRIG-B00X, incl. System Contact (Supervision Contact)

MCDTV4-2B2BOB

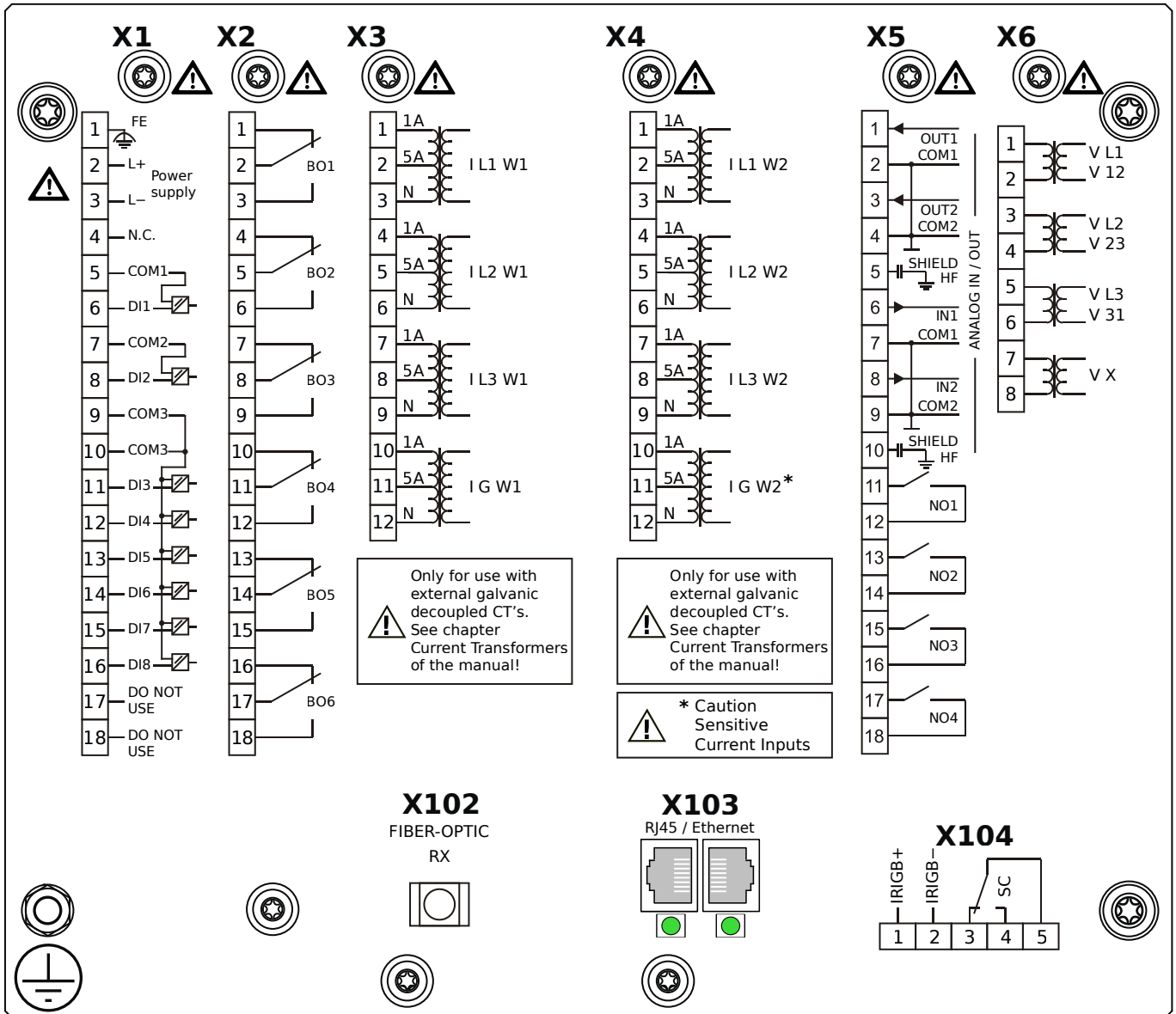


Housing B2, large display, 19" rack mounting

+ Conformal Coating (for installations in harsh environment)

- X1** – DI8-X1: Wide-range power supply unit, incl. 2 non-grouped digital inputs and 6 grouped digital inputs
- X2** – OR6: Assembly Group with 6 Output Relays (Changeover / Form C)
- X3** – TI: Standard current measuring card (for the winding side 1)
- X4** – TIs: Standard phase current measuring card and sensitive ground current measuring (winding side 2)
- X5** – AnIO2-OR4: Assembly Group with 2 Analog Inputs, 2 Analog Outputs and 4 Output Relays
- X6** – TU: Card with 4 voltage transformer measuring inputs (0 ... 800 VAC, under UL: 0 ... 600 VAC)
- X102** – Universal Resistance-Temperature Detector (URTD) input, Fiber optics interface, Versatile Link
- X103** – Modbus TCP / IEC 60870-5-104 / DNP3.0 TCP/UDP, Redundant Fiber optics interface, LC Connector
- X104** – IRIG-B00X, incl. System Contact (Supervision Contact)

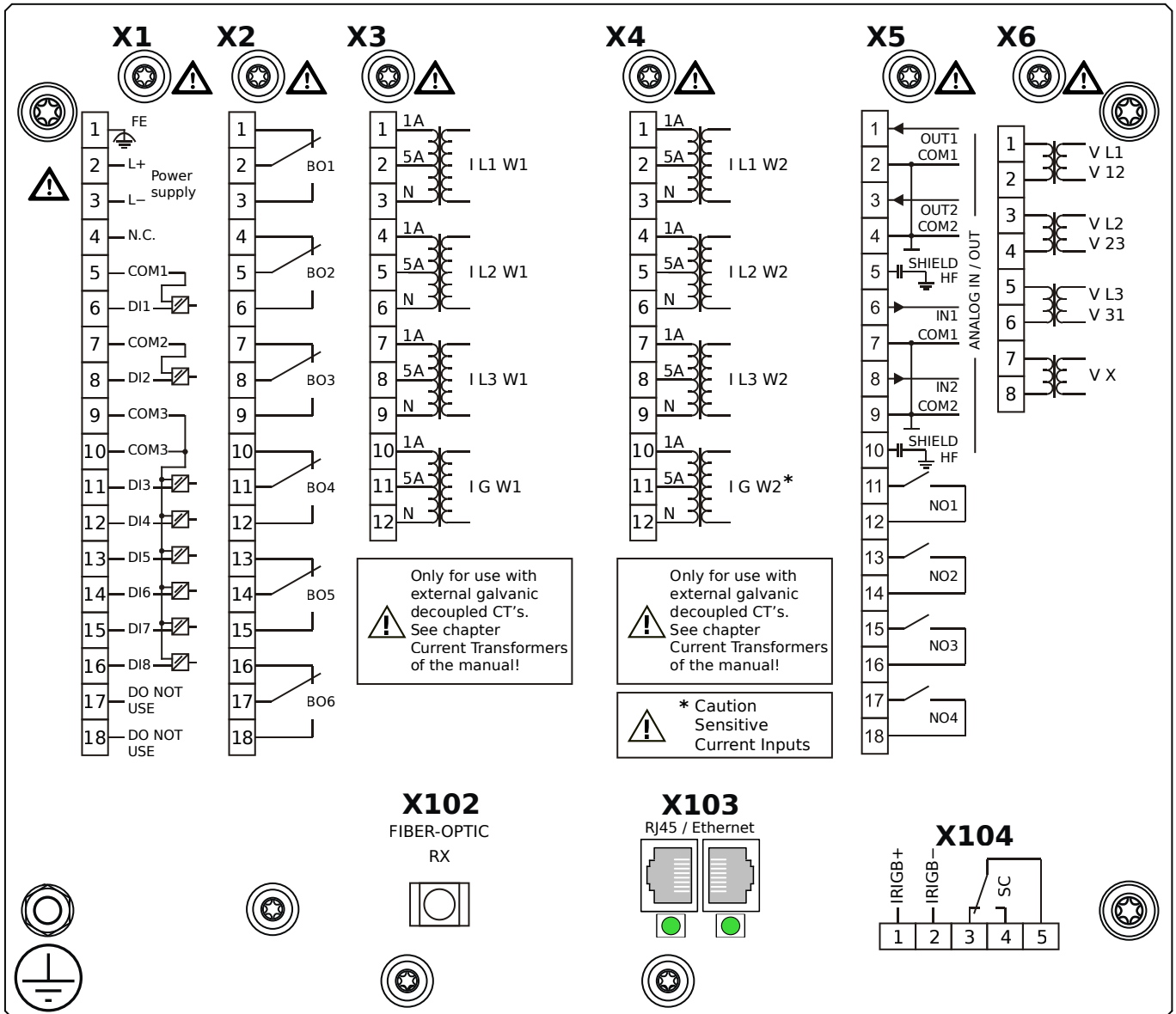
MCDTV4-2B2BPA



Housing B2, large display, 19" rack mounting

- X1** – DI8-X1: Wide-range power supply unit, incl. 2 non-grouped digital inputs and 6 grouped digital inputs
- X2** – OR6: Assembly Group with 6 Output Relays (Changeover / Form C)
- X3** – TI: Standard current measuring card (for the winding side 1)
- X4** – TIs: Standard phase current measuring card and sensitive ground current measuring (winding side 2)
- X5** – AnIO2-OR4: Assembly Group with 2 Analog Inputs, 2 Analog Outputs and 4 Output Relays
- X6** – TU: Card with 4 voltage transformer measuring inputs (0 ... 800 VAC, under UL: 0 ... 600 VAC)
- X102** – Universal Resistance-Temperature Detector (URTD) input, Fiber optics interface, Versatile Link
- X103** – Modbus TCP / IEC 60870-5-104 / DNP3.0 TCP/UDP, Redundant Ethernet interface, 100 Mbit/s, RJ45 (BASE100-FX)
- X104** – IRIG-B00X, incl. System Contact (Supervision Contact)

MCDTV4-2B2BPB

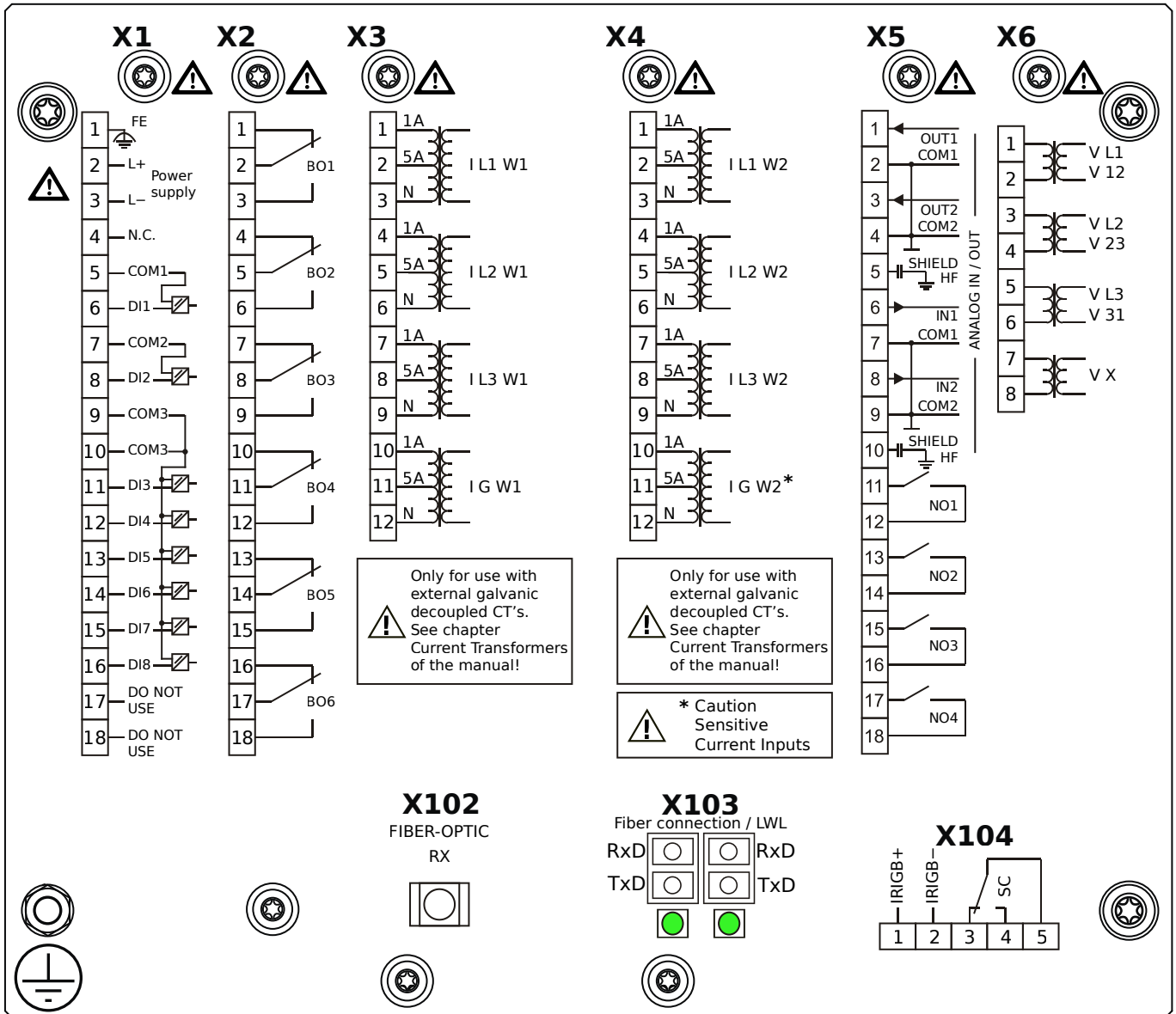


Housing B2, large display, 19" rack mounting

- + Conformal Coating (for installations in harsh environment)

- X1** – DI8-X1: Wide-range power supply unit, incl. 2 non-grouped digital inputs and 6 grouped digital inputs
- X2** – OR6: Assembly Group with 6 Output Relays (Changeover / Form C)
- X3** – TI: Standard current measuring card (for the winding side 1)
- X4** – TIs: Standard phase current measuring card and sensitive ground current measuring (winding side 2)
- X5** – AnIO2-OR4: Assembly Group with 2 Analog Inputs, 2 Analog Outputs and 4 Output Relays
- X6** – TU: Card with 4 voltage transformer measuring inputs (0 ... 800 VAC, under UL: 0 ... 600 VAC)
- X102** – Universal Resistance-Temperature Detector (URTD) input, Fiber optics interface, Versatile Link
- X103** – Modbus TCP / IEC 60870-5-104 / DNP3.0 TCP/UDP, Redundant Ethernet interface, 100 Mbit/s, RJ45 (BASE100-FX)
- X104** – IRIG-B00X, incl. System Contact (Supervision Contact)

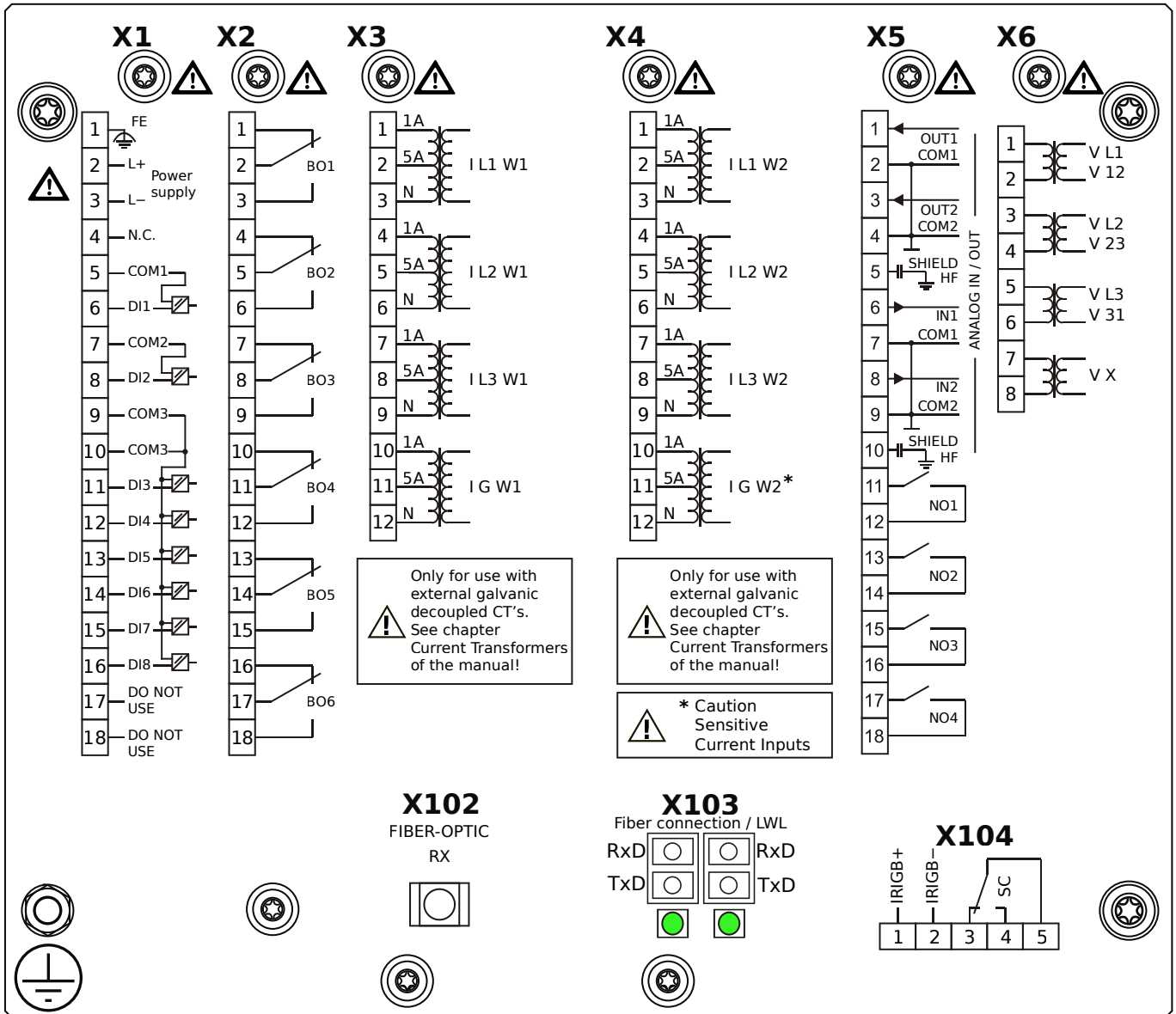
MCDTV4-2B2BQA



Housing B2, large display, 19" rack mounting

- X1** – DI8-X1: Wide-range power supply unit, incl. 2 non-grouped digital inputs and 6 grouped digital inputs
- X2** – OR6: Assembly Group with 6 Output Relays (Changeover / Form C)
- X3** – TI: Standard current measuring card (for the winding side 1)
- X4** – TIs: Standard phase current measuring card and sensitive ground current measuring (winding side 2)
- X5** – AnIO2-OR4: Assembly Group with 2 Analog Inputs, 2 Analog Outputs and 4 Output Relays
- X6** – TU: Card with 4 voltage transformer measuring inputs (0 ... 800 VAC, under UL: 0 ... 600 VAC)
- X102** – Universal Resistance-Temperature Detector (URTD) input, Fiber optics interface, Versatile Link
- X103** – IEC 61850 / Modbus TCP / IEC 60870-5-104 / DNP3.0 TCP/UDP, Redundant Fiber optics interface, LC Connector
- X104** – IRIG-B00X, incl. System Contact (Supervision Contact)

MCDTV4-2B2BQB

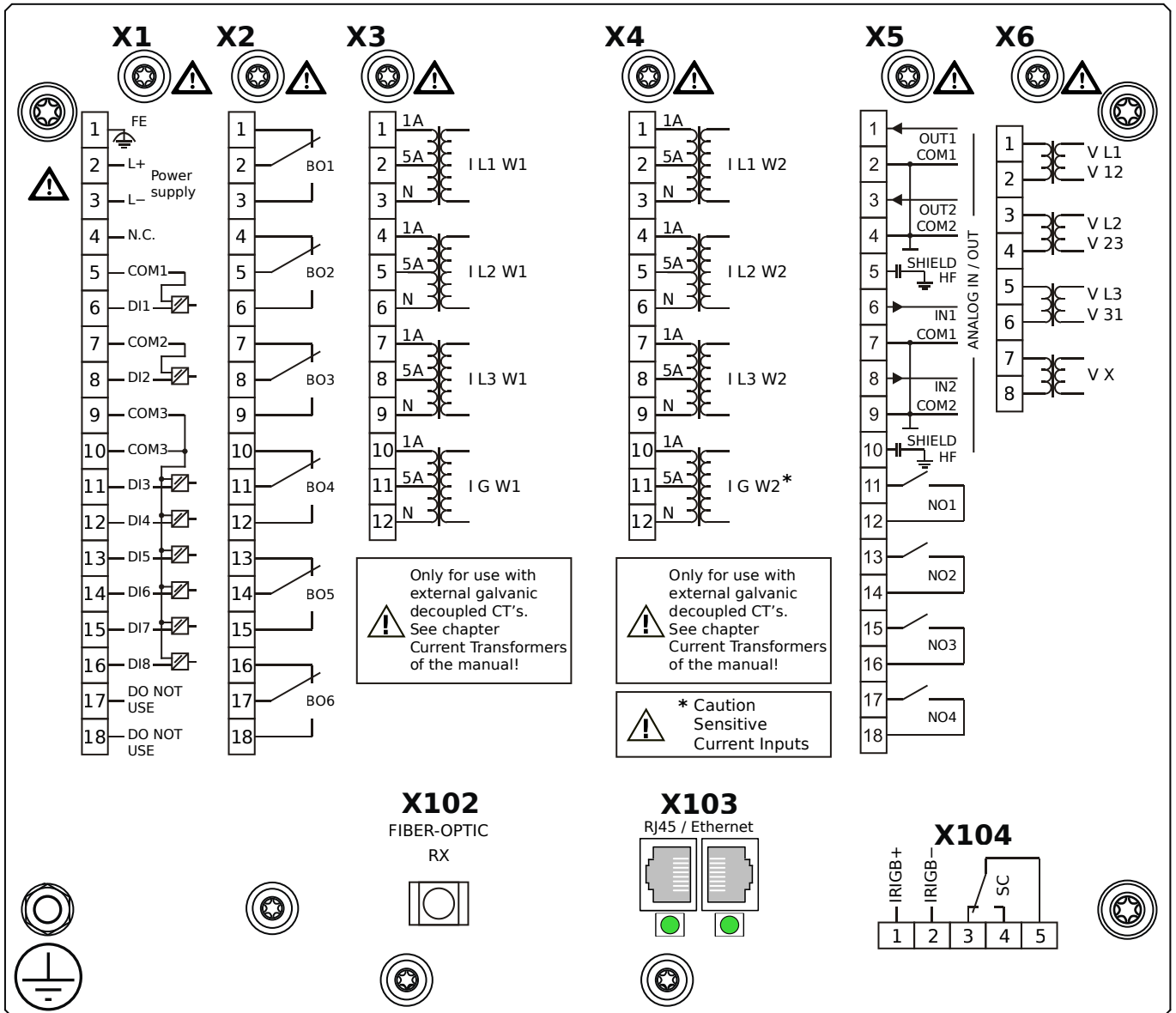


Housing B2, large display, 19" rack mounting

- + Conformal Coating (for installations in harsh environment)

- X1** – DI8-X1: Wide-range power supply unit, incl. 2 non-grouped digital inputs and 6 grouped digital inputs
- X2** – OR6: Assembly Group with 6 Output Relays (Changeover / Form C)
- X3** – TI: Standard current measuring card (for the winding side 1)
- X4** – TIs: Standard phase current measuring card and sensitive ground current measuring (winding side 2)
- X5** – AnIO2-OR4: Assembly Group with 2 Analog Inputs, 2 Analog Outputs and 4 Output Relays
- X6** – TU: Card with 4 voltage transformer measuring inputs (0 ... 800 VAC, under UL: 0 ... 600 VAC)
- X102** – Universal Resistance-Temperature Detector (URTD) input, Fiber optics interface, Versatile Link
- X103** – IEC 61850 / Modbus TCP / IEC 60870-5-104 / DNP3.0 TCP/UDP, Redundant Fiber optics interface, LC Connector
- X104** – IRIG-B00X, incl. System Contact (Supervision Contact)

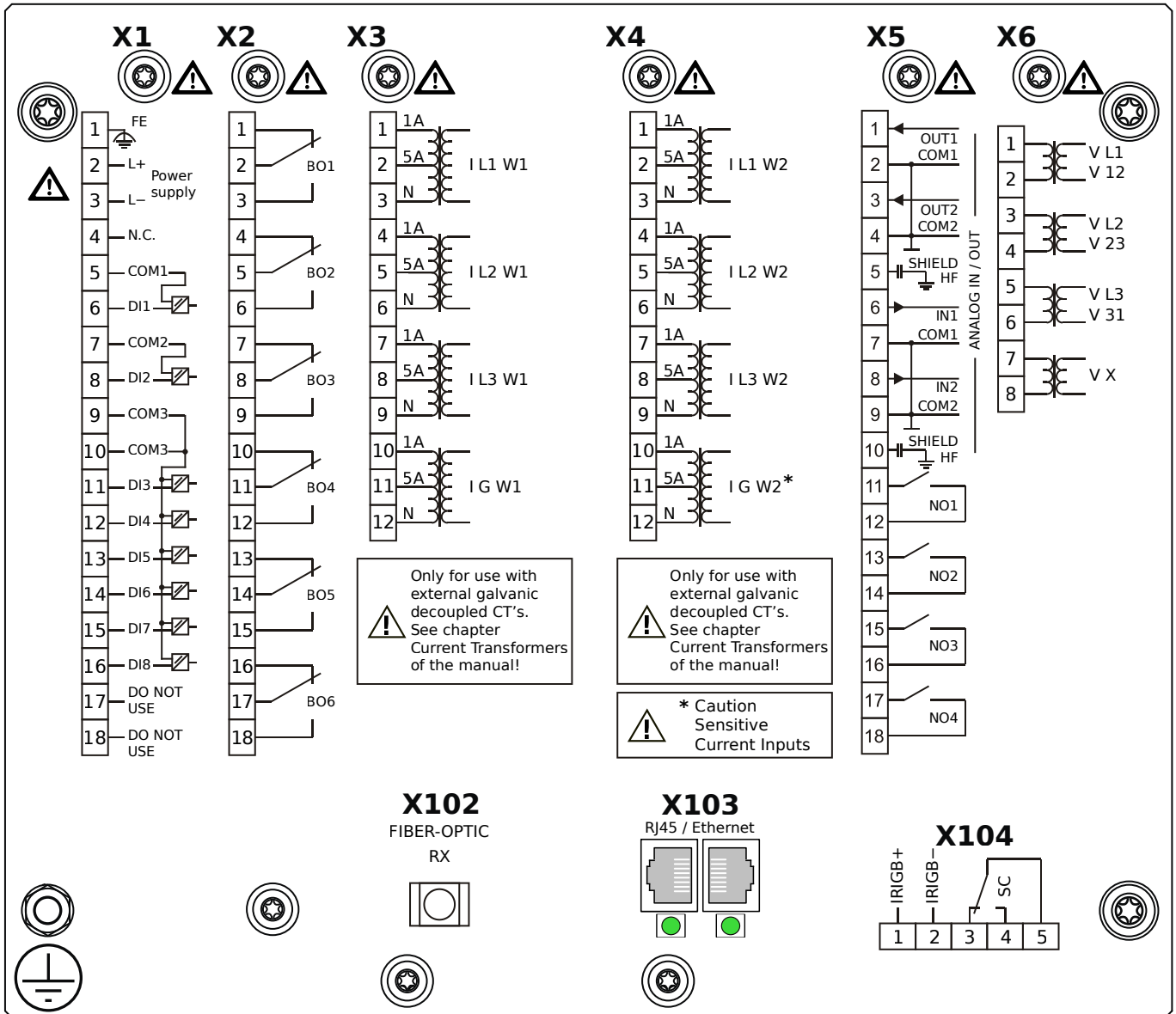
MCDTV4-2B2BRA



Housing B2, large display, 19" rack mounting

- X1** – DI8-X1: Wide-range power supply unit, incl. 2 non-grouped digital inputs and 6 grouped digital inputs
- X2** – OR6: Assembly Group with 6 Output Relays (Changeover / Form C)
- X3** – TI: Standard current measuring card (for the winding side 1)
- X4** – TIs: Standard phase current measuring card and sensitive ground current measuring (winding side 2)
- X5** – AnIO2-OR4: Assembly Group with 2 Analog Inputs, 2 Analog Outputs and 4 Output Relays
- X6** – TU: Card with 4 voltage transformer measuring inputs (0 ... 800 VAC, under UL: 0 ... 600 VAC)
- X102** – Universal Resistance-Temperature Detector (URTD) input, Fiber optics interface, Versatile Link
- X103** – IEC 61850 / Modbus TCP / IEC 60870-5-104 / DNP3.0 TCP/UDP, Redundant Ethernet interface, 100 Mbit/s, RJ45
- X104** – IRIG-B00X, incl. System Contact (Supervision Contact)

MCDTV4-2B2BRB



Housing B2, large display, 19" rack mounting

+ Conformal Coating (for installations in harsh environment)

X1 – DI8-X1: Wide-range power supply unit, incl. 2 non-grouped digital inputs and 6 grouped digital inputs

X2 – OR6: Assembly Group with 6 Output Relays (Changeover / Form C)

X3 – TI: Standard current measuring card (for the winding side 1)

X4 – TIs: Standard phase current measuring card and sensitive ground current measuring (winding side 2)

X5 – AnIO2-OR4: Assembly Group with 2 Analog Inputs, 2 Analog Outputs and 4 Output Relays

X6 – TU: Card with 4 voltage transformer measuring inputs (0 ... 800 VAC, under UL: 0 ... 600 VAC)

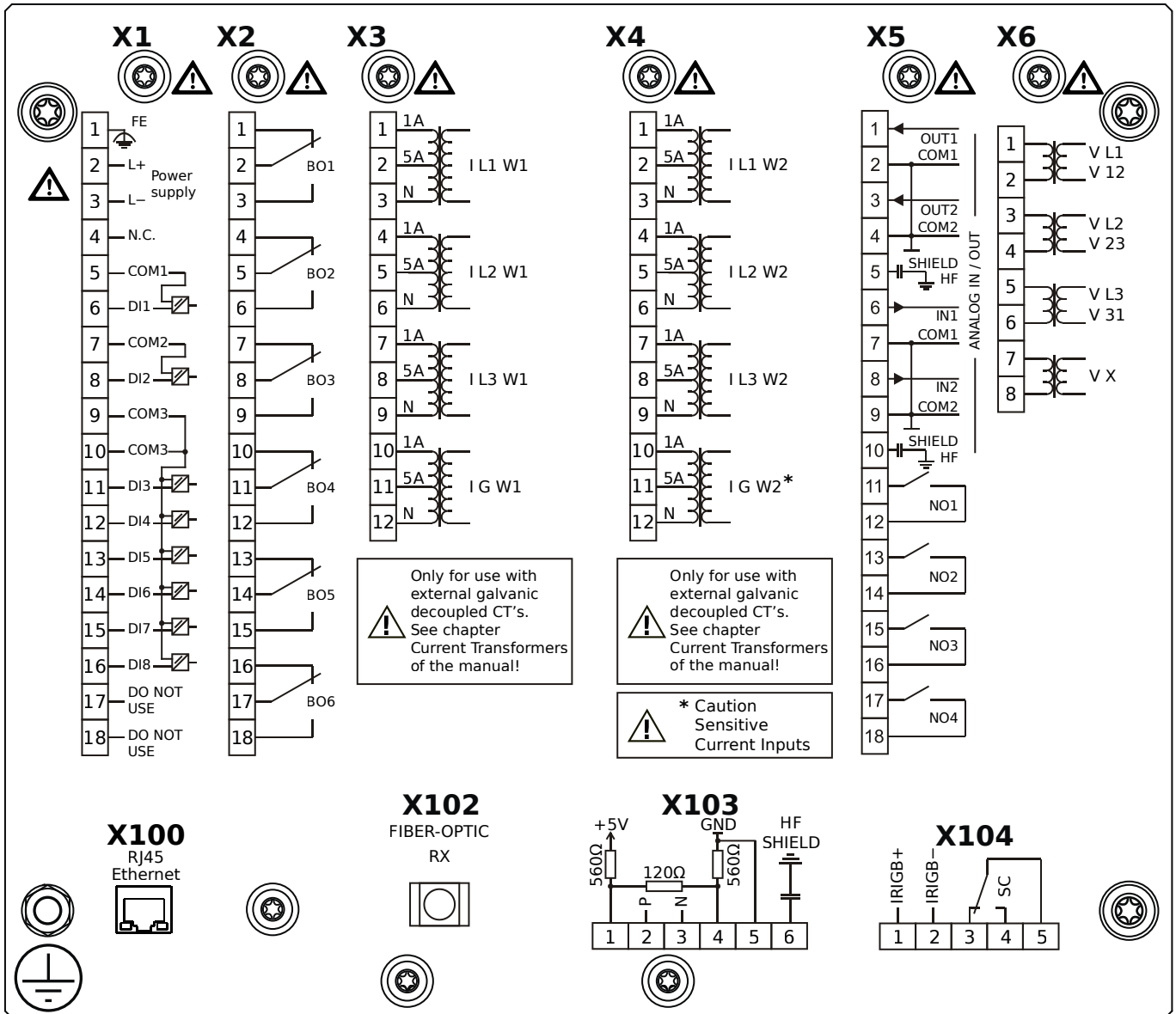
X102 – Universal Resistance-Temperature Detector (URTD) input, Fiber optics interface, Versatile Link

X103 – IEC 61850 / Modbus TCP / IEC 60870-5-104 / DNP3.0 TCP/UDP, Redundant Ethernet interface, 100 Mbit/s, RJ45

(BASE100-FX)

X104 – IRIG-B00X, incl. System Contact (Supervision Contact)

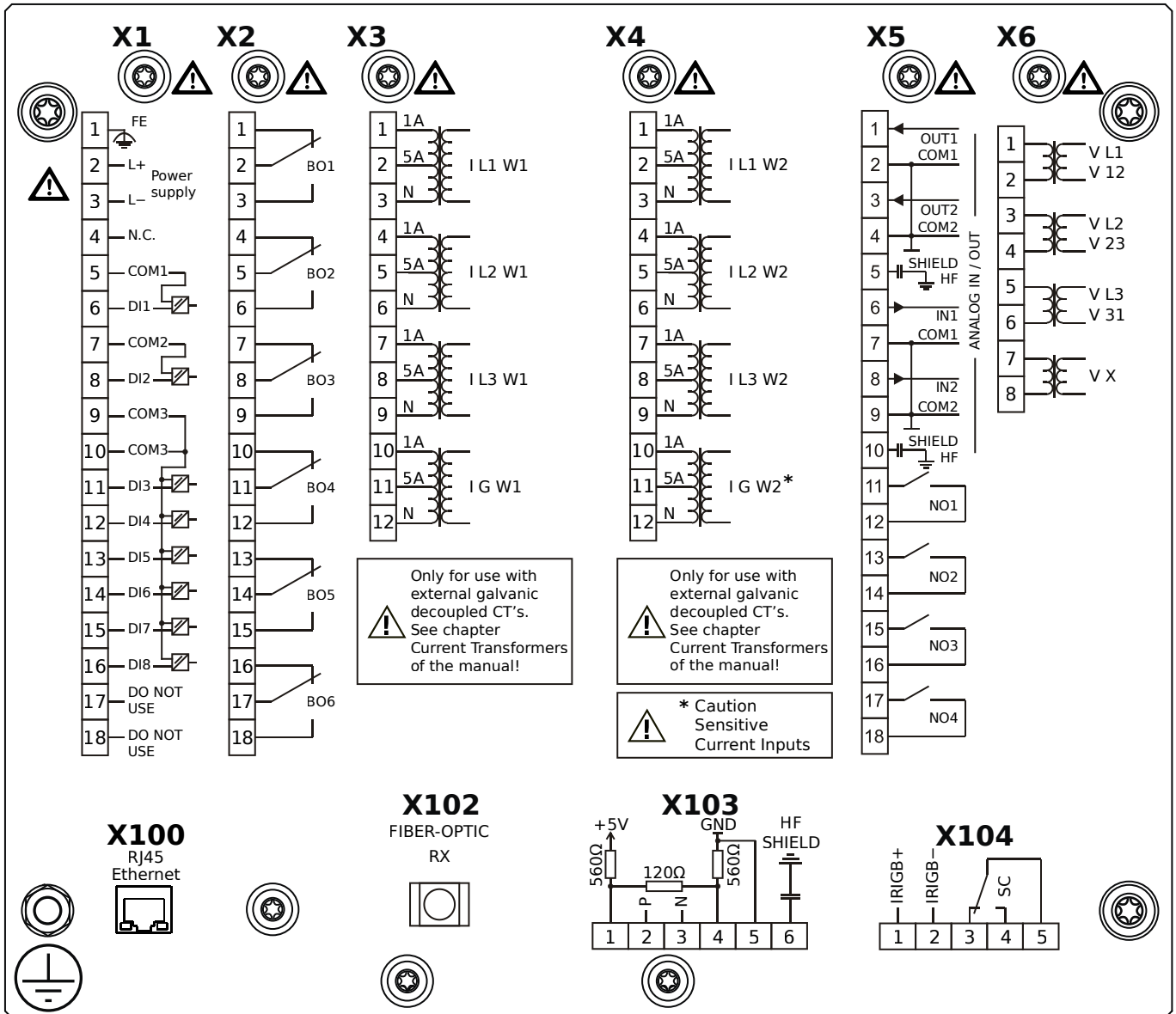
MCDTV4-2B2BTA



Housing B2, large display, 19" rack mounting

- X1** – DI8-X1: Wide-range power supply unit, incl. 2 non-grouped digital inputs and 6 grouped digital inputs
- X2** – OR6: Assembly Group with 6 Output Relays (Changeover / Form C)
- X3** – TI: Standard current measuring card (for the winding side 1)
- X4** – TIs: Standard phase current measuring card and sensitive ground current measuring (winding side 2)
- X5** – AnIO2-OR4: Assembly Group with 2 Analog Inputs, 2 Analog Outputs and 4 Output Relays
- X6** – TU: Card with 4 voltage transformer measuring inputs (0 ... 800 VAC, under UL: 0 ... 600 VAC)
- X100** – IEC 61850 / Modbus TCP / IEC 60870-5-104 / DNP3.0 TCP/UDP, Ethernet interface, 100 Mbit/s, RJ45 (BASE100-FX)
- X102** – Universal Resistance-Temperature Detector (URTD) input, Fiber optics interface, Versatile Link
- X103** – IEC 60870-5-103 / Modbus RTU / DNP3.0 RTU, RS485, Terminals
- X104** – IRIG-B00X, incl. System Contact (Supervision Contact)

MCDTV4-2B2BTB

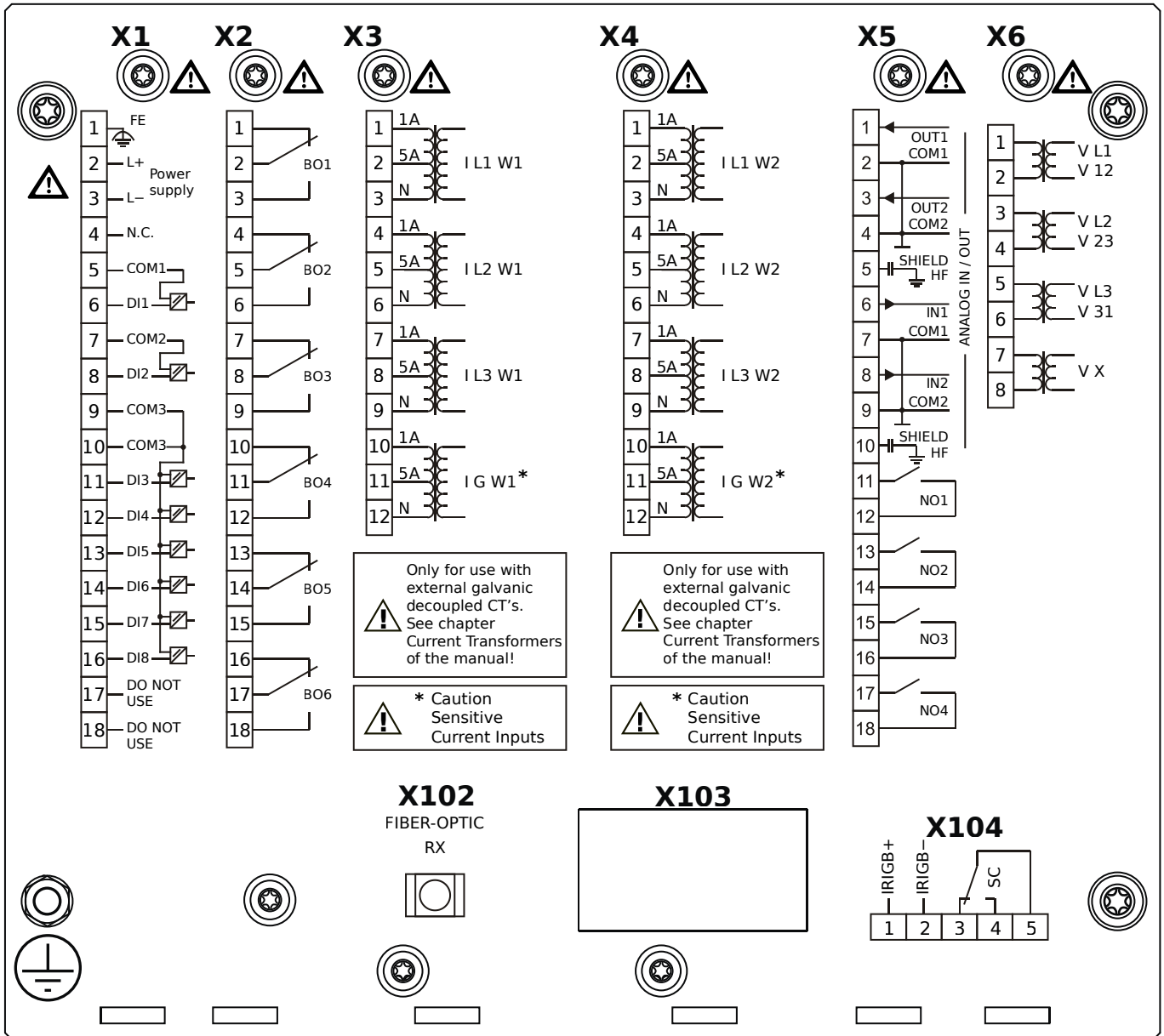


Housing B2, large display, 19" rack mounting

+ Conformal Coating (for installations in harsh environment)

- X1** – DI8-X1: Wide-range power supply unit, incl. 2 non-grouped digital inputs and 6 grouped digital inputs
- X2** – OR6: Assembly Group with 6 Output Relays (Changeover / Form C)
- X3** – TI: Standard current measuring card (for the winding side 1)
- X4** – TIs: Standard phase current measuring card and sensitive ground current measuring (winding side 2)
- X5** – AnIO2-OR4: Assembly Group with 2 Analog Inputs, 2 Analog Outputs and 4 Output Relays
- X6** – TU: Card with 4 voltage transformer measuring inputs (0 ... 800 VAC, under UL: 0 ... 600 VAC)
- X100** – IEC 61850 / Modbus TCP / IEC 60870-5-104 / DNP3.0 TCP/UDP, Ethernet interface, 100 Mbit/s, RJ45 (BASE100-FX)
- X102** – Universal Resistance-Temperature Detector (URTD) input, Fiber optics interface, Versatile Link
- X103** – IEC 60870-5-103 / Modbus RTU / DNP3.0 RTU, RS485, Terminals
- X104** – IRIG-B00X, incl. System Contact (Supervision Contact)

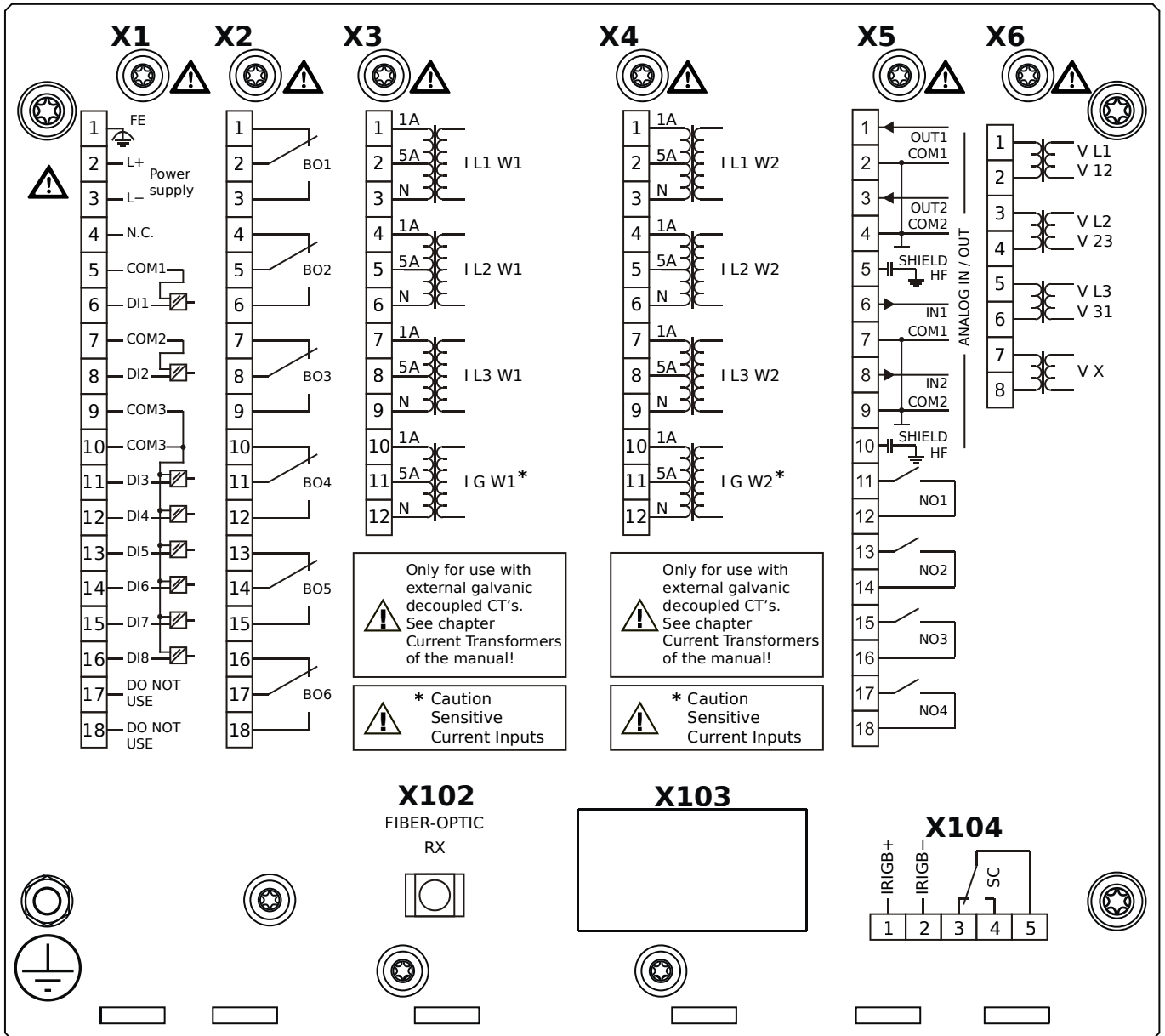
MCDTV4-2B3AAA



Housing B2, large display, door mounting

- X1** – DI8-X1: Wide-range power supply unit, incl. 2 non-grouped digital inputs and 6 grouped digital inputs
- X2** – OR6: Assembly Group with 6 Output Relays (Changeover / Form C)
- X3** – TIs: Standard phase current measuring card and sensitive ground current measuring (winding side 1)
- X4** – TIs: Standard phase current measuring card and sensitive ground current measuring (winding side 2)
- X5** – AnIO2-OR4: Assembly Group with 2 Analog Inputs, 2 Analog Outputs and 4 Output Relays
- X6** – TU: Card with 4 voltage transformer measuring inputs (0 ... 800 VAC, under UL: 0 ... 600 VAC)
- X102** – Universal Resistance-Temperature Detector (URTD) input, Fiber optics interface, Versatile Link
- X104** – IRIG-B00X, incl. System Contact (Supervision Contact)

MCDTV4-2B3AAB

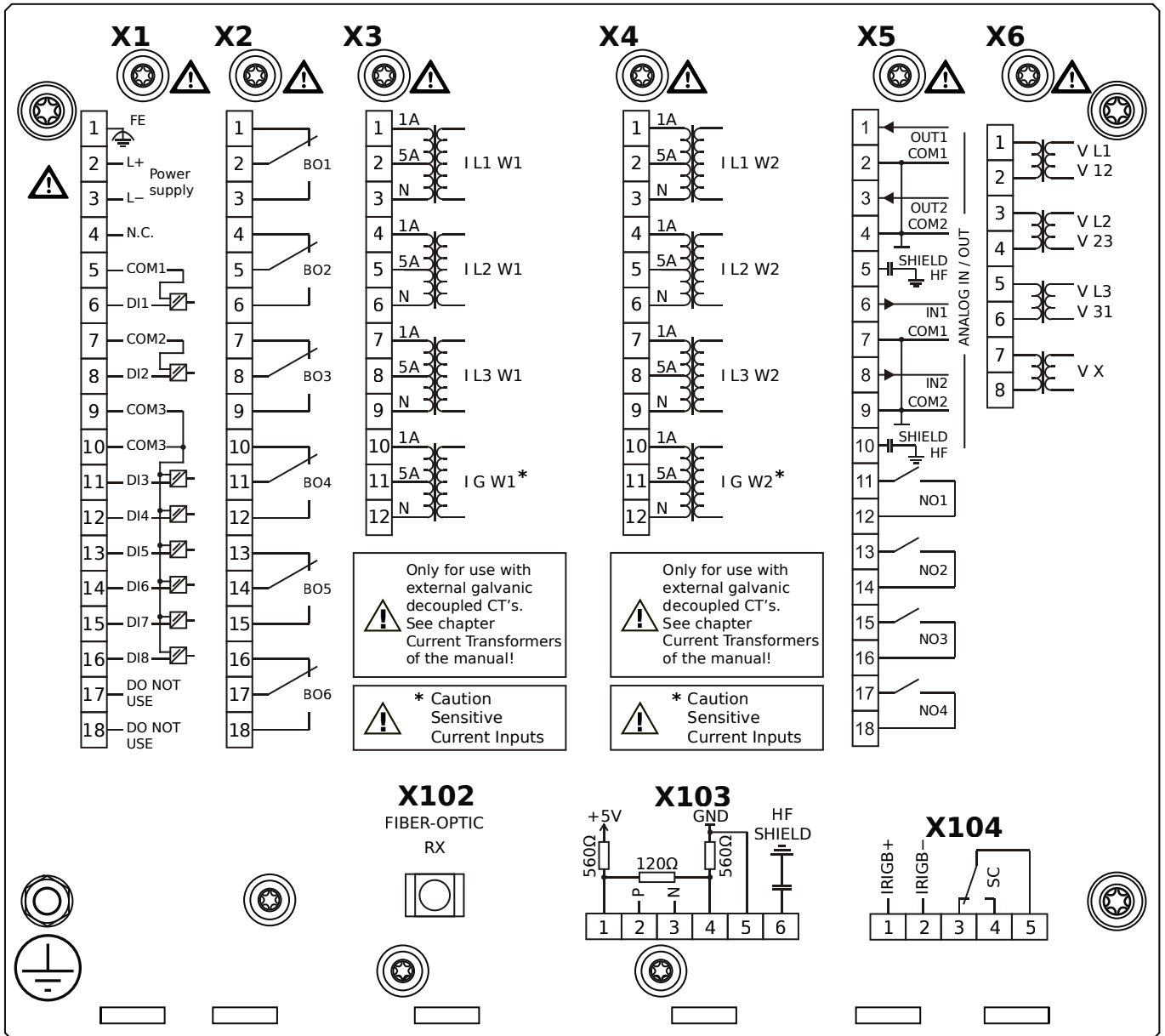


Housing B2, large display, door mounting

+ Conformal Coating (for installations in harsh environment)

- X1** – DI8-X1: Wide-range power supply unit, incl. 2 non-grouped digital inputs and 6 grouped digital inputs
- X2** – OR6: Assembly Group with 6 Output Relays (Changeover / Form C)
- X3** – TIs: Standard phase current measuring card and sensitive ground current measuring (winding side 1)
- X4** – TIs: Standard phase current measuring card and sensitive ground current measuring (winding side 2)
- X5** – AnIO2-OR4: Assembly Group with 2 Analog Inputs, 2 Analog Outputs and 4 Output Relays
- X6** – TU: Card with 4 voltage transformer measuring inputs (0 ... 800 VAC, under UL: 0 ... 600 VAC)
- X102** – Universal Resistance-Temperature Detector (URTD) input, Fiber optics interface, Versatile Link
- X104** – IRIG-B00X, incl. System Contact (Supervision Contact)

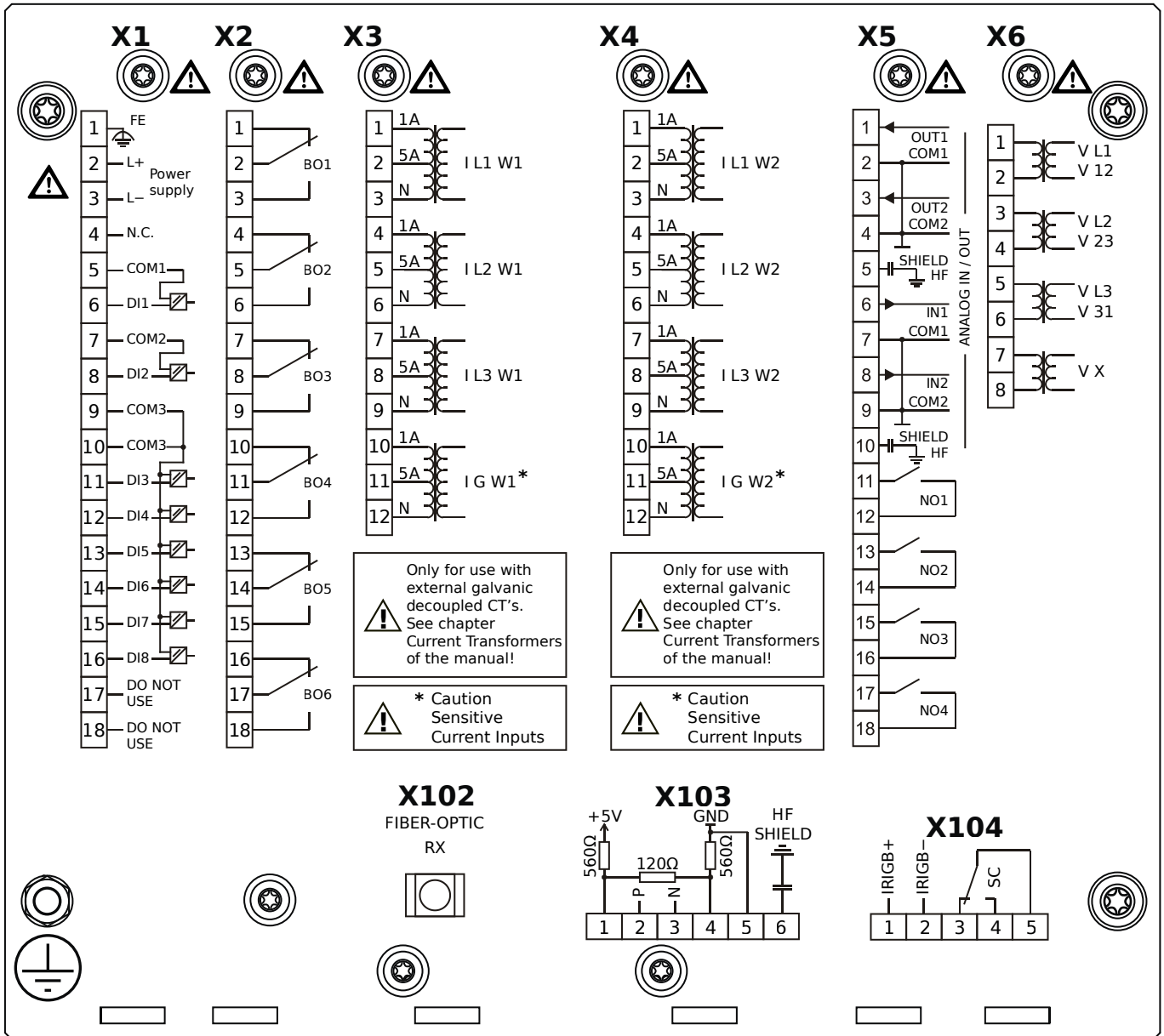
MCDTV4-2B3ABA



Housing B2, large display, door mounting

- X1** – DI8-X1: Wide-range power supply unit, incl. 2 non-grouped digital inputs and 6 grouped digital inputs
- X2** – OR6: Assembly Group with 6 Output Relays (Changeover / Form C)
- X3** – TIs: Standard phase current measuring card and sensitive ground current measuring (winding side 1)
- X4** – TIs: Standard phase current measuring card and sensitive ground current measuring (winding side 2)
- X5** – AnIO2-OR4: Assembly Group with 2 Analog Inputs, 2 Analog Outputs and 4 Output Relays
- X6** – TU: Card with 4 voltage transformer measuring inputs (0 ... 800 VAC, under UL: 0 ... 600 VAC)
- X102** – Universal Resistance-Temperature Detector (URTD) input, Fiber optics interface, Versatile Link
- X103** – Modbus RTU / IEC 60870-5-103 / DNP3.0 RTU, RS485, Terminals
- X104** – IRIG-B00X, incl. System Contact (Supervision Contact)

MCDTV4-2B3ABB

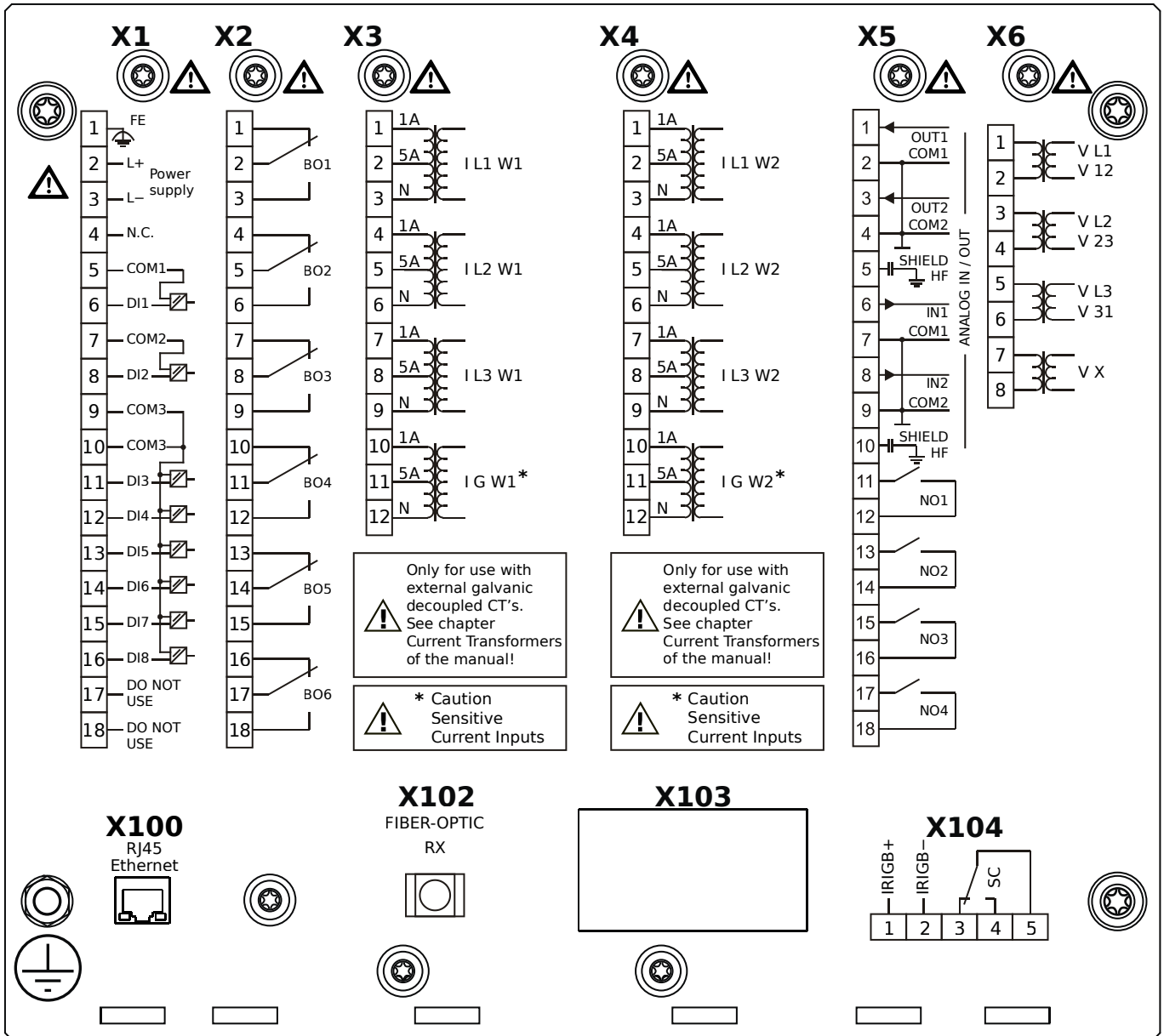


Housing B2, large display, door mounting

+ Conformal Coating (for installations in harsh environment)

- X1** – DI8-X1: Wide-range power supply unit, incl. 2 non-grouped digital inputs and 6 grouped digital inputs
- X2** – OR6: Assembly Group with 6 Output Relays (Changeover / Form C)
- X3** – TIs: Standard phase current measuring card and sensitive ground current measuring (winding side 1)
- X4** – TIs: Standard phase current measuring card and sensitive ground current measuring (winding side 2)
- X5** – AnIO2-OR4: Assembly Group with 2 Analog Inputs, 2 Analog Outputs and 4 Output Relays
- X6** – TU: Card with 4 voltage transformer measuring inputs (0 ... 800 VAC, under UL: 0 ... 600 VAC)
- X102** – Universal Resistance-Temperature Detector (URTD) input, Fiber optics interface, Versatile Link
- X103** – Modbus RTU / IEC 60870-5-103 / DNP3.0 RTU, RS485, Terminals
- X104** – IRIG-B00X, incl. System Contact (Supervision Contact)

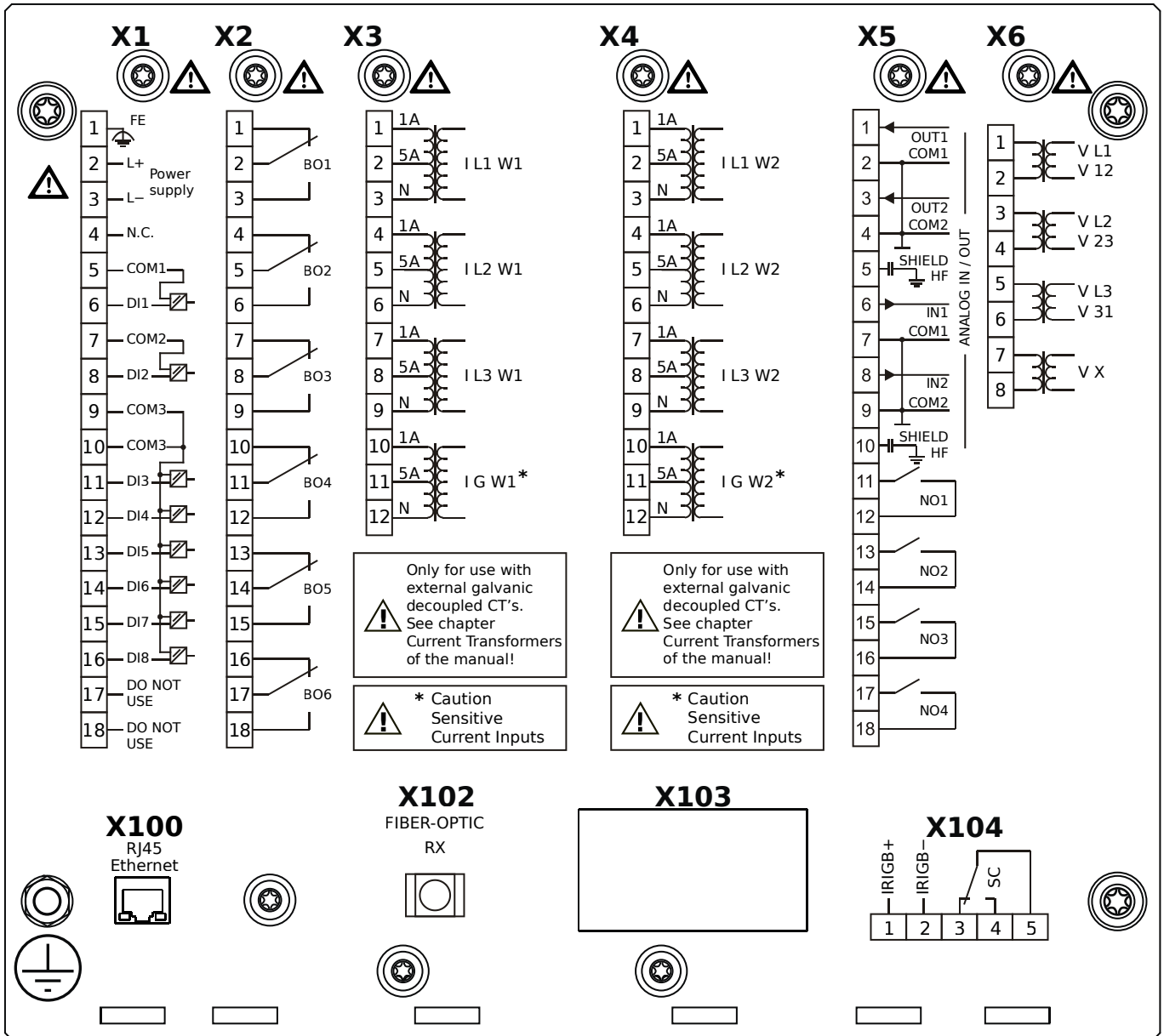
MCDTV4-2B3ACA



Housing B2, large display, door mounting

- X1** – DI8-X1: Wide-range power supply unit, incl. 2 non-grouped digital inputs and 6 grouped digital inputs
- X2** – OR6: Assembly Group with 6 Output Relays (Changeover / Form C)
- X3** – TIs: Standard phase current measuring card and sensitive ground current measuring (winding side 1)
- X4** – TIs: Standard phase current measuring card and sensitive ground current measuring (winding side 2)
- X5** – AnIO2-OR4: Assembly Group with 2 Analog Inputs, 2 Analog Outputs and 4 Output Relays
- X6** – TU: Card with 4 voltage transformer measuring inputs (0 ... 800 VAC, under UL: 0 ... 600 VAC)
- X100** – Modbus TCP / IEC 60870-5-104 / DNP3.0 TCP/UDP, Ethernet interface, 100 Mbit/s, RJ45 (BASE100-FX)
- X102** – Universal Resistance-Temperature Detector (URTD) input, Fiber optics interface, Versatile Link
- X104** – IRIG-B00X, incl. System Contact (Supervision Contact)

MCDTV4-2B3ACB

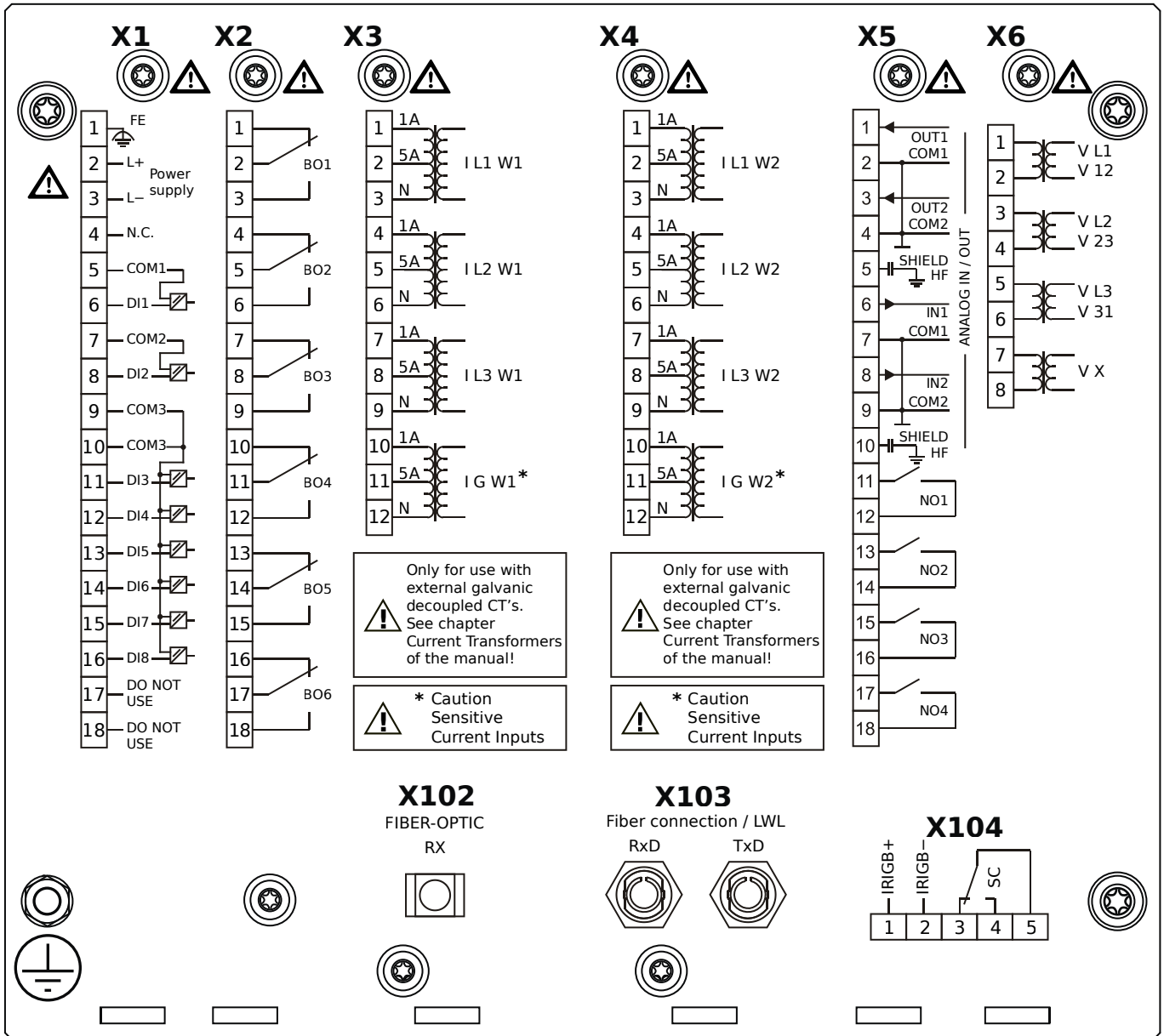


Housing B2, large display, door mounting

+ Conformal Coating (for installations in harsh environment)

- X1** – DI8-X1: Wide-range power supply unit, incl. 2 non-grouped digital inputs and 6 grouped digital inputs
- X2** – OR6: Assembly Group with 6 Output Relays (Changeover / Form C)
- X3** – TIs: Standard phase current measuring card and sensitive ground current measuring (winding side 1)
- X4** – TIs: Standard phase current measuring card and sensitive ground current measuring (winding side 2)
- X5** – AnIO2-OR4: Assembly Group with 2 Analog Inputs, 2 Analog Outputs and 4 Output Relays
- X6** – TU: Card with 4 voltage transformer measuring inputs (0 ... 800 VAC, under UL: 0 ... 600 VAC)
- X100** – Modbus TCP / IEC 60870-5-104 / DNP3.0 TCP/UDP, Ethernet interface, 100 Mbit/s, RJ45 (BASE100-FX)
- X102** – Universal Resistance-Temperature Detector (URTD) input, Fiber optics interface, Versatile Link
- X104** – IRIG-B00X, incl. System Contact (Supervision Contact)

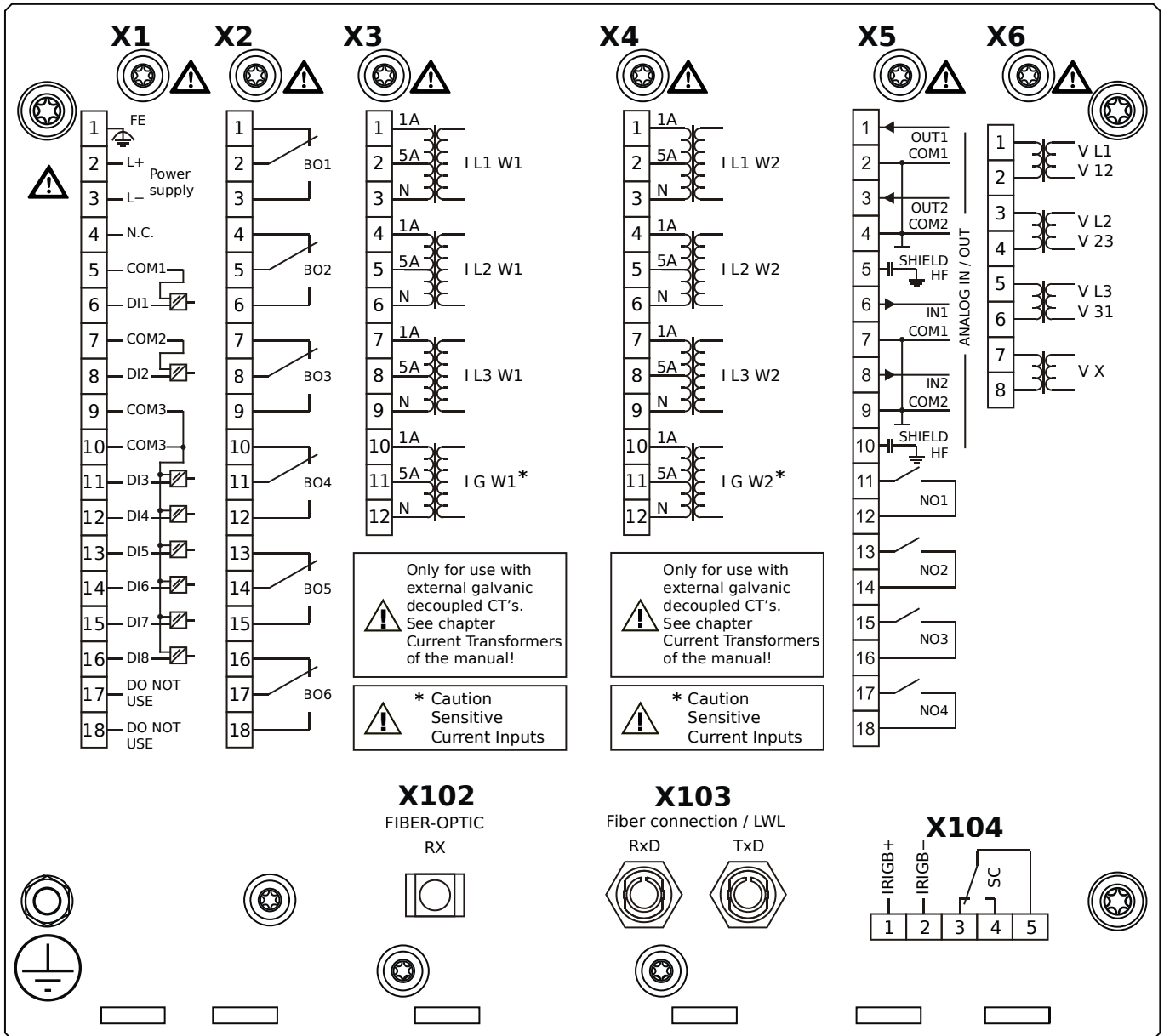
MCDTV4-2B3ADA



Housing B2, large display, door mounting

- X1** – DI8-X1: Wide-range power supply unit, incl. 2 non-grouped digital inputs and 6 grouped digital inputs
- X2** – OR6: Assembly Group with 6 Output Relays (Changeover / Form C)
- X3** – TIs: Standard phase current measuring card and sensitive ground current measuring (winding side 1)
- X4** – TIs: Standard phase current measuring card and sensitive ground current measuring (winding side 2)
- X5** – AnIO2-OR4: Assembly Group with 2 Analog Inputs, 2 Analog Outputs and 4 Output Relays
- X6** – TU: Card with 4 voltage transformer measuring inputs (0 ... 800 VAC, under UL: 0 ... 600 VAC)
- X102** – Universal Resistance-Temperature Detector (URTD) input, Fiber optics interface, Versatile Link
- X103** – Profibus-DP, Fiber optics interface, ST Connector
- X104** – IRIG-B00X, incl. System Contact (Supervision Contact)

MCDTV4-2B3ADB

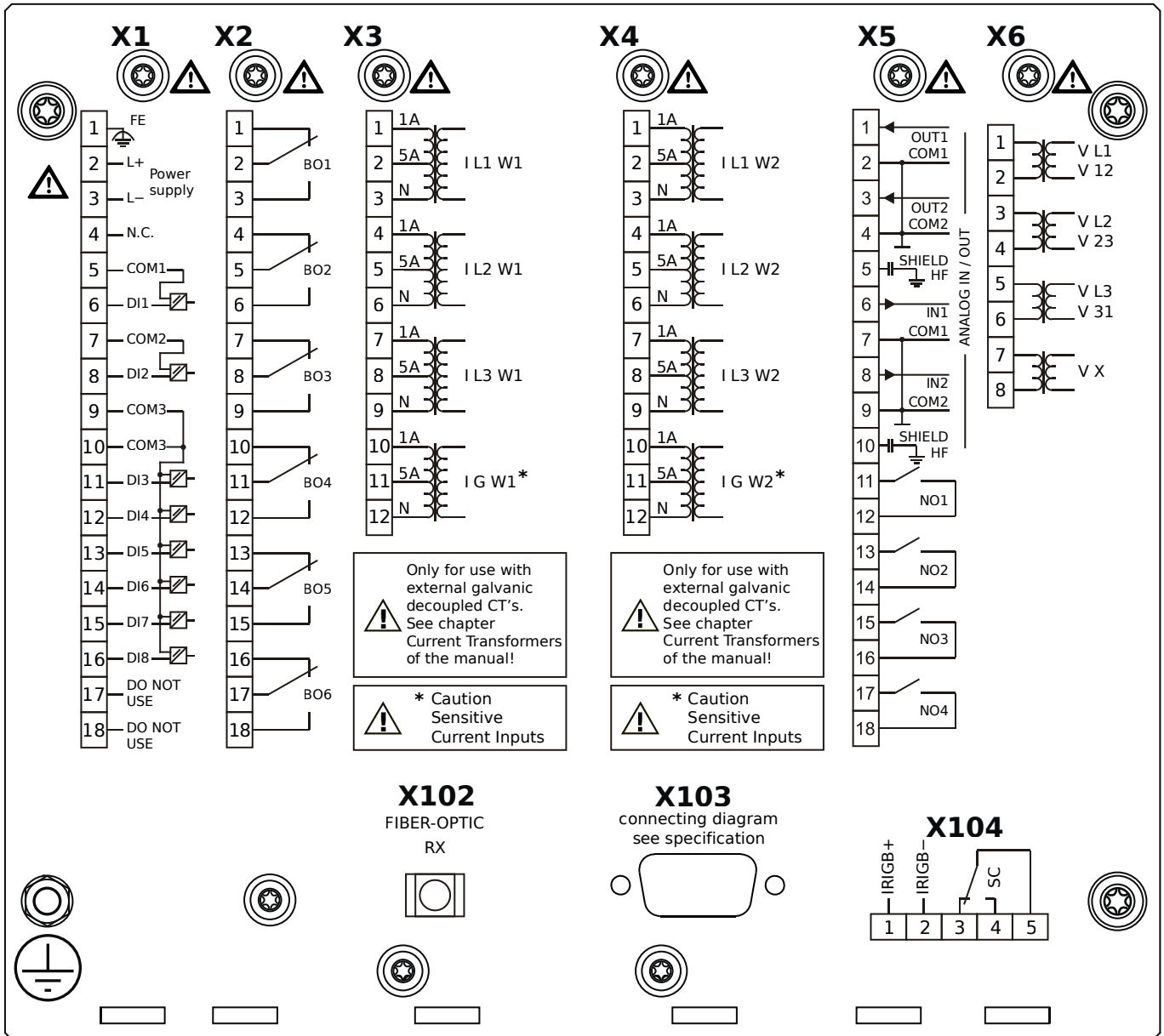


Housing B2, large display, door mounting

+ Conformal Coating (for installations in harsh environment)

- X1** – DI8-X1: Wide-range power supply unit, incl. 2 non-grouped digital inputs and 6 grouped digital inputs
- X2** – OR6: Assembly Group with 6 Output Relays (Changeover / Form C)
- X3** – TIs: Standard phase current measuring card and sensitive ground current measuring (winding side 1)
- X4** – TIs: Standard phase current measuring card and sensitive ground current measuring (winding side 2)
- X5** – AnIO2-OR4: Assembly Group with 2 Analog Inputs, 2 Analog Outputs and 4 Output Relays
- X6** – TU: Card with 4 voltage transformer measuring inputs (0 ... 800 VAC, under UL: 0 ... 600 VAC)
- X102** – Universal Resistance-Temperature Detector (URTD) input, Fiber optics interface, Versatile Link
- X103** – Profibus-DP, Fiber optics interface, ST Connector
- X104** – IRIG-B00X, incl. System Contact (Supervision Contact)

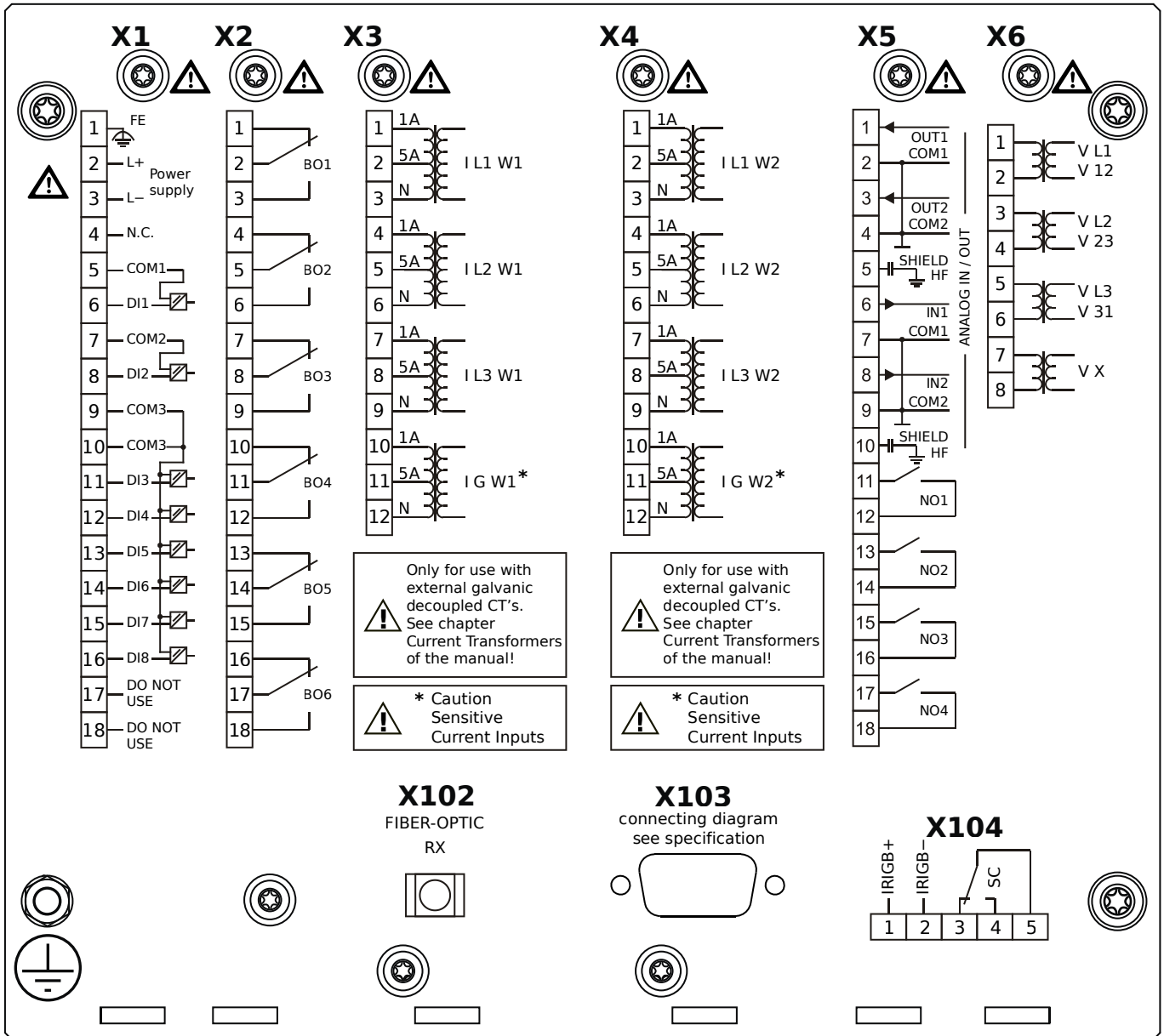
MCDTV4-2B3AEA



Housing B2, large display, door mounting

- X1** – DI8-X1: Wide-range power supply unit, incl. 2 non-grouped digital inputs and 6 grouped digital inputs
- X2** – OR6: Assembly Group with 6 Output Relays (Changeover / Form C)
- X3** – TIs: Standard phase current measuring card and sensitive ground current measuring (winding side 1)
- X4** – TIs: Standard phase current measuring card and sensitive ground current measuring (winding side 2)
- X5** – AnIO2-OR4: Assembly Group with 2 Analog Inputs, 2 Analog Outputs and 4 Output Relays
- X6** – TU: Card with 4 voltage transformer measuring inputs (0 ... 800 VAC, under UL: 0 ... 600 VAC)
- X102** – Universal Resistance-Temperature Detector (URTD) input, Fiber optics interface, Versatile Link
- X103** – Profibus-DP, RS485, D-SUB
- X104** – IRIG-B00X, incl. System Contact (Supervision Contact)

MCDTV4-2B3AEB

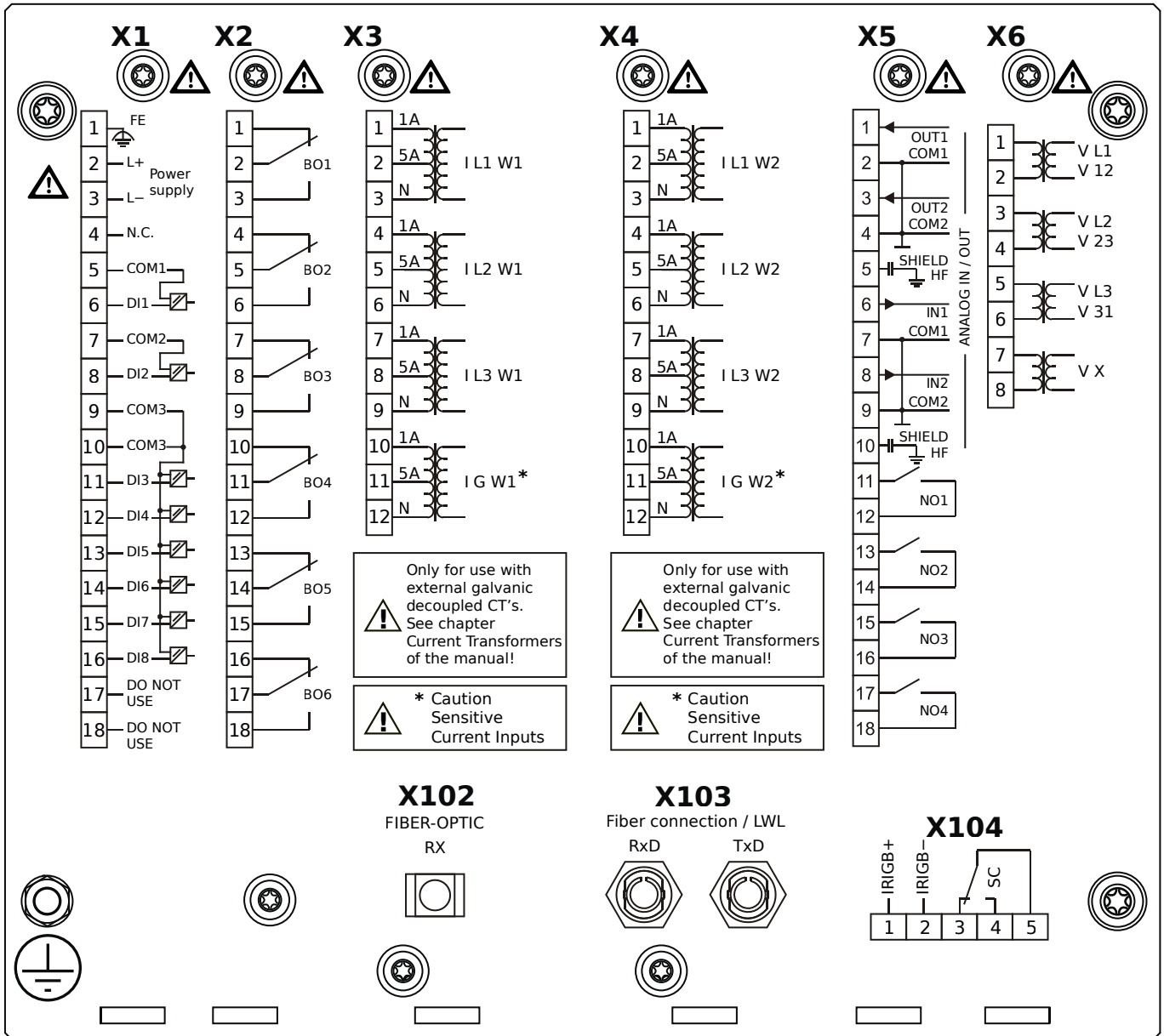


Housing B2, large display, door mounting

- + Conformal Coating (for installations in harsh environment)

- X1** – DI8-X1: Wide-range power supply unit, incl. 2 non-grouped digital inputs and 6 grouped digital inputs
- X2** – OR6: Assembly Group with 6 Output Relays (Changeover / Form C)
- X3** – TIs: Standard phase current measuring card and sensitive ground current measuring (winding side 1)
- X4** – TIs: Standard phase current measuring card and sensitive ground current measuring (winding side 2)
- X5** – AnIO2-OR4: Assembly Group with 2 Analog Inputs, 2 Analog Outputs and 4 Output Relays
- X6** – TU: Card with 4 voltage transformer measuring inputs (0 ... 800 VAC, under UL: 0 ... 600 VAC)
- X102** – Universal Resistance-Temperature Detector (URTD) input, Fiber optics interface, Versatile Link
- X103** – Profibus-DP, RS485, D-SUB
- X104** – IRIG-B00X, incl. System Contact (Supervision Contact)

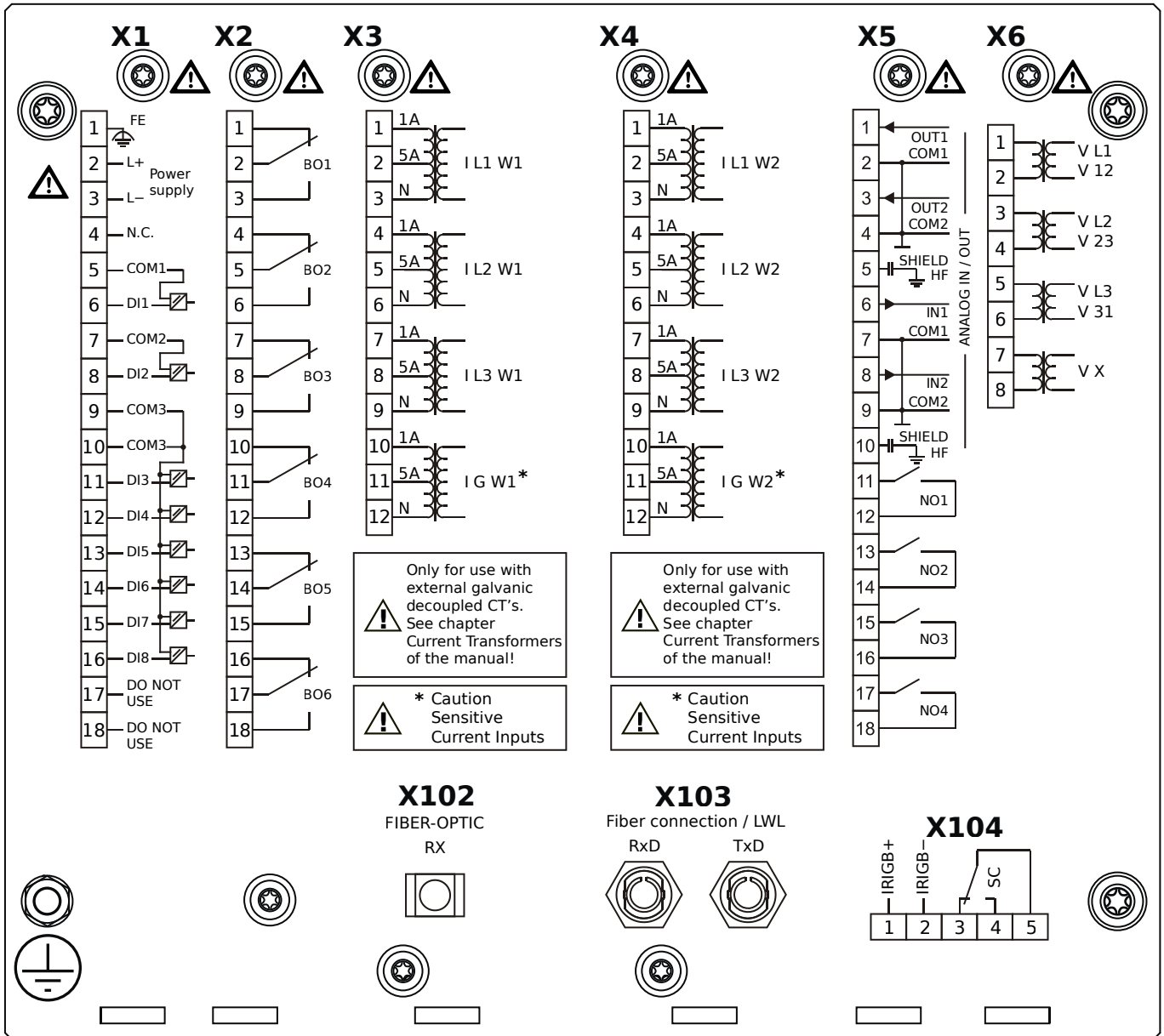
MCDTV4-2B3AFA



Housing B2, large display, door mounting

- X1** – DI8-X1: Wide-range power supply unit, incl. 2 non-grouped digital inputs and 6 grouped digital inputs
- X2** – OR6: Assembly Group with 6 Output Relays (Changeover / Form C)
- X3** – TIs: Standard phase current measuring card and sensitive ground current measuring (winding side 1)
- X4** – TIs: Standard phase current measuring card and sensitive ground current measuring (winding side 2)
- X5** – AnIO2-OR4: Assembly Group with 2 Analog Inputs, 2 Analog Outputs and 4 Output Relays
- X6** – TU: Card with 4 voltage transformer measuring inputs (0 ... 800 VAC, under UL: 0 ... 600 VAC)
- X102** – Universal Resistance-Temperature Detector (URTD) input, Fiber optics interface, Versatile Link
- X103** – Modbus RTU / IEC 60870-5-103 / DNP3.0 RTU, Fiber optics interface, ST Connector
- X104** – IRIG-B00X, incl. System Contact (Supervision Contact)

MCDTV4-2B3AFB

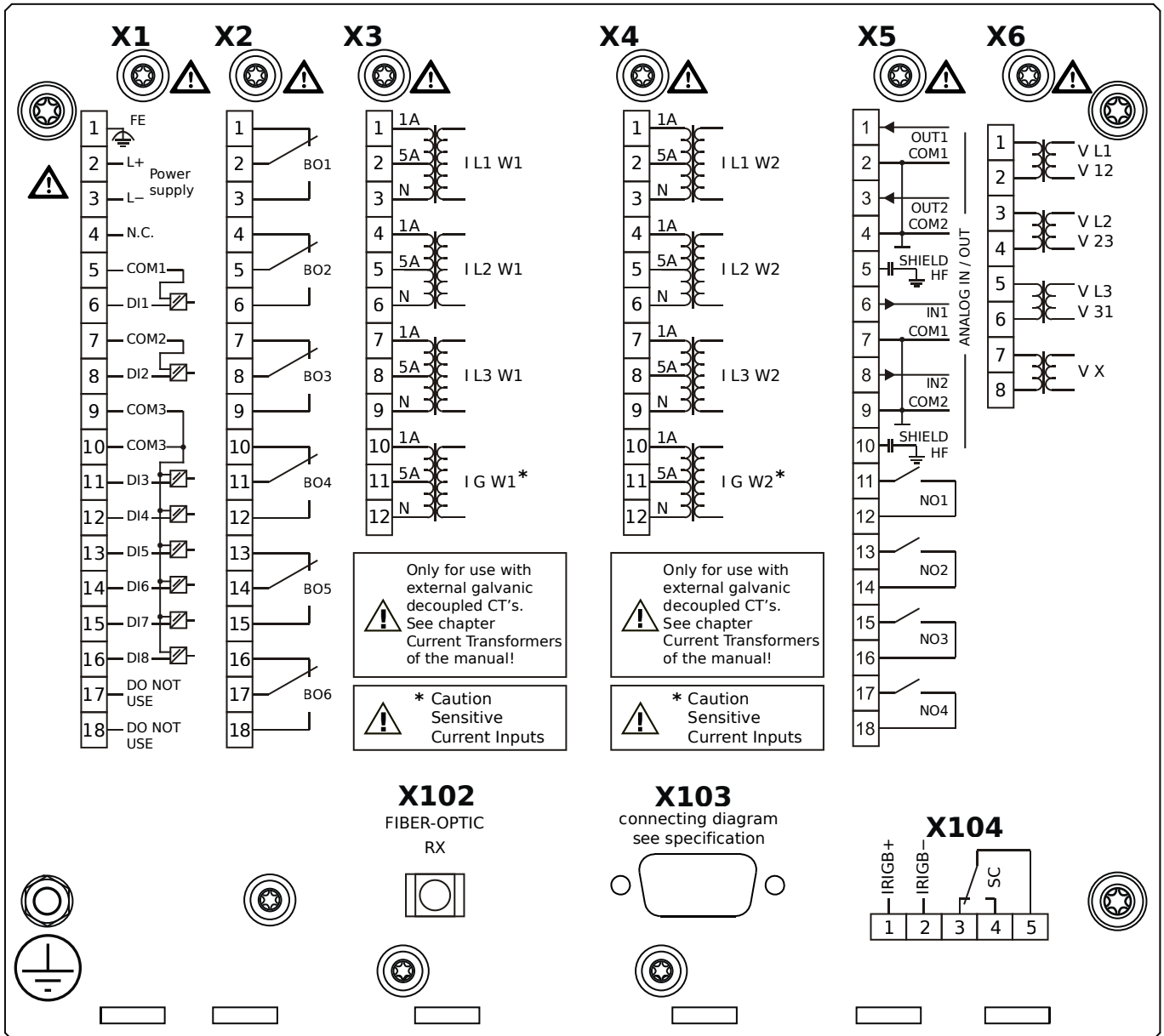


Housing B2, large display, door mounting

+ Conformal Coating (for installations in harsh environment)

- X1** – DI8-X1: Wide-range power supply unit, incl. 2 non-grouped digital inputs and 6 grouped digital inputs
- X2** – OR6: Assembly Group with 6 Output Relays (Changeover / Form C)
- X3** – TIs: Standard phase current measuring card and sensitive ground current measuring (winding side 1)
- X4** – TIs: Standard phase current measuring card and sensitive ground current measuring (winding side 2)
- X5** – AnIO2-OR4: Assembly Group with 2 Analog Inputs, 2 Analog Outputs and 4 Output Relays
- X6** – TU: Card with 4 voltage transformer measuring inputs (0 ... 800 VAC, under UL: 0 ... 600 VAC)
- X102** – Universal Resistance-Temperature Detector (URTD) input, Fiber optics interface, Versatile Link
- X103** – Modbus RTU / IEC 60870-5-103 / DNP3.0 RTU, Fiber optics interface, ST Connector
- X104** – IRIG-B00X, incl. System Contact (Supervision Contact)

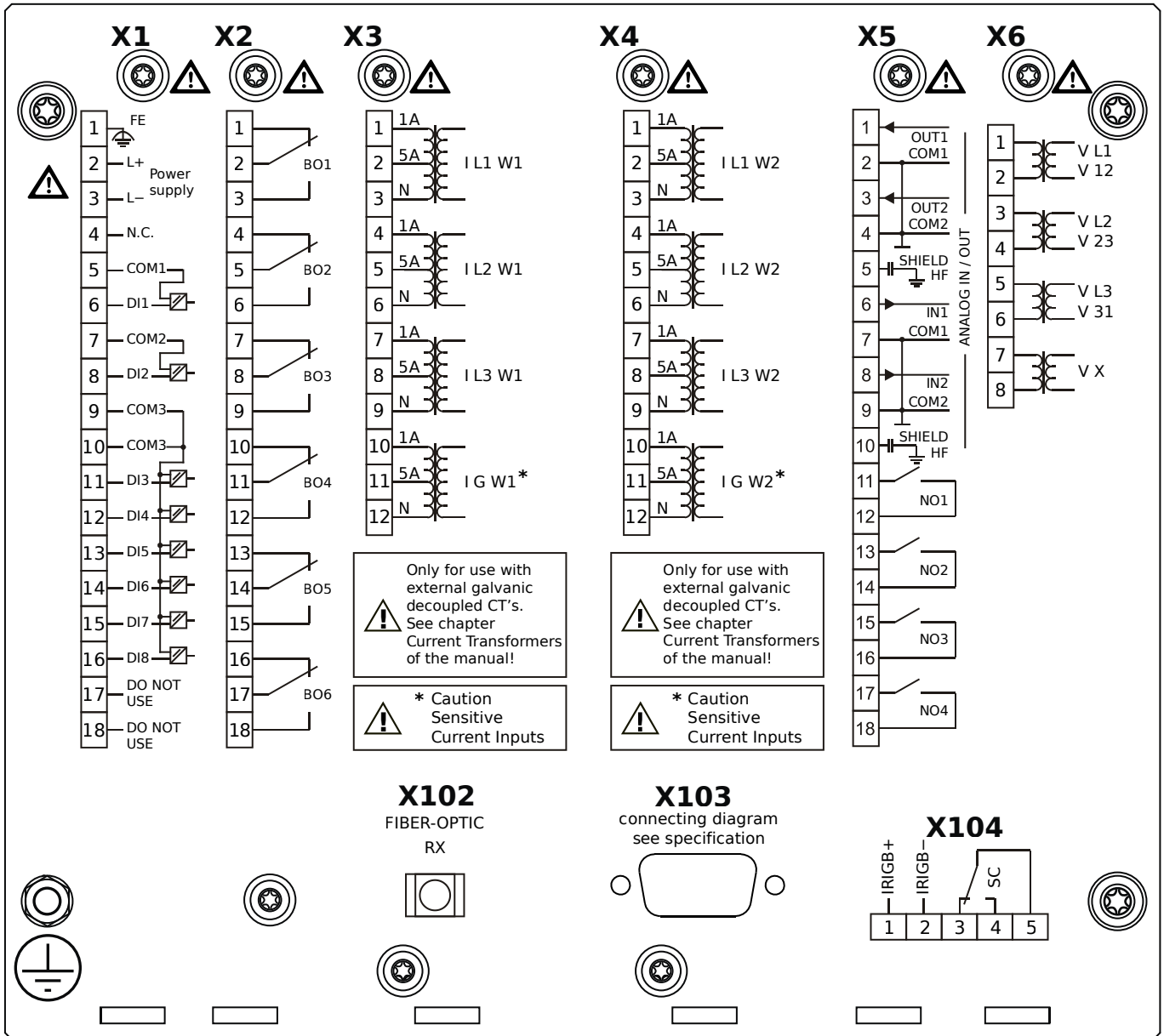
MCDTV4-2B3AGA



Housing B2, large display, door mounting

- X1** – DI8-X1: Wide-range power supply unit, incl. 2 non-grouped digital inputs and 6 grouped digital inputs
- X2** – OR6: Assembly Group with 6 Output Relays (Changeover / Form C)
- X3** – TIs: Standard phase current measuring card and sensitive ground current measuring (winding side 1)
- X4** – TIs: Standard phase current measuring card and sensitive ground current measuring (winding side 2)
- X5** – AnIO2-OR4: Assembly Group with 2 Analog Inputs, 2 Analog Outputs and 4 Output Relays
- X6** – TU: Card with 4 voltage transformer measuring inputs (0 ... 800 VAC, under UL: 0 ... 600 VAC)
- X102** – Universal Resistance-Temperature Detector (URTD) input, Fiber optics interface, Versatile Link
- X103** – Modbus RTU / IEC 60870-5-103 / DNP3.0 RTU, RS485, D-SUB
- X104** – IRIG-B00X, incl. System Contact (Supervision Contact)

MCDTV4-2B3AGB

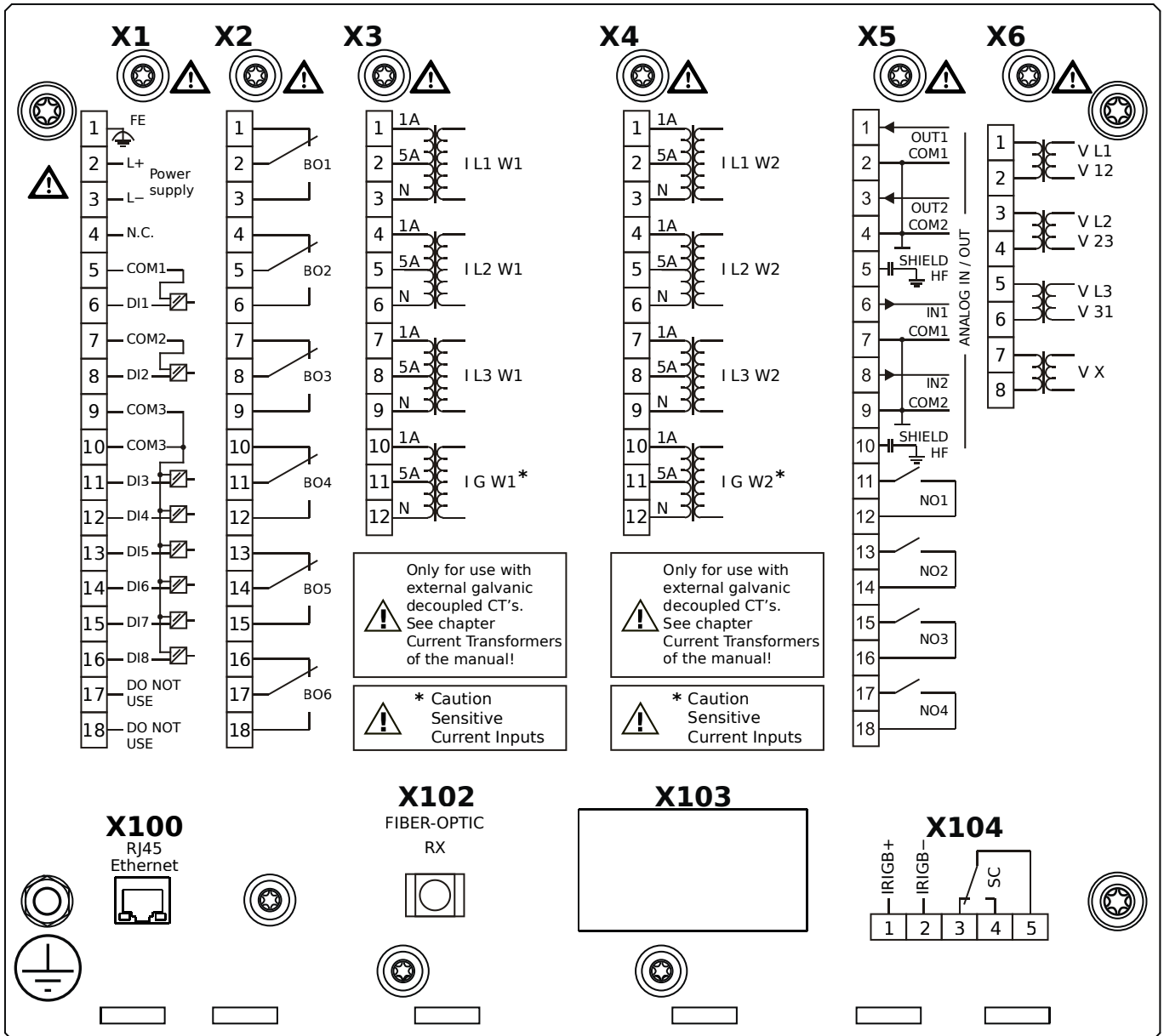


Housing B2, large display, door mounting

+ Conformal Coating (for installations in harsh environment)

- X1** – DI8-X1: Wide-range power supply unit, incl. 2 non-grouped digital inputs and 6 grouped digital inputs
- X2** – OR6: Assembly Group with 6 Output Relays (Changeover / Form C)
- X3** – TIs: Standard phase current measuring card and sensitive ground current measuring (winding side 1)
- X4** – TIs: Standard phase current measuring card and sensitive ground current measuring (winding side 2)
- X5** – AnIO2-OR4: Assembly Group with 2 Analog Inputs, 2 Analog Outputs and 4 Output Relays
- X6** – TU: Card with 4 voltage transformer measuring inputs (0 ... 800 VAC, under UL: 0 ... 600 VAC)
- X102** – Universal Resistance-Temperature Detector (URTD) input, Fiber optics interface, Versatile Link
- X103** – Modbus RTU / IEC 60870-5-103 / DNP3.0 RTU, RS485, D-SUB
- X104** – IRIG-B00X, incl. System Contact (Supervision Contact)

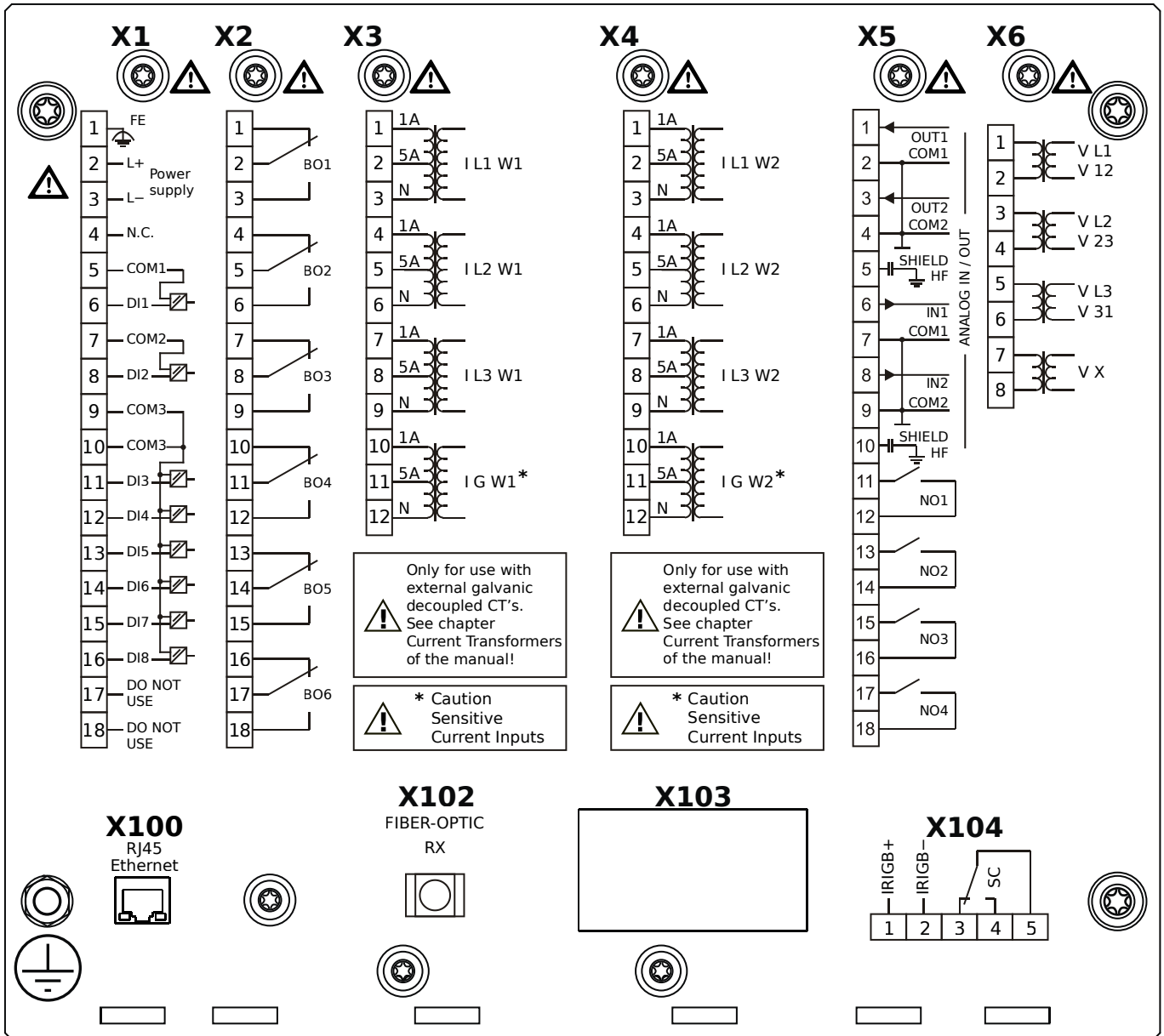
MCDTV4-2B3AHA



Housing B2, large display, door mounting

- X1** – DI8-X1: Wide-range power supply unit, incl. 2 non-grouped digital inputs and 6 grouped digital inputs
- X2** – OR6: Assembly Group with 6 Output Relays (Changeover / Form C)
- X3** – TIs: Standard phase current measuring card and sensitive ground current measuring (winding side 1)
- X4** – TIs: Standard phase current measuring card and sensitive ground current measuring (winding side 2)
- X5** – AnIO2-OR4: Assembly Group with 2 Analog Inputs, 2 Analog Outputs and 4 Output Relays
- X6** – TU: Card with 4 voltage transformer measuring inputs (0 ... 800 VAC, under UL: 0 ... 600 VAC)
- X100** – IEC 61850 / Modbus TCP / IEC 60870-5-104 / DNP3.0 TCP/UDP, Ethernet interface, 100 Mbit/s, RJ45 (BASE100-FX)
- X102** – Universal Resistance-Temperature Detector (URTD) input, Fiber optics interface, Versatile Link
- X104** – IRIG-B00X, incl. System Contact (Supervision Contact)

MCDTV4-2B3AHB

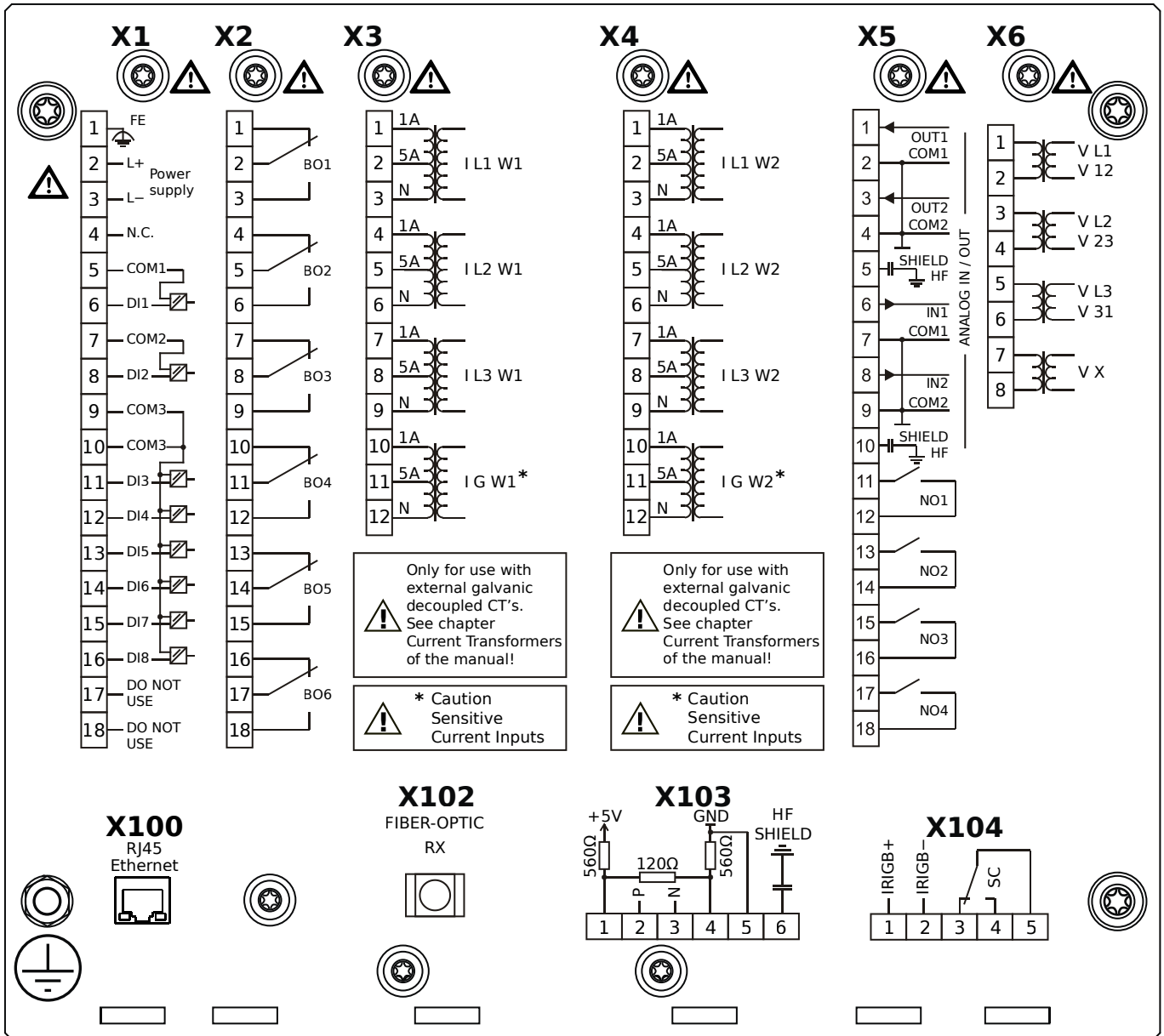


Housing B2, large display, door mounting

+ Conformal Coating (for installations in harsh environment)

- X1** – DI8-X1: Wide-range power supply unit, incl. 2 non-grouped digital inputs and 6 grouped digital inputs
- X2** – OR6: Assembly Group with 6 Output Relays (Changeover / Form C)
- X3** – TIs: Standard phase current measuring card and sensitive ground current measuring (winding side 1)
- X4** – TIs: Standard phase current measuring card and sensitive ground current measuring (winding side 2)
- X5** – AnIO2-OR4: Assembly Group with 2 Analog Inputs, 2 Analog Outputs and 4 Output Relays
- X6** – TU: Card with 4 voltage transformer measuring inputs (0 ... 800 VAC, under UL: 0 ... 600 VAC)
- X100** – IEC 61850 / Modbus TCP / IEC 60870-5-104 / DNP3.0 TCP/UDP, Ethernet interface, 100 Mbit/s, RJ45 (BASE100-FX)
- X102** – Universal Resistance-Temperature Detector (URTD) input, Fiber optics interface, Versatile Link
- X104** – IRIG-B00X, incl. System Contact (Supervision Contact)

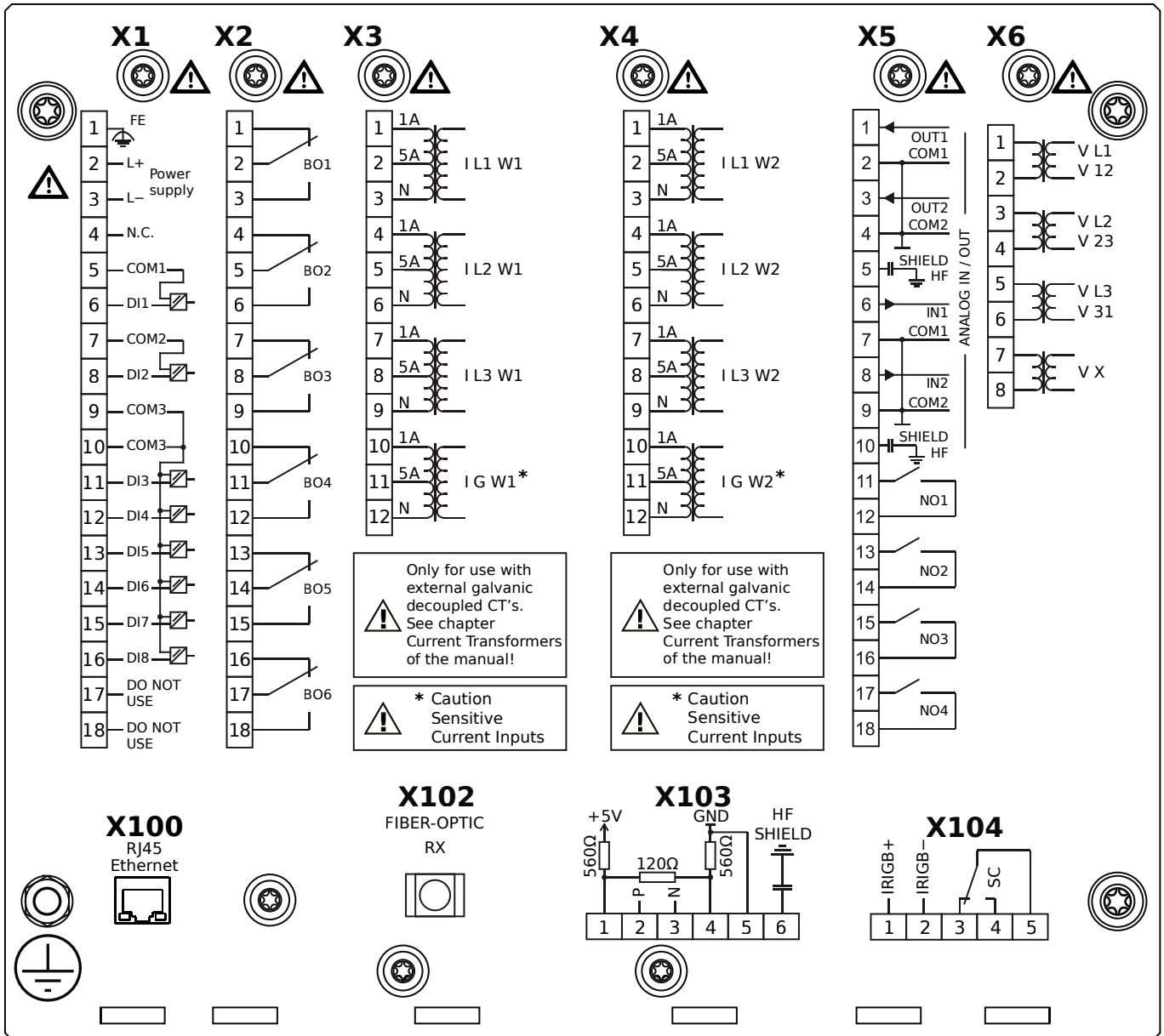
MCDTV4-2B3AIA



Housing B2, large display, door mounting

- X1** – DI8-X1: Wide-range power supply unit, incl. 2 non-grouped digital inputs and 6 grouped digital inputs
- X2** – OR6: Assembly Group with 6 Output Relays (Changeover / Form C)
- X3** – TIs: Standard phase current measuring card and sensitive ground current measuring (winding side 1)
- X4** – TIs: Standard phase current measuring card and sensitive ground current measuring (winding side 2)
- X5** – AnIO2-OR4: Assembly Group with 2 Analog Inputs, 2 Analog Outputs and 4 Output Relays
- X6** – TU: Card with 4 voltage transformer measuring inputs (0 ... 800 VAC, under UL: 0 ... 600 VAC)
- X100** – Modbus TCP / IEC 60870-5-104 / DNP3.0 TCP/UDP, Ethernet interface, 100 Mbit/s, RJ45 (BASE100-FX)
- X102** – Universal Resistance-Temperature Detector (URTD) input, Fiber optics interface, Versatile Link
- X103** – IEC 60870-5-103 / Modbus RTU / DNP3.0 RTU, RS485, Terminals
- X104** – IRIG-B00X, incl. System Contact (Supervision Contact)

MCDTV4-2B3AIB

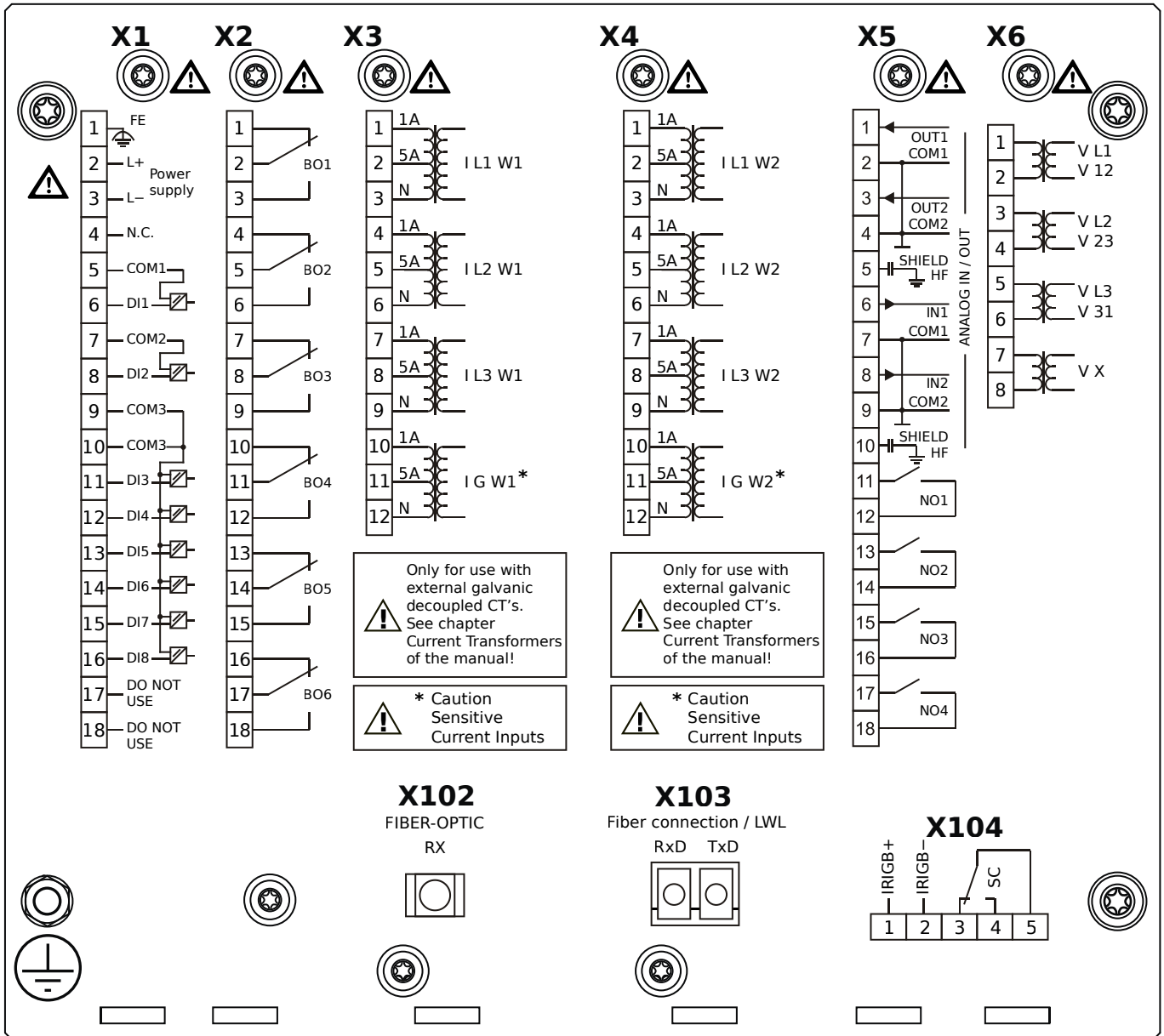


Housing B2, large display, door mounting

+ Conformal Coating (for installations in harsh environment)

- X1** – DI8-X1: Wide-range power supply unit, incl. 2 non-grouped digital inputs and 6 grouped digital inputs
- X2** – OR6: Assembly Group with 6 Output Relays (Changeover / Form C)
- X3** – TIs: Standard phase current measuring card and sensitive ground current measuring (winding side 1)
- X4** – TIs: Standard phase current measuring card and sensitive ground current measuring (winding side 2)
- X5** – AnIO2-OR4: Assembly Group with 2 Analog Inputs, 2 Analog Outputs and 4 Output Relays
- X6** – TU: Card with 4 voltage transformer measuring inputs (0 ... 800 VAC, under UL: 0 ... 600 VAC)
- X100** – Modbus TCP / IEC 60870-5-104 / DNP3.0 TCP/UDP, Ethernet interface, 100 Mbit/s, RJ45 (BASE100-FX)
- X102** – Universal Resistance-Temperature Detector (URTD) input, Fiber optics interface, Versatile Link
- X103** – IEC 60870-5-103 / Modbus RTU / DNP3.0 RTU, RS485, Terminals
- X104** – IRIG-B00X, incl. System Contact (Supervision Contact)

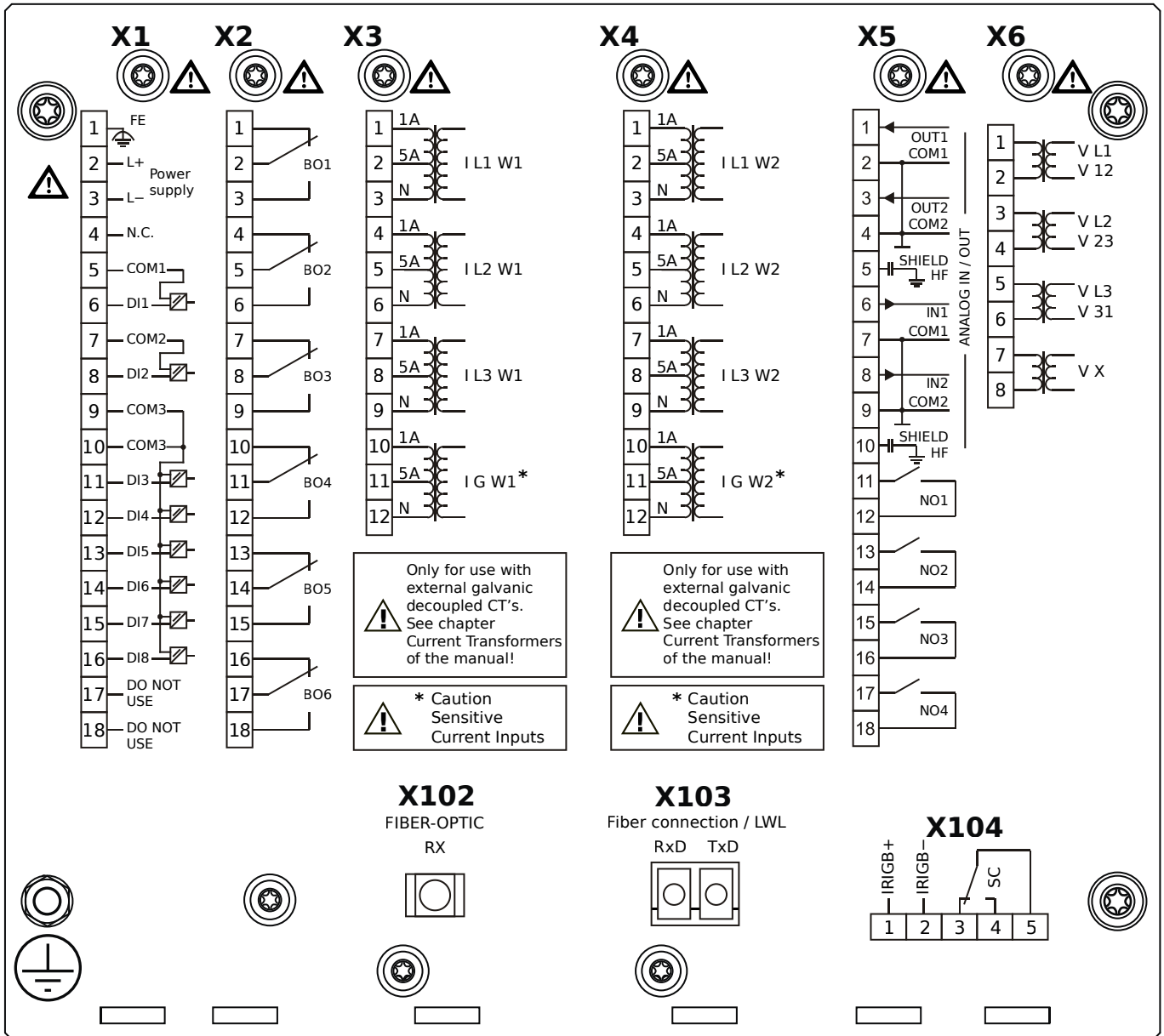
MCDTV4-2B3AKA



Housing B2, large display, door mounting

- X1** – DI8-X1: Wide-range power supply unit, incl. 2 non-grouped digital inputs and 6 grouped digital inputs
- X2** – OR6: Assembly Group with 6 Output Relays (Changeover / Form C)
- X3** – TIs: Standard phase current measuring card and sensitive ground current measuring (winding side 1)
- X4** – TIs: Standard phase current measuring card and sensitive ground current measuring (winding side 2)
- X5** – AnIO2-OR4: Assembly Group with 2 Analog Inputs, 2 Analog Outputs and 4 Output Relays
- X6** – TU: Card with 4 voltage transformer measuring inputs (0 ... 800 VAC, under UL: 0 ... 600 VAC)
- X102** – Universal Resistance-Temperature Detector (URTD) input, Fiber optics interface, Versatile Link
- X103** – IEC 61850 / Modbus TCP / IEC 60870-5-104 / DNP3.0 TCP/UDP, Fiber optics interface, LC Connector
- X104** – IRIG-B00X, incl. System Contact (Supervision Contact)

MCDTV4-2B3AKB

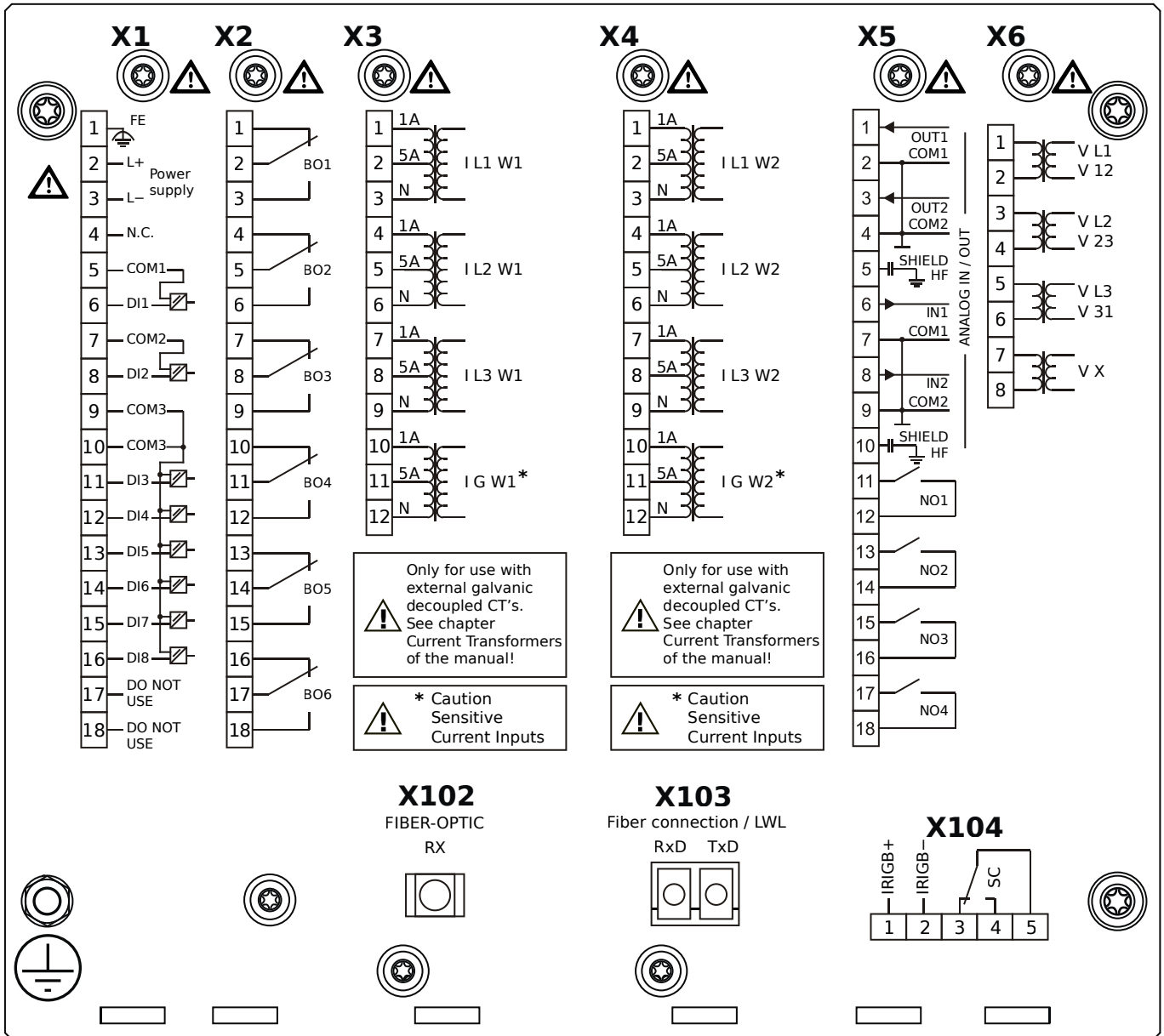


Housing B2, large display, door mounting

+ Conformal Coating (for installations in harsh environment)

- X1** – DI8-X1: Wide-range power supply unit, incl. 2 non-grouped digital inputs and 6 grouped digital inputs
- X2** – OR6: Assembly Group with 6 Output Relays (Changeover / Form C)
- X3** – TIs: Standard phase current measuring card and sensitive ground current measuring (winding side 1)
- X4** – TIs: Standard phase current measuring card and sensitive ground current measuring (winding side 2)
- X5** – AnIO2-OR4: Assembly Group with 2 Analog Inputs, 2 Analog Outputs and 4 Output Relays
- X6** – TU: Card with 4 voltage transformer measuring inputs (0 ... 800 VAC, under UL: 0 ... 600 VAC)
- X102** – Universal Resistance-Temperature Detector (URTD) input, Fiber optics interface, Versatile Link
- X103** – IEC 61850 / Modbus TCP / IEC 60870-5-104 / DNP3.0 TCP/UDP, Fiber optics interface, LC Connector
- X104** – IRIG-B00X, incl. System Contact (Supervision Contact)

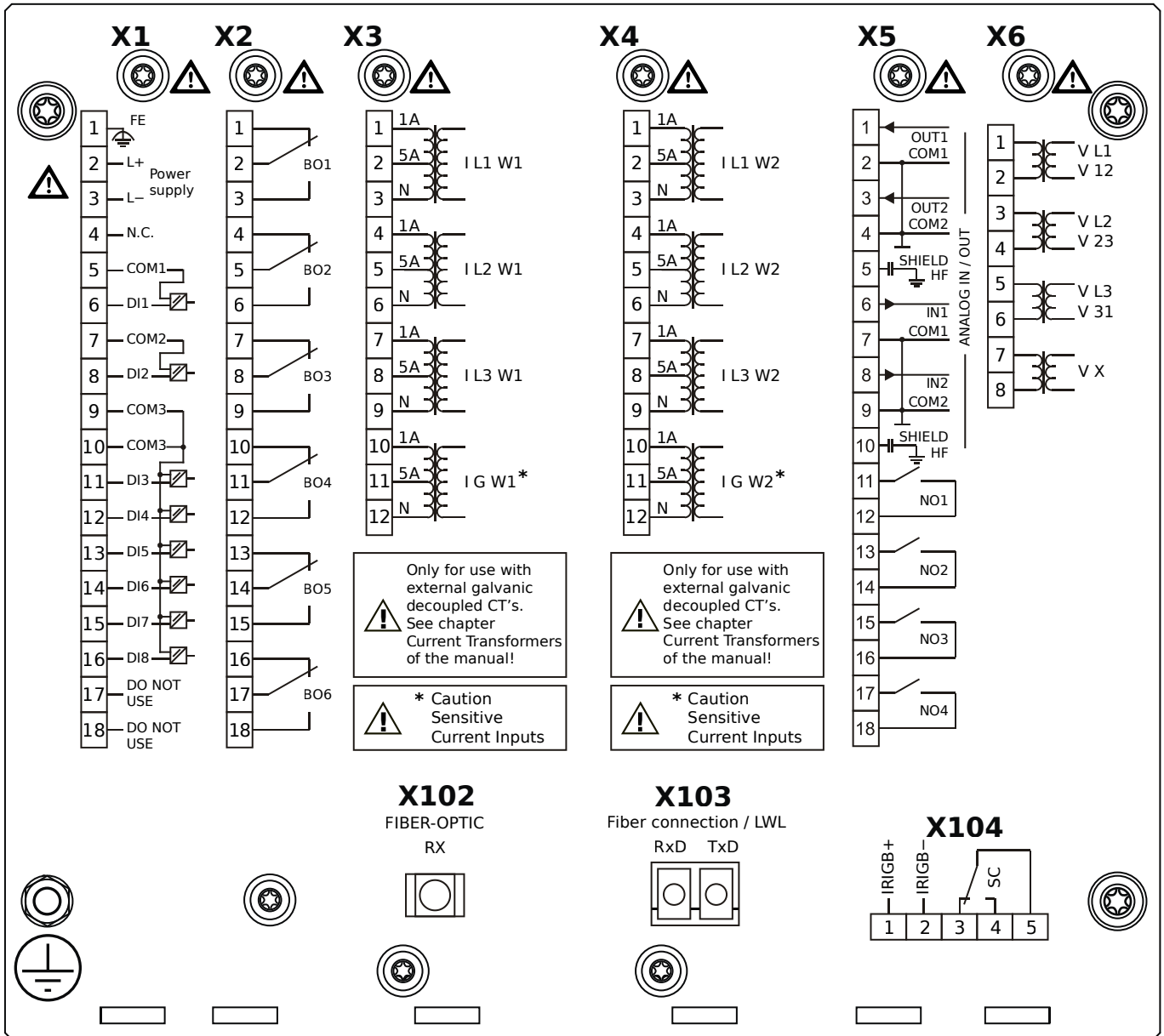
MCDTV4-2B3ALA



Housing B2, large display, door mounting

- X1** – DI8-X1: Wide-range power supply unit, incl. 2 non-grouped digital inputs and 6 grouped digital inputs
- X2** – OR6: Assembly Group with 6 Output Relays (Changeover / Form C)
- X3** – TIs: Standard phase current measuring card and sensitive ground current measuring (winding side 1)
- X4** – TIs: Standard phase current measuring card and sensitive ground current measuring (winding side 2)
- X5** – AnIO2-OR4: Assembly Group with 2 Analog Inputs, 2 Analog Outputs and 4 Output Relays
- X6** – TU: Card with 4 voltage transformer measuring inputs (0 ... 800 VAC, under UL: 0 ... 600 VAC)
- X102** – Universal Resistance-Temperature Detector (URTD) input, Fiber optics interface, Versatile Link
- X103** – Modbus TCP / IEC 60870-5-104 / DNP3.0 TCP/UDP, Fiber optics interface, LC Connector
- X104** – IRIG-B00X, incl. System Contact (Supervision Contact)

MCDTV4-2B3ALB

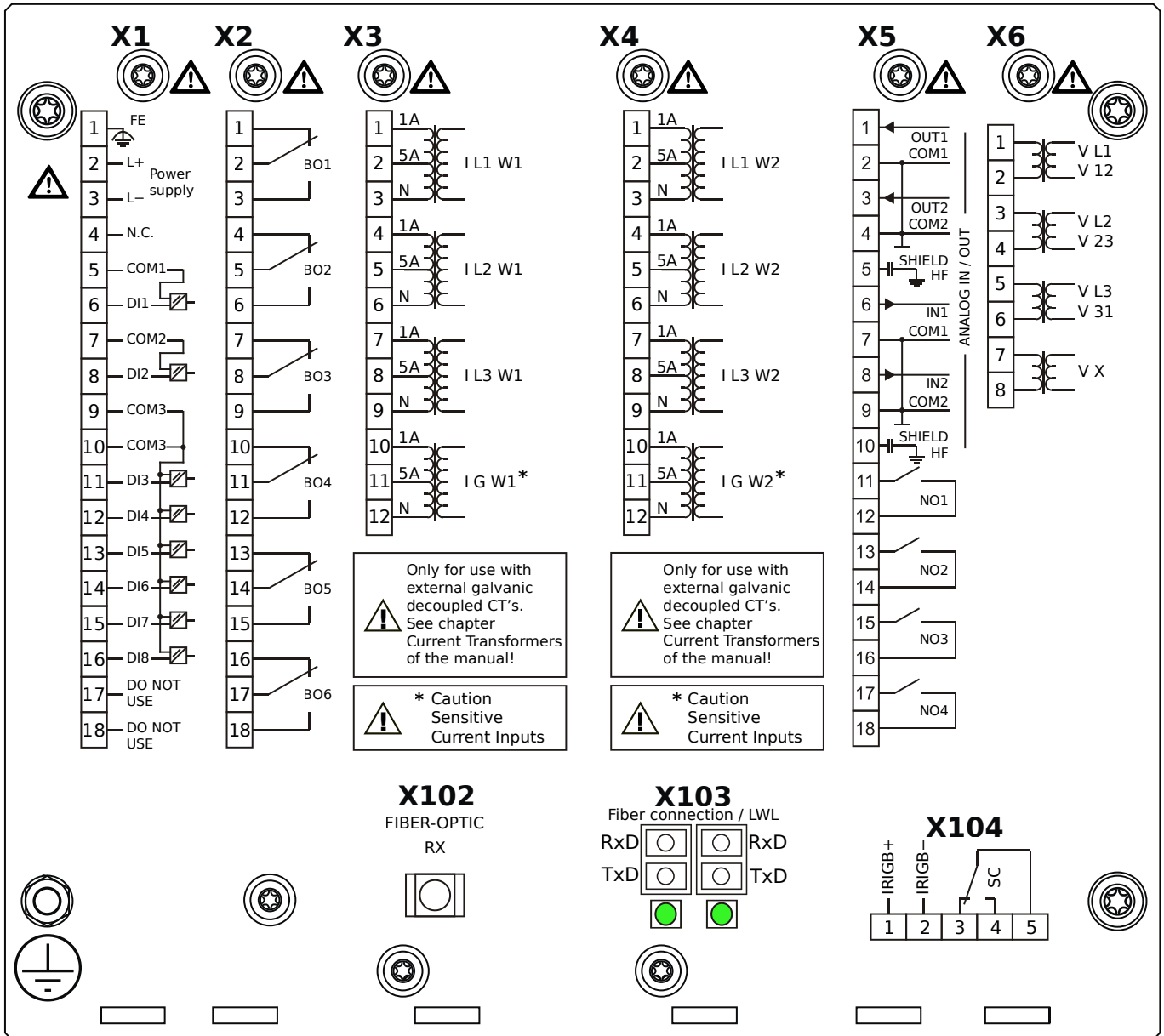


Housing B2, large display, door mounting

+ Conformal Coating (for installations in harsh environment)

- X1** – DI8-X1: Wide-range power supply unit, incl. 2 non-grouped digital inputs and 6 grouped digital inputs
- X2** – OR6: Assembly Group with 6 Output Relays (Changeover / Form C)
- X3** – TIs: Standard phase current measuring card and sensitive ground current measuring (winding side 1)
- X4** – TIs: Standard phase current measuring card and sensitive ground current measuring (winding side 2)
- X5** – AnIO2-OR4: Assembly Group with 2 Analog Inputs, 2 Analog Outputs and 4 Output Relays
- X6** – TU: Card with 4 voltage transformer measuring inputs (0 ... 800 VAC, under UL: 0 ... 600 VAC)
- X102** – Universal Resistance-Temperature Detector (URTD) input, Fiber optics interface, Versatile Link
- X103** – Modbus TCP / IEC 60870-5-104 / DNP3.0 TCP/UDP, Fiber optics interface, LC Connector
- X104** – IRIG-B00X, incl. System Contact (Supervision Contact)

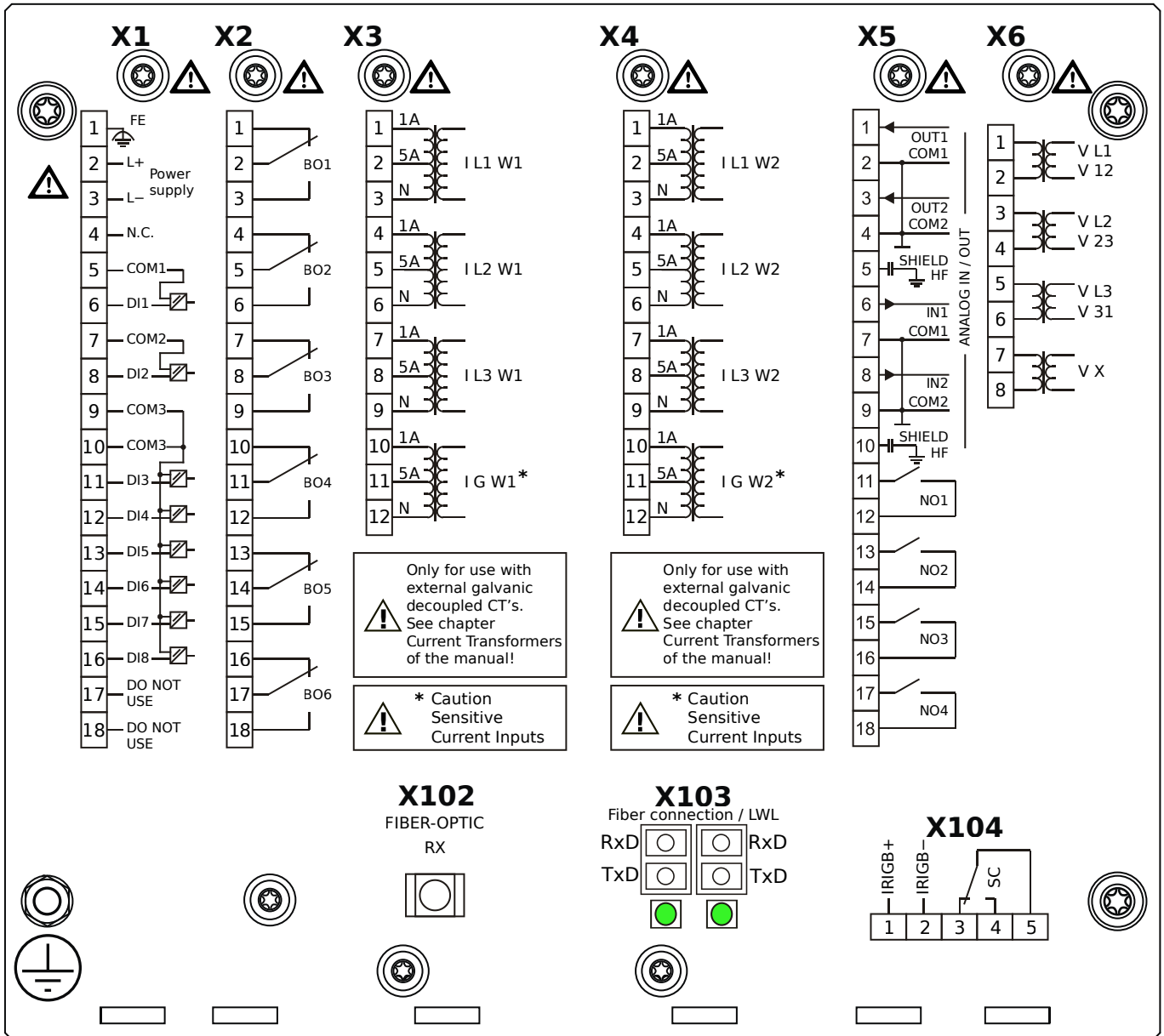
MCDTV4-2B3AOA



Housing B2, large display, door mounting

- X1** – DI8-X1: Wide-range power supply unit, incl. 2 non-grouped digital inputs and 6 grouped digital inputs
- X2** – OR6: Assembly Group with 6 Output Relays (Changeover / Form C)
- X3** – TIs: Standard phase current measuring card and sensitive ground current measuring (winding side 1)
- X4** – TIs: Standard phase current measuring card and sensitive ground current measuring (winding side 2)
- X5** – AnIO2-OR4: Assembly Group with 2 Analog Inputs, 2 Analog Outputs and 4 Output Relays
- X6** – TU: Card with 4 voltage transformer measuring inputs (0 ... 800 VAC, under UL: 0 ... 600 VAC)
- X102** – Universal Resistance-Temperature Detector (URTD) input, Fiber optics interface, Versatile Link
- X103** – Modbus TCP / IEC 60870-5-104 / DNP3.0 TCP/UDP, Redundant Fiber optics interface, LC Connector
- X104** – IRIG-B00X, incl. System Contact (Supervision Contact)

MCDTV4-2B3AOB

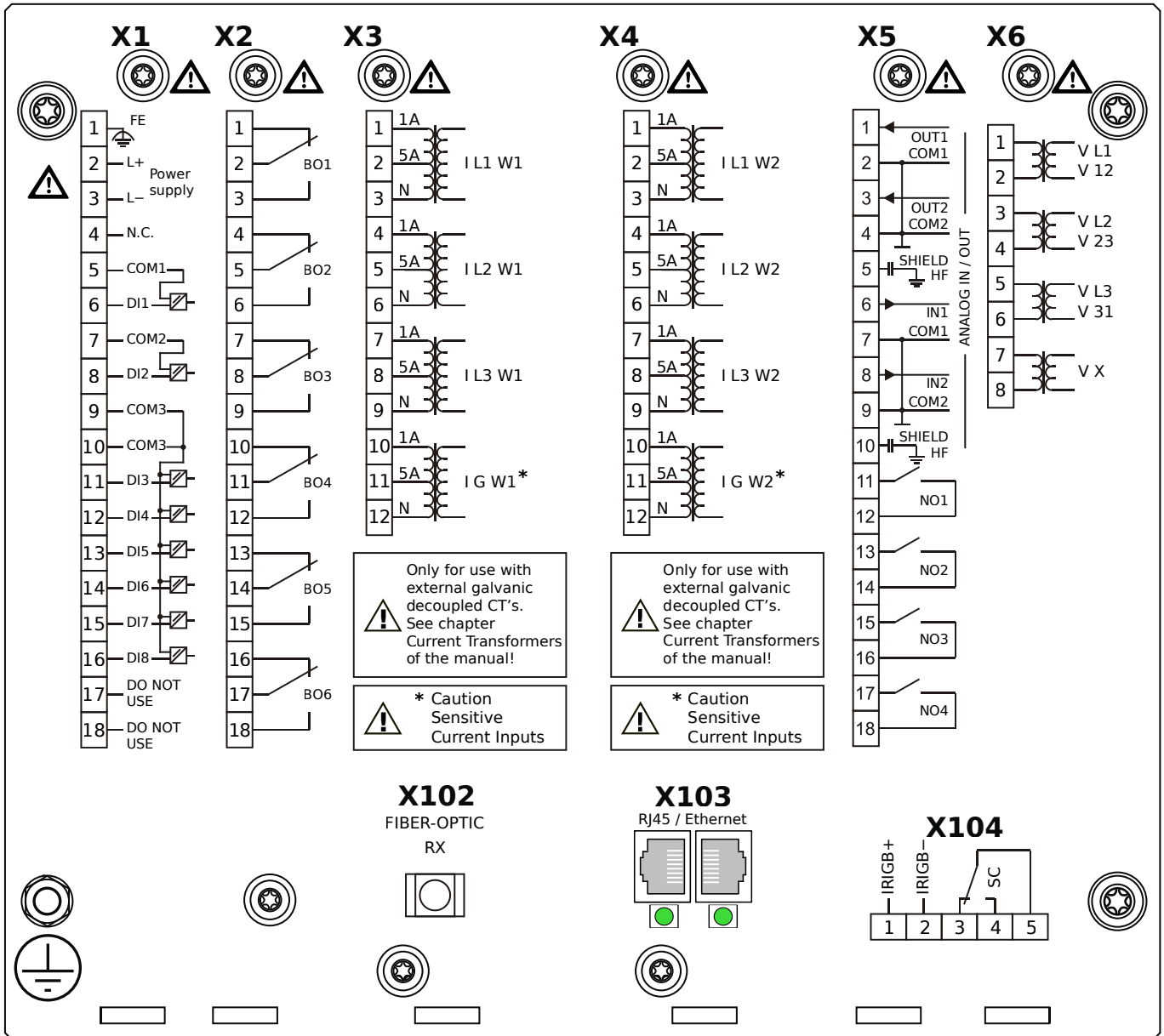


Housing B2, large display, door mounting

+ Conformal Coating (for installations in harsh environment)

- X1** – DI8-X1: Wide-range power supply unit, incl. 2 non-grouped digital inputs and 6 grouped digital inputs
- X2** – OR6: Assembly Group with 6 Output Relays (Changeover / Form C)
- X3** – TIs: Standard phase current measuring card and sensitive ground current measuring (winding side 1)
- X4** – TIs: Standard phase current measuring card and sensitive ground current measuring (winding side 2)
- X5** – AnIO2-OR4: Assembly Group with 2 Analog Inputs, 2 Analog Outputs and 4 Output Relays
- X6** – TU: Card with 4 voltage transformer measuring inputs (0 ... 800 VAC, under UL: 0 ... 600 VAC)
- X102** – Universal Resistance-Temperature Detector (URTD) input, Fiber optics interface, Versatile Link
- X103** – Modbus TCP / IEC 60870-5-104 / DNP3.0 TCP/UDP, Redundant Fiber optics interface, LC Connector
- X104** – IRIG-B00X, incl. System Contact (Supervision Contact)

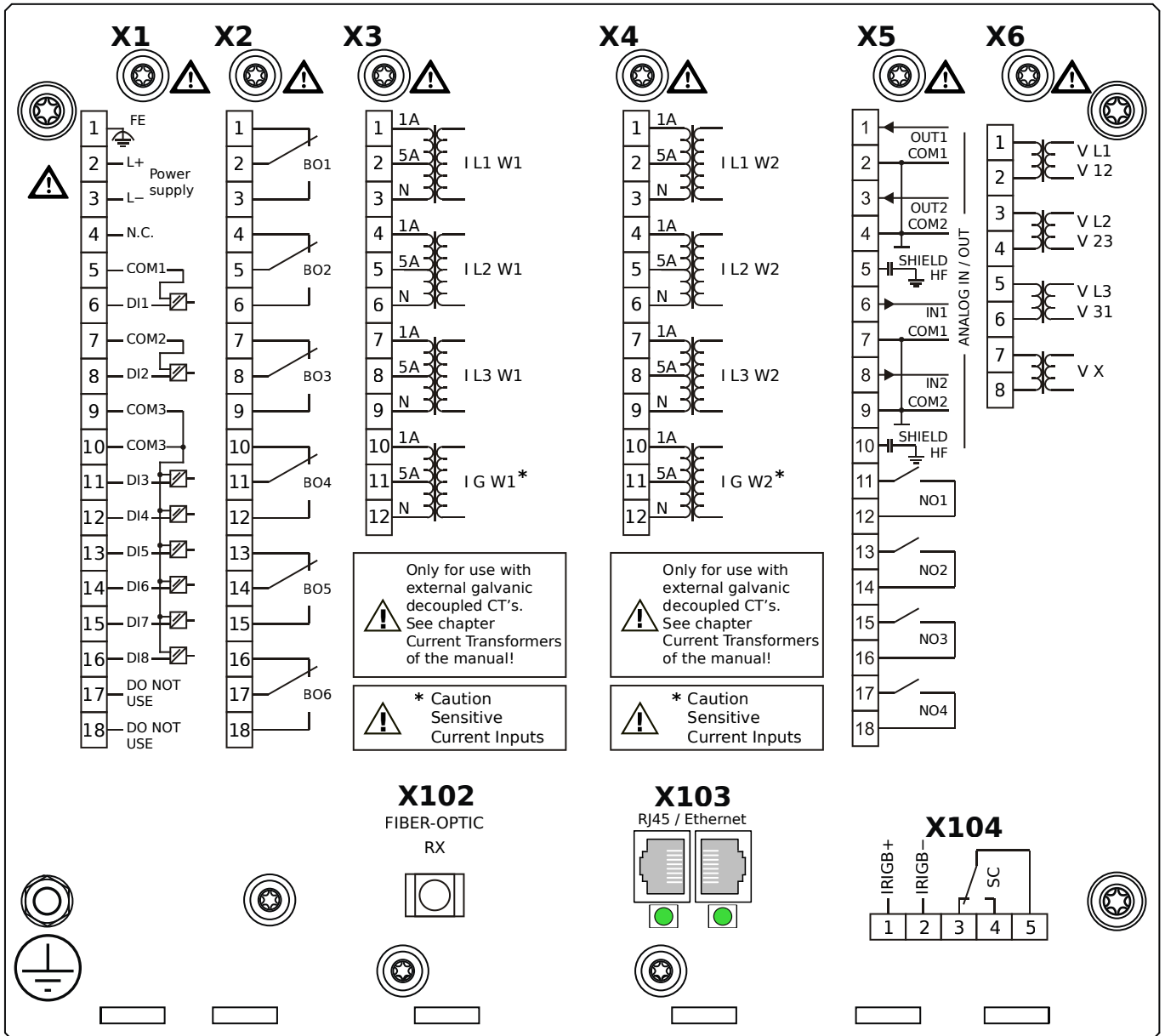
MCDTV4-2B3APA



Housing B2, large display, door mounting

- X1** – DI8-X1: Wide-range power supply unit, incl. 2 non-grouped digital inputs and 6 grouped digital inputs
- X2** – OR6: Assembly Group with 6 Output Relays (Changeover / Form C)
- X3** – TIs: Standard phase current measuring card and sensitive ground current measuring (winding side 1)
- X4** – TIs: Standard phase current measuring card and sensitive ground current measuring (winding side 2)
- X5** – AnIO2-OR4: Assembly Group with 2 Analog Inputs, 2 Analog Outputs and 4 Output Relays
- X6** – TU: Card with 4 voltage transformer measuring inputs (0 ... 800 VAC, under UL: 0 ... 600 VAC)
- X102** – Universal Resistance-Temperature Detector (URTD) input, Fiber optics interface, Versatile Link
- X103** – Modbus TCP / IEC 60870-5-104 / DNP3.0 TCP/UDP, Redundant Ethernet interface, 100 Mbit/s, RJ45 (BASE100-FX)
- X104** – IRIG-B00X, incl. System Contact (Supervision Contact)

MCDTV4-2B3APB

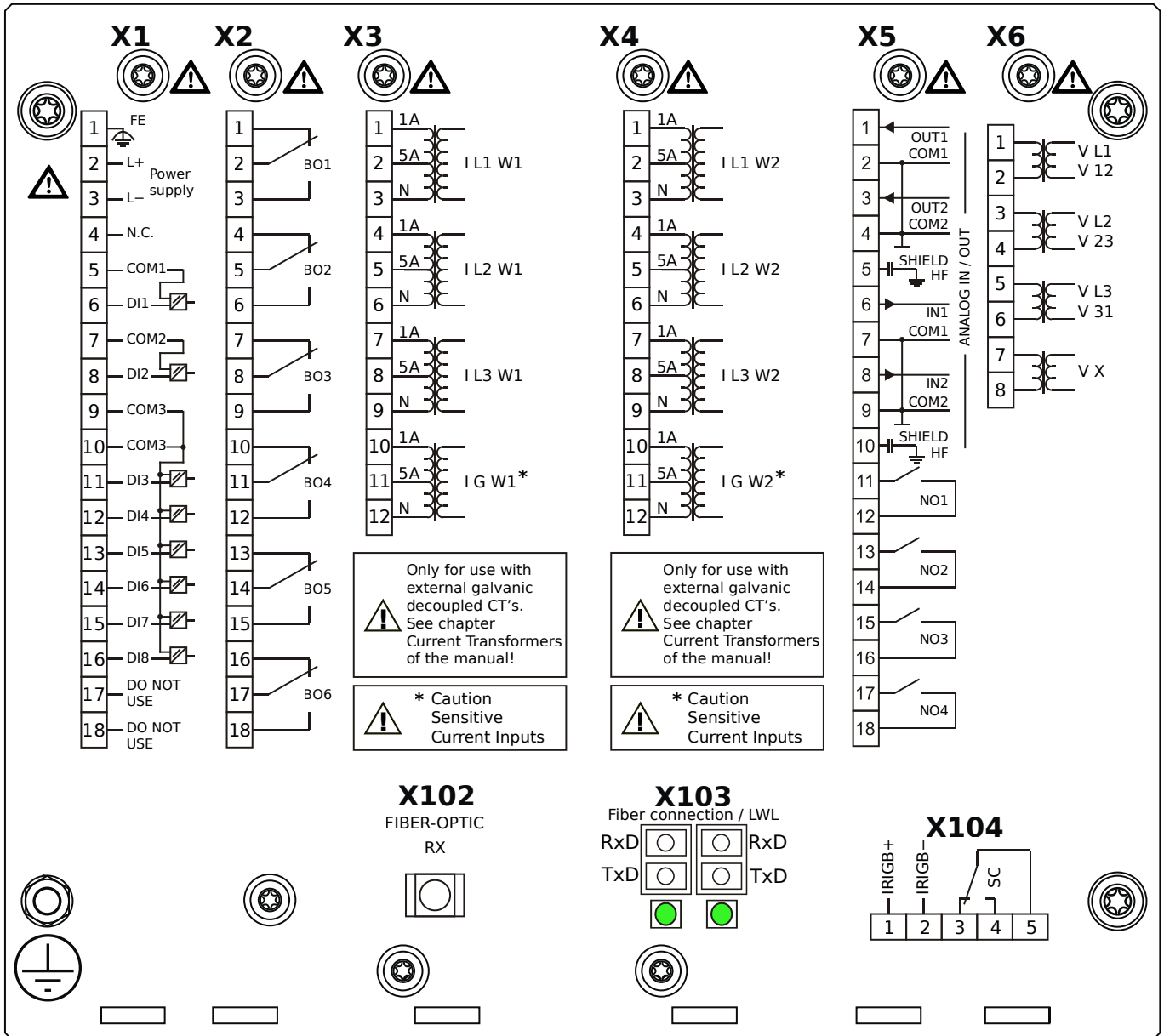


Housing B2, large display, door mounting

+ Conformal Coating (for installations in harsh environment)

- X1** – DI8-X1: Wide-range power supply unit, incl. 2 non-grouped digital inputs and 6 grouped digital inputs
- X2** – OR6: Assembly Group with 6 Output Relays (Changeover / Form C)
- X3** – TIs: Standard phase current measuring card and sensitive ground current measuring (winding side 1)
- X4** – TIs: Standard phase current measuring card and sensitive ground current measuring (winding side 2)
- X5** – AnIO2-OR4: Assembly Group with 2 Analog Inputs, 2 Analog Outputs and 4 Output Relays
- X6** – TU: Card with 4 voltage transformer measuring inputs (0 ... 800 VAC, under UL: 0 ... 600 VAC)
- X102** – Universal Resistance-Temperature Detector (URTD) input, Fiber optics interface, Versatile Link
- X103** – Modbus TCP / IEC 60870-5-104 / DNP3.0 TCP/UDP, Redundant Ethernet interface, 100 Mbit/s, RJ45 (BASE100-FX)
- X104** – IRIG-B00X, incl. System Contact (Supervision Contact)

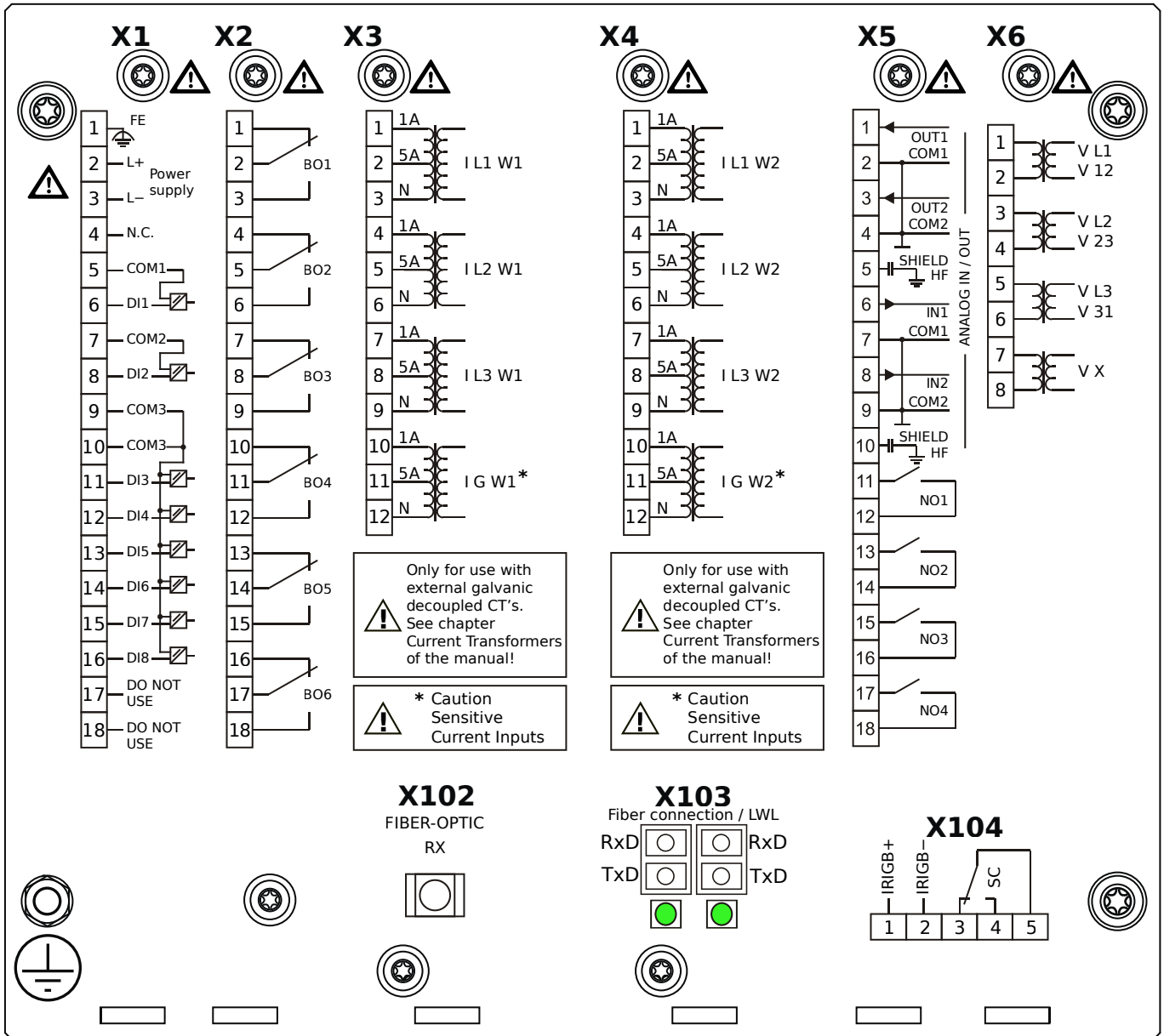
MCDTV4-2B3AQA



Housing B2, large display, door mounting

- X1** – DI8-X1: Wide-range power supply unit, incl. 2 non-grouped digital inputs and 6 grouped digital inputs
- X2** – OR6: Assembly Group with 6 Output Relays (Changeover / Form C)
- X3** – TIs: Standard phase current measuring card and sensitive ground current measuring (winding side 1)
- X4** – TIs: Standard phase current measuring card and sensitive ground current measuring (winding side 2)
- X5** – AnIO2-OR4: Assembly Group with 2 Analog Inputs, 2 Analog Outputs and 4 Output Relays
- X6** – TU: Card with 4 voltage transformer measuring inputs (0 ... 800 VAC, under UL: 0 ... 600 VAC)
- X102** – Universal Resistance-Temperature Detector (URTD) input, Fiber optics interface, Versatile Link
- X103** – IEC 61850 / Modbus TCP / IEC 60870-5-104 / DNP3.0 TCP/UDP, Redundant Fiber optics interface, LC Connector
- X104** – IRIG-B00X, incl. System Contact (Supervision Contact)

MCDTV4-2B3AQB

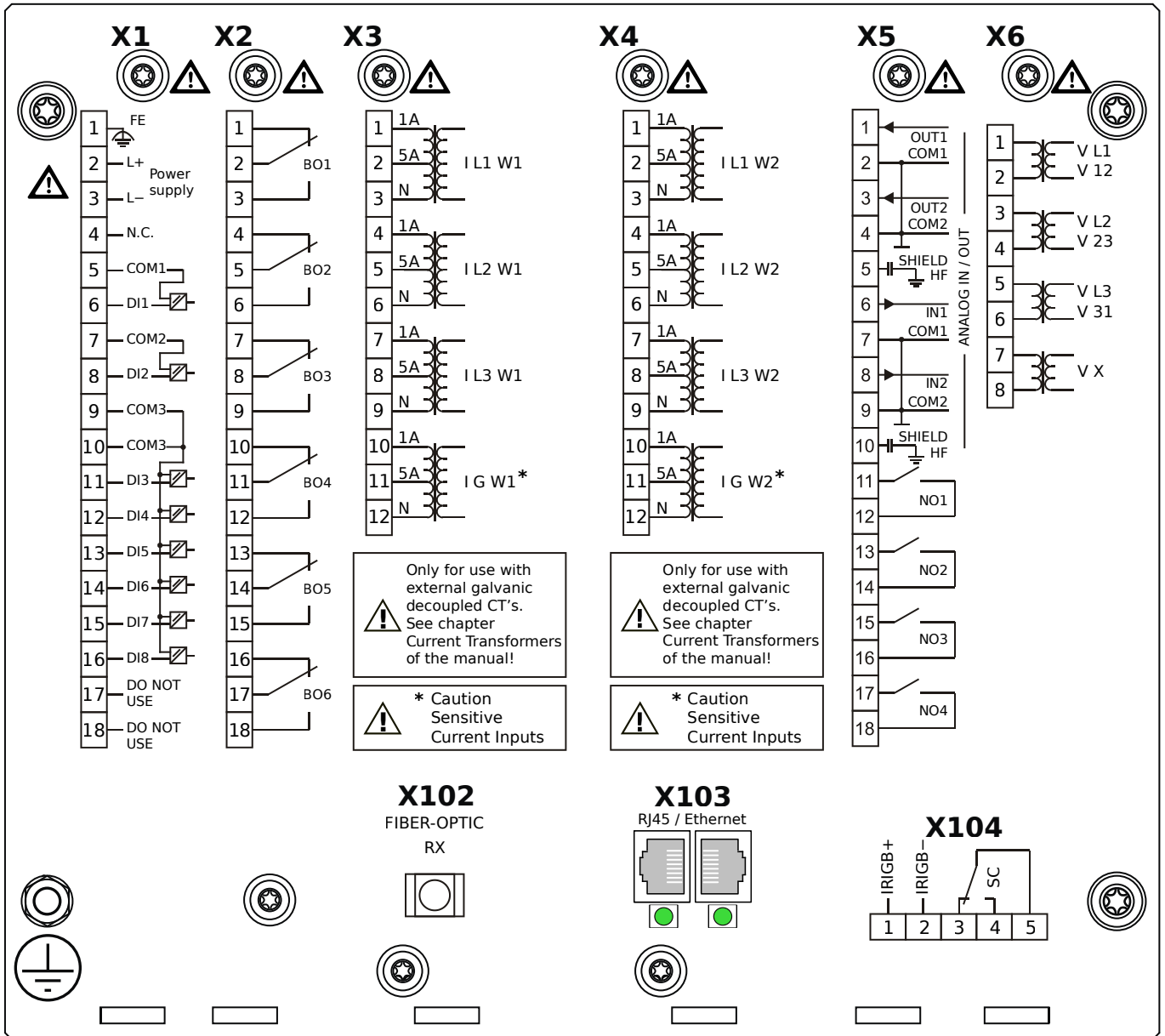


Housing B2, large display, door mounting

- + Conformal Coating (for installations in harsh environment)

- X1** – DI8-X1: Wide-range power supply unit, incl. 2 non-grouped digital inputs and 6 grouped digital inputs
- X2** – OR6: Assembly Group with 6 Output Relays (Changeover / Form C)
- X3** – TIs: Standard phase current measuring card and sensitive ground current measuring (winding side 1)
- X4** – TIs: Standard phase current measuring card and sensitive ground current measuring (winding side 2)
- X5** – AnIO2-OR4: Assembly Group with 2 Analog Inputs, 2 Analog Outputs and 4 Output Relays
- X6** – TU: Card with 4 voltage transformer measuring inputs (0 ... 800 VAC, under UL: 0 ... 600 VAC)
- X102** – Universal Resistance-Temperature Detector (URTD) input, Fiber optics interface, Versatile Link
- X103** – IEC 61850 / Modbus TCP / IEC 60870-5-104 / DNP3.0 TCP/UDP, Redundant Fiber optics interface, LC Connector
- X104** – IRIG-B00X, incl. System Contact (Supervision Contact)

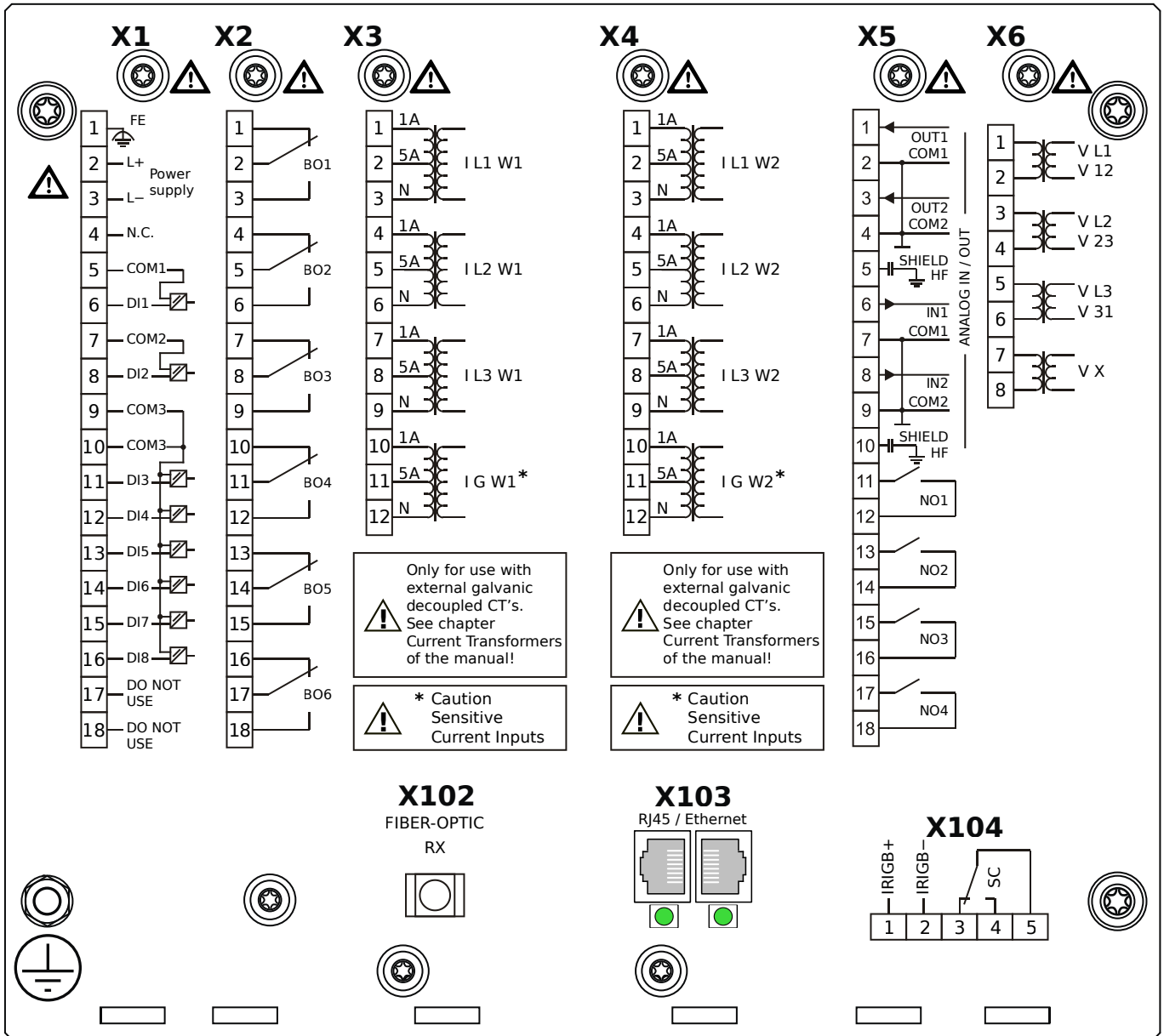
MCDTV4-2B3ARA



Housing B2, large display, door mounting

- X1** – DI8-X1: Wide-range power supply unit, incl. 2 non-grouped digital inputs and 6 grouped digital inputs
- X2** – OR6: Assembly Group with 6 Output Relays (Changeover / Form C)
- X3** – TIs: Standard phase current measuring card and sensitive ground current measuring (winding side 1)
- X4** – TIs: Standard phase current measuring card and sensitive ground current measuring (winding side 2)
- X5** – AnIO2-OR4: Assembly Group with 2 Analog Inputs, 2 Analog Outputs and 4 Output Relays
- X6** – TU: Card with 4 voltage transformer measuring inputs (0 ... 800 VAC, under UL: 0 ... 600 VAC)
- X102** – Universal Resistance-Temperature Detector (URTD) input, Fiber optics interface, Versatile Link
- X103** – IEC 61850 / Modbus TCP / IEC 60870-5-104 / DNP3.0 TCP/UDP, Redundant Ethernet interface, 100 Mbit/s, RJ45
- X104** – IRIG-B00X, incl. System Contact (Supervision Contact)

MCDTV4-2B3ARB



Housing B2, large display, door mounting

+ Conformal Coating (for installations in harsh environment)

X1 – DI8-X1: Wide-range power supply unit, incl. 2 non-grouped digital inputs and 6 grouped digital inputs

X2 – OR6: Assembly Group with 6 Output Relays (Changeover / Form C)

X3 – TIs: Standard phase current measuring card and sensitive ground current measuring (winding side 1)

X4 – TIs: Standard phase current measuring card and sensitive ground current measuring (winding side 2)

X5 – AnIO2-OR4: Assembly Group with 2 Analog Inputs, 2 Analog Outputs and 4 Output Relays

X6 – TU: Card with 4 voltage transformer measuring inputs (0 ... 800 VAC, under UL: 0 ... 600 VAC)

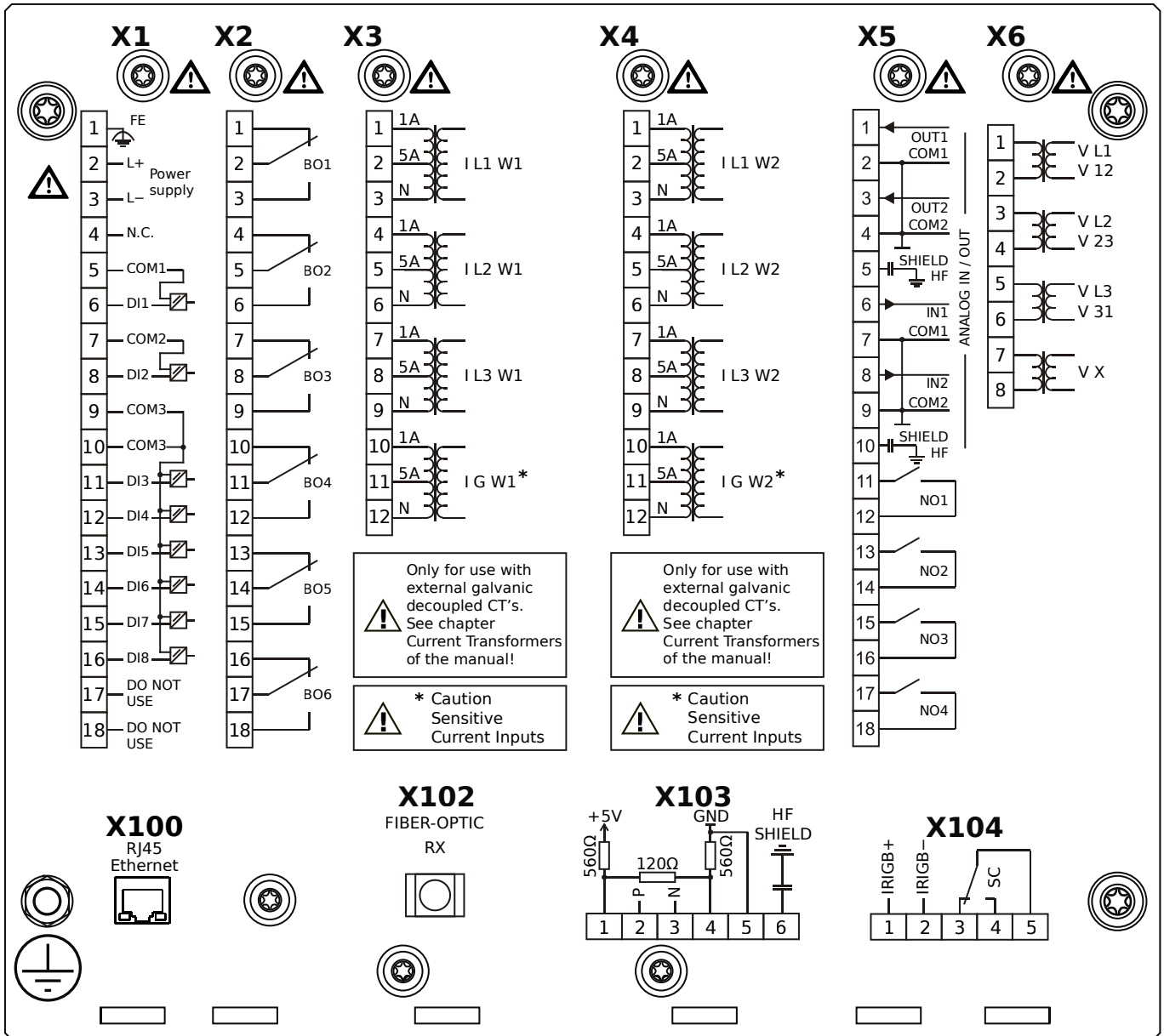
X102 – Universal Resistance-Temperature Detector (URTD) input, Fiber optics interface, Versatile Link

X103 – IEC 61850 / Modbus TCP / IEC 60870-5-104 / DNP3.0 TCP/UDP, Redundant Ethernet interface, 100 Mbit/s, RJ45

(BASE100-FX)

X104 – IRIG-B00X, incl. System Contact (Supervision Contact)

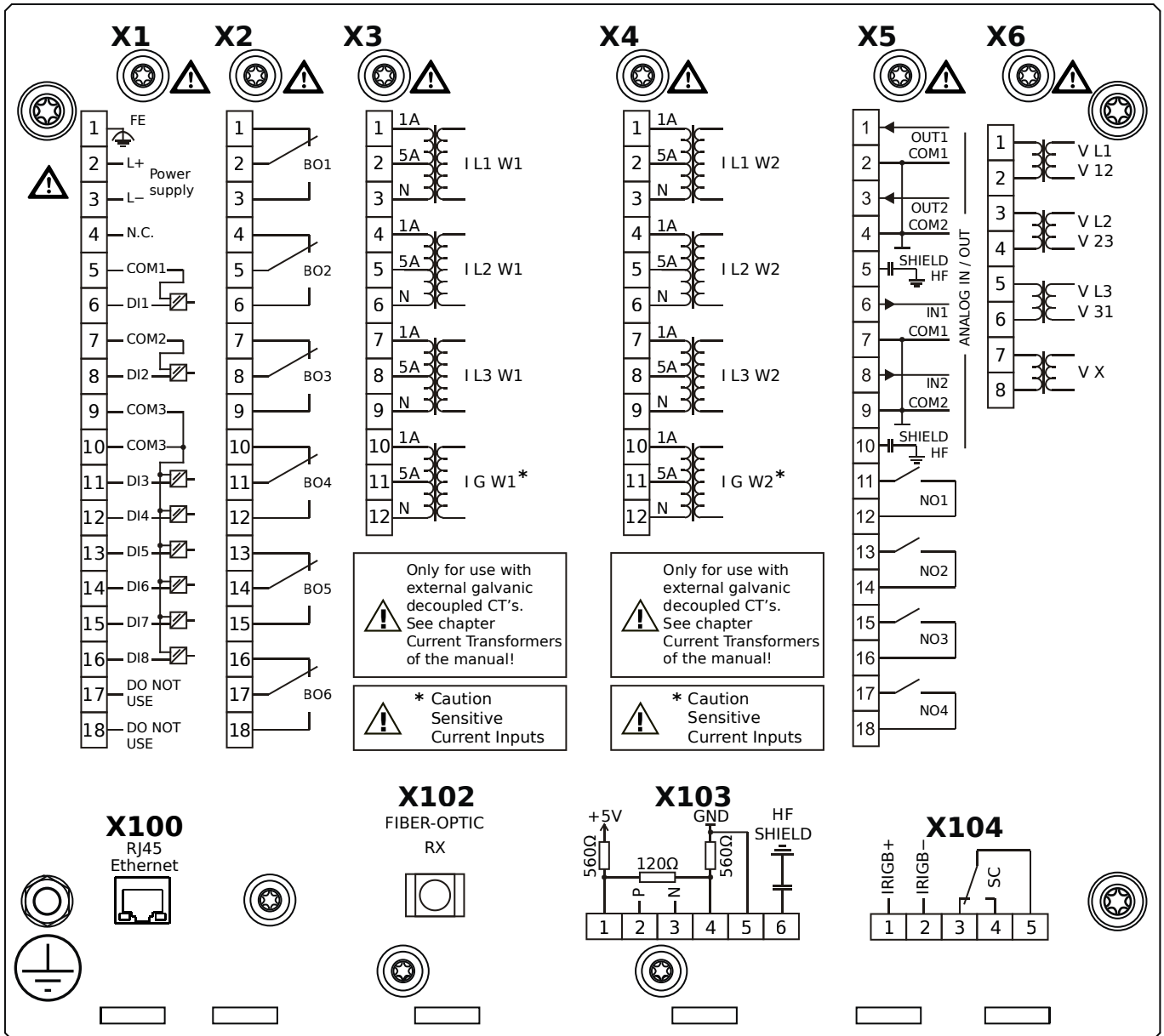
MCDTV4-2B3ATA



Housing B2, large display, door mounting

- X1** – DI8-X1: Wide-range power supply unit, incl. 2 non-grouped digital inputs and 6 grouped digital inputs
- X2** – OR6: Assembly Group with 6 Output Relays (Changeover / Form C)
- X3** – TIs: Standard phase current measuring card and sensitive ground current measuring (winding side 1)
- X4** – TIs: Standard phase current measuring card and sensitive ground current measuring (winding side 2)
- X5** – AnIO2-OR4: Assembly Group with 2 Analog Inputs, 2 Analog Outputs and 4 Output Relays
- X6** – TU: Card with 4 voltage transformer measuring inputs (0 ... 800 VAC, under UL: 0 ... 600 VAC)
- X100** – IEC 61850 / Modbus TCP / IEC 60870-5-104 / DNP3.0 TCP/UDP, Ethernet interface, 100 Mbit/s, RJ45 (BASE100-FX)
- X102** – Universal Resistance-Temperature Detector (URTD) input, Fiber optics interface, Versatile Link
- X103** – IEC 60870-5-103 / Modbus RTU / DNP3.0 RTU, RS485, Terminals
- X104** – IRIG-B00X, incl. System Contact (Supervision Contact)

MCDTV4-2B3ATB



Housing B2, large display, door mounting

+ Conformal Coating (for installations in harsh environment)

X1 – DI8-X1: Wide-range power supply unit, incl. 2 non-grouped digital inputs and 6 grouped digital inputs

X2 – OR6: Assembly Group with 6 Output Relays (Changeover / Form C)

X3 – TIs: Standard phase current measuring card and sensitive ground current measuring (winding side 1)

X4 – TIs: Standard phase current measuring card and sensitive ground current measuring (winding side 2)

X5 – AnIO2-OR4: Assembly Group with 2 Analog Inputs, 2 Analog Outputs and 4 Output Relays

X6 – TU: Card with 4 voltage transformer measuring inputs (0 ... 800 VAC, under UL: 0 ... 600 VAC)

X100 – IEC 61850 / Modbus TCP / IEC 60870-5-104 / DNP3.0 TCP/UDP, Ethernet interface, 100 Mbit/s, RJ45 (BASE100-

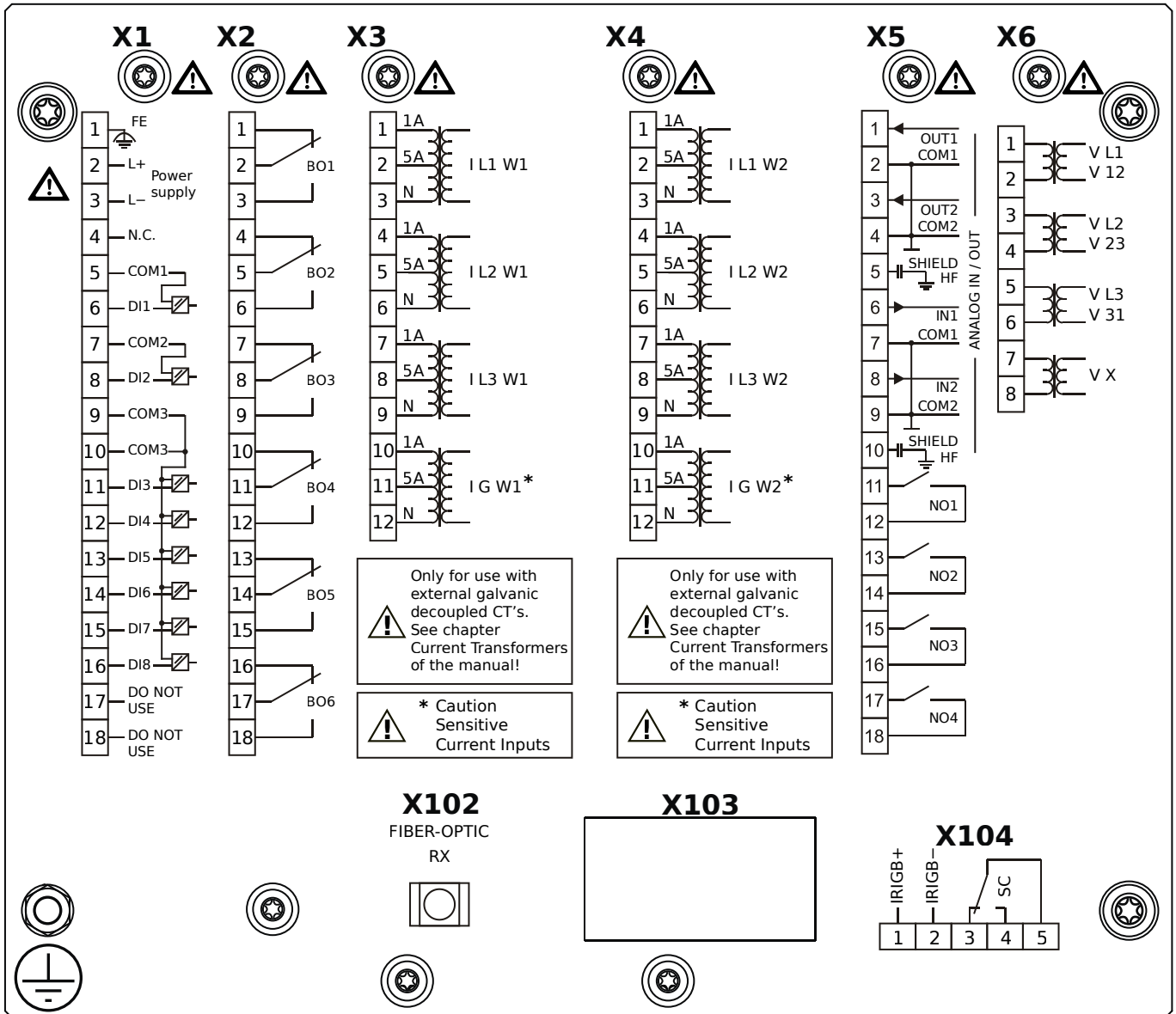
FX)

X102 – Universal Resistance-Temperature Detector (URTD) input, Fiber optics interface, Versatile Link

X103 – IEC 60870-5-103 / Modbus RTU / DNP3.0 RTU, RS485, Terminals

X104 – IRIG-B00X, incl. System Contact (Supervision Contact)

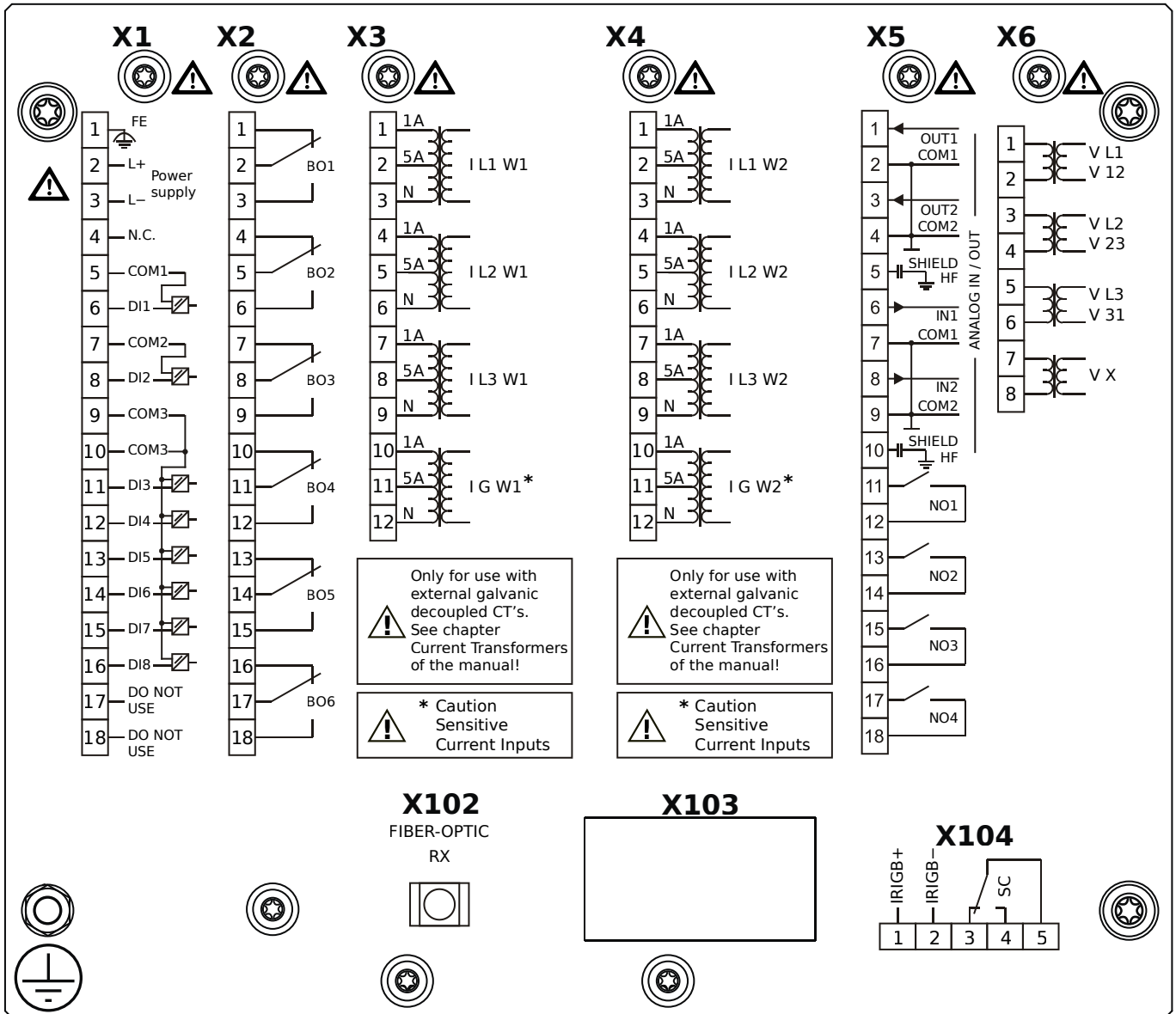
MCDTV4-2B3BAA



Housing B2, large display, 19" rack mounting

- X1** – DI8-X1: Wide-range power supply unit, incl. 2 non-grouped digital inputs and 6 grouped digital inputs
- X2** – OR6: Assembly Group with 6 Output Relays (Changeover / Form C)
- X3** – TIs: Standard phase current measuring card and sensitive ground current measuring (winding side 1)
- X4** – TIs: Standard phase current measuring card and sensitive ground current measuring (winding side 2)
- X5** – AnIO2-OR4: Assembly Group with 2 Analog Inputs, 2 Analog Outputs and 4 Output Relays
- X6** – TU: Card with 4 voltage transformer measuring inputs (0 ... 800 VAC, under UL: 0 ... 600 VAC)
- X102** – Universal Resistance-Temperature Detector (URTD) input, Fiber optics interface, Versatile Link
- X104** – IRIG-B00X, incl. System Contact (Supervision Contact)

MCDTV4-2B3BAB

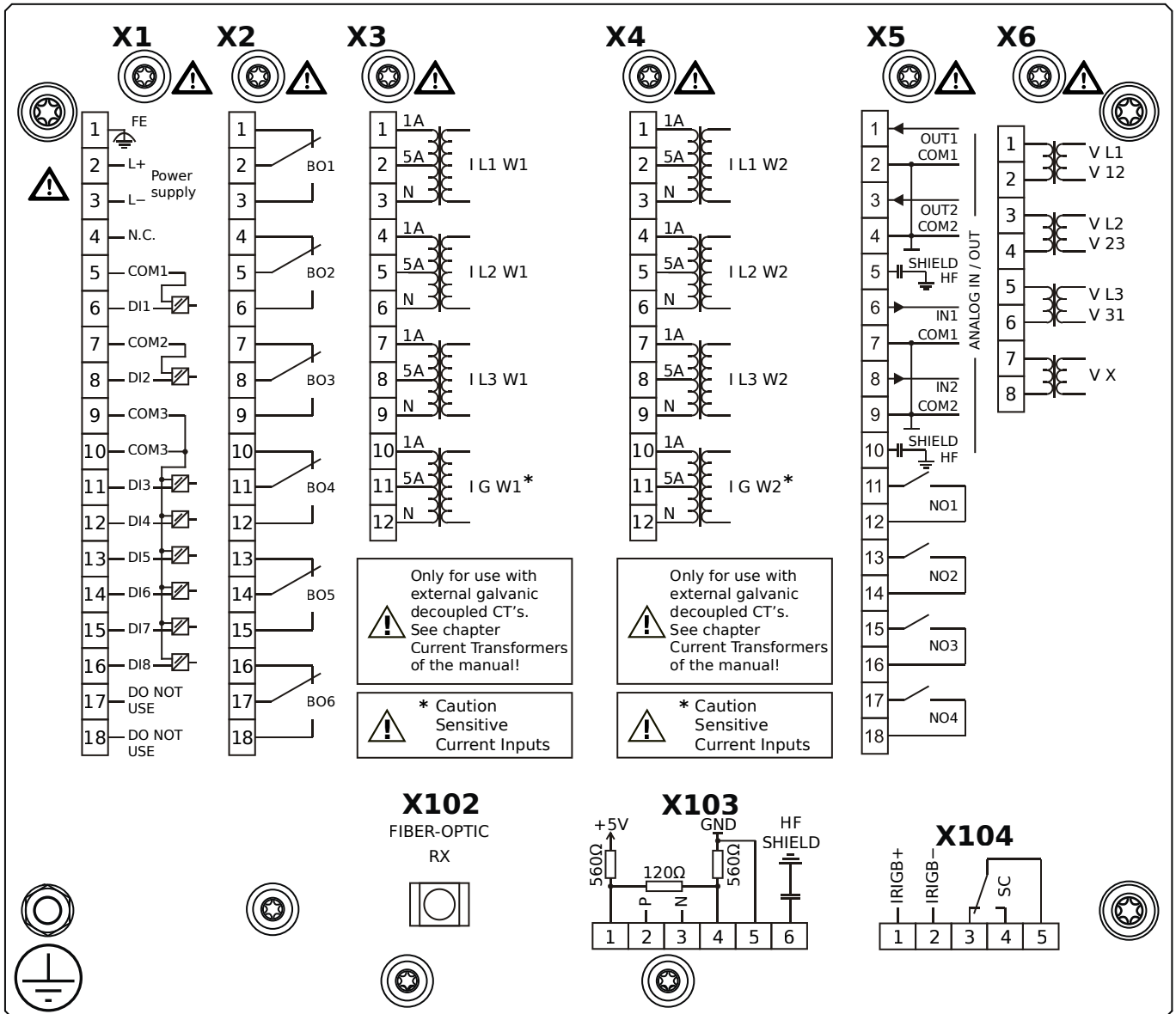


Housing B2, large display, 19" rack mounting

+ Conformal Coating (for installations in harsh environment)

- X1** – DI8-X1: Wide-range power supply unit, incl. 2 non-grouped digital inputs and 6 grouped digital inputs
- X2** – OR6: Assembly Group with 6 Output Relays (Changeover / Form C)
- X3** – TIs: Standard phase current measuring card and sensitive ground current measuring (winding side 1)
- X4** – TIs: Standard phase current measuring card and sensitive ground current measuring (winding side 2)
- X5** – AnIO2-OR4: Assembly Group with 2 Analog Inputs, 2 Analog Outputs and 4 Output Relays
- X6** – TU: Card with 4 voltage transformer measuring inputs (0 ... 800 VAC, under UL: 0 ... 600 VAC)
- X102** – Universal Resistance-Temperature Detector (URTD) input, Fiber optics interface, Versatile Link
- X104** – IRIG-B00X, incl. System Contact (Supervision Contact)

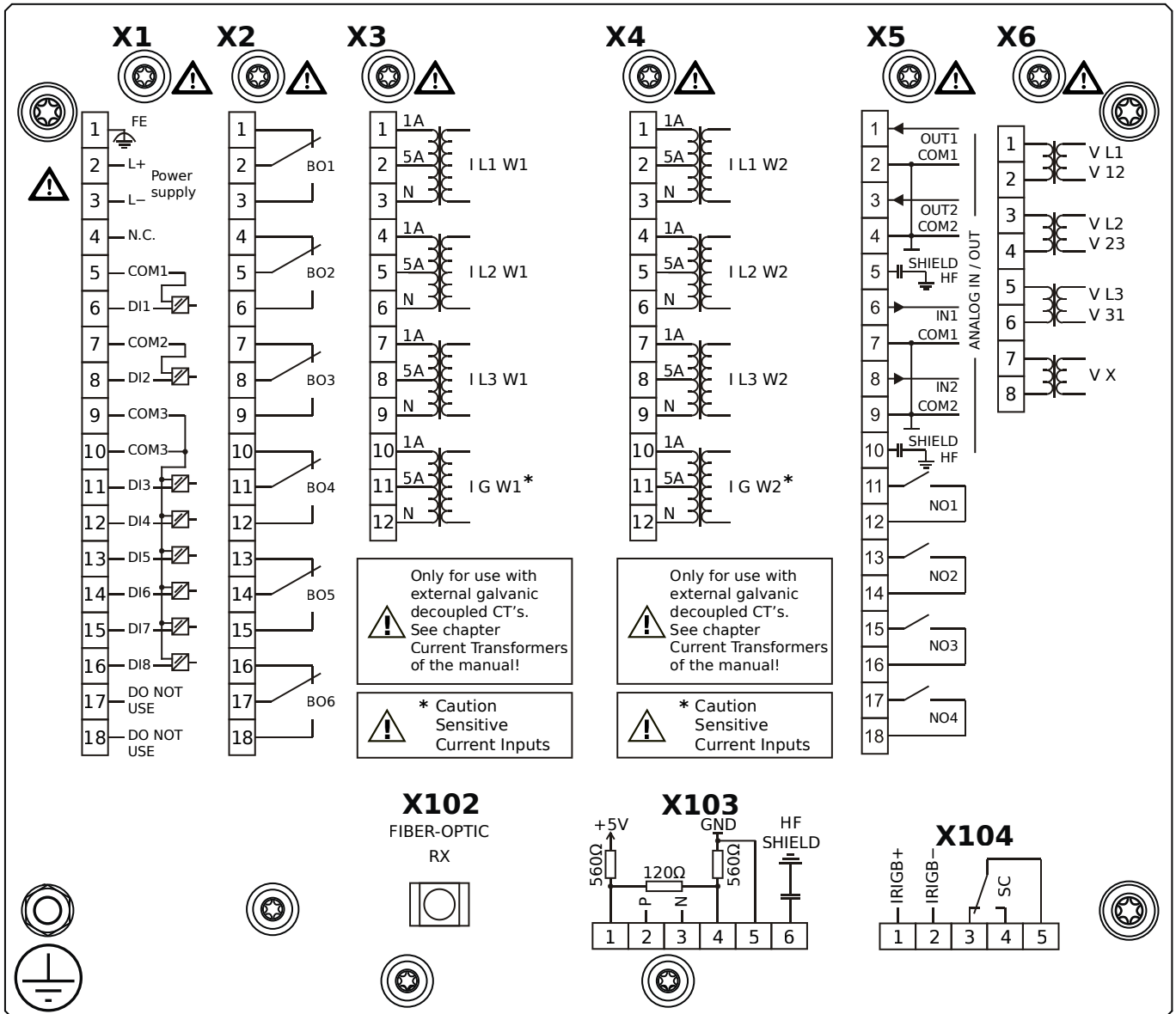
MCDTV4-2B3BBA



Housing B2, large display, 19" rack mounting

- X1** – DI8-X1: Wide-range power supply unit, incl. 2 non-grouped digital inputs and 6 grouped digital inputs
- X2** – OR6: Assembly Group with 6 Output Relays (Changeover / Form C)
- X3** – TIs: Standard phase current measuring card and sensitive ground current measuring (winding side 1)
- X4** – TIs: Standard phase current measuring card and sensitive ground current measuring (winding side 2)
- X5** – AnIO2-OR4: Assembly Group with 2 Analog Inputs, 2 Analog Outputs and 4 Output Relays
- X6** – TU: Card with 4 voltage transformer measuring inputs (0 ... 800 VAC, under UL: 0 ... 600 VAC)
- X102** – Universal Resistance-Temperature Detector (URTD) input, Fiber optics interface, Versatile Link
- X103** – Modbus RTU / IEC 60870-5-103 / DNP3.0 RTU, RS485, Terminals
- X104** – IRIG-B00X, incl. System Contact (Supervision Contact)

MCDTV4-2B3BBB

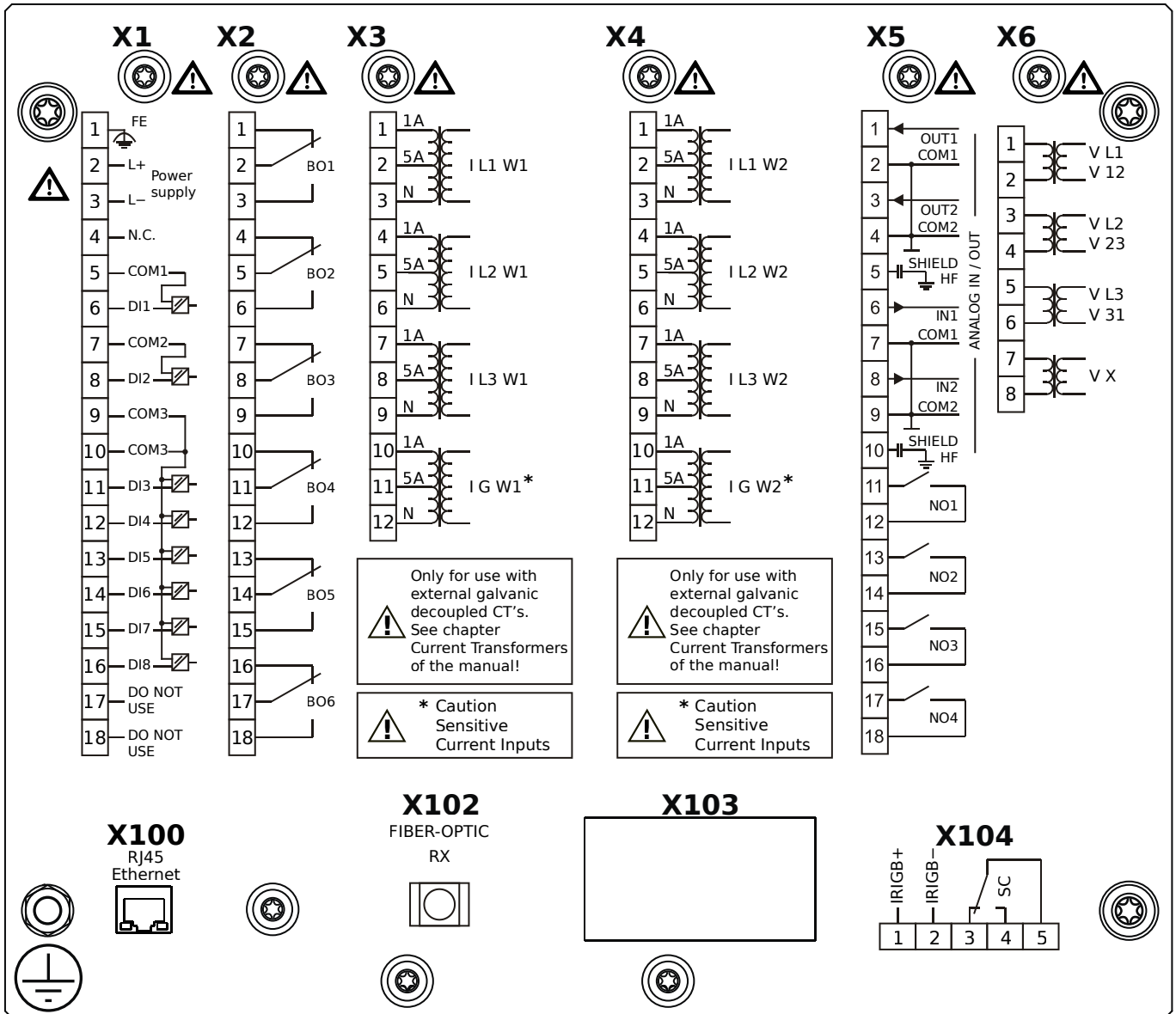


Housing B2, large display, 19" rack mounting

+ Conformal Coating (for installations in harsh environment)

- X1** – DI8-X1: Wide-range power supply unit, incl. 2 non-grouped digital inputs and 6 grouped digital inputs
- X2** – OR6: Assembly Group with 6 Output Relays (Changeover / Form C)
- X3** – TIs: Standard phase current measuring card and sensitive ground current measuring (winding side 1)
- X4** – TIs: Standard phase current measuring card and sensitive ground current measuring (winding side 2)
- X5** – AnIO2-OR4: Assembly Group with 2 Analog Inputs, 2 Analog Outputs and 4 Output Relays
- X6** – TU: Card with 4 voltage transformer measuring inputs (0 ... 800 VAC, under UL: 0 ... 600 VAC)
- X102** – Universal Resistance-Temperature Detector (URTD) input, Fiber optics interface, Versatile Link
- X103** – Modbus RTU / IEC 60870-5-103 / DNP3.0 RTU, RS485, Terminals
- X104** – IRIG-B00X, incl. System Contact (Supervision Contact)

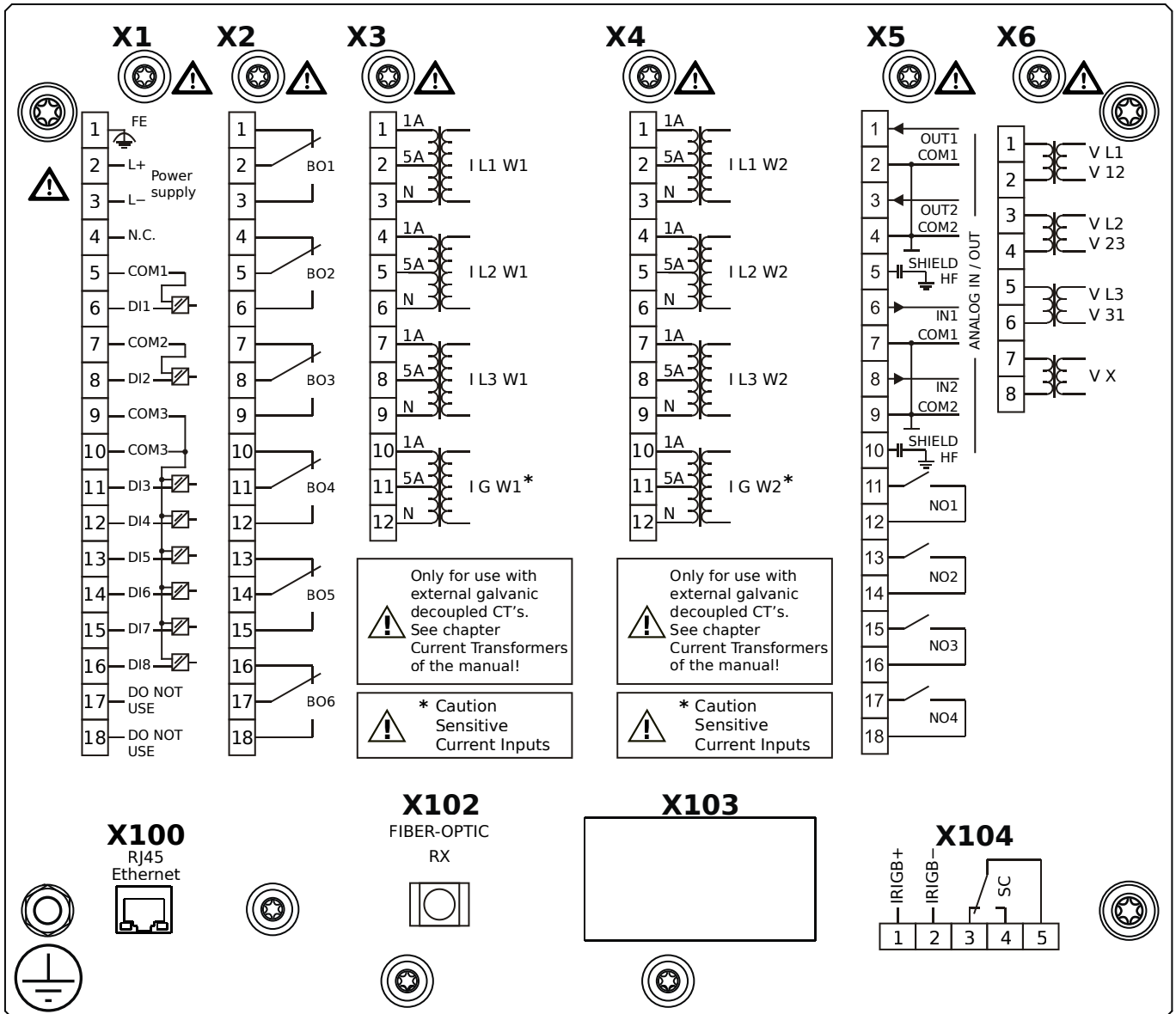
MCDTV4-2B3BCA



Housing B2, large display, 19" rack mounting

- X1** – DI8-X1: Wide-range power supply unit, incl. 2 non-grouped digital inputs and 6 grouped digital inputs
- X2** – OR6: Assembly Group with 6 Output Relays (Changeover / Form C)
- X3** – TIs: Standard phase current measuring card and sensitive ground current measuring (winding side 1)
- X4** – TIs: Standard phase current measuring card and sensitive ground current measuring (winding side 2)
- X5** – AnIO2-OR4: Assembly Group with 2 Analog Inputs, 2 Analog Outputs and 4 Output Relays
- X6** – TU: Card with 4 voltage transformer measuring inputs (0 ... 800 VAC, under UL: 0 ... 600 VAC)
- X100** – Modbus TCP / IEC 60870-5-104 / DNP3.0 TCP/UDP, Ethernet interface, 100 Mbit/s, RJ45 (BASE100-FX)
- X102** – Universal Resistance-Temperature Detector (URTD) input, Fiber optics interface, Versatile Link
- X104** – IRIG-B00X, incl. System Contact (Supervision Contact)

MCDTV4-2B3BCB

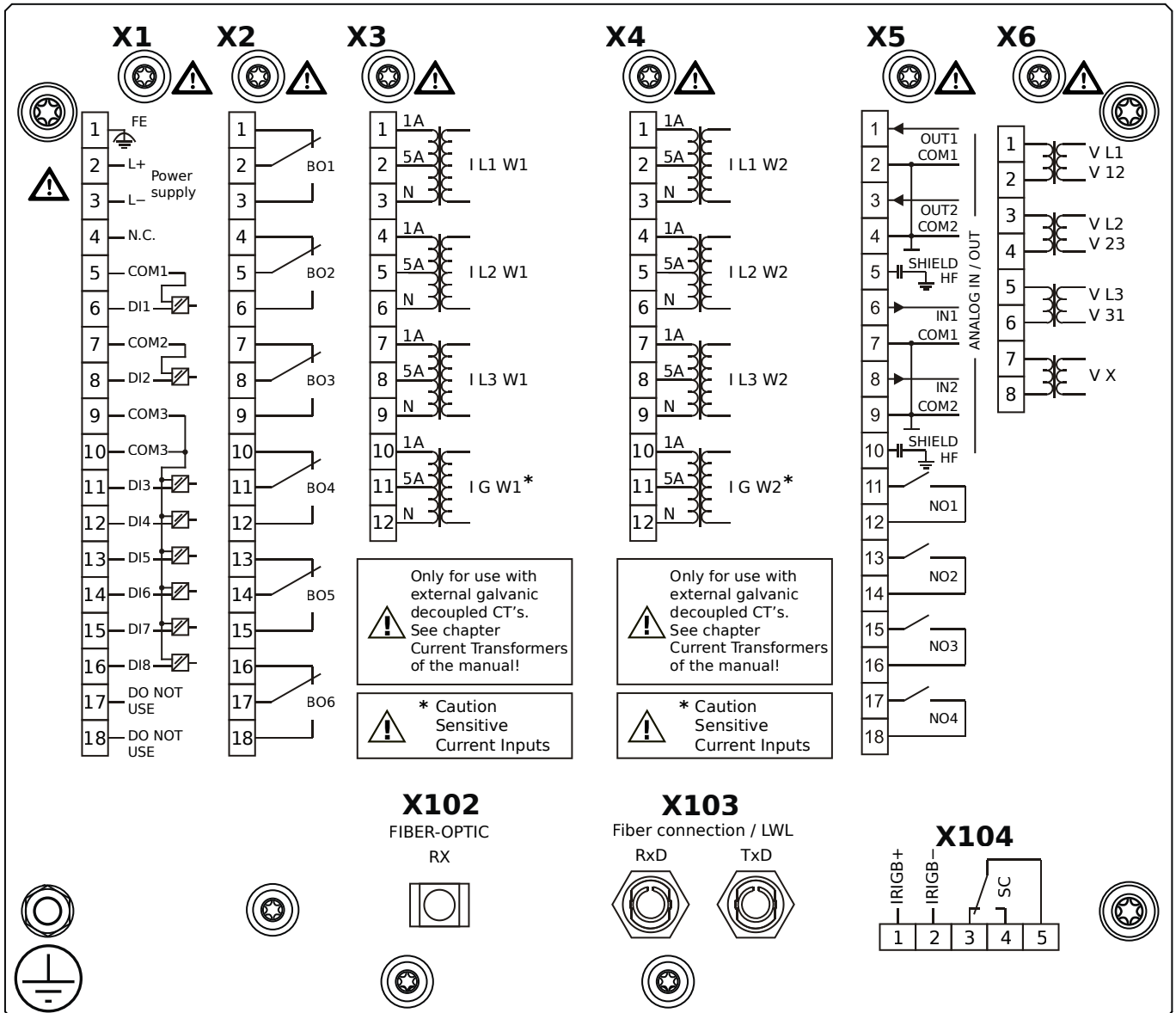


Housing B2, large display, 19" rack mounting

+ Conformal Coating (for installations in harsh environment)

- X1** – DI8-X1: Wide-range power supply unit, incl. 2 non-grouped digital inputs and 6 grouped digital inputs
- X2** – OR6: Assembly Group with 6 Output Relays (Changeover / Form C)
- X3** – TIs: Standard phase current measuring card and sensitive ground current measuring (winding side 1)
- X4** – TIs: Standard phase current measuring card and sensitive ground current measuring (winding side 2)
- X5** – AnIO2-OR4: Assembly Group with 2 Analog Inputs, 2 Analog Outputs and 4 Output Relays
- X6** – TU: Card with 4 voltage transformer measuring inputs (0 ... 800 VAC, under UL: 0 ... 600 VAC)
- X100** – Modbus TCP / IEC 60870-5-104 / DNP3.0 TCP/UDP, Ethernet interface, 100 Mbit/s, RJ45 (BASE100-FX)
- X102** – Universal Resistance-Temperature Detector (URTD) input, Fiber optics interface, Versatile Link
- X104** – IRIG-B00X, incl. System Contact (Supervision Contact)

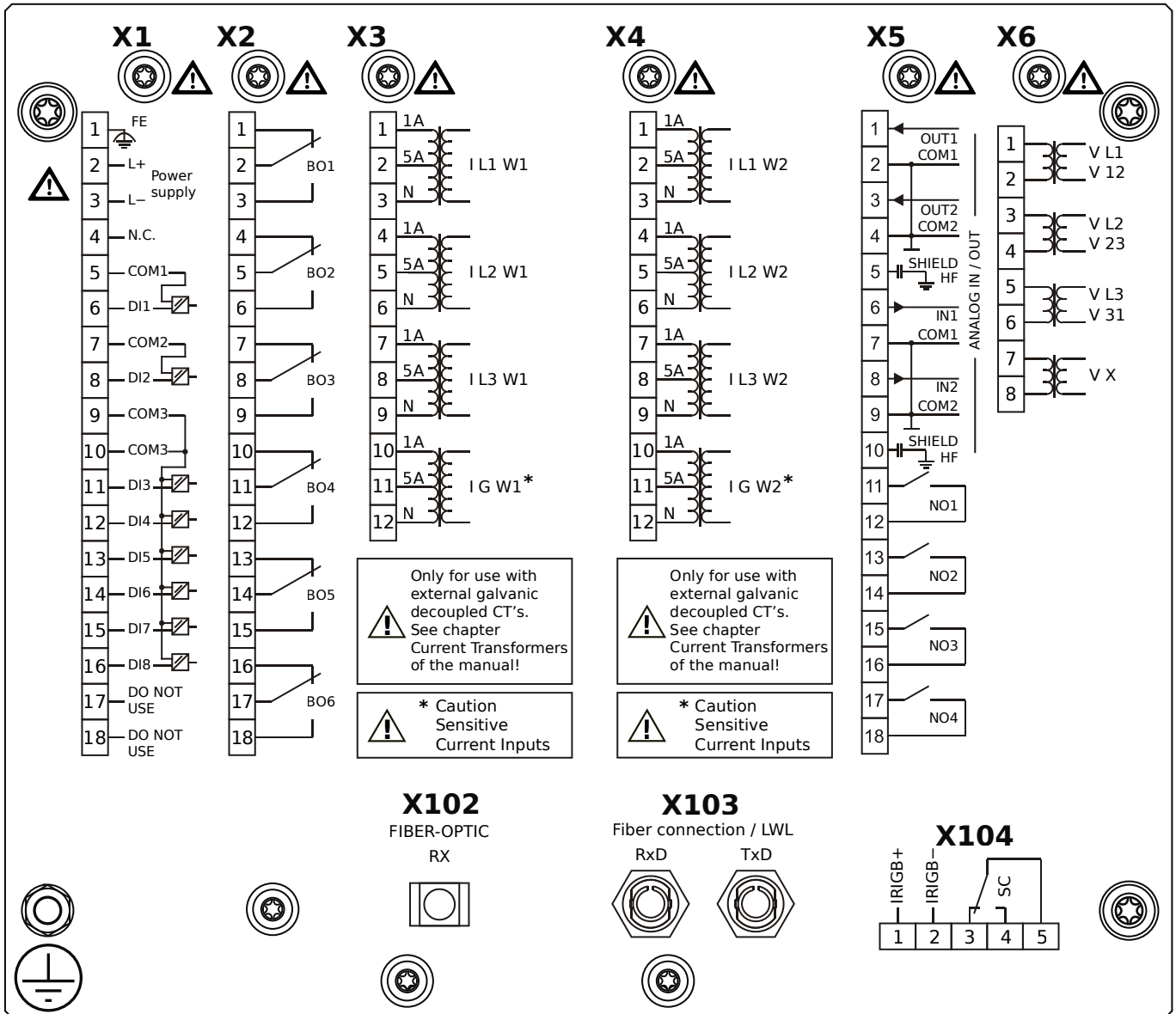
MCDTV4-2B3BDA



Housing B2, large display, 19" rack mounting

- X1** – DI8-X1: Wide-range power supply unit, incl. 2 non-grouped digital inputs and 6 grouped digital inputs
- X2** – OR6: Assembly Group with 6 Output Relays (Changeover / Form C)
- X3** – TIs: Standard phase current measuring card and sensitive ground current measuring (winding side 1)
- X4** – TIs: Standard phase current measuring card and sensitive ground current measuring (winding side 2)
- X5** – AnIO2-OR4: Assembly Group with 2 Analog Inputs, 2 Analog Outputs and 4 Output Relays
- X6** – TU: Card with 4 voltage transformer measuring inputs (0 ... 800 VAC, under UL: 0 ... 600 VAC)
- X102** – Universal Resistance-Temperature Detector (URTD) input, Fiber optics interface, Versatile Link
- X103** – Profibus-DP, Fiber optics interface, ST Connector
- X104** – IRIG-B00X, incl. System Contact (Supervision Contact)

MCDTV4-2B3BDB

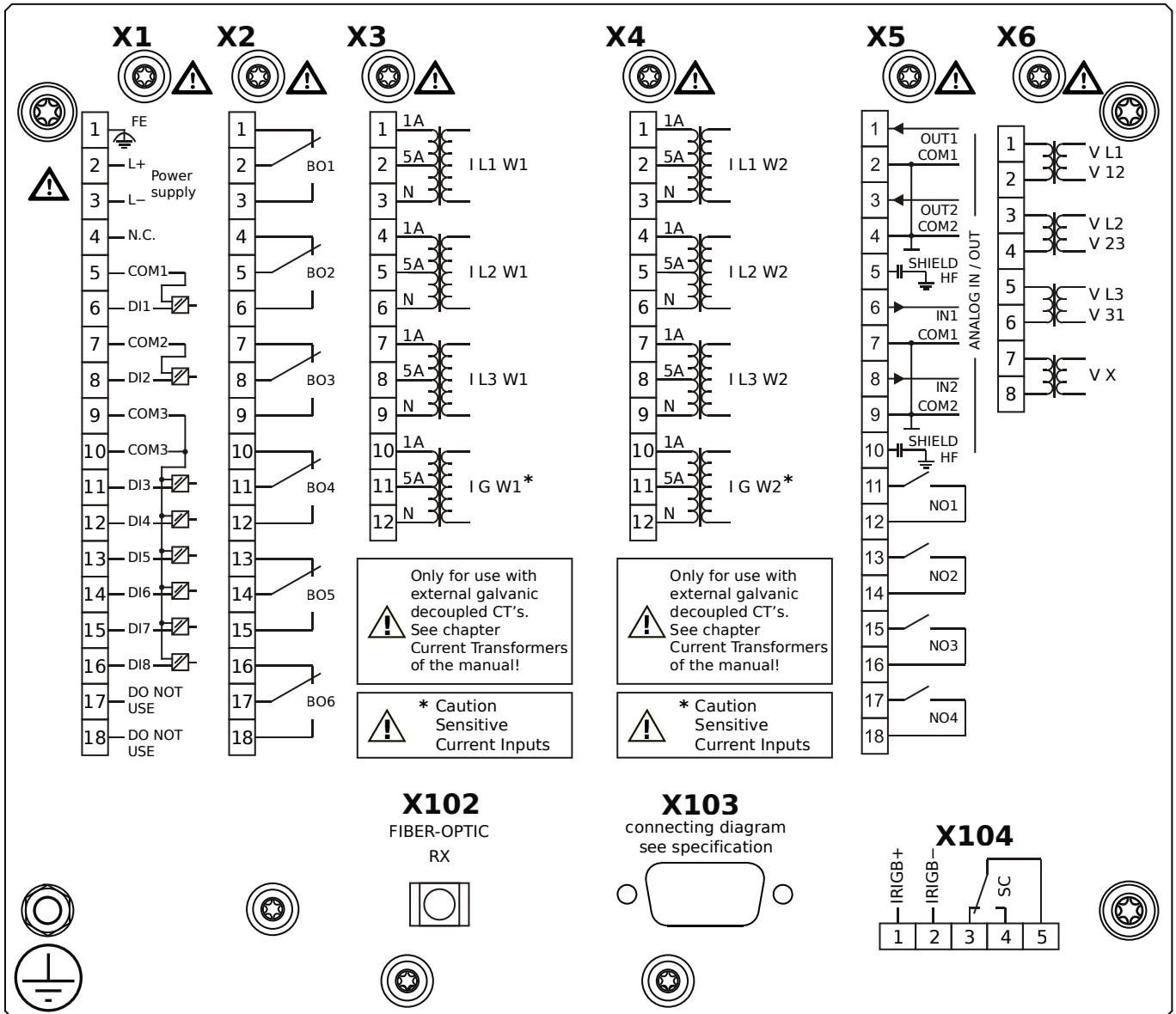


Housing B2, large display, 19" rack mounting

+ Conformal Coating (for installations in harsh environment)

- X1** – DI8-X1: Wide-range power supply unit, incl. 2 non-grouped digital inputs and 6 grouped digital inputs
- X2** – OR6: Assembly Group with 6 Output Relays (Changeover / Form C)
- X3** – TIs: Standard phase current measuring card and sensitive ground current measuring (winding side 1)
- X4** – TIs: Standard phase current measuring card and sensitive ground current measuring (winding side 2)
- X5** – AnIO2-OR4: Assembly Group with 2 Analog Inputs, 2 Analog Outputs and 4 Output Relays
- X6** – TU: Card with 4 voltage transformer measuring inputs (0 ... 800 VAC, under UL: 0 ... 600 VAC)
- X102** – Universal Resistance-Temperature Detector (URTD) input, Fiber optics interface, Versatile Link
- X103** – Profibus-DP, Fiber optics interface, ST Connector
- X104** – IRIG-B00X, incl. System Contact (Supervision Contact)

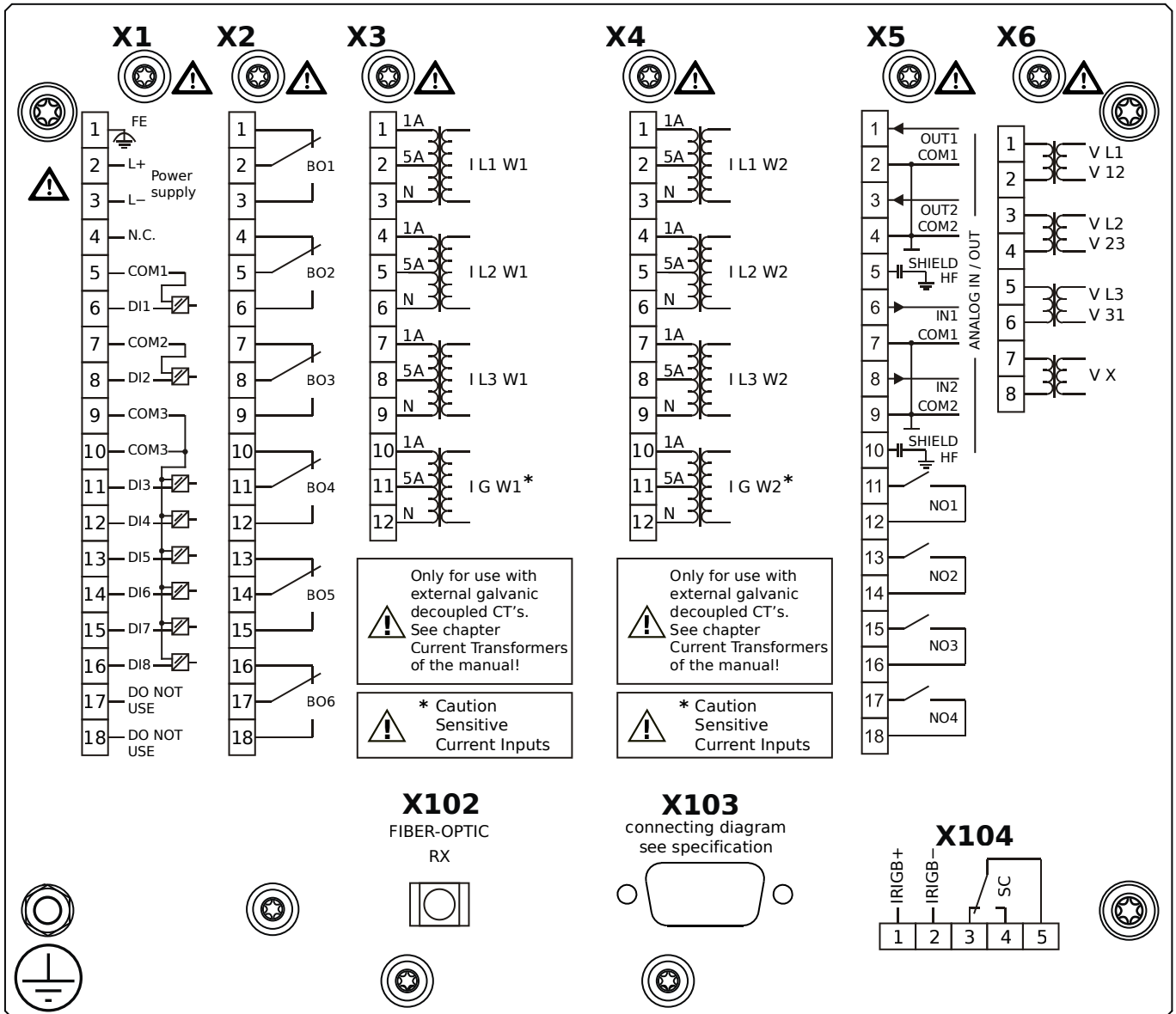
MCDTV4-2B3BEA



Housing B2, large display, 19" rack mounting

- X1** – DI8-X1: Wide-range power supply unit, incl. 2 non-grouped digital inputs and 6 grouped digital inputs
- X2** – OR6: Assembly Group with 6 Output Relays (Changeover / Form C)
- X3** – TIs: Standard phase current measuring card and sensitive ground current measuring (winding side 1)
- X4** – TIs: Standard phase current measuring card and sensitive ground current measuring (winding side 2)
- X5** – AnIO2-OR4: Assembly Group with 2 Analog Inputs, 2 Analog Outputs and 4 Output Relays
- X6** – TU: Card with 4 voltage transformer measuring inputs (0 ... 800 VAC, under UL: 0 ... 600 VAC)
- X102** – Universal Resistance-Temperature Detector (URTD) input, Fiber optics interface, Versatile Link
- X103** – Profibus-DP, RS485, D-SUB
- X104** – IRIG-B00X, incl. System Contact (Supervision Contact)

MCDTV4-2B3BEB

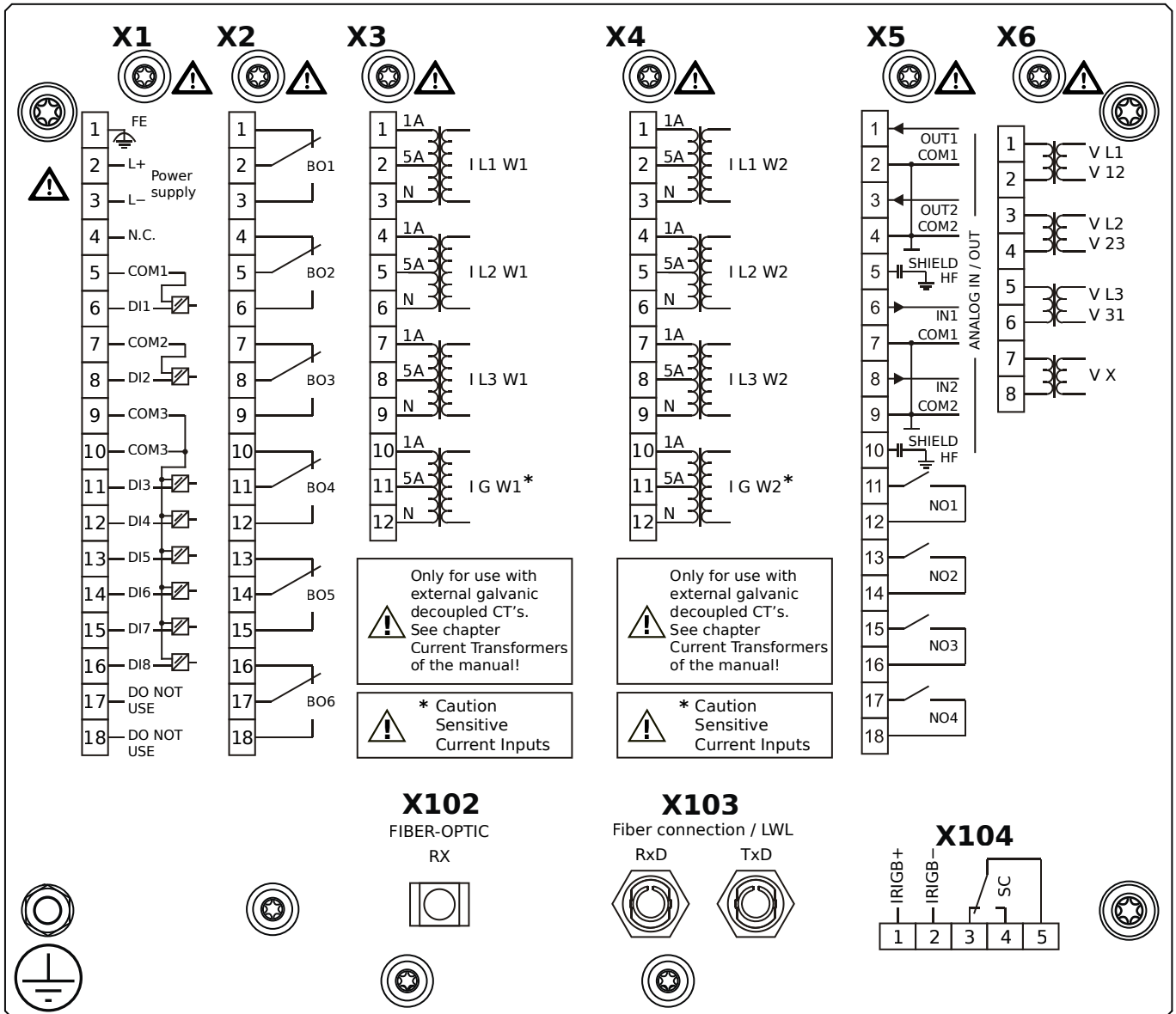


Housing B2, large display, 19" rack mounting

+ Conformal Coating (for installations in harsh environment)

- X1** – DI8-X1: Wide-range power supply unit, incl. 2 non-grouped digital inputs and 6 grouped digital inputs
- X2** – OR6: Assembly Group with 6 Output Relays (Changeover / Form C)
- X3** – TIs: Standard phase current measuring card and sensitive ground current measuring (winding side 1)
- X4** – TIs: Standard phase current measuring card and sensitive ground current measuring (winding side 2)
- X5** – AnIO2-OR4: Assembly Group with 2 Analog Inputs, 2 Analog Outputs and 4 Output Relays
- X6** – TU: Card with 4 voltage transformer measuring inputs (0 ... 800 VAC, under UL: 0 ... 600 VAC)
- X102** – Universal Resistance-Temperature Detector (URTD) input, Fiber optics interface, Versatile Link
- X103** – Profibus-DP, RS485, D-SUB
- X104** – IRIG-B00X, incl. System Contact (Supervision Contact)

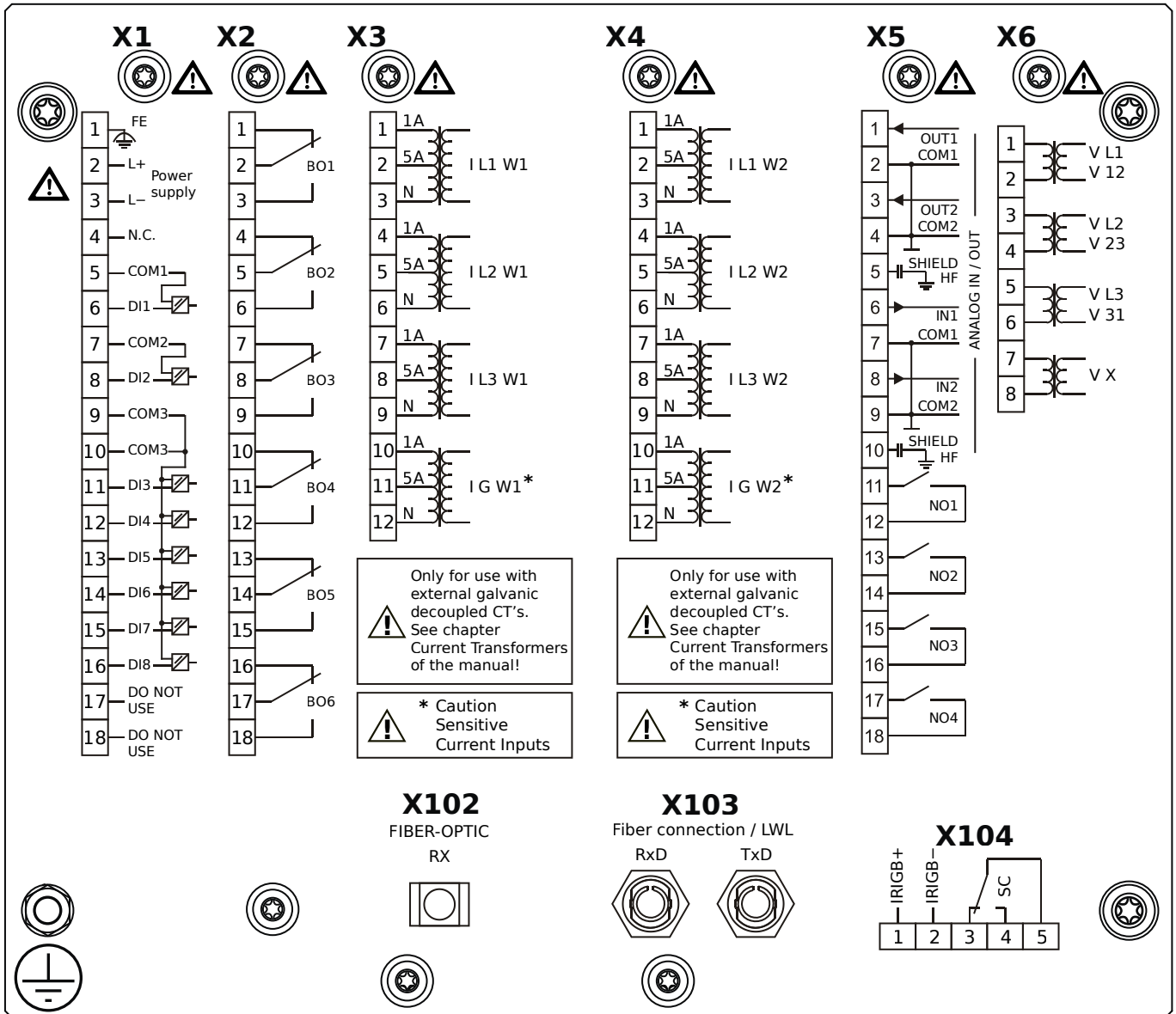
MCDTV4-2B3BFA



Housing B2, large display, 19" rack mounting

- X1** – DI8-X1: Wide-range power supply unit, incl. 2 non-grouped digital inputs and 6 grouped digital inputs
- X2** – OR6: Assembly Group with 6 Output Relays (Changeover / Form C)
- X3** – TIs: Standard phase current measuring card and sensitive ground current measuring (winding side 1)
- X4** – TIs: Standard phase current measuring card and sensitive ground current measuring (winding side 2)
- X5** – AnIO2-OR4: Assembly Group with 2 Analog Inputs, 2 Analog Outputs and 4 Output Relays
- X6** – TU: Card with 4 voltage transformer measuring inputs (0 ... 800 VAC, under UL: 0 ... 600 VAC)
- X102** – Universal Resistance-Temperature Detector (URTD) input, Fiber optics interface, Versatile Link
- X103** – Modbus RTU / IEC 60870-5-103 / DNP3.0 RTU, Fiber optics interface, ST Connector
- X104** – IRIG-B00X, incl. System Contact (Supervision Contact)

MCDTV4-2B3BFB

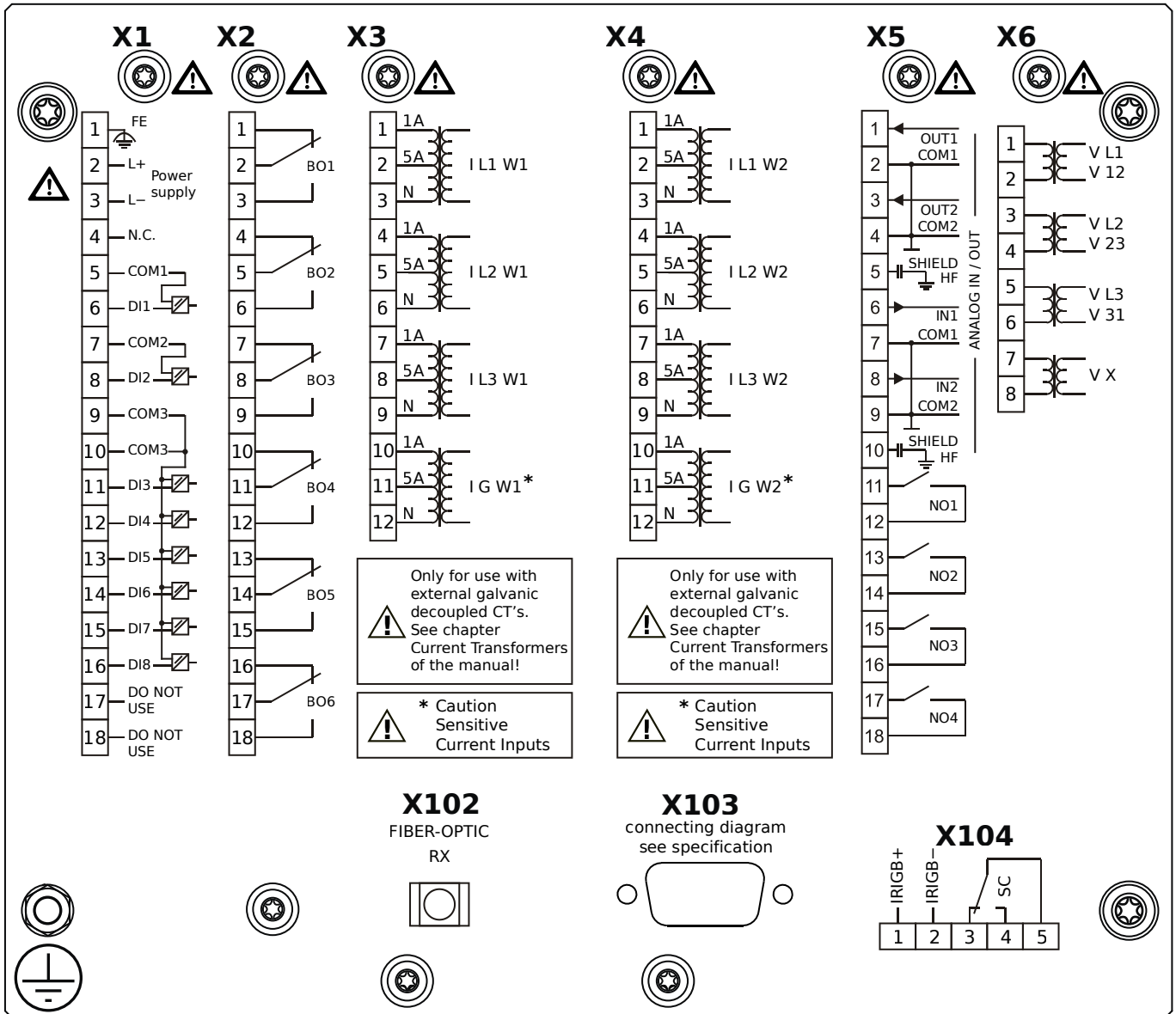


Housing B2, large display, 19" rack mounting

+ Conformal Coating (for installations in harsh environment)

- X1** – DI8-X1: Wide-range power supply unit, incl. 2 non-grouped digital inputs and 6 grouped digital inputs
- X2** – OR6: Assembly Group with 6 Output Relays (Changeover / Form C)
- X3** – TIs: Standard phase current measuring card and sensitive ground current measuring (winding side 1)
- X4** – TIs: Standard phase current measuring card and sensitive ground current measuring (winding side 2)
- X5** – AnIO2-OR4: Assembly Group with 2 Analog Inputs, 2 Analog Outputs and 4 Output Relays
- X6** – TU: Card with 4 voltage transformer measuring inputs (0 ... 800 VAC, under UL: 0 ... 600 VAC)
- X102** – Universal Resistance-Temperature Detector (URTD) input, Fiber optics interface, Versatile Link
- X103** – Modbus RTU / IEC 60870-5-103 / DNP3.0 RTU, Fiber optics interface, ST Connector
- X104** – IRIG-B00X, incl. System Contact (Supervision Contact)

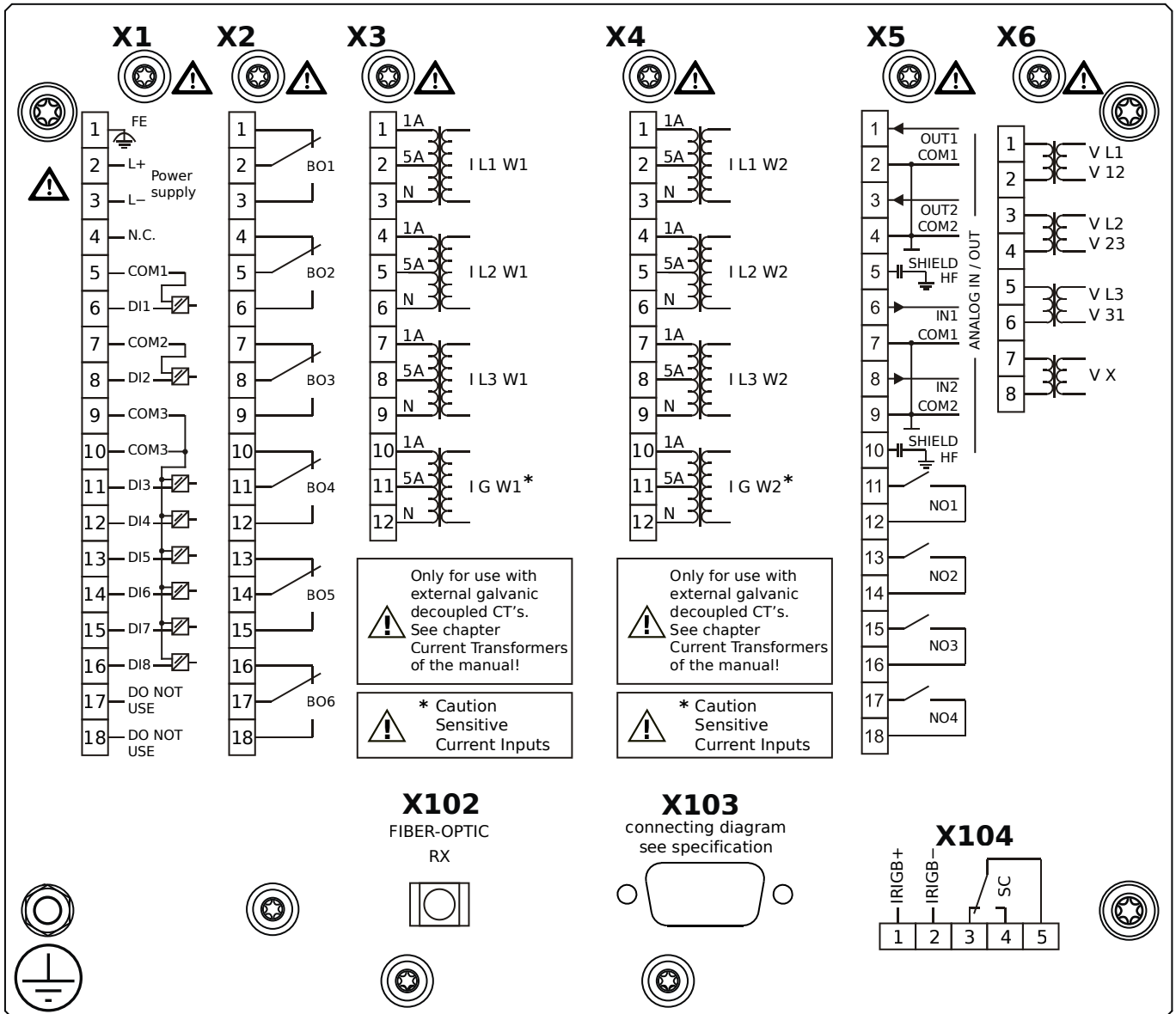
MCDTV4-2B3BGA



Housing B2, large display, 19" rack mounting

- X1** – DI8-X1: Wide-range power supply unit, incl. 2 non-grouped digital inputs and 6 grouped digital inputs
- X2** – OR6: Assembly Group with 6 Output Relays (Changeover / Form C)
- X3** – TIs: Standard phase current measuring card and sensitive ground current measuring (winding side 1)
- X4** – TIs: Standard phase current measuring card and sensitive ground current measuring (winding side 2)
- X5** – AnIO2-OR4: Assembly Group with 2 Analog Inputs, 2 Analog Outputs and 4 Output Relays
- X6** – TU: Card with 4 voltage transformer measuring inputs (0 ... 800 VAC, under UL: 0 ... 600 VAC)
- X102** – Universal Resistance-Temperature Detector (URTD) input, Fiber optics interface, Versatile Link
- X103** – Modbus RTU / IEC 60870-5-103 / DNP3.0 RTU, RS485, D-SUB
- X104** – IRIG-B00X, incl. System Contact (Supervision Contact)

MCDTV4-2B3BGB

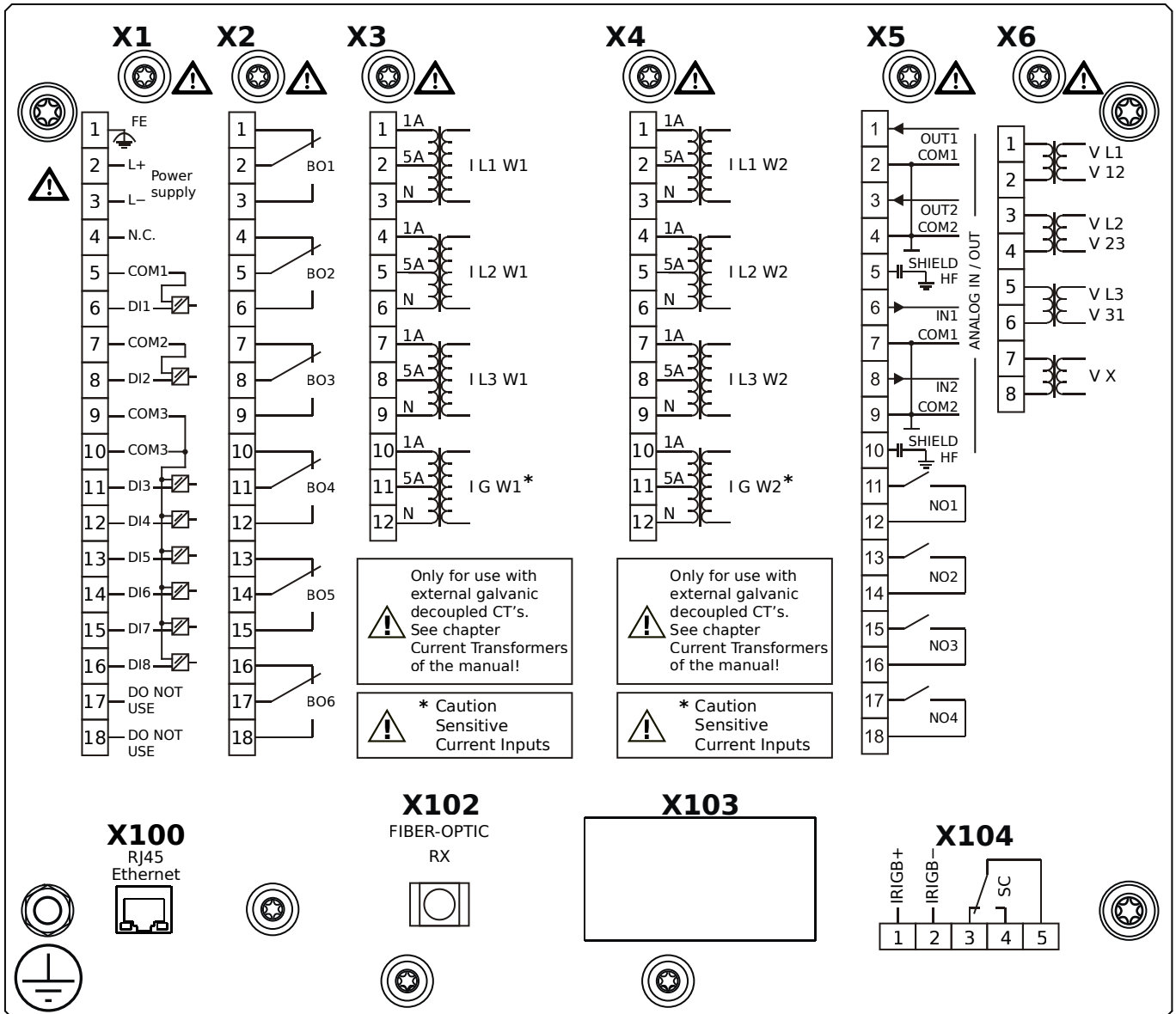


Housing B2, large display, 19" rack mounting

+ Conformal Coating (for installations in harsh environment)

- X1** – DI8-X1: Wide-range power supply unit, incl. 2 non-grouped digital inputs and 6 grouped digital inputs
- X2** – OR6: Assembly Group with 6 Output Relays (Changeover / Form C)
- X3** – TIs: Standard phase current measuring card and sensitive ground current measuring (winding side 1)
- X4** – TIs: Standard phase current measuring card and sensitive ground current measuring (winding side 2)
- X5** – AnIO2-OR4: Assembly Group with 2 Analog Inputs, 2 Analog Outputs and 4 Output Relays
- X6** – TU: Card with 4 voltage transformer measuring inputs (0 ... 800 VAC, under UL: 0 ... 600 VAC)
- X102** – Universal Resistance-Temperature Detector (URTD) input, Fiber optics interface, Versatile Link
- X103** – Modbus RTU / IEC 60870-5-103 / DNP3.0 RTU, RS485, D-SUB
- X104** – IRIG-B00X, incl. System Contact (Supervision Contact)

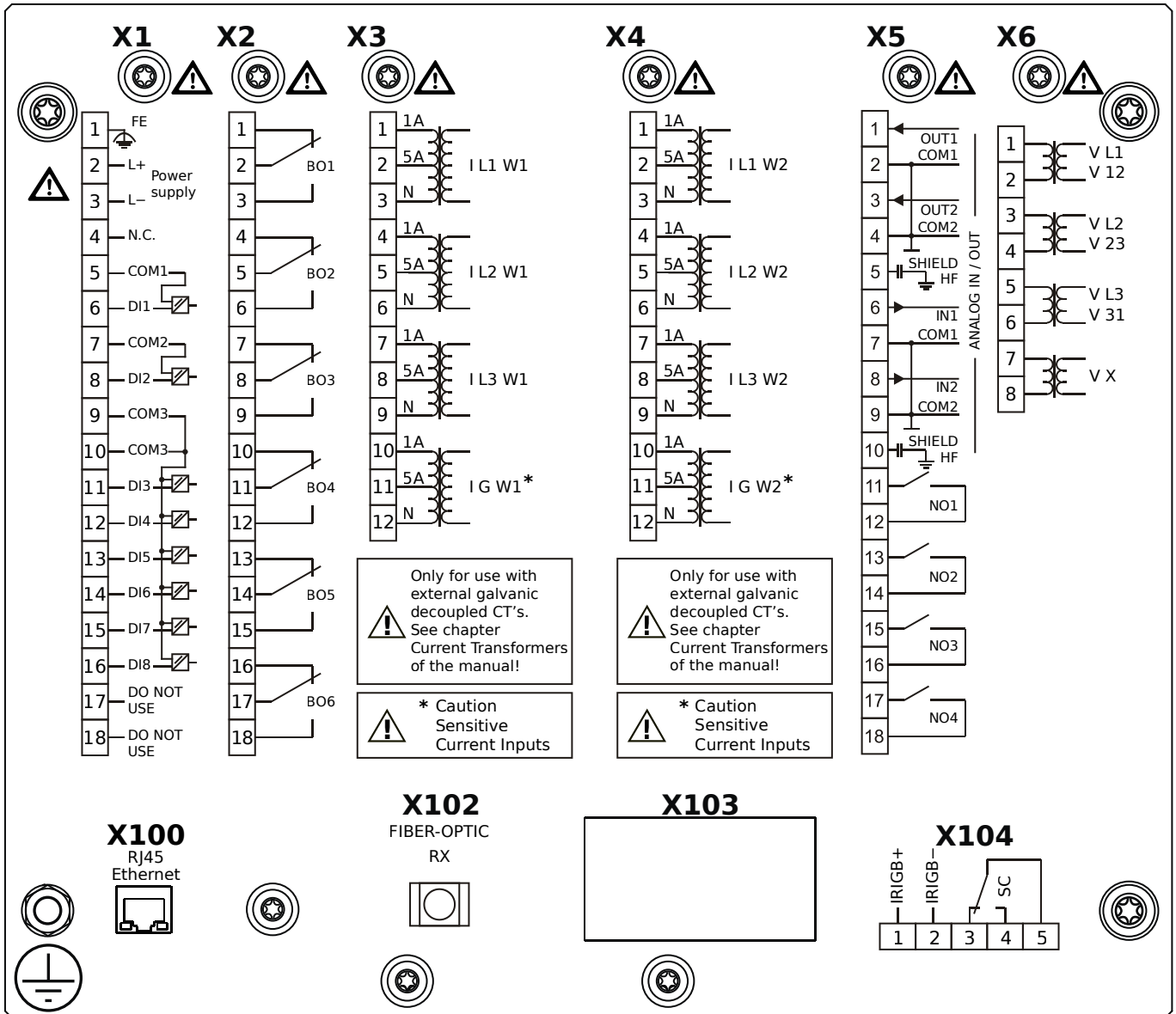
MCDTV4-2B3BHA



Housing B2, large display, 19" rack mounting

- X1** – DI8-X1: Wide-range power supply unit, incl. 2 non-grouped digital inputs and 6 grouped digital inputs
- X2** – OR6: Assembly Group with 6 Output Relays (Changeover / Form C)
- X3** – TIs: Standard phase current measuring card and sensitive ground current measuring (winding side 1)
- X4** – TIs: Standard phase current measuring card and sensitive ground current measuring (winding side 2)
- X5** – AnIO2-OR4: Assembly Group with 2 Analog Inputs, 2 Analog Outputs and 4 Output Relays
- X6** – TU: Card with 4 voltage transformer measuring inputs (0 ... 800 VAC, under UL: 0 ... 600 VAC)
- X100** – IEC 61850 / Modbus TCP / IEC 60870-5-104 / DNP3.0 TCP/UDP, Ethernet interface, 100 Mbit/s, RJ45 (BASE100-FX)
- X102** – Universal Resistance-Temperature Detector (URTD) input, Fiber optics interface, Versatile Link
- X104** – IRIG-B00X, incl. System Contact (Supervision Contact)

MCDTV4-2B3BHB



Housing B2, large display, 19" rack mounting

+ Conformal Coating (for installations in harsh environment)

X1 – DI8-X1: Wide-range power supply unit, incl. 2 non-grouped digital inputs and 6 grouped digital inputs

X2 – OR6: Assembly Group with 6 Output Relays (Changeover / Form C)

X3 – TIs: Standard phase current measuring card and sensitive ground current measuring (winding side 1)

X4 – TIs: Standard phase current measuring card and sensitive ground current measuring (winding side 2)

X5 – AnIO2-OR4: Assembly Group with 2 Analog Inputs, 2 Analog Outputs and 4 Output Relays

X6 – TU: Card with 4 voltage transformer measuring inputs (0 ... 800 VAC, under UL: 0 ... 600 VAC)

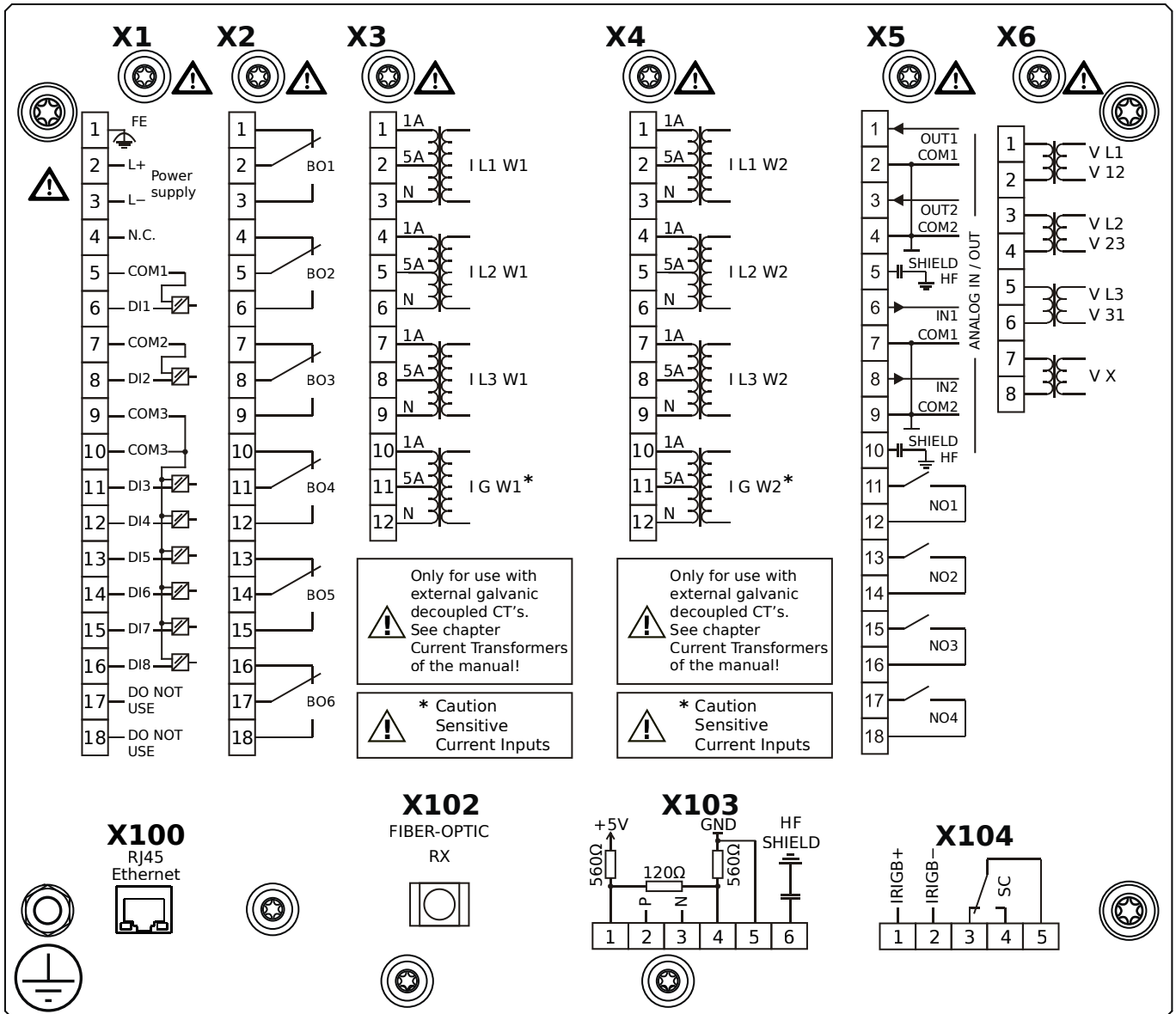
X100 – IEC 61850 / Modbus TCP / IEC 60870-5-104 / DNP3.0 TCP/UDP, Ethernet interface, 100 Mbit/s, RJ45 (BASE100-

FX)

X102 – Universal Resistance-Temperature Detector (URTD) input, Fiber optics interface, Versatile Link

X104 – IRIG-B00X, incl. System Contact (Supervision Contact)

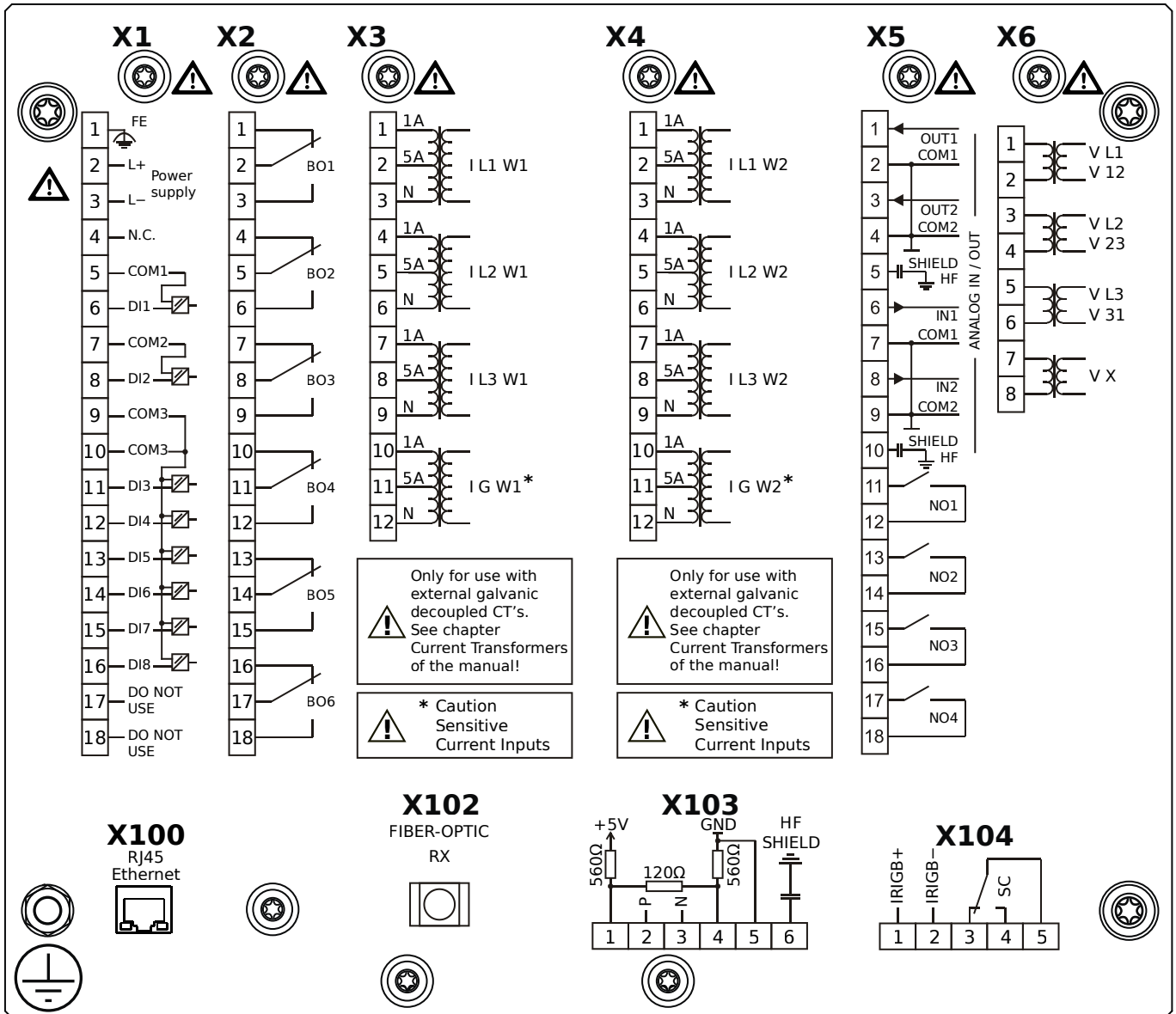
MCDTV4-2B3BIA



Housing B2, large display, 19" rack mounting

- X1** – DI8-X1: Wide-range power supply unit, incl. 2 non-grouped digital inputs and 6 grouped digital inputs
- X2** – OR6: Assembly Group with 6 Output Relays (Changeover / Form C)
- X3** – TIs: Standard phase current measuring card and sensitive ground current measuring (winding side 1)
- X4** – TIs: Standard phase current measuring card and sensitive ground current measuring (winding side 2)
- X5** – AnIO2-OR4: Assembly Group with 2 Analog Inputs, 2 Analog Outputs and 4 Output Relays
- X6** – TU: Card with 4 voltage transformer measuring inputs (0 ... 800 VAC, under UL: 0 ... 600 VAC)
- X100** – Modbus TCP / IEC 60870-5-104 / DNP3.0 TCP/UDP, Ethernet interface, 100 Mbit/s, RJ45 (BASE100-FX)
- X102** – Universal Resistance-Temperature Detector (URTD) input, Fiber optics interface, Versatile Link
- X103** – IEC 60870-5-103 / Modbus RTU / DNP3.0 RTU, RS485, Terminals
- X104** – IRIG-B00X, incl. System Contact (Supervision Contact)

MCDTV4-2B3BIB

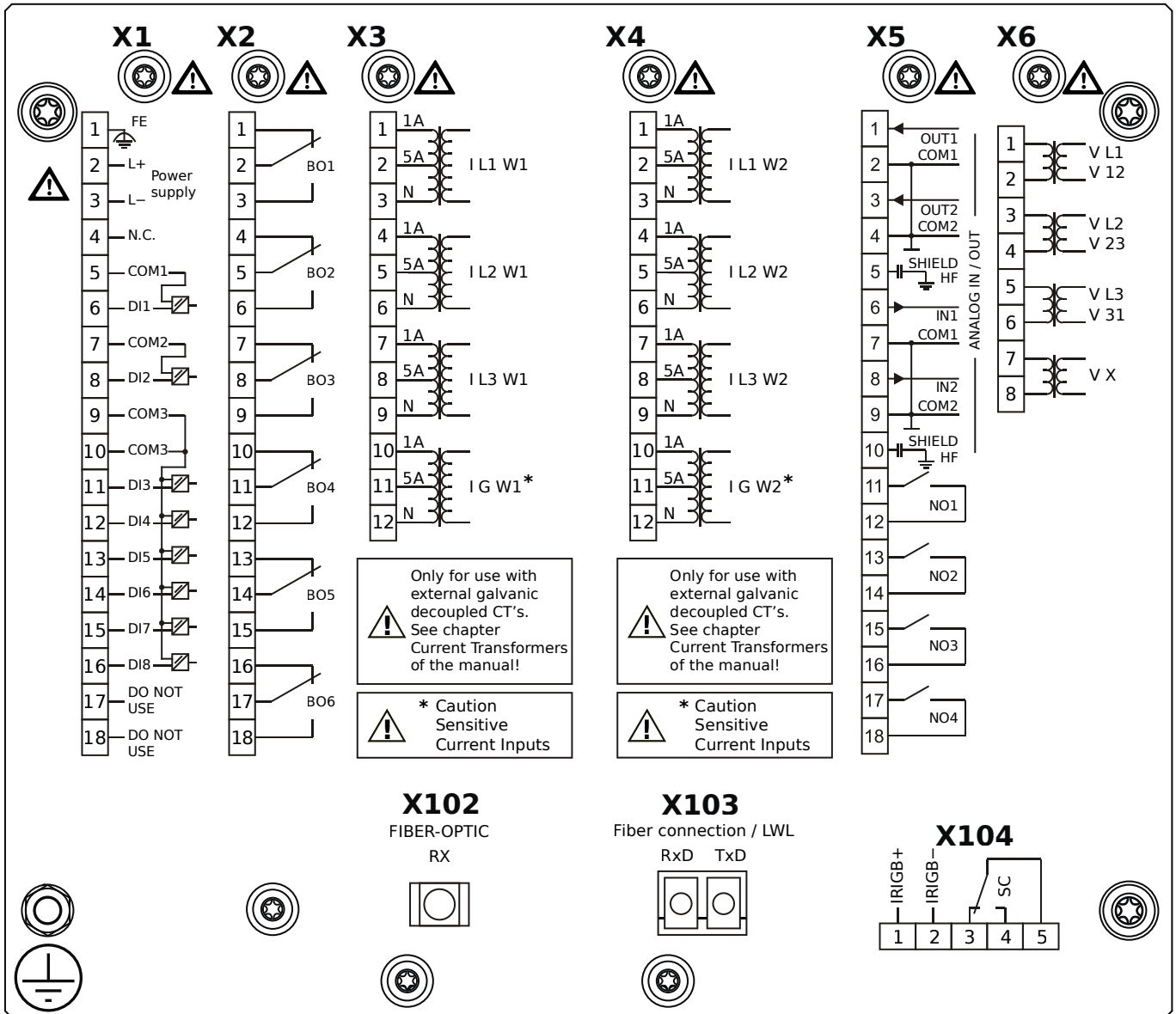


Housing B2, large display, 19" rack mounting

+ Conformal Coating (for installations in harsh environment)

- X1** – DI8-X1: Wide-range power supply unit, incl. 2 non-grouped digital inputs and 6 grouped digital inputs
- X2** – OR6: Assembly Group with 6 Output Relays (Changeover / Form C)
- X3** – TIs: Standard phase current measuring card and sensitive ground current measuring (winding side 1)
- X4** – TIs: Standard phase current measuring card and sensitive ground current measuring (winding side 2)
- X5** – AnIO2-OR4: Assembly Group with 2 Analog Inputs, 2 Analog Outputs and 4 Output Relays
- X6** – TU: Card with 4 voltage transformer measuring inputs (0 ... 800 VAC, under UL: 0 ... 600 VAC)
- X100** – Modbus TCP / IEC 60870-5-104 / DNP3.0 TCP/UDP, Ethernet interface, 100 Mbit/s, RJ45 (BASE100-FX)
- X102** – Universal Resistance-Temperature Detector (URTD) input, Fiber optics interface, Versatile Link
- X103** – IEC 60870-5-103 / Modbus RTU / DNP3.0 RTU, RS485, Terminals
- X104** – IRIG-B00X, incl. System Contact (Supervision Contact)

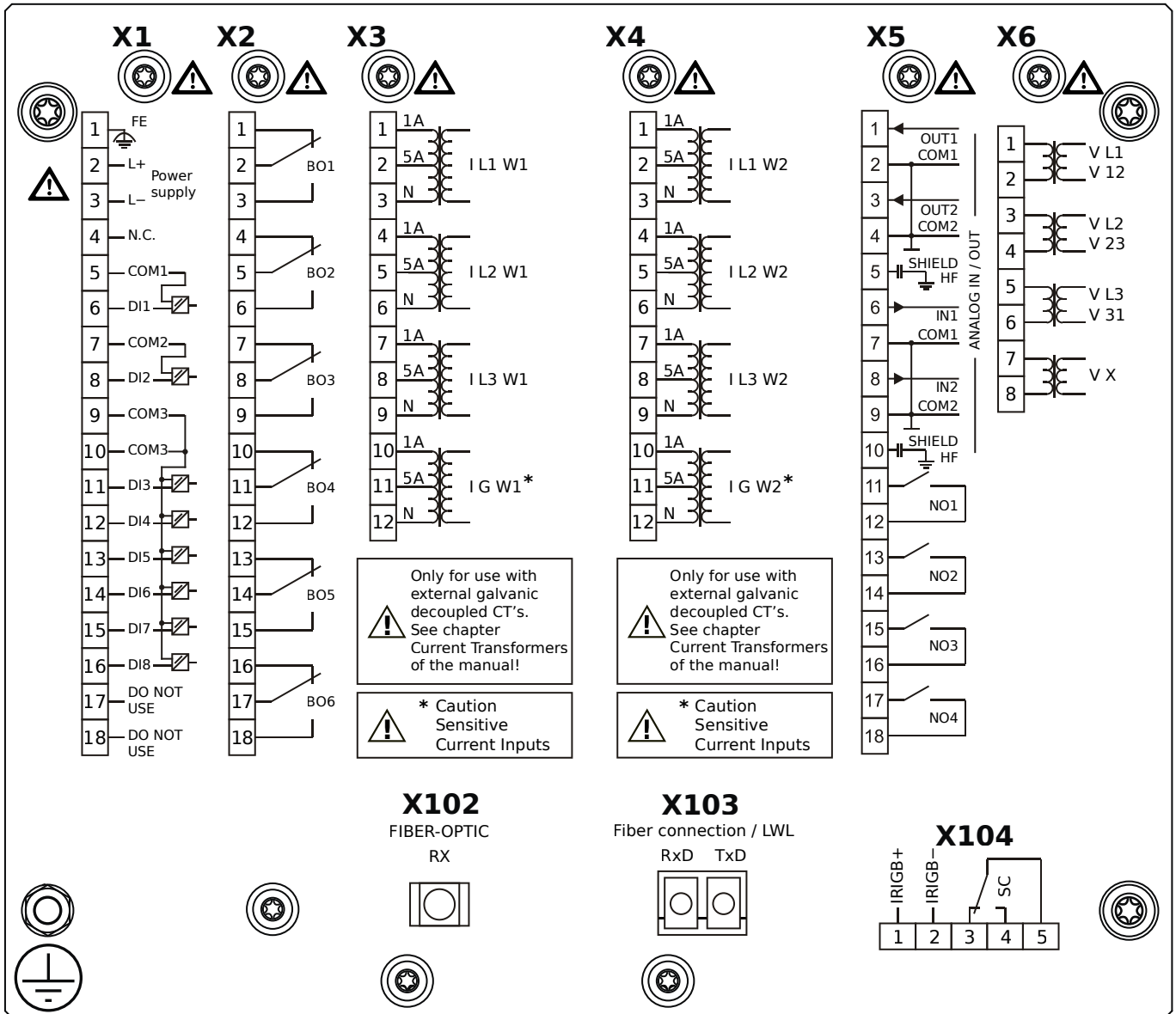
MCDTV4-2B3BKA



Housing B2, large display, 19" rack mounting

- X1** – DI8-X1: Wide-range power supply unit, incl. 2 non-grouped digital inputs and 6 grouped digital inputs
- X2** – OR6: Assembly Group with 6 Output Relays (Changeover / Form C)
- X3** – TIs: Standard phase current measuring card and sensitive ground current measuring (winding side 1)
- X4** – TIs: Standard phase current measuring card and sensitive ground current measuring (winding side 2)
- X5** – AnIO2-OR4: Assembly Group with 2 Analog Inputs, 2 Analog Outputs and 4 Output Relays
- X6** – TU: Card with 4 voltage transformer measuring inputs (0 ... 800 VAC, under UL: 0 ... 600 VAC)
- X102** – Universal Resistance-Temperature Detector (URTD) input, Fiber optics interface, Versatile Link
- X103** – IEC 61850 / Modbus TCP / IEC 60870-5-104 / DNP3.0 TCP/UDP, Fiber optics interface, LC Connector
- X104** – IRIG-B00X, incl. System Contact (Supervision Contact)

MCDTV4-2B3BKB

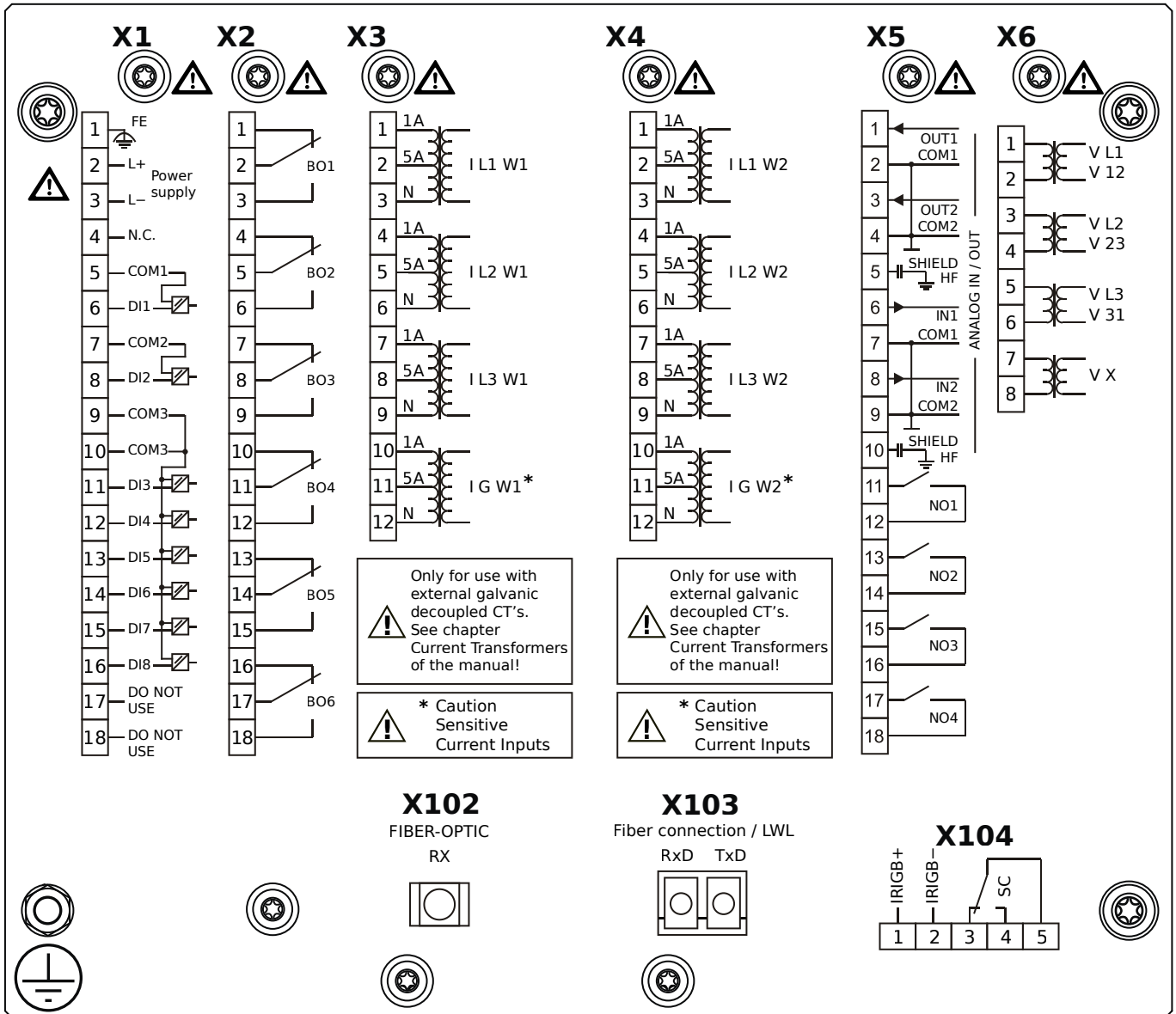


Housing B2, large display, 19" rack mounting

+ Conformal Coating (for installations in harsh environment)

- X1** – DI8-X1: Wide-range power supply unit, incl. 2 non-grouped digital inputs and 6 grouped digital inputs
- X2** – OR6: Assembly Group with 6 Output Relays (Changeover / Form C)
- X3** – TIs: Standard phase current measuring card and sensitive ground current measuring (winding side 1)
- X4** – TIs: Standard phase current measuring card and sensitive ground current measuring (winding side 2)
- X5** – AnIO2-OR4: Assembly Group with 2 Analog Inputs, 2 Analog Outputs and 4 Output Relays
- X6** – TU: Card with 4 voltage transformer measuring inputs (0 ... 800 VAC, under UL: 0 ... 600 VAC)
- X102** – Universal Resistance-Temperature Detector (URTD) input, Fiber optics interface, Versatile Link
- X103** – IEC 61850 / Modbus TCP / IEC 60870-5-104 / DNP3.0 TCP/UDP, Fiber optics interface, LC Connector
- X104** – IRIG-B00X, incl. System Contact (Supervision Contact)

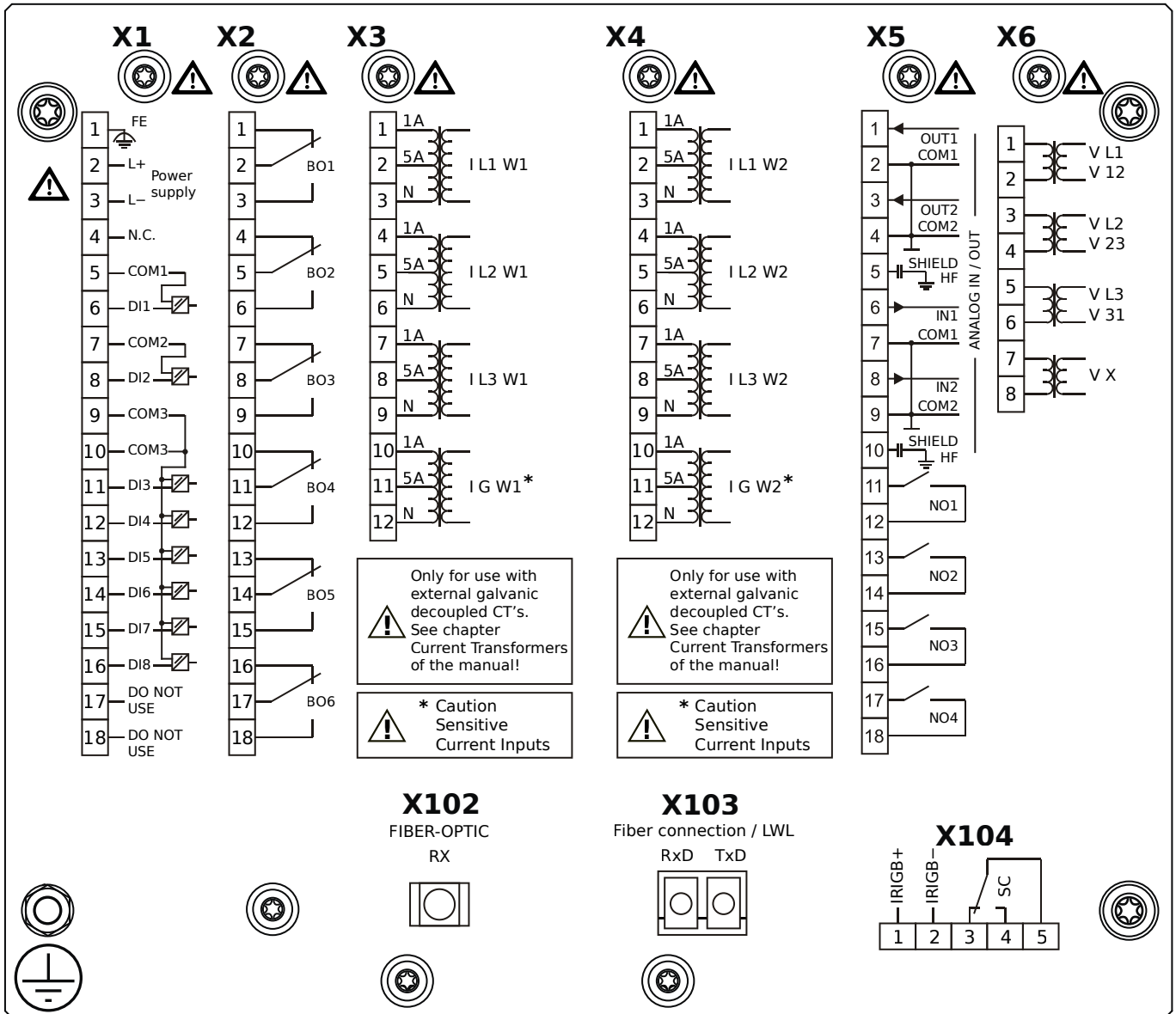
MCDTV4-2B3BLA



Housing B2, large display, 19" rack mounting

- X1** – DI8-X1: Wide-range power supply unit, incl. 2 non-grouped digital inputs and 6 grouped digital inputs
- X2** – OR6: Assembly Group with 6 Output Relays (Changeover / Form C)
- X3** – TIs: Standard phase current measuring card and sensitive ground current measuring (winding side 1)
- X4** – TIs: Standard phase current measuring card and sensitive ground current measuring (winding side 2)
- X5** – AnIO2-OR4: Assembly Group with 2 Analog Inputs, 2 Analog Outputs and 4 Output Relays
- X6** – TU: Card with 4 voltage transformer measuring inputs (0 ... 800 VAC, under UL: 0 ... 600 VAC)
- X102** – Universal Resistance-Temperature Detector (URTD) input, Fiber optics interface, Versatile Link
- X103** – Modbus TCP / IEC 60870-5-104 / DNP3.0 TCP/UDP, Fiber optics interface, LC Connector
- X104** – IRIG-B00X, incl. System Contact (Supervision Contact)

MCDTV4-2B3BLB

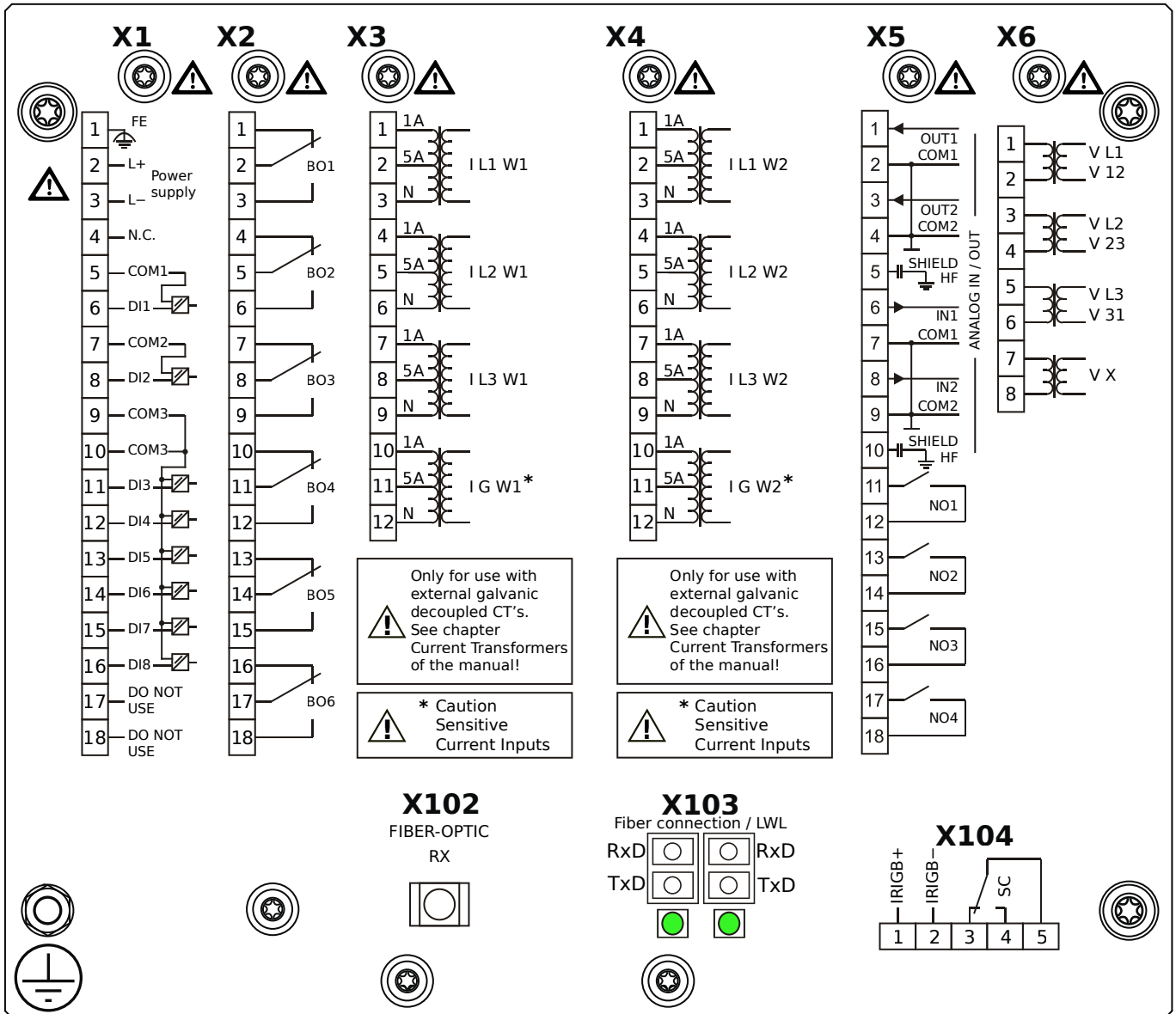


Housing B2, large display, 19" rack mounting

+ Conformal Coating (for installations in harsh environment)

- X1** – DI8-X1: Wide-range power supply unit, incl. 2 non-grouped digital inputs and 6 grouped digital inputs
- X2** – OR6: Assembly Group with 6 Output Relays (Changeover / Form C)
- X3** – TIs: Standard phase current measuring card and sensitive ground current measuring (winding side 1)
- X4** – TIs: Standard phase current measuring card and sensitive ground current measuring (winding side 2)
- X5** – AnIO2-OR4: Assembly Group with 2 Analog Inputs, 2 Analog Outputs and 4 Output Relays
- X6** – TU: Card with 4 voltage transformer measuring inputs (0 ... 800 VAC, under UL: 0 ... 600 VAC)
- X102** – Universal Resistance-Temperature Detector (URTD) input, Fiber optics interface, Versatile Link
- X103** – Modbus TCP / IEC 60870-5-104 / DNP3.0 TCP/UDP, Fiber optics interface, LC Connector
- X104** – IRIG-B00X, incl. System Contact (Supervision Contact)

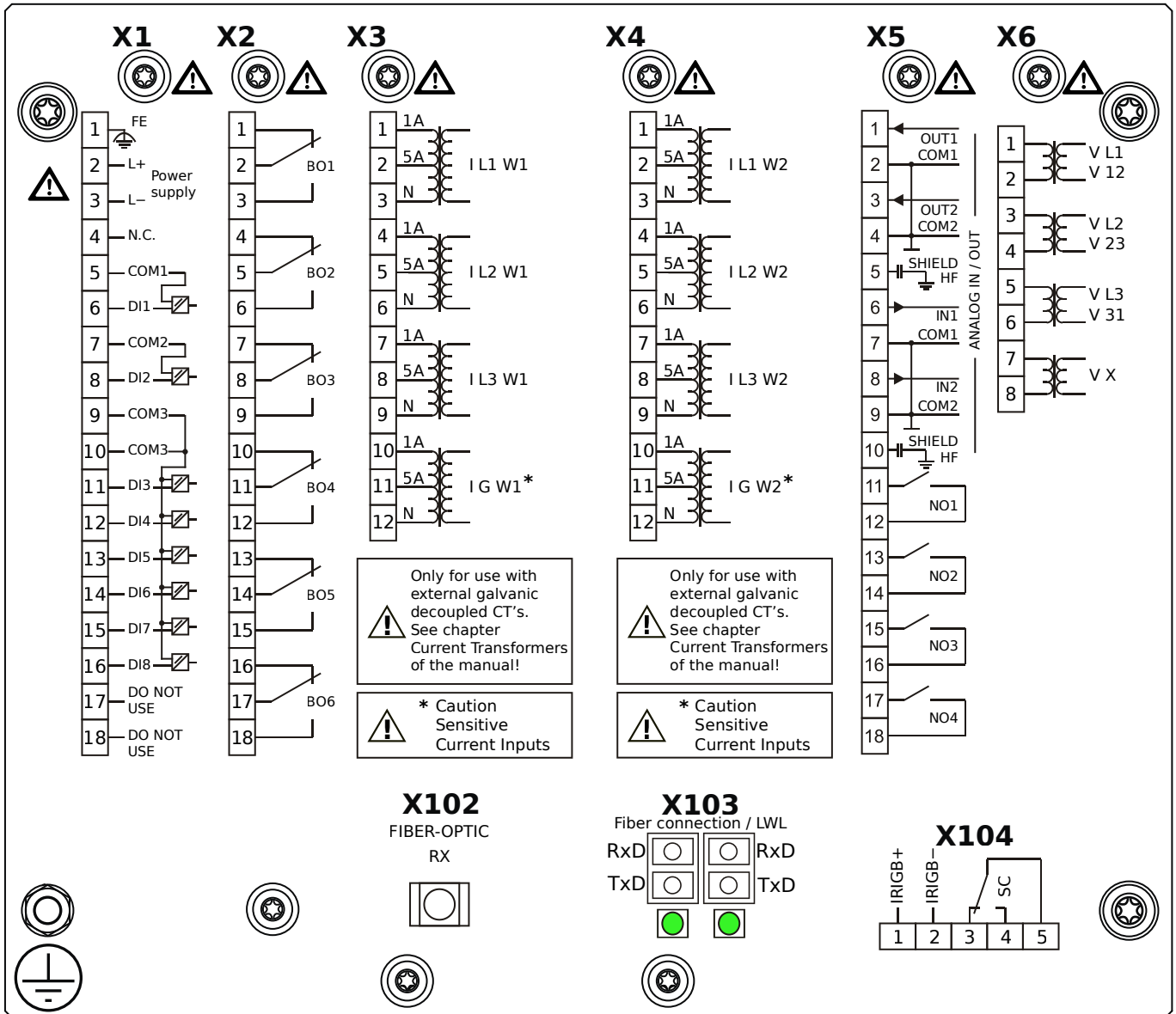
MCDTV4-2B3BOA



Housing B2, large display, 19" rack mounting

- X1** – DI8-X1: Wide-range power supply unit, incl. 2 non-grouped digital inputs and 6 grouped digital inputs
- X2** – OR6: Assembly Group with 6 Output Relays (Changeover / Form C)
- X3** – TIs: Standard phase current measuring card and sensitive ground current measuring (winding side 1)
- X4** – TIs: Standard phase current measuring card and sensitive ground current measuring (winding side 2)
- X5** – AnIO2-OR4: Assembly Group with 2 Analog Inputs, 2 Analog Outputs and 4 Output Relays
- X6** – TU: Card with 4 voltage transformer measuring inputs (0 ... 800 VAC, under UL: 0 ... 600 VAC)
- X102** – Universal Resistance-Temperature Detector (URTD) input, Fiber optics interface, Versatile Link
- X103** – Modbus TCP / IEC 60870-5-104 / DNP3.0 TCP/UDP, Redundant Fiber optics interface, LC Connector
- X104** – IRIG-B00X, incl. System Contact (Supervision Contact)

MCDTV4-2B3BOB

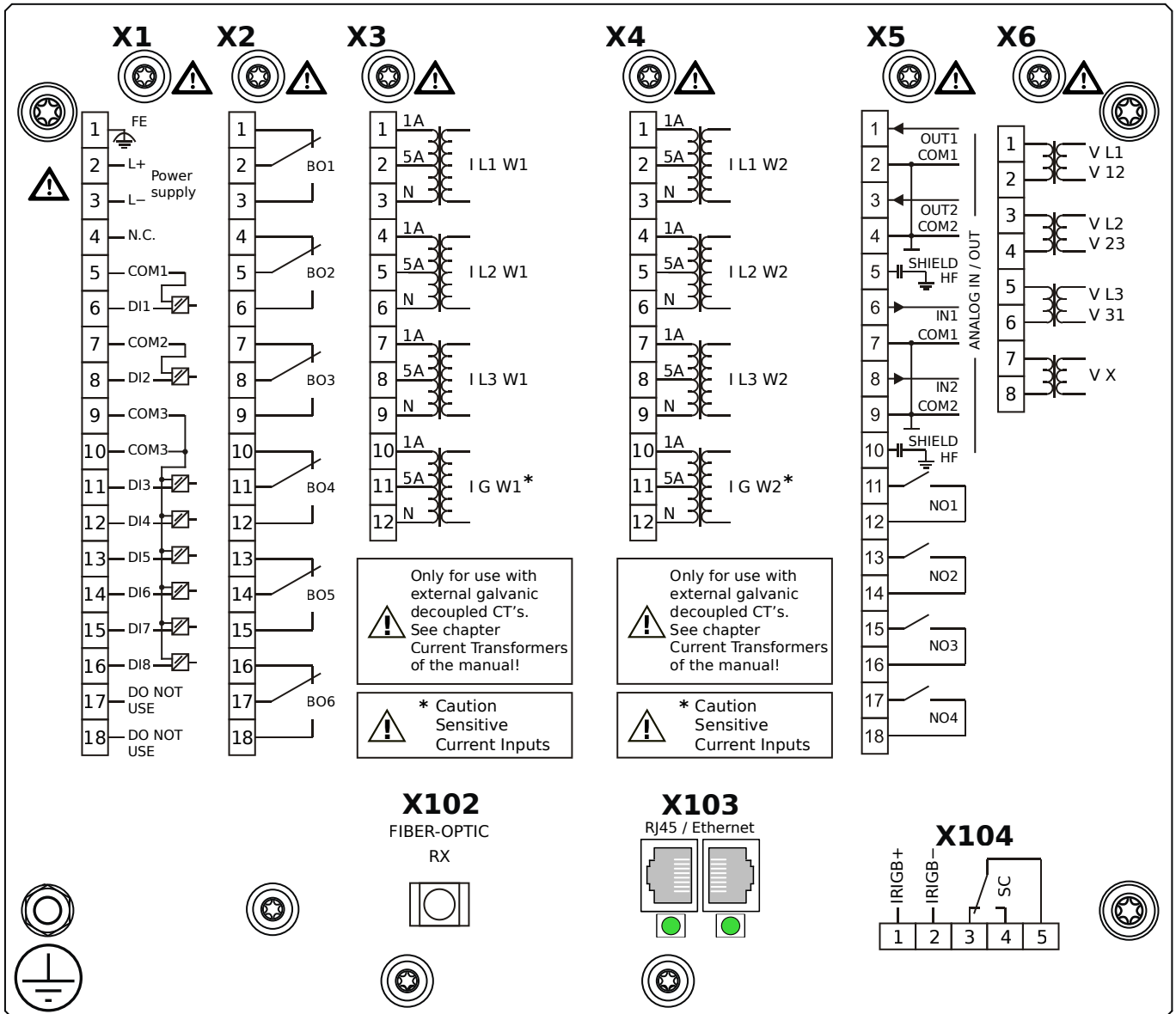


Housing B2, large display, 19" rack mounting

+ Conformal Coating (for installations in harsh environment)

- X1** – DI8-X1: Wide-range power supply unit, incl. 2 non-grouped digital inputs and 6 grouped digital inputs
- X2** – OR6: Assembly Group with 6 Output Relays (Changeover / Form C)
- X3** – TIs: Standard phase current measuring card and sensitive ground current measuring (winding side 1)
- X4** – TIs: Standard phase current measuring card and sensitive ground current measuring (winding side 2)
- X5** – AnIO2-OR4: Assembly Group with 2 Analog Inputs, 2 Analog Outputs and 4 Output Relays
- X6** – TU: Card with 4 voltage transformer measuring inputs (0 ... 800 VAC, under UL: 0 ... 600 VAC)
- X102** – Universal Resistance-Temperature Detector (URTD) input, Fiber optics interface, Versatile Link
- X103** – Modbus TCP / IEC 60870-5-104 / DNP3.0 TCP/UDP, Redundant Fiber optics interface, LC Connector
- X104** – IRIG-B00X, incl. System Contact (Supervision Contact)

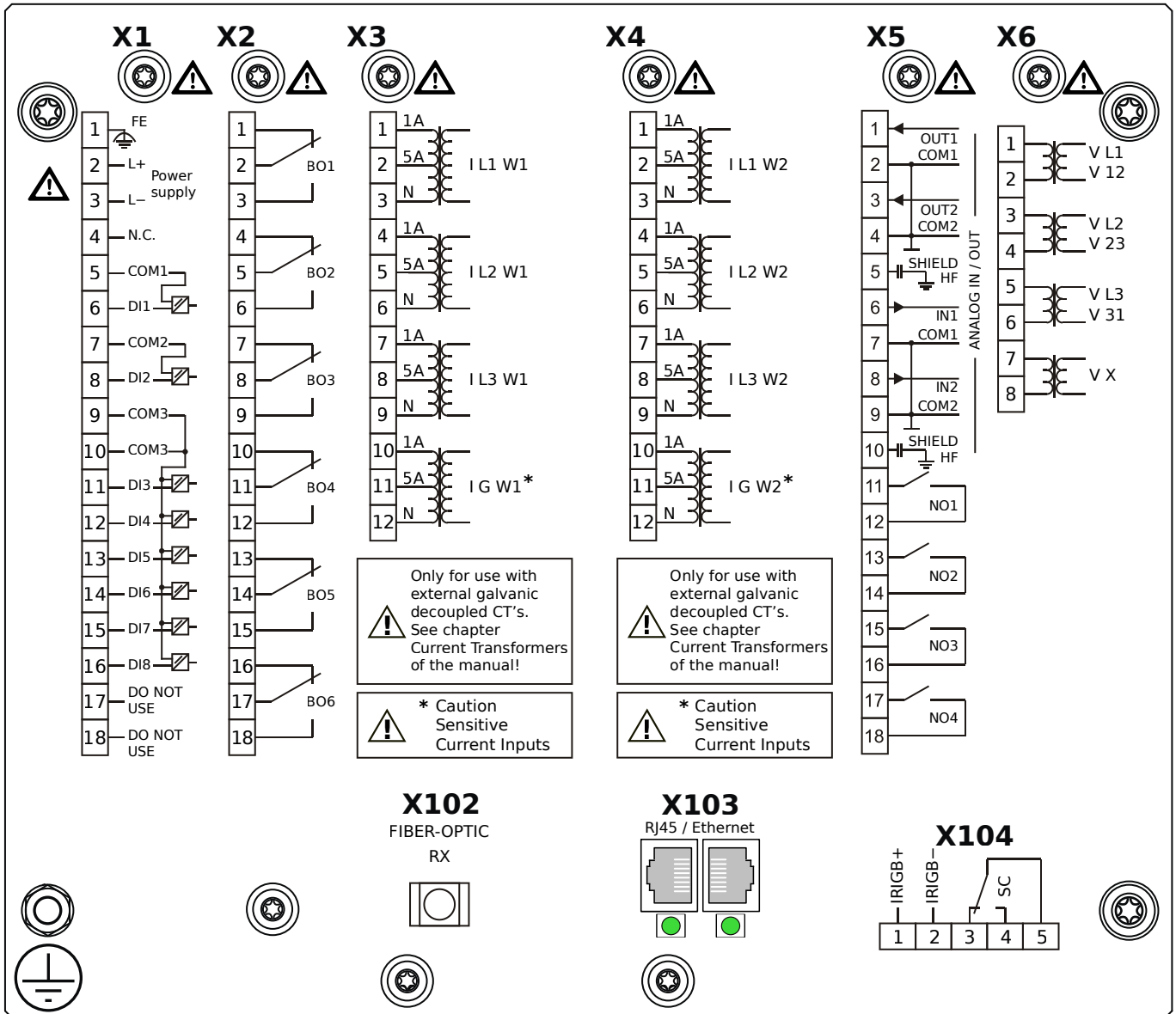
MCDTV4-2B3BPA



Housing B2, large display, 19" rack mounting

- X1** – DI8-X1: Wide-range power supply unit, incl. 2 non-grouped digital inputs and 6 grouped digital inputs
- X2** – OR6: Assembly Group with 6 Output Relays (Changeover / Form C)
- X3** – TIs: Standard phase current measuring card and sensitive ground current measuring (winding side 1)
- X4** – TIs: Standard phase current measuring card and sensitive ground current measuring (winding side 2)
- X5** – AnIO2-OR4: Assembly Group with 2 Analog Inputs, 2 Analog Outputs and 4 Output Relays
- X6** – TU: Card with 4 voltage transformer measuring inputs (0 ... 800 VAC, under UL: 0 ... 600 VAC)
- X102** – Universal Resistance-Temperature Detector (URTD) input, Fiber optics interface, Versatile Link
- X103** – Modbus TCP / IEC 60870-5-104 / DNP3.0 TCP/UDP, Redundant Ethernet interface, 100 Mbit/s, RJ45 (BASE100-FX)
- X104** – IRIG-B00X, incl. System Contact (Supervision Contact)

MCDTV4-2B3BPB

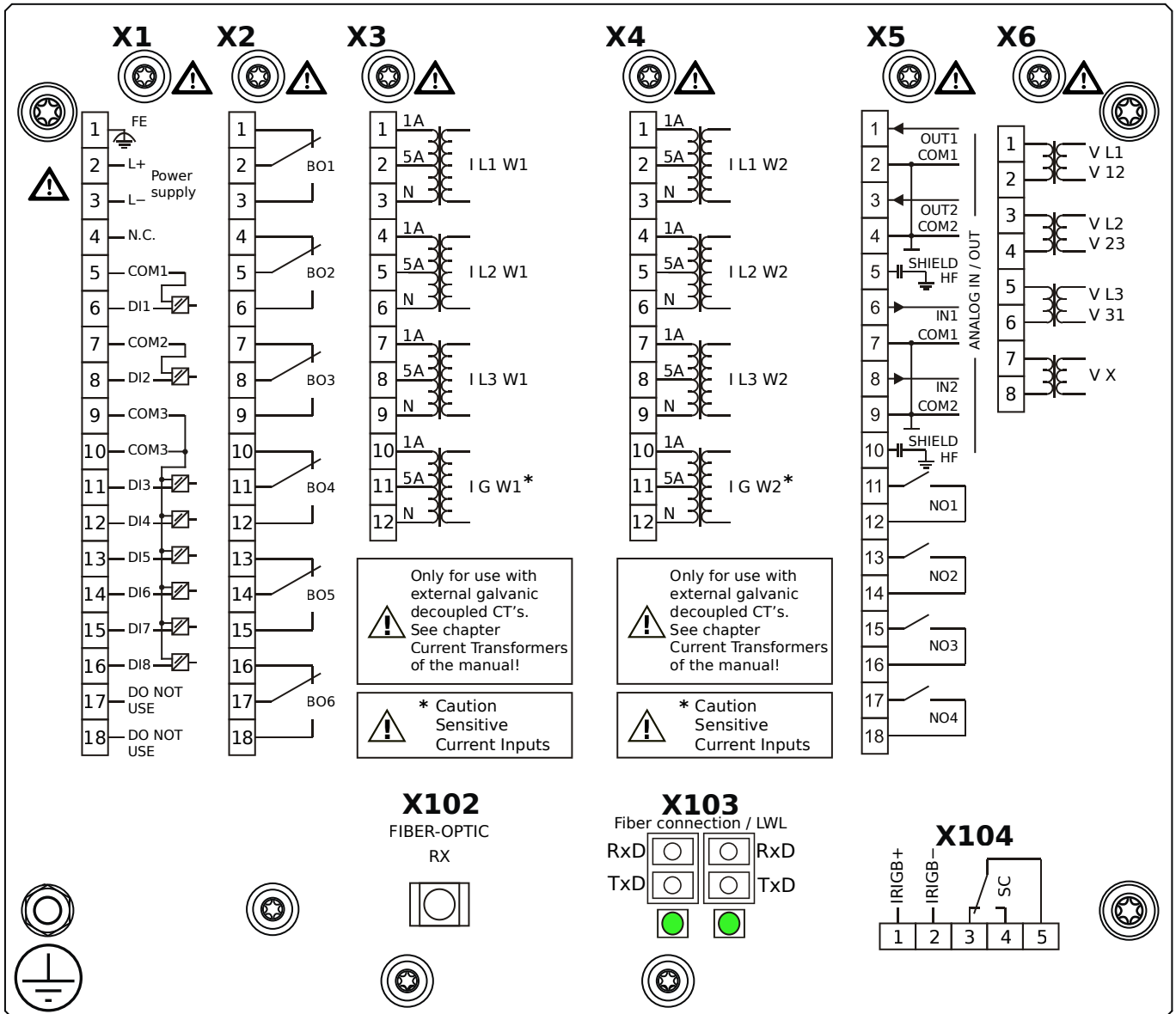


Housing B2, large display, 19" rack mounting

- + Conformal Coating (for installations in harsh environment)

- X1** – DI8-X1: Wide-range power supply unit, incl. 2 non-grouped digital inputs and 6 grouped digital inputs
- X2** – OR6: Assembly Group with 6 Output Relays (Changeover / Form C)
- X3** – TIs: Standard phase current measuring card and sensitive ground current measuring (winding side 1)
- X4** – TIs: Standard phase current measuring card and sensitive ground current measuring (winding side 2)
- X5** – AnIO2-OR4: Assembly Group with 2 Analog Inputs, 2 Analog Outputs and 4 Output Relays
- X6** – TU: Card with 4 voltage transformer measuring inputs (0 ... 800 VAC, under UL: 0 ... 600 VAC)
- X102** – Universal Resistance-Temperature Detector (URTD) input, Fiber optics interface, Versatile Link
- X103** – Modbus TCP / IEC 60870-5-104 / DNP3.0 TCP/UDP, Redundant Ethernet interface, 100 Mbit/s, RJ45 (BASE100-FX)
- X104** – IRIG-B00X, incl. System Contact (Supervision Contact)

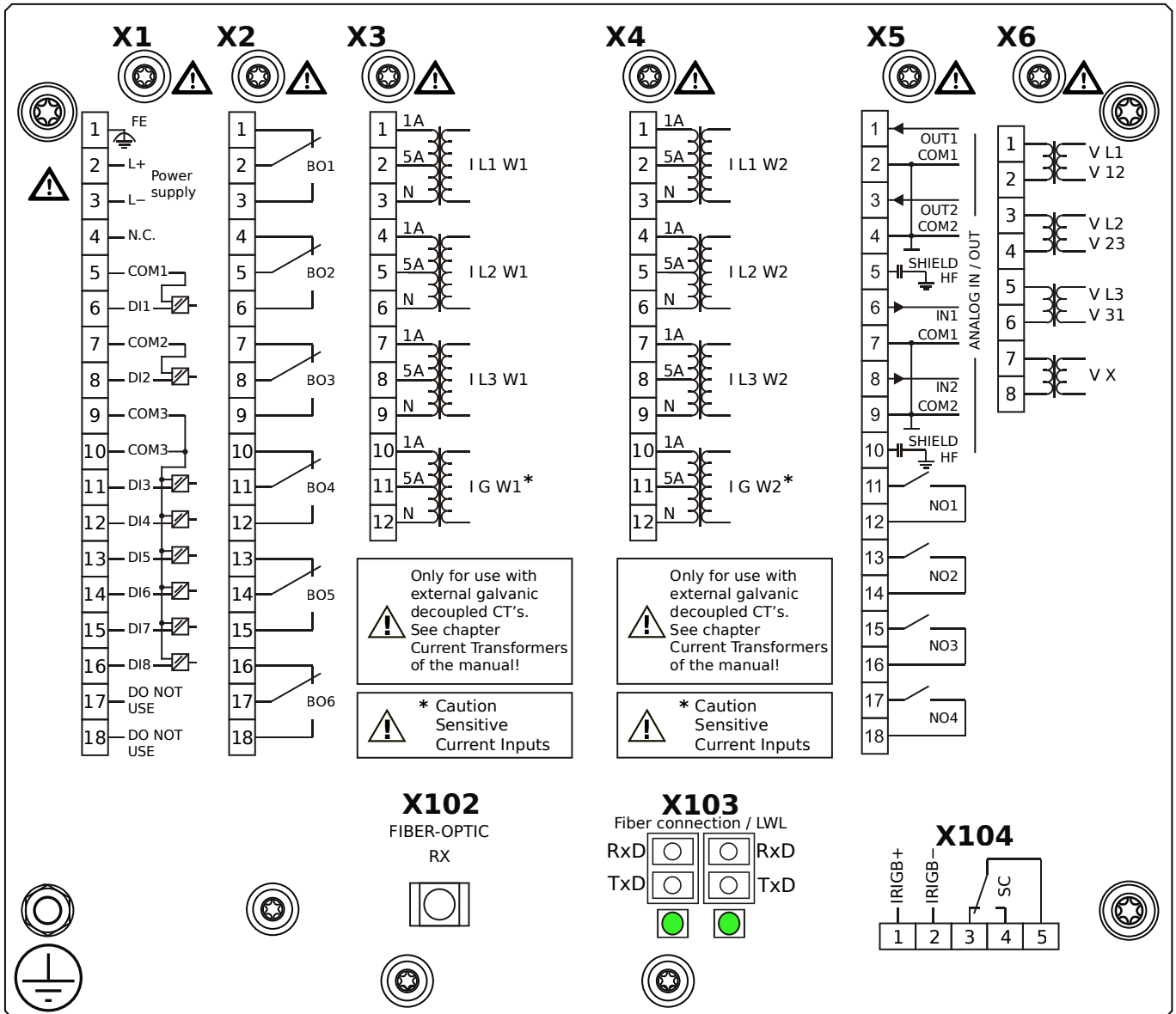
MCDTV4-2B3BQA



Housing B2, large display, 19" rack mounting

- X1** – DI8-X1: Wide-range power supply unit, incl. 2 non-grouped digital inputs and 6 grouped digital inputs
- X2** – OR6: Assembly Group with 6 Output Relays (Changeover / Form C)
- X3** – TIs: Standard phase current measuring card and sensitive ground current measuring (winding side 1)
- X4** – TIs: Standard phase current measuring card and sensitive ground current measuring (winding side 2)
- X5** – AnIO2-OR4: Assembly Group with 2 Analog Inputs, 2 Analog Outputs and 4 Output Relays
- X6** – TU: Card with 4 voltage transformer measuring inputs (0 ... 800 VAC, under UL: 0 ... 600 VAC)
- X102** – Universal Resistance-Temperature Detector (URTD) input, Fiber optics interface, Versatile Link
- X103** – IEC 61850 / Modbus TCP / IEC 60870-5-104 / DNP3.0 TCP/UDP, Redundant Fiber optics interface, LC Connector
- X104** – IRIG-B00X, incl. System Contact (Supervision Contact)

MCDTV4-2B3BQB

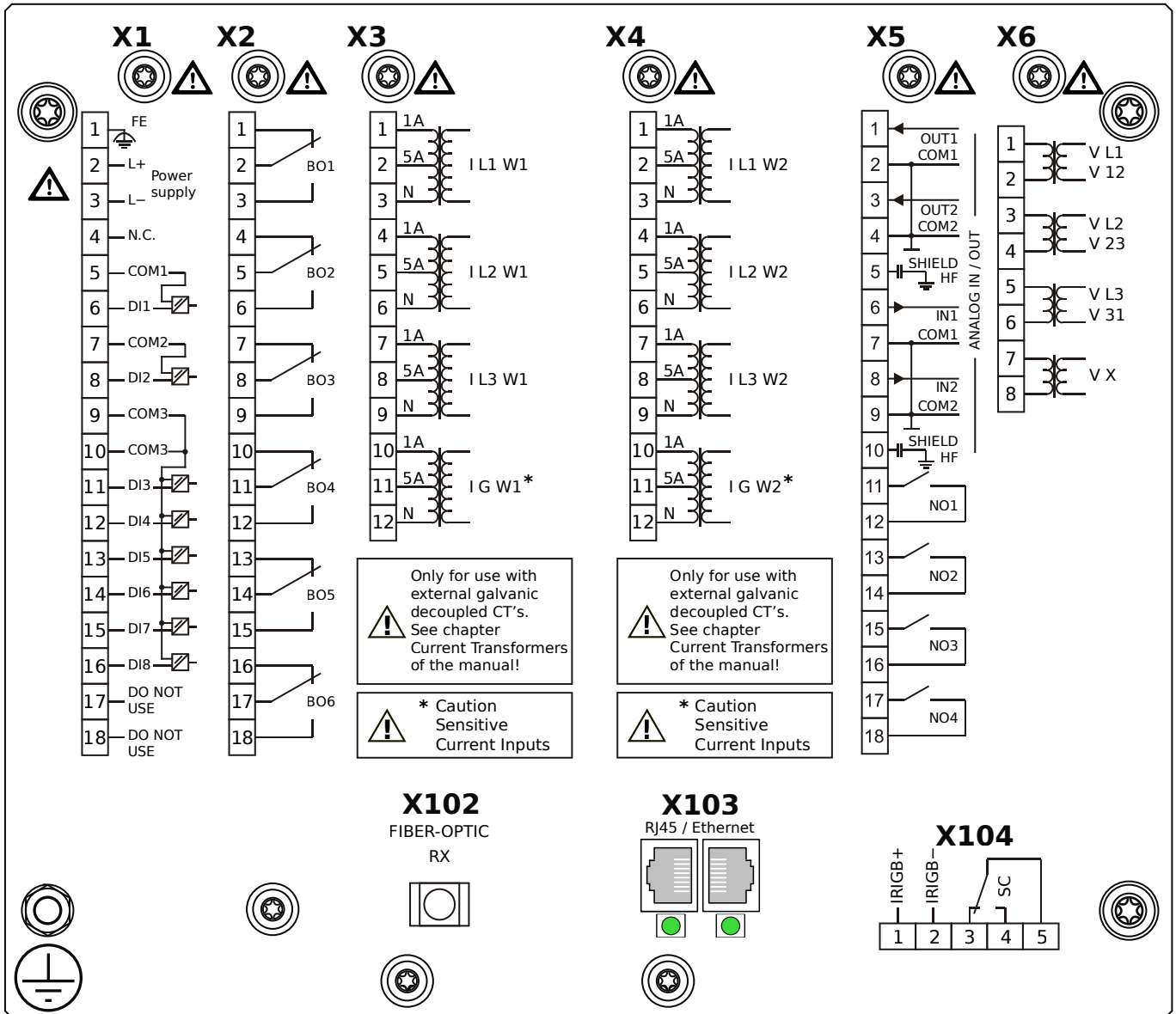


Housing B2, large display, 19" rack mounting

+ Conformal Coating (for installations in harsh environment)

- X1** – DI8-X1: Wide-range power supply unit, incl. 2 non-grouped digital inputs and 6 grouped digital inputs
- X2** – OR6: Assembly Group with 6 Output Relays (Changeover / Form C)
- X3** – TIs: Standard phase current measuring card and sensitive ground current measuring (winding side 1)
- X4** – TIs: Standard phase current measuring card and sensitive ground current measuring (winding side 2)
- X5** – AnIO2-OR4: Assembly Group with 2 Analog Inputs, 2 Analog Outputs and 4 Output Relays
- X6** – TU: Card with 4 voltage transformer measuring inputs (0 ... 800 VAC, under UL: 0 ... 600 VAC)
- X102** – Universal Resistance-Temperature Detector (URTD) input, Fiber optics interface, Versatile Link
- X103** – IEC 61850 / Modbus TCP / IEC 60870-5-104 / DNP3.0 TCP/UDP, Redundant Fiber optics interface, LC Connector
- X104** – IRIG-B00X, incl. System Contact (Supervision Contact)

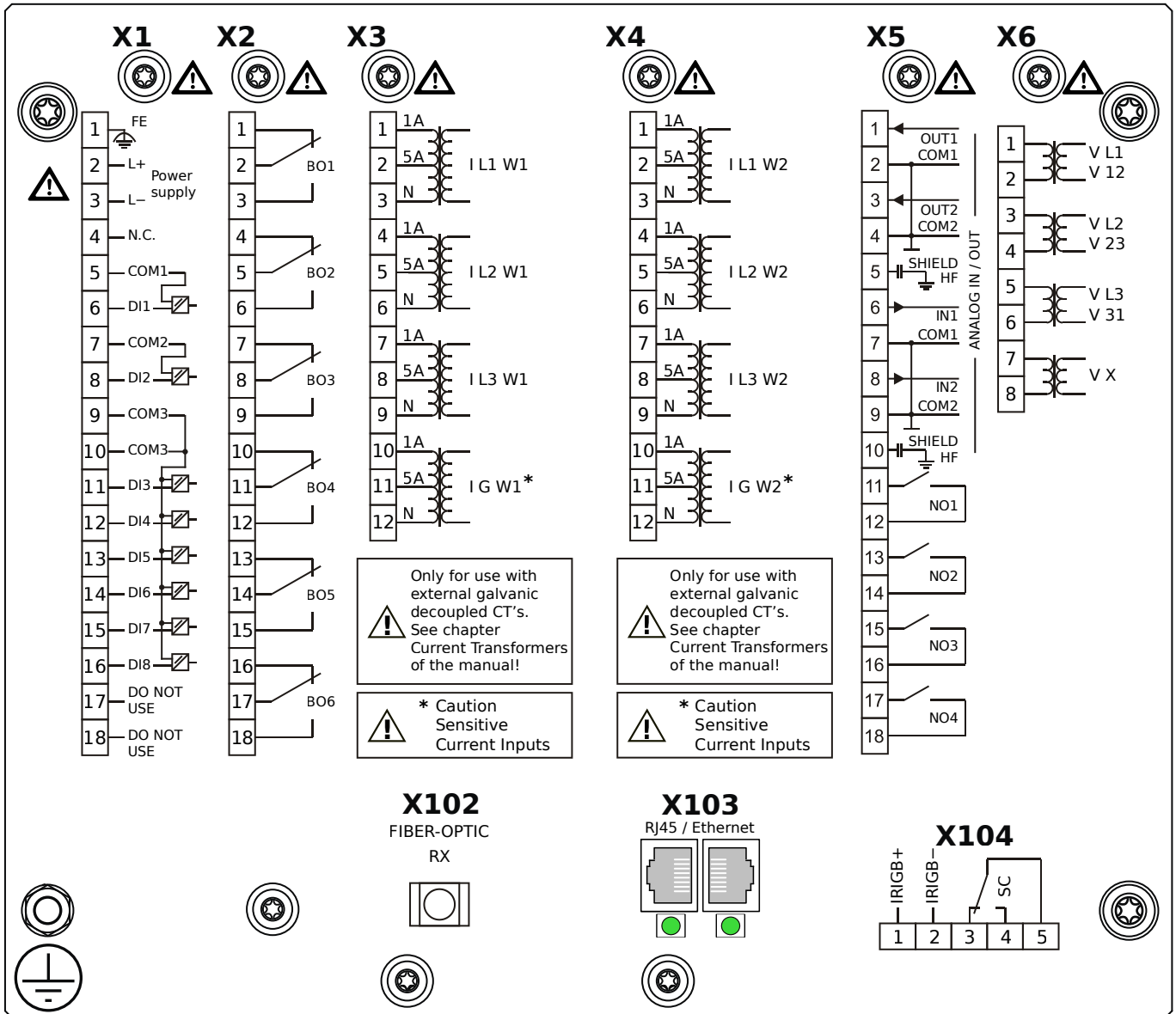
MCDTV4-2B3BRA



Housing B2, large display, 19" rack mounting

- X1** – DI8-X1: Wide-range power supply unit, incl. 2 non-grouped digital inputs and 6 grouped digital inputs
- X2** – OR6: Assembly Group with 6 Output Relays (Changeover / Form C)
- X3** – TIs: Standard phase current measuring card and sensitive ground current measuring (winding side 1)
- X4** – TIs: Standard phase current measuring card and sensitive ground current measuring (winding side 2)
- X5** – AnIO2-OR4: Assembly Group with 2 Analog Inputs, 2 Analog Outputs and 4 Output Relays
- X6** – TU: Card with 4 voltage transformer measuring inputs (0 ... 800 VAC, under UL: 0 ... 600 VAC)
- X102** – Universal Resistance-Temperature Detector (URTD) input, Fiber optics interface, Versatile Link
- X103** – IEC 61850 / Modbus TCP / IEC 60870-5-104 / DNP3.0 TCP/UDP, Redundant Ethernet interface, 100 Mbit/s, RJ45
- X104** – IRIG-B00X, incl. System Contact (Supervision Contact)

MCDTV4-2B3BRB



Housing B2, large display, 19" rack mounting

+ Conformal Coating (for installations in harsh environment)

X1 – DI8-X1: Wide-range power supply unit, incl. 2 non-grouped digital inputs and 6 grouped digital inputs

X2 – OR6: Assembly Group with 6 Output Relays (Changeover / Form C)

X3 – TIs: Standard phase current measuring card and sensitive ground current measuring (winding side 1)

X4 – TIs: Standard phase current measuring card and sensitive ground current measuring (winding side 2)

X5 – AnIO2-OR4: Assembly Group with 2 Analog Inputs, 2 Analog Outputs and 4 Output Relays

X6 – TU: Card with 4 voltage transformer measuring inputs (0 ... 800 VAC, under UL: 0 ... 600 VAC)

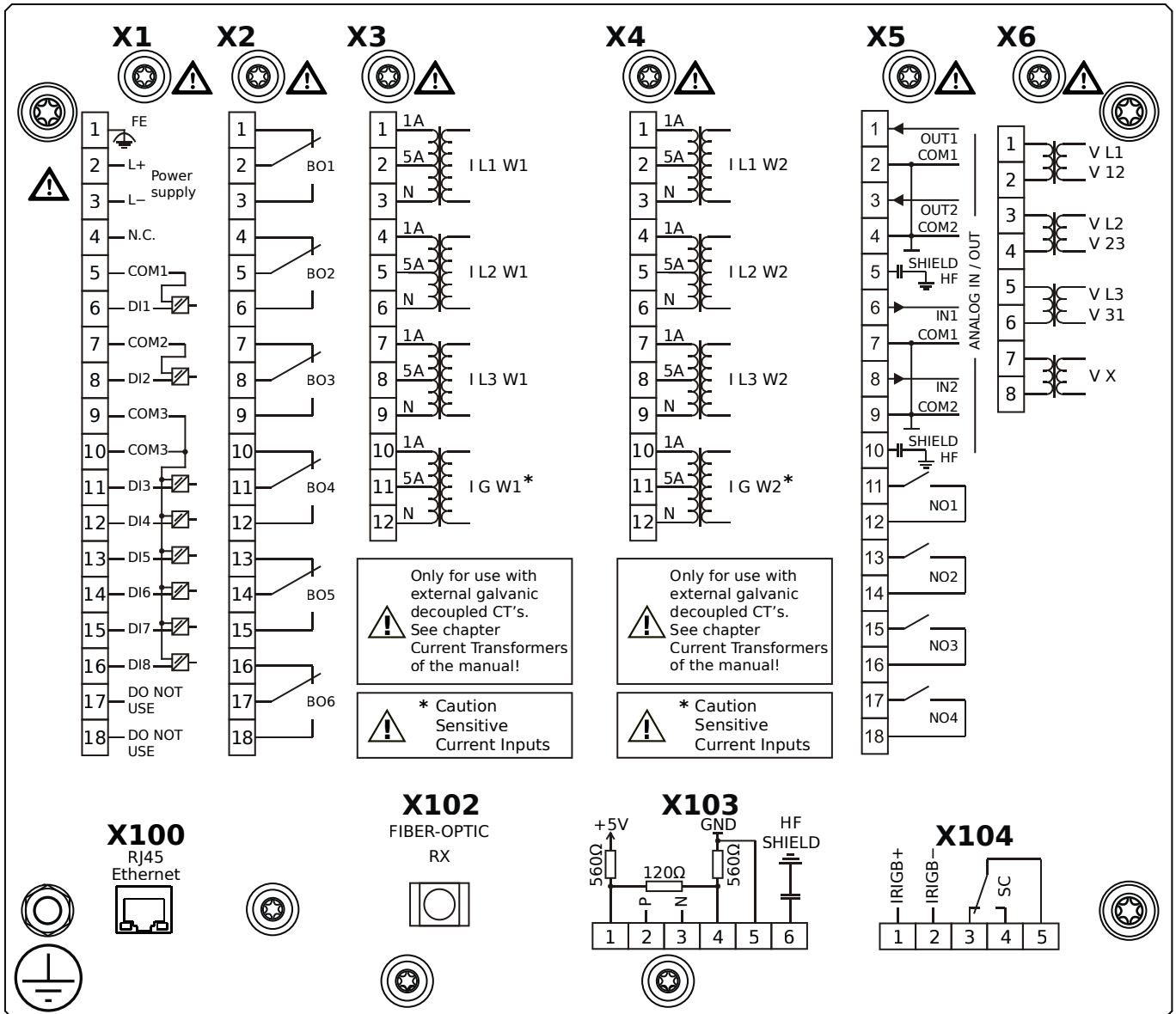
X102 – Universal Resistance-Temperature Detector (URTD) input, Fiber optics interface, Versatile Link

X103 – IEC 61850 / Modbus TCP / IEC 60870-5-104 / DNP3.0 TCP/UDP, Redundant Ethernet interface, 100 Mbit/s, RJ45

(BASE100-FX)

X104 – IRIG-B00X, incl. System Contact (Supervision Contact)

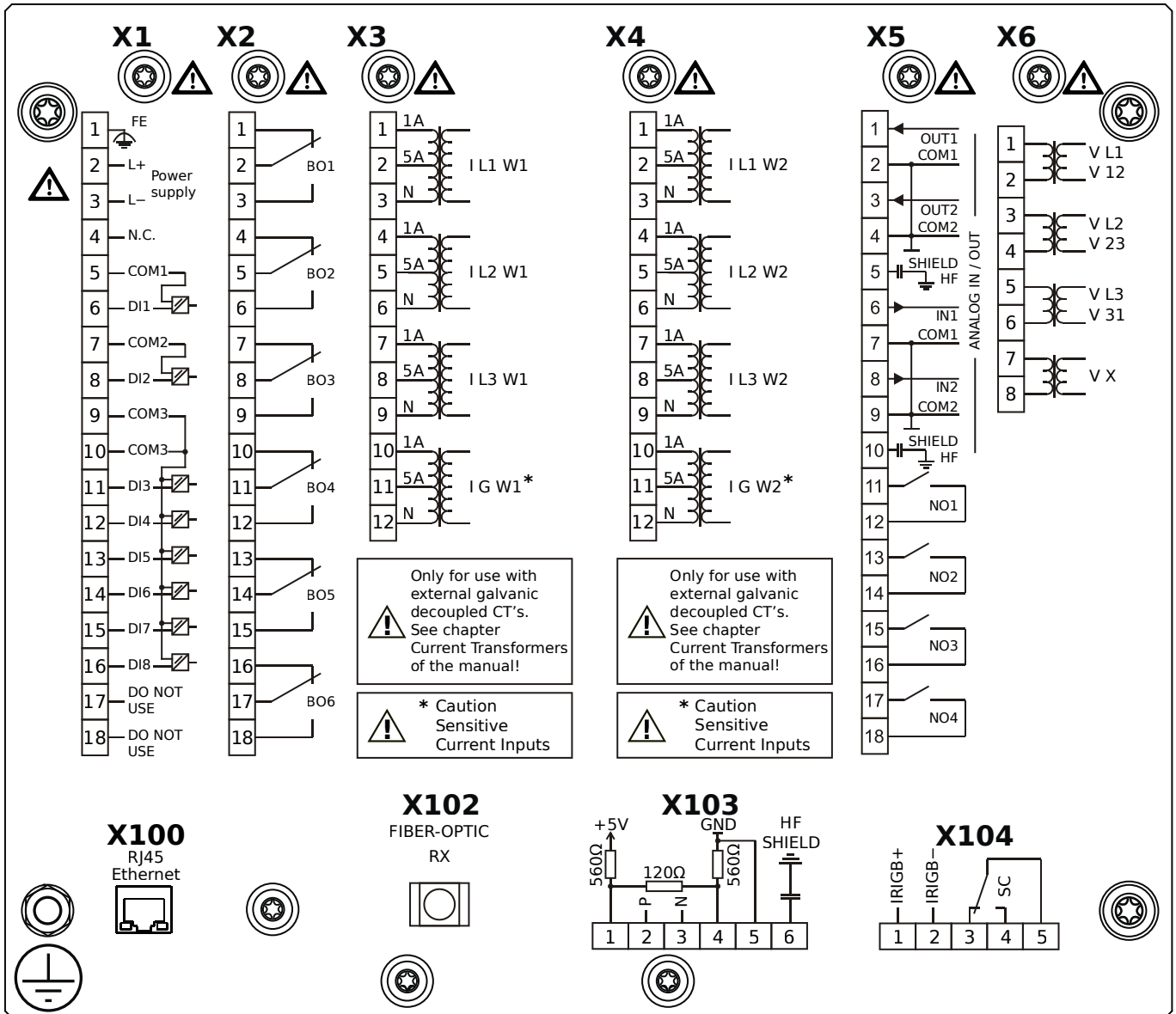
MCDTV4-2B3BTA



Housing B2, large display, 19" rack mounting

- X1** – DI8-X1: Wide-range power supply unit, incl. 2 non-grouped digital inputs and 6 grouped digital inputs
- X2** – OR6: Assembly Group with 6 Output Relays (Changeover / Form C)
- X3** – TIs: Standard phase current measuring card and sensitive ground current measuring (winding side 1)
- X4** – TIs: Standard phase current measuring card and sensitive ground current measuring (winding side 2)
- X5** – AnIO2-OR4: Assembly Group with 2 Analog Inputs, 2 Analog Outputs and 4 Output Relays
- X6** – TU: Card with 4 voltage transformer measuring inputs (0 ... 800 VAC, under UL: 0 ... 600 VAC)
- X100** – IEC 61850 / Modbus TCP / IEC 60870-5-104 / DNP3.0 TCP/UDP, Ethernet interface, 100 Mbit/s, RJ45 (BASE100-FX)
- X102** – Universal Resistance-Temperature Detector (URTD) input, Fiber optics interface, Versatile Link
- X103** – IEC 60870-5-103 / Modbus RTU / DNP3.0 RTU, RS485, Terminals
- X104** – IRIG-B00X, incl. System Contact (Supervision Contact)

MCDTV4-2B3BTB



Housing B2, large display, 19" rack mounting

+ Conformal Coating (for installations in harsh environment)

X1 – DI8-X1: Wide-range power supply unit, incl. 2 non-grouped digital inputs and 6 grouped digital inputs

X2 – OR6: Assembly Group with 6 Output Relays (Changeover / Form C)

X3 – TIs: Standard phase current measuring card and sensitive ground current measuring (winding side 1)

X4 – TIs: Standard phase current measuring card and sensitive ground current measuring (winding side 2)

X5 – AnIO2-OR4: Assembly Group with 2 Analog Inputs, 2 Analog Outputs and 4 Output Relays

X6 – TU: Card with 4 voltage transformer measuring inputs (0 ... 800 VAC, under UL: 0 ... 600 VAC)

X100 – IEC 61850 / Modbus TCP / IEC 60870-5-104 / DNP3.0 TCP/UDP, Ethernet interface, 100 Mbit/s, RJ45 (BASE100-

FX)

X102 – Universal Resistance-Temperature Detector (URTD) input, Fiber optics interface, Versatile Link

X103 – IEC 60870-5-103 / Modbus RTU / DNP3.0 RTU, RS485, Terminals

X104 – IRIG-B00X, incl. System Contact (Supervision Contact)

Appendix – Legend

In this legend designations of various device types are listed, e.g. transformer protection, motor protection, generator protection, etc. Therefore it can occur that not every designation actually appears on the wiring diagram of your device.

PE	– Connection of protective earth (see chapter Grounding in the Technical Manual).
FE	– Connection of functional earth (see chapter Grounding in the Technical Manual).
Power Supply	– Connection for auxiliary power supply.
IL1	– Phase current input L1 (in some countries designated as IA).
IL2	– Phase current input L2 (in some countries designated as IB).
IL3	– Phase current input L3 (in some countries designated as IC).
ILx C–D	– WIC1 Test windings.
ILx S1–S2	– WIC1 phase current inputs.
IL1 W1 ... IL3 W1	– Phase current input L1...L3, winding side 1.
IL1 W2 ... IL3 W2	– Phase current input L1...L3, winding side 2.
IG	– Ground (earth) current input.
IG W1, IG W2	– Ground (earth) current input, winding side 1 / 2.
VL1	– Phase-to-neutral voltage L1 (in some countries designated as VA).
VL2	– Phase-to-neutral voltage L2 (in some countries designated as VB).
VL3	– Phase-to-neutral voltage L3 (in some countries designated as VC).
VL12	– Phase-to-phase voltage V12 (in some countries designated as VAB).
VL23	– Phase-to-phase voltage V23 (in some countries designated as VBC).
VL31	– Phase-to-phase voltage V31 (in some countries designated as VCA).
VX	– 4th voltage measuring input for measuring residual voltage or synchro-check.
BO	– Binary output relay.
NO / NC	– Contact output, normally open (Form A) / closed (Form B).
DI	– Digital input.
COM	– Common connection of digital inputs.
Out+, AnOut	– Analog output + (0/4...20 mA or 0...10 V).
In–, AnIn	– Analog input + (0/4...20 mA or 0...10 V).
n.c.	– Not connected.
DO NOT USE	– Do not use. (Caution: Non-usable internal wiring may exist.)
SC	– Self-supervision contact.
HF SHIELD	– Connection cable shield.
Fiber Optics / LWL	– Fiber optic connection.

High **PROTEC**

MCDTV4

WIRING DIAGRAMS

