

MCDTV4

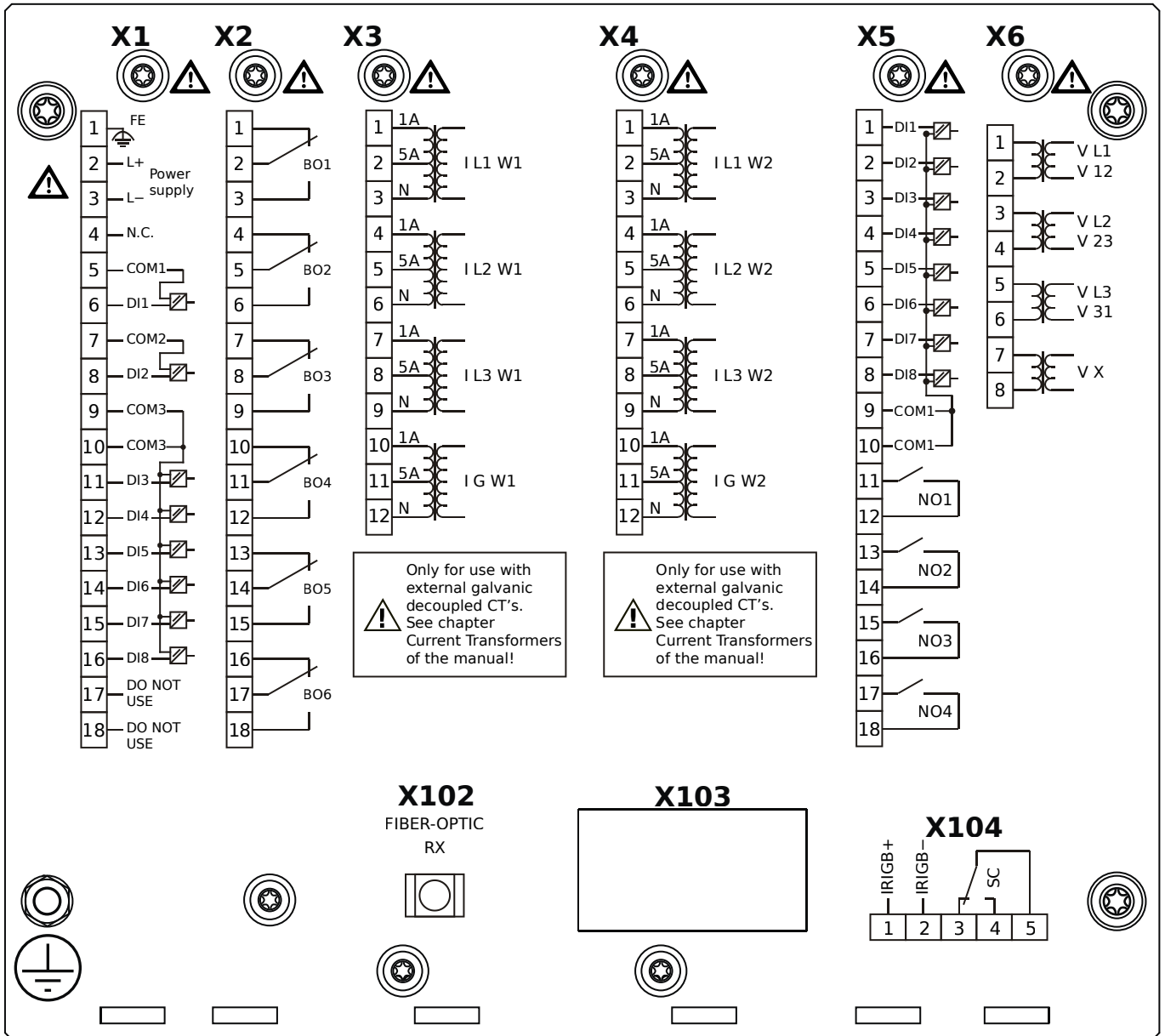
Software-Version: 3.7

MCDTV4-3.7-EN-WDG

English

This document does not replace the Technical Manual.

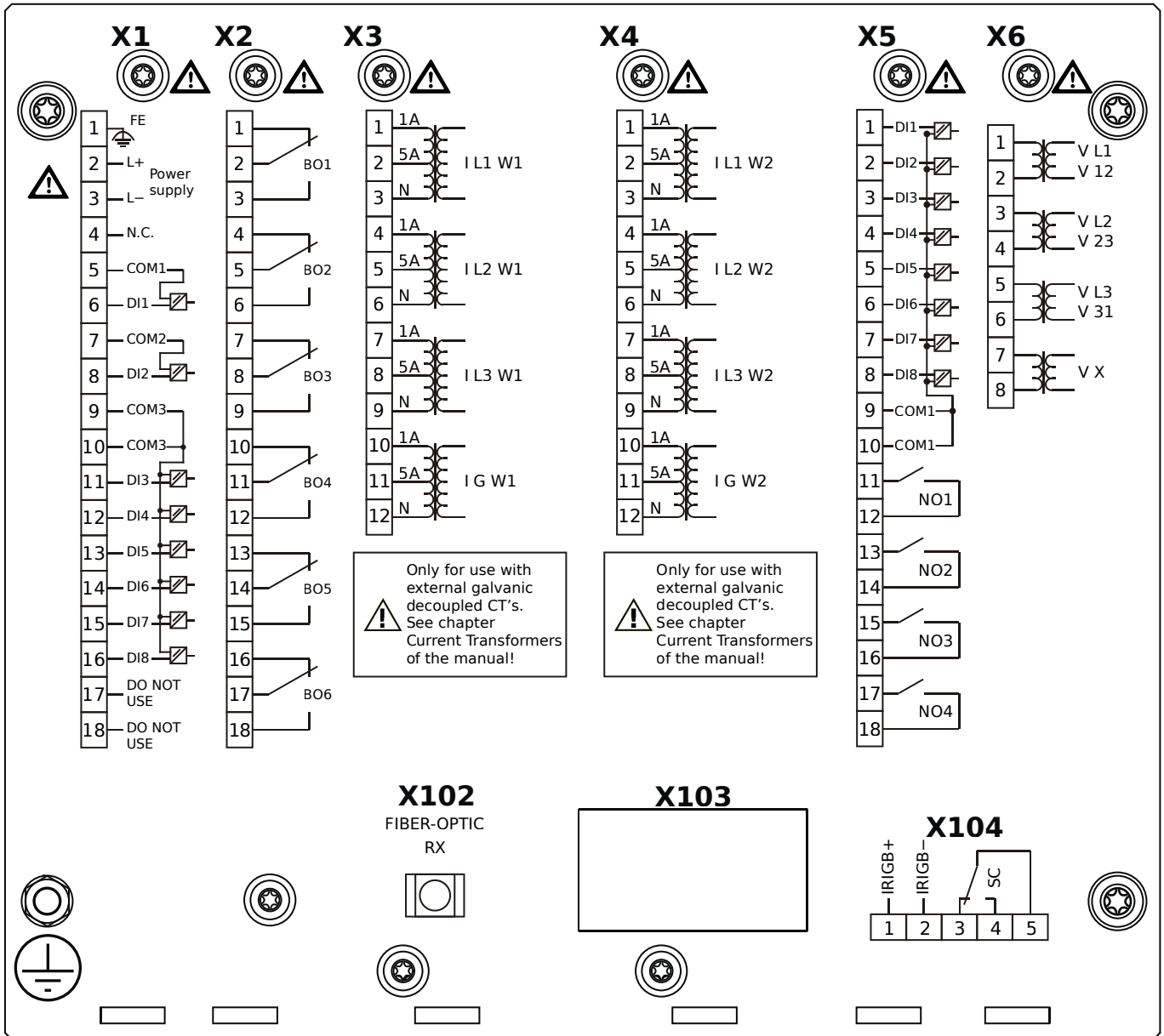
MCDTV4-2A0AAA



Housing B2, large display, door mounting

- X1** – DI8-X1: Wide-range power supply unit, incl. 2 non-grouped digital inputs and 6 grouped digital inputs
- X2** – OR6: Assembly Group with 6 Output Relays
- X3** – TI: Standard current measuring card (for the winding side 1)
- X4** – TI: Standard current measuring card (for the winding side 2)
- X5** – DI8-OR4: Assembly Group with 8 Digital Inputs and 4 Output Relays
- X6** – TU: Card with 4 voltage transformer measuring inputs
- X102** – Universal Resistance-Temperature Detector (URTD) input, Fiber optics interface, Versatile Link
- X104** – IRIG-B00X, incl. System Contact (Supervision Contact)

MCDTV4-2A0AAB

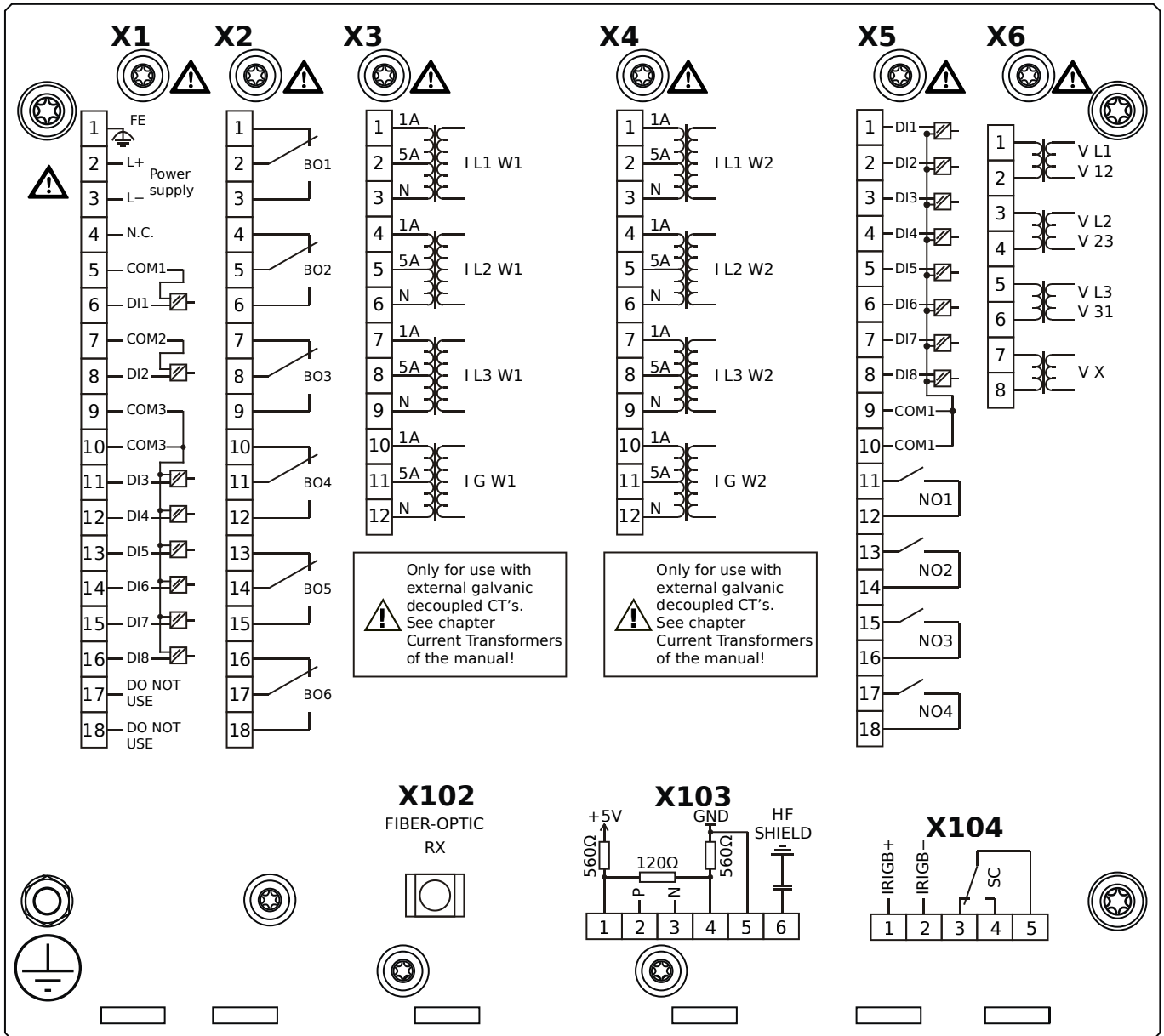


Housing B2, large display, door mounting

+ Conformal Coating (for installations in harsh environment)

- X1** – DI8-X1: Wide-range power supply unit, incl. 2 non-grouped digital inputs and 6 grouped digital inputs
- X2** – OR6: Assembly Group with 6 Output Relays
- X3** – TI: Standard current measuring card (for the winding side 1)
- X4** – TI: Standard current measuring card (for the winding side 2)
- X5** – DI8-OR4: Assembly Group with 8 Digital Inputs and 4 Output Relays
- X6** – TU: Card with 4 voltage transformer measuring inputs
- X102** – Universal Resistance-Temperature Detector (URTD) input, Fiber optics interface, Versatile Link
- X104** – IRIG-B00X, incl. System Contact (Supervision Contact)

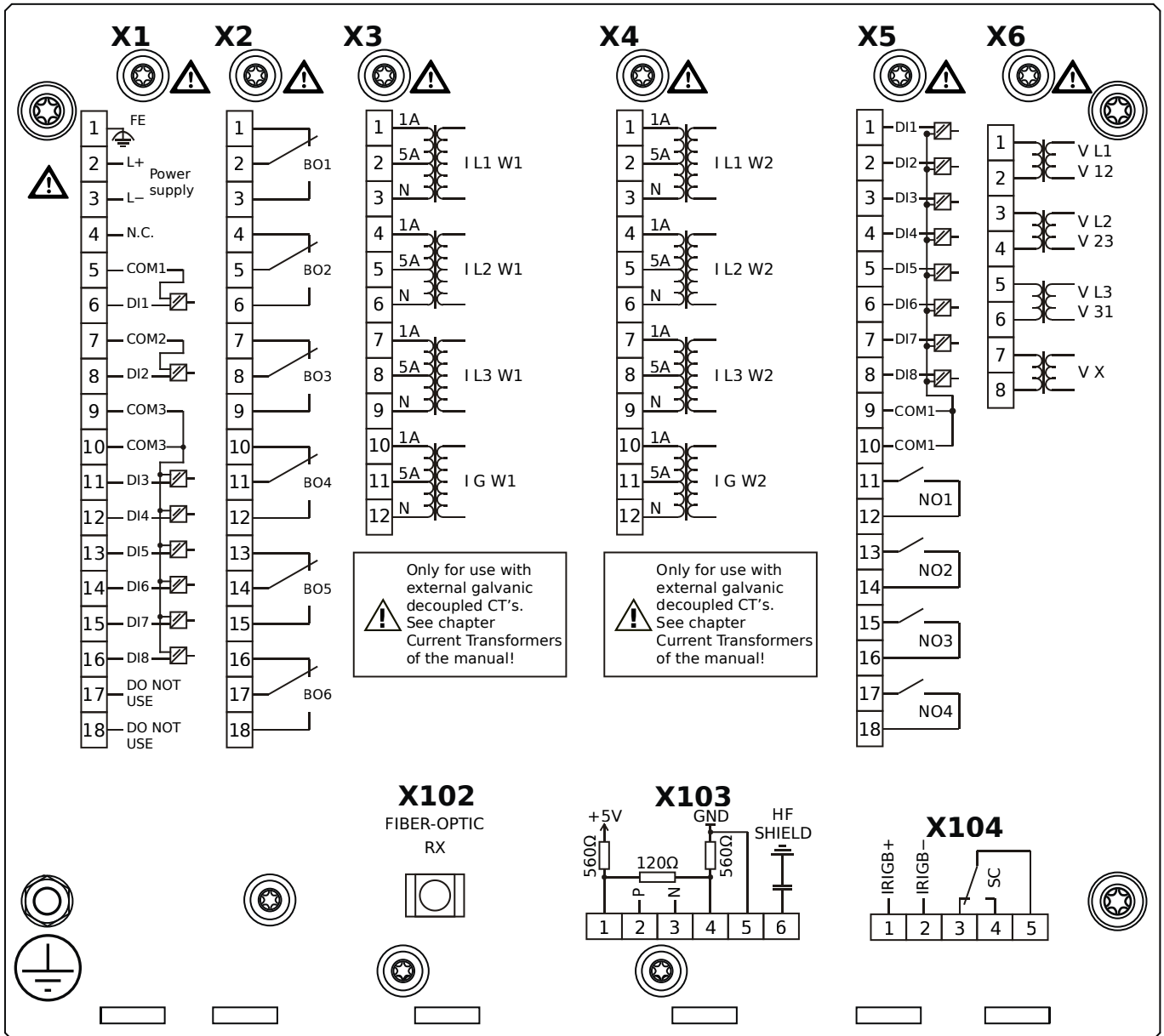
MCDTV4-2A0ABA



Housing B2, large display, door mounting

- X1** – DI8-X1: Wide-range power supply unit, incl. 2 non-grouped digital inputs and 6 grouped digital inputs
- X2** – OR6: Assembly Group with 6 Output Relays
- X3** – TI: Standard current measuring card (for the winding side 1)
- X4** – TI: Standard current measuring card (for the winding side 2)
- X5** – DI8-OR4: Assembly Group with 8 Digital Inputs and 4 Output Relays
- X6** – TU: Card with 4 voltage transformer measuring inputs
- X102** – Universal Resistance-Temperature Detector (URTD) input, Fiber optics interface, Versatile Link
- X103** – Modbus RTU / IEC 60870-5-103 / DNP3.0 RTU, RS485, Terminals
- X104** – IRIG-B00X, incl. System Contact (Supervision Contact)

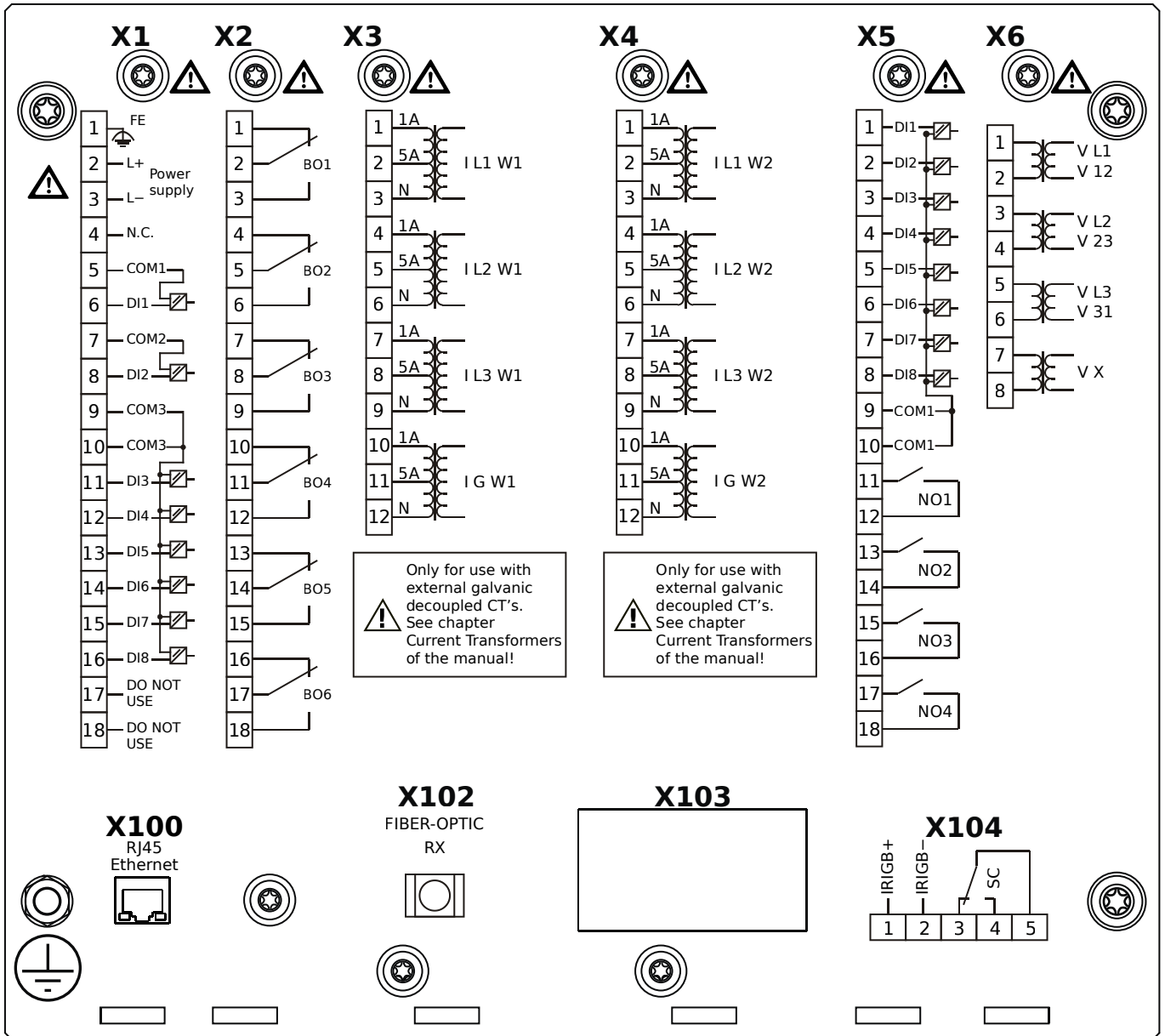
MCDTV4-2A0ABB



Housing B2, large display, door mounting

- + Conformal Coating (for installations in harsh environment)
- X1** – DI8-X1: Wide-range power supply unit, incl. 2 non-grouped digital inputs and 6 grouped digital inputs
- X2** – OR6: Assembly Group with 6 Output Relays
- X3** – TI: Standard current measuring card (for the winding side 1)
- X4** – TI: Standard current measuring card (for the winding side 2)
- X5** – DI8-OR4: Assembly Group with 8 Digital Inputs and 4 Output Relays
- X6** – TU: Card with 4 voltage transformer measuring inputs
- X102** – Universal Resistance-Temperature Detector (URTD) input, Fiber optics interface, Versatile Link
- X103** – Modbus RTU / IEC 60870-5-103 / DNP3.0 RTU, RS485, Terminals
- X104** – IRIG-B00X, incl. System Contact (Supervision Contact)

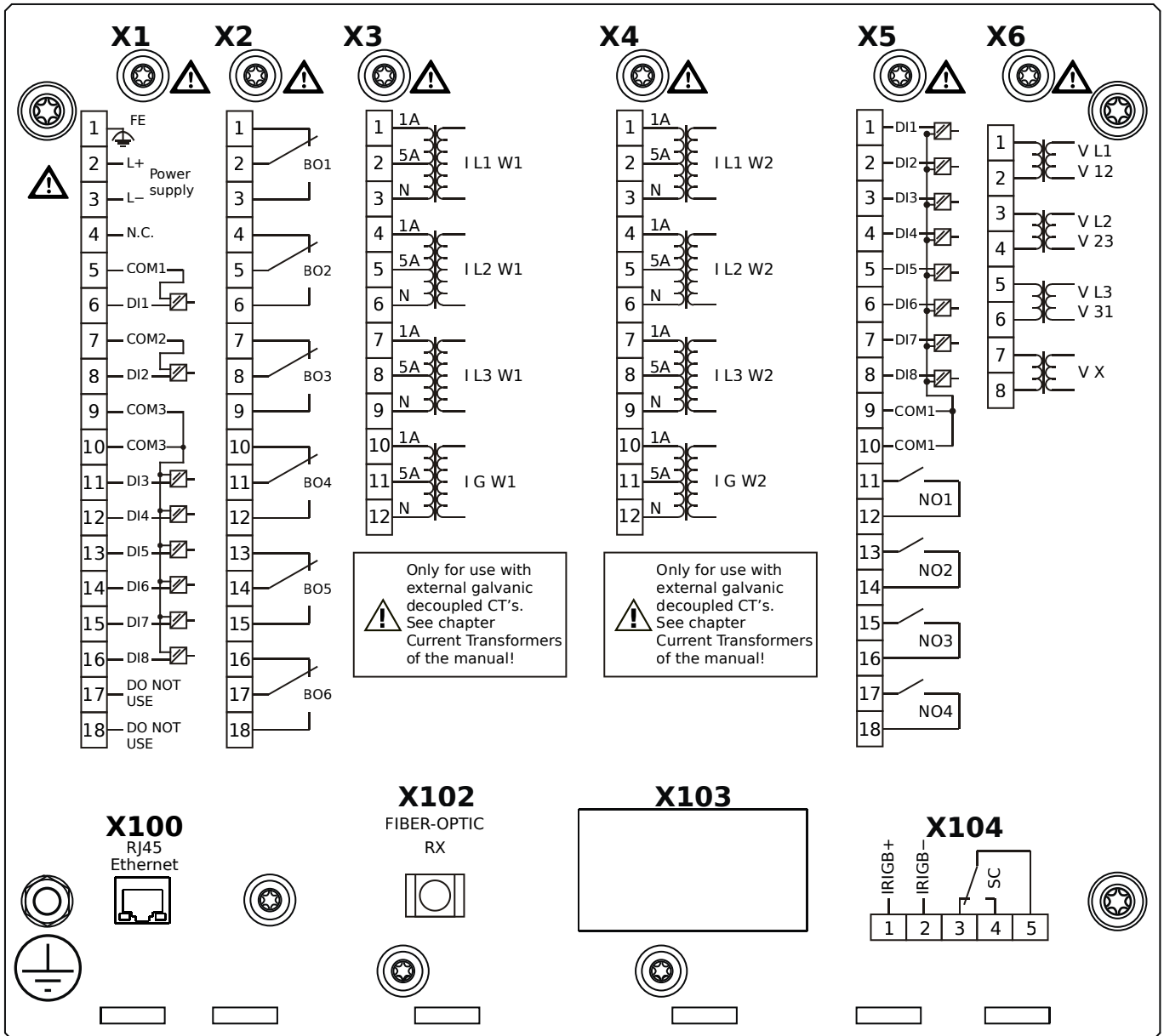
MCDTV4-2A0ACA



Housing B2, large display, door mounting

- X1** – DI8-X1: Wide-range power supply unit, incl. 2 non-grouped digital inputs and 6 grouped digital inputs
- X2** – OR6: Assembly Group with 6 Output Relays
- X3** – TI: Standard current measuring card (for the winding side 1)
- X4** – TI: Standard current measuring card (for the winding side 2)
- X5** – DI8-OR4: Assembly Group with 8 Digital Inputs and 4 Output Relays
- X6** – TU: Card with 4 voltage transformer measuring inputs
- X100** – Modbus TCP / DNP3.0 TCP/UDP, Ethernet interface, 100 Mbit/s, RJ45 (BASE100-FX)
- X102** – Universal Resistance-Temperature Detector (URTD) input, Fiber optics interface, Versatile Link
- X104** – IRIG-B00X, incl. System Contact (Supervision Contact)

MCDTV4-2A0ACB

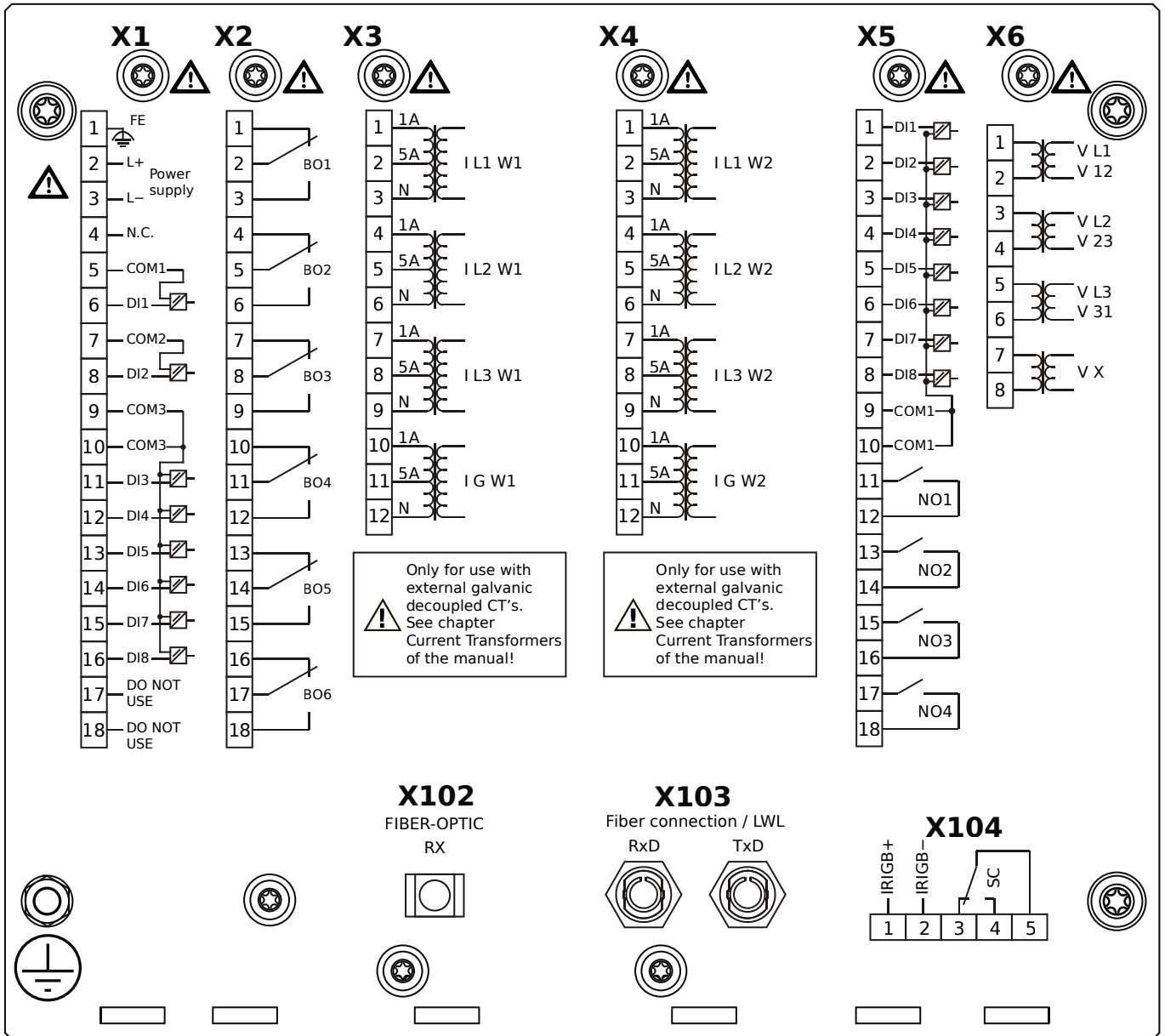


Housing B2, large display, door mounting

+ Conformal Coating (for installations in harsh environment)

- X1** – DI8-X1: Wide-range power supply unit, incl. 2 non-grouped digital inputs and 6 grouped digital inputs
- X2** – OR6: Assembly Group with 6 Output Relays
- X3** – TI: Standard current measuring card (for the winding side 1)
- X4** – TI: Standard current measuring card (for the winding side 2)
- X5** – DI8-OR4: Assembly Group with 8 Digital Inputs and 4 Output Relays
- X6** – TU: Card with 4 voltage transformer measuring inputs
- X100** – Modbus TCP / DNP3.0 TCP/UDP, Ethernet interface, 100 Mbit/s, RJ45 (BASE100-FX)
- X102** – Universal Resistance-Temperature Detector (URTD) input, Fiber optics interface, Versatile Link
- X104** – IRIG-B00X, incl. System Contact (Supervision Contact)

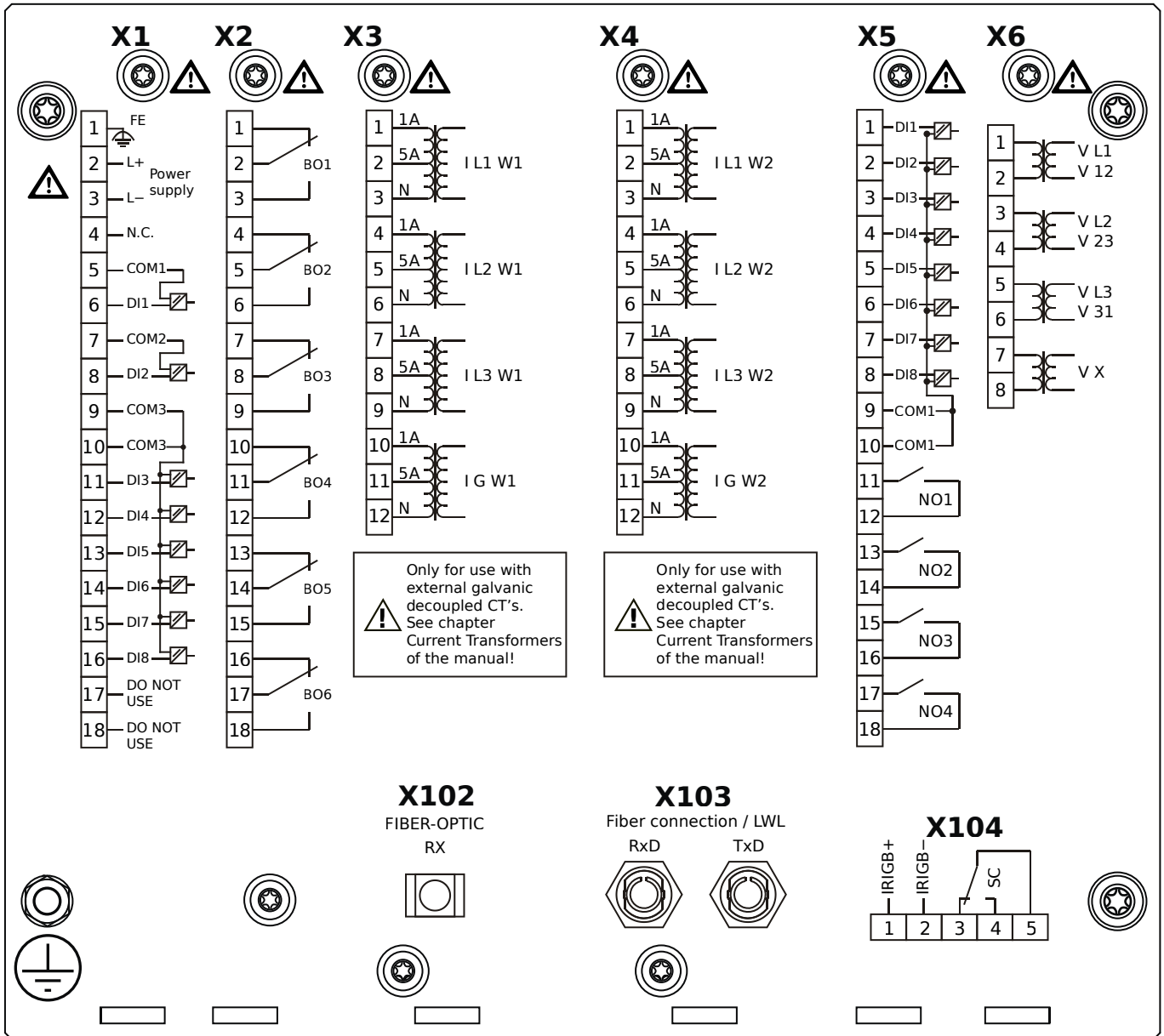
MCDTV4-2A0ADA



Housing B2, large display, door mounting

- X1** – DI8-X1: Wide-range power supply unit, incl. 2 non-grouped digital inputs and 6 grouped digital inputs
- X2** – OR6: Assembly Group with 6 Output Relays
- X3** – TI: Standard current measuring card (for the winding side 1)
- X4** – TI: Standard current measuring card (for the winding side 2)
- X5** – DI8-OR4: Assembly Group with 8 Digital Inputs and 4 Output Relays
- X6** – TU: Card with 4 voltage transformer measuring inputs
- X102** – Universal Resistance-Temperature Detector (URTD) input, Fiber optics interface, Versatile Link
- X103** – Profibus-DP, Fiber optics interface, ST Connector
- X104** – IRIG-B00X, incl. System Contact (Supervision Contact)

MCDTV4-2A0ADB

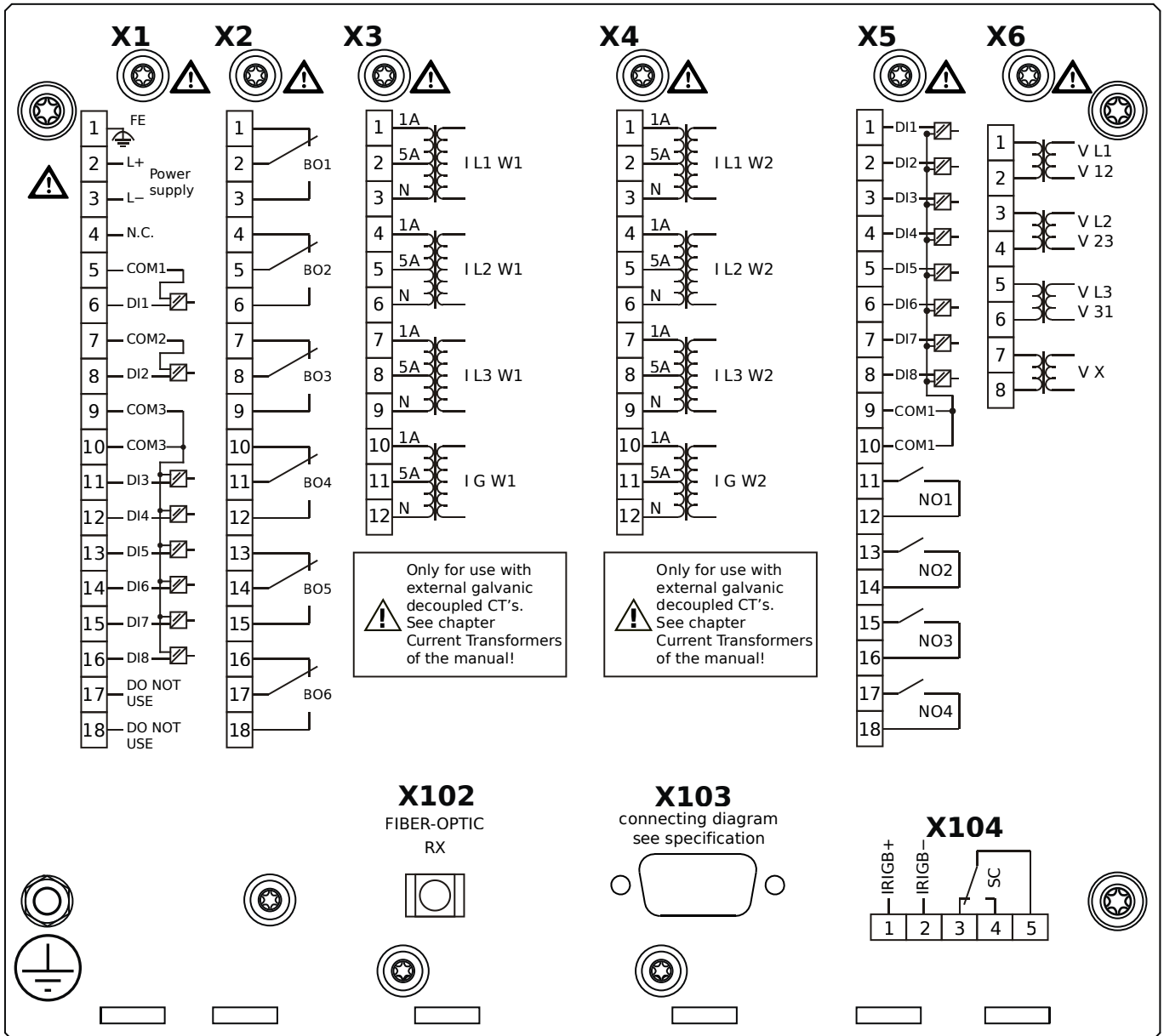


Housing B2, large display, door mounting

+ Conformal Coating (for installations in harsh environment)

- X1** – DI8-X1: Wide-range power supply unit, incl. 2 non-grouped digital inputs and 6 grouped digital inputs
- X2** – OR6: Assembly Group with 6 Output Relays
- X3** – TI: Standard current measuring card (for the winding side 1)
- X4** – TI: Standard current measuring card (for the winding side 2)
- X5** – DI8-OR4: Assembly Group with 8 Digital Inputs and 4 Output Relays
- X6** – TU: Card with 4 voltage transformer measuring inputs
- X102** – Universal Resistance-Temperature Detector (URTD) input, Fiber optics interface, Versatile Link
- X103** – Profibus-DP, Fiber optics interface, ST Connector
- X104** – IRIG-B00X, incl. System Contact (Supervision Contact)

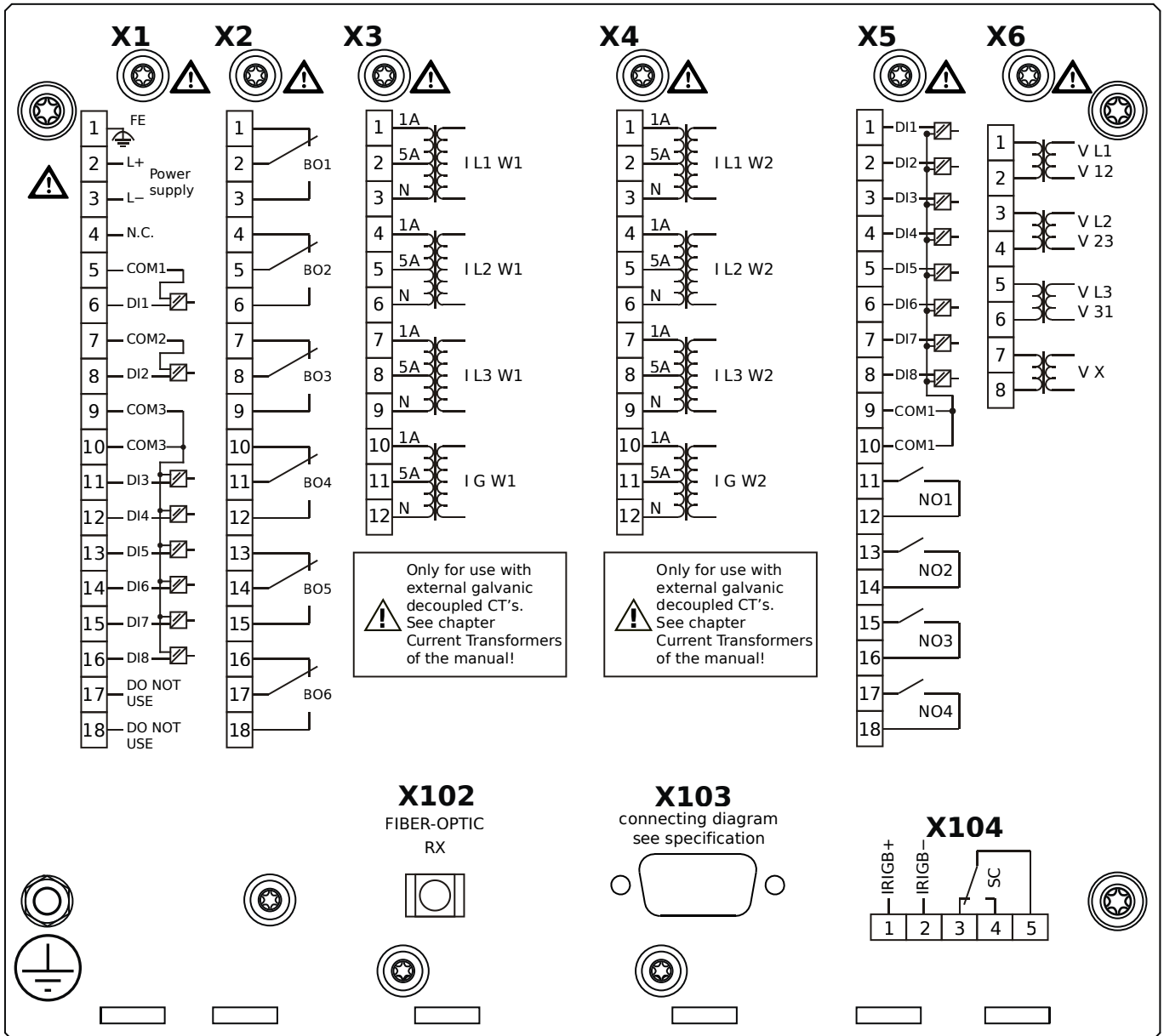
MCDTV4-2A0AEA



Housing B2, large display, door mounting

- X1** – DI8-X1: Wide-range power supply unit, incl. 2 non-grouped digital inputs and 6 grouped digital inputs
- X2** – OR6: Assembly Group with 6 Output Relays
- X3** – TI: Standard current measuring card (for the winding side 1)
- X4** – TI: Standard current measuring card (for the winding side 2)
- X5** – DI8-OR4: Assembly Group with 8 Digital Inputs and 4 Output Relays
- X6** – TU: Card with 4 voltage transformer measuring inputs
- X102** – Universal Resistance-Temperature Detector (URTD) input, Fiber optics interface, Versatile Link
- X103** – Profibus-DP, RS485, D-SUB
- X104** – IRIG-B00X, incl. System Contact (Supervision Contact)

MCDTV4-2A0AEB

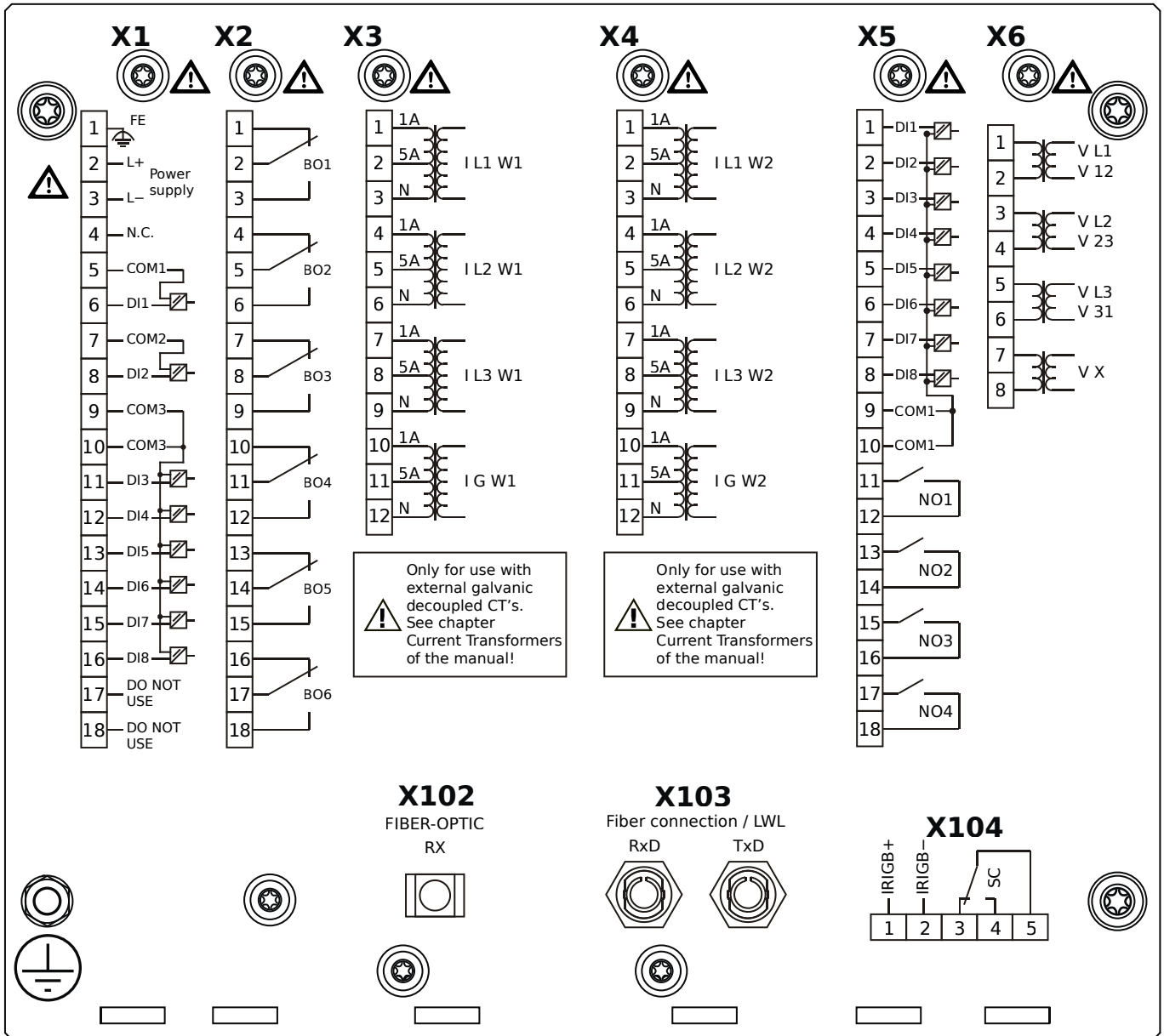


Housing B2, large display, door mounting

+ Conformal Coating (for installations in harsh environment)

- X1** – DI8-X1: Wide-range power supply unit, incl. 2 non-grouped digital inputs and 6 grouped digital inputs
- X2** – OR6: Assembly Group with 6 Output Relays
- X3** – TI: Standard current measuring card (for the winding side 1)
- X4** – TI: Standard current measuring card (for the winding side 2)
- X5** – DI8-OR4: Assembly Group with 8 Digital Inputs and 4 Output Relays
- X6** – TU: Card with 4 voltage transformer measuring inputs
- X102** – Universal Resistance-Temperature Detector (URTD) input, Fiber optics interface, Versatile Link
- X103** – Profibus-DP, RS485, D-SUB
- X104** – IRIG-B00X, incl. System Contact (Supervision Contact)

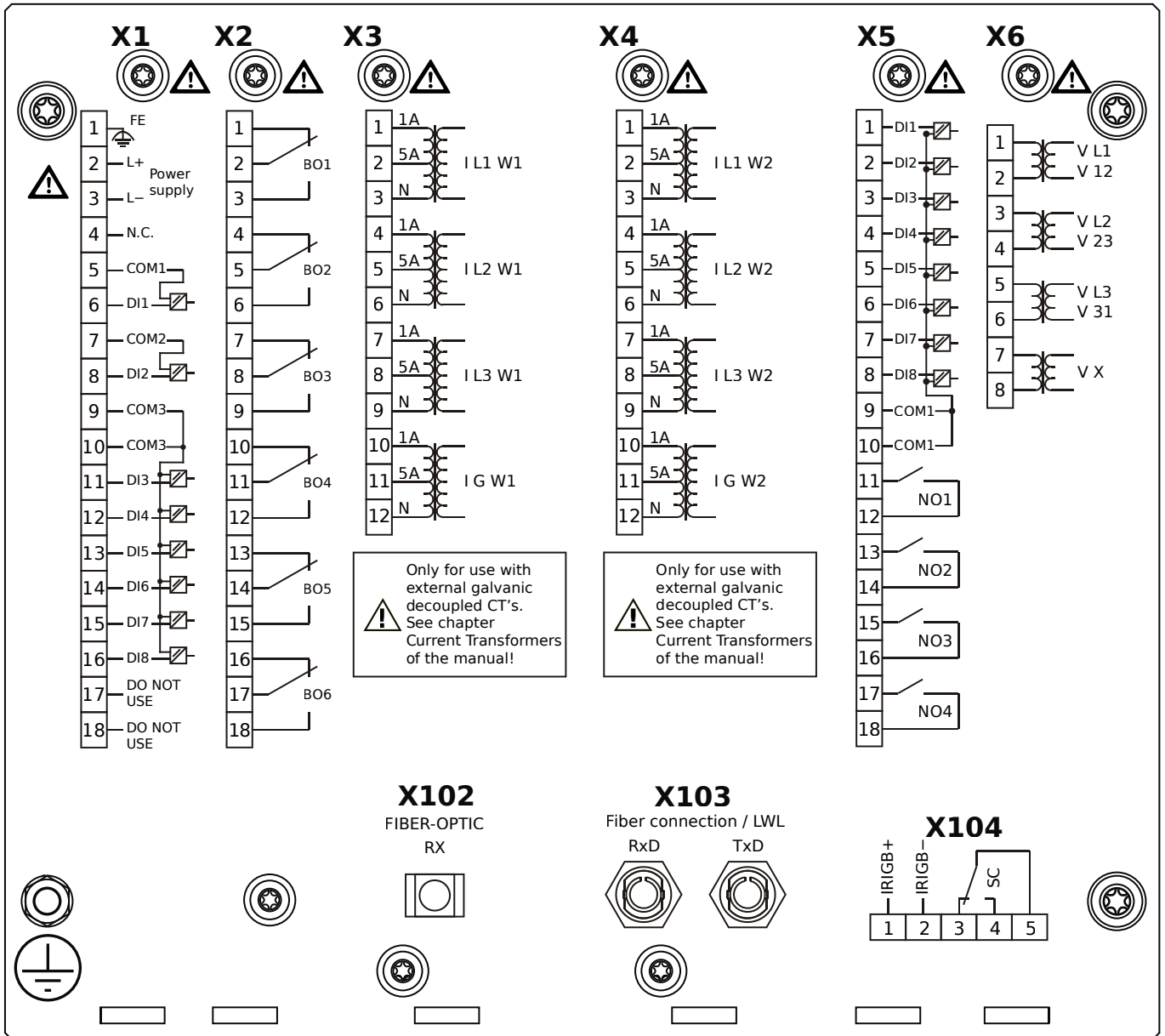
MCDTV4-2A0AFA



Housing B2, large display, door mounting

- X1** – DI8-X1: Wide-range power supply unit, incl. 2 non-grouped digital inputs and 6 grouped digital inputs
- X2** – OR6: Assembly Group with 6 Output Relays
- X3** – TI: Standard current measuring card (for the winding side 1)
- X4** – TI: Standard current measuring card (for the winding side 2)
- X5** – DI8-OR4: Assembly Group with 8 Digital Inputs and 4 Output Relays
- X6** – TU: Card with 4 voltage transformer measuring inputs
- X102** – Universal Resistance-Temperature Detector (URTD) input, Fiber optics interface, Versatile Link
- X103** – Modbus RTU / IEC 60870-5-103 / DNP3.0 RTU, Fiber optics interface, ST Connector
- X104** – IRIG-B00X, incl. System Contact (Supervision Contact)

MCDTV4-2A0AFB

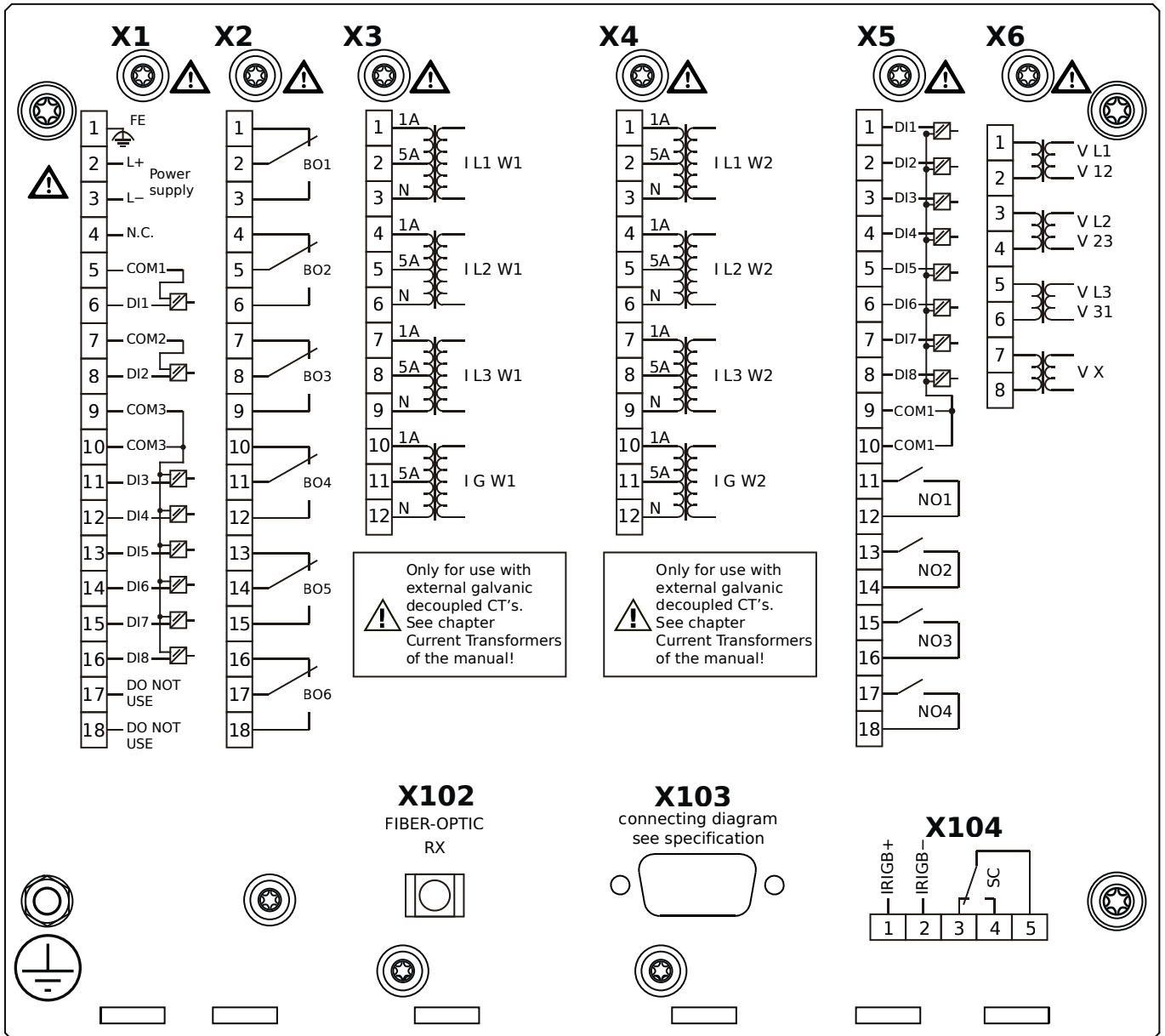


Housing B2, large display, door mounting

+ Conformal Coating (for installations in harsh environment)

- X1** – DI8-X1: Wide-range power supply unit, incl. 2 non-grouped digital inputs and 6 grouped digital inputs
- X2** – OR6: Assembly Group with 6 Output Relays
- X3** – TI: Standard current measuring card (for the winding side 1)
- X4** – TI: Standard current measuring card (for the winding side 2)
- X5** – DI8-OR4: Assembly Group with 8 Digital Inputs and 4 Output Relays
- X6** – TU: Card with 4 voltage transformer measuring inputs
- X102** – Universal Resistance-Temperature Detector (URTD) input, Fiber optics interface, Versatile Link
- X103** – Modbus RTU / IEC 60870-5-103 / DNP3.0 RTU, Fiber optics interface, ST Connector
- X104** – IRIG-B00X, incl. System Contact (Supervision Contact)

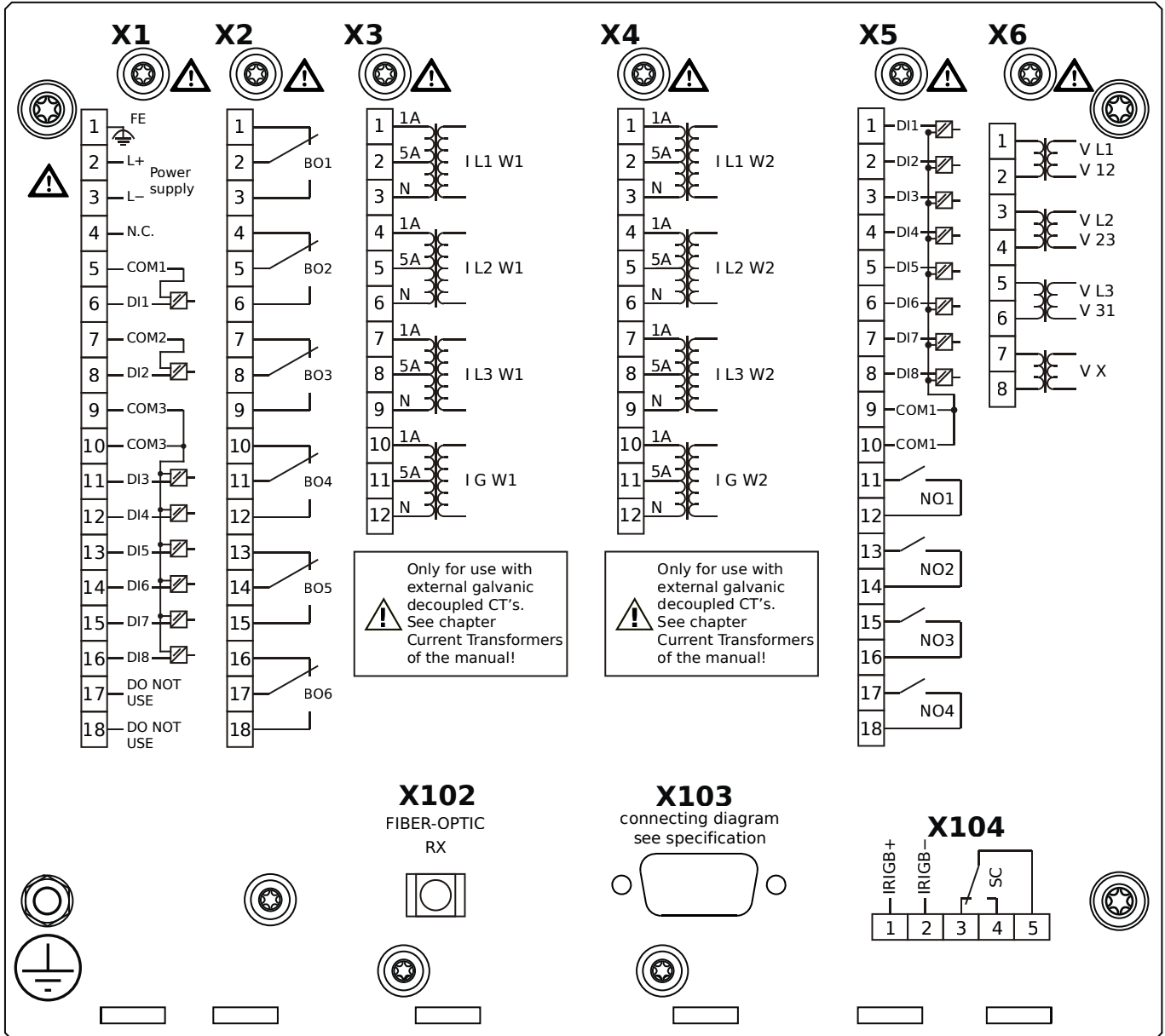
MCDTV4-2A0AGA



Housing B2, large display, door mounting

- X1** – DI8-X1: Wide-range power supply unit, incl. 2 non-grouped digital inputs and 6 grouped digital inputs
- X2** – OR6: Assembly Group with 6 Output Relays
- X3** – TI: Standard current measuring card (for the winding side 1)
- X4** – TI: Standard current measuring card (for the winding side 2)
- X5** – DI8-OR4: Assembly Group with 8 Digital Inputs and 4 Output Relays
- X6** – TU: Card with 4 voltage transformer measuring inputs
- X102** – Universal Resistance-Temperature Detector (URTD) input, Fiber optics interface, Versatile Link
- X103** – Modbus RTU / IEC 60870-5-103 / DNP3.0 RTU, RS485, D-SUB
- X104** – IRIG-B00X, incl. System Contact (Supervision Contact)

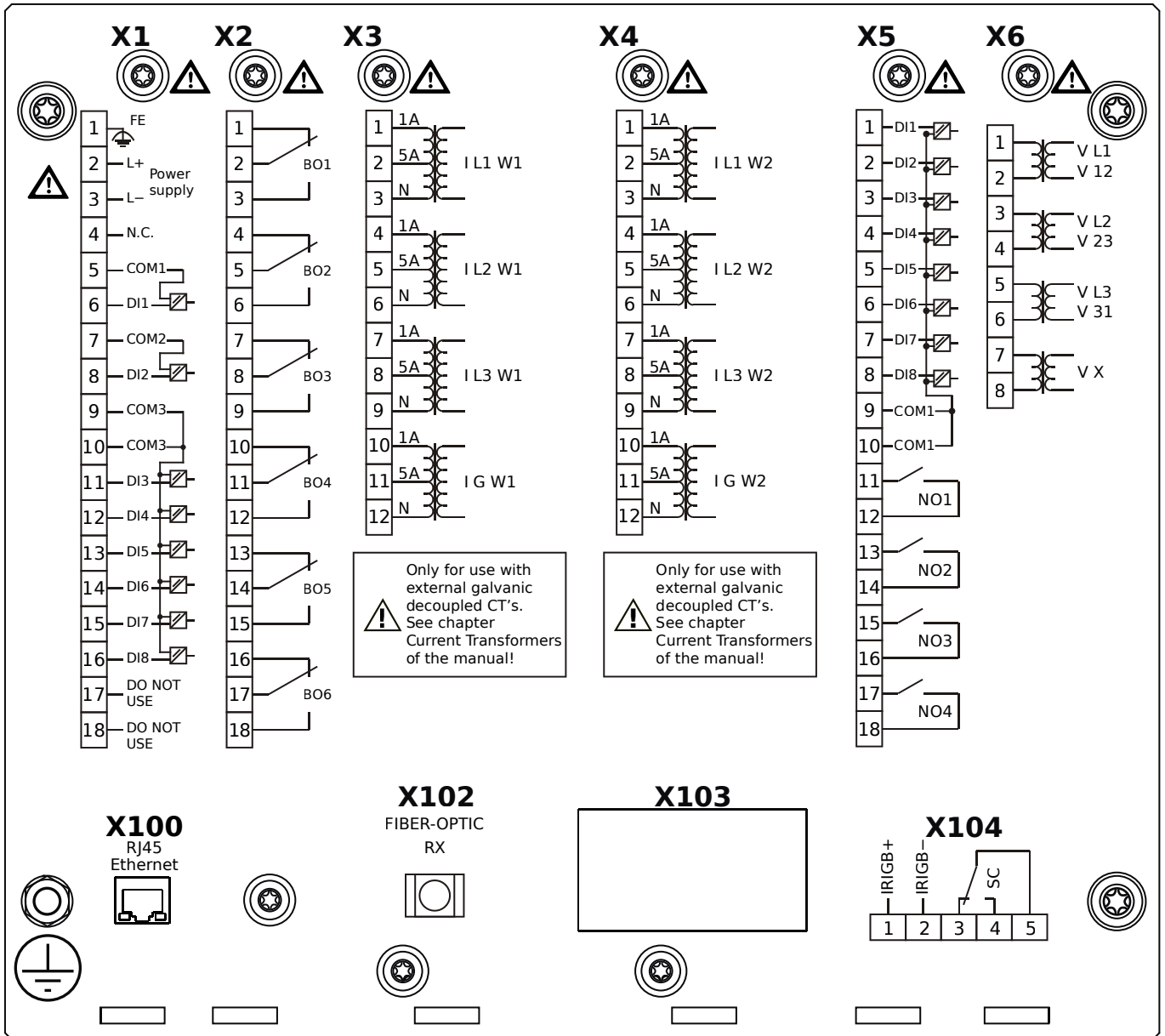
MCDTV4-2A0AGB



Housing B2, large display, door mounting

- + Conformal Coating (for installations in harsh environment)
- X1** – DI8-X1: Wide-range power supply unit, incl. 2 non-grouped digital inputs and 6 grouped digital inputs
- X2** – OR6: Assembly Group with 6 Output Relays
- X3** – TI: Standard current measuring card (for the winding side 1)
- X4** – TI: Standard current measuring card (for the winding side 2)
- X5** – DI8-OR4: Assembly Group with 8 Digital Inputs and 4 Output Relays
- X6** – TU: Card with 4 voltage transformer measuring inputs
- X102** – Universal Resistance-Temperature Detector (URTD) input, Fiber optics interface, Versatile Link
- X103** – Modbus RTU / IEC 60870-5-103 / DNP3.0 RTU, RS485, D-SUB
- X104** – IRIG-B00X, incl. System Contact (Supervision Contact)

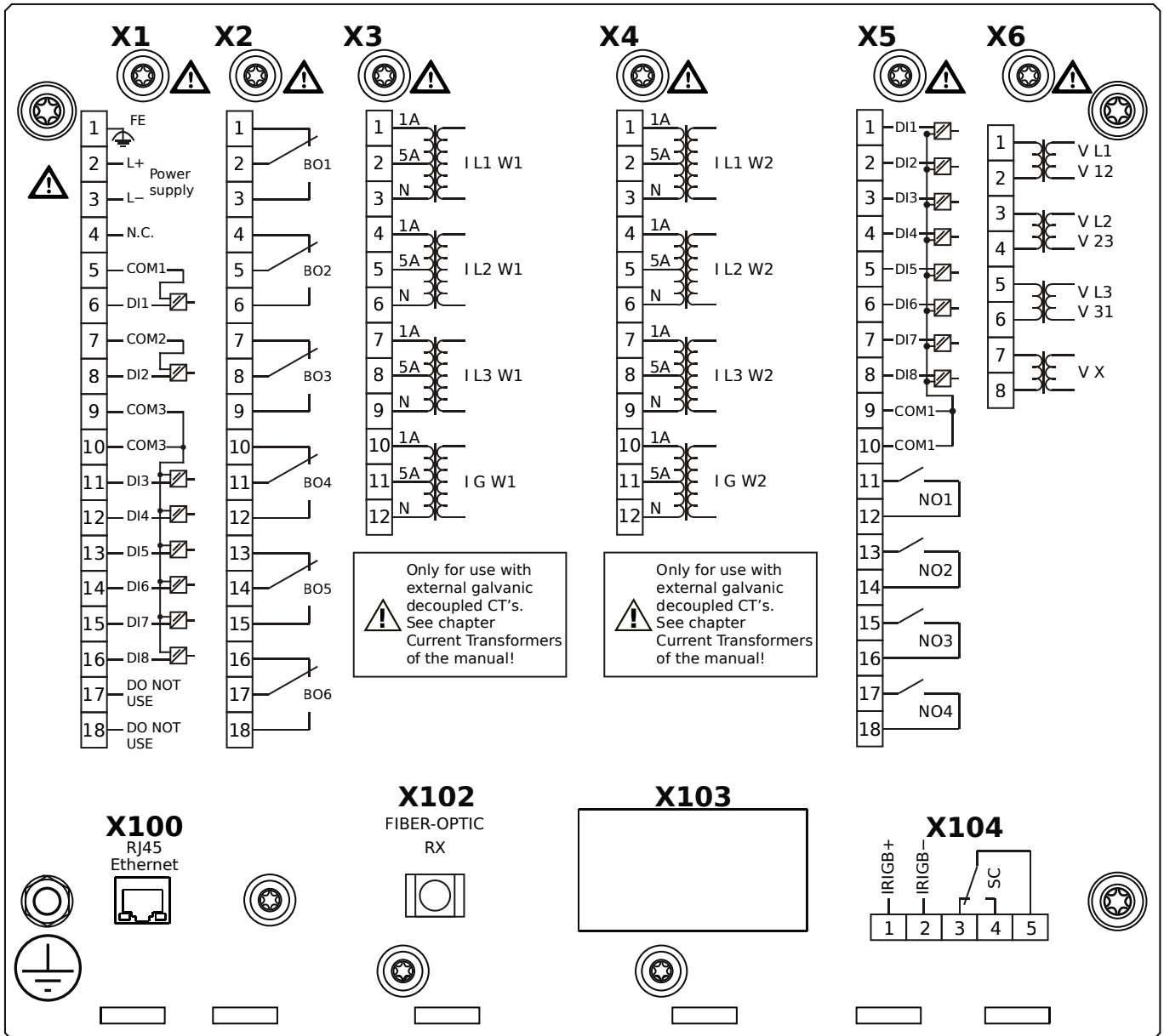
MCDTV4-2A0AHA



Housing B2, large display, door mounting

- X1** – DI8-X1: Wide-range power supply unit, incl. 2 non-grouped digital inputs and 6 grouped digital inputs
- X2** – OR6: Assembly Group with 6 Output Relays
- X3** – TI: Standard current measuring card (for the winding side 1)
- X4** – TI: Standard current measuring card (for the winding side 2)
- X5** – DI8-OR4: Assembly Group with 8 Digital Inputs and 4 Output Relays
- X6** – TU: Card with 4 voltage transformer measuring inputs
- X100** – IEC 61850 / Modbus TCP / DNP3.0 TCP/UDP, Ethernet interface, 100 Mbit/s, RJ45 (BASE100-FX)
- X102** – Universal Resistance-Temperature Detector (URTD) input, Fiber optics interface, Versatile Link
- X104** – IRIG-B00X, incl. System Contact (Supervision Contact)

MCDTV4-2A0AHB



Housing B2, large display, door mounting

+ Conformal Coating (for installations in harsh environment)

X1 – DI8-X1: Wide-range power supply unit, incl. 2 non-grouped digital inputs and 6 grouped digital inputs

X2 – OR6: Assembly Group with 6 Output Relays

X3 – TI: Standard current measuring card (for the winding side 1)

X4 – TI: Standard current measuring card (for the winding side 2)

X5 – DI8-OR4: Assembly Group with 8 Digital Inputs and 4 Output Relays

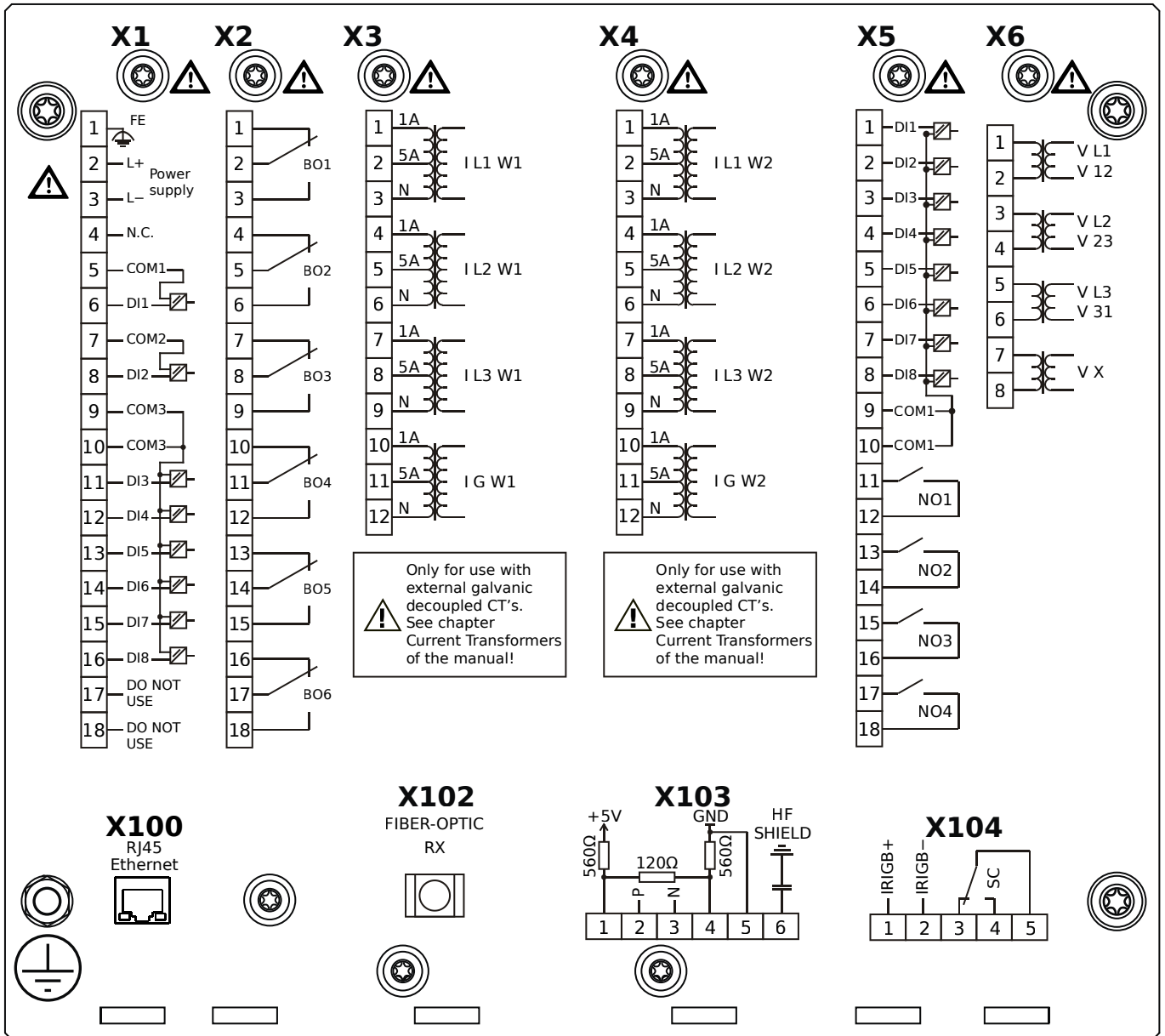
X6 – TU: Card with 4 voltage transformer measuring inputs

X100 – IEC 61850 / Modbus TCP / DNP3.0 TCP/UDP, Ethernet interface, 100 Mbit/s, RJ45 (BASE100-FX)

X102 – Universal Resistance-Temperature Detector (URTD) input, Fiber optics interface, Versatile Link

X104 – IRIG-B00X, incl. System Contact (Supervision Contact)

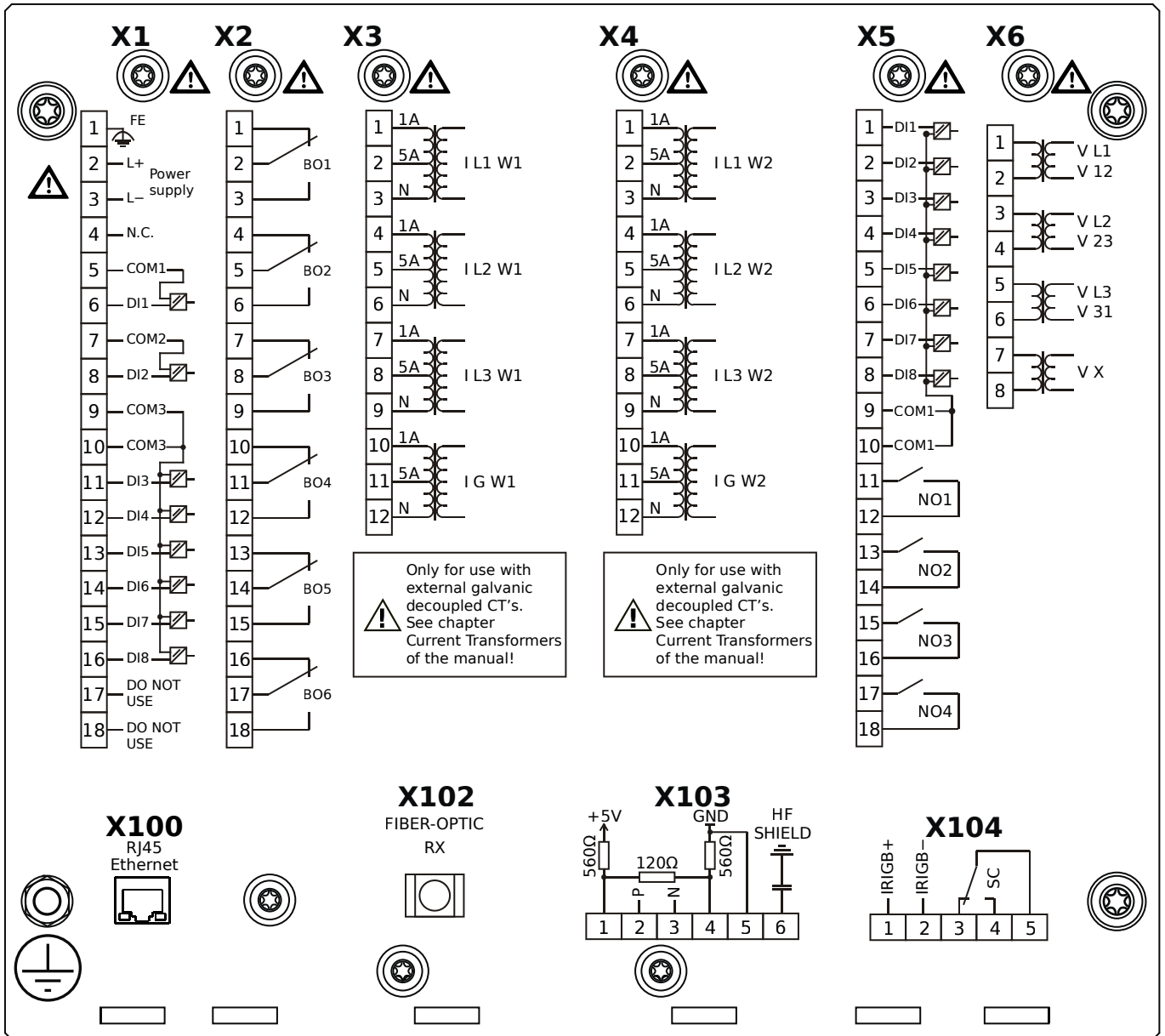
MCDTV4-2A0AIA



Housing B2, large display, door mounting

- X1** – DI8-X1: Wide-range power supply unit, incl. 2 non-grouped digital inputs and 6 grouped digital inputs
- X2** – OR6: Assembly Group with 6 Output Relays
- X3** – TI: Standard current measuring card (for the winding side 1)
- X4** – TI: Standard current measuring card (for the winding side 2)
- X5** – DI8-OR4: Assembly Group with 8 Digital Inputs and 4 Output Relays
- X6** – TU: Card with 4 voltage transformer measuring inputs
- X100** – Modbus TCP / DNP3.0 TCP/UDP, Ethernet interface, 100 Mbit/s, RJ45 (BASE100-FX)
- X102** – Universal Resistance-Temperature Detector (URTD) input, Fiber optics interface, Versatile Link
- X103** – IEC 60870-5-103 / Modbus RTU / DNP3.0 RTU, RS485, Terminals
- X104** – IRIG-B00X, incl. System Contact (Supervision Contact)

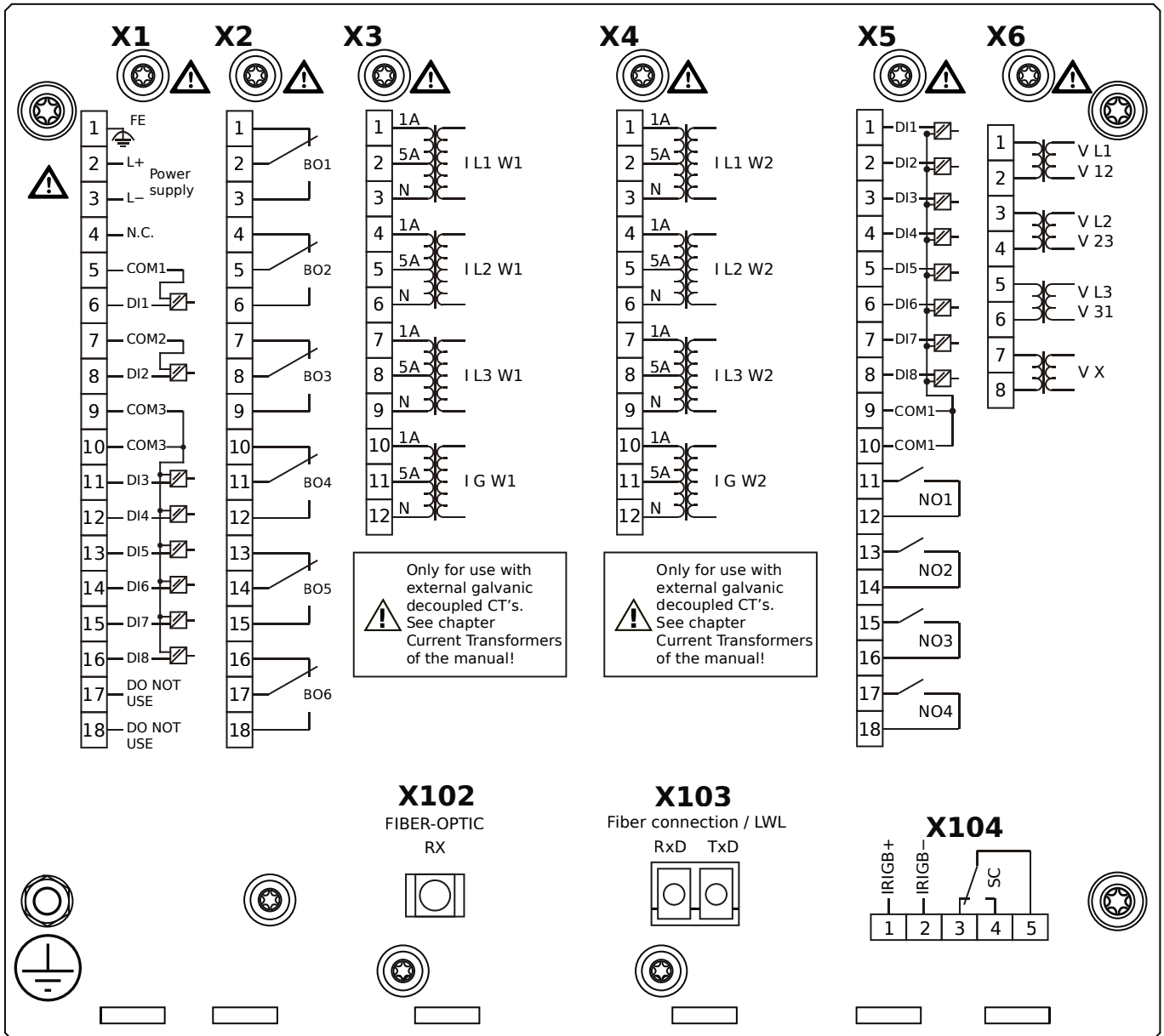
MCDTV4-2A0AIB



Housing B2, large display, door mounting

- + Conformal Coating (for installations in harsh environment)
- X1** – DI8-X1: Wide-range power supply unit, incl. 2 non-grouped digital inputs and 6 grouped digital inputs
- X2** – OR6: Assembly Group with 6 Output Relays
- X3** – TI: Standard current measuring card (for the winding side 1)
- X4** – TI: Standard current measuring card (for the winding side 2)
- X5** – DI8-OR4: Assembly Group with 8 Digital Inputs and 4 Output Relays
- X6** – TU: Card with 4 voltage transformer measuring inputs
- X100** – Modbus TCP / DNP3.0 TCP/UDP, Ethernet interface, 100 Mbit/s, RJ45 (BASE100-FX)
- X102** – Universal Resistance-Temperature Detector (URTD) input, Fiber optics interface, Versatile Link
- X103** – IEC 60870-5-103 / Modbus RTU / DNP3.0 RTU, RS485, Terminals
- X104** – IRIG-B00X, incl. System Contact (Supervision Contact)

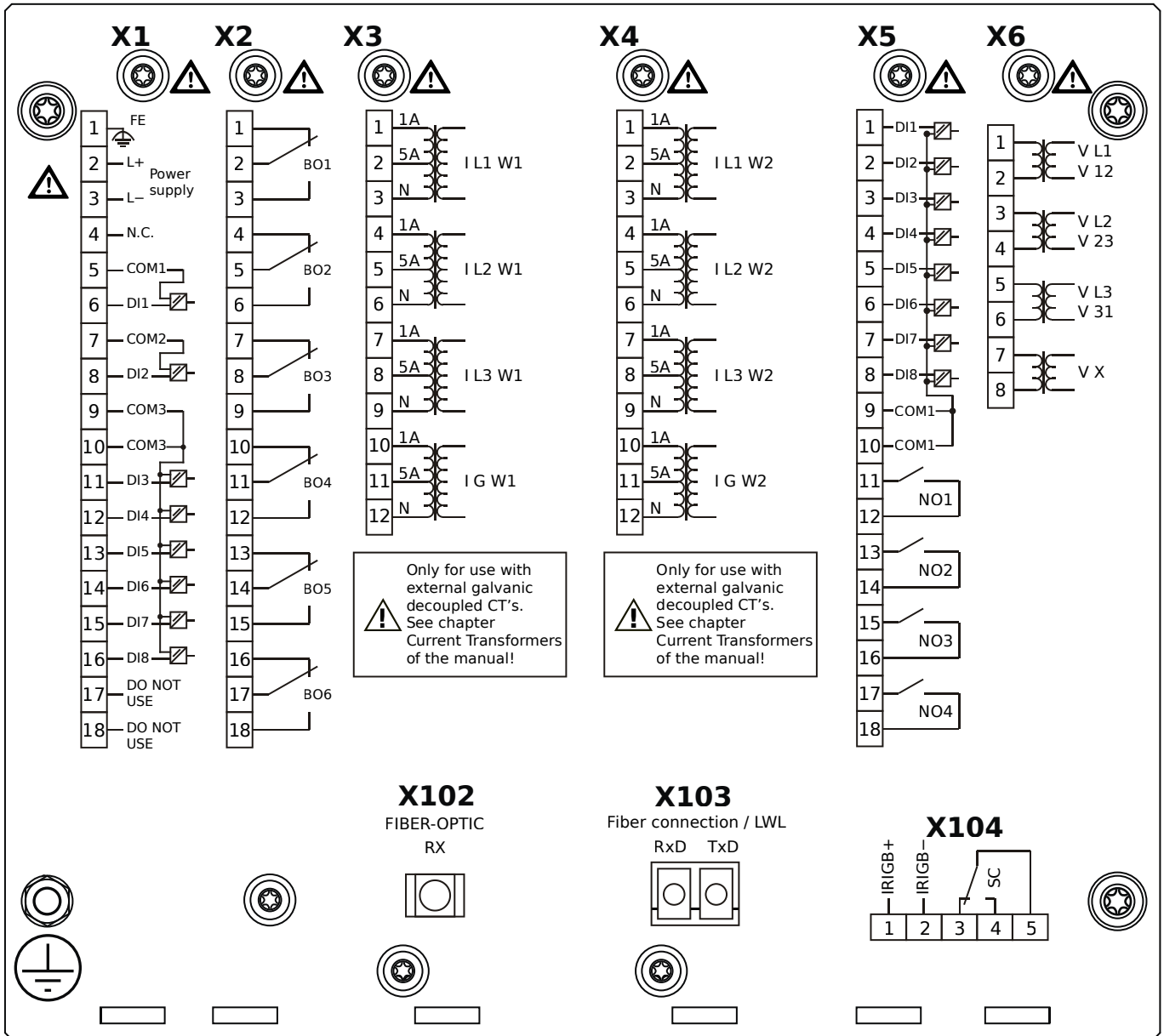
MCDTV4-2A0AKA



Housing B2, large display, door mounting

- X1** – DI8-X1: Wide-range power supply unit, incl. 2 non-grouped digital inputs and 6 grouped digital inputs
- X2** – OR6: Assembly Group with 6 Output Relays
- X3** – TI: Standard current measuring card (for the winding side 1)
- X4** – TI: Standard current measuring card (for the winding side 2)
- X5** – DI8-OR4: Assembly Group with 8 Digital Inputs and 4 Output Relays
- X6** – TU: Card with 4 voltage transformer measuring inputs
- X102** – Universal Resistance-Temperature Detector (URTD) input, Fiber optics interface, Versatile Link
- X103** – IEC 61850 / Modbus TCP / DNP3.0 TCP/UDP, Fiber optics interface, LC Connector
- X104** – IRIG-B00X, incl. System Contact (Supervision Contact)

MCDTV4-2A0AKB

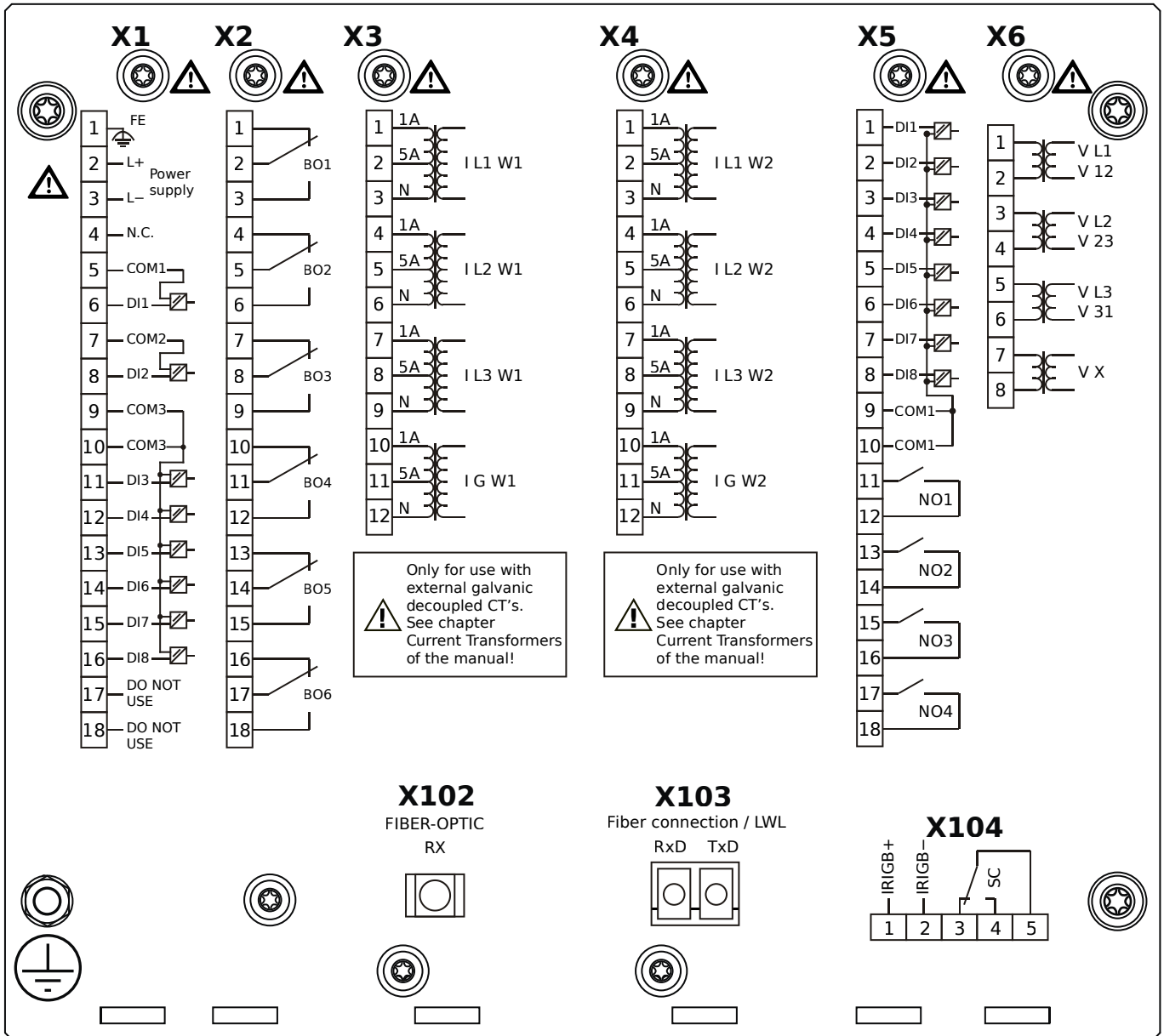


Housing B2, large display, door mounting

+ Conformal Coating (for installations in harsh environment)

- X1** – DI8-X1: Wide-range power supply unit, incl. 2 non-grouped digital inputs and 6 grouped digital inputs
- X2** – OR6: Assembly Group with 6 Output Relays
- X3** – TI: Standard current measuring card (for the winding side 1)
- X4** – TI: Standard current measuring card (for the winding side 2)
- X5** – DI8-OR4: Assembly Group with 8 Digital Inputs and 4 Output Relays
- X6** – TU: Card with 4 voltage transformer measuring inputs
- X102** – Universal Resistance-Temperature Detector (URTD) input, Fiber optics interface, Versatile Link
- X103** – IEC 61850 / Modbus TCP / DNP3.0 TCP/UDP, Fiber optics interface, LC Connector
- X104** – IRIG-B00X, incl. System Contact (Supervision Contact)

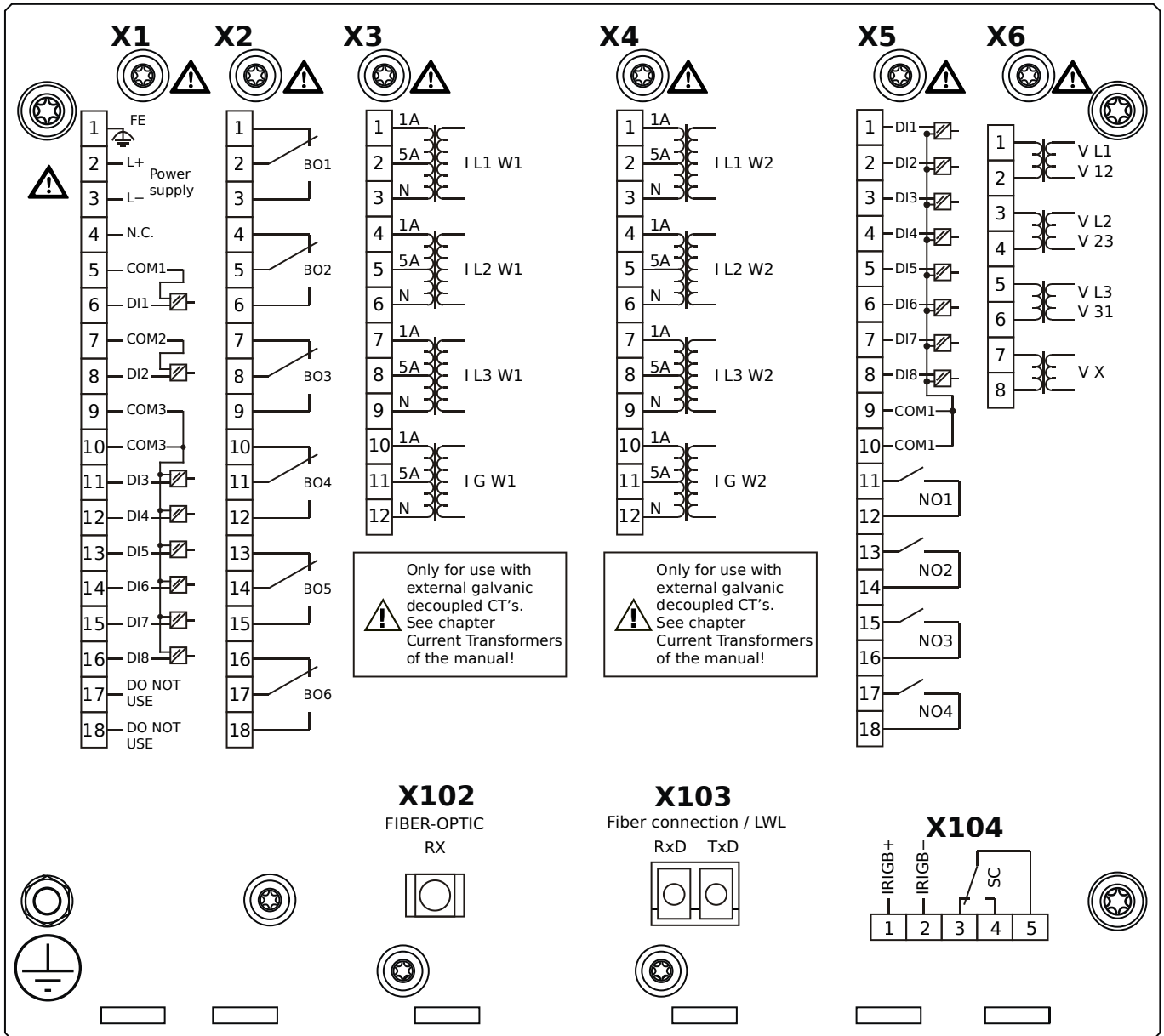
MCDTV4-2A0ALA



Housing B2, large display, door mounting

- X1** – DI8-X1: Wide-range power supply unit, incl. 2 non-grouped digital inputs and 6 grouped digital inputs
- X2** – OR6: Assembly Group with 6 Output Relays
- X3** – TI: Standard current measuring card (for the winding side 1)
- X4** – TI: Standard current measuring card (for the winding side 2)
- X5** – DI8-OR4: Assembly Group with 8 Digital Inputs and 4 Output Relays
- X6** – TU: Card with 4 voltage transformer measuring inputs
- X102** – Universal Resistance-Temperature Detector (URTD) input, Fiber optics interface, Versatile Link
- X103** – Modbus TCP / DNP3.0 TCP/UDP, Fiber optics interface, LC Connector
- X104** – IRIG-B00X, incl. System Contact (Supervision Contact)

MCDTV4-2A0ALB

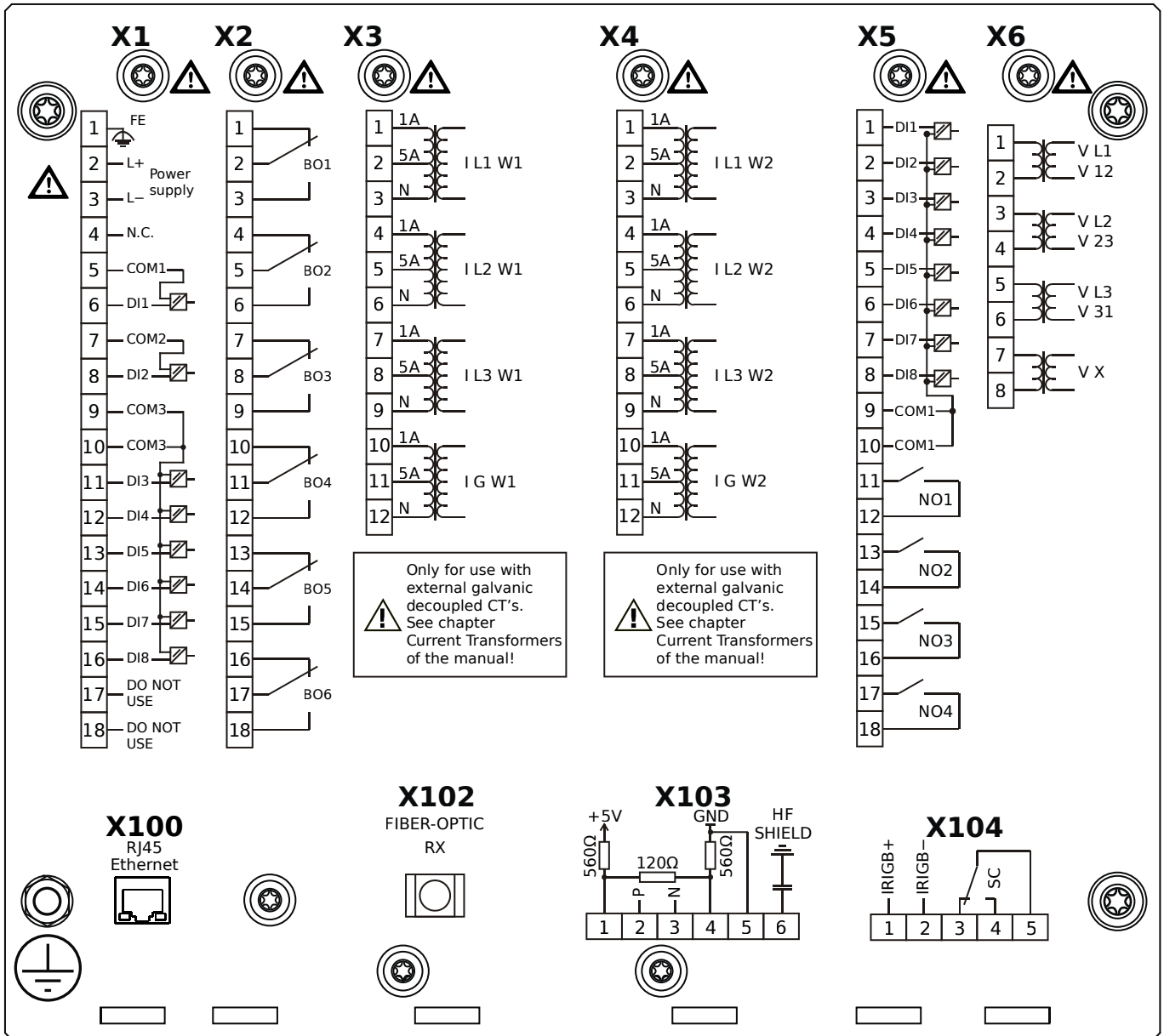


Housing B2, large display, door mounting

+ Conformal Coating (for installations in harsh environment)

- X1** – DI8-X1: Wide-range power supply unit, incl. 2 non-grouped digital inputs and 6 grouped digital inputs
- X2** – OR6: Assembly Group with 6 Output Relays
- X3** – TI: Standard current measuring card (for the winding side 1)
- X4** – TI: Standard current measuring card (for the winding side 2)
- X5** – DI8-OR4: Assembly Group with 8 Digital Inputs and 4 Output Relays
- X6** – TU: Card with 4 voltage transformer measuring inputs
- X102** – Universal Resistance-Temperature Detector (URTD) input, Fiber optics interface, Versatile Link
- X103** – Modbus TCP / DNP3.0 TCP/UDP, Fiber optics interface, LC Connector
- X104** – IRIG-B00X, incl. System Contact (Supervision Contact)

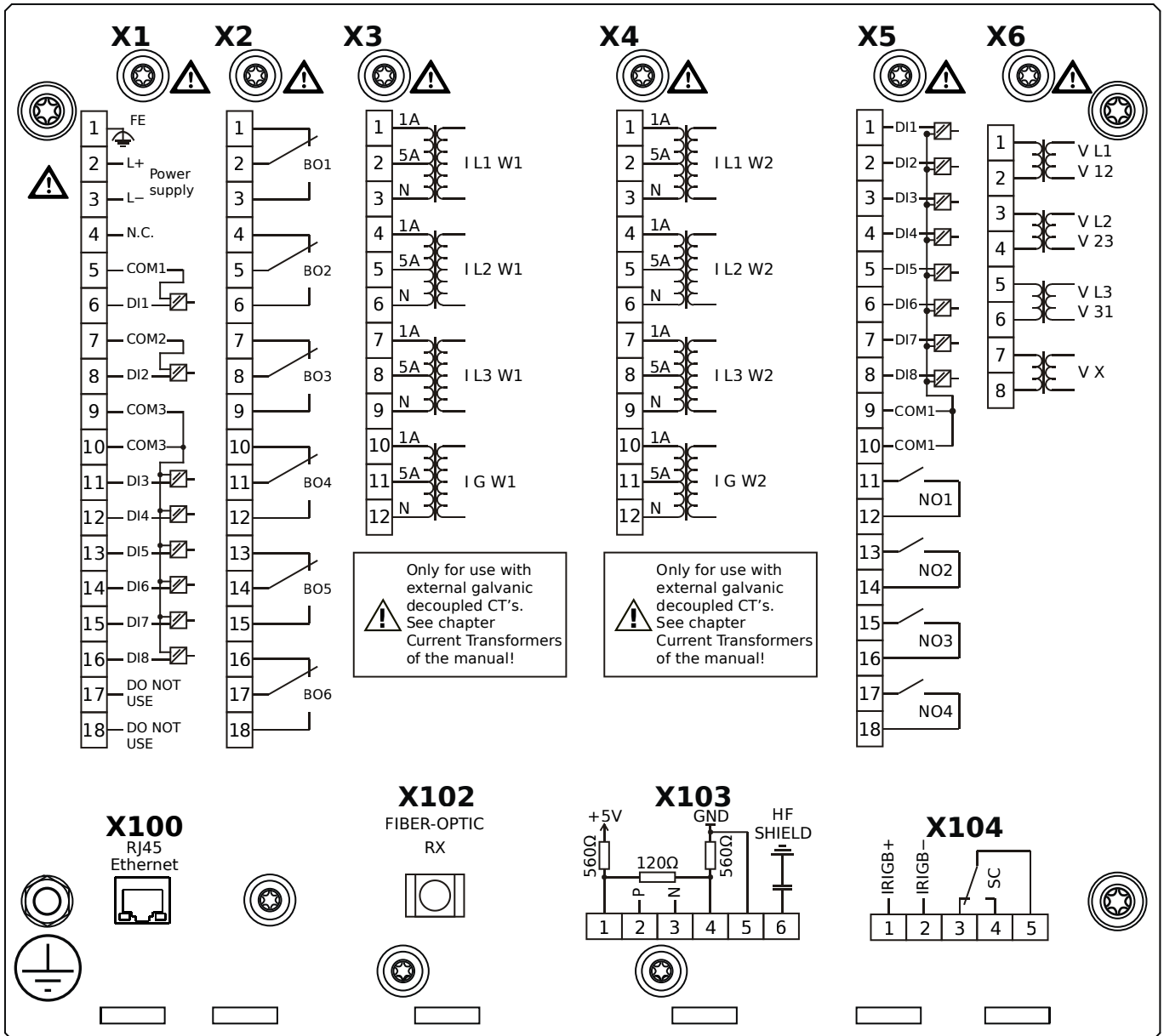
MCDTV4-2A0ATA



Housing B2, large display, door mounting

- X1** – DI8-X1: Wide-range power supply unit, incl. 2 non-grouped digital inputs and 6 grouped digital inputs
- X2** – OR6: Assembly Group with 6 Output Relays
- X3** – TI: Standard current measuring card (for the winding side 1)
- X4** – TI: Standard current measuring card (for the winding side 2)
- X5** – DI8-OR4: Assembly Group with 8 Digital Inputs and 4 Output Relays
- X6** – TU: Card with 4 voltage transformer measuring inputs
- X100** – IEC 61850 / Modbus TCP / DNP3.0 TCP/UDP, Ethernet interface, 100 Mbit/s, RJ45 (BASE100-FX)
- X102** – Universal Resistance-Temperature Detector (URTD) input, Fiber optics interface, Versatile Link
- X103** – IEC 60870-5-103 / Modbus RTU / DNP3.0 RTU, RS485, Terminals
- X104** – IRIG-B00X, incl. System Contact (Supervision Contact)

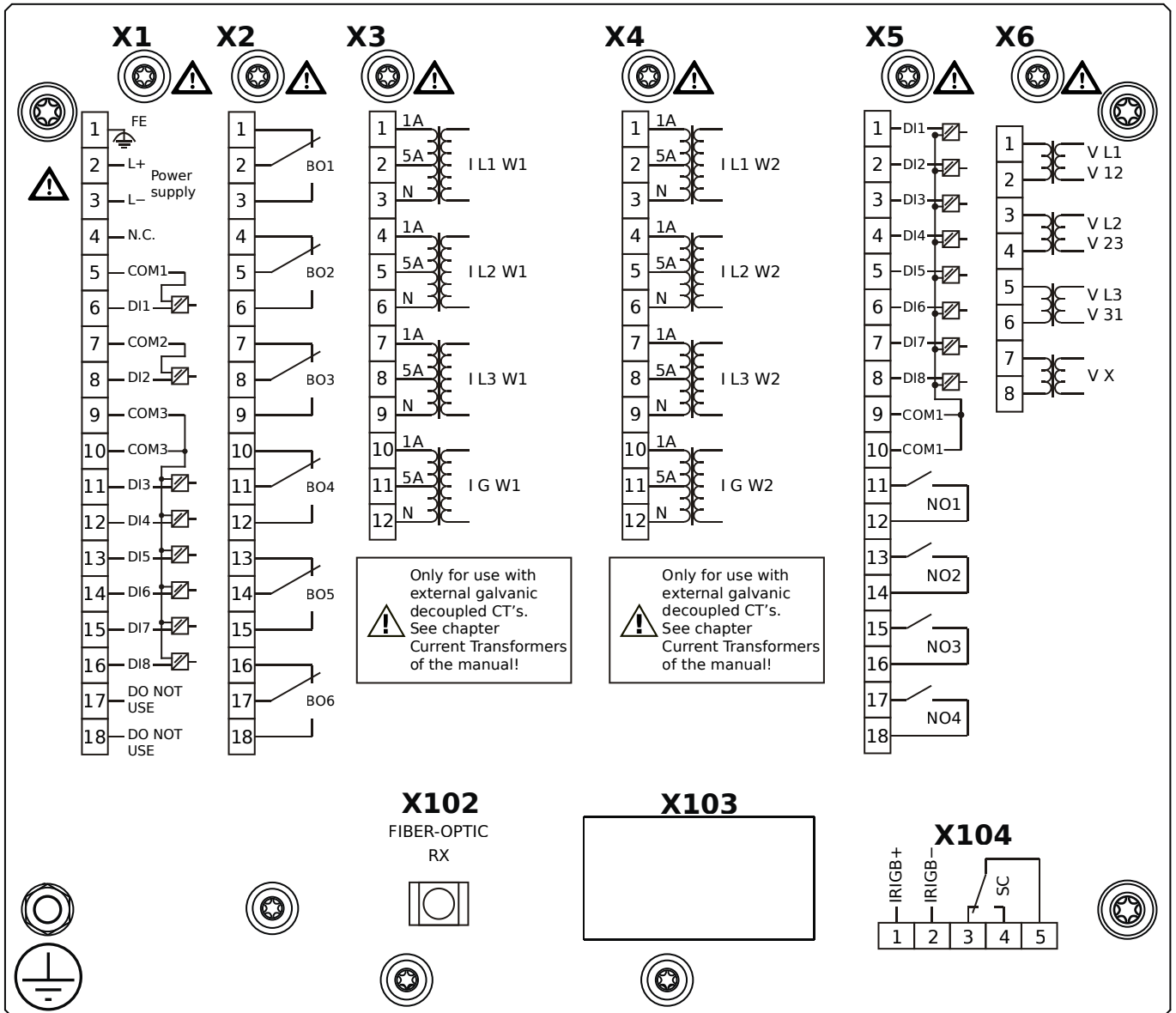
MCDTV4-2A0ATB



Housing B2, large display, door mounting

- + Conformal Coating (for installations in harsh environment)
- X1** – DI8-X1: Wide-range power supply unit, incl. 2 non-grouped digital inputs and 6 grouped digital inputs
- X2** – OR6: Assembly Group with 6 Output Relays
- X3** – TI: Standard current measuring card (for the winding side 1)
- X4** – TI: Standard current measuring card (for the winding side 2)
- X5** – DI8-OR4: Assembly Group with 8 Digital Inputs and 4 Output Relays
- X6** – TU: Card with 4 voltage transformer measuring inputs
- X100** – IEC 61850 / Modbus TCP / DNP3.0 TCP/UDP, Ethernet interface, 100 Mbit/s, RJ45 (BASE100-FX)
- X102** – Universal Resistance-Temperature Detector (URTD) input, Fiber optics interface, Versatile Link
- X103** – IEC 60870-5-103 / Modbus RTU / DNP3.0 RTU, RS485, Terminals
- X104** – IRIG-B00X, incl. System Contact (Supervision Contact)

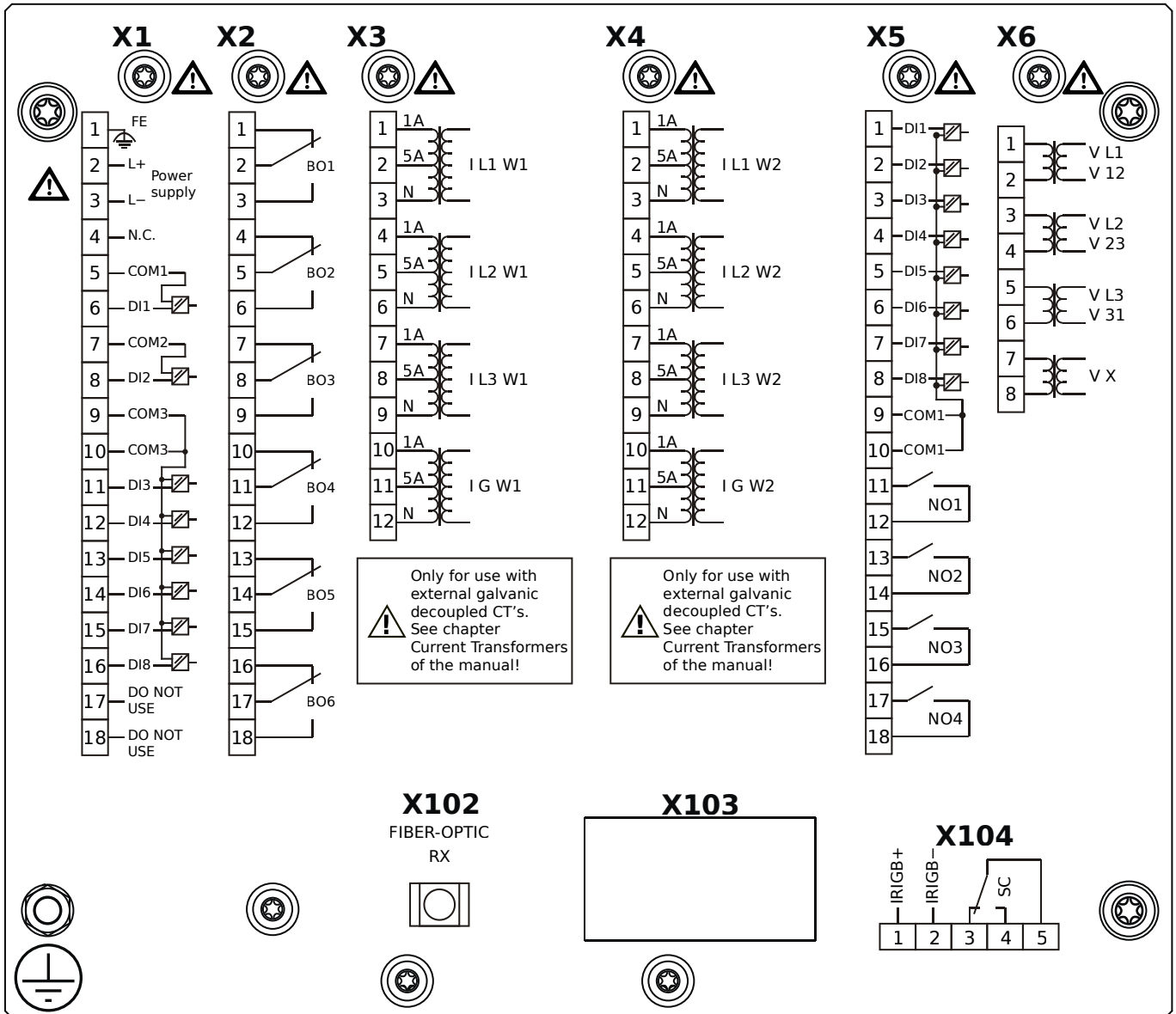
MCDTV4-2A0BAA



Housing B2, large display, 19" rack mounting

- X1** – DI8-X1: Wide-range power supply unit, incl. 2 non-grouped digital inputs and 6 grouped digital inputs
- X2** – OR6: Assembly Group with 6 Output Relays
- X3** – TI: Standard current measuring card (for the winding side 1)
- X4** – TI: Standard current measuring card (for the winding side 2)
- X5** – DI8-OR4: Assembly Group with 8 Digital Inputs and 4 Output Relays
- X6** – TU: Card with 4 voltage transformer measuring inputs
- X102** – Universal Resistance-Temperature Detector (URTD) input, Fiber optics interface, Versatile Link
- X104** – IRIG-B00X, incl. System Contact (Supervision Contact)

MCDTV4-2A0BAB

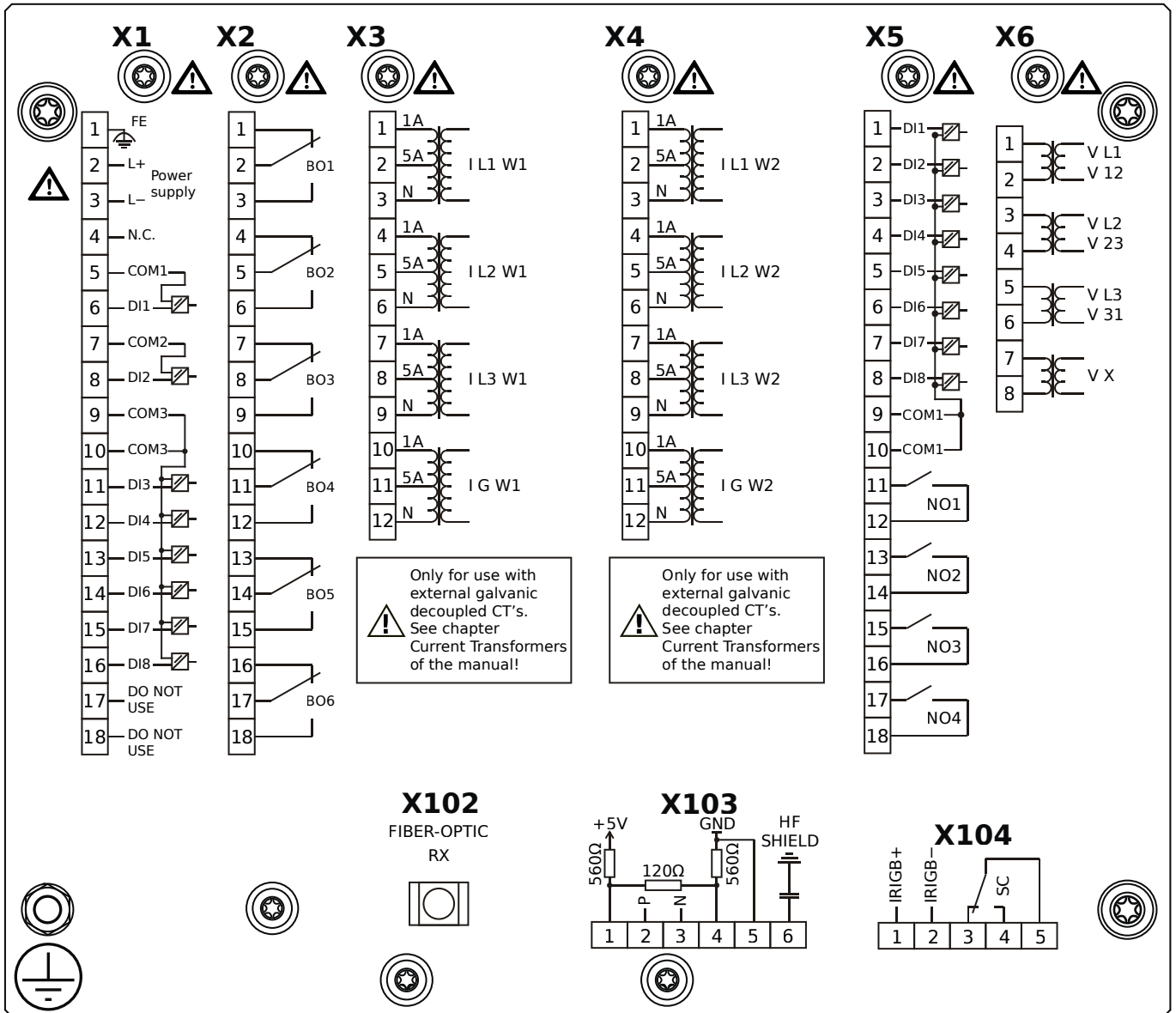


Housing B2, large display, 19" rack mounting

+ Conformal Coating (for installations in harsh environment)

- X1** – DI8-X1: Wide-range power supply unit, incl. 2 non-grouped digital inputs and 6 grouped digital inputs
- X2** – OR6: Assembly Group with 6 Output Relays
- X3** – TI: Standard current measuring card (for the winding side 1)
- X4** – TI: Standard current measuring card (for the winding side 2)
- X5** – DI8-OR4: Assembly Group with 8 Digital Inputs and 4 Output Relays
- X6** – TU: Card with 4 voltage transformer measuring inputs
- X102** – Universal Resistance-Temperature Detector (URTD) input, Fiber optics interface, Versatile Link
- X104** – IRIG-B00X, incl. System Contact (Supervision Contact)

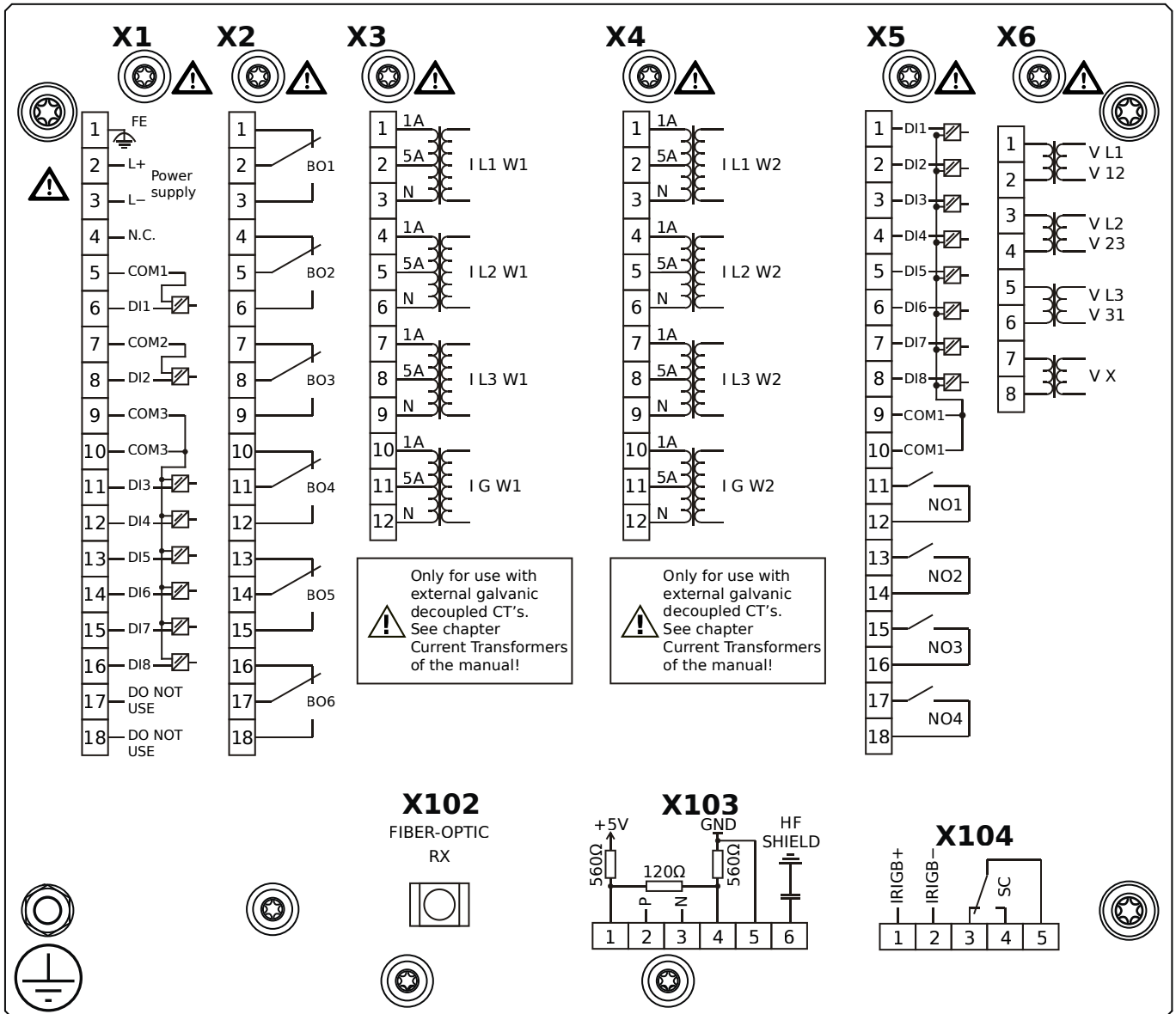
MCDTV4-2A0BBA



Housing B2, large display, 19" rack mounting

- X1** – DI8-X1: Wide-range power supply unit, incl. 2 non-grouped digital inputs and 6 grouped digital inputs
- X2** – OR6: Assembly Group with 6 Output Relays
- X3** – TI: Standard current measuring card (for the winding side 1)
- X4** – TI: Standard current measuring card (for the winding side 2)
- X5** – DI8-OR4: Assembly Group with 8 Digital Inputs and 4 Output Relays
- X6** – TU: Card with 4 voltage transformer measuring inputs
- X102** – Universal Resistance-Temperature Detector (URTD) input, Fiber optics interface, Versatile Link
- X103** – Modbus RTU / IEC 60870-5-103 / DNP3.0 RTU, RS485, Terminals
- X104** – IRIG-B00X, incl. System Contact (Supervision Contact)

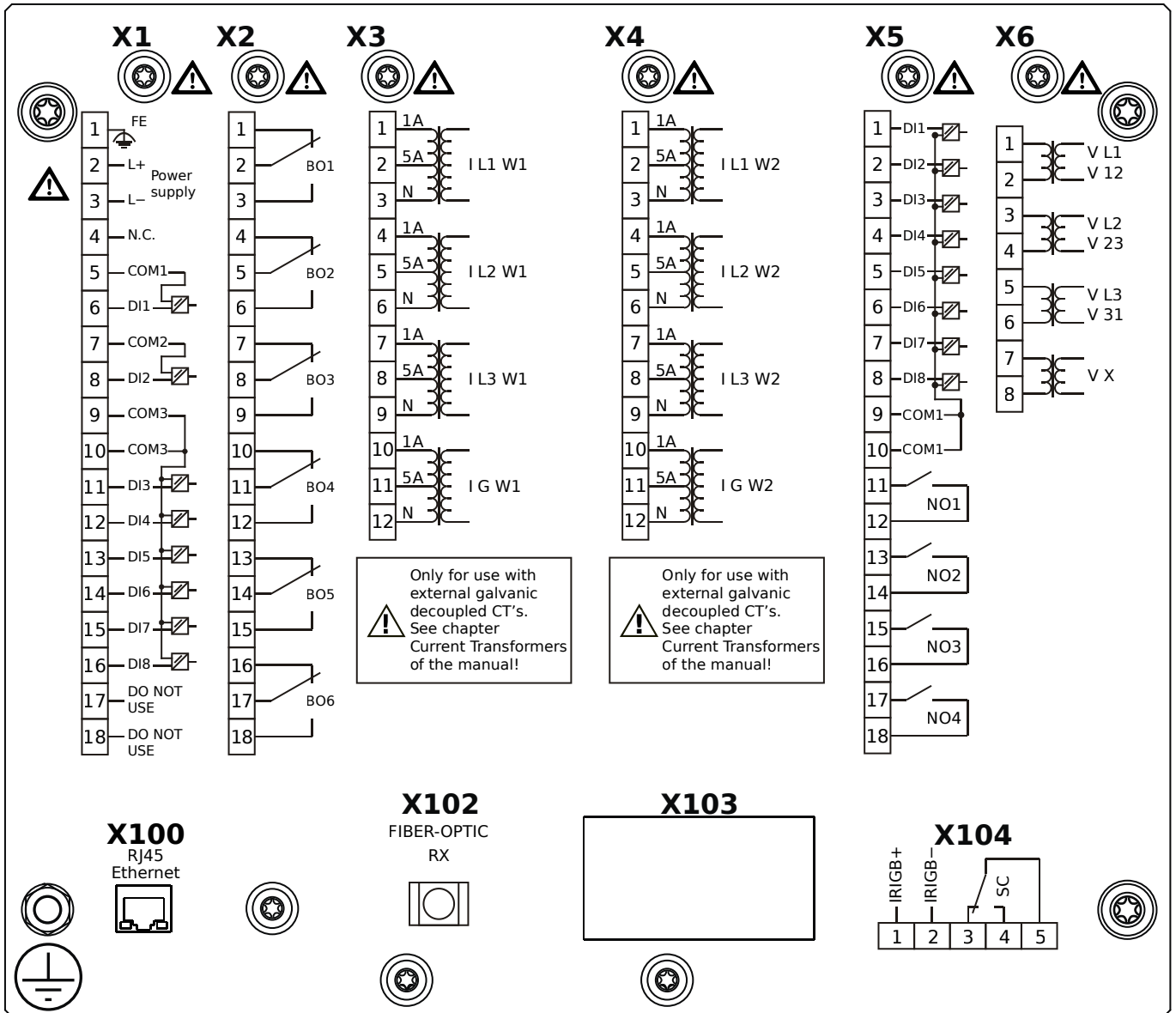
MCDTV4-2A0BBB



Housing B2, large display, 19" rack mounting

- + Conformal Coating (for installations in harsh environment)
- X1** – DI8-X1: Wide-range power supply unit, incl. 2 non-grouped digital inputs and 6 grouped digital inputs
- X2** – OR6: Assembly Group with 6 Output Relays
- X3** – TI: Standard current measuring card (for the winding side 1)
- X4** – TI: Standard current measuring card (for the winding side 2)
- X5** – DI8-OR4: Assembly Group with 8 Digital Inputs and 4 Output Relays
- X6** – TU: Card with 4 voltage transformer measuring inputs
- X102** – Universal Resistance-Temperature Detector (URTD) input, Fiber optics interface, Versatile Link
- X103** – Modbus RTU / IEC 60870-5-103 / DNP3.0 RTU, RS485, Terminals
- X104** – IRIG-B00X, incl. System Contact (Supervision Contact)

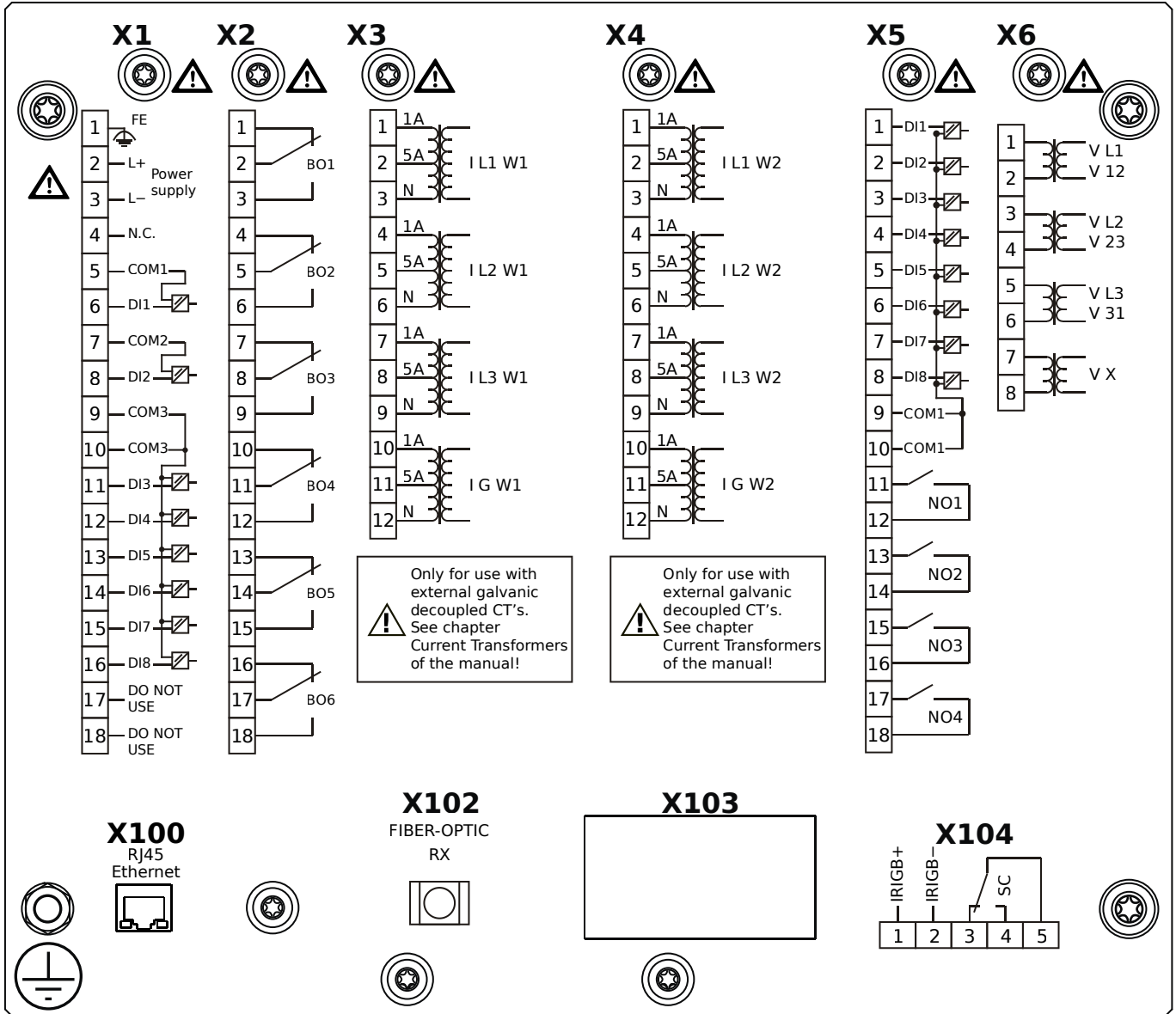
MCDTV4-2A0BCA



Housing B2, large display, 19" rack mounting

- X1** – DI8-X1: Wide-range power supply unit, incl. 2 non-grouped digital inputs and 6 grouped digital inputs
- X2** – OR6: Assembly Group with 6 Output Relays
- X3** – TI: Standard current measuring card (for the winding side 1)
- X4** – TI: Standard current measuring card (for the winding side 2)
- X5** – DI8-OR4: Assembly Group with 8 Digital Inputs and 4 Output Relays
- X6** – TU: Card with 4 voltage transformer measuring inputs
- X100** – Modbus TCP / DNP3.0 TCP/UDP, Ethernet interface, 100 Mbit/s, RJ45 (BASE100-FX)
- X102** – Universal Resistance-Temperature Detector (URTD) input, Fiber optics interface, Versatile Link
- X104** – IRIG-B00X, incl. System Contact (Supervision Contact)

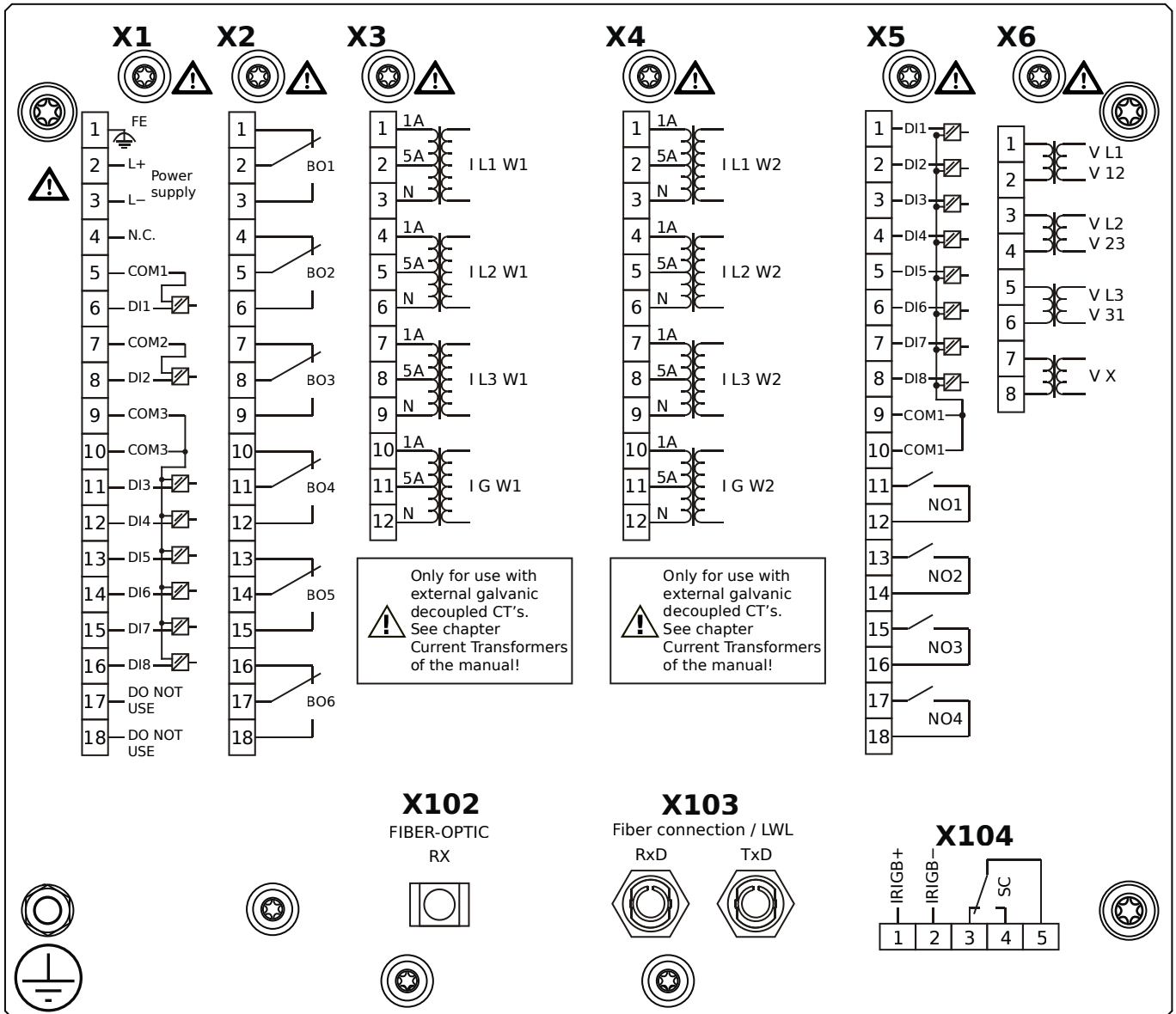
MCDTV4-2A0BCB



Housing B2, large display, 19" rack mounting

- + Conformal Coating (for installations in harsh environment)
- X1** – DI8-X1: Wide-range power supply unit, incl. 2 non-grouped digital inputs and 6 grouped digital inputs
- X2** – OR6: Assembly Group with 6 Output Relays
- X3** – TI: Standard current measuring card (for the winding side 1)
- X4** – TI: Standard current measuring card (for the winding side 2)
- X5** – DI8-OR4: Assembly Group with 8 Digital Inputs and 4 Output Relays
- X6** – TU: Card with 4 voltage transformer measuring inputs
- X100** – Modbus TCP / DNP3.0 TCP/UDP, Ethernet interface, 100 Mbit/s, RJ45 (BASE100-FX)
- X102** – Universal Resistance-Temperature Detector (URTD) input, Fiber optics interface, Versatile Link
- X104** – IRIG-B00X, incl. System Contact (Supervision Contact)

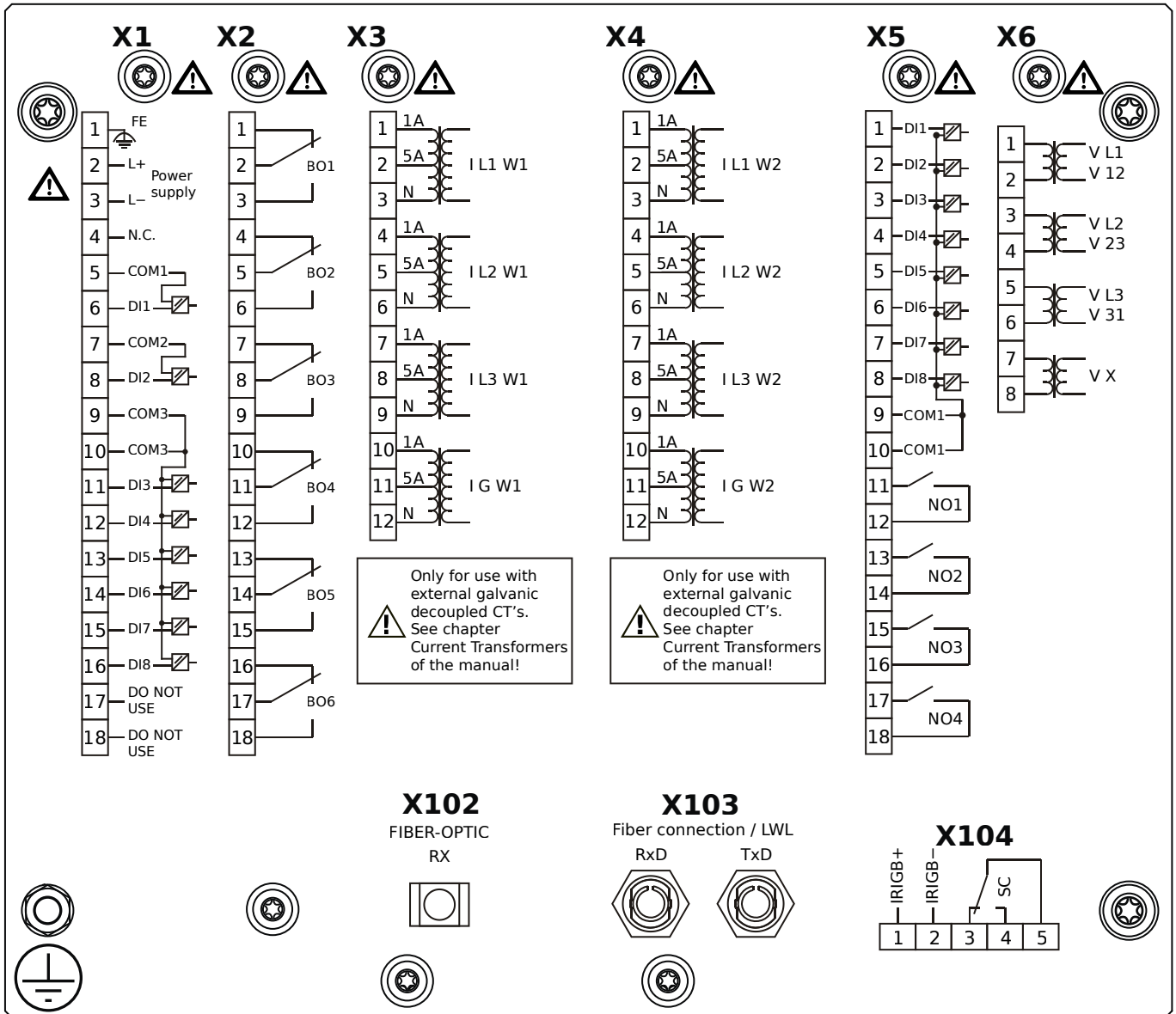
MCDTV4-2A0BDA



Housing B2, large display, 19" rack mounting

- X1** – DI8-X1: Wide-range power supply unit, incl. 2 non-grouped digital inputs and 6 grouped digital inputs
- X2** – OR6: Assembly Group with 6 Output Relays
- X3** – TI: Standard current measuring card (for the winding side 1)
- X4** – TI: Standard current measuring card (for the winding side 2)
- X5** – DI8-OR4: Assembly Group with 8 Digital Inputs and 4 Output Relays
- X6** – TU: Card with 4 voltage transformer measuring inputs
- X102** – Universal Resistance-Temperature Detector (URTD) input, Fiber optics interface, Versatile Link
- X103** – Profibus-DP, Fiber optics interface, ST Connector
- X104** – IRIG-B00X, incl. System Contact (Supervision Contact)

MCDTV4-2A0BDB

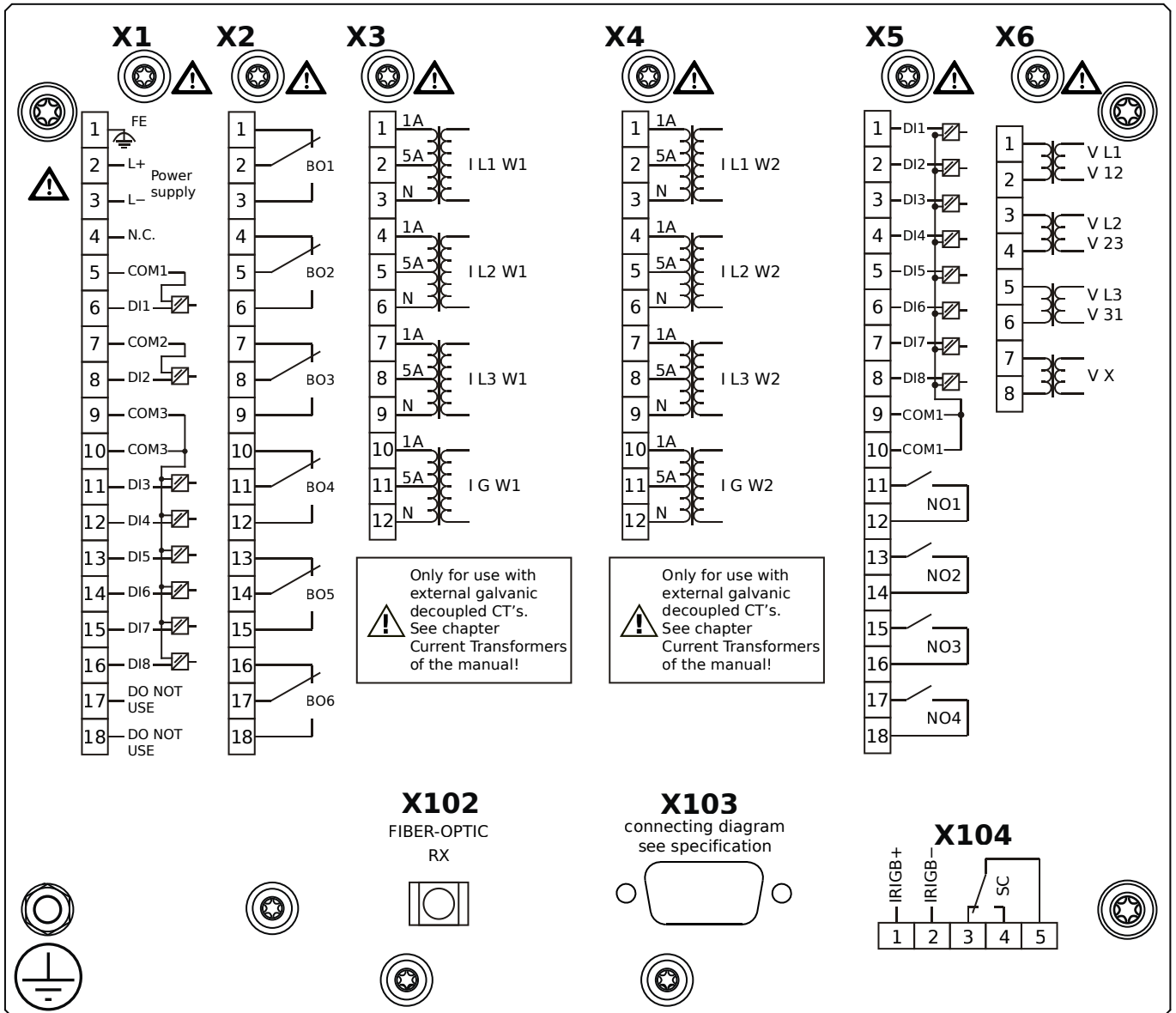


Housing B2, large display, 19" rack mounting

+ Conformal Coating (for installations in harsh environment)

- X1** – DI8-X1: Wide-range power supply unit, incl. 2 non-grouped digital inputs and 6 grouped digital inputs
- X2** – OR6: Assembly Group with 6 Output Relays
- X3** – TI: Standard current measuring card (for the winding side 1)
- X4** – TI: Standard current measuring card (for the winding side 2)
- X5** – DI8-OR4: Assembly Group with 8 Digital Inputs and 4 Output Relays
- X6** – TU: Card with 4 voltage transformer measuring inputs
- X102** – Universal Resistance-Temperature Detector (URTD) input, Fiber optics interface, Versatile Link
- X103** – Profibus-DP, Fiber optics interface, ST Connector
- X104** – IRIG-B00X, incl. System Contact (Supervision Contact)

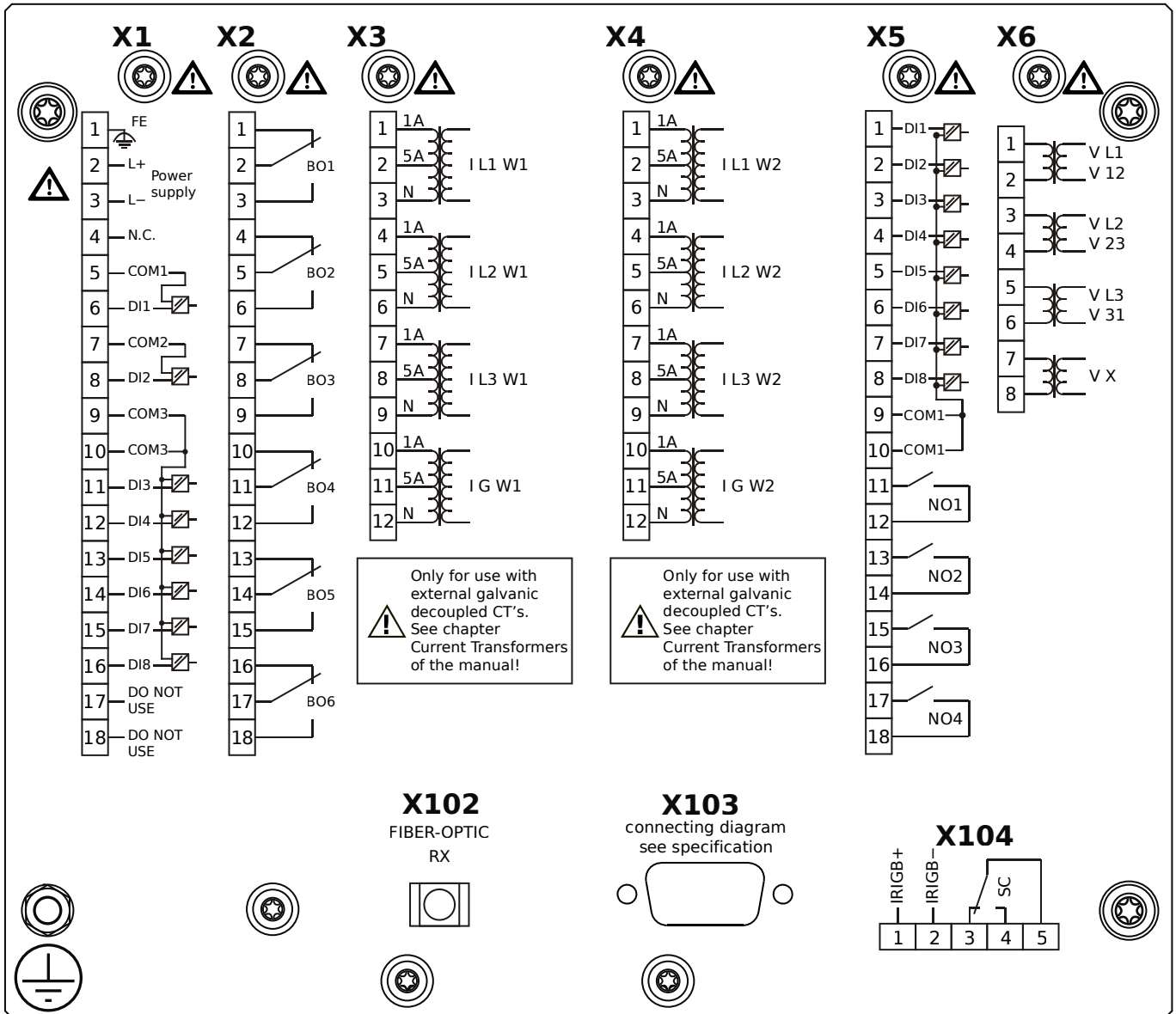
MCDTV4-2A0BEA



Housing B2, large display, 19" rack mounting

- X1** – DI8-X1: Wide-range power supply unit, incl. 2 non-grouped digital inputs and 6 grouped digital inputs
- X2** – OR6: Assembly Group with 6 Output Relays
- X3** – TI: Standard current measuring card (for the winding side 1)
- X4** – TI: Standard current measuring card (for the winding side 2)
- X5** – DI8-OR4: Assembly Group with 8 Digital Inputs and 4 Output Relays
- X6** – TU: Card with 4 voltage transformer measuring inputs
- X102** – Universal Resistance-Temperature Detector (URTD) input, Fiber optics interface, Versatile Link
- X103** – Profibus-DP, RS485, D-SUB
- X104** – IRIG-B00X, incl. System Contact (Supervision Contact)

MCDTV4-2A0BEB

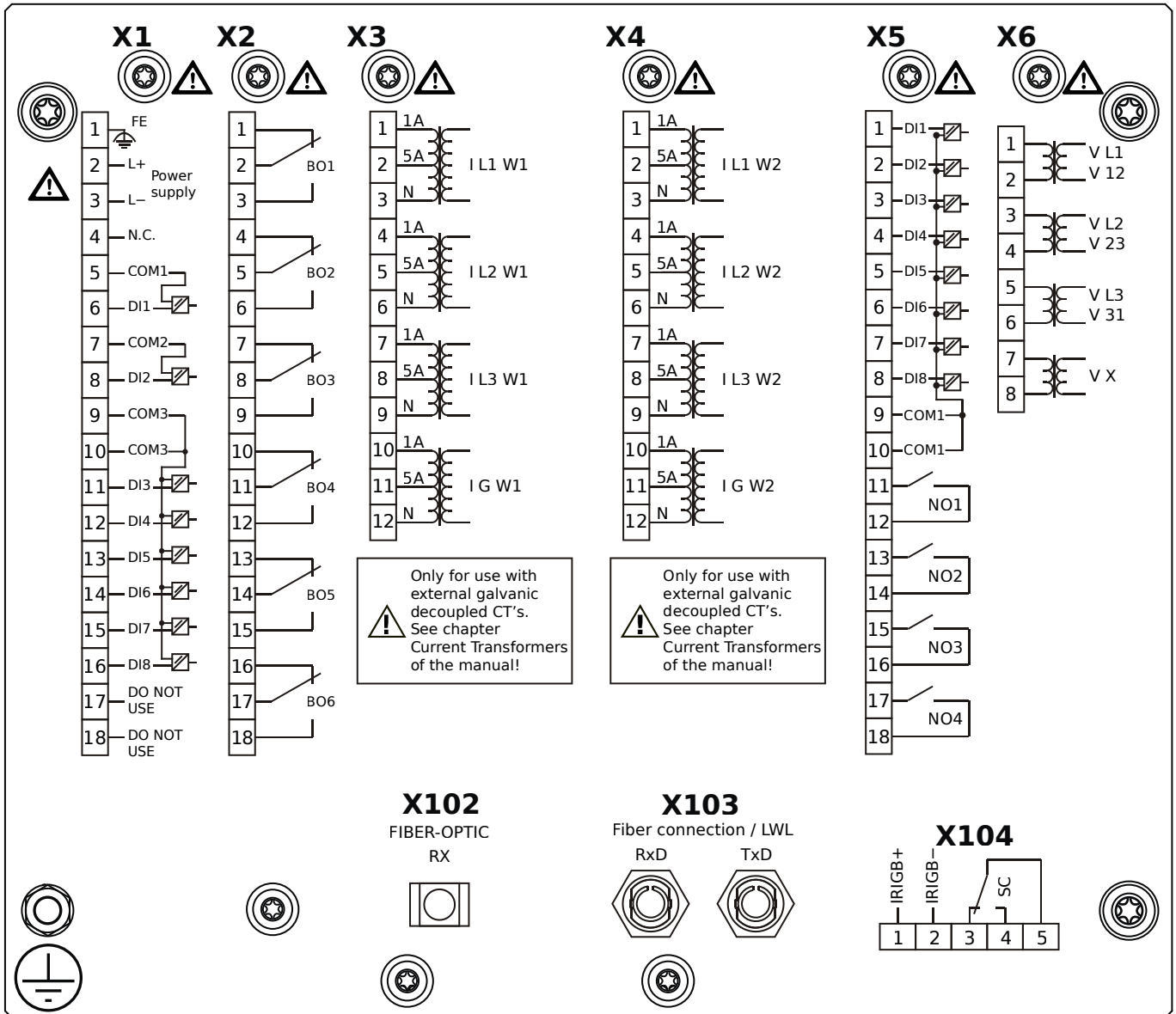


Housing B2, large display, 19" rack mounting

+ Conformal Coating (for installations in harsh environment)

- X1** – DI8-X1: Wide-range power supply unit, incl. 2 non-grouped digital inputs and 6 grouped digital inputs
- X2** – OR6: Assembly Group with 6 Output Relays
- X3** – TI: Standard current measuring card (for the winding side 1)
- X4** – TI: Standard current measuring card (for the winding side 2)
- X5** – DI8-OR4: Assembly Group with 8 Digital Inputs and 4 Output Relays
- X6** – TU: Card with 4 voltage transformer measuring inputs
- X102** – Universal Resistance-Temperature Detector (URTD) input, Fiber optics interface, Versatile Link
- X103** – Profibus-DP, RS485, D-SUB
- X104** – IRIG-B00X, incl. System Contact (Supervision Contact)

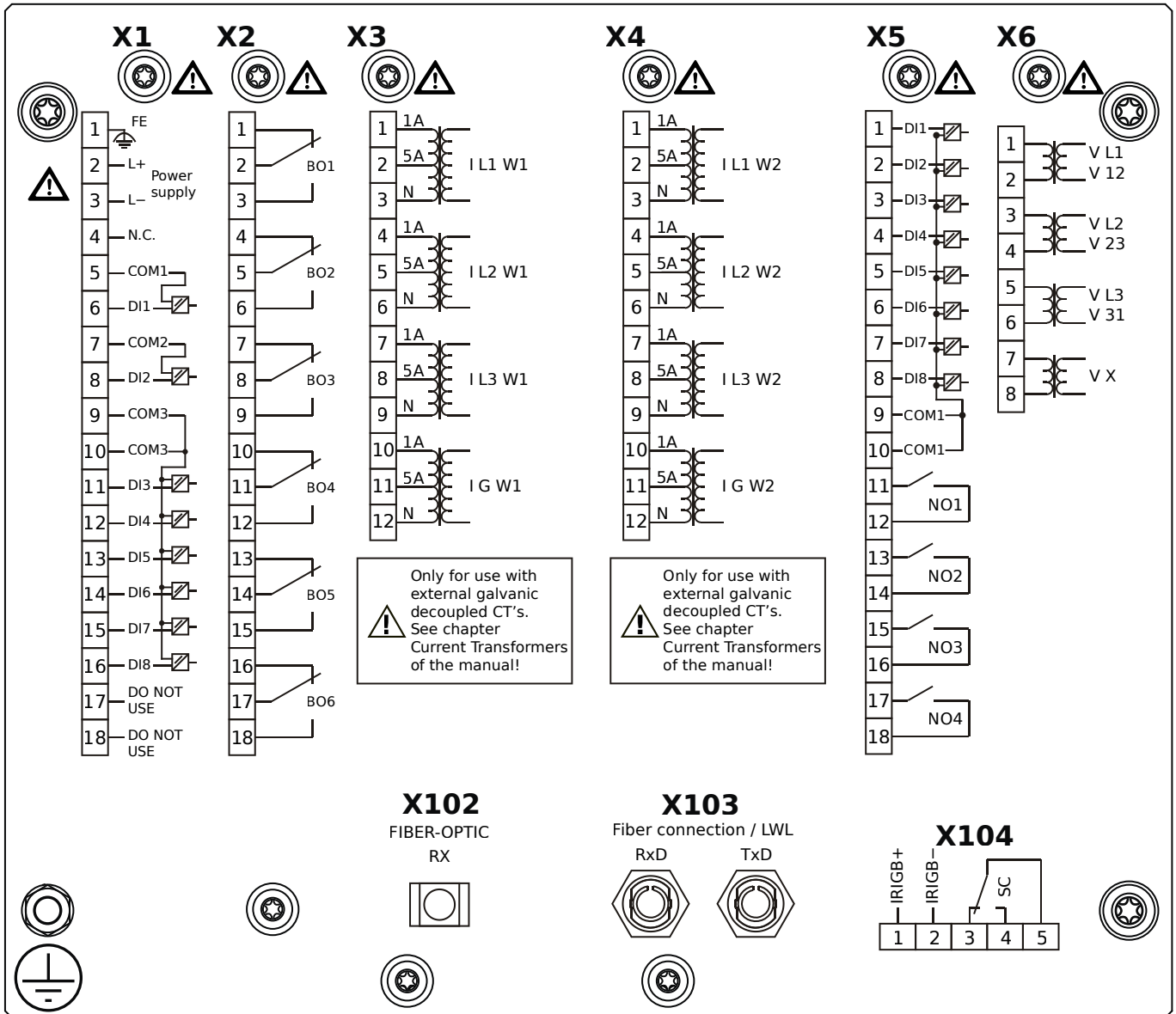
MCDTV4-2A0BFA



Housing B2, large display, 19" rack mounting

- X1** – DI8-X1: Wide-range power supply unit, incl. 2 non-grouped digital inputs and 6 grouped digital inputs
- X2** – OR6: Assembly Group with 6 Output Relays
- X3** – TI: Standard current measuring card (for the winding side 1)
- X4** – TI: Standard current measuring card (for the winding side 2)
- X5** – DI8-OR4: Assembly Group with 8 Digital Inputs and 4 Output Relays
- X6** – TU: Card with 4 voltage transformer measuring inputs
- X102** – Universal Resistance-Temperature Detector (URTD) input, Fiber optics interface, Versatile Link
- X103** – Modbus RTU / IEC 60870-5-103 / DNP3.0 RTU, Fiber optics interface, ST Connector
- X104** – IRIG-B00X, incl. System Contact (Supervision Contact)

MCDTV4-2A0BFB

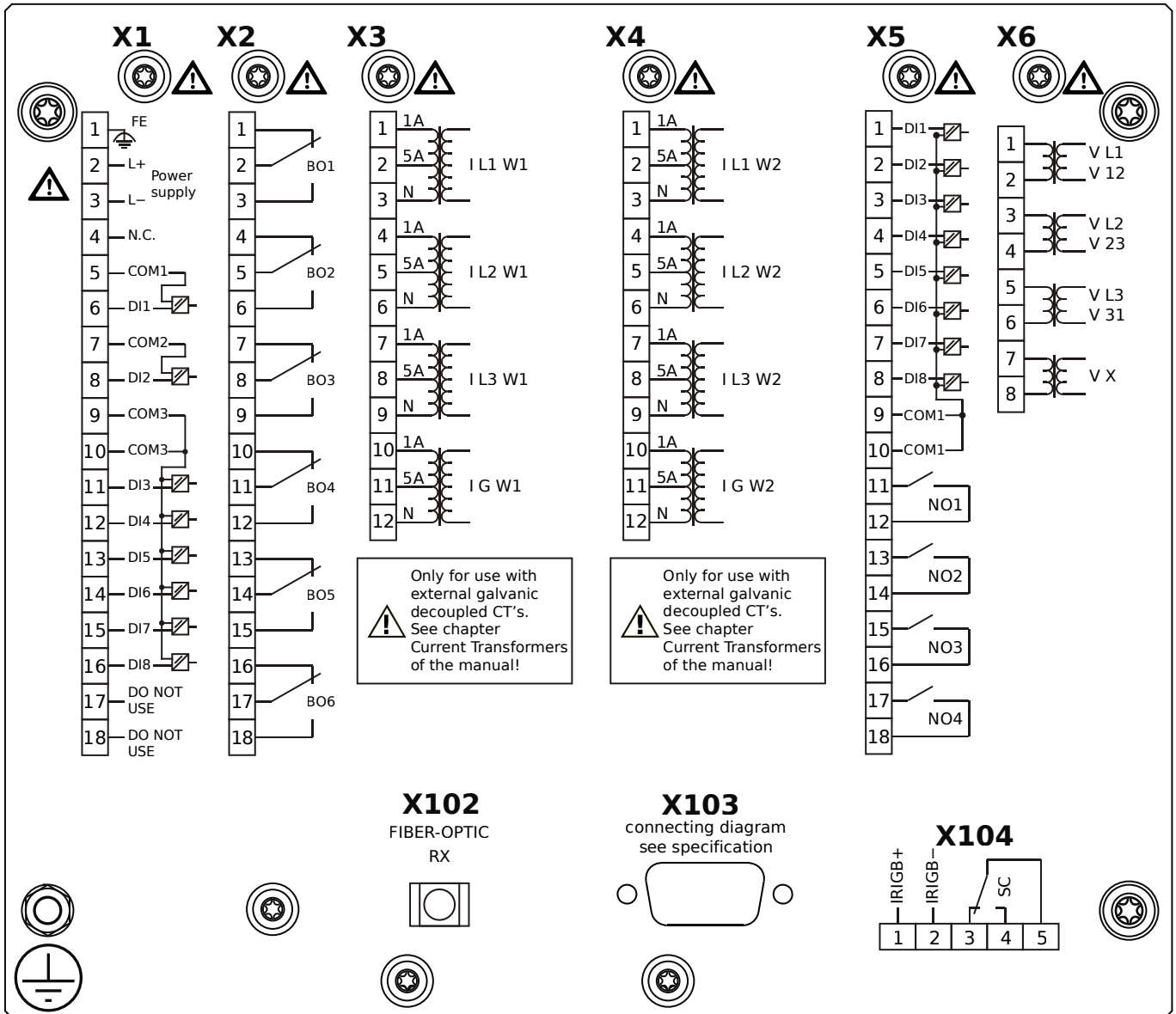


Housing B2, large display, 19" rack mounting

+ Conformal Coating (for installations in harsh environment)

- X1** – DI8-X1: Wide-range power supply unit, incl. 2 non-grouped digital inputs and 6 grouped digital inputs
- X2** – OR6: Assembly Group with 6 Output Relays
- X3** – TI: Standard current measuring card (for the winding side 1)
- X4** – TI: Standard current measuring card (for the winding side 2)
- X5** – DI8-OR4: Assembly Group with 8 Digital Inputs and 4 Output Relays
- X6** – TU: Card with 4 voltage transformer measuring inputs
- X102** – Universal Resistance-Temperature Detector (URTD) input, Fiber optics interface, Versatile Link
- X103** – Modbus RTU / IEC 60870-5-103 / DNP3.0 RTU, Fiber optics interface, ST Connector
- X104** – IRIG-B00X, incl. System Contact (Supervision Contact)

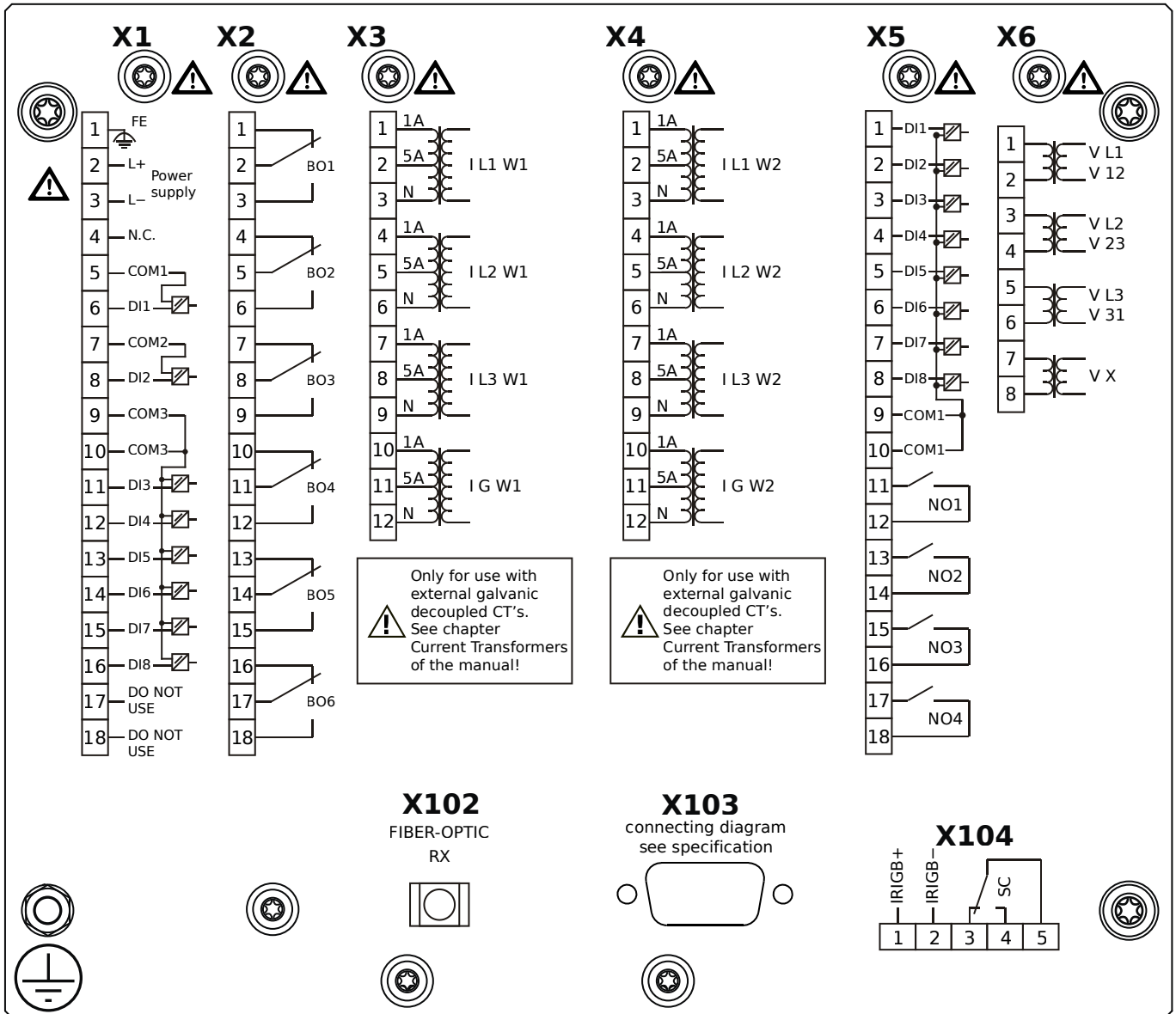
MCDTV4-2A0BGA



Housing B2, large display, 19" rack mounting

- X1** – DI8-X1: Wide-range power supply unit, incl. 2 non-grouped digital inputs and 6 grouped digital inputs
- X2** – OR6: Assembly Group with 6 Output Relays
- X3** – TI: Standard current measuring card (for the winding side 1)
- X4** – TI: Standard current measuring card (for the winding side 2)
- X5** – DI8-OR4: Assembly Group with 8 Digital Inputs and 4 Output Relays
- X6** – TU: Card with 4 voltage transformer measuring inputs
- X102** – Universal Resistance-Temperature Detector (URTD) input, Fiber optics interface, Versatile Link
- X103** – Modbus RTU / IEC 60870-5-103 / DNP3.0 RTU, RS485, D-SUB
- X104** – IRIG-B00X, incl. System Contact (Supervision Contact)

MCDTV4-2A0BGB

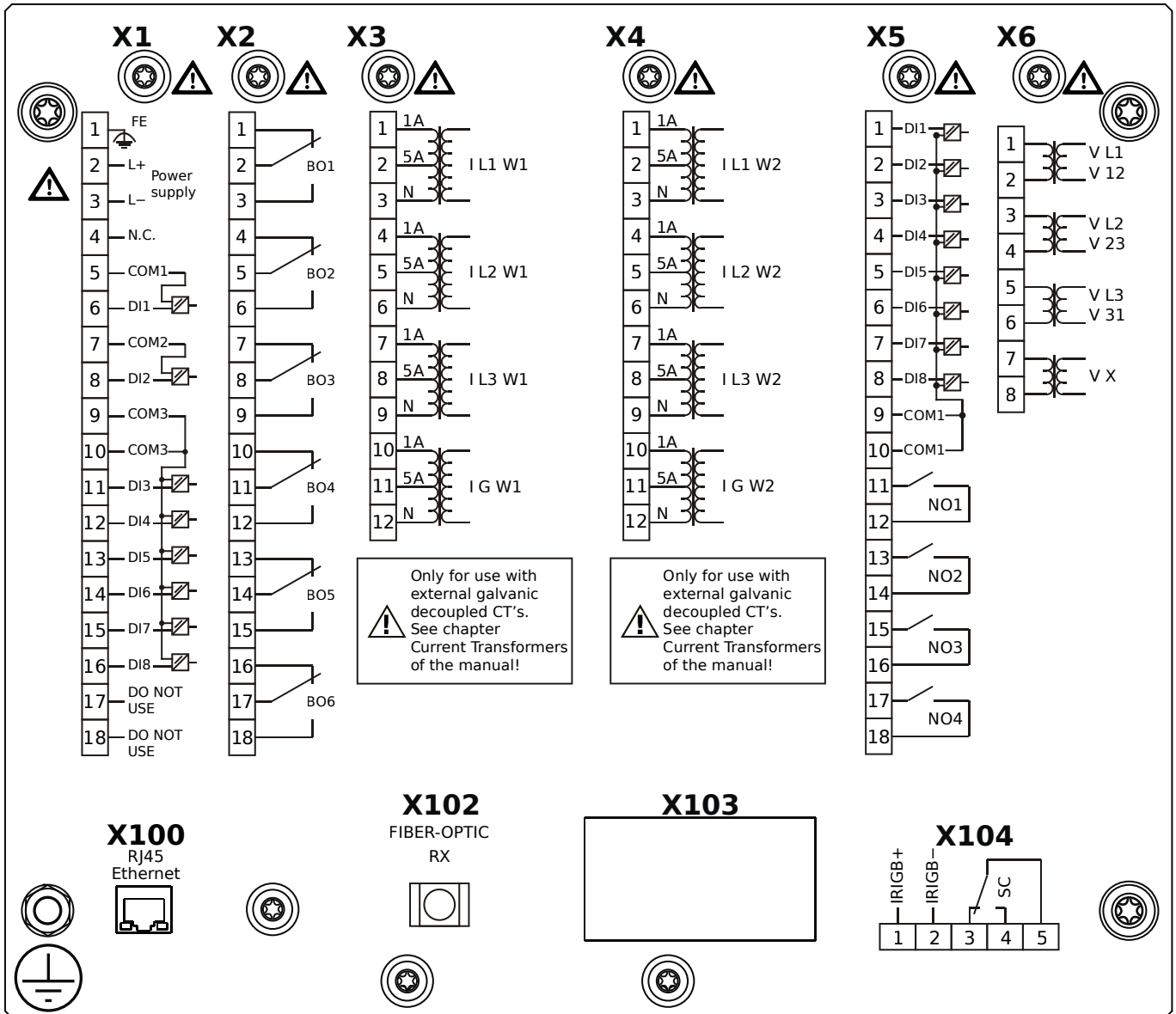


Housing B2, large display, 19" rack mounting

+ Conformal Coating (for installations in harsh environment)

- X1** – DI8-X1: Wide-range power supply unit, incl. 2 non-grouped digital inputs and 6 grouped digital inputs
- X2** – OR6: Assembly Group with 6 Output Relays
- X3** – TI: Standard current measuring card (for the winding side 1)
- X4** – TI: Standard current measuring card (for the winding side 2)
- X5** – DI8-OR4: Assembly Group with 8 Digital Inputs and 4 Output Relays
- X6** – TU: Card with 4 voltage transformer measuring inputs
- X102** – Universal Resistance-Temperature Detector (URTD) input, Fiber optics interface, Versatile Link
- X103** – Modbus RTU / IEC 60870-5-103 / DNP3.0 RTU, RS485, D-SUB
- X104** – IRIG-B00X, incl. System Contact (Supervision Contact)

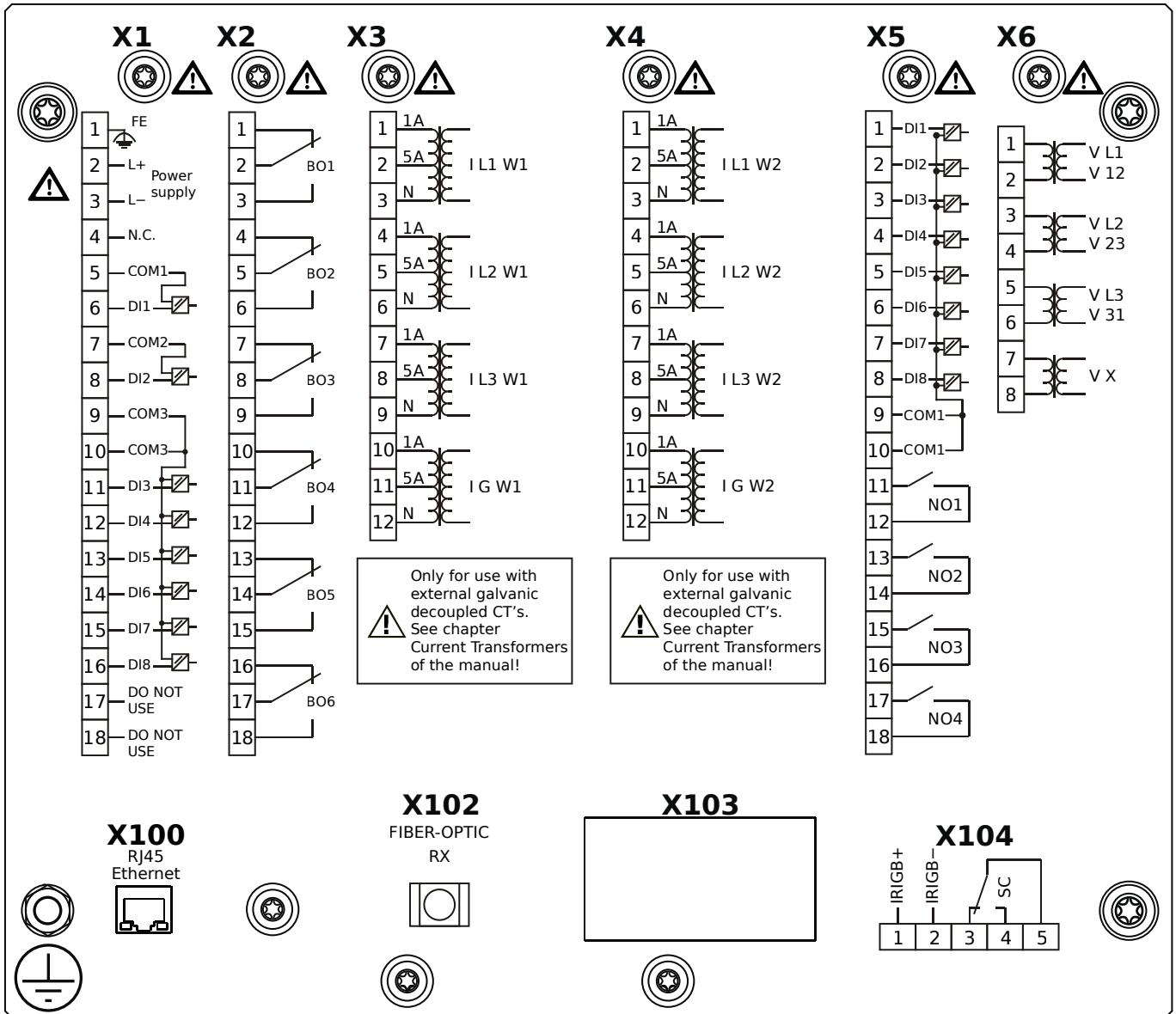
MCDTV4-2A0BHA



Housing B2, large display, 19" rack mounting

- X1** – DI8-X1: Wide-range power supply unit, incl. 2 non-grouped digital inputs and 6 grouped digital inputs
- X2** – OR6: Assembly Group with 6 Output Relays
- X3** – TI: Standard current measuring card (for the winding side 1)
- X4** – TI: Standard current measuring card (for the winding side 2)
- X5** – DI8-OR4: Assembly Group with 8 Digital Inputs and 4 Output Relays
- X6** – TU: Card with 4 voltage transformer measuring inputs
- X100** – IEC 61850 / Modbus TCP / DNP3.0 TCP/UDP, Ethernet interface, 100 Mbit/s, RJ45 (BASE100-FX)
- X102** – Universal Resistance-Temperature Detector (URTD) input, Fiber optics interface, Versatile Link
- X104** – IRIG-B00X, incl. System Contact (Supervision Contact)

MCDTV4-2A0BHB



Housing B2, large display, 19" rack mounting

+ Conformal Coating (for installations in harsh environment)

X1 – DI8-X1: Wide-range power supply unit, incl. 2 non-grouped digital inputs and 6 grouped digital inputs

X2 – OR6: Assembly Group with 6 Output Relays

X3 – TI: Standard current measuring card (for the winding side 1)

X4 – TI: Standard current measuring card (for the winding side 2)

X5 – DI8-OR4: Assembly Group with 8 Digital Inputs and 4 Output Relays

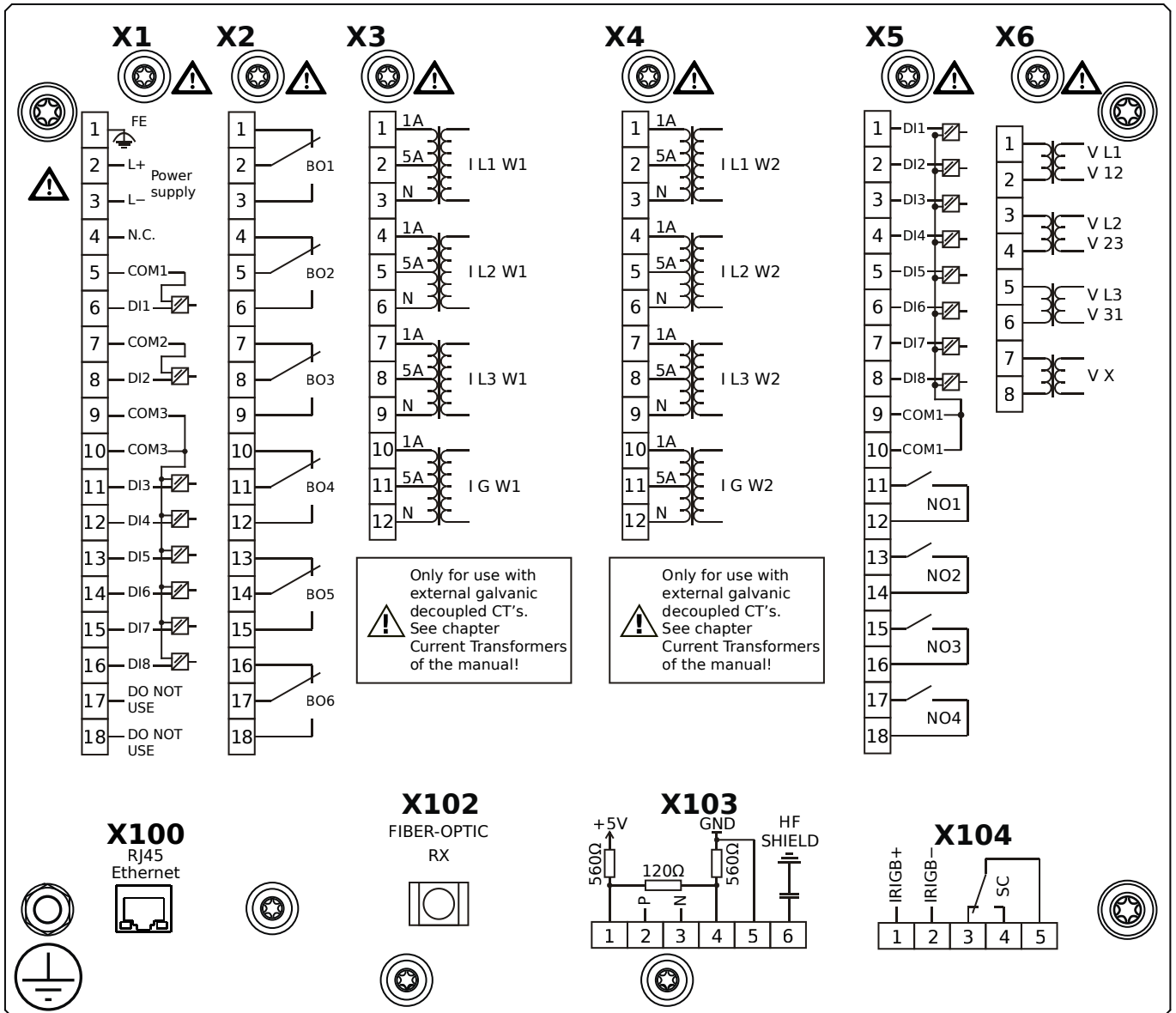
X6 – TU: Card with 4 voltage transformer measuring inputs

X100 – IEC 61850 / Modbus TCP / DNP3.0 TCP/UDP, Ethernet interface, 100 Mbit/s, RJ45 (BASE100-FX)

X102 – Universal Resistance-Temperature Detector (URTD) input, Fiber optics interface, Versatile Link

X104 – IRIG-B00X, incl. System Contact (Supervision Contact)

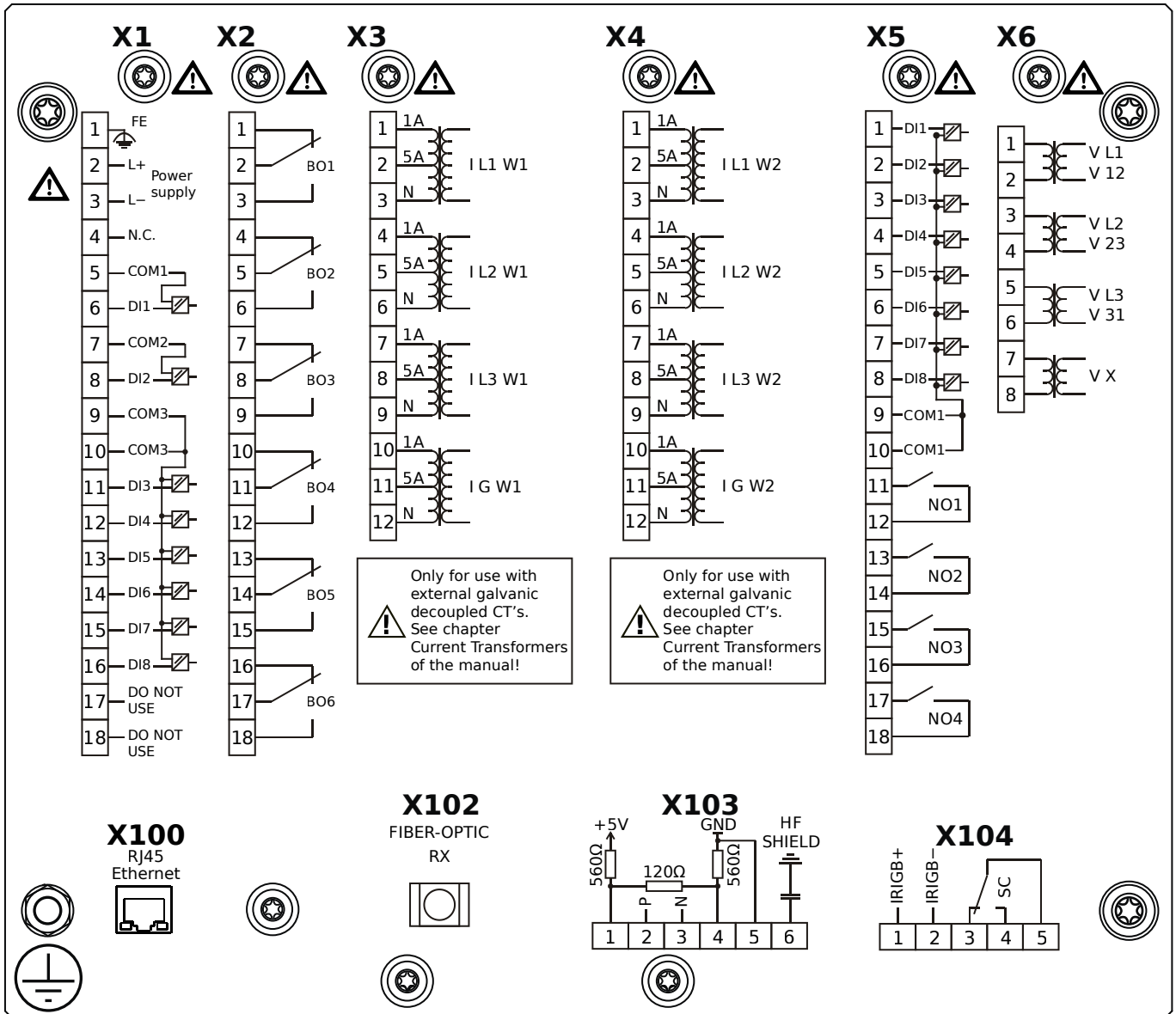
MCDTV4-2A0BIA



Housing B2, large display, 19" rack mounting

- X1** – DI8-X1: Wide-range power supply unit, incl. 2 non-grouped digital inputs and 6 grouped digital inputs
- X2** – OR6: Assembly Group with 6 Output Relays
- X3** – TI: Standard current measuring card (for the winding side 1)
- X4** – TI: Standard current measuring card (for the winding side 2)
- X5** – DI8-OR4: Assembly Group with 8 Digital Inputs and 4 Output Relays
- X6** – TU: Card with 4 voltage transformer measuring inputs
- X100** – Modbus TCP / DNP3.0 TCP/UDP, Ethernet interface, 100 Mbit/s, RJ45 (BASE100-FX)
- X102** – Universal Resistance-Temperature Detector (URTD) input, Fiber optics interface, Versatile Link
- X103** – IEC 60870-5-103 / Modbus RTU / DNP3.0 RTU, RS485, Terminals
- X104** – IRIG-B00X, incl. System Contact (Supervision Contact)

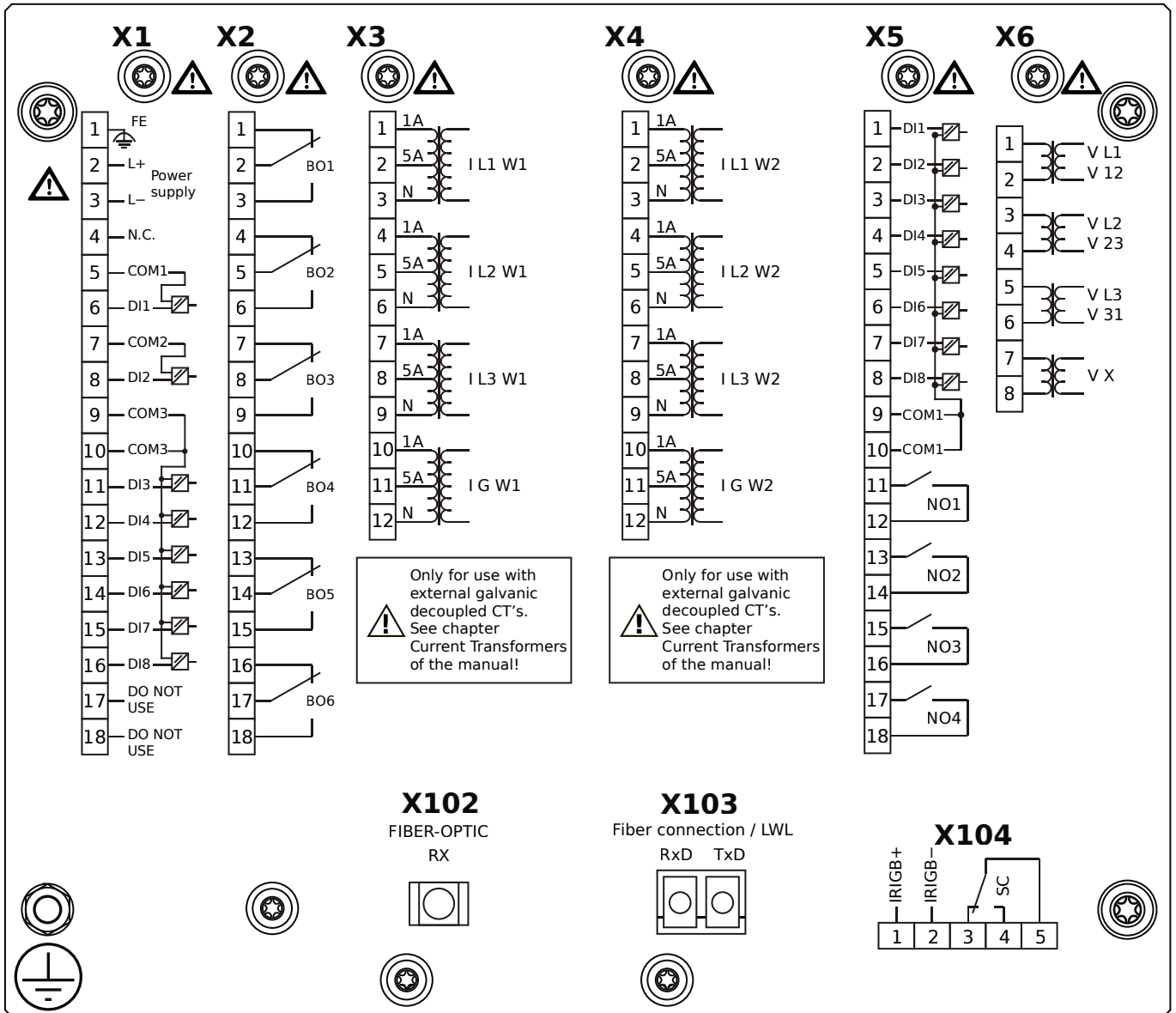
MCDTV4-2A0BIB



Housing B2, large display, 19" rack mounting

- + Conformal Coating (for installations in harsh environment)
- X1** – DI8-X1: Wide-range power supply unit, incl. 2 non-grouped digital inputs and 6 grouped digital inputs
- X2** – OR6: Assembly Group with 6 Output Relays
- X3** – TI: Standard current measuring card (for the winding side 1)
- X4** – TI: Standard current measuring card (for the winding side 2)
- X5** – DI8-OR4: Assembly Group with 8 Digital Inputs and 4 Output Relays
- X6** – TU: Card with 4 voltage transformer measuring inputs
- X100** – Modbus TCP / DNP3.0 TCP/UDP, Ethernet interface, 100 Mbit/s, RJ45 (BASE100-FX)
- X102** – Universal Resistance-Temperature Detector (URTD) input, Fiber optics interface, Versatile Link
- X103** – IEC 60870-5-103 / Modbus RTU / DNP3.0 RTU, RS485, Terminals
- X104** – I R I G B-00X, incl. System Contact (Supervision Contact)

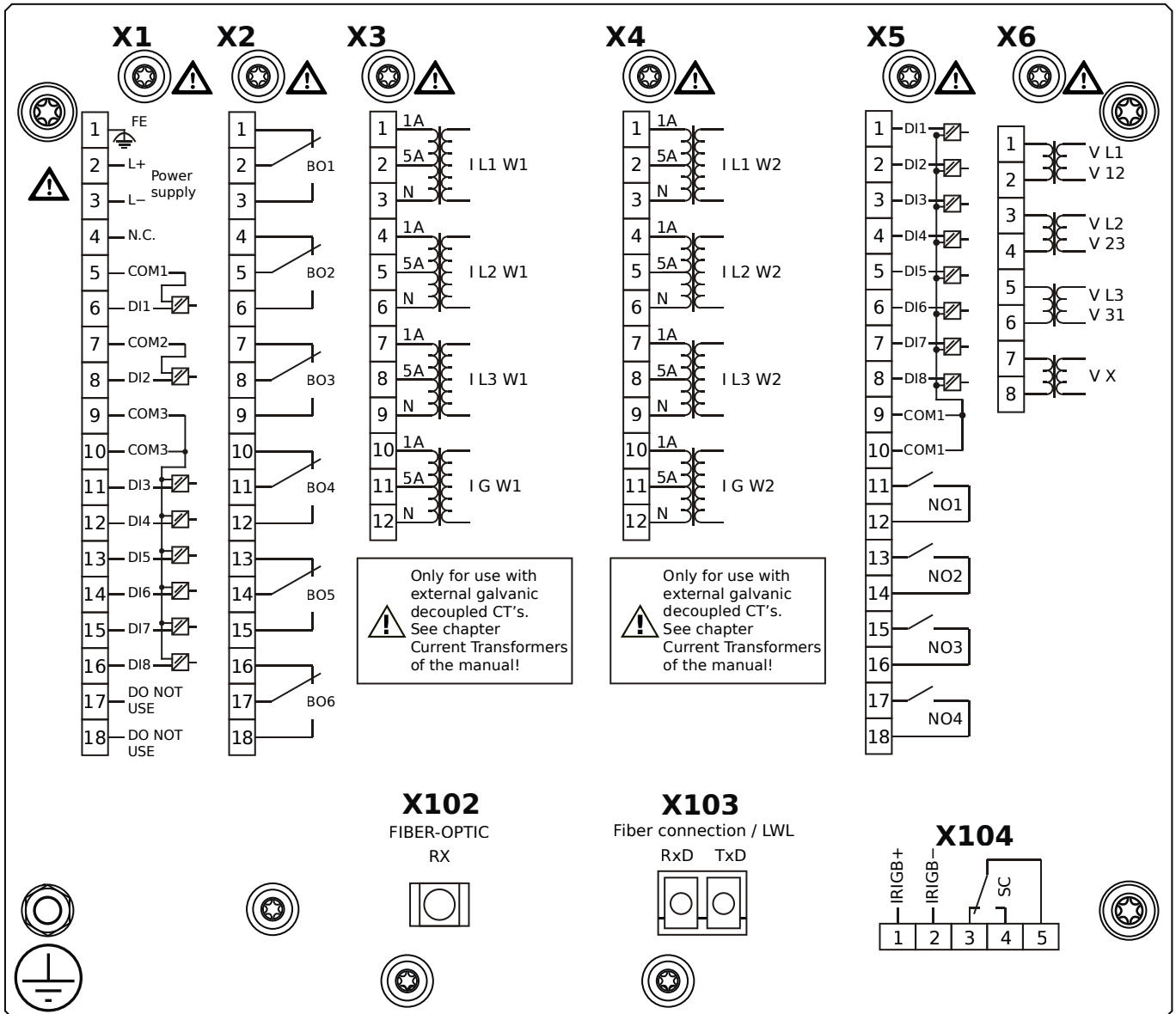
MCDTV4-2A0BKA



Housing B2, large display, 19" rack mounting

- X1** – DI8-X1: Wide-range power supply unit, incl. 2 non-grouped digital inputs and 6 grouped digital inputs
- X2** – OR6: Assembly Group with 6 Output Relays
- X3** – TI: Standard current measuring card (for the winding side 1)
- X4** – TI: Standard current measuring card (for the winding side 2)
- X5** – DI8-OR4: Assembly Group with 8 Digital Inputs and 4 Output Relays
- X6** – TU: Card with 4 voltage transformer measuring inputs
- X102** – Universal Resistance-Temperature Detector (URTD) input, Fiber optics interface, Versatile Link
- X103** – IEC 61850 / Modbus TCP / DNP3.0 TCP/UDP, Fiber optics interface, LC Connector
- X104** – IRIG-B00X, incl. System Contact (Supervision Contact)

MCDTV4-2A0BKB

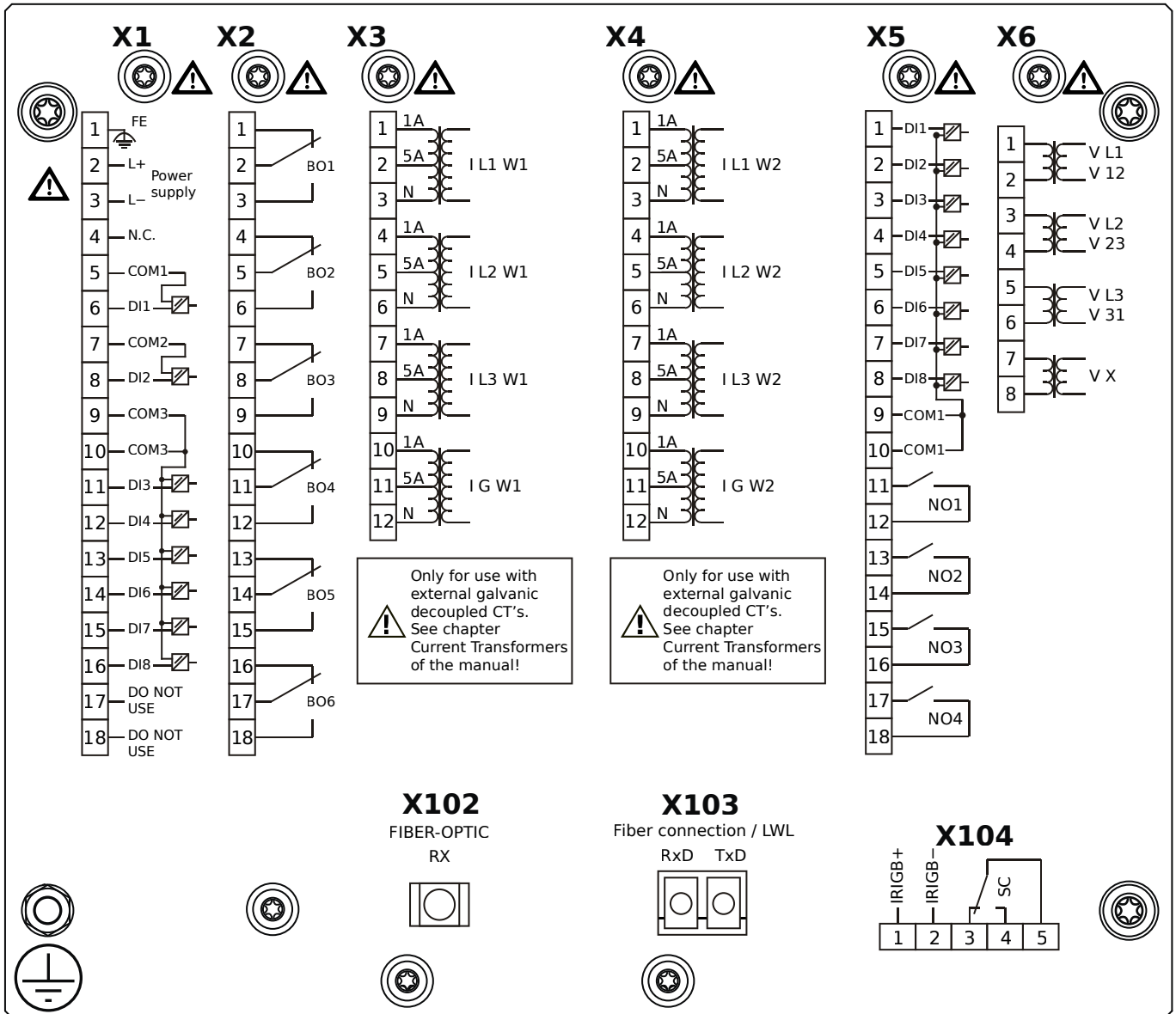


Housing B2, large display, 19" rack mounting

+ Conformal Coating (for installations in harsh environment)

- X1** – DI8-X1: Wide-range power supply unit, incl. 2 non-grouped digital inputs and 6 grouped digital inputs
- X2** – OR6: Assembly Group with 6 Output Relays
- X3** – TI: Standard current measuring card (for the winding side 1)
- X4** – TI: Standard current measuring card (for the winding side 2)
- X5** – DI8-OR4: Assembly Group with 8 Digital Inputs and 4 Output Relays
- X6** – TU: Card with 4 voltage transformer measuring inputs
- X102** – Universal Resistance-Temperature Detector (URTD) input, Fiber optics interface, Versatile Link
- X103** – IEC 61850 / Modbus TCP / DNP3.0 TCP/UDP, Fiber optics interface, LC Connector
- X104** – IRIG-B00X, incl. System Contact (Supervision Contact)

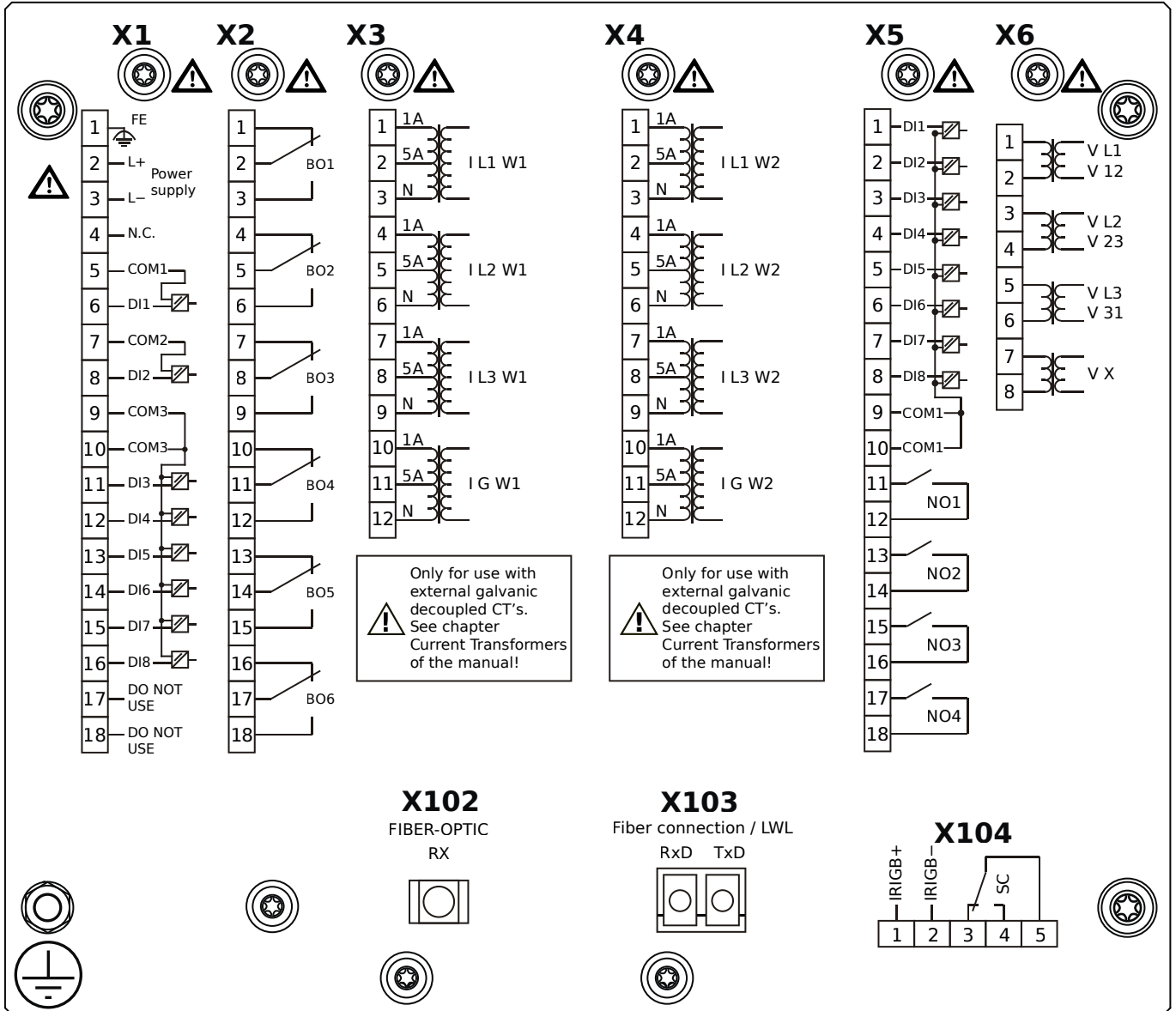
MCDTV4-2A0BLA



Housing B2, large display, 19" rack mounting

- X1** – DI8-X1: Wide-range power supply unit, incl. 2 non-grouped digital inputs and 6 grouped digital inputs
- X2** – OR6: Assembly Group with 6 Output Relays
- X3** – TI: Standard current measuring card (for the winding side 1)
- X4** – TI: Standard current measuring card (for the winding side 2)
- X5** – DI8-OR4: Assembly Group with 8 Digital Inputs and 4 Output Relays
- X6** – TU: Card with 4 voltage transformer measuring inputs
- X102** – Universal Resistance-Temperature Detector (URTD) input, Fiber optics interface, Versatile Link
- X103** – Modbus TCP / DNP3.0 TCP/UDP, Fiber optics interface, LC Connector
- X104** – IRIG-B00X, incl. System Contact (Supervision Contact)

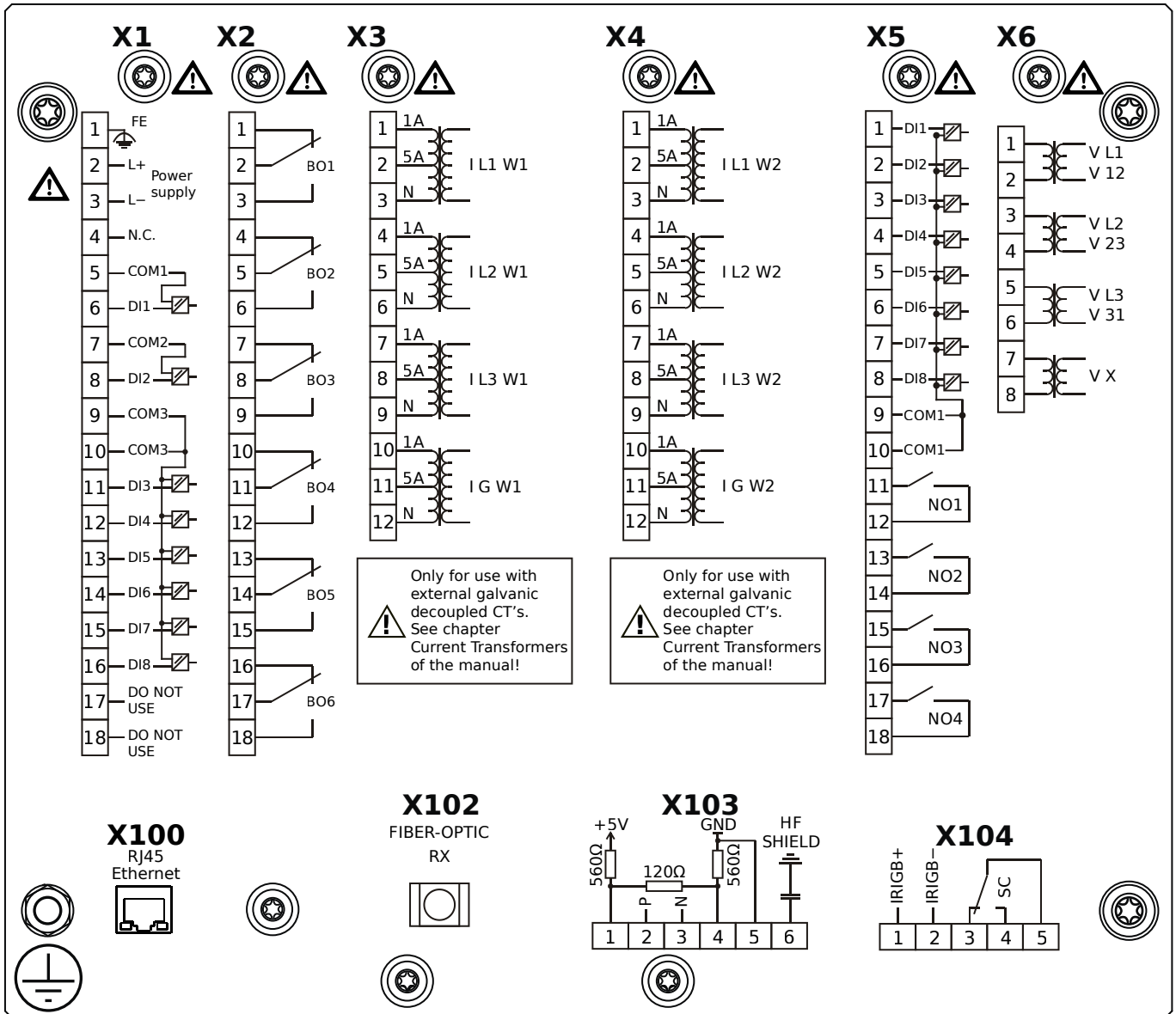
MCDTV4-2A0BLB



Housing B2, large display, 19" rack mounting

- + Conformal Coating (for installations in harsh environment)
- X1** – DI8-X1: Wide-range power supply unit, incl. 2 non-grouped digital inputs and 6 grouped digital inputs
- X2** – OR6: Assembly Group with 6 Output Relays
- X3** – TI: Standard current measuring card (for the winding side 1)
- X4** – TI: Standard current measuring card (for the winding side 2)
- X5** – DI8-OR4: Assembly Group with 8 Digital Inputs and 4 Output Relays
- X6** – TU: Card with 4 voltage transformer measuring inputs
- X102** – Universal Resistance-Temperature Detector (URTD) input, Fiber optics interface, Versatile Link
- X103** – Modbus TCP / DNP3.0 TCP/UDP, Fiber optics interface, LC Connector
- X104** – IRIG-B00X, incl. System Contact (Supervision Contact)

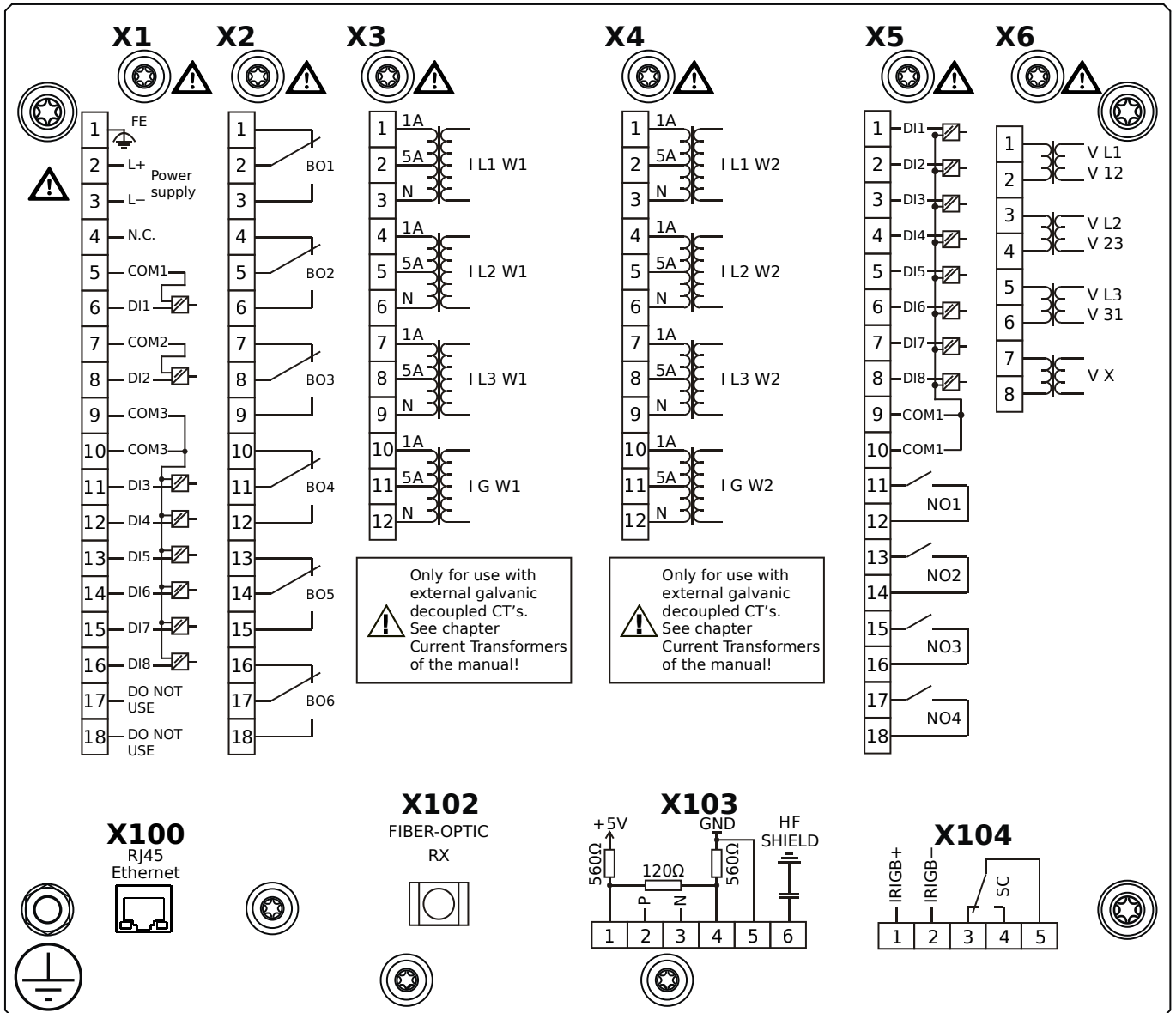
MCDTV4-2A0BTA



Housing B2, large display, 19" rack mounting

- X1** – DI8-X1: Wide-range power supply unit, incl. 2 non-grouped digital inputs and 6 grouped digital inputs
- X2** – OR6: Assembly Group with 6 Output Relays
- X3** – TI: Standard current measuring card (for the winding side 1)
- X4** – TI: Standard current measuring card (for the winding side 2)
- X5** – DI8-OR4: Assembly Group with 8 Digital Inputs and 4 Output Relays
- X6** – TU: Card with 4 voltage transformer measuring inputs
- X100** – IEC 61850 / Modbus TCP / DNP3.0 TCP/UDP, Ethernet interface, 100 Mbit/s, RJ45 (BASE100-FX)
- X102** – Universal Resistance-Temperature Detector (URTD) input, Fiber optics interface, Versatile Link
- X103** – IEC 60870-5-103 / Modbus RTU / DNP3.0 RTU, RS485, Terminals
- X104** – IRIG-B00X, incl. System Contact (Supervision Contact)

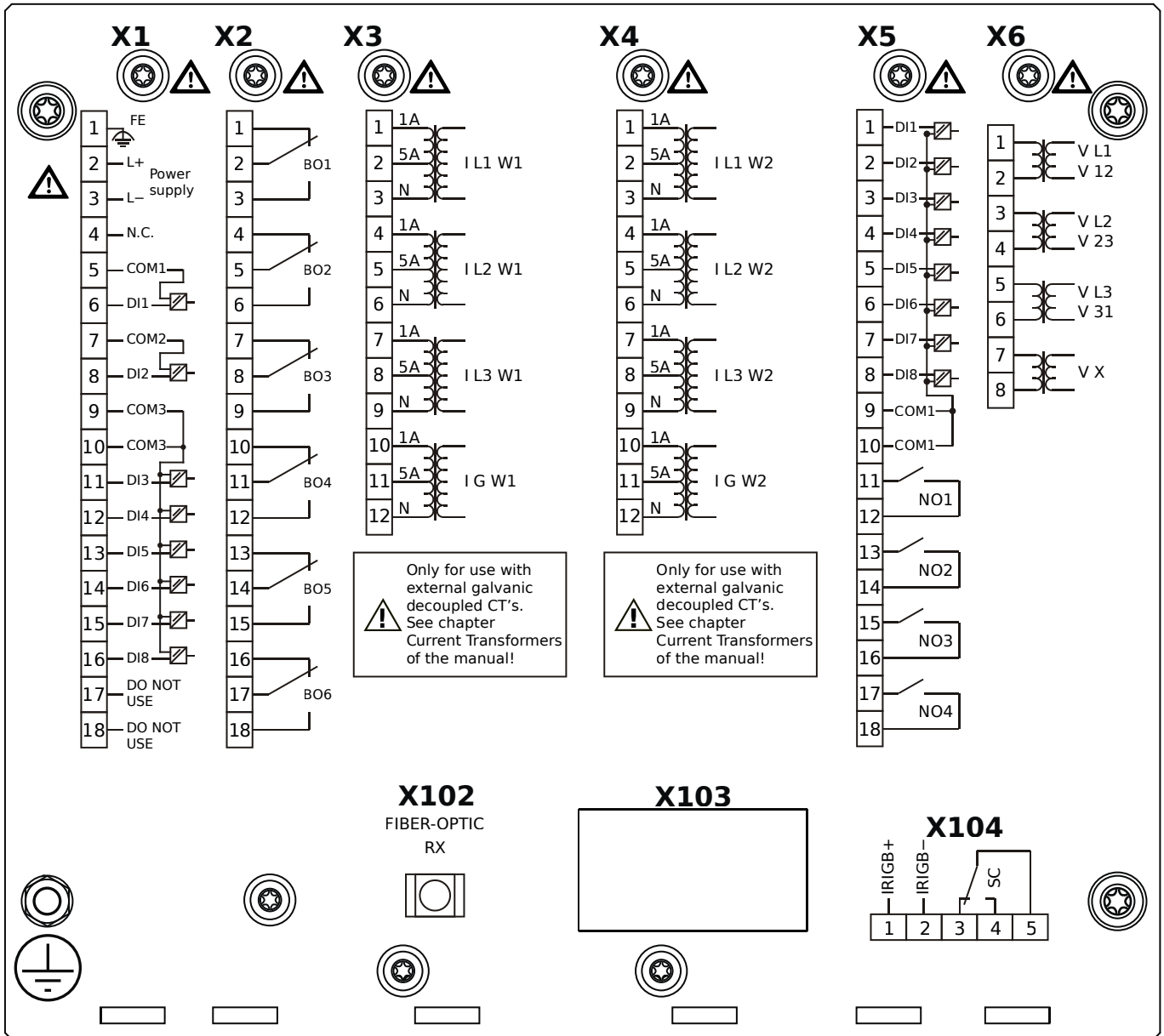
MCDTV4-2A0BTB



Housing B2, large display, 19" rack mounting

- + Conformal Coating (for installations in harsh environment)
- X1** – DI8-X1: Wide-range power supply unit, incl. 2 non-grouped digital inputs and 6 grouped digital inputs
- X2** – OR6: Assembly Group with 6 Output Relays
- X3** – TI: Standard current measuring card (for the winding side 1)
- X4** – TI: Standard current measuring card (for the winding side 2)
- X5** – DI8-OR4: Assembly Group with 8 Digital Inputs and 4 Output Relays
- X6** – TU: Card with 4 voltage transformer measuring inputs
- X100** – IEC 61850 / Modbus TCP / DNP3.0 TCP/UDP, Ethernet interface, 100 Mbit/s, RJ45 (BASE100-FX)
- X102** – Universal Resistance-Temperature Detector (URTD) input, Fiber optics interface, Versatile Link
- X103** – IEC 60870-5-103 / Modbus RTU / DNP3.0 RTU, RS485, Terminals
- X104** – IRIG-B00X, incl. System Contact (Supervision Contact)

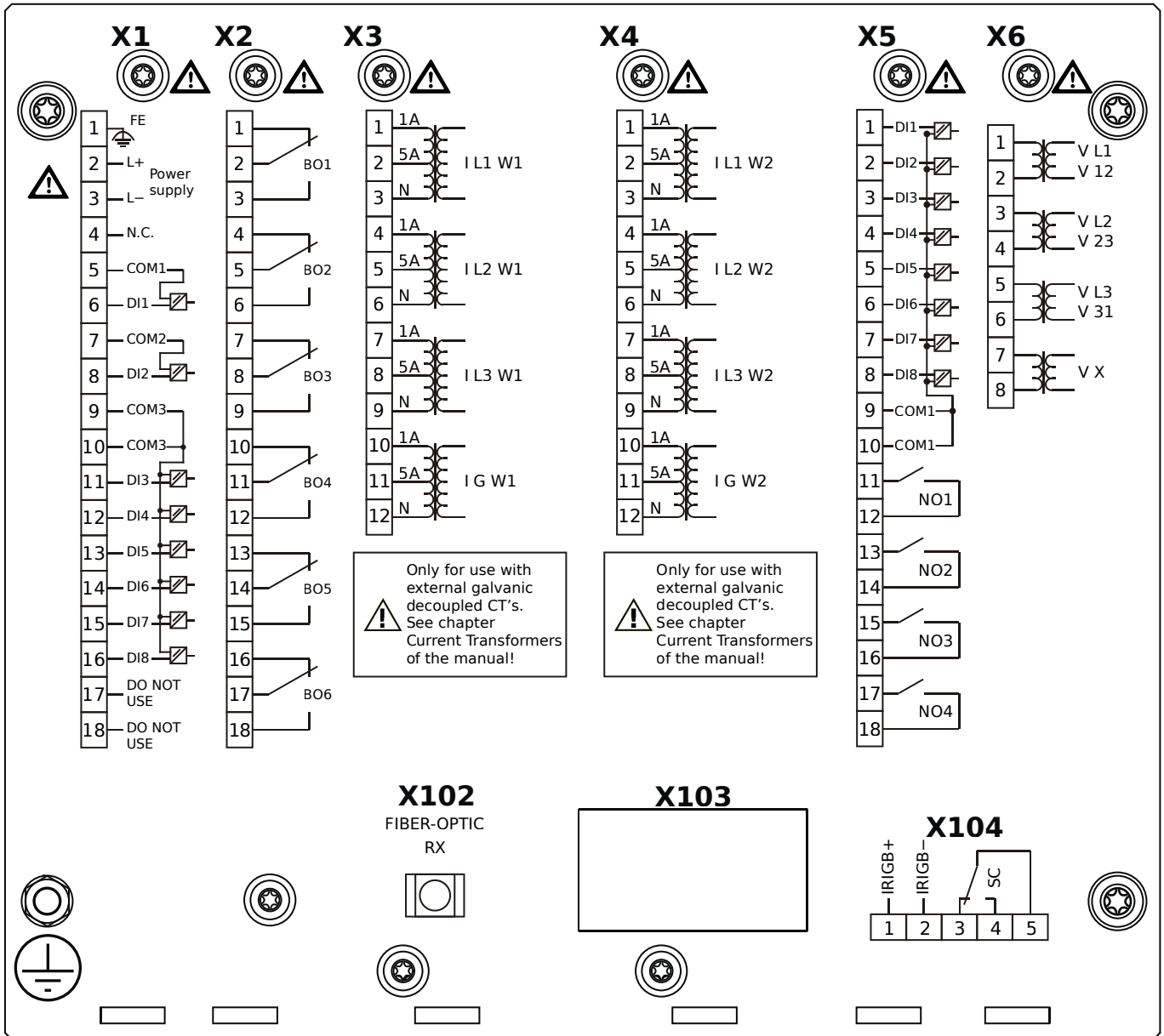
MCDTV4-2A0HAA



Housing B2, large display, door mounting

- X1** – DI8-X1: Wide-range power supply unit, incl. 2 non-grouped digital inputs and 6 grouped digital inputs
- X2** – OR6: Assembly Group with 6 Output Relays
- X3** – TI: Standard current measuring card (for the winding side 1)
- X4** – TI: Standard current measuring card (for the winding side 2)
- X5** – DI8-OR4: Assembly Group with 8 Digital Inputs and 4 Output Relays
- X6** – TU: Card with 4 voltage transformer measuring inputs
- X102** – Universal Resistance-Temperature Detector (URTD) input, Fiber optics interface, Versatile Link
- X104** – IRIG-B00X, incl. System Contact (Supervision Contact)

MCDTV4-2A0HAB

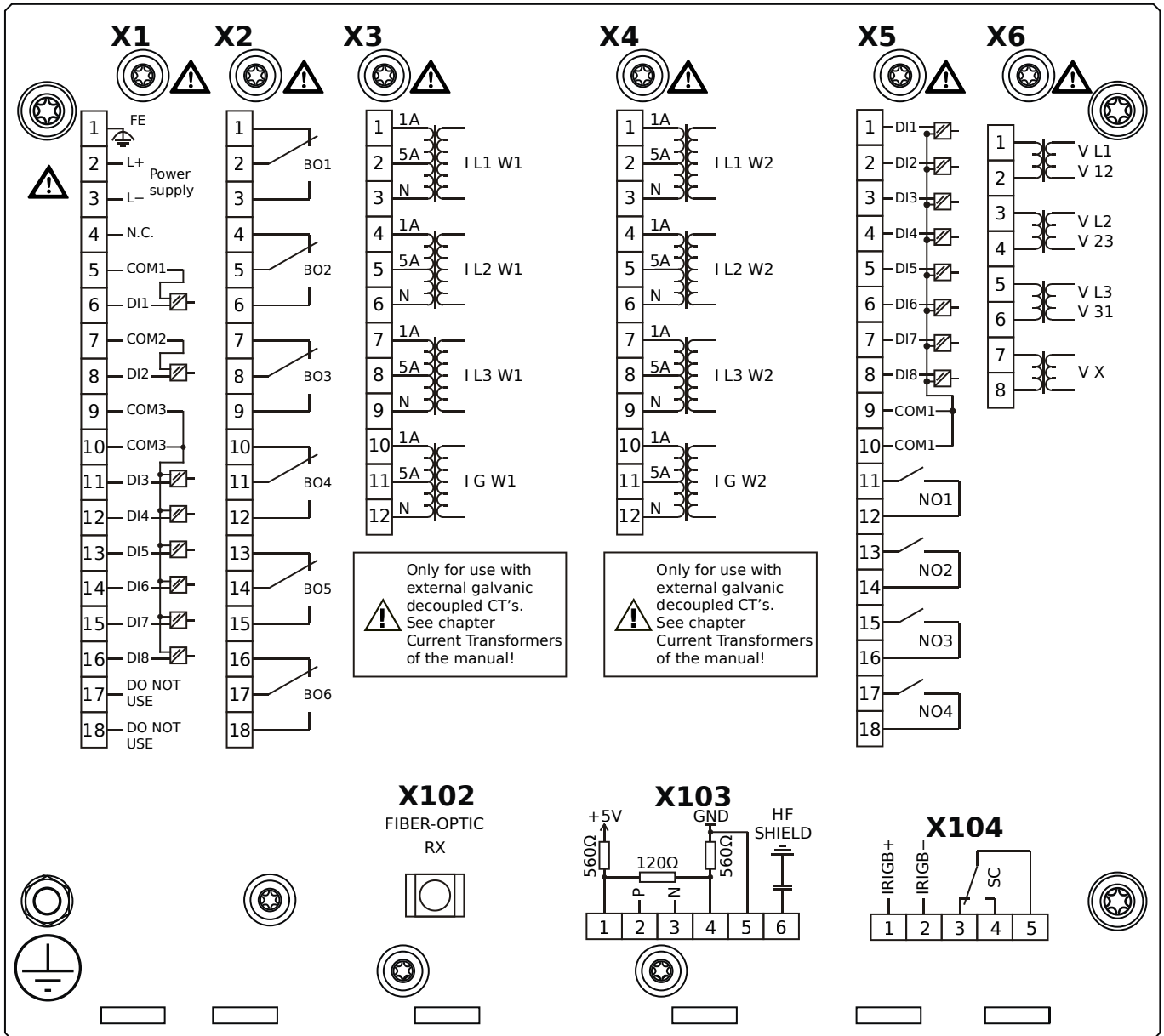


Housing B2, large display, door mounting

+ Conformal Coating (for installations in harsh environment)

- X1** – DI8-X1: Wide-range power supply unit, incl. 2 non-grouped digital inputs and 6 grouped digital inputs
- X2** – OR6: Assembly Group with 6 Output Relays
- X3** – TI: Standard current measuring card (for the winding side 1)
- X4** – TI: Standard current measuring card (for the winding side 2)
- X5** – DI8-OR4: Assembly Group with 8 Digital Inputs and 4 Output Relays
- X6** – TU: Card with 4 voltage transformer measuring inputs
- X102** – Universal Resistance-Temperature Detector (URTD) input, Fiber optics interface, Versatile Link
- X104** – IRIG-B00X, incl. System Contact (Supervision Contact)

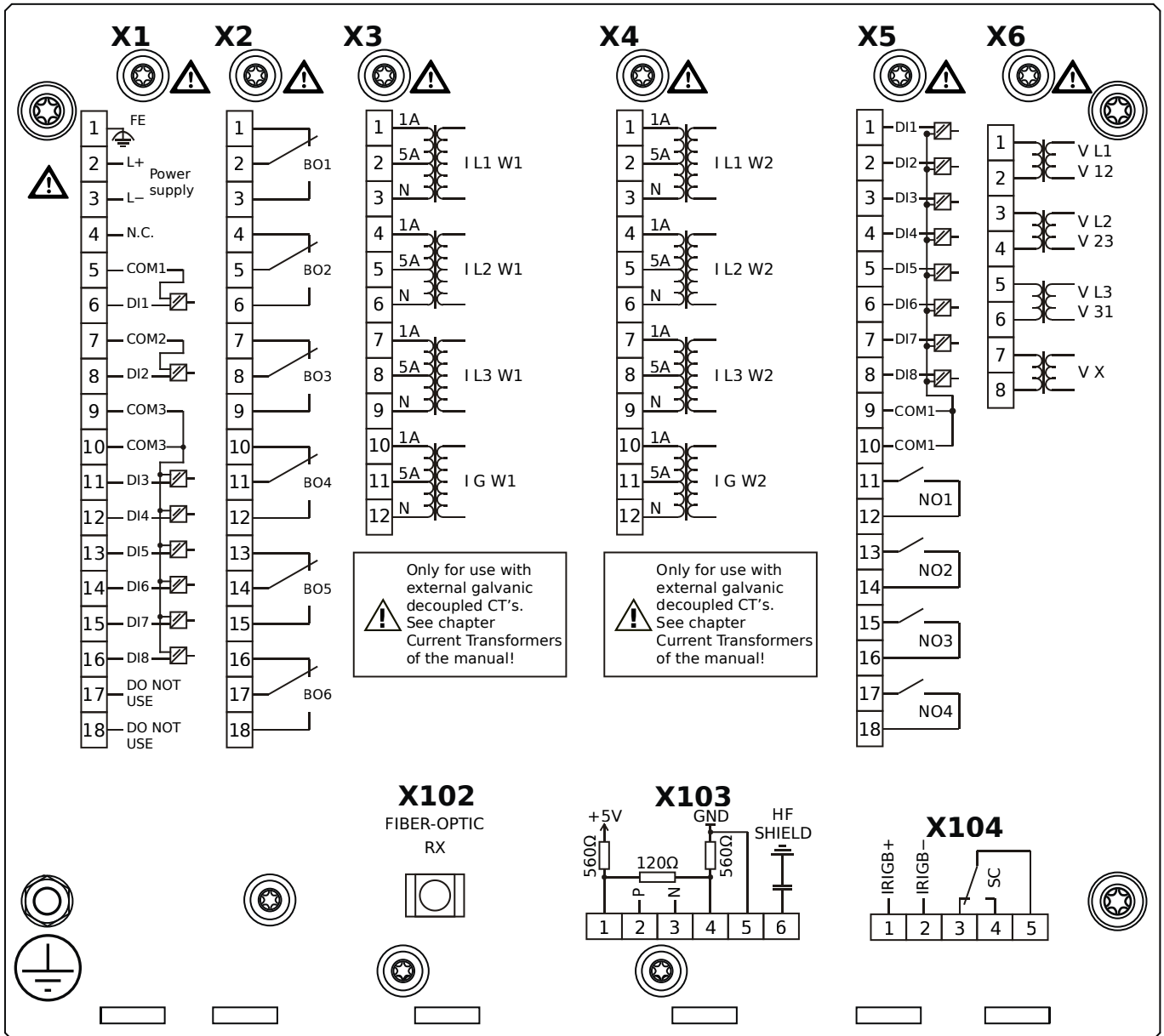
MCDTV4-2A0HBA



Housing B2, large display, door mounting

- X1** – DI8-X1: Wide-range power supply unit, incl. 2 non-grouped digital inputs and 6 grouped digital inputs
- X2** – OR6: Assembly Group with 6 Output Relays
- X3** – TI: Standard current measuring card (for the winding side 1)
- X4** – TI: Standard current measuring card (for the winding side 2)
- X5** – DI8-OR4: Assembly Group with 8 Digital Inputs and 4 Output Relays
- X6** – TU: Card with 4 voltage transformer measuring inputs
- X102** – Universal Resistance-Temperature Detector (URTD) input, Fiber optics interface, Versatile Link
- X103** – Modbus RTU / IEC 60870-5-103 / DNP3.0 RTU, RS485, Terminals
- X104** – I R I G B-00X, incl. System Contact (Supervision Contact)

MCDTV4-2A0HBB

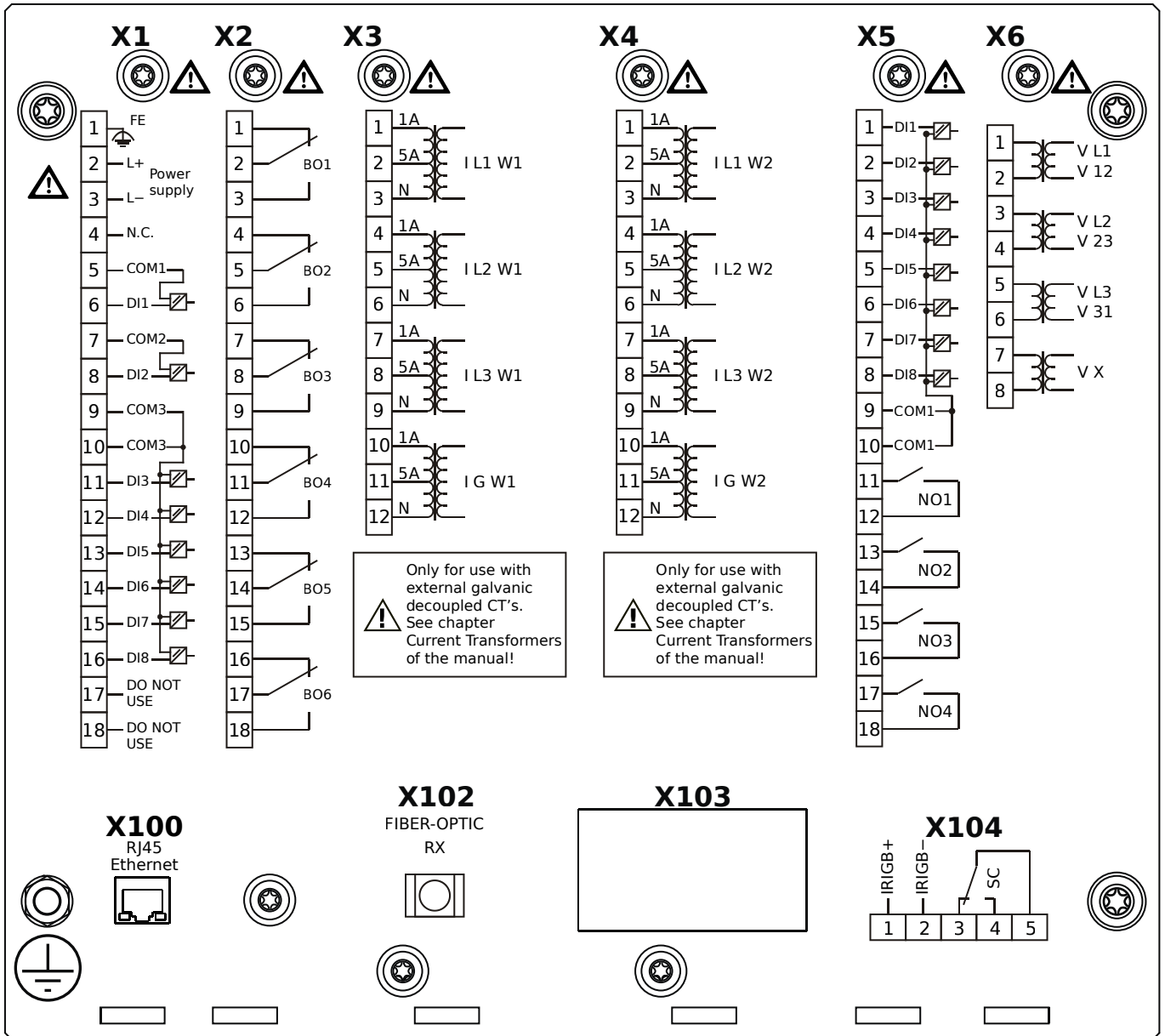


Housing B2, large display, door mounting

+ Conformal Coating (for installations in harsh environment)

- X1** – DI8-X1: Wide-range power supply unit, incl. 2 non-grouped digital inputs and 6 grouped digital inputs
- X2** – OR6: Assembly Group with 6 Output Relays
- X3** – TI: Standard current measuring card (for the winding side 1)
- X4** – TI: Standard current measuring card (for the winding side 2)
- X5** – DI8-OR4: Assembly Group with 8 Digital Inputs and 4 Output Relays
- X6** – TU: Card with 4 voltage transformer measuring inputs
- X102** – Universal Resistance-Temperature Detector (URTD) input, Fiber optics interface, Versatile Link
- X103** – Modbus RTU / IEC 60870-5-103 / DNP3.0 RTU, RS485, Terminals
- X104** – IRIG-B00X, incl. System Contact (Supervision Contact)

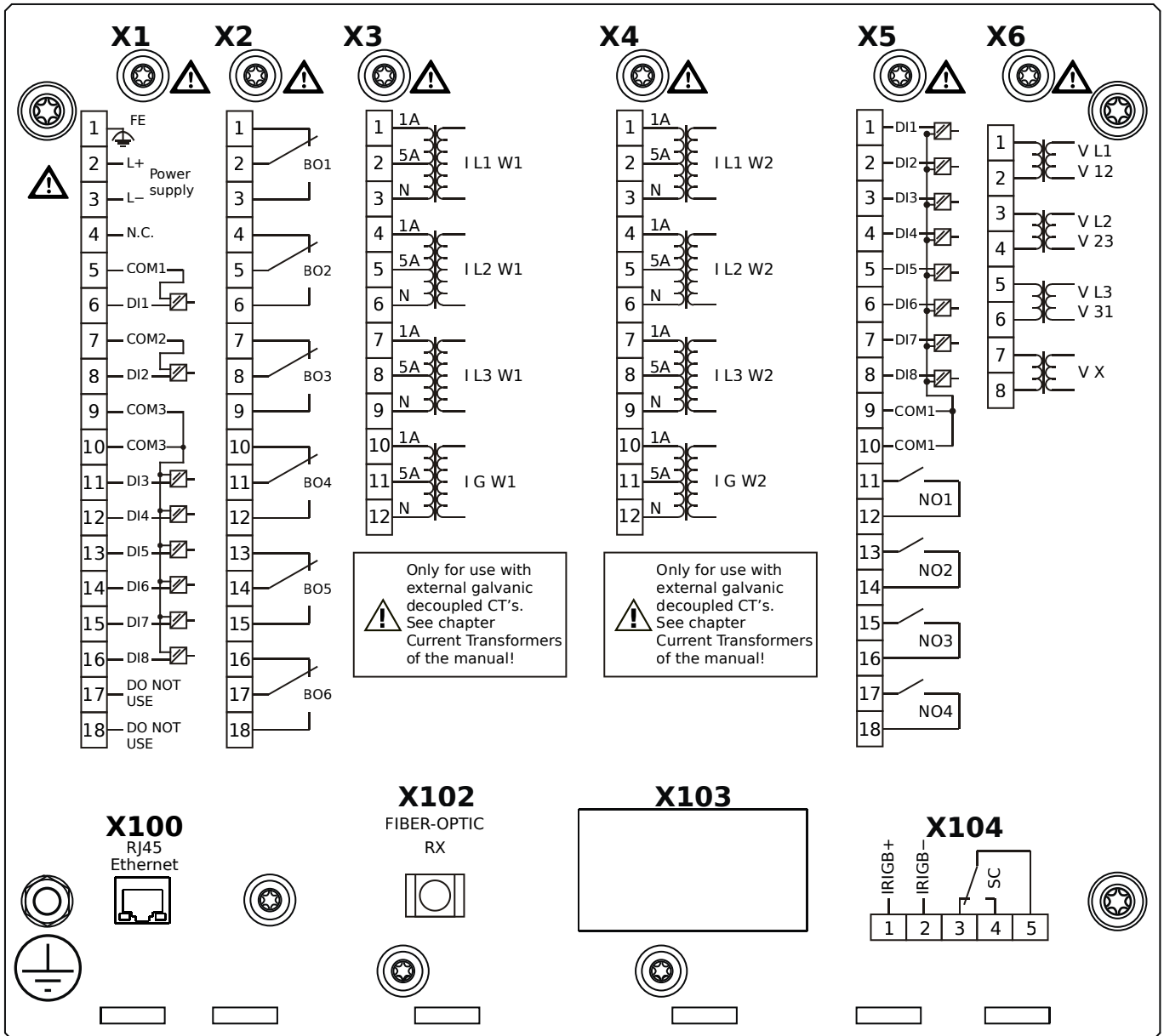
MCDTV4-2A0HCA



Housing B2, large display, door mounting

- X1** – DI8-X1: Wide-range power supply unit, incl. 2 non-grouped digital inputs and 6 grouped digital inputs
- X2** – OR6: Assembly Group with 6 Output Relays
- X3** – TI: Standard current measuring card (for the winding side 1)
- X4** – TI: Standard current measuring card (for the winding side 2)
- X5** – DI8-OR4: Assembly Group with 8 Digital Inputs and 4 Output Relays
- X6** – TU: Card with 4 voltage transformer measuring inputs
- X100** – Modbus TCP / DNP3.0 TCP/UDP, Ethernet interface, 100 Mbit/s, RJ45 (BASE100-FX)
- X102** – Universal Resistance-Temperature Detector (URTD) input, Fiber optics interface, Versatile Link
- X104** – IRIG-B00X, incl. System Contact (Supervision Contact)

MCDTV4-2A0HCB

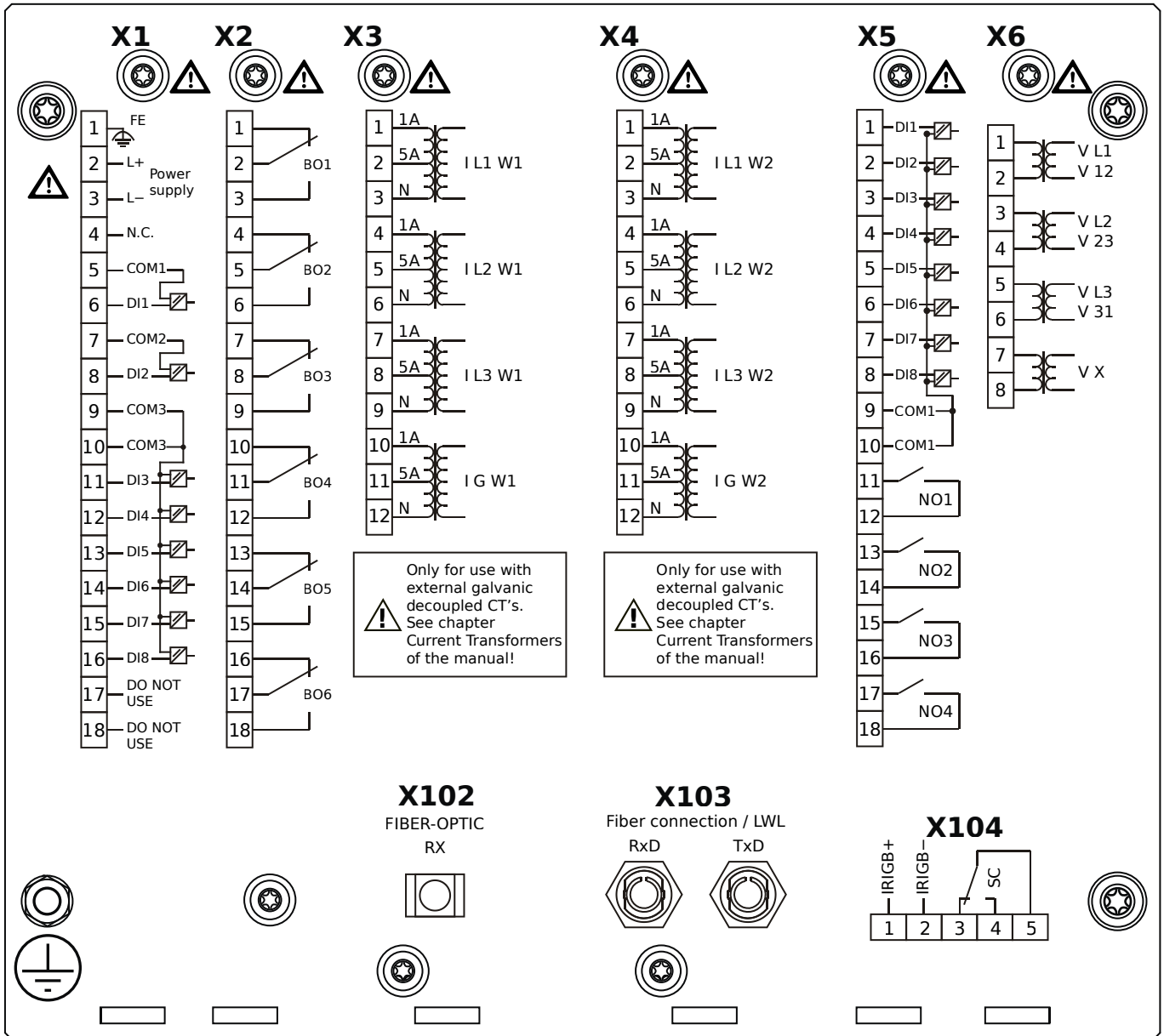


Housing B2, large display, door mounting

+ Conformal Coating (for installations in harsh environment)

- X1** – DI8-X1: Wide-range power supply unit, incl. 2 non-grouped digital inputs and 6 grouped digital inputs
- X2** – OR6: Assembly Group with 6 Output Relays
- X3** – TI: Standard current measuring card (for the winding side 1)
- X4** – TI: Standard current measuring card (for the winding side 2)
- X5** – DI8-OR4: Assembly Group with 8 Digital Inputs and 4 Output Relays
- X6** – TU: Card with 4 voltage transformer measuring inputs
- X100** – Modbus TCP / DNP3.0 TCP/UDP, Ethernet interface, 100 Mbit/s, RJ45 (BASE100-FX)
- X102** – Universal Resistance-Temperature Detector (URTD) input, Fiber optics interface, Versatile Link
- X104** – IRIG-B00X, incl. System Contact (Supervision Contact)

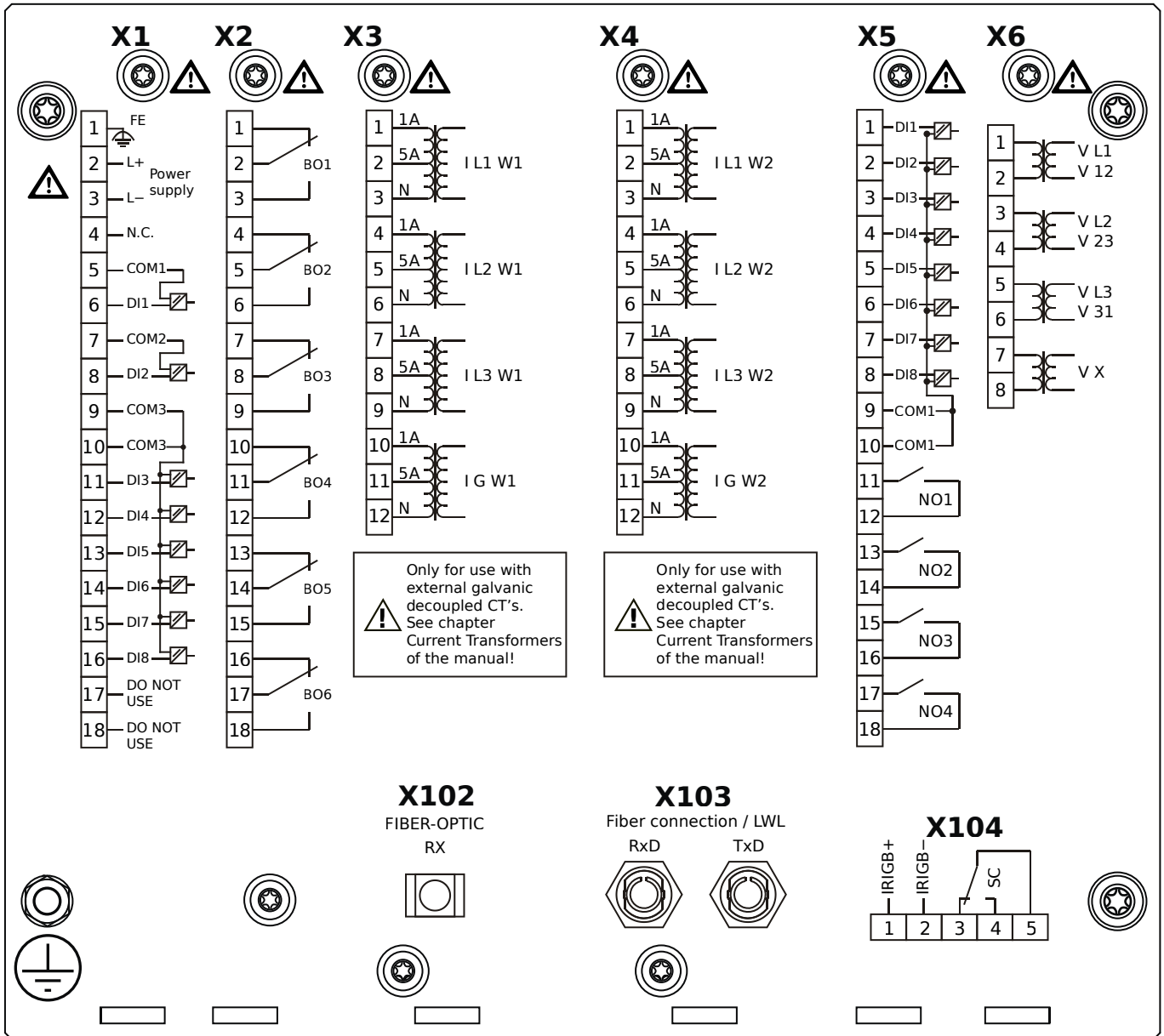
MCDTV4-2A0HDA



Housing B2, large display, door mounting

- X1** – DI8-X1: Wide-range power supply unit, incl. 2 non-grouped digital inputs and 6 grouped digital inputs
- X2** – OR6: Assembly Group with 6 Output Relays
- X3** – TI: Standard current measuring card (for the winding side 1)
- X4** – TI: Standard current measuring card (for the winding side 2)
- X5** – DI8-OR4: Assembly Group with 8 Digital Inputs and 4 Output Relays
- X6** – TU: Card with 4 voltage transformer measuring inputs
- X102** – Universal Resistance-Temperature Detector (URTD) input, Fiber optics interface, Versatile Link
- X103** – Profibus-DP, Fiber optics interface, ST Connector
- X104** – IRIG-B00X, incl. System Contact (Supervision Contact)

MCDTV4-2A0HDB

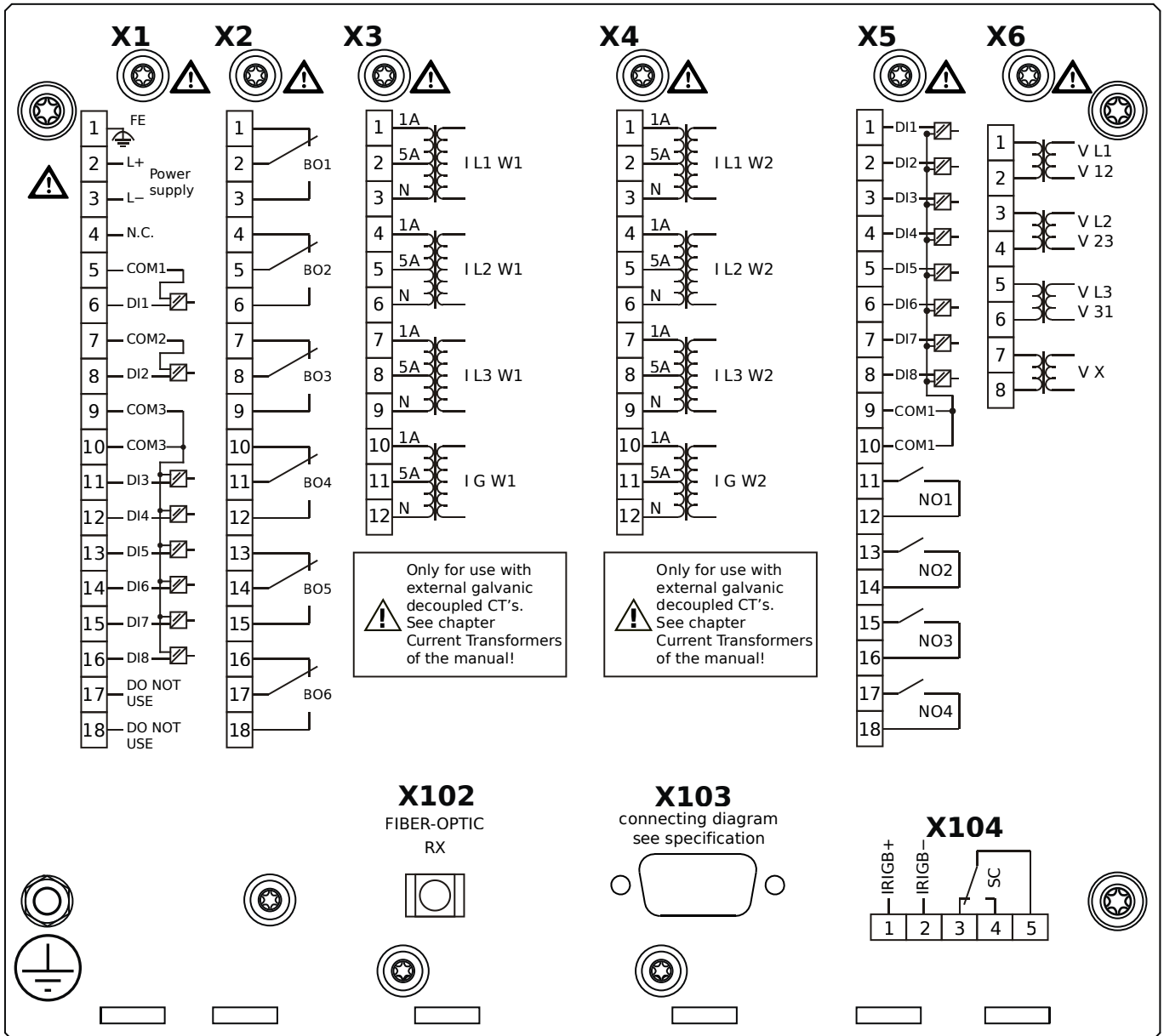


Housing B2, large display, door mounting

+ Conformal Coating (for installations in harsh environment)

- X1** – DI8-X1: Wide-range power supply unit, incl. 2 non-grouped digital inputs and 6 grouped digital inputs
- X2** – OR6: Assembly Group with 6 Output Relays
- X3** – TI: Standard current measuring card (for the winding side 1)
- X4** – TI: Standard current measuring card (for the winding side 2)
- X5** – DI8-OR4: Assembly Group with 8 Digital Inputs and 4 Output Relays
- X6** – TU: Card with 4 voltage transformer measuring inputs
- X102** – Universal Resistance-Temperature Detector (URTD) input, Fiber optics interface, Versatile Link
- X103** – Profibus-DP, Fiber optics interface, ST Connector
- X104** – IRIG-B00X, incl. System Contact (Supervision Contact)

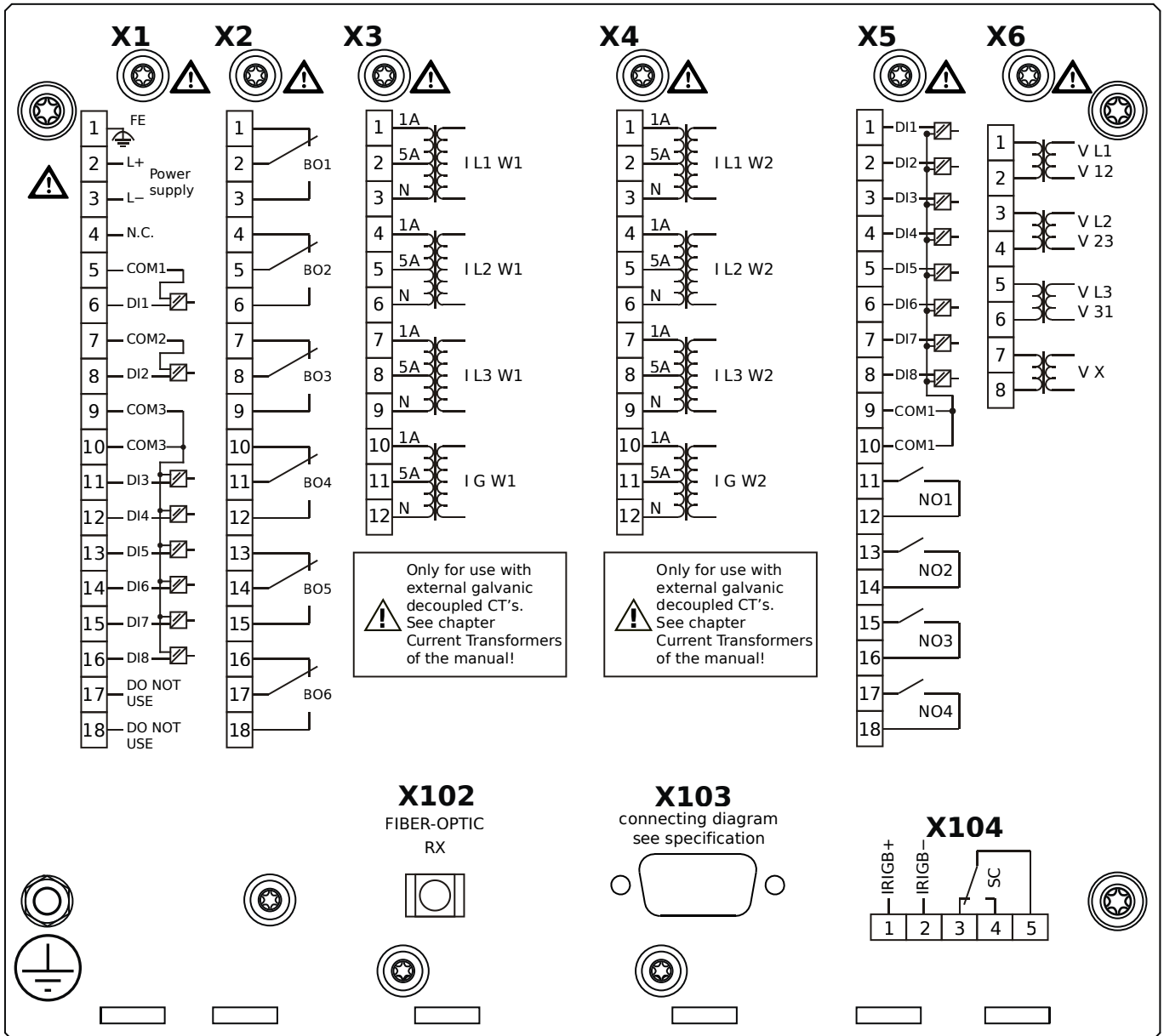
MCDTV4-2A0HEA



Housing B2, large display, door mounting

- X1** – DI8-X1: Wide-range power supply unit, incl. 2 non-grouped digital inputs and 6 grouped digital inputs
- X2** – OR6: Assembly Group with 6 Output Relays
- X3** – TI: Standard current measuring card (for the winding side 1)
- X4** – TI: Standard current measuring card (for the winding side 2)
- X5** – DI8-OR4: Assembly Group with 8 Digital Inputs and 4 Output Relays
- X6** – TU: Card with 4 voltage transformer measuring inputs
- X102** – Universal Resistance-Temperature Detector (URTD) input, Fiber optics interface, Versatile Link
- X103** – Profibus-DP, RS485, D-SUB
- X104** – IRIG-B00X, incl. System Contact (Supervision Contact)

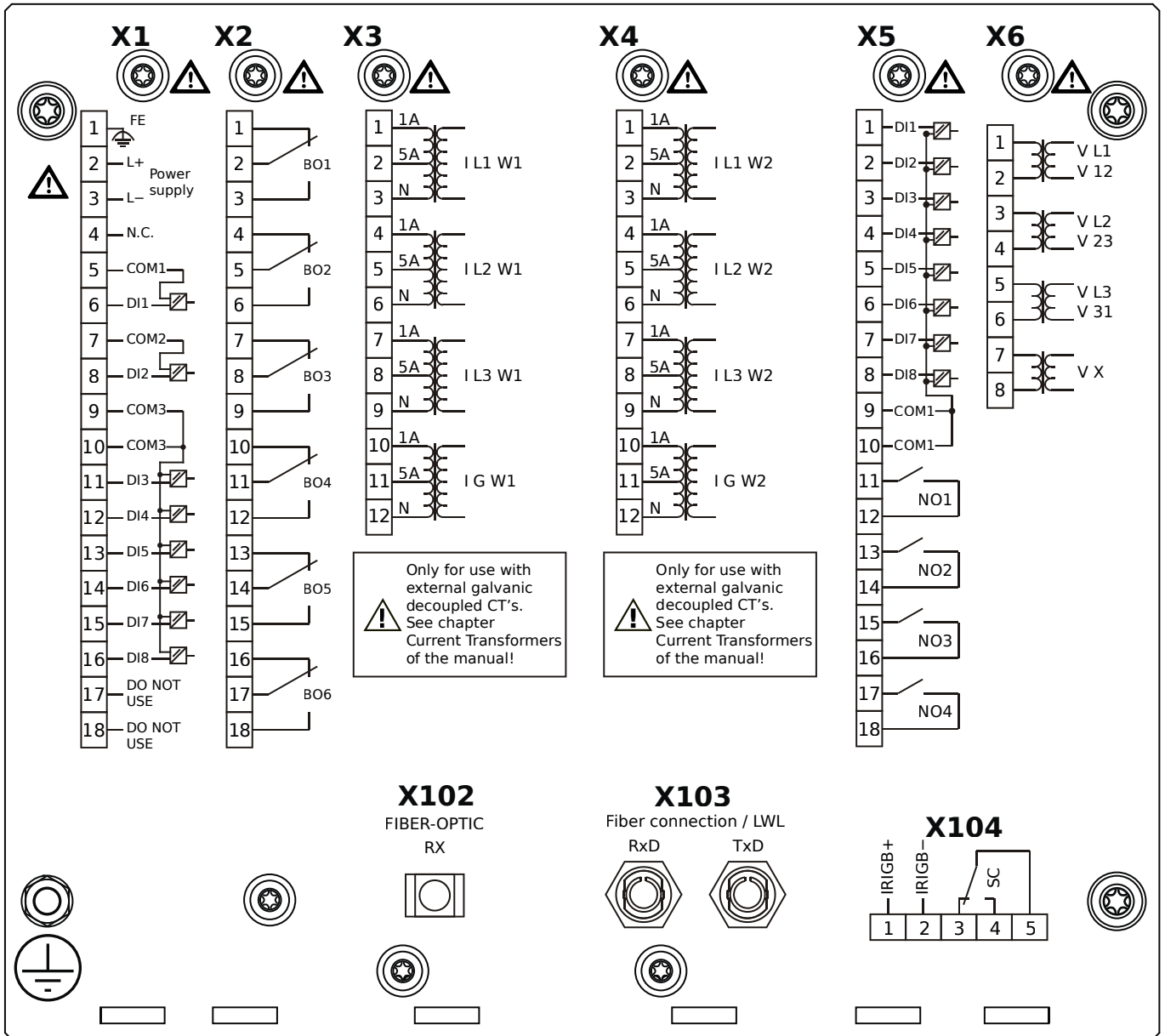
MCDTV4-2A0HEB



Housing B2, large display, door mounting

- + Conformal Coating (for installations in harsh environment)
- X1** – DI8-X1: Wide-range power supply unit, incl. 2 non-grouped digital inputs and 6 grouped digital inputs
- X2** – OR6: Assembly Group with 6 Output Relays
- X3** – TI: Standard current measuring card (for the winding side 1)
- X4** – TI: Standard current measuring card (for the winding side 2)
- X5** – DI8-OR4: Assembly Group with 8 Digital Inputs and 4 Output Relays
- X6** – TU: Card with 4 voltage transformer measuring inputs
- X102** – Universal Resistance-Temperature Detector (URTD) input, Fiber optics interface, Versatile Link
- X103** – Profibus-DP, RS485, D-SUB
- X104** – IRIG-B00X, incl. System Contact (Supervision Contact)

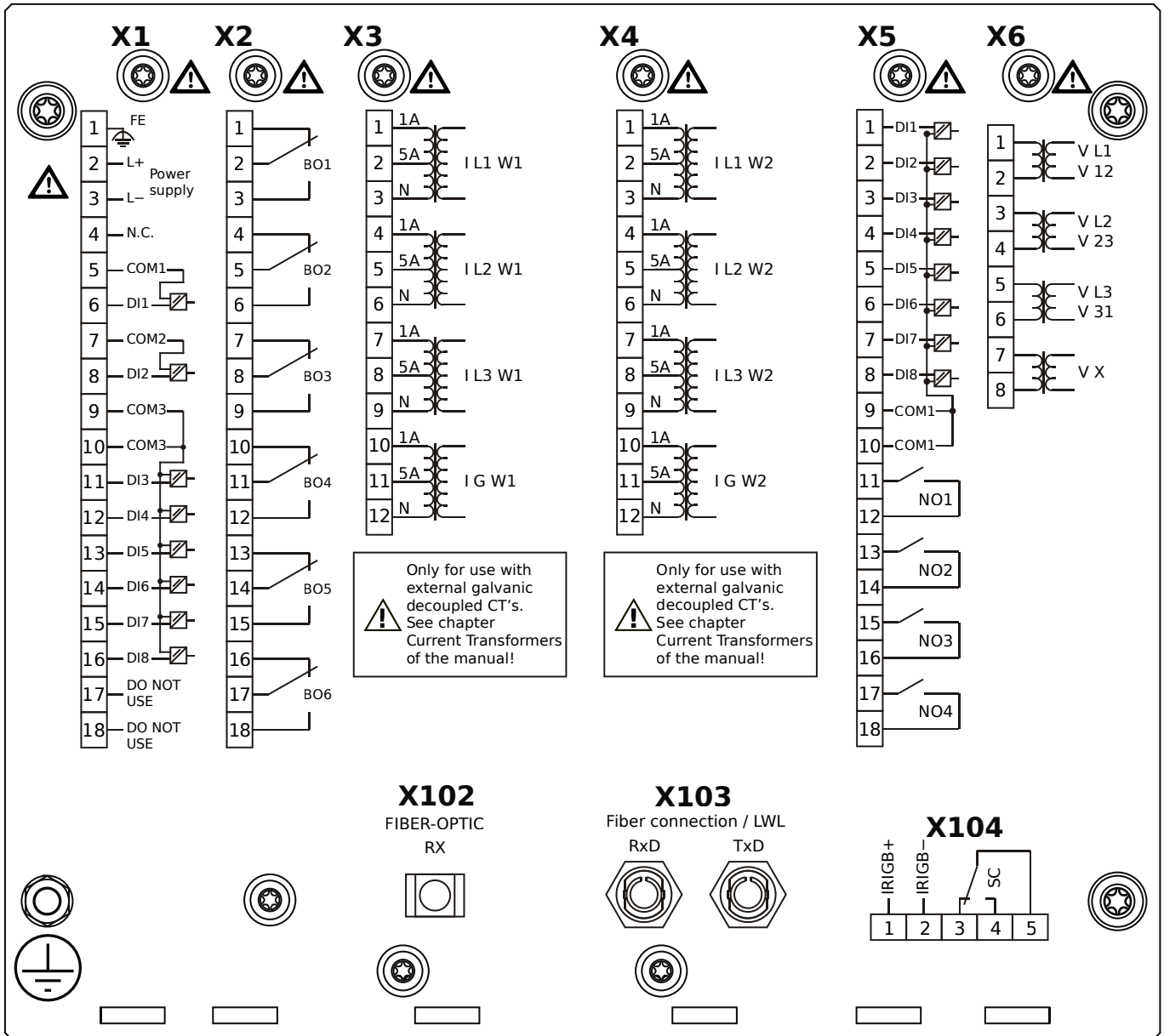
MCDTV4-2A0HFA



Housing B2, large display, door mounting

- X1** – DI8-X1: Wide-range power supply unit, incl. 2 non-grouped digital inputs and 6 grouped digital inputs
- X2** – OR6: Assembly Group with 6 Output Relays
- X3** – TI: Standard current measuring card (for the winding side 1)
- X4** – TI: Standard current measuring card (for the winding side 2)
- X5** – DI8-OR4: Assembly Group with 8 Digital Inputs and 4 Output Relays
- X6** – TU: Card with 4 voltage transformer measuring inputs
- X102** – Universal Resistance-Temperature Detector (URTD) input, Fiber optics interface, Versatile Link
- X103** – Modbus RTU / IEC 60870-5-103 / DNP3.0 RTU, Fiber optics interface, ST Connector
- X104** – IRIG-B00X, incl. System Contact (Supervision Contact)

MCDTV4-2A0HFB

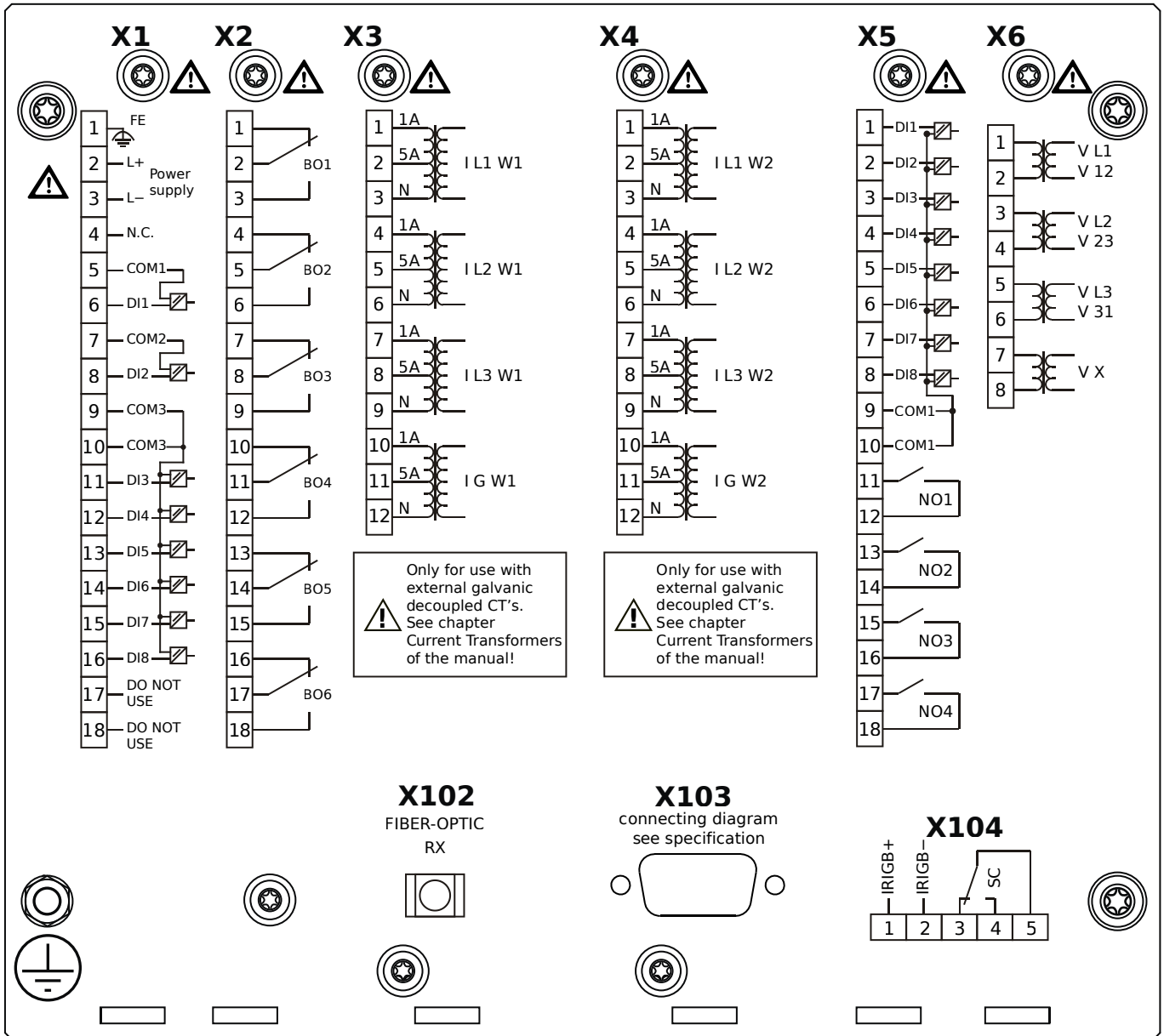


Housing B2, large display, door mounting

+ Conformal Coating (for installations in harsh environment)

- X1** – DI8-X1: Wide-range power supply unit, incl. 2 non-grouped digital inputs and 6 grouped digital inputs
- X2** – OR6: Assembly Group with 6 Output Relays
- X3** – TI: Standard current measuring card (for the winding side 1)
- X4** – TI: Standard current measuring card (for the winding side 2)
- X5** – DI8-OR4: Assembly Group with 8 Digital Inputs and 4 Output Relays
- X6** – TU: Card with 4 voltage transformer measuring inputs
- X102** – Universal Resistance-Temperature Detector (URTD) input, Fiber optics interface, Versatile Link
- X103** – Modbus RTU / IEC 60870-5-103 / DNP3.0 RTU, Fiber optics interface, ST Connector
- X104** – IRIG-B00X, incl. System Contact (Supervision Contact)

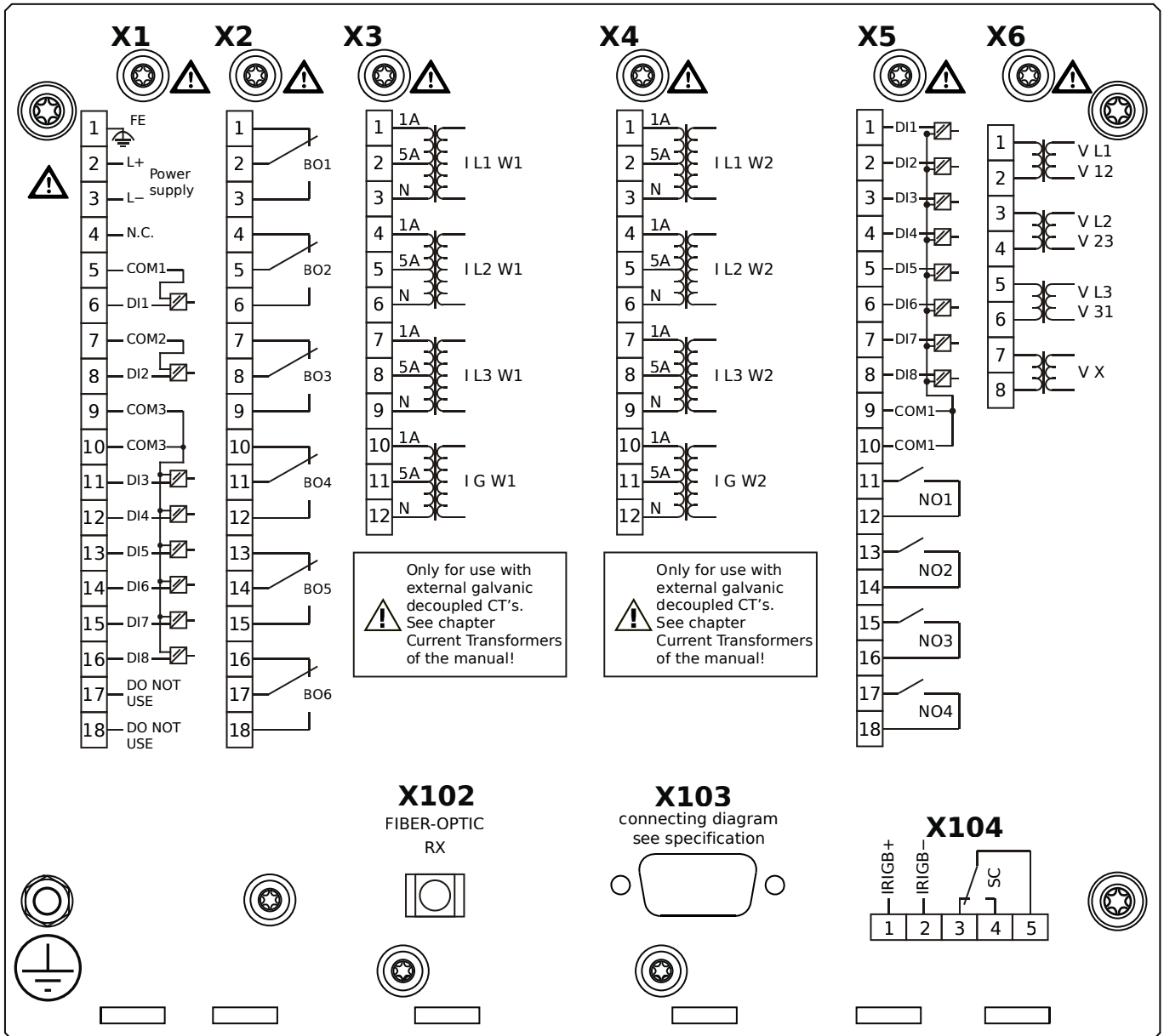
MCDTV4-2A0HGA



Housing B2, large display, door mounting

- X1** – DI8-X1: Wide-range power supply unit, incl. 2 non-grouped digital inputs and 6 grouped digital inputs
- X2** – OR6: Assembly Group with 6 Output Relays
- X3** – TI: Standard current measuring card (for the winding side 1)
- X4** – TI: Standard current measuring card (for the winding side 2)
- X5** – DI8-OR4: Assembly Group with 8 Digital Inputs and 4 Output Relays
- X6** – TU: Card with 4 voltage transformer measuring inputs
- X102** – Universal Resistance-Temperature Detector (URTD) input, Fiber optics interface, Versatile Link
- X103** – Modbus RTU / IEC 60870-5-103 / DNP3.0 RTU, RS485, D-SUB
- X104** – IRIG-B00X, incl. System Contact (Supervision Contact)

MCDTV4-2A0HGB

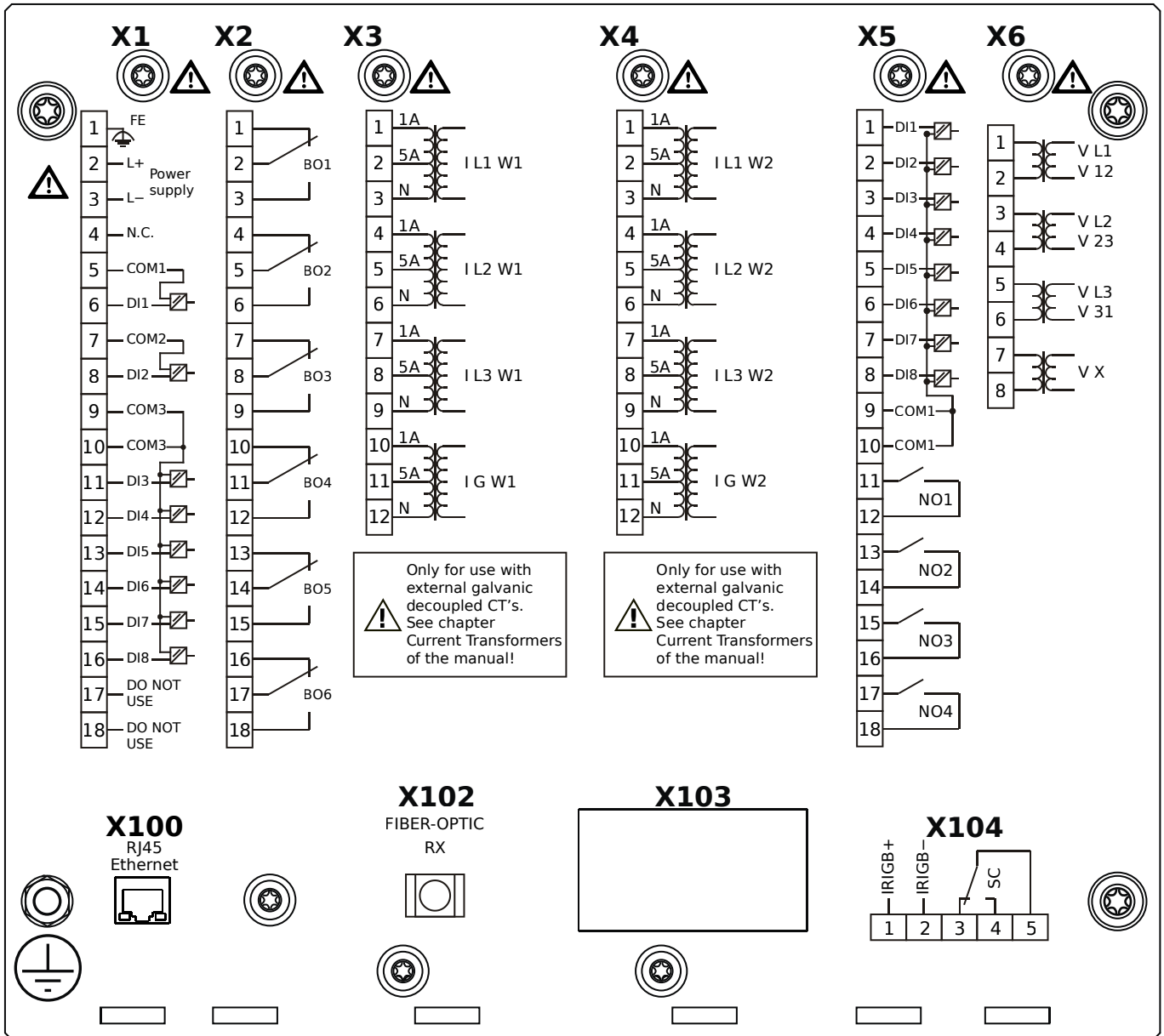


Housing B2, large display, door mounting

+ Conformal Coating (for installations in harsh environment)

- X1** – DI8-X1: Wide-range power supply unit, incl. 2 non-grouped digital inputs and 6 grouped digital inputs
- X2** – OR6: Assembly Group with 6 Output Relays
- X3** – TI: Standard current measuring card (for the winding side 1)
- X4** – TI: Standard current measuring card (for the winding side 2)
- X5** – DI8-OR4: Assembly Group with 8 Digital Inputs and 4 Output Relays
- X6** – TU: Card with 4 voltage transformer measuring inputs
- X102** – Universal Resistance-Temperature Detector (URTD) input, Fiber optics interface, Versatile Link
- X103** – Modbus RTU / IEC 60870-5-103 / DNP3.0 RTU, RS485, D-SUB
- X104** – IRIG-B00X, incl. System Contact (Supervision Contact)

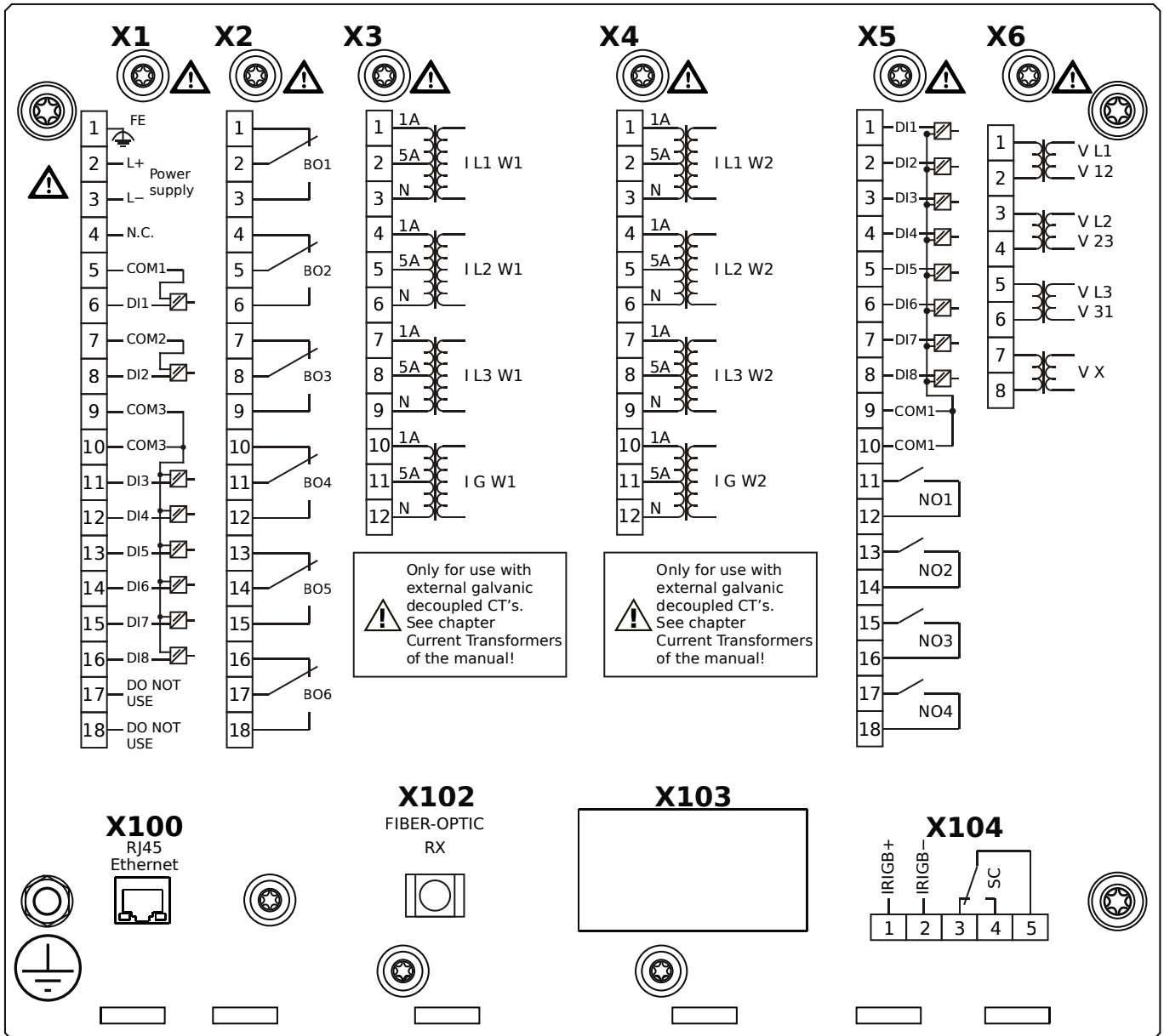
MCDTV4-2A0HHA



Housing B2, large display, door mounting

- X1** – DI8-X1: Wide-range power supply unit, incl. 2 non-grouped digital inputs and 6 grouped digital inputs
- X2** – OR6: Assembly Group with 6 Output Relays
- X3** – TI: Standard current measuring card (for the winding side 1)
- X4** – TI: Standard current measuring card (for the winding side 2)
- X5** – DI8-OR4: Assembly Group with 8 Digital Inputs and 4 Output Relays
- X6** – TU: Card with 4 voltage transformer measuring inputs
- X100** – IEC 61850 / Modbus TCP / DNP3.0 TCP/UDP, Ethernet interface, 100 Mbit/s, RJ45 (BASE100-FX)
- X102** – Universal Resistance-Temperature Detector (URTD) input, Fiber optics interface, Versatile Link
- X104** – IRIG-B00X, incl. System Contact (Supervision Contact)

MCDTV4-2A0HHB



Housing B2, large display, door mounting

+ Conformal Coating (for installations in harsh environment)

X1 – DI8-X1: Wide-range power supply unit, incl. 2 non-grouped digital inputs and 6 grouped digital inputs

X2 – OR6: Assembly Group with 6 Output Relays

X3 – TI: Standard current measuring card (for the winding side 1)

X4 – TI: Standard current measuring card (for the winding side 2)

X5 – DI8-OR4: Assembly Group with 8 Digital Inputs and 4 Output Relays

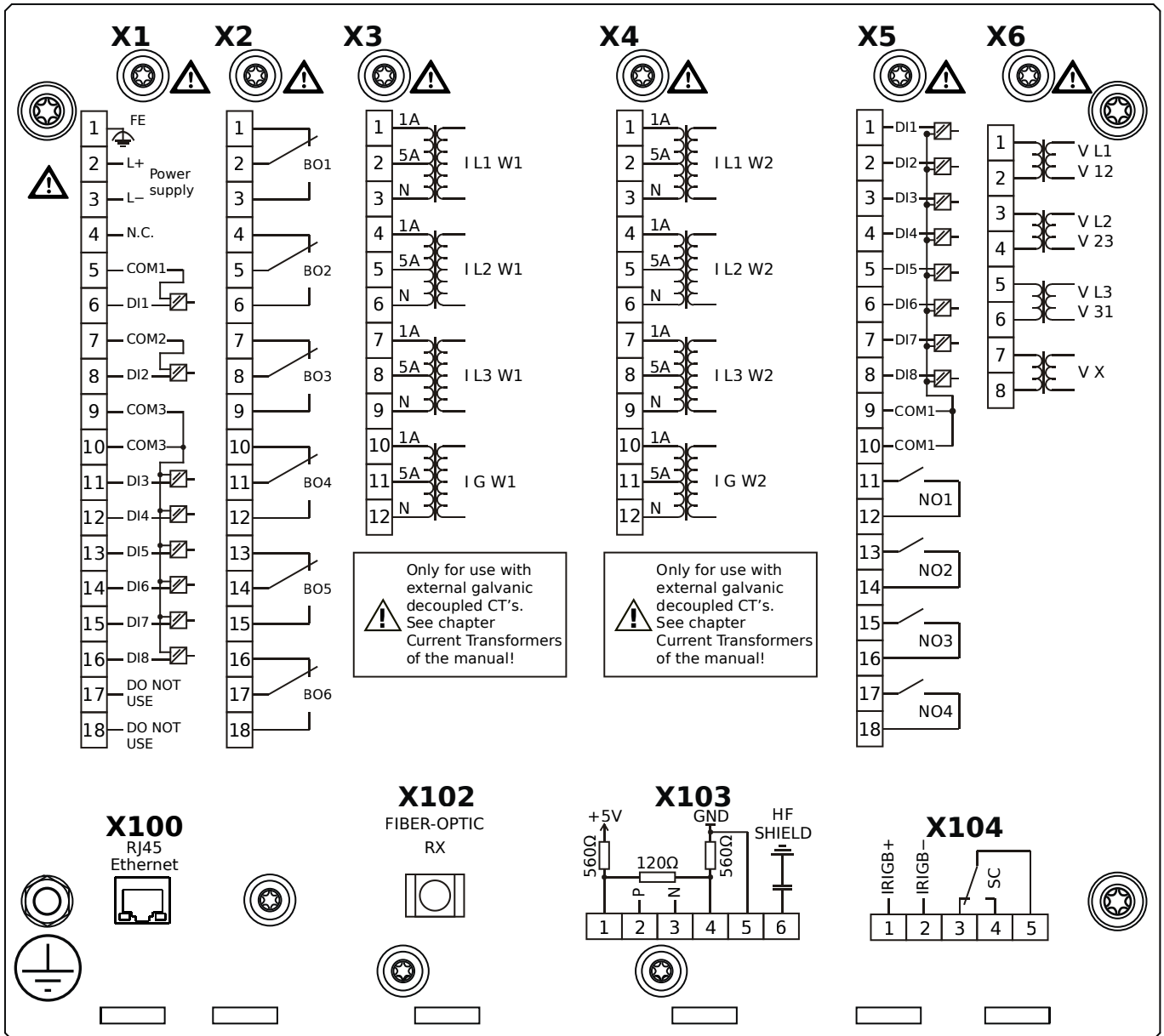
X6 – TU: Card with 4 voltage transformer measuring inputs

X100 – IEC 61850 / Modbus TCP / DNP3.0 TCP/UDP, Ethernet interface, 100 Mbit/s, RJ45 (BASE100-FX)

X102 – Universal Resistance-Temperature Detector (URTD) input, Fiber optics interface, Versatile Link

X104 – IRIG-B00X, incl. System Contact (Supervision Contact)

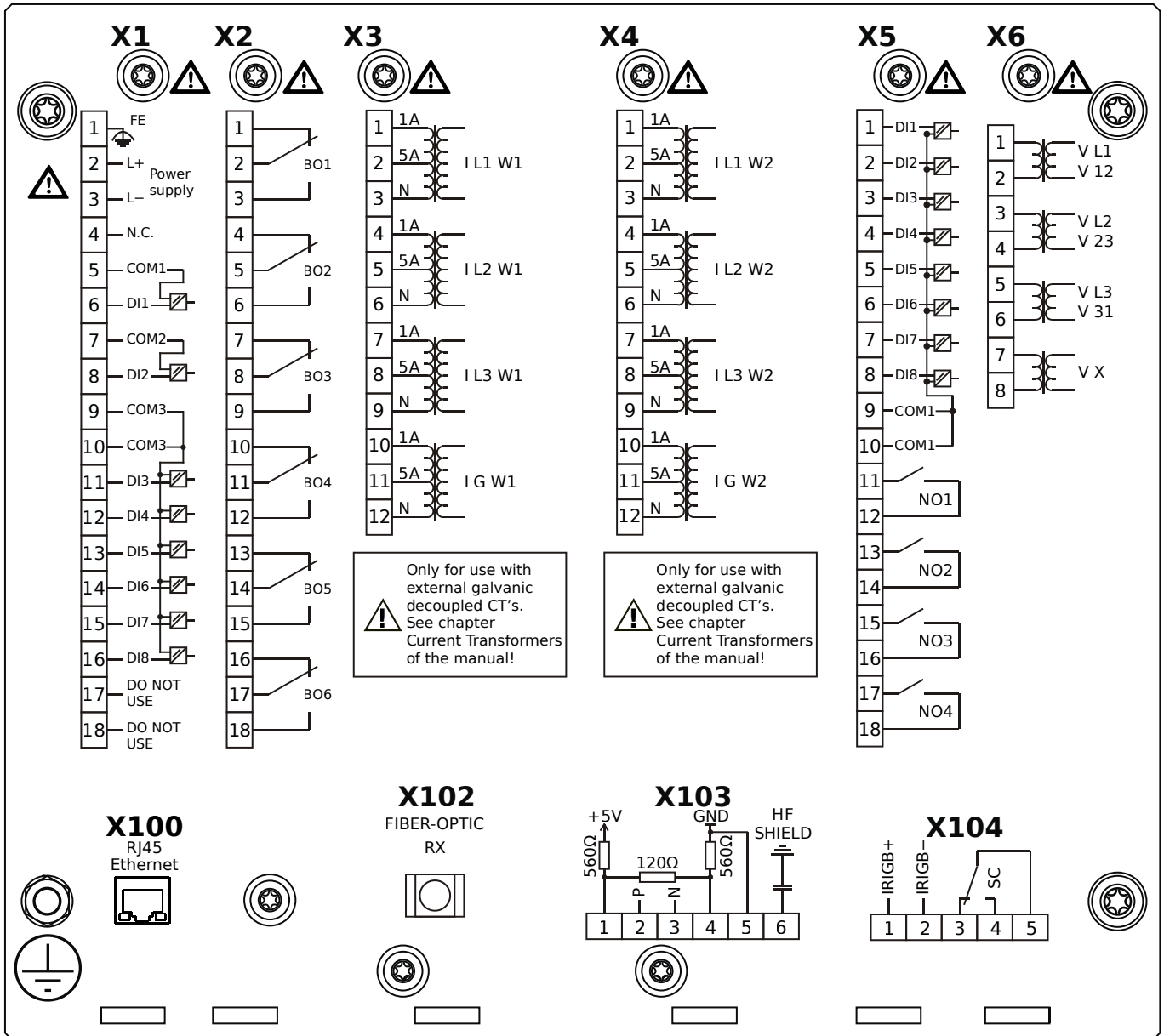
MCDTV4-2A0HIA



Housing B2, large display, door mounting

- X1** – DI8-X1: Wide-range power supply unit, incl. 2 non-grouped digital inputs and 6 grouped digital inputs
- X2** – OR6: Assembly Group with 6 Output Relays
- X3** – TI: Standard current measuring card (for the winding side 1)
- X4** – TI: Standard current measuring card (for the winding side 2)
- X5** – DI8-OR4: Assembly Group with 8 Digital Inputs and 4 Output Relays
- X6** – TU: Card with 4 voltage transformer measuring inputs
- X100** – Modbus TCP / DNP3.0 TCP/UDP, Ethernet interface, 100 Mbit/s, RJ45 (BASE100-FX)
- X102** – Universal Resistance-Temperature Detector (URTD) input, Fiber optics interface, Versatile Link
- X103** – IEC 60870-5-103 / Modbus RTU / DNP3.0 RTU, RS485, Terminals
- X104** – IRIG-B00X, incl. System Contact (Supervision Contact)

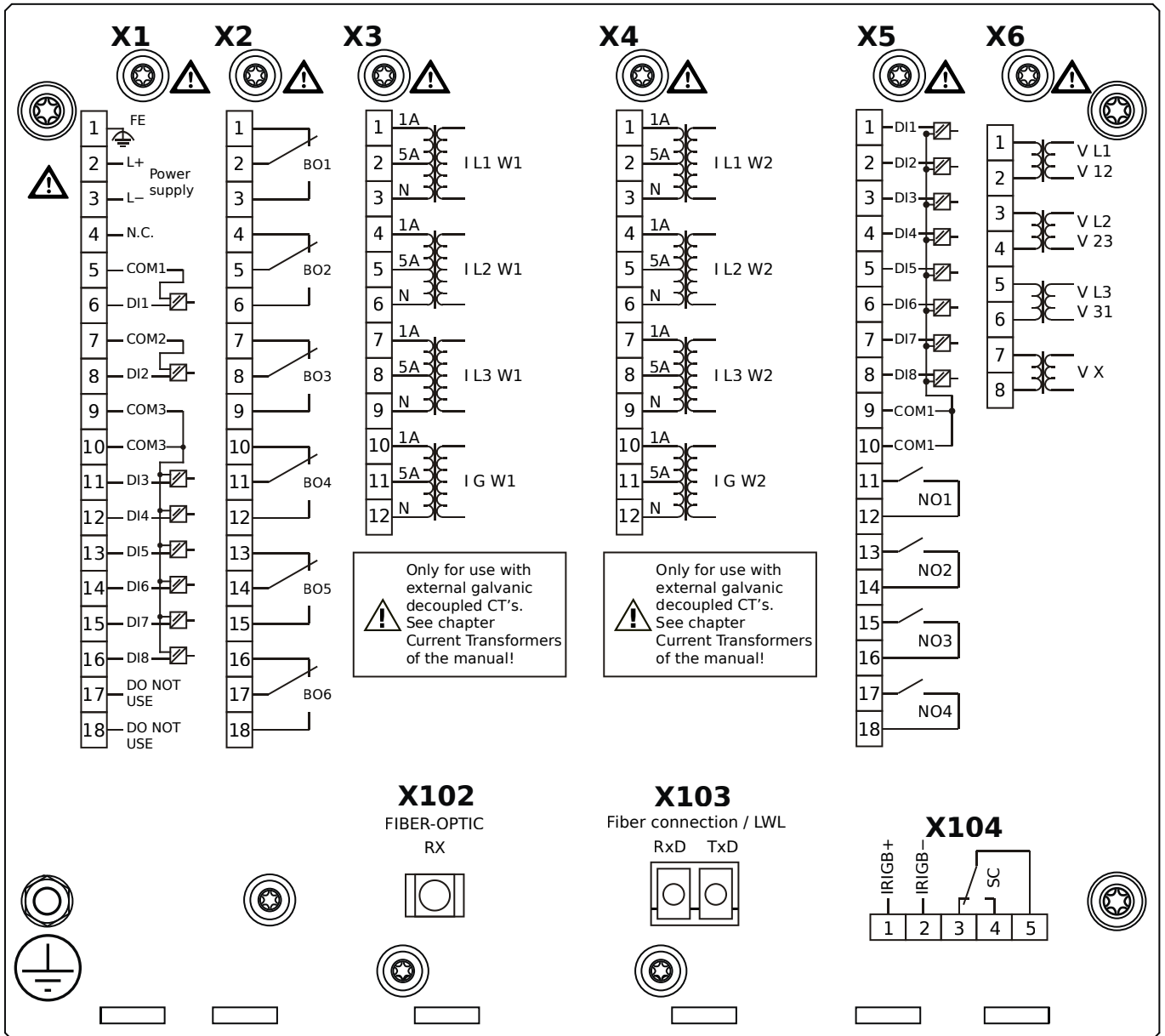
MCDTV4-2A0HIB



Housing B2, large display, door mounting

- + Conformal Coating (for installations in harsh environment)
- X1** – DI8-X1: Wide-range power supply unit, incl. 2 non-grouped digital inputs and 6 grouped digital inputs
- X2** – OR6: Assembly Group with 6 Output Relays
- X3** – TI: Standard current measuring card (for the winding side 1)
- X4** – TI: Standard current measuring card (for the winding side 2)
- X5** – DI8-OR4: Assembly Group with 8 Digital Inputs and 4 Output Relays
- X6** – TU: Card with 4 voltage transformer measuring inputs
- X100** – Modbus TCP / DNP3.0 TCP/UDP, Ethernet interface, 100 Mbit/s, RJ45 (BASE100-FX)
- X102** – Universal Resistance-Temperature Detector (URTD) input, Fiber optics interface, Versatile Link
- X103** – IEC 60870-5-103 / Modbus RTU / DNP3.0 RTU, RS485, Terminals
- X104** – IRIG-B00X, incl. System Contact (Supervision Contact)

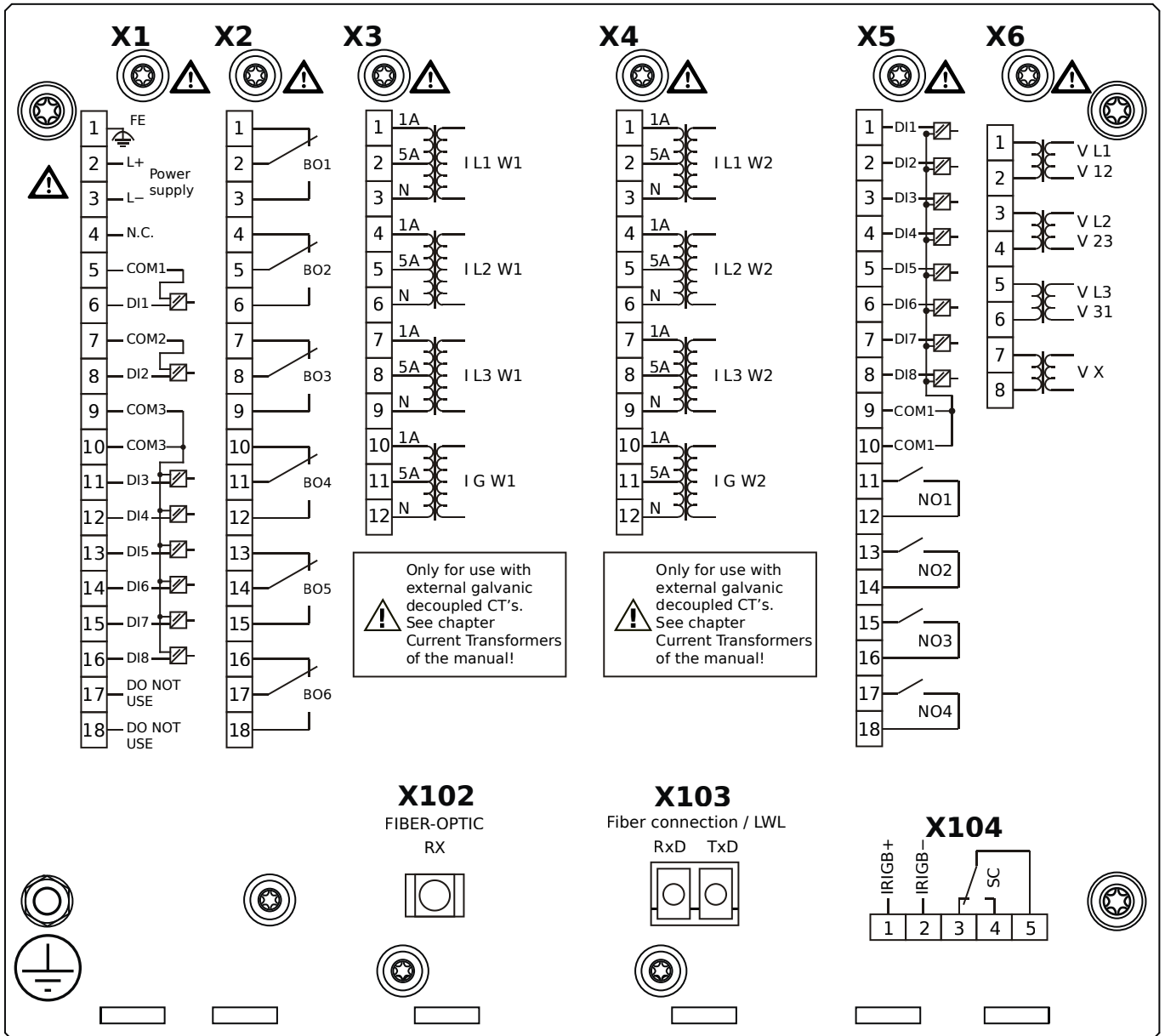
MCDTV4-2A0HKA



Housing B2, large display, door mounting

- X1** – DI8-X1: Wide-range power supply unit, incl. 2 non-grouped digital inputs and 6 grouped digital inputs
- X2** – OR6: Assembly Group with 6 Output Relays
- X3** – TI: Standard current measuring card (for the winding side 1)
- X4** – TI: Standard current measuring card (for the winding side 2)
- X5** – DI8-OR4: Assembly Group with 8 Digital Inputs and 4 Output Relays
- X6** – TU: Card with 4 voltage transformer measuring inputs
- X102** – Universal Resistance-Temperature Detector (URTD) input, Fiber optics interface, Versatile Link
- X103** – IEC 61850 / Modbus TCP / DNP3.0 TCP/UDP, Fiber optics interface, LC Connector
- X104** – IRIG-B00X, incl. System Contact (Supervision Contact)

MCDTV4-2A0HKB

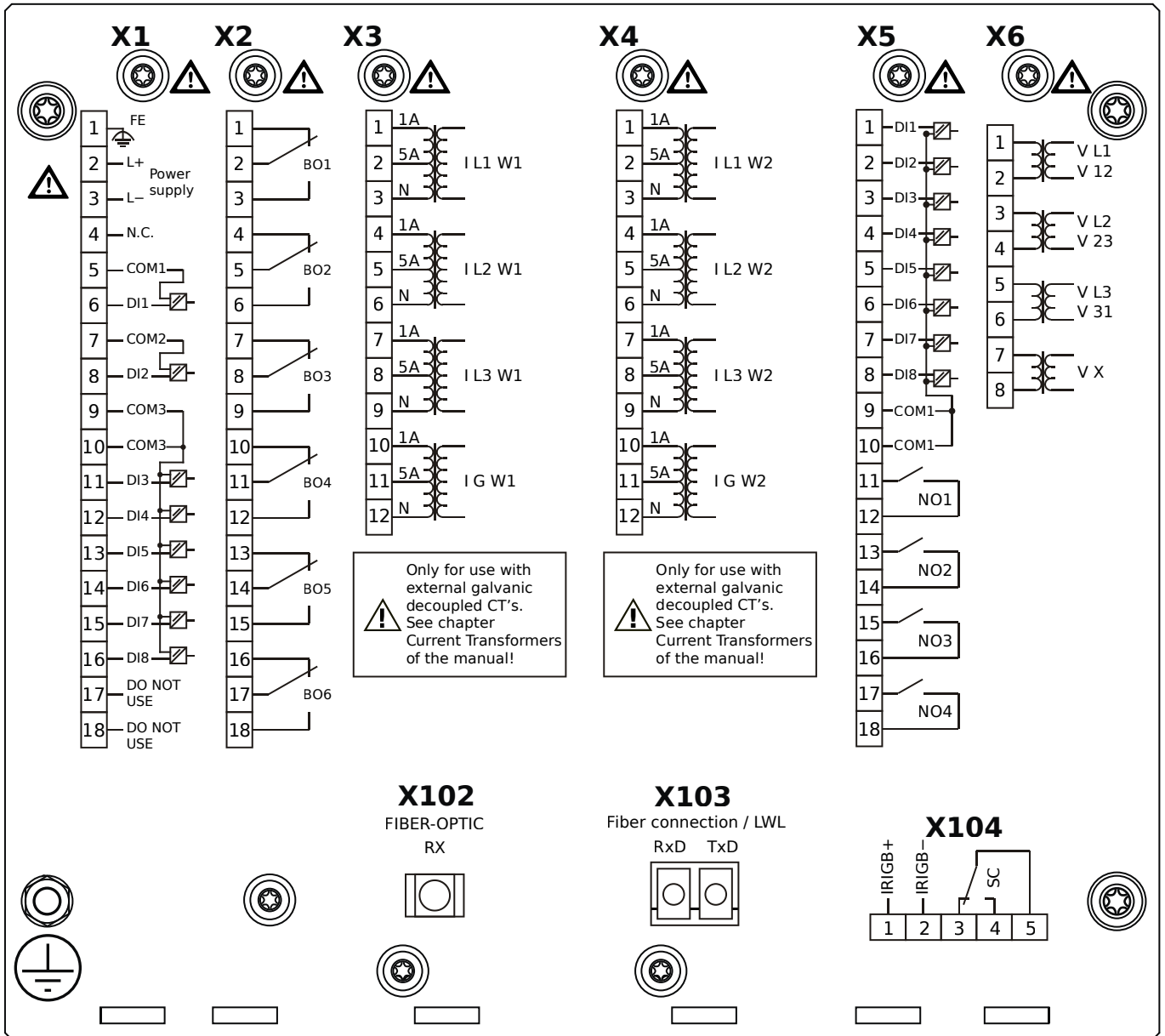


Housing B2, large display, door mounting

+ Conformal Coating (for installations in harsh environment)

- X1** – DI8-X1: Wide-range power supply unit, incl. 2 non-grouped digital inputs and 6 grouped digital inputs
- X2** – OR6: Assembly Group with 6 Output Relays
- X3** – TI: Standard current measuring card (for the winding side 1)
- X4** – TI: Standard current measuring card (for the winding side 2)
- X5** – DI8-OR4: Assembly Group with 8 Digital Inputs and 4 Output Relays
- X6** – TU: Card with 4 voltage transformer measuring inputs
- X102** – Universal Resistance-Temperature Detector (URTD) input, Fiber optics interface, Versatile Link
- X103** – IEC 61850 / Modbus TCP / DNP3.0 TCP/UDP, Fiber optics interface, LC Connector
- X104** – IRIG-B00X, incl. System Contact (Supervision Contact)

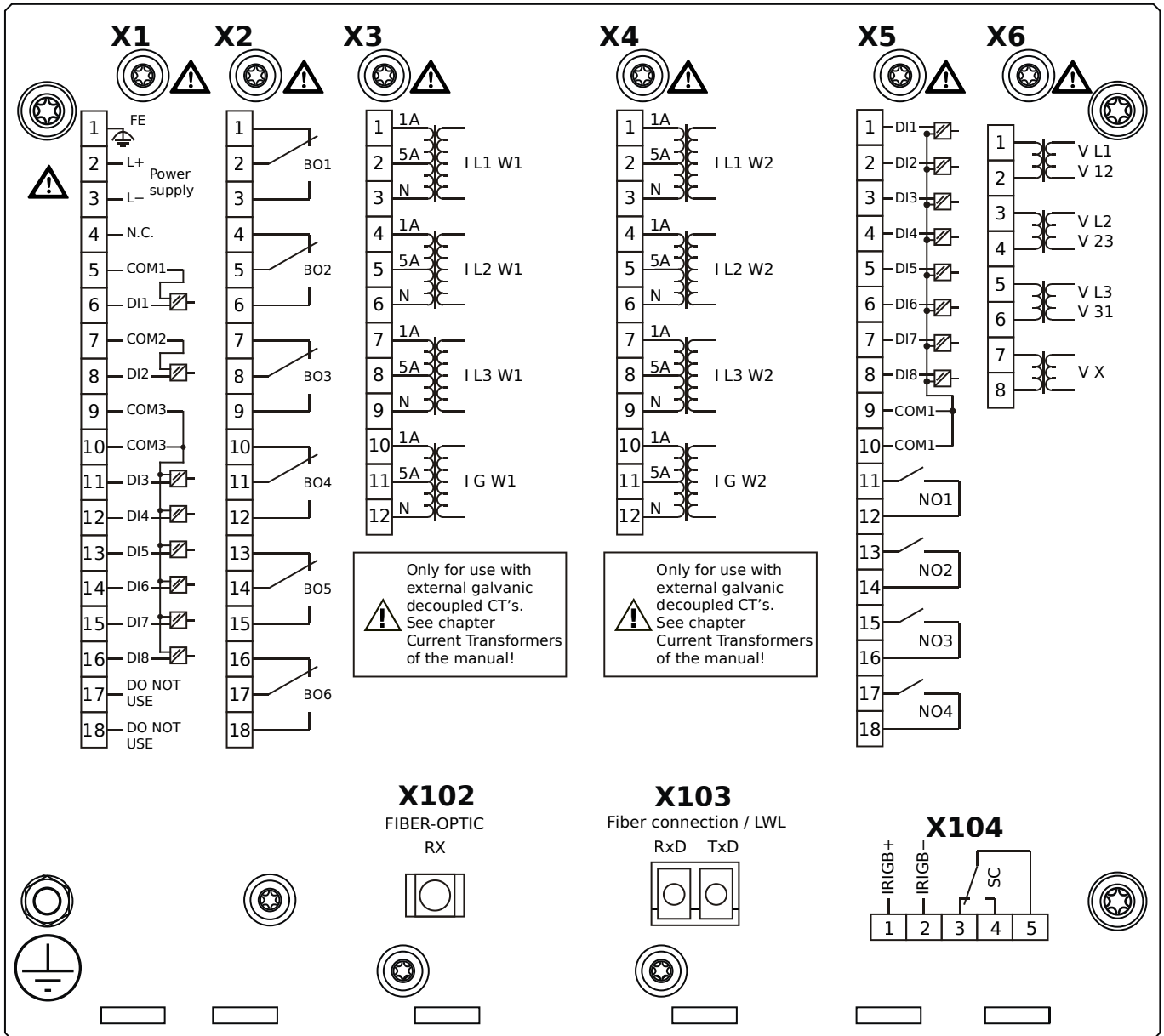
MCDTV4-2A0HLA



Housing B2, large display, door mounting

- X1** – DI8-X1: Wide-range power supply unit, incl. 2 non-grouped digital inputs and 6 grouped digital inputs
- X2** – OR6: Assembly Group with 6 Output Relays
- X3** – TI: Standard current measuring card (for the winding side 1)
- X4** – TI: Standard current measuring card (for the winding side 2)
- X5** – DI8-OR4: Assembly Group with 8 Digital Inputs and 4 Output Relays
- X6** – TU: Card with 4 voltage transformer measuring inputs
- X102** – Universal Resistance-Temperature Detector (URTD) input, Fiber optics interface, Versatile Link
- X103** – Modbus TCP / DNP3.0 TCP/UDP, Fiber optics interface, LC Connector
- X104** – IRIG-B00X, incl. System Contact (Supervision Contact)

MCDTV4-2A0HLB

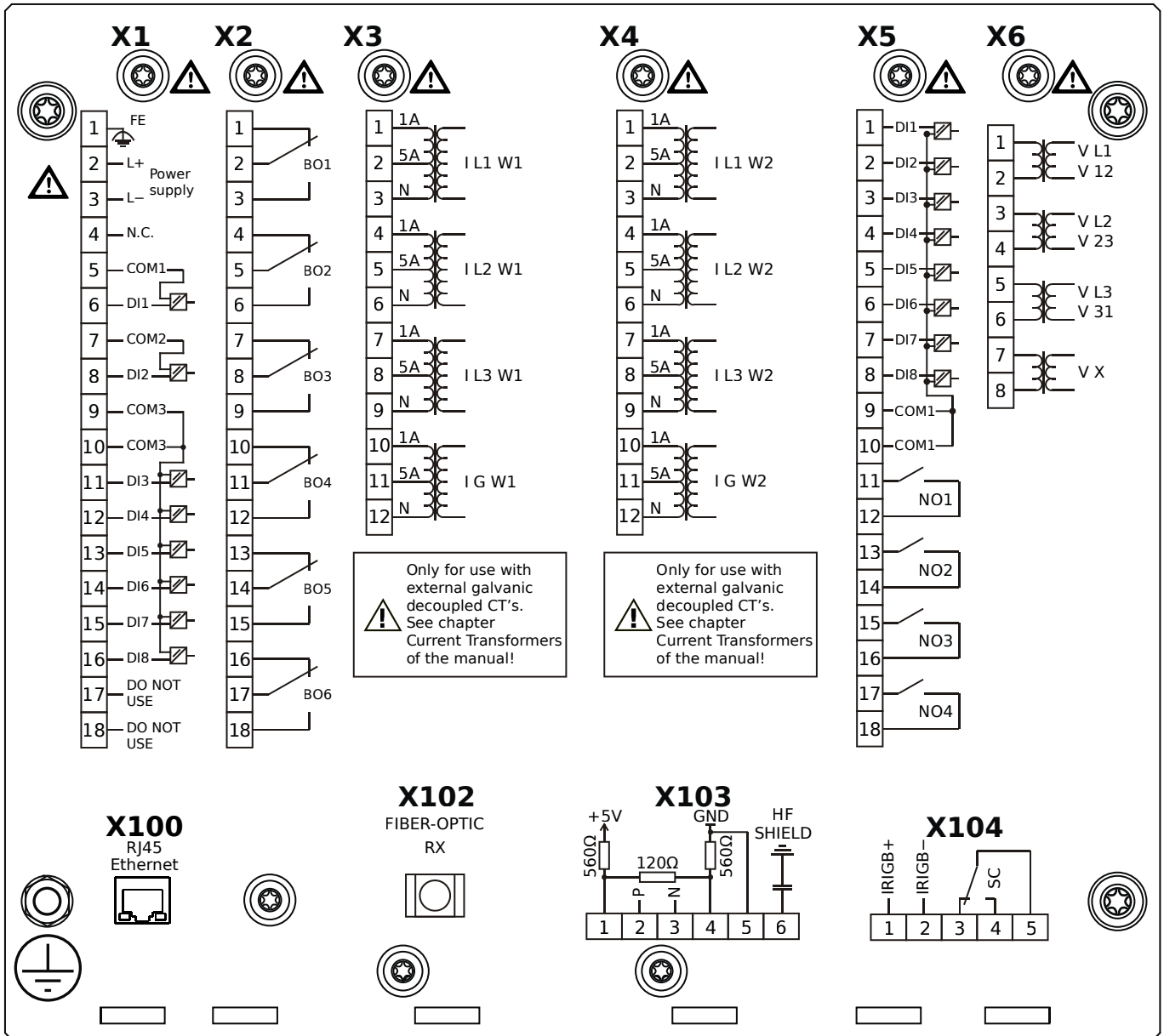


Housing B2, large display, door mounting

+ Conformal Coating (for installations in harsh environment)

- X1** – DI8-X1: Wide-range power supply unit, incl. 2 non-grouped digital inputs and 6 grouped digital inputs
- X2** – OR6: Assembly Group with 6 Output Relays
- X3** – TI: Standard current measuring card (for the winding side 1)
- X4** – TI: Standard current measuring card (for the winding side 2)
- X5** – DI8-OR4: Assembly Group with 8 Digital Inputs and 4 Output Relays
- X6** – TU: Card with 4 voltage transformer measuring inputs
- X102** – Universal Resistance-Temperature Detector (URTD) input, Fiber optics interface, Versatile Link
- X103** – Modbus TCP / DNP3.0 TCP/UDP, Fiber optics interface, LC Connector
- X104** – IRIG-B00X, incl. System Contact (Supervision Contact)

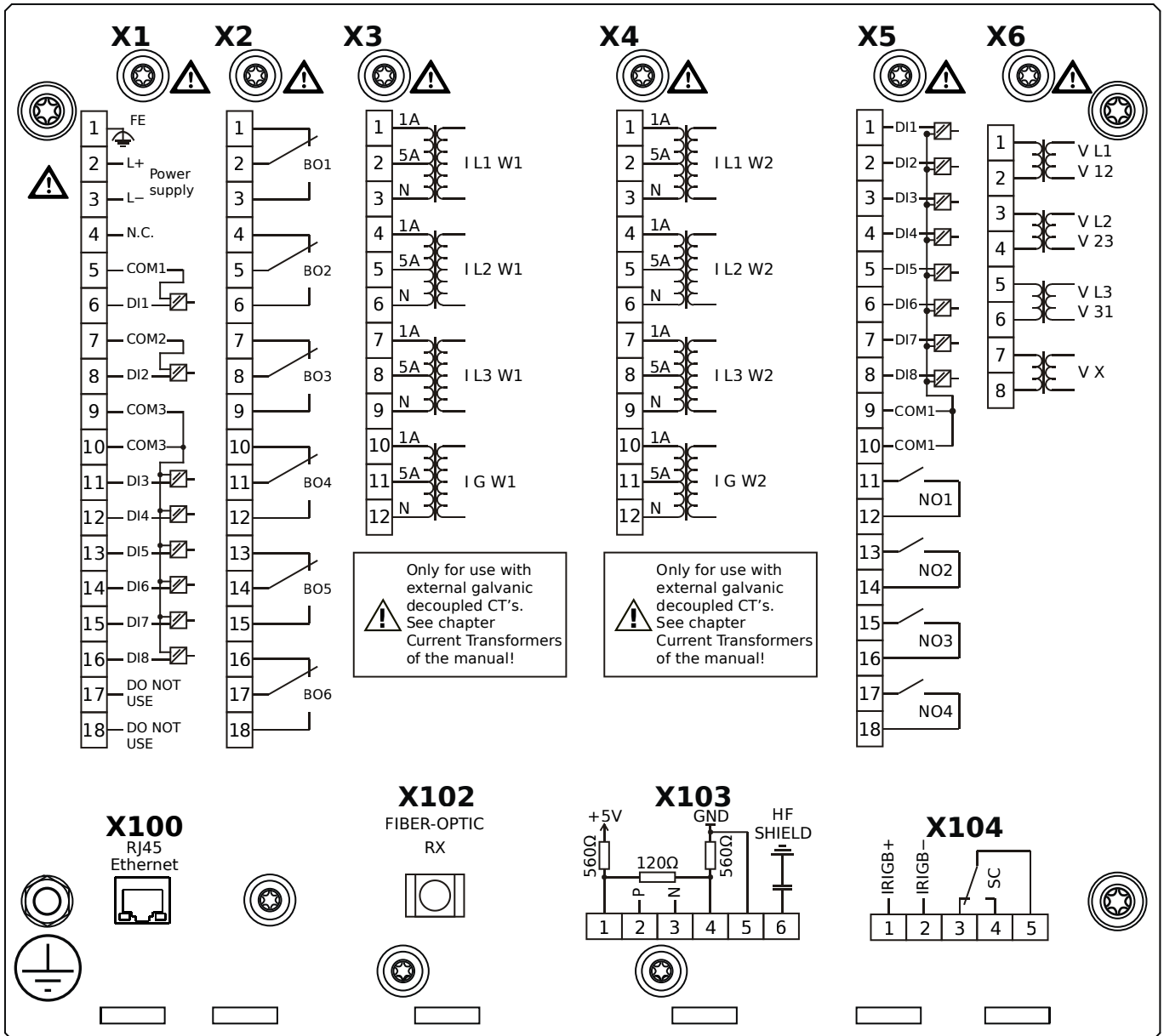
MCDTV4-2A0HTA



Housing B2, large display, door mounting

- X1** – DI8-X1: Wide-range power supply unit, incl. 2 non-grouped digital inputs and 6 grouped digital inputs
- X2** – OR6: Assembly Group with 6 Output Relays
- X3** – TI: Standard current measuring card (for the winding side 1)
- X4** – TI: Standard current measuring card (for the winding side 2)
- X5** – DI8-OR4: Assembly Group with 8 Digital Inputs and 4 Output Relays
- X6** – TU: Card with 4 voltage transformer measuring inputs
- X100** – IEC 61850 / Modbus TCP / DNP3.0 TCP/UDP, Ethernet interface, 100 Mbit/s, RJ45 (BASE100-FX)
- X102** – Universal Resistance-Temperature Detector (URTD) input, Fiber optics interface, Versatile Link
- X103** – IEC 60870-5-103 / Modbus RTU / DNP3.0 RTU, RS485, Terminals
- X104** – IRIG-B00X, incl. System Contact (Supervision Contact)

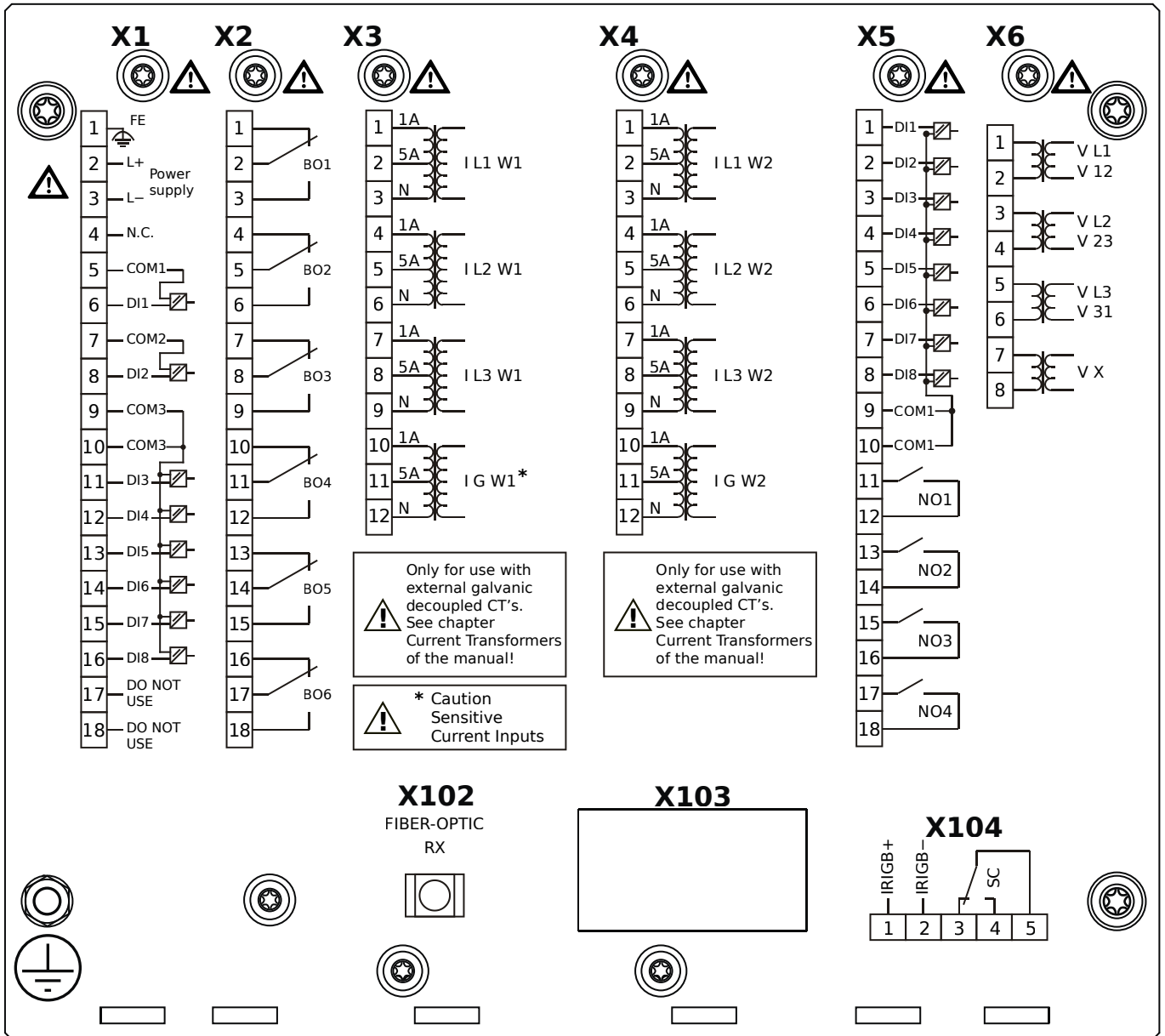
MCDTV4-2A0HTB



Housing B2, large display, door mounting

- + Conformal Coating (for installations in harsh environment)
- X1** – DI8-X1: Wide-range power supply unit, incl. 2 non-grouped digital inputs and 6 grouped digital inputs
- X2** – OR6: Assembly Group with 6 Output Relays
- X3** – TI: Standard current measuring card (for the winding side 1)
- X4** – TI: Standard current measuring card (for the winding side 2)
- X5** – DI8-OR4: Assembly Group with 8 Digital Inputs and 4 Output Relays
- X6** – TU: Card with 4 voltage transformer measuring inputs
- X100** – IEC 61850 / Modbus TCP / DNP3.0 TCP/UDP, Ethernet interface, 100 Mbit/s, RJ45 (BASE100-FX)
- X102** – Universal Resistance-Temperature Detector (URTD) input, Fiber optics interface, Versatile Link
- X103** – IEC 60870-5-103 / Modbus RTU / DNP3.0 RTU, RS485, Terminals
- X104** – IRIG-B00X, incl. System Contact (Supervision Contact)

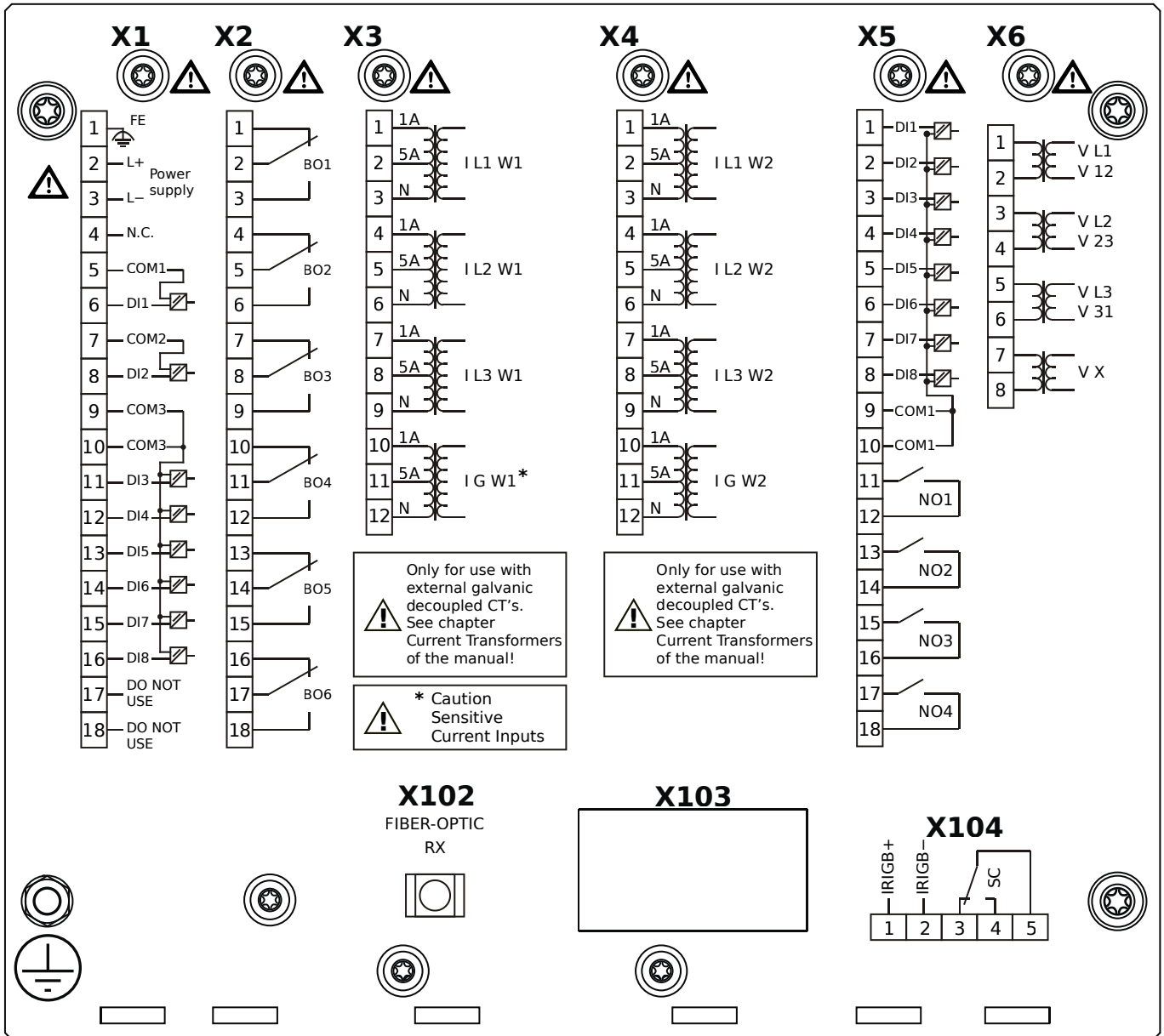
MCDTV4-2A1AAA



Housing B2, large display, door mounting

- X1** – DI8-X1: Wide-range power supply unit, incl. 2 non-grouped digital inputs and 6 grouped digital inputs
- X2** – OR6: Assembly Group with 6 Output Relays
- X3** – TIs: Standard phase current measuring card and sensitive ground current measuring (winding side 1)
- X4** – TI: Standard current measuring card (for the winding side 2)
- X5** – DI8-OR4: Assembly Group with 8 Digital Inputs and 4 Output Relays
- X6** – TU: Card with 4 voltage transformer measuring inputs
- X102** – Universal Resistance-Temperature Detector (URTD) input, Fiber optics interface, Versatile Link
- X104** – IRIG-B00X, incl. System Contact (Supervision Contact)

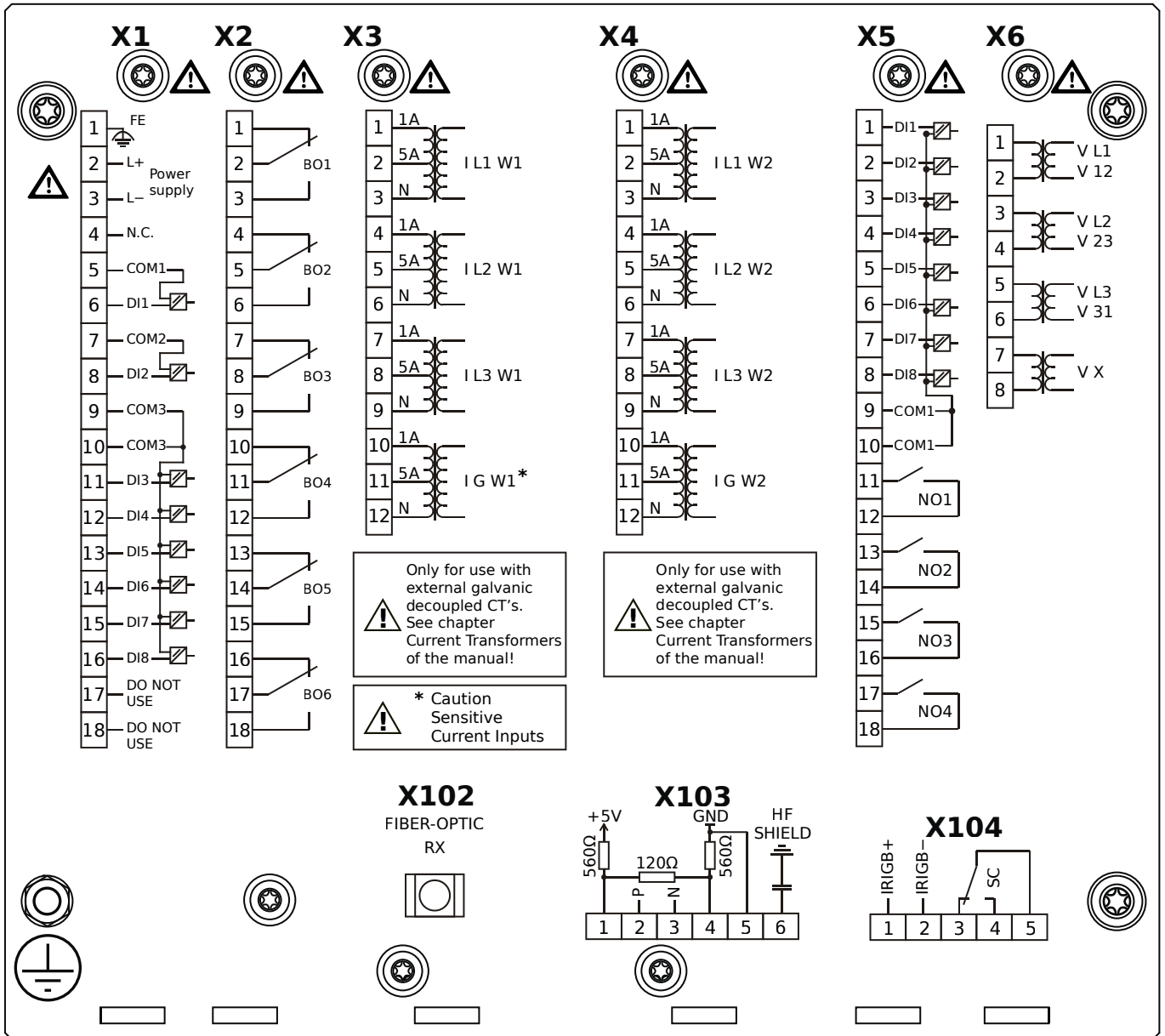
MCDTV4-2A1AAB



Housing B2, large display, door mounting

- + Conformal Coating (for installations in harsh environment)
- X1** – DI8-X1: Wide-range power supply unit, incl. 2 non-grouped digital inputs and 6 grouped digital inputs
- X2** – OR6: Assembly Group with 6 Output Relays
- X3** – TIs: Standard phase current measuring card and sensitive ground current measuring (winding side 1)
- X4** – TI: Standard current measuring card (for the winding side 2)
- X5** – DI8-OR4: Assembly Group with 8 Digital Inputs and 4 Output Relays
- X6** – TU: Card with 4 voltage transformer measuring inputs
- X102** – Universal Resistance-Temperature Detector (URTD) input, Fiber optics interface, Versatile Link
- X104** – IRIG-B00X, incl. System Contact (Supervision Contact)

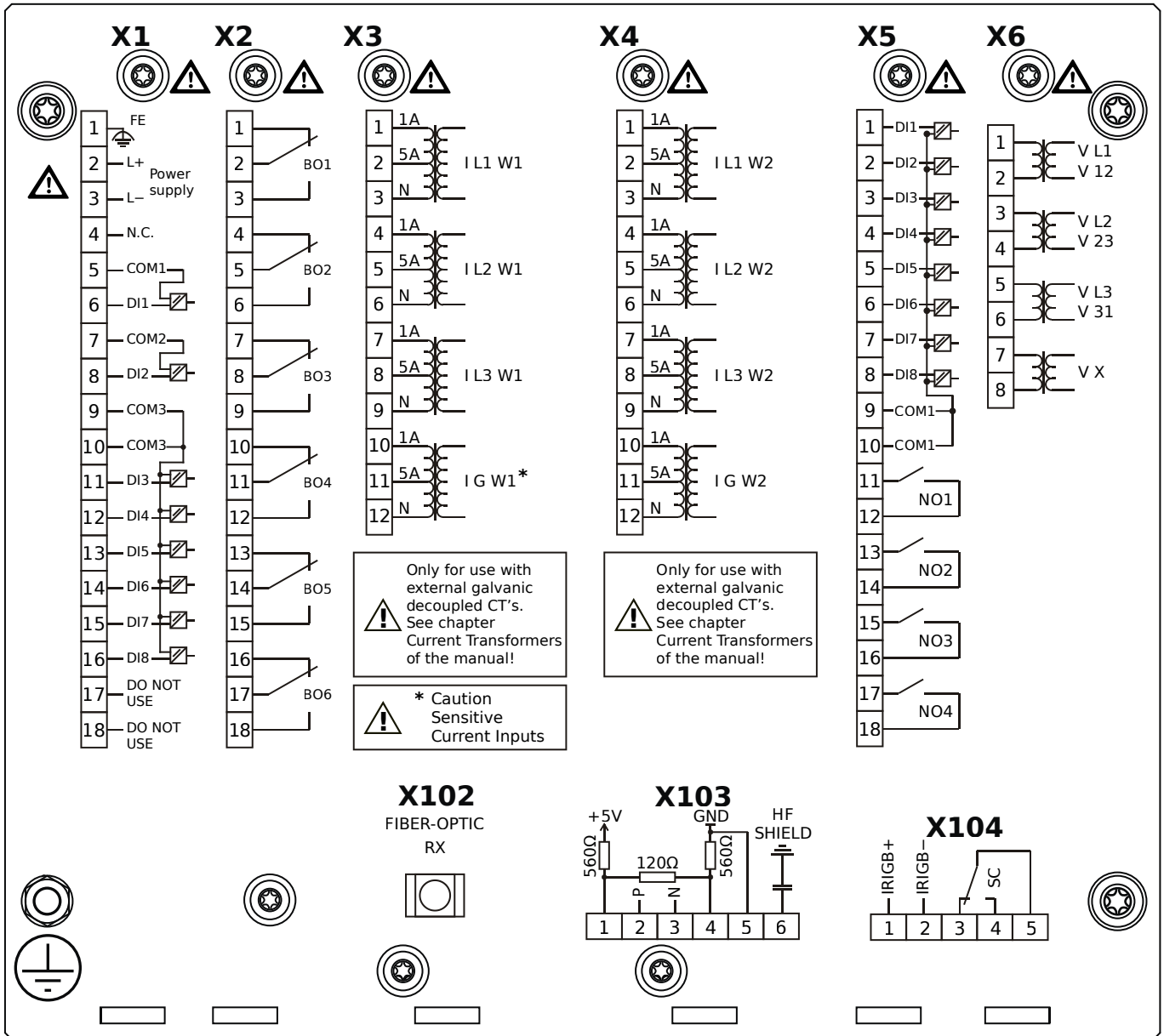
MCDTV4-2A1ABA



Housing B2, large display, door mounting

- X1** – DI8-X1: Wide-range power supply unit, incl. 2 non-grouped digital inputs and 6 grouped digital inputs
- X2** – OR6: Assembly Group with 6 Output Relays
- X3** – TIs: Standard phase current measuring card and sensitive ground current measuring (winding side 1)
- X4** – TI: Standard current measuring card (for the winding side 2)
- X5** – DI8-OR4: Assembly Group with 8 Digital Inputs and 4 Output Relays
- X6** – TU: Card with 4 voltage transformer measuring inputs
- X102** – Universal Resistance-Temperature Detector (URTD) input, Fiber optics interface, Versatile Link
- X103** – Modbus RTU / IEC 60870-5-103 / DNP3.0 RTU, RS485, Terminals
- X104** – IRIG-B00X, incl. System Contact (Supervision Contact)

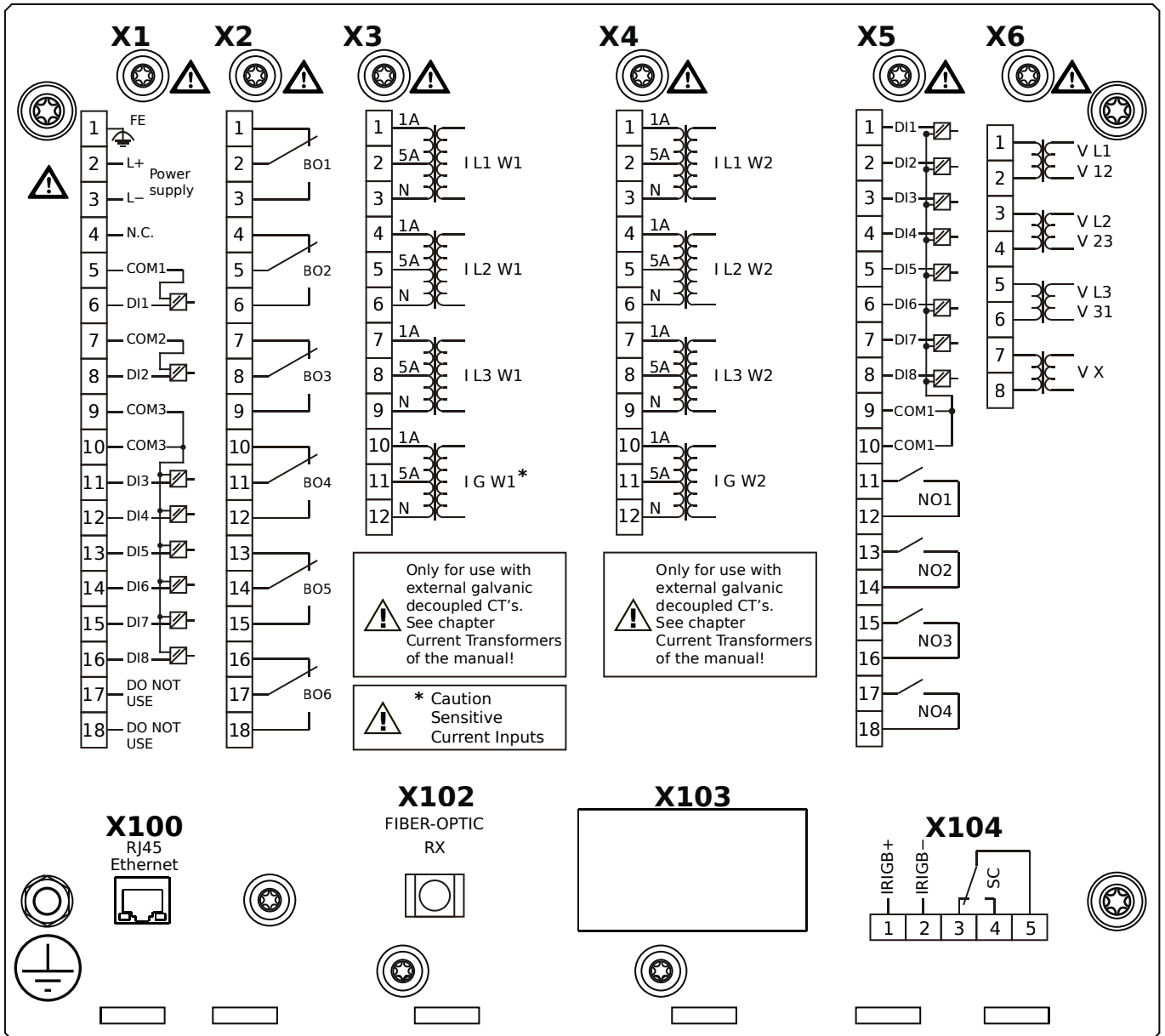
MCDTV4-2A1ABB



Housing B2, large display, door mounting

- + Conformal Coating (for installations in harsh environment)
- X1** – DI8-X1: Wide-range power supply unit, incl. 2 non-grouped digital inputs and 6 grouped digital inputs
- X2** – OR6: Assembly Group with 6 Output Relays
- X3** – TIs: Standard phase current measuring card and sensitive ground current measuring (winding side 1)
- X4** – TI: Standard current measuring card (for the winding side 2)
- X5** – DI8-OR4: Assembly Group with 8 Digital Inputs and 4 Output Relays
- X6** – TU: Card with 4 voltage transformer measuring inputs
- X102** – Universal Resistance-Temperature Detector (URTD) input, Fiber optics interface, Versatile Link
- X103** – Modbus RTU / IEC 60870-5-103 / DNP3.0 RTU, RS485, Terminals
- X104** – IRIG-B00X, incl. System Contact (Supervision Contact)

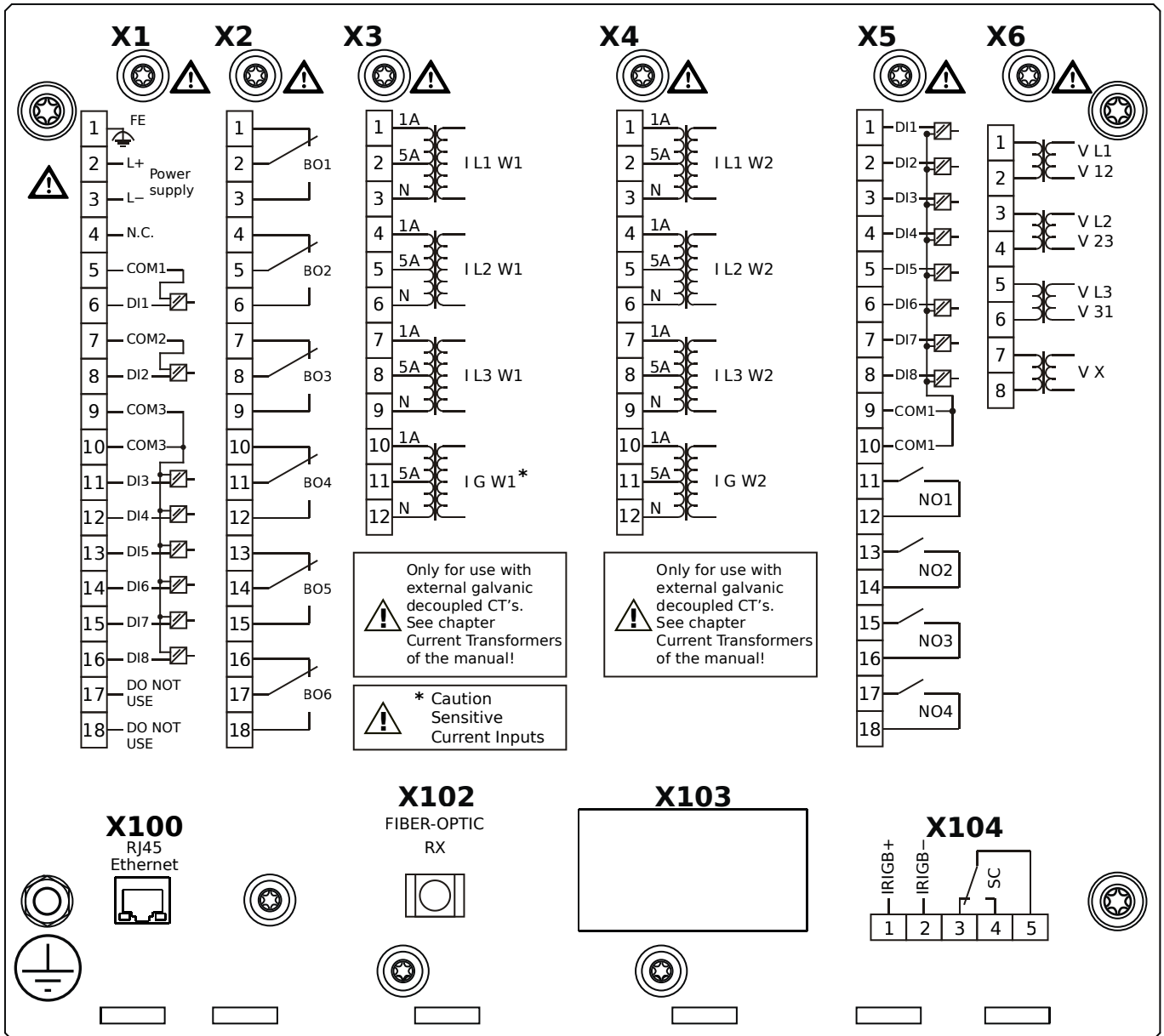
MCDTV4-2A1ACA



Housing B2, large display, door mounting

- X1** – DI8-X1: Wide-range power supply unit, incl. 2 non-grouped digital inputs and 6 grouped digital inputs
- X2** – OR6: Assembly Group with 6 Output Relays
- X3** – TIs: Standard phase current measuring card and sensitive ground current measuring (winding side 1)
- X4** – TI: Standard current measuring card (for the winding side 2)
- X5** – DI8-OR4: Assembly Group with 8 Digital Inputs and 4 Output Relays
- X6** – TU: Card with 4 voltage transformer measuring inputs
- X100** – Modbus TCP / DNP3.0 TCP/UDP, Ethernet interface, 100 Mbit/s, RJ45 (BASE100-FX)
- X102** – Universal Resistance-Temperature Detector (URTD) input, Fiber optics interface, Versatile Link
- X104** – IRIG-B00X, incl. System Contact (Supervision Contact)

MCDTV4-2A1ACB

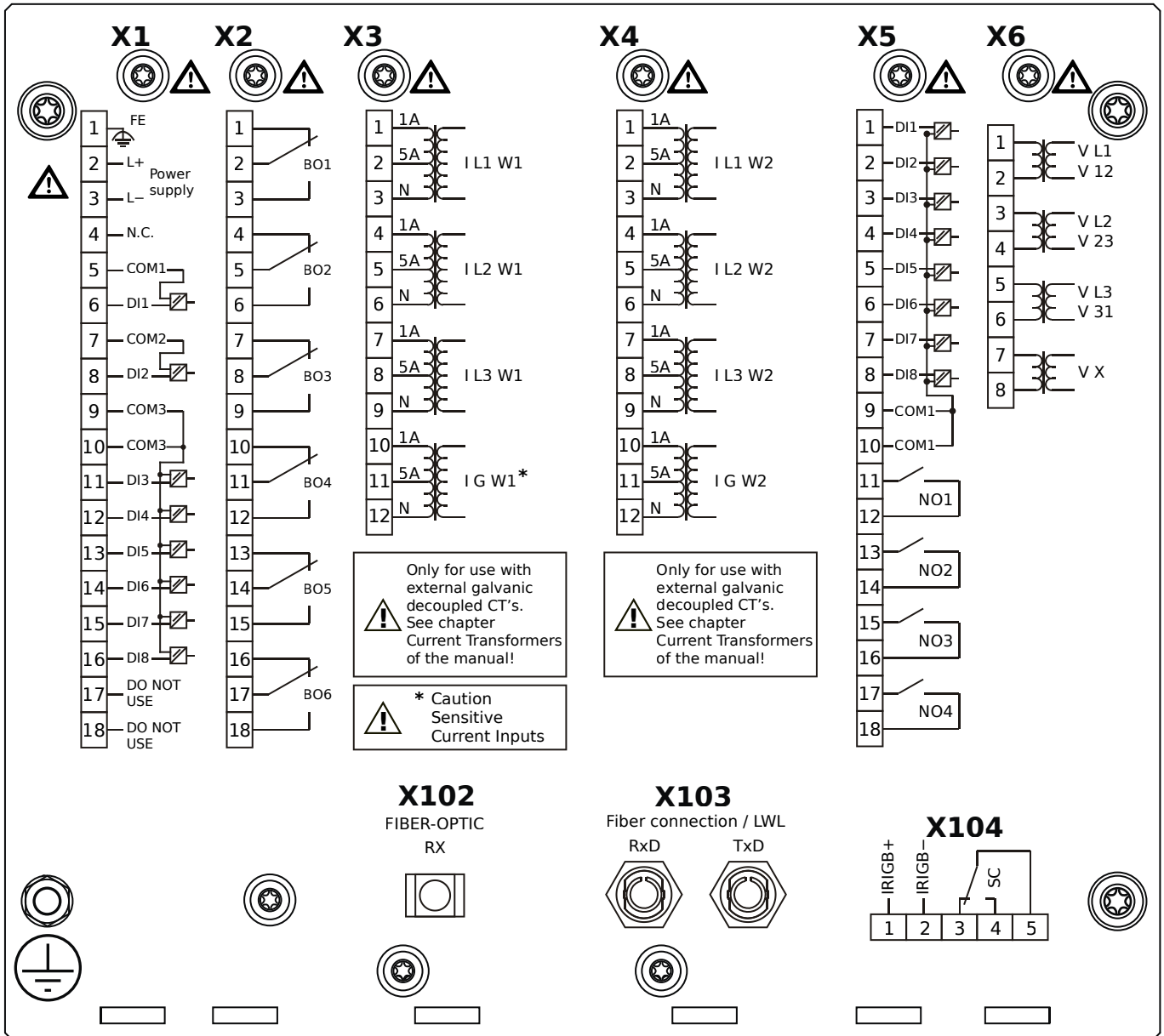


Housing B2, large display, door mounting

+ Conformal Coating (for installations in harsh environment)

- X1** – DI8-X1: Wide-range power supply unit, incl. 2 non-grouped digital inputs and 6 grouped digital inputs
- X2** – OR6: Assembly Group with 6 Output Relays
- X3** – TIs: Standard phase current measuring card and sensitive ground current measuring (winding side 1)
- X4** – TI: Standard current measuring card (for the winding side 2)
- X5** – DI8-OR4: Assembly Group with 8 Digital Inputs and 4 Output Relays
- X6** – TU: Card with 4 voltage transformer measuring inputs
- X100** – Modbus TCP / DNP3.0 TCP/UDP, Ethernet interface, 100 Mbit/s, RJ45 (BASE100-FX)
- X102** – Universal Resistance-Temperature Detector (URTD) input, Fiber optics interface, Versatile Link
- X104** – IRIG-B00X, incl. System Contact (Supervision Contact)

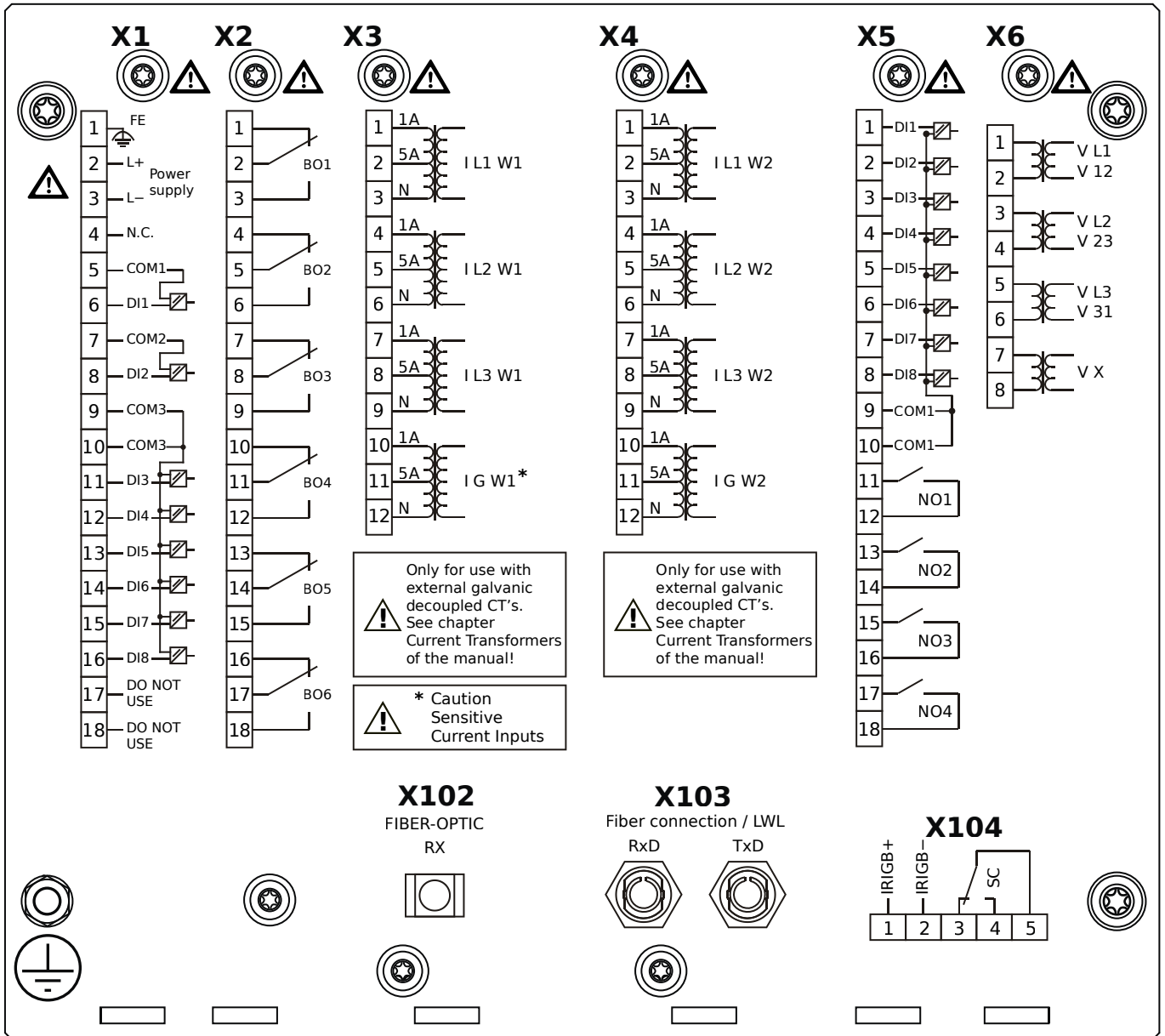
MCDTV4-2A1ADA



Housing B2, large display, door mounting

- X1** – DI8-X1: Wide-range power supply unit, incl. 2 non-grouped digital inputs and 6 grouped digital inputs
- X2** – OR6: Assembly Group with 6 Output Relays
- X3** – TIs: Standard phase current measuring card and sensitive ground current measuring (winding side 1)
- X4** – TI: Standard current measuring card (for the winding side 2)
- X5** – DI8-OR4: Assembly Group with 8 Digital Inputs and 4 Output Relays
- X6** – TU: Card with 4 voltage transformer measuring inputs
- X102** – Universal Resistance-Temperature Detector (URTD) input, Fiber optics interface, Versatile Link
- X103** – Profibus-DP, Fiber optics interface, ST Connector
- X104** – IRIG-B00X, incl. System Contact (Supervision Contact)

MCDTV4-2A1ADB

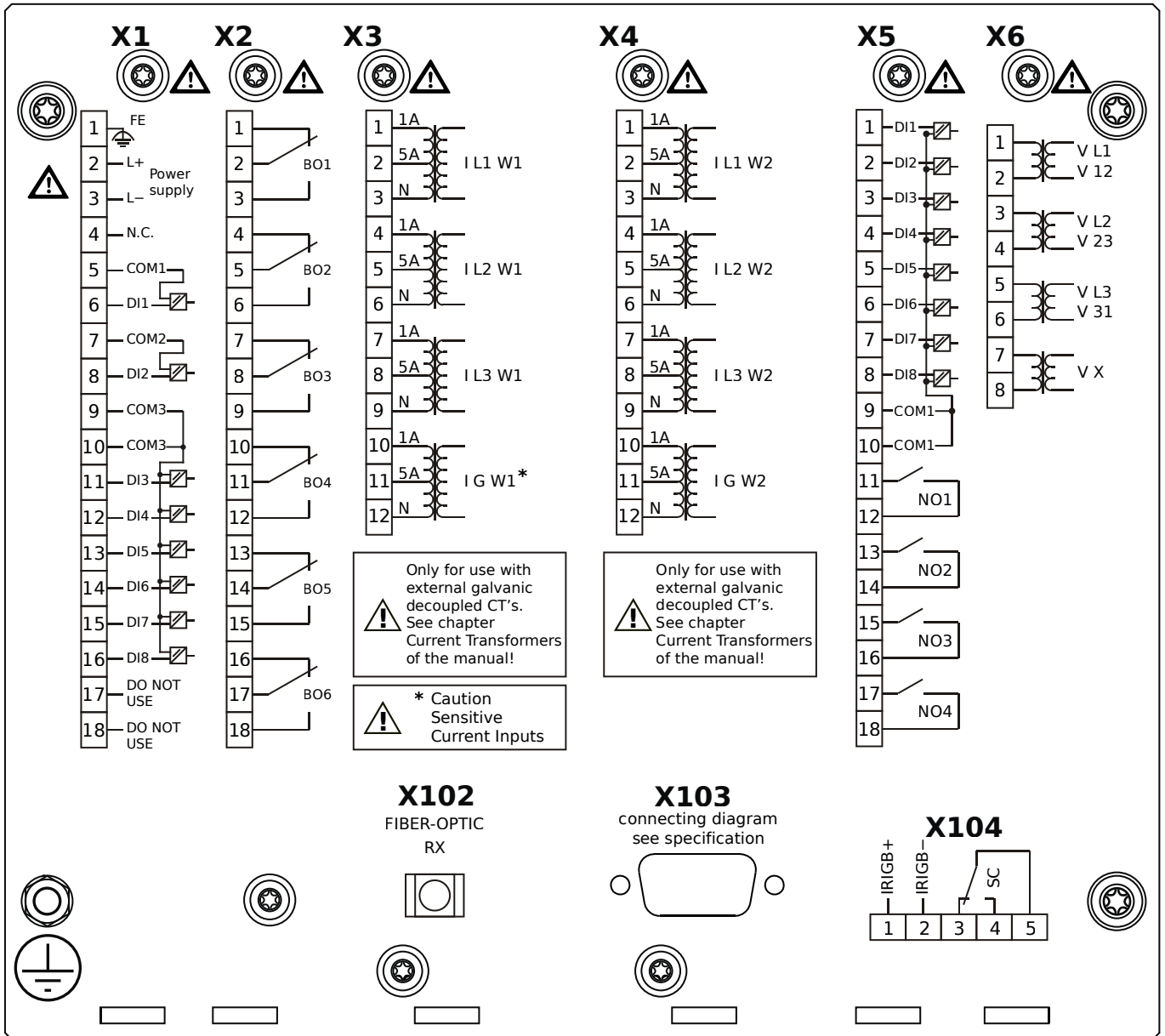


Housing B2, large display, door mounting

+ Conformal Coating (for installations in harsh environment)

- X1** – DI8-X1: Wide-range power supply unit, incl. 2 non-grouped digital inputs and 6 grouped digital inputs
- X2** – OR6: Assembly Group with 6 Output Relays
- X3** – TIs: Standard phase current measuring card and sensitive ground current measuring (winding side 1)
- X4** – TI: Standard current measuring card (for the winding side 2)
- X5** – DI8-OR4: Assembly Group with 8 Digital Inputs and 4 Output Relays
- X6** – TU: Card with 4 voltage transformer measuring inputs
- X102** – Universal Resistance-Temperature Detector (URTD) input, Fiber optics interface, Versatile Link
- X103** – Profibus-DP, Fiber optics interface, ST Connector
- X104** – IRIG-B00X, incl. System Contact (Supervision Contact)

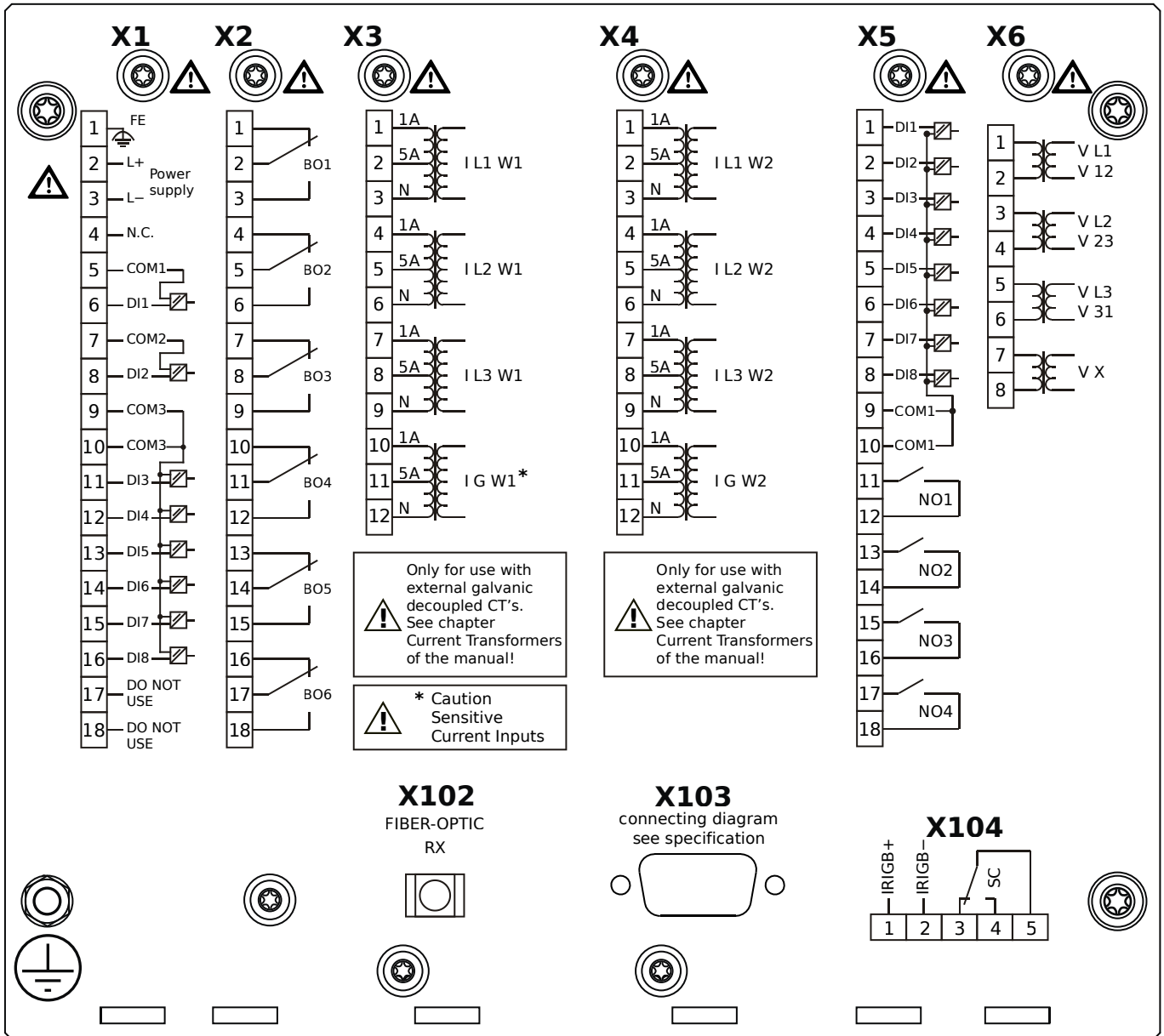
MCDTV4-2A1AEA



Housing B2, large display, door mounting

- X1** – DI8-X1: Wide-range power supply unit, incl. 2 non-grouped digital inputs and 6 grouped digital inputs
- X2** – OR6: Assembly Group with 6 Output Relays
- X3** – TIs: Standard phase current measuring card and sensitive ground current measuring (winding side 1)
- X4** – TI: Standard current measuring card (for the winding side 2)
- X5** – DI8-OR4: Assembly Group with 8 Digital Inputs and 4 Output Relays
- X6** – TU: Card with 4 voltage transformer measuring inputs
- X102** – Universal Resistance-Temperature Detector (URTD) input, Fiber optics interface, Versatile Link
- X103** – Profibus-DP, RS485, D-SUB
- X104** – IRIG-B00X, incl. System Contact (Supervision Contact)

MCDTV4-2A1AEB

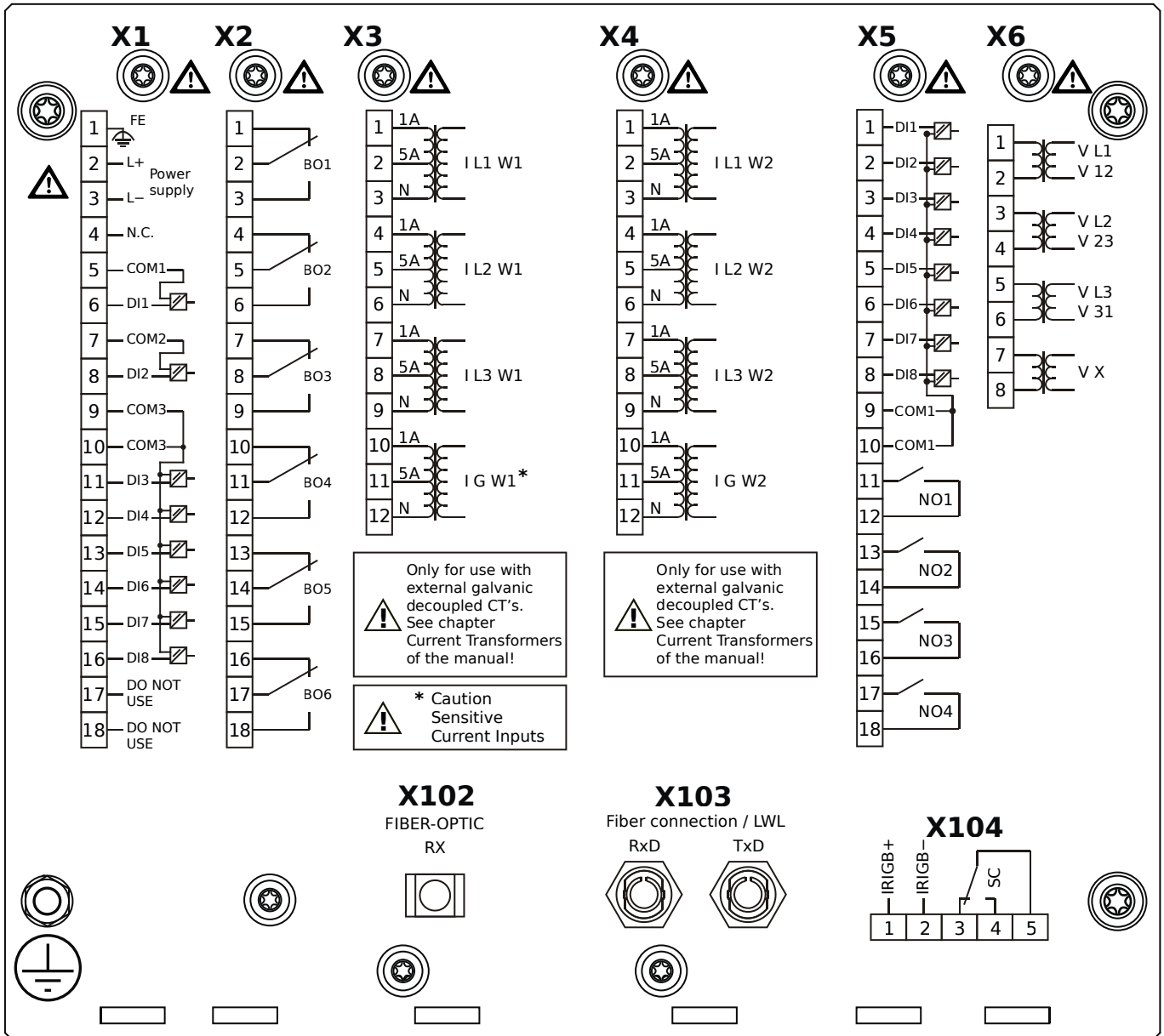


Housing B2, large display, door mounting

+ Conformal Coating (for installations in harsh environment)

- X1** – DI8-X1: Wide-range power supply unit, incl. 2 non-grouped digital inputs and 6 grouped digital inputs
- X2** – OR6: Assembly Group with 6 Output Relays
- X3** – TIs: Standard phase current measuring card and sensitive ground current measuring (winding side 1)
- X4** – TI: Standard current measuring card (for the winding side 2)
- X5** – DI8-OR4: Assembly Group with 8 Digital Inputs and 4 Output Relays
- X6** – TU: Card with 4 voltage transformer measuring inputs
- X102** – Universal Resistance-Temperature Detector (URTD) input, Fiber optics interface, Versatile Link
- X103** – Profibus-DP, RS485, D-SUB
- X104** – IRIG-B00X, incl. System Contact (Supervision Contact)

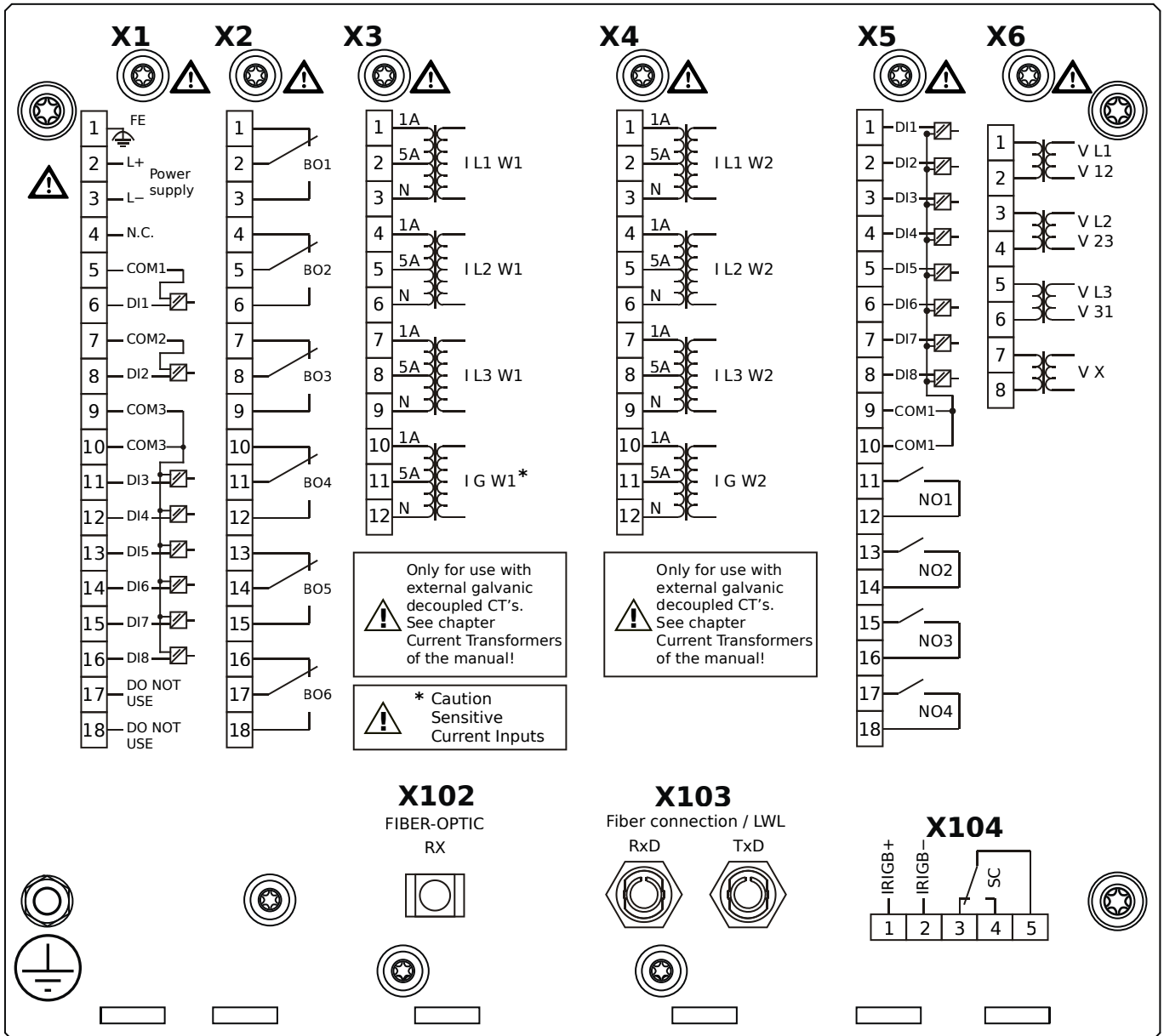
MCDTV4-2A1AFA



Housing B2, large display, door mounting

- X1** – DI8-X1: Wide-range power supply unit, incl. 2 non-grouped digital inputs and 6 grouped digital inputs
- X2** – OR6: Assembly Group with 6 Output Relays
- X3** – TIs: Standard phase current measuring card and sensitive ground current measuring (winding side 1)
- X4** – TI: Standard current measuring card (for the winding side 2)
- X5** – DI8-OR4: Assembly Group with 8 Digital Inputs and 4 Output Relays
- X6** – TU: Card with 4 voltage transformer measuring inputs
- X102** – Universal Resistance-Temperature Detector (URTD) input, Fiber optics interface, Versatile Link
- X103** – Modbus RTU / IEC 60870-5-103 / DNP3.0 RTU, Fiber optics interface, ST Connector
- X104** – IRIG-B00X, incl. System Contact (Supervision Contact)

MCDTV4-2A1AFB

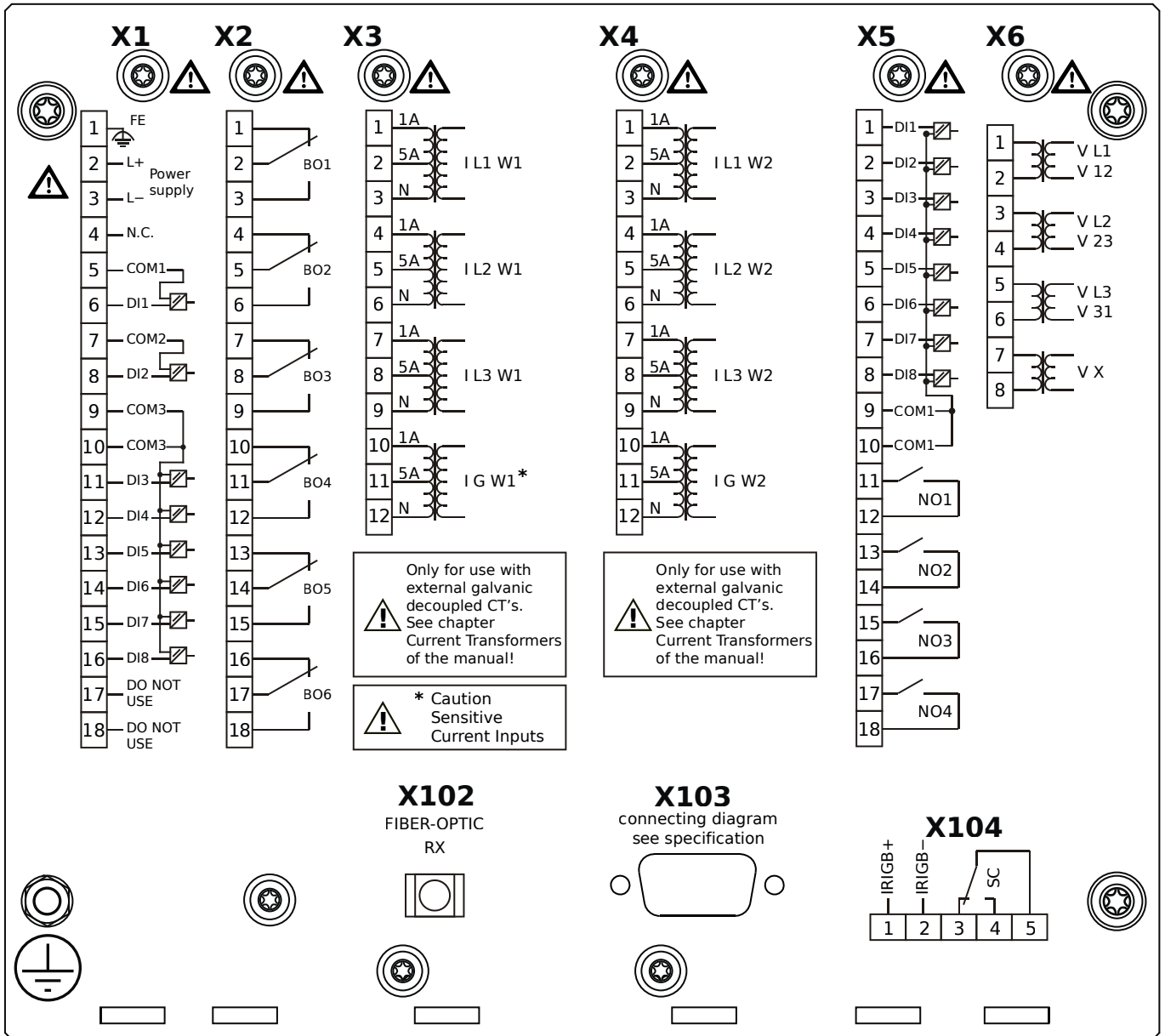


Housing B2, large display, door mounting

+ Conformal Coating (for installations in harsh environment)

- X1** – DI8-X1: Wide-range power supply unit, incl. 2 non-grouped digital inputs and 6 grouped digital inputs
- X2** – OR6: Assembly Group with 6 Output Relays
- X3** – TIs: Standard phase current measuring card and sensitive ground current measuring (winding side 1)
- X4** – TI: Standard current measuring card (for the winding side 2)
- X5** – DI8-OR4: Assembly Group with 8 Digital Inputs and 4 Output Relays
- X6** – TU: Card with 4 voltage transformer measuring inputs
- X102** – Universal Resistance-Temperature Detector (URTD) input, Fiber optics interface, Versatile Link
- X103** – Modbus RTU / IEC 60870-5-103 / DNP3.0 RTU, Fiber optics interface, ST Connector
- X104** – IRIG-B00X, incl. System Contact (Supervision Contact)

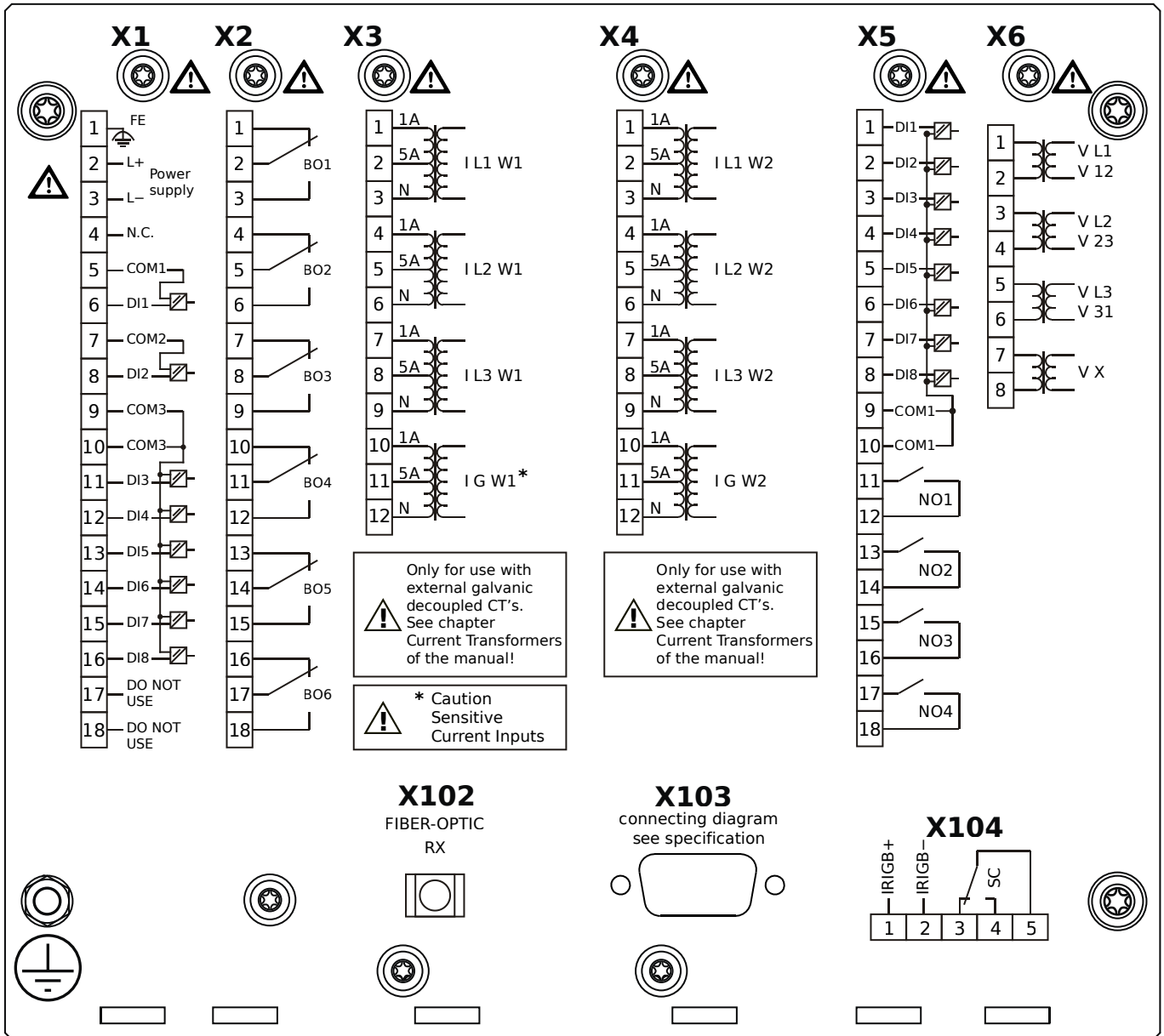
MCDTV4-2A1AGA



Housing B2, large display, door mounting

- X1** – DI8-X1: Wide-range power supply unit, incl. 2 non-grouped digital inputs and 6 grouped digital inputs
- X2** – OR6: Assembly Group with 6 Output Relays
- X3** – TIs: Standard phase current measuring card and sensitive ground current measuring (winding side 1)
- X4** – TI: Standard current measuring card (for the winding side 2)
- X5** – DI8-OR4: Assembly Group with 8 Digital Inputs and 4 Output Relays
- X6** – TU: Card with 4 voltage transformer measuring inputs
- X102** – Universal Resistance-Temperature Detector (URTD) input, Fiber optics interface, Versatile Link
- X103** – Modbus RTU / IEC 60870-5-103 / DNP3.0 RTU, RS485, D-SUB
- X104** – IRIG-B00X, incl. System Contact (Supervision Contact)

MCDTV4-2A1AGB

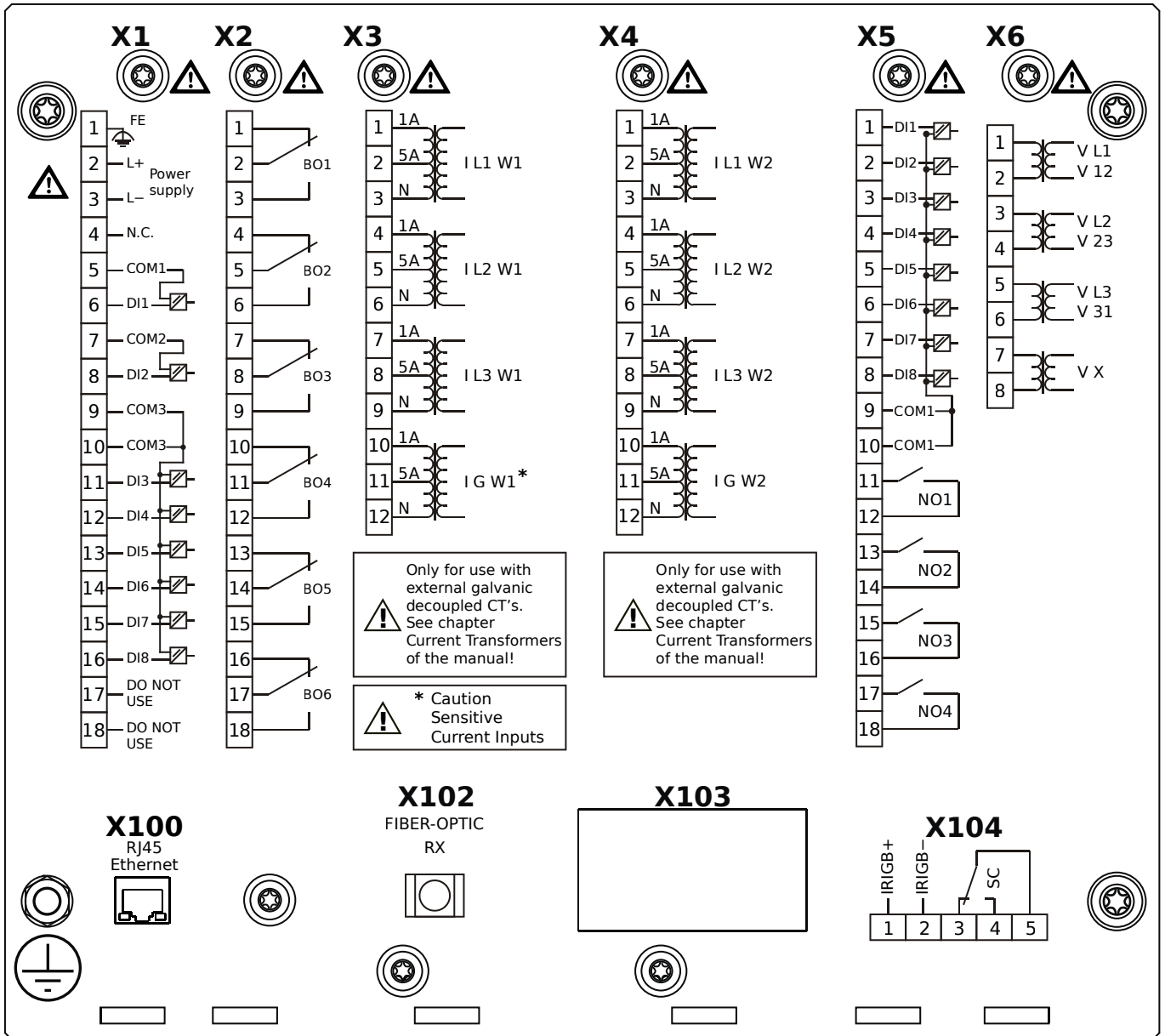


Housing B2, large display, door mounting

+ Conformal Coating (for installations in harsh environment)

- X1** – DI8-X1: Wide-range power supply unit, incl. 2 non-grouped digital inputs and 6 grouped digital inputs
- X2** – OR6: Assembly Group with 6 Output Relays
- X3** – TIs: Standard phase current measuring card and sensitive ground current measuring (winding side 1)
- X4** – TI: Standard current measuring card (for the winding side 2)
- X5** – DI8-OR4: Assembly Group with 8 Digital Inputs and 4 Output Relays
- X6** – TU: Card with 4 voltage transformer measuring inputs
- X102** – Universal Resistance-Temperature Detector (URTD) input, Fiber optics interface, Versatile Link
- X103** – Modbus RTU / IEC 60870-5-103 / DNP3.0 RTU, RS485, D-SUB
- X104** – IRIG-B00X, incl. System Contact (Supervision Contact)

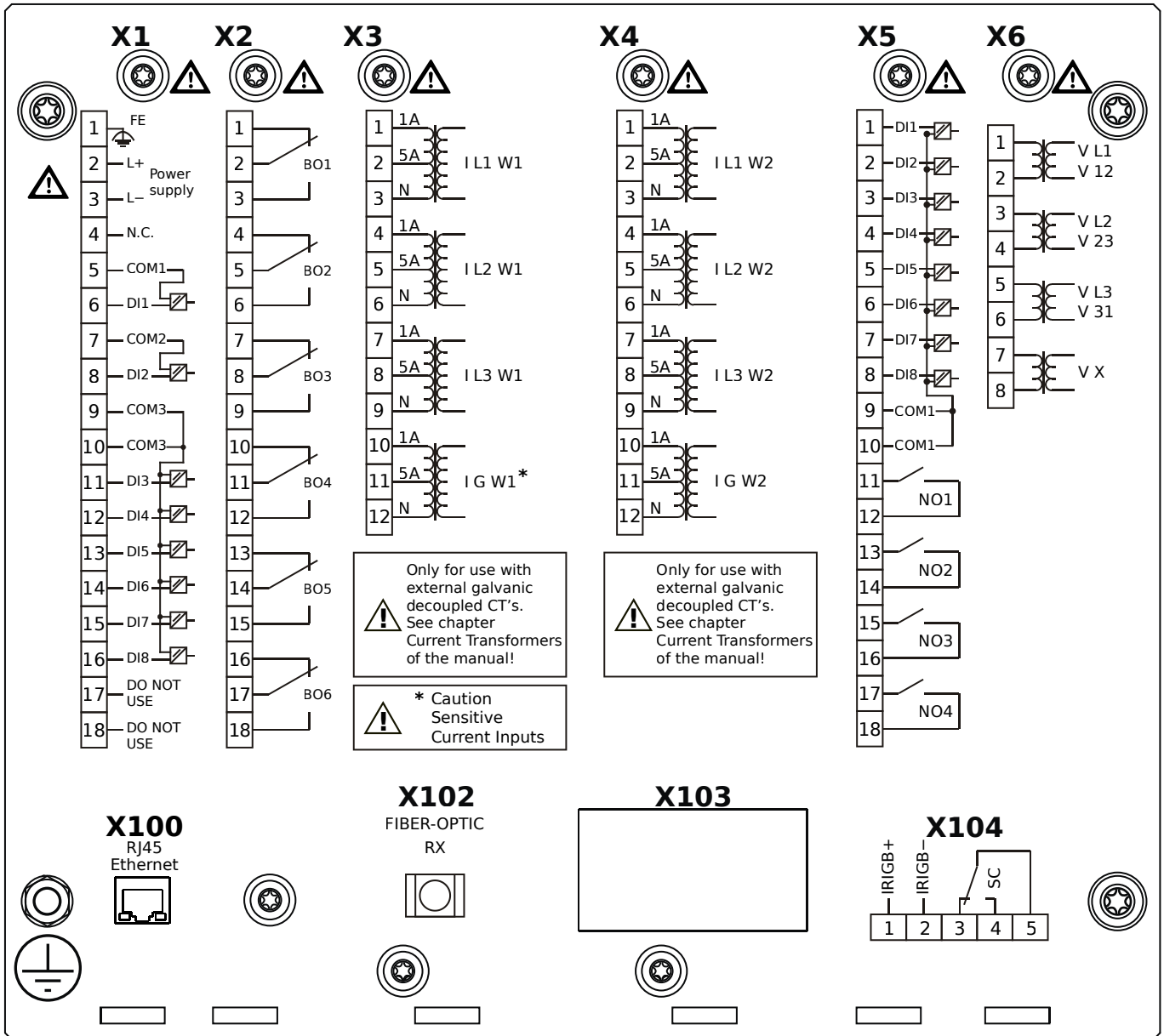
MCDTV4-2A1AHA



Housing B2, large display, door mounting

- X1** – DI8-X1: Wide-range power supply unit, incl. 2 non-grouped digital inputs and 6 grouped digital inputs
- X2** – OR6: Assembly Group with 6 Output Relays
- X3** – TIs: Standard phase current measuring card and sensitive ground current measuring (winding side 1)
- X4** – TI: Standard current measuring card (for the winding side 2)
- X5** – DI8-OR4: Assembly Group with 8 Digital Inputs and 4 Output Relays
- X6** – TU: Card with 4 voltage transformer measuring inputs
- X100** – IEC 61850 / Modbus TCP / DNP3.0 TCP/UDP, Ethernet interface, 100 Mbit/s, RJ45 (BASE100-FX)
- X102** – Universal Resistance-Temperature Detector (URTD) input, Fiber optics interface, Versatile Link
- X104** – IRIG-B00X, incl. System Contact (Supervision Contact)

MCDTV4-2A1AHB

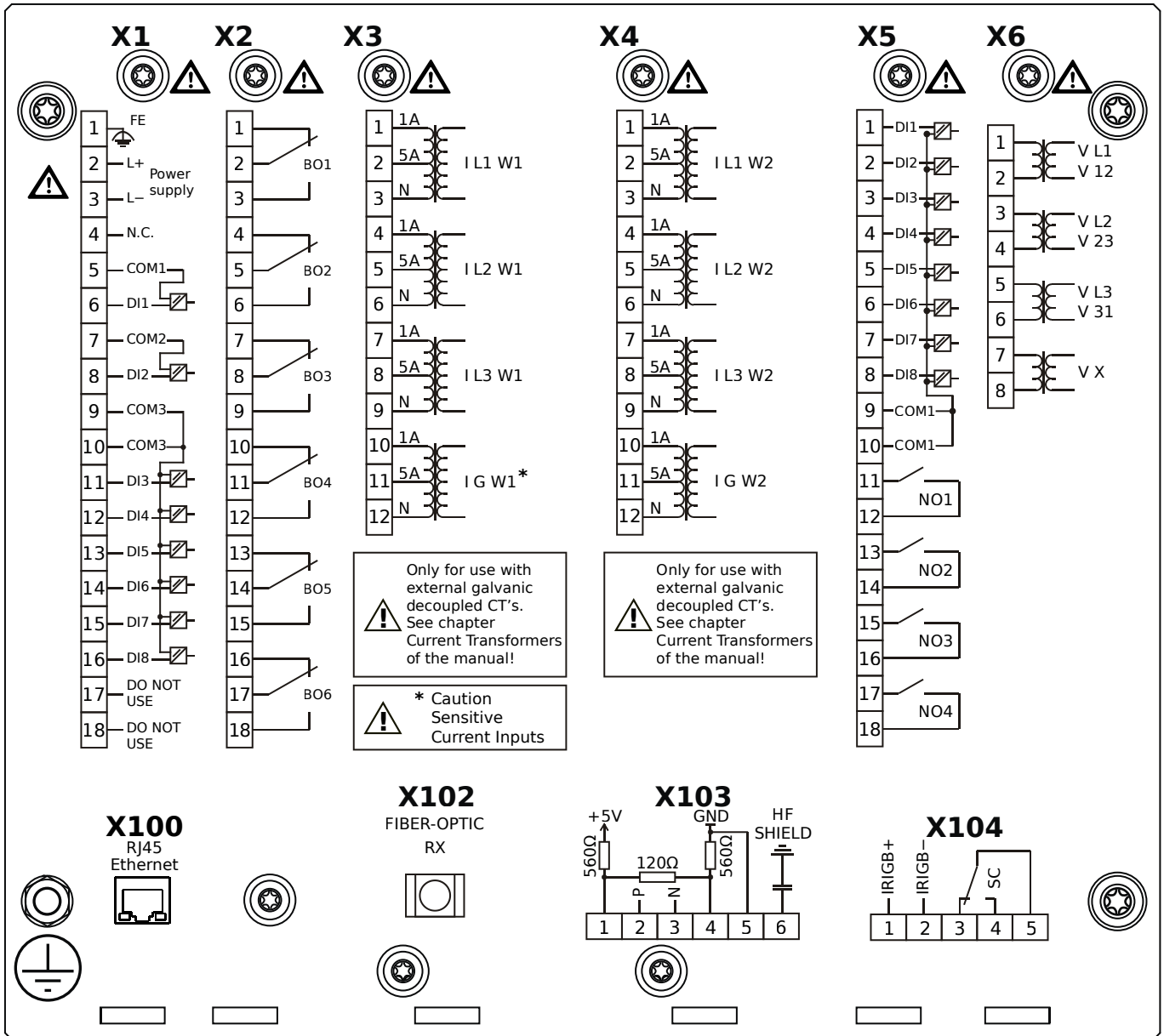


Housing B2, large display, door mounting

+ Conformal Coating (for installations in harsh environment)

- X1** – DI8-X1: Wide-range power supply unit, incl. 2 non-grouped digital inputs and 6 grouped digital inputs
- X2** – OR6: Assembly Group with 6 Output Relays
- X3** – TIs: Standard phase current measuring card and sensitive ground current measuring (winding side 1)
- X4** – TI: Standard current measuring card (for the winding side 2)
- X5** – DI8-OR4: Assembly Group with 8 Digital Inputs and 4 Output Relays
- X6** – TU: Card with 4 voltage transformer measuring inputs
- X100** – IEC 61850 / Modbus TCP / DNP3.0 TCP/UDP, Ethernet interface, 100 Mbit/s, RJ45 (BASE100-FX)
- X102** – Universal Resistance-Temperature Detector (URTD) input, Fiber optics interface, Versatile Link
- X104** – IRIG-B00X, incl. System Contact (Supervision Contact)

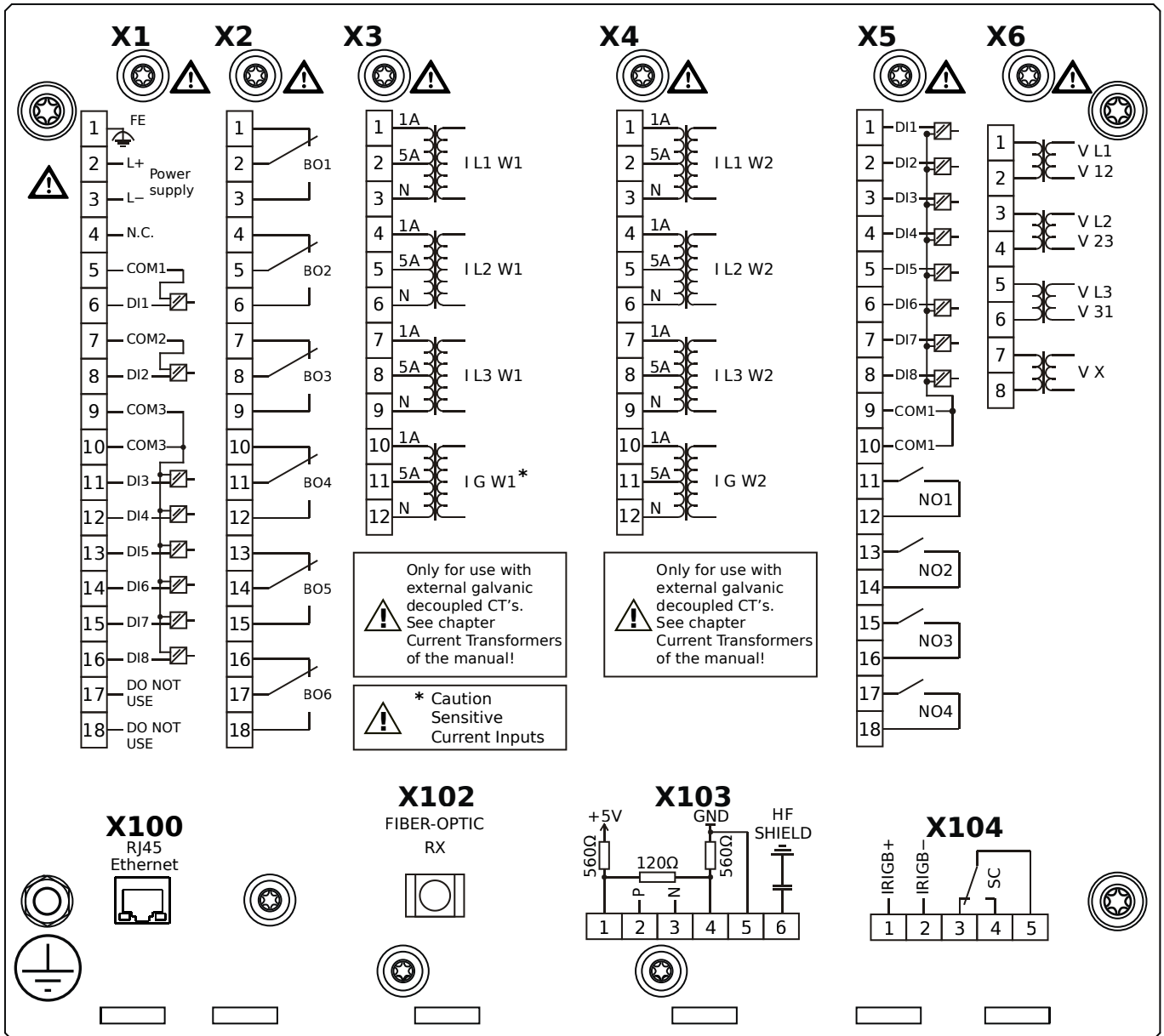
MCDTV4-2A1AIA



Housing B2, large display, door mounting

- X1** – DI8-X1: Wide-range power supply unit, incl. 2 non-grouped digital inputs and 6 grouped digital inputs
- X2** – OR6: Assembly Group with 6 Output Relays
- X3** – TIs: Standard phase current measuring card and sensitive ground current measuring (winding side 1)
- X4** – TI: Standard current measuring card (for the winding side 2)
- X5** – DI8-OR4: Assembly Group with 8 Digital Inputs and 4 Output Relays
- X6** – TU: Card with 4 voltage transformer measuring inputs
- X100** – Modbus TCP / DNP3.0 TCP/UDP, Ethernet interface, 100 Mbit/s, RJ45 (BASE100-FX)
- X102** – Universal Resistance-Temperature Detector (URTD) input, Fiber optics interface, Versatile Link
- X103** – IEC 60870-5-103 / Modbus RTU / DNP3.0 RTU, RS485, Terminals
- X104** – IRIG-B00X, incl. System Contact (Supervision Contact)

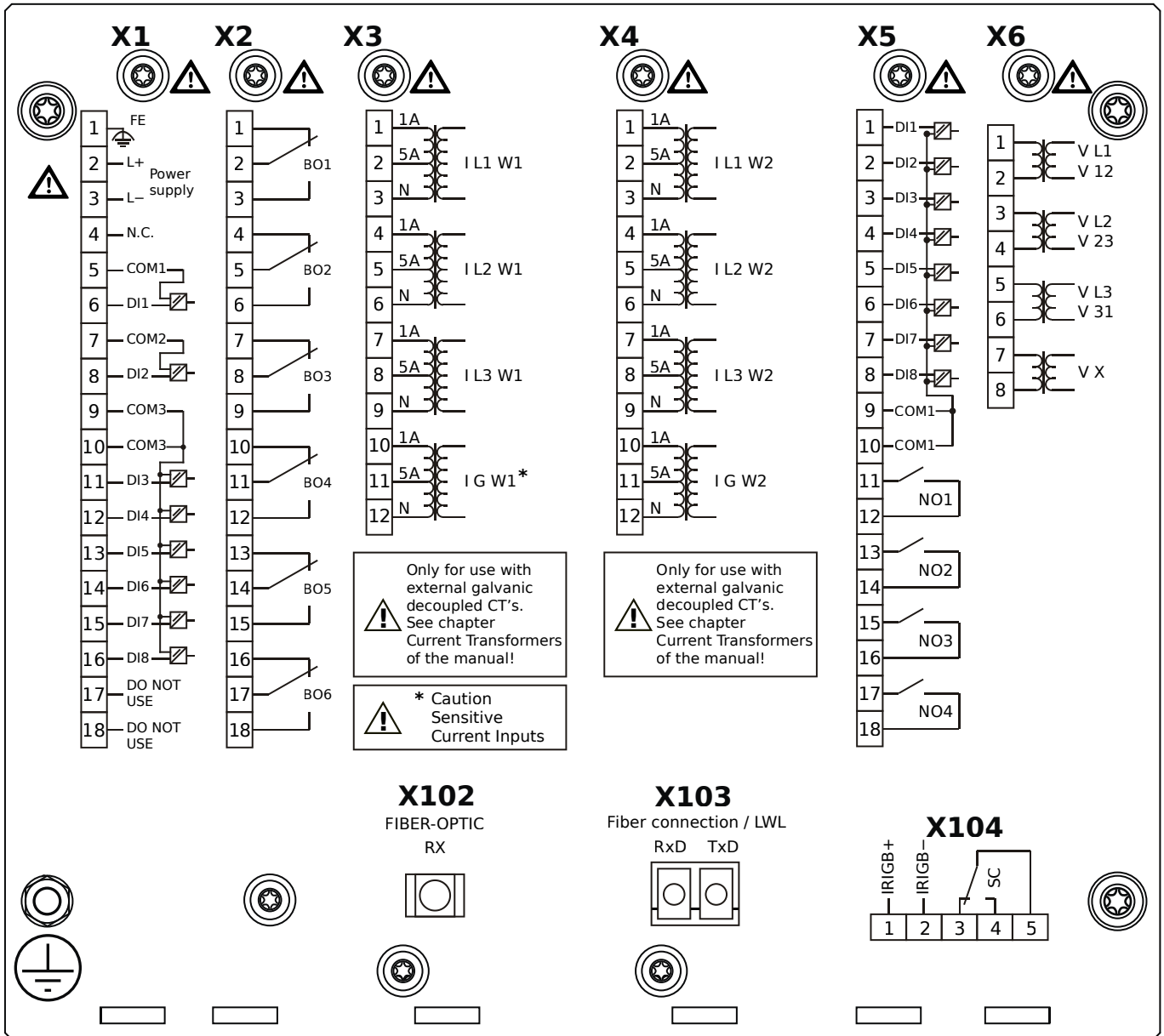
MCDTV4-2A1AIB



Housing B2, large display, door mounting

- + Conformal Coating (for installations in harsh environment)
- X1** – DI8-X1: Wide-range power supply unit, incl. 2 non-grouped digital inputs and 6 grouped digital inputs
- X2** – OR6: Assembly Group with 6 Output Relays
- X3** – TIs: Standard phase current measuring card and sensitive ground current measuring (winding side 1)
- X4** – TI: Standard current measuring card (for the winding side 2)
- X5** – DI8-OR4: Assembly Group with 8 Digital Inputs and 4 Output Relays
- X6** – TU: Card with 4 voltage transformer measuring inputs
- X100** – Modbus TCP / DNP3.0 TCP/UDP, Ethernet interface, 100 Mbit/s, RJ45 (BASE100-FX)
- X102** – Universal Resistance-Temperature Detector (URTD) input, Fiber optics interface, Versatile Link
- X103** – IEC 60870-5-103 / Modbus RTU / DNP3.0 RTU, RS485, Terminals
- X104** – IRIG-B00X, incl. System Contact (Supervision Contact)

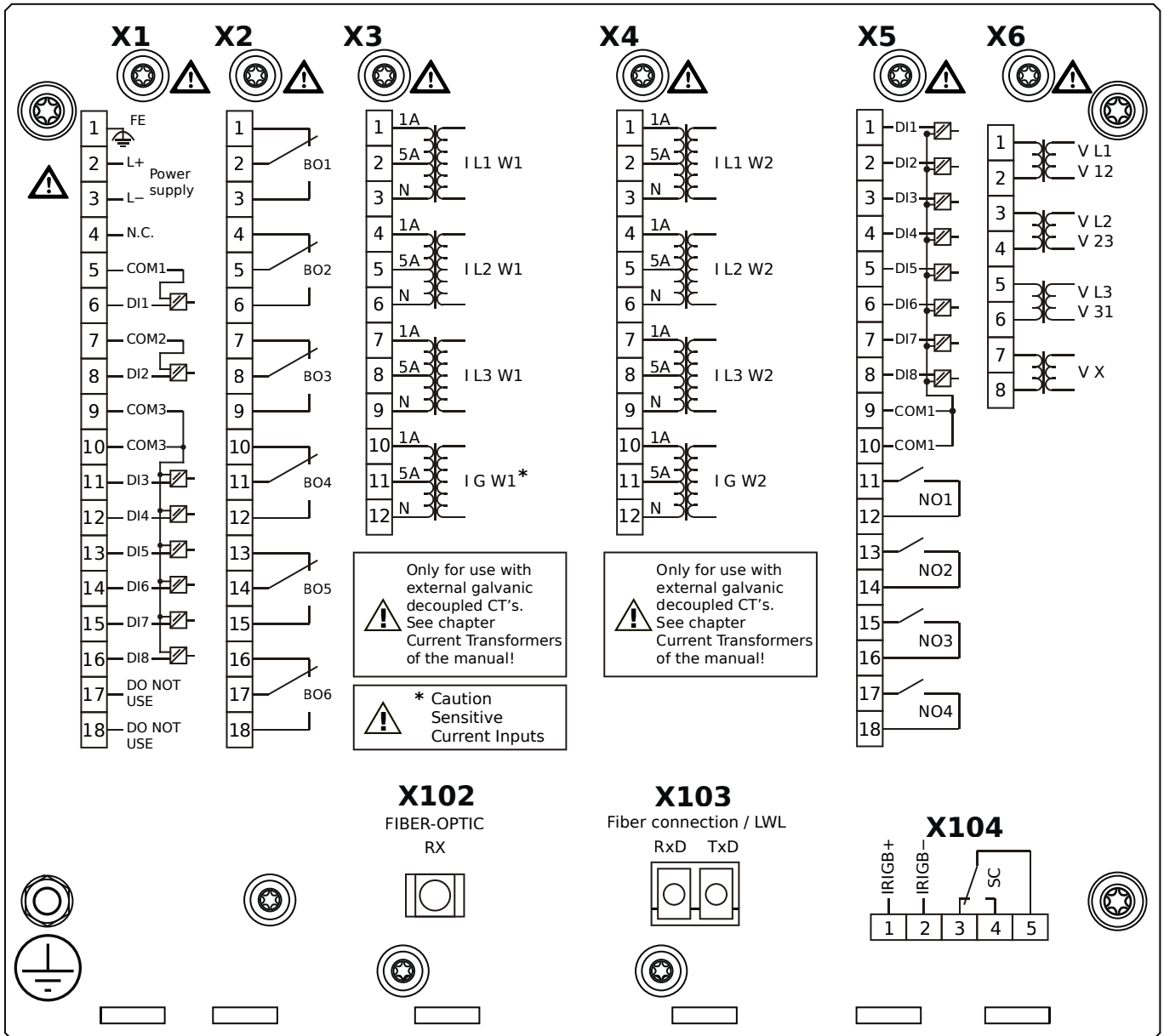
MCDTV4-2A1AKA



Housing B2, large display, door mounting

- X1** – DI8-X1: Wide-range power supply unit, incl. 2 non-grouped digital inputs and 6 grouped digital inputs
- X2** – OR6: Assembly Group with 6 Output Relays
- X3** – TIs: Standard phase current measuring card and sensitive ground current measuring (winding side 1)
- X4** – TI: Standard current measuring card (for the winding side 2)
- X5** – DI8-OR4: Assembly Group with 8 Digital Inputs and 4 Output Relays
- X6** – TU: Card with 4 voltage transformer measuring inputs
- X102** – Universal Resistance-Temperature Detector (URTD) input, Fiber optics interface, Versatile Link
- X103** – IEC 61850 / Modbus TCP / DNP3.0 TCP/UDP, Fiber optics interface, LC Connector
- X104** – IRIG-B00X, incl. System Contact (Supervision Contact)

MCDTV4-2A1AKB

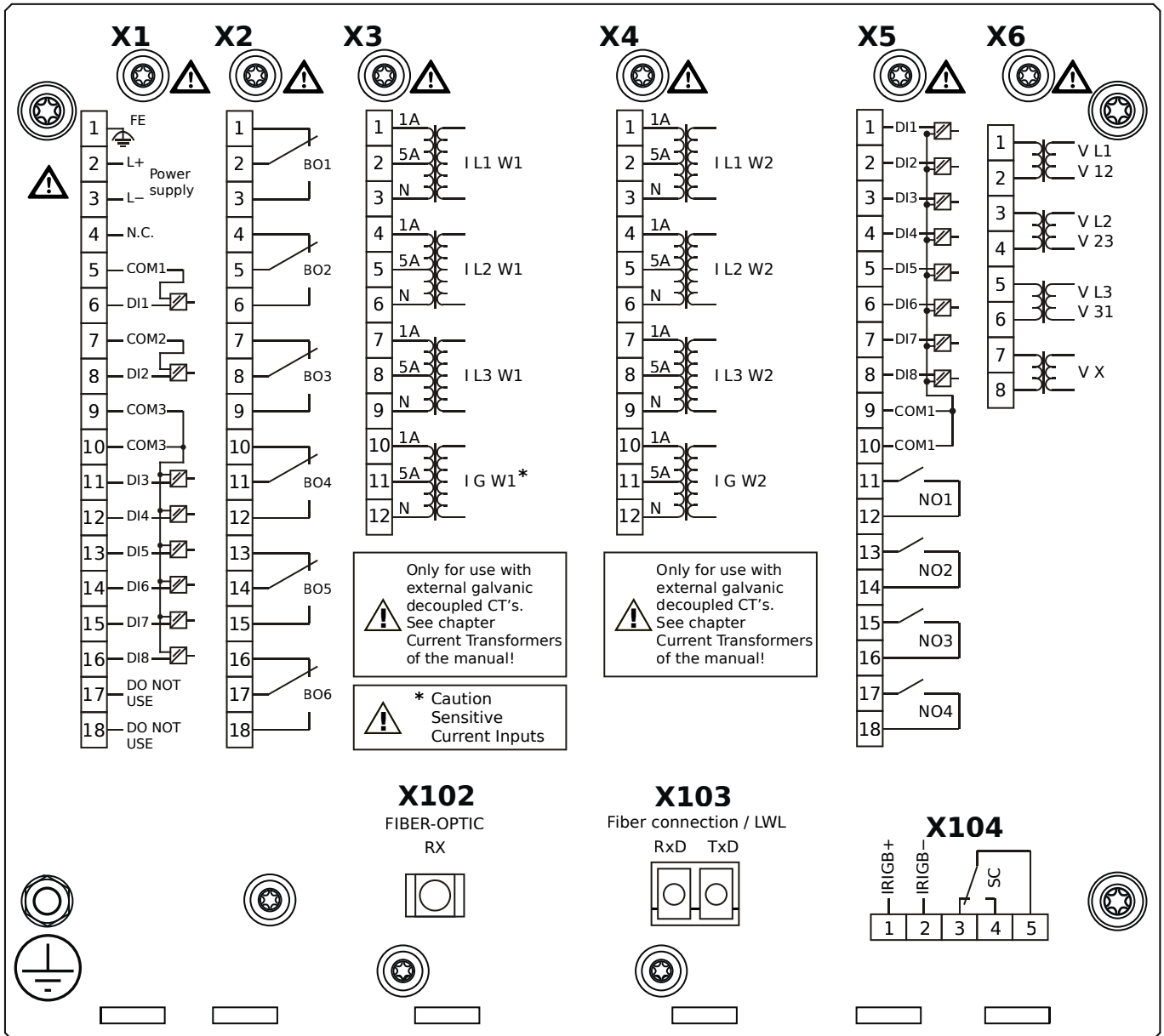


Housing B2, large display, door mounting

+ Conformal Coating (for installations in harsh environment)

- X1** – DI8-X1: Wide-range power supply unit, incl. 2 non-grouped digital inputs and 6 grouped digital inputs
- X2** – OR6: Assembly Group with 6 Output Relays
- X3** – TIs: Standard phase current measuring card and sensitive ground current measuring (winding side 1)
- X4** – TI: Standard current measuring card (for the winding side 2)
- X5** – DI8-OR4: Assembly Group with 8 Digital Inputs and 4 Output Relays
- X6** – TU: Card with 4 voltage transformer measuring inputs
- X102** – Universal Resistance-Temperature Detector (URTD) input, Fiber optics interface, Versatile Link
- X103** – IEC 61850 / Modbus TCP / DNP3.0 TCP/UDP, Fiber optics interface, LC Connector
- X104** – IRIG-B00X, incl. System Contact (Supervision Contact)

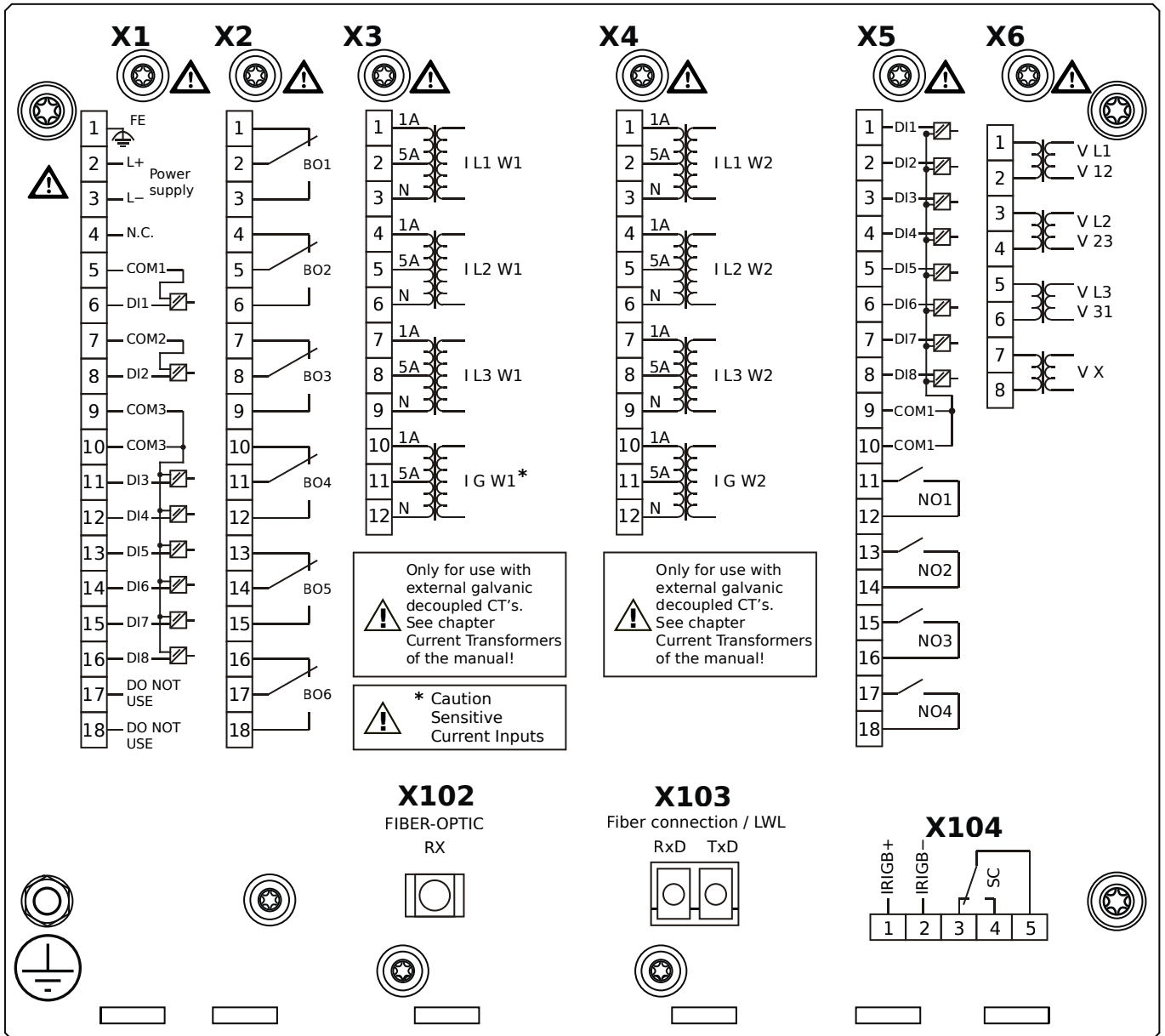
MCDTV4-2A1ALA



Housing B2, large display, door mounting

- X1** – DI8-X1: Wide-range power supply unit, incl. 2 non-grouped digital inputs and 6 grouped digital inputs
- X2** – OR6: Assembly Group with 6 Output Relays
- X3** – TIs: Standard phase current measuring card and sensitive ground current measuring (winding side 1)
- X4** – TI: Standard current measuring card (for the winding side 2)
- X5** – DI8-OR4: Assembly Group with 8 Digital Inputs and 4 Output Relays
- X6** – TU: Card with 4 voltage transformer measuring inputs
- X102** – Universal Resistance-Temperature Detector (URTD) input, Fiber optics interface, Versatile Link
- X103** – Modbus TCP / DNP3.0 TCP/UDP, Fiber optics interface, LC Connector
- X104** – IRIG-B00X, incl. System Contact (Supervision Contact)

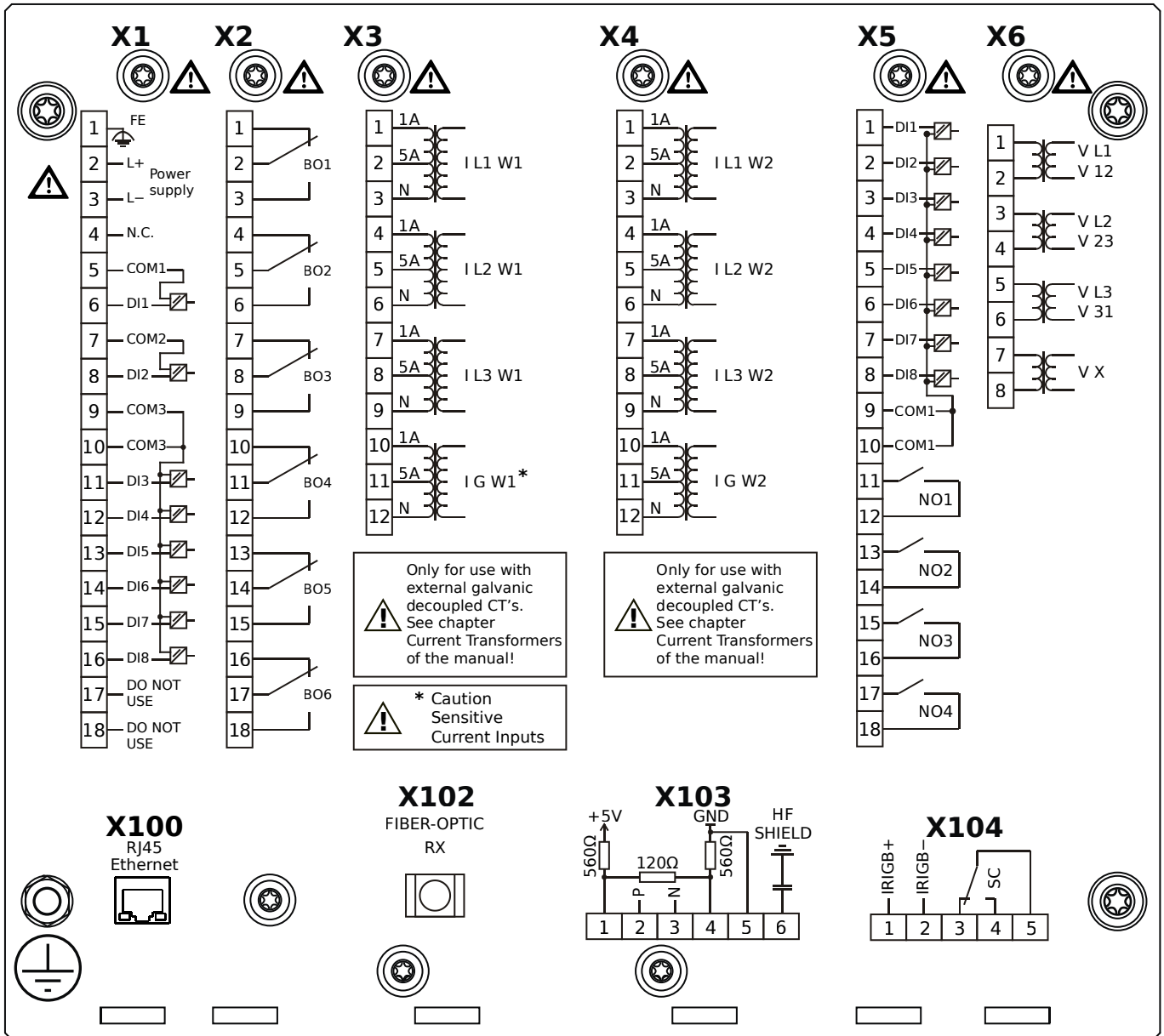
MCDTV4-2A1ALB



Housing B2, large display, door mounting

- + Conformal Coating (for installations in harsh environment)
- X1** – DI8-X1: Wide-range power supply unit, incl. 2 non-grouped digital inputs and 6 grouped digital inputs
- X2** – OR6: Assembly Group with 6 Output Relays
- X3** – TIs: Standard phase current measuring card and sensitive ground current measuring (winding side 1)
- X4** – TI: Standard current measuring card (for the winding side 2)
- X5** – DI8-OR4: Assembly Group with 8 Digital Inputs and 4 Output Relays
- X6** – TU: Card with 4 voltage transformer measuring inputs
- X102** – Universal Resistance-Temperature Detector (URTD) input, Fiber optics interface, Versatile Link
- X103** – Modbus TCP / DNP3.0 TCP/UDP, Fiber optics interface, LC Connector
- X104** – IRIG-B00X, incl. System Contact (Supervision Contact)

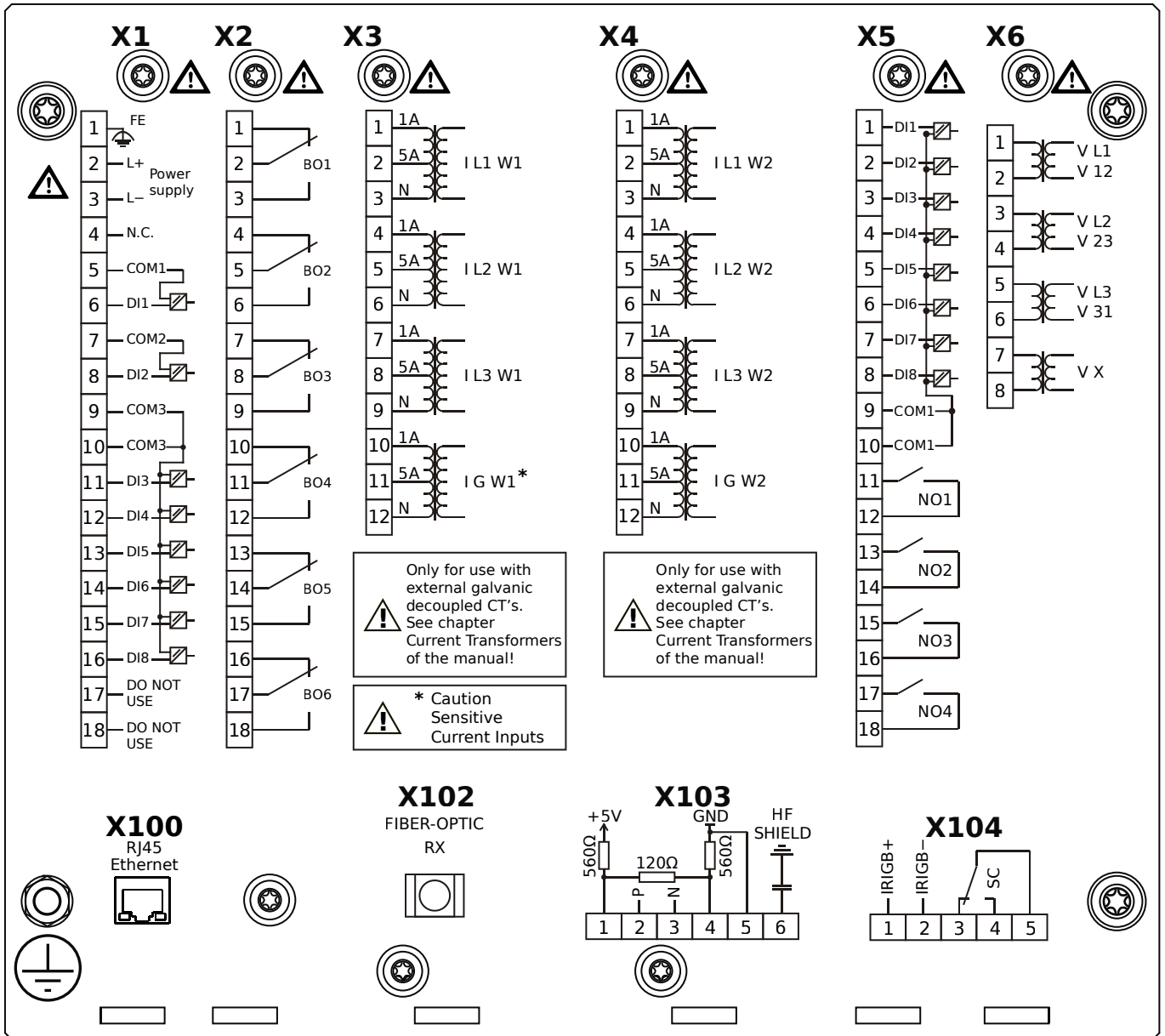
MCDTV4-2A1ATA



Housing B2, large display, door mounting

- X1** – DI8-X1: Wide-range power supply unit, incl. 2 non-grouped digital inputs and 6 grouped digital inputs
- X2** – OR6: Assembly Group with 6 Output Relays
- X3** – TIs: Standard phase current measuring card and sensitive ground current measuring (winding side 1)
- X4** – TI: Standard current measuring card (for the winding side 2)
- X5** – DI8-OR4: Assembly Group with 8 Digital Inputs and 4 Output Relays
- X6** – TU: Card with 4 voltage transformer measuring inputs
- X100** – IEC 61850 / Modbus TCP / DNP3.0 TCP/UDP, Ethernet interface, 100 Mbit/s, RJ45 (BASE100-FX)
- X102** – Universal Resistance-Temperature Detector (URTD) input, Fiber optics interface, Versatile Link
- X103** – IEC 60870-5-103 / Modbus RTU / DNP3.0 RTU, RS485, Terminals
- X104** – IRIG-B00X, incl. System Contact (Supervision Contact)

MCDTV4-2A1ATB

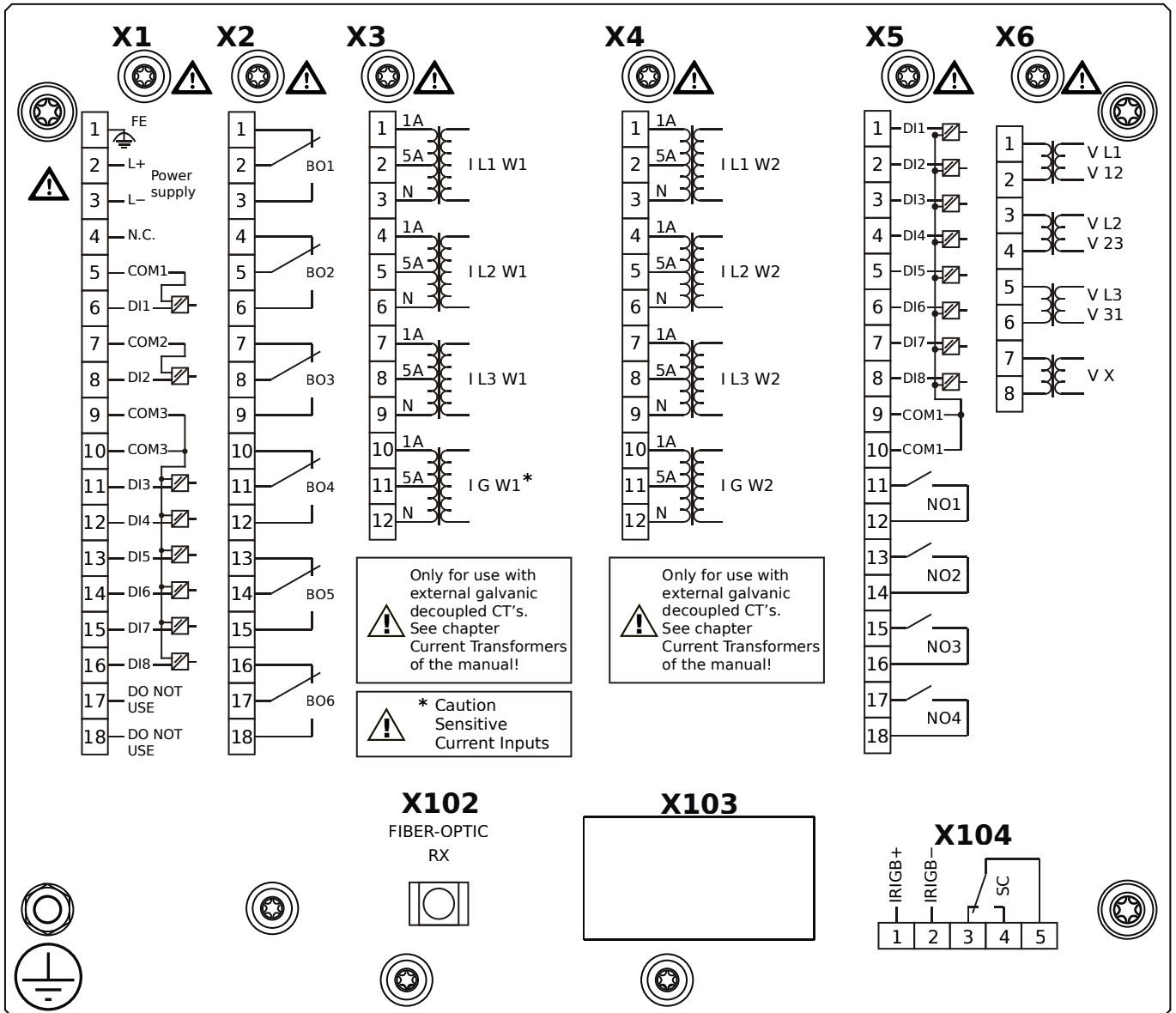


Housing B2, large display, door mounting

+ Conformal Coating (for installations in harsh environment)

- X1** – DI8-X1: Wide-range power supply unit, incl. 2 non-grouped digital inputs and 6 grouped digital inputs
- X2** – OR6: Assembly Group with 6 Output Relays
- X3** – TIs: Standard phase current measuring card and sensitive ground current measuring (winding side 1)
- X4** – TI: Standard current measuring card (for the winding side 2)
- X5** – DI8-OR4: Assembly Group with 8 Digital Inputs and 4 Output Relays
- X6** – TU: Card with 4 voltage transformer measuring inputs
- X100** – IEC 61850 / Modbus TCP / DNP3.0 TCP/UDP, Ethernet interface, 100 Mbit/s, RJ45 (BASE100-FX)
- X102** – Universal Resistance-Temperature Detector (URTD) input, Fiber optics interface, Versatile Link
- X103** – IEC 60870-5-103 / Modbus RTU / DNP3.0 RTU, RS485, Terminals
- X104** – IRIG-B00X, incl. System Contact (Supervision Contact)

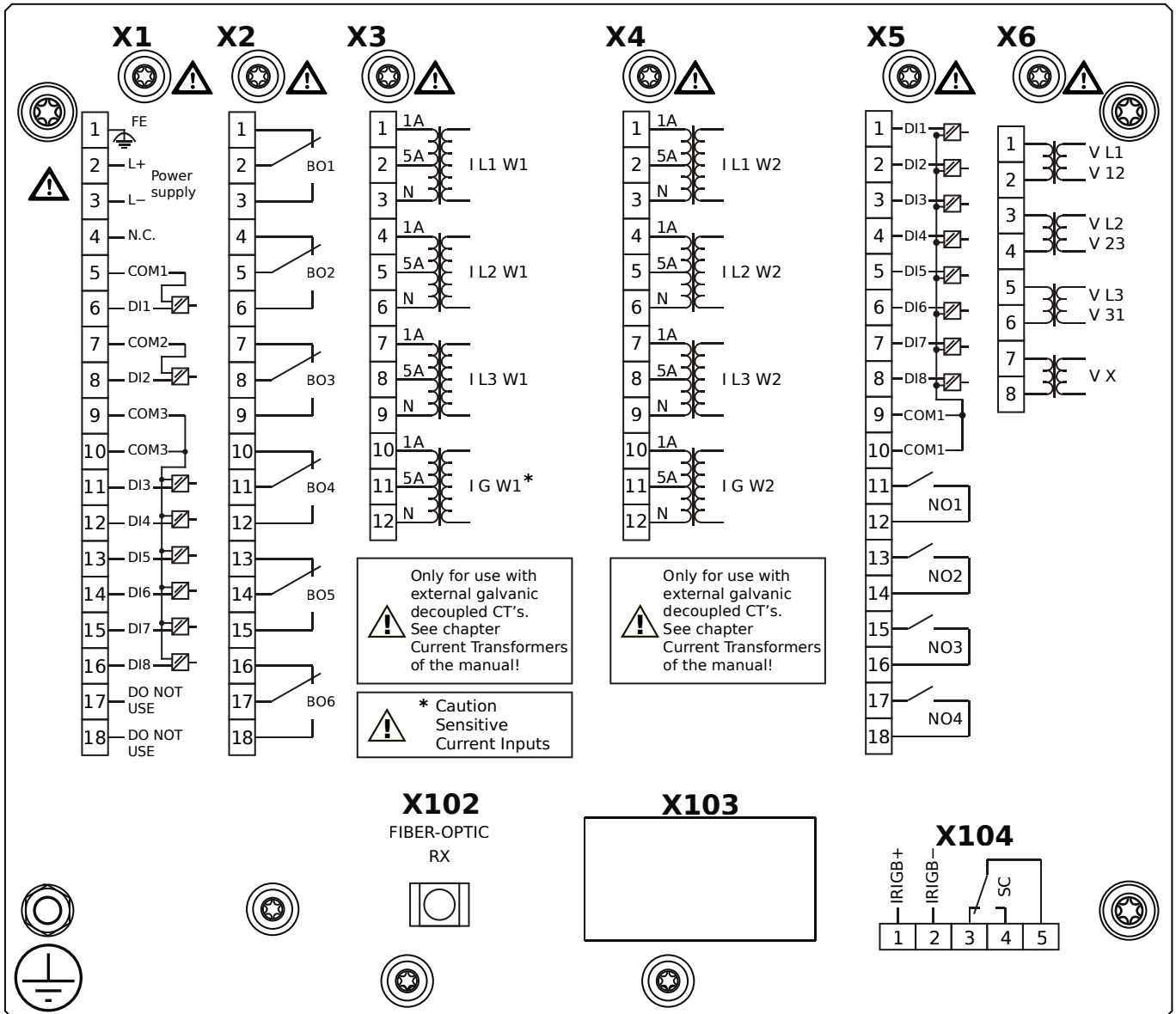
MCDTV4-2A1BAA



Housing B2, large display, 19" rack mounting

- X1** – DI8-X1: Wide-range power supply unit, incl. 2 non-grouped digital inputs and 6 grouped digital inputs
- X2** – OR6: Assembly Group with 6 Output Relays
- X3** – TIs: Standard phase current measuring card and sensitive ground current measuring (winding side 1)
- X4** – TI: Standard current measuring card (for the winding side 2)
- X5** – DI8-OR4: Assembly Group with 8 Digital Inputs and 4 Output Relays
- X6** – TU: Card with 4 voltage transformer measuring inputs
- X102** – Universal Resistance-Temperature Detector (URTD) input, Fiber optics interface, Versatile Link
- X104** – IRIG-B00X, incl. System Contact (Supervision Contact)

MCDTV4-2A1BAB

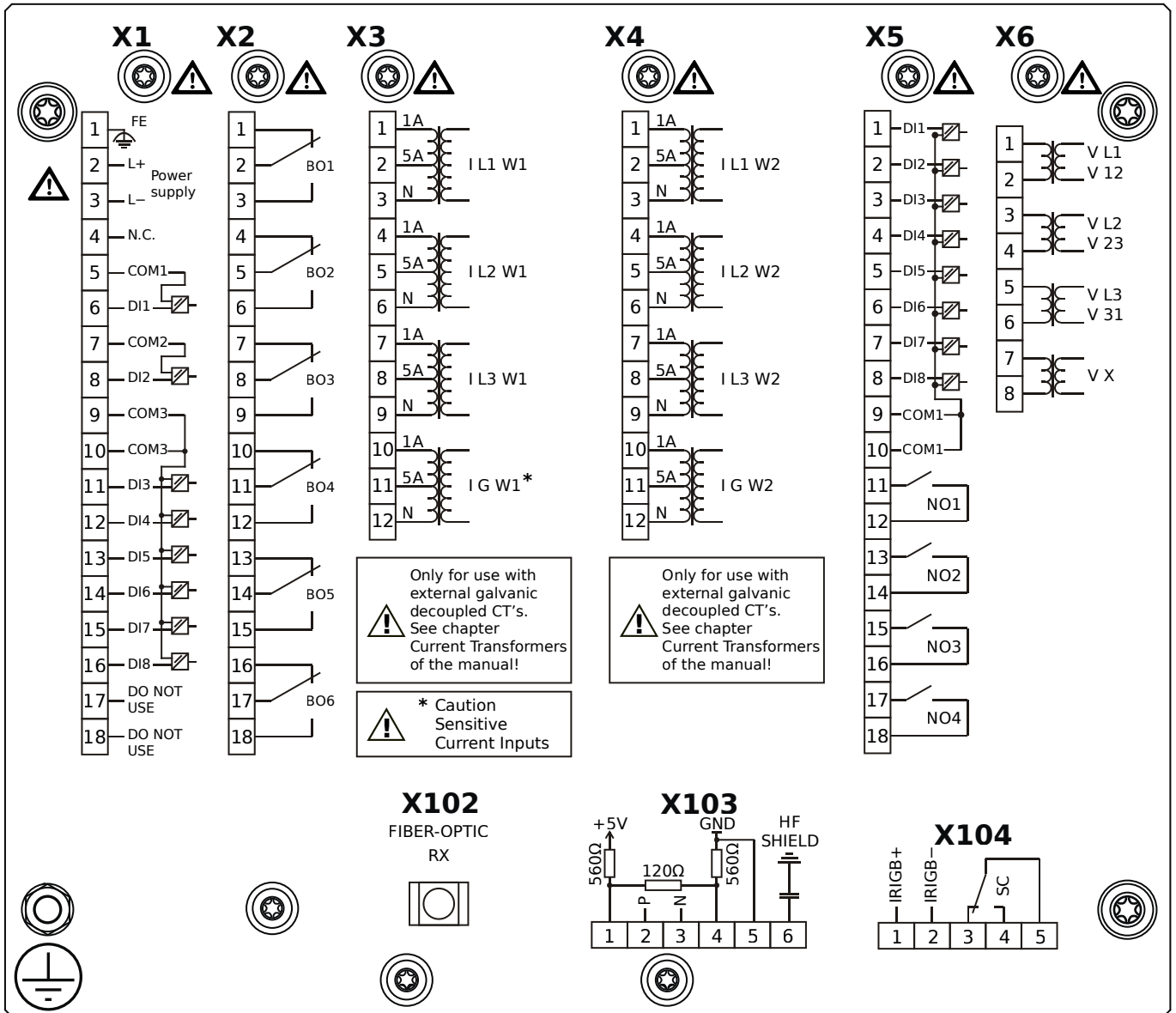


Housing B2, large display, 19" rack mounting

+ Conformal Coating (for installations in harsh environment)

- X1** – DI8-X1: Wide-range power supply unit, incl. 2 non-grouped digital inputs and 6 grouped digital inputs
- X2** – OR6: Assembly Group with 6 Output Relays
- X3** – TIs: Standard phase current measuring card and sensitive ground current measuring (winding side 1)
- X4** – TI: Standard current measuring card (for the winding side 2)
- X5** – DI8-OR4: Assembly Group with 8 Digital Inputs and 4 Output Relays
- X6** – TU: Card with 4 voltage transformer measuring inputs
- X102** – Universal Resistance-Temperature Detector (URTD) input, Fiber optics interface, Versatile Link
- X104** – IRIG-B00X, incl. System Contact (Supervision Contact)

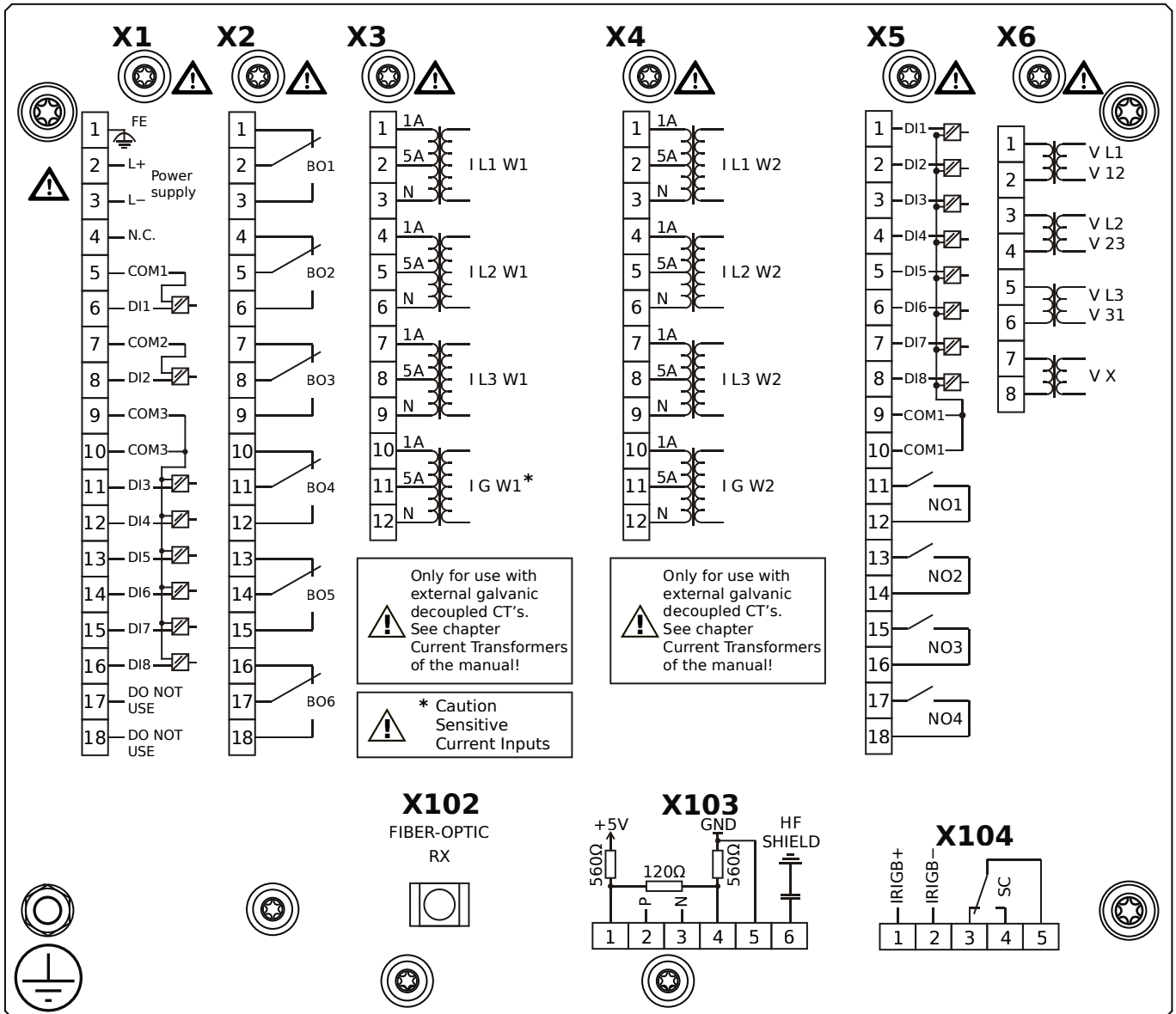
MCDTV4-2A1BBA



Housing B2, large display, 19" rack mounting

- X1** – DI8-X1: Wide-range power supply unit, incl. 2 non-grouped digital inputs and 6 grouped digital inputs
- X2** – OR6: Assembly Group with 6 Output Relays
- X3** – TIs: Standard phase current measuring card and sensitive ground current measuring (winding side 1)
- X4** – TI: Standard current measuring card (for the winding side 2)
- X5** – DI8-OR4: Assembly Group with 8 Digital Inputs and 4 Output Relays
- X6** – TU: Card with 4 voltage transformer measuring inputs
- X102** – Universal Resistance-Temperature Detector (URTD) input, Fiber optics interface, Versatile Link
- X103** – Modbus RTU / IEC 60870-5-103 / DNP3.0 RTU, RS485, Terminals
- X104** – IRIG-B00X, incl. System Contact (Supervision Contact)

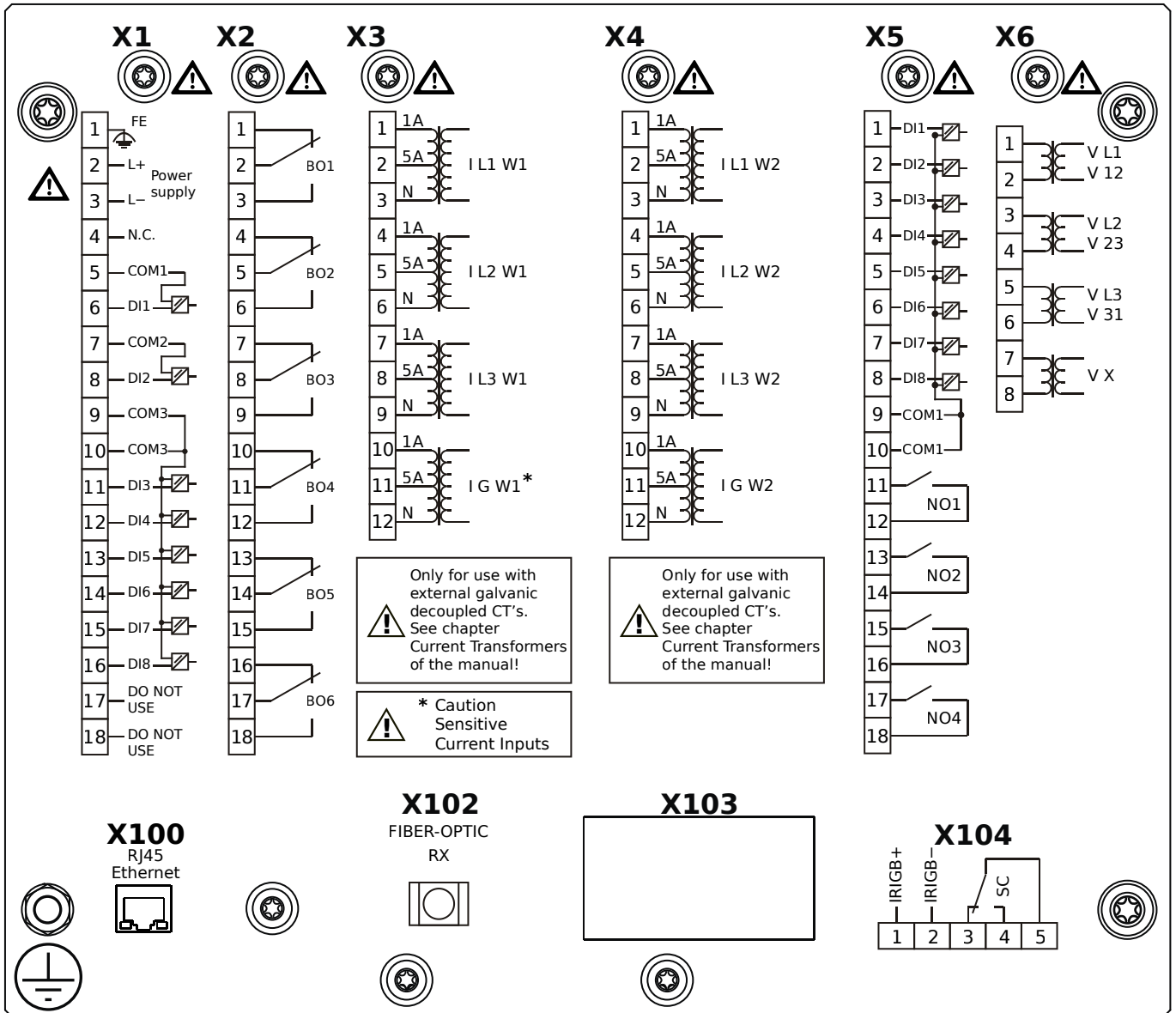
MCDTV4-2A1BBB



Housing B2, large display, 19" rack mounting

- + Conformal Coating (for installations in harsh environment)
- X1** – DI8-X1: Wide-range power supply unit, incl. 2 non-grouped digital inputs and 6 grouped digital inputs
- X2** – OR6: Assembly Group with 6 Output Relays
- X3** – TIs: Standard phase current measuring card and sensitive ground current measuring (winding side 1)
- X4** – TI: Standard current measuring card (for the winding side 2)
- X5** – DI8-OR4: Assembly Group with 8 Digital Inputs and 4 Output Relays
- X6** – TU: Card with 4 voltage transformer measuring inputs
- X102** – Universal Resistance-Temperature Detector (URTD) input, Fiber optics interface, Versatile Link
- X103** – Modbus RTU / IEC 60870-5-103 / DNP3.0 RTU, RS485, Terminals
- X104** – IRIG-B00X, incl. System Contact (Supervision Contact)

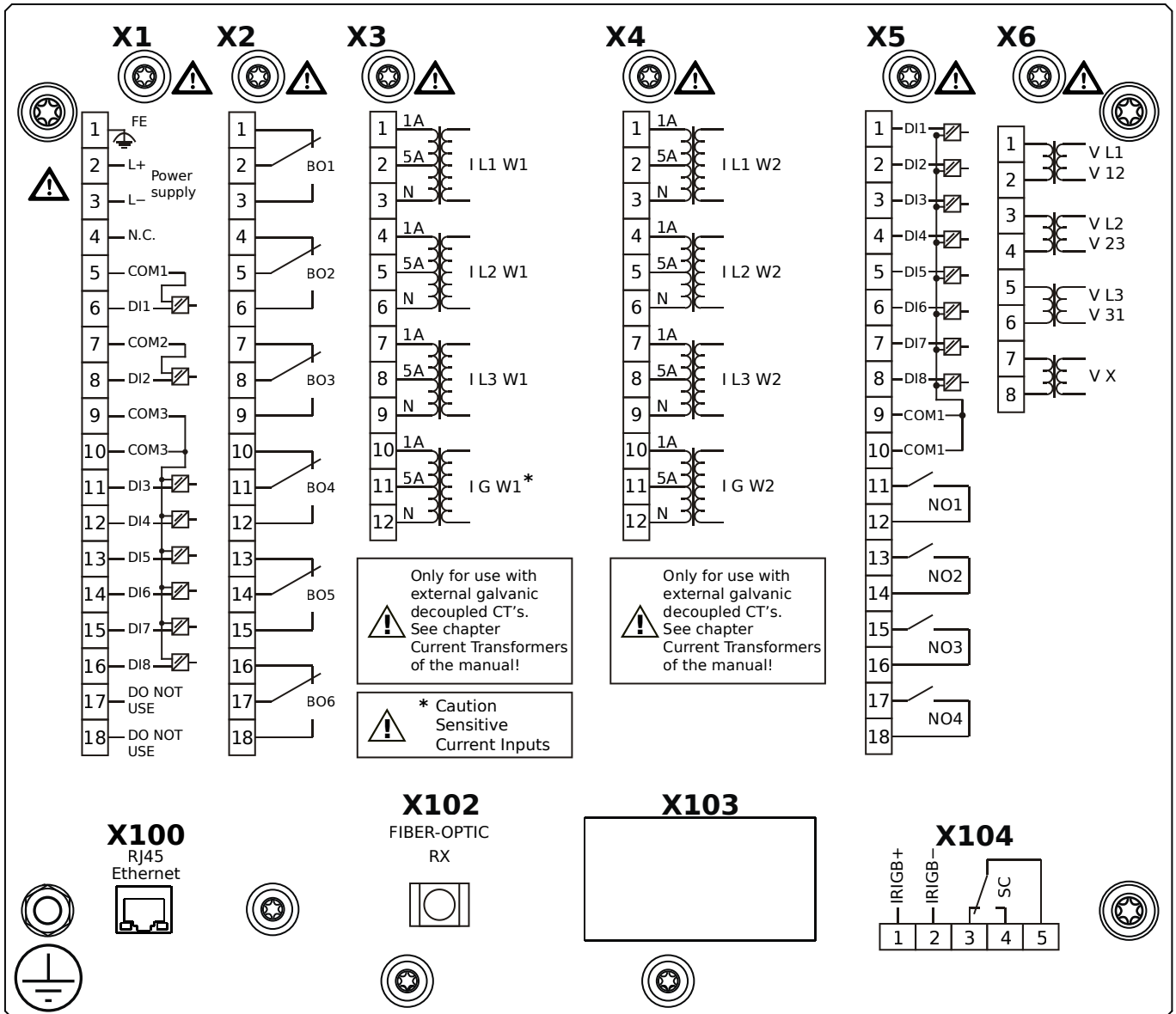
MCDTV4-2A1BCA



Housing B2, large display, 19" rack mounting

- X1** – DI8-X1: Wide-range power supply unit, incl. 2 non-grouped digital inputs and 6 grouped digital inputs
- X2** – OR6: Assembly Group with 6 Output Relays
- X3** – TIs: Standard phase current measuring card and sensitive ground current measuring (winding side 1)
- X4** – TI: Standard current measuring card (for the winding side 2)
- X5** – DI8-OR4: Assembly Group with 8 Digital Inputs and 4 Output Relays
- X6** – TU: Card with 4 voltage transformer measuring inputs
- X100** – Modbus TCP / DNP3.0 TCP/UDP, Ethernet interface, 100 Mbit/s, RJ45 (BASE100-FX)
- X102** – Universal Resistance-Temperature Detector (URTD) input, Fiber optics interface, Versatile Link
- X104** – IRIG-B00X, incl. System Contact (Supervision Contact)

MCDTV4-2A1BCB

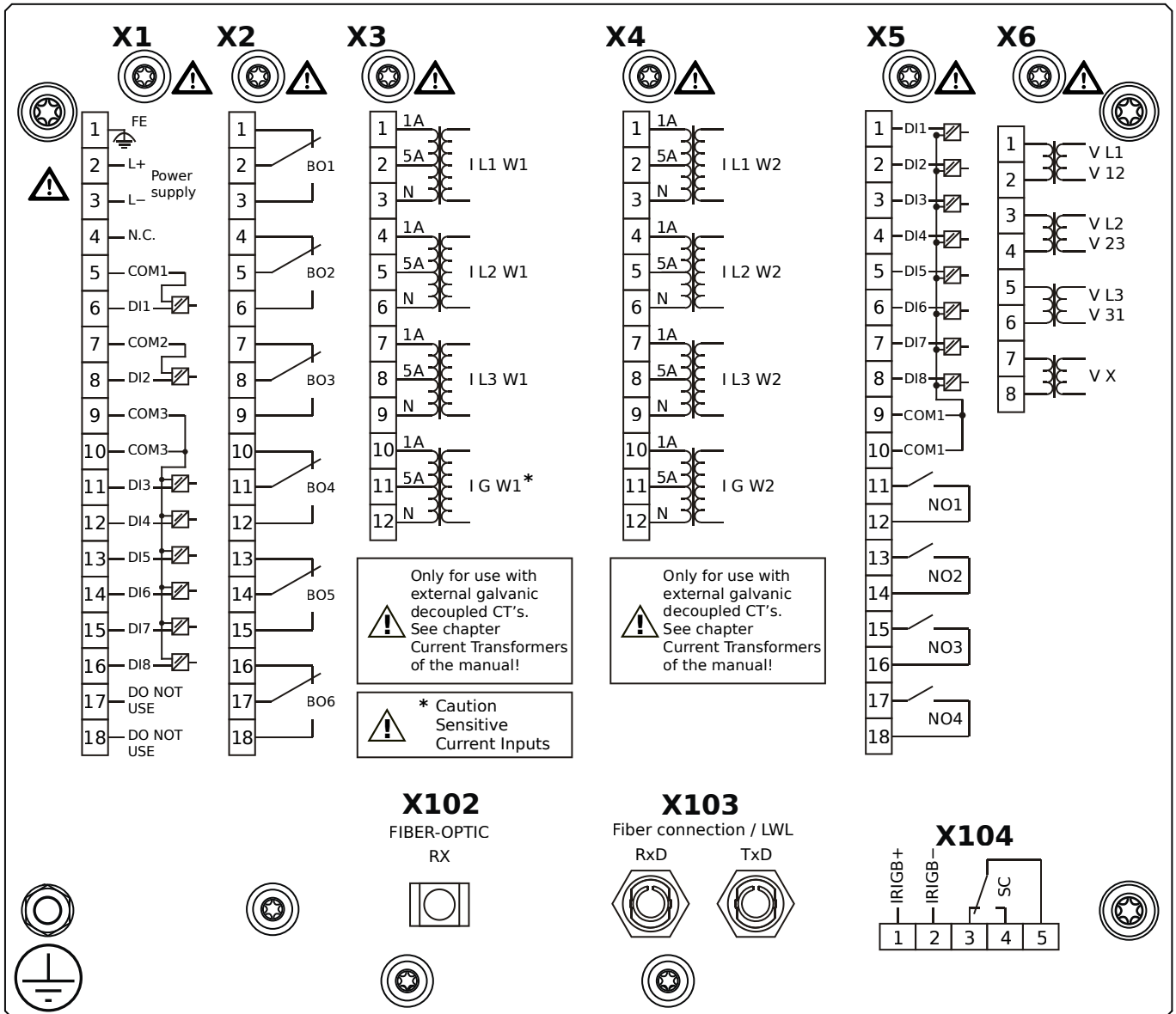


Housing B2, large display, 19" rack mounting

+ Conformal Coating (for installations in harsh environment)

- X1** – DI8-X1: Wide-range power supply unit, incl. 2 non-grouped digital inputs and 6 grouped digital inputs
- X2** – OR6: Assembly Group with 6 Output Relays
- X3** – TIs: Standard phase current measuring card and sensitive ground current measuring (winding side 1)
- X4** – TI: Standard current measuring card (for the winding side 2)
- X5** – DI8-OR4: Assembly Group with 8 Digital Inputs and 4 Output Relays
- X6** – TU: Card with 4 voltage transformer measuring inputs
- X100** – Modbus TCP / DNP3.0 TCP/UDP, Ethernet interface, 100 Mbit/s, RJ45 (BASE100-FX)
- X102** – Universal Resistance-Temperature Detector (URTD) input, Fiber optics interface, Versatile Link
- X104** – IRIG-B00X, incl. System Contact (Supervision Contact)

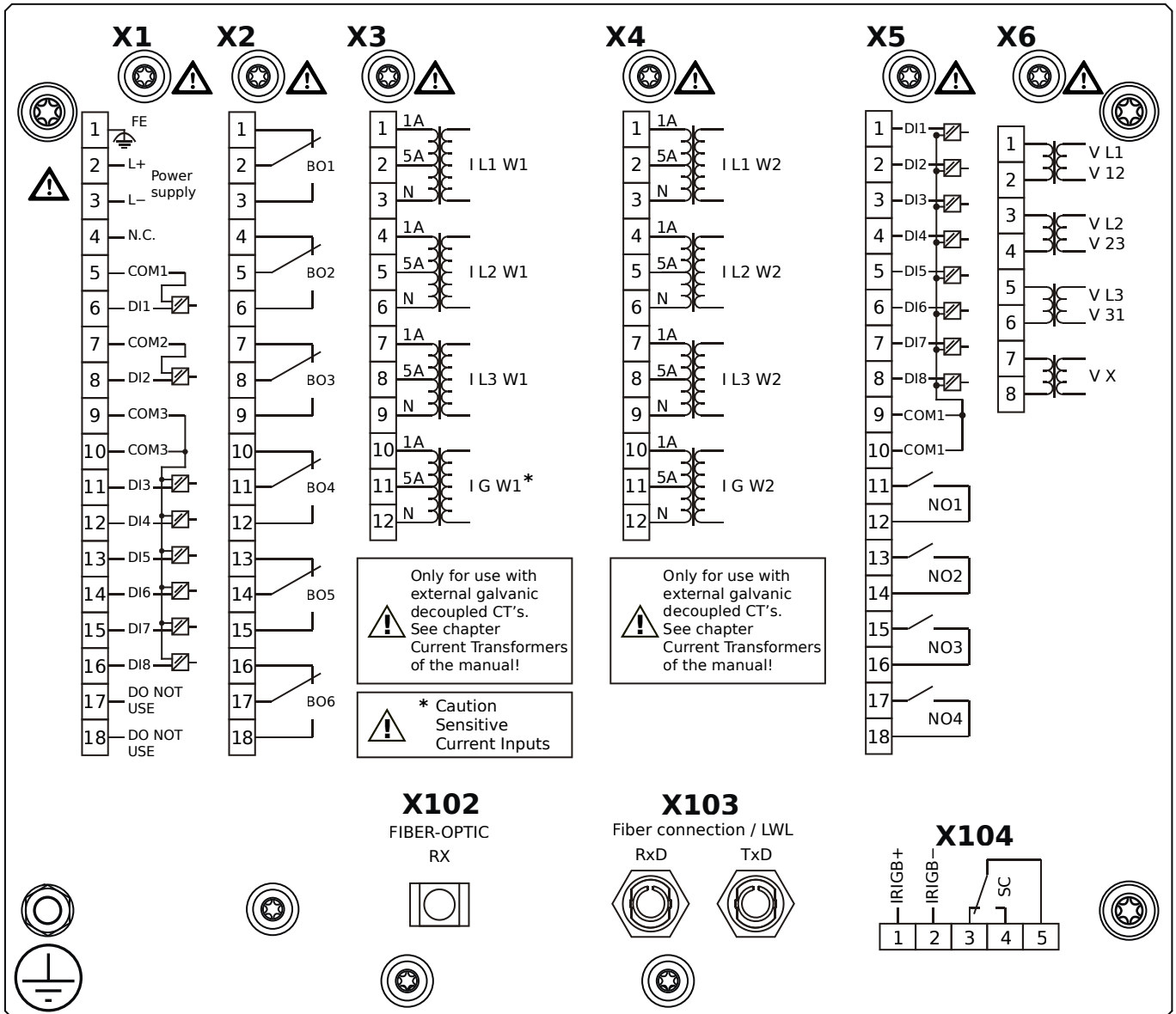
MCDTV4-2A1BDA



Housing B2, large display, 19" rack mounting

- X1** – DI8-X1: Wide-range power supply unit, incl. 2 non-grouped digital inputs and 6 grouped digital inputs
- X2** – OR6: Assembly Group with 6 Output Relays
- X3** – TIs: Standard phase current measuring card and sensitive ground current measuring (winding side 1)
- X4** – TI: Standard current measuring card (for the winding side 2)
- X5** – DI8-OR4: Assembly Group with 8 Digital Inputs and 4 Output Relays
- X6** – TU: Card with 4 voltage transformer measuring inputs
- X102** – Universal Resistance-Temperature Detector (URTD) input, Fiber optics interface, Versatile Link
- X103** – Profibus-DP, Fiber optics interface, ST Connector
- X104** – IRIG-B00X, incl. System Contact (Supervision Contact)

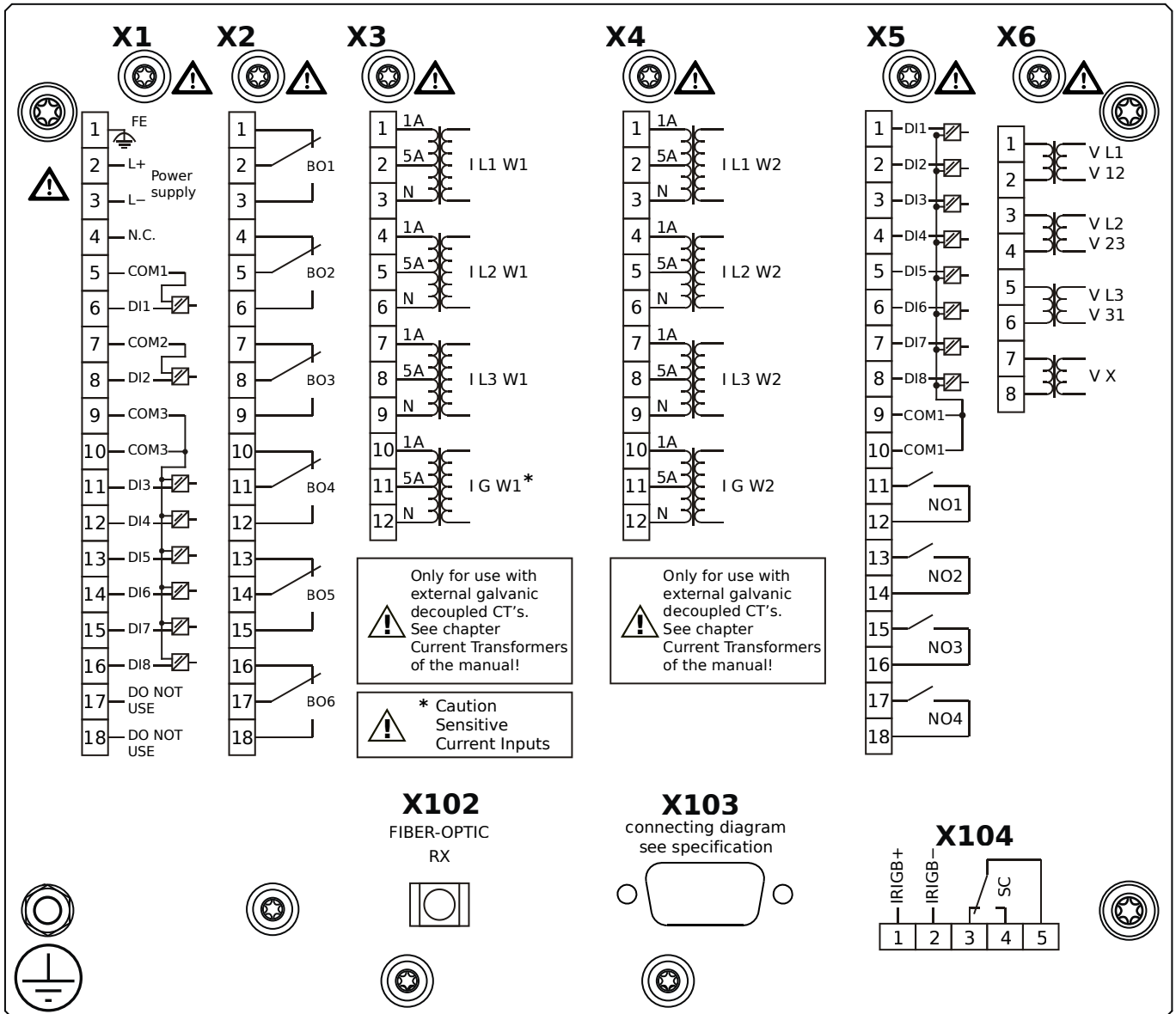
MCDTV4-2A1BDB



Housing B2, large display, 19" rack mounting

- + Conformal Coating (for installations in harsh environment)
- X1** – DI8-X1: Wide-range power supply unit, incl. 2 non-grouped digital inputs and 6 grouped digital inputs
- X2** – OR6: Assembly Group with 6 Output Relays
- X3** – TIs: Standard phase current measuring card and sensitive ground current measuring (winding side 1)
- X4** – TI: Standard current measuring card (for the winding side 2)
- X5** – DI8-OR4: Assembly Group with 8 Digital Inputs and 4 Output Relays
- X6** – TU: Card with 4 voltage transformer measuring inputs
- X102** – Universal Resistance-Temperature Detector (URTD) input, Fiber optics interface, Versatile Link
- X103** – Profibus-DP, Fiber optics interface, ST Connector
- X104** – IRIG-B00X, incl. System Contact (Supervision Contact)

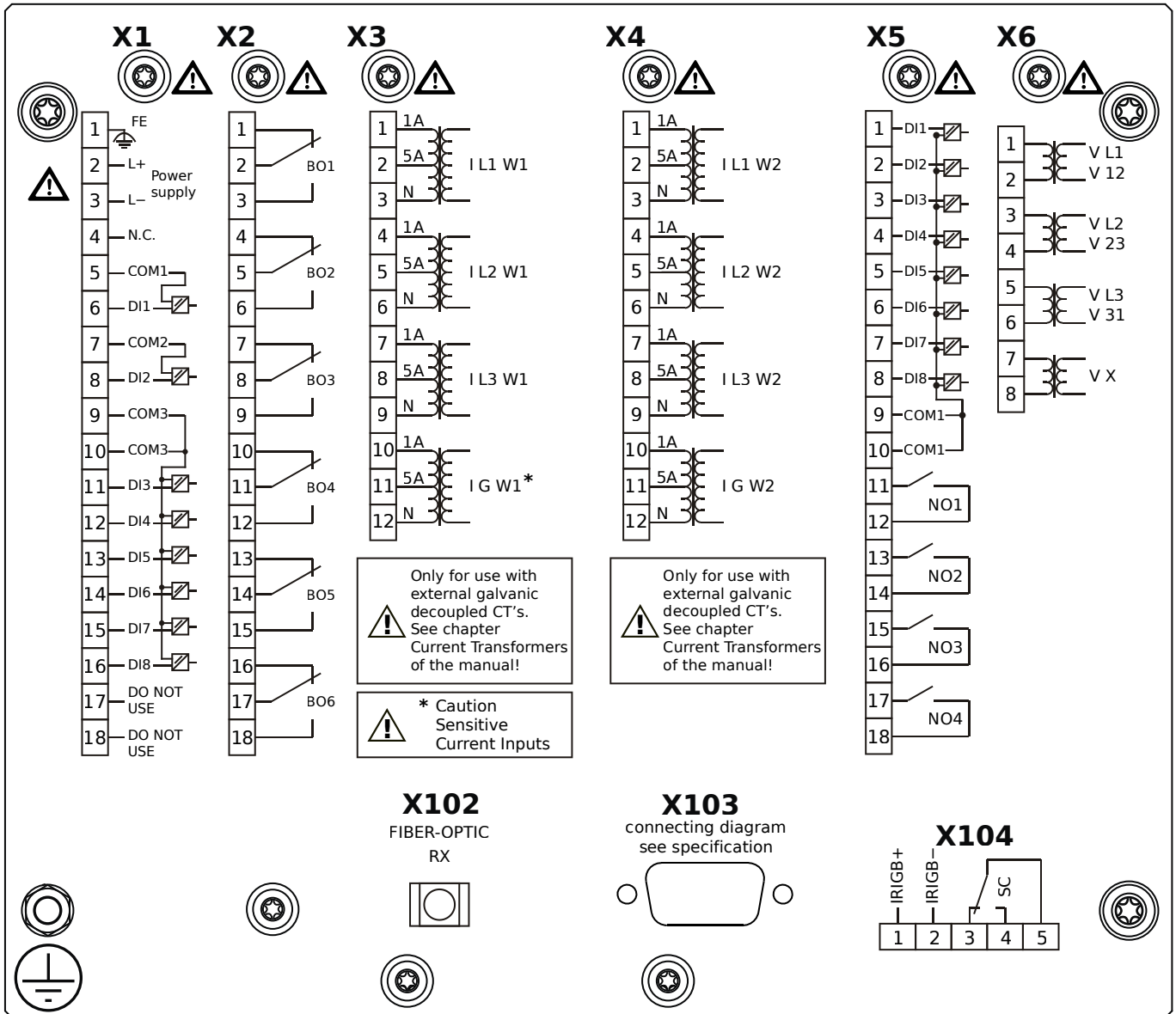
MCDTV4-2A1BEA



Housing B2, large display, 19" rack mounting

- X1** – DI8-X1: Wide-range power supply unit, incl. 2 non-grouped digital inputs and 6 grouped digital inputs
- X2** – OR6: Assembly Group with 6 Output Relays
- X3** – TIs: Standard phase current measuring card and sensitive ground current measuring (winding side 1)
- X4** – TI: Standard current measuring card (for the winding side 2)
- X5** – DI8-OR4: Assembly Group with 8 Digital Inputs and 4 Output Relays
- X6** – TU: Card with 4 voltage transformer measuring inputs
- X102** – Universal Resistance-Temperature Detector (URTD) input, Fiber optics interface, Versatile Link
- X103** – Profibus-DP, RS485, D-SUB
- X104** – IRIG-B00X, incl. System Contact (Supervision Contact)

MCDTV4-2A1BEB

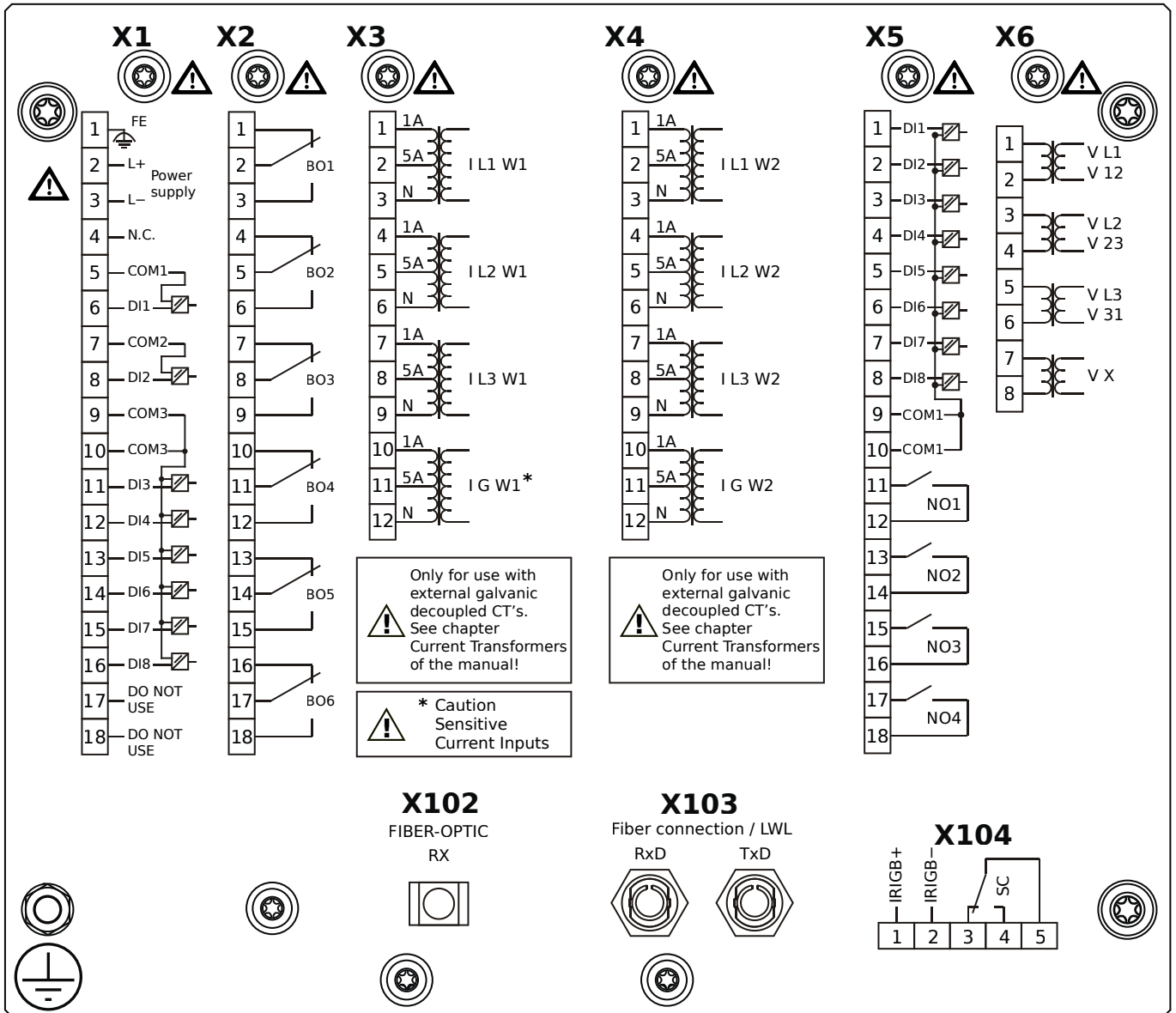


Housing B2, large display, 19" rack mounting

+ Conformal Coating (for installations in harsh environment)

- X1** – DI8-X1: Wide-range power supply unit, incl. 2 non-grouped digital inputs and 6 grouped digital inputs
- X2** – OR6: Assembly Group with 6 Output Relays
- X3** – TIs: Standard phase current measuring card and sensitive ground current measuring (winding side 1)
- X4** – TI: Standard current measuring card (for the winding side 2)
- X5** – DI8-OR4: Assembly Group with 8 Digital Inputs and 4 Output Relays
- X6** – TU: Card with 4 voltage transformer measuring inputs
- X102** – Universal Resistance-Temperature Detector (URTD) input, Fiber optics interface, Versatile Link
- X103** – Profibus-DP, RS485, D-SUB
- X104** – IRIG-B00X, incl. System Contact (Supervision Contact)

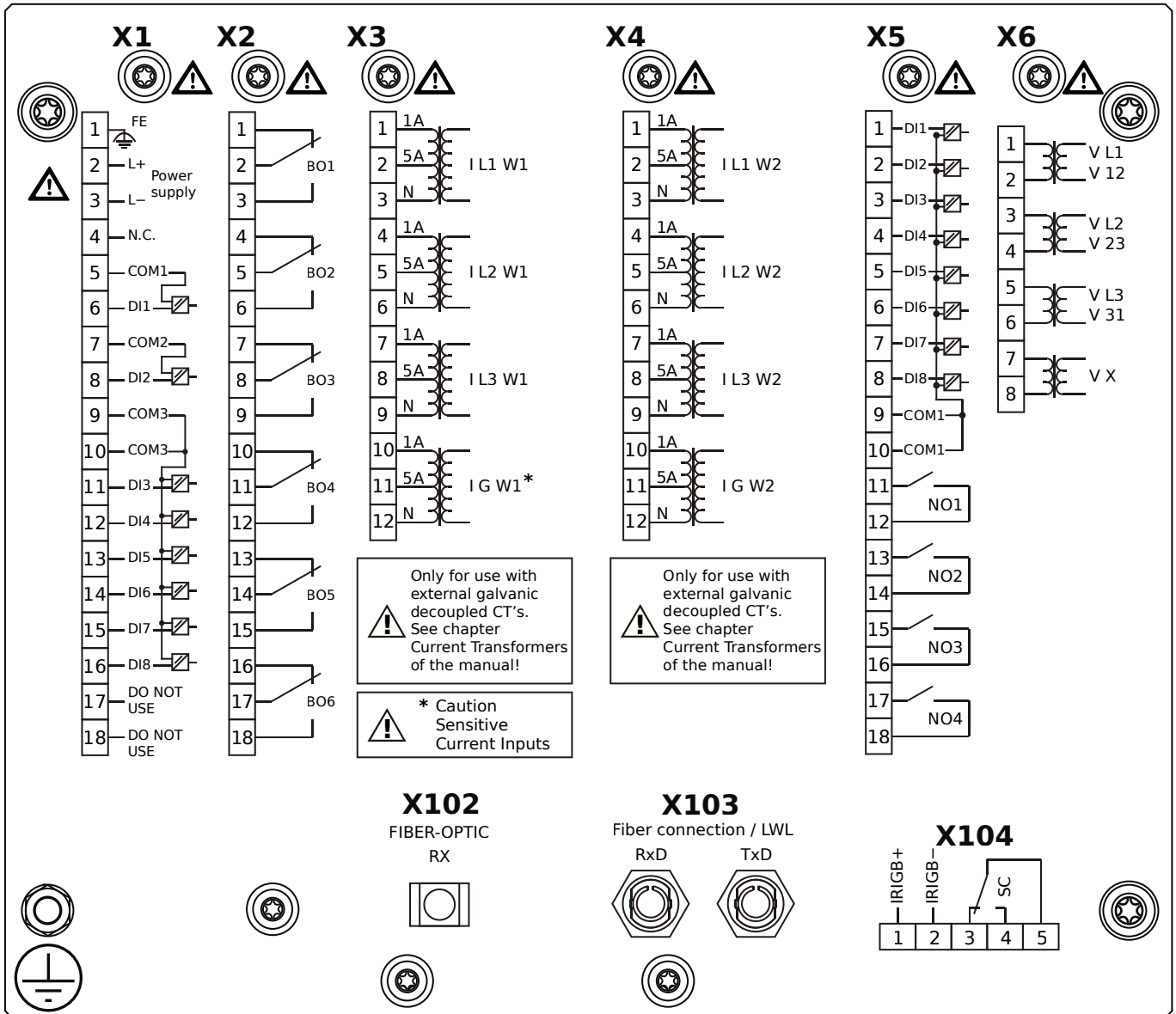
MCDTV4-2A1BFA



Housing B2, large display, 19" rack mounting

- X1** – DI8-X1: Wide-range power supply unit, incl. 2 non-grouped digital inputs and 6 grouped digital inputs
- X2** – OR6: Assembly Group with 6 Output Relays
- X3** – TIs: Standard phase current measuring card and sensitive ground current measuring (winding side 1)
- X4** – TI: Standard current measuring card (for the winding side 2)
- X5** – DI8-OR4: Assembly Group with 8 Digital Inputs and 4 Output Relays
- X6** – TU: Card with 4 voltage transformer measuring inputs
- X102** – Universal Resistance-Temperature Detector (URTD) input, Fiber optics interface, Versatile Link
- X103** – Modbus RTU / IEC 60870-5-103 / DNP3.0 RTU, Fiber optics interface, ST Connector
- X104** – IRIG-B00X, incl. System Contact (Supervision Contact)

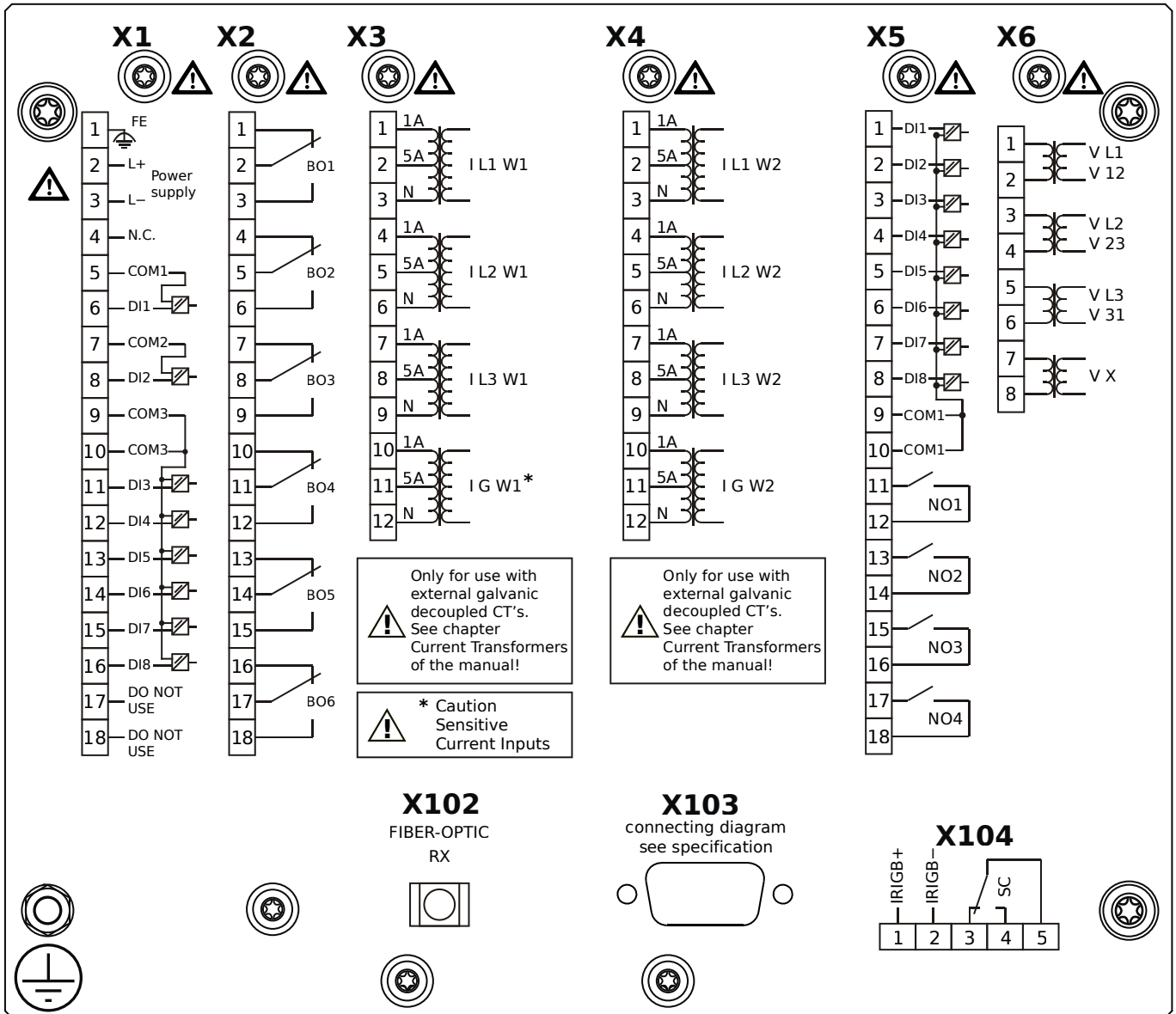
MCDTV4-2A1BFB



Housing B2, large display, 19" rack mounting

- + Conformal Coating (for installations in harsh environment)
- X1** – DI8-X1: Wide-range power supply unit, incl. 2 non-grouped digital inputs and 6 grouped digital inputs
- X2** – OR6: Assembly Group with 6 Output Relays
- X3** – TIs: Standard phase current measuring card and sensitive ground current measuring (winding side 1)
- X4** – TI: Standard current measuring card (for the winding side 2)
- X5** – DI8-OR4: Assembly Group with 8 Digital Inputs and 4 Output Relays
- X6** – TU: Card with 4 voltage transformer measuring inputs
- X102** – Universal Resistance-Temperature Detector (URTD) input, Fiber optics interface, Versatile Link
- X103** – Modbus RTU / IEC 60870-5-103 / DNP3.0 RTU, Fiber optics interface, ST Connector
- X104** – IRIG-B00X, incl. System Contact (Supervision Contact)

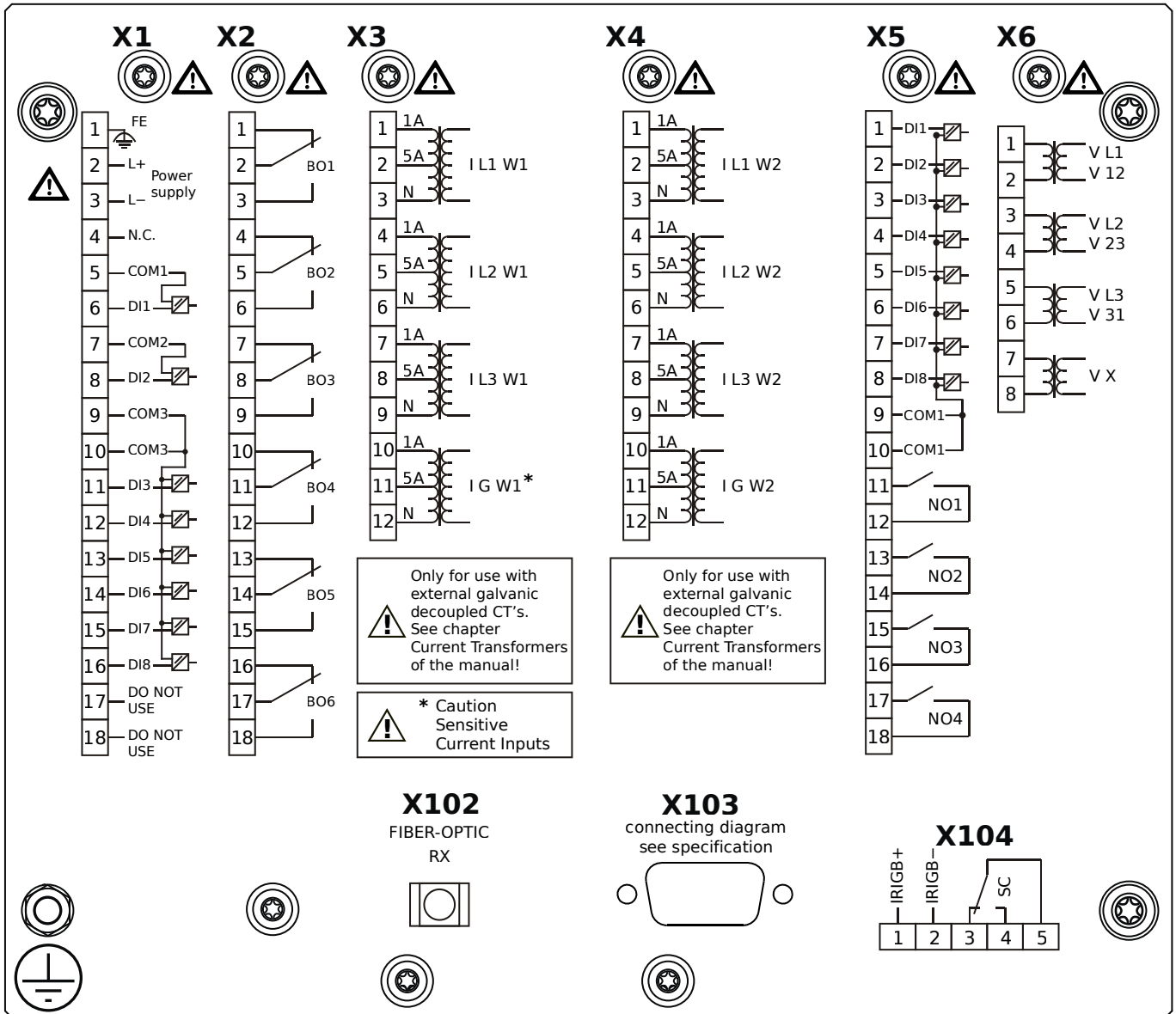
MCDTV4-2A1BGA



Housing B2, large display, 19" rack mounting

- X1** – DI8-X1: Wide-range power supply unit, incl. 2 non-grouped digital inputs and 6 grouped digital inputs
- X2** – OR6: Assembly Group with 6 Output Relays
- X3** – TIs: Standard phase current measuring card and sensitive ground current measuring (winding side 1)
- X4** – TI: Standard current measuring card (for the winding side 2)
- X5** – DI8-OR4: Assembly Group with 8 Digital Inputs and 4 Output Relays
- X6** – TU: Card with 4 voltage transformer measuring inputs
- X102** – Universal Resistance-Temperature Detector (URTD) input, Fiber optics interface, Versatile Link
- X103** – Modbus RTU / IEC 60870-5-103 / DNP3.0 RTU, RS485, D-SUB
- X104** – IRIG-B00X, incl. System Contact (Supervision Contact)

MCDTV4-2A1BGB

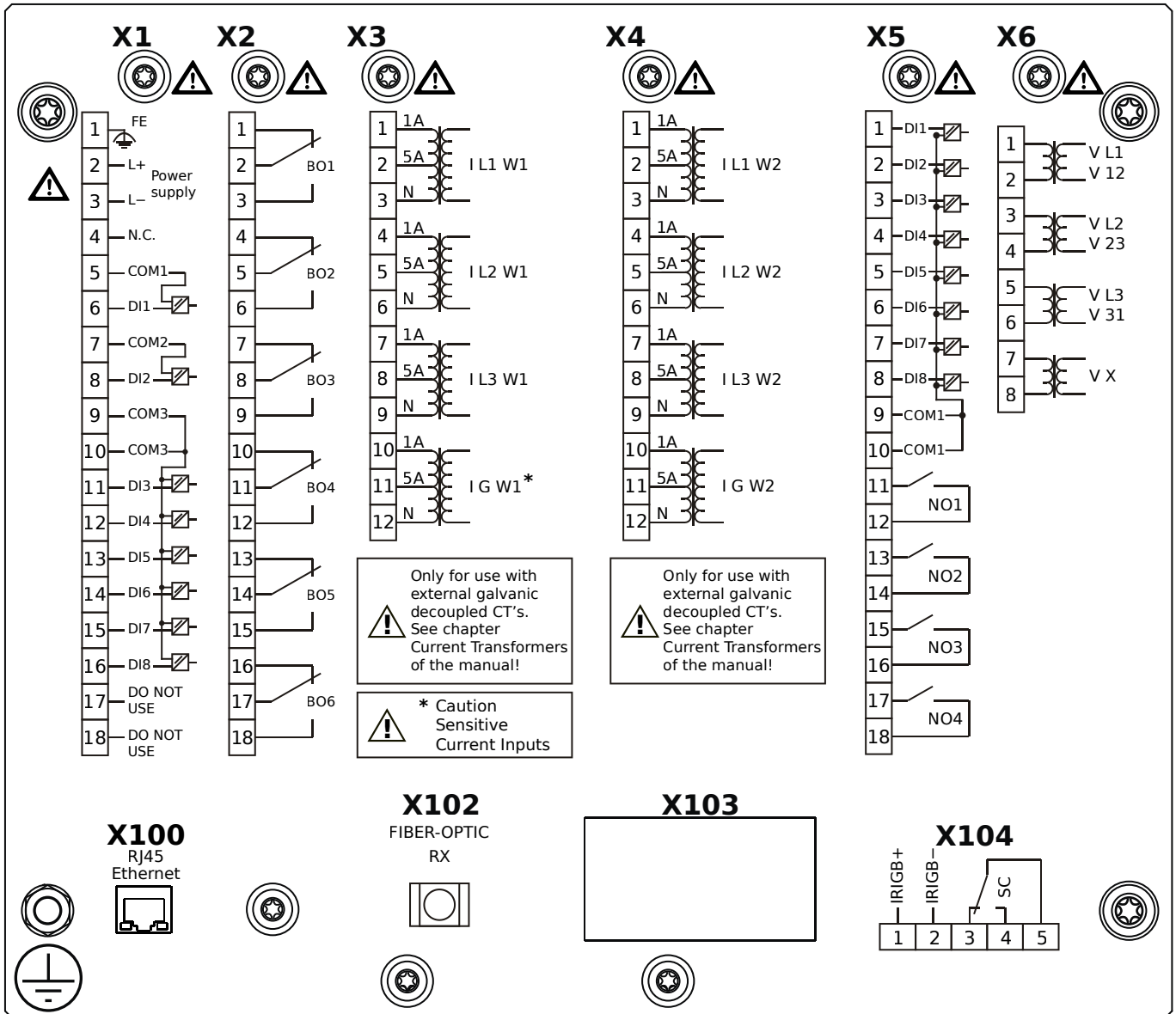


Housing B2, large display, 19" rack mounting

+ Conformal Coating (for installations in harsh environment)

- X1** – DI8-X1: Wide-range power supply unit, incl. 2 non-grouped digital inputs and 6 grouped digital inputs
- X2** – OR6: Assembly Group with 6 Output Relays
- X3** – TIs: Standard phase current measuring card and sensitive ground current measuring (winding side 1)
- X4** – TI: Standard current measuring card (for the winding side 2)
- X5** – DI8-OR4: Assembly Group with 8 Digital Inputs and 4 Output Relays
- X6** – TU: Card with 4 voltage transformer measuring inputs
- X102** – Universal Resistance-Temperature Detector (URTD) input, Fiber optics interface, Versatile Link
- X103** – Modbus RTU / IEC 60870-5-103 / DNP3.0 RTU, RS485, D-SUB
- X104** – IRIG-B00X, incl. System Contact (Supervision Contact)

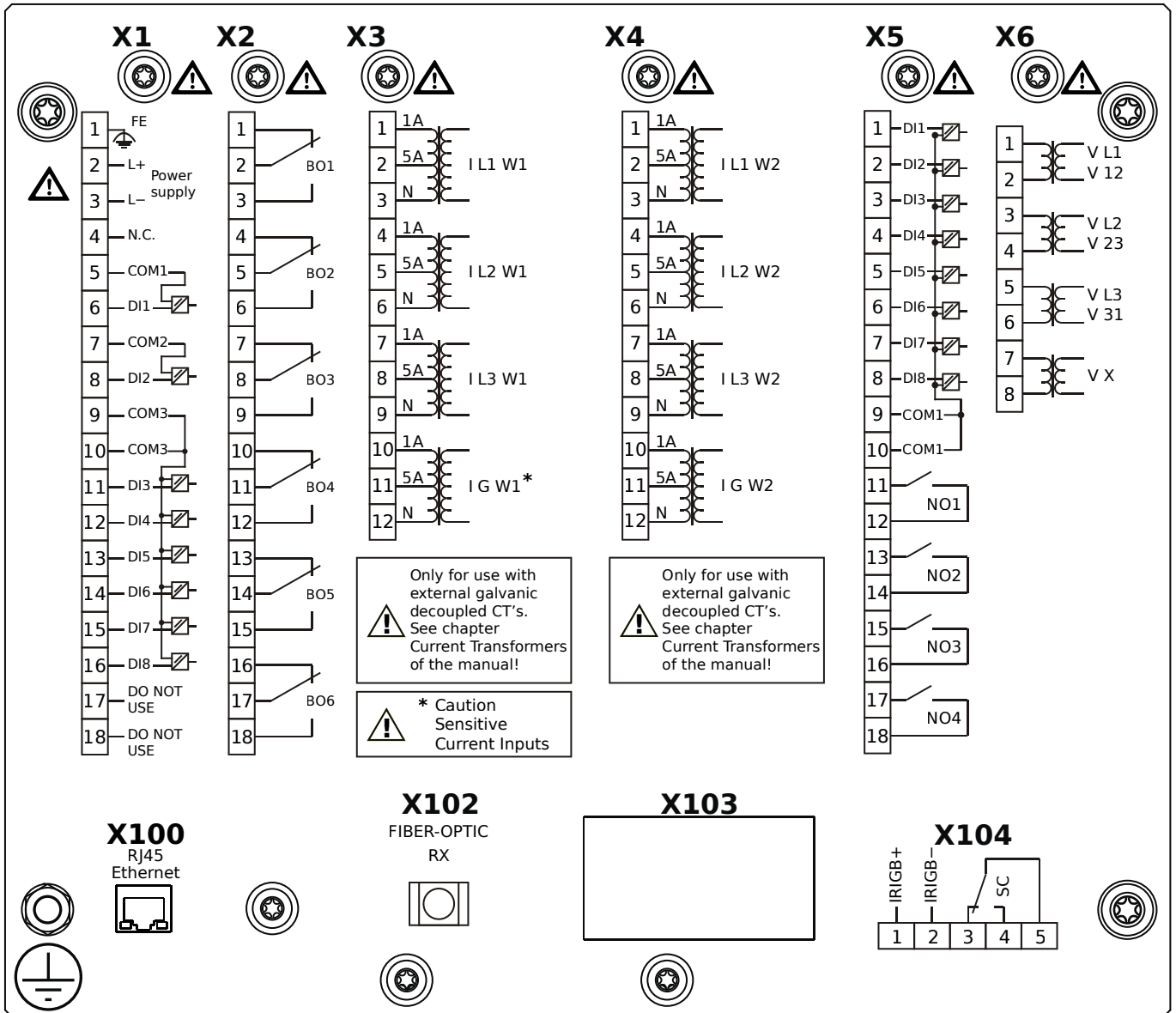
MCDTV4-2A1BHA



Housing B2, large display, 19" rack mounting

- X1** – DI8-X1: Wide-range power supply unit, incl. 2 non-grouped digital inputs and 6 grouped digital inputs
- X2** – OR6: Assembly Group with 6 Output Relays
- X3** – TIs: Standard phase current measuring card and sensitive ground current measuring (winding side 1)
- X4** – TI: Standard current measuring card (for the winding side 2)
- X5** – DI8-OR4: Assembly Group with 8 Digital Inputs and 4 Output Relays
- X6** – TU: Card with 4 voltage transformer measuring inputs
- X100** – IEC 61850 / Modbus TCP / DNP3.0 TCP/UDP, Ethernet interface, 100 Mbit/s, RJ45 (BASE100-FX)
- X102** – Universal Resistance-Temperature Detector (URTD) input, Fiber optics interface, Versatile Link
- X104** – IRIG-B00X, incl. System Contact (Supervision Contact)

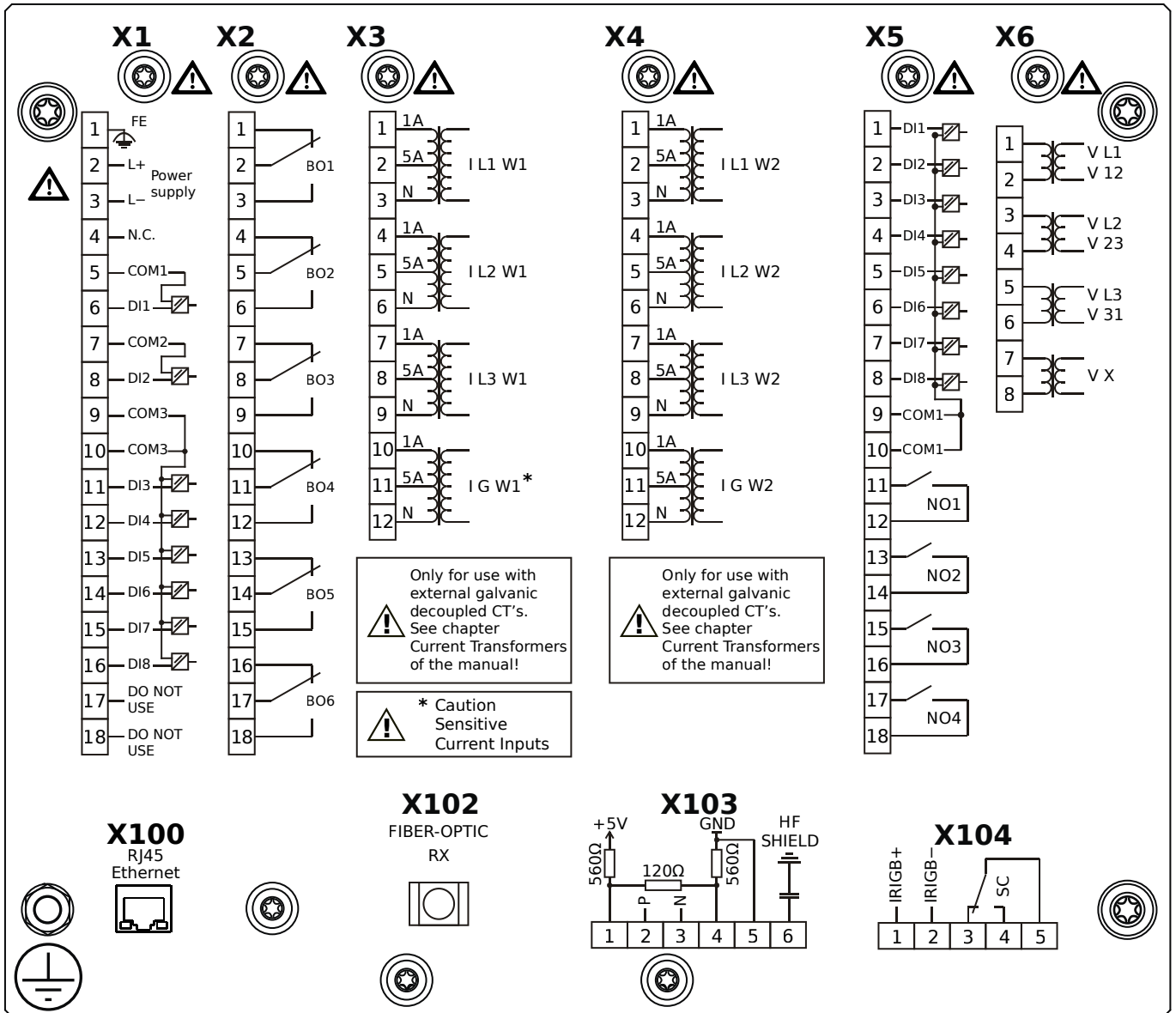
MCDTV4-2A1BHB



Housing B2, large display, 19" rack mounting

- + Conformal Coating (for installations in harsh environment)
- X1** – DI8-X1: Wide-range power supply unit, incl. 2 non-grouped digital inputs and 6 grouped digital inputs
- X2** – OR6: Assembly Group with 6 Output Relays
- X3** – TIs: Standard phase current measuring card and sensitive ground current measuring (winding side 1)
- X4** – TI: Standard current measuring card (for the winding side 2)
- X5** – DI8-OR4: Assembly Group with 8 Digital Inputs and 4 Output Relays
- X6** – TU: Card with 4 voltage transformer measuring inputs
- X100** – IEC 61850 / Modbus TCP / DNP3.0 TCP/UDP, Ethernet interface, 100 Mbit/s, RJ45 (BASE100-FX)
- X102** – Universal Resistance-Temperature Detector (URTD) input, Fiber optics interface, Versatile Link
- X104** – IRIG-B00X, incl. System Contact (Supervision Contact)

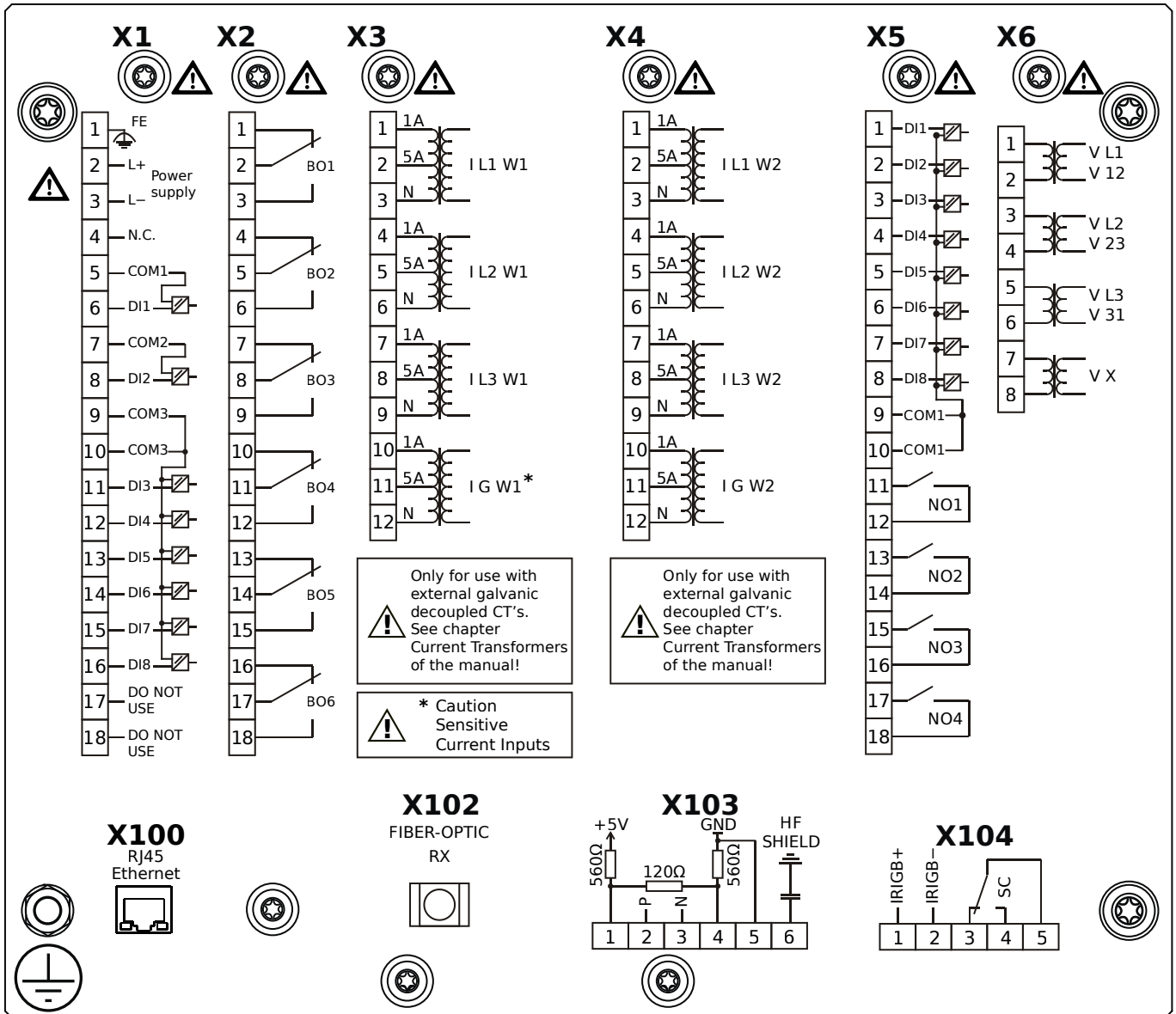
MCDTV4-2A1BIA



Housing B2, large display, 19" rack mounting

- X1** – DI8-X1: Wide-range power supply unit, incl. 2 non-grouped digital inputs and 6 grouped digital inputs
- X2** – OR6: Assembly Group with 6 Output Relays
- X3** – TIs: Standard phase current measuring card and sensitive ground current measuring (winding side 1)
- X4** – TI: Standard current measuring card (for the winding side 2)
- X5** – DI8-OR4: Assembly Group with 8 Digital Inputs and 4 Output Relays
- X6** – TU: Card with 4 voltage transformer measuring inputs
- X100** – Modbus TCP / DNP3.0 TCP/UDP, Ethernet interface, 100 Mbit/s, RJ45 (BASE100-FX)
- X102** – Universal Resistance-Temperature Detector (URTD) input, Fiber optics interface, Versatile Link
- X103** – IEC 60870-5-103 / Modbus RTU / DNP3.0 RTU, RS485, Terminals
- X104** – IRIG-B00X, incl. System Contact (Supervision Contact)

MCDTV4-2A1BIB

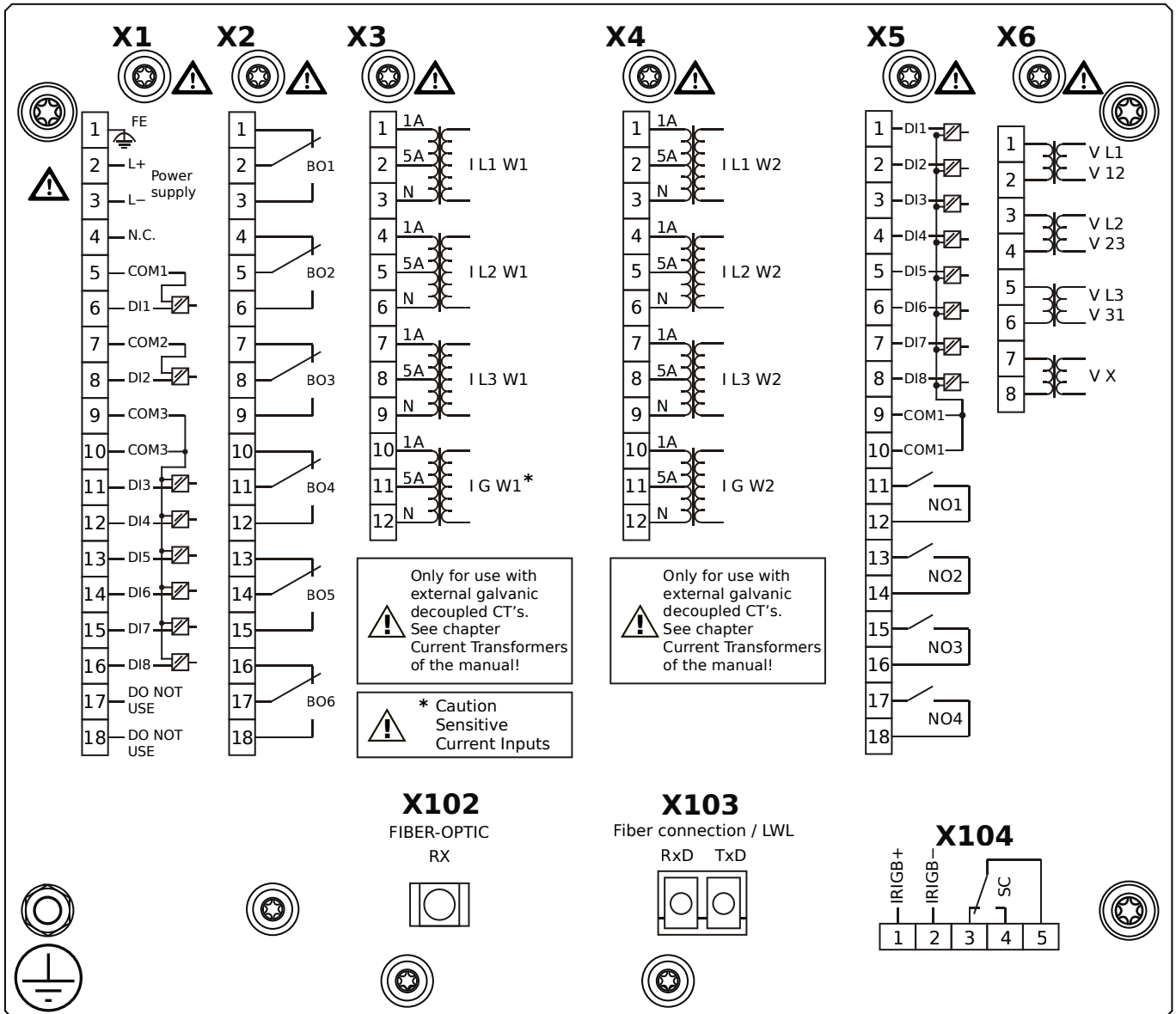


Housing B2, large display, 19" rack mounting

+ Conformal Coating (for installations in harsh environment)

- X1** – DI8-X1: Wide-range power supply unit, incl. 2 non-grouped digital inputs and 6 grouped digital inputs
- X2** – OR6: Assembly Group with 6 Output Relays
- X3** – TIs: Standard phase current measuring card and sensitive ground current measuring (winding side 1)
- X4** – TI: Standard current measuring card (for the winding side 2)
- X5** – DI8-OR4: Assembly Group with 8 Digital Inputs and 4 Output Relays
- X6** – TU: Card with 4 voltage transformer measuring inputs
- X100** – Modbus TCP / DNP3.0 TCP/UDP, Ethernet interface, 100 Mbit/s, RJ45 (BASE100-FX)
- X102** – Universal Resistance-Temperature Detector (URTD) input, Fiber optics interface, Versatile Link
- X103** – IEC 60870-5-103 / Modbus RTU / DNP3.0 RTU, RS485, Terminals
- X104** – IRIG-B00X, incl. System Contact (Supervision Contact)

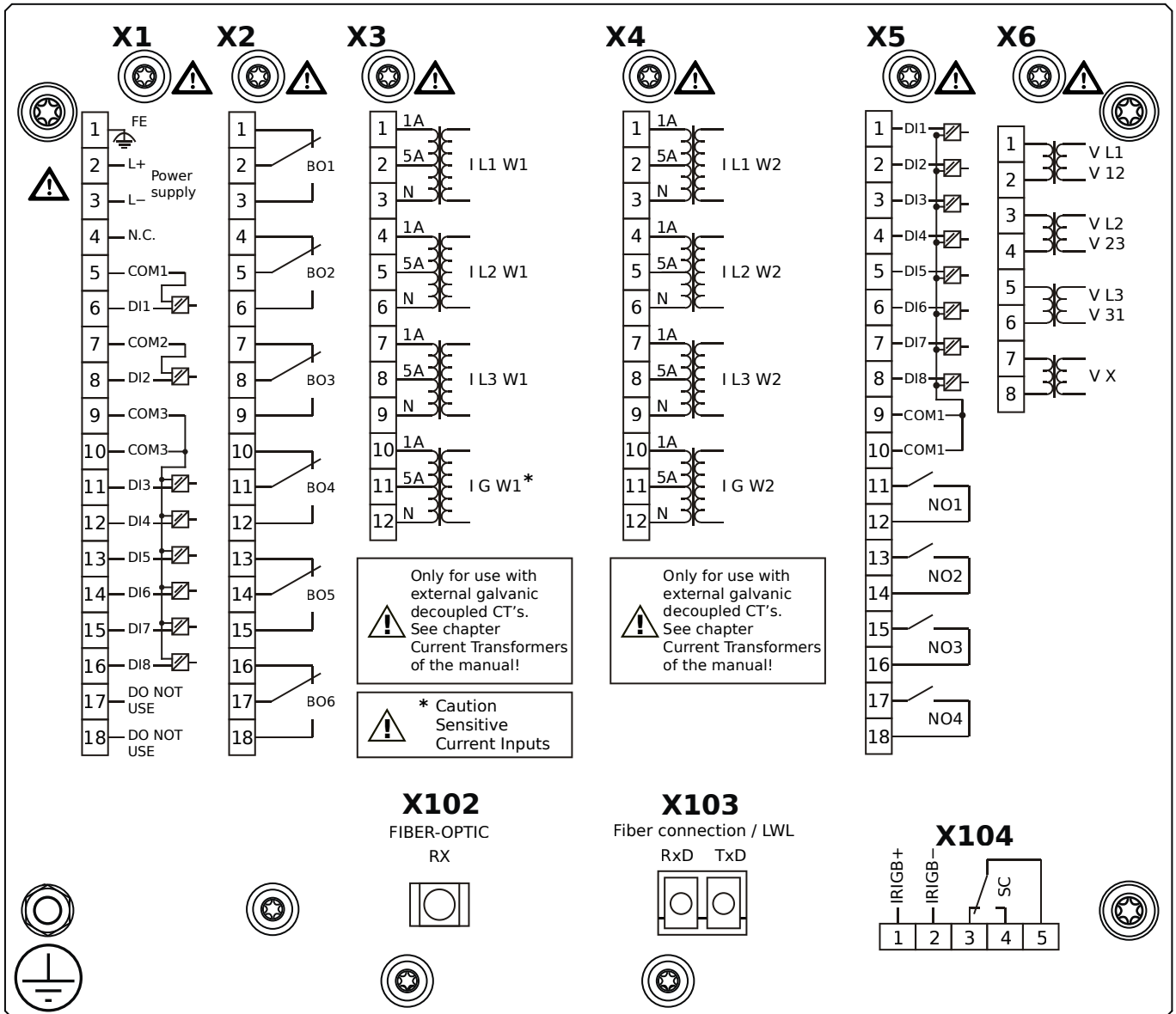
MCDTV4-2A1BKA



Housing B2, large display, 19" rack mounting

- X1** – DI8-X1: Wide-range power supply unit, incl. 2 non-grouped digital inputs and 6 grouped digital inputs
- X2** – OR6: Assembly Group with 6 Output Relays
- X3** – TIs: Standard phase current measuring card and sensitive ground current measuring (winding side 1)
- X4** – TI: Standard current measuring card (for the winding side 2)
- X5** – DI8-OR4: Assembly Group with 8 Digital Inputs and 4 Output Relays
- X6** – TU: Card with 4 voltage transformer measuring inputs
- X102** – Universal Resistance-Temperature Detector (URTD) input, Fiber optics interface, Versatile Link
- X103** – IEC 61850 / Modbus TCP / DNP3.0 TCP/UDP, Fiber optics interface, LC Connector
- X104** – IRIG-B00X, incl. System Contact (Supervision Contact)

MCDTV4-2A1BKB

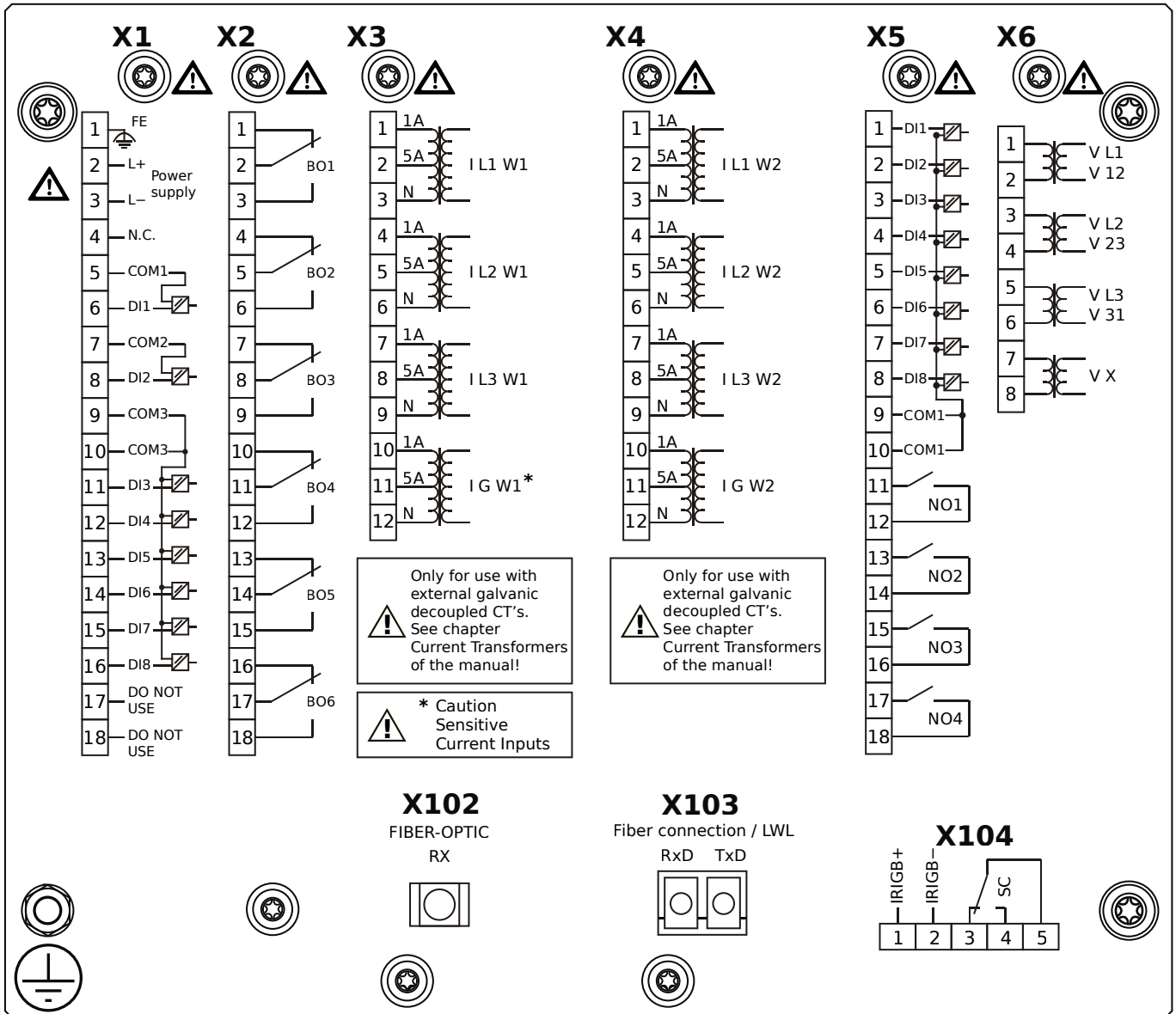


Housing B2, large display, 19" rack mounting

+ Conformal Coating (for installations in harsh environment)

- X1** – DI8-X1: Wide-range power supply unit, incl. 2 non-grouped digital inputs and 6 grouped digital inputs
- X2** – OR6: Assembly Group with 6 Output Relays
- X3** – TIs: Standard phase current measuring card and sensitive ground current measuring (winding side 1)
- X4** – TI: Standard current measuring card (for the winding side 2)
- X5** – DI8-OR4: Assembly Group with 8 Digital Inputs and 4 Output Relays
- X6** – TU: Card with 4 voltage transformer measuring inputs
- X102** – Universal Resistance-Temperature Detector (URTD) input, Fiber optics interface, Versatile Link
- X103** – IEC 61850 / Modbus TCP / DNP3.0 TCP/UDP, Fiber optics interface, LC Connector
- X104** – IRIG-B00X, incl. System Contact (Supervision Contact)

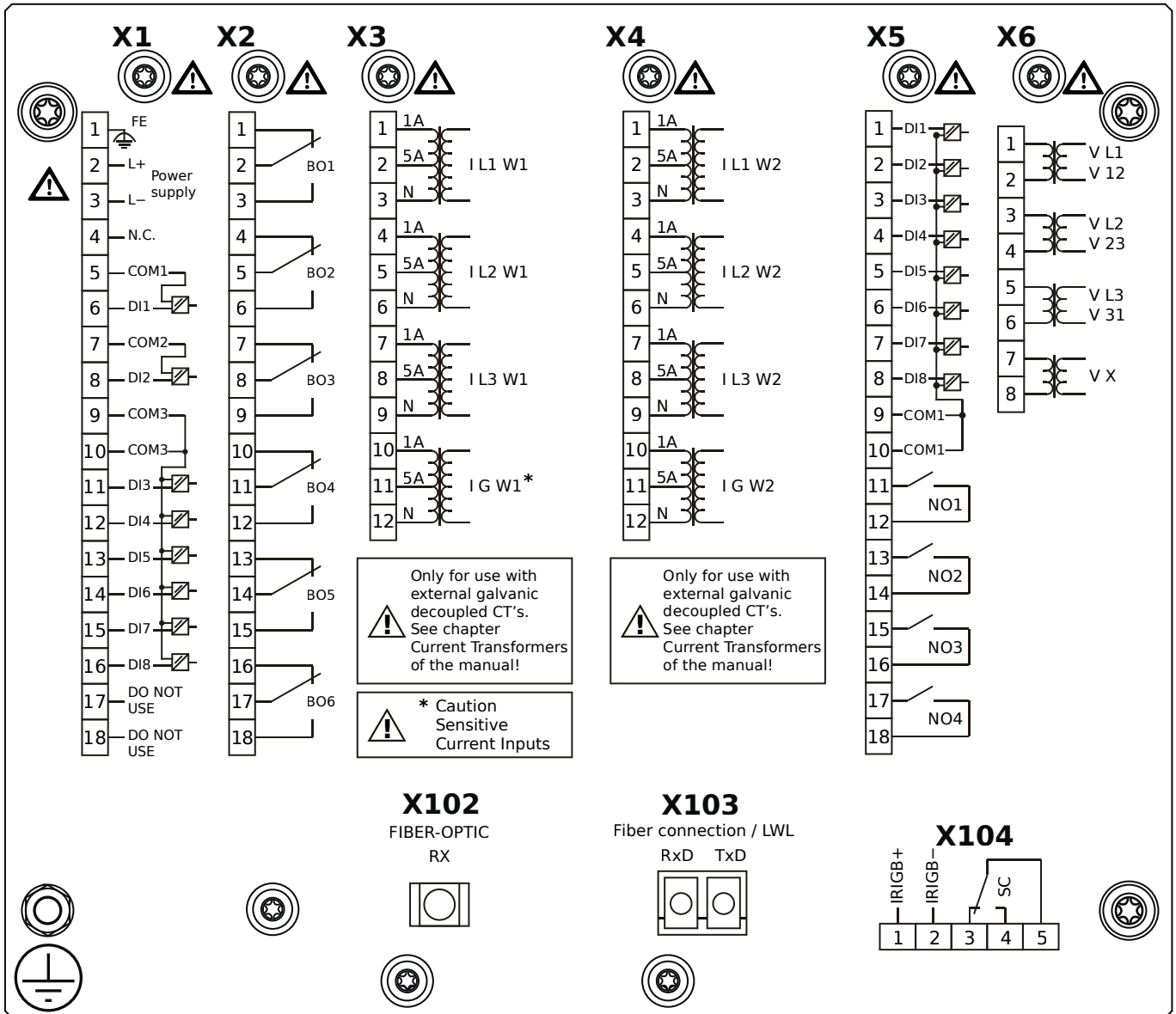
MCDTV4-2A1BLA



Housing B2, large display, 19" rack mounting

- X1** – DI8-X1: Wide-range power supply unit, incl. 2 non-grouped digital inputs and 6 grouped digital inputs
- X2** – OR6: Assembly Group with 6 Output Relays
- X3** – TIs: Standard phase current measuring card and sensitive ground current measuring (winding side 1)
- X4** – TI: Standard current measuring card (for the winding side 2)
- X5** – DI8-OR4: Assembly Group with 8 Digital Inputs and 4 Output Relays
- X6** – TU: Card with 4 voltage transformer measuring inputs
- X102** – Universal Resistance-Temperature Detector (URTD) input, Fiber optics interface, Versatile Link
- X103** – Modbus TCP / DNP3.0 TCP/UDP, Fiber optics interface, LC Connector
- X104** – IRIG-B00X, incl. System Contact (Supervision Contact)

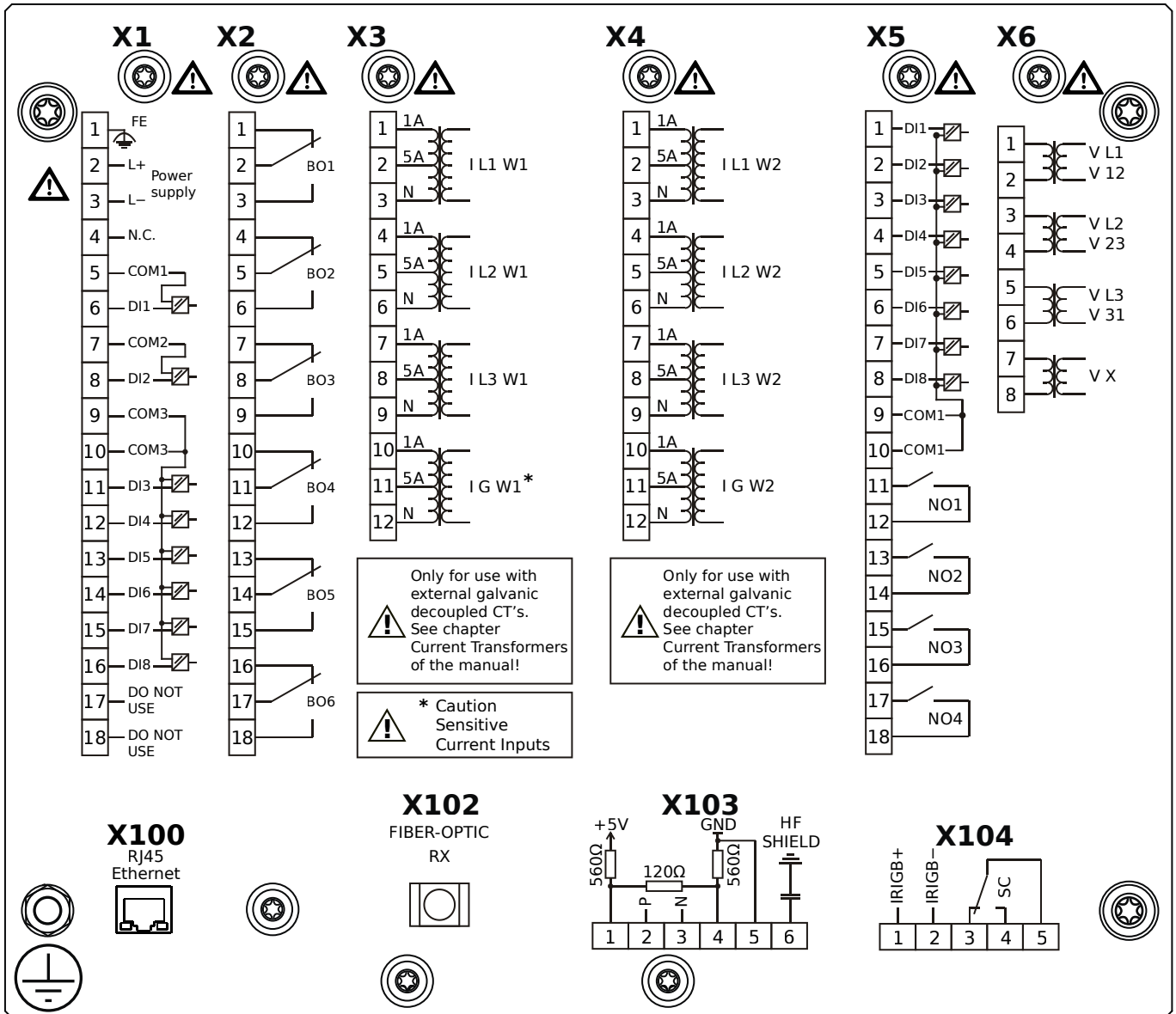
MCDTV4-2A1BLB



Housing B2, large display, 19" rack mounting

- + Conformal Coating (for installations in harsh environment)
- X1** – DI8-X1: Wide-range power supply unit, incl. 2 non-grouped digital inputs and 6 grouped digital inputs
- X2** – OR6: Assembly Group with 6 Output Relays
- X3** – TIs: Standard phase current measuring card and sensitive ground current measuring (winding side 1)
- X4** – TI: Standard current measuring card (for the winding side 2)
- X5** – DI8-OR4: Assembly Group with 8 Digital Inputs and 4 Output Relays
- X6** – TU: Card with 4 voltage transformer measuring inputs
- X102** – Universal Resistance-Temperature Detector (URTD) input, Fiber optics interface, Versatile Link
- X103** – Modbus TCP / DNP3.0 TCP/UDP, Fiber optics interface, LC Connector
- X104** – IRIG-B00X, incl. System Contact (Supervision Contact)

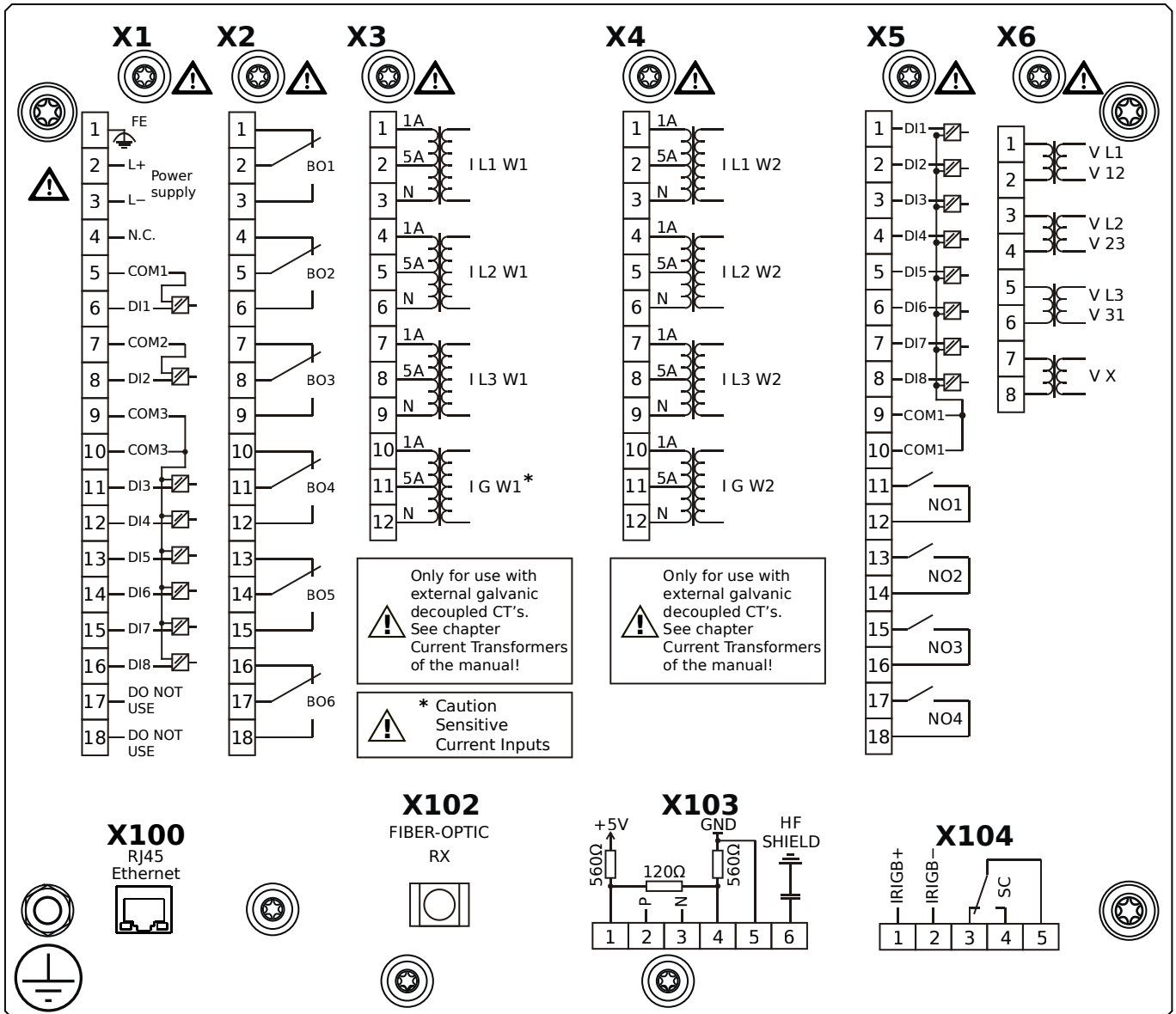
MCDTV4-2A1BTA



Housing B2, large display, 19" rack mounting

- X1** – DI8-X1: Wide-range power supply unit, incl. 2 non-grouped digital inputs and 6 grouped digital inputs
- X2** – OR6: Assembly Group with 6 Output Relays
- X3** – TIs: Standard phase current measuring card and sensitive ground current measuring (winding side 1)
- X4** – TI: Standard current measuring card (for the winding side 2)
- X5** – DI8-OR4: Assembly Group with 8 Digital Inputs and 4 Output Relays
- X6** – TU: Card with 4 voltage transformer measuring inputs
- X100** – IEC 61850 / Modbus TCP / DNP3.0 TCP/UDP, Ethernet interface, 100 Mbit/s, RJ45 (BASE100-FX)
- X102** – Universal Resistance-Temperature Detector (URTD) input, Fiber optics interface, Versatile Link
- X103** – IEC 60870-5-103 / Modbus RTU / DNP3.0 RTU, RS485, Terminals
- X104** – IRIG-B00X, incl. System Contact (Supervision Contact)

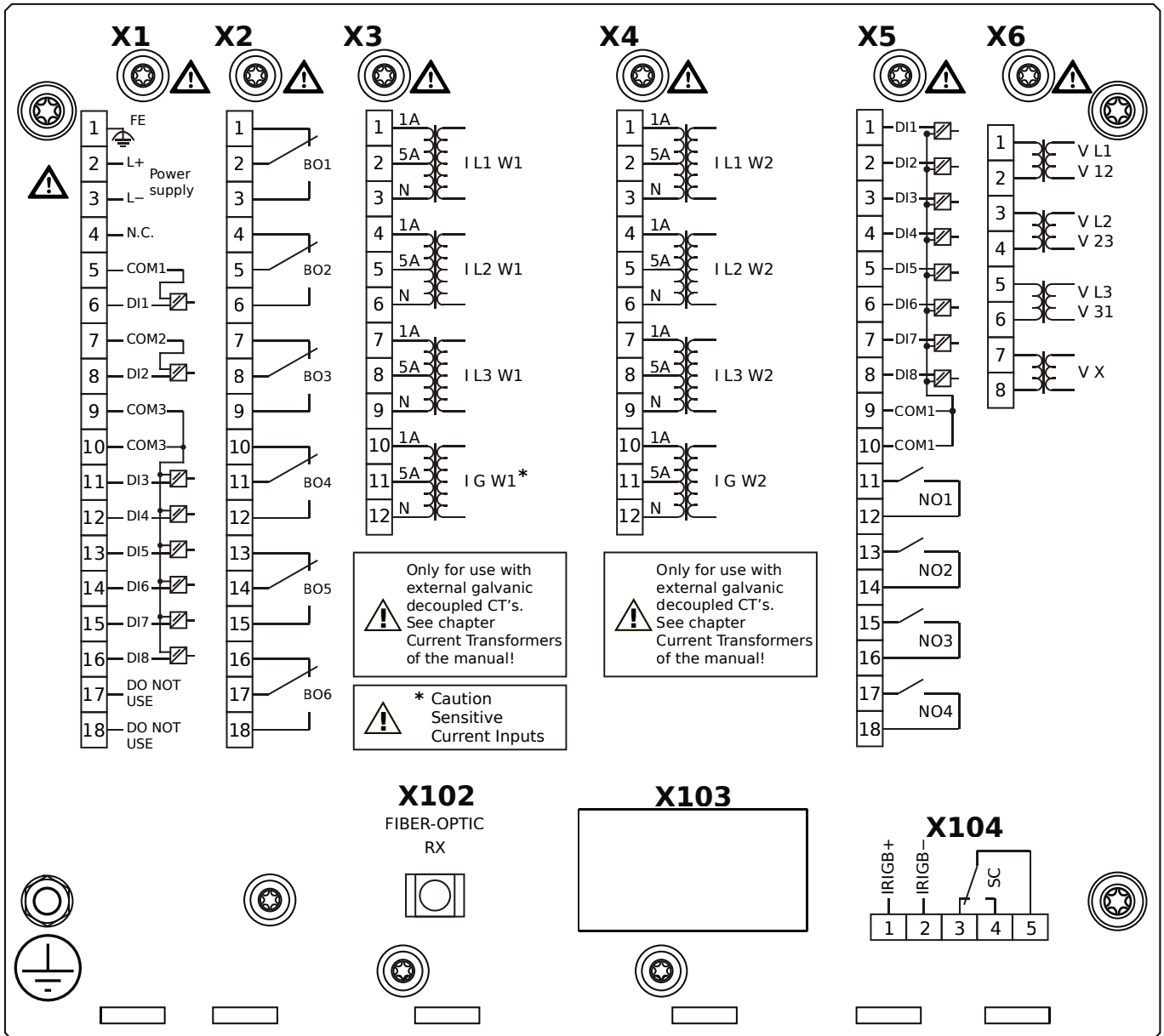
MCDTV4-2A1BTB



Housing B2, large display, 19" rack mounting

- + Conformal Coating (for installations in harsh environment)
- X1** – DI8-X1: Wide-range power supply unit, incl. 2 non-grouped digital inputs and 6 grouped digital inputs
- X2** – OR6: Assembly Group with 6 Output Relays
- X3** – TIs: Standard phase current measuring card and sensitive ground current measuring (winding side 1)
- X4** – TI: Standard current measuring card (for the winding side 2)
- X5** – DI8-OR4: Assembly Group with 8 Digital Inputs and 4 Output Relays
- X6** – TU: Card with 4 voltage transformer measuring inputs
- X100** – IEC 61850 / Modbus TCP / DNP3.0 TCP/UDP, Ethernet interface, 100 Mbit/s, RJ45 (BASE100-FX)
- X102** – Universal Resistance-Temperature Detector (URTD) input, Fiber optics interface, Versatile Link
- X103** – IEC 60870-5-103 / Modbus RTU / DNP3.0 RTU, RS485, Terminals
- X104** – IRIG-B00X, incl. System Contact (Supervision Contact)

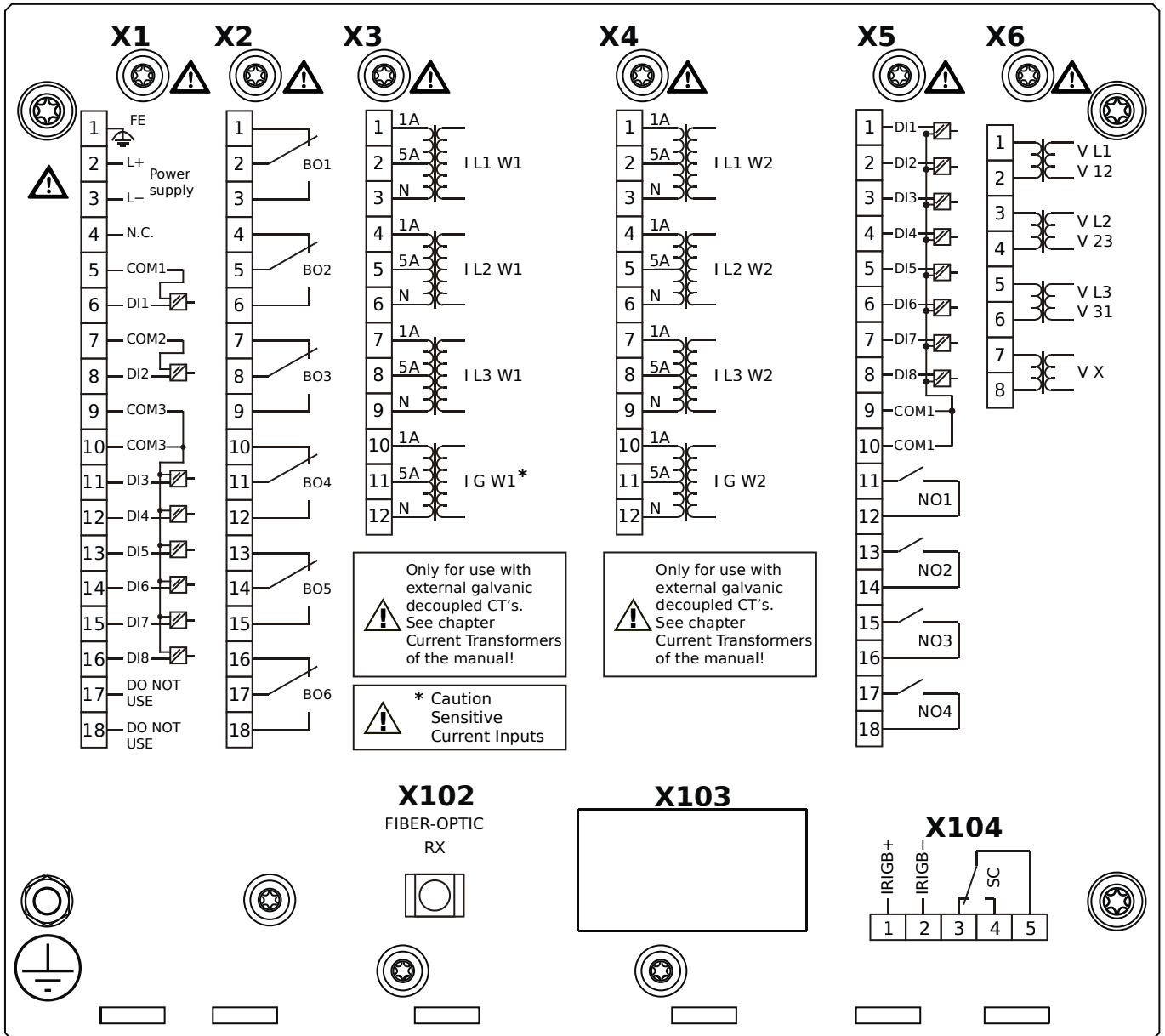
MCDTV4-2A1HAA



Housing B2, large display, door mounting

- X1** – DI8-X1: Wide-range power supply unit, incl. 2 non-grouped digital inputs and 6 grouped digital inputs
- X2** – OR6: Assembly Group with 6 Output Relays
- X3** – TIs: Standard phase current measuring card and sensitive ground current measuring (winding side 1)
- X4** – TI: Standard current measuring card (for the winding side 2)
- X5** – DI8-OR4: Assembly Group with 8 Digital Inputs and 4 Output Relays
- X6** – TU: Card with 4 voltage transformer measuring inputs
- X102** – Universal Resistance-Temperature Detector (URTD) input, Fiber optics interface, Versatile Link
- X104** – IRIG-B00X, incl. System Contact (Supervision Contact)

MCDTV4-2A1HAB

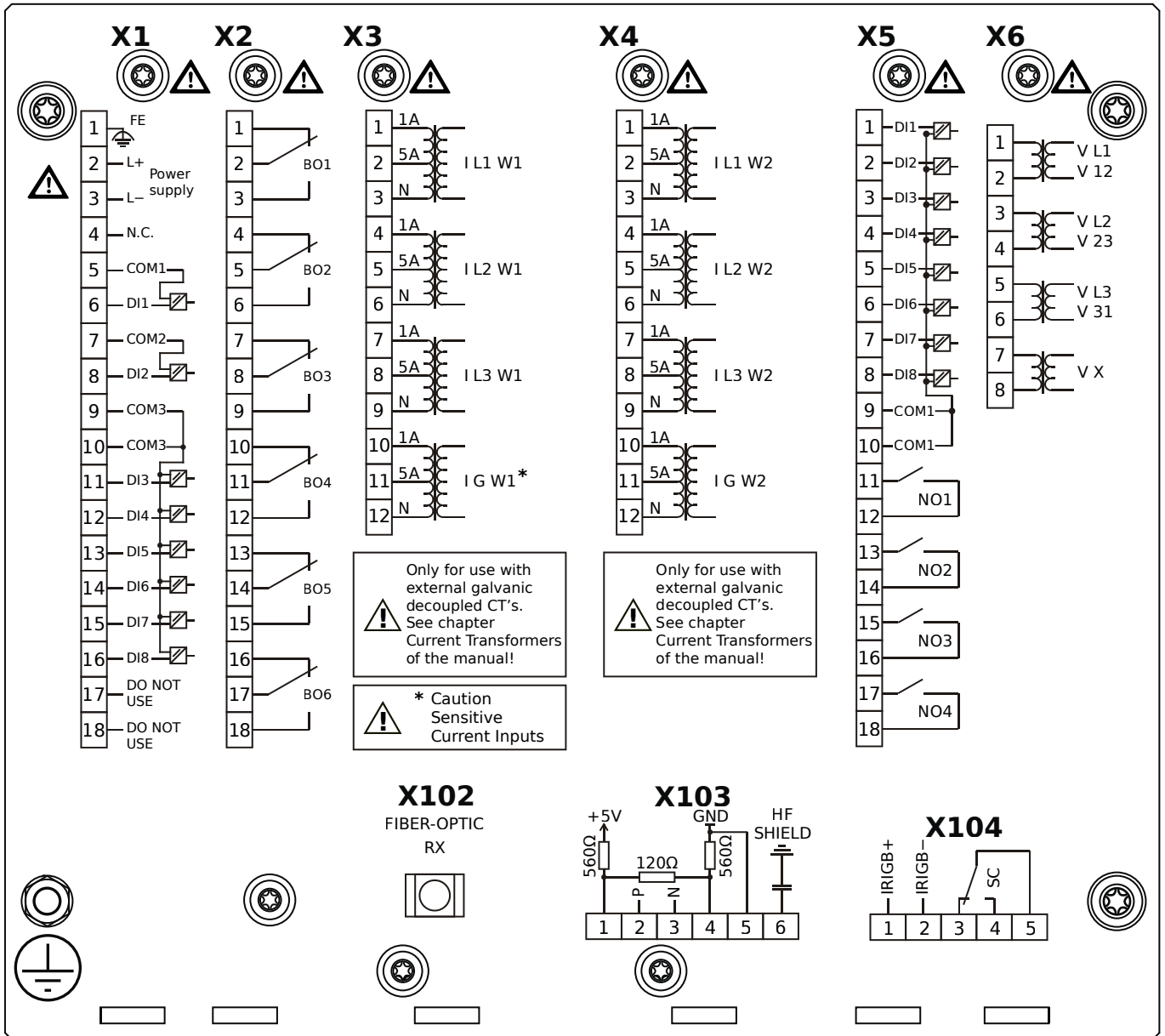


Housing B2, large display, door mounting

+ Conformal Coating (for installations in harsh environment)

- X1** – DI8-X1: Wide-range power supply unit, incl. 2 non-grouped digital inputs and 6 grouped digital inputs
- X2** – OR6: Assembly Group with 6 Output Relays
- X3** – TIs: Standard phase current measuring card and sensitive ground current measuring (winding side 1)
- X4** – TI: Standard current measuring card (for the winding side 2)
- X5** – DI8-OR4: Assembly Group with 8 Digital Inputs and 4 Output Relays
- X6** – TU: Card with 4 voltage transformer measuring inputs
- X102** – Universal Resistance-Temperature Detector (URTD) input, Fiber optics interface, Versatile Link
- X104** – IRIG-B00X, incl. System Contact (Supervision Contact)

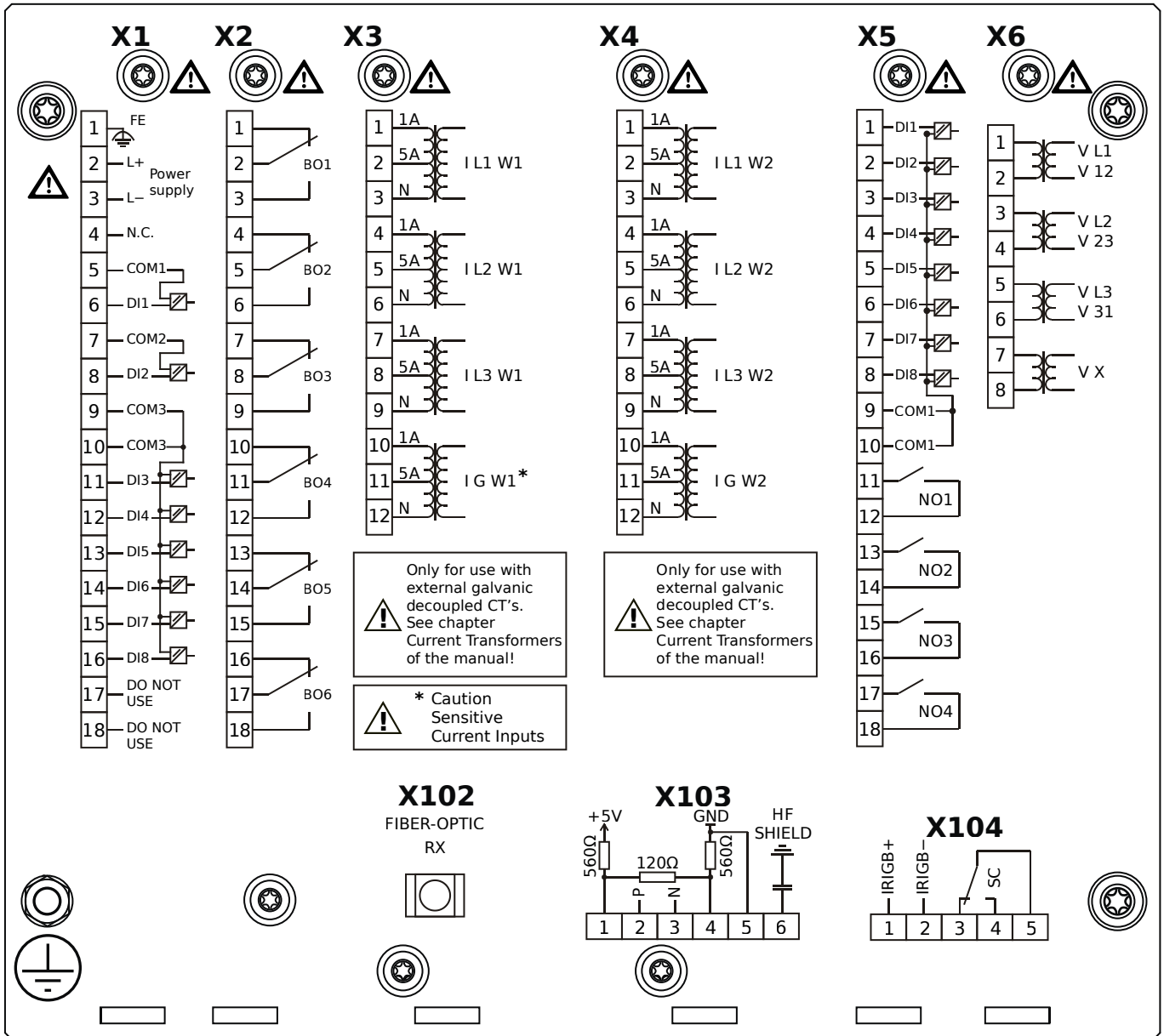
MCDTV4-2A1HBA



Housing B2, large display, door mounting

- X1** – DI8-X1: Wide-range power supply unit, incl. 2 non-grouped digital inputs and 6 grouped digital inputs
- X2** – OR6: Assembly Group with 6 Output Relays
- X3** – TIs: Standard phase current measuring card and sensitive ground current measuring (winding side 1)
- X4** – TI: Standard current measuring card (for the winding side 2)
- X5** – DI8-OR4: Assembly Group with 8 Digital Inputs and 4 Output Relays
- X6** – TU: Card with 4 voltage transformer measuring inputs
- X102** – Universal Resistance-Temperature Detector (URTD) input, Fiber optics interface, Versatile Link
- X103** – Modbus RTU / IEC 60870-5-103 / DNP3.0 RTU, RS485, Terminals
- X104** – IRIG-B00X, incl. System Contact (Supervision Contact)

MCDTV4-2A1HBB

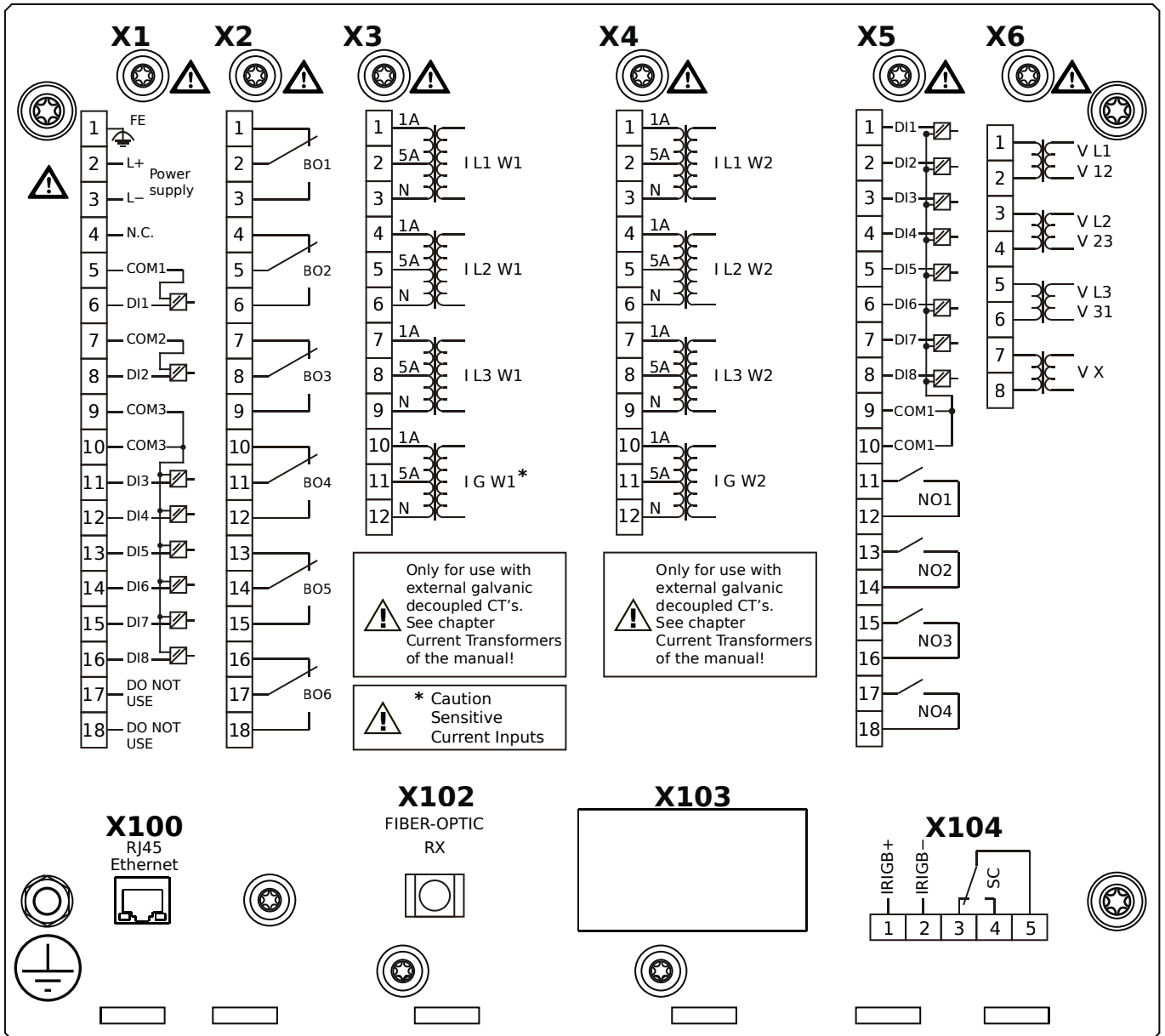


Housing B2, large display, door mounting

+ Conformal Coating (for installations in harsh environment)

- X1** – DI8-X1: Wide-range power supply unit, incl. 2 non-grouped digital inputs and 6 grouped digital inputs
- X2** – OR6: Assembly Group with 6 Output Relays
- X3** – TIs: Standard phase current measuring card and sensitive ground current measuring (winding side 1)
- X4** – TI: Standard current measuring card (for the winding side 2)
- X5** – DI8-OR4: Assembly Group with 8 Digital Inputs and 4 Output Relays
- X6** – TU: Card with 4 voltage transformer measuring inputs
- X102** – Universal Resistance-Temperature Detector (URTD) input, Fiber optics interface, Versatile Link
- X103** – Modbus RTU / IEC 60870-5-103 / DNP3.0 RTU, RS485, Terminals
- X104** – IRIG-B00X, incl. System Contact (Supervision Contact)

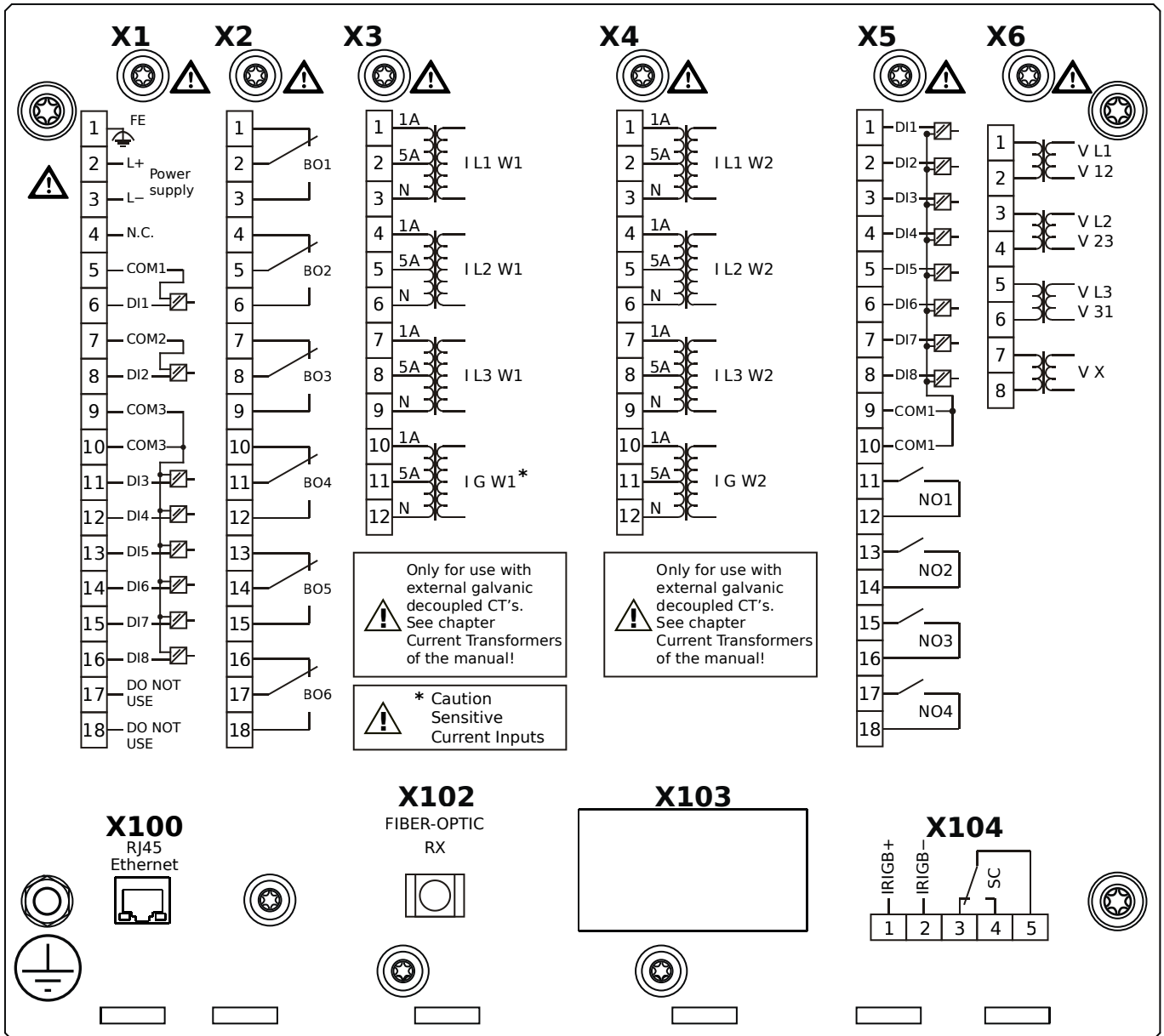
MCDTV4-2A1HCA



Housing B2, large display, door mounting

- X1** – DI8-X1: Wide-range power supply unit, incl. 2 non-grouped digital inputs and 6 grouped digital inputs
- X2** – OR6: Assembly Group with 6 Output Relays
- X3** – TIs: Standard phase current measuring card and sensitive ground current measuring (winding side 1)
- X4** – TI: Standard current measuring card (for the winding side 2)
- X5** – DI8-OR4: Assembly Group with 8 Digital Inputs and 4 Output Relays
- X6** – TU: Card with 4 voltage transformer measuring inputs
- X100** – Modbus TCP / DNP3.0 TCP/UDP, Ethernet interface, 100 Mbit/s, RJ45 (BASE100-FX)
- X102** – Universal Resistance-Temperature Detector (URTD) input, Fiber optics interface, Versatile Link
- X104** – IRIG-B00X, incl. System Contact (Supervision Contact)

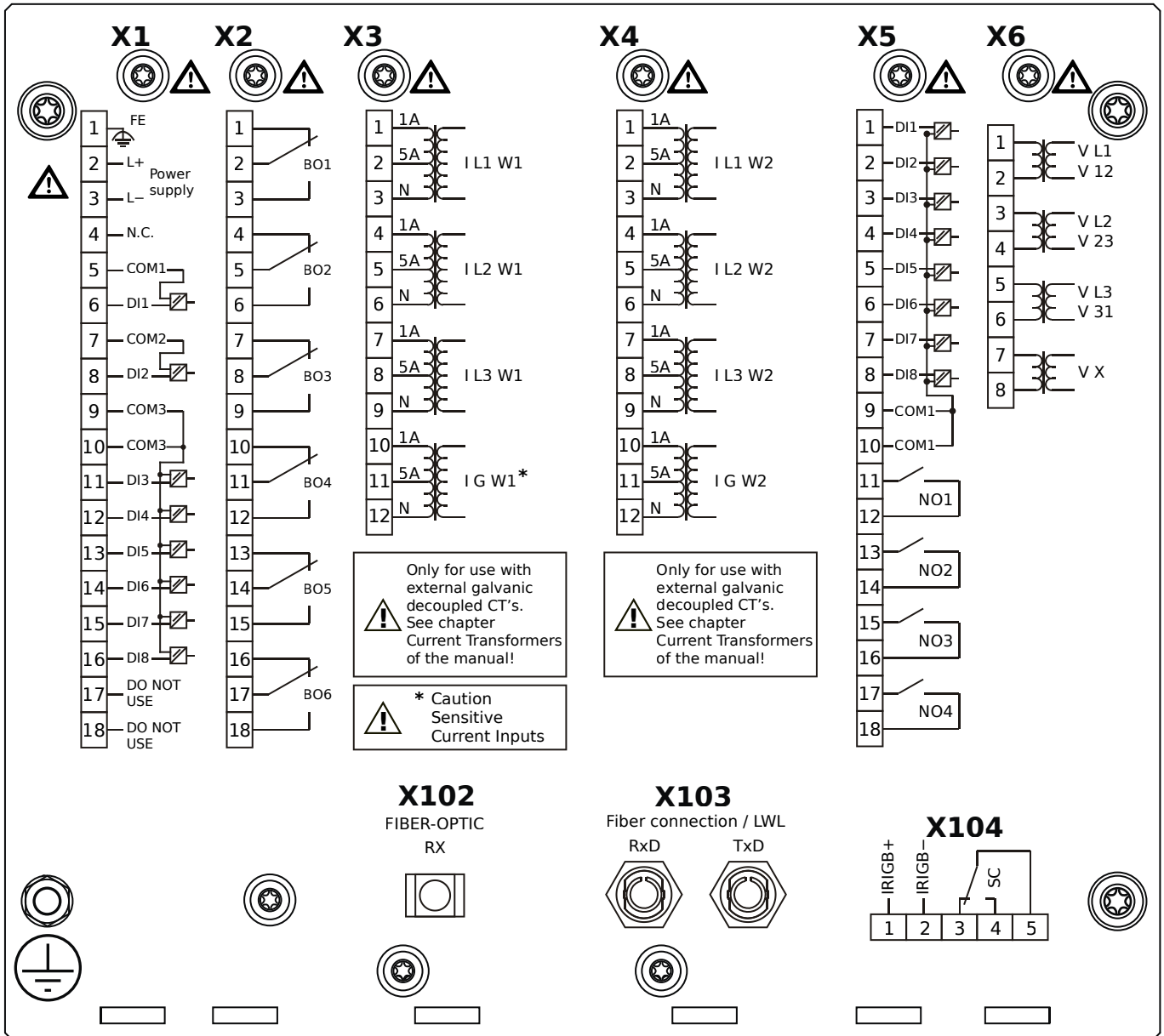
MCDTV4-2A1HCB



Housing B2, large display, door mounting

- + Conformal Coating (for installations in harsh environment)
- X1** – DI8-X1: Wide-range power supply unit, incl. 2 non-grouped digital inputs and 6 grouped digital inputs
- X2** – OR6: Assembly Group with 6 Output Relays
- X3** – TIs: Standard phase current measuring card and sensitive ground current measuring (winding side 1)
- X4** – TI: Standard current measuring card (for the winding side 2)
- X5** – DI8-OR4: Assembly Group with 8 Digital Inputs and 4 Output Relays
- X6** – TU: Card with 4 voltage transformer measuring inputs
- X100** – Modbus TCP / DNP3.0 TCP/UDP, Ethernet interface, 100 Mbit/s, RJ45 (BASE100-FX)
- X102** – Universal Resistance-Temperature Detector (URTD) input, Fiber optics interface, Versatile Link
- X104** – IRIG-B00X, incl. System Contact (Supervision Contact)

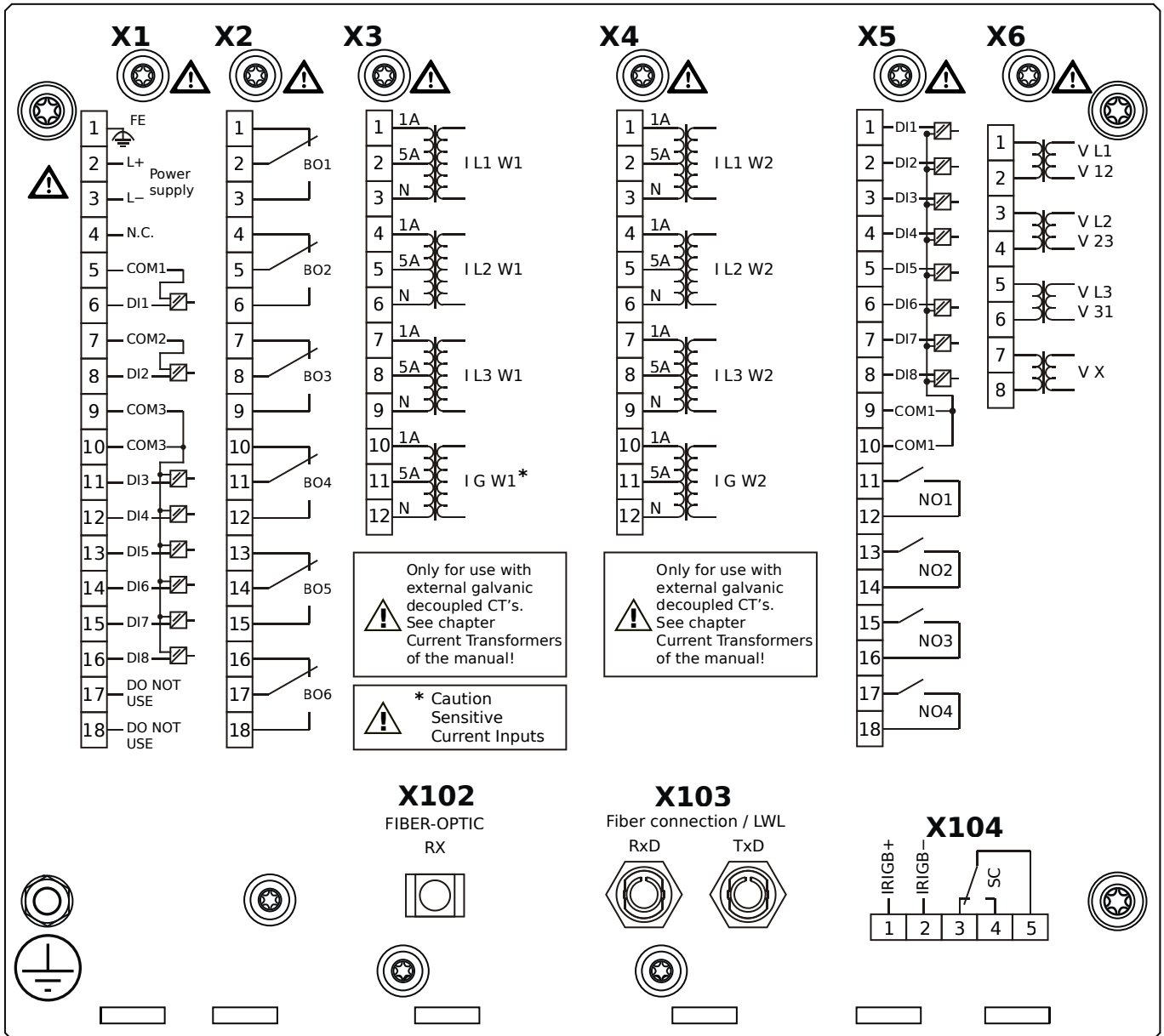
MCDTV4-2A1HDA



Housing B2, large display, door mounting

- X1** – DI8-X1: Wide-range power supply unit, incl. 2 non-grouped digital inputs and 6 grouped digital inputs
- X2** – OR6: Assembly Group with 6 Output Relays
- X3** – TIs: Standard phase current measuring card and sensitive ground current measuring (winding side 1)
- X4** – TI: Standard current measuring card (for the winding side 2)
- X5** – DI8-OR4: Assembly Group with 8 Digital Inputs and 4 Output Relays
- X6** – TU: Card with 4 voltage transformer measuring inputs
- X102** – Universal Resistance-Temperature Detector (URTD) input, Fiber optics interface, Versatile Link
- X103** – Profibus-DP, Fiber optics interface, ST Connector
- X104** – IRIG-B00X, incl. System Contact (Supervision Contact)

MCDTV4-2A1HDB

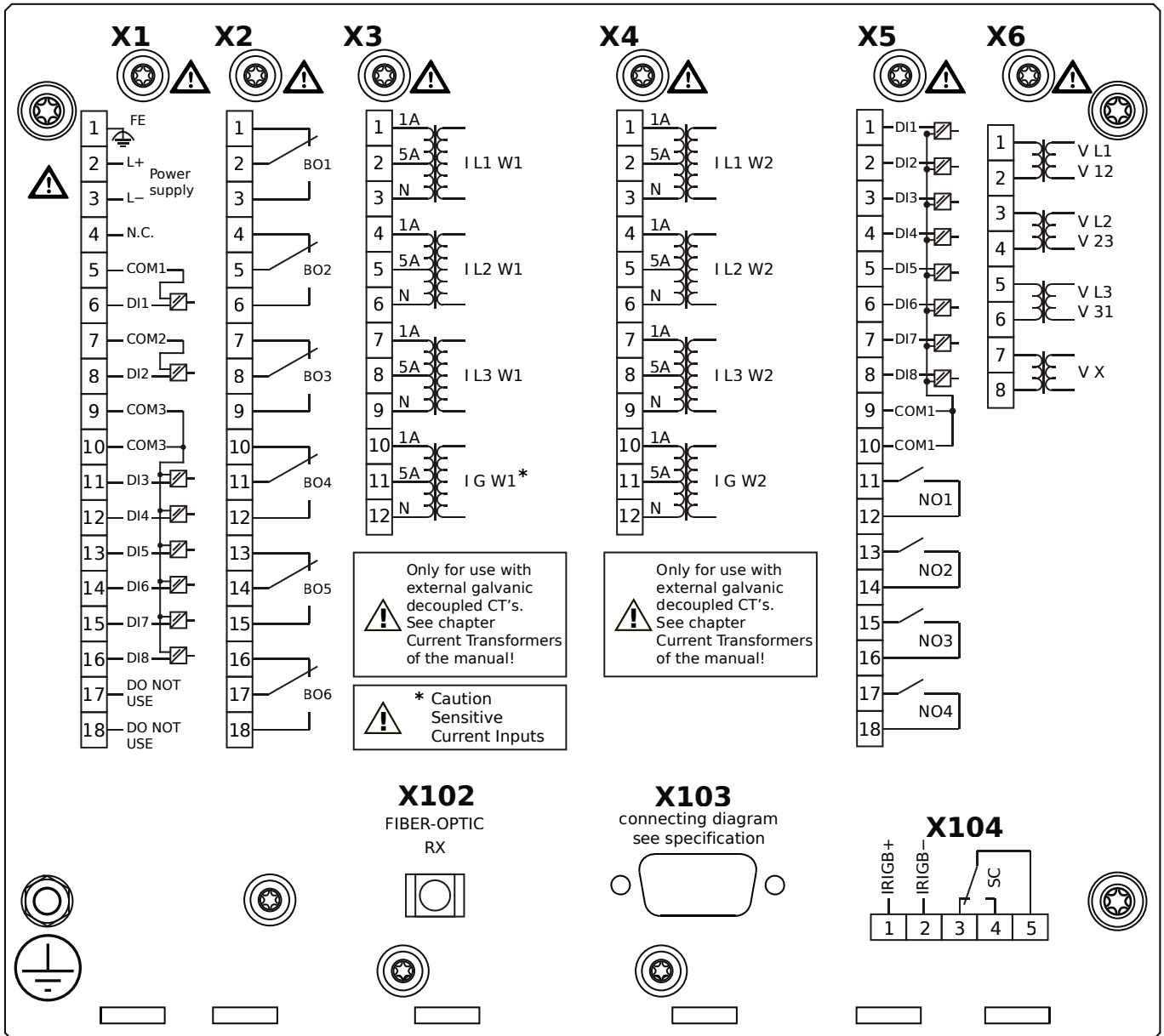


Housing B2, large display, door mounting

+ Conformal Coating (for installations in harsh environment)

- X1** – DI8-X1: Wide-range power supply unit, incl. 2 non-grouped digital inputs and 6 grouped digital inputs
- X2** – OR6: Assembly Group with 6 Output Relays
- X3** – TIs: Standard phase current measuring card and sensitive ground current measuring (winding side 1)
- X4** – TI: Standard current measuring card (for the winding side 2)
- X5** – DI8-OR4: Assembly Group with 8 Digital Inputs and 4 Output Relays
- X6** – TU: Card with 4 voltage transformer measuring inputs
- X102** – Universal Resistance-Temperature Detector (URTD) input, Fiber optics interface, Versatile Link
- X103** – Profibus-DP, Fiber optics interface, ST Connector
- X104** – IRIG-B00X, incl. System Contact (Supervision Contact)

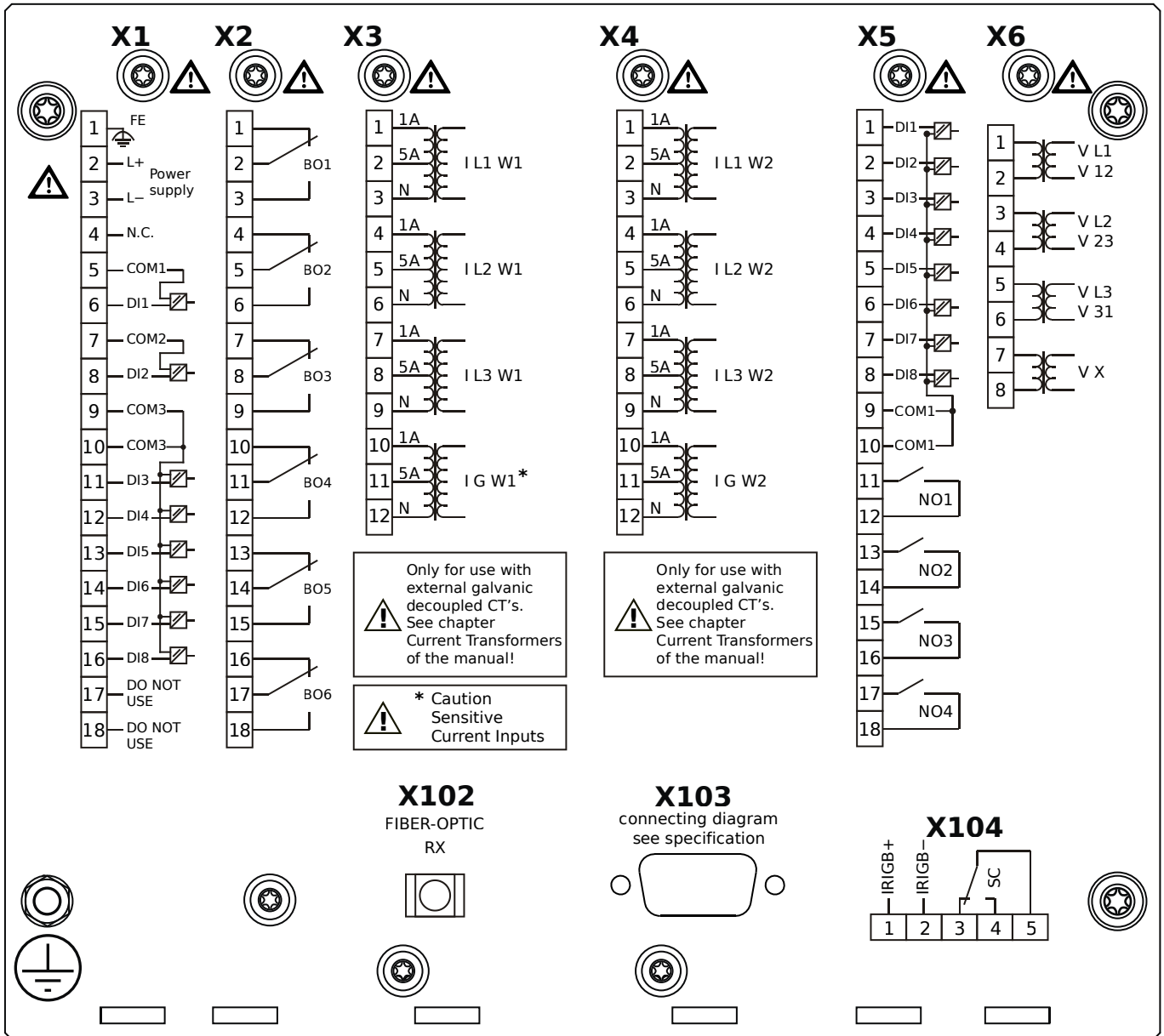
MCDTV4-2A1HEA



Housing B2, large display, door mounting

- X1** – DI8-X1: Wide-range power supply unit, incl. 2 non-grouped digital inputs and 6 grouped digital inputs
- X2** – OR6: Assembly Group with 6 Output Relays
- X3** – TIs: Standard phase current measuring card and sensitive ground current measuring (winding side 1)
- X4** – TI: Standard current measuring card (for the winding side 2)
- X5** – DI8-OR4: Assembly Group with 8 Digital Inputs and 4 Output Relays
- X6** – TU: Card with 4 voltage transformer measuring inputs
- X102** – Universal Resistance-Temperature Detector (URTD) input, Fiber optics interface, Versatile Link
- X103** – Profibus-DP, RS485, D-SUB
- X104** – IRIG-B00X, incl. System Contact (Supervision Contact)

MCDTV4-2A1HEB

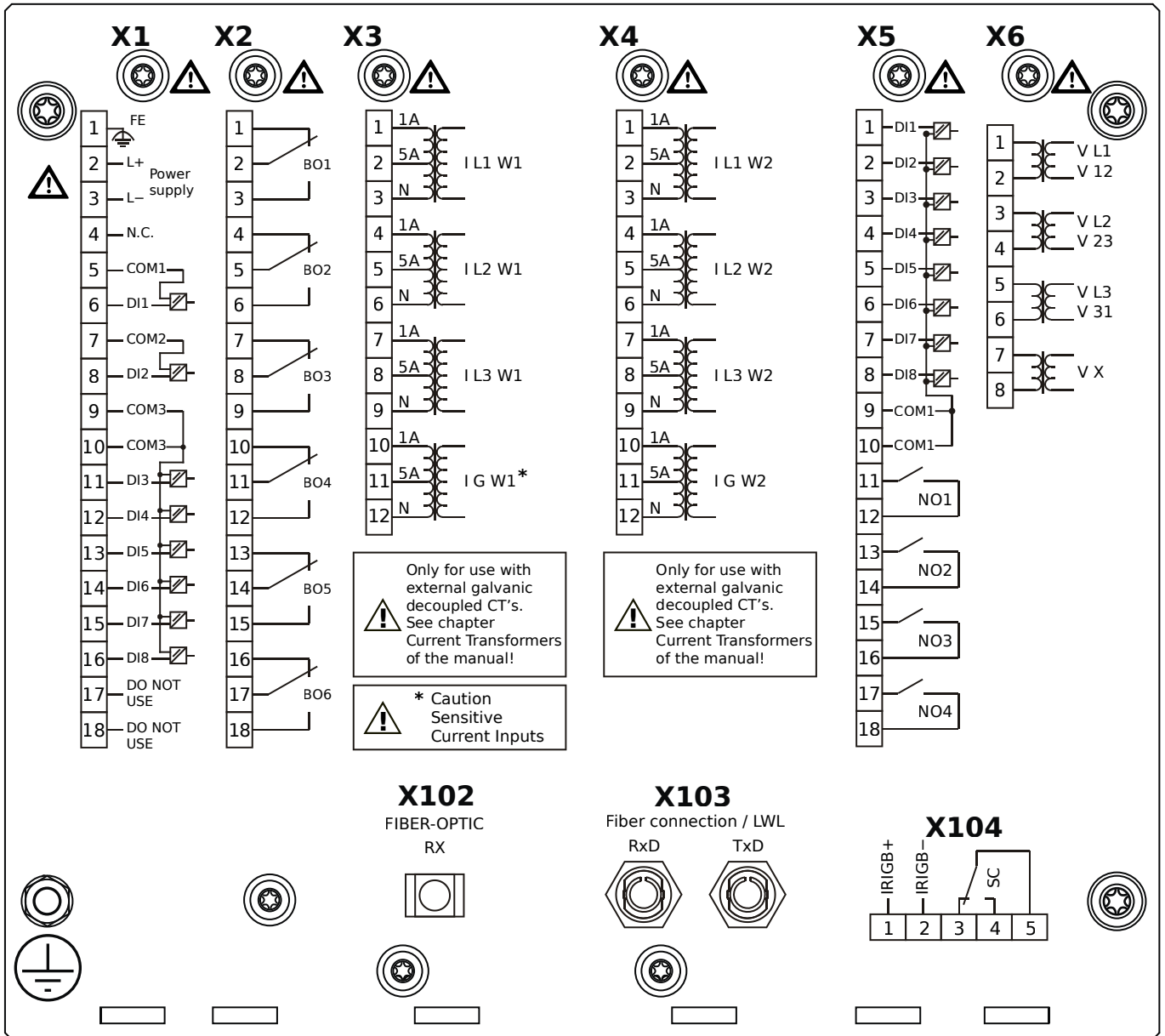


Housing B2, large display, door mounting

+ Conformal Coating (for installations in harsh environment)

- X1** – DI8-X1: Wide-range power supply unit, incl. 2 non-grouped digital inputs and 6 grouped digital inputs
- X2** – OR6: Assembly Group with 6 Output Relays
- X3** – TIs: Standard phase current measuring card and sensitive ground current measuring (winding side 1)
- X4** – TI: Standard current measuring card (for the winding side 2)
- X5** – DI8-OR4: Assembly Group with 8 Digital Inputs and 4 Output Relays
- X6** – TU: Card with 4 voltage transformer measuring inputs
- X102** – Universal Resistance-Temperature Detector (URTD) input, Fiber optics interface, Versatile Link
- X103** – Profibus-DP, RS485, D-SUB
- X104** – IRIG-B00X, incl. System Contact (Supervision Contact)

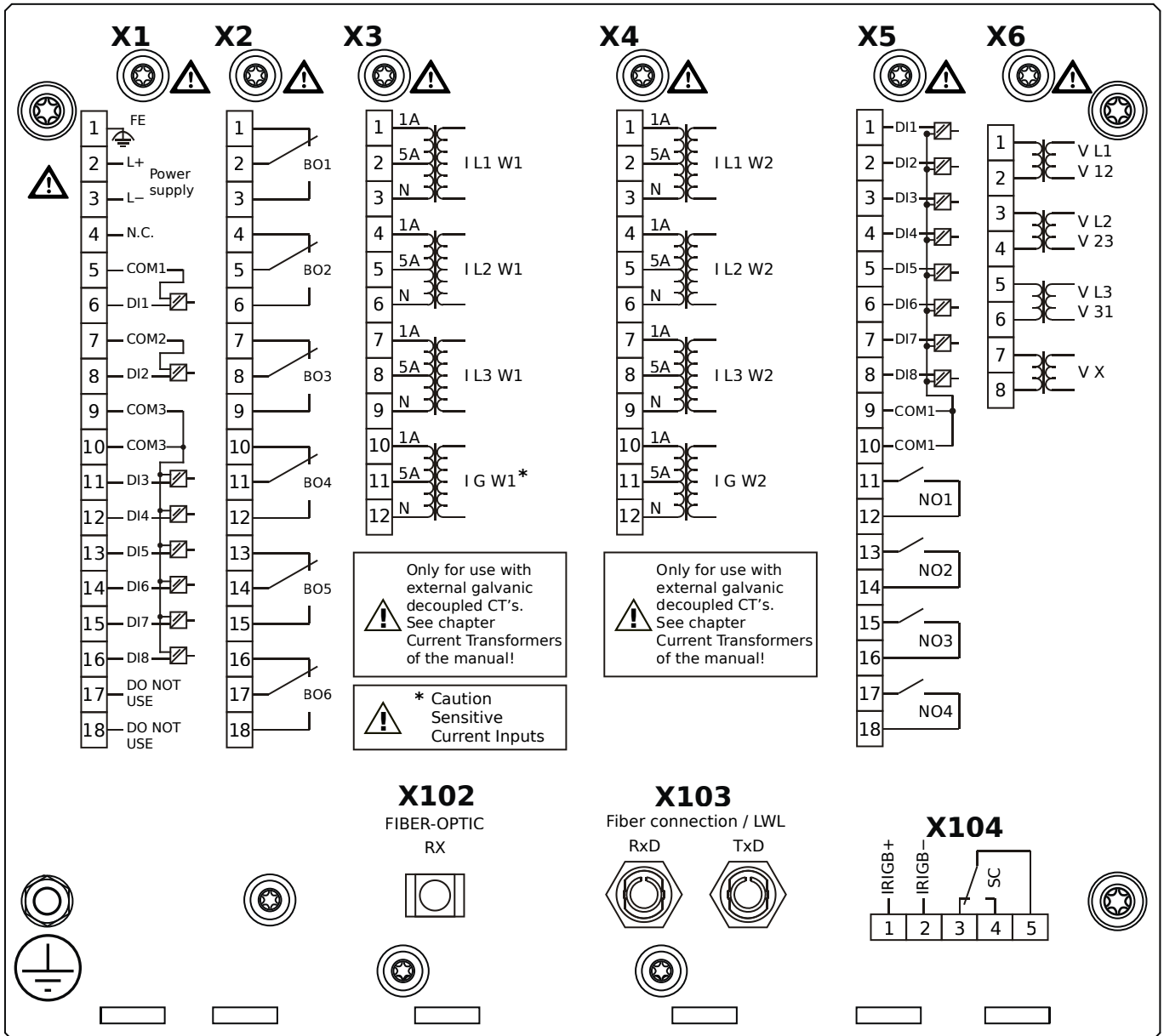
MCDTV4-2A1HFA



Housing B2, large display, door mounting

- X1** – DI8-X1: Wide-range power supply unit, incl. 2 non-grouped digital inputs and 6 grouped digital inputs
- X2** – OR6: Assembly Group with 6 Output Relays
- X3** – TIs: Standard phase current measuring card and sensitive ground current measuring (winding side 1)
- X4** – TI: Standard current measuring card (for the winding side 2)
- X5** – DI8-OR4: Assembly Group with 8 Digital Inputs and 4 Output Relays
- X6** – TU: Card with 4 voltage transformer measuring inputs
- X102** – Universal Resistance-Temperature Detector (URTD) input, Fiber optics interface, Versatile Link
- X103** – Modbus RTU / IEC 60870-5-103 / DNP3.0 RTU, Fiber optics interface, ST Connector
- X104** – IRIG-B00X, incl. System Contact (Supervision Contact)

MCDTV4-2A1HFB

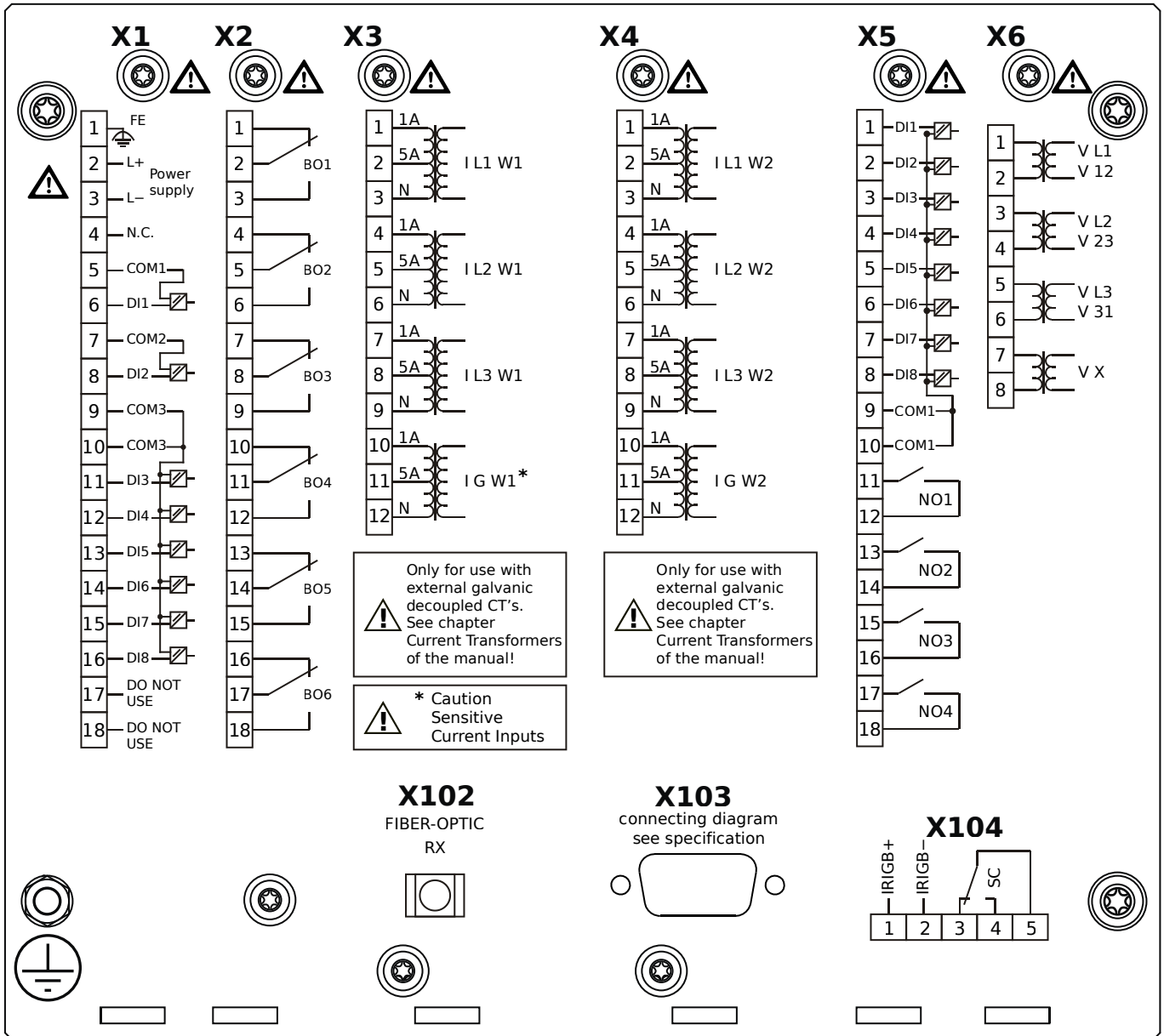


Housing B2, large display, door mounting

+ Conformal Coating (for installations in harsh environment)

- X1** – DI8-X1: Wide-range power supply unit, incl. 2 non-grouped digital inputs and 6 grouped digital inputs
- X2** – OR6: Assembly Group with 6 Output Relays
- X3** – TIs: Standard phase current measuring card and sensitive ground current measuring (winding side 1)
- X4** – TI: Standard current measuring card (for the winding side 2)
- X5** – DI8-OR4: Assembly Group with 8 Digital Inputs and 4 Output Relays
- X6** – TU: Card with 4 voltage transformer measuring inputs
- X102** – Universal Resistance-Temperature Detector (URTD) input, Fiber optics interface, Versatile Link
- X103** – Modbus RTU / IEC 60870-5-103 / DNP3.0 RTU, Fiber optics interface, ST Connector
- X104** – IRIG-B00X, incl. System Contact (Supervision Contact)

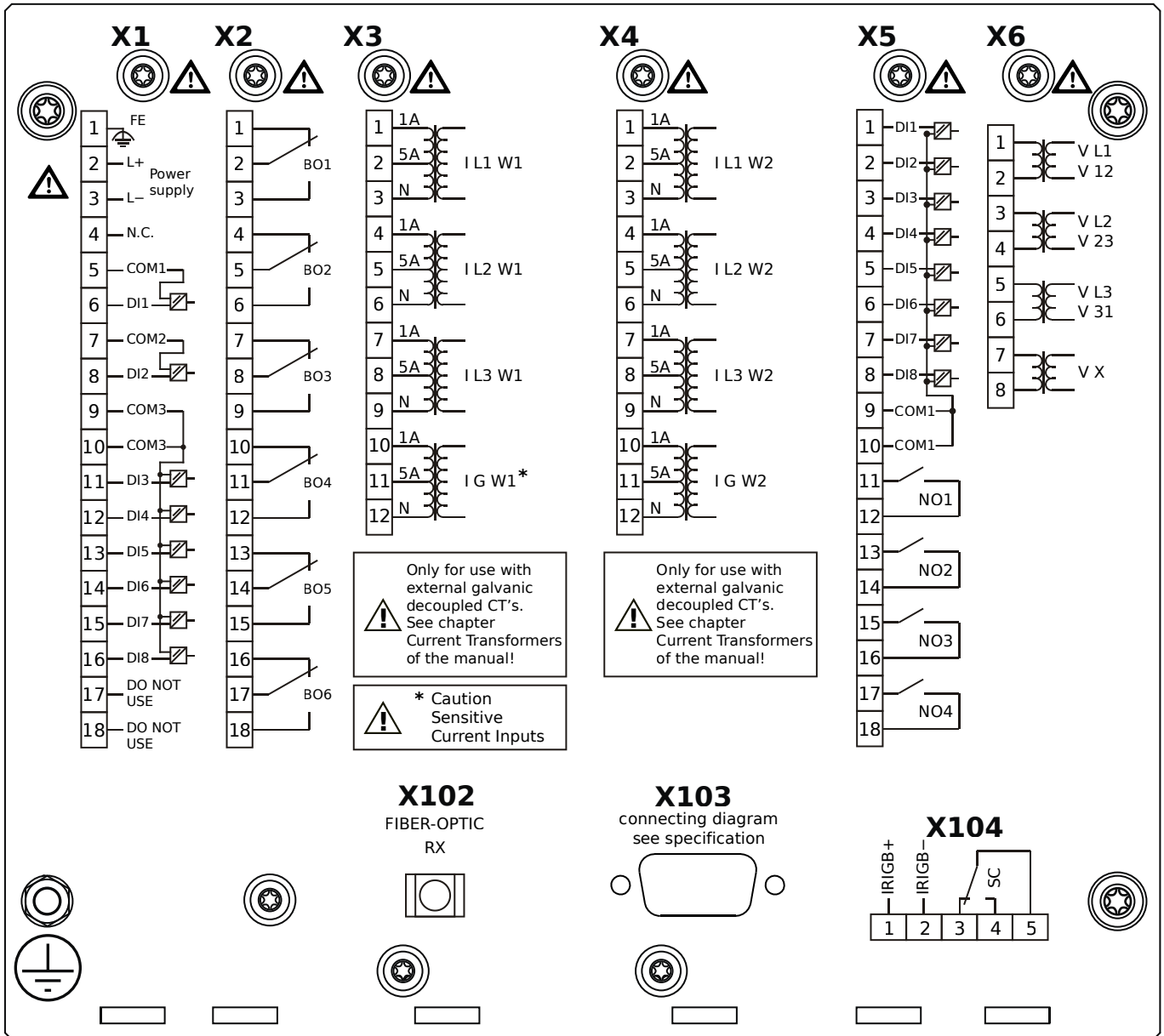
MCDTV4-2A1HGA



Housing B2, large display, door mounting

- X1** – DI8-X1: Wide-range power supply unit, incl. 2 non-grouped digital inputs and 6 grouped digital inputs
- X2** – OR6: Assembly Group with 6 Output Relays
- X3** – TIs: Standard phase current measuring card and sensitive ground current measuring (winding side 1)
- X4** – TI: Standard current measuring card (for the winding side 2)
- X5** – DI8-OR4: Assembly Group with 8 Digital Inputs and 4 Output Relays
- X6** – TU: Card with 4 voltage transformer measuring inputs
- X102** – Universal Resistance-Temperature Detector (URTD) input, Fiber optics interface, Versatile Link
- X103** – Modbus RTU / IEC 60870-5-103 / DNP3.0 RTU, RS485, D-SUB
- X104** – IRIG-B00X, incl. System Contact (Supervision Contact)

MCDTV4-2A1HGB

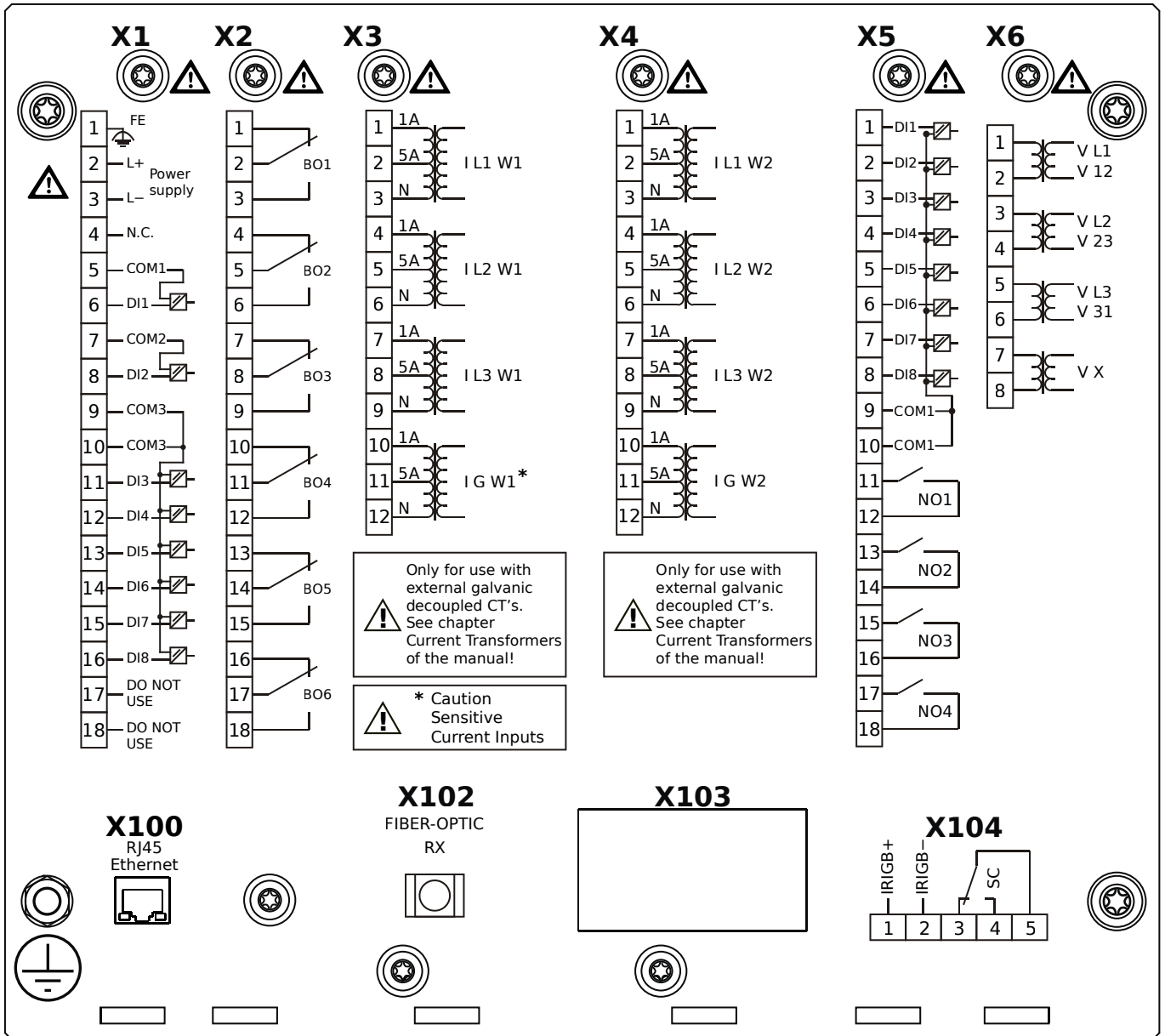


Housing B2, large display, door mounting

+ Conformal Coating (for installations in harsh environment)

- X1** – DI8-X1: Wide-range power supply unit, incl. 2 non-grouped digital inputs and 6 grouped digital inputs
- X2** – OR6: Assembly Group with 6 Output Relays
- X3** – TIs: Standard phase current measuring card and sensitive ground current measuring (winding side 1)
- X4** – TI: Standard current measuring card (for the winding side 2)
- X5** – DI8-OR4: Assembly Group with 8 Digital Inputs and 4 Output Relays
- X6** – TU: Card with 4 voltage transformer measuring inputs
- X102** – Universal Resistance-Temperature Detector (URTD) input, Fiber optics interface, Versatile Link
- X103** – Modbus RTU / IEC 60870-5-103 / DNP3.0 RTU, RS485, D-SUB
- X104** – IRIG-B00X, incl. System Contact (Supervision Contact)

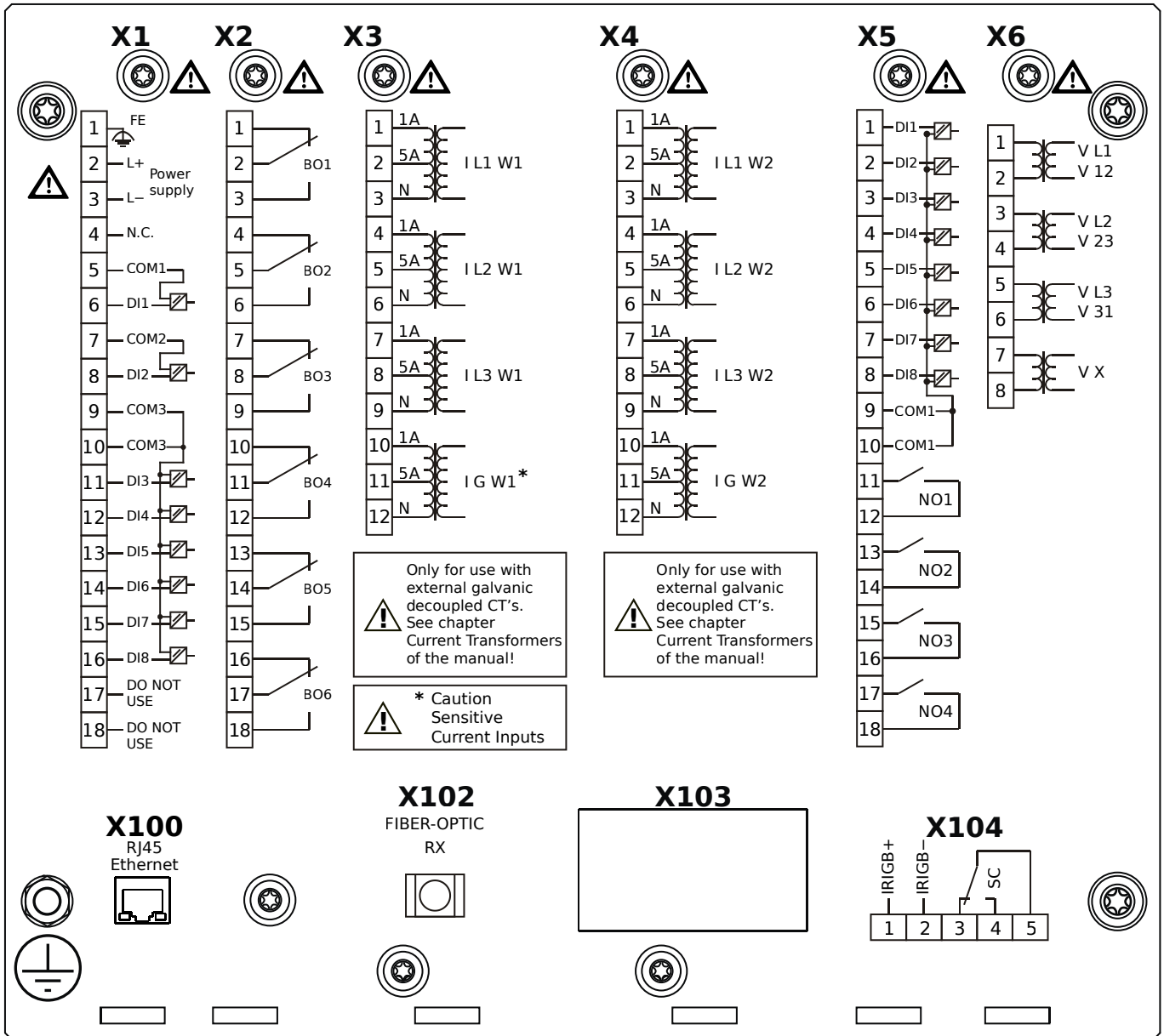
MCDTV4-2A1HHA



Housing B2, large display, door mounting

- X1** – DI8-X1: Wide-range power supply unit, incl. 2 non-grouped digital inputs and 6 grouped digital inputs
- X2** – OR6: Assembly Group with 6 Output Relays
- X3** – TIs: Standard phase current measuring card and sensitive ground current measuring (winding side 1)
- X4** – TI: Standard current measuring card (for the winding side 2)
- X5** – DI8-OR4: Assembly Group with 8 Digital Inputs and 4 Output Relays
- X6** – TU: Card with 4 voltage transformer measuring inputs
- X100** – IEC 61850 / Modbus TCP / DNP3.0 TCP/UDP, Ethernet interface, 100 Mbit/s, RJ45 (BASE100-FX)
- X102** – Universal Resistance-Temperature Detector (URTD) input, Fiber optics interface, Versatile Link
- X104** – IRIG-B00X, incl. System Contact (Supervision Contact)

MCDTV4-2A1HHB

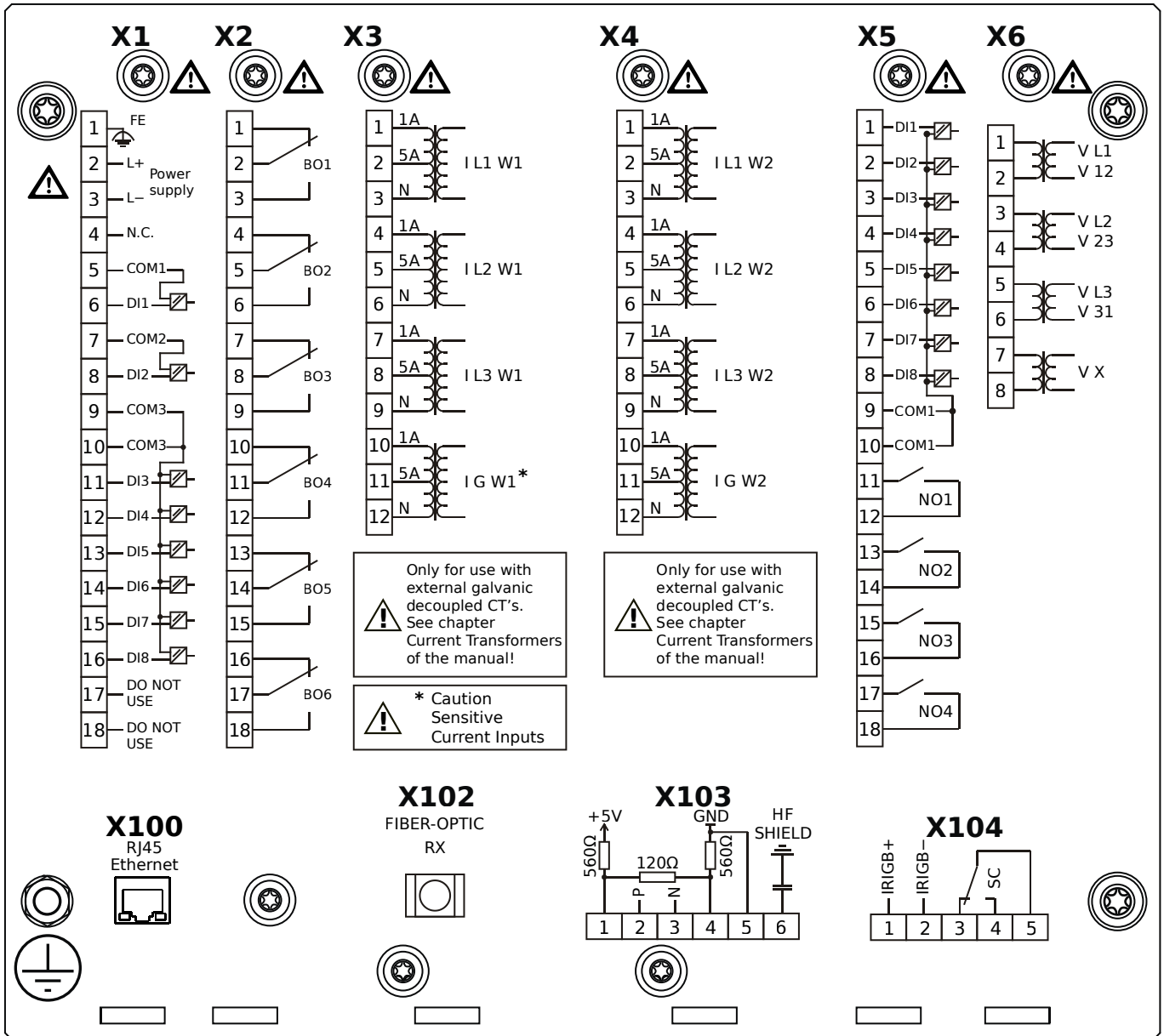


Housing B2, large display, door mounting

+ Conformal Coating (for installations in harsh environment)

- X1** – DI8-X1: Wide-range power supply unit, incl. 2 non-grouped digital inputs and 6 grouped digital inputs
- X2** – OR6: Assembly Group with 6 Output Relays
- X3** – TIs: Standard phase current measuring card and sensitive ground current measuring (winding side 1)
- X4** – TI: Standard current measuring card (for the winding side 2)
- X5** – DI8-OR4: Assembly Group with 8 Digital Inputs and 4 Output Relays
- X6** – TU: Card with 4 voltage transformer measuring inputs
- X100** – IEC 61850 / Modbus TCP / DNP3.0 TCP/UDP, Ethernet interface, 100 Mbit/s, RJ45 (BASE100-FX)
- X102** – Universal Resistance-Temperature Detector (URTD) input, Fiber optics interface, Versatile Link
- X104** – IRIG-B00X, incl. System Contact (Supervision Contact)

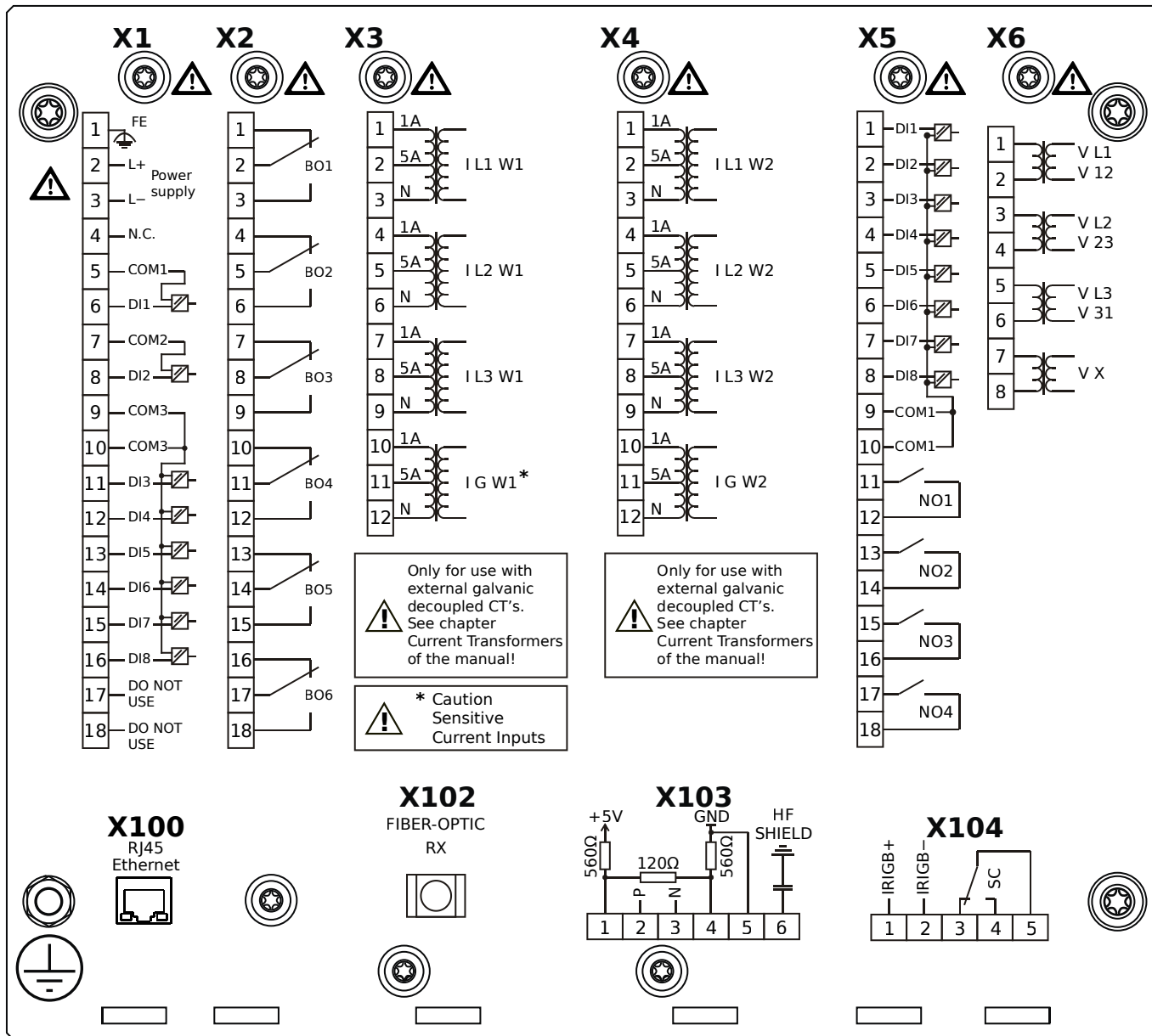
MCDTV4-2A1HIA



Housing B2, large display, door mounting

- X1** – DI8-X1: Wide-range power supply unit, incl. 2 non-grouped digital inputs and 6 grouped digital inputs
- X2** – OR6: Assembly Group with 6 Output Relays
- X3** – TIs: Standard phase current measuring card and sensitive ground current measuring (winding side 1)
- X4** – TI: Standard current measuring card (for the winding side 2)
- X5** – DI8-OR4: Assembly Group with 8 Digital Inputs and 4 Output Relays
- X6** – TU: Card with 4 voltage transformer measuring inputs
- X100** – Modbus TCP / DNP3.0 TCP/UDP, Ethernet interface, 100 Mbit/s, RJ45 (BASE100-FX)
- X102** – Universal Resistance-Temperature Detector (URTD) input, Fiber optics interface, Versatile Link
- X103** – IEC 60870-5-103 / Modbus RTU / DNP3.0 RTU, RS485, Terminals
- X104** – IRIG-B00X, incl. System Contact (Supervision Contact)

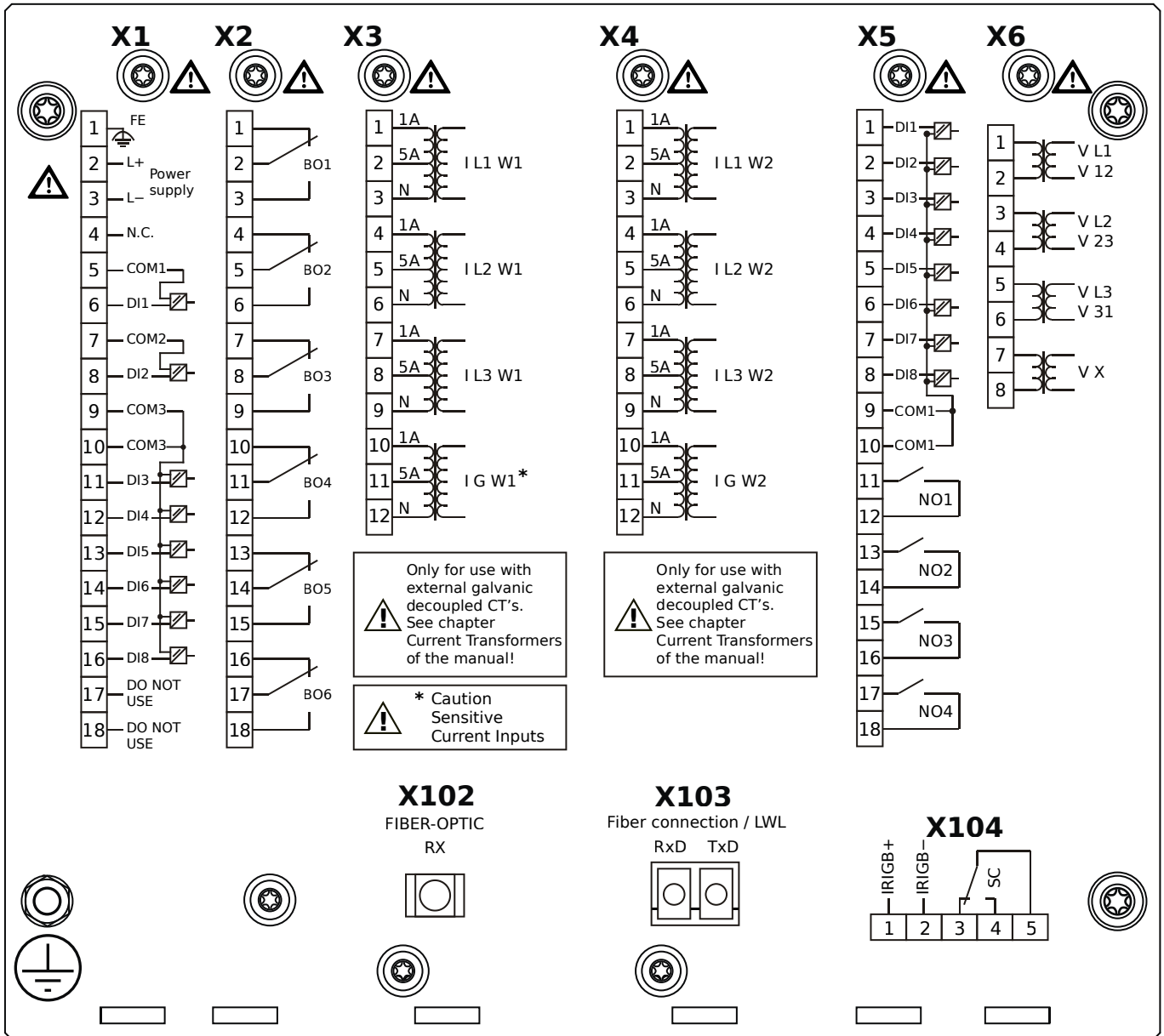
MCDTV4-2A1HIB



Housing B2, large display, door mounting

- + Conformal Coating (for installations in harsh environment)
- X1** – DI8-X1: Wide-range power supply unit, incl. 2 non-grouped digital inputs and 6 grouped digital inputs
- X2** – OR6: Assembly Group with 6 Output Relays
- X3** – TIs: Standard phase current measuring card and sensitive ground current measuring (winding side 1)
- X4** – TI: Standard current measuring card (for the winding side 2)
- X5** – DI8-OR4: Assembly Group with 8 Digital Inputs and 4 Output Relays
- X6** – TU: Card with 4 voltage transformer measuring inputs
- X100** – Modbus TCP / DNP3.0 TCP/UDP, Ethernet interface, 100 Mbit/s, RJ45 (BASE100-FX)
- X102** – Universal Resistance-Temperature Detector (URTD) input, Fiber optics interface, Versatile Link
- X103** – IEC 60870-5-103 / Modbus RTU / DNP3.0 RTU, RS485, Terminals
- X104** – IRIG-B00X, incl. System Contact (Supervision Contact)

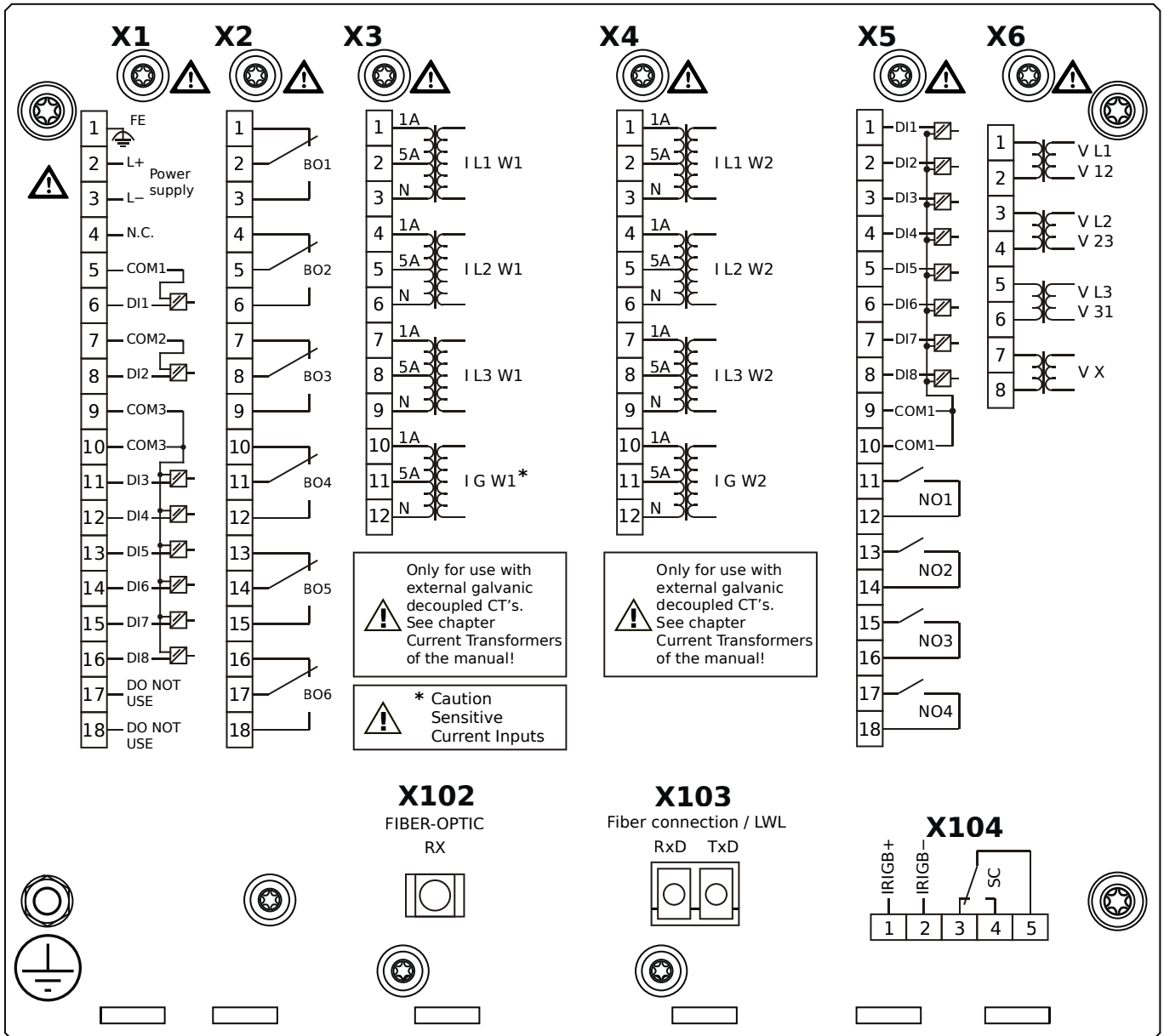
MCDTV4-2A1HKA



Housing B2, large display, door mounting

- X1** – DI8-X1: Wide-range power supply unit, incl. 2 non-grouped digital inputs and 6 grouped digital inputs
- X2** – OR6: Assembly Group with 6 Output Relays
- X3** – TIs: Standard phase current measuring card and sensitive ground current measuring (winding side 1)
- X4** – TI: Standard current measuring card (for the winding side 2)
- X5** – DI8-OR4: Assembly Group with 8 Digital Inputs and 4 Output Relays
- X6** – TU: Card with 4 voltage transformer measuring inputs
- X102** – Universal Resistance-Temperature Detector (URTD) input, Fiber optics interface, Versatile Link
- X103** – IEC 61850 / Modbus TCP / DNP3.0 TCP/UDP, Fiber optics interface, LC Connector
- X104** – IRIG-B00X, incl. System Contact (Supervision Contact)

MCDTV4-2A1HKB

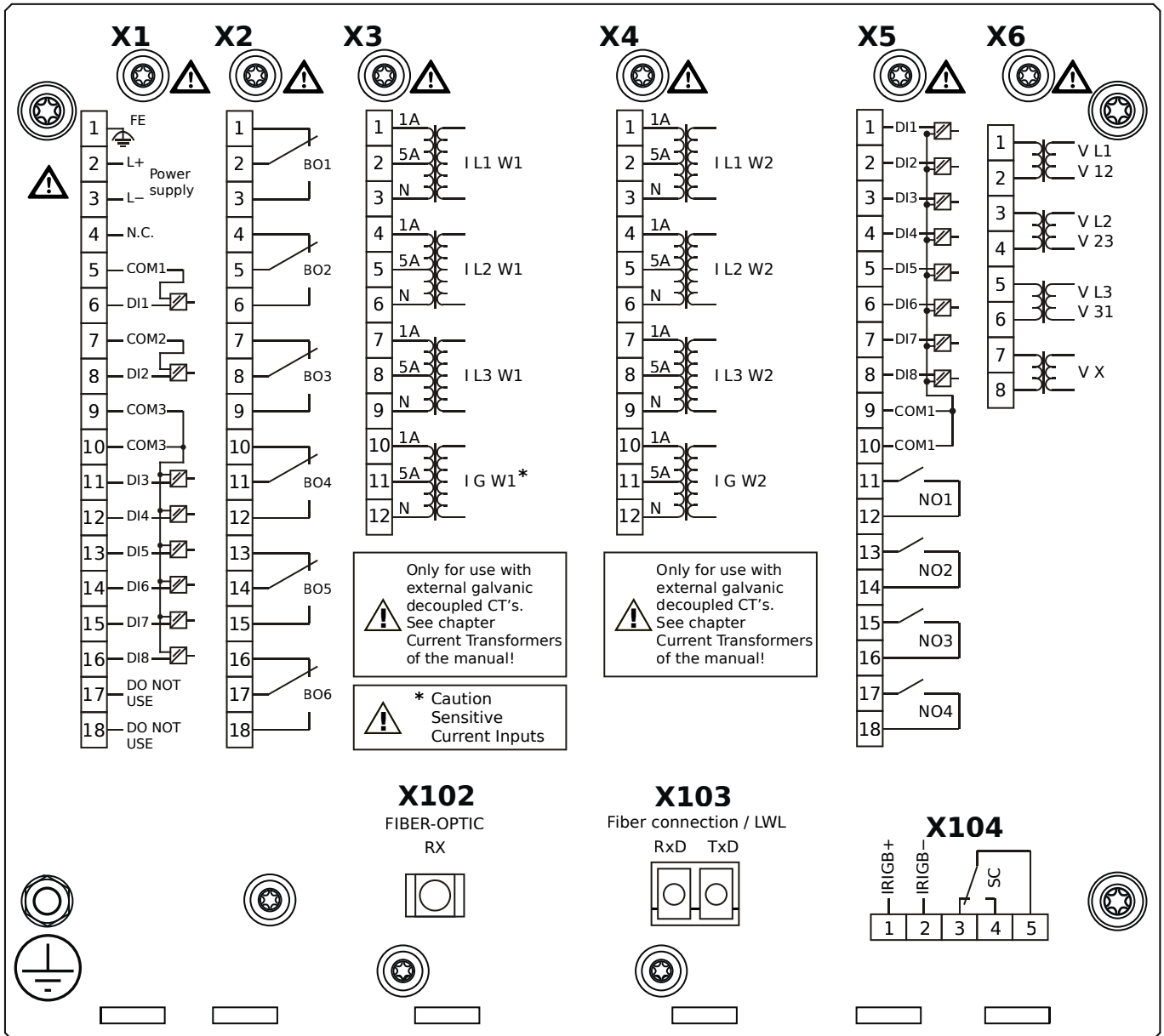


Housing B2, large display, door mounting

+ Conformal Coating (for installations in harsh environment)

- X1** – DI8-X1: Wide-range power supply unit, incl. 2 non-grouped digital inputs and 6 grouped digital inputs
- X2** – OR6: Assembly Group with 6 Output Relays
- X3** – TIs: Standard phase current measuring card and sensitive ground current measuring (winding side 1)
- X4** – TI: Standard current measuring card (for the winding side 2)
- X5** – DI8-OR4: Assembly Group with 8 Digital Inputs and 4 Output Relays
- X6** – TU: Card with 4 voltage transformer measuring inputs
- X102** – Universal Resistance-Temperature Detector (URTD) input, Fiber optics interface, Versatile Link
- X103** – IEC 61850 / Modbus TCP / DNP3.0 TCP/UDP, Fiber optics interface, LC Connector
- X104** – IRIG-B00X, incl. System Contact (Supervision Contact)

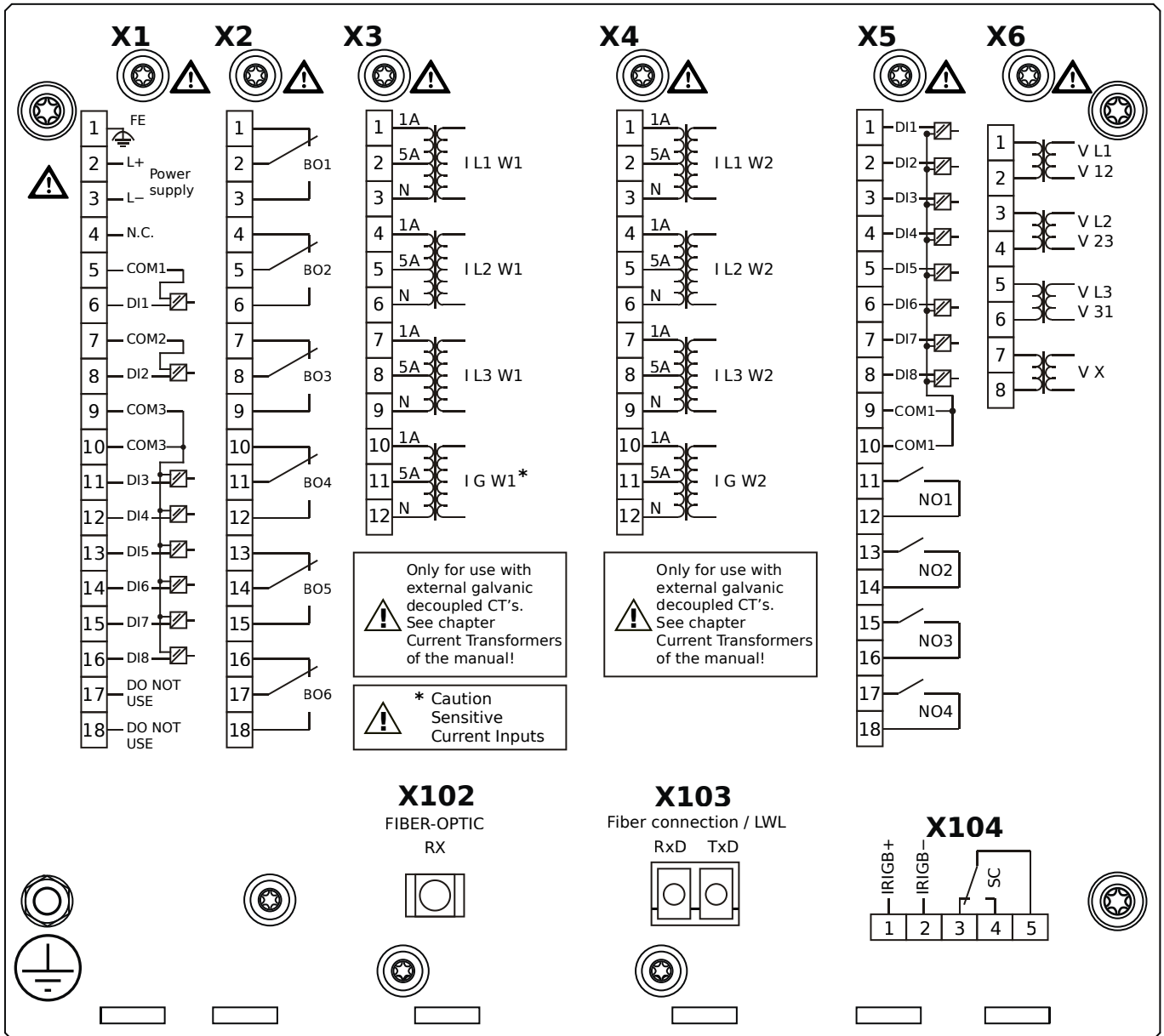
MCDTV4-2A1HLA



Housing B2, large display, door mounting

- X1** – DI8-X1: Wide-range power supply unit, incl. 2 non-grouped digital inputs and 6 grouped digital inputs
- X2** – OR6: Assembly Group with 6 Output Relays
- X3** – TIs: Standard phase current measuring card and sensitive ground current measuring (winding side 1)
- X4** – TI: Standard current measuring card (for the winding side 2)
- X5** – DI8-OR4: Assembly Group with 8 Digital Inputs and 4 Output Relays
- X6** – TU: Card with 4 voltage transformer measuring inputs
- X102** – Universal Resistance-Temperature Detector (URTD) input, Fiber optics interface, Versatile Link
- X103** – Modbus TCP / DNP3.0 TCP/UDP, Fiber optics interface, LC Connector
- X104** – IRIG-B00X, incl. System Contact (Supervision Contact)

MCDTV4-2A1HLB

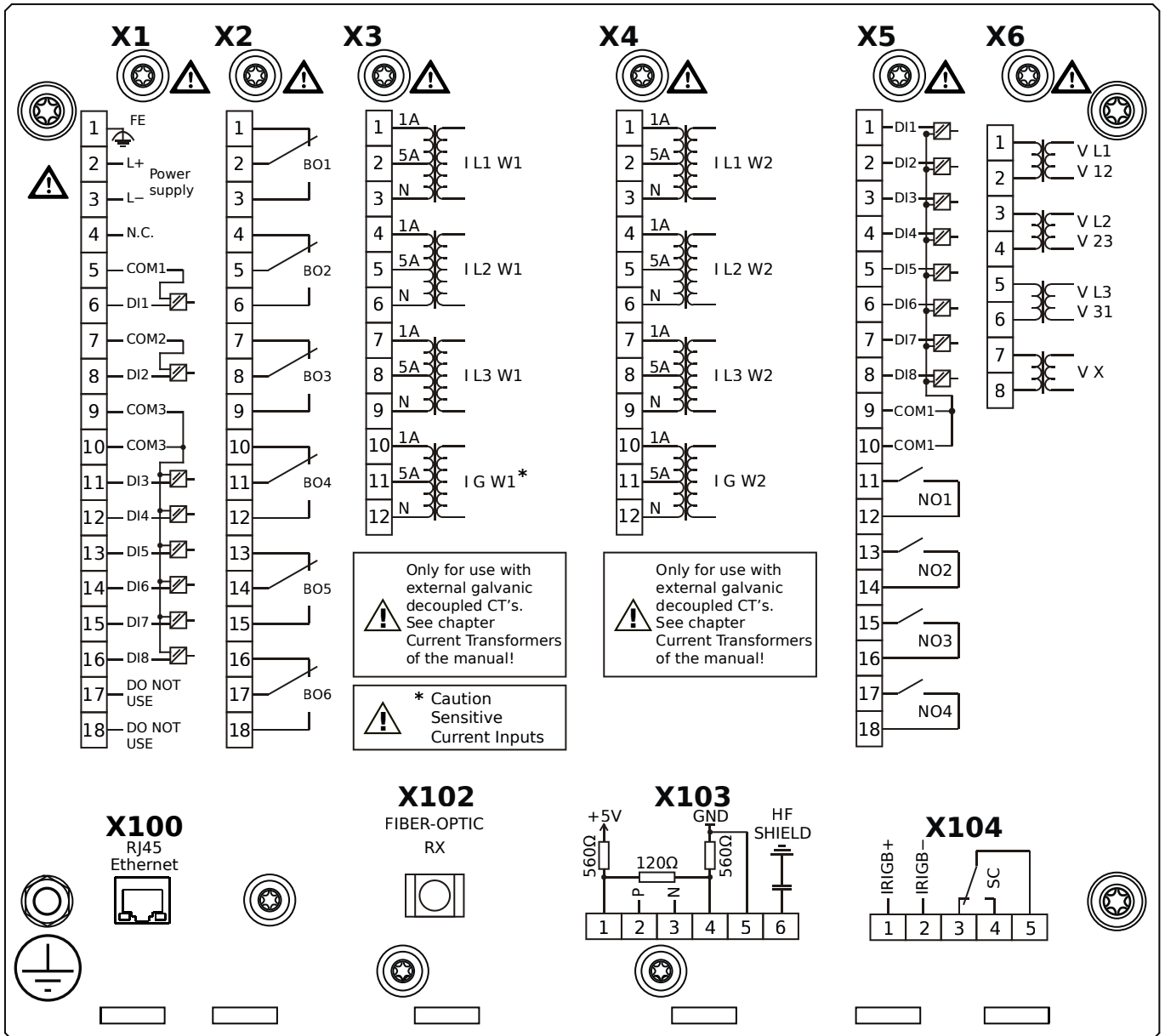


Housing B2, large display, door mounting

+ Conformal Coating (for installations in harsh environment)

- X1** – DI8-X1: Wide-range power supply unit, incl. 2 non-grouped digital inputs and 6 grouped digital inputs
- X2** – OR6: Assembly Group with 6 Output Relays
- X3** – TIs: Standard phase current measuring card and sensitive ground current measuring (winding side 1)
- X4** – TI: Standard current measuring card (for the winding side 2)
- X5** – DI8-OR4: Assembly Group with 8 Digital Inputs and 4 Output Relays
- X6** – TU: Card with 4 voltage transformer measuring inputs
- X102** – Universal Resistance-Temperature Detector (URTD) input, Fiber optics interface, Versatile Link
- X103** – Modbus TCP / DNP3.0 TCP/UDP, Fiber optics interface, LC Connector
- X104** – IRIG-B00X, incl. System Contact (Supervision Contact)

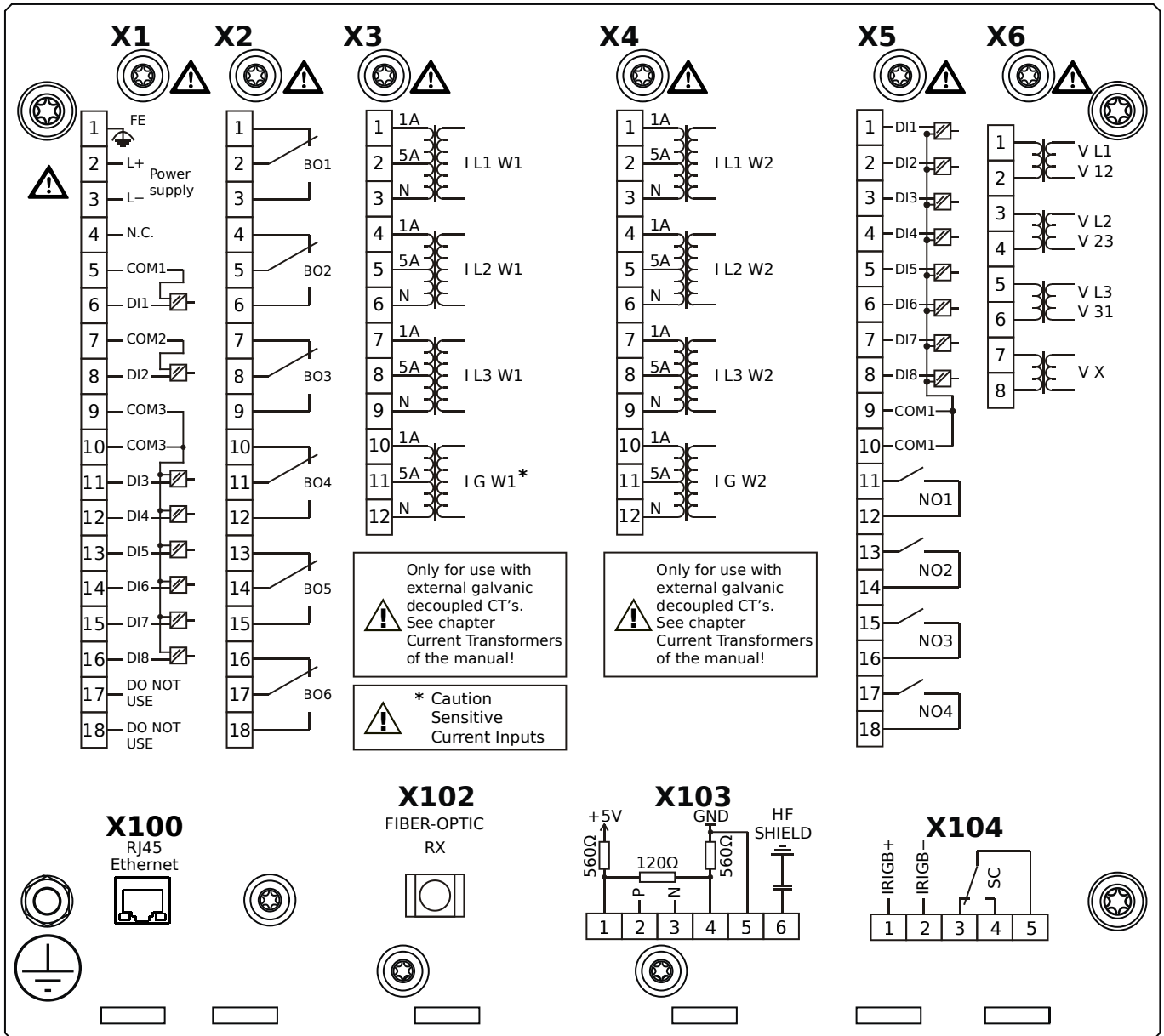
MCDTV4-2A1HTA



Housing B2, large display, door mounting

- X1** – DI8-X1: Wide-range power supply unit, incl. 2 non-grouped digital inputs and 6 grouped digital inputs
- X2** – OR6: Assembly Group with 6 Output Relays
- X3** – TIs: Standard phase current measuring card and sensitive ground current measuring (winding side 1)
- X4** – TI: Standard current measuring card (for the winding side 2)
- X5** – DI8-OR4: Assembly Group with 8 Digital Inputs and 4 Output Relays
- X6** – TU: Card with 4 voltage transformer measuring inputs
- X100** – IEC 61850 / Modbus TCP / DNP3.0 TCP/UDP, Ethernet interface, 100 Mbit/s, RJ45 (BASE100-FX)
- X102** – Universal Resistance-Temperature Detector (URTD) input, Fiber optics interface, Versatile Link
- X103** – IEC 60870-5-103 / Modbus RTU / DNP3.0 RTU, RS485, Terminals
- X104** – IRIG-B00X, incl. System Contact (Supervision Contact)

MCDTV4-2A1HTB

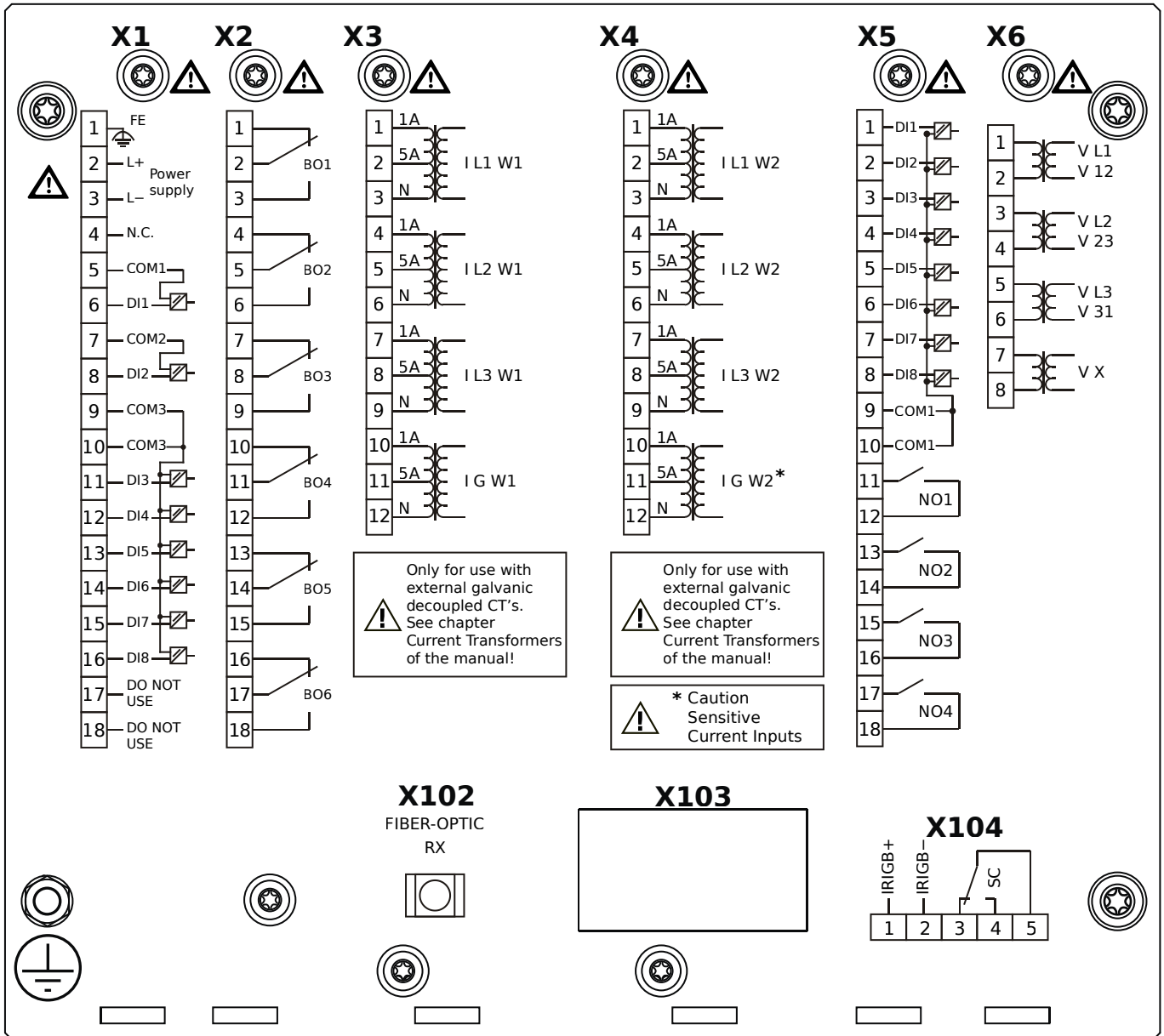


Housing B2, large display, door mounting

+ Conformal Coating (for installations in harsh environment)

- X1** – DI8-X1: Wide-range power supply unit, incl. 2 non-grouped digital inputs and 6 grouped digital inputs
- X2** – OR6: Assembly Group with 6 Output Relays
- X3** – TIs: Standard phase current measuring card and sensitive ground current measuring (winding side 1)
- X4** – TI: Standard current measuring card (for the winding side 2)
- X5** – DI8-OR4: Assembly Group with 8 Digital Inputs and 4 Output Relays
- X6** – TU: Card with 4 voltage transformer measuring inputs
- X100** – IEC 61850 / Modbus TCP / DNP3.0 TCP/UDP, Ethernet interface, 100 Mbit/s, RJ45 (BASE100-FX)
- X102** – Universal Resistance-Temperature Detector (URTD) input, Fiber optics interface, Versatile Link
- X103** – IEC 60870-5-103 / Modbus RTU / DNP3.0 RTU, RS485, Terminals
- X104** – IRIG-B00X, incl. System Contact (Supervision Contact)

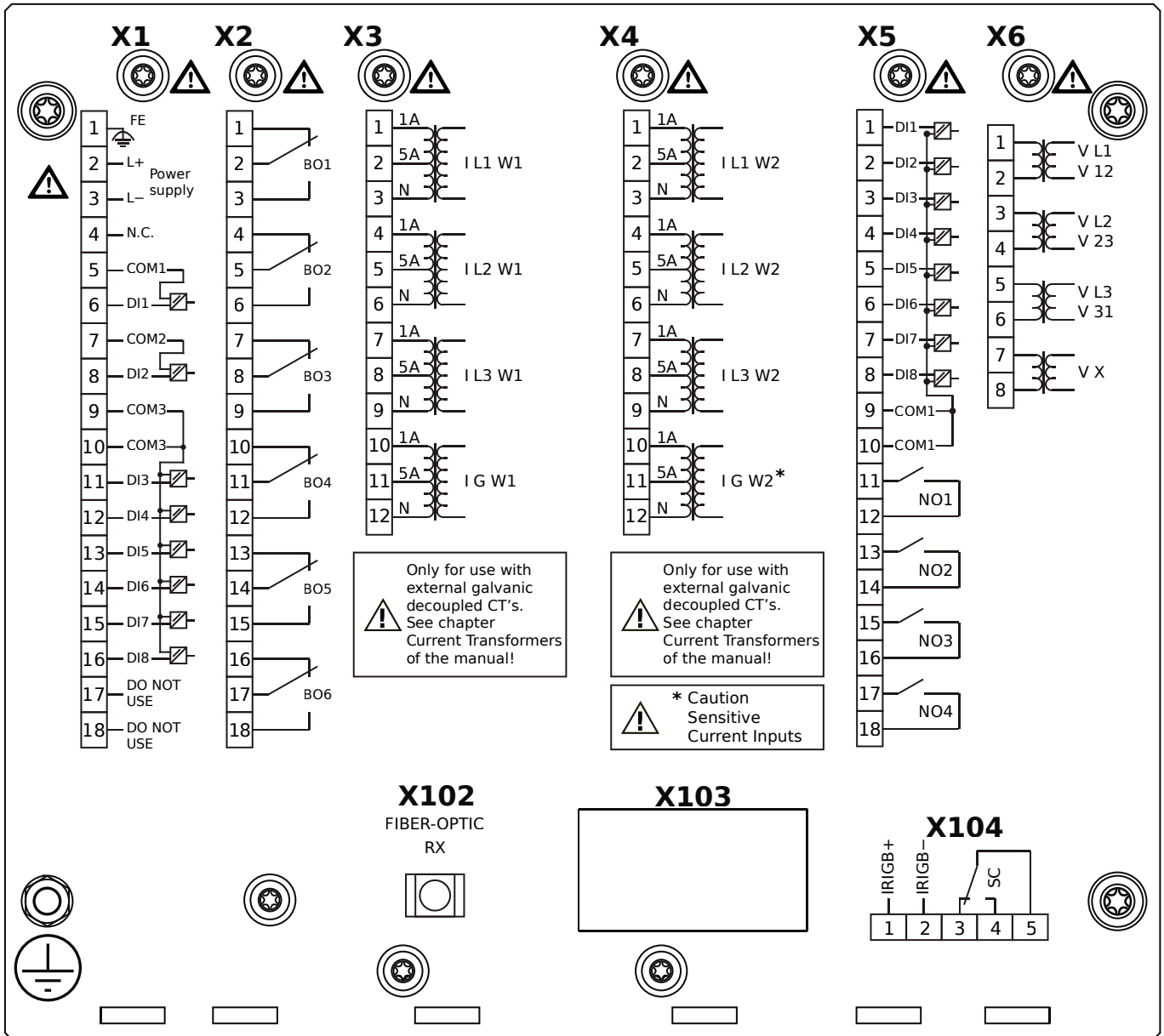
MCDTV4-2A2AAA



Housing B2, large display, door mounting

- X1** – DI8-X1: Wide-range power supply unit, incl. 2 non-grouped digital inputs and 6 grouped digital inputs
- X2** – OR6: Assembly Group with 6 Output Relays
- X3** – TI: Standard current measuring card (for the winding side 1)
- X4** – TIs: Standard phase current measuring card and sensitive ground current measuring (winding side 2)
- X5** – DI8-OR4: Assembly Group with 8 Digital Inputs and 4 Output Relays
- X6** – TU: Card with 4 voltage transformer measuring inputs
- X102** – Universal Resistance-Temperature Detector (URTD) input, Fiber optics interface, Versatile Link
- X104** – IRIG-B00X, incl. System Contact (Supervision Contact)

MCDTV4-2A2AAB

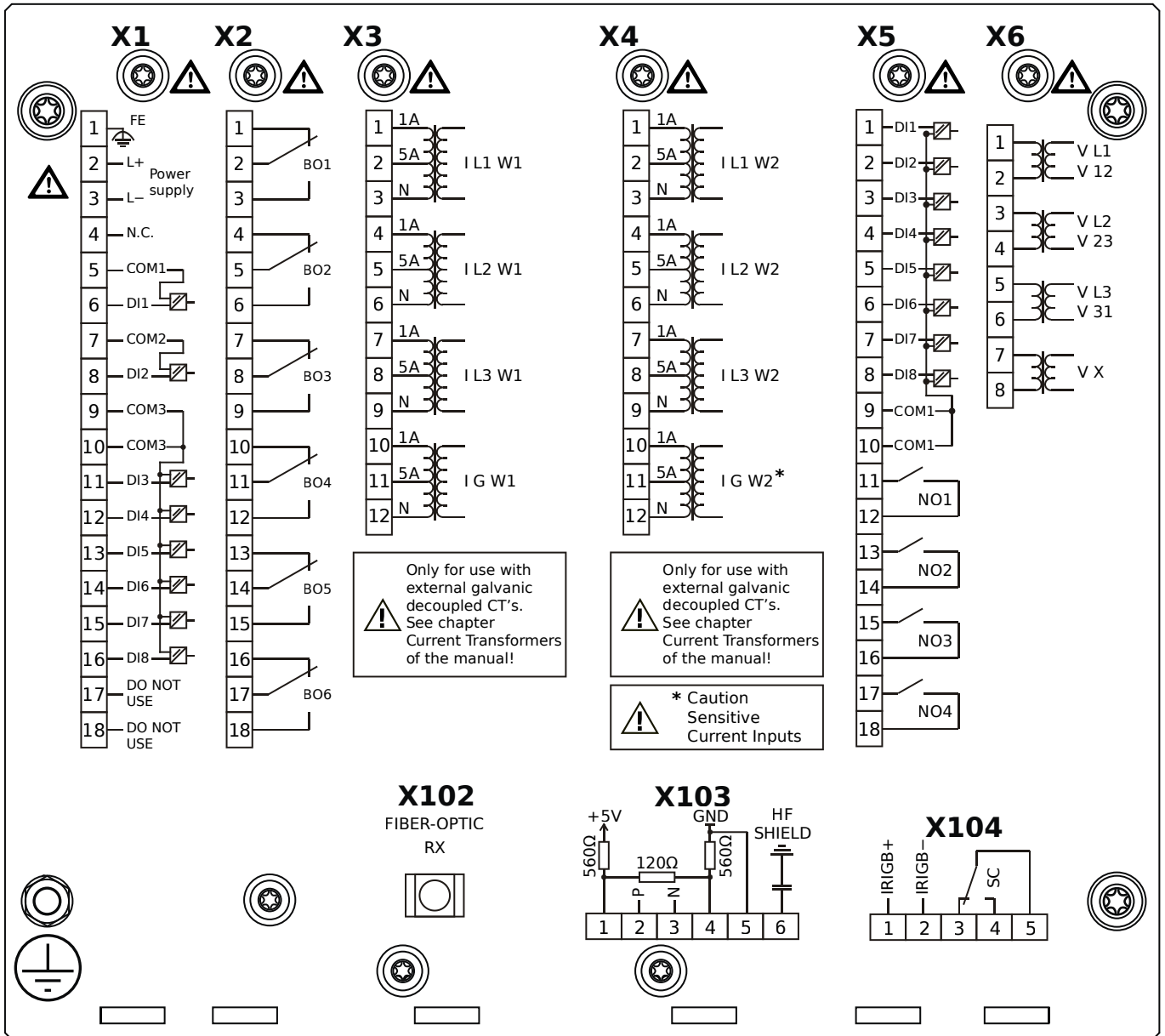


Housing B2, large display, door mounting

+ Conformal Coating (for installations in harsh environment)

- X1** – DI8-X1: Wide-range power supply unit, incl. 2 non-grouped digital inputs and 6 grouped digital inputs
- X2** – OR6: Assembly Group with 6 Output Relays
- X3** – TI: Standard current measuring card (for the winding side 1)
- X4** – TIs: Standard phase current measuring card and sensitive ground current measuring (winding side 2)
- X5** – DI8-OR4: Assembly Group with 8 Digital Inputs and 4 Output Relays
- X6** – TU: Card with 4 voltage transformer measuring inputs
- X102** – Universal Resistance-Temperature Detector (URTD) input, Fiber optics interface, Versatile Link
- X104** – IRIG-B00X, incl. System Contact (Supervision Contact)

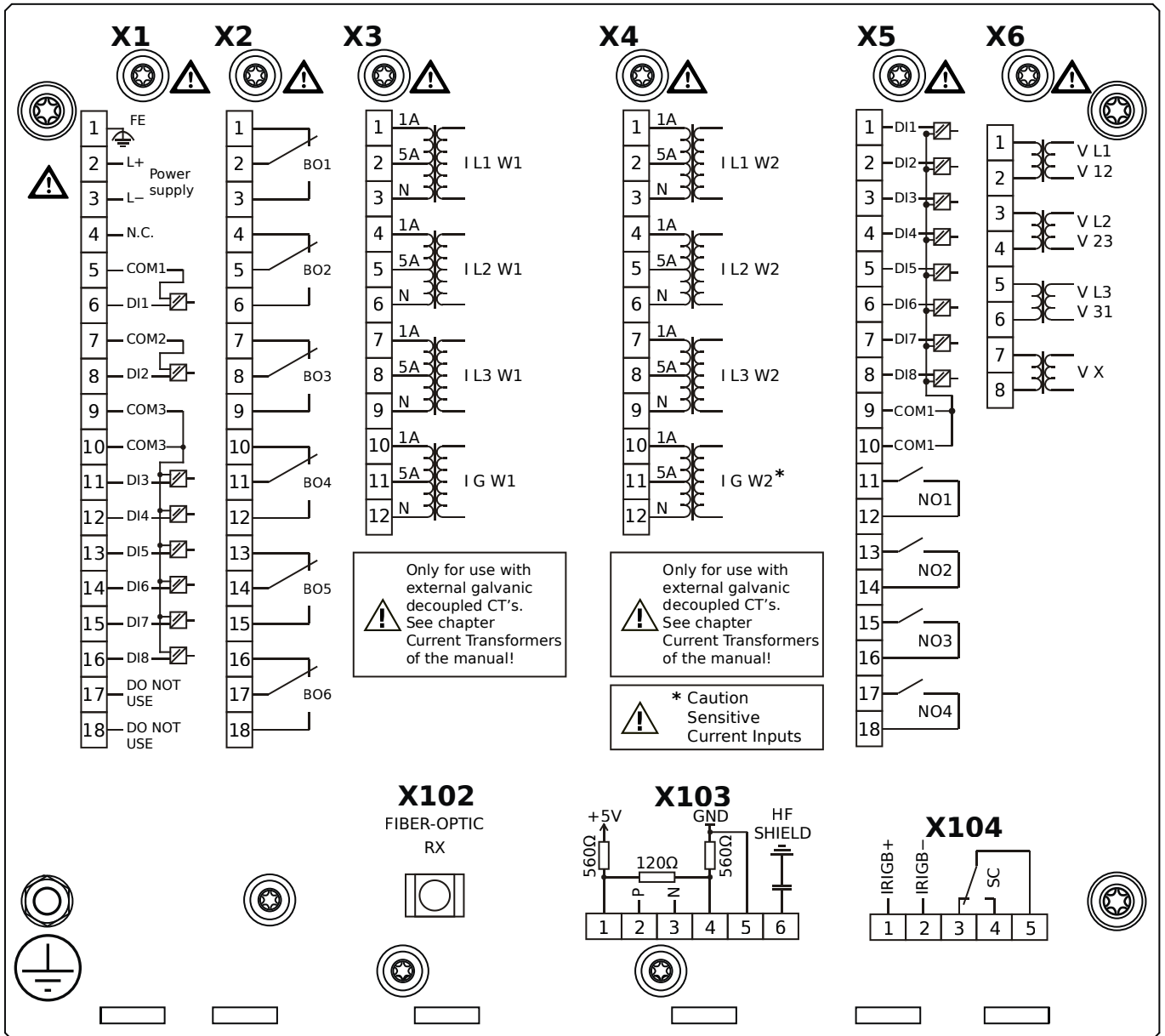
MCDTV4-2A2ABA



Housing B2, large display, door mounting

- X1** – DI8-X1: Wide-range power supply unit, incl. 2 non-grouped digital inputs and 6 grouped digital inputs
- X2** – OR6: Assembly Group with 6 Output Relays
- X3** – TI: Standard current measuring card (for the winding side 1)
- X4** – TIs: Standard phase current measuring card and sensitive ground current measuring (winding side 2)
- X5** – DI8-OR4: Assembly Group with 8 Digital Inputs and 4 Output Relays
- X6** – TU: Card with 4 voltage transformer measuring inputs
- X102** – Universal Resistance-Temperature Detector (URTD) input, Fiber optics interface, Versatile Link
- X103** – Modbus RTU / IEC 60870-5-103 / DNP3.0 RTU, RS485, Terminals
- X104** – IRIG-B00X, incl. System Contact (Supervision Contact)

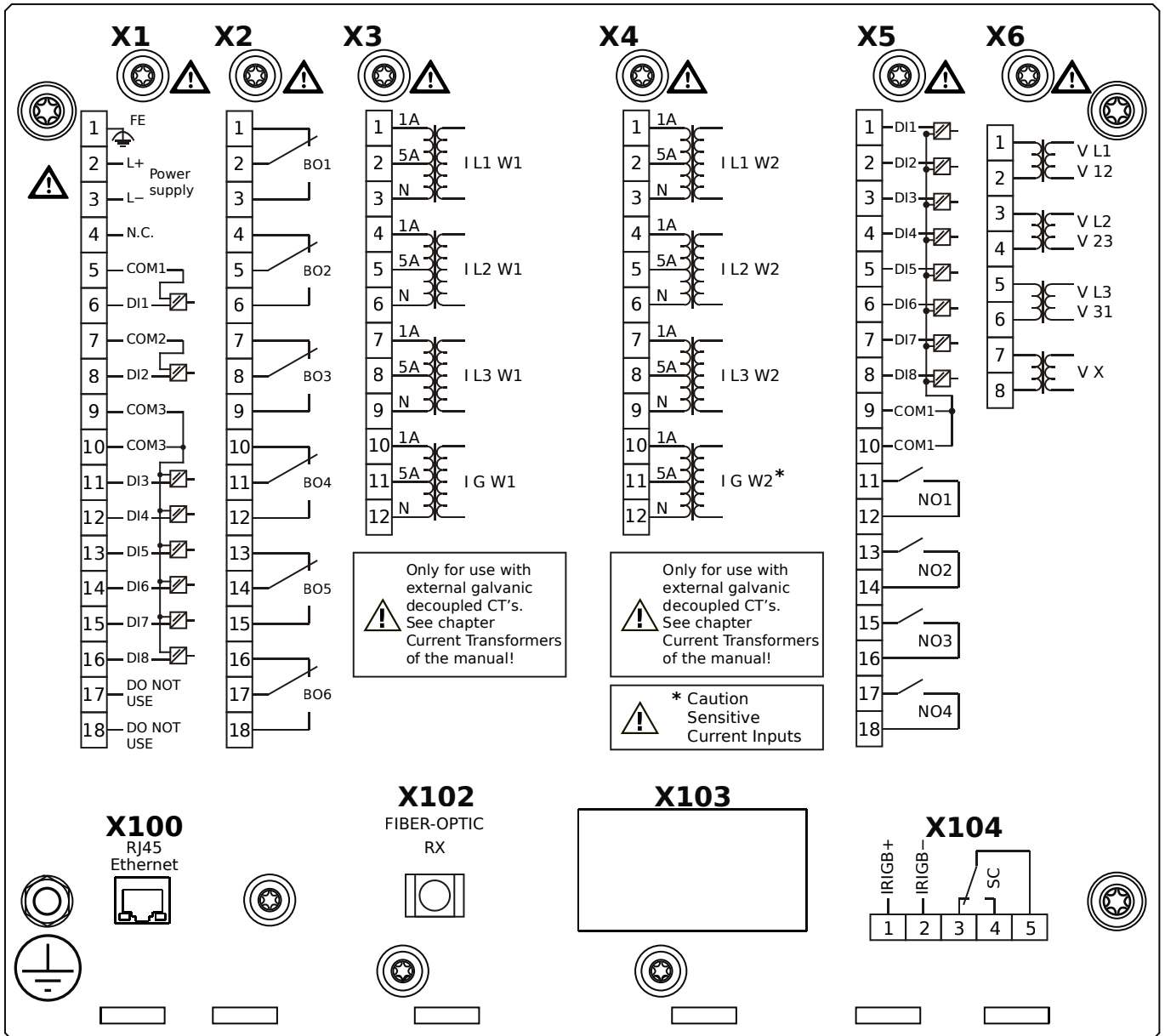
MCDTV4-2A2ABB



Housing B2, large display, door mounting

- + Conformal Coating (for installations in harsh environment)
- X1** – DI8-X1: Wide-range power supply unit, incl. 2 non-grouped digital inputs and 6 grouped digital inputs
- X2** – OR6: Assembly Group with 6 Output Relays
- X3** – TI: Standard current measuring card (for the winding side 1)
- X4** – TIs: Standard phase current measuring card and sensitive ground current measuring (winding side 2)
- X5** – DI8-OR4: Assembly Group with 8 Digital Inputs and 4 Output Relays
- X6** – TU: Card with 4 voltage transformer measuring inputs
- X102** – Universal Resistance-Temperature Detector (URTD) input, Fiber optics interface, Versatile Link
- X103** – Modbus RTU / IEC 60870-5-103 / DNP3.0 RTU, RS485, Terminals
- X104** – IRIG-B00X, incl. System Contact (Supervision Contact)

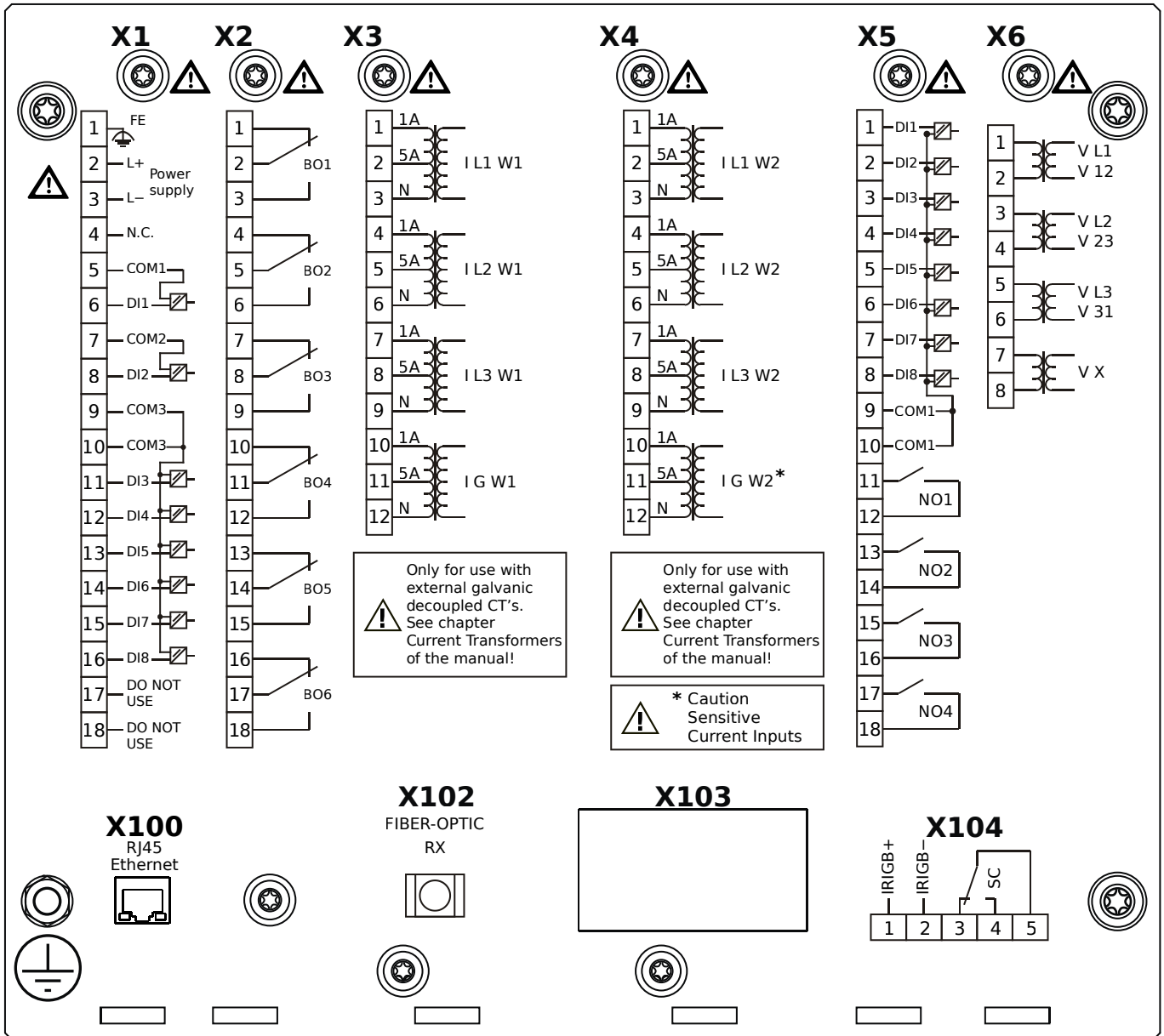
MCDTV4-2A2ACA



Housing B2, large display, door mounting

- X1** – DI8-X1: Wide-range power supply unit, incl. 2 non-grouped digital inputs and 6 grouped digital inputs
- X2** – OR6: Assembly Group with 6 Output Relays
- X3** – TI: Standard current measuring card (for the winding side 1)
- X4** – TIs: Standard phase current measuring card and sensitive ground current measuring (winding side 2)
- X5** – DI8-OR4: Assembly Group with 8 Digital Inputs and 4 Output Relays
- X6** – TU: Card with 4 voltage transformer measuring inputs
- X100** – Modbus TCP / DNP3.0 TCP/UDP, Ethernet interface, 100 Mbit/s, RJ45 (BASE100-FX)
- X102** – Universal Resistance-Temperature Detector (URTD) input, Fiber optics interface, Versatile Link
- X104** – IRIG-B00X, incl. System Contact (Supervision Contact)

MCDTV4-2A2ACB

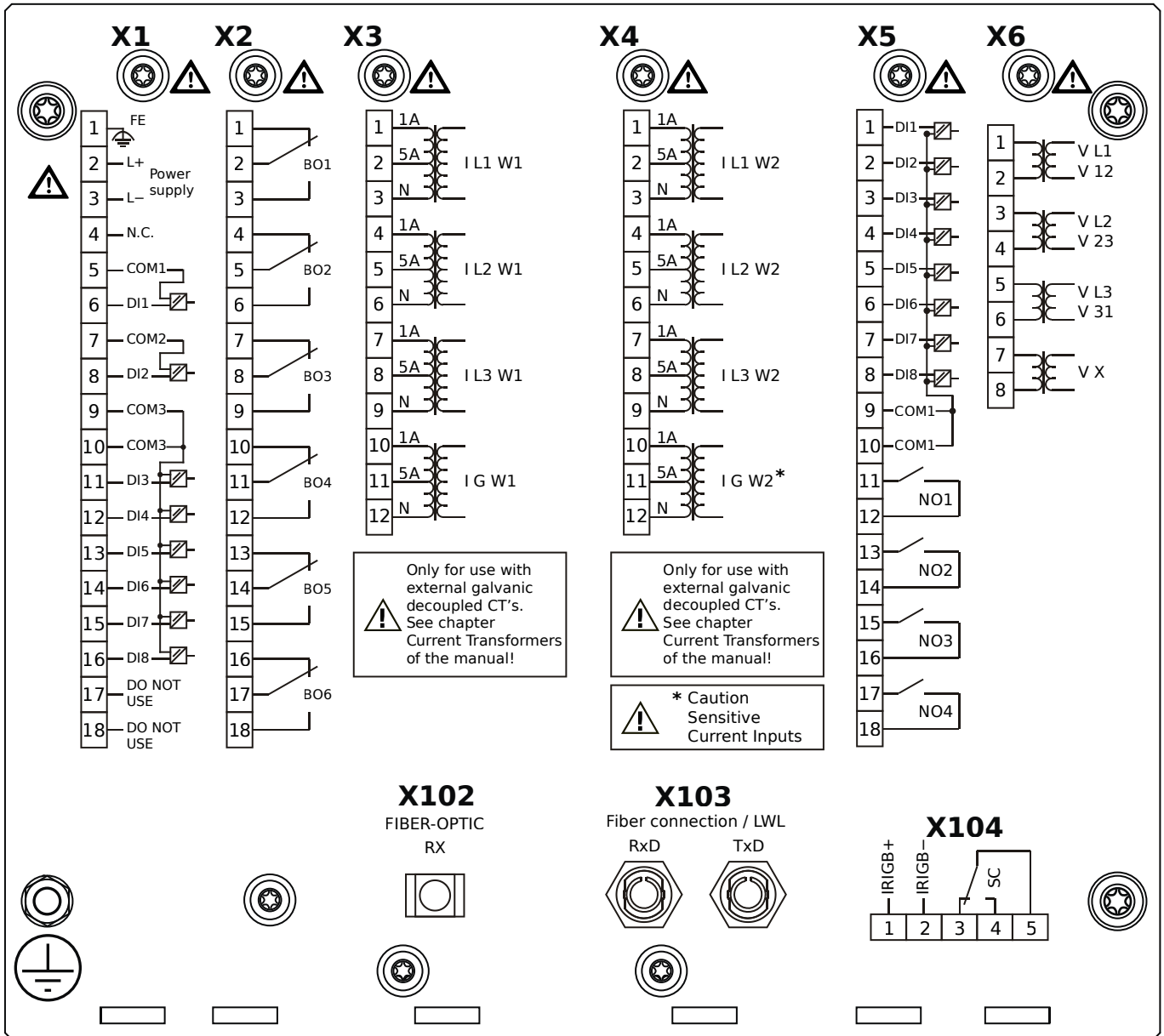


Housing B2, large display, door mounting

+ Conformal Coating (for installations in harsh environment)

- X1** – DI8-X1: Wide-range power supply unit, incl. 2 non-grouped digital inputs and 6 grouped digital inputs
- X2** – OR6: Assembly Group with 6 Output Relays
- X3** – TI: Standard current measuring card (for the winding side 1)
- X4** – TIs: Standard phase current measuring card and sensitive ground current measuring (winding side 2)
- X5** – DI8-OR4: Assembly Group with 8 Digital Inputs and 4 Output Relays
- X6** – TU: Card with 4 voltage transformer measuring inputs
- X100** – Modbus TCP / DNP3.0 TCP/UDP, Ethernet interface, 100 Mbit/s, RJ45 (BASE100-FX)
- X102** – Universal Resistance-Temperature Detector (URTD) input, Fiber optics interface, Versatile Link
- X104** – IRIG-B00X, incl. System Contact (Supervision Contact)

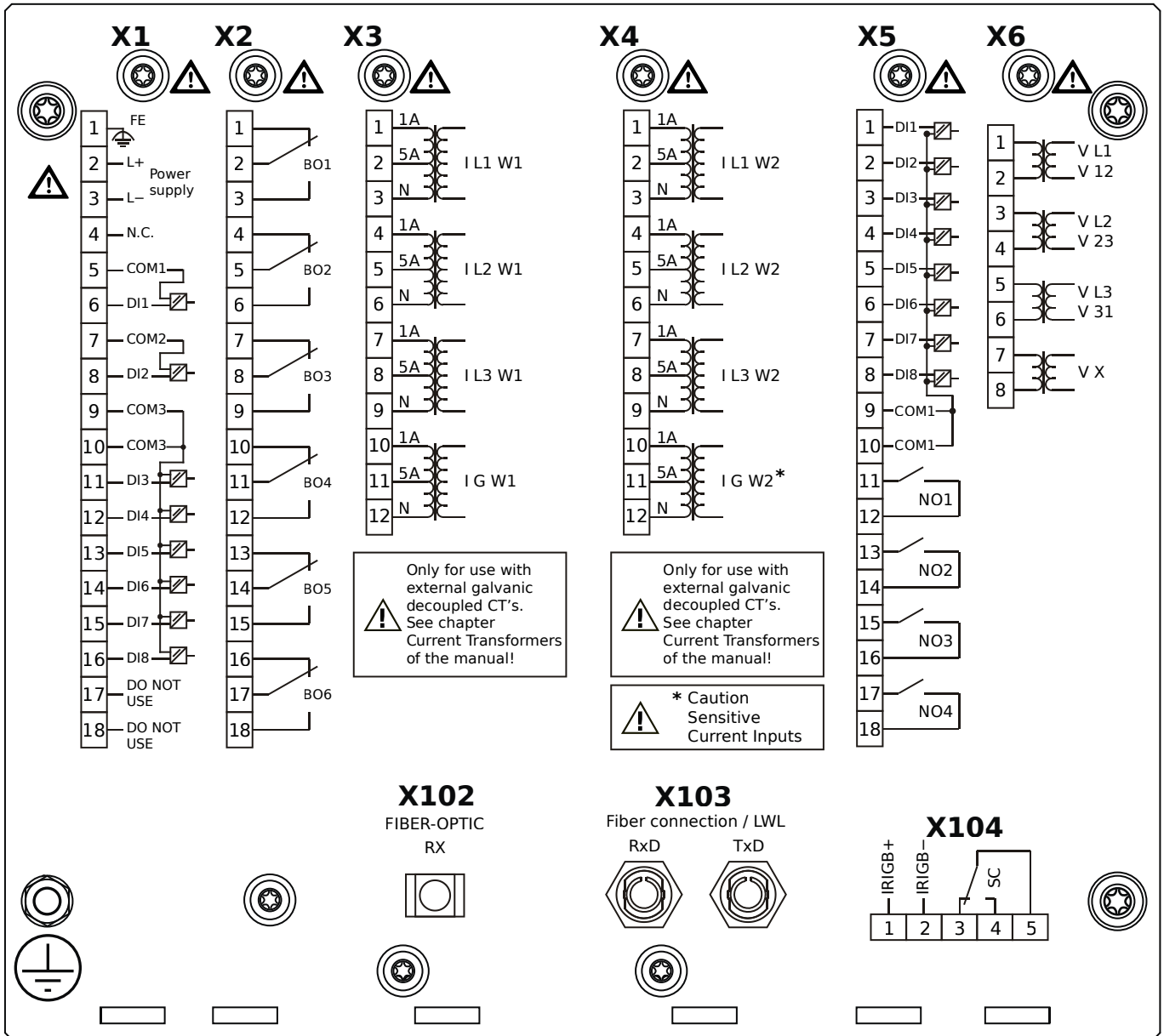
MCDTV4-2A2ADA



Housing B2, large display, door mounting

- X1** – DI8-X1: Wide-range power supply unit, incl. 2 non-grouped digital inputs and 6 grouped digital inputs
- X2** – OR6: Assembly Group with 6 Output Relays
- X3** – TI: Standard current measuring card (for the winding side 1)
- X4** – TIs: Standard phase current measuring card and sensitive ground current measuring (winding side 2)
- X5** – DI8-OR4: Assembly Group with 8 Digital Inputs and 4 Output Relays
- X6** – TU: Card with 4 voltage transformer measuring inputs
- X102** – Universal Resistance-Temperature Detector (URTD) input, Fiber optics interface, Versatile Link
- X103** – Profibus-DP, Fiber optics interface, ST Connector
- X104** – IRIG-B00X, incl. System Contact (Supervision Contact)

MCDTV4-2A2ADB

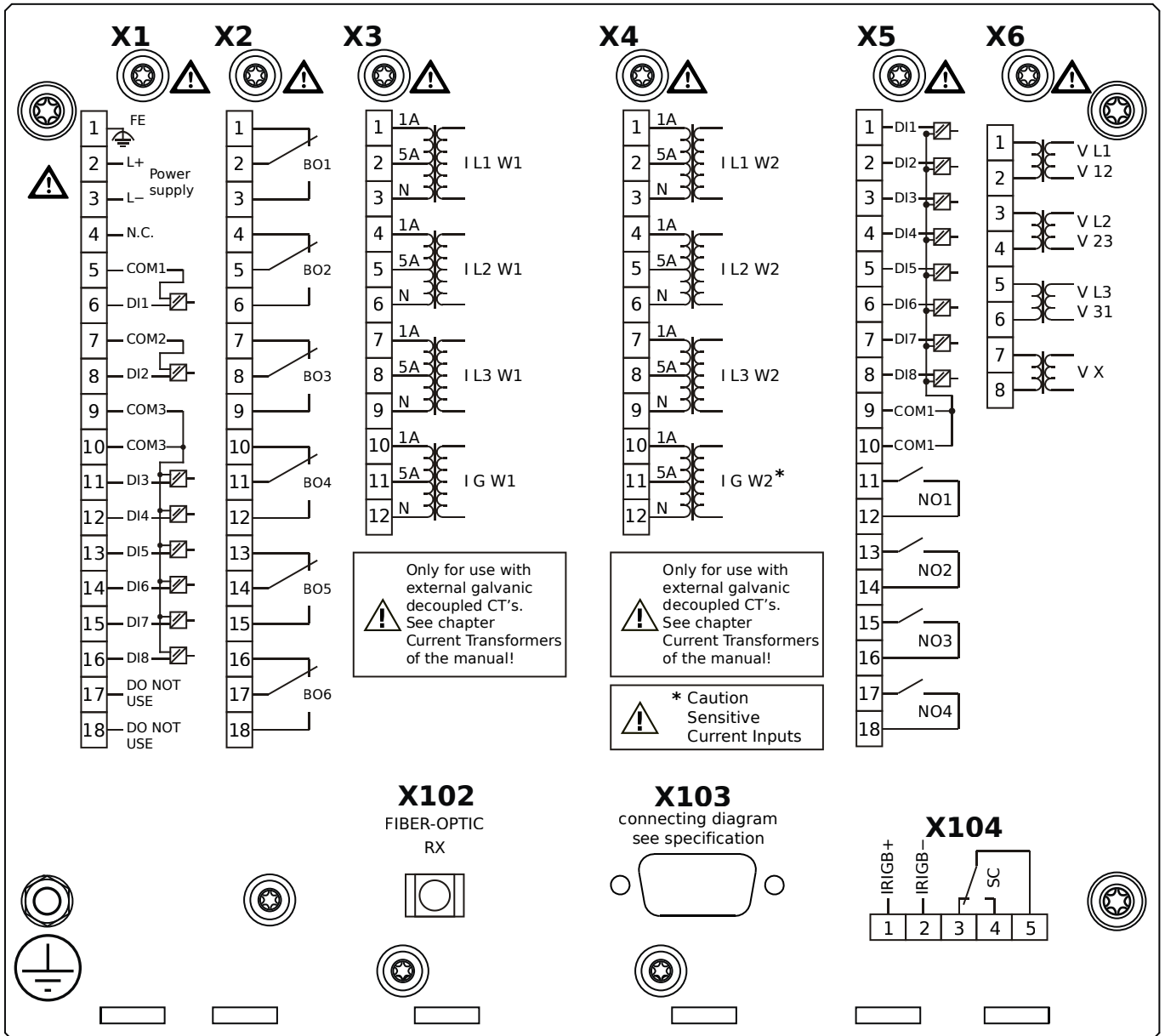


Housing B2, large display, door mounting

+ Conformal Coating (for installations in harsh environment)

- X1** – DI8-X1: Wide-range power supply unit, incl. 2 non-grouped digital inputs and 6 grouped digital inputs
- X2** – OR6: Assembly Group with 6 Output Relays
- X3** – TI: Standard current measuring card (for the winding side 1)
- X4** – TIs: Standard phase current measuring card and sensitive ground current measuring (winding side 2)
- X5** – DI8-OR4: Assembly Group with 8 Digital Inputs and 4 Output Relays
- X6** – TU: Card with 4 voltage transformer measuring inputs
- X102** – Universal Resistance-Temperature Detector (URTD) input, Fiber optics interface, Versatile Link
- X103** – Profibus-DP, Fiber optics interface, ST Connector
- X104** – IRIG-B00X, incl. System Contact (Supervision Contact)

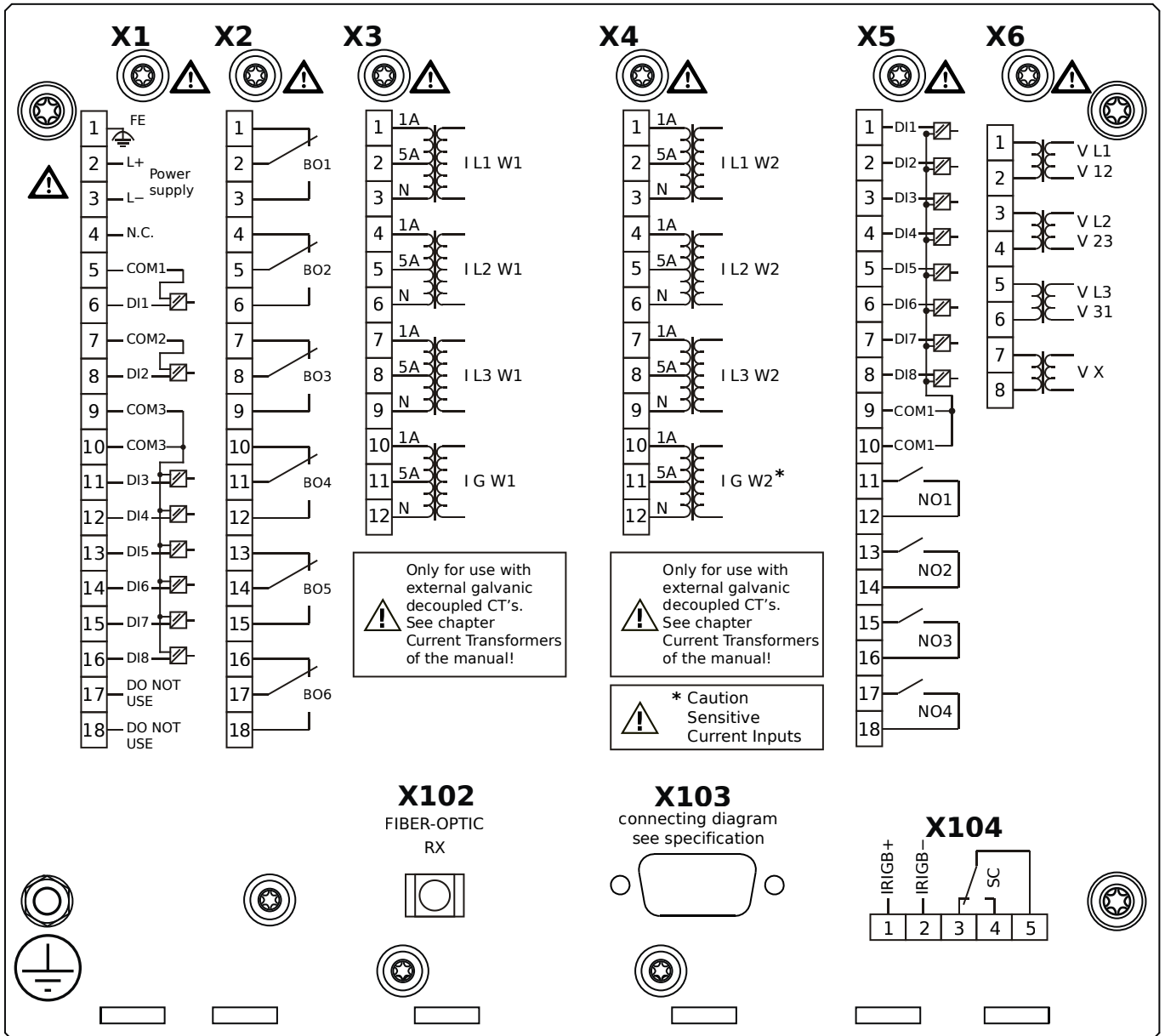
MCDTV4-2A2AEA



Housing B2, large display, door mounting

- X1** – DI8-X1: Wide-range power supply unit, incl. 2 non-grouped digital inputs and 6 grouped digital inputs
- X2** – OR6: Assembly Group with 6 Output Relays
- X3** – TI: Standard current measuring card (for the winding side 1)
- X4** – TIs: Standard phase current measuring card and sensitive ground current measuring (winding side 2)
- X5** – DI8-OR4: Assembly Group with 8 Digital Inputs and 4 Output Relays
- X6** – TU: Card with 4 voltage transformer measuring inputs
- X102** – Universal Resistance-Temperature Detector (URTD) input, Fiber optics interface, Versatile Link
- X103** – Profibus-DP, RS485, D-SUB
- X104** – IRIG-B00X, incl. System Contact (Supervision Contact)

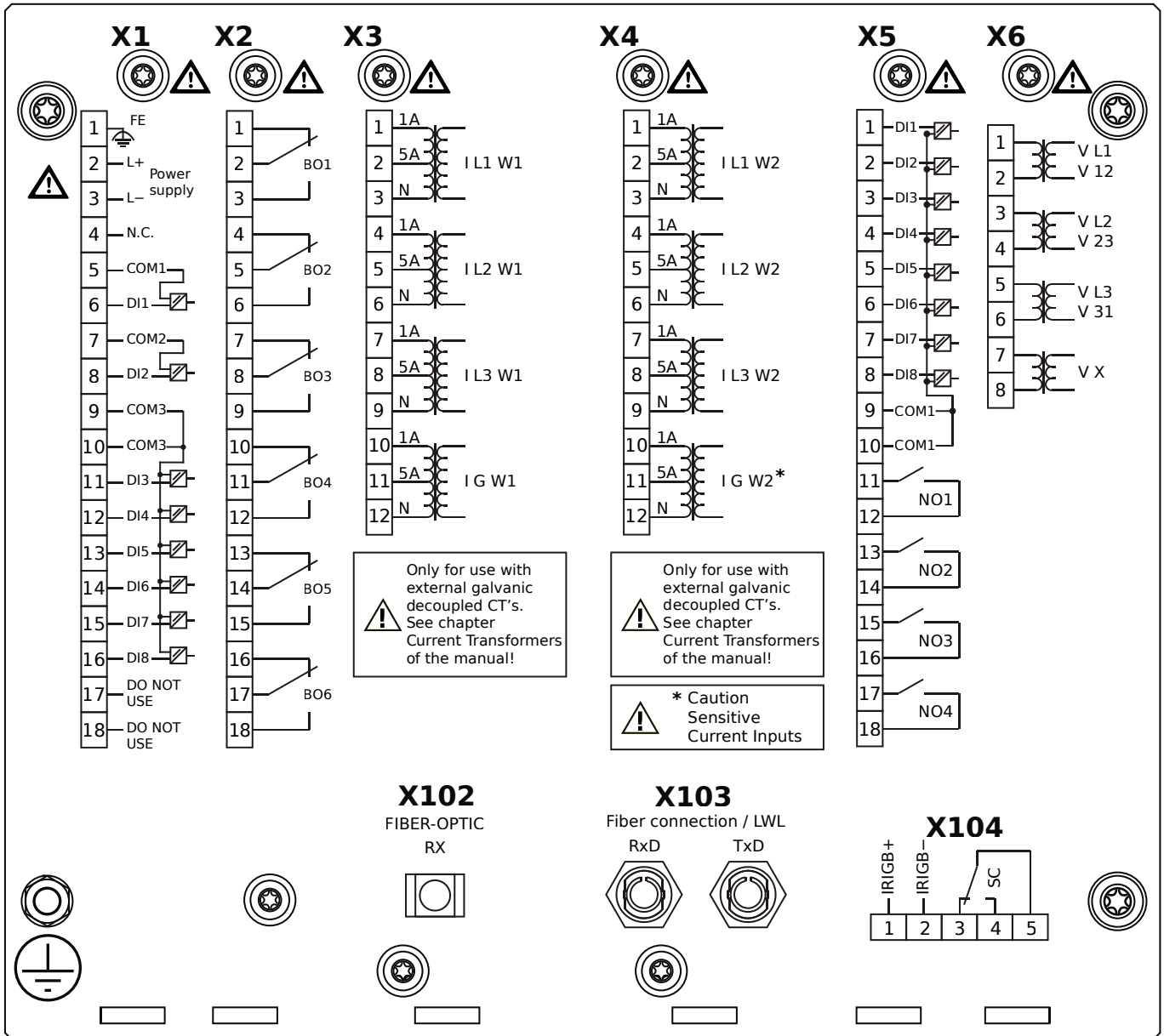
MCDTV4-2A2AEB



Housing B2, large display, door mounting

- + Conformal Coating (for installations in harsh environment)
- X1** – DI8-X1: Wide-range power supply unit, incl. 2 non-grouped digital inputs and 6 grouped digital inputs
- X2** – OR6: Assembly Group with 6 Output Relays
- X3** – TI: Standard current measuring card (for the winding side 1)
- X4** – TIs: Standard phase current measuring card and sensitive ground current measuring (winding side 2)
- X5** – DI8-OR4: Assembly Group with 8 Digital Inputs and 4 Output Relays
- X6** – TU: Card with 4 voltage transformer measuring inputs
- X102** – Universal Resistance-Temperature Detector (URTD) input, Fiber optics interface, Versatile Link
- X103** – Profibus-DP, RS485, D-SUB
- X104** – IRIG-B00X, incl. System Contact (Supervision Contact)

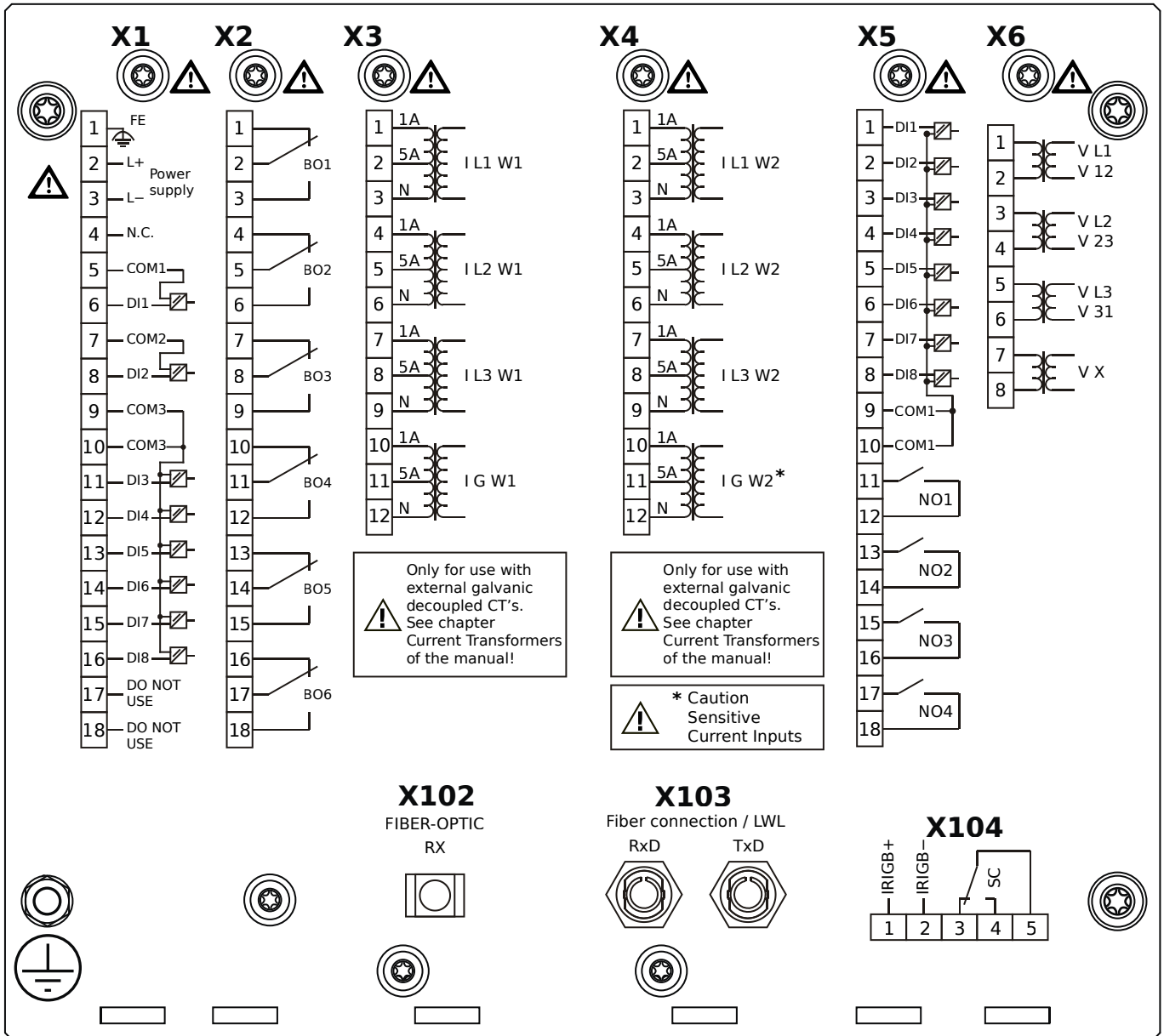
MCDTV4-2A2AFA



Housing B2, large display, door mounting

- X1** – DI8-X1: Wide-range power supply unit, incl. 2 non-grouped digital inputs and 6 grouped digital inputs
- X2** – OR6: Assembly Group with 6 Output Relays
- X3** – TI: Standard current measuring card (for the winding side 1)
- X4** – TIs: Standard phase current measuring card and sensitive ground current measuring (winding side 2)
- X5** – DI8-OR4: Assembly Group with 8 Digital Inputs and 4 Output Relays
- X6** – TU: Card with 4 voltage transformer measuring inputs
- X102** – Universal Resistance-Temperature Detector (URTD) input, Fiber optics interface, Versatile Link
- X103** – Modbus RTU / IEC 60870-5-103 / DNP3.0 RTU, Fiber optics interface, ST Connector
- X104** – IRIG-B00X, incl. System Contact (Supervision Contact)

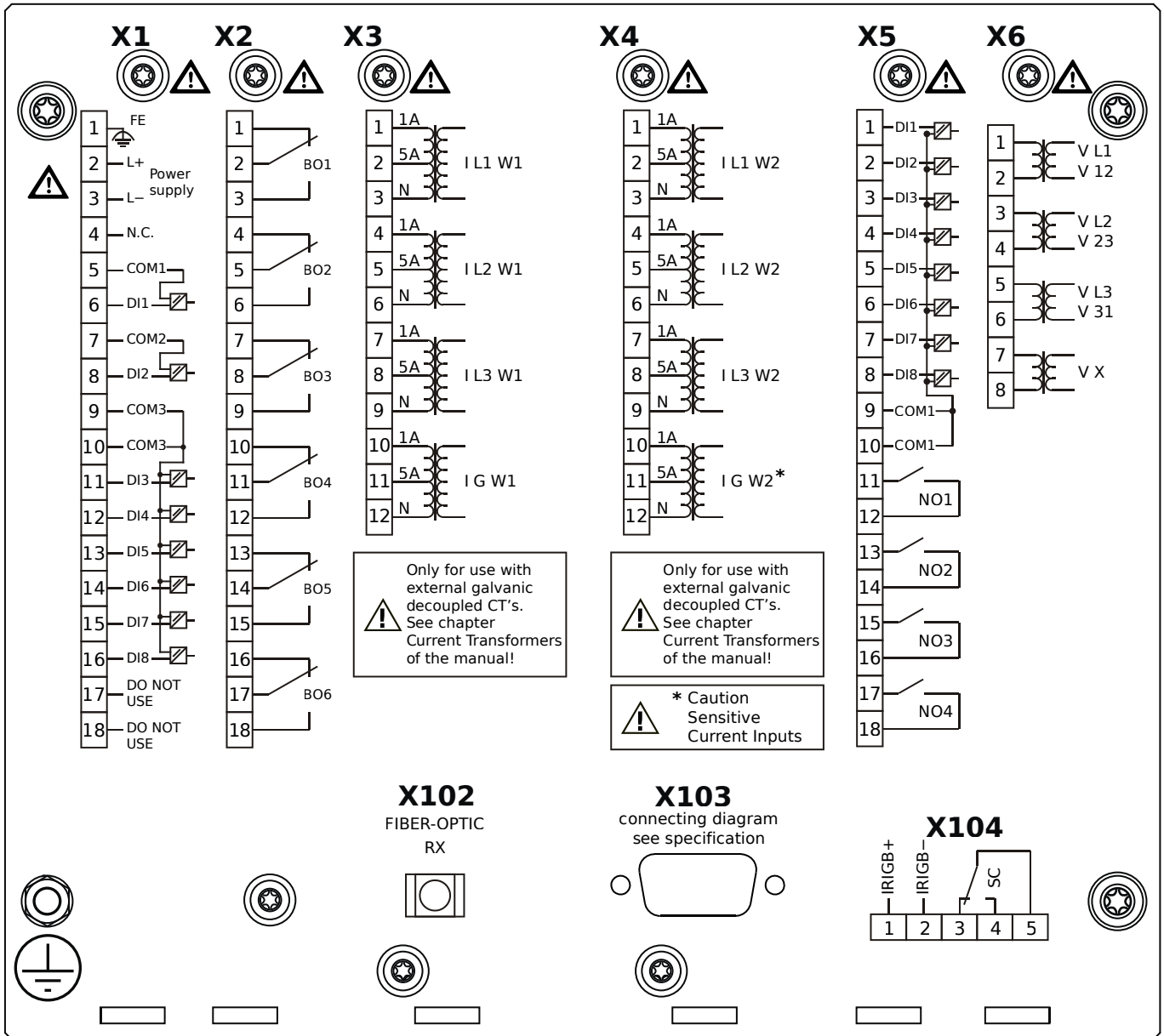
MCDTV4-2A2AFB



Housing B2, large display, door mounting

- + Conformal Coating (for installations in harsh environment)
- X1** – DI8-X1: Wide-range power supply unit, incl. 2 non-grouped digital inputs and 6 grouped digital inputs
- X2** – OR6: Assembly Group with 6 Output Relays
- X3** – TI: Standard current measuring card (for the winding side 1)
- X4** – TIs: Standard phase current measuring card and sensitive ground current measuring (winding side 2)
- X5** – DI8-OR4: Assembly Group with 8 Digital Inputs and 4 Output Relays
- X6** – TU: Card with 4 voltage transformer measuring inputs
- X102** – Universal Resistance-Temperature Detector (URTD) input, Fiber optics interface, Versatile Link
- X103** – Modbus RTU / IEC 60870-5-103 / DNP3.0 RTU, Fiber optics interface, ST Connector
- X104** – IRIG-B00X, incl. System Contact (Supervision Contact)

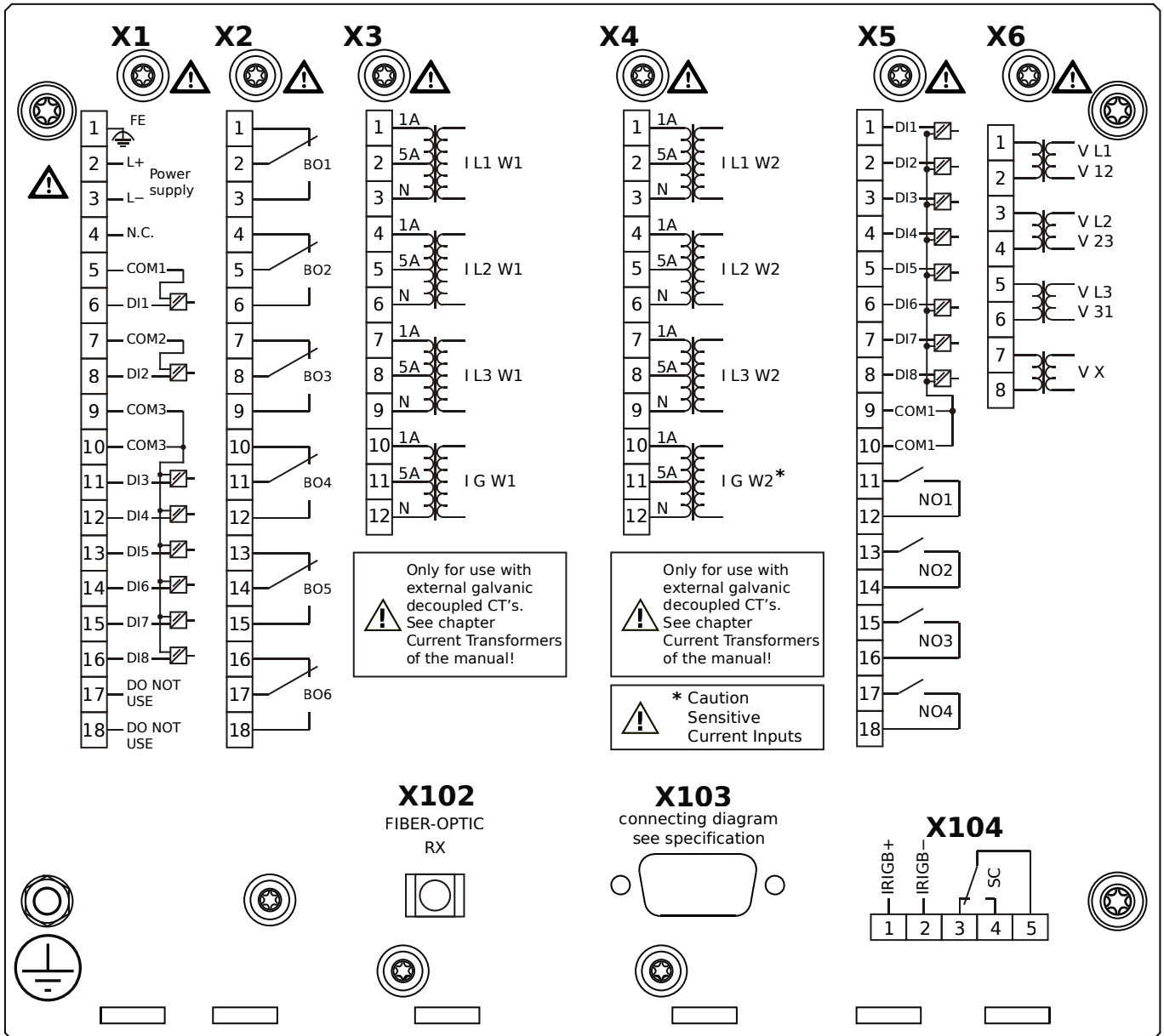
MCDTV4-2A2AGA



Housing B2, large display, door mounting

- X1** – DI8-X1: Wide-range power supply unit, incl. 2 non-grouped digital inputs and 6 grouped digital inputs
- X2** – OR6: Assembly Group with 6 Output Relays
- X3** – TI: Standard current measuring card (for the winding side 1)
- X4** – TIs: Standard phase current measuring card and sensitive ground current measuring (winding side 2)
- X5** – DI8-OR4: Assembly Group with 8 Digital Inputs and 4 Output Relays
- X6** – TU: Card with 4 voltage transformer measuring inputs
- X102** – Universal Resistance-Temperature Detector (URTD) input, Fiber optics interface, Versatile Link
- X103** – Modbus RTU / IEC 60870-5-103 / DNP3.0 RTU, RS485, D-SUB
- X104** – IRIG-B00X, incl. System Contact (Supervision Contact)

MCDTV4-2A2AGB

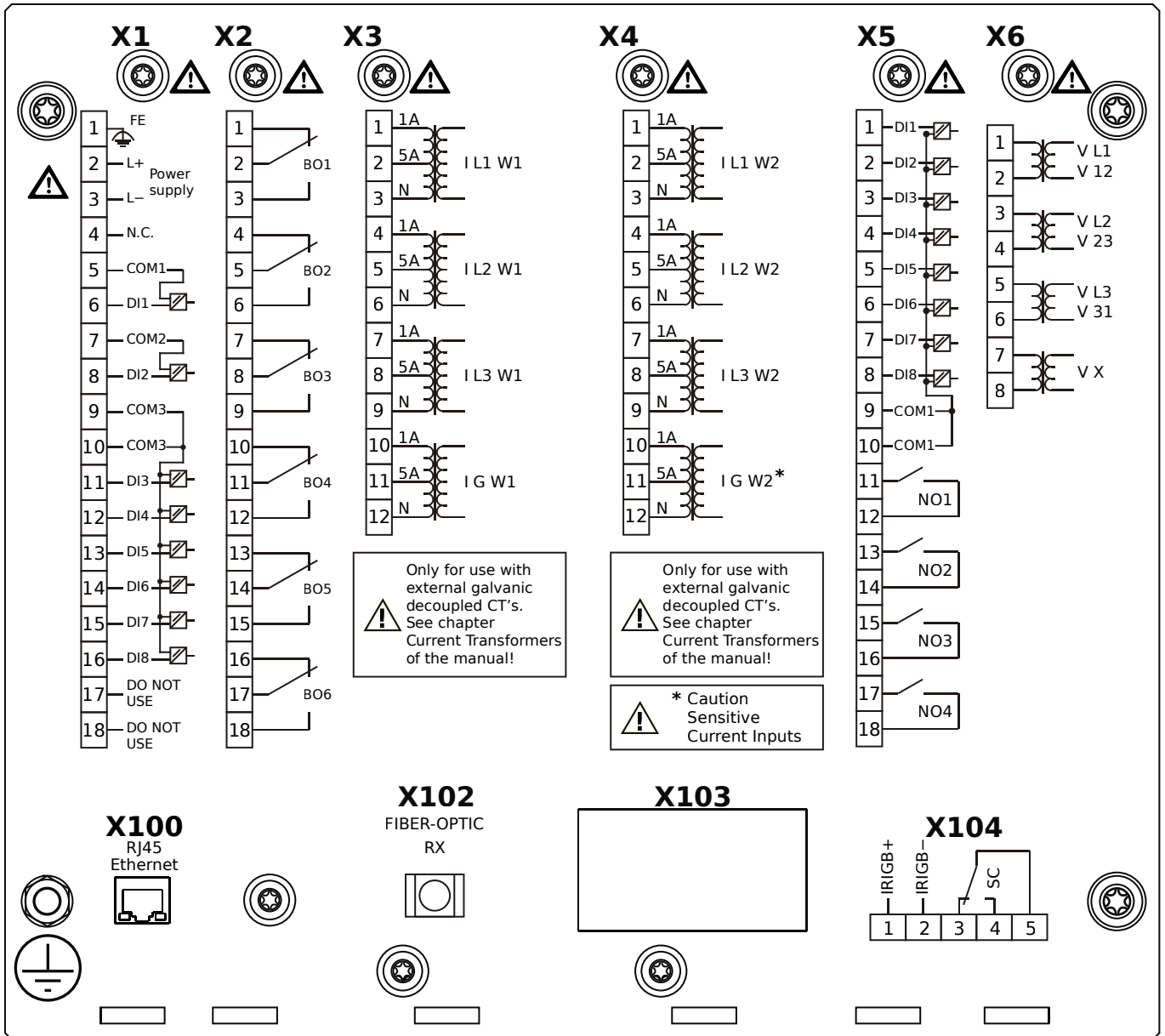


Housing B2, large display, door mounting

+ Conformal Coating (for installations in harsh environment)

- X1** – DI8-X1: Wide-range power supply unit, incl. 2 non-grouped digital inputs and 6 grouped digital inputs
- X2** – OR6: Assembly Group with 6 Output Relays
- X3** – TI: Standard current measuring card (for the winding side 1)
- X4** – TIs: Standard phase current measuring card and sensitive ground current measuring (winding side 2)
- X5** – DI8-OR4: Assembly Group with 8 Digital Inputs and 4 Output Relays
- X6** – TU: Card with 4 voltage transformer measuring inputs
- X102** – Universal Resistance-Temperature Detector (URTD) input, Fiber optics interface, Versatile Link
- X103** – Modbus RTU / IEC 60870-5-103 / DNP3.0 RTU, RS485, D-SUB
- X104** – IRIG-B00X, incl. System Contact (Supervision Contact)

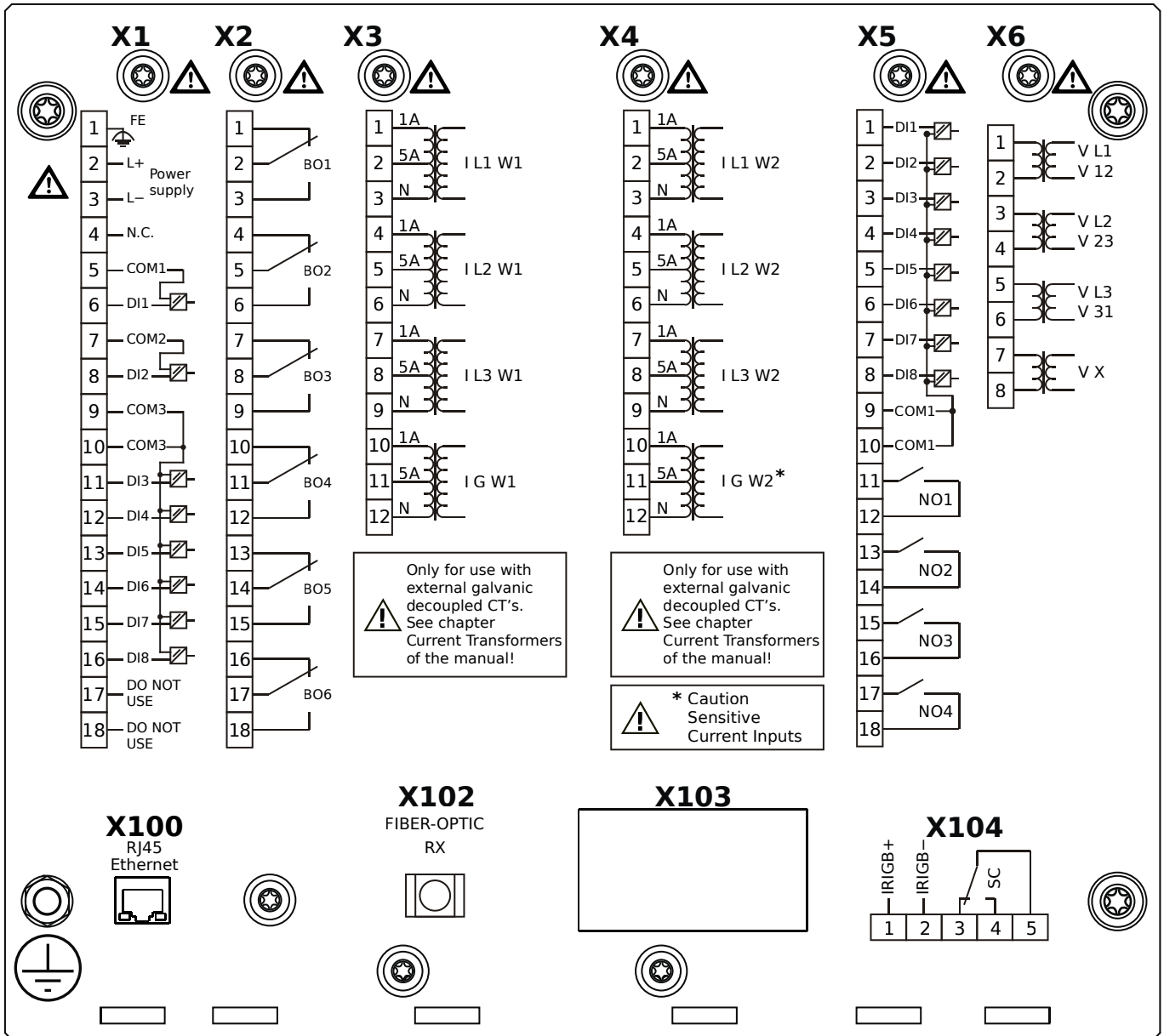
MCDTV4-2A2AHA



Housing B2, large display, door mounting

- X1** – DI8-X1: Wide-range power supply unit, incl. 2 non-grouped digital inputs and 6 grouped digital inputs
- X2** – OR6: Assembly Group with 6 Output Relays
- X3** – TI: Standard current measuring card (for the winding side 1)
- X4** – TIs: Standard phase current measuring card and sensitive ground current measuring (winding side 2)
- X5** – DI8-OR4: Assembly Group with 8 Digital Inputs and 4 Output Relays
- X6** – TU: Card with 4 voltage transformer measuring inputs
- X100** – IEC 61850 / Modbus TCP / DNP3.0 TCP/UDP, Ethernet interface, 100 Mbit/s, RJ45 (BASE100-FX)
- X102** – Universal Resistance-Temperature Detector (URTD) input, Fiber optics interface, Versatile Link
- X104** – IRIG-B00X, incl. System Contact (Supervision Contact)

MCDTV4-2A2AHB

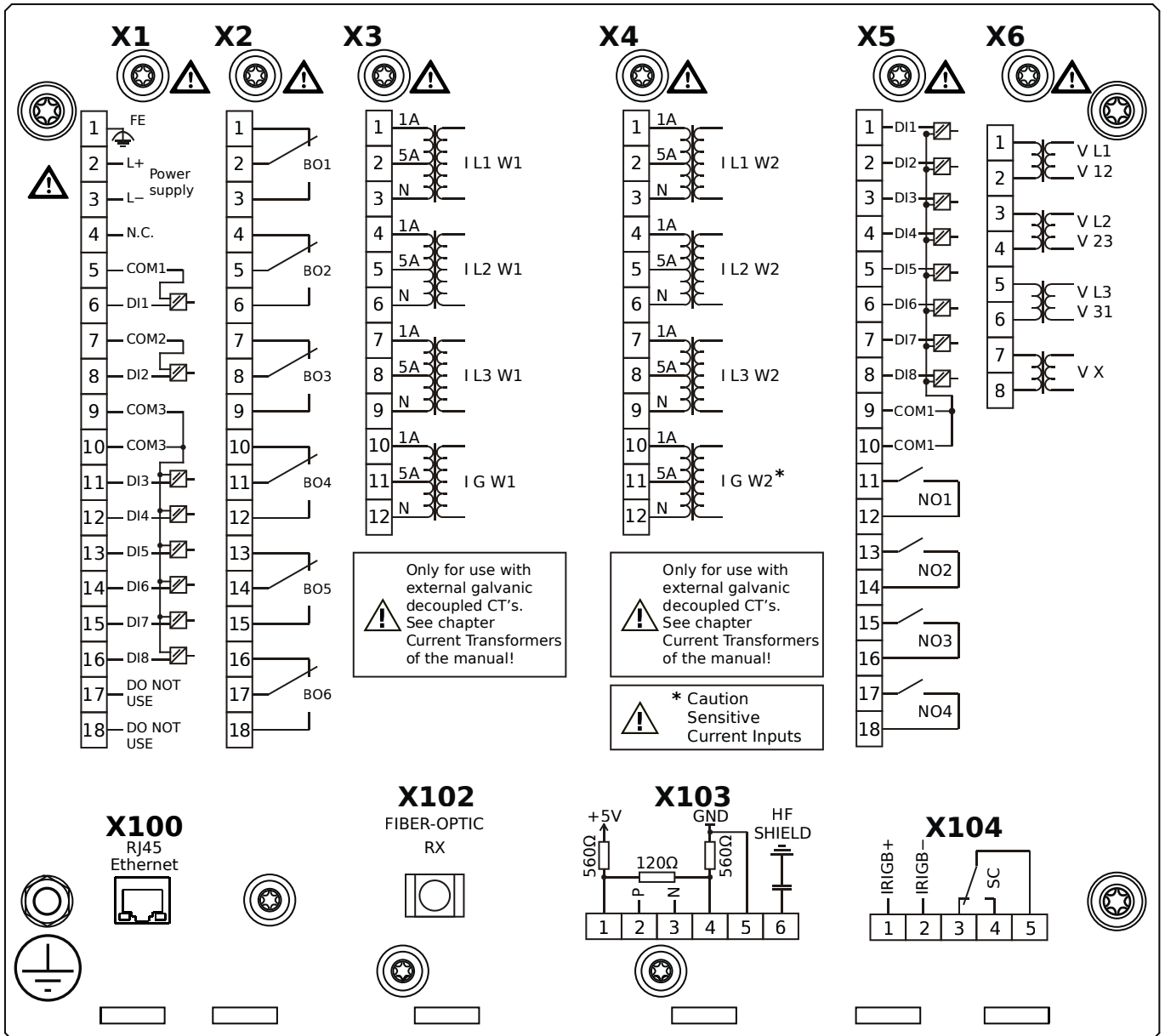


Housing B2, large display, door mounting

+ Conformal Coating (for installations in harsh environment)

- X1** – DI8-X1: Wide-range power supply unit, incl. 2 non-grouped digital inputs and 6 grouped digital inputs
- X2** – OR6: Assembly Group with 6 Output Relays
- X3** – TI: Standard current measuring card (for the winding side 1)
- X4** – TIs: Standard phase current measuring card and sensitive ground current measuring (winding side 2)
- X5** – DI8-OR4: Assembly Group with 8 Digital Inputs and 4 Output Relays
- X6** – TU: Card with 4 voltage transformer measuring inputs
- X100** – IEC 61850 / Modbus TCP / DNP3.0 TCP/UDP, Ethernet interface, 100 Mbit/s, RJ45 (BASE100-FX)
- X102** – Universal Resistance-Temperature Detector (URTD) input, Fiber optics interface, Versatile Link
- X104** – IRIG-B00X, incl. System Contact (Supervision Contact)

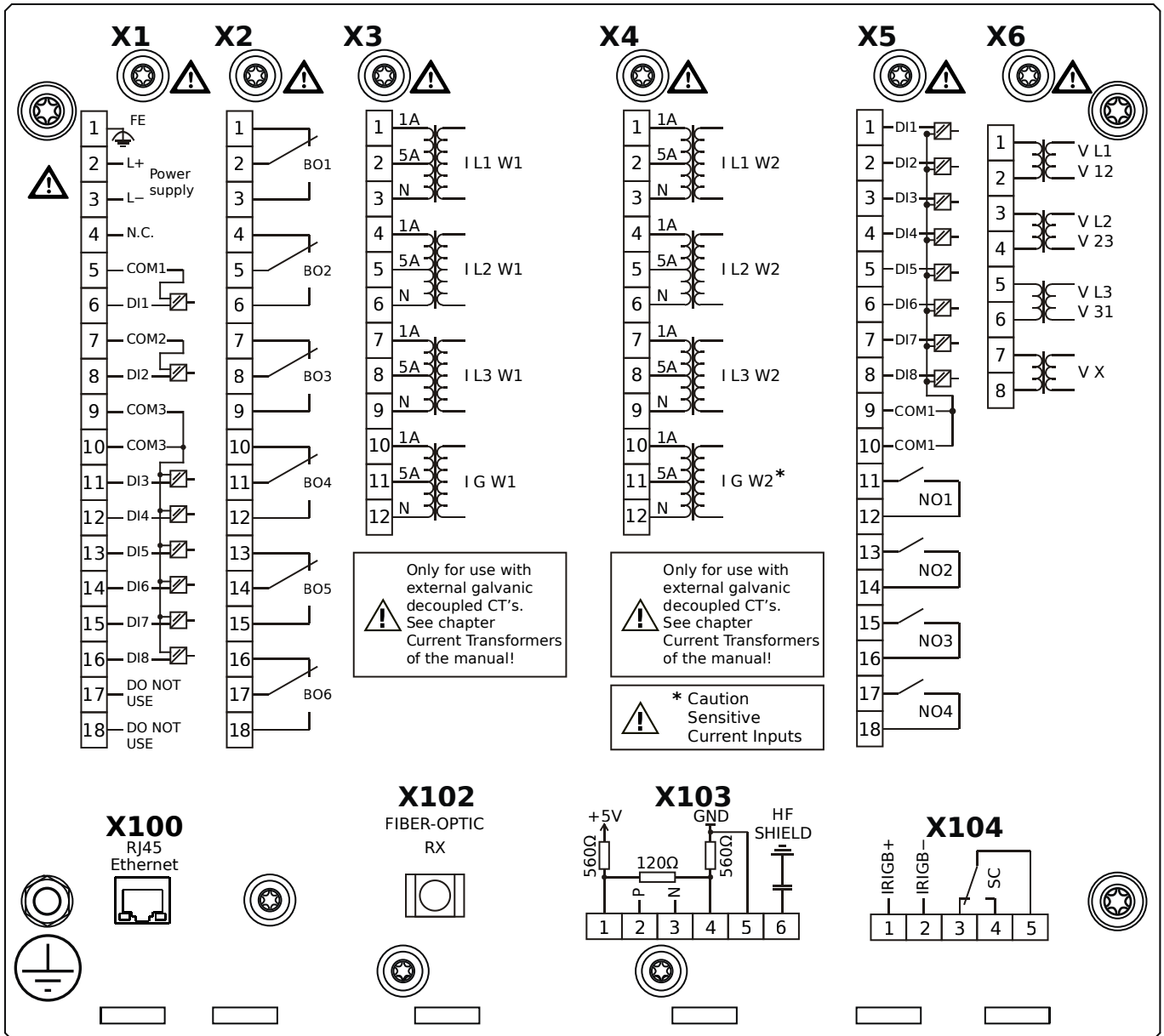
MCDTV4-2A2AIA



Housing B2, large display, door mounting

- X1** – DI8-X1: Wide-range power supply unit, incl. 2 non-grouped digital inputs and 6 grouped digital inputs
- X2** – OR6: Assembly Group with 6 Output Relays
- X3** – TI: Standard current measuring card (for the winding side 1)
- X4** – TIs: Standard phase current measuring card and sensitive ground current measuring (winding side 2)
- X5** – DI8-OR4: Assembly Group with 8 Digital Inputs and 4 Output Relays
- X6** – TU: Card with 4 voltage transformer measuring inputs
- X100** – Modbus TCP / DNP3.0 TCP/UDP, Ethernet interface, 100 Mbit/s, RJ45 (BASE100-FX)
- X102** – Universal Resistance-Temperature Detector (URTD) input, Fiber optics interface, Versatile Link
- X103** – IEC 60870-5-103 / Modbus RTU / DNP3.0 RTU, RS485, Terminals
- X104** – IRIG-B00X, incl. System Contact (Supervision Contact)

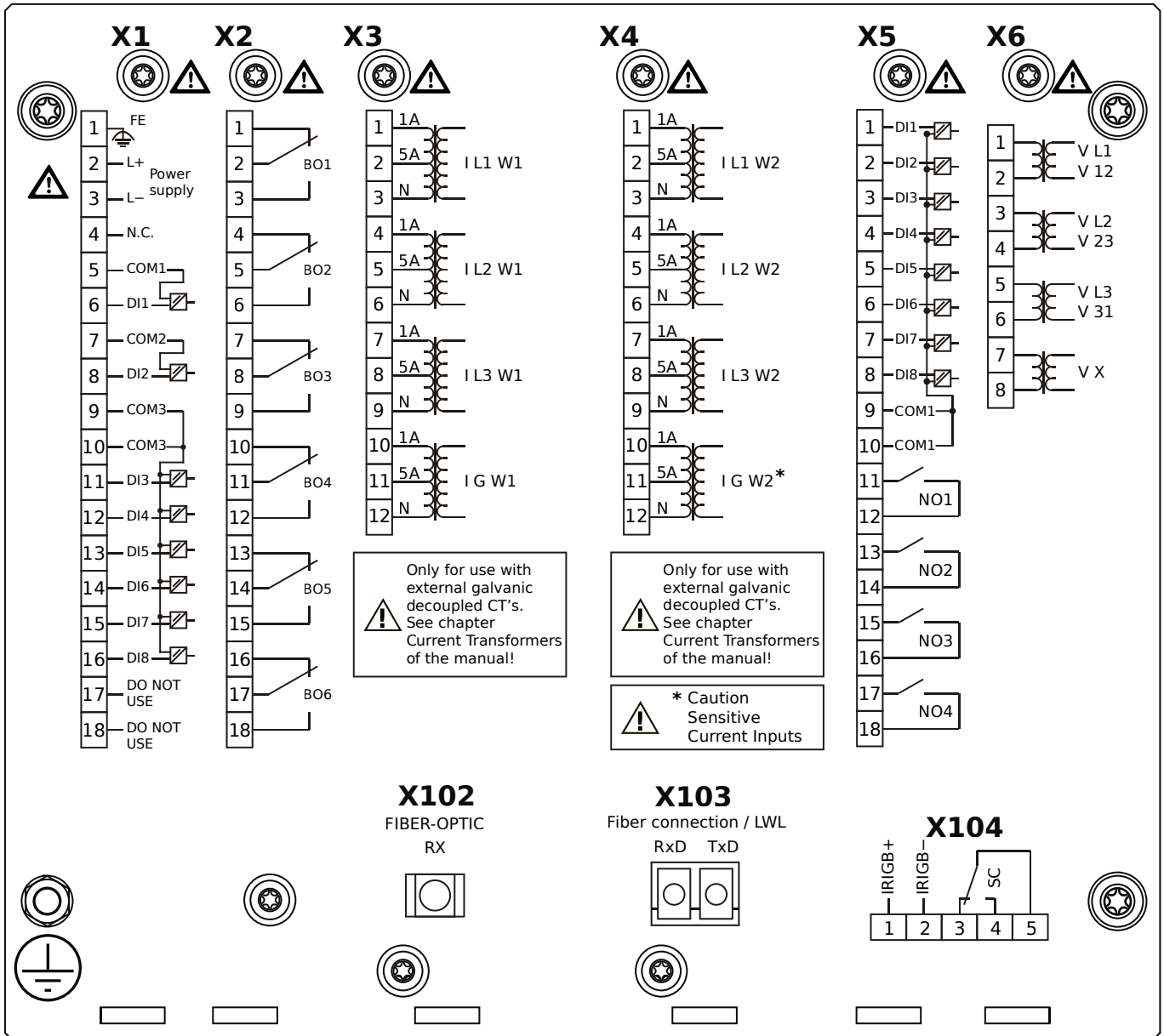
MCDTV4-2A2AIB



Housing B2, large display, door mounting

- + Conformal Coating (for installations in harsh environment)
- X1** – DI8-X1: Wide-range power supply unit, incl. 2 non-grouped digital inputs and 6 grouped digital inputs
- X2** – OR6: Assembly Group with 6 Output Relays
- X3** – TI: Standard current measuring card (for the winding side 1)
- X4** – TIs: Standard phase current measuring card and sensitive ground current measuring (winding side 2)
- X5** – DI8-OR4: Assembly Group with 8 Digital Inputs and 4 Output Relays
- X6** – TU: Card with 4 voltage transformer measuring inputs
- X100** – Modbus TCP / DNP3.0 TCP/UDP, Ethernet interface, 100 Mbit/s, RJ45 (BASE100-FX)
- X102** – Universal Resistance-Temperature Detector (URTD) input, Fiber optics interface, Versatile Link
- X103** – IEC 60870-5-103 / Modbus RTU / DNP3.0 RTU, RS485, Terminals
- X104** – IRIG-B00X, incl. System Contact (Supervision Contact)

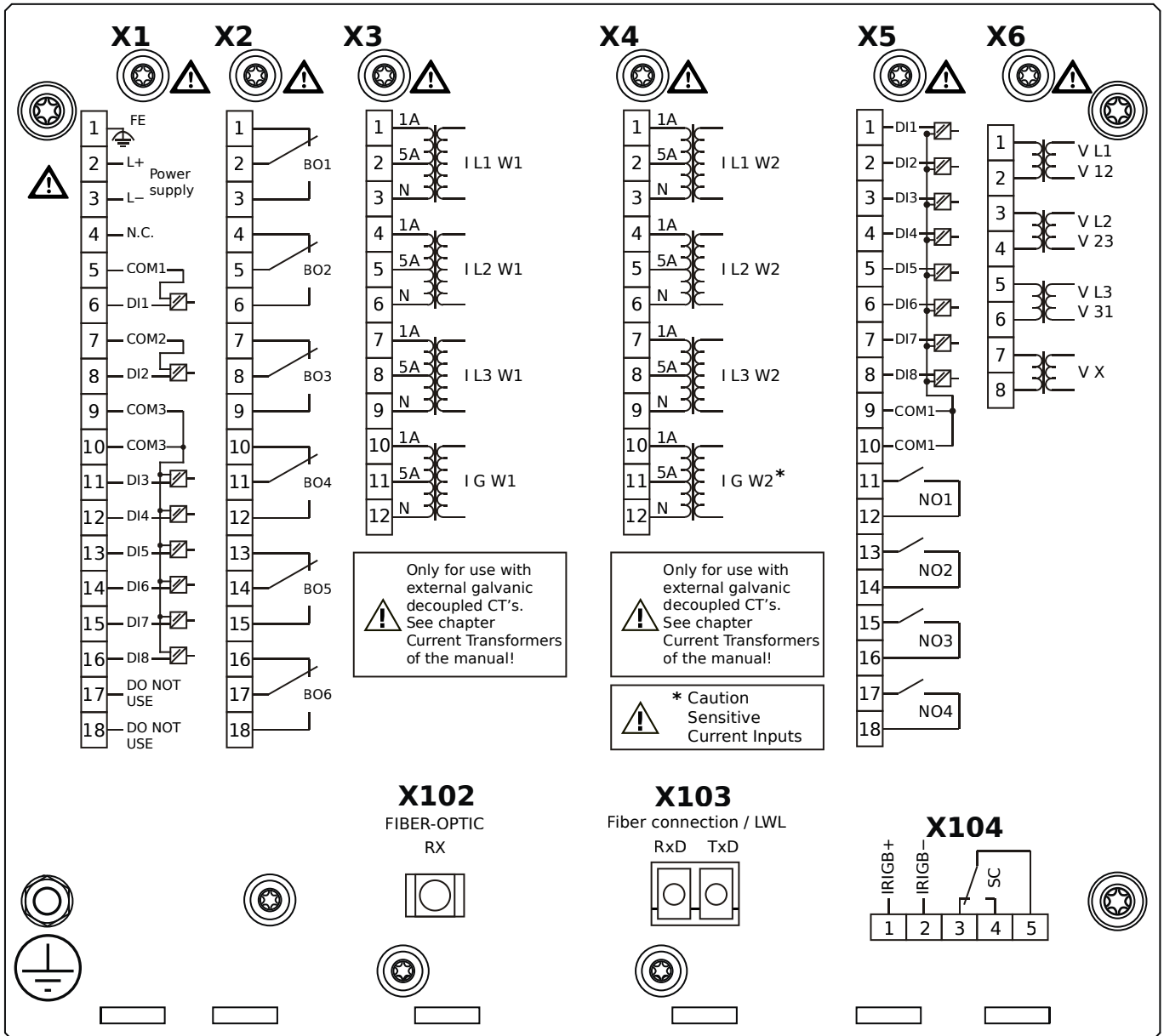
MCDTV4-2A2AKA



Housing B2, large display, door mounting

- X1** – DI8-X1: Wide-range power supply unit, incl. 2 non-grouped digital inputs and 6 grouped digital inputs
- X2** – OR6: Assembly Group with 6 Output Relays
- X3** – TI: Standard current measuring card (for the winding side 1)
- X4** – TIs: Standard phase current measuring card and sensitive ground current measuring (winding side 2)
- X5** – DI8-OR4: Assembly Group with 8 Digital Inputs and 4 Output Relays
- X6** – TU: Card with 4 voltage transformer measuring inputs
- X102** – Universal Resistance-Temperature Detector (URTD) input, Fiber optics interface, Versatile Link
- X103** – IEC 61850 / Modbus TCP / DNP3.0 TCP/UDP, Fiber optics interface, LC Connector
- X104** – IRIG-B00X, incl. System Contact (Supervision Contact)

MCDTV4-2A2AKB

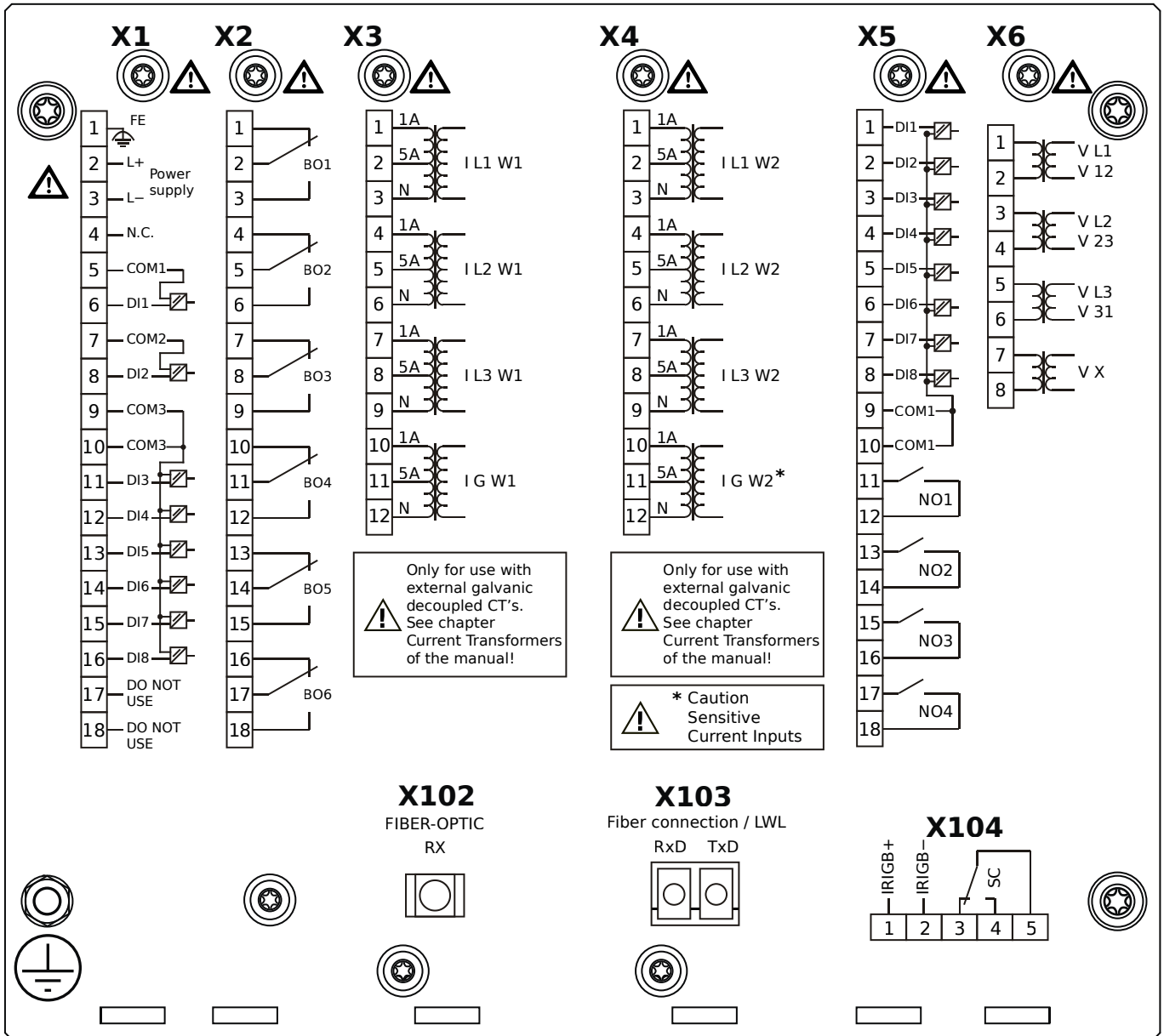


Housing B2, large display, door mounting

+ Conformal Coating (for installations in harsh environment)

- X1** – DI8-X1: Wide-range power supply unit, incl. 2 non-grouped digital inputs and 6 grouped digital inputs
- X2** – OR6: Assembly Group with 6 Output Relays
- X3** – TI: Standard current measuring card (for the winding side 1)
- X4** – TIs: Standard phase current measuring card and sensitive ground current measuring (winding side 2)
- X5** – DI8-OR4: Assembly Group with 8 Digital Inputs and 4 Output Relays
- X6** – TU: Card with 4 voltage transformer measuring inputs
- X102** – Universal Resistance-Temperature Detector (URTD) input, Fiber optics interface, Versatile Link
- X103** – IEC 61850 / Modbus TCP / DNP3.0 TCP/UDP, Fiber optics interface, LC Connector
- X104** – IRIG-B00X, incl. System Contact (Supervision Contact)

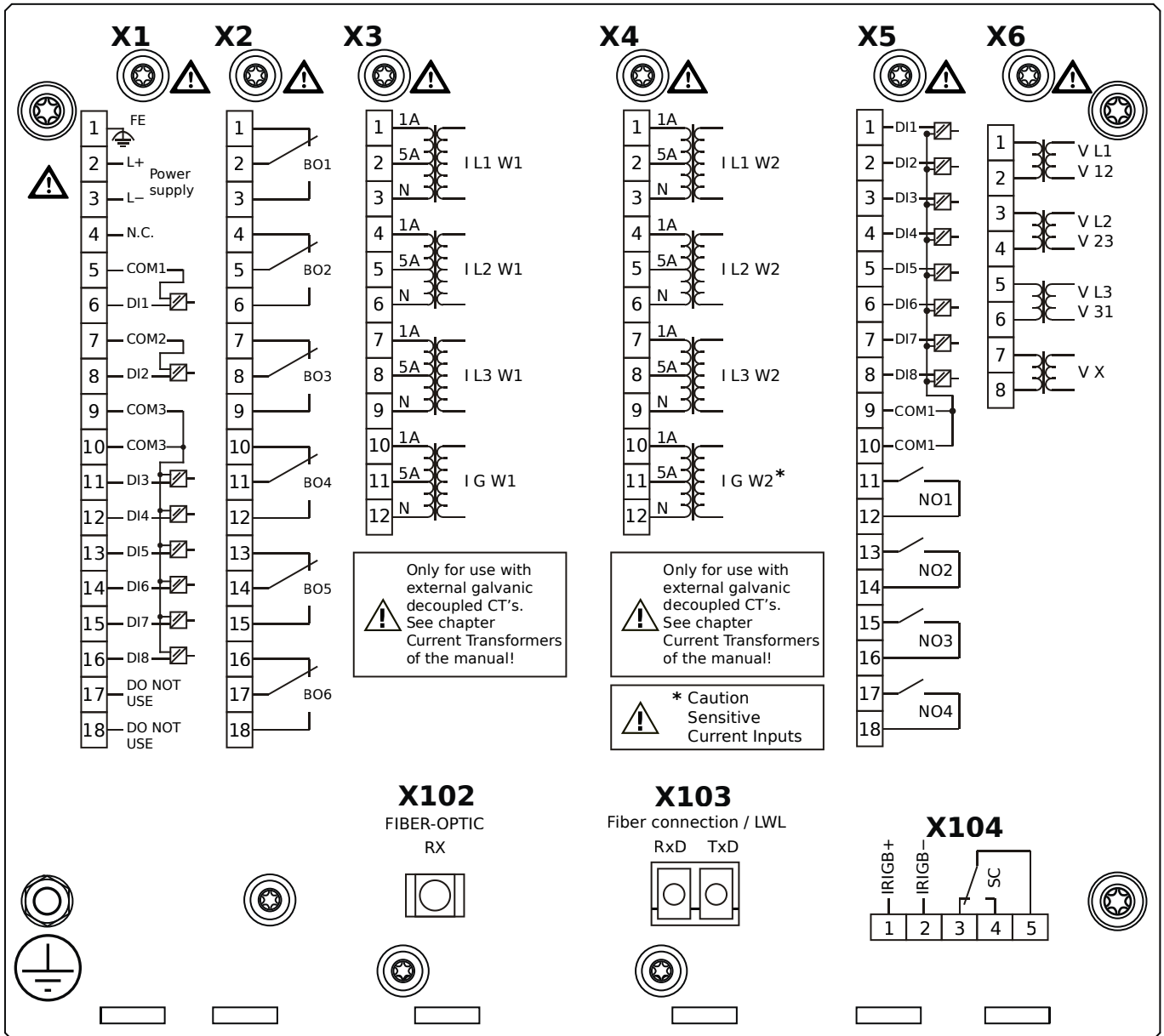
MCDTV4-2A2ALA



Housing B2, large display, door mounting

- X1** – DI8-X1: Wide-range power supply unit, incl. 2 non-grouped digital inputs and 6 grouped digital inputs
- X2** – OR6: Assembly Group with 6 Output Relays
- X3** – TI: Standard current measuring card (for the winding side 1)
- X4** – TIs: Standard phase current measuring card and sensitive ground current measuring (winding side 2)
- X5** – DI8-OR4: Assembly Group with 8 Digital Inputs and 4 Output Relays
- X6** – TU: Card with 4 voltage transformer measuring inputs
- X102** – Universal Resistance-Temperature Detector (URTD) input, Fiber optics interface, Versatile Link
- X103** – Modbus TCP / DNP3.0 TCP/UDP, Fiber optics interface, LC Connector
- X104** – IRIG-B00X, incl. System Contact (Supervision Contact)

MCDTV4-2A2ALB

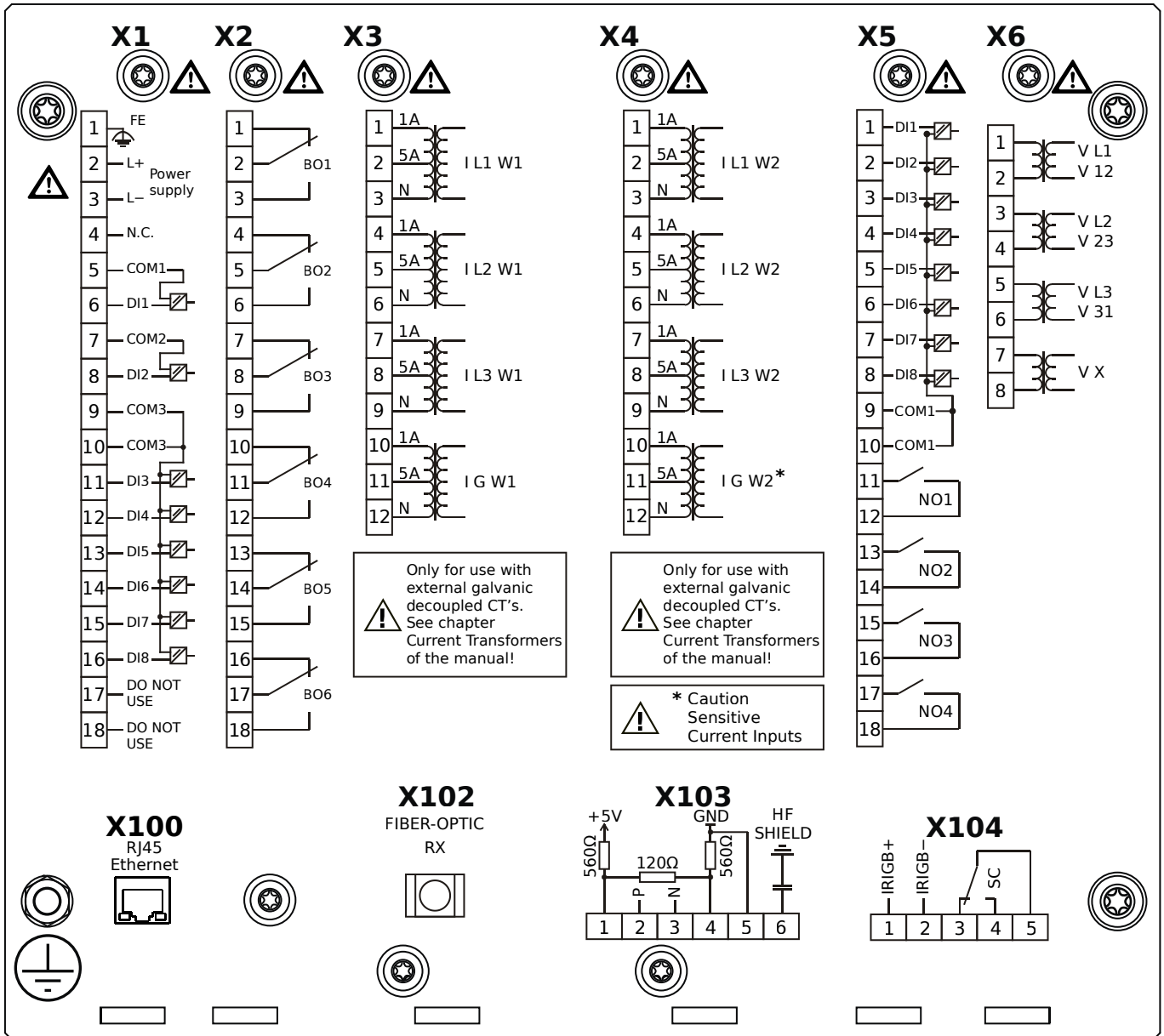


Housing B2, large display, door mounting

+ Conformal Coating (for installations in harsh environment)

- X1** – DI8-X1: Wide-range power supply unit, incl. 2 non-grouped digital inputs and 6 grouped digital inputs
- X2** – OR6: Assembly Group with 6 Output Relays
- X3** – TI: Standard current measuring card (for the winding side 1)
- X4** – TIs: Standard phase current measuring card and sensitive ground current measuring (winding side 2)
- X5** – DI8-OR4: Assembly Group with 8 Digital Inputs and 4 Output Relays
- X6** – TU: Card with 4 voltage transformer measuring inputs
- X102** – Universal Resistance-Temperature Detector (URTD) input, Fiber optics interface, Versatile Link
- X103** – Modbus TCP / DNP3.0 TCP/UDP, Fiber optics interface, LC Connector
- X104** – IRIG-B00X, incl. System Contact (Supervision Contact)

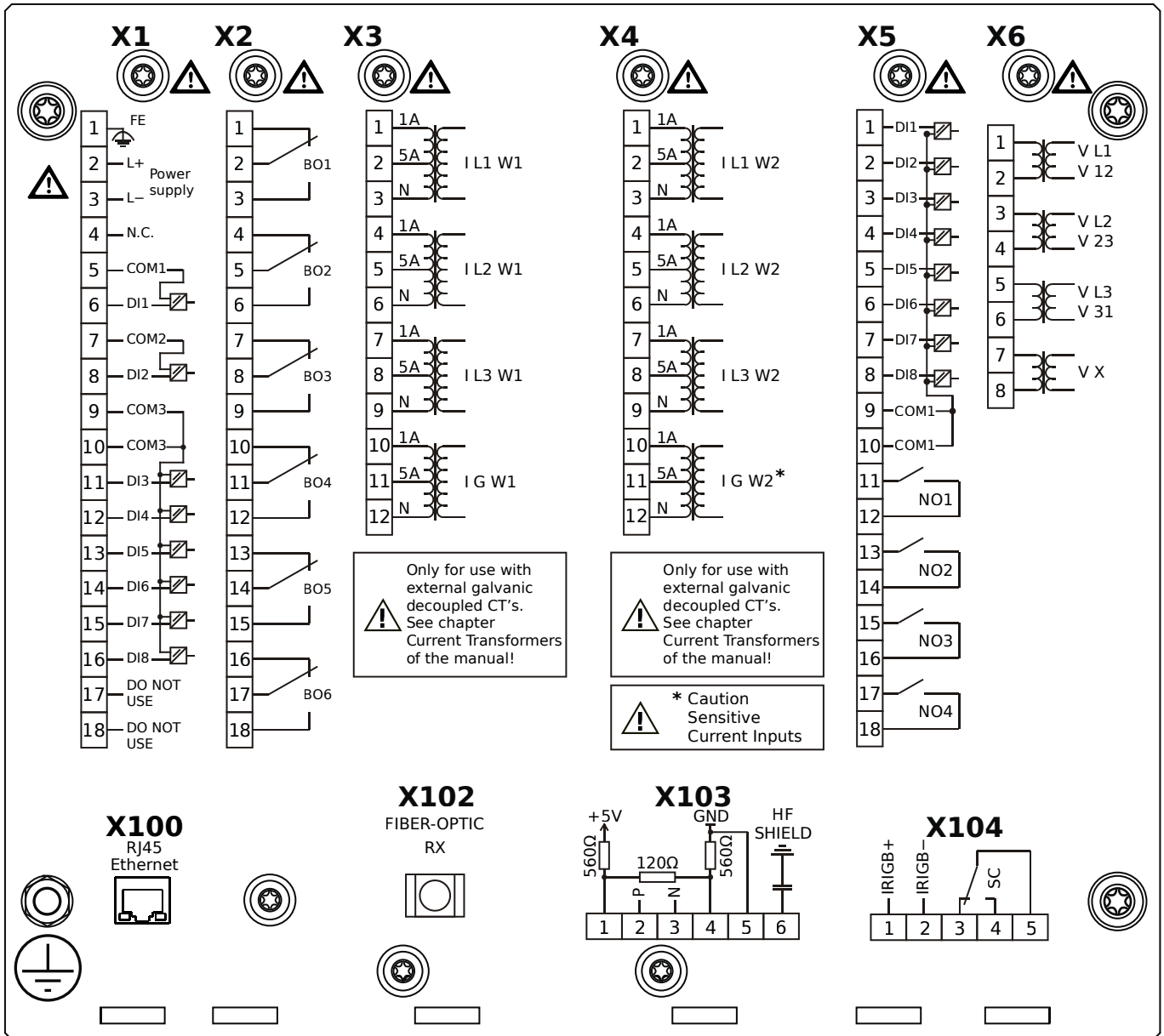
MCDTV4-2A2ATA



Housing B2, large display, door mounting

- X1** – DI8-X1: Wide-range power supply unit, incl. 2 non-grouped digital inputs and 6 grouped digital inputs
- X2** – OR6: Assembly Group with 6 Output Relays
- X3** – TI: Standard current measuring card (for the winding side 1)
- X4** – TIs: Standard phase current measuring card and sensitive ground current measuring (winding side 2)
- X5** – DI8-OR4: Assembly Group with 8 Digital Inputs and 4 Output Relays
- X6** – TU: Card with 4 voltage transformer measuring inputs
- X100** – IEC 61850 / Modbus TCP / DNP3.0 TCP/UDP, Ethernet interface, 100 Mbit/s, RJ45 (BASE100-FX)
- X102** – Universal Resistance-Temperature Detector (URTD) input, Fiber optics interface, Versatile Link
- X103** – IEC 60870-5-103 / Modbus RTU / DNP3.0 RTU, RS485, Terminals
- X104** – IRIG-B00X, incl. System Contact (Supervision Contact)

MCDTV4-2A2ATB

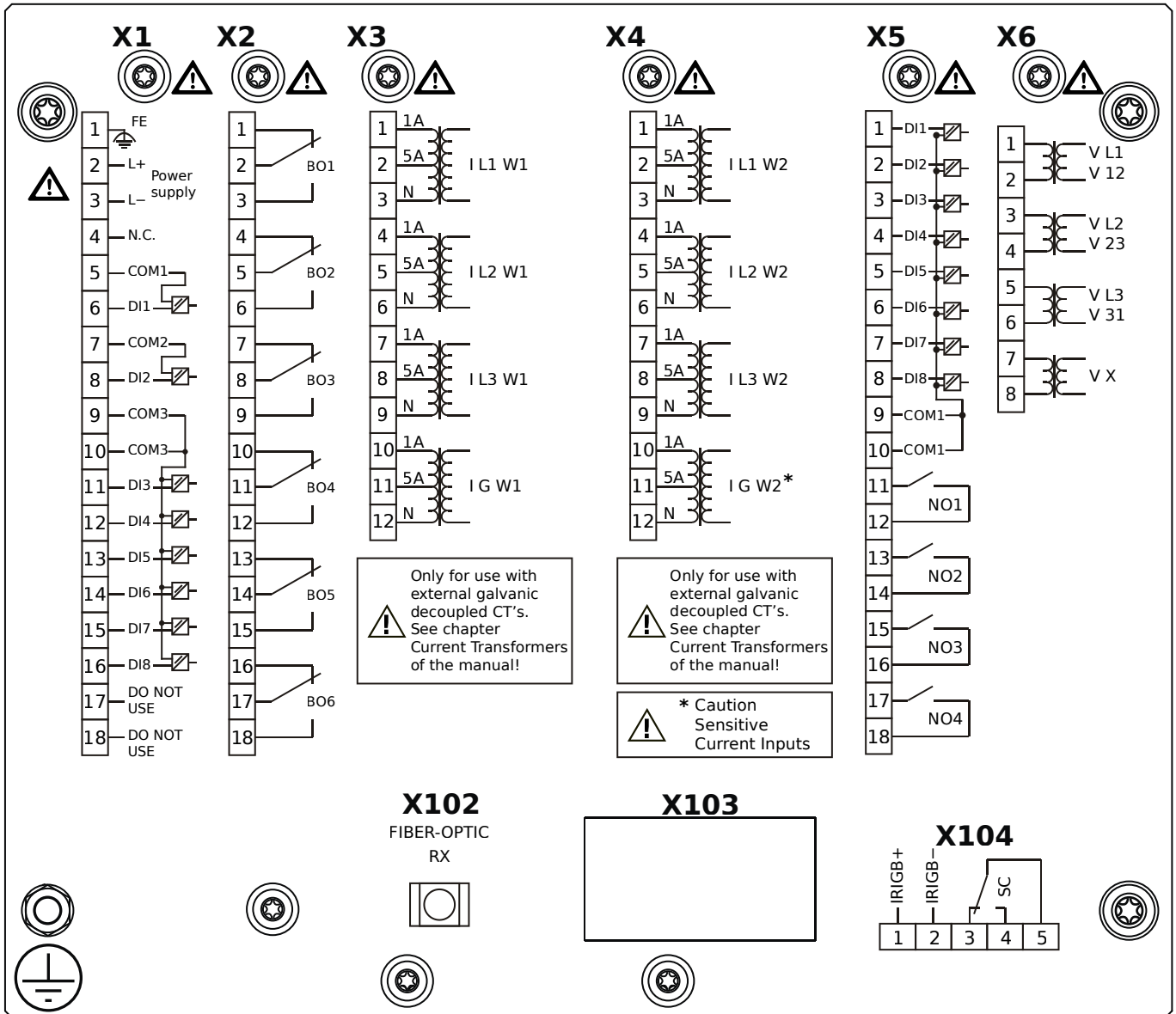


Housing B2, large display, door mounting

+ Conformal Coating (for installations in harsh environment)

- X1** – DI8-X1: Wide-range power supply unit, incl. 2 non-grouped digital inputs and 6 grouped digital inputs
- X2** – OR6: Assembly Group with 6 Output Relays
- X3** – TI: Standard current measuring card (for the winding side 1)
- X4** – TIs: Standard phase current measuring card and sensitive ground current measuring (winding side 2)
- X5** – DI8-OR4: Assembly Group with 8 Digital Inputs and 4 Output Relays
- X6** – TU: Card with 4 voltage transformer measuring inputs
- X100** – IEC 61850 / Modbus TCP / DNP3.0 TCP/UDP, Ethernet interface, 100 Mbit/s, RJ45 (BASE100-FX)
- X102** – Universal Resistance-Temperature Detector (URTD) input, Fiber optics interface, Versatile Link
- X103** – IEC 60870-5-103 / Modbus RTU / DNP3.0 RTU, RS485, Terminals
- X104** – IRIG-B00X, incl. System Contact (Supervision Contact)

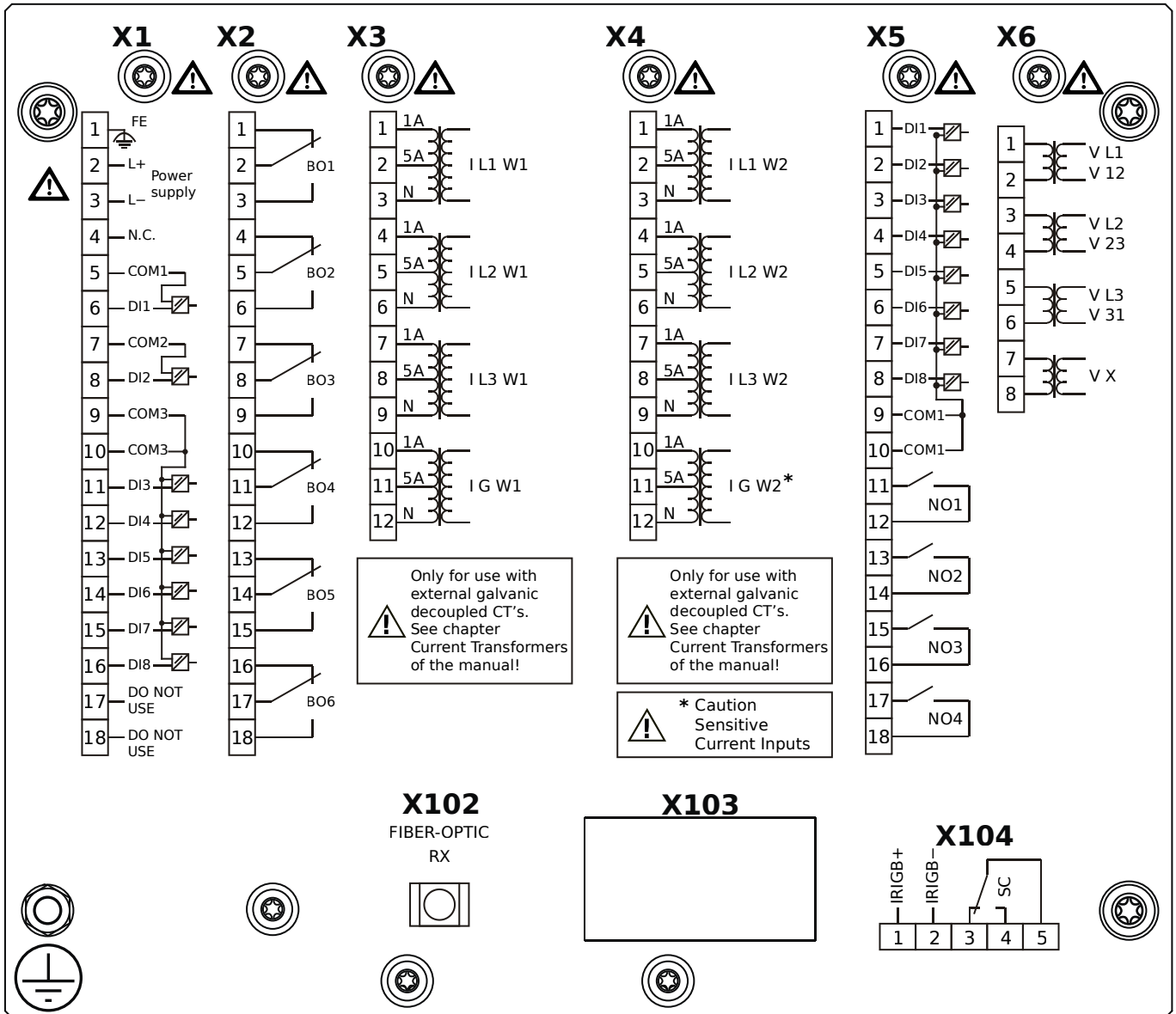
MCDTV4-2A2BAA



Housing B2, large display, 19" rack mounting

- X1** – DI8-X1: Wide-range power supply unit, incl. 2 non-grouped digital inputs and 6 grouped digital inputs
- X2** – OR6: Assembly Group with 6 Output Relays
- X3** – TI: Standard current measuring card (for the winding side 1)
- X4** – TIs: Standard phase current measuring card and sensitive ground current measuring (winding side 2)
- X5** – DI8-OR4: Assembly Group with 8 Digital Inputs and 4 Output Relays
- X6** – TU: Card with 4 voltage transformer measuring inputs
- X102** – Universal Resistance-Temperature Detector (URTD) input, Fiber optics interface, Versatile Link
- X104** – IRIG-B00X, incl. System Contact (Supervision Contact)

MCDTV4-2A2BAB

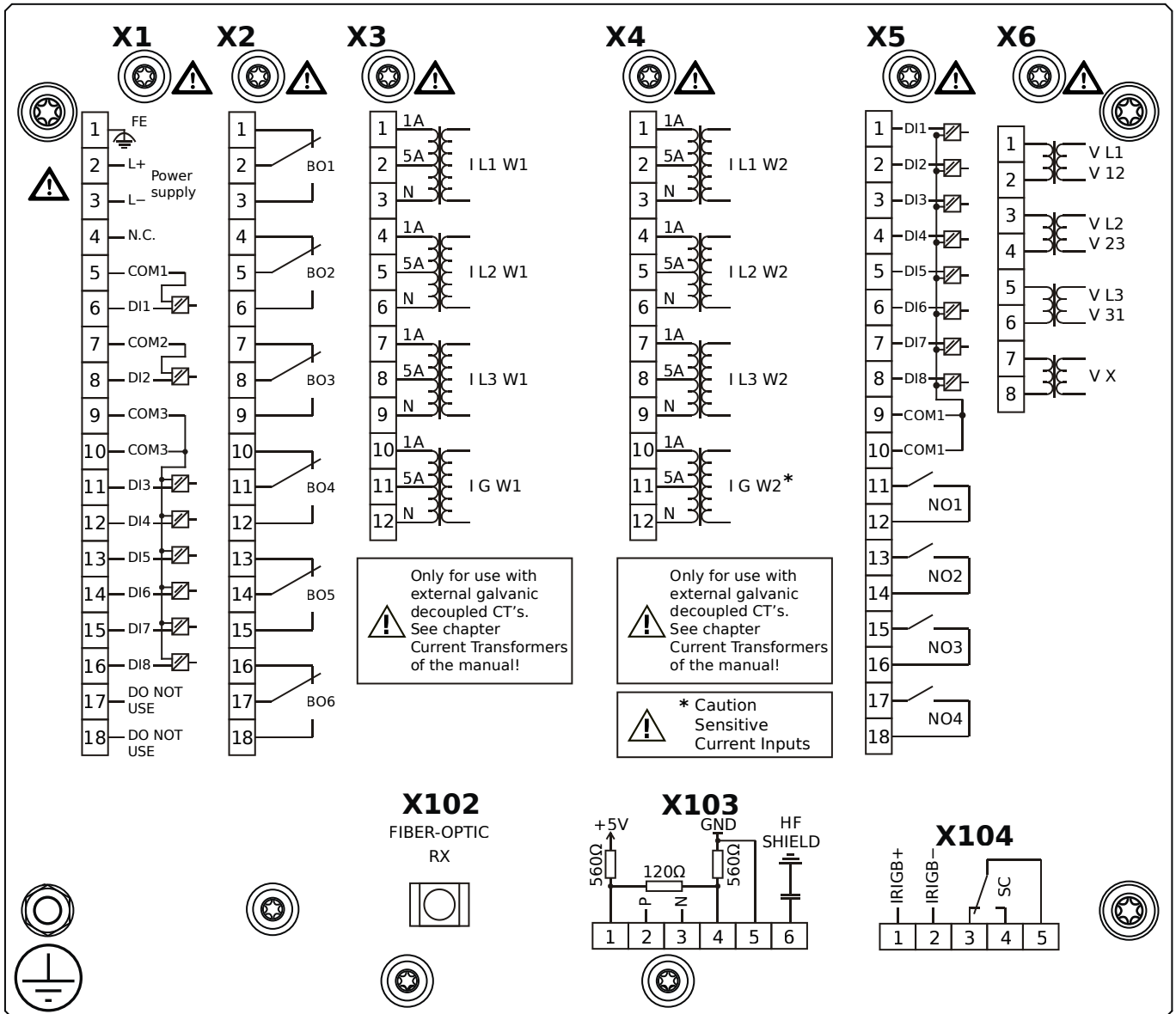


Housing B2, large display, 19" rack mounting

+ Conformal Coating (for installations in harsh environment)

- X1** – DI8-X1: Wide-range power supply unit, incl. 2 non-grouped digital inputs and 6 grouped digital inputs
- X2** – OR6: Assembly Group with 6 Output Relays
- X3** – TI: Standard current measuring card (for the winding side 1)
- X4** – TIs: Standard phase current measuring card and sensitive ground current measuring (winding side 2)
- X5** – DI8-OR4: Assembly Group with 8 Digital Inputs and 4 Output Relays
- X6** – TU: Card with 4 voltage transformer measuring inputs
- X102** – Universal Resistance-Temperature Detector (URTD) input, Fiber optics interface, Versatile Link
- X104** – IRIG-B00X, incl. System Contact (Supervision Contact)

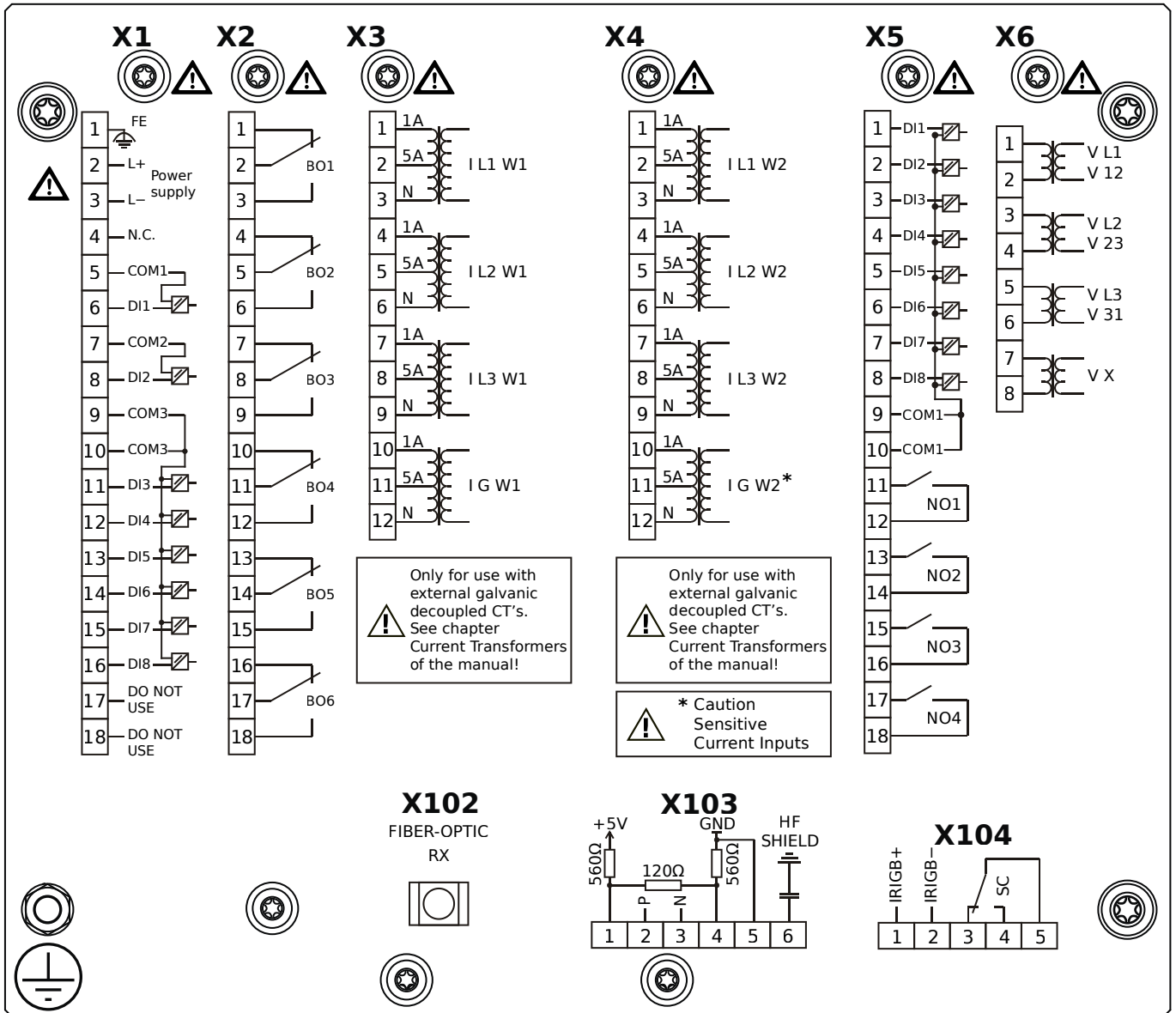
MCDTV4-2A2BBA



Housing B2, large display, 19" rack mounting

- X1** – DI8-X1: Wide-range power supply unit, incl. 2 non-grouped digital inputs and 6 grouped digital inputs
- X2** – OR6: Assembly Group with 6 Output Relays
- X3** – TI: Standard current measuring card (for the winding side 1)
- X4** – TIs: Standard phase current measuring card and sensitive ground current measuring (winding side 2)
- X5** – DI8-OR4: Assembly Group with 8 Digital Inputs and 4 Output Relays
- X6** – TU: Card with 4 voltage transformer measuring inputs
- X102** – Universal Resistance-Temperature Detector (URTD) input, Fiber optics interface, Versatile Link
- X103** – Modbus RTU / IEC 60870-5-103 / DNP3.0 RTU, RS485, Terminals
- X104** – IRIG-B00X, incl. System Contact (Supervision Contact)

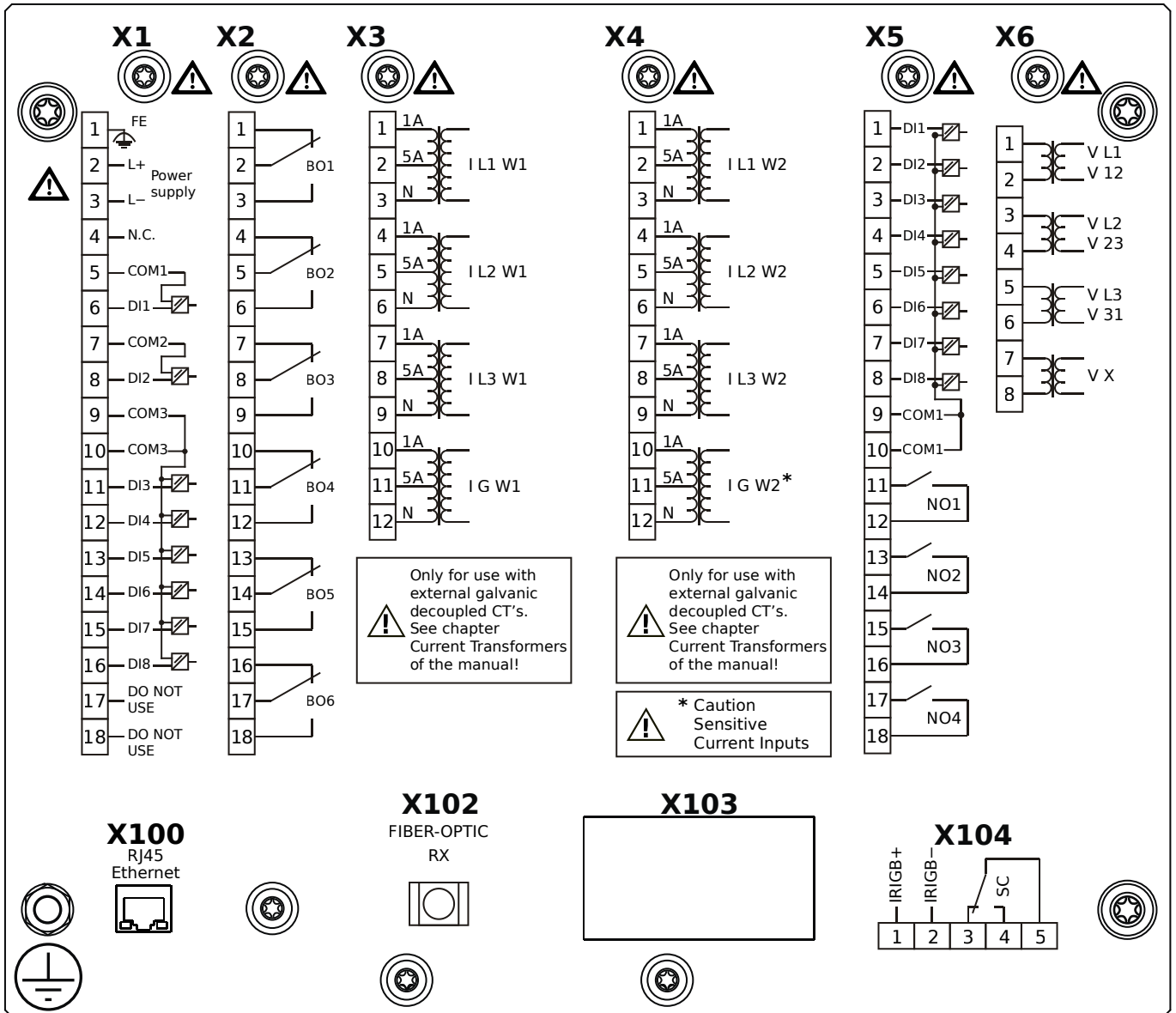
MCDTV4-2A2BBB



Housing B2, large display, 19" rack mounting

- + Conformal Coating (for installations in harsh environment)
- X1** – DI8-X1: Wide-range power supply unit, incl. 2 non-grouped digital inputs and 6 grouped digital inputs
- X2** – OR6: Assembly Group with 6 Output Relays
- X3** – TI: Standard current measuring card (for the winding side 1)
- X4** – TIs: Standard phase current measuring card and sensitive ground current measuring (winding side 2)
- X5** – DI8-OR4: Assembly Group with 8 Digital Inputs and 4 Output Relays
- X6** – TU: Card with 4 voltage transformer measuring inputs
- X102** – Universal Resistance-Temperature Detector (URTD) input, Fiber optics interface, Versatile Link
- X103** – Modbus RTU / IEC 60870-5-103 / DNP3.0 RTU, RS485, Terminals
- X104** – IRIG-B00X, incl. System Contact (Supervision Contact)

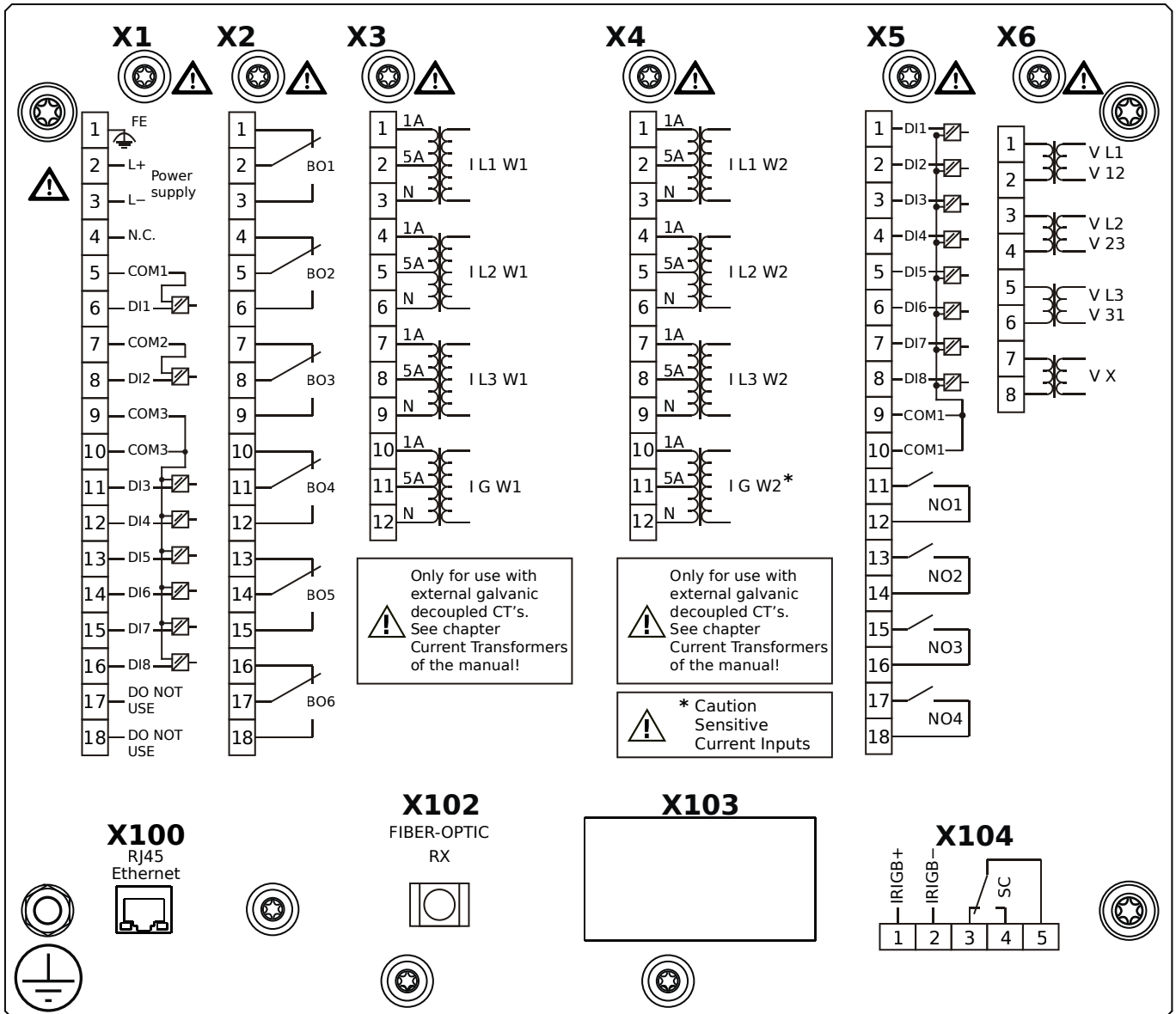
MCDTV4-2A2BCA



Housing B2, large display, 19" rack mounting

- X1** – DI8-X1: Wide-range power supply unit, incl. 2 non-grouped digital inputs and 6 grouped digital inputs
- X2** – OR6: Assembly Group with 6 Output Relays
- X3** – TI: Standard current measuring card (for the winding side 1)
- X4** – TIs: Standard phase current measuring card and sensitive ground current measuring (winding side 2)
- X5** – DI8-OR4: Assembly Group with 8 Digital Inputs and 4 Output Relays
- X6** – TU: Card with 4 voltage transformer measuring inputs
- X100** – Modbus TCP / DNP3.0 TCP/UDP, Ethernet interface, 100 Mbit/s, RJ45 (BASE100-FX)
- X102** – Universal Resistance-Temperature Detector (URTD) input, Fiber optics interface, Versatile Link
- X104** – IRIG-B00X, incl. System Contact (Supervision Contact)

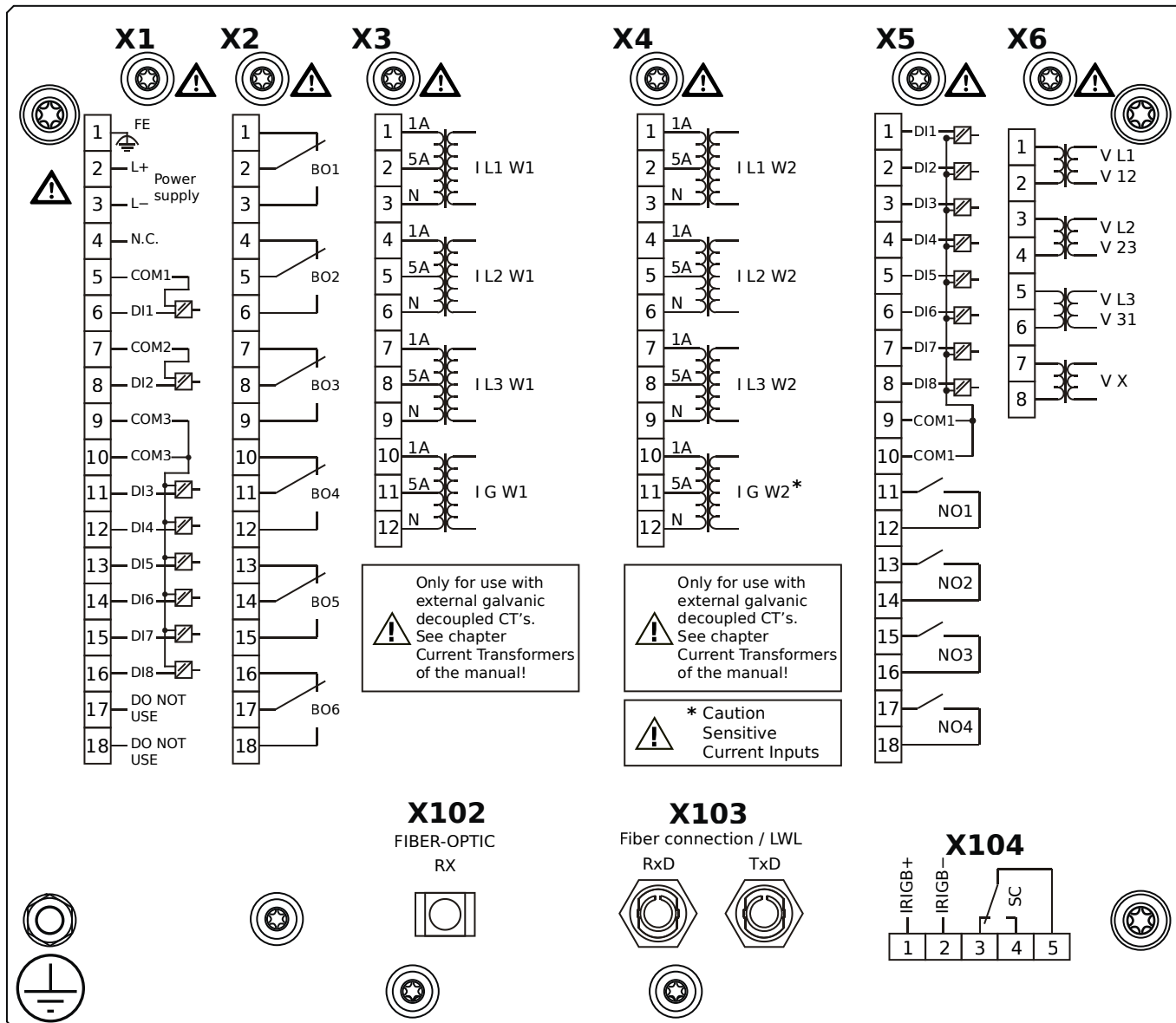
MCDTV4-2A2BCB



Housing B2, large display, 19" rack mounting

- + Conformal Coating (for installations in harsh environment)
- X1** – DI8-X1: Wide-range power supply unit, incl. 2 non-grouped digital inputs and 6 grouped digital inputs
- X2** – OR6: Assembly Group with 6 Output Relays
- X3** – TI: Standard current measuring card (for the winding side 1)
- X4** – TIs: Standard phase current measuring card and sensitive ground current measuring (winding side 2)
- X5** – DI8-OR4: Assembly Group with 8 Digital Inputs and 4 Output Relays
- X6** – TU: Card with 4 voltage transformer measuring inputs
- X100** – Modbus TCP / DNP3.0 TCP/UDP, Ethernet interface, 100 Mbit/s, RJ45 (BASE100-FX)
- X102** – Universal Resistance-Temperature Detector (URTD) input, Fiber optics interface, Versatile Link
- X104** – IRIG-B00X, incl. System Contact (Supervision Contact)

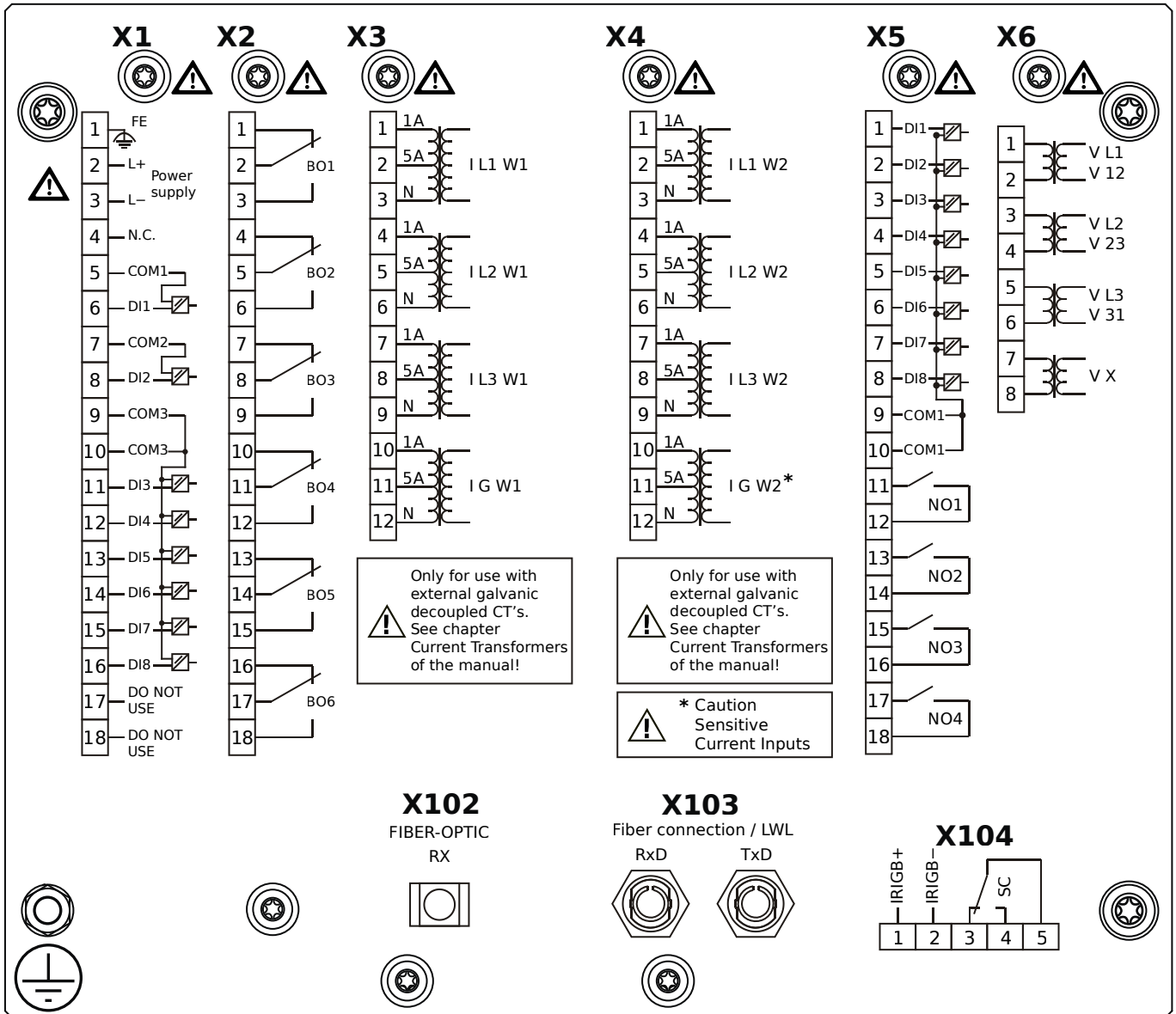
MCDTV4-2A2BDA



Housing B2, large display, 19" rack mounting

- X1** – DI8-X1: Wide-range power supply unit, incl. 2 non-grouped digital inputs and 6 grouped digital inputs
- X2** – OR6: Assembly Group with 6 Output Relays
- X3** – TI: Standard current measuring card (for the winding side 1)
- X4** – TIs: Standard phase current measuring card and sensitive ground current measuring (winding side 2)
- X5** – DI8-OR4: Assembly Group with 8 Digital Inputs and 4 Output Relays
- X6** – TU: Card with 4 voltage transformer measuring inputs
- X102** – Universal Resistance-Temperature Detector (URTD) input, Fiber optics interface, Versatile Link
- X103** – Profibus-DP, Fiber optics interface, ST Connector
- X104** – IRIG-B00X, incl. System Contact (Supervision Contact)

MCDTV4-2A2BDB

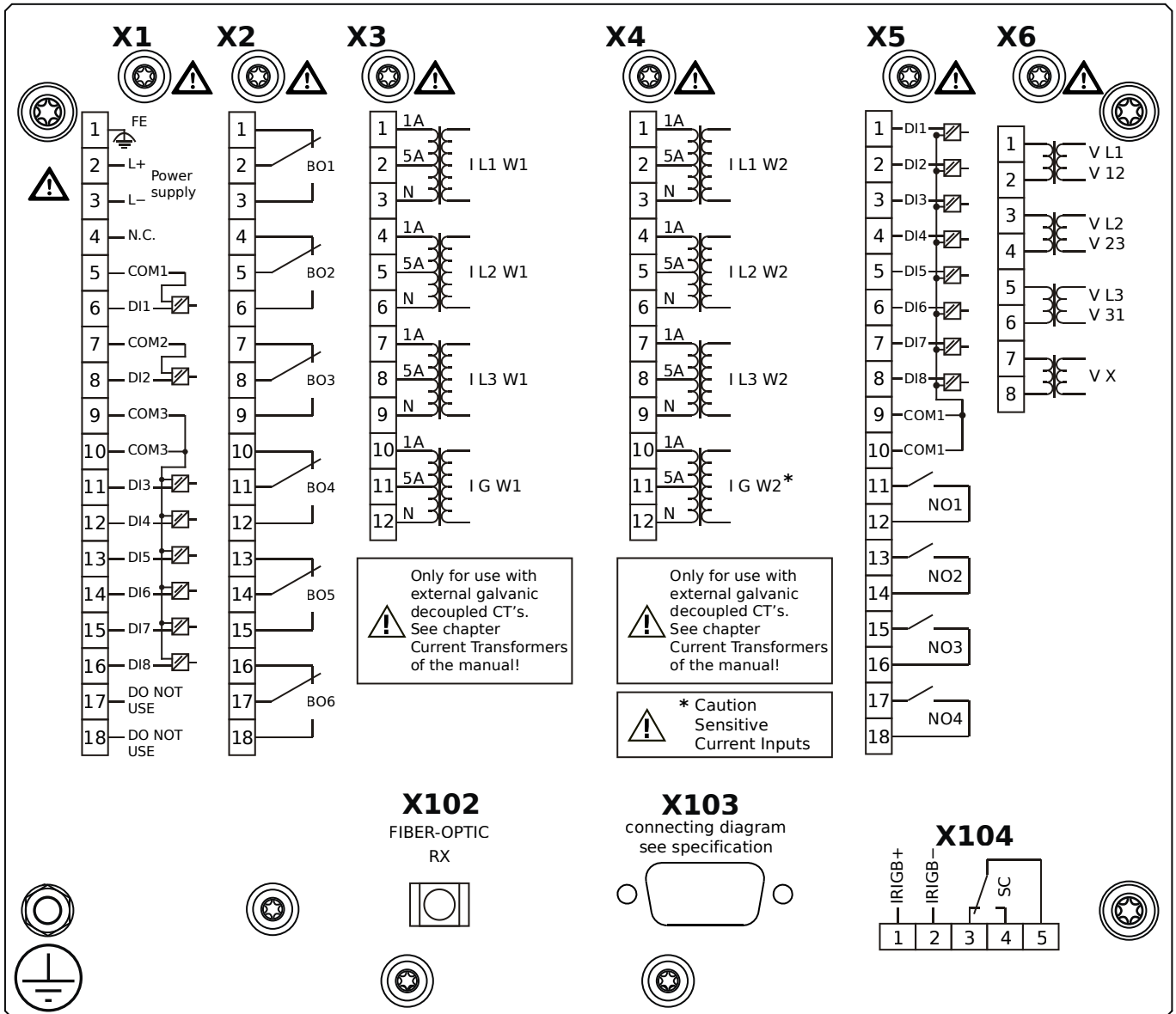


Housing B2, large display, 19" rack mounting

+ Conformal Coating (for installations in harsh environment)

- X1** – DI8-X1: Wide-range power supply unit, incl. 2 non-grouped digital inputs and 6 grouped digital inputs
- X2** – OR6: Assembly Group with 6 Output Relays
- X3** – TI: Standard current measuring card (for the winding side 1)
- X4** – TIs: Standard phase current measuring card and sensitive ground current measuring (winding side 2)
- X5** – DI8-OR4: Assembly Group with 8 Digital Inputs and 4 Output Relays
- X6** – TU: Card with 4 voltage transformer measuring inputs
- X102** – Universal Resistance-Temperature Detector (URTD) input, Fiber optics interface, Versatile Link
- X103** – Profibus-DP, Fiber optics interface, ST Connector
- X104** – IRIG-B00X, incl. System Contact (Supervision Contact)

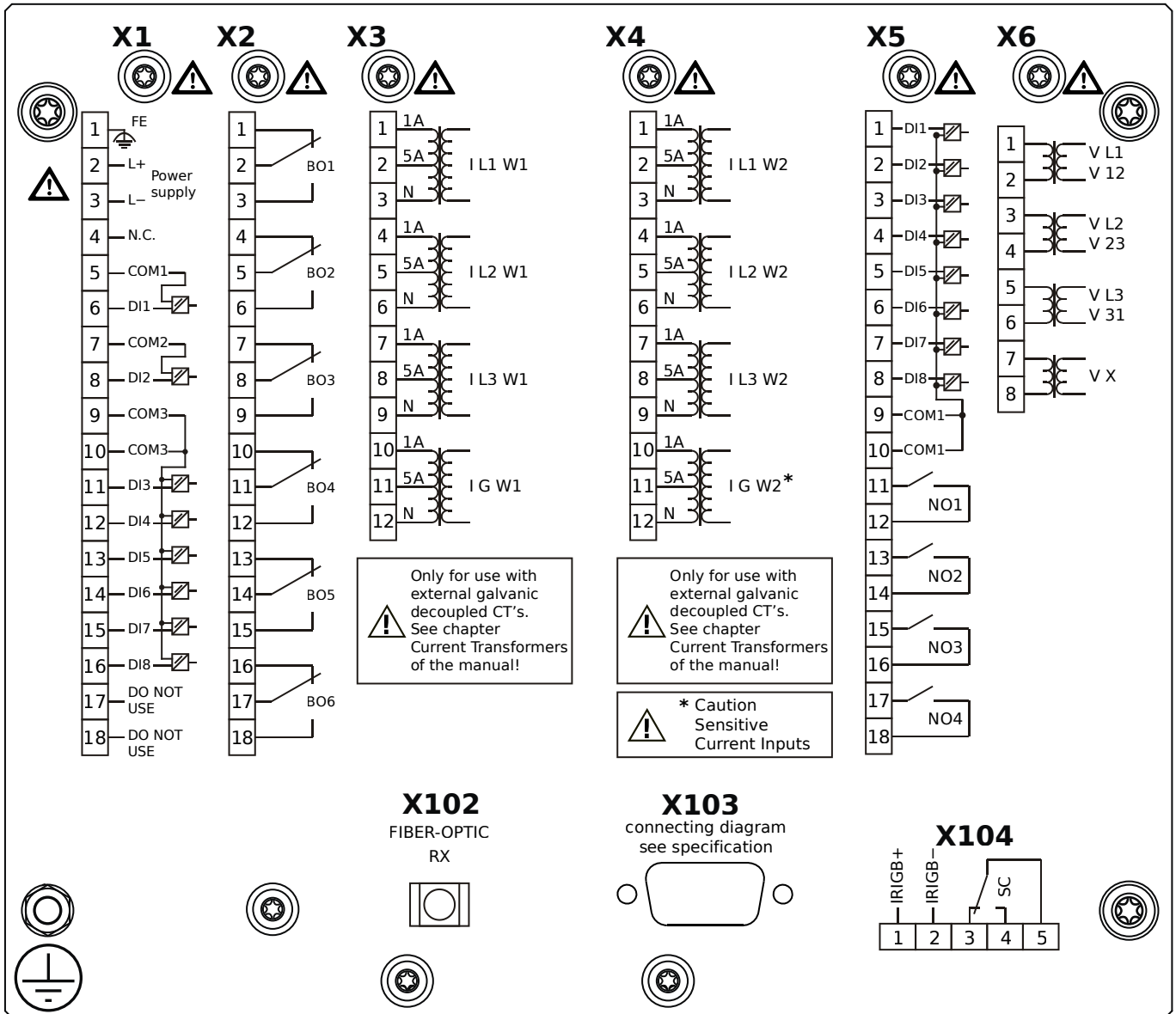
MCDTV4-2A2BEA



Housing B2, large display, 19" rack mounting

- X1** – DI8-X1: Wide-range power supply unit, incl. 2 non-grouped digital inputs and 6 grouped digital inputs
- X2** – OR6: Assembly Group with 6 Output Relays
- X3** – TI: Standard current measuring card (for the winding side 1)
- X4** – TIs: Standard phase current measuring card and sensitive ground current measuring (winding side 2)
- X5** – DI8-OR4: Assembly Group with 8 Digital Inputs and 4 Output Relays
- X6** – TU: Card with 4 voltage transformer measuring inputs
- X102** – Universal Resistance-Temperature Detector (URTD) input, Fiber optics interface, Versatile Link
- X103** – Profibus-DP, RS485, D-SUB
- X104** – IRIG-B00X, incl. System Contact (Supervision Contact)

MCDTV4-2A2BEB

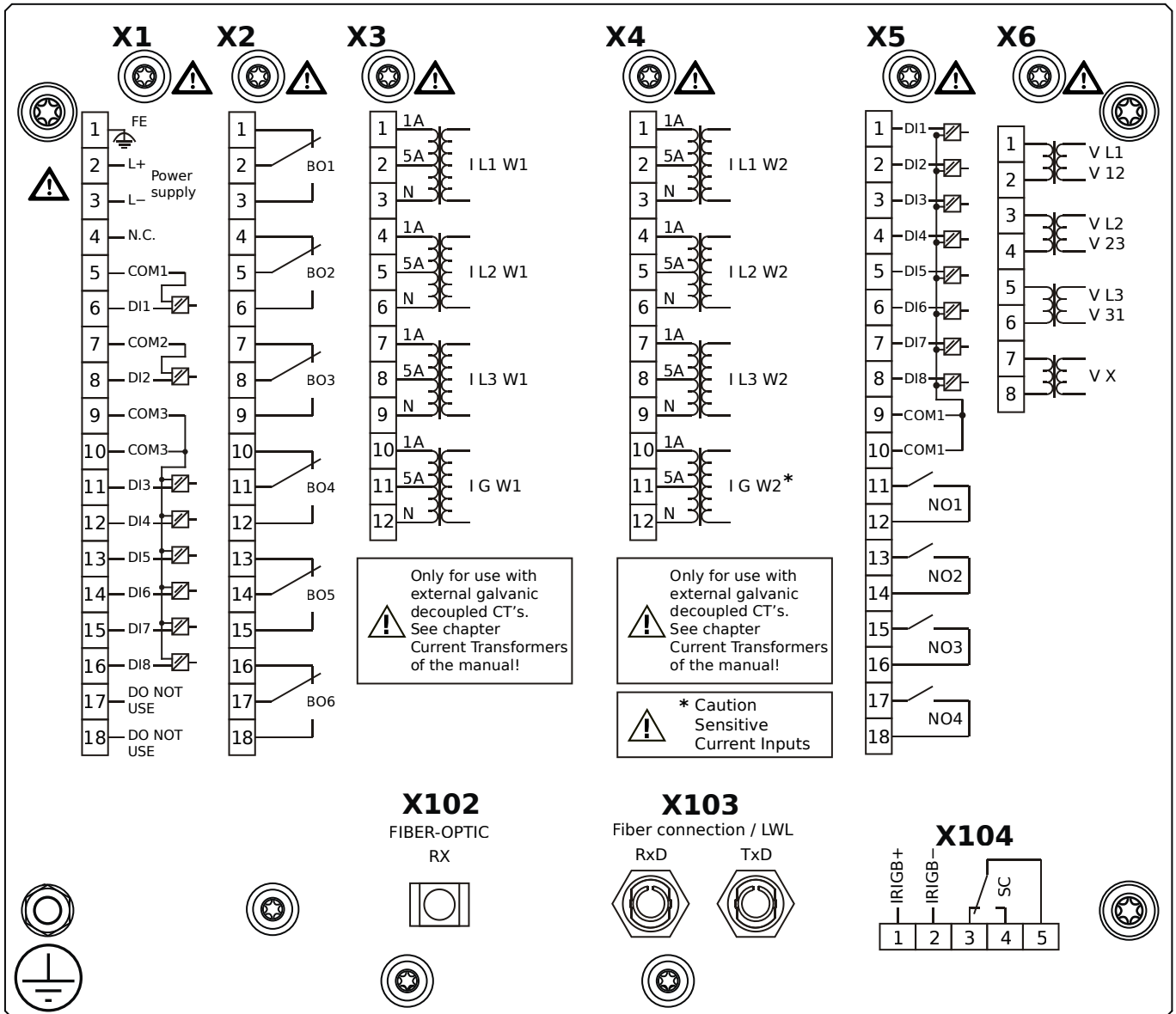


Housing B2, large display, 19" rack mounting

+ Conformal Coating (for installations in harsh environment)

- X1** – DI8-X1: Wide-range power supply unit, incl. 2 non-grouped digital inputs and 6 grouped digital inputs
- X2** – OR6: Assembly Group with 6 Output Relays
- X3** – TI: Standard current measuring card (for the winding side 1)
- X4** – TIs: Standard phase current measuring card and sensitive ground current measuring (winding side 2)
- X5** – DI8-OR4: Assembly Group with 8 Digital Inputs and 4 Output Relays
- X6** – TU: Card with 4 voltage transformer measuring inputs
- X102** – Universal Resistance-Temperature Detector (URTD) input, Fiber optics interface, Versatile Link
- X103** – Profibus-DP, RS485, D-SUB
- X104** – IRIG-B00X, incl. System Contact (Supervision Contact)

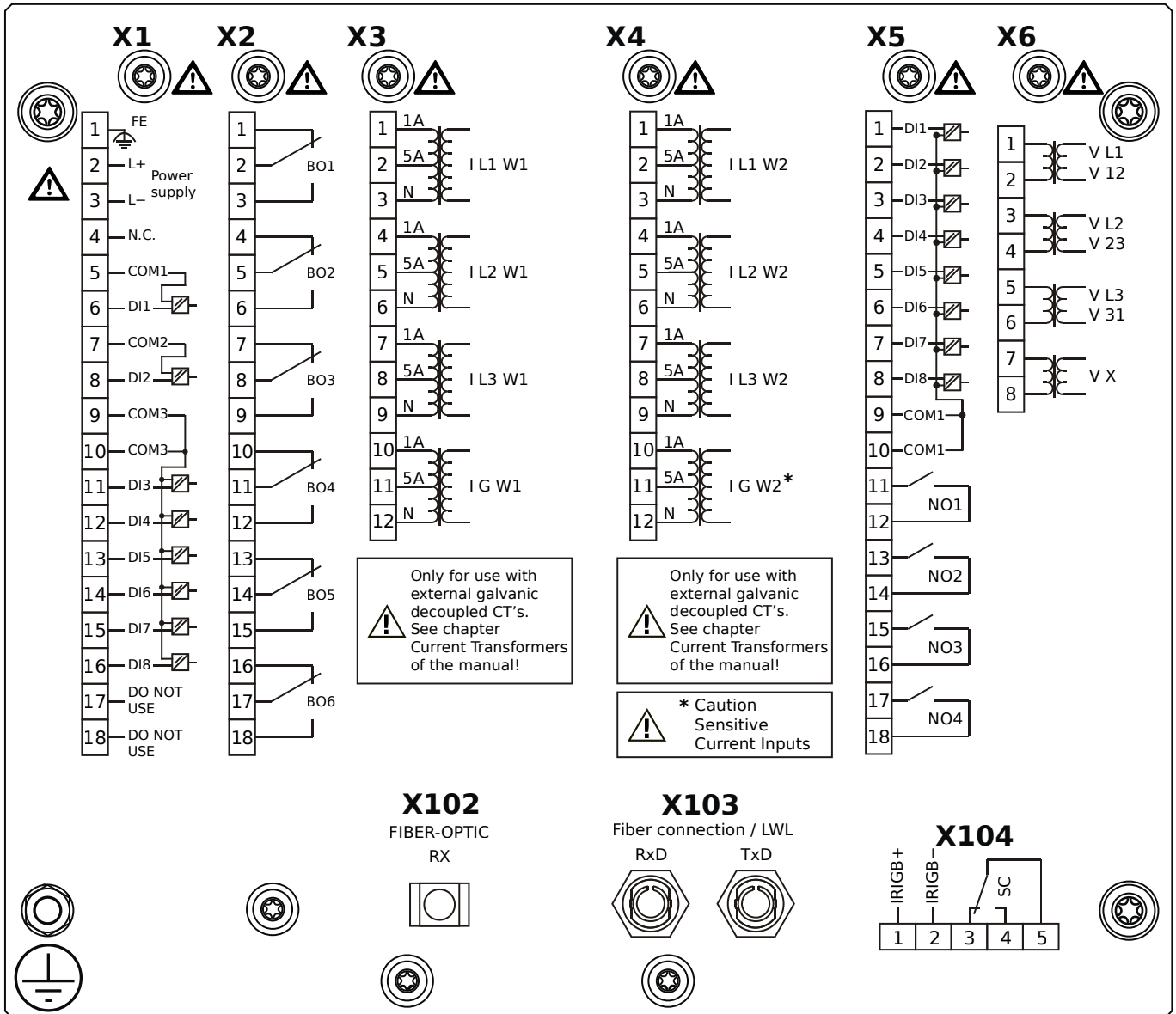
MCDTV4-2A2BFA



Housing B2, large display, 19" rack mounting

- X1** – DI8-X1: Wide-range power supply unit, incl. 2 non-grouped digital inputs and 6 grouped digital inputs
- X2** – OR6: Assembly Group with 6 Output Relays
- X3** – TI: Standard current measuring card (for the winding side 1)
- X4** – TIs: Standard phase current measuring card and sensitive ground current measuring (winding side 2)
- X5** – DI8-OR4: Assembly Group with 8 Digital Inputs and 4 Output Relays
- X6** – TU: Card with 4 voltage transformer measuring inputs
- X102** – Universal Resistance-Temperature Detector (URTD) input, Fiber optics interface, Versatile Link
- X103** – Modbus RTU / IEC 60870-5-103 / DNP3.0 RTU, Fiber optics interface, ST Connector
- X104** – IRIG-B00X, incl. System Contact (Supervision Contact)

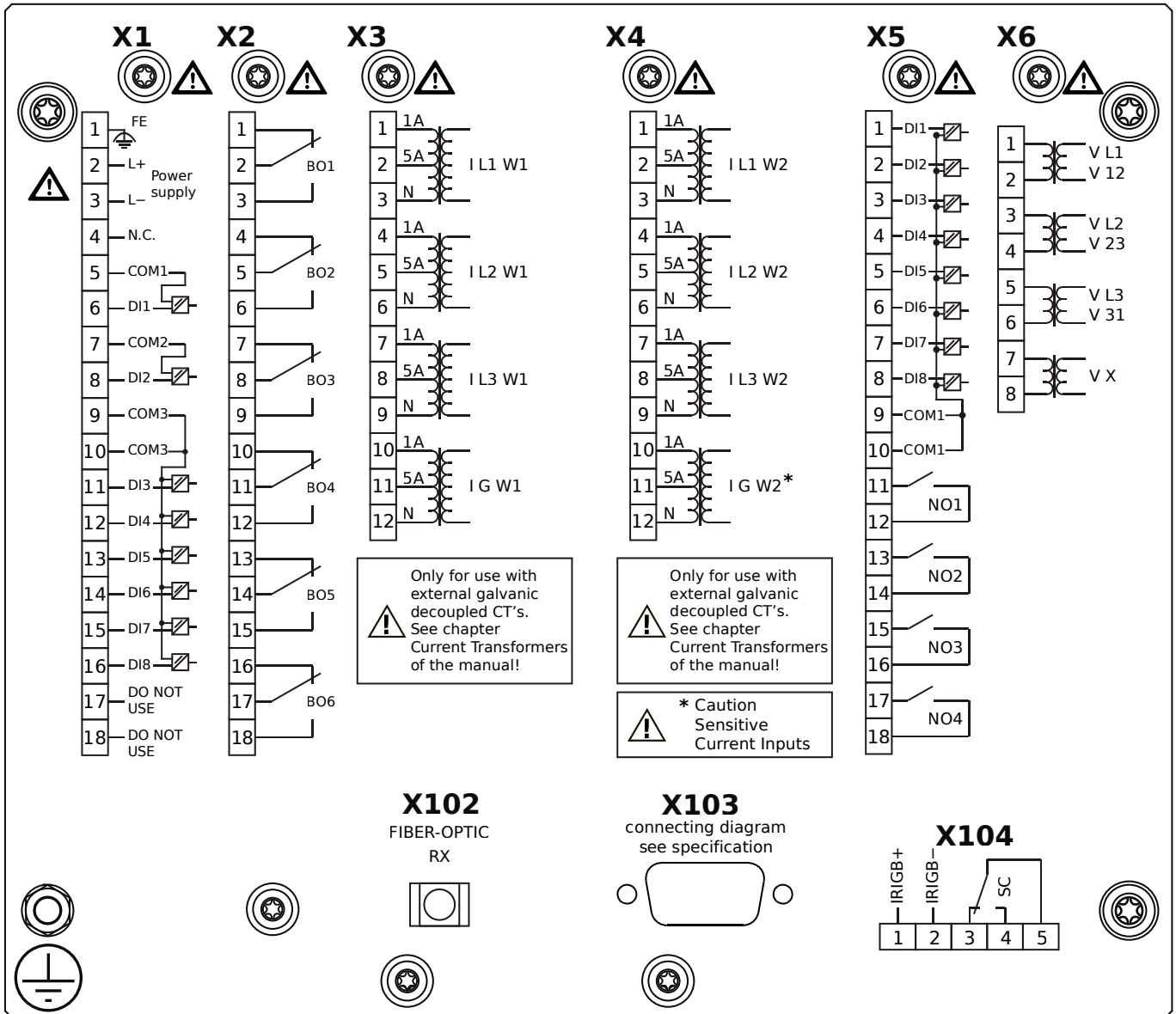
MCDTV4-2A2BFB



Housing B2, large display, 19" rack mounting

- + Conformal Coating (for installations in harsh environment)
- X1** – DI8-X1: Wide-range power supply unit, incl. 2 non-grouped digital inputs and 6 grouped digital inputs
- X2** – OR6: Assembly Group with 6 Output Relays
- X3** – TI: Standard current measuring card (for the winding side 1)
- X4** – TIs: Standard phase current measuring card and sensitive ground current measuring (winding side 2)
- X5** – DI8-OR4: Assembly Group with 8 Digital Inputs and 4 Output Relays
- X6** – TU: Card with 4 voltage transformer measuring inputs
- X102** – Universal Resistance-Temperature Detector (URTD) input, Fiber optics interface, Versatile Link
- X103** – Modbus RTU / IEC 60870-5-103 / DNP3.0 RTU, Fiber optics interface, ST Connector
- X104** – IRIG-B00X, incl. System Contact (Supervision Contact)

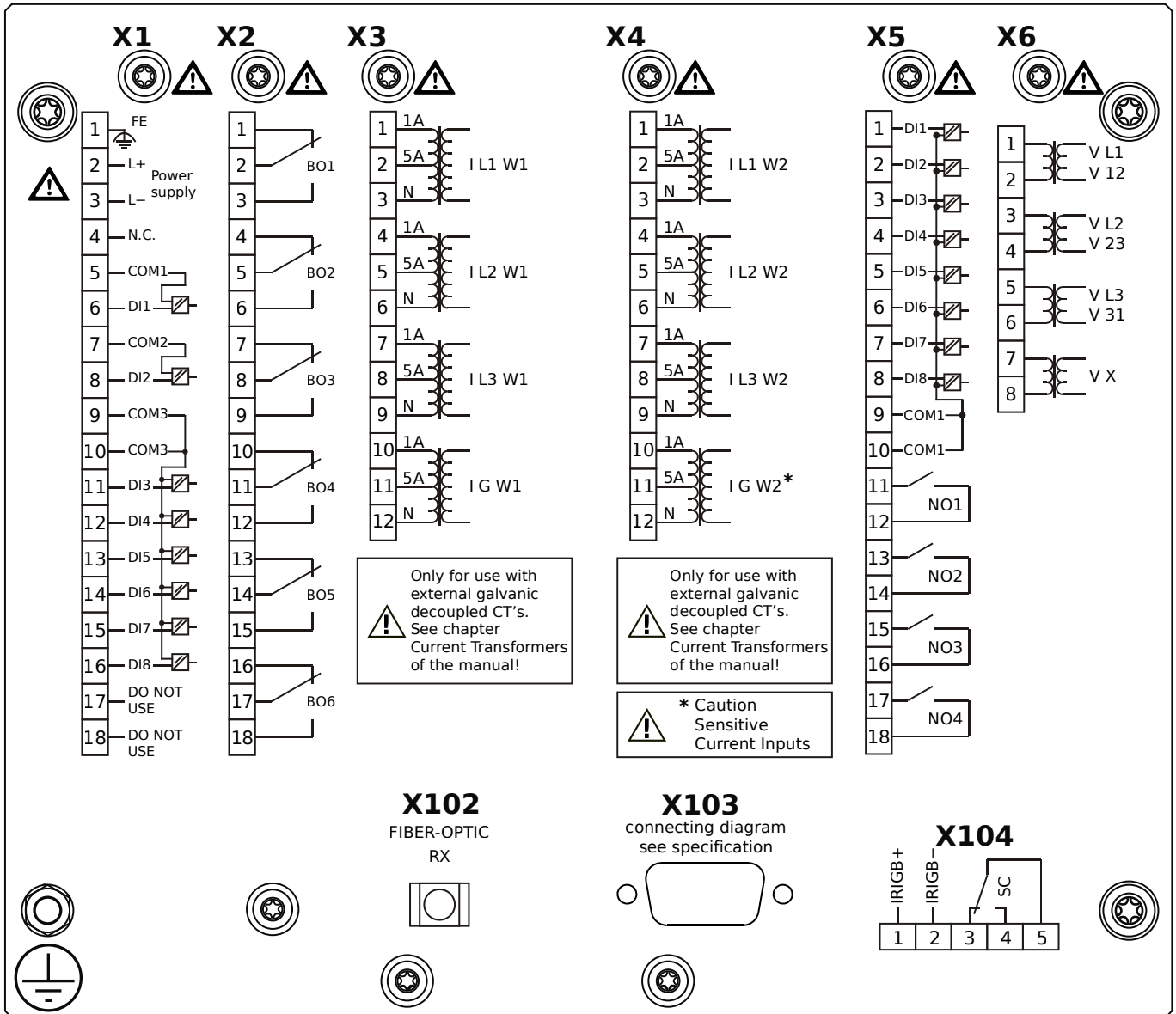
MCDTV4-2A2BGA



Housing B2, large display, 19" rack mounting

- X1** – DI8-X1: Wide-range power supply unit, incl. 2 non-grouped digital inputs and 6 grouped digital inputs
- X2** – OR6: Assembly Group with 6 Output Relays
- X3** – TI: Standard current measuring card (for the winding side 1)
- X4** – TIs: Standard phase current measuring card and sensitive ground current measuring (winding side 2)
- X5** – DI8-OR4: Assembly Group with 8 Digital Inputs and 4 Output Relays
- X6** – TU: Card with 4 voltage transformer measuring inputs
- X102** – Universal Resistance-Temperature Detector (URTD) input, Fiber optics interface, Versatile Link
- X103** – Modbus RTU / IEC 60870-5-103 / DNP3.0 RTU, RS485, D-SUB
- X104** – IRIG-B00X, incl. System Contact (Supervision Contact)

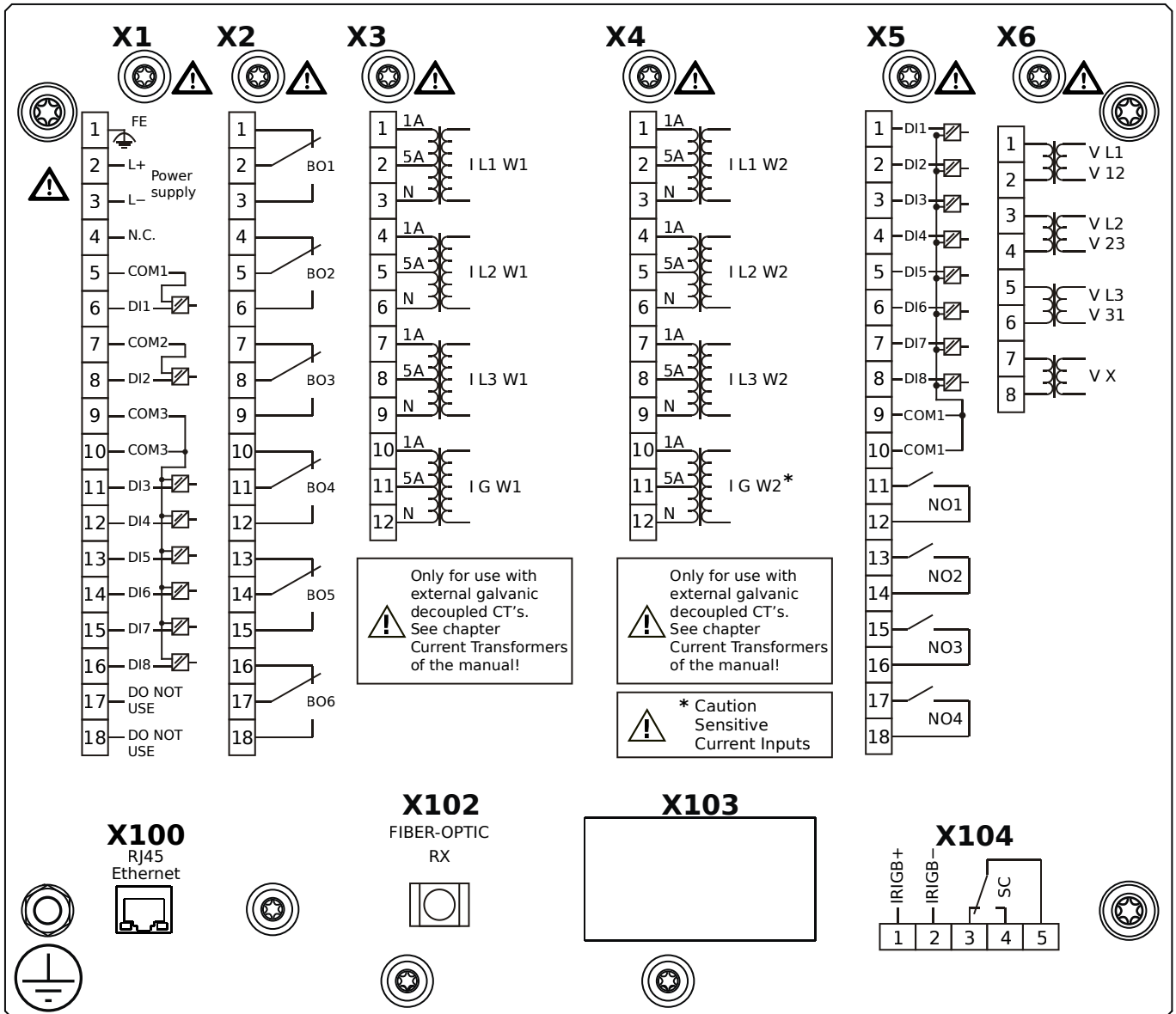
MCDTV4-2A2BGB



Housing B2, large display, 19" rack mounting

- + Conformal Coating (for installations in harsh environment)
- X1** – DI8-X1: Wide-range power supply unit, incl. 2 non-grouped digital inputs and 6 grouped digital inputs
- X2** – OR6: Assembly Group with 6 Output Relays
- X3** – TI: Standard current measuring card (for the winding side 1)
- X4** – TIs: Standard phase current measuring card and sensitive ground current measuring (winding side 2)
- X5** – DI8-OR4: Assembly Group with 8 Digital Inputs and 4 Output Relays
- X6** – TU: Card with 4 voltage transformer measuring inputs
- X102** – Universal Resistance-Temperature Detector (URTD) input, Fiber optics interface, Versatile Link
- X103** – Modbus RTU / IEC 60870-5-103 / DNP3.0 RTU, RS485, D-SUB
- X104** – IRIG-B00X, incl. System Contact (Supervision Contact)

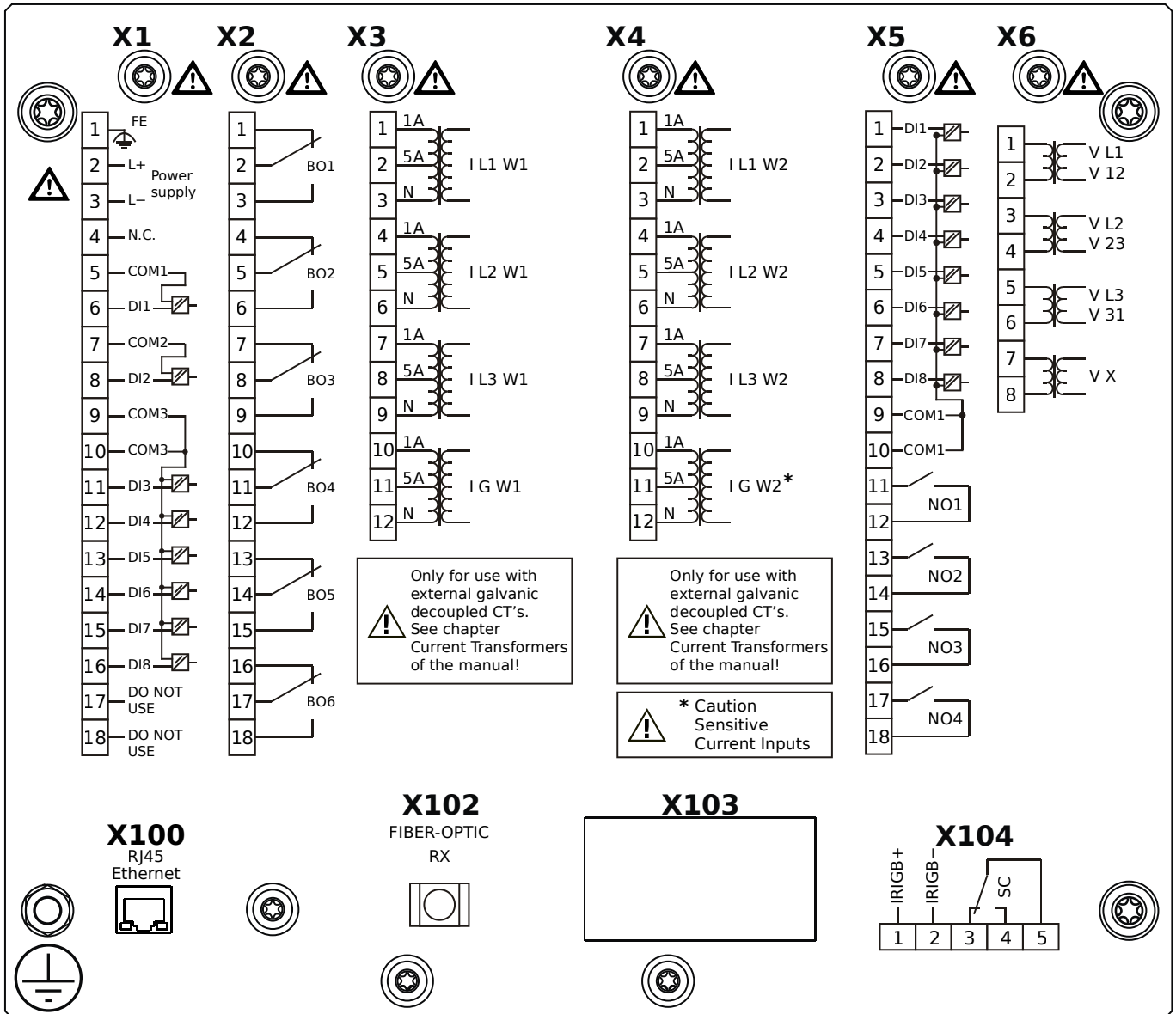
MCDTV4-2A2BHA



Housing B2, large display, 19" rack mounting

- X1** – DI8-X1: Wide-range power supply unit, incl. 2 non-grouped digital inputs and 6 grouped digital inputs
- X2** – OR6: Assembly Group with 6 Output Relays
- X3** – TI: Standard current measuring card (for the winding side 1)
- X4** – TIs: Standard phase current measuring card and sensitive ground current measuring (winding side 2)
- X5** – DI8-OR4: Assembly Group with 8 Digital Inputs and 4 Output Relays
- X6** – TU: Card with 4 voltage transformer measuring inputs
- X100** – IEC 61850 / Modbus TCP / DNP3.0 TCP/UDP, Ethernet interface, 100 Mbit/s, RJ45 (BASE100-FX)
- X102** – Universal Resistance-Temperature Detector (URTD) input, Fiber optics interface, Versatile Link
- X104** – IRIG-B00X, incl. System Contact (Supervision Contact)

MCDTV4-2A2BHB



Housing B2, large display, 19" rack mounting

+ Conformal Coating (for installations in harsh environment)

X1 – DI8-X1: Wide-range power supply unit, incl. 2 non-grouped digital inputs and 6 grouped digital inputs

X2 – OR6: Assembly Group with 6 Output Relays

X3 – TI: Standard current measuring card (for the winding side 1)

X4 – TIs: Standard phase current measuring card and sensitive ground current measuring (winding side 2)

X5 – DI8-OR4: Assembly Group with 8 Digital Inputs and 4 Output Relays

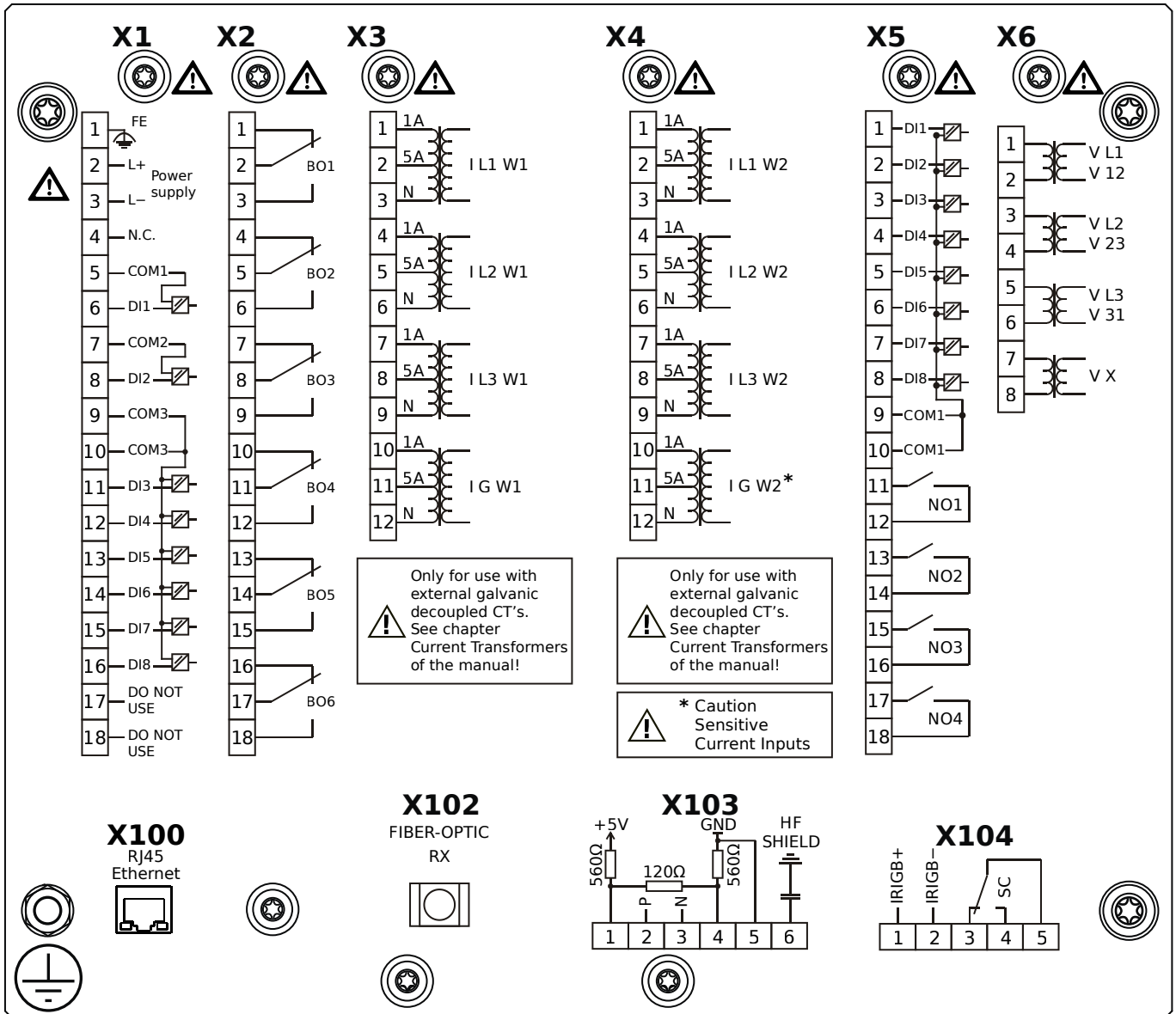
X6 – TU: Card with 4 voltage transformer measuring inputs

X100 – IEC 61850 / Modbus TCP / DNP3.0 TCP/UDP, Ethernet interface, 100 Mbit/s, RJ45 (BASE100-FX)

X102 – Universal Resistance-Temperature Detector (URTD) input, Fiber optics interface, Versatile Link

X104 – IRIG-B00X, incl. System Contact (Supervision Contact)

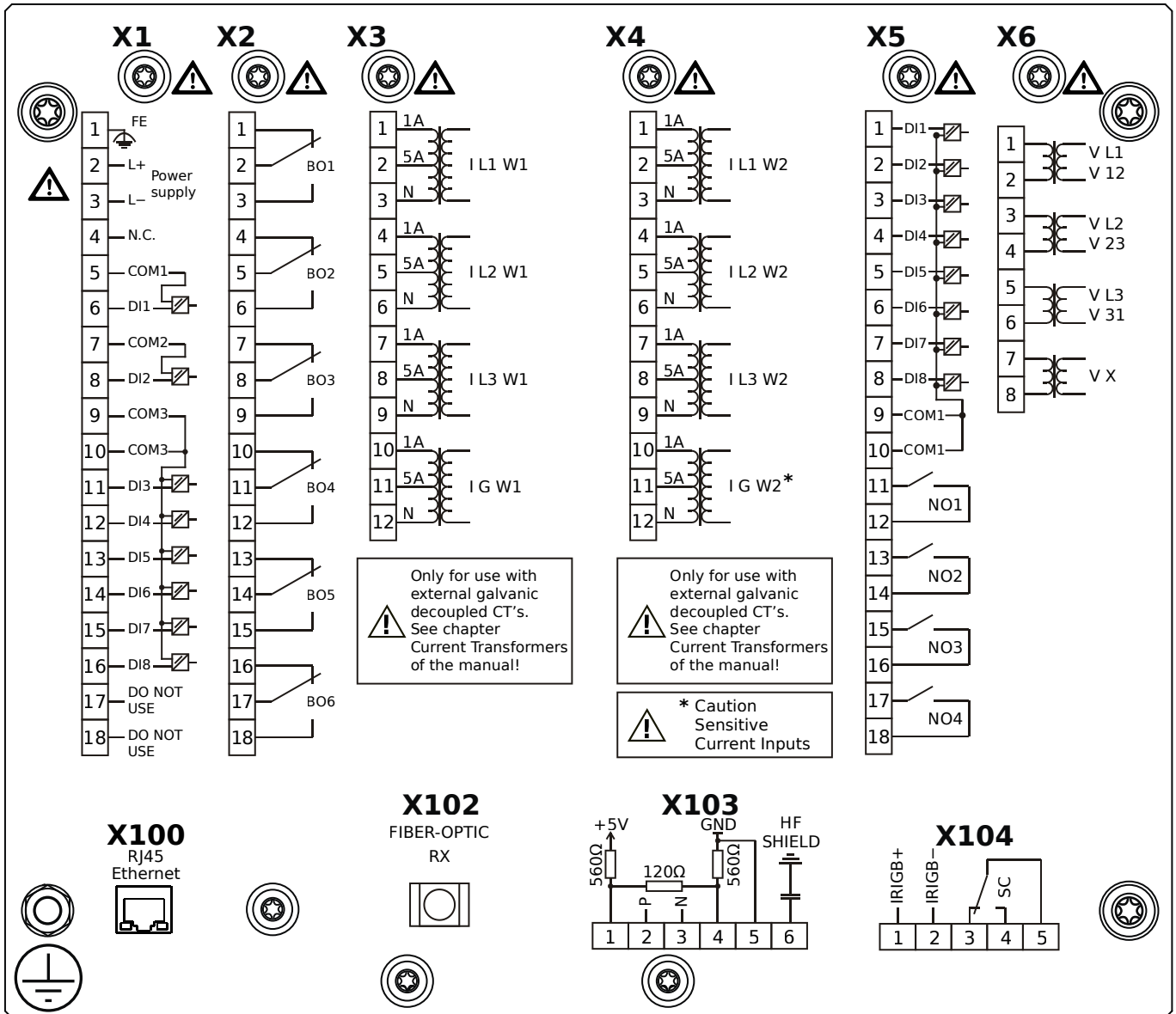
MCDTV4-2A2BIA



Housing B2, large display, 19" rack mounting

- X1** – DI8-X1: Wide-range power supply unit, incl. 2 non-grouped digital inputs and 6 grouped digital inputs
- X2** – OR6: Assembly Group with 6 Output Relays
- X3** – TI: Standard current measuring card (for the winding side 1)
- X4** – TIs: Standard phase current measuring card and sensitive ground current measuring (winding side 2)
- X5** – DI8-OR4: Assembly Group with 8 Digital Inputs and 4 Output Relays
- X6** – TU: Card with 4 voltage transformer measuring inputs
- X100** – Modbus TCP / DNP3.0 TCP/UDP, Ethernet interface, 100 Mbit/s, RJ45 (BASE100-FX)
- X102** – Universal Resistance-Temperature Detector (URTD) input, Fiber optics interface, Versatile Link
- X103** – IEC 60870-5-103 / Modbus RTU / DNP3.0 RTU, RS485, Terminals
- X104** – IRIG-B00X, incl. System Contact (Supervision Contact)

MCDTV4-2A2BIB

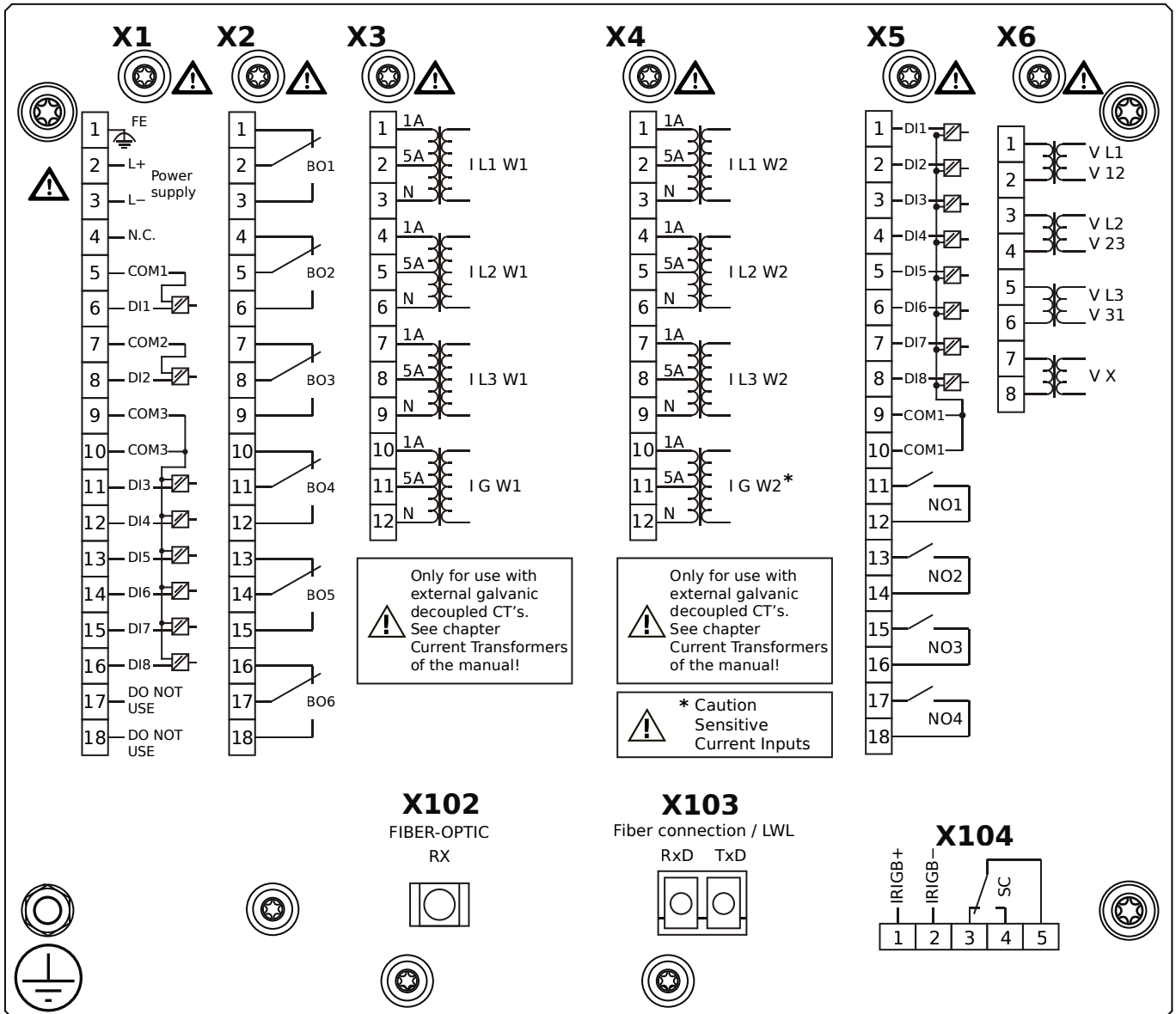


Housing B2, large display, 19" rack mounting

+ Conformal Coating (for installations in harsh environment)

- X1** – DI8-X1: Wide-range power supply unit, incl. 2 non-grouped digital inputs and 6 grouped digital inputs
- X2** – OR6: Assembly Group with 6 Output Relays
- X3** – TI: Standard current measuring card (for the winding side 1)
- X4** – TIs: Standard phase current measuring card and sensitive ground current measuring (winding side 2)
- X5** – DI8-OR4: Assembly Group with 8 Digital Inputs and 4 Output Relays
- X6** – TU: Card with 4 voltage transformer measuring inputs
- X100** – Modbus TCP / DNP3.0 TCP/UDP, Ethernet interface, 100 Mbit/s, RJ45 (BASE100-FX)
- X102** – Universal Resistance-Temperature Detector (URTD) input, Fiber optics interface, Versatile Link
- X103** – IEC 60870-5-103 / Modbus RTU / DNP3.0 RTU, RS485, Terminals
- X104** – IRIG-B00X, incl. System Contact (Supervision Contact)

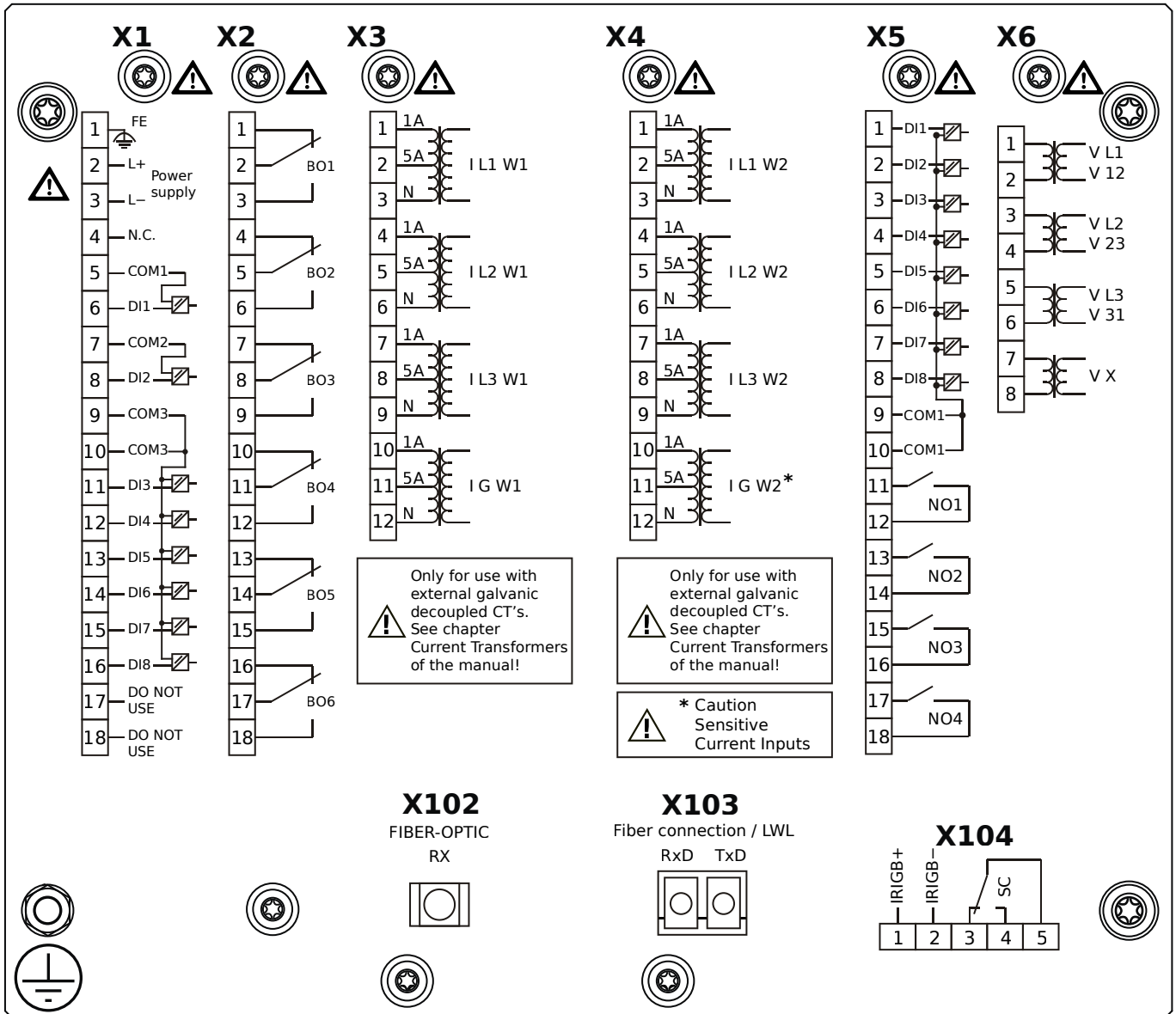
MCDTV4-2A2BKA



Housing B2, large display, 19" rack mounting

- X1** – DI8-X1: Wide-range power supply unit, incl. 2 non-grouped digital inputs and 6 grouped digital inputs
- X2** – OR6: Assembly Group with 6 Output Relays
- X3** – TI: Standard current measuring card (for the winding side 1)
- X4** – TIs: Standard phase current measuring card and sensitive ground current measuring (winding side 2)
- X5** – DI8-OR4: Assembly Group with 8 Digital Inputs and 4 Output Relays
- X6** – TU: Card with 4 voltage transformer measuring inputs
- X102** – Universal Resistance-Temperature Detector (URTD) input, Fiber optics interface, Versatile Link
- X103** – IEC 61850 / Modbus TCP / DNP3.0 TCP/UDP, Fiber optics interface, LC Connector
- X104** – IRIG-B00X, incl. System Contact (Supervision Contact)

MCDTV4-2A2BKB

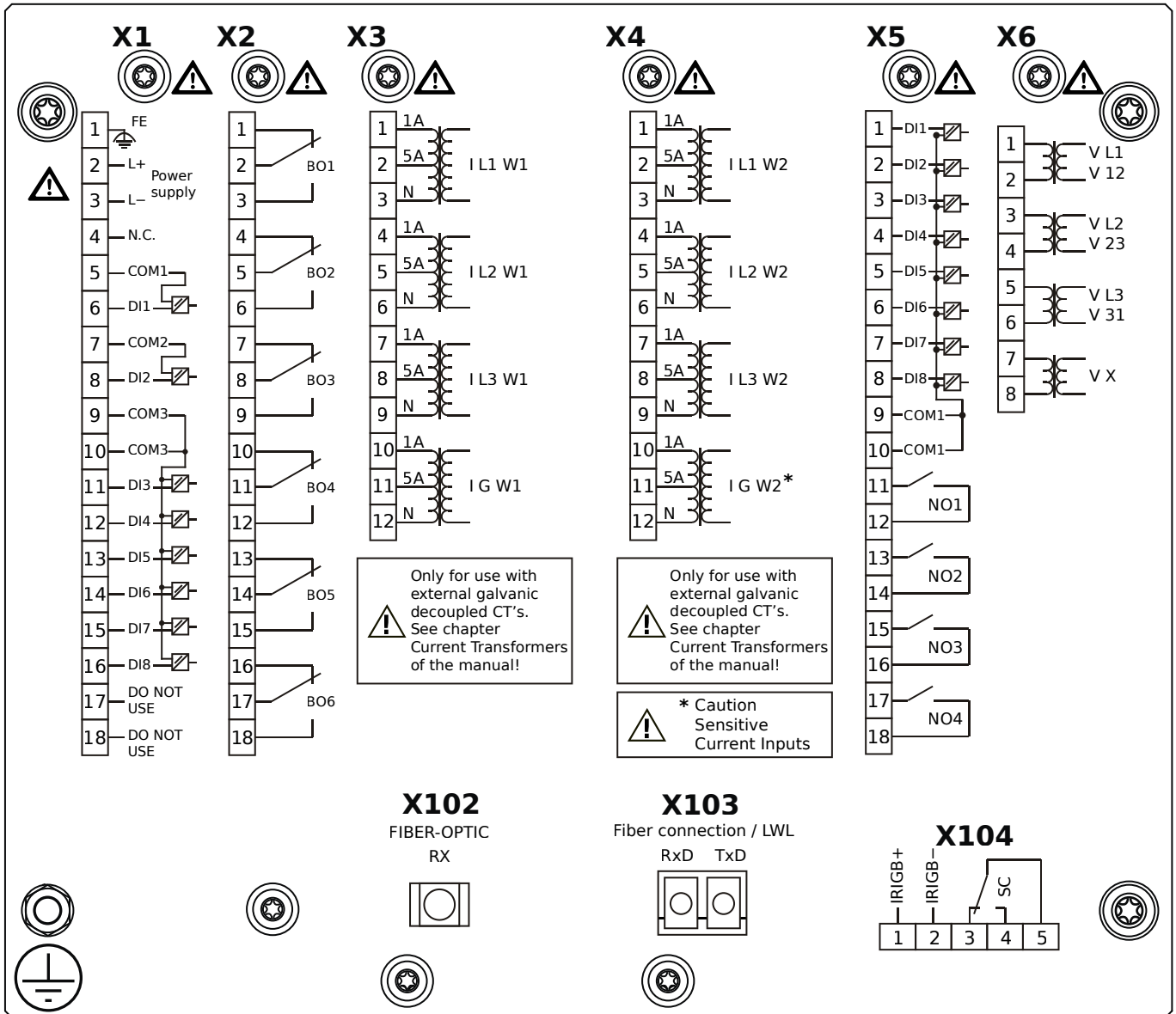


Housing B2, large display, 19" rack mounting

+ Conformal Coating (for installations in harsh environment)

- X1** – DI8-X1: Wide-range power supply unit, incl. 2 non-grouped digital inputs and 6 grouped digital inputs
- X2** – OR6: Assembly Group with 6 Output Relays
- X3** – TI: Standard current measuring card (for the winding side 1)
- X4** – TIs: Standard phase current measuring card and sensitive ground current measuring (winding side 2)
- X5** – DI8-OR4: Assembly Group with 8 Digital Inputs and 4 Output Relays
- X6** – TU: Card with 4 voltage transformer measuring inputs
- X102** – Universal Resistance-Temperature Detector (URTD) input, Fiber optics interface, Versatile Link
- X103** – IEC 61850 / Modbus TCP / DNP3.0 TCP/UDP, Fiber optics interface, LC Connector
- X104** – IRIG-B00X, incl. System Contact (Supervision Contact)

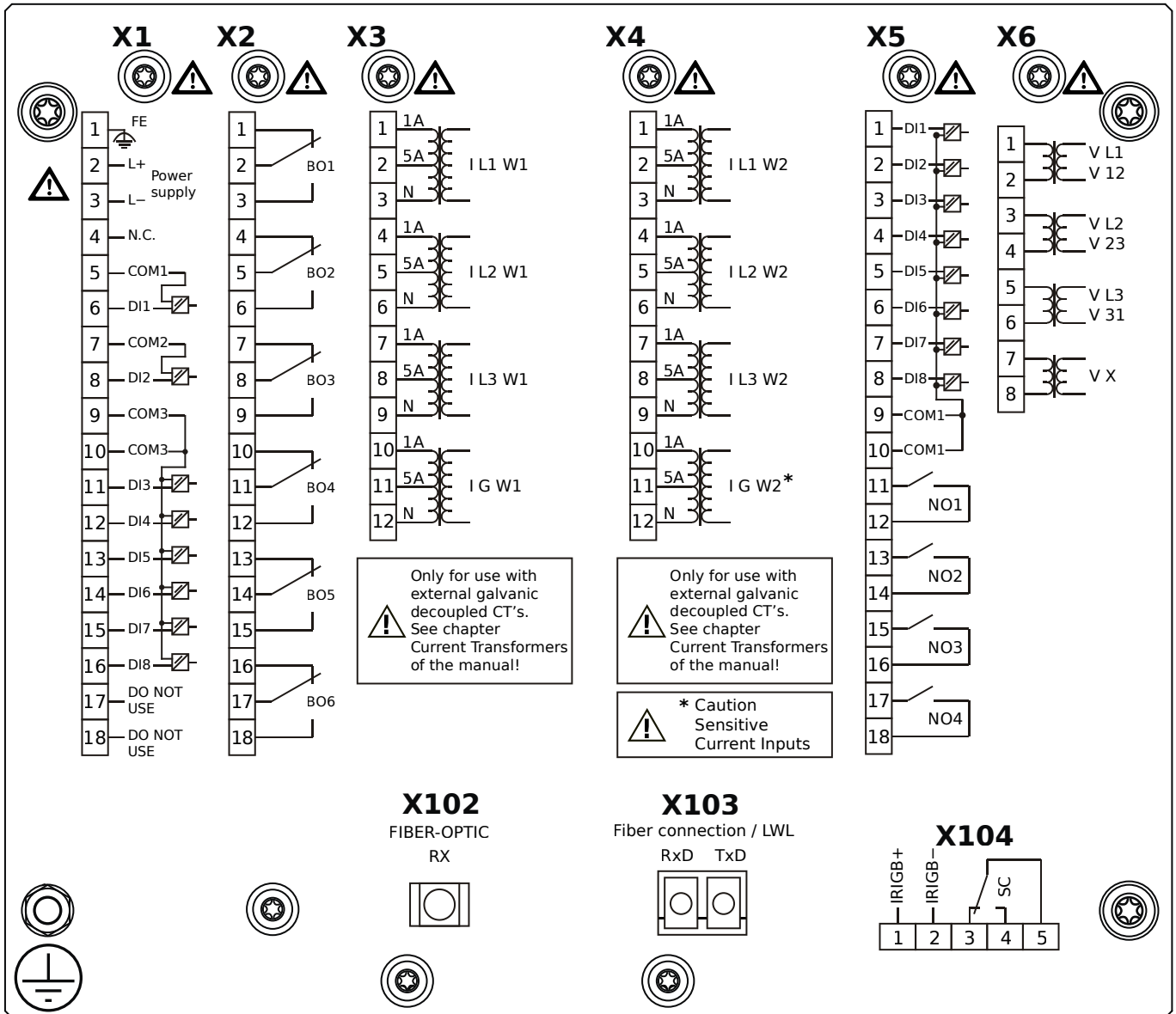
MCDTV4-2A2BLA



Housing B2, large display, 19" rack mounting

- X1** – DI8-X1: Wide-range power supply unit, incl. 2 non-grouped digital inputs and 6 grouped digital inputs
- X2** – OR6: Assembly Group with 6 Output Relays
- X3** – TI: Standard current measuring card (for the winding side 1)
- X4** – TIs: Standard phase current measuring card and sensitive ground current measuring (winding side 2)
- X5** – DI8-OR4: Assembly Group with 8 Digital Inputs and 4 Output Relays
- X6** – TU: Card with 4 voltage transformer measuring inputs
- X102** – Universal Resistance-Temperature Detector (URTD) input, Fiber optics interface, Versatile Link
- X103** – Modbus TCP / DNP3.0 TCP/UDP, Fiber optics interface, LC Connector
- X104** – IRIG-B00X, incl. System Contact (Supervision Contact)

MCDTV4-2A2BLB

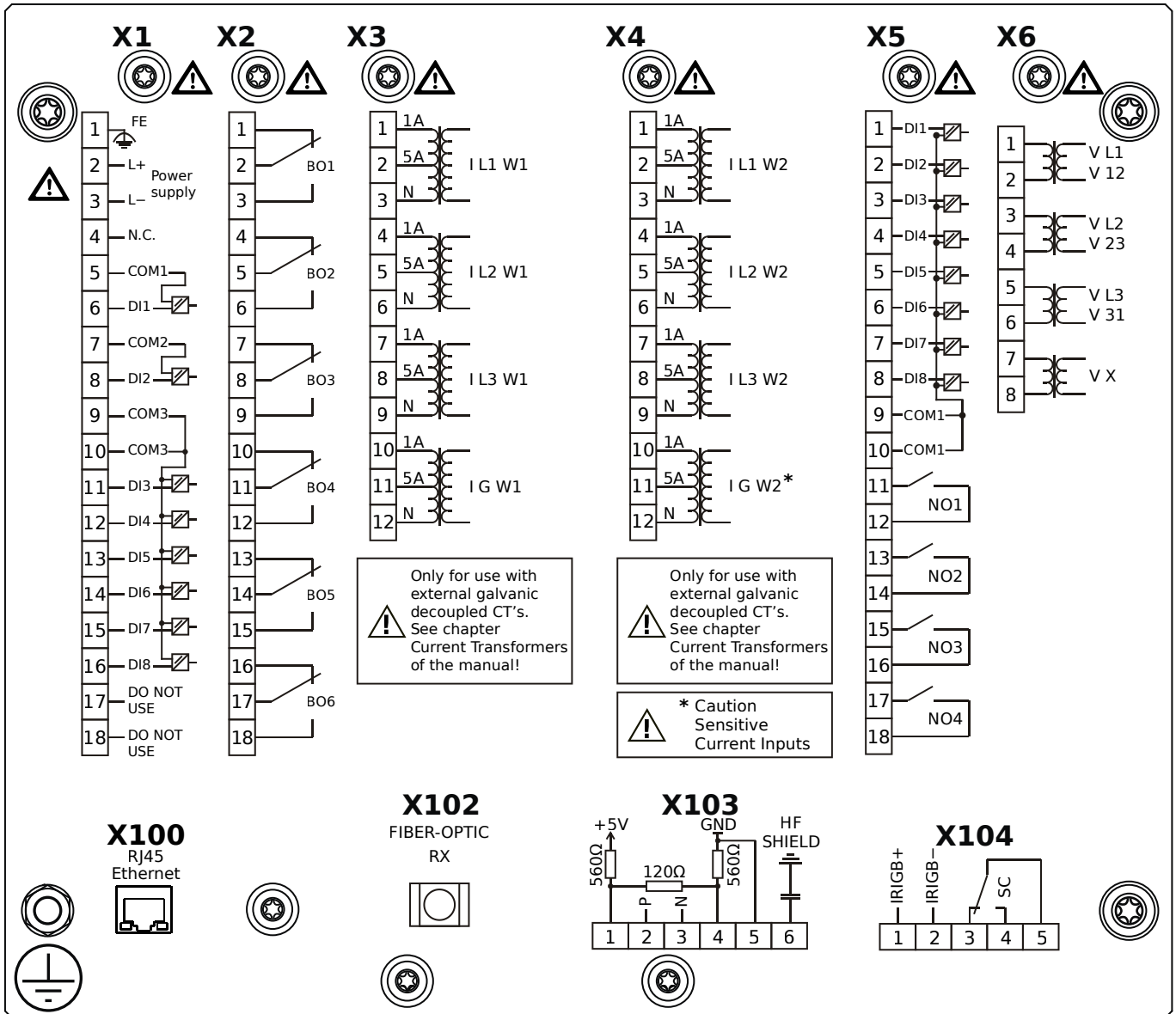


Housing B2, large display, 19" rack mounting

+ Conformal Coating (for installations in harsh environment)

- X1** – DI8-X1: Wide-range power supply unit, incl. 2 non-grouped digital inputs and 6 grouped digital inputs
- X2** – OR6: Assembly Group with 6 Output Relays
- X3** – TI: Standard current measuring card (for the winding side 1)
- X4** – TIs: Standard phase current measuring card and sensitive ground current measuring (winding side 2)
- X5** – DI8-OR4: Assembly Group with 8 Digital Inputs and 4 Output Relays
- X6** – TU: Card with 4 voltage transformer measuring inputs
- X102** – Universal Resistance-Temperature Detector (URTD) input, Fiber optics interface, Versatile Link
- X103** – Modbus TCP / DNP3.0 TCP/UDP, Fiber optics interface, LC Connector
- X104** – IRIG-B00X, incl. System Contact (Supervision Contact)

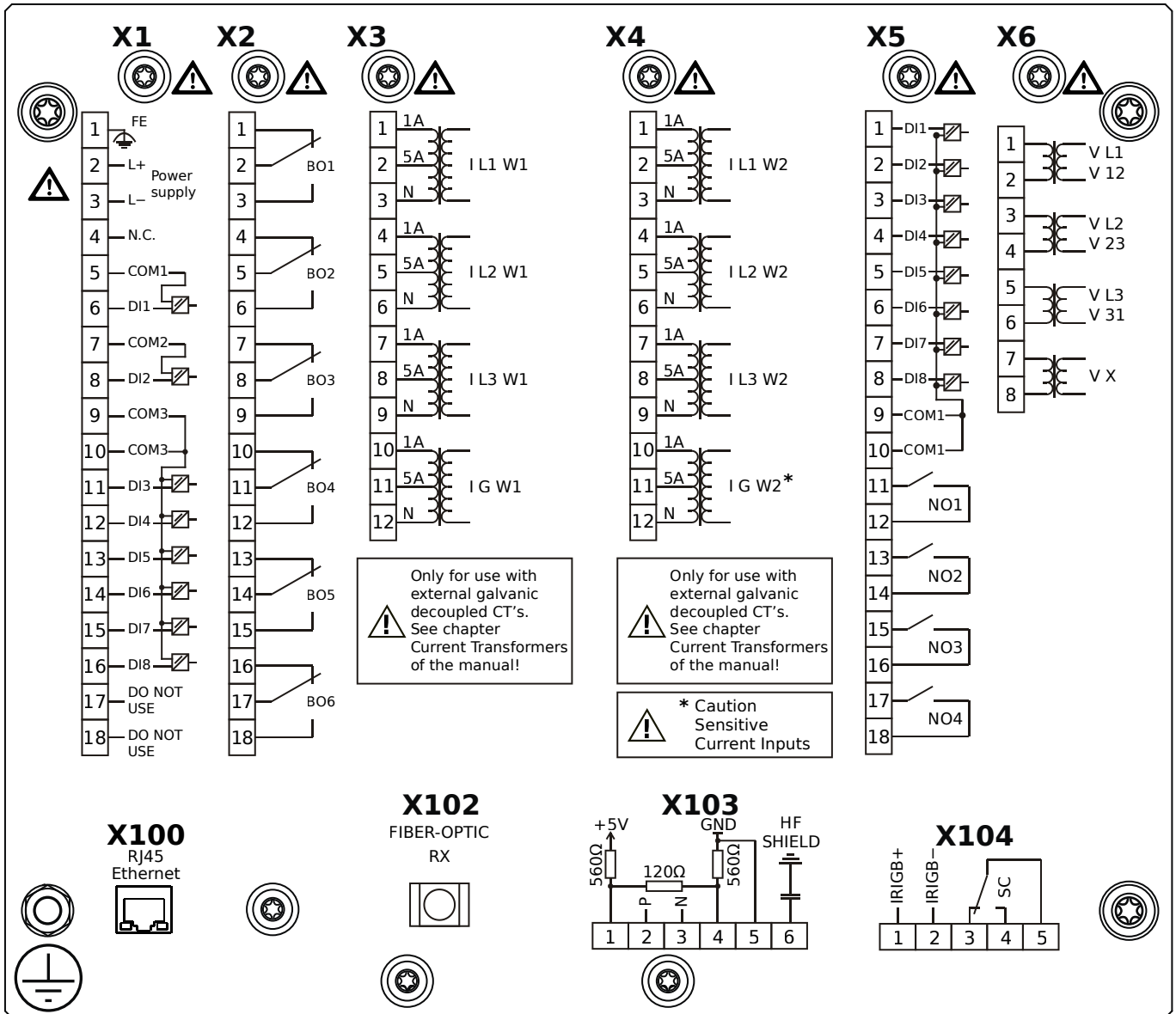
MCDTV4-2A2BTA



Housing B2, large display, 19" rack mounting

- X1** – DI8-X1: Wide-range power supply unit, incl. 2 non-grouped digital inputs and 6 grouped digital inputs
- X2** – OR6: Assembly Group with 6 Output Relays
- X3** – TI: Standard current measuring card (for the winding side 1)
- X4** – TIs: Standard phase current measuring card and sensitive ground current measuring (winding side 2)
- X5** – DI8-OR4: Assembly Group with 8 Digital Inputs and 4 Output Relays
- X6** – TU: Card with 4 voltage transformer measuring inputs
- X100** – IEC 61850 / Modbus TCP / DNP3.0 TCP/UDP, Ethernet interface, 100 Mbit/s, RJ45 (BASE100-FX)
- X102** – Universal Resistance-Temperature Detector (URTD) input, Fiber optics interface, Versatile Link
- X103** – IEC 60870-5-103 / Modbus RTU / DNP3.0 RTU, RS485, Terminals
- X104** – IRIG-B00X, incl. System Contact (Supervision Contact)

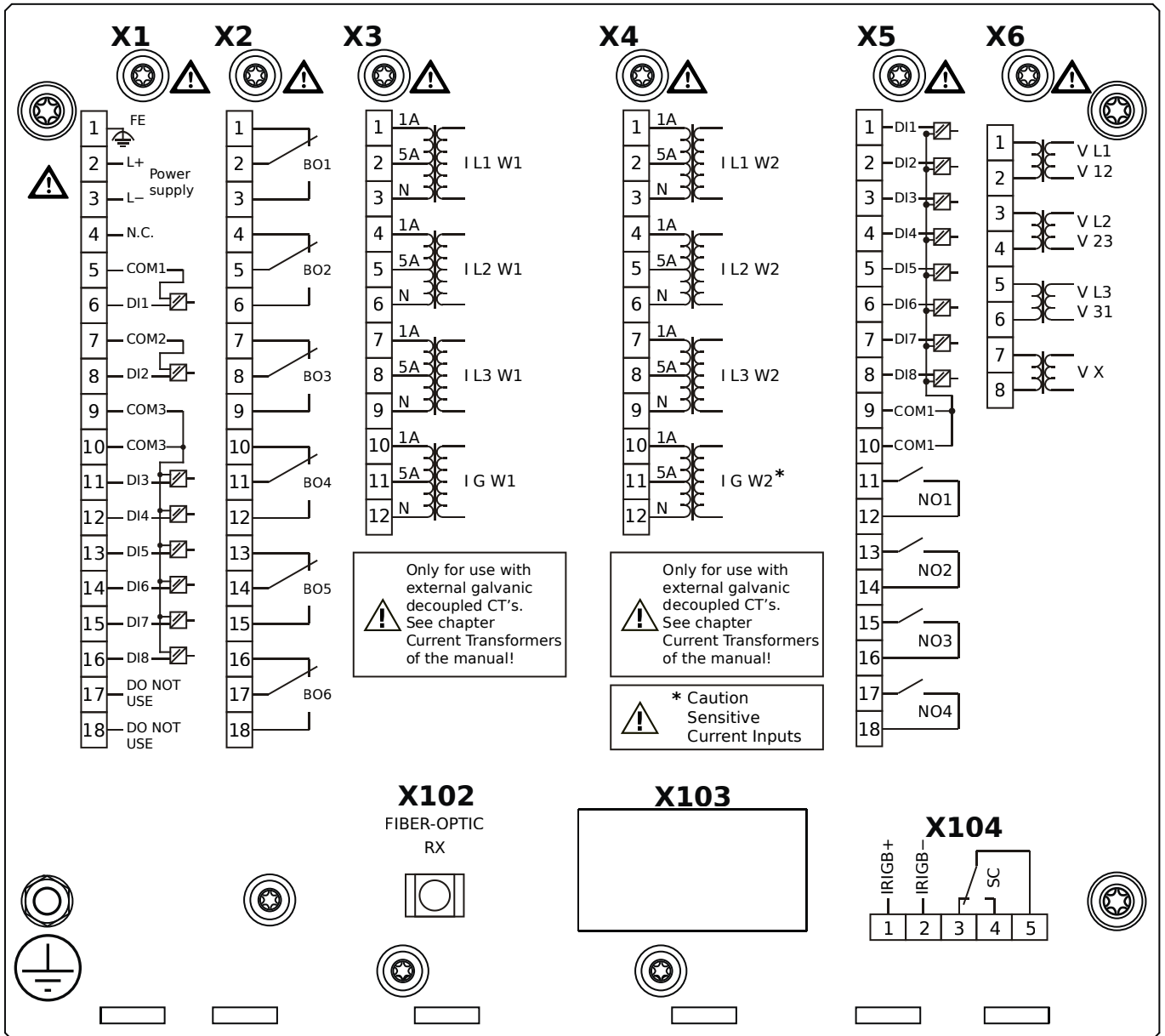
MCDTV4-2A2BTB



Housing B2, large display, 19" rack mounting

- + Conformal Coating (for installations in harsh environment)
- X1** – DI8-X1: Wide-range power supply unit, incl. 2 non-grouped digital inputs and 6 grouped digital inputs
- X2** – OR6: Assembly Group with 6 Output Relays
- X3** – TI: Standard current measuring card (for the winding side 1)
- X4** – TIs: Standard phase current measuring card and sensitive ground current measuring (winding side 2)
- X5** – DI8-OR4: Assembly Group with 8 Digital Inputs and 4 Output Relays
- X6** – TU: Card with 4 voltage transformer measuring inputs
- X100** – IEC 61850 / Modbus TCP / DNP3.0 TCP/UDP, Ethernet interface, 100 Mbit/s, RJ45 (BASE100-FX)
- X102** – Universal Resistance-Temperature Detector (URTD) input, Fiber optics interface, Versatile Link
- X103** – IEC 60870-5-103 / Modbus RTU / DNP3.0 RTU, RS485, Terminals
- X104** – IRIG-B00X, incl. System Contact (Supervision Contact)

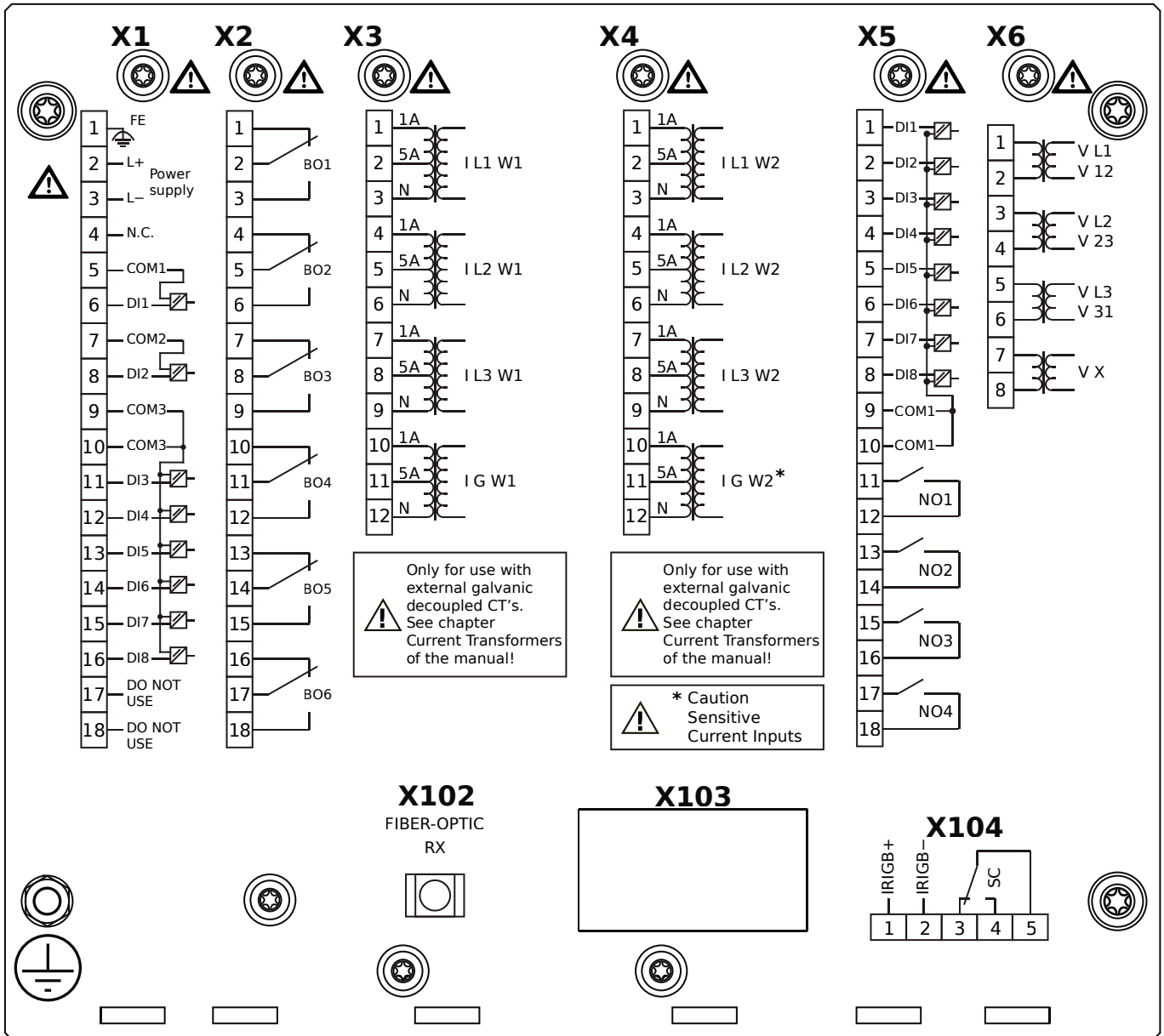
MCDTV4-2A2HAA



Housing B2, large display, door mounting

- X1** – DI8-X1: Wide-range power supply unit, incl. 2 non-grouped digital inputs and 6 grouped digital inputs
- X2** – OR6: Assembly Group with 6 Output Relays
- X3** – TI: Standard current measuring card (for the winding side 1)
- X4** – TIs: Standard phase current measuring card and sensitive ground current measuring (winding side 2)
- X5** – DI8-OR4: Assembly Group with 8 Digital Inputs and 4 Output Relays
- X6** – TU: Card with 4 voltage transformer measuring inputs
- X102** – Universal Resistance-Temperature Detector (URTD) input, Fiber optics interface, Versatile Link
- X104** – IRIG-B00X, incl. System Contact (Supervision Contact)

MCDTV4-2A2HAB

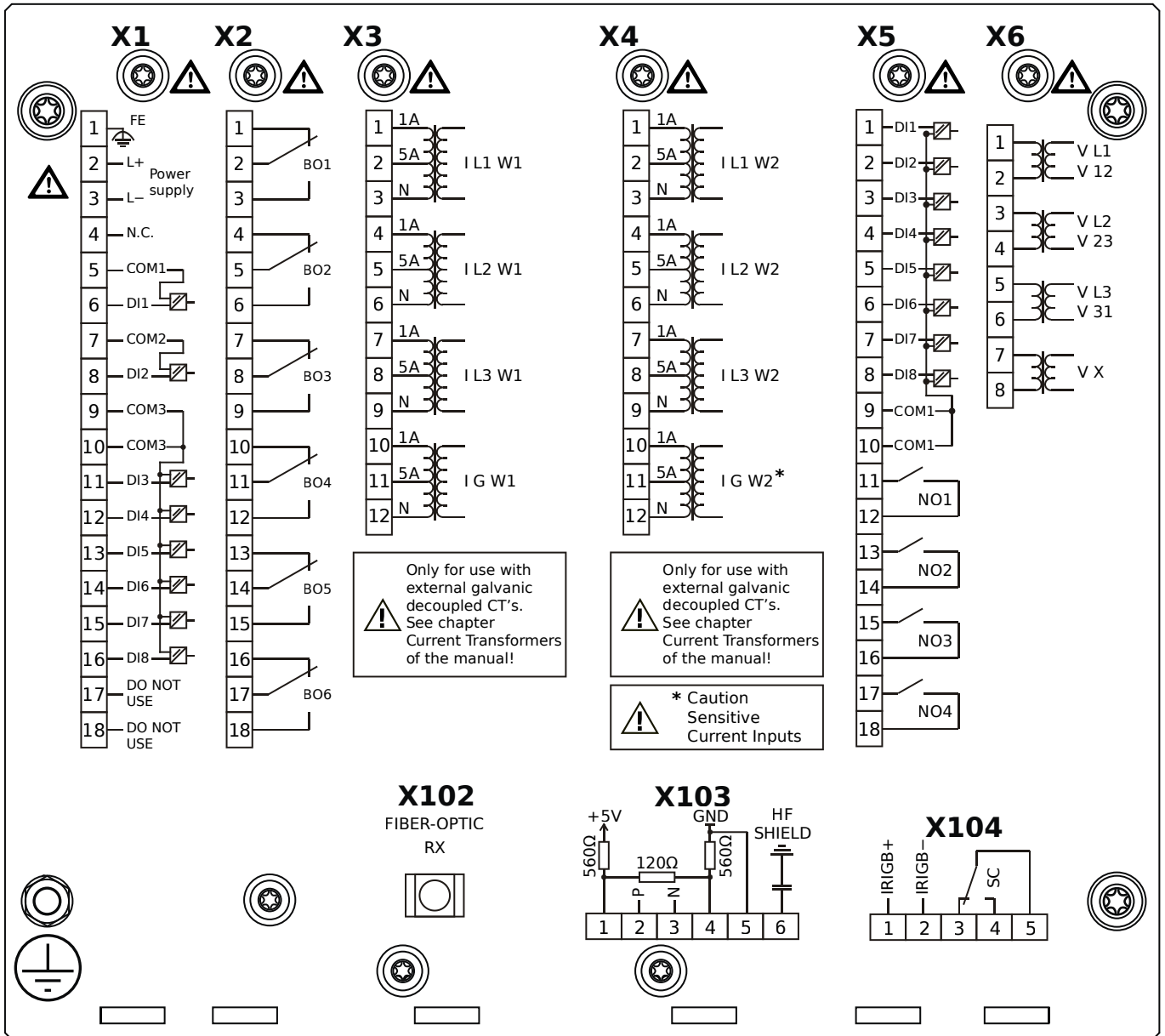


Housing B2, large display, door mounting

+ Conformal Coating (for installations in harsh environment)

- X1** – DI8-X1: Wide-range power supply unit, incl. 2 non-grouped digital inputs and 6 grouped digital inputs
- X2** – OR6: Assembly Group with 6 Output Relays
- X3** – TI: Standard current measuring card (for the winding side 1)
- X4** – TIs: Standard phase current measuring card and sensitive ground current measuring (winding side 2)
- X5** – DI8-OR4: Assembly Group with 8 Digital Inputs and 4 Output Relays
- X6** – TU: Card with 4 voltage transformer measuring inputs
- X102** – Universal Resistance-Temperature Detector (URTD) input, Fiber optics interface, Versatile Link
- X104** – IRIG-B00X, incl. System Contact (Supervision Contact)

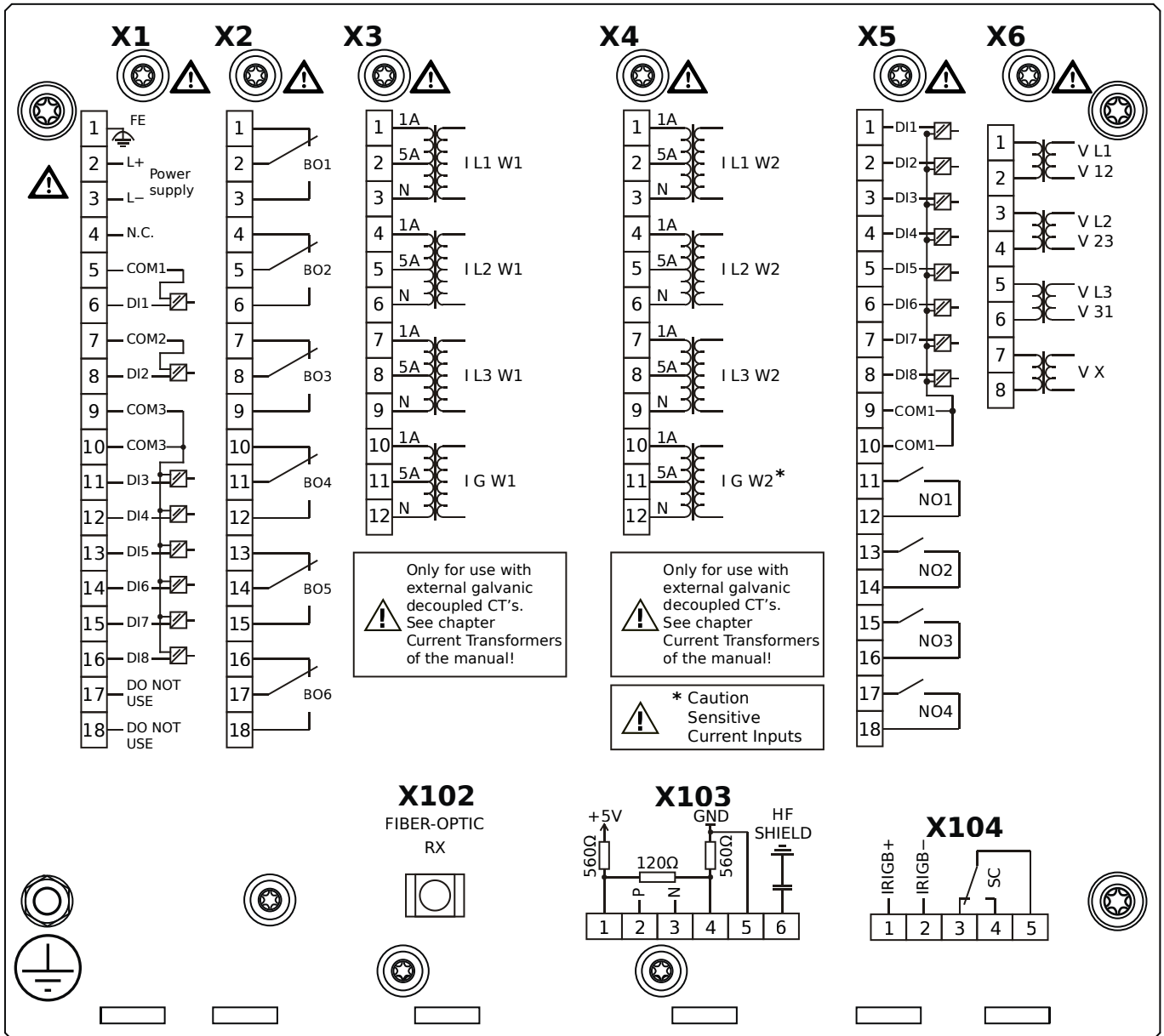
MCDTV4-2A2HBA



Housing B2, large display, door mounting

- X1** – DI8-X1: Wide-range power supply unit, incl. 2 non-grouped digital inputs and 6 grouped digital inputs
- X2** – OR6: Assembly Group with 6 Output Relays
- X3** – TI: Standard current measuring card (for the winding side 1)
- X4** – TIs: Standard phase current measuring card and sensitive ground current measuring (winding side 2)
- X5** – DI8-OR4: Assembly Group with 8 Digital Inputs and 4 Output Relays
- X6** – TU: Card with 4 voltage transformer measuring inputs
- X102** – Universal Resistance-Temperature Detector (URTD) input, Fiber optics interface, Versatile Link
- X103** – Modbus RTU / IEC 60870-5-103 / DNP3.0 RTU, RS485, Terminals
- X104** – IRIG-B00X, incl. System Contact (Supervision Contact)

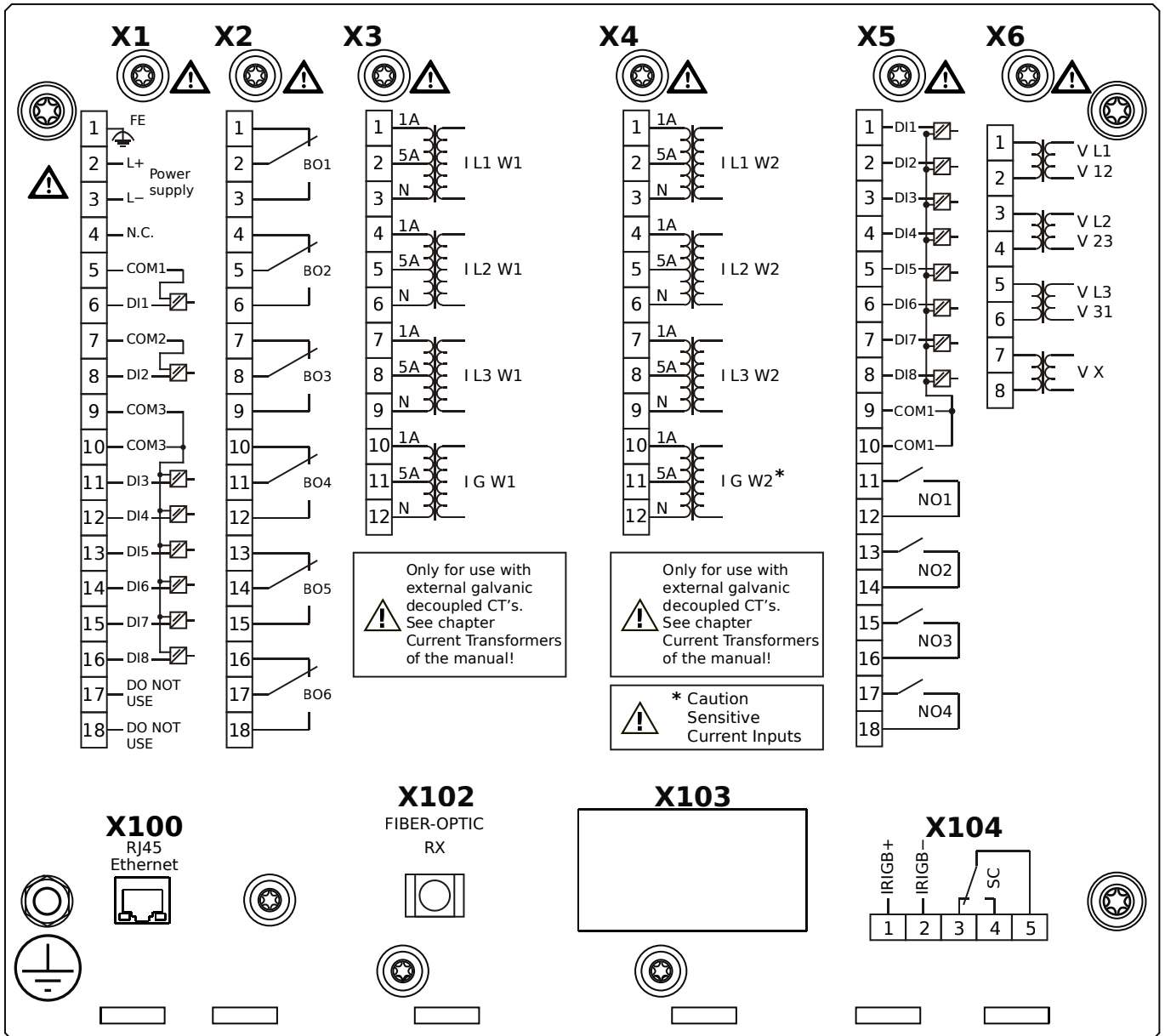
MCDTV4-2A2HBB



Housing B2, large display, door mounting

- + Conformal Coating (for installations in harsh environment)
- X1** – DI8-X1: Wide-range power supply unit, incl. 2 non-grouped digital inputs and 6 grouped digital inputs
- X2** – OR6: Assembly Group with 6 Output Relays
- X3** – TI: Standard current measuring card (for the winding side 1)
- X4** – TIs: Standard phase current measuring card and sensitive ground current measuring (winding side 2)
- X5** – DI8-OR4: Assembly Group with 8 Digital Inputs and 4 Output Relays
- X6** – TU: Card with 4 voltage transformer measuring inputs
- X102** – Universal Resistance-Temperature Detector (URTD) input, Fiber optics interface, Versatile Link
- X103** – Modbus RTU / IEC 60870-5-103 / DNP3.0 RTU, RS485, Terminals
- X104** – IRIG-B00X, incl. System Contact (Supervision Contact)

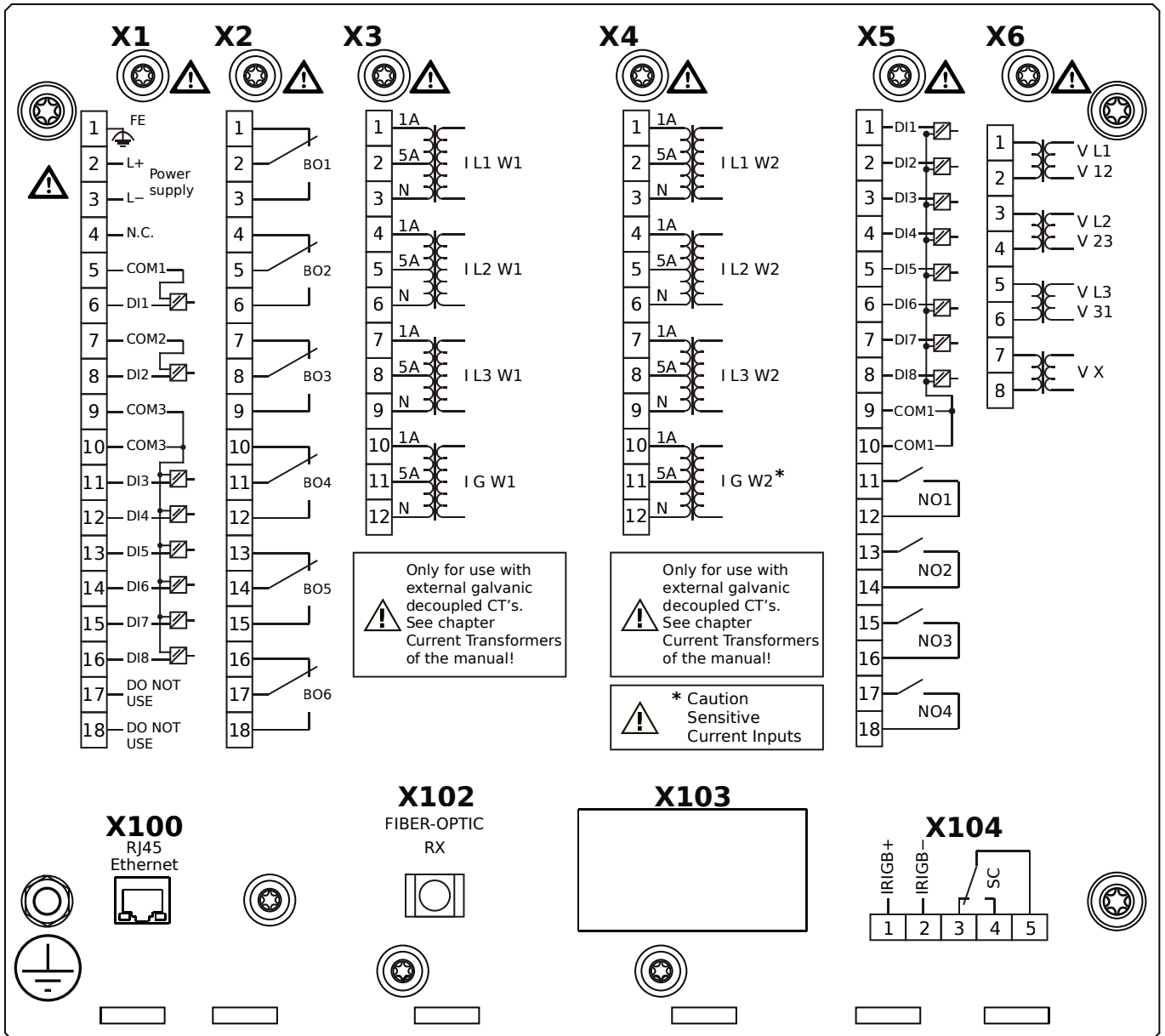
MCDTV4-2A2HCA



Housing B2, large display, door mounting

- X1** – DI8-X1: Wide-range power supply unit, incl. 2 non-grouped digital inputs and 6 grouped digital inputs
- X2** – OR6: Assembly Group with 6 Output Relays
- X3** – TI: Standard current measuring card (for the winding side 1)
- X4** – TIs: Standard phase current measuring card and sensitive ground current measuring (winding side 2)
- X5** – DI8-OR4: Assembly Group with 8 Digital Inputs and 4 Output Relays
- X6** – TU: Card with 4 voltage transformer measuring inputs
- X100** – Modbus TCP / DNP3.0 TCP/UDP, Ethernet interface, 100 Mbit/s, RJ45 (BASE100-FX)
- X102** – Universal Resistance-Temperature Detector (URTD) input, Fiber optics interface, Versatile Link
- X104** – IRIG-B00X, incl. System Contact (Supervision Contact)

MCDTV4-2A2HCB

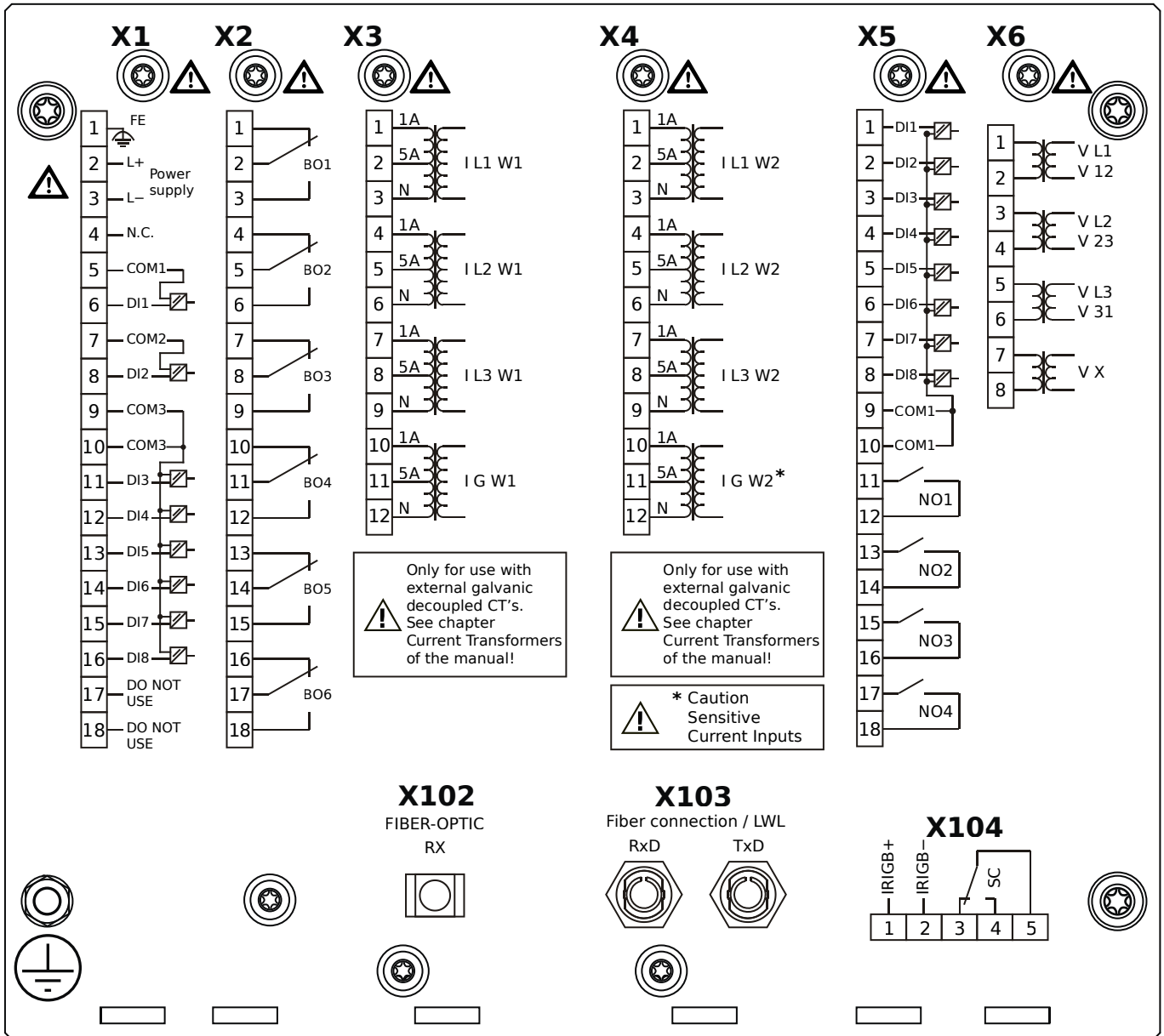


Housing B2, large display, door mounting

+ Conformal Coating (for installations in harsh environment)

- X1** – DI8-X1: Wide-range power supply unit, incl. 2 non-grouped digital inputs and 6 grouped digital inputs
- X2** – OR6: Assembly Group with 6 Output Relays
- X3** – TI: Standard current measuring card (for the winding side 1)
- X4** – TIs: Standard phase current measuring card and sensitive ground current measuring (winding side 2)
- X5** – DI8-OR4: Assembly Group with 8 Digital Inputs and 4 Output Relays
- X6** – TU: Card with 4 voltage transformer measuring inputs
- X100** – Modbus TCP / DNP3.0 TCP/UDP, Ethernet interface, 100 Mbit/s, RJ45 (BASE100-FX)
- X102** – Universal Resistance-Temperature Detector (URTD) input, Fiber optics interface, Versatile Link
- X104** – IRIG-B00X, incl. System Contact (Supervision Contact)

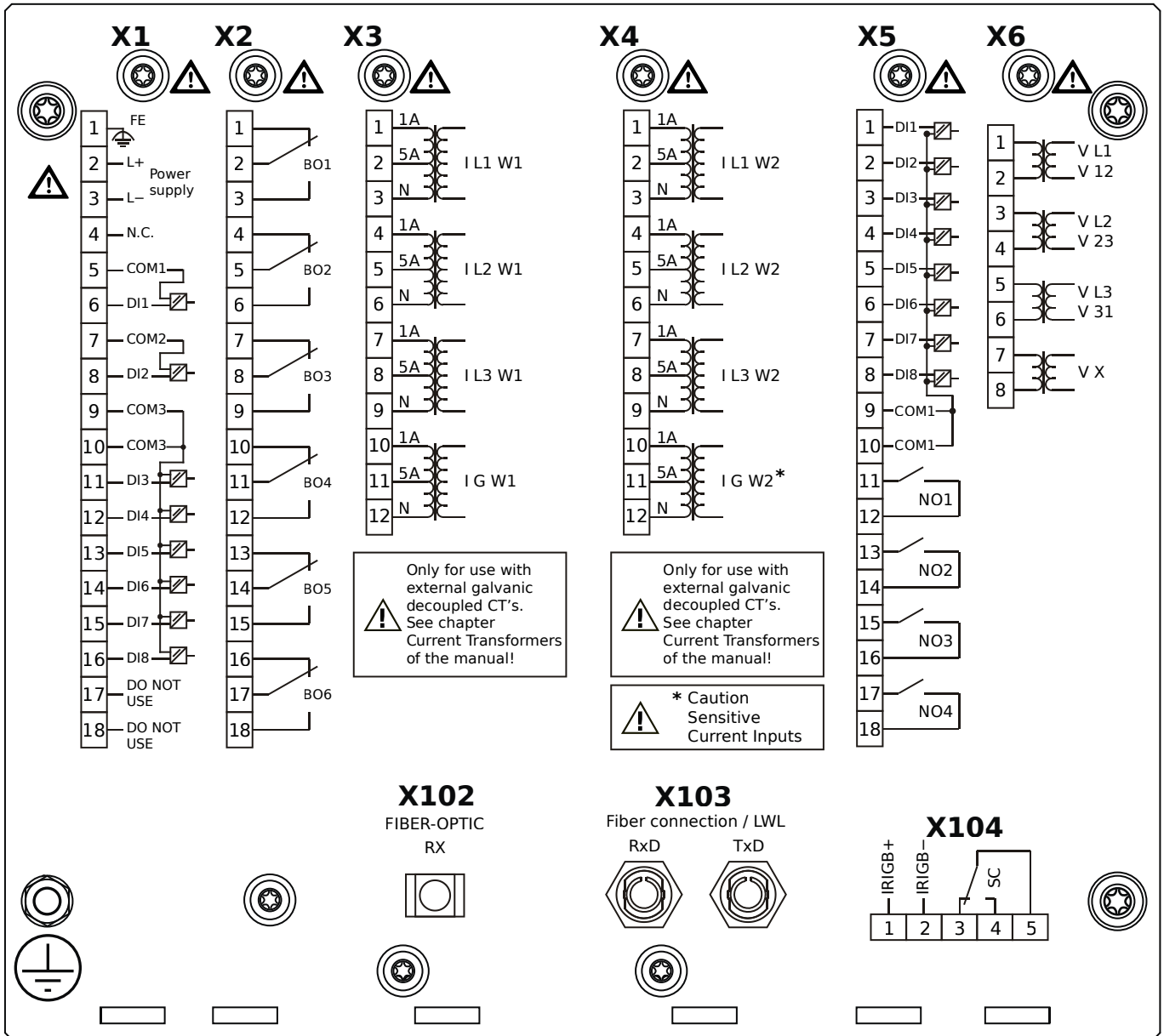
MCDTV4-2A2HDA



Housing B2, large display, door mounting

- X1** – DI8-X1: Wide-range power supply unit, incl. 2 non-grouped digital inputs and 6 grouped digital inputs
- X2** – OR6: Assembly Group with 6 Output Relays
- X3** – TI: Standard current measuring card (for the winding side 1)
- X4** – TIs: Standard phase current measuring card and sensitive ground current measuring (winding side 2)
- X5** – DI8-OR4: Assembly Group with 8 Digital Inputs and 4 Output Relays
- X6** – TU: Card with 4 voltage transformer measuring inputs
- X102** – Universal Resistance-Temperature Detector (URTD) input, Fiber optics interface, Versatile Link
- X103** – Profibus-DP, Fiber optics interface, ST Connector
- X104** – IRIG-B00X, incl. System Contact (Supervision Contact)

MCDTV4-2A2HDB

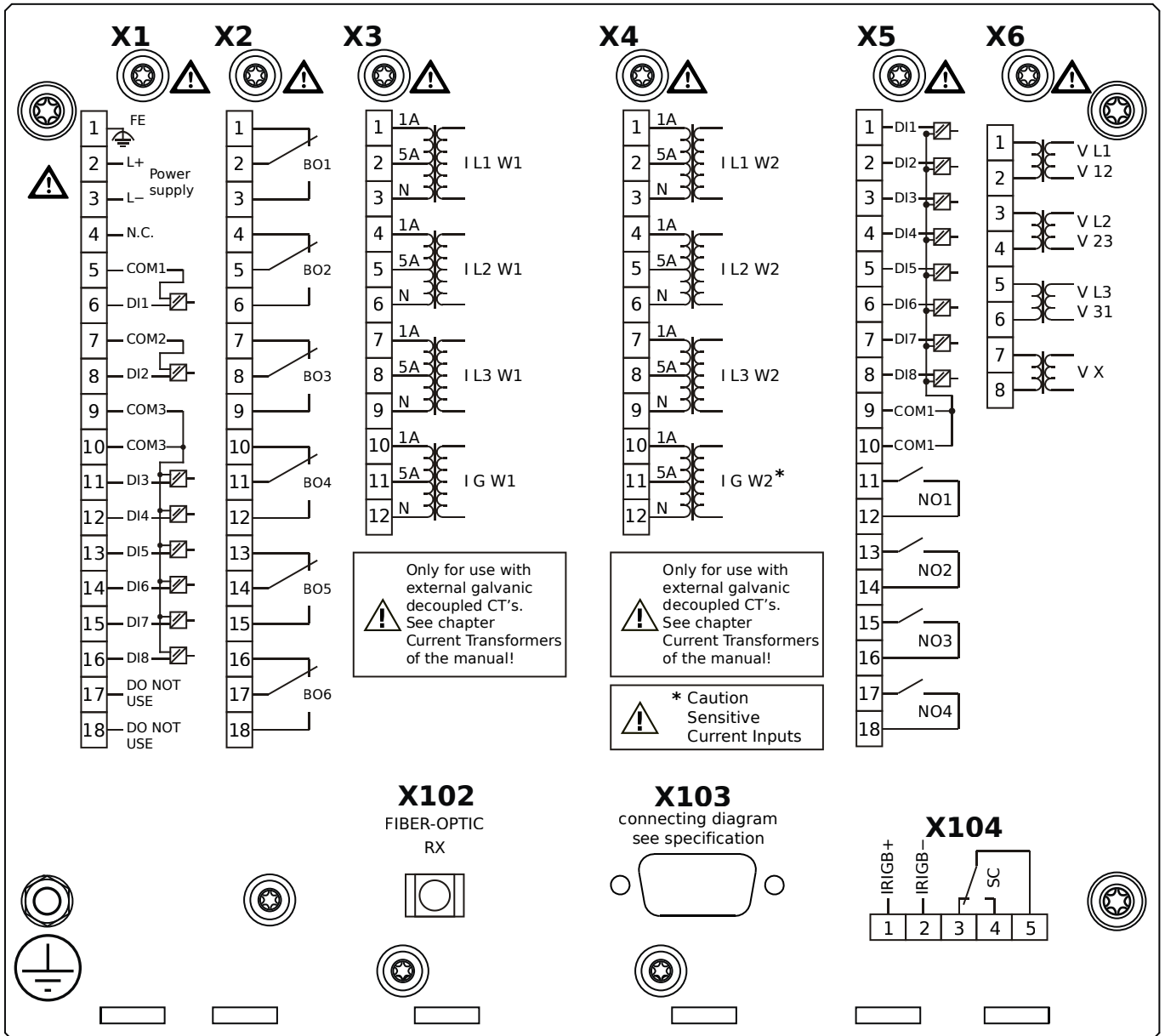


Housing B2, large display, door mounting

+ Conformal Coating (for installations in harsh environment)

- X1** – DI8-X1: Wide-range power supply unit, incl. 2 non-grouped digital inputs and 6 grouped digital inputs
- X2** – OR6: Assembly Group with 6 Output Relays
- X3** – TI: Standard current measuring card (for the winding side 1)
- X4** – TIs: Standard phase current measuring card and sensitive ground current measuring (winding side 2)
- X5** – DI8-OR4: Assembly Group with 8 Digital Inputs and 4 Output Relays
- X6** – TU: Card with 4 voltage transformer measuring inputs
- X102** – Universal Resistance-Temperature Detector (URTD) input, Fiber optics interface, Versatile Link
- X103** – Profibus-DP, Fiber optics interface, ST Connector
- X104** – IRIG-B00X, incl. System Contact (Supervision Contact)

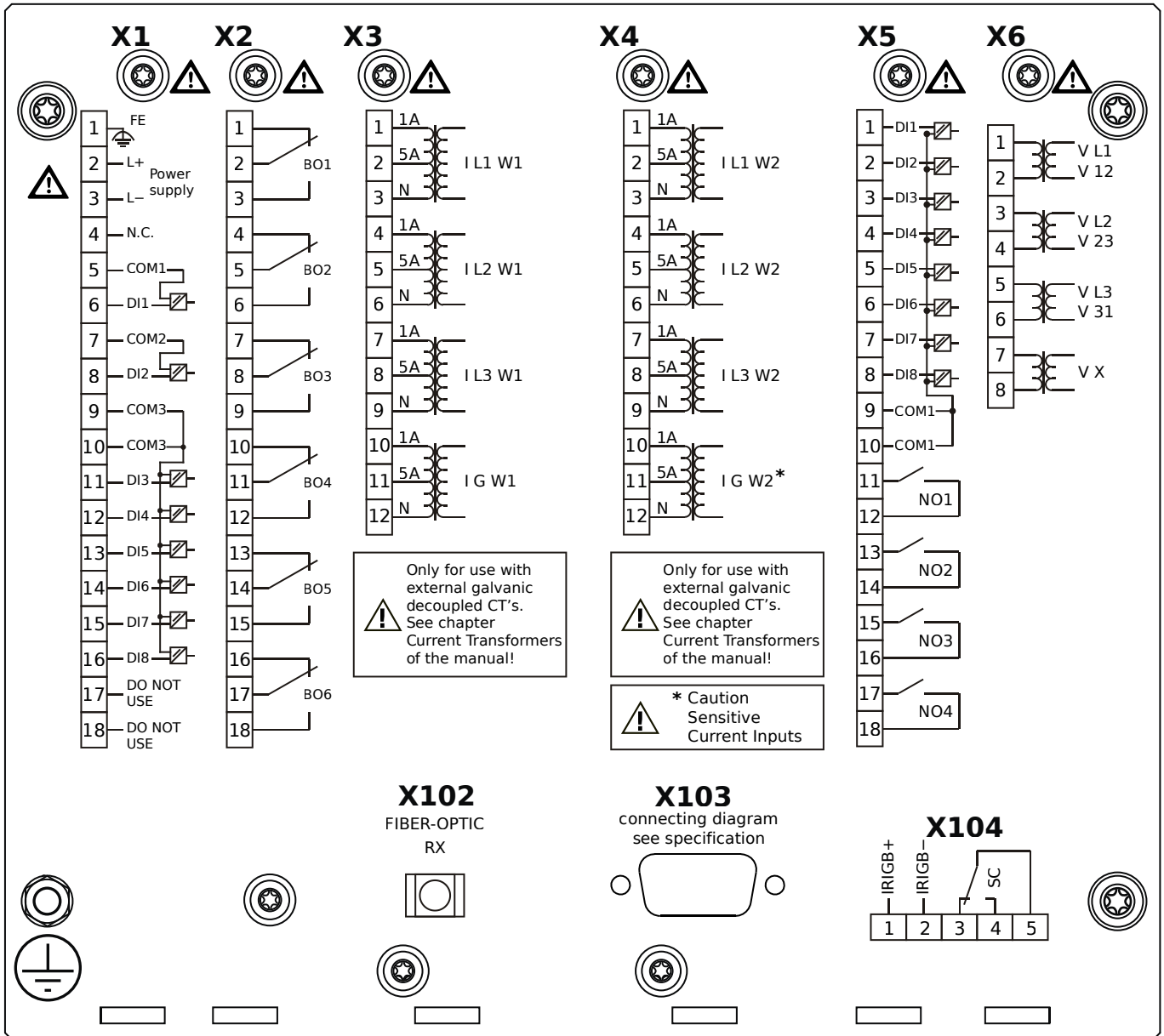
MCDTV4-2A2HEA



Housing B2, large display, door mounting

- X1** – DI8-X1: Wide-range power supply unit, incl. 2 non-grouped digital inputs and 6 grouped digital inputs
- X2** – OR6: Assembly Group with 6 Output Relays
- X3** – TI: Standard current measuring card (for the winding side 1)
- X4** – TIs: Standard phase current measuring card and sensitive ground current measuring (winding side 2)
- X5** – DI8-OR4: Assembly Group with 8 Digital Inputs and 4 Output Relays
- X6** – TU: Card with 4 voltage transformer measuring inputs
- X102** – Universal Resistance-Temperature Detector (URTD) input, Fiber optics interface, Versatile Link
- X103** – Profibus-DP, RS485, D-SUB
- X104** – IRIG-B00X, incl. System Contact (Supervision Contact)

MCDTV4-2A2HEB

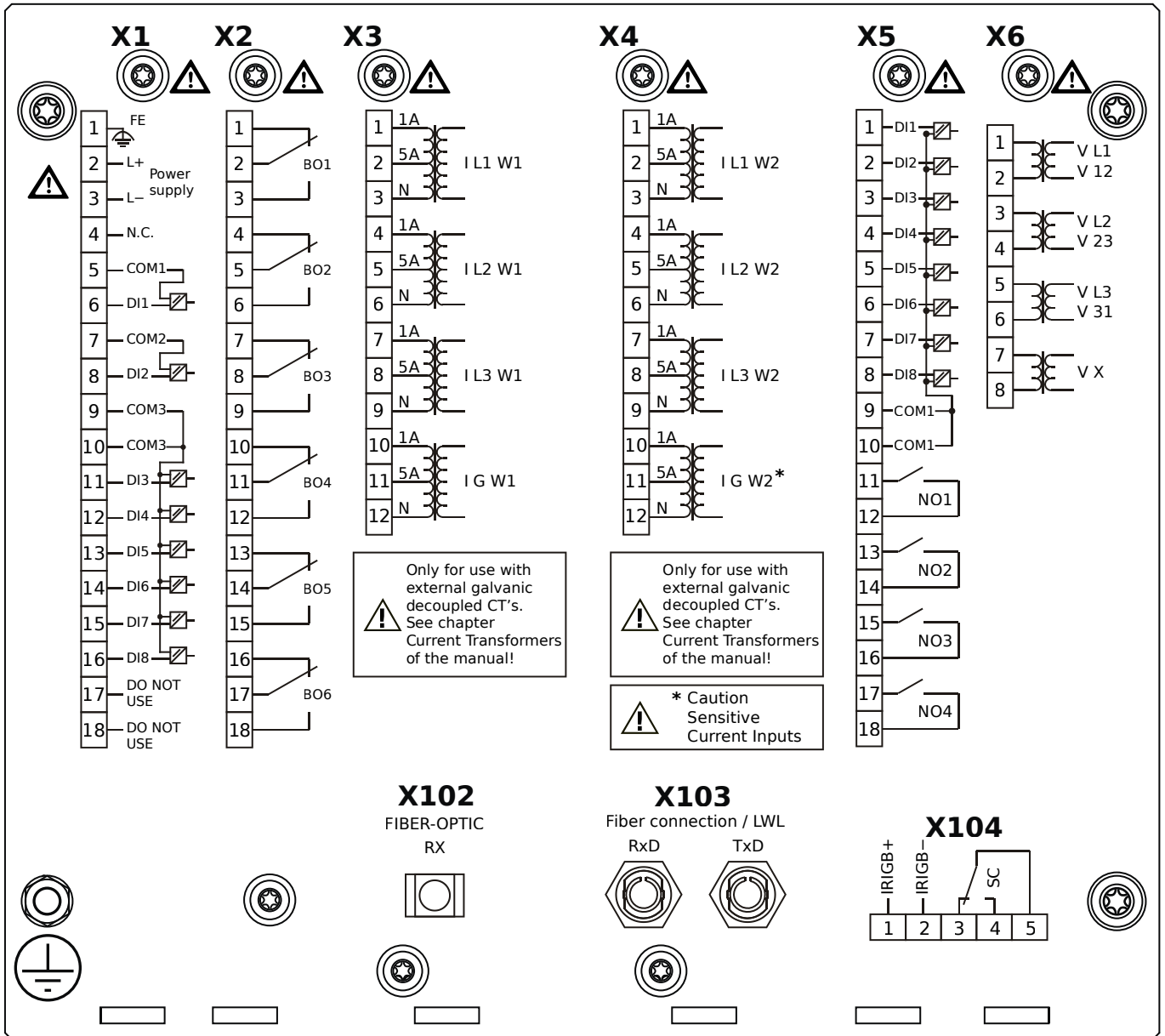


Housing B2, large display, door mounting

+ Conformal Coating (for installations in harsh environment)

- X1** – DI8-X1: Wide-range power supply unit, incl. 2 non-grouped digital inputs and 6 grouped digital inputs
- X2** – OR6: Assembly Group with 6 Output Relays
- X3** – TI: Standard current measuring card (for the winding side 1)
- X4** – TIs: Standard phase current measuring card and sensitive ground current measuring (winding side 2)
- X5** – DI8-OR4: Assembly Group with 8 Digital Inputs and 4 Output Relays
- X6** – TU: Card with 4 voltage transformer measuring inputs
- X102** – Universal Resistance-Temperature Detector (URTD) input, Fiber optics interface, Versatile Link
- X103** – Profibus-DP, RS485, D-SUB
- X104** – IRIG-B00X, incl. System Contact (Supervision Contact)

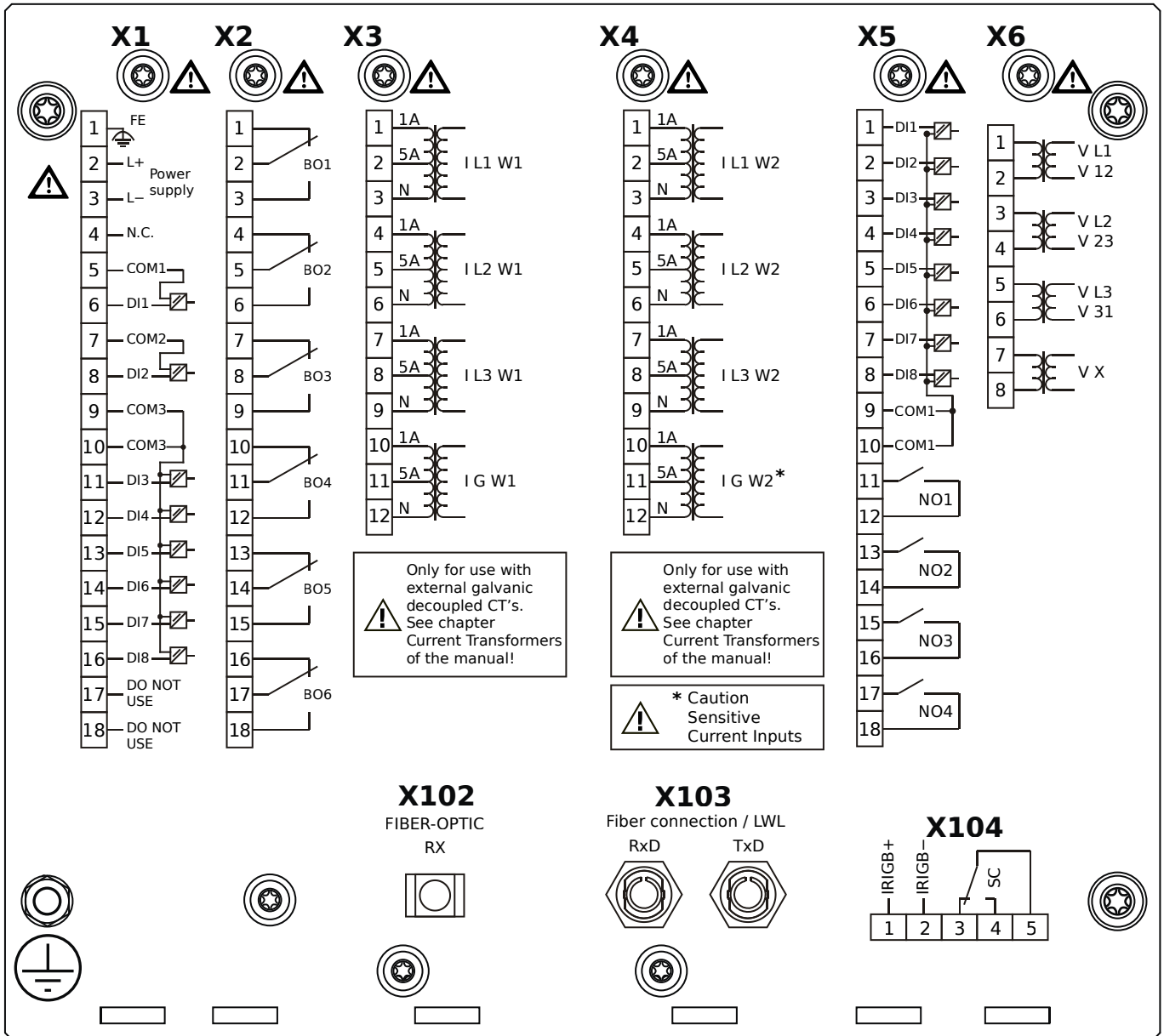
MCDTV4-2A2HFA



Housing B2, large display, door mounting

- X1** – DI8-X1: Wide-range power supply unit, incl. 2 non-grouped digital inputs and 6 grouped digital inputs
- X2** – OR6: Assembly Group with 6 Output Relays
- X3** – TI: Standard current measuring card (for the winding side 1)
- X4** – TIs: Standard phase current measuring card and sensitive ground current measuring (winding side 2)
- X5** – DI8-OR4: Assembly Group with 8 Digital Inputs and 4 Output Relays
- X6** – TU: Card with 4 voltage transformer measuring inputs
- X102** – Universal Resistance-Temperature Detector (URTD) input, Fiber optics interface, Versatile Link
- X103** – Modbus RTU / IEC 60870-5-103 / DNP3.0 RTU, Fiber optics interface, ST Connector
- X104** – IRIG-B00X, incl. System Contact (Supervision Contact)

MCDTV4-2A2HFB

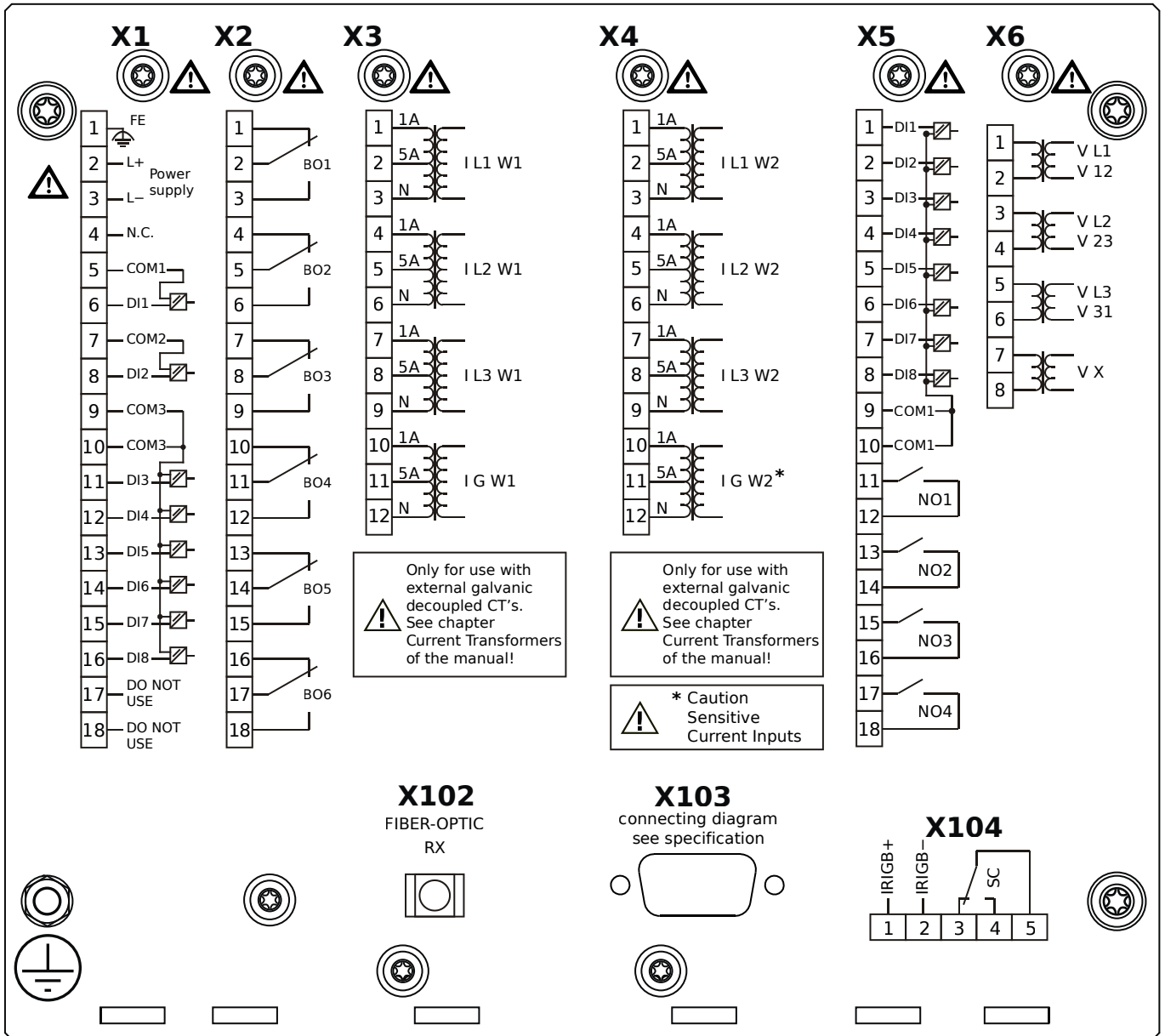


Housing B2, large display, door mounting

+ Conformal Coating (for installations in harsh environment)

- X1** – DI8-X1: Wide-range power supply unit, incl. 2 non-grouped digital inputs and 6 grouped digital inputs
- X2** – OR6: Assembly Group with 6 Output Relays
- X3** – TI: Standard current measuring card (for the winding side 1)
- X4** – TIs: Standard phase current measuring card and sensitive ground current measuring (winding side 2)
- X5** – DI8-OR4: Assembly Group with 8 Digital Inputs and 4 Output Relays
- X6** – TU: Card with 4 voltage transformer measuring inputs
- X102** – Universal Resistance-Temperature Detector (URTD) input, Fiber optics interface, Versatile Link
- X103** – Modbus RTU / IEC 60870-5-103 / DNP3.0 RTU, Fiber optics interface, ST Connector
- X104** – IRIG-B00X, incl. System Contact (Supervision Contact)

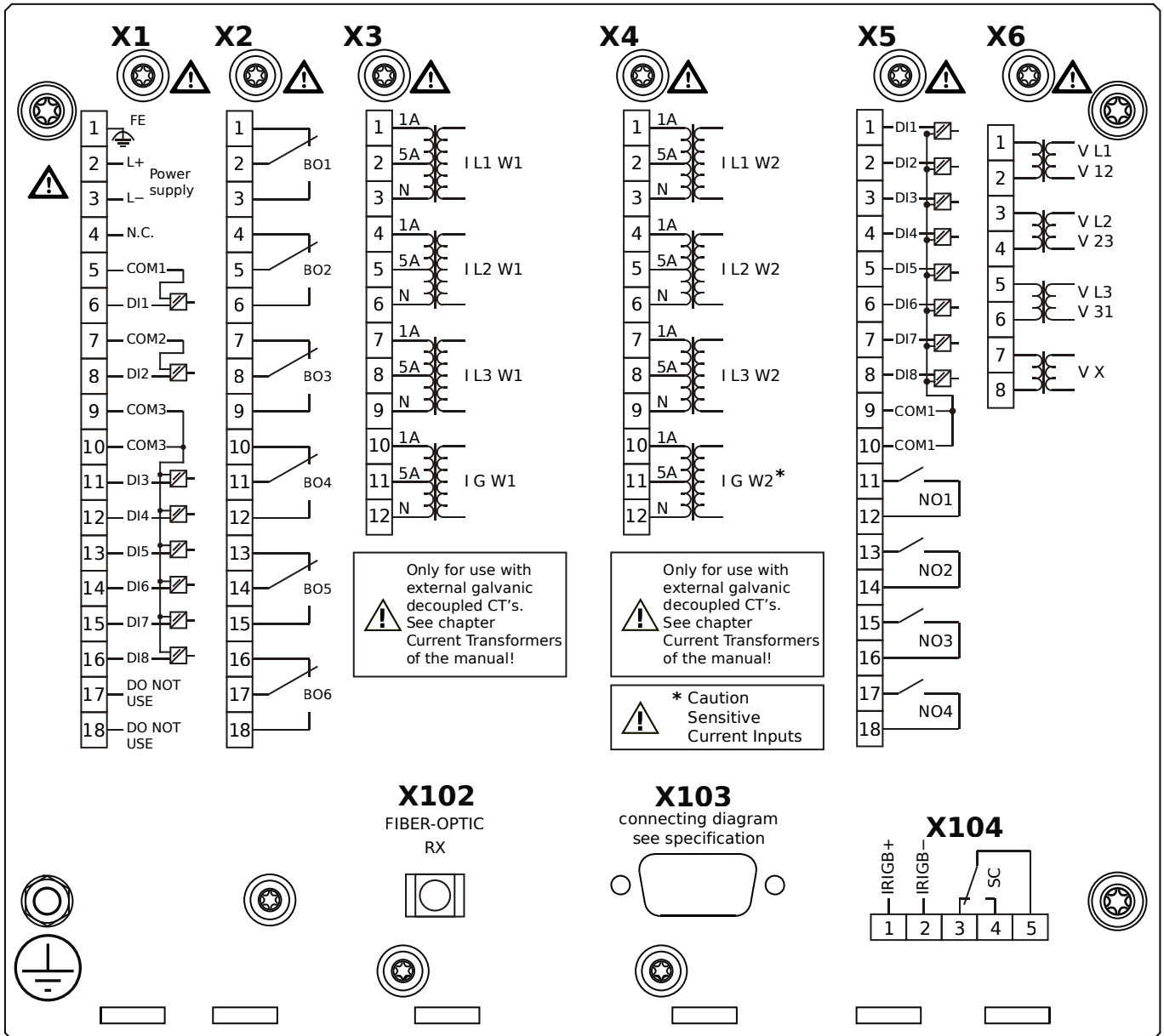
MCDTV4-2A2HGA



Housing B2, large display, door mounting

- X1** – DI8-X1: Wide-range power supply unit, incl. 2 non-grouped digital inputs and 6 grouped digital inputs
- X2** – OR6: Assembly Group with 6 Output Relays
- X3** – TI: Standard current measuring card (for the winding side 1)
- X4** – TIs: Standard phase current measuring card and sensitive ground current measuring (winding side 2)
- X5** – DI8-OR4: Assembly Group with 8 Digital Inputs and 4 Output Relays
- X6** – TU: Card with 4 voltage transformer measuring inputs
- X102** – Universal Resistance-Temperature Detector (URTD) input, Fiber optics interface, Versatile Link
- X103** – Modbus RTU / IEC 60870-5-103 / DNP3.0 RTU, RS485, D-SUB
- X104** – IRIG-B00X, incl. System Contact (Supervision Contact)

MCDTV4-2A2HGB

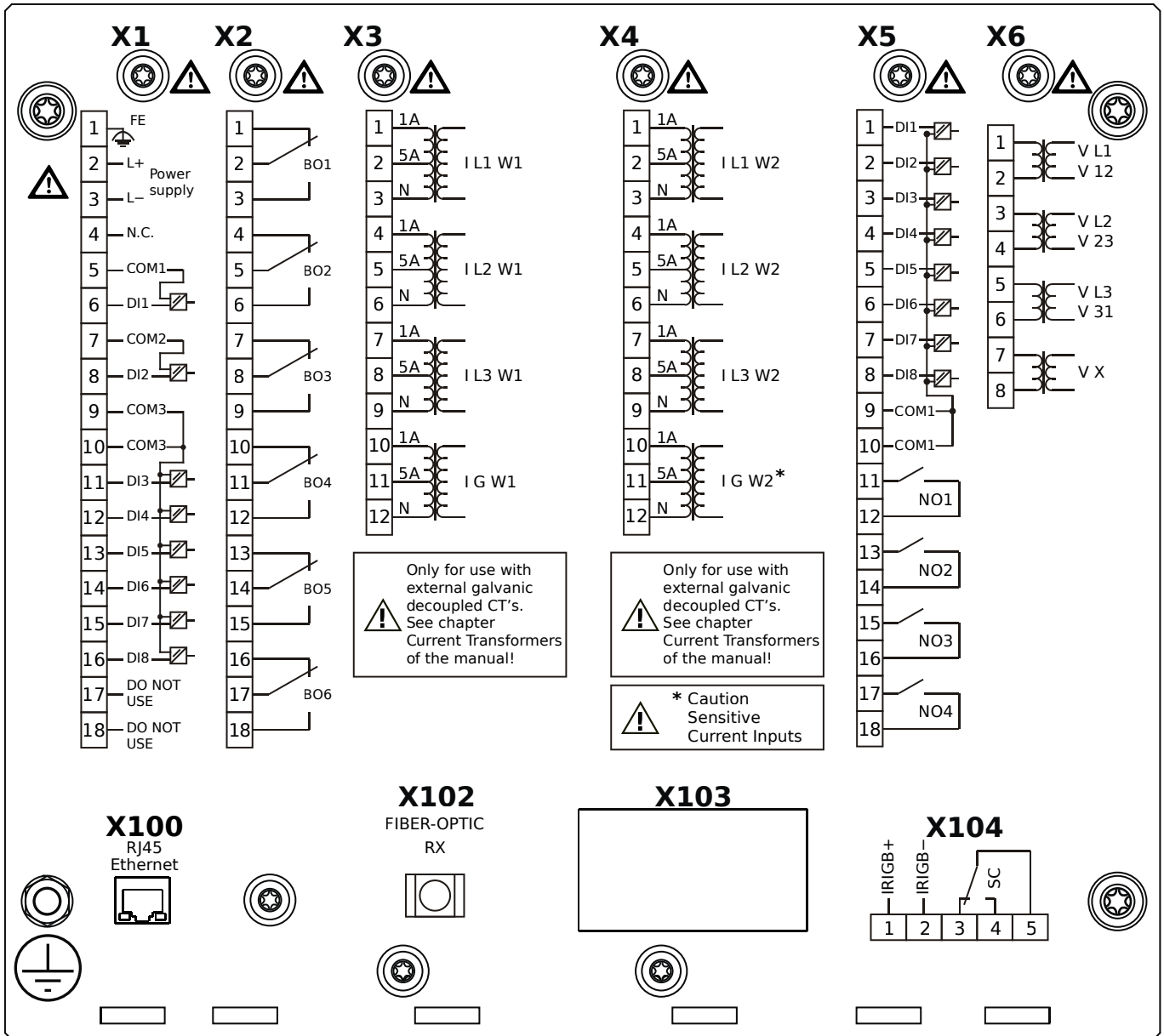


Housing B2, large display, door mounting

+ Conformal Coating (for installations in harsh environment)

- X1** – DI8-X1: Wide-range power supply unit, incl. 2 non-grouped digital inputs and 6 grouped digital inputs
- X2** – OR6: Assembly Group with 6 Output Relays
- X3** – TI: Standard current measuring card (for the winding side 1)
- X4** – TIs: Standard phase current measuring card and sensitive ground current measuring (winding side 2)
- X5** – DI8-OR4: Assembly Group with 8 Digital Inputs and 4 Output Relays
- X6** – TU: Card with 4 voltage transformer measuring inputs
- X102** – Universal Resistance-Temperature Detector (URTD) input, Fiber optics interface, Versatile Link
- X103** – Modbus RTU / IEC 60870-5-103 / DNP3.0 RTU, RS485, D-SUB
- X104** – IRIG-B00X, incl. System Contact (Supervision Contact)

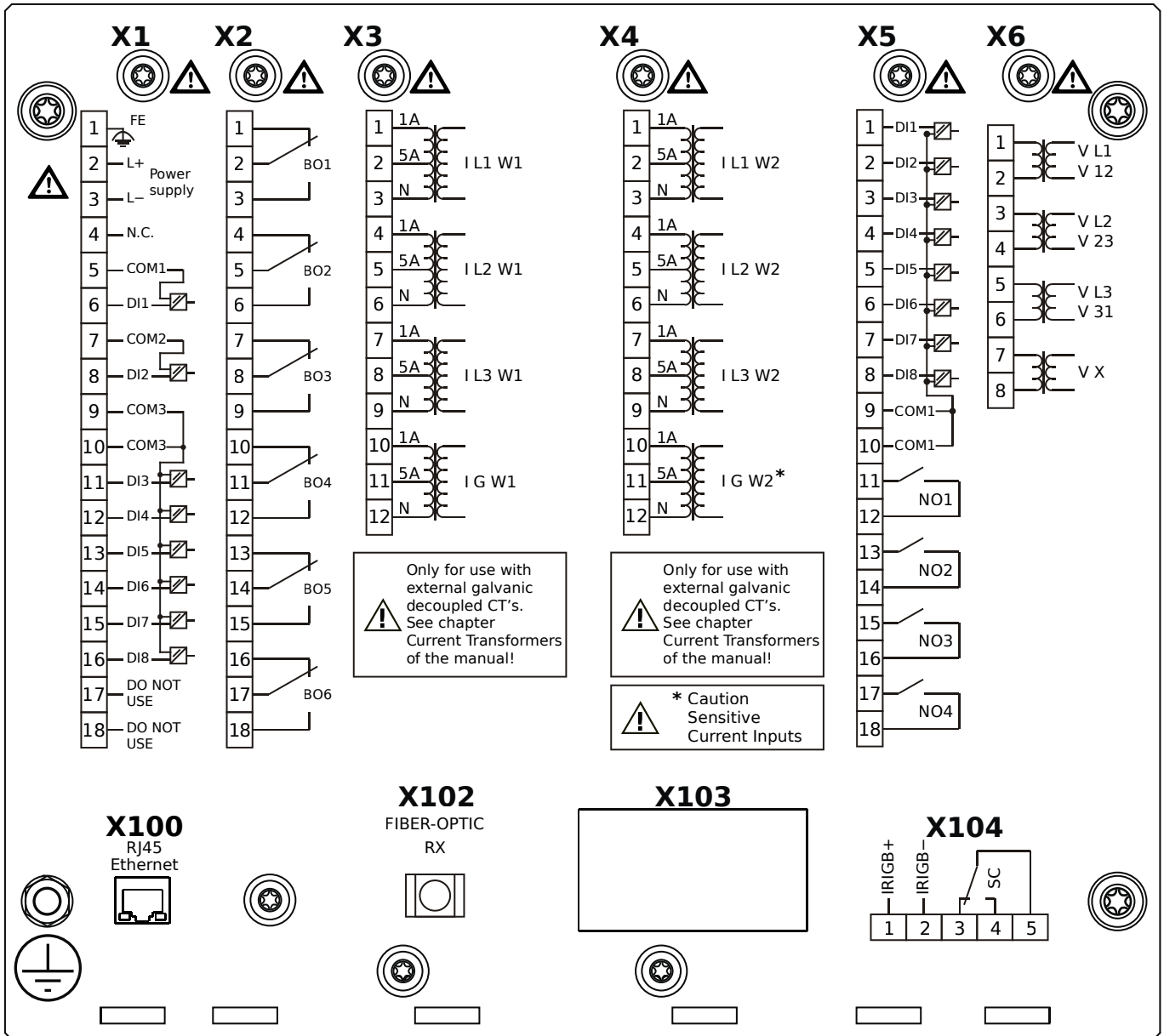
MCDTV4-2A2HHA



Housing B2, large display, door mounting

- X1** – DI8-X1: Wide-range power supply unit, incl. 2 non-grouped digital inputs and 6 grouped digital inputs
- X2** – OR6: Assembly Group with 6 Output Relays
- X3** – TI: Standard current measuring card (for the winding side 1)
- X4** – TIs: Standard phase current measuring card and sensitive ground current measuring (winding side 2)
- X5** – DI8-OR4: Assembly Group with 8 Digital Inputs and 4 Output Relays
- X6** – TU: Card with 4 voltage transformer measuring inputs
- X100** – IEC 61850 / Modbus TCP / DNP3.0 TCP/UDP, Ethernet interface, 100 Mbit/s, RJ45 (BASE100-FX)
- X102** – Universal Resistance-Temperature Detector (URTD) input, Fiber optics interface, Versatile Link
- X104** – IRIG-B00X, incl. System Contact (Supervision Contact)

MCDTV4-2A2HHB

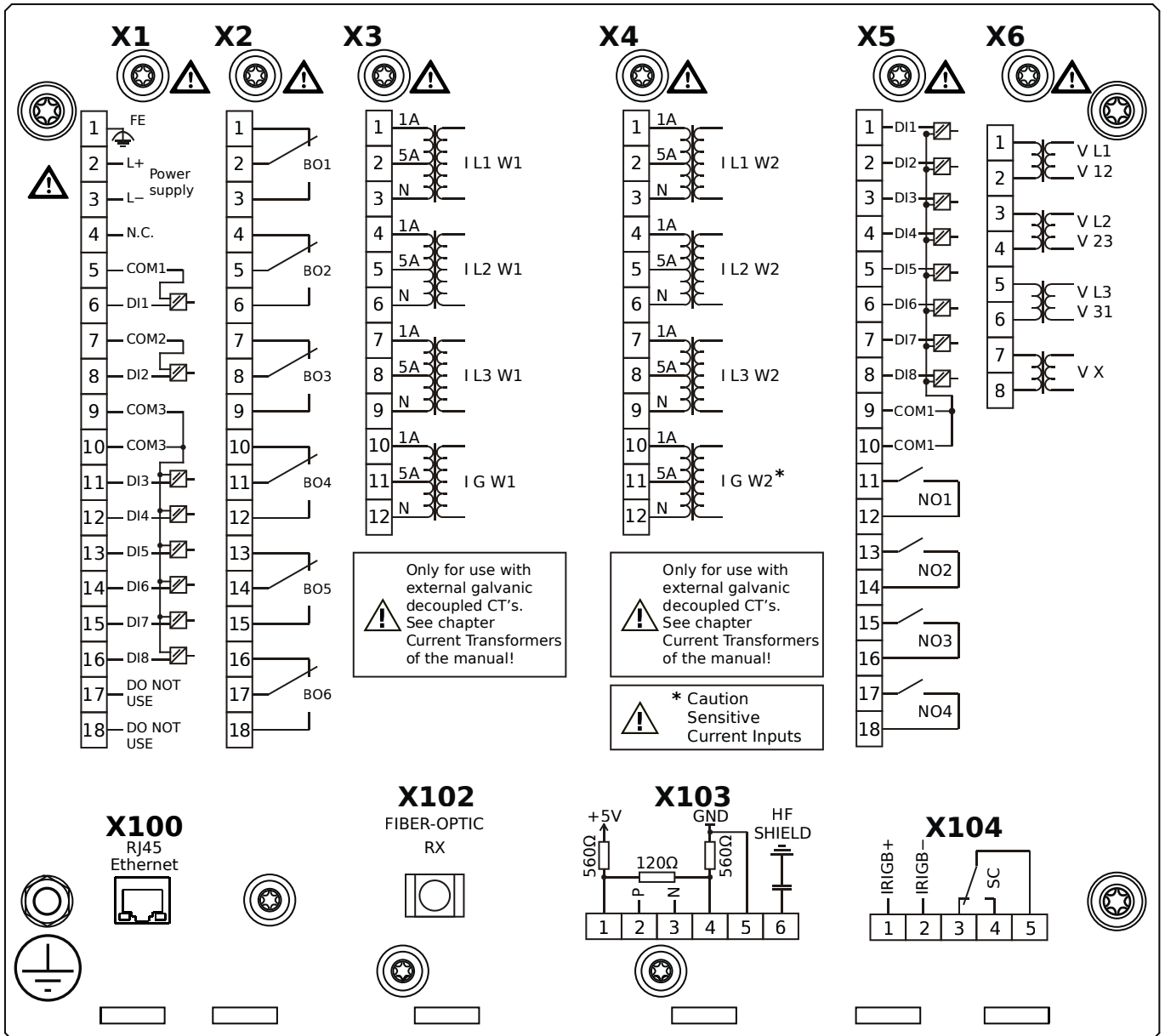


Housing B2, large display, door mounting

+ Conformal Coating (for installations in harsh environment)

- X1** – DI8-X1: Wide-range power supply unit, incl. 2 non-grouped digital inputs and 6 grouped digital inputs
- X2** – OR6: Assembly Group with 6 Output Relays
- X3** – TI: Standard current measuring card (for the winding side 1)
- X4** – TIs: Standard phase current measuring card and sensitive ground current measuring (winding side 2)
- X5** – DI8-OR4: Assembly Group with 8 Digital Inputs and 4 Output Relays
- X6** – TU: Card with 4 voltage transformer measuring inputs
- X100** – IEC 61850 / Modbus TCP / DNP3.0 TCP/UDP, Ethernet interface, 100 Mbit/s, RJ45 (BASE100-FX)
- X102** – Universal Resistance-Temperature Detector (URTD) input, Fiber optics interface, Versatile Link
- X104** – IRIG-B00X, incl. System Contact (Supervision Contact)

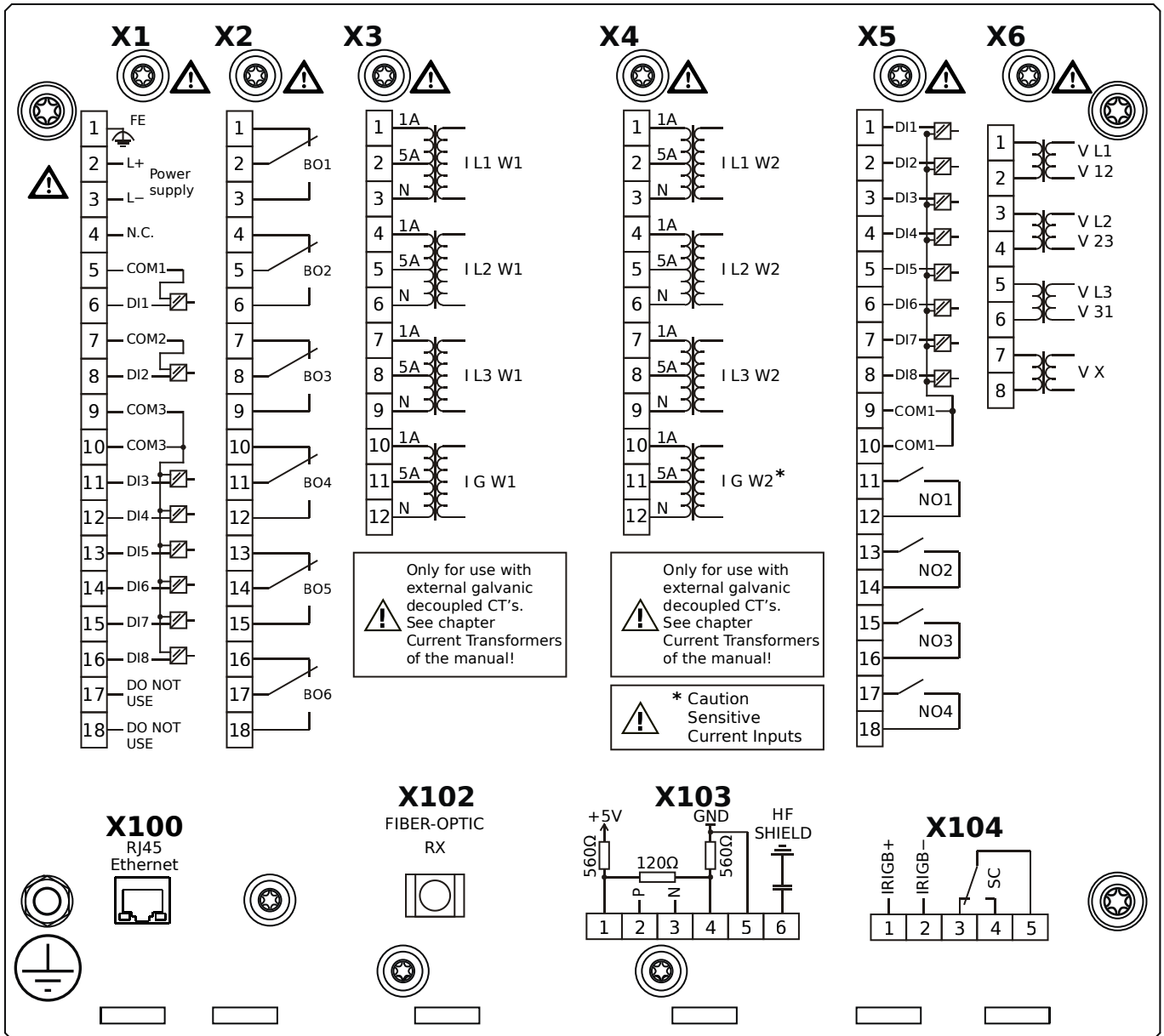
MCDTV4-2A2HIA



Housing B2, large display, door mounting

- X1** – DI8-X1: Wide-range power supply unit, incl. 2 non-grouped digital inputs and 6 grouped digital inputs
- X2** – OR6: Assembly Group with 6 Output Relays
- X3** – TI: Standard current measuring card (for the winding side 1)
- X4** – TIs: Standard phase current measuring card and sensitive ground current measuring (winding side 2)
- X5** – DI8-OR4: Assembly Group with 8 Digital Inputs and 4 Output Relays
- X6** – TU: Card with 4 voltage transformer measuring inputs
- X100** – Modbus TCP / DNP3.0 TCP/UDP, Ethernet interface, 100 Mbit/s, RJ45 (BASE100-FX)
- X102** – Universal Resistance-Temperature Detector (URTD) input, Fiber optics interface, Versatile Link
- X103** – IEC 60870-5-103 / Modbus RTU / DNP3.0 RTU, RS485, Terminals
- X104** – IRIG-B00X, incl. System Contact (Supervision Contact)

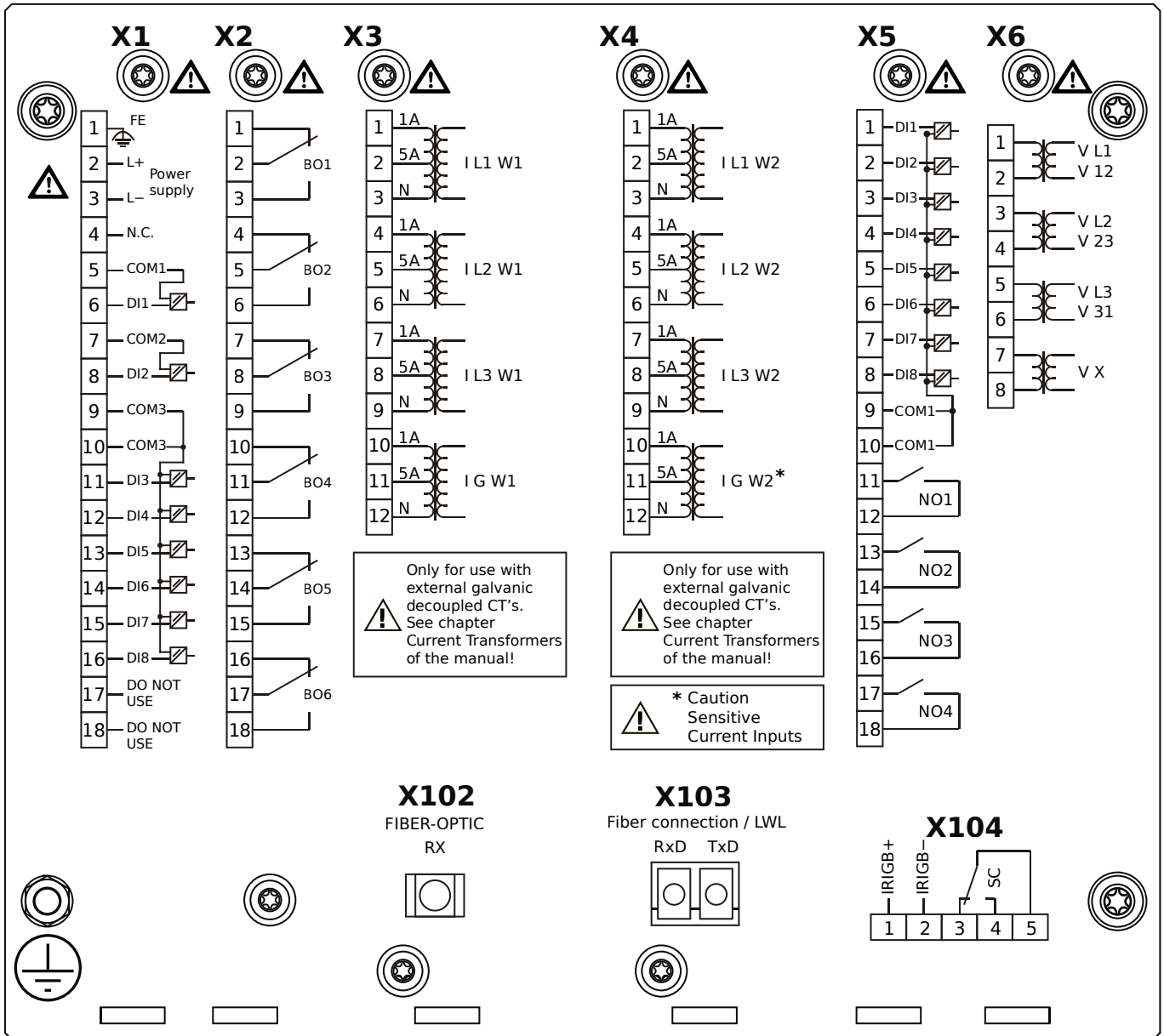
MCDTV4-2A2HIB



Housing B2, large display, door mounting

- + Conformal Coating (for installations in harsh environment)
- X1** – DI8-X1: Wide-range power supply unit, incl. 2 non-grouped digital inputs and 6 grouped digital inputs
- X2** – OR6: Assembly Group with 6 Output Relays
- X3** – TI: Standard current measuring card (for the winding side 1)
- X4** – TIs: Standard phase current measuring card and sensitive ground current measuring (winding side 2)
- X5** – DI8-OR4: Assembly Group with 8 Digital Inputs and 4 Output Relays
- X6** – TU: Card with 4 voltage transformer measuring inputs
- X100** – Modbus TCP / DNP3.0 TCP/UDP, Ethernet interface, 100 Mbit/s, RJ45 (BASE100-FX)
- X102** – Universal Resistance-Temperature Detector (URTD) input, Fiber optics interface, Versatile Link
- X103** – IEC 60870-5-103 / Modbus RTU / DNP3.0 RTU, RS485, Terminals
- X104** – IRIG-B00X, incl. System Contact (Supervision Contact)

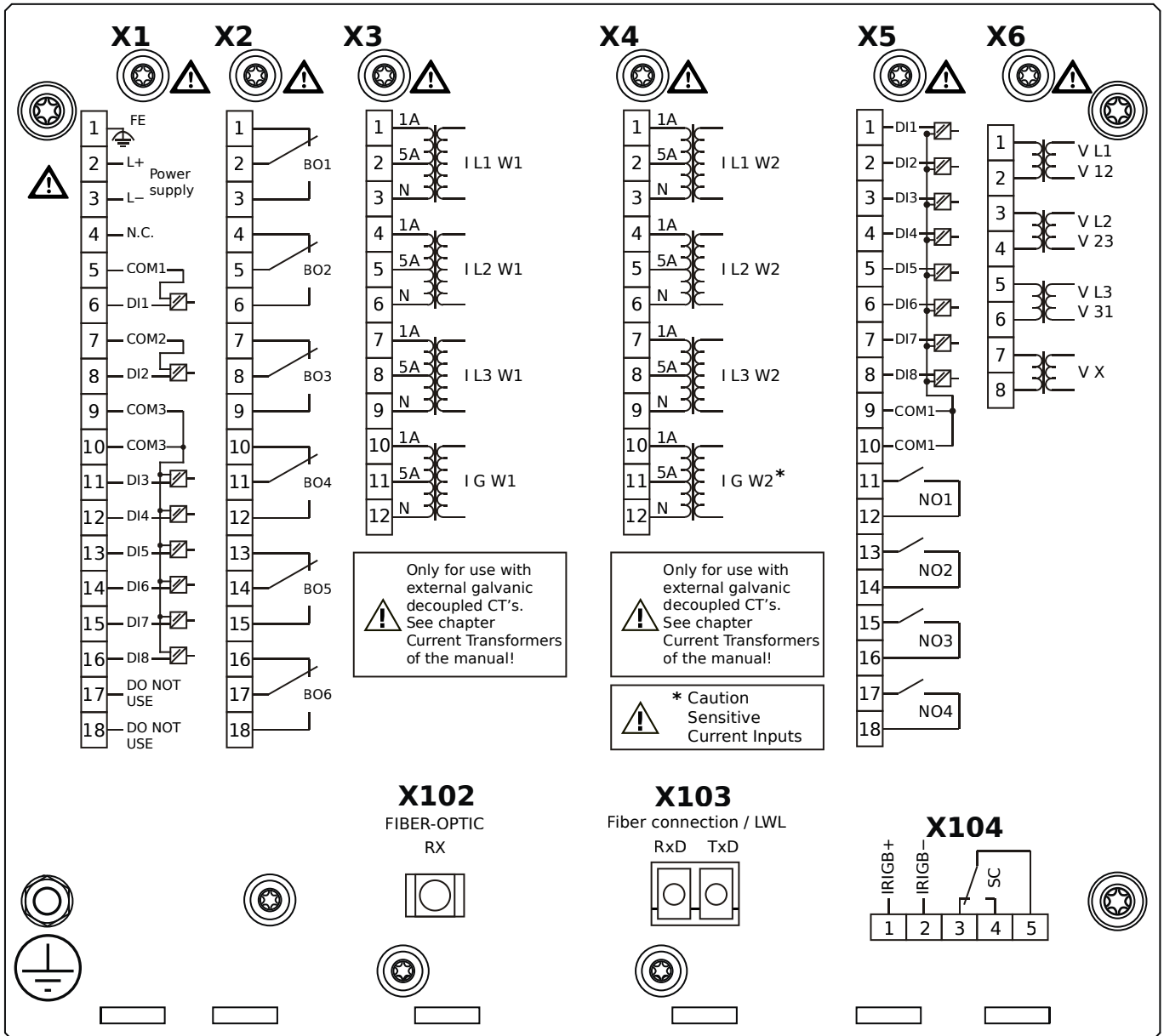
MCDTV4-2A2HKA



Housing B2, large display, door mounting

- X1** – DI8-X1: Wide-range power supply unit, incl. 2 non-grouped digital inputs and 6 grouped digital inputs
- X2** – OR6: Assembly Group with 6 Output Relays
- X3** – TI: Standard current measuring card (for the winding side 1)
- X4** – TIs: Standard phase current measuring card and sensitive ground current measuring (winding side 2)
- X5** – DI8-OR4: Assembly Group with 8 Digital Inputs and 4 Output Relays
- X6** – TU: Card with 4 voltage transformer measuring inputs
- X102** – Universal Resistance-Temperature Detector (URTD) input, Fiber optics interface, Versatile Link
- X103** – IEC 61850 / Modbus TCP / DNP3.0 TCP/UDP, Fiber optics interface, LC Connector
- X104** – IRIG-B00X, incl. System Contact (Supervision Contact)

MCDTV4-2A2HKB

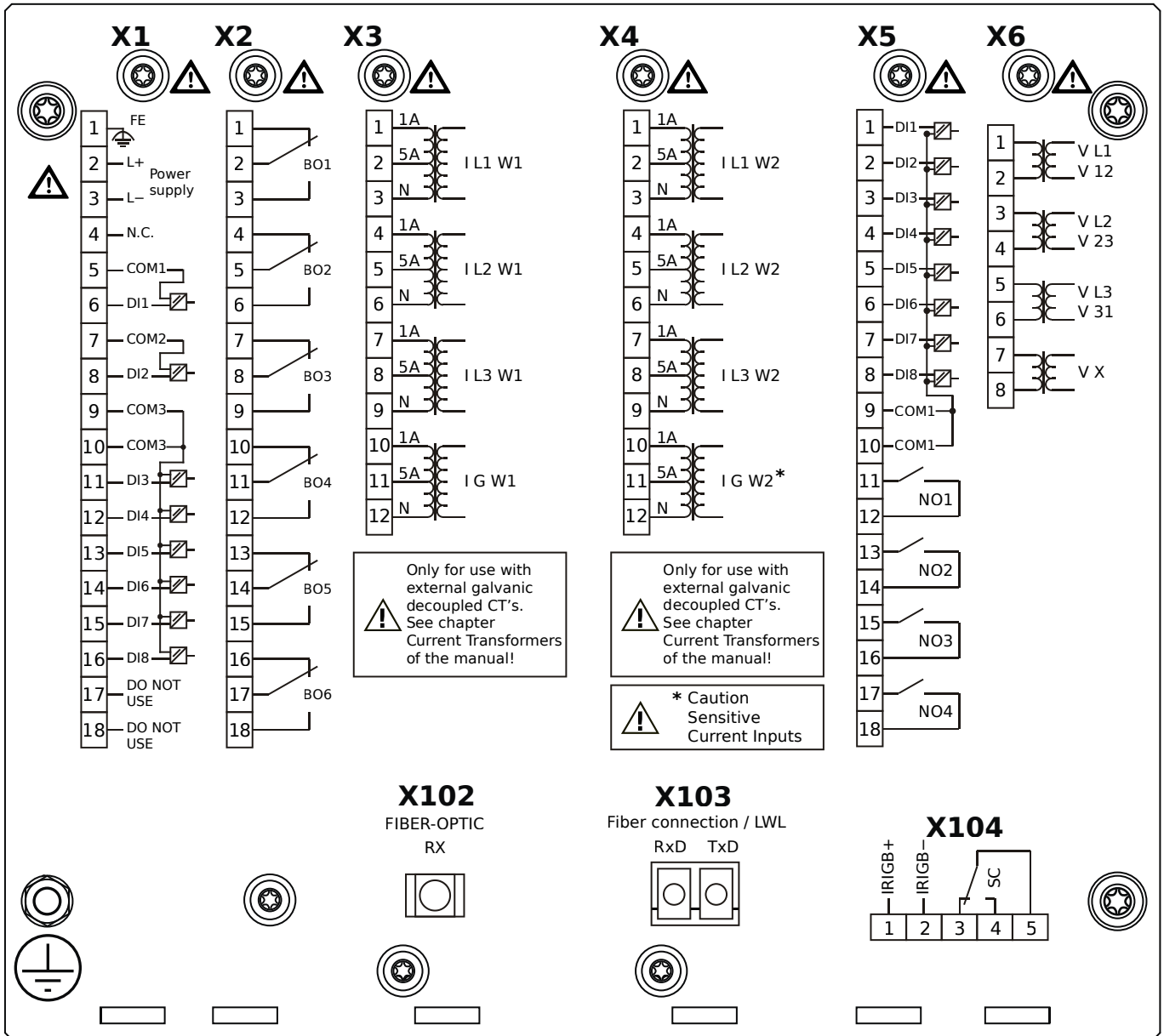


Housing B2, large display, door mounting

+ Conformal Coating (for installations in harsh environment)

- X1** – DI8-X1: Wide-range power supply unit, incl. 2 non-grouped digital inputs and 6 grouped digital inputs
- X2** – OR6: Assembly Group with 6 Output Relays
- X3** – TI: Standard current measuring card (for the winding side 1)
- X4** – TIs: Standard phase current measuring card and sensitive ground current measuring (winding side 2)
- X5** – DI8-OR4: Assembly Group with 8 Digital Inputs and 4 Output Relays
- X6** – TU: Card with 4 voltage transformer measuring inputs
- X102** – Universal Resistance-Temperature Detector (URTD) input, Fiber optics interface, Versatile Link
- X103** – IEC 61850 / Modbus TCP / DNP3.0 TCP/UDP, Fiber optics interface, LC Connector
- X104** – IRIG-B00X, incl. System Contact (Supervision Contact)

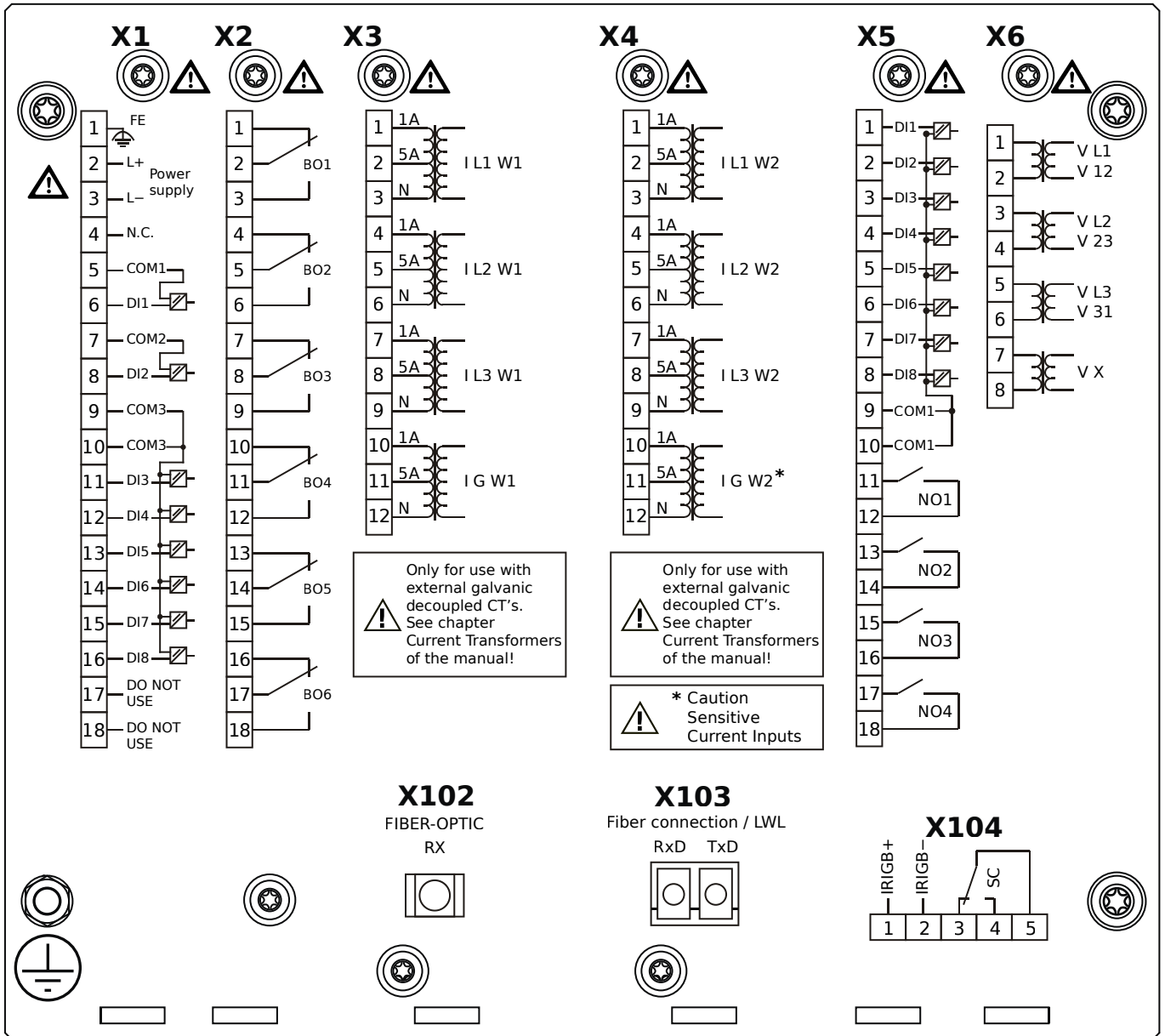
MCDTV4-2A2HLA



Housing B2, large display, door mounting

- X1** – DI8-X1: Wide-range power supply unit, incl. 2 non-grouped digital inputs and 6 grouped digital inputs
- X2** – OR6: Assembly Group with 6 Output Relays
- X3** – TI: Standard current measuring card (for the winding side 1)
- X4** – TIs: Standard phase current measuring card and sensitive ground current measuring (winding side 2)
- X5** – DI8-OR4: Assembly Group with 8 Digital Inputs and 4 Output Relays
- X6** – TU: Card with 4 voltage transformer measuring inputs
- X102** – Universal Resistance-Temperature Detector (URTD) input, Fiber optics interface, Versatile Link
- X103** – Modbus TCP / DNP3.0 TCP/UDP, Fiber optics interface, LC Connector
- X104** – IRIG-B00X, incl. System Contact (Supervision Contact)

MCDTV4-2A2HLB

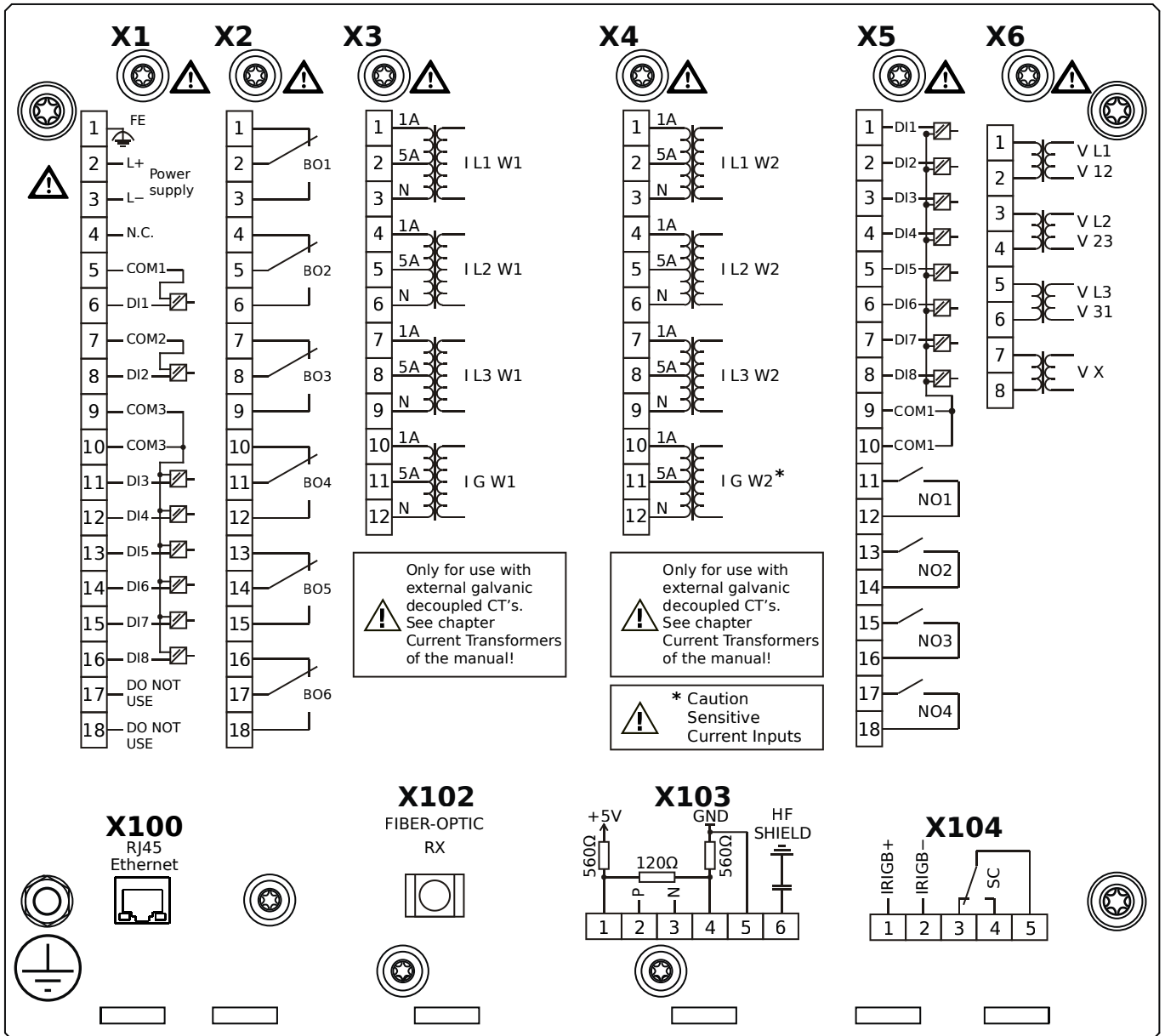


Housing B2, large display, door mounting

+ Conformal Coating (for installations in harsh environment)

- X1** – DI8-X1: Wide-range power supply unit, incl. 2 non-grouped digital inputs and 6 grouped digital inputs
- X2** – OR6: Assembly Group with 6 Output Relays
- X3** – TI: Standard current measuring card (for the winding side 1)
- X4** – TIs: Standard phase current measuring card and sensitive ground current measuring (winding side 2)
- X5** – DI8-OR4: Assembly Group with 8 Digital Inputs and 4 Output Relays
- X6** – TU: Card with 4 voltage transformer measuring inputs
- X102** – Universal Resistance-Temperature Detector (URTD) input, Fiber optics interface, Versatile Link
- X103** – Modbus TCP / DNP3.0 TCP/UDP, Fiber optics interface, LC Connector
- X104** – IRIG-B00X, incl. System Contact (Supervision Contact)

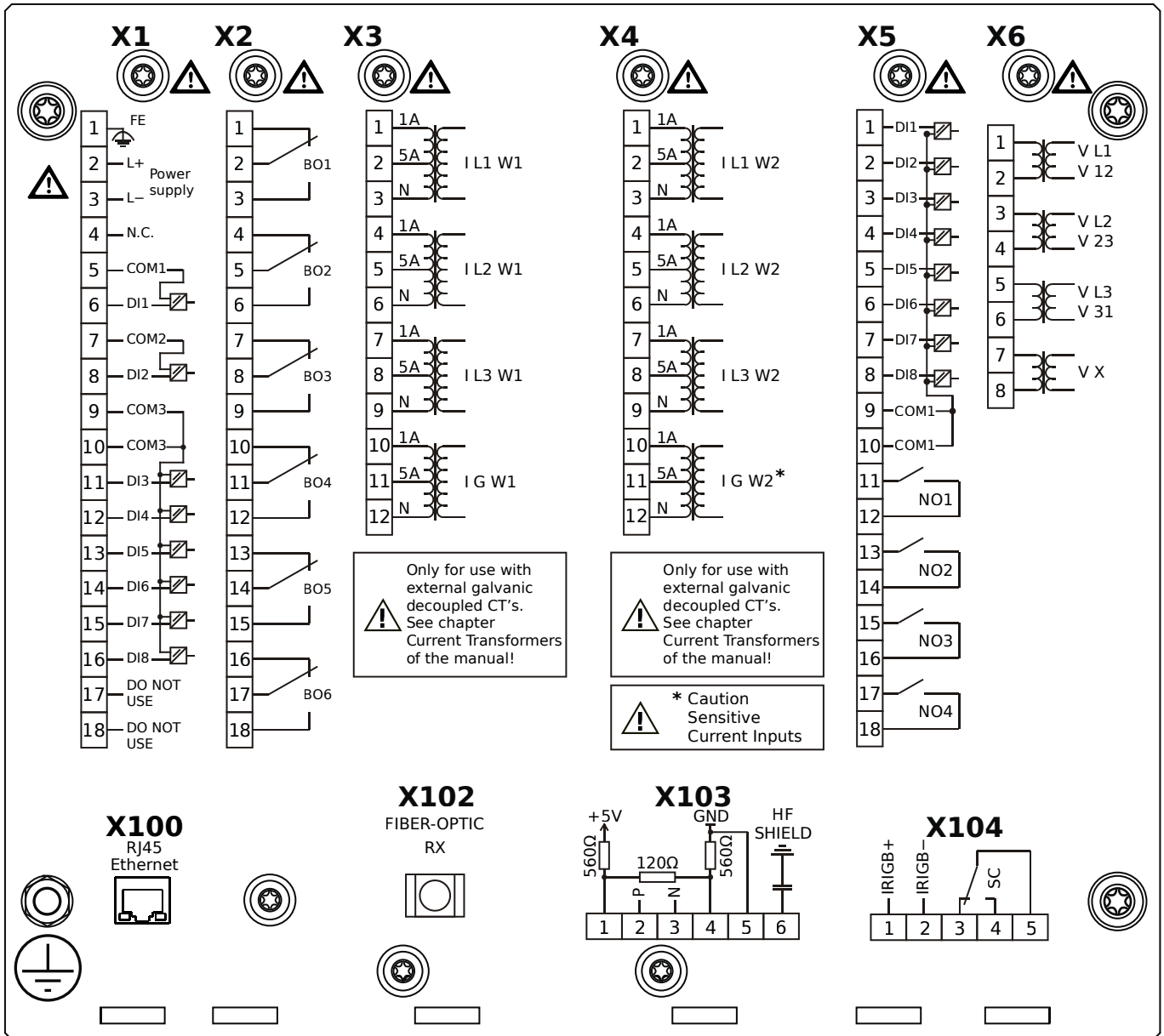
MCDTV4-2A2HTA



Housing B2, large display, door mounting

- X1** – DI8-X1: Wide-range power supply unit, incl. 2 non-grouped digital inputs and 6 grouped digital inputs
- X2** – OR6: Assembly Group with 6 Output Relays
- X3** – TI: Standard current measuring card (for the winding side 1)
- X4** – TIs: Standard phase current measuring card and sensitive ground current measuring (winding side 2)
- X5** – DI8-OR4: Assembly Group with 8 Digital Inputs and 4 Output Relays
- X6** – TU: Card with 4 voltage transformer measuring inputs
- X100** – IEC 61850 / Modbus TCP / DNP3.0 TCP/UDP, Ethernet interface, 100 Mbit/s, RJ45 (BASE100-FX)
- X102** – Universal Resistance-Temperature Detector (URTD) input, Fiber optics interface, Versatile Link
- X103** – IEC 60870-5-103 / Modbus RTU / DNP3.0 RTU, RS485, Terminals
- X104** – IRIG-B00X, incl. System Contact (Supervision Contact)

MCDTV4-2A2HTB

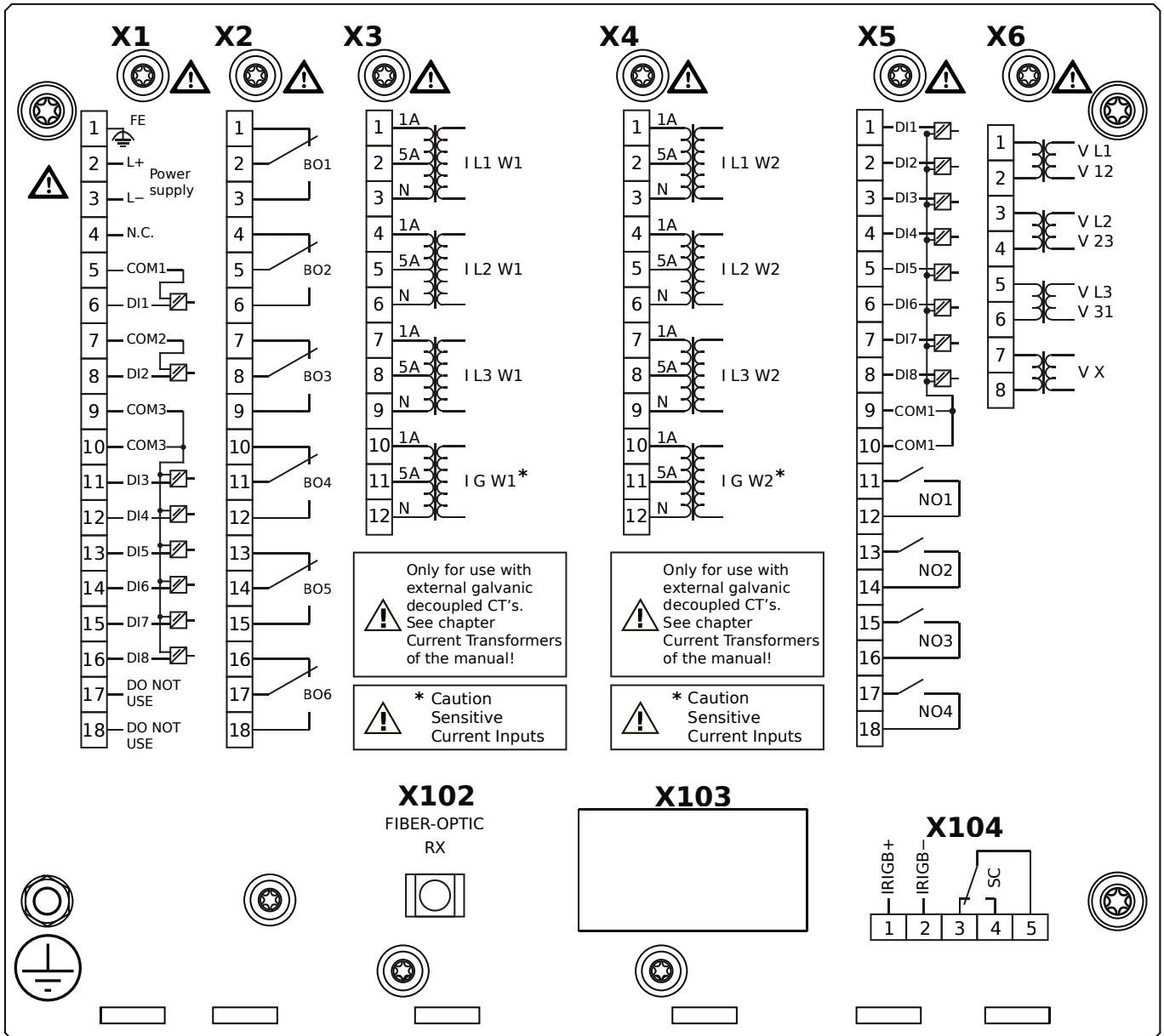


Housing B2, large display, door mounting

+ Conformal Coating (for installations in harsh environment)

- X1** – DI8-X1: Wide-range power supply unit, incl. 2 non-grouped digital inputs and 6 grouped digital inputs
- X2** – OR6: Assembly Group with 6 Output Relays
- X3** – TI: Standard current measuring card (for the winding side 1)
- X4** – TIs: Standard phase current measuring card and sensitive ground current measuring (winding side 2)
- X5** – DI8-OR4: Assembly Group with 8 Digital Inputs and 4 Output Relays
- X6** – TU: Card with 4 voltage transformer measuring inputs
- X100** – IEC 61850 / Modbus TCP / DNP3.0 TCP/UDP, Ethernet interface, 100 Mbit/s, RJ45 (BASE100-FX)
- X102** – Universal Resistance-Temperature Detector (URTD) input, Fiber optics interface, Versatile Link
- X103** – IEC 60870-5-103 / Modbus RTU / DNP3.0 RTU, RS485, Terminals
- X104** – IRIG-B00X, incl. System Contact (Supervision Contact)

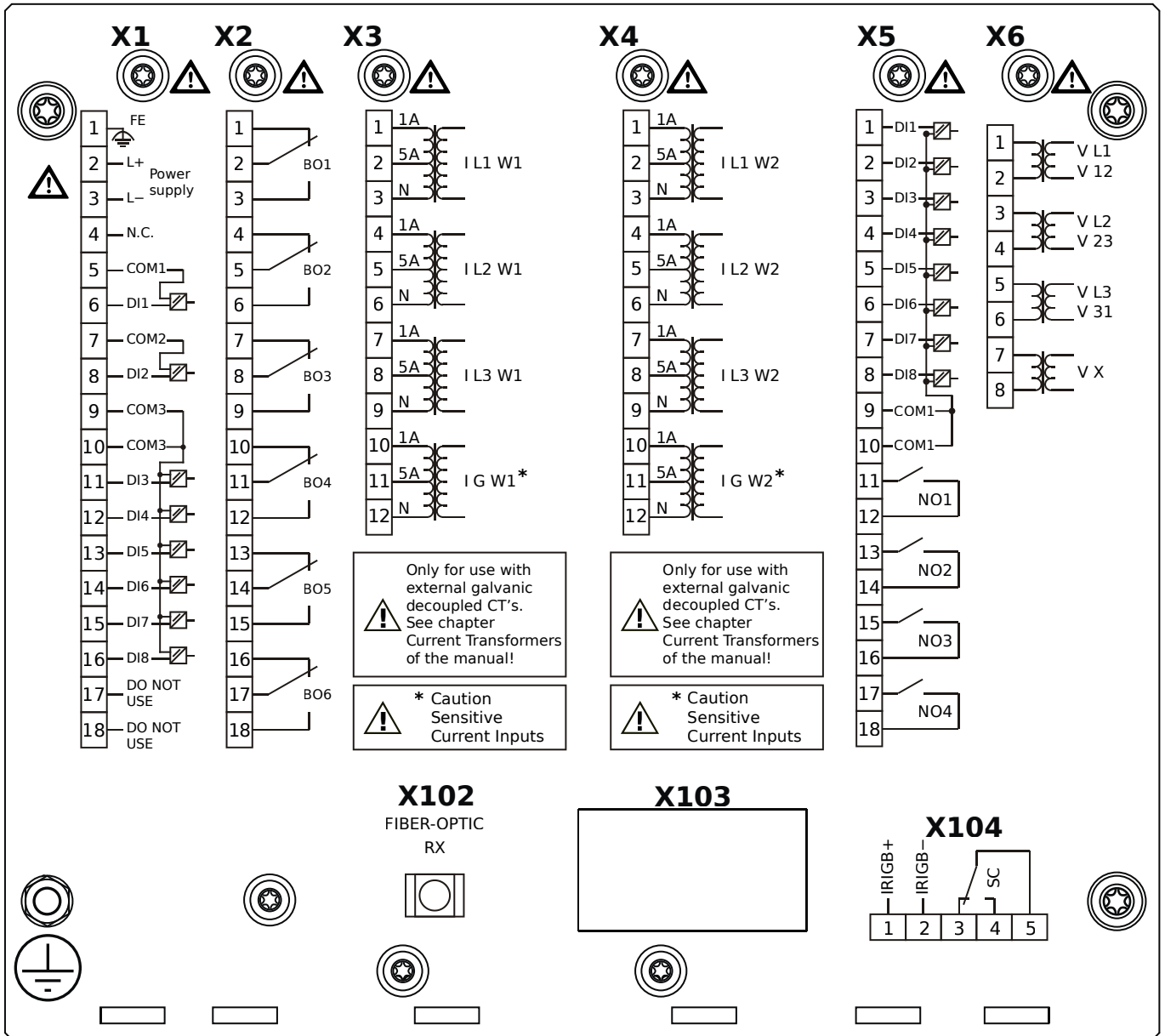
MCDTV4-2A3AAA



Housing B2, large display, door mounting

- X1** – DI8-X1: Wide-range power supply unit, incl. 2 non-grouped digital inputs and 6 grouped digital inputs
- X2** – OR6: Assembly Group with 6 Output Relays
- X3** – TIs: Standard phase current measuring card and sensitive ground current measuring (winding side 1)
- X4** – TIs: Standard phase current measuring card and sensitive ground current measuring (winding side 2)
- X5** – DI8-OR4: Assembly Group with 8 Digital Inputs and 4 Output Relays
- X6** – TU: Card with 4 voltage transformer measuring inputs
- X102** – Universal Resistance-Temperature Detector (URTD) input, Fiber optics interface, Versatile Link
- X104** – IRIG-B00X, incl. System Contact (Supervision Contact)

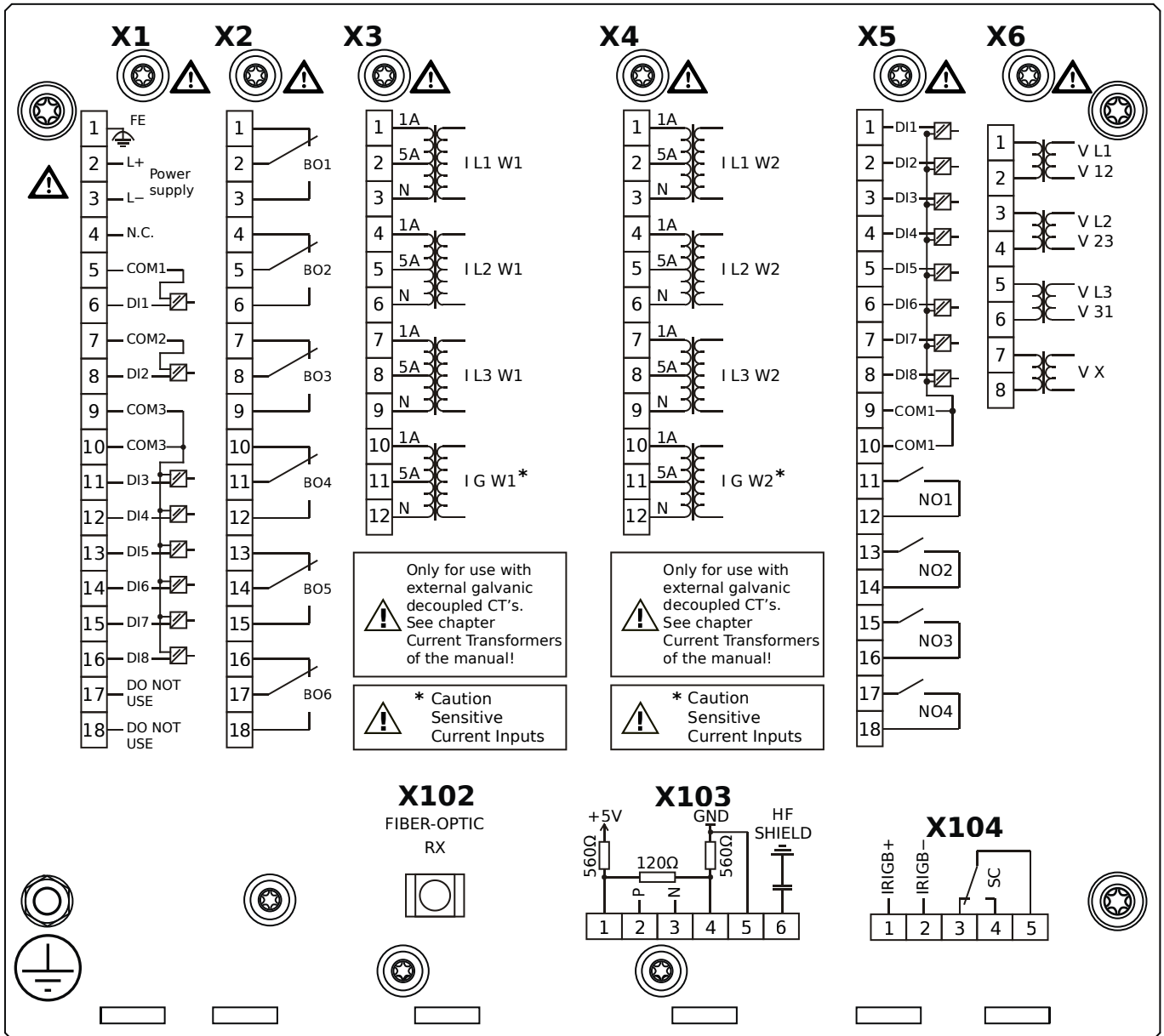
MCDTV4-2A3AAB



Housing B2, large display, door mounting

- + Conformal Coating (for installations in harsh environment)
- X1** – DI8-X1: Wide-range power supply unit, incl. 2 non-grouped digital inputs and 6 grouped digital inputs
- X2** – OR6: Assembly Group with 6 Output Relays
- X3** – TIs: Standard phase current measuring card and sensitive ground current measuring (winding side 1)
- X4** – TIs: Standard phase current measuring card and sensitive ground current measuring (winding side 2)
- X5** – DI8-OR4: Assembly Group with 8 Digital Inputs and 4 Output Relays
- X6** – TU: Card with 4 voltage transformer measuring inputs
- X102** – Universal Resistance-Temperature Detector (URTD) input, Fiber optics interface, Versatile Link
- X104** – IRIG-B00X, incl. System Contact (Supervision Contact)

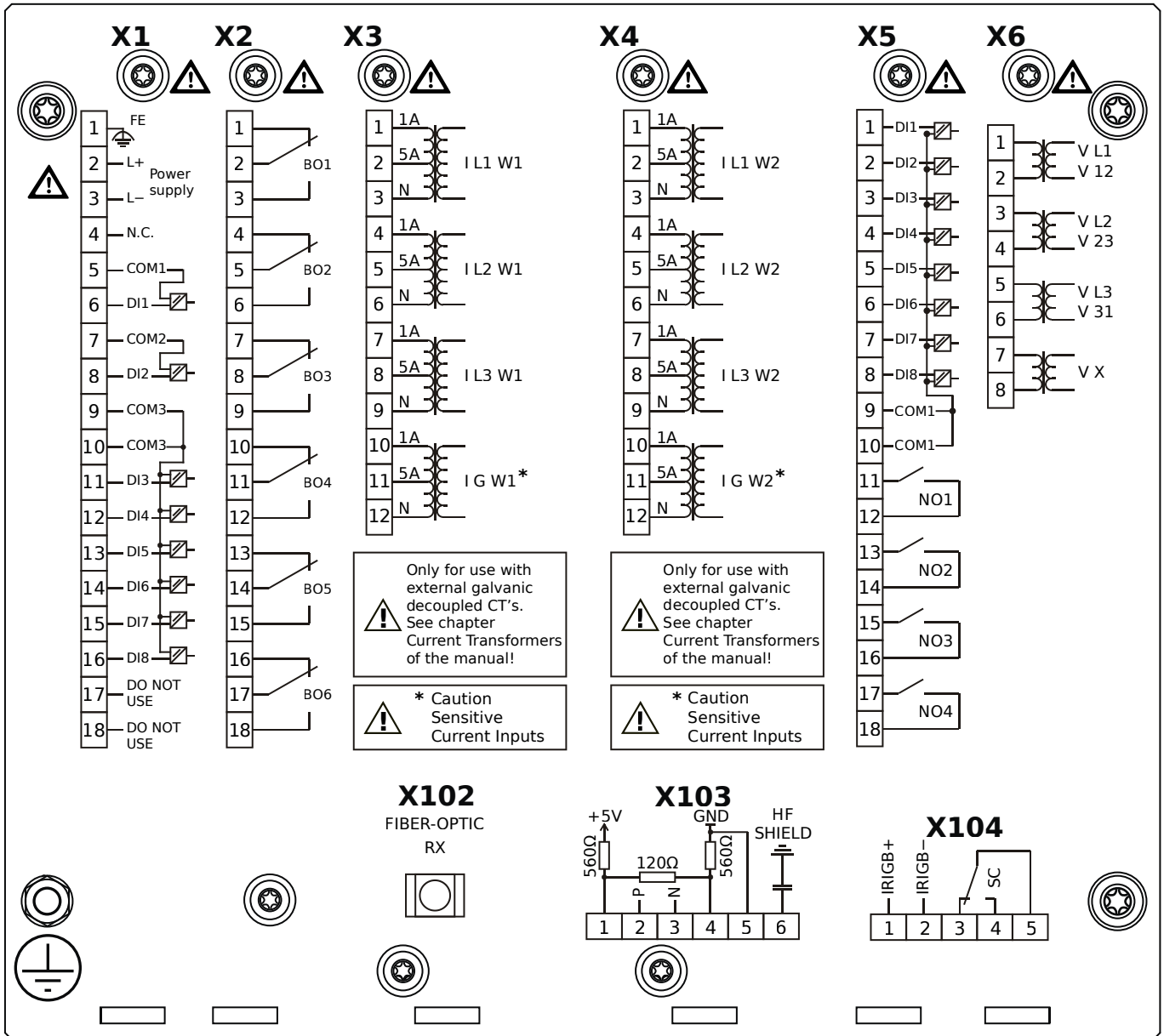
MCDTV4-2A3ABA



Housing B2, large display, door mounting

- X1** – DI8-X1: Wide-range power supply unit, incl. 2 non-grouped digital inputs and 6 grouped digital inputs
- X2** – OR6: Assembly Group with 6 Output Relays
- X3** – TIs: Standard phase current measuring card and sensitive ground current measuring (winding side 1)
- X4** – TIs: Standard phase current measuring card and sensitive ground current measuring (winding side 2)
- X5** – DI8-OR4: Assembly Group with 8 Digital Inputs and 4 Output Relays
- X6** – TU: Card with 4 voltage transformer measuring inputs
- X102** – Universal Resistance-Temperature Detector (URTD) input, Fiber optics interface, Versatile Link
- X103** – Modbus RTU / IEC 60870-5-103 / DNP3.0 RTU, RS485, Terminals
- X104** – IRIG-B00X, incl. System Contact (Supervision Contact)

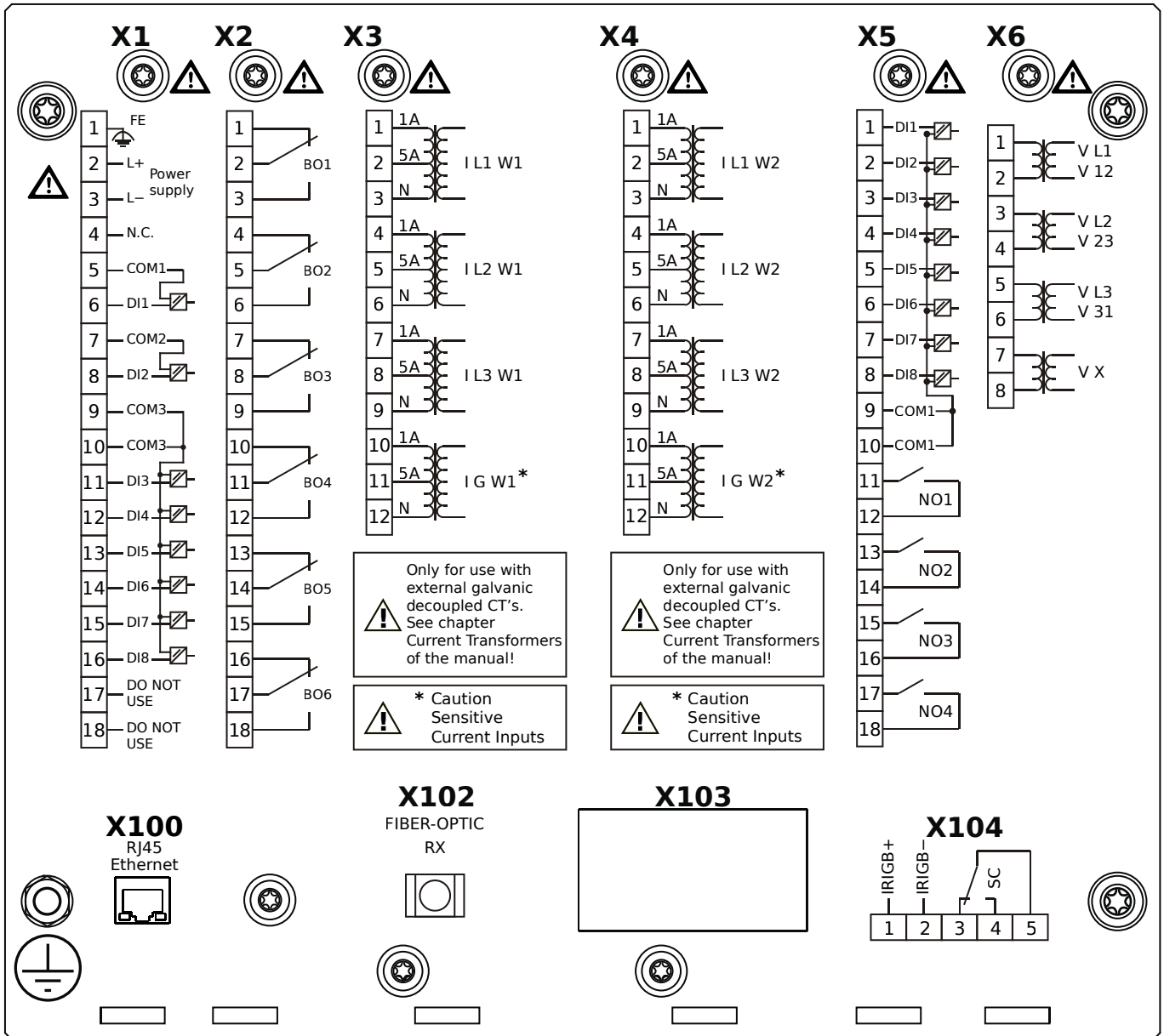
MCDTV4-2A3ABB



Housing B2, large display, door mounting

- + Conformal Coating (for installations in harsh environment)
- X1** – DI8-X1: Wide-range power supply unit, incl. 2 non-grouped digital inputs and 6 grouped digital inputs
- X2** – OR6: Assembly Group with 6 Output Relays
- X3** – TIs: Standard phase current measuring card and sensitive ground current measuring (winding side 1)
- X4** – TIs: Standard phase current measuring card and sensitive ground current measuring (winding side 2)
- X5** – DI8-OR4: Assembly Group with 8 Digital Inputs and 4 Output Relays
- X6** – TU: Card with 4 voltage transformer measuring inputs
- X102** – Universal Resistance-Temperature Detector (URTD) input, Fiber optics interface, Versatile Link
- X103** – Modbus RTU / IEC 60870-5-103 / DNP3.0 RTU, RS485, Terminals
- X104** – IRIG-B00X, incl. System Contact (Supervision Contact)

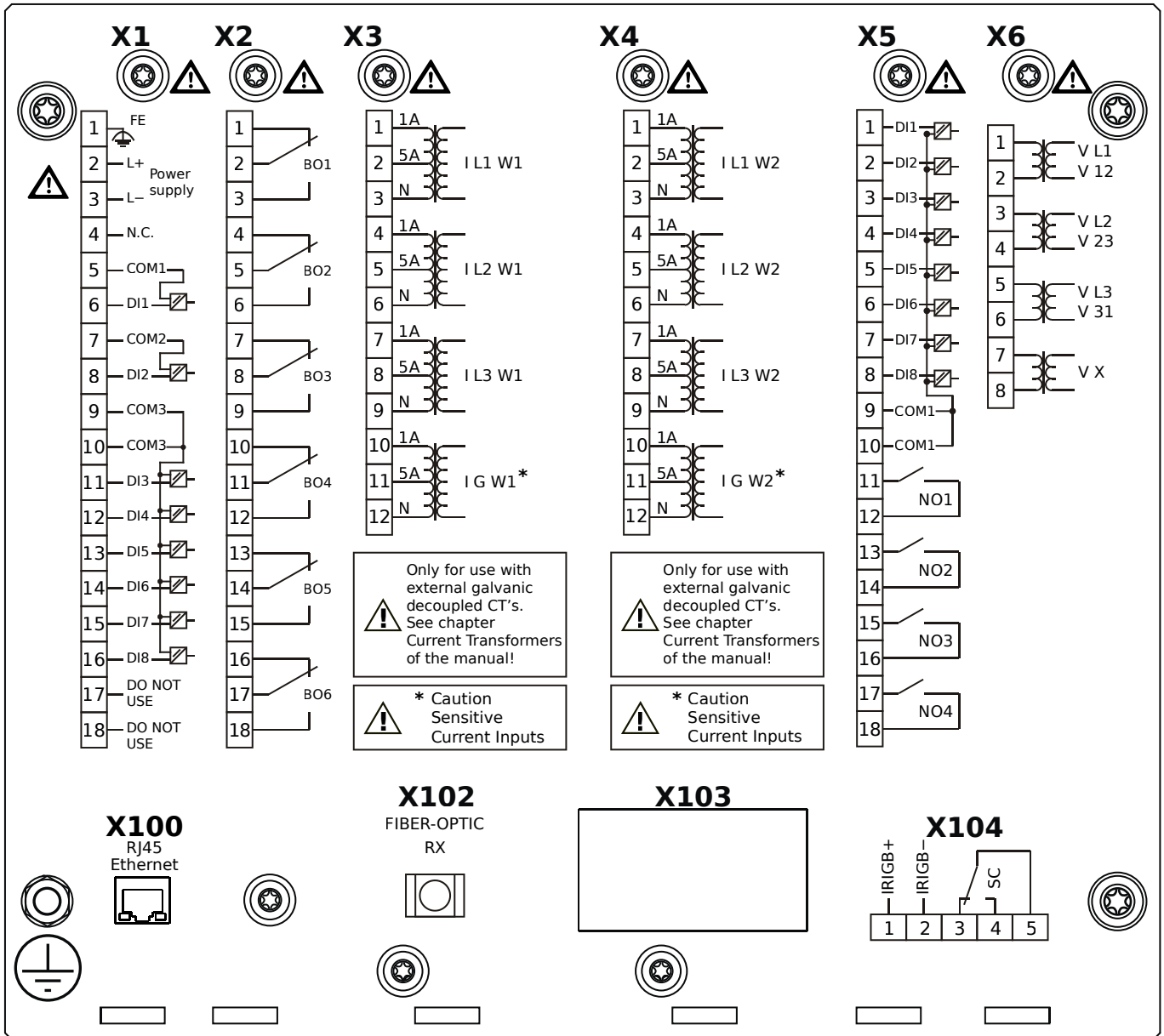
MCDTV4-2A3ACA



Housing B2, large display, door mounting

- X1** – DI8-X1: Wide-range power supply unit, incl. 2 non-grouped digital inputs and 6 grouped digital inputs
- X2** – OR6: Assembly Group with 6 Output Relays
- X3** – TIs: Standard phase current measuring card and sensitive ground current measuring (winding side 1)
- X4** – TIs: Standard phase current measuring card and sensitive ground current measuring (winding side 2)
- X5** – DI8-OR4: Assembly Group with 8 Digital Inputs and 4 Output Relays
- X6** – TU: Card with 4 voltage transformer measuring inputs
- X100** – Modbus TCP / DNP3.0 TCP/UDP, Ethernet interface, 100 Mbit/s, RJ45 (BASE100-FX)
- X102** – Universal Resistance-Temperature Detector (URTD) input, Fiber optics interface, Versatile Link
- X104** – IRIG-B00X, incl. System Contact (Supervision Contact)

MCDTV4-2A3ACB

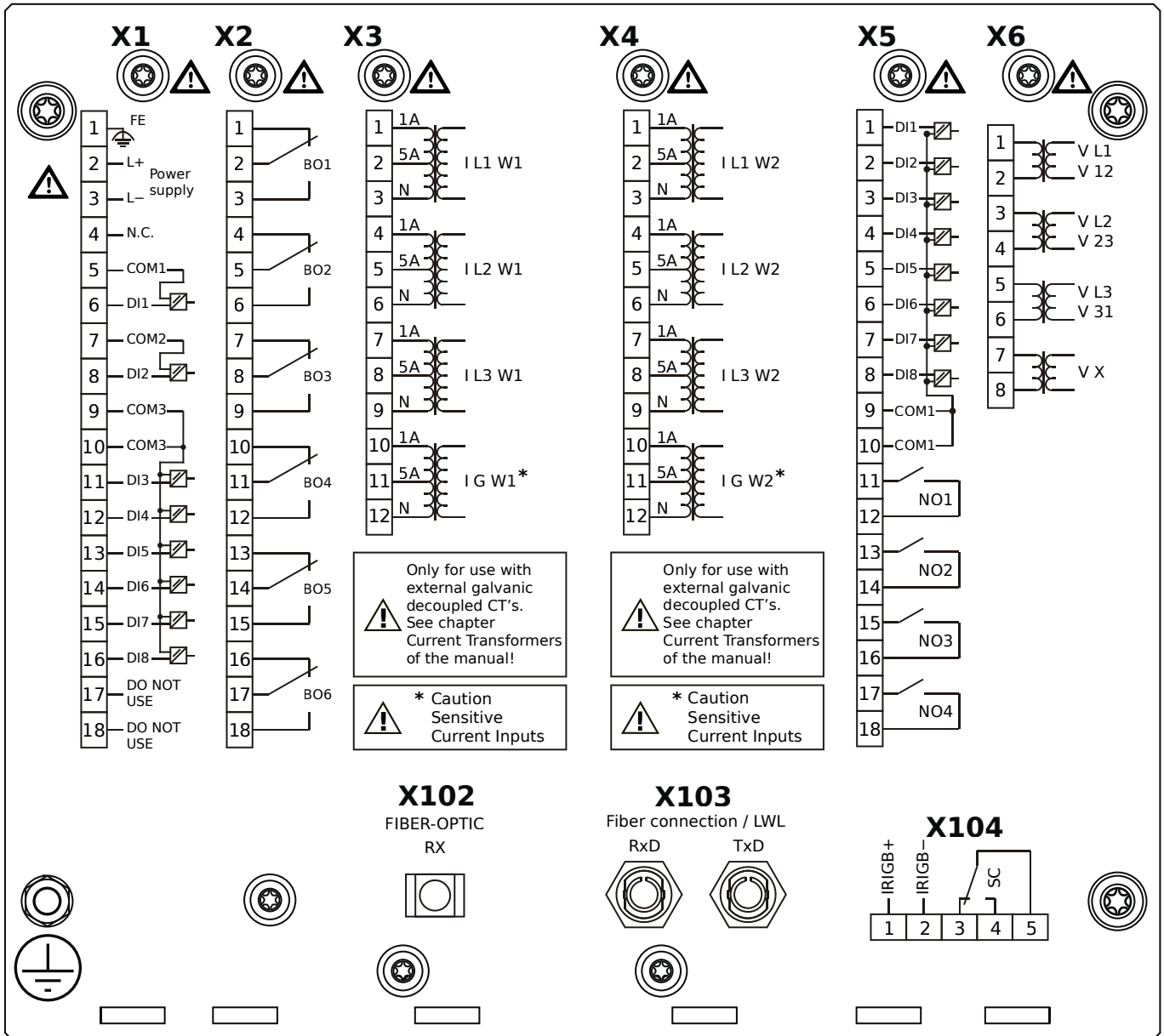


Housing B2, large display, door mounting

+ Conformal Coating (for installations in harsh environment)

- X1** – DI8-X1: Wide-range power supply unit, incl. 2 non-grouped digital inputs and 6 grouped digital inputs
- X2** – OR6: Assembly Group with 6 Output Relays
- X3** – TIs: Standard phase current measuring card and sensitive ground current measuring (winding side 1)
- X4** – TIs: Standard phase current measuring card and sensitive ground current measuring (winding side 2)
- X5** – DI8-OR4: Assembly Group with 8 Digital Inputs and 4 Output Relays
- X6** – TU: Card with 4 voltage transformer measuring inputs
- X100** – Modbus TCP / DNP3.0 TCP/UDP, Ethernet interface, 100 Mbit/s, RJ45 (BASE100-FX)
- X102** – Universal Resistance-Temperature Detector (URTD) input, Fiber optics interface, Versatile Link
- X104** – IRIG-B00X, incl. System Contact (Supervision Contact)

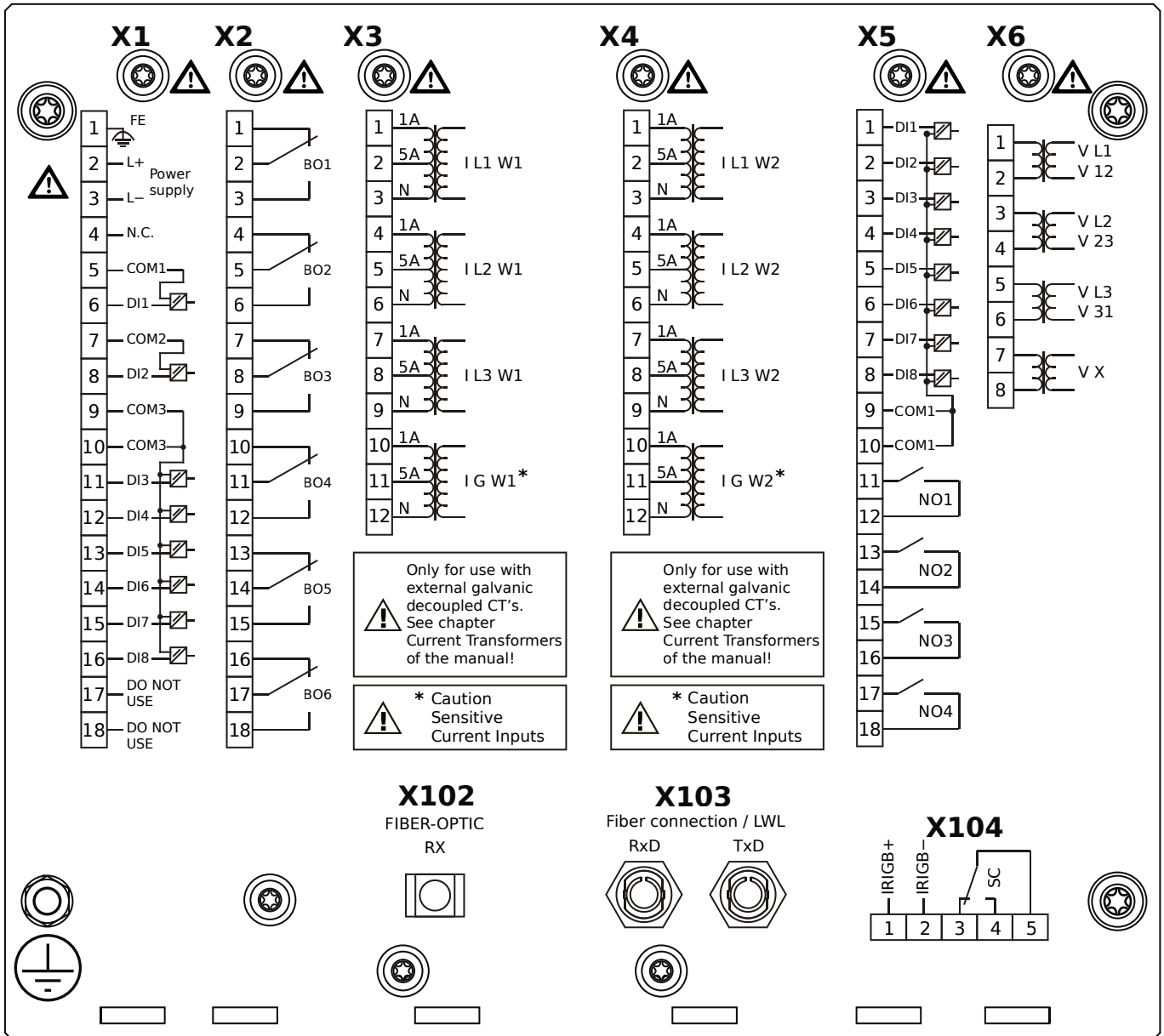
MCDTV4-2A3ADA



Housing B2, large display, door mounting

- X1** – DI8-X1: Wide-range power supply unit, incl. 2 non-grouped digital inputs and 6 grouped digital inputs
- X2** – OR6: Assembly Group with 6 Output Relays
- X3** – TIs: Standard phase current measuring card and sensitive ground current measuring (winding side 1)
- X4** – TIs: Standard phase current measuring card and sensitive ground current measuring (winding side 2)
- X5** – DI8-OR4: Assembly Group with 8 Digital Inputs and 4 Output Relays
- X6** – TU: Card with 4 voltage transformer measuring inputs
- X102** – Universal Resistance-Temperature Detector (URTD) input, Fiber optics interface, Versatile Link
- X103** – Profibus-DP, Fiber optics interface, ST Connector
- X104** – IRIG-B00X, incl. System Contact (Supervision Contact)

MCDTV4-2A3ADB

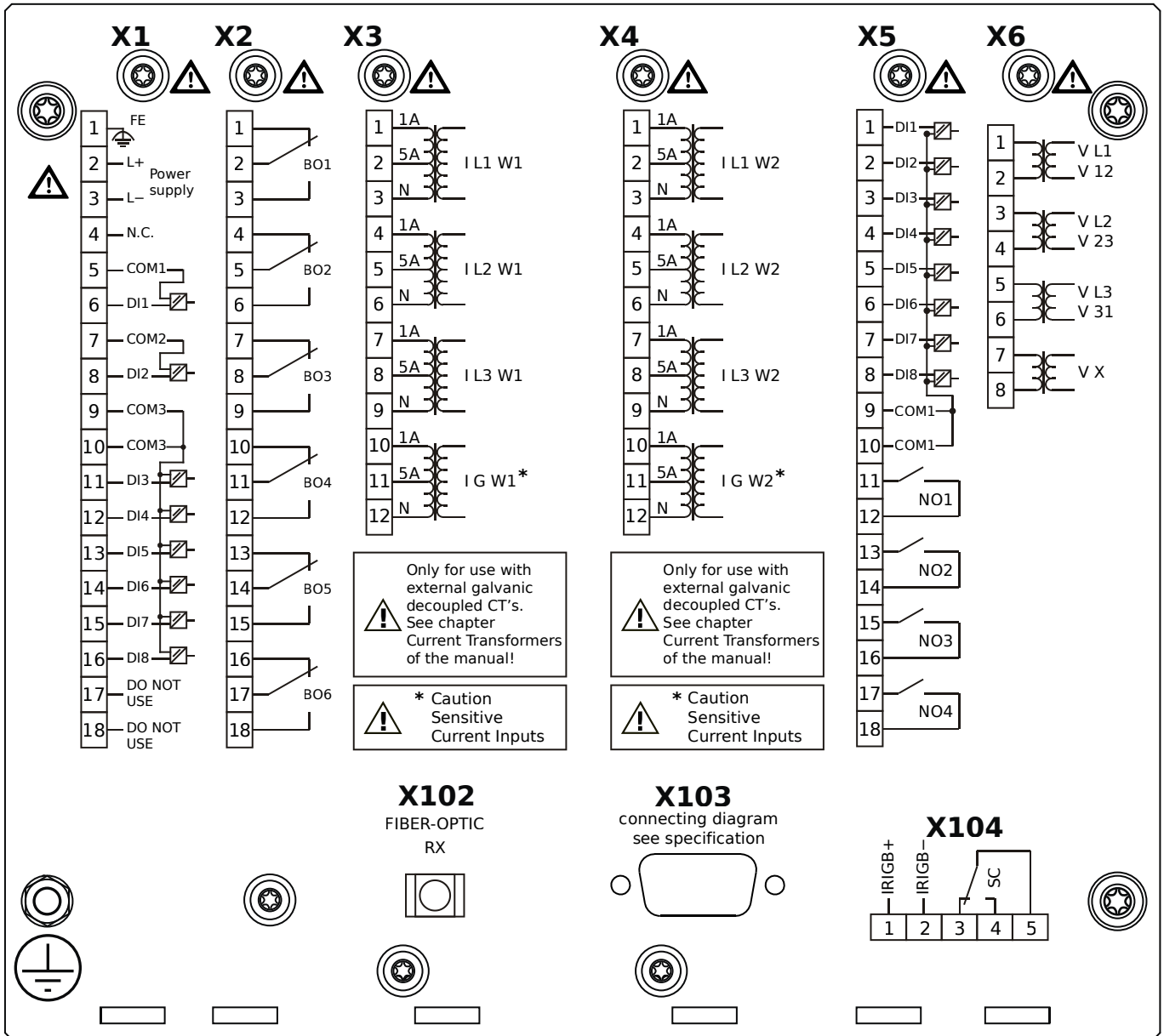


Housing B2, large display, door mounting

+ Conformal Coating (for installations in harsh environment)

- X1** – DI8-X1: Wide-range power supply unit, incl. 2 non-grouped digital inputs and 6 grouped digital inputs
- X2** – OR6: Assembly Group with 6 Output Relays
- X3** – TIs: Standard phase current measuring card and sensitive ground current measuring (winding side 1)
- X4** – TIs: Standard phase current measuring card and sensitive ground current measuring (winding side 2)
- X5** – DI8-OR4: Assembly Group with 8 Digital Inputs and 4 Output Relays
- X6** – TU: Card with 4 voltage transformer measuring inputs
- X102** – Universal Resistance-Temperature Detector (URTD) input, Fiber optics interface, Versatile Link
- X103** – Profibus-DP, Fiber optics interface, ST Connector
- X104** – IRIG-B00X, incl. System Contact (Supervision Contact)

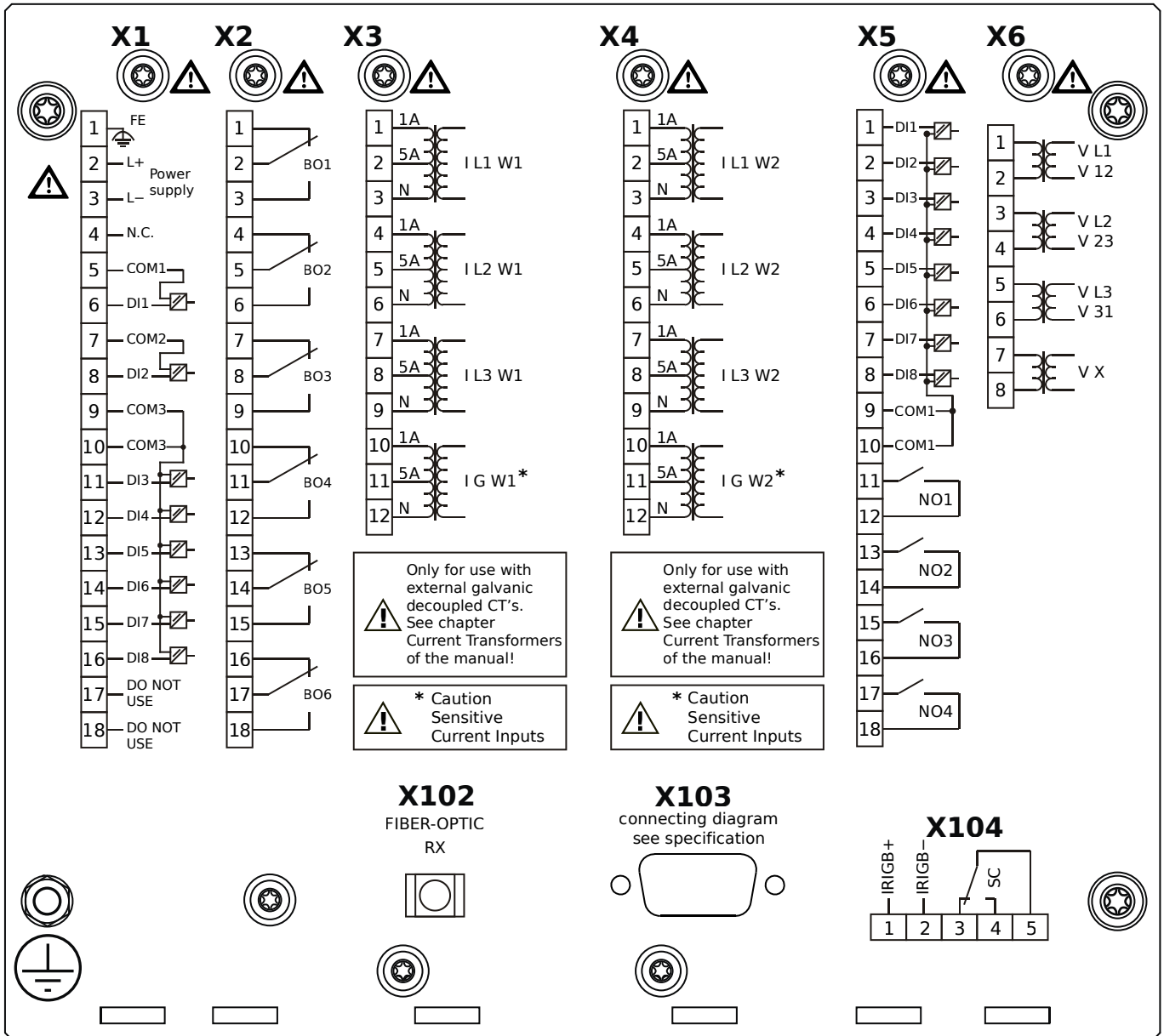
MCDTV4-2A3AEA



Housing B2, large display, door mounting

- X1** – DI8-X1: Wide-range power supply unit, incl. 2 non-grouped digital inputs and 6 grouped digital inputs
- X2** – OR6: Assembly Group with 6 Output Relays
- X3** – TIs: Standard phase current measuring card and sensitive ground current measuring (winding side 1)
- X4** – TIs: Standard phase current measuring card and sensitive ground current measuring (winding side 2)
- X5** – DI8-OR4: Assembly Group with 8 Digital Inputs and 4 Output Relays
- X6** – TU: Card with 4 voltage transformer measuring inputs
- X102** – Universal Resistance-Temperature Detector (URTD) input, Fiber optics interface, Versatile Link
- X103** – Profibus-DP, RS485, D-SUB
- X104** – IRIG-B00X, incl. System Contact (Supervision Contact)

MCDTV4-2A3AEB

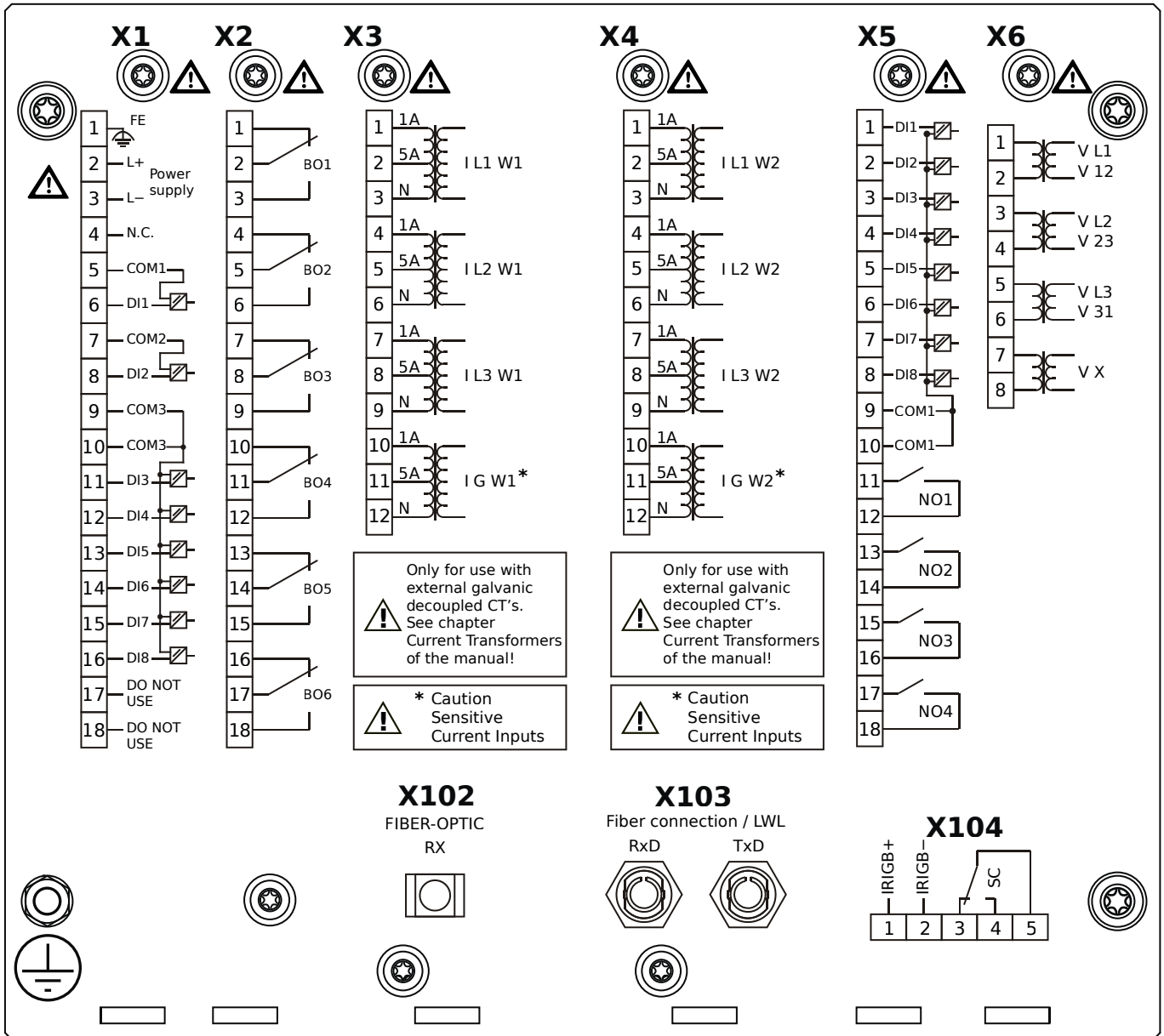


Housing B2, large display, door mounting

+ Conformal Coating (for installations in harsh environment)

- X1** – DI8-X1: Wide-range power supply unit, incl. 2 non-grouped digital inputs and 6 grouped digital inputs
- X2** – OR6: Assembly Group with 6 Output Relays
- X3** – TIs: Standard phase current measuring card and sensitive ground current measuring (winding side 1)
- X4** – TIs: Standard phase current measuring card and sensitive ground current measuring (winding side 2)
- X5** – DI8-OR4: Assembly Group with 8 Digital Inputs and 4 Output Relays
- X6** – TU: Card with 4 voltage transformer measuring inputs
- X102** – Universal Resistance-Temperature Detector (URTD) input, Fiber optics interface, Versatile Link
- X103** – Profibus-DP, RS485, D-SUB
- X104** – IRIG-B00X, incl. System Contact (Supervision Contact)

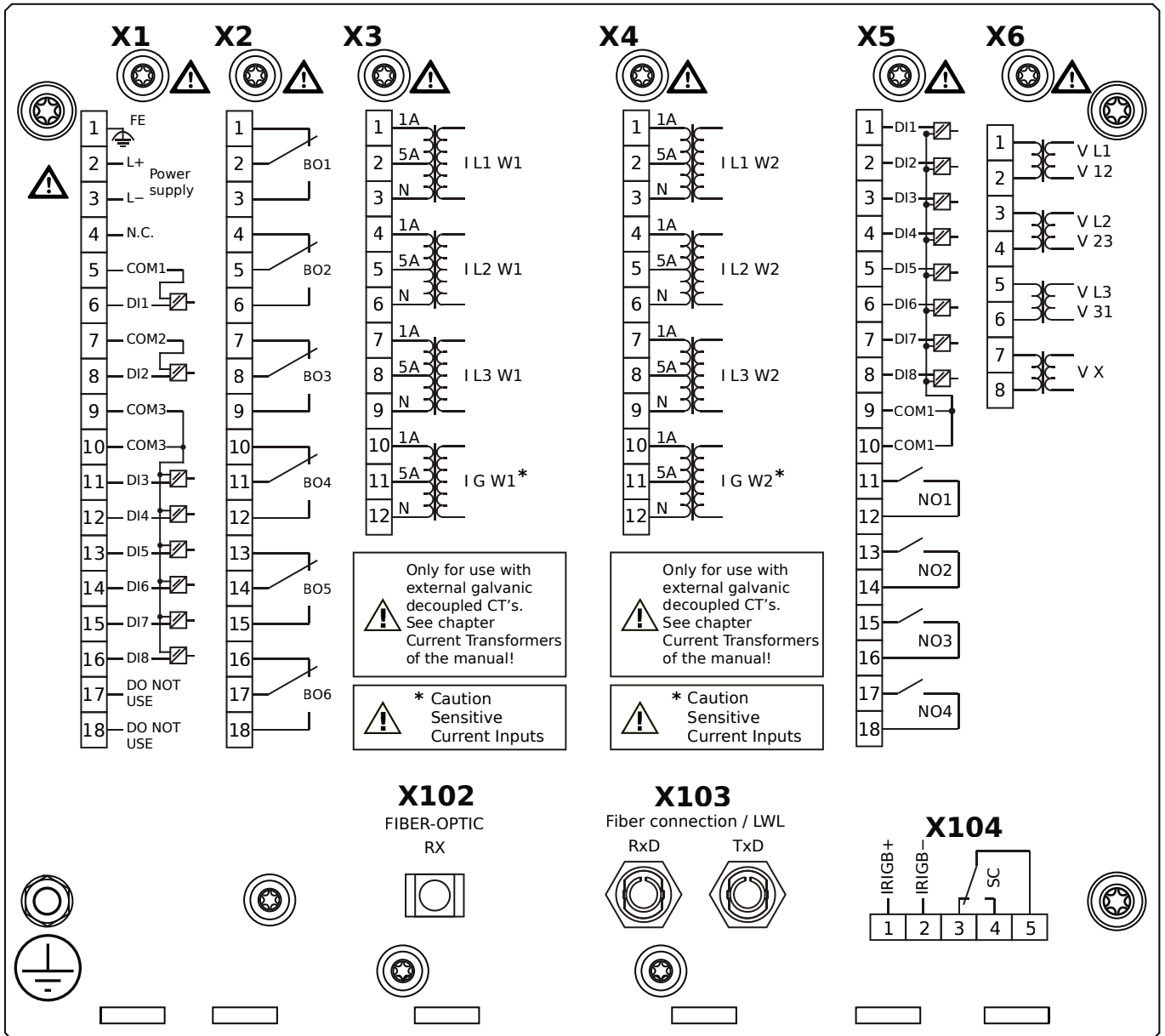
MCDTV4-2A3AFA



Housing B2, large display, door mounting

- X1** – DI8-X1: Wide-range power supply unit, incl. 2 non-grouped digital inputs and 6 grouped digital inputs
- X2** – OR6: Assembly Group with 6 Output Relays
- X3** – TIs: Standard phase current measuring card and sensitive ground current measuring (winding side 1)
- X4** – TIs: Standard phase current measuring card and sensitive ground current measuring (winding side 2)
- X5** – DI8-OR4: Assembly Group with 8 Digital Inputs and 4 Output Relays
- X6** – TU: Card with 4 voltage transformer measuring inputs
- X102** – Universal Resistance-Temperature Detector (URTD) input, Fiber optics interface, Versatile Link
- X103** – Modbus RTU / IEC 60870-5-103 / DNP3.0 RTU, Fiber optics interface, ST Connector
- X104** – IRIG-B00X, incl. System Contact (Supervision Contact)

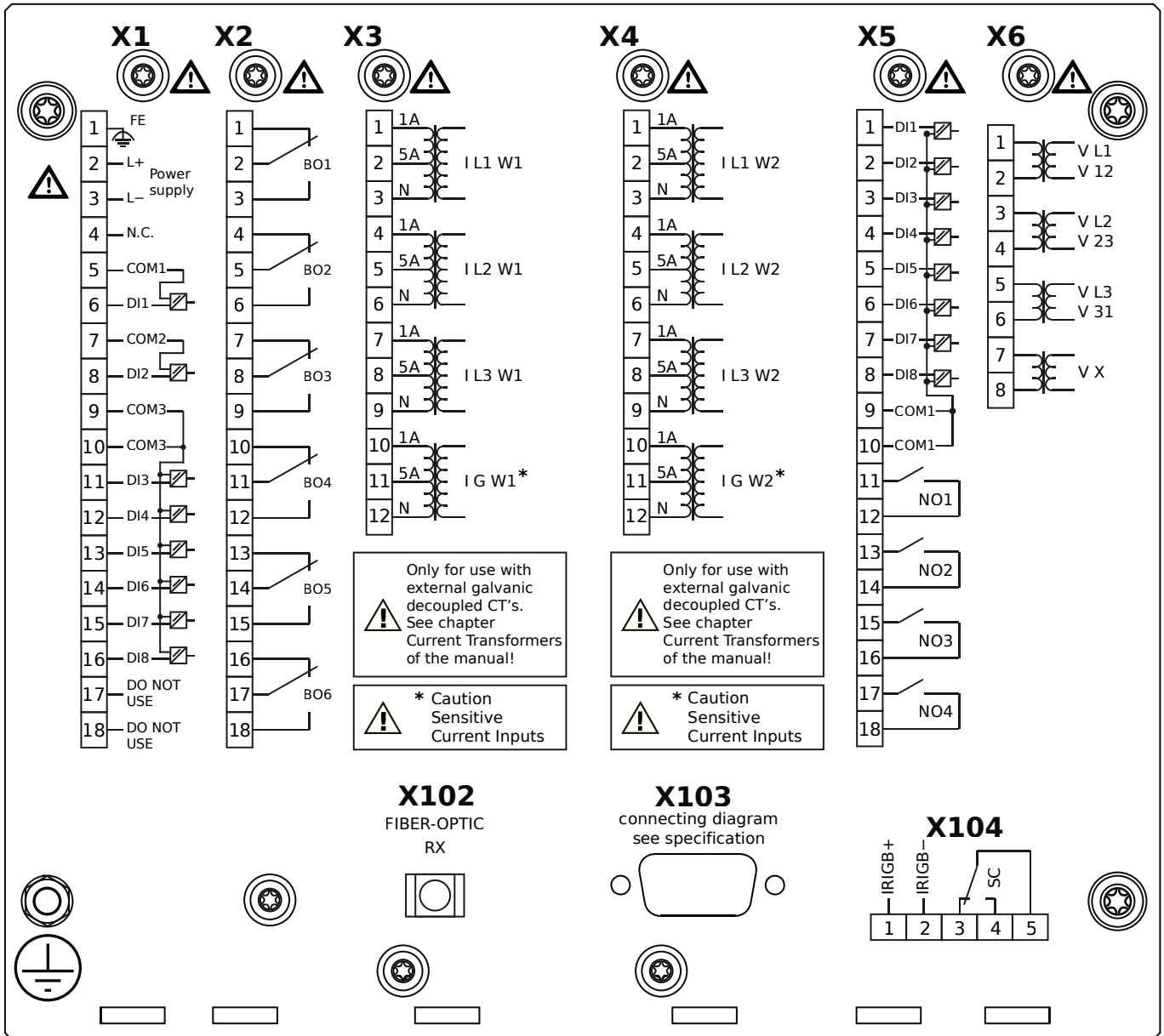
MCDTV4-2A3AFB



Housing B2, large display, door mounting

- + Conformal Coating (for installations in harsh environment)
- X1** – DI8-X1: Wide-range power supply unit, incl. 2 non-grouped digital inputs and 6 grouped digital inputs
- X2** – OR6: Assembly Group with 6 Output Relays
- X3** – TIs: Standard phase current measuring card and sensitive ground current measuring (winding side 1)
- X4** – TIs: Standard phase current measuring card and sensitive ground current measuring (winding side 2)
- X5** – DI8-OR4: Assembly Group with 8 Digital Inputs and 4 Output Relays
- X6** – TU: Card with 4 voltage transformer measuring inputs
- X102** – Universal Resistance-Temperature Detector (URTD) input, Fiber optics interface, Versatile Link
- X103** – Modbus RTU / IEC 60870-5-103 / DNP3.0 RTU, Fiber optics interface, ST Connector
- X104** – IRIG-B00X, incl. System Contact (Supervision Contact)

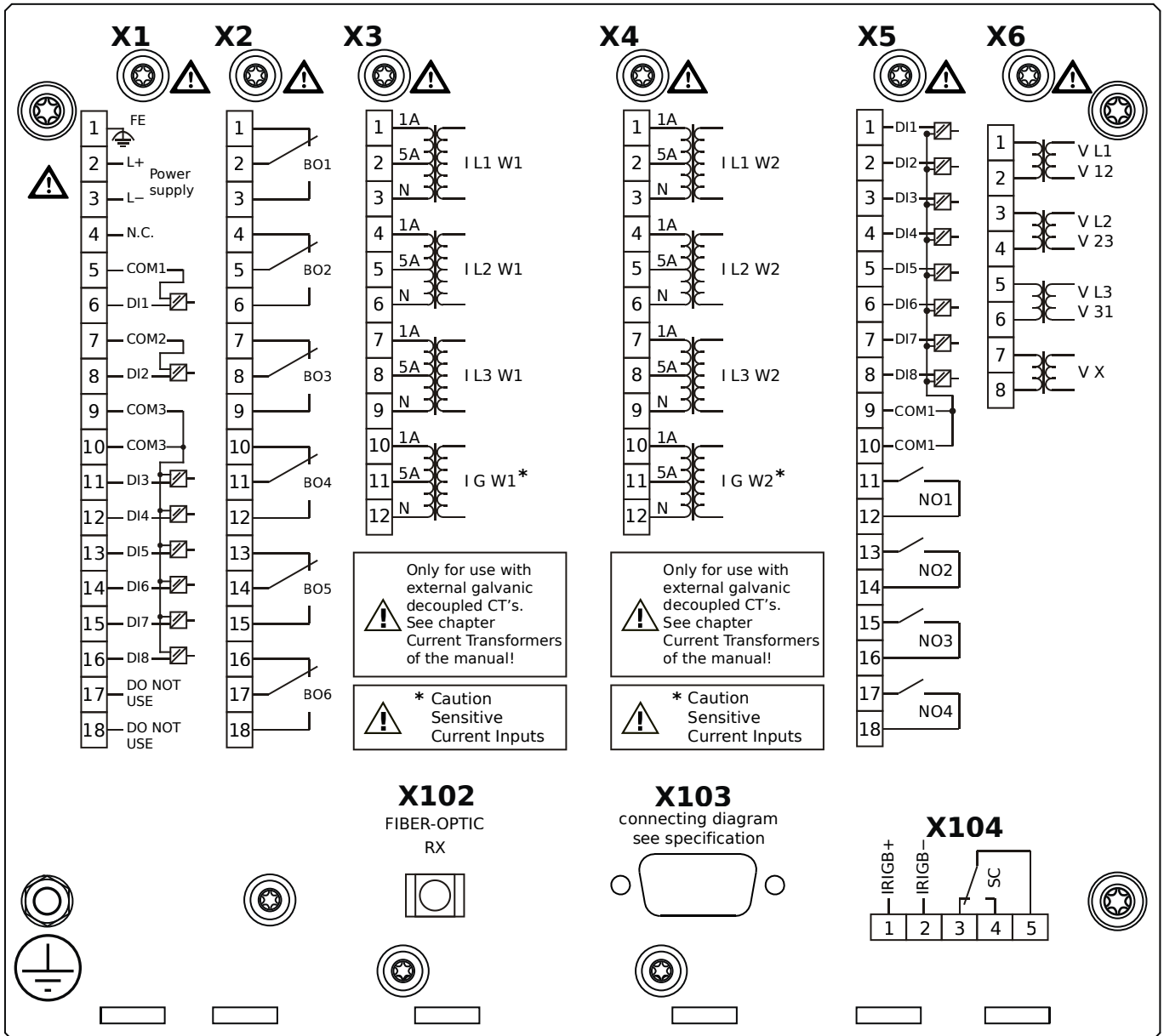
MCDTV4-2A3AGA



Housing B2, large display, door mounting

- X1** – DI8-X1: Wide-range power supply unit, incl. 2 non-grouped digital inputs and 6 grouped digital inputs
- X2** – OR6: Assembly Group with 6 Output Relays
- X3** – TIs: Standard phase current measuring card and sensitive ground current measuring (winding side 1)
- X4** – TIs: Standard phase current measuring card and sensitive ground current measuring (winding side 2)
- X5** – DI8-OR4: Assembly Group with 8 Digital Inputs and 4 Output Relays
- X6** – TU: Card with 4 voltage transformer measuring inputs
- X102** – Universal Resistance-Temperature Detector (URTD) input, Fiber optics interface, Versatile Link
- X103** – Modbus RTU / IEC 60870-5-103 / DNP3.0 RTU, RS485, D-SUB
- X104** – IRIG-B00X, incl. System Contact (Supervision Contact)

MCDTV4-2A3AGB

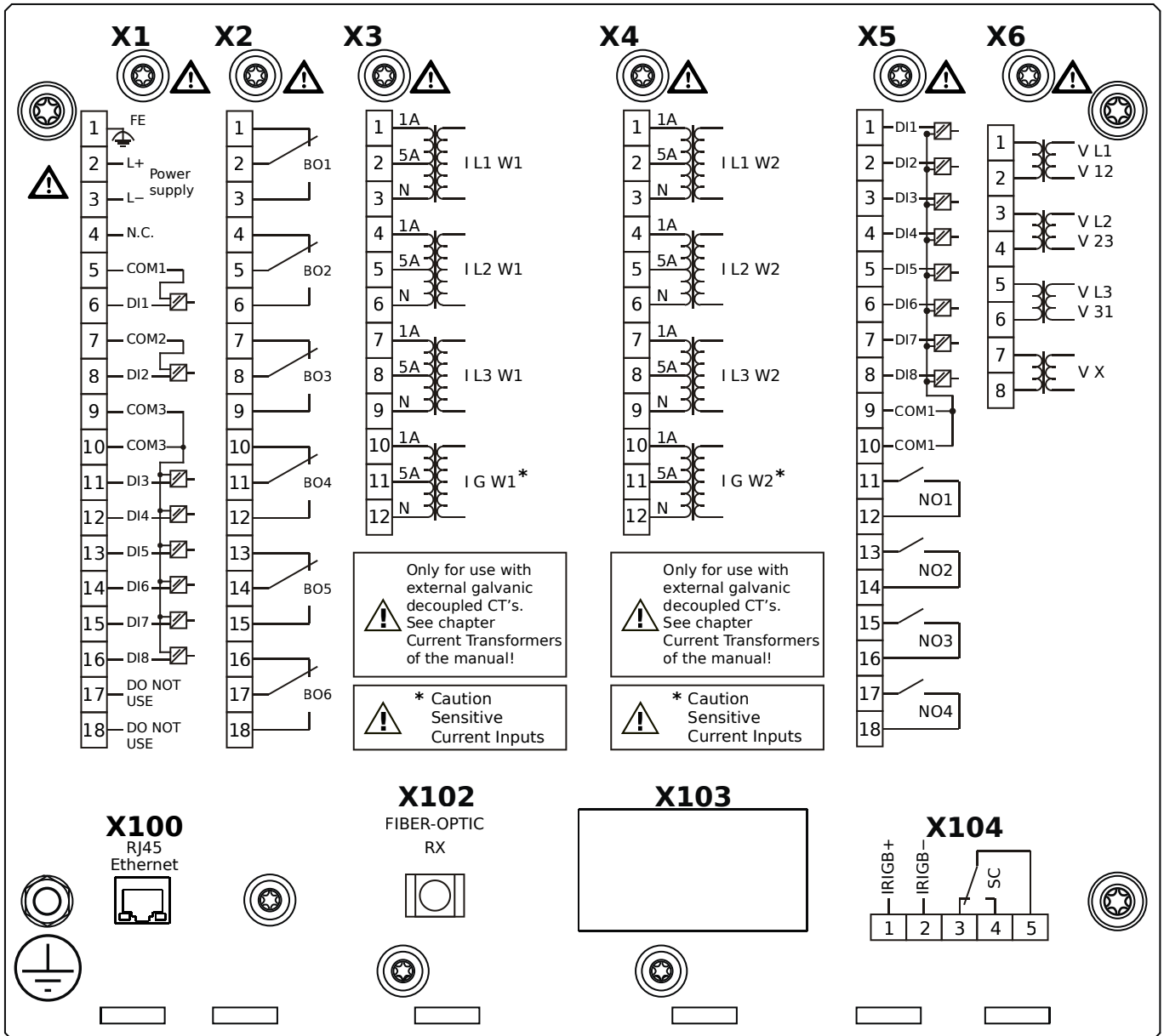


Housing B2, large display, door mounting

+ Conformal Coating (for installations in harsh environment)

- X1** – DI8-X1: Wide-range power supply unit, incl. 2 non-grouped digital inputs and 6 grouped digital inputs
- X2** – OR6: Assembly Group with 6 Output Relays
- X3** – TIs: Standard phase current measuring card and sensitive ground current measuring (winding side 1)
- X4** – TIs: Standard phase current measuring card and sensitive ground current measuring (winding side 2)
- X5** – DI8-OR4: Assembly Group with 8 Digital Inputs and 4 Output Relays
- X6** – TU: Card with 4 voltage transformer measuring inputs
- X102** – Universal Resistance-Temperature Detector (URTD) input, Fiber optics interface, Versatile Link
- X103** – Modbus RTU / IEC 60870-5-103 / DNP3.0 RTU, RS485, D-SUB
- X104** – IRIG-B00X, incl. System Contact (Supervision Contact)

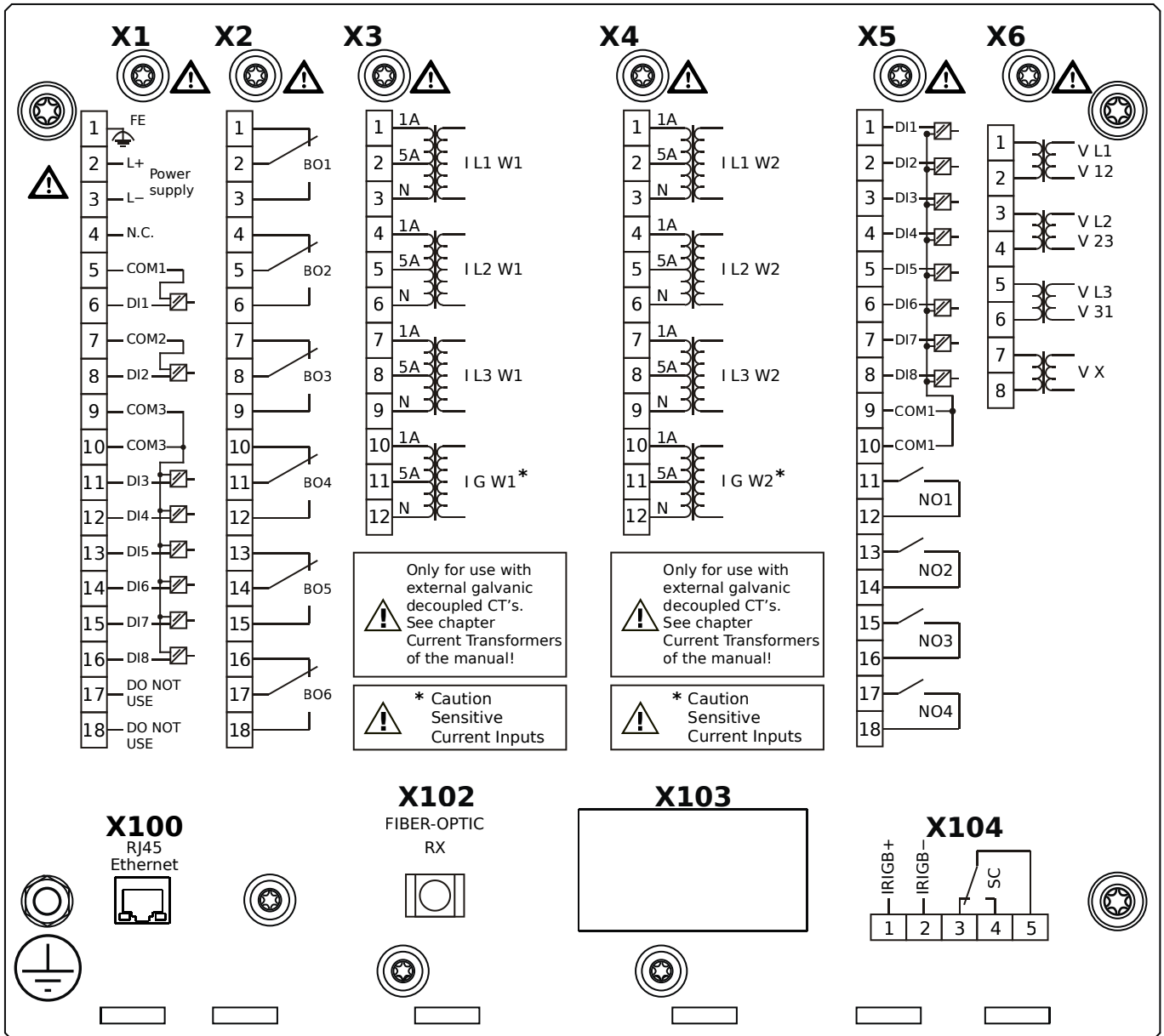
MCDTV4-2A3AHA



Housing B2, large display, door mounting

- X1** – DI8-X1: Wide-range power supply unit, incl. 2 non-grouped digital inputs and 6 grouped digital inputs
- X2** – OR6: Assembly Group with 6 Output Relays
- X3** – TIs: Standard phase current measuring card and sensitive ground current measuring (winding side 1)
- X4** – TIs: Standard phase current measuring card and sensitive ground current measuring (winding side 2)
- X5** – DI8-OR4: Assembly Group with 8 Digital Inputs and 4 Output Relays
- X6** – TU: Card with 4 voltage transformer measuring inputs
- X100** – IEC 61850 / Modbus TCP / DNP3.0 TCP/UDP, Ethernet interface, 100 Mbit/s, RJ45 (BASE100-FX)
- X102** – Universal Resistance-Temperature Detector (URTD) input, Fiber optics interface, Versatile Link
- X104** – IRIG-B00X, incl. System Contact (Supervision Contact)

MCDTV4-2A3AHB

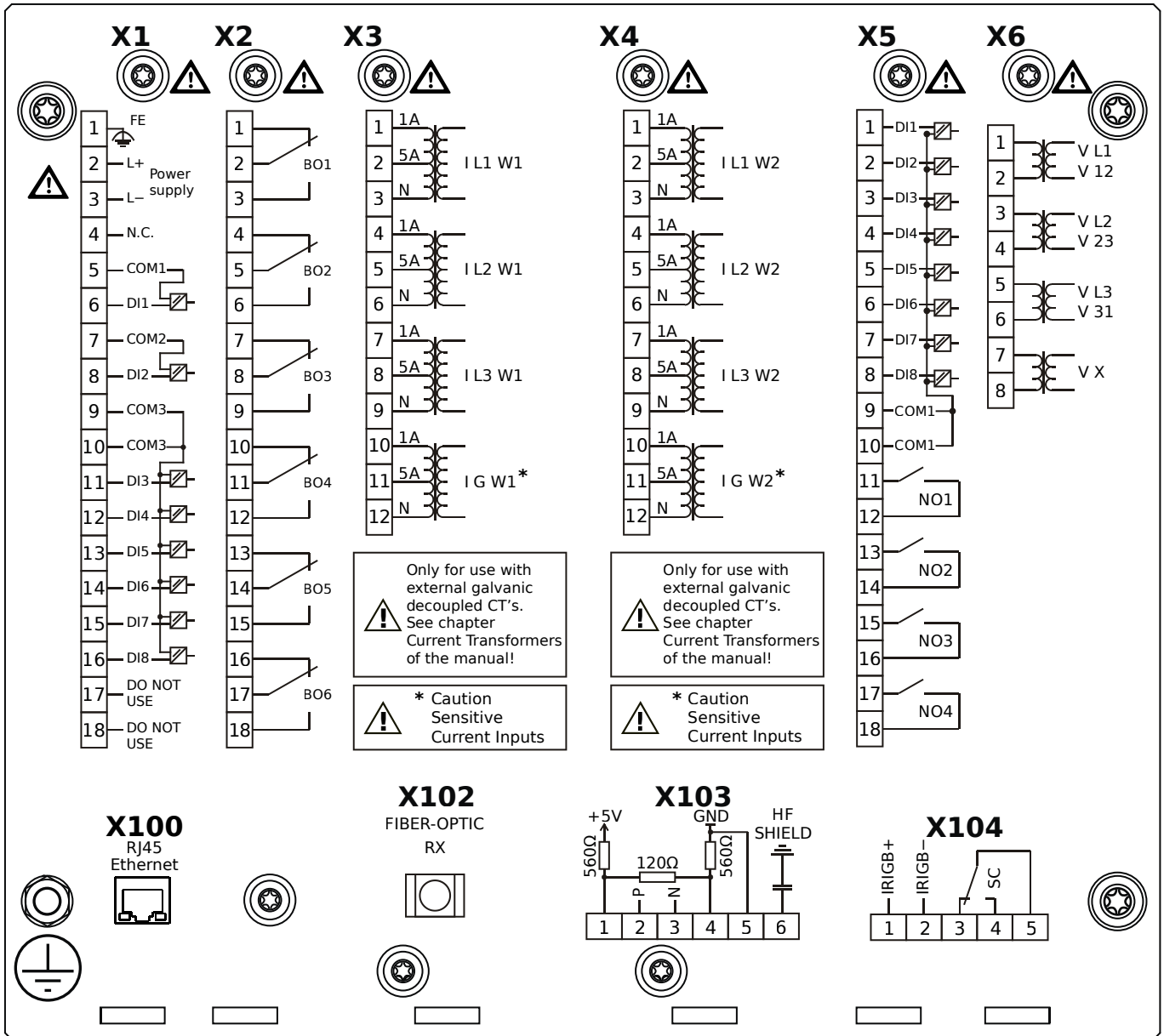


Housing B2, large display, door mounting

+ Conformal Coating (for installations in harsh environment)

- X1** – DI8-X1: Wide-range power supply unit, incl. 2 non-grouped digital inputs and 6 grouped digital inputs
- X2** – OR6: Assembly Group with 6 Output Relays
- X3** – TIs: Standard phase current measuring card and sensitive ground current measuring (winding side 1)
- X4** – TIs: Standard phase current measuring card and sensitive ground current measuring (winding side 2)
- X5** – DI8-OR4: Assembly Group with 8 Digital Inputs and 4 Output Relays
- X6** – TU: Card with 4 voltage transformer measuring inputs
- X100** – IEC 61850 / Modbus TCP / DNP3.0 TCP/UDP, Ethernet interface, 100 Mbit/s, RJ45 (BASE100-FX)
- X102** – Universal Resistance-Temperature Detector (URTD) input, Fiber optics interface, Versatile Link
- X104** – IRIG-B00X, incl. System Contact (Supervision Contact)

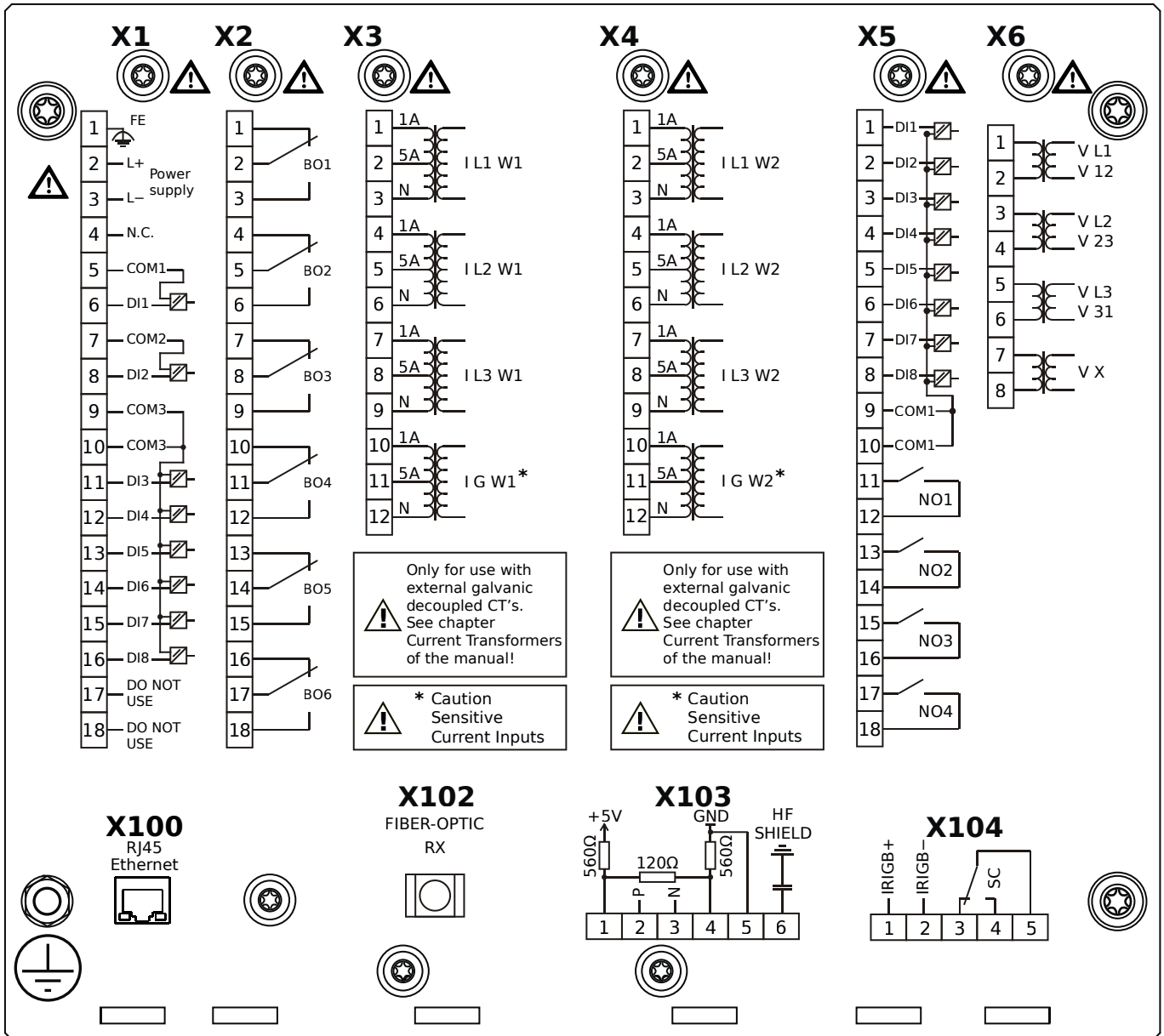
MCDTV4-2A3AIA



Housing B2, large display, door mounting

- X1** – DI8-X1: Wide-range power supply unit, incl. 2 non-grouped digital inputs and 6 grouped digital inputs
- X2** – OR6: Assembly Group with 6 Output Relays
- X3** – TIs: Standard phase current measuring card and sensitive ground current measuring (winding side 1)
- X4** – TIs: Standard phase current measuring card and sensitive ground current measuring (winding side 2)
- X5** – DI8-OR4: Assembly Group with 8 Digital Inputs and 4 Output Relays
- X6** – TU: Card with 4 voltage transformer measuring inputs
- X100** – Modbus TCP / DNP3.0 TCP/UDP, Ethernet interface, 100 Mbit/s, RJ45 (BASE100-FX)
- X102** – Universal Resistance-Temperature Detector (URTD) input, Fiber optics interface, Versatile Link
- X103** – IEC 60870-5-103 / Modbus RTU / DNP3.0 RTU, RS485, Terminals
- X104** – IRIG-B00X, incl. System Contact (Supervision Contact)

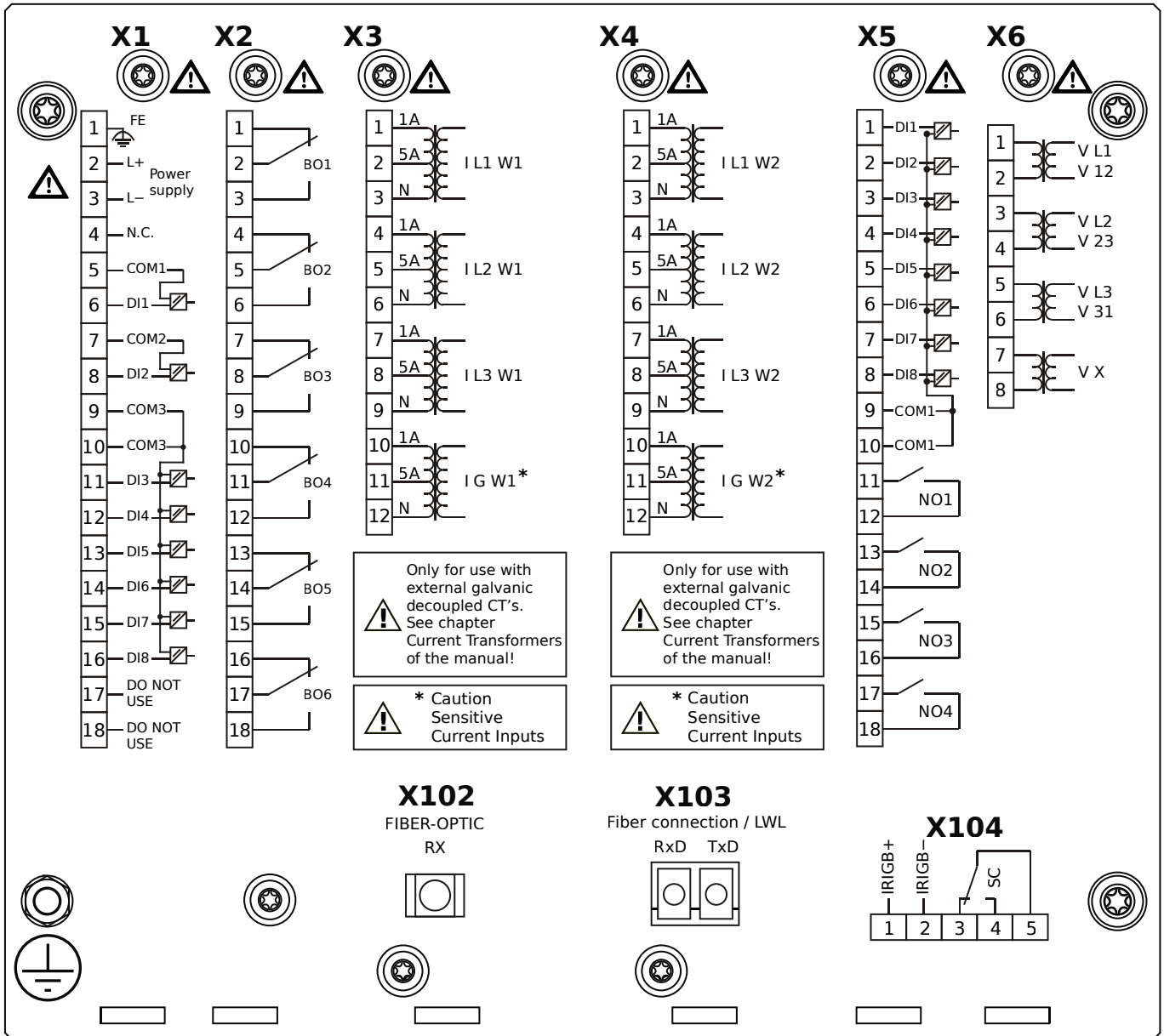
MCDTV4-2A3AIB



Housing B2, large display, door mounting

- + Conformal Coating (for installations in harsh environment)
- X1** – DI8-X1: Wide-range power supply unit, incl. 2 non-grouped digital inputs and 6 grouped digital inputs
- X2** – OR6: Assembly Group with 6 Output Relays
- X3** – TIs: Standard phase current measuring card and sensitive ground current measuring (winding side 1)
- X4** – TIs: Standard phase current measuring card and sensitive ground current measuring (winding side 2)
- X5** – DI8-OR4: Assembly Group with 8 Digital Inputs and 4 Output Relays
- X6** – TU: Card with 4 voltage transformer measuring inputs
- X100** – Modbus TCP / DNP3.0 TCP/UDP, Ethernet interface, 100 Mbit/s, RJ45 (BASE100-FX)
- X102** – Universal Resistance-Temperature Detector (URTD) input, Fiber optics interface, Versatile Link
- X103** – IEC 60870-5-103 / Modbus RTU / DNP3.0 RTU, RS485, Terminals
- X104** – IRIG-B00X, incl. System Contact (Supervision Contact)

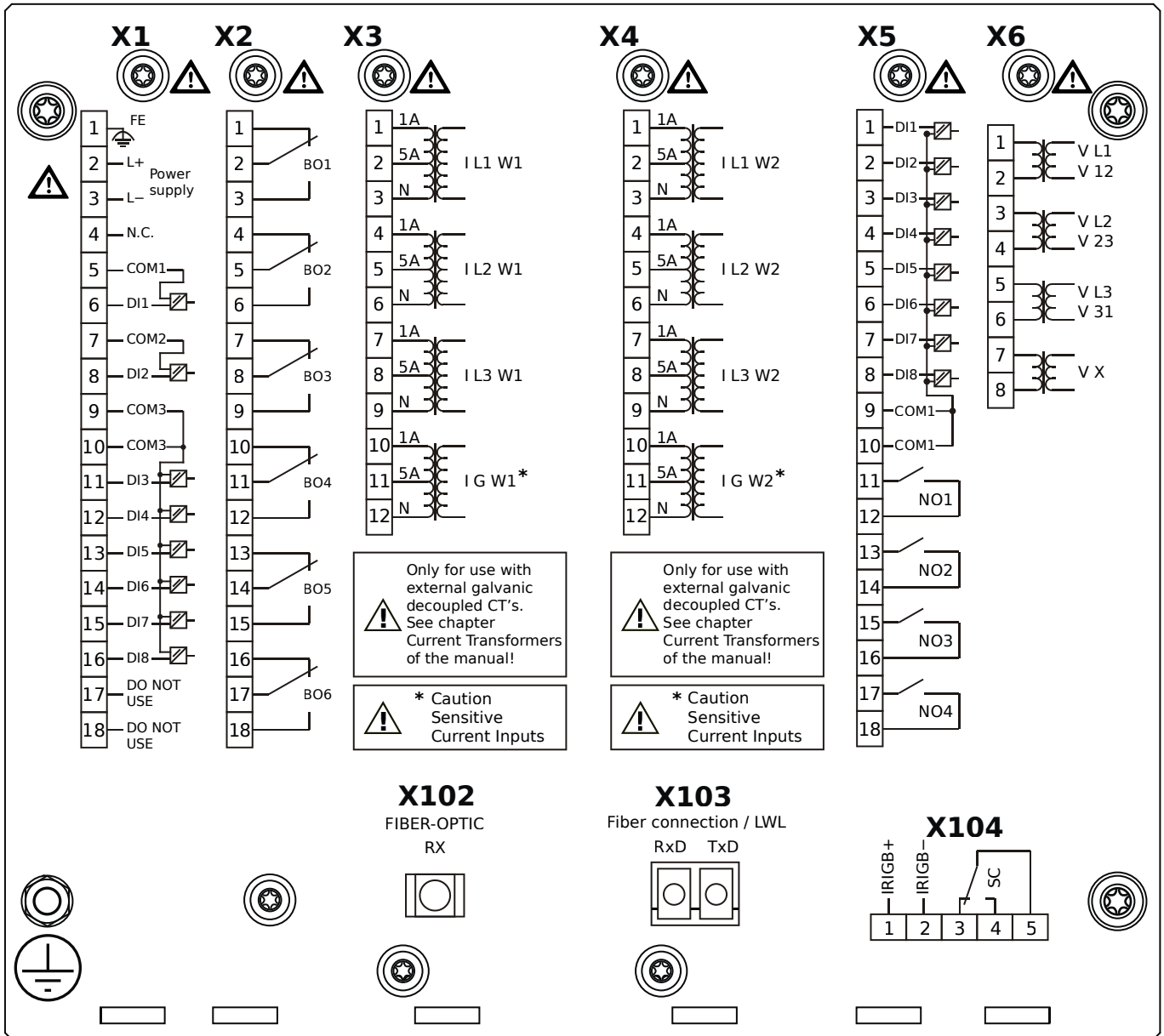
MCDTV4-2A3AKA



Housing B2, large display, door mounting

- X1** – DI8-X1: Wide-range power supply unit, incl. 2 non-grouped digital inputs and 6 grouped digital inputs
- X2** – OR6: Assembly Group with 6 Output Relays
- X3** – TIs: Standard phase current measuring card and sensitive ground current measuring (winding side 1)
- X4** – TIs: Standard phase current measuring card and sensitive ground current measuring (winding side 2)
- X5** – DI8-OR4: Assembly Group with 8 Digital Inputs and 4 Output Relays
- X6** – TU: Card with 4 voltage transformer measuring inputs
- X102** – Universal Resistance-Temperature Detector (URTD) input, Fiber optics interface, Versatile Link
- X103** – IEC 61850 / Modbus TCP / DNP3.0 TCP/UDP, Fiber optics interface, LC Connector
- X104** – IRIG-B00X, incl. System Contact (Supervision Contact)

MCDTV4-2A3AKB

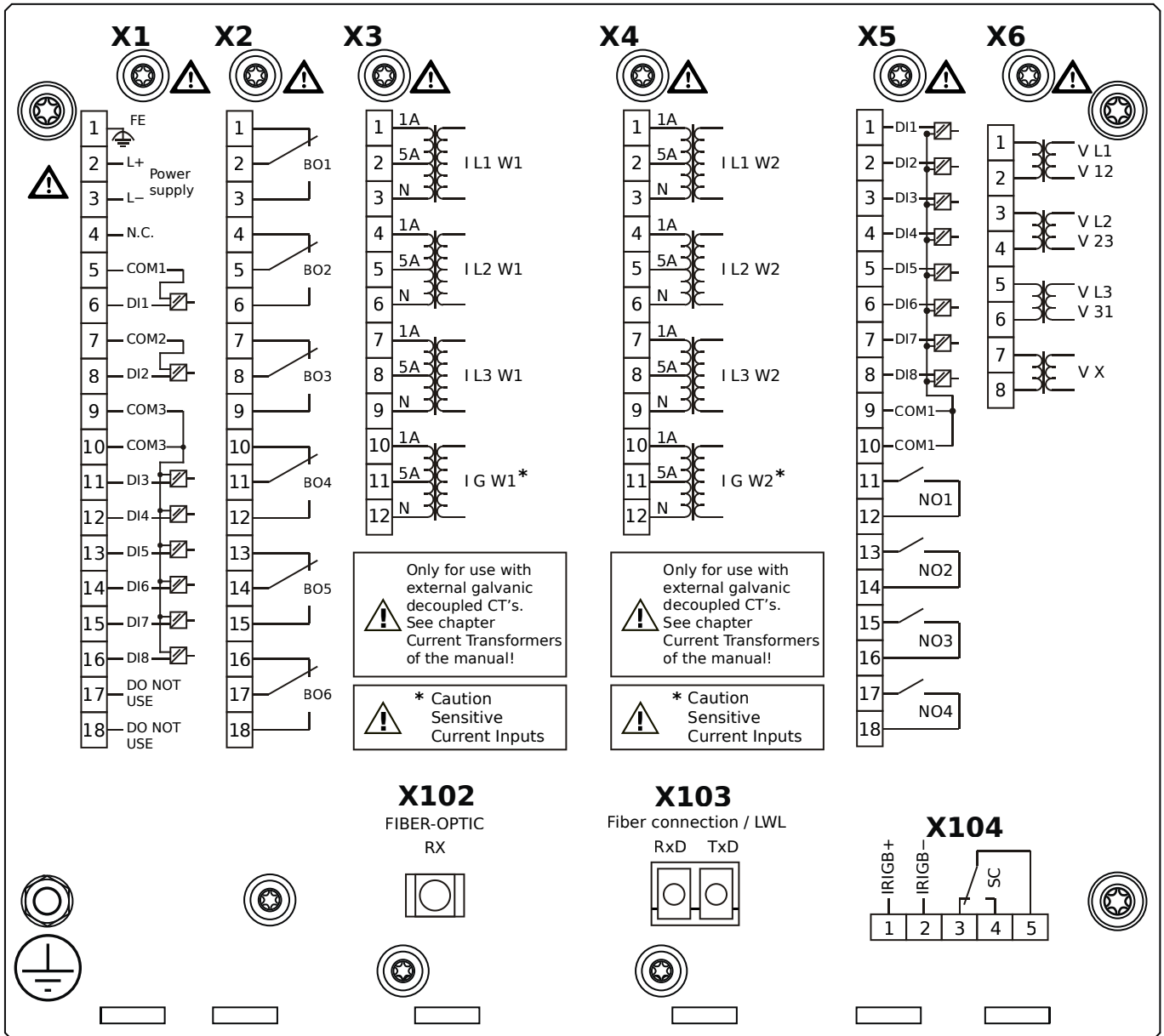


Housing B2, large display, door mounting

+ Conformal Coating (for installations in harsh environment)

- X1** – DI8-X1: Wide-range power supply unit, incl. 2 non-grouped digital inputs and 6 grouped digital inputs
- X2** – OR6: Assembly Group with 6 Output Relays
- X3** – TIs: Standard phase current measuring card and sensitive ground current measuring (winding side 1)
- X4** – TIs: Standard phase current measuring card and sensitive ground current measuring (winding side 2)
- X5** – DI8-OR4: Assembly Group with 8 Digital Inputs and 4 Output Relays
- X6** – TU: Card with 4 voltage transformer measuring inputs
- X102** – Universal Resistance-Temperature Detector (URTD) input, Fiber optics interface, Versatile Link
- X103** – IEC 61850 / Modbus TCP / DNP3.0 TCP/UDP, Fiber optics interface, LC Connector
- X104** – IRIG-B00X, incl. System Contact (Supervision Contact)

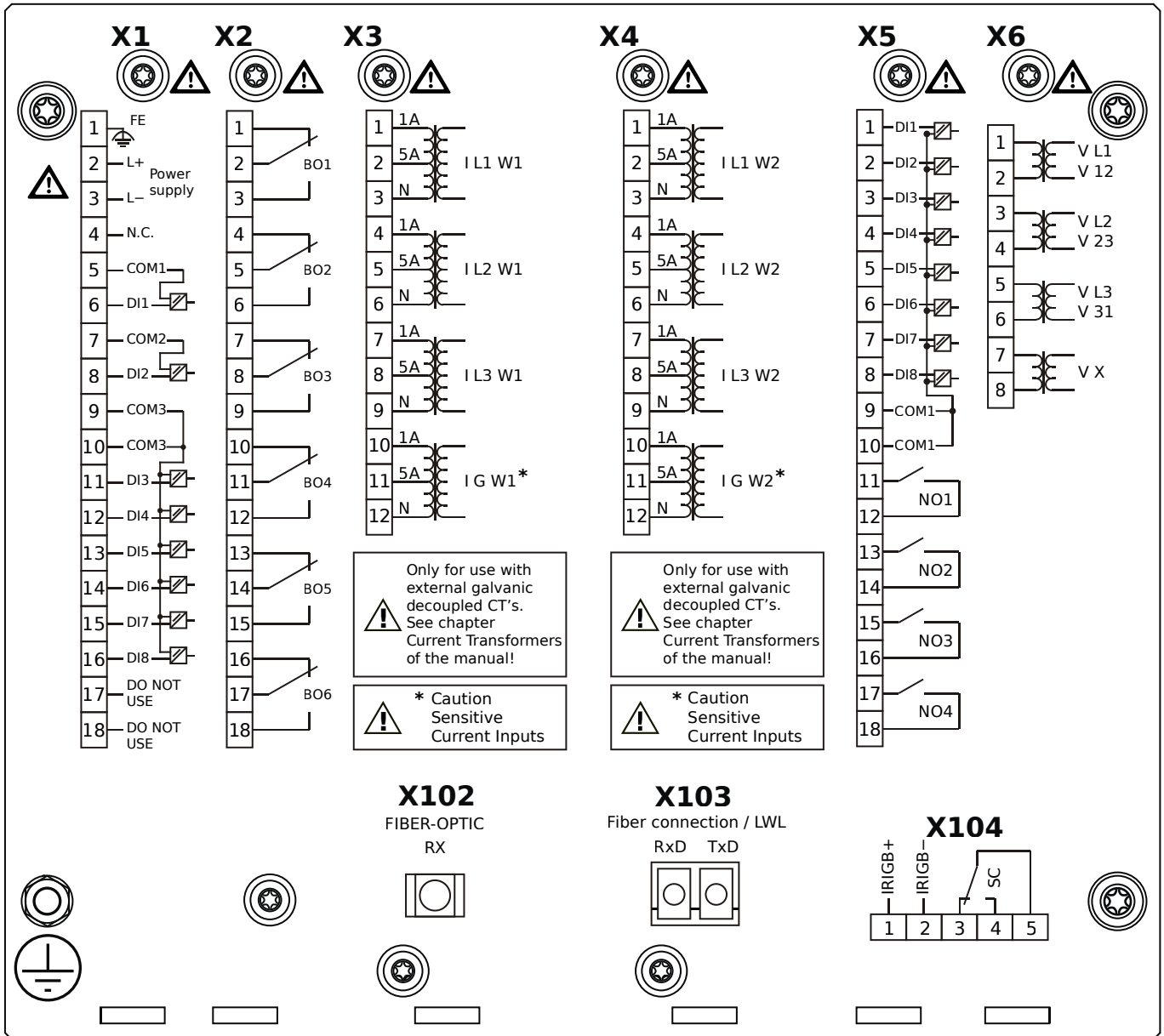
MCDTV4-2A3ALA



Housing B2, large display, door mounting

- X1** – DI8-X1: Wide-range power supply unit, incl. 2 non-grouped digital inputs and 6 grouped digital inputs
- X2** – OR6: Assembly Group with 6 Output Relays
- X3** – TIs: Standard phase current measuring card and sensitive ground current measuring (winding side 1)
- X4** – TIs: Standard phase current measuring card and sensitive ground current measuring (winding side 2)
- X5** – DI8-OR4: Assembly Group with 8 Digital Inputs and 4 Output Relays
- X6** – TU: Card with 4 voltage transformer measuring inputs
- X102** – Universal Resistance-Temperature Detector (URTD) input, Fiber optics interface, Versatile Link
- X103** – Modbus TCP / DNP3.0 TCP/UDP, Fiber optics interface, LC Connector
- X104** – IRIG-B00X, incl. System Contact (Supervision Contact)

MCDTV4-2A3ALB

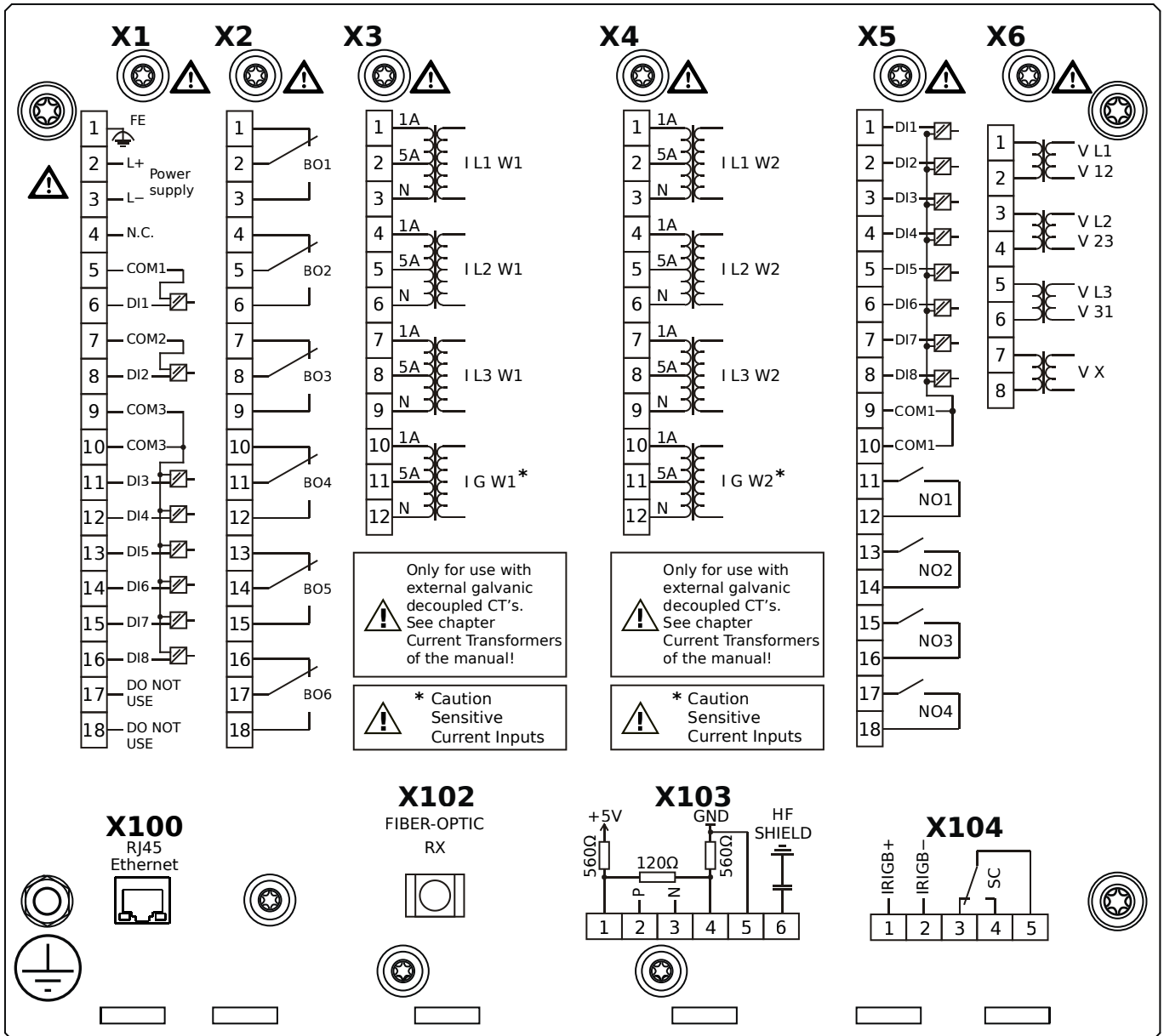


Housing B2, large display, door mounting

+ Conformal Coating (for installations in harsh environment)

- X1** – DI8-X1: Wide-range power supply unit, incl. 2 non-grouped digital inputs and 6 grouped digital inputs
- X2** – OR6: Assembly Group with 6 Output Relays
- X3** – TIs: Standard phase current measuring card and sensitive ground current measuring (winding side 1)
- X4** – TIs: Standard phase current measuring card and sensitive ground current measuring (winding side 2)
- X5** – DI8-OR4: Assembly Group with 8 Digital Inputs and 4 Output Relays
- X6** – TU: Card with 4 voltage transformer measuring inputs
- X102** – Universal Resistance-Temperature Detector (URTD) input, Fiber optics interface, Versatile Link
- X103** – Modbus TCP / DNP3.0 TCP/UDP, Fiber optics interface, LC Connector
- X104** – IRIG-B00X, incl. System Contact (Supervision Contact)

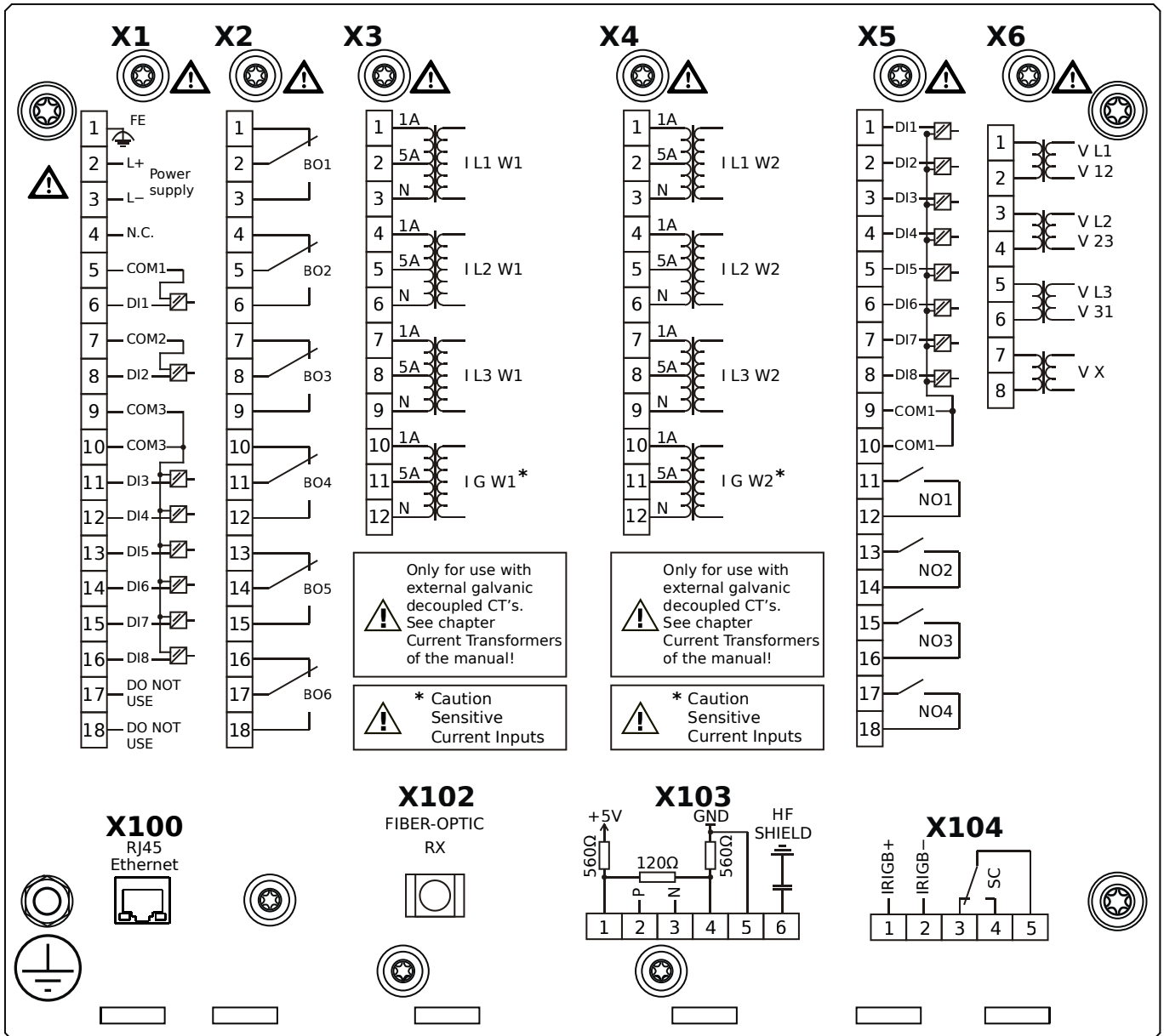
MCDTV4-2A3ATA



Housing B2, large display, door mounting

- X1** – DI8-X1: Wide-range power supply unit, incl. 2 non-grouped digital inputs and 6 grouped digital inputs
- X2** – OR6: Assembly Group with 6 Output Relays
- X3** – TIs: Standard phase current measuring card and sensitive ground current measuring (winding side 1)
- X4** – TIs: Standard phase current measuring card and sensitive ground current measuring (winding side 2)
- X5** – DI8-OR4: Assembly Group with 8 Digital Inputs and 4 Output Relays
- X6** – TU: Card with 4 voltage transformer measuring inputs
- X100** – IEC 61850 / Modbus TCP / DNP3.0 TCP/UDP, Ethernet interface, 100 Mbit/s, RJ45 (BASE100-FX)
- X102** – Universal Resistance-Temperature Detector (URTD) input, Fiber optics interface, Versatile Link
- X103** – IEC 60870-5-103 / Modbus RTU / DNP3.0 RTU, RS485, Terminals
- X104** – IRIG-B00X, incl. System Contact (Supervision Contact)

MCDTV4-2A3ATB

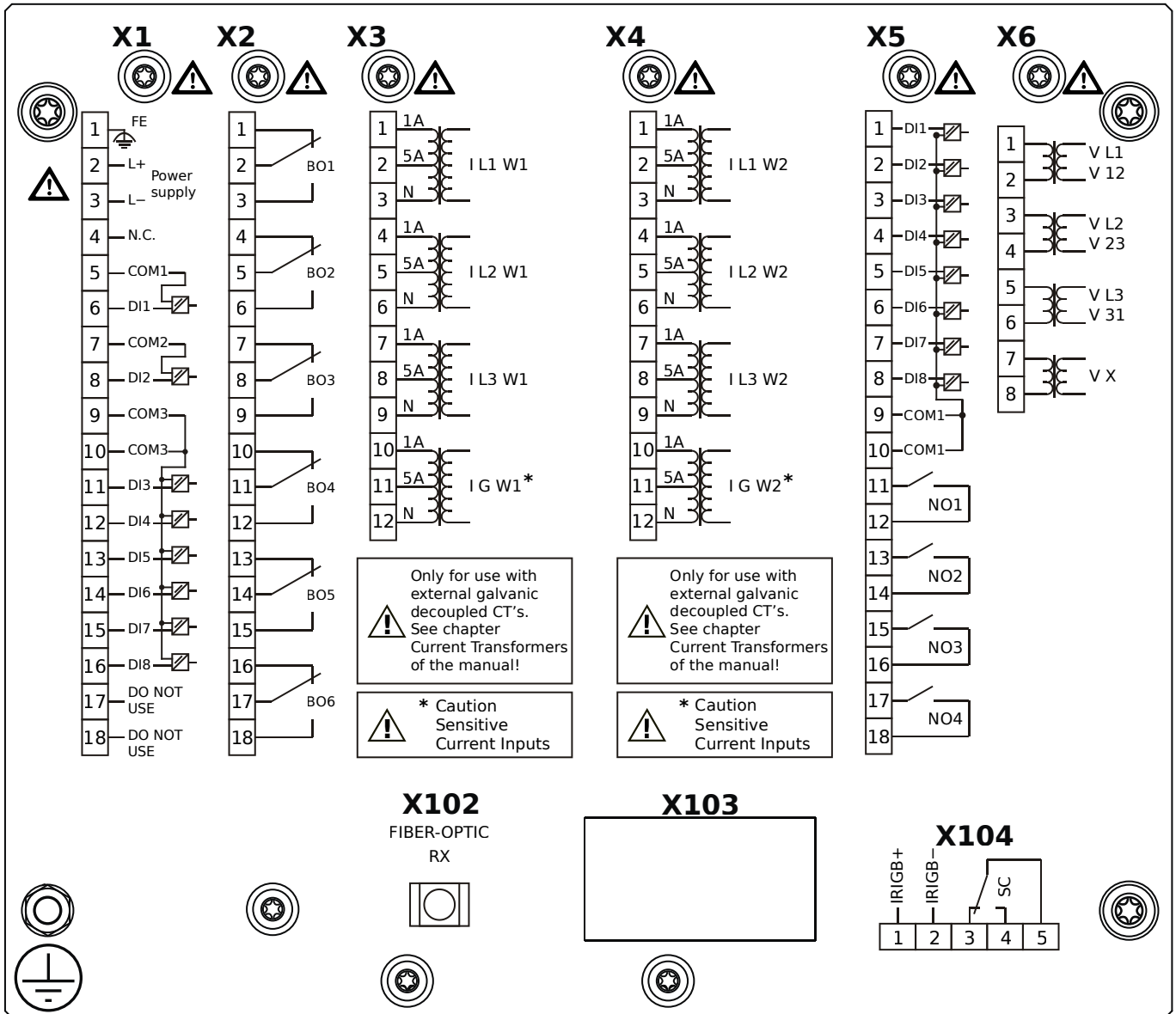


Housing B2, large display, door mounting

+ Conformal Coating (for installations in harsh environment)

- X1** – DI8-X1: Wide-range power supply unit, incl. 2 non-grouped digital inputs and 6 grouped digital inputs
- X2** – OR6: Assembly Group with 6 Output Relays
- X3** – TIs: Standard phase current measuring card and sensitive ground current measuring (winding side 1)
- X4** – TIs: Standard phase current measuring card and sensitive ground current measuring (winding side 2)
- X5** – DI8-OR4: Assembly Group with 8 Digital Inputs and 4 Output Relays
- X6** – TU: Card with 4 voltage transformer measuring inputs
- X100** – IEC 61850 / Modbus TCP / DNP3.0 TCP/UDP, Ethernet interface, 100 Mbit/s, RJ45 (BASE100-FX)
- X102** – Universal Resistance-Temperature Detector (URTD) input, Fiber optics interface, Versatile Link
- X103** – IEC 60870-5-103 / Modbus RTU / DNP3.0 RTU, RS485, Terminals
- X104** – IRIG-B00X, incl. System Contact (Supervision Contact)

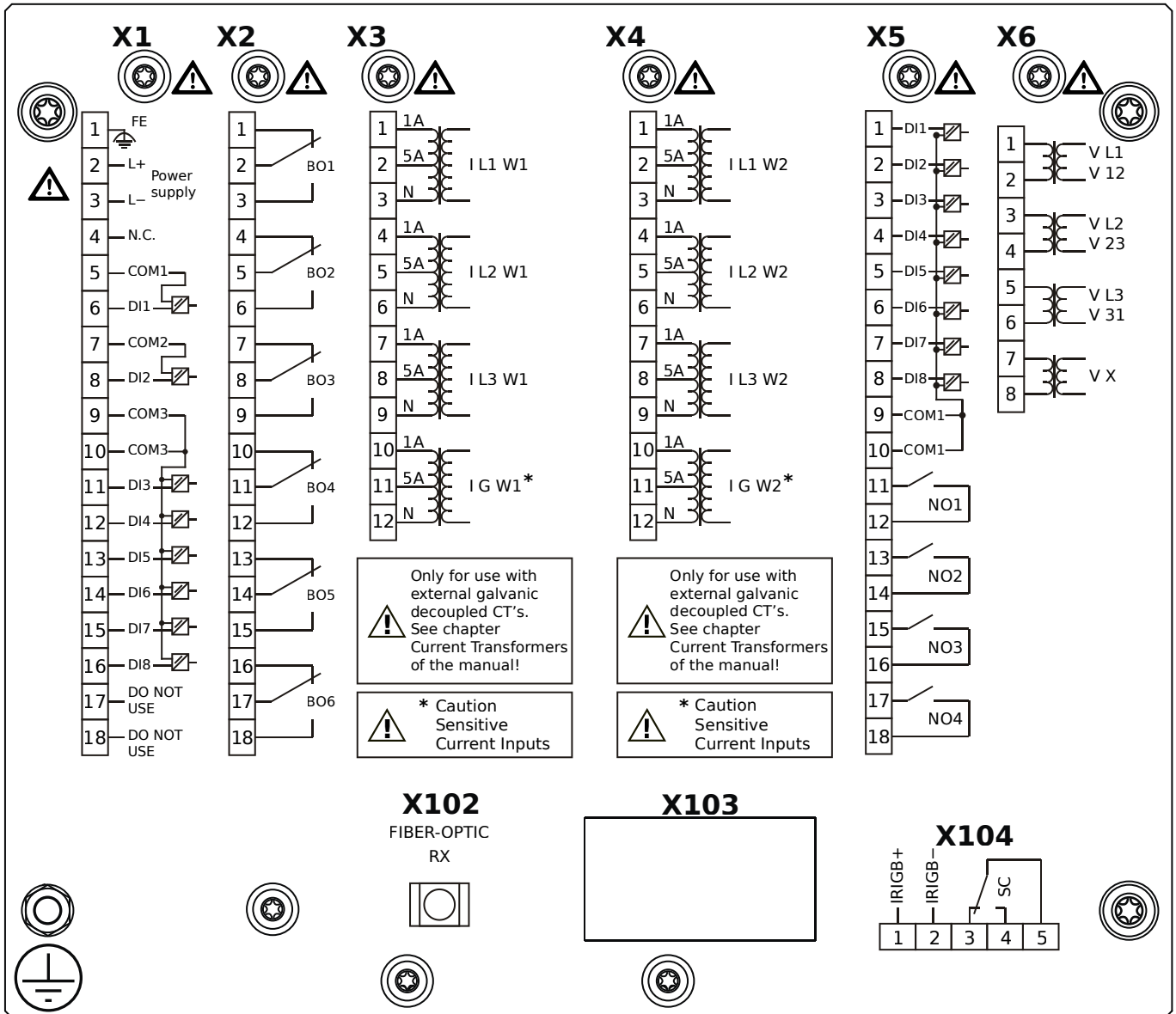
MCDTV4-2A3BAA



Housing B2, large display, 19" rack mounting

- X1** – DI8-X1: Wide-range power supply unit, incl. 2 non-grouped digital inputs and 6 grouped digital inputs
- X2** – OR6: Assembly Group with 6 Output Relays
- X3** – TIs: Standard phase current measuring card and sensitive ground current measuring (winding side 1)
- X4** – TIs: Standard phase current measuring card and sensitive ground current measuring (winding side 2)
- X5** – DI8-OR4: Assembly Group with 8 Digital Inputs and 4 Output Relays
- X6** – TU: Card with 4 voltage transformer measuring inputs
- X102** – Universal Resistance-Temperature Detector (URTD) input, Fiber optics interface, Versatile Link
- X104** – IRIG-B00X, incl. System Contact (Supervision Contact)

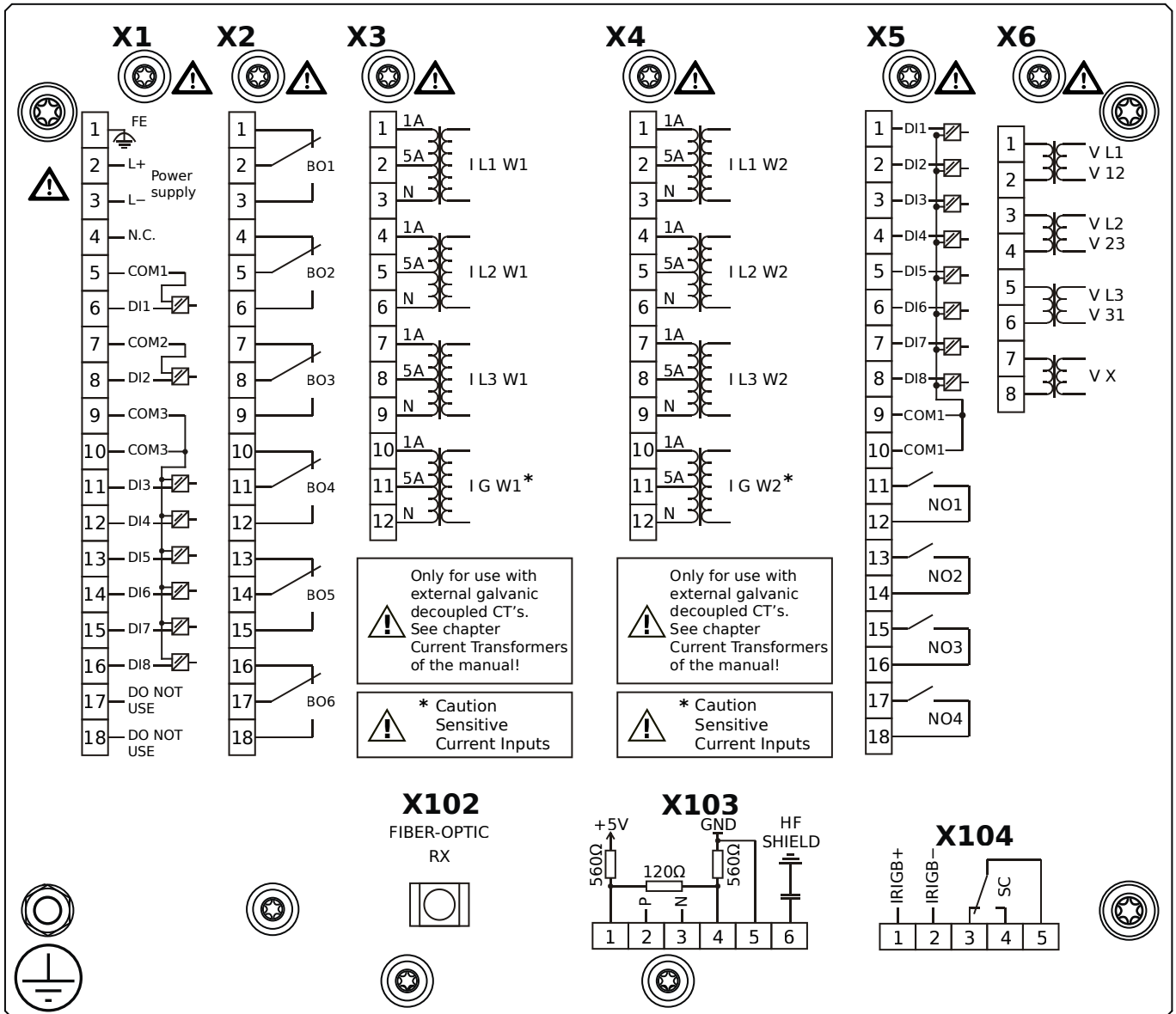
MCDTV4-2A3BAB



Housing B2, large display, 19" rack mounting

- + Conformal Coating (for installations in harsh environment)
- X1** – DI8-X1: Wide-range power supply unit, incl. 2 non-grouped digital inputs and 6 grouped digital inputs
- X2** – OR6: Assembly Group with 6 Output Relays
- X3** – TIs: Standard phase current measuring card and sensitive ground current measuring (winding side 1)
- X4** – TIs: Standard phase current measuring card and sensitive ground current measuring (winding side 2)
- X5** – DI8-OR4: Assembly Group with 8 Digital Inputs and 4 Output Relays
- X6** – TU: Card with 4 voltage transformer measuring inputs
- X102** – Universal Resistance-Temperature Detector (URTD) input, Fiber optics interface, Versatile Link
- X104** – IRIG-B00X, incl. System Contact (Supervision Contact)

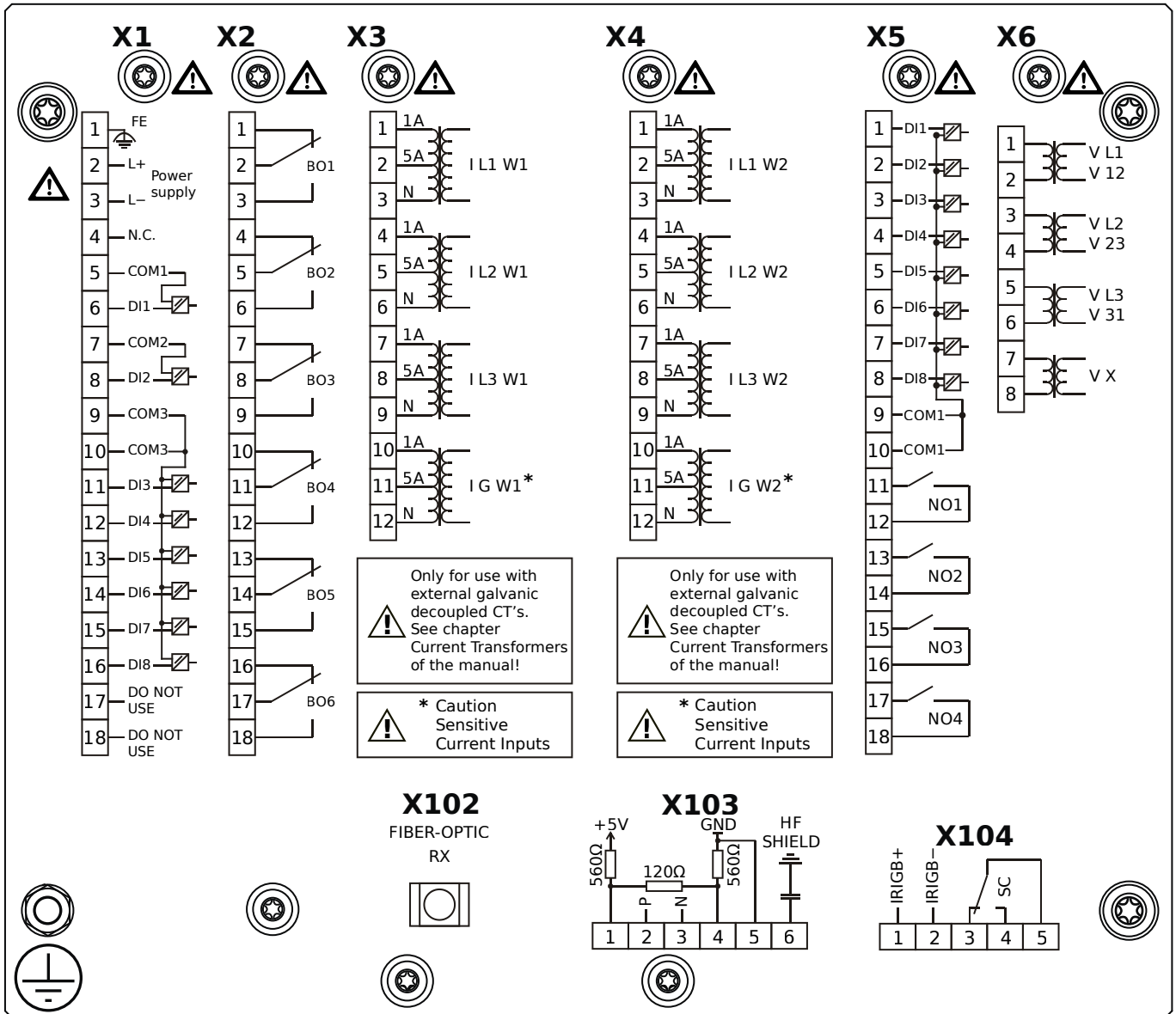
MCDTV4-2A3BBA



Housing B2, large display, 19" rack mounting

- X1** – DI8-X1: Wide-range power supply unit, incl. 2 non-grouped digital inputs and 6 grouped digital inputs
- X2** – OR6: Assembly Group with 6 Output Relays
- X3** – TIs: Standard phase current measuring card and sensitive ground current measuring (winding side 1)
- X4** – TIs: Standard phase current measuring card and sensitive ground current measuring (winding side 2)
- X5** – DI8-OR4: Assembly Group with 8 Digital Inputs and 4 Output Relays
- X6** – TU: Card with 4 voltage transformer measuring inputs
- X102** – Universal Resistance-Temperature Detector (URTD) input, Fiber optics interface, Versatile Link
- X103** – Modbus RTU / IEC 60870-5-103 / DNP3.0 RTU, RS485, Terminals
- X104** – IRIG-B00X, incl. System Contact (Supervision Contact)

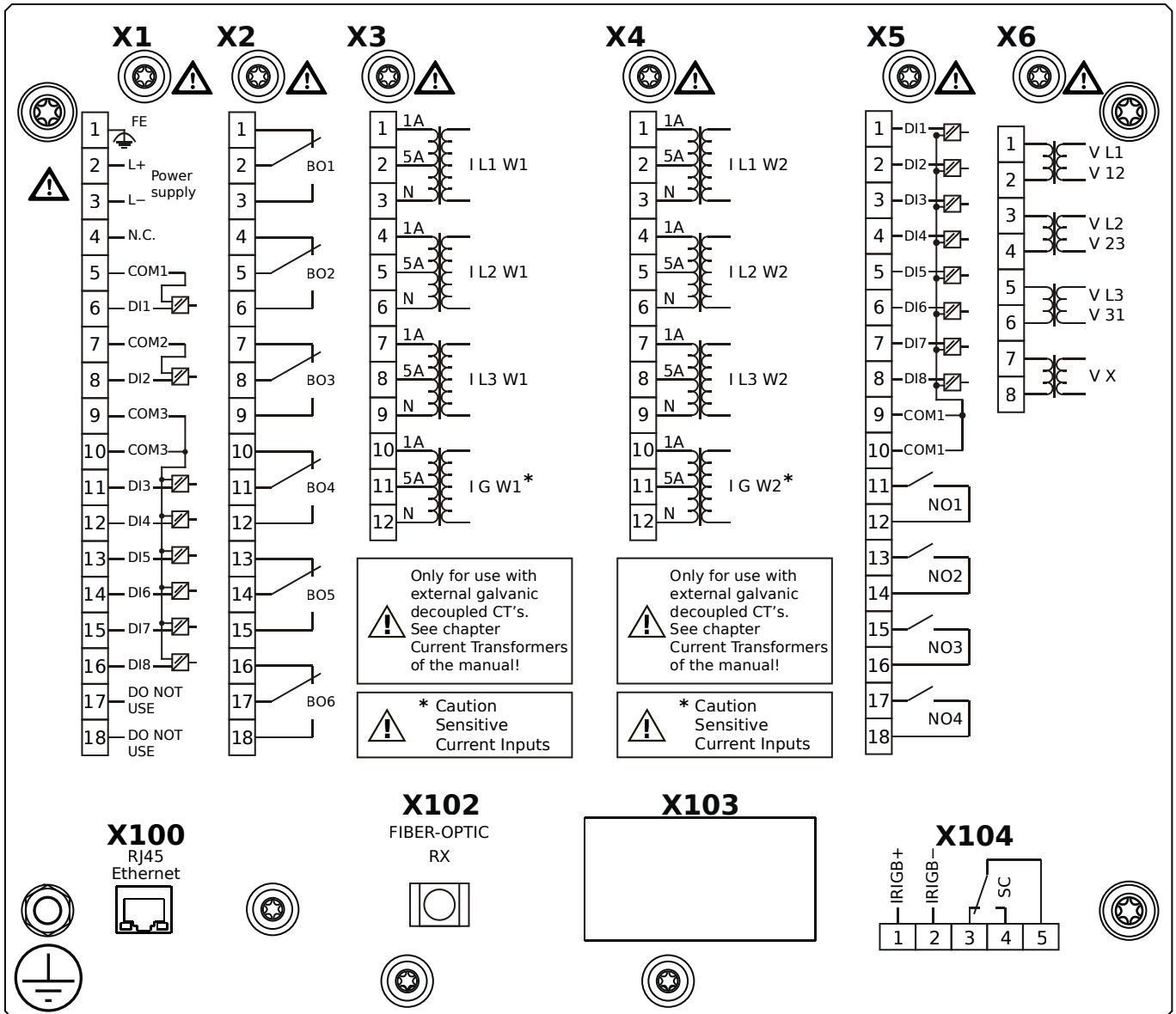
MCDTV4-2A3BBB



Housing B2, large display, 19" rack mounting

- + Conformal Coating (for installations in harsh environment)
- X1** – DI8-X1: Wide-range power supply unit, incl. 2 non-grouped digital inputs and 6 grouped digital inputs
- X2** – OR6: Assembly Group with 6 Output Relays
- X3** – TIs: Standard phase current measuring card and sensitive ground current measuring (winding side 1)
- X4** – TIs: Standard phase current measuring card and sensitive ground current measuring (winding side 2)
- X5** – DI8-OR4: Assembly Group with 8 Digital Inputs and 4 Output Relays
- X6** – TU: Card with 4 voltage transformer measuring inputs
- X102** – Universal Resistance-Temperature Detector (URTD) input, Fiber optics interface, Versatile Link
- X103** – Modbus RTU / IEC 60870-5-103 / DNP3.0 RTU, RS485, Terminals
- X104** – IRIG-B00X, incl. System Contact (Supervision Contact)

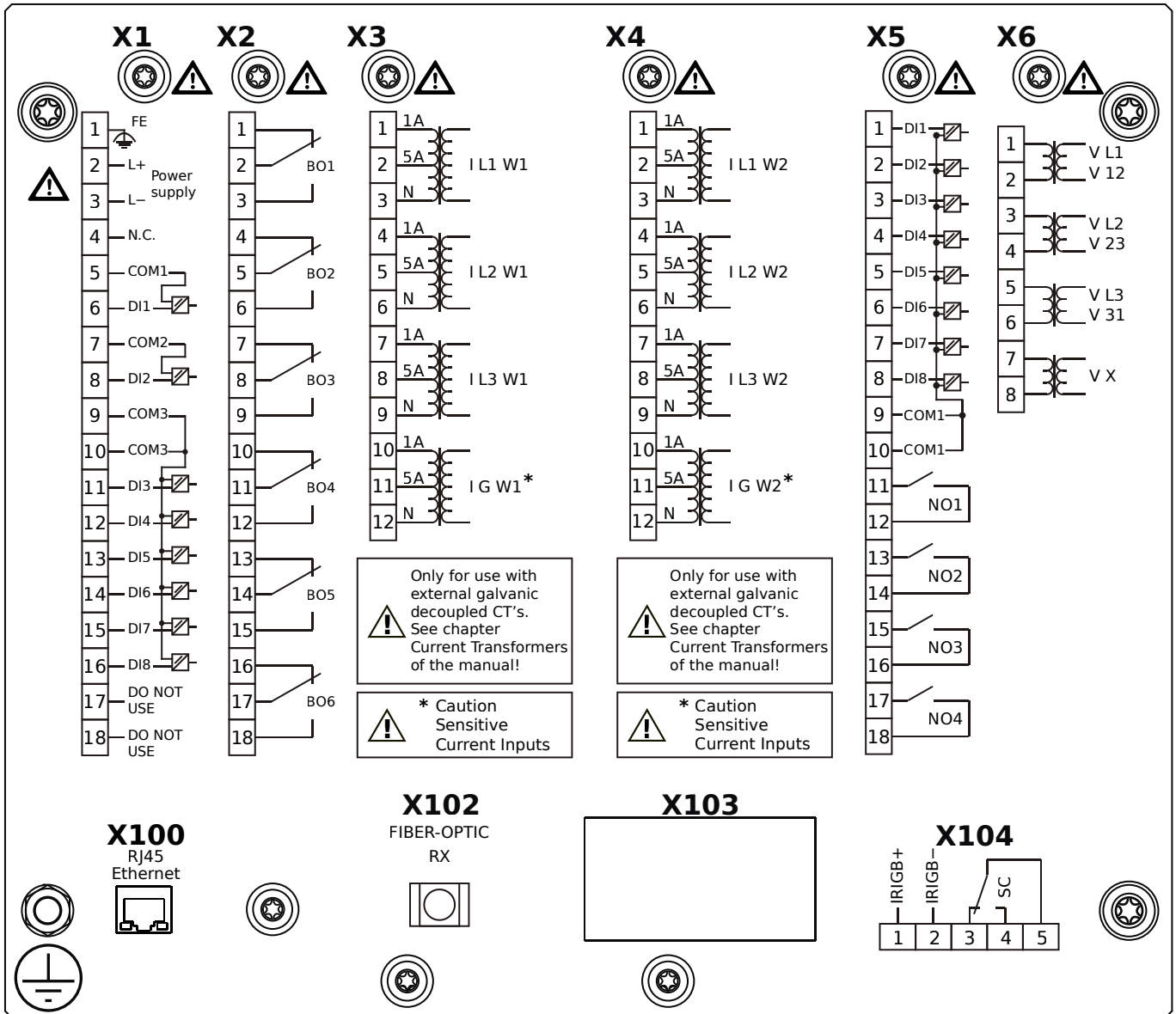
MCDTV4-2A3BCA



Housing B2, large display, 19" rack mounting

- X1** – DI8-X1: Wide-range power supply unit, incl. 2 non-grouped digital inputs and 6 grouped digital inputs
- X2** – OR6: Assembly Group with 6 Output Relays
- X3** – TIs: Standard phase current measuring card and sensitive ground current measuring (winding side 1)
- X4** – TIs: Standard phase current measuring card and sensitive ground current measuring (winding side 2)
- X5** – DI8-OR4: Assembly Group with 8 Digital Inputs and 4 Output Relays
- X6** – TU: Card with 4 voltage transformer measuring inputs
- X100** – Modbus TCP / DNP3.0 TCP/UDP, Ethernet interface, 100 Mbit/s, RJ45 (BASE100-FX)
- X102** – Universal Resistance-Temperature Detector (URTD) input, Fiber optics interface, Versatile Link
- X104** – IRIG-B00X, incl. System Contact (Supervision Contact)

MCDTV4-2A3BCB

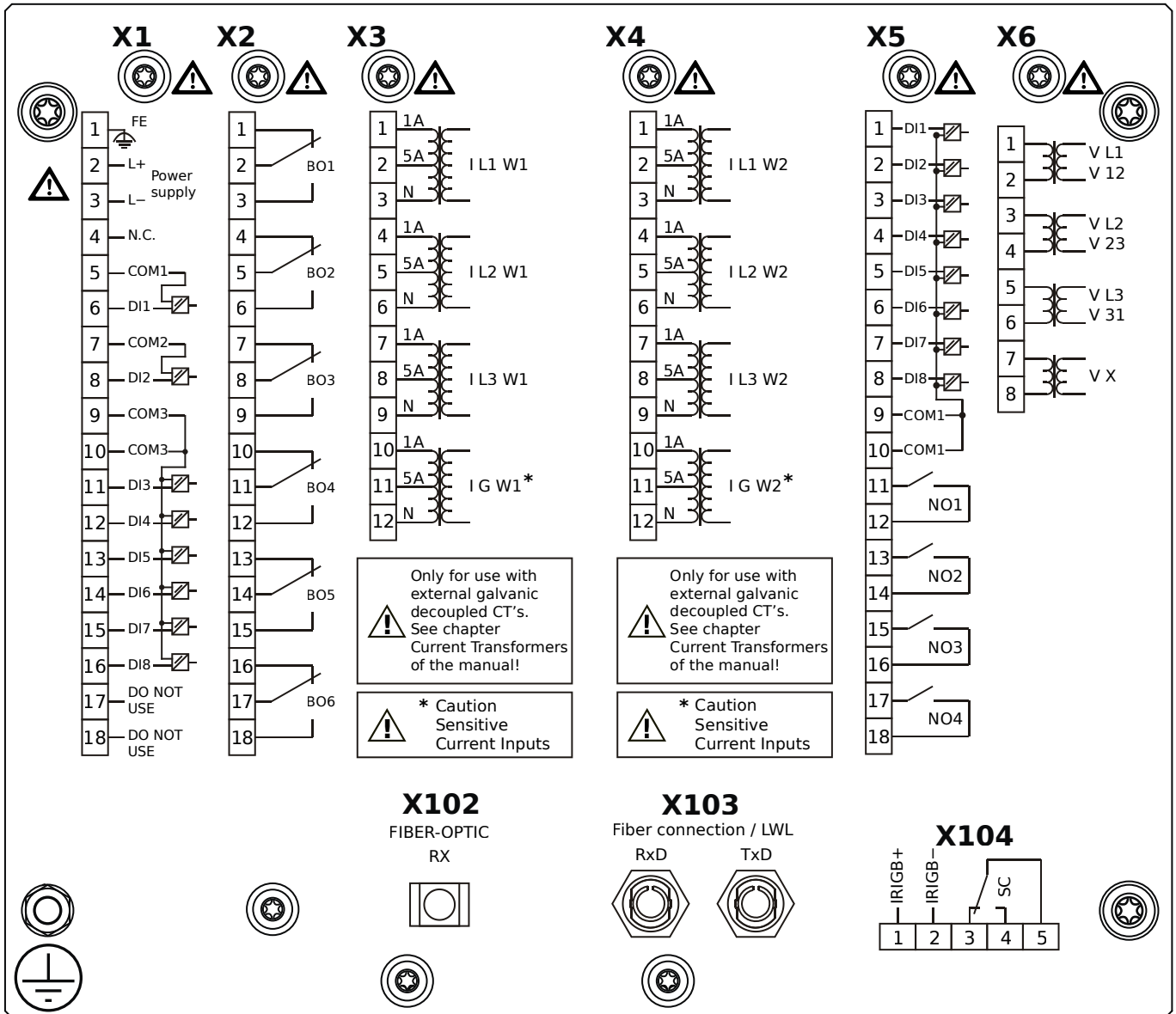


Housing B2, large display, 19" rack mounting

+ Conformal Coating (for installations in harsh environment)

- X1** – DI8-X1: Wide-range power supply unit, incl. 2 non-grouped digital inputs and 6 grouped digital inputs
- X2** – OR6: Assembly Group with 6 Output Relays
- X3** – TIs: Standard phase current measuring card and sensitive ground current measuring (winding side 1)
- X4** – TIs: Standard phase current measuring card and sensitive ground current measuring (winding side 2)
- X5** – DI8-OR4: Assembly Group with 8 Digital Inputs and 4 Output Relays
- X6** – TU: Card with 4 voltage transformer measuring inputs
- X100** – Modbus TCP / DNP3.0 TCP/UDP, Ethernet interface, 100 Mbit/s, RJ45 (BASE100-FX)
- X102** – Universal Resistance-Temperature Detector (URTD) input, Fiber optics interface, Versatile Link
- X104** – IRIG-B00X, incl. System Contact (Supervision Contact)

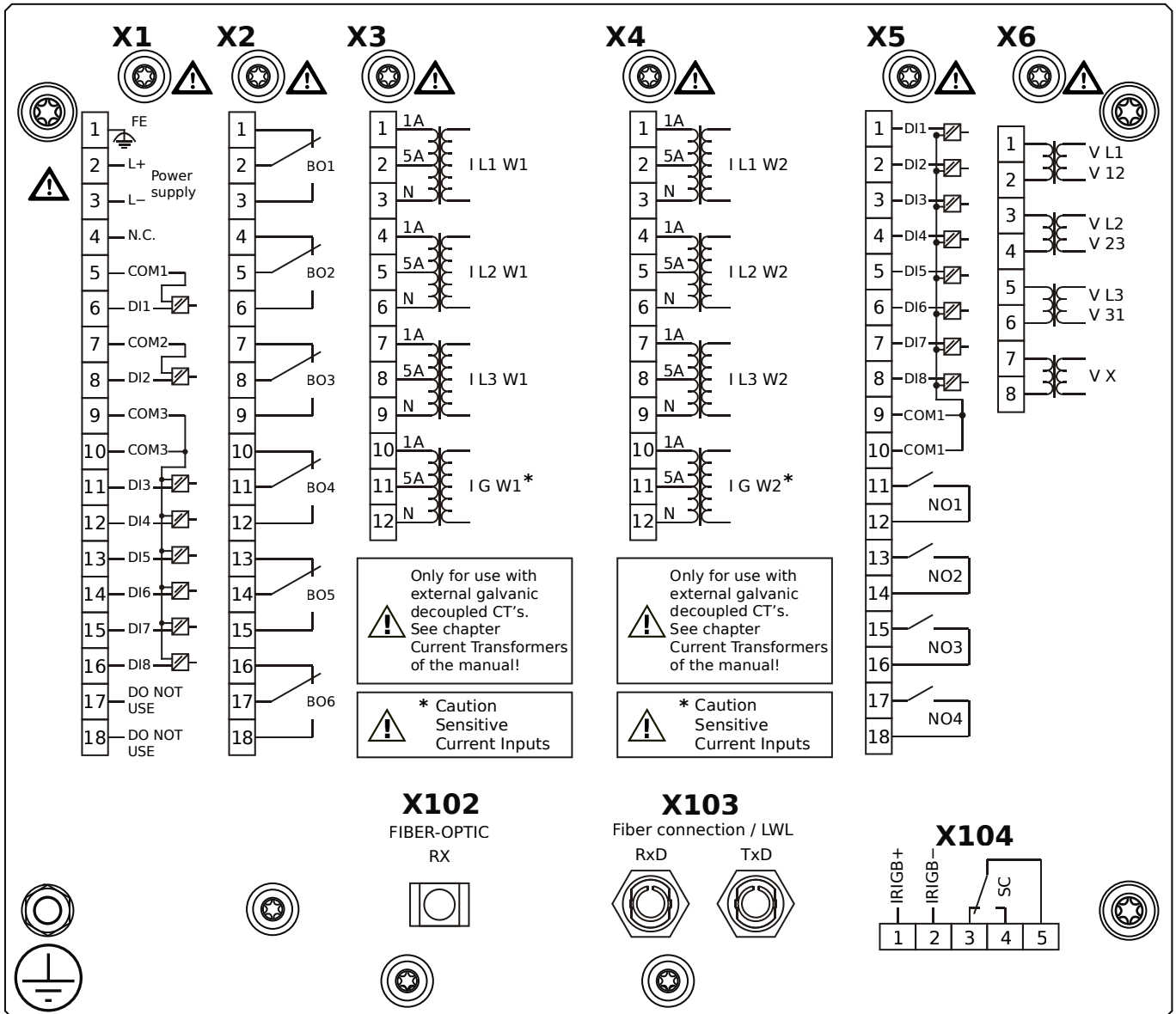
MCDTV4-2A3BDA



Housing B2, large display, 19" rack mounting

- X1** – DI8-X1: Wide-range power supply unit, incl. 2 non-grouped digital inputs and 6 grouped digital inputs
- X2** – OR6: Assembly Group with 6 Output Relays
- X3** – TIs: Standard phase current measuring card and sensitive ground current measuring (winding side 1)
- X4** – TIs: Standard phase current measuring card and sensitive ground current measuring (winding side 2)
- X5** – DI8-OR4: Assembly Group with 8 Digital Inputs and 4 Output Relays
- X6** – TU: Card with 4 voltage transformer measuring inputs
- X102** – Universal Resistance-Temperature Detector (URTD) input, Fiber optics interface, Versatile Link
- X103** – Profibus-DP, Fiber optics interface, ST Connector
- X104** – IRIG-B00X, incl. System Contact (Supervision Contact)

MCDTV4-2A3BDB

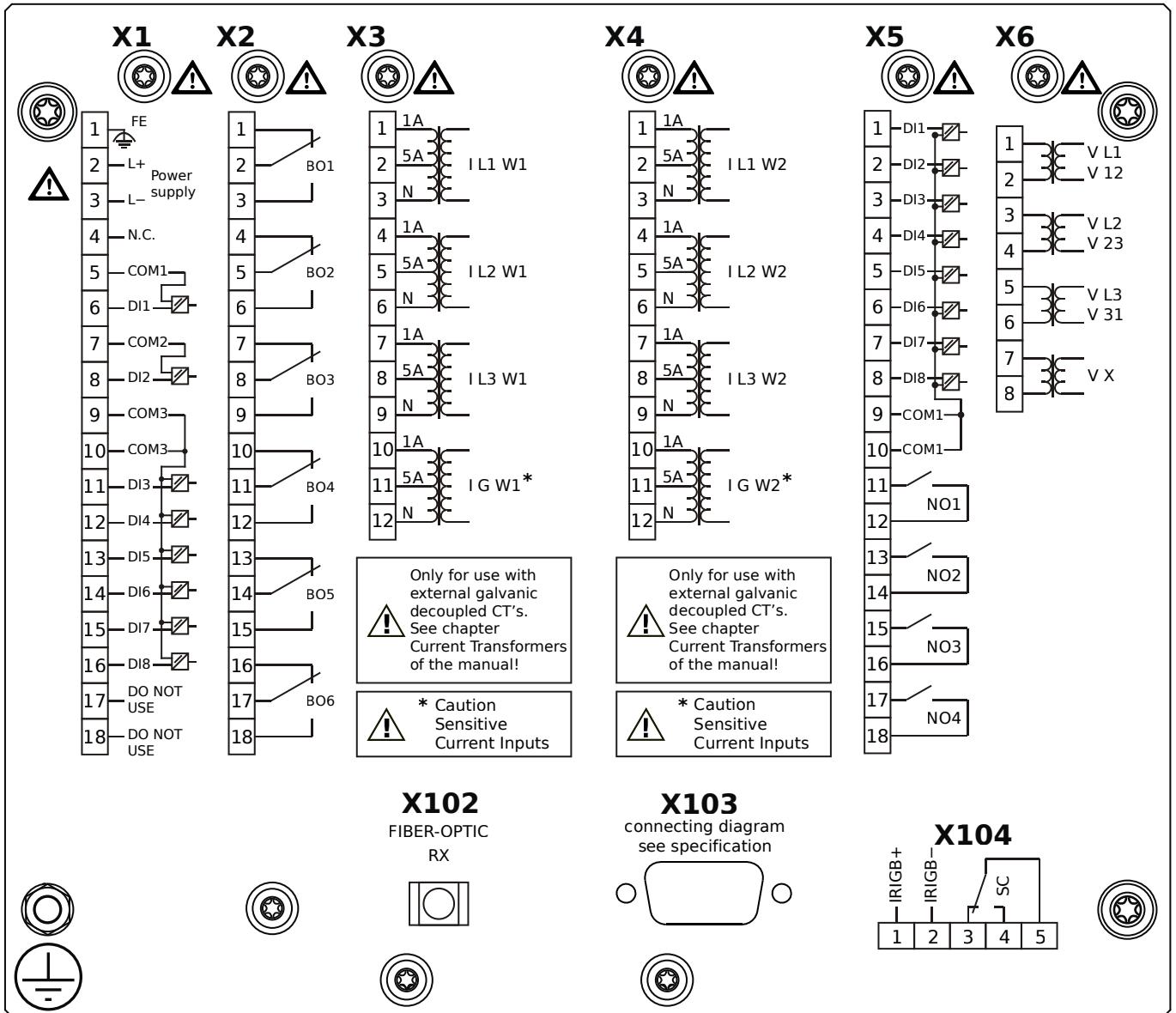


Housing B2, large display, 19" rack mounting

+ Conformal Coating (for installations in harsh environment)

- X1** – DI8-X1: Wide-range power supply unit, incl. 2 non-grouped digital inputs and 6 grouped digital inputs
- X2** – OR6: Assembly Group with 6 Output Relays
- X3** – TIs: Standard phase current measuring card and sensitive ground current measuring (winding side 1)
- X4** – TIs: Standard phase current measuring card and sensitive ground current measuring (winding side 2)
- X5** – DI8-OR4: Assembly Group with 8 Digital Inputs and 4 Output Relays
- X6** – TU: Card with 4 voltage transformer measuring inputs
- X102** – Universal Resistance-Temperature Detector (URTD) input, Fiber optics interface, Versatile Link
- X103** – Profibus-DP, Fiber optics interface, ST Connector
- X104** – IRIG-B00X, incl. System Contact (Supervision Contact)

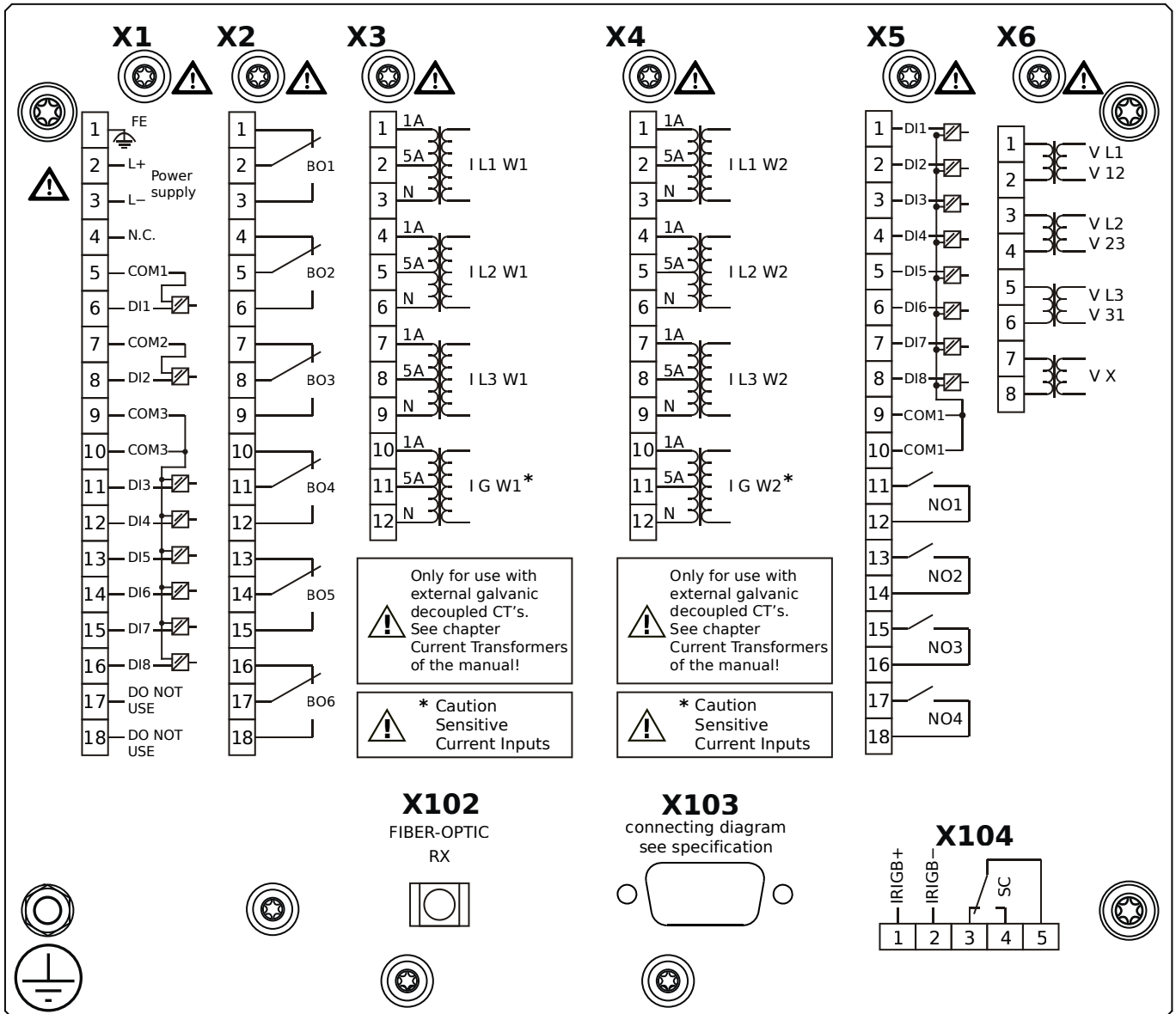
MCDTV4-2A3BEA



Housing B2, large display, 19" rack mounting

- X1** – DI8-X1: Wide-range power supply unit, incl. 2 non-grouped digital inputs and 6 grouped digital inputs
- X2** – OR6: Assembly Group with 6 Output Relays
- X3** – TIs: Standard phase current measuring card and sensitive ground current measuring (winding side 1)
- X4** – TIs: Standard phase current measuring card and sensitive ground current measuring (winding side 2)
- X5** – DI8-OR4: Assembly Group with 8 Digital Inputs and 4 Output Relays
- X6** – TU: Card with 4 voltage transformer measuring inputs
- X102** – Universal Resistance-Temperature Detector (URTD) input, Fiber optics interface, Versatile Link
- X103** – Profibus-DP, RS485, D-SUB
- X104** – IRIG-B00X, incl. System Contact (Supervision Contact)

MCDTV4-2A3BEB

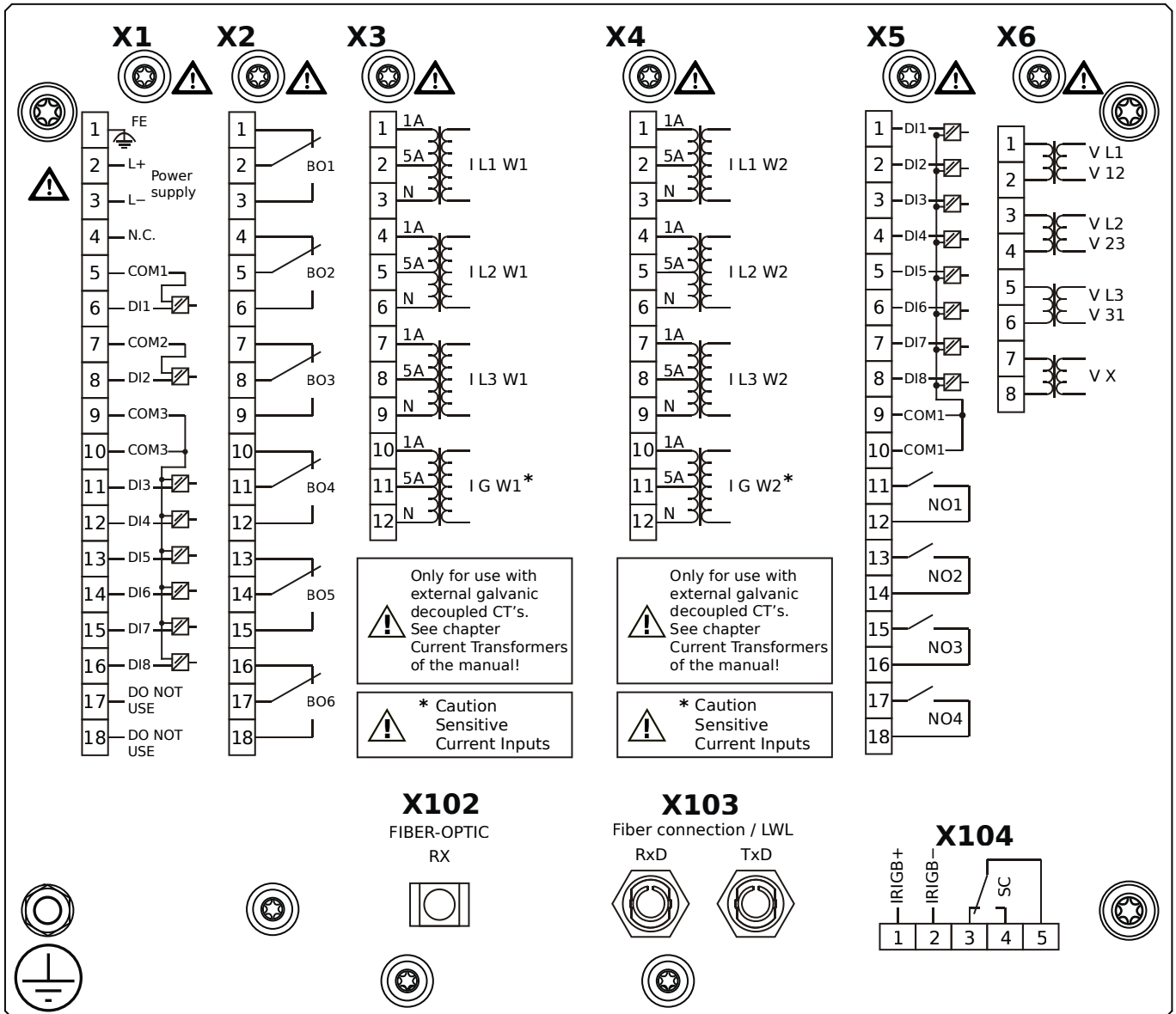


Housing B2, large display, 19" rack mounting

+ Conformal Coating (for installations in harsh environment)

- X1** – DI8-X1: Wide-range power supply unit, incl. 2 non-grouped digital inputs and 6 grouped digital inputs
- X2** – OR6: Assembly Group with 6 Output Relays
- X3** – TIs: Standard phase current measuring card and sensitive ground current measuring (winding side 1)
- X4** – TIs: Standard phase current measuring card and sensitive ground current measuring (winding side 2)
- X5** – DI8-OR4: Assembly Group with 8 Digital Inputs and 4 Output Relays
- X6** – TU: Card with 4 voltage transformer measuring inputs
- X102** – Universal Resistance-Temperature Detector (URTD) input, Fiber optics interface, Versatile Link
- X103** – Profibus-DP, RS485, D-SUB
- X104** – IRIG-B00X, incl. System Contact (Supervision Contact)

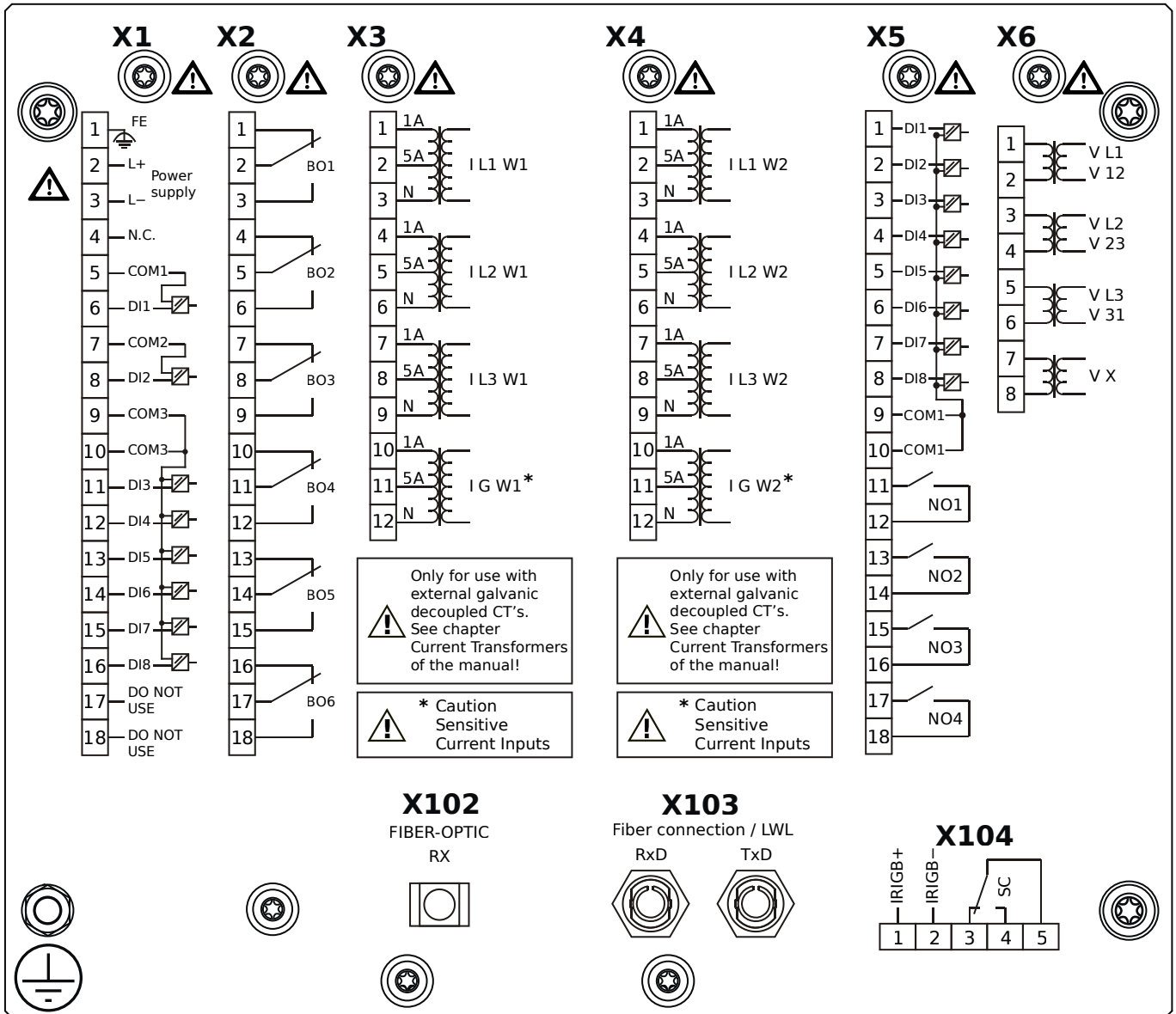
MCDTV4-2A3BFA



Housing B2, large display, 19" rack mounting

- X1** – DI8-X1: Wide-range power supply unit, incl. 2 non-grouped digital inputs and 6 grouped digital inputs
- X2** – OR6: Assembly Group with 6 Output Relays
- X3** – TIs: Standard phase current measuring card and sensitive ground current measuring (winding side 1)
- X4** – TIs: Standard phase current measuring card and sensitive ground current measuring (winding side 2)
- X5** – DI8-OR4: Assembly Group with 8 Digital Inputs and 4 Output Relays
- X6** – TU: Card with 4 voltage transformer measuring inputs
- X102** – Universal Resistance-Temperature Detector (URTD) input, Fiber optics interface, Versatile Link
- X103** – Modbus RTU / IEC 60870-5-103 / DNP3.0 RTU, Fiber optics interface, ST Connector
- X104** – IRIG-B00X, incl. System Contact (Supervision Contact)

MCDTV4-2A3BFB

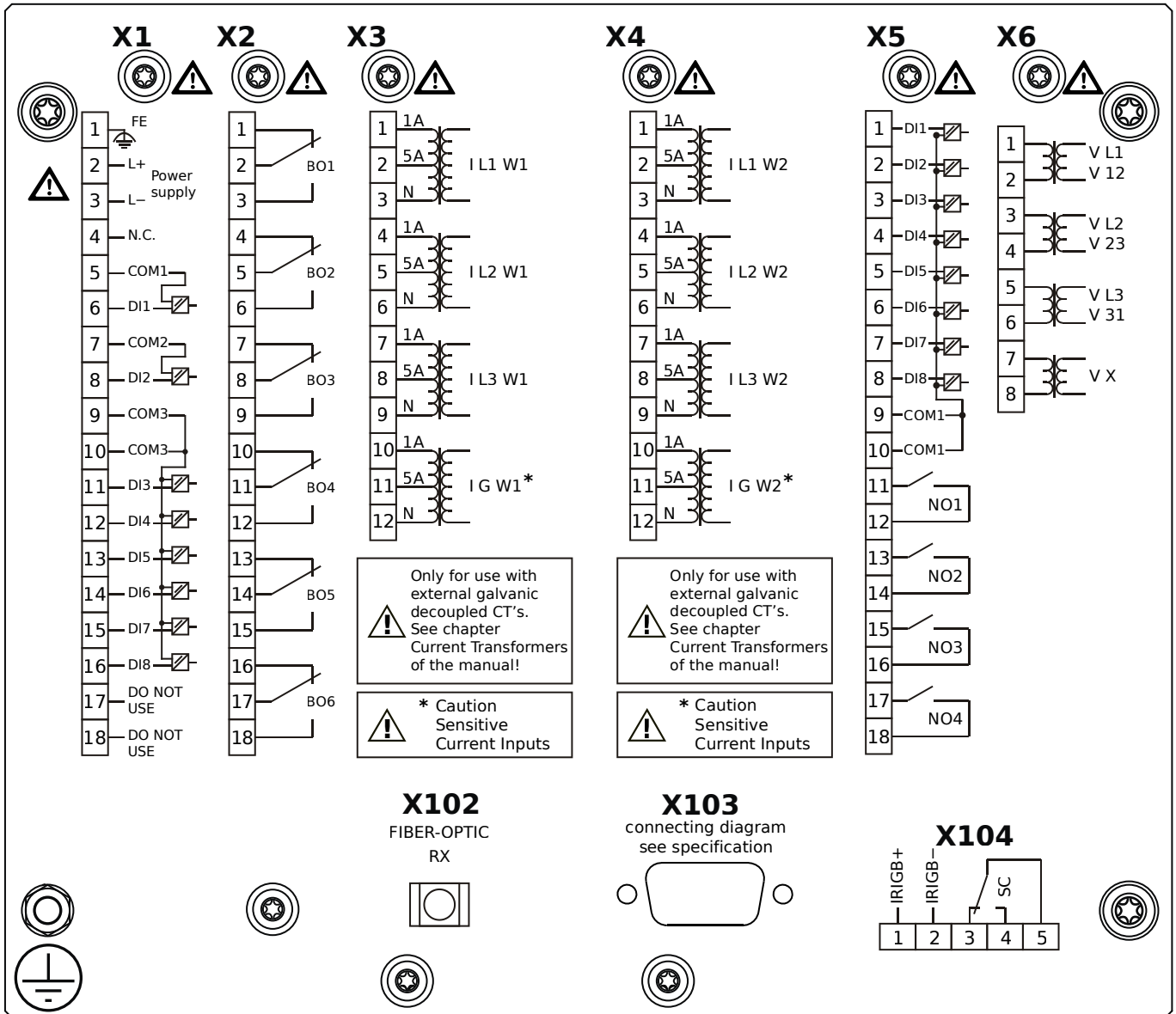


Housing B2, large display, 19" rack mounting

+ Conformal Coating (for installations in harsh environment)

- X1** – DI8-X1: Wide-range power supply unit, incl. 2 non-grouped digital inputs and 6 grouped digital inputs
- X2** – OR6: Assembly Group with 6 Output Relays
- X3** – TIs: Standard phase current measuring card and sensitive ground current measuring (winding side 1)
- X4** – TIs: Standard phase current measuring card and sensitive ground current measuring (winding side 2)
- X5** – DI8-OR4: Assembly Group with 8 Digital Inputs and 4 Output Relays
- X6** – TU: Card with 4 voltage transformer measuring inputs
- X102** – Universal Resistance-Temperature Detector (URTD) input, Fiber optics interface, Versatile Link
- X103** – Modbus RTU / IEC 60870-5-103 / DNP3.0 RTU, Fiber optics interface, ST Connector
- X104** – IRIG-B00X, incl. System Contact (Supervision Contact)

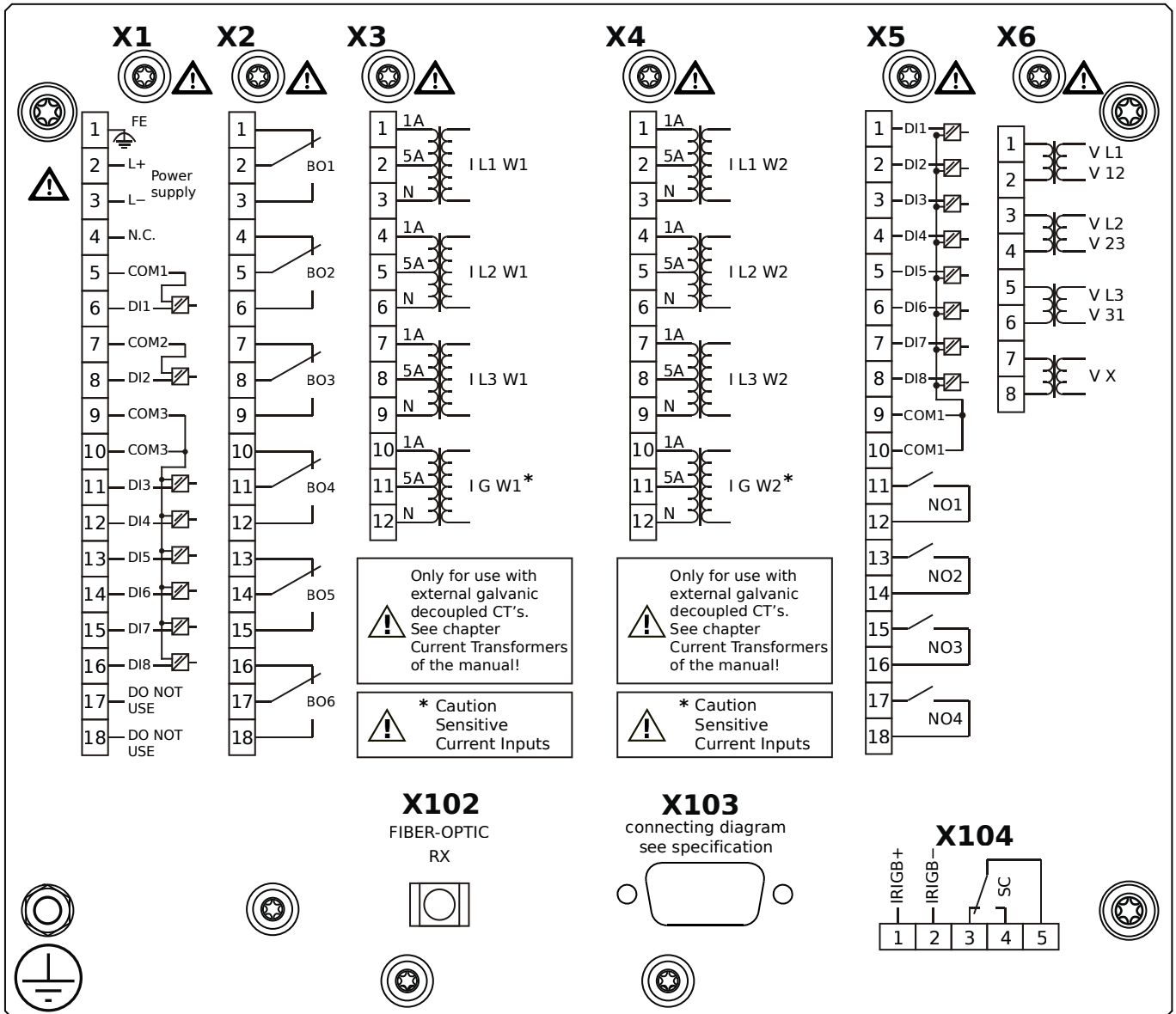
MCDTV4-2A3BGA



Housing B2, large display, 19" rack mounting

- X1** – DI8-X1: Wide-range power supply unit, incl. 2 non-grouped digital inputs and 6 grouped digital inputs
- X2** – OR6: Assembly Group with 6 Output Relays
- X3** – TIs: Standard phase current measuring card and sensitive ground current measuring (winding side 1)
- X4** – TIs: Standard phase current measuring card and sensitive ground current measuring (winding side 2)
- X5** – DI8-OR4: Assembly Group with 8 Digital Inputs and 4 Output Relays
- X6** – TU: Card with 4 voltage transformer measuring inputs
- X102** – Universal Resistance-Temperature Detector (URTD) input, Fiber optics interface, Versatile Link
- X103** – Modbus RTU / IEC 60870-5-103 / DNP3.0 RTU, RS485, D-SUB
- X104** – IRIG-B00X, incl. System Contact (Supervision Contact)

MCDTV4-2A3BGB

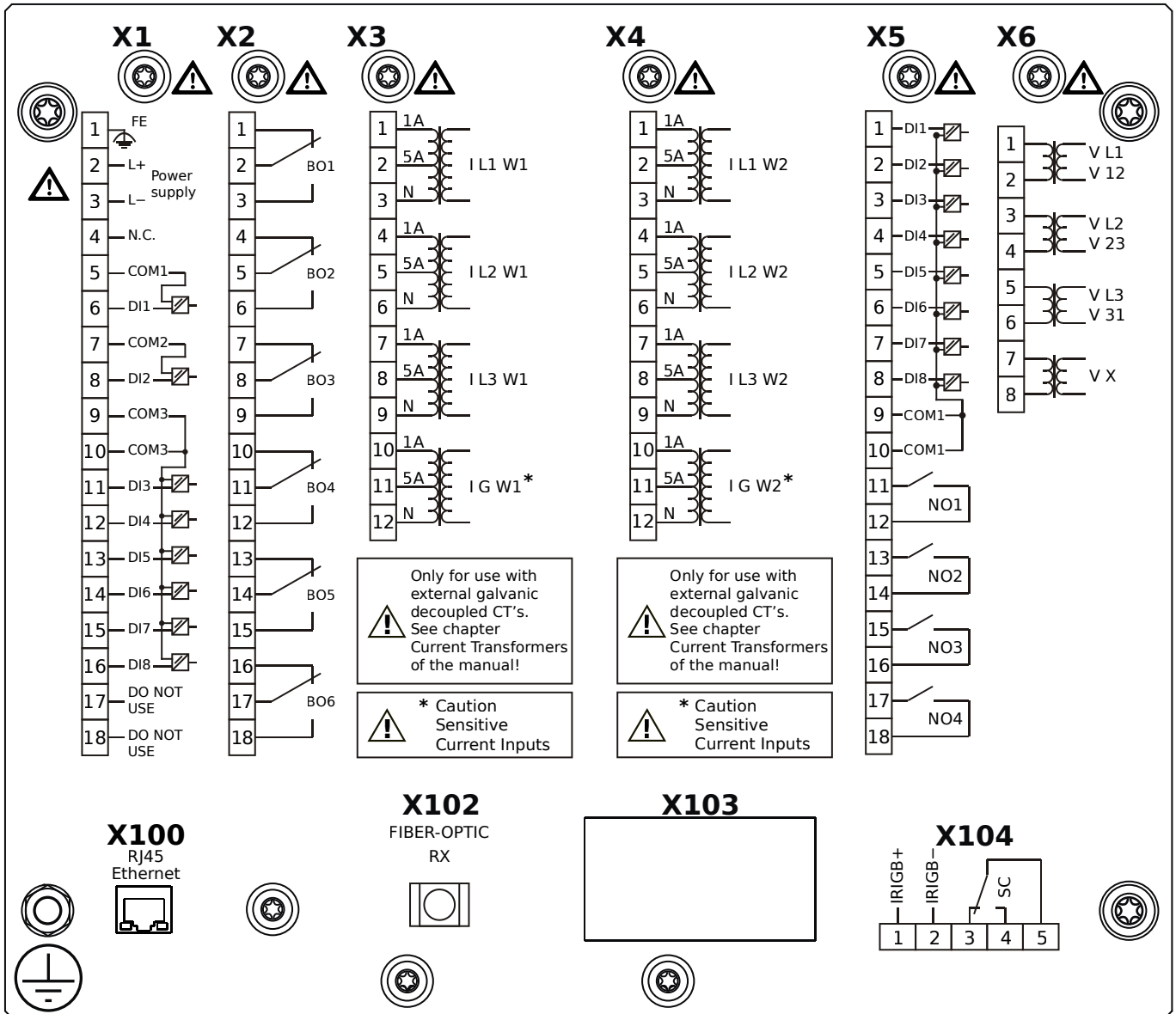


Housing B2, large display, 19" rack mounting

+ Conformal Coating (for installations in harsh environment)

- X1** – DI8-X1: Wide-range power supply unit, incl. 2 non-grouped digital inputs and 6 grouped digital inputs
- X2** – OR6: Assembly Group with 6 Output Relays
- X3** – TIs: Standard phase current measuring card and sensitive ground current measuring (winding side 1)
- X4** – TIs: Standard phase current measuring card and sensitive ground current measuring (winding side 2)
- X5** – DI8-OR4: Assembly Group with 8 Digital Inputs and 4 Output Relays
- X6** – TU: Card with 4 voltage transformer measuring inputs
- X102** – Universal Resistance-Temperature Detector (URTD) input, Fiber optics interface, Versatile Link
- X103** – Modbus RTU / IEC 60870-5-103 / DNP3.0 RTU, RS485, D-SUB
- X104** – IRIG-B00X, incl. System Contact (Supervision Contact)

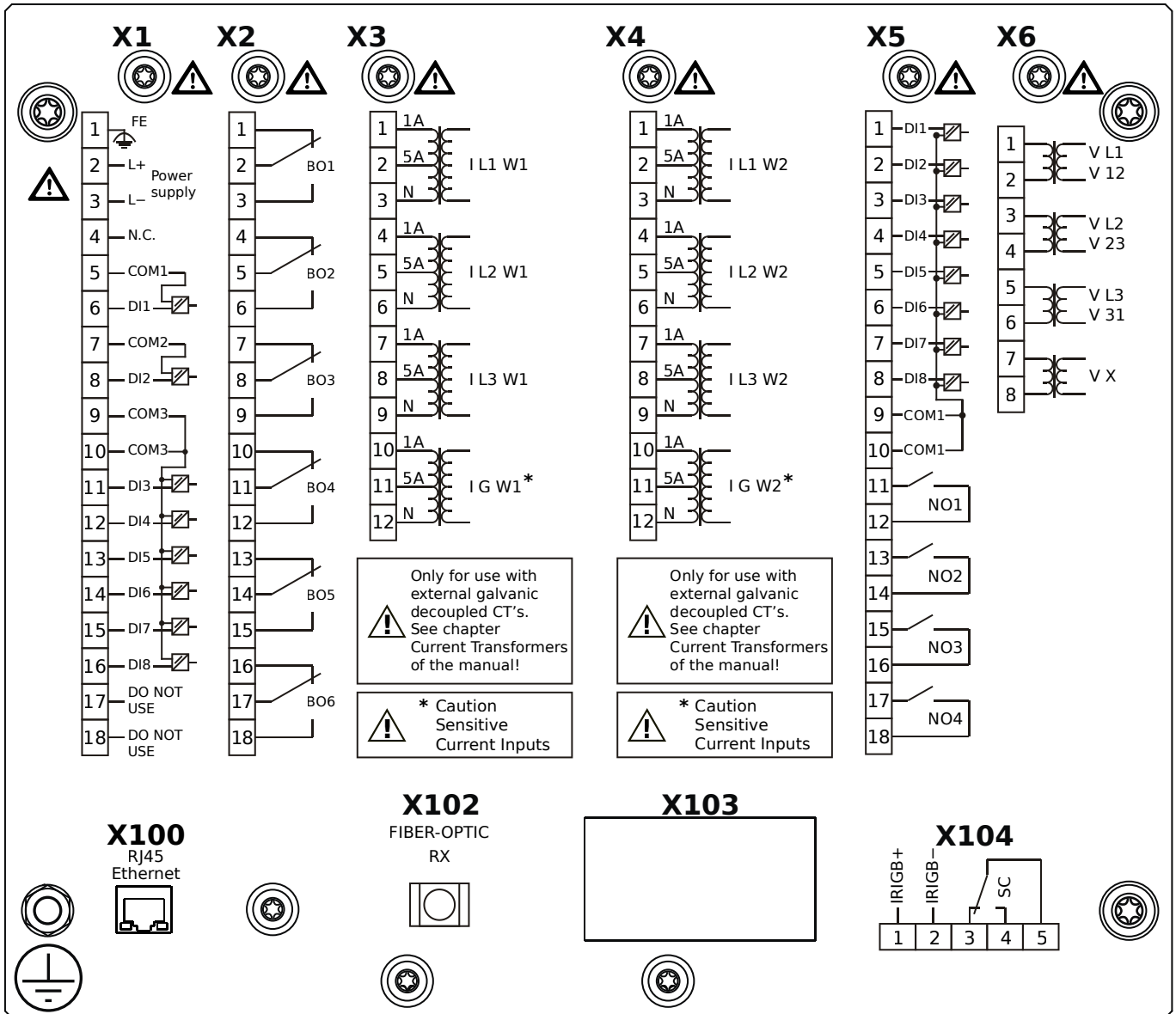
MCDTV4-2A3BHA



Housing B2, large display, 19" rack mounting

- X1** – DI8-X1: Wide-range power supply unit, incl. 2 non-grouped digital inputs and 6 grouped digital inputs
- X2** – OR6: Assembly Group with 6 Output Relays
- X3** – TIs: Standard phase current measuring card and sensitive ground current measuring (winding side 1)
- X4** – TIs: Standard phase current measuring card and sensitive ground current measuring (winding side 2)
- X5** – DI8-OR4: Assembly Group with 8 Digital Inputs and 4 Output Relays
- X6** – TU: Card with 4 voltage transformer measuring inputs
- X100** – IEC 61850 / Modbus TCP / DNP3.0 TCP/UDP, Ethernet interface, 100 Mbit/s, RJ45 (BASE100-FX)
- X102** – Universal Resistance-Temperature Detector (URTD) input, Fiber optics interface, Versatile Link
- X104** – IRIG-B00X, incl. System Contact (Supervision Contact)

MCDTV4-2A3BHB



Housing B2, large display, 19" rack mounting

+ Conformal Coating (for installations in harsh environment)

X1 – DI8-X1: Wide-range power supply unit, incl. 2 non-grouped digital inputs and 6 grouped digital inputs

X2 – OR6: Assembly Group with 6 Output Relays

X3 – TIs: Standard phase current measuring card and sensitive ground current measuring (winding side 1)

X4 – TIs: Standard phase current measuring card and sensitive ground current measuring (winding side 2)

X5 – DI8-OR4: Assembly Group with 8 Digital Inputs and 4 Output Relays

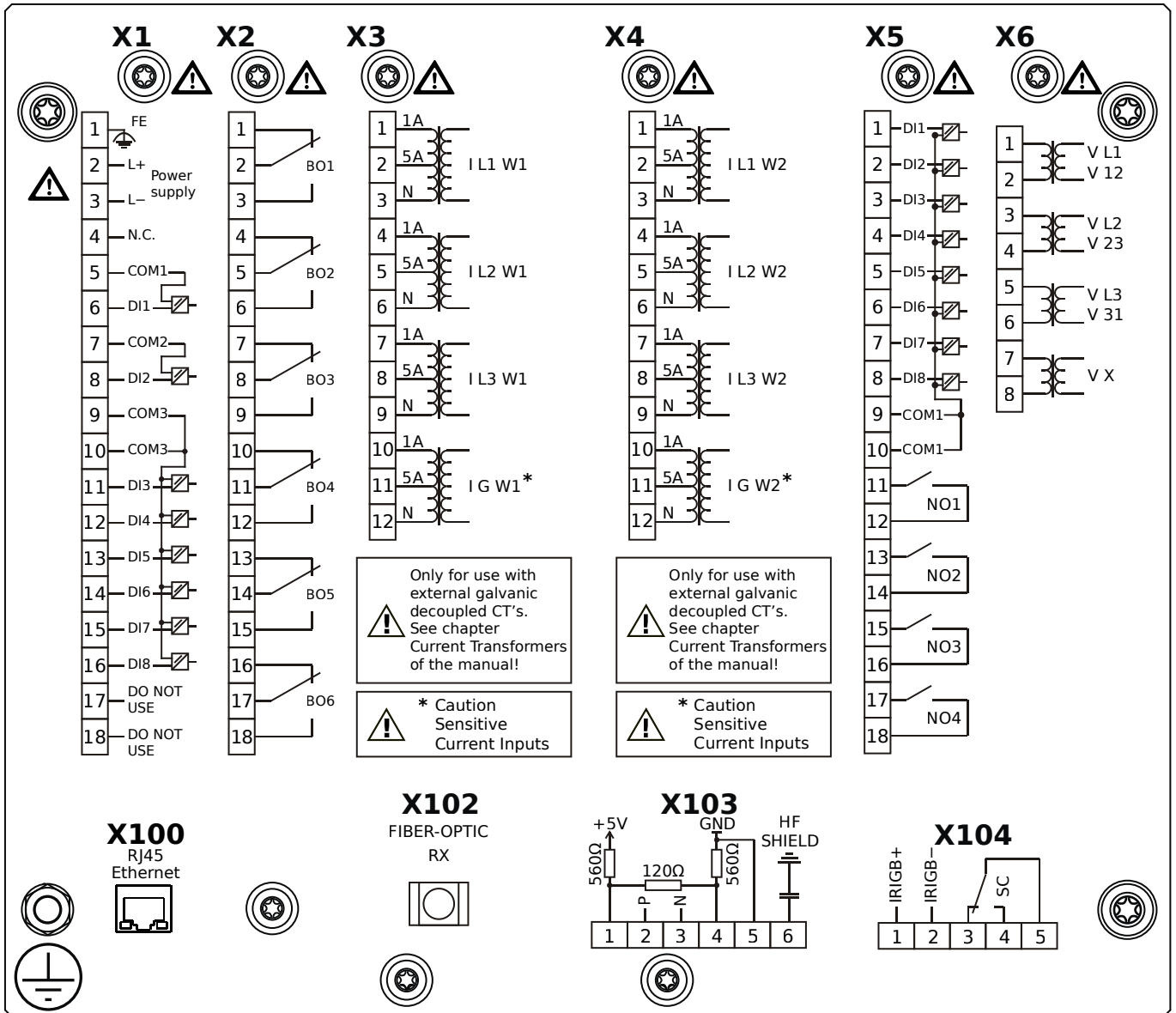
X6 – TU: Card with 4 voltage transformer measuring inputs

X100 – IEC 61850 / Modbus TCP / DNP3.0 TCP/UDP, Ethernet interface, 100 Mbit/s, RJ45 (BASE100-FX)

X102 – Universal Resistance-Temperature Detector (URTD) input, Fiber optics interface, Versatile Link

X104 – IRIG-B00X, incl. System Contact (Supervision Contact)

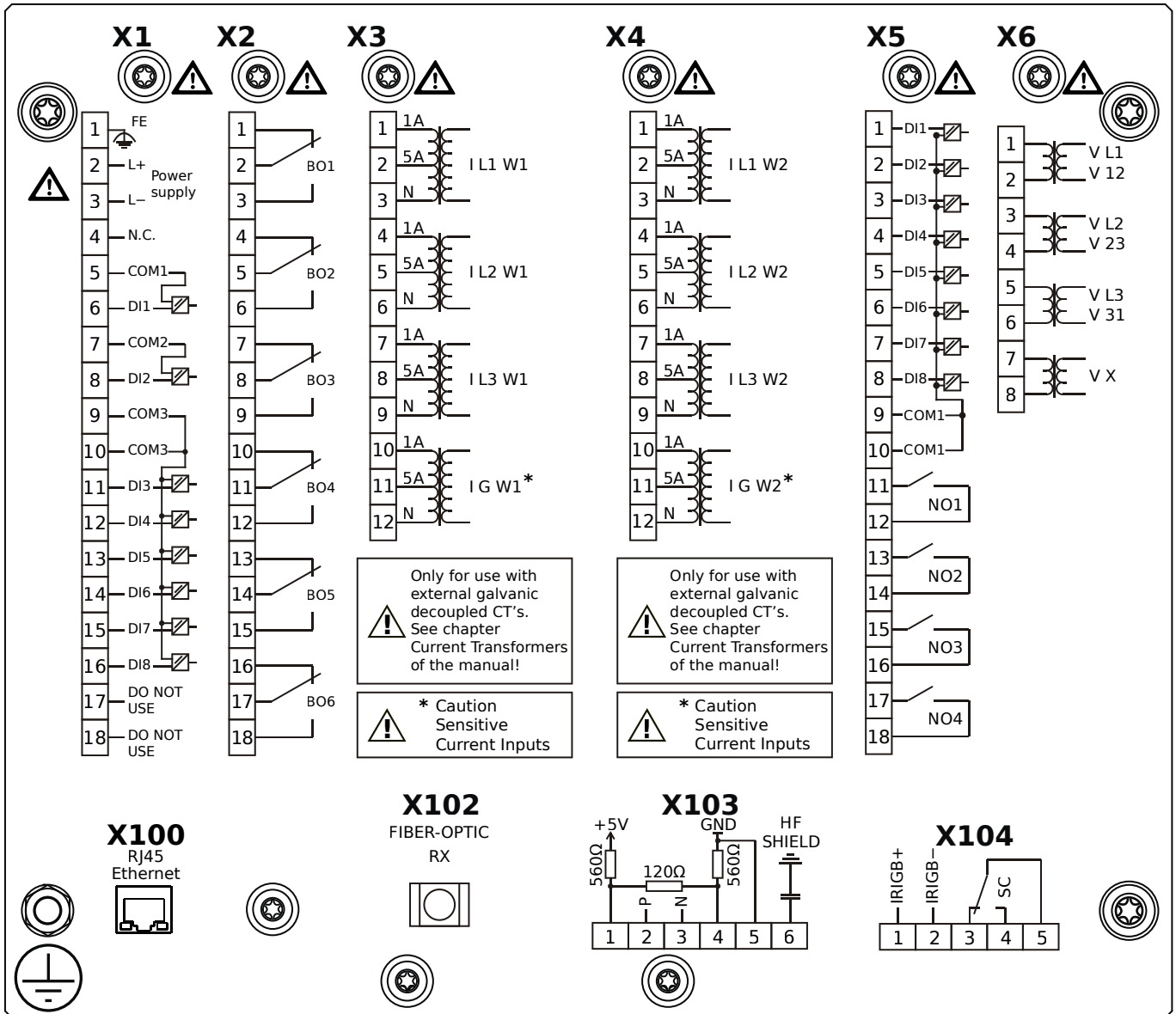
MCDTV4-2A3BIA



Housing B2, large display, 19" rack mounting

- X1** – DI8-X1: Wide-range power supply unit, incl. 2 non-grouped digital inputs and 6 grouped digital inputs
- X2** – OR6: Assembly Group with 6 Output Relays
- X3** – TIs: Standard phase current measuring card and sensitive ground current measuring (winding side 1)
- X4** – TIs: Standard phase current measuring card and sensitive ground current measuring (winding side 2)
- X5** – DI8-OR4: Assembly Group with 8 Digital Inputs and 4 Output Relays
- X6** – TU: Card with 4 voltage transformer measuring inputs
- X100** – Modbus TCP / DNP3.0 TCP/UDP, Ethernet interface, 100 Mbit/s, RJ45 (BASE100-FX)
- X102** – Universal Resistance-Temperature Detector (URTD) input, Fiber optics interface, Versatile Link
- X103** – IEC 60870-5-103 / Modbus RTU / DNP3.0 RTU, RS485, Terminals
- X104** – IRIG-B00X, incl. System Contact (Supervision Contact)

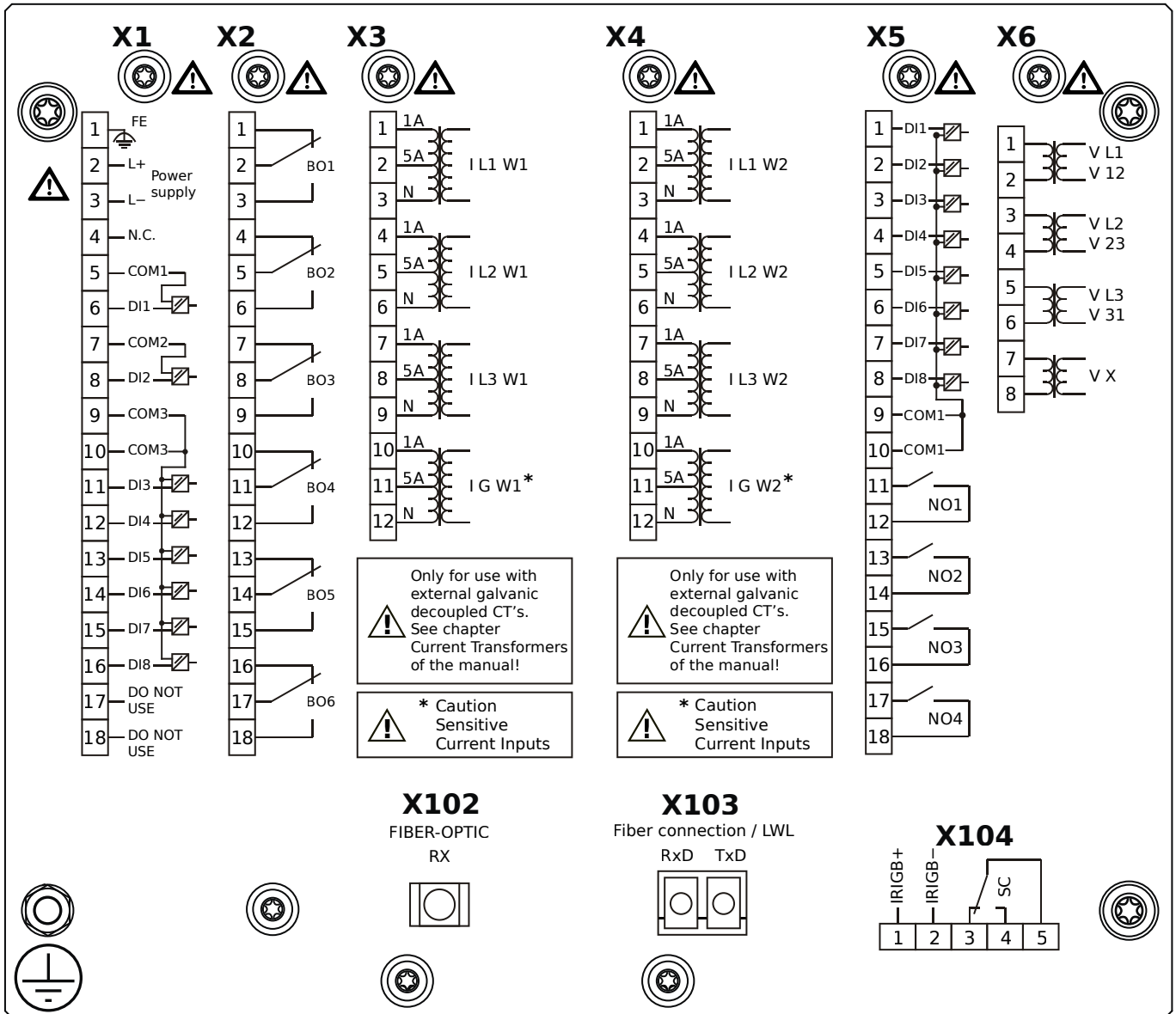
MCDTV4-2A3BIB



Housing B2, large display, 19" rack mounting

- + Conformal Coating (for installations in harsh environment)
- X1** – DI8-X1: Wide-range power supply unit, incl. 2 non-grouped digital inputs and 6 grouped digital inputs
- X2** – OR6: Assembly Group with 6 Output Relays
- X3** – TIs: Standard phase current measuring card and sensitive ground current measuring (winding side 1)
- X4** – TIs: Standard phase current measuring card and sensitive ground current measuring (winding side 2)
- X5** – DI8-OR4: Assembly Group with 8 Digital Inputs and 4 Output Relays
- X6** – TU: Card with 4 voltage transformer measuring inputs
- X100** – Modbus TCP / DNP3.0 TCP/UDP, Ethernet interface, 100 Mbit/s, RJ45 (BASE100-FX)
- X102** – Universal Resistance-Temperature Detector (URTD) input, Fiber optics interface, Versatile Link
- X103** – IEC 60870-5-103 / Modbus RTU / DNP3.0 RTU, RS485, Terminals
- X104** – IRIG-B00X, incl. System Contact (Supervision Contact)

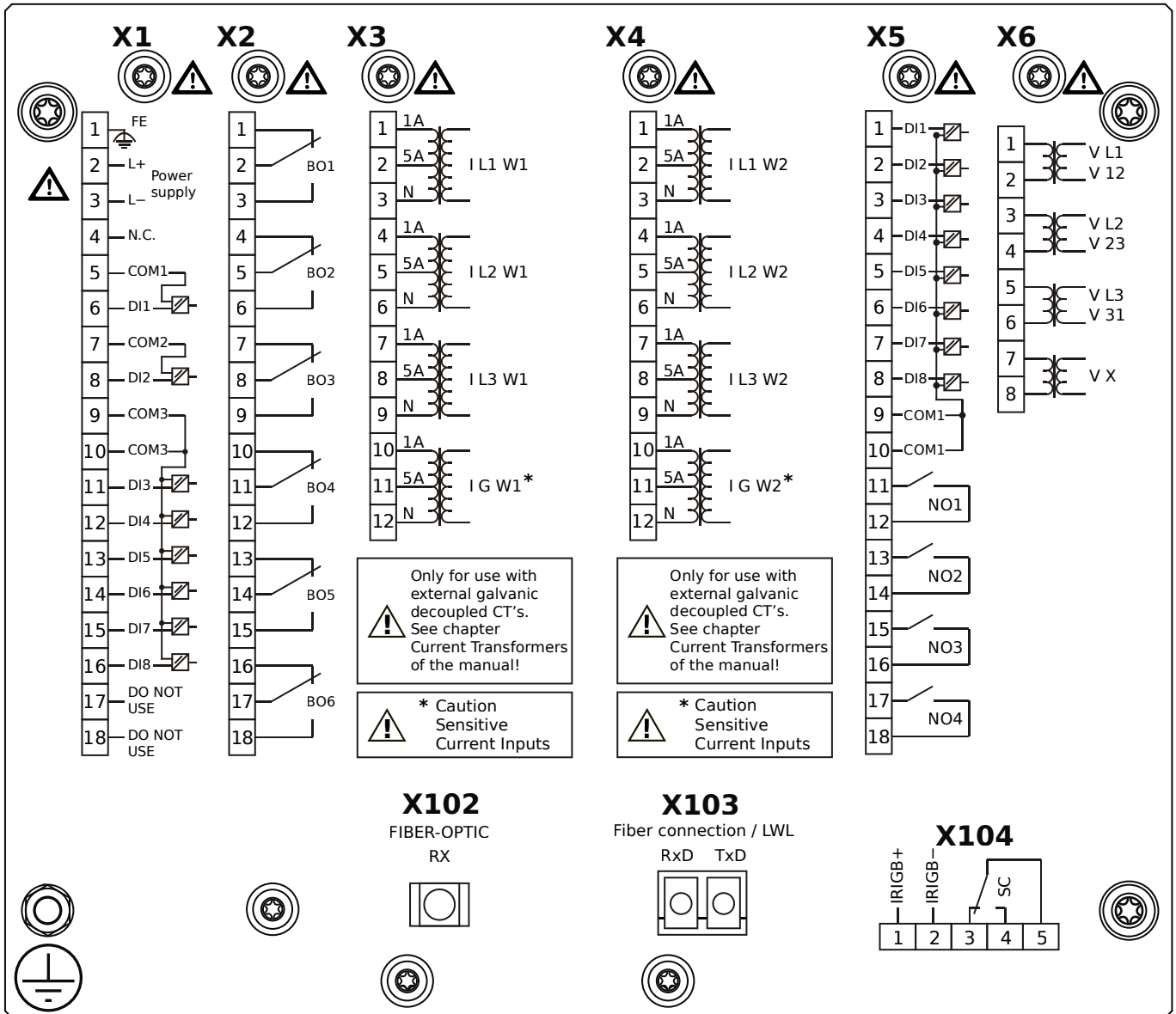
MCDTV4-2A3BKA



Housing B2, large display, 19" rack mounting

- X1** – DI8-X1: Wide-range power supply unit, incl. 2 non-grouped digital inputs and 6 grouped digital inputs
- X2** – OR6: Assembly Group with 6 Output Relays
- X3** – TIs: Standard phase current measuring card and sensitive ground current measuring (winding side 1)
- X4** – TIs: Standard phase current measuring card and sensitive ground current measuring (winding side 2)
- X5** – DI8-OR4: Assembly Group with 8 Digital Inputs and 4 Output Relays
- X6** – TU: Card with 4 voltage transformer measuring inputs
- X102** – Universal Resistance-Temperature Detector (URTD) input, Fiber optics interface, Versatile Link
- X103** – IEC 61850 / Modbus TCP / DNP3.0 TCP/UDP, Fiber optics interface, LC Connector
- X104** – IRIG-B00X, incl. System Contact (Supervision Contact)

MCDTV4-2A3BKB

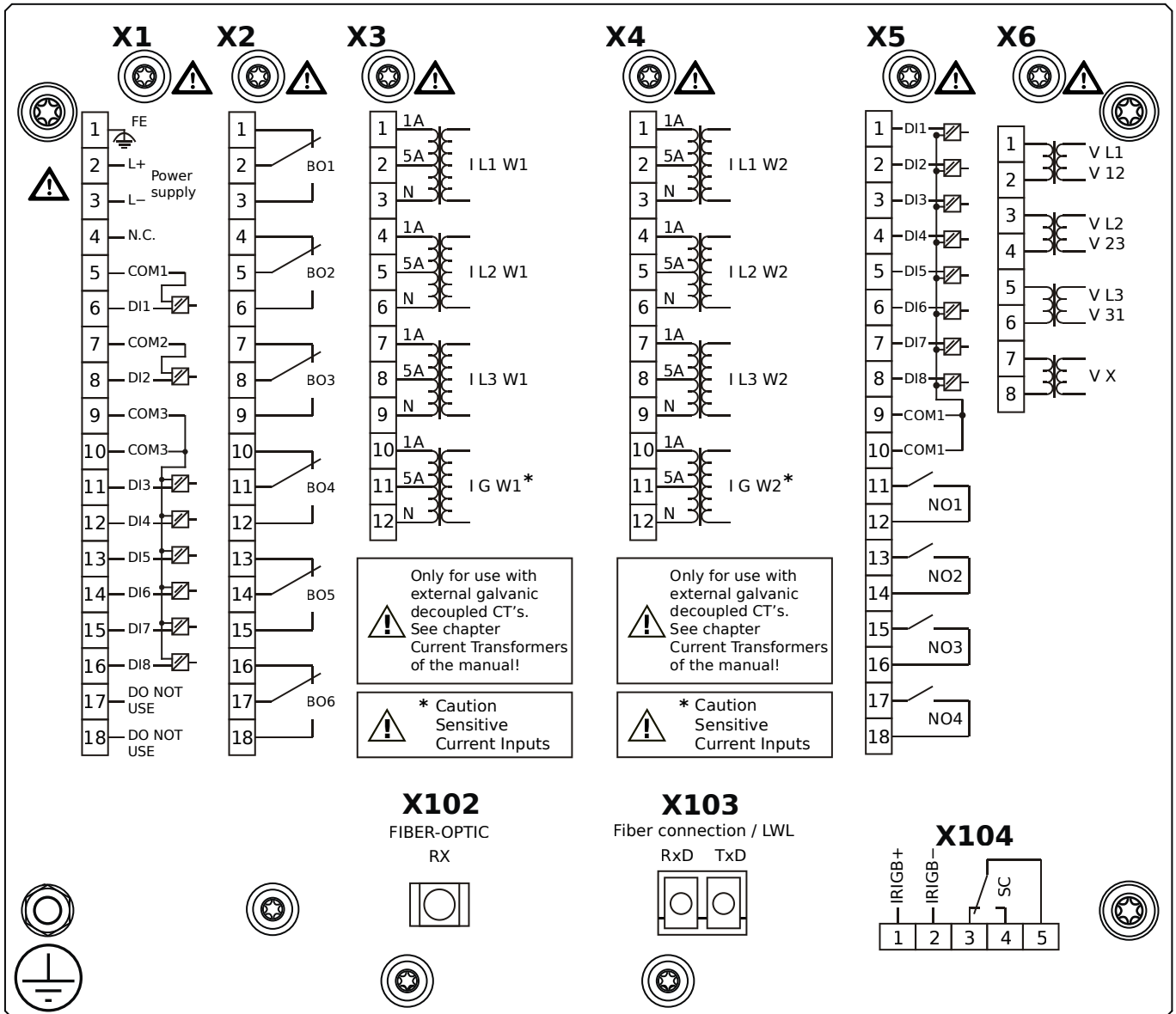


Housing B2, large display, 19" rack mounting

+ Conformal Coating (for installations in harsh environment)

- X1** – DI8-X1: Wide-range power supply unit, incl. 2 non-grouped digital inputs and 6 grouped digital inputs
- X2** – OR6: Assembly Group with 6 Output Relays
- X3** – TIs: Standard phase current measuring card and sensitive ground current measuring (winding side 1)
- X4** – TIs: Standard phase current measuring card and sensitive ground current measuring (winding side 2)
- X5** – DI8-OR4: Assembly Group with 8 Digital Inputs and 4 Output Relays
- X6** – TU: Card with 4 voltage transformer measuring inputs
- X102** – Universal Resistance-Temperature Detector (URTD) input, Fiber optics interface, Versatile Link
- X103** – IEC 61850 / Modbus TCP / DNP3.0 TCP/UDP, Fiber optics interface, LC Connector
- X104** – IRIG-B00X, incl. System Contact (Supervision Contact)

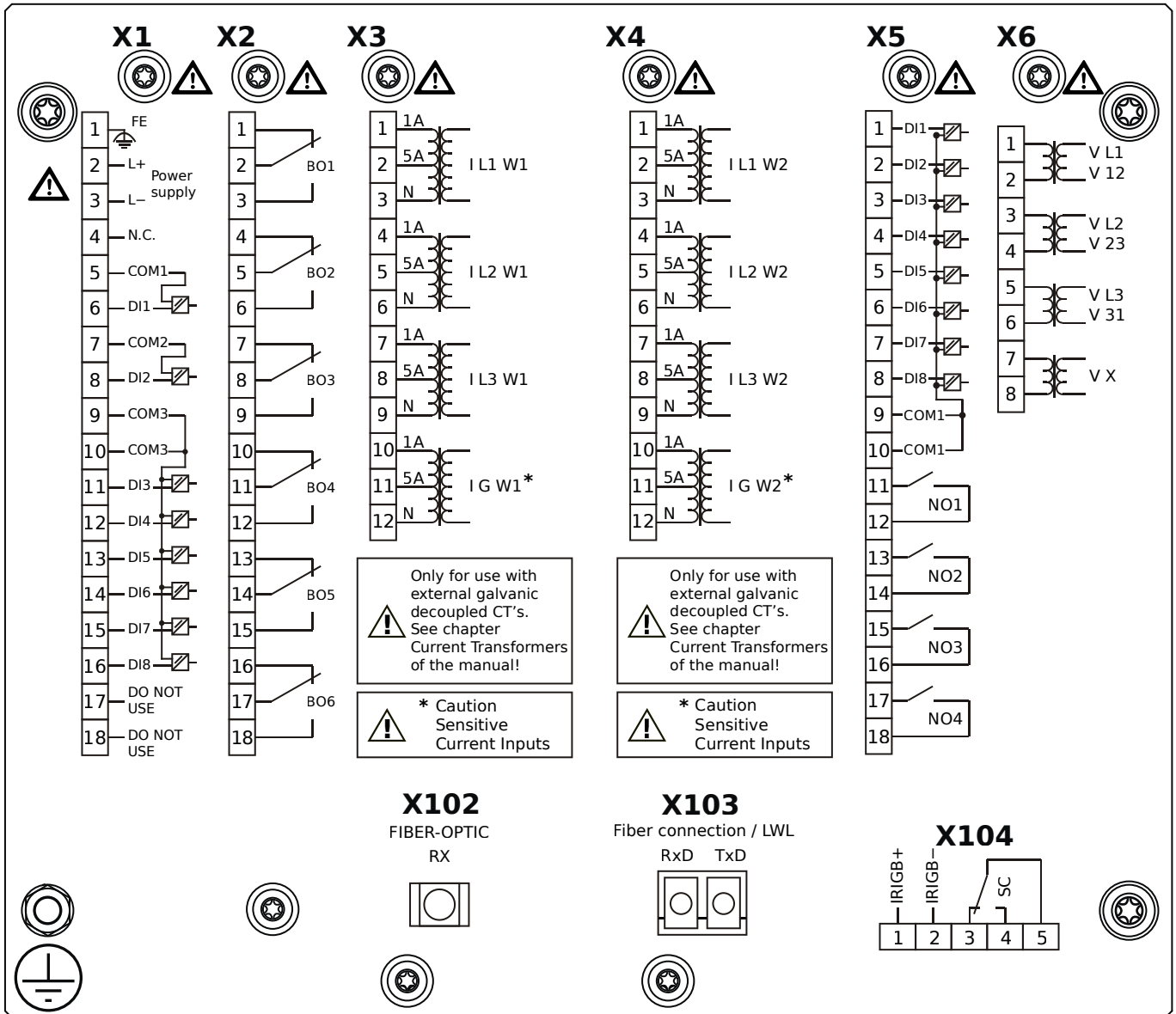
MCDTV4-2A3BLA



Housing B2, large display, 19" rack mounting

- X1** – DI8-X1: Wide-range power supply unit, incl. 2 non-grouped digital inputs and 6 grouped digital inputs
- X2** – OR6: Assembly Group with 6 Output Relays
- X3** – TIs: Standard phase current measuring card and sensitive ground current measuring (winding side 1)
- X4** – TIs: Standard phase current measuring card and sensitive ground current measuring (winding side 2)
- X5** – DI8-OR4: Assembly Group with 8 Digital Inputs and 4 Output Relays
- X6** – TU: Card with 4 voltage transformer measuring inputs
- X102** – Universal Resistance-Temperature Detector (URTD) input, Fiber optics interface, Versatile Link
- X103** – Modbus TCP / DNP3.0 TCP/UDP, Fiber optics interface, LC Connector
- X104** – IRIG-B00X, incl. System Contact (Supervision Contact)

MCDTV4-2A3BLB

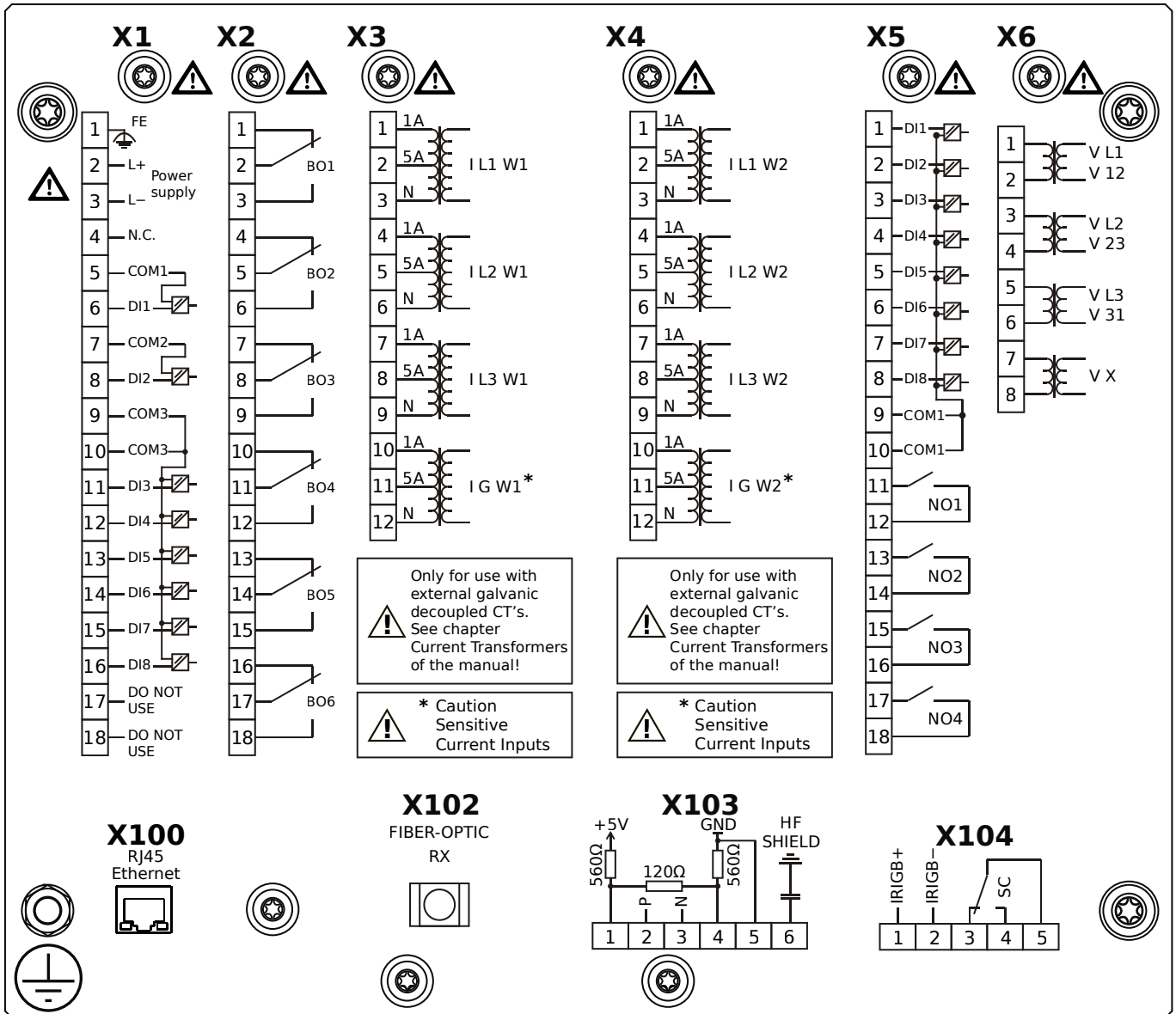


Housing B2, large display, 19" rack mounting

+ Conformal Coating (for installations in harsh environment)

- X1** – DI8-X1: Wide-range power supply unit, incl. 2 non-grouped digital inputs and 6 grouped digital inputs
- X2** – OR6: Assembly Group with 6 Output Relays
- X3** – TIs: Standard phase current measuring card and sensitive ground current measuring (winding side 1)
- X4** – TIs: Standard phase current measuring card and sensitive ground current measuring (winding side 2)
- X5** – DI8-OR4: Assembly Group with 8 Digital Inputs and 4 Output Relays
- X6** – TU: Card with 4 voltage transformer measuring inputs
- X102** – Universal Resistance-Temperature Detector (URTD) input, Fiber optics interface, Versatile Link
- X103** – Modbus TCP / DNP3.0 TCP/UDP, Fiber optics interface, LC Connector
- X104** – IRIG-B00X, incl. System Contact (Supervision Contact)

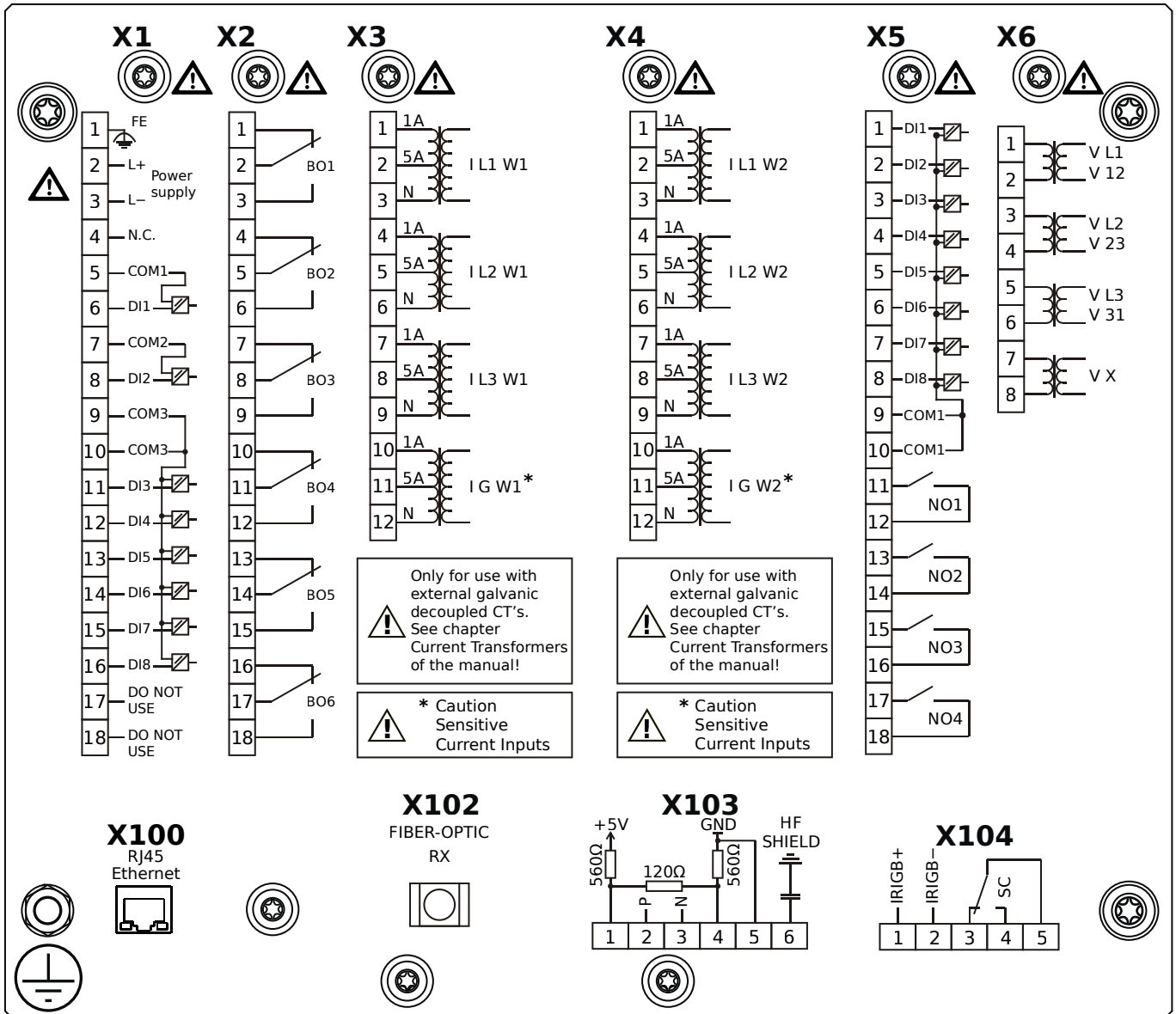
MCDTV4-2A3BTA



Housing B2, large display, 19" rack mounting

- X1** – DI8-X1: Wide-range power supply unit, incl. 2 non-grouped digital inputs and 6 grouped digital inputs
- X2** – OR6: Assembly Group with 6 Output Relays
- X3** – TIs: Standard phase current measuring card and sensitive ground current measuring (winding side 1)
- X4** – TIs: Standard phase current measuring card and sensitive ground current measuring (winding side 2)
- X5** – DI8-OR4: Assembly Group with 8 Digital Inputs and 4 Output Relays
- X6** – TU: Card with 4 voltage transformer measuring inputs
- X100** – IEC 61850 / Modbus TCP / DNP3.0 TCP/UDP, Ethernet interface, 100 Mbit/s, RJ45 (BASE100-FX)
- X102** – Universal Resistance-Temperature Detector (URTD) input, Fiber optics interface, Versatile Link
- X103** – IEC 60870-5-103 / Modbus RTU / DNP3.0 RTU, RS485, Terminals
- X104** – IRIG-B00X, incl. System Contact (Supervision Contact)

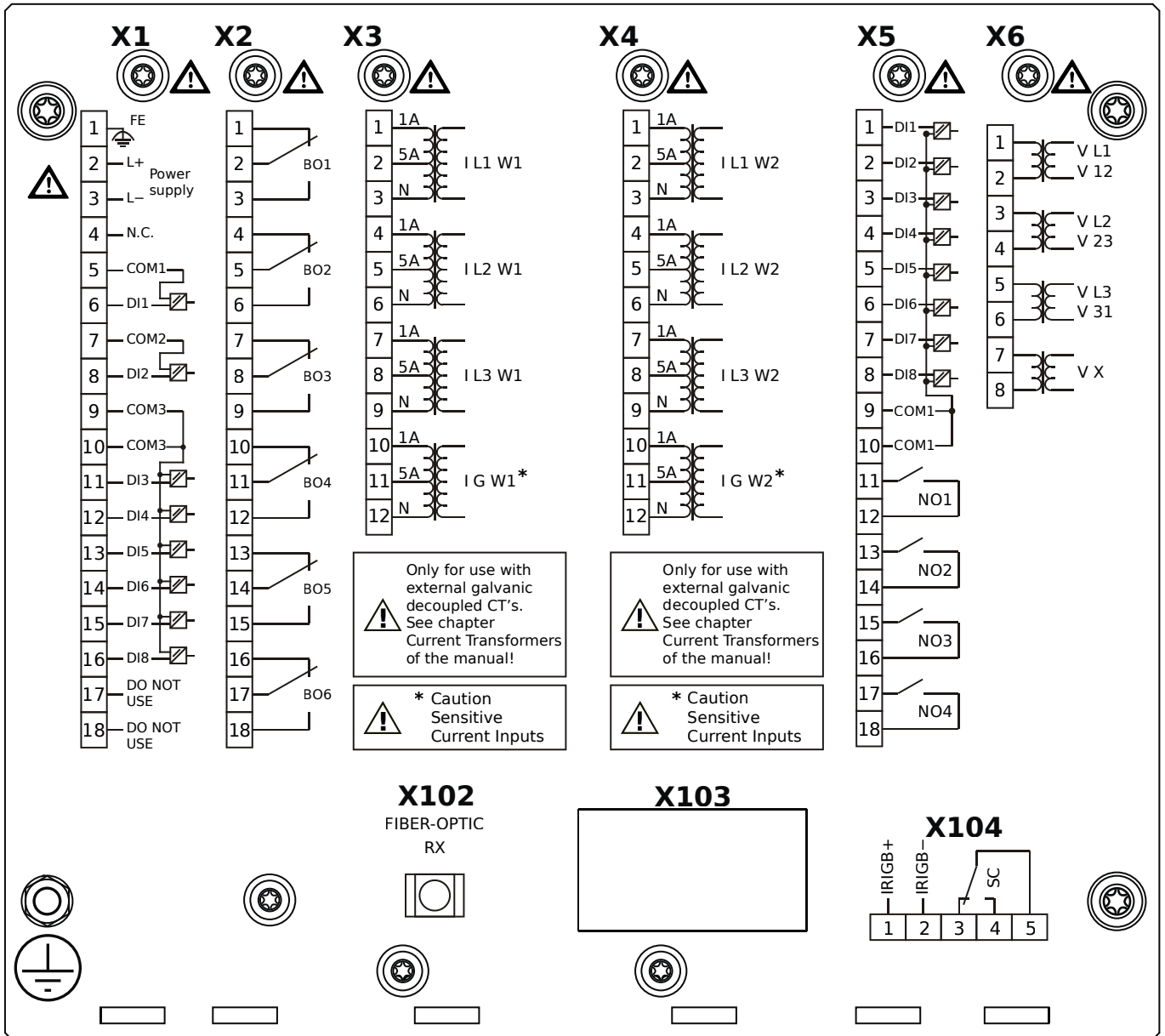
MCDTV4-2A3BTB



Housing B2, large display, 19" rack mounting

- + Conformal Coating (for installations in harsh environment)
- X1** – DI8-X1: Wide-range power supply unit, incl. 2 non-grouped digital inputs and 6 grouped digital inputs
- X2** – OR6: Assembly Group with 6 Output Relays
- X3** – TIs: Standard phase current measuring card and sensitive ground current measuring (winding side 1)
- X4** – TIs: Standard phase current measuring card and sensitive ground current measuring (winding side 2)
- X5** – DI8-OR4: Assembly Group with 8 Digital Inputs and 4 Output Relays
- X6** – TU: Card with 4 voltage transformer measuring inputs
- X100** – IEC 61850 / Modbus TCP / DNP3.0 TCP/UDP, Ethernet interface, 100 Mbit/s, RJ45 (BASE100-FX)
- X102** – Universal Resistance-Temperature Detector (URTD) input, Fiber optics interface, Versatile Link
- X103** – IEC 60870-5-103 / Modbus RTU / DNP3.0 RTU, RS485, Terminals
- X104** – IRIG-B00X, incl. System Contact (Supervision Contact)

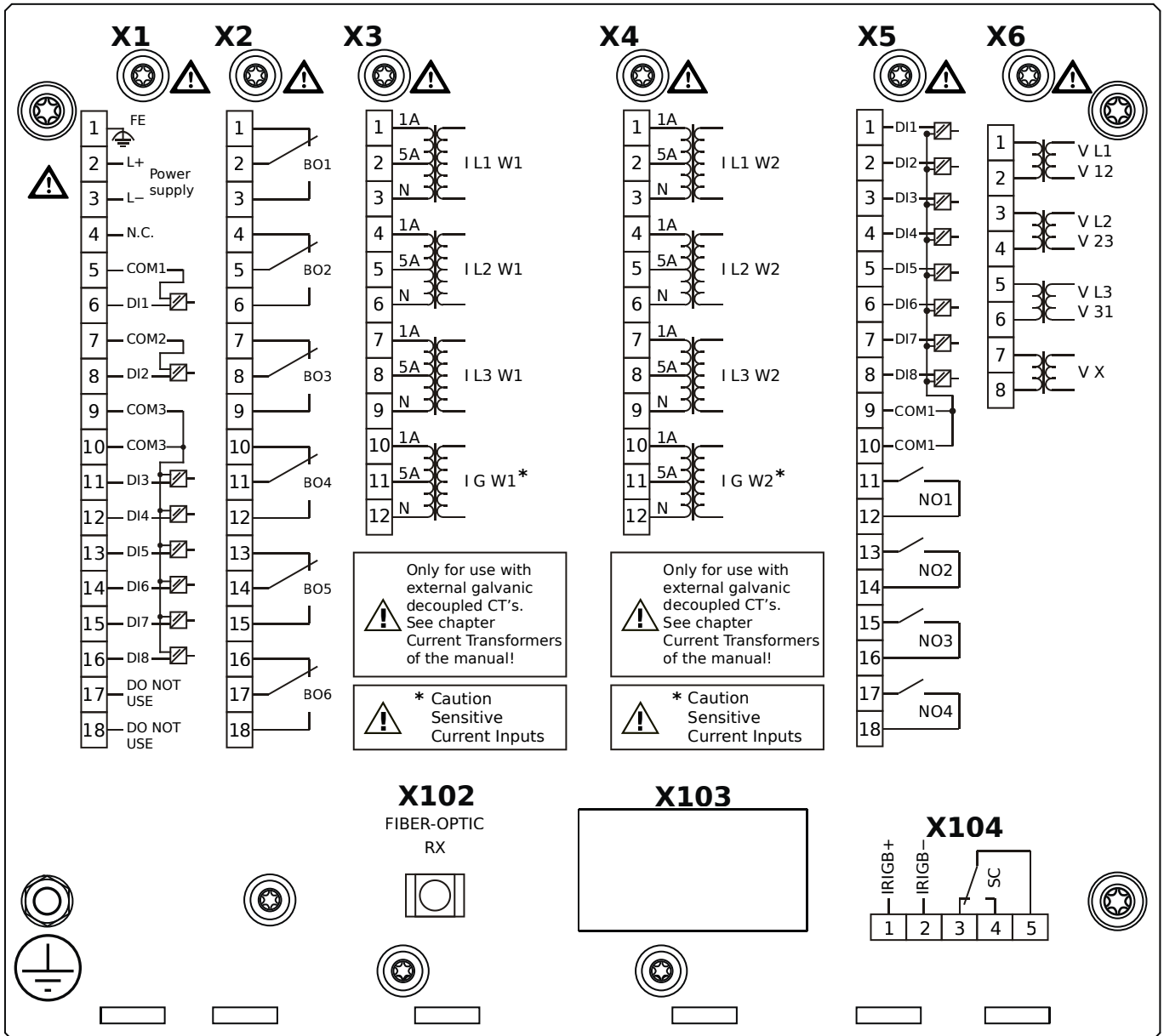
MCDTV4-2A3HAA



Housing B2, large display, door mounting

- X1** – DI8-X1: Wide-range power supply unit, incl. 2 non-grouped digital inputs and 6 grouped digital inputs
- X2** – OR6: Assembly Group with 6 Output Relays
- X3** – TIs: Standard phase current measuring card and sensitive ground current measuring (winding side 1)
- X4** – TIs: Standard phase current measuring card and sensitive ground current measuring (winding side 2)
- X5** – DI8-OR4: Assembly Group with 8 Digital Inputs and 4 Output Relays
- X6** – TU: Card with 4 voltage transformer measuring inputs
- X102** – Universal Resistance-Temperature Detector (URTD) input, Fiber optics interface, Versatile Link
- X104** – IRIG-B00X, incl. System Contact (Supervision Contact)

MCDTV4-2A3HAB

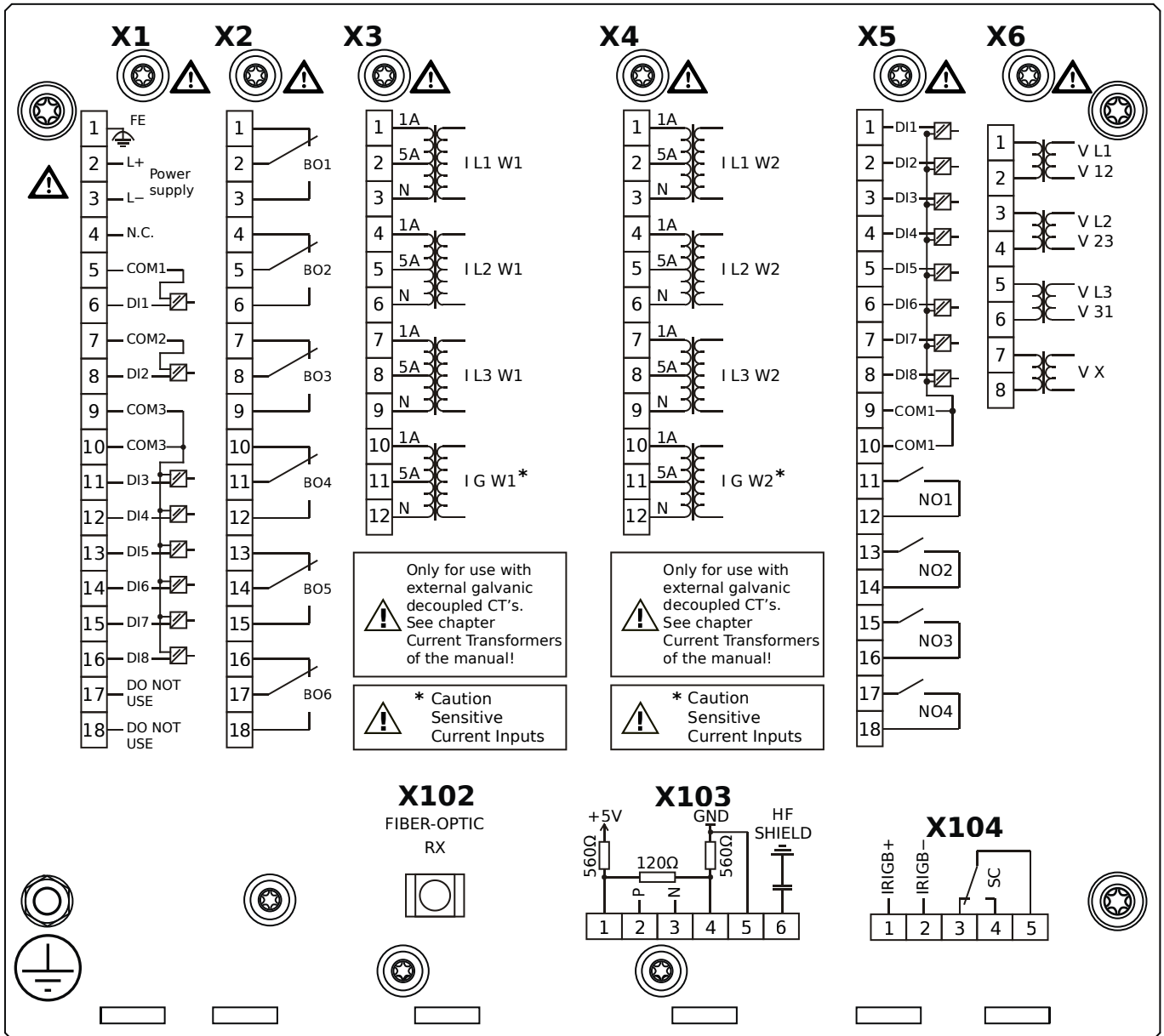


Housing B2, large display, door mounting

+ Conformal Coating (for installations in harsh environment)

- X1** – DI8-X1: Wide-range power supply unit, incl. 2 non-grouped digital inputs and 6 grouped digital inputs
- X2** – OR6: Assembly Group with 6 Output Relays
- X3** – TIs: Standard phase current measuring card and sensitive ground current measuring (winding side 1)
- X4** – TIs: Standard phase current measuring card and sensitive ground current measuring (winding side 2)
- X5** – DI8-OR4: Assembly Group with 8 Digital Inputs and 4 Output Relays
- X6** – TU: Card with 4 voltage transformer measuring inputs
- X102** – Universal Resistance-Temperature Detector (URTD) input, Fiber optics interface, Versatile Link
- X104** – IRIG-B00X, incl. System Contact (Supervision Contact)

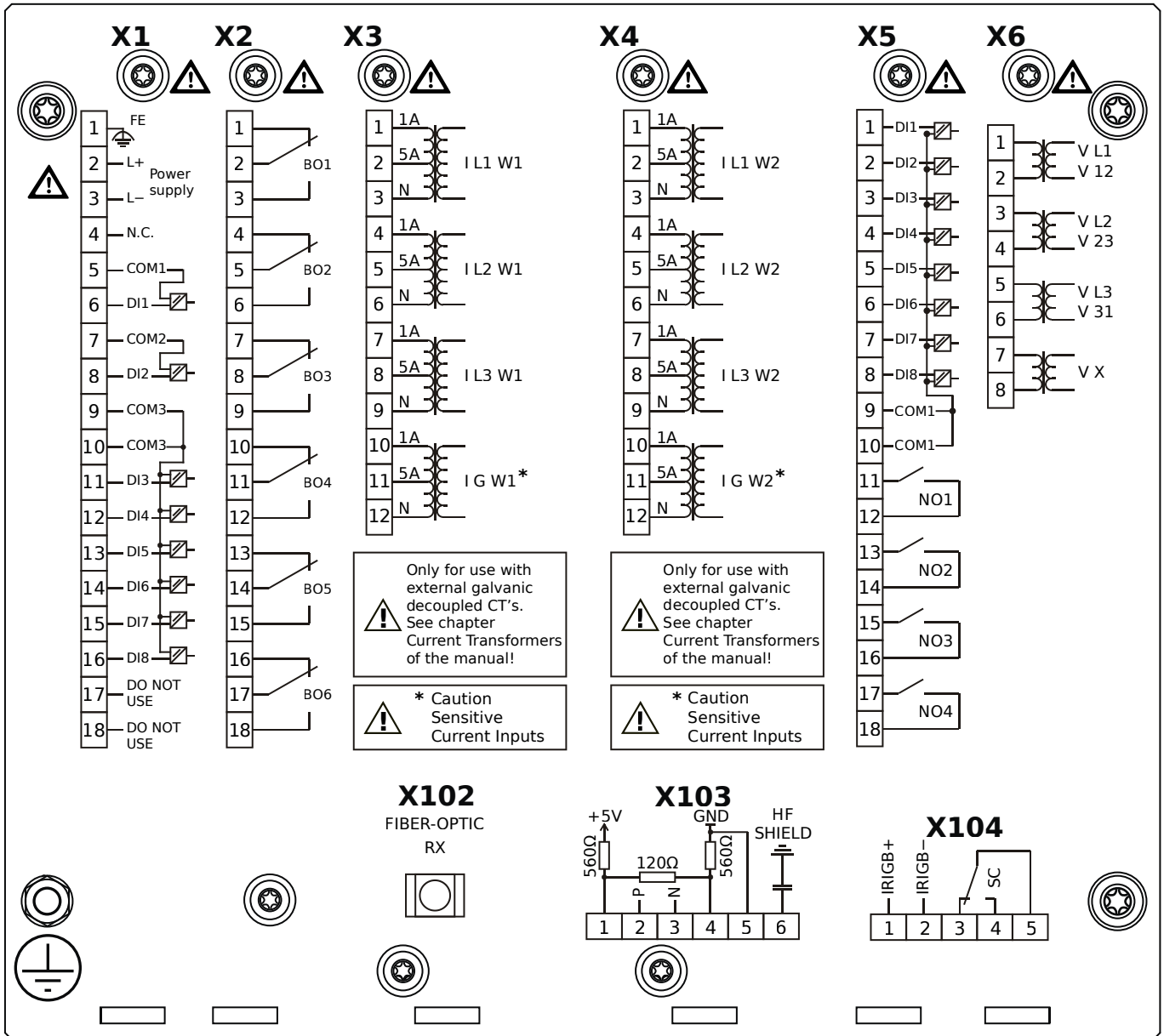
MCDTV4-2A3HBA



Housing B2, large display, door mounting

- X1** – DI8-X1: Wide-range power supply unit, incl. 2 non-grouped digital inputs and 6 grouped digital inputs
- X2** – OR6: Assembly Group with 6 Output Relays
- X3** – TIs: Standard phase current measuring card and sensitive ground current measuring (winding side 1)
- X4** – TIs: Standard phase current measuring card and sensitive ground current measuring (winding side 2)
- X5** – DI8-OR4: Assembly Group with 8 Digital Inputs and 4 Output Relays
- X6** – TU: Card with 4 voltage transformer measuring inputs
- X102** – Universal Resistance-Temperature Detector (URTD) input, Fiber optics interface, Versatile Link
- X103** – Modbus RTU / IEC 60870-5-103 / DNP3.0 RTU, RS485, Terminals
- X104** – IRIG-B00X, incl. System Contact (Supervision Contact)

MCDTV4-2A3HBB

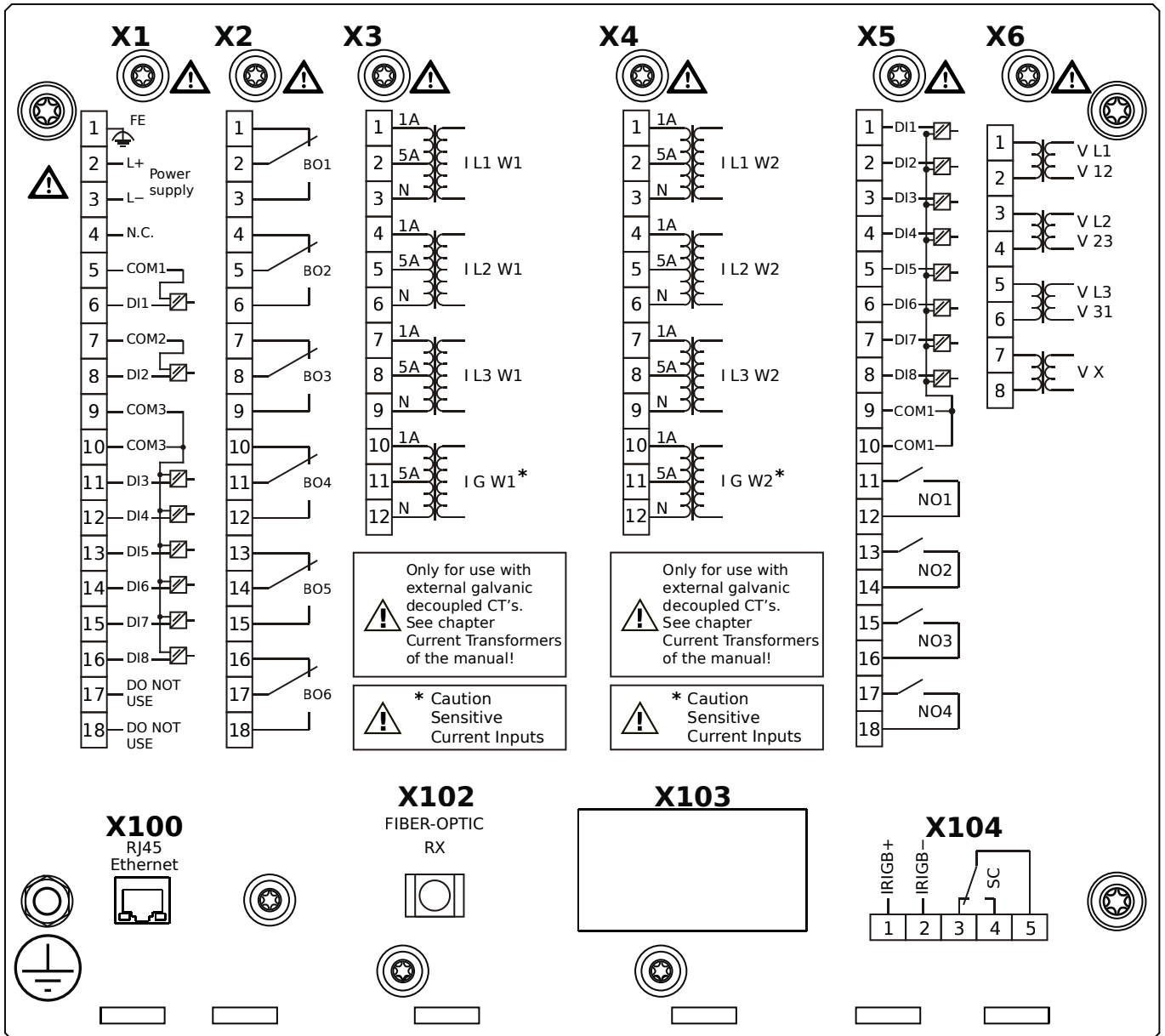


Housing B2, large display, door mounting

+ Conformal Coating (for installations in harsh environment)

- X1** – DI8-X1: Wide-range power supply unit, incl. 2 non-grouped digital inputs and 6 grouped digital inputs
- X2** – OR6: Assembly Group with 6 Output Relays
- X3** – TIs: Standard phase current measuring card and sensitive ground current measuring (winding side 1)
- X4** – TIs: Standard phase current measuring card and sensitive ground current measuring (winding side 2)
- X5** – DI8-OR4: Assembly Group with 8 Digital Inputs and 4 Output Relays
- X6** – TU: Card with 4 voltage transformer measuring inputs
- X102** – Universal Resistance-Temperature Detector (URTD) input, Fiber optics interface, Versatile Link
- X103** – Modbus RTU / IEC 60870-5-103 / DNP3.0 RTU, RS485, Terminals
- X104** – IRIG-B00X, incl. System Contact (Supervision Contact)

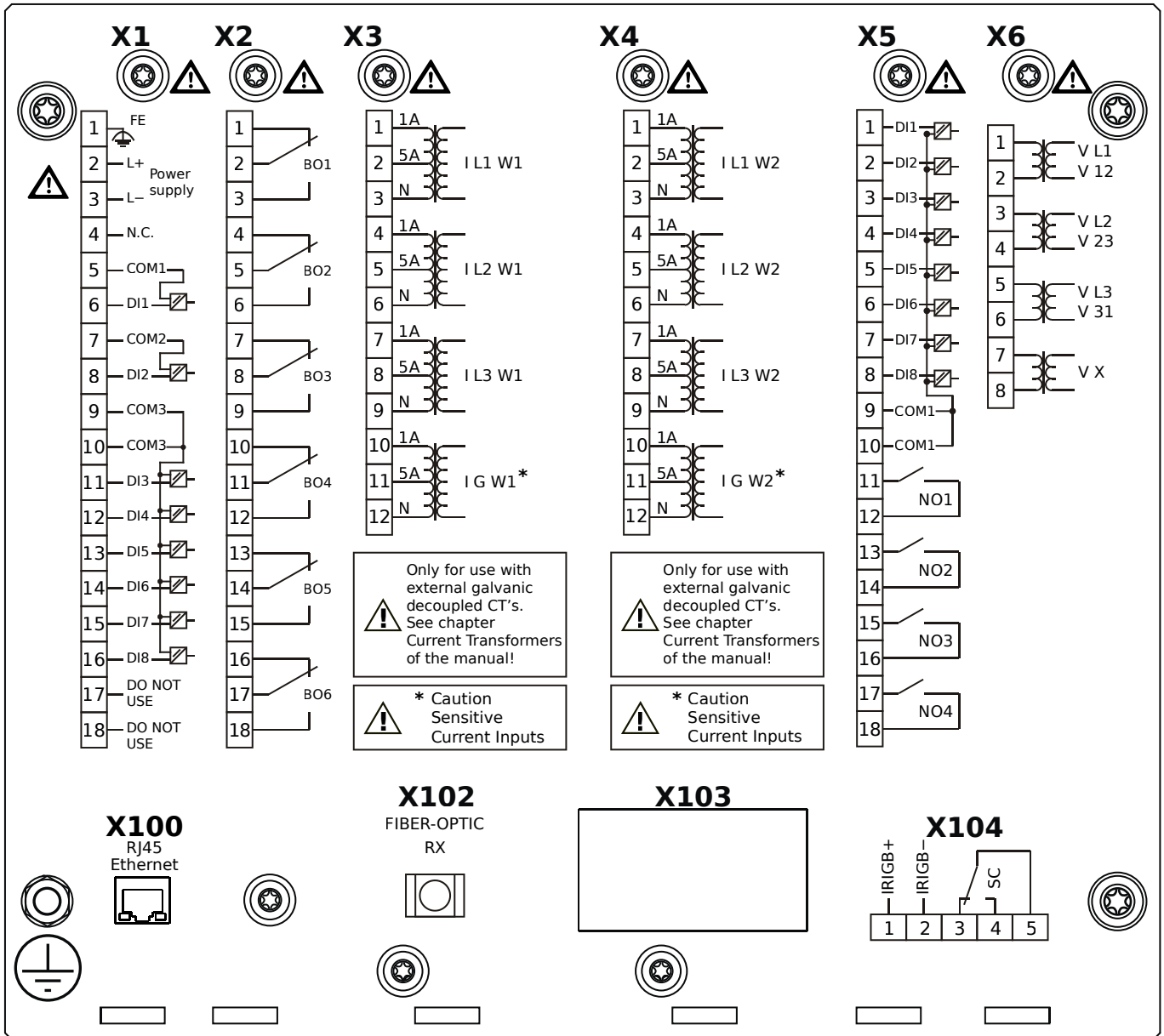
MCDTV4-2A3HCA



Housing B2, large display, door mounting

- X1** – DI8-X1: Wide-range power supply unit, incl. 2 non-grouped digital inputs and 6 grouped digital inputs
- X2** – OR6: Assembly Group with 6 Output Relays
- X3** – TIs: Standard phase current measuring card and sensitive ground current measuring (winding side 1)
- X4** – TIs: Standard phase current measuring card and sensitive ground current measuring (winding side 2)
- X5** – DI8-OR4: Assembly Group with 8 Digital Inputs and 4 Output Relays
- X6** – TU: Card with 4 voltage transformer measuring inputs
- X100** – Modbus TCP / DNP3.0 TCP/UDP, Ethernet interface, 100 Mbit/s, RJ45 (BASE100-FX)
- X102** – Universal Resistance-Temperature Detector (URTD) input, Fiber optics interface, Versatile Link
- X104** – IRIG-B00X, incl. System Contact (Supervision Contact)

MCDTV4-2A3HCB

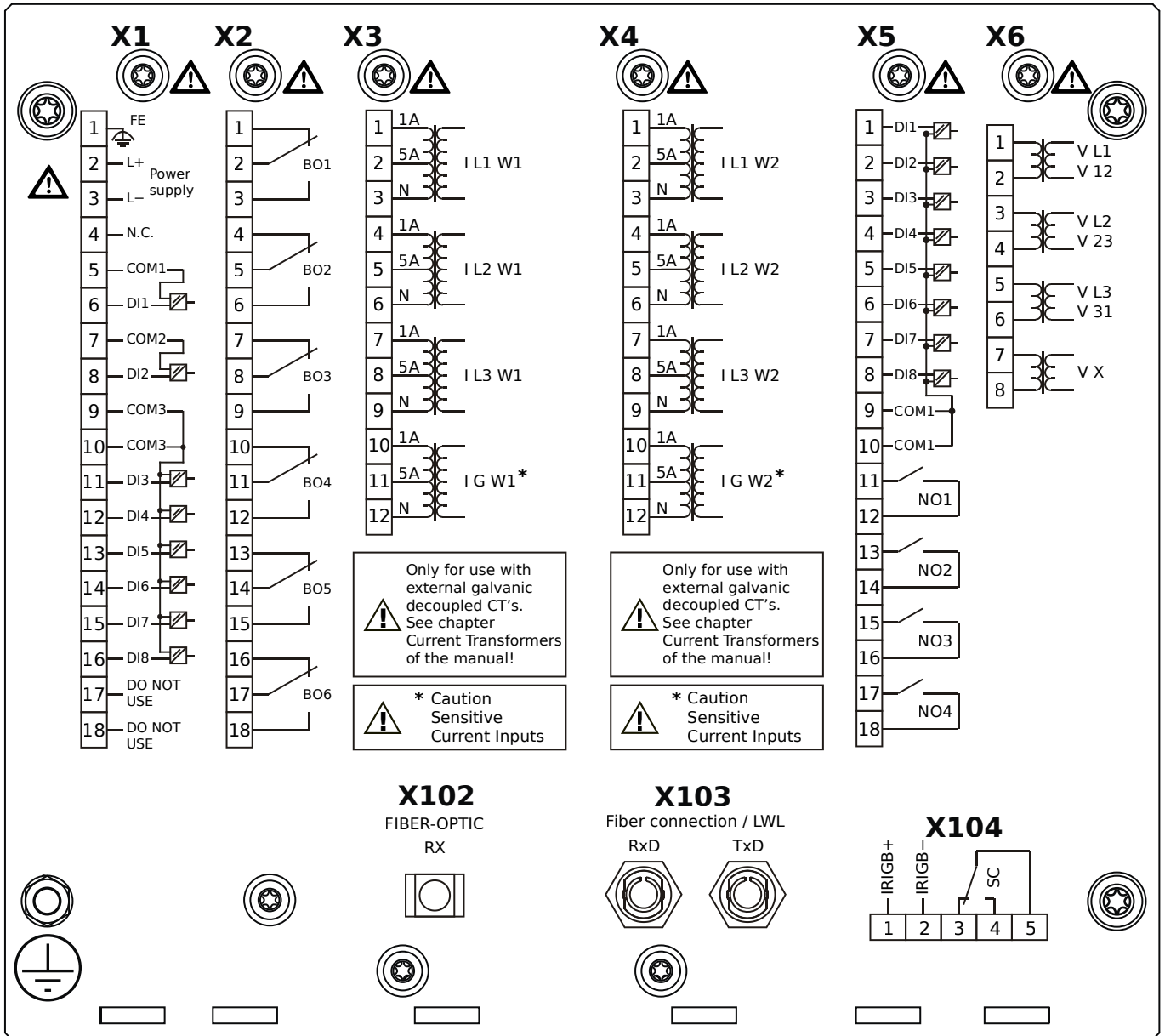


Housing B2, large display, door mounting

+ Conformal Coating (for installations in harsh environment)

- X1** – DI8-X1: Wide-range power supply unit, incl. 2 non-grouped digital inputs and 6 grouped digital inputs
- X2** – OR6: Assembly Group with 6 Output Relays
- X3** – TIs: Standard phase current measuring card and sensitive ground current measuring (winding side 1)
- X4** – TIs: Standard phase current measuring card and sensitive ground current measuring (winding side 2)
- X5** – DI8-OR4: Assembly Group with 8 Digital Inputs and 4 Output Relays
- X6** – TU: Card with 4 voltage transformer measuring inputs
- X100** – Modbus TCP / DNP3.0 TCP/UDP, Ethernet interface, 100 Mbit/s, RJ45 (BASE100-FX)
- X102** – Universal Resistance-Temperature Detector (URTD) input, Fiber optics interface, Versatile Link
- X104** – IRIG-B00X, incl. System Contact (Supervision Contact)

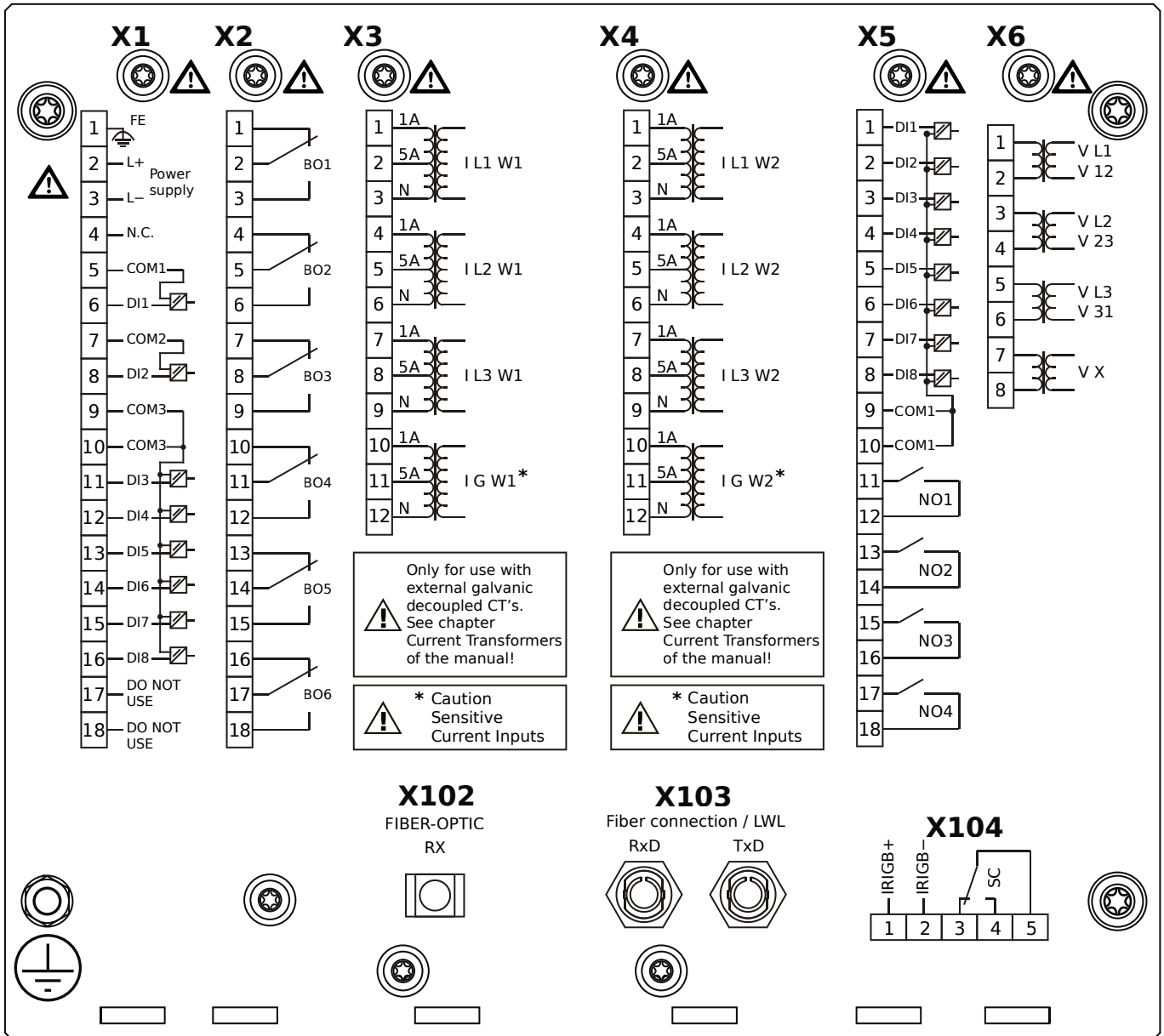
MCDTV4-2A3HDA



Housing B2, large display, door mounting

- X1** – DI8-X1: Wide-range power supply unit, incl. 2 non-grouped digital inputs and 6 grouped digital inputs
- X2** – OR6: Assembly Group with 6 Output Relays
- X3** – TIs: Standard phase current measuring card and sensitive ground current measuring (winding side 1)
- X4** – TIs: Standard phase current measuring card and sensitive ground current measuring (winding side 2)
- X5** – DI8-OR4: Assembly Group with 8 Digital Inputs and 4 Output Relays
- X6** – TU: Card with 4 voltage transformer measuring inputs
- X102** – Universal Resistance-Temperature Detector (URTD) input, Fiber optics interface, Versatile Link
- X103** – Profibus-DP, Fiber optics interface, ST Connector
- X104** – IRIG-B00X, incl. System Contact (Supervision Contact)

MCDTV4-2A3HDB

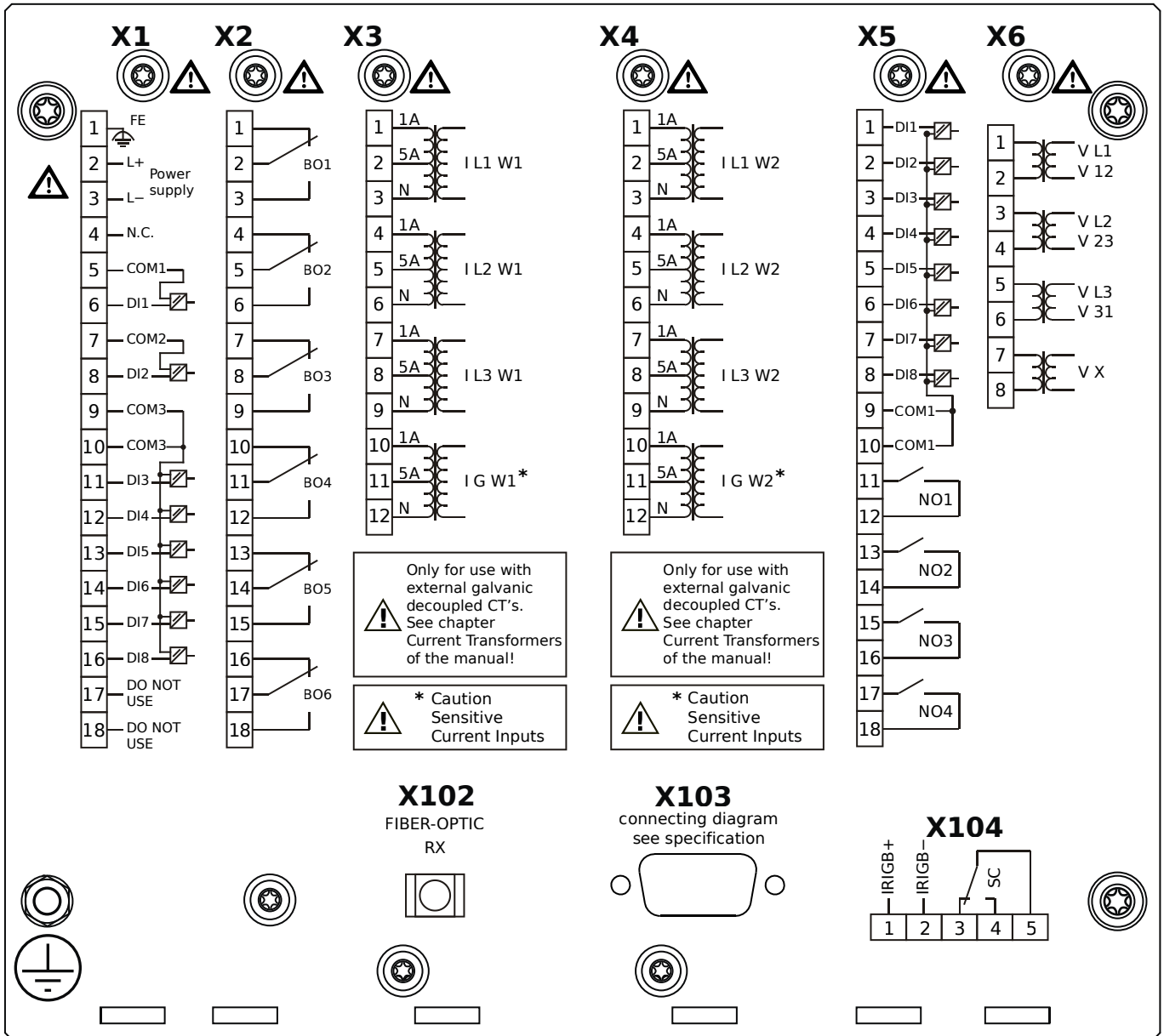


Housing B2, large display, door mounting

+ Conformal Coating (for installations in harsh environment)

- X1** – DI8-X1: Wide-range power supply unit, incl. 2 non-grouped digital inputs and 6 grouped digital inputs
- X2** – OR6: Assembly Group with 6 Output Relays
- X3** – TIs: Standard phase current measuring card and sensitive ground current measuring (winding side 1)
- X4** – TIs: Standard phase current measuring card and sensitive ground current measuring (winding side 2)
- X5** – DI8-OR4: Assembly Group with 8 Digital Inputs and 4 Output Relays
- X6** – TU: Card with 4 voltage transformer measuring inputs
- X102** – Universal Resistance-Temperature Detector (URTD) input, Fiber optics interface, Versatile Link
- X103** – Profibus-DP, Fiber optics interface, ST Connector
- X104** – IRIG-B00X, incl. System Contact (Supervision Contact)

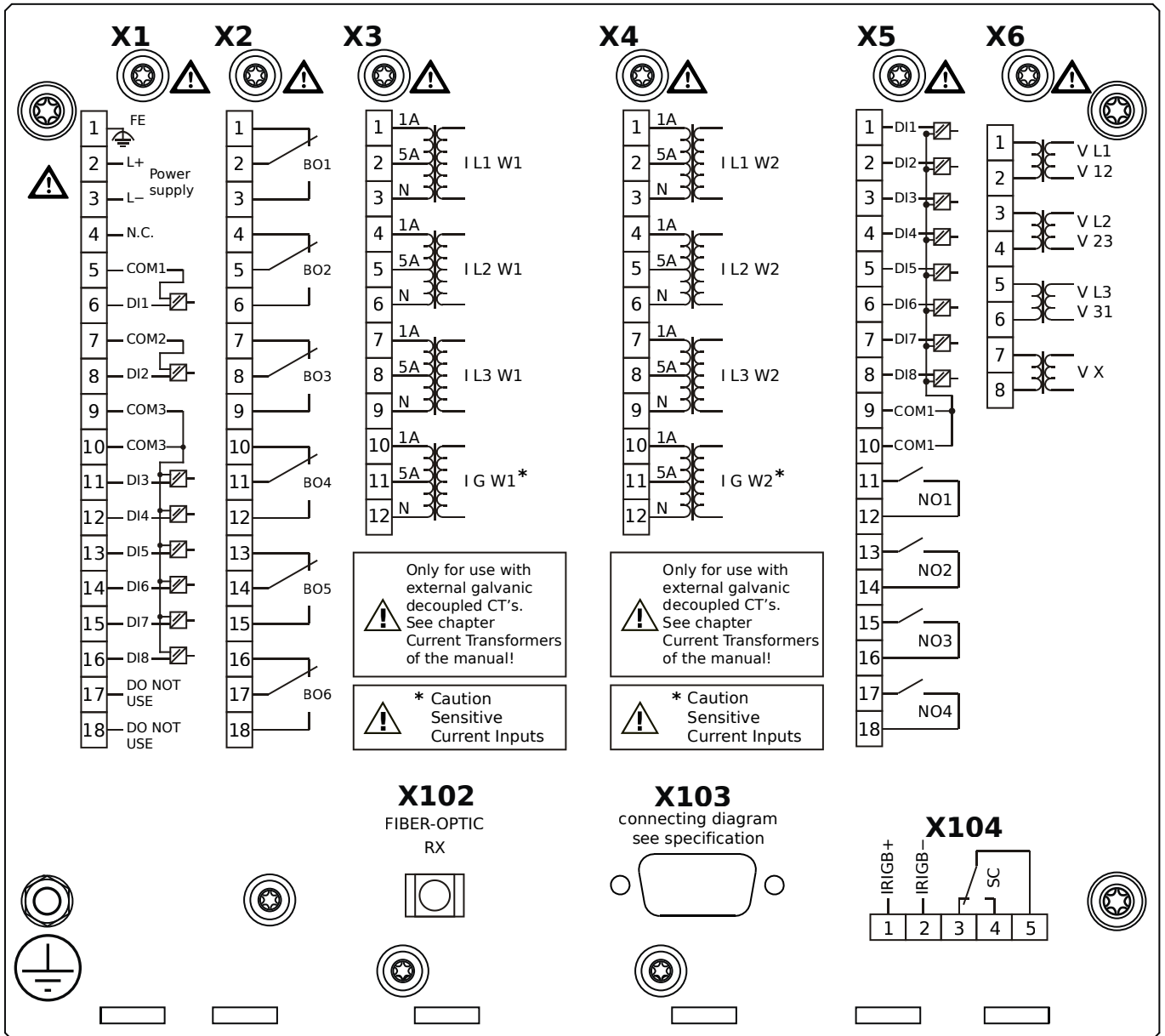
MCDTV4-2A3HEA



Housing B2, large display, door mounting

- X1** – DI8-X1: Wide-range power supply unit, incl. 2 non-grouped digital inputs and 6 grouped digital inputs
- X2** – OR6: Assembly Group with 6 Output Relays
- X3** – TIs: Standard phase current measuring card and sensitive ground current measuring (winding side 1)
- X4** – TIs: Standard phase current measuring card and sensitive ground current measuring (winding side 2)
- X5** – DI8-OR4: Assembly Group with 8 Digital Inputs and 4 Output Relays
- X6** – TU: Card with 4 voltage transformer measuring inputs
- X102** – Universal Resistance-Temperature Detector (URTD) input, Fiber optics interface, Versatile Link
- X103** – Profibus-DP, RS485, D-SUB
- X104** – IRIG-B00X, incl. System Contact (Supervision Contact)

MCDTV4-2A3HEB

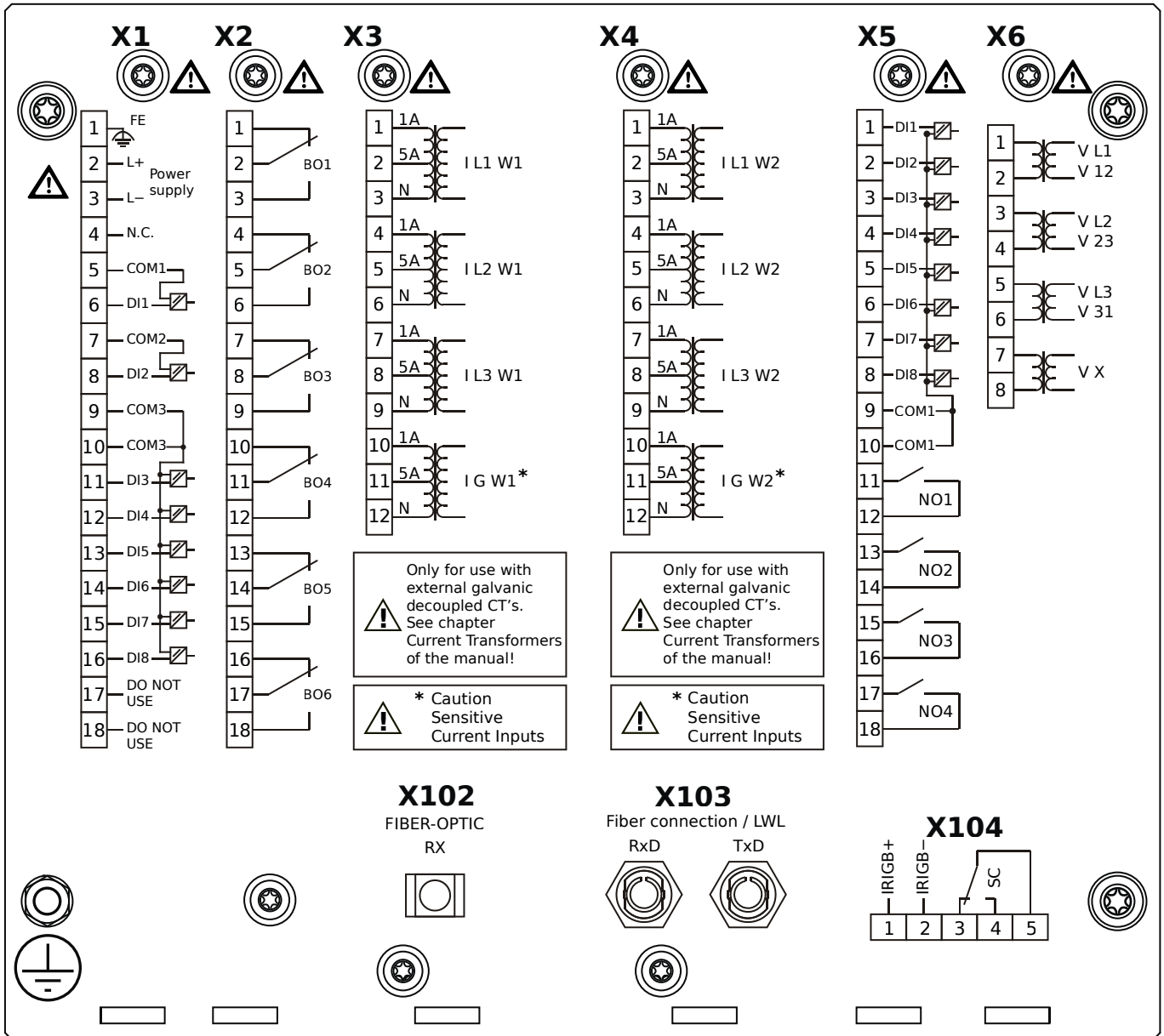


Housing B2, large display, door mounting

+ Conformal Coating (for installations in harsh environment)

- X1** – DI8-X1: Wide-range power supply unit, incl. 2 non-grouped digital inputs and 6 grouped digital inputs
- X2** – OR6: Assembly Group with 6 Output Relays
- X3** – TIs: Standard phase current measuring card and sensitive ground current measuring (winding side 1)
- X4** – TIs: Standard phase current measuring card and sensitive ground current measuring (winding side 2)
- X5** – DI8-OR4: Assembly Group with 8 Digital Inputs and 4 Output Relays
- X6** – TU: Card with 4 voltage transformer measuring inputs
- X102** – Universal Resistance-Temperature Detector (URTD) input, Fiber optics interface, Versatile Link
- X103** – Profibus-DP, RS485, D-SUB
- X104** – IRIG-B00X, incl. System Contact (Supervision Contact)

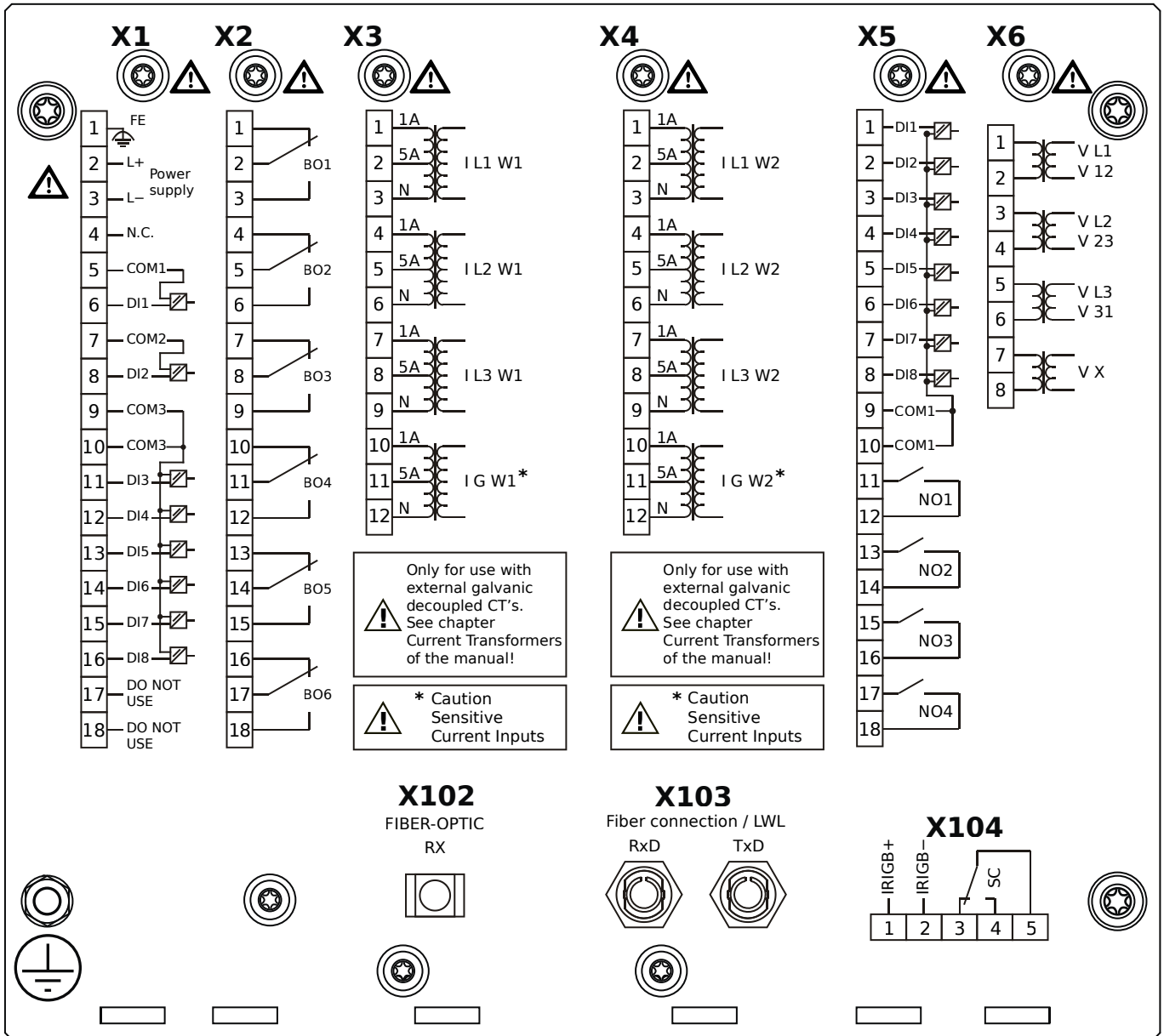
MCDTV4-2A3HFA



Housing B2, large display, door mounting

- X1** – DI8-X1: Wide-range power supply unit, incl. 2 non-grouped digital inputs and 6 grouped digital inputs
- X2** – OR6: Assembly Group with 6 Output Relays
- X3** – TIs: Standard phase current measuring card and sensitive ground current measuring (winding side 1)
- X4** – TIs: Standard phase current measuring card and sensitive ground current measuring (winding side 2)
- X5** – DI8-OR4: Assembly Group with 8 Digital Inputs and 4 Output Relays
- X6** – TU: Card with 4 voltage transformer measuring inputs
- X102** – Universal Resistance-Temperature Detector (URTD) input, Fiber optics interface, Versatile Link
- X103** – Modbus RTU / IEC 60870-5-103 / DNP3.0 RTU, Fiber optics interface, ST Connector
- X104** – IRIG-B00X, incl. System Contact (Supervision Contact)

MCDTV4-2A3HFB

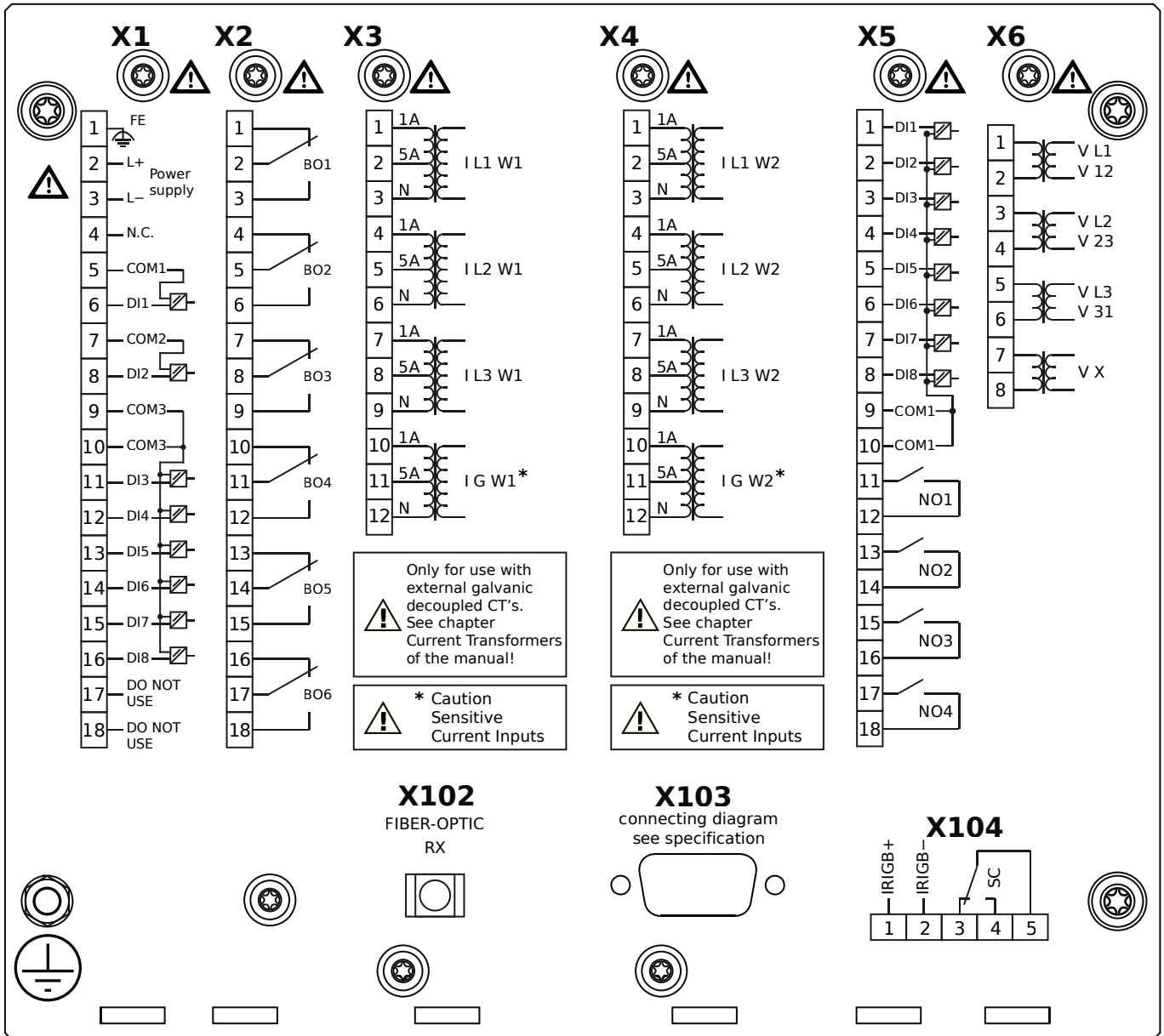


Housing B2, large display, door mounting

+ Conformal Coating (for installations in harsh environment)

- X1** – DI8-X1: Wide-range power supply unit, incl. 2 non-grouped digital inputs and 6 grouped digital inputs
- X2** – OR6: Assembly Group with 6 Output Relays
- X3** – TIs: Standard phase current measuring card and sensitive ground current measuring (winding side 1)
- X4** – TIs: Standard phase current measuring card and sensitive ground current measuring (winding side 2)
- X5** – DI8-OR4: Assembly Group with 8 Digital Inputs and 4 Output Relays
- X6** – TU: Card with 4 voltage transformer measuring inputs
- X102** – Universal Resistance-Temperature Detector (URTD) input, Fiber optics interface, Versatile Link
- X103** – Modbus RTU / IEC 60870-5-103 / DNP3.0 RTU, Fiber optics interface, ST Connector
- X104** – IRIG-B00X, incl. System Contact (Supervision Contact)

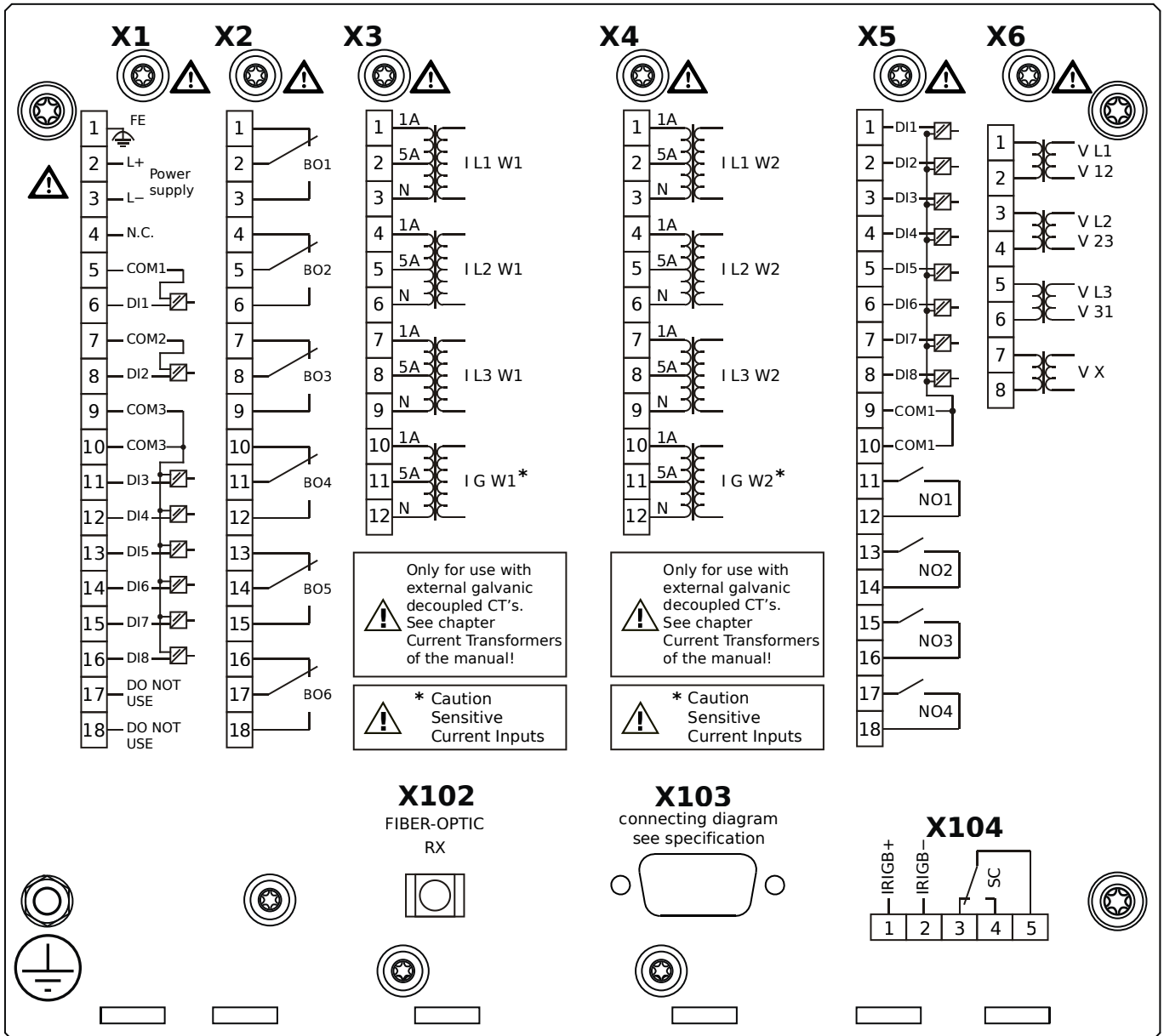
MCDTV4-2A3HGA



Housing B2, large display, door mounting

- X1** – DI8-X1: Wide-range power supply unit, incl. 2 non-grouped digital inputs and 6 grouped digital inputs
- X2** – OR6: Assembly Group with 6 Output Relays
- X3** – TIs: Standard phase current measuring card and sensitive ground current measuring (winding side 1)
- X4** – TIs: Standard phase current measuring card and sensitive ground current measuring (winding side 2)
- X5** – DI8-OR4: Assembly Group with 8 Digital Inputs and 4 Output Relays
- X6** – TU: Card with 4 voltage transformer measuring inputs
- X102** – Universal Resistance-Temperature Detector (URTD) input, Fiber optics interface, Versatile Link
- X103** – Modbus RTU / IEC 60870-5-103 / DNP3.0 RTU, RS485, D-SUB
- X104** – IRIG-B00X, incl. System Contact (Supervision Contact)

MCDTV4-2A3HGB

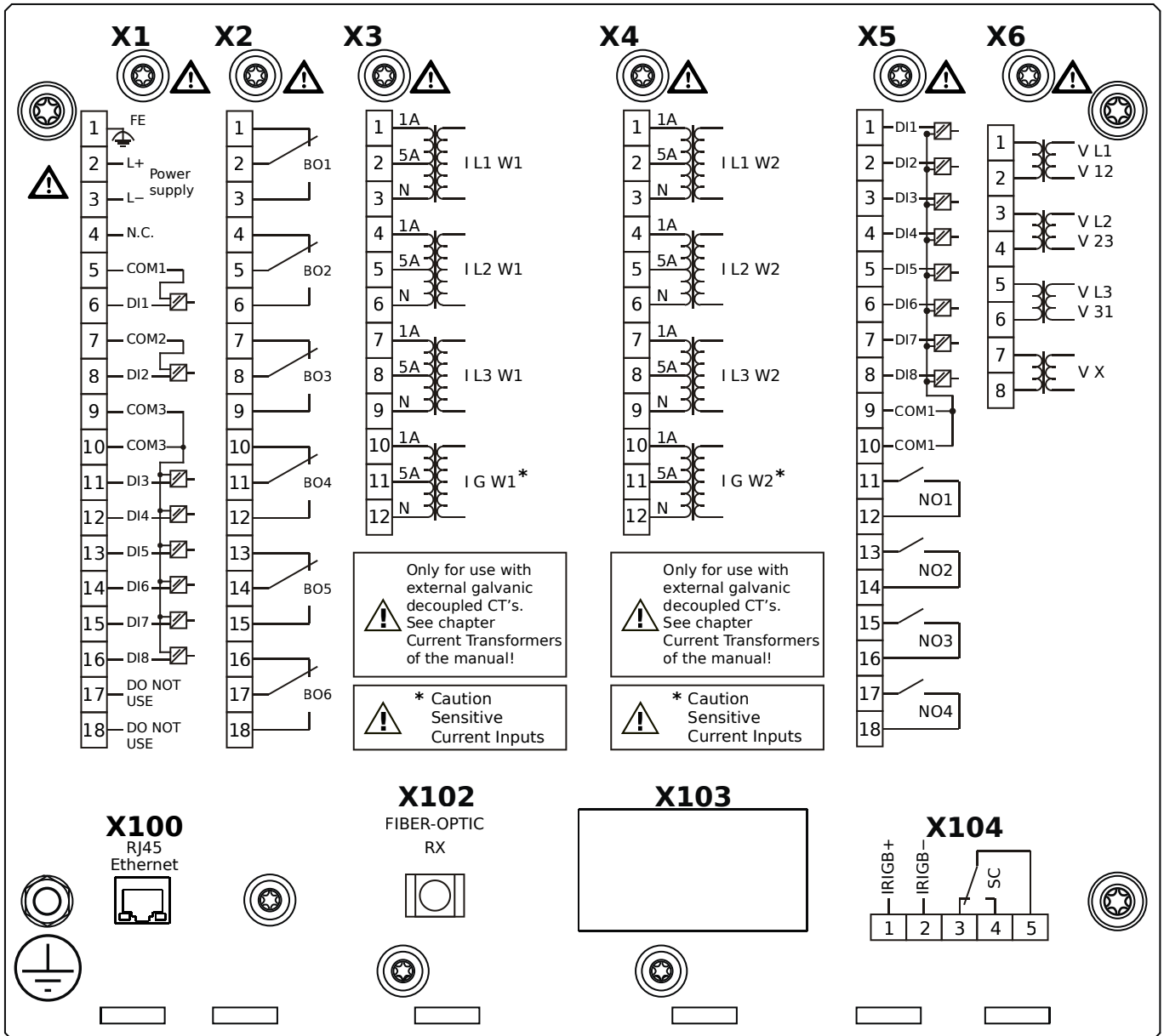


Housing B2, large display, door mounting

+ Conformal Coating (for installations in harsh environment)

- X1** – DI8-X1: Wide-range power supply unit, incl. 2 non-grouped digital inputs and 6 grouped digital inputs
- X2** – OR6: Assembly Group with 6 Output Relays
- X3** – TIs: Standard phase current measuring card and sensitive ground current measuring (winding side 1)
- X4** – TIs: Standard phase current measuring card and sensitive ground current measuring (winding side 2)
- X5** – DI8-OR4: Assembly Group with 8 Digital Inputs and 4 Output Relays
- X6** – TU: Card with 4 voltage transformer measuring inputs
- X102** – Universal Resistance-Temperature Detector (URTD) input, Fiber optics interface, Versatile Link
- X103** – Modbus RTU / IEC 60870-5-103 / DNP3.0 RTU, RS485, D-SUB
- X104** – IRIG-B00X, incl. System Contact (Supervision Contact)

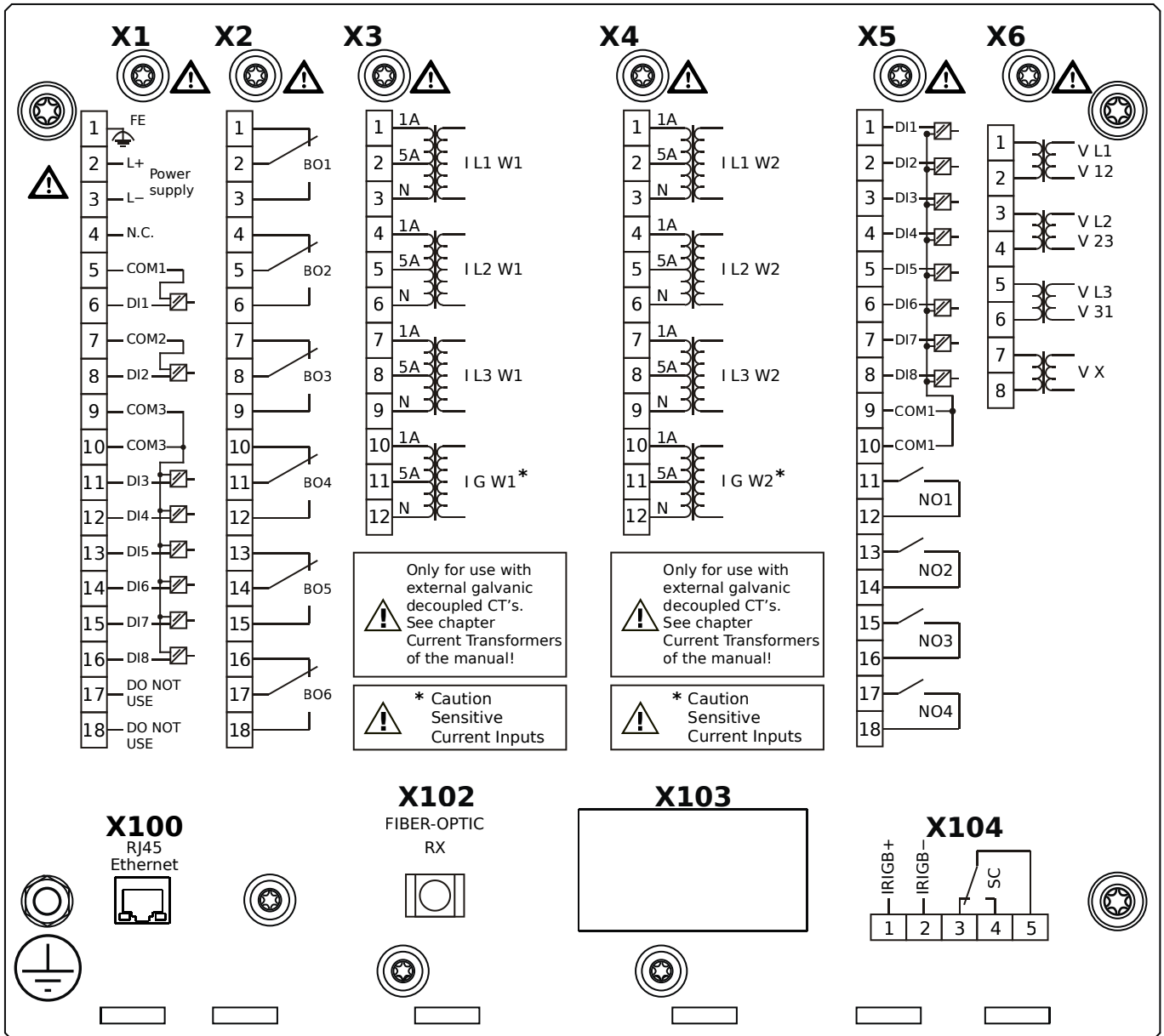
MCDTV4-2A3HHA



Housing B2, large display, door mounting

- X1** – DI8-X1: Wide-range power supply unit, incl. 2 non-grouped digital inputs and 6 grouped digital inputs
- X2** – OR6: Assembly Group with 6 Output Relays
- X3** – TIs: Standard phase current measuring card and sensitive ground current measuring (winding side 1)
- X4** – TIs: Standard phase current measuring card and sensitive ground current measuring (winding side 2)
- X5** – DI8-OR4: Assembly Group with 8 Digital Inputs and 4 Output Relays
- X6** – TU: Card with 4 voltage transformer measuring inputs
- X100** – IEC 61850 / Modbus TCP / DNP3.0 TCP/UDP, Ethernet interface, 100 Mbit/s, RJ45 (BASE100-FX)
- X102** – Universal Resistance-Temperature Detector (URTD) input, Fiber optics interface, Versatile Link
- X104** – IRIG-B00X, incl. System Contact (Supervision Contact)

MCDTV4-2A3HHB



Housing B2, large display, door mounting

+ Conformal Coating (for installations in harsh environment)

X1 – DI8-X1: Wide-range power supply unit, incl. 2 non-grouped digital inputs and 6 grouped digital inputs

X2 – OR6: Assembly Group with 6 Output Relays

X3 – TIs: Standard phase current measuring card and sensitive ground current measuring (winding side 1)

X4 – TIs: Standard phase current measuring card and sensitive ground current measuring (winding side 2)

X5 – DI8-OR4: Assembly Group with 8 Digital Inputs and 4 Output Relays

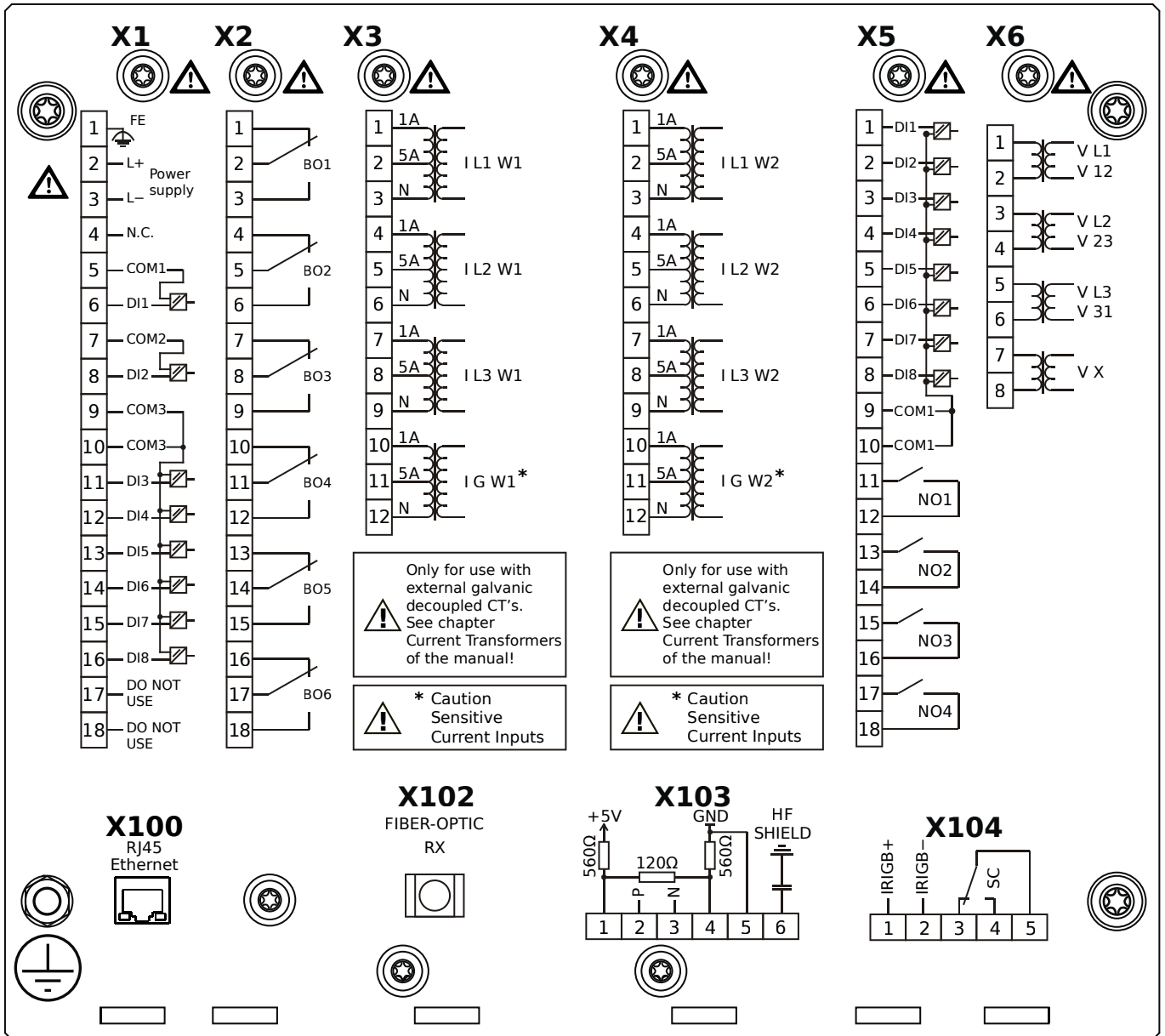
X6 – TU: Card with 4 voltage transformer measuring inputs

X100 – IEC 61850 / Modbus TCP / DNP3.0 TCP/UDP, Ethernet interface, 100 Mbit/s, RJ45 (BASE100-FX)

X102 – Universal Resistance-Temperature Detector (URTD) input, Fiber optics interface, Versatile Link

X104 – IRIG-B00X, incl. System Contact (Supervision Contact)

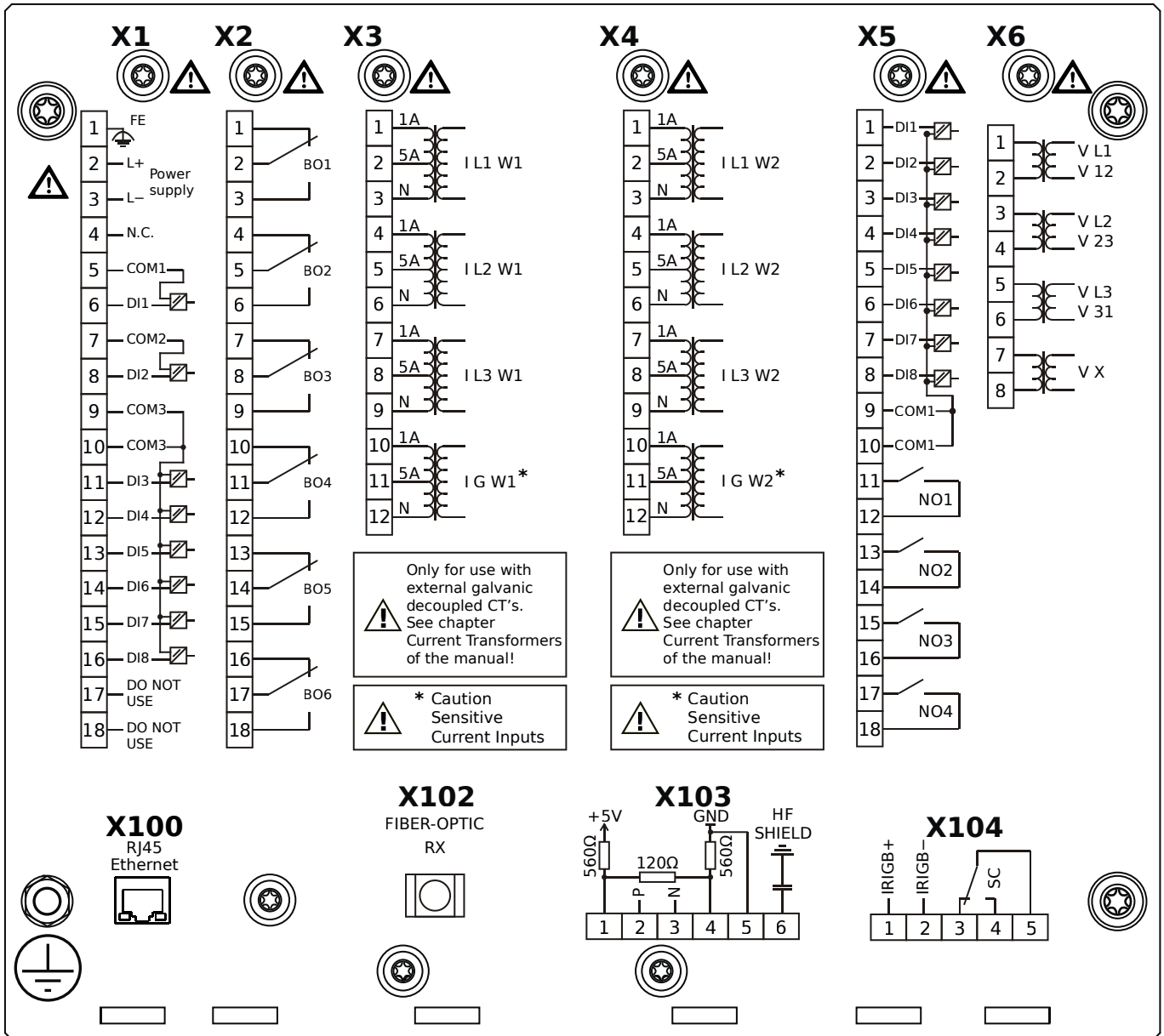
MCDTV4-2A3HIA



Housing B2, large display, door mounting

- X1** – DI8-X1: Wide-range power supply unit, incl. 2 non-grouped digital inputs and 6 grouped digital inputs
- X2** – OR6: Assembly Group with 6 Output Relays
- X3** – TIs: Standard phase current measuring card and sensitive ground current measuring (winding side 1)
- X4** – TIs: Standard phase current measuring card and sensitive ground current measuring (winding side 2)
- X5** – DI8-OR4: Assembly Group with 8 Digital Inputs and 4 Output Relays
- X6** – TU: Card with 4 voltage transformer measuring inputs
- X100** – Modbus TCP / DNP3.0 TCP/UDP, Ethernet interface, 100 Mbit/s, RJ45 (BASE100-FX)
- X102** – Universal Resistance-Temperature Detector (URTD) input, Fiber optics interface, Versatile Link
- X103** – IEC 60870-5-103 / Modbus RTU / DNP3.0 RTU, RS485, Terminals
- X104** – IRIG-B00X, incl. System Contact (Supervision Contact)

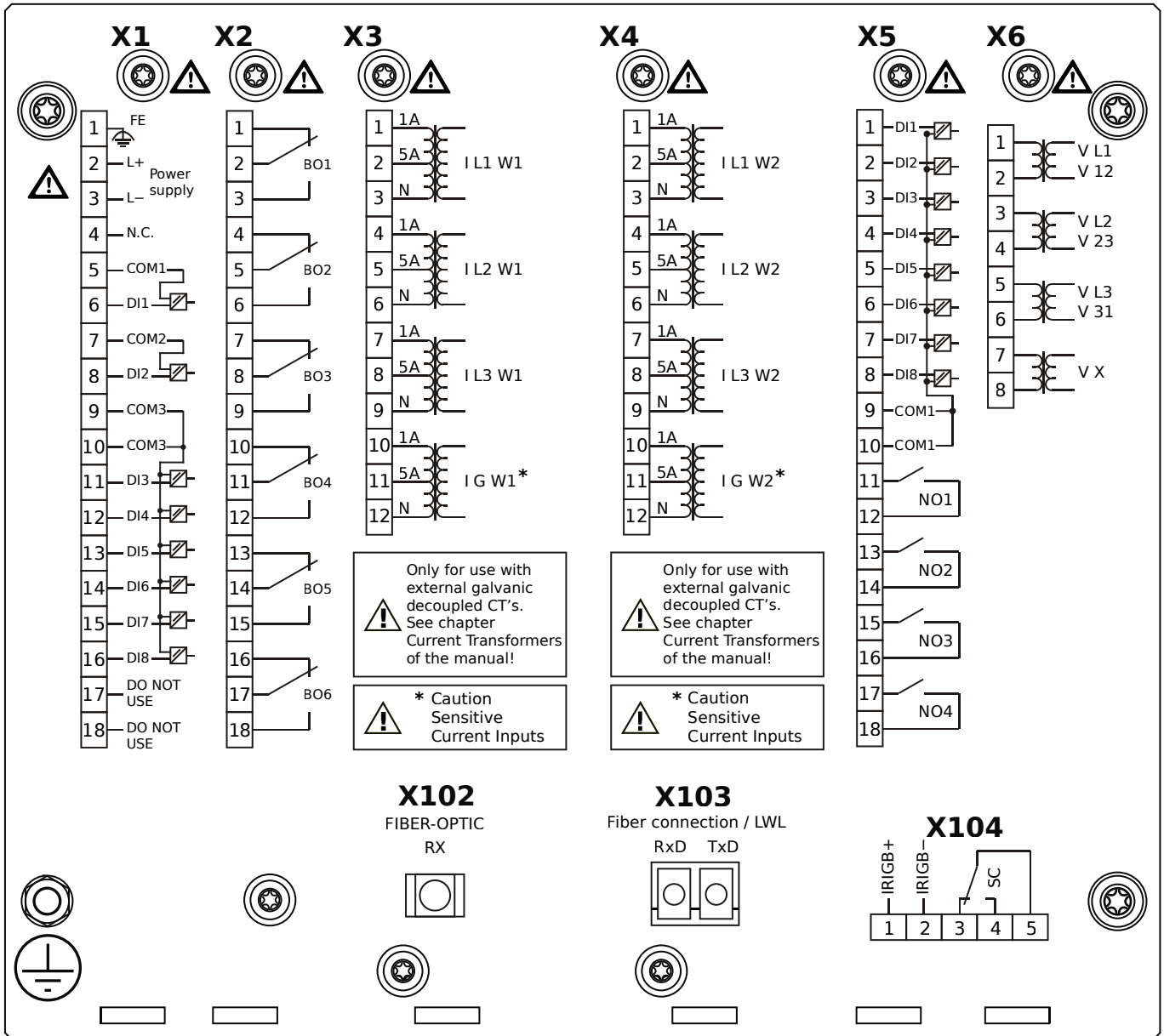
MCDTV4-2A3HIB



Housing B2, large display, door mounting

- + Conformal Coating (for installations in harsh environment)
- X1** – DI8-X1: Wide-range power supply unit, incl. 2 non-grouped digital inputs and 6 grouped digital inputs
- X2** – OR6: Assembly Group with 6 Output Relays
- X3** – TIs: Standard phase current measuring card and sensitive ground current measuring (winding side 1)
- X4** – TIs: Standard phase current measuring card and sensitive ground current measuring (winding side 2)
- X5** – DI8-OR4: Assembly Group with 8 Digital Inputs and 4 Output Relays
- X6** – TU: Card with 4 voltage transformer measuring inputs
- X100** – Modbus TCP / DNP3.0 TCP/UDP, Ethernet interface, 100 Mbit/s, RJ45 (BASE100-FX)
- X102** – Universal Resistance-Temperature Detector (URTD) input, Fiber optics interface, Versatile Link
- X103** – IEC 60870-5-103 / Modbus RTU / DNP3.0 RTU, RS485, Terminals
- X104** – IRIG-B00X, incl. System Contact (Supervision Contact)

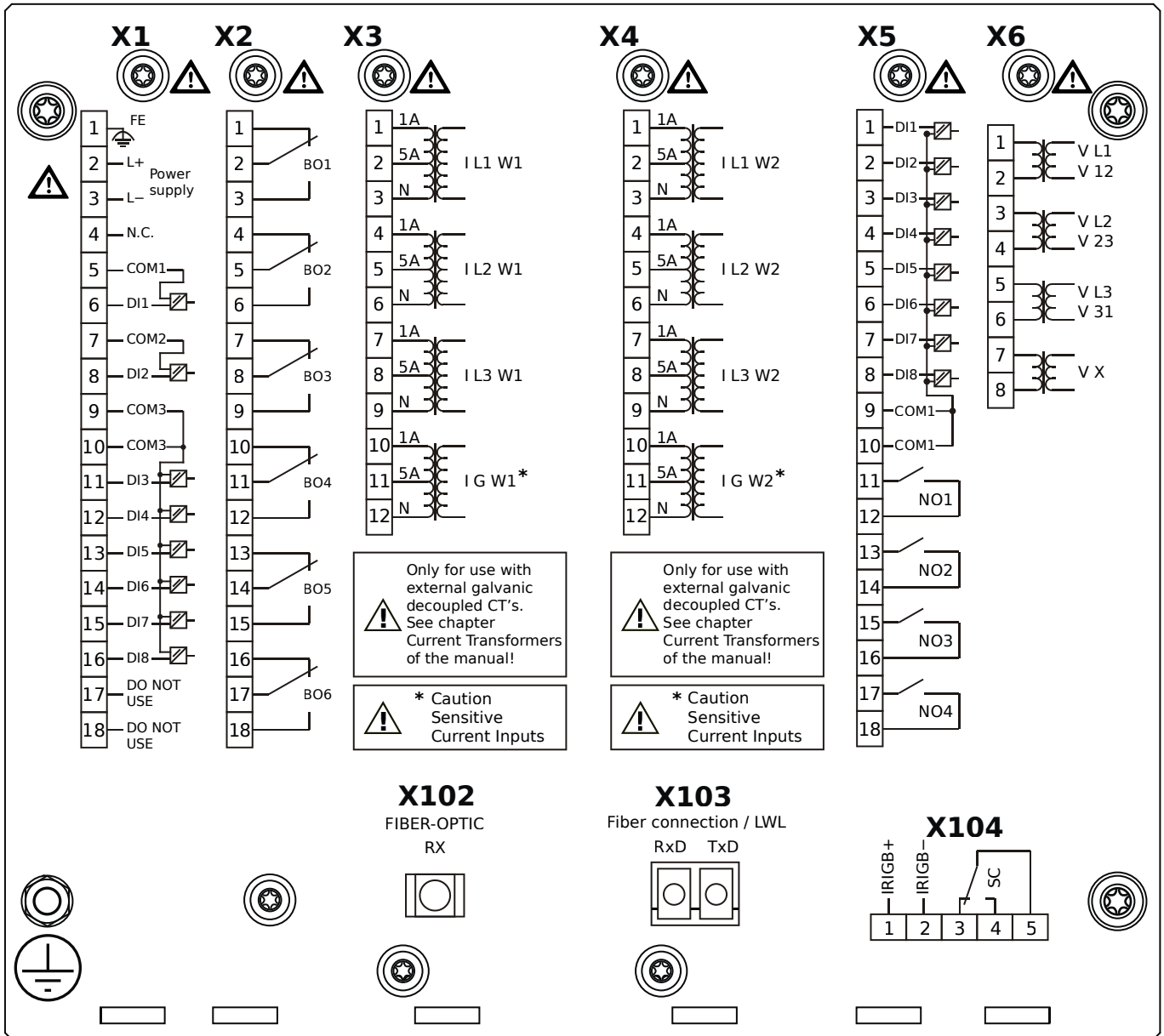
MCDTV4-2A3HKA



Housing B2, large display, door mounting

- X1** – DI8-X1: Wide-range power supply unit, incl. 2 non-grouped digital inputs and 6 grouped digital inputs
- X2** – OR6: Assembly Group with 6 Output Relays
- X3** – TIs: Standard phase current measuring card and sensitive ground current measuring (winding side 1)
- X4** – TIs: Standard phase current measuring card and sensitive ground current measuring (winding side 2)
- X5** – DI8-OR4: Assembly Group with 8 Digital Inputs and 4 Output Relays
- X6** – TU: Card with 4 voltage transformer measuring inputs
- X102** – Universal Resistance-Temperature Detector (URTD) input, Fiber optics interface, Versatile Link
- X103** – IEC 61850 / Modbus TCP / DNP3.0 TCP/UDP, Fiber optics interface, LC Connector
- X104** – IRIG-B00X, incl. System Contact (Supervision Contact)

MCDTV4-2A3HKB

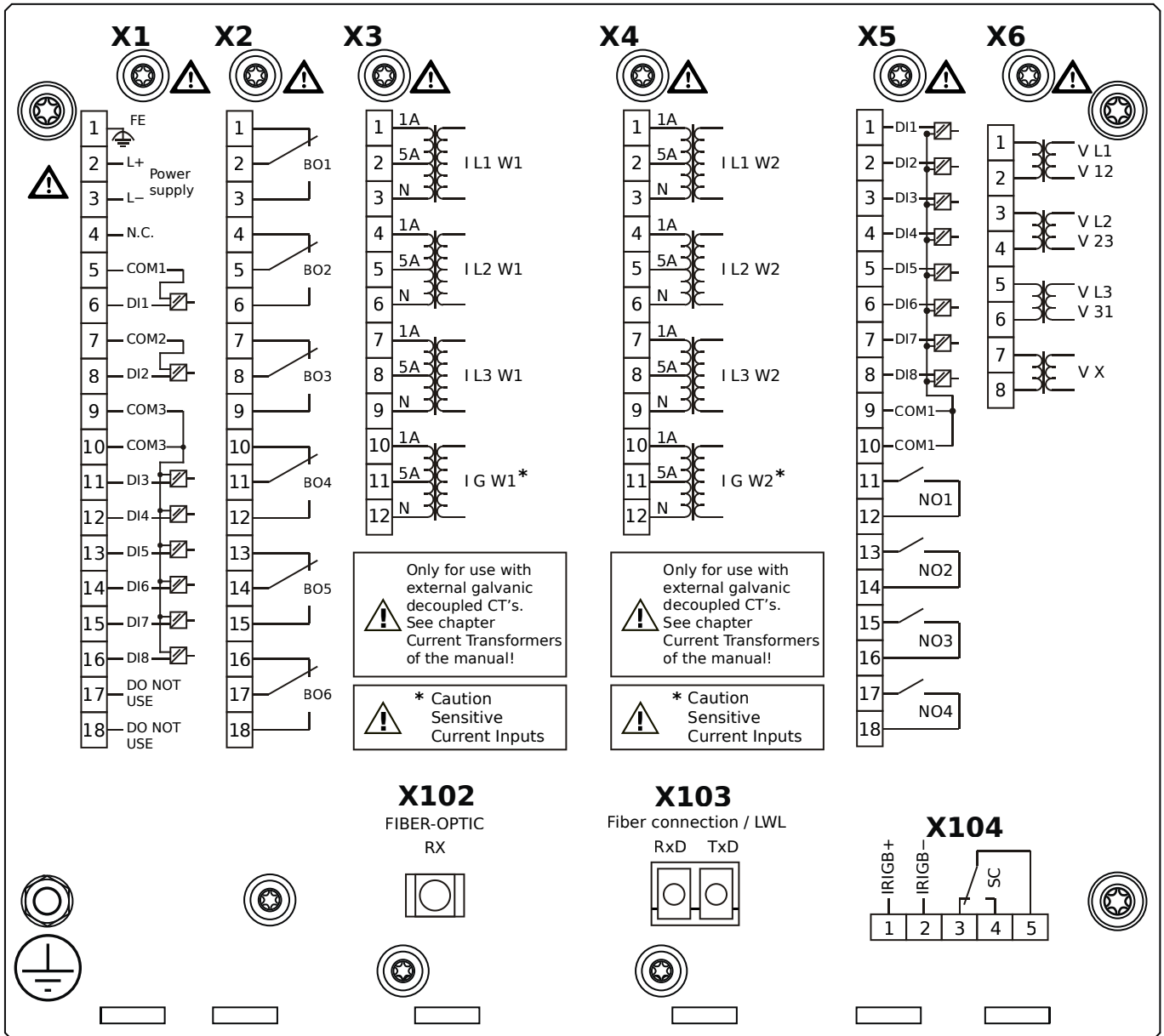


Housing B2, large display, door mounting

+ Conformal Coating (for installations in harsh environment)

- X1** – DI8-X1: Wide-range power supply unit, incl. 2 non-grouped digital inputs and 6 grouped digital inputs
- X2** – OR6: Assembly Group with 6 Output Relays
- X3** – TIs: Standard phase current measuring card and sensitive ground current measuring (winding side 1)
- X4** – TIs: Standard phase current measuring card and sensitive ground current measuring (winding side 2)
- X5** – DI8-OR4: Assembly Group with 8 Digital Inputs and 4 Output Relays
- X6** – TU: Card with 4 voltage transformer measuring inputs
- X102** – Universal Resistance-Temperature Detector (URTD) input, Fiber optics interface, Versatile Link
- X103** – IEC 61850 / Modbus TCP / DNP3.0 TCP/UDP, Fiber optics interface, LC Connector
- X104** – IRIG-B00X, incl. System Contact (Supervision Contact)

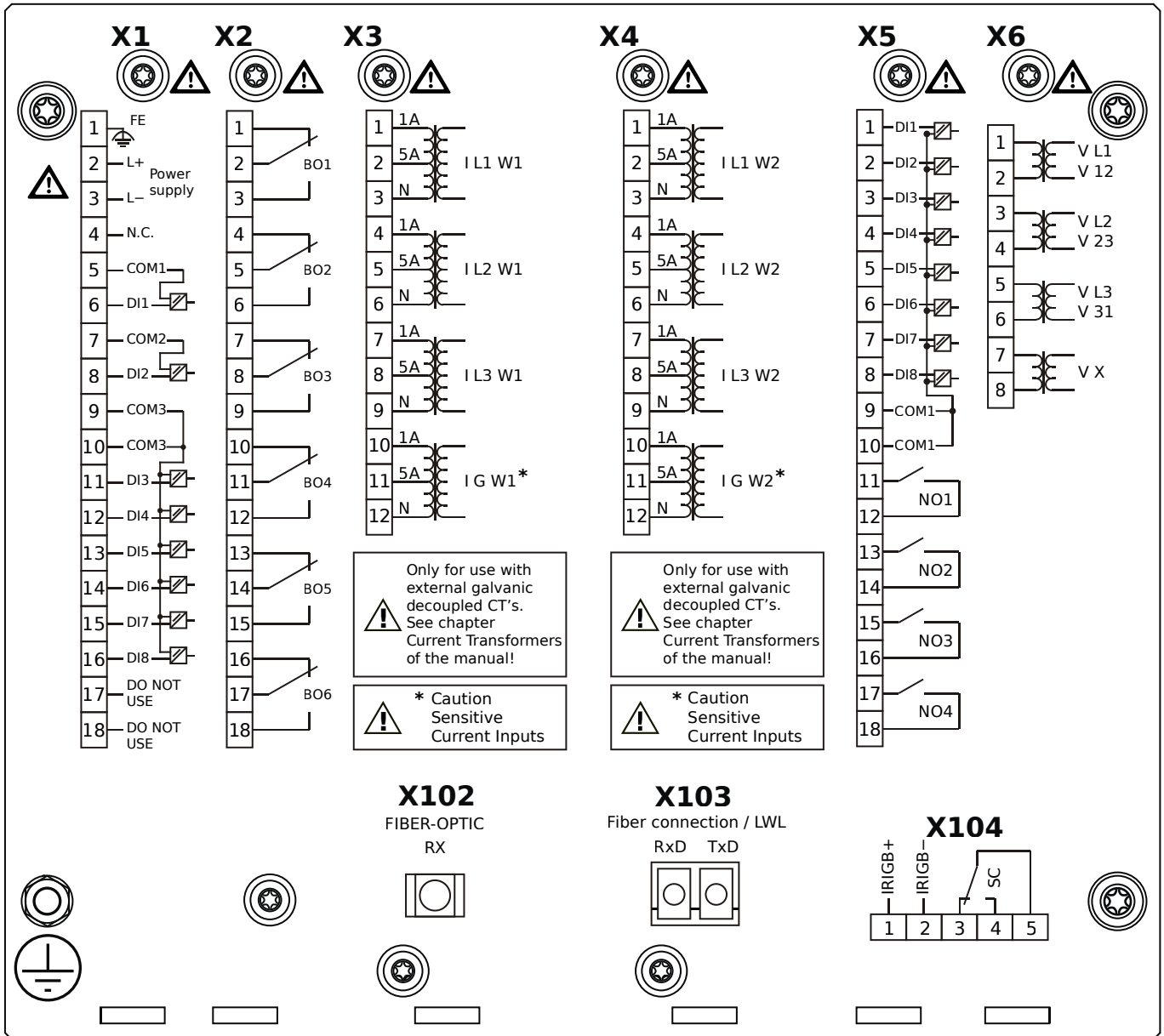
MCDTV4-2A3HLA



Housing B2, large display, door mounting

- X1** – DI8-X1: Wide-range power supply unit, incl. 2 non-grouped digital inputs and 6 grouped digital inputs
- X2** – OR6: Assembly Group with 6 Output Relays
- X3** – TIs: Standard phase current measuring card and sensitive ground current measuring (winding side 1)
- X4** – TIs: Standard phase current measuring card and sensitive ground current measuring (winding side 2)
- X5** – DI8-OR4: Assembly Group with 8 Digital Inputs and 4 Output Relays
- X6** – TU: Card with 4 voltage transformer measuring inputs
- X102** – Universal Resistance-Temperature Detector (URTD) input, Fiber optics interface, Versatile Link
- X103** – Modbus TCP / DNP3.0 TCP/UDP, Fiber optics interface, LC Connector
- X104** – IRIG-B00X, incl. System Contact (Supervision Contact)

MCDTV4-2A3HLB

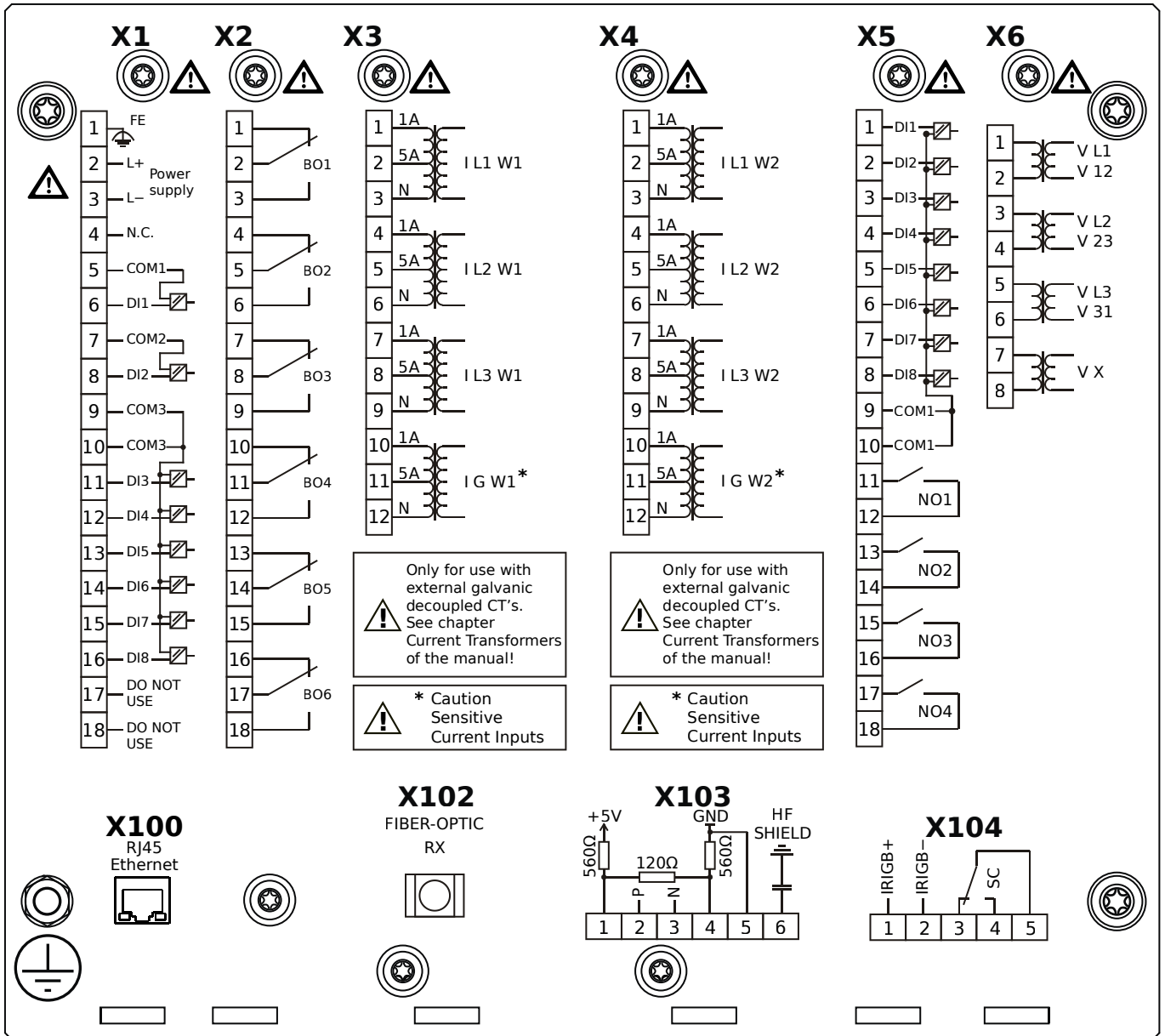


Housing B2, large display, door mounting

+ Conformal Coating (for installations in harsh environment)

- X1** – DI8-X1: Wide-range power supply unit, incl. 2 non-grouped digital inputs and 6 grouped digital inputs
- X2** – OR6: Assembly Group with 6 Output Relays
- X3** – TIs: Standard phase current measuring card and sensitive ground current measuring (winding side 1)
- X4** – TIs: Standard phase current measuring card and sensitive ground current measuring (winding side 2)
- X5** – DI8-OR4: Assembly Group with 8 Digital Inputs and 4 Output Relays
- X6** – TU: Card with 4 voltage transformer measuring inputs
- X102** – Universal Resistance-Temperature Detector (URTD) input, Fiber optics interface, Versatile Link
- X103** – Modbus TCP / DNP3.0 TCP/UDP, Fiber optics interface, LC Connector
- X104** – IRIG-B00X, incl. System Contact (Supervision Contact)

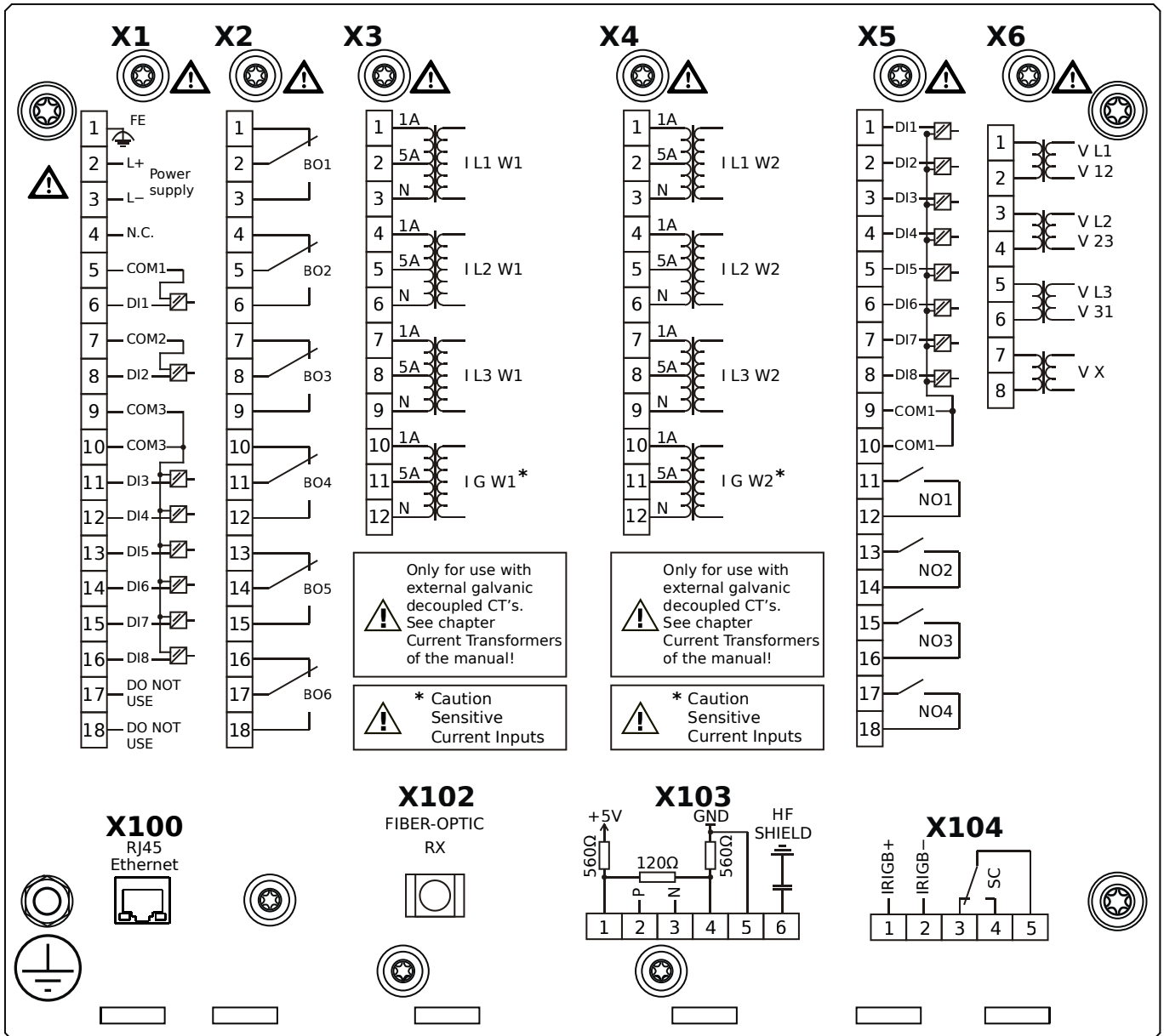
MCDTV4-2A3HTA



Housing B2, large display, door mounting

- X1** – DI8-X1: Wide-range power supply unit, incl. 2 non-grouped digital inputs and 6 grouped digital inputs
- X2** – OR6: Assembly Group with 6 Output Relays
- X3** – TIs: Standard phase current measuring card and sensitive ground current measuring (winding side 1)
- X4** – TIs: Standard phase current measuring card and sensitive ground current measuring (winding side 2)
- X5** – DI8-OR4: Assembly Group with 8 Digital Inputs and 4 Output Relays
- X6** – TU: Card with 4 voltage transformer measuring inputs
- X100** – IEC 61850 / Modbus TCP / DNP3.0 TCP/UDP, Ethernet interface, 100 Mbit/s, RJ45 (BASE100-FX)
- X102** – Universal Resistance-Temperature Detector (URTD) input, Fiber optics interface, Versatile Link
- X103** – IEC 60870-5-103 / Modbus RTU / DNP3.0 RTU, RS485, Terminals
- X104** – IRIG-B00X, incl. System Contact (Supervision Contact)

MCDTV4-2A3HTB

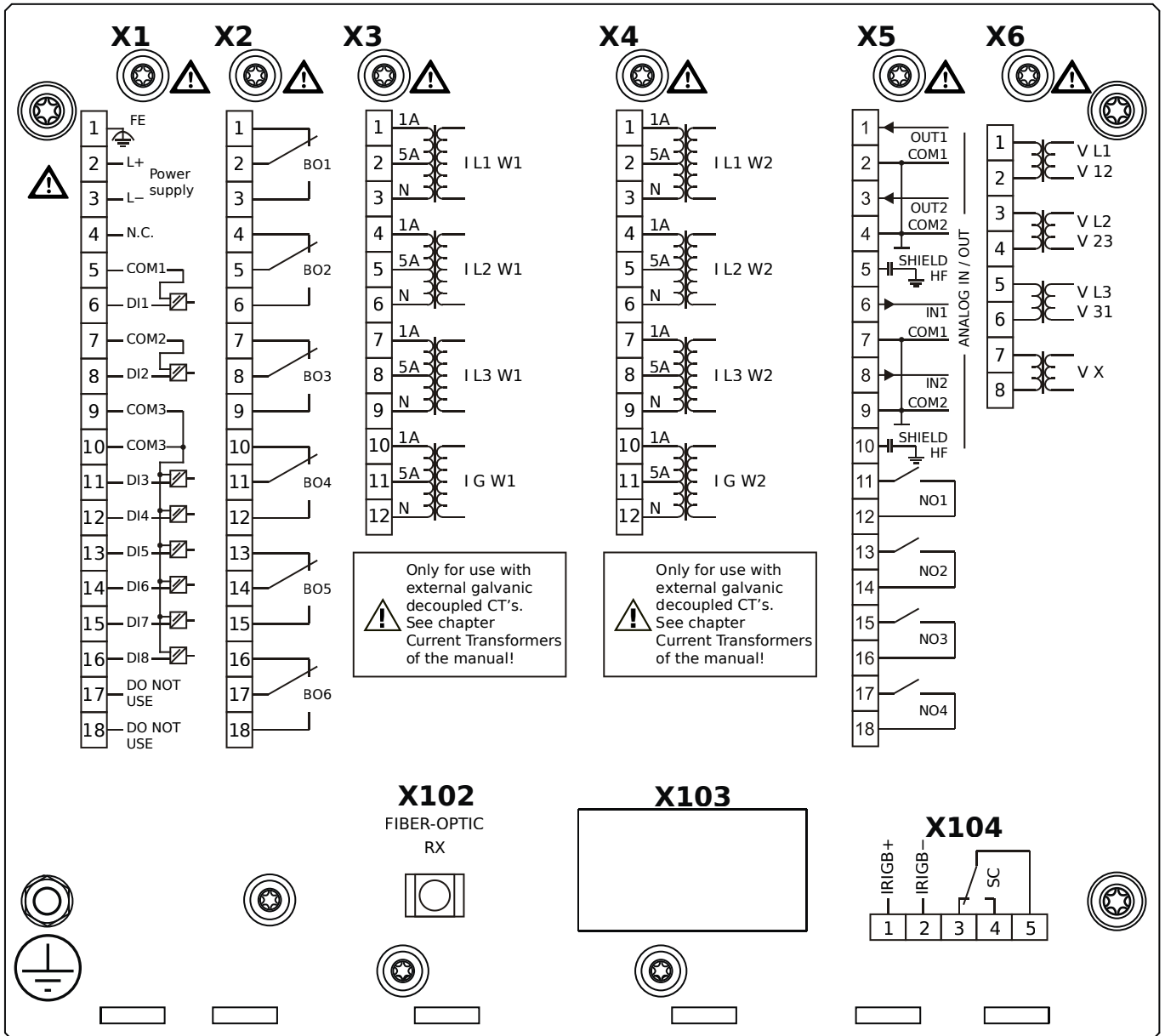


Housing B2, large display, door mounting

+ Conformal Coating (for installations in harsh environment)

- X1** – DI8-X1: Wide-range power supply unit, incl. 2 non-grouped digital inputs and 6 grouped digital inputs
- X2** – OR6: Assembly Group with 6 Output Relays
- X3** – TIs: Standard phase current measuring card and sensitive ground current measuring (winding side 1)
- X4** – TIs: Standard phase current measuring card and sensitive ground current measuring (winding side 2)
- X5** – DI8-OR4: Assembly Group with 8 Digital Inputs and 4 Output Relays
- X6** – TU: Card with 4 voltage transformer measuring inputs
- X100** – IEC 61850 / Modbus TCP / DNP3.0 TCP/UDP, Ethernet interface, 100 Mbit/s, RJ45 (BASE100-FX)
- X102** – Universal Resistance-Temperature Detector (URTD) input, Fiber optics interface, Versatile Link
- X103** – IEC 60870-5-103 / Modbus RTU / DNP3.0 RTU, RS485, Terminals
- X104** – IRIG-B00X, incl. System Contact (Supervision Contact)

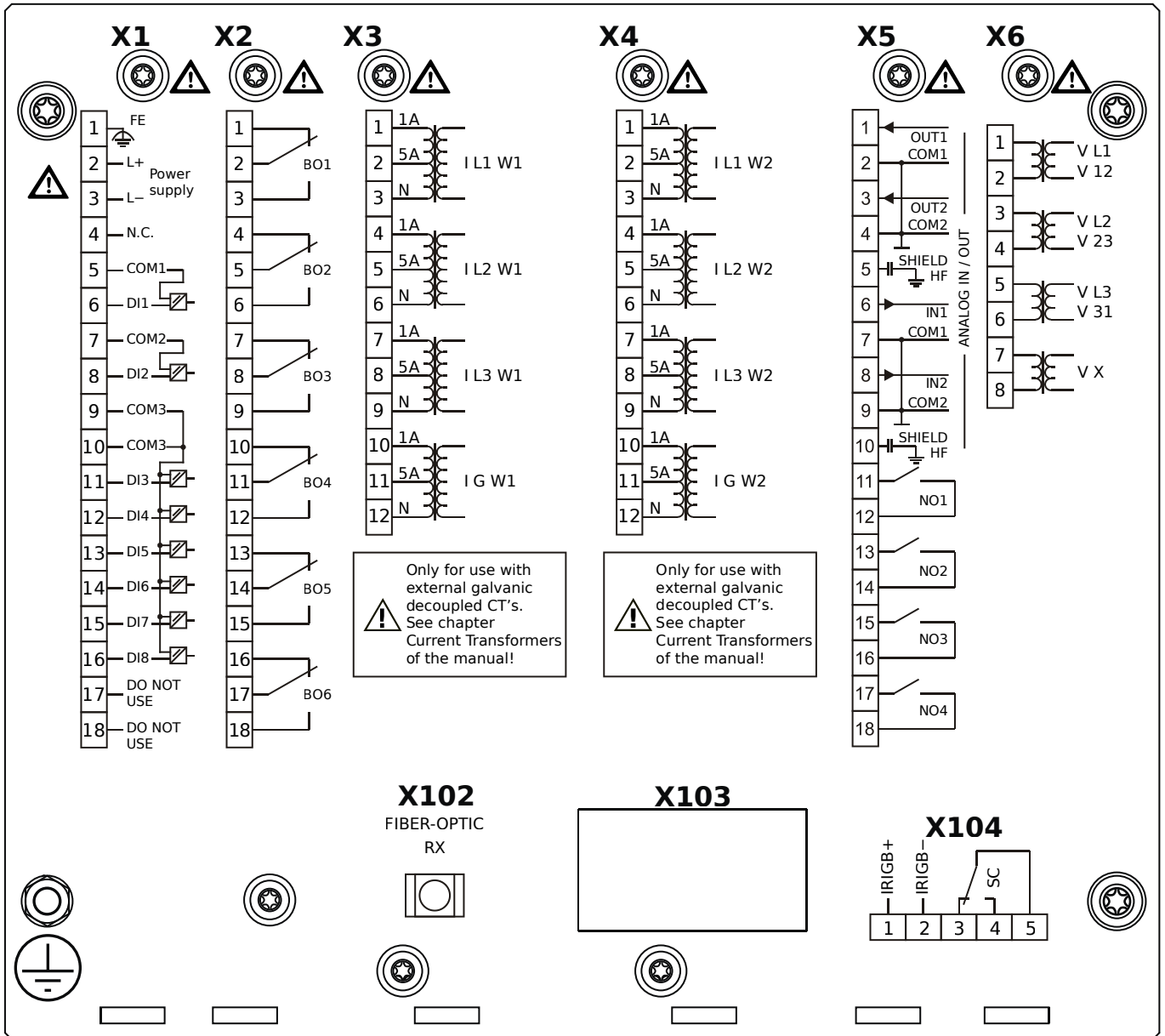
MCDTV4-2B0AAA



Housing B2, large display, door mounting

- X1** – DI8-X1: Wide-range power supply unit, incl. 2 non-grouped digital inputs and 6 grouped digital inputs
- X2** – OR6: Assembly Group with 6 Output Relays
- X3** – TI: Standard current measuring card (for the winding side 1)
- X4** – TI: Standard current measuring card (for the winding side 2)
- X5** – AnIO2-OR4: Assembly Group with 2 Analog Inputs, 2 Analog Outputs and 4 Output Relays
- X6** – TU: Card with 4 voltage transformer measuring inputs
- X102** – Universal Resistance-Temperature Detector (URTD) input, Fiber optics interface, Versatile Link
- X104** – IRIG-B00X, incl. System Contact (Supervision Contact)

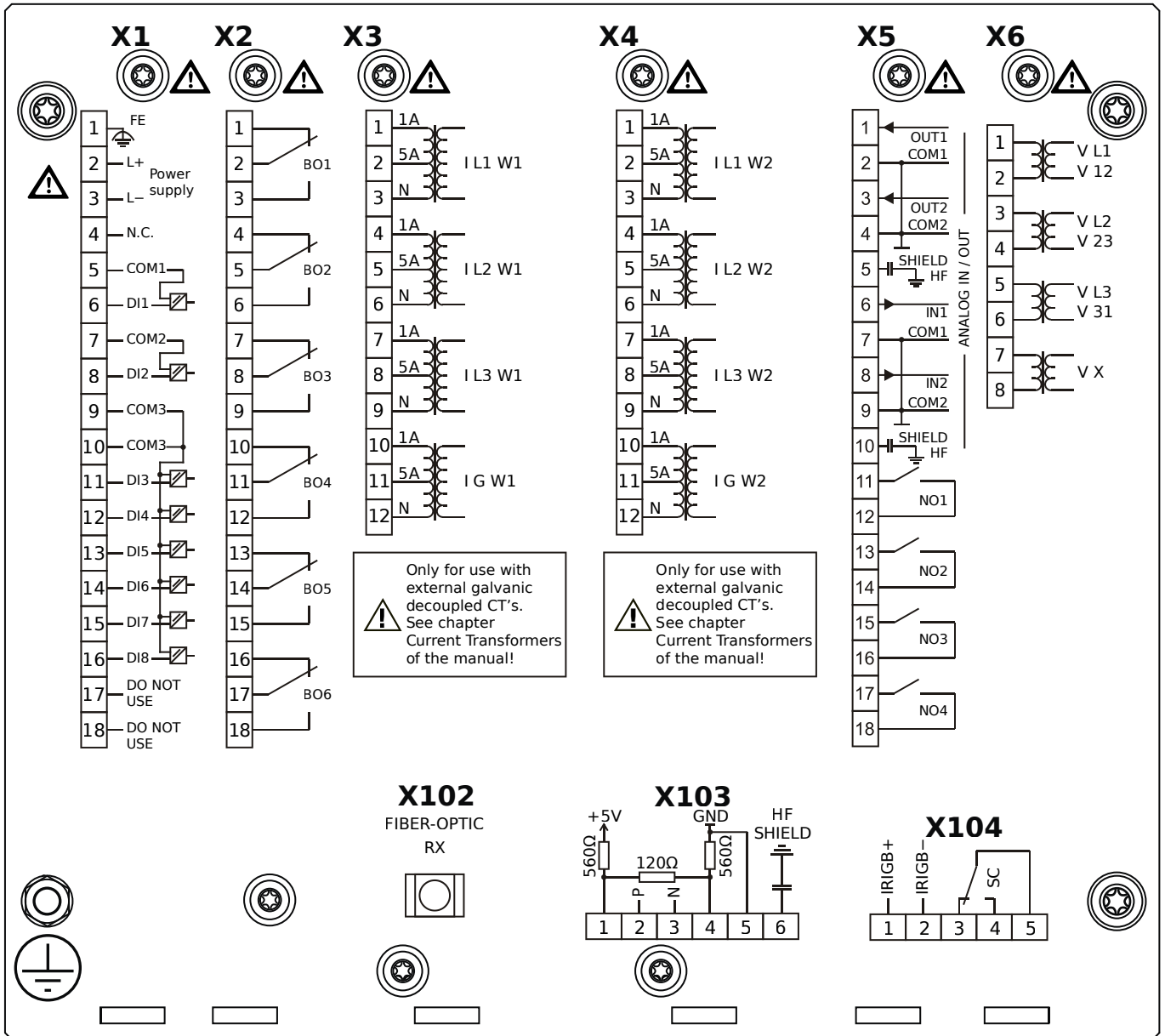
MCDTV4-2B0AAB



Housing B2, large display, door mounting

- + Conformal Coating (for installations in harsh environment)
- X1** – DI8-X1: Wide-range power supply unit, incl. 2 non-grouped digital inputs and 6 grouped digital inputs
- X2** – OR6: Assembly Group with 6 Output Relays
- X3** – TI: Standard current measuring card (for the winding side 1)
- X4** – TI: Standard current measuring card (for the winding side 2)
- X5** – AnIO2-OR4: Assembly Group with 2 Analog Inputs, 2 Analog Outputs and 4 Output Relays
- X6** – TU: Card with 4 voltage transformer measuring inputs
- X102** – Universal Resistance-Temperature Detector (URTD) input, Fiber optics interface, Versatile Link
- X104** – IRIG-B00X, incl. System Contact (Supervision Contact)

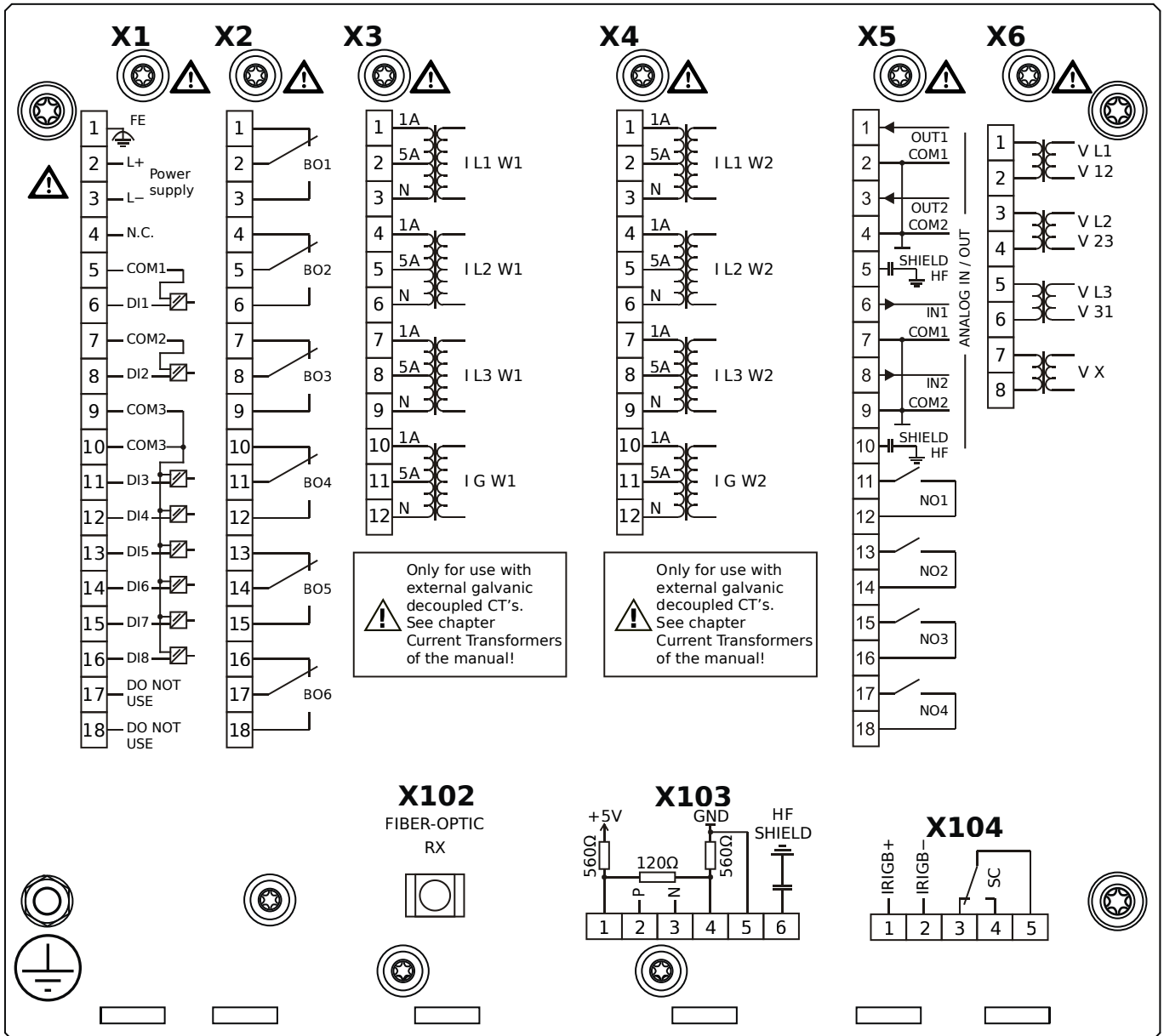
MCDTV4-2B0ABA



Housing B2, large display, door mounting

- X1** – DI8-X1: Wide-range power supply unit, incl. 2 non-grouped digital inputs and 6 grouped digital inputs
- X2** – OR6: Assembly Group with 6 Output Relays
- X3** – TI: Standard current measuring card (for the winding side 1)
- X4** – TI: Standard current measuring card (for the winding side 2)
- X5** – AnIO2-OR4: Assembly Group with 2 Analog Inputs, 2 Analog Outputs and 4 Output Relays
- X6** – TU: Card with 4 voltage transformer measuring inputs
- X102** – Universal Resistance-Temperature Detector (URTD) input, Fiber optics interface, Versatile Link
- X103** – Modbus RTU / IEC 60870-5-103 / DNP3.0 RTU, RS485, Terminals
- X104** – IRIG-B00X, incl. System Contact (Supervision Contact)

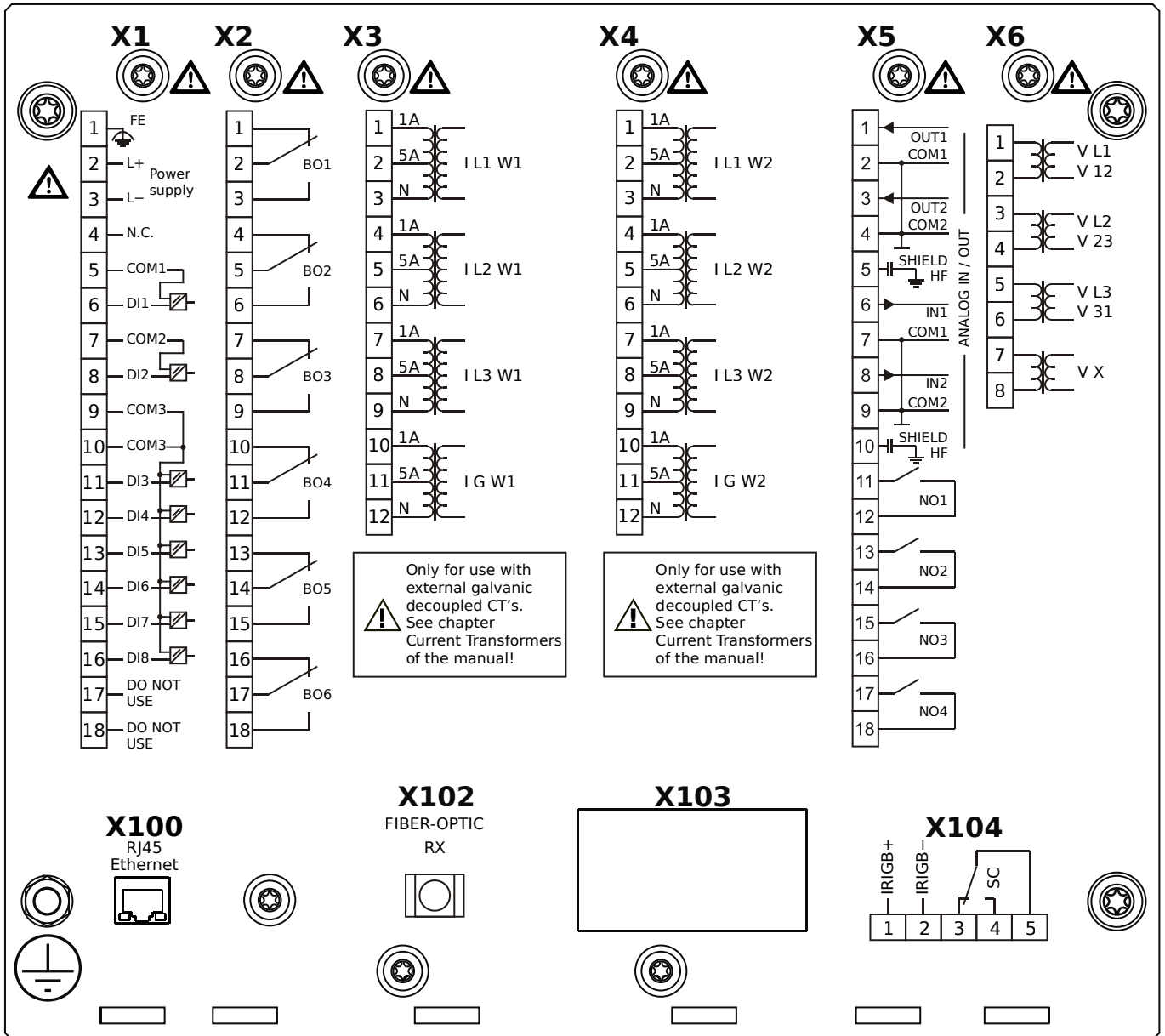
MCDTV4-2B0ABB



Housing B2, large display, door mounting

- + Conformal Coating (for installations in harsh environment)
- X1** – DI8-X1: Wide-range power supply unit, incl. 2 non-grouped digital inputs and 6 grouped digital inputs
- X2** – OR6: Assembly Group with 6 Output Relays
- X3** – TI: Standard current measuring card (for the winding side 1)
- X4** – TI: Standard current measuring card (for the winding side 2)
- X5** – AnIO2-OR4: Assembly Group with 2 Analog Inputs, 2 Analog Outputs and 4 Output Relays
- X6** – TU: Card with 4 voltage transformer measuring inputs
- X102** – Universal Resistance-Temperature Detector (URTD) input, Fiber optics interface, Versatile Link
- X103** – Modbus RTU / IEC 60870-5-103 / DNP3.0 RTU, RS485, Terminals
- X104** – IRIG-B00X, incl. System Contact (Supervision Contact)

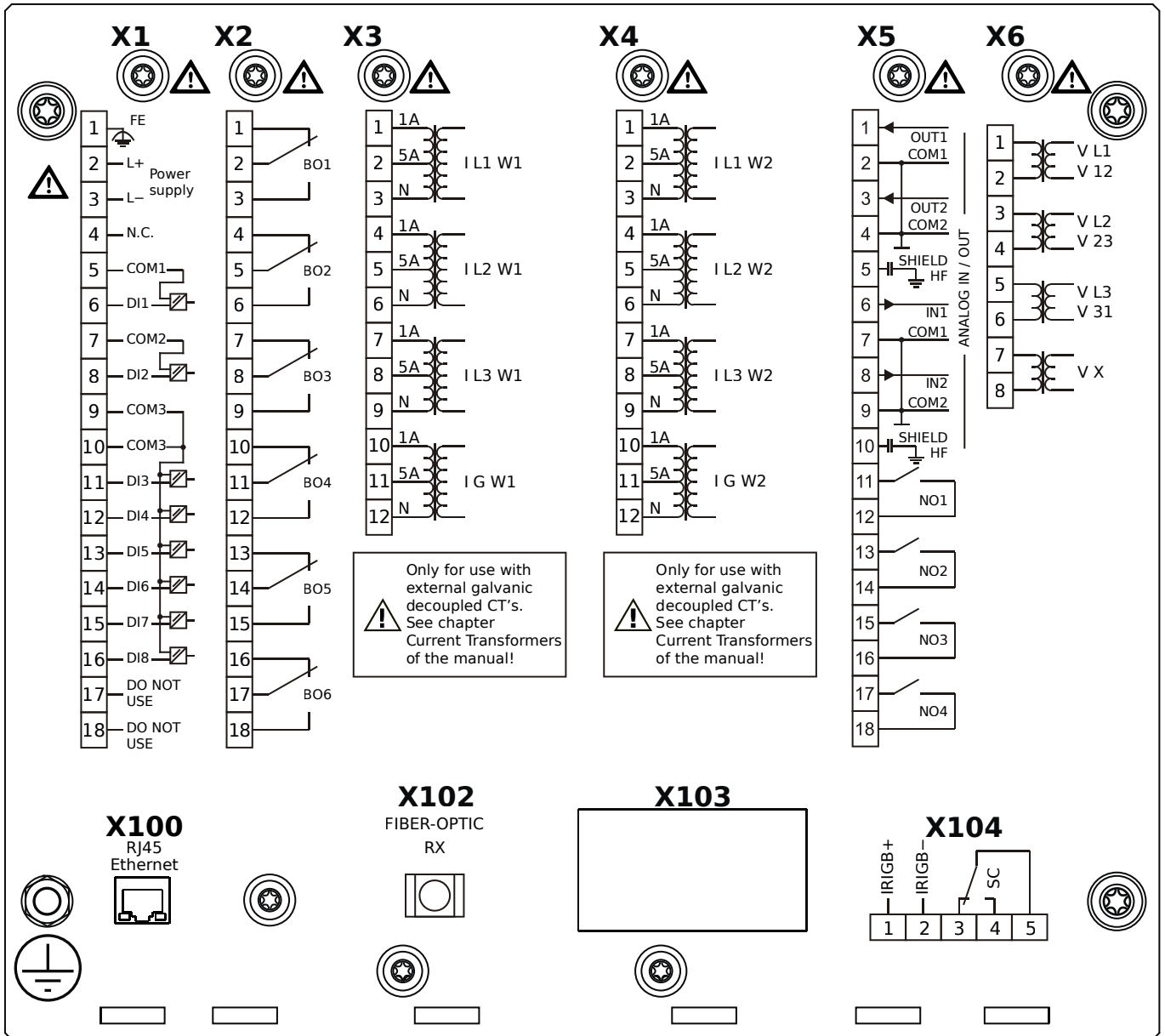
MCDTV4-2B0ACA



Housing B2, large display, door mounting

- X1** – DI8-X1: Wide-range power supply unit, incl. 2 non-grouped digital inputs and 6 grouped digital inputs
- X2** – OR6: Assembly Group with 6 Output Relays
- X3** – TI: Standard current measuring card (for the winding side 1)
- X4** – TI: Standard current measuring card (for the winding side 2)
- X5** – AnIO2-OR4: Assembly Group with 2 Analog Inputs, 2 Analog Outputs and 4 Output Relays
- X6** – TU: Card with 4 voltage transformer measuring inputs
- X100** – Modbus TCP / DNP3.0 TCP/UDP, Ethernet interface, 100 Mbit/s, RJ45 (BASE100-FX)
- X102** – Universal Resistance-Temperature Detector (URTD) input, Fiber optics interface, Versatile Link
- X104** – IRIG-B00X, incl. System Contact (Supervision Contact)

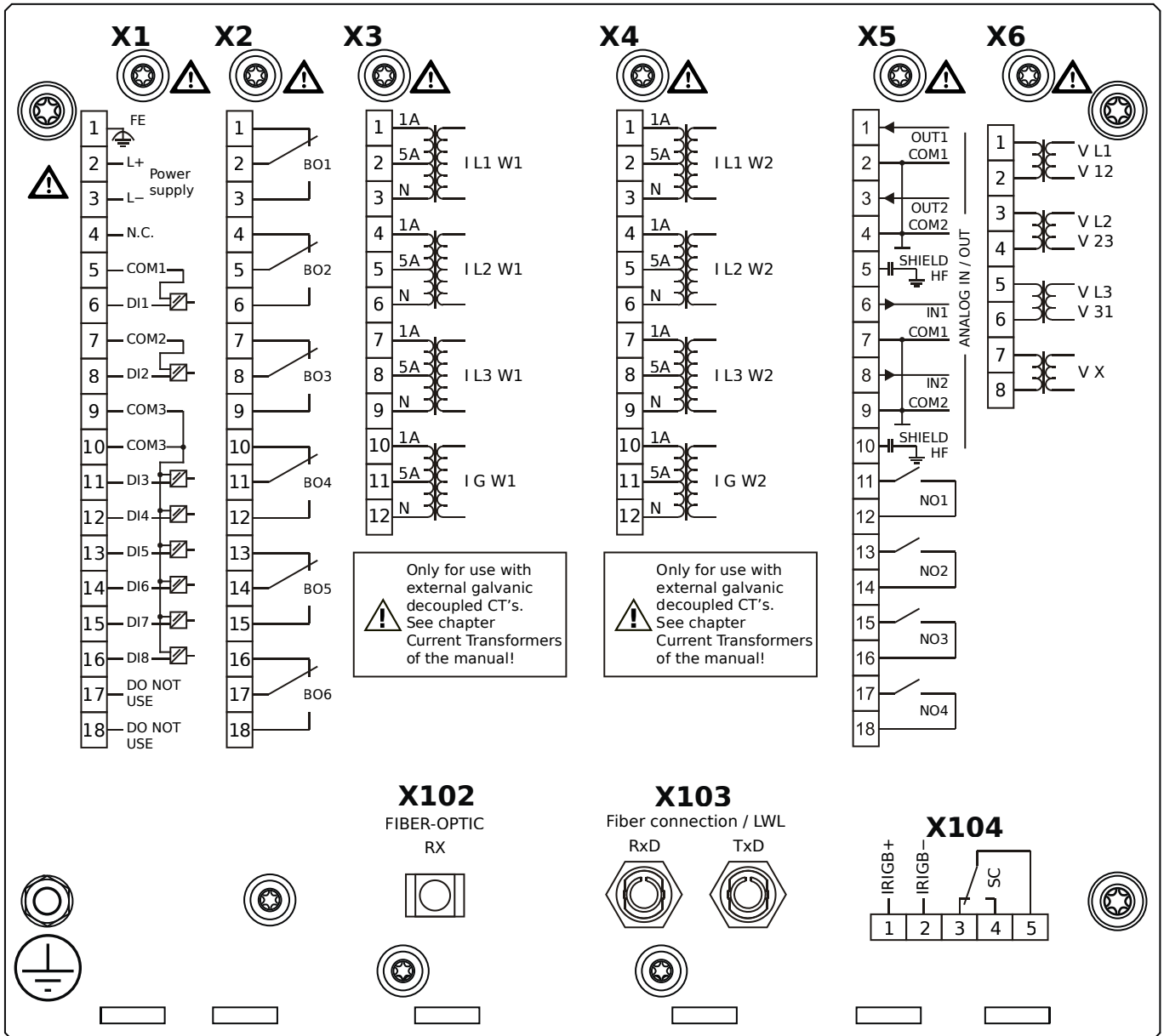
MCDTV4-2B0ACB



Housing B2, large display, door mounting

- + Conformal Coating (for installations in harsh environment)
- X1** – DI8-X1: Wide-range power supply unit, incl. 2 non-grouped digital inputs and 6 grouped digital inputs
- X2** – OR6: Assembly Group with 6 Output Relays
- X3** – TI: Standard current measuring card (for the winding side 1)
- X4** – TI: Standard current measuring card (for the winding side 2)
- X5** – AnIO2-OR4: Assembly Group with 2 Analog Inputs, 2 Analog Outputs and 4 Output Relays
- X6** – TU: Card with 4 voltage transformer measuring inputs
- X100** – Modbus TCP / DNP3.0 TCP/UDP, Ethernet interface, 100 Mbit/s, RJ45 (BASE100-FX)
- X102** – Universal Resistance-Temperature Detector (URTD) input, Fiber optics interface, Versatile Link
- X104** – IRIG-B00X, incl. System Contact (Supervision Contact)

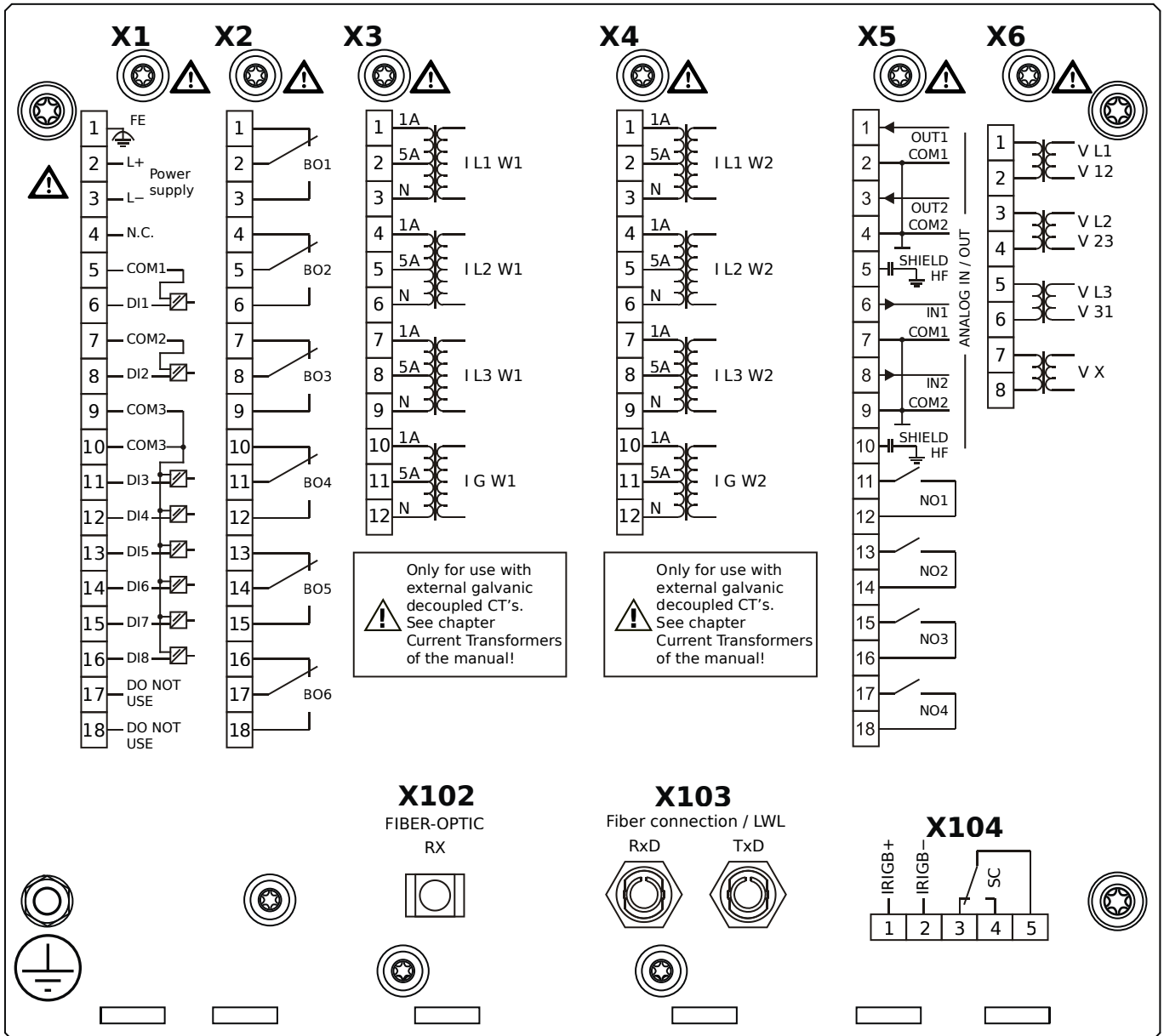
MCDTV4-2B0ADA



Housing B2, large display, door mounting

- X1** – DI8-X1: Wide-range power supply unit, incl. 2 non-grouped digital inputs and 6 grouped digital inputs
- X2** – OR6: Assembly Group with 6 Output Relays
- X3** – TI: Standard current measuring card (for the winding side 1)
- X4** – TI: Standard current measuring card (for the winding side 2)
- X5** – AnIO2-OR4: Assembly Group with 2 Analog Inputs, 2 Analog Outputs and 4 Output Relays
- X6** – TU: Card with 4 voltage transformer measuring inputs
- X102** – Universal Resistance-Temperature Detector (URTD) input, Fiber optics interface, Versatile Link
- X103** – Profibus-DP, Fiber optics interface, ST Connector
- X104** – IRIG-B00X, incl. System Contact (Supervision Contact)

MCDTV4-2B0ADB

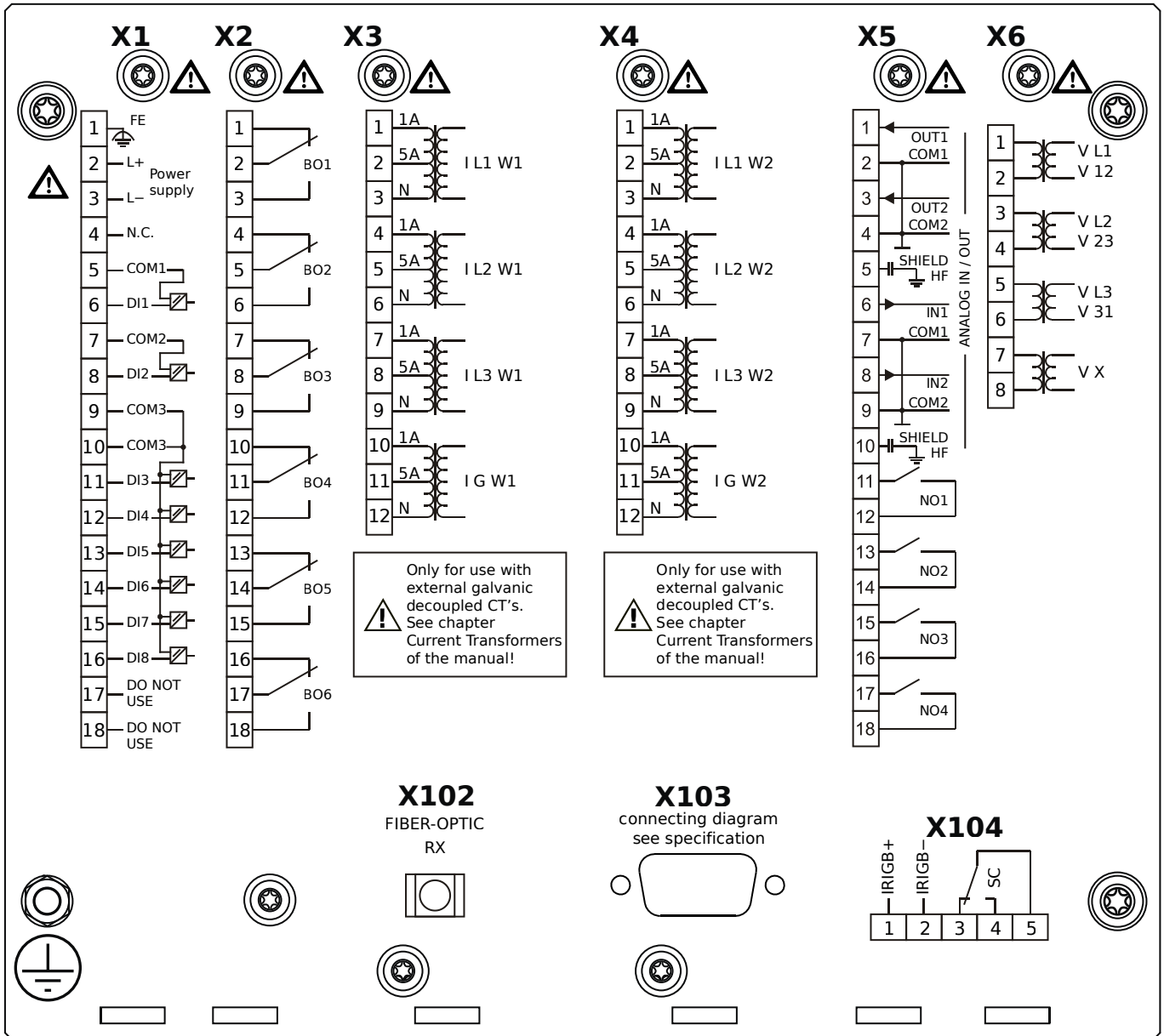


Housing B2, large display, door mounting

+ Conformal Coating (for installations in harsh environment)

- X1** – DI8-X1: Wide-range power supply unit, incl. 2 non-grouped digital inputs and 6 grouped digital inputs
- X2** – OR6: Assembly Group with 6 Output Relays
- X3** – TI: Standard current measuring card (for the winding side 1)
- X4** – TI: Standard current measuring card (for the winding side 2)
- X5** – AnIO2-OR4: Assembly Group with 2 Analog Inputs, 2 Analog Outputs and 4 Output Relays
- X6** – TU: Card with 4 voltage transformer measuring inputs
- X102** – Universal Resistance-Temperature Detector (URTD) input, Fiber optics interface, Versatile Link
- X103** – Profibus-DP, Fiber optics interface, ST Connector
- X104** – IRIG-B00X, incl. System Contact (Supervision Contact)

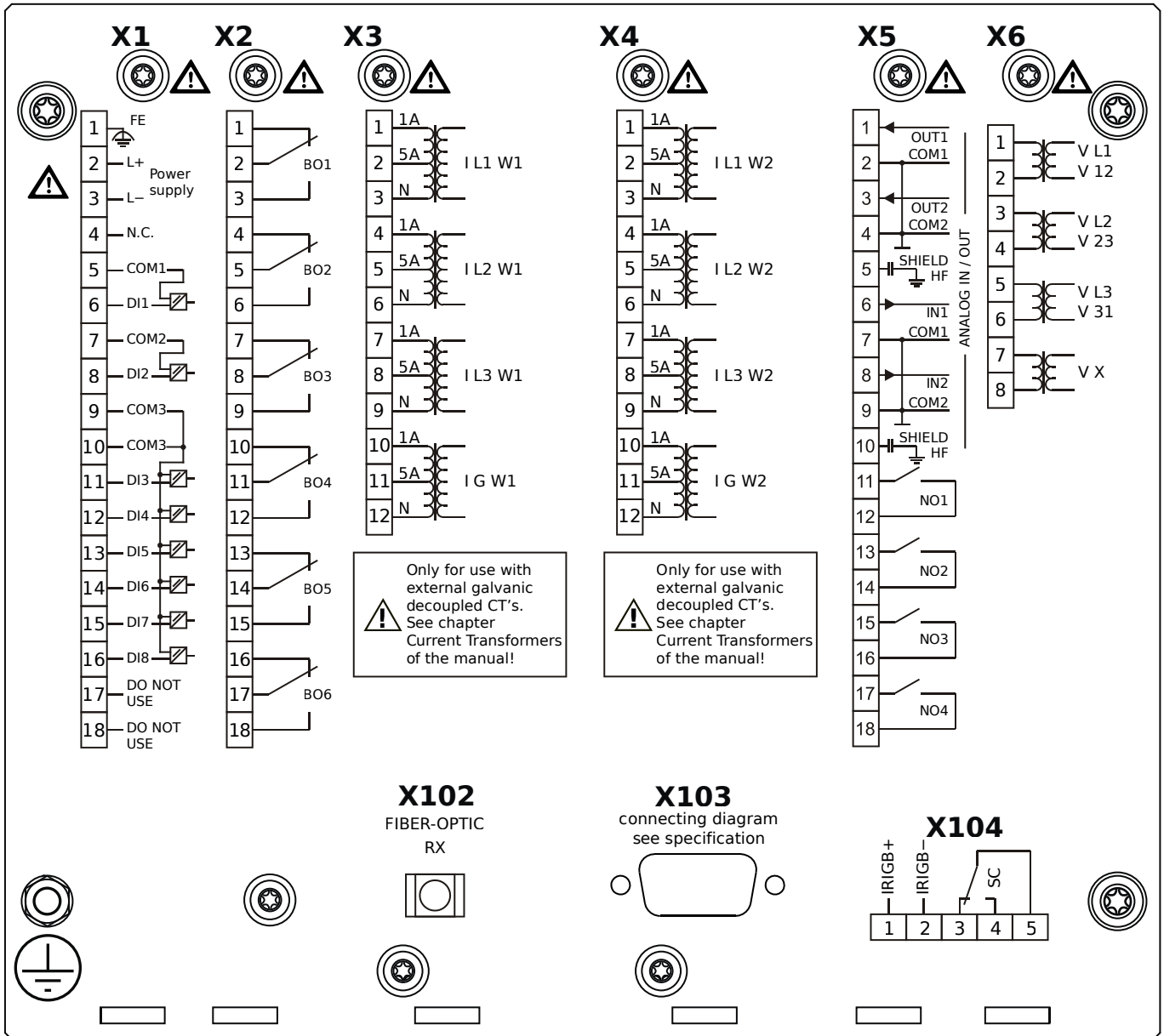
MCDTV4-2B0AEA



Housing B2, large display, door mounting

- X1** – DI8-X1: Wide-range power supply unit, incl. 2 non-grouped digital inputs and 6 grouped digital inputs
- X2** – OR6: Assembly Group with 6 Output Relays
- X3** – TI: Standard current measuring card (for the winding side 1)
- X4** – TI: Standard current measuring card (for the winding side 2)
- X5** – AnIO2-OR4: Assembly Group with 2 Analog Inputs, 2 Analog Outputs and 4 Output Relays
- X6** – TU: Card with 4 voltage transformer measuring inputs
- X102** – Universal Resistance-Temperature Detector (URTD) input, Fiber optics interface, Versatile Link
- X103** – Profibus-DP, RS485, D-SUB
- X104** – IRIG-B00X, incl. System Contact (Supervision Contact)

MCDTV4-2B0AEB

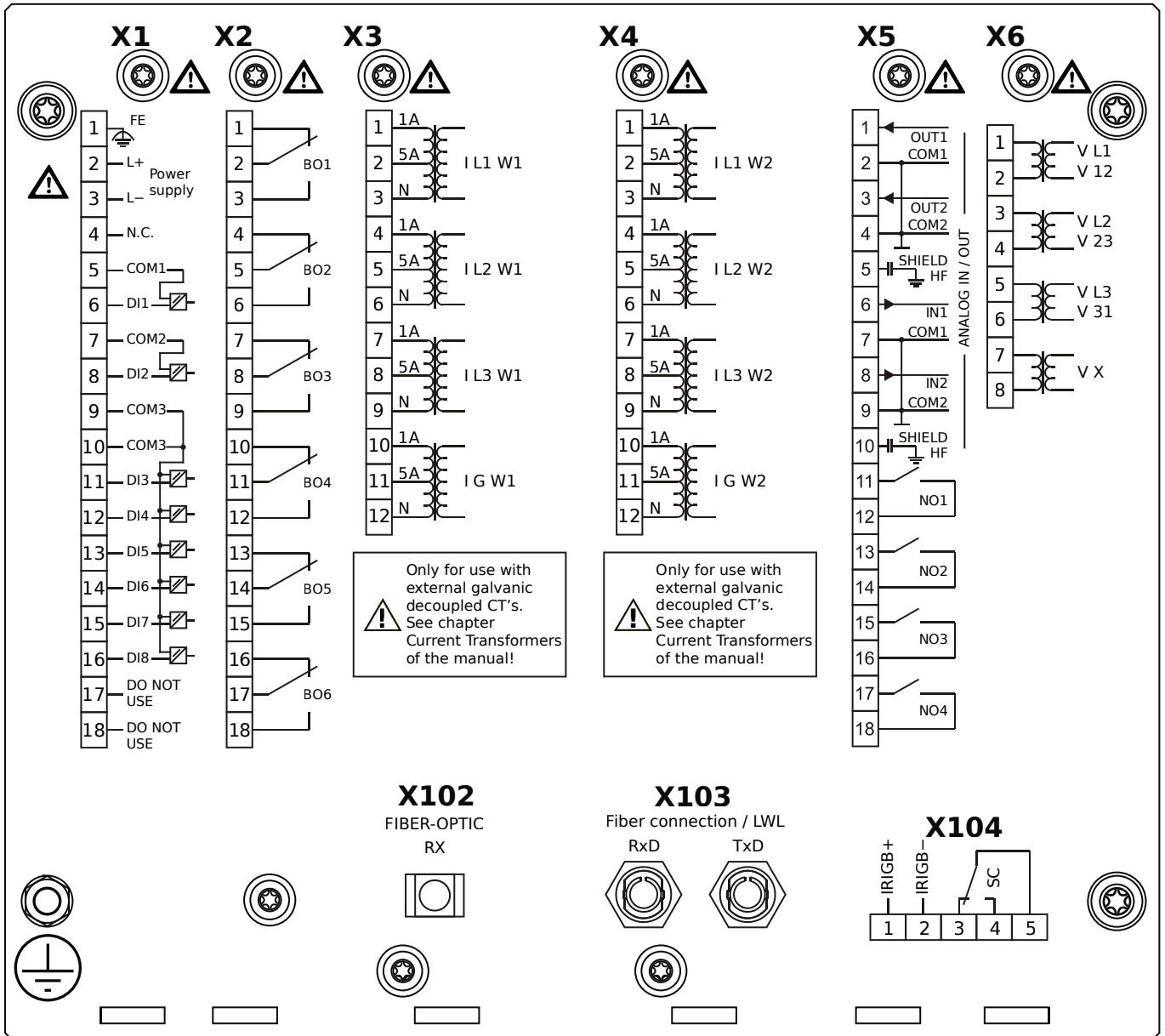


Housing B2, large display, door mounting

+ Conformal Coating (for installations in harsh environment)

- X1** – DI8-X1: Wide-range power supply unit, incl. 2 non-grouped digital inputs and 6 grouped digital inputs
- X2** – OR6: Assembly Group with 6 Output Relays
- X3** – TI: Standard current measuring card (for the winding side 1)
- X4** – TI: Standard current measuring card (for the winding side 2)
- X5** – AnIO2-OR4: Assembly Group with 2 Analog Inputs, 2 Analog Outputs and 4 Output Relays
- X6** – TU: Card with 4 voltage transformer measuring inputs
- X102** – Universal Resistance-Temperature Detector (URTD) input, Fiber optics interface, Versatile Link
- X103** – Profibus-DP, RS485, D-SUB
- X104** – IRIG-B00X, incl. System Contact (Supervision Contact)

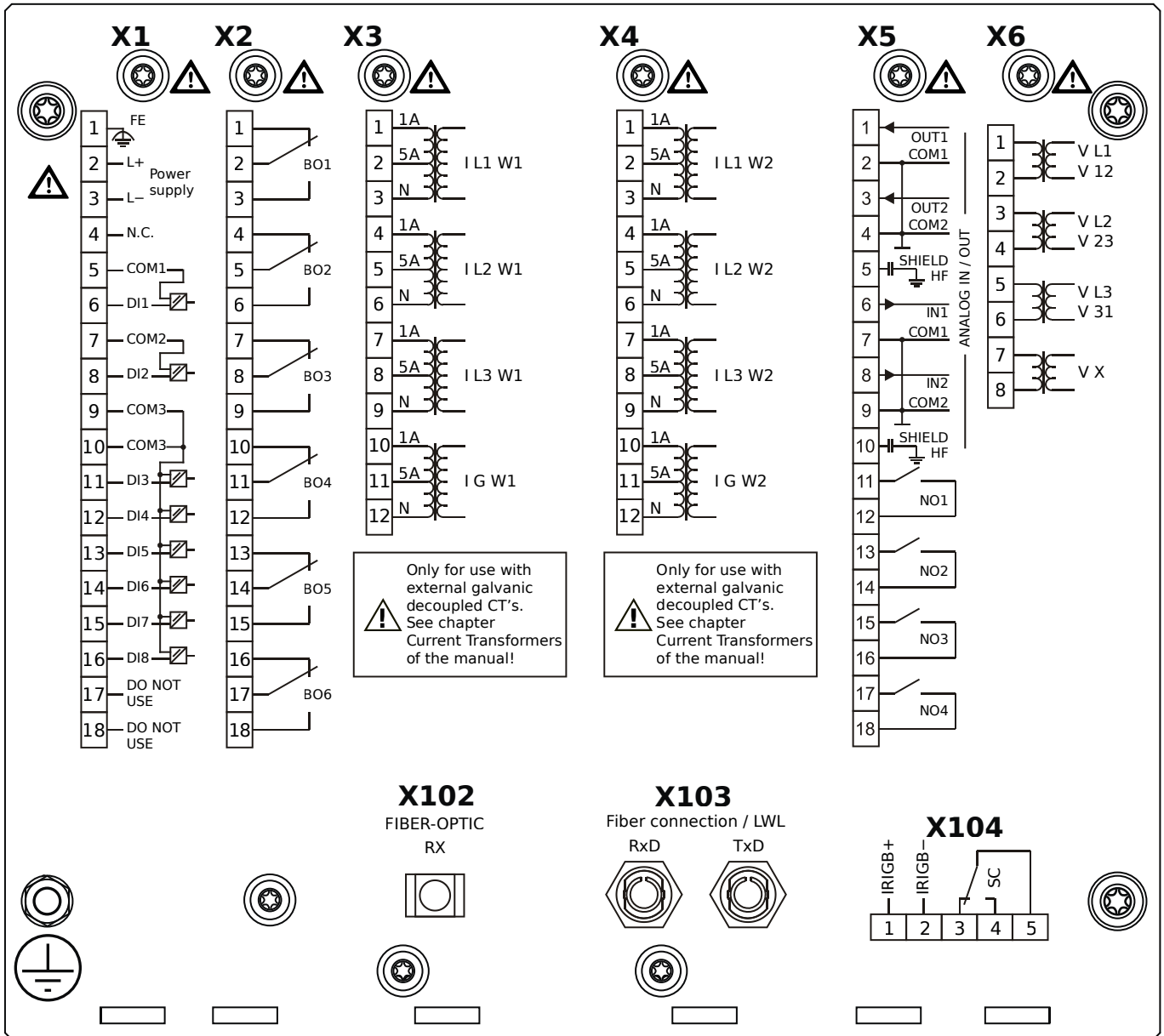
MCDTV4-2B0AFA



Housing B2, large display, door mounting

- X1** – DI8-X1: Wide-range power supply unit, incl. 2 non-grouped digital inputs and 6 grouped digital inputs
- X2** – OR6: Assembly Group with 6 Output Relays
- X3** – TI: Standard current measuring card (for the winding side 1)
- X4** – TI: Standard current measuring card (for the winding side 2)
- X5** – AnIO2-OR4: Assembly Group with 2 Analog Inputs, 2 Analog Outputs and 4 Output Relays
- X6** – TU: Card with 4 voltage transformer measuring inputs
- X102** – Universal Resistance-Temperature Detector (URTD) input, Fiber optics interface, Versatile Link
- X103** – Modbus RTU / IEC 60870-5-103 / DNP3.0 RTU, Fiber optics interface, ST Connector
- X104** – IRIG-B00X, incl. System Contact (Supervision Contact)

MCDTV4-2B0AFB

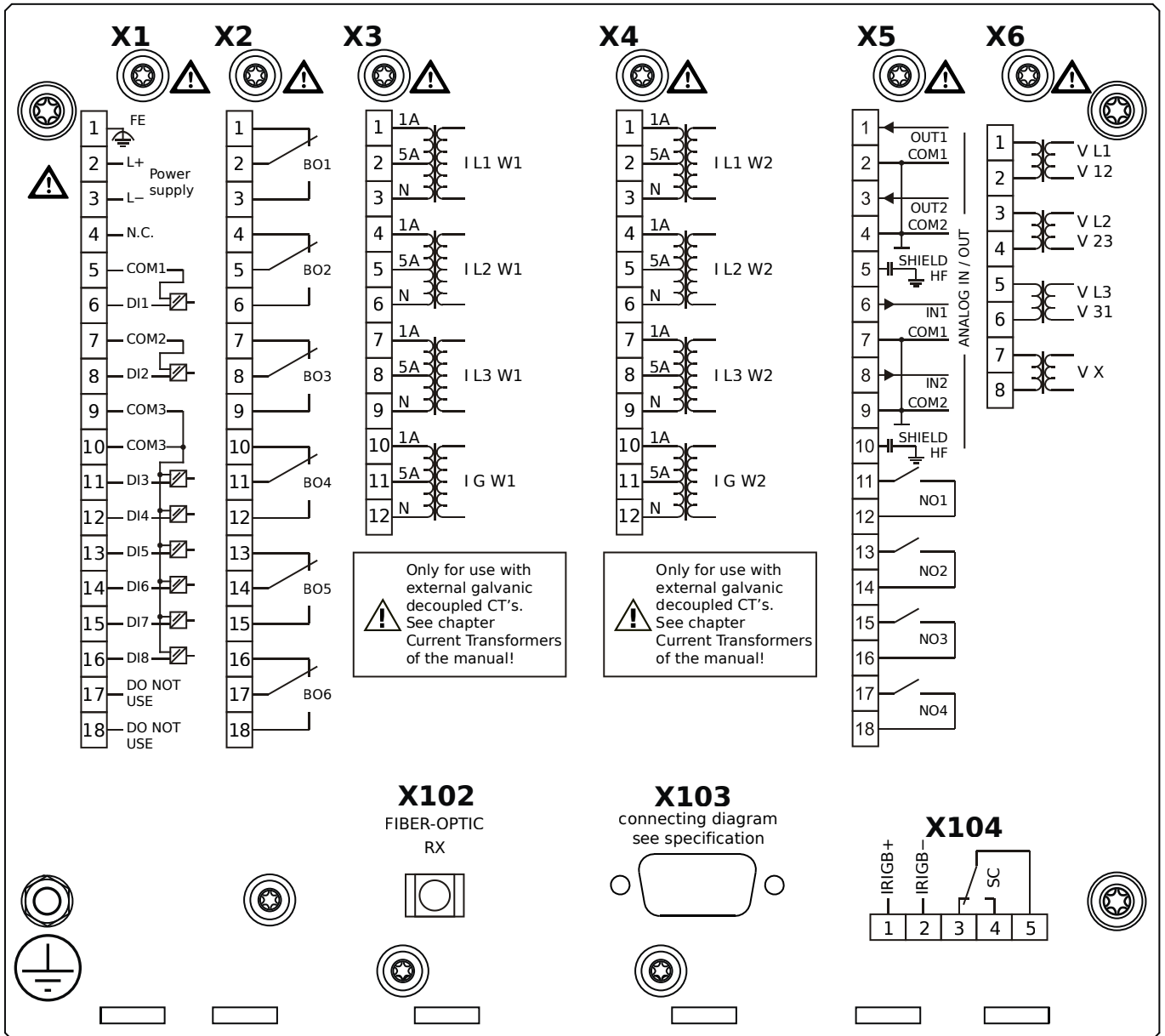


Housing B2, large display, door mounting

+ Conformal Coating (for installations in harsh environment)

- X1** – DI8-X1: Wide-range power supply unit, incl. 2 non-grouped digital inputs and 6 grouped digital inputs
- X2** – OR6: Assembly Group with 6 Output Relays
- X3** – TI: Standard current measuring card (for the winding side 1)
- X4** – TI: Standard current measuring card (for the winding side 2)
- X5** – AnIO2-OR4: Assembly Group with 2 Analog Inputs, 2 Analog Outputs and 4 Output Relays
- X6** – TU: Card with 4 voltage transformer measuring inputs
- X102** – Universal Resistance-Temperature Detector (URTD) input, Fiber optics interface, Versatile Link
- X103** – Modbus RTU / IEC 60870-5-103 / DNP3.0 RTU, Fiber optics interface, ST Connector
- X104** – IRIG-B00X, incl. System Contact (Supervision Contact)

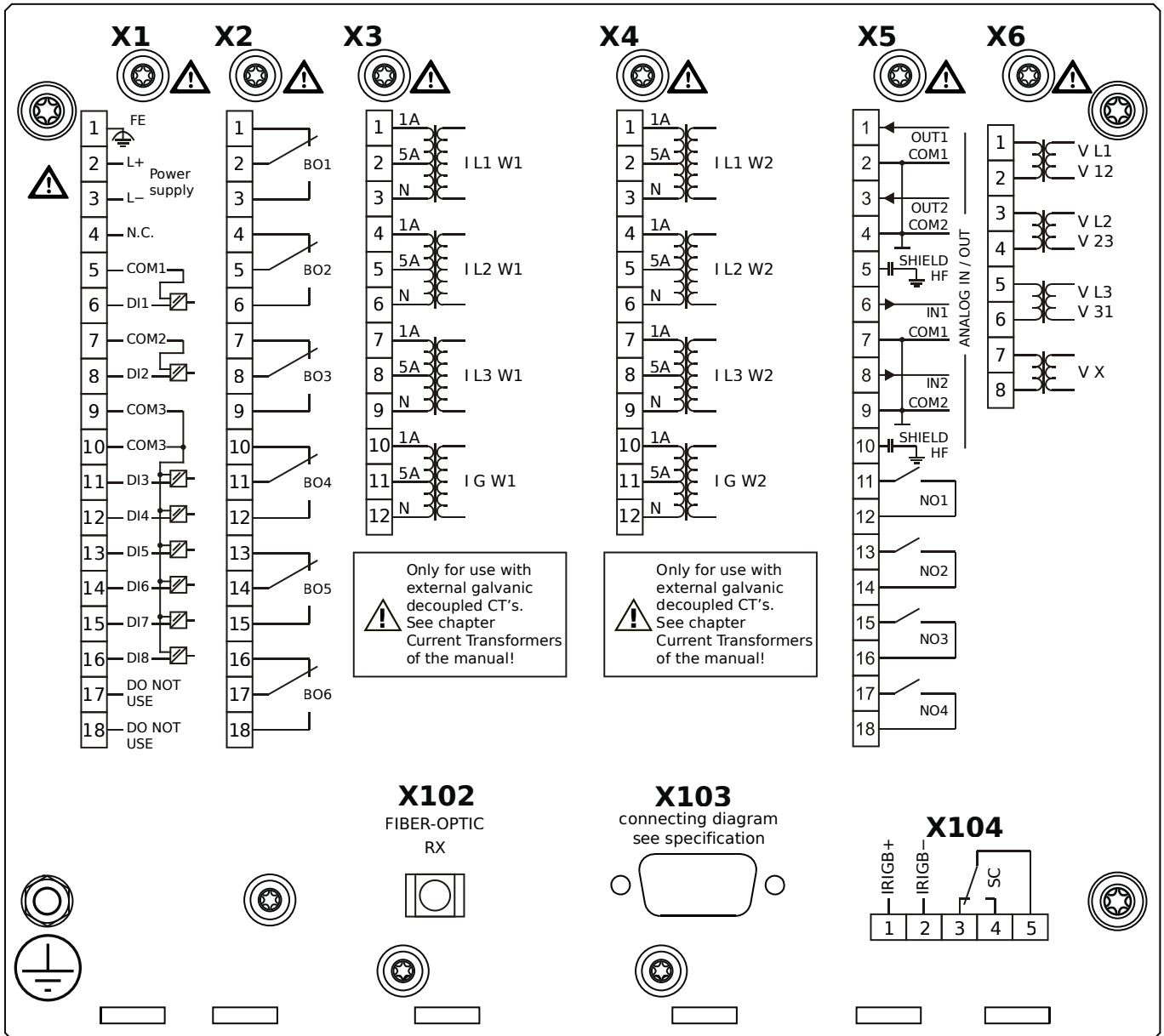
MCDTV4-2B0AGA



Housing B2, large display, door mounting

- X1** – DI8-X1: Wide-range power supply unit, incl. 2 non-grouped digital inputs and 6 grouped digital inputs
- X2** – OR6: Assembly Group with 6 Output Relays
- X3** – TI: Standard current measuring card (for the winding side 1)
- X4** – TI: Standard current measuring card (for the winding side 2)
- X5** – AnIO2-OR4: Assembly Group with 2 Analog Inputs, 2 Analog Outputs and 4 Output Relays
- X6** – TU: Card with 4 voltage transformer measuring inputs
- X102** – Universal Resistance-Temperature Detector (URTD) input, Fiber optics interface, Versatile Link
- X103** – Modbus RTU / IEC 60870-5-103 / DNP3.0 RTU, RS485, D-SUB
- X104** – IRIG-B00X, incl. System Contact (Supervision Contact)

MCDTV4-2B0AGB

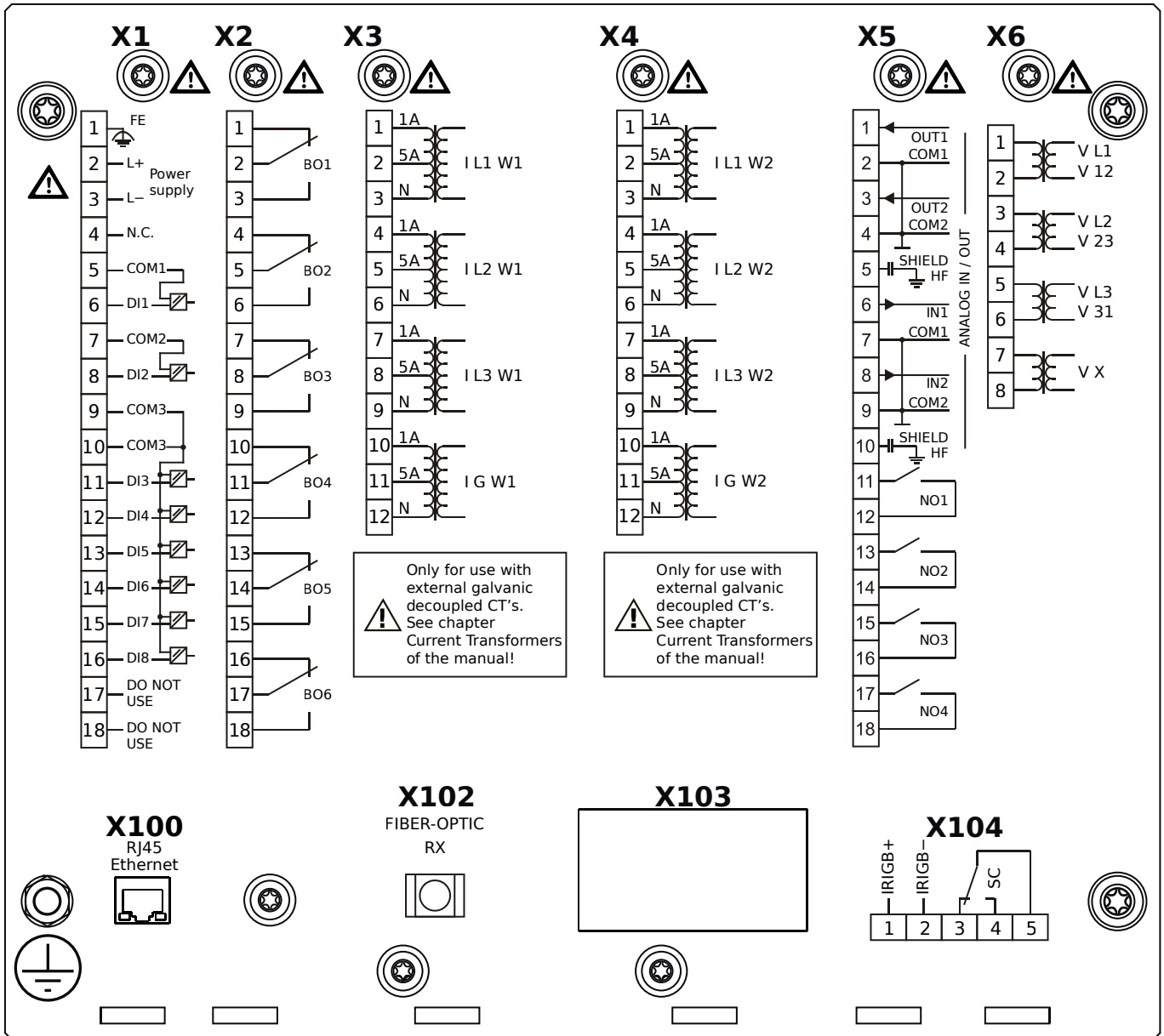


Housing B2, large display, door mounting

+ Conformal Coating (for installations in harsh environment)

- X1** – DI8-X1: Wide-range power supply unit, incl. 2 non-grouped digital inputs and 6 grouped digital inputs
- X2** – OR6: Assembly Group with 6 Output Relays
- X3** – TI: Standard current measuring card (for the winding side 1)
- X4** – TI: Standard current measuring card (for the winding side 2)
- X5** – AnIO2-OR4: Assembly Group with 2 Analog Inputs, 2 Analog Outputs and 4 Output Relays
- X6** – TU: Card with 4 voltage transformer measuring inputs
- X102** – Universal Resistance-Temperature Detector (URTD) input, Fiber optics interface, Versatile Link
- X103** – Modbus RTU / IEC 60870-5-103 / DNP3.0 RTU, RS485, D-SUB
- X104** – IRIG-B00X, incl. System Contact (Supervision Contact)

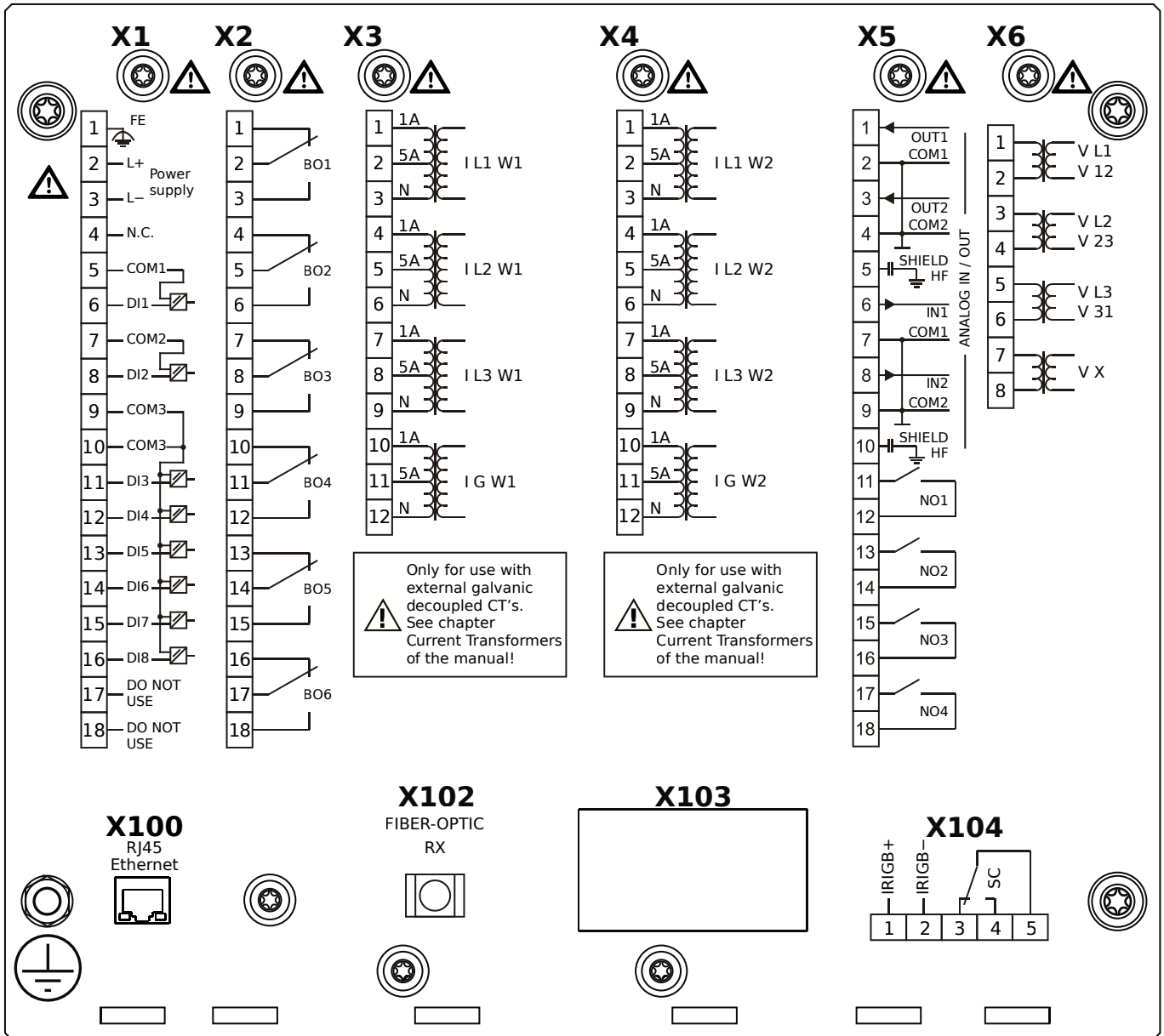
MCDTV4-2B0AHA



Housing B2, large display, door mounting

- X1** – DI8-X1: Wide-range power supply unit, incl. 2 non-grouped digital inputs and 6 grouped digital inputs
- X2** – OR6: Assembly Group with 6 Output Relays
- X3** – TI: Standard current measuring card (for the winding side 1)
- X4** – TI: Standard current measuring card (for the winding side 2)
- X5** – AnIO2-OR4: Assembly Group with 2 Analog Inputs, 2 Analog Outputs and 4 Output Relays
- X6** – TU: Card with 4 voltage transformer measuring inputs
- X100** – IEC 61850 / Modbus TCP / DNP3.0 TCP/UDP, Ethernet interface, 100 Mbit/s, RJ45 (BASE100-FX)
- X102** – Universal Resistance-Temperature Detector (URTD) input, Fiber optics interface, Versatile Link
- X104** – IRIG-B00X, incl. System Contact (Supervision Contact)

MCDTV4-2B0AHB



Housing B2, large display, door mounting

+ Conformal Coating (for installations in harsh environment)

X1 – DI8-X1: Wide-range power supply unit, incl. 2 non-grouped digital inputs and 6 grouped digital inputs

X2 – OR6: Assembly Group with 6 Output Relays

X3 – TI: Standard current measuring card (for the winding side 1)

X4 – TI: Standard current measuring card (for the winding side 2)

X5 – AnIO2-OR4: Assembly Group with 2 Analog Inputs, 2 Analog Outputs and 4 Output Relays

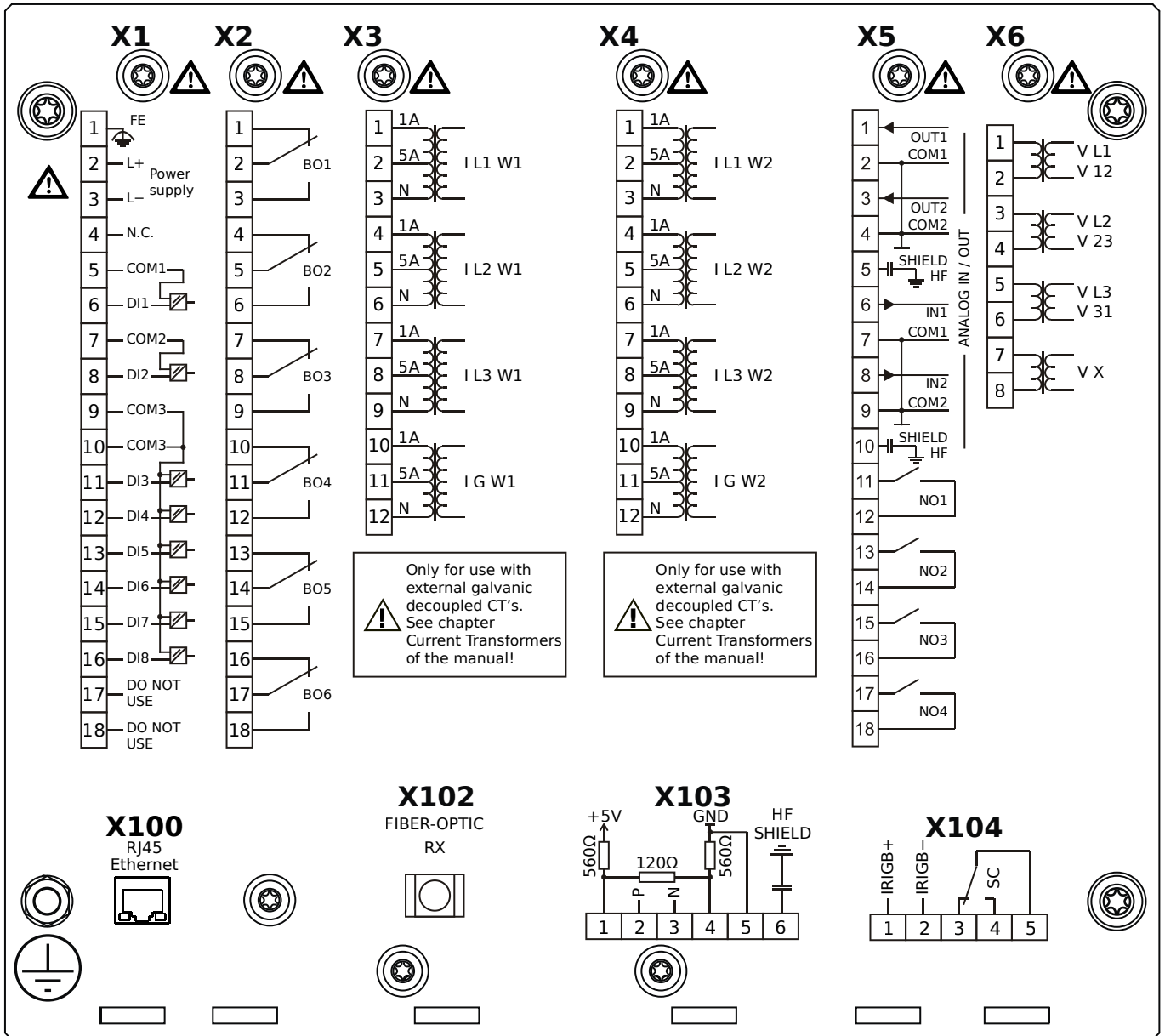
X6 – TU: Card with 4 voltage transformer measuring inputs

X100 – IEC 61850 / Modbus TCP / DNP3.0 TCP/UDP, Ethernet interface, 100 Mbit/s, RJ45 (BASE100-FX)

X102 – Universal Resistance-Temperature Detector (URTD) input, Fiber optics interface, Versatile Link

X104 – IRIG-B00X, incl. System Contact (Supervision Contact)

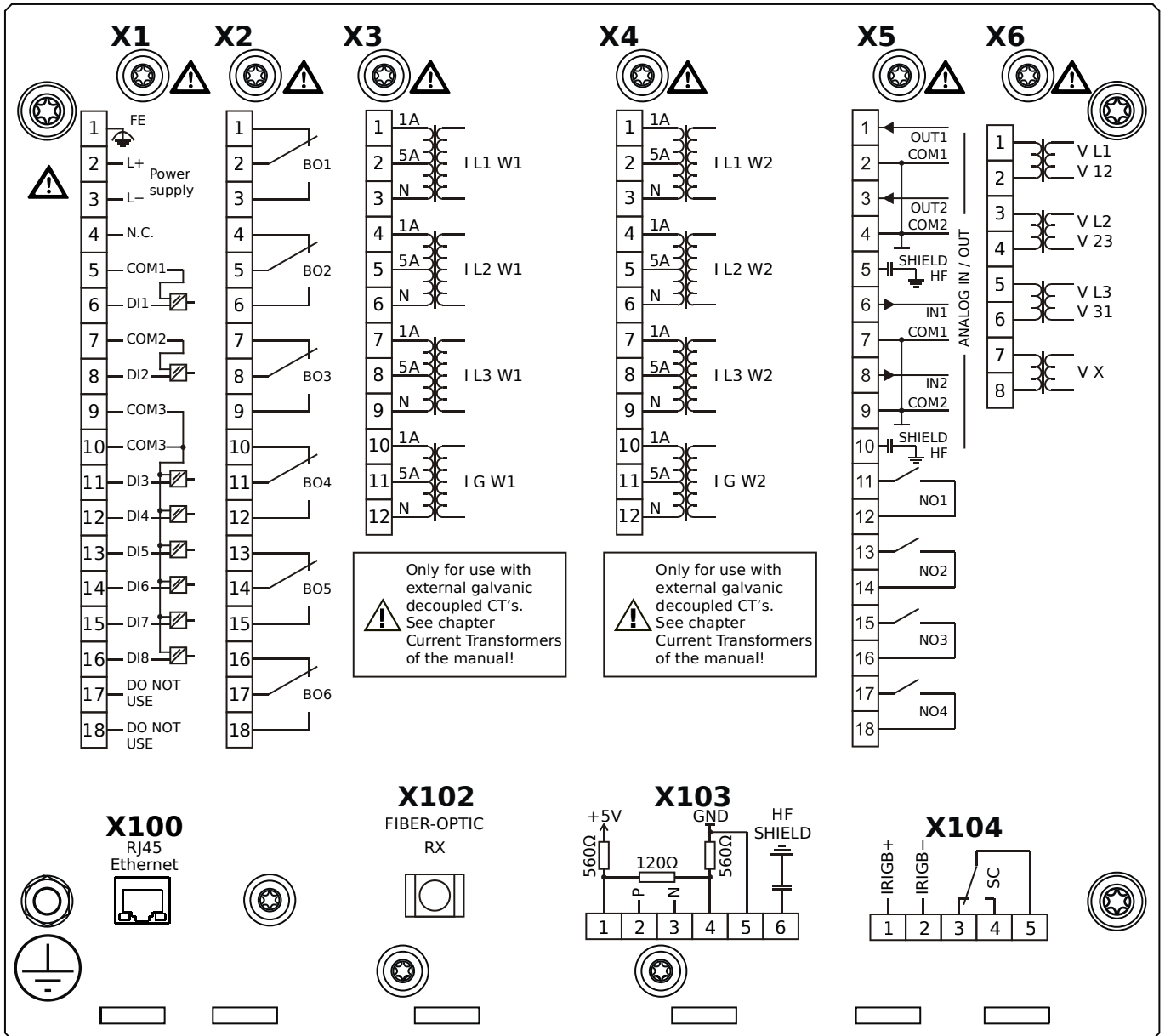
MCDTV4-2B0AIA



Housing B2, large display, door mounting

- X1** – DI8-X1: Wide-range power supply unit, incl. 2 non-grouped digital inputs and 6 grouped digital inputs
- X2** – OR6: Assembly Group with 6 Output Relays
- X3** – TI: Standard current measuring card (for the winding side 1)
- X4** – TI: Standard current measuring card (for the winding side 2)
- X5** – AnIO2-OR4: Assembly Group with 2 Analog Inputs, 2 Analog Outputs and 4 Output Relays
- X6** – TU: Card with 4 voltage transformer measuring inputs
- X100** – Modbus TCP / DNP3.0 TCP/UDP, Ethernet interface, 100 Mbit/s, RJ45 (BASE100-FX)
- X102** – Universal Resistance-Temperature Detector (URTD) input, Fiber optics interface, Versatile Link
- X103** – IEC 60870-5-103 / Modbus RTU / DNP3.0 RTU, RS485, Terminals
- X104** – IRIG-B00X, incl. System Contact (Supervision Contact)

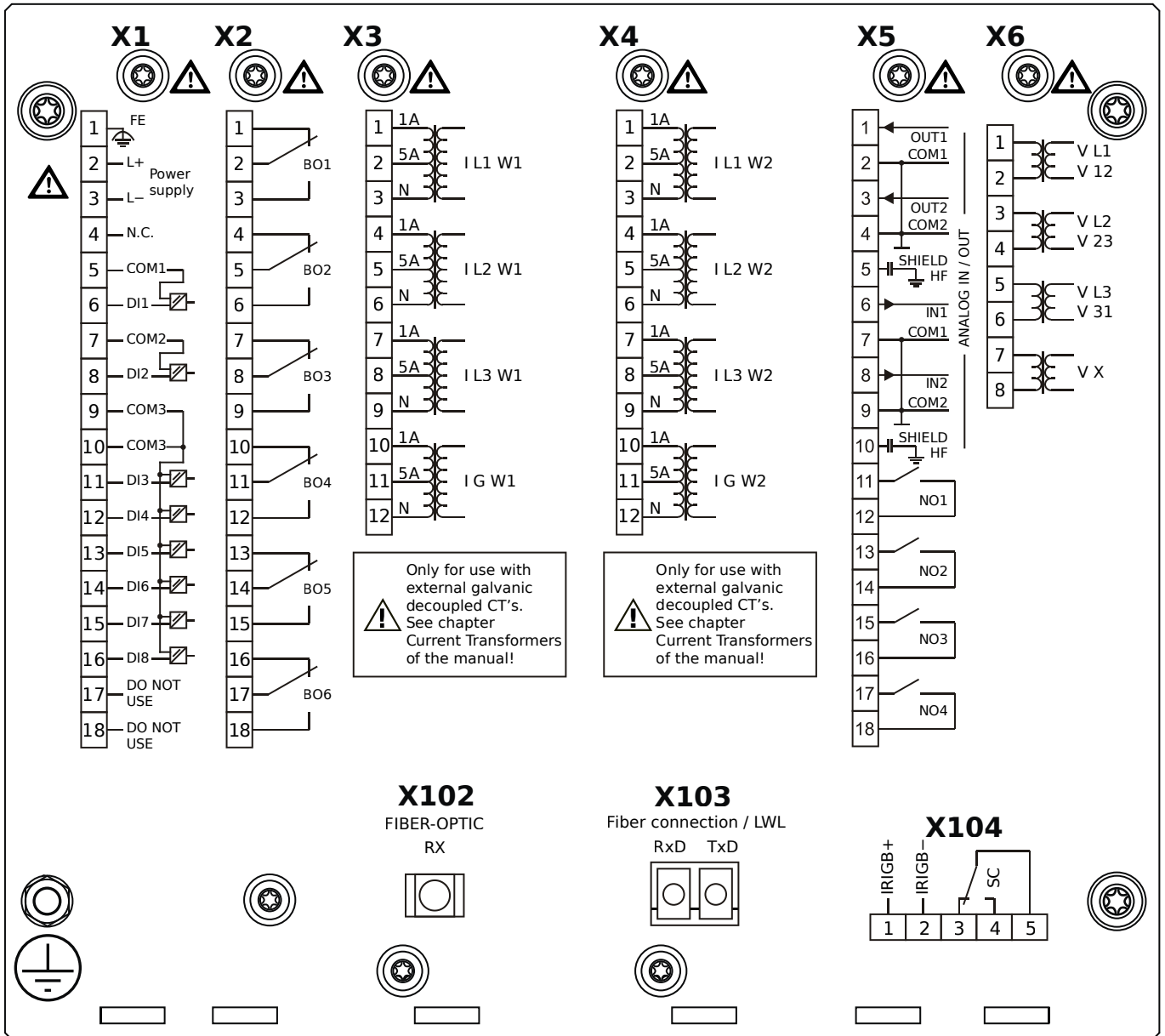
MCDTV4-2B0AIB



Housing B2, large display, door mounting

- + Conformal Coating (for installations in harsh environment)
- X1** – DI8-X1: Wide-range power supply unit, incl. 2 non-grouped digital inputs and 6 grouped digital inputs
- X2** – OR6: Assembly Group with 6 Output Relays
- X3** – TI: Standard current measuring card (for the winding side 1)
- X4** – TI: Standard current measuring card (for the winding side 2)
- X5** – AnIO2-OR4: Assembly Group with 2 Analog Inputs, 2 Analog Outputs and 4 Output Relays
- X6** – TU: Card with 4 voltage transformer measuring inputs
- X100** – Modbus TCP / DNP3.0 TCP/UDP, Ethernet interface, 100 Mbit/s, RJ45 (BASE100-FX)
- X102** – Universal Resistance-Temperature Detector (URTD) input, Fiber optics interface, Versatile Link
- X103** – IEC 60870-5-103 / Modbus RTU / DNP3.0 RTU, RS485, Terminals
- X104** – IRIG-B00X, incl. System Contact (Supervision Contact)

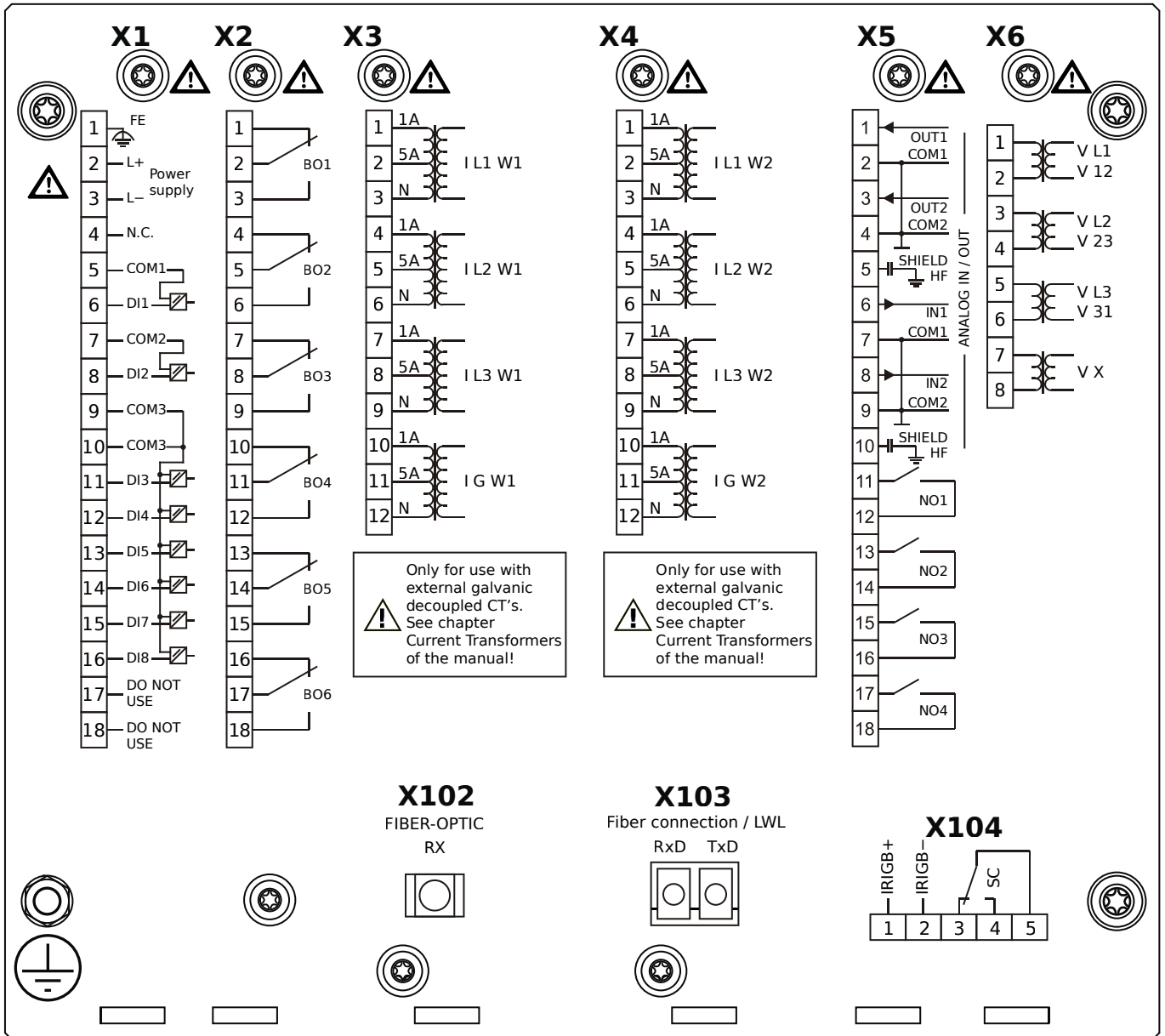
MCDTV4-2B0AKA



Housing B2, large display, door mounting

- X1** – DI8-X1: Wide-range power supply unit, incl. 2 non-grouped digital inputs and 6 grouped digital inputs
- X2** – OR6: Assembly Group with 6 Output Relays
- X3** – TI: Standard current measuring card (for the winding side 1)
- X4** – TI: Standard current measuring card (for the winding side 2)
- X5** – AnIO2-OR4: Assembly Group with 2 Analog Inputs, 2 Analog Outputs and 4 Output Relays
- X6** – TU: Card with 4 voltage transformer measuring inputs
- X102** – Universal Resistance-Temperature Detector (URTD) input, Fiber optics interface, Versatile Link
- X103** – IEC 61850 / Modbus TCP / DNP3.0 TCP/UDP, Fiber optics interface, LC Connector
- X104** – IRIG-B00X, incl. System Contact (Supervision Contact)

MCDTV4-2B0AKB

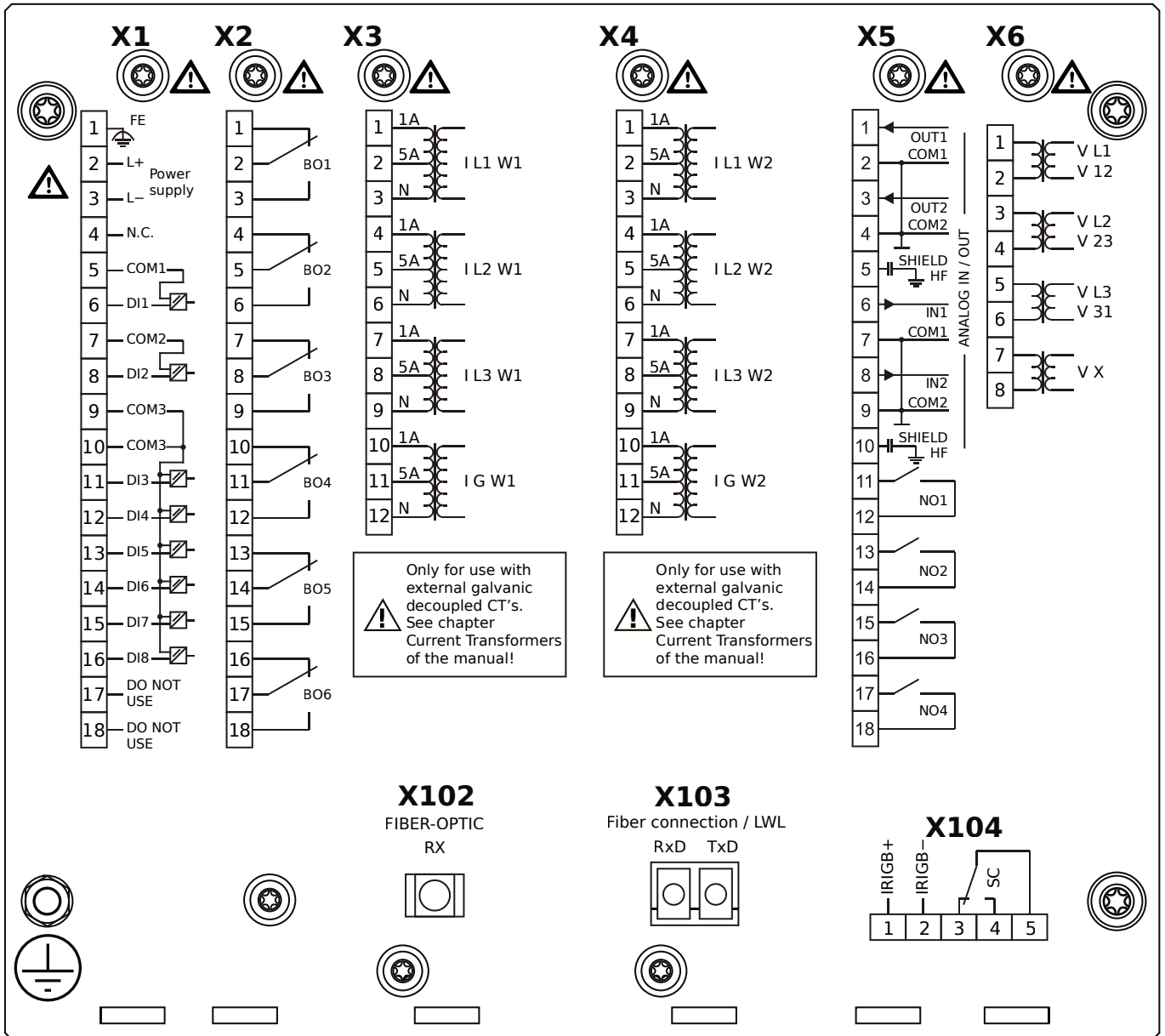


Housing B2, large display, door mounting

+ Conformal Coating (for installations in harsh environment)

- X1** – DI8-X1: Wide-range power supply unit, incl. 2 non-grouped digital inputs and 6 grouped digital inputs
- X2** – OR6: Assembly Group with 6 Output Relays
- X3** – TI: Standard current measuring card (for the winding side 1)
- X4** – TI: Standard current measuring card (for the winding side 2)
- X5** – AnIO2-OR4: Assembly Group with 2 Analog Inputs, 2 Analog Outputs and 4 Output Relays
- X6** – TU: Card with 4 voltage transformer measuring inputs
- X102** – Universal Resistance-Temperature Detector (URTD) input, Fiber optics interface, Versatile Link
- X103** – IEC 61850 / Modbus TCP / DNP3.0 TCP/UDP, Fiber optics interface, LC Connector
- X104** – IRIG-B00X, incl. System Contact (Supervision Contact)

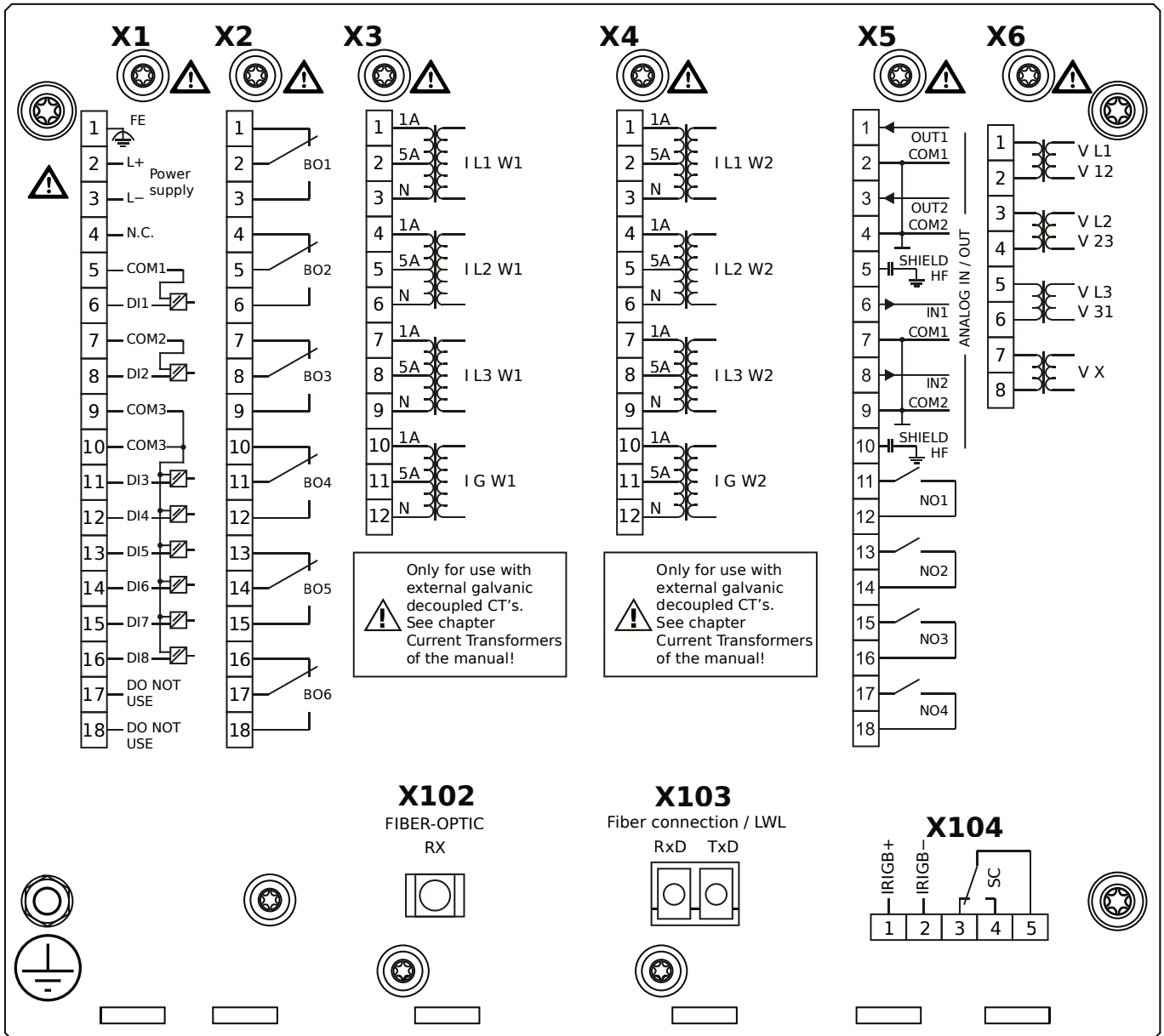
MCDTV4-2B0ALA



Housing B2, large display, door mounting

- X1** – DI8-X1: Wide-range power supply unit, incl. 2 non-grouped digital inputs and 6 grouped digital inputs
- X2** – OR6: Assembly Group with 6 Output Relays
- X3** – TI: Standard current measuring card (for the winding side 1)
- X4** – TI: Standard current measuring card (for the winding side 2)
- X5** – AnIO2-OR4: Assembly Group with 2 Analog Inputs, 2 Analog Outputs and 4 Output Relays
- X6** – TU: Card with 4 voltage transformer measuring inputs
- X102** – Universal Resistance-Temperature Detector (URTD) input, Fiber optics interface, Versatile Link
- X103** – Modbus TCP / DNP3.0 TCP/UDP, Fiber optics interface, LC Connector
- X104** – IRIG-B00X, incl. System Contact (Supervision Contact)

MCDTV4-2B0ALB

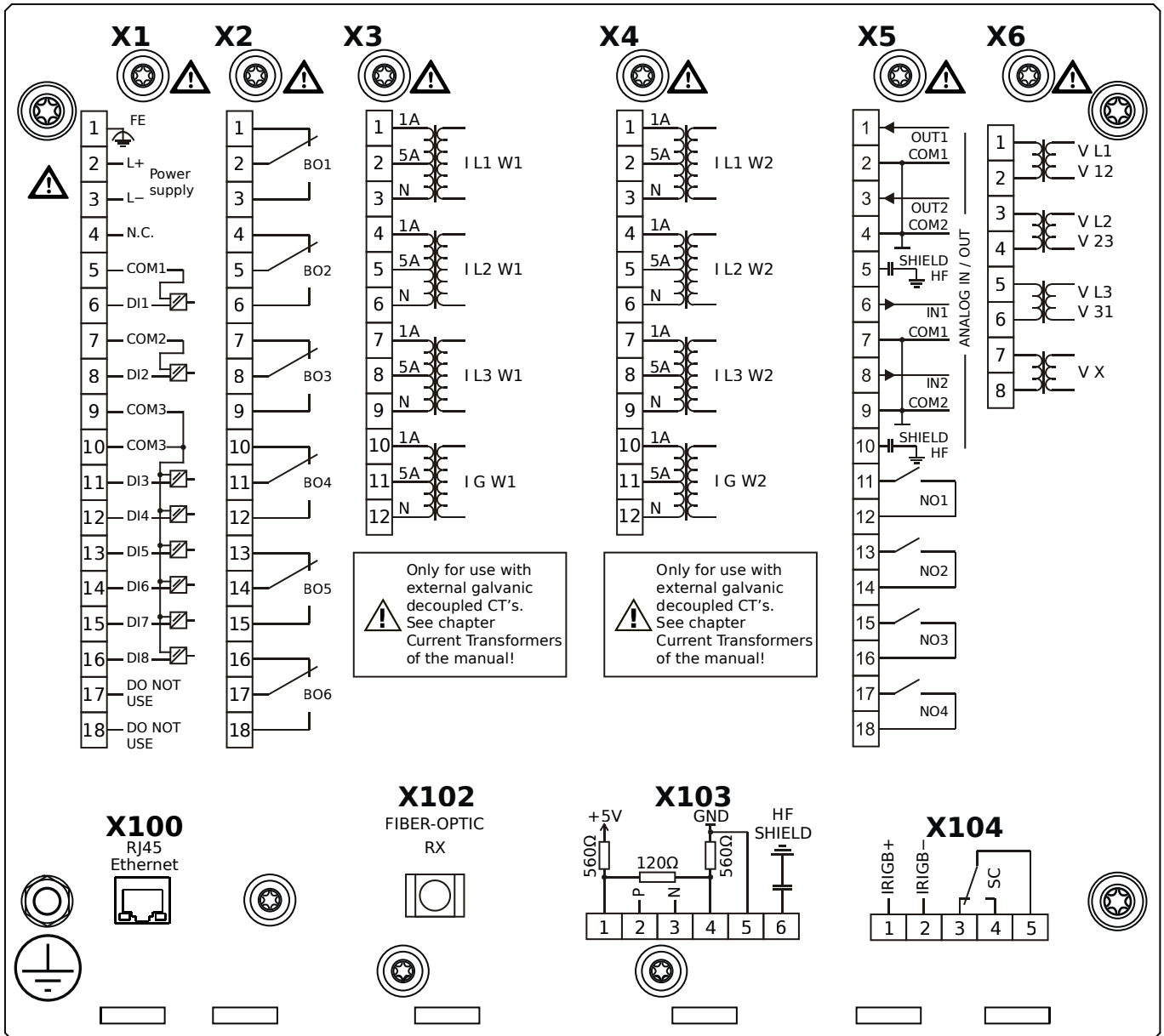


Housing B2, large display, door mounting

+ Conformal Coating (for installations in harsh environment)

- X1** – DI8-X1: Wide-range power supply unit, incl. 2 non-grouped digital inputs and 6 grouped digital inputs
- X2** – OR6: Assembly Group with 6 Output Relays
- X3** – TI: Standard current measuring card (for the winding side 1)
- X4** – TI: Standard current measuring card (for the winding side 2)
- X5** – AnIO2-OR4: Assembly Group with 2 Analog Inputs, 2 Analog Outputs and 4 Output Relays
- X6** – TU: Card with 4 voltage transformer measuring inputs
- X102** – Universal Resistance-Temperature Detector (URTD) input, Fiber optics interface, Versatile Link
- X103** – Modbus TCP / DNP3.0 TCP/UDP, Fiber optics interface, LC Connector
- X104** – IRIG-B00X, incl. System Contact (Supervision Contact)

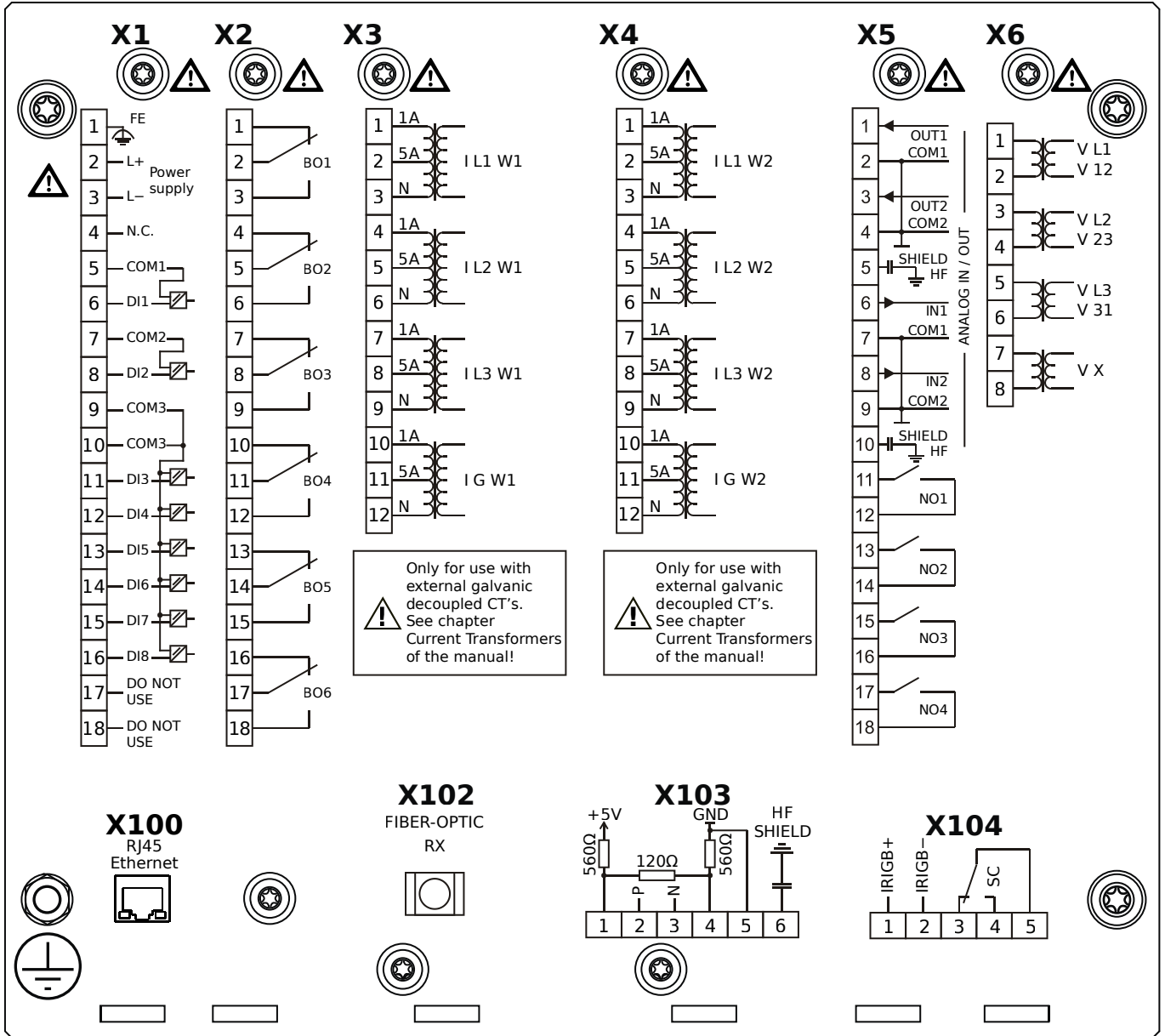
MCDTV4-2B0ATA



Housing B2, large display, door mounting

- X1** – DI8-X1: Wide-range power supply unit, incl. 2 non-grouped digital inputs and 6 grouped digital inputs
- X2** – OR6: Assembly Group with 6 Output Relays
- X3** – TI: Standard current measuring card (for the winding side 1)
- X4** – TI: Standard current measuring card (for the winding side 2)
- X5** – AnIO2-OR4: Assembly Group with 2 Analog Inputs, 2 Analog Outputs and 4 Output Relays
- X6** – TU: Card with 4 voltage transformer measuring inputs
- X100** – IEC 61850 / Modbus TCP / DNP3.0 TCP/UDP, Ethernet interface, 100 Mbit/s, RJ45 (BASE100-FX)
- X102** – Universal Resistance-Temperature Detector (URTD) input, Fiber optics interface, Versatile Link
- X103** – IEC 60870-5-103 / Modbus RTU / DNP3.0 RTU, RS485, Terminals
- X104** – IRIG-B00X, incl. System Contact (Supervision Contact)

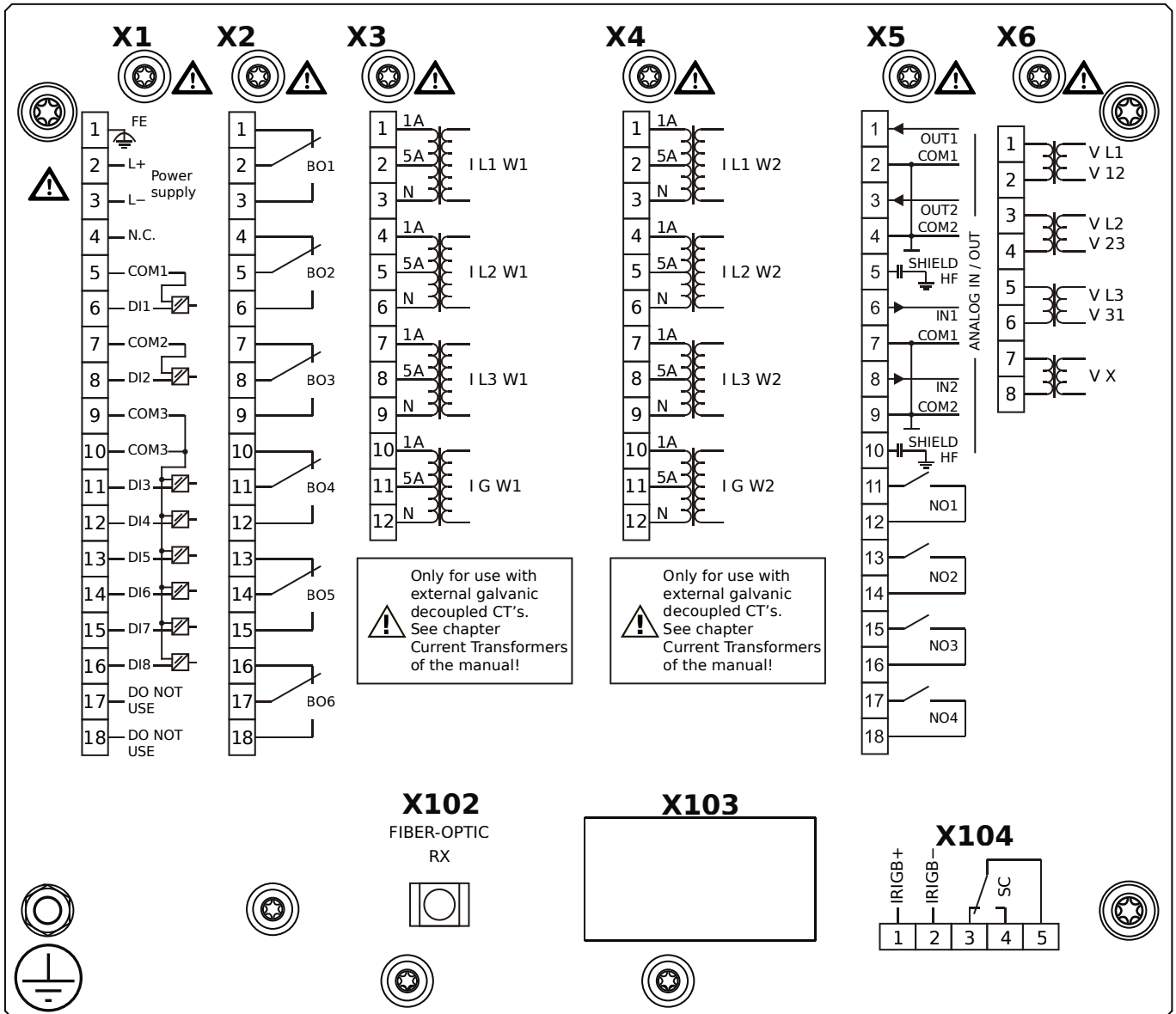
MCDTV4-2B0ATB



Housing B2, large display, door mounting

- + Conformal Coating (for installations in harsh environment)
- X1** – DI8-X1: Wide-range power supply unit, incl. 2 non-grouped digital inputs and 6 grouped digital inputs
- X2** – OR6: Assembly Group with 6 Output Relays
- X3** – TI: Standard current measuring card (for the winding side 1)
- X4** – TI: Standard current measuring card (for the winding side 2)
- X5** – AnIO2-OR4: Assembly Group with 2 Analog Inputs, 2 Analog Outputs and 4 Output Relays
- X6** – TU: Card with 4 voltage transformer measuring inputs
- X100** – IEC 61850 / Modbus TCP / DNP3.0 TCP/UDP, Ethernet interface, 100 Mbit/s, RJ45 (BASE100-FX)
- X102** – Universal Resistance-Temperature Detector (URTD) input, Fiber optics interface, Versatile Link
- X103** – IEC 60870-5-103 / Modbus RTU / DNP3.0 RTU, RS485, Terminals
- X104** – IRIG-B00X, incl. System Contact (Supervision Contact)

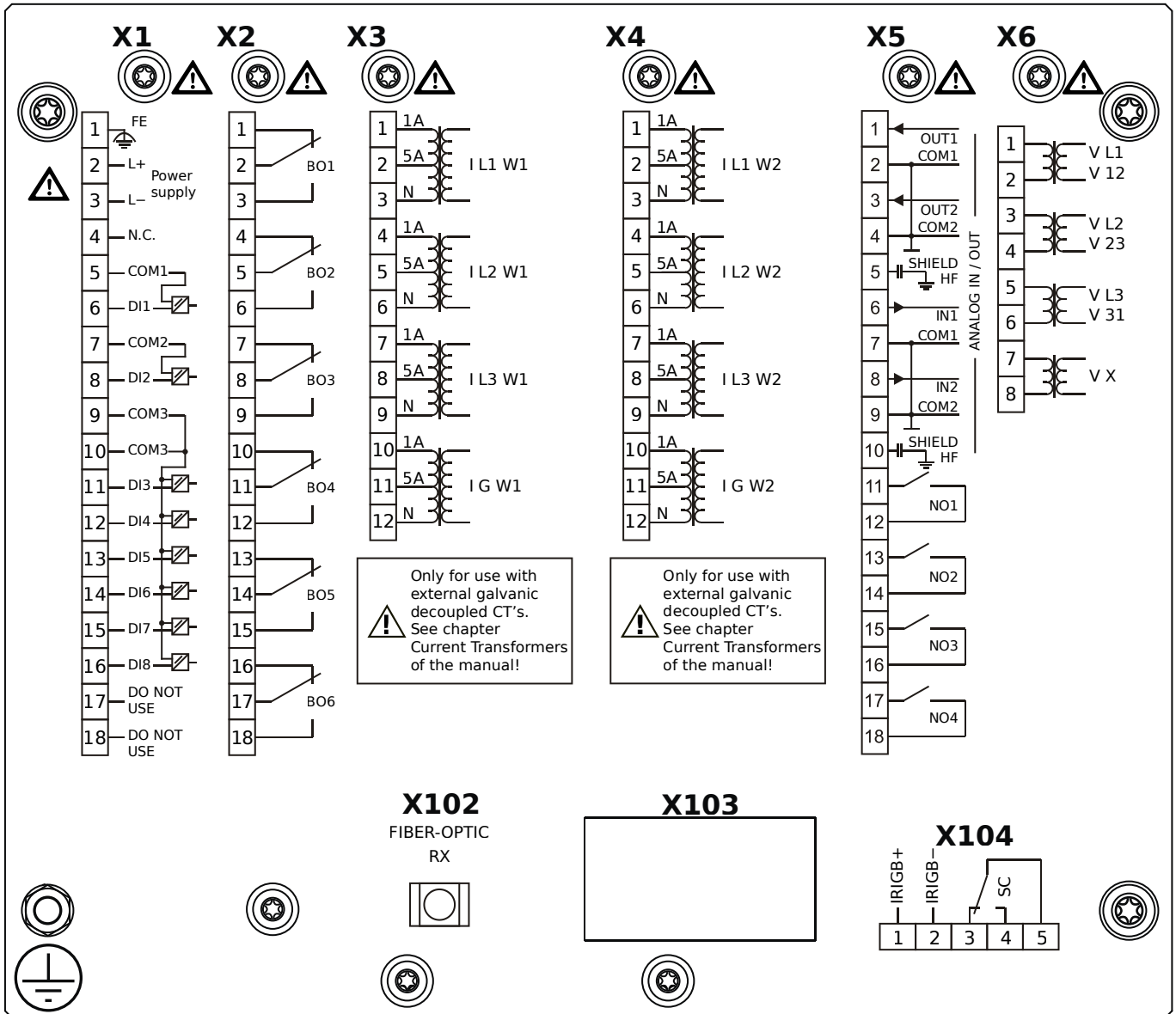
MCDTV4-2B0BAA



Housing B2, large display, 19" rack mounting

- X1** – DI8-X1: Wide-range power supply unit, incl. 2 non-grouped digital inputs and 6 grouped digital inputs
- X2** – OR6: Assembly Group with 6 Output Relays
- X3** – TI: Standard current measuring card (for the winding side 1)
- X4** – TI: Standard current measuring card (for the winding side 2)
- X5** – AnIO2-OR4: Assembly Group with 2 Analog Inputs, 2 Analog Outputs and 4 Output Relays
- X6** – TU: Card with 4 voltage transformer measuring inputs
- X102** – Universal Resistance-Temperature Detector (URTD) input, Fiber optics interface, Versatile Link
- X104** – IRIG-B00X, incl. System Contact (Supervision Contact)

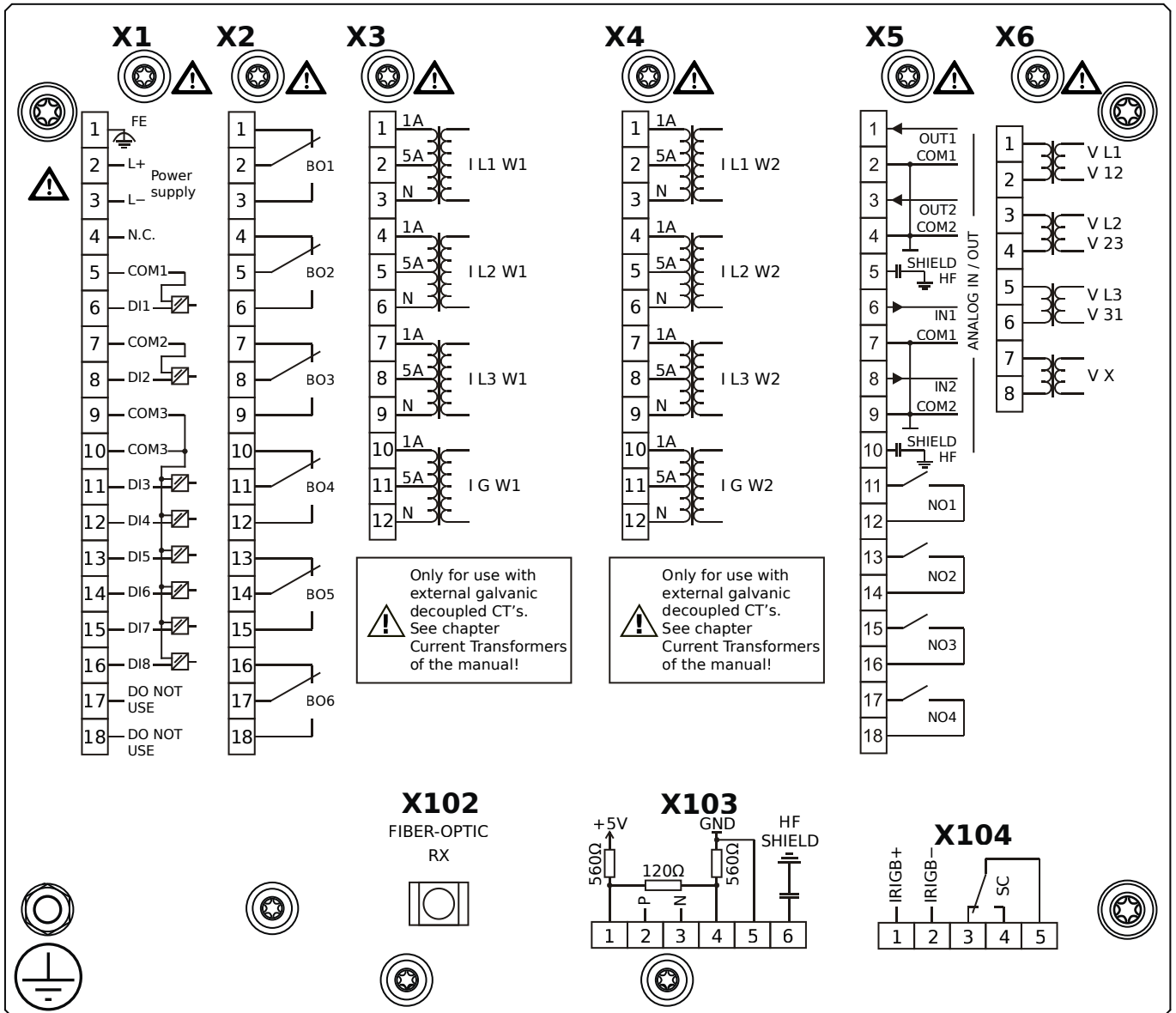
MCDTV4-2B0BAB



Housing B2, large display, 19" rack mounting

- + Conformal Coating (for installations in harsh environment)
- X1** – DI8-X1: Wide-range power supply unit, incl. 2 non-grouped digital inputs and 6 grouped digital inputs
- X2** – OR6: Assembly Group with 6 Output Relays
- X3** – TI: Standard current measuring card (for the winding side 1)
- X4** – TI: Standard current measuring card (for the winding side 2)
- X5** – AnIO2-OR4: Assembly Group with 2 Analog Inputs, 2 Analog Outputs and 4 Output Relays
- X6** – TU: Card with 4 voltage transformer measuring inputs
- X102** – Universal Resistance-Temperature Detector (URTD) input, Fiber optics interface, Versatile Link
- X104** – IRIG-B00X, incl. System Contact (Supervision Contact)

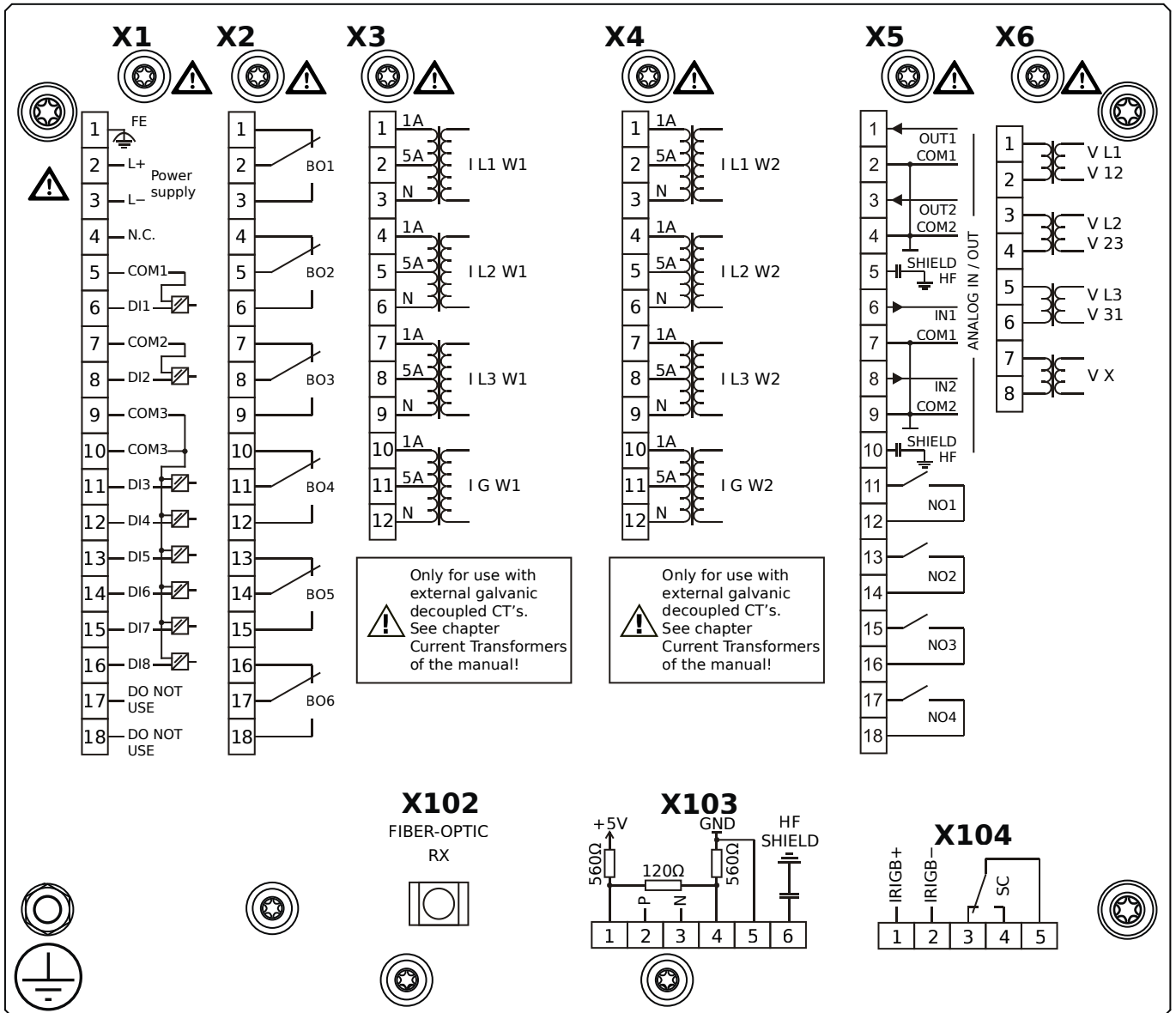
MCDTV4-2B0BBA



Housing B2, large display, 19" rack mounting

- X1** – DI8-X1: Wide-range power supply unit, incl. 2 non-grouped digital inputs and 6 grouped digital inputs
- X2** – OR6: Assembly Group with 6 Output Relays
- X3** – TI: Standard current measuring card (for the winding side 1)
- X4** – TI: Standard current measuring card (for the winding side 2)
- X5** – AnIO2-OR4: Assembly Group with 2 Analog Inputs, 2 Analog Outputs and 4 Output Relays
- X6** – TU: Card with 4 voltage transformer measuring inputs
- X102** – Universal Resistance-Temperature Detector (URTD) input, Fiber optics interface, Versatile Link
- X103** – Modbus RTU / IEC 60870-5-103 / DNP3.0 RTU, RS485, Terminals
- X104** – IRIG-B00X, incl. System Contact (Supervision Contact)

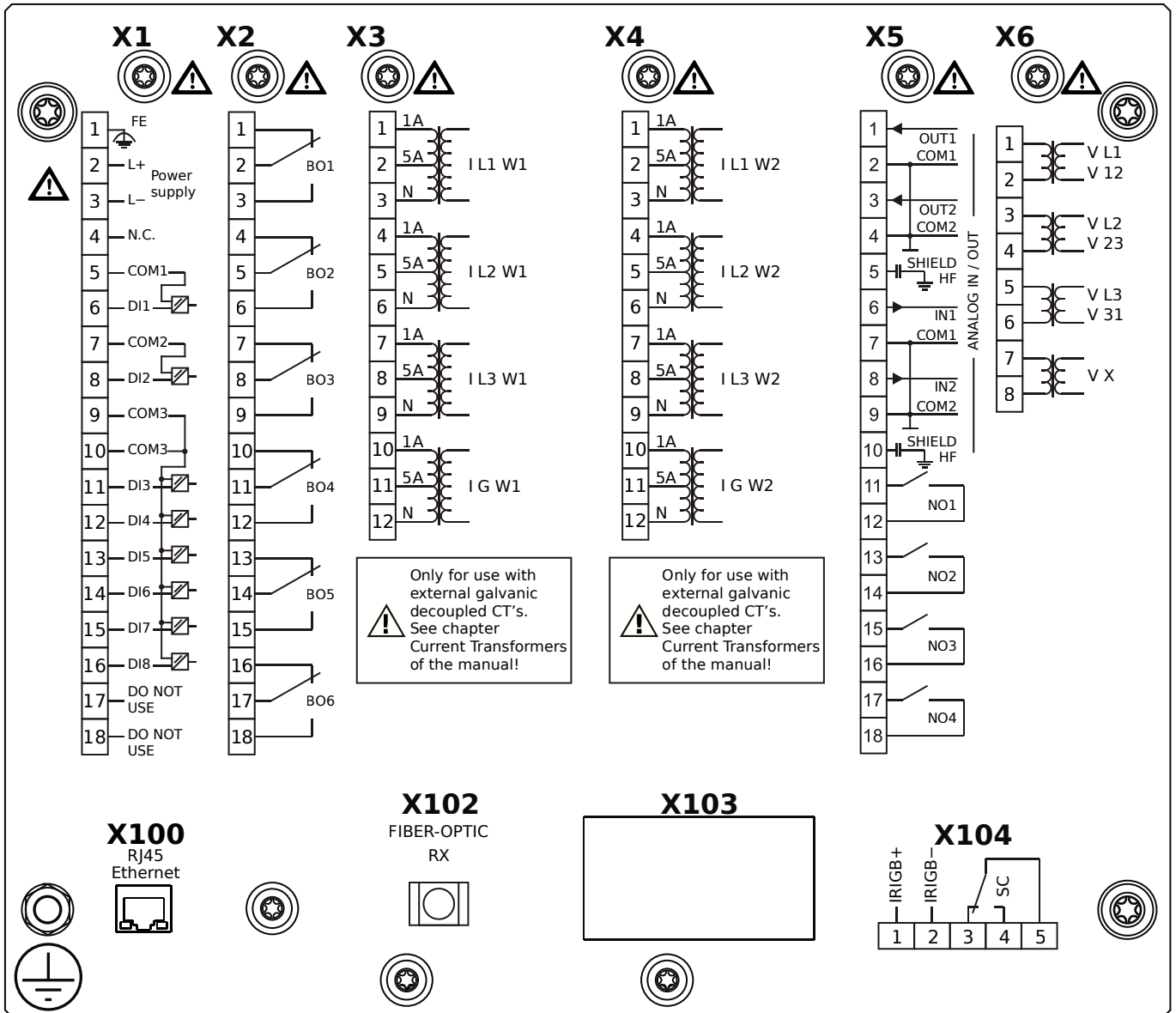
MCDTV4-2B0BBB



Housing B2, large display, 19" rack mounting

- + Conformal Coating (for installations in harsh environment)
- X1** – DI8-X1: Wide-range power supply unit, incl. 2 non-grouped digital inputs and 6 grouped digital inputs
- X2** – OR6: Assembly Group with 6 Output Relays
- X3** – TI: Standard current measuring card (for the winding side 1)
- X4** – TI: Standard current measuring card (for the winding side 2)
- X5** – AnIO2-OR4: Assembly Group with 2 Analog Inputs, 2 Analog Outputs and 4 Output Relays
- X6** – TU: Card with 4 voltage transformer measuring inputs
- X102** – Universal Resistance-Temperature Detector (URTD) input, Fiber optics interface, Versatile Link
- X103** – Modbus RTU / IEC 60870-5-103 / DNP3.0 RTU, RS485, Terminals
- X104** – IRIG-B00X, incl. System Contact (Supervision Contact)

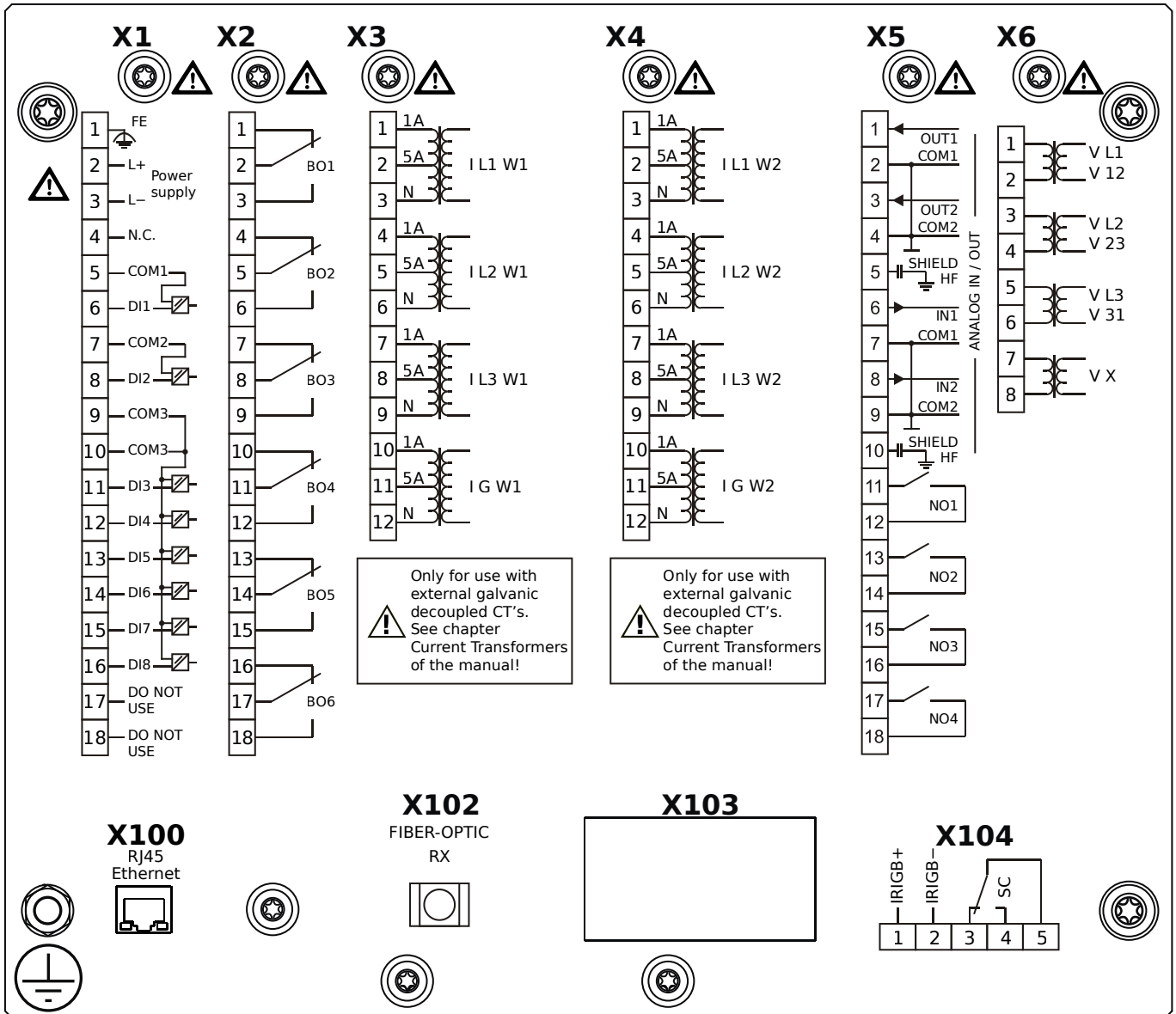
MCDTV4-2B0BCA



Housing B2, large display, 19" rack mounting

- X1** – DI8-X1: Wide-range power supply unit, incl. 2 non-grouped digital inputs and 6 grouped digital inputs
- X2** – OR6: Assembly Group with 6 Output Relays
- X3** – TI: Standard current measuring card (for the winding side 1)
- X4** – TI: Standard current measuring card (for the winding side 2)
- X5** – AnIO2-OR4: Assembly Group with 2 Analog Inputs, 2 Analog Outputs and 4 Output Relays
- X6** – TU: Card with 4 voltage transformer measuring inputs
- X100** – Modbus TCP / DNP3.0 TCP/UDP, Ethernet interface, 100 Mbit/s, RJ45 (BASE100-FX)
- X102** – Universal Resistance-Temperature Detector (URTD) input, Fiber optics interface, Versatile Link
- X104** – IRIG-B00X, incl. System Contact (Supervision Contact)

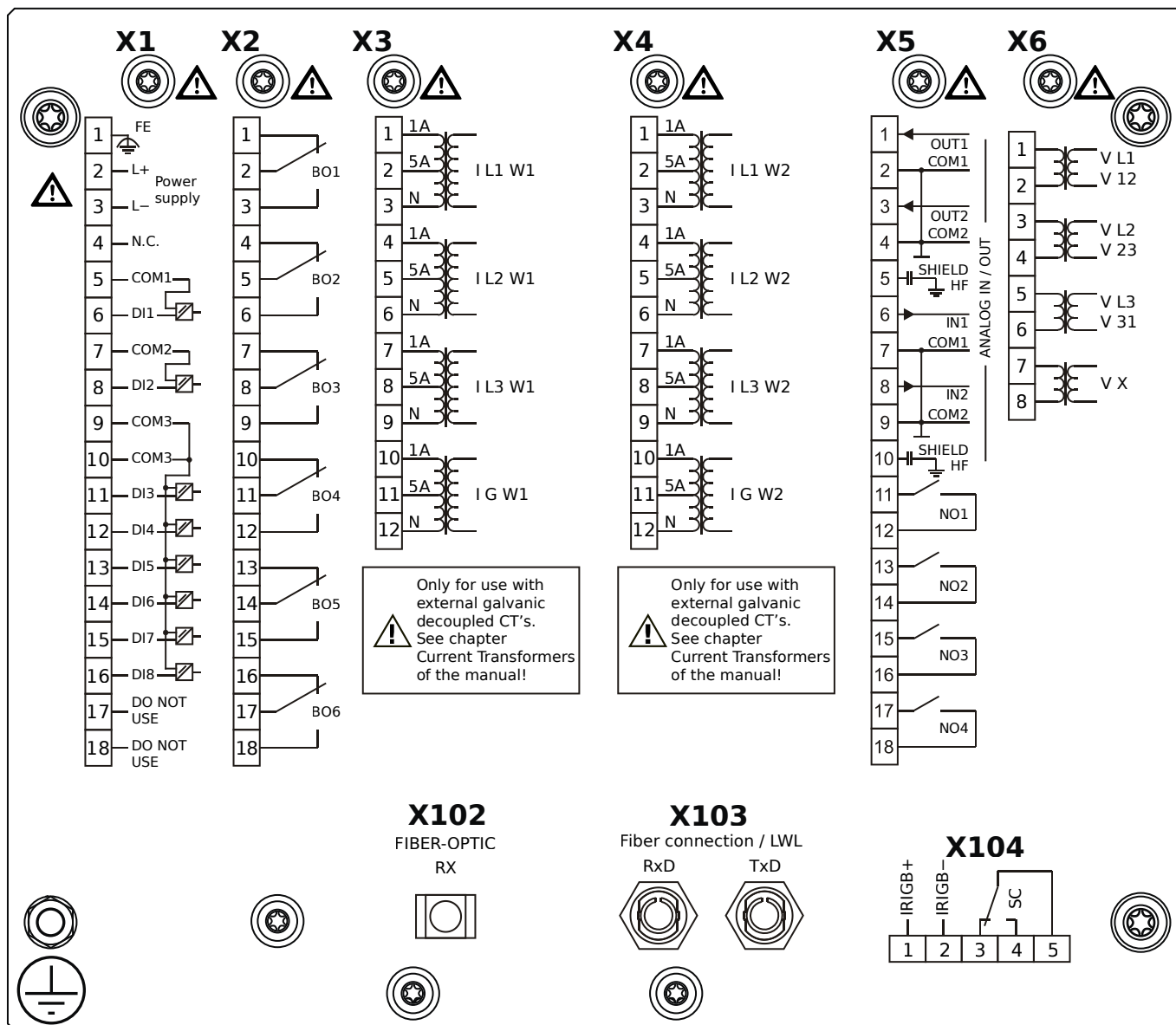
MCDTV4-2B0BCB



Housing B2, large display, 19" rack mounting

- + Conformal Coating (for installations in harsh environment)
- X1** – DI8-X1: Wide-range power supply unit, incl. 2 non-grouped digital inputs and 6 grouped digital inputs
- X2** – OR6: Assembly Group with 6 Output Relays
- X3** – TI: Standard current measuring card (for the winding side 1)
- X4** – TI: Standard current measuring card (for the winding side 2)
- X5** – AnIO2-OR4: Assembly Group with 2 Analog Inputs, 2 Analog Outputs and 4 Output Relays
- X6** – TU: Card with 4 voltage transformer measuring inputs
- X100** – Modbus TCP / DNP3.0 TCP/UDP, Ethernet interface, 100 Mbit/s, RJ45 (BASE100-FX)
- X102** – Universal Resistance-Temperature Detector (URTD) input, Fiber optics interface, Versatile Link
- X104** – IRIG-B00X, incl. System Contact (Supervision Contact)

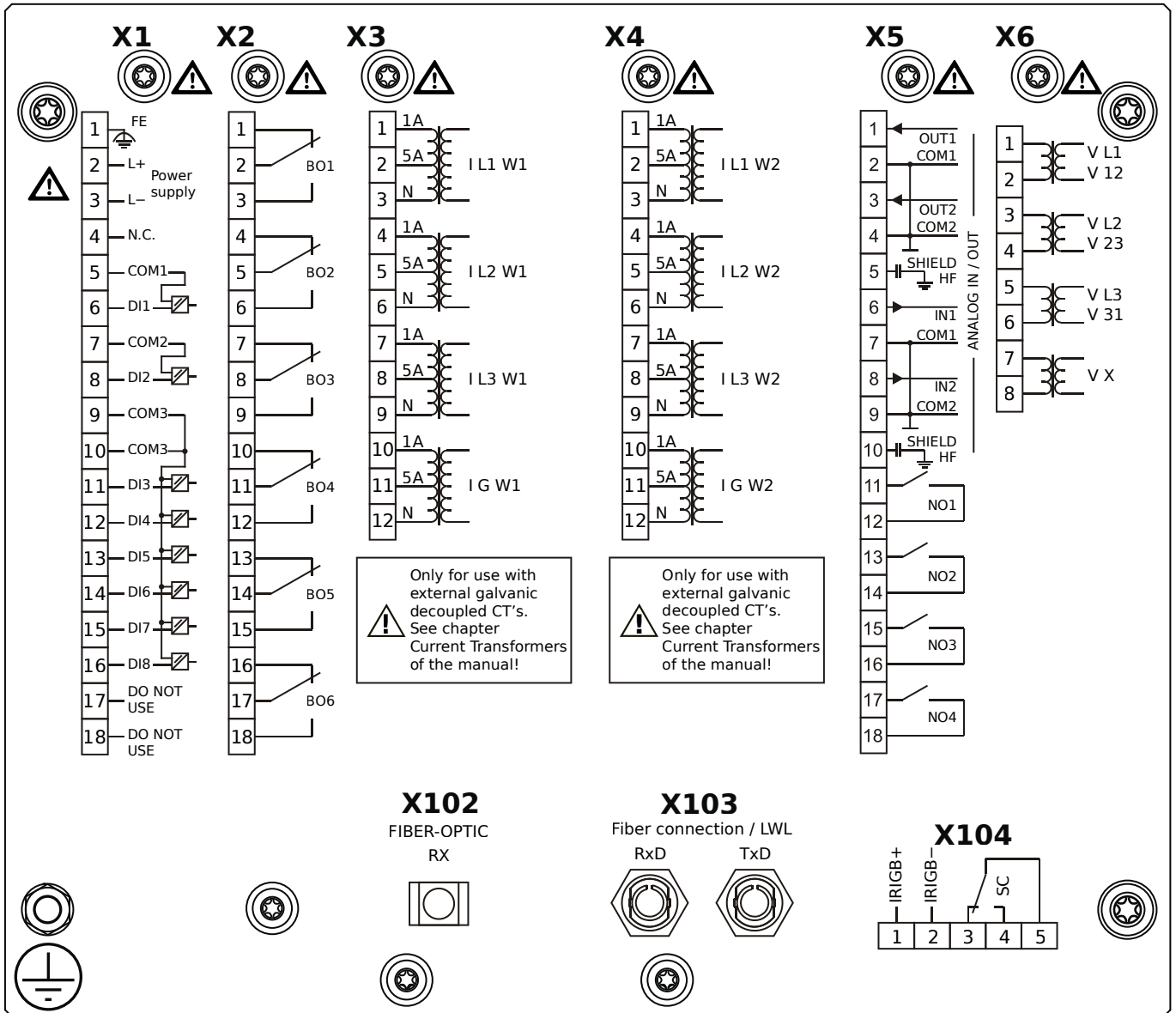
MCDTV4-2B0BDA



Housing B2, large display, 19" rack mounting

- X1** – DI8-X1: Wide-range power supply unit, incl. 2 non-grouped digital inputs and 6 grouped digital inputs
- X2** – OR6: Assembly Group with 6 Output Relays
- X3** – TI: Standard current measuring card (for the winding side 1)
- X4** – TI: Standard current measuring card (for the winding side 2)
- X5** – AnIO2-OR4: Assembly Group with 2 Analog Inputs, 2 Analog Outputs and 4 Output Relays
- X6** – TU: Card with 4 voltage transformer measuring inputs
- X102** – Universal Resistance-Temperature Detector (URTD) input, Fiber optics interface, Versatile Link
- X103** – Profibus-DP, Fiber optics interface, ST Connector
- X104** – IRIG-B00X, incl. System Contact (Supervision Contact)

MCDTV4-2B0BDB

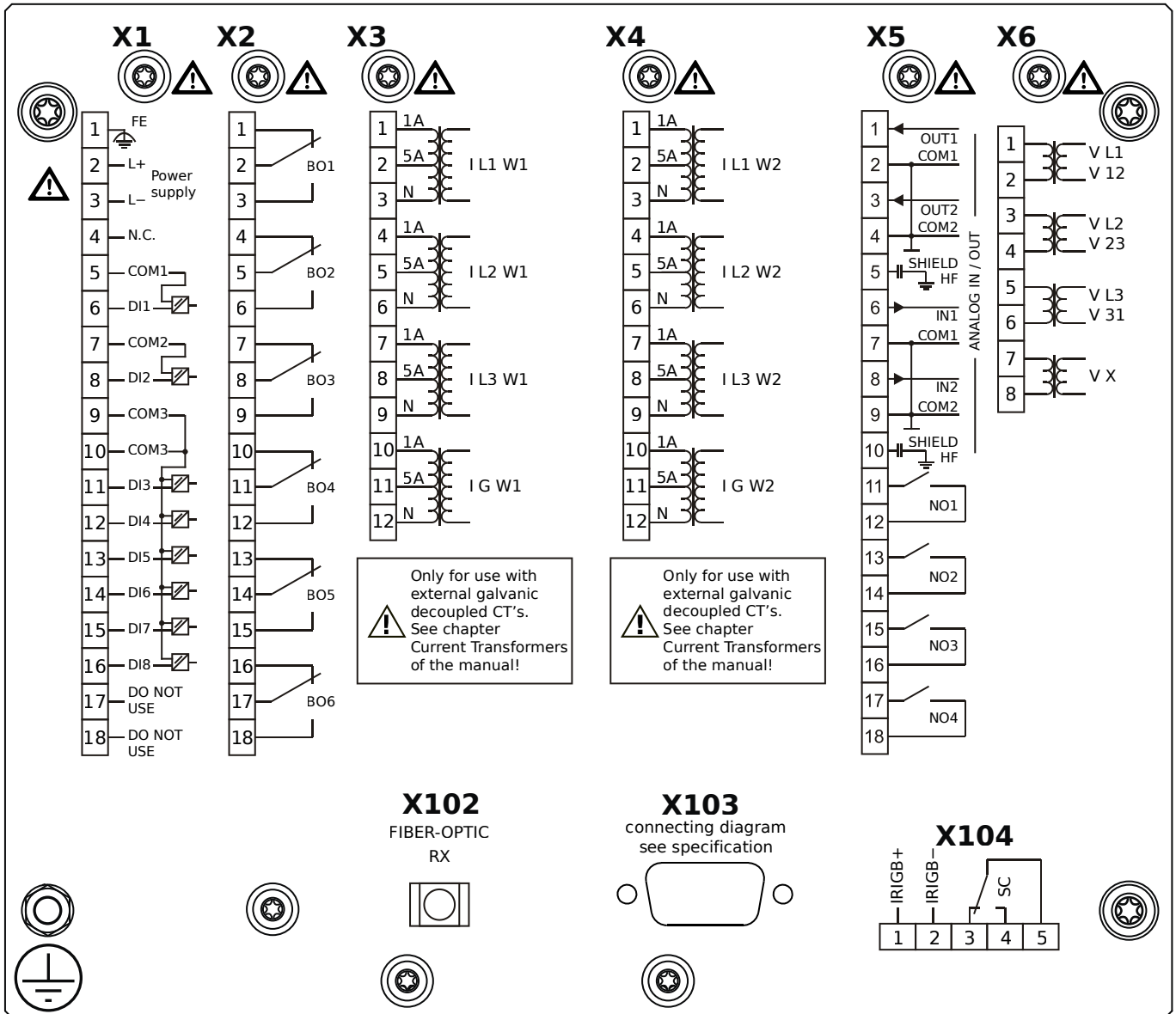


Housing B2, large display, 19" rack mounting

+ Conformal Coating (for installations in harsh environment)

- X1** – DI8-X1: Wide-range power supply unit, incl. 2 non-grouped digital inputs and 6 grouped digital inputs
- X2** – OR6: Assembly Group with 6 Output Relays
- X3** – TI: Standard current measuring card (for the winding side 1)
- X4** – TI: Standard current measuring card (for the winding side 2)
- X5** – AnIO2-OR4: Assembly Group with 2 Analog Inputs, 2 Analog Outputs and 4 Output Relays
- X6** – TU: Card with 4 voltage transformer measuring inputs
- X102** – Universal Resistance-Temperature Detector (URTD) input, Fiber optics interface, Versatile Link
- X103** – Profibus-DP, Fiber optics interface, ST Connector
- X104** – IRIG-B00X, incl. System Contact (Supervision Contact)

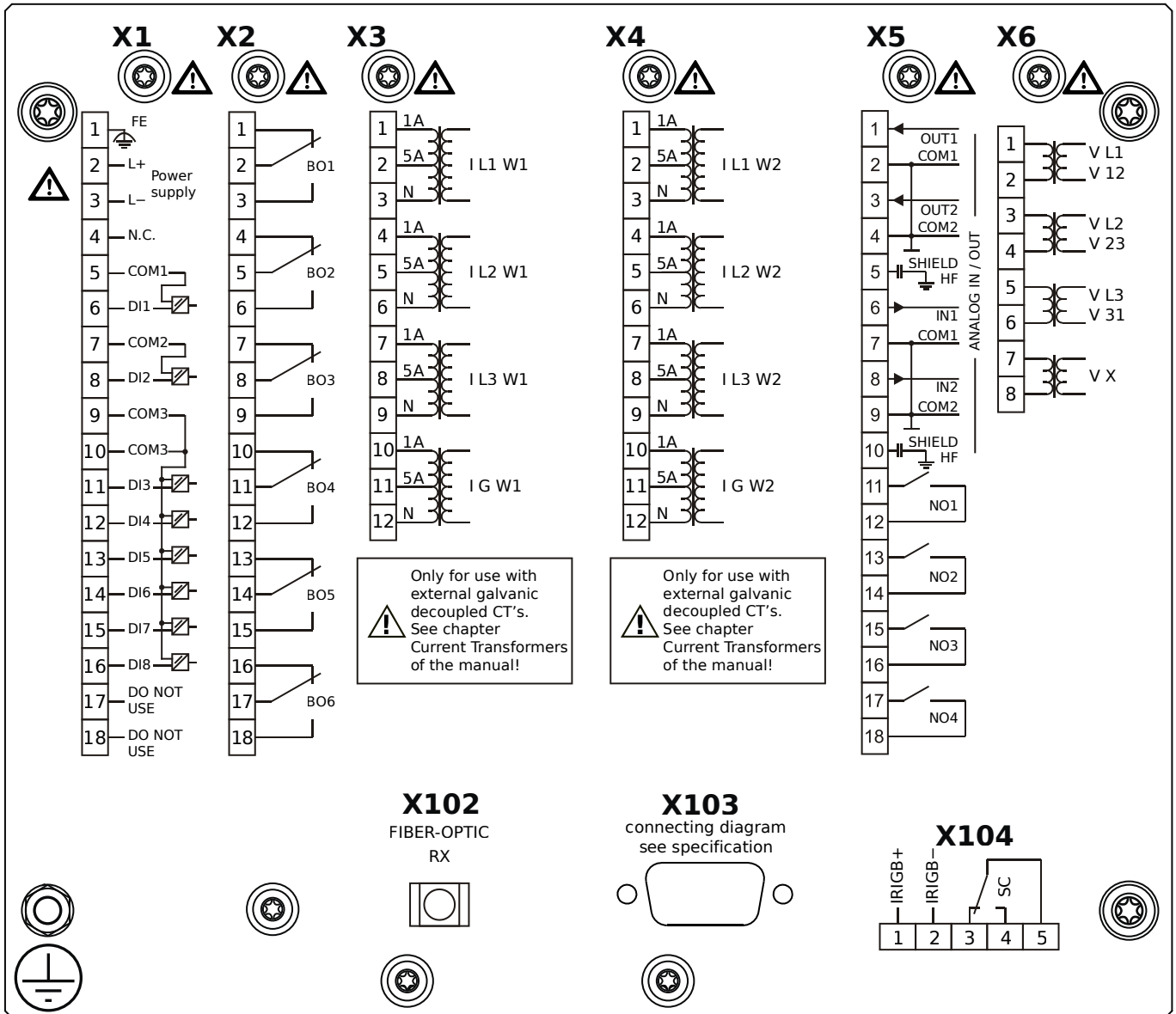
MCDTV4-2B0BEA



Housing B2, large display, 19" rack mounting

- X1** – DI8-X1: Wide-range power supply unit, incl. 2 non-grouped digital inputs and 6 grouped digital inputs
- X2** – OR6: Assembly Group with 6 Output Relays
- X3** – TI: Standard current measuring card (for the winding side 1)
- X4** – TI: Standard current measuring card (for the winding side 2)
- X5** – AnIO2-OR4: Assembly Group with 2 Analog Inputs, 2 Analog Outputs and 4 Output Relays
- X6** – TU: Card with 4 voltage transformer measuring inputs
- X102** – Universal Resistance-Temperature Detector (URTD) input, Fiber optics interface, Versatile Link
- X103** – Profibus-DP, RS485, D-SUB
- X104** – IRIG-B00X, incl. System Contact (Supervision Contact)

MCDTV4-2B0BEB

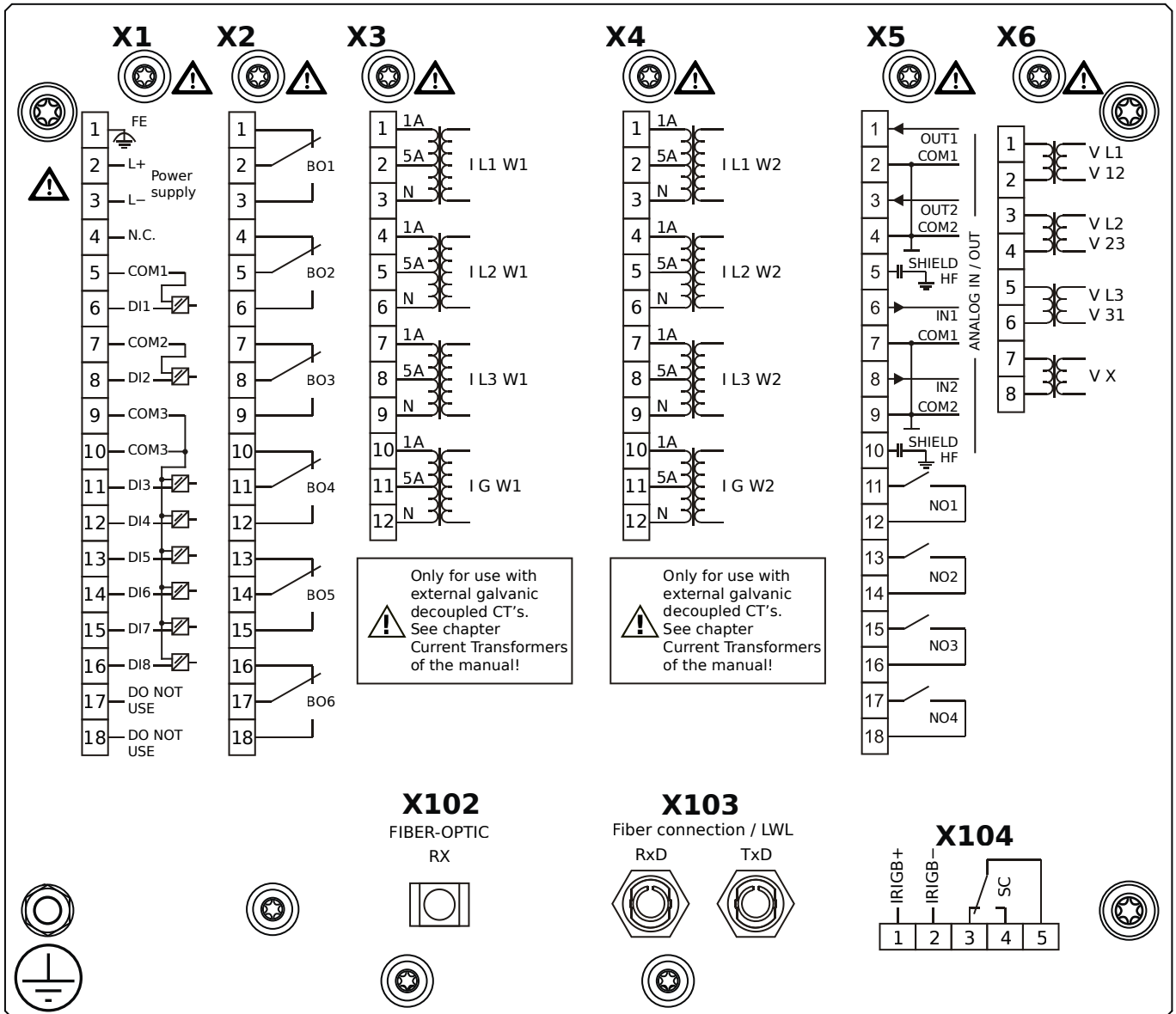


Housing B2, large display, 19" rack mounting

+ Conformal Coating (for installations in harsh environment)

- X1** – DI8-X1: Wide-range power supply unit, incl. 2 non-grouped digital inputs and 6 grouped digital inputs
- X2** – OR6: Assembly Group with 6 Output Relays
- X3** – TI: Standard current measuring card (for the winding side 1)
- X4** – TI: Standard current measuring card (for the winding side 2)
- X5** – AnIO2-OR4: Assembly Group with 2 Analog Inputs, 2 Analog Outputs and 4 Output Relays
- X6** – TU: Card with 4 voltage transformer measuring inputs
- X102** – Universal Resistance-Temperature Detector (URTD) input, Fiber optics interface, Versatile Link
- X103** – Profibus-DP, RS485, D-SUB
- X104** – IRIG-B00X, incl. System Contact (Supervision Contact)

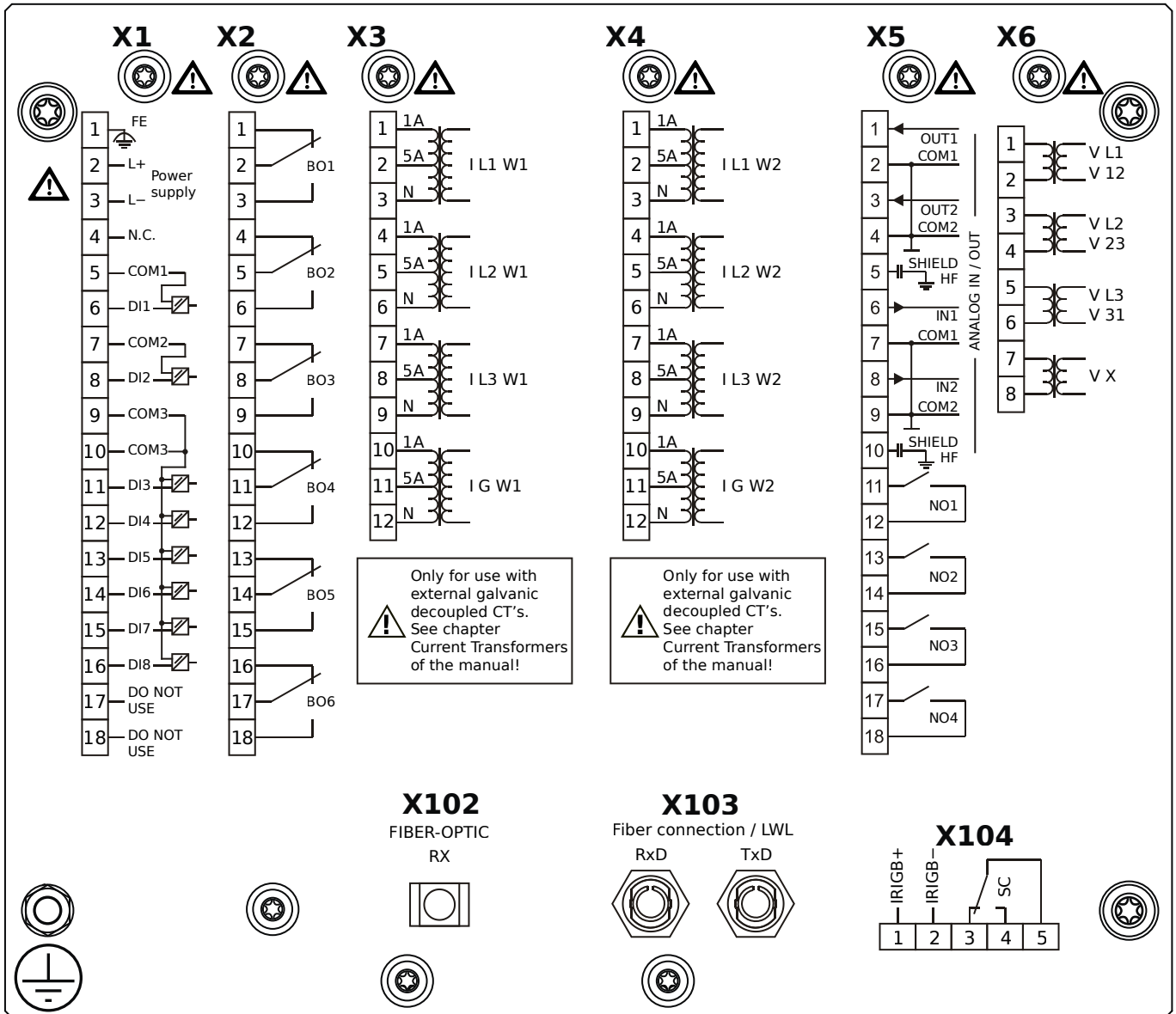
MCDTV4-2B0BFA



Housing B2, large display, 19" rack mounting

- X1** – DI8-X1: Wide-range power supply unit, incl. 2 non-grouped digital inputs and 6 grouped digital inputs
- X2** – OR6: Assembly Group with 6 Output Relays
- X3** – TI: Standard current measuring card (for the winding side 1)
- X4** – TI: Standard current measuring card (for the winding side 2)
- X5** – AnIO2-OR4: Assembly Group with 2 Analog Inputs, 2 Analog Outputs and 4 Output Relays
- X6** – TU: Card with 4 voltage transformer measuring inputs
- X102** – Universal Resistance-Temperature Detector (URTD) input, Fiber optics interface, Versatile Link
- X103** – Modbus RTU / IEC 60870-5-103 / DNP3.0 RTU, Fiber optics interface, ST Connector
- X104** – IRIG-B00X, incl. System Contact (Supervision Contact)

MCDTV4-2B0BFB

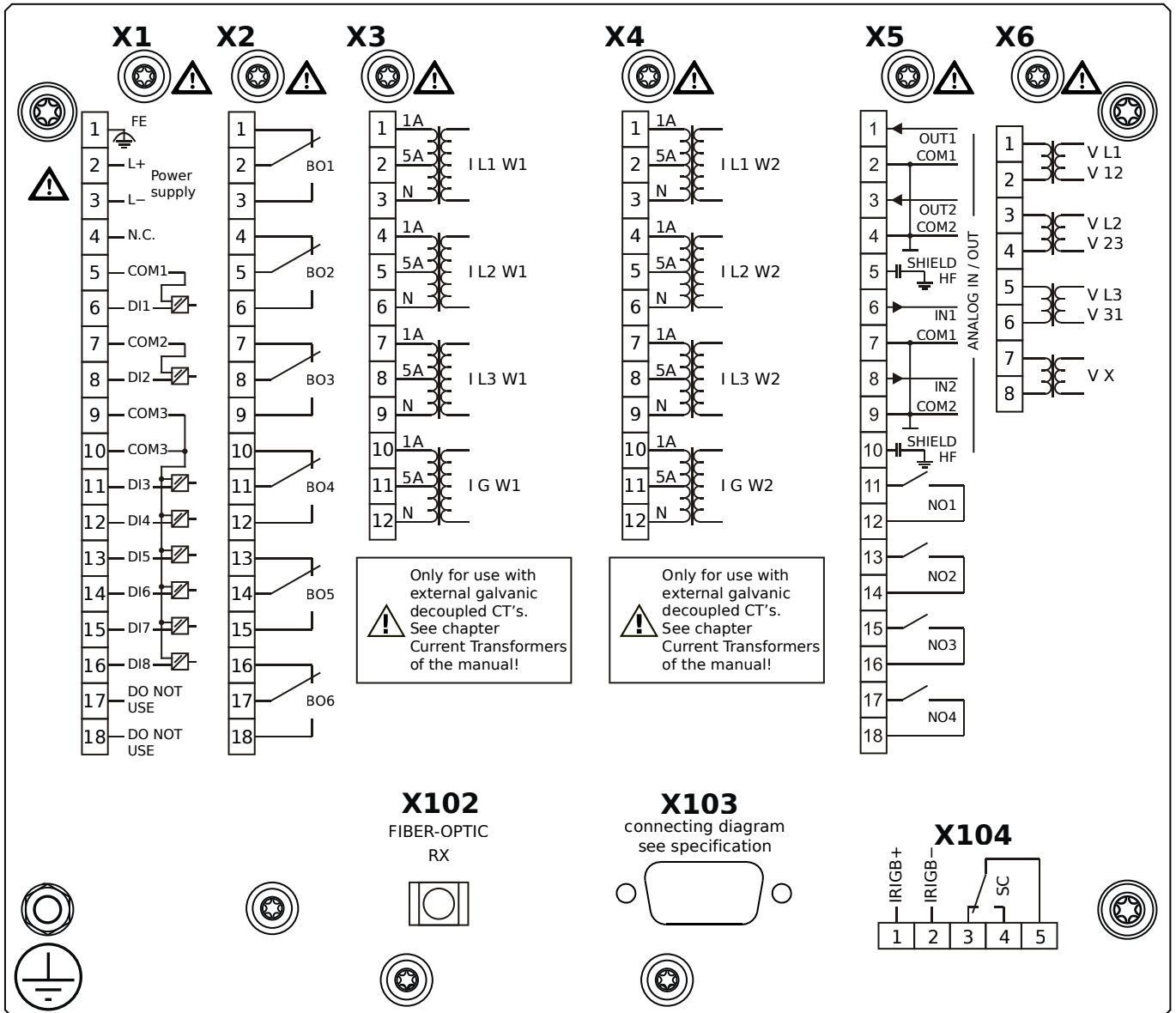


Housing B2, large display, 19" rack mounting

+ Conformal Coating (for installations in harsh environment)

- X1** – DI8-X1: Wide-range power supply unit, incl. 2 non-grouped digital inputs and 6 grouped digital inputs
- X2** – OR6: Assembly Group with 6 Output Relays
- X3** – TI: Standard current measuring card (for the winding side 1)
- X4** – TI: Standard current measuring card (for the winding side 2)
- X5** – AnIO2-OR4: Assembly Group with 2 Analog Inputs, 2 Analog Outputs and 4 Output Relays
- X6** – TU: Card with 4 voltage transformer measuring inputs
- X102** – Universal Resistance-Temperature Detector (URTD) input, Fiber optics interface, Versatile Link
- X103** – Modbus RTU / IEC 60870-5-103 / DNP3.0 RTU, Fiber optics interface, ST Connector
- X104** – IRIG-B00X, incl. System Contact (Supervision Contact)

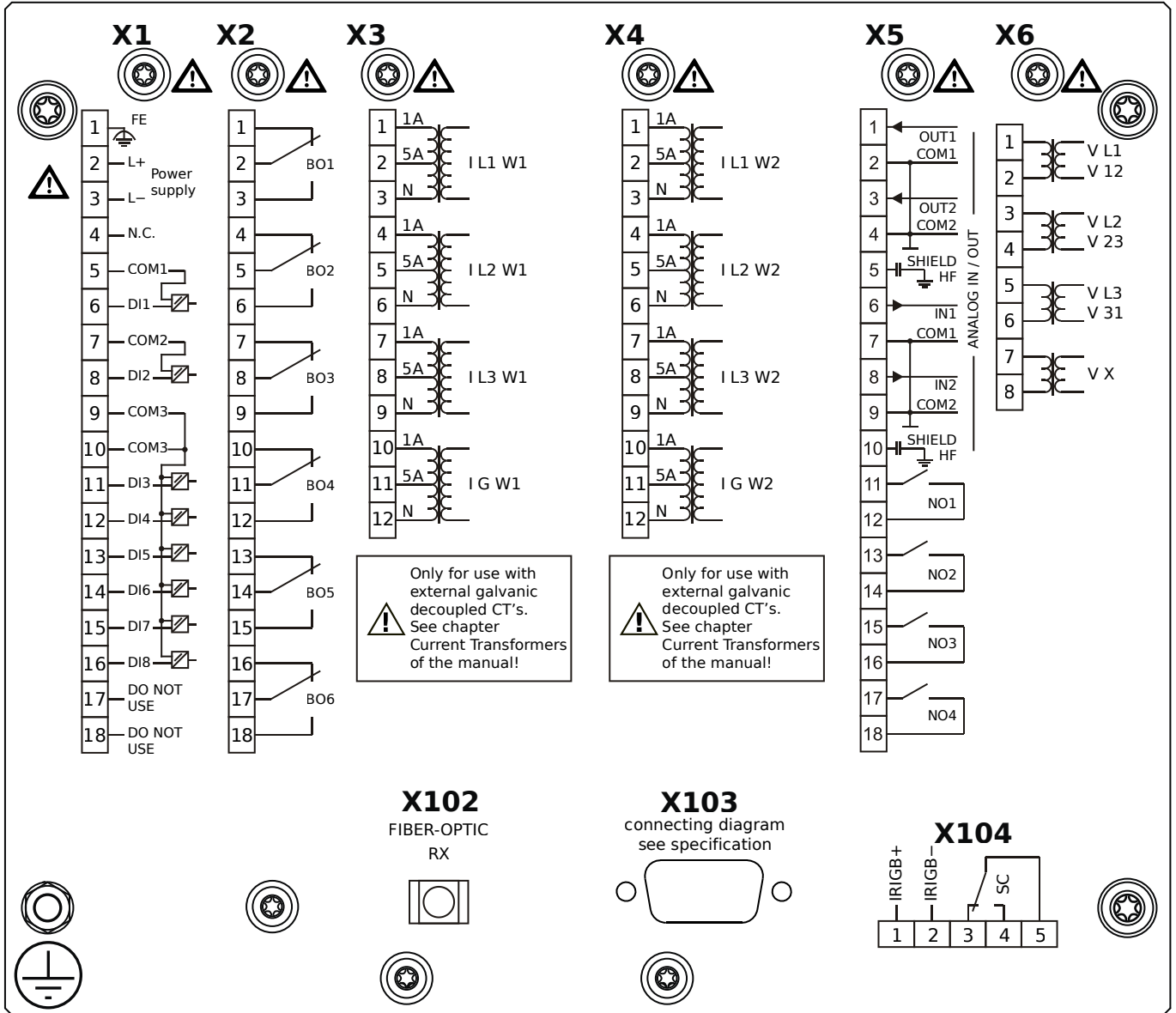
MCDTV4-2B0BGA



Housing B2, large display, 19" rack mounting

- X1** – DI8-X1: Wide-range power supply unit, incl. 2 non-grouped digital inputs and 6 grouped digital inputs
- X2** – OR6: Assembly Group with 6 Output Relays
- X3** – TI: Standard current measuring card (for the winding side 1)
- X4** – TI: Standard current measuring card (for the winding side 2)
- X5** – AnIO2-OR4: Assembly Group with 2 Analog Inputs, 2 Analog Outputs and 4 Output Relays
- X6** – TU: Card with 4 voltage transformer measuring inputs
- X102** – Universal Resistance-Temperature Detector (URTD) input, Fiber optics interface, Versatile Link
- X103** – Modbus RTU / IEC 60870-5-103 / DNP3.0 RTU, RS485, D-SUB
- X104** – IRIG-B00X, incl. System Contact (Supervision Contact)

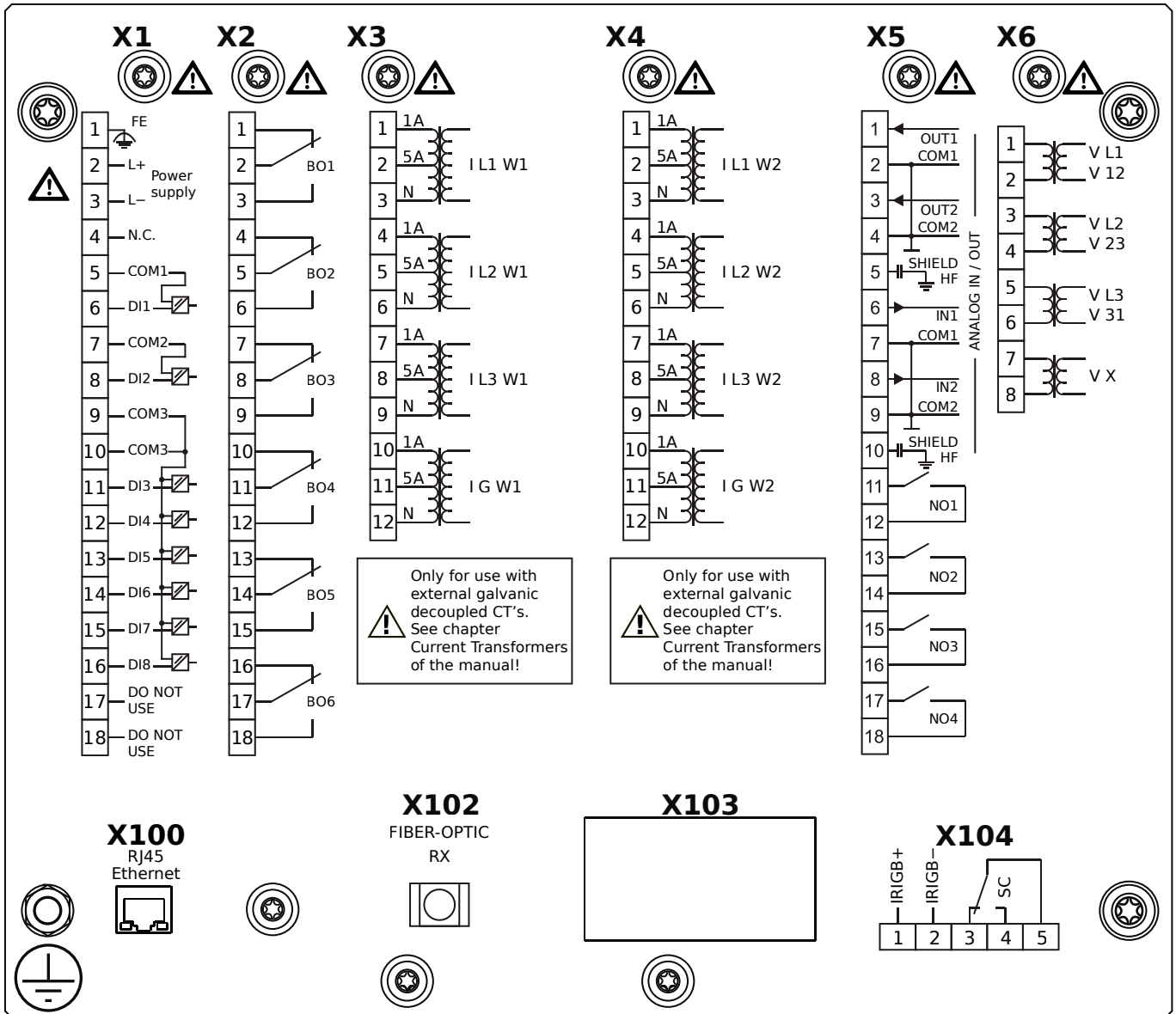
MCDTV4-2B0BGB



Housing B2, large display, 19" rack mounting

- + Conformal Coating (for installations in harsh environment)
- X1** – DI8-X1: Wide-range power supply unit, incl. 2 non-grouped digital inputs and 6 grouped digital inputs
- X2** – OR6: Assembly Group with 6 Output Relays
- X3** – TI: Standard current measuring card (for the winding side 1)
- X4** – TI: Standard current measuring card (for the winding side 2)
- X5** – AnIO2-OR4: Assembly Group with 2 Analog Inputs, 2 Analog Outputs and 4 Output Relays
- X6** – TU: Card with 4 voltage transformer measuring inputs
- X102** – Universal Resistance-Temperature Detector (URTD) input, Fiber optics interface, Versatile Link
- X103** – Modbus RTU / IEC 60870-5-103 / DNP3.0 RTU, RS485, D-SUB
- X104** – IRIG-B00X, incl. System Contact (Supervision Contact)

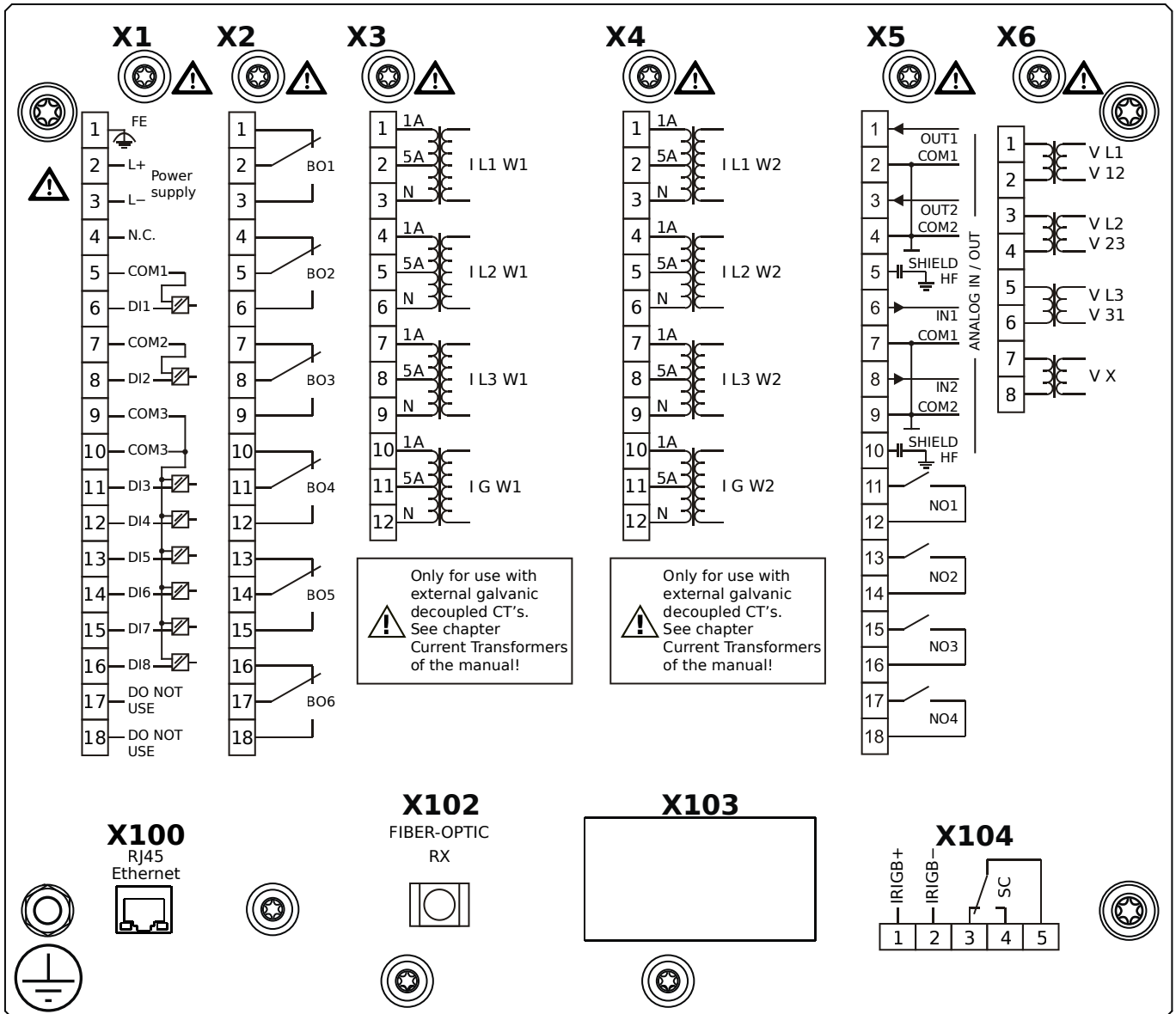
MCDTV4-2B0BHA



Housing B2, large display, 19" rack mounting

- X1** – DI8-X1: Wide-range power supply unit, incl. 2 non-grouped digital inputs and 6 grouped digital inputs
- X2** – OR6: Assembly Group with 6 Output Relays
- X3** – TI: Standard current measuring card (for the winding side 1)
- X4** – TI: Standard current measuring card (for the winding side 2)
- X5** – AnIO2-OR4: Assembly Group with 2 Analog Inputs, 2 Analog Outputs and 4 Output Relays
- X6** – TU: Card with 4 voltage transformer measuring inputs
- X100** – IEC 61850 / Modbus TCP / DNP3.0 TCP/UDP, Ethernet interface, 100 Mbit/s, RJ45 (BASE100-FX)
- X102** – Universal Resistance-Temperature Detector (URTD) input, Fiber optics interface, Versatile Link
- X104** – IRIG-B00X, incl. System Contact (Supervision Contact)

MCDTV4-2B0BHB



Housing B2, large display, 19" rack mounting

+ Conformal Coating (for installations in harsh environment)

X1 – DI8-X1: Wide-range power supply unit, incl. 2 non-grouped digital inputs and 6 grouped digital inputs

X2 – OR6: Assembly Group with 6 Output Relays

X3 – TI: Standard current measuring card (for the winding side 1)

X4 – TI: Standard current measuring card (for the winding side 2)

X5 – AnIO2-OR4: Assembly Group with 2 Analog Inputs, 2 Analog Outputs and 4 Output Relays

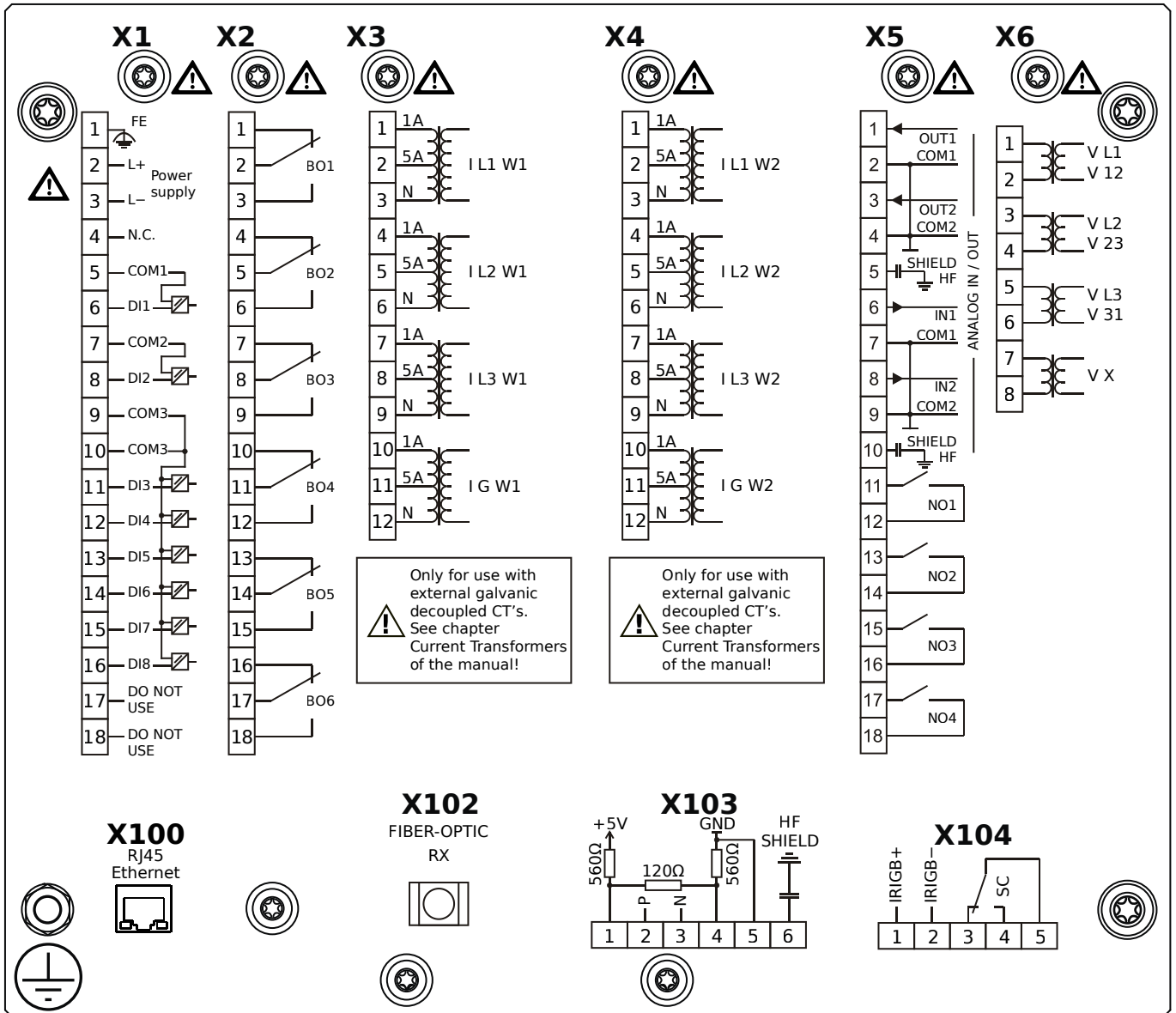
X6 – TU: Card with 4 voltage transformer measuring inputs

X100 – IEC 61850 / Modbus TCP / DNP3.0 TCP/UDP, Ethernet interface, 100 Mbit/s, RJ45 (BASE100-FX)

X102 – Universal Resistance-Temperature Detector (URTD) input, Fiber optics interface, Versatile Link

X104 – IRIG-B00X, incl. System Contact (Supervision Contact)

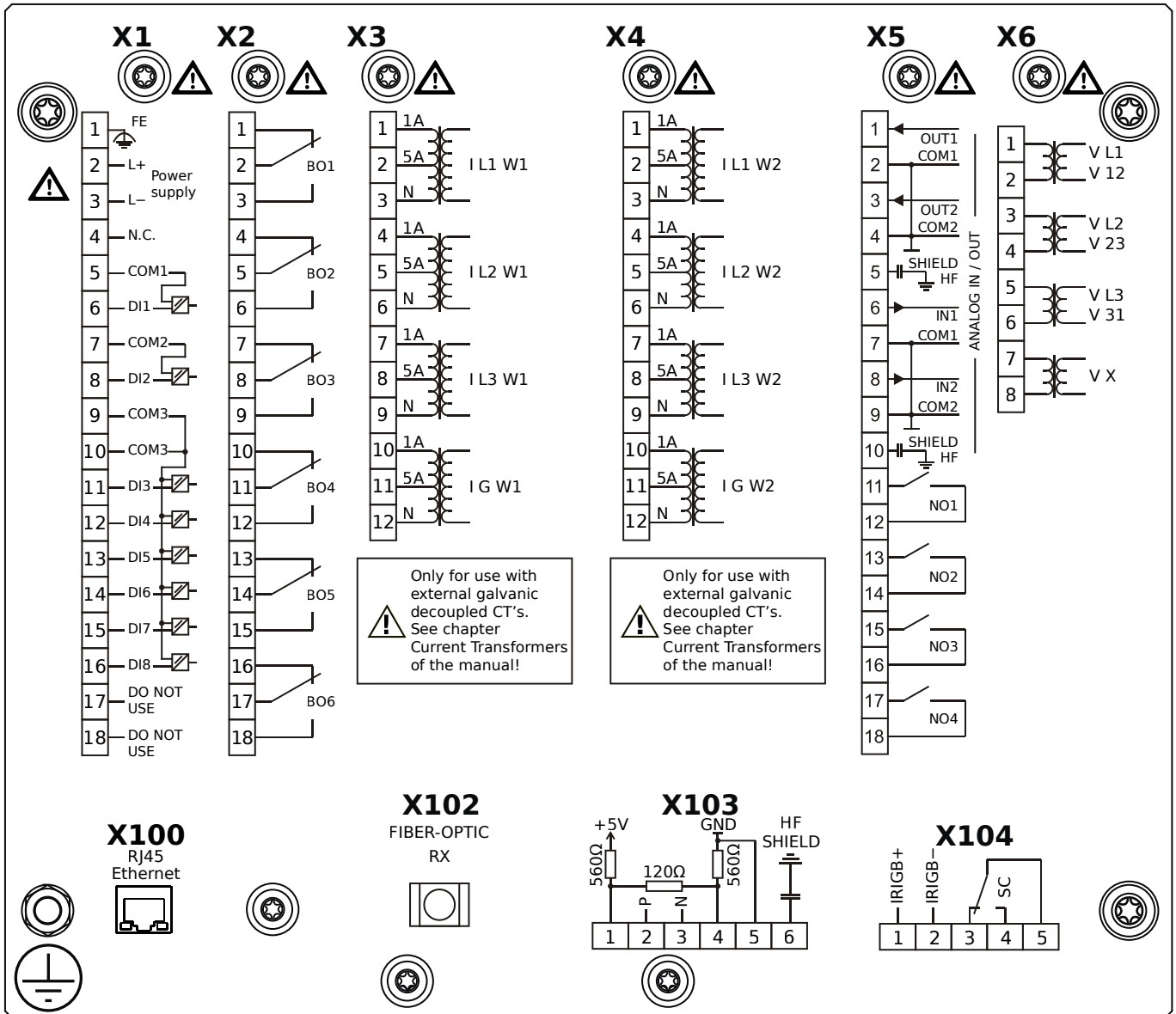
MCDTV4-2B0BIA



Housing B2, large display, 19" rack mounting

- X1** – DI8-X1: Wide-range power supply unit, incl. 2 non-grouped digital inputs and 6 grouped digital inputs
- X2** – OR6: Assembly Group with 6 Output Relays
- X3** – TI: Standard current measuring card (for the winding side 1)
- X4** – TI: Standard current measuring card (for the winding side 2)
- X5** – AnIO2-OR4: Assembly Group with 2 Analog Inputs, 2 Analog Outputs and 4 Output Relays
- X6** – TU: Card with 4 voltage transformer measuring inputs
- X100** – Modbus TCP / DNP3.0 TCP/UDP, Ethernet interface, 100 Mbit/s, RJ45 (BASE100-FX)
- X102** – Universal Resistance-Temperature Detector (URTD) input, Fiber optics interface, Versatile Link
- X103** – IEC 60870-5-103 / Modbus RTU / DNP3.0 RTU, RS485, Terminals
- X104** – IRIG-B00X, incl. System Contact (Supervision Contact)

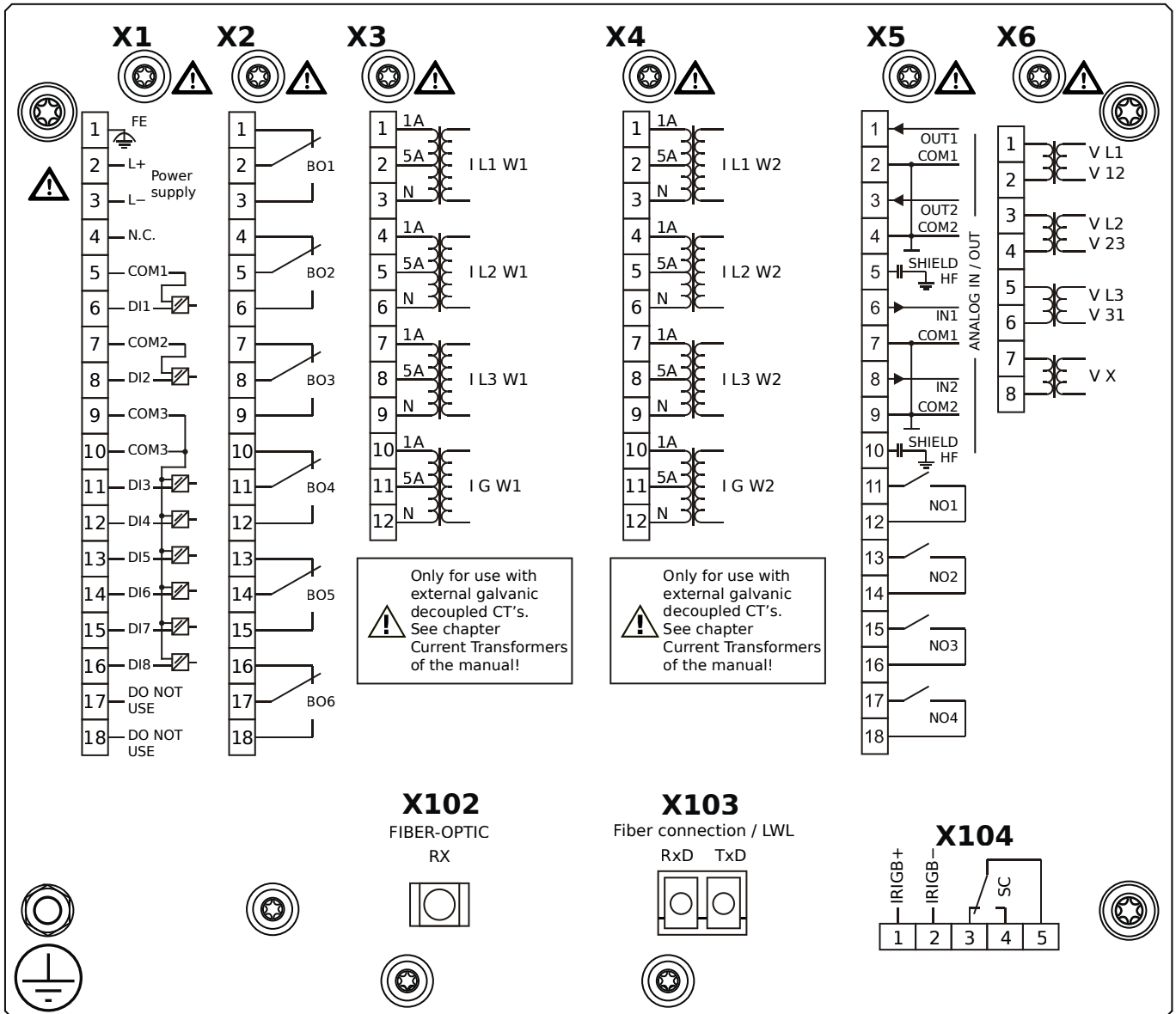
MCDTV4-2B0BIB



Housing B2, large display, 19" rack mounting

- + Conformal Coating (for installations in harsh environment)
- X1** – DI8-X1: Wide-range power supply unit, incl. 2 non-grouped digital inputs and 6 grouped digital inputs
- X2** – OR6: Assembly Group with 6 Output Relays
- X3** – TI: Standard current measuring card (for the winding side 1)
- X4** – TI: Standard current measuring card (for the winding side 2)
- X5** – AnIO2-OR4: Assembly Group with 2 Analog Inputs, 2 Analog Outputs and 4 Output Relays
- X6** – TU: Card with 4 voltage transformer measuring inputs
- X100** – Modbus TCP / DNP3.0 TCP/UDP, Ethernet interface, 100 Mbit/s, RJ45 (BASE100-FX)
- X102** – Universal Resistance-Temperature Detector (URTD) input, Fiber optics interface, Versatile Link
- X103** – IEC 60870-5-103 / Modbus RTU / DNP3.0 RTU, RS485, Terminals
- X104** – IRIG-B00X, incl. System Contact (Supervision Contact)

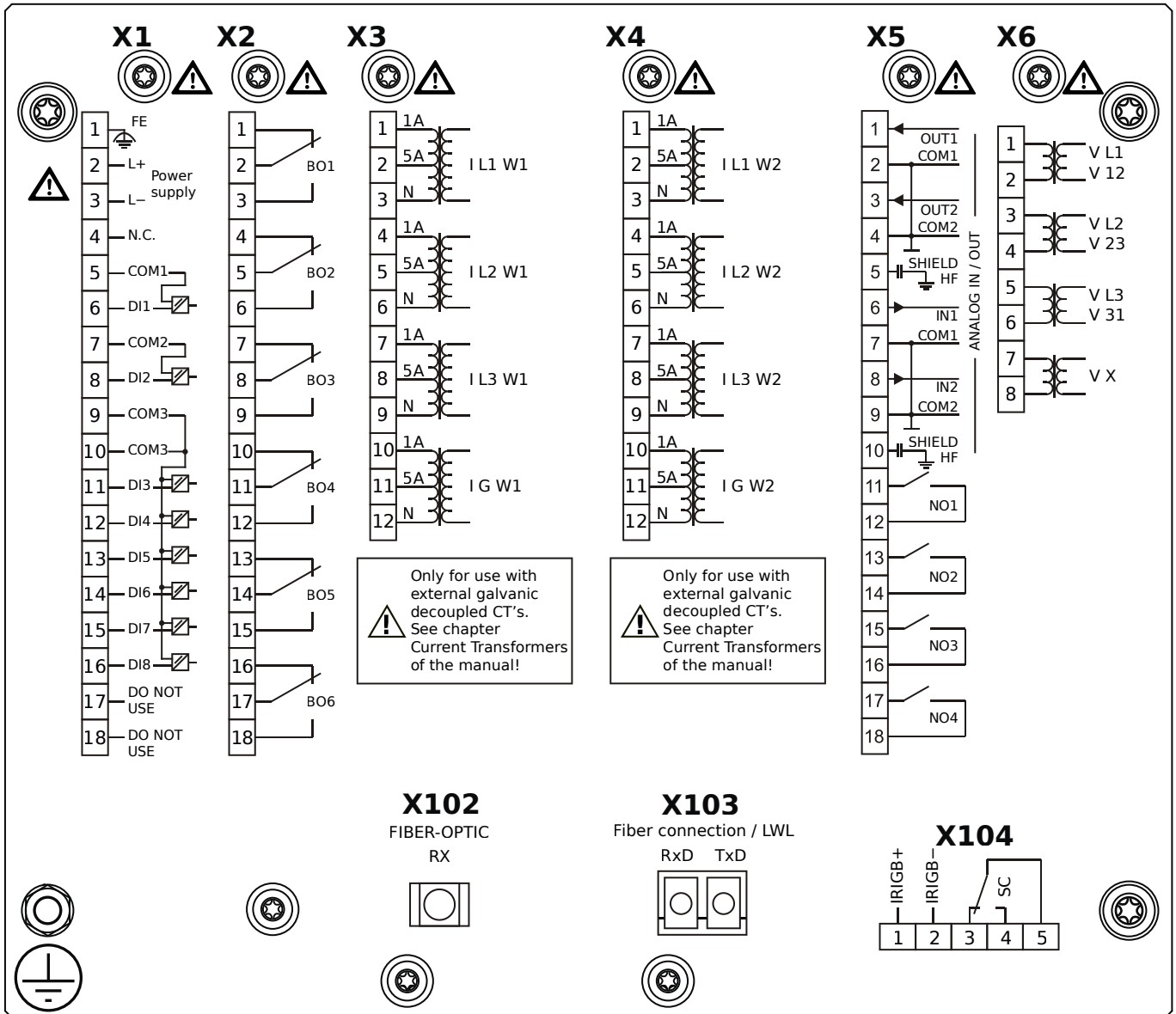
MCDTV4-2B0BKA



Housing B2, large display, 19" rack mounting

- X1** – DI8-X1: Wide-range power supply unit, incl. 2 non-grouped digital inputs and 6 grouped digital inputs
- X2** – OR6: Assembly Group with 6 Output Relays
- X3** – TI: Standard current measuring card (for the winding side 1)
- X4** – TI: Standard current measuring card (for the winding side 2)
- X5** – AnIO2-OR4: Assembly Group with 2 Analog Inputs, 2 Analog Outputs and 4 Output Relays
- X6** – TU: Card with 4 voltage transformer measuring inputs
- X102** – Universal Resistance-Temperature Detector (URTD) input, Fiber optics interface, Versatile Link
- X103** – IEC 61850 / Modbus TCP / DNP3.0 TCP/UDP, Fiber optics interface, LC Connector
- X104** – IRIG-B00X, incl. System Contact (Supervision Contact)

MCDTV4-2B0BKB

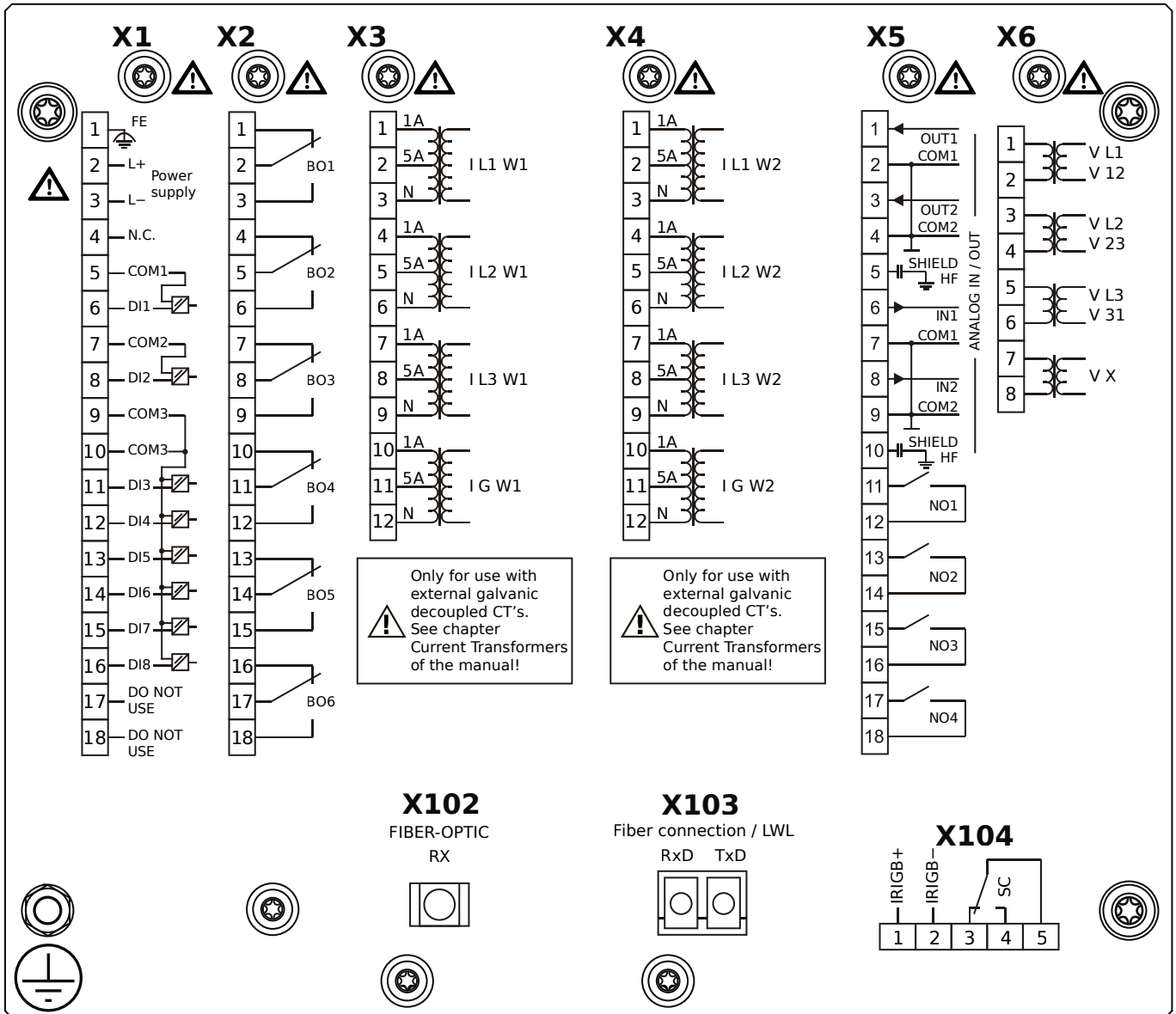


Housing B2, large display, 19" rack mounting

+ Conformal Coating (for installations in harsh environment)

- X1** – DI8-X1: Wide-range power supply unit, incl. 2 non-grouped digital inputs and 6 grouped digital inputs
- X2** – OR6: Assembly Group with 6 Output Relays
- X3** – TI: Standard current measuring card (for the winding side 1)
- X4** – TI: Standard current measuring card (for the winding side 2)
- X5** – AnIO2-OR4: Assembly Group with 2 Analog Inputs, 2 Analog Outputs and 4 Output Relays
- X6** – TU: Card with 4 voltage transformer measuring inputs
- X102** – Universal Resistance-Temperature Detector (URTD) input, Fiber optics interface, Versatile Link
- X103** – IEC 61850 / Modbus TCP / DNP3.0 TCP/UDP, Fiber optics interface, LC Connector
- X104** – IRIG-B00X, incl. System Contact (Supervision Contact)

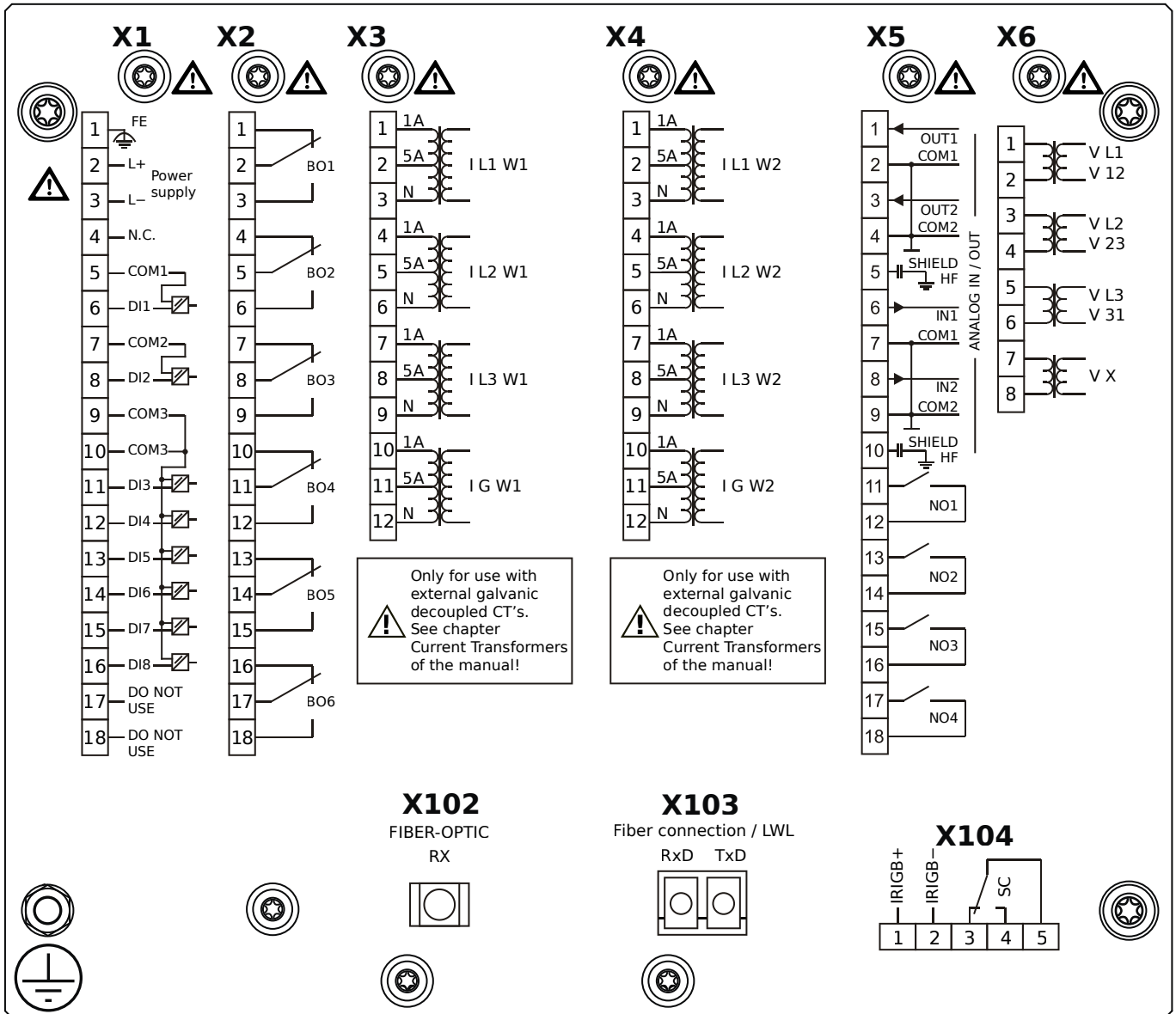
MCDTV4-2B0BLA



Housing B2, large display, 19" rack mounting

- X1** – DI8-X1: Wide-range power supply unit, incl. 2 non-grouped digital inputs and 6 grouped digital inputs
- X2** – OR6: Assembly Group with 6 Output Relays
- X3** – TI: Standard current measuring card (for the winding side 1)
- X4** – TI: Standard current measuring card (for the winding side 2)
- X5** – AnIO2-OR4: Assembly Group with 2 Analog Inputs, 2 Analog Outputs and 4 Output Relays
- X6** – TU: Card with 4 voltage transformer measuring inputs
- X102** – Universal Resistance-Temperature Detector (URTD) input, Fiber optics interface, Versatile Link
- X103** – Modbus TCP / DNP3.0 TCP/UDP, Fiber optics interface, LC Connector
- X104** – IRIG-B00X, incl. System Contact (Supervision Contact)

MCDTV4-2B0BLB

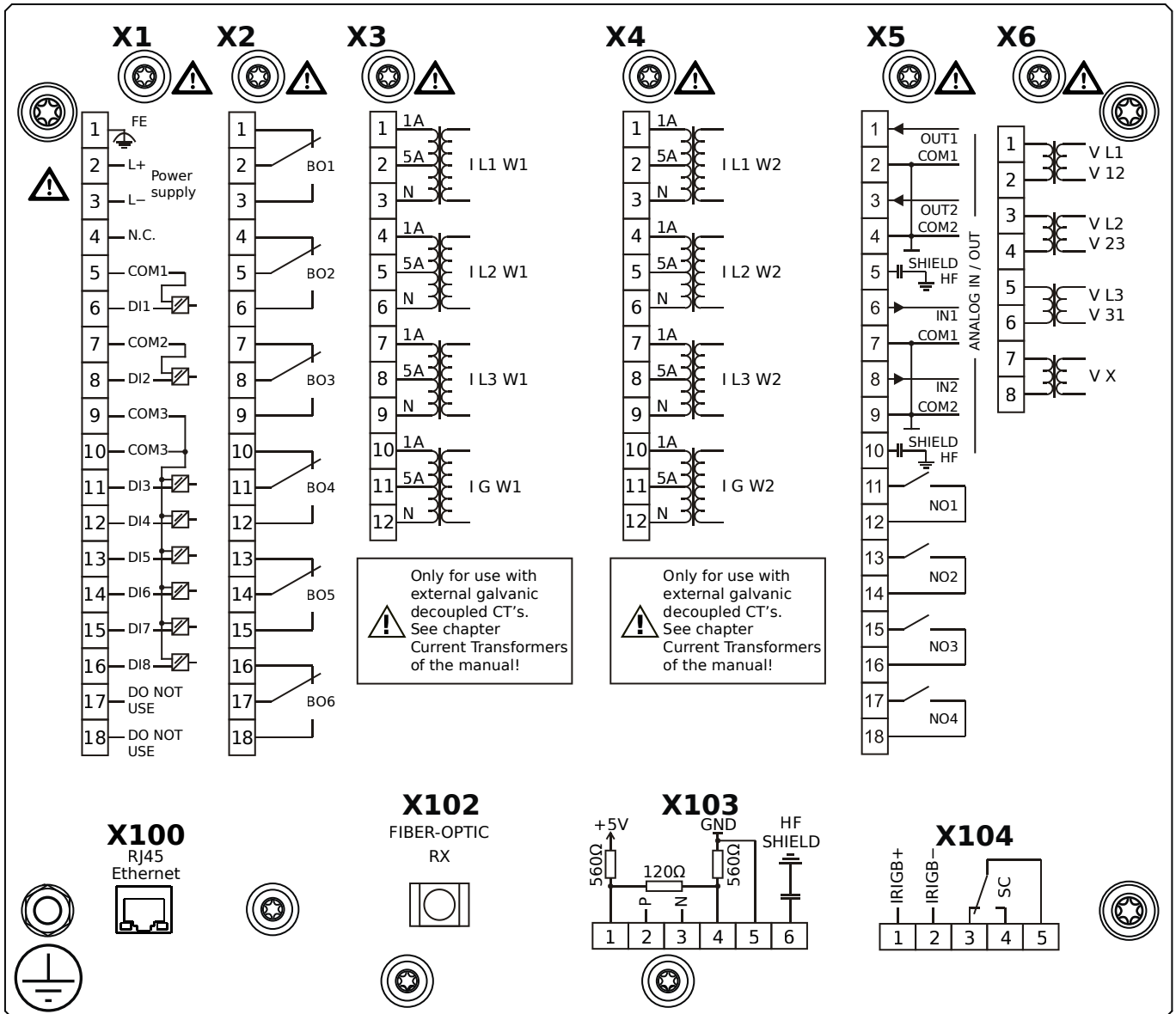


Housing B2, large display, 19" rack mounting

+ Conformal Coating (for installations in harsh environment)

- X1** – DI8-X1: Wide-range power supply unit, incl. 2 non-grouped digital inputs and 6 grouped digital inputs
- X2** – OR6: Assembly Group with 6 Output Relays
- X3** – TI: Standard current measuring card (for the winding side 1)
- X4** – TI: Standard current measuring card (for the winding side 2)
- X5** – AnIO2-OR4: Assembly Group with 2 Analog Inputs, 2 Analog Outputs and 4 Output Relays
- X6** – TU: Card with 4 voltage transformer measuring inputs
- X102** – Universal Resistance-Temperature Detector (URTD) input, Fiber optics interface, Versatile Link
- X103** – Modbus TCP / DNP3.0 TCP/UDP, Fiber optics interface, LC Connector
- X104** – IRIG-B00X, incl. System Contact (Supervision Contact)

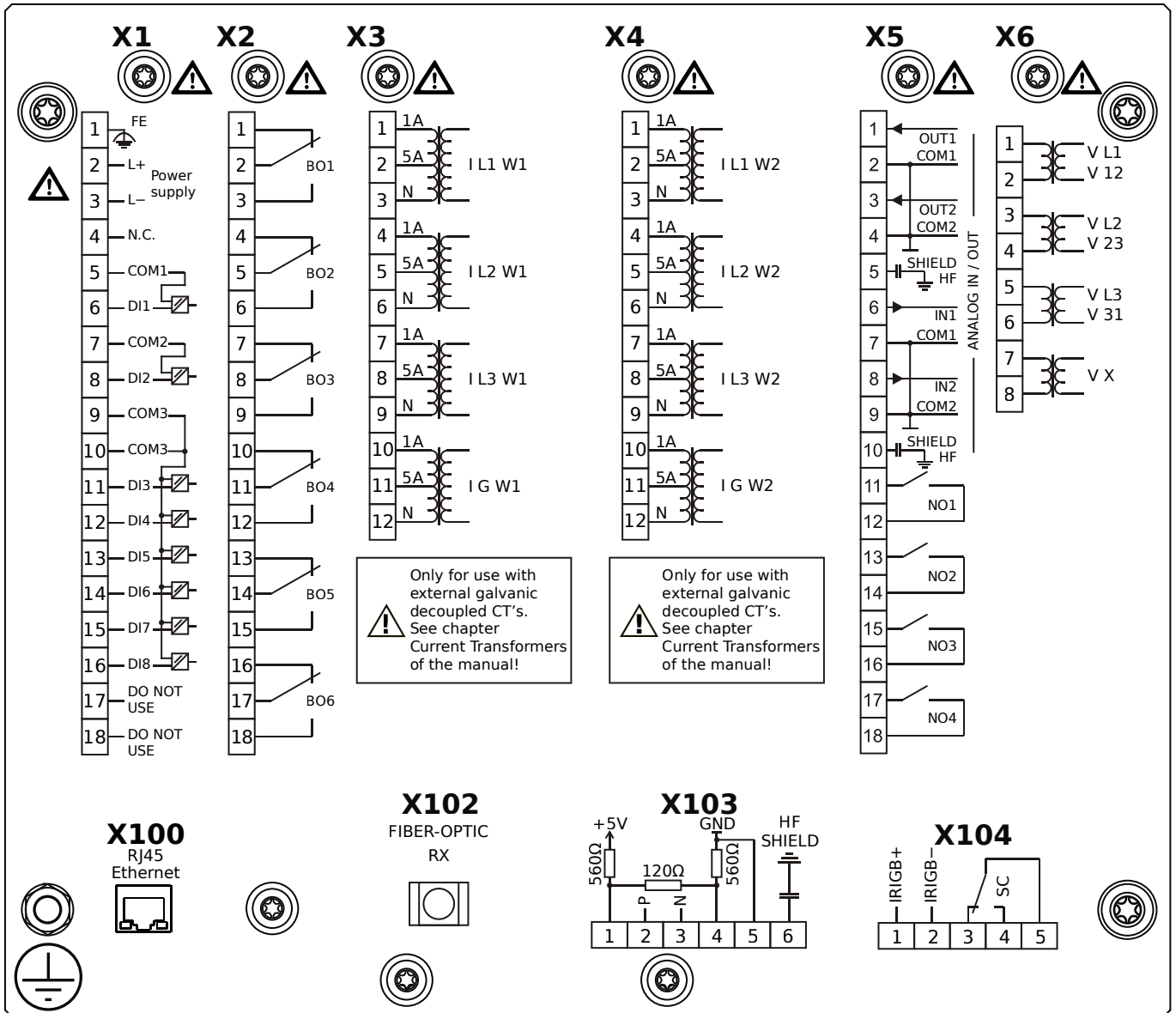
MCDTV4-2B0BTA



Housing B2, large display, 19" rack mounting

- X1** – DI8-X1: Wide-range power supply unit, incl. 2 non-grouped digital inputs and 6 grouped digital inputs
- X2** – OR6: Assembly Group with 6 Output Relays
- X3** – TI: Standard current measuring card (for the winding side 1)
- X4** – TI: Standard current measuring card (for the winding side 2)
- X5** – AnIO2-OR4: Assembly Group with 2 Analog Inputs, 2 Analog Outputs and 4 Output Relays
- X6** – TU: Card with 4 voltage transformer measuring inputs
- X100** – IEC 61850 / Modbus TCP / DNP3.0 TCP/UDP, Ethernet interface, 100 Mbit/s, RJ45 (BASE100-FX)
- X102** – Universal Resistance-Temperature Detector (URTD) input, Fiber optics interface, Versatile Link
- X103** – IEC 60870-5-103 / Modbus RTU / DNP3.0 RTU, RS485, Terminals
- X104** – IRIG-B00X, incl. System Contact (Supervision Contact)

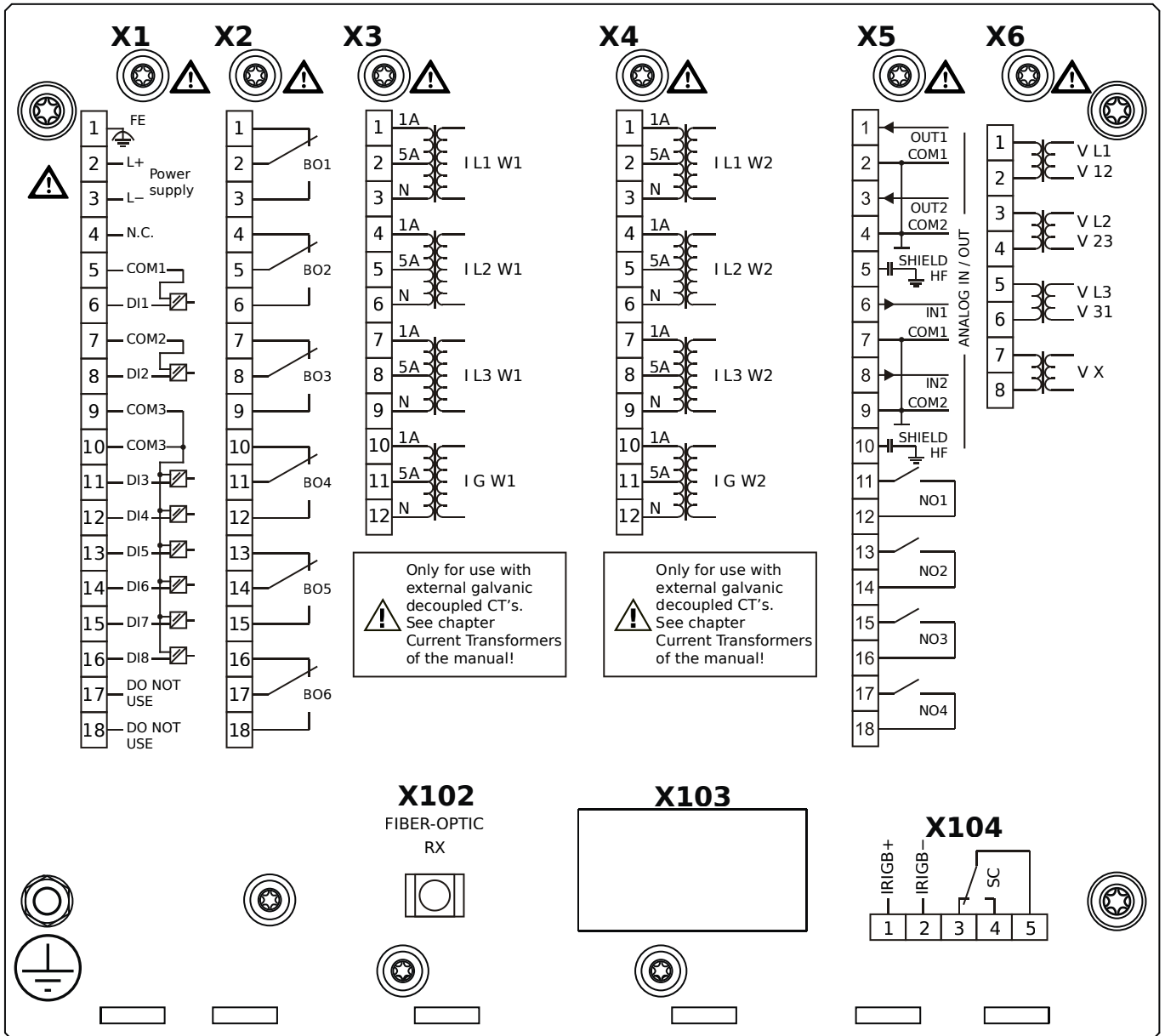
MCDTV4-2B0BTB



Housing B2, large display, 19" rack mounting

- + Conformal Coating (for installations in harsh environment)
- X1** – DI8-X1: Wide-range power supply unit, incl. 2 non-grouped digital inputs and 6 grouped digital inputs
- X2** – OR6: Assembly Group with 6 Output Relays
- X3** – TI: Standard current measuring card (for the winding side 1)
- X4** – TI: Standard current measuring card (for the winding side 2)
- X5** – AnIO2-OR4: Assembly Group with 2 Analog Inputs, 2 Analog Outputs and 4 Output Relays
- X6** – TU: Card with 4 voltage transformer measuring inputs
- X100** – IEC 61850 / Modbus TCP / DNP3.0 TCP/UDP, Ethernet interface, 100 Mbit/s, RJ45 (BASE100-FX)
- X102** – Universal Resistance-Temperature Detector (URTD) input, Fiber optics interface, Versatile Link
- X103** – IEC 60870-5-103 / Modbus RTU / DNP3.0 RTU, RS485, Terminals
- X104** – IIRIG-B00X, incl. System Contact (Supervision Contact)

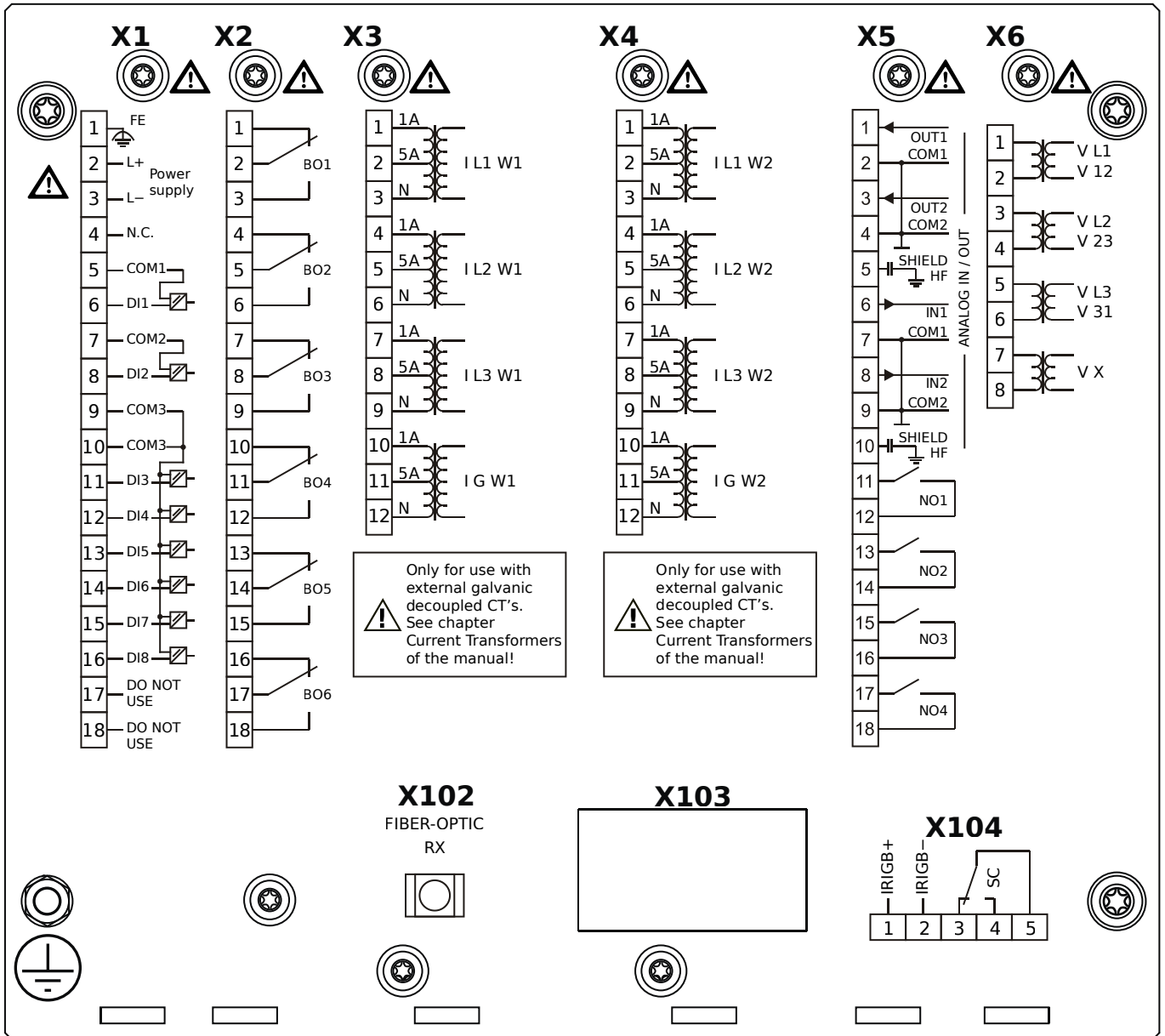
MCDTV4-2B0HAA



Housing B2, large display, door mounting

- X1** – DI8-X1: Wide-range power supply unit, incl. 2 non-grouped digital inputs and 6 grouped digital inputs
- X2** – OR6: Assembly Group with 6 Output Relays
- X3** – TI: Standard current measuring card (for the winding side 1)
- X4** – TI: Standard current measuring card (for the winding side 2)
- X5** – AnIO2-OR4: Assembly Group with 2 Analog Inputs, 2 Analog Outputs and 4 Output Relays
- X6** – TU: Card with 4 voltage transformer measuring inputs
- X102** – Universal Resistance-Temperature Detector (URTD) input, Fiber optics interface, Versatile Link
- X104** – IRIG-B00X, incl. System Contact (Supervision Contact)

MCDTV4-2B0HAB

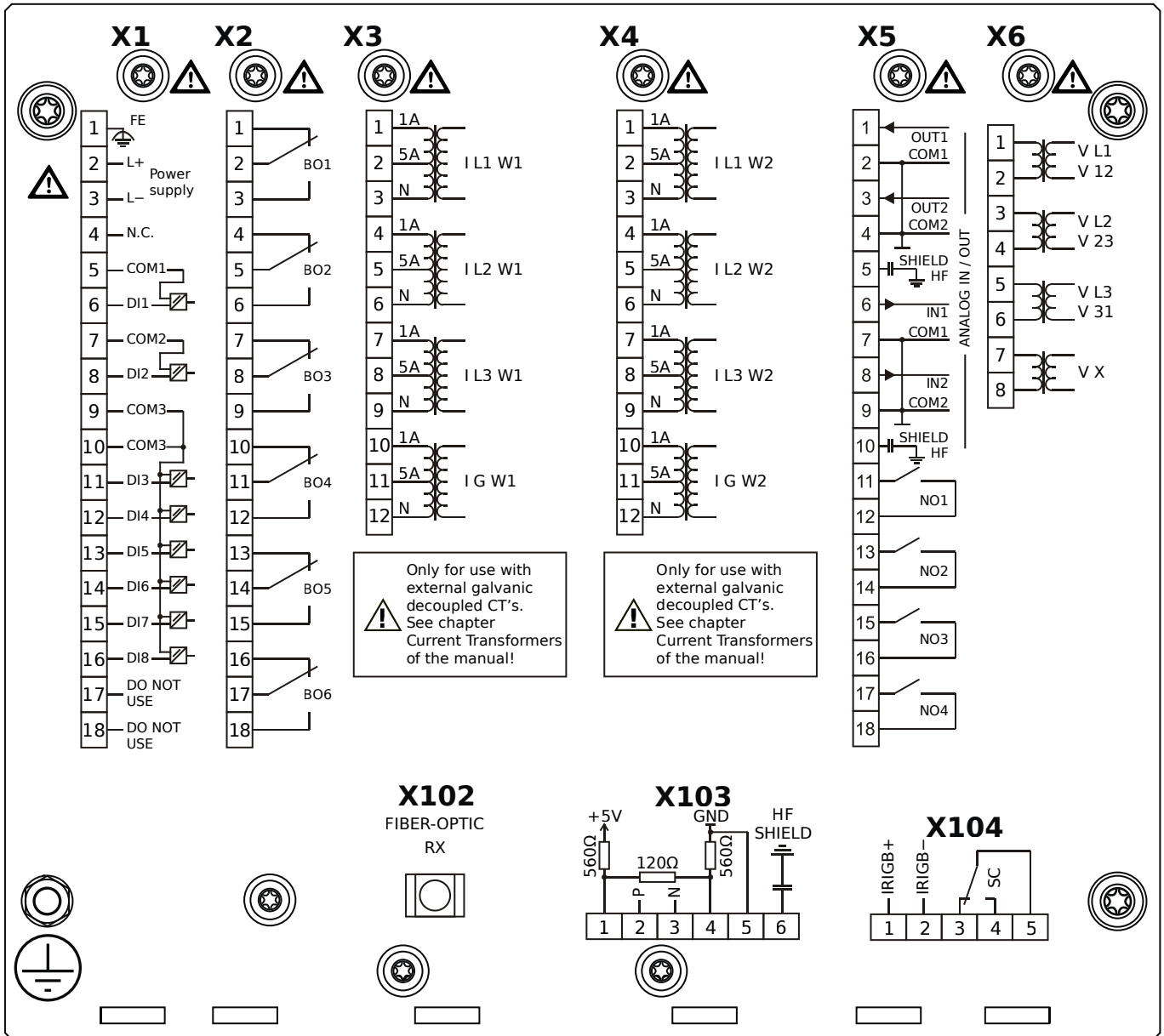


Housing B2, large display, door mounting

+ Conformal Coating (for installations in harsh environment)

- X1** – DI8-X1: Wide-range power supply unit, incl. 2 non-grouped digital inputs and 6 grouped digital inputs
- X2** – OR6: Assembly Group with 6 Output Relays
- X3** – TI: Standard current measuring card (for the winding side 1)
- X4** – TI: Standard current measuring card (for the winding side 2)
- X5** – AnIO2-OR4: Assembly Group with 2 Analog Inputs, 2 Analog Outputs and 4 Output Relays
- X6** – TU: Card with 4 voltage transformer measuring inputs
- X102** – Universal Resistance-Temperature Detector (URTD) input, Fiber optics interface, Versatile Link
- X104** – IRIG-B00X, incl. System Contact (Supervision Contact)

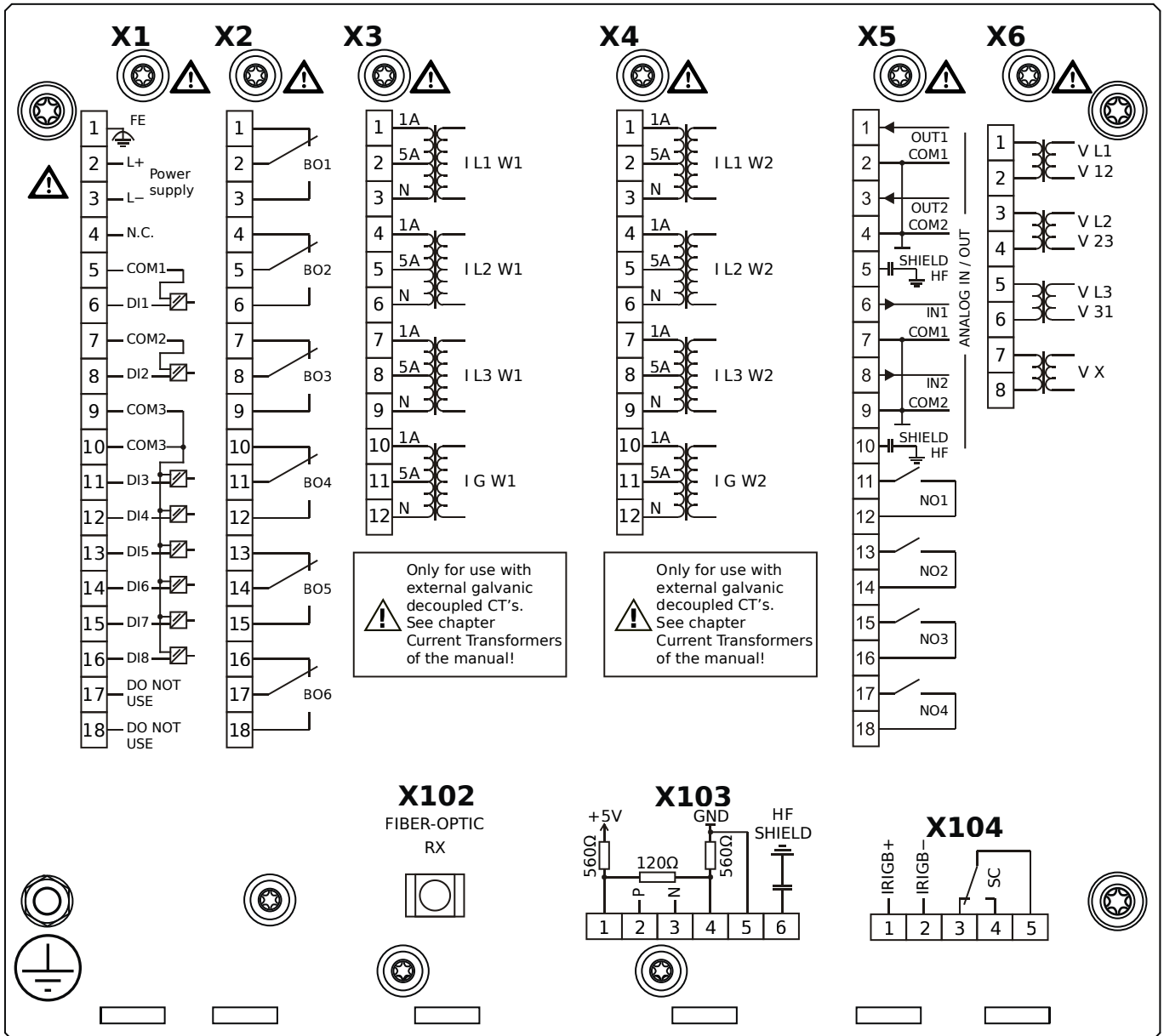
MCDTV4-2B0HBA



Housing B2, large display, door mounting

- X1** – DI8-X1: Wide-range power supply unit, incl. 2 non-grouped digital inputs and 6 grouped digital inputs
- X2** – OR6: Assembly Group with 6 Output Relays
- X3** – TI: Standard current measuring card (for the winding side 1)
- X4** – TI: Standard current measuring card (for the winding side 2)
- X5** – AnIO2-OR4: Assembly Group with 2 Analog Inputs, 2 Analog Outputs and 4 Output Relays
- X6** – TU: Card with 4 voltage transformer measuring inputs
- X102** – Universal Resistance-Temperature Detector (URTD) input, Fiber optics interface, Versatile Link
- X103** – Modbus RTU / IEC 60870-5-103 / DNP3.0 RTU, RS485, Terminals
- X104** – IRIG-B00X, incl. System Contact (Supervision Contact)

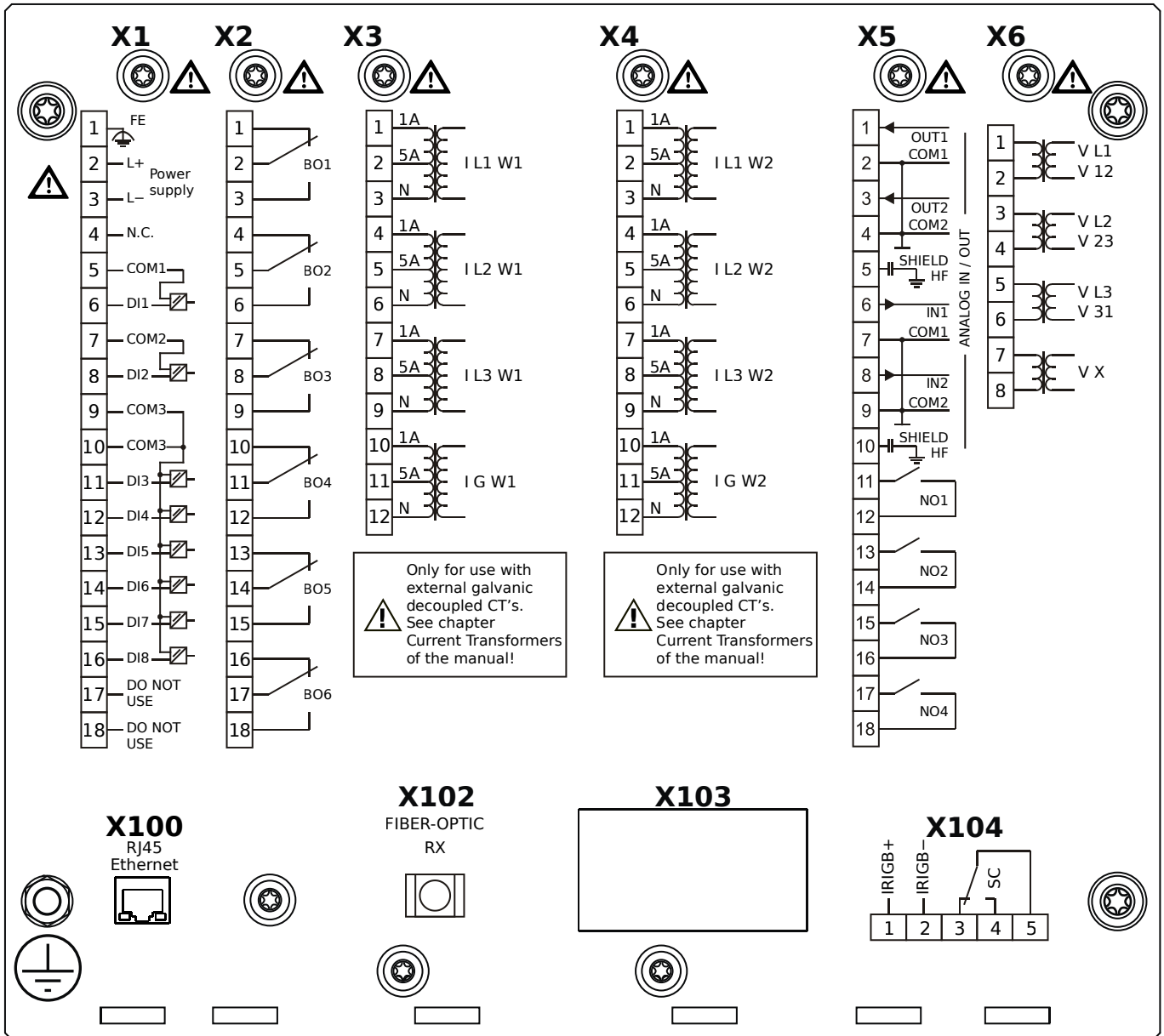
MCDTV4-2B0HBB



Housing B2, large display, door mounting

- + Conformal Coating (for installations in harsh environment)
- X1** – DI8-X1: Wide-range power supply unit, incl. 2 non-grouped digital inputs and 6 grouped digital inputs
- X2** – OR6: Assembly Group with 6 Output Relays
- X3** – TI: Standard current measuring card (for the winding side 1)
- X4** – TI: Standard current measuring card (for the winding side 2)
- X5** – AnIO2-OR4: Assembly Group with 2 Analog Inputs, 2 Analog Outputs and 4 Output Relays
- X6** – TU: Card with 4 voltage transformer measuring inputs
- X102** – Universal Resistance-Temperature Detector (URTD) input, Fiber optics interface, Versatile Link
- X103** – Modbus RTU / IEC 60870-5-103 / DNP3.0 RTU, RS485, Terminals
- X104** – IRIG-B00X, incl. System Contact (Supervision Contact)

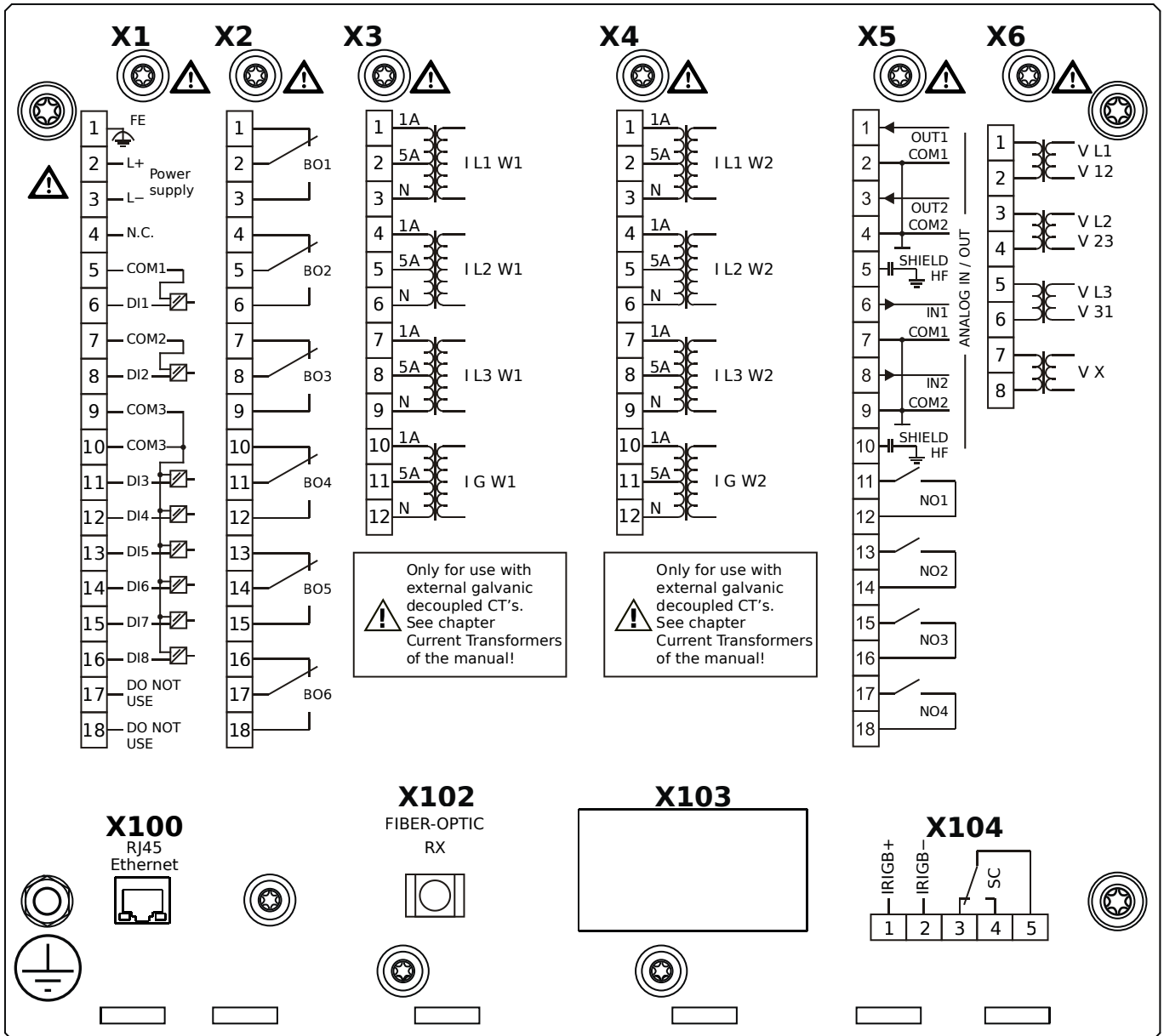
MCDTV4-2B0HCA



Housing B2, large display, door mounting

- X1** – DI8-X1: Wide-range power supply unit, incl. 2 non-grouped digital inputs and 6 grouped digital inputs
- X2** – OR6: Assembly Group with 6 Output Relays
- X3** – TI: Standard current measuring card (for the winding side 1)
- X4** – TI: Standard current measuring card (for the winding side 2)
- X5** – AnIO2-OR4: Assembly Group with 2 Analog Inputs, 2 Analog Outputs and 4 Output Relays
- X6** – TU: Card with 4 voltage transformer measuring inputs
- X100** – Modbus TCP / DNP3.0 TCP/UDP, Ethernet interface, 100 Mbit/s, RJ45 (BASE100-FX)
- X102** – Universal Resistance-Temperature Detector (URTD) input, Fiber optics interface, Versatile Link
- X104** – IRIG-B00X, incl. System Contact (Supervision Contact)

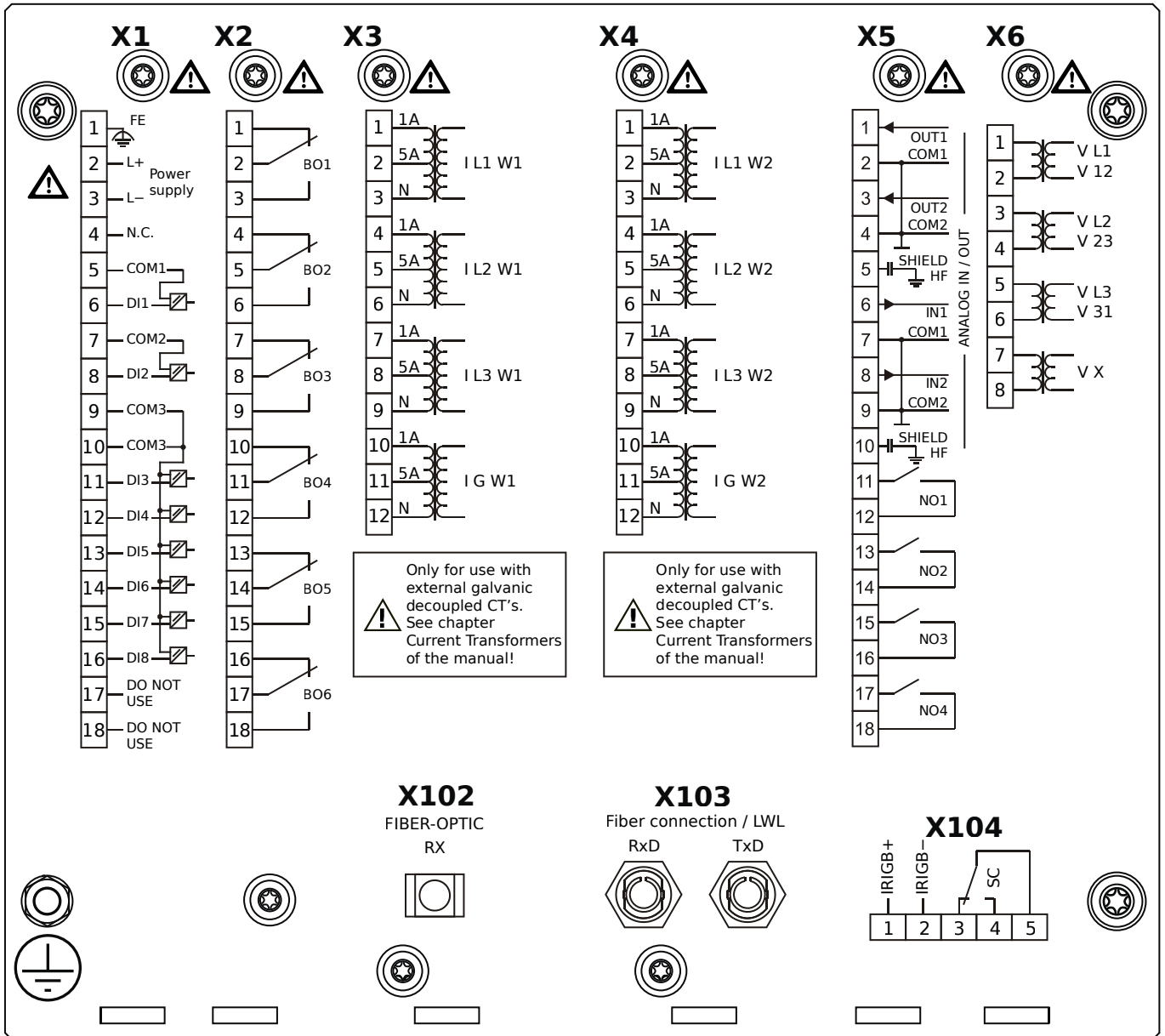
MCDTV4-2B0HCB



Housing B2, large display, door mounting

- + Conformal Coating (for installations in harsh environment)
- X1** – DI8-X1: Wide-range power supply unit, incl. 2 non-grouped digital inputs and 6 grouped digital inputs
- X2** – OR6: Assembly Group with 6 Output Relays
- X3** – TI: Standard current measuring card (for the winding side 1)
- X4** – TI: Standard current measuring card (for the winding side 2)
- X5** – AnIO2-OR4: Assembly Group with 2 Analog Inputs, 2 Analog Outputs and 4 Output Relays
- X6** – TU: Card with 4 voltage transformer measuring inputs
- X100** – Modbus TCP / DNP3.0 TCP/UDP, Ethernet interface, 100 Mbit/s, RJ45 (BASE100-FX)
- X102** – Universal Resistance-Temperature Detector (URTD) input, Fiber optics interface, Versatile Link
- X104** – IRIG-B00X, incl. System Contact (Supervision Contact)

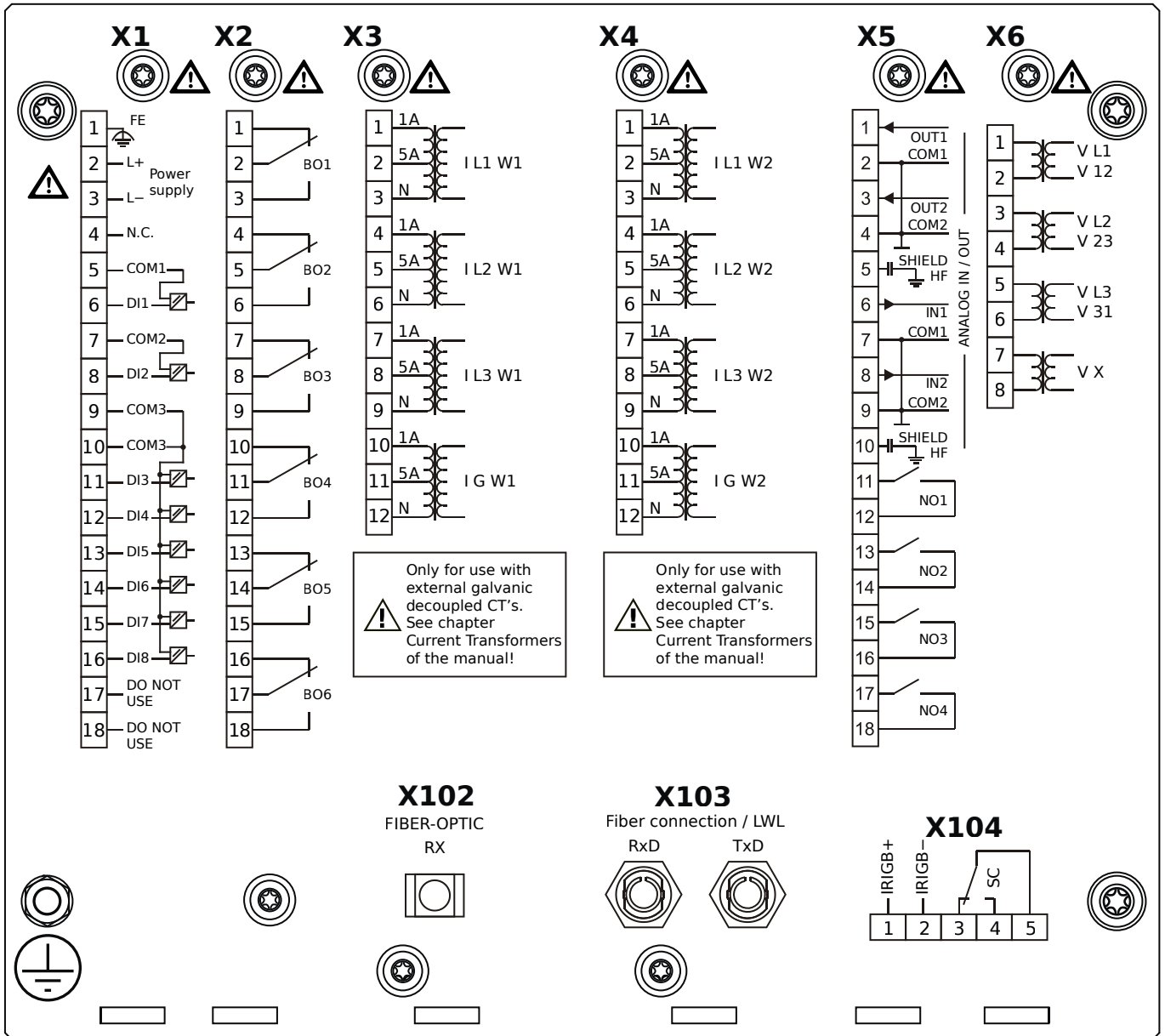
MCDTV4-2B0HDA



Housing B2, large display, door mounting

- X1** – DI8-X1: Wide-range power supply unit, incl. 2 non-grouped digital inputs and 6 grouped digital inputs
- X2** – OR6: Assembly Group with 6 Output Relays
- X3** – TI: Standard current measuring card (for the winding side 1)
- X4** – TI: Standard current measuring card (for the winding side 2)
- X5** – AnIO2-OR4: Assembly Group with 2 Analog Inputs, 2 Analog Outputs and 4 Output Relays
- X6** – TU: Card with 4 voltage transformer measuring inputs
- X102** – Universal Resistance-Temperature Detector (URTD) input, Fiber optics interface, Versatile Link
- X103** – Profibus-DP, Fiber optics interface, ST Connector
- X104** – IRIG-B00X, incl. System Contact (Supervision Contact)

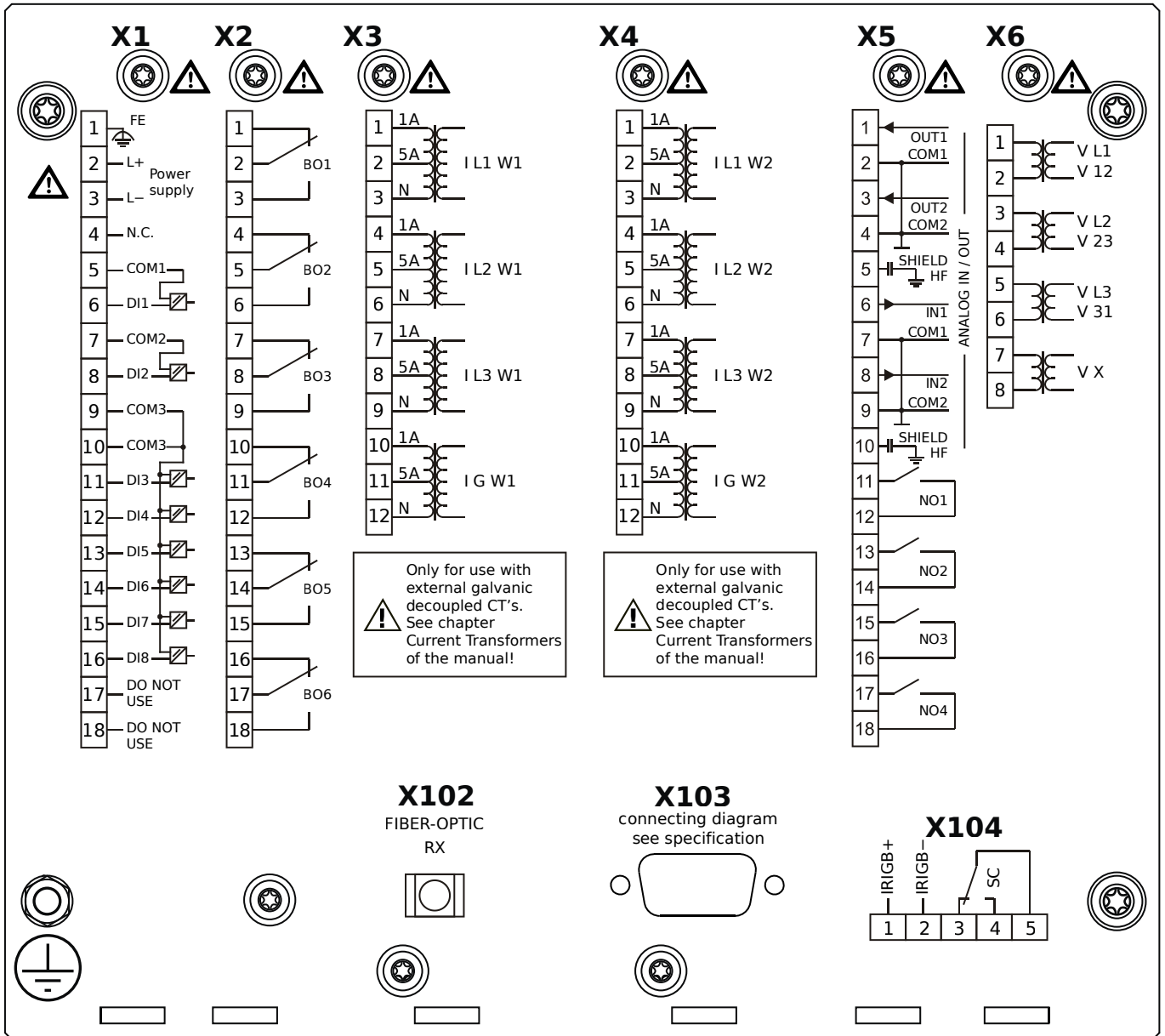
MCDTV4-2B0HDB



Housing B2, large display, door mounting

- + Conformal Coating (for installations in harsh environment)
- X1** – DI8-X1: Wide-range power supply unit, incl. 2 non-grouped digital inputs and 6 grouped digital inputs
- X2** – OR6: Assembly Group with 6 Output Relays
- X3** – TI: Standard current measuring card (for the winding side 1)
- X4** – TI: Standard current measuring card (for the winding side 2)
- X5** – AnIO2-OR4: Assembly Group with 2 Analog Inputs, 2 Analog Outputs and 4 Output Relays
- X6** – TU: Card with 4 voltage transformer measuring inputs
- X102** – Universal Resistance-Temperature Detector (URTD) input, Fiber optics interface, Versatile Link
- X103** – Profibus-DP, Fiber optics interface, ST Connector
- X104** – IRIG-B00X, incl. System Contact (Supervision Contact)

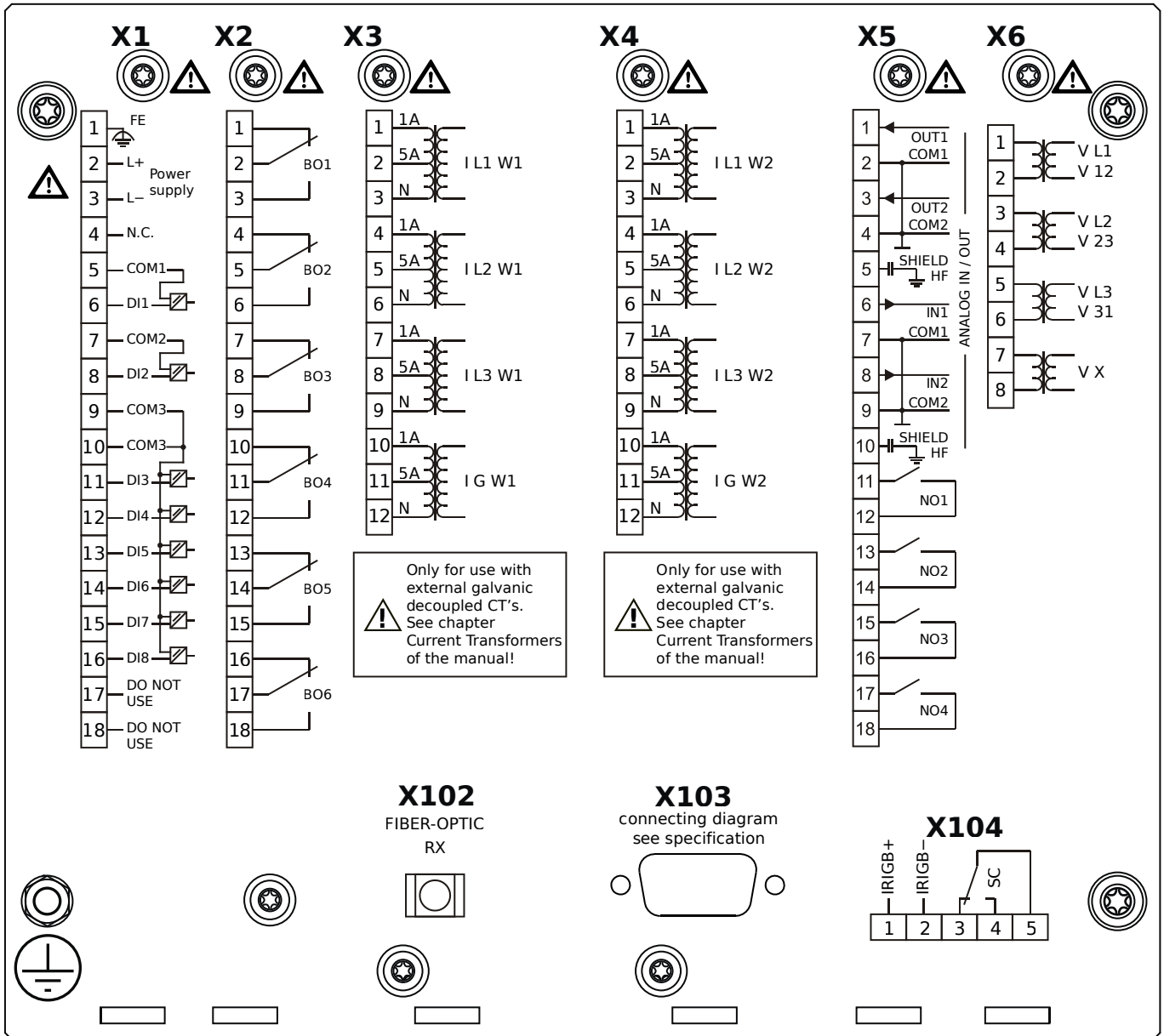
MCDTV4-2B0HEA



Housing B2, large display, door mounting

- X1** – DI8-X1: Wide-range power supply unit, incl. 2 non-grouped digital inputs and 6 grouped digital inputs
- X2** – OR6: Assembly Group with 6 Output Relays
- X3** – TI: Standard current measuring card (for the winding side 1)
- X4** – TI: Standard current measuring card (for the winding side 2)
- X5** – AnIO2-OR4: Assembly Group with 2 Analog Inputs, 2 Analog Outputs and 4 Output Relays
- X6** – TU: Card with 4 voltage transformer measuring inputs
- X102** – Universal Resistance-Temperature Detector (URTD) input, Fiber optics interface, Versatile Link
- X103** – Profibus-DP, RS485, D-SUB
- X104** – IRIG-B00X, incl. System Contact (Supervision Contact)

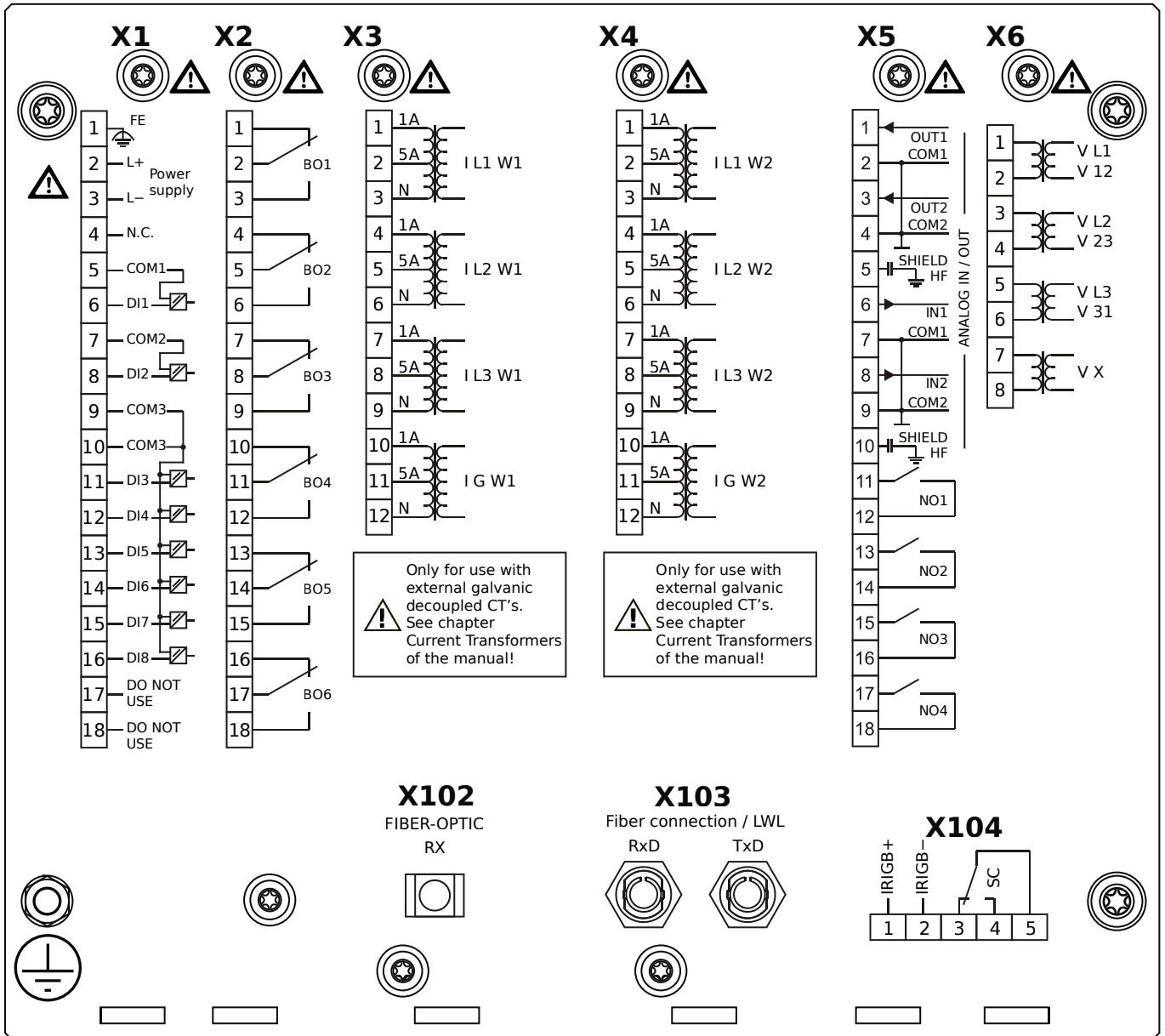
MCDTV4-2B0HEB



Housing B2, large display, door mounting

- + Conformal Coating (for installations in harsh environment)
- X1** – DI8-X1: Wide-range power supply unit, incl. 2 non-grouped digital inputs and 6 grouped digital inputs
- X2** – OR6: Assembly Group with 6 Output Relays
- X3** – TI: Standard current measuring card (for the winding side 1)
- X4** – TI: Standard current measuring card (for the winding side 2)
- X5** – AnIO2-OR4: Assembly Group with 2 Analog Inputs, 2 Analog Outputs and 4 Output Relays
- X6** – TU: Card with 4 voltage transformer measuring inputs
- X102** – Universal Resistance-Temperature Detector (URTD) input, Fiber optics interface, Versatile Link
- X103** – Profibus-DP, RS485, D-SUB
- X104** – IRIG-B00X, incl. System Contact (Supervision Contact)

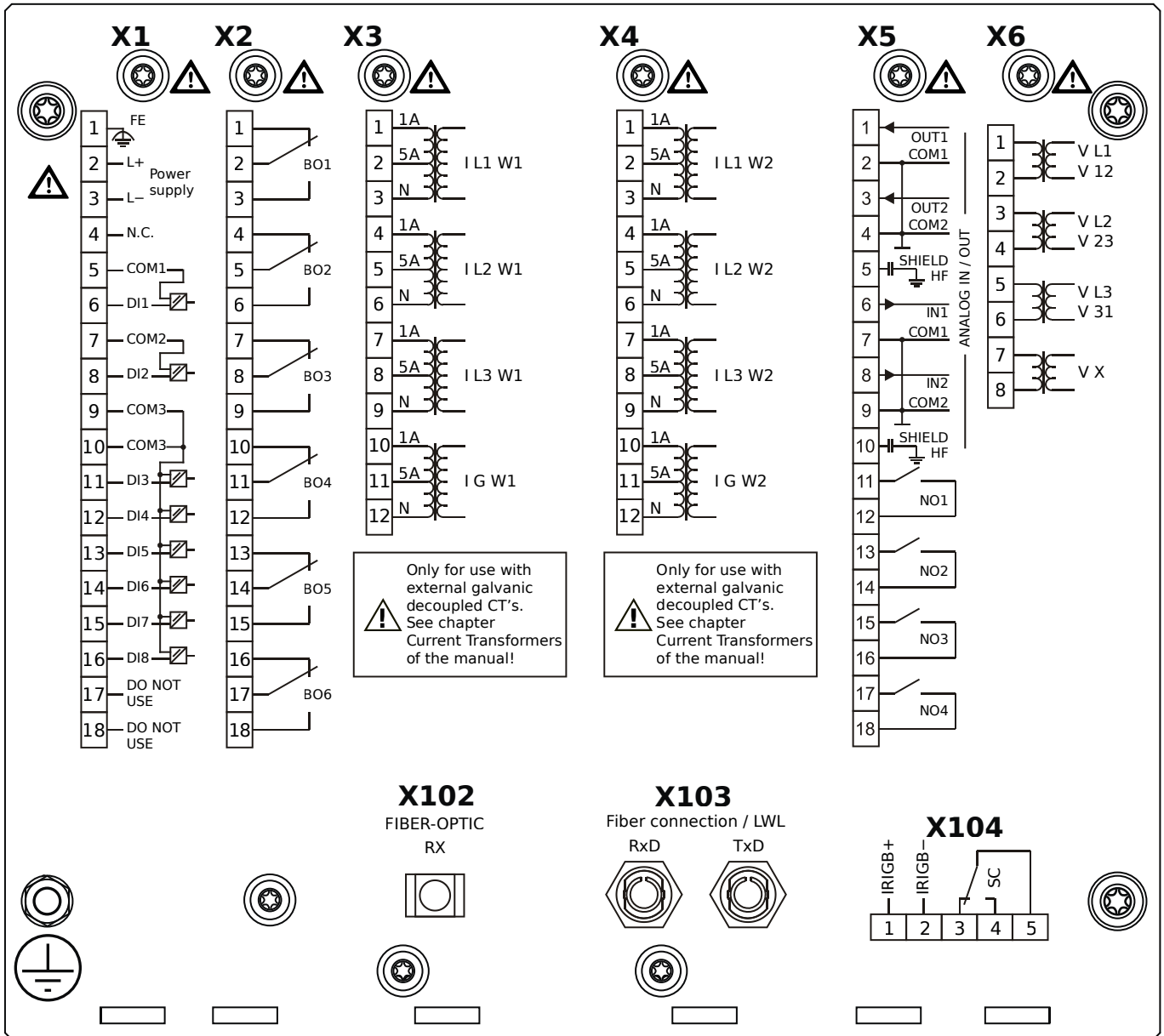
MCDTV4-2B0HFA



Housing B2, large display, door mounting

- X1** – DI8-X1: Wide-range power supply unit, incl. 2 non-grouped digital inputs and 6 grouped digital inputs
- X2** – OR6: Assembly Group with 6 Output Relays
- X3** – TI: Standard current measuring card (for the winding side 1)
- X4** – TI: Standard current measuring card (for the winding side 2)
- X5** – AnIO2-OR4: Assembly Group with 2 Analog Inputs, 2 Analog Outputs and 4 Output Relays
- X6** – TU: Card with 4 voltage transformer measuring inputs
- X102** – Universal Resistance-Temperature Detector (URTD) input, Fiber optics interface, Versatile Link
- X103** – Modbus RTU / IEC 60870-5-103 / DNP3.0 RTU, Fiber optics interface, ST Connector
- X104** – IRIG-B00X, incl. System Contact (Supervision Contact)

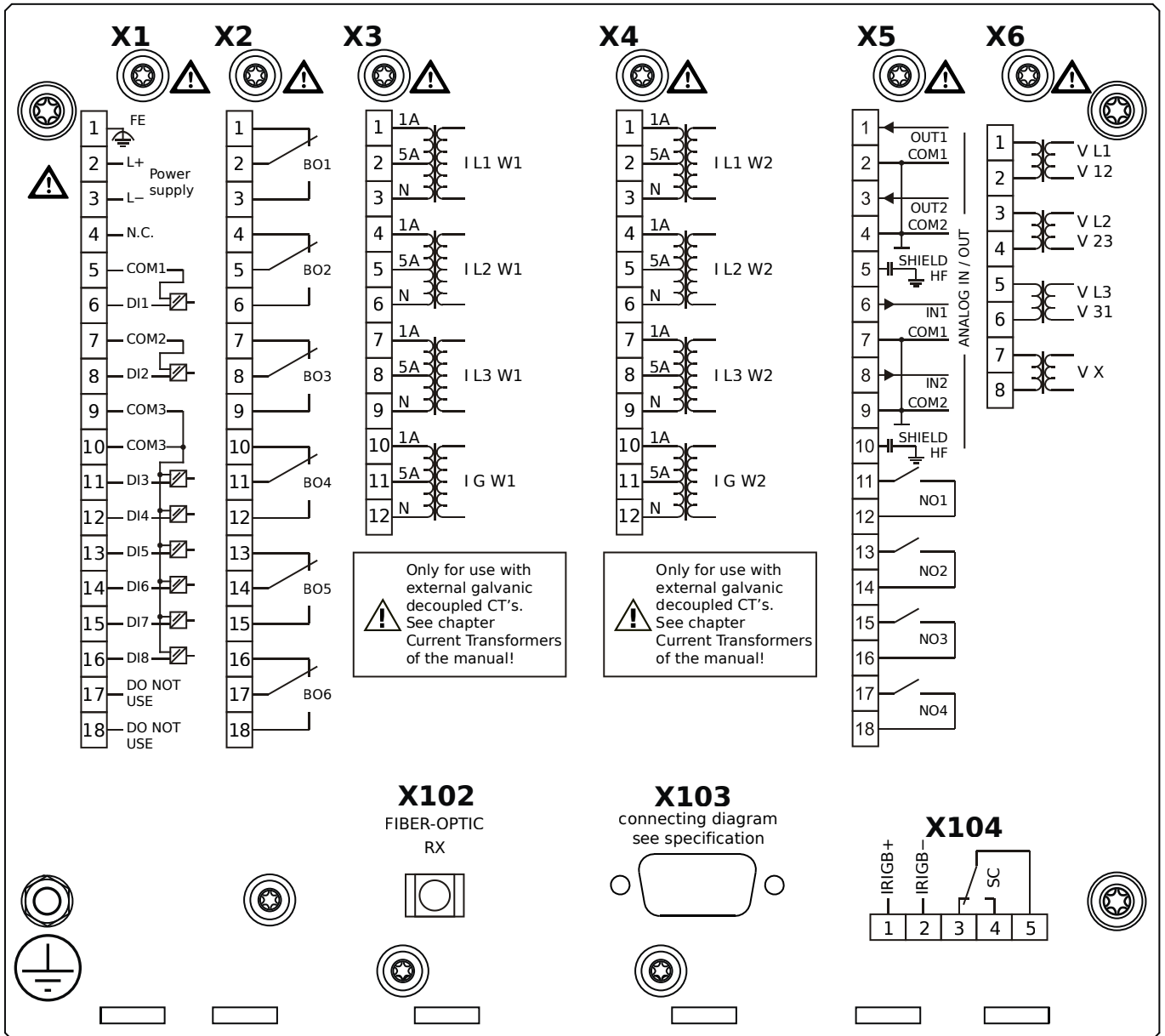
MCDTV4-2B0HFB



Housing B2, large display, door mounting

- + Conformal Coating (for installations in harsh environment)
- X1** – DI8-X1: Wide-range power supply unit, incl. 2 non-grouped digital inputs and 6 grouped digital inputs
- X2** – OR6: Assembly Group with 6 Output Relays
- X3** – TI: Standard current measuring card (for the winding side 1)
- X4** – TI: Standard current measuring card (for the winding side 2)
- X5** – AnIO2-OR4: Assembly Group with 2 Analog Inputs, 2 Analog Outputs and 4 Output Relays
- X6** – TU: Card with 4 voltage transformer measuring inputs
- X102** – Universal Resistance-Temperature Detector (URTD) input, Fiber optics interface, Versatile Link
- X103** – Modbus RTU / IEC 60870-5-103 / DNP3.0 RTU, Fiber optics interface, ST Connector
- X104** – IRIG-B00X, incl. System Contact (Supervision Contact)

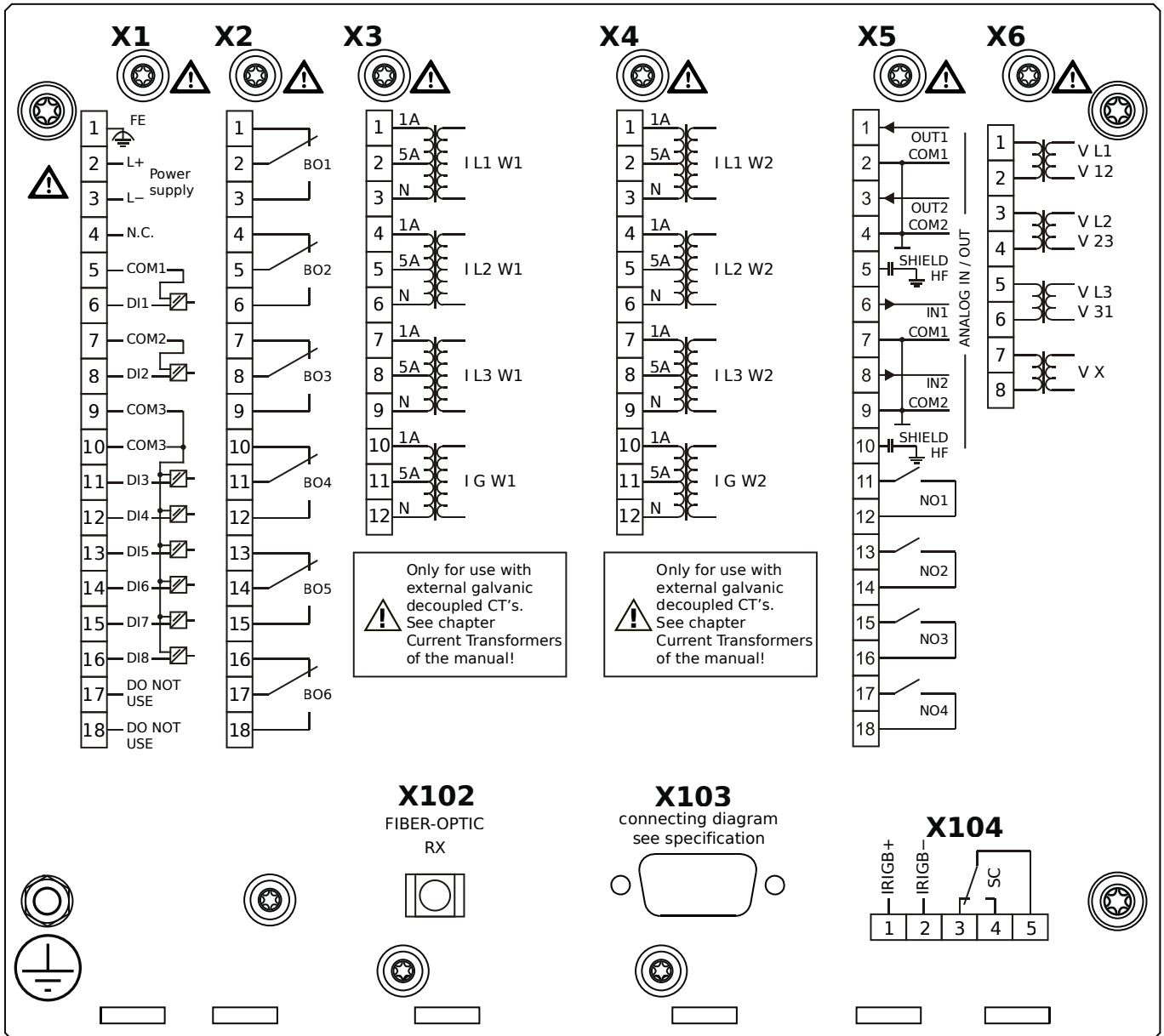
MCDTV4-2B0HGA



Housing B2, large display, door mounting

- X1** – DI8-X1: Wide-range power supply unit, incl. 2 non-grouped digital inputs and 6 grouped digital inputs
- X2** – OR6: Assembly Group with 6 Output Relays
- X3** – TI: Standard current measuring card (for the winding side 1)
- X4** – TI: Standard current measuring card (for the winding side 2)
- X5** – AnIO2-OR4: Assembly Group with 2 Analog Inputs, 2 Analog Outputs and 4 Output Relays
- X6** – TU: Card with 4 voltage transformer measuring inputs
- X102** – Universal Resistance-Temperature Detector (URTD) input, Fiber optics interface, Versatile Link
- X103** – Modbus RTU / IEC 60870-5-103 / DNP3.0 RTU, RS485, D-SUB
- X104** – IRIG-B00X, incl. System Contact (Supervision Contact)

MCDTV4-2B0HGB

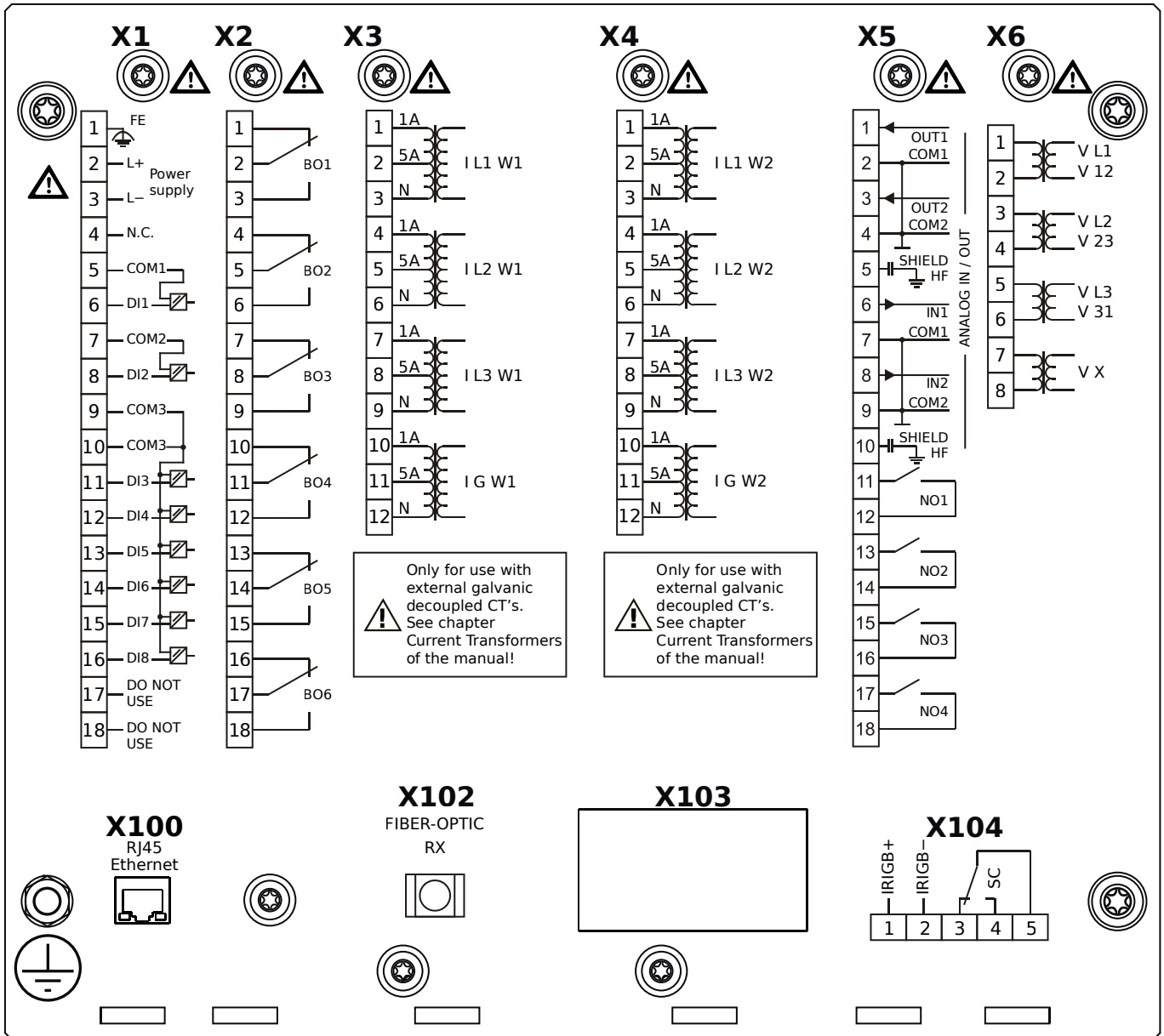


Housing B2, large display, door mounting

+ Conformal Coating (for installations in harsh environment)

- X1** – DI8-X1: Wide-range power supply unit, incl. 2 non-grouped digital inputs and 6 grouped digital inputs
- X2** – OR6: Assembly Group with 6 Output Relays
- X3** – TI: Standard current measuring card (for the winding side 1)
- X4** – TI: Standard current measuring card (for the winding side 2)
- X5** – AnIO2-OR4: Assembly Group with 2 Analog Inputs, 2 Analog Outputs and 4 Output Relays
- X6** – TU: Card with 4 voltage transformer measuring inputs
- X102** – Universal Resistance-Temperature Detector (URTD) input, Fiber optics interface, Versatile Link
- X103** – Modbus RTU / IEC 60870-5-103 / DNP3.0 RTU, RS485, D-SUB
- X104** – IRIG-B00X, incl. System Contact (Supervision Contact)

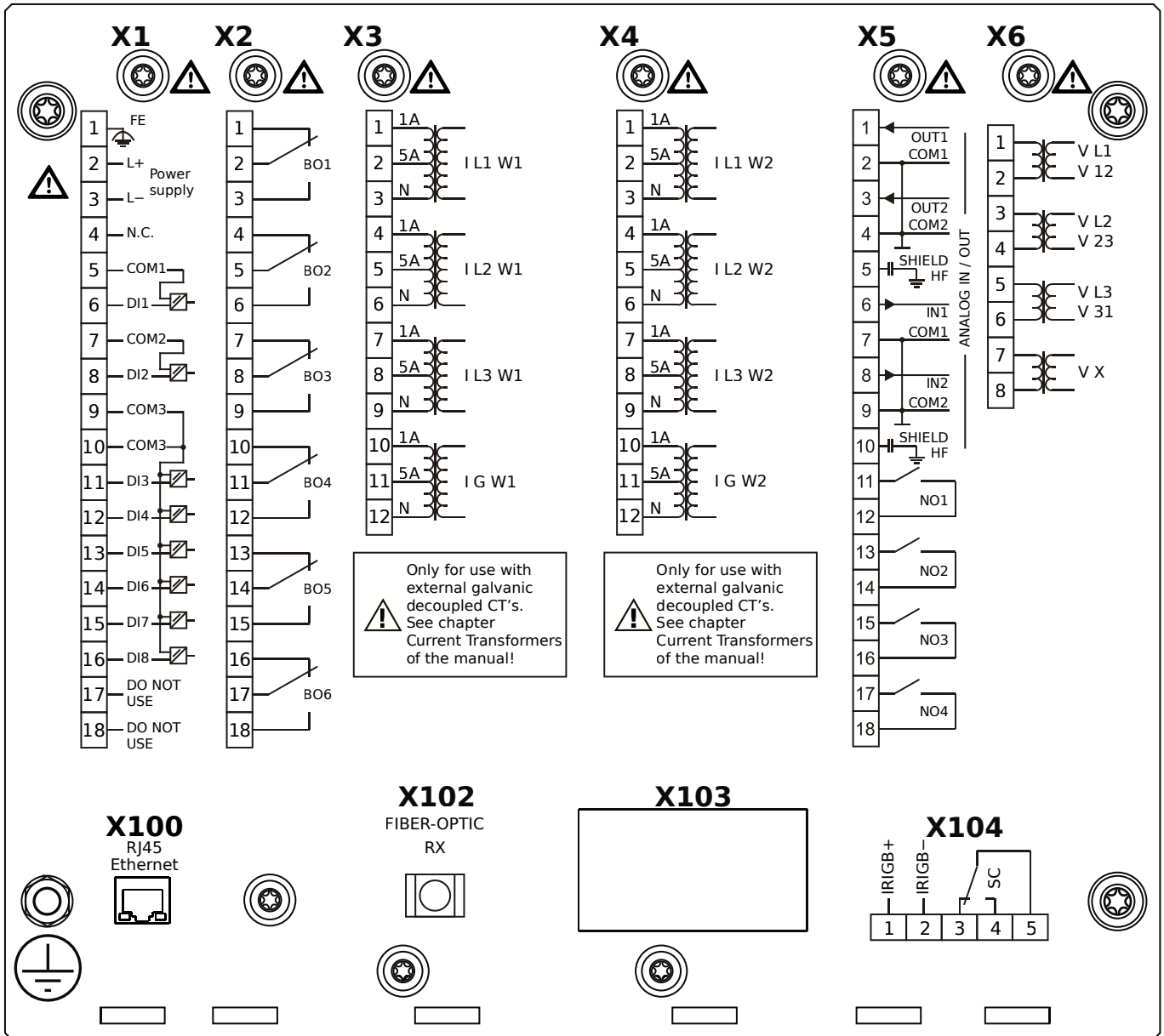
MCDTV4-2B0HHA



Housing B2, large display, door mounting

- X1** – DI8-X1: Wide-range power supply unit, incl. 2 non-grouped digital inputs and 6 grouped digital inputs
- X2** – OR6: Assembly Group with 6 Output Relays
- X3** – TI: Standard current measuring card (for the winding side 1)
- X4** – TI: Standard current measuring card (for the winding side 2)
- X5** – AnIO2-OR4: Assembly Group with 2 Analog Inputs, 2 Analog Outputs and 4 Output Relays
- X6** – TU: Card with 4 voltage transformer measuring inputs
- X100** – IEC 61850 / Modbus TCP / DNP3.0 TCP/UDP, Ethernet interface, 100 Mbit/s, RJ45 (BASE100-FX)
- X102** – Universal Resistance-Temperature Detector (URTD) input, Fiber optics interface, Versatile Link
- X104** – IRIG-B00X, incl. System Contact (Supervision Contact)

MCDTV4-2B0HHB



Housing B2, large display, door mounting

+ Conformal Coating (for installations in harsh environment)

X1 – DI8-X1: Wide-range power supply unit, incl. 2 non-grouped digital inputs and 6 grouped digital inputs

X2 – OR6: Assembly Group with 6 Output Relays

X3 – TI: Standard current measuring card (for the winding side 1)

X4 – TI: Standard current measuring card (for the winding side 2)

X5 – AnIO2-OR4: Assembly Group with 2 Analog Inputs, 2 Analog Outputs and 4 Output Relays

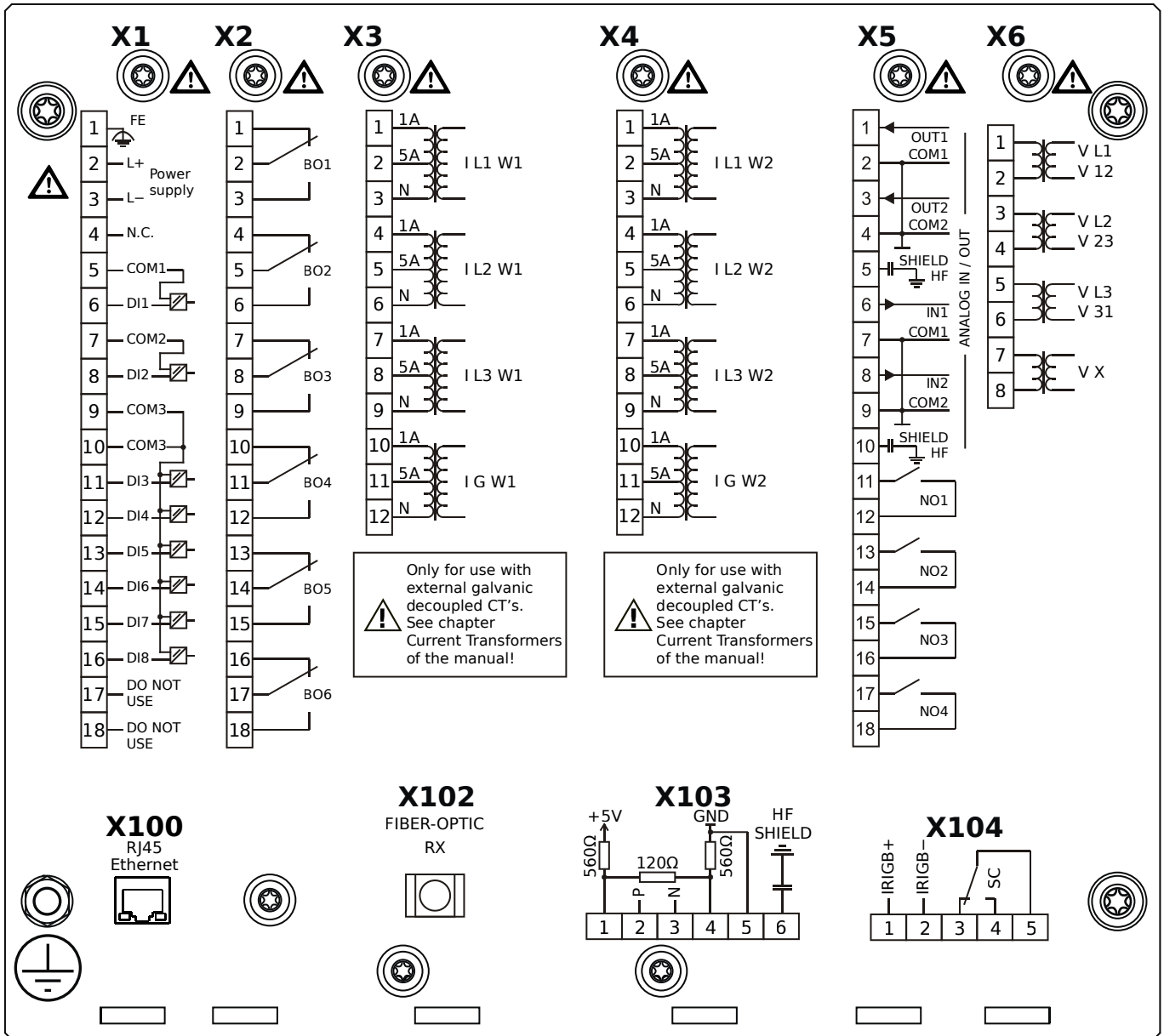
X6 – TU: Card with 4 voltage transformer measuring inputs

X100 – IEC 61850 / Modbus TCP / DNP3.0 TCP/UDP, Ethernet interface, 100 Mbit/s, RJ45 (BASE100-FX)

X102 – Universal Resistance-Temperature Detector (URTD) input, Fiber optics interface, Versatile Link

X104 – IRIG-B00X, incl. System Contact (Supervision Contact)

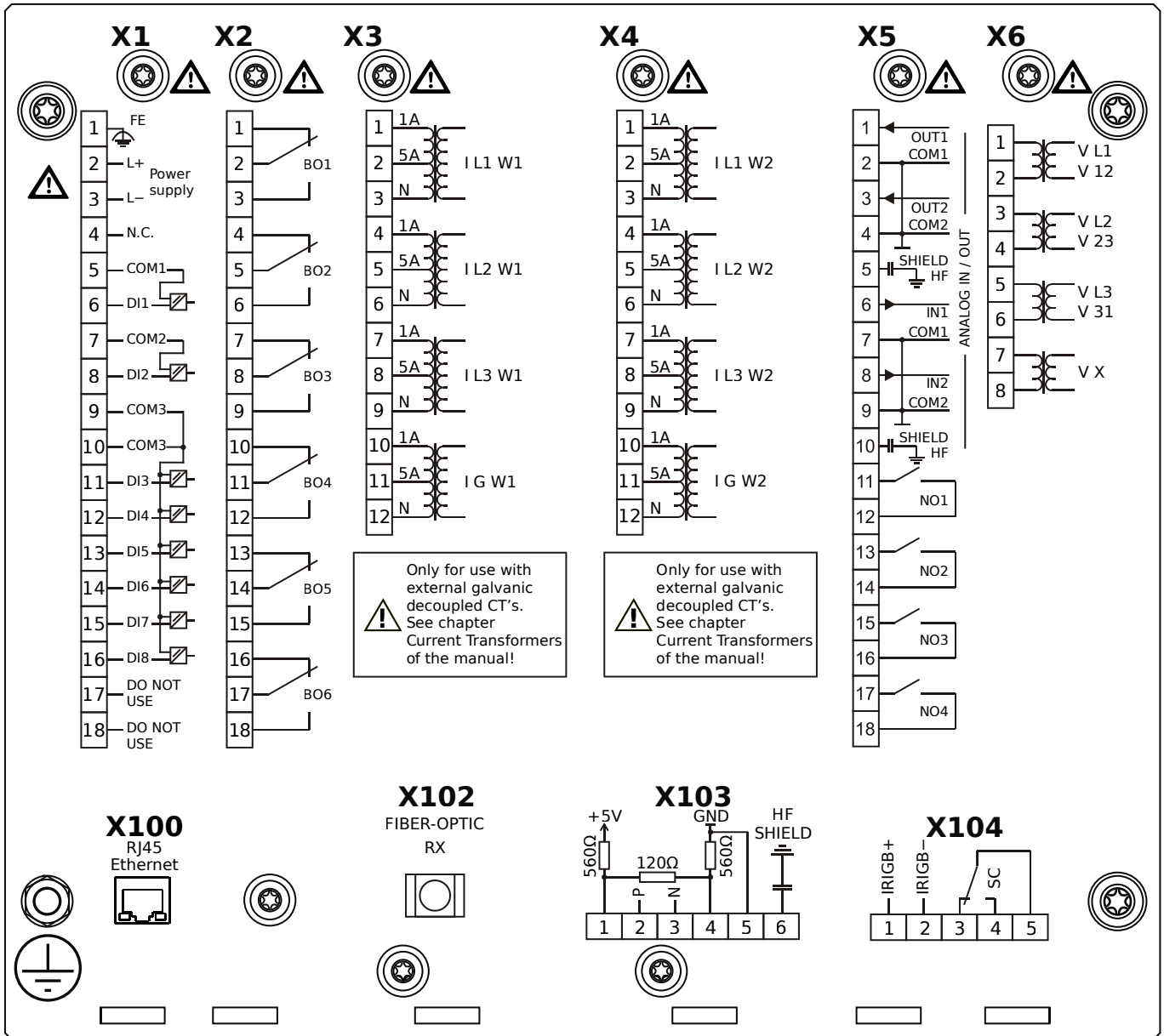
MCDTV4-2B0HIA



Housing B2, large display, door mounting

- X1** – DI8-X1: Wide-range power supply unit, incl. 2 non-grouped digital inputs and 6 grouped digital inputs
- X2** – OR6: Assembly Group with 6 Output Relays
- X3** – TI: Standard current measuring card (for the winding side 1)
- X4** – TI: Standard current measuring card (for the winding side 2)
- X5** – AnIO2-OR4: Assembly Group with 2 Analog Inputs, 2 Analog Outputs and 4 Output Relays
- X6** – TU: Card with 4 voltage transformer measuring inputs
- X100** – Modbus TCP / DNP3.0 TCP/UDP, Ethernet interface, 100 Mbit/s, RJ45 (BASE100-FX)
- X102** – Universal Resistance-Temperature Detector (URTD) input, Fiber optics interface, Versatile Link
- X103** – IEC 60870-5-103 / Modbus RTU / DNP3.0 RTU, RS485, Terminals
- X104** – IRIG-B00X, incl. System Contact (Supervision Contact)

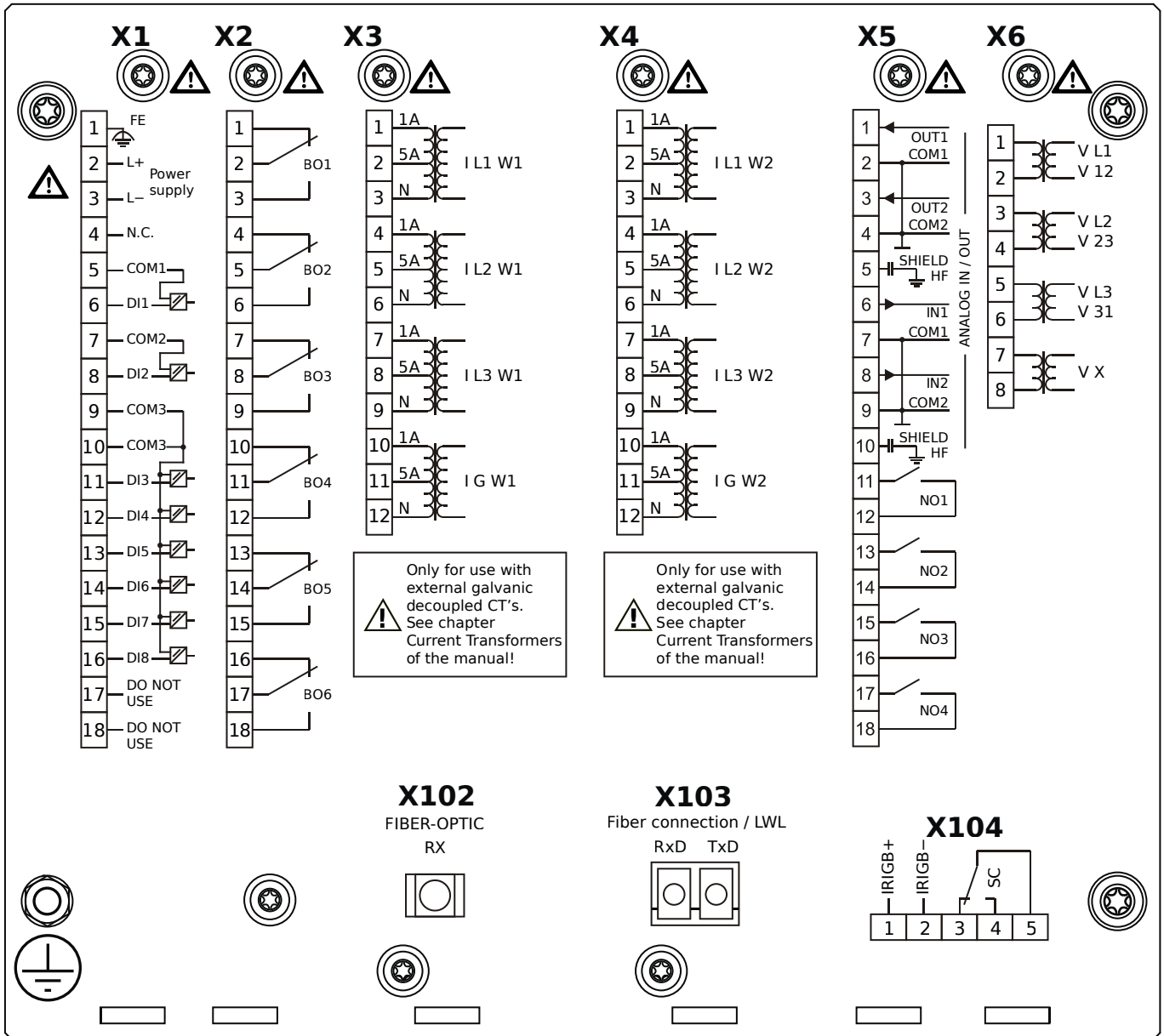
MCDTV4-2B0HIB



Housing B2, large display, door mounting

- + Conformal Coating (for installations in harsh environment)
- X1** – DI8-X1: Wide-range power supply unit, incl. 2 non-grouped digital inputs and 6 grouped digital inputs
- X2** – OR6: Assembly Group with 6 Output Relays
- X3** – TI: Standard current measuring card (for the winding side 1)
- X4** – TI: Standard current measuring card (for the winding side 2)
- X5** – AnIO2-OR4: Assembly Group with 2 Analog Inputs, 2 Analog Outputs and 4 Output Relays
- X6** – TU: Card with 4 voltage transformer measuring inputs
- X100** – Modbus TCP / DNP3.0 TCP/UDP, Ethernet interface, 100 Mbit/s, RJ45 (BASE100-FX)
- X102** – Universal Resistance-Temperature Detector (URTD) input, Fiber optics interface, Versatile Link
- X103** – IEC 60870-5-103 / Modbus RTU / DNP3.0 RTU, RS485, Terminals
- X104** – IRIG-B00X, incl. System Contact (Supervision Contact)

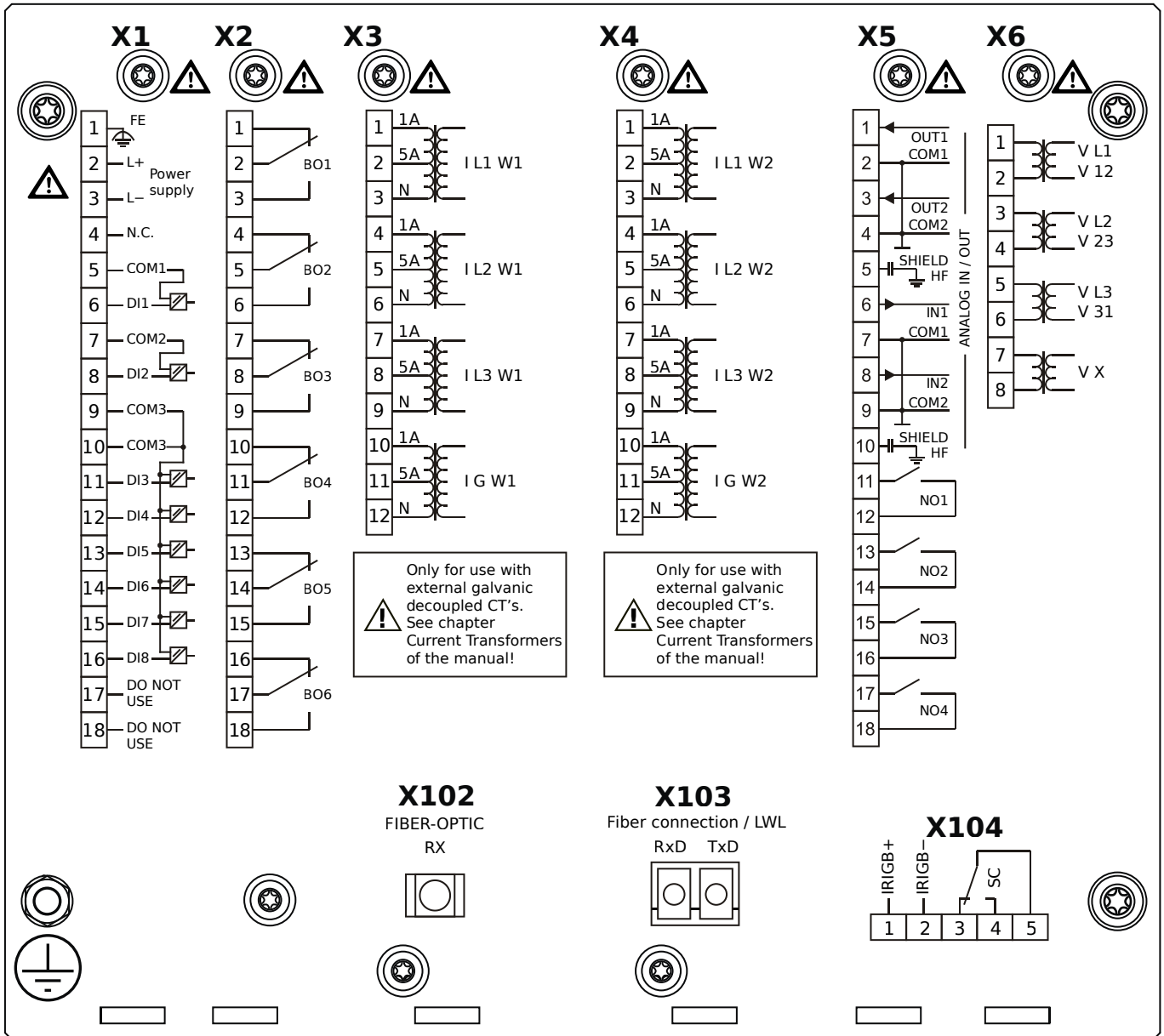
MCDTV4-2B0HKA



Housing B2, large display, door mounting

- X1** – DI8-X1: Wide-range power supply unit, incl. 2 non-grouped digital inputs and 6 grouped digital inputs
- X2** – OR6: Assembly Group with 6 Output Relays
- X3** – TI: Standard current measuring card (for the winding side 1)
- X4** – TI: Standard current measuring card (for the winding side 2)
- X5** – AnIO2-OR4: Assembly Group with 2 Analog Inputs, 2 Analog Outputs and 4 Output Relays
- X6** – TU: Card with 4 voltage transformer measuring inputs
- X102** – Universal Resistance-Temperature Detector (URTD) input, Fiber optics interface, Versatile Link
- X103** – IEC 61850 / Modbus TCP / DNP3.0 TCP/UDP, Fiber optics interface, LC Connector
- X104** – IRIG-B00X, incl. System Contact (Supervision Contact)

MCDTV4-2B0HKB

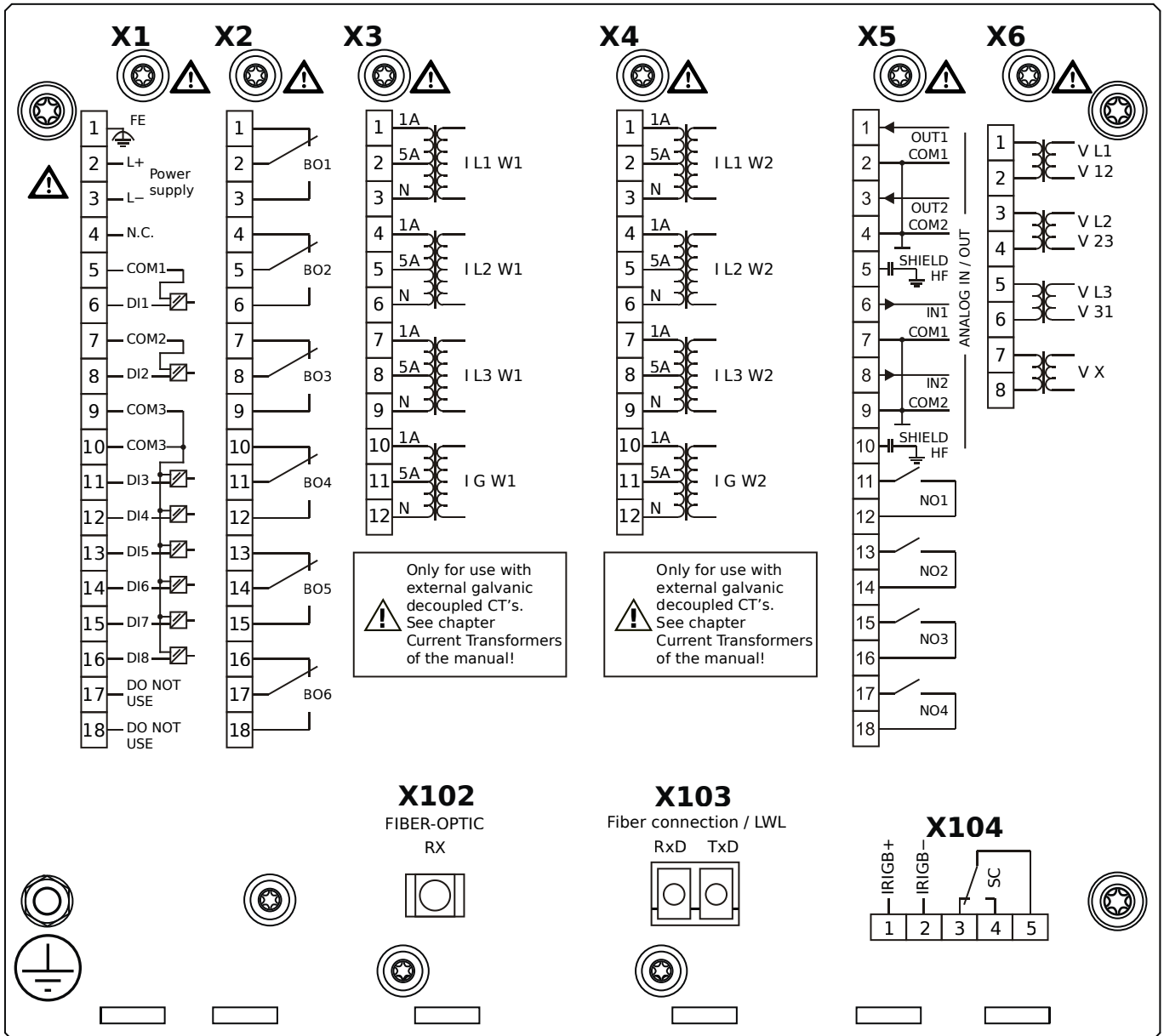


Housing B2, large display, door mounting

+ Conformal Coating (for installations in harsh environment)

- X1** – DI8-X1: Wide-range power supply unit, incl. 2 non-grouped digital inputs and 6 grouped digital inputs
- X2** – OR6: Assembly Group with 6 Output Relays
- X3** – TI: Standard current measuring card (for the winding side 1)
- X4** – TI: Standard current measuring card (for the winding side 2)
- X5** – AnIO2-OR4: Assembly Group with 2 Analog Inputs, 2 Analog Outputs and 4 Output Relays
- X6** – TU: Card with 4 voltage transformer measuring inputs
- X102** – Universal Resistance-Temperature Detector (URTD) input, Fiber optics interface, Versatile Link
- X103** – IEC 61850 / Modbus TCP / DNP3.0 TCP/UDP, Fiber optics interface, LC Connector
- X104** – IRIG-B00X, incl. System Contact (Supervision Contact)

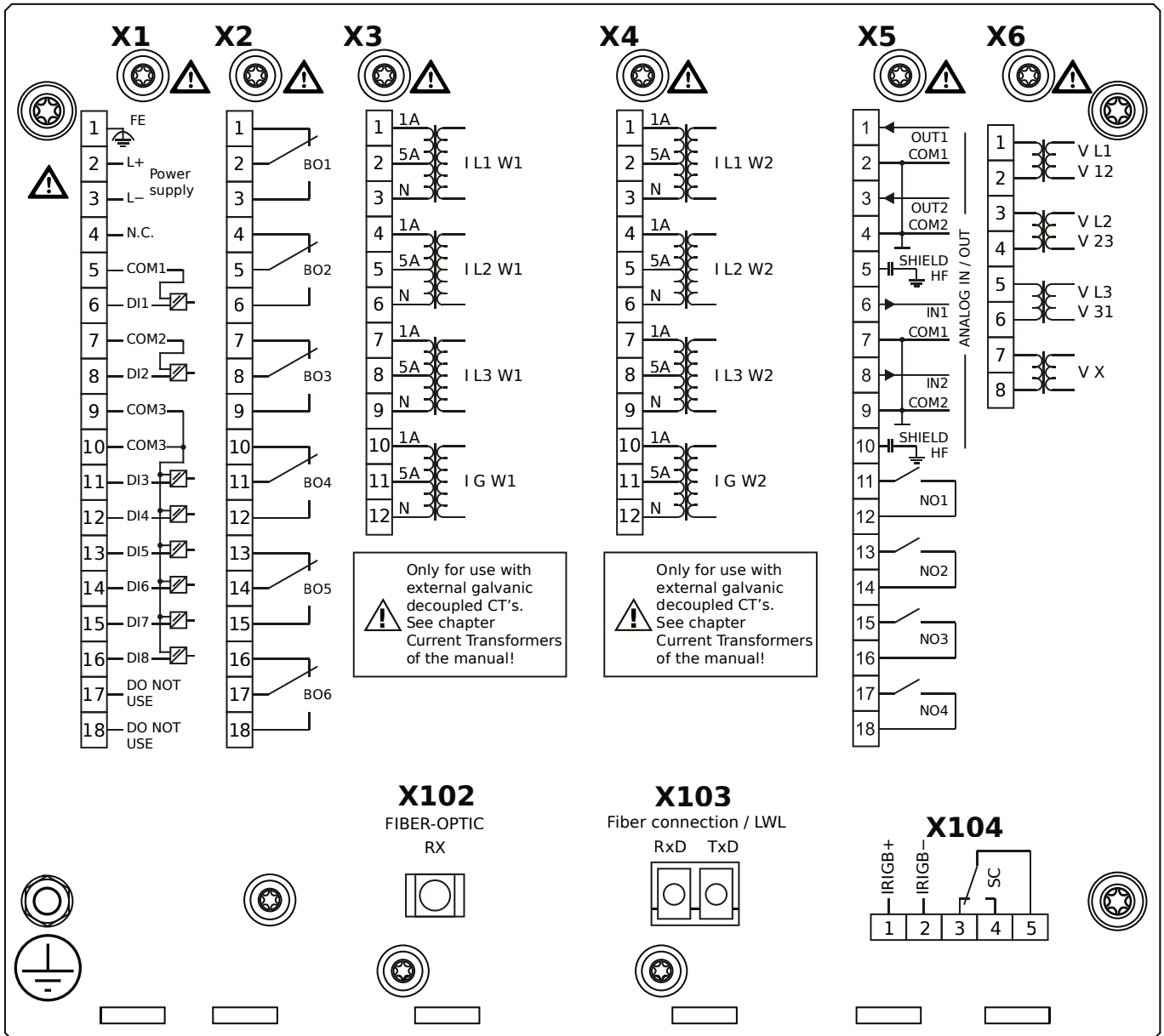
MCDTV4-2B0HLA



Housing B2, large display, door mounting

- X1** – DI8-X1: Wide-range power supply unit, incl. 2 non-grouped digital inputs and 6 grouped digital inputs
- X2** – OR6: Assembly Group with 6 Output Relays
- X3** – TI: Standard current measuring card (for the winding side 1)
- X4** – TI: Standard current measuring card (for the winding side 2)
- X5** – AnIO2-OR4: Assembly Group with 2 Analog Inputs, 2 Analog Outputs and 4 Output Relays
- X6** – TU: Card with 4 voltage transformer measuring inputs
- X102** – Universal Resistance-Temperature Detector (URTD) input, Fiber optics interface, Versatile Link
- X103** – Modbus TCP / DNP3.0 TCP/UDP, Fiber optics interface, LC Connector
- X104** – IRIG-B00X, incl. System Contact (Supervision Contact)

MCDTV4-2B0HLB

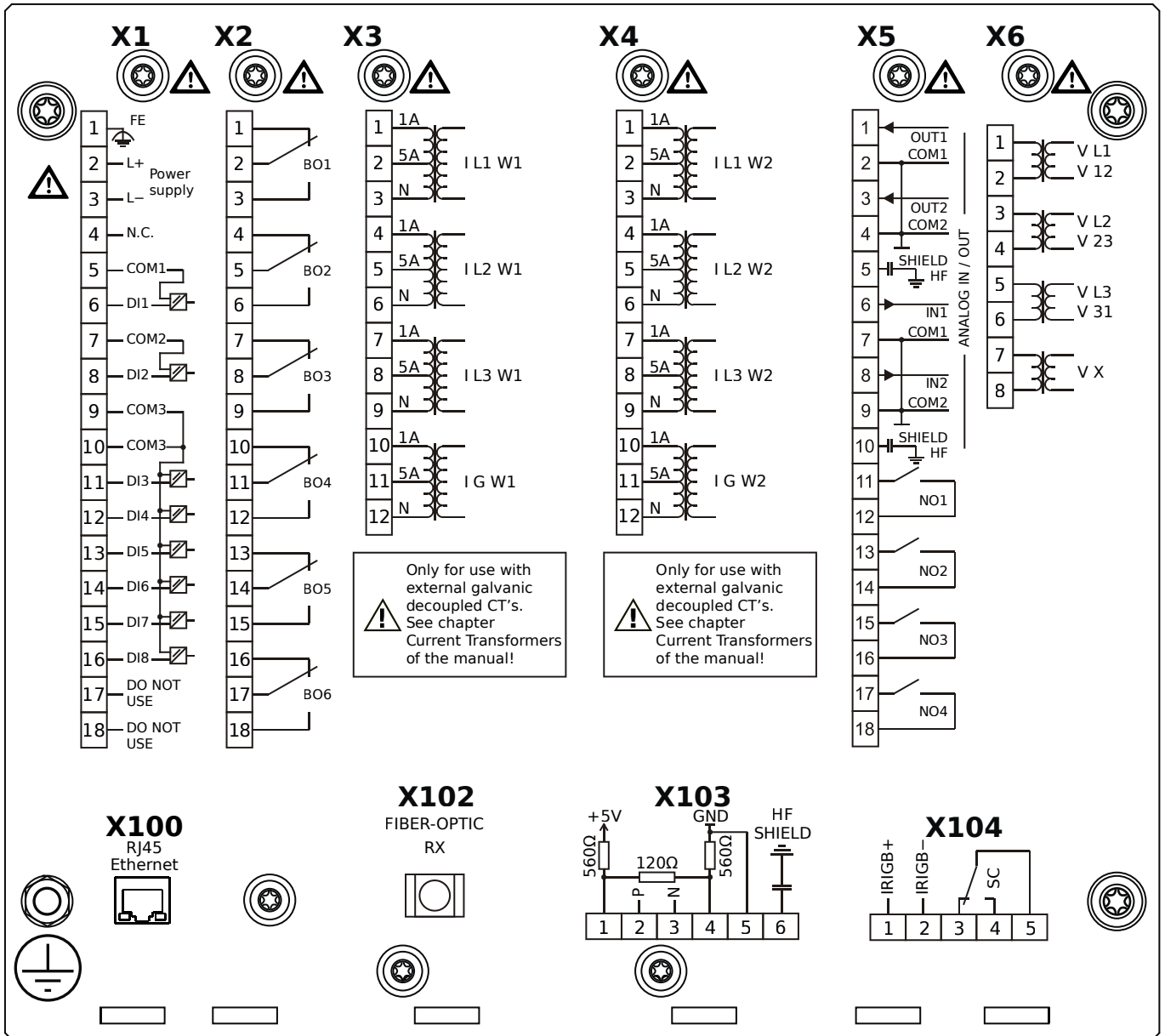


Housing B2, large display, door mounting

+ Conformal Coating (for installations in harsh environment)

- X1** – DI8-X1: Wide-range power supply unit, incl. 2 non-grouped digital inputs and 6 grouped digital inputs
- X2** – OR6: Assembly Group with 6 Output Relays
- X3** – TI: Standard current measuring card (for the winding side 1)
- X4** – TI: Standard current measuring card (for the winding side 2)
- X5** – AnIO2-OR4: Assembly Group with 2 Analog Inputs, 2 Analog Outputs and 4 Output Relays
- X6** – TU: Card with 4 voltage transformer measuring inputs
- X102** – Universal Resistance-Temperature Detector (URTD) input, Fiber optics interface, Versatile Link
- X103** – Modbus TCP / DNP3.0 TCP/UDP, Fiber optics interface, LC Connector
- X104** – IRIG-B00X, incl. System Contact (Supervision Contact)

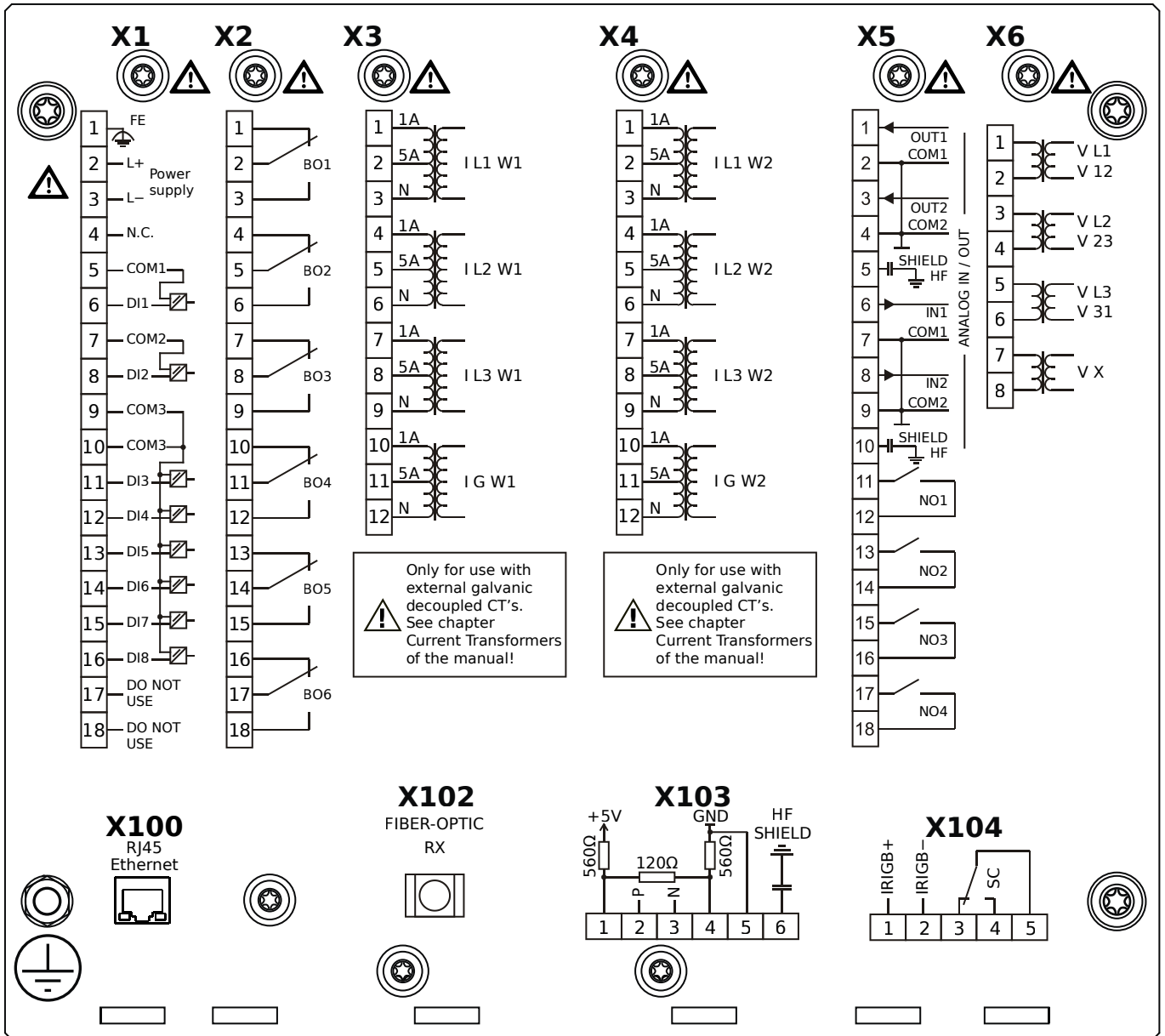
MCDTV4-2B0HTA



Housing B2, large display, door mounting

- X1** – DI8-X1: Wide-range power supply unit, incl. 2 non-grouped digital inputs and 6 grouped digital inputs
- X2** – OR6: Assembly Group with 6 Output Relays
- X3** – TI: Standard current measuring card (for the winding side 1)
- X4** – TI: Standard current measuring card (for the winding side 2)
- X5** – AnIO2-OR4: Assembly Group with 2 Analog Inputs, 2 Analog Outputs and 4 Output Relays
- X6** – TU: Card with 4 voltage transformer measuring inputs
- X100** – IEC 61850 / Modbus TCP / DNP3.0 TCP/UDP, Ethernet interface, 100 Mbit/s, RJ45 (BASE100-FX)
- X102** – Universal Resistance-Temperature Detector (URTD) input, Fiber optics interface, Versatile Link
- X103** – IEC 60870-5-103 / Modbus RTU / DNP3.0 RTU, RS485, Terminals
- X104** – IRIG-B00X, incl. System Contact (Supervision Contact)

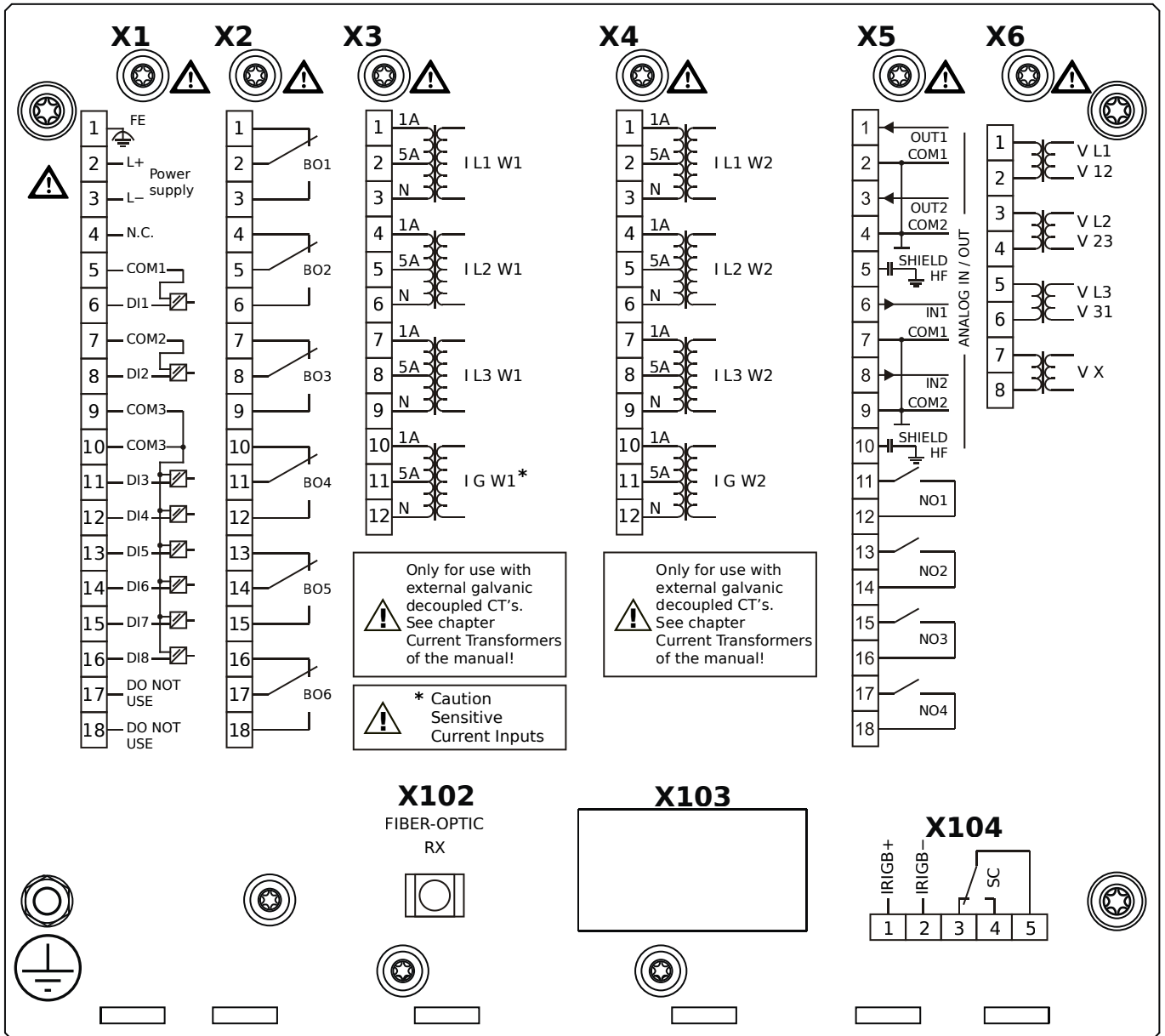
MCDTV4-2B0HTB



Housing B2, large display, door mounting

- + Conformal Coating (for installations in harsh environment)
- X1** – DI8-X1: Wide-range power supply unit, incl. 2 non-grouped digital inputs and 6 grouped digital inputs
- X2** – OR6: Assembly Group with 6 Output Relays
- X3** – TI: Standard current measuring card (for the winding side 1)
- X4** – TI: Standard current measuring card (for the winding side 2)
- X5** – AnIO2-OR4: Assembly Group with 2 Analog Inputs, 2 Analog Outputs and 4 Output Relays
- X6** – TU: Card with 4 voltage transformer measuring inputs
- X100** – IEC 61850 / Modbus TCP / DNP3.0 TCP/UDP, Ethernet interface, 100 Mbit/s, RJ45 (BASE100-FX)
- X102** – Universal Resistance-Temperature Detector (URTD) input, Fiber optics interface, Versatile Link
- X103** – IEC 60870-5-103 / Modbus RTU / DNP3.0 RTU, RS485, Terminals
- X104** – IIRIG-B00X, incl. System Contact (Supervision Contact)

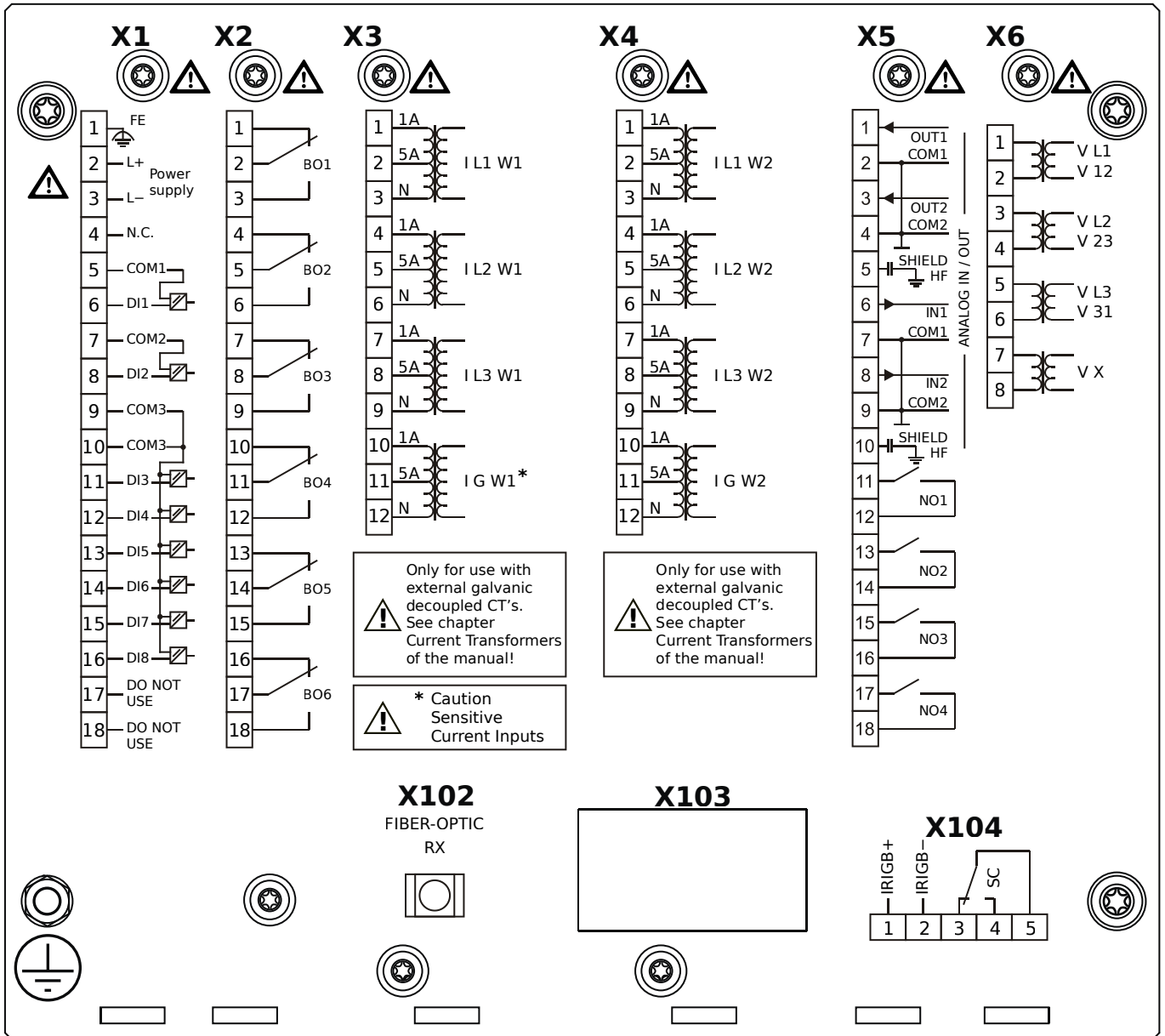
MCDTV4-2B1AAA



Housing B2, large display, door mounting

- X1** – DI8-X1: Wide-range power supply unit, incl. 2 non-grouped digital inputs and 6 grouped digital inputs
- X2** – OR6: Assembly Group with 6 Output Relays
- X3** – TIs: Standard phase current measuring card and sensitive ground current measuring (winding side 1)
- X4** – TI: Standard current measuring card (for the winding side 2)
- X5** – AnIO2-OR4: Assembly Group with 2 Analog Inputs, 2 Analog Outputs and 4 Output Relays
- X6** – TU: Card with 4 voltage transformer measuring inputs
- X102** – Universal Resistance-Temperature Detector (URTD) input, Fiber optics interface, Versatile Link
- X104** – IRIG-B00X, incl. System Contact (Supervision Contact)

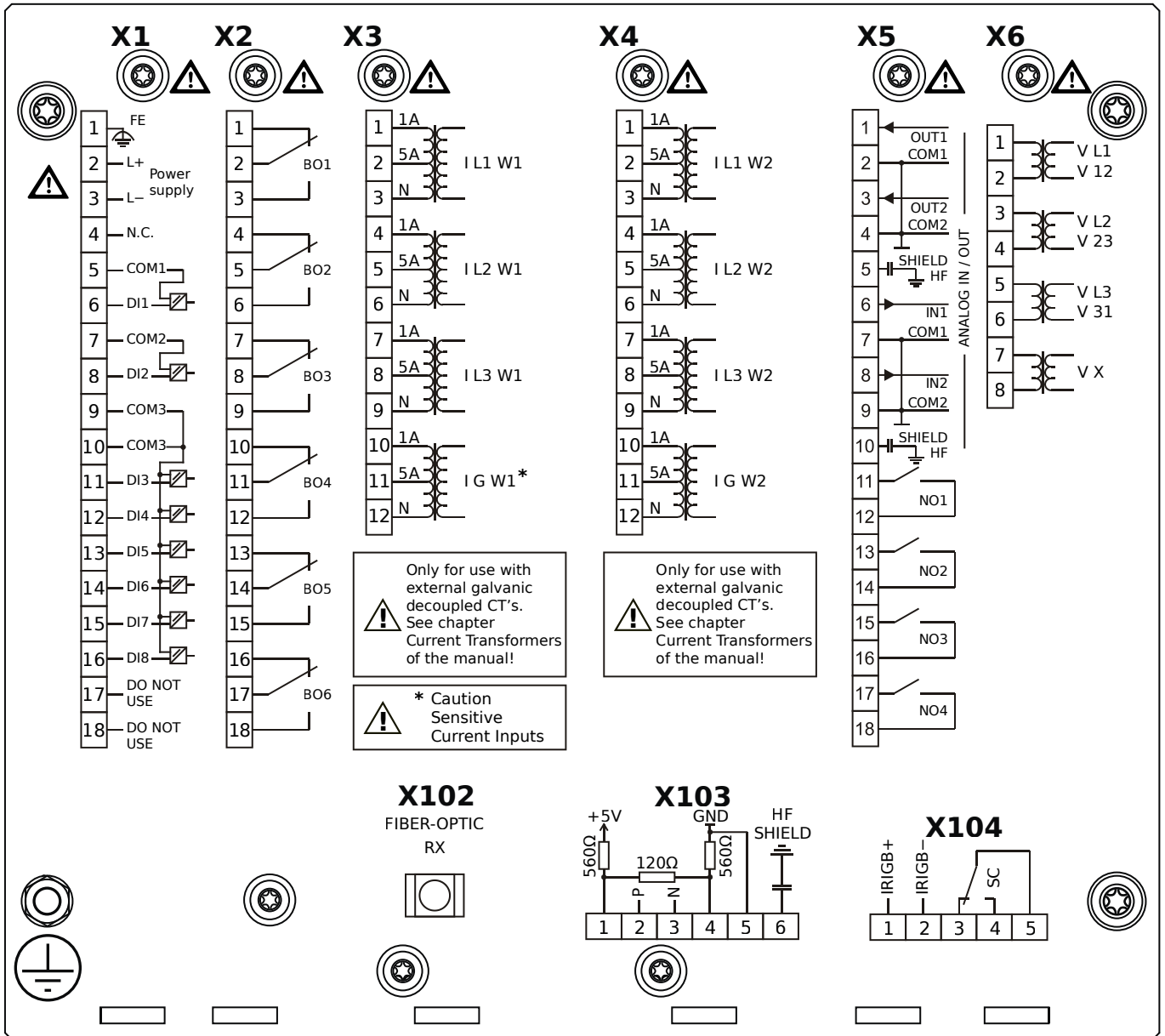
MCDTV4-2B1AAB



Housing B2, large display, door mounting

- + Conformal Coating (for installations in harsh environment)
- X1** – DI8-X1: Wide-range power supply unit, incl. 2 non-grouped digital inputs and 6 grouped digital inputs
- X2** – OR6: Assembly Group with 6 Output Relays
- X3** – TIs: Standard phase current measuring card and sensitive ground current measuring (winding side 1)
- X4** – TI: Standard current measuring card (for the winding side 2)
- X5** – AnIO2-OR4: Assembly Group with 2 Analog Inputs, 2 Analog Outputs and 4 Output Relays
- X6** – TU: Card with 4 voltage transformer measuring inputs
- X102** – Universal Resistance-Temperature Detector (URTD) input, Fiber optics interface, Versatile Link
- X104** – IRIG-B00X, incl. System Contact (Supervision Contact)

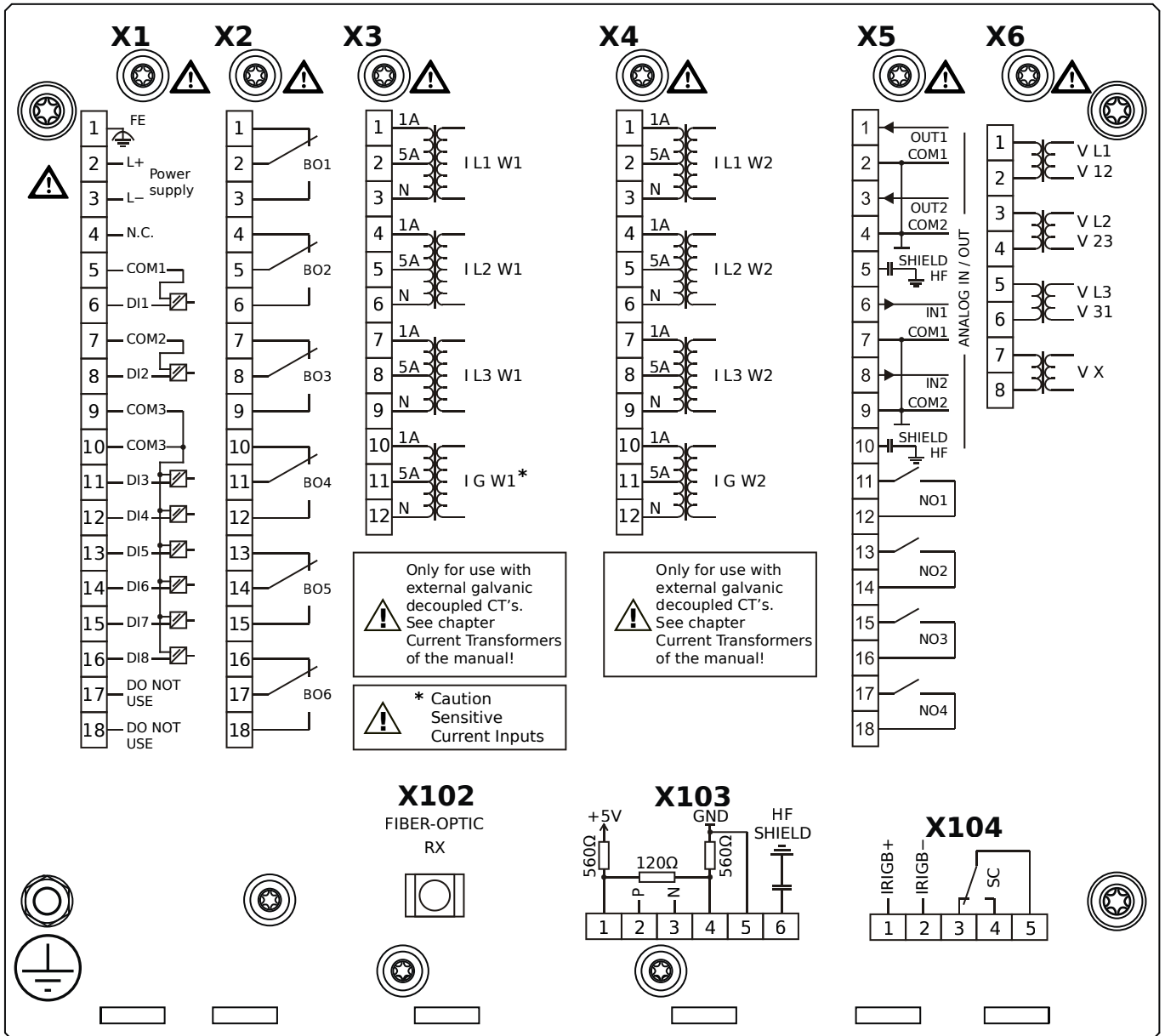
MCDTV4-2B1ABA



Housing B2, large display, door mounting

- X1** – DI8-X1: Wide-range power supply unit, incl. 2 non-grouped digital inputs and 6 grouped digital inputs
- X2** – OR6: Assembly Group with 6 Output Relays
- X3** – TIs: Standard phase current measuring card and sensitive ground current measuring (winding side 1)
- X4** – TI: Standard current measuring card (for the winding side 2)
- X5** – AnIO2-OR4: Assembly Group with 2 Analog Inputs, 2 Analog Outputs and 4 Output Relays
- X6** – TU: Card with 4 voltage transformer measuring inputs
- X102** – Universal Resistance-Temperature Detector (URTD) input, Fiber optics interface, Versatile Link
- X103** – Modbus RTU / IEC 60870-5-103 / DNP3.0 RTU, RS485, Terminals
- X104** – IRIG-B00X, incl. System Contact (Supervision Contact)

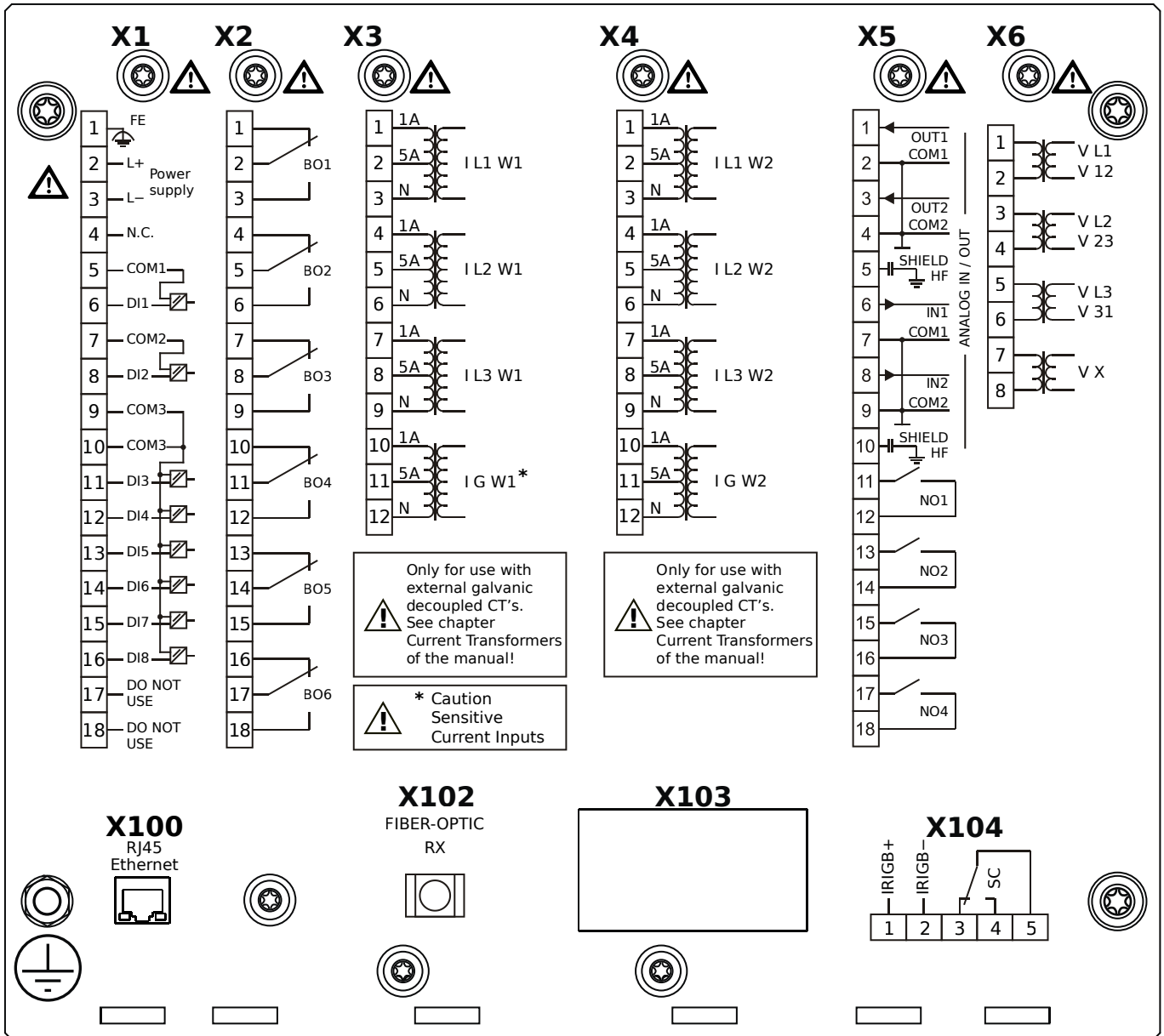
MCDTV4-2B1ABB



Housing B2, large display, door mounting

- + Conformal Coating (for installations in harsh environment)
- X1** – DI8-X1: Wide-range power supply unit, incl. 2 non-grouped digital inputs and 6 grouped digital inputs
- X2** – OR6: Assembly Group with 6 Output Relays
- X3** – TIs: Standard phase current measuring card and sensitive ground current measuring (winding side 1)
- X4** – TI: Standard current measuring card (for the winding side 2)
- X5** – AnIO2-OR4: Assembly Group with 2 Analog Inputs, 2 Analog Outputs and 4 Output Relays
- X6** – TU: Card with 4 voltage transformer measuring inputs
- X102** – Universal Resistance-Temperature Detector (URTD) input, Fiber optics interface, Versatile Link
- X103** – Modbus RTU / IEC 60870-5-103 / DNP3.0 RTU, RS485, Terminals
- X104** – IRIG-B00X, incl. System Contact (Supervision Contact)

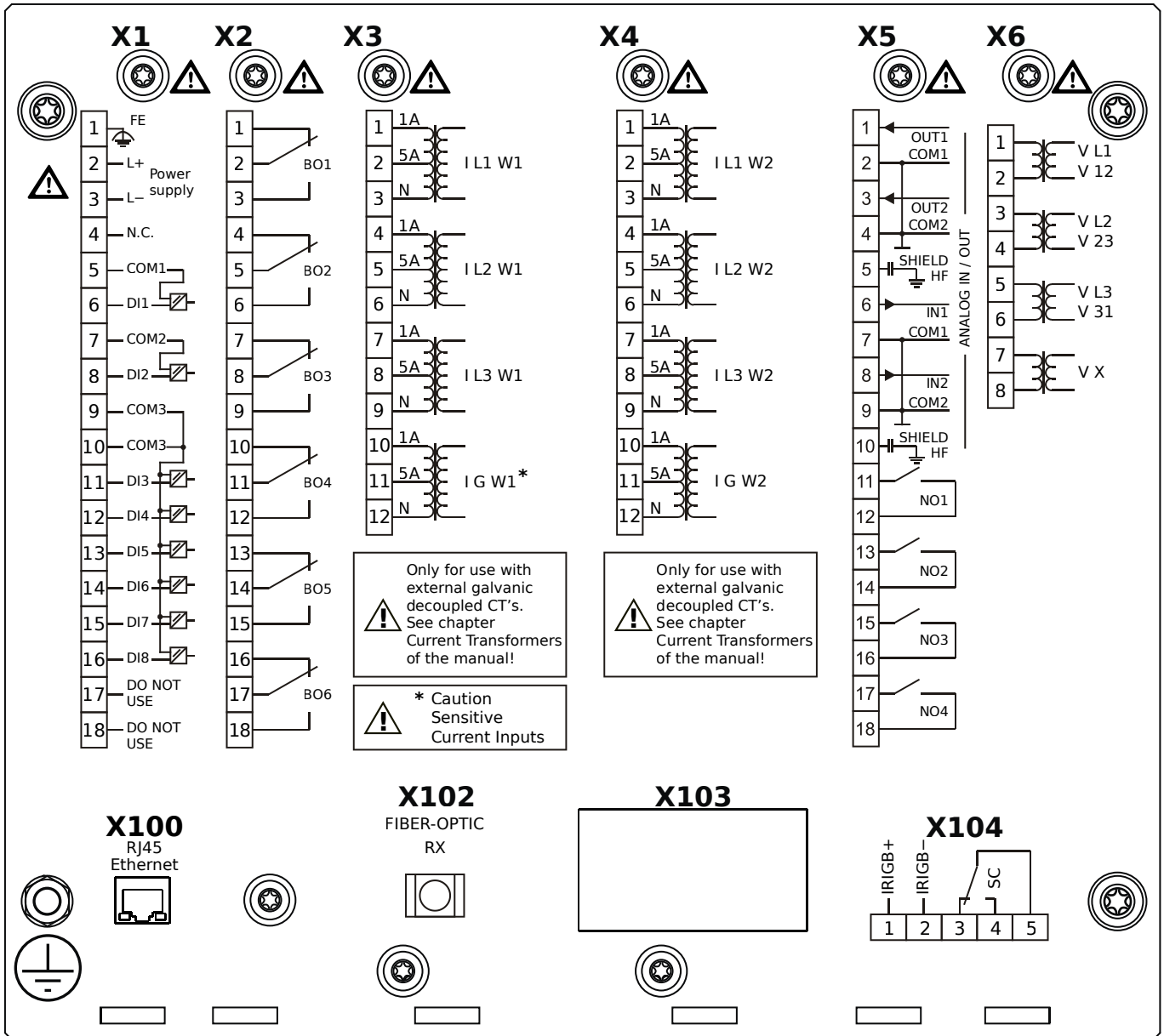
MCDTV4-2B1ACA



Housing B2, large display, door mounting

- X1** – DI8-X1: Wide-range power supply unit, incl. 2 non-grouped digital inputs and 6 grouped digital inputs
- X2** – OR6: Assembly Group with 6 Output Relays
- X3** – TIs: Standard phase current measuring card and sensitive ground current measuring (winding side 1)
- X4** – TI: Standard current measuring card (for the winding side 2)
- X5** – AnIO2-OR4: Assembly Group with 2 Analog Inputs, 2 Analog Outputs and 4 Output Relays
- X6** – TU: Card with 4 voltage transformer measuring inputs
- X100** – Modbus TCP / DNP3.0 TCP/UDP, Ethernet interface, 100 Mbit/s, RJ45 (BASE100-FX)
- X102** – Universal Resistance-Temperature Detector (URTD) input, Fiber optics interface, Versatile Link
- X104** – IRIG-B00X, incl. System Contact (Supervision Contact)

MCDTV4-2B1ACB

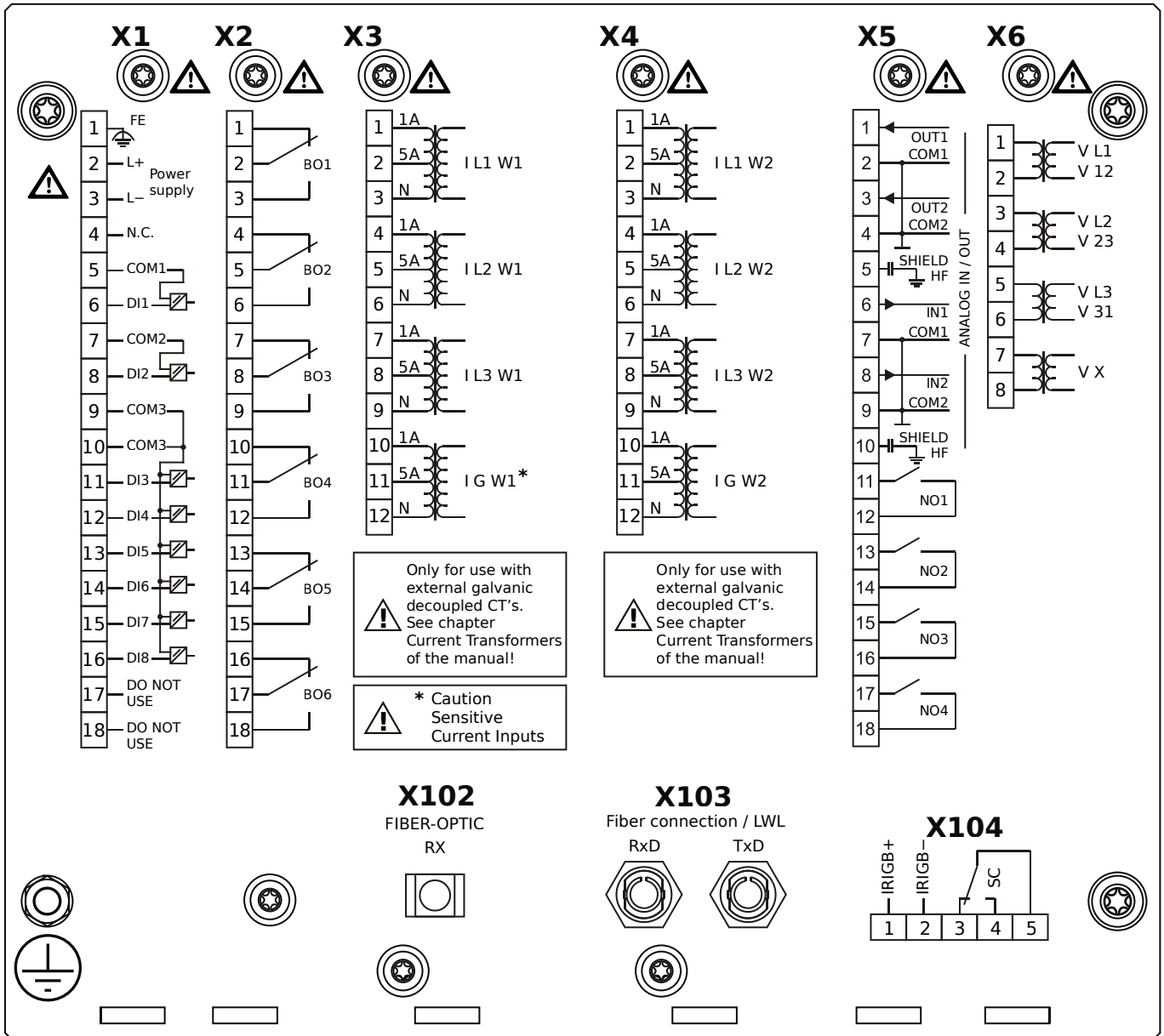


Housing B2, large display, door mounting

+ Conformal Coating (for installations in harsh environment)

- X1** – DI8-X1: Wide-range power supply unit, incl. 2 non-grouped digital inputs and 6 grouped digital inputs
- X2** – OR6: Assembly Group with 6 Output Relays
- X3** – TIs: Standard phase current measuring card and sensitive ground current measuring (winding side 1)
- X4** – TI: Standard current measuring card (for the winding side 2)
- X5** – AnIO2-OR4: Assembly Group with 2 Analog Inputs, 2 Analog Outputs and 4 Output Relays
- X6** – TU: Card with 4 voltage transformer measuring inputs
- X100** – Modbus TCP / DNP3.0 TCP/UDP, Ethernet interface, 100 Mbit/s, RJ45 (BASE100-FX)
- X102** – Universal Resistance-Temperature Detector (URTD) input, Fiber optics interface, Versatile Link
- X104** – IRIG-B00X, incl. System Contact (Supervision Contact)

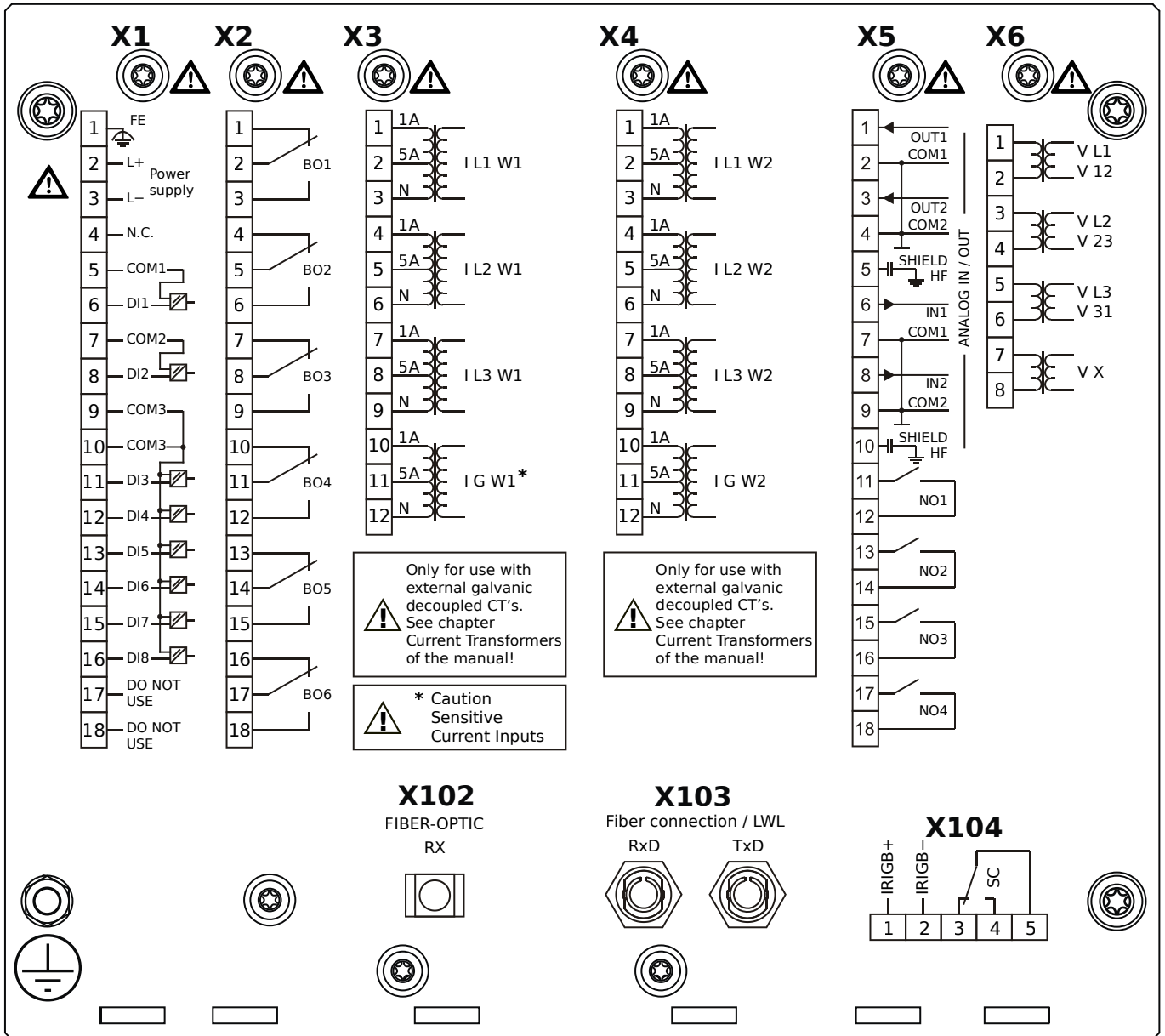
MCDTV4-2B1ADA



Housing B2, large display, door mounting

- X1** – DI8-X1: Wide-range power supply unit, incl. 2 non-grouped digital inputs and 6 grouped digital inputs
- X2** – OR6: Assembly Group with 6 Output Relays
- X3** – TIs: Standard phase current measuring card and sensitive ground current measuring (winding side 1)
- X4** – TI: Standard current measuring card (for the winding side 2)
- X5** – AnIO2-OR4: Assembly Group with 2 Analog Inputs, 2 Analog Outputs and 4 Output Relays
- X6** – TU: Card with 4 voltage transformer measuring inputs
- X102** – Universal Resistance-Temperature Detector (URTD) input, Fiber optics interface, Versatile Link
- X103** – Profibus-DP, Fiber optics interface, ST Connector
- X104** – IRIG-B00X, incl. System Contact (Supervision Contact)

MCDTV4-2B1ADB

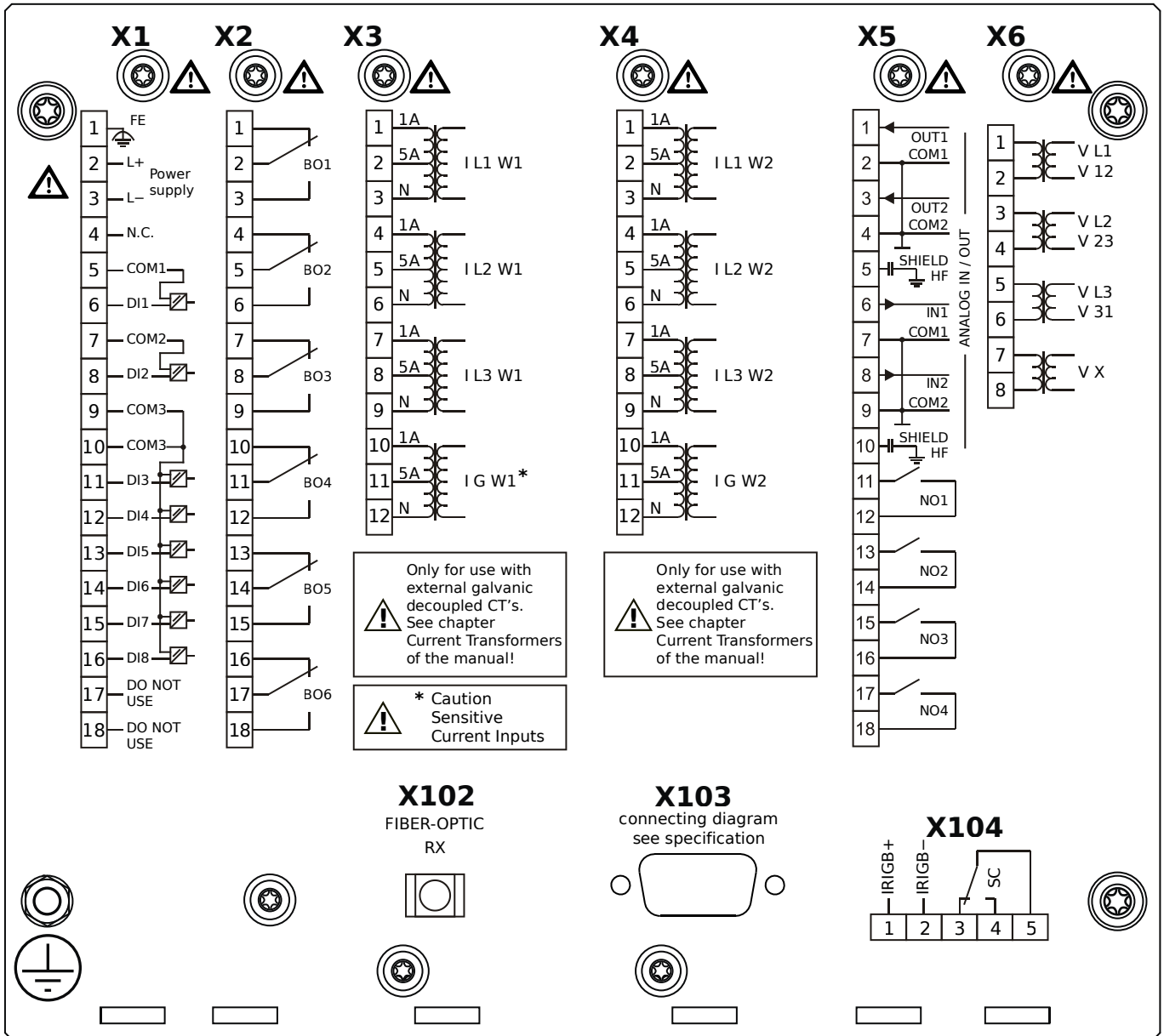


Housing B2, large display, door mounting

+ Conformal Coating (for installations in harsh environment)

- X1** – DI8-X1: Wide-range power supply unit, incl. 2 non-grouped digital inputs and 6 grouped digital inputs
- X2** – OR6: Assembly Group with 6 Output Relays
- X3** – TIs: Standard phase current measuring card and sensitive ground current measuring (winding side 1)
- X4** – TI: Standard current measuring card (for the winding side 2)
- X5** – AnIO2-OR4: Assembly Group with 2 Analog Inputs, 2 Analog Outputs and 4 Output Relays
- X6** – TU: Card with 4 voltage transformer measuring inputs
- X102** – Universal Resistance-Temperature Detector (URTD) input, Fiber optics interface, Versatile Link
- X103** – Profibus-DP, Fiber optics interface, ST Connector
- X104** – IRIG-B00X, incl. System Contact (Supervision Contact)

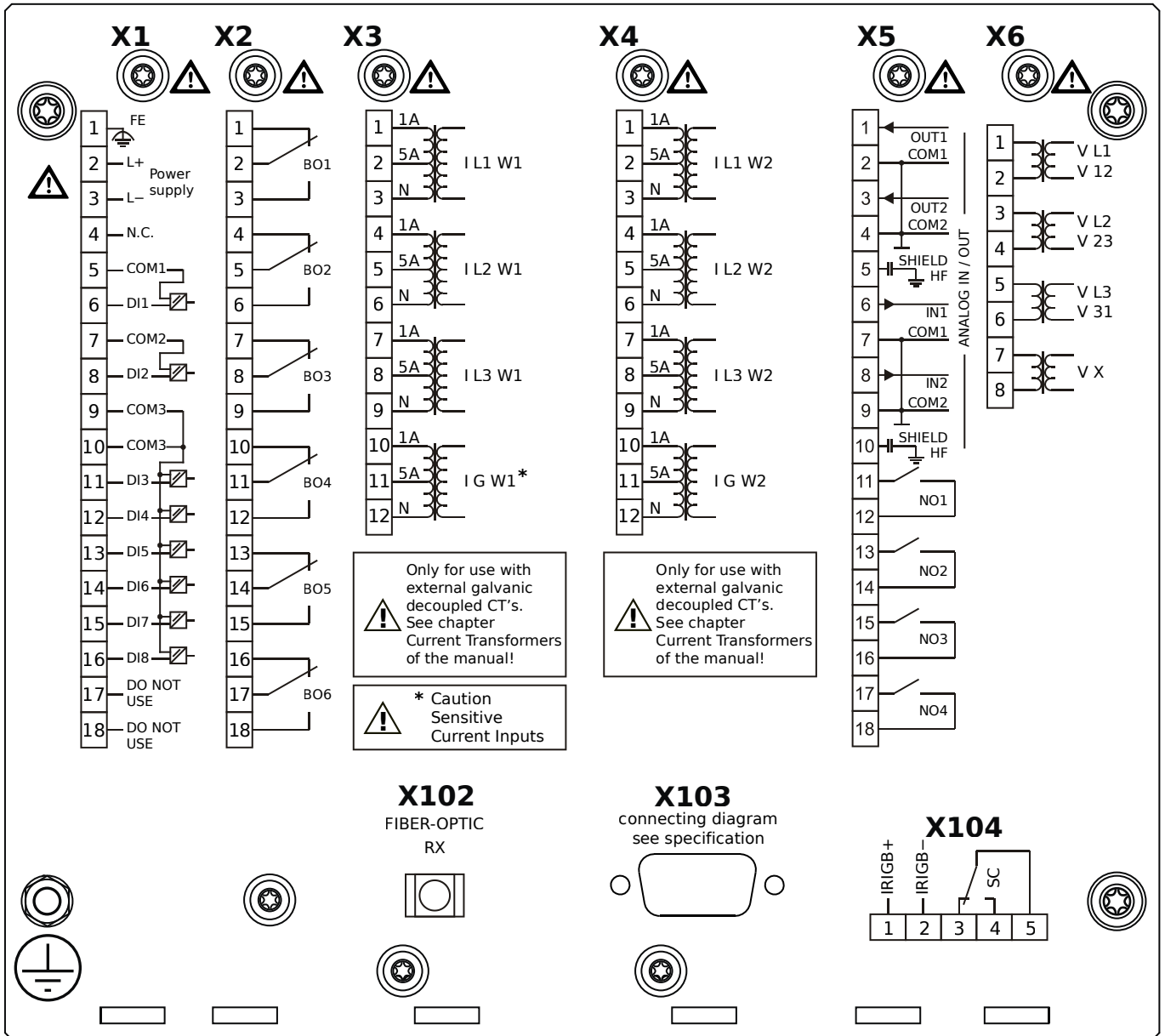
MCDTV4-2B1AEA



Housing B2, large display, door mounting

- X1** – DI8-X1: Wide-range power supply unit, incl. 2 non-grouped digital inputs and 6 grouped digital inputs
- X2** – OR6: Assembly Group with 6 Output Relays
- X3** – TIs: Standard phase current measuring card and sensitive ground current measuring (winding side 1)
- X4** – TI: Standard current measuring card (for the winding side 2)
- X5** – AnIO2-OR4: Assembly Group with 2 Analog Inputs, 2 Analog Outputs and 4 Output Relays
- X6** – TU: Card with 4 voltage transformer measuring inputs
- X102** – Universal Resistance-Temperature Detector (URTD) input, Fiber optics interface, Versatile Link
- X103** – Profibus-DP, RS485, D-SUB
- X104** – IRIG-B00X, incl. System Contact (Supervision Contact)

MCDTV4-2B1AEB

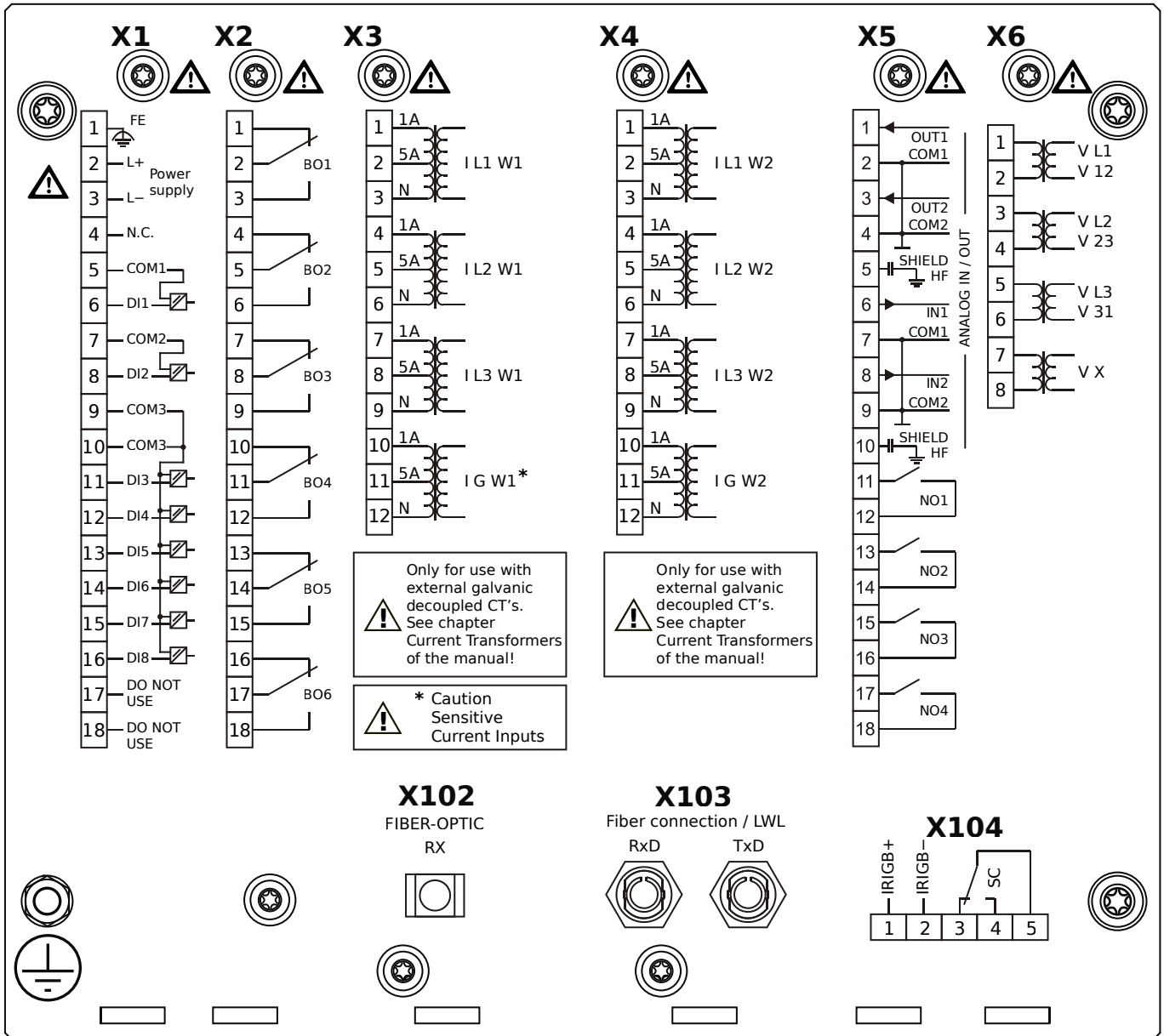


Housing B2, large display, door mounting

+ Conformal Coating (for installations in harsh environment)

- X1** – DI8-X1: Wide-range power supply unit, incl. 2 non-grouped digital inputs and 6 grouped digital inputs
- X2** – OR6: Assembly Group with 6 Output Relays
- X3** – TIs: Standard phase current measuring card and sensitive ground current measuring (winding side 1)
- X4** – TI: Standard current measuring card (for the winding side 2)
- X5** – AnIO2-OR4: Assembly Group with 2 Analog Inputs, 2 Analog Outputs and 4 Output Relays
- X6** – TU: Card with 4 voltage transformer measuring inputs
- X102** – Universal Resistance-Temperature Detector (URTD) input, Fiber optics interface, Versatile Link
- X103** – Profibus-DP, RS485, D-SUB
- X104** – IRIG-B00X, incl. System Contact (Supervision Contact)

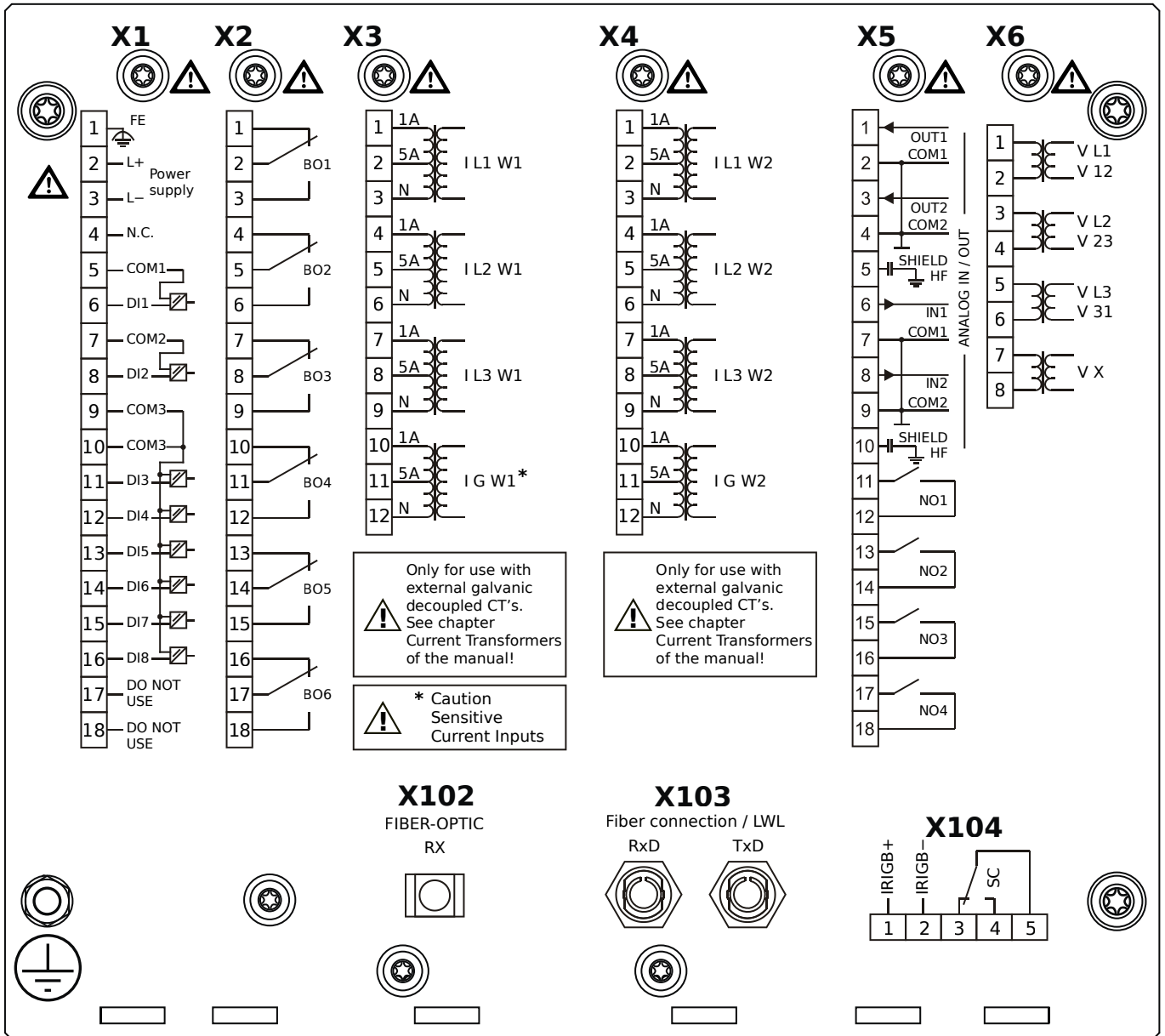
MCDTV4-2B1AFA



Housing B2, large display, door mounting

- X1** – DI8-X1: Wide-range power supply unit, incl. 2 non-grouped digital inputs and 6 grouped digital inputs
- X2** – OR6: Assembly Group with 6 Output Relays
- X3** – TIs: Standard phase current measuring card and sensitive ground current measuring (winding side 1)
- X4** – TI: Standard current measuring card (for the winding side 2)
- X5** – AnIO2-OR4: Assembly Group with 2 Analog Inputs, 2 Analog Outputs and 4 Output Relays
- X6** – TU: Card with 4 voltage transformer measuring inputs
- X102** – Universal Resistance-Temperature Detector (URTD) input, Fiber optics interface, Versatile Link
- X103** – Modbus RTU / IEC 60870-5-103 / DNP3.0 RTU, Fiber optics interface, ST Connector
- X104** – IRIG-B00X, incl. System Contact (Supervision Contact)

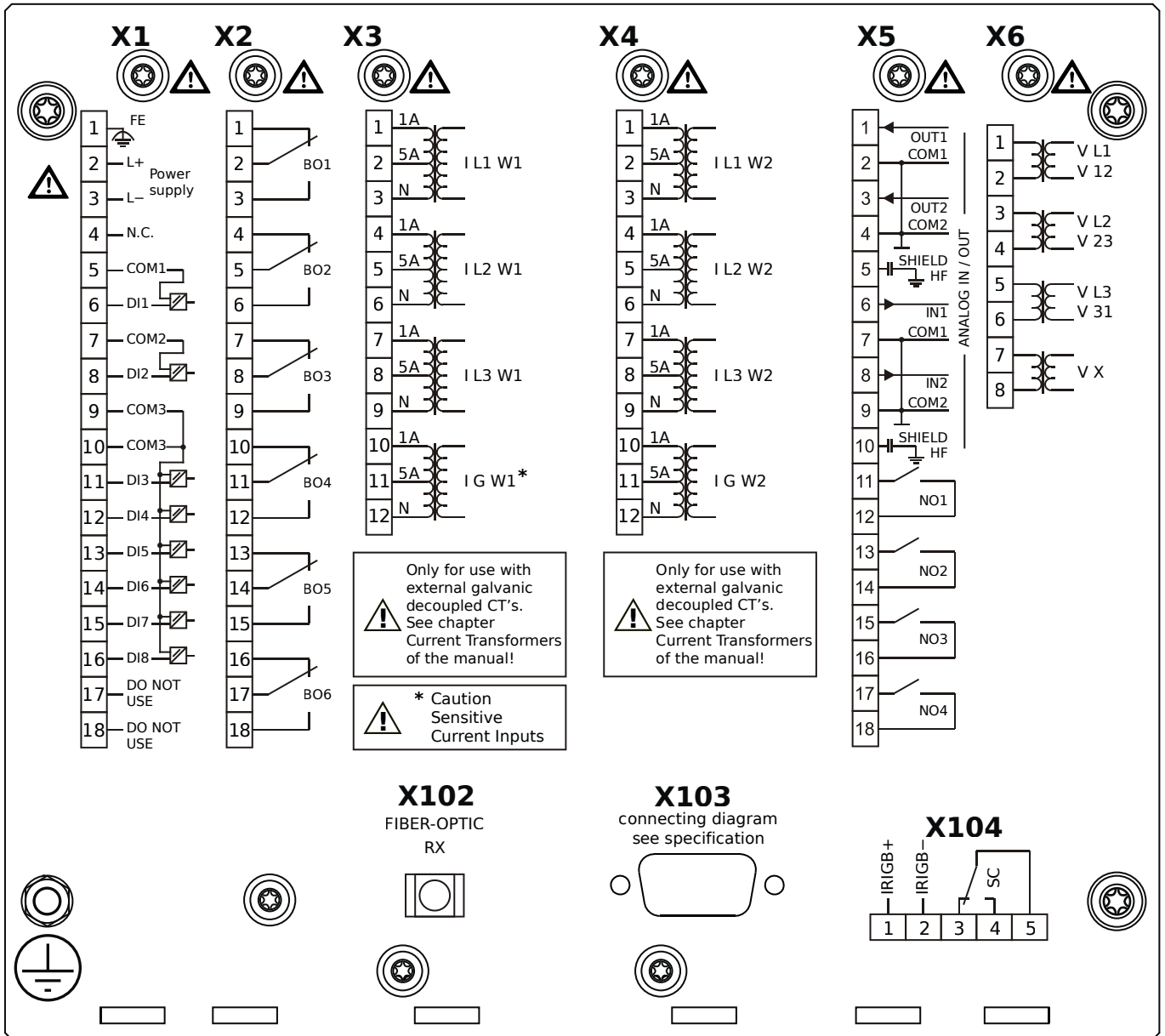
MCDTV4-2B1AFB



Housing B2, large display, door mounting

- + Conformal Coating (for installations in harsh environment)
- X1** – DI8-X1: Wide-range power supply unit, incl. 2 non-grouped digital inputs and 6 grouped digital inputs
- X2** – OR6: Assembly Group with 6 Output Relays
- X3** – TIs: Standard phase current measuring card and sensitive ground current measuring (winding side 1)
- X4** – TI: Standard current measuring card (for the winding side 2)
- X5** – AnIO2-OR4: Assembly Group with 2 Analog Inputs, 2 Analog Outputs and 4 Output Relays
- X6** – TU: Card with 4 voltage transformer measuring inputs
- X102** – Universal Resistance-Temperature Detector (URTD) input, Fiber optics interface, Versatile Link
- X103** – Modbus RTU / IEC 60870-5-103 / DNP3.0 RTU, Fiber optics interface, ST Connector
- X104** – IRIG-B00X, incl. System Contact (Supervision Contact)

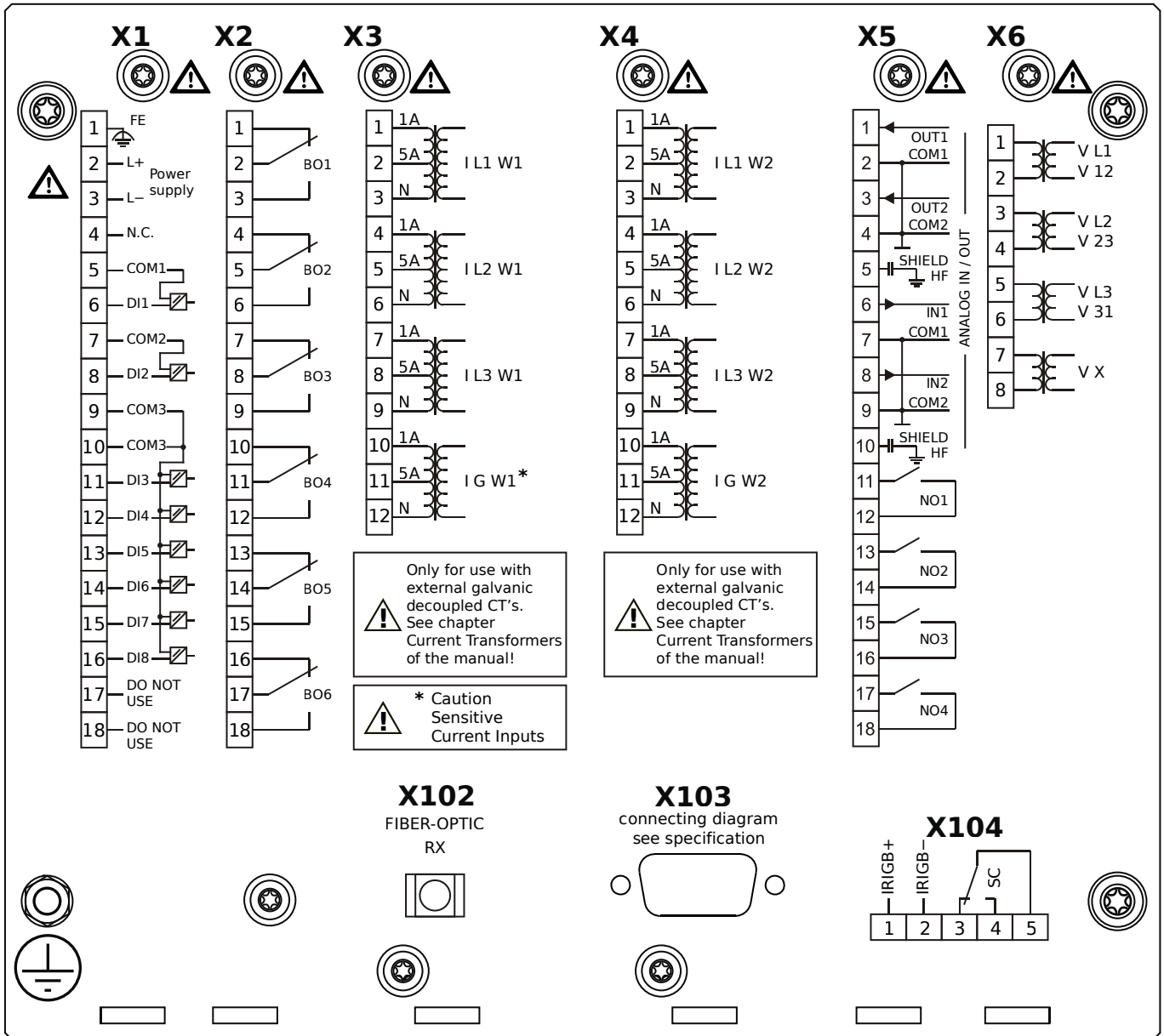
MCDTV4-2B1AGA



Housing B2, large display, door mounting

- X1** – DI8-X1: Wide-range power supply unit, incl. 2 non-grouped digital inputs and 6 grouped digital inputs
- X2** – OR6: Assembly Group with 6 Output Relays
- X3** – TIs: Standard phase current measuring card and sensitive ground current measuring (winding side 1)
- X4** – TI: Standard current measuring card (for the winding side 2)
- X5** – AnIO2-OR4: Assembly Group with 2 Analog Inputs, 2 Analog Outputs and 4 Output Relays
- X6** – TU: Card with 4 voltage transformer measuring inputs
- X102** – Universal Resistance-Temperature Detector (URTD) input, Fiber optics interface, Versatile Link
- X103** – Modbus RTU / IEC 60870-5-103 / DNP3.0 RTU, RS485, D-SUB
- X104** – IRIG-B00X, incl. System Contact (Supervision Contact)

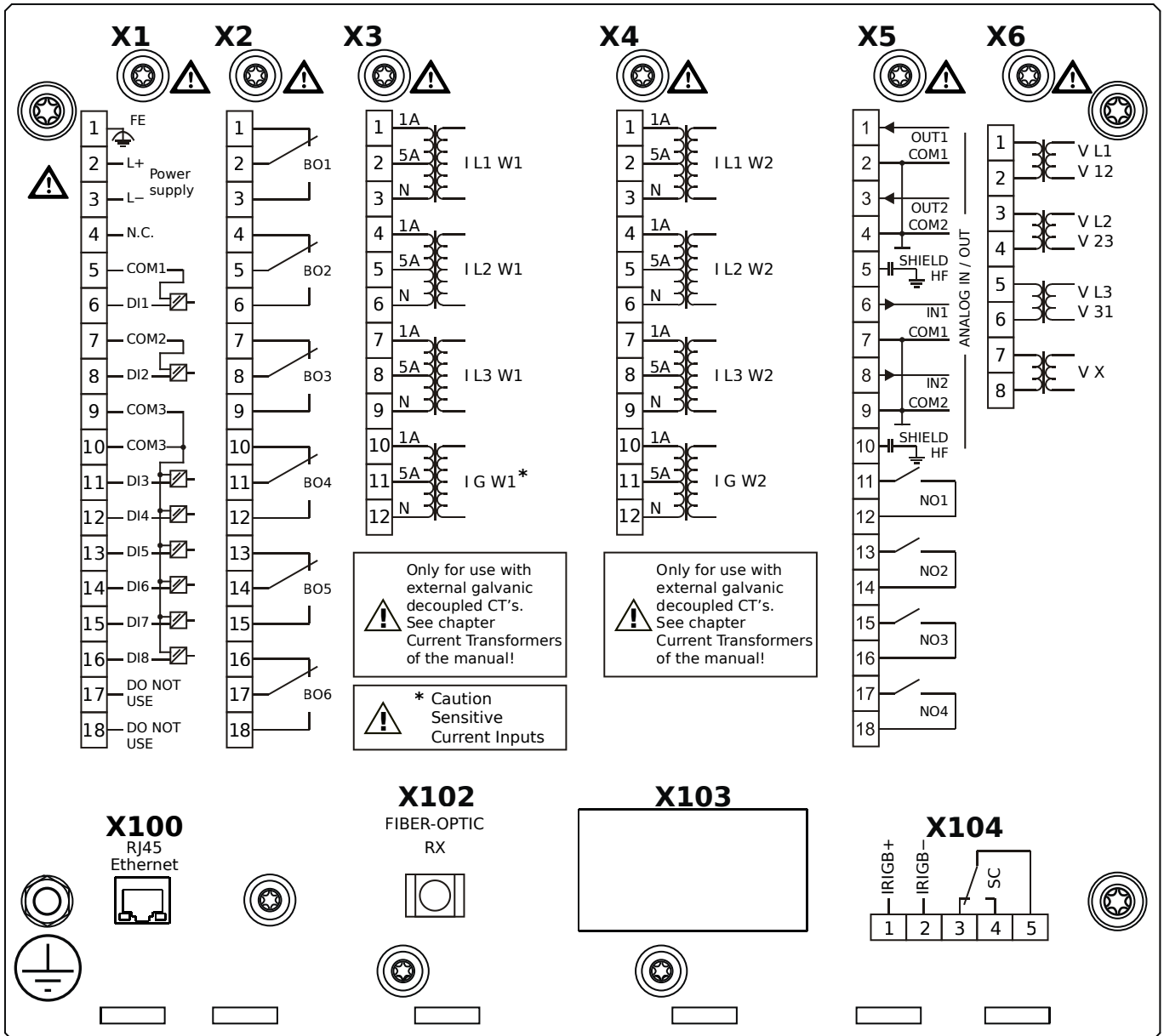
MCDTV4-2B1AGB



Housing B2, large display, door mounting

- + Conformal Coating (for installations in harsh environment)
- X1** – DI8-X1: Wide-range power supply unit, incl. 2 non-grouped digital inputs and 6 grouped digital inputs
- X2** – OR6: Assembly Group with 6 Output Relays
- X3** – TIs: Standard phase current measuring card and sensitive ground current measuring (winding side 1)
- X4** – TI: Standard current measuring card (for the winding side 2)
- X5** – AnIO2-OR4: Assembly Group with 2 Analog Inputs, 2 Analog Outputs and 4 Output Relays
- X6** – TU: Card with 4 voltage transformer measuring inputs
- X102** – Universal Resistance-Temperature Detector (URTD) input, Fiber optics interface, Versatile Link
- X103** – Modbus RTU / IEC 60870-5-103 / DNP3.0 RTU, RS485, D-SUB
- X104** – IRIG-B00X, incl. System Contact (Supervision Contact)

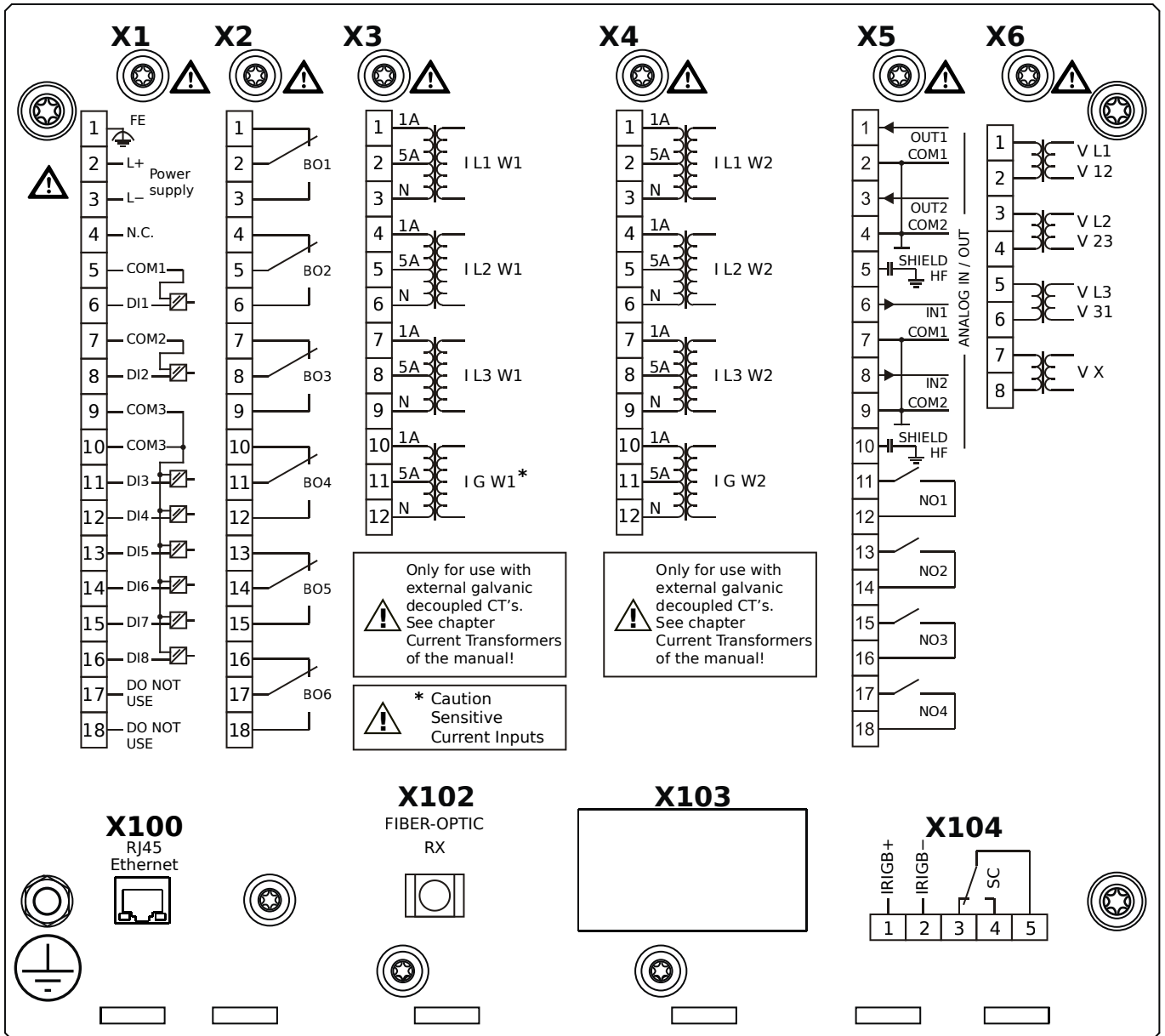
MCDTV4-2B1AHA



Housing B2, large display, door mounting

- X1** – DI8-X1: Wide-range power supply unit, incl. 2 non-grouped digital inputs and 6 grouped digital inputs
- X2** – OR6: Assembly Group with 6 Output Relays
- X3** – TIs: Standard phase current measuring card and sensitive ground current measuring (winding side 1)
- X4** – TI: Standard current measuring card (for the winding side 2)
- X5** – AnIO2-OR4: Assembly Group with 2 Analog Inputs, 2 Analog Outputs and 4 Output Relays
- X6** – TU: Card with 4 voltage transformer measuring inputs
- X100** – IEC 61850 / Modbus TCP / DNP3.0 TCP/UDP, Ethernet interface, 100 Mbit/s, RJ45 (BASE100-FX)
- X102** – Universal Resistance-Temperature Detector (URTD) input, Fiber optics interface, Versatile Link
- X104** – IRIG-B00X, incl. System Contact (Supervision Contact)

MCDTV4-2B1AHB

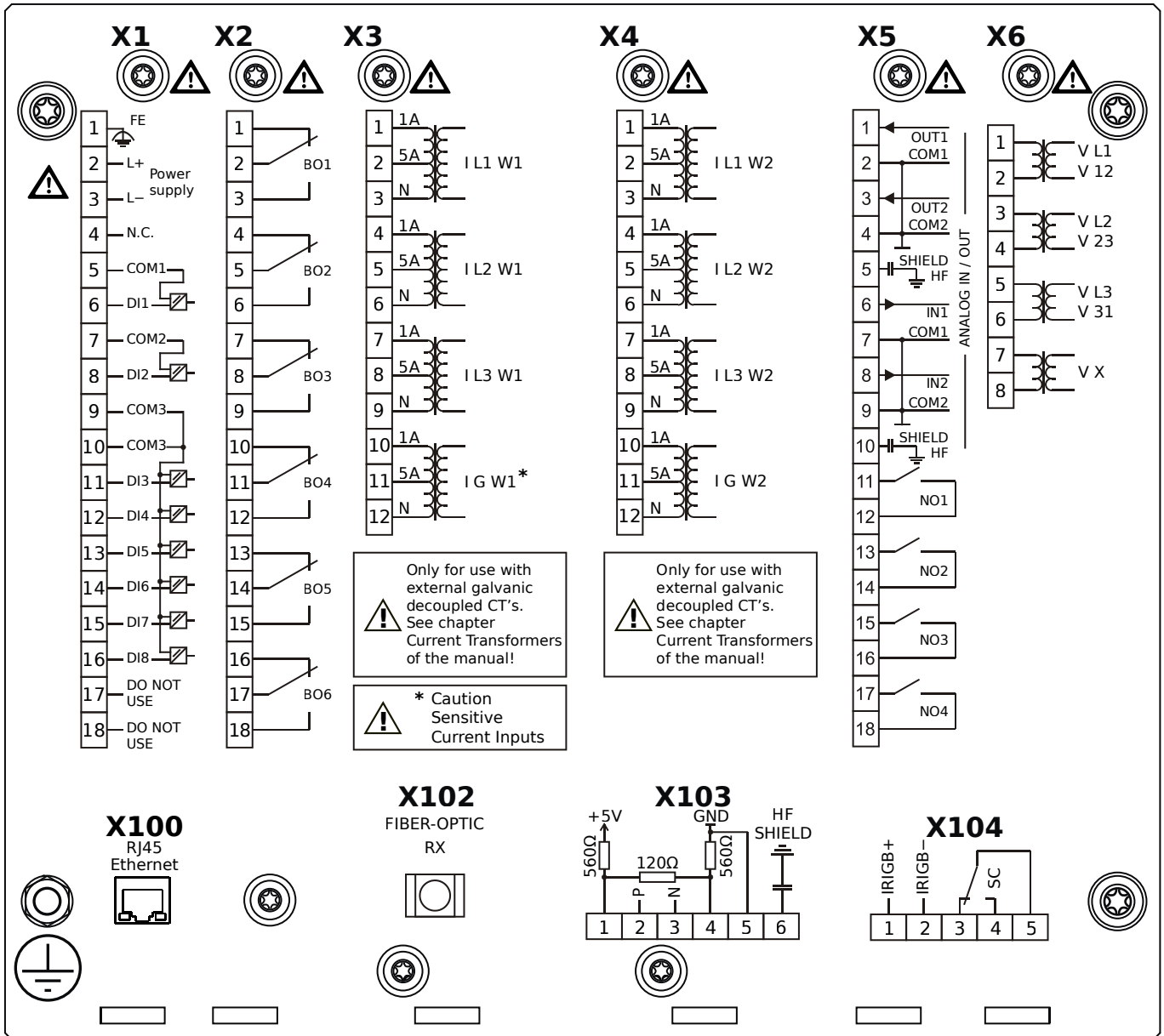


Housing B2, large display, door mounting

+ Conformal Coating (for installations in harsh environment)

- X1** – DI8-X1: Wide-range power supply unit, incl. 2 non-grouped digital inputs and 6 grouped digital inputs
- X2** – OR6: Assembly Group with 6 Output Relays
- X3** – TIs: Standard phase current measuring card and sensitive ground current measuring (winding side 1)
- X4** – TI: Standard current measuring card (for the winding side 2)
- X5** – AnIO2-OR4: Assembly Group with 2 Analog Inputs, 2 Analog Outputs and 4 Output Relays
- X6** – TU: Card with 4 voltage transformer measuring inputs
- X100** – IEC 61850 / Modbus TCP / DNP3.0 TCP/UDP, Ethernet interface, 100 Mbit/s, RJ45 (BASE100-FX)
- X102** – Universal Resistance-Temperature Detector (URTD) input, Fiber optics interface, Versatile Link
- X104** – IRIG-B00X, incl. System Contact (Supervision Contact)

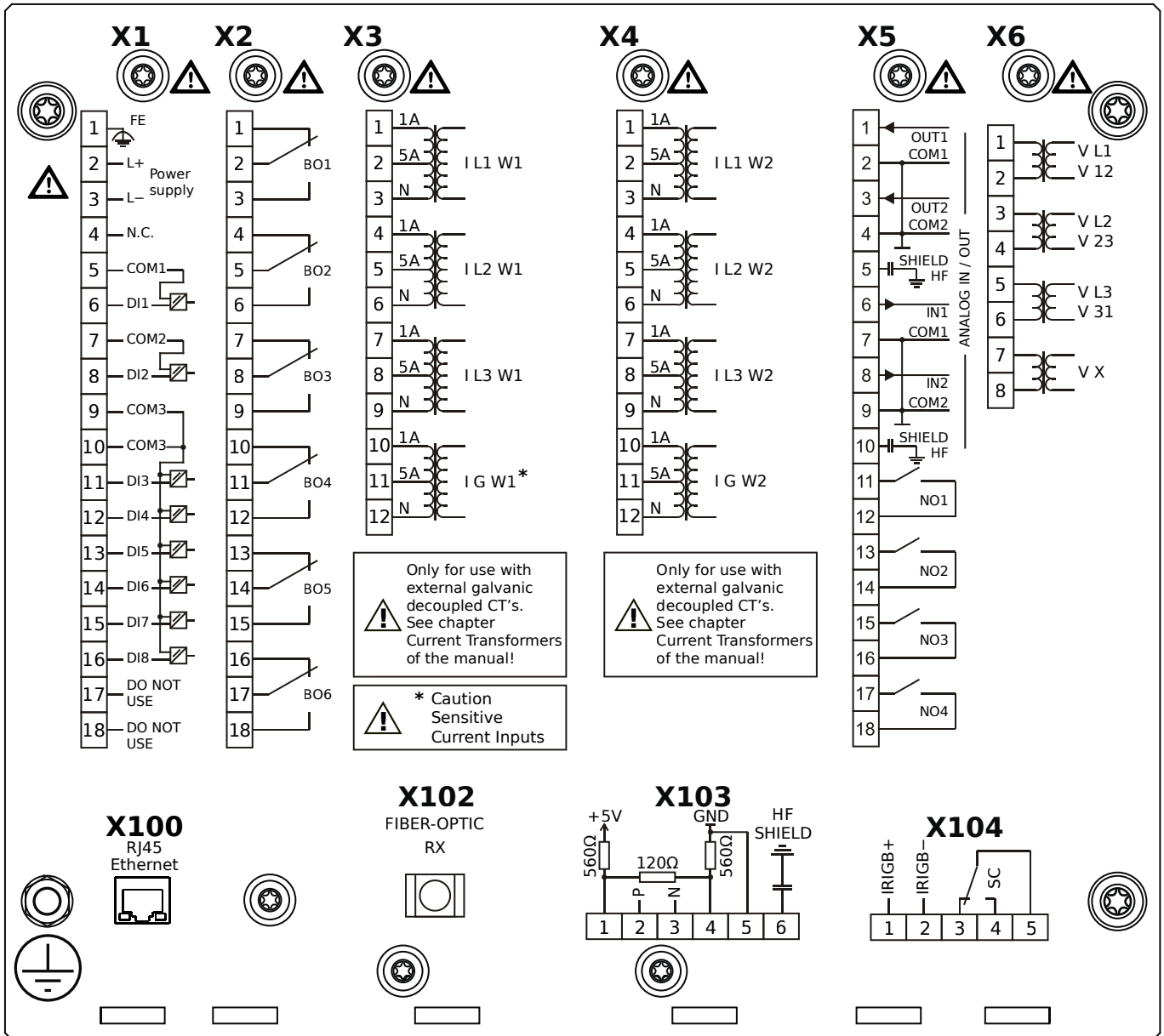
MCDTV4-2B1AIA



Housing B2, large display, door mounting

- X1** – DI8-X1: Wide-range power supply unit, incl. 2 non-grouped digital inputs and 6 grouped digital inputs
- X2** – OR6: Assembly Group with 6 Output Relays
- X3** – TIs: Standard phase current measuring card and sensitive ground current measuring (winding side 1)
- X4** – TI: Standard current measuring card (for the winding side 2)
- X5** – AnIO2-OR4: Assembly Group with 2 Analog Inputs, 2 Analog Outputs and 4 Output Relays
- X6** – TU: Card with 4 voltage transformer measuring inputs
- X100** – Modbus TCP / DNP3.0 TCP/UDP, Ethernet interface, 100 Mbit/s, RJ45 (BASE100-FX)
- X102** – Universal Resistance-Temperature Detector (URTD) input, Fiber optics interface, Versatile Link
- X103** – IEC 60870-5-103 / Modbus RTU / DNP3.0 RTU, RS485, Terminals
- X104** – IRIG-B00X, incl. System Contact (Supervision Contact)

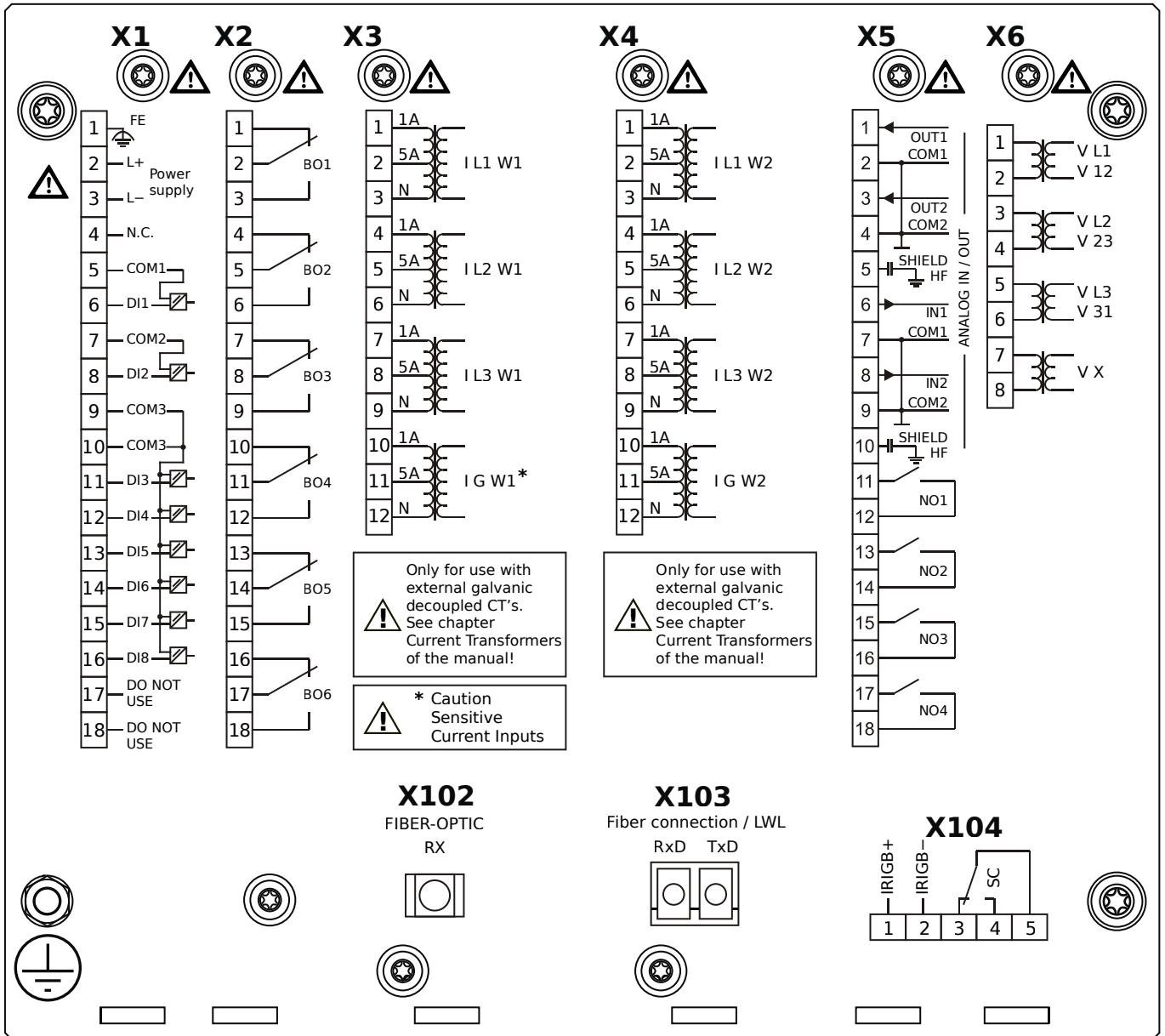
MCDTV4-2B1AIB



Housing B2, large display, door mounting

- + Conformal Coating (for installations in harsh environment)
- X1** – DI8-X1: Wide-range power supply unit, incl. 2 non-grouped digital inputs and 6 grouped digital inputs
- X2** – OR6: Assembly Group with 6 Output Relays
- X3** – TIs: Standard phase current measuring card and sensitive ground current measuring (winding side 1)
- X4** – TI: Standard current measuring card (for the winding side 2)
- X5** – AnIO2-OR4: Assembly Group with 2 Analog Inputs, 2 Analog Outputs and 4 Output Relays
- X6** – TU: Card with 4 voltage transformer measuring inputs
- X100** – Modbus TCP / DNP3.0 TCP/UDP, Ethernet interface, 100 Mbit/s, RJ45 (BASE100-FX)
- X102** – Universal Resistance-Temperature Detector (URTD) input, Fiber optics interface, Versatile Link
- X103** – IEC 60870-5-103 / Modbus RTU / DNP3.0 RTU, RS485, Terminals
- X104** – IRIG-B00X, incl. System Contact (Supervision Contact)

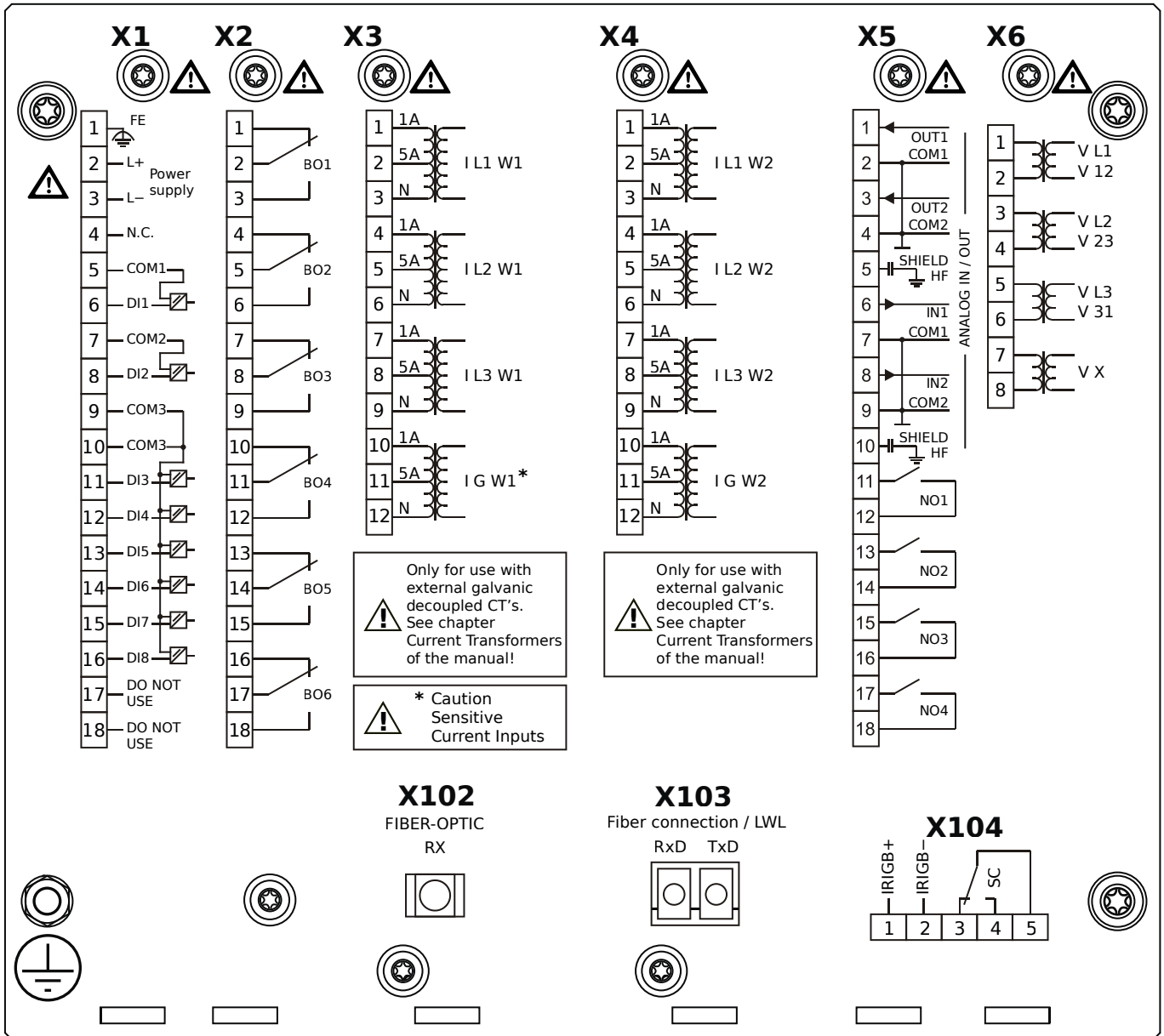
MCDTV4-2B1AKA



Housing B2, large display, door mounting

- X1** – DI8-X1: Wide-range power supply unit, incl. 2 non-grouped digital inputs and 6 grouped digital inputs
- X2** – OR6: Assembly Group with 6 Output Relays
- X3** – TIs: Standard phase current measuring card and sensitive ground current measuring (winding side 1)
- X4** – TI: Standard current measuring card (for the winding side 2)
- X5** – AnIO2-OR4: Assembly Group with 2 Analog Inputs, 2 Analog Outputs and 4 Output Relays
- X6** – TU: Card with 4 voltage transformer measuring inputs
- X102** – Universal Resistance-Temperature Detector (URTD) input, Fiber optics interface, Versatile Link
- X103** – IEC 61850 / Modbus TCP / DNP3.0 TCP/UDP, Fiber optics interface, LC Connector
- X104** – IRIG-B00X, incl. System Contact (Supervision Contact)

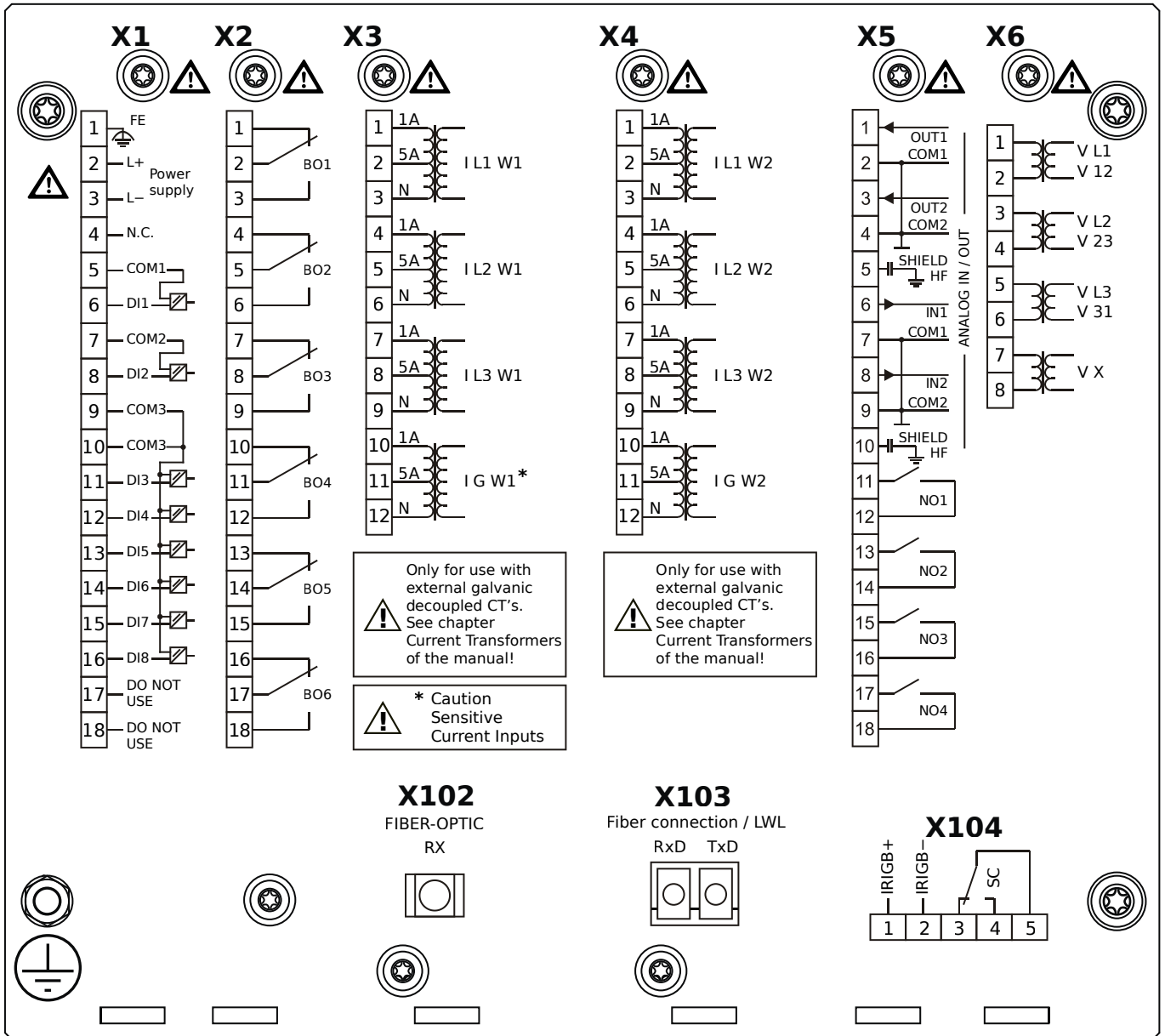
MCDTV4-2B1AKB



Housing B2, large display, door mounting

- + Conformal Coating (for installations in harsh environment)
- X1** – DI8-X1: Wide-range power supply unit, incl. 2 non-grouped digital inputs and 6 grouped digital inputs
- X2** – OR6: Assembly Group with 6 Output Relays
- X3** – TIs: Standard phase current measuring card and sensitive ground current measuring (winding side 1)
- X4** – TI: Standard current measuring card (for the winding side 2)
- X5** – AnIO2-OR4: Assembly Group with 2 Analog Inputs, 2 Analog Outputs and 4 Output Relays
- X6** – TU: Card with 4 voltage transformer measuring inputs
- X102** – Universal Resistance-Temperature Detector (URTD) input, Fiber optics interface, Versatile Link
- X103** – IEC 61850 / Modbus TCP / DNP3.0 TCP/UDP, Fiber optics interface, LC Connector
- X104** – IRIG-B00X, incl. System Contact (Supervision Contact)

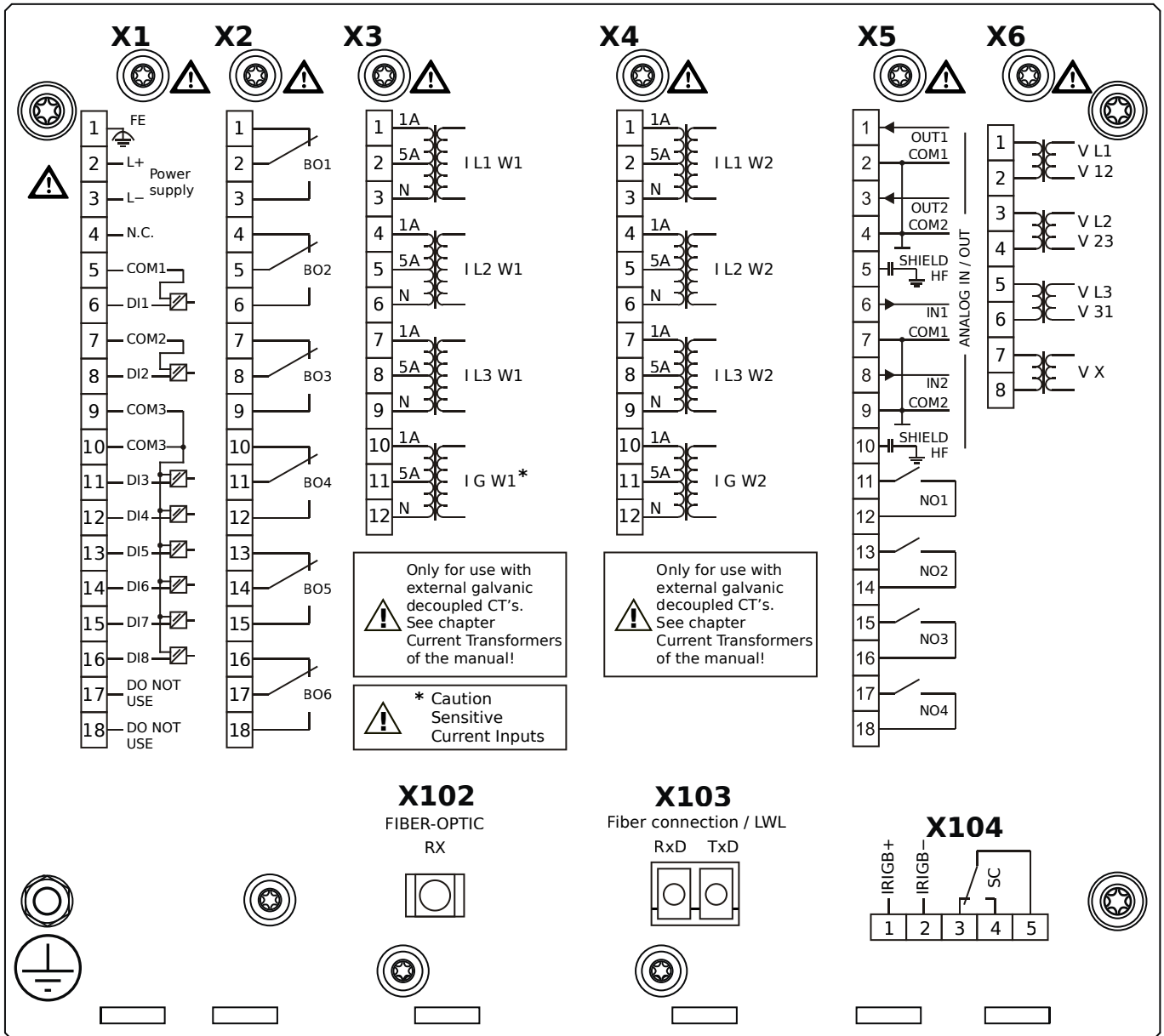
MCDTV4-2B1ALA



Housing B2, large display, door mounting

- X1** – DI8-X1: Wide-range power supply unit, incl. 2 non-grouped digital inputs and 6 grouped digital inputs
- X2** – OR6: Assembly Group with 6 Output Relays
- X3** – TIs: Standard phase current measuring card and sensitive ground current measuring (winding side 1)
- X4** – TI: Standard current measuring card (for the winding side 2)
- X5** – AnIO2-OR4: Assembly Group with 2 Analog Inputs, 2 Analog Outputs and 4 Output Relays
- X6** – TU: Card with 4 voltage transformer measuring inputs
- X102** – Universal Resistance-Temperature Detector (URTD) input, Fiber optics interface, Versatile Link
- X103** – Modbus TCP / DNP3.0 TCP/UDP, Fiber optics interface, LC Connector
- X104** – IRIG-B00X, incl. System Contact (Supervision Contact)

MCDTV4-2B1ALB

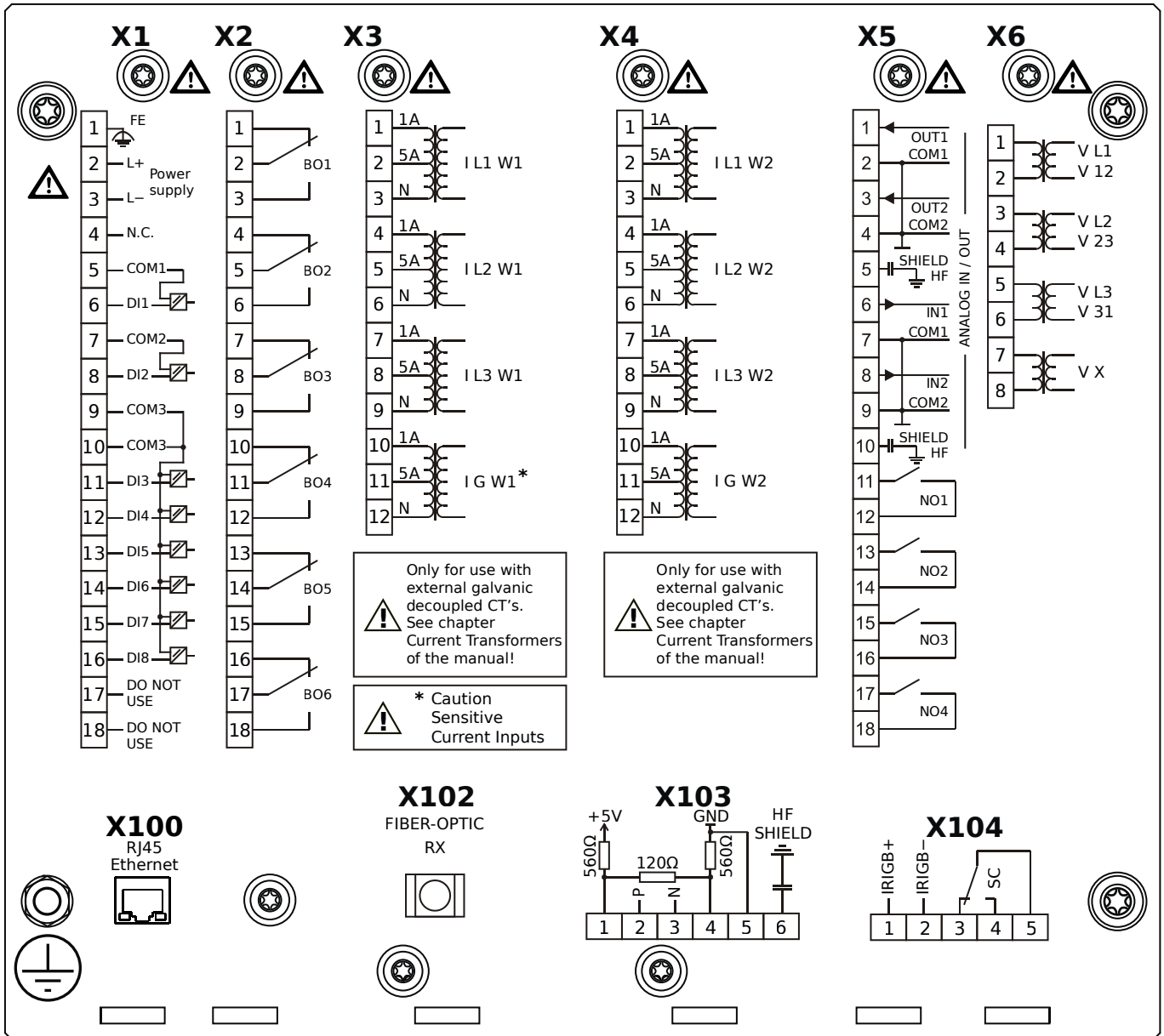


Housing B2, large display, door mounting

+ Conformal Coating (for installations in harsh environment)

- X1** – DI8-X1: Wide-range power supply unit, incl. 2 non-grouped digital inputs and 6 grouped digital inputs
- X2** – OR6: Assembly Group with 6 Output Relays
- X3** – TIs: Standard phase current measuring card and sensitive ground current measuring (winding side 1)
- X4** – TI: Standard current measuring card (for the winding side 2)
- X5** – AnIO2-OR4: Assembly Group with 2 Analog Inputs, 2 Analog Outputs and 4 Output Relays
- X6** – TU: Card with 4 voltage transformer measuring inputs
- X102** – Universal Resistance-Temperature Detector (URTD) input, Fiber optics interface, Versatile Link
- X103** – Modbus TCP / DNP3.0 TCP/UDP, Fiber optics interface, LC Connector
- X104** – IRIG-B00X, incl. System Contact (Supervision Contact)

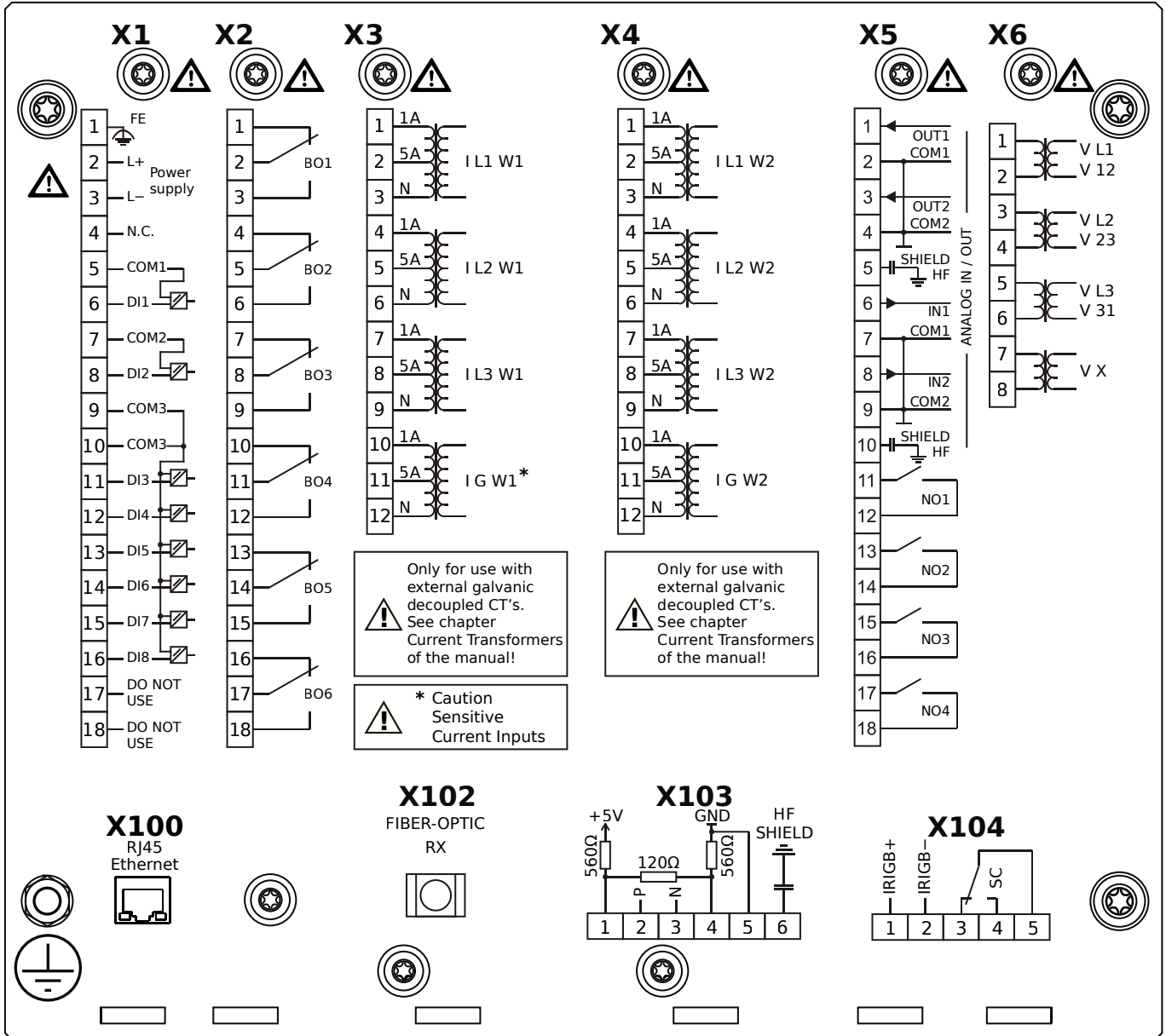
MCDTV4-2B1ATA



Housing B2, large display, door mounting

- X1** – DI8-X1: Wide-range power supply unit, incl. 2 non-grouped digital inputs and 6 grouped digital inputs
- X2** – OR6: Assembly Group with 6 Output Relays
- X3** – TIs: Standard phase current measuring card and sensitive ground current measuring (winding side 1)
- X4** – TI: Standard current measuring card (for the winding side 2)
- X5** – AnIO2-OR4: Assembly Group with 2 Analog Inputs, 2 Analog Outputs and 4 Output Relays
- X6** – TU: Card with 4 voltage transformer measuring inputs
- X100** – IEC 61850 / Modbus TCP / DNP3.0 TCP/UDP, Ethernet interface, 100 Mbit/s, RJ45 (BASE100-FX)
- X102** – Universal Resistance-Temperature Detector (URTD) input, Fiber optics interface, Versatile Link
- X103** – IEC 60870-5-103 / Modbus RTU / DNP3.0 RTU, RS485, Terminals
- X104** – IRIG-B00X, incl. System Contact (Supervision Contact)

MCDTV4-2B1ATB

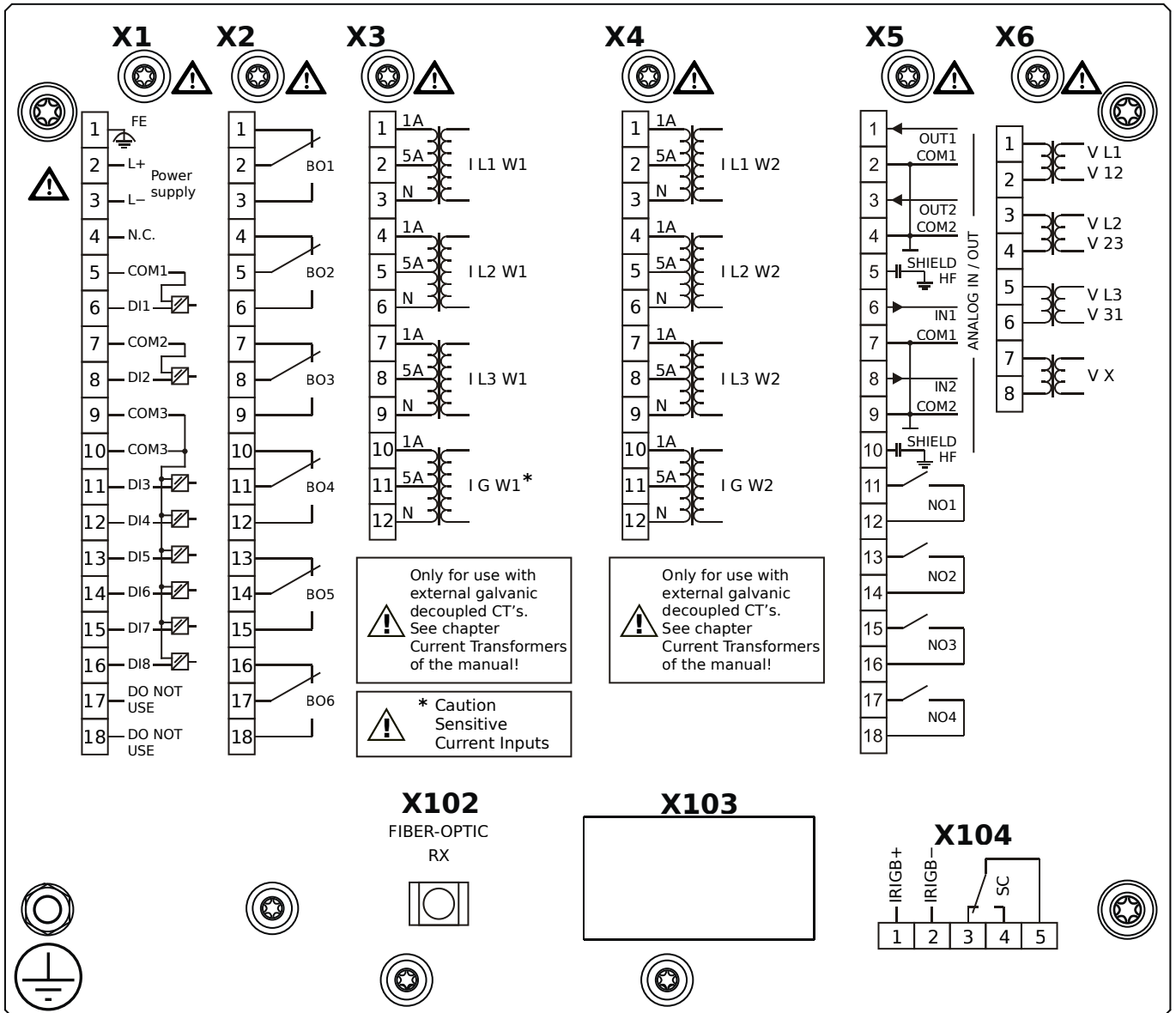


Housing B2, large display, door mounting

+ Conformal Coating (for installations in harsh environment)

- X1** – DI8-X1: Wide-range power supply unit, incl. 2 non-grouped digital inputs and 6 grouped digital inputs
- X2** – OR6: Assembly Group with 6 Output Relays
- X3** – TIs: Standard phase current measuring card and sensitive ground current measuring (winding side 1)
- X4** – TI: Standard current measuring card (for the winding side 2)
- X5** – AnIO2-OR4: Assembly Group with 2 Analog Inputs, 2 Analog Outputs and 4 Output Relays
- X6** – TU: Card with 4 voltage transformer measuring inputs
- X100** – IEC 61850 / Modbus TCP / DNP3.0 TCP/UDP, Ethernet interface, 100 Mbit/s, RJ45 (BASE100-FX)
- X102** – Universal Resistance-Temperature Detector (URTD) input, Fiber optics interface, Versatile Link
- X103** – IEC 60870-5-103 / Modbus RTU / DNP3.0 RTU, RS485, Terminals
- X104** – IRIG-B00X, incl. System Contact (Supervision Contact)

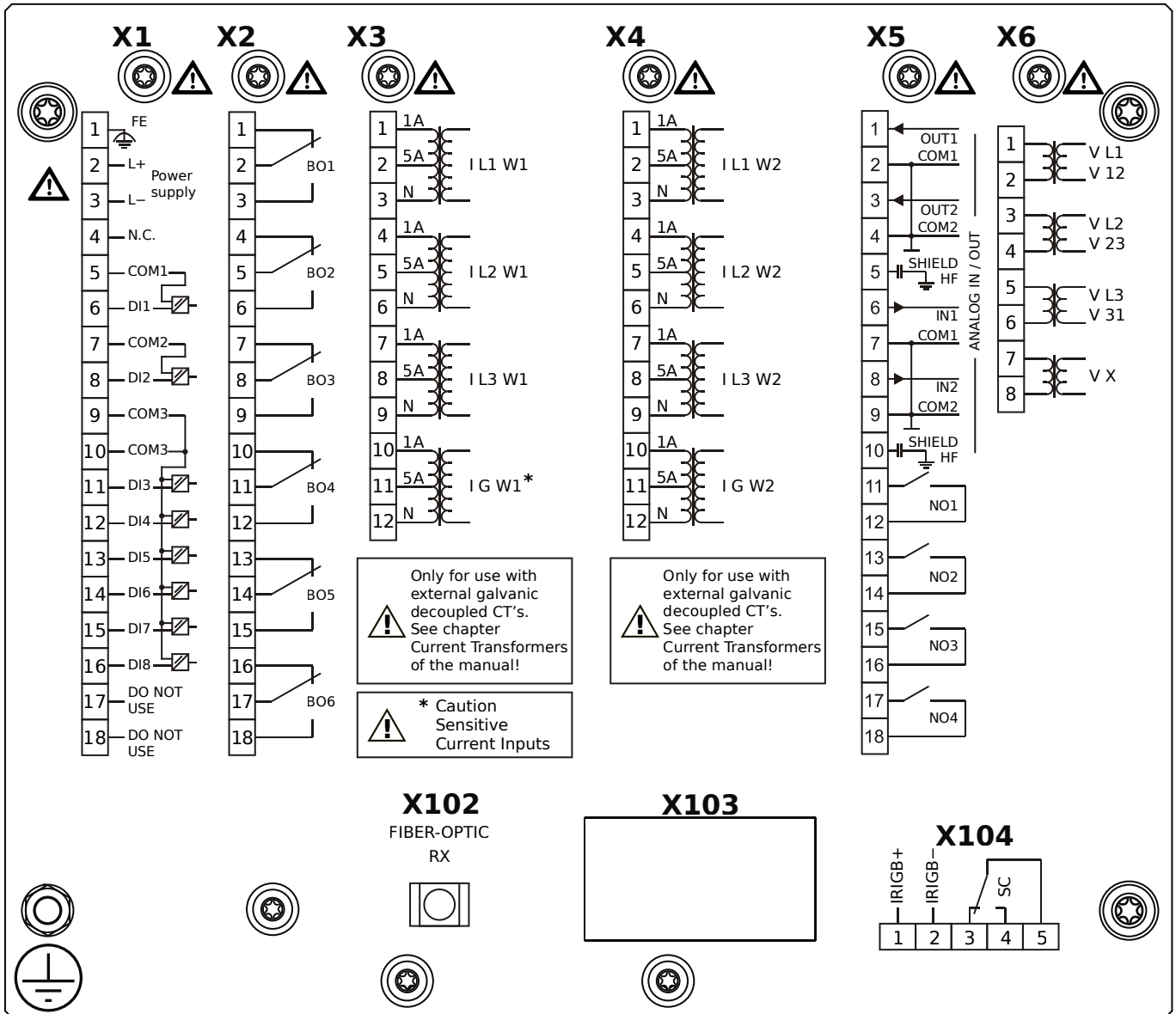
MCDTV4-2B1BAA



Housing B2, large display, 19" rack mounting

- X1** – DI8-X1: Wide-range power supply unit, incl. 2 non-grouped digital inputs and 6 grouped digital inputs
- X2** – OR6: Assembly Group with 6 Output Relays
- X3** – TIs: Standard phase current measuring card and sensitive ground current measuring (winding side 1)
- X4** – TI: Standard current measuring card (for the winding side 2)
- X5** – AnIO2-OR4: Assembly Group with 2 Analog Inputs, 2 Analog Outputs and 4 Output Relays
- X6** – TU: Card with 4 voltage transformer measuring inputs
- X102** – Universal Resistance-Temperature Detector (URTD) input, Fiber optics interface, Versatile Link
- X104** – IRIG-B00X, incl. System Contact (Supervision Contact)

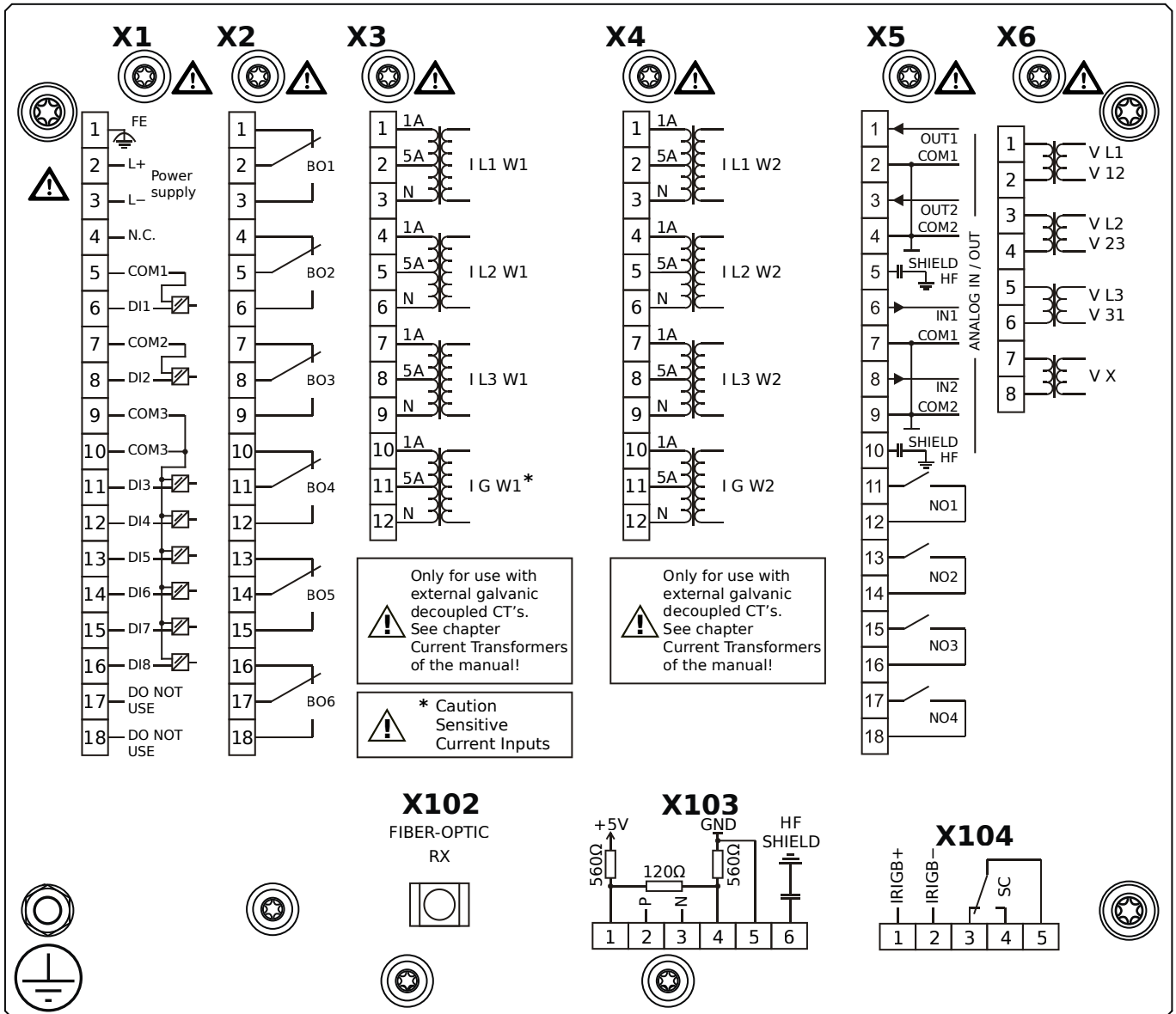
MCDTV4-2B1BAB



Housing B2, large display, 19" rack mounting

- + Conformal Coating (for installations in harsh environment)
- X1** – DI8-X1: Wide-range power supply unit, incl. 2 non-grouped digital inputs and 6 grouped digital inputs
- X2** – OR6: Assembly Group with 6 Output Relays
- X3** – TIs: Standard phase current measuring card and sensitive ground current measuring (winding side 1)
- X4** – TI: Standard current measuring card (for the winding side 2)
- X5** – AnIO2-OR4: Assembly Group with 2 Analog Inputs, 2 Analog Outputs and 4 Output Relays
- X6** – TU: Card with 4 voltage transformer measuring inputs
- X102** – Universal Resistance-Temperature Detector (URTD) input, Fiber optics interface, Versatile Link
- X104** – IRIG-B00X, incl. System Contact (Supervision Contact)

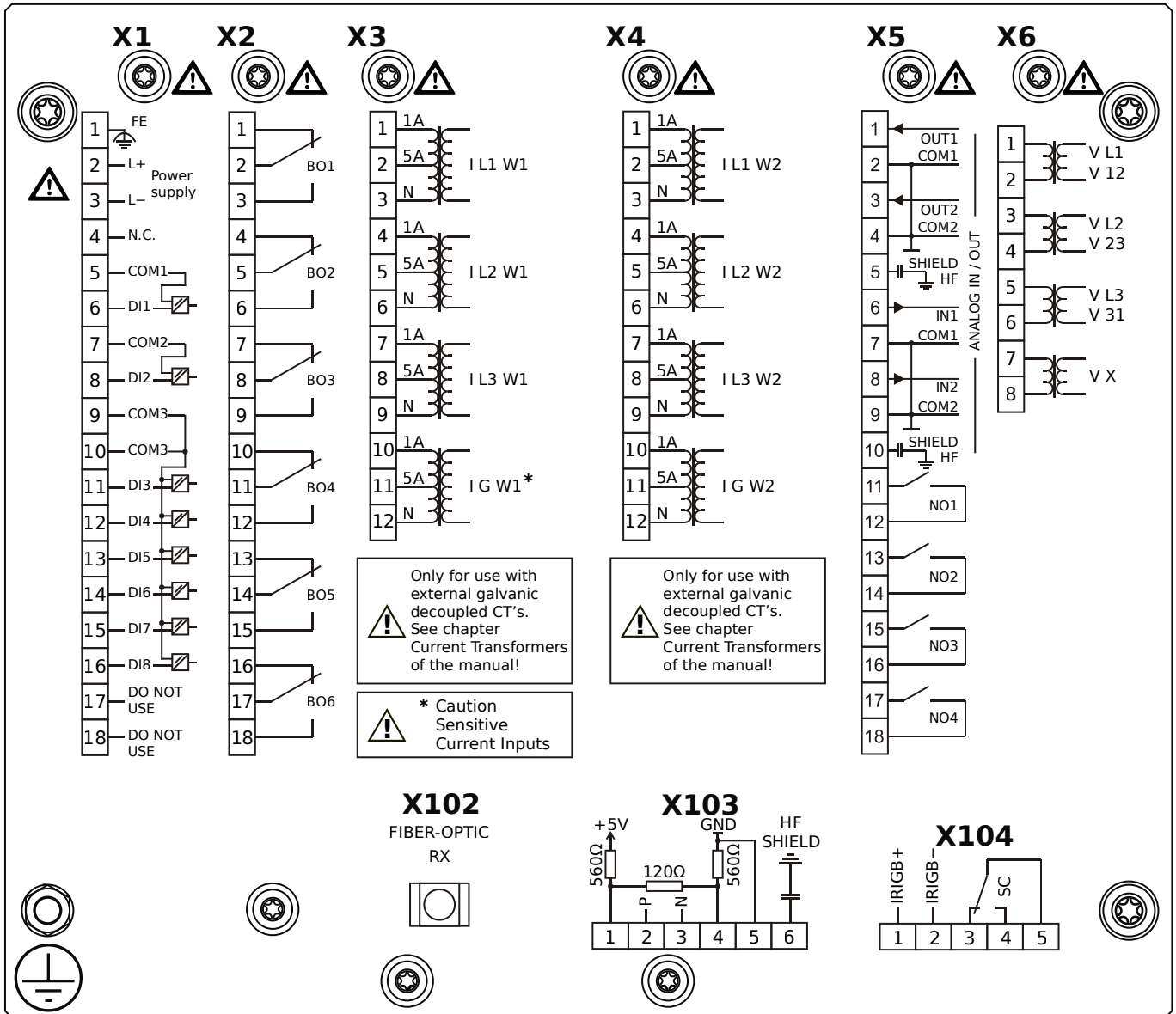
MCDTV4-2B1BBA



Housing B2, large display, 19" rack mounting

- X1** – DI8-X1: Wide-range power supply unit, incl. 2 non-grouped digital inputs and 6 grouped digital inputs
- X2** – OR6: Assembly Group with 6 Output Relays
- X3** – TIs: Standard phase current measuring card and sensitive ground current measuring (winding side 1)
- X4** – TI: Standard current measuring card (for the winding side 2)
- X5** – AnIO2-OR4: Assembly Group with 2 Analog Inputs, 2 Analog Outputs and 4 Output Relays
- X6** – TU: Card with 4 voltage transformer measuring inputs
- X102** – Universal Resistance-Temperature Detector (URTD) input, Fiber optics interface, Versatile Link
- X103** – Modbus RTU / IEC 60870-5-103 / DNP3.0 RTU, RS485, Terminals
- X104** – IRIG-B00X, incl. System Contact (Supervision Contact)

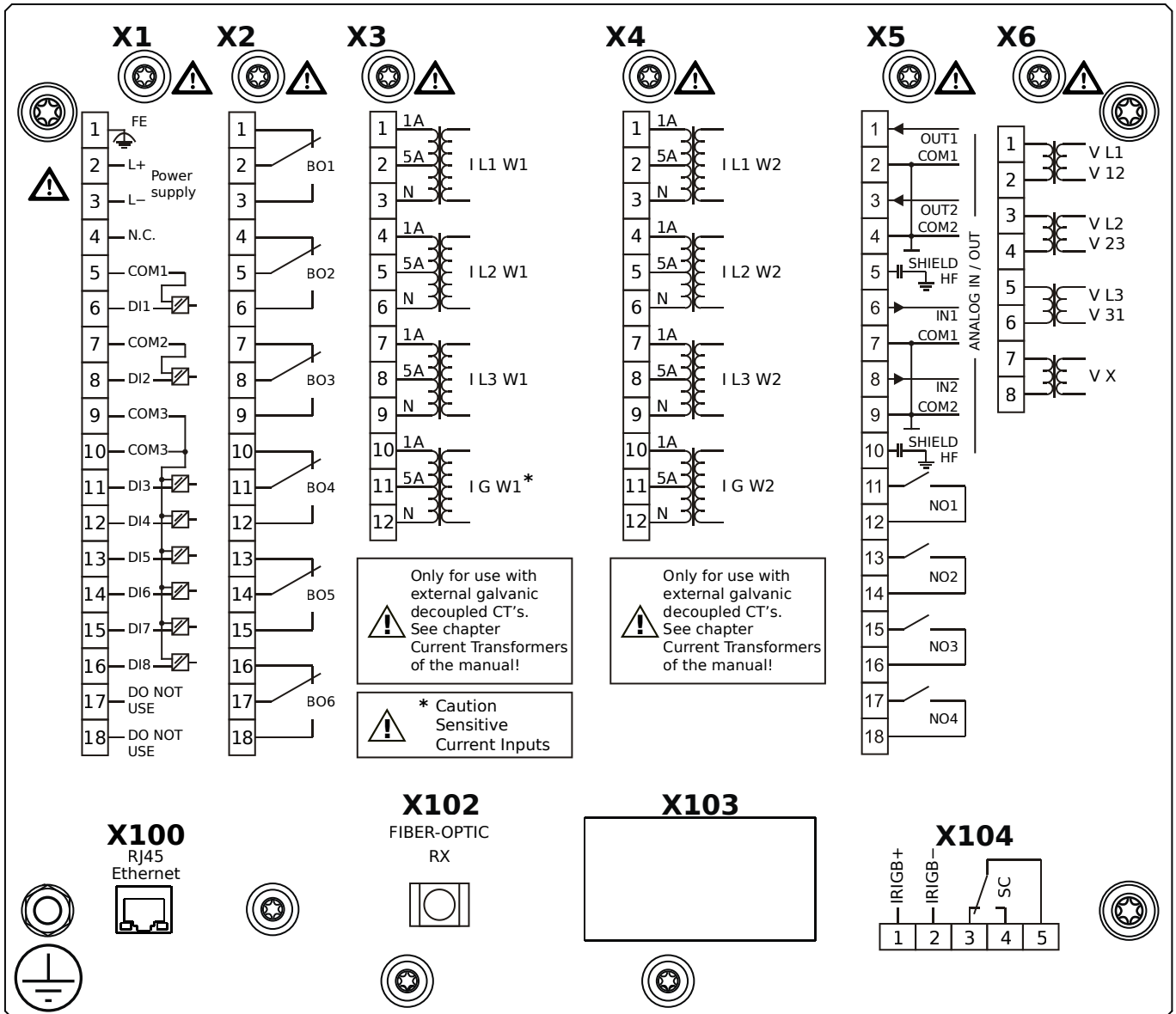
MCDTV4-2B1BBB



Housing B2, large display, 19" rack mounting

- + Conformal Coating (for installations in harsh environment)
- X1** – DI8-X1: Wide-range power supply unit, incl. 2 non-grouped digital inputs and 6 grouped digital inputs
- X2** – OR6: Assembly Group with 6 Output Relays
- X3** – TIs: Standard phase current measuring card and sensitive ground current measuring (winding side 1)
- X4** – TI: Standard current measuring card (for the winding side 2)
- X5** – AnIO2-OR4: Assembly Group with 2 Analog Inputs, 2 Analog Outputs and 4 Output Relays
- X6** – TU: Card with 4 voltage transformer measuring inputs
- X102** – Universal Resistance-Temperature Detector (URTD) input, Fiber optics interface, Versatile Link
- X103** – Modbus RTU / IEC 60870-5-103 / DNP3.0 RTU, RS485, Terminals
- X104** – IRIG-B00X, incl. System Contact (Supervision Contact)

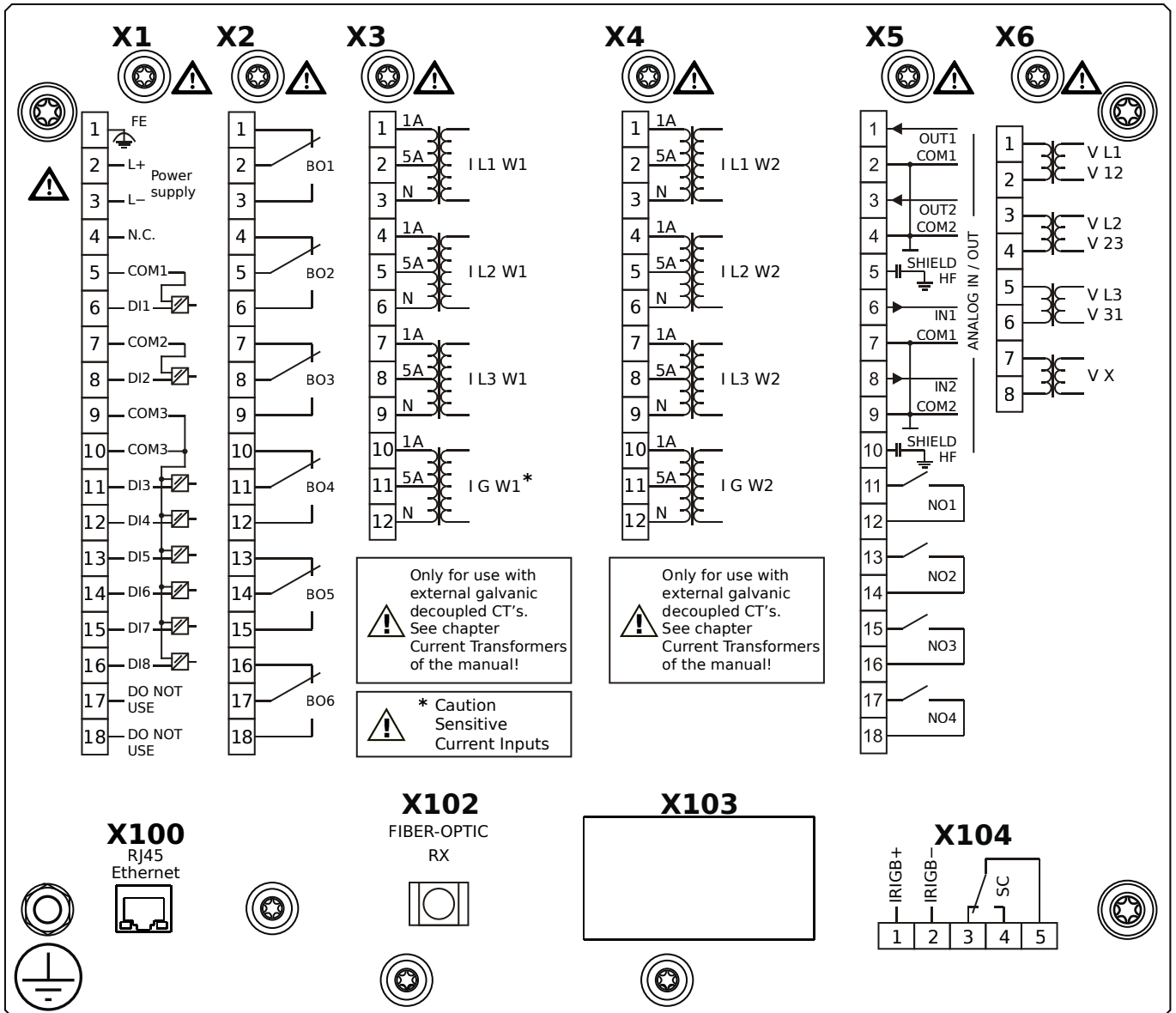
MCDTV4-2B1BCA



Housing B2, large display, 19" rack mounting

- X1** – DI8-X1: Wide-range power supply unit, incl. 2 non-grouped digital inputs and 6 grouped digital inputs
- X2** – OR6: Assembly Group with 6 Output Relays
- X3** – TIs: Standard phase current measuring card and sensitive ground current measuring (winding side 1)
- X4** – TI: Standard current measuring card (for the winding side 2)
- X5** – AnIO2-OR4: Assembly Group with 2 Analog Inputs, 2 Analog Outputs and 4 Output Relays
- X6** – TU: Card with 4 voltage transformer measuring inputs
- X100** – Modbus TCP / DNP3.0 TCP/UDP, Ethernet interface, 100 Mbit/s, RJ45 (BASE100-FX)
- X102** – Universal Resistance-Temperature Detector (URTD) input, Fiber optics interface, Versatile Link
- X104** – IRIG-B00X, incl. System Contact (Supervision Contact)

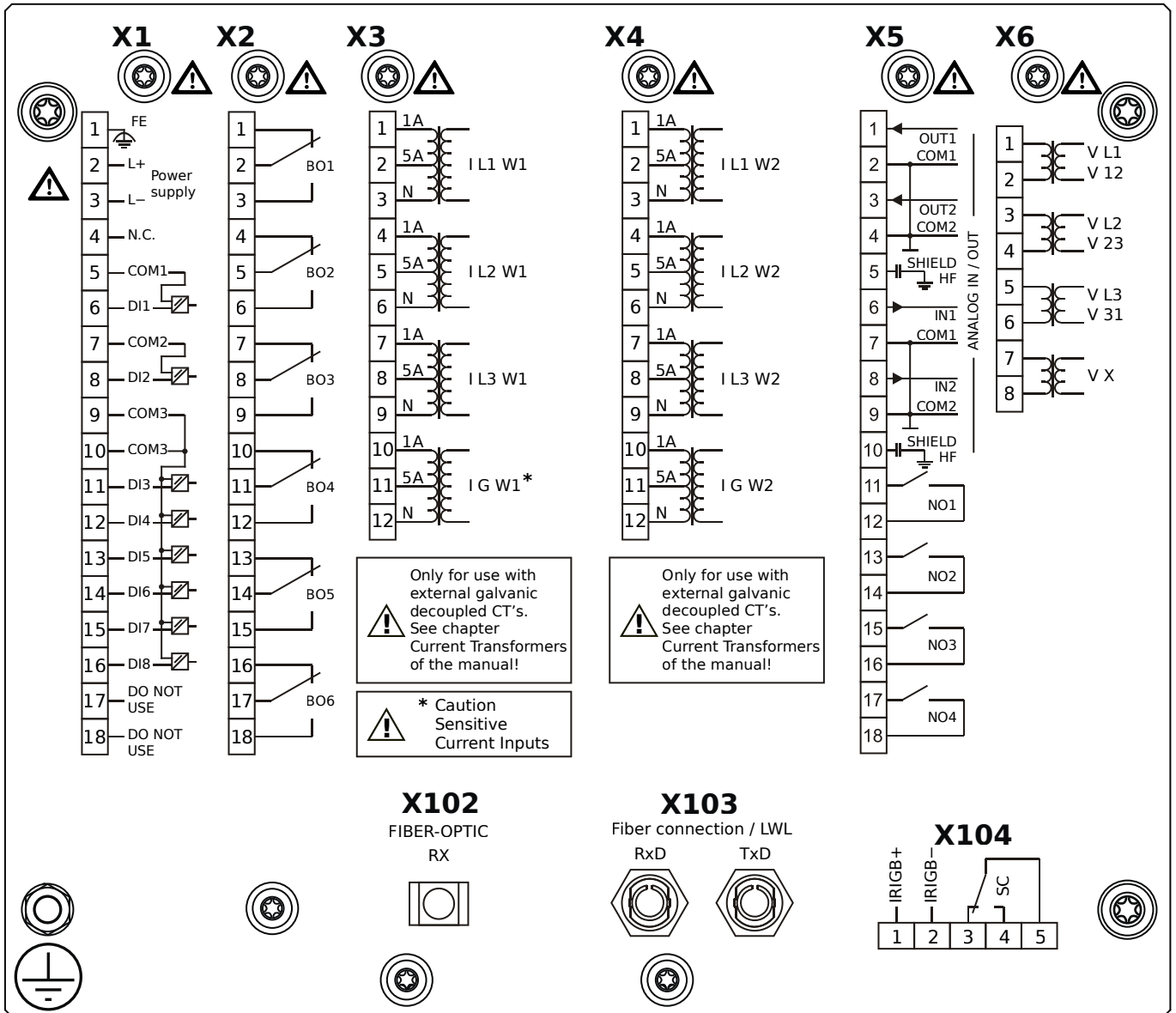
MCDTV4-2B1BCB



Housing B2, large display, 19" rack mounting

- + Conformal Coating (for installations in harsh environment)
- X1** – DI8-X1: Wide-range power supply unit, incl. 2 non-grouped digital inputs and 6 grouped digital inputs
- X2** – OR6: Assembly Group with 6 Output Relays
- X3** – TIs: Standard phase current measuring card and sensitive ground current measuring (winding side 1)
- X4** – TI: Standard current measuring card (for the winding side 2)
- X5** – AnIO2-OR4: Assembly Group with 2 Analog Inputs, 2 Analog Outputs and 4 Output Relays
- X6** – TU: Card with 4 voltage transformer measuring inputs
- X100** – Modbus TCP / DNP3.0 TCP/UDP, Ethernet interface, 100 Mbit/s, RJ45 (BASE100-FX)
- X102** – Universal Resistance-Temperature Detector (URTD) input, Fiber optics interface, Versatile Link
- X104** – IRIG-B00X, incl. System Contact (Supervision Contact)

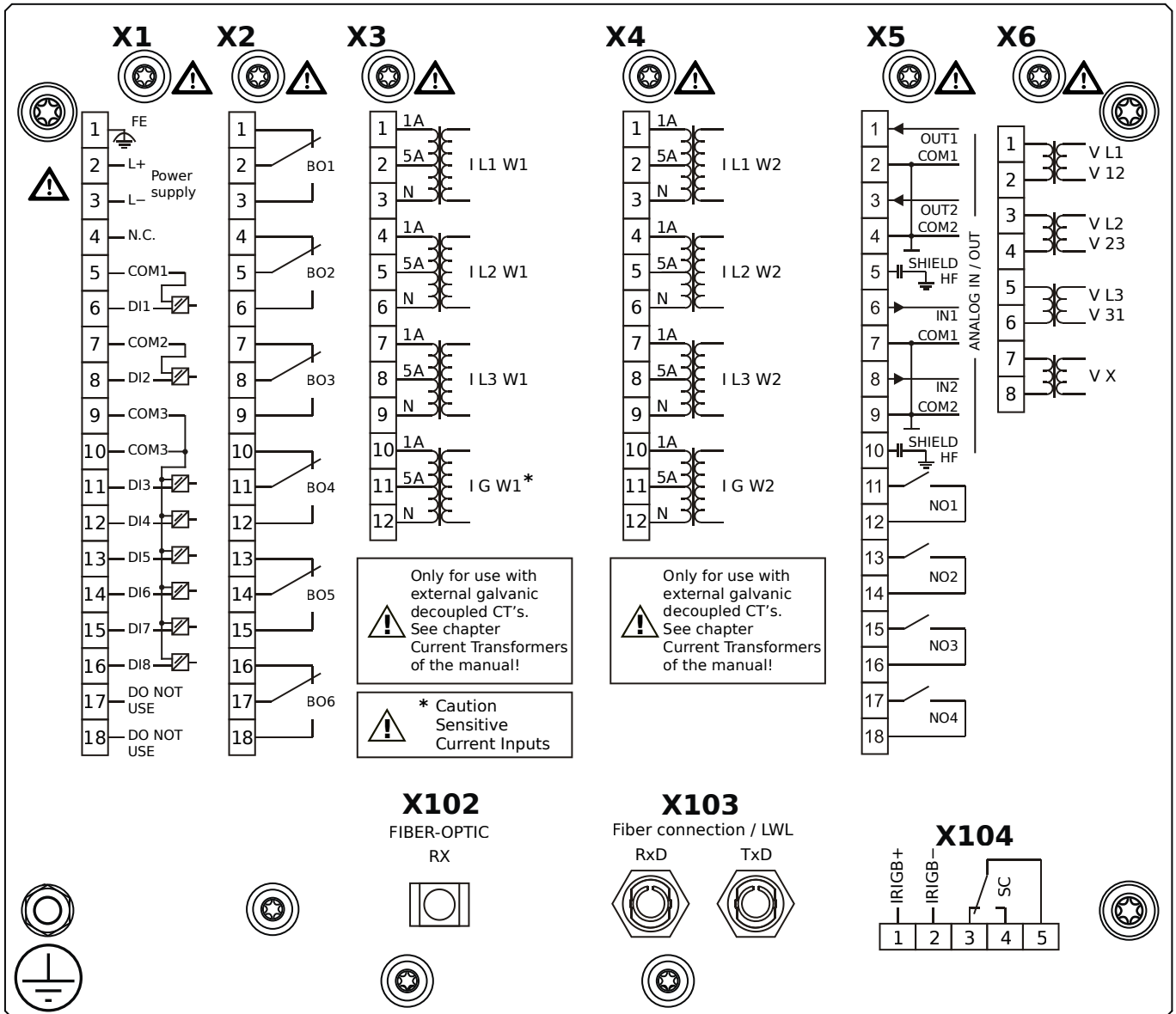
MCDTV4-2B1BDA



Housing B2, large display, 19" rack mounting

- X1** – DI8-X1: Wide-range power supply unit, incl. 2 non-grouped digital inputs and 6 grouped digital inputs
- X2** – OR6: Assembly Group with 6 Output Relays
- X3** – TIs: Standard phase current measuring card and sensitive ground current measuring (winding side 1)
- X4** – TI: Standard current measuring card (for the winding side 2)
- X5** – AnIO2-OR4: Assembly Group with 2 Analog Inputs, 2 Analog Outputs and 4 Output Relays
- X6** – TU: Card with 4 voltage transformer measuring inputs
- X102** – Universal Resistance-Temperature Detector (URTD) input, Fiber optics interface, Versatile Link
- X103** – Profibus-DP, Fiber optics interface, ST Connector
- X104** – IRIG-B00X, incl. System Contact (Supervision Contact)

MCDTV4-2B1BDB

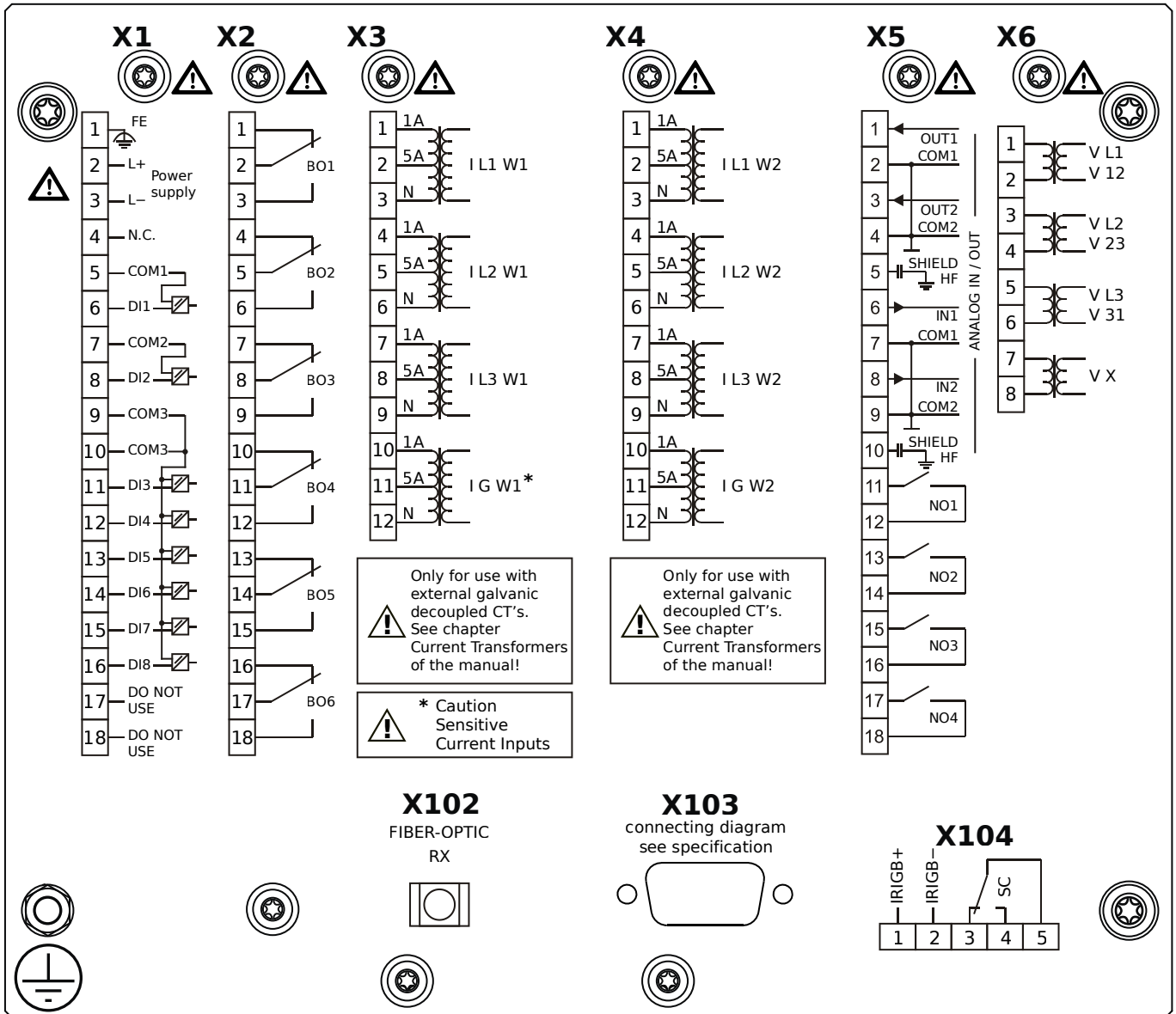


Housing B2, large display, 19" rack mounting

+ Conformal Coating (for installations in harsh environment)

- X1** – DI8-X1: Wide-range power supply unit, incl. 2 non-grouped digital inputs and 6 grouped digital inputs
- X2** – OR6: Assembly Group with 6 Output Relays
- X3** – TIs: Standard phase current measuring card and sensitive ground current measuring (winding side 1)
- X4** – TI: Standard current measuring card (for the winding side 2)
- X5** – AnIO2-OR4: Assembly Group with 2 Analog Inputs, 2 Analog Outputs and 4 Output Relays
- X6** – TU: Card with 4 voltage transformer measuring inputs
- X102** – Universal Resistance-Temperature Detector (URTD) input, Fiber optics interface, Versatile Link
- X103** – Profibus-DP, Fiber optics interface, ST Connector
- X104** – IRIG-B00X, incl. System Contact (Supervision Contact)

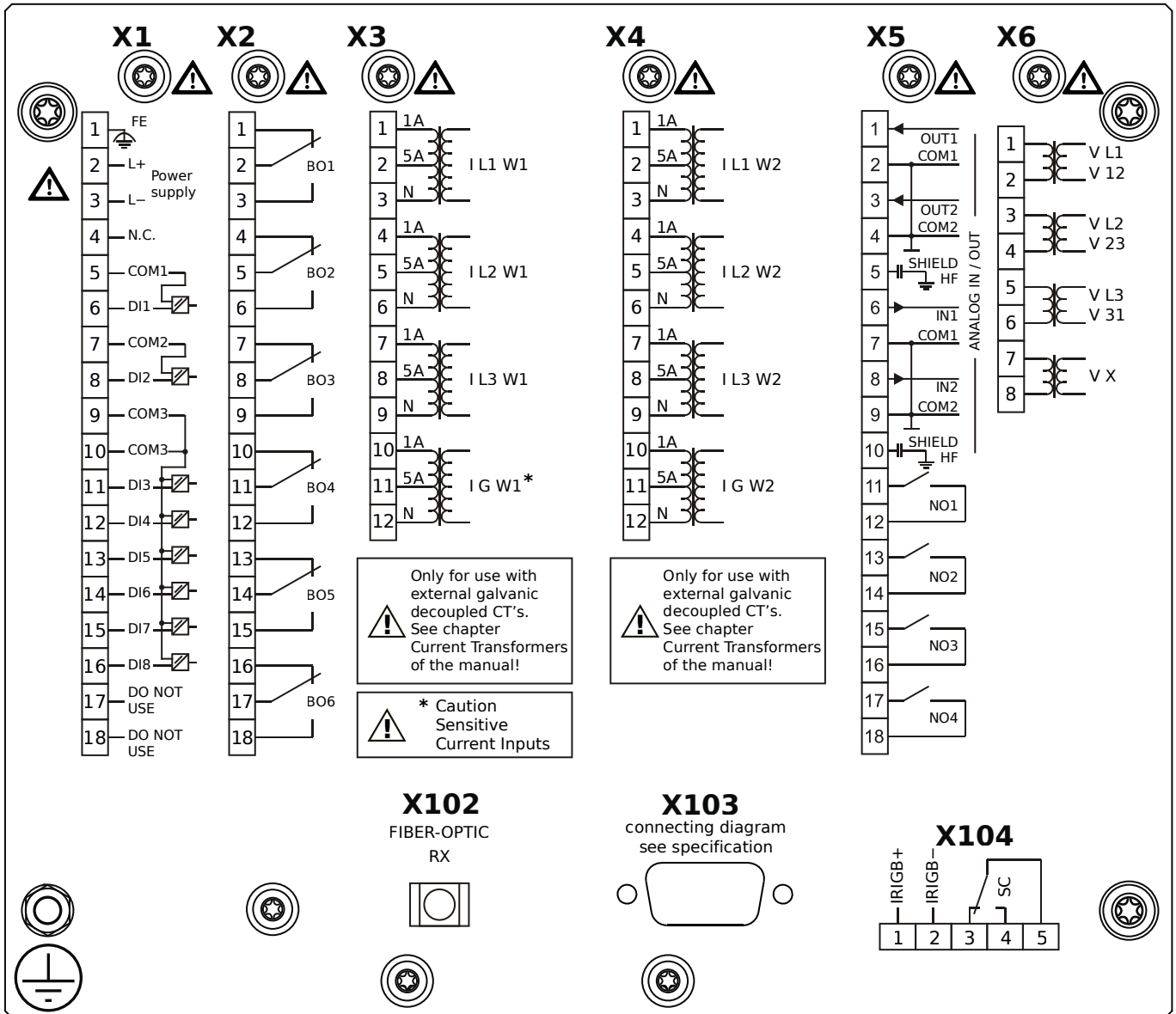
MCDTV4-2B1BEA



Housing B2, large display, 19" rack mounting

- X1** – DI8-X1: Wide-range power supply unit, incl. 2 non-grouped digital inputs and 6 grouped digital inputs
- X2** – OR6: Assembly Group with 6 Output Relays
- X3** – TIs: Standard phase current measuring card and sensitive ground current measuring (winding side 1)
- X4** – TI: Standard current measuring card (for the winding side 2)
- X5** – AnIO2-OR4: Assembly Group with 2 Analog Inputs, 2 Analog Outputs and 4 Output Relays
- X6** – TU: Card with 4 voltage transformer measuring inputs
- X102** – Universal Resistance-Temperature Detector (URTD) input, Fiber optics interface, Versatile Link
- X103** – Profibus-DP, RS485, D-SUB
- X104** – IRIG-B00X, incl. System Contact (Supervision Contact)

MCDTV4-2B1BEB

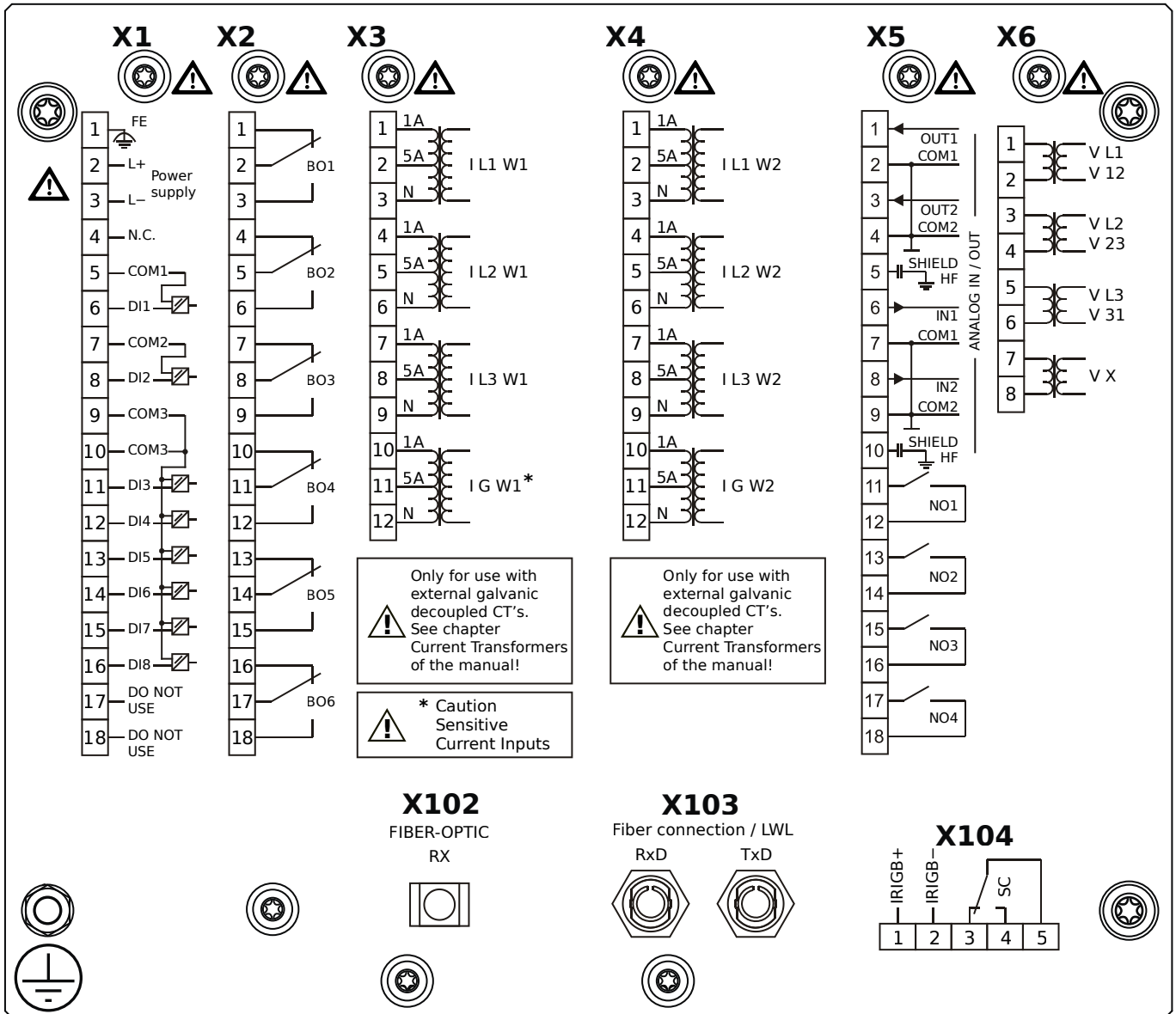


Housing B2, large display, 19" rack mounting

+ Conformal Coating (for installations in harsh environment)

- X1** – DI8-X1: Wide-range power supply unit, incl. 2 non-grouped digital inputs and 6 grouped digital inputs
- X2** – OR6: Assembly Group with 6 Output Relays
- X3** – TIs: Standard phase current measuring card and sensitive ground current measuring (winding side 1)
- X4** – TI: Standard current measuring card (for the winding side 2)
- X5** – AnIO2-OR4: Assembly Group with 2 Analog Inputs, 2 Analog Outputs and 4 Output Relays
- X6** – TU: Card with 4 voltage transformer measuring inputs
- X102** – Universal Resistance-Temperature Detector (URTD) input, Fiber optics interface, Versatile Link
- X103** – Profibus-DP, RS485, D-SUB
- X104** – IRIG-B00X, incl. System Contact (Supervision Contact)

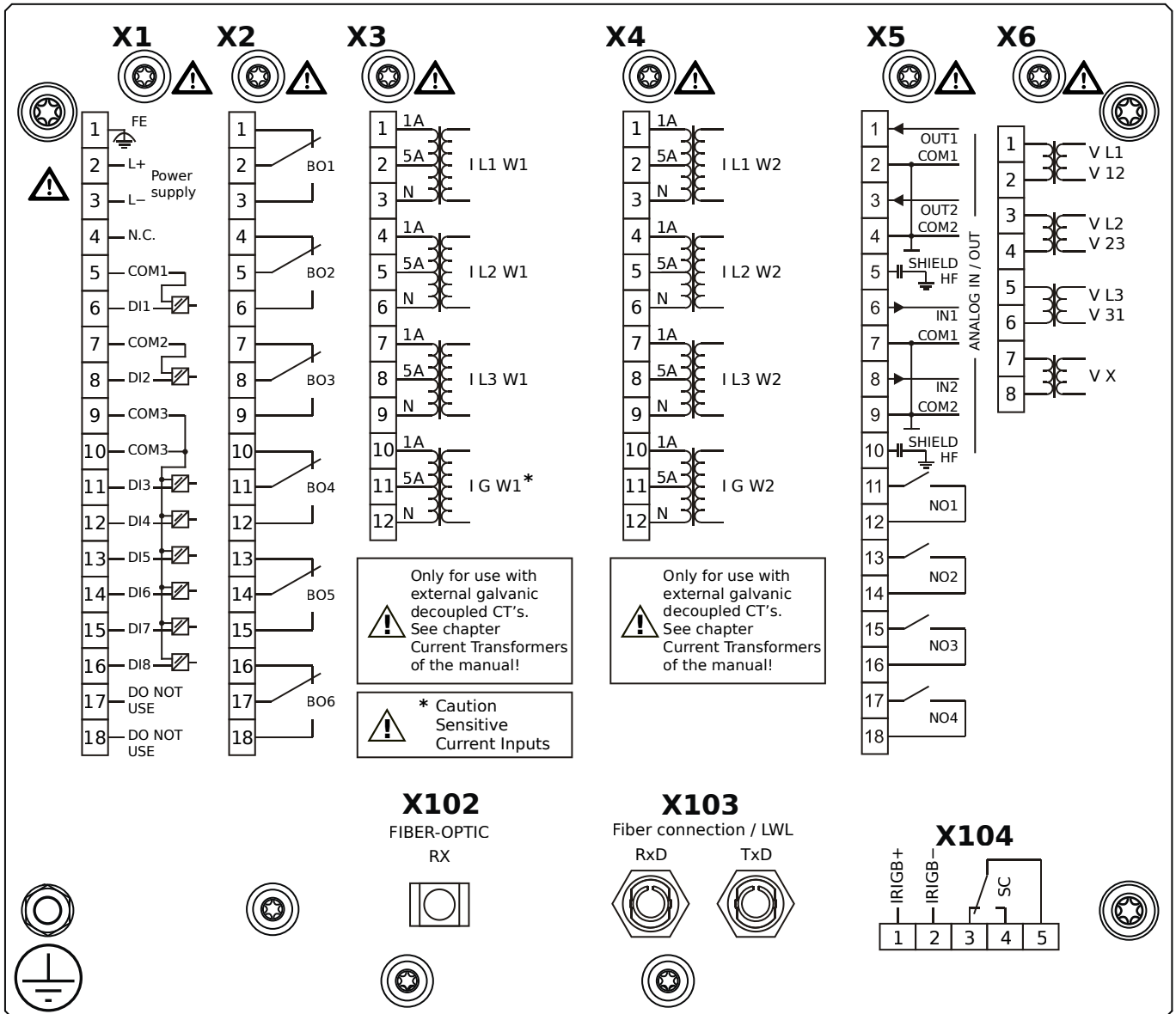
MCDTV4-2B1BFA



Housing B2, large display, 19" rack mounting

- X1** – DI8-X1: Wide-range power supply unit, incl. 2 non-grouped digital inputs and 6 grouped digital inputs
- X2** – OR6: Assembly Group with 6 Output Relays
- X3** – TIs: Standard phase current measuring card and sensitive ground current measuring (winding side 1)
- X4** – TI: Standard current measuring card (for the winding side 2)
- X5** – AnIO2-OR4: Assembly Group with 2 Analog Inputs, 2 Analog Outputs and 4 Output Relays
- X6** – TU: Card with 4 voltage transformer measuring inputs
- X102** – Universal Resistance-Temperature Detector (URTD) input, Fiber optics interface, Versatile Link
- X103** – Modbus RTU / IEC 60870-5-103 / DNP3.0 RTU, Fiber optics interface, ST Connector
- X104** – IRIG-B00X, incl. System Contact (Supervision Contact)

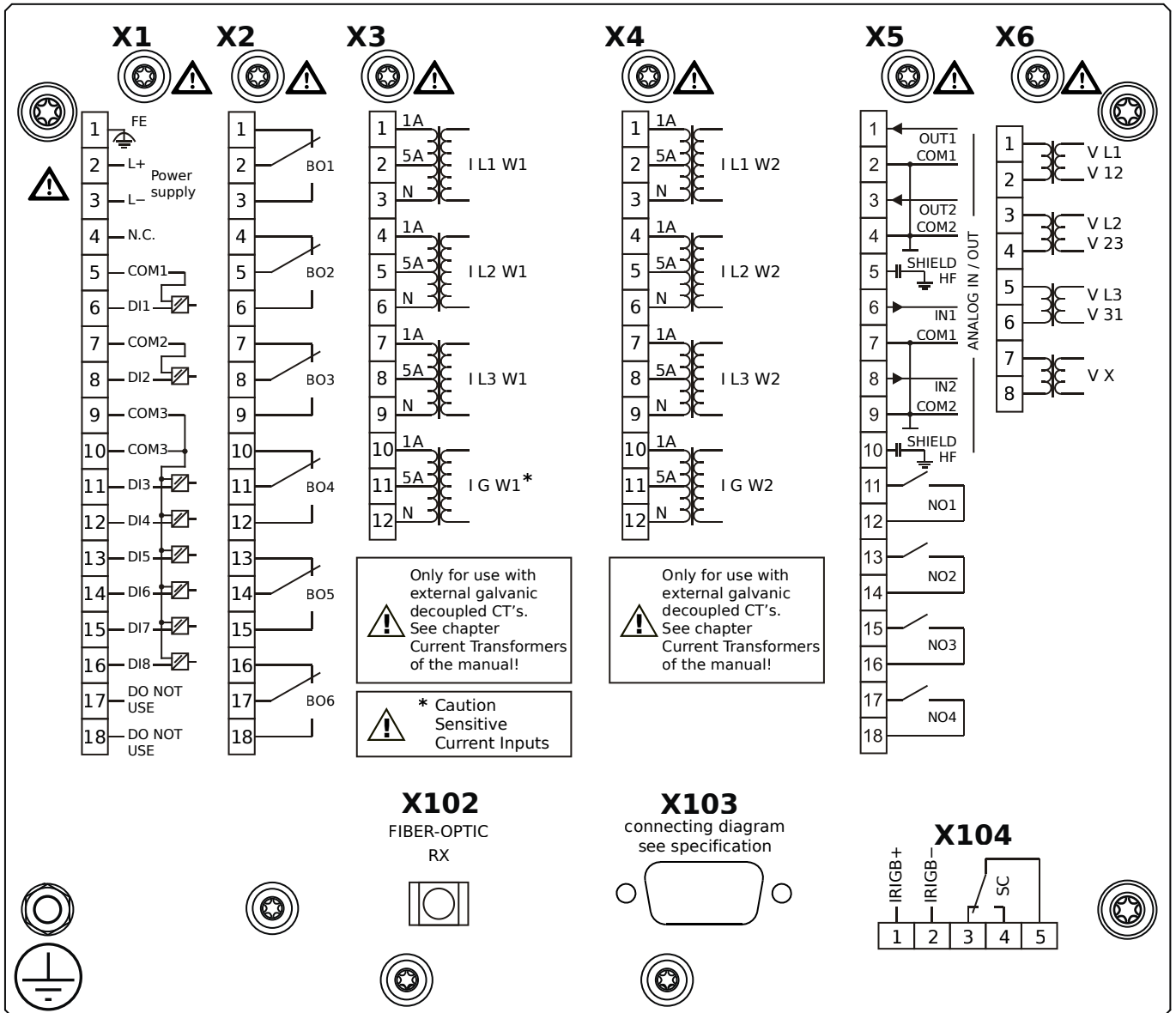
MCDTV4-2B1BFB



Housing B2, large display, 19" rack mounting

- + Conformal Coating (for installations in harsh environment)
- X1** – DI8-X1: Wide-range power supply unit, incl. 2 non-grouped digital inputs and 6 grouped digital inputs
- X2** – OR6: Assembly Group with 6 Output Relays
- X3** – TIs: Standard phase current measuring card and sensitive ground current measuring (winding side 1)
- X4** – TI: Standard current measuring card (for the winding side 2)
- X5** – AnIO2-OR4: Assembly Group with 2 Analog Inputs, 2 Analog Outputs and 4 Output Relays
- X6** – TU: Card with 4 voltage transformer measuring inputs
- X102** – Universal Resistance-Temperature Detector (URTD) input, Fiber optics interface, Versatile Link
- X103** – Modbus RTU / IEC 60870-5-103 / DNP3.0 RTU, Fiber optics interface, ST Connector
- X104** – IRIG-B00X, incl. System Contact (Supervision Contact)

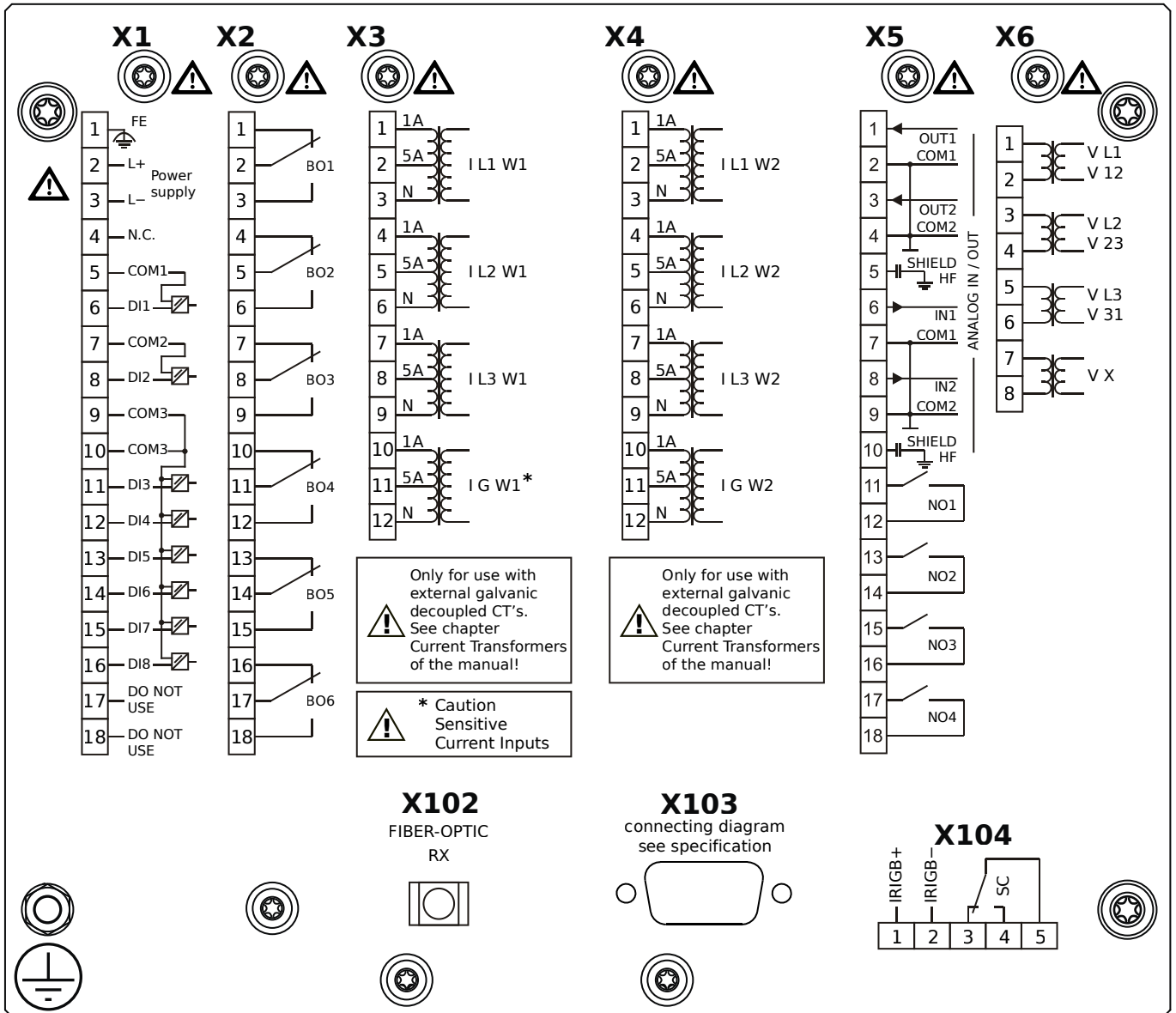
MCDTV4-2B1BGA



Housing B2, large display, 19" rack mounting

- X1** – DI8-X1: Wide-range power supply unit, incl. 2 non-grouped digital inputs and 6 grouped digital inputs
- X2** – OR6: Assembly Group with 6 Output Relays
- X3** – TIs: Standard phase current measuring card and sensitive ground current measuring (winding side 1)
- X4** – TI: Standard current measuring card (for the winding side 2)
- X5** – AnIO2-OR4: Assembly Group with 2 Analog Inputs, 2 Analog Outputs and 4 Output Relays
- X6** – TU: Card with 4 voltage transformer measuring inputs
- X102** – Universal Resistance-Temperature Detector (URTD) input, Fiber optics interface, Versatile Link
- X103** – Modbus RTU / IEC 60870-5-103 / DNP3.0 RTU, RS485, D-SUB
- X104** – IRIG-B00X, incl. System Contact (Supervision Contact)

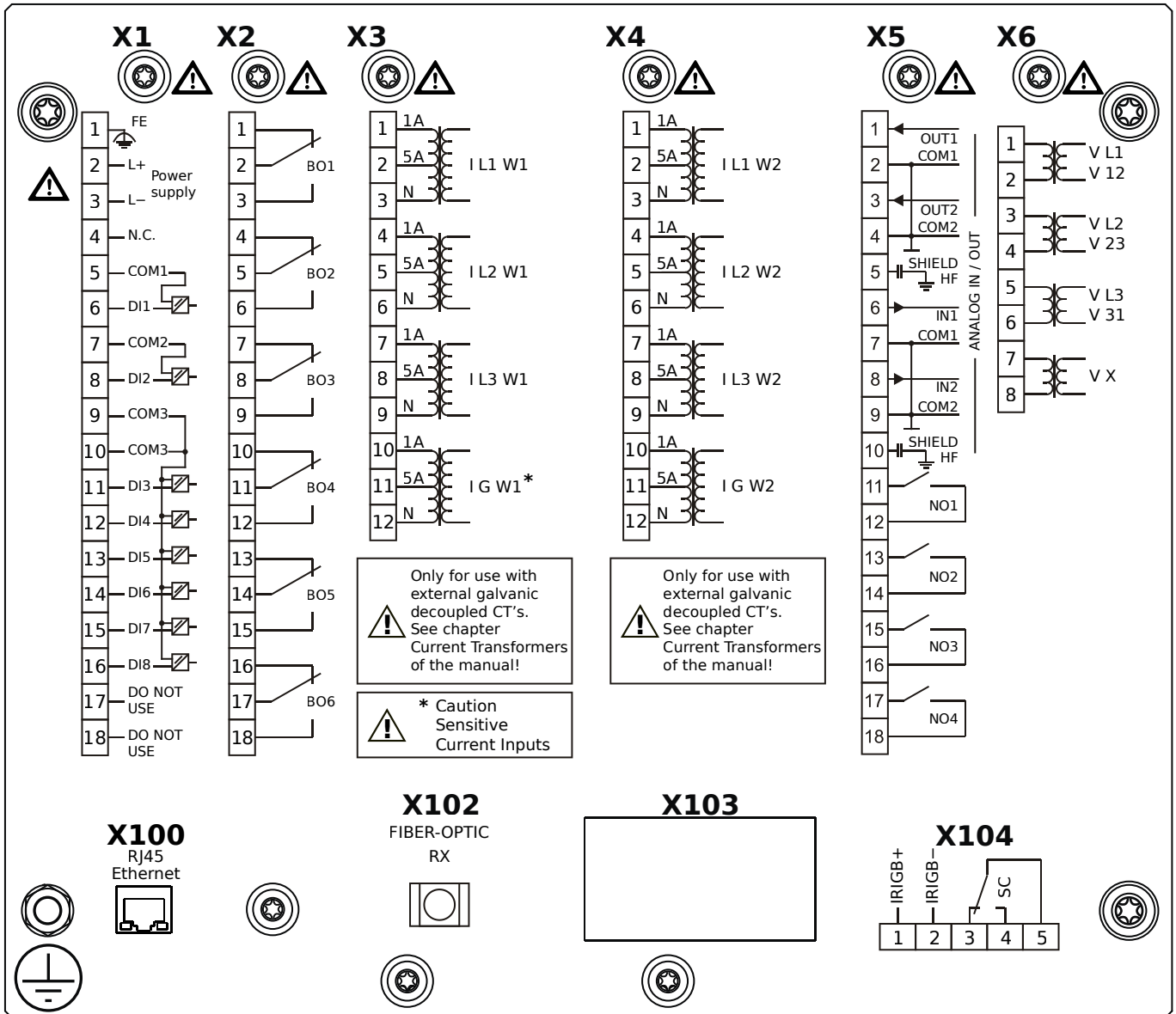
MCDTV4-2B1BGB



Housing B2, large display, 19" rack mounting

- + Conformal Coating (for installations in harsh environment)
- X1** – DI8-X1: Wide-range power supply unit, incl. 2 non-grouped digital inputs and 6 grouped digital inputs
- X2** – OR6: Assembly Group with 6 Output Relays
- X3** – TIs: Standard phase current measuring card and sensitive ground current measuring (winding side 1)
- X4** – TI: Standard current measuring card (for the winding side 2)
- X5** – AnIO2-OR4: Assembly Group with 2 Analog Inputs, 2 Analog Outputs and 4 Output Relays
- X6** – TU: Card with 4 voltage transformer measuring inputs
- X102** – Universal Resistance-Temperature Detector (URTD) input, Fiber optics interface, Versatile Link
- X103** – Modbus RTU / IEC 60870-5-103 / DNP3.0 RTU, RS485, D-SUB
- X104** – IRIG-B00X, incl. System Contact (Supervision Contact)

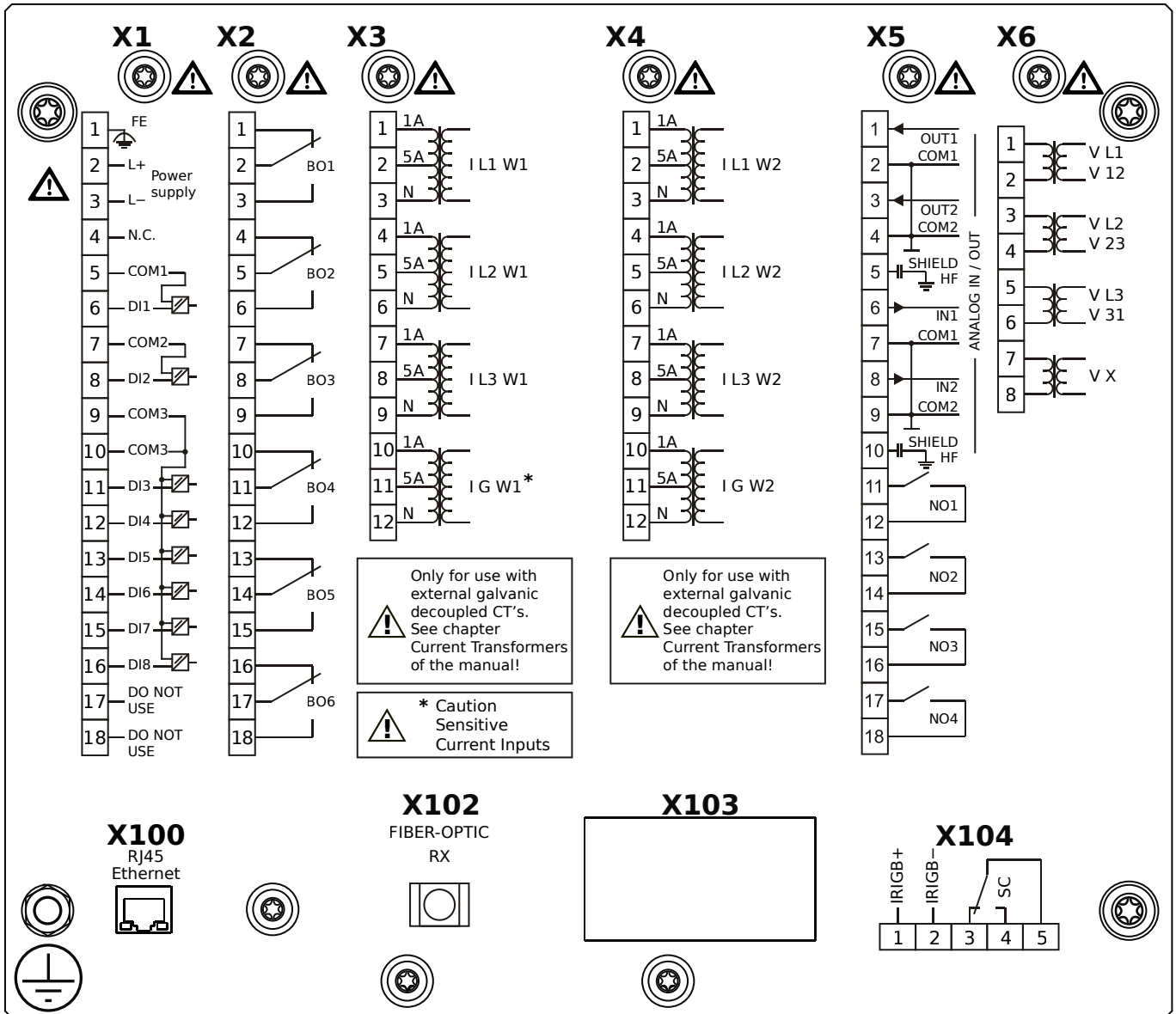
MCDTV4-2B1BHA



Housing B2, large display, 19" rack mounting

- X1** – DI8-X1: Wide-range power supply unit, incl. 2 non-grouped digital inputs and 6 grouped digital inputs
- X2** – OR6: Assembly Group with 6 Output Relays
- X3** – TIs: Standard phase current measuring card and sensitive ground current measuring (winding side 1)
- X4** – TI: Standard current measuring card (for the winding side 2)
- X5** – AnIO2-OR4: Assembly Group with 2 Analog Inputs, 2 Analog Outputs and 4 Output Relays
- X6** – TU: Card with 4 voltage transformer measuring inputs
- X100** – IEC 61850 / Modbus TCP / DNP3.0 TCP/UDP, Ethernet interface, 100 Mbit/s, RJ45 (BASE100-FX)
- X102** – Universal Resistance-Temperature Detector (URTD) input, Fiber optics interface, Versatile Link
- X104** – IRIG-B00X, incl. System Contact (Supervision Contact)

MCDTV4-2B1BHB



Housing B2, large display, 19" rack mounting

+ Conformal Coating (for installations in harsh environment)

X1 – DI8-X1: Wide-range power supply unit, incl. 2 non-grouped digital inputs and 6 grouped digital inputs

X2 – OR6: Assembly Group with 6 Output Relays

X3 – TIs: Standard phase current measuring card and sensitive ground current measuring (winding side 1)

X4 – TI: Standard current measuring card (for the winding side 2)

X5 – AnIO2-OR4: Assembly Group with 2 Analog Inputs, 2 Analog Outputs and 4 Output Relays

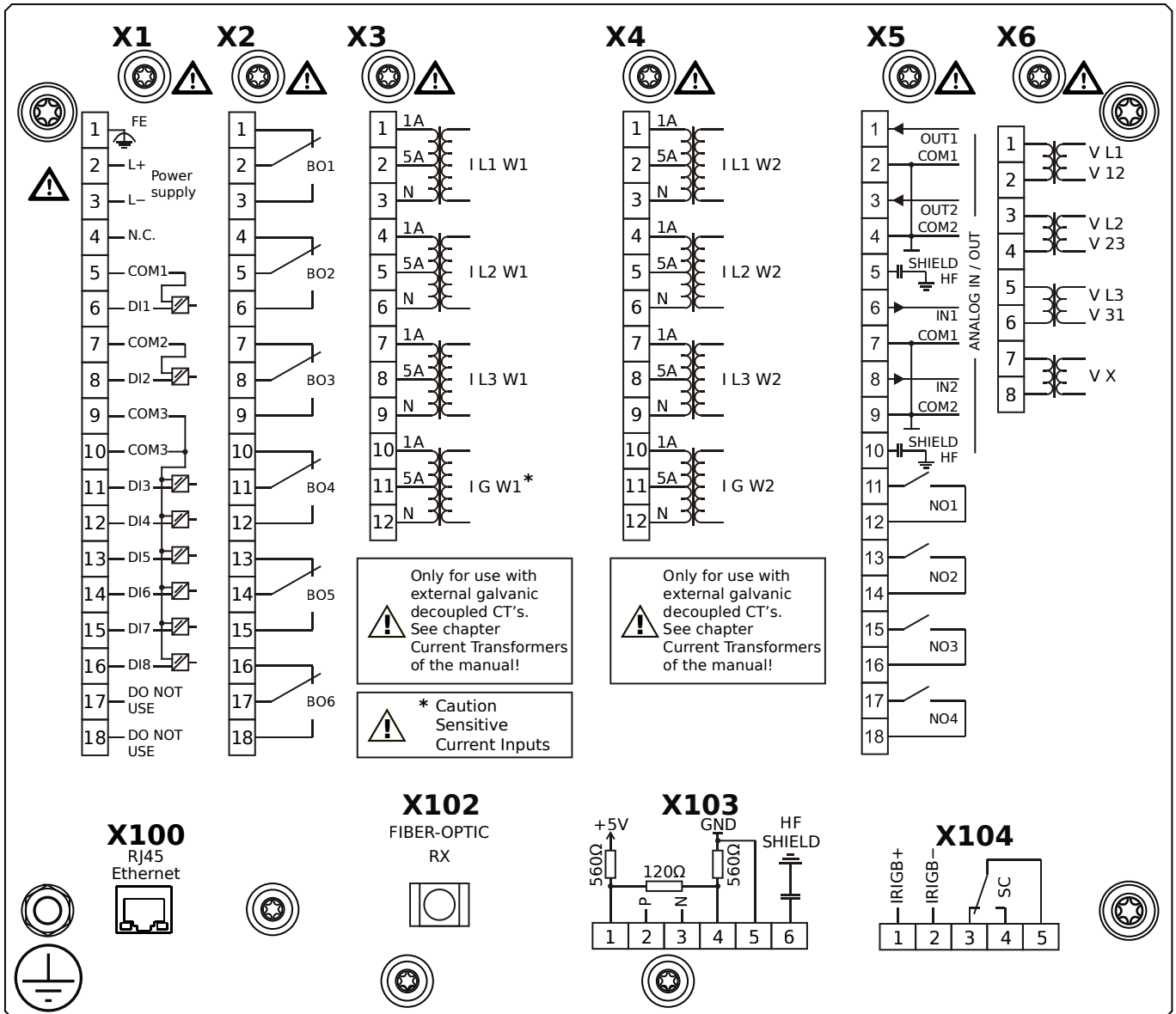
X6 – TU: Card with 4 voltage transformer measuring inputs

X100 – IEC 61850 / Modbus TCP / DNP3.0 TCP/UDP, Ethernet interface, 100 Mbit/s, RJ45 (BASE100-FX)

X102 – Universal Resistance-Temperature Detector (URTD) input, Fiber optics interface, Versatile Link

X104 – IRIG-B00X, incl. System Contact (Supervision Contact)

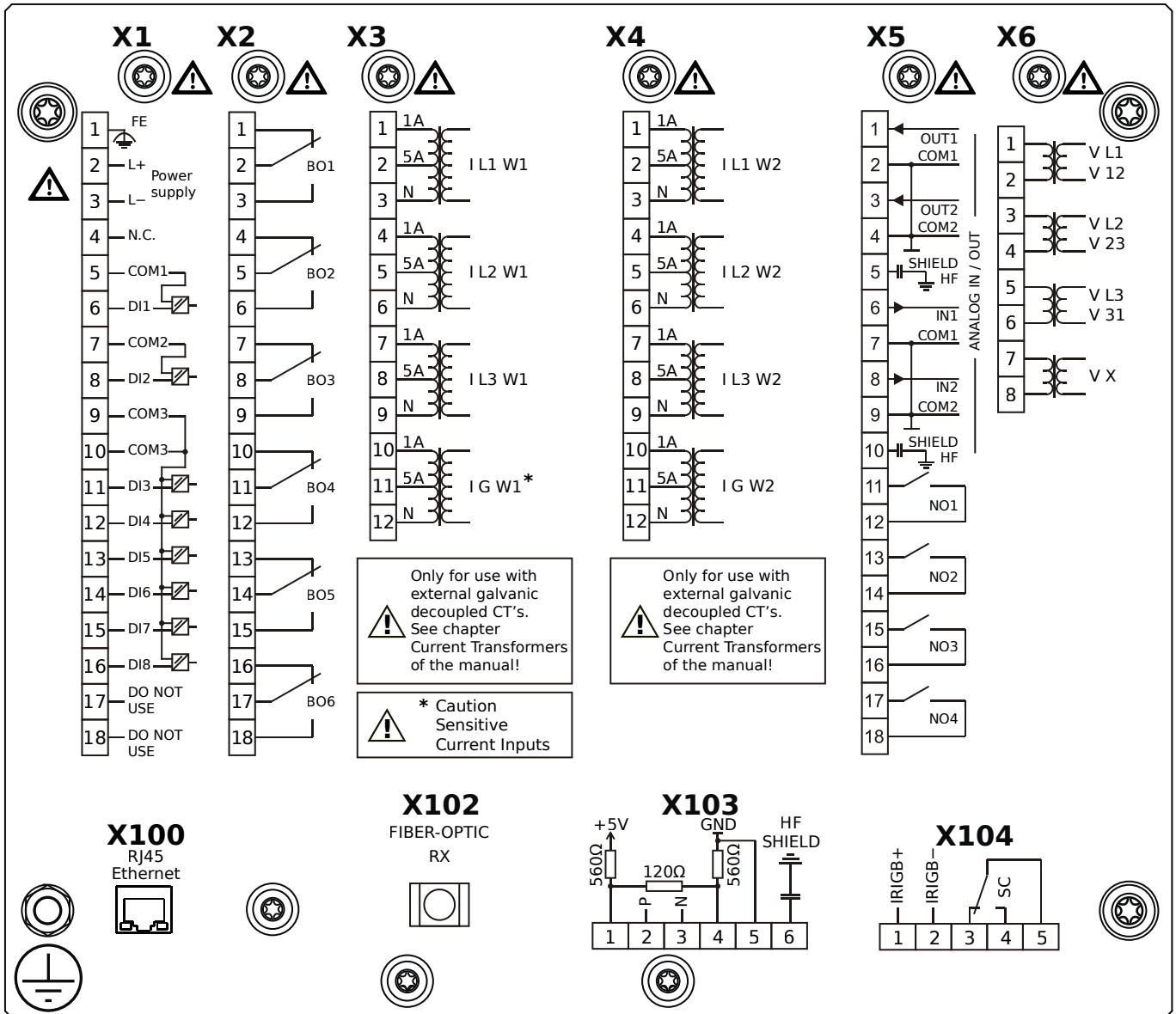
MCDTV4-2B1BIA



Housing B2, large display, 19" rack mounting

- X1** – DI8-X1: Wide-range power supply unit, incl. 2 non-grouped digital inputs and 6 grouped digital inputs
- X2** – OR6: Assembly Group with 6 Output Relays
- X3** – TIs: Standard phase current measuring card and sensitive ground current measuring (winding side 1)
- X4** – TI: Standard current measuring card (for the winding side 2)
- X5** – AnIO2-OR4: Assembly Group with 2 Analog Inputs, 2 Analog Outputs and 4 Output Relays
- X6** – TU: Card with 4 voltage transformer measuring inputs
- X100** – Modbus TCP / DNP3.0 TCP/UDP, Ethernet interface, 100 Mbit/s, RJ45 (BASE100-FX)
- X102** – Universal Resistance-Temperature Detector (URTD) input, Fiber optics interface, Versatile Link
- X103** – IEC 60870-5-103 / Modbus RTU / DNP3.0 RTU, RS485, Terminals
- X104** – IRIG-B00X, incl. System Contact (Supervision Contact)

MCDTV4-2B1BIB

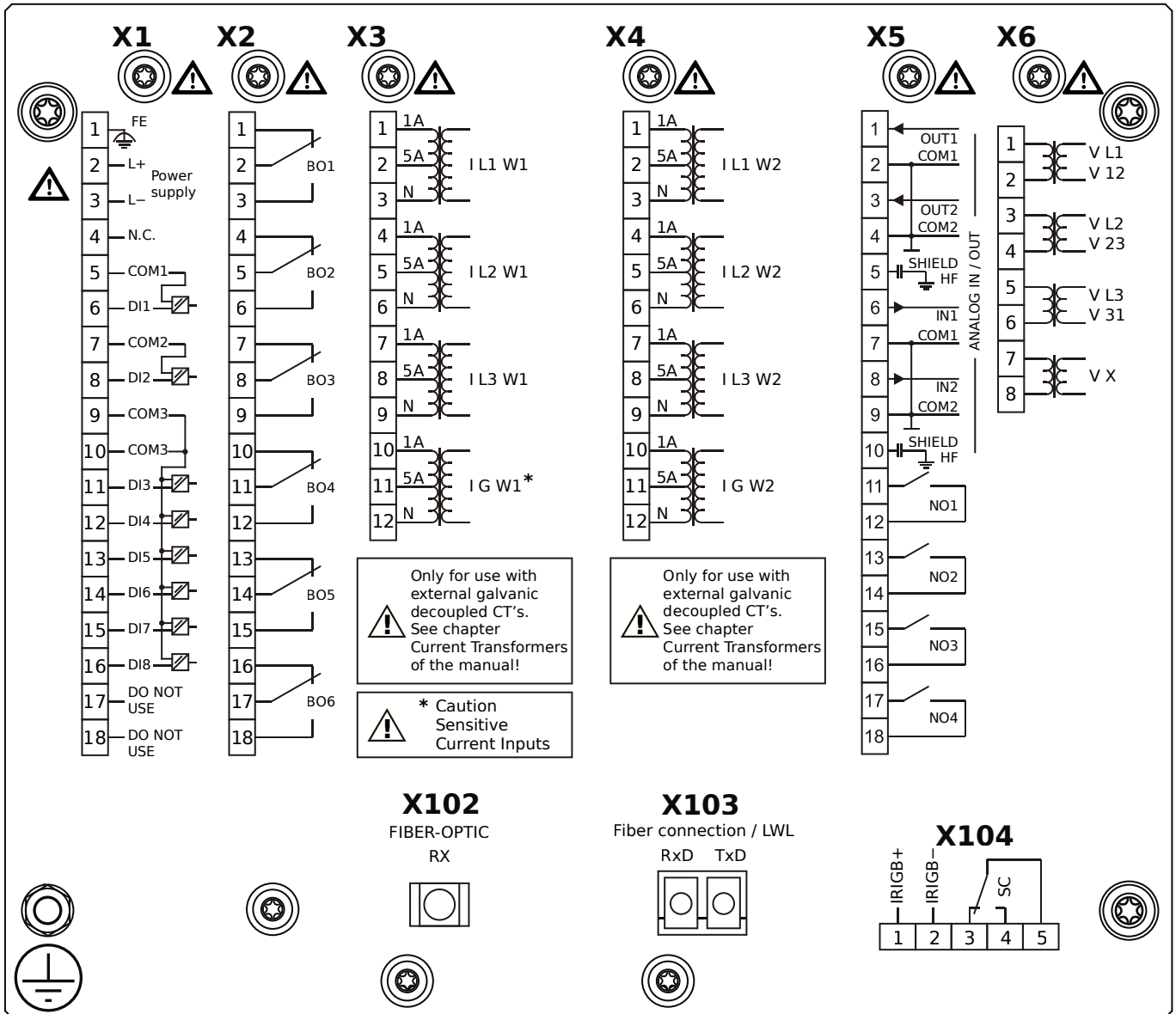


Housing B2, large display, 19" rack mounting

+ Conformal Coating (for installations in harsh environment)

- X1** – DI8-X1: Wide-range power supply unit, incl. 2 non-grouped digital inputs and 6 grouped digital inputs
- X2** – OR6: Assembly Group with 6 Output Relays
- X3** – TIs: Standard phase current measuring card and sensitive ground current measuring (winding side 1)
- X4** – TI: Standard current measuring card (for the winding side 2)
- X5** – AnIO2-OR4: Assembly Group with 2 Analog Inputs, 2 Analog Outputs and 4 Output Relays
- X6** – TU: Card with 4 voltage transformer measuring inputs
- X100** – Modbus TCP / DNP3.0 TCP/UDP, Ethernet interface, 100 Mbit/s, RJ45 (BASE100-FX)
- X102** – Universal Resistance-Temperature Detector (URTD) input, Fiber optics interface, Versatile Link
- X103** – IEC 60870-5-103 / Modbus RTU / DNP3.0 RTU, RS485, Terminals
- X104** – IRIG-B00X, incl. System Contact (Supervision Contact)

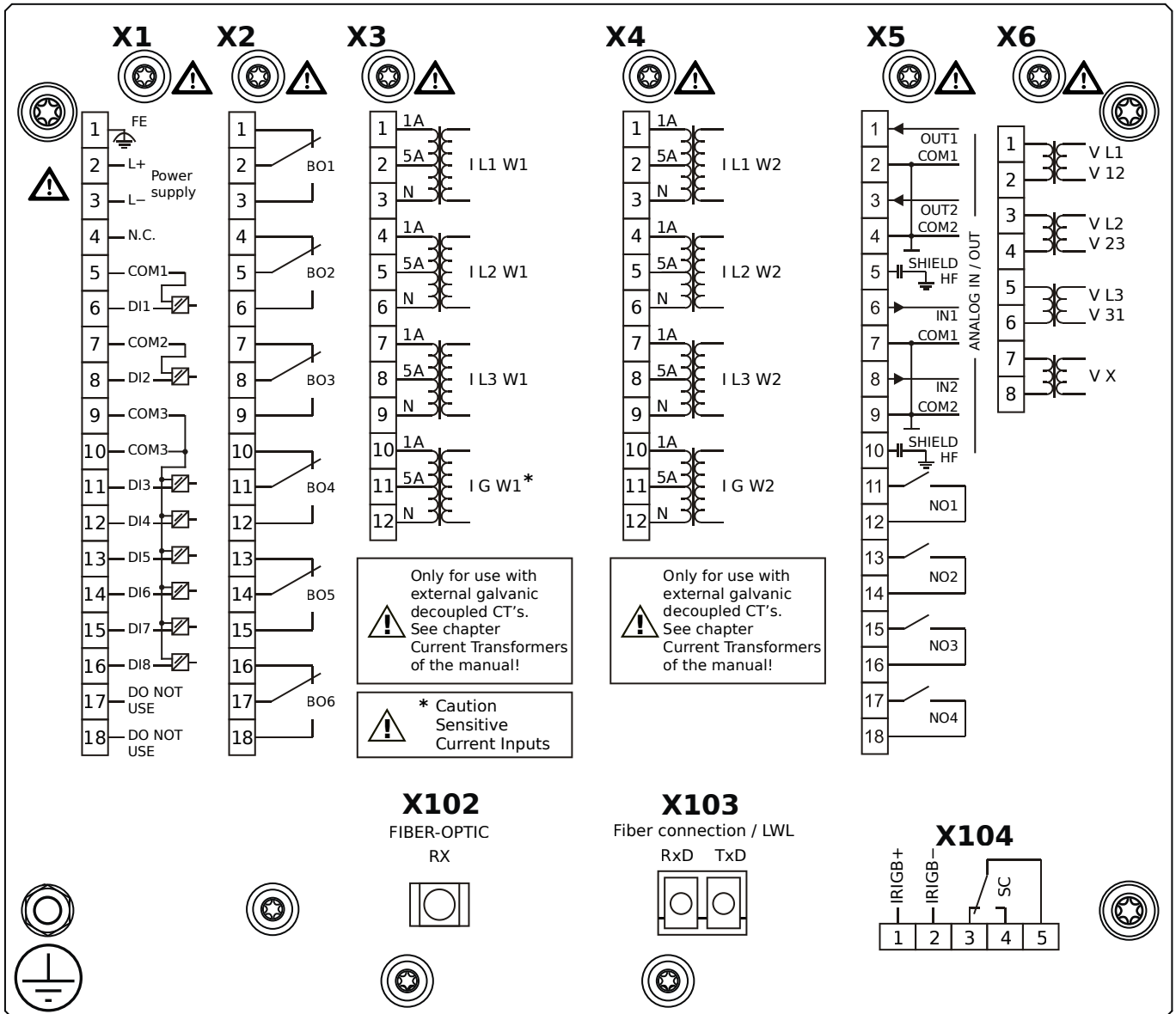
MCDTV4-2B1BKA



Housing B2, large display, 19" rack mounting

- X1** – DI8-X1: Wide-range power supply unit, incl. 2 non-grouped digital inputs and 6 grouped digital inputs
- X2** – OR6: Assembly Group with 6 Output Relays
- X3** – TIs: Standard phase current measuring card and sensitive ground current measuring (winding side 1)
- X4** – TI: Standard current measuring card (for the winding side 2)
- X5** – AnIO2-OR4: Assembly Group with 2 Analog Inputs, 2 Analog Outputs and 4 Output Relays
- X6** – TU: Card with 4 voltage transformer measuring inputs
- X102** – Universal Resistance-Temperature Detector (URTD) input, Fiber optics interface, Versatile Link
- X103** – IEC 61850 / Modbus TCP / DNP3.0 TCP/UDP, Fiber optics interface, LC Connector
- X104** – IRIG-B00X, incl. System Contact (Supervision Contact)

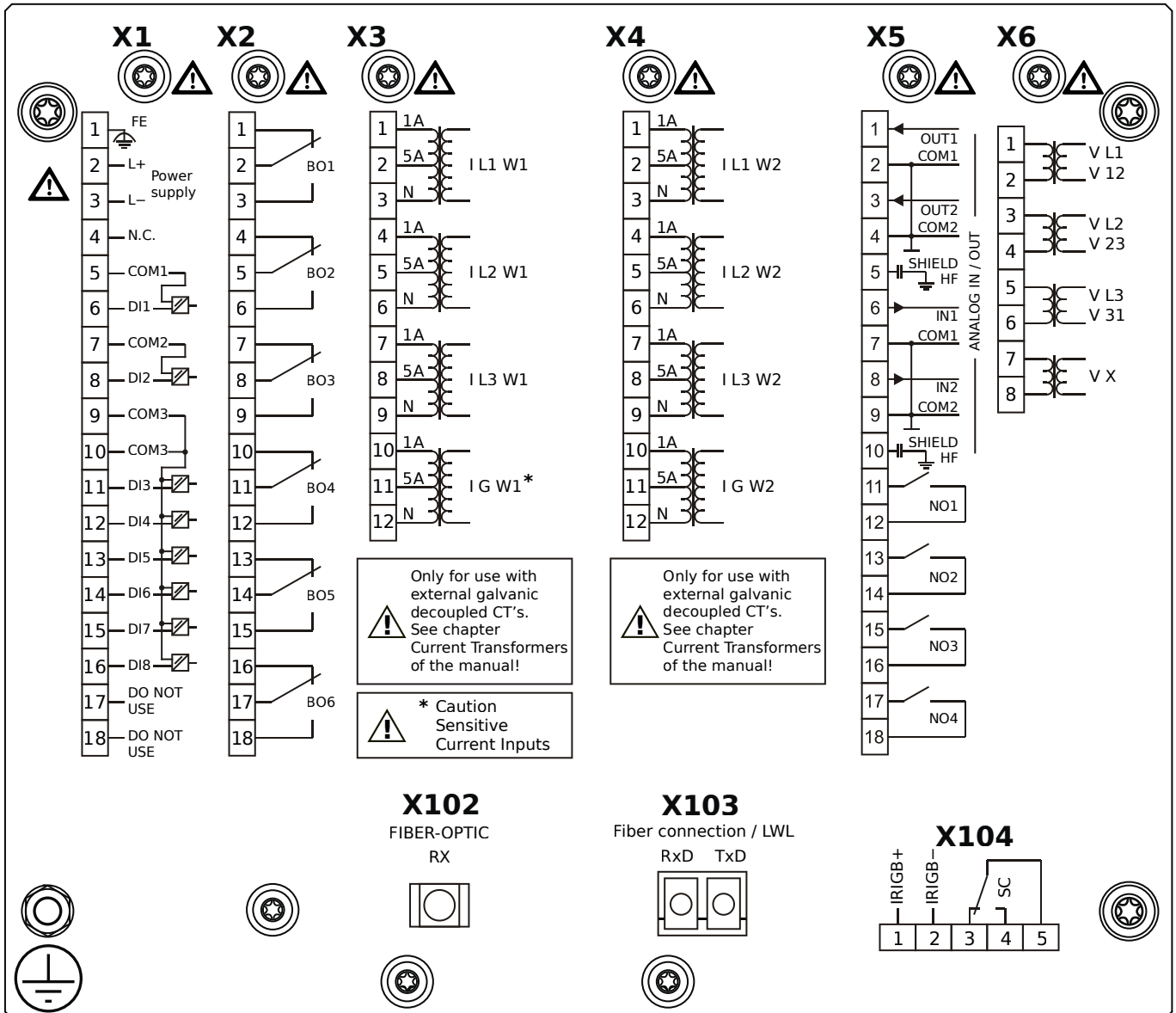
MCDTV4-2B1BKB



Housing B2, large display, 19" rack mounting

- + Conformal Coating (for installations in harsh environment)
- X1** – DI8-X1: Wide-range power supply unit, incl. 2 non-grouped digital inputs and 6 grouped digital inputs
- X2** – OR6: Assembly Group with 6 Output Relays
- X3** – TIs: Standard phase current measuring card and sensitive ground current measuring (winding side 1)
- X4** – TI: Standard current measuring card (for the winding side 2)
- X5** – AnIO2-OR4: Assembly Group with 2 Analog Inputs, 2 Analog Outputs and 4 Output Relays
- X6** – TU: Card with 4 voltage transformer measuring inputs
- X102** – Universal Resistance-Temperature Detector (URTD) input, Fiber optics interface, Versatile Link
- X103** – IEC 61850 / Modbus TCP / DNP3.0 TCP/UDP, Fiber optics interface, LC Connector
- X104** – IRIG-B00X, incl. System Contact (Supervision Contact)

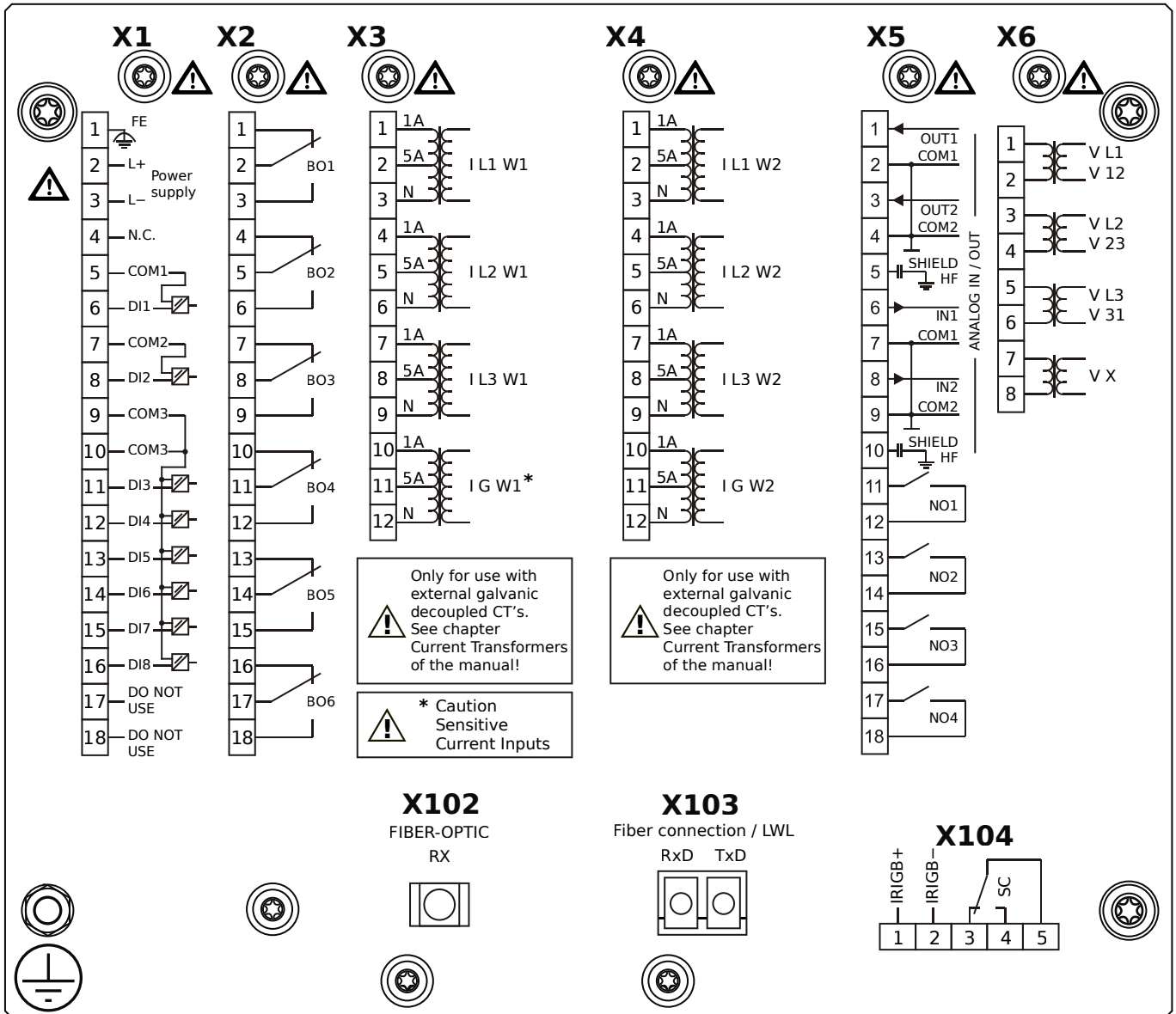
MCDTV4-2B1BLA



Housing B2, large display, 19" rack mounting

- X1** – DI8-X1: Wide-range power supply unit, incl. 2 non-grouped digital inputs and 6 grouped digital inputs
- X2** – OR6: Assembly Group with 6 Output Relays
- X3** – TIs: Standard phase current measuring card and sensitive ground current measuring (winding side 1)
- X4** – TI: Standard current measuring card (for the winding side 2)
- X5** – AnIO2-OR4: Assembly Group with 2 Analog Inputs, 2 Analog Outputs and 4 Output Relays
- X6** – TU: Card with 4 voltage transformer measuring inputs
- X102** – Universal Resistance-Temperature Detector (URTD) input, Fiber optics interface, Versatile Link
- X103** – Modbus TCP / DNP3.0 TCP/UDP, Fiber optics interface, LC Connector
- X104** – IRIG-B00X, incl. System Contact (Supervision Contact)

MCDTV4-2B1BLB

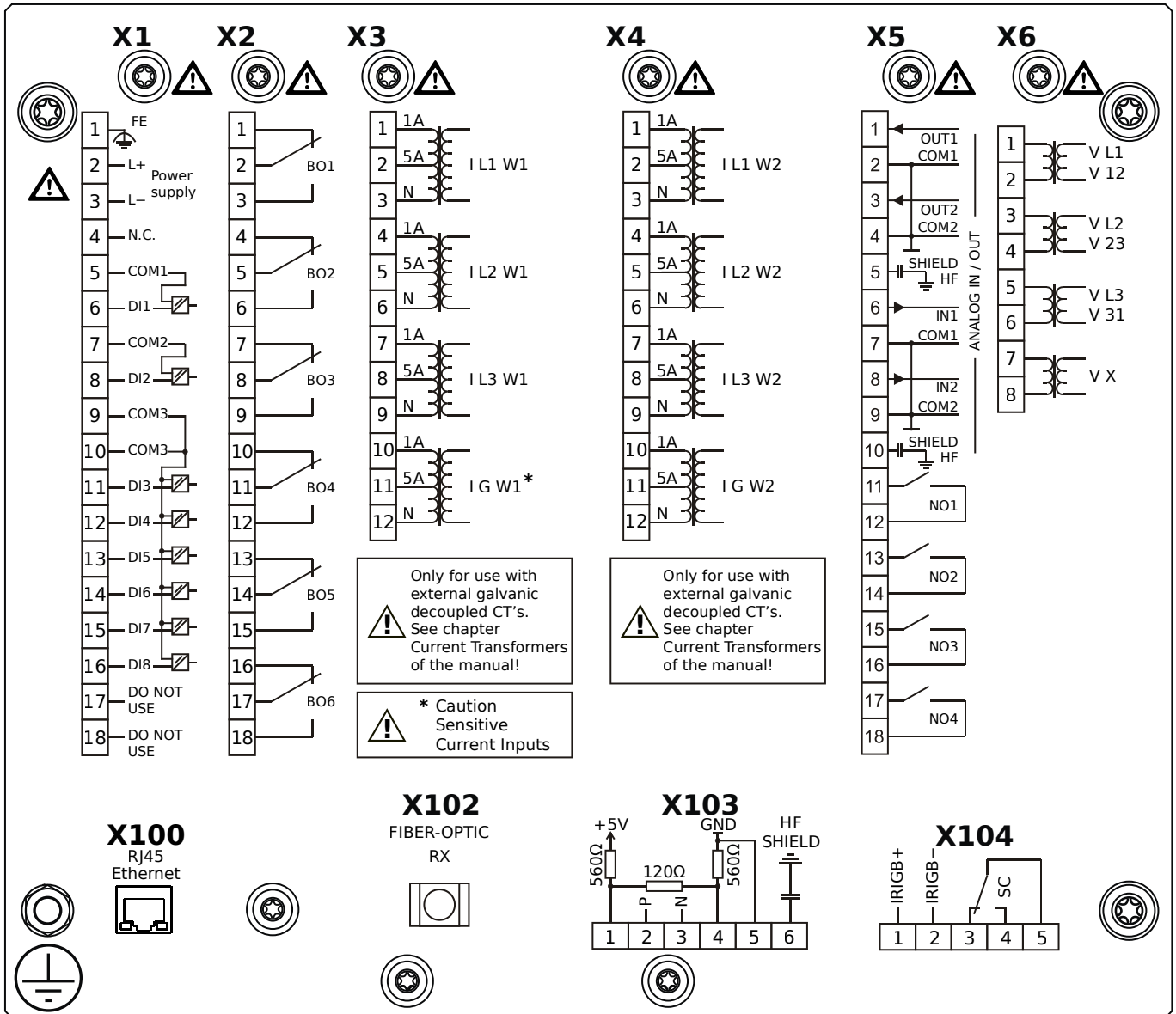


Housing B2, large display, 19" rack mounting

+ Conformal Coating (for installations in harsh environment)

- X1** – DI8-X1: Wide-range power supply unit, incl. 2 non-grouped digital inputs and 6 grouped digital inputs
- X2** – OR6: Assembly Group with 6 Output Relays
- X3** – TIs: Standard phase current measuring card and sensitive ground current measuring (winding side 1)
- X4** – TI: Standard current measuring card (for the winding side 2)
- X5** – AnIO2-OR4: Assembly Group with 2 Analog Inputs, 2 Analog Outputs and 4 Output Relays
- X6** – TU: Card with 4 voltage transformer measuring inputs
- X102** – Universal Resistance-Temperature Detector (URTD) input, Fiber optics interface, Versatile Link
- X103** – Modbus TCP / DNP3.0 TCP/UDP, Fiber optics interface, LC Connector
- X104** – IRIG-B00X, incl. System Contact (Supervision Contact)

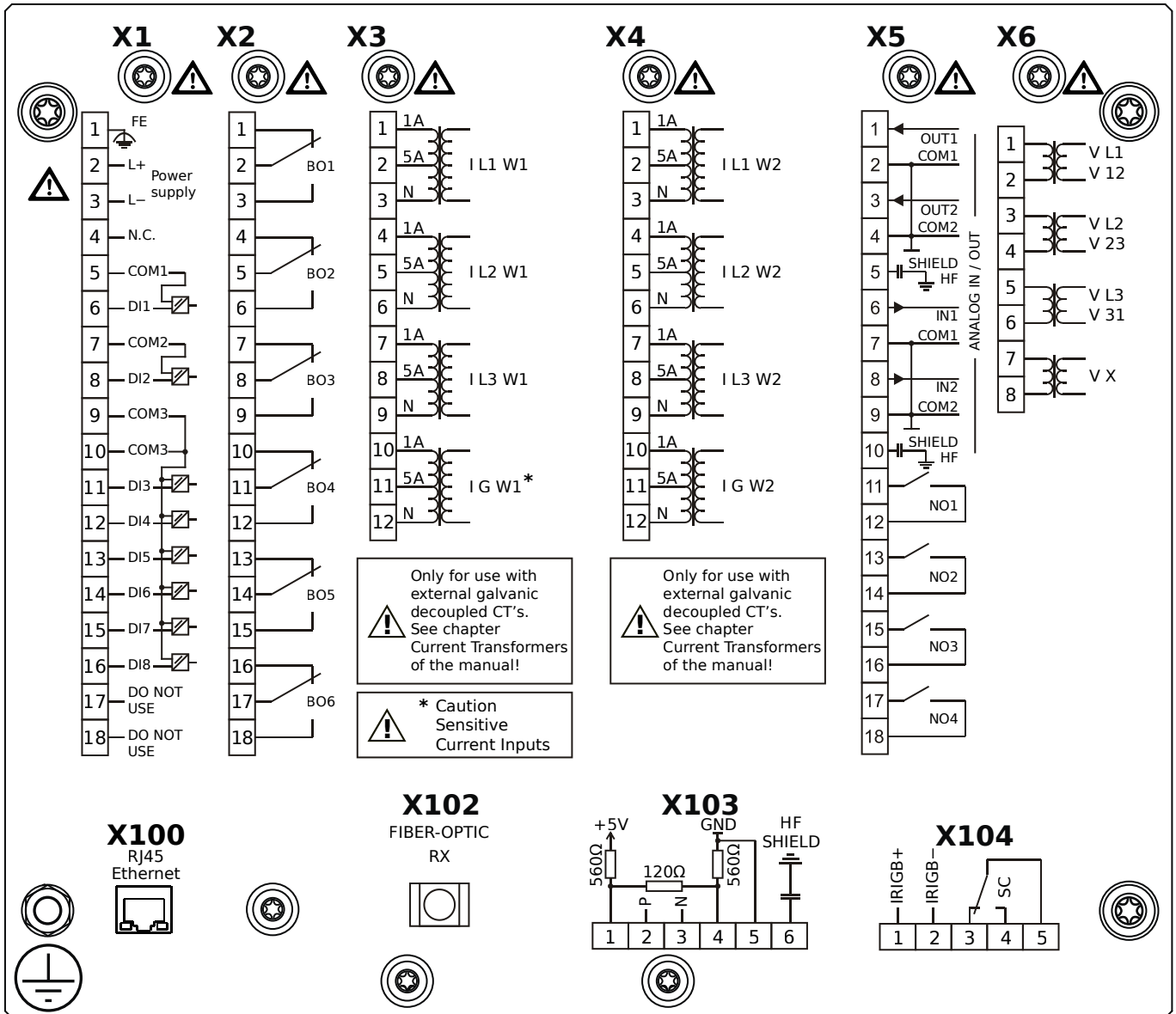
MCDTV4-2B1BTA



Housing B2, large display, 19" rack mounting

- X1** – DI8-X1: Wide-range power supply unit, incl. 2 non-grouped digital inputs and 6 grouped digital inputs
- X2** – OR6: Assembly Group with 6 Output Relays
- X3** – TIs: Standard phase current measuring card and sensitive ground current measuring (winding side 1)
- X4** – TI: Standard current measuring card (for the winding side 2)
- X5** – AnIO2-OR4: Assembly Group with 2 Analog Inputs, 2 Analog Outputs and 4 Output Relays
- X6** – TU: Card with 4 voltage transformer measuring inputs
- X100** – IEC 61850 / Modbus TCP / DNP3.0 TCP/UDP, Ethernet interface, 100 Mbit/s, RJ45 (BASE100-FX)
- X102** – Universal Resistance-Temperature Detector (URTD) input, Fiber optics interface, Versatile Link
- X103** – IEC 60870-5-103 / Modbus RTU / DNP3.0 RTU, RS485, Terminals
- X104** – IRIG-B00X, incl. System Contact (Supervision Contact)

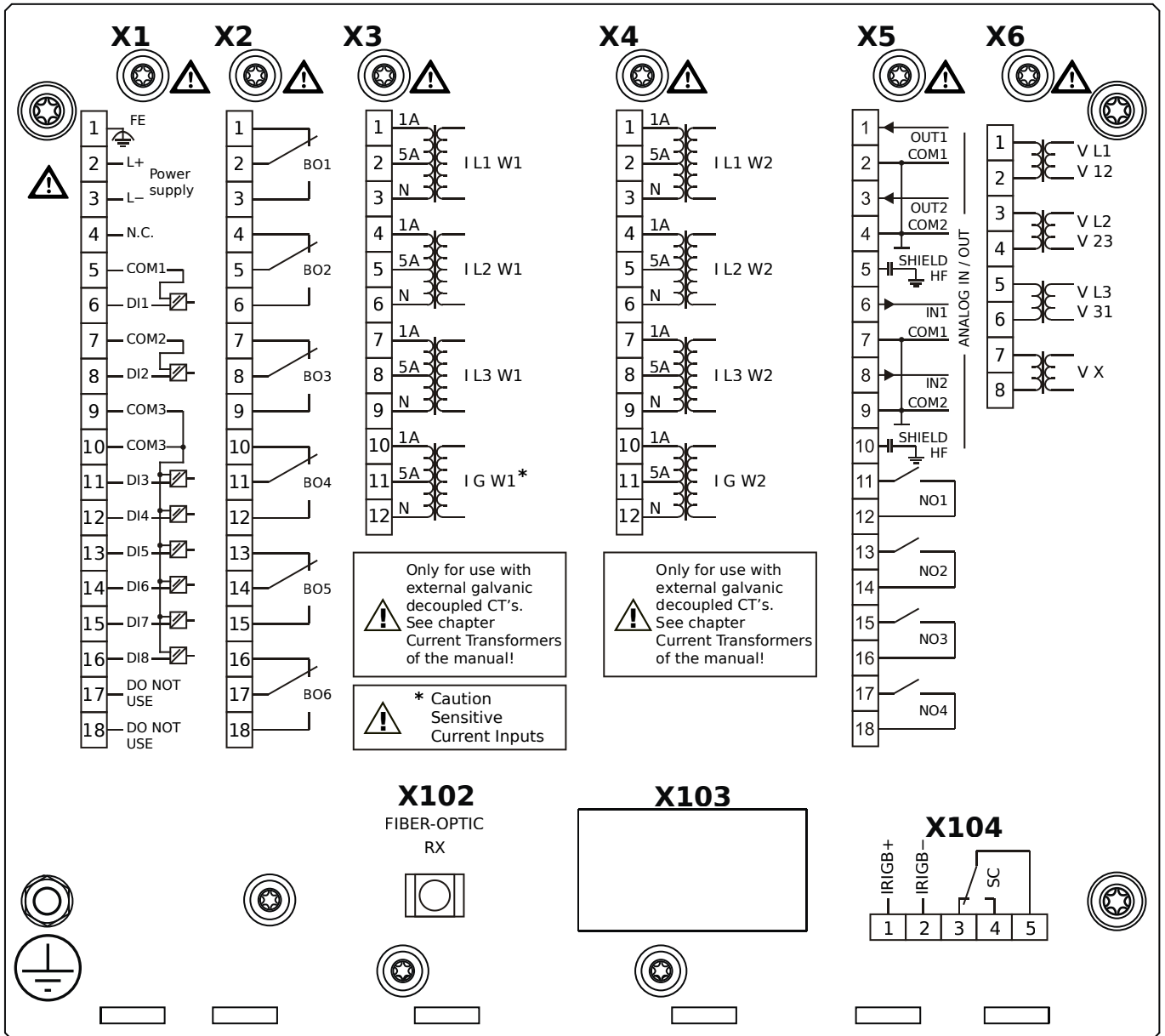
MCDTV4-2B1BTB



Housing B2, large display, 19" rack mounting

- + Conformal Coating (for installations in harsh environment)
- X1** – DI8-X1: Wide-range power supply unit, incl. 2 non-grouped digital inputs and 6 grouped digital inputs
- X2** – OR6: Assembly Group with 6 Output Relays
- X3** – TIs: Standard phase current measuring card and sensitive ground current measuring (winding side 1)
- X4** – TI: Standard current measuring card (for the winding side 2)
- X5** – AnIO2-OR4: Assembly Group with 2 Analog Inputs, 2 Analog Outputs and 4 Output Relays
- X6** – TU: Card with 4 voltage transformer measuring inputs
- X100** – IEC 61850 / Modbus TCP / DNP3.0 TCP/UDP, Ethernet interface, 100 Mbit/s, RJ45 (BASE100-FX)
- X102** – Universal Resistance-Temperature Detector (URTD) input, Fiber optics interface, Versatile Link
- X103** – IEC 60870-5-103 / Modbus RTU / DNP3.0 RTU, RS485, Terminals
- X104** – IRIG-B00X, incl. System Contact (Supervision Contact)

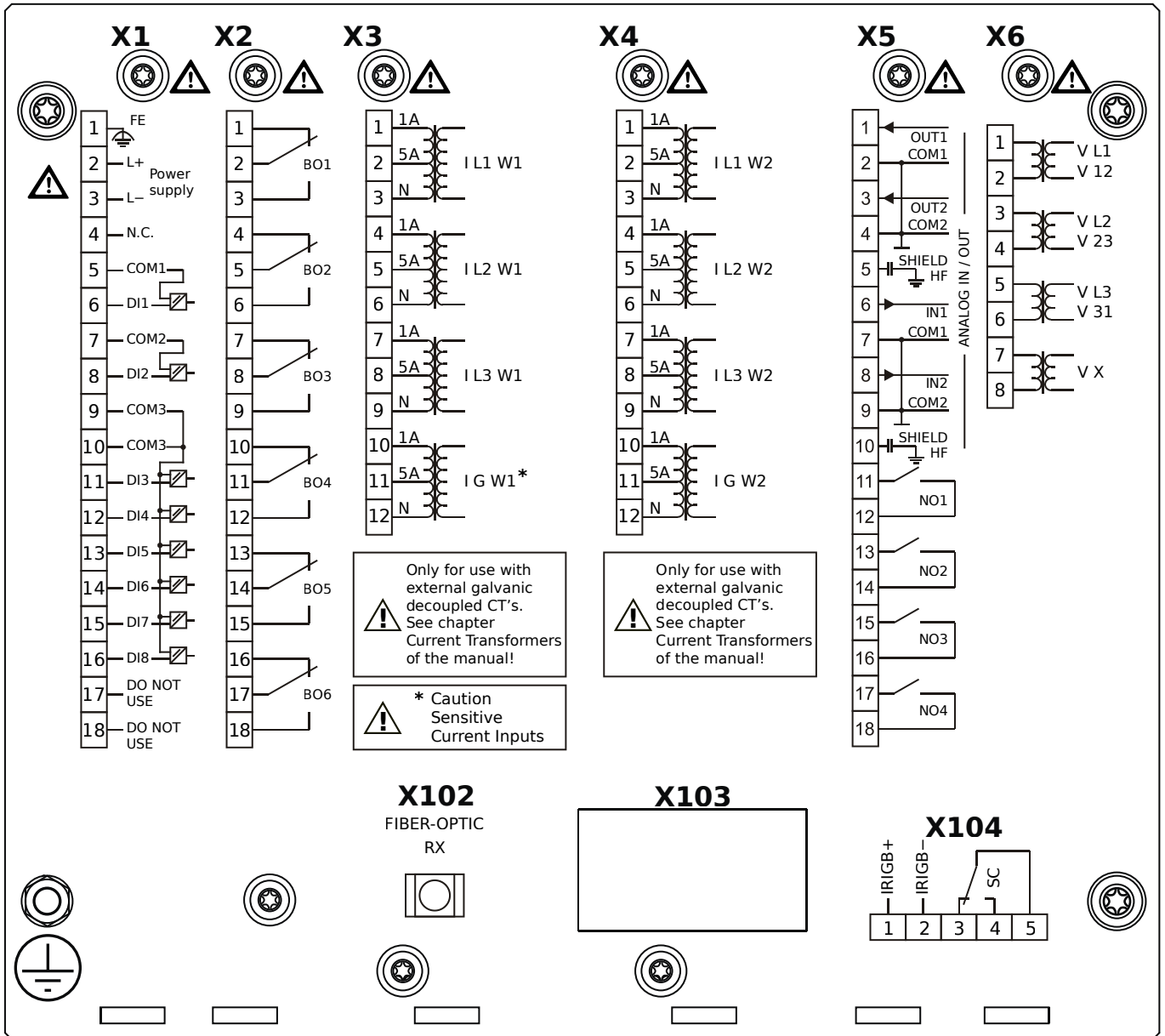
MCDTV4-2B1HAA



Housing B2, large display, door mounting

- X1** – DI8-X1: Wide-range power supply unit, incl. 2 non-grouped digital inputs and 6 grouped digital inputs
- X2** – OR6: Assembly Group with 6 Output Relays
- X3** – TIs: Standard phase current measuring card and sensitive ground current measuring (winding side 1)
- X4** – TI: Standard current measuring card (for the winding side 2)
- X5** – AnIO2-OR4: Assembly Group with 2 Analog Inputs, 2 Analog Outputs and 4 Output Relays
- X6** – TU: Card with 4 voltage transformer measuring inputs
- X102** – Universal Resistance-Temperature Detector (URTD) input, Fiber optics interface, Versatile Link
- X104** – IRIG-B00X, incl. System Contact (Supervision Contact)

MCDTV4-2B1HAB

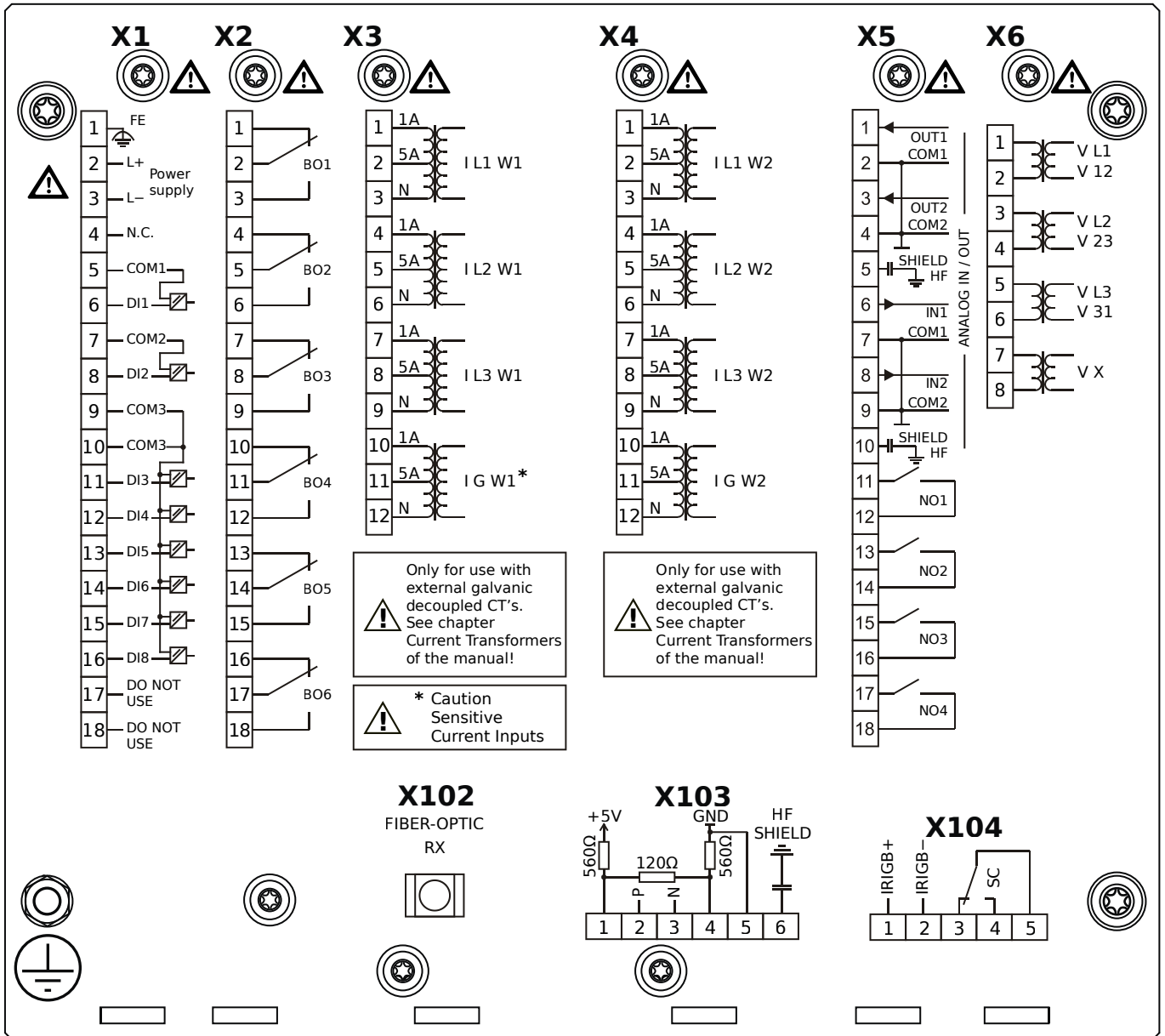


Housing B2, large display, door mounting

+ Conformal Coating (for installations in harsh environment)

- X1** – DI8-X1: Wide-range power supply unit, incl. 2 non-grouped digital inputs and 6 grouped digital inputs
- X2** – OR6: Assembly Group with 6 Output Relays
- X3** – TIs: Standard phase current measuring card and sensitive ground current measuring (winding side 1)
- X4** – TI: Standard current measuring card (for the winding side 2)
- X5** – AnIO2-OR4: Assembly Group with 2 Analog Inputs, 2 Analog Outputs and 4 Output Relays
- X6** – TU: Card with 4 voltage transformer measuring inputs
- X102** – Universal Resistance-Temperature Detector (URTD) input, Fiber optics interface, Versatile Link
- X104** – IRIG-B00X, incl. System Contact (Supervision Contact)

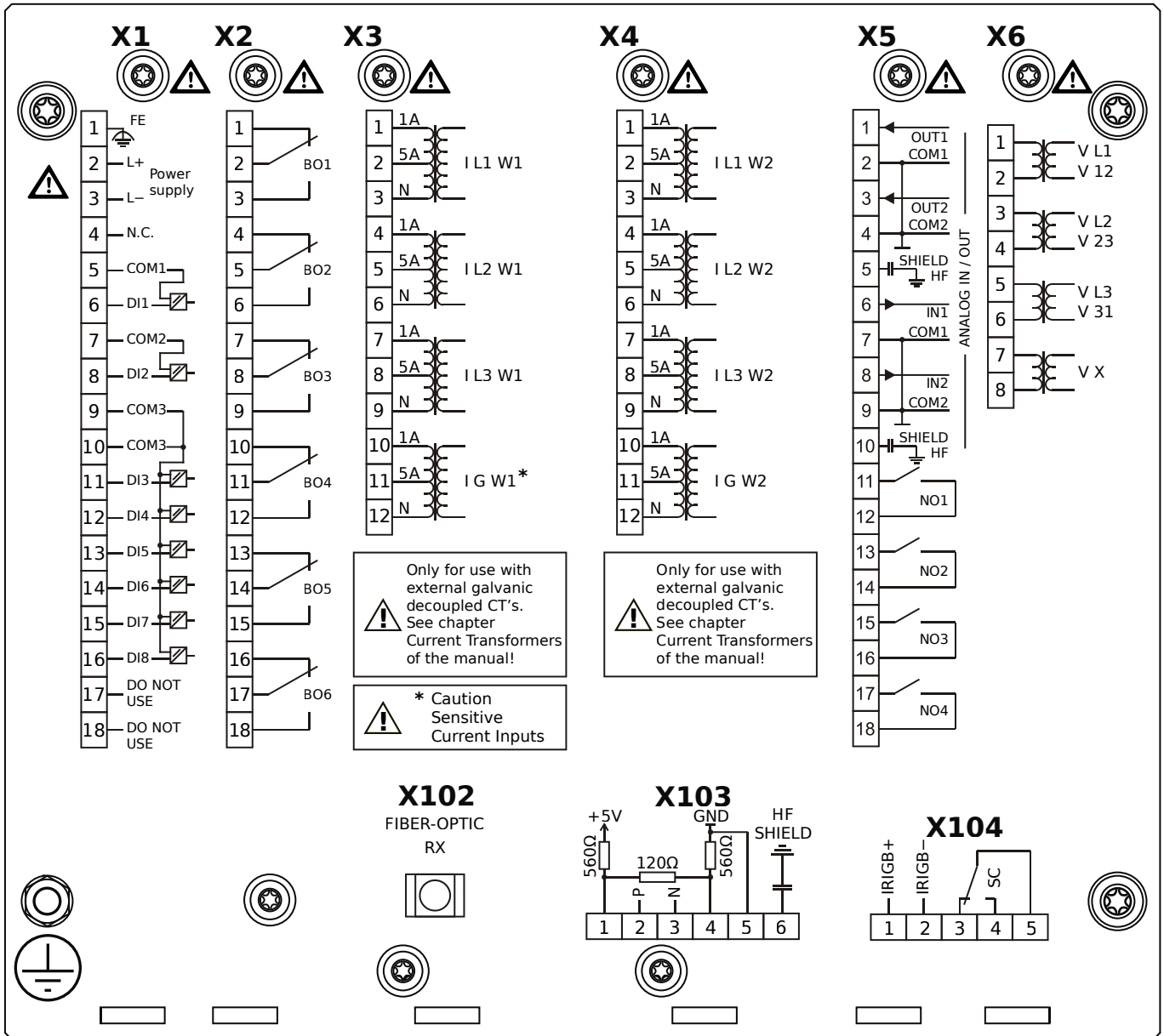
MCDTV4-2B1HBA



Housing B2, large display, door mounting

- X1** – DI8-X1: Wide-range power supply unit, incl. 2 non-grouped digital inputs and 6 grouped digital inputs
- X2** – OR6: Assembly Group with 6 Output Relays
- X3** – TIs: Standard phase current measuring card and sensitive ground current measuring (winding side 1)
- X4** – TI: Standard current measuring card (for the winding side 2)
- X5** – AnIO2-OR4: Assembly Group with 2 Analog Inputs, 2 Analog Outputs and 4 Output Relays
- X6** – TU: Card with 4 voltage transformer measuring inputs
- X102** – Universal Resistance-Temperature Detector (URTD) input, Fiber optics interface, Versatile Link
- X103** – Modbus RTU / IEC 60870-5-103 / DNP3.0 RTU, RS485, Terminals
- X104** – IRIG-B00X, incl. System Contact (Supervision Contact)

MCDTV4-2B1HBB

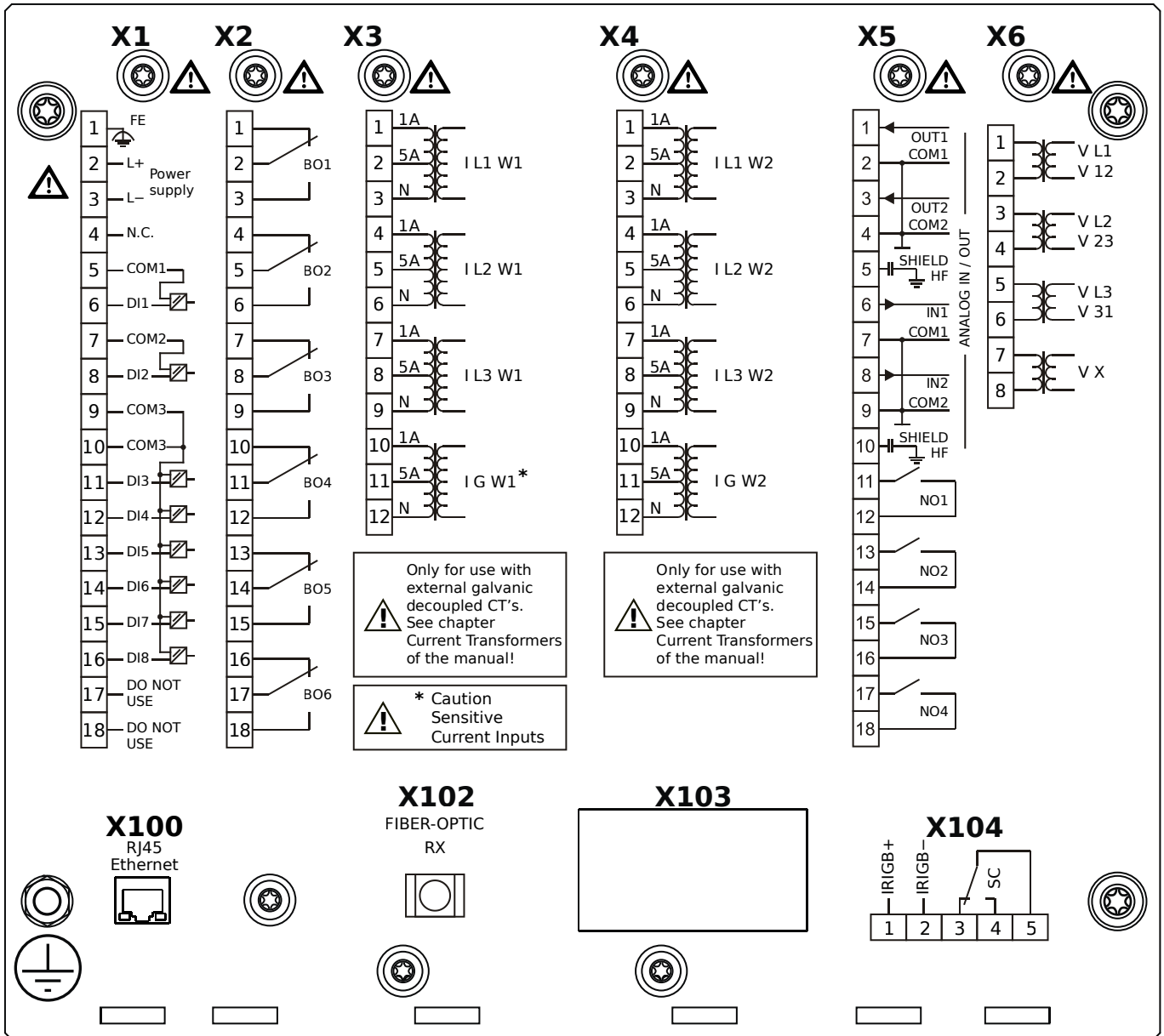


Housing B2, large display, door mounting

+ Conformal Coating (for installations in harsh environment)

- X1** – DI8-X1: Wide-range power supply unit, incl. 2 non-grouped digital inputs and 6 grouped digital inputs
- X2** – OR6: Assembly Group with 6 Output Relays
- X3** – TIs: Standard phase current measuring card and sensitive ground current measuring (winding side 1)
- X4** – TI: Standard current measuring card (for the winding side 2)
- X5** – AnIO2-OR4: Assembly Group with 2 Analog Inputs, 2 Analog Outputs and 4 Output Relays
- X6** – TU: Card with 4 voltage transformer measuring inputs
- X102** – Universal Resistance-Temperature Detector (URTD) input, Fiber optics interface, Versatile Link
- X103** – Modbus RTU / IEC 60870-5-103 / DNP3.0 RTU, RS485, Terminals
- X104** – IRIG-B00X, incl. System Contact (Supervision Contact)

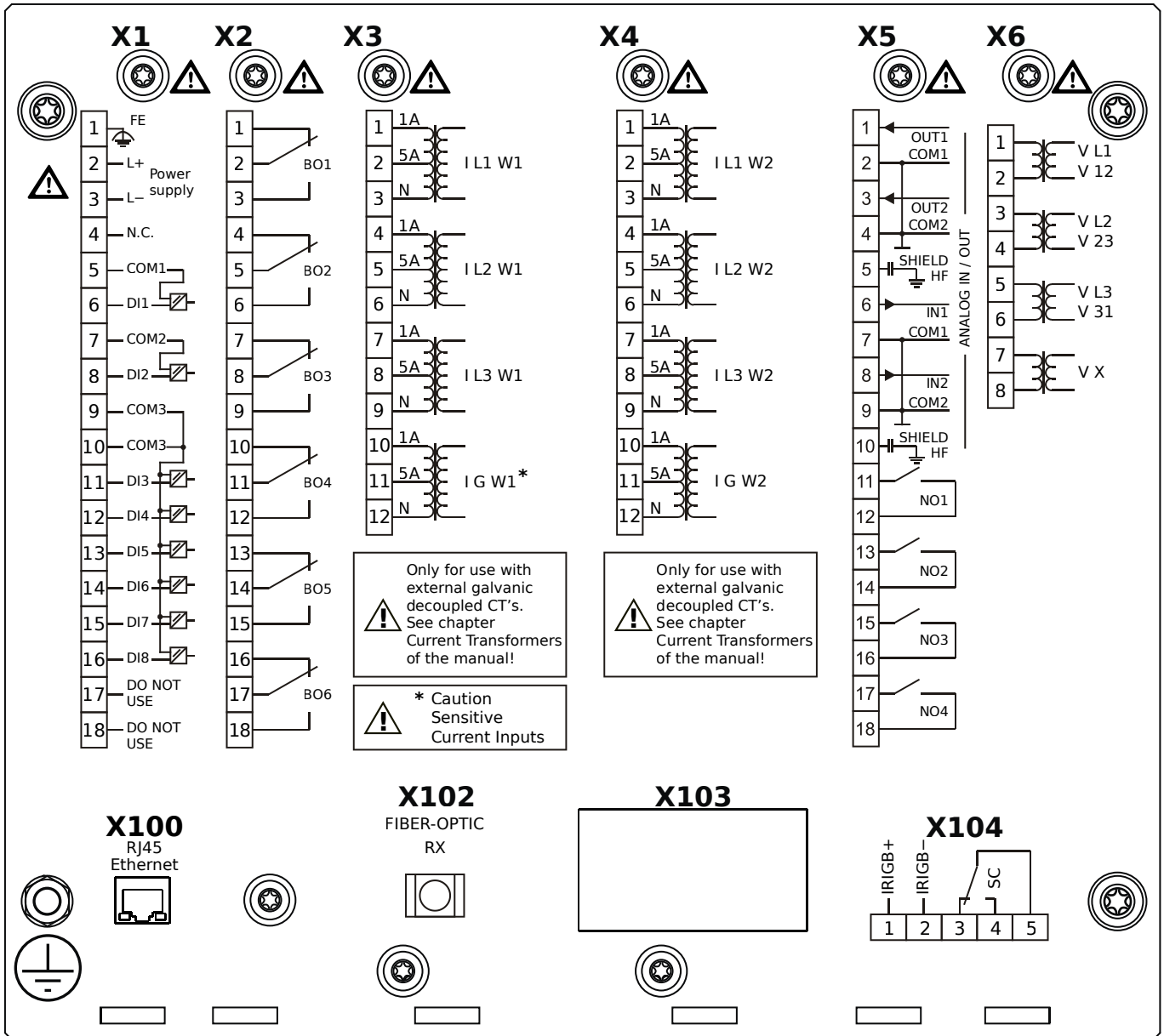
MCDTV4-2B1HCA



Housing B2, large display, door mounting

- X1** – DI8-X1: Wide-range power supply unit, incl. 2 non-grouped digital inputs and 6 grouped digital inputs
- X2** – OR6: Assembly Group with 6 Output Relays
- X3** – TIs: Standard phase current measuring card and sensitive ground current measuring (winding side 1)
- X4** – TI: Standard current measuring card (for the winding side 2)
- X5** – AnIO2-OR4: Assembly Group with 2 Analog Inputs, 2 Analog Outputs and 4 Output Relays
- X6** – TU: Card with 4 voltage transformer measuring inputs
- X100** – Modbus TCP / DNP3.0 TCP/UDP, Ethernet interface, 100 Mbit/s, RJ45 (BASE100-FX)
- X102** – Universal Resistance-Temperature Detector (URTD) input, Fiber optics interface, Versatile Link
- X104** – IRIG-B00X, incl. System Contact (Supervision Contact)

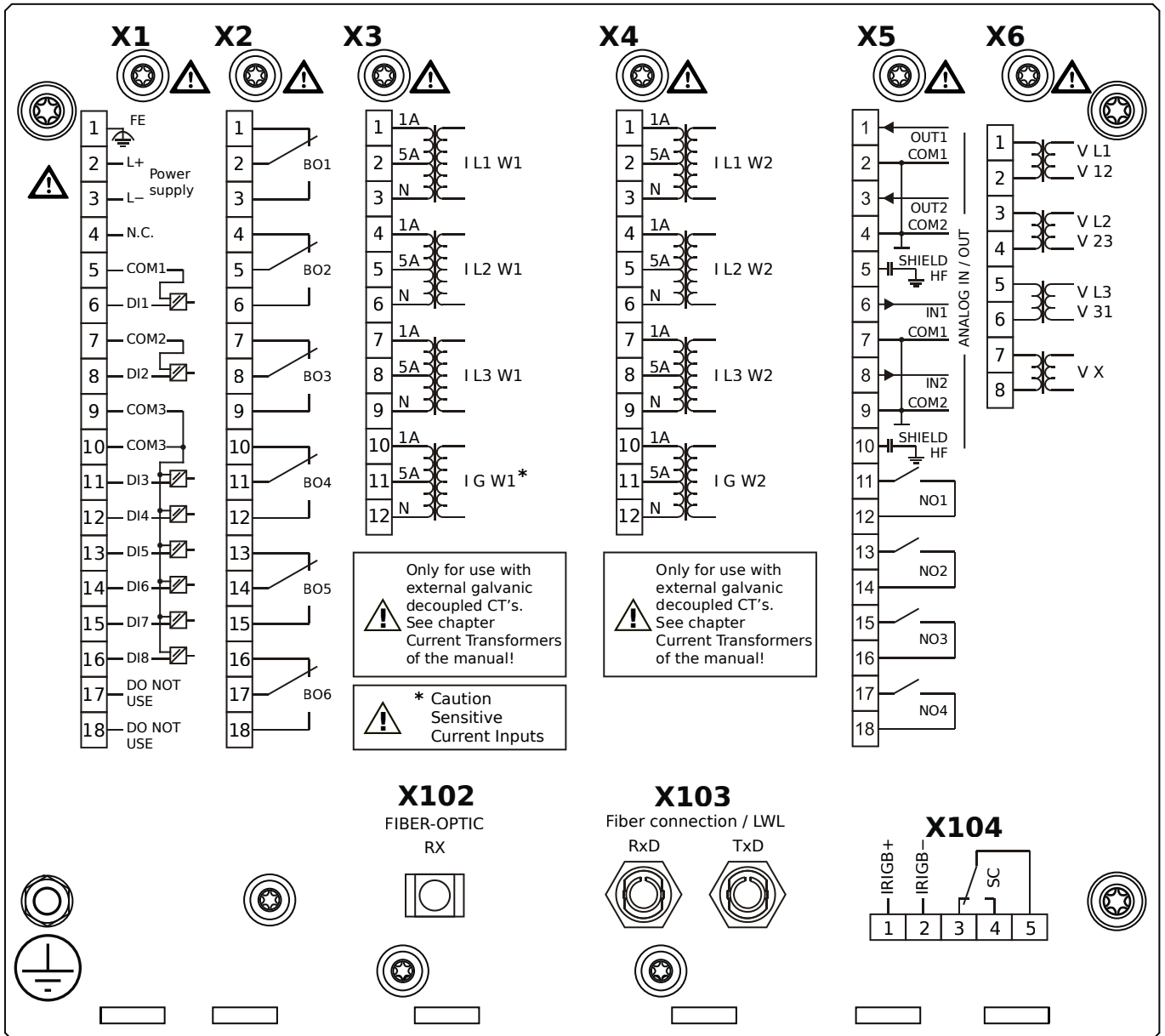
MCDTV4-2B1HCB



Housing B2, large display, door mounting

- + Conformal Coating (for installations in harsh environment)
- X1** – DI8-X1: Wide-range power supply unit, incl. 2 non-grouped digital inputs and 6 grouped digital inputs
- X2** – OR6: Assembly Group with 6 Output Relays
- X3** – TIs: Standard phase current measuring card and sensitive ground current measuring (winding side 1)
- X4** – TI: Standard current measuring card (for the winding side 2)
- X5** – AnIO2-OR4: Assembly Group with 2 Analog Inputs, 2 Analog Outputs and 4 Output Relays
- X6** – TU: Card with 4 voltage transformer measuring inputs
- X100** – Modbus TCP / DNP3.0 TCP/UDP, Ethernet interface, 100 Mbit/s, RJ45 (BASE100-FX)
- X102** – Universal Resistance-Temperature Detector (URTD) input, Fiber optics interface, Versatile Link
- X104** – IRIG-B00X, incl. System Contact (Supervision Contact)

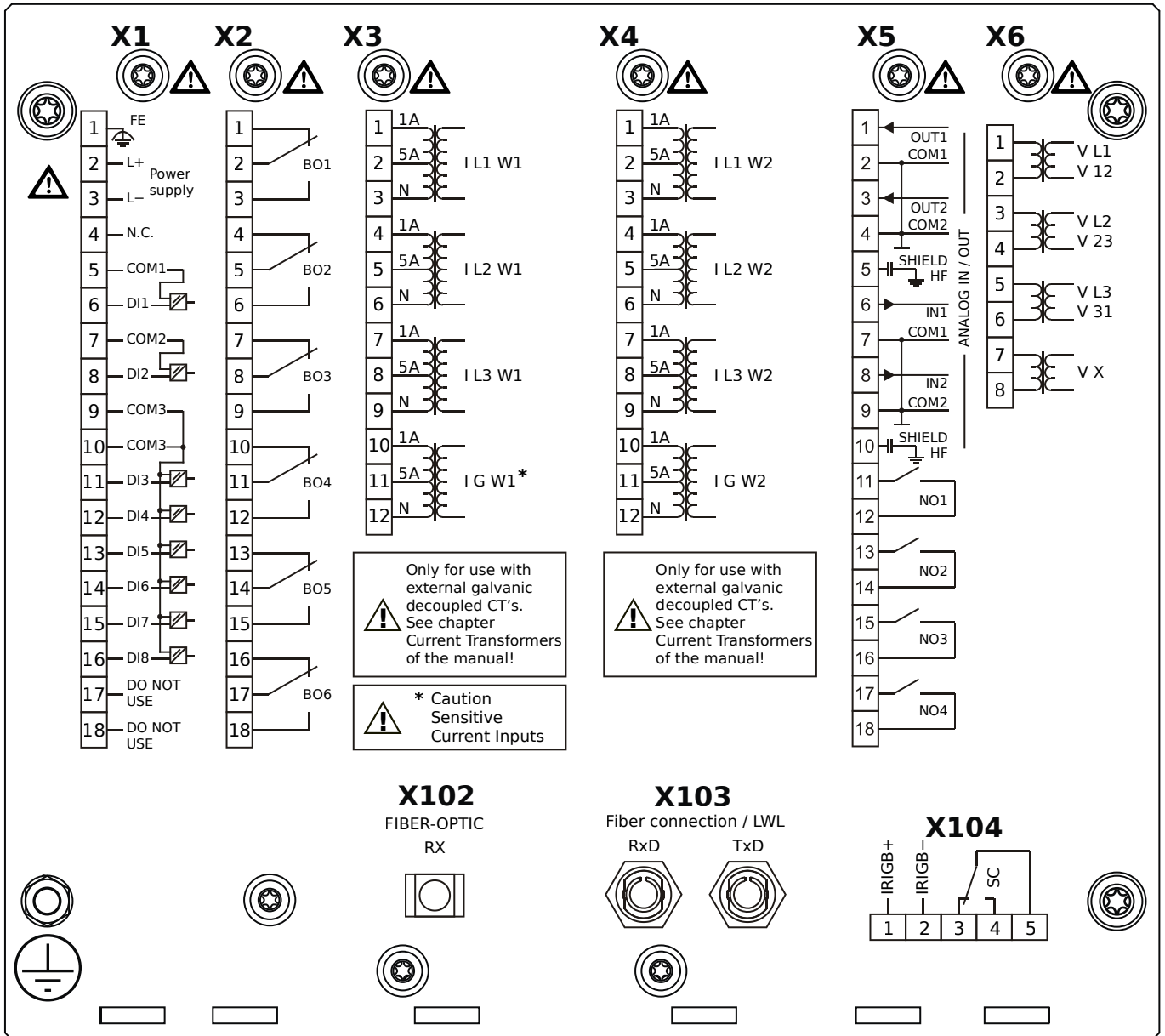
MCDTV4-2B1HDA



Housing B2, large display, door mounting

- X1** – DI8-X1: Wide-range power supply unit, incl. 2 non-grouped digital inputs and 6 grouped digital inputs
- X2** – OR6: Assembly Group with 6 Output Relays
- X3** – TIs: Standard phase current measuring card and sensitive ground current measuring (winding side 1)
- X4** – TI: Standard current measuring card (for the winding side 2)
- X5** – AnIO2-OR4: Assembly Group with 2 Analog Inputs, 2 Analog Outputs and 4 Output Relays
- X6** – TU: Card with 4 voltage transformer measuring inputs
- X102** – Universal Resistance-Temperature Detector (URTD) input, Fiber optics interface, Versatile Link
- X103** – Profibus-DP, Fiber optics interface, ST Connector
- X104** – IRIG-B00X, incl. System Contact (Supervision Contact)

MCDTV4-2B1HDB

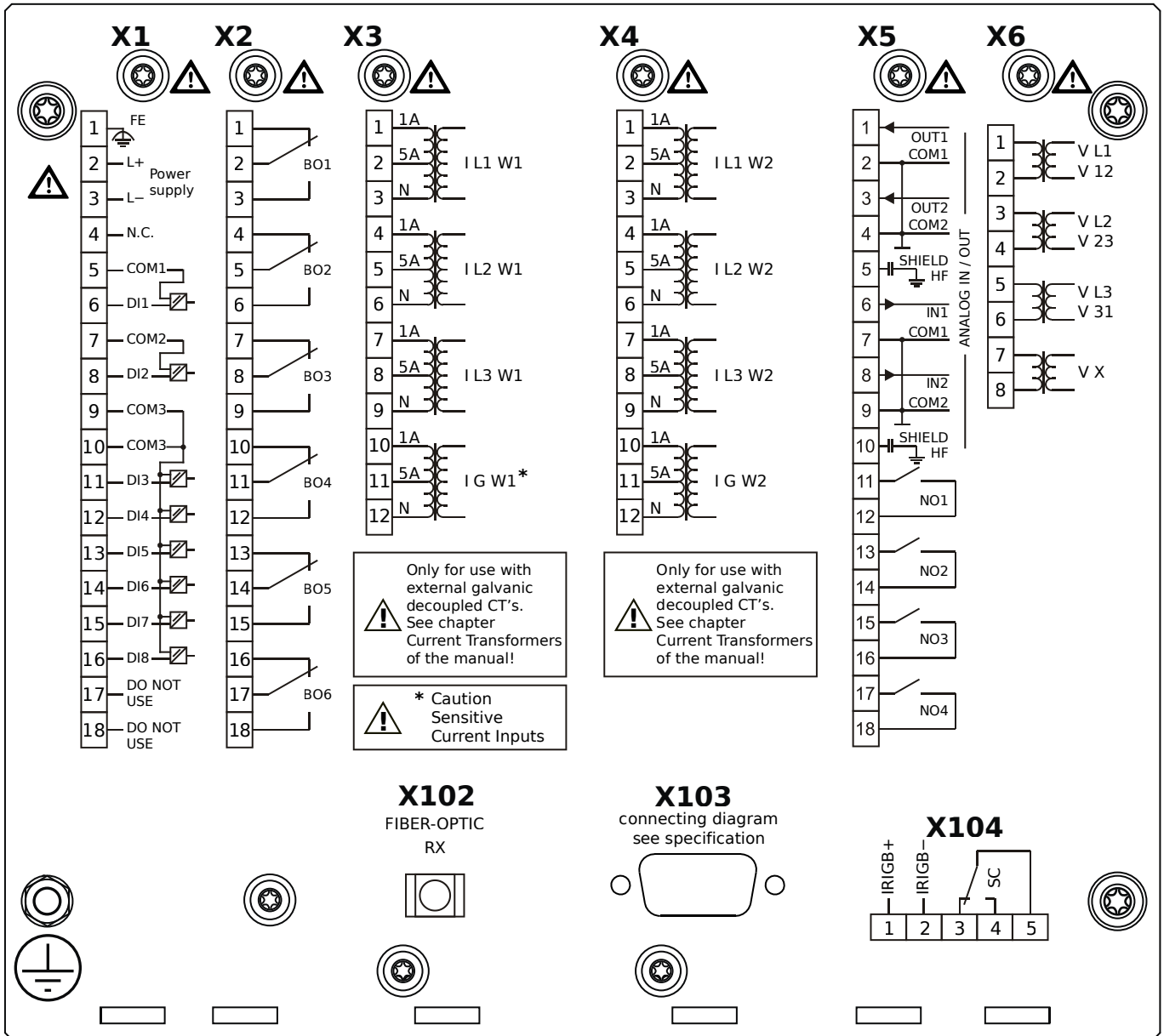


Housing B2, large display, door mounting

+ Conformal Coating (for installations in harsh environment)

- X1** – DI8-X1: Wide-range power supply unit, incl. 2 non-grouped digital inputs and 6 grouped digital inputs
- X2** – OR6: Assembly Group with 6 Output Relays
- X3** – TIs: Standard phase current measuring card and sensitive ground current measuring (winding side 1)
- X4** – TI: Standard current measuring card (for the winding side 2)
- X5** – AnIO2-OR4: Assembly Group with 2 Analog Inputs, 2 Analog Outputs and 4 Output Relays
- X6** – TU: Card with 4 voltage transformer measuring inputs
- X102** – Universal Resistance-Temperature Detector (URTD) input, Fiber optics interface, Versatile Link
- X103** – Profibus-DP, Fiber optics interface, ST Connector
- X104** – IRIG-B00X, incl. System Contact (Supervision Contact)

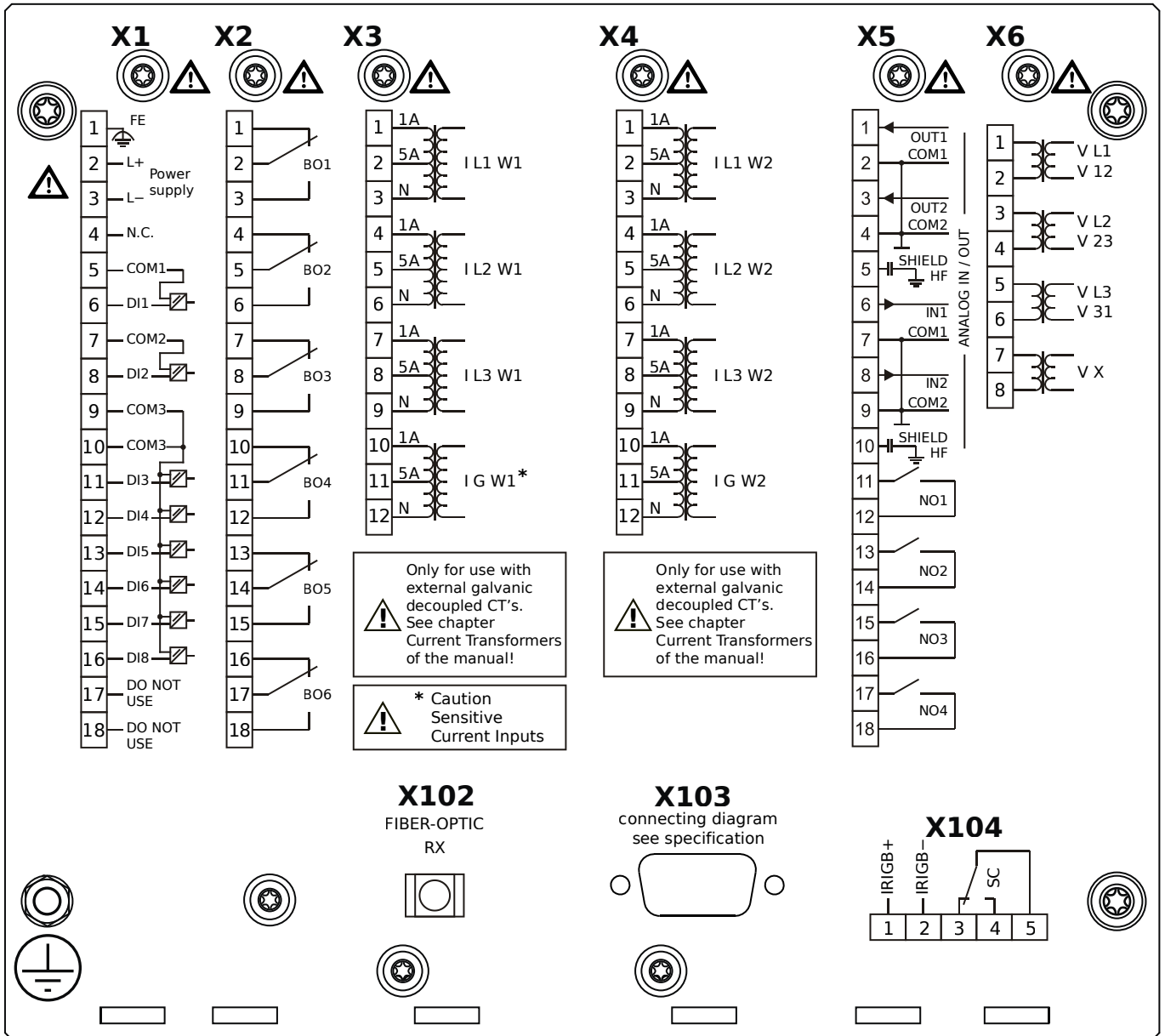
MCDTV4-2B1HEA



Housing B2, large display, door mounting

- X1** – DI8-X1: Wide-range power supply unit, incl. 2 non-grouped digital inputs and 6 grouped digital inputs
- X2** – OR6: Assembly Group with 6 Output Relays
- X3** – TIs: Standard phase current measuring card and sensitive ground current measuring (winding side 1)
- X4** – TI: Standard current measuring card (for the winding side 2)
- X5** – AnIO2-OR4: Assembly Group with 2 Analog Inputs, 2 Analog Outputs and 4 Output Relays
- X6** – TU: Card with 4 voltage transformer measuring inputs
- X102** – Universal Resistance-Temperature Detector (URTD) input, Fiber optics interface, Versatile Link
- X103** – Profibus-DP, RS485, D-SUB
- X104** – IRIG-B00X, incl. System Contact (Supervision Contact)

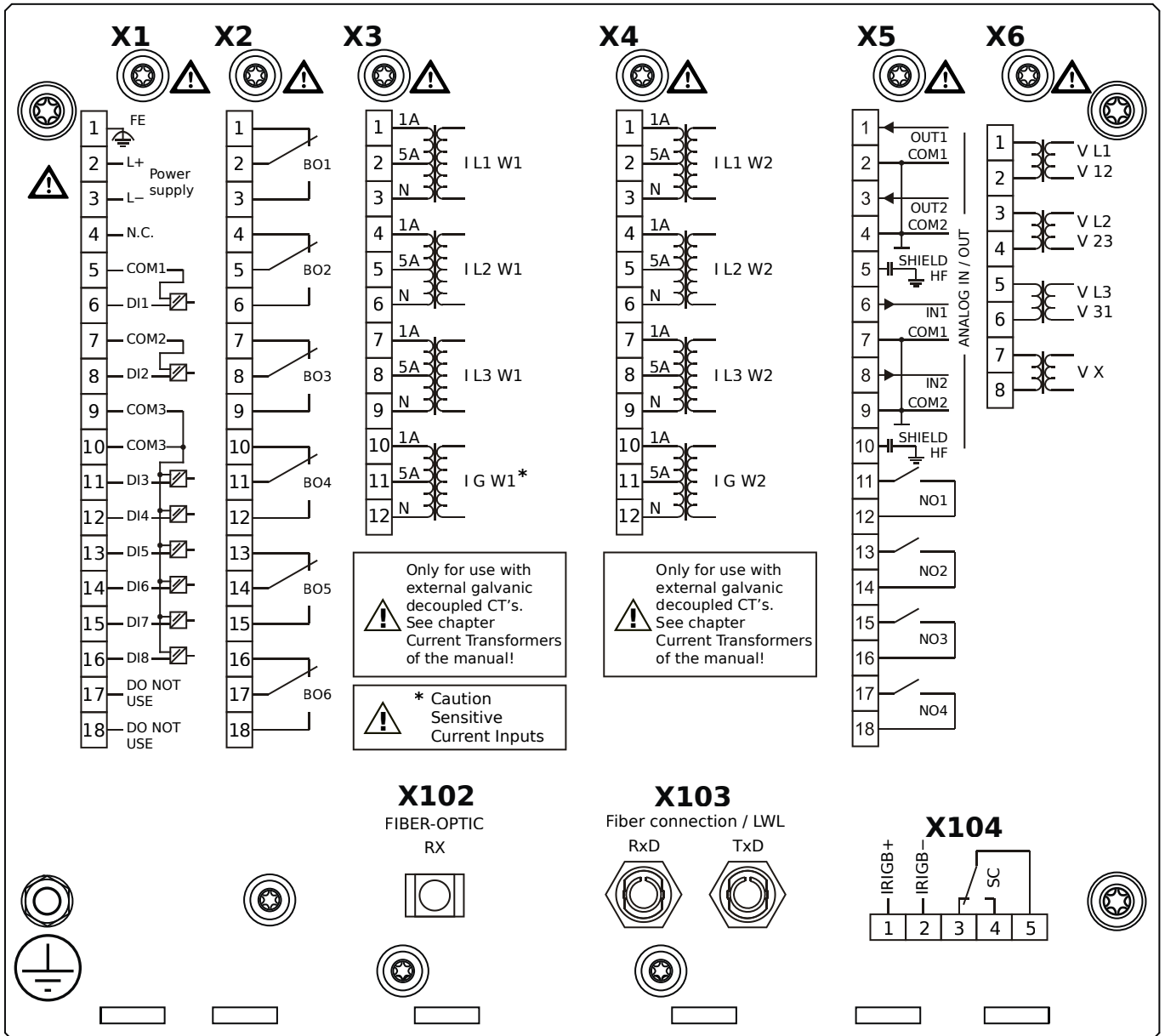
MCDTV4-2B1HEB



Housing B2, large display, door mounting

- + Conformal Coating (for installations in harsh environment)
- X1** – DI8-X1: Wide-range power supply unit, incl. 2 non-grouped digital inputs and 6 grouped digital inputs
- X2** – OR6: Assembly Group with 6 Output Relays
- X3** – TIs: Standard phase current measuring card and sensitive ground current measuring (winding side 1)
- X4** – TI: Standard current measuring card (for the winding side 2)
- X5** – AnIO2-OR4: Assembly Group with 2 Analog Inputs, 2 Analog Outputs and 4 Output Relays
- X6** – TU: Card with 4 voltage transformer measuring inputs
- X102** – Universal Resistance-Temperature Detector (URTD) input, Fiber optics interface, Versatile Link
- X103** – Profibus-DP, RS485, D-SUB
- X104** – IRIG-B00X, incl. System Contact (Supervision Contact)

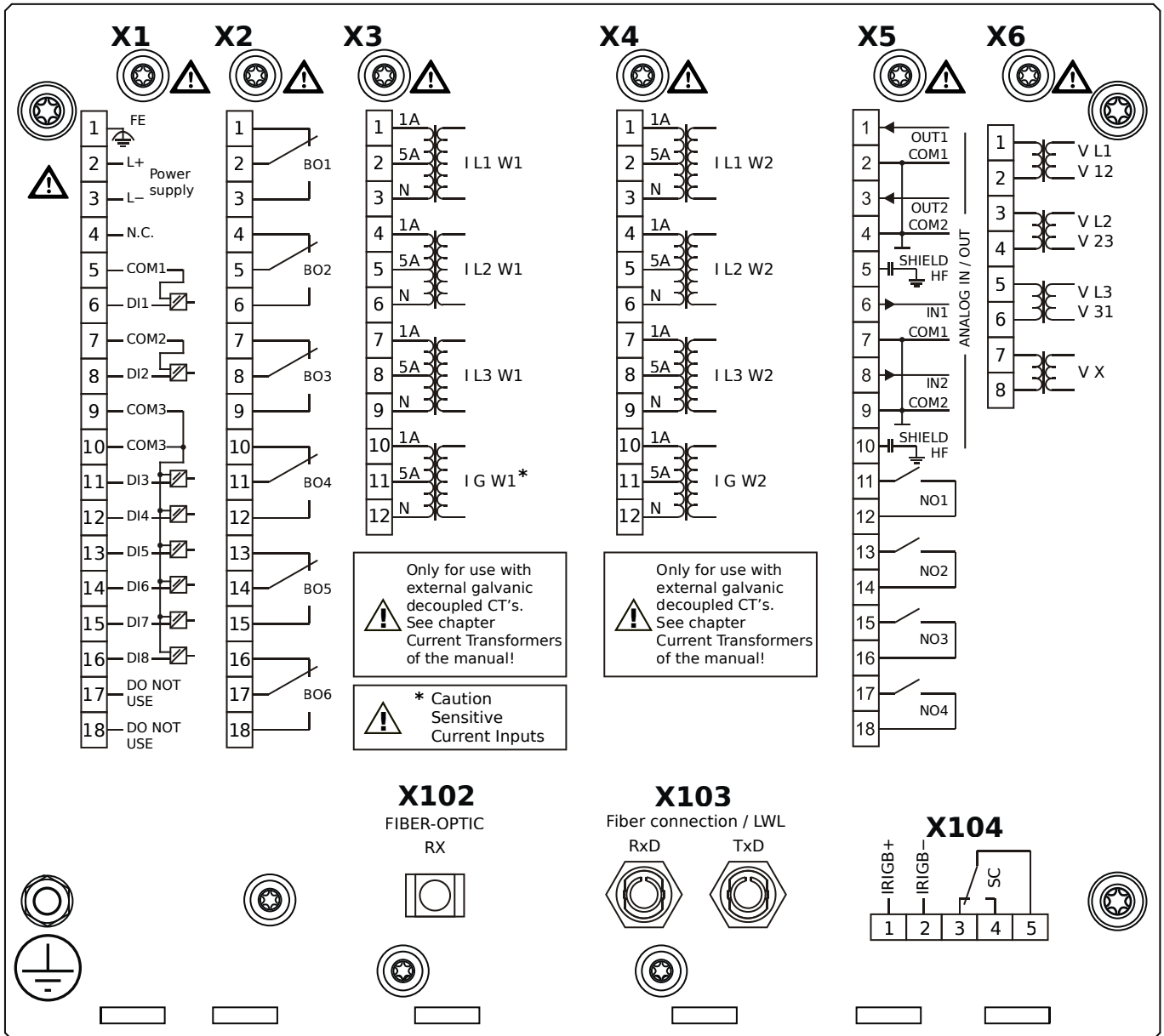
MCDTV4-2B1HFA



Housing B2, large display, door mounting

- X1** – DI8-X1: Wide-range power supply unit, incl. 2 non-grouped digital inputs and 6 grouped digital inputs
- X2** – OR6: Assembly Group with 6 Output Relays
- X3** – TIs: Standard phase current measuring card and sensitive ground current measuring (winding side 1)
- X4** – TI: Standard current measuring card (for the winding side 2)
- X5** – AnIO2-OR4: Assembly Group with 2 Analog Inputs, 2 Analog Outputs and 4 Output Relays
- X6** – TU: Card with 4 voltage transformer measuring inputs
- X102** – Universal Resistance-Temperature Detector (URTD) input, Fiber optics interface, Versatile Link
- X103** – Modbus RTU / IEC 60870-5-103 / DNP3.0 RTU, Fiber optics interface, ST Connector
- X104** – IRIG-B00X, incl. System Contact (Supervision Contact)

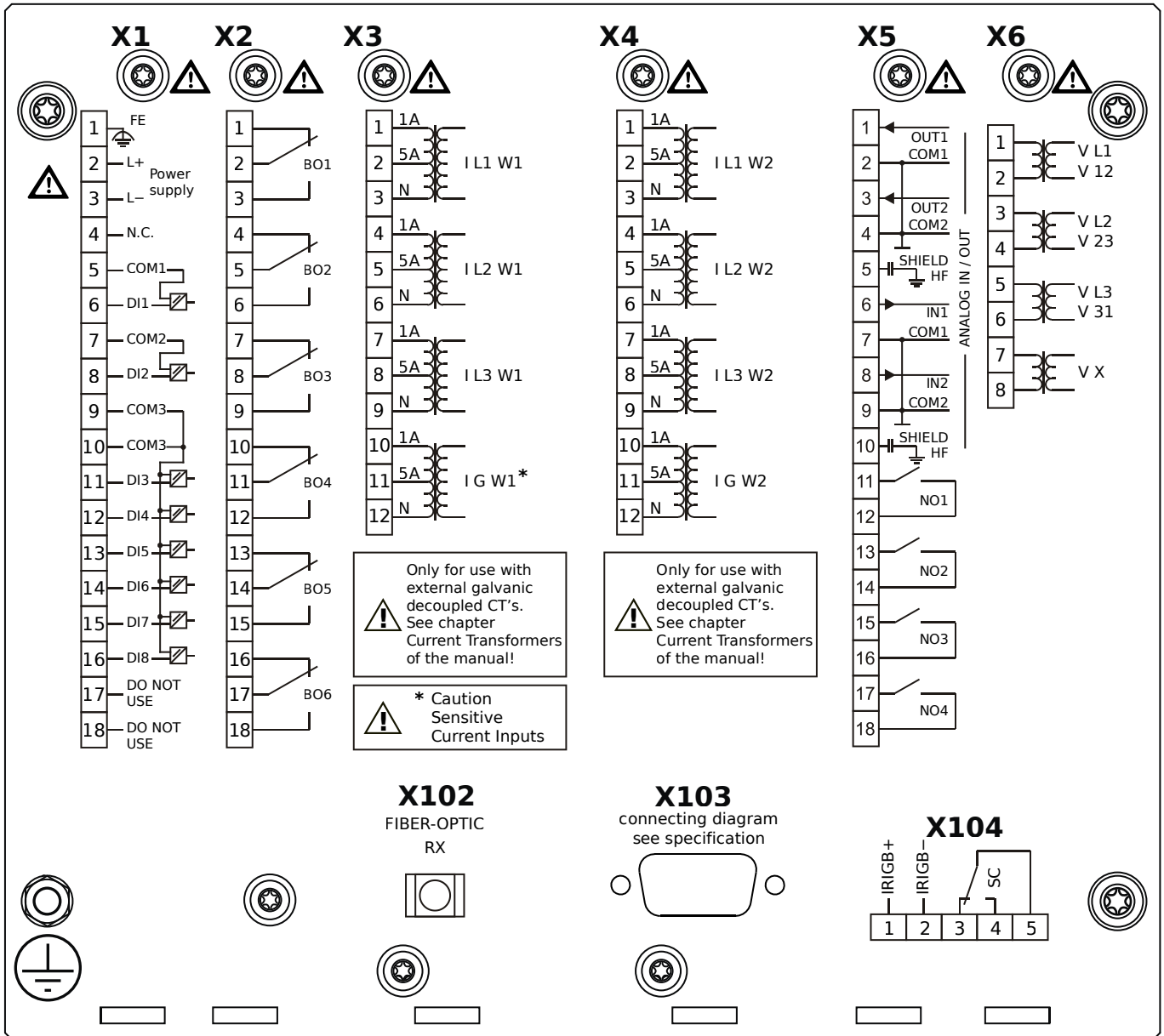
MCDTV4-2B1HFB



Housing B2, large display, door mounting

- + Conformal Coating (for installations in harsh environment)
- X1** – DI8-X1: Wide-range power supply unit, incl. 2 non-grouped digital inputs and 6 grouped digital inputs
- X2** – OR6: Assembly Group with 6 Output Relays
- X3** – TIs: Standard phase current measuring card and sensitive ground current measuring (winding side 1)
- X4** – TI: Standard current measuring card (for the winding side 2)
- X5** – AnIO2-OR4: Assembly Group with 2 Analog Inputs, 2 Analog Outputs and 4 Output Relays
- X6** – TU: Card with 4 voltage transformer measuring inputs
- X102** – Universal Resistance-Temperature Detector (URTD) input, Fiber optics interface, Versatile Link
- X103** – Modbus RTU / IEC 60870-5-103 / DNP3.0 RTU, Fiber optics interface, ST Connector
- X104** – IRIG-B00X, incl. System Contact (Supervision Contact)

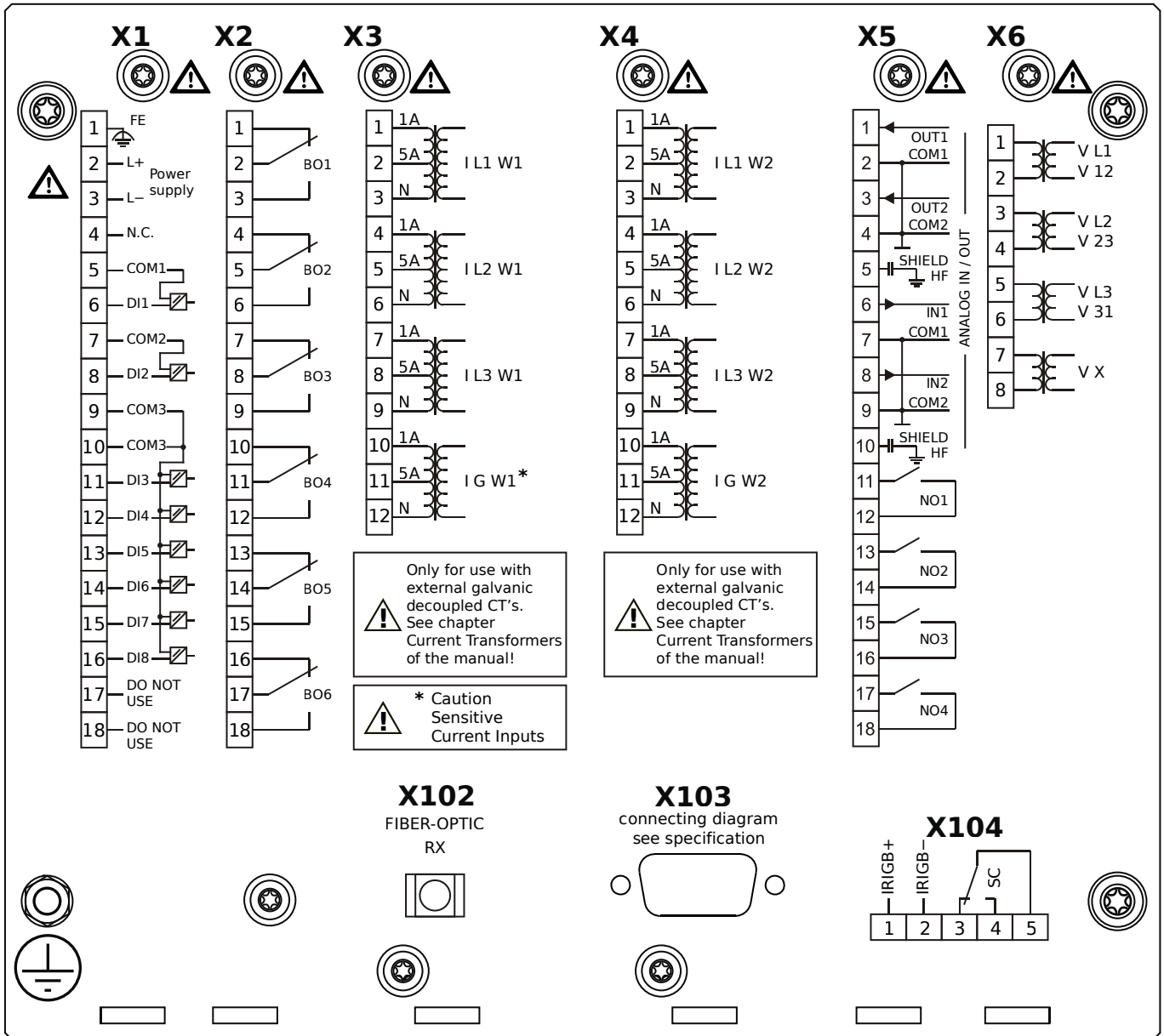
MCDTV4-2B1HGA



Housing B2, large display, door mounting

- X1** – DI8-X1: Wide-range power supply unit, incl. 2 non-grouped digital inputs and 6 grouped digital inputs
- X2** – OR6: Assembly Group with 6 Output Relays
- X3** – TIs: Standard phase current measuring card and sensitive ground current measuring (winding side 1)
- X4** – TI: Standard current measuring card (for the winding side 2)
- X5** – AnIO2-OR4: Assembly Group with 2 Analog Inputs, 2 Analog Outputs and 4 Output Relays
- X6** – TU: Card with 4 voltage transformer measuring inputs
- X102** – Universal Resistance-Temperature Detector (URTD) input, Fiber optics interface, Versatile Link
- X103** – Modbus RTU / IEC 60870-5-103 / DNP3.0 RTU, RS485, D-SUB
- X104** – IRIG-B00X, incl. System Contact (Supervision Contact)

MCDTV4-2B1HGB

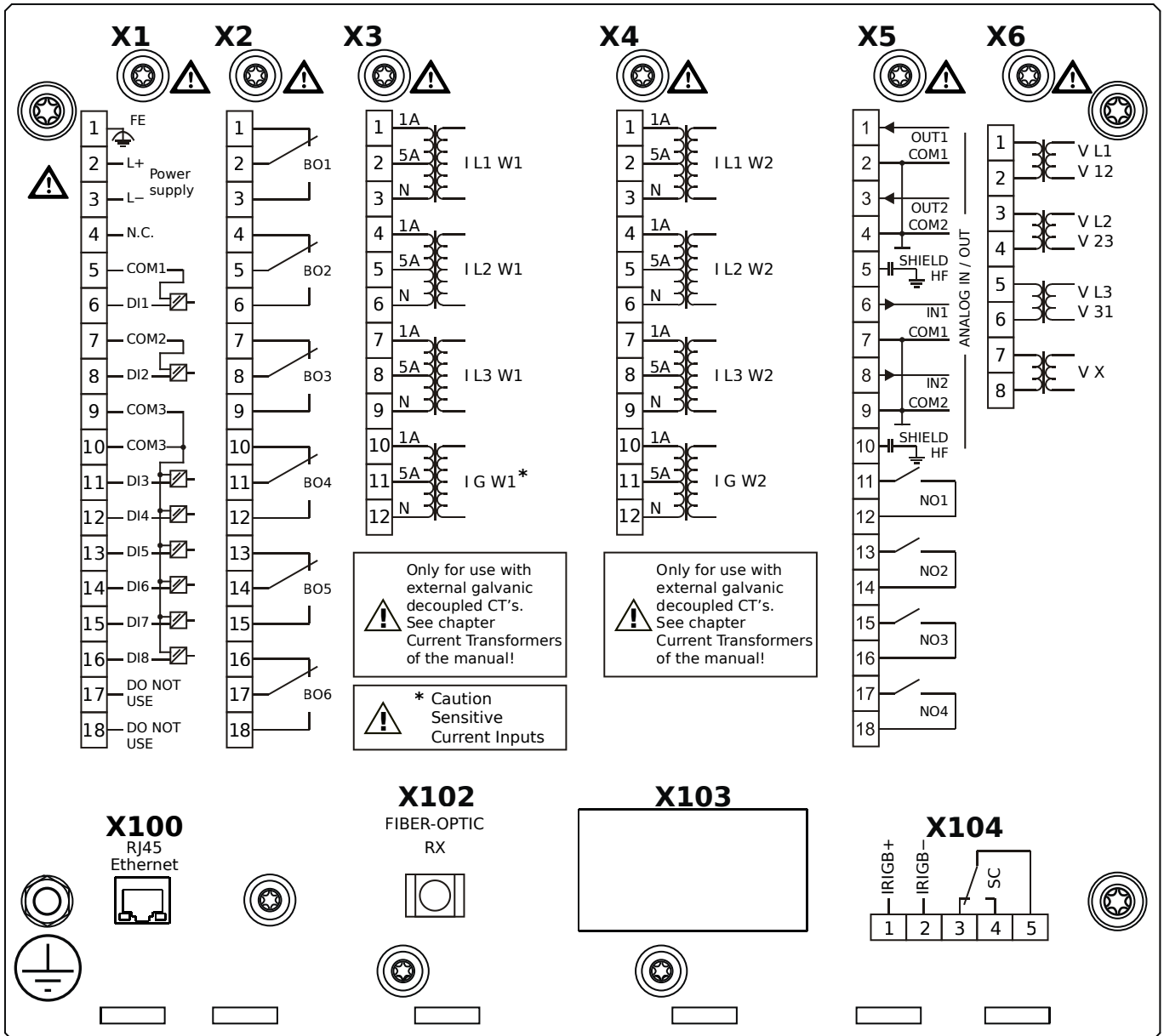


Housing B2, large display, door mounting

+ Conformal Coating (for installations in harsh environment)

- X1** – DI8-X1: Wide-range power supply unit, incl. 2 non-grouped digital inputs and 6 grouped digital inputs
- X2** – OR6: Assembly Group with 6 Output Relays
- X3** – TIs: Standard phase current measuring card and sensitive ground current measuring (winding side 1)
- X4** – TI: Standard current measuring card (for the winding side 2)
- X5** – AnIO2-OR4: Assembly Group with 2 Analog Inputs, 2 Analog Outputs and 4 Output Relays
- X6** – TU: Card with 4 voltage transformer measuring inputs
- X102** – Universal Resistance-Temperature Detector (URTD) input, Fiber optics interface, Versatile Link
- X103** – Modbus RTU / IEC 60870-5-103 / DNP3.0 RTU, RS485, D-SUB
- X104** – IRIG-B00X, incl. System Contact (Supervision Contact)

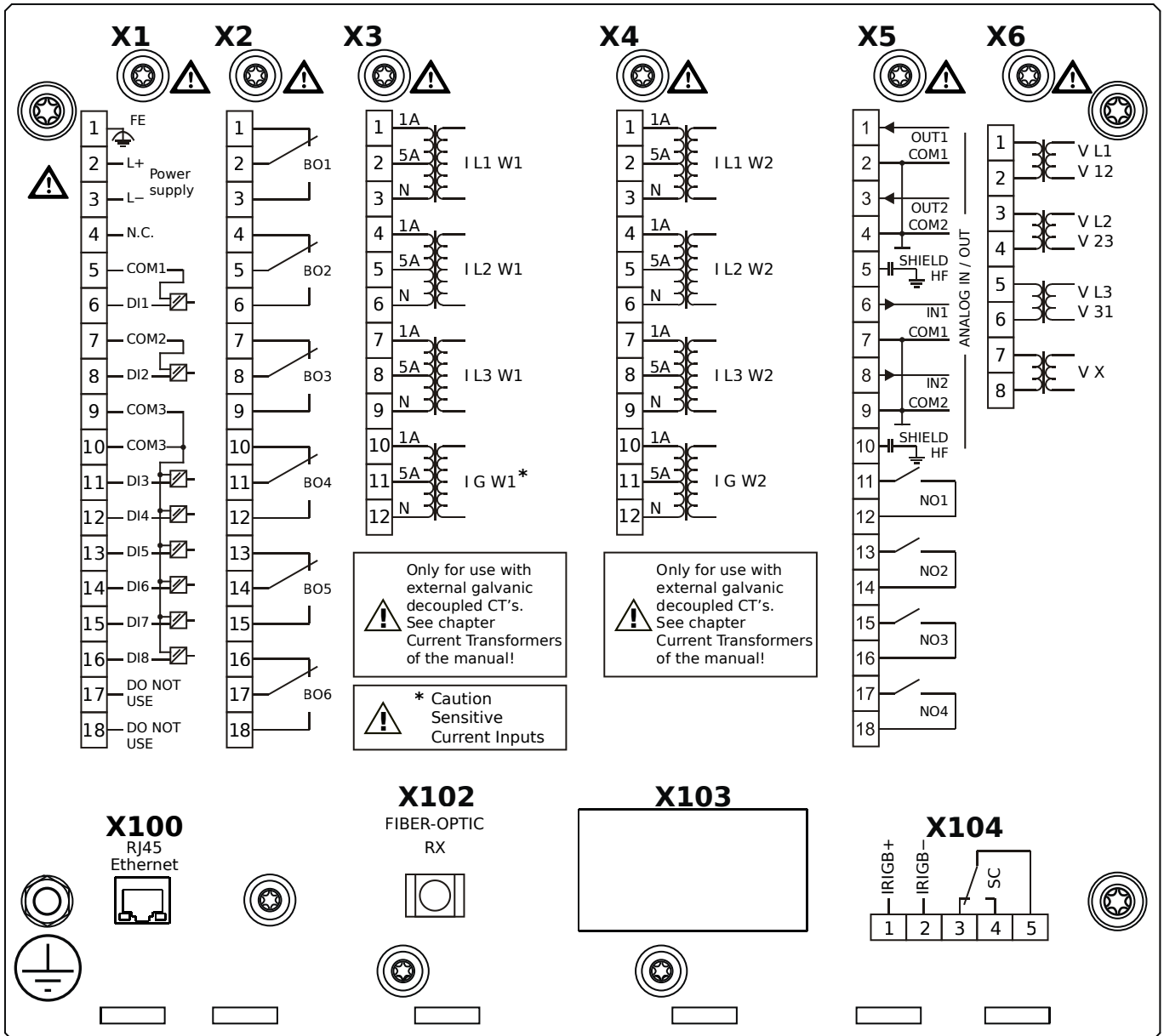
MCDTV4-2B1HHA



Housing B2, large display, door mounting

- X1** – DI8-X1: Wide-range power supply unit, incl. 2 non-grouped digital inputs and 6 grouped digital inputs
- X2** – OR6: Assembly Group with 6 Output Relays
- X3** – TIs: Standard phase current measuring card and sensitive ground current measuring (winding side 1)
- X4** – TI: Standard current measuring card (for the winding side 2)
- X5** – AnIO2-OR4: Assembly Group with 2 Analog Inputs, 2 Analog Outputs and 4 Output Relays
- X6** – TU: Card with 4 voltage transformer measuring inputs
- X100** – IEC 61850 / Modbus TCP / DNP3.0 TCP/UDP, Ethernet interface, 100 Mbit/s, RJ45 (BASE100-FX)
- X102** – Universal Resistance-Temperature Detector (URTD) input, Fiber optics interface, Versatile Link
- X104** – IRIG-B00X, incl. System Contact (Supervision Contact)

MCDTV4-2B1HHB

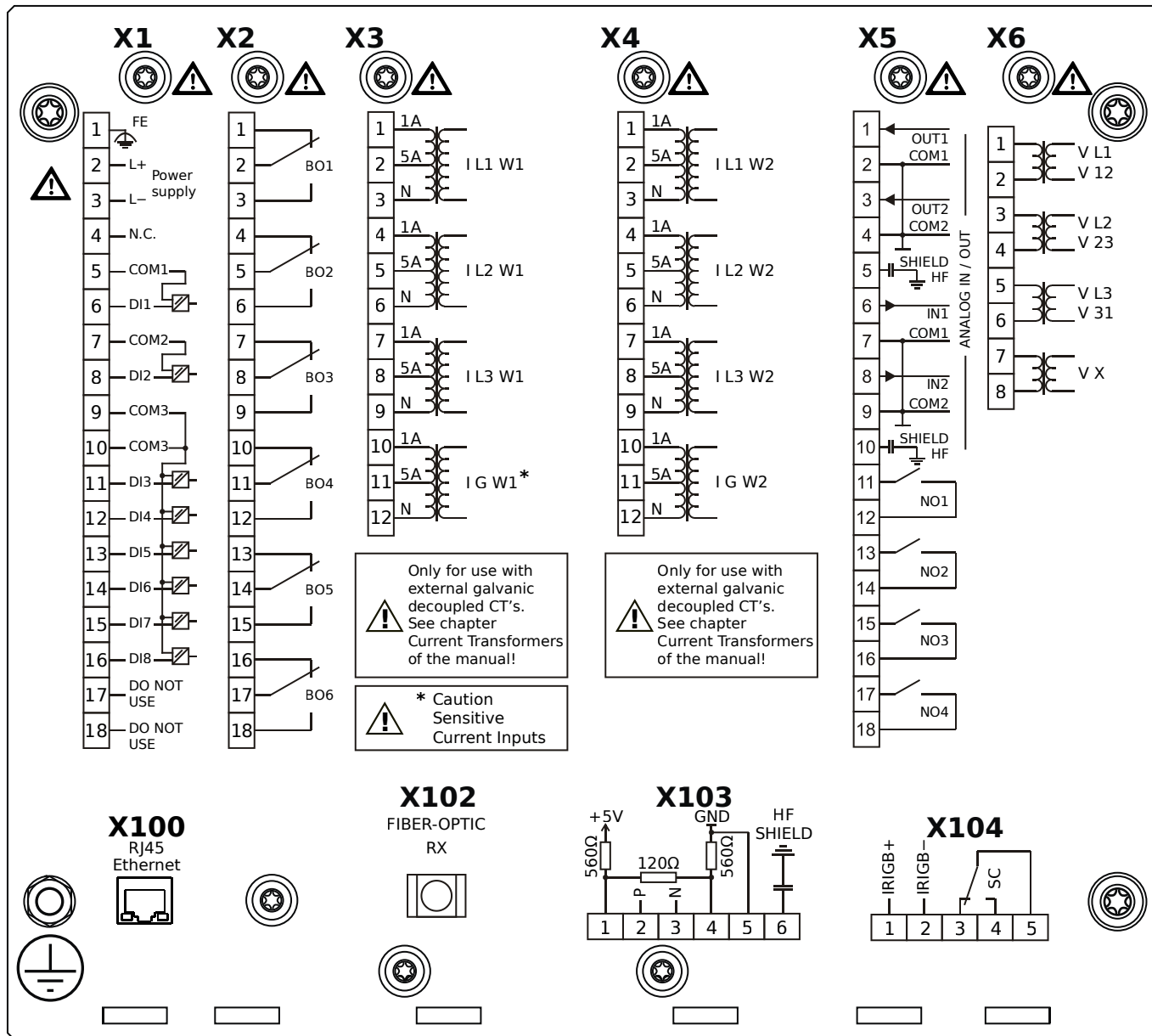


Housing B2, large display, door mounting

+ Conformal Coating (for installations in harsh environment)

- X1** – DI8-X1: Wide-range power supply unit, incl. 2 non-grouped digital inputs and 6 grouped digital inputs
- X2** – OR6: Assembly Group with 6 Output Relays
- X3** – TIs: Standard phase current measuring card and sensitive ground current measuring (winding side 1)
- X4** – TI: Standard current measuring card (for the winding side 2)
- X5** – AnIO2-OR4: Assembly Group with 2 Analog Inputs, 2 Analog Outputs and 4 Output Relays
- X6** – TU: Card with 4 voltage transformer measuring inputs
- X100** – IEC 61850 / Modbus TCP / DNP3.0 TCP/UDP, Ethernet interface, 100 Mbit/s, RJ45 (BASE100-FX)
- X102** – Universal Resistance-Temperature Detector (URTD) input, Fiber optics interface, Versatile Link
- X104** – IRIG-B00X, incl. System Contact (Supervision Contact)

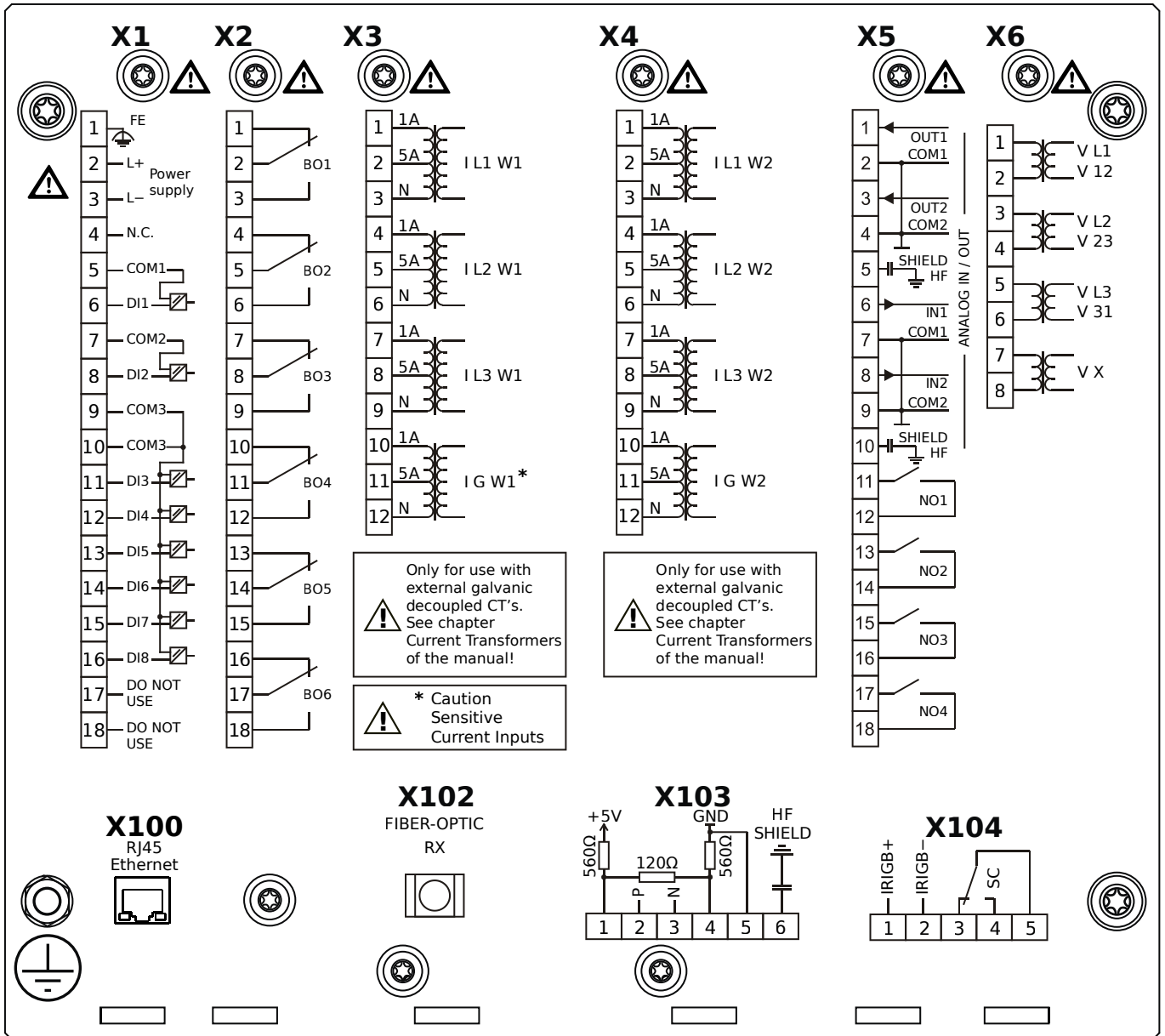
MCDTV4-2B1HIA



Housing B2, large display, door mounting

- X1** – DI8-X1: Wide-range power supply unit, incl. 2 non-grouped digital inputs and 6 grouped digital inputs
- X2** – OR6: Assembly Group with 6 Output Relays
- X3** – TIs: Standard phase current measuring card and sensitive ground current measuring (winding side 1)
- X4** – TI: Standard current measuring card (for the winding side 2)
- X5** – AnIO2-OR4: Assembly Group with 2 Analog Inputs, 2 Analog Outputs and 4 Output Relays
- X6** – TU: Card with 4 voltage transformer measuring inputs
- X100** – Modbus TCP / DNP3.0 TCP/UDP, Ethernet interface, 100 Mbit/s, RJ45 (BASE100-FX)
- X102** – Universal Resistance-Temperature Detector (URTD) input, Fiber optics interface, Versatile Link
- X103** – IEC 60870-5-103 / Modbus RTU / DNP3.0 RTU, RS485, Terminals
- X104** – IRIG-B00X, incl. System Contact (Supervision Contact)

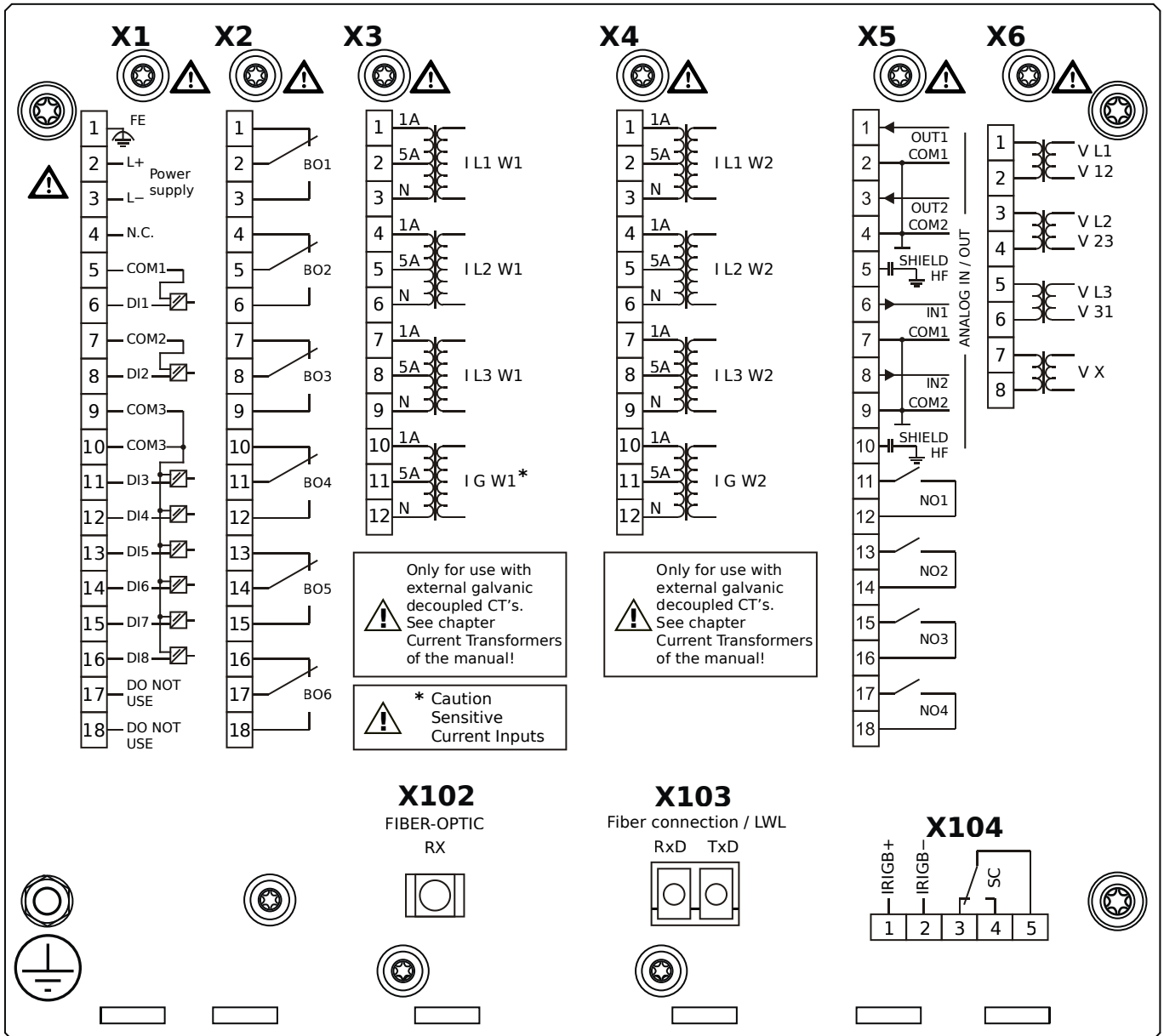
MCDTV4-2B1HIB



Housing B2, large display, door mounting

- + Conformal Coating (for installations in harsh environment)
- X1** – DI8-X1: Wide-range power supply unit, incl. 2 non-grouped digital inputs and 6 grouped digital inputs
- X2** – OR6: Assembly Group with 6 Output Relays
- X3** – TIs: Standard phase current measuring card and sensitive ground current measuring (winding side 1)
- X4** – TI: Standard current measuring card (for the winding side 2)
- X5** – AnIO2-OR4: Assembly Group with 2 Analog Inputs, 2 Analog Outputs and 4 Output Relays
- X6** – TU: Card with 4 voltage transformer measuring inputs
- X100** – Modbus TCP / DNP3.0 TCP/UDP, Ethernet interface, 100 Mbit/s, RJ45 (BASE100-FX)
- X102** – Universal Resistance-Temperature Detector (URTD) input, Fiber optics interface, Versatile Link
- X103** – IEC 60870-5-103 / Modbus RTU / DNP3.0 RTU, RS485, Terminals
- X104** – IRIG-B00X, incl. System Contact (Supervision Contact)

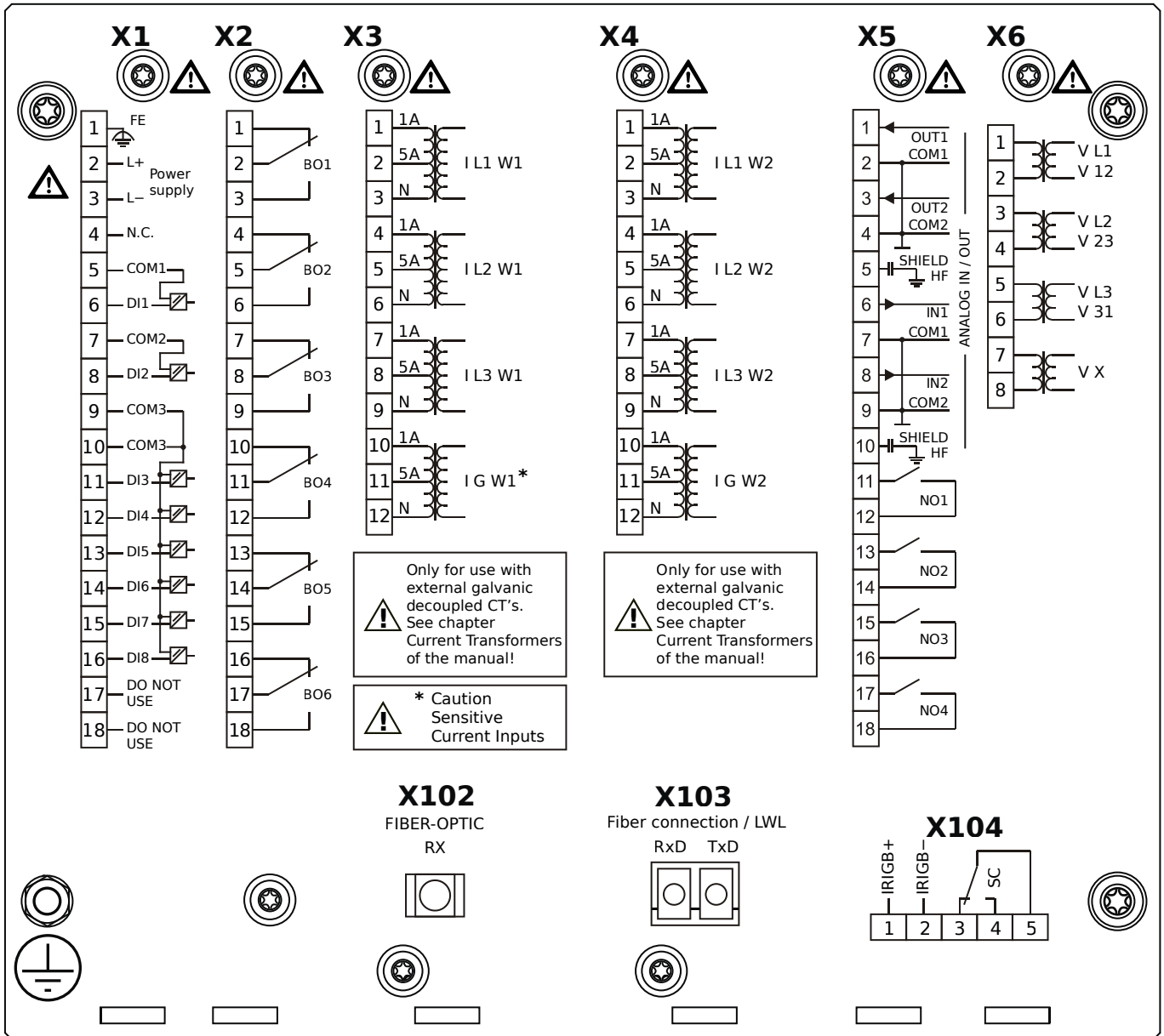
MCDTV4-2B1HKA



Housing B2, large display, door mounting

- X1** – DI8-X1: Wide-range power supply unit, incl. 2 non-grouped digital inputs and 6 grouped digital inputs
- X2** – OR6: Assembly Group with 6 Output Relays
- X3** – TIs: Standard phase current measuring card and sensitive ground current measuring (winding side 1)
- X4** – TI: Standard current measuring card (for the winding side 2)
- X5** – AnIO2-OR4: Assembly Group with 2 Analog Inputs, 2 Analog Outputs and 4 Output Relays
- X6** – TU: Card with 4 voltage transformer measuring inputs
- X102** – Universal Resistance-Temperature Detector (URTD) input, Fiber optics interface, Versatile Link
- X103** – IEC 61850 / Modbus TCP / DNP3.0 TCP/UDP, Fiber optics interface, LC Connector
- X104** – IRIG-B00X, incl. System Contact (Supervision Contact)

MCDTV4-2B1HKB

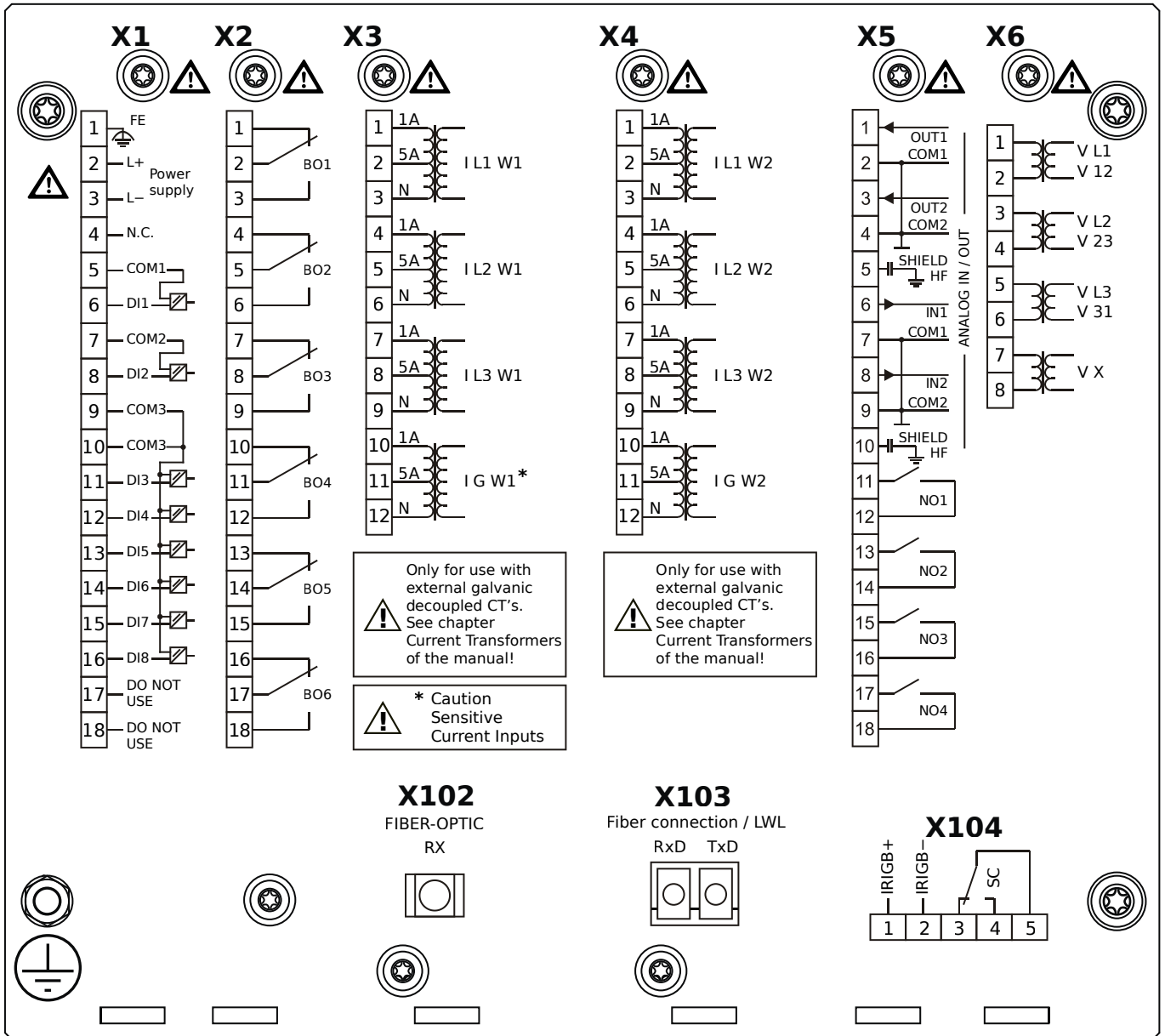


Housing B2, large display, door mounting

+ Conformal Coating (for installations in harsh environment)

- X1** – DI8-X1: Wide-range power supply unit, incl. 2 non-grouped digital inputs and 6 grouped digital inputs
- X2** – OR6: Assembly Group with 6 Output Relays
- X3** – TIs: Standard phase current measuring card and sensitive ground current measuring (winding side 1)
- X4** – TI: Standard current measuring card (for the winding side 2)
- X5** – AnIO2-OR4: Assembly Group with 2 Analog Inputs, 2 Analog Outputs and 4 Output Relays
- X6** – TU: Card with 4 voltage transformer measuring inputs
- X102** – Universal Resistance-Temperature Detector (URTD) input, Fiber optics interface, Versatile Link
- X103** – IEC 61850 / Modbus TCP / DNP3.0 TCP/UDP, Fiber optics interface, LC Connector
- X104** – IRIG-B00X, incl. System Contact (Supervision Contact)

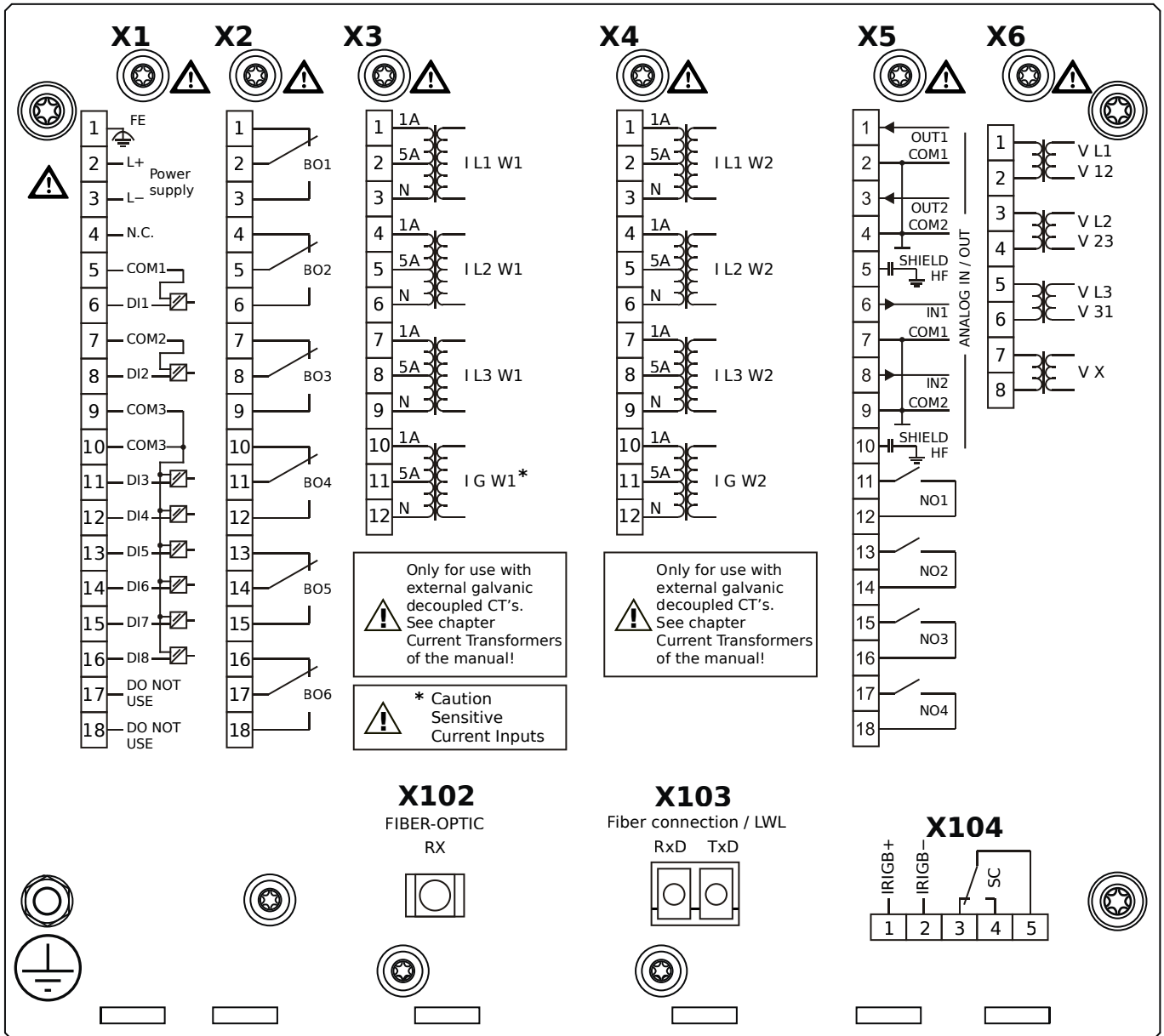
MCDTV4-2B1HLA



Housing B2, large display, door mounting

- X1** – DI8-X1: Wide-range power supply unit, incl. 2 non-grouped digital inputs and 6 grouped digital inputs
- X2** – OR6: Assembly Group with 6 Output Relays
- X3** – TIs: Standard phase current measuring card and sensitive ground current measuring (winding side 1)
- X4** – TI: Standard current measuring card (for the winding side 2)
- X5** – AnIO2-OR4: Assembly Group with 2 Analog Inputs, 2 Analog Outputs and 4 Output Relays
- X6** – TU: Card with 4 voltage transformer measuring inputs
- X102** – Universal Resistance-Temperature Detector (URTD) input, Fiber optics interface, Versatile Link
- X103** – Modbus TCP / DNP3.0 TCP/UDP, Fiber optics interface, LC Connector
- X104** – IRIG-B00X, incl. System Contact (Supervision Contact)

MCDTV4-2B1HLB

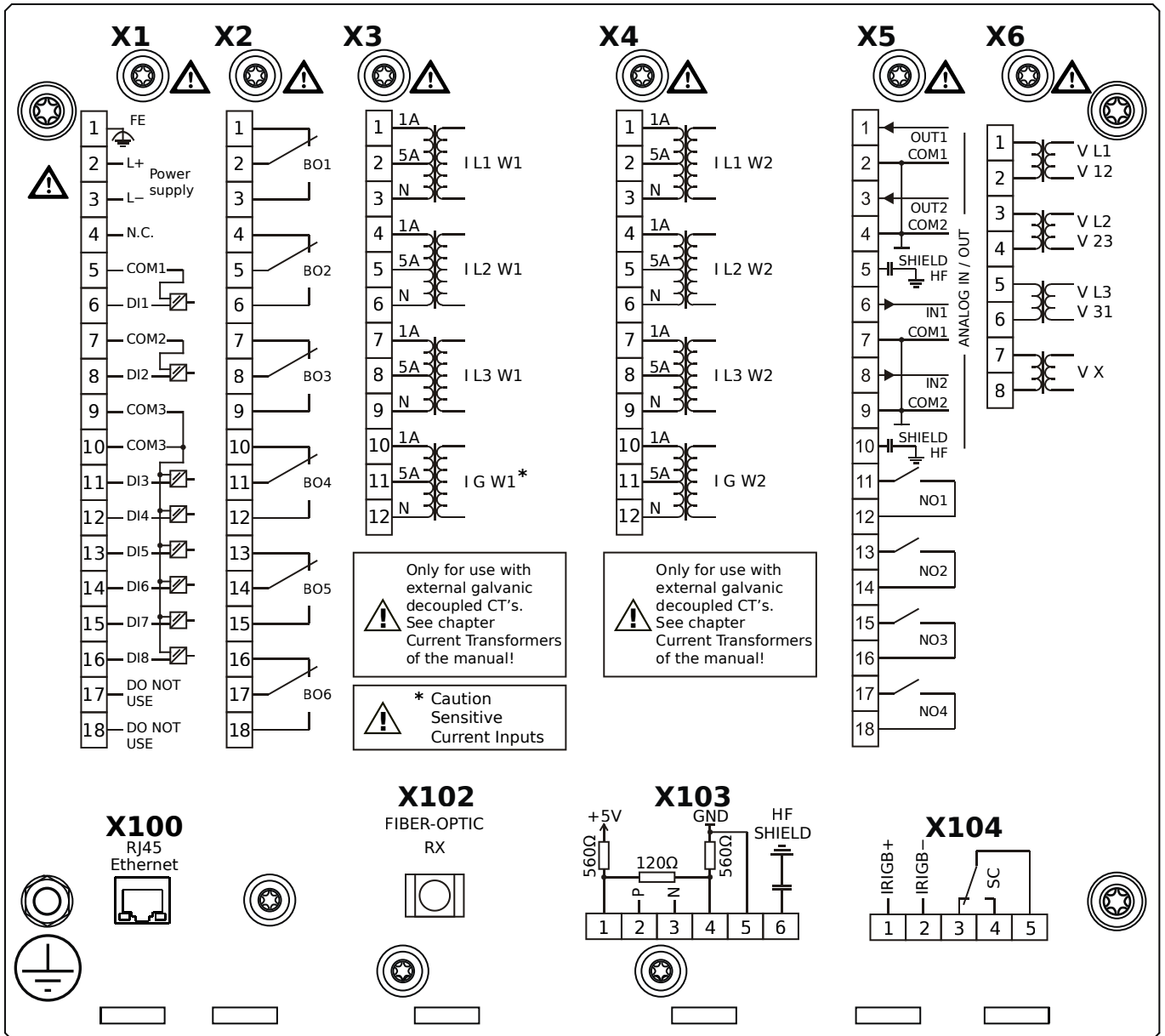


Housing B2, large display, door mounting

+ Conformal Coating (for installations in harsh environment)

- X1** – DI8-X1: Wide-range power supply unit, incl. 2 non-grouped digital inputs and 6 grouped digital inputs
- X2** – OR6: Assembly Group with 6 Output Relays
- X3** – TIs: Standard phase current measuring card and sensitive ground current measuring (winding side 1)
- X4** – TI: Standard current measuring card (for the winding side 2)
- X5** – AnIO2-OR4: Assembly Group with 2 Analog Inputs, 2 Analog Outputs and 4 Output Relays
- X6** – TU: Card with 4 voltage transformer measuring inputs
- X102** – Universal Resistance-Temperature Detector (URTD) input, Fiber optics interface, Versatile Link
- X103** – Modbus TCP / DNP3.0 TCP/UDP, Fiber optics interface, LC Connector
- X104** – IRIG-B00X, incl. System Contact (Supervision Contact)

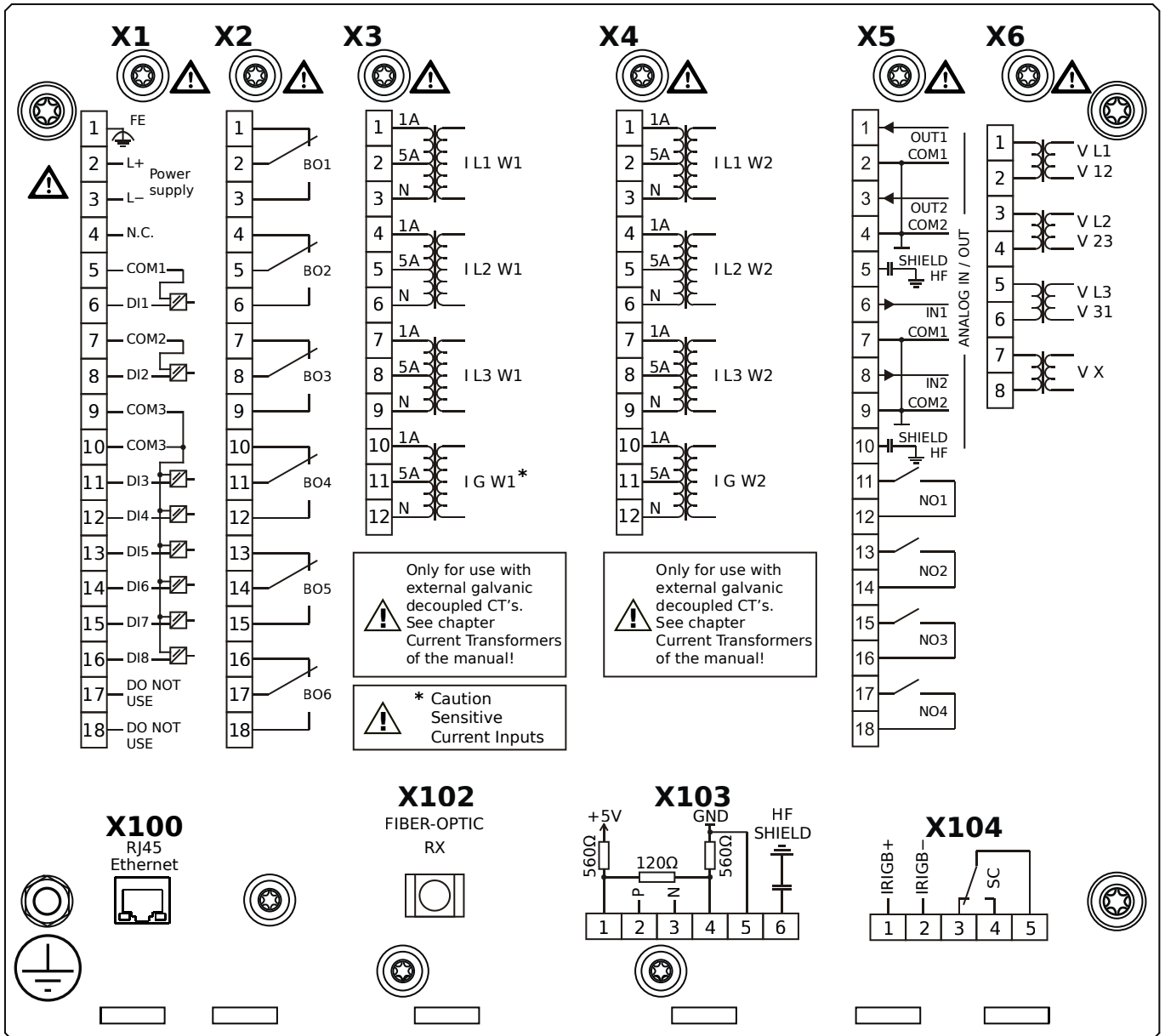
MCDTV4-2B1HTA



Housing B2, large display, door mounting

- X1** – DI8-X1: Wide-range power supply unit, incl. 2 non-grouped digital inputs and 6 grouped digital inputs
- X2** – OR6: Assembly Group with 6 Output Relays
- X3** – TIs: Standard phase current measuring card and sensitive ground current measuring (winding side 1)
- X4** – TI: Standard current measuring card (for the winding side 2)
- X5** – AnIO2-OR4: Assembly Group with 2 Analog Inputs, 2 Analog Outputs and 4 Output Relays
- X6** – TU: Card with 4 voltage transformer measuring inputs
- X100** – IEC 61850 / Modbus TCP / DNP3.0 TCP/UDP, Ethernet interface, 100 Mbit/s, RJ45 (BASE100-FX)
- X102** – Universal Resistance-Temperature Detector (URTD) input, Fiber optics interface, Versatile Link
- X103** – IEC 60870-5-103 / Modbus RTU / DNP3.0 RTU, RS485, Terminals
- X104** – IRIG-B00X, incl. System Contact (Supervision Contact)

MCDTV4-2B1HTB

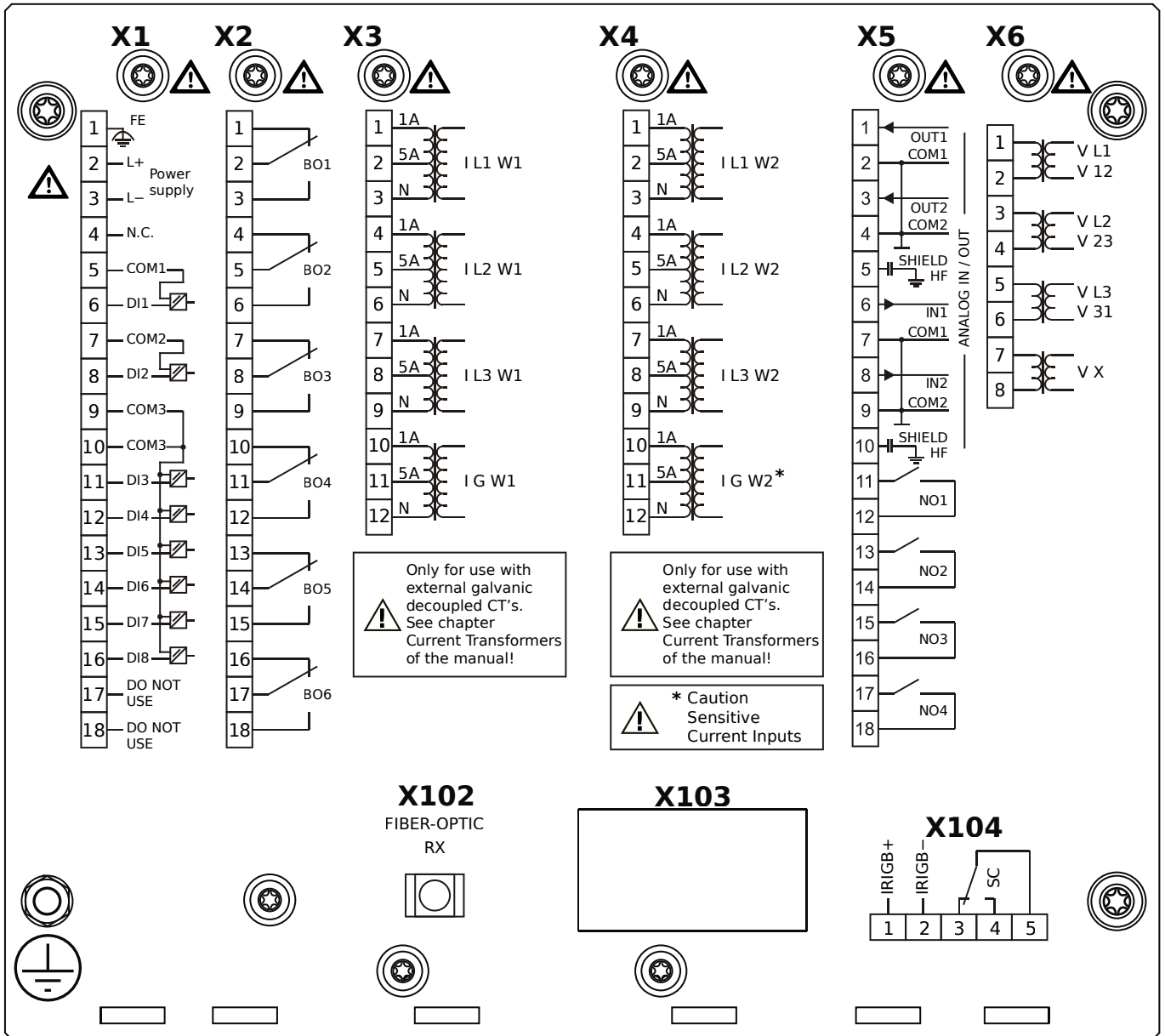


Housing B2, large display, door mounting

+ Conformal Coating (for installations in harsh environment)

- X1** – DI8-X1: Wide-range power supply unit, incl. 2 non-grouped digital inputs and 6 grouped digital inputs
- X2** – OR6: Assembly Group with 6 Output Relays
- X3** – TIs: Standard phase current measuring card and sensitive ground current measuring (winding side 1)
- X4** – TI: Standard current measuring card (for the winding side 2)
- X5** – AnIO2-OR4: Assembly Group with 2 Analog Inputs, 2 Analog Outputs and 4 Output Relays
- X6** – TU: Card with 4 voltage transformer measuring inputs
- X100** – IEC 61850 / Modbus TCP / DNP3.0 TCP/UDP, Ethernet interface, 100 Mbit/s, RJ45 (BASE100-FX)
- X102** – Universal Resistance-Temperature Detector (URTD) input, Fiber optics interface, Versatile Link
- X103** – IEC 60870-5-103 / Modbus RTU / DNP3.0 RTU, RS485, Terminals
- X104** – IRIG-B00X, incl. System Contact (Supervision Contact)

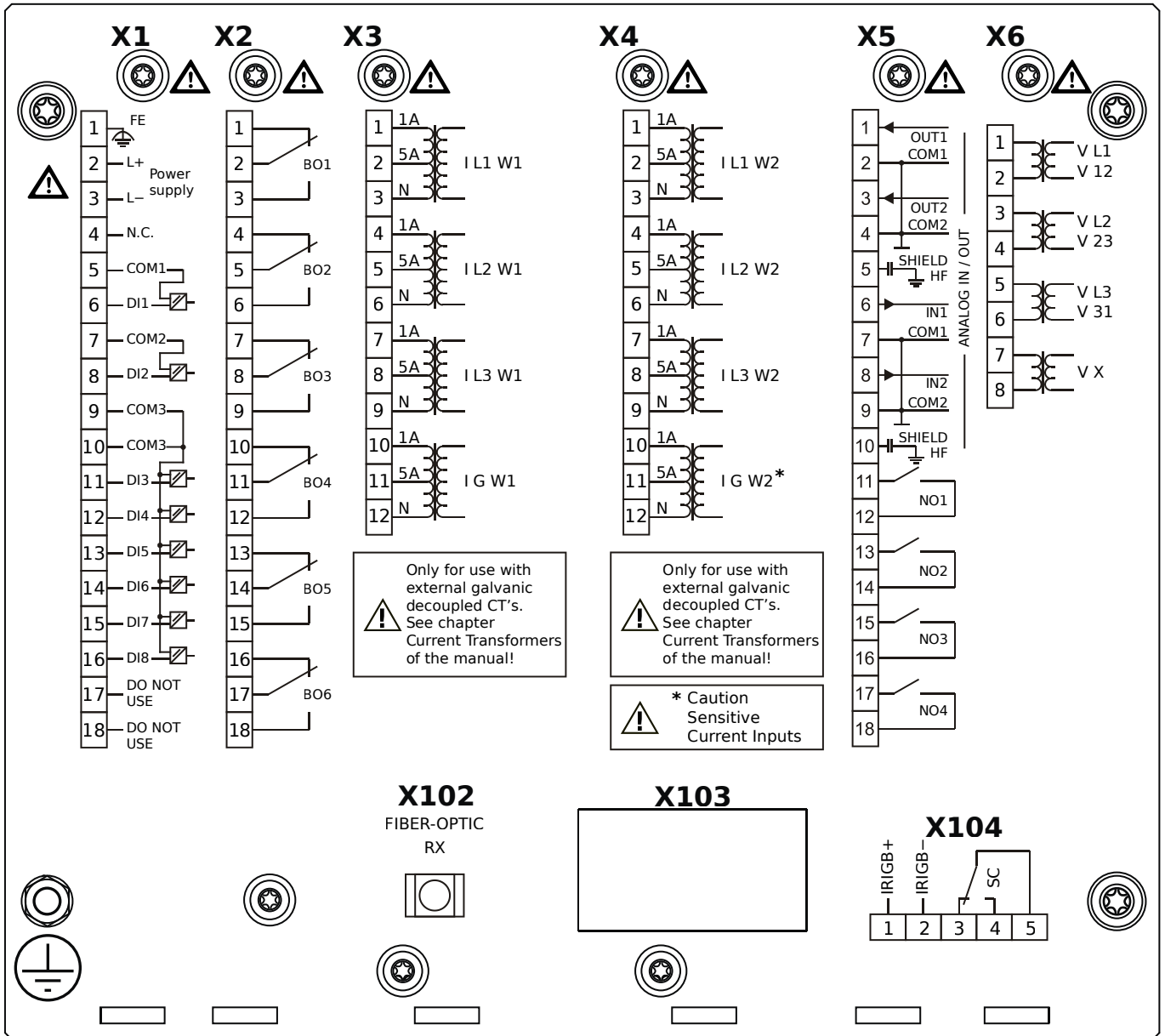
MCDTV4-2B2AAA



Housing B2, large display, door mounting

- X1** – DI8-X1: Wide-range power supply unit, incl. 2 non-grouped digital inputs and 6 grouped digital inputs
- X2** – OR6: Assembly Group with 6 Output Relays
- X3** – TI: Standard current measuring card (for the winding side 1)
- X4** – TIs: Standard phase current measuring card and sensitive ground current measuring (winding side 2)
- X5** – AnIO2-OR4: Assembly Group with 2 Analog Inputs, 2 Analog Outputs and 4 Output Relays
- X6** – TU: Card with 4 voltage transformer measuring inputs
- X102** – Universal Resistance-Temperature Detector (URTD) input, Fiber optics interface, Versatile Link
- X104** – IRIG-B00X, incl. System Contact (Supervision Contact)

MCDTV4-2B2AAB

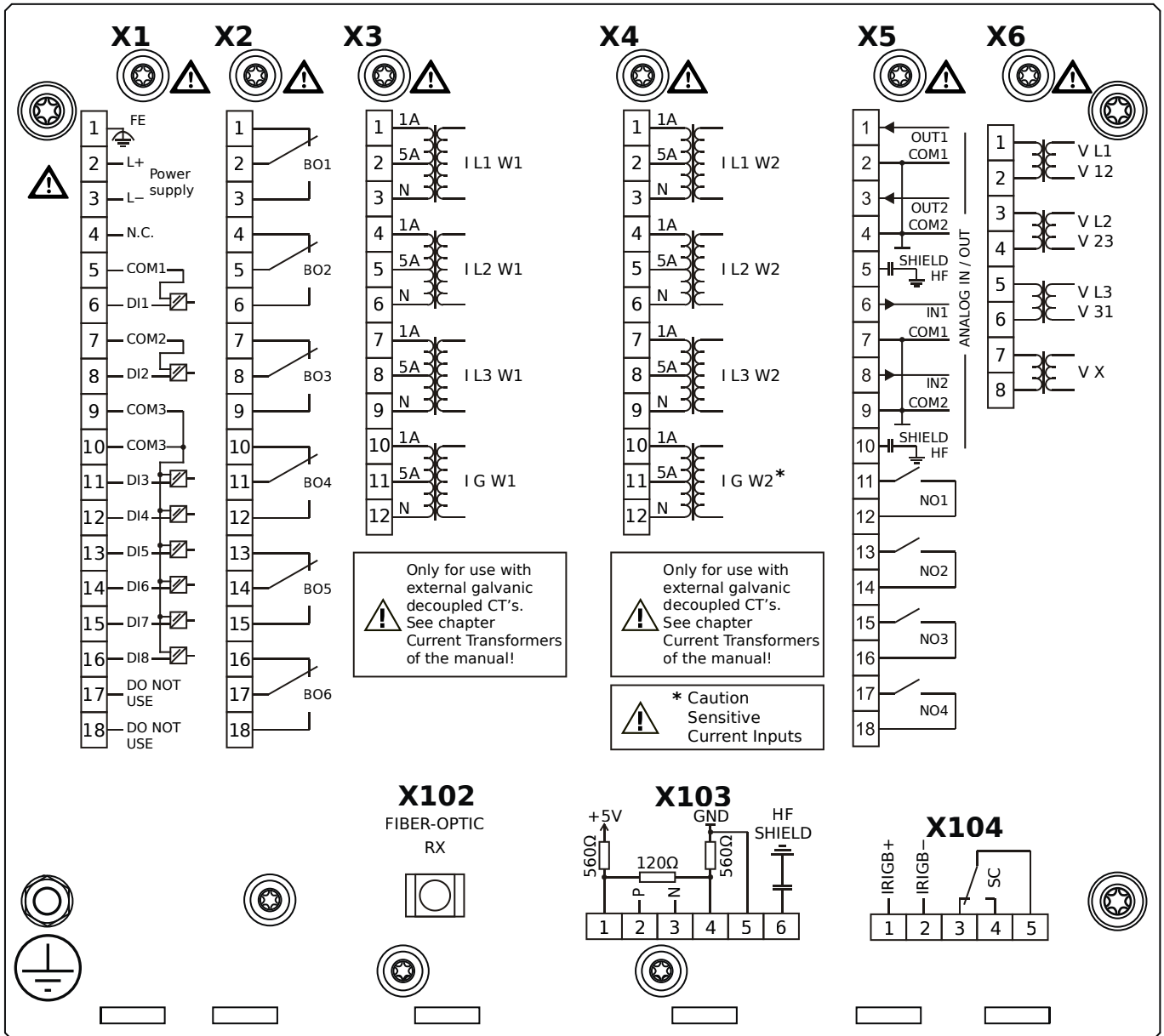


Housing B2, large display, door mounting

+ Conformal Coating (for installations in harsh environment)

- X1** – DI8-X1: Wide-range power supply unit, incl. 2 non-grouped digital inputs and 6 grouped digital inputs
- X2** – OR6: Assembly Group with 6 Output Relays
- X3** – TI: Standard current measuring card (for the winding side 1)
- X4** – TIs: Standard phase current measuring card and sensitive ground current measuring (winding side 2)
- X5** – AnIO2-OR4: Assembly Group with 2 Analog Inputs, 2 Analog Outputs and 4 Output Relays
- X6** – TU: Card with 4 voltage transformer measuring inputs
- X102** – Universal Resistance-Temperature Detector (URTD) input, Fiber optics interface, Versatile Link
- X104** – IRIG-B00X, incl. System Contact (Supervision Contact)

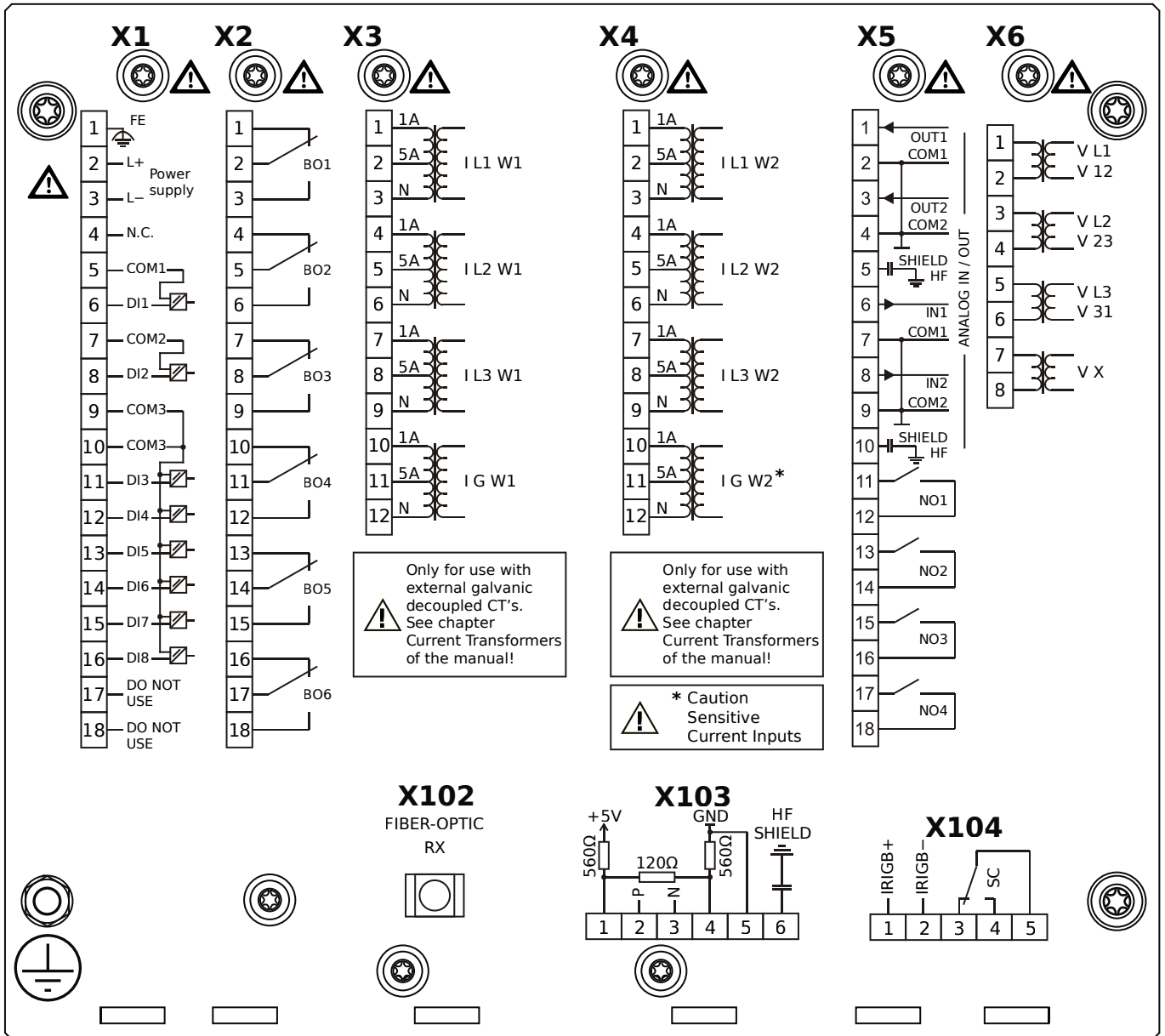
MCDTV4-2B2ABA



Housing B2, large display, door mounting

- X1** – DI8-X1: Wide-range power supply unit, incl. 2 non-grouped digital inputs and 6 grouped digital inputs
- X2** – OR6: Assembly Group with 6 Output Relays
- X3** – TI: Standard current measuring card (for the winding side 1)
- X4** – TIs: Standard phase current measuring card and sensitive ground current measuring (winding side 2)
- X5** – AnIO2-OR4: Assembly Group with 2 Analog Inputs, 2 Analog Outputs and 4 Output Relays
- X6** – TU: Card with 4 voltage transformer measuring inputs
- X102** – Universal Resistance-Temperature Detector (URTD) input, Fiber optics interface, Versatile Link
- X103** – Modbus RTU / IEC 60870-5-103 / DNP3.0 RTU, RS485, Terminals
- X104** – IRIG-B00X, incl. System Contact (Supervision Contact)

MCDTV4-2B2ABB

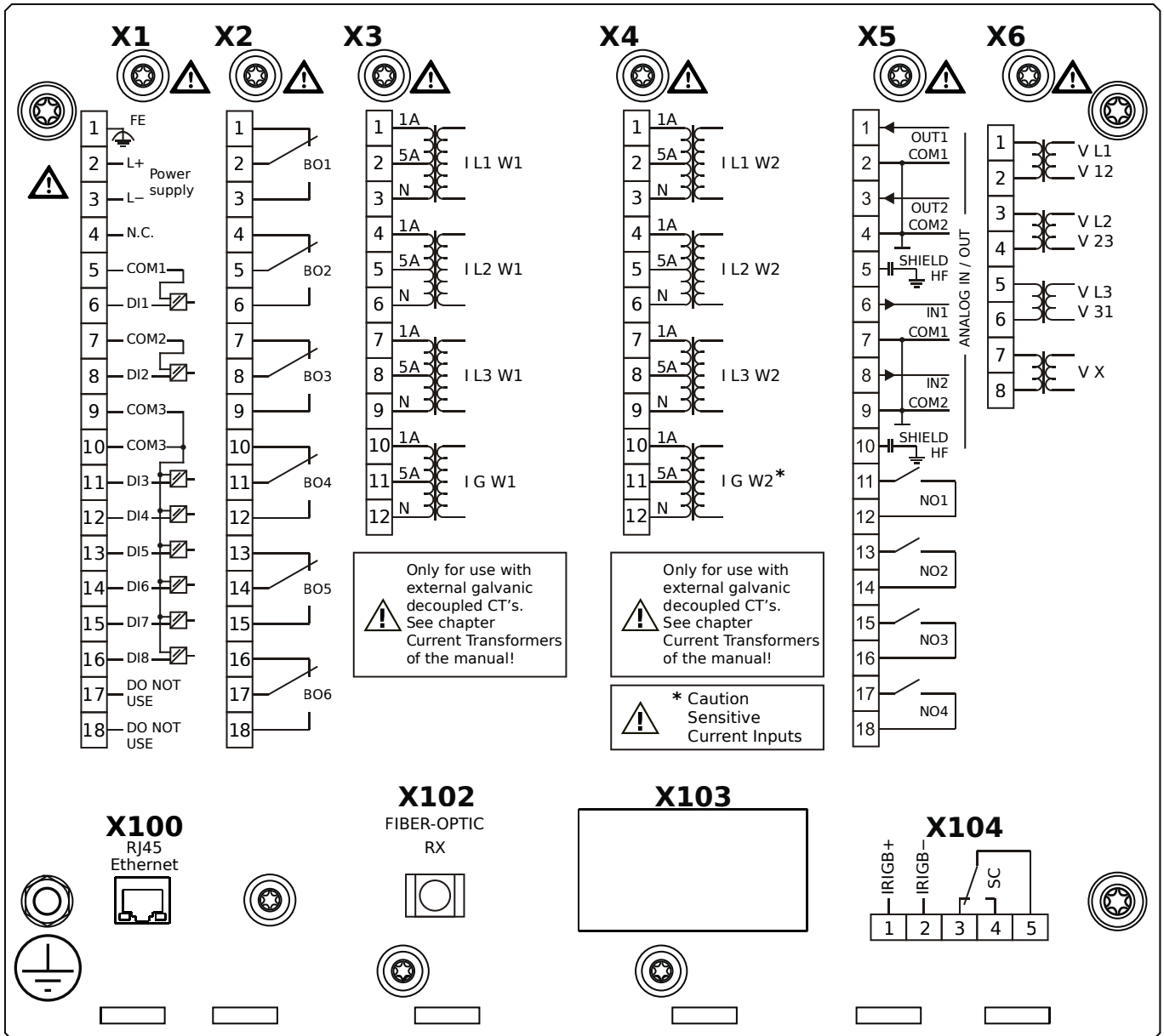


Housing B2, large display, door mounting

+ Conformal Coating (for installations in harsh environment)

- X1** – DI8-X1: Wide-range power supply unit, incl. 2 non-grouped digital inputs and 6 grouped digital inputs
- X2** – OR6: Assembly Group with 6 Output Relays
- X3** – TI: Standard current measuring card (for the winding side 1)
- X4** – TIs: Standard phase current measuring card and sensitive ground current measuring (winding side 2)
- X5** – AnIO2-OR4: Assembly Group with 2 Analog Inputs, 2 Analog Outputs and 4 Output Relays
- X6** – TU: Card with 4 voltage transformer measuring inputs
- X102** – Universal Resistance-Temperature Detector (URTD) input, Fiber optics interface, Versatile Link
- X103** – Modbus RTU / IEC 60870-5-103 / DNP3.0 RTU, RS485, Terminals
- X104** – IRIG-B00X, incl. System Contact (Supervision Contact)

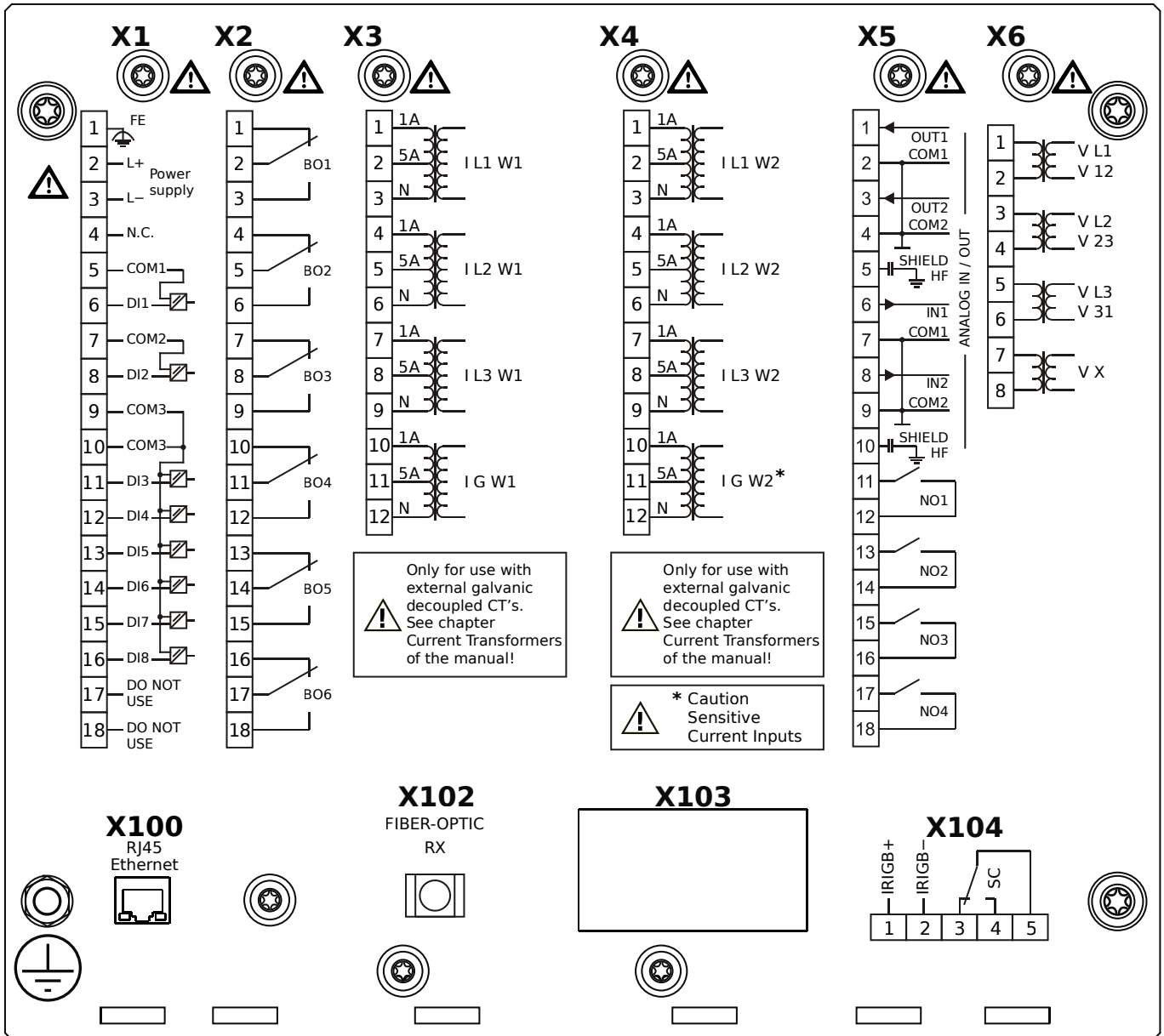
MCDTV4-2B2ACA



Housing B2, large display, door mounting

- X1** – DI8-X1: Wide-range power supply unit, incl. 2 non-grouped digital inputs and 6 grouped digital inputs
- X2** – OR6: Assembly Group with 6 Output Relays
- X3** – TI: Standard current measuring card (for the winding side 1)
- X4** – TIs: Standard phase current measuring card and sensitive ground current measuring (winding side 2)
- X5** – AnIO2-OR4: Assembly Group with 2 Analog Inputs, 2 Analog Outputs and 4 Output Relays
- X6** – TU: Card with 4 voltage transformer measuring inputs
- X100** – Modbus TCP / DNP3.0 TCP/UDP, Ethernet interface, 100 Mbit/s, RJ45 (BASE100-FX)
- X102** – Universal Resistance-Temperature Detector (URTD) input, Fiber optics interface, Versatile Link
- X104** – IRIG-B00X, incl. System Contact (Supervision Contact)

MCDTV4-2B2ACB

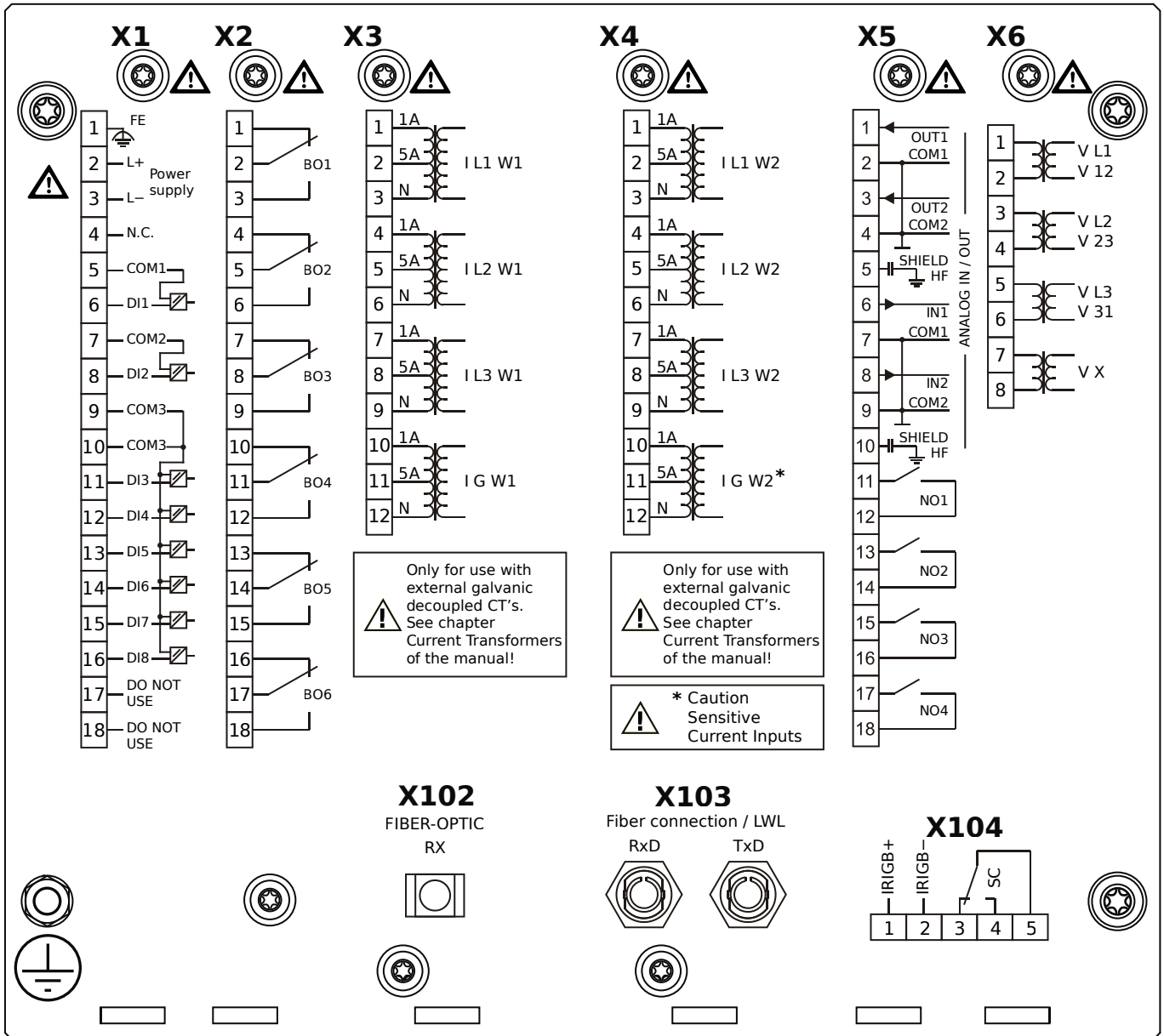


Housing B2, large display, door mounting

+ Conformal Coating (for installations in harsh environment)

- X1** – DI8-X1: Wide-range power supply unit, incl. 2 non-grouped digital inputs and 6 grouped digital inputs
- X2** – OR6: Assembly Group with 6 Output Relays
- X3** – TI: Standard current measuring card (for the winding side 1)
- X4** – TIs: Standard phase current measuring card and sensitive ground current measuring (winding side 2)
- X5** – AnIO2-OR4: Assembly Group with 2 Analog Inputs, 2 Analog Outputs and 4 Output Relays
- X6** – TU: Card with 4 voltage transformer measuring inputs
- X100** – Modbus TCP / DNP3.0 TCP/UDP, Ethernet interface, 100 Mbit/s, RJ45 (BASE100-FX)
- X102** – Universal Resistance-Temperature Detector (URTD) input, Fiber optics interface, Versatile Link
- X104** – IRIG-B00X, incl. System Contact (Supervision Contact)

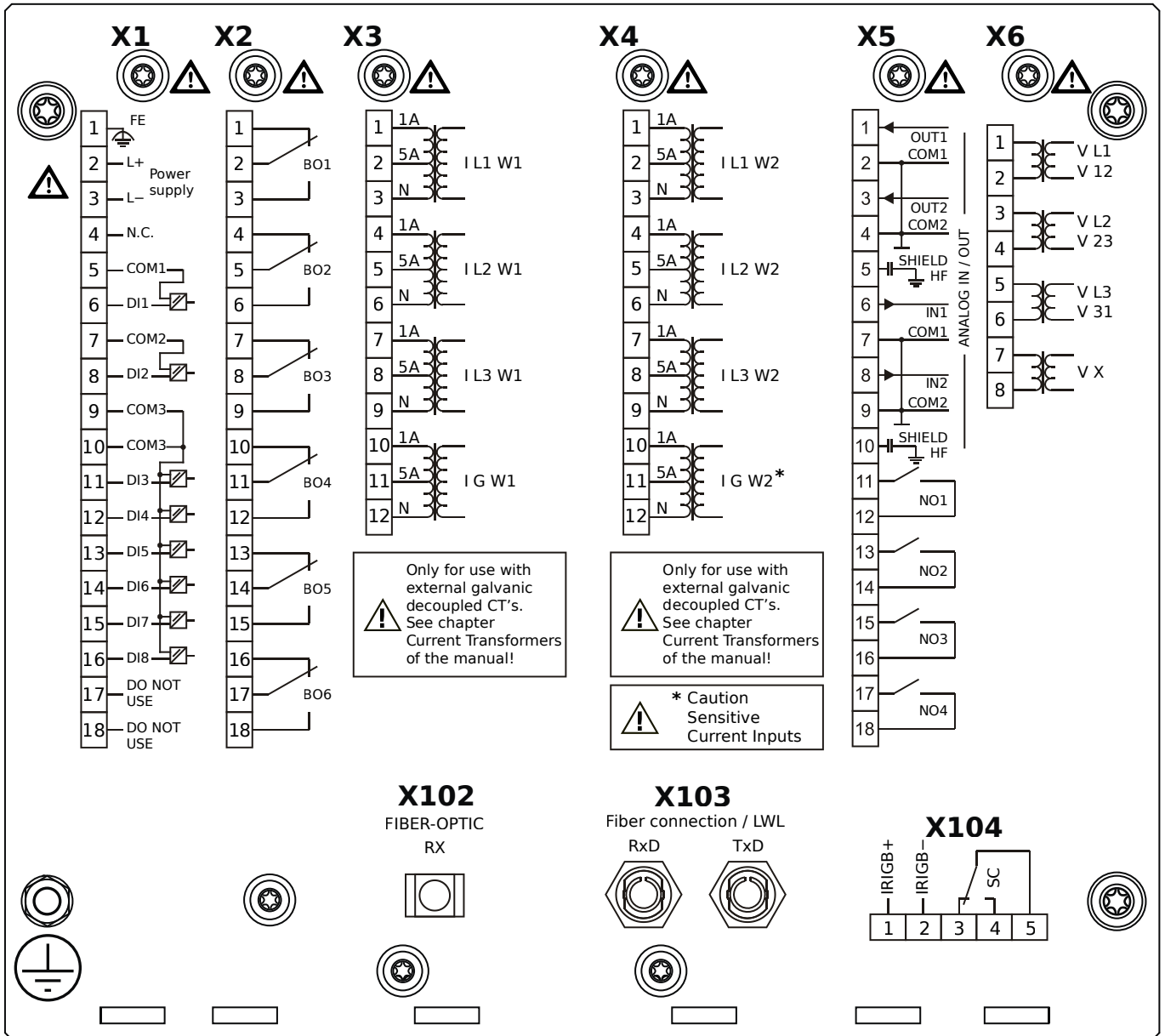
MCDTV4-2B2ADA



Housing B2, large display, door mounting

- X1** – DI8-X1: Wide-range power supply unit, incl. 2 non-grouped digital inputs and 6 grouped digital inputs
- X2** – OR6: Assembly Group with 6 Output Relays
- X3** – TI: Standard current measuring card (for the winding side 1)
- X4** – TIs: Standard phase current measuring card and sensitive ground current measuring (winding side 2)
- X5** – AnIO2-OR4: Assembly Group with 2 Analog Inputs, 2 Analog Outputs and 4 Output Relays
- X6** – TU: Card with 4 voltage transformer measuring inputs
- X102** – Universal Resistance-Temperature Detector (URTD) input, Fiber optics interface, Versatile Link
- X103** – Profibus-DP, Fiber optics interface, ST Connector
- X104** – IRIG-B00X, incl. System Contact (Supervision Contact)

MCDTV4-2B2ADB

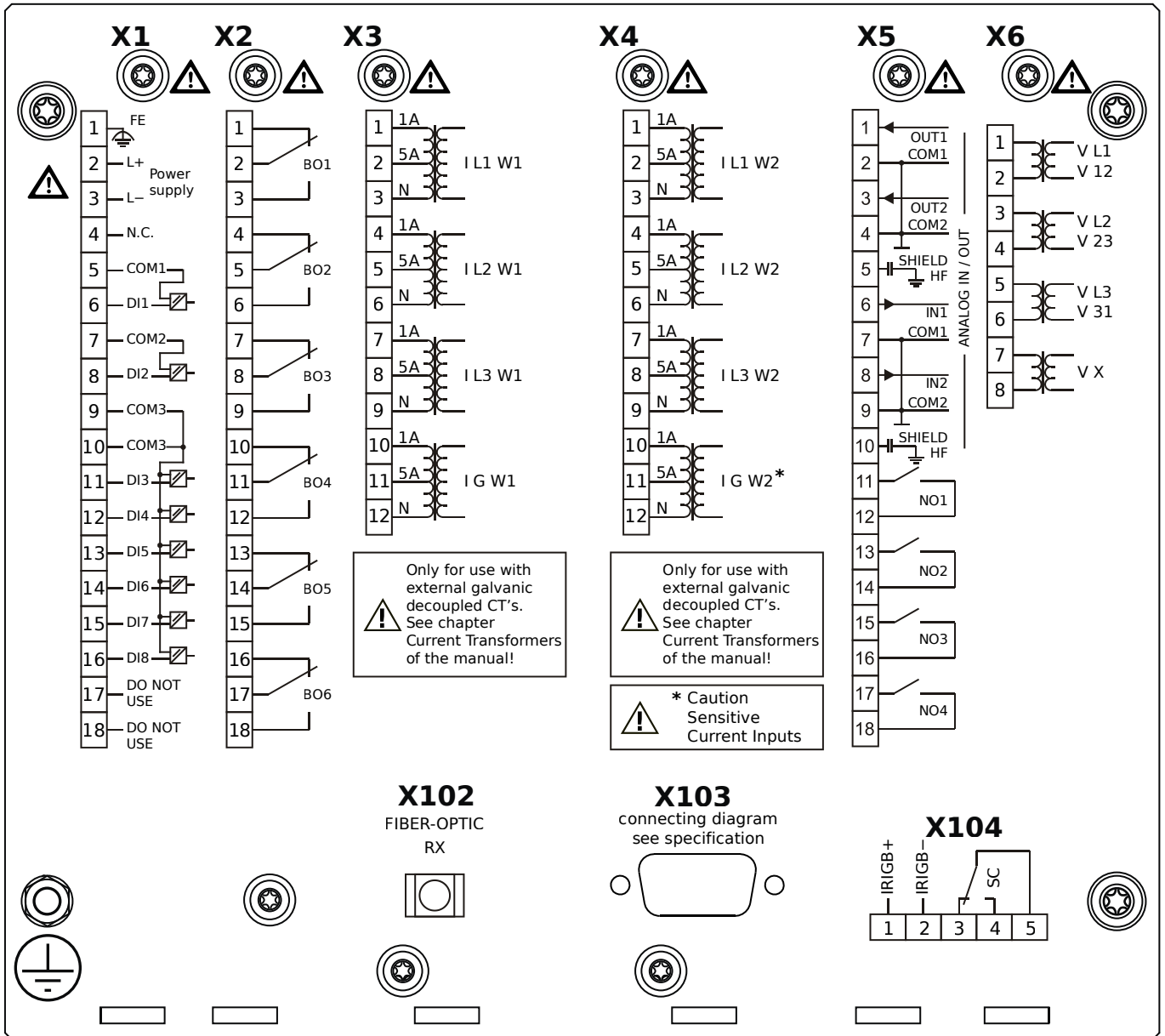


Housing B2, large display, door mounting

+ Conformal Coating (for installations in harsh environment)

- X1** – DI8-X1: Wide-range power supply unit, incl. 2 non-grouped digital inputs and 6 grouped digital inputs
- X2** – OR6: Assembly Group with 6 Output Relays
- X3** – TI: Standard current measuring card (for the winding side 1)
- X4** – TIs: Standard phase current measuring card and sensitive ground current measuring (winding side 2)
- X5** – AnIO2-OR4: Assembly Group with 2 Analog Inputs, 2 Analog Outputs and 4 Output Relays
- X6** – TU: Card with 4 voltage transformer measuring inputs
- X102** – Universal Resistance-Temperature Detector (URTD) input, Fiber optics interface, Versatile Link
- X103** – Profibus-DP, Fiber optics interface, ST Connector
- X104** – IRIG-B00X, incl. System Contact (Supervision Contact)

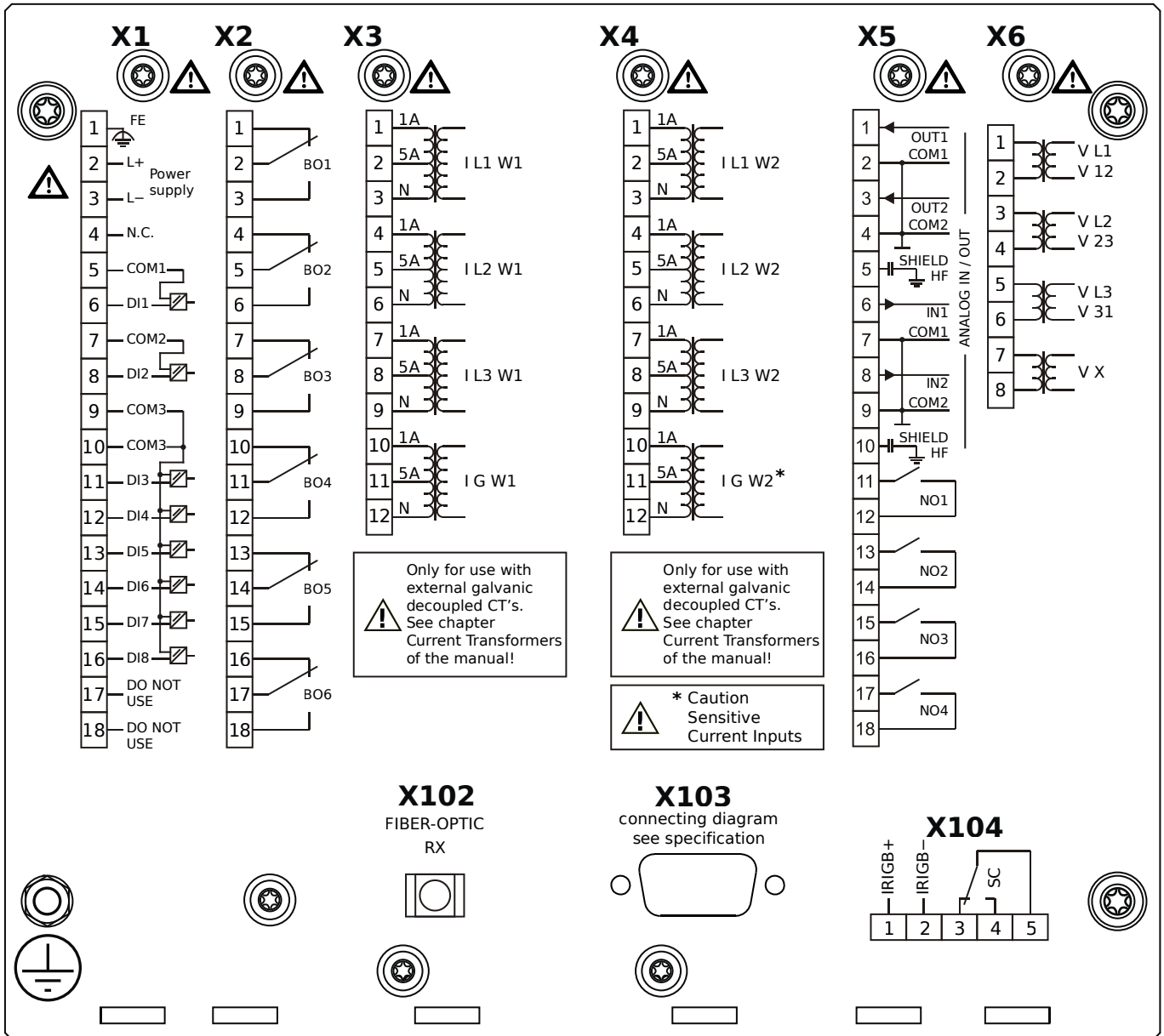
MCDTV4-2B2AEA



Housing B2, large display, door mounting

- X1** – DI8-X1: Wide-range power supply unit, incl. 2 non-grouped digital inputs and 6 grouped digital inputs
- X2** – OR6: Assembly Group with 6 Output Relays
- X3** – TI: Standard current measuring card (for the winding side 1)
- X4** – TIs: Standard phase current measuring card and sensitive ground current measuring (winding side 2)
- X5** – AnIO2-OR4: Assembly Group with 2 Analog Inputs, 2 Analog Outputs and 4 Output Relays
- X6** – TU: Card with 4 voltage transformer measuring inputs
- X102** – Universal Resistance-Temperature Detector (URTD) input, Fiber optics interface, Versatile Link
- X103** – Profibus-DP, RS485, D-SUB
- X104** – IRIG-B00X, incl. System Contact (Supervision Contact)

MCDTV4-2B2AEB

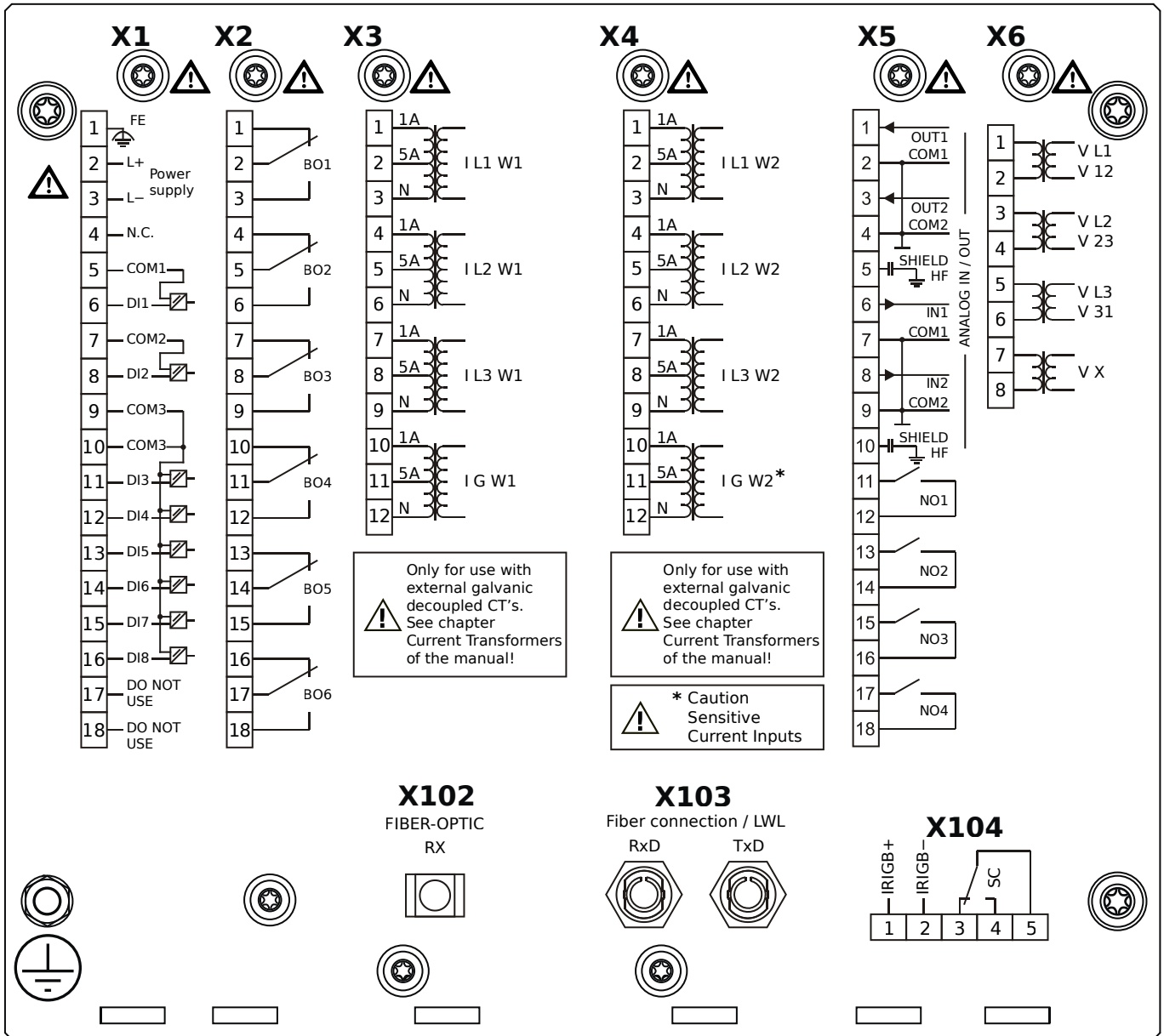


Housing B2, large display, door mounting

+ Conformal Coating (for installations in harsh environment)

- X1** – DI8-X1: Wide-range power supply unit, incl. 2 non-grouped digital inputs and 6 grouped digital inputs
- X2** – OR6: Assembly Group with 6 Output Relays
- X3** – TI: Standard current measuring card (for the winding side 1)
- X4** – TIs: Standard phase current measuring card and sensitive ground current measuring (winding side 2)
- X5** – AnIO2-OR4: Assembly Group with 2 Analog Inputs, 2 Analog Outputs and 4 Output Relays
- X6** – TU: Card with 4 voltage transformer measuring inputs
- X102** – Universal Resistance-Temperature Detector (URTD) input, Fiber optics interface, Versatile Link
- X103** – Profibus-DP, RS485, D-SUB
- X104** – IRIG-B00X, incl. System Contact (Supervision Contact)

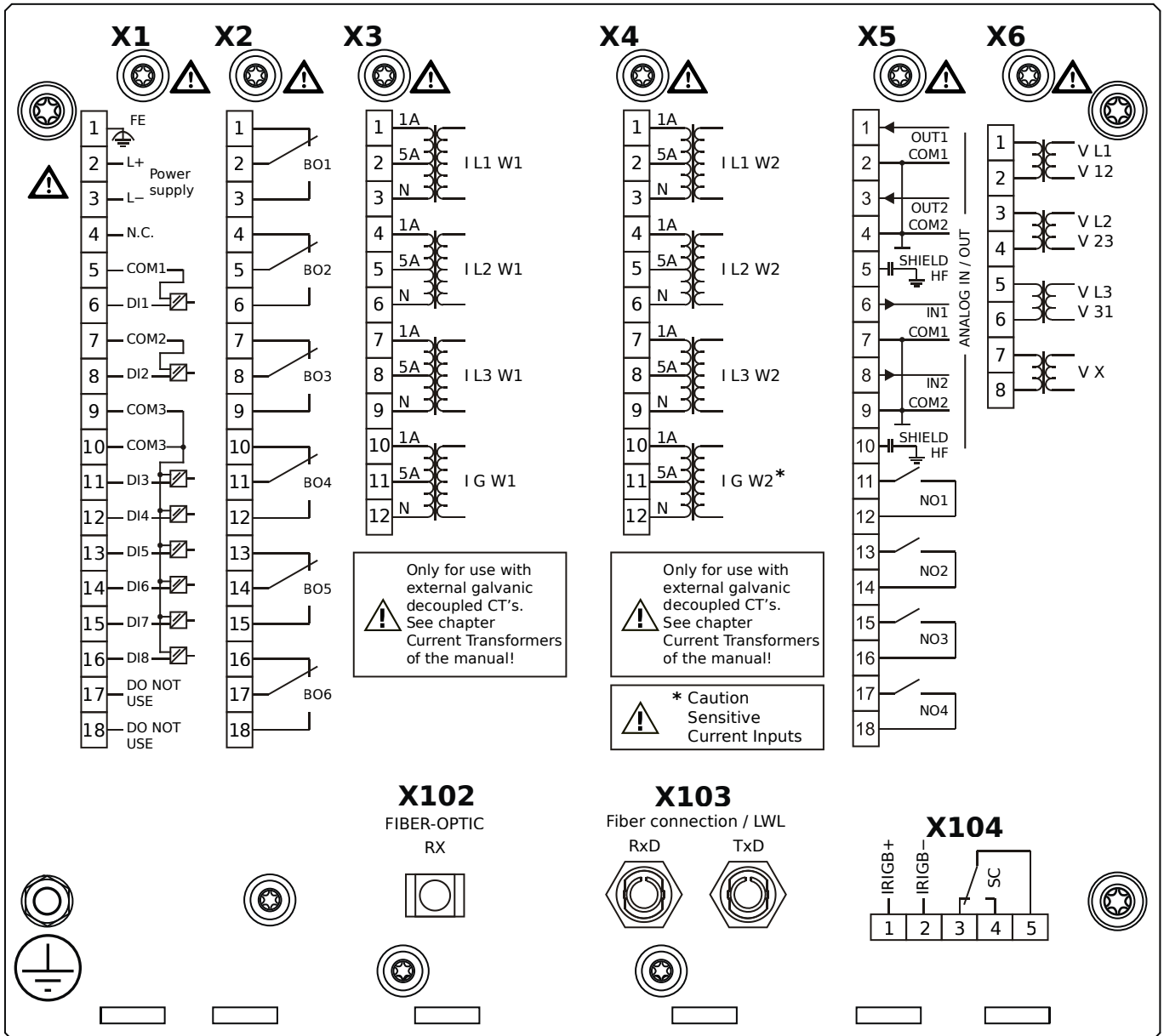
MCDTV4-2B2AFA



Housing B2, large display, door mounting

- X1** – DI8-X1: Wide-range power supply unit, incl. 2 non-grouped digital inputs and 6 grouped digital inputs
- X2** – OR6: Assembly Group with 6 Output Relays
- X3** – TI: Standard current measuring card (for the winding side 1)
- X4** – TIs: Standard phase current measuring card and sensitive ground current measuring (winding side 2)
- X5** – AnIO2-OR4: Assembly Group with 2 Analog Inputs, 2 Analog Outputs and 4 Output Relays
- X6** – TU: Card with 4 voltage transformer measuring inputs
- X102** – Universal Resistance-Temperature Detector (URTD) input, Fiber optics interface, Versatile Link
- X103** – Modbus RTU / IEC 60870-5-103 / DNP3.0 RTU, Fiber optics interface, ST Connector
- X104** – IRIG-B00X, incl. System Contact (Supervision Contact)

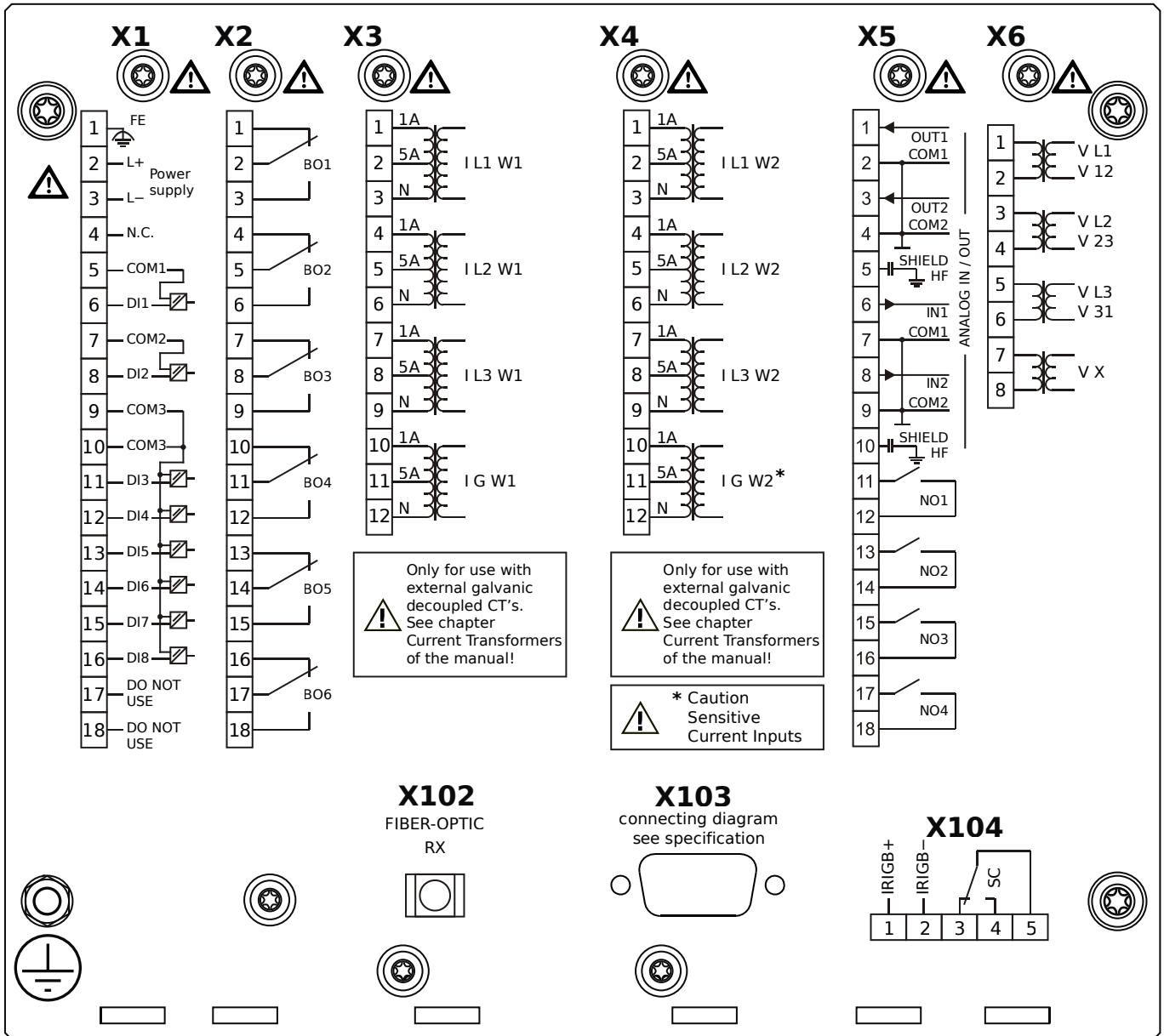
MCDTV4-2B2AFB



Housing B2, large display, door mounting

- + Conformal Coating (for installations in harsh environment)
- X1** – DI8-X1: Wide-range power supply unit, incl. 2 non-grouped digital inputs and 6 grouped digital inputs
- X2** – OR6: Assembly Group with 6 Output Relays
- X3** – TI: Standard current measuring card (for the winding side 1)
- X4** – TIs: Standard phase current measuring card and sensitive ground current measuring (winding side 2)
- X5** – AnIO2-OR4: Assembly Group with 2 Analog Inputs, 2 Analog Outputs and 4 Output Relays
- X6** – TU: Card with 4 voltage transformer measuring inputs
- X102** – Universal Resistance-Temperature Detector (URTD) input, Fiber optics interface, Versatile Link
- X103** – Modbus RTU / IEC 60870-5-103 / DNP3.0 RTU, Fiber optics interface, ST Connector
- X104** – IRIG-B00X, incl. System Contact (Supervision Contact)

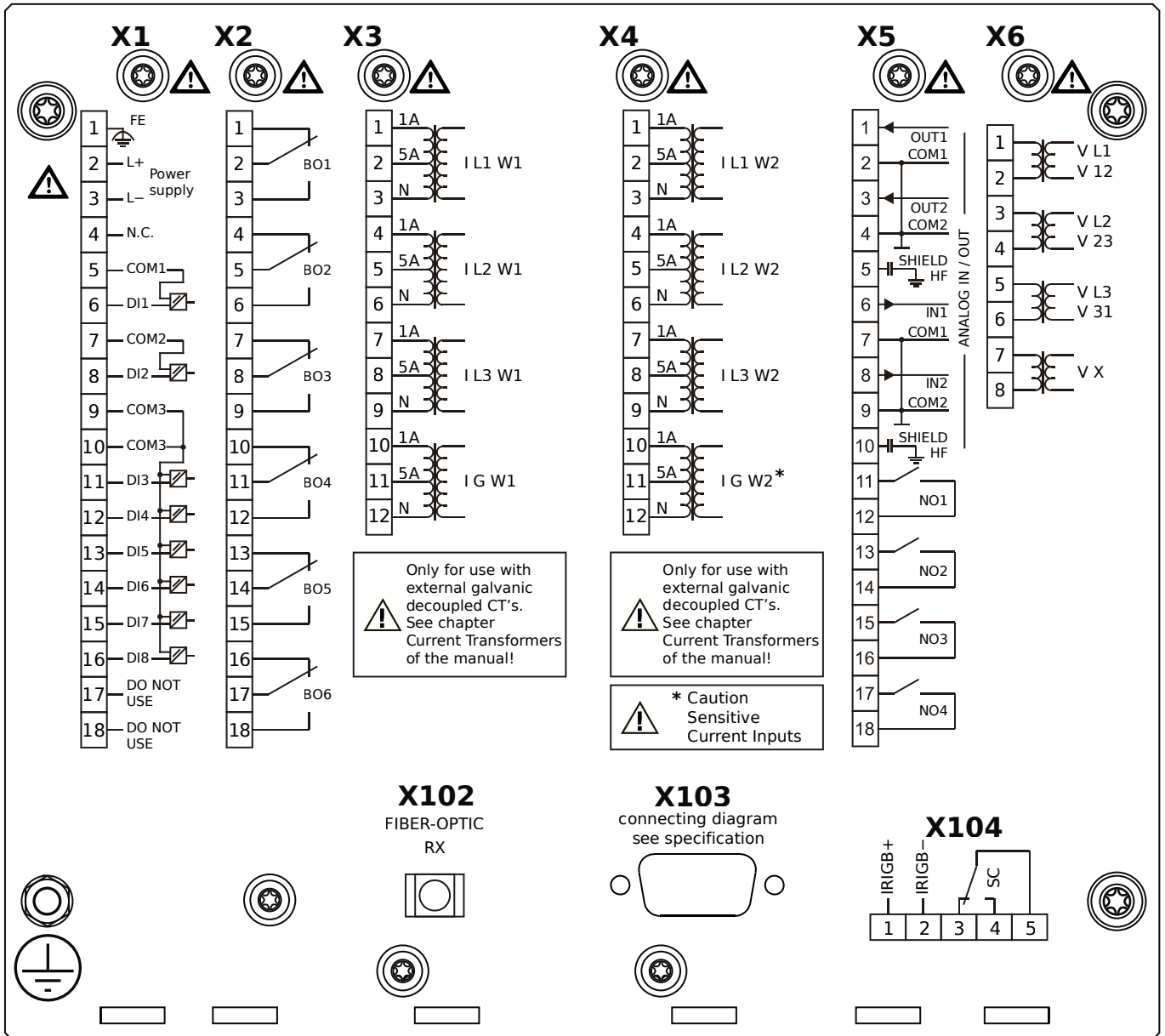
MCDTV4-2B2AGA



Housing B2, large display, door mounting

- X1** – DI8-X1: Wide-range power supply unit, incl. 2 non-grouped digital inputs and 6 grouped digital inputs
- X2** – OR6: Assembly Group with 6 Output Relays
- X3** – TI: Standard current measuring card (for the winding side 1)
- X4** – TIs: Standard phase current measuring card and sensitive ground current measuring (winding side 2)
- X5** – AnIO2-OR4: Assembly Group with 2 Analog Inputs, 2 Analog Outputs and 4 Output Relays
- X6** – TU: Card with 4 voltage transformer measuring inputs
- X102** – Universal Resistance-Temperature Detector (URTD) input, Fiber optics interface, Versatile Link
- X103** – Modbus RTU / IEC 60870-5-103 / DNP3.0 RTU, RS485, D-SUB
- X104** – IRIG-B00X, incl. System Contact (Supervision Contact)

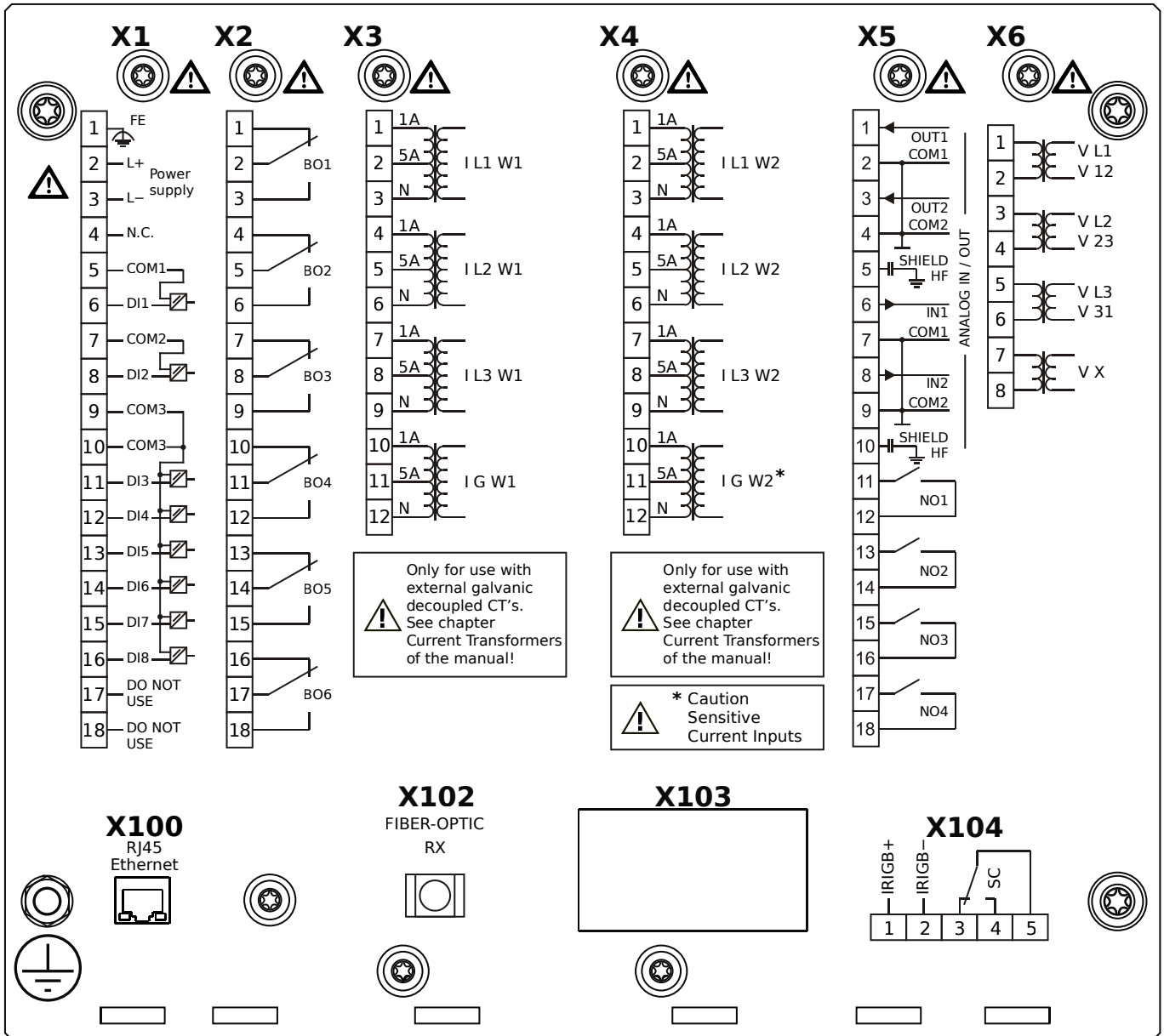
MCDTV4-2B2AGB



Housing B2, large display, door mounting

- + Conformal Coating (for installations in harsh environment)
- X1** – DI8-X1: Wide-range power supply unit, incl. 2 non-grouped digital inputs and 6 grouped digital inputs
- X2** – OR6: Assembly Group with 6 Output Relays
- X3** – TI: Standard current measuring card (for the winding side 1)
- X4** – TIs: Standard phase current measuring card and sensitive ground current measuring (winding side 2)
- X5** – AnIO2-OR4: Assembly Group with 2 Analog Inputs, 2 Analog Outputs and 4 Output Relays
- X6** – TU: Card with 4 voltage transformer measuring inputs
- X102** – Universal Resistance-Temperature Detector (URTD) input, Fiber optics interface, Versatile Link
- X103** – Modbus RTU / IEC 60870-5-103 / DNP3.0 RTU, RS485, D-SUB
- X104** – IRIG-B00X, incl. System Contact (Supervision Contact)

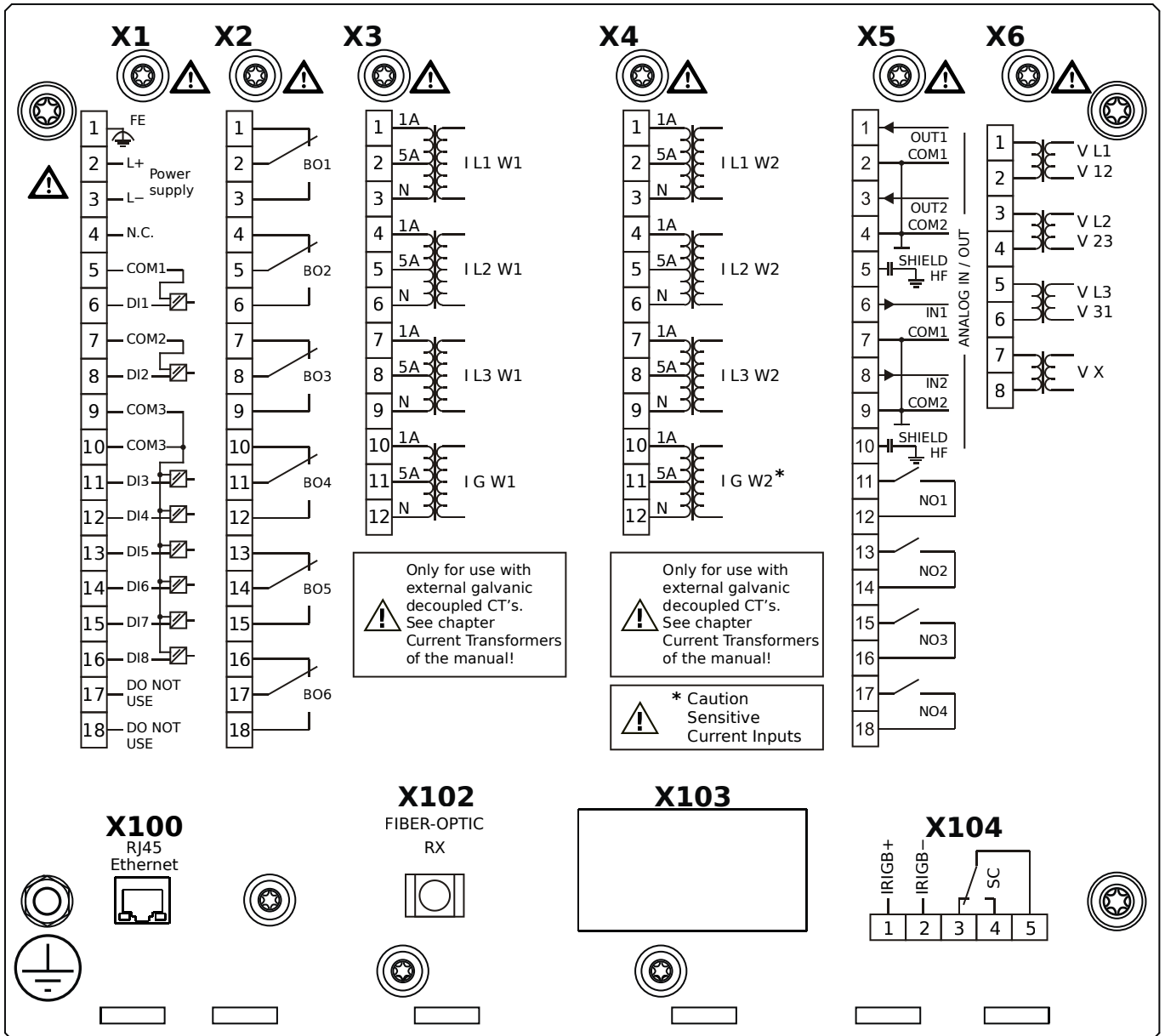
MCDTV4-2B2AHA



Housing B2, large display, door mounting

- X1** – DI8-X1: Wide-range power supply unit, incl. 2 non-grouped digital inputs and 6 grouped digital inputs
- X2** – OR6: Assembly Group with 6 Output Relays
- X3** – TI: Standard current measuring card (for the winding side 1)
- X4** – TIs: Standard phase current measuring card and sensitive ground current measuring (winding side 2)
- X5** – AnIO2-OR4: Assembly Group with 2 Analog Inputs, 2 Analog Outputs and 4 Output Relays
- X6** – TU: Card with 4 voltage transformer measuring inputs
- X100** – IEC 61850 / Modbus TCP / DNP3.0 TCP/UDP, Ethernet interface, 100 Mbit/s, RJ45 (BASE100-FX)
- X102** – Universal Resistance-Temperature Detector (URTD) input, Fiber optics interface, Versatile Link
- X104** – IRIG-B00X, incl. System Contact (Supervision Contact)

MCDTV4-2B2AHB

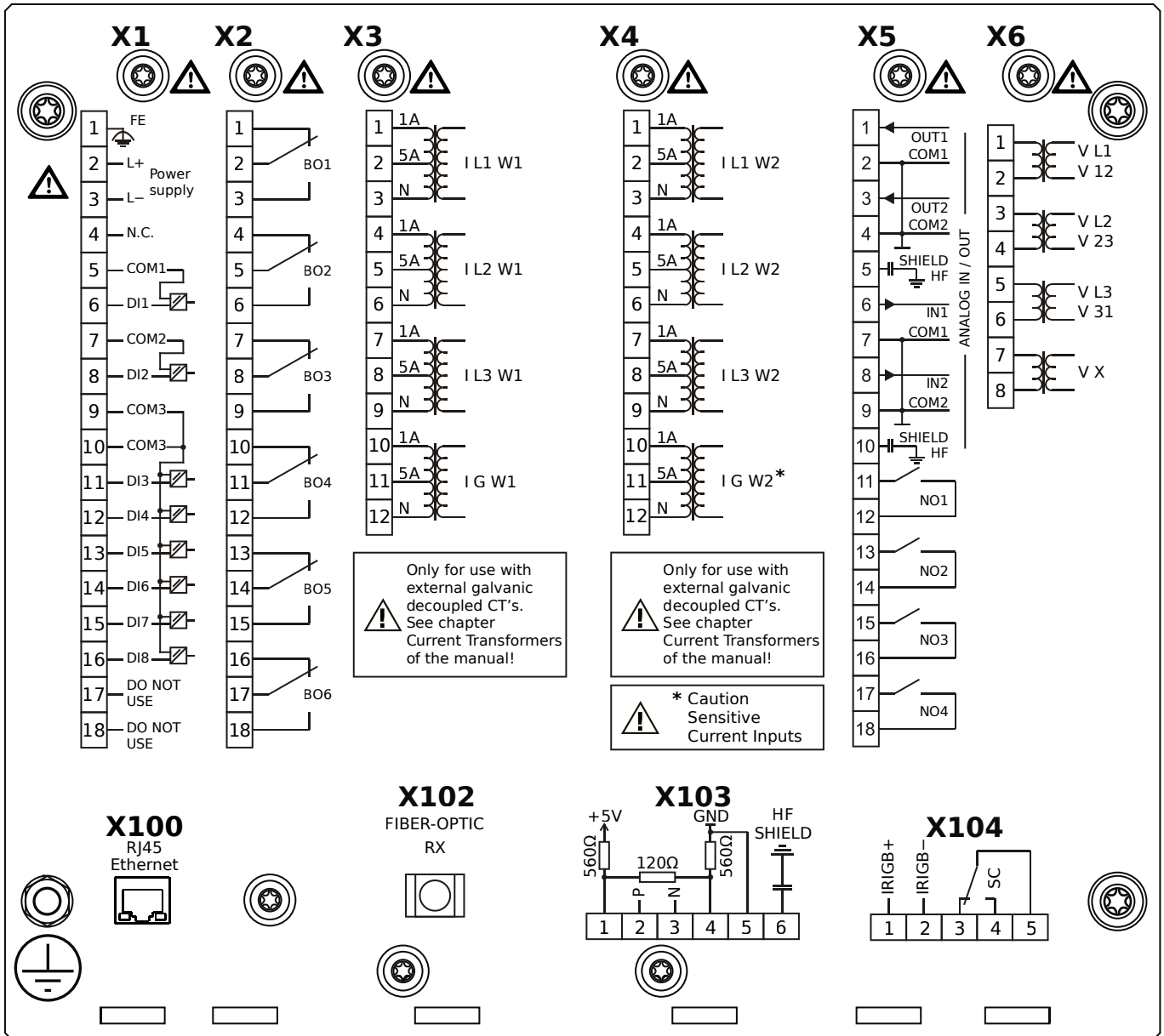


Housing B2, large display, door mounting

+ Conformal Coating (for installations in harsh environment)

- X1** – DI8-X1: Wide-range power supply unit, incl. 2 non-grouped digital inputs and 6 grouped digital inputs
- X2** – OR6: Assembly Group with 6 Output Relays
- X3** – TI: Standard current measuring card (for the winding side 1)
- X4** – TIs: Standard phase current measuring card and sensitive ground current measuring (winding side 2)
- X5** – AnIO2-OR4: Assembly Group with 2 Analog Inputs, 2 Analog Outputs and 4 Output Relays
- X6** – TU: Card with 4 voltage transformer measuring inputs
- X100** – IEC 61850 / Modbus TCP / DNP3.0 TCP/UDP, Ethernet interface, 100 Mbit/s, RJ45 (BASE100-FX)
- X102** – Universal Resistance-Temperature Detector (URTD) input, Fiber optics interface, Versatile Link
- X104** – IRIG-B00X, incl. System Contact (Supervision Contact)

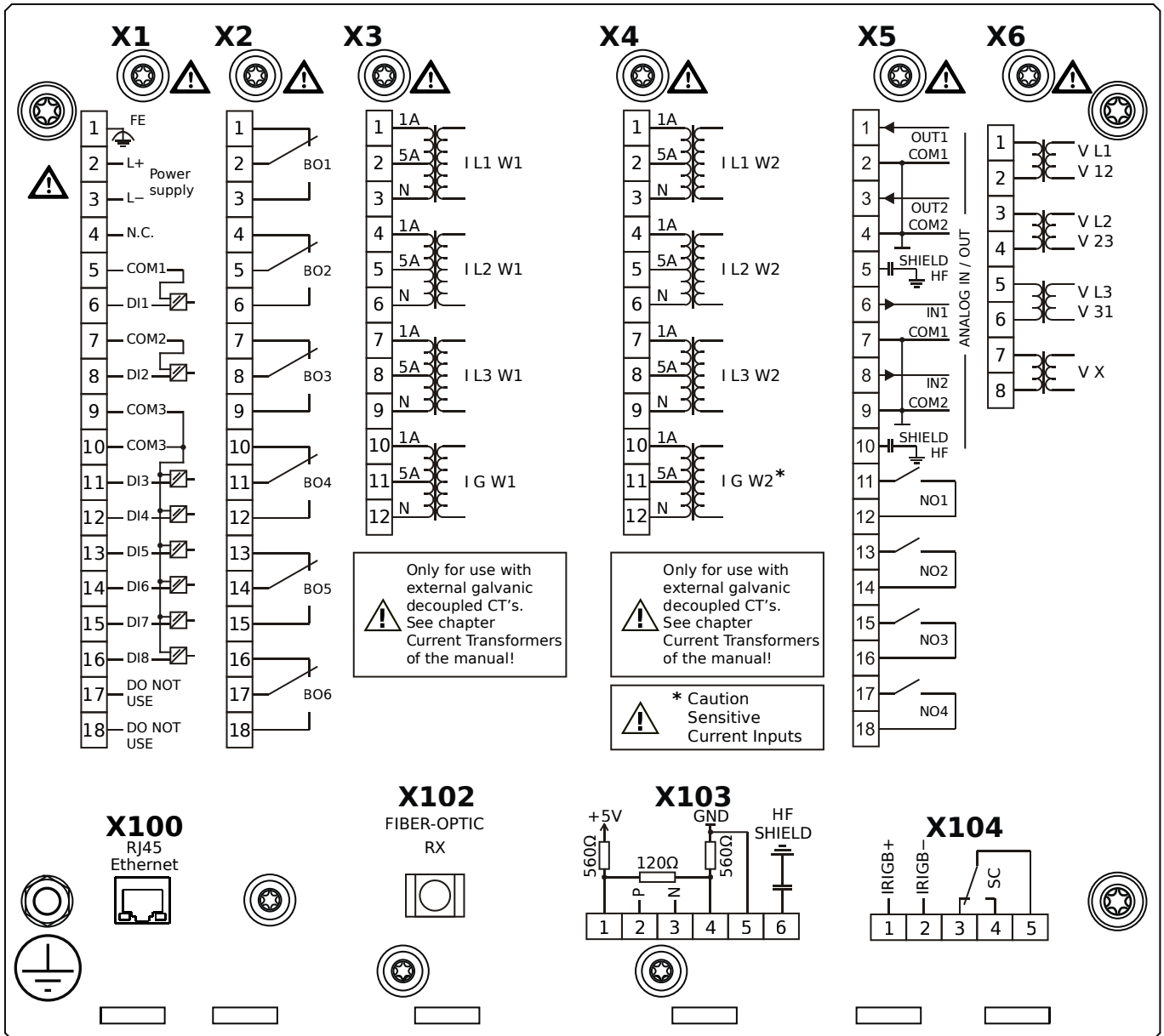
MCDTV4-2B2AIA



Housing B2, large display, door mounting

- X1** – DI8-X1: Wide-range power supply unit, incl. 2 non-grouped digital inputs and 6 grouped digital inputs
- X2** – OR6: Assembly Group with 6 Output Relays
- X3** – TI: Standard current measuring card (for the winding side 1)
- X4** – TIs: Standard phase current measuring card and sensitive ground current measuring (winding side 2)
- X5** – AnIO2-OR4: Assembly Group with 2 Analog Inputs, 2 Analog Outputs and 4 Output Relays
- X6** – TU: Card with 4 voltage transformer measuring inputs
- X100** – Modbus TCP / DNP3.0 TCP/UDP, Ethernet interface, 100 Mbit/s, RJ45 (BASE100-FX)
- X102** – Universal Resistance-Temperature Detector (URTD) input, Fiber optics interface, Versatile Link
- X103** – IEC 60870-5-103 / Modbus RTU / DNP3.0 RTU, RS485, Terminals
- X104** – IRIG-B00X, incl. System Contact (Supervision Contact)

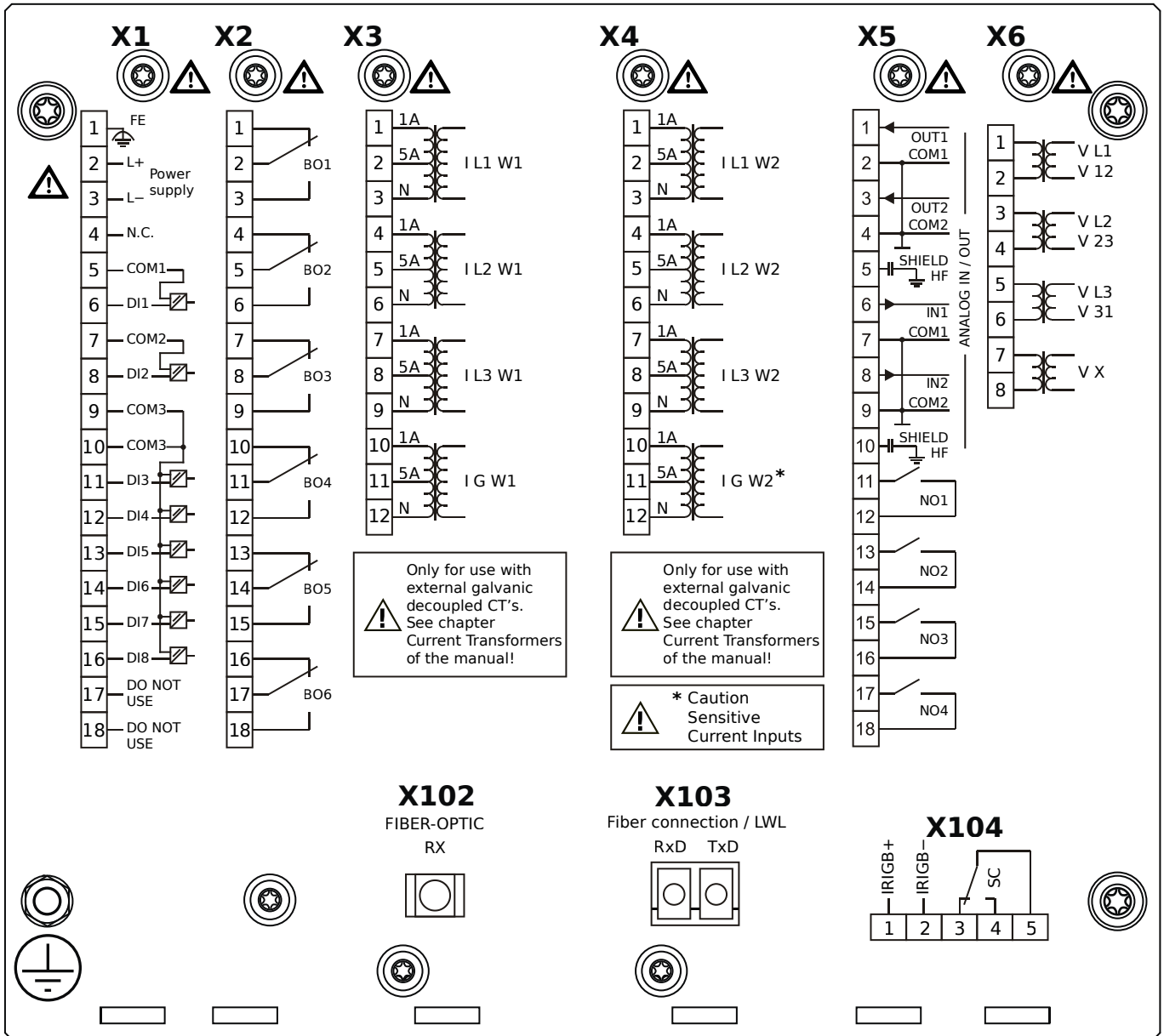
MCDTV4-2B2AIB



Housing B2, large display, door mounting

- + Conformal Coating (for installations in harsh environment)
- X1** – DI8-X1: Wide-range power supply unit, incl. 2 non-grouped digital inputs and 6 grouped digital inputs
- X2** – OR6: Assembly Group with 6 Output Relays
- X3** – TI: Standard current measuring card (for the winding side 1)
- X4** – TIs: Standard phase current measuring card and sensitive ground current measuring (winding side 2)
- X5** – AnIO2-OR4: Assembly Group with 2 Analog Inputs, 2 Analog Outputs and 4 Output Relays
- X6** – TU: Card with 4 voltage transformer measuring inputs
- X100** – Modbus TCP / DNP3.0 TCP/UDP, Ethernet interface, 100 Mbit/s, RJ45 (BASE100-FX)
- X102** – Universal Resistance-Temperature Detector (URTD) input, Fiber optics interface, Versatile Link
- X103** – IEC 60870-5-103 / Modbus RTU / DNP3.0 RTU, RS485, Terminals
- X104** – IRIG-B00X, incl. System Contact (Supervision Contact)

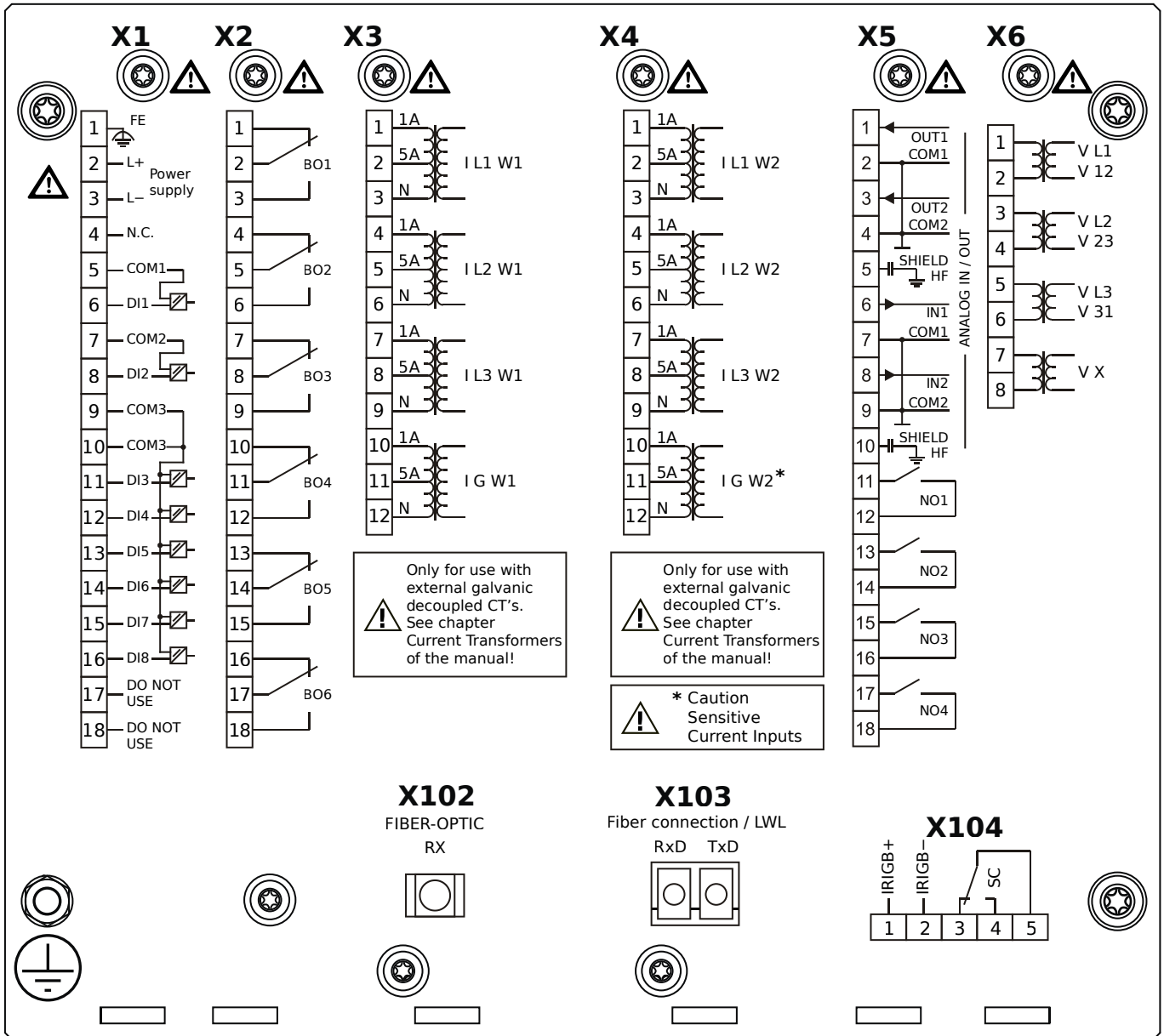
MCDTV4-2B2AKA



Housing B2, large display, door mounting

- X1** – DI8-X1: Wide-range power supply unit, incl. 2 non-grouped digital inputs and 6 grouped digital inputs
- X2** – OR6: Assembly Group with 6 Output Relays
- X3** – TI: Standard current measuring card (for the winding side 1)
- X4** – TIs: Standard phase current measuring card and sensitive ground current measuring (winding side 2)
- X5** – AnIO2-OR4: Assembly Group with 2 Analog Inputs, 2 Analog Outputs and 4 Output Relays
- X6** – TU: Card with 4 voltage transformer measuring inputs
- X102** – Universal Resistance-Temperature Detector (URTD) input, Fiber optics interface, Versatile Link
- X103** – IEC 61850 / Modbus TCP / DNP3.0 TCP/UDP, Fiber optics interface, LC Connector
- X104** – IRIG-B00X, incl. System Contact (Supervision Contact)

MCDTV4-2B2AKB

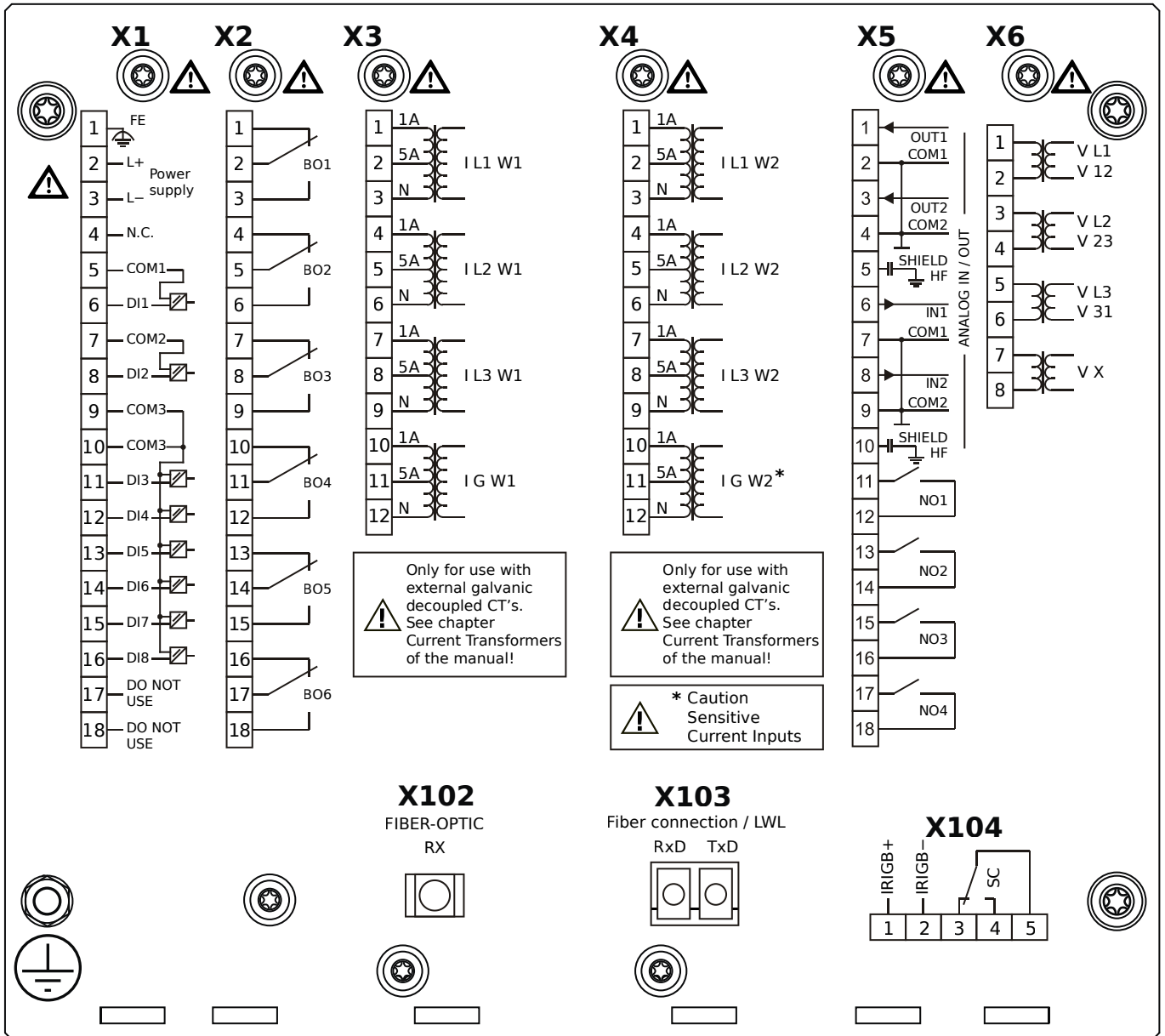


Housing B2, large display, door mounting

+ Conformal Coating (for installations in harsh environment)

- X1** – DI8-X1: Wide-range power supply unit, incl. 2 non-grouped digital inputs and 6 grouped digital inputs
- X2** – OR6: Assembly Group with 6 Output Relays
- X3** – TI: Standard current measuring card (for the winding side 1)
- X4** – TIs: Standard phase current measuring card and sensitive ground current measuring (winding side 2)
- X5** – AnIO2-OR4: Assembly Group with 2 Analog Inputs, 2 Analog Outputs and 4 Output Relays
- X6** – TU: Card with 4 voltage transformer measuring inputs
- X102** – Universal Resistance-Temperature Detector (URTD) input, Fiber optics interface, Versatile Link
- X103** – IEC 61850 / Modbus TCP / DNP3.0 TCP/UDP, Fiber optics interface, LC Connector
- X104** – IRIG-B00X, incl. System Contact (Supervision Contact)

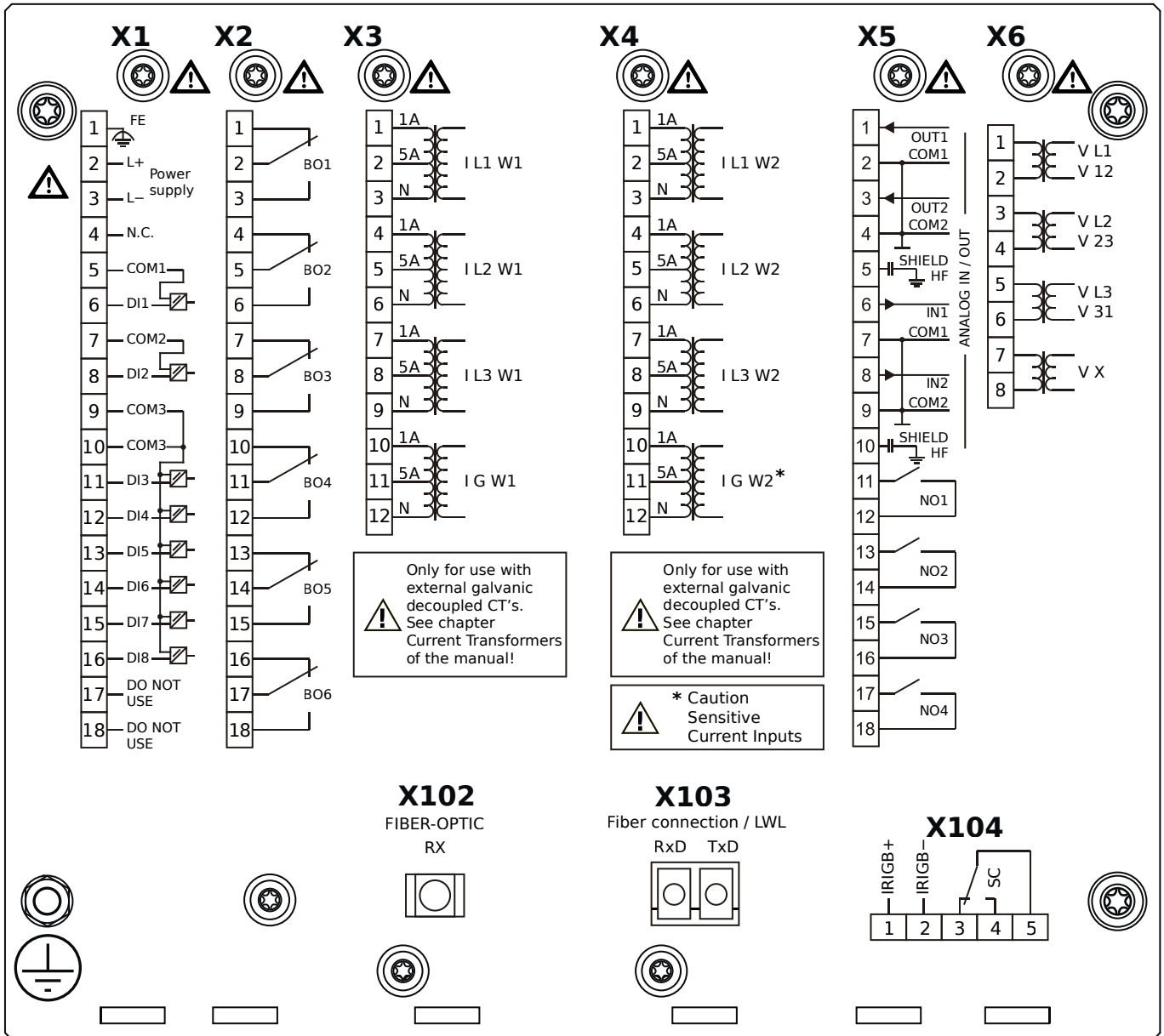
MCDTV4-2B2ALA



Housing B2, large display, door mounting

- X1** – DI8-X1: Wide-range power supply unit, incl. 2 non-grouped digital inputs and 6 grouped digital inputs
- X2** – OR6: Assembly Group with 6 Output Relays
- X3** – TI: Standard current measuring card (for the winding side 1)
- X4** – TIs: Standard phase current measuring card and sensitive ground current measuring (winding side 2)
- X5** – AnIO2-OR4: Assembly Group with 2 Analog Inputs, 2 Analog Outputs and 4 Output Relays
- X6** – TU: Card with 4 voltage transformer measuring inputs
- X102** – Universal Resistance-Temperature Detector (URTD) input, Fiber optics interface, Versatile Link
- X103** – Modbus TCP / DNP3.0 TCP/UDP, Fiber optics interface, LC Connector
- X104** – IRIG-B00X, incl. System Contact (Supervision Contact)

MCDTV4-2B2ALB

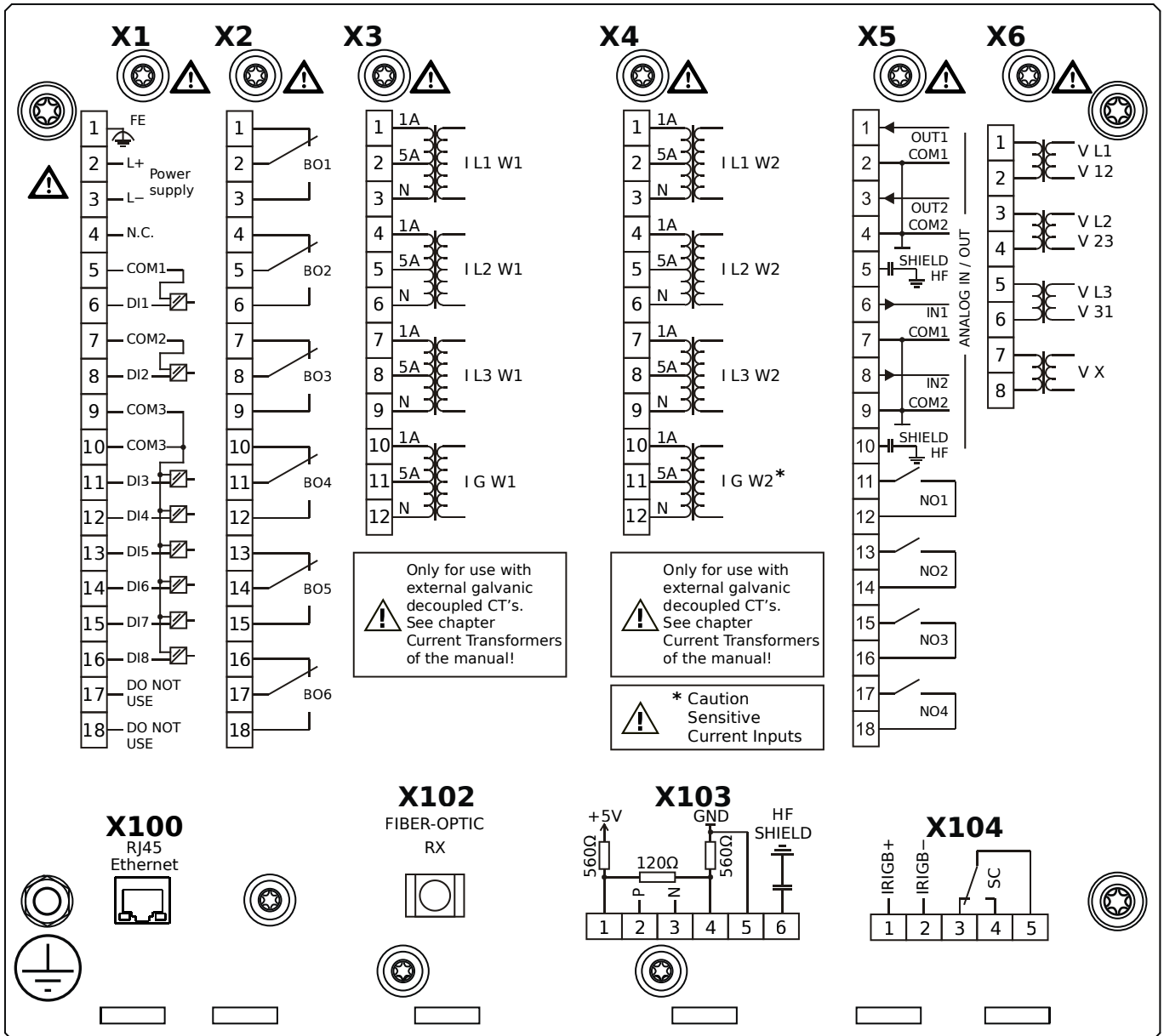


Housing B2, large display, door mounting

+ Conformal Coating (for installations in harsh environment)

- X1** – DI8-X1: Wide-range power supply unit, incl. 2 non-grouped digital inputs and 6 grouped digital inputs
- X2** – OR6: Assembly Group with 6 Output Relays
- X3** – TI: Standard current measuring card (for the winding side 1)
- X4** – TIs: Standard phase current measuring card and sensitive ground current measuring (winding side 2)
- X5** – AnIO2-OR4: Assembly Group with 2 Analog Inputs, 2 Analog Outputs and 4 Output Relays
- X6** – TU: Card with 4 voltage transformer measuring inputs
- X102** – Universal Resistance-Temperature Detector (URTD) input, Fiber optics interface, Versatile Link
- X103** – Modbus TCP / DNP3.0 TCP/UDP, Fiber optics interface, LC Connector
- X104** – IRIG-B00X, incl. System Contact (Supervision Contact)

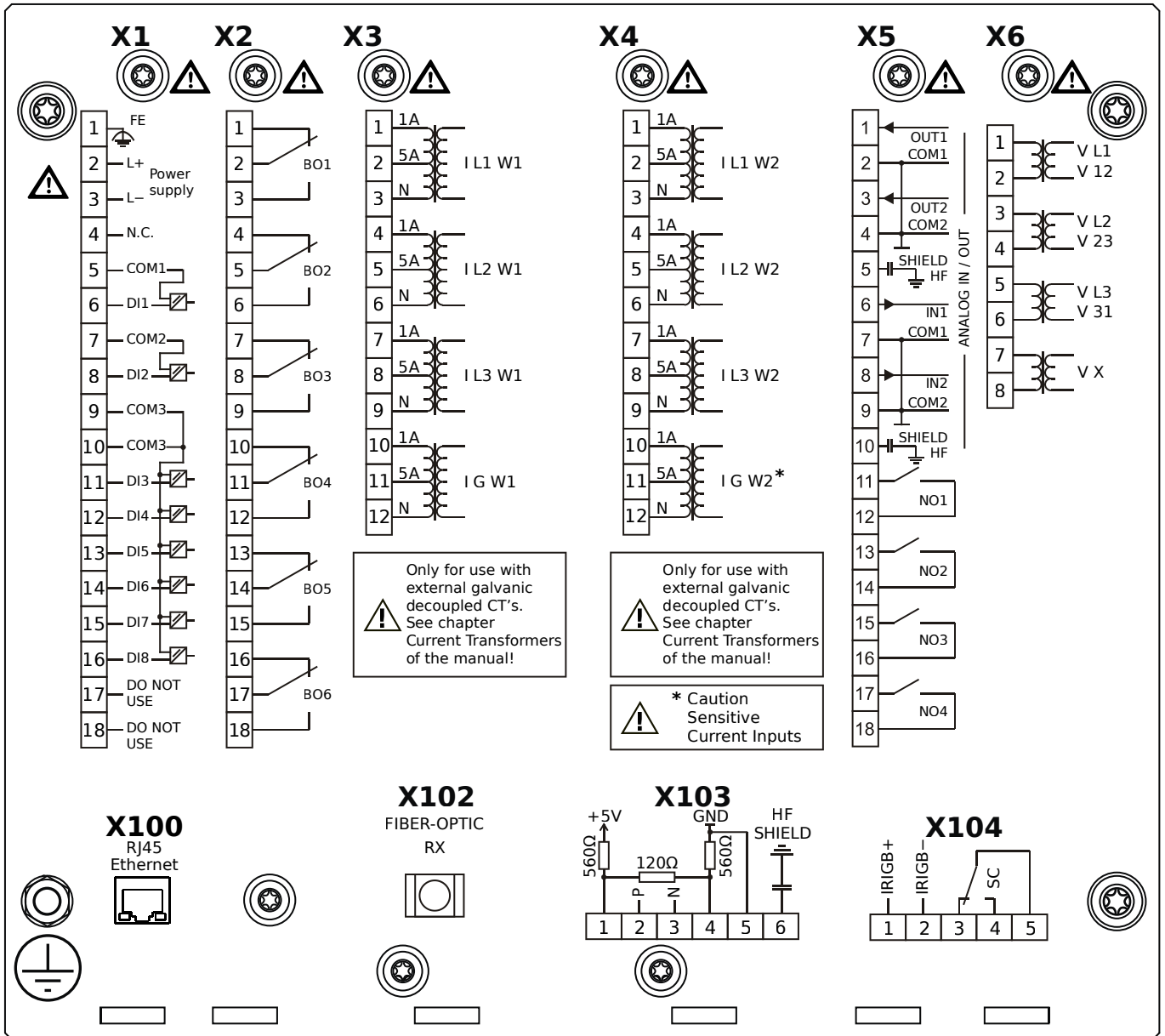
MCDTV4-2B2ATA



Housing B2, large display, door mounting

- X1** – DI8-X1: Wide-range power supply unit, incl. 2 non-grouped digital inputs and 6 grouped digital inputs
- X2** – OR6: Assembly Group with 6 Output Relays
- X3** – TI: Standard current measuring card (for the winding side 1)
- X4** – TIs: Standard phase current measuring card and sensitive ground current measuring (winding side 2)
- X5** – AnIO2-OR4: Assembly Group with 2 Analog Inputs, 2 Analog Outputs and 4 Output Relays
- X6** – TU: Card with 4 voltage transformer measuring inputs
- X100** – IEC 61850 / Modbus TCP / DNP3.0 TCP/UDP, Ethernet interface, 100 Mbit/s, RJ45 (BASE100-FX)
- X102** – Universal Resistance-Temperature Detector (URTD) input, Fiber optics interface, Versatile Link
- X103** – IEC 60870-5-103 / Modbus RTU / DNP3.0 RTU, RS485, Terminals
- X104** – IRIG-B00X, incl. System Contact (Supervision Contact)

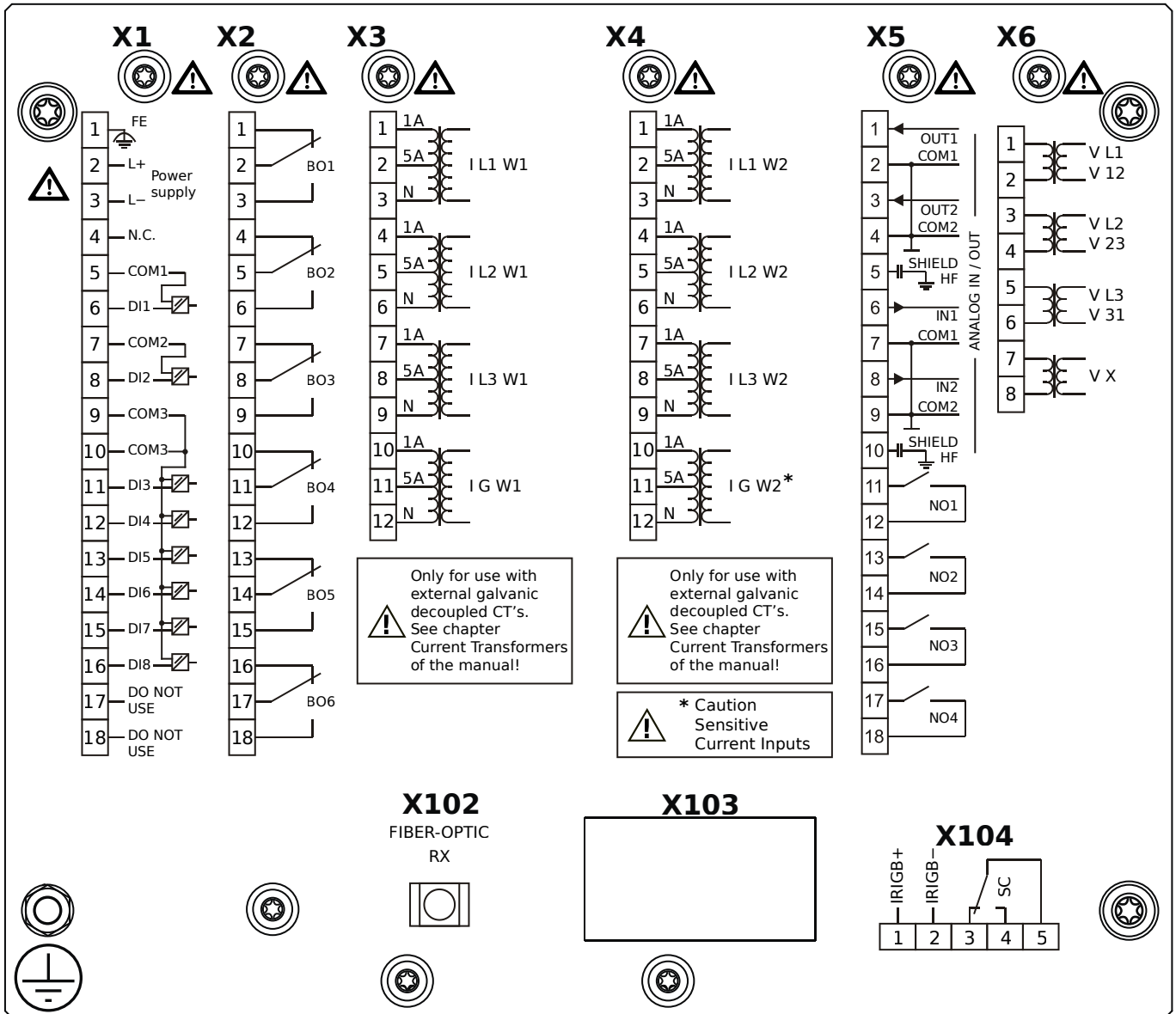
MCDTV4-2B2ATB



Housing B2, large display, door mounting

- + Conformal Coating (for installations in harsh environment)
- X1** – DI8-X1: Wide-range power supply unit, incl. 2 non-grouped digital inputs and 6 grouped digital inputs
- X2** – OR6: Assembly Group with 6 Output Relays
- X3** – TI: Standard current measuring card (for the winding side 1)
- X4** – TIs: Standard phase current measuring card and sensitive ground current measuring (winding side 2)
- X5** – AnIO2-OR4: Assembly Group with 2 Analog Inputs, 2 Analog Outputs and 4 Output Relays
- X6** – TU: Card with 4 voltage transformer measuring inputs
- X100** – IEC 61850 / Modbus TCP / DNP3.0 TCP/UDP, Ethernet interface, 100 Mbit/s, RJ45 (BASE100-FX)
- X102** – Universal Resistance-Temperature Detector (URTD) input, Fiber optics interface, Versatile Link
- X103** – IEC 60870-5-103 / Modbus RTU / DNP3.0 RTU, RS485, Terminals
- X104** – IRIG-B00X, incl. System Contact (Supervision Contact)

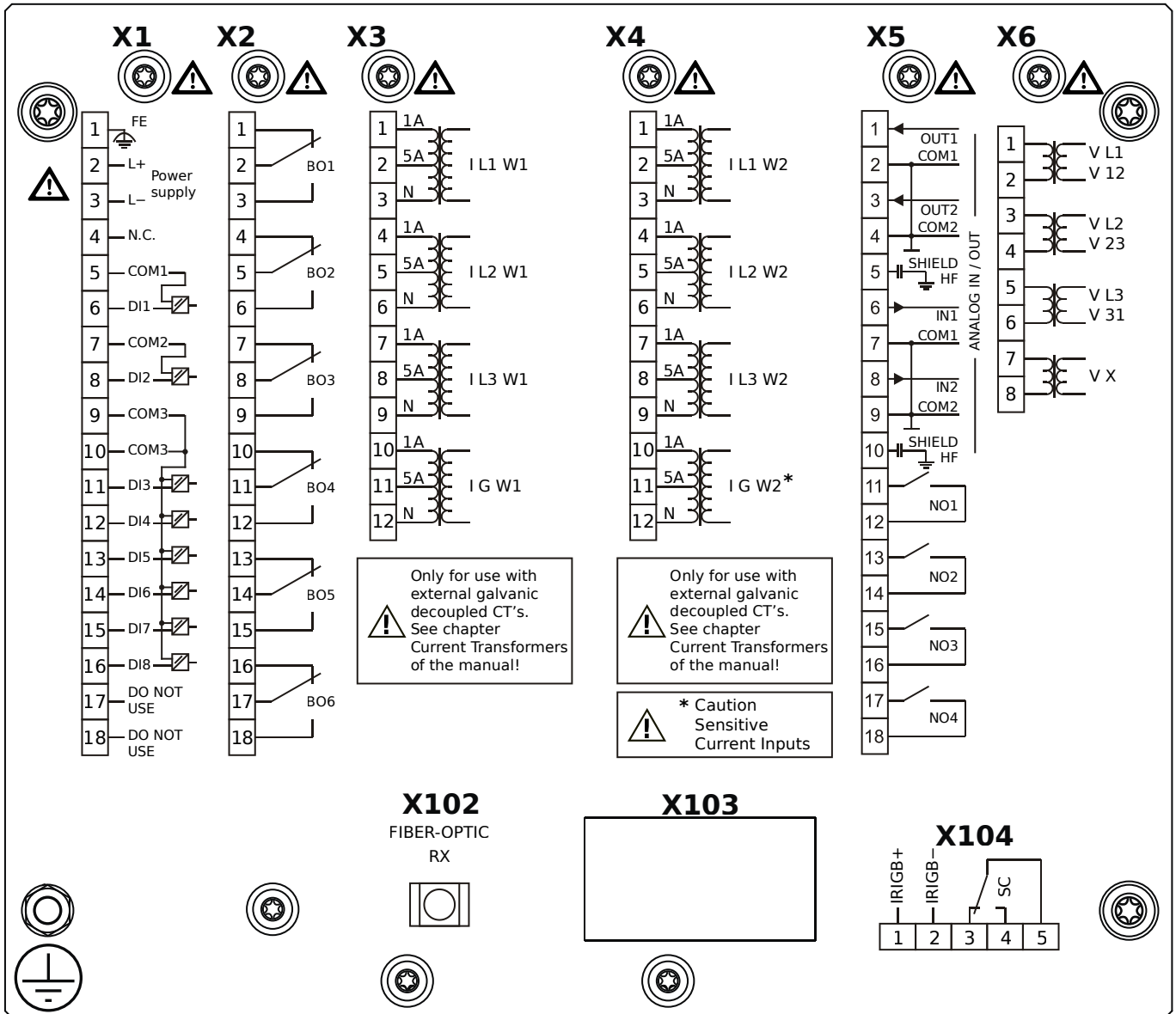
MCDTV4-2B2BAA



Housing B2, large display, 19" rack mounting

- X1** – DI8-X1: Wide-range power supply unit, incl. 2 non-grouped digital inputs and 6 grouped digital inputs
- X2** – OR6: Assembly Group with 6 Output Relays
- X3** – TI: Standard current measuring card (for the winding side 1)
- X4** – TIs: Standard phase current measuring card and sensitive ground current measuring (winding side 2)
- X5** – AnIO2-OR4: Assembly Group with 2 Analog Inputs, 2 Analog Outputs and 4 Output Relays
- X6** – TU: Card with 4 voltage transformer measuring inputs
- X102** – Universal Resistance-Temperature Detector (URTD) input, Fiber optics interface, Versatile Link
- X104** – IRIG-B00X, incl. System Contact (Supervision Contact)

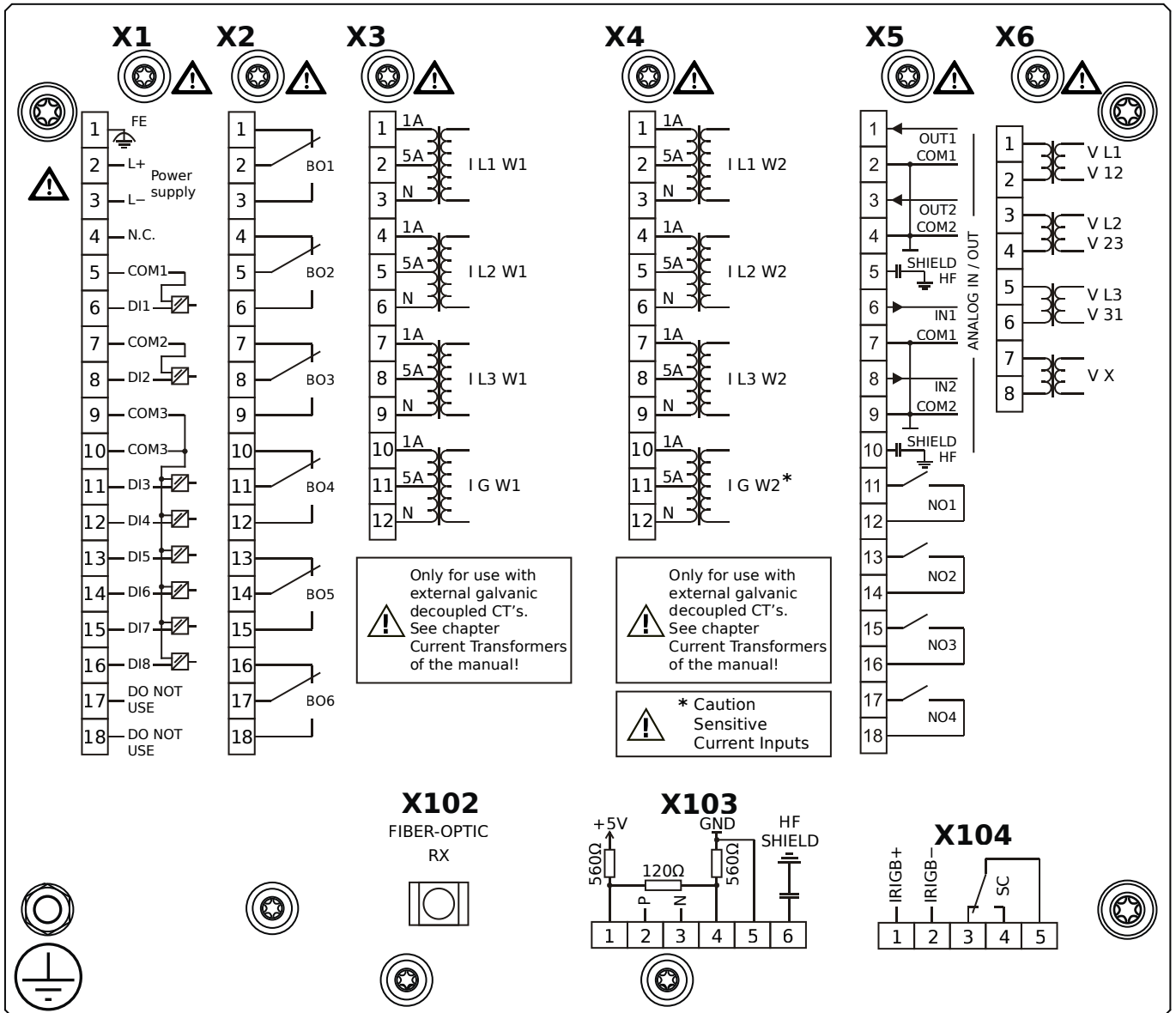
MCDTV4-2B2BAB



Housing B2, large display, 19" rack mounting

- + Conformal Coating (for installations in harsh environment)
- X1** – DI8-X1: Wide-range power supply unit, incl. 2 non-grouped digital inputs and 6 grouped digital inputs
- X2** – OR6: Assembly Group with 6 Output Relays
- X3** – TI: Standard current measuring card (for the winding side 1)
- X4** – TIs: Standard phase current measuring card and sensitive ground current measuring (winding side 2)
- X5** – AnIO2-OR4: Assembly Group with 2 Analog Inputs, 2 Analog Outputs and 4 Output Relays
- X6** – TU: Card with 4 voltage transformer measuring inputs
- X102** – Universal Resistance-Temperature Detector (URTD) input, Fiber optics interface, Versatile Link
- X104** – IRIG-B00X, incl. System Contact (Supervision Contact)

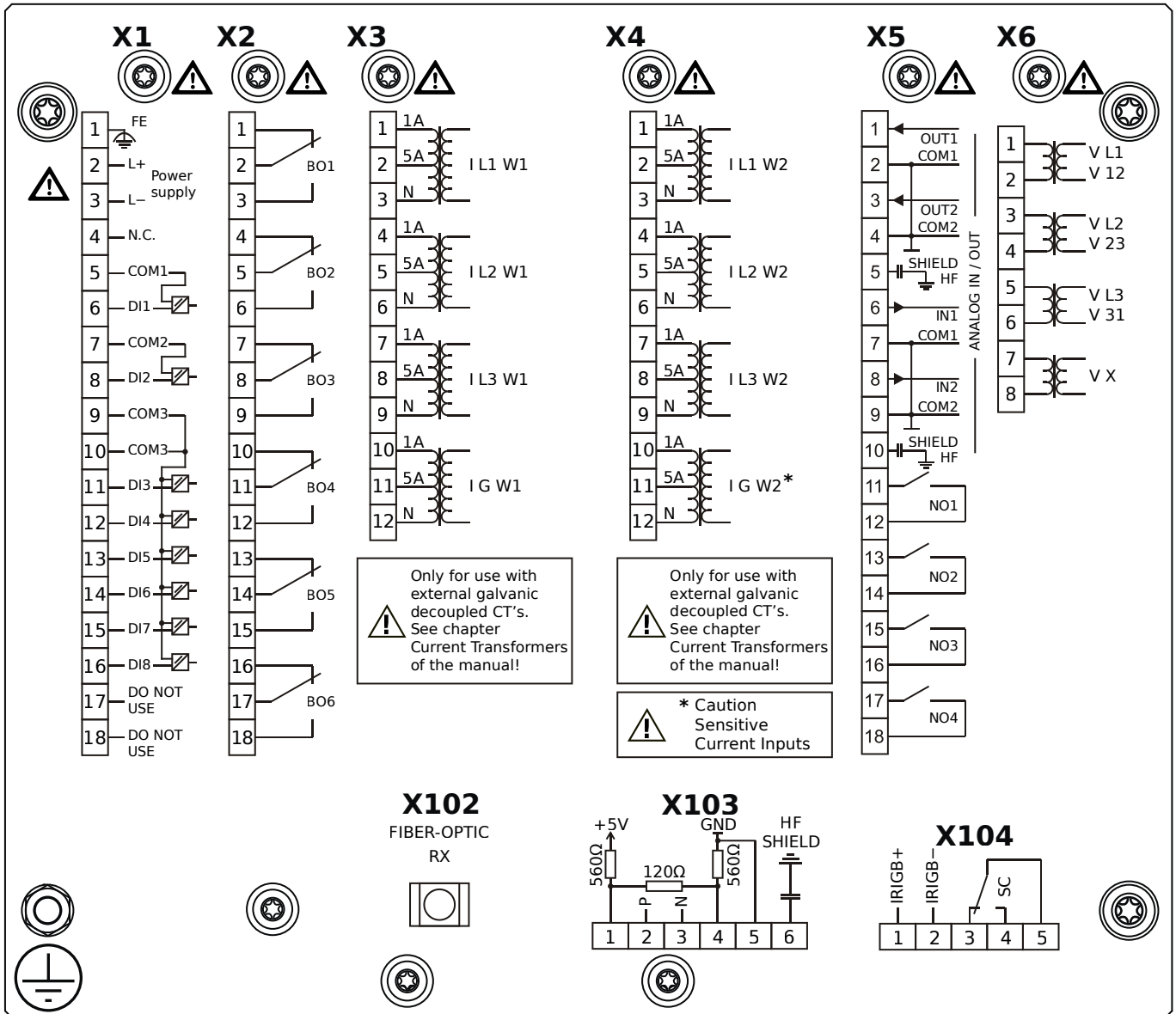
MCDTV4-2B2BBA



Housing B2, large display, 19" rack mounting

- X1** – DI8-X1: Wide-range power supply unit, incl. 2 non-grouped digital inputs and 6 grouped digital inputs
- X2** – OR6: Assembly Group with 6 Output Relays
- X3** – TI: Standard current measuring card (for the winding side 1)
- X4** – TIs: Standard phase current measuring card and sensitive ground current measuring (winding side 2)
- X5** – AnIO2-OR4: Assembly Group with 2 Analog Inputs, 2 Analog Outputs and 4 Output Relays
- X6** – TU: Card with 4 voltage transformer measuring inputs
- X102** – Universal Resistance-Temperature Detector (URTD) input, Fiber optics interface, Versatile Link
- X103** – Modbus RTU / IEC 60870-5-103 / DNP3.0 RTU, RS485, Terminals
- X104** – IRIG-B00X, incl. System Contact (Supervision Contact)

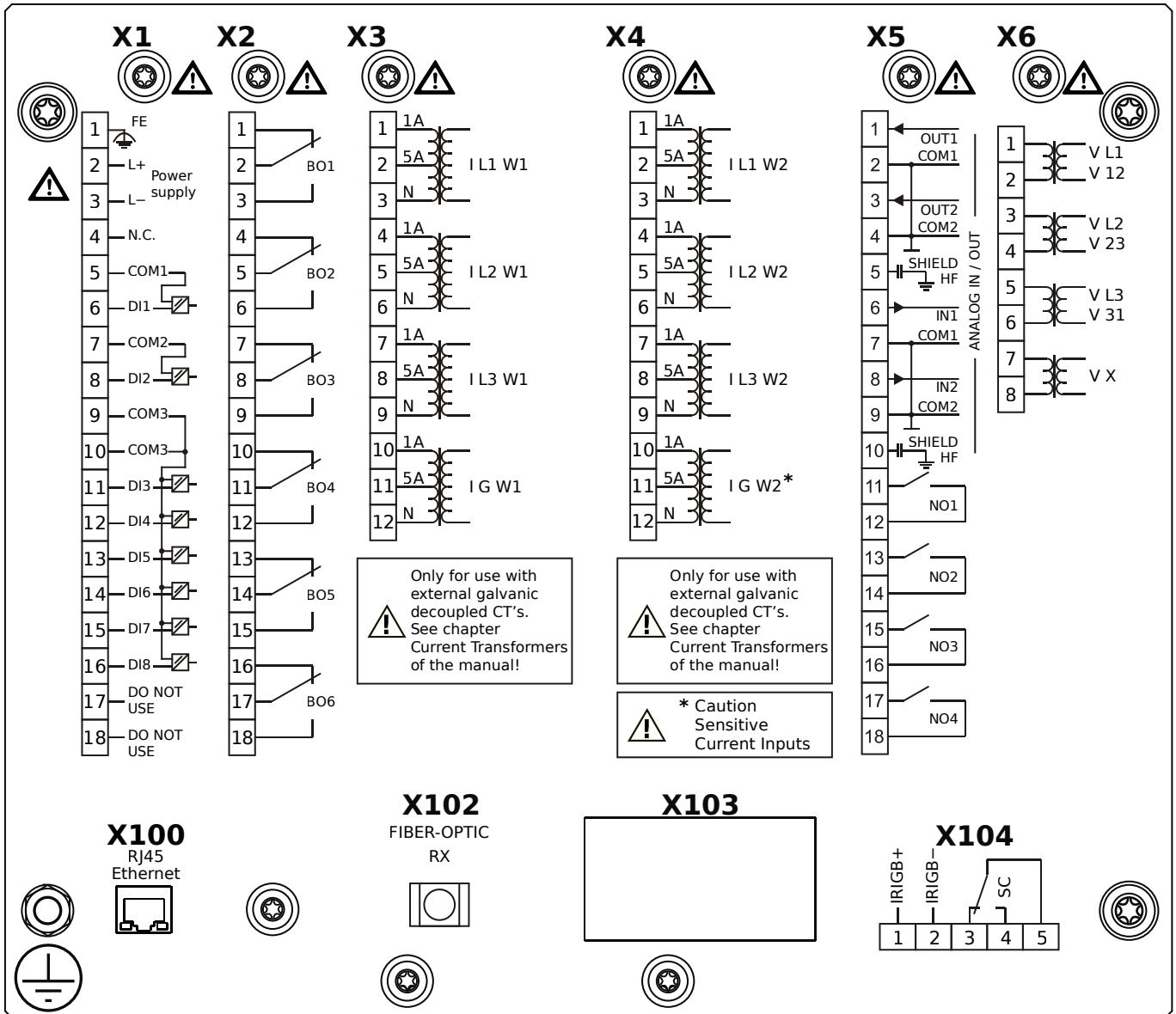
MCDTV4-2B2BBB



Housing B2, large display, 19" rack mounting

- + Conformal Coating (for installations in harsh environment)
- X1** – DI8-X1: Wide-range power supply unit, incl. 2 non-grouped digital inputs and 6 grouped digital inputs
- X2** – OR6: Assembly Group with 6 Output Relays
- X3** – TI: Standard current measuring card (for the winding side 1)
- X4** – TIs: Standard phase current measuring card and sensitive ground current measuring (winding side 2)
- X5** – AnIO2-OR4: Assembly Group with 2 Analog Inputs, 2 Analog Outputs and 4 Output Relays
- X6** – TU: Card with 4 voltage transformer measuring inputs
- X102** – Universal Resistance-Temperature Detector (URTD) input, Fiber optics interface, Versatile Link
- X103** – Modbus RTU / IEC 60870-5-103 / DNP3.0 RTU, RS485, Terminals
- X104** – IRIG-B00X, incl. System Contact (Supervision Contact)

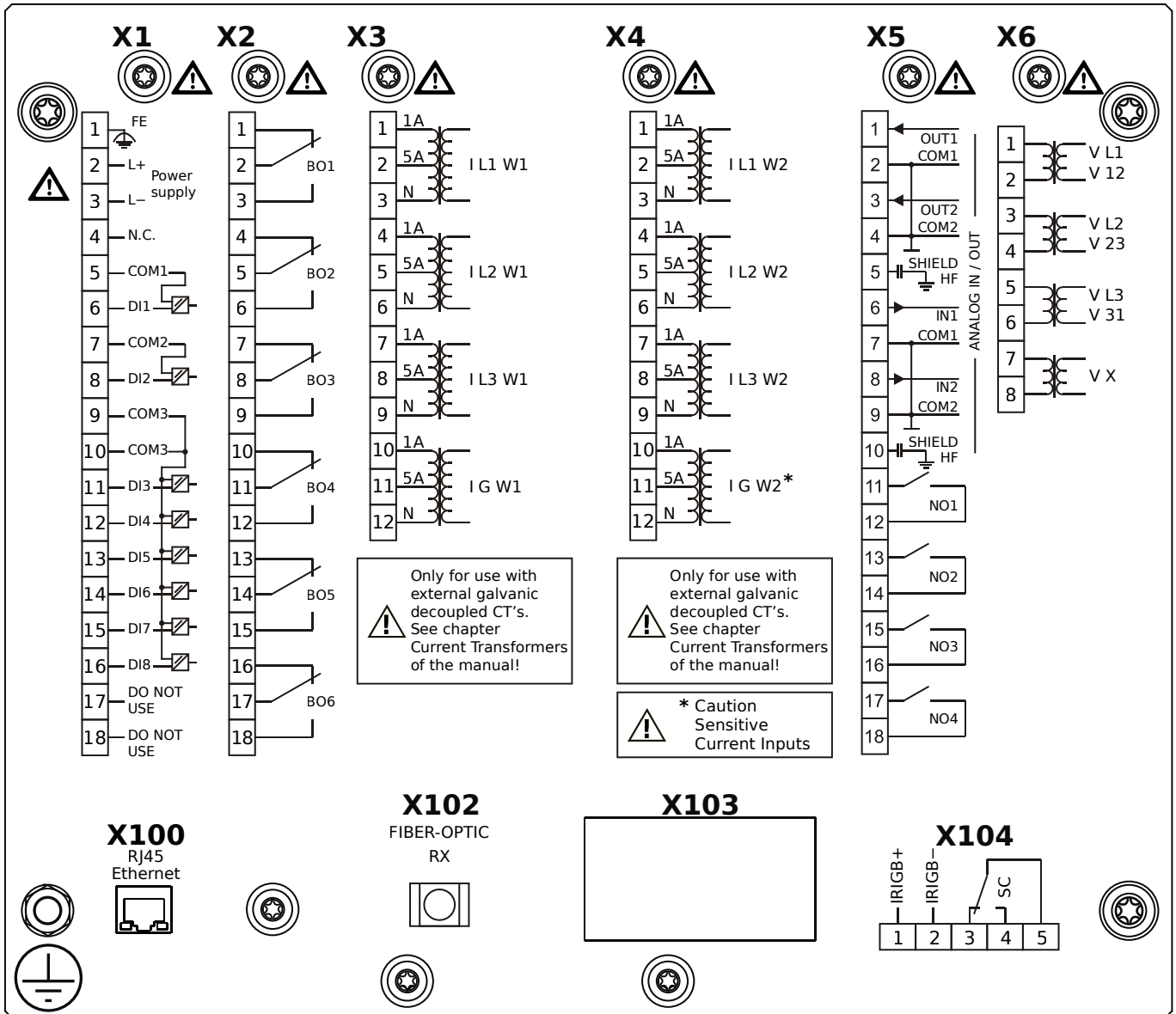
MCDTV4-2B2BCA



Housing B2, large display, 19" rack mounting

- X1** – DI8-X1: Wide-range power supply unit, incl. 2 non-grouped digital inputs and 6 grouped digital inputs
- X2** – OR6: Assembly Group with 6 Output Relays
- X3** – TI: Standard current measuring card (for the winding side 1)
- X4** – TIs: Standard phase current measuring card and sensitive ground current measuring (winding side 2)
- X5** – AnIO2-OR4: Assembly Group with 2 Analog Inputs, 2 Analog Outputs and 4 Output Relays
- X6** – TU: Card with 4 voltage transformer measuring inputs
- X100** – Modbus TCP / DNP3.0 TCP/UDP, Ethernet interface, 100 Mbit/s, RJ45 (BASE100-FX)
- X102** – Universal Resistance-Temperature Detector (URTD) input, Fiber optics interface, Versatile Link
- X104** – IRIG-B00X, incl. System Contact (Supervision Contact)

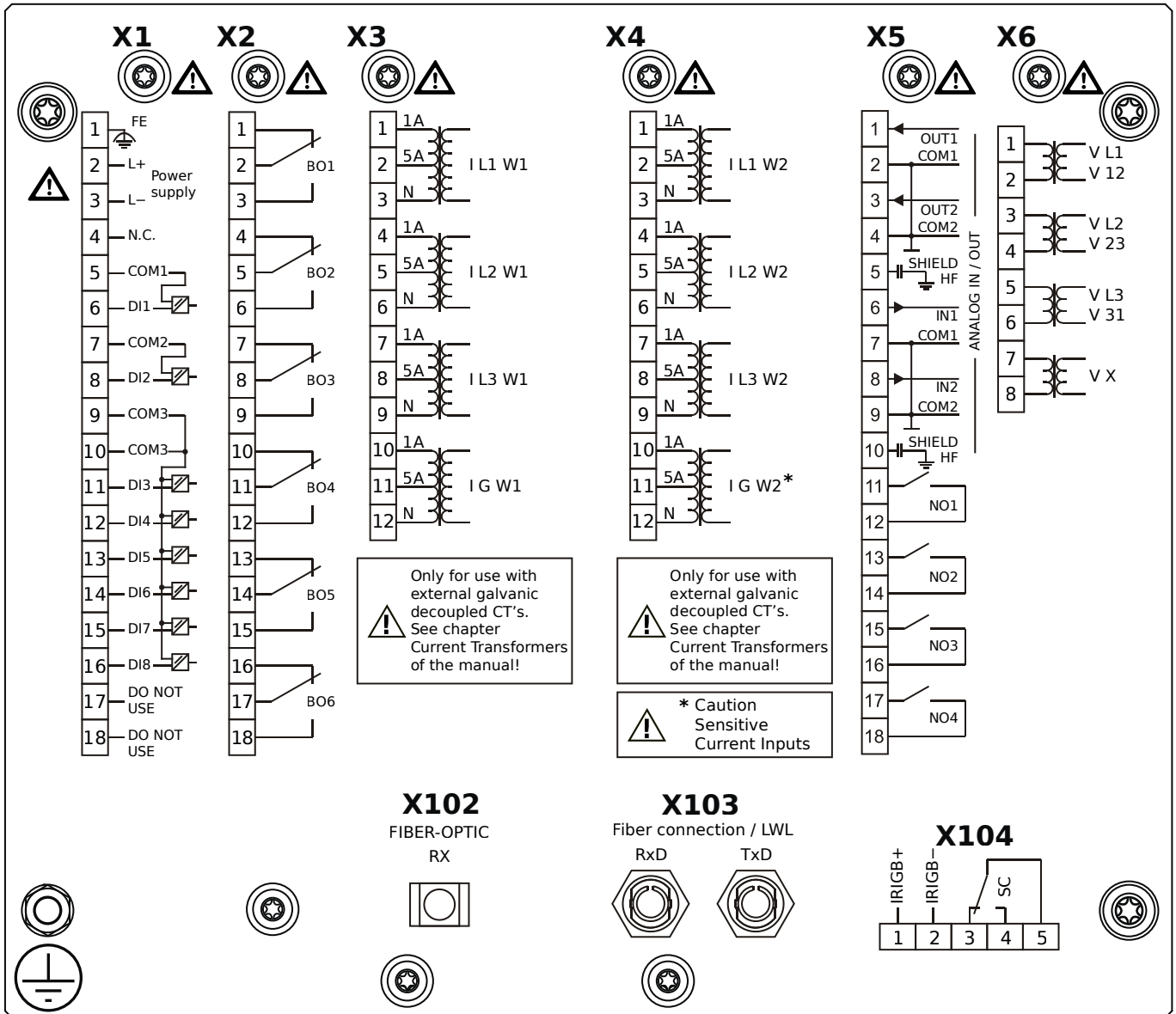
MCDTV4-2B2BCB



Housing B2, large display, 19" rack mounting

- + Conformal Coating (for installations in harsh environment)
- X1** – DI8-X1: Wide-range power supply unit, incl. 2 non-grouped digital inputs and 6 grouped digital inputs
- X2** – OR6: Assembly Group with 6 Output Relays
- X3** – TI: Standard current measuring card (for the winding side 1)
- X4** – TIs: Standard phase current measuring card and sensitive ground current measuring (winding side 2)
- X5** – AnIO2-OR4: Assembly Group with 2 Analog Inputs, 2 Analog Outputs and 4 Output Relays
- X6** – TU: Card with 4 voltage transformer measuring inputs
- X100** – Modbus TCP / DNP3.0 TCP/UDP, Ethernet interface, 100 Mbit/s, RJ45 (BASE100-FX)
- X102** – Universal Resistance-Temperature Detector (URTD) input, Fiber optics interface, Versatile Link
- X104** – IRIG-B00X, incl. System Contact (Supervision Contact)

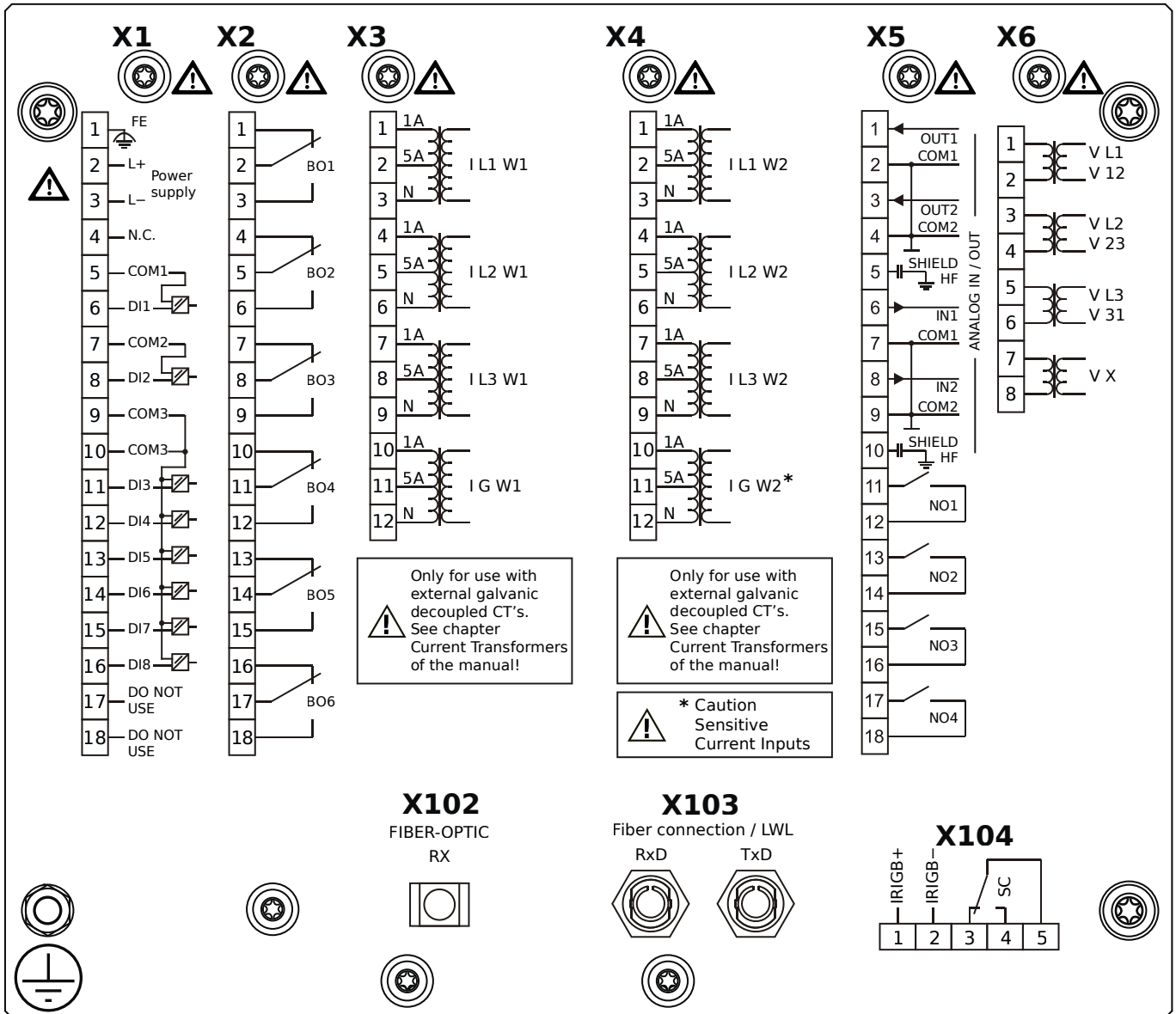
MCDTV4-2B2BDA



Housing B2, large display, 19" rack mounting

- X1** – DI8-X1: Wide-range power supply unit, incl. 2 non-grouped digital inputs and 6 grouped digital inputs
- X2** – OR6: Assembly Group with 6 Output Relays
- X3** – TI: Standard current measuring card (for the winding side 1)
- X4** – TIs: Standard phase current measuring card and sensitive ground current measuring (winding side 2)
- X5** – AnIO2-OR4: Assembly Group with 2 Analog Inputs, 2 Analog Outputs and 4 Output Relays
- X6** – TU: Card with 4 voltage transformer measuring inputs
- X102** – Universal Resistance-Temperature Detector (URTD) input, Fiber optics interface, Versatile Link
- X103** – Profibus-DP, Fiber optics interface, ST Connector
- X104** – IRIG-B00X, incl. System Contact (Supervision Contact)

MCDTV4-2B2BDB

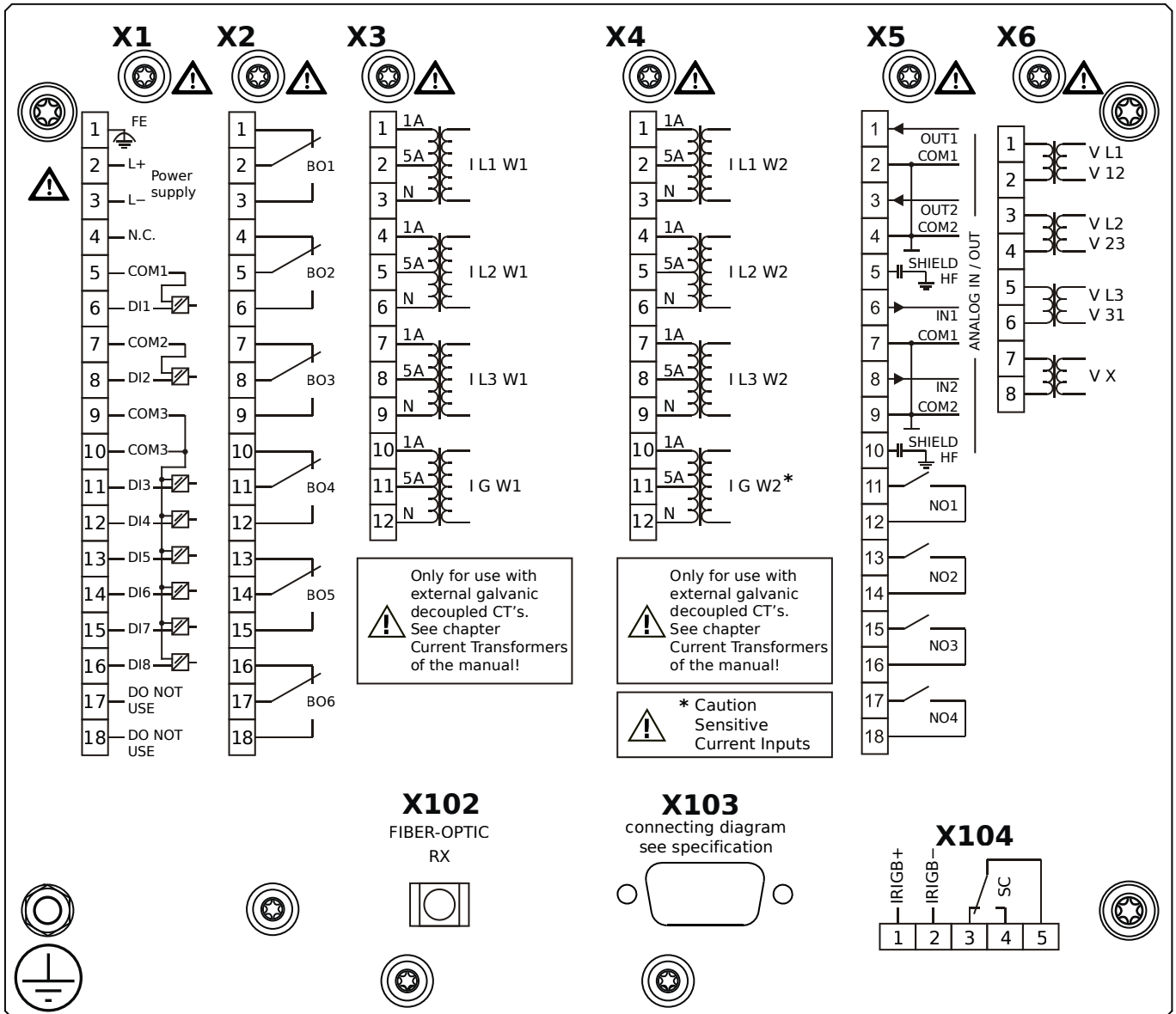


Housing B2, large display, 19" rack mounting

+ Conformal Coating (for installations in harsh environment)

- X1** – DI8-X1: Wide-range power supply unit, incl. 2 non-grouped digital inputs and 6 grouped digital inputs
- X2** – OR6: Assembly Group with 6 Output Relays
- X3** – TI: Standard current measuring card (for the winding side 1)
- X4** – TIs: Standard phase current measuring card and sensitive ground current measuring (winding side 2)
- X5** – AnIO2-OR4: Assembly Group with 2 Analog Inputs, 2 Analog Outputs and 4 Output Relays
- X6** – TU: Card with 4 voltage transformer measuring inputs
- X102** – Universal Resistance-Temperature Detector (URTD) input, Fiber optics interface, Versatile Link
- X103** – Profibus-DP, Fiber optics interface, ST Connector
- X104** – IRIG-B00X, incl. System Contact (Supervision Contact)

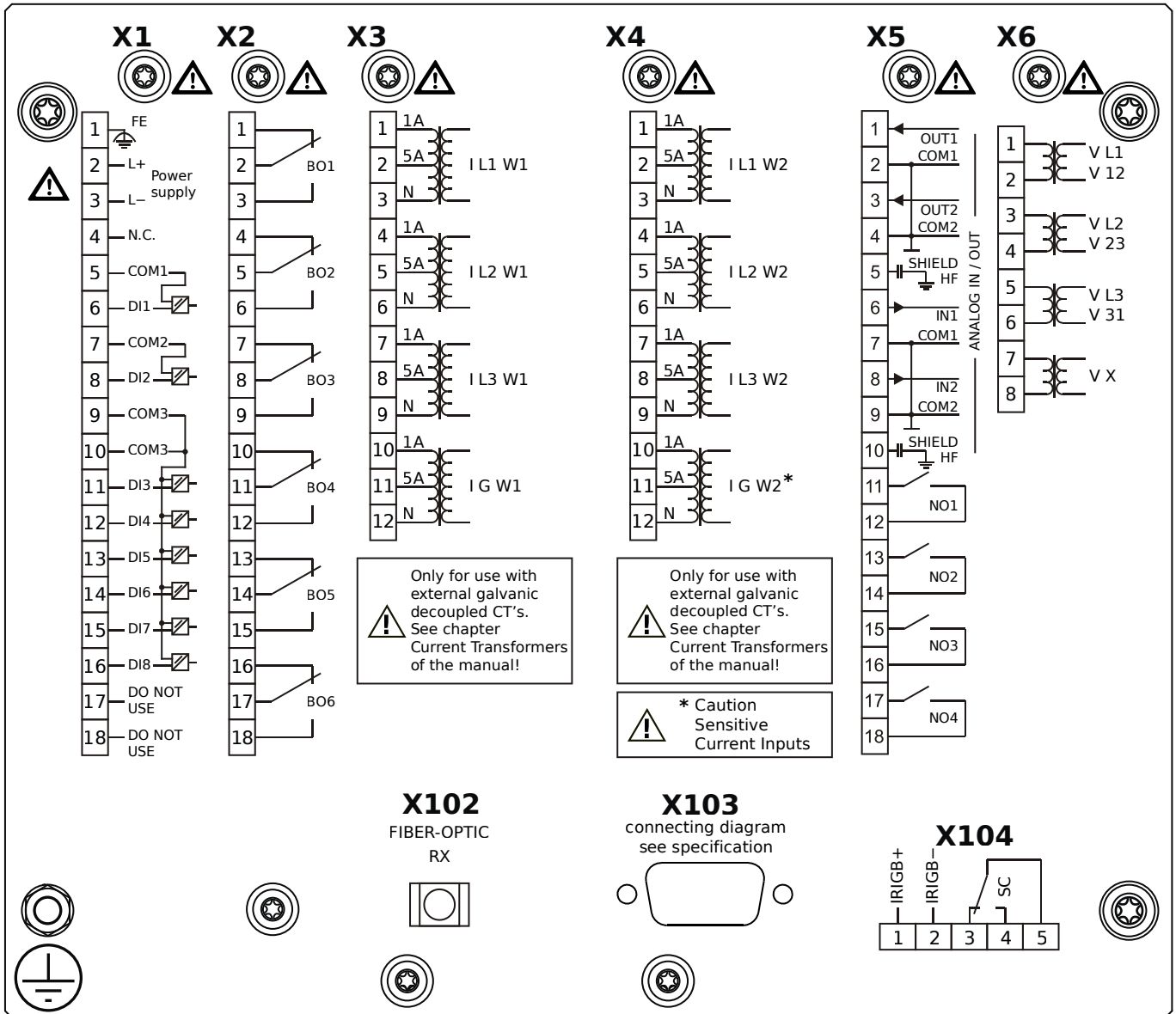
MCDTV4-2B2BEA



Housing B2, large display, 19" rack mounting

- X1** – DI8-X1: Wide-range power supply unit, incl. 2 non-grouped digital inputs and 6 grouped digital inputs
- X2** – OR6: Assembly Group with 6 Output Relays
- X3** – TI: Standard current measuring card (for the winding side 1)
- X4** – TIs: Standard phase current measuring card and sensitive ground current measuring (winding side 2)
- X5** – AnIO2-OR4: Assembly Group with 2 Analog Inputs, 2 Analog Outputs and 4 Output Relays
- X6** – TU: Card with 4 voltage transformer measuring inputs
- X102** – Universal Resistance-Temperature Detector (URTD) input, Fiber optics interface, Versatile Link
- X103** – Profibus-DP, RS485, D-SUB
- X104** – IRIG-B00X, incl. System Contact (Supervision Contact)

MCDTV4-2B2BEB

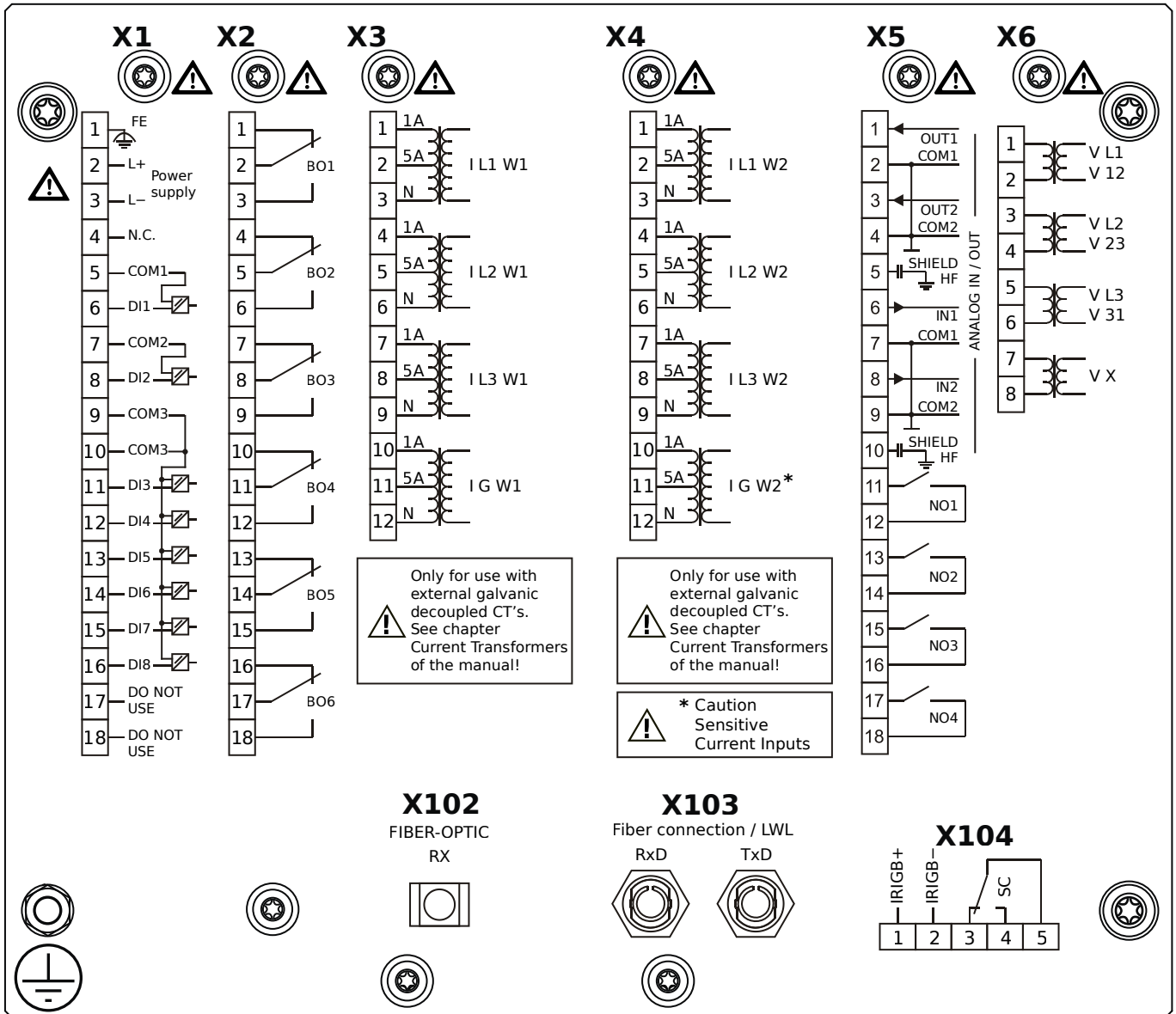


Housing B2, large display, 19" rack mounting

+ Conformal Coating (for installations in harsh environment)

- X1** – DI8-X1: Wide-range power supply unit, incl. 2 non-grouped digital inputs and 6 grouped digital inputs
- X2** – OR6: Assembly Group with 6 Output Relays
- X3** – TI: Standard current measuring card (for the winding side 1)
- X4** – TIs: Standard phase current measuring card and sensitive ground current measuring (winding side 2)
- X5** – AnIO2-OR4: Assembly Group with 2 Analog Inputs, 2 Analog Outputs and 4 Output Relays
- X6** – TU: Card with 4 voltage transformer measuring inputs
- X102** – Universal Resistance-Temperature Detector (URTD) input, Fiber optics interface, Versatile Link
- X103** – Profibus-DP, RS485, D-SUB
- X104** – IRIG-B00X, incl. System Contact (Supervision Contact)

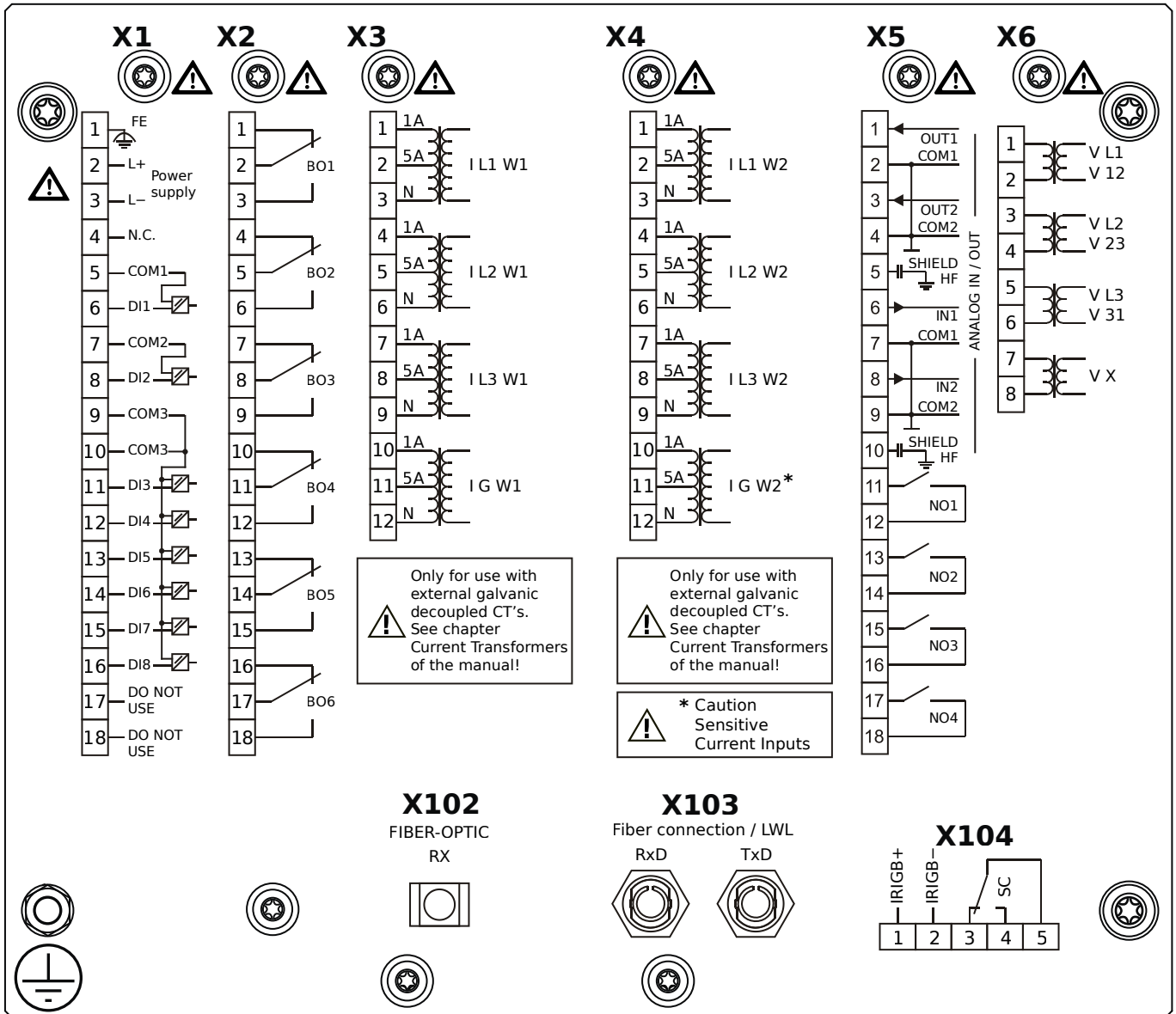
MCDTV4-2B2BFA



Housing B2, large display, 19" rack mounting

- X1** – DI8-X1: Wide-range power supply unit, incl. 2 non-grouped digital inputs and 6 grouped digital inputs
- X2** – OR6: Assembly Group with 6 Output Relays
- X3** – TI: Standard current measuring card (for the winding side 1)
- X4** – TIs: Standard phase current measuring card and sensitive ground current measuring (winding side 2)
- X5** – AnIO2-OR4: Assembly Group with 2 Analog Inputs, 2 Analog Outputs and 4 Output Relays
- X6** – TU: Card with 4 voltage transformer measuring inputs
- X102** – Universal Resistance-Temperature Detector (URTD) input, Fiber optics interface, Versatile Link
- X103** – Modbus RTU / IEC 60870-5-103 / DNP3.0 RTU, Fiber optics interface, ST Connector
- X104** – IRIG-B00X, incl. System Contact (Supervision Contact)

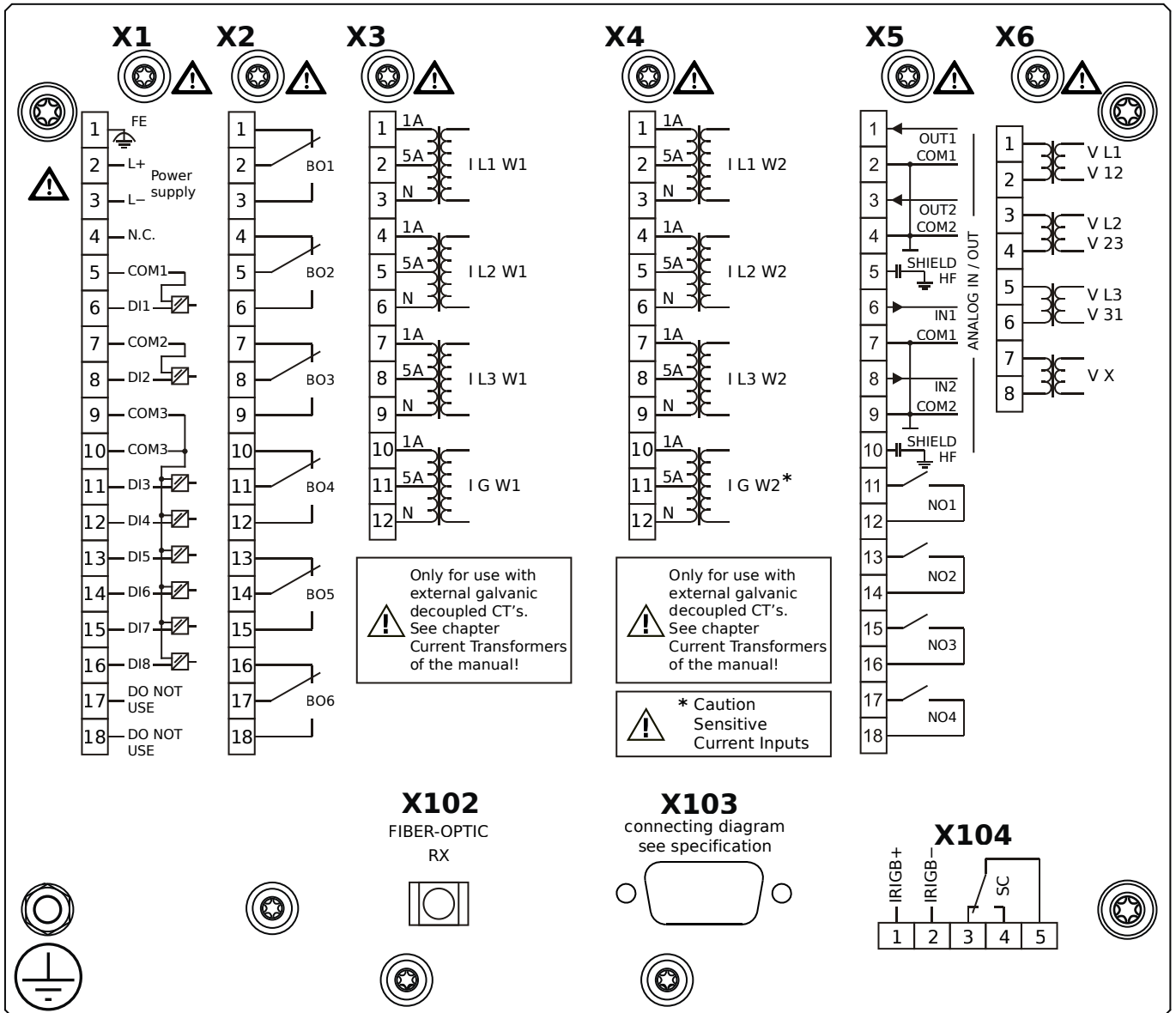
MCDTV4-2B2BFB



Housing B2, large display, 19" rack mounting

- + Conformal Coating (for installations in harsh environment)
- X1** – DI8-X1: Wide-range power supply unit, incl. 2 non-grouped digital inputs and 6 grouped digital inputs
- X2** – OR6: Assembly Group with 6 Output Relays
- X3** – TI: Standard current measuring card (for the winding side 1)
- X4** – TIs: Standard phase current measuring card and sensitive ground current measuring (winding side 2)
- X5** – AnIO2-OR4: Assembly Group with 2 Analog Inputs, 2 Analog Outputs and 4 Output Relays
- X6** – TU: Card with 4 voltage transformer measuring inputs
- X102** – Universal Resistance-Temperature Detector (URTD) input, Fiber optics interface, Versatile Link
- X103** – Modbus RTU / IEC 60870-5-103 / DNP3.0 RTU, Fiber optics interface, ST Connector
- X104** – IRIG-B00X, incl. System Contact (Supervision Contact)

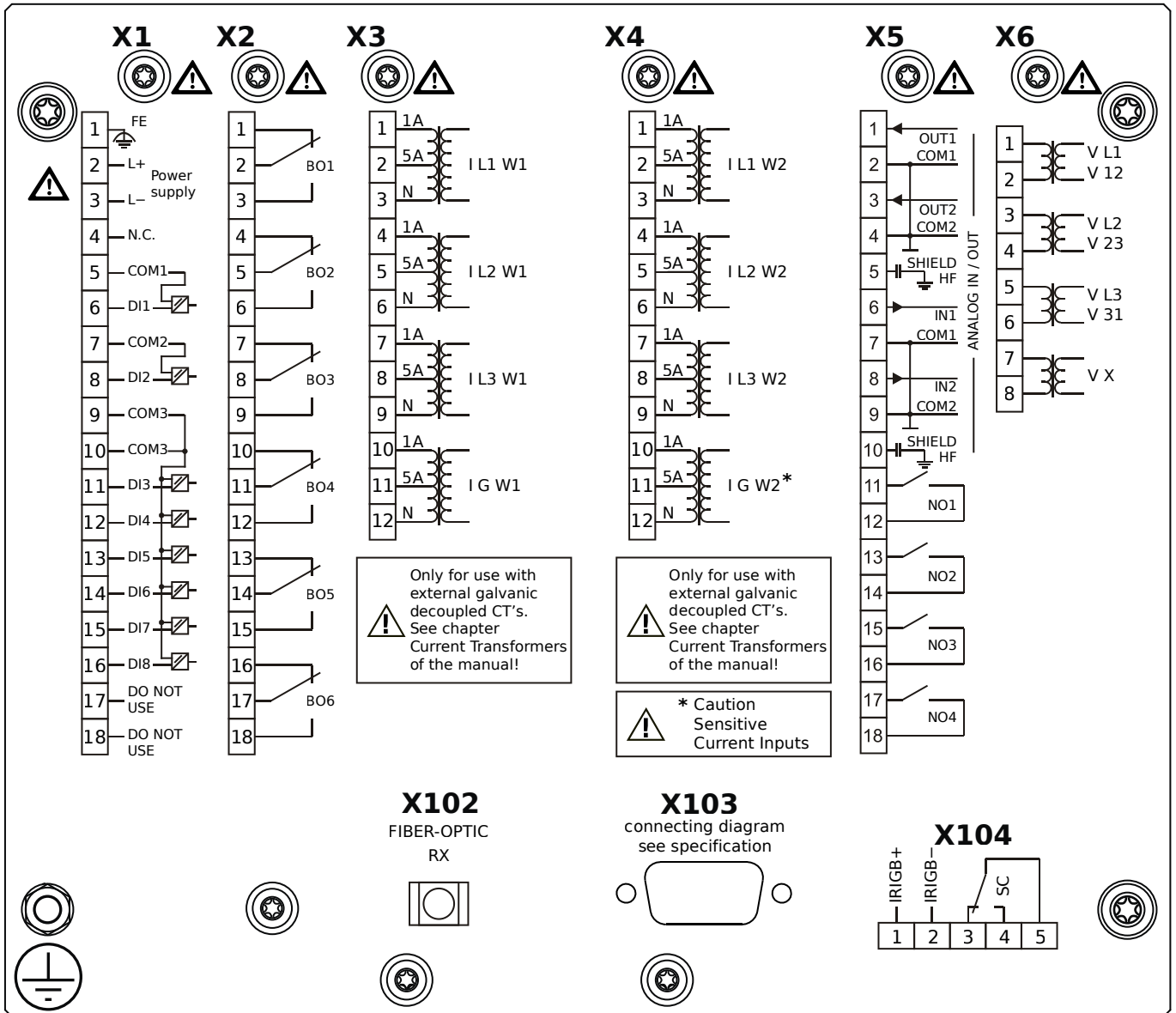
MCDTV4-2B2BGA



Housing B2, large display, 19" rack mounting

- X1** – DI8-X1: Wide-range power supply unit, incl. 2 non-grouped digital inputs and 6 grouped digital inputs
- X2** – OR6: Assembly Group with 6 Output Relays
- X3** – TI: Standard current measuring card (for the winding side 1)
- X4** – TIs: Standard phase current measuring card and sensitive ground current measuring (winding side 2)
- X5** – AnIO2-OR4: Assembly Group with 2 Analog Inputs, 2 Analog Outputs and 4 Output Relays
- X6** – TU: Card with 4 voltage transformer measuring inputs
- X102** – Universal Resistance-Temperature Detector (URTD) input, Fiber optics interface, Versatile Link
- X103** – Modbus RTU / IEC 60870-5-103 / DNP3.0 RTU, RS485, D-SUB
- X104** – IRIG-B00X, incl. System Contact (Supervision Contact)

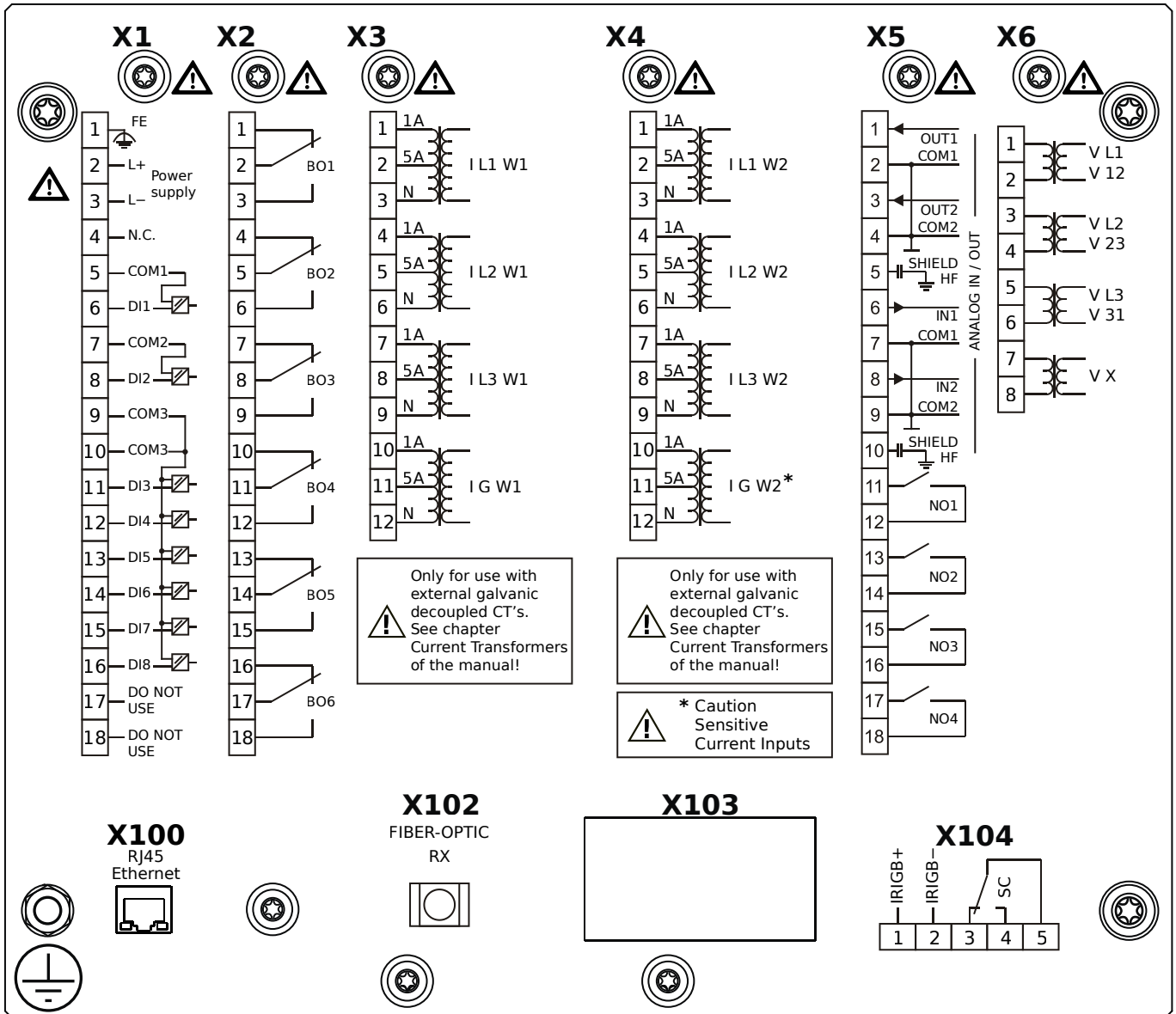
MCDTV4-2B2BGB



Housing B2, large display, 19" rack mounting

- + Conformal Coating (for installations in harsh environment)
- X1** – DI8-X1: Wide-range power supply unit, incl. 2 non-grouped digital inputs and 6 grouped digital inputs
- X2** – OR6: Assembly Group with 6 Output Relays
- X3** – TI: Standard current measuring card (for the winding side 1)
- X4** – TIs: Standard phase current measuring card and sensitive ground current measuring (winding side 2)
- X5** – AnIO2-OR4: Assembly Group with 2 Analog Inputs, 2 Analog Outputs and 4 Output Relays
- X6** – TU: Card with 4 voltage transformer measuring inputs
- X102** – Universal Resistance-Temperature Detector (URTD) input, Fiber optics interface, Versatile Link
- X103** – Modbus RTU / IEC 60870-5-103 / DNP3.0 RTU, RS485, D-SUB
- X104** – IRIG-B00X, incl. System Contact (Supervision Contact)

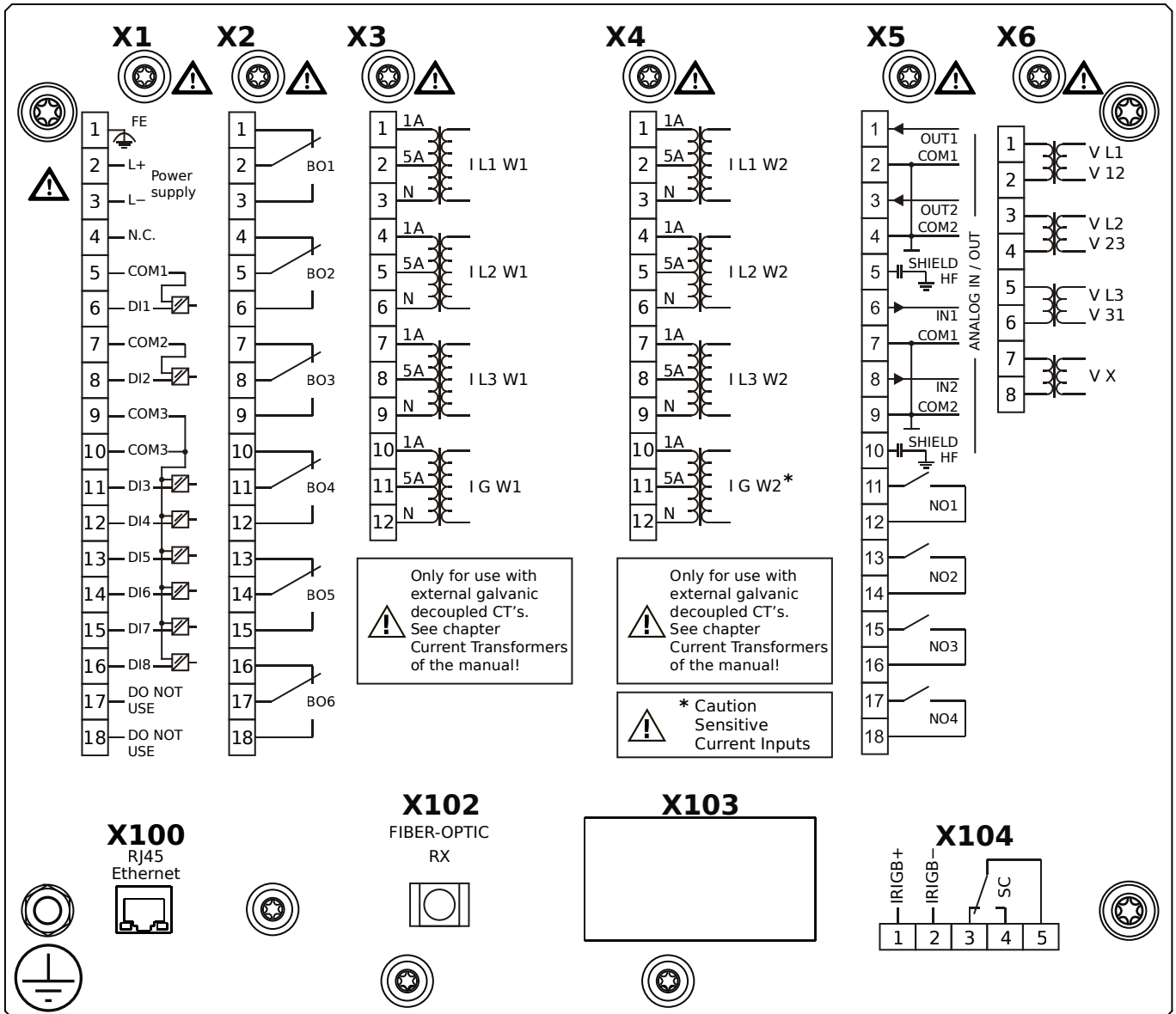
MCDTV4-2B2BHA



Housing B2, large display, 19" rack mounting

- X1** – DI8-X1: Wide-range power supply unit, incl. 2 non-grouped digital inputs and 6 grouped digital inputs
- X2** – OR6: Assembly Group with 6 Output Relays
- X3** – TI: Standard current measuring card (for the winding side 1)
- X4** – TIs: Standard phase current measuring card and sensitive ground current measuring (winding side 2)
- X5** – AnIO2-OR4: Assembly Group with 2 Analog Inputs, 2 Analog Outputs and 4 Output Relays
- X6** – TU: Card with 4 voltage transformer measuring inputs
- X100** – IEC 61850 / Modbus TCP / DNP3.0 TCP/UDP, Ethernet interface, 100 Mbit/s, RJ45 (BASE100-FX)
- X102** – Universal Resistance-Temperature Detector (URTD) input, Fiber optics interface, Versatile Link
- X104** – IRIG-B00X, incl. System Contact (Supervision Contact)

MCDTV4-2B2BHB

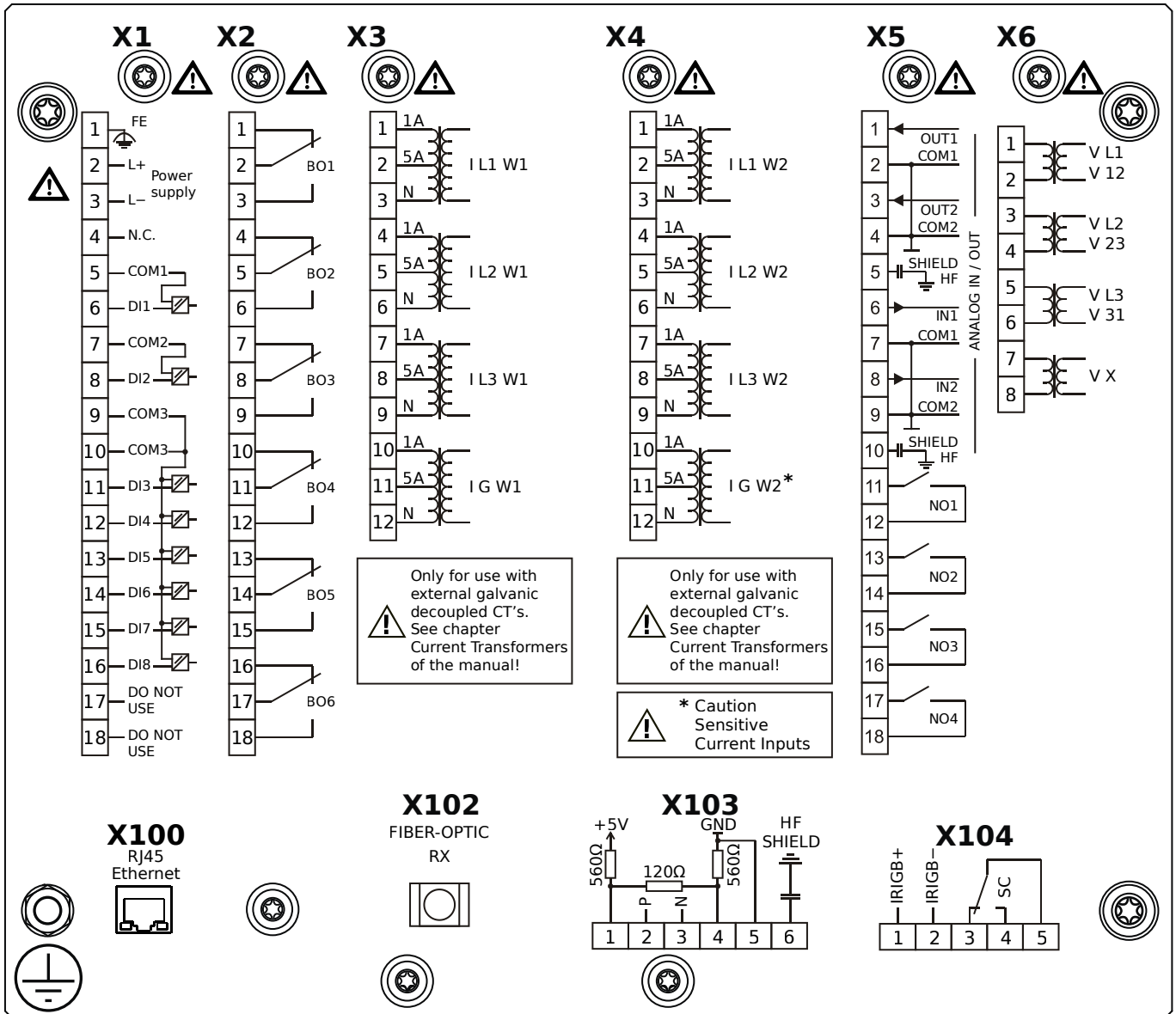


Housing B2, large display, 19" rack mounting

+ Conformal Coating (for installations in harsh environment)

- X1** – DI8-X1: Wide-range power supply unit, incl. 2 non-grouped digital inputs and 6 grouped digital inputs
- X2** – OR6: Assembly Group with 6 Output Relays
- X3** – TI: Standard current measuring card (for the winding side 1)
- X4** – TIs: Standard phase current measuring card and sensitive ground current measuring (winding side 2)
- X5** – AnIO2-OR4: Assembly Group with 2 Analog Inputs, 2 Analog Outputs and 4 Output Relays
- X6** – TU: Card with 4 voltage transformer measuring inputs
- X100** – IEC 61850 / Modbus TCP / DNP3.0 TCP/UDP, Ethernet interface, 100 Mbit/s, RJ45 (BASE100-FX)
- X102** – Universal Resistance-Temperature Detector (URTD) input, Fiber optics interface, Versatile Link
- X104** – IRIG-B00X, incl. System Contact (Supervision Contact)

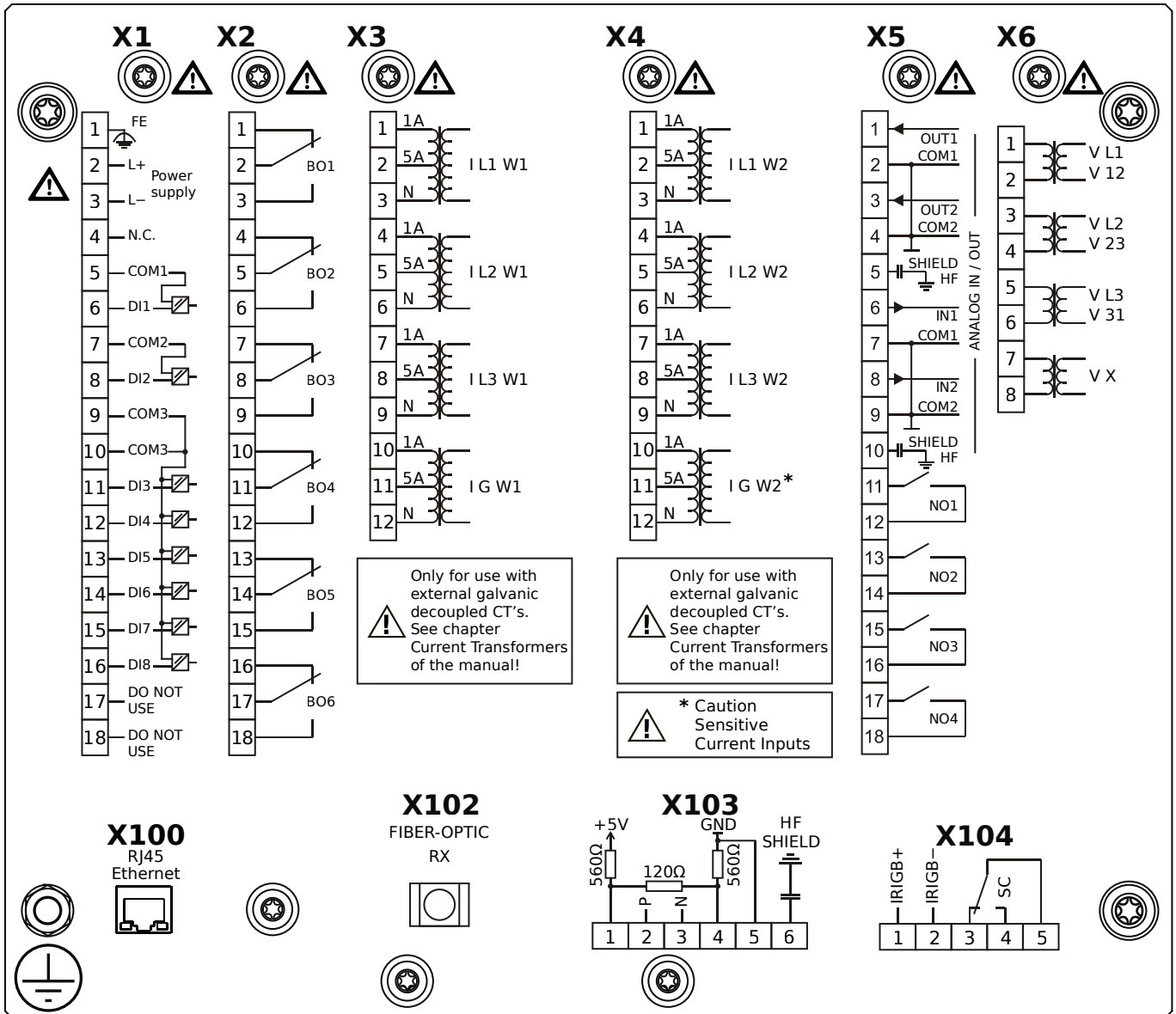
MCDTV4-2B2BIA



Housing B2, large display, 19" rack mounting

- X1** – DI8-X1: Wide-range power supply unit, incl. 2 non-grouped digital inputs and 6 grouped digital inputs
- X2** – OR6: Assembly Group with 6 Output Relays
- X3** – TI: Standard current measuring card (for the winding side 1)
- X4** – TIs: Standard phase current measuring card and sensitive ground current measuring (winding side 2)
- X5** – AnIO2-OR4: Assembly Group with 2 Analog Inputs, 2 Analog Outputs and 4 Output Relays
- X6** – TU: Card with 4 voltage transformer measuring inputs
- X100** – Modbus TCP / DNP3.0 TCP/UDP, Ethernet interface, 100 Mbit/s, RJ45 (BASE100-FX)
- X102** – Universal Resistance-Temperature Detector (URTD) input, Fiber optics interface, Versatile Link
- X103** – IEC 60870-5-103 / Modbus RTU / DNP3.0 RTU, RS485, Terminals
- X104** – IRIG-B00X, incl. System Contact (Supervision Contact)

MCDTV4-2B2BIB

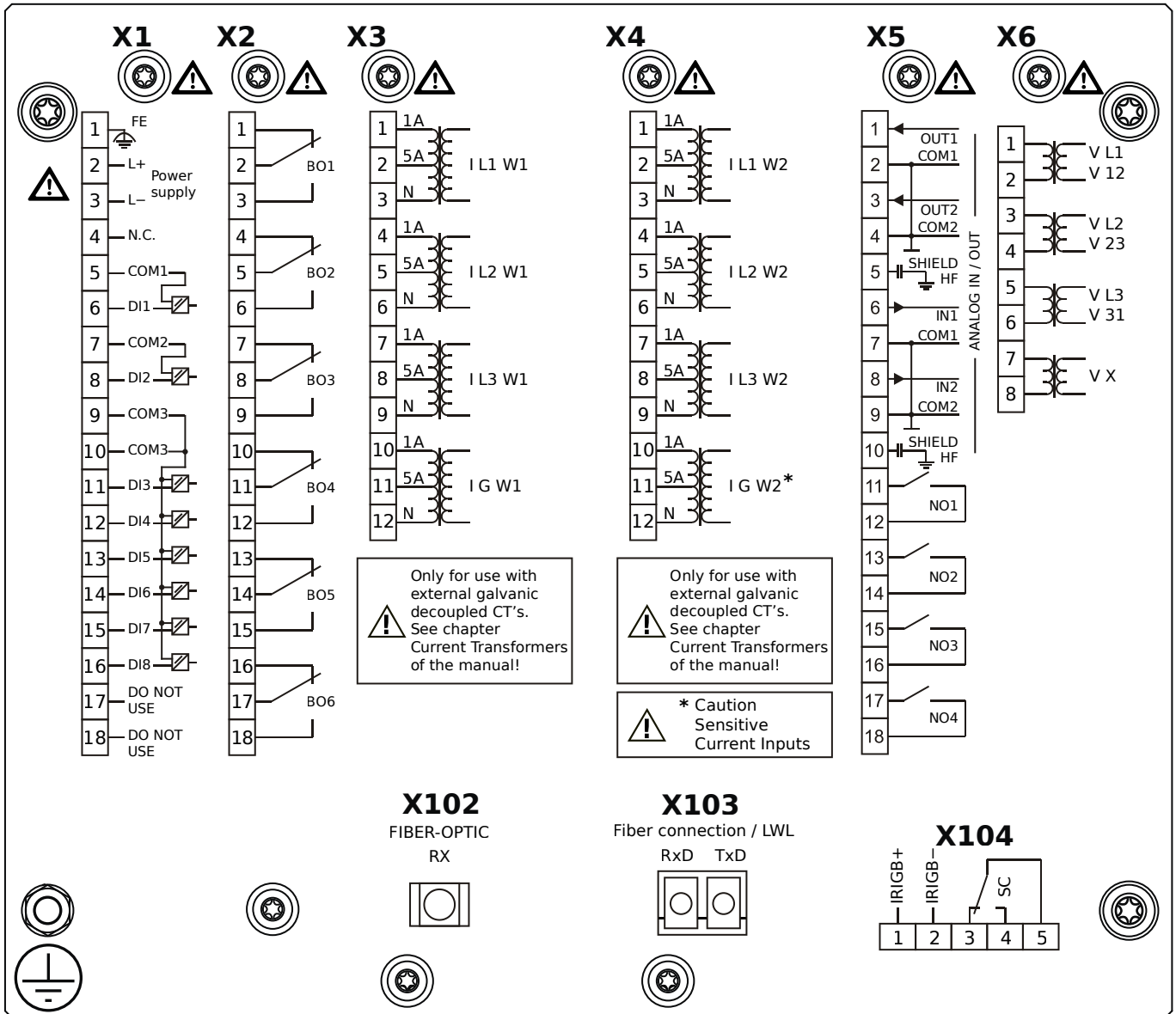


Housing B2, large display, 19" rack mounting

+ Conformal Coating (for installations in harsh environment)

- X1** – DI8-X1: Wide-range power supply unit, incl. 2 non-grouped digital inputs and 6 grouped digital inputs
- X2** – OR6: Assembly Group with 6 Output Relays
- X3** – TI: Standard current measuring card (for the winding side 1)
- X4** – TIs: Standard phase current measuring card and sensitive ground current measuring (winding side 2)
- X5** – AnIO2-OR4: Assembly Group with 2 Analog Inputs, 2 Analog Outputs and 4 Output Relays
- X6** – TU: Card with 4 voltage transformer measuring inputs
- X100** – Modbus TCP / DNP3.0 TCP/UDP, Ethernet interface, 100 Mbit/s, RJ45 (BASE100-FX)
- X102** – Universal Resistance-Temperature Detector (URTD) input, Fiber optics interface, Versatile Link
- X103** – IEC 60870-5-103 / Modbus RTU / DNP3.0 RTU, RS485, Terminals
- X104** – IRIG-B00X, incl. System Contact (Supervision Contact)

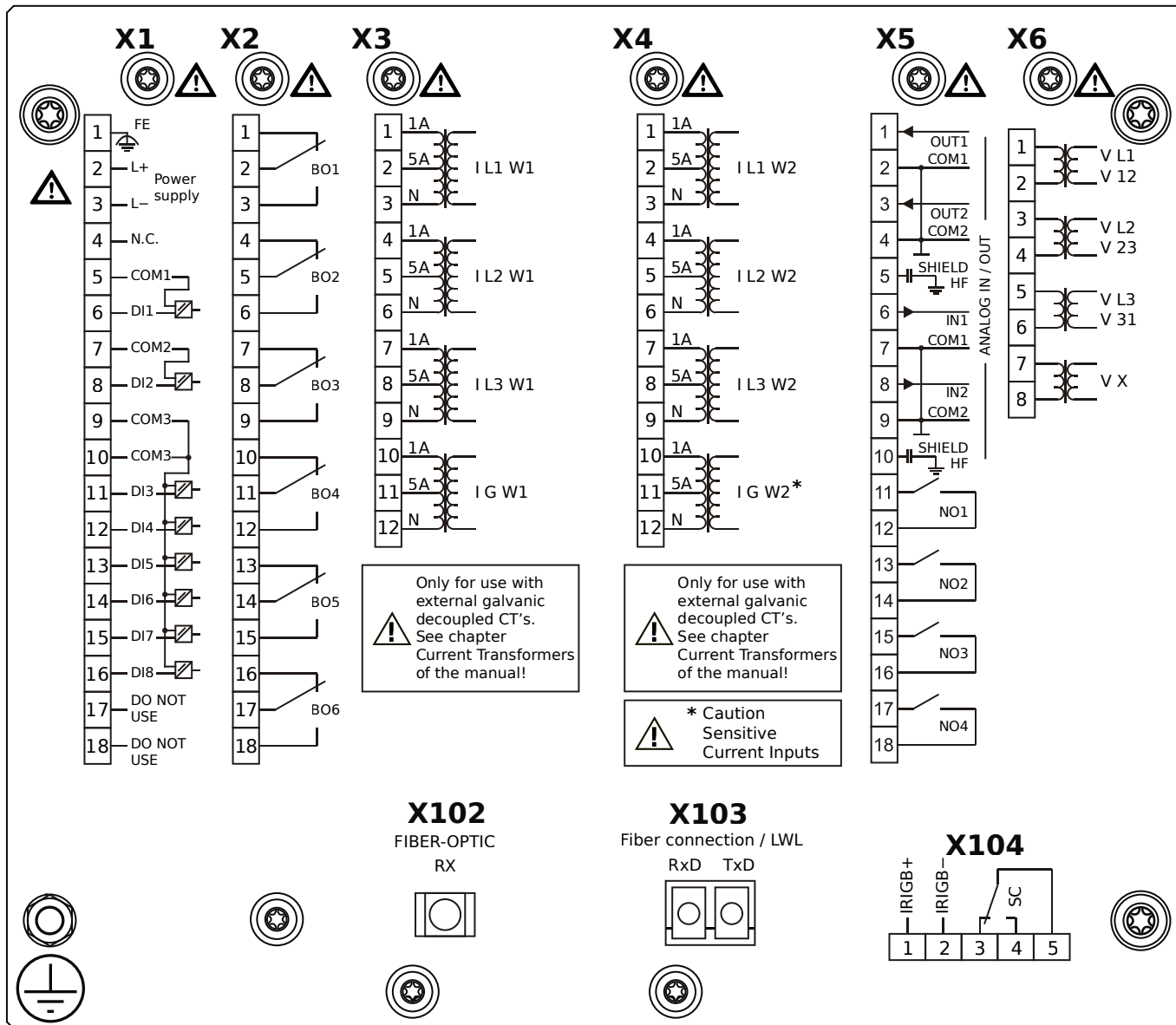
MCDTV4-2B2BKA



Housing B2, large display, 19" rack mounting

- X1** – DI8-X1: Wide-range power supply unit, incl. 2 non-grouped digital inputs and 6 grouped digital inputs
- X2** – OR6: Assembly Group with 6 Output Relays
- X3** – TI: Standard current measuring card (for the winding side 1)
- X4** – TIs: Standard phase current measuring card and sensitive ground current measuring (winding side 2)
- X5** – AnIO2-OR4: Assembly Group with 2 Analog Inputs, 2 Analog Outputs and 4 Output Relays
- X6** – TU: Card with 4 voltage transformer measuring inputs
- X102** – Universal Resistance-Temperature Detector (URTD) input, Fiber optics interface, Versatile Link
- X103** – IEC 61850 / Modbus TCP / DNP3.0 TCP/UDP, Fiber optics interface, LC Connector
- X104** – IRIG-B00X, incl. System Contact (Supervision Contact)

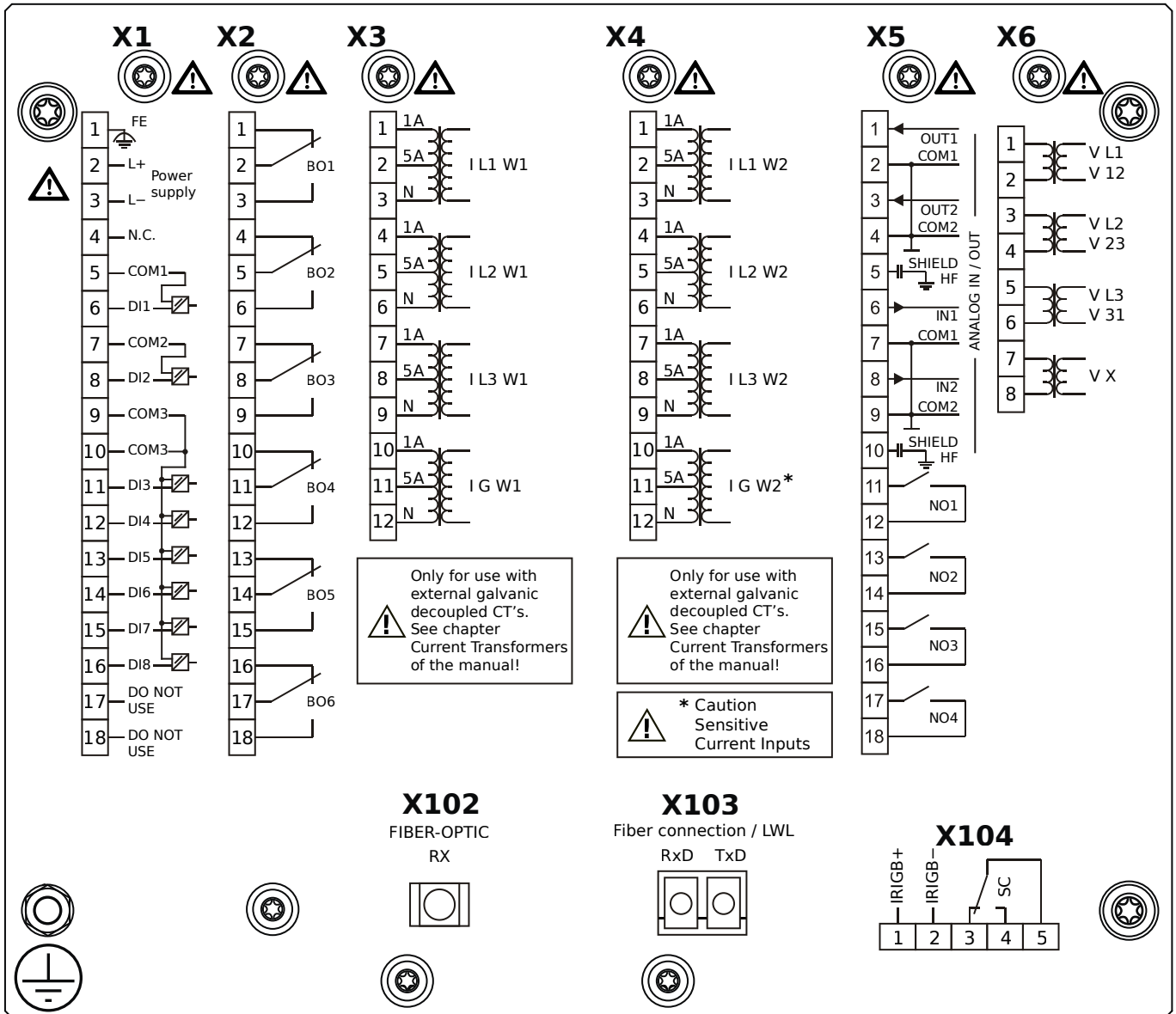
MCDTV4-2B2BKB



Housing B2, large display, 19" rack mounting

- + Conformal Coating (for installations in harsh environment)
- X1** – DI8-X1: Wide-range power supply unit, incl. 2 non-grouped digital inputs and 6 grouped digital inputs
- X2** – OR6: Assembly Group with 6 Output Relays
- X3** – TI: Standard current measuring card (for the winding side 1)
- X4** – TIs: Standard phase current measuring card and sensitive ground current measuring (winding side 2)
- X5** – AnIO2-OR4: Assembly Group with 2 Analog Inputs, 2 Analog Outputs and 4 Output Relays
- X6** – TU: Card with 4 voltage transformer measuring inputs
- X102** – Universal Resistance-Temperature Detector (URTD) input, Fiber optics interface, Versatile Link
- X103** – IEC 61850 / Modbus TCP / DNP3.0 TCP/UDP, Fiber optics interface, LC Connector
- X104** – IRIG-B00X, incl. System Contact (Supervision Contact)

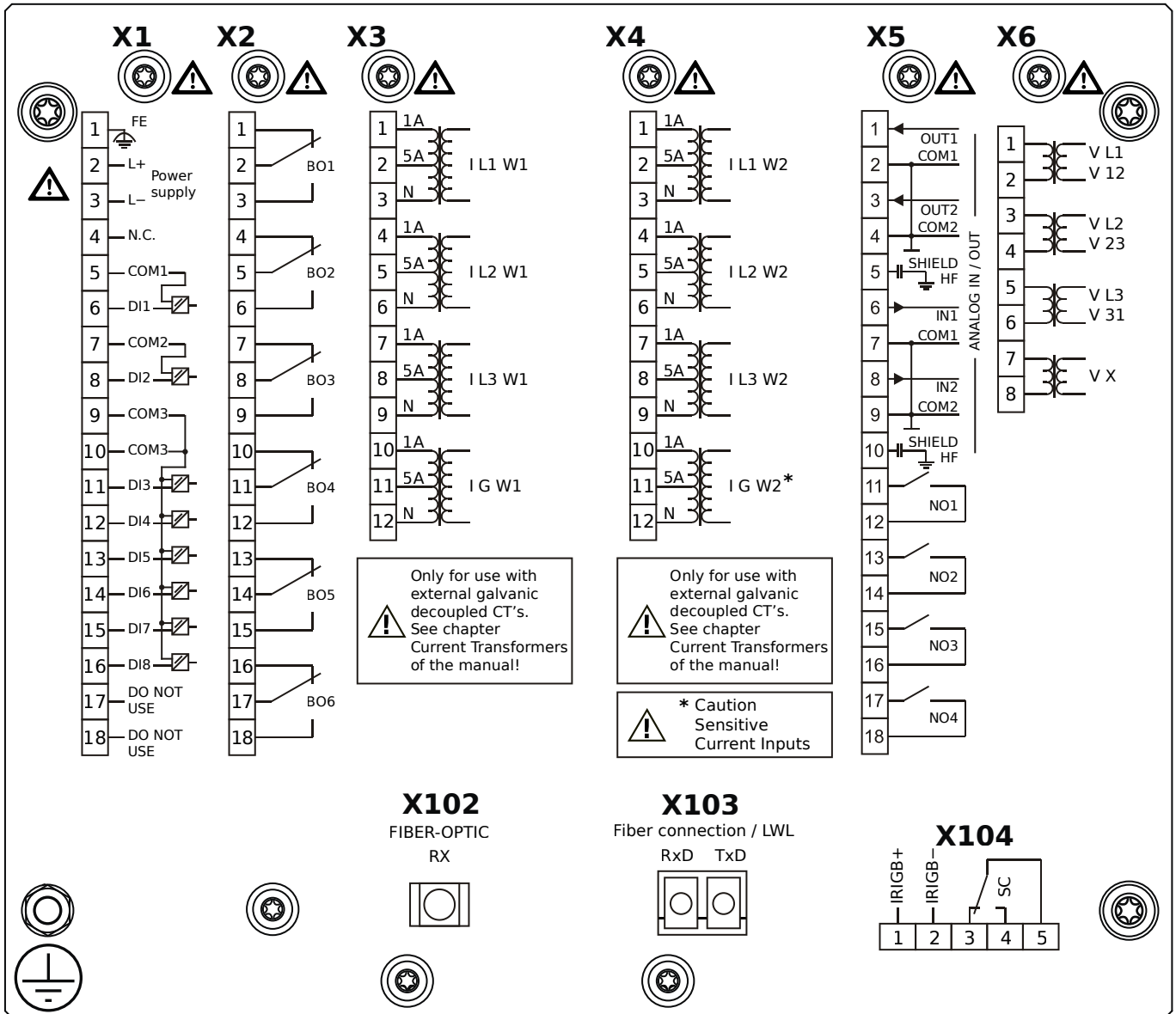
MCDTV4-2B2BLA



Housing B2, large display, 19" rack mounting

- X1** – DI8-X1: Wide-range power supply unit, incl. 2 non-grouped digital inputs and 6 grouped digital inputs
- X2** – OR6: Assembly Group with 6 Output Relays
- X3** – TI: Standard current measuring card (for the winding side 1)
- X4** – TIs: Standard phase current measuring card and sensitive ground current measuring (winding side 2)
- X5** – AnIO2-OR4: Assembly Group with 2 Analog Inputs, 2 Analog Outputs and 4 Output Relays
- X6** – TU: Card with 4 voltage transformer measuring inputs
- X102** – Universal Resistance-Temperature Detector (URTD) input, Fiber optics interface, Versatile Link
- X103** – Modbus TCP / DNP3.0 TCP/UDP, Fiber optics interface, LC Connector
- X104** – IRIG-B00X, incl. System Contact (Supervision Contact)

MCDTV4-2B2BLB

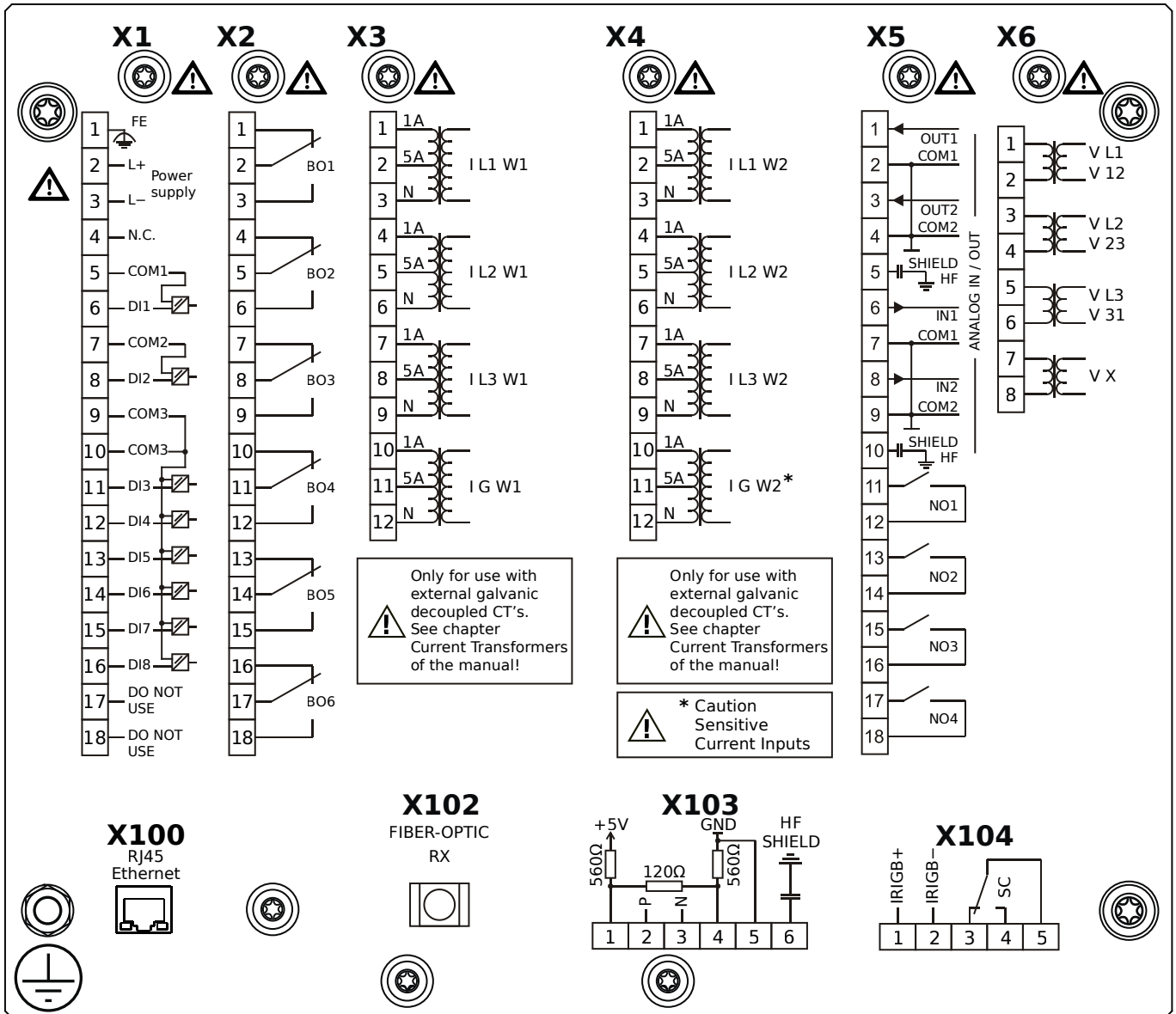


Housing B2, large display, 19" rack mounting

+ Conformal Coating (for installations in harsh environment)

- X1** – DI8-X1: Wide-range power supply unit, incl. 2 non-grouped digital inputs and 6 grouped digital inputs
- X2** – OR6: Assembly Group with 6 Output Relays
- X3** – TI: Standard current measuring card (for the winding side 1)
- X4** – TIs: Standard phase current measuring card and sensitive ground current measuring (winding side 2)
- X5** – AnIO2-OR4: Assembly Group with 2 Analog Inputs, 2 Analog Outputs and 4 Output Relays
- X6** – TU: Card with 4 voltage transformer measuring inputs
- X102** – Universal Resistance-Temperature Detector (URTD) input, Fiber optics interface, Versatile Link
- X103** – Modbus TCP / DNP3.0 TCP/UDP, Fiber optics interface, LC Connector
- X104** – IRIG-B00X, incl. System Contact (Supervision Contact)

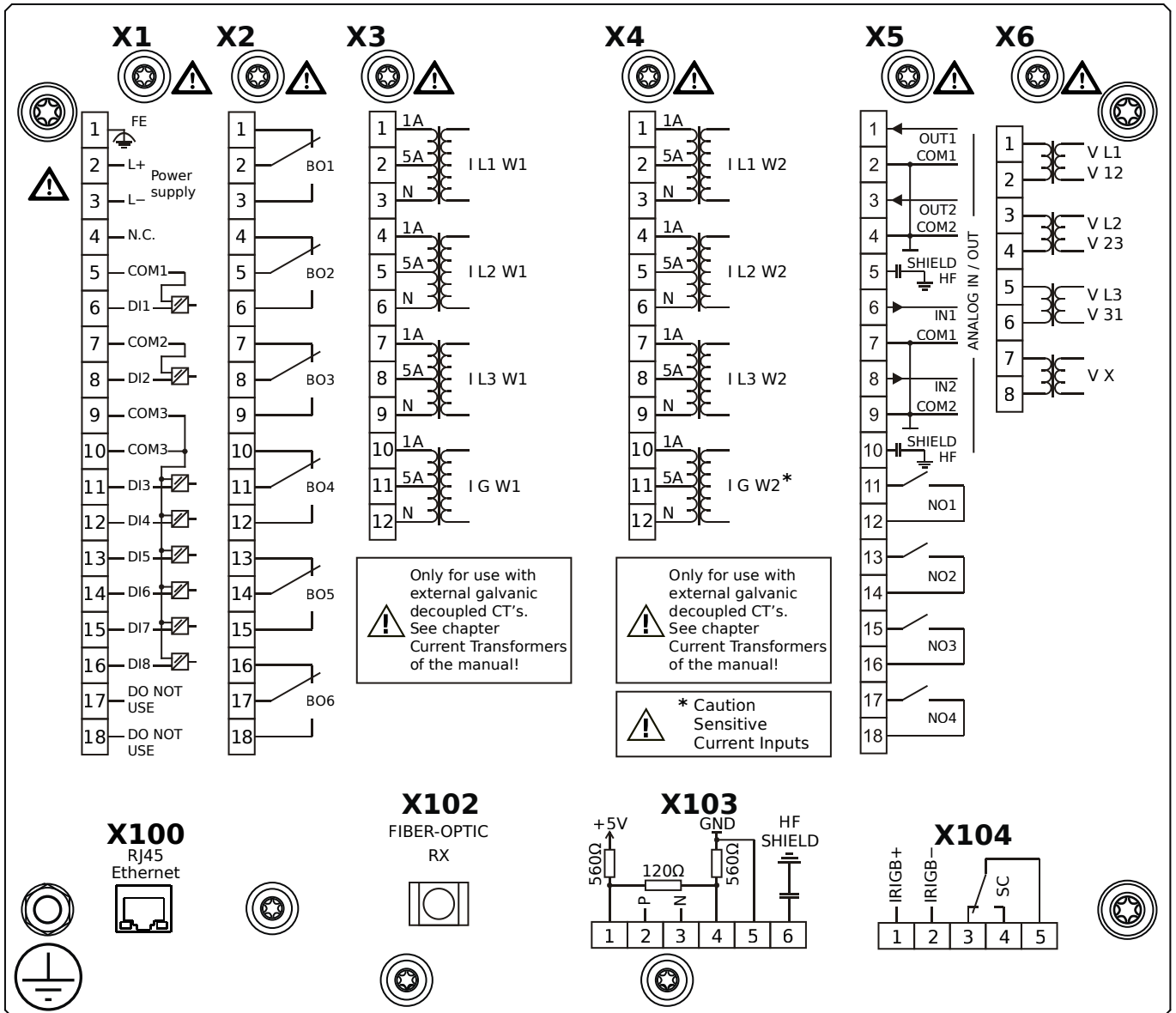
MCDTV4-2B2BTA



Housing B2, large display, 19" rack mounting

- X1** – DI8-X1: Wide-range power supply unit, incl. 2 non-grouped digital inputs and 6 grouped digital inputs
- X2** – OR6: Assembly Group with 6 Output Relays
- X3** – TI: Standard current measuring card (for the winding side 1)
- X4** – TIs: Standard phase current measuring card and sensitive ground current measuring (winding side 2)
- X5** – AnIO2-OR4: Assembly Group with 2 Analog Inputs, 2 Analog Outputs and 4 Output Relays
- X6** – TU: Card with 4 voltage transformer measuring inputs
- X100** – IEC 61850 / Modbus TCP / DNP3.0 TCP/UDP, Ethernet interface, 100 Mbit/s, RJ45 (BASE100-FX)
- X102** – Universal Resistance-Temperature Detector (URTD) input, Fiber optics interface, Versatile Link
- X103** – IEC 60870-5-103 / Modbus RTU / DNP3.0 RTU, RS485, Terminals
- X104** – IRIG-B00X, incl. System Contact (Supervision Contact)

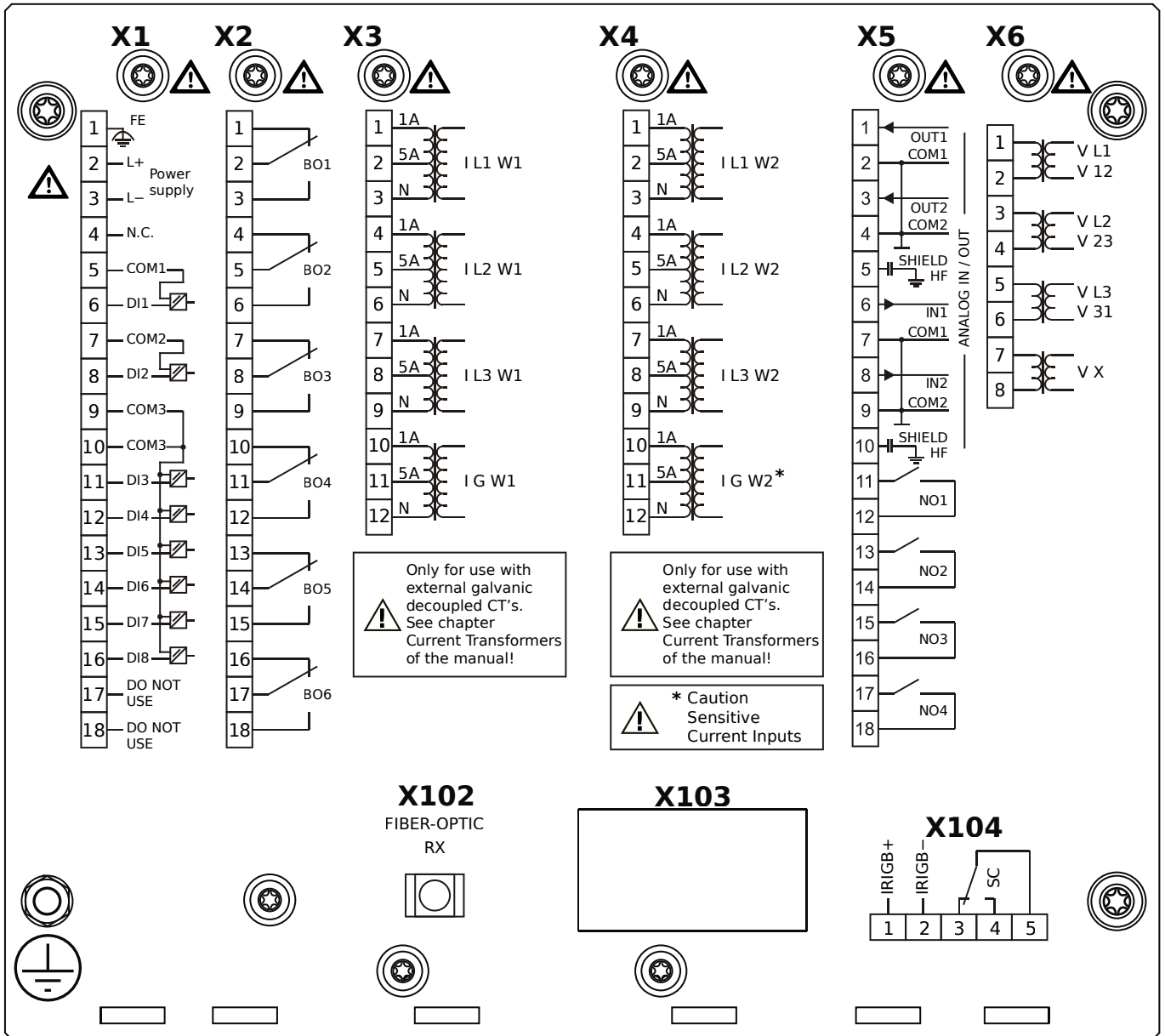
MCDTV4-2B2BTB



Housing B2, large display, 19" rack mounting

- + Conformal Coating (for installations in harsh environment)
- X1** – DI8-X1: Wide-range power supply unit, incl. 2 non-grouped digital inputs and 6 grouped digital inputs
- X2** – OR6: Assembly Group with 6 Output Relays
- X3** – TI: Standard current measuring card (for the winding side 1)
- X4** – TIs: Standard phase current measuring card and sensitive ground current measuring (winding side 2)
- X5** – AnIO2-OR4: Assembly Group with 2 Analog Inputs, 2 Analog Outputs and 4 Output Relays
- X6** – TU: Card with 4 voltage transformer measuring inputs
- X100** – IEC 61850 / Modbus TCP / DNP3.0 TCP/UDP, Ethernet interface, 100 Mbit/s, RJ45 (BASE100-FX)
- X102** – Universal Resistance-Temperature Detector (URTD) input, Fiber optics interface, Versatile Link
- X103** – IEC 60870-5-103 / Modbus RTU / DNP3.0 RTU, RS485, Terminals
- X104** – IRIG-B00X, incl. System Contact (Supervision Contact)

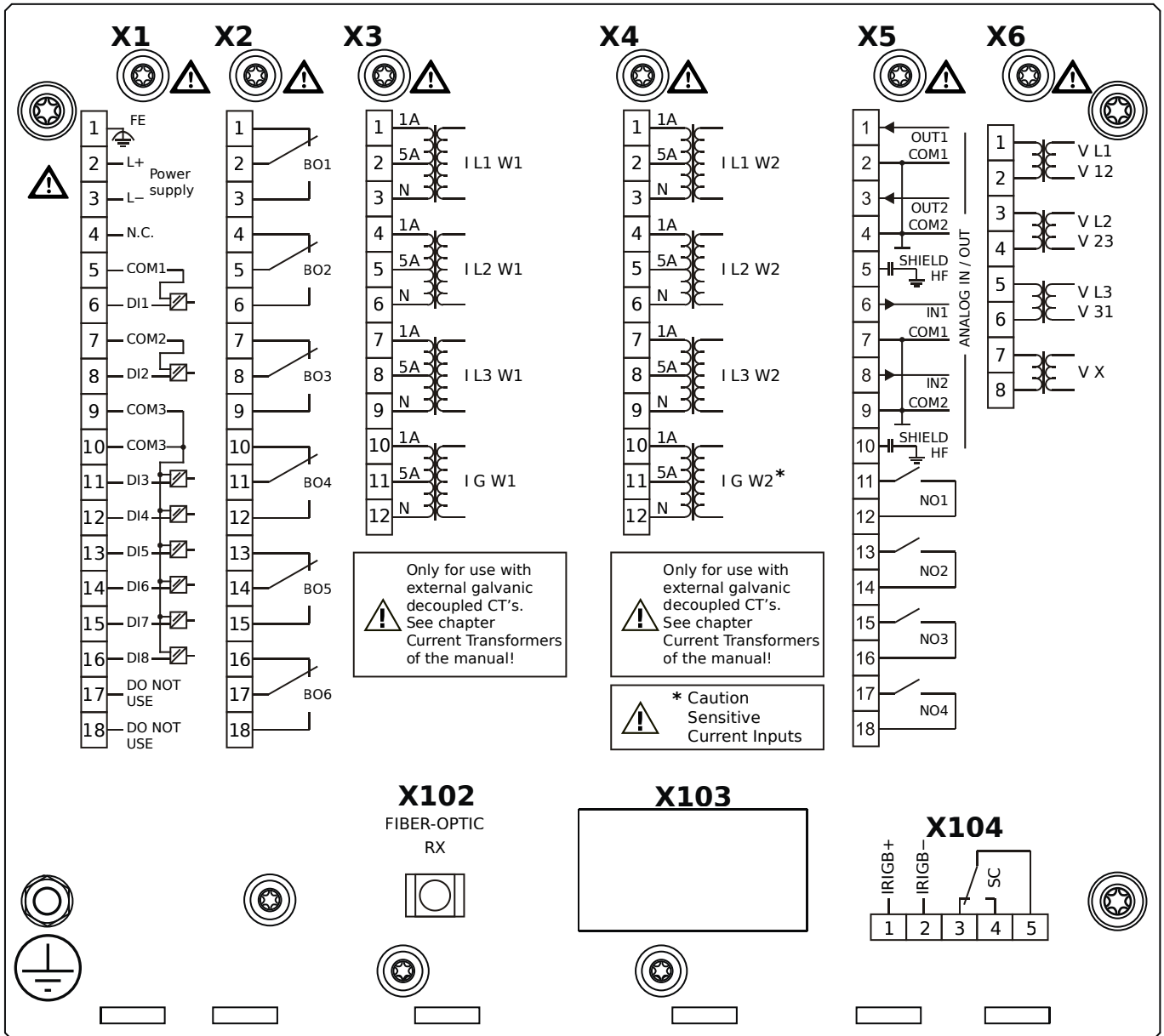
MCDTV4-2B2HAA



Housing B2, large display, door mounting

- X1** – DI8-X1: Wide-range power supply unit, incl. 2 non-grouped digital inputs and 6 grouped digital inputs
- X2** – OR6: Assembly Group with 6 Output Relays
- X3** – TI: Standard current measuring card (for the winding side 1)
- X4** – TIs: Standard phase current measuring card and sensitive ground current measuring (winding side 2)
- X5** – AnIO2-OR4: Assembly Group with 2 Analog Inputs, 2 Analog Outputs and 4 Output Relays
- X6** – TU: Card with 4 voltage transformer measuring inputs
- X102** – Universal Resistance-Temperature Detector (URTD) input, Fiber optics interface, Versatile Link
- X104** – IRIG-B00X, incl. System Contact (Supervision Contact)

MCDTV4-2B2HAB

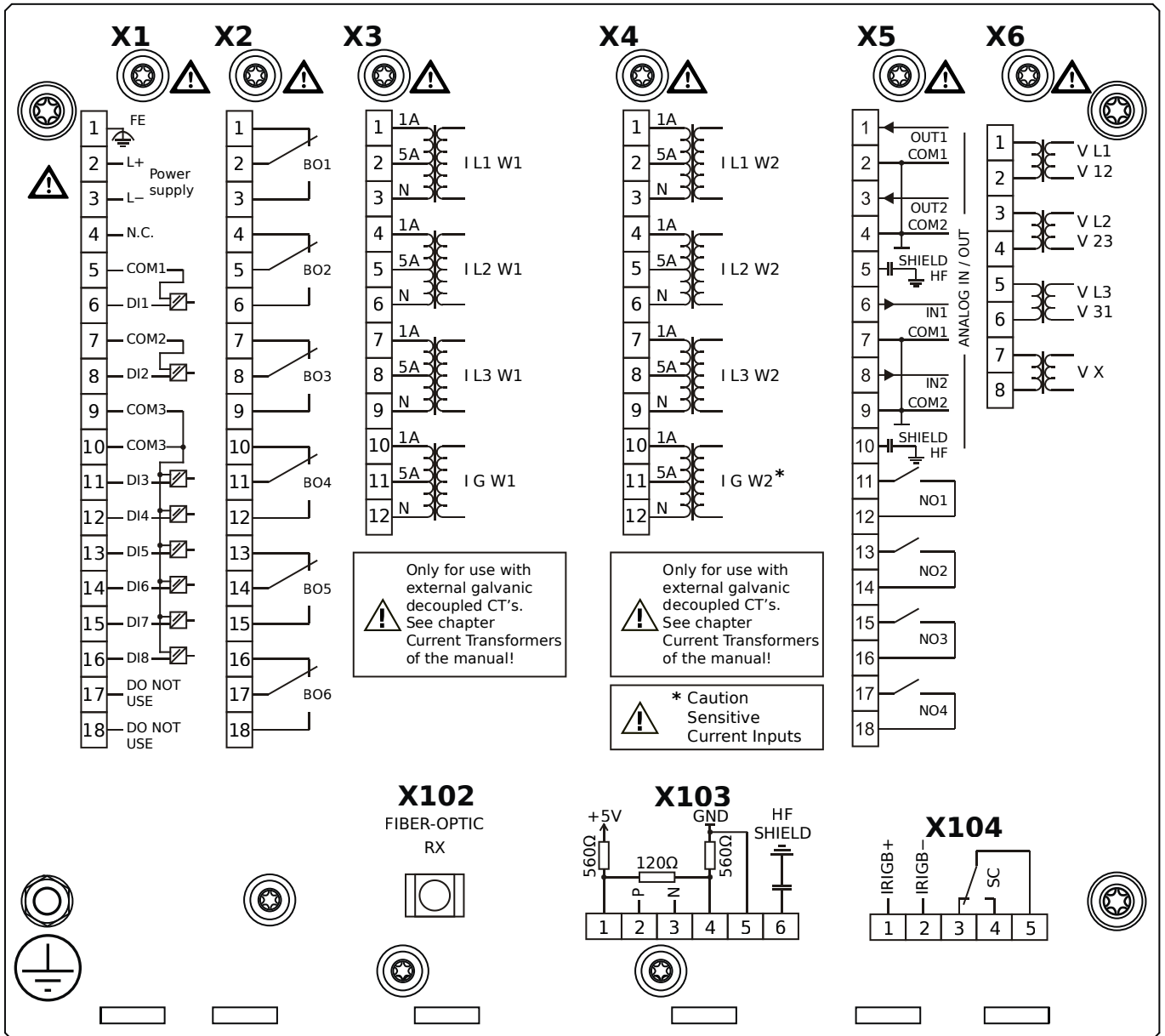


Housing B2, large display, door mounting

+ Conformal Coating (for installations in harsh environment)

- X1** – DI8-X1: Wide-range power supply unit, incl. 2 non-grouped digital inputs and 6 grouped digital inputs
- X2** – OR6: Assembly Group with 6 Output Relays
- X3** – TI: Standard current measuring card (for the winding side 1)
- X4** – TIs: Standard phase current measuring card and sensitive ground current measuring (winding side 2)
- X5** – AnIO2-OR4: Assembly Group with 2 Analog Inputs, 2 Analog Outputs and 4 Output Relays
- X6** – TU: Card with 4 voltage transformer measuring inputs
- X102** – Universal Resistance-Temperature Detector (URTD) input, Fiber optics interface, Versatile Link
- X104** – IRIG-B00X, incl. System Contact (Supervision Contact)

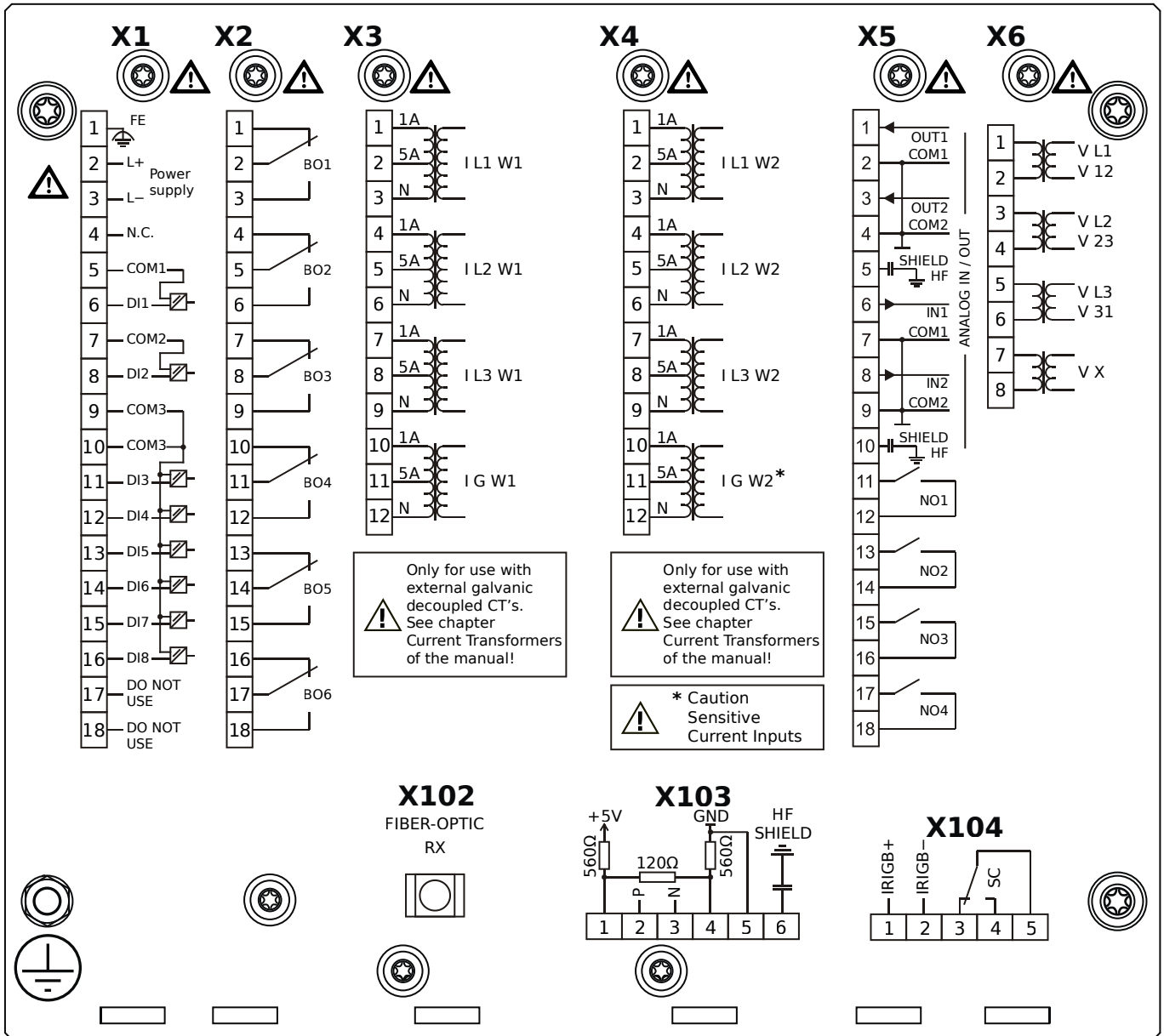
MCDTV4-2B2HBA



Housing B2, large display, door mounting

- X1** – DI8-X1: Wide-range power supply unit, incl. 2 non-grouped digital inputs and 6 grouped digital inputs
- X2** – OR6: Assembly Group with 6 Output Relays
- X3** – TI: Standard current measuring card (for the winding side 1)
- X4** – TIs: Standard phase current measuring card and sensitive ground current measuring (winding side 2)
- X5** – AnIO2-OR4: Assembly Group with 2 Analog Inputs, 2 Analog Outputs and 4 Output Relays
- X6** – TU: Card with 4 voltage transformer measuring inputs
- X102** – Universal Resistance-Temperature Detector (URTD) input, Fiber optics interface, Versatile Link
- X103** – Modbus RTU / IEC 60870-5-103 / DNP3.0 RTU, RS485, Terminals
- X104** – IRIG-B00X, incl. System Contact (Supervision Contact)

MCDTV4-2B2HBB

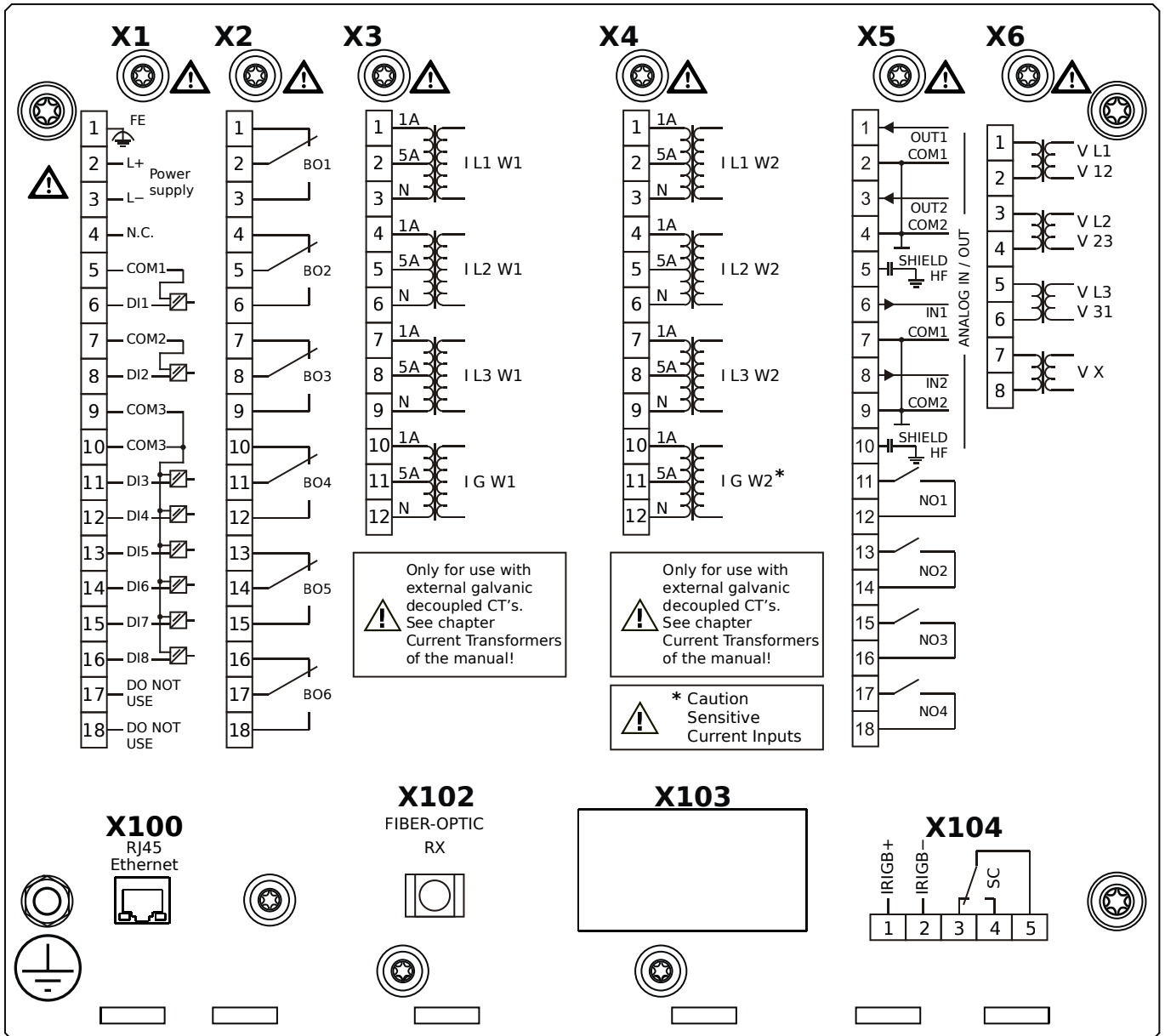


Housing B2, large display, door mounting

+ Conformal Coating (for installations in harsh environment)

- X1** – DI8-X1: Wide-range power supply unit, incl. 2 non-grouped digital inputs and 6 grouped digital inputs
- X2** – OR6: Assembly Group with 6 Output Relays
- X3** – TI: Standard current measuring card (for the winding side 1)
- X4** – TIs: Standard phase current measuring card and sensitive ground current measuring (winding side 2)
- X5** – AnIO2-OR4: Assembly Group with 2 Analog Inputs, 2 Analog Outputs and 4 Output Relays
- X6** – TU: Card with 4 voltage transformer measuring inputs
- X102** – Universal Resistance-Temperature Detector (URTD) input, Fiber optics interface, Versatile Link
- X103** – Modbus RTU / IEC 60870-5-103 / DNP3.0 RTU, RS485, Terminals
- X104** – IRIG-B00X, incl. System Contact (Supervision Contact)

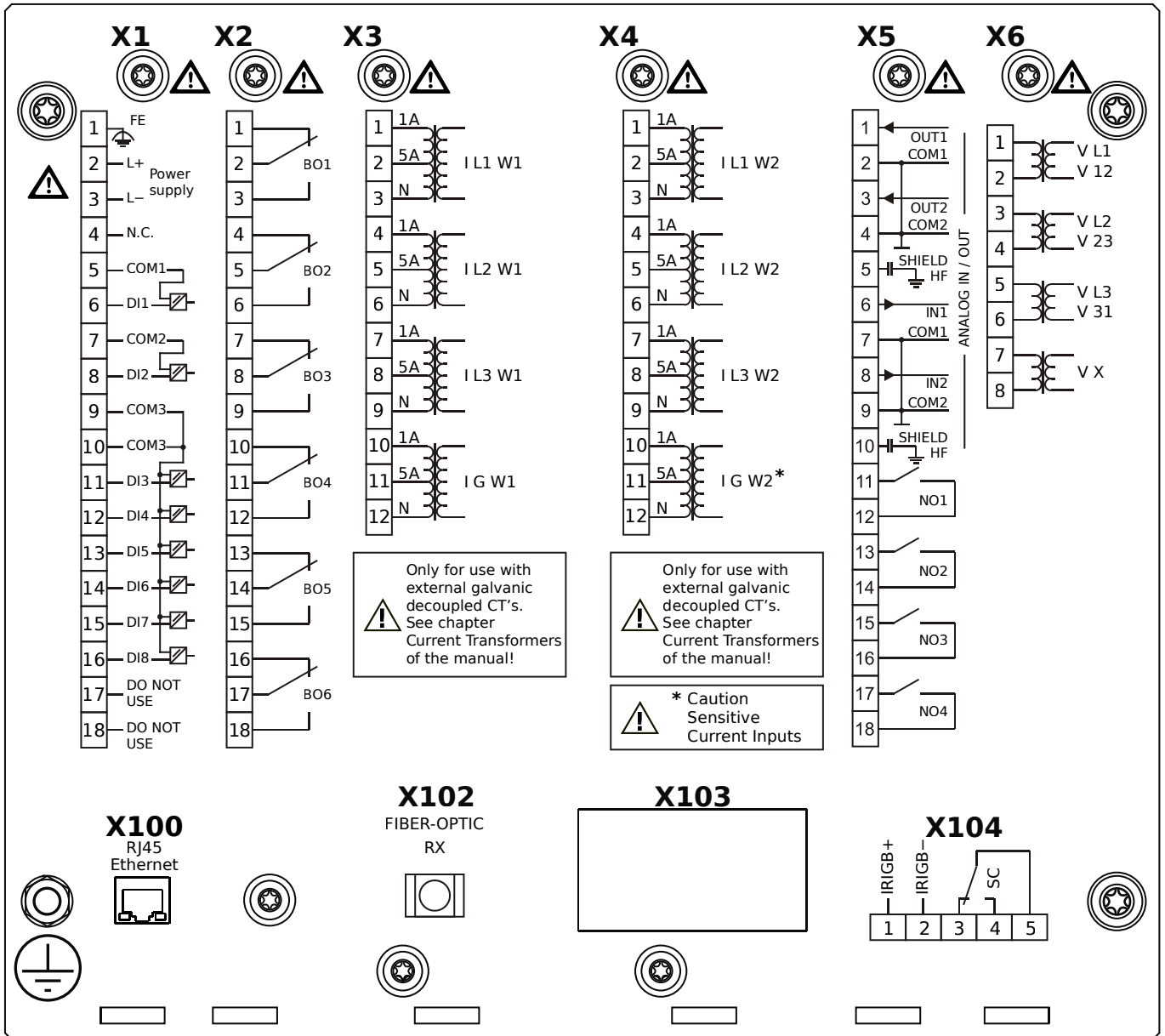
MCDTV4-2B2HCA



Housing B2, large display, door mounting

- X1** – DI8-X1: Wide-range power supply unit, incl. 2 non-grouped digital inputs and 6 grouped digital inputs
- X2** – OR6: Assembly Group with 6 Output Relays
- X3** – TI: Standard current measuring card (for the winding side 1)
- X4** – TIs: Standard phase current measuring card and sensitive ground current measuring (winding side 2)
- X5** – AnIO2-OR4: Assembly Group with 2 Analog Inputs, 2 Analog Outputs and 4 Output Relays
- X6** – TU: Card with 4 voltage transformer measuring inputs
- X100** – Modbus TCP / DNP3.0 TCP/UDP, Ethernet interface, 100 Mbit/s, RJ45 (BASE100-FX)
- X102** – Universal Resistance-Temperature Detector (URTD) input, Fiber optics interface, Versatile Link
- X104** – IRIG-B00X, incl. System Contact (Supervision Contact)

MCDTV4-2B2HCB

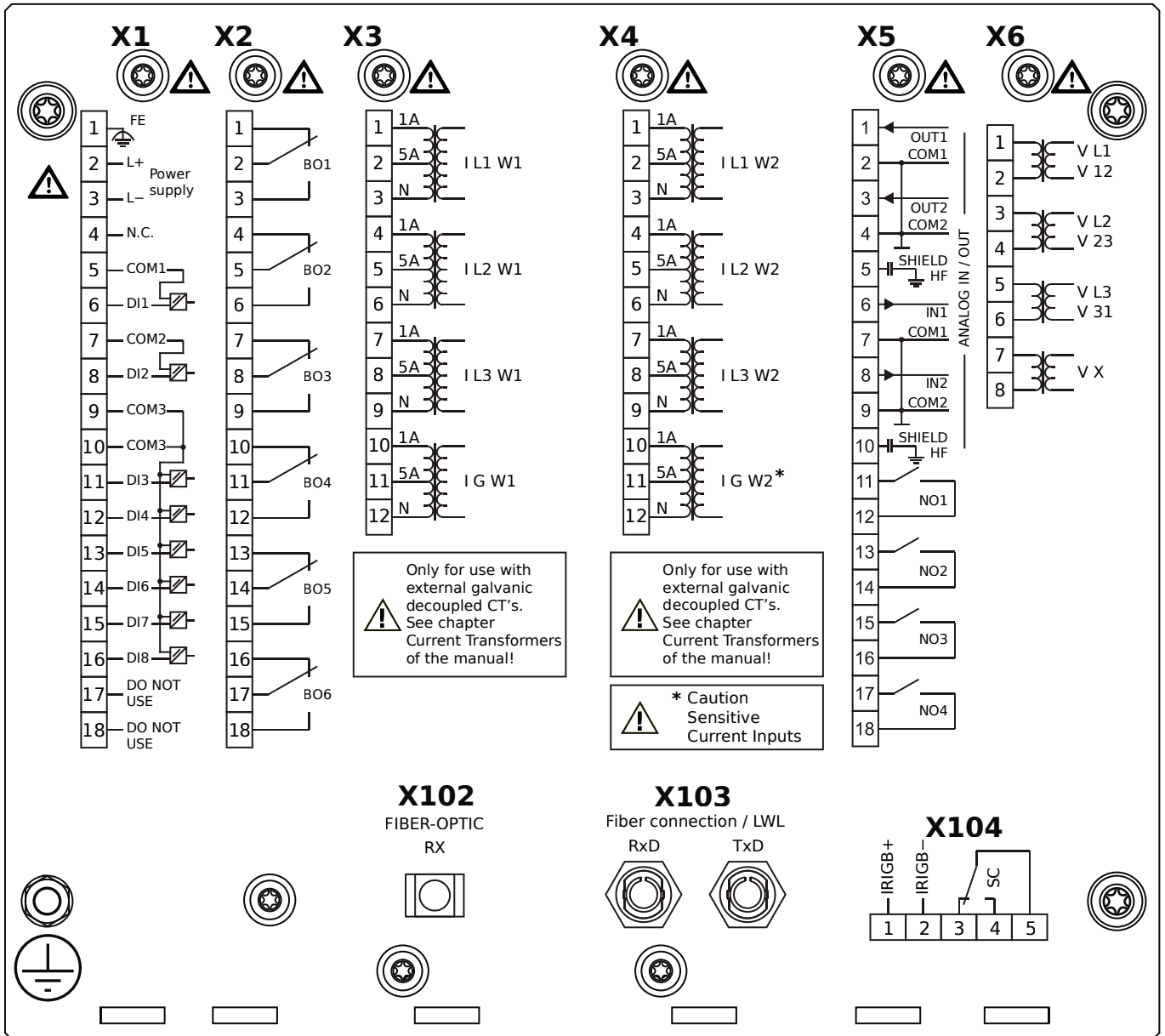


Housing B2, large display, door mounting

+ Conformal Coating (for installations in harsh environment)

- X1** – DI8-X1: Wide-range power supply unit, incl. 2 non-grouped digital inputs and 6 grouped digital inputs
- X2** – OR6: Assembly Group with 6 Output Relays
- X3** – TI: Standard current measuring card (for the winding side 1)
- X4** – TIs: Standard phase current measuring card and sensitive ground current measuring (winding side 2)
- X5** – AnIO2-OR4: Assembly Group with 2 Analog Inputs, 2 Analog Outputs and 4 Output Relays
- X6** – TU: Card with 4 voltage transformer measuring inputs
- X100** – Modbus TCP / DNP3.0 TCP/UDP, Ethernet interface, 100 Mbit/s, RJ45 (BASE100-FX)
- X102** – Universal Resistance-Temperature Detector (URTD) input, Fiber optics interface, Versatile Link
- X104** – IRIG-B00X, incl. System Contact (Supervision Contact)

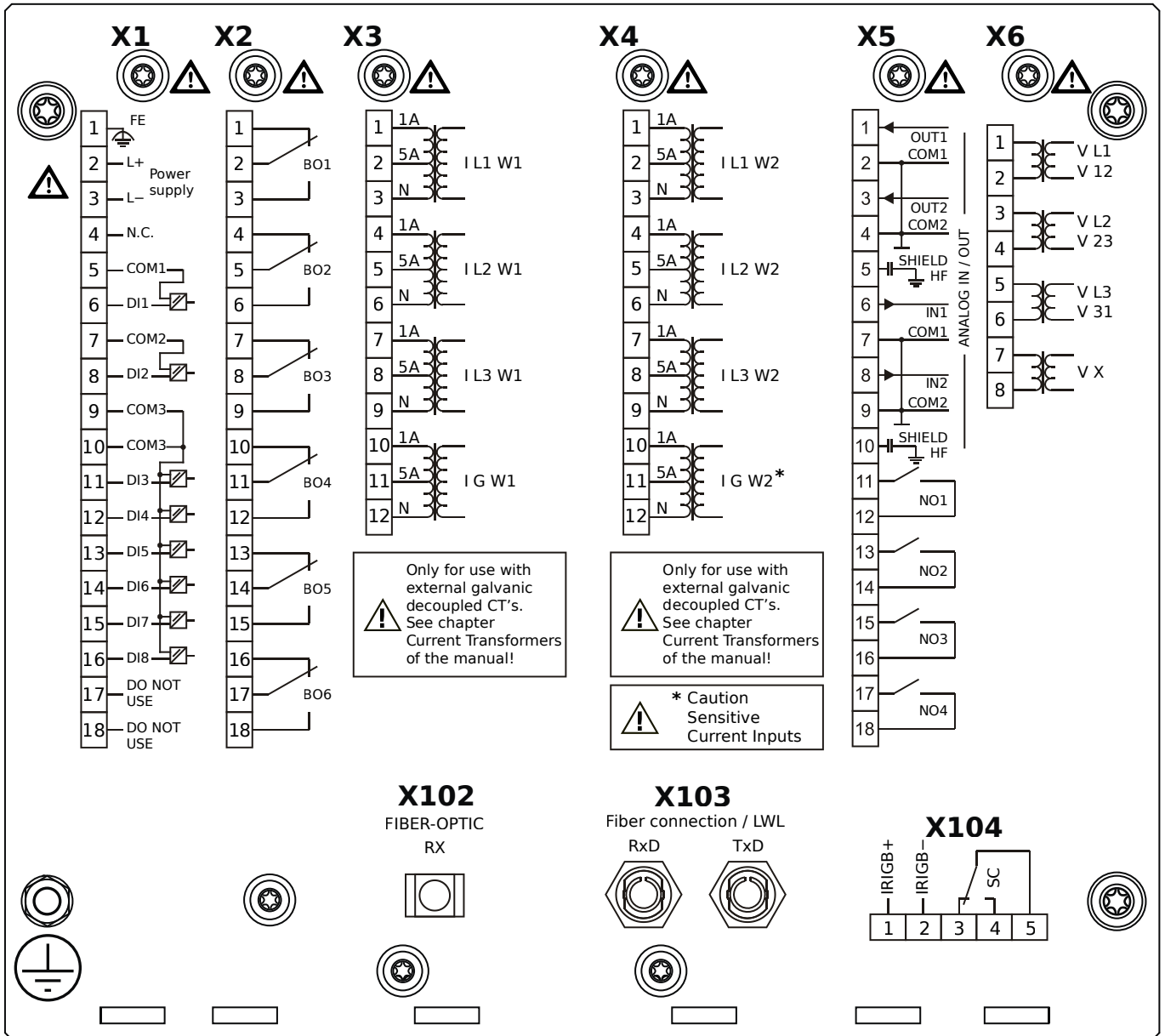
MCDTV4-2B2HDA



Housing B2, large display, door mounting

- X1** – DI8-X1: Wide-range power supply unit, incl. 2 non-grouped digital inputs and 6 grouped digital inputs
- X2** – OR6: Assembly Group with 6 Output Relays
- X3** – TI: Standard current measuring card (for the winding side 1)
- X4** – TIs: Standard phase current measuring card and sensitive ground current measuring (winding side 2)
- X5** – AnIO2-OR4: Assembly Group with 2 Analog Inputs, 2 Analog Outputs and 4 Output Relays
- X6** – TU: Card with 4 voltage transformer measuring inputs
- X102** – Universal Resistance-Temperature Detector (URTD) input, Fiber optics interface, Versatile Link
- X103** – Profibus-DP, Fiber optics interface, ST Connector
- X104** – IRIG-B00X, incl. System Contact (Supervision Contact)

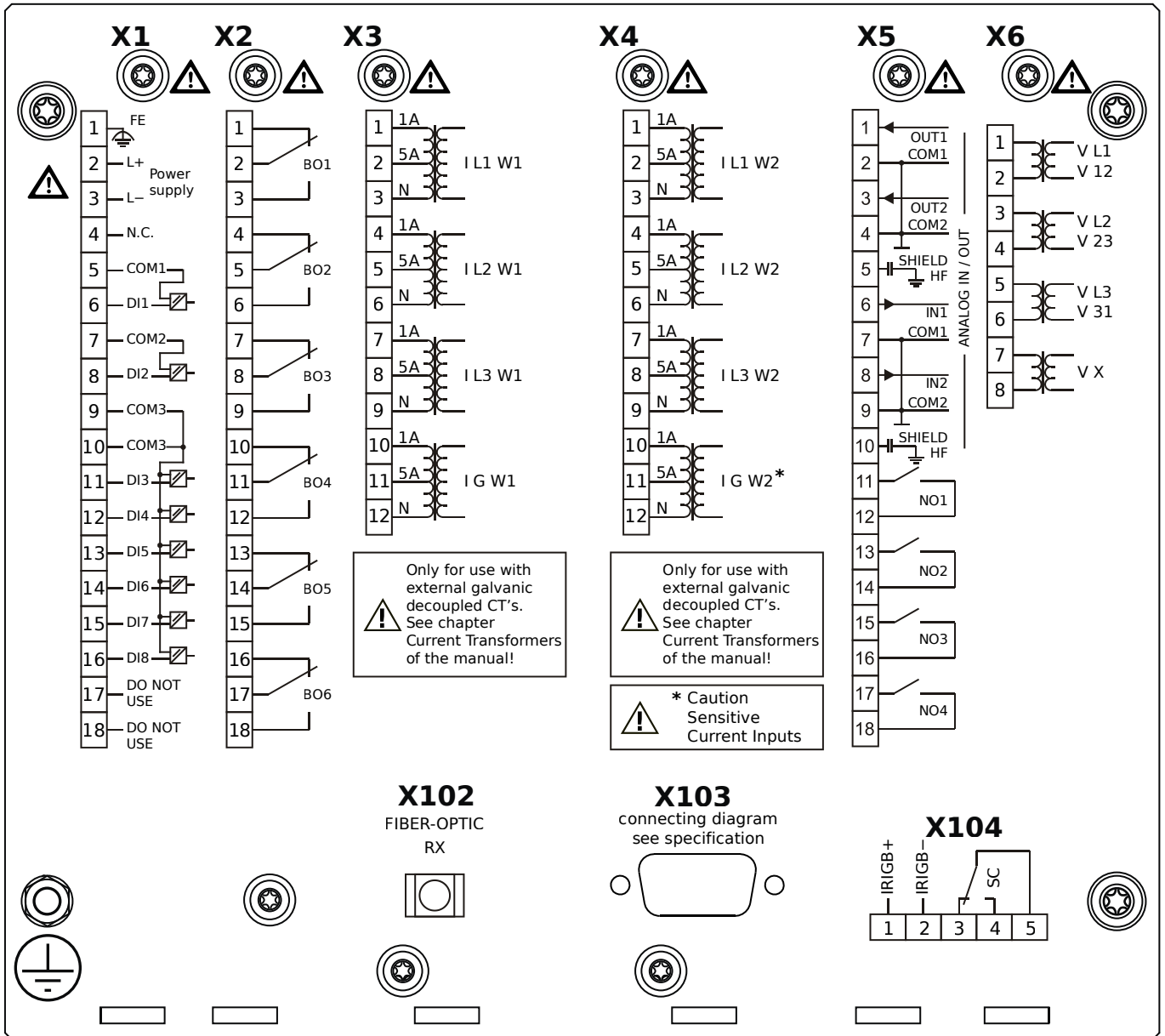
MCDTV4-2B2HDB



Housing B2, large display, door mounting

- + Conformal Coating (for installations in harsh environment)
- X1** – DI8-X1: Wide-range power supply unit, incl. 2 non-grouped digital inputs and 6 grouped digital inputs
- X2** – OR6: Assembly Group with 6 Output Relays
- X3** – TI: Standard current measuring card (for the winding side 1)
- X4** – TIs: Standard phase current measuring card and sensitive ground current measuring (winding side 2)
- X5** – AnIO2-OR4: Assembly Group with 2 Analog Inputs, 2 Analog Outputs and 4 Output Relays
- X6** – TU: Card with 4 voltage transformer measuring inputs
- X102** – Universal Resistance-Temperature Detector (URTD) input, Fiber optics interface, Versatile Link
- X103** – Profibus-DP, Fiber optics interface, ST Connector
- X104** – IRIG-B00X, incl. System Contact (Supervision Contact)

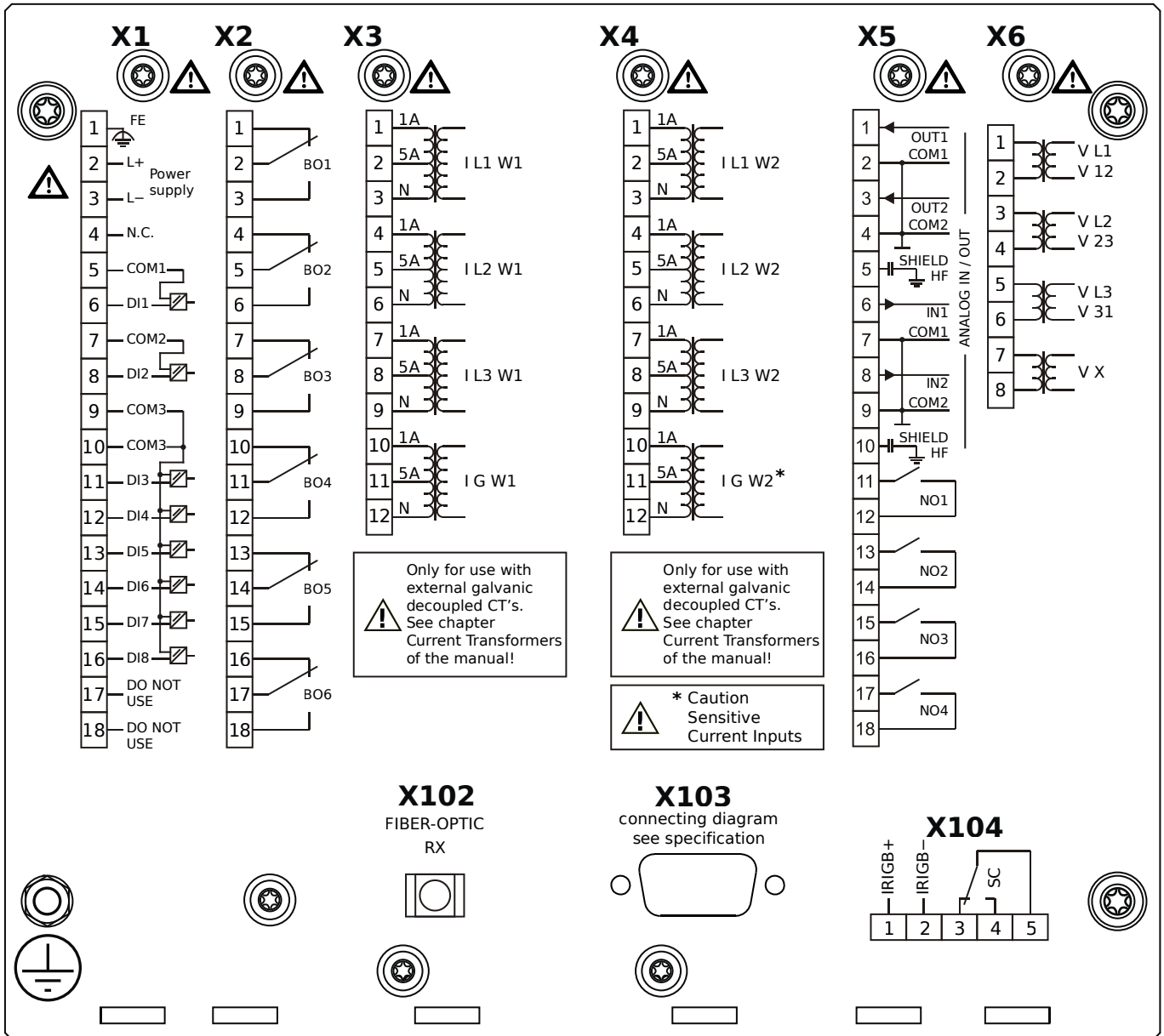
MCDTV4-2B2HEA



Housing B2, large display, door mounting

- X1** – DI8-X1: Wide-range power supply unit, incl. 2 non-grouped digital inputs and 6 grouped digital inputs
- X2** – OR6: Assembly Group with 6 Output Relays
- X3** – TI: Standard current measuring card (for the winding side 1)
- X4** – TIs: Standard phase current measuring card and sensitive ground current measuring (winding side 2)
- X5** – AnIO2-OR4: Assembly Group with 2 Analog Inputs, 2 Analog Outputs and 4 Output Relays
- X6** – TU: Card with 4 voltage transformer measuring inputs
- X102** – Universal Resistance-Temperature Detector (URTD) input, Fiber optics interface, Versatile Link
- X103** – Profibus-DP, RS485, D-SUB
- X104** – IRIG-B00X, incl. System Contact (Supervision Contact)

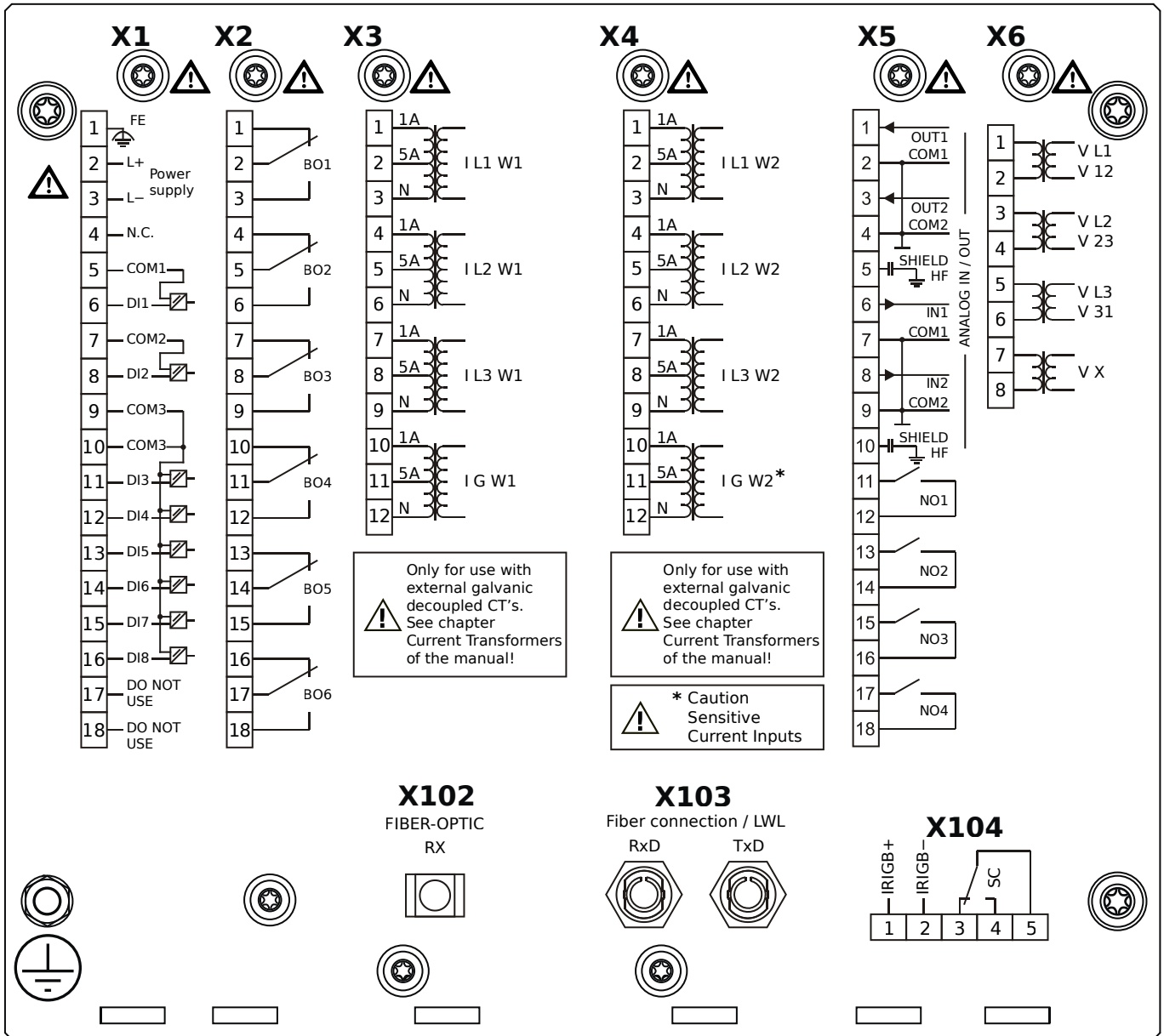
MCDTV4-2B2HEB



Housing B2, large display, door mounting

- + Conformal Coating (for installations in harsh environment)
- X1** – DI8-X1: Wide-range power supply unit, incl. 2 non-grouped digital inputs and 6 grouped digital inputs
- X2** – OR6: Assembly Group with 6 Output Relays
- X3** – TI: Standard current measuring card (for the winding side 1)
- X4** – TIs: Standard phase current measuring card and sensitive ground current measuring (winding side 2)
- X5** – AnIO2-OR4: Assembly Group with 2 Analog Inputs, 2 Analog Outputs and 4 Output Relays
- X6** – TU: Card with 4 voltage transformer measuring inputs
- X102** – Universal Resistance-Temperature Detector (URTD) input, Fiber optics interface, Versatile Link
- X103** – Profibus-DP, RS485, D-SUB
- X104** – IRIG-B00X, incl. System Contact (Supervision Contact)

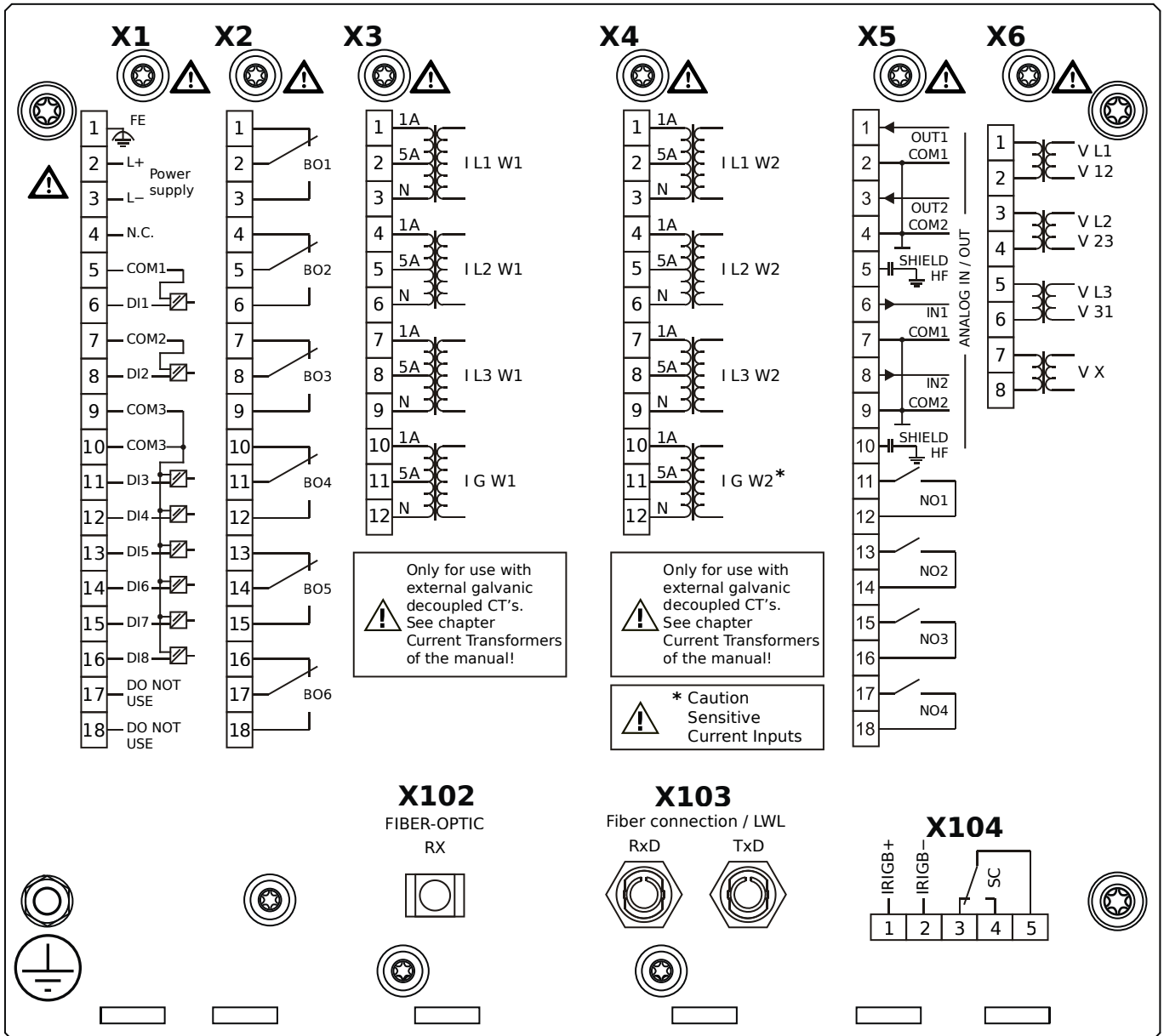
MCDTV4-2B2HFA



Housing B2, large display, door mounting

- X1** – DI8-X1: Wide-range power supply unit, incl. 2 non-grouped digital inputs and 6 grouped digital inputs
- X2** – OR6: Assembly Group with 6 Output Relays
- X3** – TI: Standard current measuring card (for the winding side 1)
- X4** – TIs: Standard phase current measuring card and sensitive ground current measuring (winding side 2)
- X5** – AnIO2-OR4: Assembly Group with 2 Analog Inputs, 2 Analog Outputs and 4 Output Relays
- X6** – TU: Card with 4 voltage transformer measuring inputs
- X102** – Universal Resistance-Temperature Detector (URTD) input, Fiber optics interface, Versatile Link
- X103** – Modbus RTU / IEC 60870-5-103 / DNP3.0 RTU, Fiber optics interface, ST Connector
- X104** – IRIG-B00X, incl. System Contact (Supervision Contact)

MCDTV4-2B2HFB

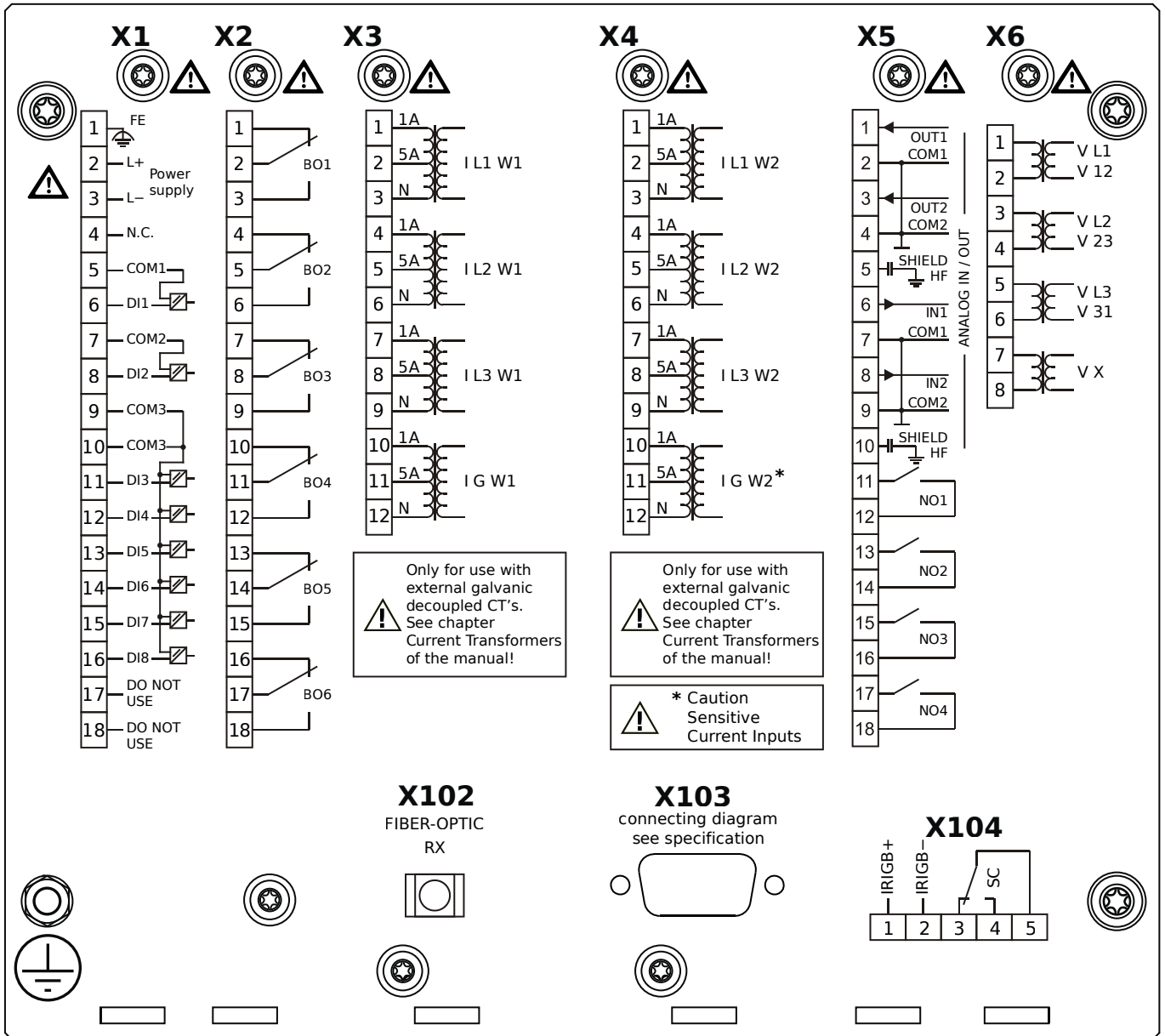


Housing B2, large display, door mounting

+ Conformal Coating (for installations in harsh environment)

- X1** – DI8-X1: Wide-range power supply unit, incl. 2 non-grouped digital inputs and 6 grouped digital inputs
- X2** – OR6: Assembly Group with 6 Output Relays
- X3** – TI: Standard current measuring card (for the winding side 1)
- X4** – TIs: Standard phase current measuring card and sensitive ground current measuring (winding side 2)
- X5** – AnIO2-OR4: Assembly Group with 2 Analog Inputs, 2 Analog Outputs and 4 Output Relays
- X6** – TU: Card with 4 voltage transformer measuring inputs
- X102** – Universal Resistance-Temperature Detector (URTD) input, Fiber optics interface, Versatile Link
- X103** – Modbus RTU / IEC 60870-5-103 / DNP3.0 RTU, Fiber optics interface, ST Connector
- X104** – IRIG-B00X, incl. System Contact (Supervision Contact)

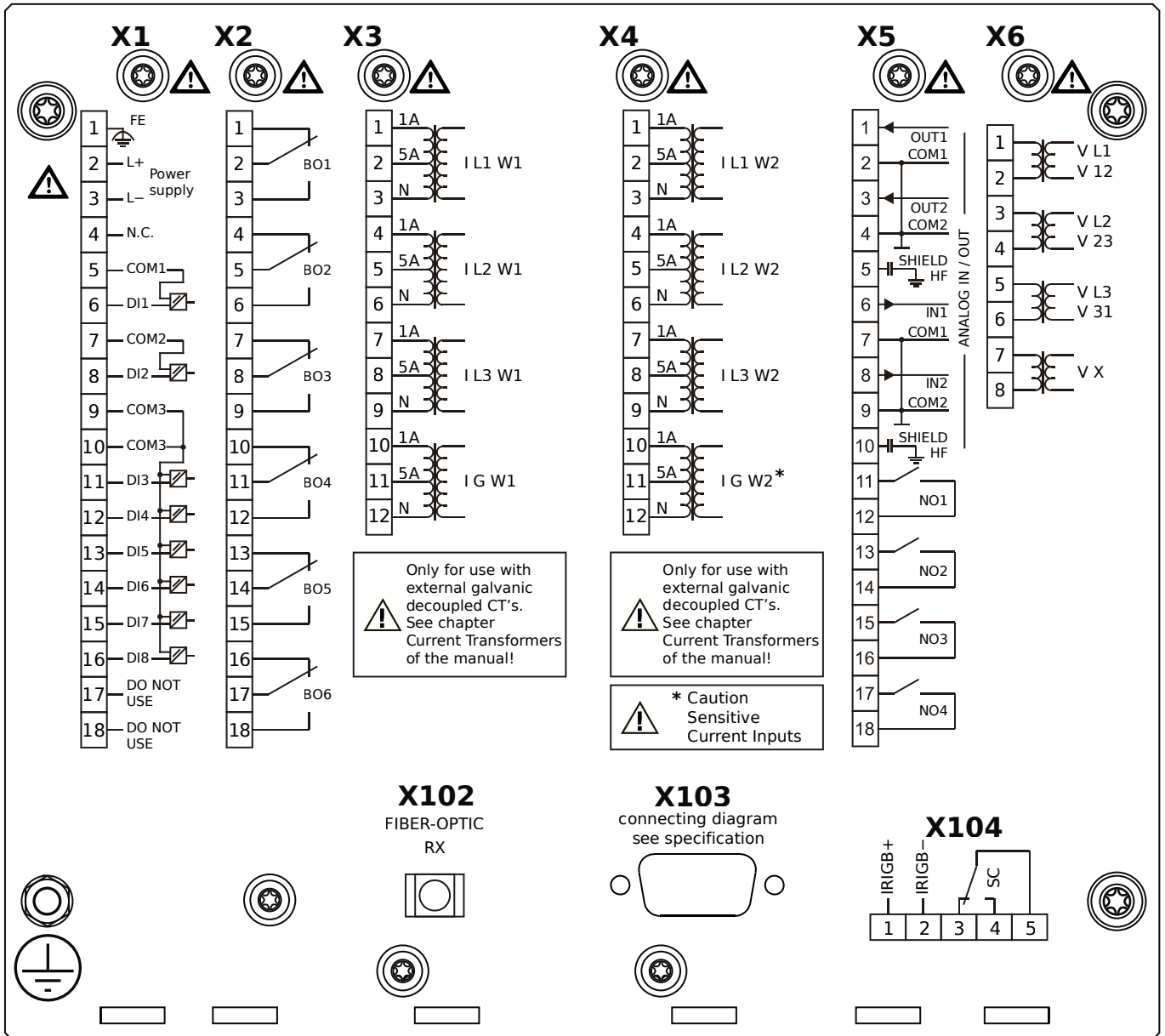
MCDTV4-2B2HGA



Housing B2, large display, door mounting

- X1** – DI8-X1: Wide-range power supply unit, incl. 2 non-grouped digital inputs and 6 grouped digital inputs
- X2** – OR6: Assembly Group with 6 Output Relays
- X3** – TI: Standard current measuring card (for the winding side 1)
- X4** – TIs: Standard phase current measuring card and sensitive ground current measuring (winding side 2)
- X5** – AnIO2-OR4: Assembly Group with 2 Analog Inputs, 2 Analog Outputs and 4 Output Relays
- X6** – TU: Card with 4 voltage transformer measuring inputs
- X102** – Universal Resistance-Temperature Detector (URTD) input, Fiber optics interface, Versatile Link
- X103** – Modbus RTU / IEC 60870-5-103 / DNP3.0 RTU, RS485, D-SUB
- X104** – IRIG-B00X, incl. System Contact (Supervision Contact)

MCDTV4-2B2HGB

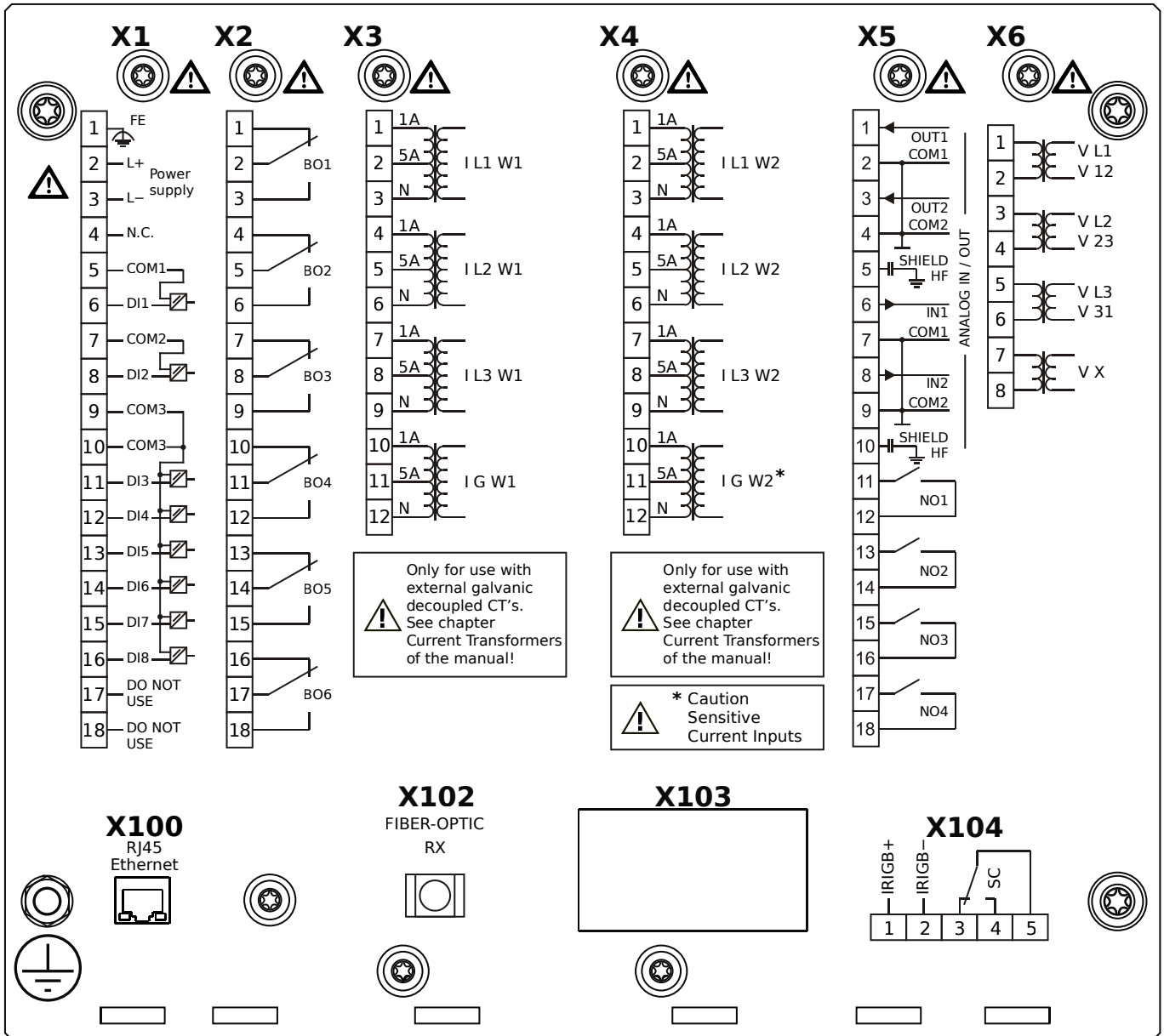


Housing B2, large display, door mounting

+ Conformal Coating (for installations in harsh environment)

- X1** – DI8-X1: Wide-range power supply unit, incl. 2 non-grouped digital inputs and 6 grouped digital inputs
- X2** – OR6: Assembly Group with 6 Output Relays
- X3** – TI: Standard current measuring card (for the winding side 1)
- X4** – TIs: Standard phase current measuring card and sensitive ground current measuring (winding side 2)
- X5** – AnIO2-OR4: Assembly Group with 2 Analog Inputs, 2 Analog Outputs and 4 Output Relays
- X6** – TU: Card with 4 voltage transformer measuring inputs
- X102** – Universal Resistance-Temperature Detector (URTD) input, Fiber optics interface, Versatile Link
- X103** – Modbus RTU / IEC 60870-5-103 / DNP3.0 RTU, RS485, D-SUB
- X104** – IRIG-B00X, incl. System Contact (Supervision Contact)

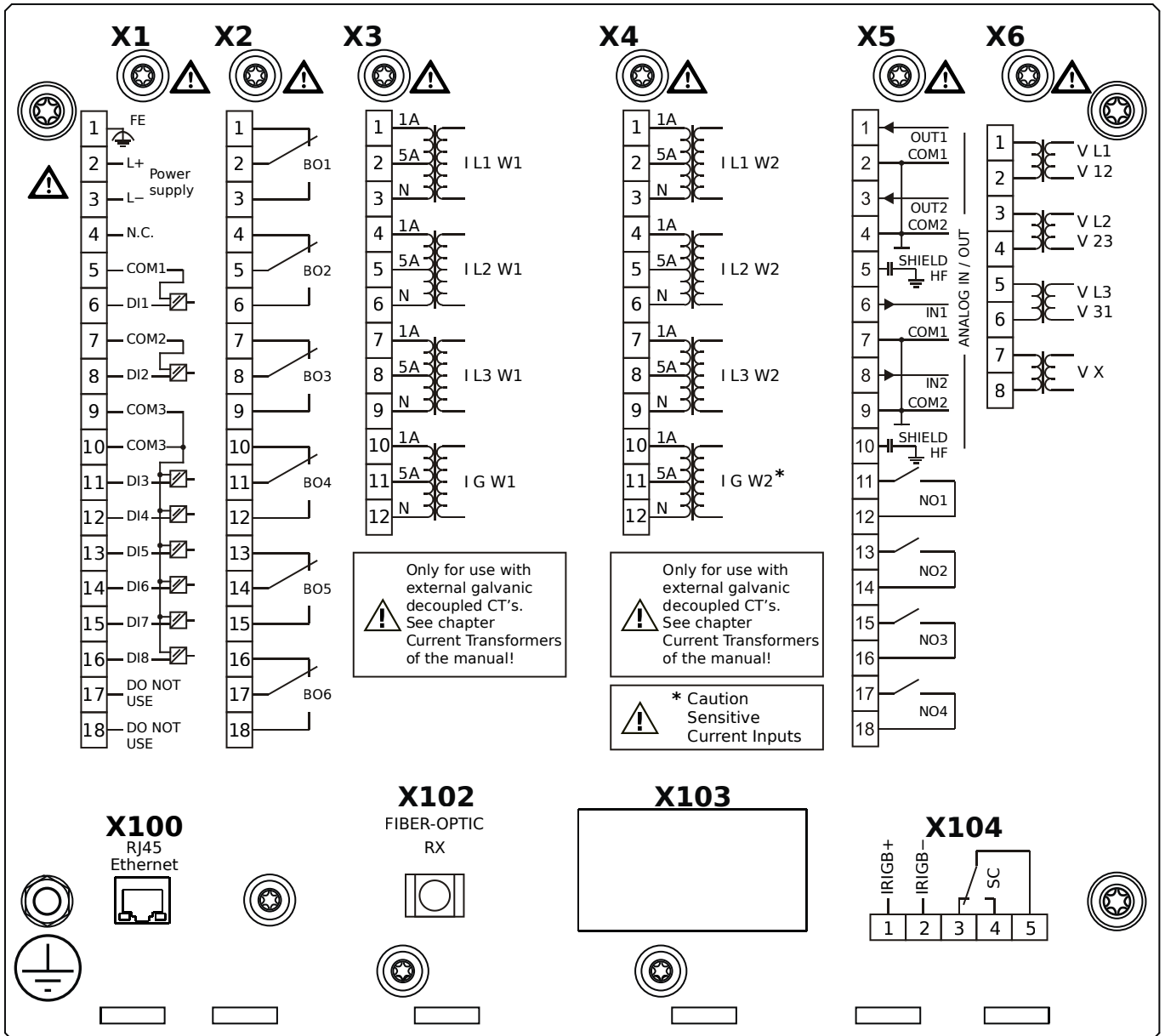
MCDTV4-2B2HHA



Housing B2, large display, door mounting

- X1** – DI8-X1: Wide-range power supply unit, incl. 2 non-grouped digital inputs and 6 grouped digital inputs
- X2** – OR6: Assembly Group with 6 Output Relays
- X3** – TI: Standard current measuring card (for the winding side 1)
- X4** – TIs: Standard phase current measuring card and sensitive ground current measuring (winding side 2)
- X5** – AnIO2-OR4: Assembly Group with 2 Analog Inputs, 2 Analog Outputs and 4 Output Relays
- X6** – TU: Card with 4 voltage transformer measuring inputs
- X100** – IEC 61850 / Modbus TCP / DNP3.0 TCP/UDP, Ethernet interface, 100 Mbit/s, RJ45 (BASE100-FX)
- X102** – Universal Resistance-Temperature Detector (URTD) input, Fiber optics interface, Versatile Link
- X104** – IRIG-B00X, incl. System Contact (Supervision Contact)

MCDTV4-2B2HHB

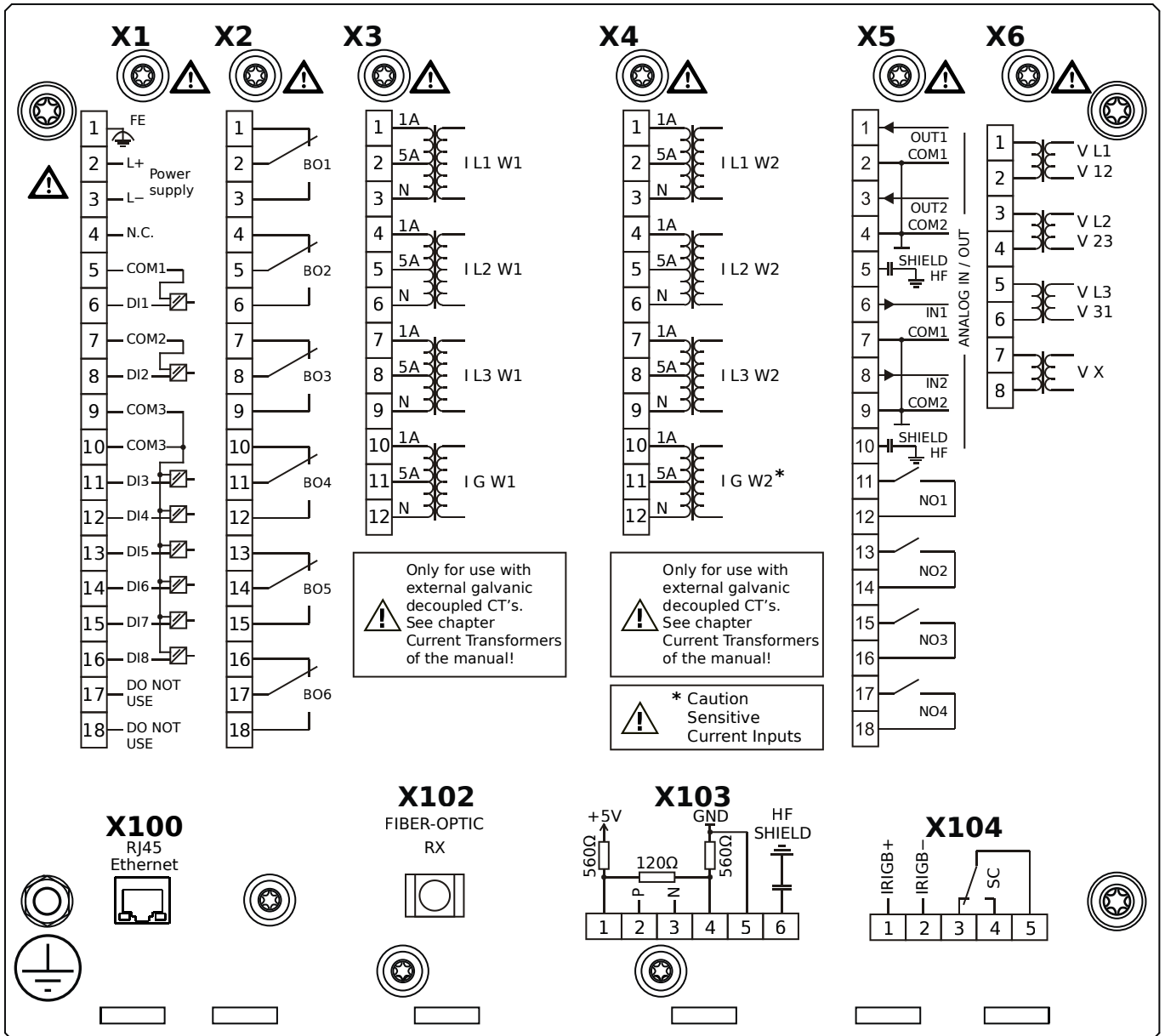


Housing B2, large display, door mounting

+ Conformal Coating (for installations in harsh environment)

- X1** – DI8-X1: Wide-range power supply unit, incl. 2 non-grouped digital inputs and 6 grouped digital inputs
- X2** – OR6: Assembly Group with 6 Output Relays
- X3** – TI: Standard current measuring card (for the winding side 1)
- X4** – TIs: Standard phase current measuring card and sensitive ground current measuring (winding side 2)
- X5** – AnIO2-OR4: Assembly Group with 2 Analog Inputs, 2 Analog Outputs and 4 Output Relays
- X6** – TU: Card with 4 voltage transformer measuring inputs
- X100** – IEC 61850 / Modbus TCP / DNP3.0 TCP/UDP, Ethernet interface, 100 Mbit/s, RJ45 (BASE100-FX)
- X102** – Universal Resistance-Temperature Detector (URTD) input, Fiber optics interface, Versatile Link
- X104** – IRIG-B00X, incl. System Contact (Supervision Contact)

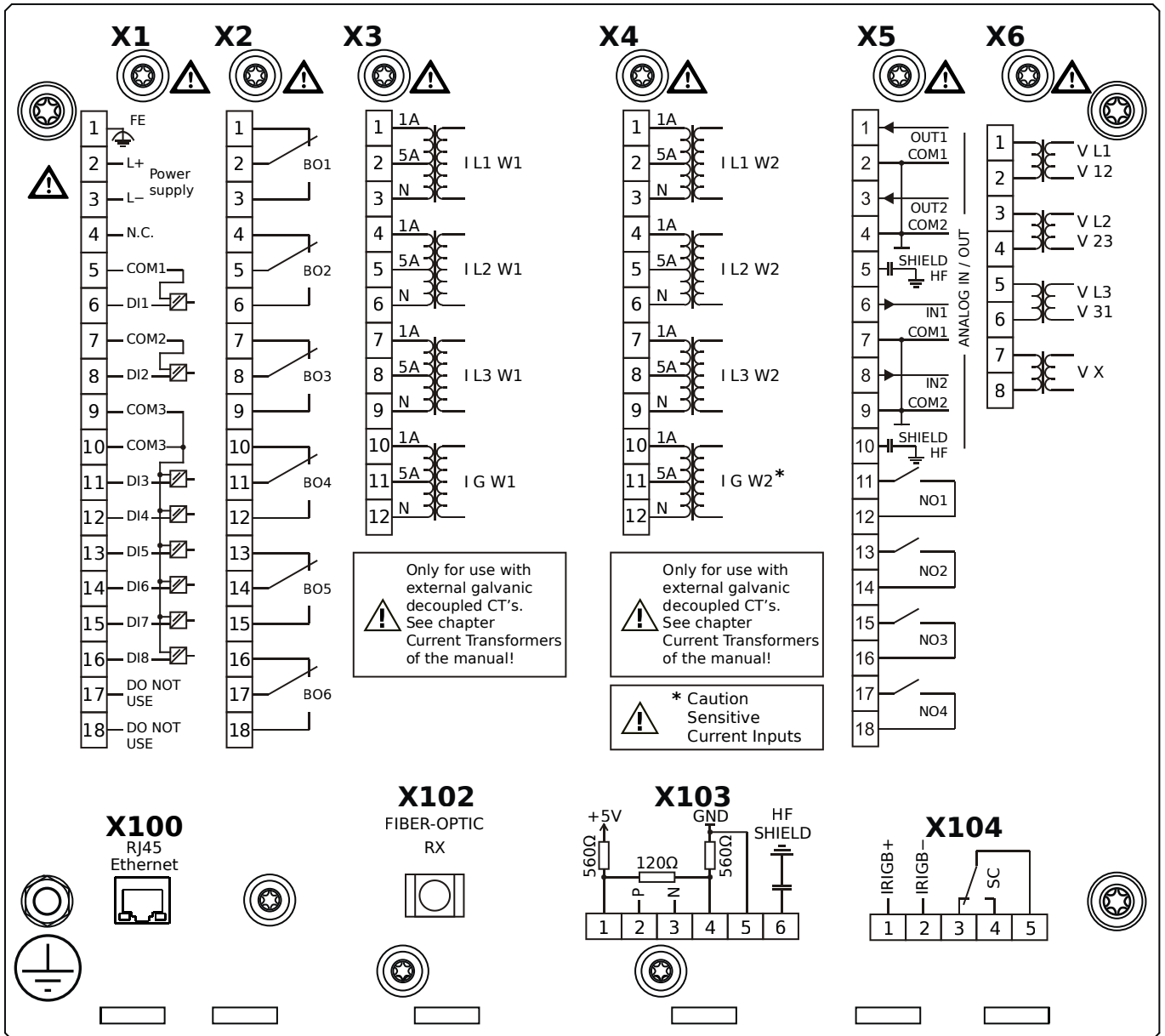
MCDTV4-2B2HIA



Housing B2, large display, door mounting

- X1** – DI8-X1: Wide-range power supply unit, incl. 2 non-grouped digital inputs and 6 grouped digital inputs
- X2** – OR6: Assembly Group with 6 Output Relays
- X3** – TI: Standard current measuring card (for the winding side 1)
- X4** – TIs: Standard phase current measuring card and sensitive ground current measuring (winding side 2)
- X5** – AnIO2-OR4: Assembly Group with 2 Analog Inputs, 2 Analog Outputs and 4 Output Relays
- X6** – TU: Card with 4 voltage transformer measuring inputs
- X100** – Modbus TCP / DNP3.0 TCP/UDP, Ethernet interface, 100 Mbit/s, RJ45 (BASE100-FX)
- X102** – Universal Resistance-Temperature Detector (URTD) input, Fiber optics interface, Versatile Link
- X103** – IEC 60870-5-103 / Modbus RTU / DNP3.0 RTU, RS485, Terminals
- X104** – IRIG-B00X, incl. System Contact (Supervision Contact)

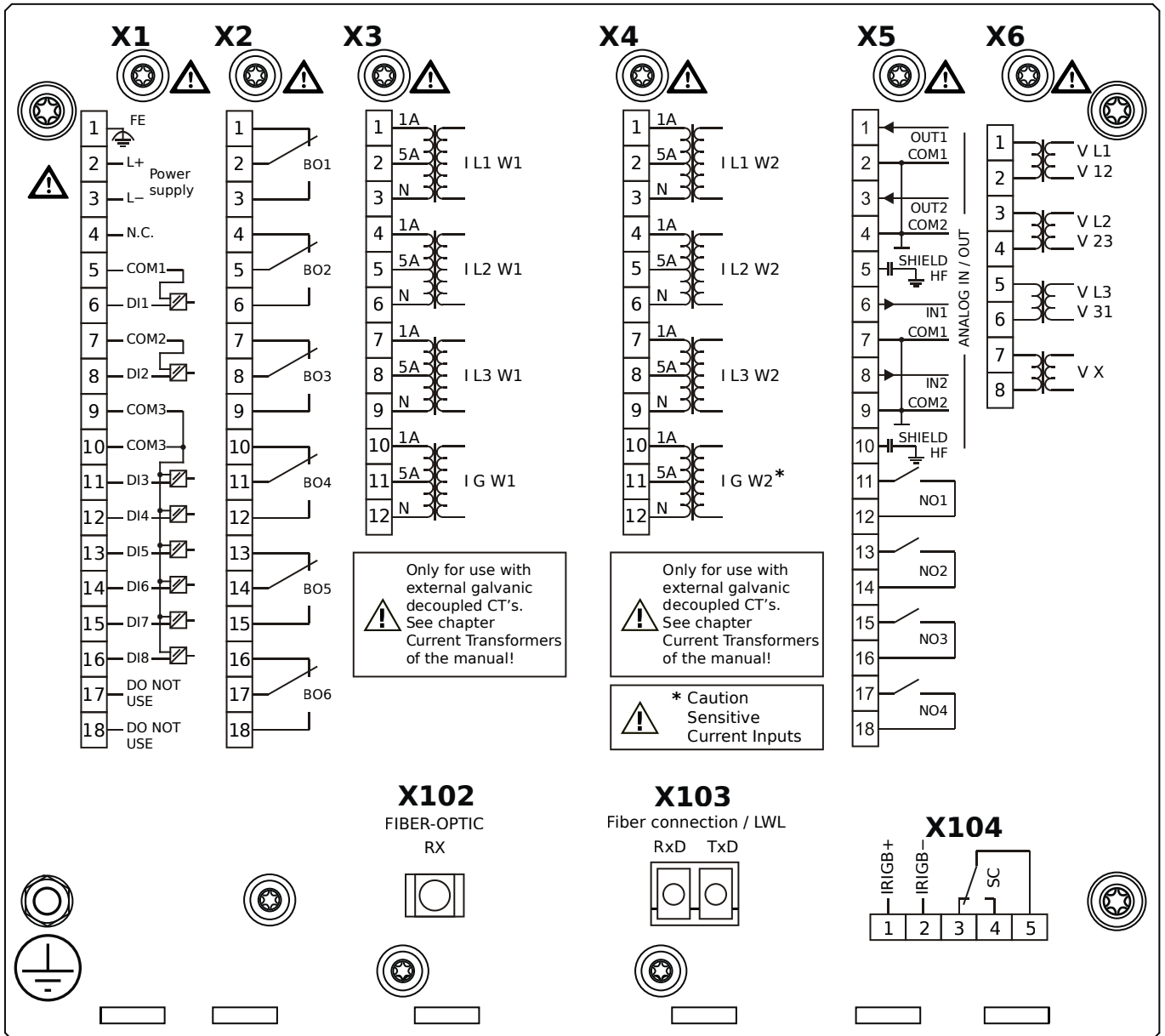
MCDTV4-2B2HIB



Housing B2, large display, door mounting

- + Conformal Coating (for installations in harsh environment)
- X1** – DI8-X1: Wide-range power supply unit, incl. 2 non-grouped digital inputs and 6 grouped digital inputs
- X2** – OR6: Assembly Group with 6 Output Relays
- X3** – TI: Standard current measuring card (for the winding side 1)
- X4** – TIs: Standard phase current measuring card and sensitive ground current measuring (winding side 2)
- X5** – AnIO2-OR4: Assembly Group with 2 Analog Inputs, 2 Analog Outputs and 4 Output Relays
- X6** – TU: Card with 4 voltage transformer measuring inputs
- X100** – Modbus TCP / DNP3.0 TCP/UDP, Ethernet interface, 100 Mbit/s, RJ45 (BASE100-FX)
- X102** – Universal Resistance-Temperature Detector (URTD) input, Fiber optics interface, Versatile Link
- X103** – IEC 60870-5-103 / Modbus RTU / DNP3.0 RTU, RS485, Terminals
- X104** – IRIG-B00X, incl. System Contact (Supervision Contact)

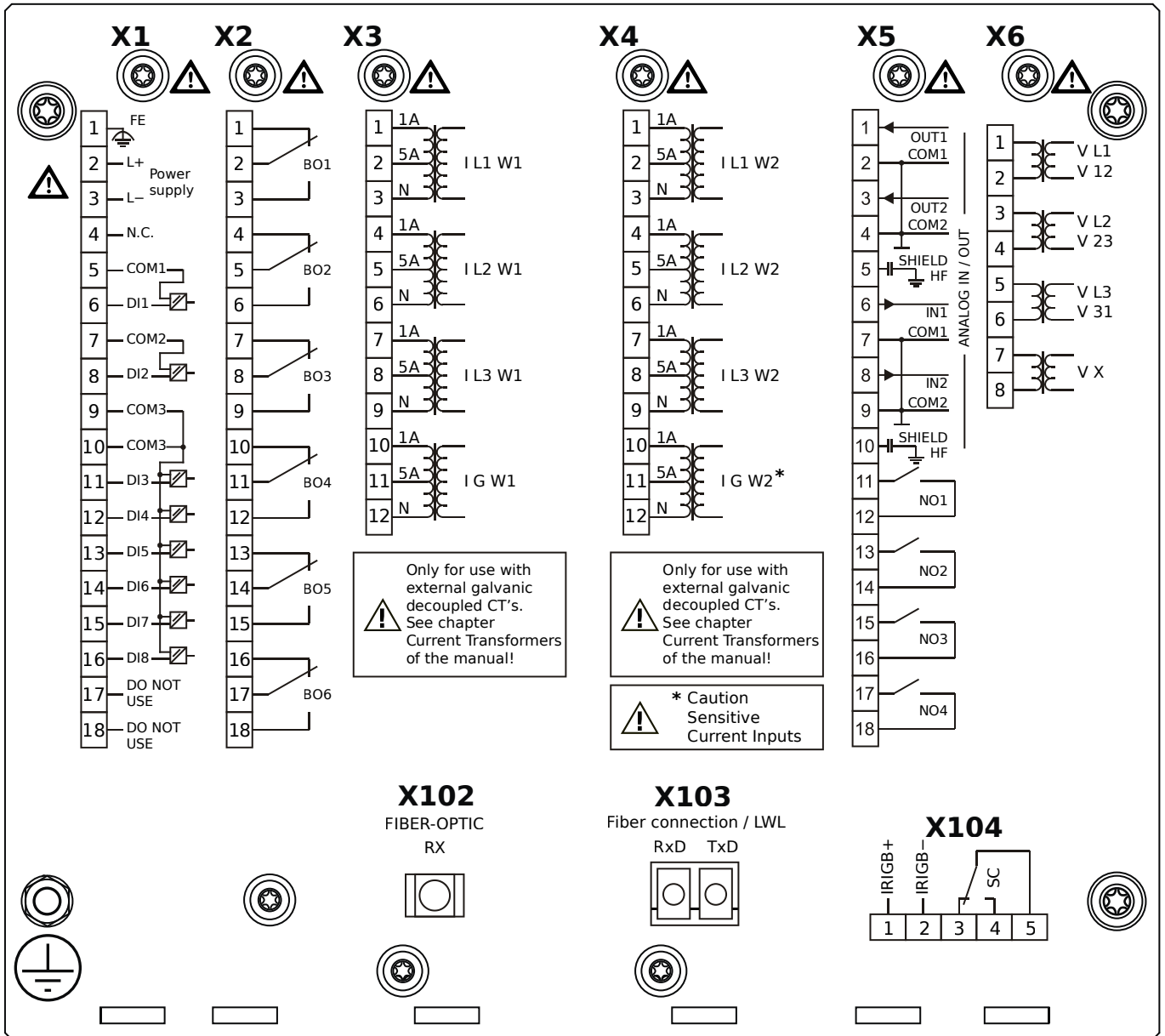
MCDTV4-2B2HKA



Housing B2, large display, door mounting

- X1** – DI8-X1: Wide-range power supply unit, incl. 2 non-grouped digital inputs and 6 grouped digital inputs
- X2** – OR6: Assembly Group with 6 Output Relays
- X3** – TI: Standard current measuring card (for the winding side 1)
- X4** – TIs: Standard phase current measuring card and sensitive ground current measuring (winding side 2)
- X5** – AnIO2-OR4: Assembly Group with 2 Analog Inputs, 2 Analog Outputs and 4 Output Relays
- X6** – TU: Card with 4 voltage transformer measuring inputs
- X102** – Universal Resistance-Temperature Detector (URTD) input, Fiber optics interface, Versatile Link
- X103** – IEC 61850 / Modbus TCP / DNP3.0 TCP/UDP, Fiber optics interface, LC Connector
- X104** – IRIG-B00X, incl. System Contact (Supervision Contact)

MCDTV4-2B2HKB

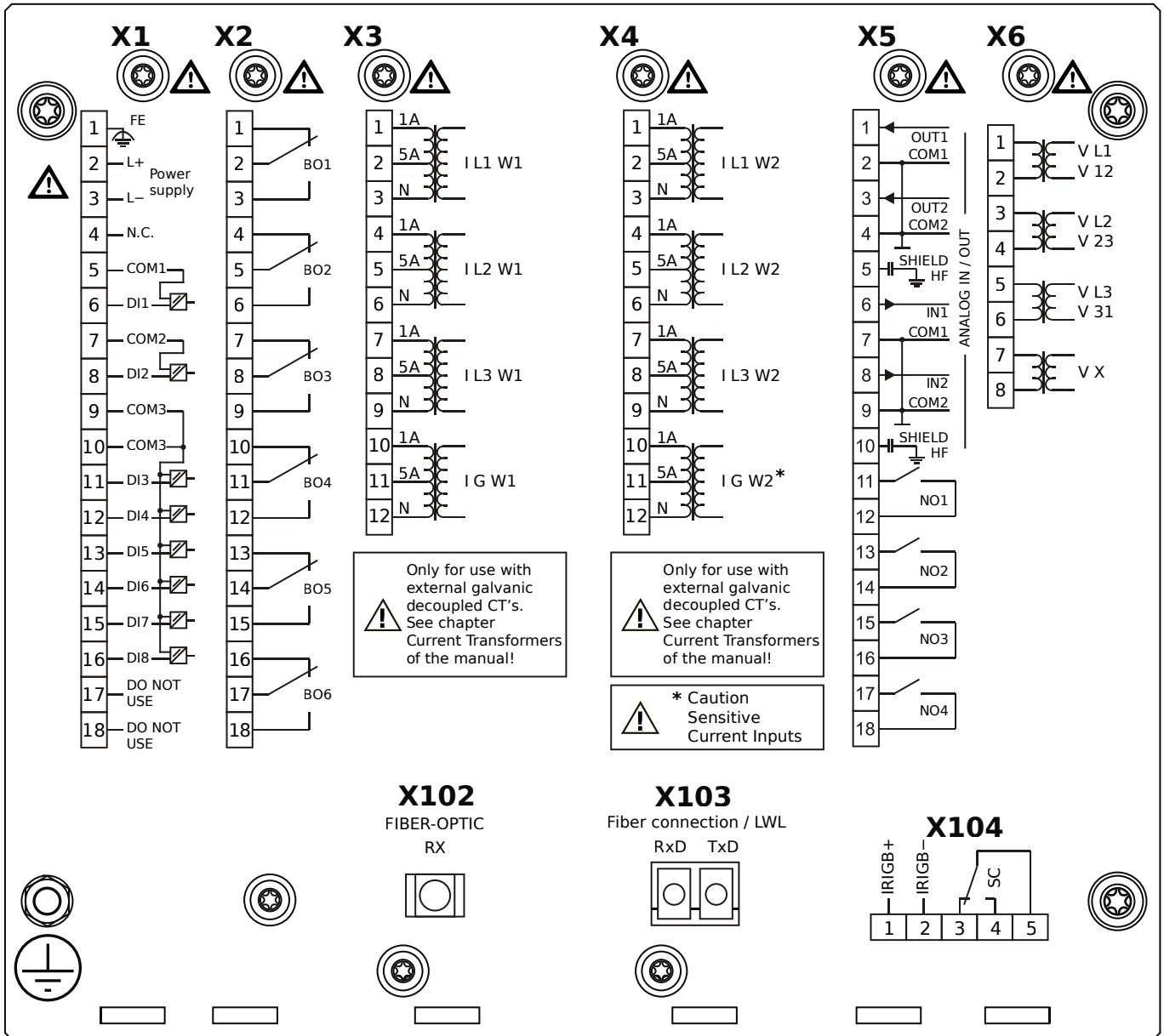


Housing B2, large display, door mounting

+ Conformal Coating (for installations in harsh environment)

- X1** – DI8-X1: Wide-range power supply unit, incl. 2 non-grouped digital inputs and 6 grouped digital inputs
- X2** – OR6: Assembly Group with 6 Output Relays
- X3** – TI: Standard current measuring card (for the winding side 1)
- X4** – TIs: Standard phase current measuring card and sensitive ground current measuring (winding side 2)
- X5** – AnIO2-OR4: Assembly Group with 2 Analog Inputs, 2 Analog Outputs and 4 Output Relays
- X6** – TU: Card with 4 voltage transformer measuring inputs
- X102** – Universal Resistance-Temperature Detector (URTD) input, Fiber optics interface, Versatile Link
- X103** – IEC 61850 / Modbus TCP / DNP3.0 TCP/UDP, Fiber optics interface, LC Connector
- X104** – IRIG-B00X, incl. System Contact (Supervision Contact)

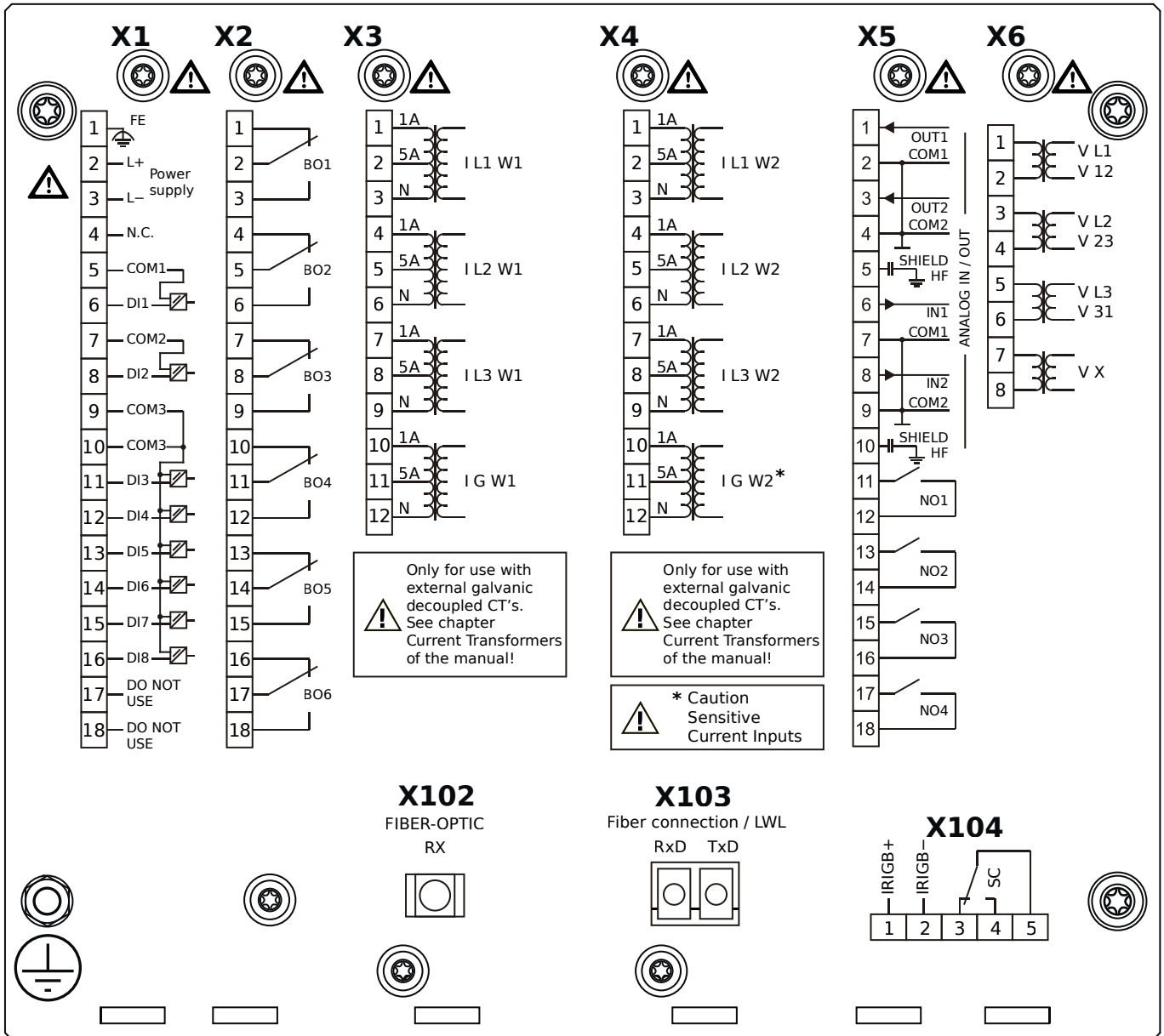
MCDTV4-2B2HLA



Housing B2, large display, door mounting

- X1** – DI8-X1: Wide-range power supply unit, incl. 2 non-grouped digital inputs and 6 grouped digital inputs
- X2** – OR6: Assembly Group with 6 Output Relays
- X3** – TI: Standard current measuring card (for the winding side 1)
- X4** – TIs: Standard phase current measuring card and sensitive ground current measuring (winding side 2)
- X5** – AnIO2-OR4: Assembly Group with 2 Analog Inputs, 2 Analog Outputs and 4 Output Relays
- X6** – TU: Card with 4 voltage transformer measuring inputs
- X102** – Universal Resistance-Temperature Detector (URTD) input, Fiber optics interface, Versatile Link
- X103** – Modbus TCP / DNP3.0 TCP/UDP, Fiber optics interface, LC Connector
- X104** – IRIG-B00X, incl. System Contact (Supervision Contact)

MCDTV4-2B2HLB

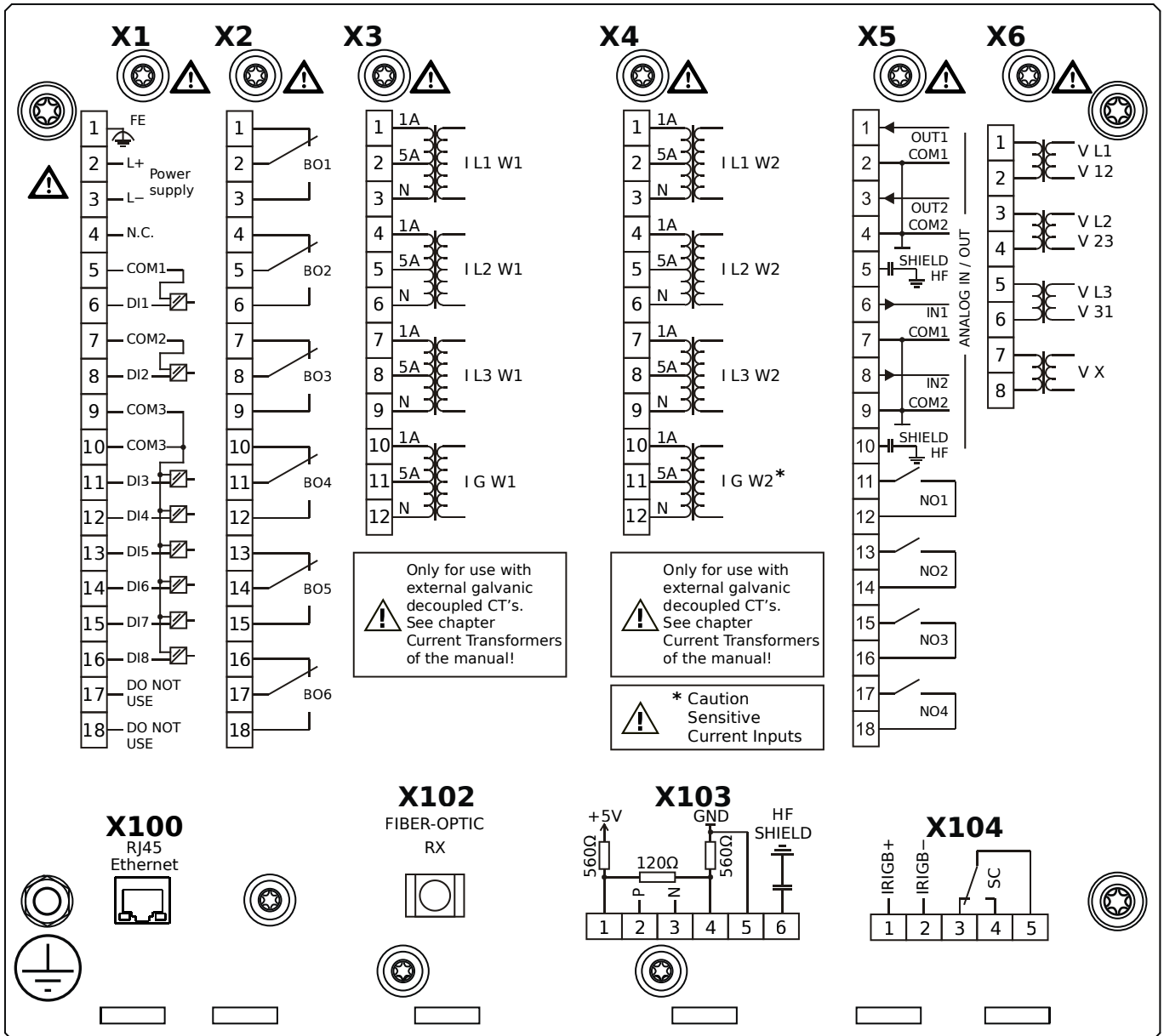


Housing B2, large display, door mounting

+ Conformal Coating (for installations in harsh environment)

- X1** – DI8-X1: Wide-range power supply unit, incl. 2 non-grouped digital inputs and 6 grouped digital inputs
- X2** – OR6: Assembly Group with 6 Output Relays
- X3** – TI: Standard current measuring card (for the winding side 1)
- X4** – TIs: Standard phase current measuring card and sensitive ground current measuring (winding side 2)
- X5** – AnIO2-OR4: Assembly Group with 2 Analog Inputs, 2 Analog Outputs and 4 Output Relays
- X6** – TU: Card with 4 voltage transformer measuring inputs
- X102** – Universal Resistance-Temperature Detector (URTD) input, Fiber optics interface, Versatile Link
- X103** – Modbus TCP / DNP3.0 TCP/UDP, Fiber optics interface, LC Connector
- X104** – IRIG-B00X, incl. System Contact (Supervision Contact)

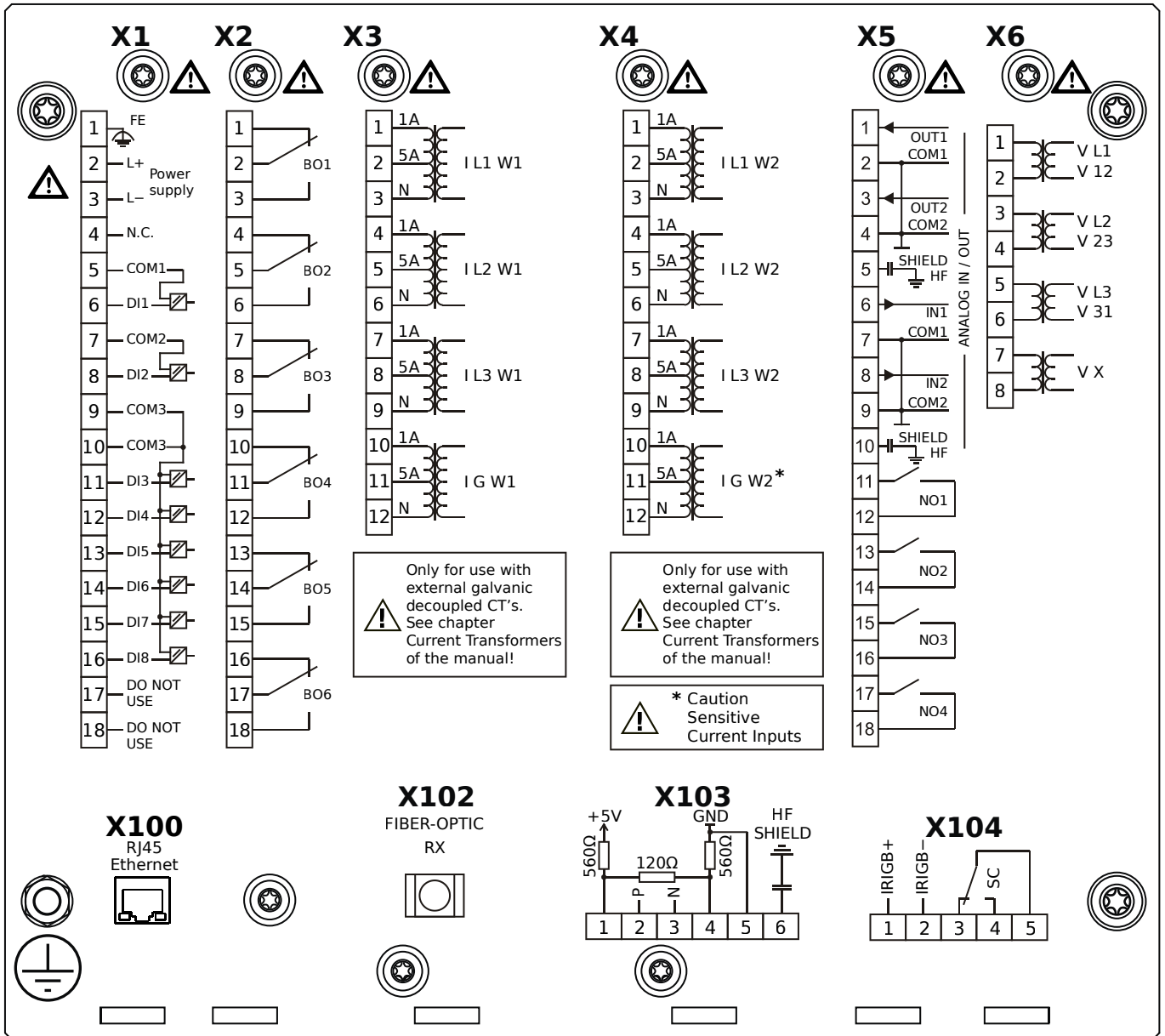
MCDTV4-2B2HTA



Housing B2, large display, door mounting

- X1** – DI8-X1: Wide-range power supply unit, incl. 2 non-grouped digital inputs and 6 grouped digital inputs
- X2** – OR6: Assembly Group with 6 Output Relays
- X3** – TI: Standard current measuring card (for the winding side 1)
- X4** – TIs: Standard phase current measuring card and sensitive ground current measuring (winding side 2)
- X5** – AnIO2-OR4: Assembly Group with 2 Analog Inputs, 2 Analog Outputs and 4 Output Relays
- X6** – TU: Card with 4 voltage transformer measuring inputs
- X100** – IEC 61850 / Modbus TCP / DNP3.0 TCP/UDP, Ethernet interface, 100 Mbit/s, RJ45 (BASE100-FX)
- X102** – Universal Resistance-Temperature Detector (URTD) input, Fiber optics interface, Versatile Link
- X103** – IEC 60870-5-103 / Modbus RTU / DNP3.0 RTU, RS485, Terminals
- X104** – IRIG-B00X, incl. System Contact (Supervision Contact)

MCDTV4-2B2HTB

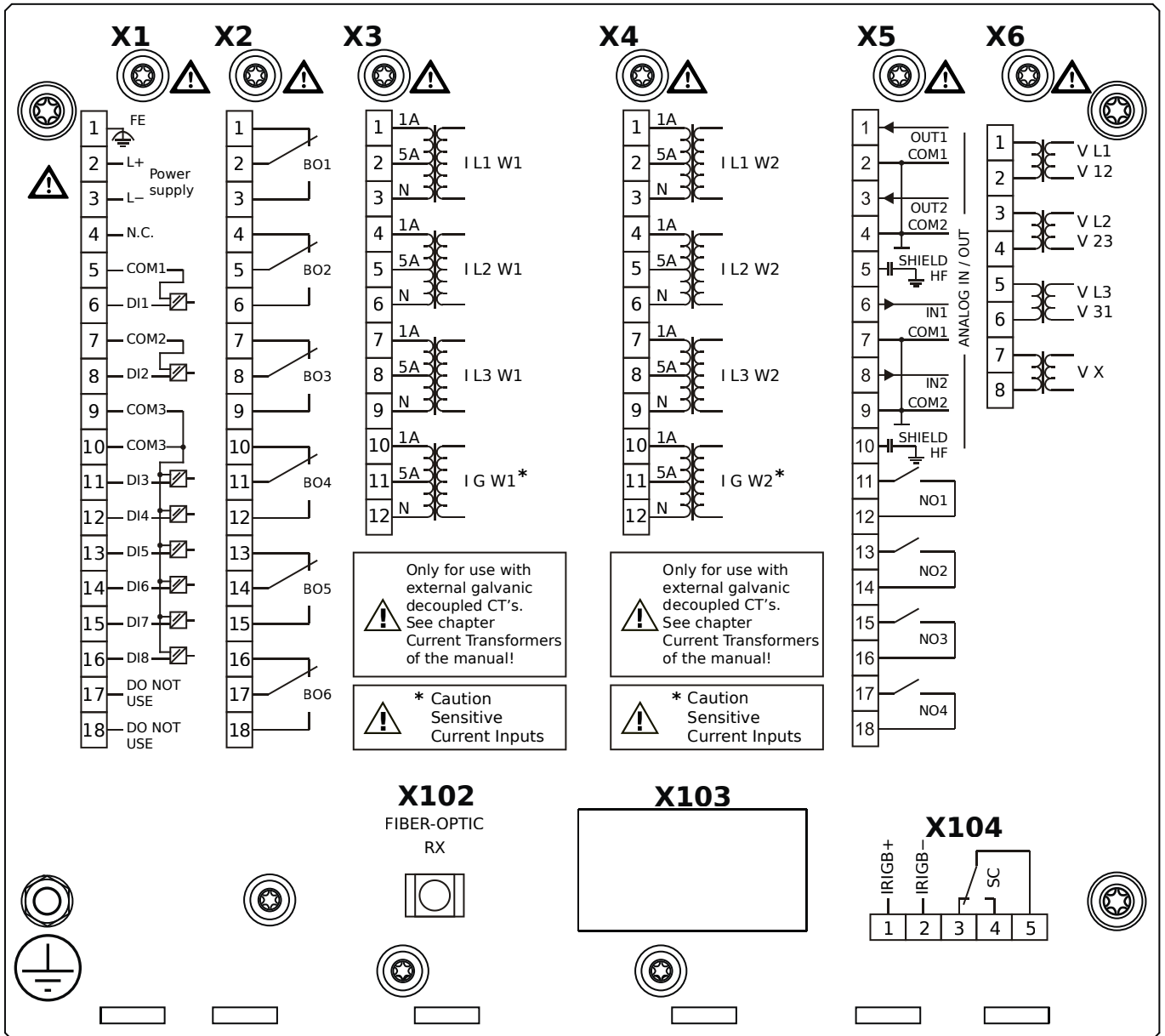


Housing B2, large display, door mounting

+ Conformal Coating (for installations in harsh environment)

- X1** – DI8-X1: Wide-range power supply unit, incl. 2 non-grouped digital inputs and 6 grouped digital inputs
- X2** – OR6: Assembly Group with 6 Output Relays
- X3** – TI: Standard current measuring card (for the winding side 1)
- X4** – TIs: Standard phase current measuring card and sensitive ground current measuring (winding side 2)
- X5** – AnIO2-OR4: Assembly Group with 2 Analog Inputs, 2 Analog Outputs and 4 Output Relays
- X6** – TU: Card with 4 voltage transformer measuring inputs
- X100** – IEC 61850 / Modbus TCP / DNP3.0 TCP/UDP, Ethernet interface, 100 Mbit/s, RJ45 (BASE100-FX)
- X102** – Universal Resistance-Temperature Detector (URTD) input, Fiber optics interface, Versatile Link
- X103** – IEC 60870-5-103 / Modbus RTU / DNP3.0 RTU, RS485, Terminals
- X104** – IRIG-B00X, incl. System Contact (Supervision Contact)

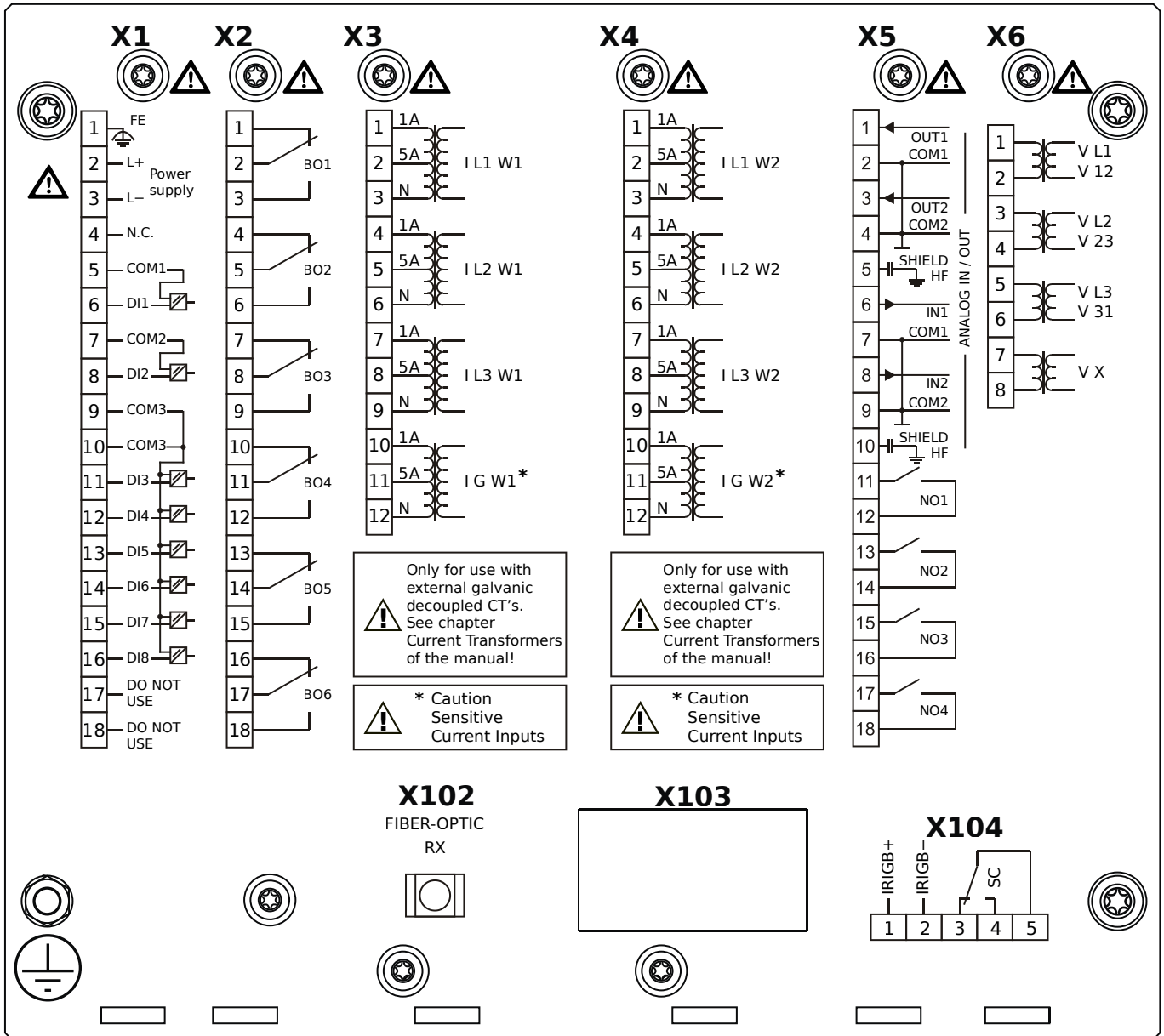
MCDTV4-2B3AAA



Housing B2, large display, door mounting

- X1** – DI8-X1: Wide-range power supply unit, incl. 2 non-grouped digital inputs and 6 grouped digital inputs
- X2** – OR6: Assembly Group with 6 Output Relays
- X3** – TIs: Standard phase current measuring card and sensitive ground current measuring (winding side 1)
- X4** – TIs: Standard phase current measuring card and sensitive ground current measuring (winding side 2)
- X5** – AnIO2-OR4: Assembly Group with 2 Analog Inputs, 2 Analog Outputs and 4 Output Relays
- X6** – TU: Card with 4 voltage transformer measuring inputs
- X102** – Universal Resistance-Temperature Detector (URTD) input, Fiber optics interface, Versatile Link
- X104** – IRIG-B00X, incl. System Contact (Supervision Contact)

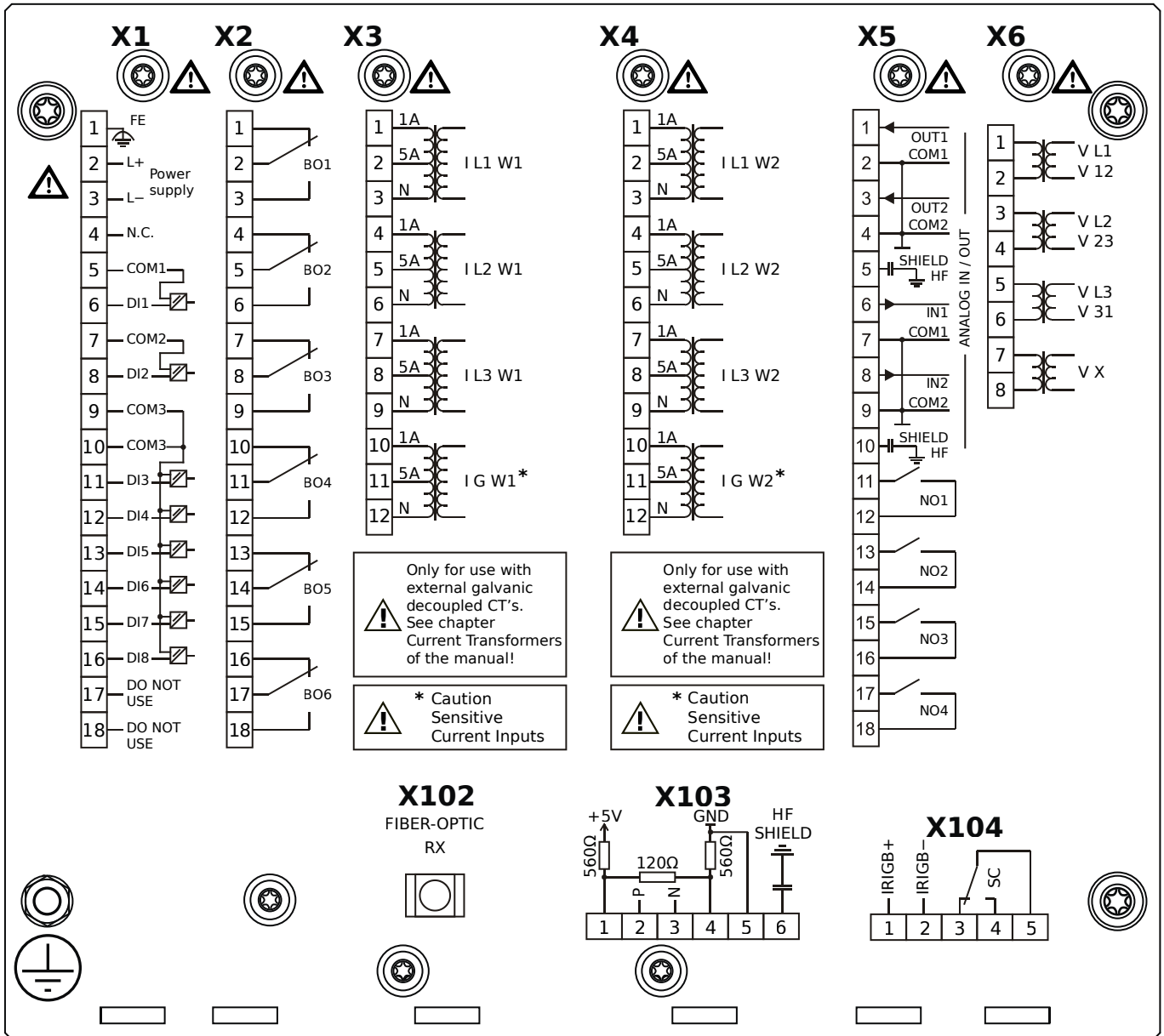
MCDTV4-2B3AAB



Housing B2, large display, door mounting

- + Conformal Coating (for installations in harsh environment)
- X1** – DI8-X1: Wide-range power supply unit, incl. 2 non-grouped digital inputs and 6 grouped digital inputs
- X2** – OR6: Assembly Group with 6 Output Relays
- X3** – TIs: Standard phase current measuring card and sensitive ground current measuring (winding side 1)
- X4** – TIs: Standard phase current measuring card and sensitive ground current measuring (winding side 2)
- X5** – AnIO2-OR4: Assembly Group with 2 Analog Inputs, 2 Analog Outputs and 4 Output Relays
- X6** – TU: Card with 4 voltage transformer measuring inputs
- X102** – Universal Resistance-Temperature Detector (URTD) input, Fiber optics interface, Versatile Link
- X104** – IRIG-B00X, incl. System Contact (Supervision Contact)

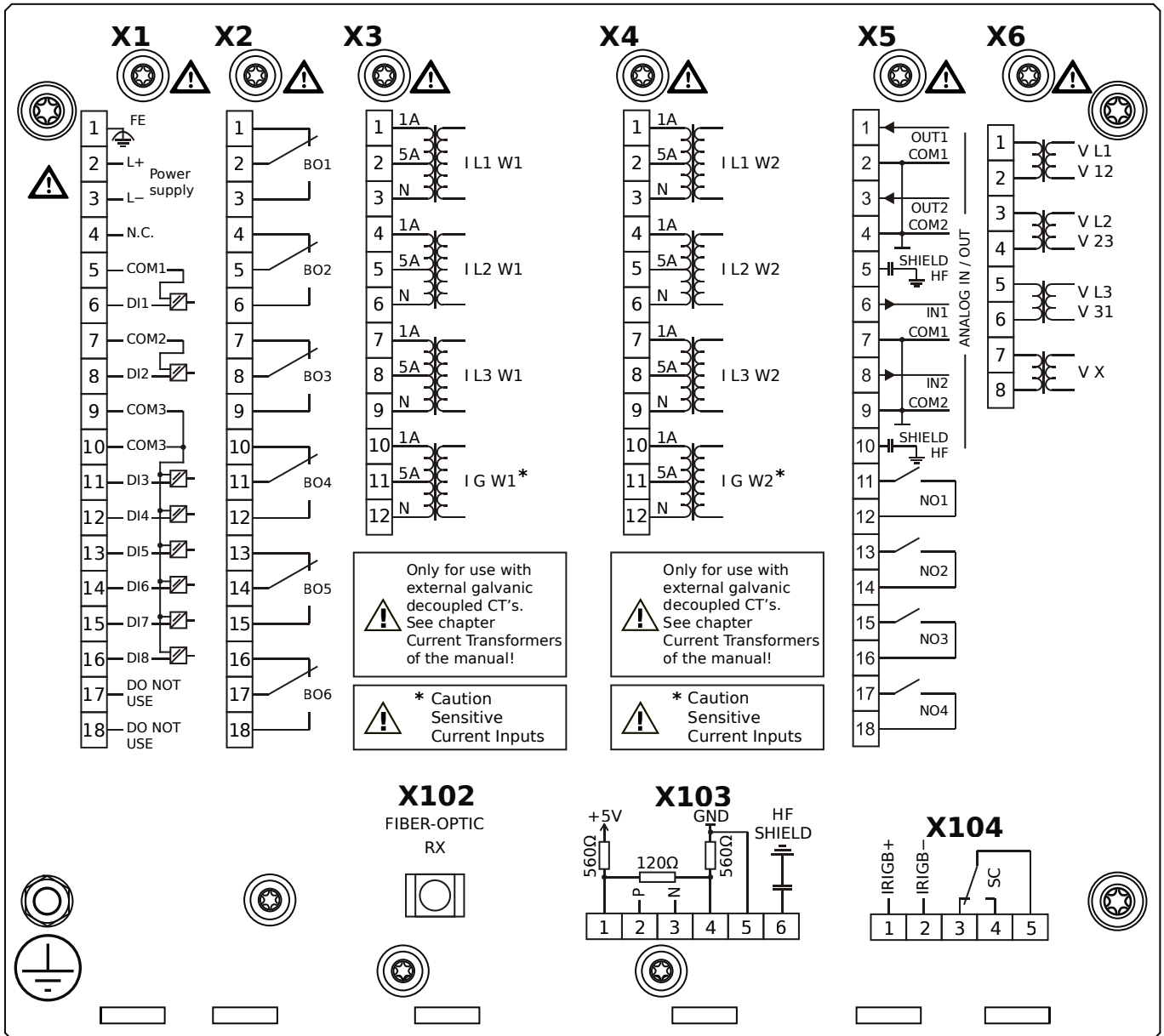
MCDTV4-2B3ABA



Housing B2, large display, door mounting

- X1** – DI8-X1: Wide-range power supply unit, incl. 2 non-grouped digital inputs and 6 grouped digital inputs
- X2** – OR6: Assembly Group with 6 Output Relays
- X3** – TIs: Standard phase current measuring card and sensitive ground current measuring (winding side 1)
- X4** – TIs: Standard phase current measuring card and sensitive ground current measuring (winding side 2)
- X5** – AnIO2-OR4: Assembly Group with 2 Analog Inputs, 2 Analog Outputs and 4 Output Relays
- X6** – TU: Card with 4 voltage transformer measuring inputs
- X102** – Universal Resistance-Temperature Detector (URTD) input, Fiber optics interface, Versatile Link
- X103** – Modbus RTU / IEC 60870-5-103 / DNP3.0 RTU, RS485, Terminals
- X104** – IRIG-B00X, incl. System Contact (Supervision Contact)

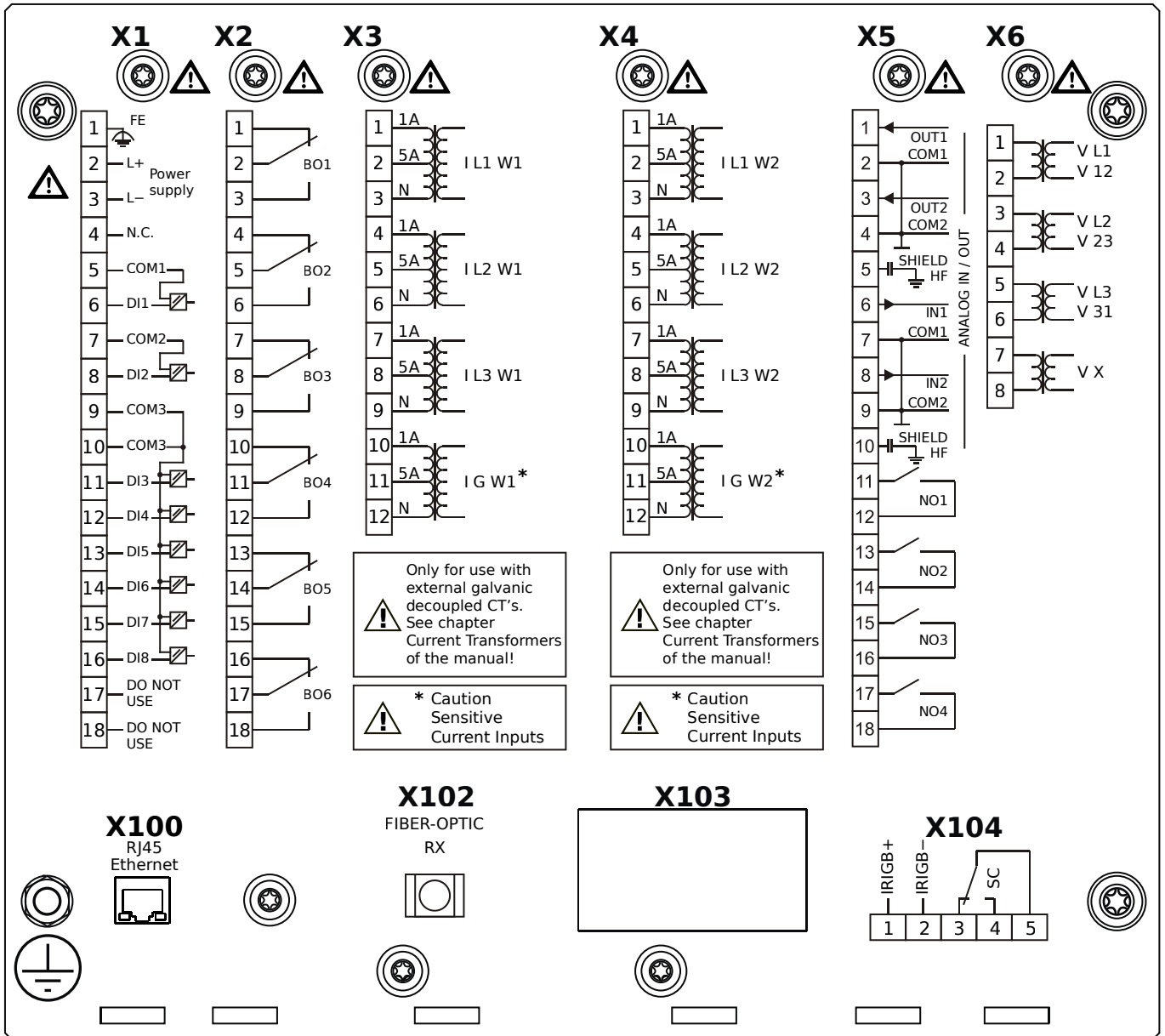
MCDTV4-2B3ABB



Housing B2, large display, door mounting

- + Conformal Coating (for installations in harsh environment)
- X1** – DI8-X1: Wide-range power supply unit, incl. 2 non-grouped digital inputs and 6 grouped digital inputs
- X2** – OR6: Assembly Group with 6 Output Relays
- X3** – TIs: Standard phase current measuring card and sensitive ground current measuring (winding side 1)
- X4** – TIs: Standard phase current measuring card and sensitive ground current measuring (winding side 2)
- X5** – AnIO2-OR4: Assembly Group with 2 Analog Inputs, 2 Analog Outputs and 4 Output Relays
- X6** – TU: Card with 4 voltage transformer measuring inputs
- X102** – Universal Resistance-Temperature Detector (URTD) input, Fiber optics interface, Versatile Link
- X103** – Modbus RTU / IEC 60870-5-103 / DNP3.0 RTU, RS485, Terminals
- X104** – IRIG-B00X, incl. System Contact (Supervision Contact)

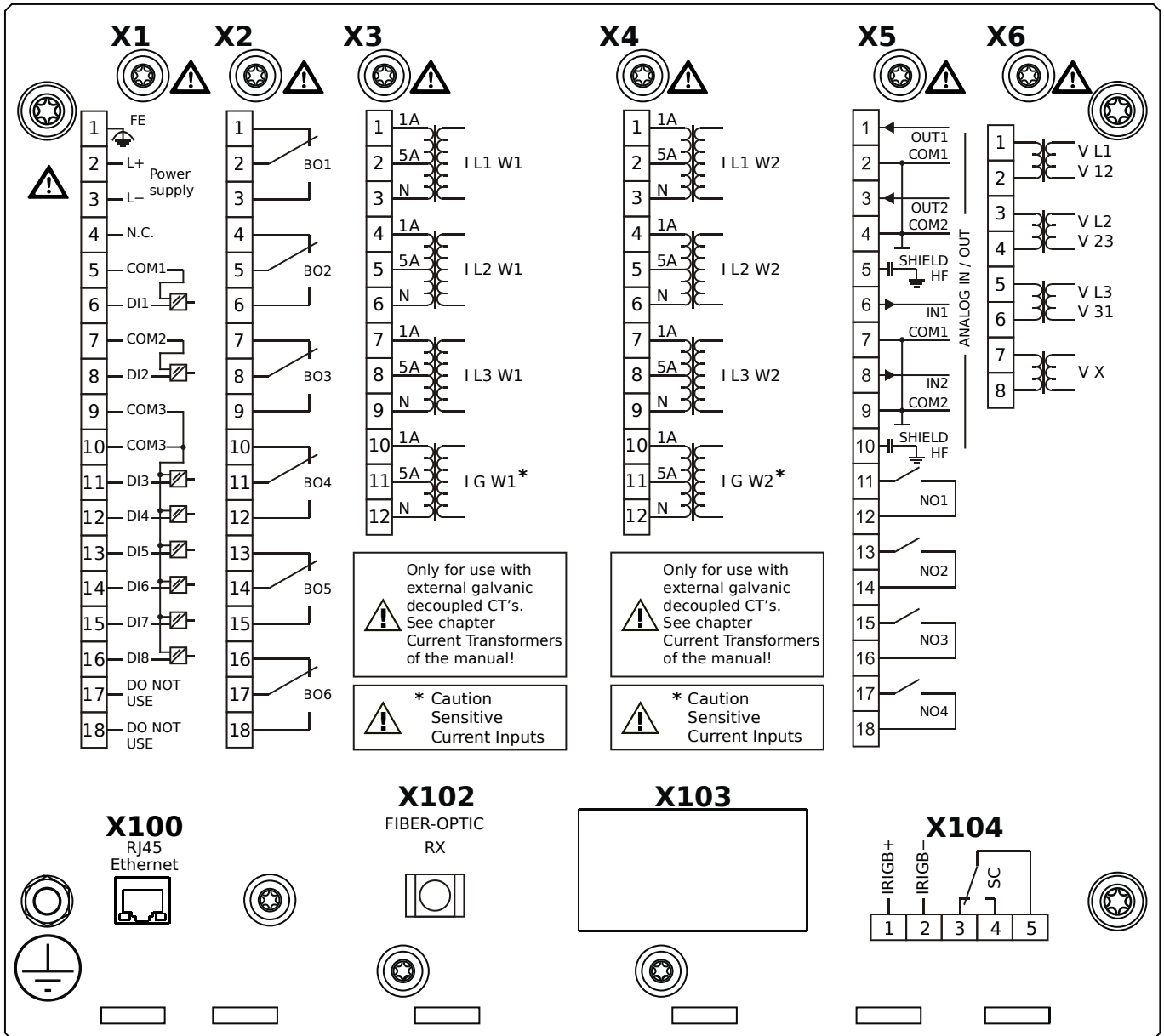
MCDTV4-2B3ACA



Housing B2, large display, door mounting

- X1** – DI8-X1: Wide-range power supply unit, incl. 2 non-grouped digital inputs and 6 grouped digital inputs
- X2** – OR6: Assembly Group with 6 Output Relays
- X3** – TIs: Standard phase current measuring card and sensitive ground current measuring (winding side 1)
- X4** – TIs: Standard phase current measuring card and sensitive ground current measuring (winding side 2)
- X5** – AnIO2-OR4: Assembly Group with 2 Analog Inputs, 2 Analog Outputs and 4 Output Relays
- X6** – TU: Card with 4 voltage transformer measuring inputs
- X100** – Modbus TCP / DNP3.0 TCP/UDP, Ethernet interface, 100 Mbit/s, RJ45 (BASE100-FX)
- X102** – Universal Resistance-Temperature Detector (URTD) input, Fiber optics interface, Versatile Link
- X104** – IRIG-B00X, incl. System Contact (Supervision Contact)

MCDTV4-2B3ACB

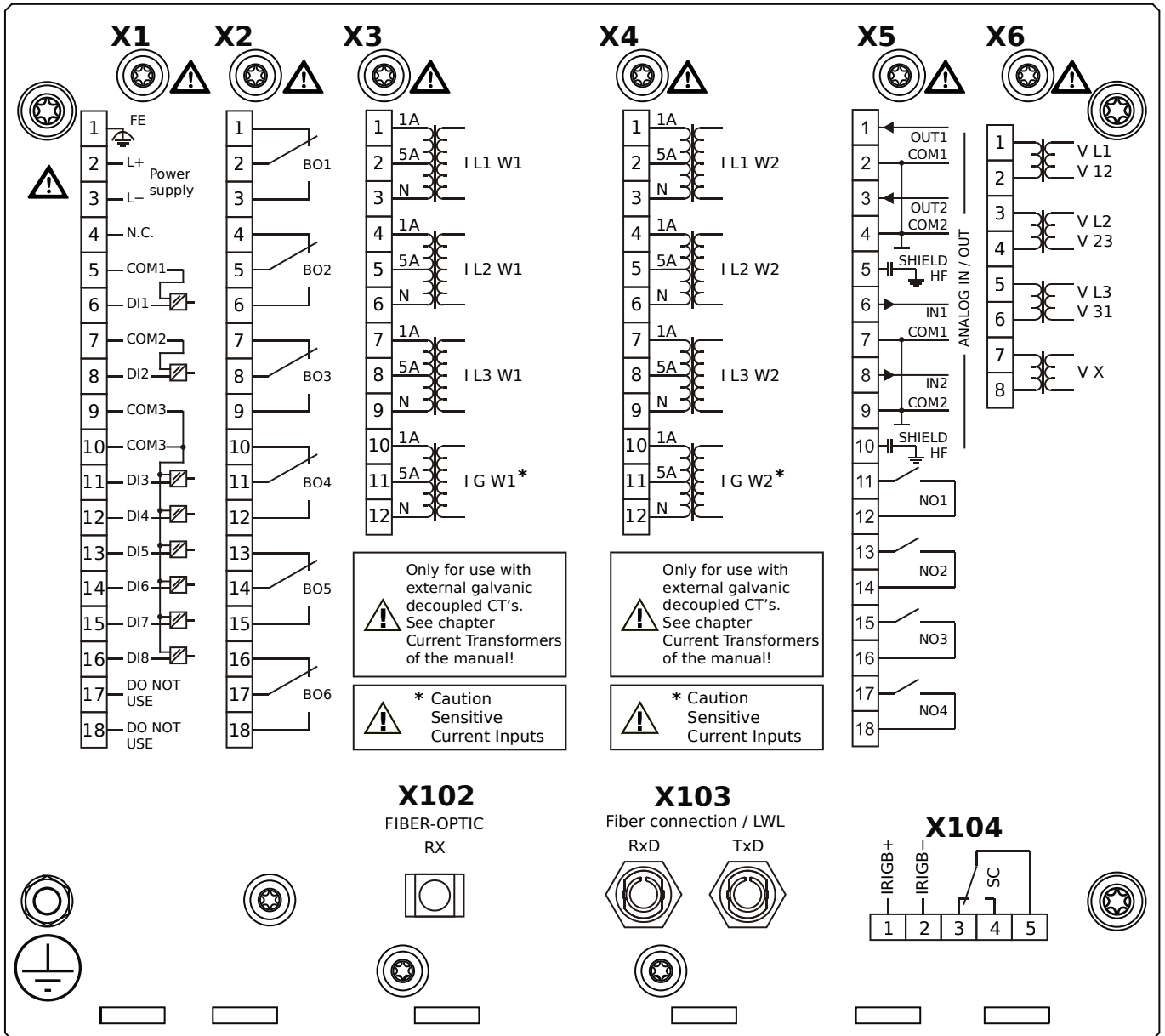


Housing B2, large display, door mounting

+ Conformal Coating (for installations in harsh environment)

- X1** – DI8-X1: Wide-range power supply unit, incl. 2 non-grouped digital inputs and 6 grouped digital inputs
- X2** – OR6: Assembly Group with 6 Output Relays
- X3** – TIs: Standard phase current measuring card and sensitive ground current measuring (winding side 1)
- X4** – TIs: Standard phase current measuring card and sensitive ground current measuring (winding side 2)
- X5** – AnIO2-OR4: Assembly Group with 2 Analog Inputs, 2 Analog Outputs and 4 Output Relays
- X6** – TU: Card with 4 voltage transformer measuring inputs
- X100** – Modbus TCP / DNP3.0 TCP/UDP, Ethernet interface, 100 Mbit/s, RJ45 (BASE100-FX)
- X102** – Universal Resistance-Temperature Detector (URTD) input, Fiber optics interface, Versatile Link
- X104** – IRIG-B00X, incl. System Contact (Supervision Contact)

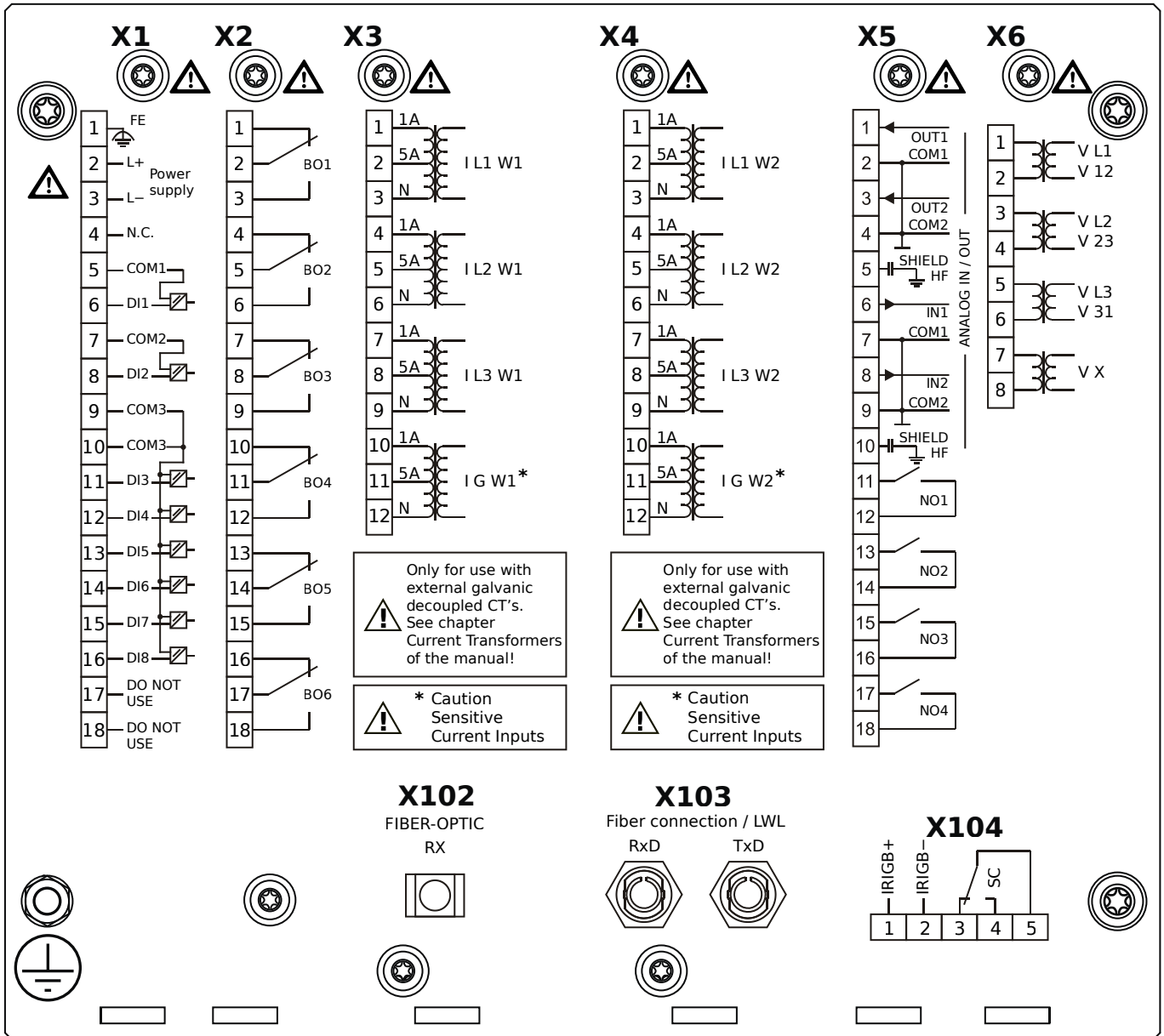
MCDTV4-2B3ADA



Housing B2, large display, door mounting

- X1** – DI8-X1: Wide-range power supply unit, incl. 2 non-grouped digital inputs and 6 grouped digital inputs
- X2** – OR6: Assembly Group with 6 Output Relays
- X3** – TIs: Standard phase current measuring card and sensitive ground current measuring (winding side 1)
- X4** – TIs: Standard phase current measuring card and sensitive ground current measuring (winding side 2)
- X5** – AnIO2-OR4: Assembly Group with 2 Analog Inputs, 2 Analog Outputs and 4 Output Relays
- X6** – TU: Card with 4 voltage transformer measuring inputs
- X102** – Universal Resistance-Temperature Detector (URTD) input, Fiber optics interface, Versatile Link
- X103** – Profibus-DP, Fiber optics interface, ST Connector
- X104** – IRIG-B00X, incl. System Contact (Supervision Contact)

MCDTV4-2B3ADB

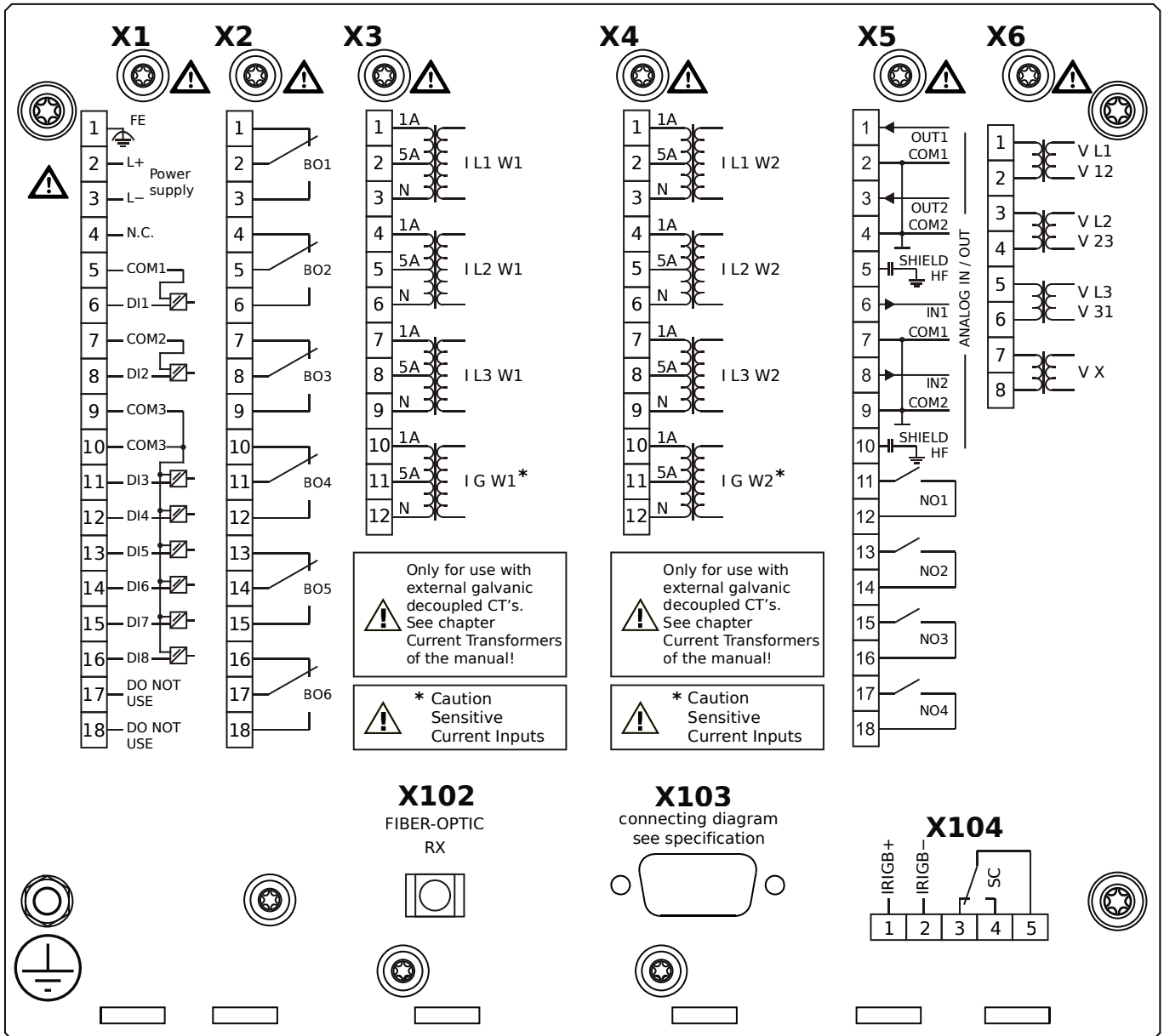


Housing B2, large display, door mounting

+ Conformal Coating (for installations in harsh environment)

- X1** – DI8-X1: Wide-range power supply unit, incl. 2 non-grouped digital inputs and 6 grouped digital inputs
- X2** – OR6: Assembly Group with 6 Output Relays
- X3** – TIs: Standard phase current measuring card and sensitive ground current measuring (winding side 1)
- X4** – TIs: Standard phase current measuring card and sensitive ground current measuring (winding side 2)
- X5** – AnIO2-OR4: Assembly Group with 2 Analog Inputs, 2 Analog Outputs and 4 Output Relays
- X6** – TU: Card with 4 voltage transformer measuring inputs
- X102** – Universal Resistance-Temperature Detector (URTD) input, Fiber optics interface, Versatile Link
- X103** – Profibus-DP, Fiber optics interface, ST Connector
- X104** – IRIG-B00X, incl. System Contact (Supervision Contact)

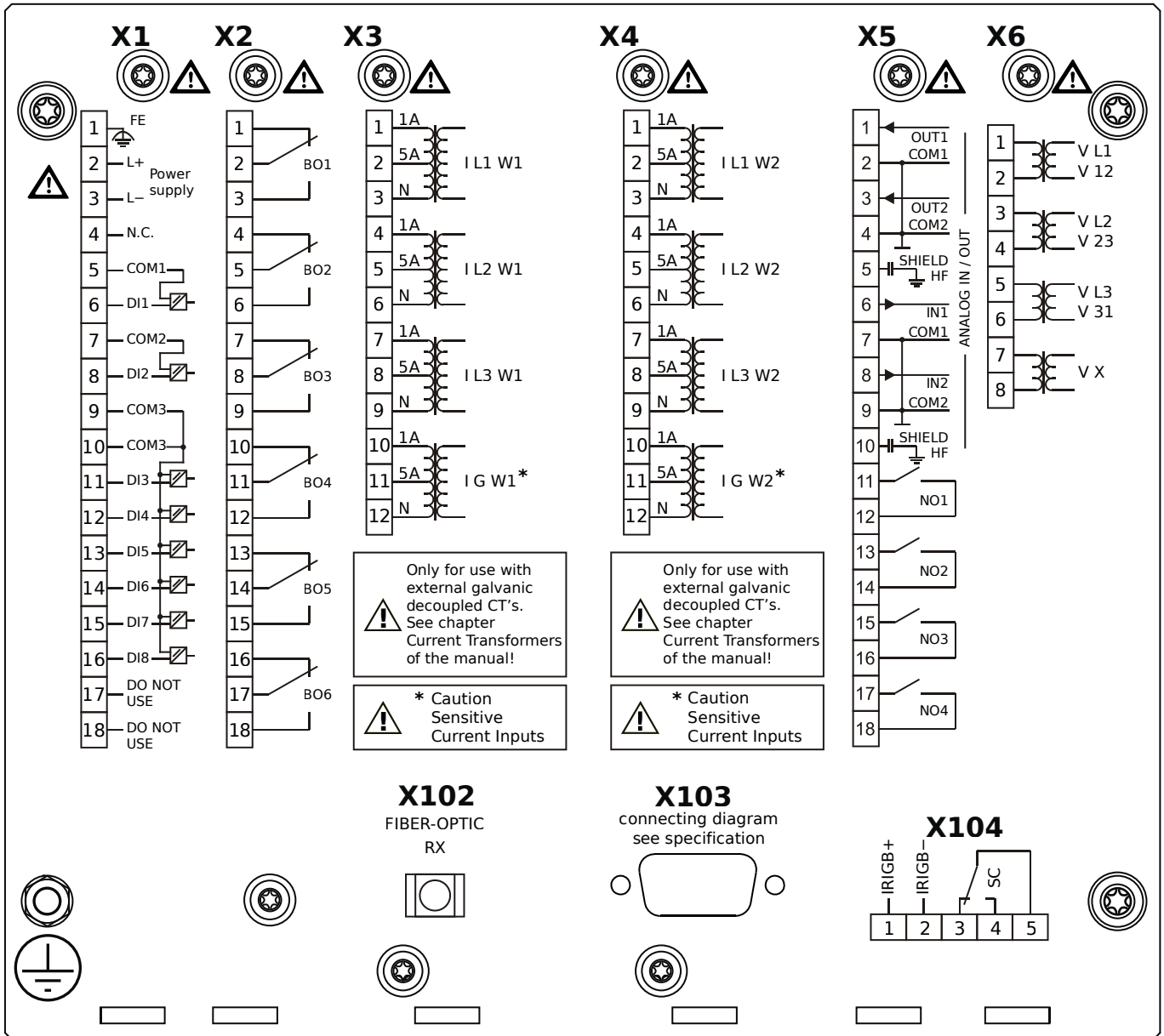
MCDTV4-2B3AEA



Housing B2, large display, door mounting

- X1** – DI8-X1: Wide-range power supply unit, incl. 2 non-grouped digital inputs and 6 grouped digital inputs
- X2** – OR6: Assembly Group with 6 Output Relays
- X3** – TIs: Standard phase current measuring card and sensitive ground current measuring (winding side 1)
- X4** – TIs: Standard phase current measuring card and sensitive ground current measuring (winding side 2)
- X5** – AnIO2-OR4: Assembly Group with 2 Analog Inputs, 2 Analog Outputs and 4 Output Relays
- X6** – TU: Card with 4 voltage transformer measuring inputs
- X102** – Universal Resistance-Temperature Detector (URTD) input, Fiber optics interface, Versatile Link
- X103** – Profibus-DP, RS485, D-SUB
- X104** – IRIG-B00X, incl. System Contact (Supervision Contact)

MCDTV4-2B3AEB

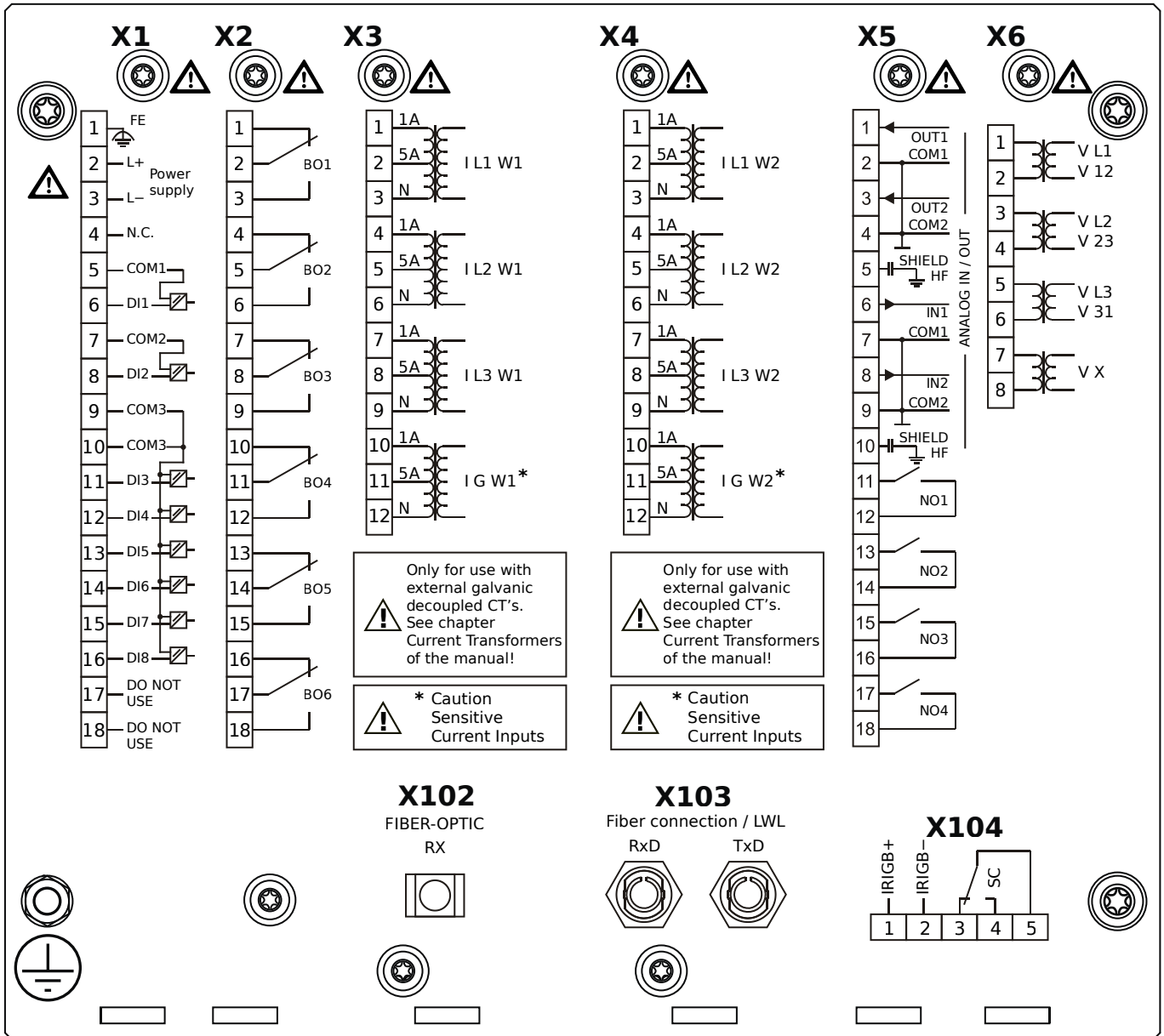


Housing B2, large display, door mounting

+ Conformal Coating (for installations in harsh environment)

- X1** – DI8-X1: Wide-range power supply unit, incl. 2 non-grouped digital inputs and 6 grouped digital inputs
- X2** – OR6: Assembly Group with 6 Output Relays
- X3** – TIs: Standard phase current measuring card and sensitive ground current measuring (winding side 1)
- X4** – TIs: Standard phase current measuring card and sensitive ground current measuring (winding side 2)
- X5** – AnIO2-OR4: Assembly Group with 2 Analog Inputs, 2 Analog Outputs and 4 Output Relays
- X6** – TU: Card with 4 voltage transformer measuring inputs
- X102** – Universal Resistance-Temperature Detector (URTD) input, Fiber optics interface, Versatile Link
- X103** – Profibus-DP, RS485, D-SUB
- X104** – IRIG-B00X, incl. System Contact (Supervision Contact)

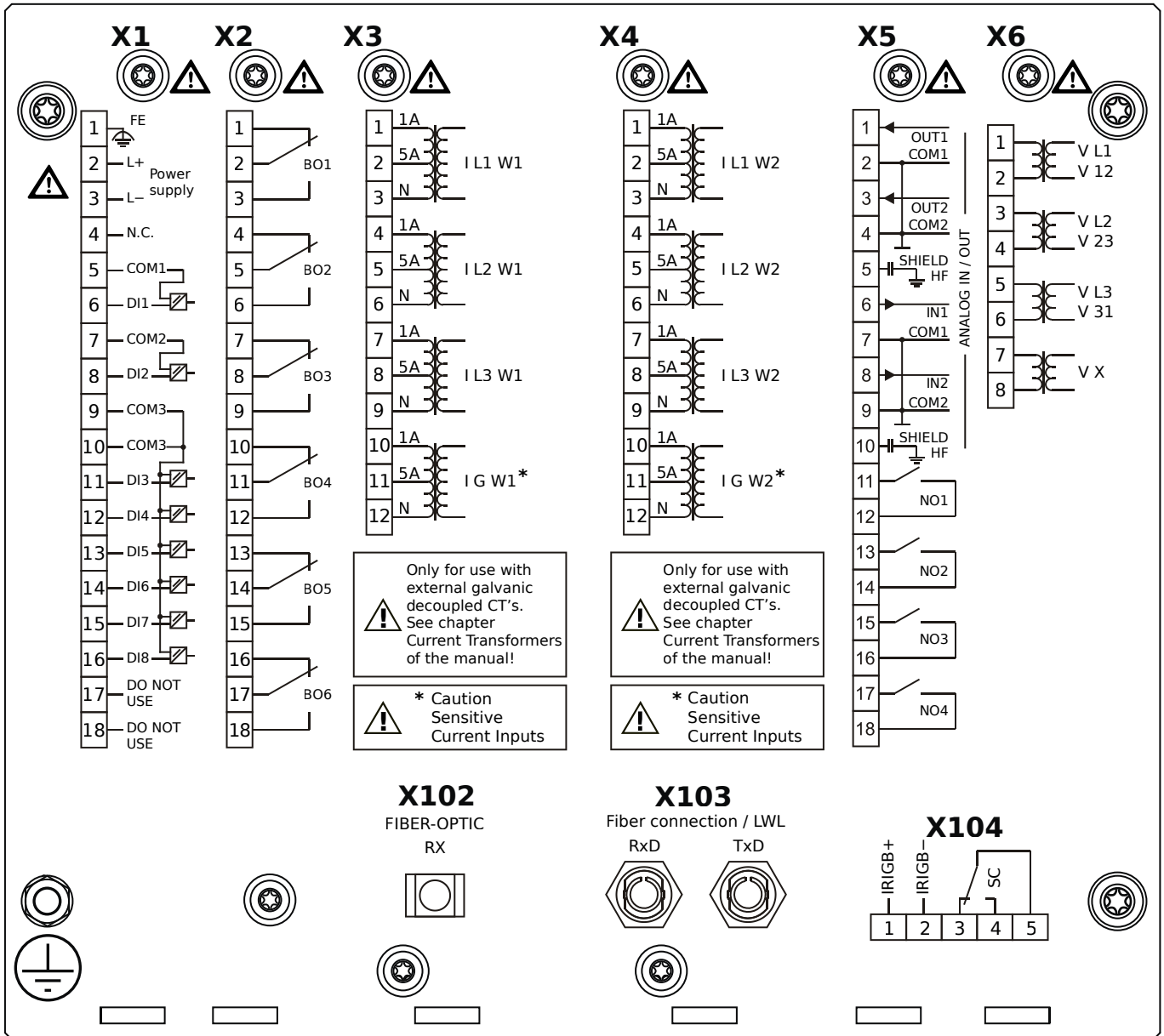
MCDTV4-2B3AFA



Housing B2, large display, door mounting

- X1** – DI8-X1: Wide-range power supply unit, incl. 2 non-grouped digital inputs and 6 grouped digital inputs
- X2** – OR6: Assembly Group with 6 Output Relays
- X3** – TIs: Standard phase current measuring card and sensitive ground current measuring (winding side 1)
- X4** – TIs: Standard phase current measuring card and sensitive ground current measuring (winding side 2)
- X5** – AnIO2-OR4: Assembly Group with 2 Analog Inputs, 2 Analog Outputs and 4 Output Relays
- X6** – TU: Card with 4 voltage transformer measuring inputs
- X102** – Universal Resistance-Temperature Detector (URTD) input, Fiber optics interface, Versatile Link
- X103** – Modbus RTU / IEC 60870-5-103 / DNP3.0 RTU, Fiber optics interface, ST Connector
- X104** – IRIG-B00X, incl. System Contact (Supervision Contact)

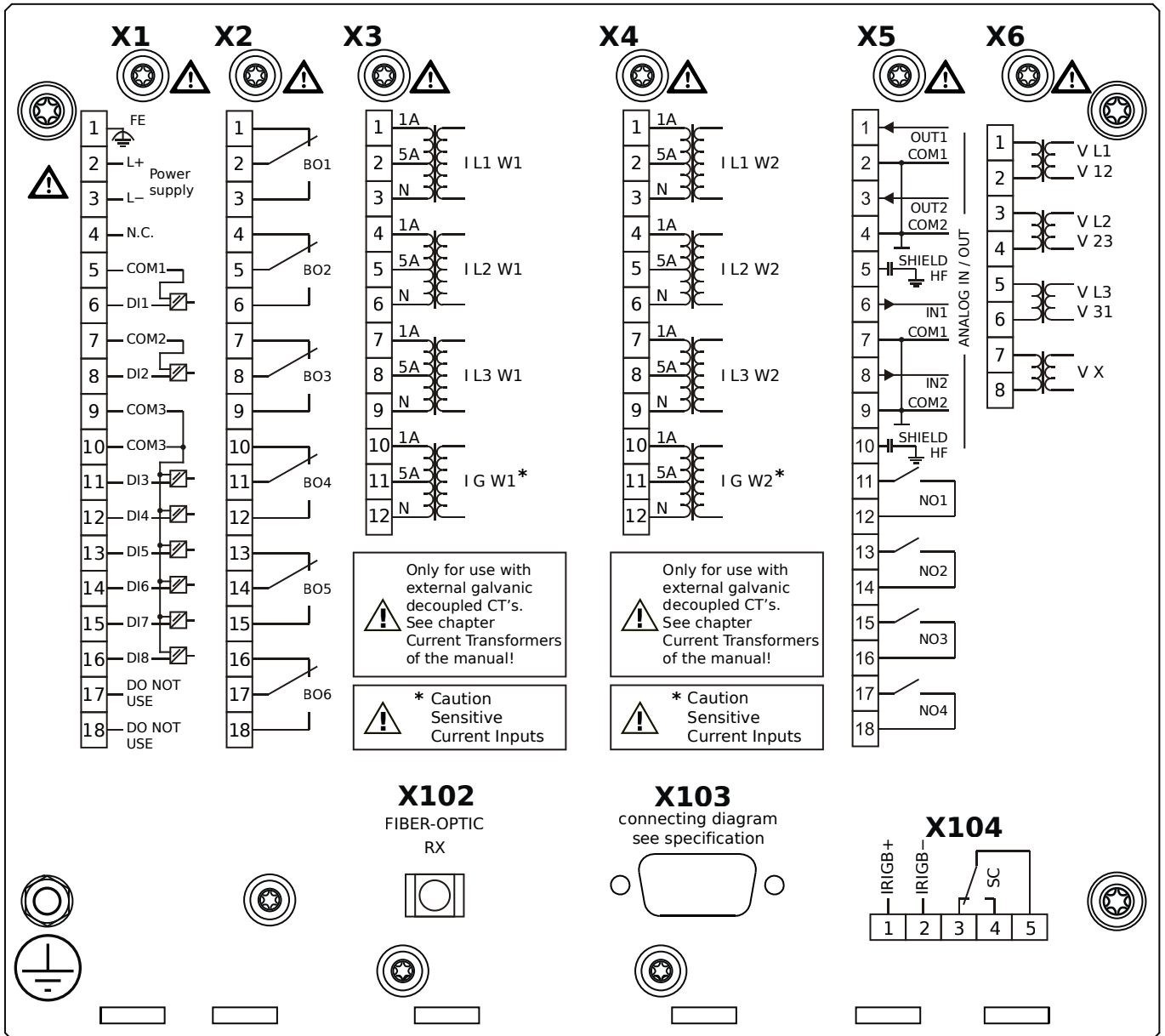
MCDTV4-2B3AFB



Housing B2, large display, door mounting

- + Conformal Coating (for installations in harsh environment)
- X1** – DI8-X1: Wide-range power supply unit, incl. 2 non-grouped digital inputs and 6 grouped digital inputs
- X2** – OR6: Assembly Group with 6 Output Relays
- X3** – TIs: Standard phase current measuring card and sensitive ground current measuring (winding side 1)
- X4** – TIs: Standard phase current measuring card and sensitive ground current measuring (winding side 2)
- X5** – AnIO2-OR4: Assembly Group with 2 Analog Inputs, 2 Analog Outputs and 4 Output Relays
- X6** – TU: Card with 4 voltage transformer measuring inputs
- X102** – Universal Resistance-Temperature Detector (URTD) input, Fiber optics interface, Versatile Link
- X103** – Modbus RTU / IEC 60870-5-103 / DNP3.0 RTU, Fiber optics interface, ST Connector
- X104** – IRIG-B00X, incl. System Contact (Supervision Contact)

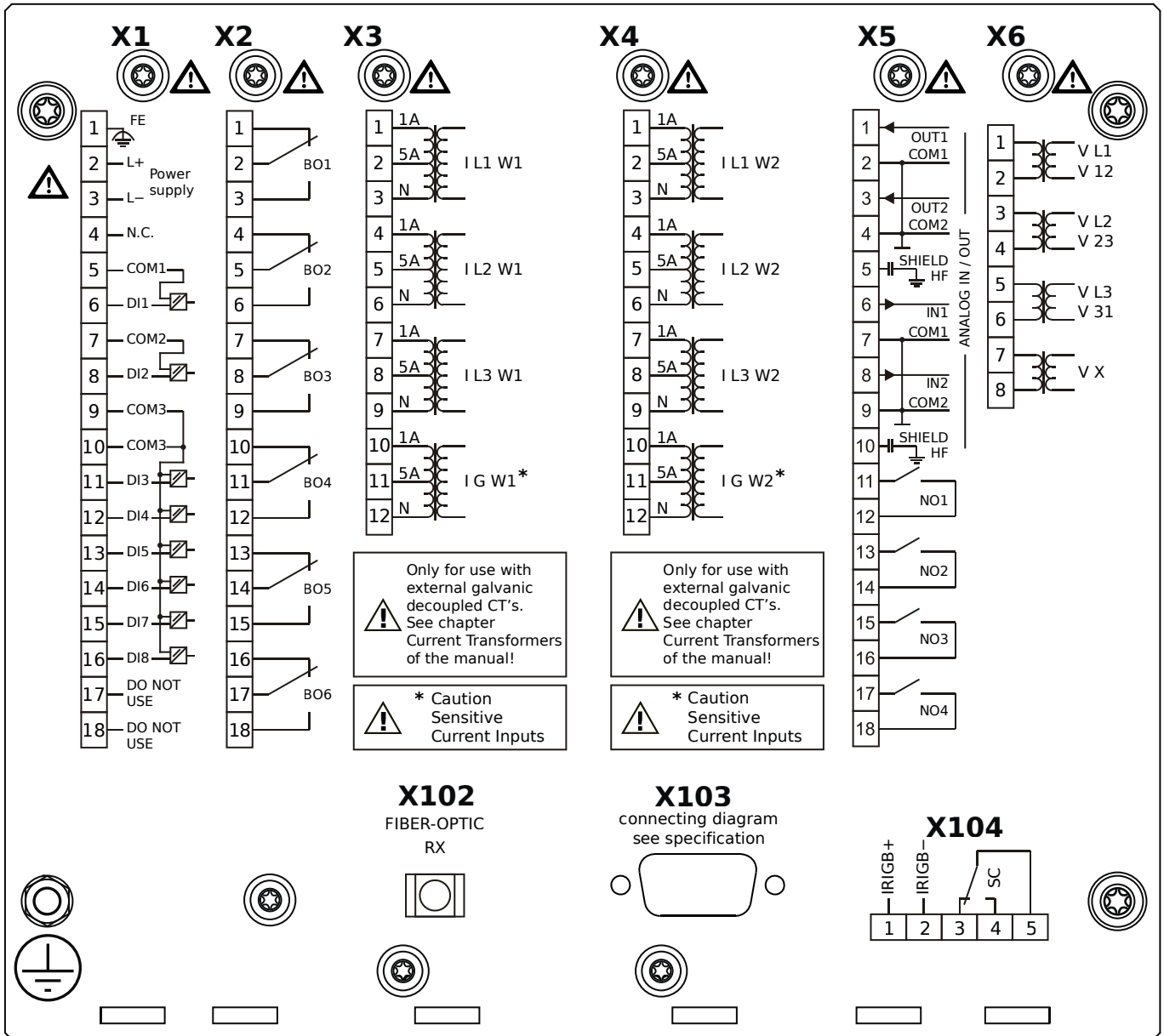
MCDTV4-2B3AGA



Housing B2, large display, door mounting

- X1** – DI8-X1: Wide-range power supply unit, incl. 2 non-grouped digital inputs and 6 grouped digital inputs
- X2** – OR6: Assembly Group with 6 Output Relays
- X3** – TIs: Standard phase current measuring card and sensitive ground current measuring (winding side 1)
- X4** – TIs: Standard phase current measuring card and sensitive ground current measuring (winding side 2)
- X5** – AnIO2-OR4: Assembly Group with 2 Analog Inputs, 2 Analog Outputs and 4 Output Relays
- X6** – TU: Card with 4 voltage transformer measuring inputs
- X102** – Universal Resistance-Temperature Detector (URTD) input, Fiber optics interface, Versatile Link
- X103** – Modbus RTU / IEC 60870-5-103 / DNP3.0 RTU, RS485, D-SUB
- X104** – IRIG-B00X, incl. System Contact (Supervision Contact)

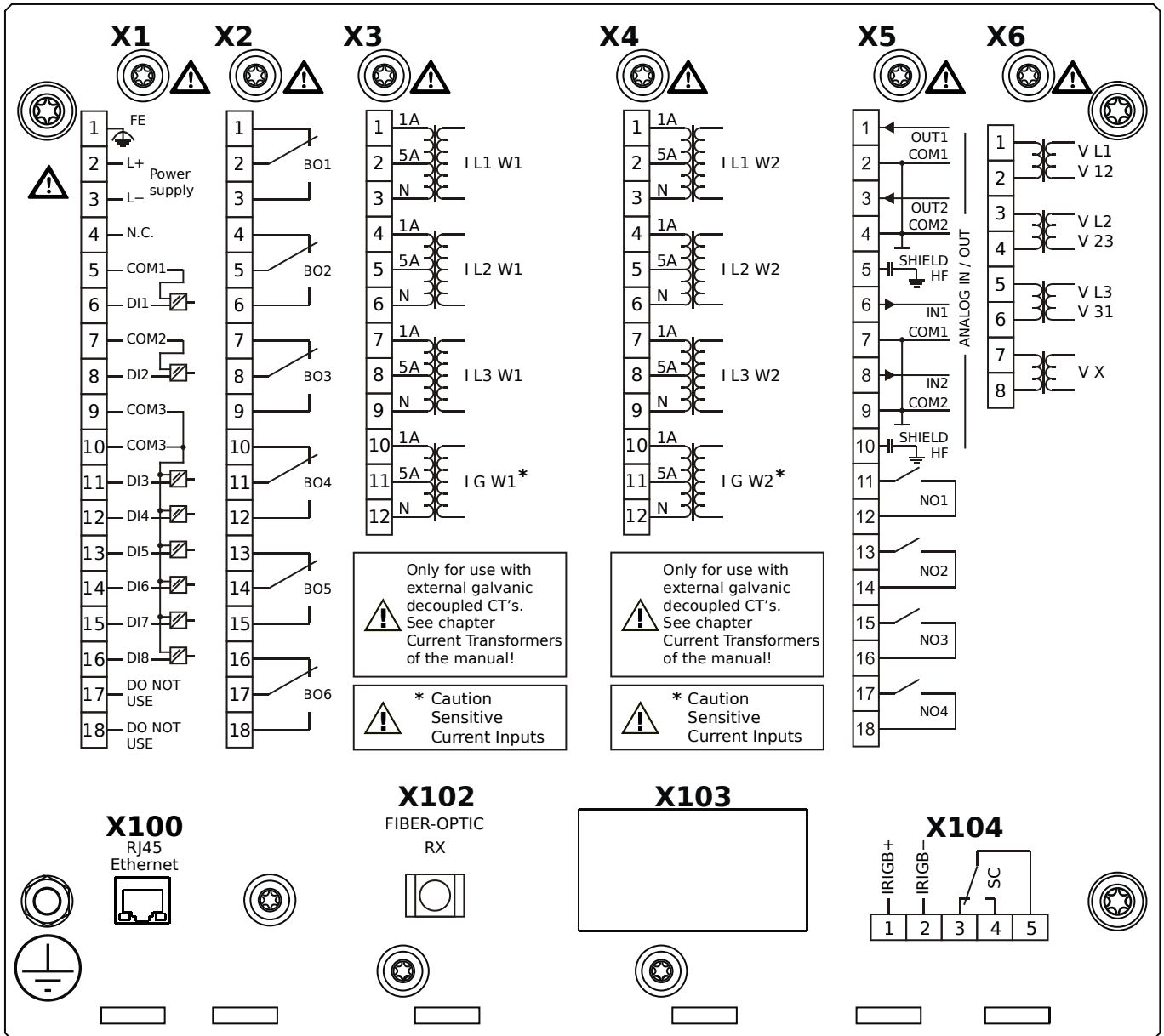
MCDTV4-2B3AGB



Housing B2, large display, door mounting

- + Conformal Coating (for installations in harsh environment)
- X1** – DI8-X1: Wide-range power supply unit, incl. 2 non-grouped digital inputs and 6 grouped digital inputs
- X2** – OR6: Assembly Group with 6 Output Relays
- X3** – TIs: Standard phase current measuring card and sensitive ground current measuring (winding side 1)
- X4** – TIs: Standard phase current measuring card and sensitive ground current measuring (winding side 2)
- X5** – AnIO2-OR4: Assembly Group with 2 Analog Inputs, 2 Analog Outputs and 4 Output Relays
- X6** – TU: Card with 4 voltage transformer measuring inputs
- X102** – Universal Resistance-Temperature Detector (URTD) input, Fiber optics interface, Versatile Link
- X103** – Modbus RTU / IEC 60870-5-103 / DNP3.0 RTU, RS485, D-SUB
- X104** – IRIG-B00X, incl. System Contact (Supervision Contact)

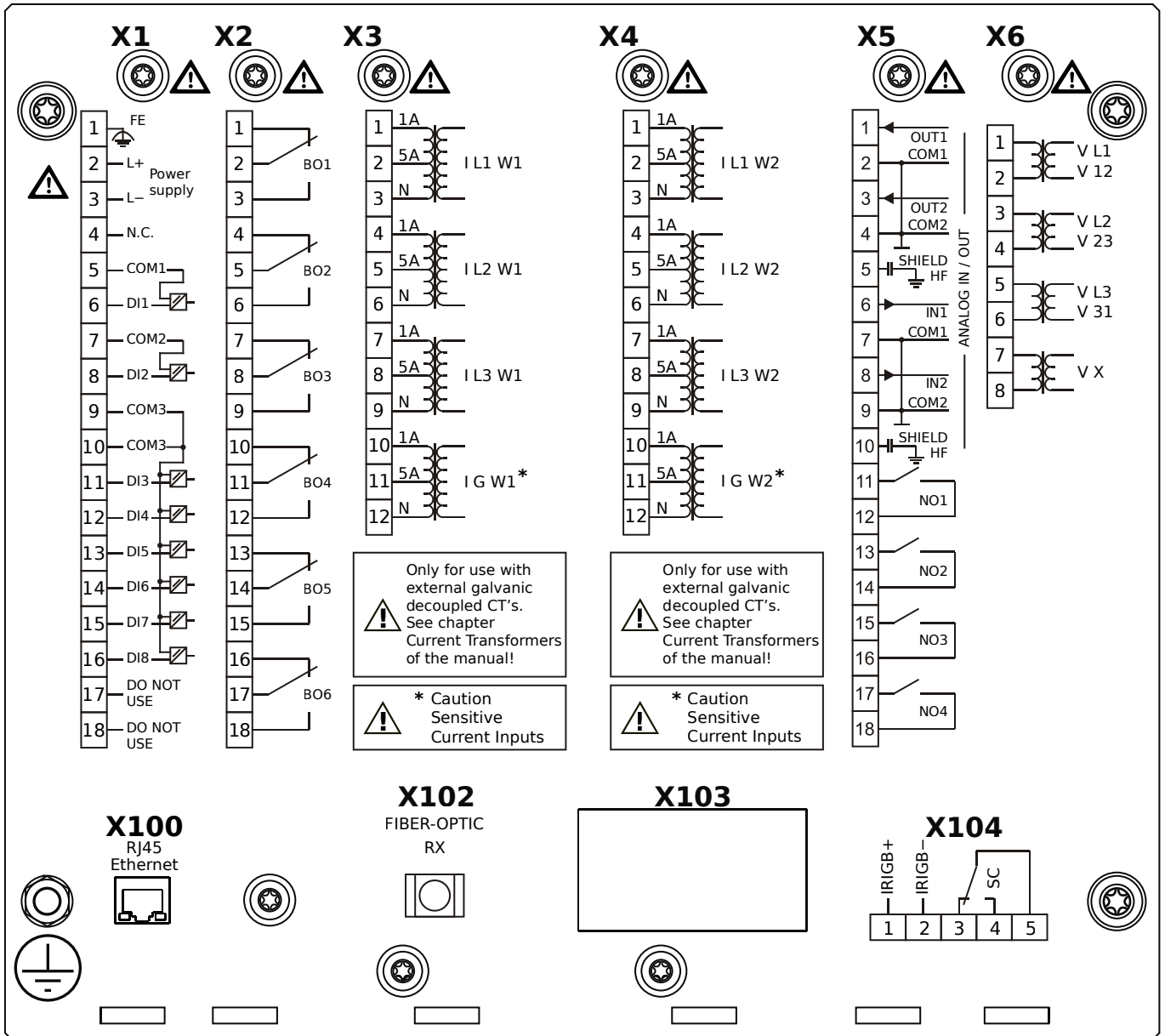
MCDTV4-2B3AHA



Housing B2, large display, door mounting

- X1** – DI8-X1: Wide-range power supply unit, incl. 2 non-grouped digital inputs and 6 grouped digital inputs
- X2** – OR6: Assembly Group with 6 Output Relays
- X3** – TIs: Standard phase current measuring card and sensitive ground current measuring (winding side 1)
- X4** – TIs: Standard phase current measuring card and sensitive ground current measuring (winding side 2)
- X5** – AnIO2-OR4: Assembly Group with 2 Analog Inputs, 2 Analog Outputs and 4 Output Relays
- X6** – TU: Card with 4 voltage transformer measuring inputs
- X100** – IEC 61850 / Modbus TCP / DNP3.0 TCP/UDP, Ethernet interface, 100 Mbit/s, RJ45 (BASE100-FX)
- X102** – Universal Resistance-Temperature Detector (URTD) input, Fiber optics interface, Versatile Link
- X104** – IRIG-B00X, incl. System Contact (Supervision Contact)

MCDTV4-2B3AHB

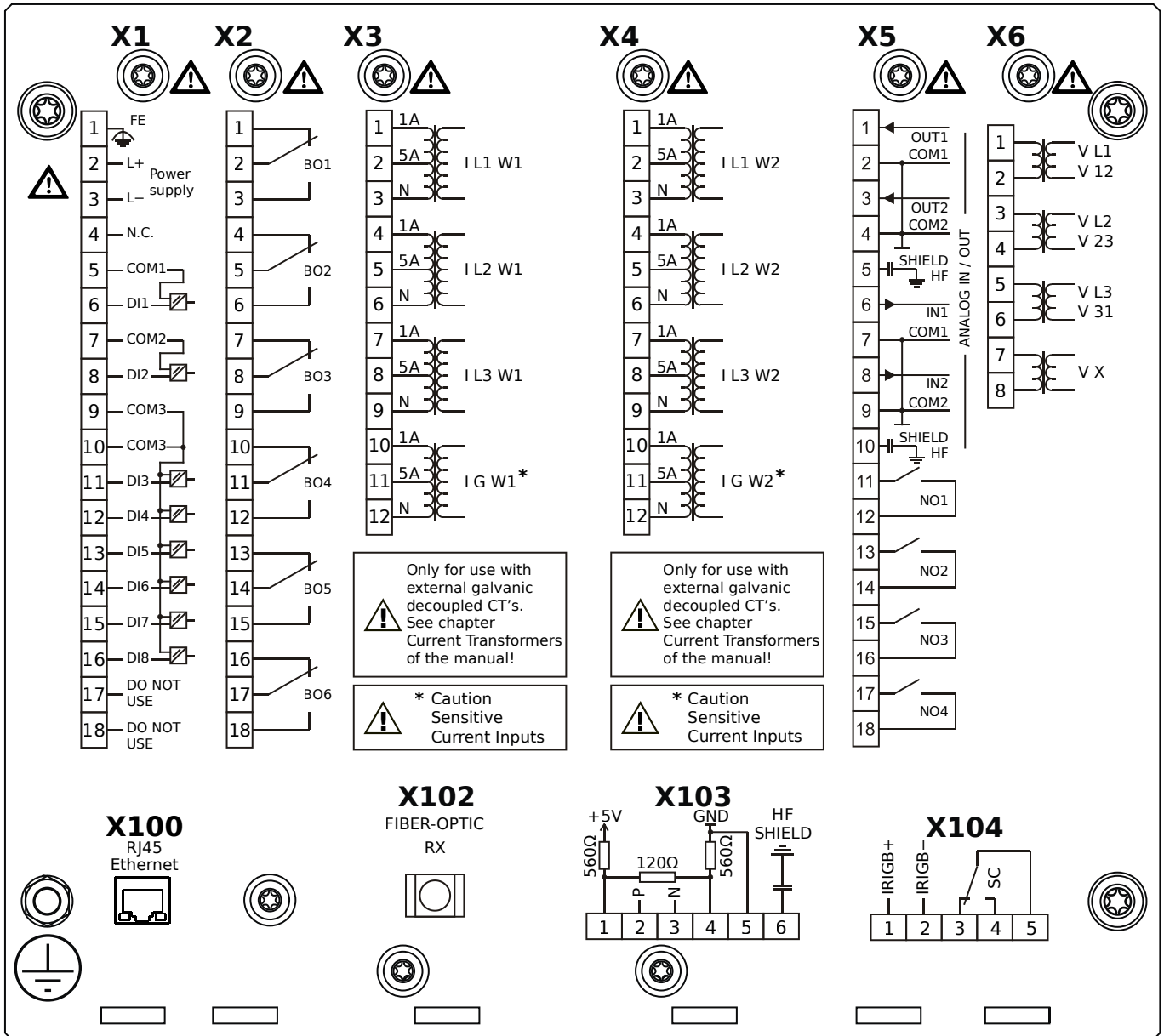


Housing B2, large display, door mounting

+ Conformal Coating (for installations in harsh environment)

- X1** – DI8-X1: Wide-range power supply unit, incl. 2 non-grouped digital inputs and 6 grouped digital inputs
- X2** – OR6: Assembly Group with 6 Output Relays
- X3** – TIs: Standard phase current measuring card and sensitive ground current measuring (winding side 1)
- X4** – TIs: Standard phase current measuring card and sensitive ground current measuring (winding side 2)
- X5** – AnIO2-OR4: Assembly Group with 2 Analog Inputs, 2 Analog Outputs and 4 Output Relays
- X6** – TU: Card with 4 voltage transformer measuring inputs
- X100** – IEC 61850 / Modbus TCP / DNP3.0 TCP/UDP, Ethernet interface, 100 Mbit/s, RJ45 (BASE100-FX)
- X102** – Universal Resistance-Temperature Detector (URTD) input, Fiber optics interface, Versatile Link
- X104** – IRIG-B00X, incl. System Contact (Supervision Contact)

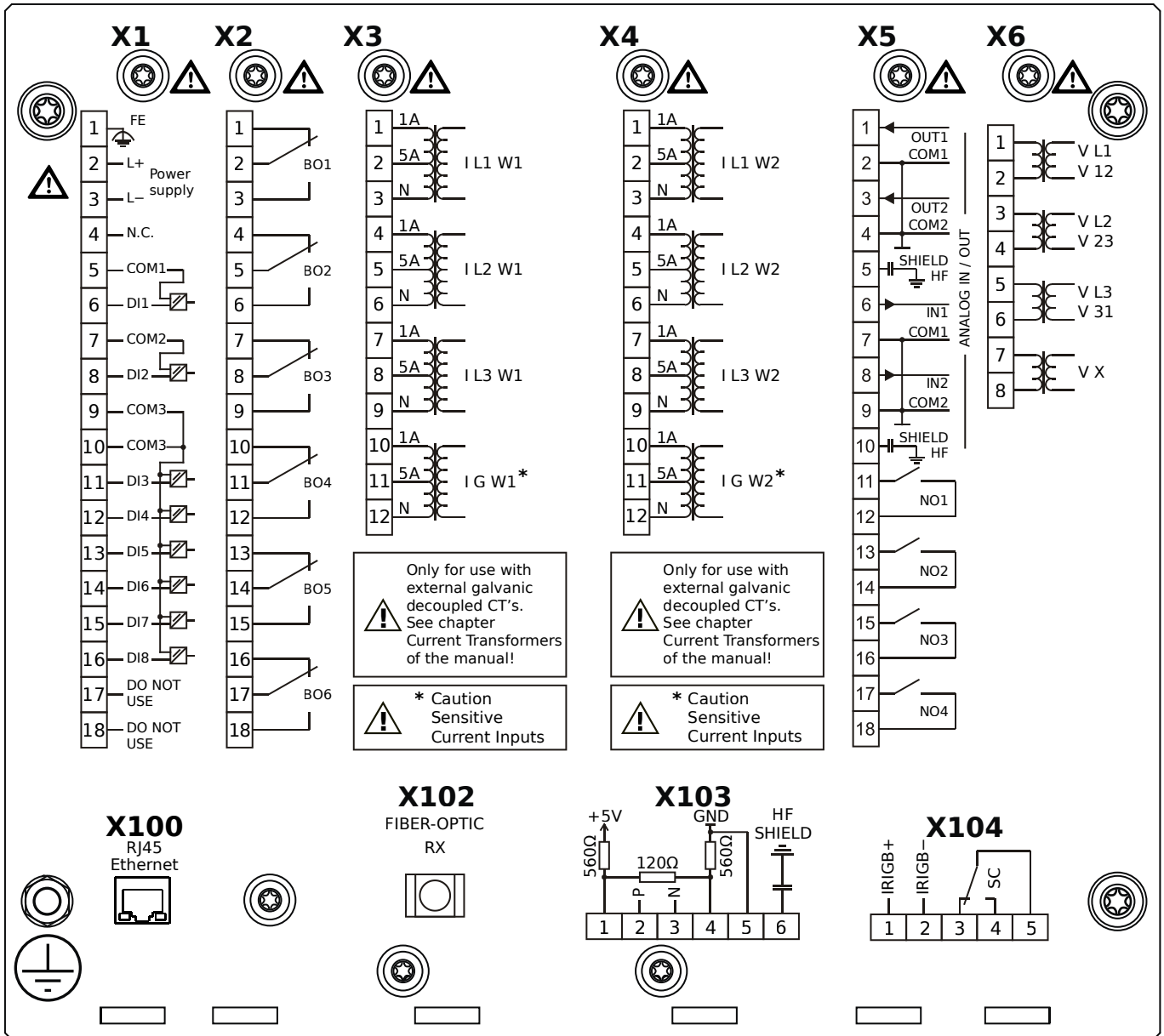
MCDTV4-2B3AIA



Housing B2, large display, door mounting

- X1** – DI8-X1: Wide-range power supply unit, incl. 2 non-grouped digital inputs and 6 grouped digital inputs
- X2** – OR6: Assembly Group with 6 Output Relays
- X3** – TIs: Standard phase current measuring card and sensitive ground current measuring (winding side 1)
- X4** – TIs: Standard phase current measuring card and sensitive ground current measuring (winding side 2)
- X5** – AnIO2-OR4: Assembly Group with 2 Analog Inputs, 2 Analog Outputs and 4 Output Relays
- X6** – TU: Card with 4 voltage transformer measuring inputs
- X100** – Modbus TCP / DNP3.0 TCP/UDP, Ethernet interface, 100 Mbit/s, RJ45 (BASE100-FX)
- X102** – Universal Resistance-Temperature Detector (URTD) input, Fiber optics interface, Versatile Link
- X103** – IEC 60870-5-103 / Modbus RTU / DNP3.0 RTU, RS485, Terminals
- X104** – IRIG-B00X, incl. System Contact (Supervision Contact)

MCDTV4-2B3AIB

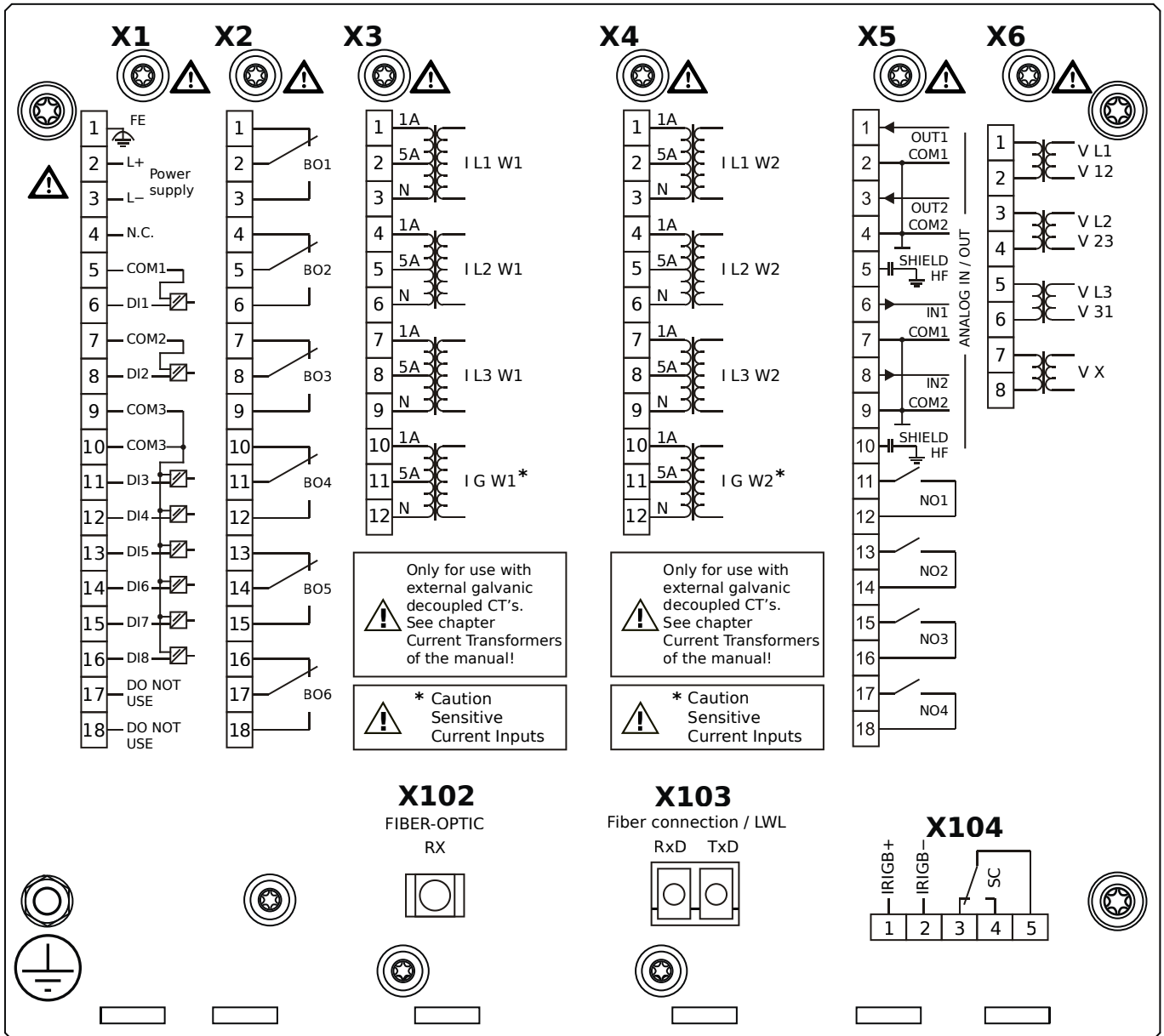


Housing B2, large display, door mounting

+ Conformal Coating (for installations in harsh environment)

- X1** – DI8-X1: Wide-range power supply unit, incl. 2 non-grouped digital inputs and 6 grouped digital inputs
- X2** – OR6: Assembly Group with 6 Output Relays
- X3** – TIs: Standard phase current measuring card and sensitive ground current measuring (winding side 1)
- X4** – TIs: Standard phase current measuring card and sensitive ground current measuring (winding side 2)
- X5** – AnIO2-OR4: Assembly Group with 2 Analog Inputs, 2 Analog Outputs and 4 Output Relays
- X6** – TU: Card with 4 voltage transformer measuring inputs
- X100** – Modbus TCP / DNP3.0 TCP/UDP, Ethernet interface, 100 Mbit/s, RJ45 (BASE100-FX)
- X102** – Universal Resistance-Temperature Detector (URTD) input, Fiber optics interface, Versatile Link
- X103** – IEC 60870-5-103 / Modbus RTU / DNP3.0 RTU, RS485, Terminals
- X104** – IRIG-B00X, incl. System Contact (Supervision Contact)

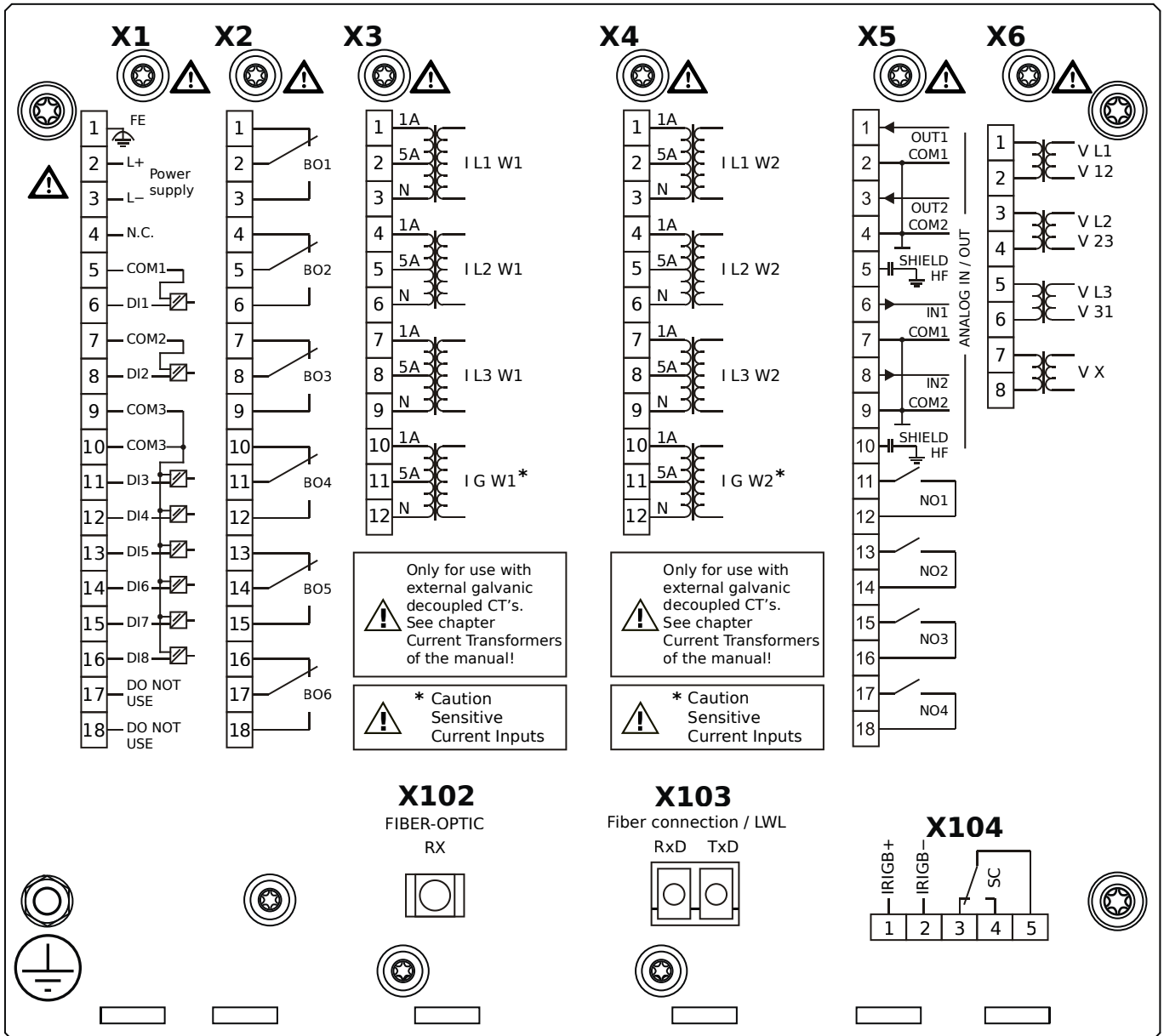
MCDTV4-2B3AKA



Housing B2, large display, door mounting

- X1** – DI8-X1: Wide-range power supply unit, incl. 2 non-grouped digital inputs and 6 grouped digital inputs
- X2** – OR6: Assembly Group with 6 Output Relays
- X3** – TIs: Standard phase current measuring card and sensitive ground current measuring (winding side 1)
- X4** – TIs: Standard phase current measuring card and sensitive ground current measuring (winding side 2)
- X5** – AnIO2-OR4: Assembly Group with 2 Analog Inputs, 2 Analog Outputs and 4 Output Relays
- X6** – TU: Card with 4 voltage transformer measuring inputs
- X102** – Universal Resistance-Temperature Detector (URTD) input, Fiber optics interface, Versatile Link
- X103** – IEC 61850 / Modbus TCP / DNP3.0 TCP/UDP, Fiber optics interface, LC Connector
- X104** – IRIG-B00X, incl. System Contact (Supervision Contact)

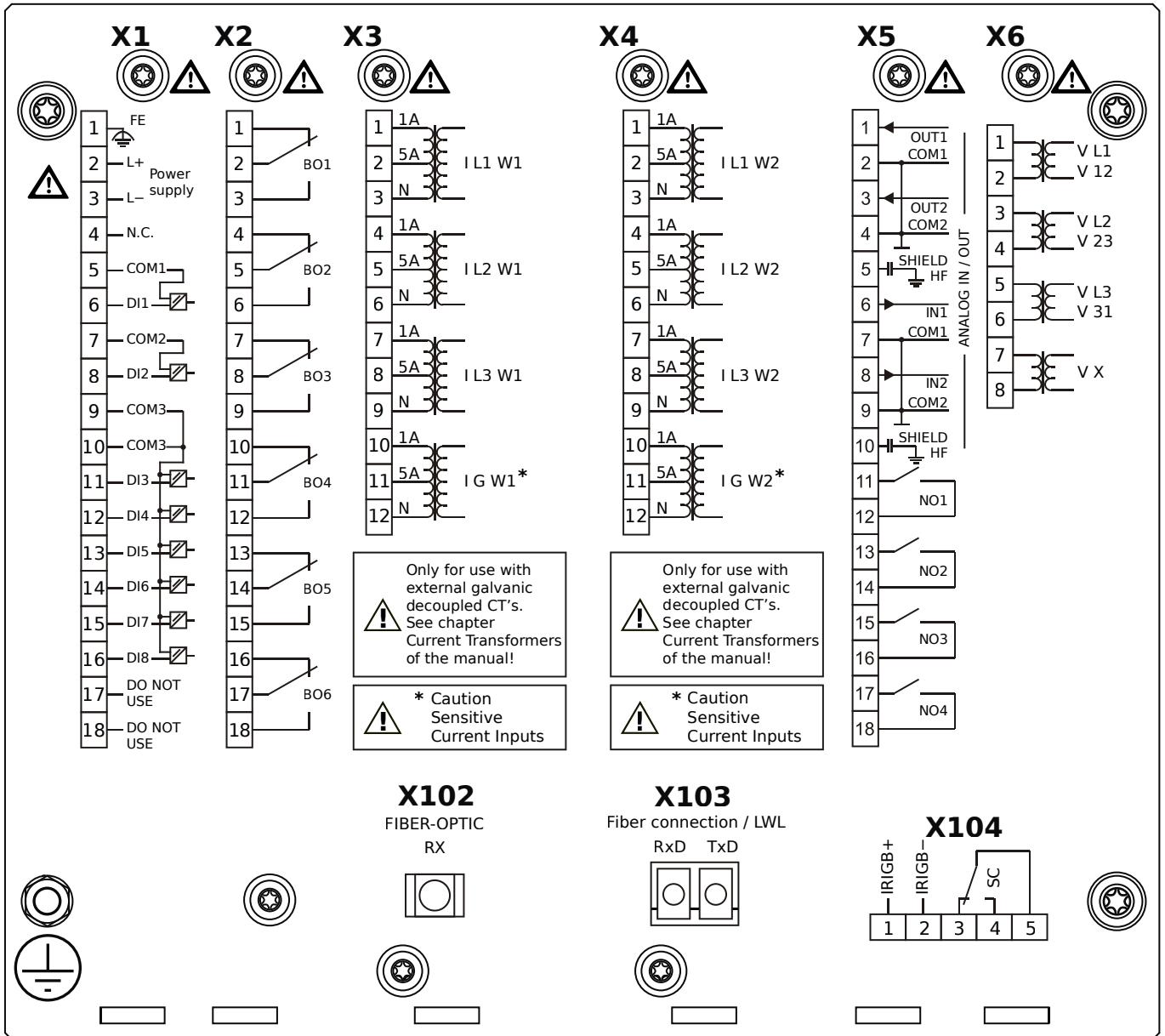
MCDTV4-2B3AKB



Housing B2, large display, door mounting

- + Conformal Coating (for installations in harsh environment)
- X1** – DI8-X1: Wide-range power supply unit, incl. 2 non-grouped digital inputs and 6 grouped digital inputs
- X2** – OR6: Assembly Group with 6 Output Relays
- X3** – TIs: Standard phase current measuring card and sensitive ground current measuring (winding side 1)
- X4** – TIs: Standard phase current measuring card and sensitive ground current measuring (winding side 2)
- X5** – AnIO2-OR4: Assembly Group with 2 Analog Inputs, 2 Analog Outputs and 4 Output Relays
- X6** – TU: Card with 4 voltage transformer measuring inputs
- X102** – Universal Resistance-Temperature Detector (URTD) input, Fiber optics interface, Versatile Link
- X103** – IEC 61850 / Modbus TCP / DNP3.0 TCP/UDP, Fiber optics interface, LC Connector
- X104** – IRIG-B00X, incl. System Contact (Supervision Contact)

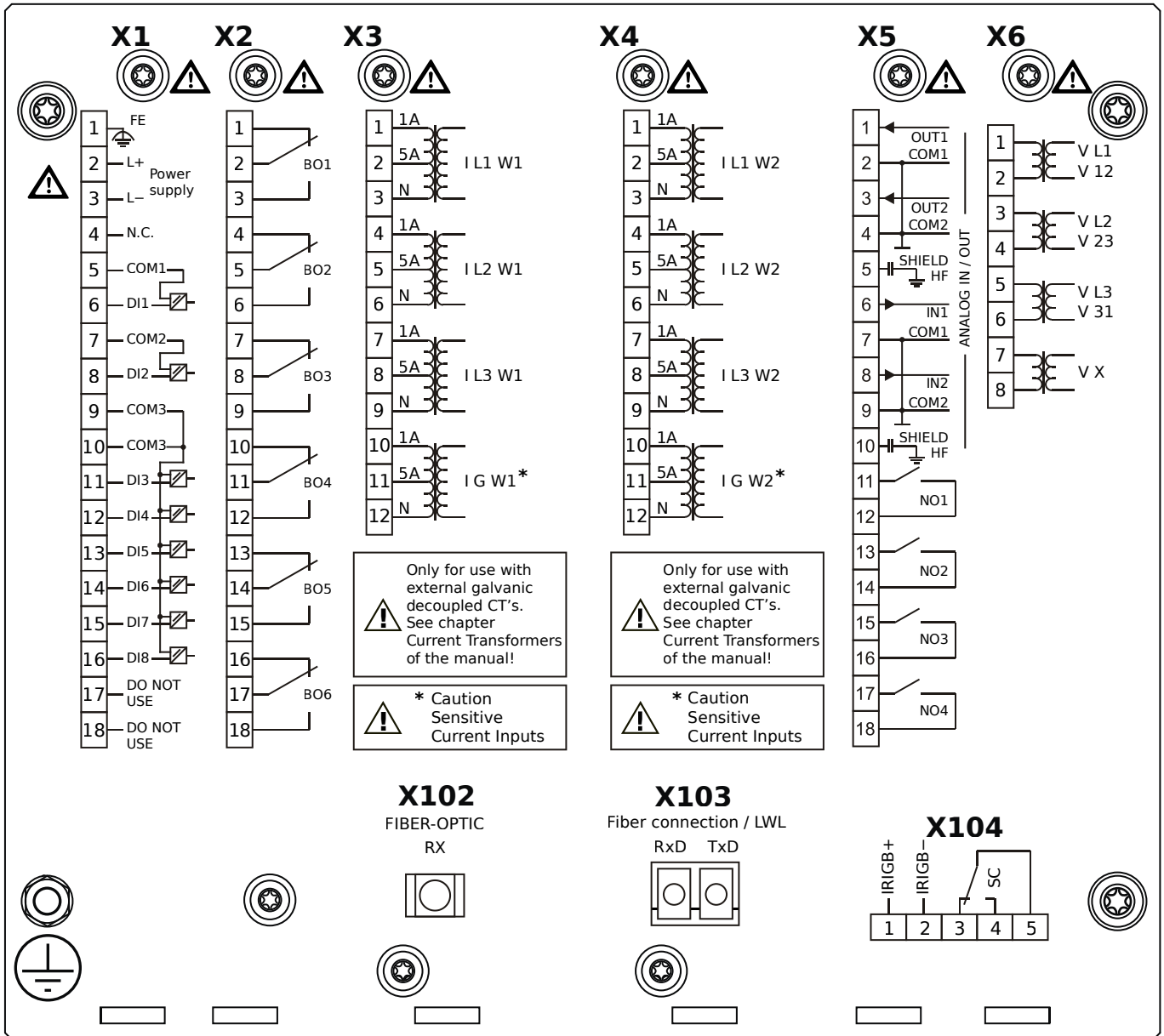
MCDTV4-2B3ALA



Housing B2, large display, door mounting

- X1** – DI8-X1: Wide-range power supply unit, incl. 2 non-grouped digital inputs and 6 grouped digital inputs
- X2** – OR6: Assembly Group with 6 Output Relays
- X3** – TIs: Standard phase current measuring card and sensitive ground current measuring (winding side 1)
- X4** – TIs: Standard phase current measuring card and sensitive ground current measuring (winding side 2)
- X5** – AnIO2-OR4: Assembly Group with 2 Analog Inputs, 2 Analog Outputs and 4 Output Relays
- X6** – TU: Card with 4 voltage transformer measuring inputs
- X102** – Universal Resistance-Temperature Detector (URTD) input, Fiber optics interface, Versatile Link
- X103** – Modbus TCP / DNP3.0 TCP/UDP, Fiber optics interface, LC Connector
- X104** – IRIG-B00X, incl. System Contact (Supervision Contact)

MCDTV4-2B3ALB

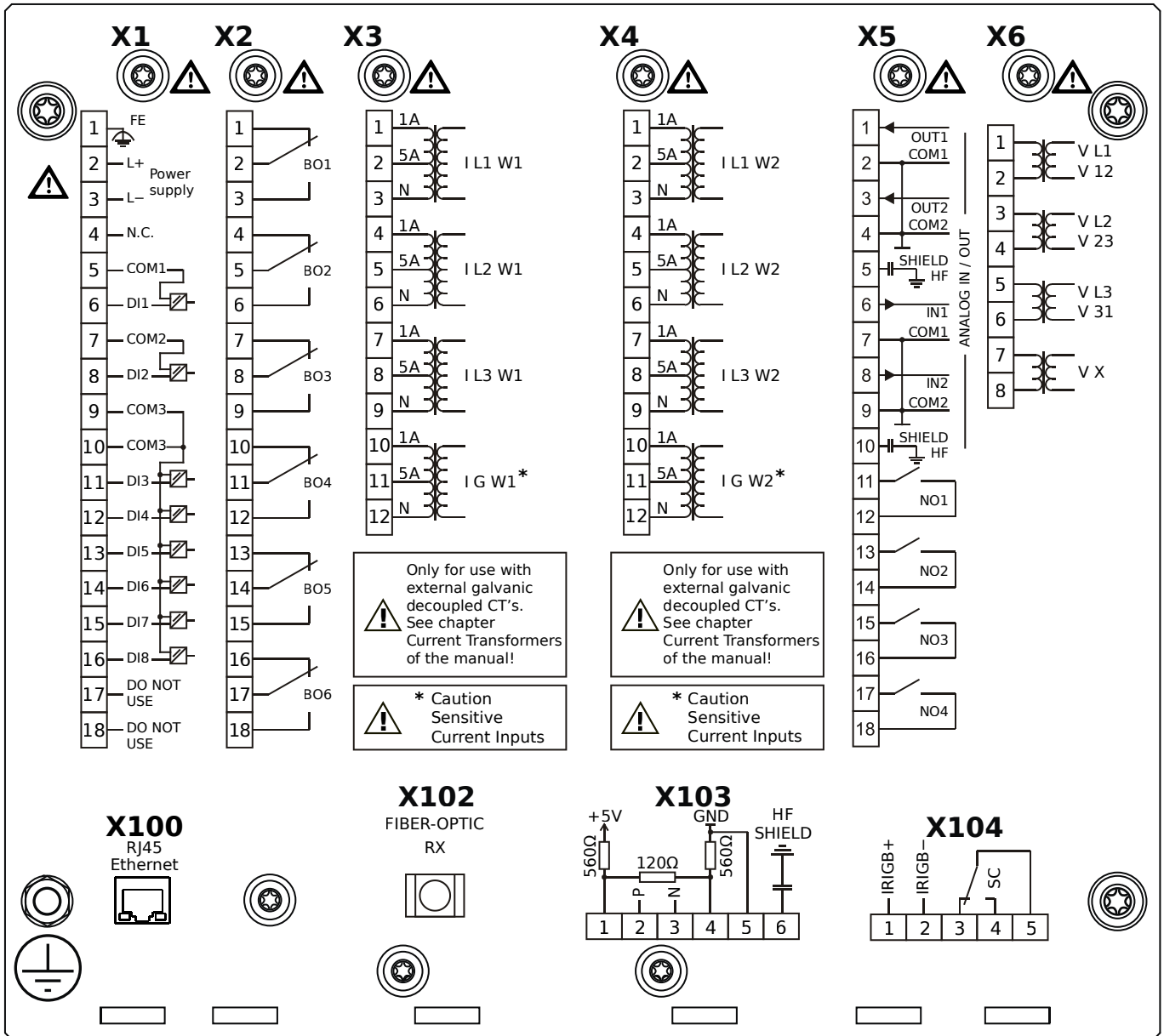


Housing B2, large display, door mounting

+ Conformal Coating (for installations in harsh environment)

- X1** – DI8-X1: Wide-range power supply unit, incl. 2 non-grouped digital inputs and 6 grouped digital inputs
- X2** – OR6: Assembly Group with 6 Output Relays
- X3** – TIs: Standard phase current measuring card and sensitive ground current measuring (winding side 1)
- X4** – TIs: Standard phase current measuring card and sensitive ground current measuring (winding side 2)
- X5** – AnIO2-OR4: Assembly Group with 2 Analog Inputs, 2 Analog Outputs and 4 Output Relays
- X6** – TU: Card with 4 voltage transformer measuring inputs
- X102** – Universal Resistance-Temperature Detector (URTD) input, Fiber optics interface, Versatile Link
- X103** – Modbus TCP / DNP3.0 TCP/UDP, Fiber optics interface, LC Connector
- X104** – IRIG-B00X, incl. System Contact (Supervision Contact)

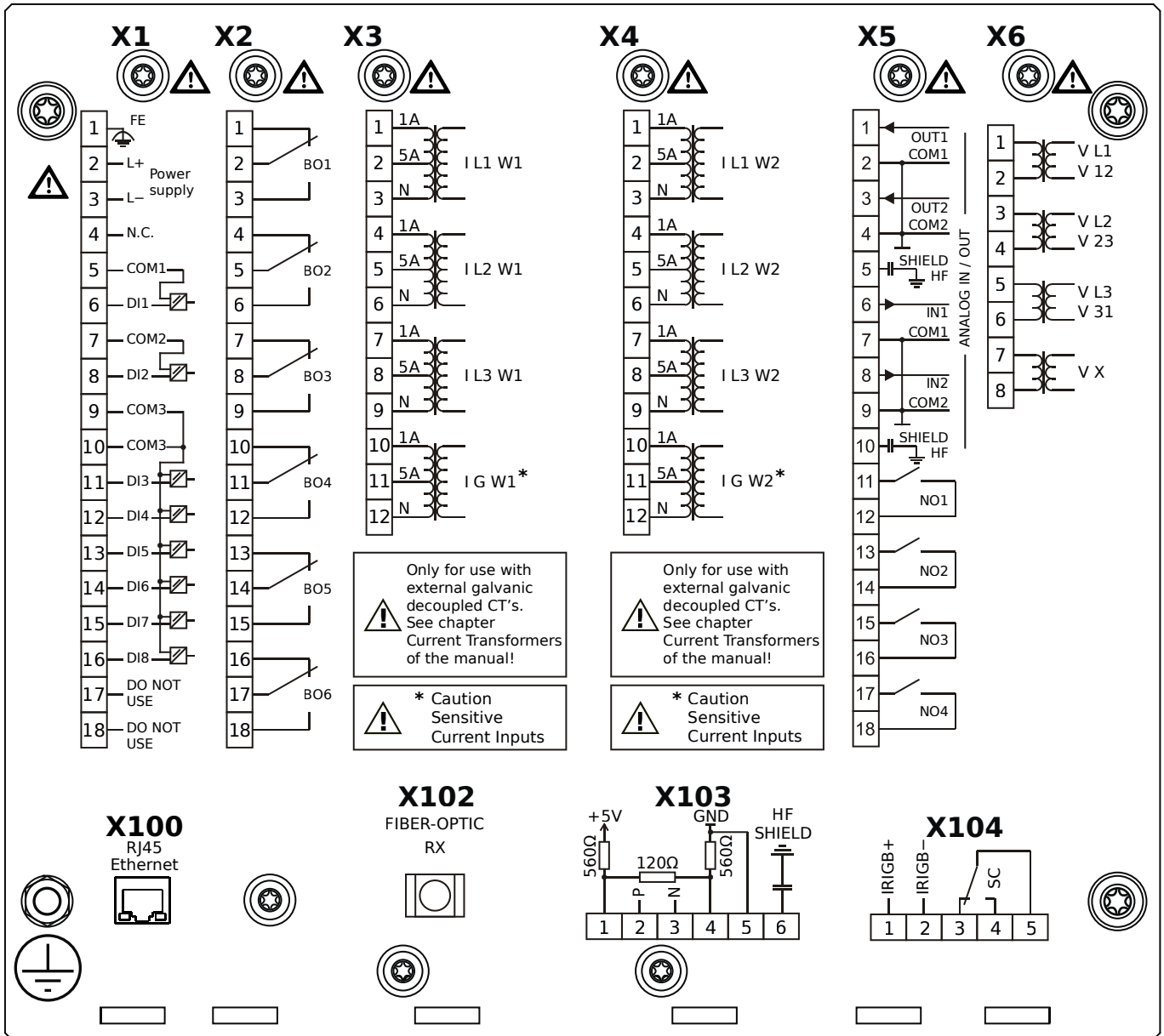
MCDTV4-2B3ATA



Housing B2, large display, door mounting

- X1** – DI8-X1: Wide-range power supply unit, incl. 2 non-grouped digital inputs and 6 grouped digital inputs
- X2** – OR6: Assembly Group with 6 Output Relays
- X3** – TIs: Standard phase current measuring card and sensitive ground current measuring (winding side 1)
- X4** – TIs: Standard phase current measuring card and sensitive ground current measuring (winding side 2)
- X5** – AnIO2-OR4: Assembly Group with 2 Analog Inputs, 2 Analog Outputs and 4 Output Relays
- X6** – TU: Card with 4 voltage transformer measuring inputs
- X100** – IEC 61850 / Modbus TCP / DNP3.0 TCP/UDP, Ethernet interface, 100 Mbit/s, RJ45 (BASE100-FX)
- X102** – Universal Resistance-Temperature Detector (URTD) input, Fiber optics interface, Versatile Link
- X103** – IEC 60870-5-103 / Modbus RTU / DNP3.0 RTU, RS485, Terminals
- X104** – IRIG-B00X, incl. System Contact (Supervision Contact)

MCDTV4-2B3ATB



Housing B2, large display, door mounting

+ Conformal Coating (for installations in harsh environment)

X1 – DI8-X1: Wide-range power supply unit, incl. 2 non-grouped digital inputs and 6 grouped digital inputs

X2 – OR6: Assembly Group with 6 Output Relays

X3 – TIs: Standard phase current measuring card and sensitive ground current measuring (winding side 1)

X4 – TIs: Standard phase current measuring card and sensitive ground current measuring (winding side 2)

X5 – AnIO2-OR4: Assembly Group with 2 Analog Inputs, 2 Analog Outputs and 4 Output Relays

X6 – TU: Card with 4 voltage transformer measuring inputs

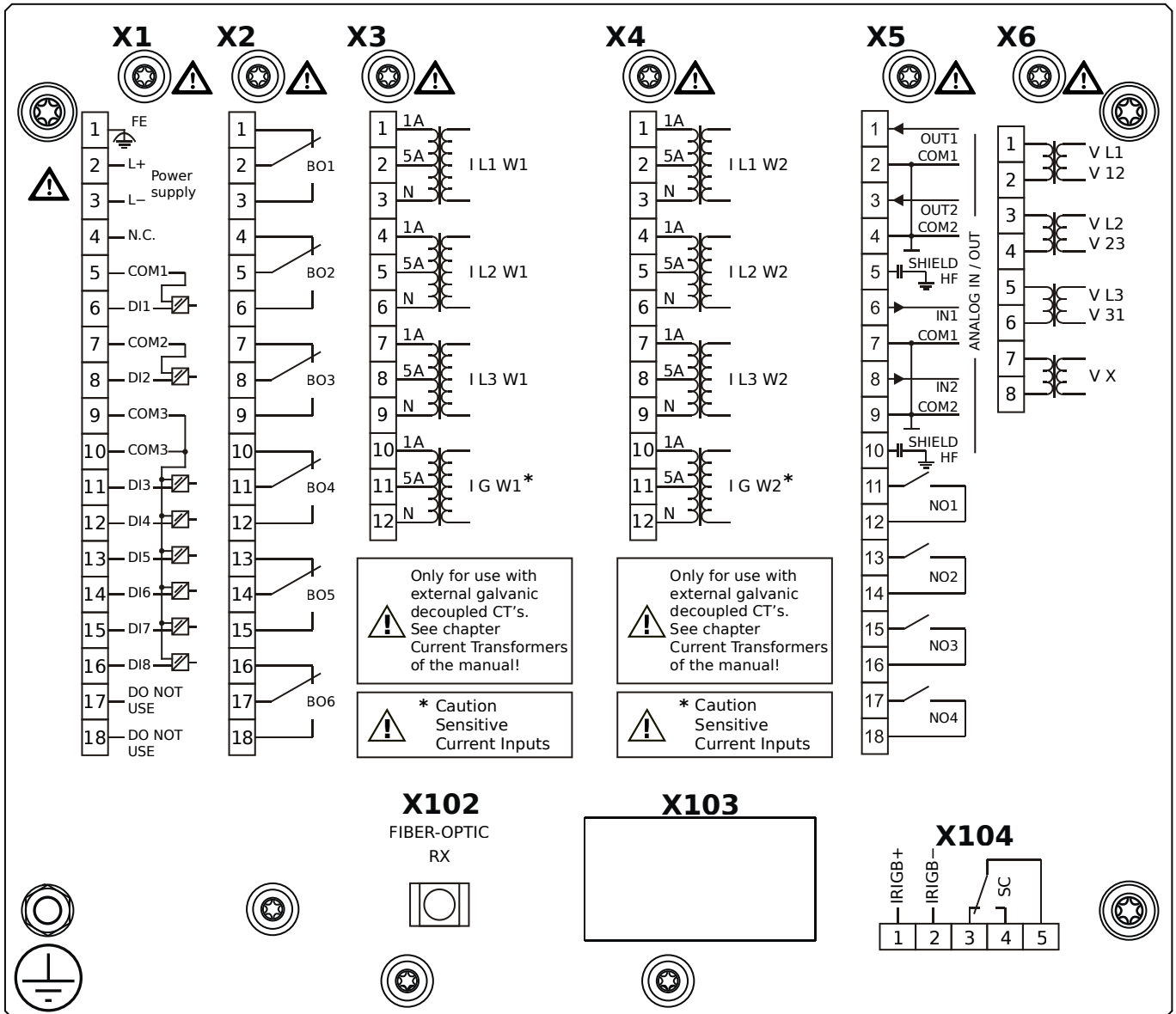
X100 – IEC 61850 / Modbus TCP / DNP3.0 TCP/UDP, Ethernet interface, 100 Mbit/s, RJ45 (BASE100-FX)

X102 – Universal Resistance-Temperature Detector (URTD) input, Fiber optics interface, Versatile Link

X103 – IEC 60870-5-103 / Modbus RTU / DNP3.0 RTU, RS485, Terminals

X104 – IRIG-B00X, incl. System Contact (Supervision Contact)

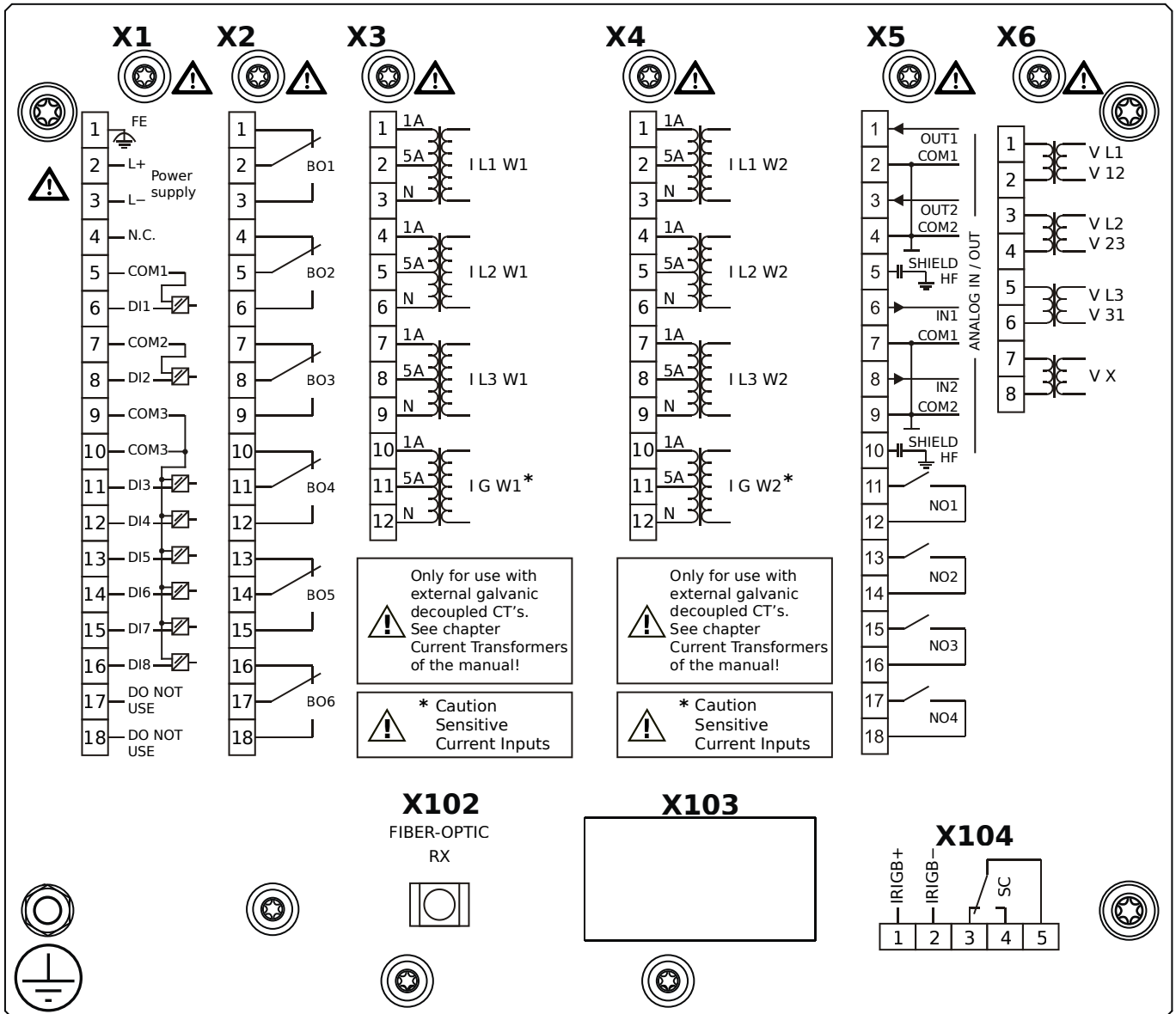
MCDTV4-2B3BAA



Housing B2, large display, 19" rack mounting

- X1** – DI8-X1: Wide-range power supply unit, incl. 2 non-grouped digital inputs and 6 grouped digital inputs
- X2** – OR6: Assembly Group with 6 Output Relays
- X3** – TIs: Standard phase current measuring card and sensitive ground current measuring (winding side 1)
- X4** – TIs: Standard phase current measuring card and sensitive ground current measuring (winding side 2)
- X5** – AnIO2-OR4: Assembly Group with 2 Analog Inputs, 2 Analog Outputs and 4 Output Relays
- X6** – TU: Card with 4 voltage transformer measuring inputs
- X102** – Universal Resistance-Temperature Detector (URTD) input, Fiber optics interface, Versatile Link
- X104** – IRIG-B00X, incl. System Contact (Supervision Contact)

MCDTV4-2B3BAB

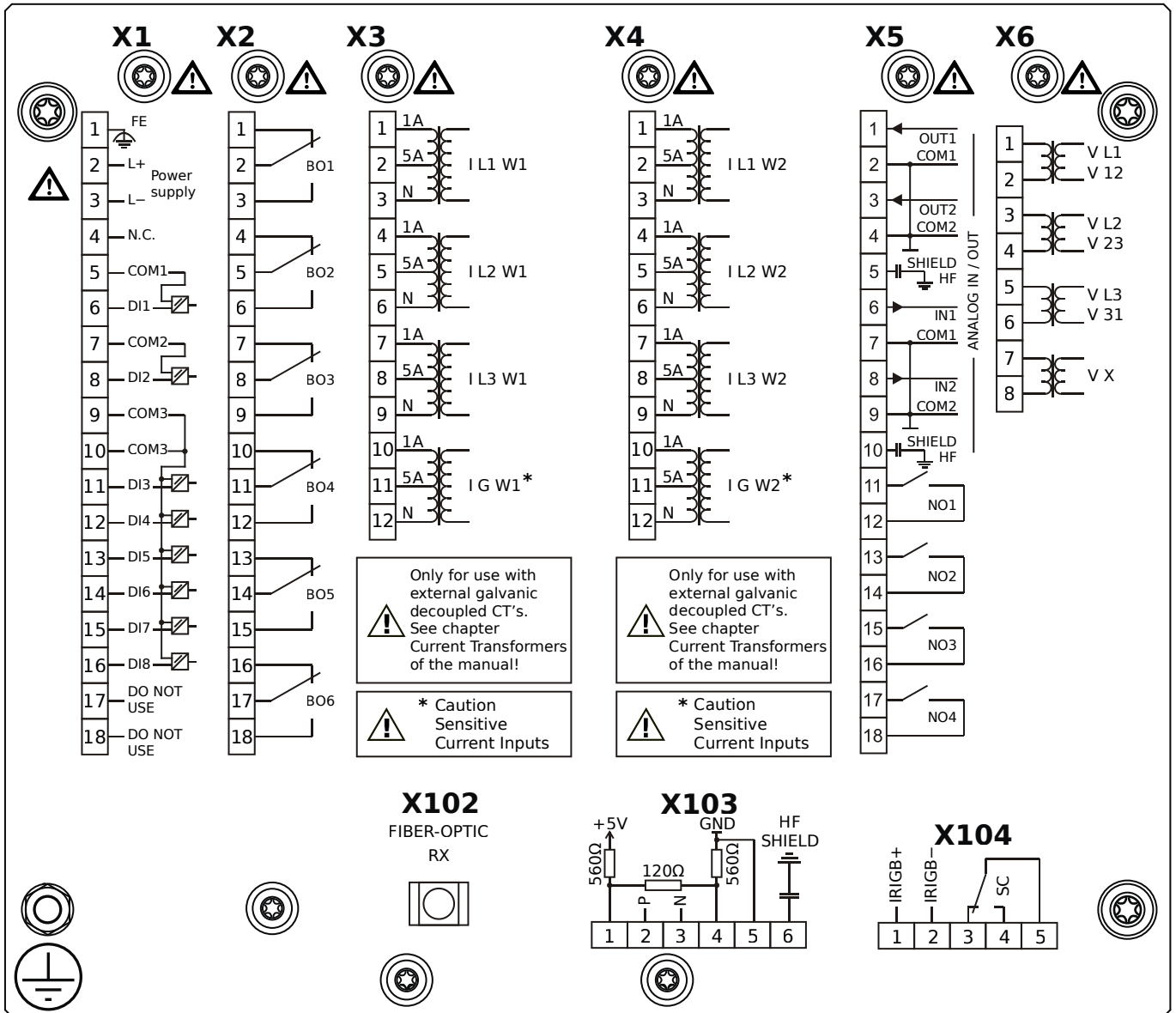


Housing B2, large display, 19" rack mounting

+ Conformal Coating (for installations in harsh environment)

- X1** – DI8-X1: Wide-range power supply unit, incl. 2 non-grouped digital inputs and 6 grouped digital inputs
- X2** – OR6: Assembly Group with 6 Output Relays
- X3** – TIs: Standard phase current measuring card and sensitive ground current measuring (winding side 1)
- X4** – TIs: Standard phase current measuring card and sensitive ground current measuring (winding side 2)
- X5** – AnIO2-OR4: Assembly Group with 2 Analog Inputs, 2 Analog Outputs and 4 Output Relays
- X6** – TU: Card with 4 voltage transformer measuring inputs
- X102** – Universal Resistance-Temperature Detector (URTD) input, Fiber optics interface, Versatile Link
- X104** – IRIG-B00X, incl. System Contact (Supervision Contact)

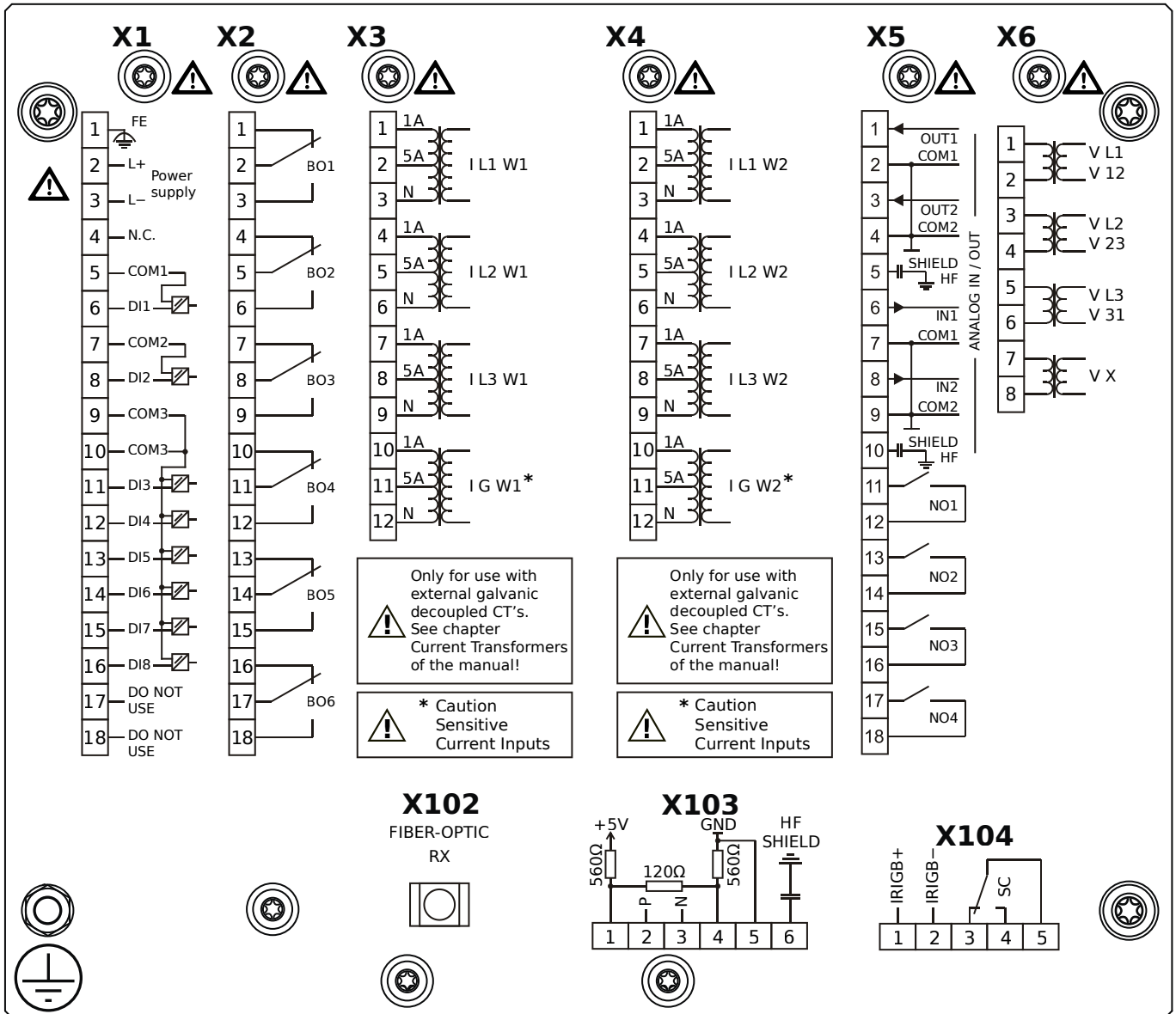
MCDTV4-2B3BBA



Housing B2, large display, 19" rack mounting

- X1** – DI8-X1: Wide-range power supply unit, incl. 2 non-grouped digital inputs and 6 grouped digital inputs
- X2** – OR6: Assembly Group with 6 Output Relays
- X3** – TIs: Standard phase current measuring card and sensitive ground current measuring (winding side 1)
- X4** – TIs: Standard phase current measuring card and sensitive ground current measuring (winding side 2)
- X5** – AnIO2-OR4: Assembly Group with 2 Analog Inputs, 2 Analog Outputs and 4 Output Relays
- X6** – TU: Card with 4 voltage transformer measuring inputs
- X102** – Universal Resistance-Temperature Detector (URTD) input, Fiber optics interface, Versatile Link
- X103** – Modbus RTU / IEC 60870-5-103 / DNP3.0 RTU, RS485, Terminals
- X104** – IRIG-B00X, incl. System Contact (Supervision Contact)

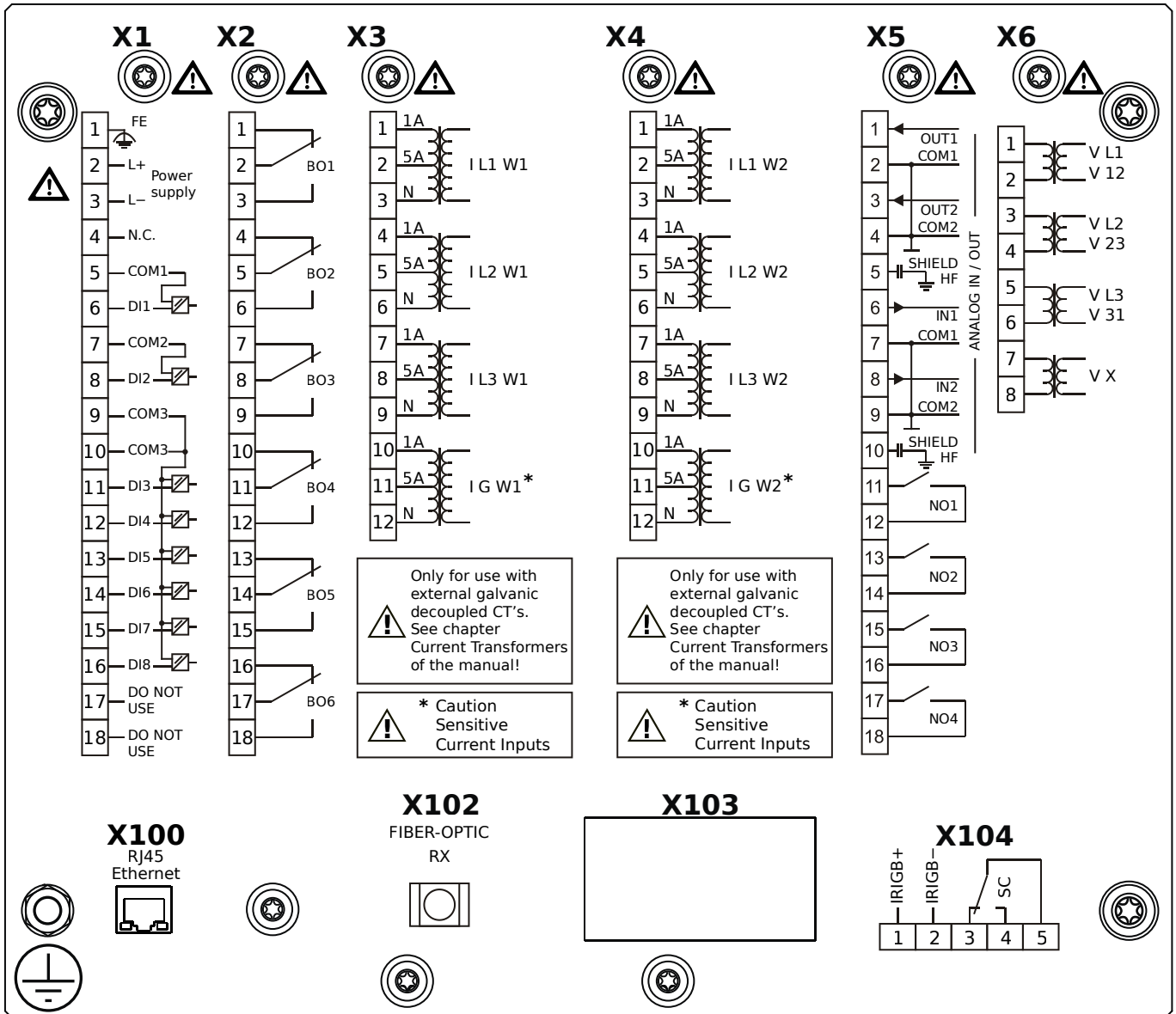
MCDTV4-2B3BBB



Housing B2, large display, 19" rack mounting

- + Conformal Coating (for installations in harsh environment)
- X1** – DI8-X1: Wide-range power supply unit, incl. 2 non-grouped digital inputs and 6 grouped digital inputs
- X2** – OR6: Assembly Group with 6 Output Relays
- X3** – TIs: Standard phase current measuring card and sensitive ground current measuring (winding side 1)
- X4** – TIs: Standard phase current measuring card and sensitive ground current measuring (winding side 2)
- X5** – AnIO2-OR4: Assembly Group with 2 Analog Inputs, 2 Analog Outputs and 4 Output Relays
- X6** – TU: Card with 4 voltage transformer measuring inputs
- X102** – Universal Resistance-Temperature Detector (URTD) input, Fiber optics interface, Versatile Link
- X103** – Modbus RTU / IEC 60870-5-103 / DNP3.0 RTU, RS485, Terminals
- X104** – IRIG-B00X, incl. System Contact (Supervision Contact)

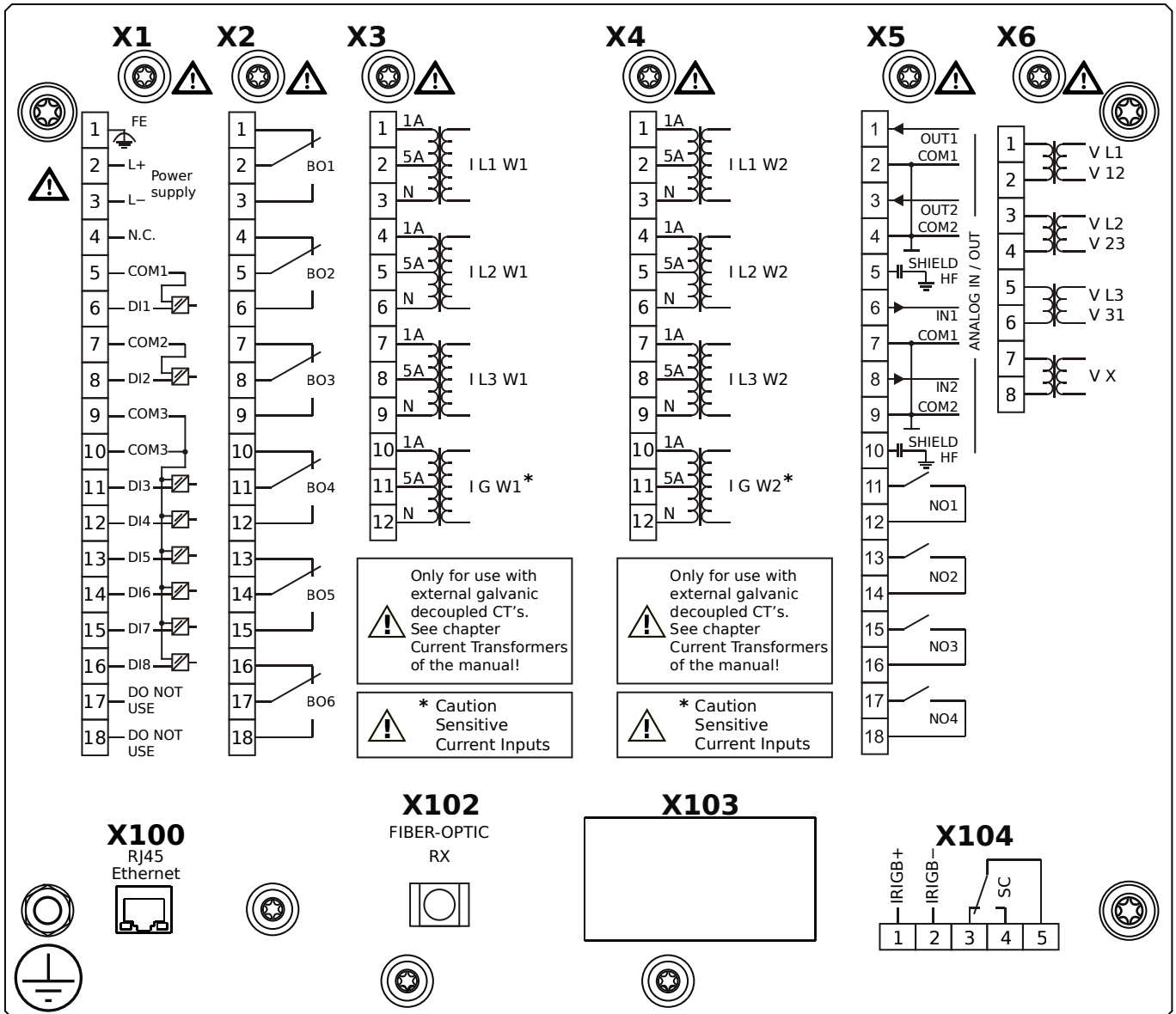
MCDTV4-2B3BCA



Housing B2, large display, 19" rack mounting

- X1** – DI8-X1: Wide-range power supply unit, incl. 2 non-grouped digital inputs and 6 grouped digital inputs
- X2** – OR6: Assembly Group with 6 Output Relays
- X3** – TIs: Standard phase current measuring card and sensitive ground current measuring (winding side 1)
- X4** – TIs: Standard phase current measuring card and sensitive ground current measuring (winding side 2)
- X5** – AnIO2-OR4: Assembly Group with 2 Analog Inputs, 2 Analog Outputs and 4 Output Relays
- X6** – TU: Card with 4 voltage transformer measuring inputs
- X100** – Modbus TCP / DNP3.0 TCP/UDP, Ethernet interface, 100 Mbit/s, RJ45 (BASE100-FX)
- X102** – Universal Resistance-Temperature Detector (URTD) input, Fiber optics interface, Versatile Link
- X104** – IRIG-B00X, incl. System Contact (Supervision Contact)

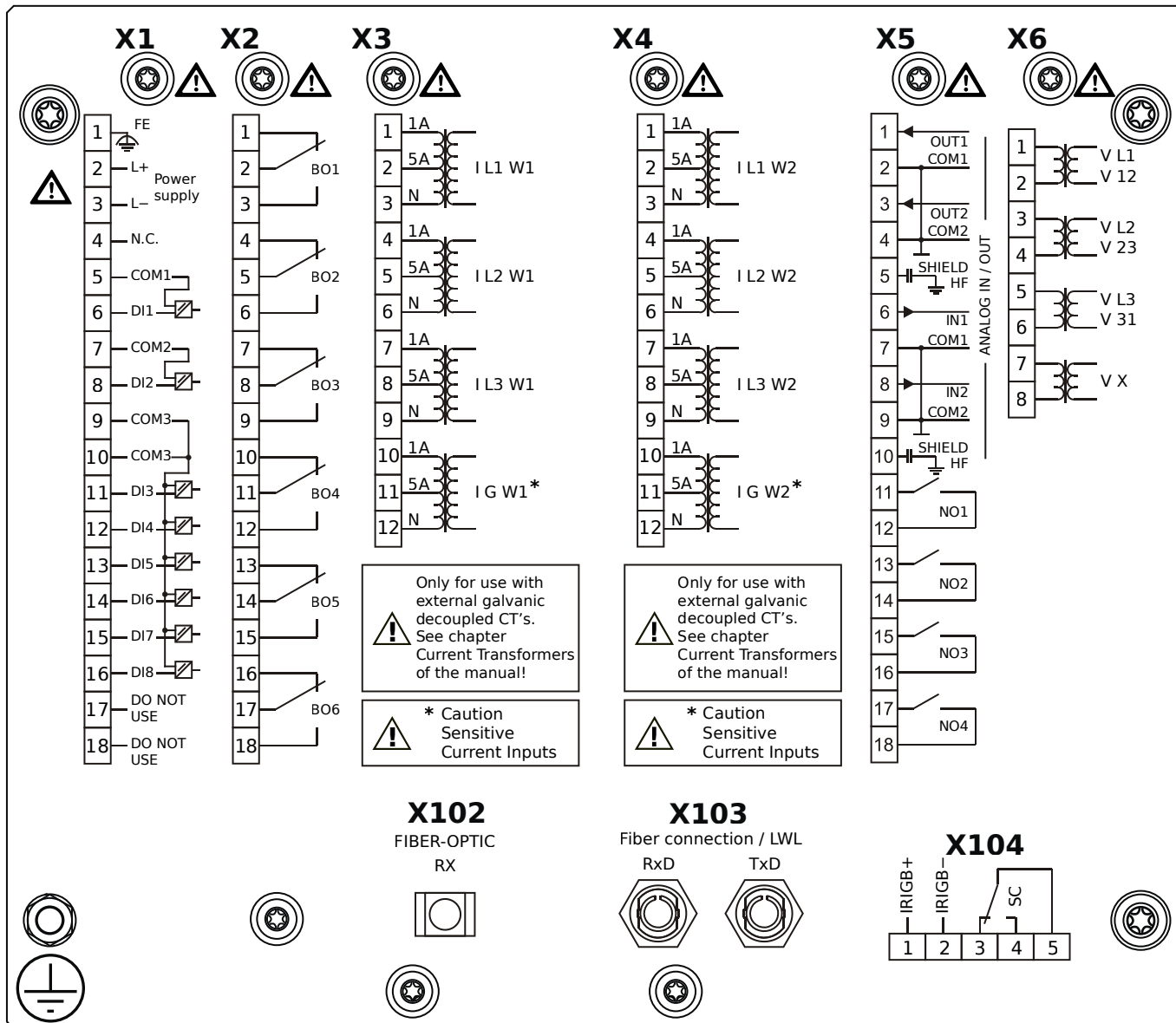
MCDTV4-2B3BCB



Housing B2, large display, 19" rack mounting

- + Conformal Coating (for installations in harsh environment)
- X1** – DI8-X1: Wide-range power supply unit, incl. 2 non-grouped digital inputs and 6 grouped digital inputs
- X2** – OR6: Assembly Group with 6 Output Relays
- X3** – TIs: Standard phase current measuring card and sensitive ground current measuring (winding side 1)
- X4** – TIs: Standard phase current measuring card and sensitive ground current measuring (winding side 2)
- X5** – AnIO2-OR4: Assembly Group with 2 Analog Inputs, 2 Analog Outputs and 4 Output Relays
- X6** – TU: Card with 4 voltage transformer measuring inputs
- X100** – Modbus TCP / DNP3.0 TCP/UDP, Ethernet interface, 100 Mbit/s, RJ45 (BASE100-FX)
- X102** – Universal Resistance-Temperature Detector (URTD) input, Fiber optics interface, Versatile Link
- X104** – IRIG-B00X, incl. System Contact (Supervision Contact)

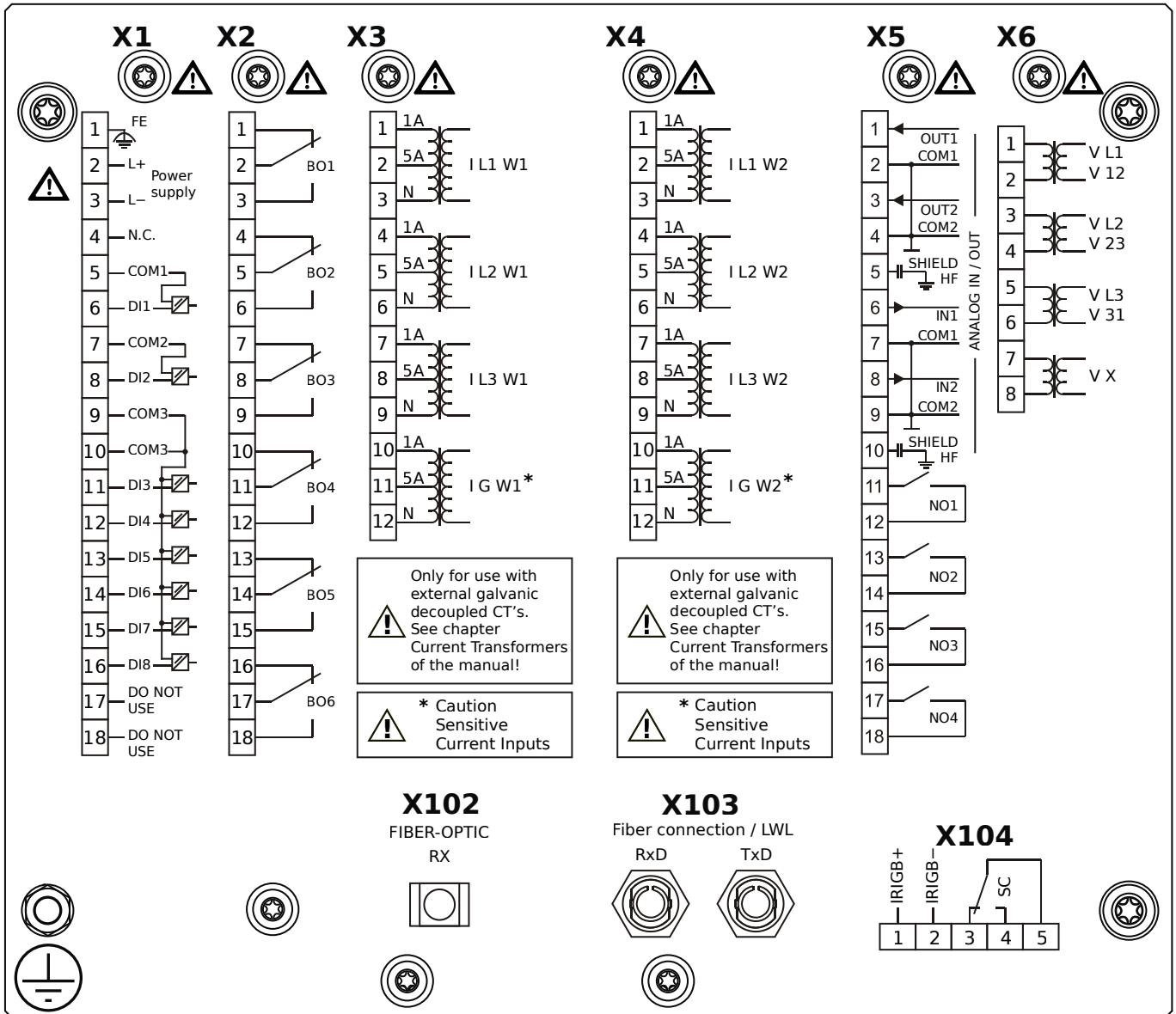
MCDTV4-2B3BDA



Housing B2, large display, 19" rack mounting

- X1** – DI8-X1: Wide-range power supply unit, incl. 2 non-grouped digital inputs and 6 grouped digital inputs
- X2** – OR6: Assembly Group with 6 Output Relays
- X3** – TIs: Standard phase current measuring card and sensitive ground current measuring (winding side 1)
- X4** – TIs: Standard phase current measuring card and sensitive ground current measuring (winding side 2)
- X5** – AnIO2-OR4: Assembly Group with 2 Analog Inputs, 2 Analog Outputs and 4 Output Relays
- X6** – TU: Card with 4 voltage transformer measuring inputs
- X102** – Universal Resistance-Temperature Detector (URTD) input, Fiber optics interface, Versatile Link
- X103** – Profibus-DP, Fiber optics interface, ST Connector
- X104** – IRIG-B00X, incl. System Contact (Supervision Contact)

MCDTV4-2B3BDB

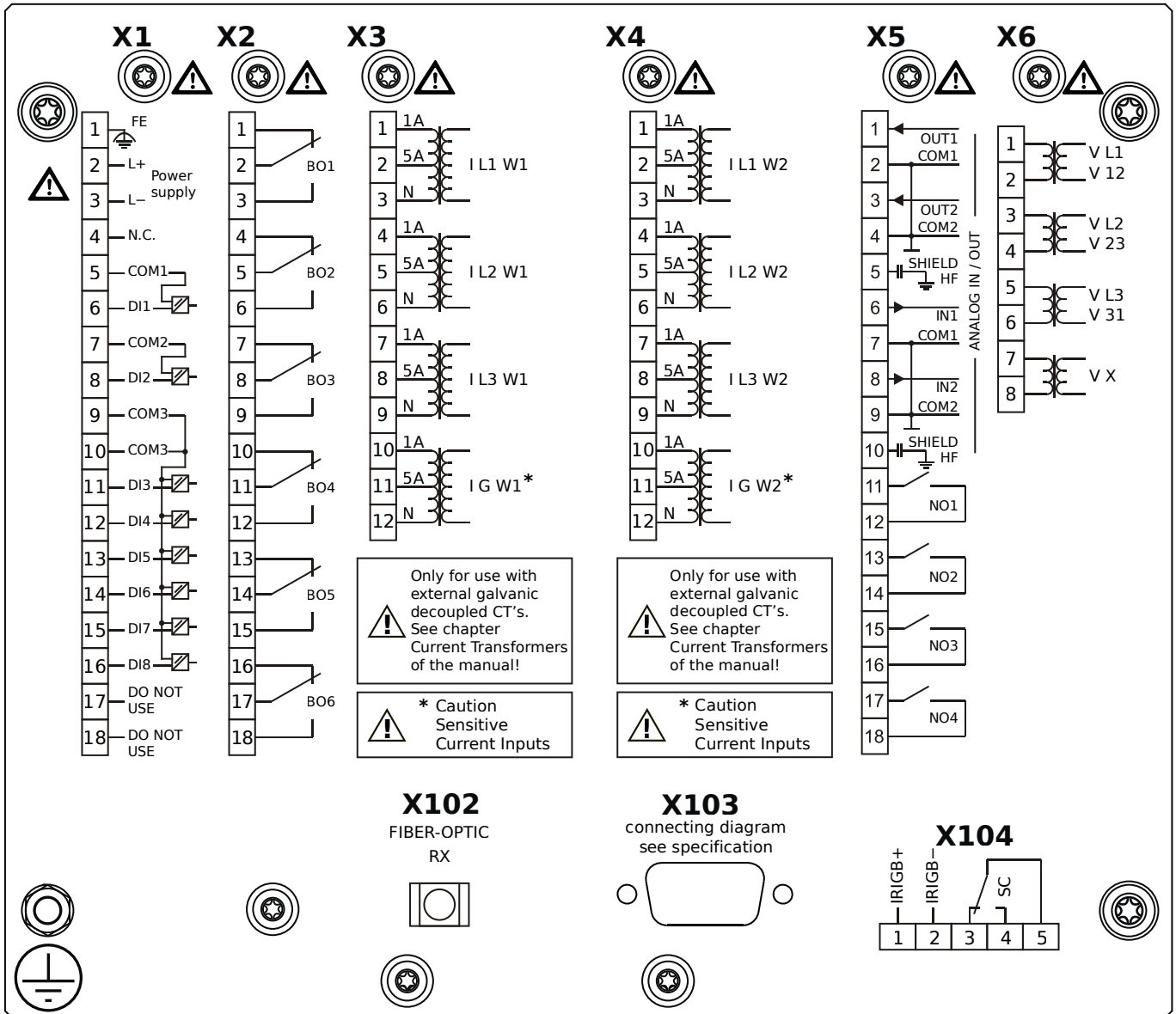


Housing B2, large display, 19" rack mounting

+ Conformal Coating (for installations in harsh environment)

- X1** – DI8-X1: Wide-range power supply unit, incl. 2 non-grouped digital inputs and 6 grouped digital inputs
- X2** – OR6: Assembly Group with 6 Output Relays
- X3** – TIs: Standard phase current measuring card and sensitive ground current measuring (winding side 1)
- X4** – TIs: Standard phase current measuring card and sensitive ground current measuring (winding side 2)
- X5** – AnIO2-OR4: Assembly Group with 2 Analog Inputs, 2 Analog Outputs and 4 Output Relays
- X6** – TU: Card with 4 voltage transformer measuring inputs
- X102** – Universal Resistance-Temperature Detector (URTD) input, Fiber optics interface, Versatile Link
- X103** – Profibus-DP, Fiber optics interface, ST Connector
- X104** – IRIG-B00X, incl. System Contact (Supervision Contact)

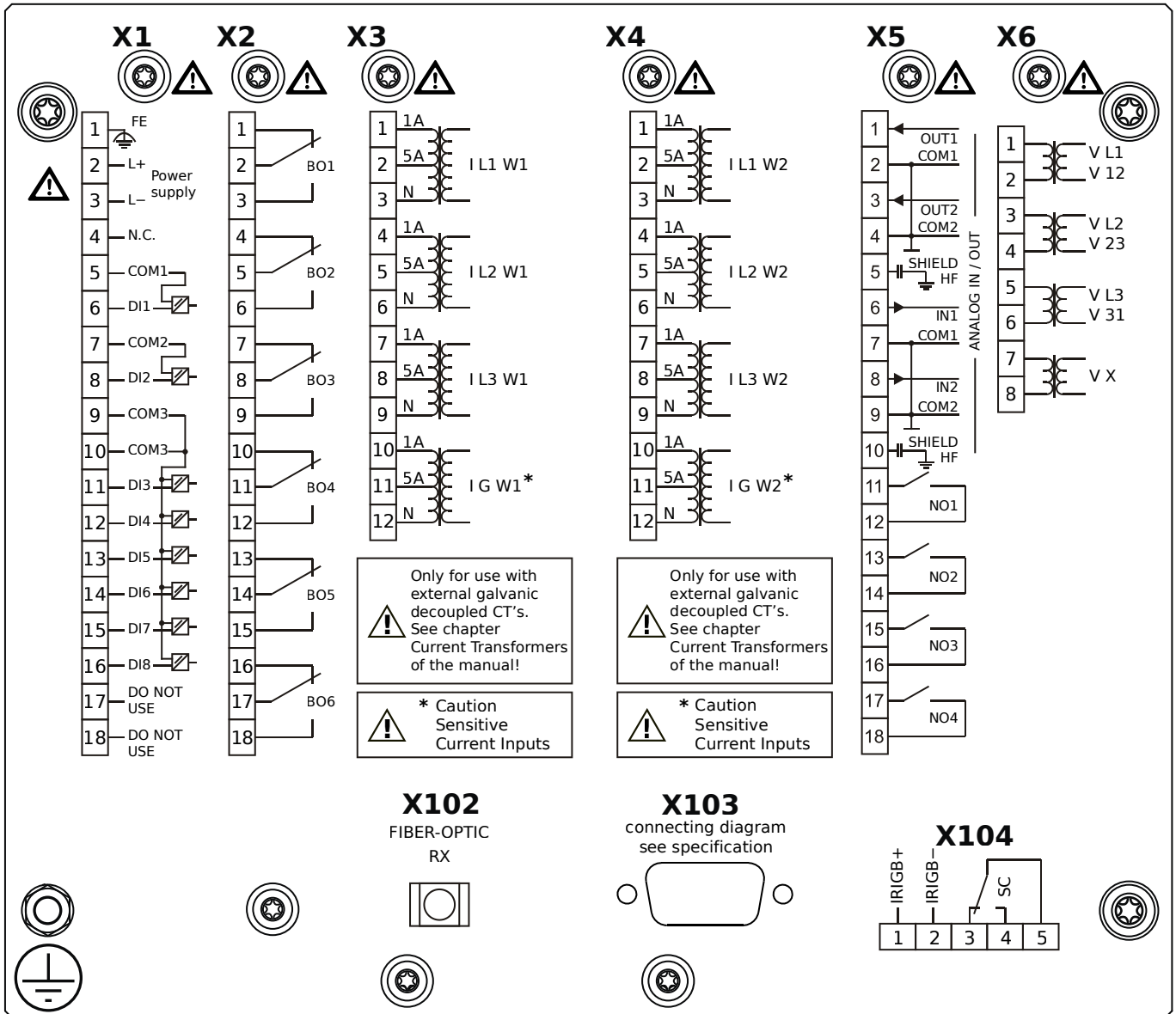
MCDTV4-2B3BEA



Housing B2, large display, 19" rack mounting

- X1** – DI8-X1: Wide-range power supply unit, incl. 2 non-grouped digital inputs and 6 grouped digital inputs
- X2** – OR6: Assembly Group with 6 Output Relays
- X3** – TIs: Standard phase current measuring card and sensitive ground current measuring (winding side 1)
- X4** – TIs: Standard phase current measuring card and sensitive ground current measuring (winding side 2)
- X5** – AnIO2-OR4: Assembly Group with 2 Analog Inputs, 2 Analog Outputs and 4 Output Relays
- X6** – TU: Card with 4 voltage transformer measuring inputs
- X102** – Universal Resistance-Temperature Detector (URTD) input, Fiber optics interface, Versatile Link
- X103** – Profibus-DP, RS485, D-SUB
- X104** – IRIG-B00X, incl. System Contact (Supervision Contact)

MCDTV4-2B3BEB

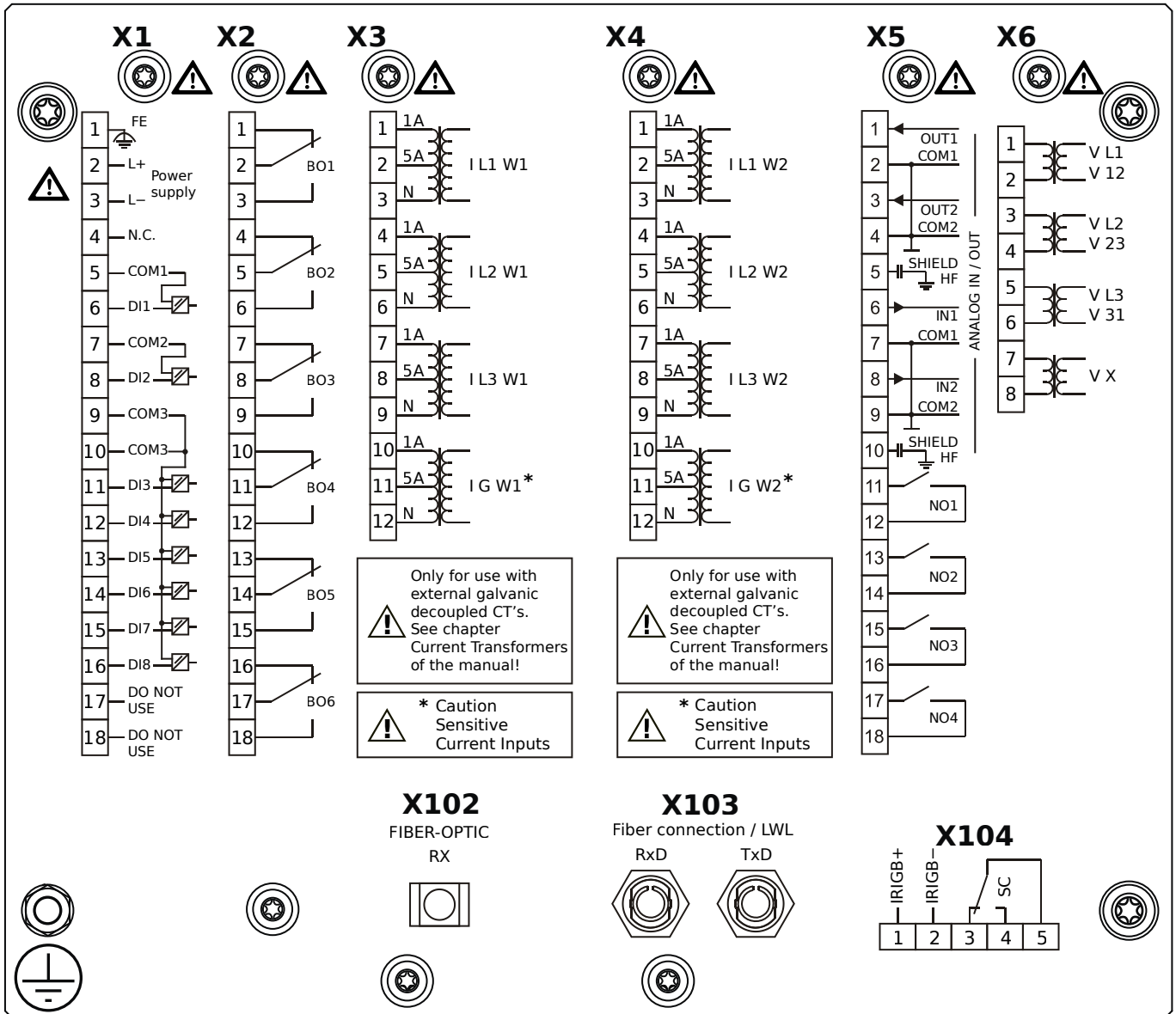


Housing B2, large display, 19" rack mounting

+ Conformal Coating (for installations in harsh environment)

- X1** – DI8-X1: Wide-range power supply unit, incl. 2 non-grouped digital inputs and 6 grouped digital inputs
- X2** – OR6: Assembly Group with 6 Output Relays
- X3** – TIs: Standard phase current measuring card and sensitive ground current measuring (winding side 1)
- X4** – TIs: Standard phase current measuring card and sensitive ground current measuring (winding side 2)
- X5** – AnIO2-OR4: Assembly Group with 2 Analog Inputs, 2 Analog Outputs and 4 Output Relays
- X6** – TU: Card with 4 voltage transformer measuring inputs
- X102** – Universal Resistance-Temperature Detector (URTD) input, Fiber optics interface, Versatile Link
- X103** – Profibus-DP, RS485, D-SUB
- X104** – IRIG-B00X, incl. System Contact (Supervision Contact)

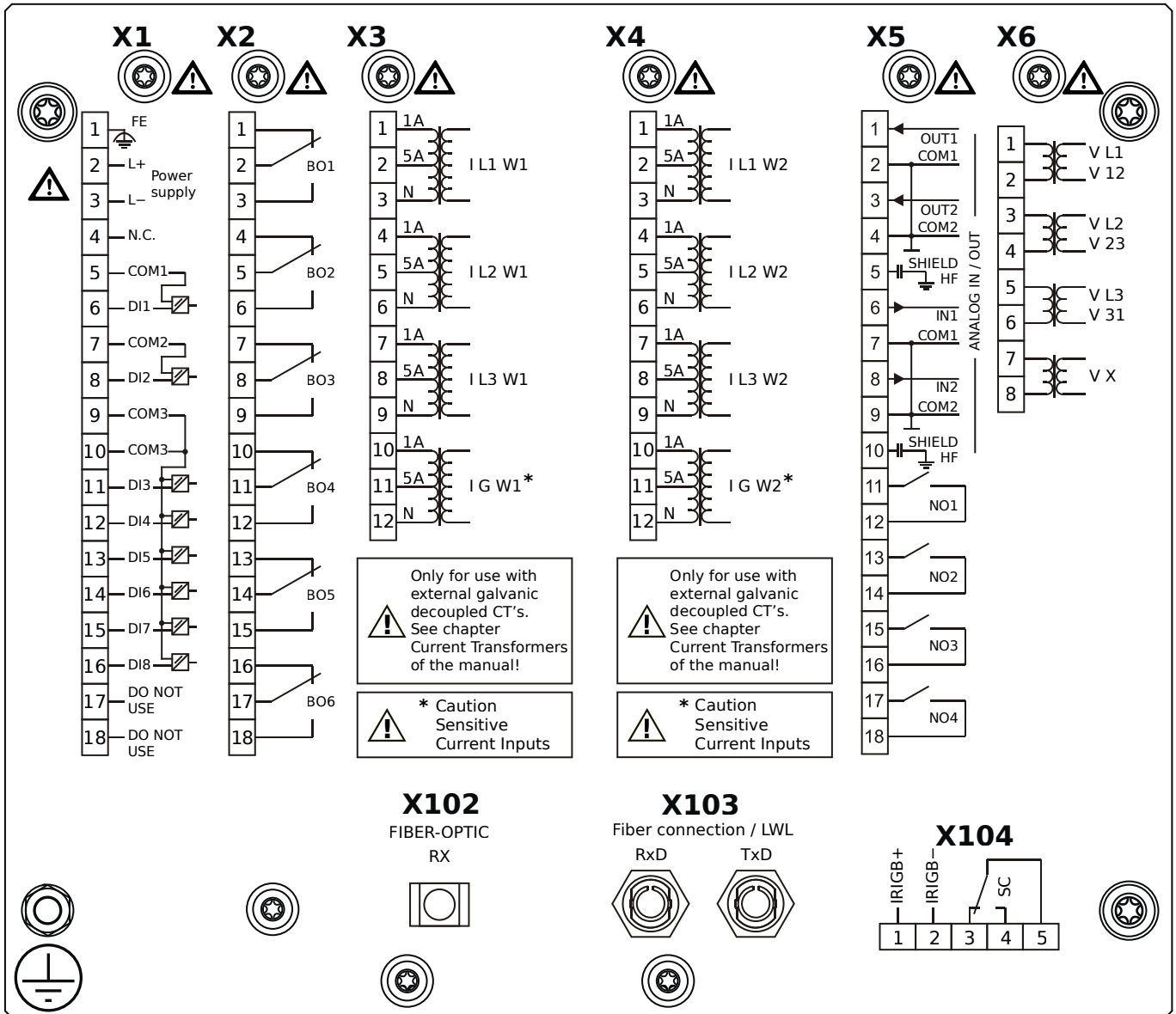
MCDTV4-2B3BFA



Housing B2, large display, 19" rack mounting

- X1** – DI8-X1: Wide-range power supply unit, incl. 2 non-grouped digital inputs and 6 grouped digital inputs
- X2** – OR6: Assembly Group with 6 Output Relays
- X3** – TIs: Standard phase current measuring card and sensitive ground current measuring (winding side 1)
- X4** – TIs: Standard phase current measuring card and sensitive ground current measuring (winding side 2)
- X5** – AnIO2-OR4: Assembly Group with 2 Analog Inputs, 2 Analog Outputs and 4 Output Relays
- X6** – TU: Card with 4 voltage transformer measuring inputs
- X102** – Universal Resistance-Temperature Detector (URTD) input, Fiber optics interface, Versatile Link
- X103** – Modbus RTU / IEC 60870-5-103 / DNP3.0 RTU, Fiber optics interface, ST Connector
- X104** – IRIG-B00X, incl. System Contact (Supervision Contact)

MCDTV4-2B3BFB

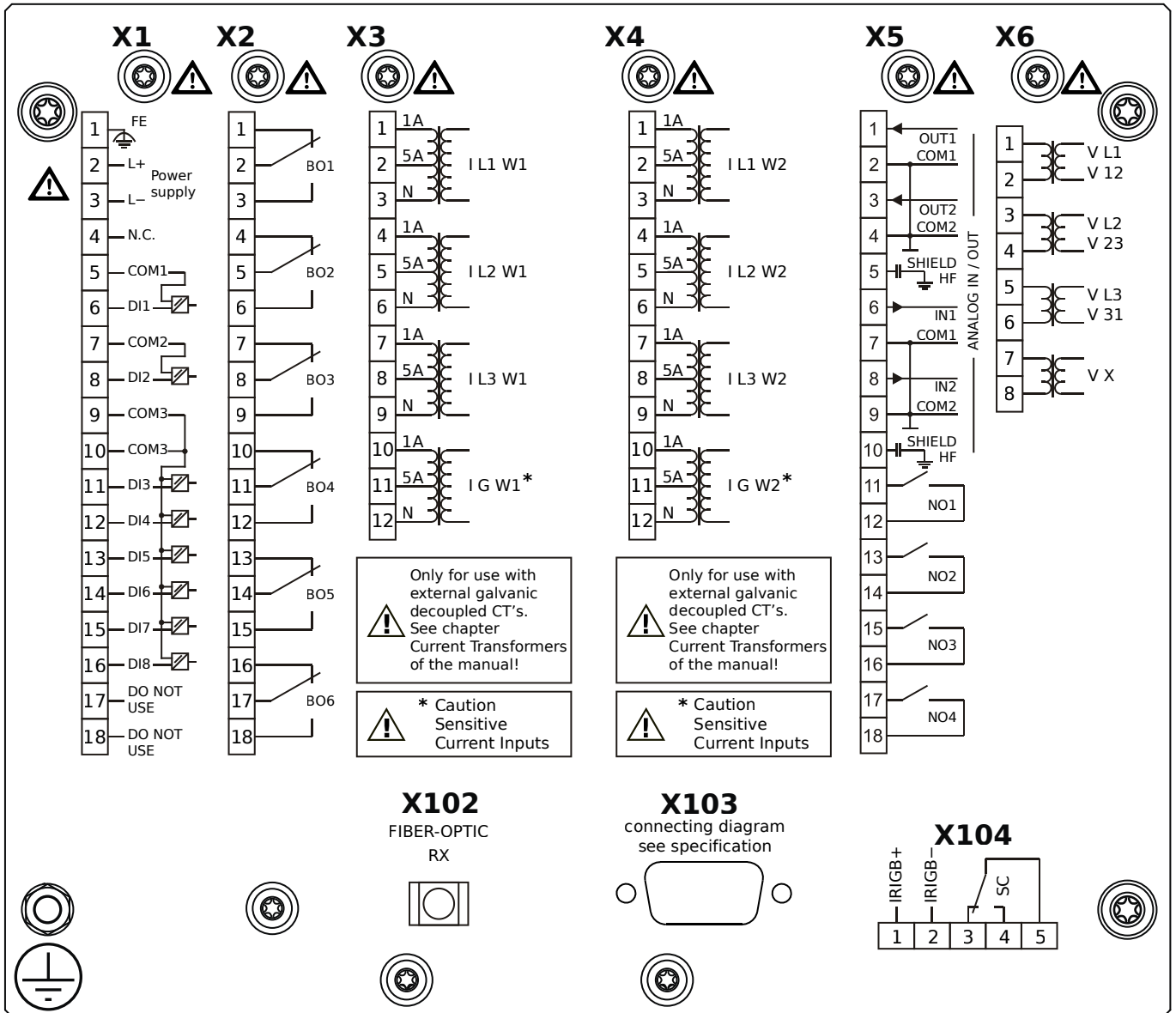


Housing B2, large display, 19" rack mounting

+ Conformal Coating (for installations in harsh environment)

- X1** – DI8-X1: Wide-range power supply unit, incl. 2 non-grouped digital inputs and 6 grouped digital inputs
- X2** – OR6: Assembly Group with 6 Output Relays
- X3** – TIs: Standard phase current measuring card and sensitive ground current measuring (winding side 1)
- X4** – TIs: Standard phase current measuring card and sensitive ground current measuring (winding side 2)
- X5** – AnIO2-OR4: Assembly Group with 2 Analog Inputs, 2 Analog Outputs and 4 Output Relays
- X6** – TU: Card with 4 voltage transformer measuring inputs
- X102** – Universal Resistance-Temperature Detector (URTD) input, Fiber optics interface, Versatile Link
- X103** – Modbus RTU / IEC 60870-5-103 / DNP3.0 RTU, Fiber optics interface, ST Connector
- X104** – IRIG-B00X, incl. System Contact (Supervision Contact)

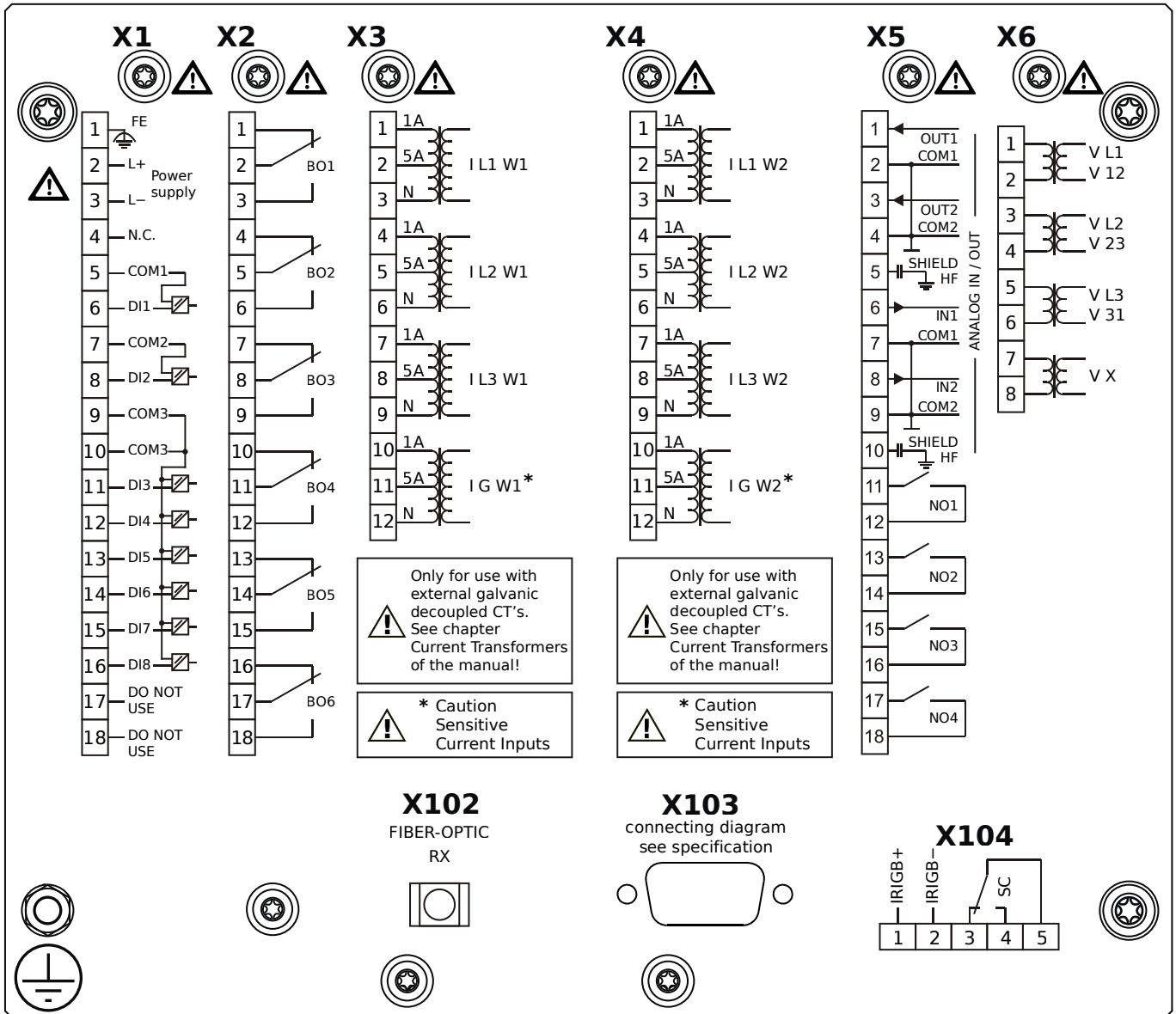
MCDTV4-2B3BGA



Housing B2, large display, 19" rack mounting

- X1** – DI8-X1: Wide-range power supply unit, incl. 2 non-grouped digital inputs and 6 grouped digital inputs
- X2** – OR6: Assembly Group with 6 Output Relays
- X3** – TIs: Standard phase current measuring card and sensitive ground current measuring (winding side 1)
- X4** – TIs: Standard phase current measuring card and sensitive ground current measuring (winding side 2)
- X5** – AnIO2-OR4: Assembly Group with 2 Analog Inputs, 2 Analog Outputs and 4 Output Relays
- X6** – TU: Card with 4 voltage transformer measuring inputs
- X102** – Universal Resistance-Temperature Detector (URTD) input, Fiber optics interface, Versatile Link
- X103** – Modbus RTU / IEC 60870-5-103 / DNP3.0 RTU, RS485, D-SUB
- X104** – IRIG-B00X, incl. System Contact (Supervision Contact)

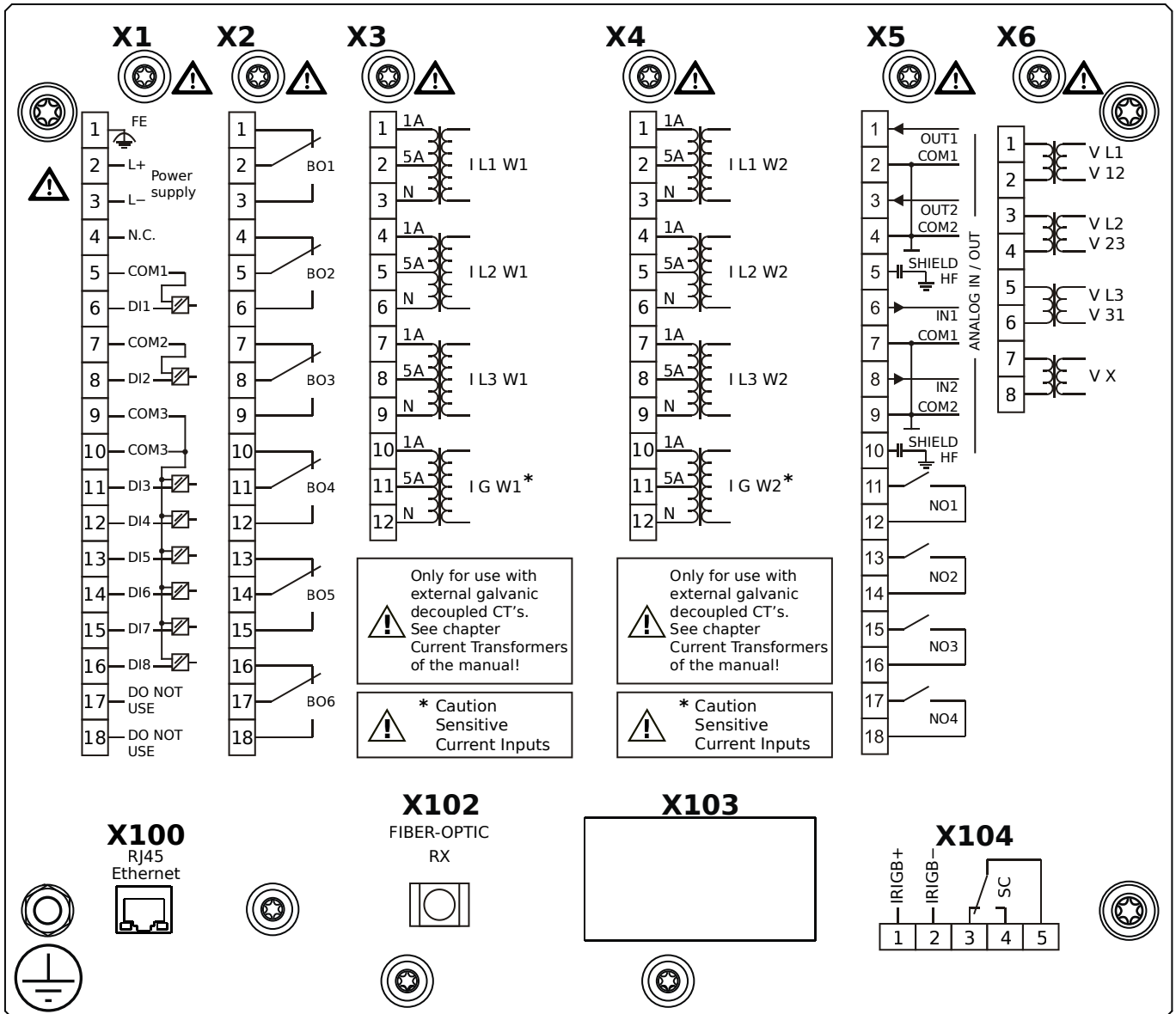
MCDTV4-2B3BGB



Housing B2, large display, 19" rack mounting

- + Conformal Coating (for installations in harsh environment)
- X1** – DI8-X1: Wide-range power supply unit, incl. 2 non-grouped digital inputs and 6 grouped digital inputs
- X2** – OR6: Assembly Group with 6 Output Relays
- X3** – TIs: Standard phase current measuring card and sensitive ground current measuring (winding side 1)
- X4** – TIs: Standard phase current measuring card and sensitive ground current measuring (winding side 2)
- X5** – AnIO2-OR4: Assembly Group with 2 Analog Inputs, 2 Analog Outputs and 4 Output Relays
- X6** – TU: Card with 4 voltage transformer measuring inputs
- X102** – Universal Resistance-Temperature Detector (URTD) input, Fiber optics interface, Versatile Link
- X103** – Modbus RTU / IEC 60870-5-103 / DNP3.0 RTU, RS485, D-SUB
- X104** – IRIG-B00X, incl. System Contact (Supervision Contact)

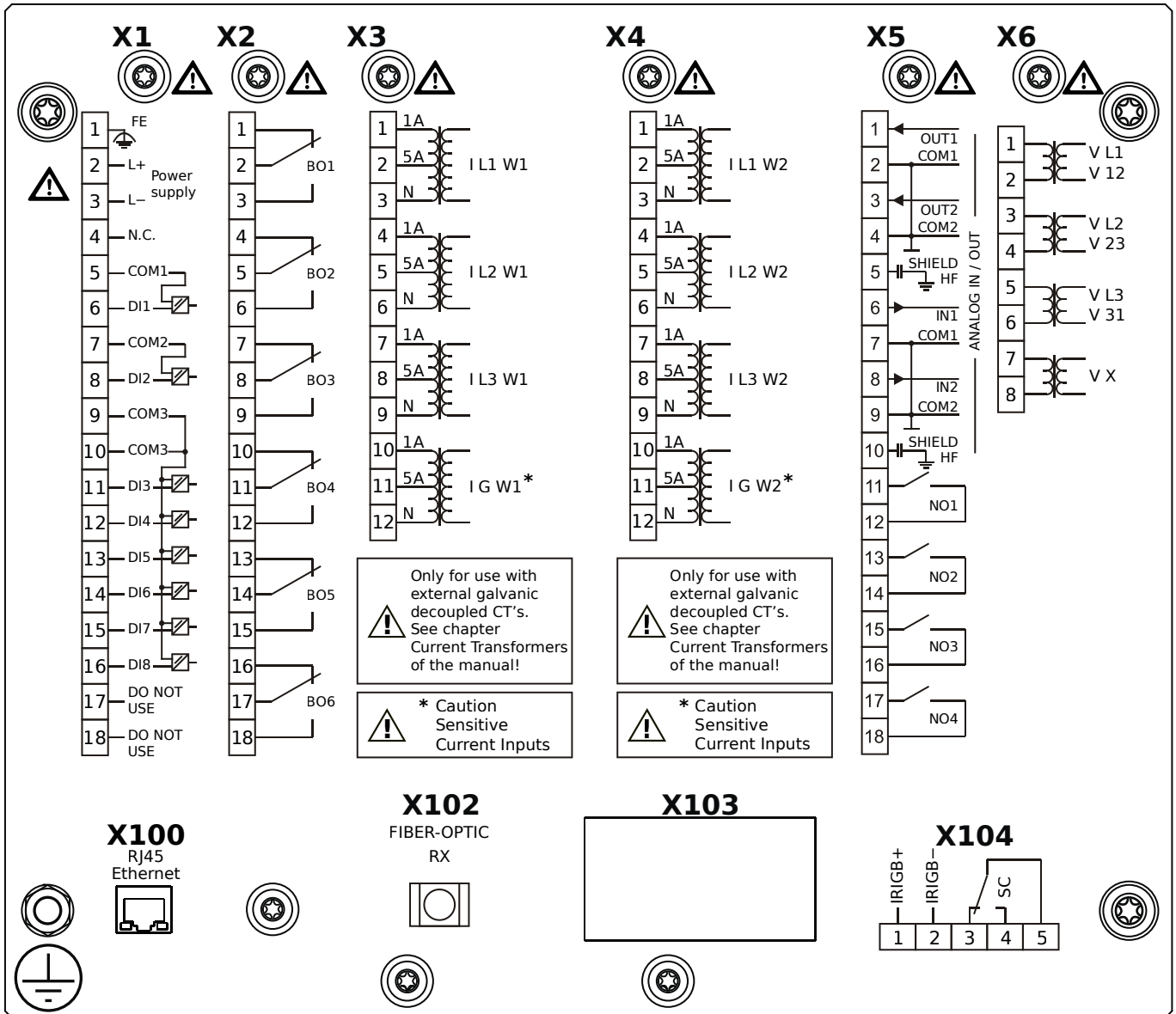
MCDTV4-2B3BHA



Housing B2, large display, 19" rack mounting

- X1** – DI8-X1: Wide-range power supply unit, incl. 2 non-grouped digital inputs and 6 grouped digital inputs
- X2** – OR6: Assembly Group with 6 Output Relays
- X3** – TIs: Standard phase current measuring card and sensitive ground current measuring (winding side 1)
- X4** – TIs: Standard phase current measuring card and sensitive ground current measuring (winding side 2)
- X5** – AnIO2-OR4: Assembly Group with 2 Analog Inputs, 2 Analog Outputs and 4 Output Relays
- X6** – TU: Card with 4 voltage transformer measuring inputs
- X100** – IEC 61850 / Modbus TCP / DNP3.0 TCP/UDP, Ethernet interface, 100 Mbit/s, RJ45 (BASE100-FX)
- X102** – Universal Resistance-Temperature Detector (URTD) input, Fiber optics interface, Versatile Link
- X104** – IRIG-B00X, incl. System Contact (Supervision Contact)

MCDTV4-2B3BHB



Housing B2, large display, 19" rack mounting

+ Conformal Coating (for installations in harsh environment)

X1 – DI8-X1: Wide-range power supply unit, incl. 2 non-grouped digital inputs and 6 grouped digital inputs

X2 – OR6: Assembly Group with 6 Output Relays

X3 – TIs: Standard phase current measuring card and sensitive ground current measuring (winding side 1)

X4 – TIs: Standard phase current measuring card and sensitive ground current measuring (winding side 2)

X5 – AnIO2-OR4: Assembly Group with 2 Analog Inputs, 2 Analog Outputs and 4 Output Relays

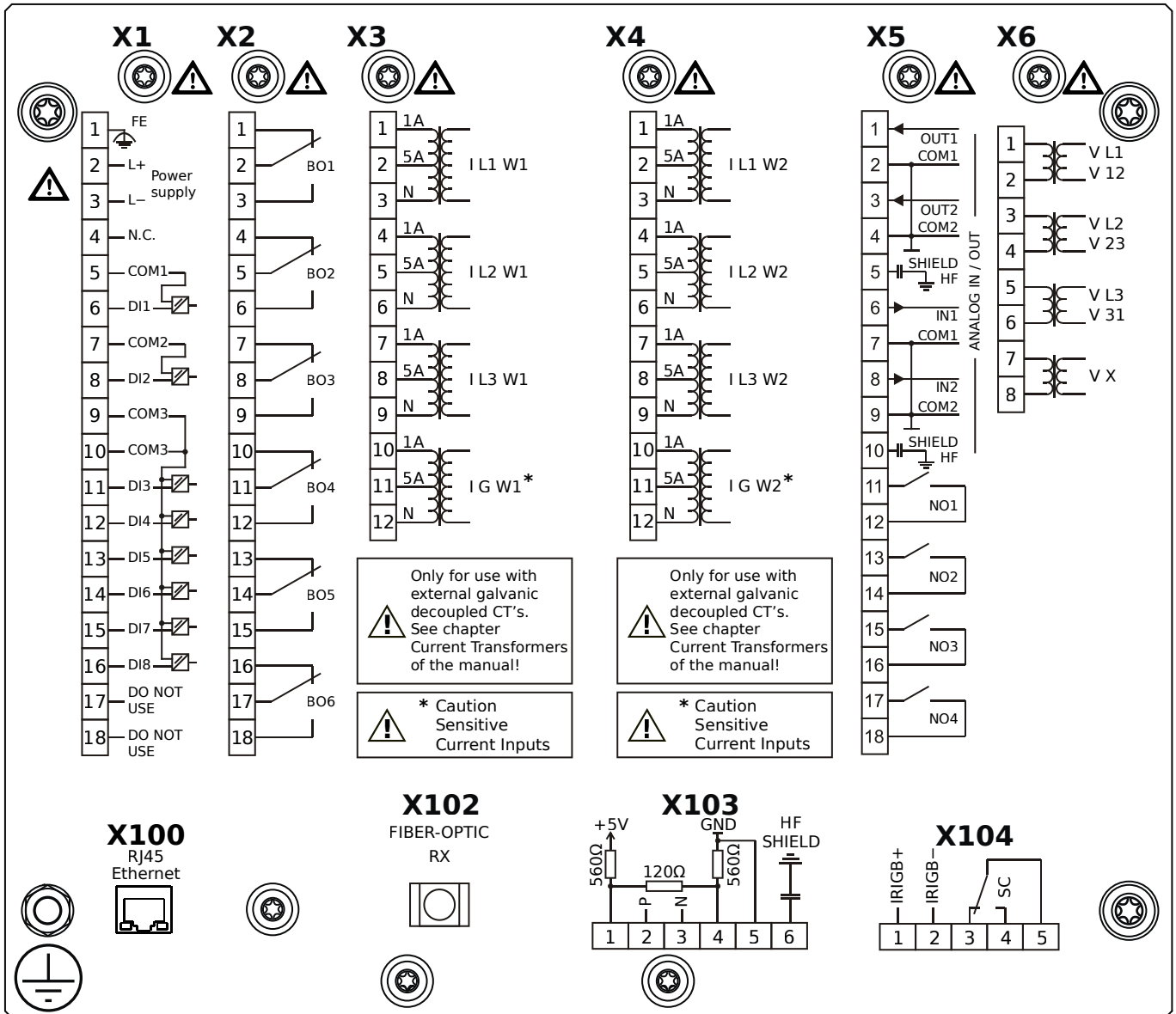
X6 – TU: Card with 4 voltage transformer measuring inputs

X100 – IEC 61850 / Modbus TCP / DNP3.0 TCP/UDP, Ethernet interface, 100 Mbit/s, RJ45 (BASE100-FX)

X102 – Universal Resistance-Temperature Detector (URTD) input, Fiber optics interface, Versatile Link

X104 – IRIG-B00X, incl. System Contact (Supervision Contact)

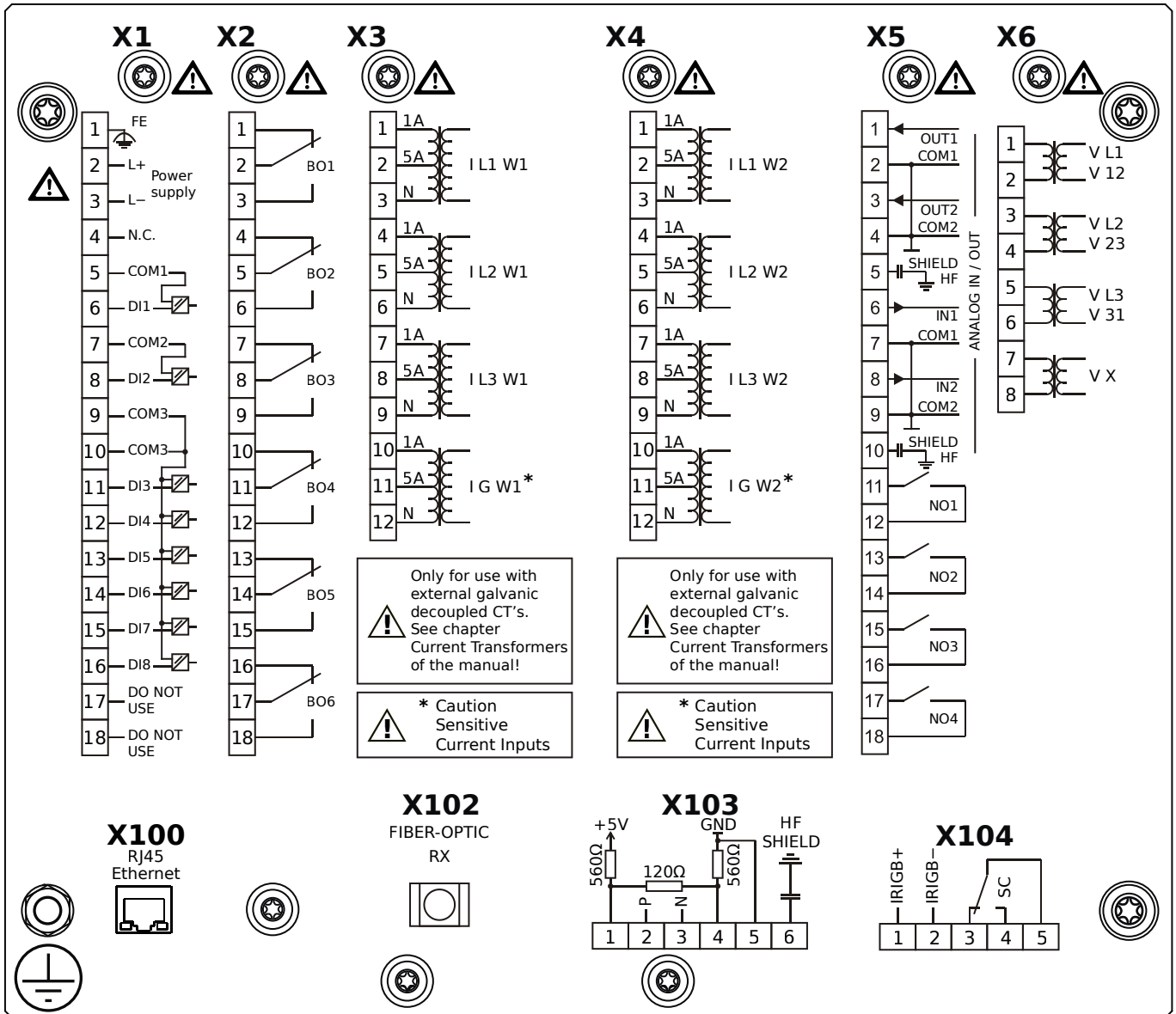
MCDTV4-2B3BIA



Housing B2, large display, 19" rack mounting

- X1** – DI8-X1: Wide-range power supply unit, incl. 2 non-grouped digital inputs and 6 grouped digital inputs
- X2** – OR6: Assembly Group with 6 Output Relays
- X3** – TIs: Standard phase current measuring card and sensitive ground current measuring (winding side 1)
- X4** – TIs: Standard phase current measuring card and sensitive ground current measuring (winding side 2)
- X5** – AnIO2-OR4: Assembly Group with 2 Analog Inputs, 2 Analog Outputs and 4 Output Relays
- X6** – TU: Card with 4 voltage transformer measuring inputs
- X100** – Modbus TCP / DNP3.0 TCP/UDP, Ethernet interface, 100 Mbit/s, RJ45 (BASE100-FX)
- X102** – Universal Resistance-Temperature Detector (URTD) input, Fiber optics interface, Versatile Link
- X103** – IEC 60870-5-103 / Modbus RTU / DNP3.0 RTU, RS485, Terminals
- X104** – IRIG-B00X, incl. System Contact (Supervision Contact)

MCDTV4-2B3BIB

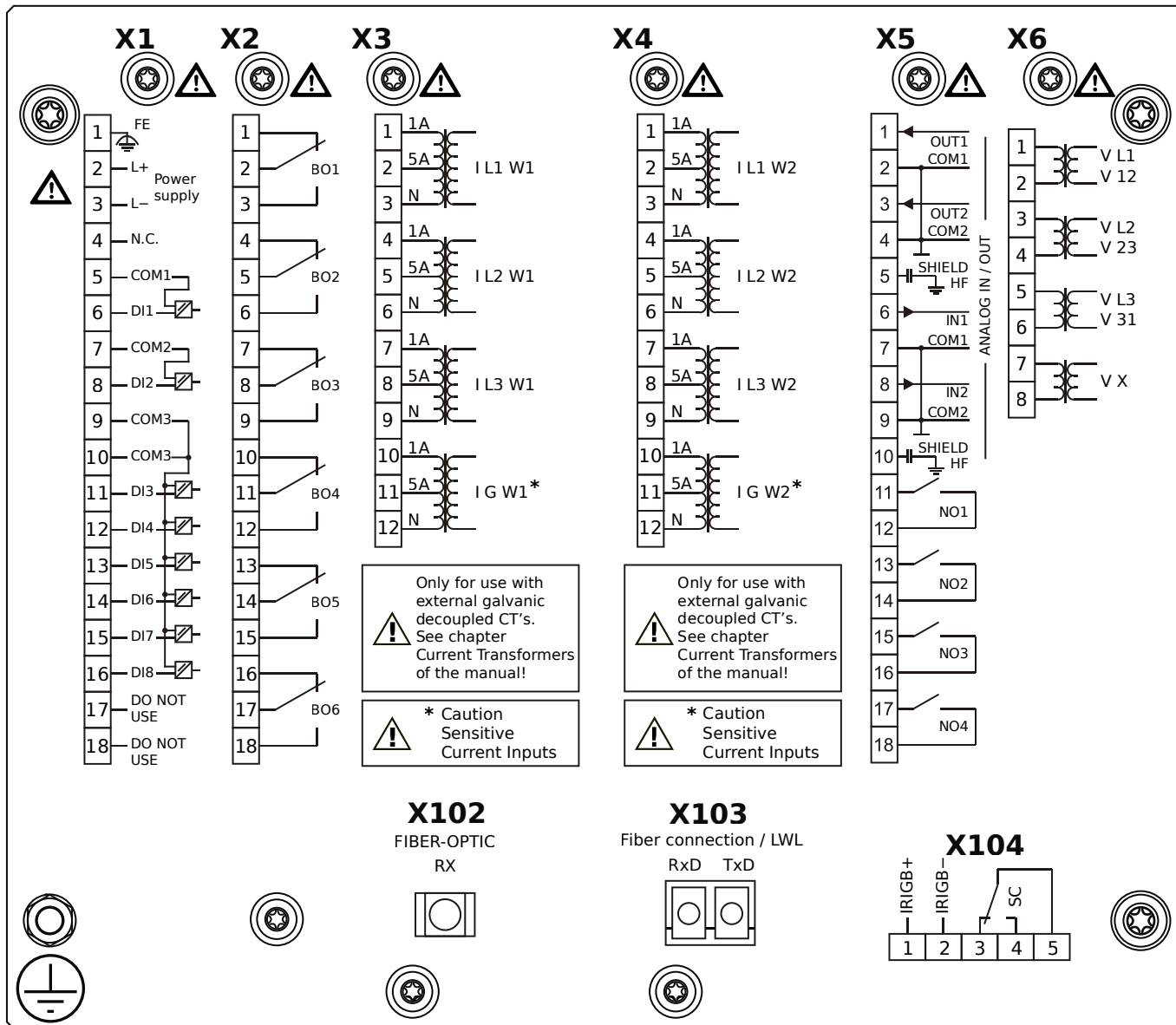


Housing B2, large display, 19" rack mounting

+ Conformal Coating (for installations in harsh environment)

- X1** – DI8-X1: Wide-range power supply unit, incl. 2 non-grouped digital inputs and 6 grouped digital inputs
- X2** – OR6: Assembly Group with 6 Output Relays
- X3** – TIs: Standard phase current measuring card and sensitive ground current measuring (winding side 1)
- X4** – TIs: Standard phase current measuring card and sensitive ground current measuring (winding side 2)
- X5** – AnIO2-OR4: Assembly Group with 2 Analog Inputs, 2 Analog Outputs and 4 Output Relays
- X6** – TU: Card with 4 voltage transformer measuring inputs
- X100** – Modbus TCP / DNP3.0 TCP/UDP, Ethernet interface, 100 Mbit/s, RJ45 (BASE100-FX)
- X102** – Universal Resistance-Temperature Detector (URTD) input, Fiber optics interface, Versatile Link
- X103** – IEC 60870-5-103 / Modbus RTU / DNP3.0 RTU, RS485, Terminals
- X104** – IRIG-B00X, incl. System Contact (Supervision Contact)

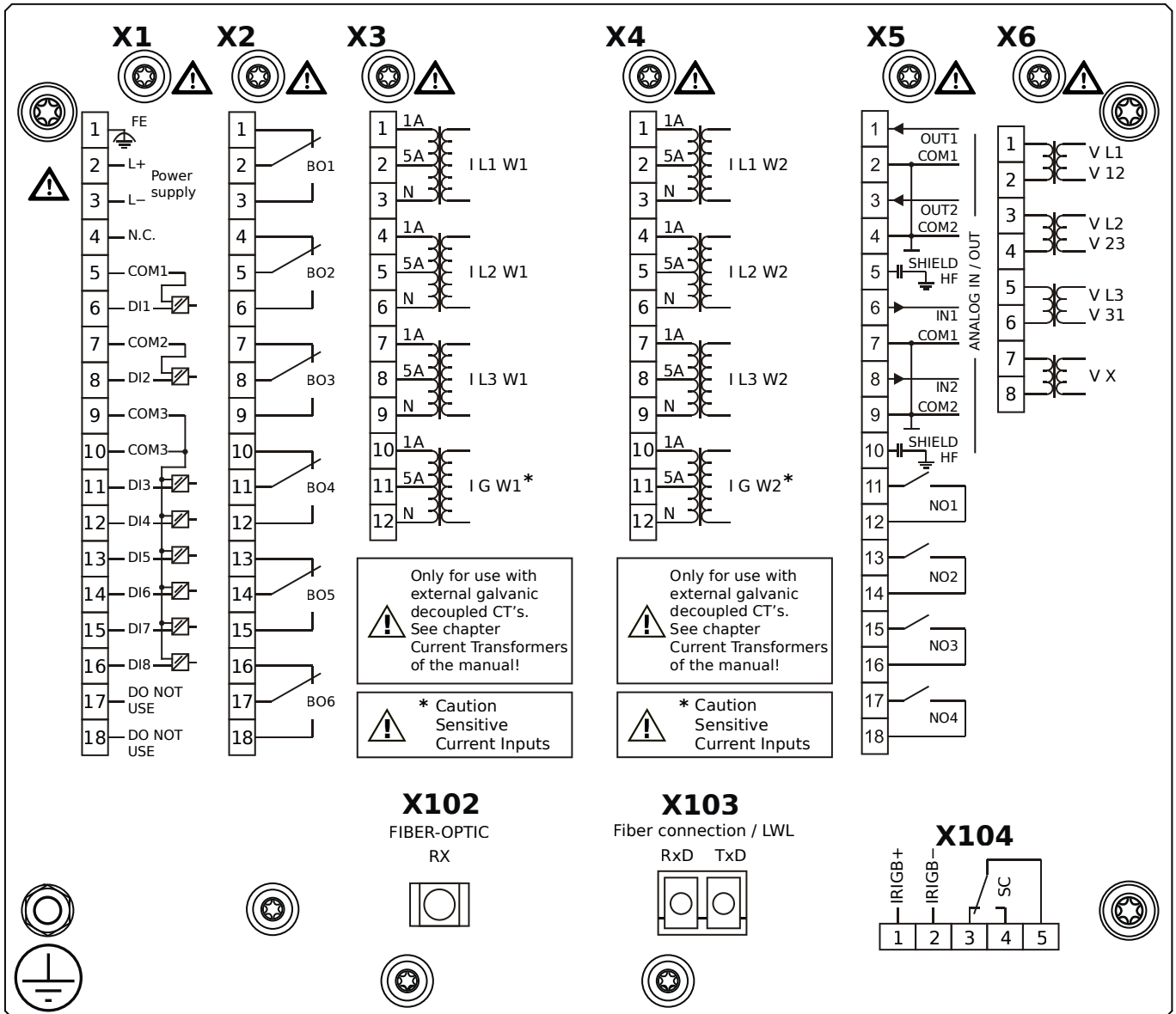
MCDTV4-2B3BKA



Housing B2, large display, 19" rack mounting

- X1** – DI8-X1: Wide-range power supply unit, incl. 2 non-grouped digital inputs and 6 grouped digital inputs
- X2** – OR6: Assembly Group with 6 Output Relays
- X3** – TIs: Standard phase current measuring card and sensitive ground current measuring (winding side 1)
- X4** – TIs: Standard phase current measuring card and sensitive ground current measuring (winding side 2)
- X5** – AnIO2-OR4: Assembly Group with 2 Analog Inputs, 2 Analog Outputs and 4 Output Relays
- X6** – TU: Card with 4 voltage transformer measuring inputs
- X102** – Universal Resistance-Temperature Detector (URTD) input, Fiber optics interface, Versatile Link
- X103** – IEC 61850 / Modbus TCP / DNP3.0 TCP/UDP, Fiber optics interface, LC Connector
- X104** – IRIG-B00X, incl. System Contact (Supervision Contact)

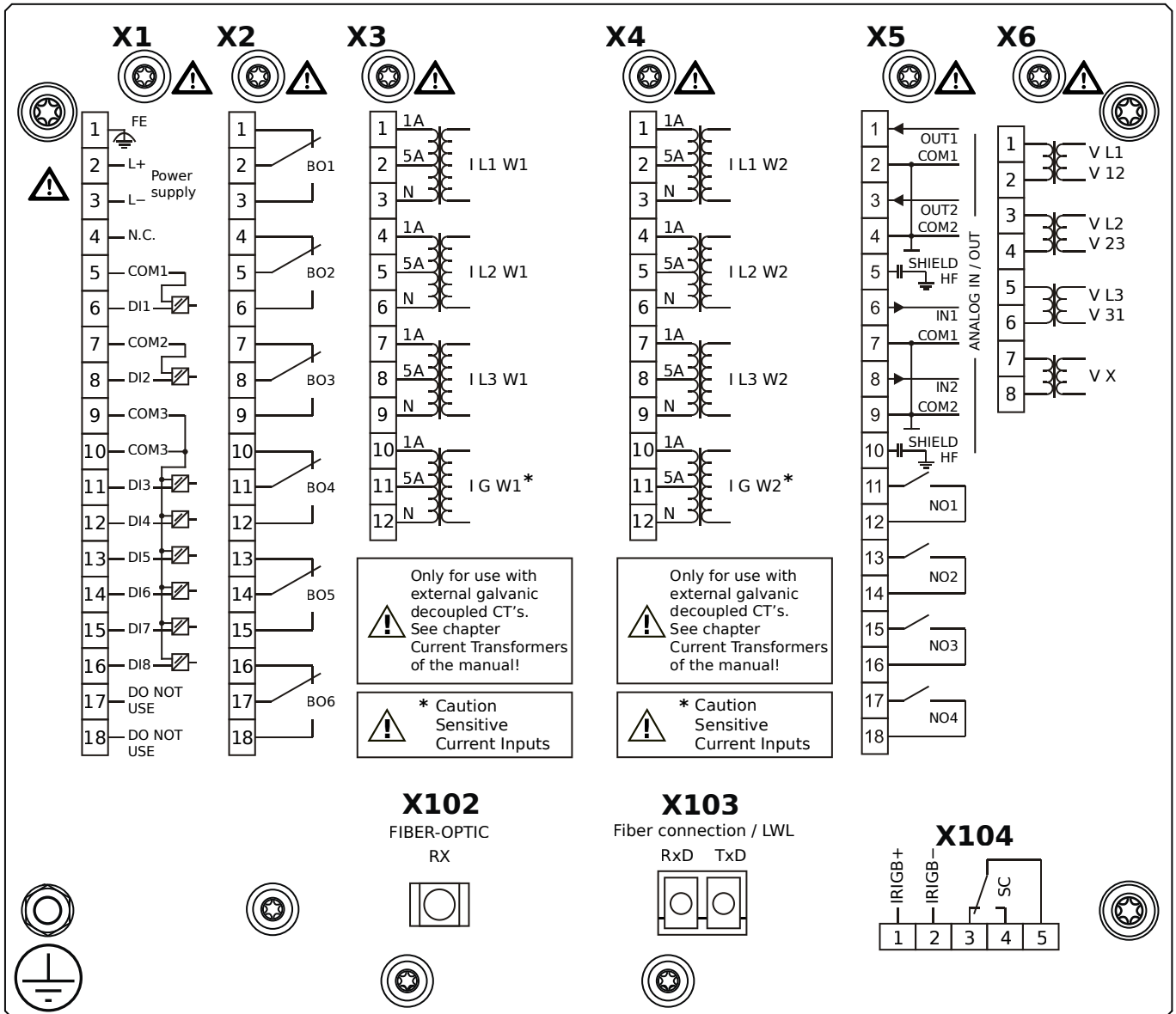
MCDTV4-2B3BKB



Housing B2, large display, 19" rack mounting

- + Conformal Coating (for installations in harsh environment)
- X1** – DI8-X1: Wide-range power supply unit, incl. 2 non-grouped digital inputs and 6 grouped digital inputs
- X2** – OR6: Assembly Group with 6 Output Relays
- X3** – TIs: Standard phase current measuring card and sensitive ground current measuring (winding side 1)
- X4** – TIs: Standard phase current measuring card and sensitive ground current measuring (winding side 2)
- X5** – AnIO2-OR4: Assembly Group with 2 Analog Inputs, 2 Analog Outputs and 4 Output Relays
- X6** – TU: Card with 4 voltage transformer measuring inputs
- X102** – Universal Resistance-Temperature Detector (URTD) input, Fiber optics interface, Versatile Link
- X103** – IEC 61850 / Modbus TCP / DNP3.0 TCP/UDP, Fiber optics interface, LC Connector
- X104** – IRIG-B00X, incl. System Contact (Supervision Contact)

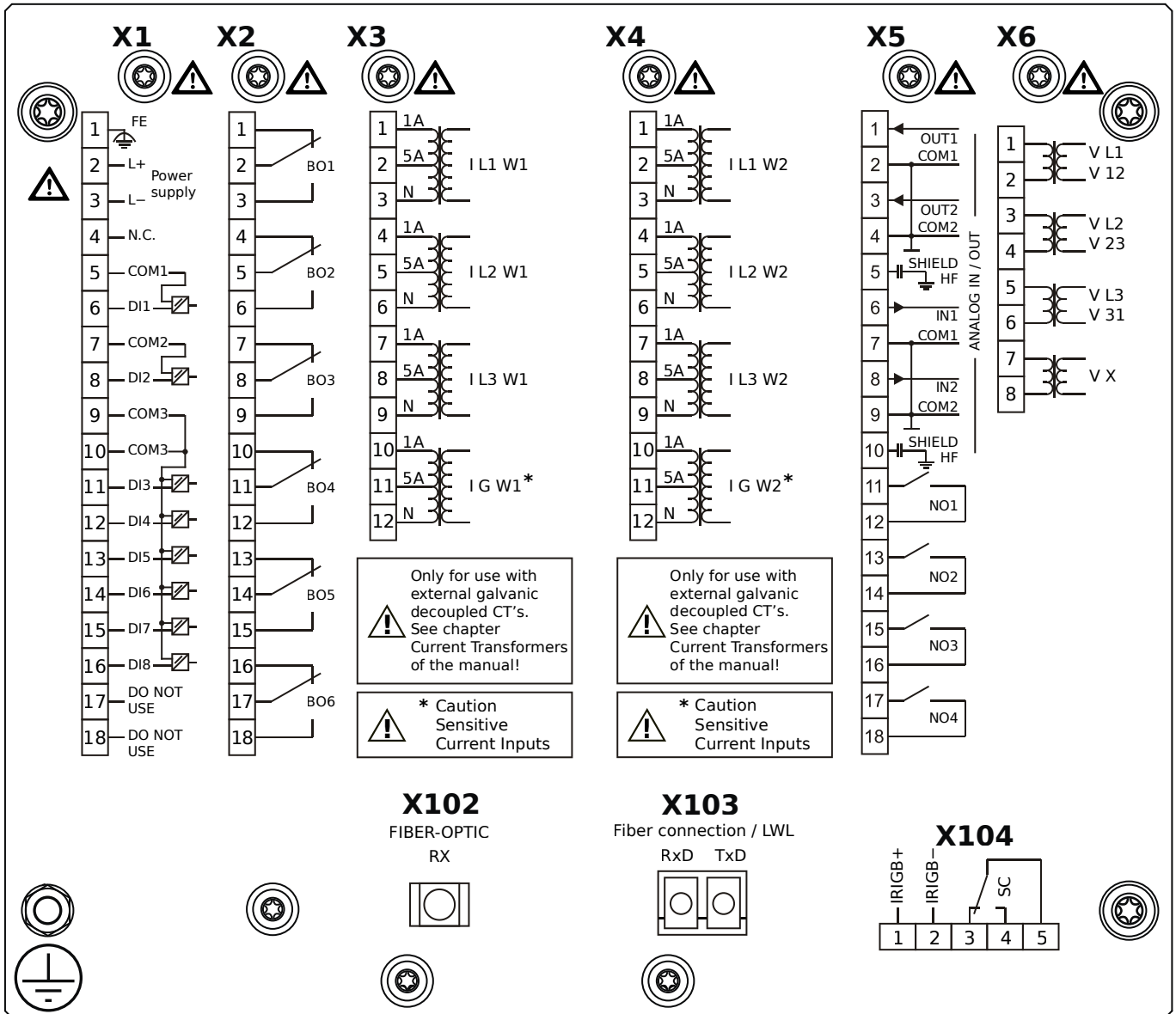
MCDTV4-2B3BLA



Housing B2, large display, 19" rack mounting

- X1** – DI8-X1: Wide-range power supply unit, incl. 2 non-grouped digital inputs and 6 grouped digital inputs
- X2** – OR6: Assembly Group with 6 Output Relays
- X3** – TIs: Standard phase current measuring card and sensitive ground current measuring (winding side 1)
- X4** – TIs: Standard phase current measuring card and sensitive ground current measuring (winding side 2)
- X5** – AnIO2-OR4: Assembly Group with 2 Analog Inputs, 2 Analog Outputs and 4 Output Relays
- X6** – TU: Card with 4 voltage transformer measuring inputs
- X102** – Universal Resistance-Temperature Detector (URTD) input, Fiber optics interface, Versatile Link
- X103** – Modbus TCP / DNP3.0 TCP/UDP, Fiber optics interface, LC Connector
- X104** – IRIG-B00X, incl. System Contact (Supervision Contact)

MCDTV4-2B3BLB

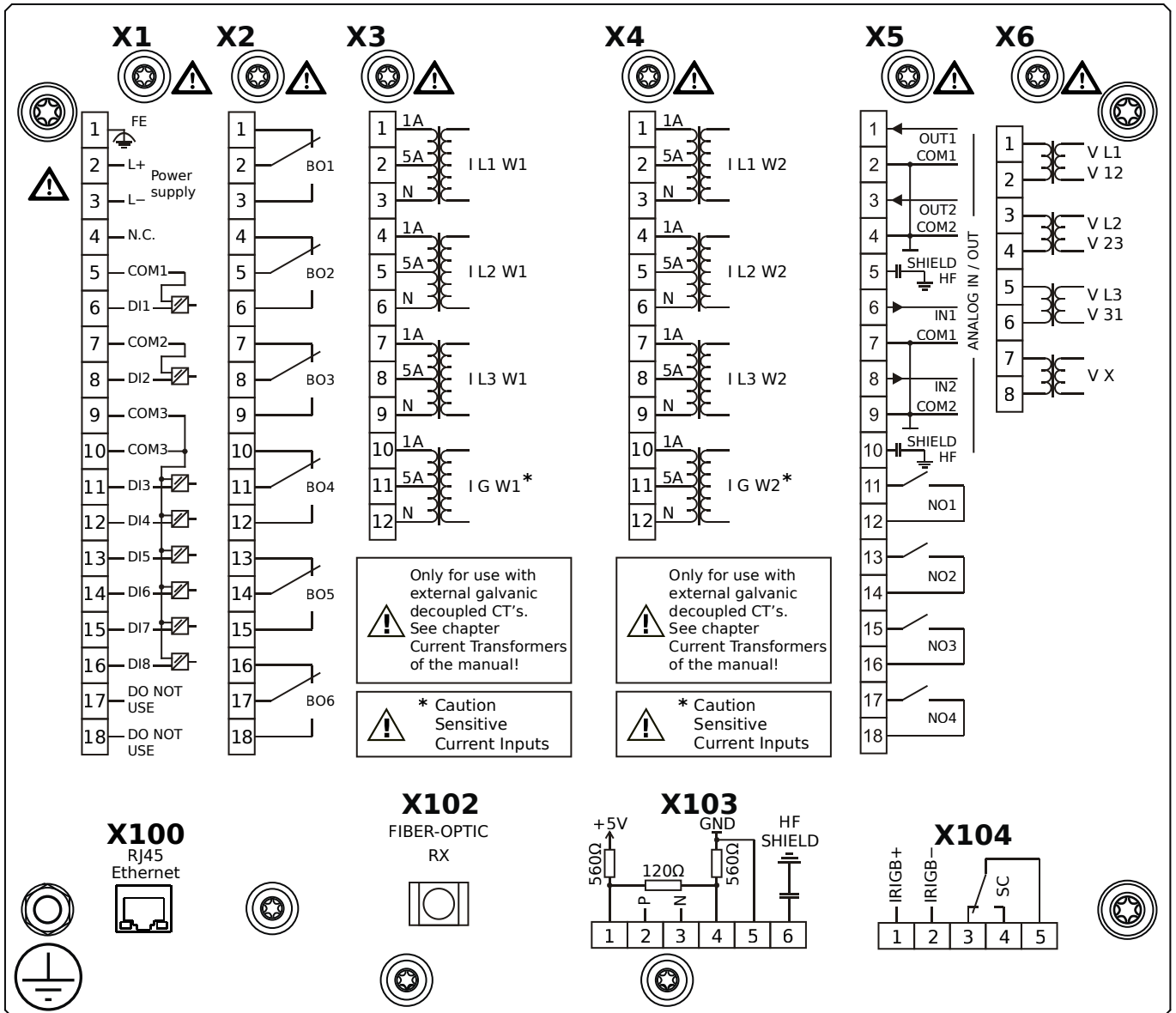


Housing B2, large display, 19" rack mounting

+ Conformal Coating (for installations in harsh environment)

- X1** – DI8-X1: Wide-range power supply unit, incl. 2 non-grouped digital inputs and 6 grouped digital inputs
- X2** – OR6: Assembly Group with 6 Output Relays
- X3** – TIs: Standard phase current measuring card and sensitive ground current measuring (winding side 1)
- X4** – TIs: Standard phase current measuring card and sensitive ground current measuring (winding side 2)
- X5** – AnIO2-OR4: Assembly Group with 2 Analog Inputs, 2 Analog Outputs and 4 Output Relays
- X6** – TU: Card with 4 voltage transformer measuring inputs
- X102** – Universal Resistance-Temperature Detector (URTD) input, Fiber optics interface, Versatile Link
- X103** – Modbus TCP / DNP3.0 TCP/UDP, Fiber optics interface, LC Connector
- X104** – IRIG-B00X, incl. System Contact (Supervision Contact)

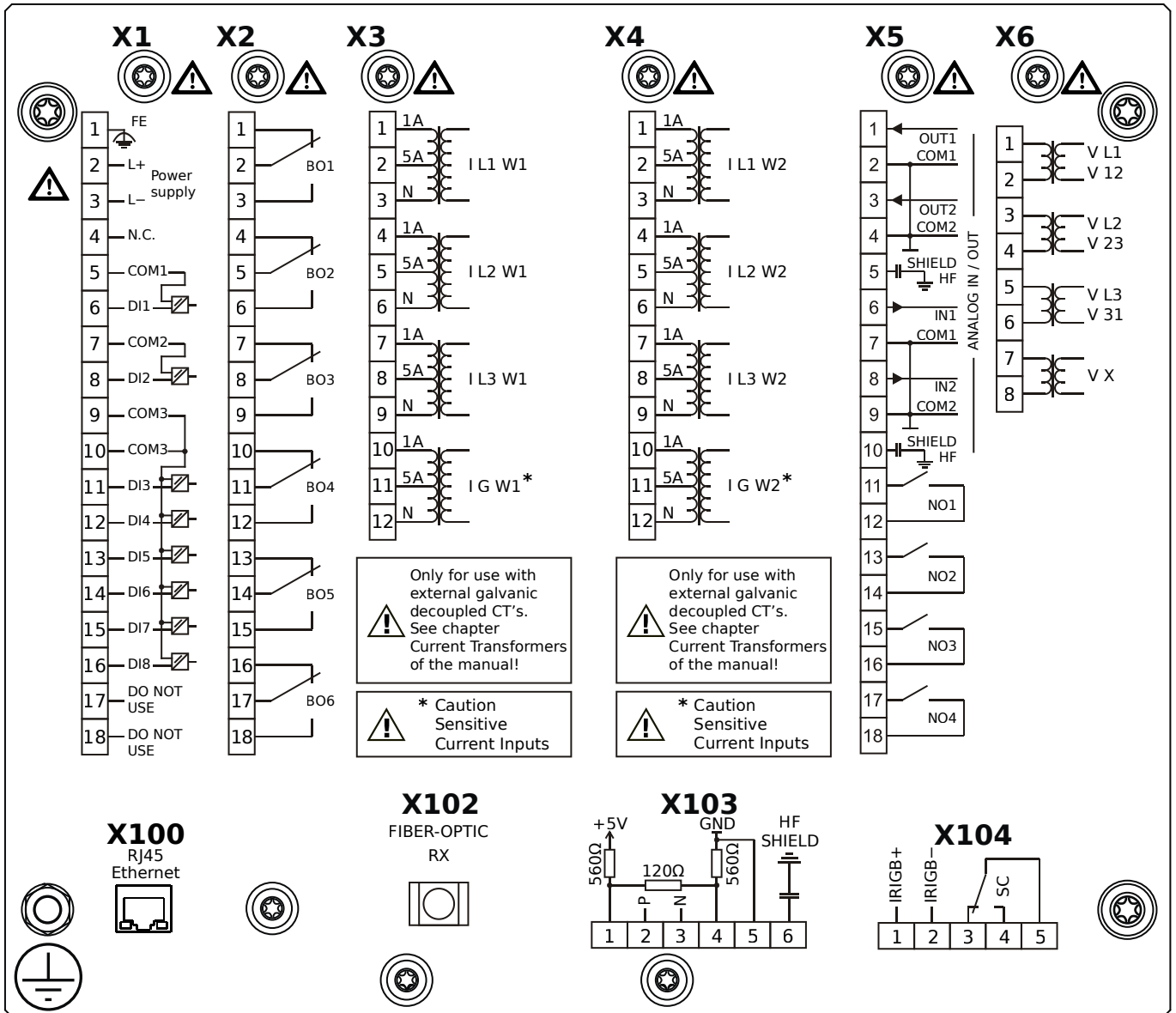
MCDTV4-2B3BTA



Housing B2, large display, 19" rack mounting

- X1** – DI8-X1: Wide-range power supply unit, incl. 2 non-grouped digital inputs and 6 grouped digital inputs
- X2** – OR6: Assembly Group with 6 Output Relays
- X3** – TIs: Standard phase current measuring card and sensitive ground current measuring (winding side 1)
- X4** – TIs: Standard phase current measuring card and sensitive ground current measuring (winding side 2)
- X5** – AnIO2-OR4: Assembly Group with 2 Analog Inputs, 2 Analog Outputs and 4 Output Relays
- X6** – TU: Card with 4 voltage transformer measuring inputs
- X100** – IEC 61850 / Modbus TCP / DNP3.0 TCP/UDP, Ethernet interface, 100 Mbit/s, RJ45 (BASE100-FX)
- X102** – Universal Resistance-Temperature Detector (URTD) input, Fiber optics interface, Versatile Link
- X103** – IEC 60870-5-103 / Modbus RTU / DNP3.0 RTU, RS485, Terminals
- X104** – IRIG-B00X, incl. System Contact (Supervision Contact)

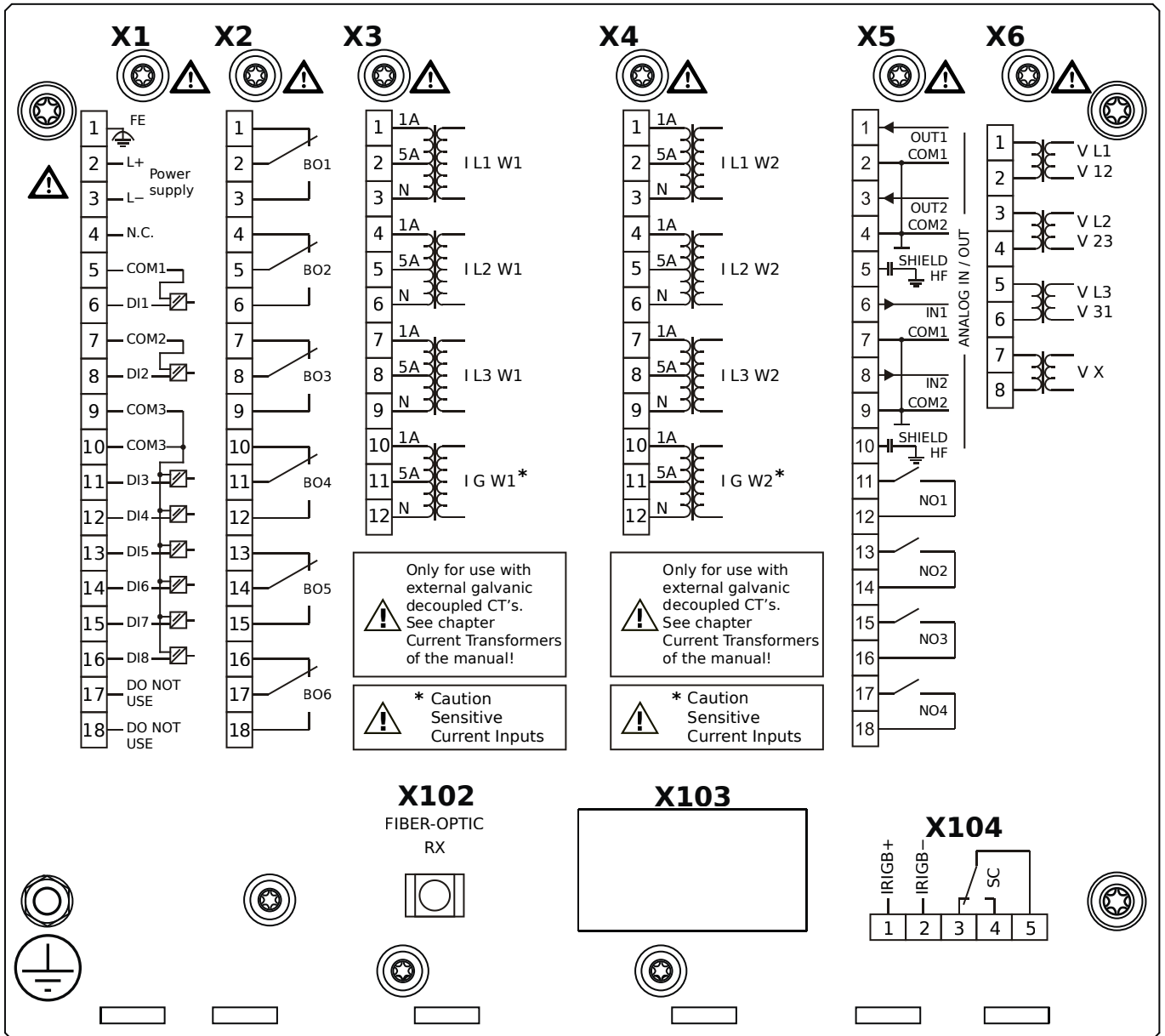
MCDTV4-2B3BTB



Housing B2, large display, 19" rack mounting

- + Conformal Coating (for installations in harsh environment)
- X1** – DI8-X1: Wide-range power supply unit, incl. 2 non-grouped digital inputs and 6 grouped digital inputs
- X2** – OR6: Assembly Group with 6 Output Relays
- X3** – TIs: Standard phase current measuring card and sensitive ground current measuring (winding side 1)
- X4** – TIs: Standard phase current measuring card and sensitive ground current measuring (winding side 2)
- X5** – AnIO2-OR4: Assembly Group with 2 Analog Inputs, 2 Analog Outputs and 4 Output Relays
- X6** – TU: Card with 4 voltage transformer measuring inputs
- X100** – IEC 61850 / Modbus TCP / DNP3.0 TCP/UDP, Ethernet interface, 100 Mbit/s, RJ45 (BASE100-FX)
- X102** – Universal Resistance-Temperature Detector (URTD) input, Fiber optics interface, Versatile Link
- X103** – IEC 60870-5-103 / Modbus RTU / DNP3.0 RTU, RS485, Terminals
- X104** – IRIG-B00X, incl. System Contact (Supervision Contact)

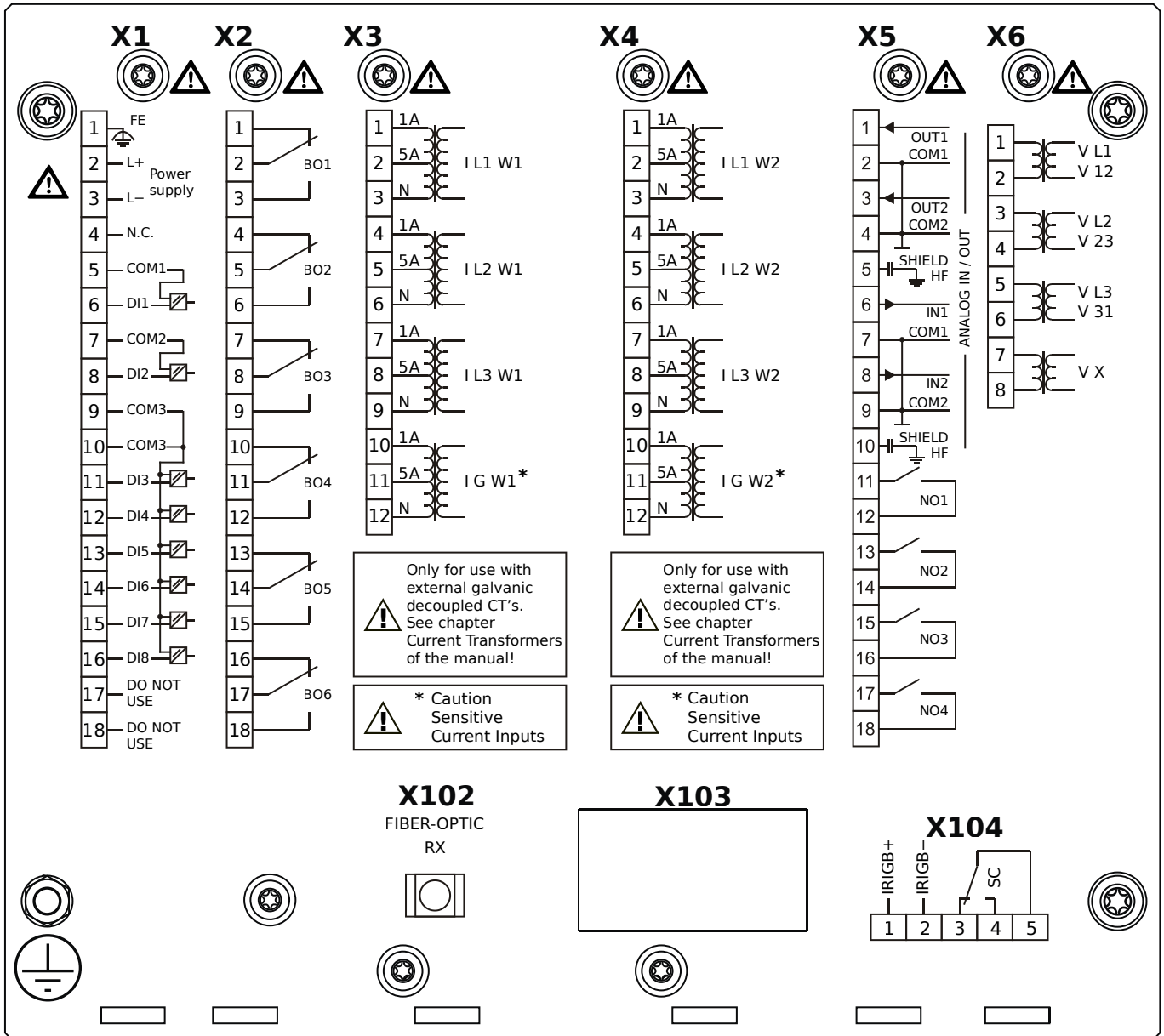
MCDTV4-2B3HAA



Housing B2, large display, door mounting

- X1** – DI8-X1: Wide-range power supply unit, incl. 2 non-grouped digital inputs and 6 grouped digital inputs
- X2** – OR6: Assembly Group with 6 Output Relays
- X3** – TIs: Standard phase current measuring card and sensitive ground current measuring (winding side 1)
- X4** – TIs: Standard phase current measuring card and sensitive ground current measuring (winding side 2)
- X5** – AnIO2-OR4: Assembly Group with 2 Analog Inputs, 2 Analog Outputs and 4 Output Relays
- X6** – TU: Card with 4 voltage transformer measuring inputs
- X102** – Universal Resistance-Temperature Detector (URTD) input, Fiber optics interface, Versatile Link
- X104** – IRIG-B00X, incl. System Contact (Supervision Contact)

MCDTV4-2B3HAB

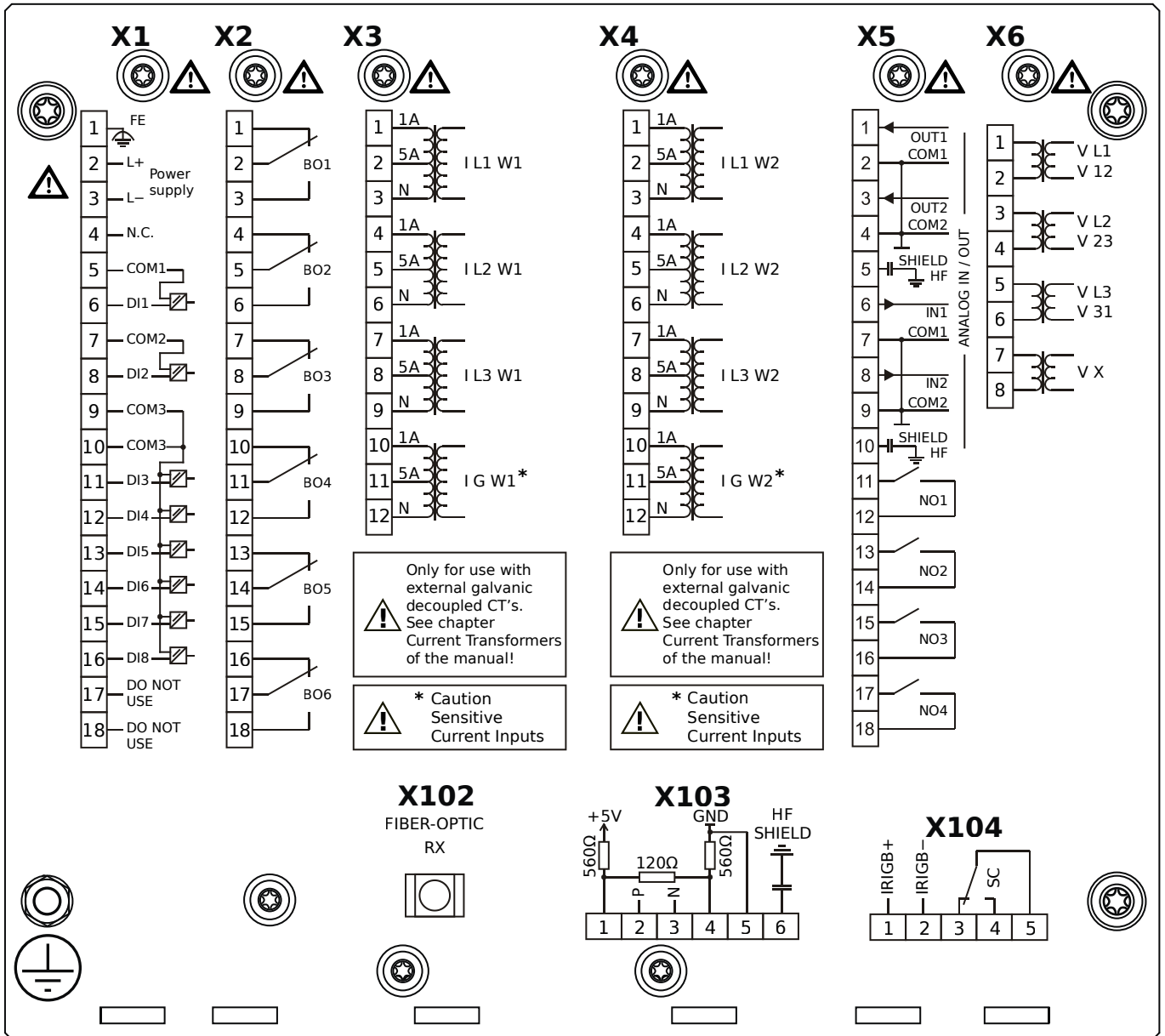


Housing B2, large display, door mounting

+ Conformal Coating (for installations in harsh environment)

- X1** – DI8-X1: Wide-range power supply unit, incl. 2 non-grouped digital inputs and 6 grouped digital inputs
- X2** – OR6: Assembly Group with 6 Output Relays
- X3** – TIs: Standard phase current measuring card and sensitive ground current measuring (winding side 1)
- X4** – TIs: Standard phase current measuring card and sensitive ground current measuring (winding side 2)
- X5** – AnIO2-OR4: Assembly Group with 2 Analog Inputs, 2 Analog Outputs and 4 Output Relays
- X6** – TU: Card with 4 voltage transformer measuring inputs
- X102** – Universal Resistance-Temperature Detector (URTD) input, Fiber optics interface, Versatile Link
- X104** – IRIG-B00X, incl. System Contact (Supervision Contact)

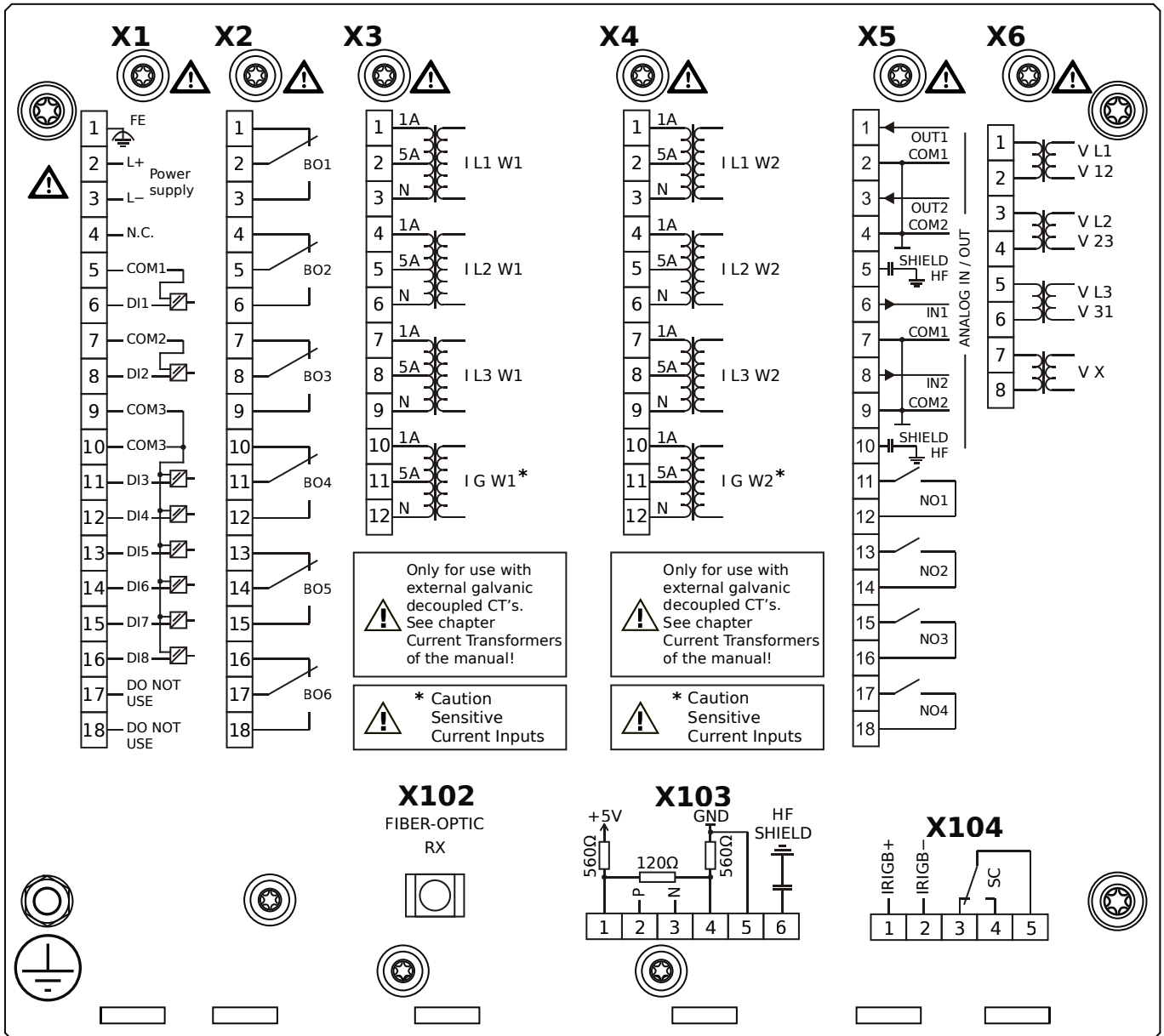
MCDTV4-2B3HBA



Housing B2, large display, door mounting

- X1** – DI8-X1: Wide-range power supply unit, incl. 2 non-grouped digital inputs and 6 grouped digital inputs
- X2** – OR6: Assembly Group with 6 Output Relays
- X3** – TIs: Standard phase current measuring card and sensitive ground current measuring (winding side 1)
- X4** – TIs: Standard phase current measuring card and sensitive ground current measuring (winding side 2)
- X5** – AnIO2-OR4: Assembly Group with 2 Analog Inputs, 2 Analog Outputs and 4 Output Relays
- X6** – TU: Card with 4 voltage transformer measuring inputs
- X102** – Universal Resistance-Temperature Detector (URTD) input, Fiber optics interface, Versatile Link
- X103** – Modbus RTU / IEC 60870-5-103 / DNP3.0 RTU, RS485, Terminals
- X104** – IRIG-B00X, incl. System Contact (Supervision Contact)

MCDTV4-2B3HBB

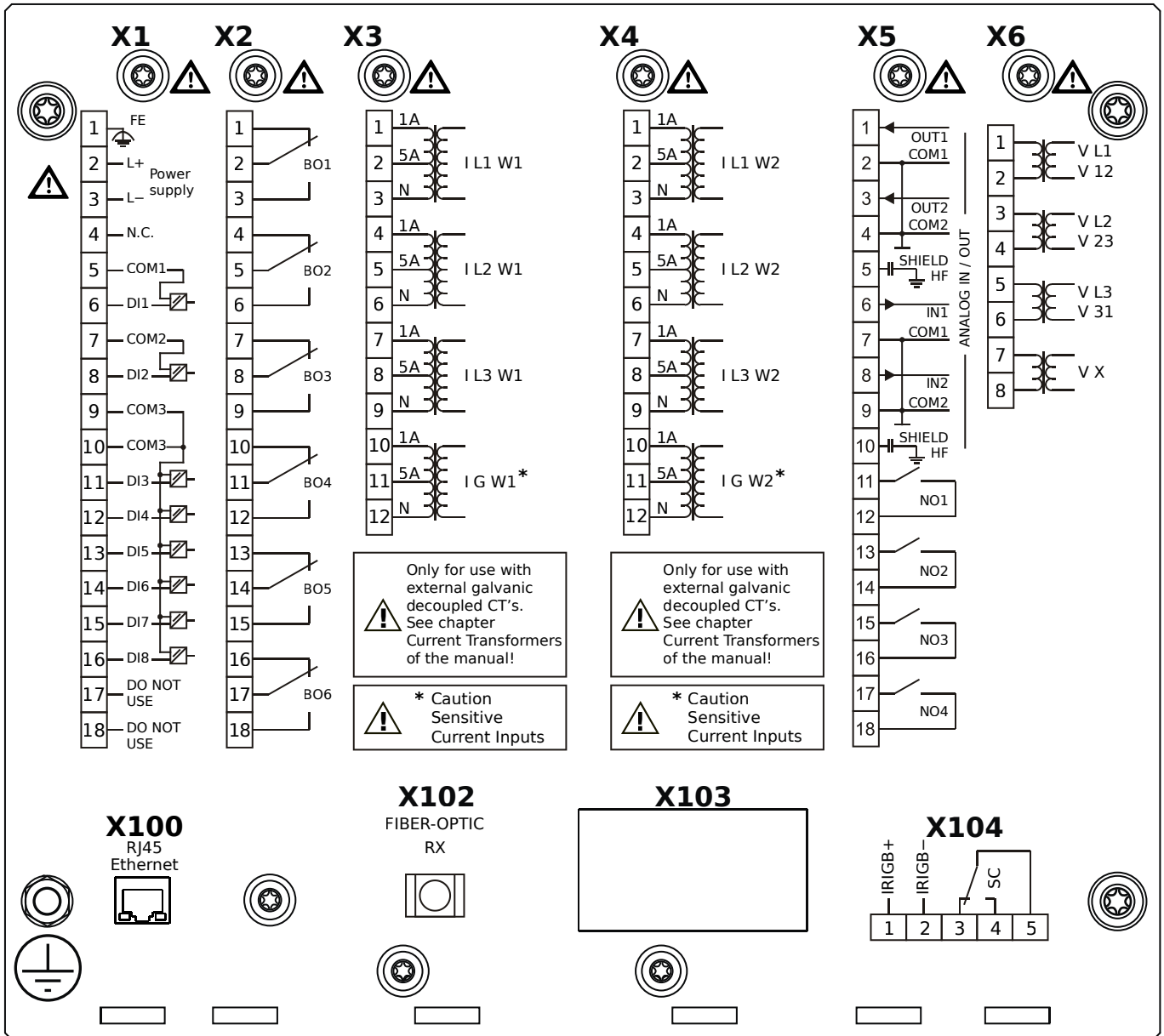


Housing B2, large display, door mounting

+ Conformal Coating (for installations in harsh environment)

- X1** – DI8-X1: Wide-range power supply unit, incl. 2 non-grouped digital inputs and 6 grouped digital inputs
- X2** – OR6: Assembly Group with 6 Output Relays
- X3** – TIs: Standard phase current measuring card and sensitive ground current measuring (winding side 1)
- X4** – TIs: Standard phase current measuring card and sensitive ground current measuring (winding side 2)
- X5** – AnIO2-OR4: Assembly Group with 2 Analog Inputs, 2 Analog Outputs and 4 Output Relays
- X6** – TU: Card with 4 voltage transformer measuring inputs
- X102** – Universal Resistance-Temperature Detector (URTD) input, Fiber optics interface, Versatile Link
- X103** – Modbus RTU / IEC 60870-5-103 / DNP3.0 RTU, RS485, Terminals
- X104** – IRIG-B00X, incl. System Contact (Supervision Contact)

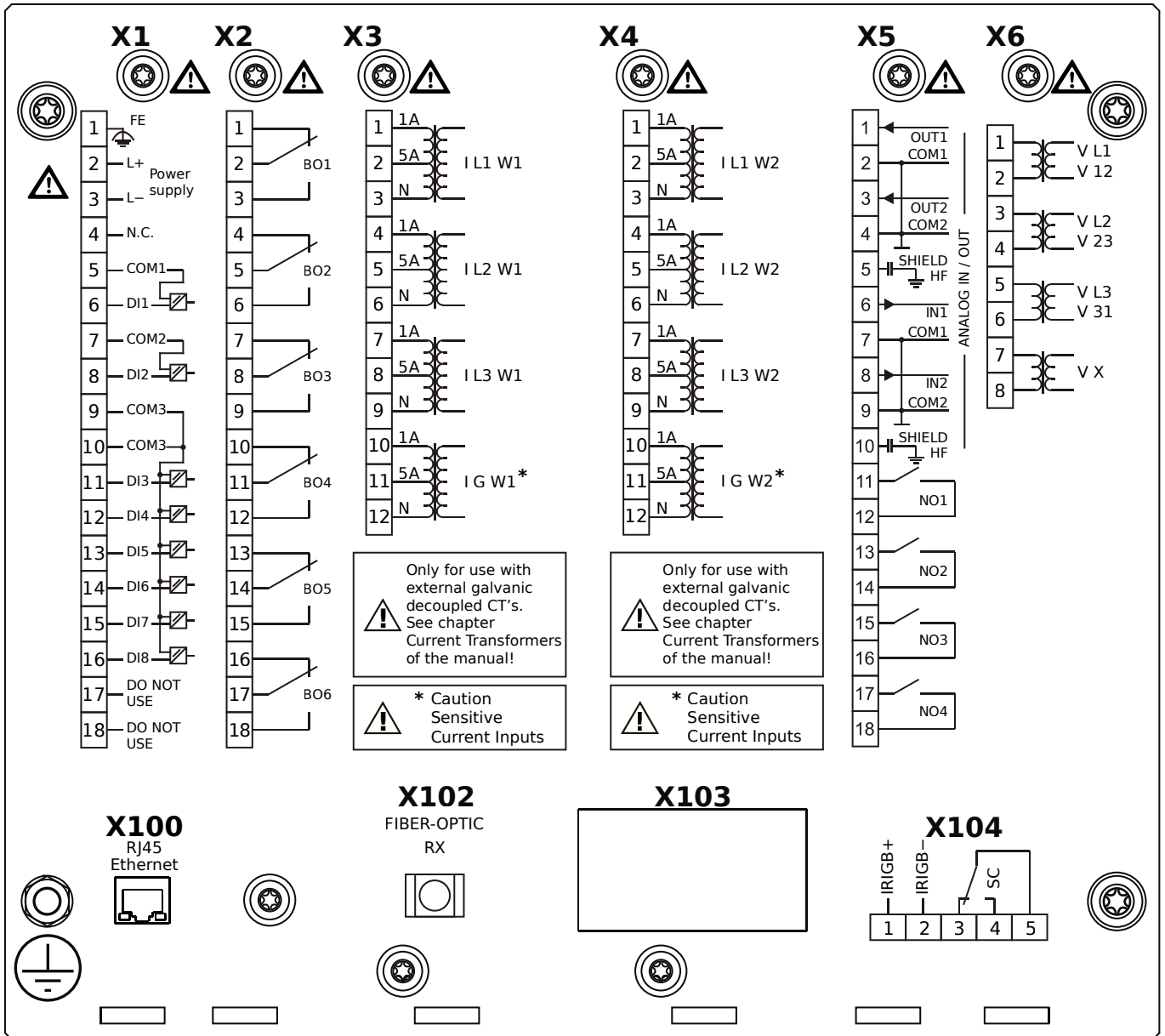
MCDTV4-2B3HCA



Housing B2, large display, door mounting

- X1** – DI8-X1: Wide-range power supply unit, incl. 2 non-grouped digital inputs and 6 grouped digital inputs
- X2** – OR6: Assembly Group with 6 Output Relays
- X3** – TIs: Standard phase current measuring card and sensitive ground current measuring (winding side 1)
- X4** – TIs: Standard phase current measuring card and sensitive ground current measuring (winding side 2)
- X5** – AnIO2-OR4: Assembly Group with 2 Analog Inputs, 2 Analog Outputs and 4 Output Relays
- X6** – TU: Card with 4 voltage transformer measuring inputs
- X100** – Modbus TCP / DNP3.0 TCP/UDP, Ethernet interface, 100 Mbit/s, RJ45 (BASE100-FX)
- X102** – Universal Resistance-Temperature Detector (URTD) input, Fiber optics interface, Versatile Link
- X104** – IRIG-B00X, incl. System Contact (Supervision Contact)

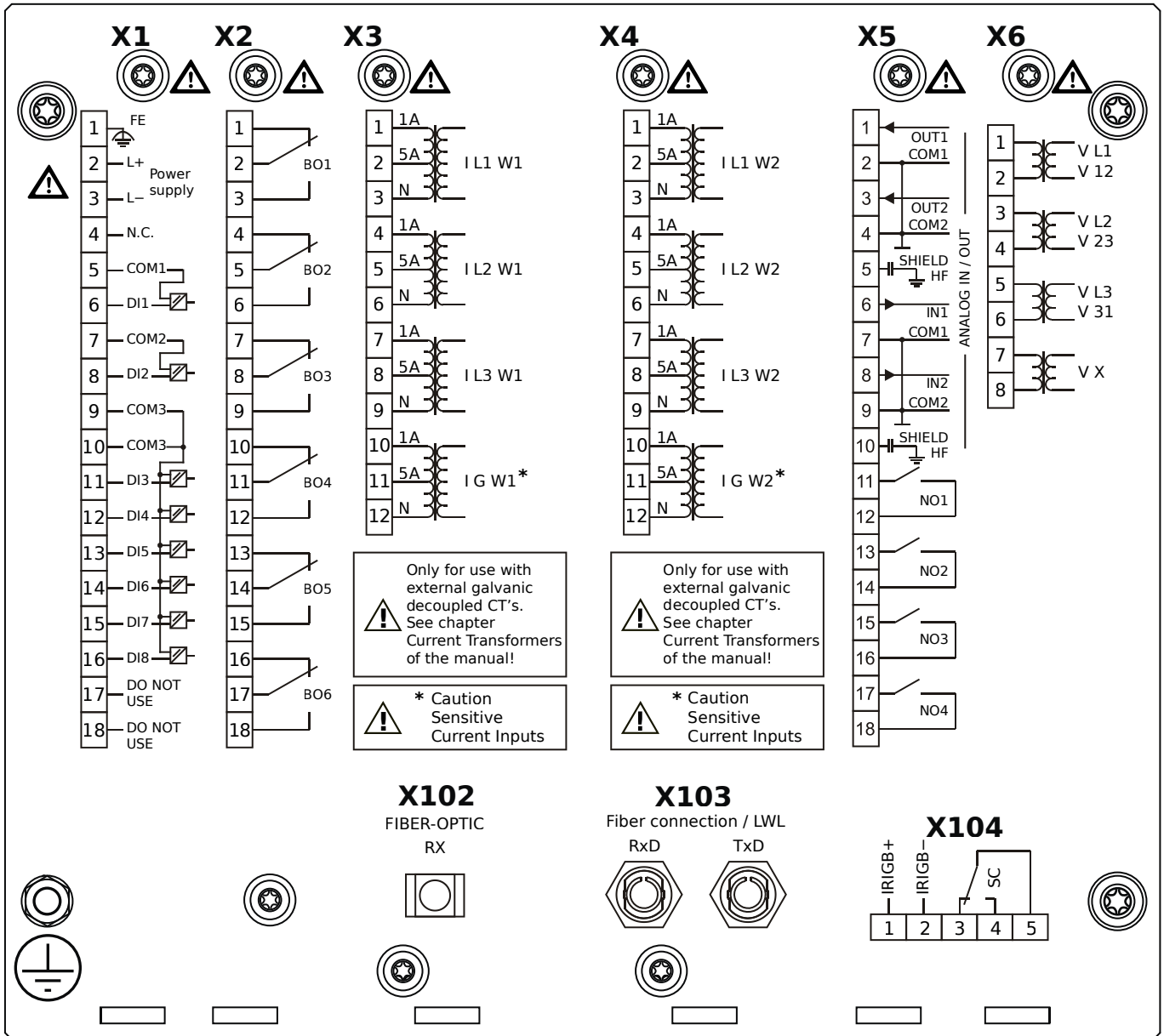
MCDTV4-2B3HCB



Housing B2, large display, door mounting

- + Conformal Coating (for installations in harsh environment)
- X1** – DI8-X1: Wide-range power supply unit, incl. 2 non-grouped digital inputs and 6 grouped digital inputs
- X2** – OR6: Assembly Group with 6 Output Relays
- X3** – TIs: Standard phase current measuring card and sensitive ground current measuring (winding side 1)
- X4** – TIs: Standard phase current measuring card and sensitive ground current measuring (winding side 2)
- X5** – AnIO2-OR4: Assembly Group with 2 Analog Inputs, 2 Analog Outputs and 4 Output Relays
- X6** – TU: Card with 4 voltage transformer measuring inputs
- X100** – Modbus TCP / DNP3.0 TCP/UDP, Ethernet interface, 100 Mbit/s, RJ45 (BASE100-FX)
- X102** – Universal Resistance-Temperature Detector (URTD) input, Fiber optics interface, Versatile Link
- X104** – IRIG-B00X, incl. System Contact (Supervision Contact)

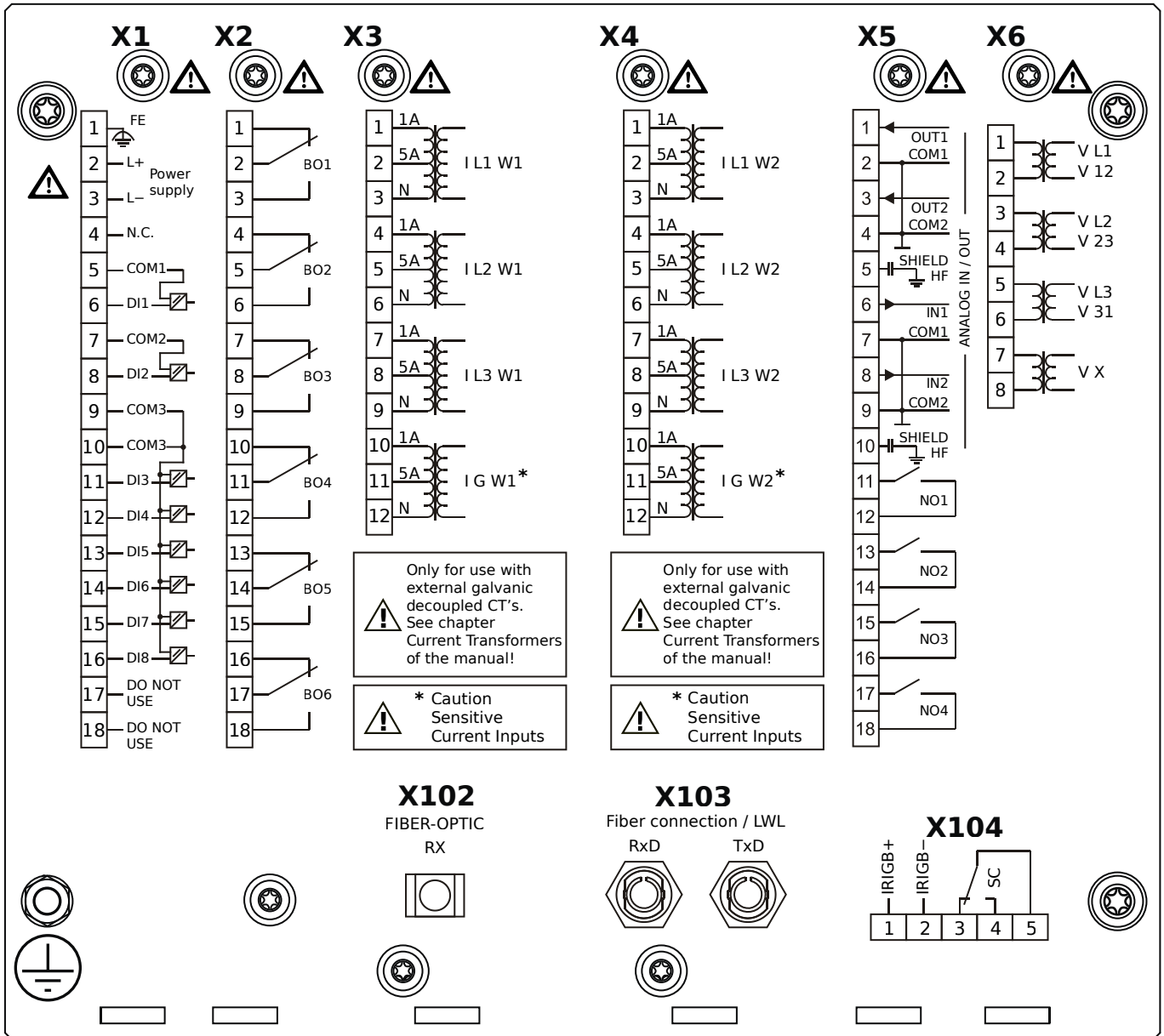
MCDTV4-2B3HDA



Housing B2, large display, door mounting

- X1** – DI8-X1: Wide-range power supply unit, incl. 2 non-grouped digital inputs and 6 grouped digital inputs
- X2** – OR6: Assembly Group with 6 Output Relays
- X3** – TIs: Standard phase current measuring card and sensitive ground current measuring (winding side 1)
- X4** – TIs: Standard phase current measuring card and sensitive ground current measuring (winding side 2)
- X5** – AnIO2-OR4: Assembly Group with 2 Analog Inputs, 2 Analog Outputs and 4 Output Relays
- X6** – TU: Card with 4 voltage transformer measuring inputs
- X102** – Universal Resistance-Temperature Detector (URTD) input, Fiber optics interface, Versatile Link
- X103** – Profibus-DP, Fiber optics interface, ST Connector
- X104** – IRIG-B00X, incl. System Contact (Supervision Contact)

MCDTV4-2B3HDB

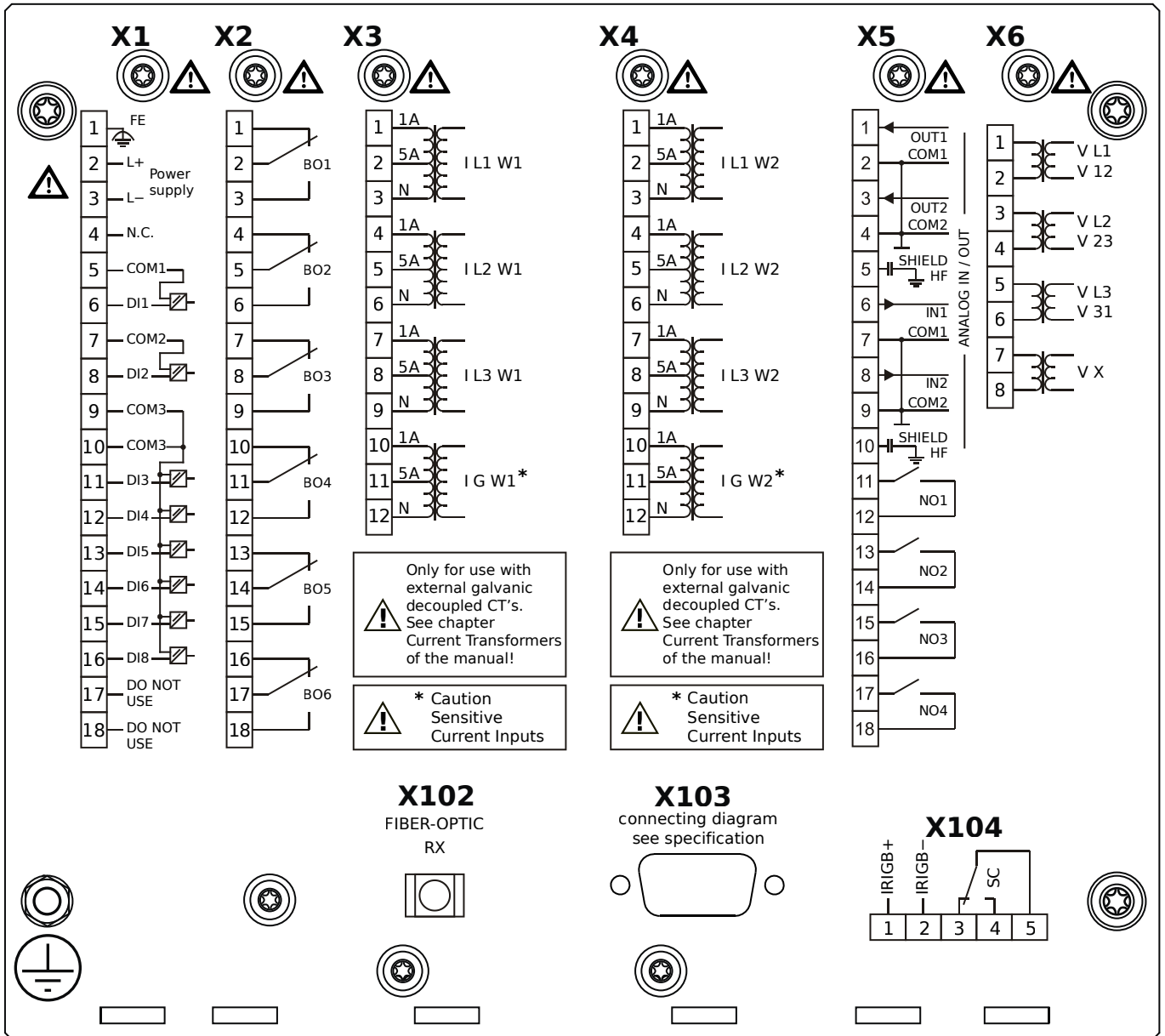


Housing B2, large display, door mounting

+ Conformal Coating (for installations in harsh environment)

- X1** – DI8-X1: Wide-range power supply unit, incl. 2 non-grouped digital inputs and 6 grouped digital inputs
- X2** – OR6: Assembly Group with 6 Output Relays
- X3** – TIs: Standard phase current measuring card and sensitive ground current measuring (winding side 1)
- X4** – TIs: Standard phase current measuring card and sensitive ground current measuring (winding side 2)
- X5** – AnIO2-OR4: Assembly Group with 2 Analog Inputs, 2 Analog Outputs and 4 Output Relays
- X6** – TU: Card with 4 voltage transformer measuring inputs
- X102** – Universal Resistance-Temperature Detector (URTD) input, Fiber optics interface, Versatile Link
- X103** – Profibus-DP, Fiber optics interface, ST Connector
- X104** – IRIG-B00X, incl. System Contact (Supervision Contact)

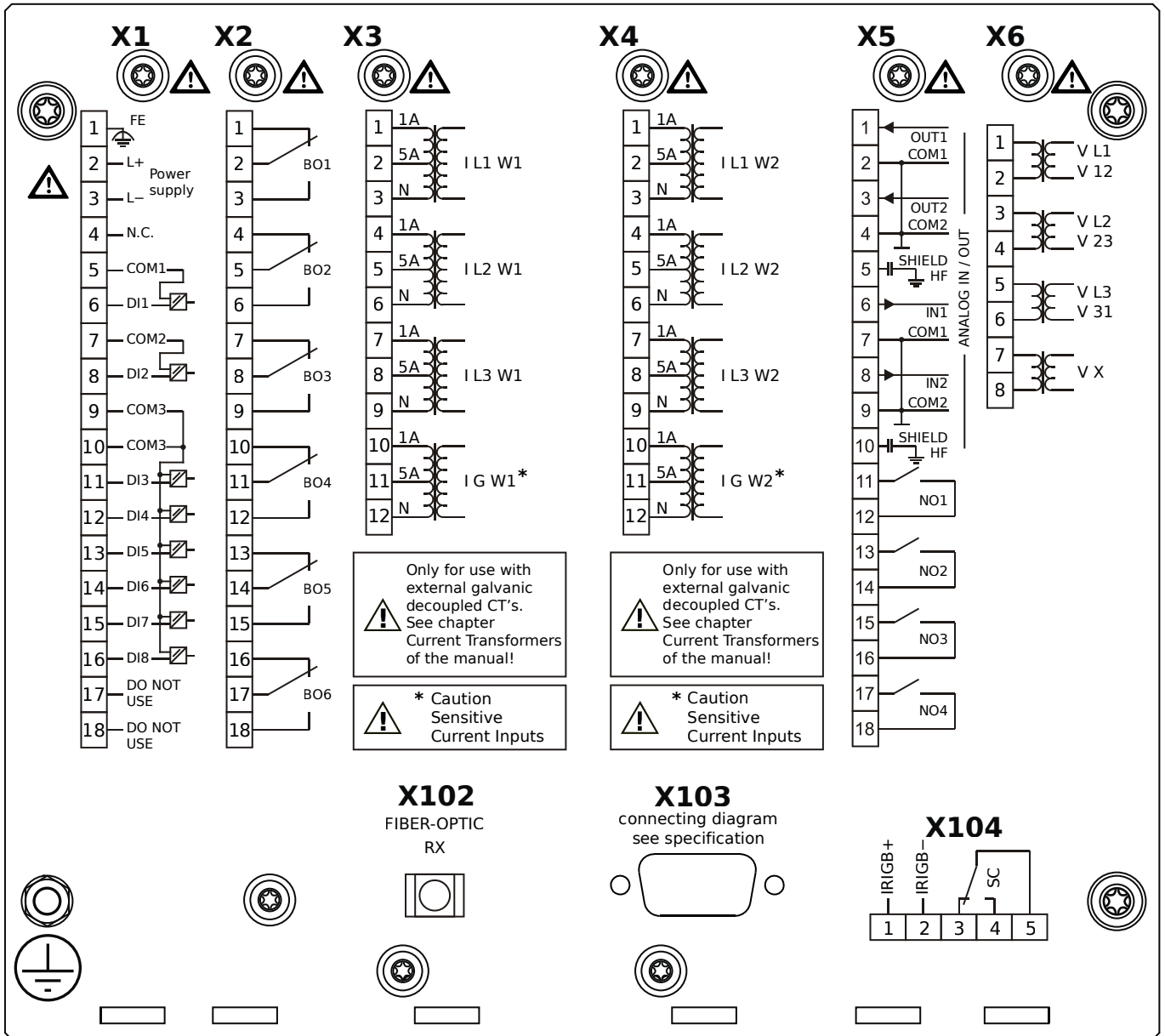
MCDTV4-2B3HEA



Housing B2, large display, door mounting

- X1** – DI8-X1: Wide-range power supply unit, incl. 2 non-grouped digital inputs and 6 grouped digital inputs
- X2** – OR6: Assembly Group with 6 Output Relays
- X3** – TIs: Standard phase current measuring card and sensitive ground current measuring (winding side 1)
- X4** – TIs: Standard phase current measuring card and sensitive ground current measuring (winding side 2)
- X5** – AnIO2-OR4: Assembly Group with 2 Analog Inputs, 2 Analog Outputs and 4 Output Relays
- X6** – TU: Card with 4 voltage transformer measuring inputs
- X102** – Universal Resistance-Temperature Detector (URTD) input, Fiber optics interface, Versatile Link
- X103** – Profibus-DP, RS485, D-SUB
- X104** – IRIG-B00X, incl. System Contact (Supervision Contact)

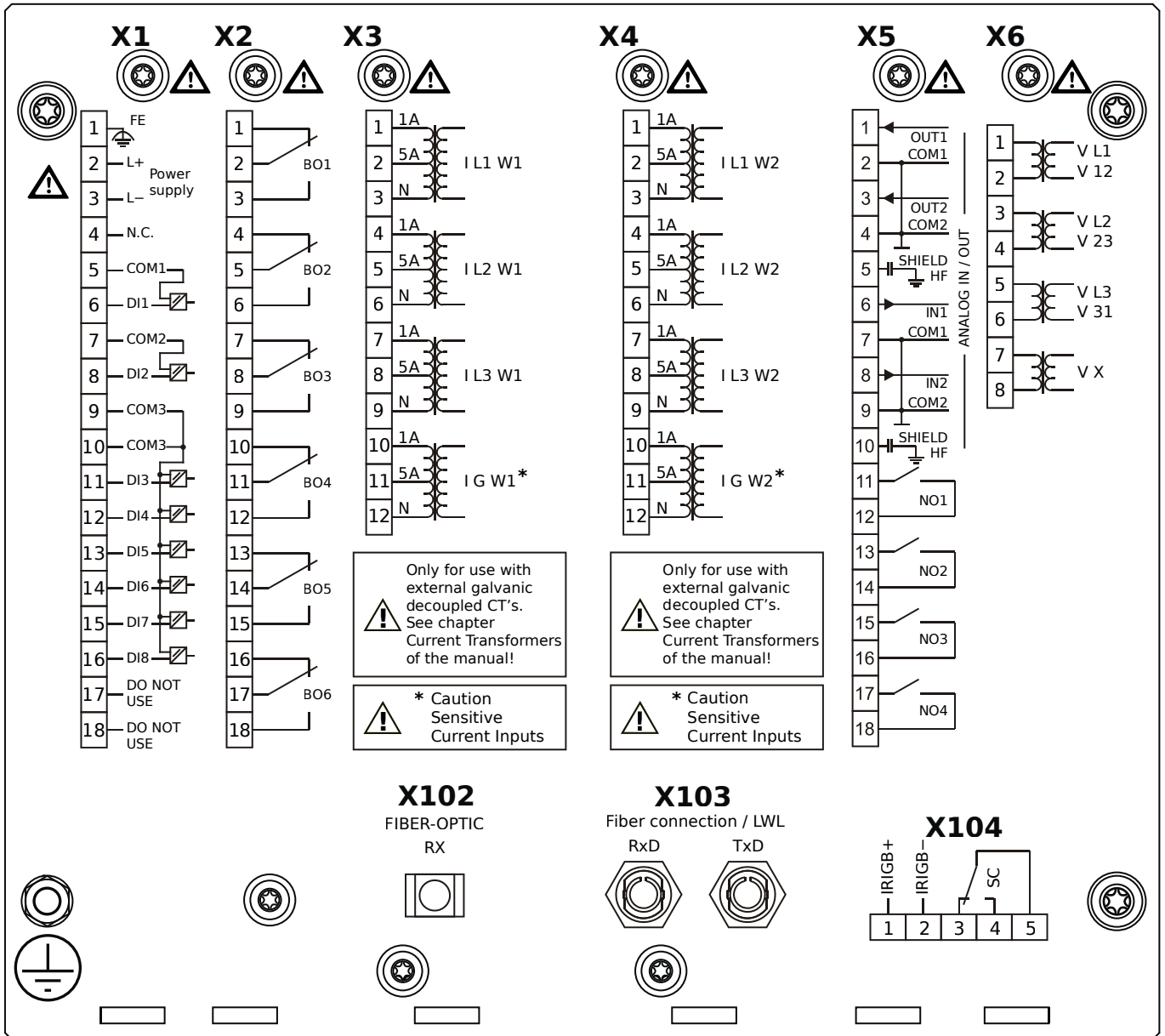
MCDTV4-2B3HEB



Housing B2, large display, door mounting

- + Conformal Coating (for installations in harsh environment)
- X1** – DI8-X1: Wide-range power supply unit, incl. 2 non-grouped digital inputs and 6 grouped digital inputs
- X2** – OR6: Assembly Group with 6 Output Relays
- X3** – TIs: Standard phase current measuring card and sensitive ground current measuring (winding side 1)
- X4** – TIs: Standard phase current measuring card and sensitive ground current measuring (winding side 2)
- X5** – AnIO2-OR4: Assembly Group with 2 Analog Inputs, 2 Analog Outputs and 4 Output Relays
- X6** – TU: Card with 4 voltage transformer measuring inputs
- X102** – Universal Resistance-Temperature Detector (URTD) input, Fiber optics interface, Versatile Link
- X103** – Profibus-DP, RS485, D-SUB
- X104** – IRIG-B00X, incl. System Contact (Supervision Contact)

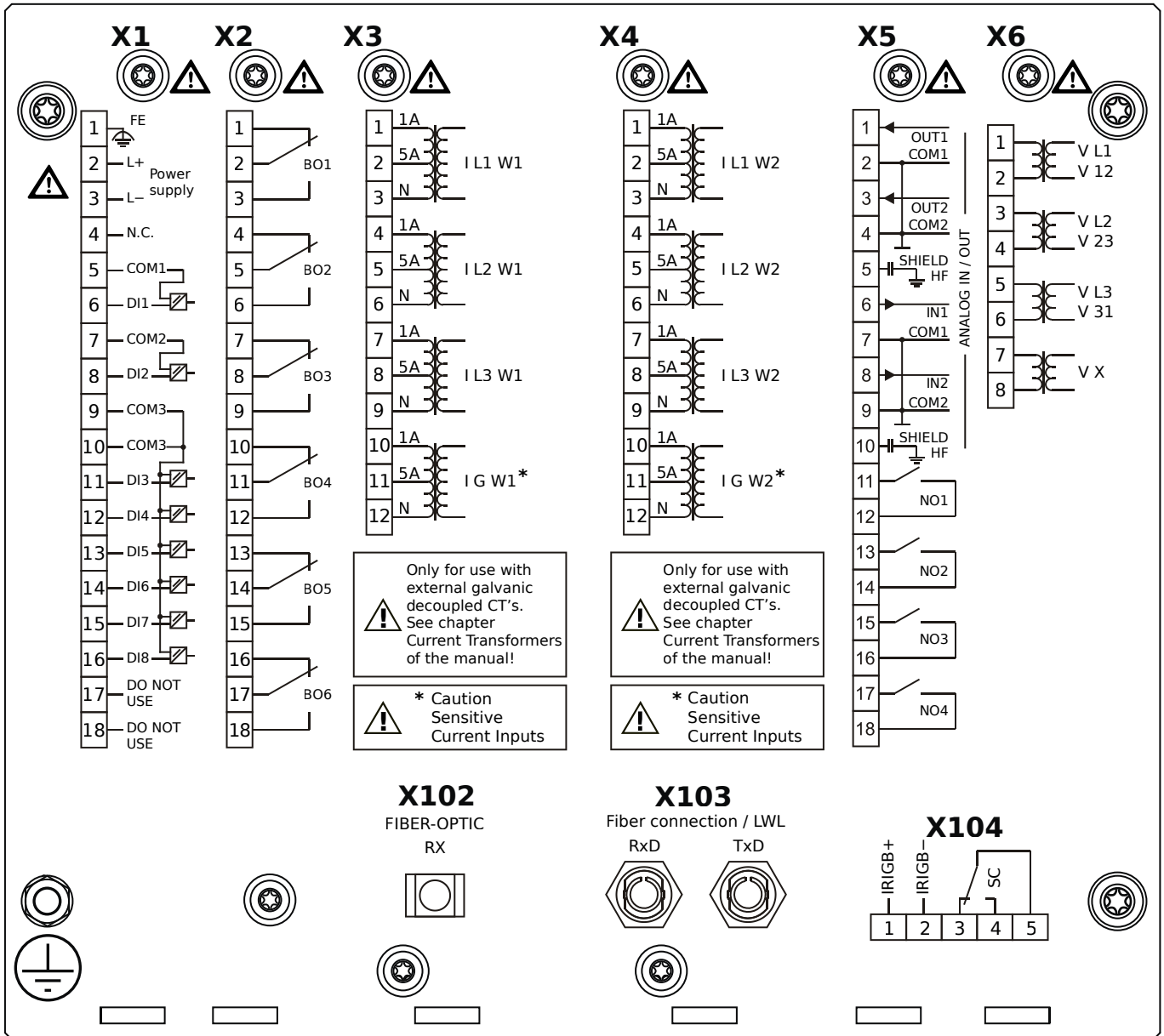
MCDTV4-2B3HFA



Housing B2, large display, door mounting

- X1** – DI8-X1: Wide-range power supply unit, incl. 2 non-grouped digital inputs and 6 grouped digital inputs
- X2** – OR6: Assembly Group with 6 Output Relays
- X3** – TIs: Standard phase current measuring card and sensitive ground current measuring (winding side 1)
- X4** – TIs: Standard phase current measuring card and sensitive ground current measuring (winding side 2)
- X5** – AnIO2-OR4: Assembly Group with 2 Analog Inputs, 2 Analog Outputs and 4 Output Relays
- X6** – TU: Card with 4 voltage transformer measuring inputs
- X102** – Universal Resistance-Temperature Detector (URTD) input, Fiber optics interface, Versatile Link
- X103** – Modbus RTU / IEC 60870-5-103 / DNP3.0 RTU, Fiber optics interface, ST Connector
- X104** – IRIG-B00X, incl. System Contact (Supervision Contact)

MCDTV4-2B3HFB

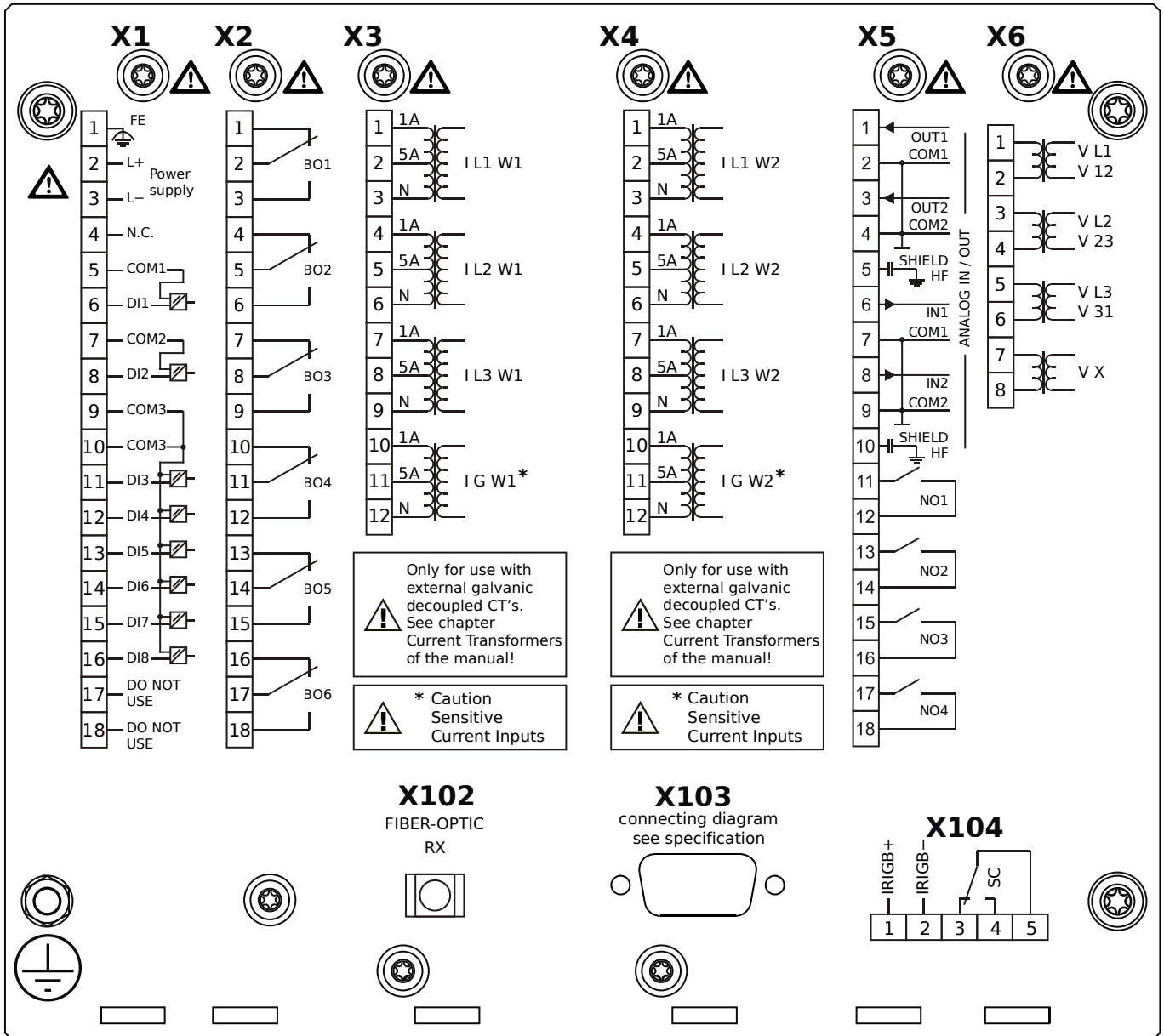


Housing B2, large display, door mounting

+ Conformal Coating (for installations in harsh environment)

- X1** – DI8-X1: Wide-range power supply unit, incl. 2 non-grouped digital inputs and 6 grouped digital inputs
- X2** – OR6: Assembly Group with 6 Output Relays
- X3** – TIs: Standard phase current measuring card and sensitive ground current measuring (winding side 1)
- X4** – TIs: Standard phase current measuring card and sensitive ground current measuring (winding side 2)
- X5** – AnIO2-OR4: Assembly Group with 2 Analog Inputs, 2 Analog Outputs and 4 Output Relays
- X6** – TU: Card with 4 voltage transformer measuring inputs
- X102** – Universal Resistance-Temperature Detector (URTD) input, Fiber optics interface, Versatile Link
- X103** – Modbus RTU / IEC 60870-5-103 / DNP3.0 RTU, Fiber optics interface, ST Connector
- X104** – IRIG-B00X, incl. System Contact (Supervision Contact)

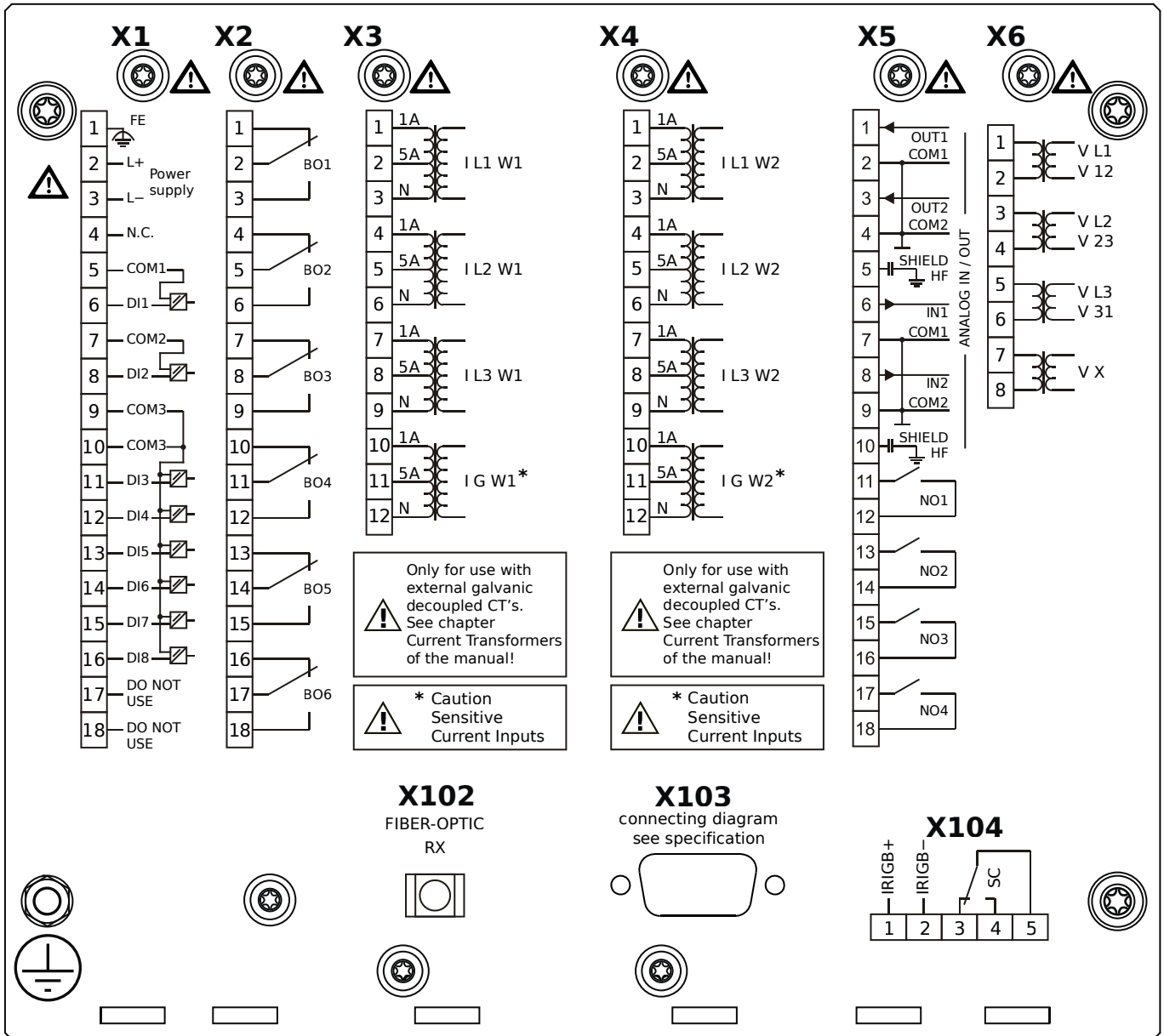
MCDTV4-2B3HGA



Housing B2, large display, door mounting

- X1** – DI8-X1: Wide-range power supply unit, incl. 2 non-grouped digital inputs and 6 grouped digital inputs
- X2** – OR6: Assembly Group with 6 Output Relays
- X3** – TIs: Standard phase current measuring card and sensitive ground current measuring (winding side 1)
- X4** – TIs: Standard phase current measuring card and sensitive ground current measuring (winding side 2)
- X5** – AnIO2-OR4: Assembly Group with 2 Analog Inputs, 2 Analog Outputs and 4 Output Relays
- X6** – TU: Card with 4 voltage transformer measuring inputs
- X102** – Universal Resistance-Temperature Detector (URTD) input, Fiber optics interface, Versatile Link
- X103** – Modbus RTU / IEC 60870-5-103 / DNP3.0 RTU, RS485, D-SUB
- X104** – IRIG-B00X, incl. System Contact (Supervision Contact)

MCDTV4-2B3HGB

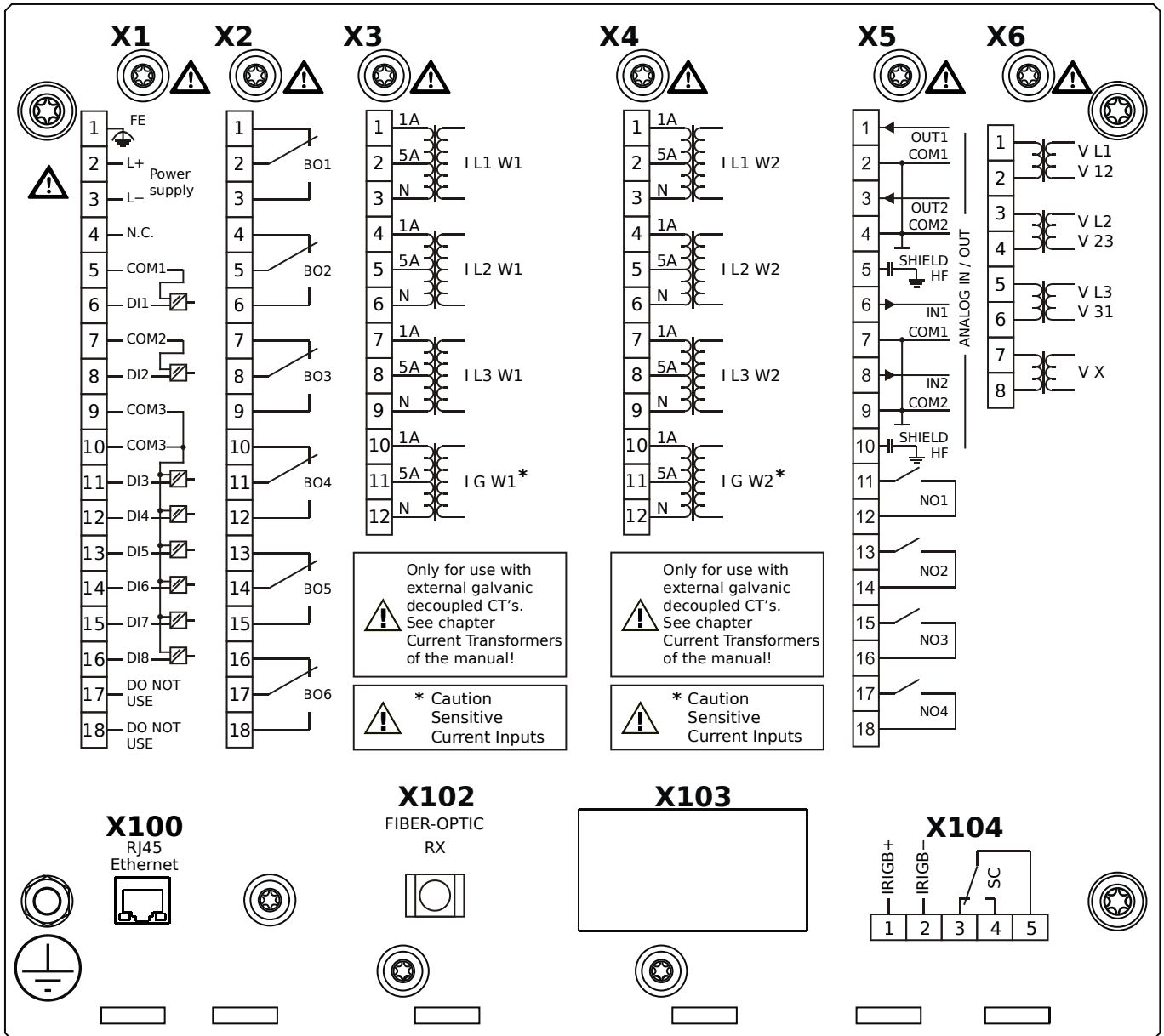


Housing B2, large display, door mounting

+ Conformal Coating (for installations in harsh environment)

- X1** – DI8-X1: Wide-range power supply unit, incl. 2 non-grouped digital inputs and 6 grouped digital inputs
- X2** – OR6: Assembly Group with 6 Output Relays
- X3** – TIs: Standard phase current measuring card and sensitive ground current measuring (winding side 1)
- X4** – TIs: Standard phase current measuring card and sensitive ground current measuring (winding side 2)
- X5** – AnIO2-OR4: Assembly Group with 2 Analog Inputs, 2 Analog Outputs and 4 Output Relays
- X6** – TU: Card with 4 voltage transformer measuring inputs
- X102** – Universal Resistance-Temperature Detector (URTD) input, Fiber optics interface, Versatile Link
- X103** – Modbus RTU / IEC 60870-5-103 / DNP3.0 RTU, RS485, D-SUB
- X104** – IRIG-B00X, incl. System Contact (Supervision Contact)

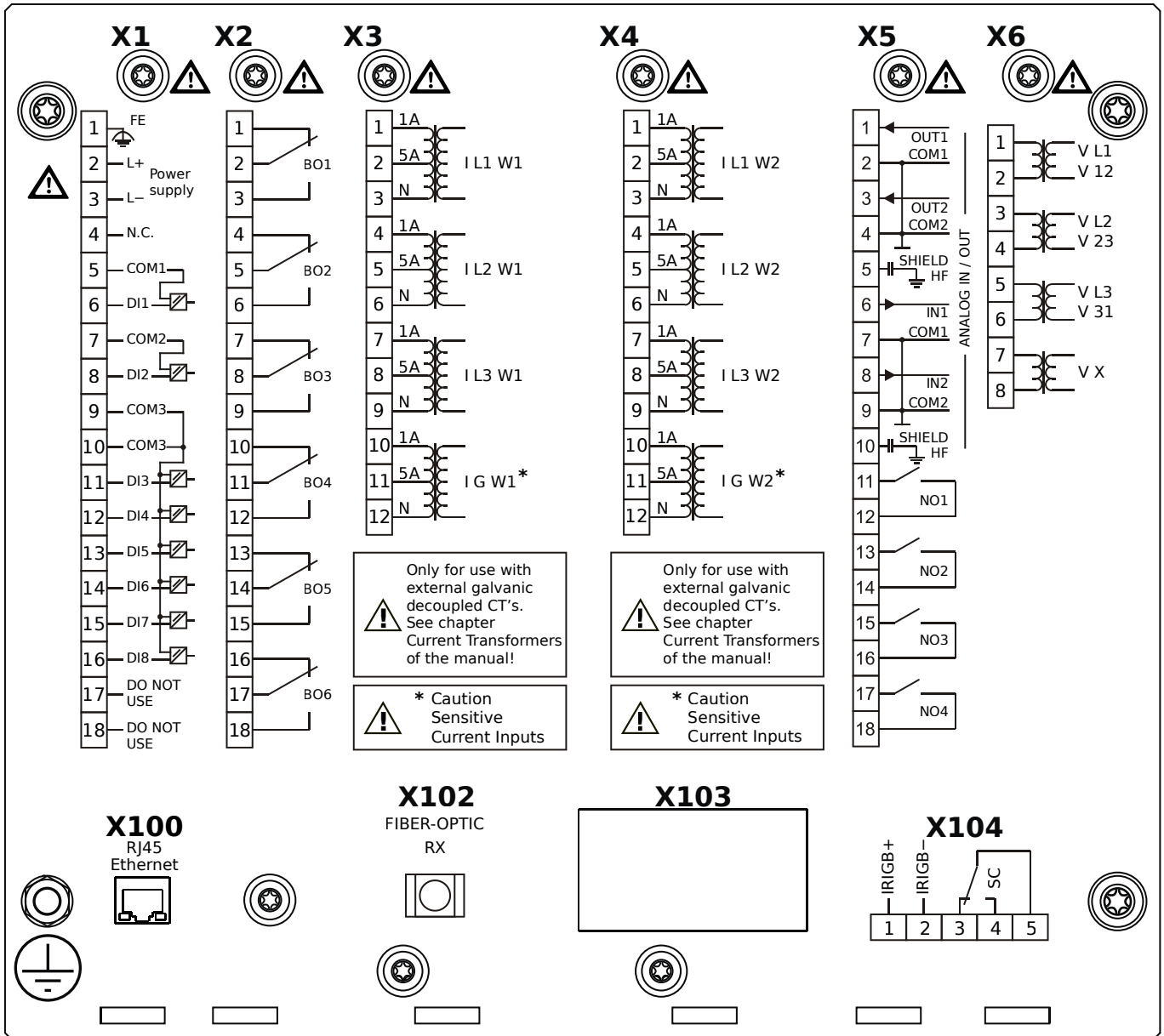
MCDTV4-2B3HHA



Housing B2, large display, door mounting

- X1** – DI8-X1: Wide-range power supply unit, incl. 2 non-grouped digital inputs and 6 grouped digital inputs
- X2** – OR6: Assembly Group with 6 Output Relays
- X3** – TIs: Standard phase current measuring card and sensitive ground current measuring (winding side 1)
- X4** – TIs: Standard phase current measuring card and sensitive ground current measuring (winding side 2)
- X5** – AnIO2-OR4: Assembly Group with 2 Analog Inputs, 2 Analog Outputs and 4 Output Relays
- X6** – TU: Card with 4 voltage transformer measuring inputs
- X100** – IEC 61850 / Modbus TCP / DNP3.0 TCP/UDP, Ethernet interface, 100 Mbit/s, RJ45 (BASE100-FX)
- X102** – Universal Resistance-Temperature Detector (URTD) input, Fiber optics interface, Versatile Link
- X104** – IRIG-B00X, incl. System Contact (Supervision Contact)

MCDTV4-2B3HHB

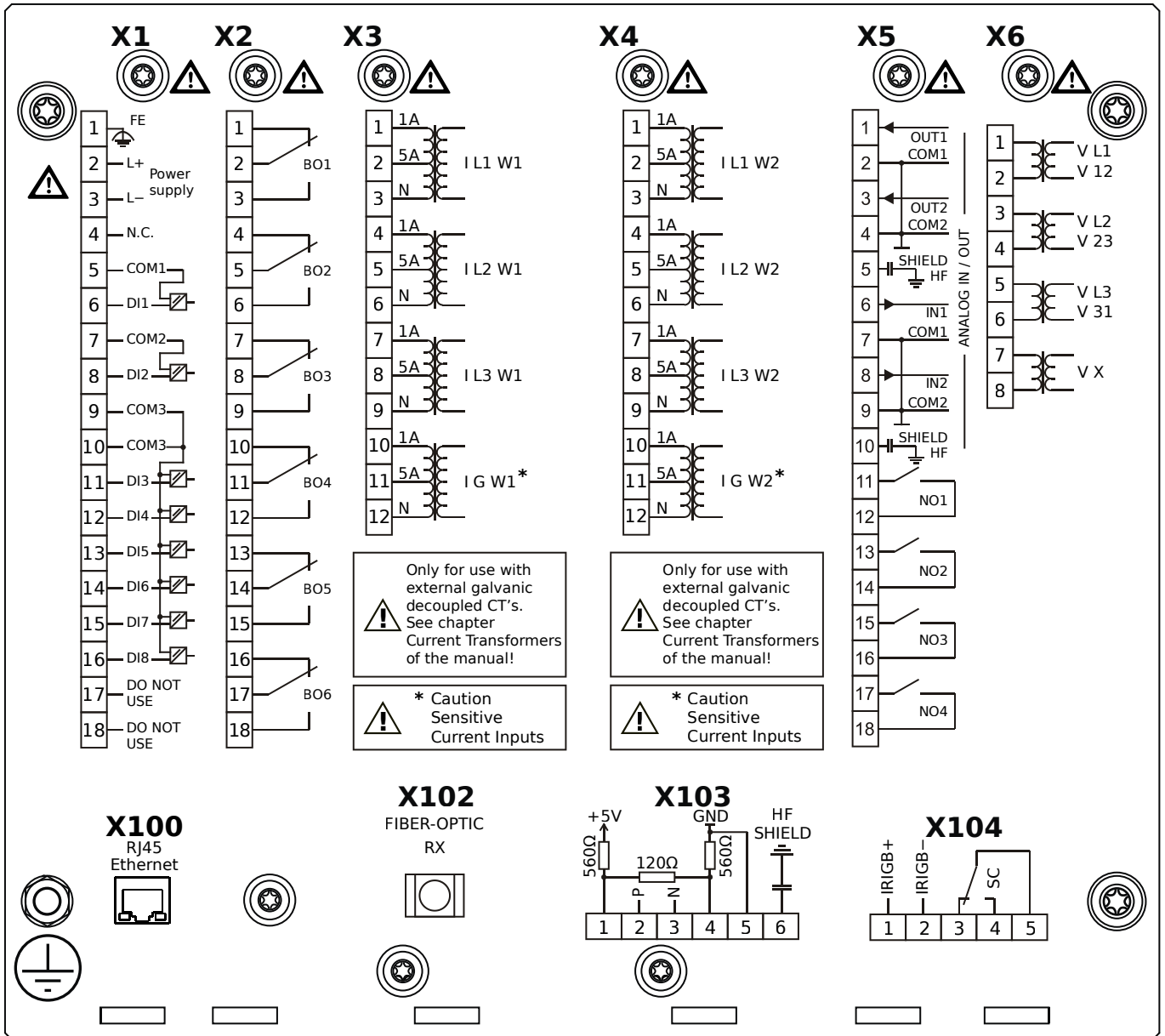


Housing B2, large display, door mounting

+ Conformal Coating (for installations in harsh environment)

- X1** – DI8-X1: Wide-range power supply unit, incl. 2 non-grouped digital inputs and 6 grouped digital inputs
- X2** – OR6: Assembly Group with 6 Output Relays
- X3** – TIs: Standard phase current measuring card and sensitive ground current measuring (winding side 1)
- X4** – TIs: Standard phase current measuring card and sensitive ground current measuring (winding side 2)
- X5** – AnIO2-OR4: Assembly Group with 2 Analog Inputs, 2 Analog Outputs and 4 Output Relays
- X6** – TU: Card with 4 voltage transformer measuring inputs
- X100** – IEC 61850 / Modbus TCP / DNP3.0 TCP/UDP, Ethernet interface, 100 Mbit/s, RJ45 (BASE100-FX)
- X102** – Universal Resistance-Temperature Detector (URTD) input, Fiber optics interface, Versatile Link
- X104** – IRIG-B00X, incl. System Contact (Supervision Contact)

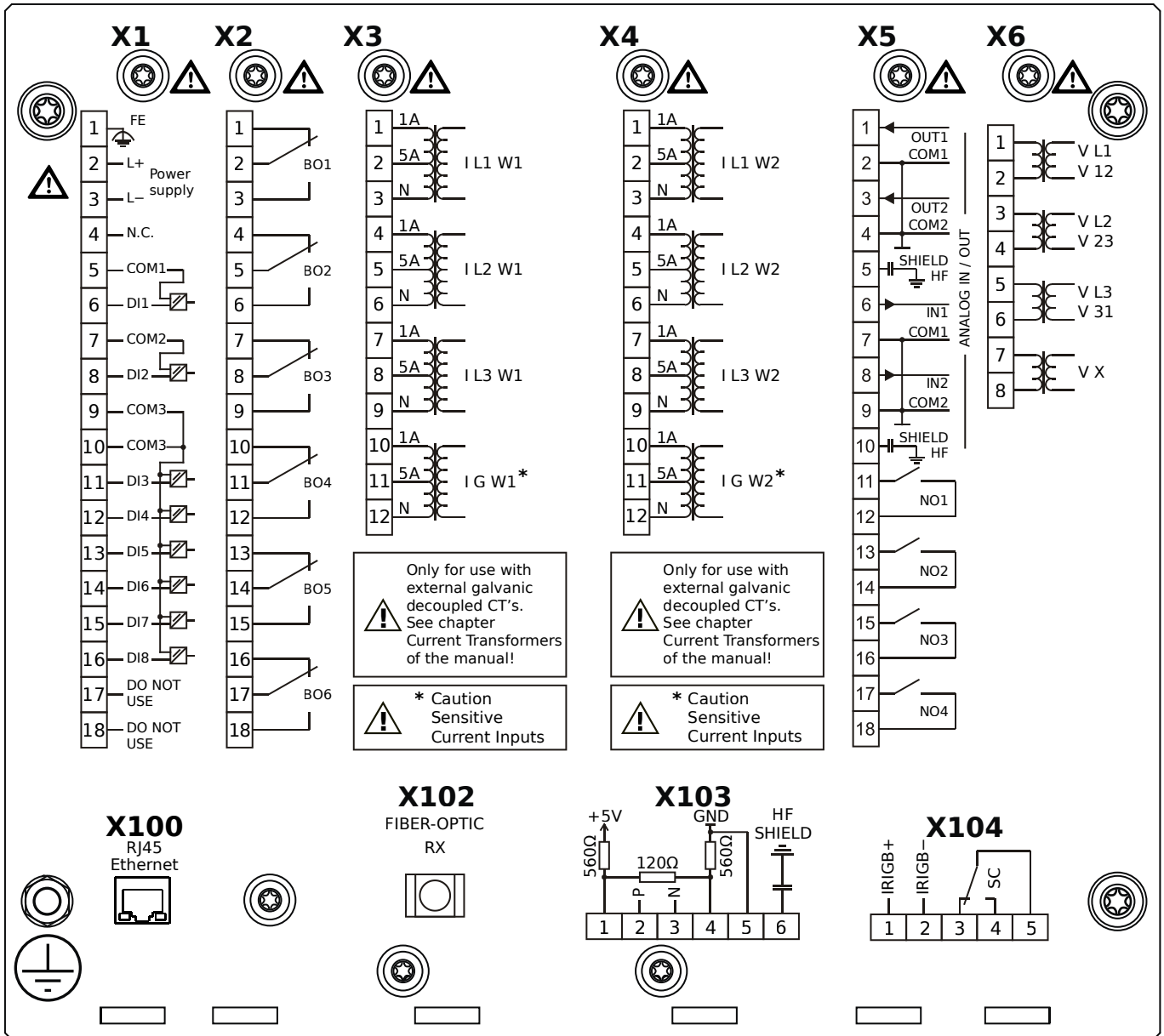
MCDTV4-2B3HIA



Housing B2, large display, door mounting

- X1** – DI8-X1: Wide-range power supply unit, incl. 2 non-grouped digital inputs and 6 grouped digital inputs
- X2** – OR6: Assembly Group with 6 Output Relays
- X3** – TIs: Standard phase current measuring card and sensitive ground current measuring (winding side 1)
- X4** – TIs: Standard phase current measuring card and sensitive ground current measuring (winding side 2)
- X5** – AnIO2-OR4: Assembly Group with 2 Analog Inputs, 2 Analog Outputs and 4 Output Relays
- X6** – TU: Card with 4 voltage transformer measuring inputs
- X100** – Modbus TCP / DNP3.0 TCP/UDP, Ethernet interface, 100 Mbit/s, RJ45 (BASE100-FX)
- X102** – Universal Resistance-Temperature Detector (URTD) input, Fiber optics interface, Versatile Link
- X103** – IEC 60870-5-103 / Modbus RTU / DNP3.0 RTU, RS485, Terminals
- X104** – IRIG-B00X, incl. System Contact (Supervision Contact)

MCDTV4-2B3HIB

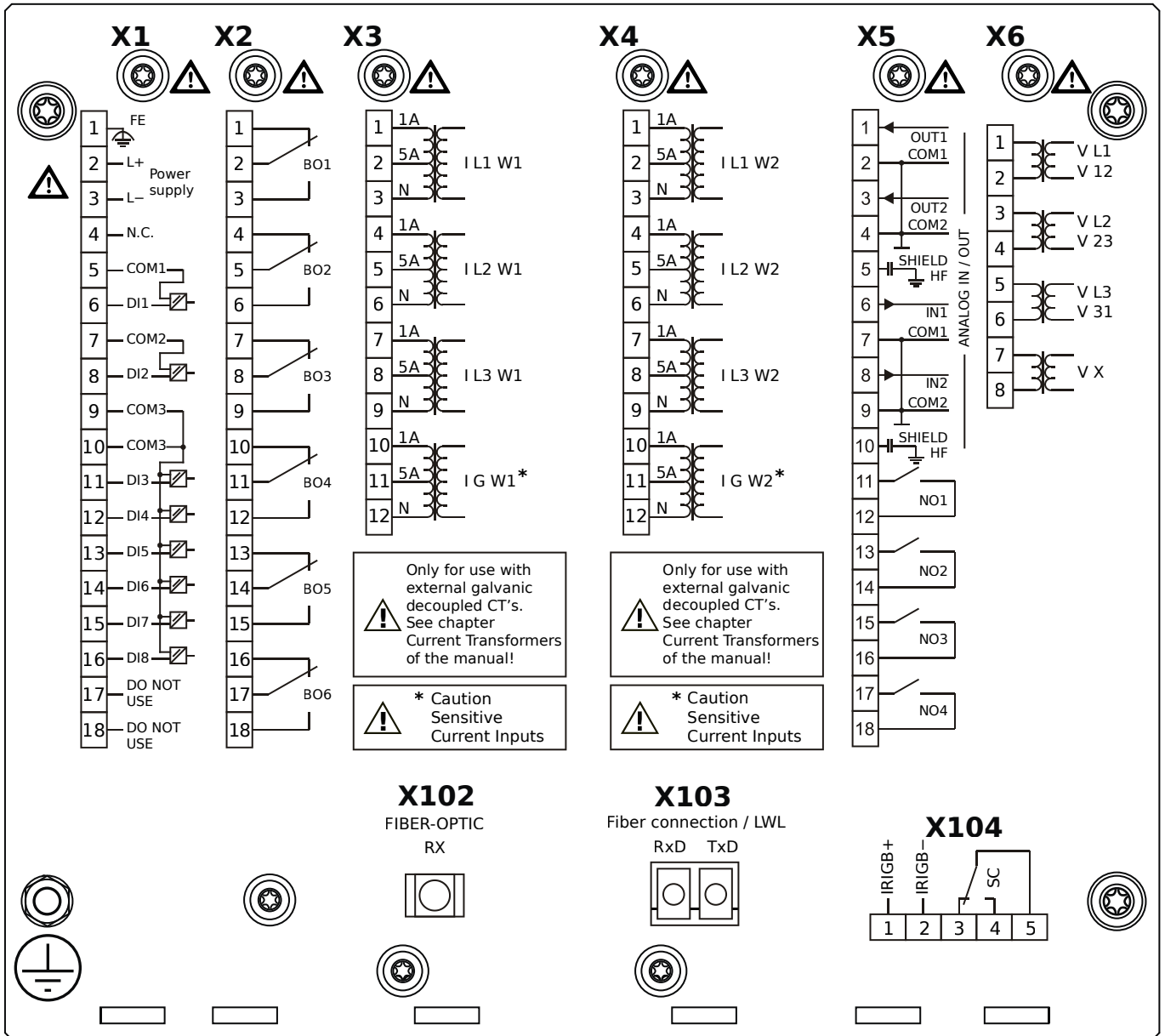


Housing B2, large display, door mounting

+ Conformal Coating (for installations in harsh environment)

- X1** – DI8-X1: Wide-range power supply unit, incl. 2 non-grouped digital inputs and 6 grouped digital inputs
- X2** – OR6: Assembly Group with 6 Output Relays
- X3** – TIs: Standard phase current measuring card and sensitive ground current measuring (winding side 1)
- X4** – TIs: Standard phase current measuring card and sensitive ground current measuring (winding side 2)
- X5** – AnIO2-OR4: Assembly Group with 2 Analog Inputs, 2 Analog Outputs and 4 Output Relays
- X6** – TU: Card with 4 voltage transformer measuring inputs
- X100** – Modbus TCP / DNP3.0 TCP/UDP, Ethernet interface, 100 Mbit/s, RJ45 (BASE100-FX)
- X102** – Universal Resistance-Temperature Detector (URTD) input, Fiber optics interface, Versatile Link
- X103** – IEC 60870-5-103 / Modbus RTU / DNP3.0 RTU, RS485, Terminals
- X104** – IRIG-B00X, incl. System Contact (Supervision Contact)

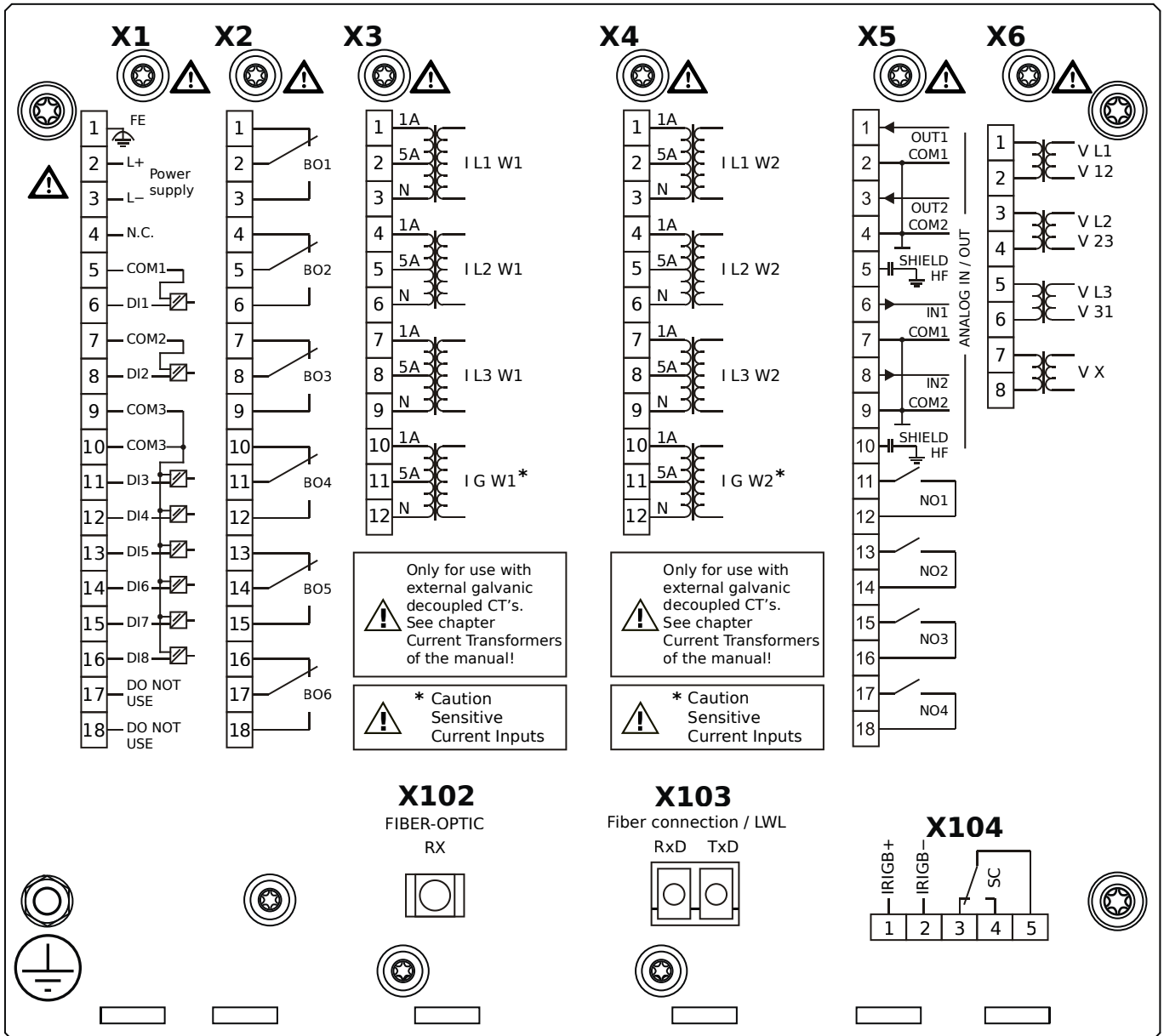
MCDTV4-2B3HKA



Housing B2, large display, door mounting

- X1** – DI8-X1: Wide-range power supply unit, incl. 2 non-grouped digital inputs and 6 grouped digital inputs
- X2** – OR6: Assembly Group with 6 Output Relays
- X3** – TIs: Standard phase current measuring card and sensitive ground current measuring (winding side 1)
- X4** – TIs: Standard phase current measuring card and sensitive ground current measuring (winding side 2)
- X5** – AnIO2-OR4: Assembly Group with 2 Analog Inputs, 2 Analog Outputs and 4 Output Relays
- X6** – TU: Card with 4 voltage transformer measuring inputs
- X102** – Universal Resistance-Temperature Detector (URTD) input, Fiber optics interface, Versatile Link
- X103** – IEC 61850 / Modbus TCP / DNP3.0 TCP/UDP, Fiber optics interface, LC Connector
- X104** – IRIG-B00X, incl. System Contact (Supervision Contact)

MCDTV4-2B3HKB

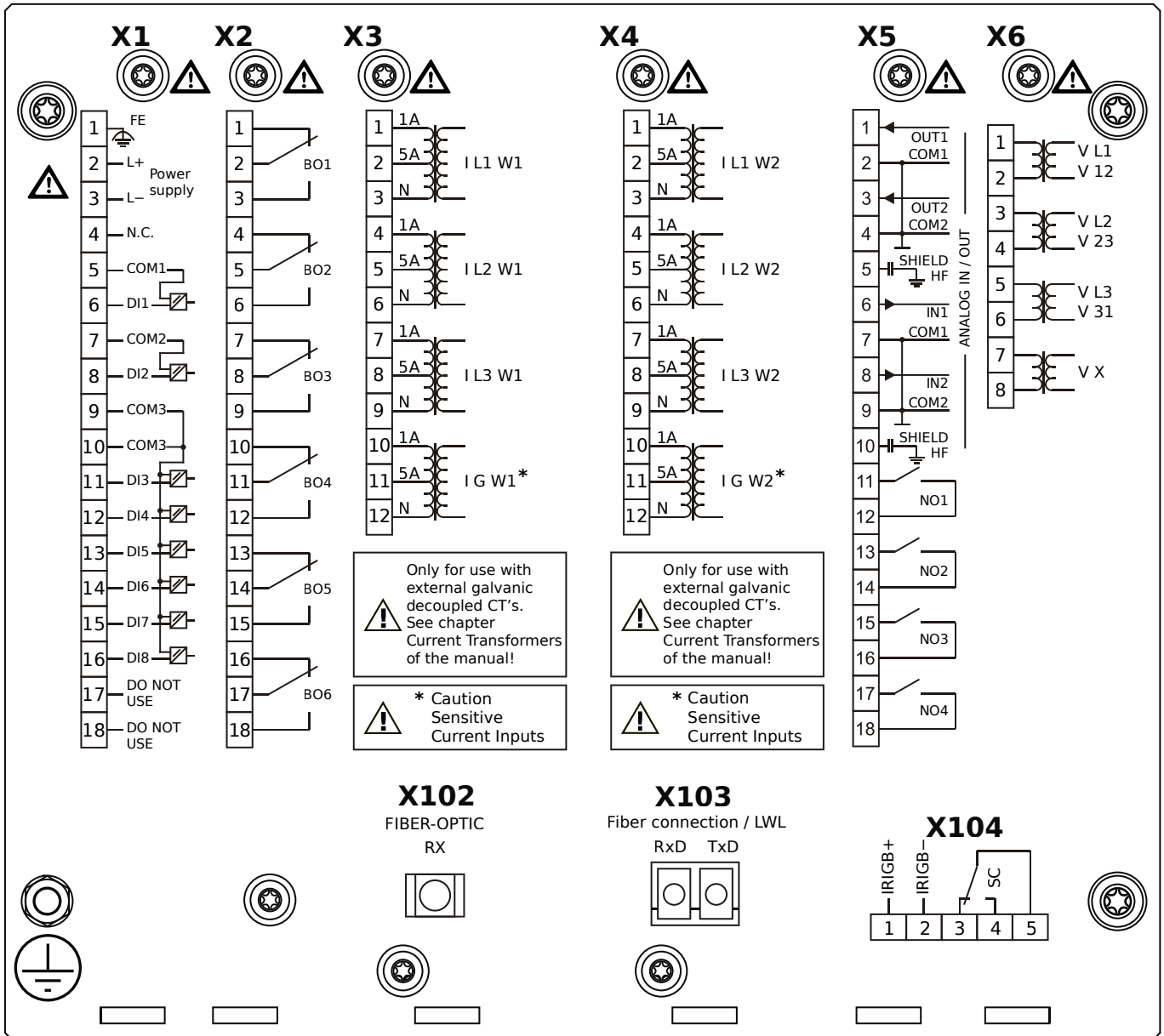


Housing B2, large display, door mounting

+ Conformal Coating (for installations in harsh environment)

- X1** – DI8-X1: Wide-range power supply unit, incl. 2 non-grouped digital inputs and 6 grouped digital inputs
- X2** – OR6: Assembly Group with 6 Output Relays
- X3** – TIs: Standard phase current measuring card and sensitive ground current measuring (winding side 1)
- X4** – TIs: Standard phase current measuring card and sensitive ground current measuring (winding side 2)
- X5** – AnIO2-OR4: Assembly Group with 2 Analog Inputs, 2 Analog Outputs and 4 Output Relays
- X6** – TU: Card with 4 voltage transformer measuring inputs
- X102** – Universal Resistance-Temperature Detector (URTD) input, Fiber optics interface, Versatile Link
- X103** – IEC 61850 / Modbus TCP / DNP3.0 TCP/UDP, Fiber optics interface, LC Connector
- X104** – IRIG-B00X, incl. System Contact (Supervision Contact)

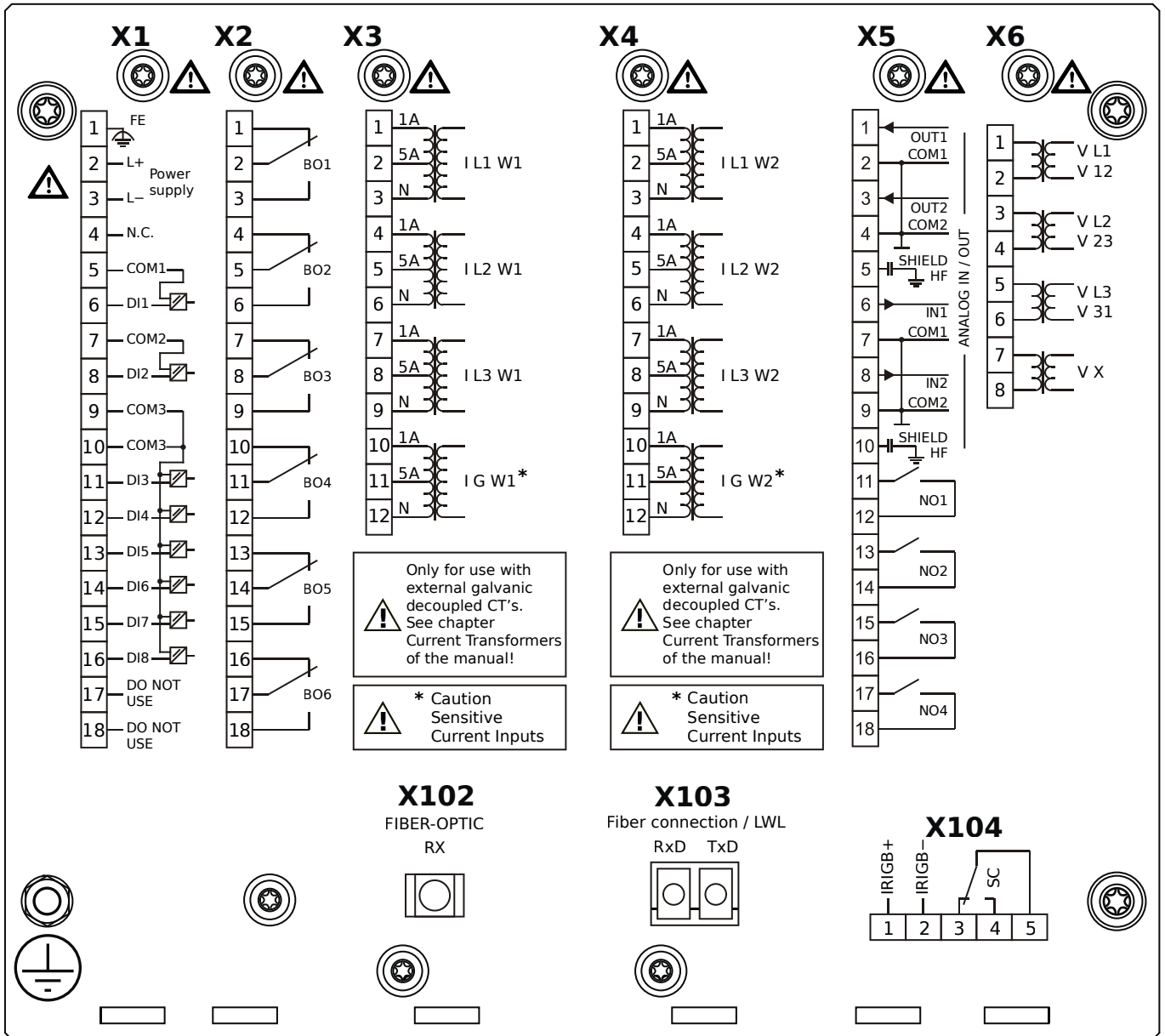
MCDTV4-2B3HLA



Housing B2, large display, door mounting

- X1** – DI8-X1: Wide-range power supply unit, incl. 2 non-grouped digital inputs and 6 grouped digital inputs
- X2** – OR6: Assembly Group with 6 Output Relays
- X3** – TIs: Standard phase current measuring card and sensitive ground current measuring (winding side 1)
- X4** – TIs: Standard phase current measuring card and sensitive ground current measuring (winding side 2)
- X5** – AnIO2-OR4: Assembly Group with 2 Analog Inputs, 2 Analog Outputs and 4 Output Relays
- X6** – TU: Card with 4 voltage transformer measuring inputs
- X102** – Universal Resistance-Temperature Detector (URTD) input, Fiber optics interface, Versatile Link
- X103** – Modbus TCP / DNP3.0 TCP/UDP, Fiber optics interface, LC Connector
- X104** – IRIG-B00X, incl. System Contact (Supervision Contact)

MCDTV4-2B3HLB

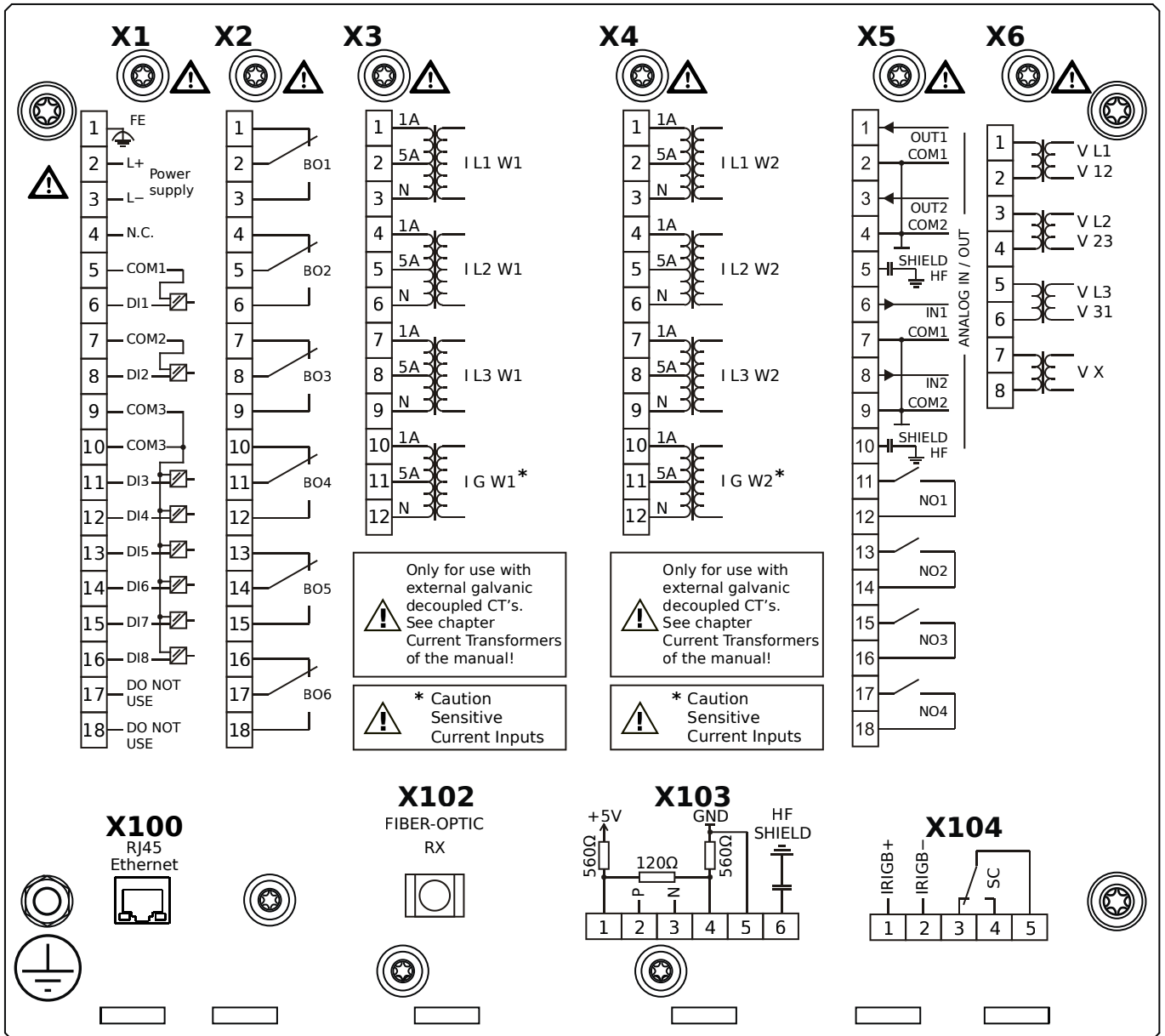


Housing B2, large display, door mounting

+ Conformal Coating (for installations in harsh environment)

- X1** – DI8-X1: Wide-range power supply unit, incl. 2 non-grouped digital inputs and 6 grouped digital inputs
- X2** – OR6: Assembly Group with 6 Output Relays
- X3** – TIs: Standard phase current measuring card and sensitive ground current measuring (winding side 1)
- X4** – TIs: Standard phase current measuring card and sensitive ground current measuring (winding side 2)
- X5** – AnIO2-OR4: Assembly Group with 2 Analog Inputs, 2 Analog Outputs and 4 Output Relays
- X6** – TU: Card with 4 voltage transformer measuring inputs
- X102** – Universal Resistance-Temperature Detector (URTD) input, Fiber optics interface, Versatile Link
- X103** – Modbus TCP / DNP3.0 TCP/UDP, Fiber optics interface, LC Connector
- X104** – IRIG-B00X, incl. System Contact (Supervision Contact)

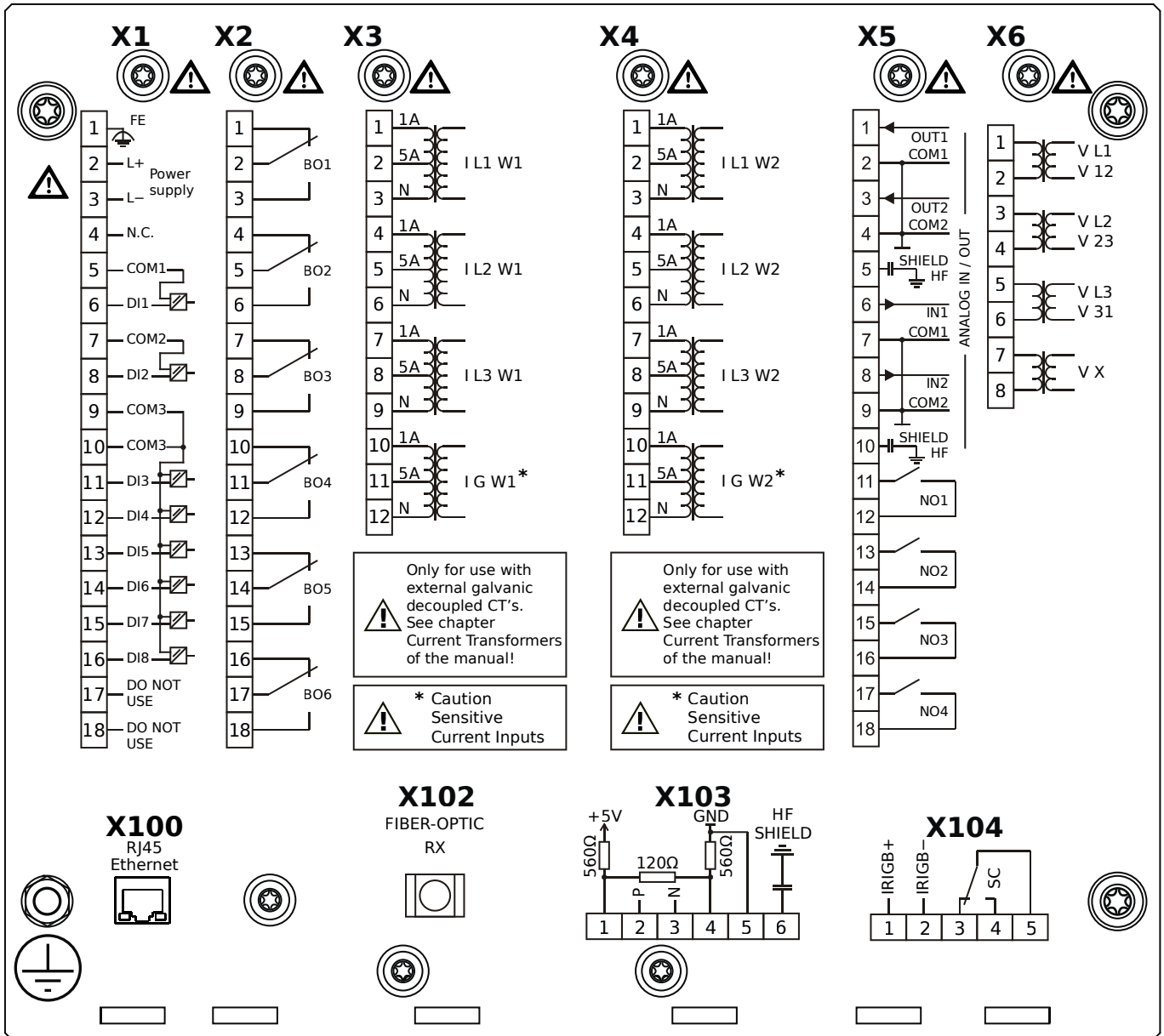
MCDTV4-2B3HTA



Housing B2, large display, door mounting

- X1** – DI8-X1: Wide-range power supply unit, incl. 2 non-grouped digital inputs and 6 grouped digital inputs
- X2** – OR6: Assembly Group with 6 Output Relays
- X3** – TIs: Standard phase current measuring card and sensitive ground current measuring (winding side 1)
- X4** – TIs: Standard phase current measuring card and sensitive ground current measuring (winding side 2)
- X5** – AnIO2-OR4: Assembly Group with 2 Analog Inputs, 2 Analog Outputs and 4 Output Relays
- X6** – TU: Card with 4 voltage transformer measuring inputs
- X100** – IEC 61850 / Modbus TCP / DNP3.0 TCP/UDP, Ethernet interface, 100 Mbit/s, RJ45 (BASE100-FX)
- X102** – Universal Resistance-Temperature Detector (URTD) input, Fiber optics interface, Versatile Link
- X103** – IEC 60870-5-103 / Modbus RTU / DNP3.0 RTU, RS485, Terminals
- X104** – IRIG-B00X, incl. System Contact (Supervision Contact)

MCDTV4-2B3HTB



Housing B2, large display, door mounting

+ Conformal Coating (for installations in harsh environment)

- X1** – DI8-X1: Wide-range power supply unit, incl. 2 non-grouped digital inputs and 6 grouped digital inputs
- X2** – OR6: Assembly Group with 6 Output Relays
- X3** – TIs: Standard phase current measuring card and sensitive ground current measuring (winding side 1)
- X4** – TIs: Standard phase current measuring card and sensitive ground current measuring (winding side 2)
- X5** – AnIO2-OR4: Assembly Group with 2 Analog Inputs, 2 Analog Outputs and 4 Output Relays
- X6** – TU: Card with 4 voltage transformer measuring inputs
- X100** – IEC 61850 / Modbus TCP / DNP3.0 TCP/UDP, Ethernet interface, 100 Mbit/s, RJ45 (BASE100-FX)
- X102** – Universal Resistance-Temperature Detector (URTD) input, Fiber optics interface, Versatile Link
- X103** – IEC 60870-5-103 / Modbus RTU / DNP3.0 RTU, RS485, Terminals
- X104** – IRIG-B00X, incl. System Contact (Supervision Contact)

Appendix – Legend

In this legend designations of various device types are listed, e.g. transformer protection, motor protection, generator protection, etc. Therefore it can occur that not every designation actually appears on the wiring diagram of your device.

FE	– Connection of functional earth (see chapter Grounding in the Technical Manual).
Power Supply	– Connection for auxiliary power supply.
IL1	– Phase current input L1 (in some countries designated as IA).
IL2	– Phase current input L2 (in some countries designated as IB).
IL3	– Phase current input L3 (in some countries designated as IC).
IG	– Earth current input.
IL1 W1 ... IL3 W1	– Phase current input L1...L3, winding side 1.
IL1 W2 ... IL3 W2	– Phase current input L1...L3, winding side 2.
IG W1, IG W2	– Earth current input, winding side 1 / 2.
VL1	– Phase-to-neutral voltage L1 (in some countries designated as VA).
VL2	– Phase-to-neutral voltage L2 (in some countries designated as VB).
VL3	– Phase-to-neutral voltage L3 (in some countries designated as VC).
VL12	– Phase-to-phase voltage V12 (in some countries designated as VAB).
VL23	– Phase-to-phase voltage V23 (in some countries designated as VBC).
VL31	– Phase-to-phase voltage V31 (in some countries designated as VCA).
VX	– 4th voltage measuring input for measuring residual voltage or synchro-check.
BO	– Binary output relay.
NO / NC	– Contact output, normally open (Form A) / closed (Form B).
DI	– Digital input.
COM	– Common connection of digital inputs.
Out+, AnOut	– Analog output + (0/4...20 mA or 0...10 V).
In–, AnIn	– Analog input + (0/4...20 mA or 0...10 V).
n.c.	– Not connected.
DO NOT USE	– Do not use. (Caution: Non-usable internal wiring may exist.)
SC	– Self-supervision contact.
HF SHIELD	– Connection cable shield.
Fiber Optics / LWL	– Fiber optic connection.

We appreciate your comments about the content of our publications.

Send comments to: kemp.doc@woodward.com

Please reference publication MCDTV4-3.7-EN-WDG

Woodward Kempen GmbH reserves the right to update any portion of this publication at any time. Information provided by Woodward Kempen GmbH is believed to be correct and reliable. However, Woodward Kempen GmbH assumes no responsibility unless otherwise expressly undertaken.



Woodward Kempen GmbH
Krefelder Weg 47 · D-47906 Kempen (Germany)
Postfach 10 07 55 (P.O.Box) · D-47884 Kempen (Germany)
Telephone: +49 (0) 21 52 145 1

Internet: www.woodward.com

Sales

Telephone: +49 (0) 21 52 145 331
Fax: +49 (0) 21 52 145 354
Email: SalesPGD_EMEA@woodward.com

Service

Telephone: +49 (0) 21 52 145 600
Fax: +49 (0) 21 52 145 354
Email: industrial.support@woodward.com

Woodward has company-owned plants, subsidiaries, and branches, as well as authorized distributors and other authorized service and sales facilities throughout the world.

Complete address / phone / fax / email information for all locations is available on our website.