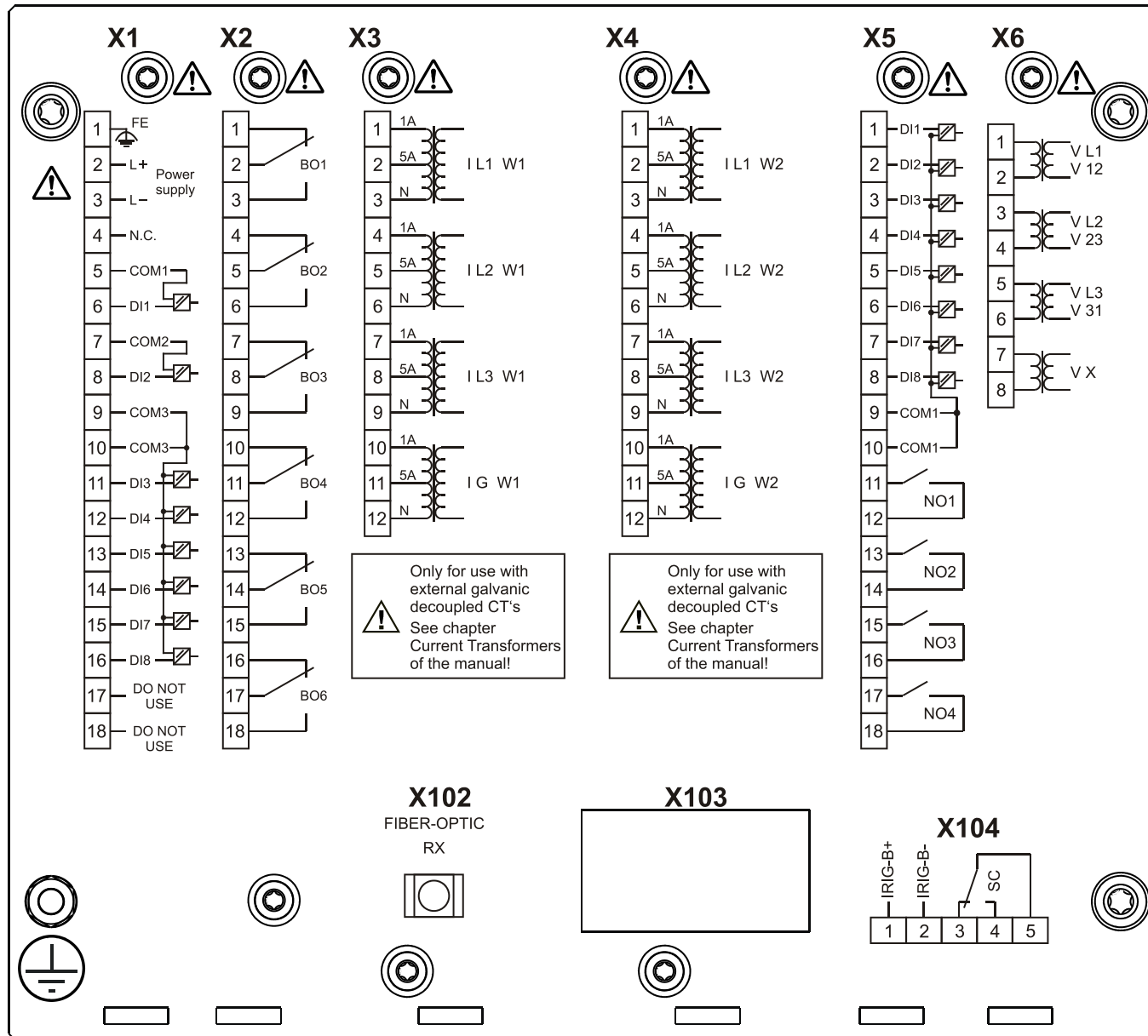
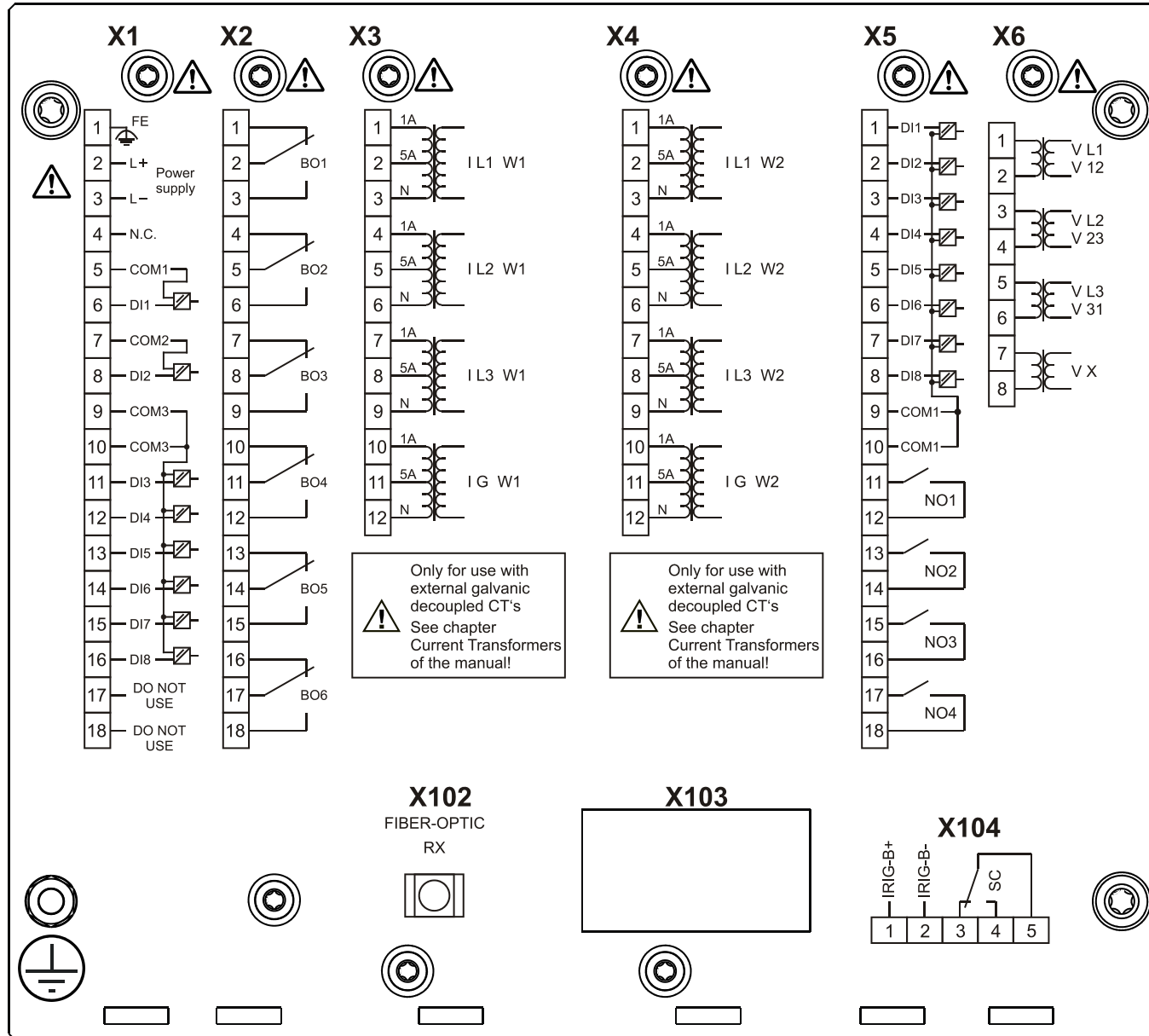


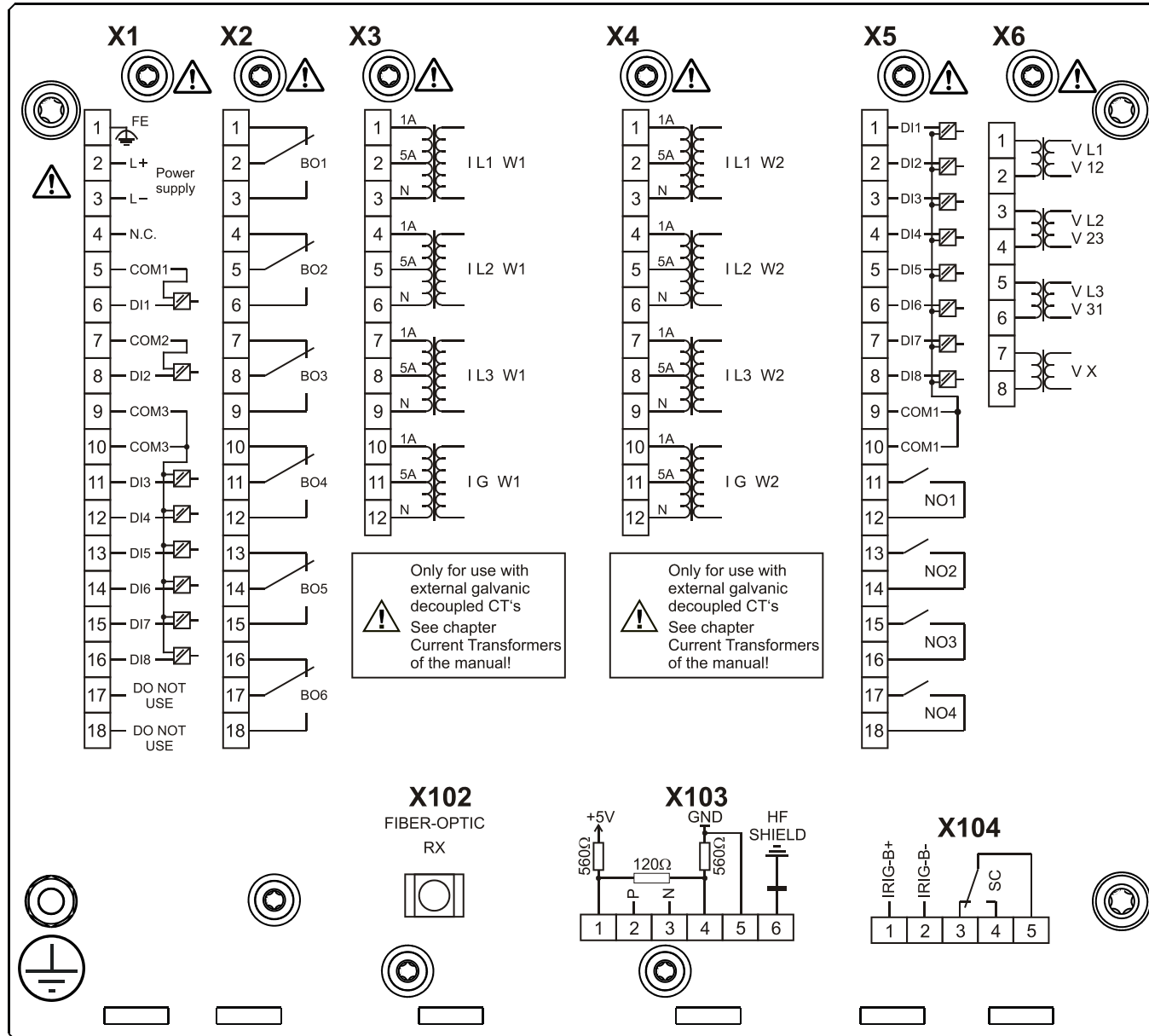
MCDTV4-2A0AAA



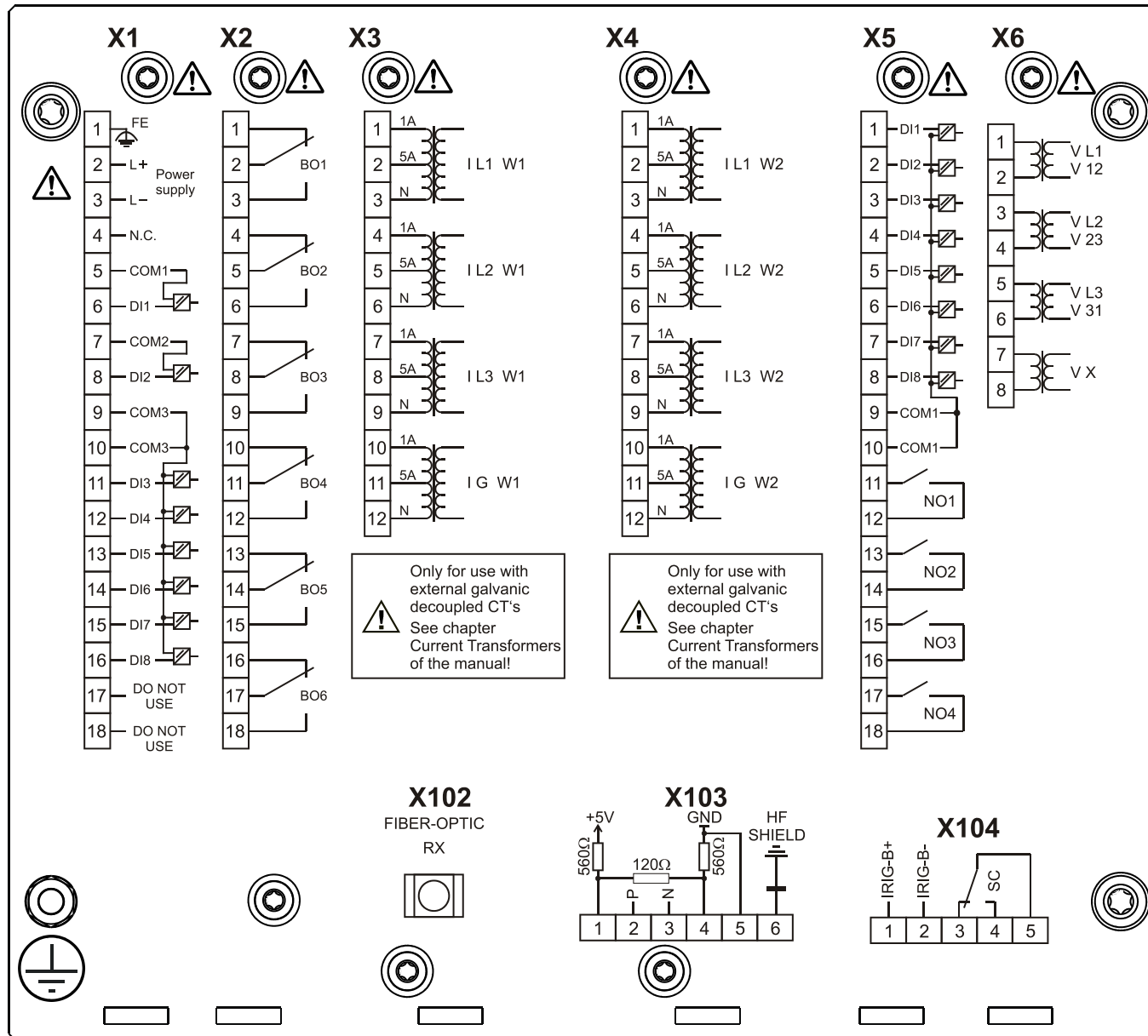
MCDTV4-2A0AAB



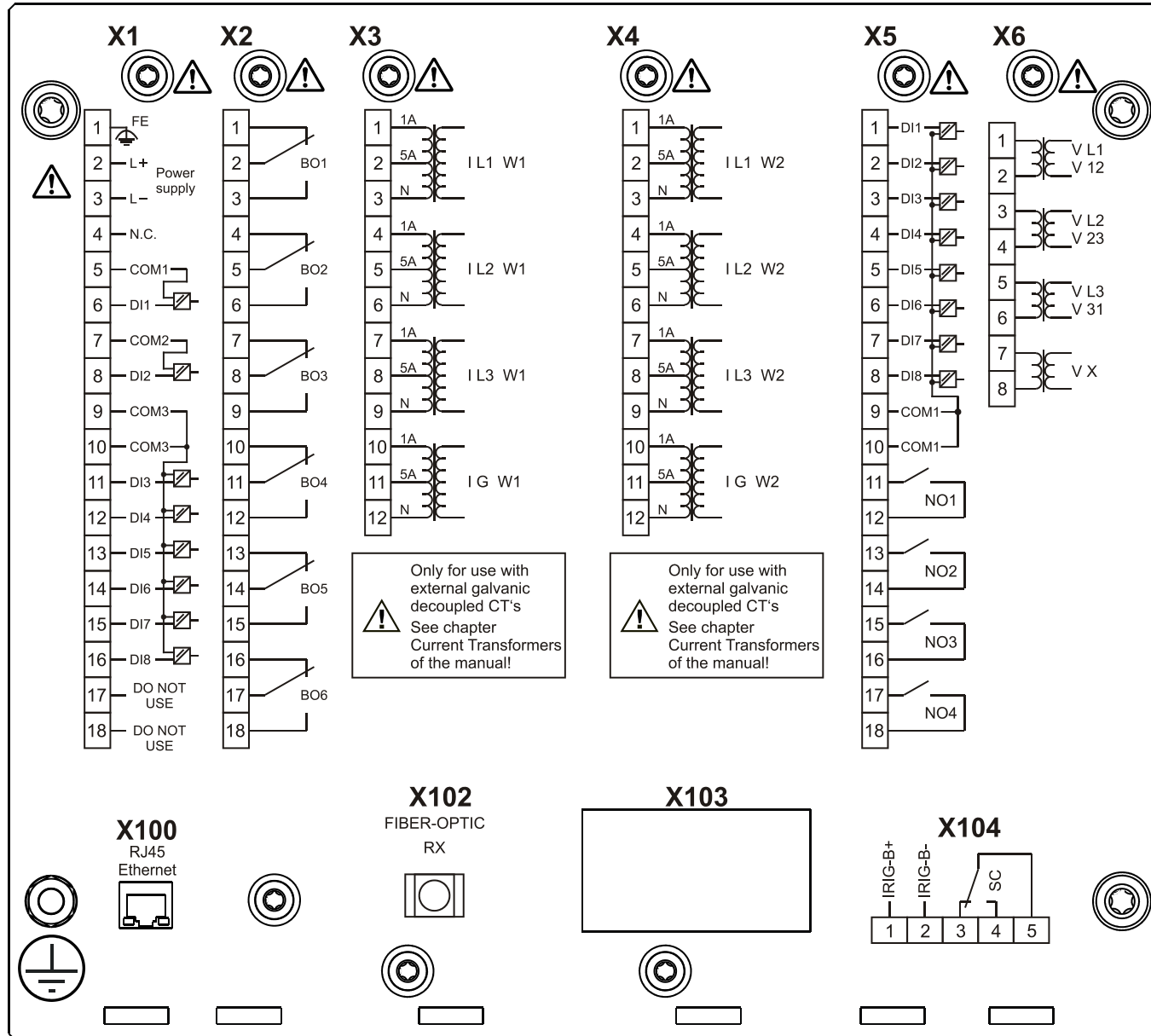
MCDTV4-2A0ABA



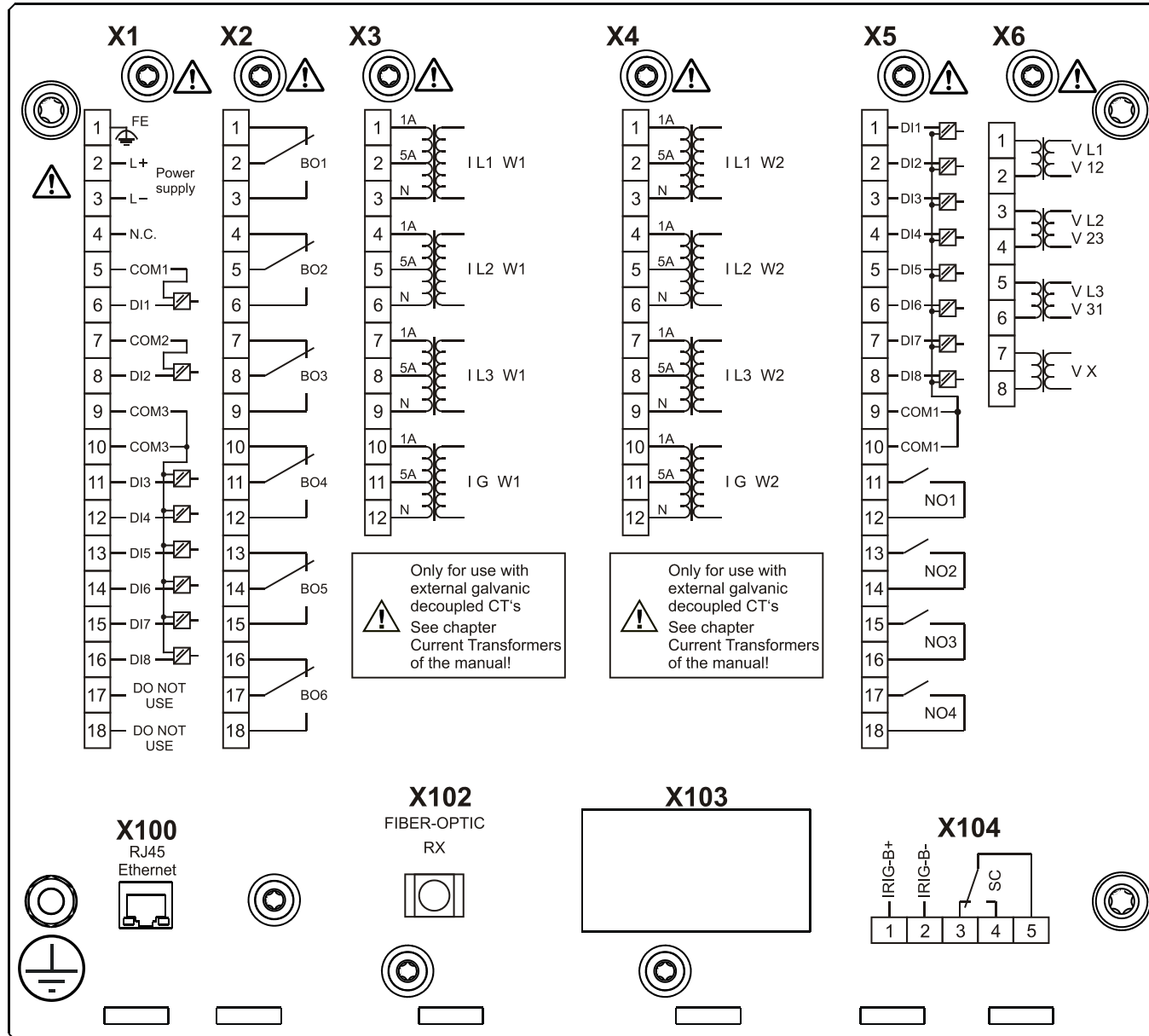
MCDTV4-2A0ABB



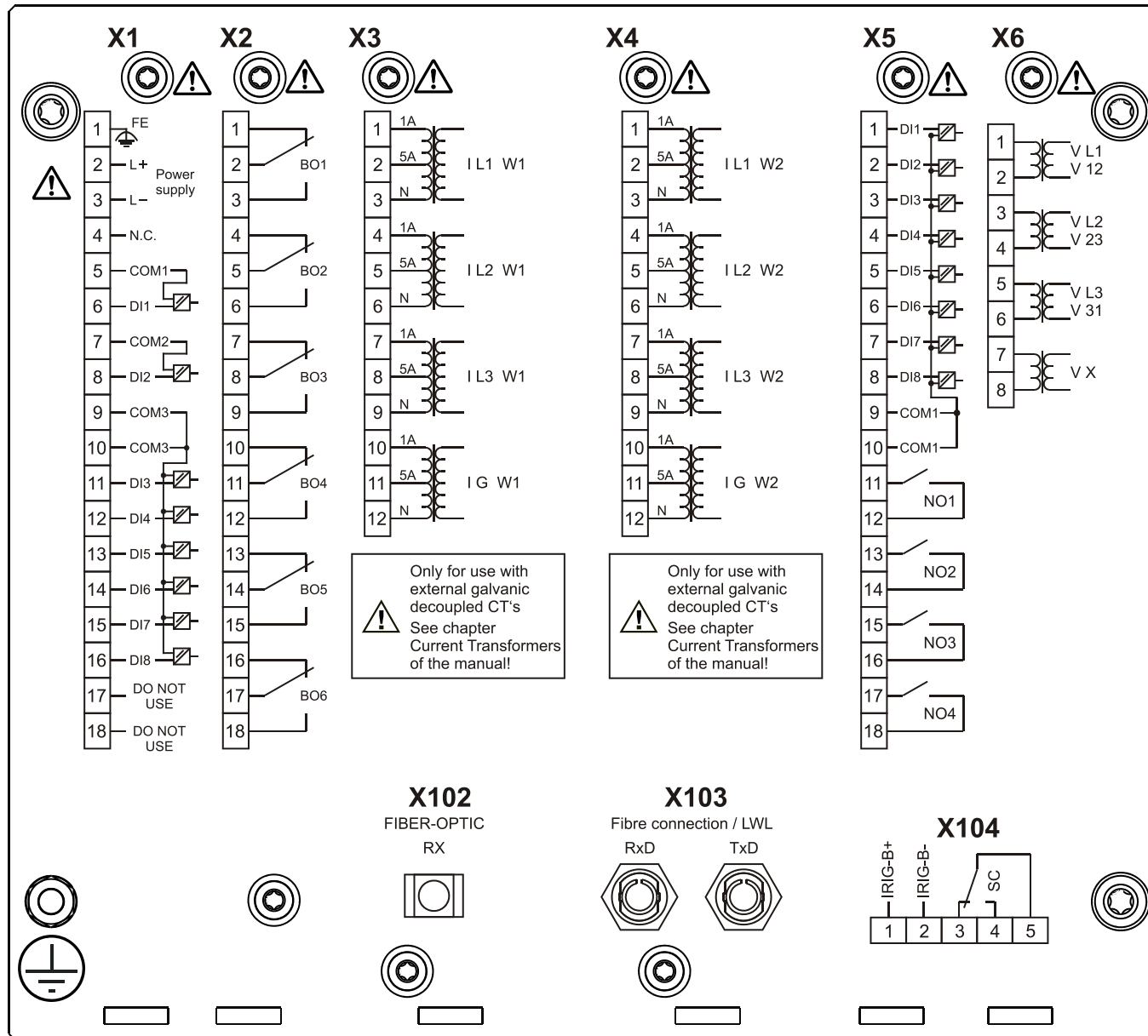
MCDTV4-2A0ACA



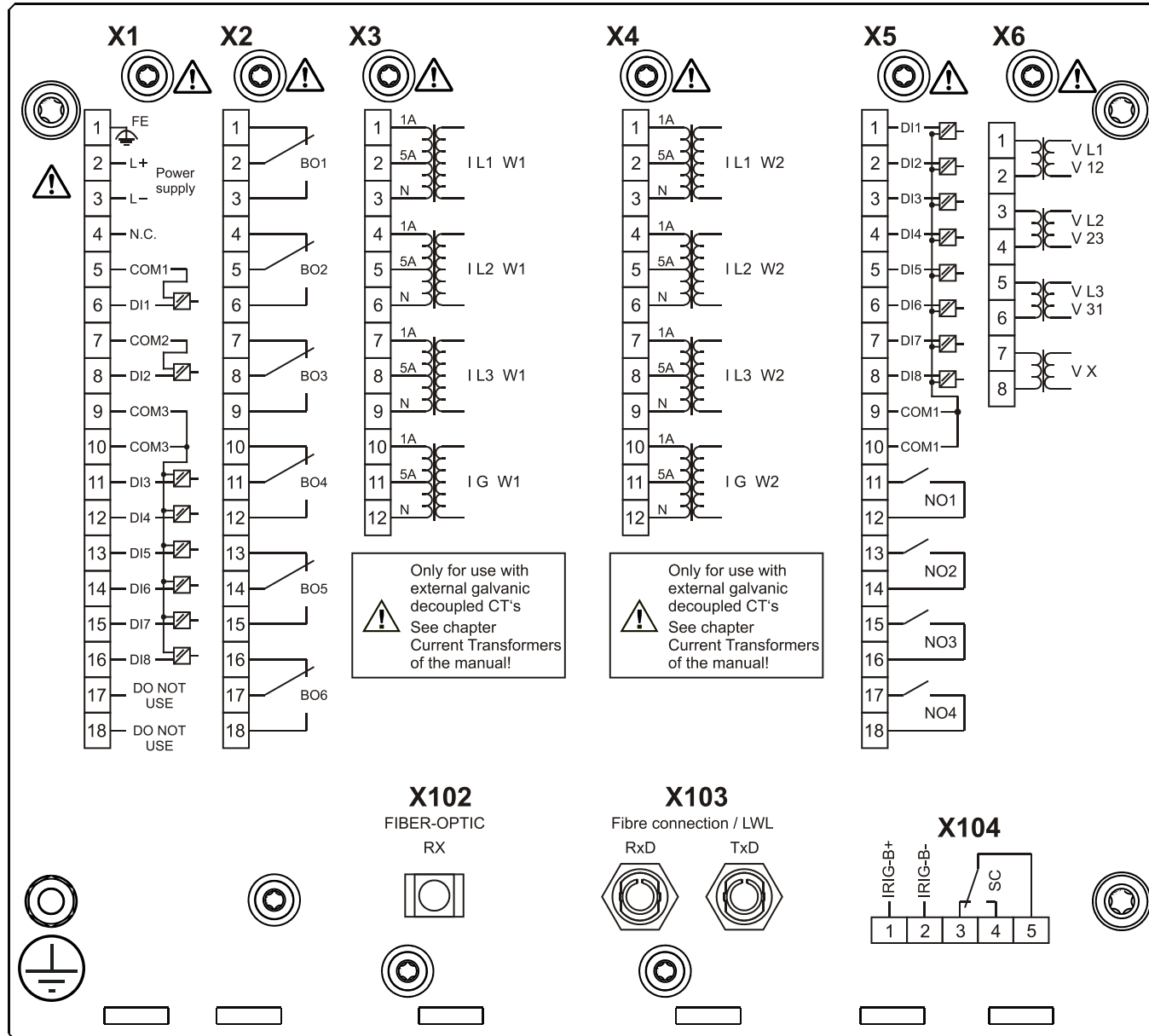
MCDTV4-2A0ACB



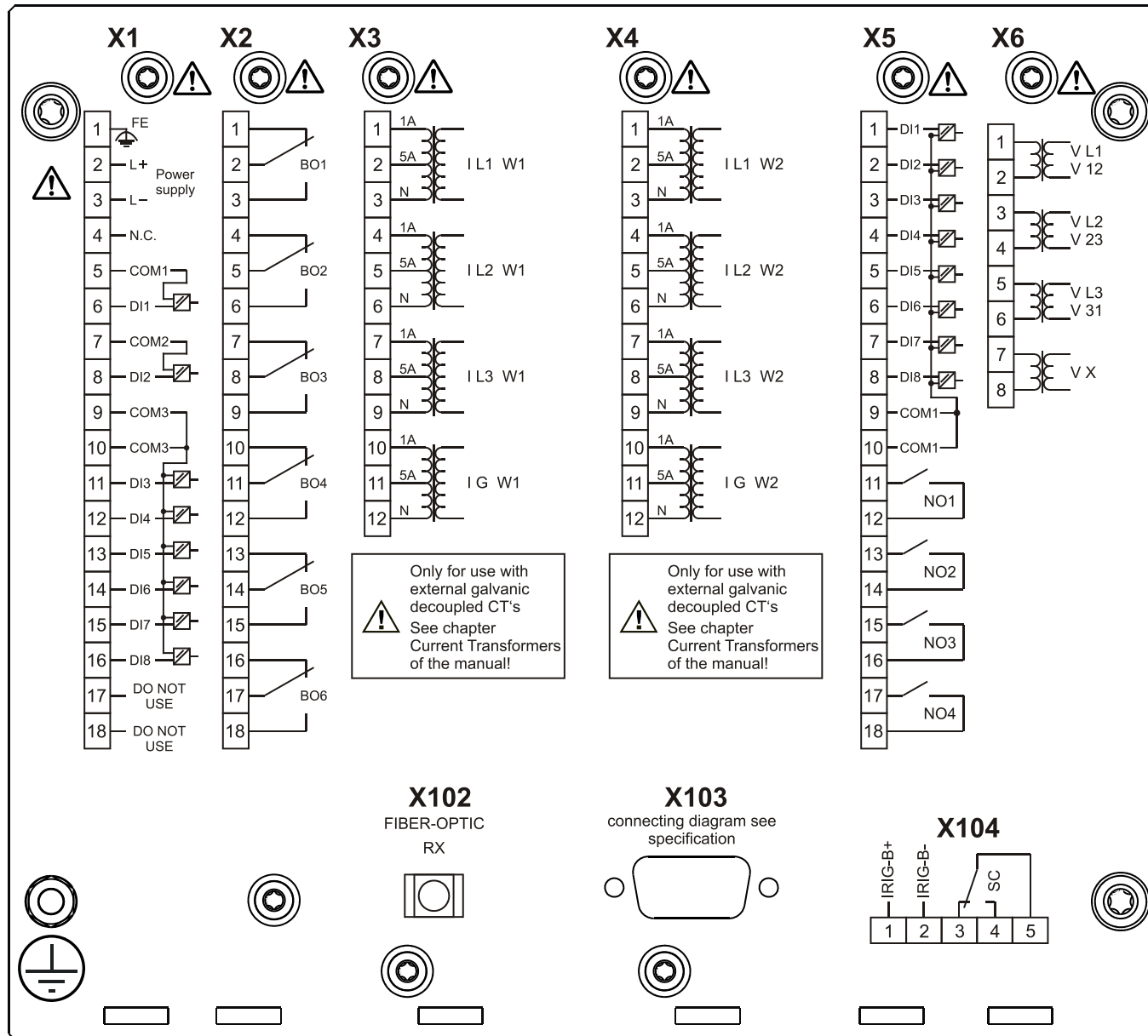
MCDTV4-2A0ADA



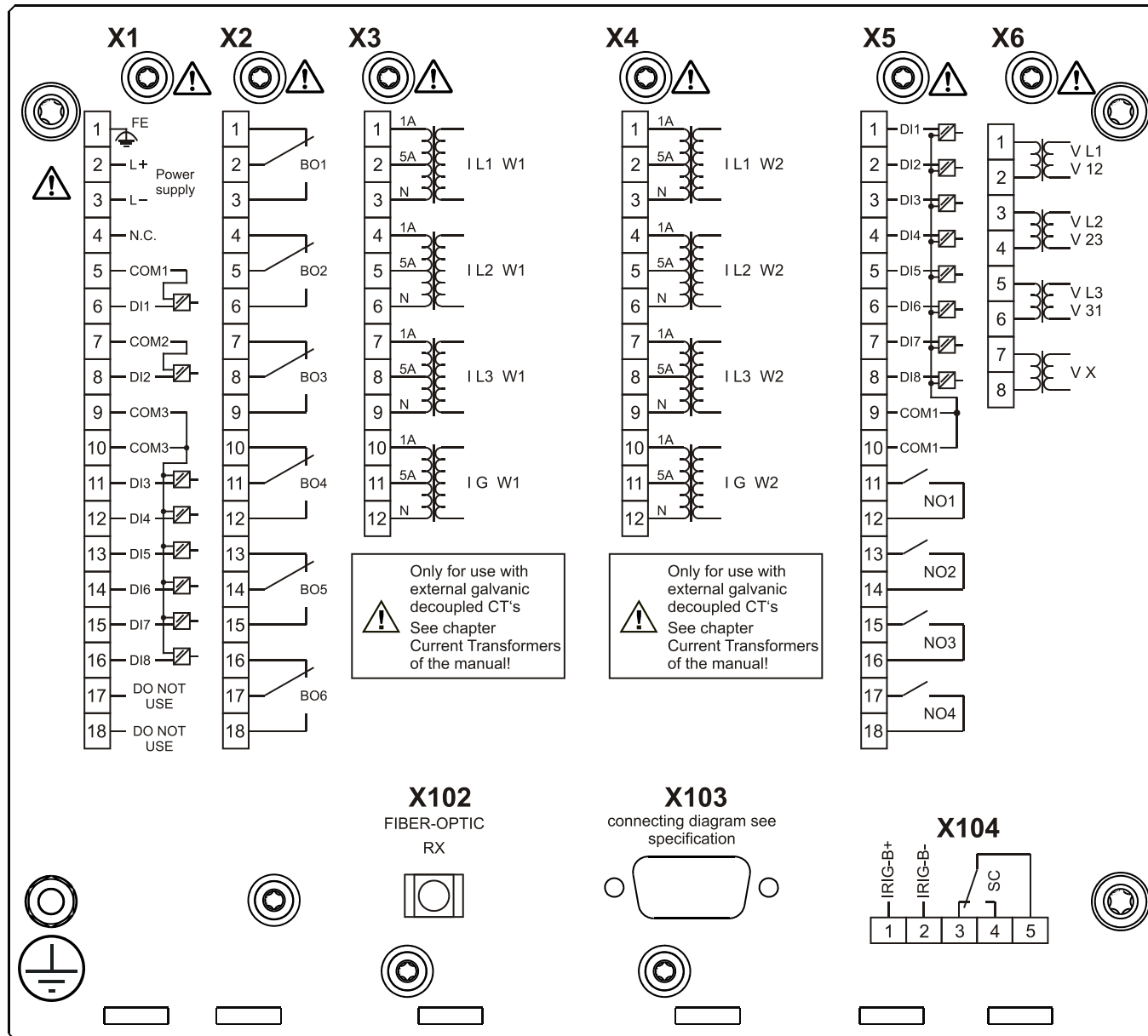
MCDTV4-2A0ADB



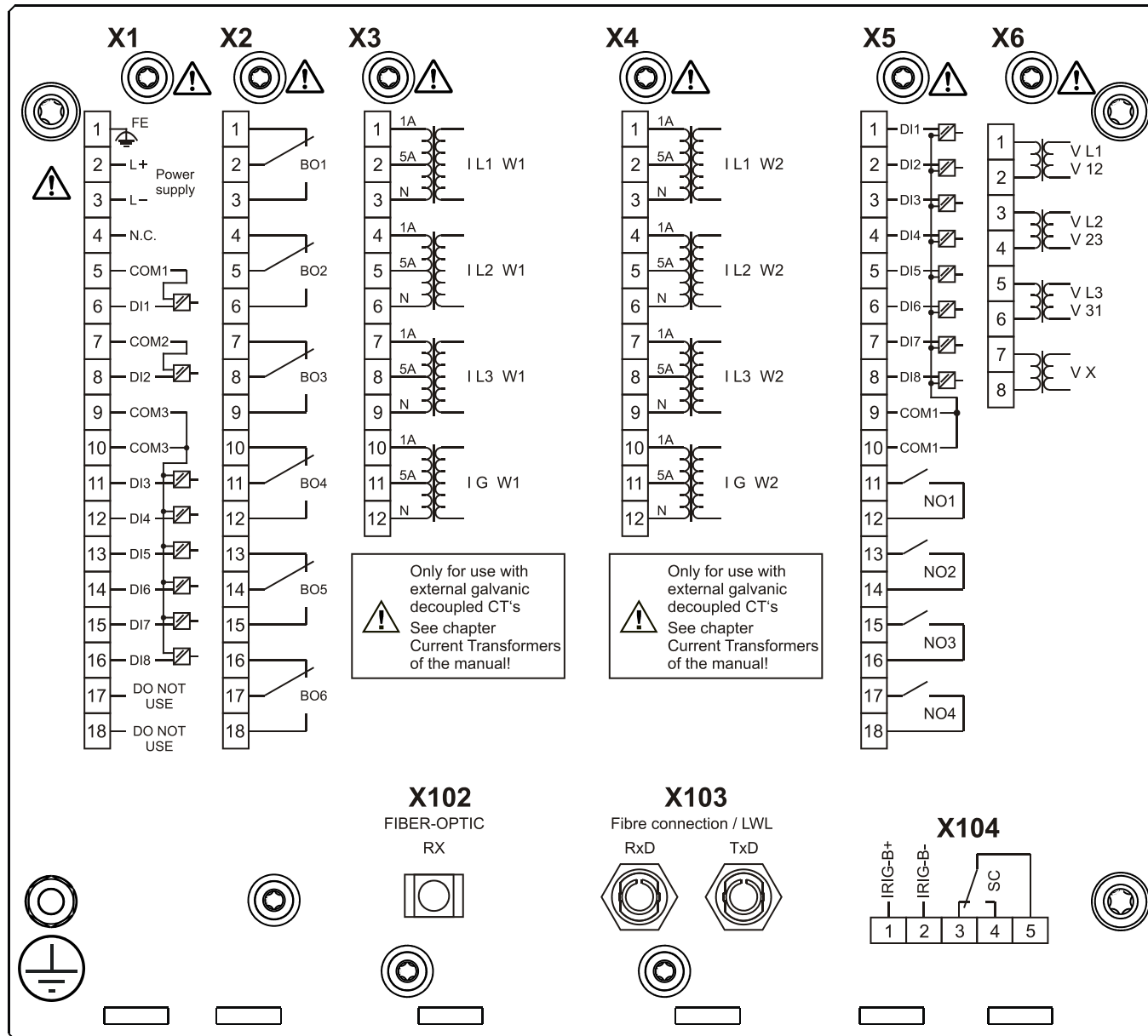
MCDTV4-2A0AEA



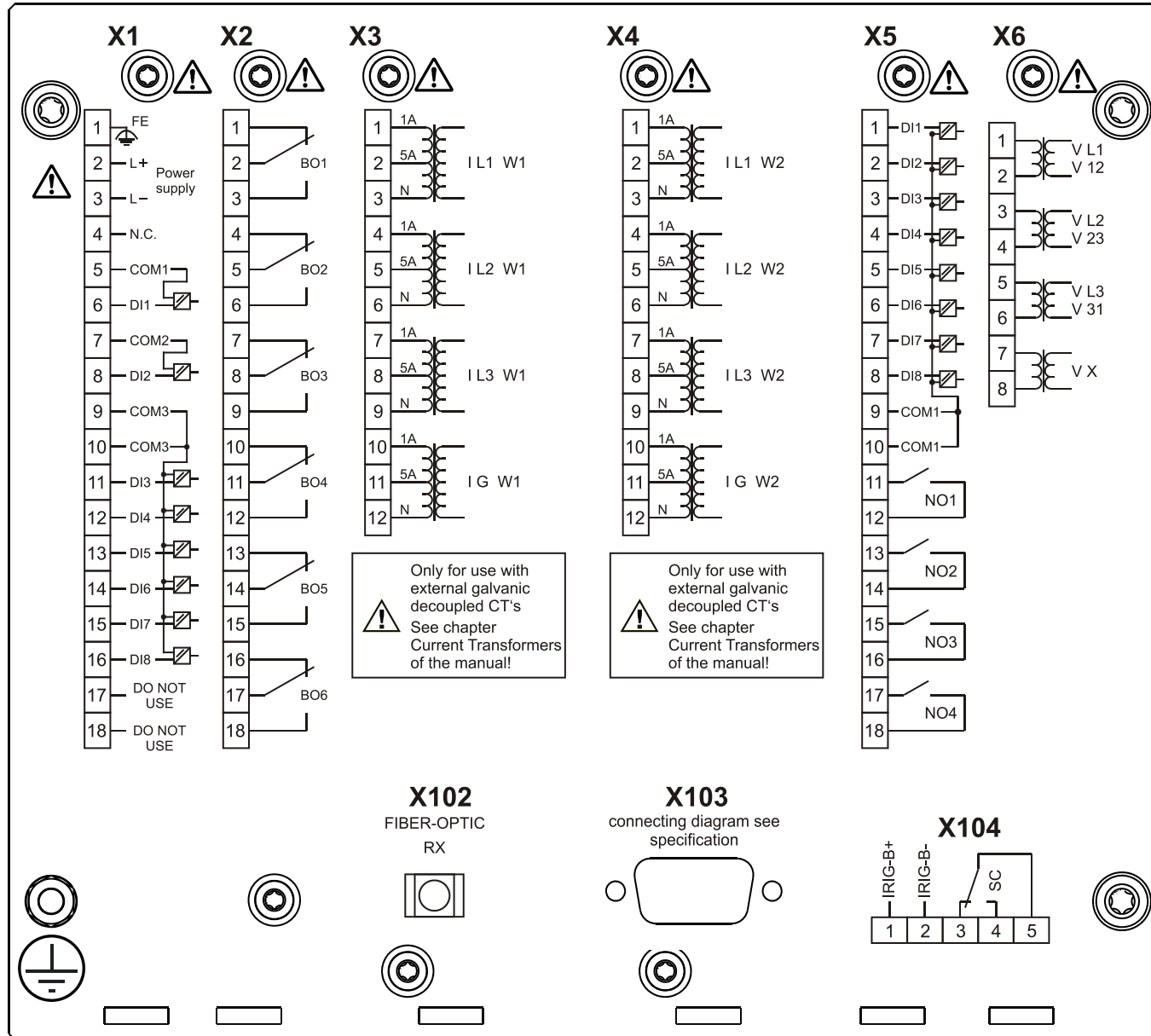
MCDTV4-2A0AEB



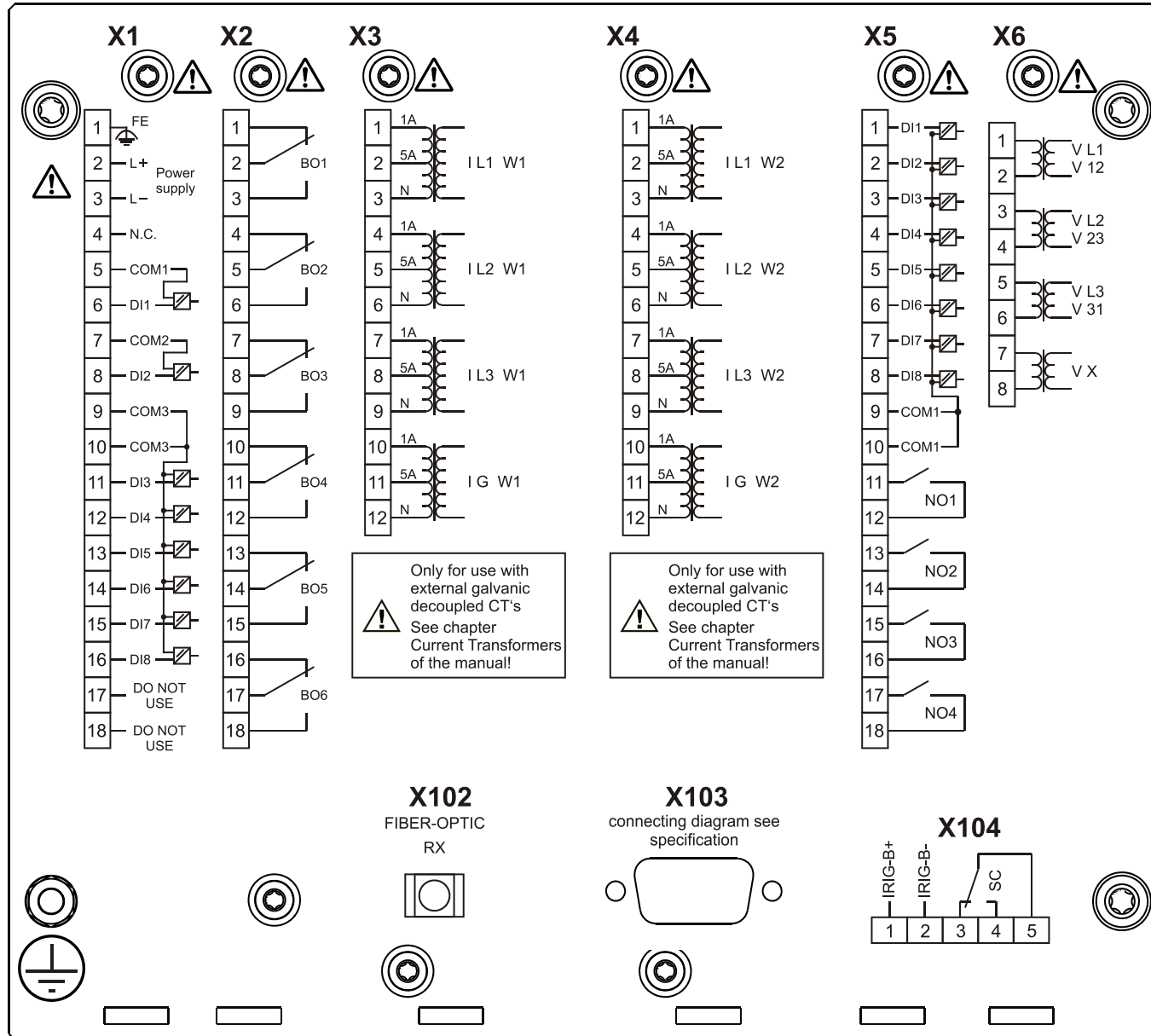
MCDTV4-2A0AFA



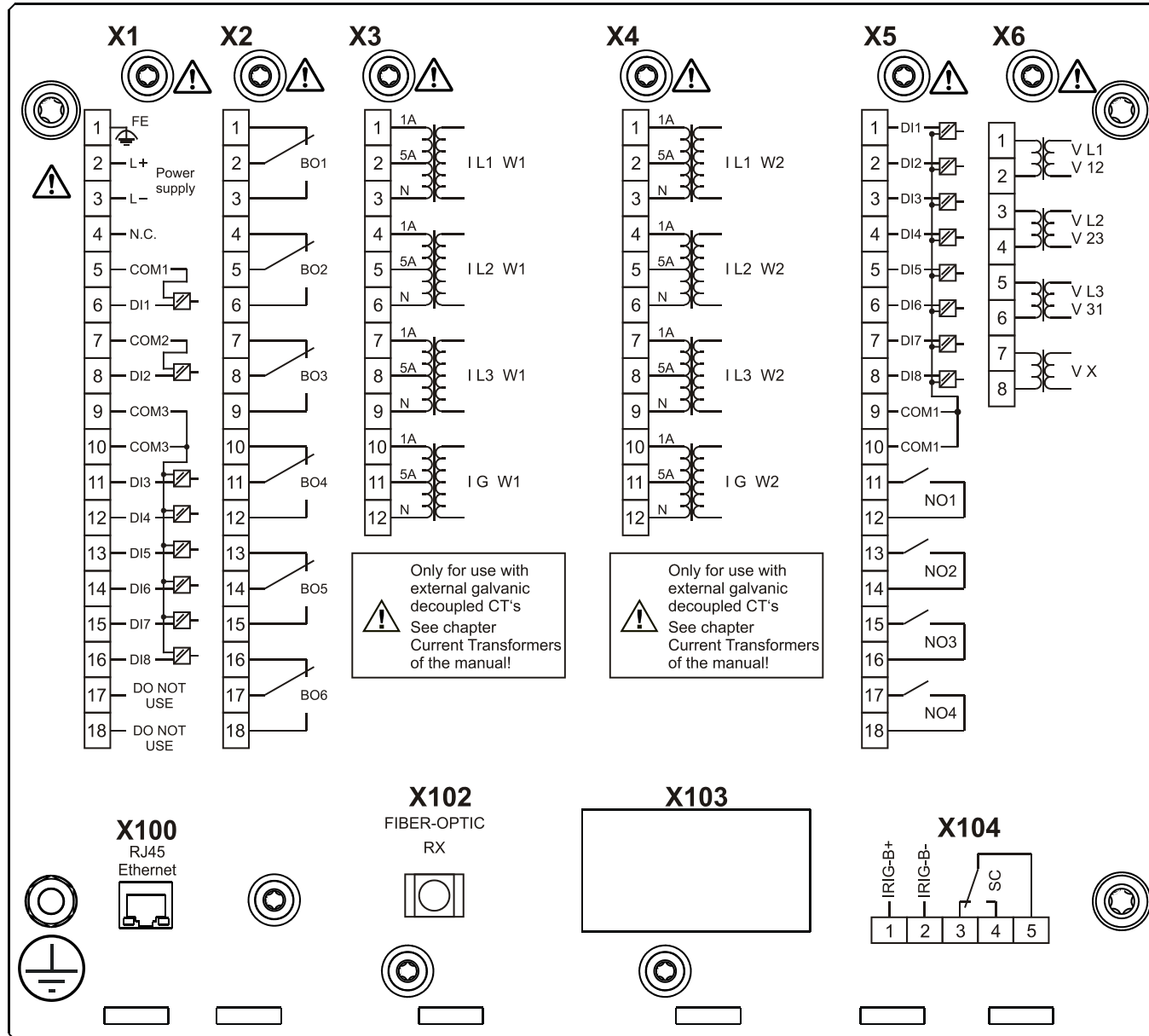
MCDTV4-2A0AGA



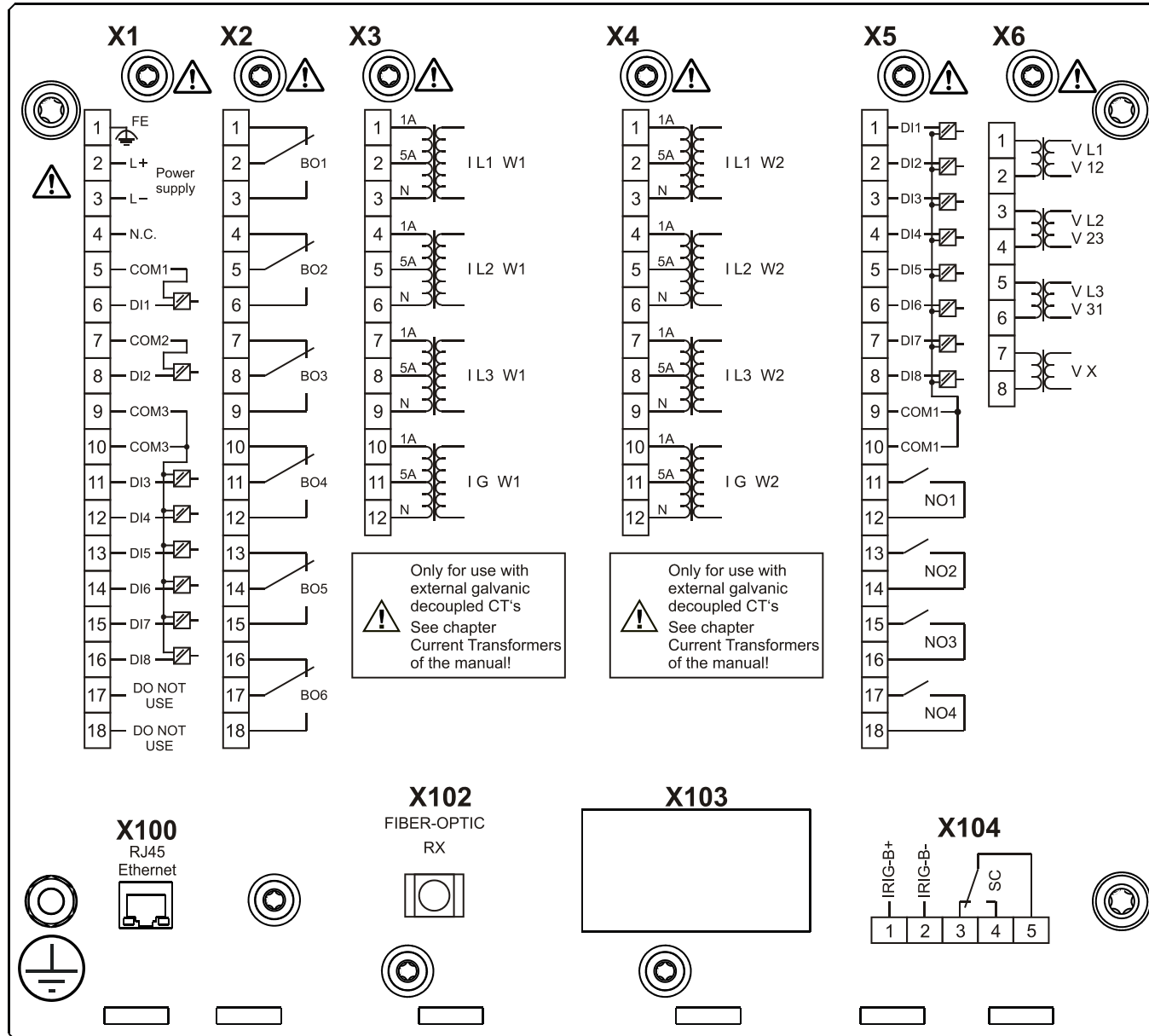
MCDTV4-2A0AGB



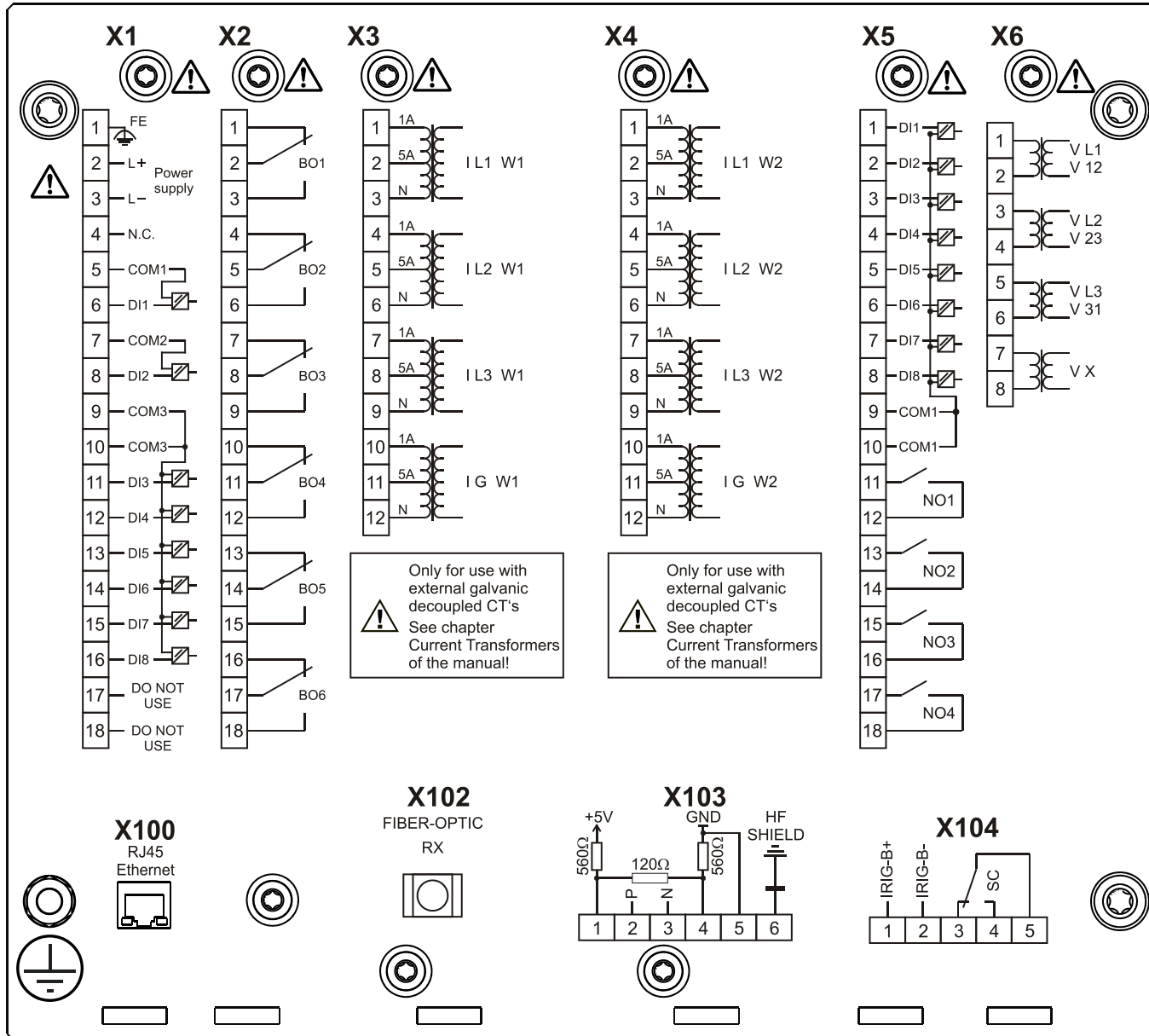
MCDTV4-2A0AHA



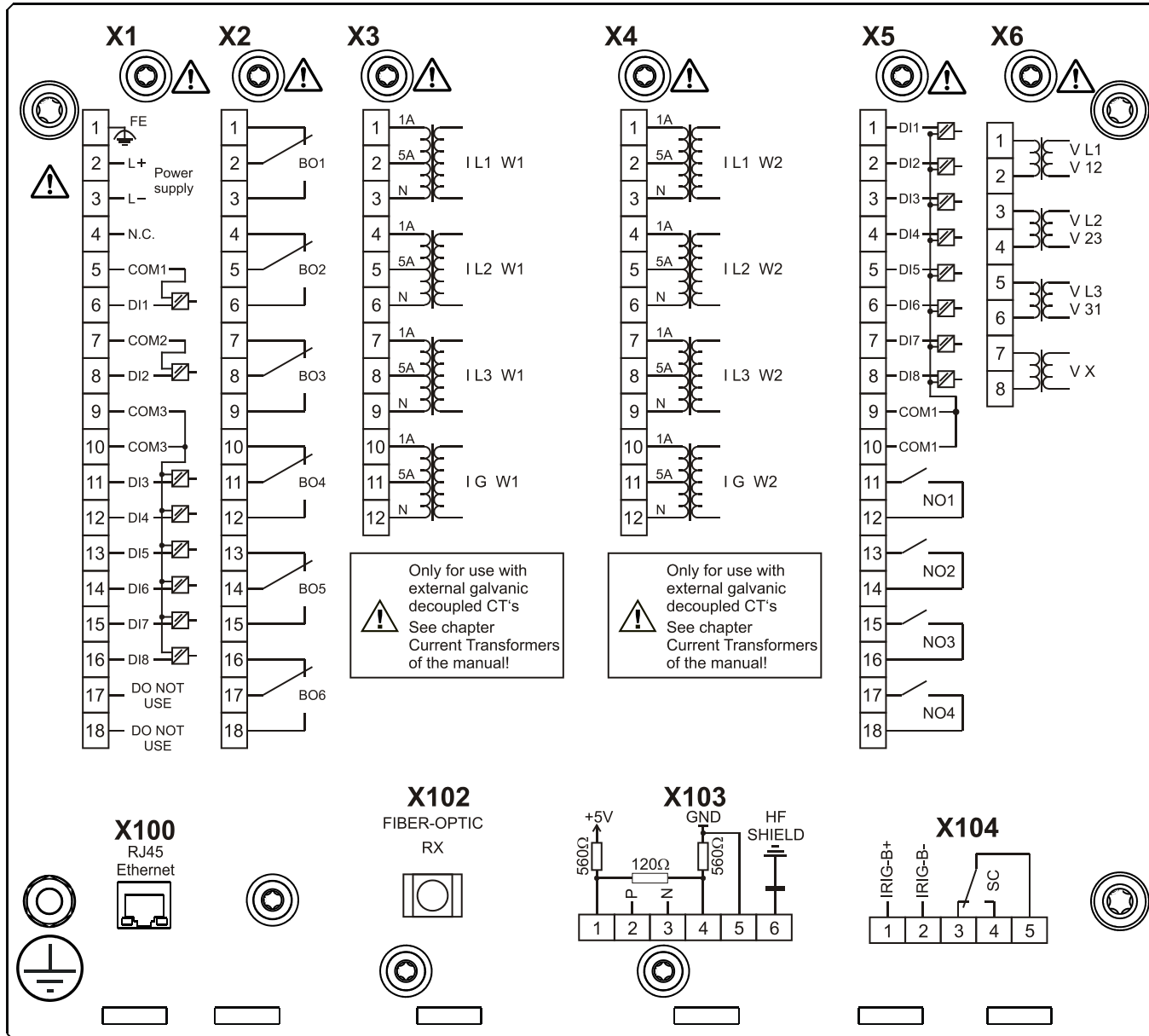
MCDTV4-2A0AHB



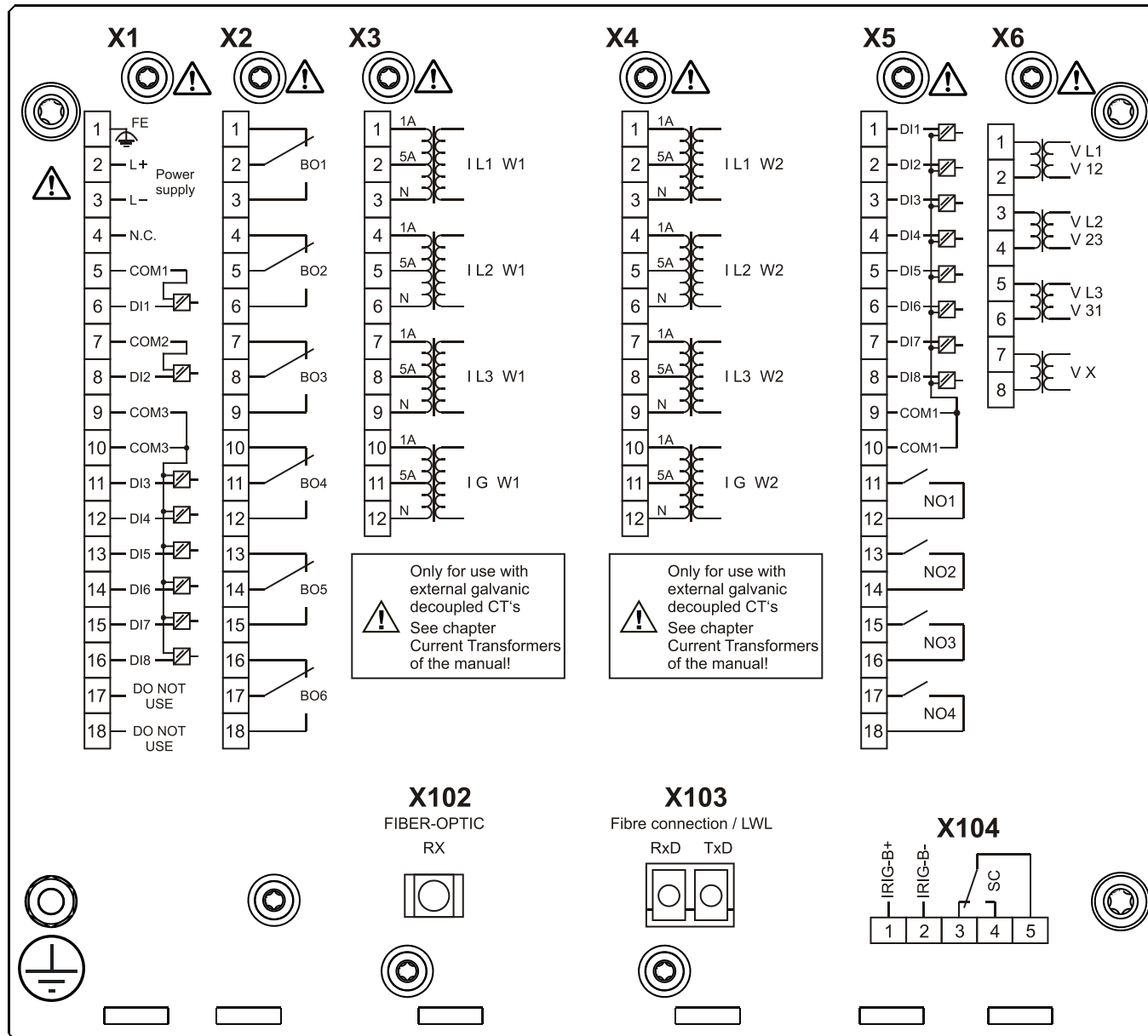
MCDTV4-2A0AIA



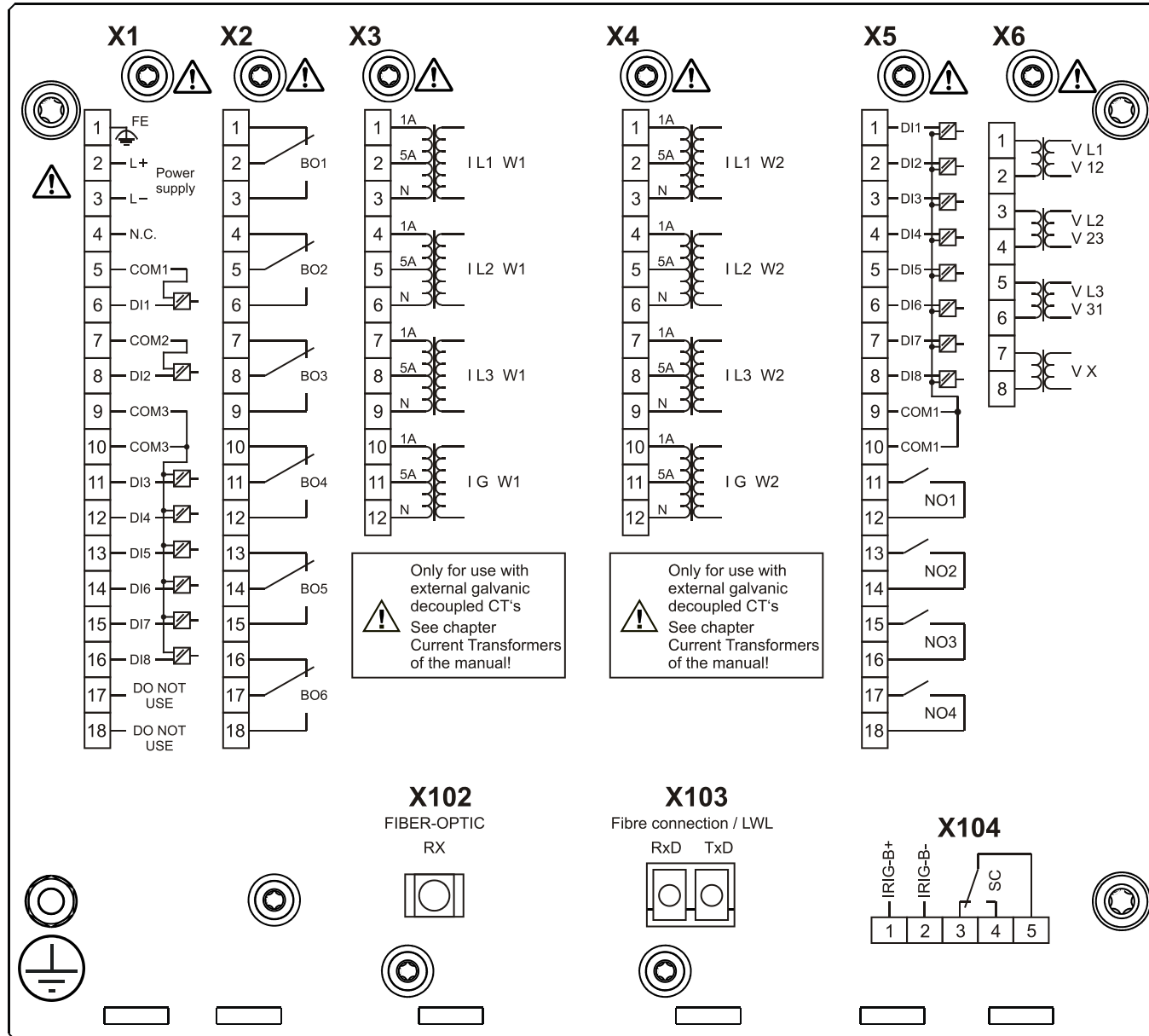
MCDTV4-2A0AIB



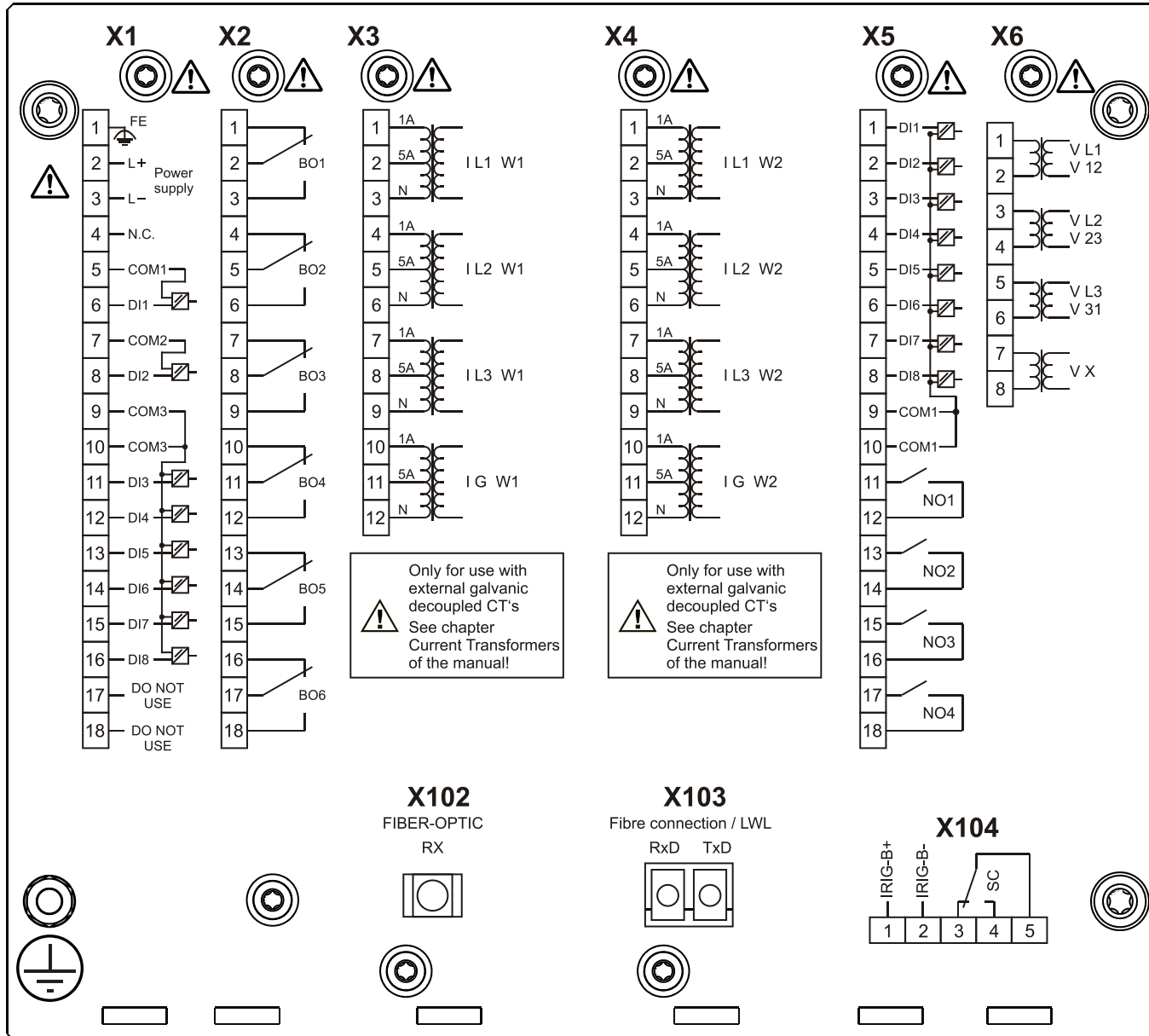
MCDTV4-2A0AKA



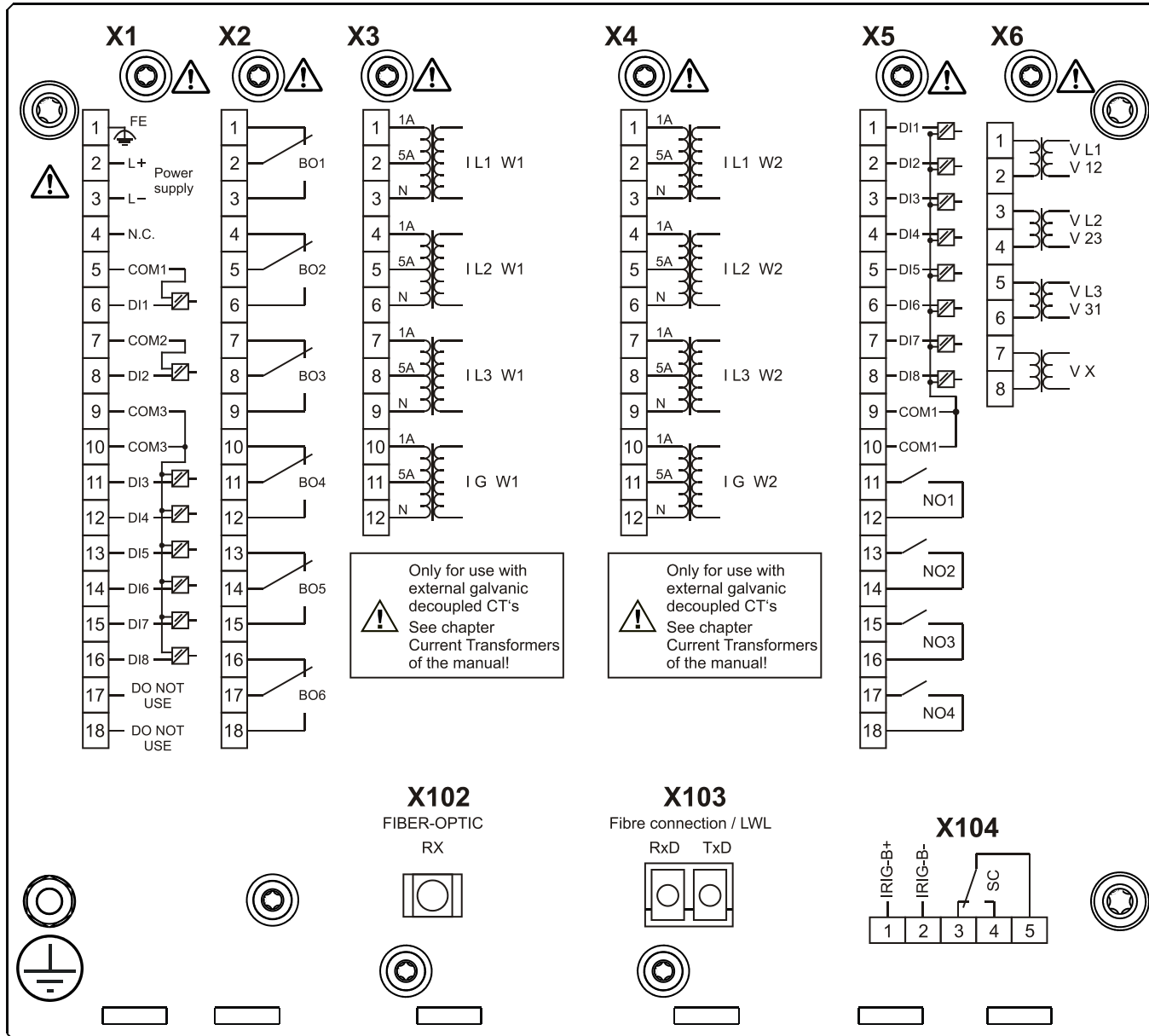
MCDTV4-2A0AKB



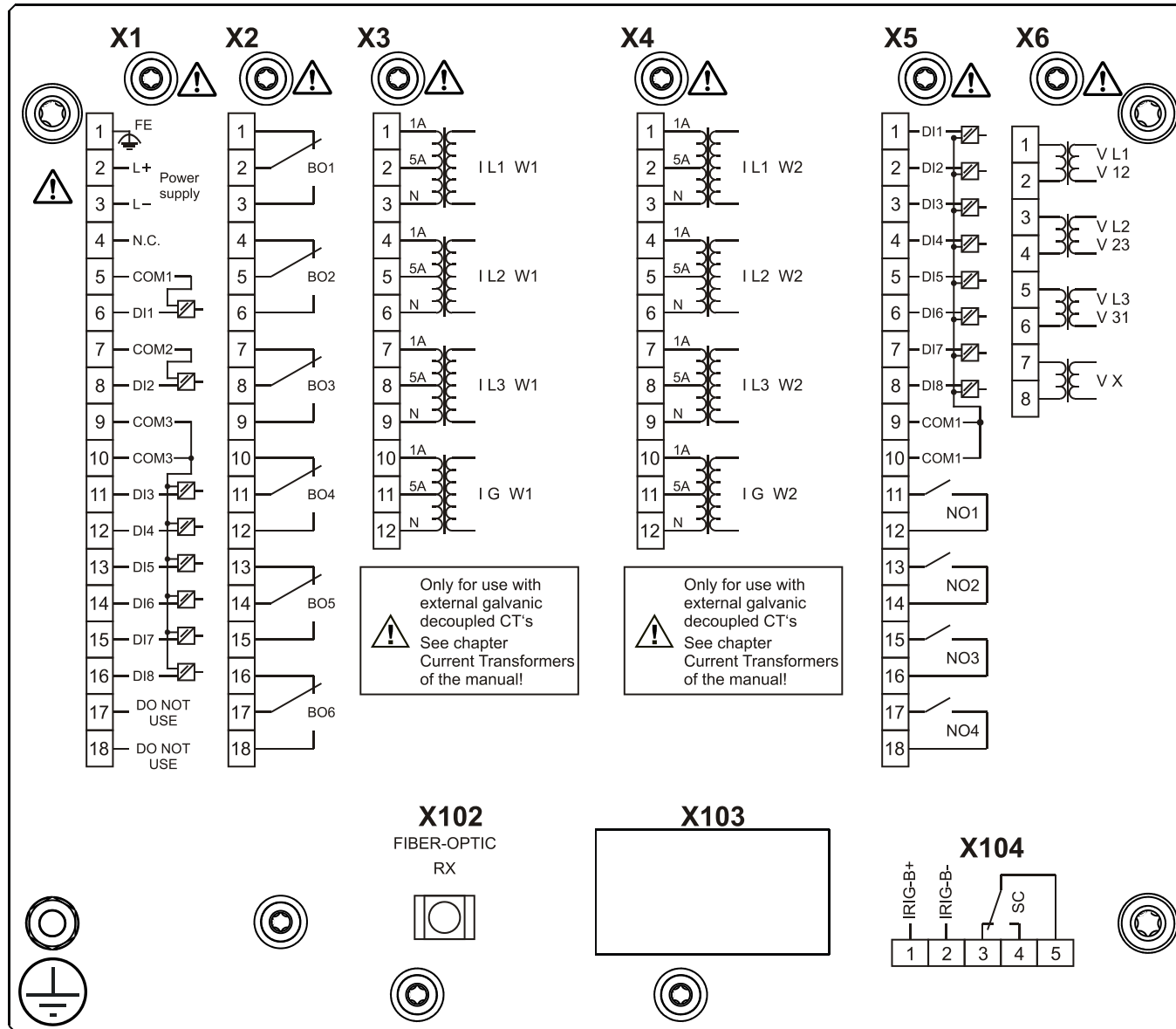
MCDTV4-2A0ALA



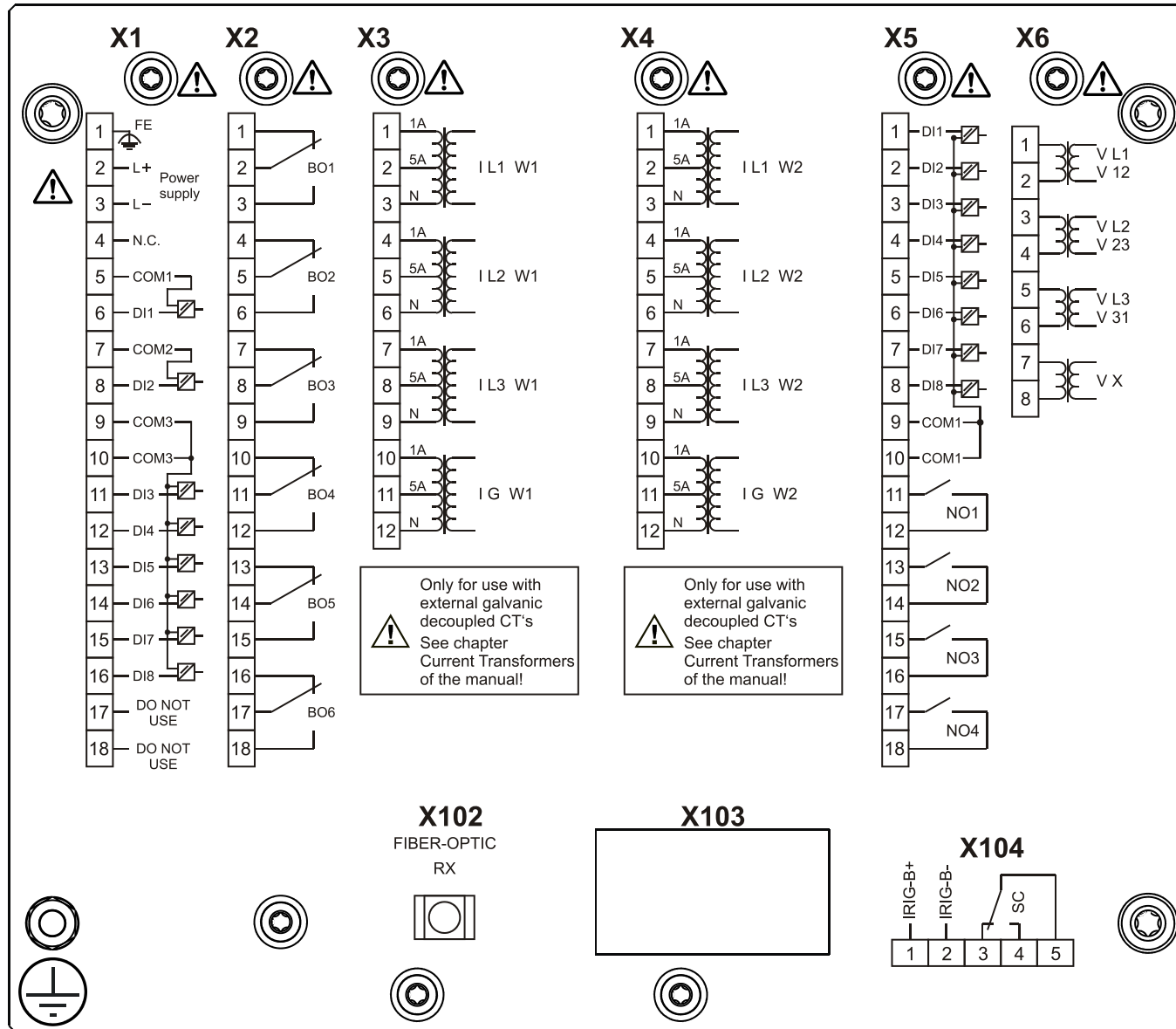
MCDTV4-2A0ALB



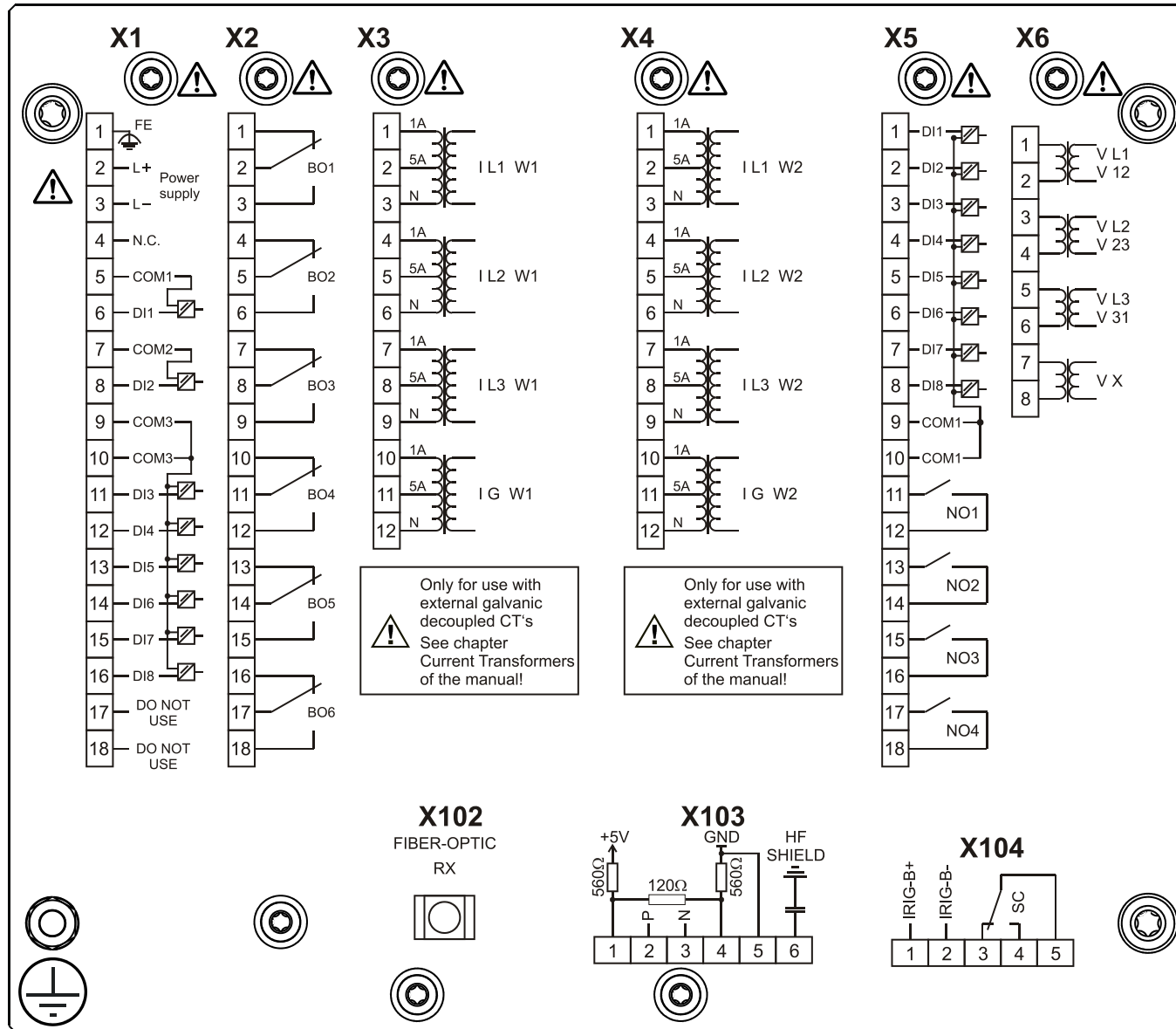
MCDTV4-2A0BAA



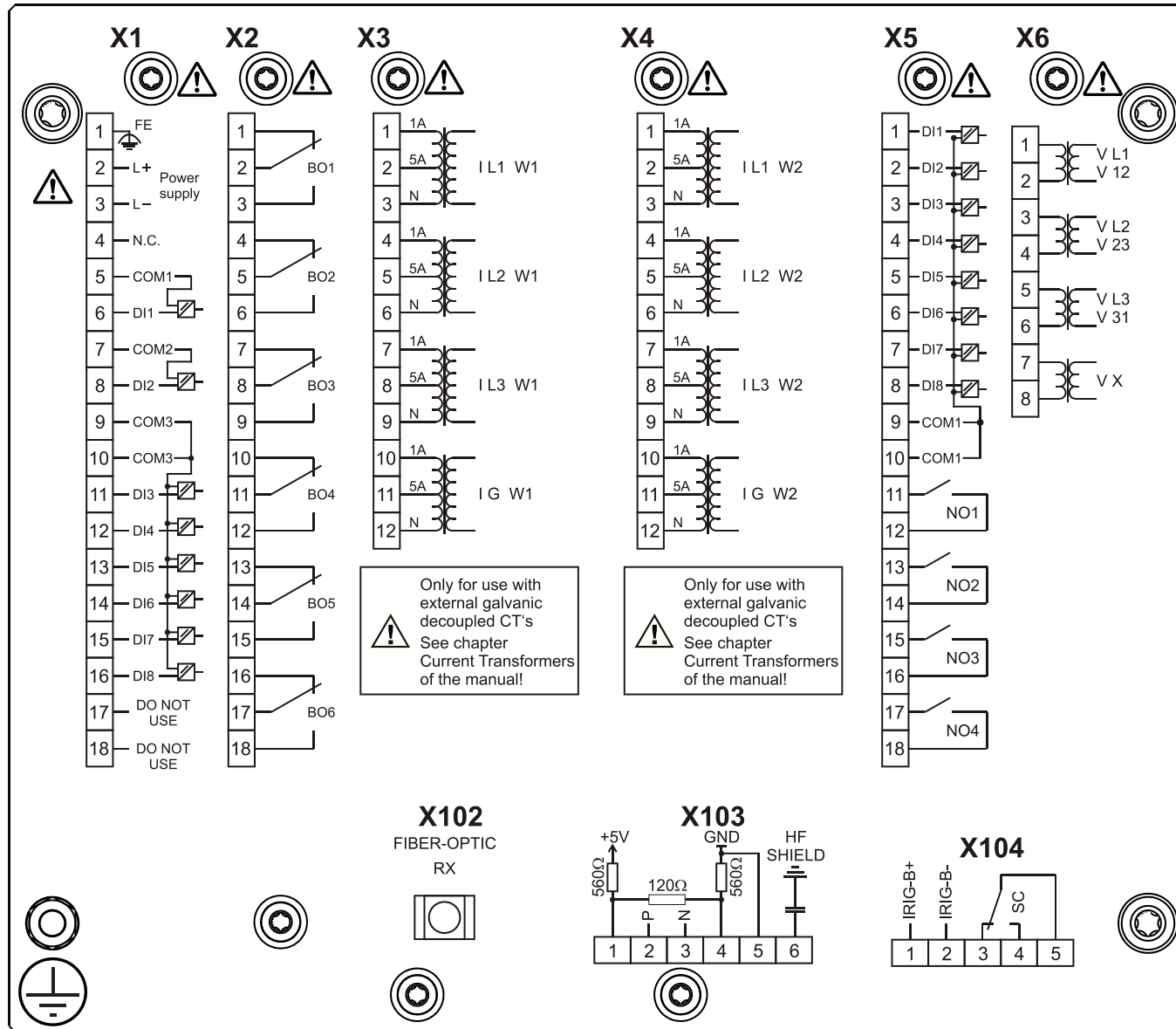
MCDTV4-2A0BAB



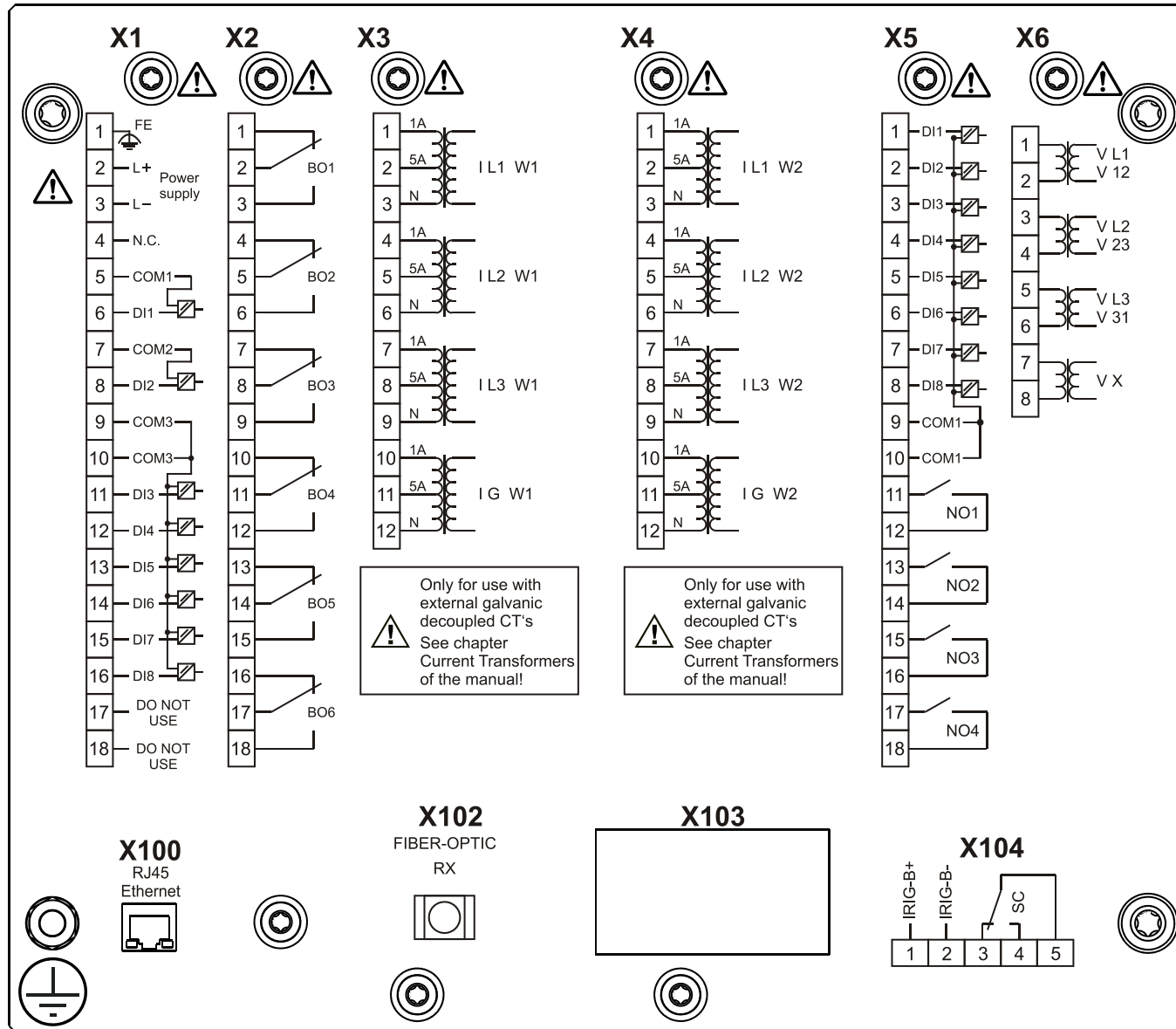
MCDTV4-2A0BBA



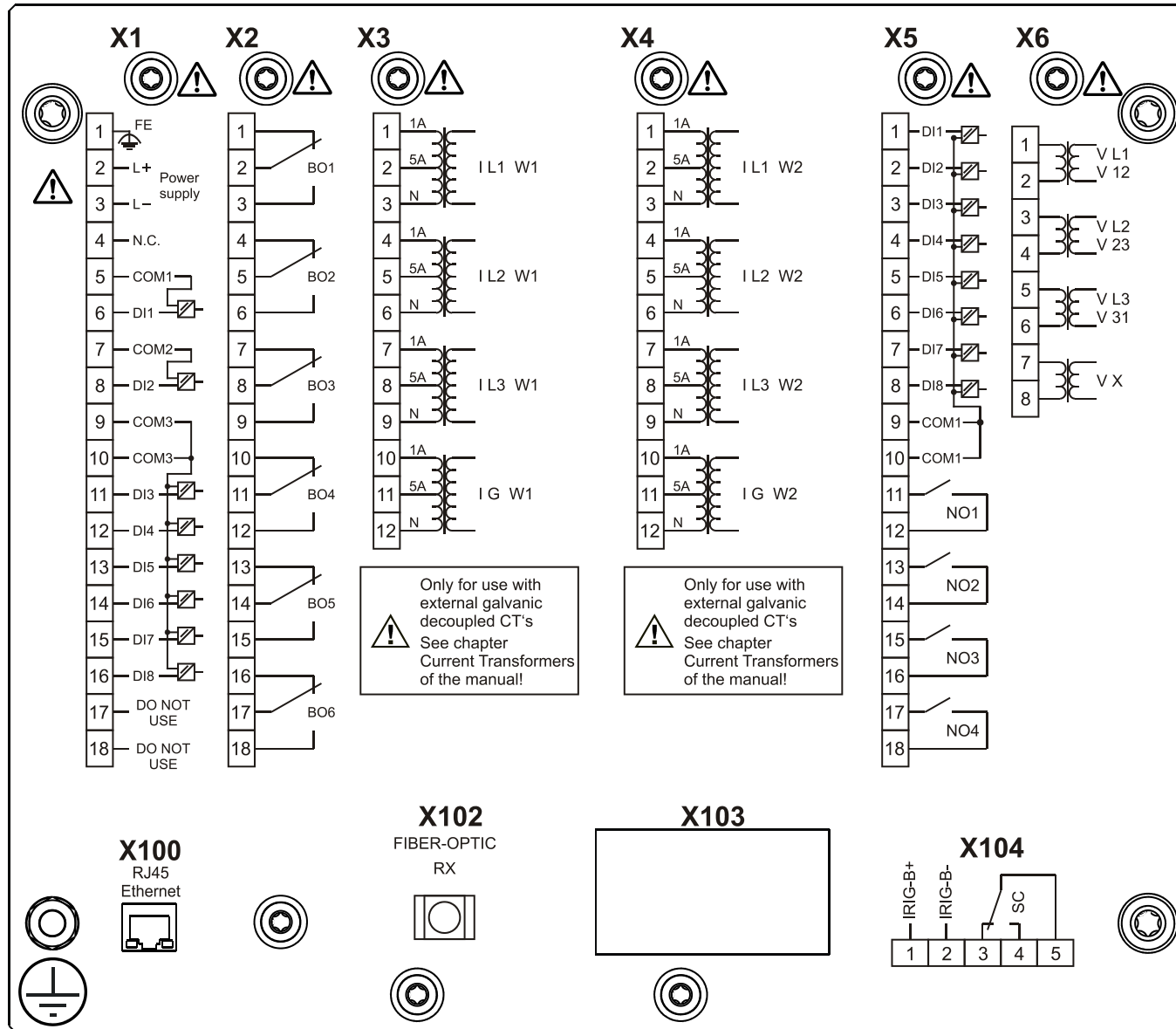
MCDTV4-2A0BBB



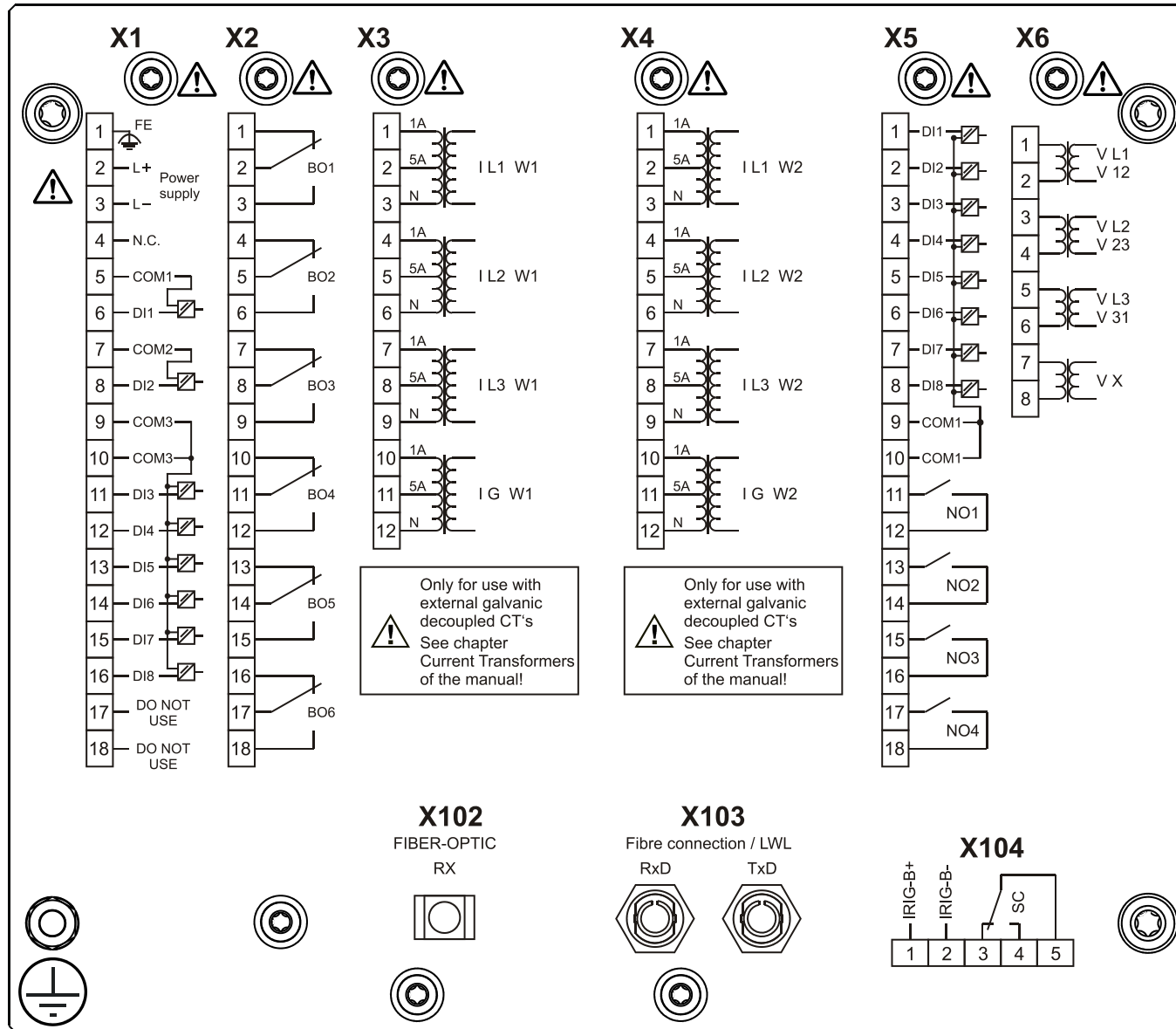
MCDTV4-2A0BCA



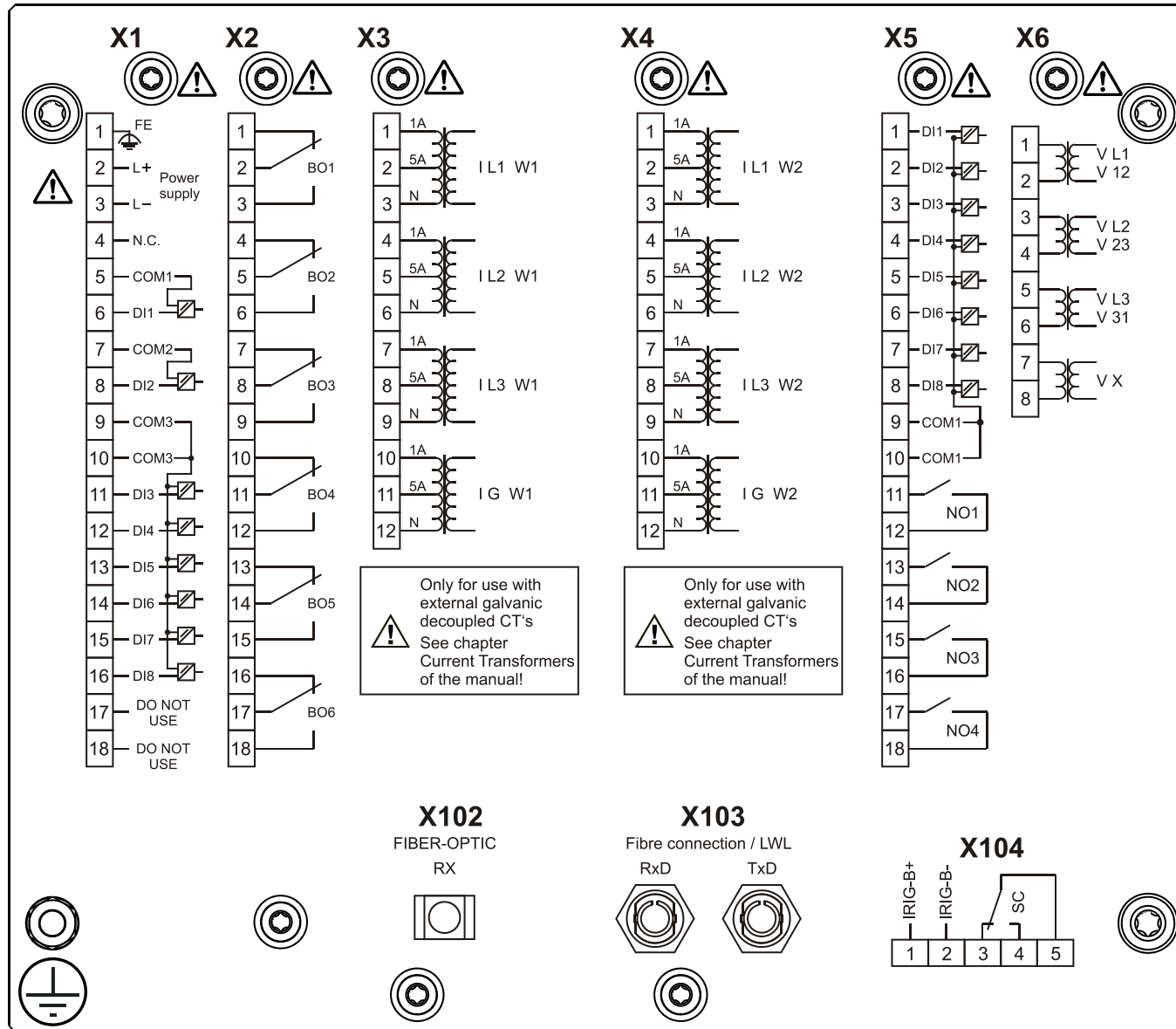
MCDTV4-2A0BCB



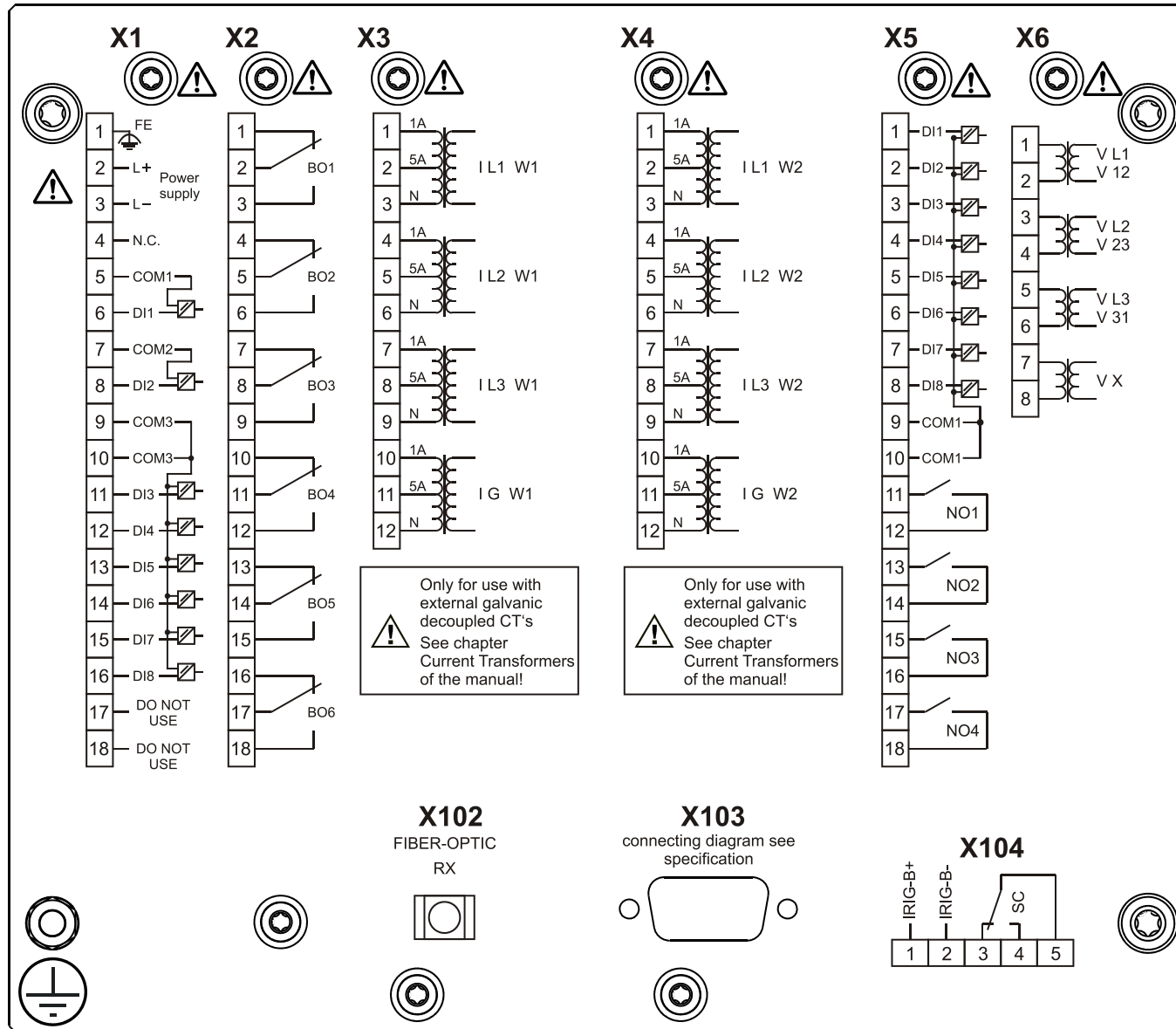
MCDTV4-2A0BDA



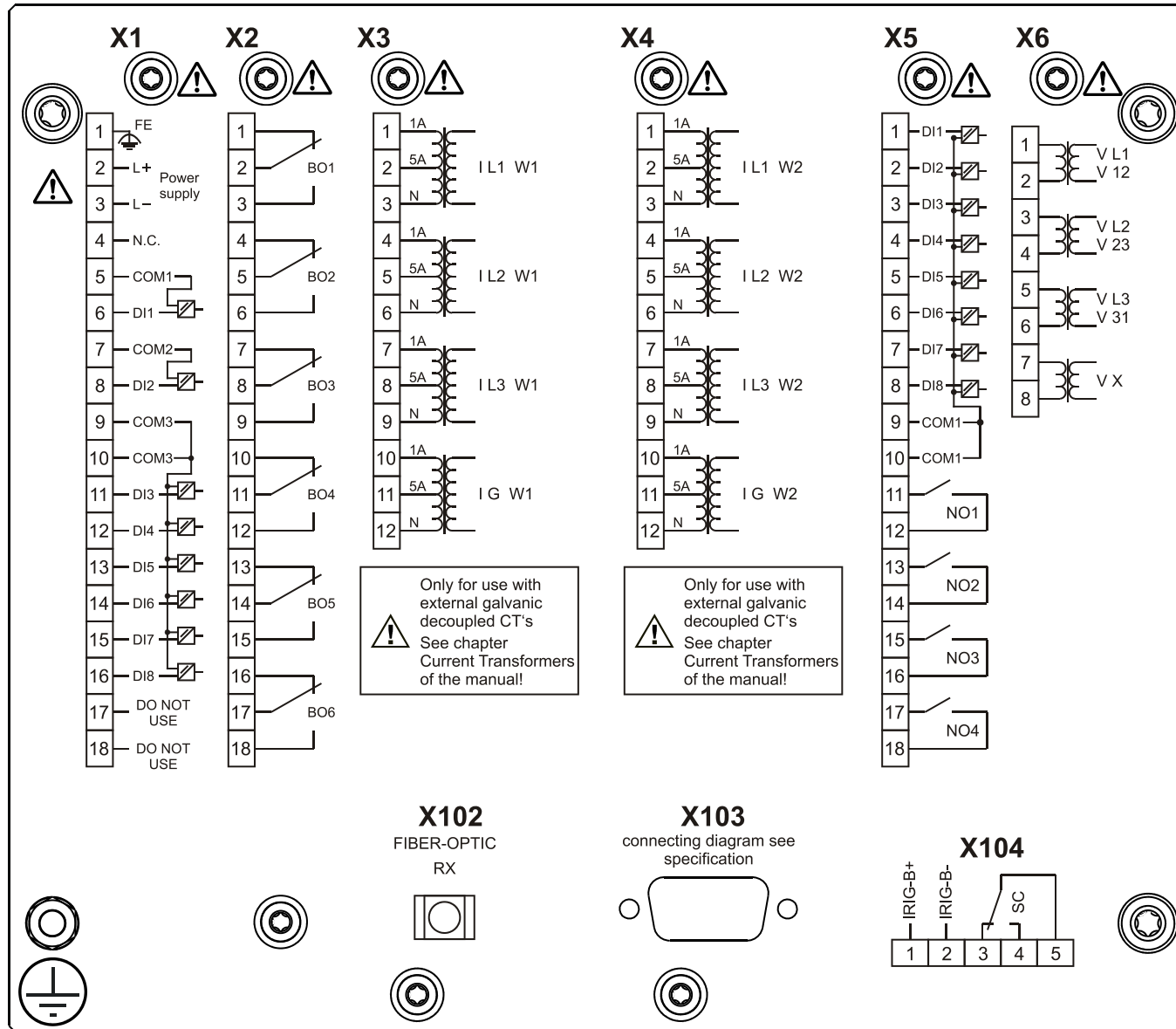
MCDTV4-2A0BDB



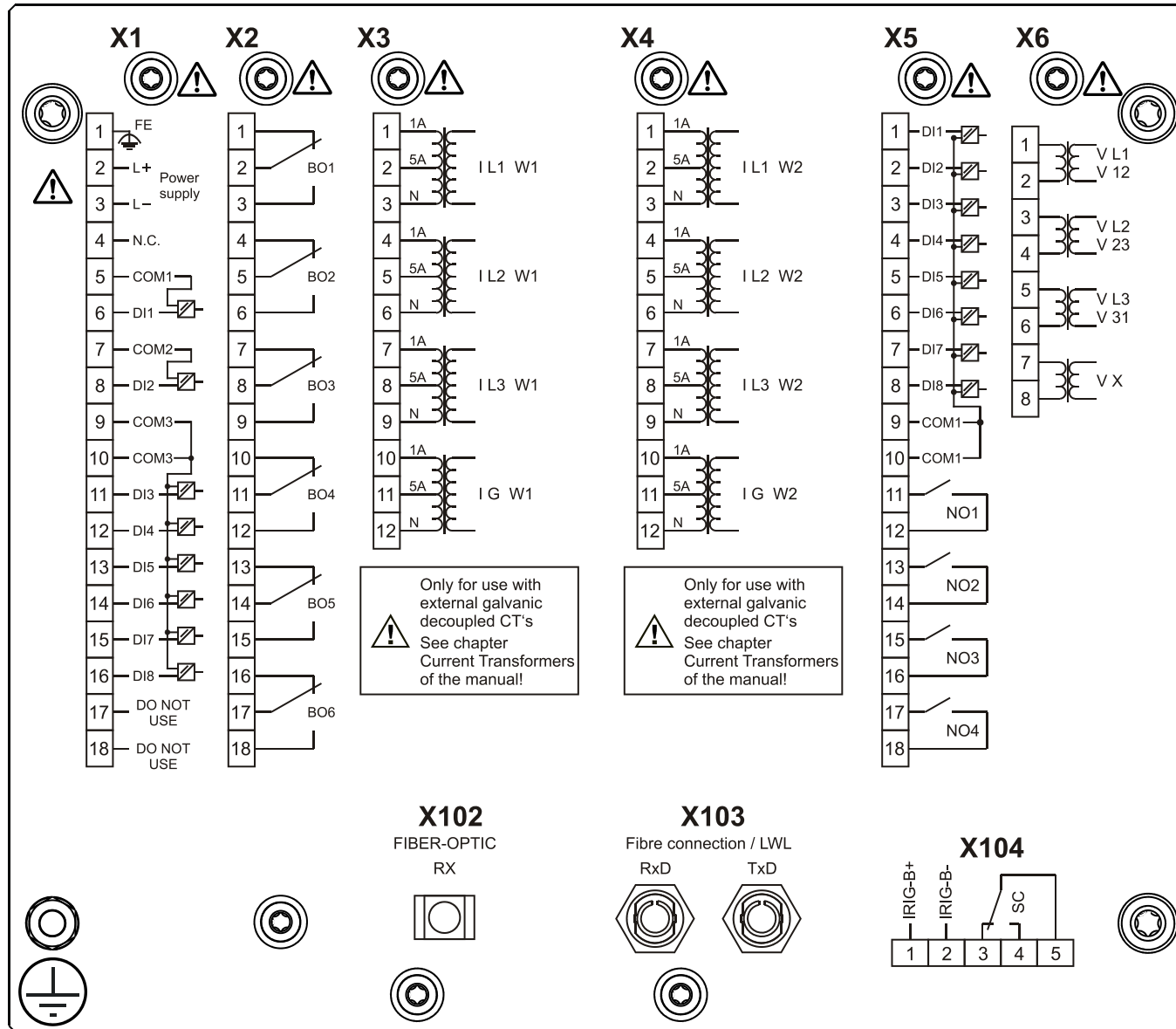
MCDTV4-2A0BEA



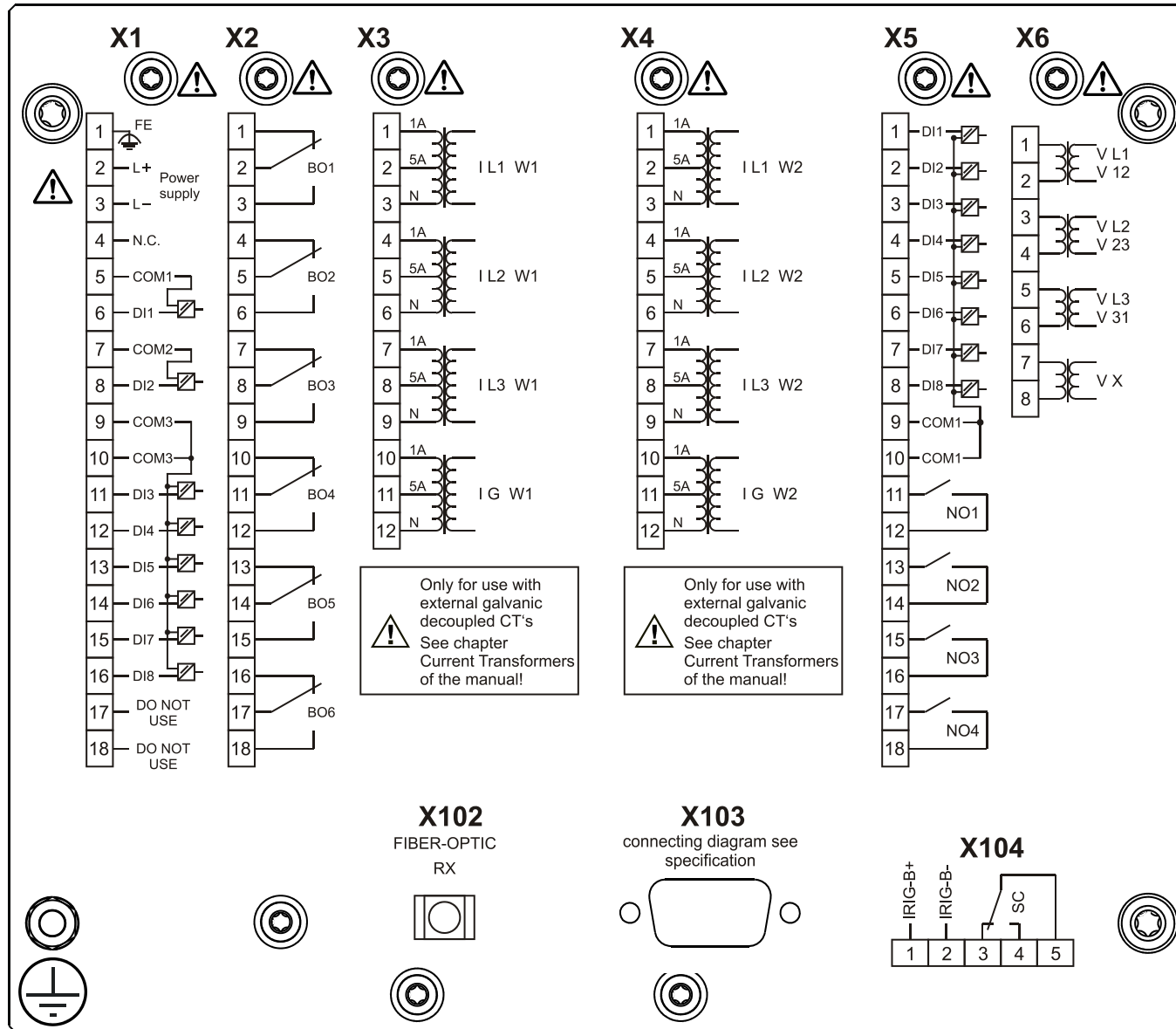
MCDTV4-2A0BEB



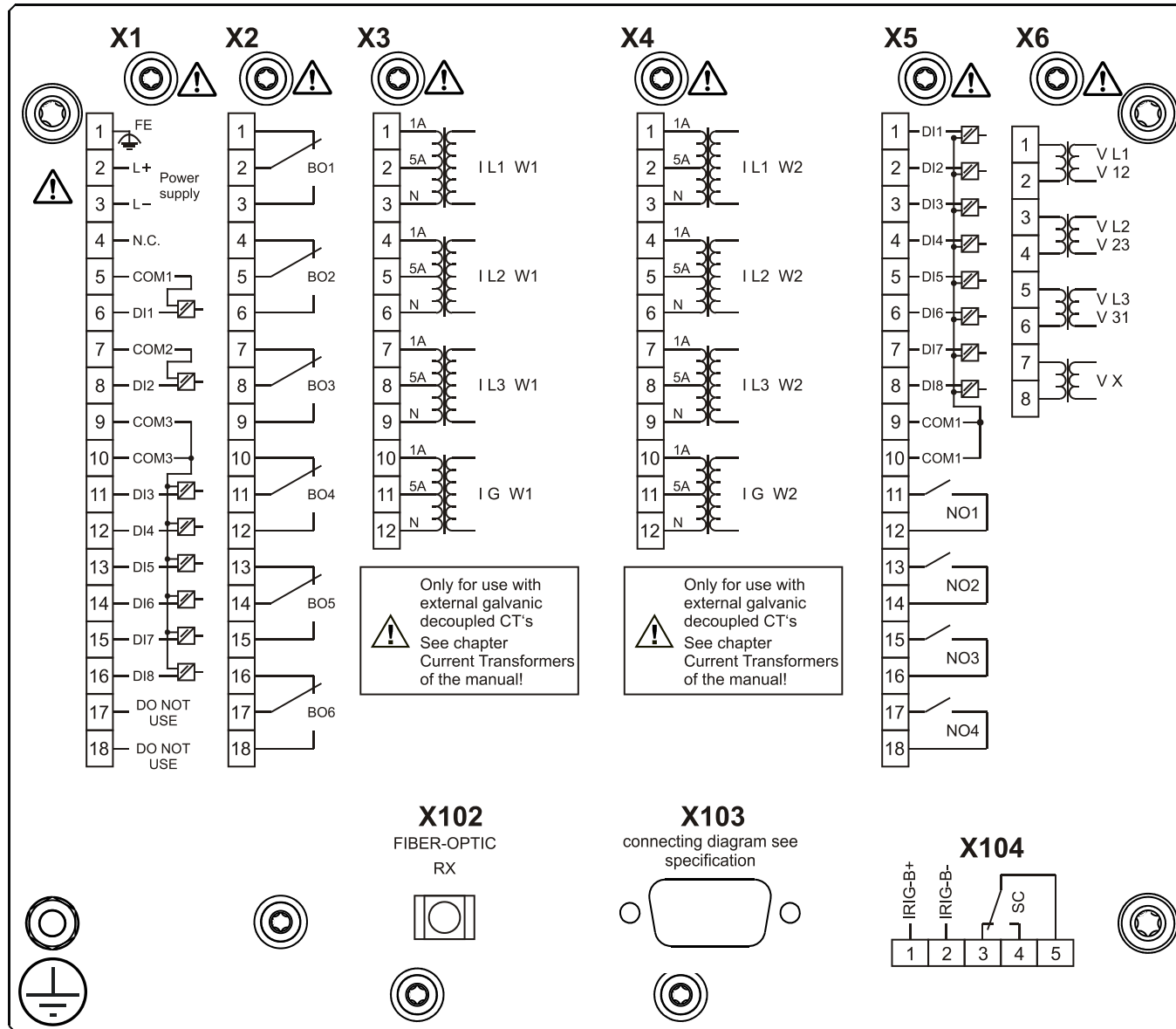
MCDTV4-2A0BFA



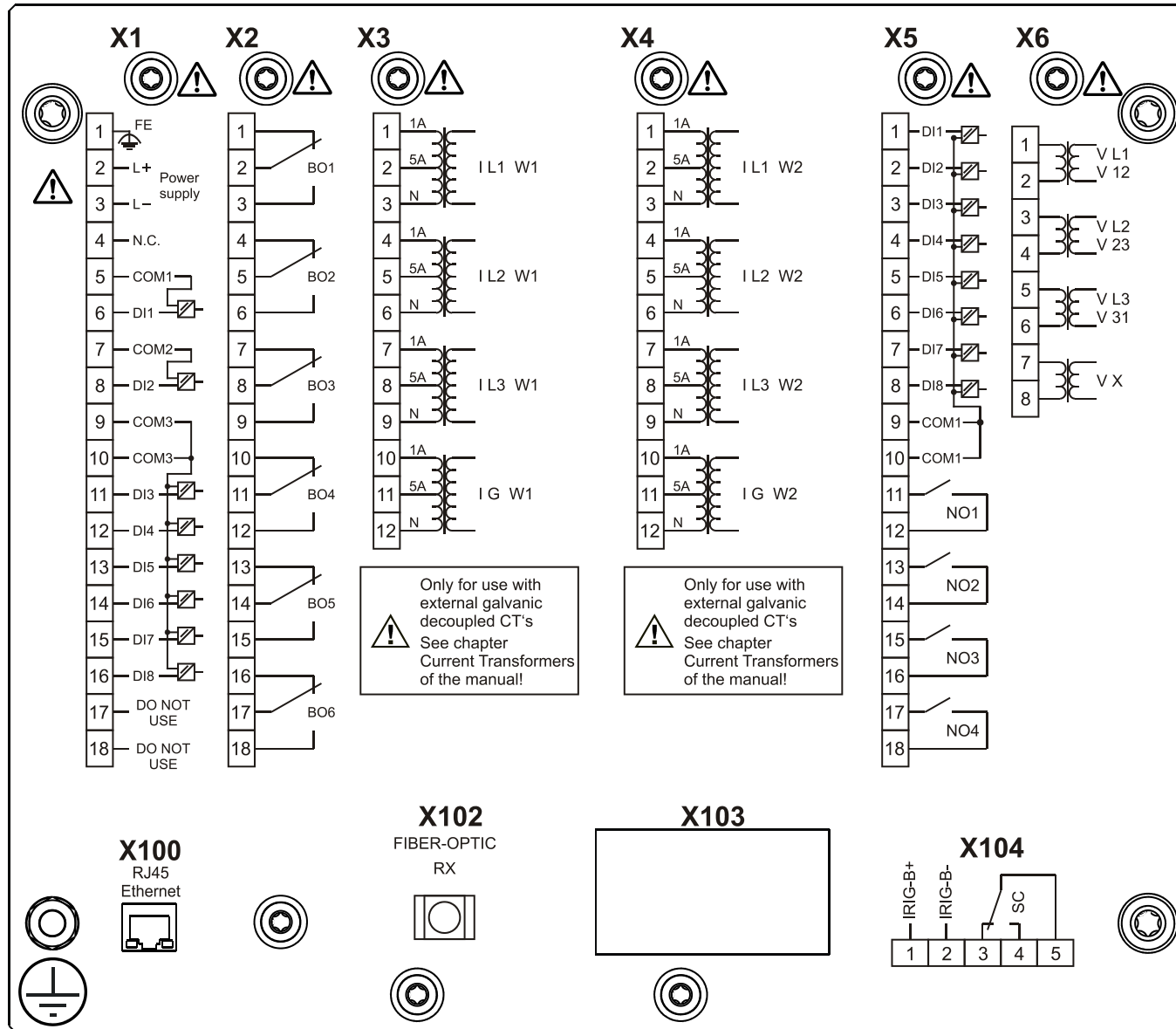
MCDTV4-2A0BGA



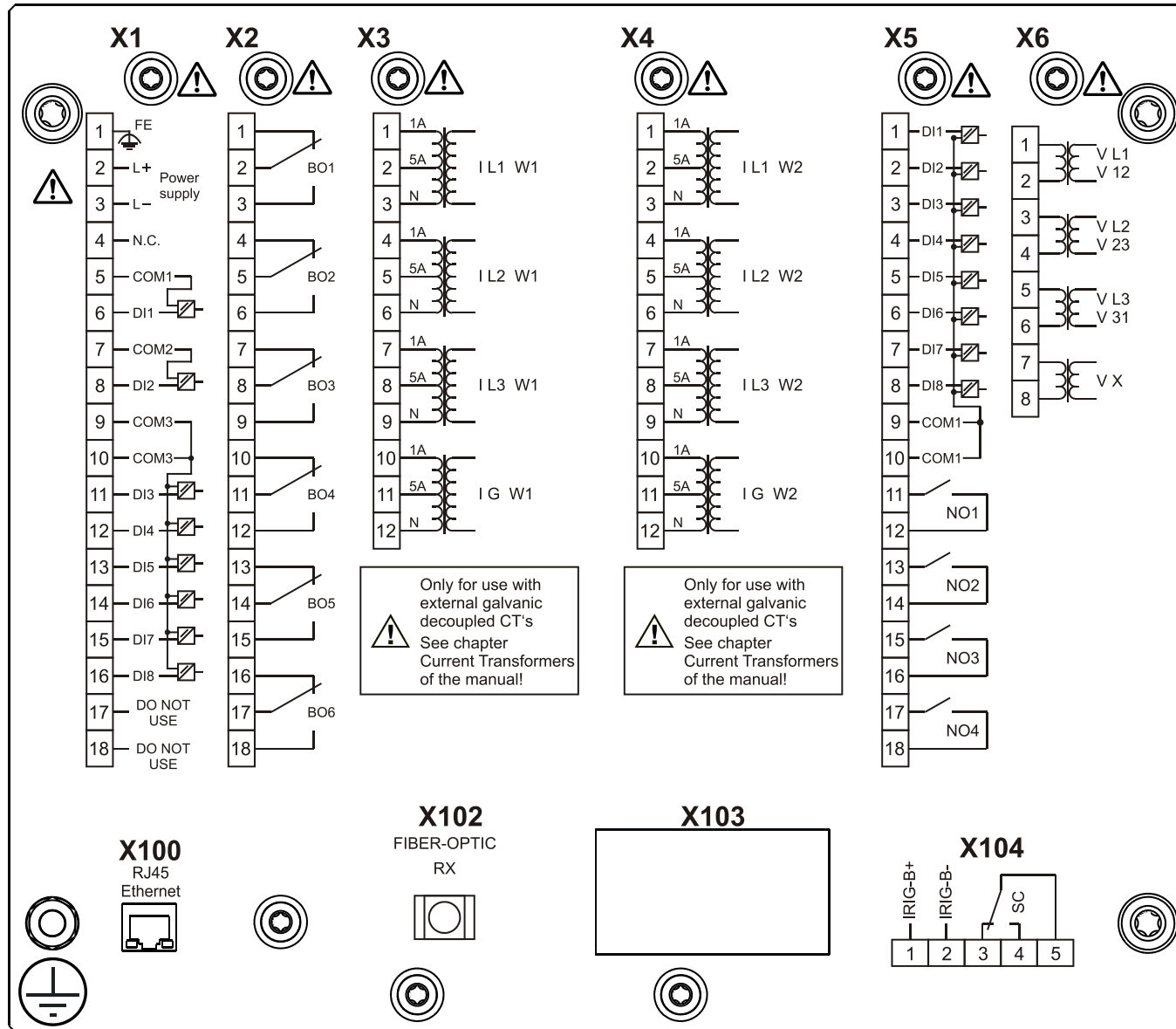
MCDTV4-2A0BGB



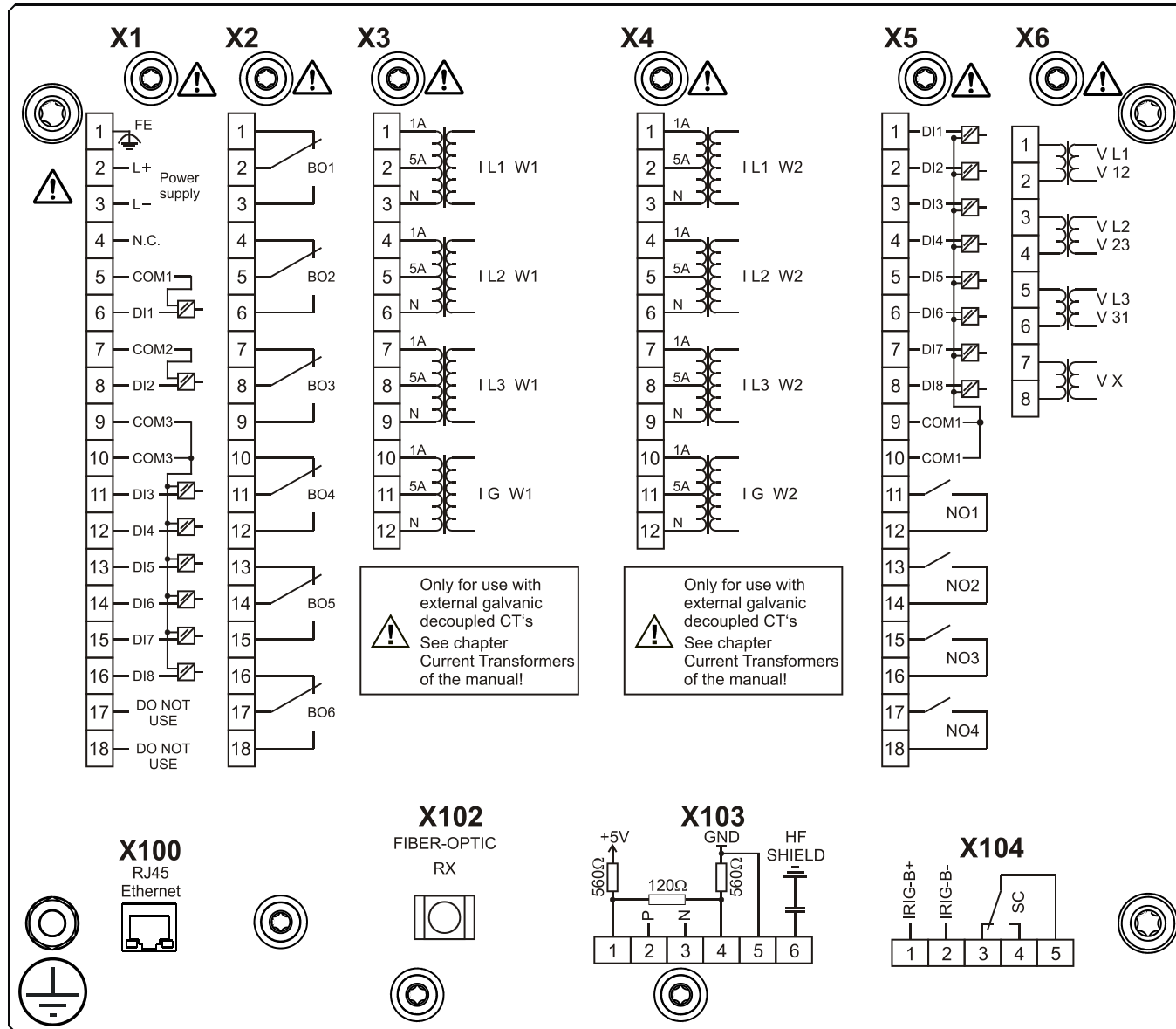
MCDTV4-2A0BHA



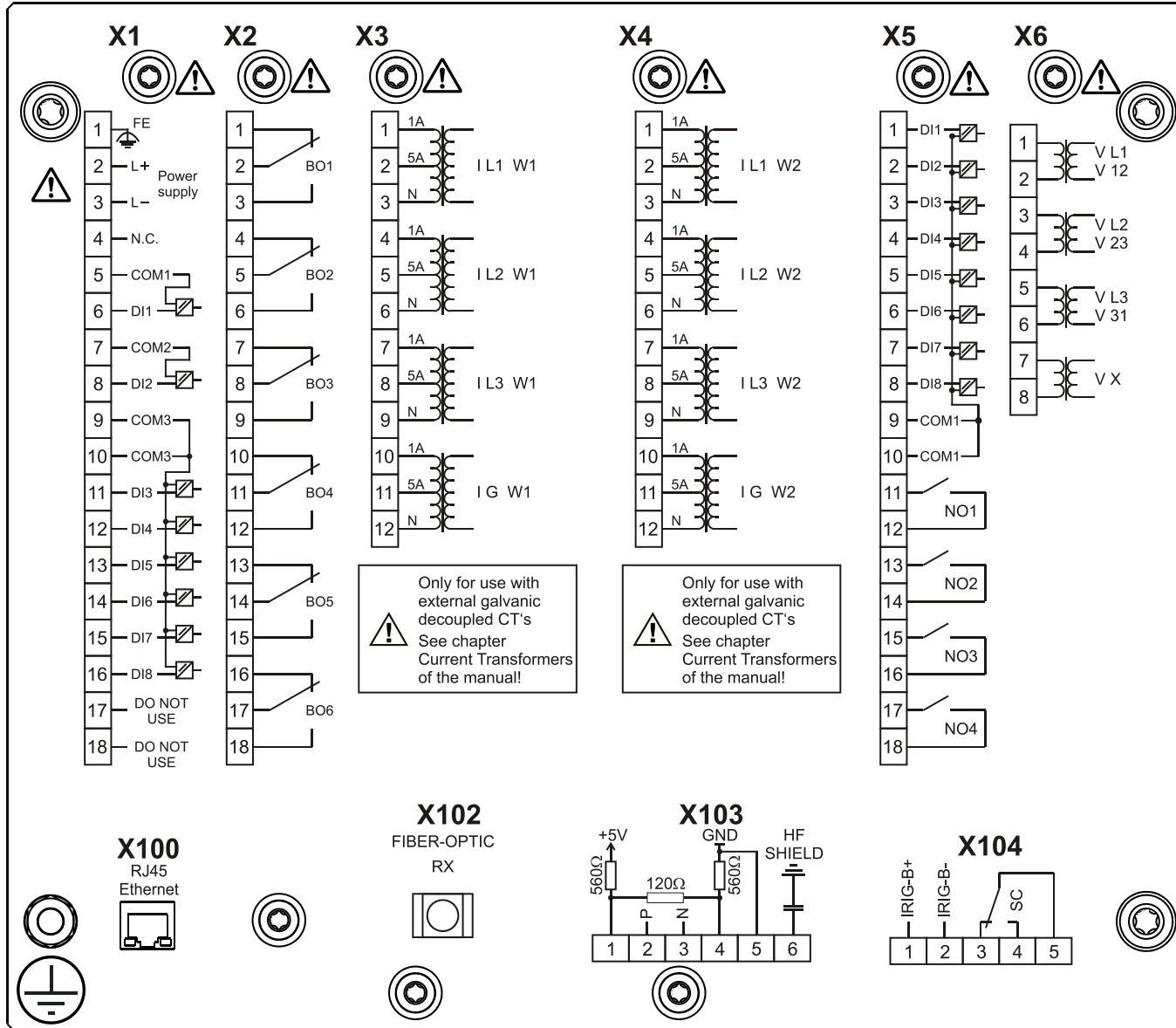
MCDTV4-2A0BHB



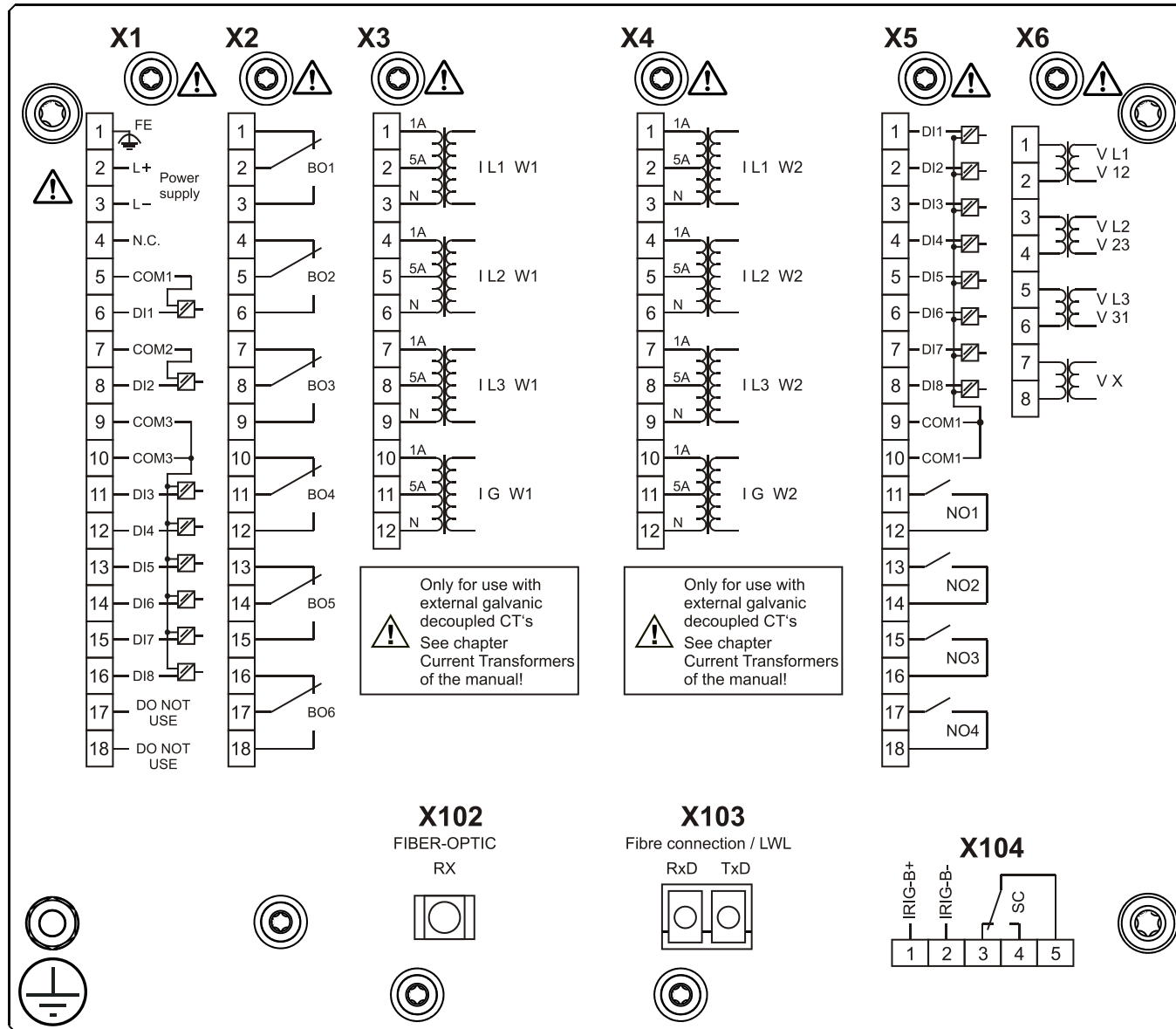
MCDTV4-2A0BIA



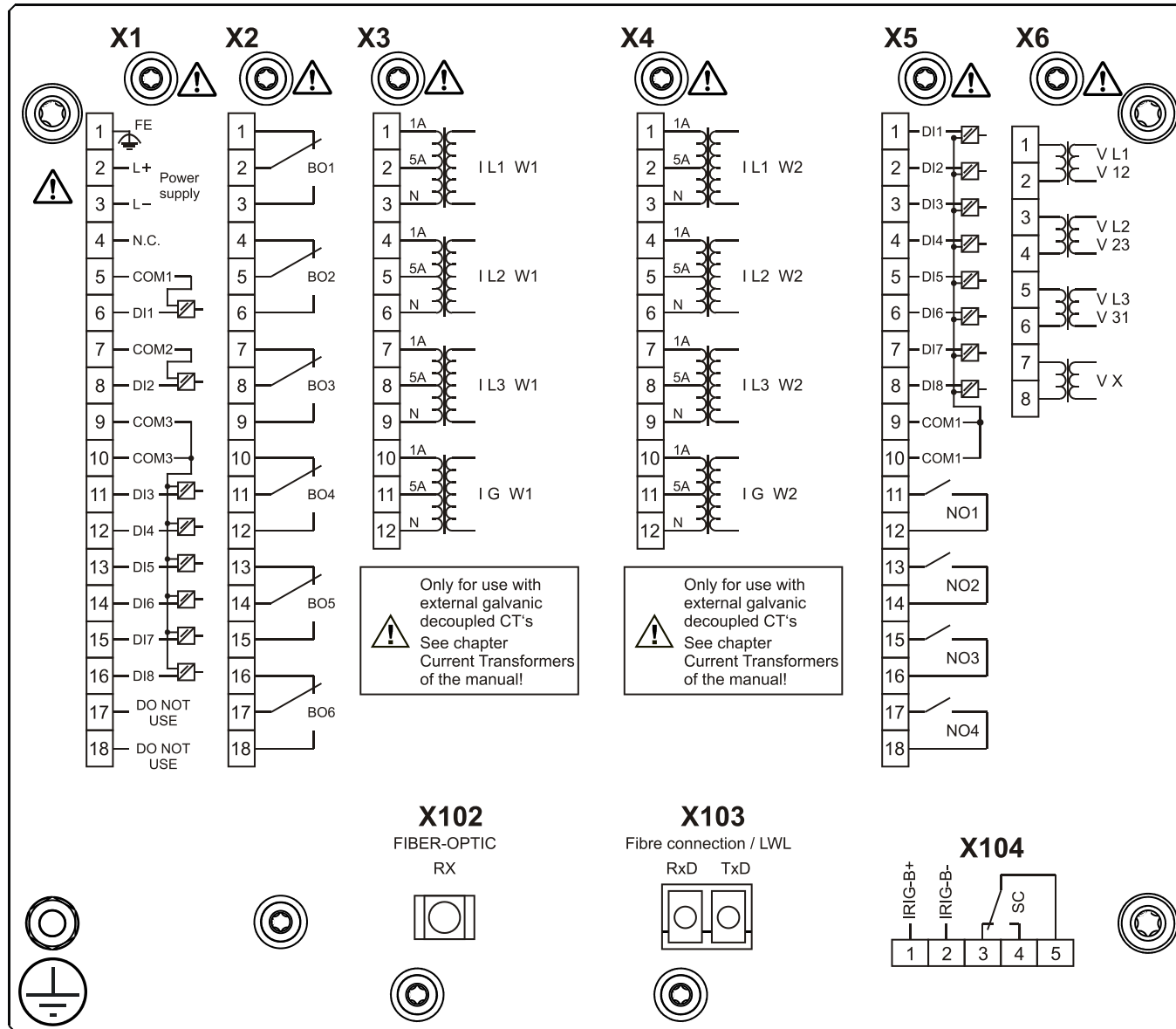
MCDTV4-2A0BIB



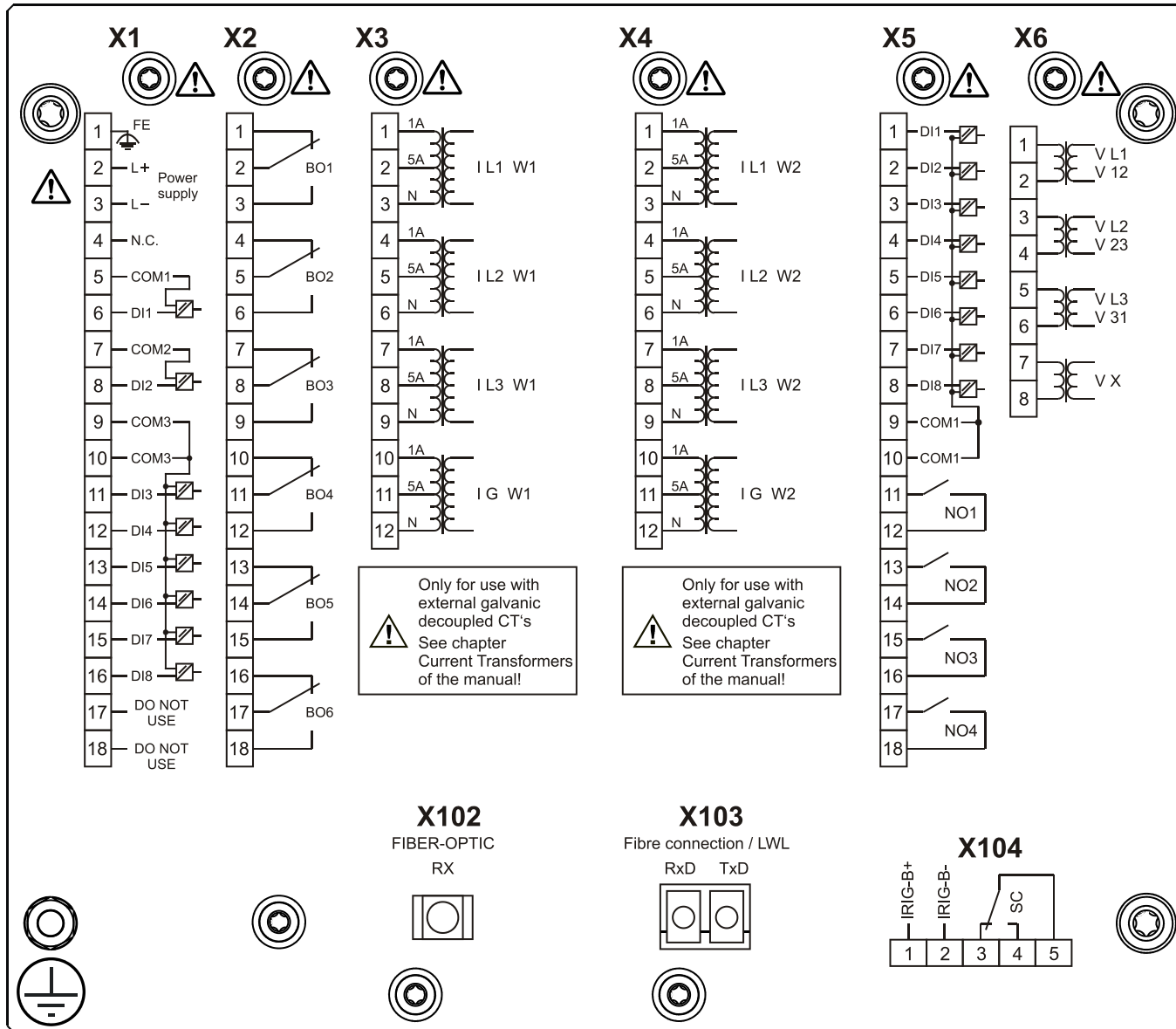
MCDTV4-2A0BKA



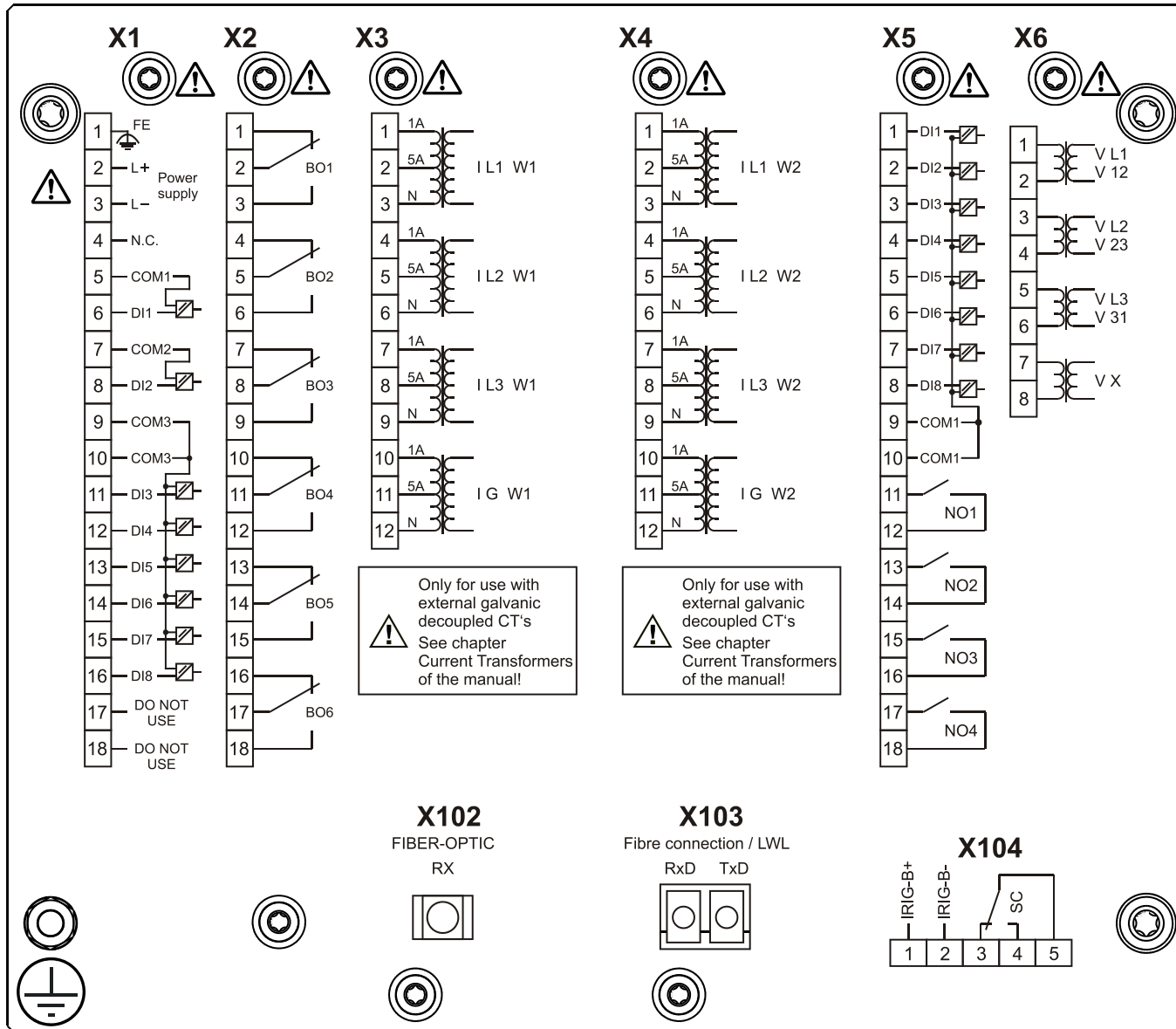
MCDTV4-2A0BKB



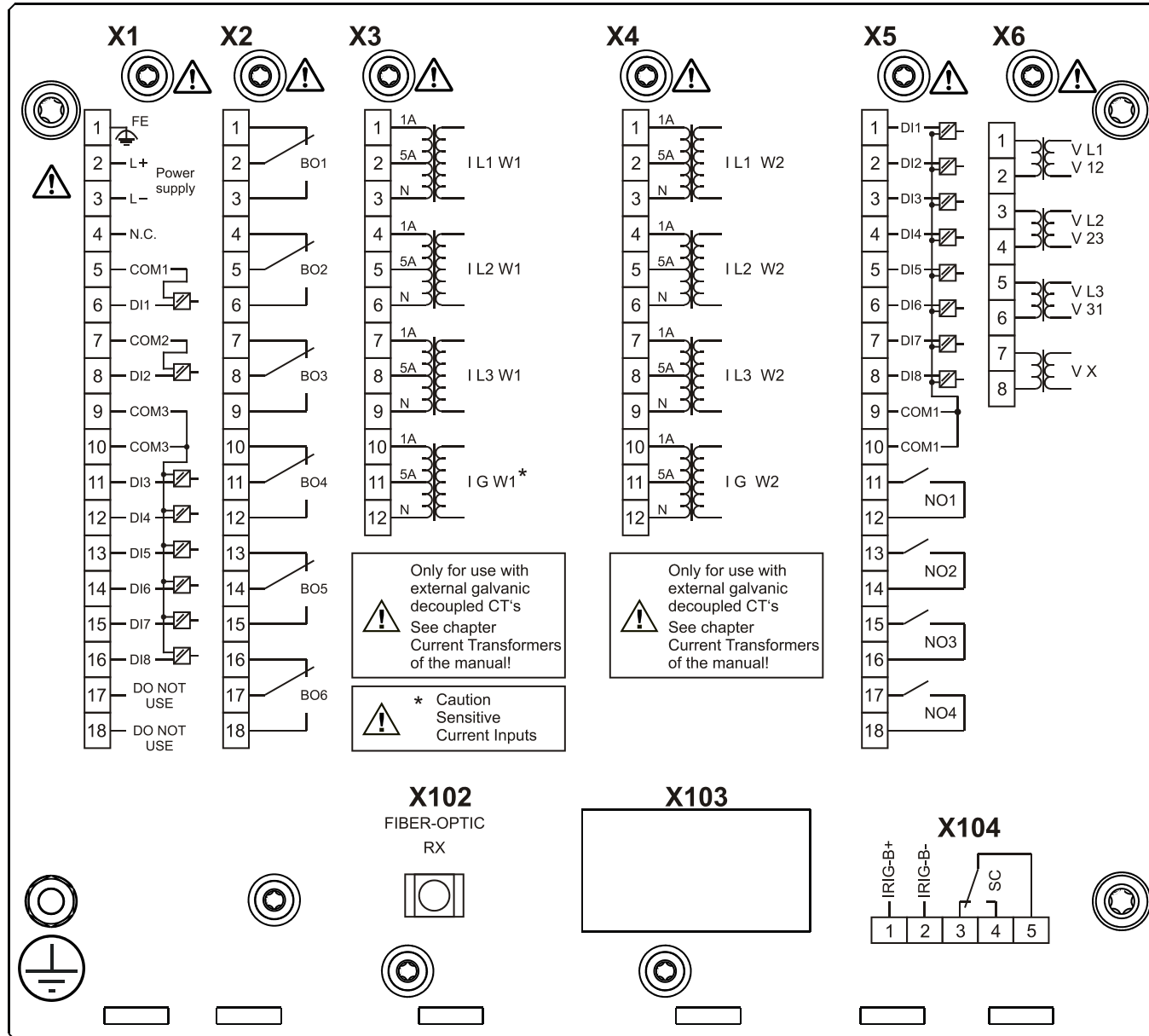
MCDTV4-2A0BLA



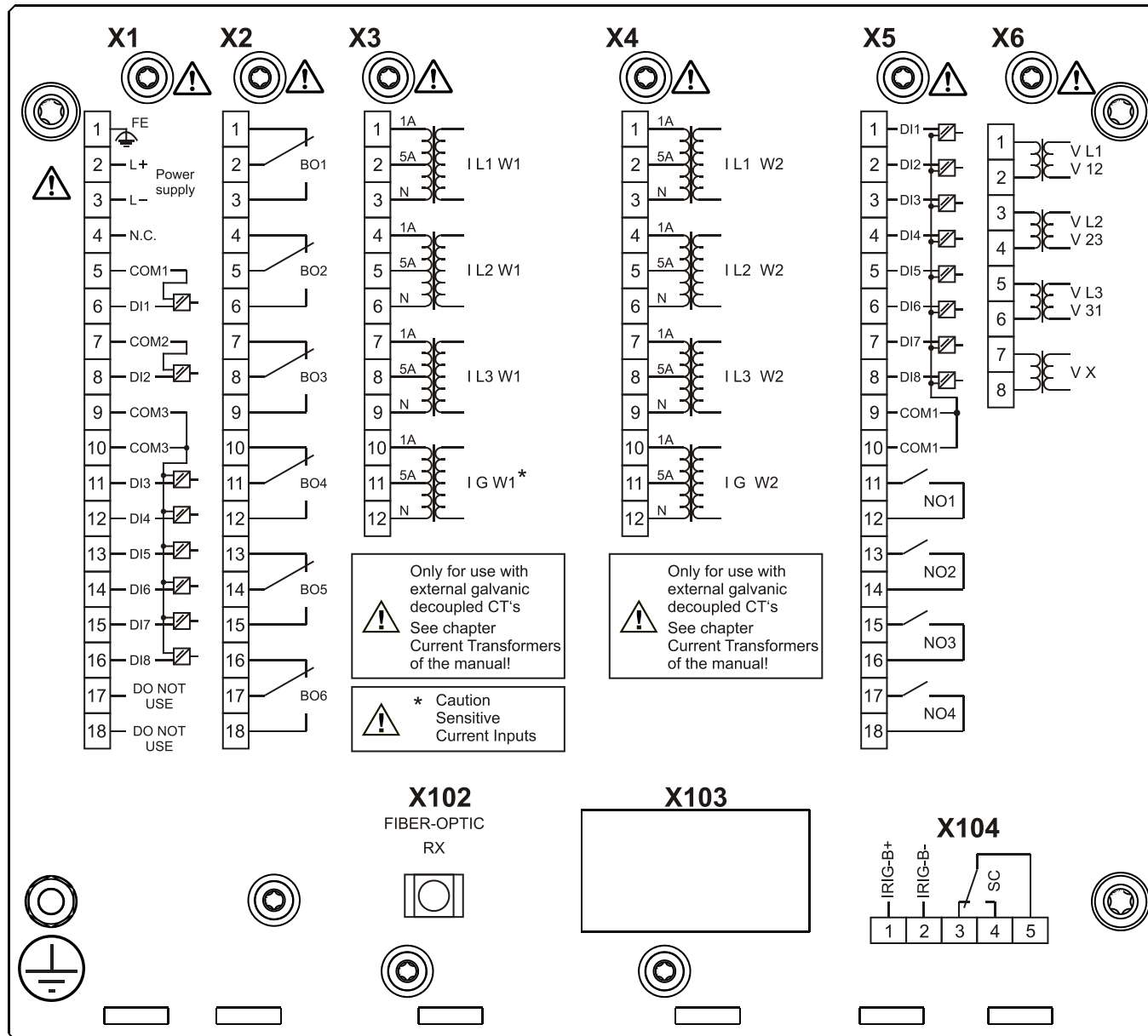
MCDTV4-2A0BLB



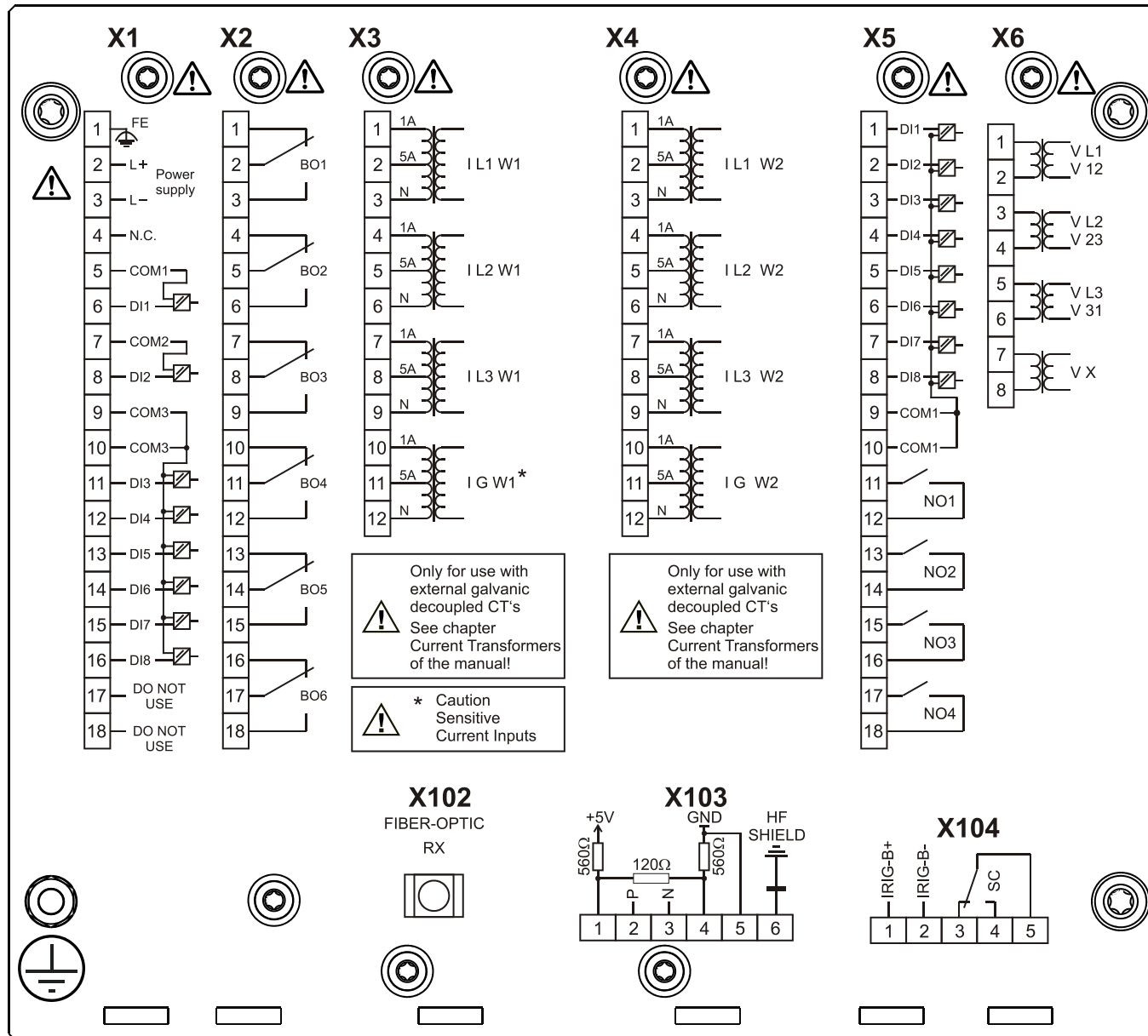
MCDTV4-2A1AAA



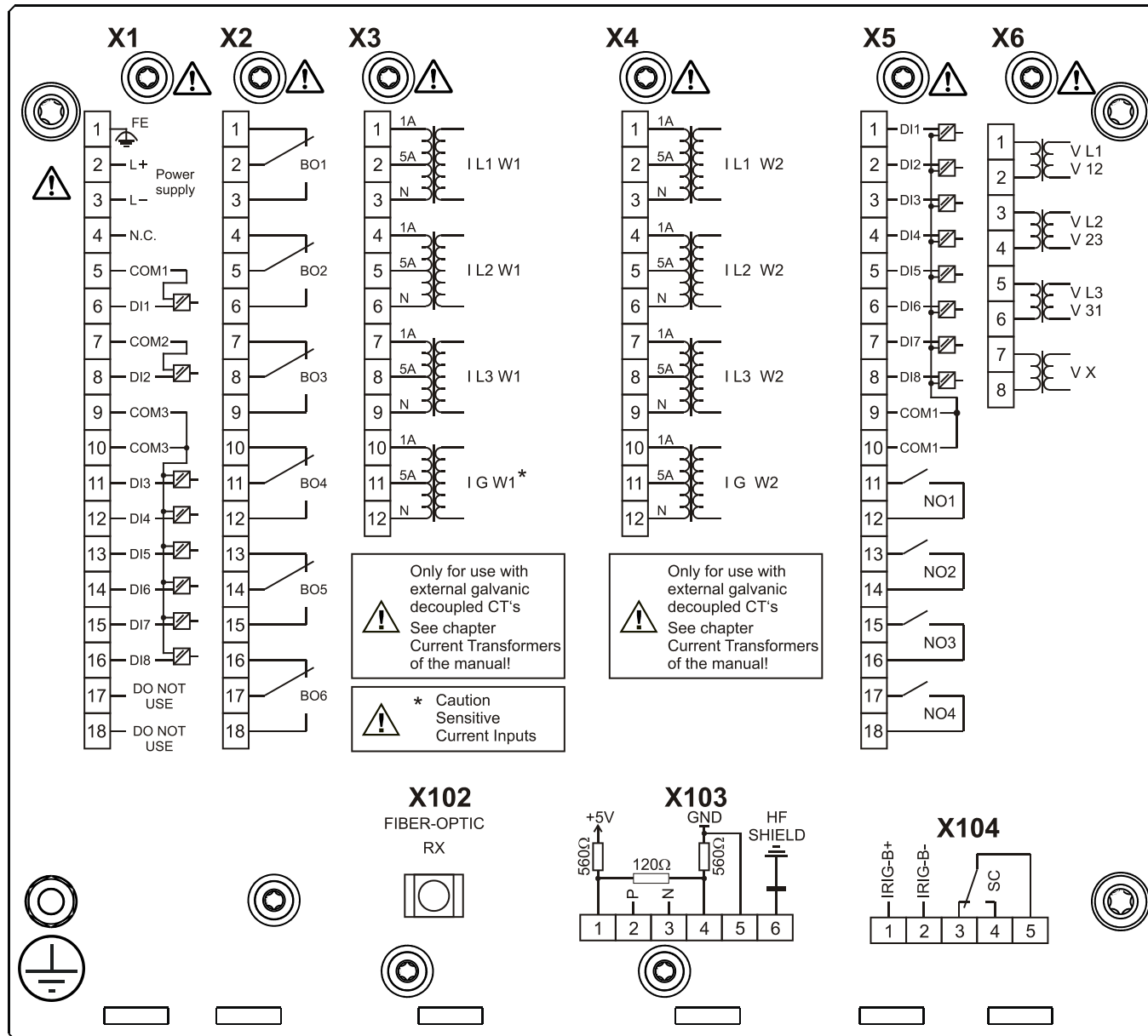
MCDTV4-2A1AAB



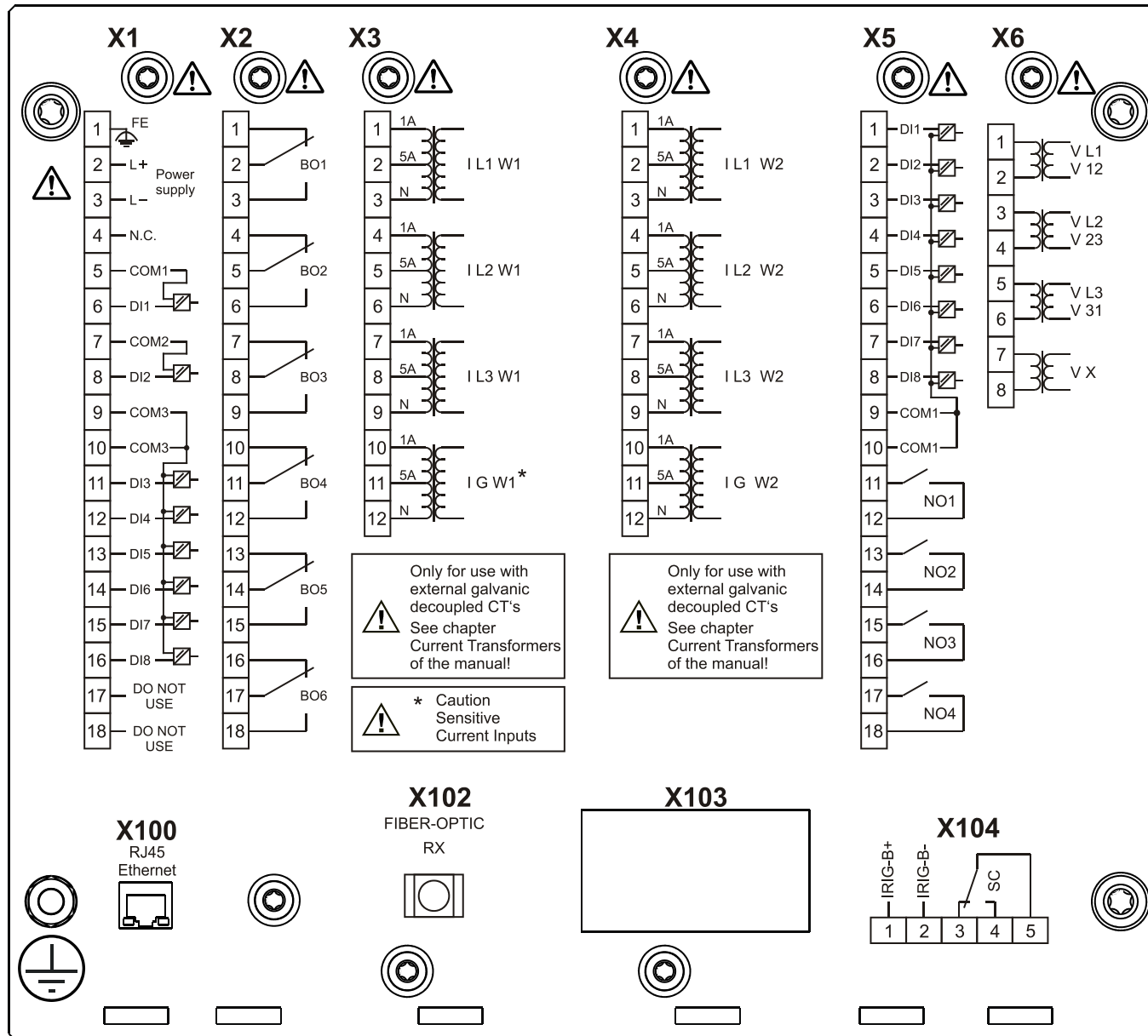
MCDTV4-2A1ABA



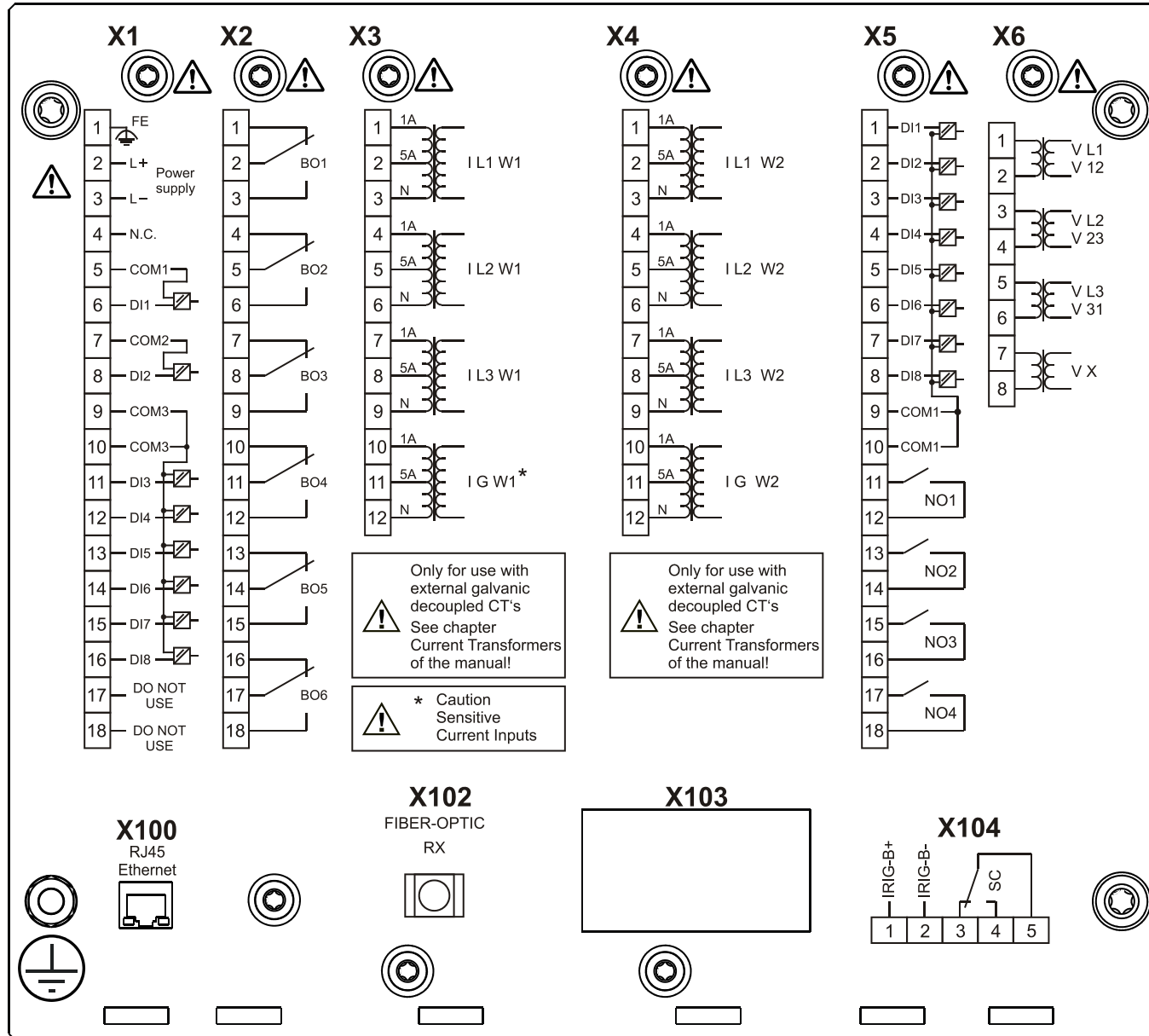
MCDTV4-2A1ABB



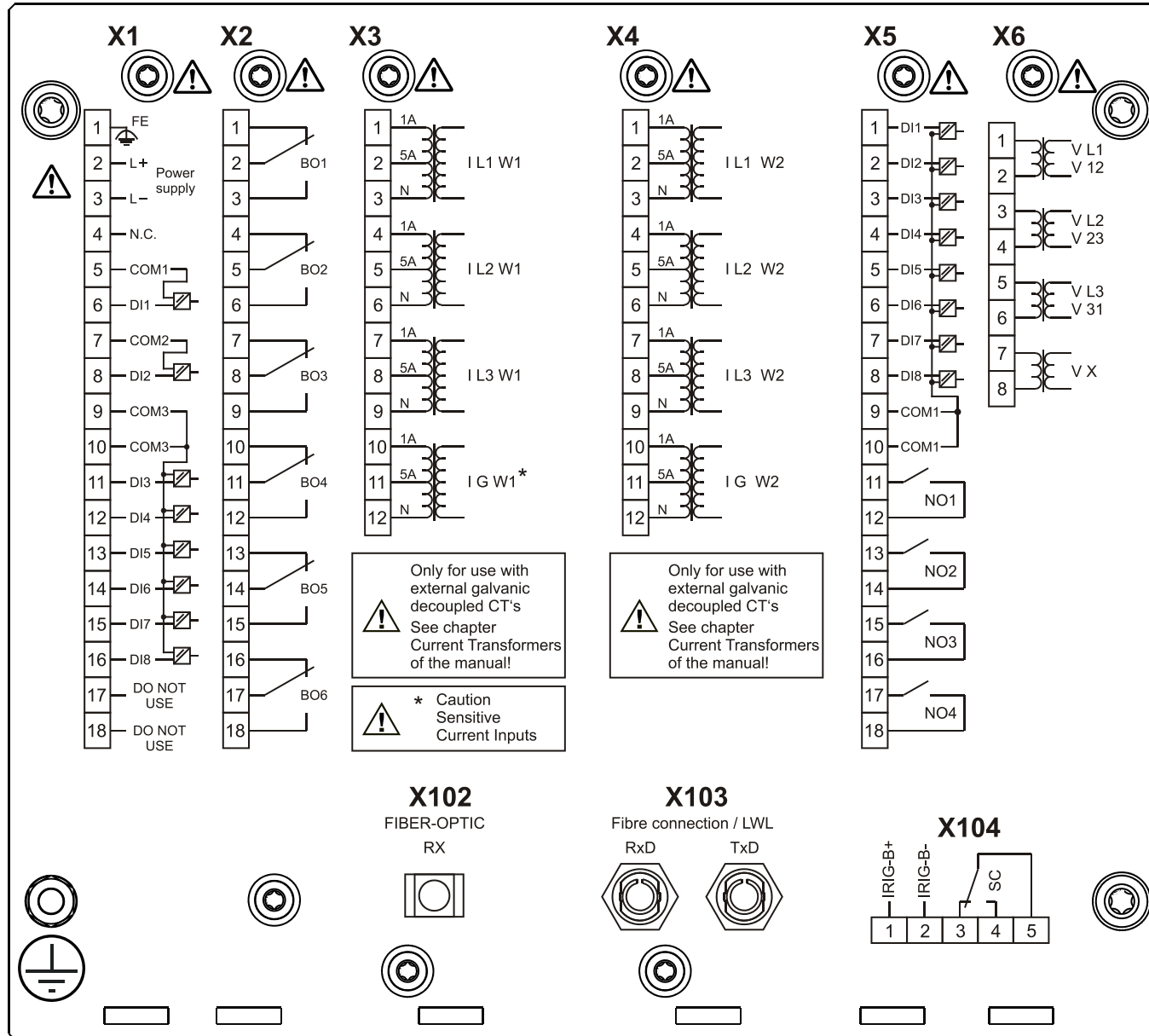
MCDTV4-2A1ACA



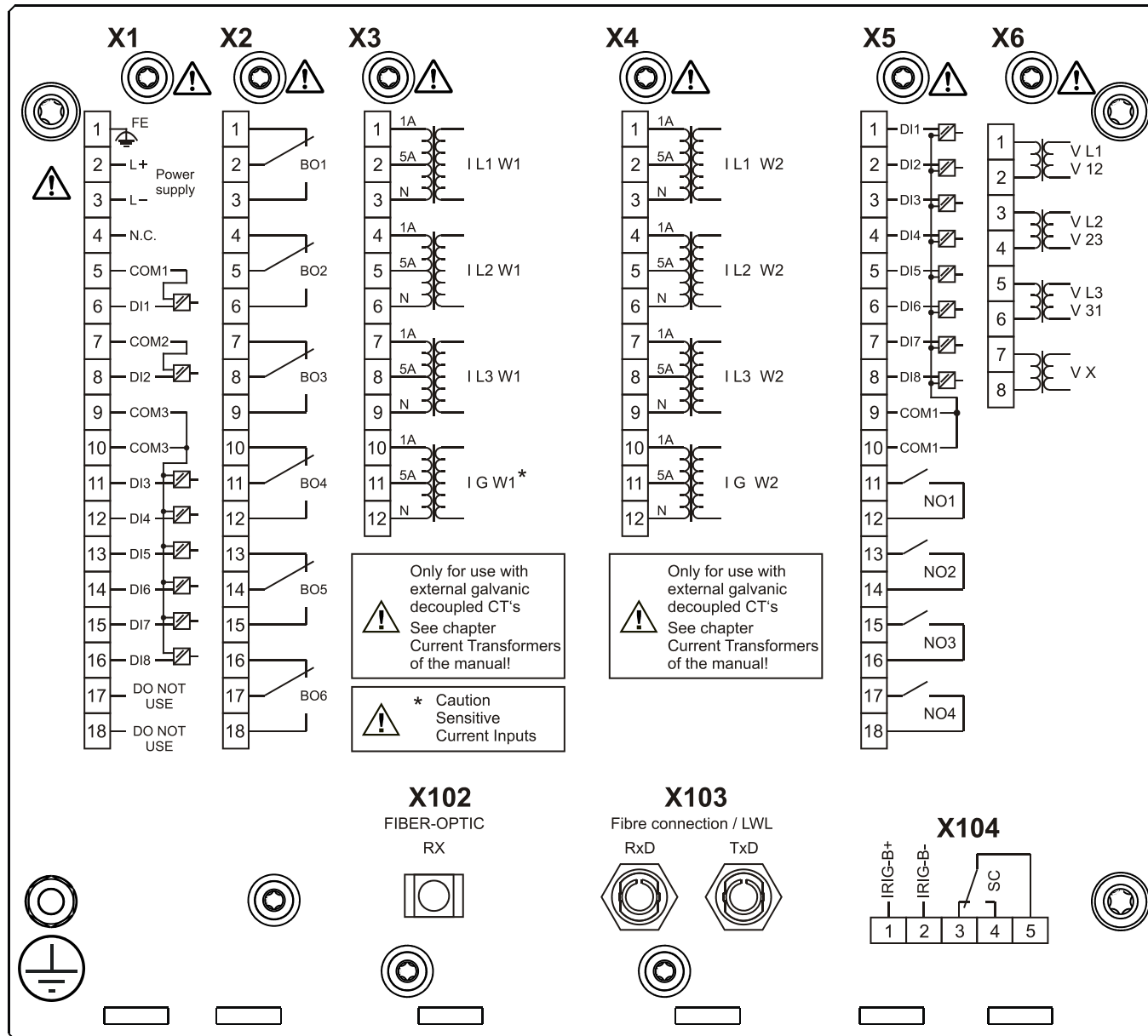
MCDTV4-2A1ACB



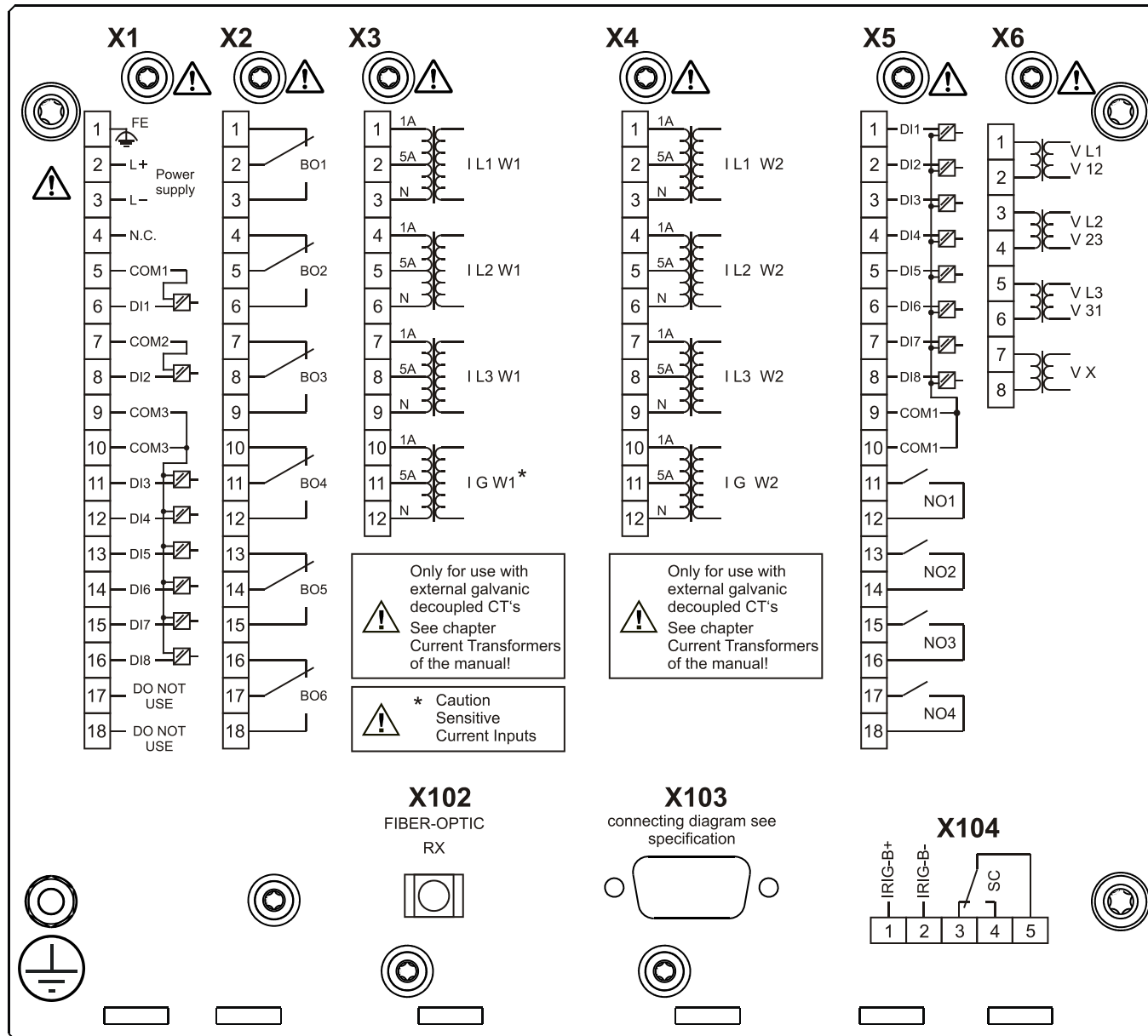
MCDTV4-2A1ADA



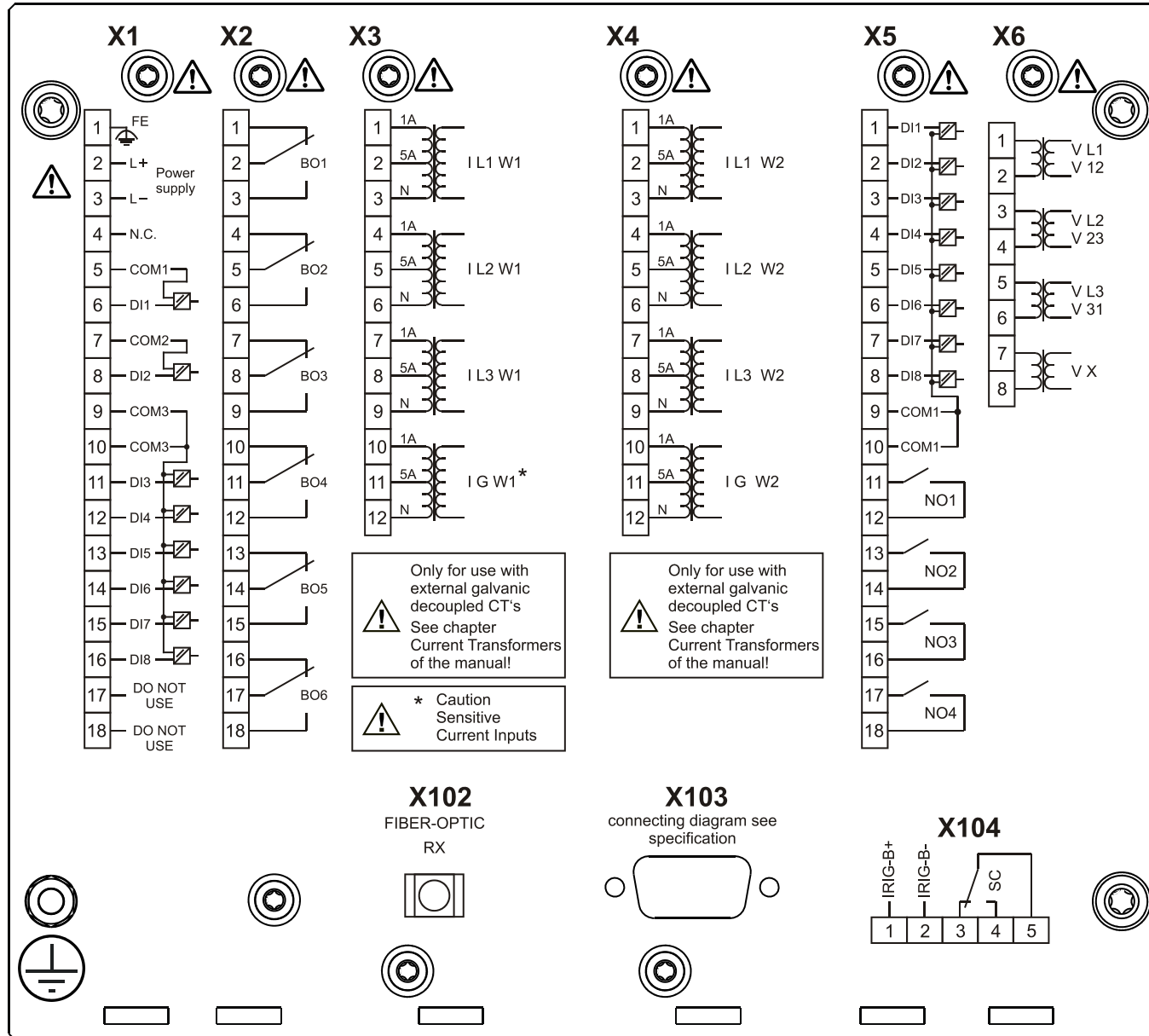
MCDTV4-2A1ADB



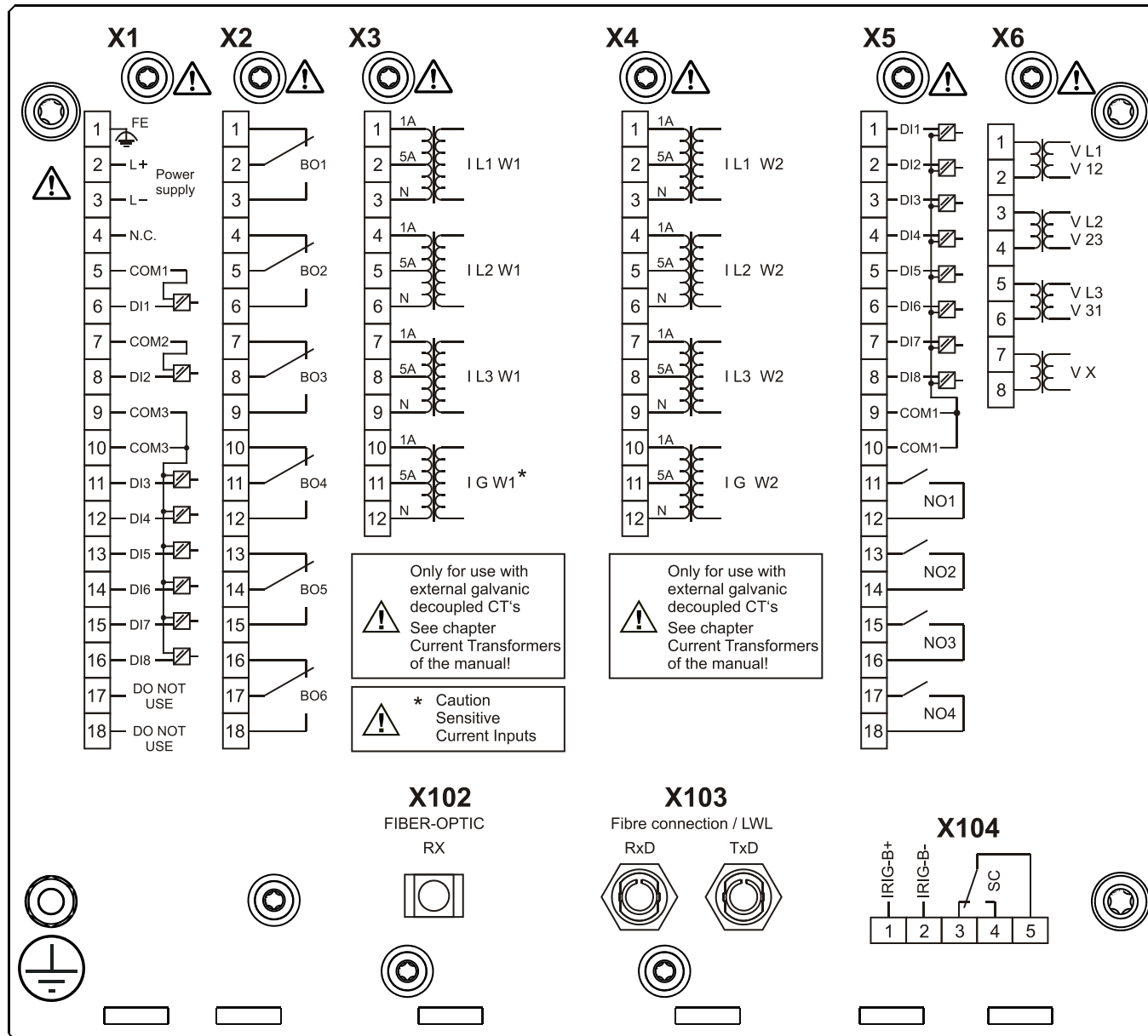
MCDTV4-2A1AEA



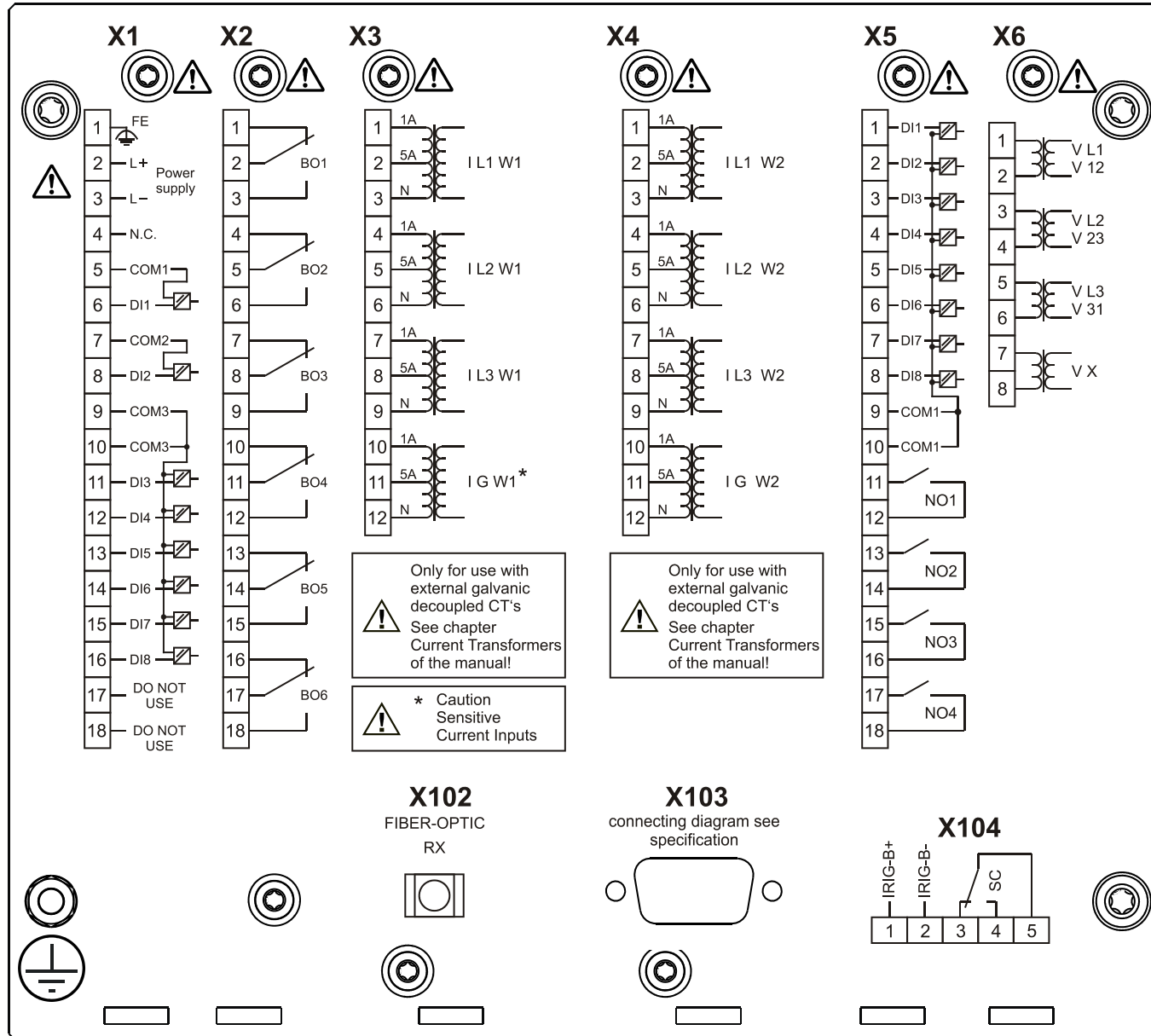
MCDTV4-2A1AEB



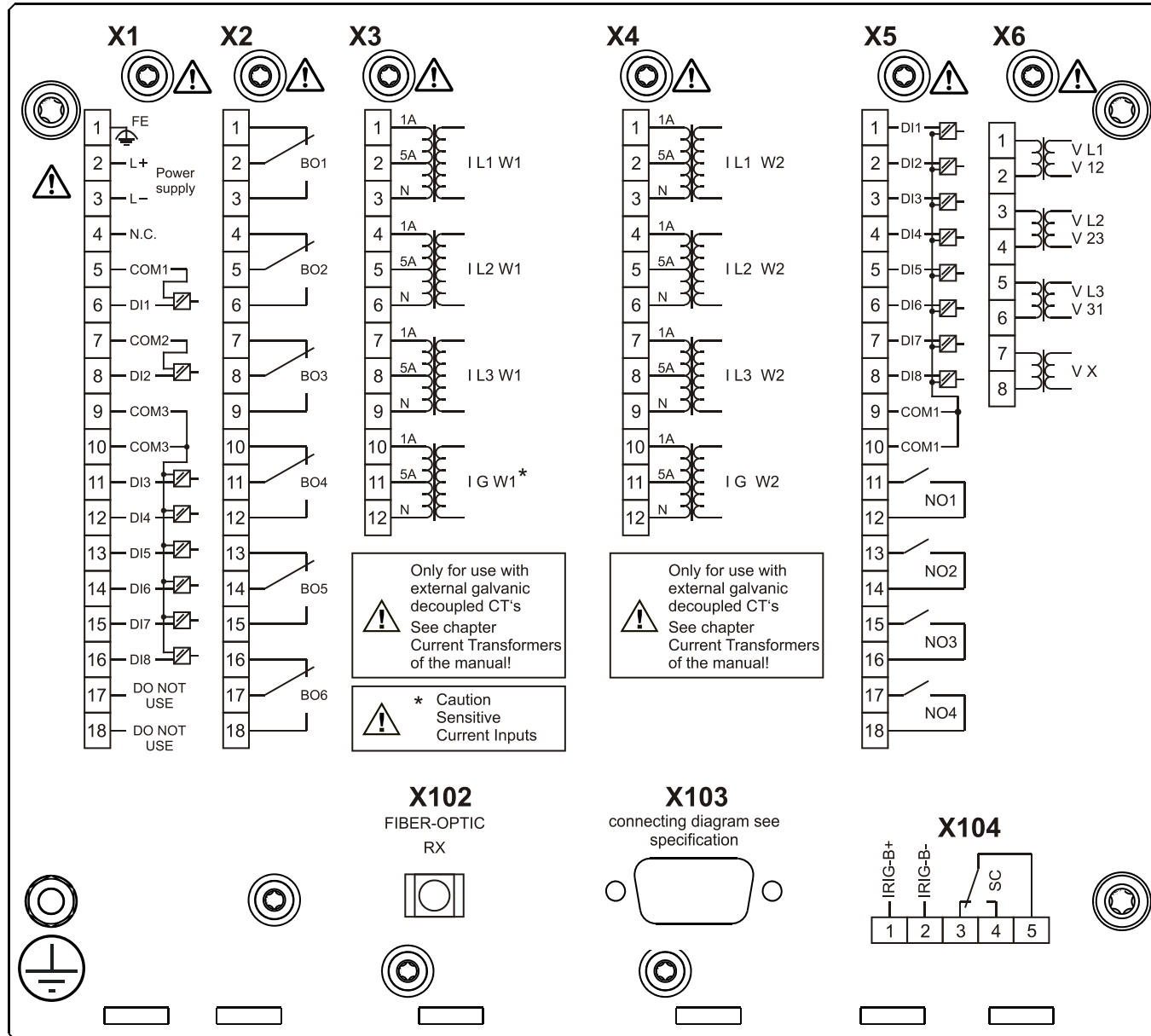
MCDTV4-2A1AFA



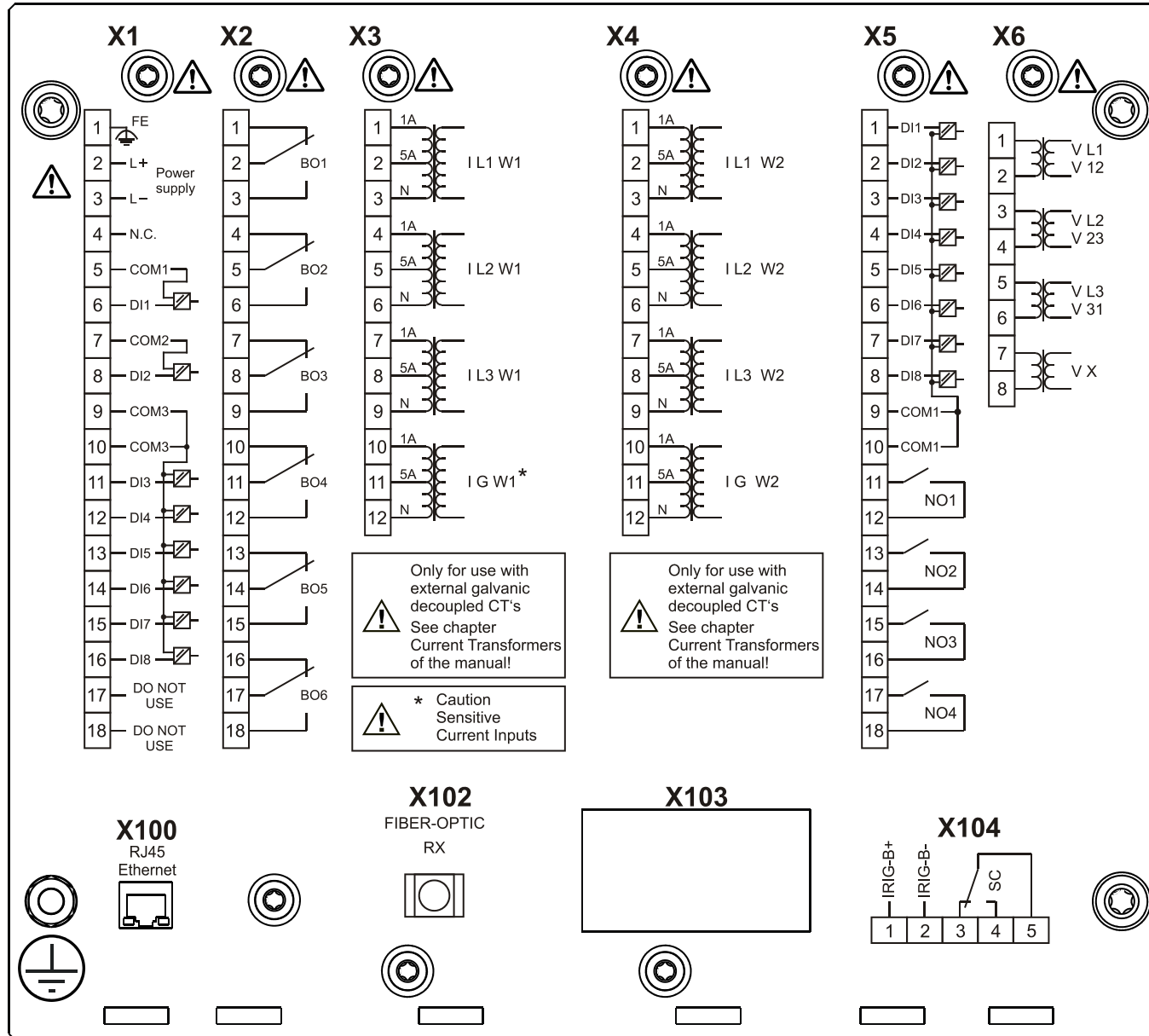
MCDTV4-2A1AGA



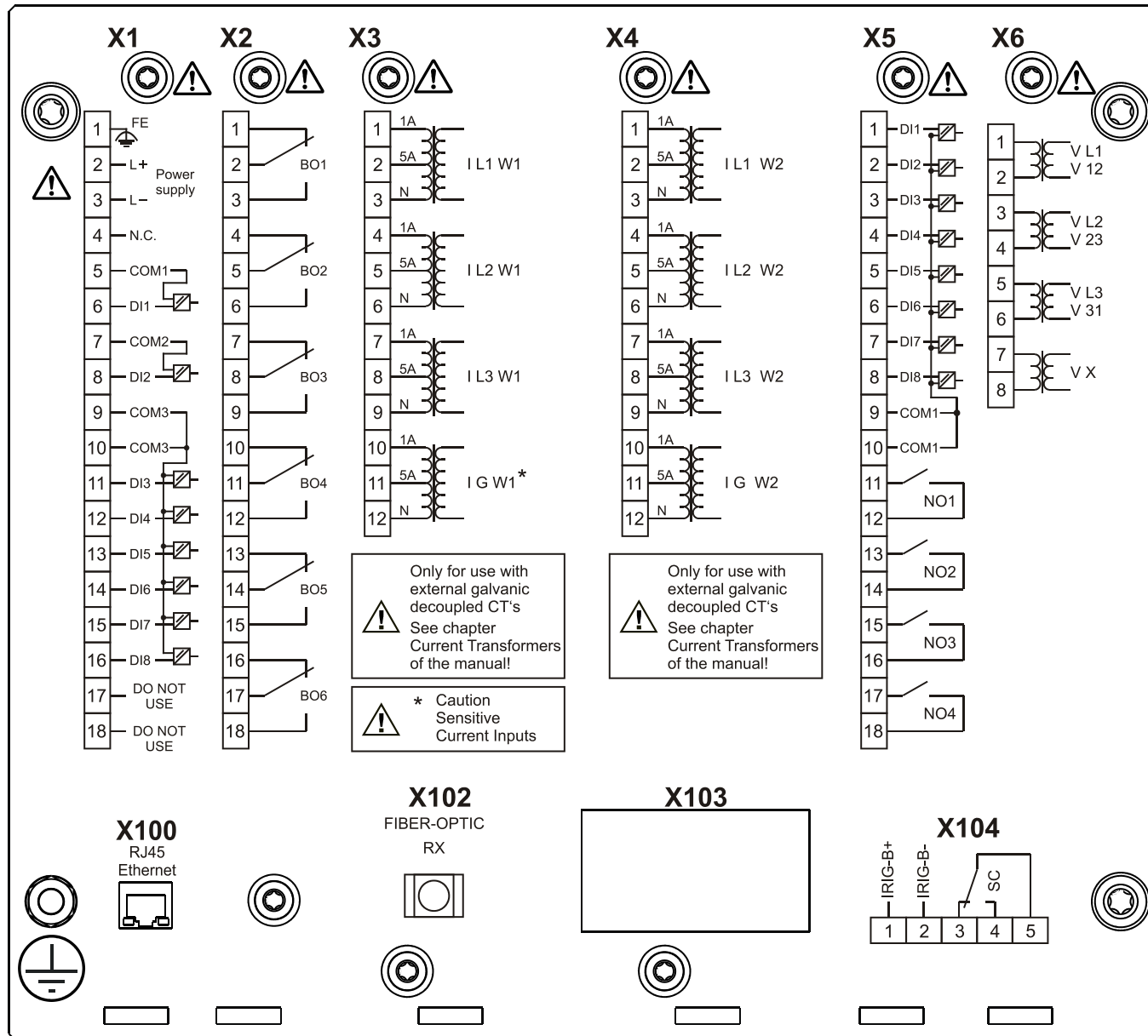
MCDTV4-2A1AGB



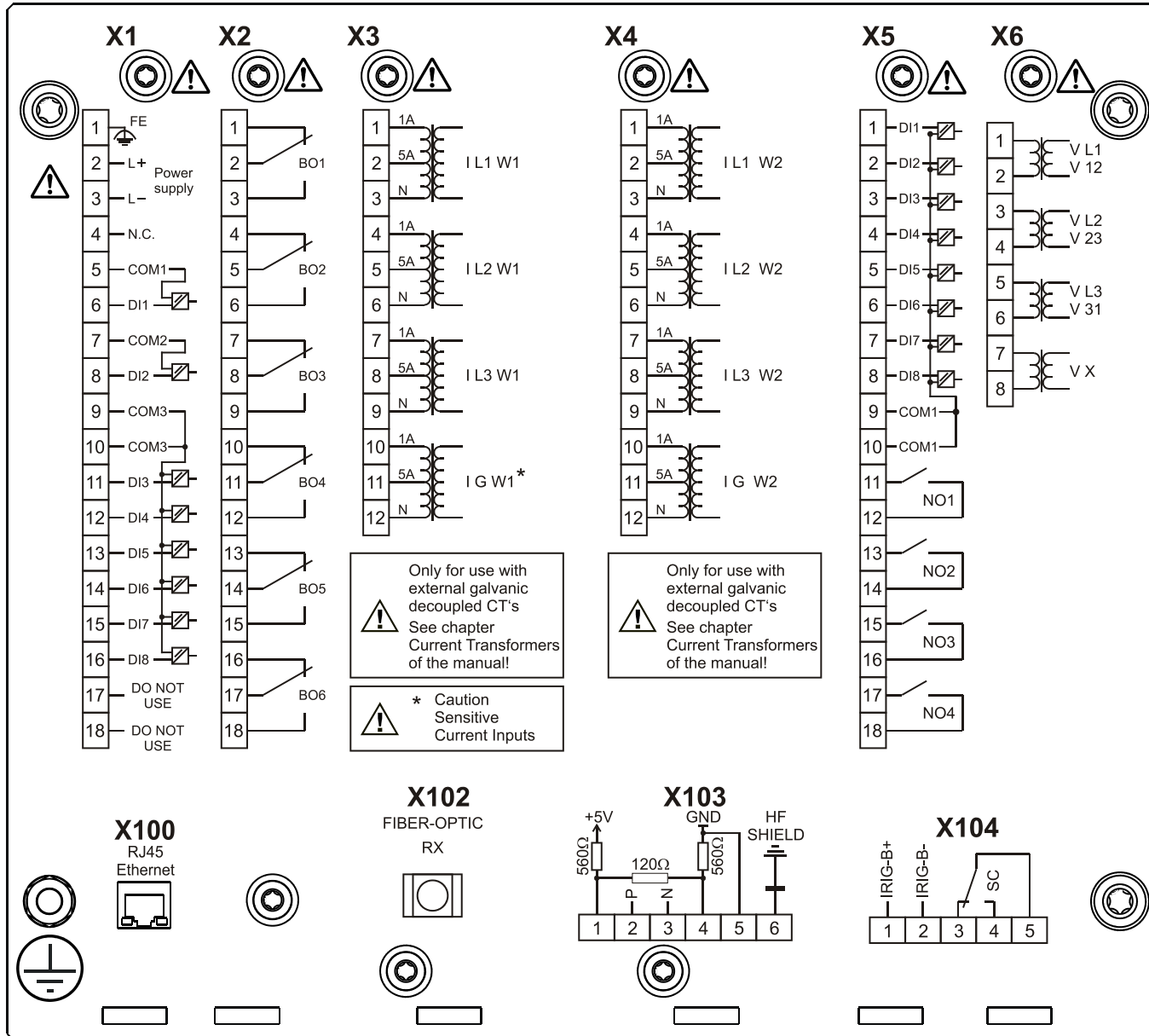
MCDTV4-2A1AHA



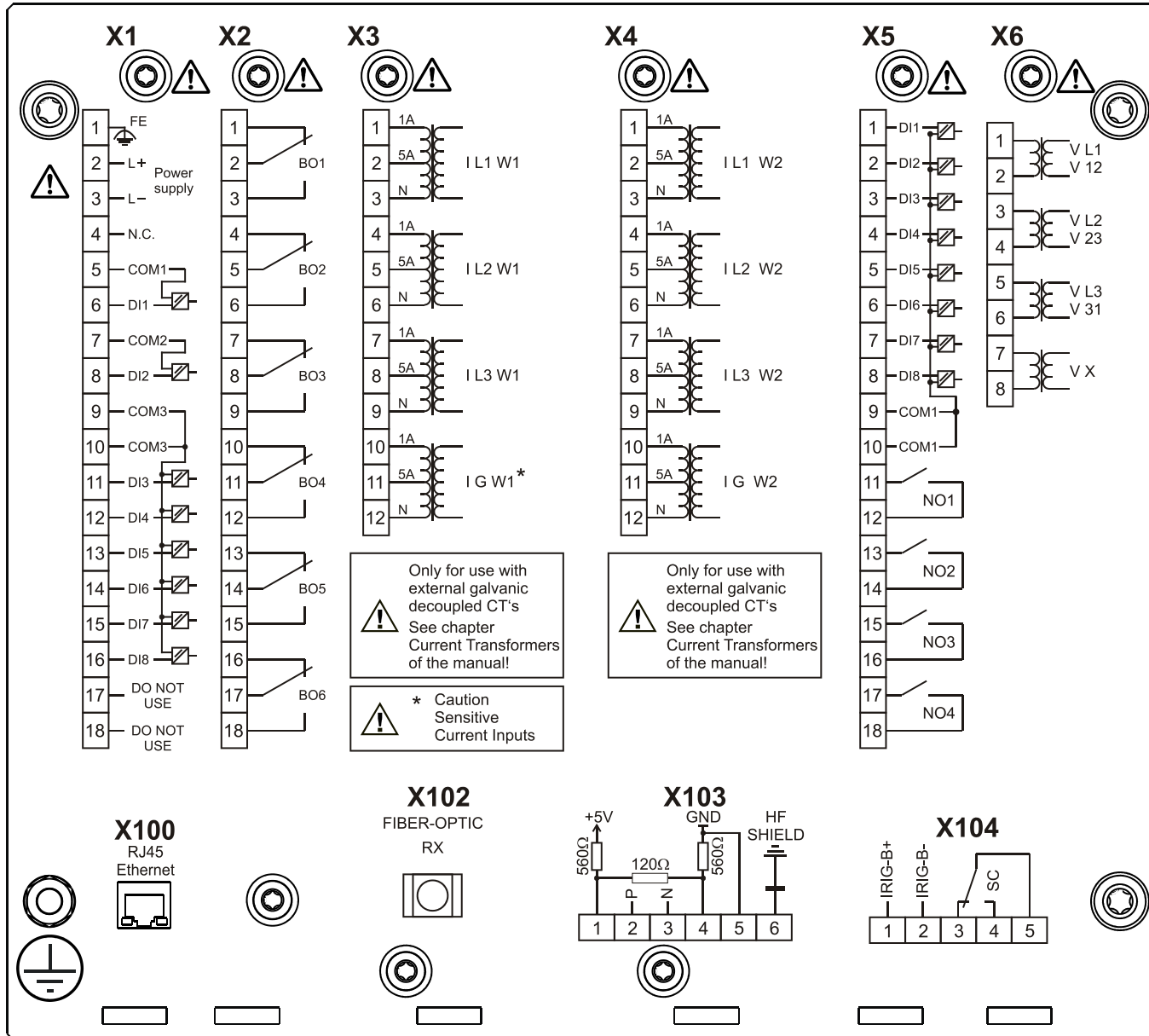
MCDTV4-2A1AHB



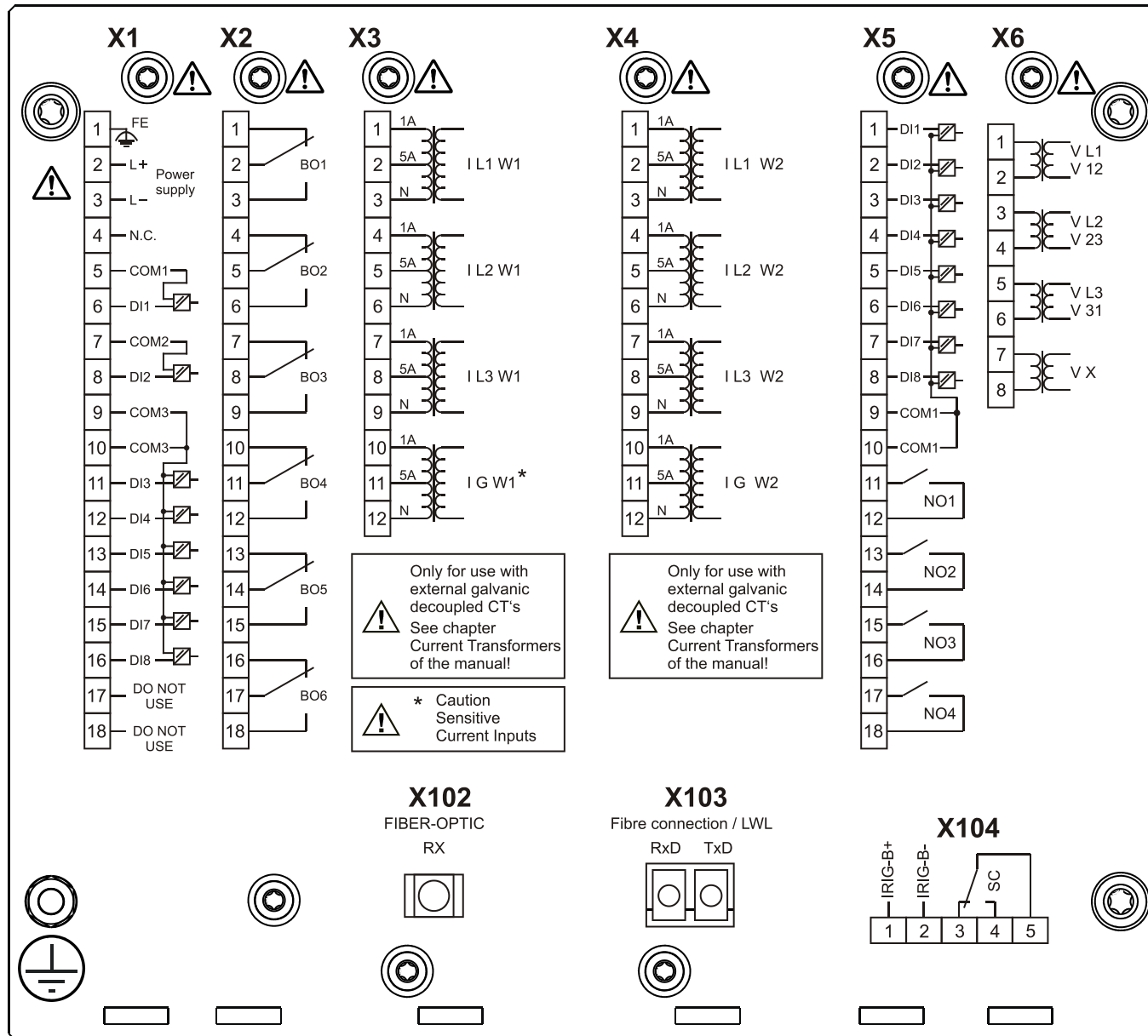
MCDTV4-2A1AIA



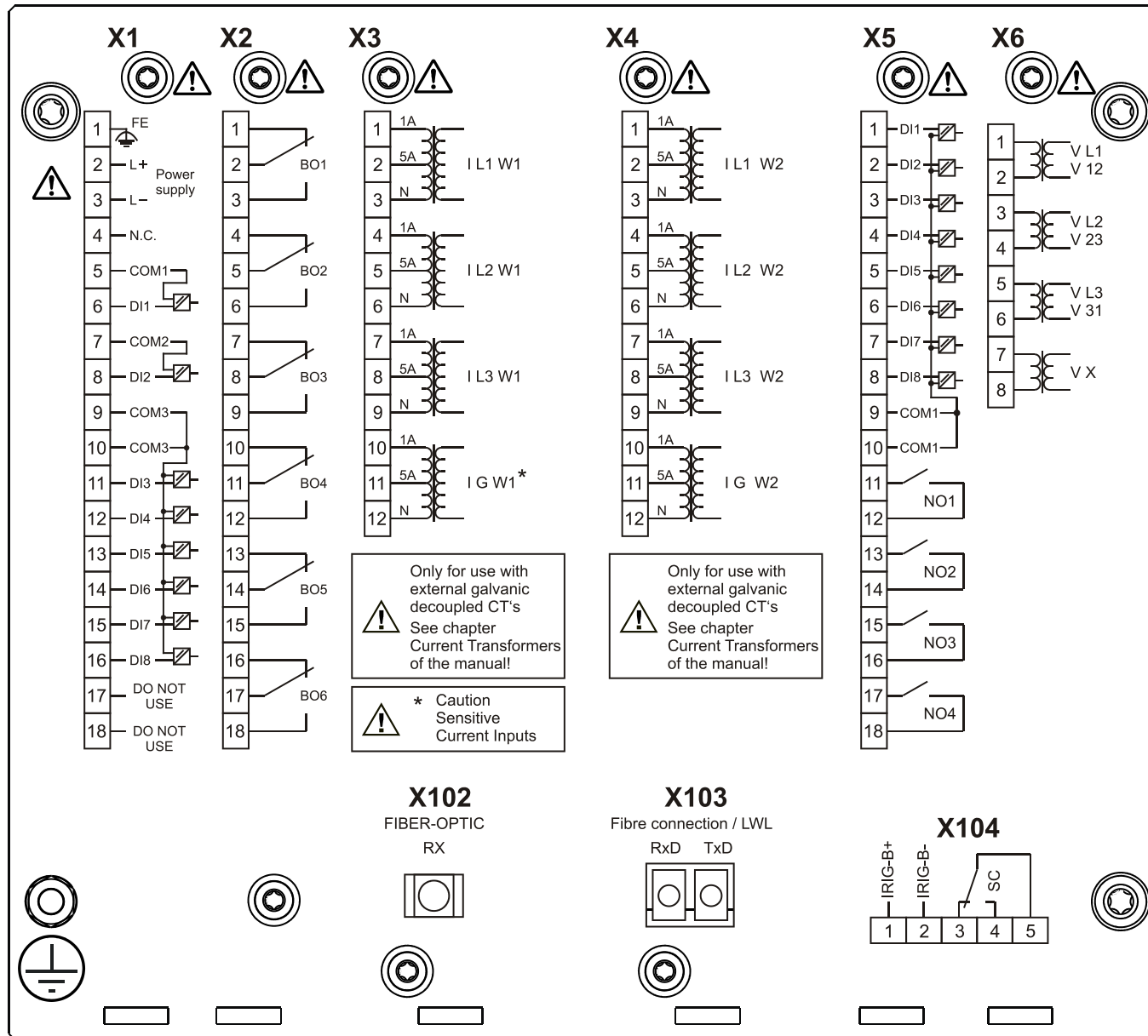
MCDTV4-2A1AIB



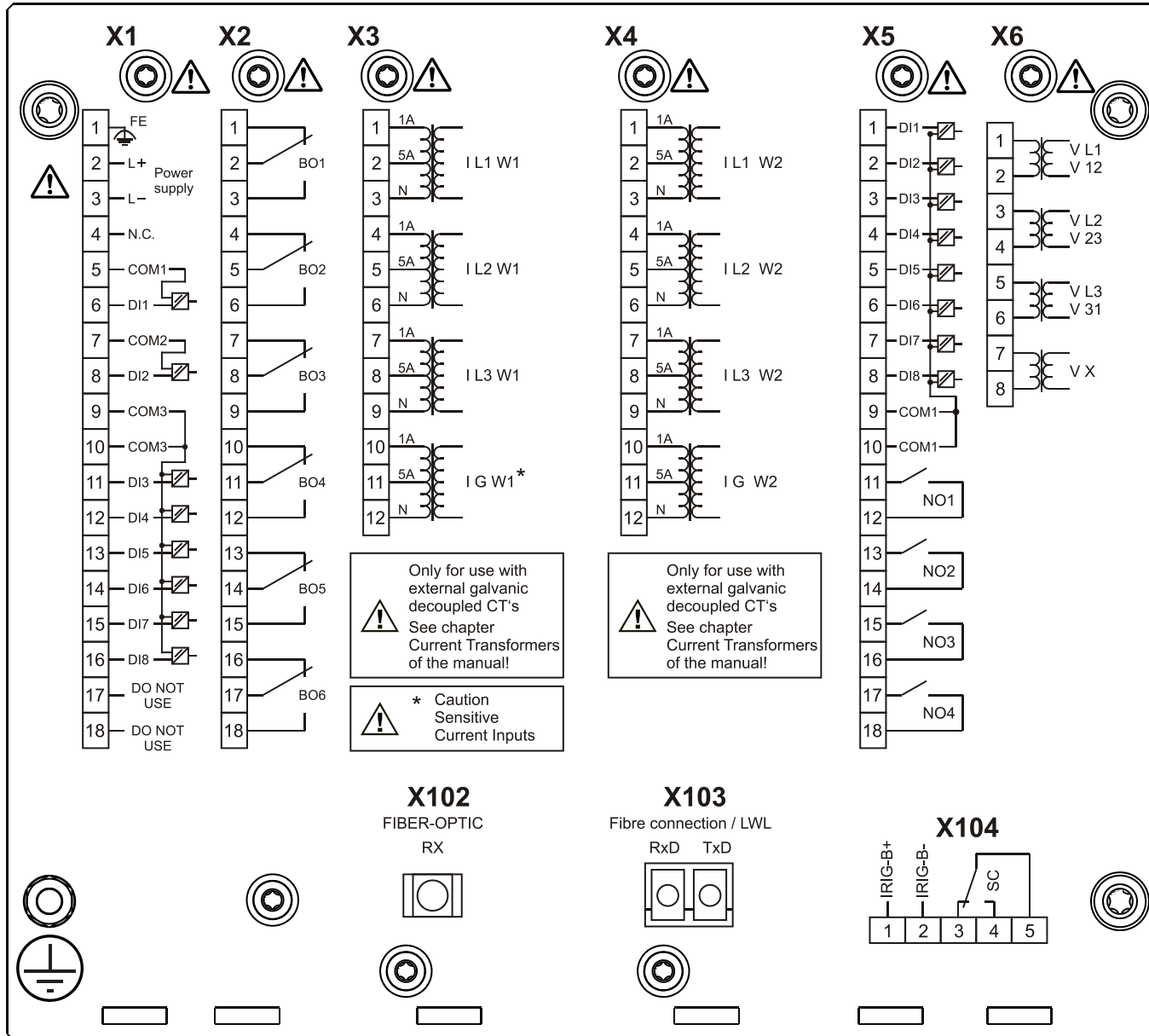
MCDTV4-2A1AKA



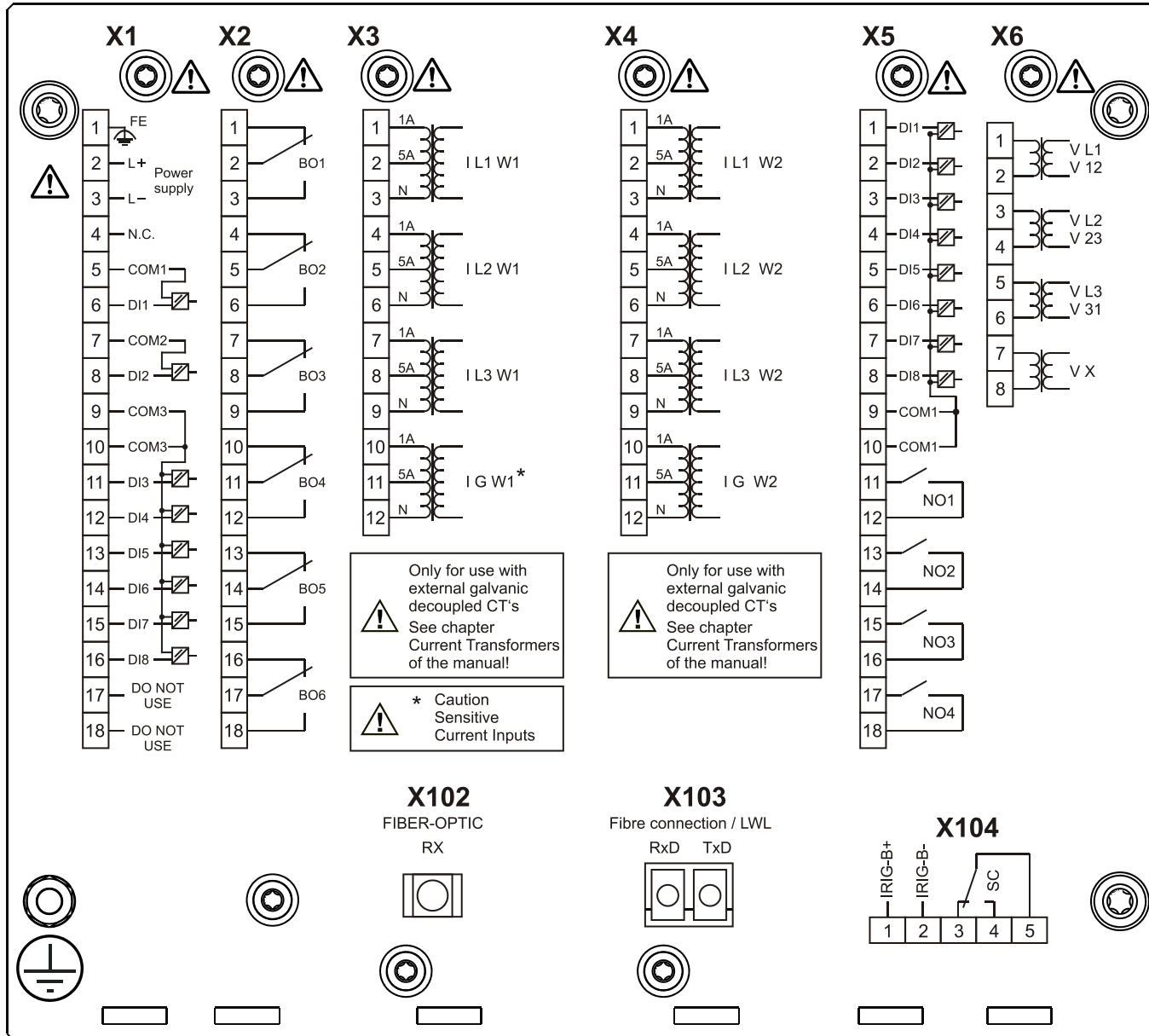
MCDTV4-2A1AKB



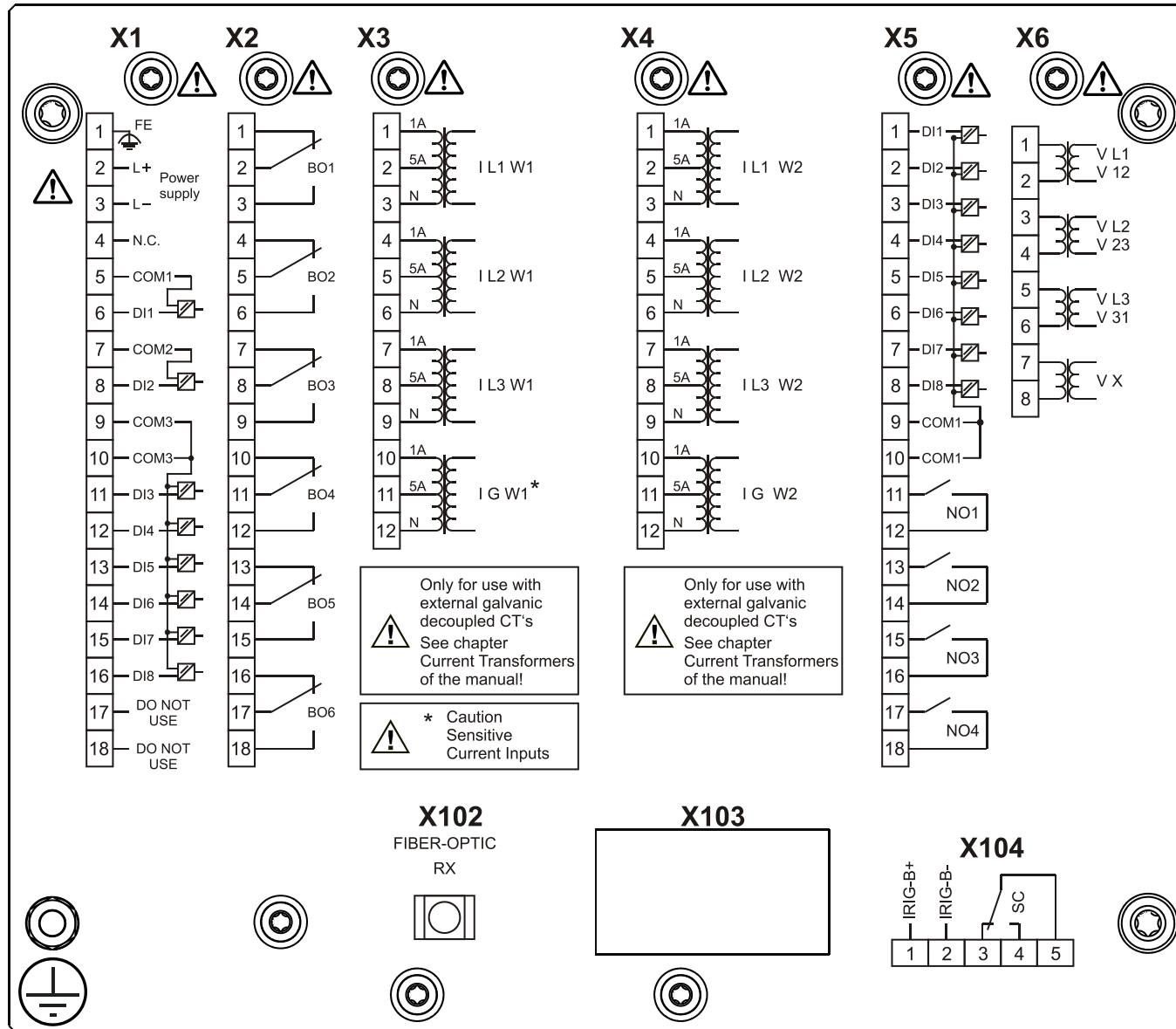
MCDTV4-2A1ALA



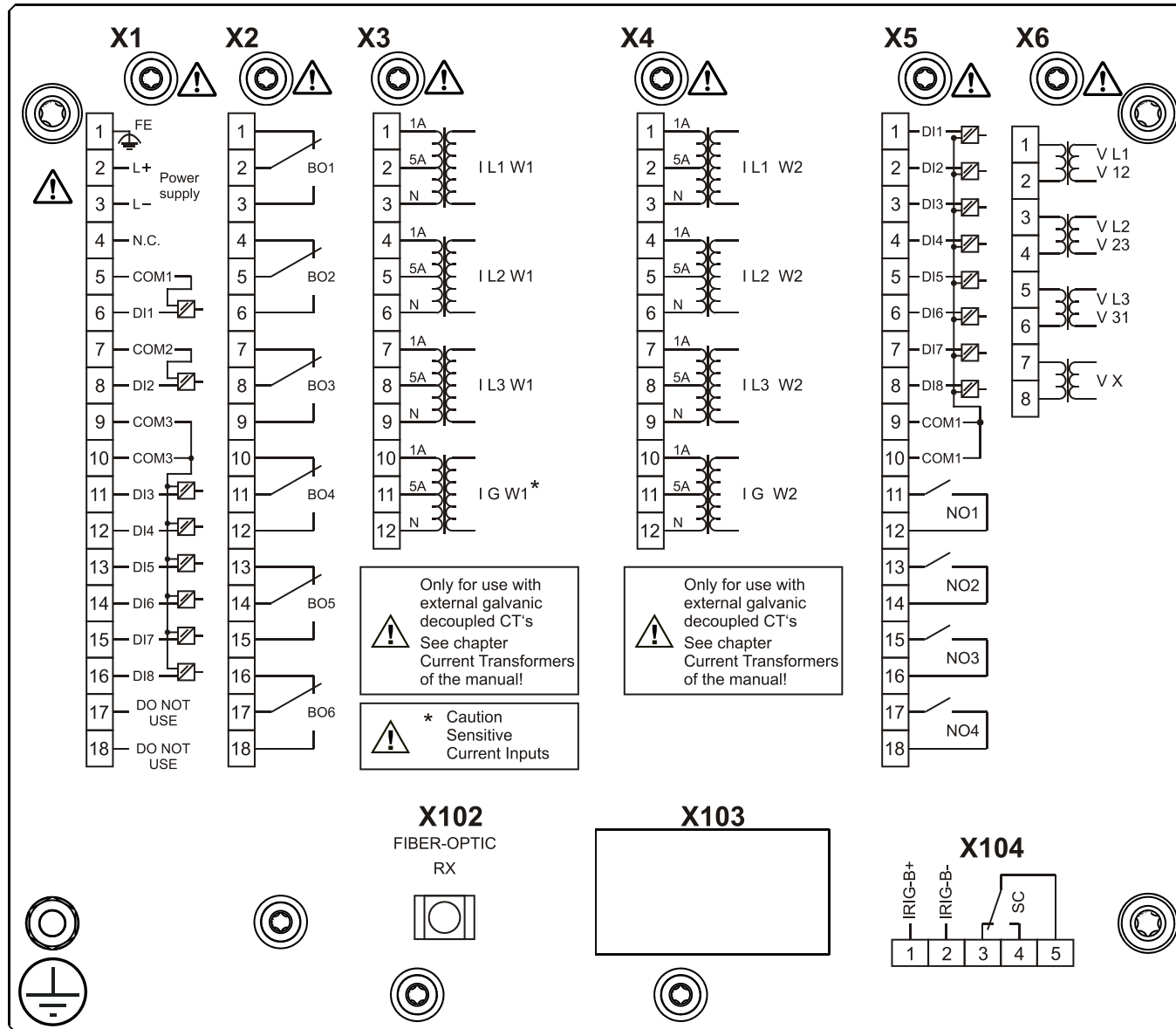
MCDTV4-2A1ALB



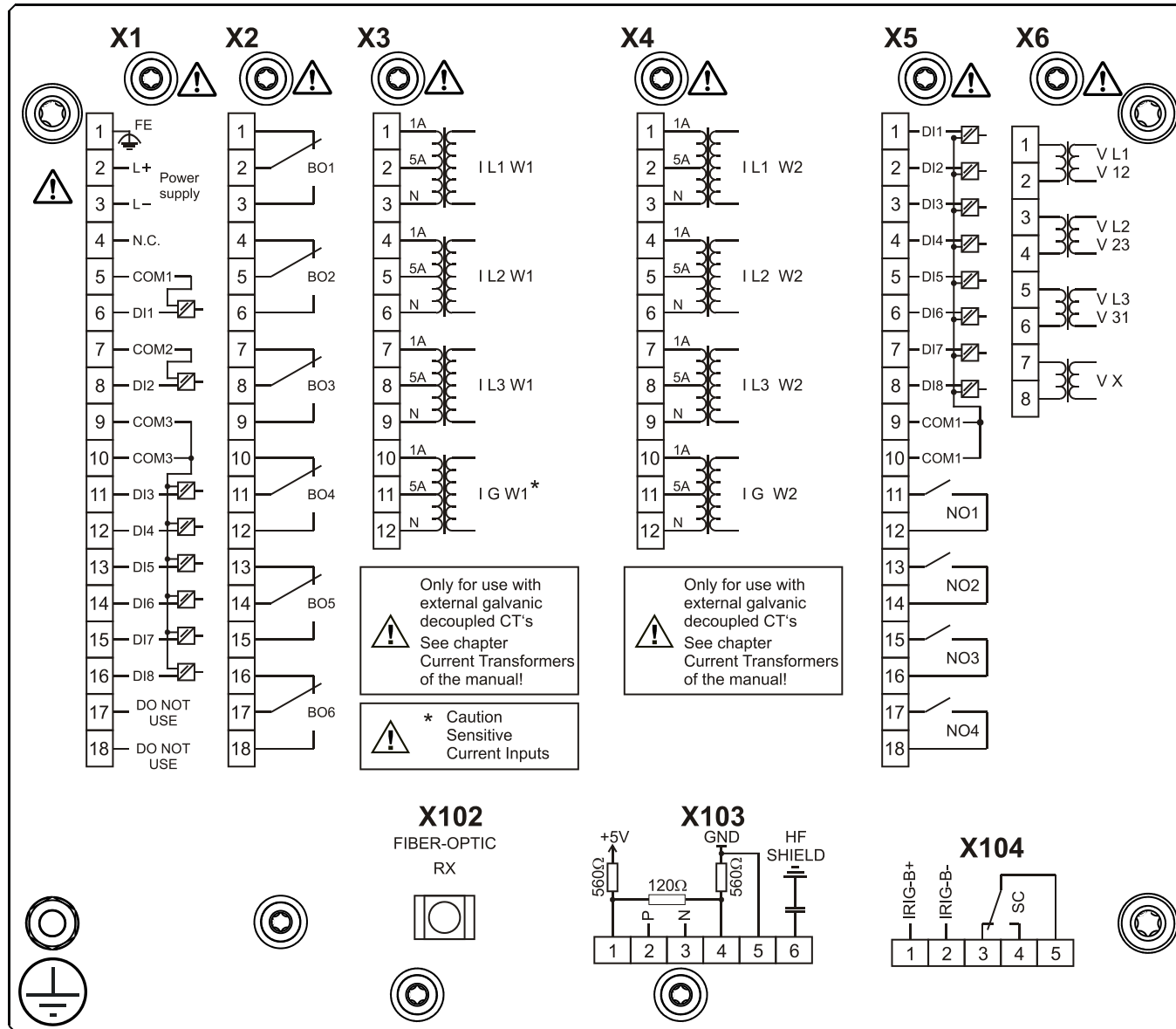
MCDTV4-2A1BAA



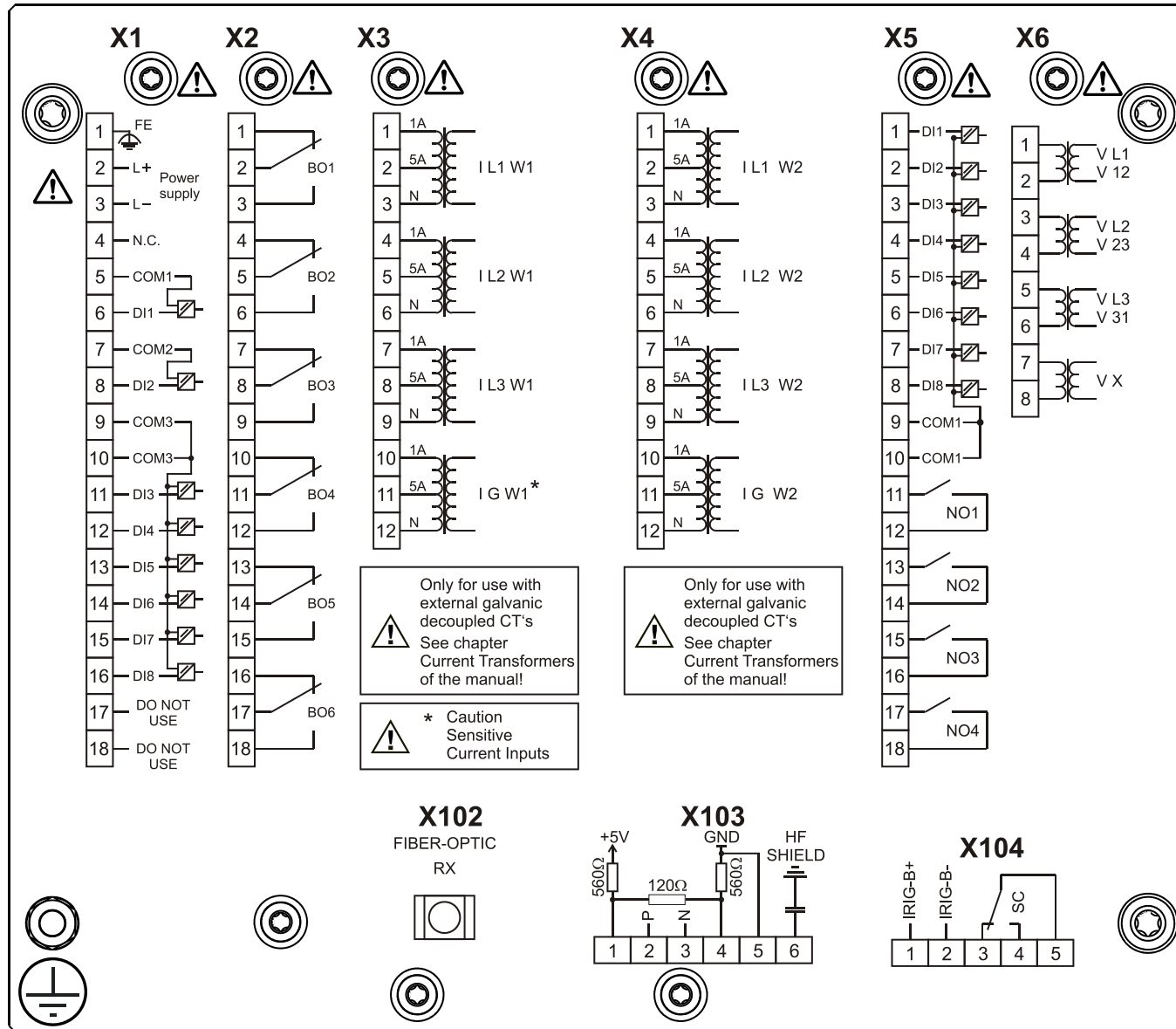
MCDTV4-2A1BAB



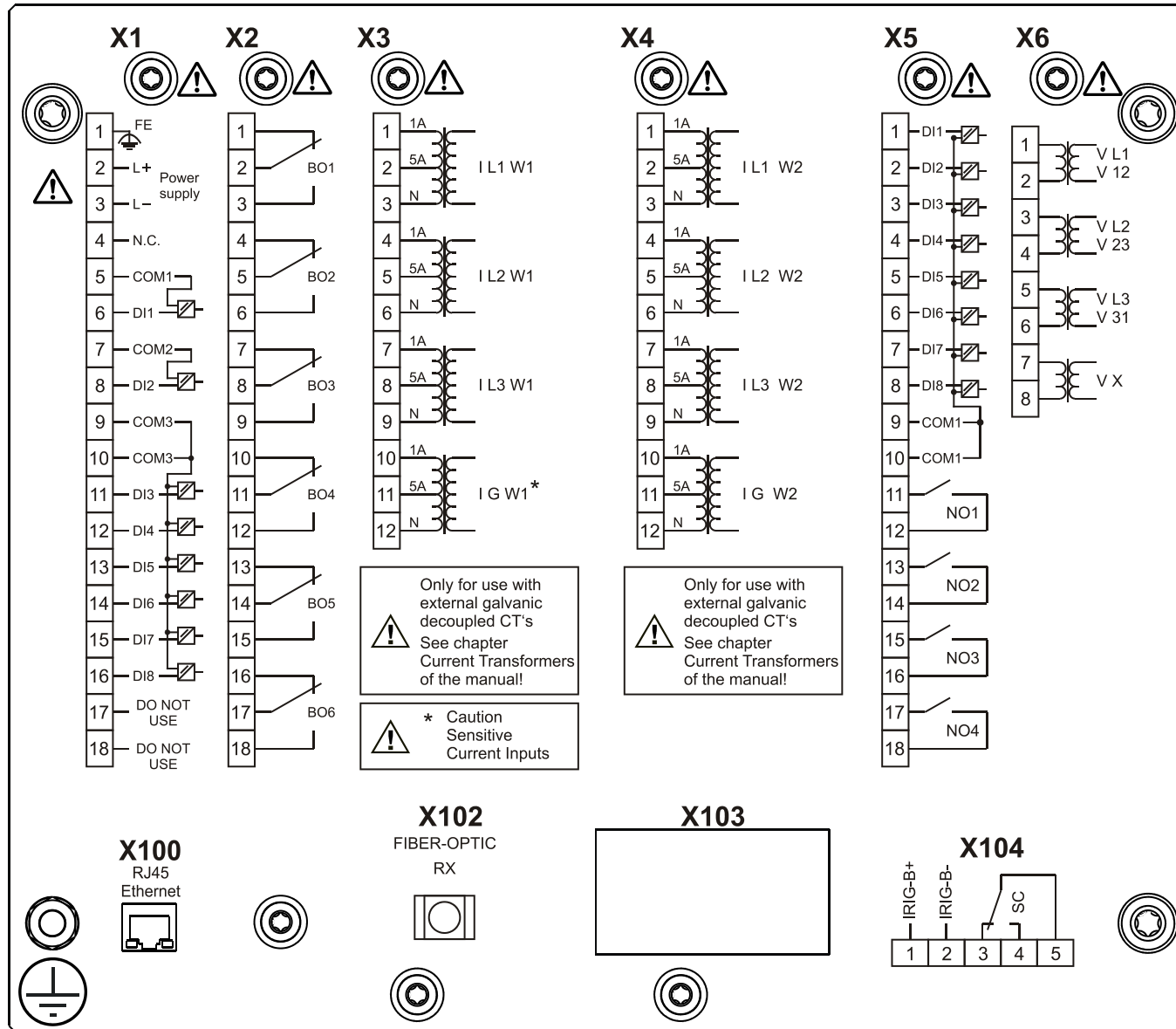
MCDTV4-2A1BBA



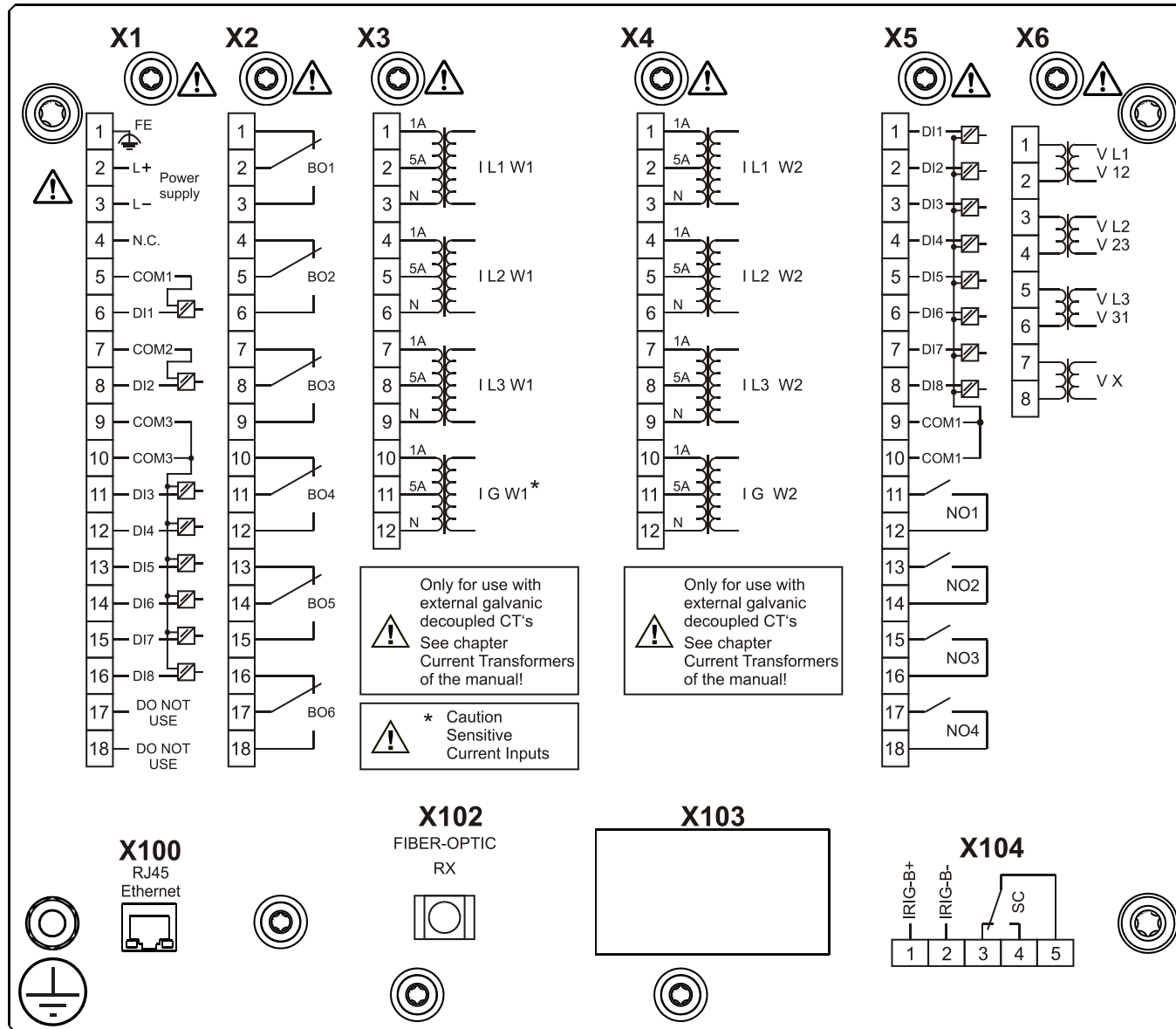
MCDTV4-2A1BBB



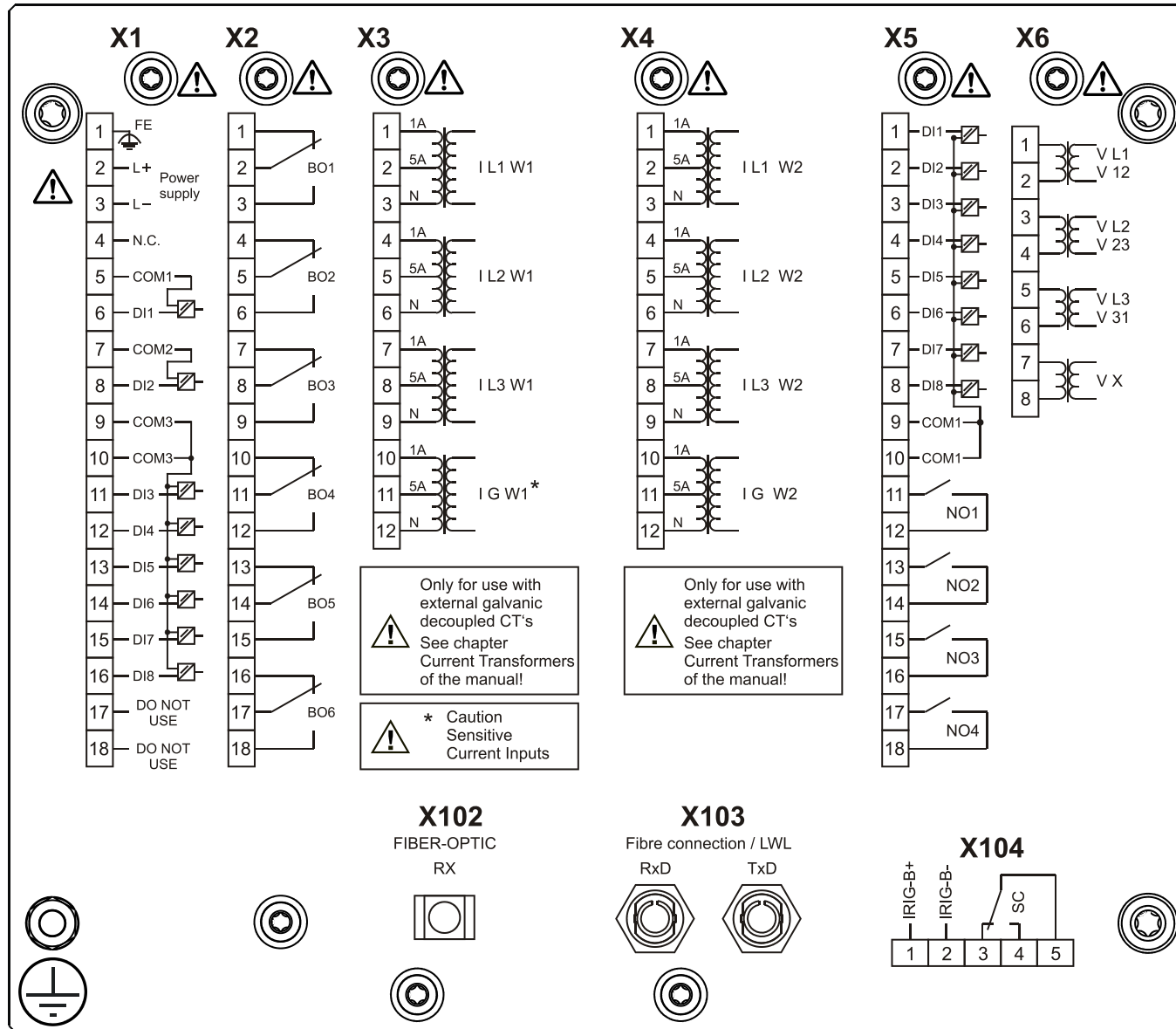
MCDTV4-2A1BCA



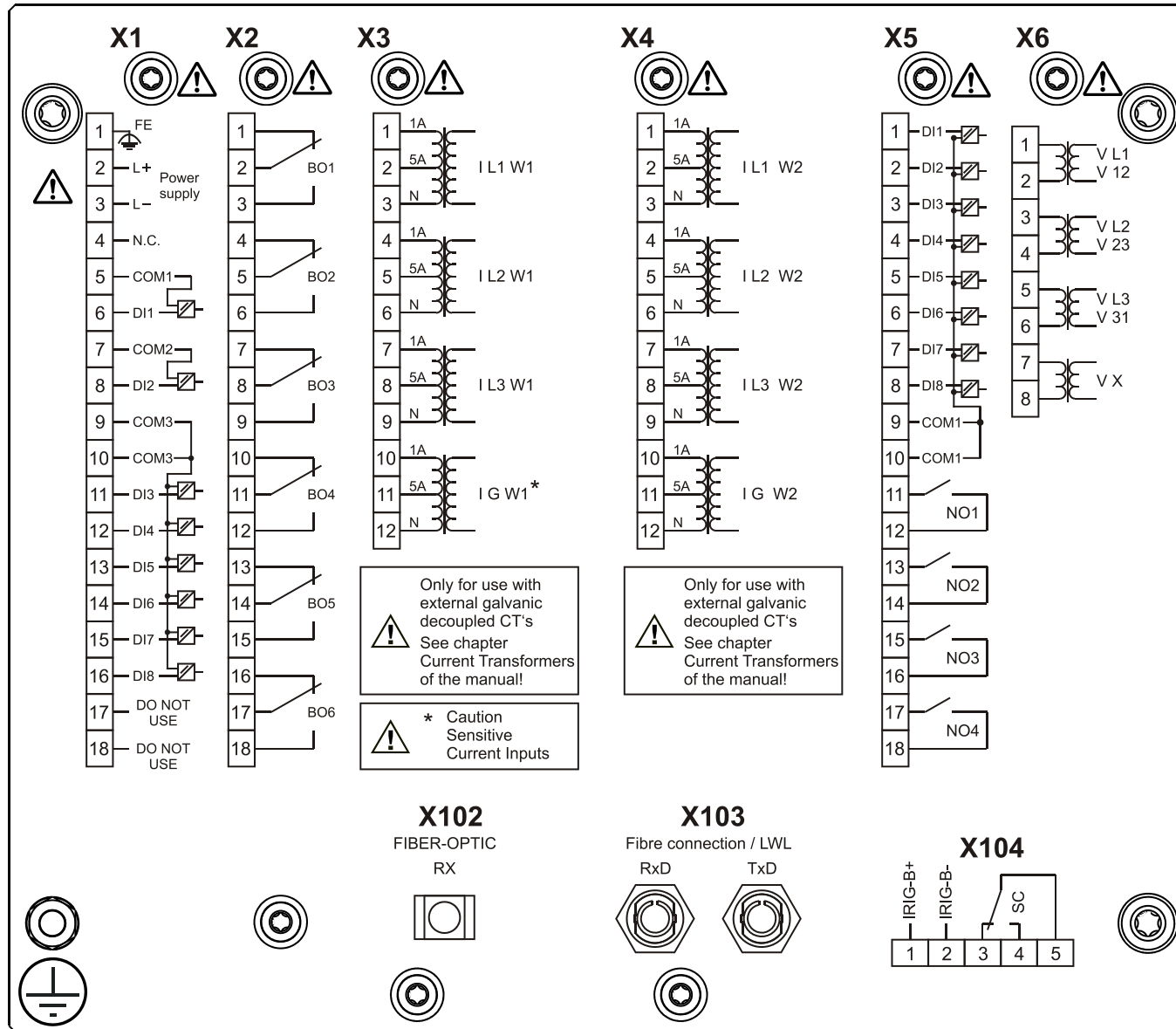
MCDTV4-2A1BCB



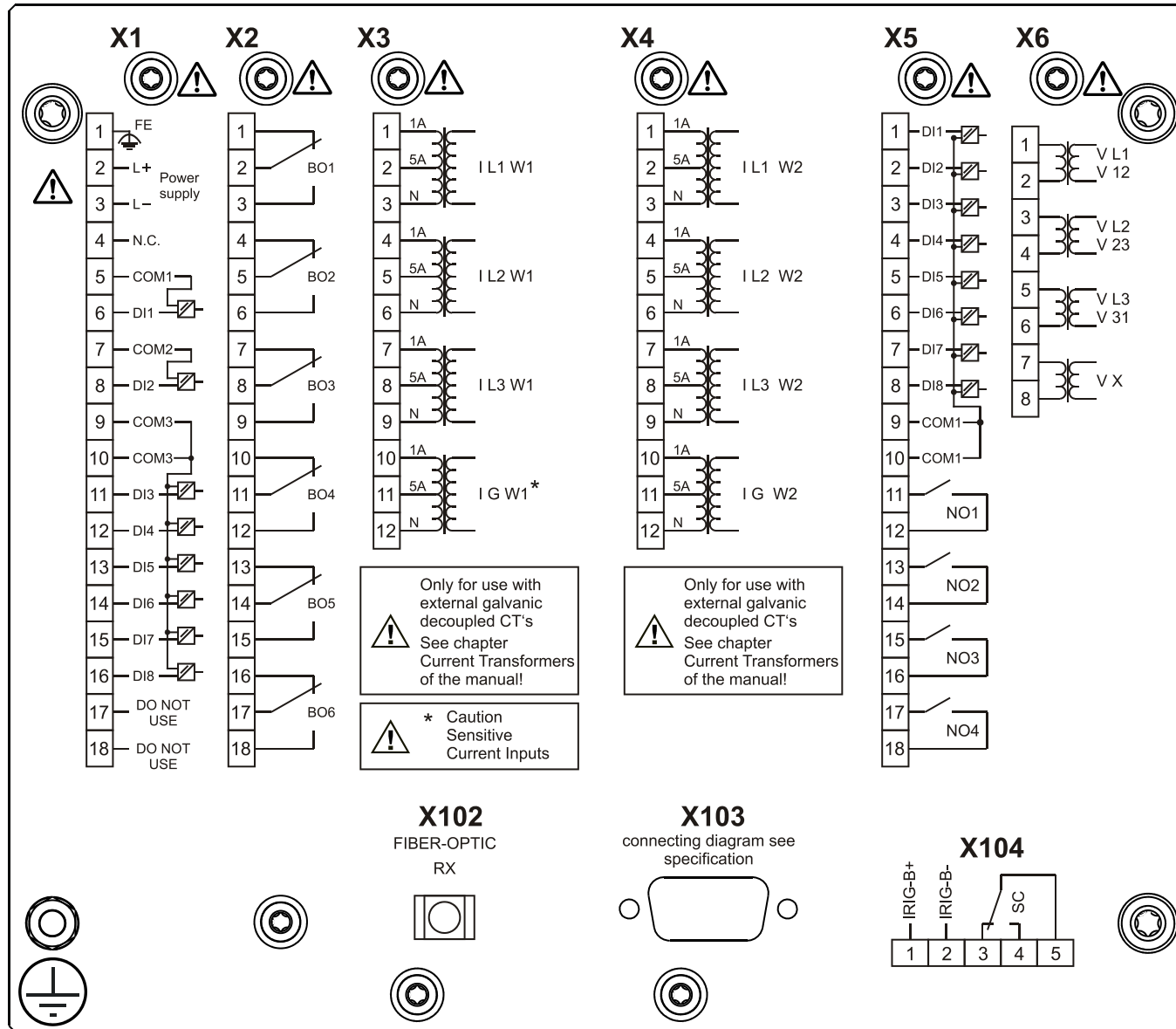
MCDTV4-2A1BDA



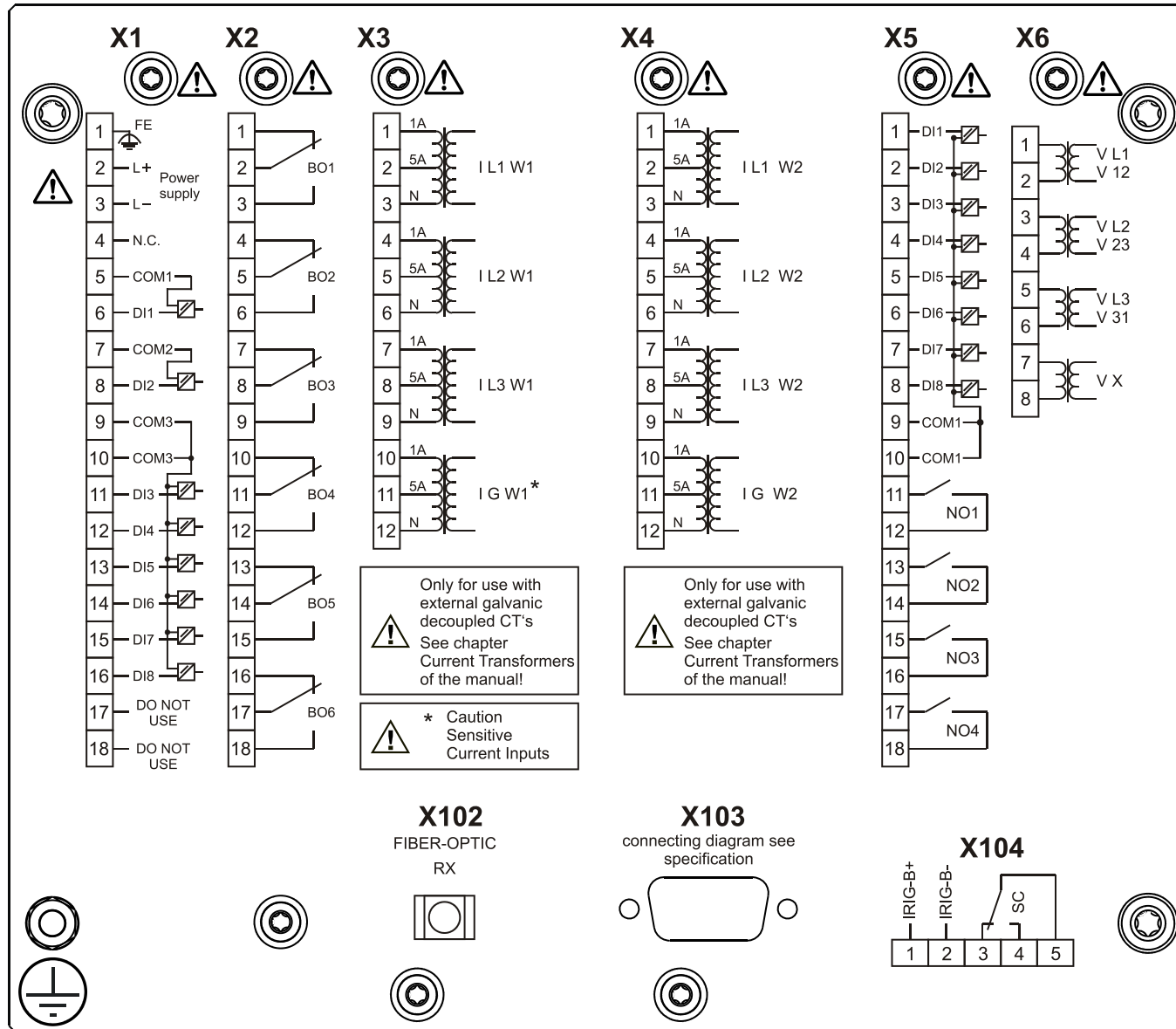
MCDTV4-2A1BDB



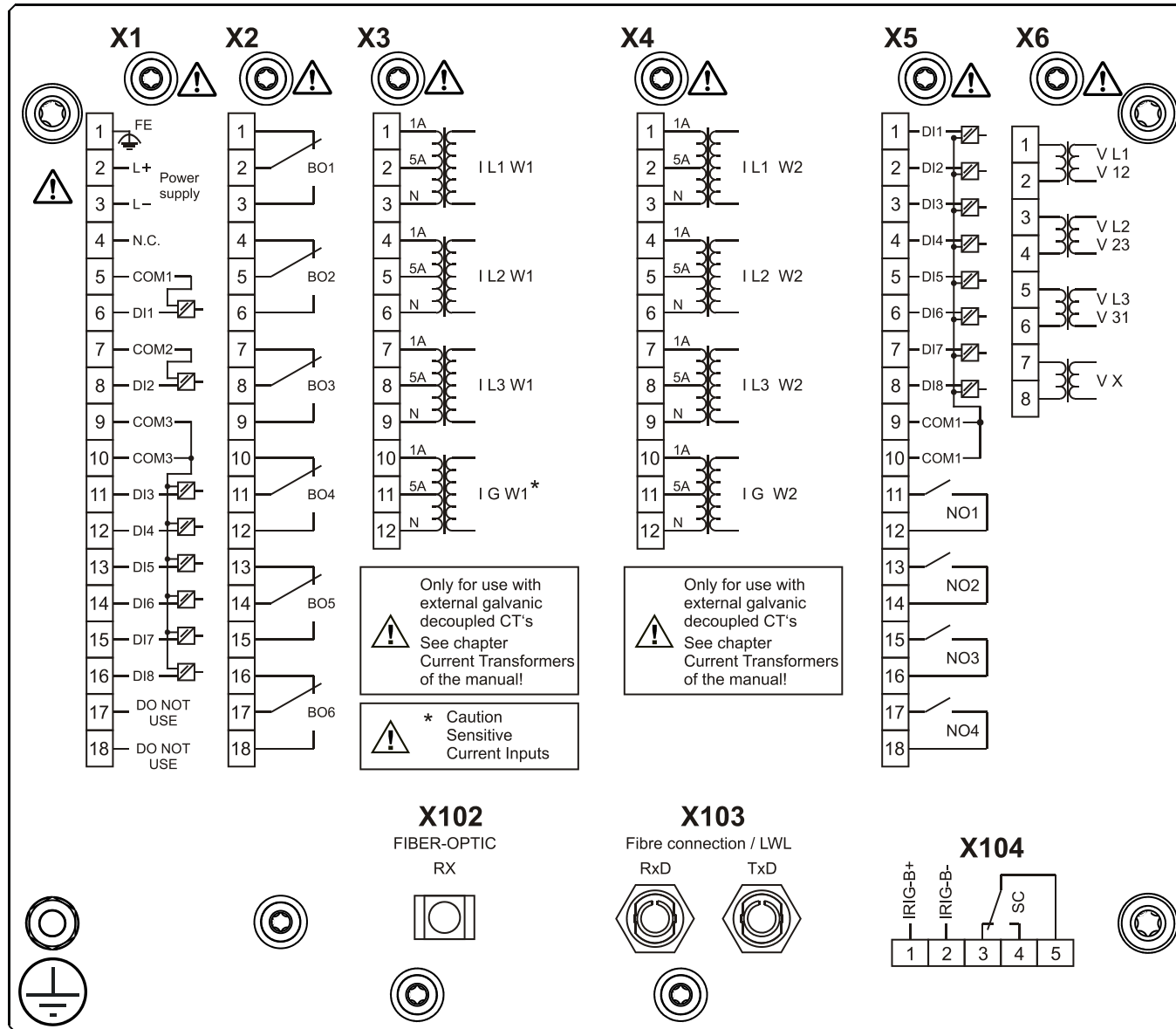
MCDTV4-2A1BEA



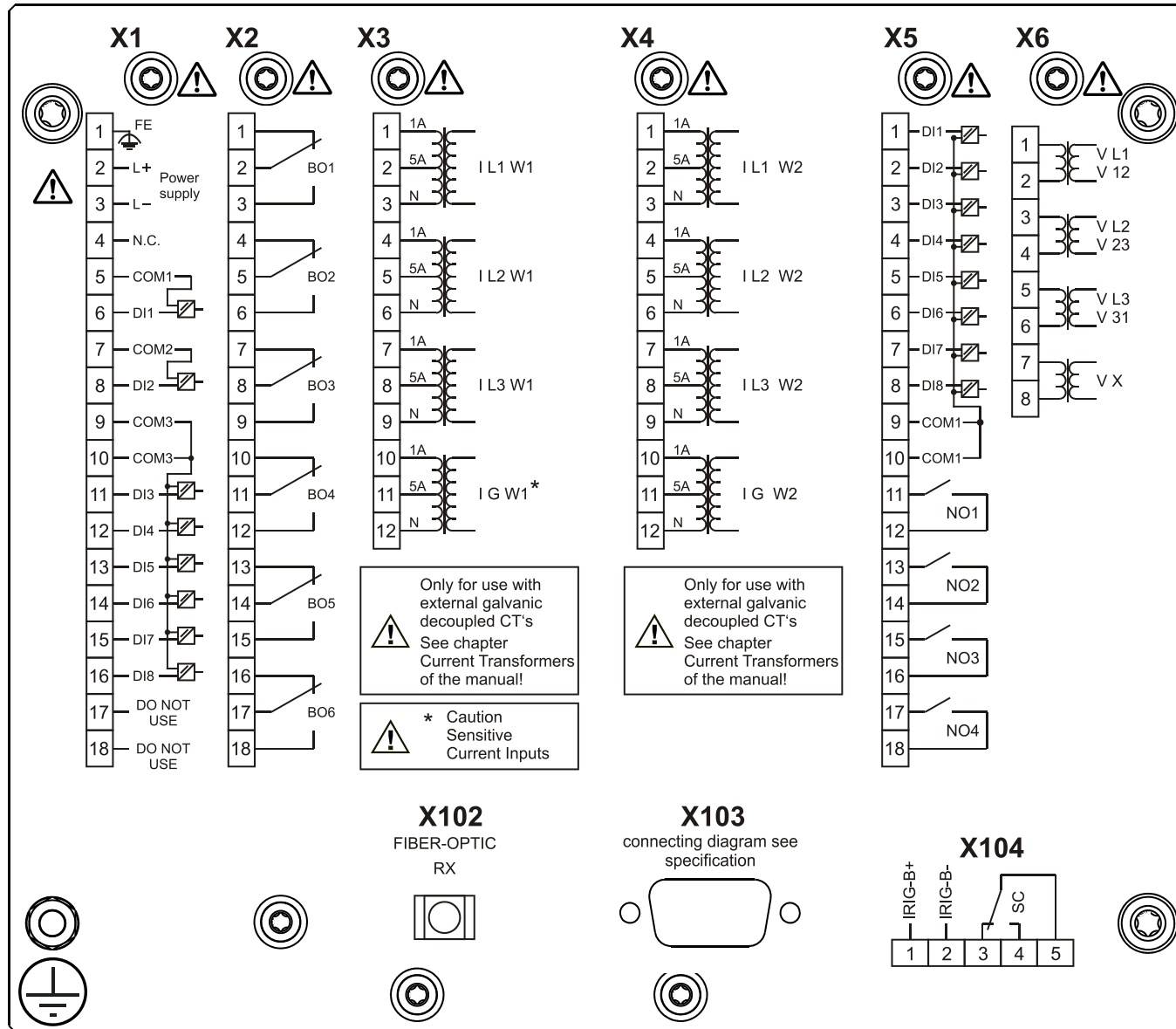
MCDTV4-2A1BEB



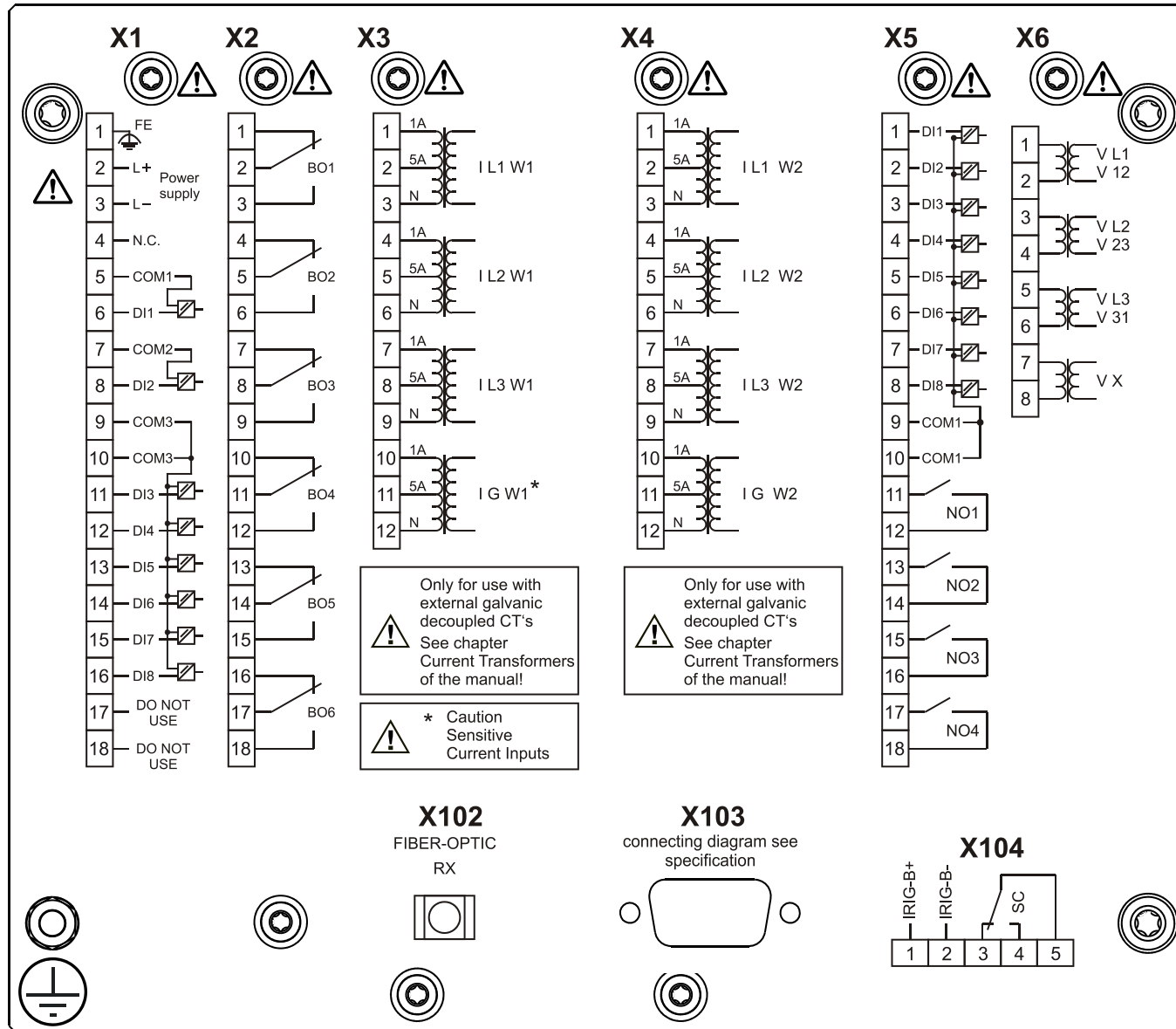
MCDTV4-2A1BFA



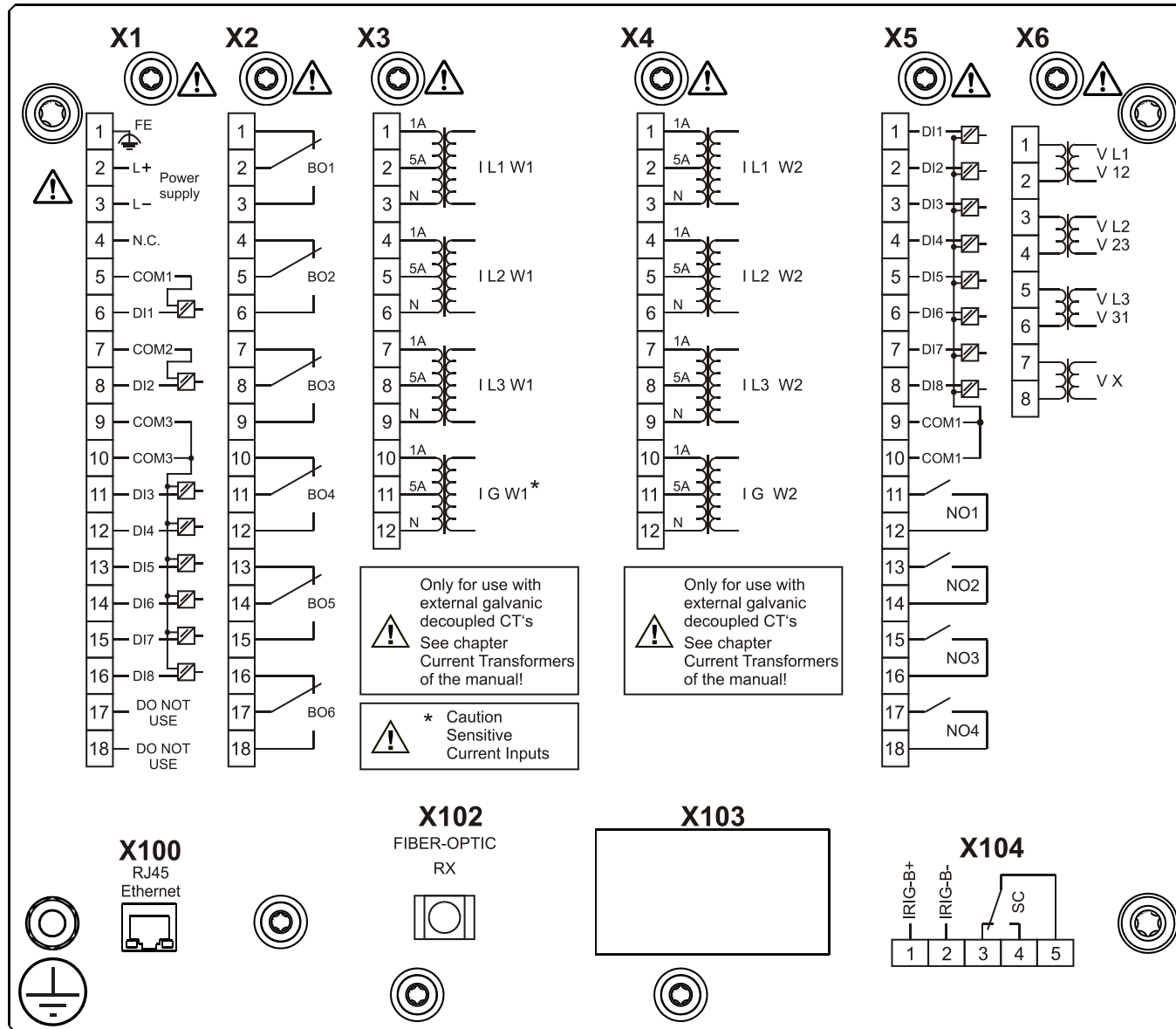
MCDTV4-2A1BGA



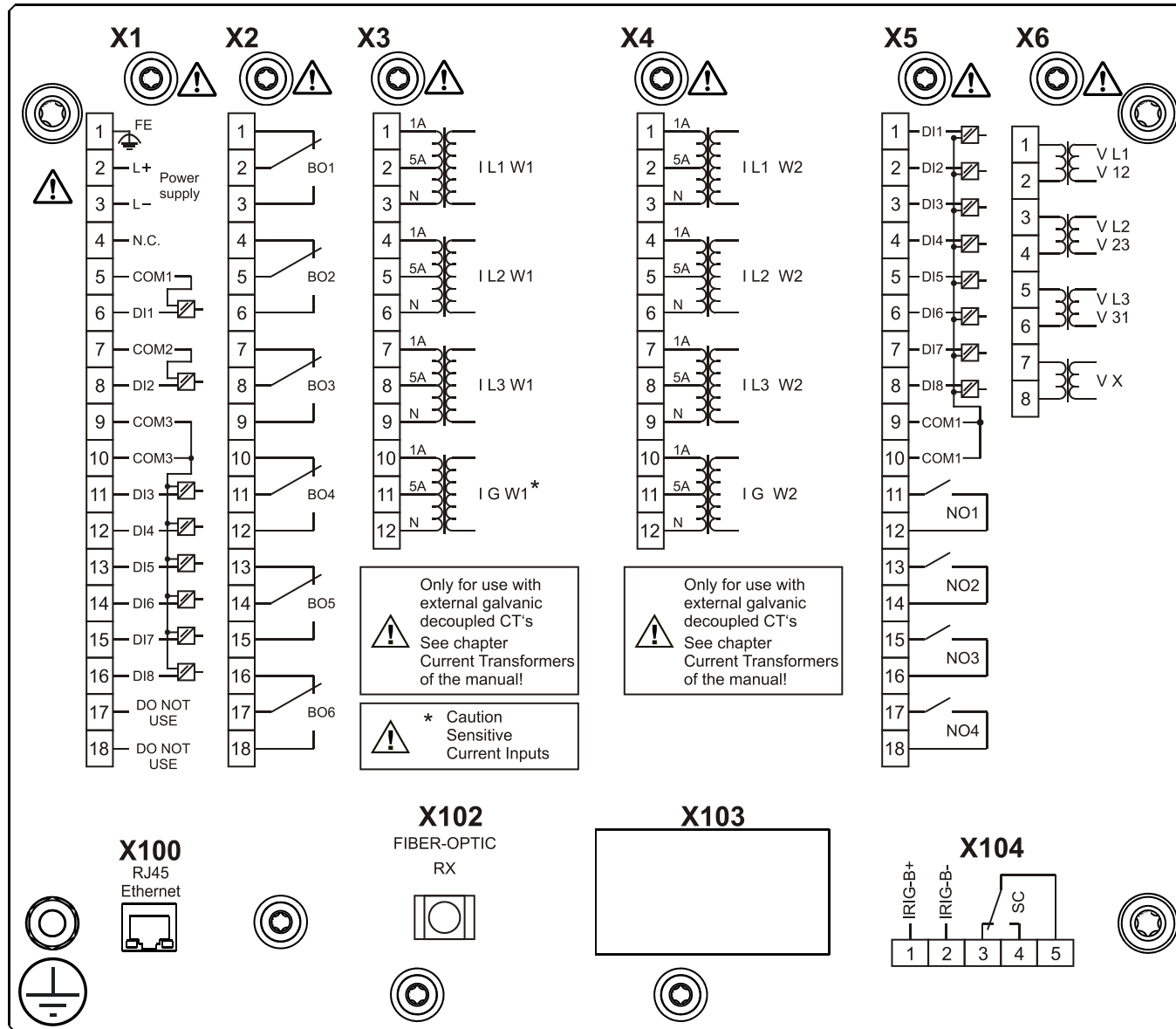
MCDTV4-2A1BGB



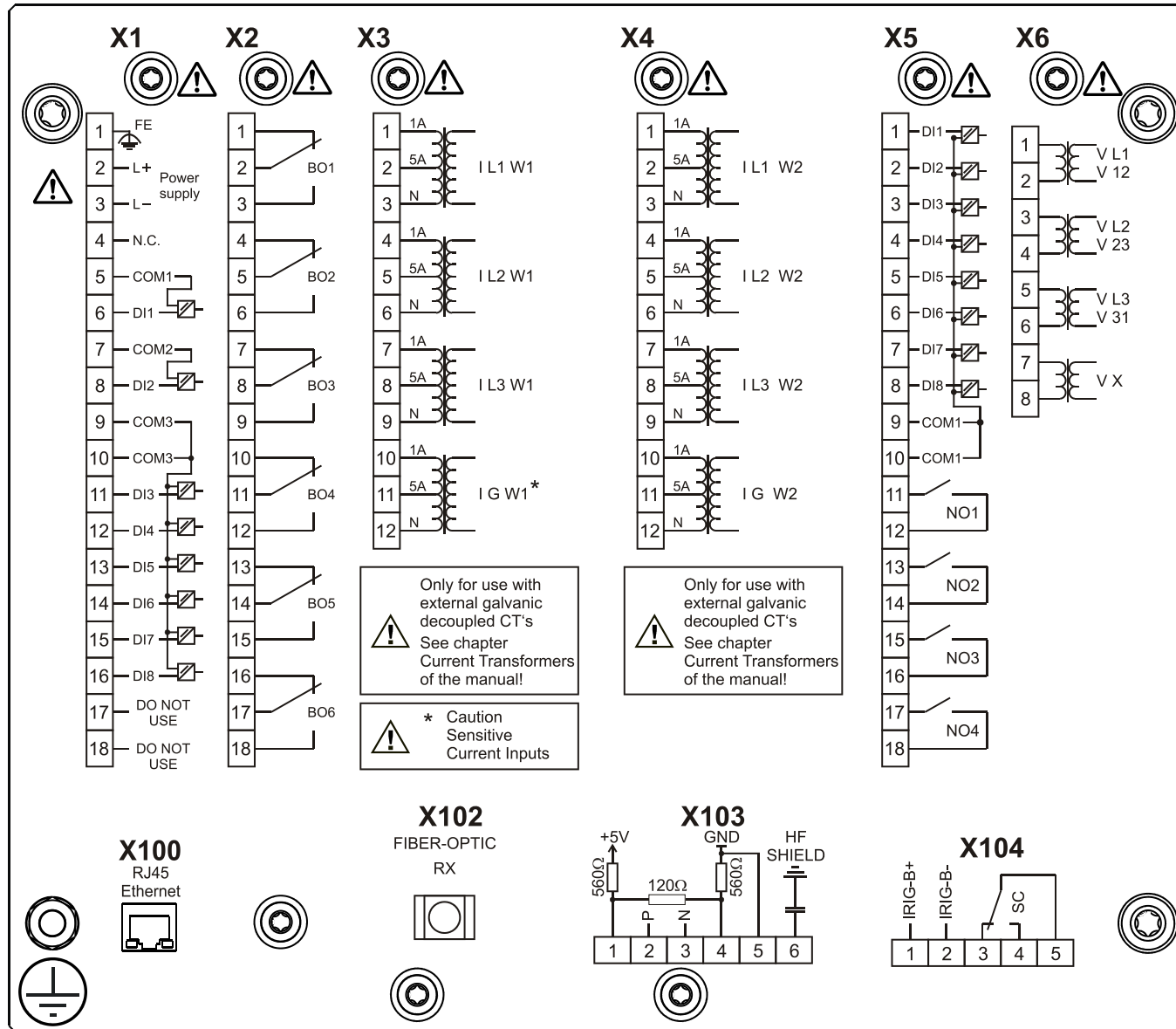
MCDTV4-2A1BHA



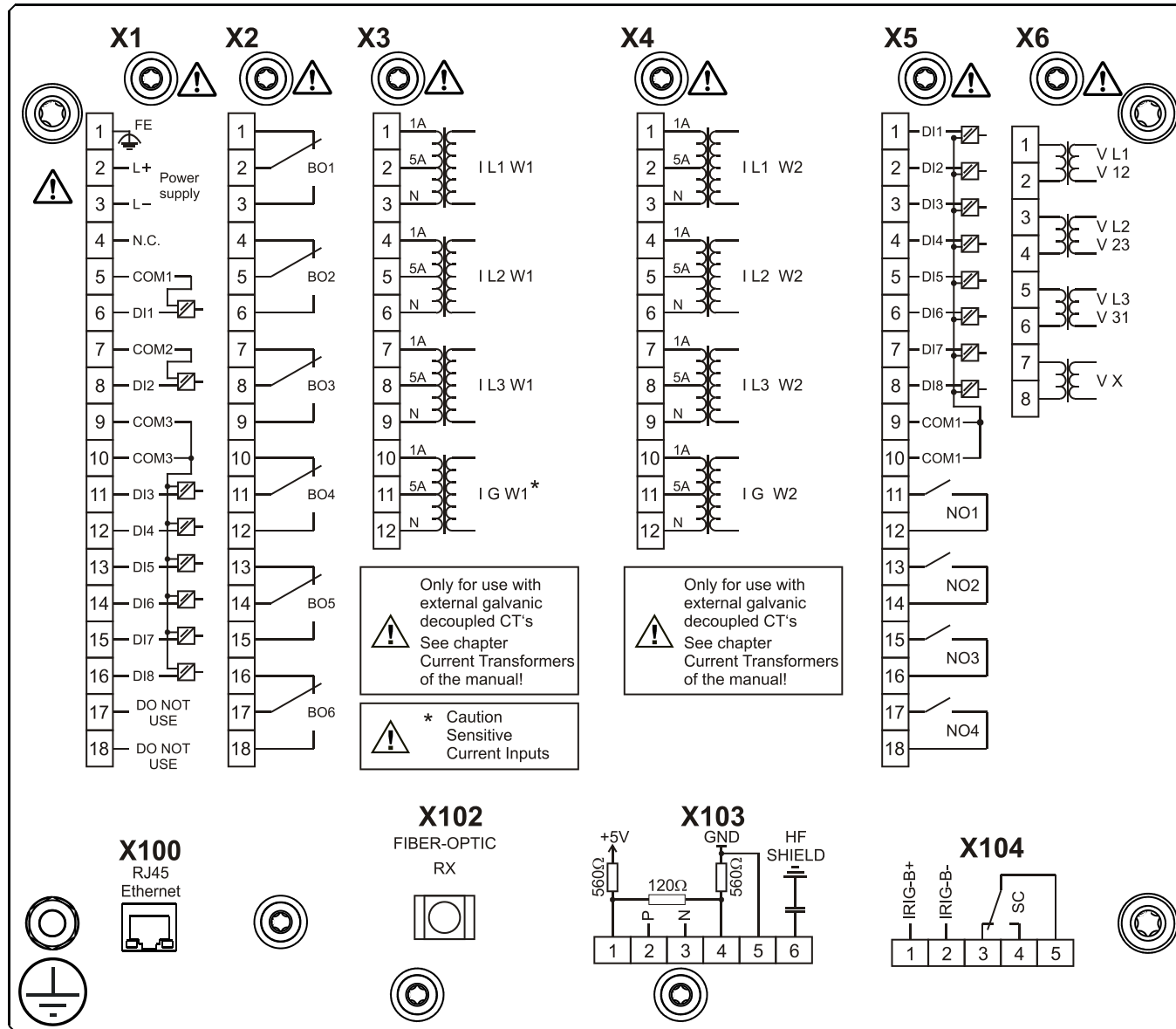
MCDTV4-2A1BHB



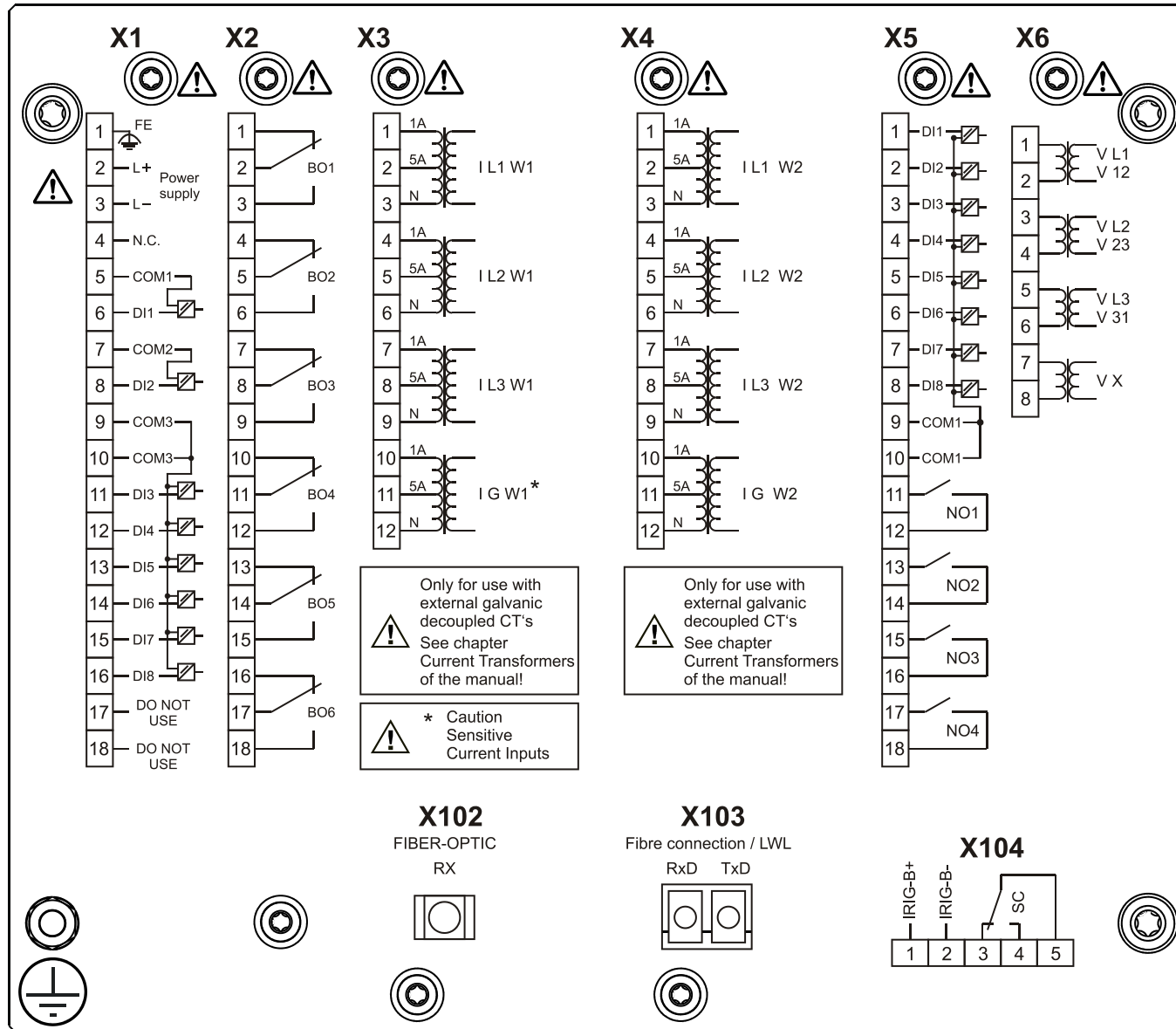
MCDTV4-2A1BIA



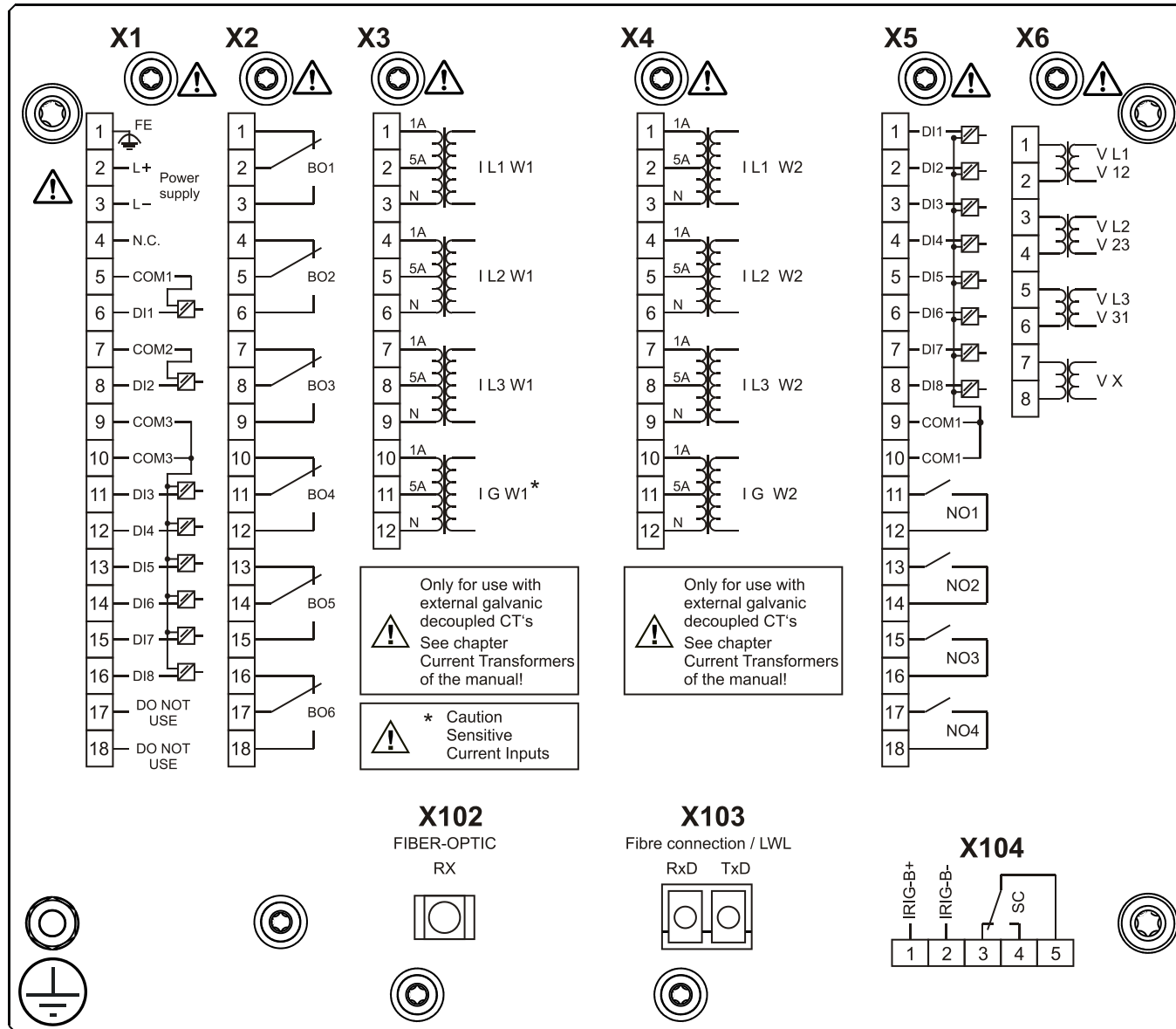
MCDTV4-2A1BIB



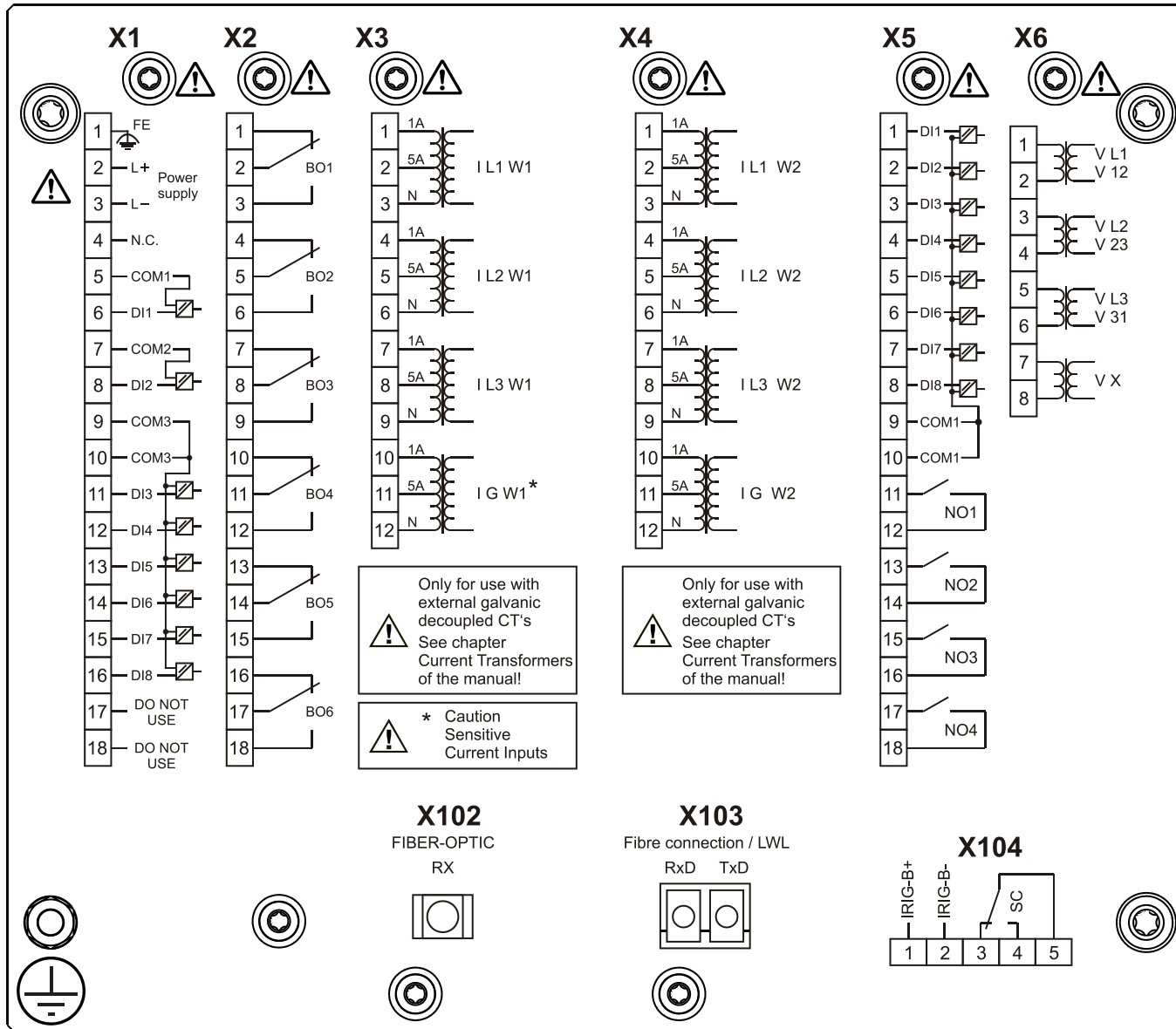
MCDTV4-2A1BKA



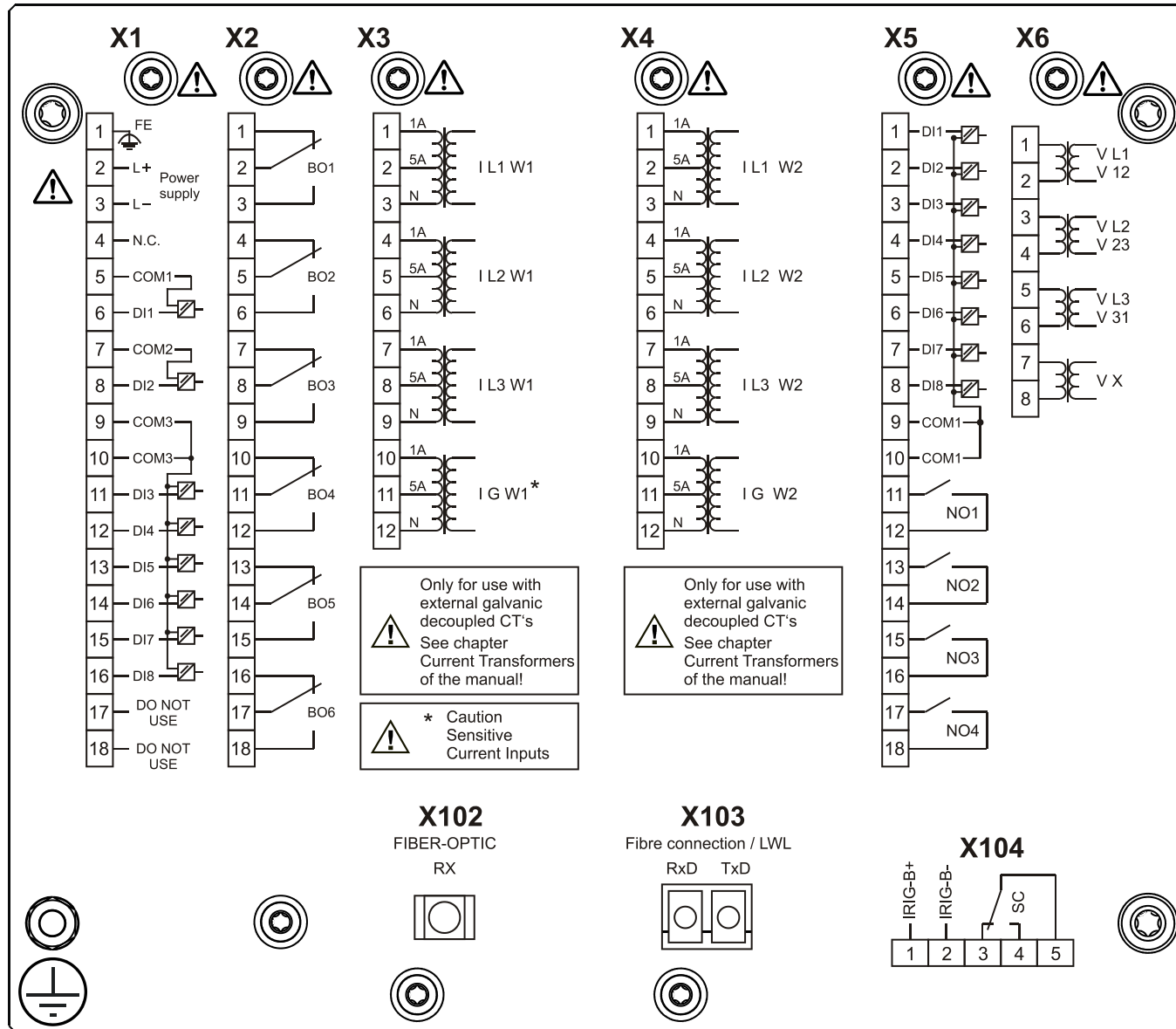
MCDTV4-2A1BKB



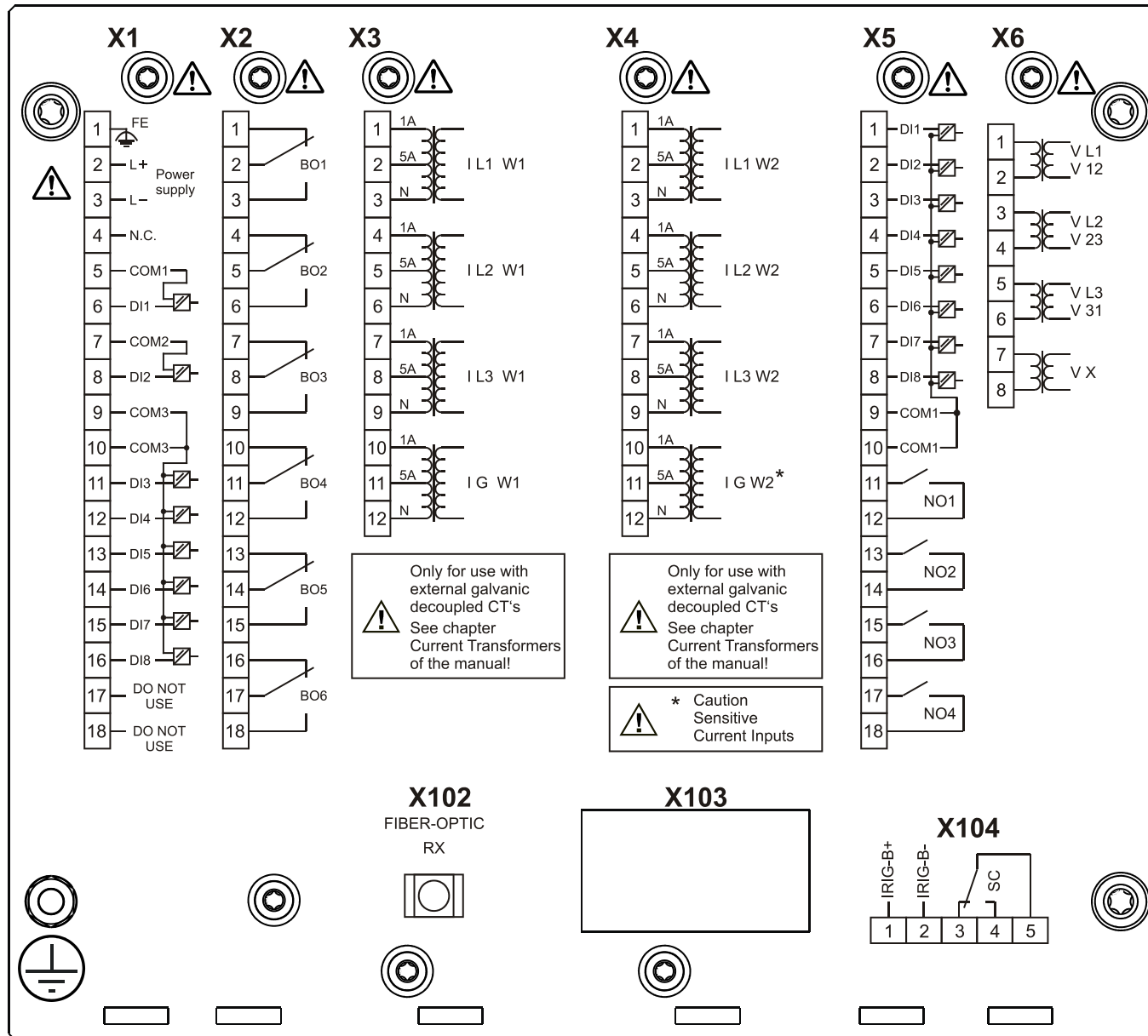
MCDTV4-2A1BLA



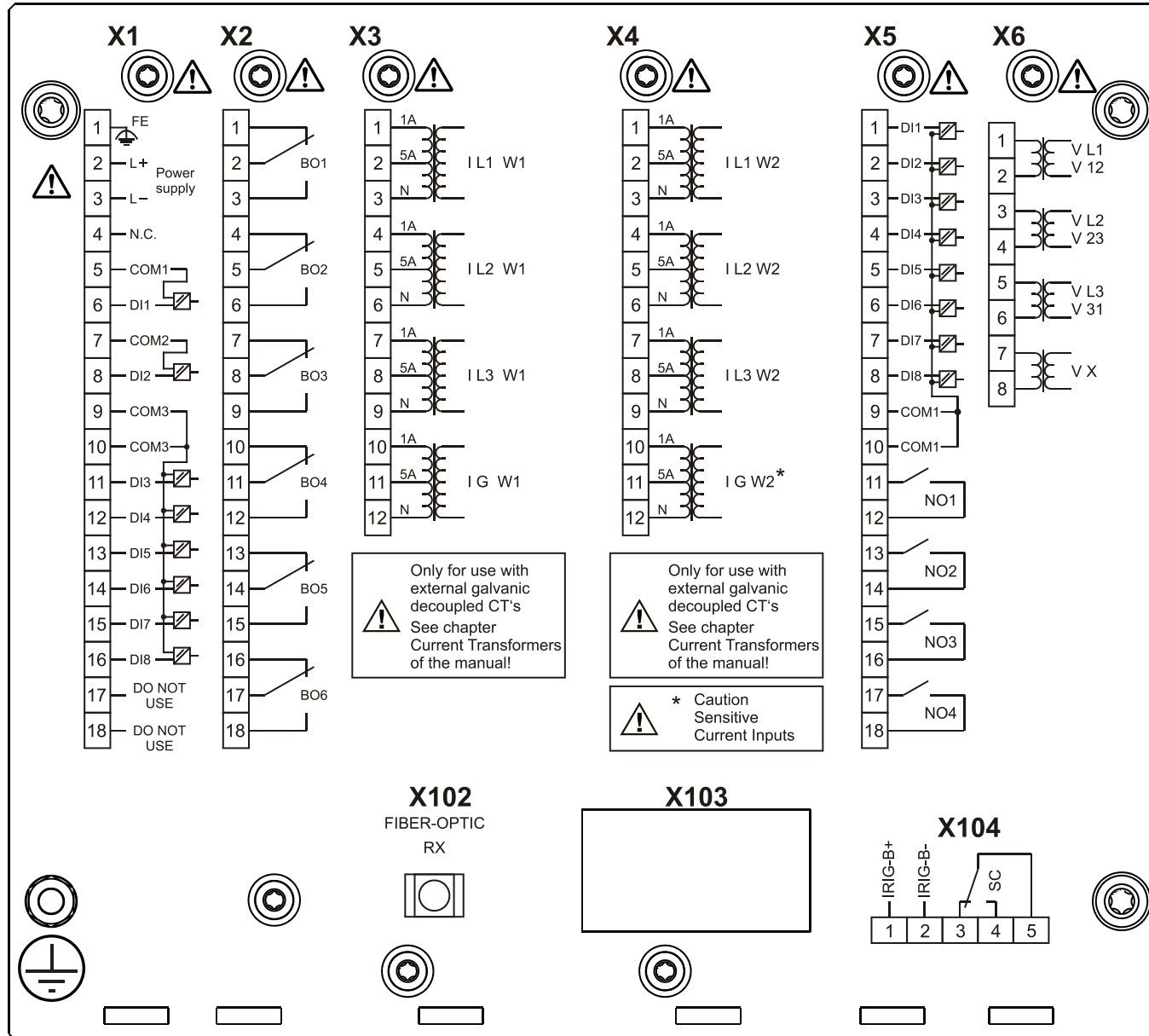
MCDTV4-2A1BLB



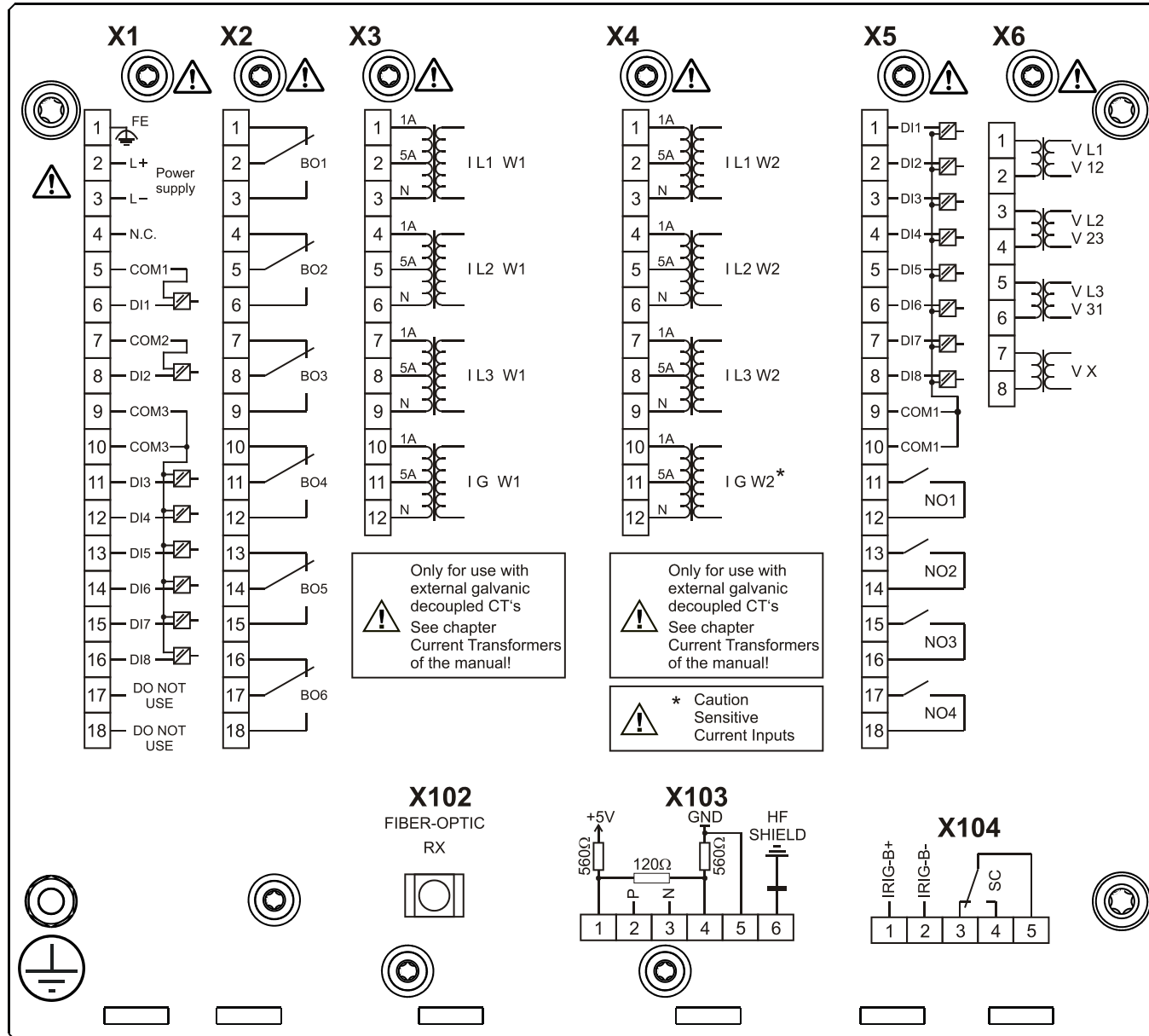
MCDTV4-2A2AAA



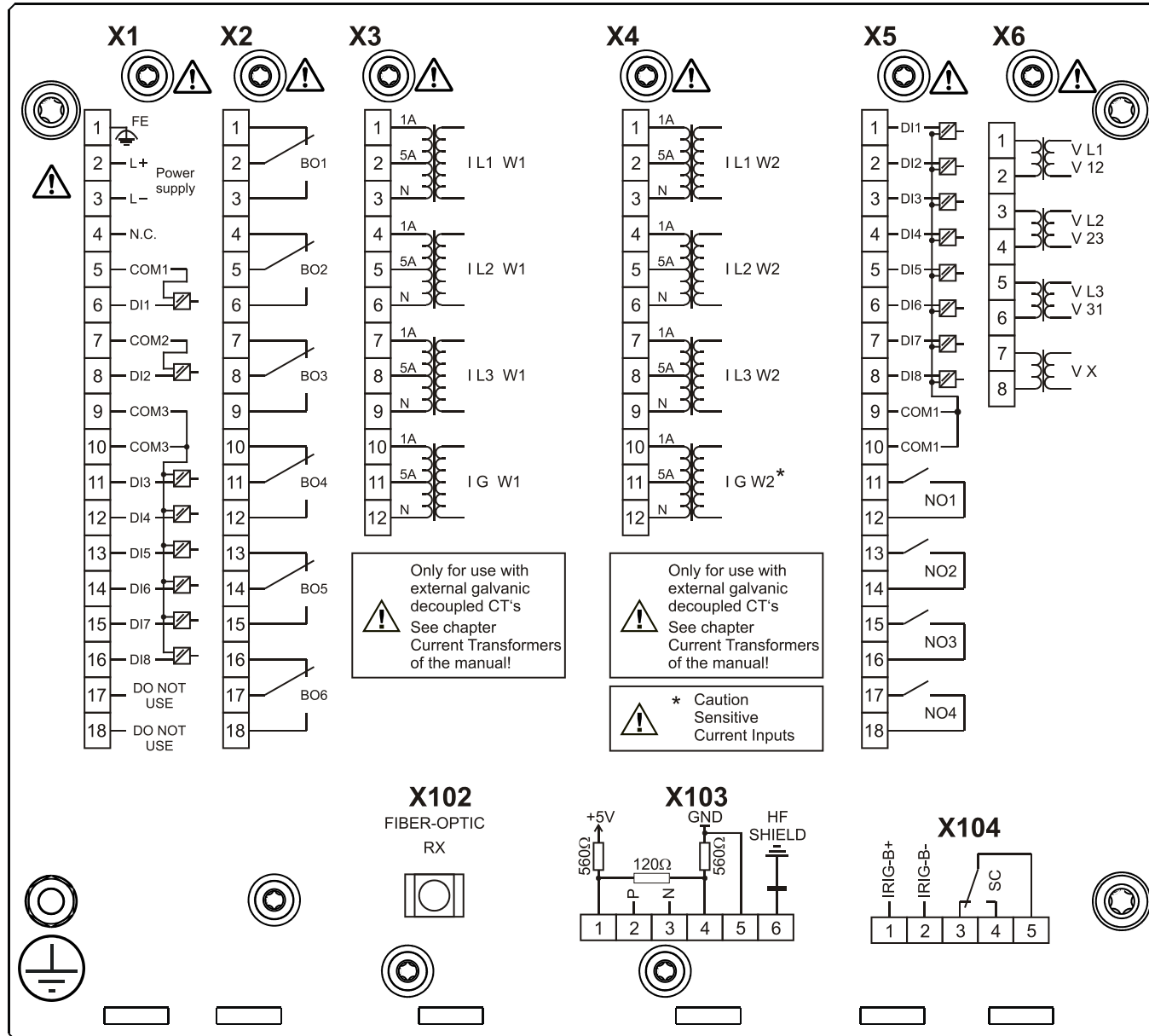
MCDTV4-2A2AAB



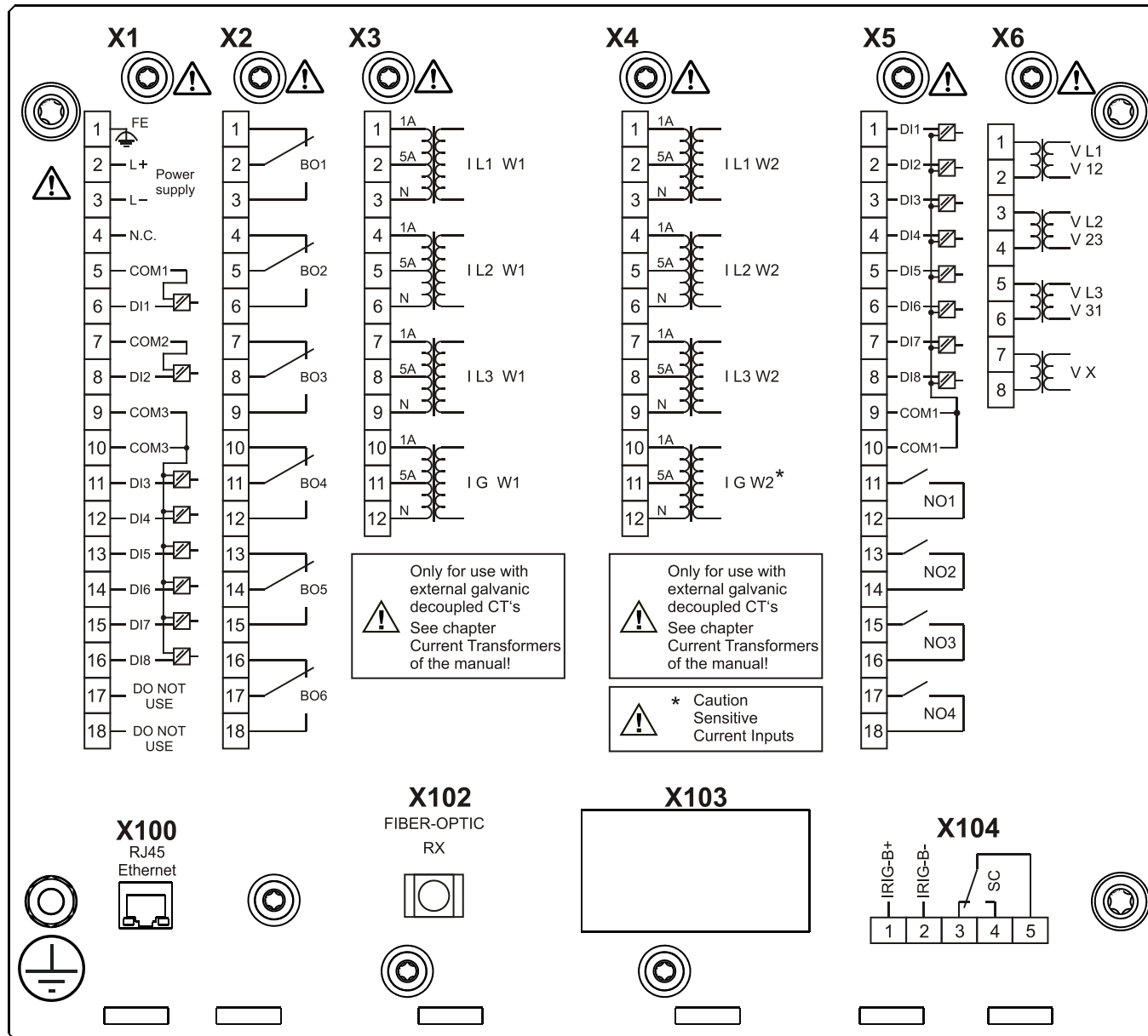
MCDTV4-2A2ABA



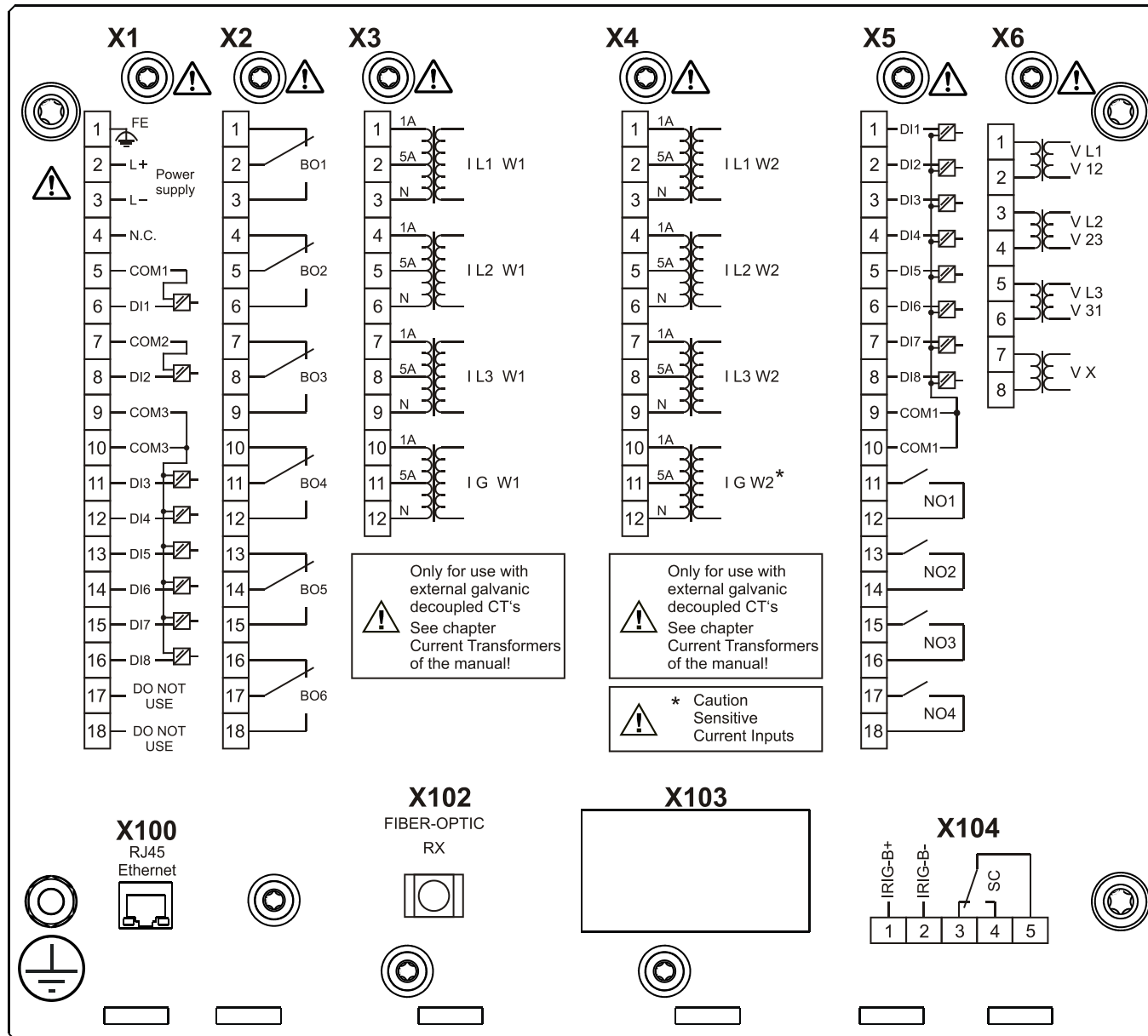
MCDTV4-2A2ABB



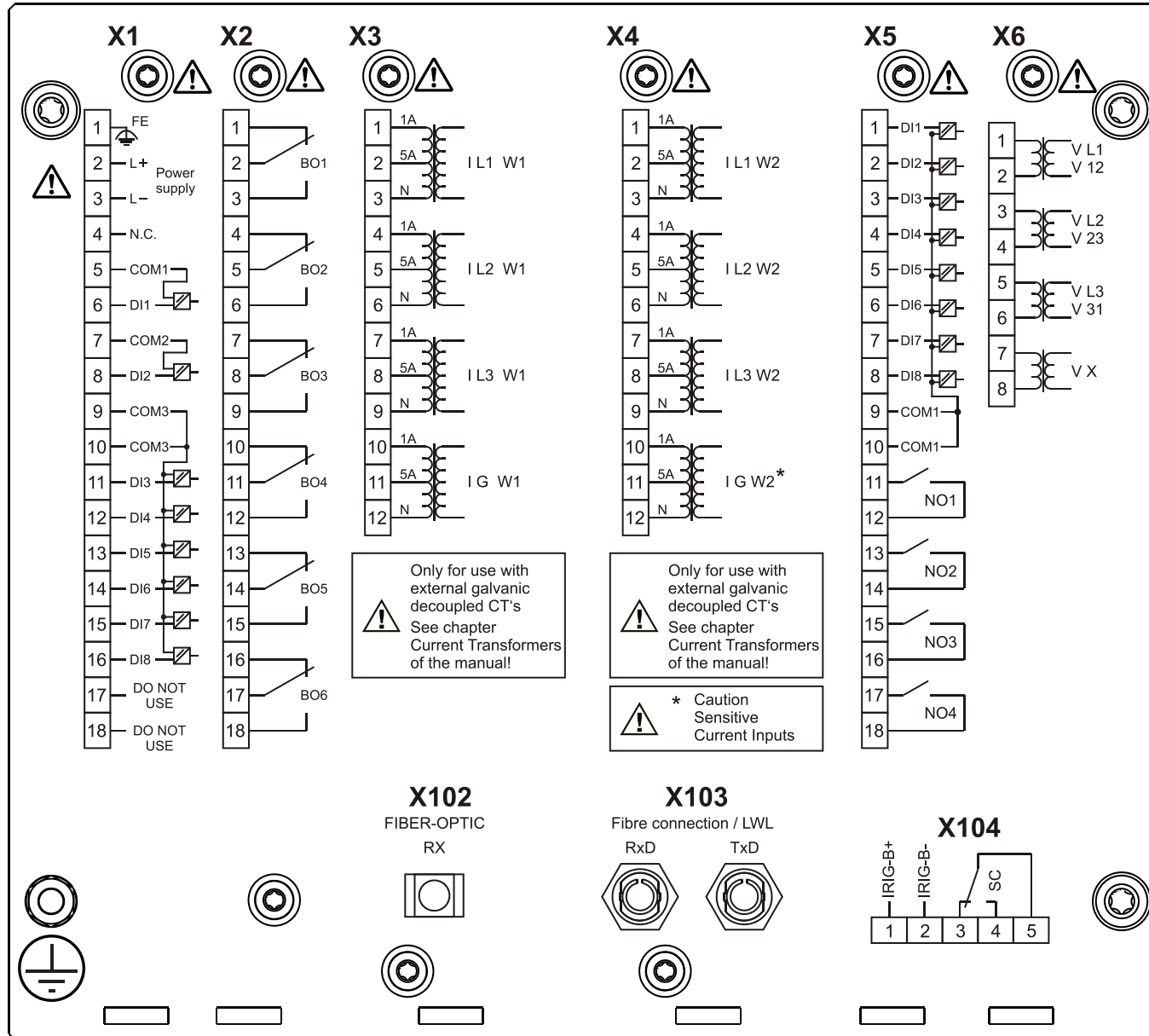
MCDTV4-2A2ACA



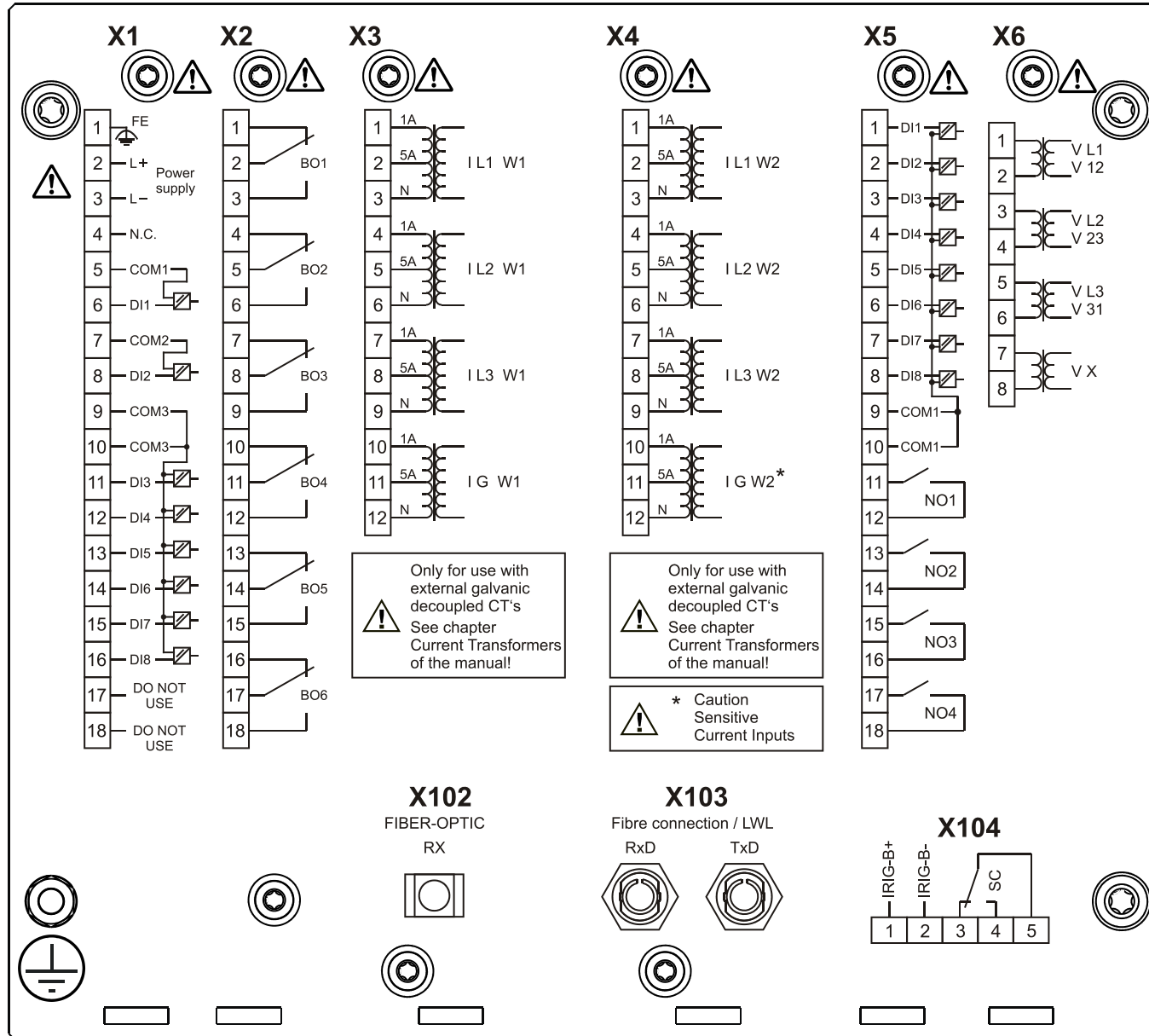
MCDTV4-2A2ACB



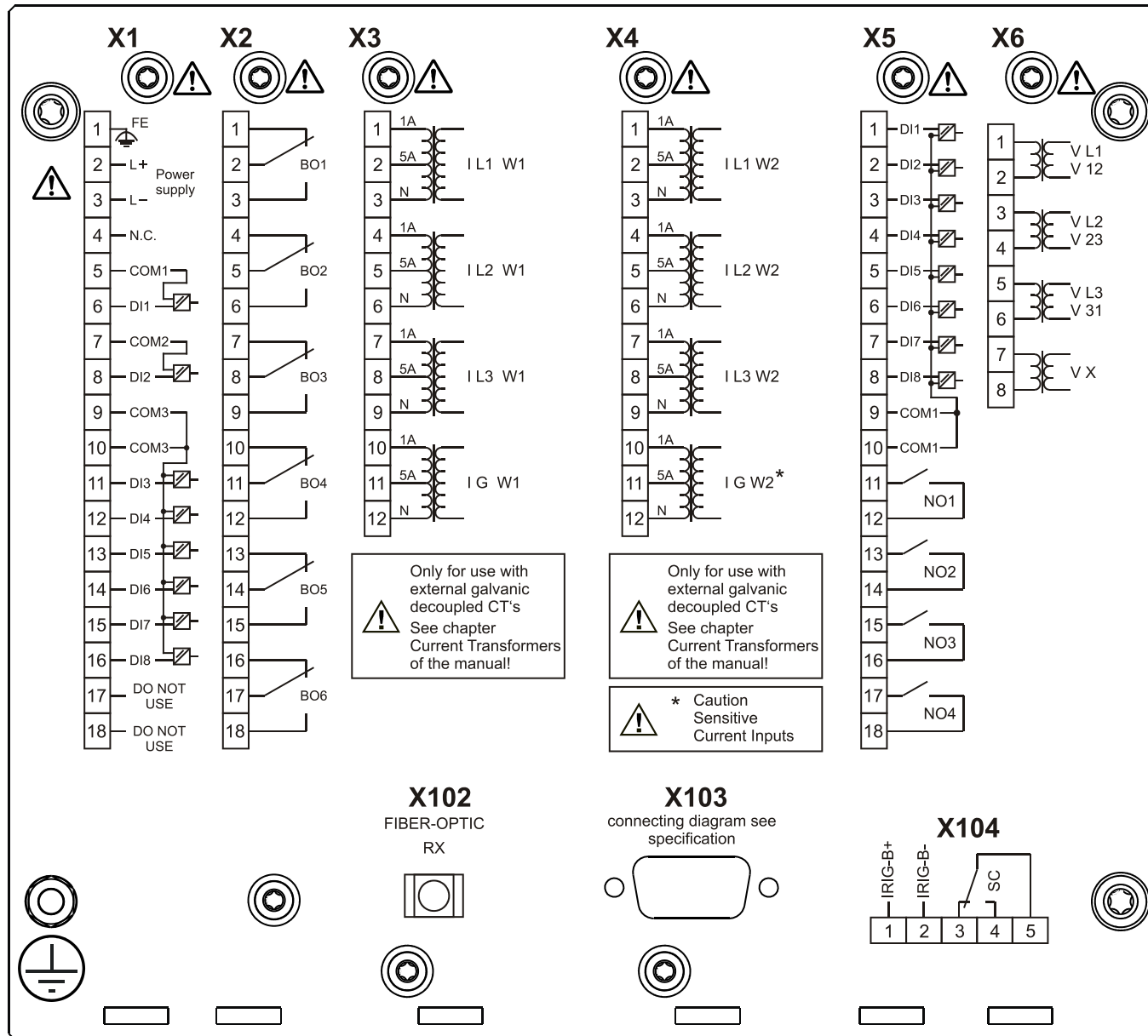
MCDTV4-2A2ADA



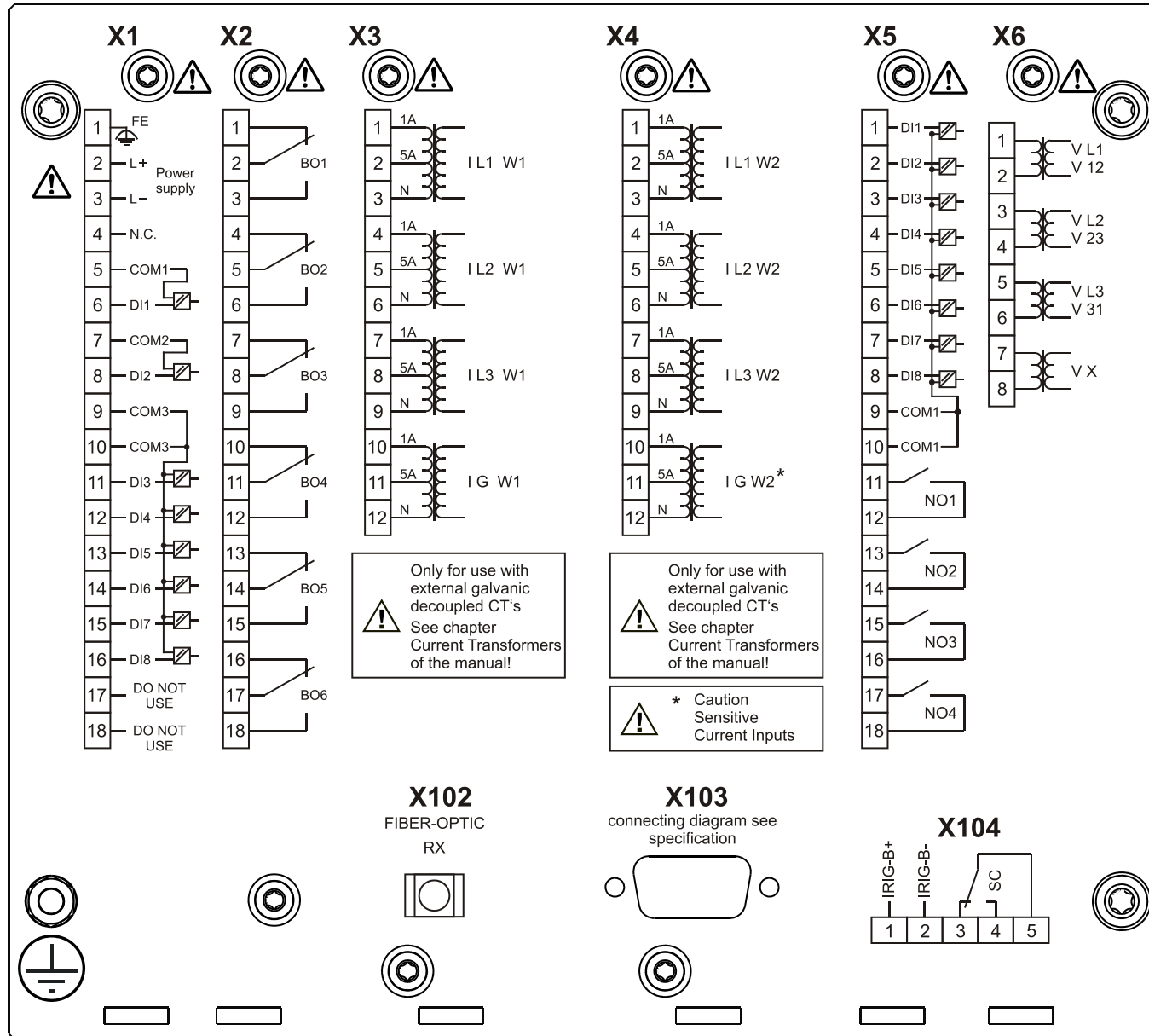
MCDTV4-2A2ADB



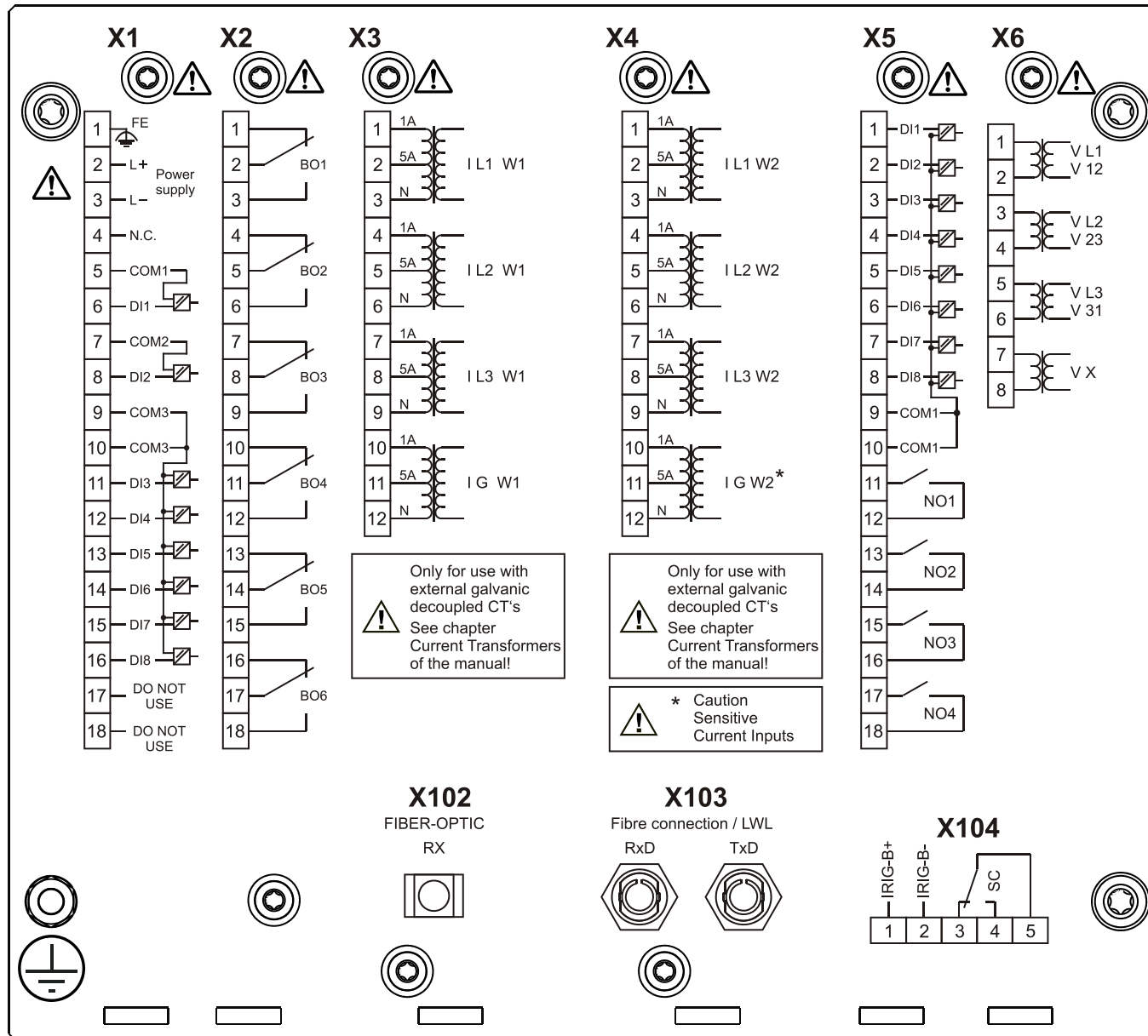
MCDTV4-2A2AEA



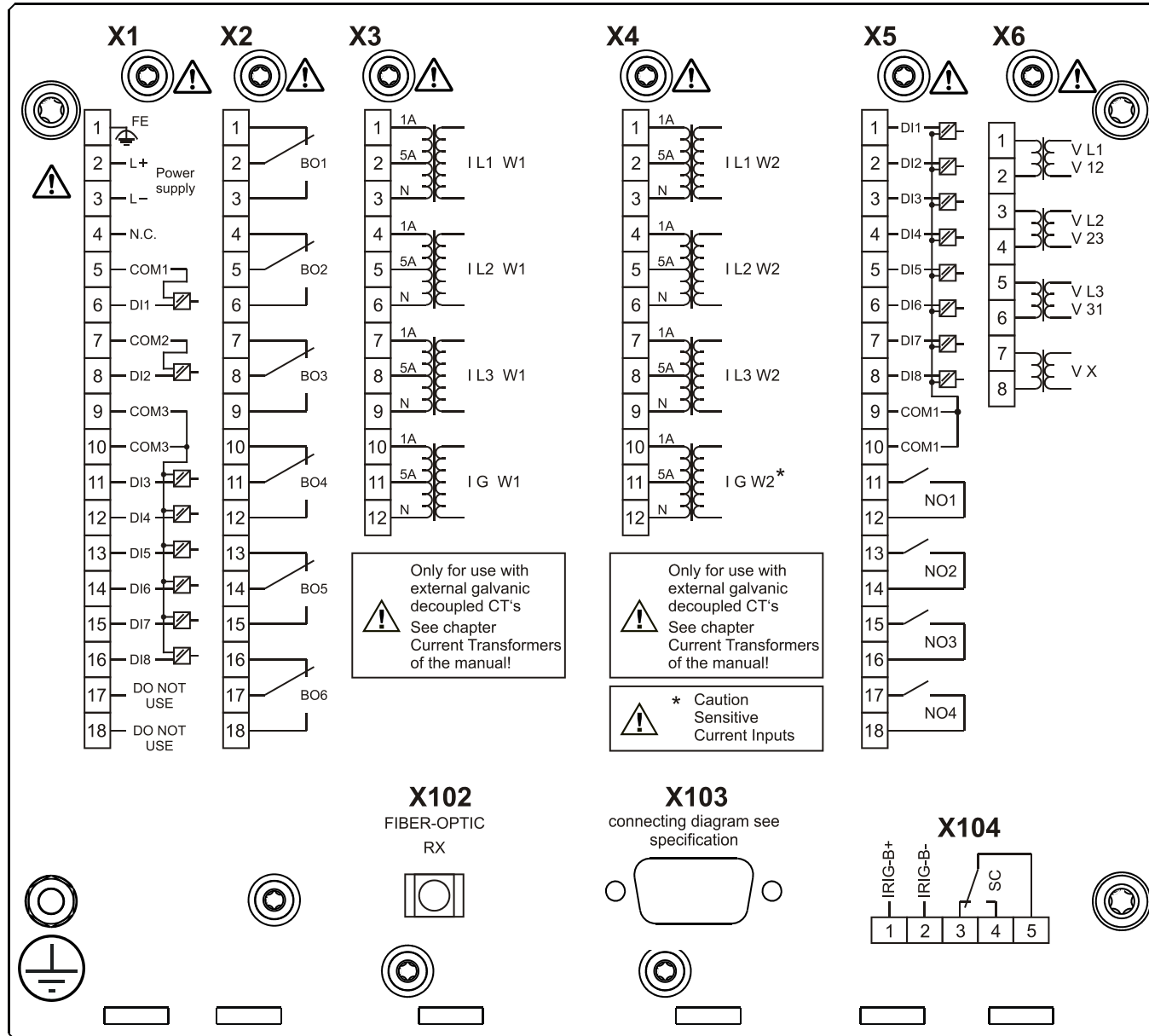
MCDTV4-2A2AEB



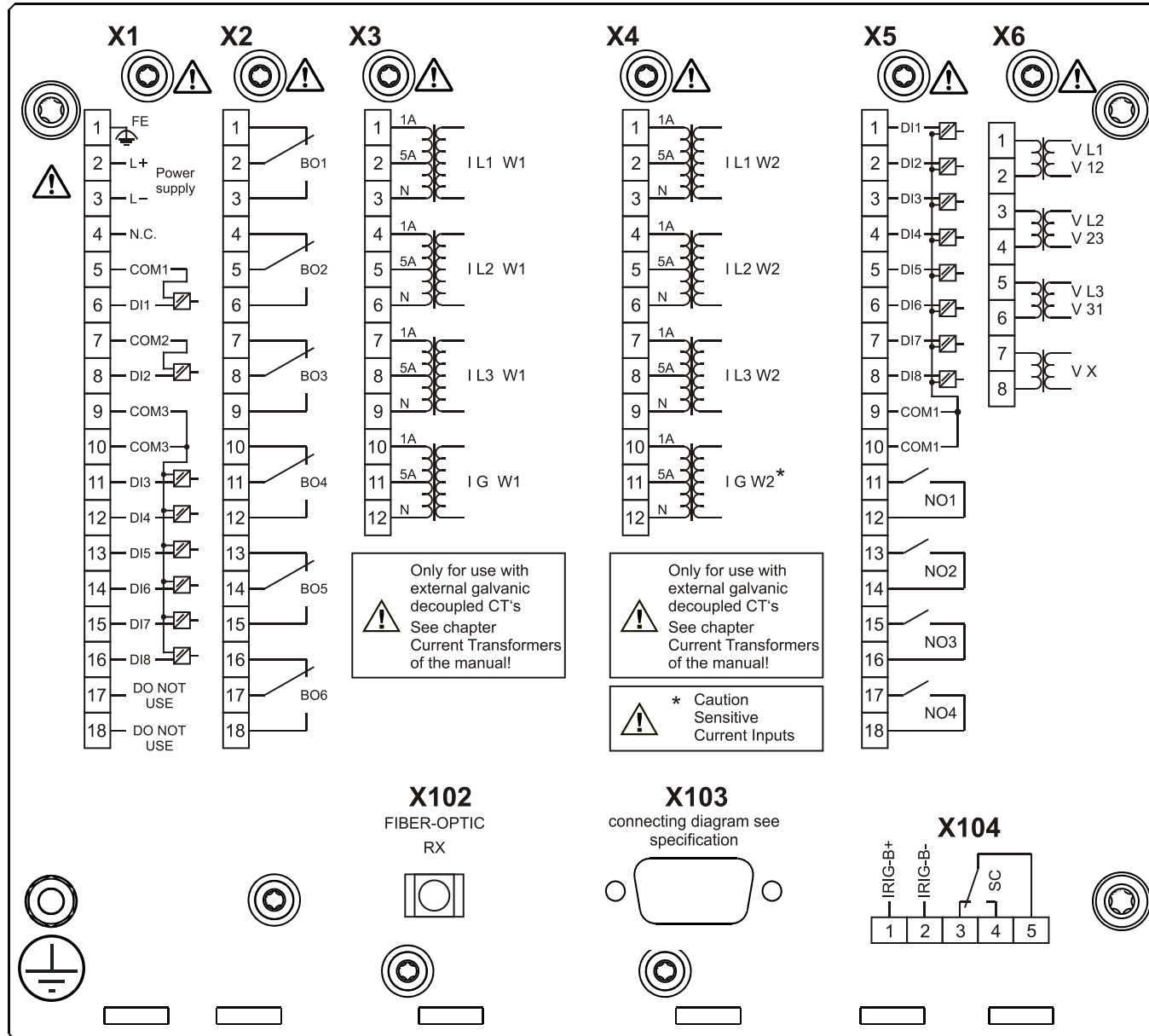
MCDTV4-2A2AFA



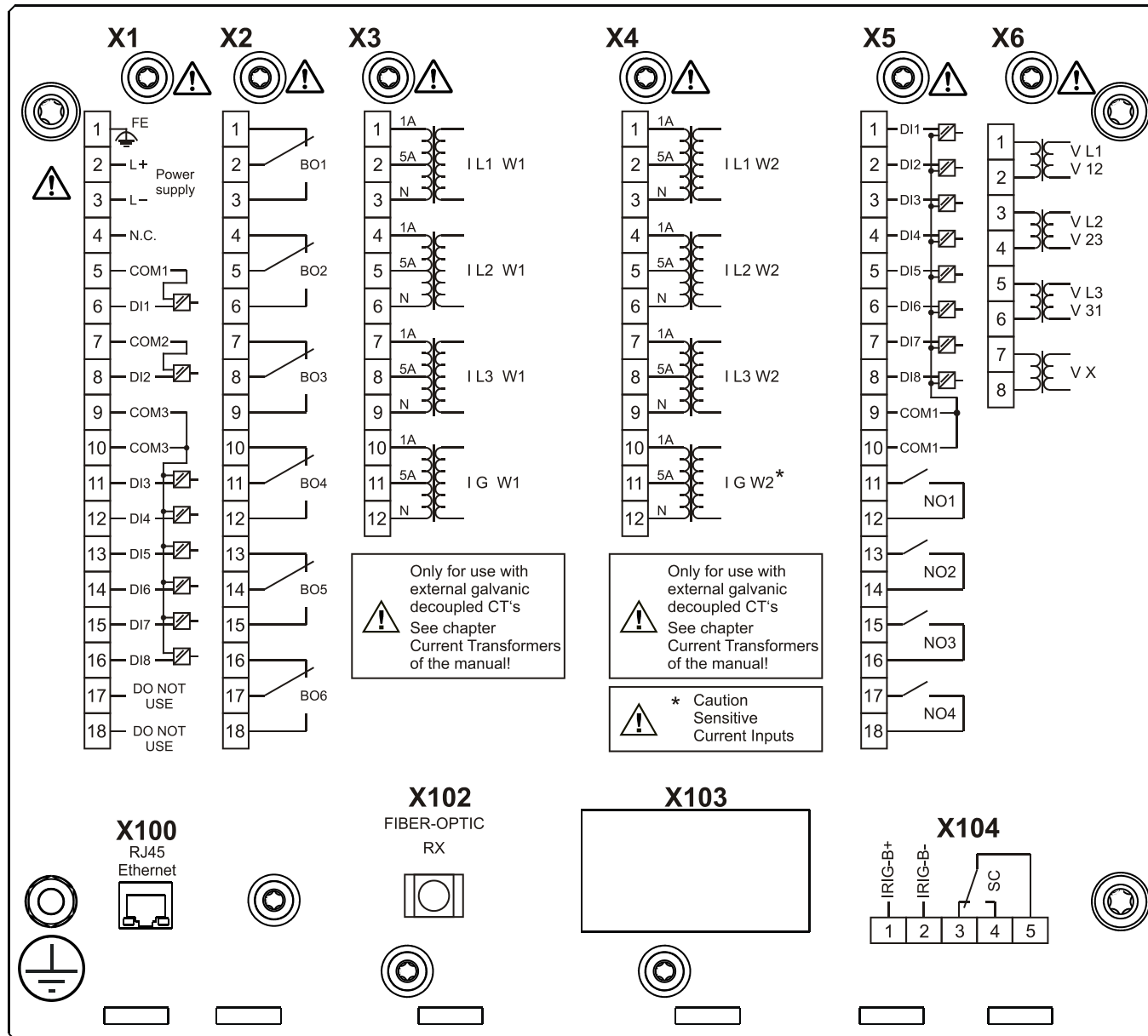
MCDTV4-2A2AGA



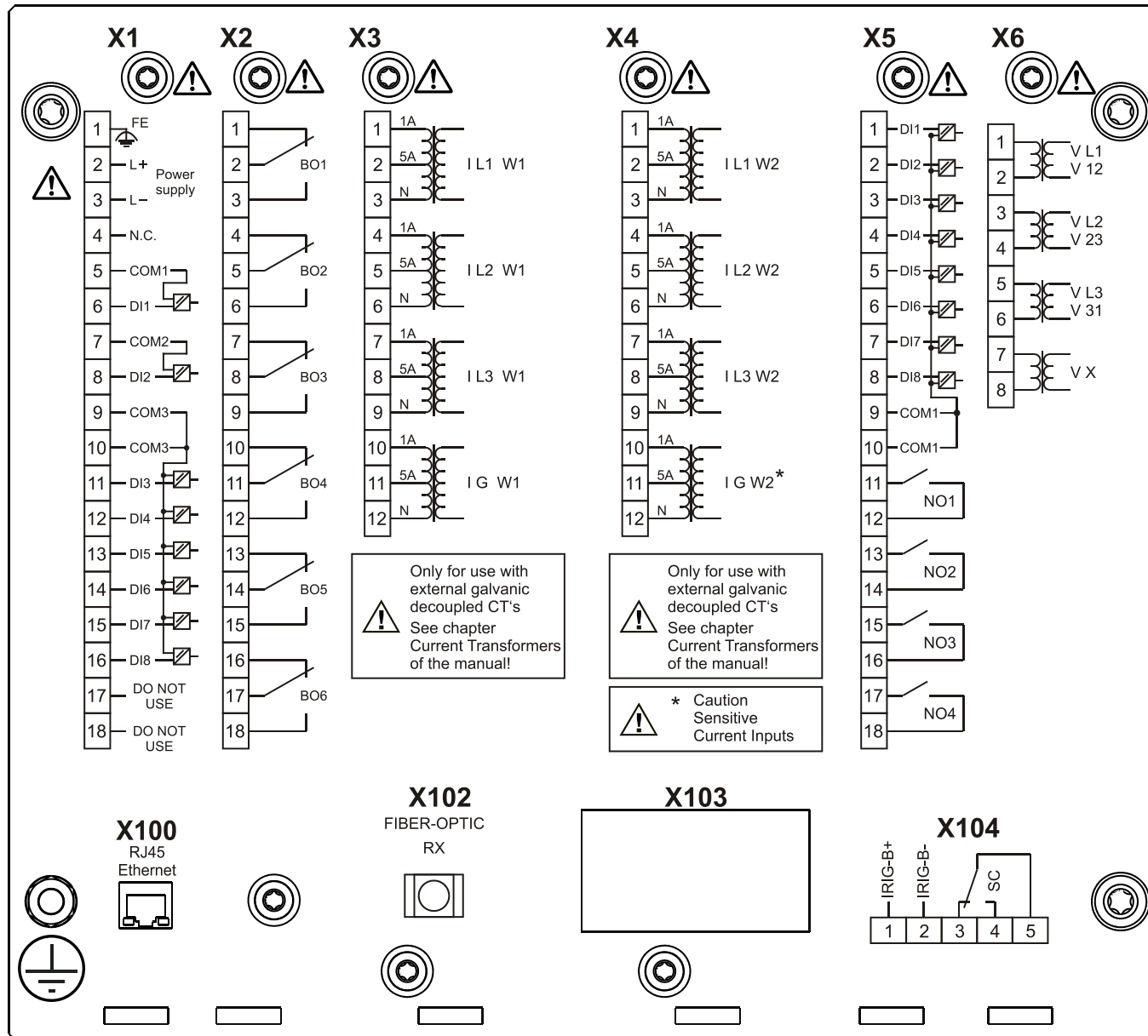
MCDTV4-2A2AGB



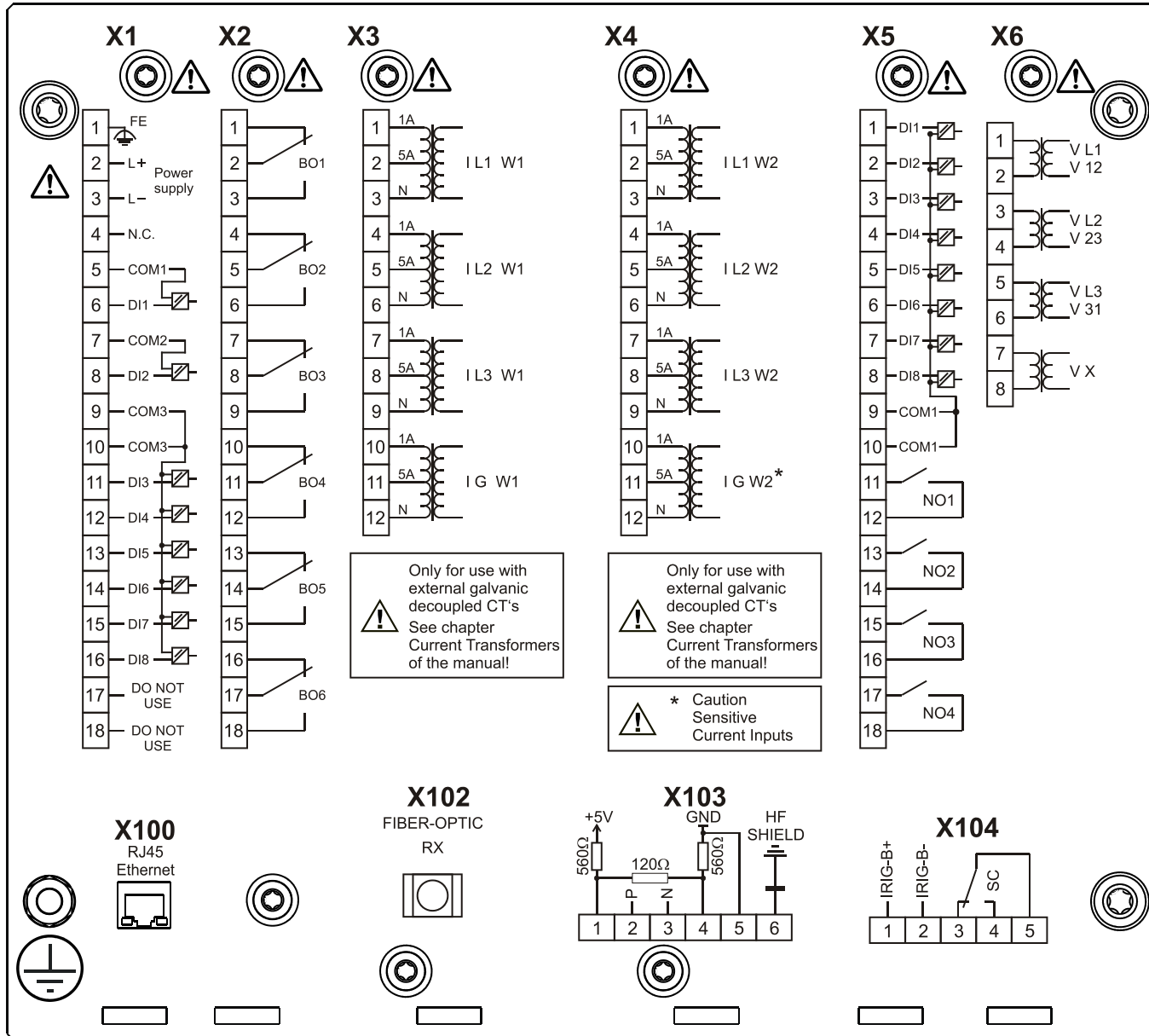
MCDTV4-2A2AHA



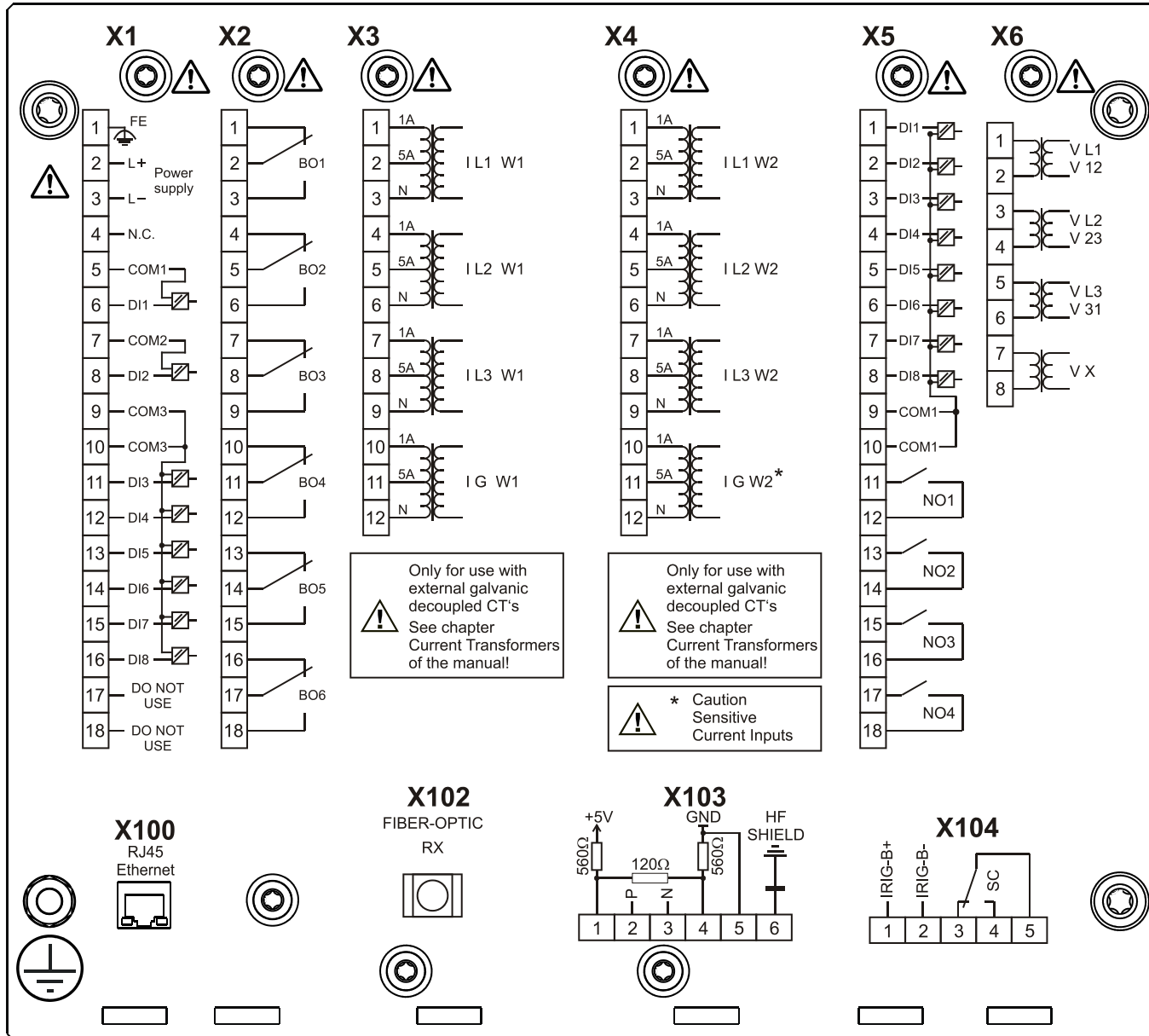
MCDTV4-2A2AHB



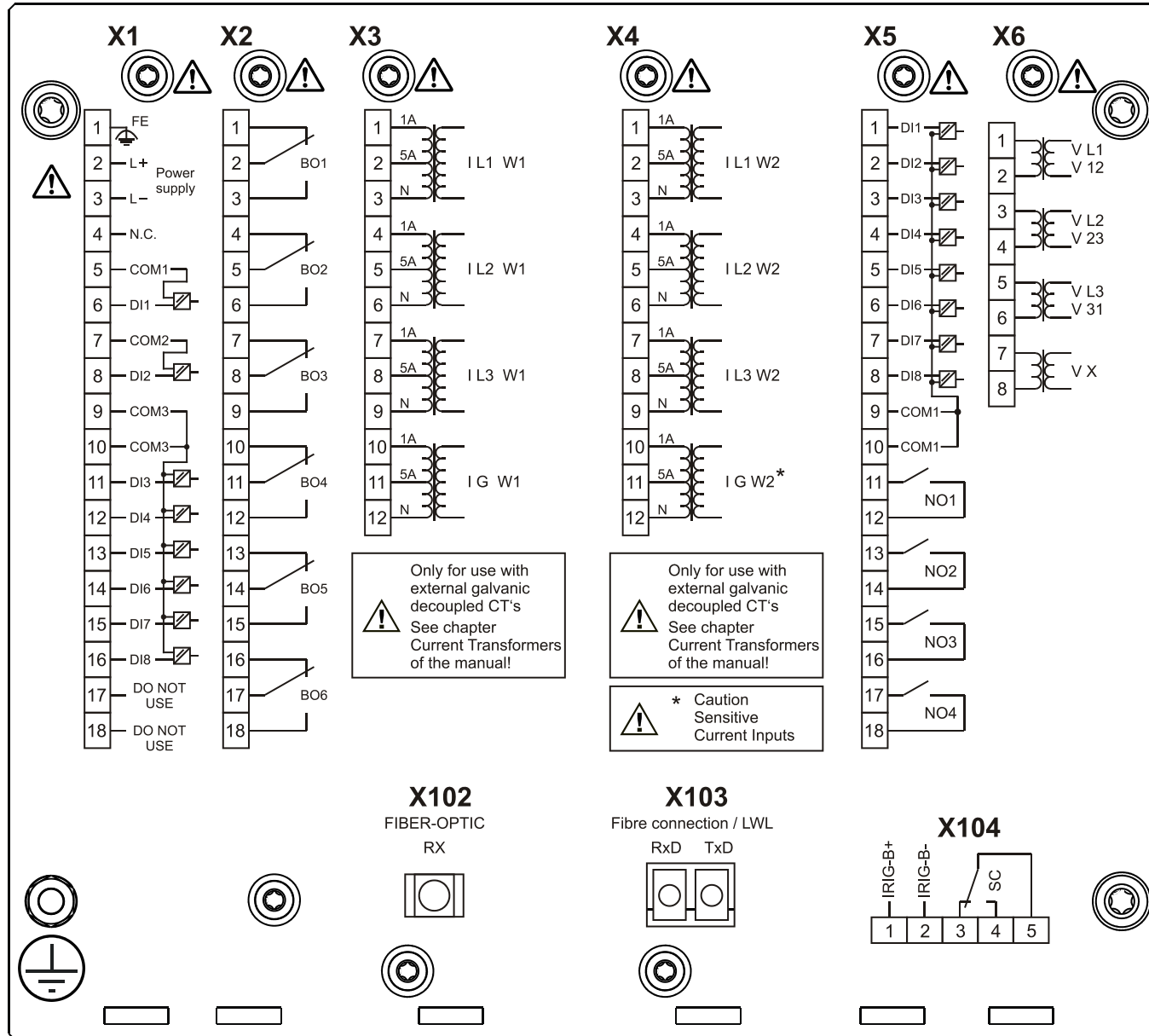
MCDTV4-2A2AIA



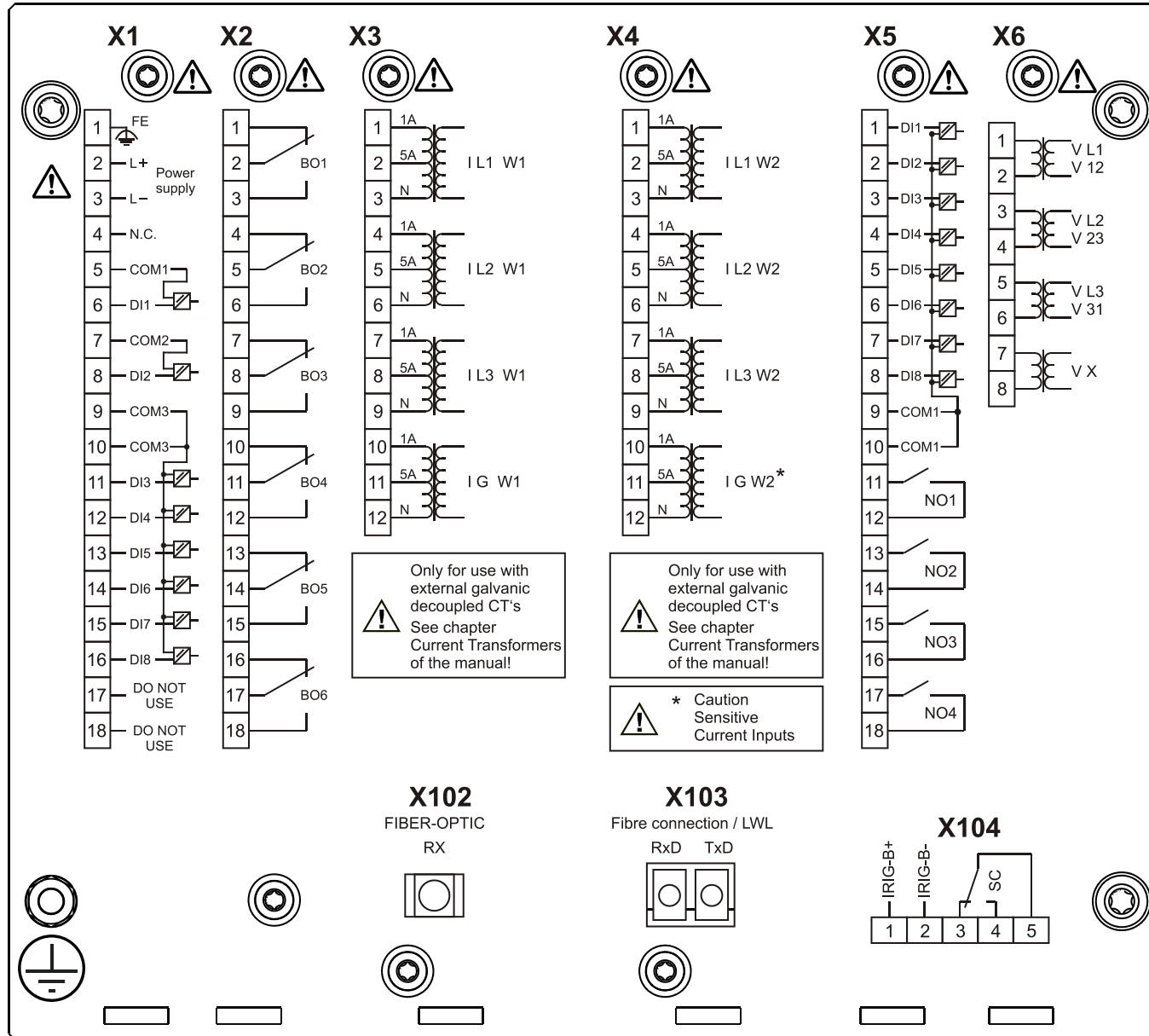
MCDTV4-2A2AIB



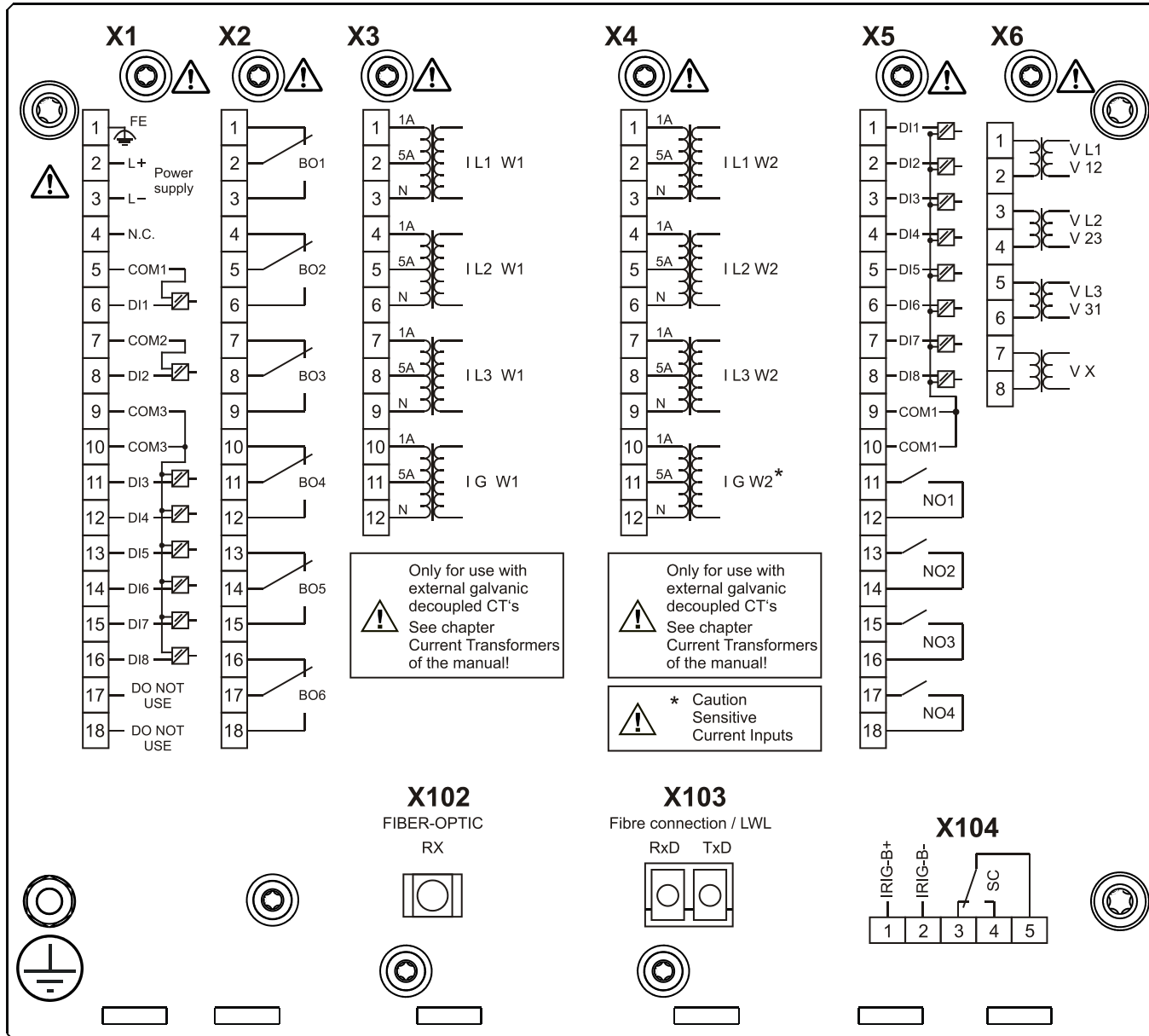
MCDTV4-2A2AKA



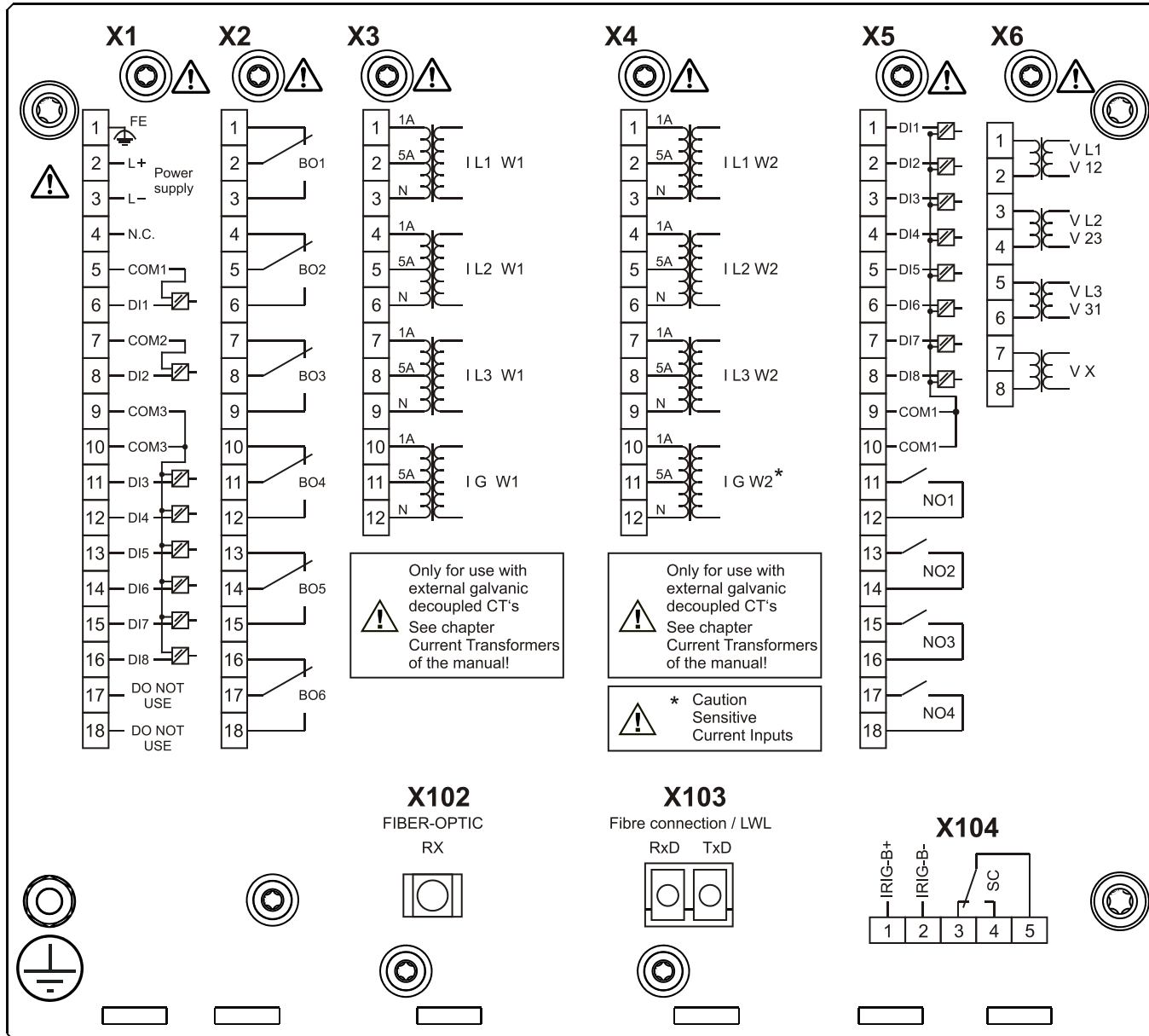
MCDTV4-2A2AKB



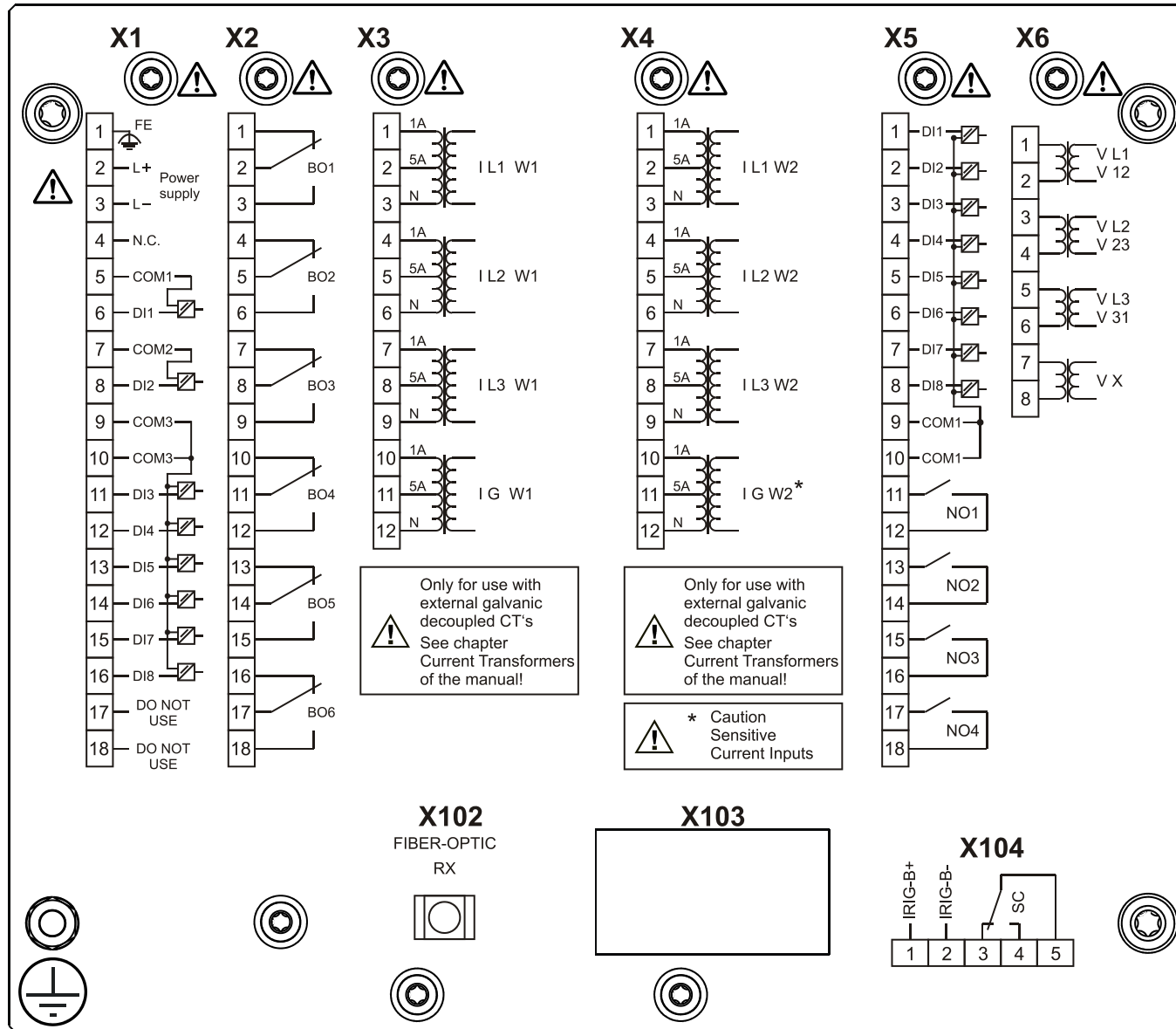
MCDTV4-2A2ALA



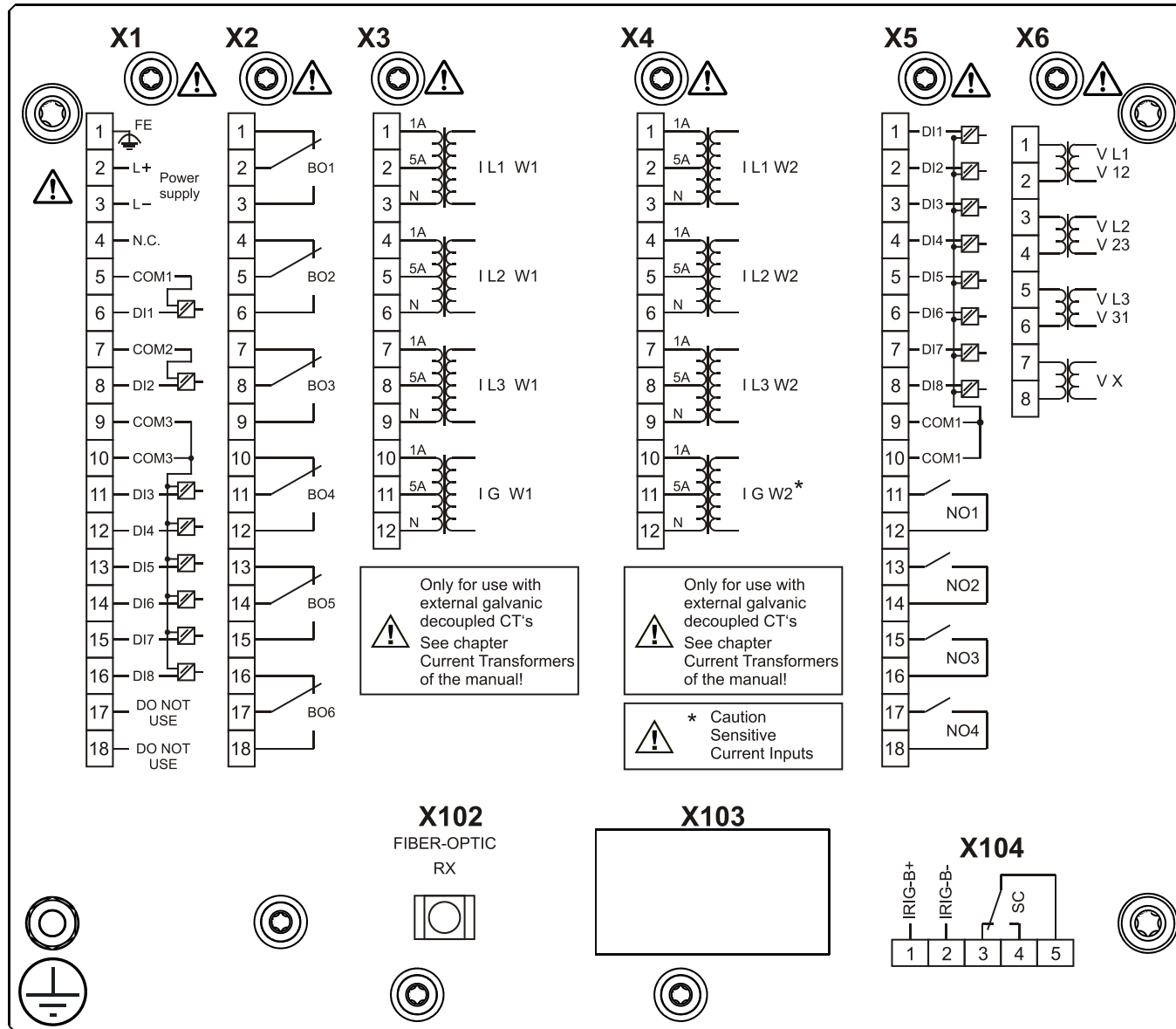
MCDTV4-2A2ALB



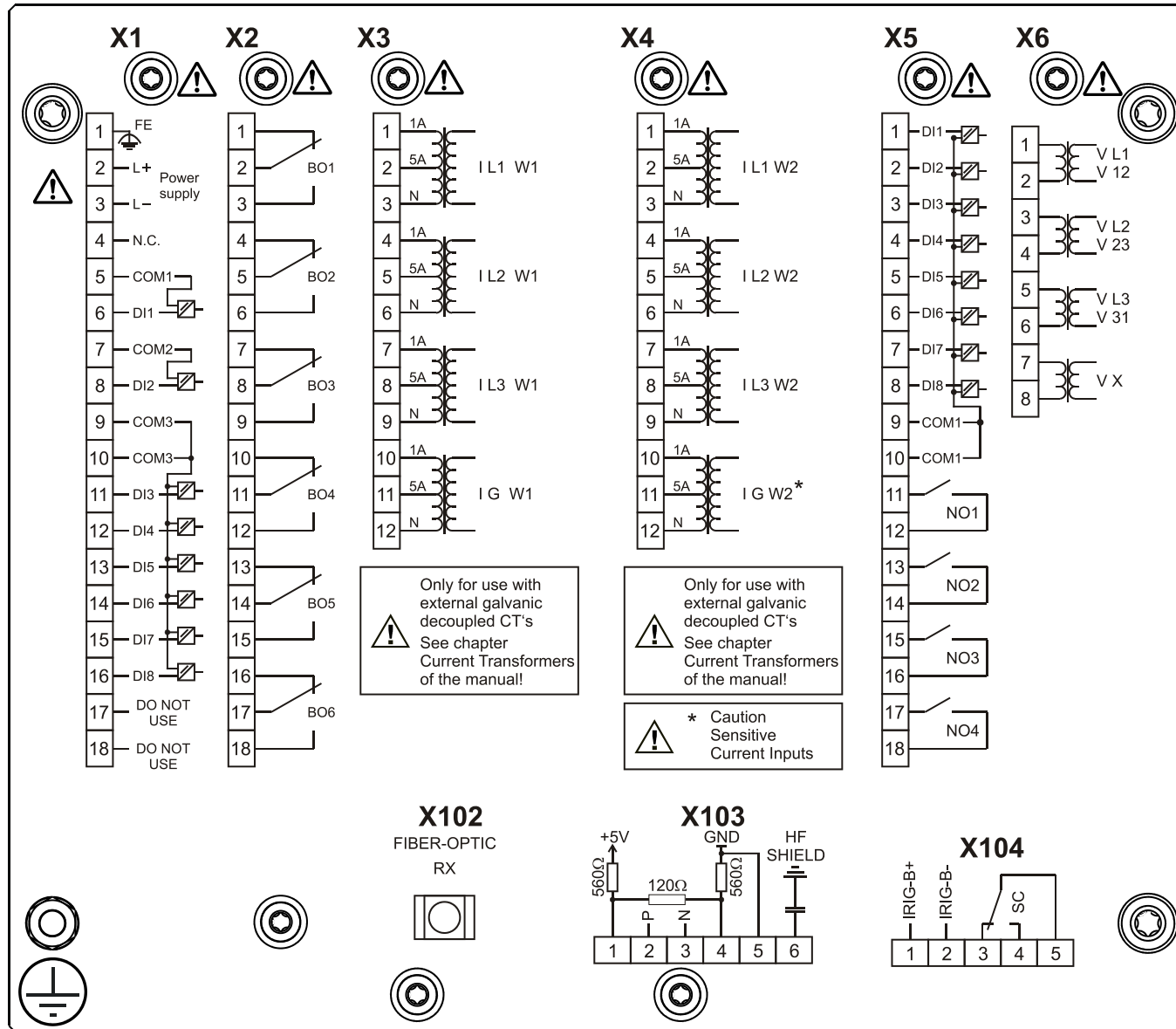
MCDTV4-2A2BAA



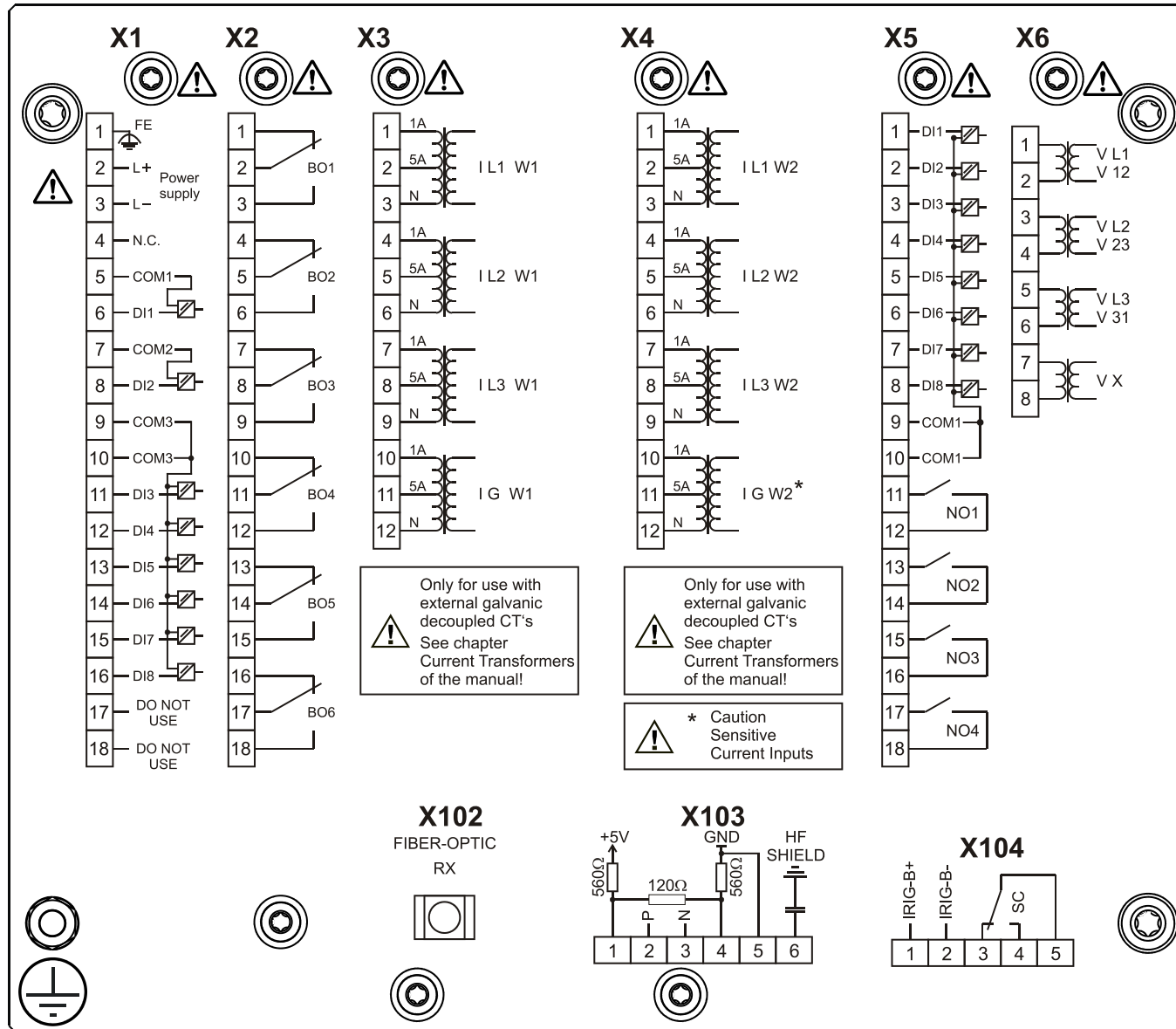
MCDTV4-2A2BAB



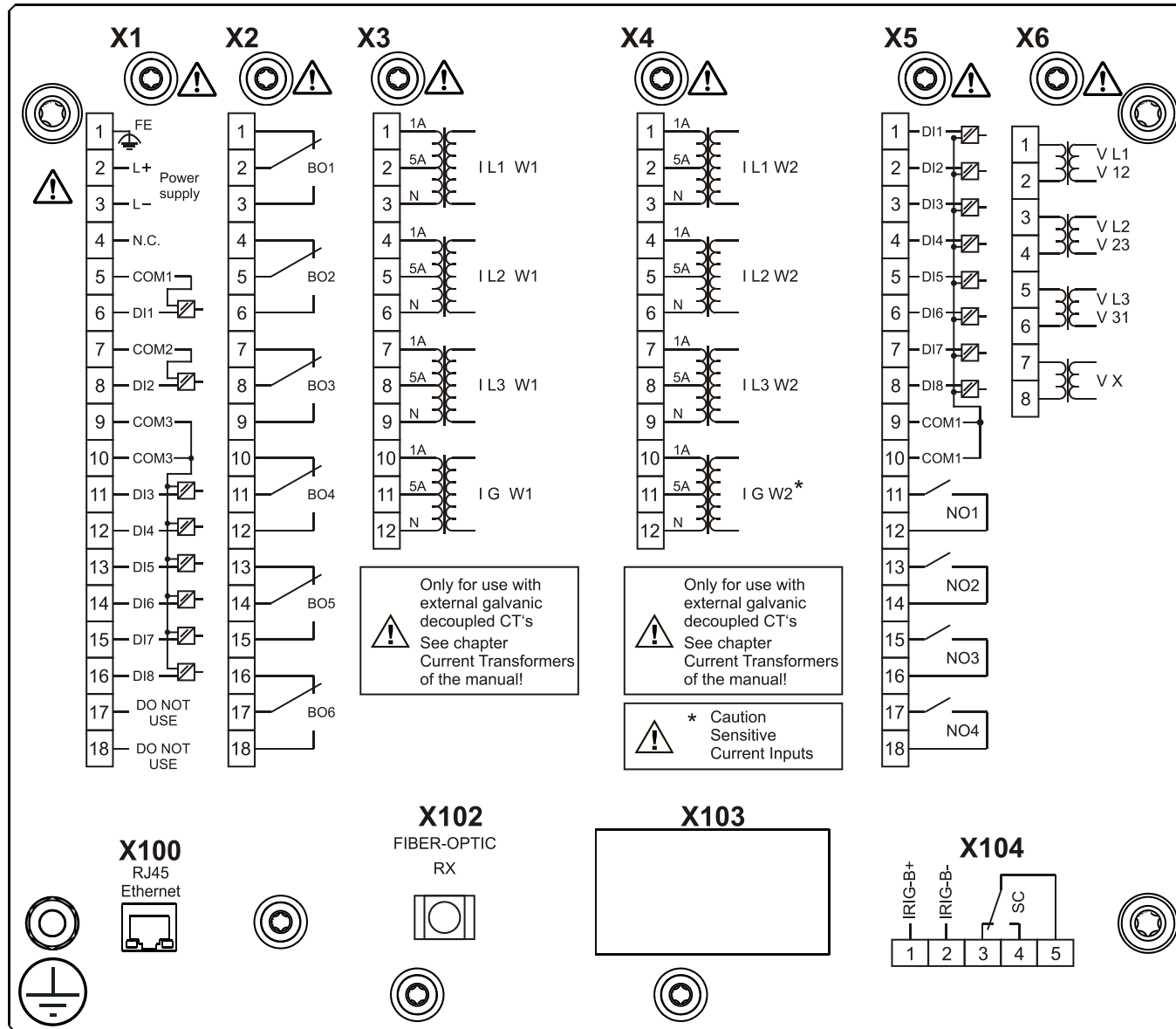
MCDTV4-2A2BBA



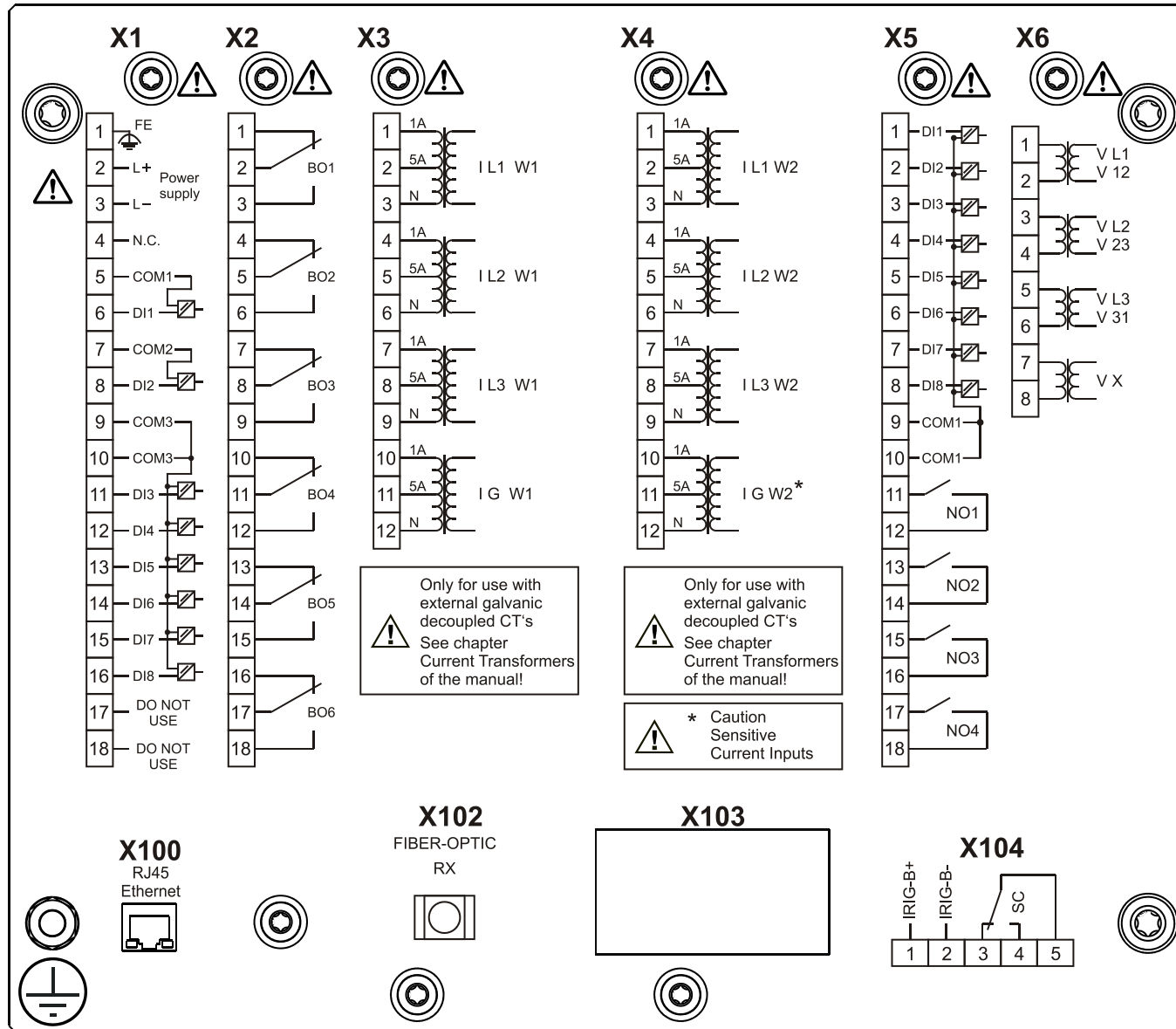
MCDTV4-2A2BBB



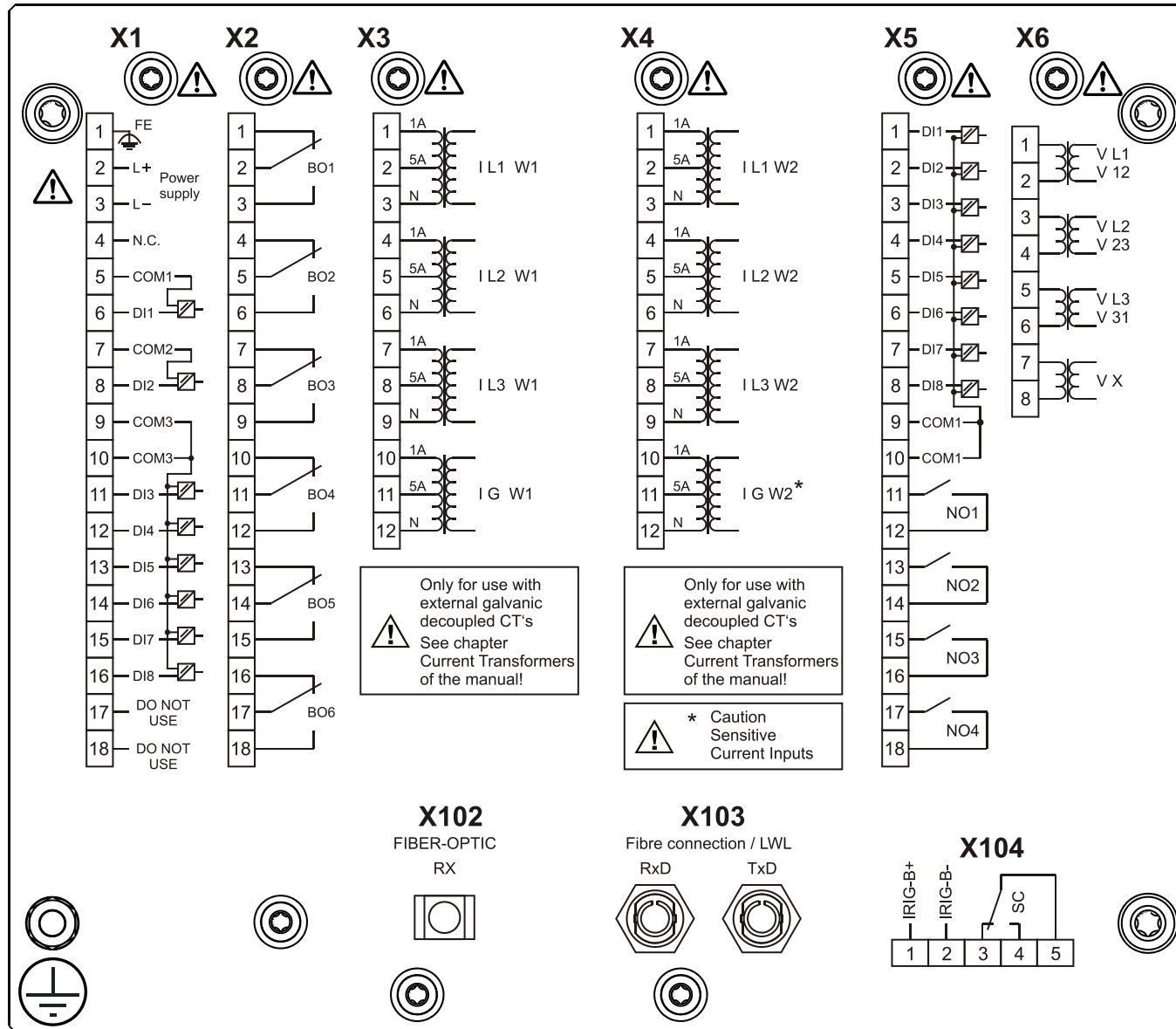
MCDTV4-2A2BCA



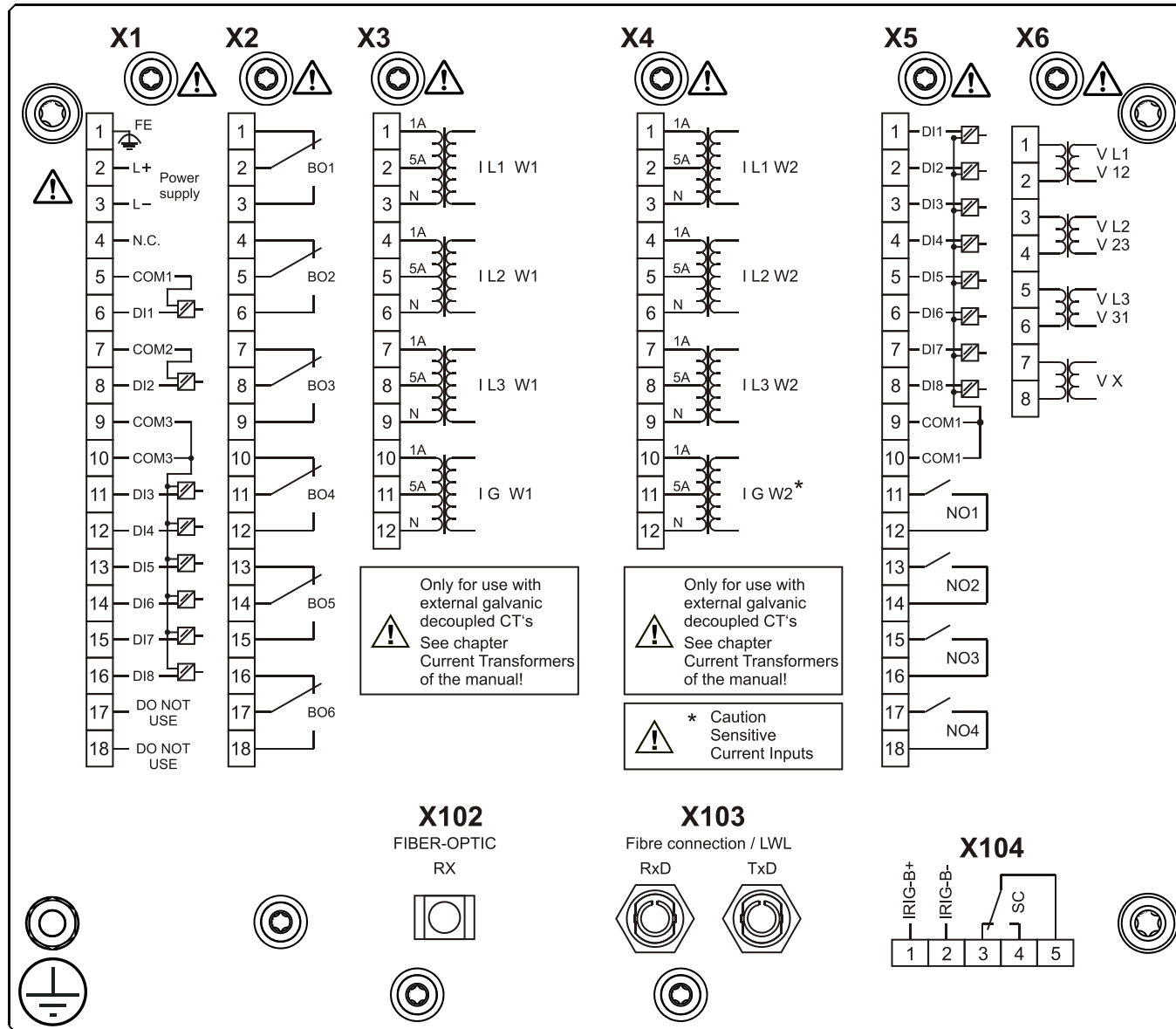
MCDTV4-2A2BCB



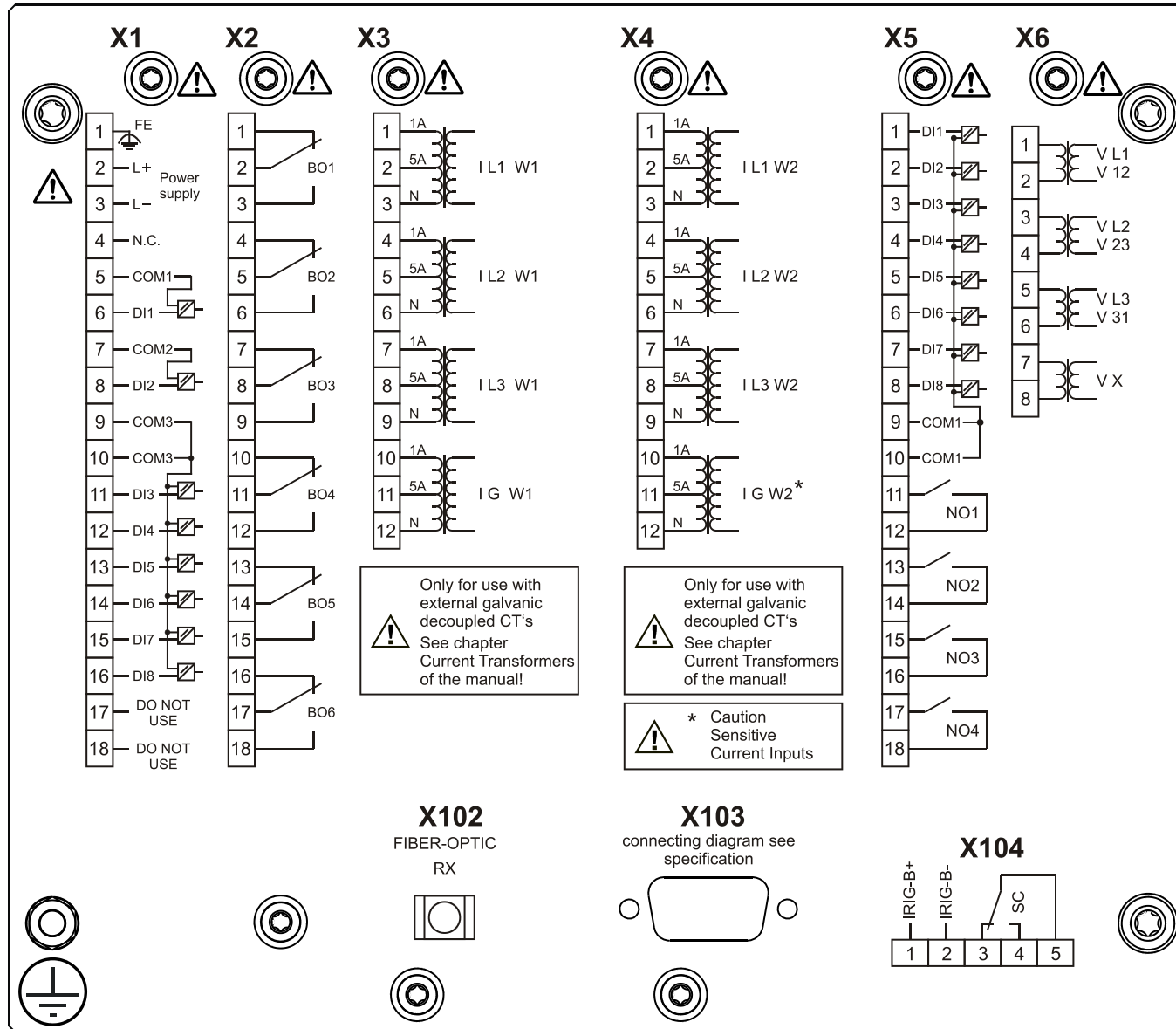
MCDTV4-2A2BDA



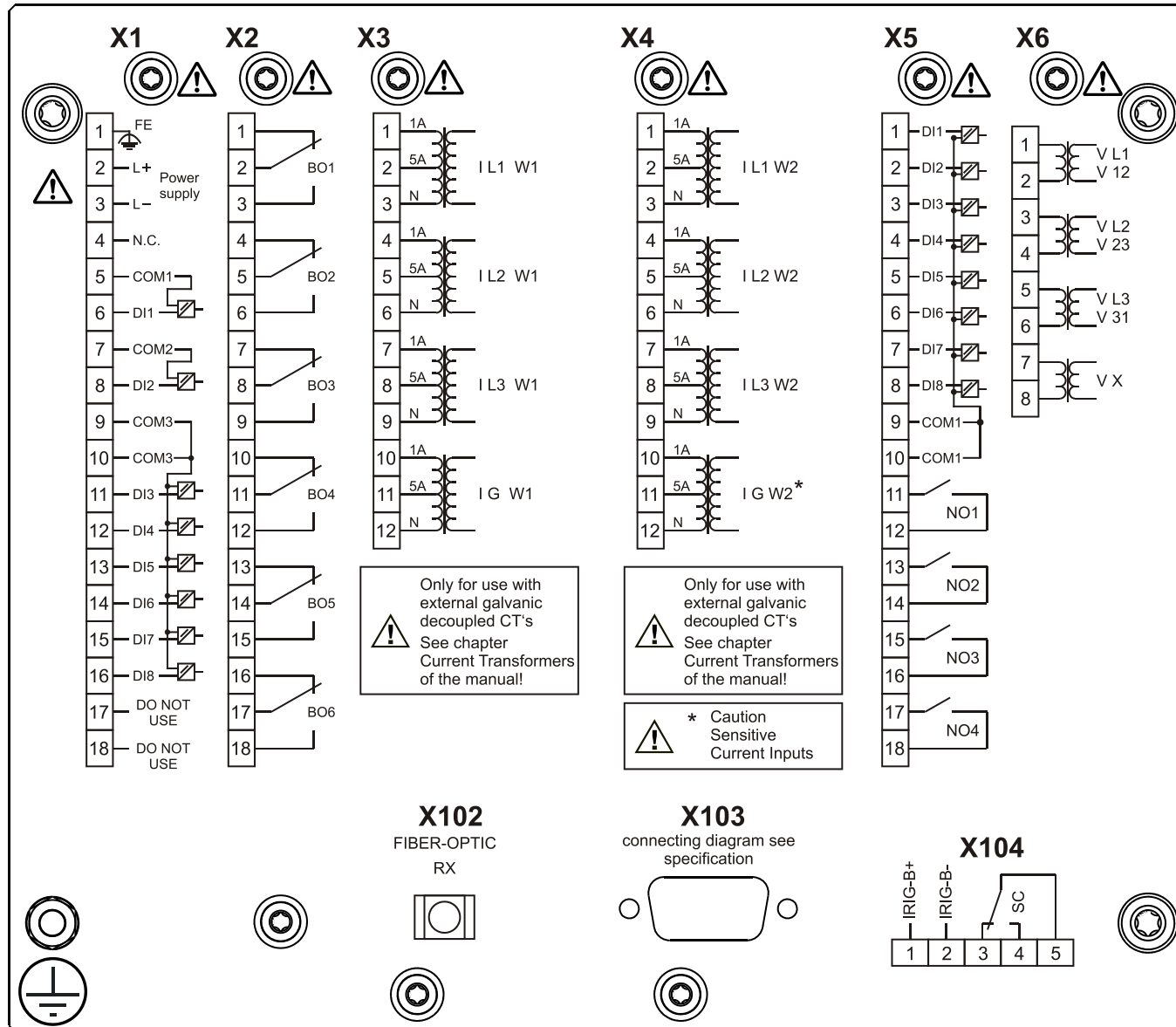
MCDTV4-2A2BDB



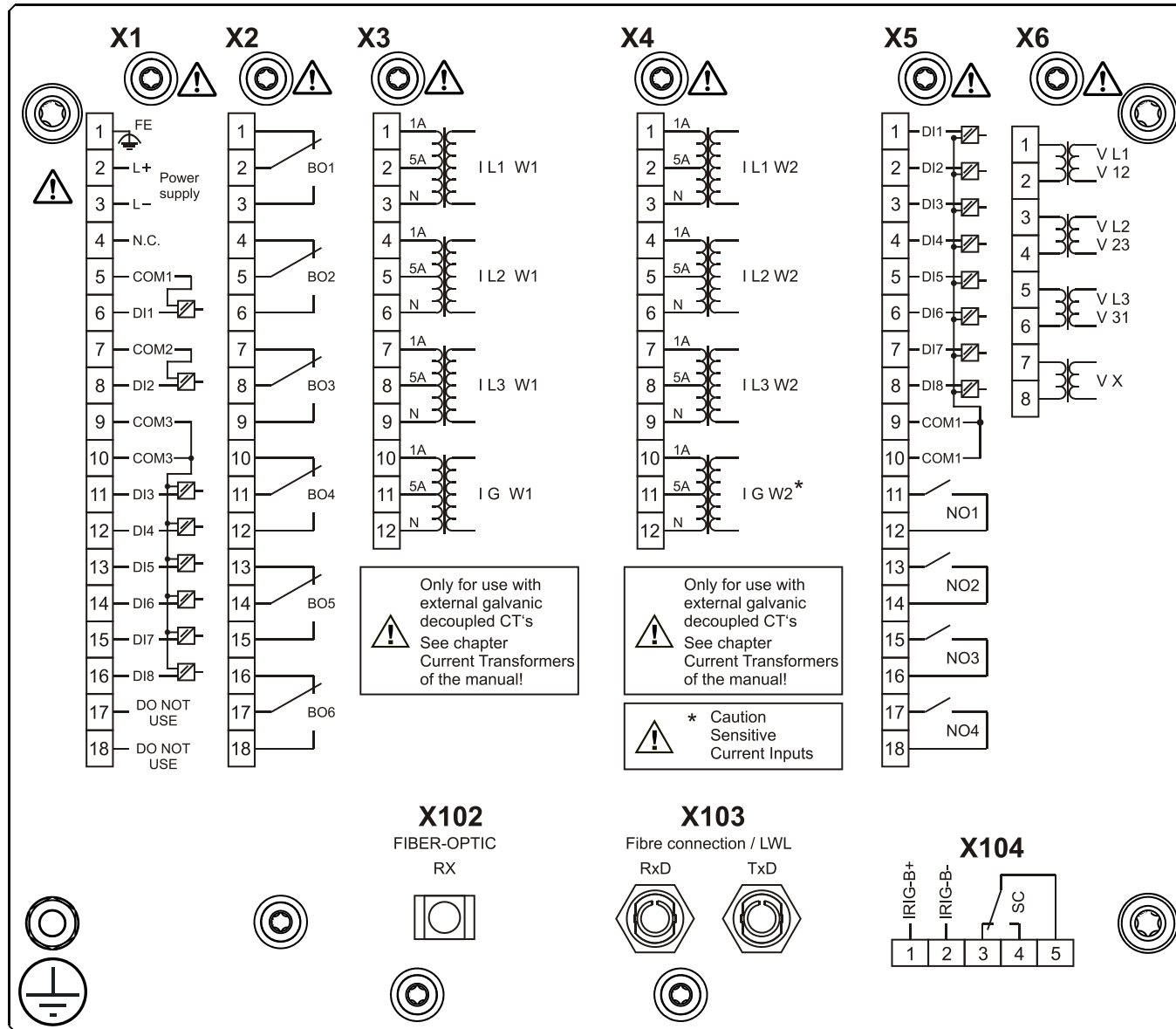
MCDTV4-2A2BEA



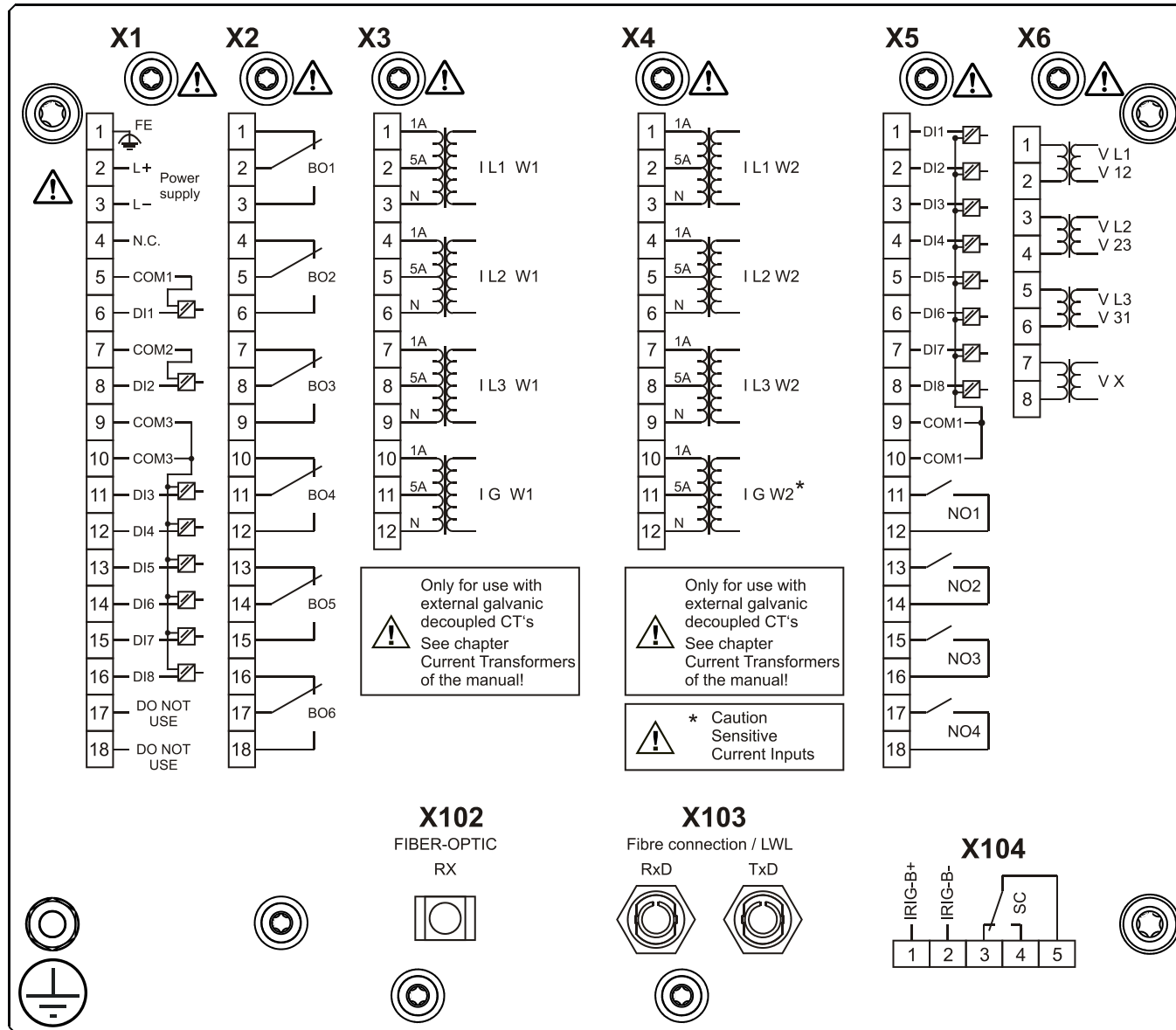
MCDTV4-2A2BEB



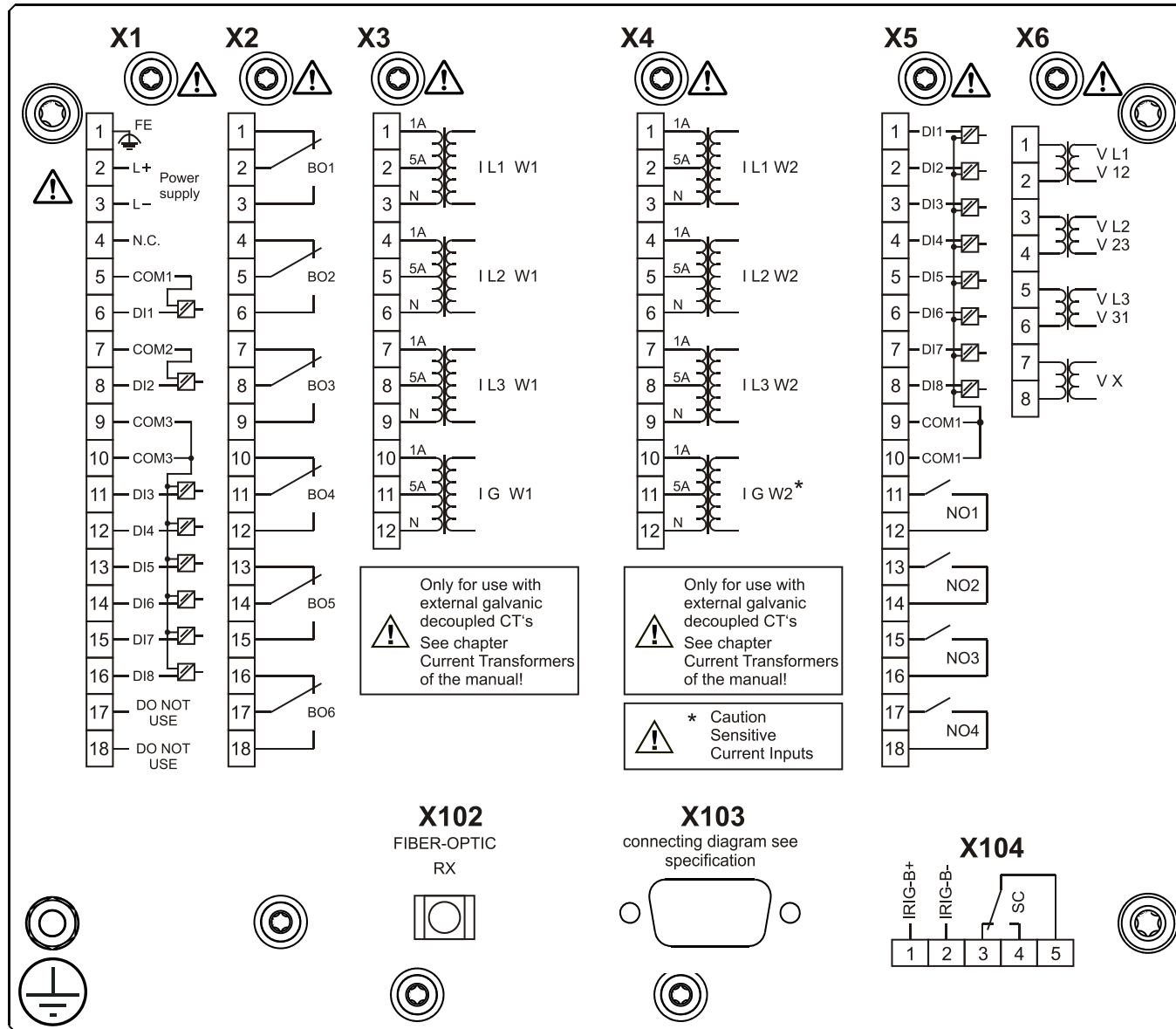
MCDTV4-2A2BFA



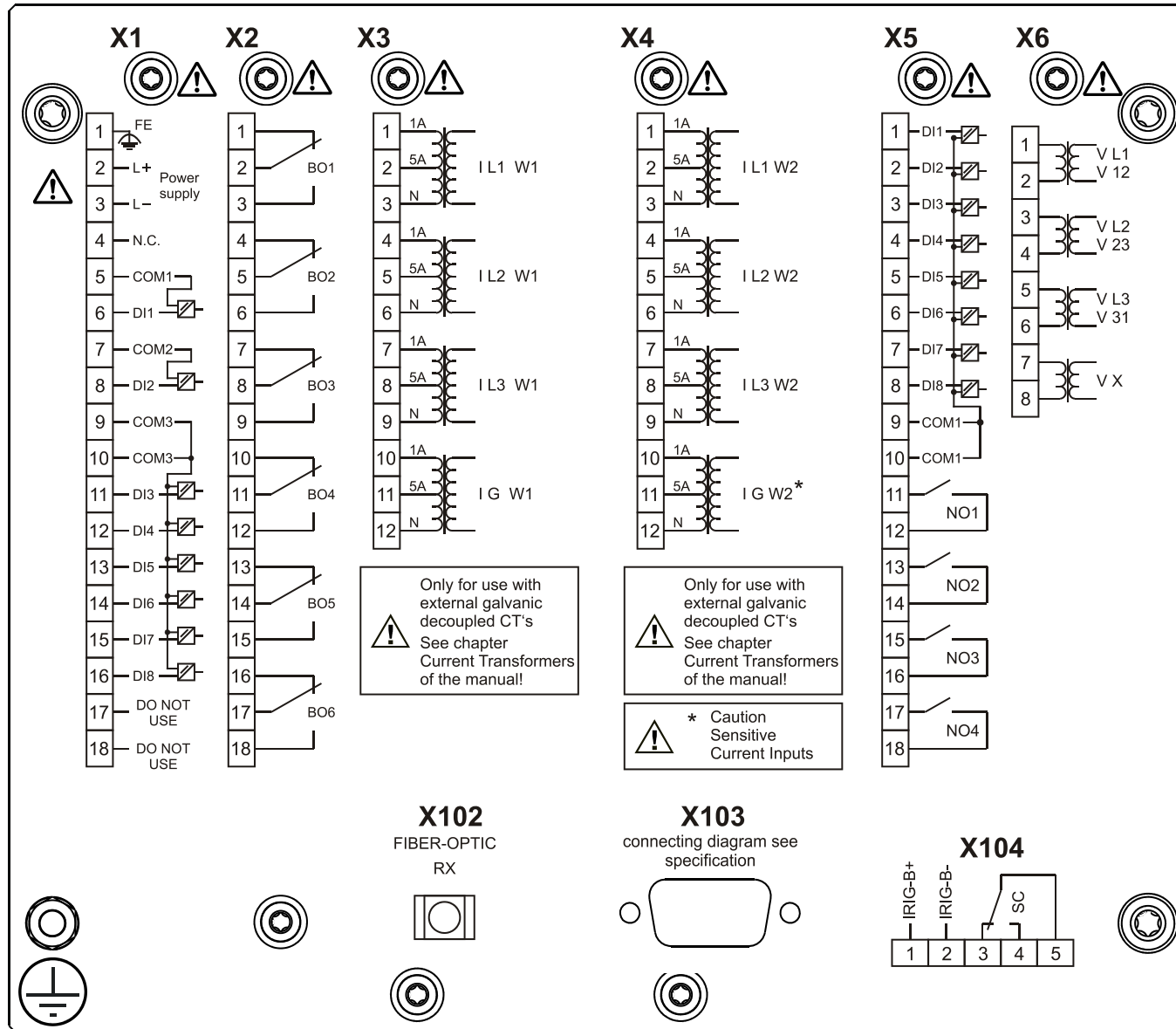
MCDTV4-2A2BFB



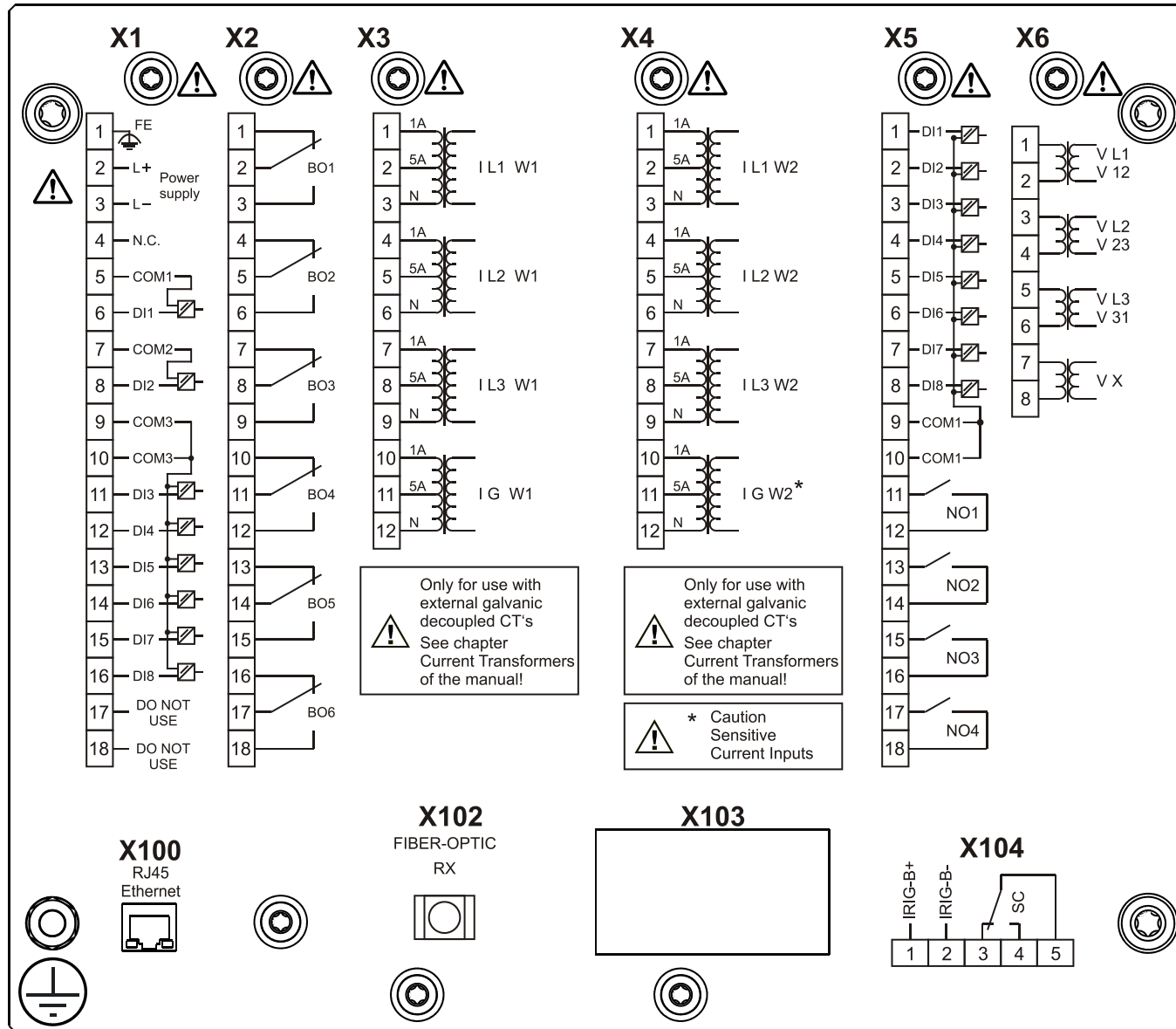
MCDTV4-2A2BGA



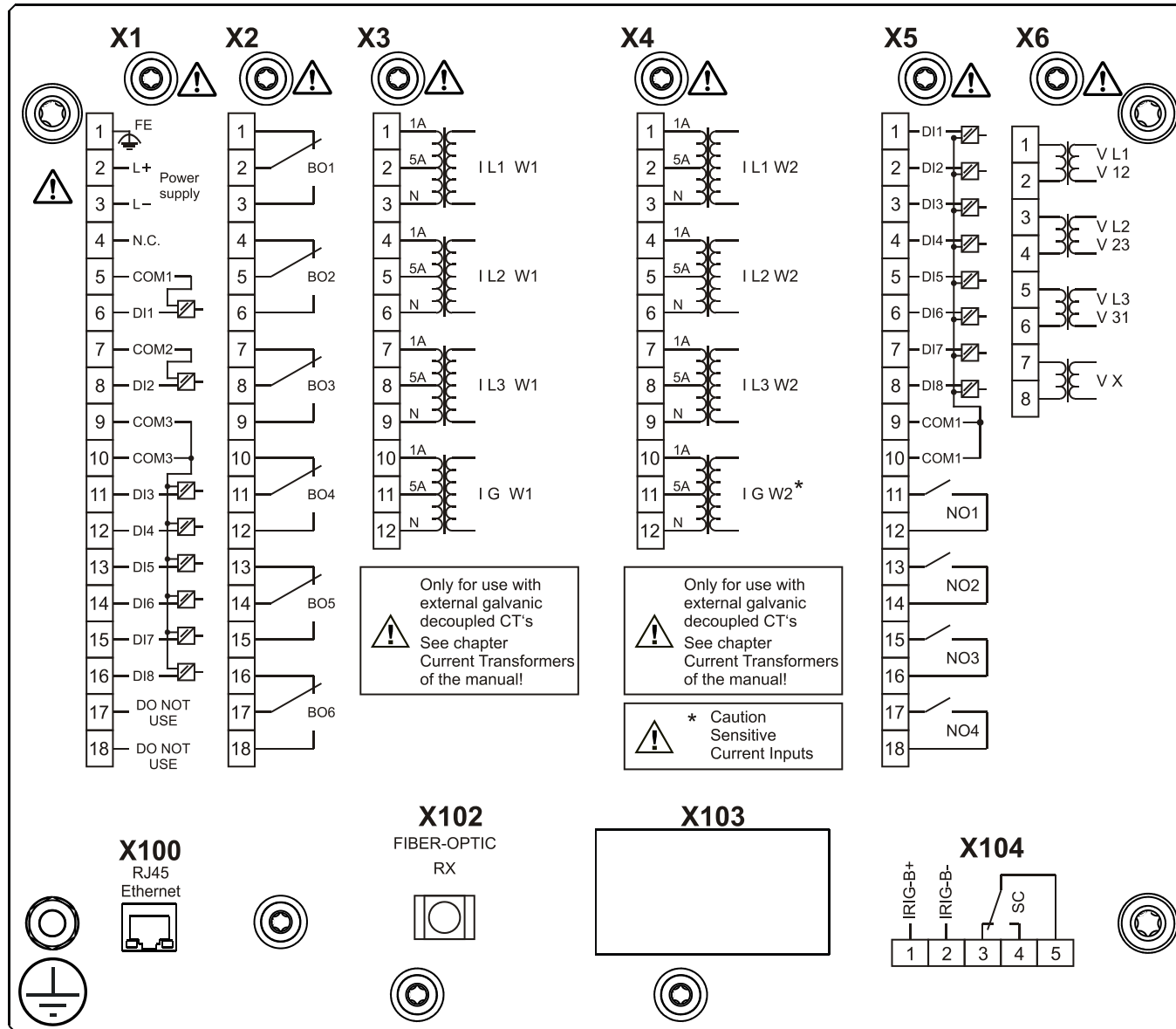
MCDTV4-2A2BGB



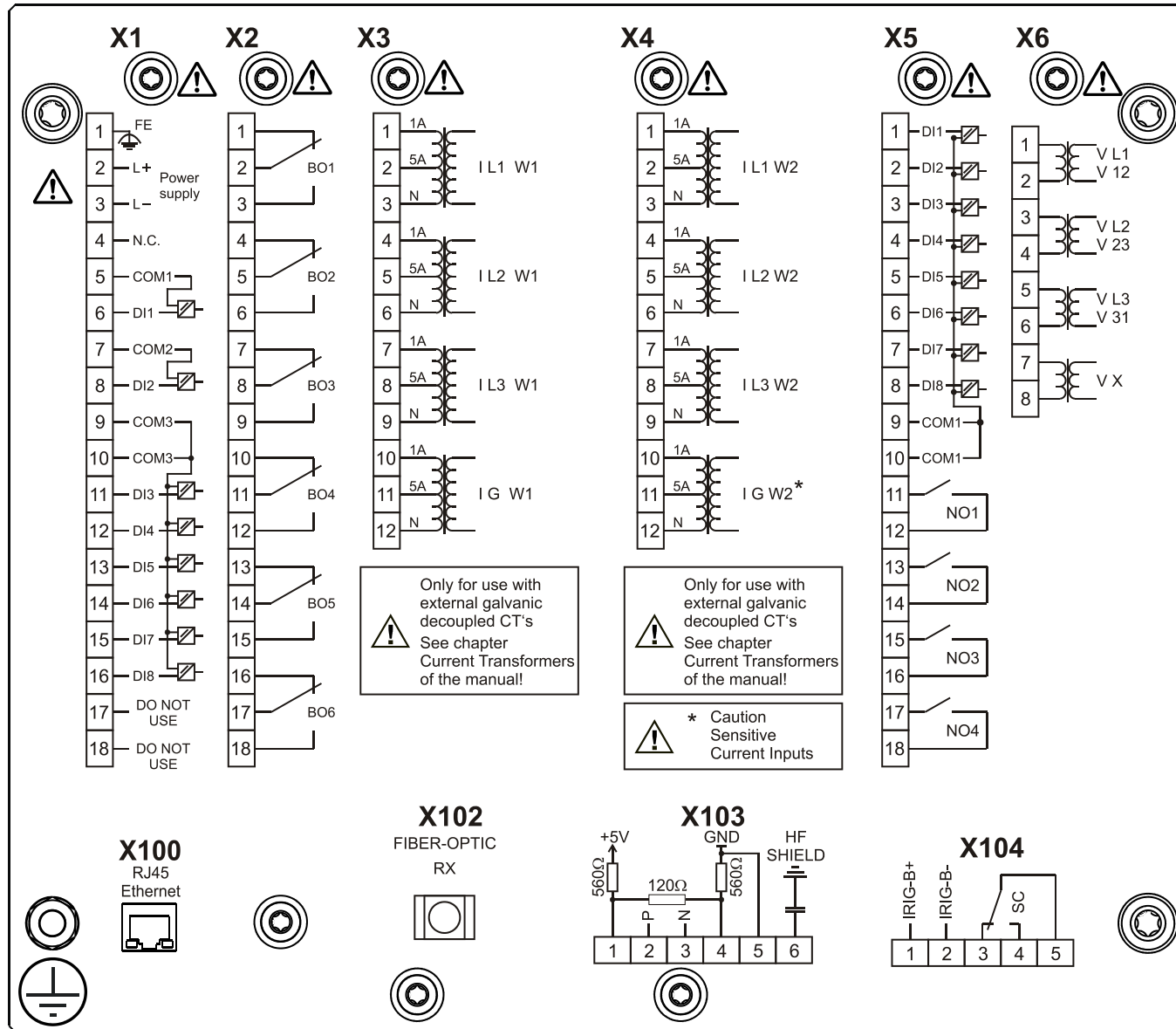
MCDTV4-2A2BHA



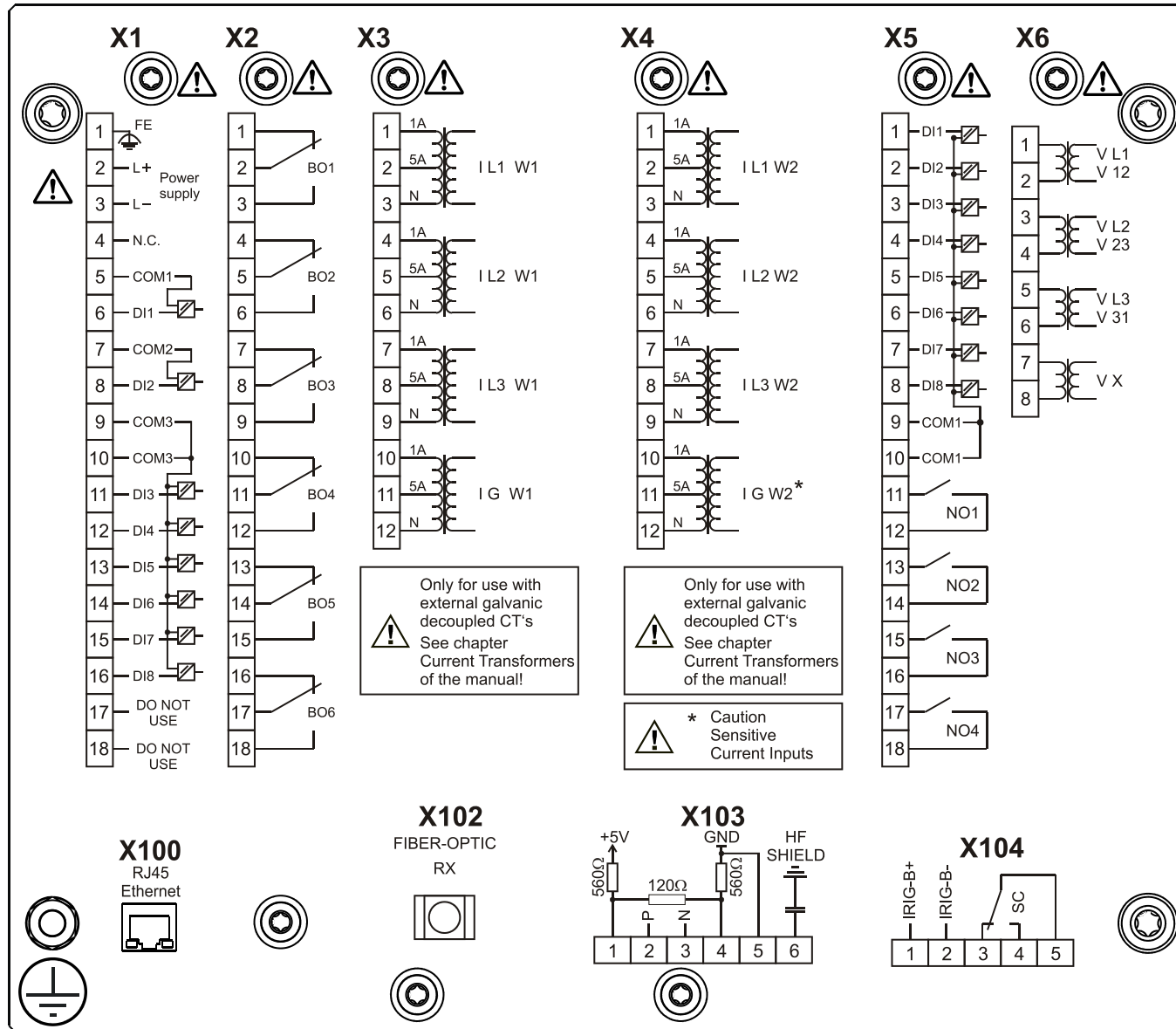
MCDTV4-2A2BHB



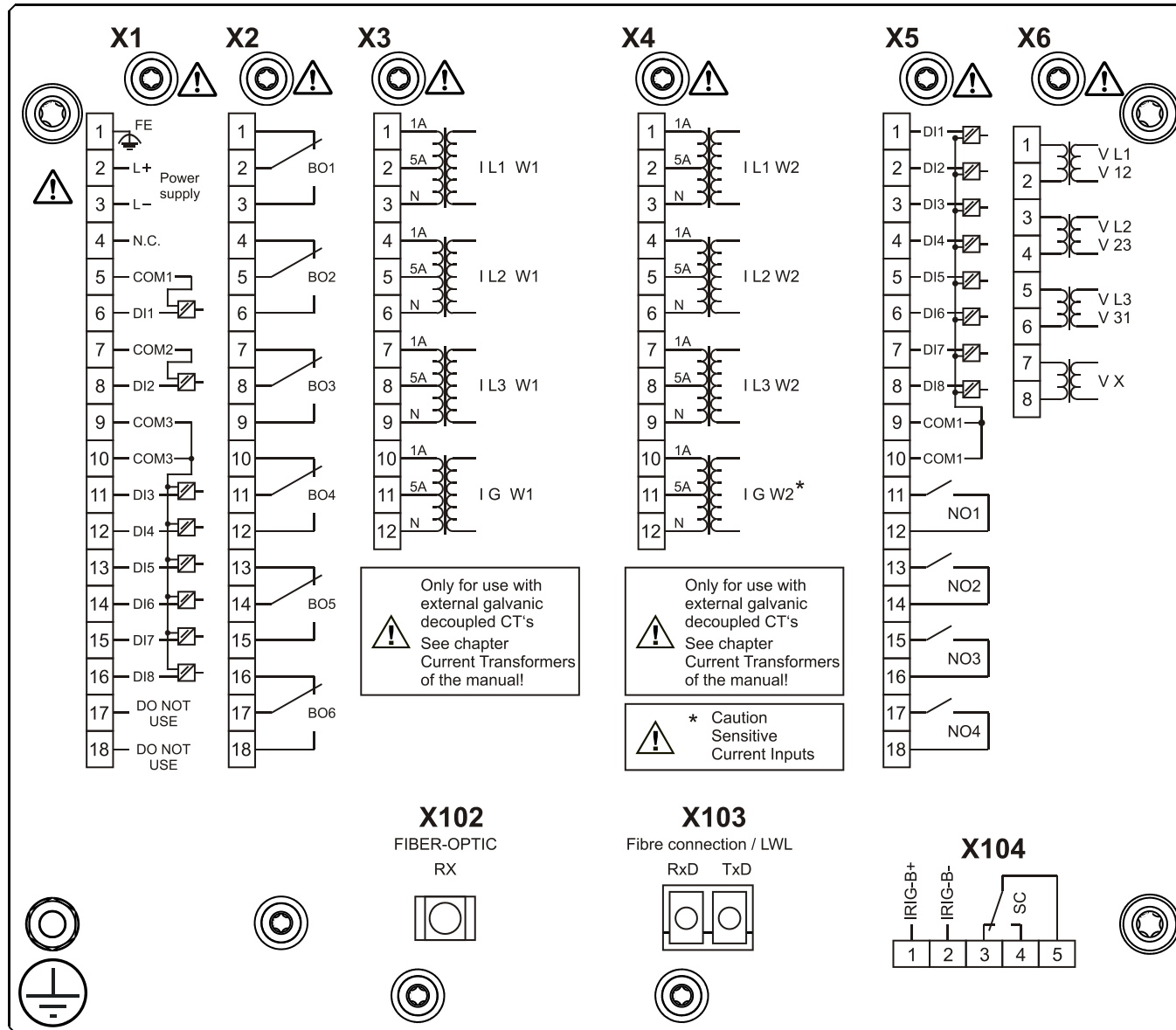
MCDTV4-2A2BIA



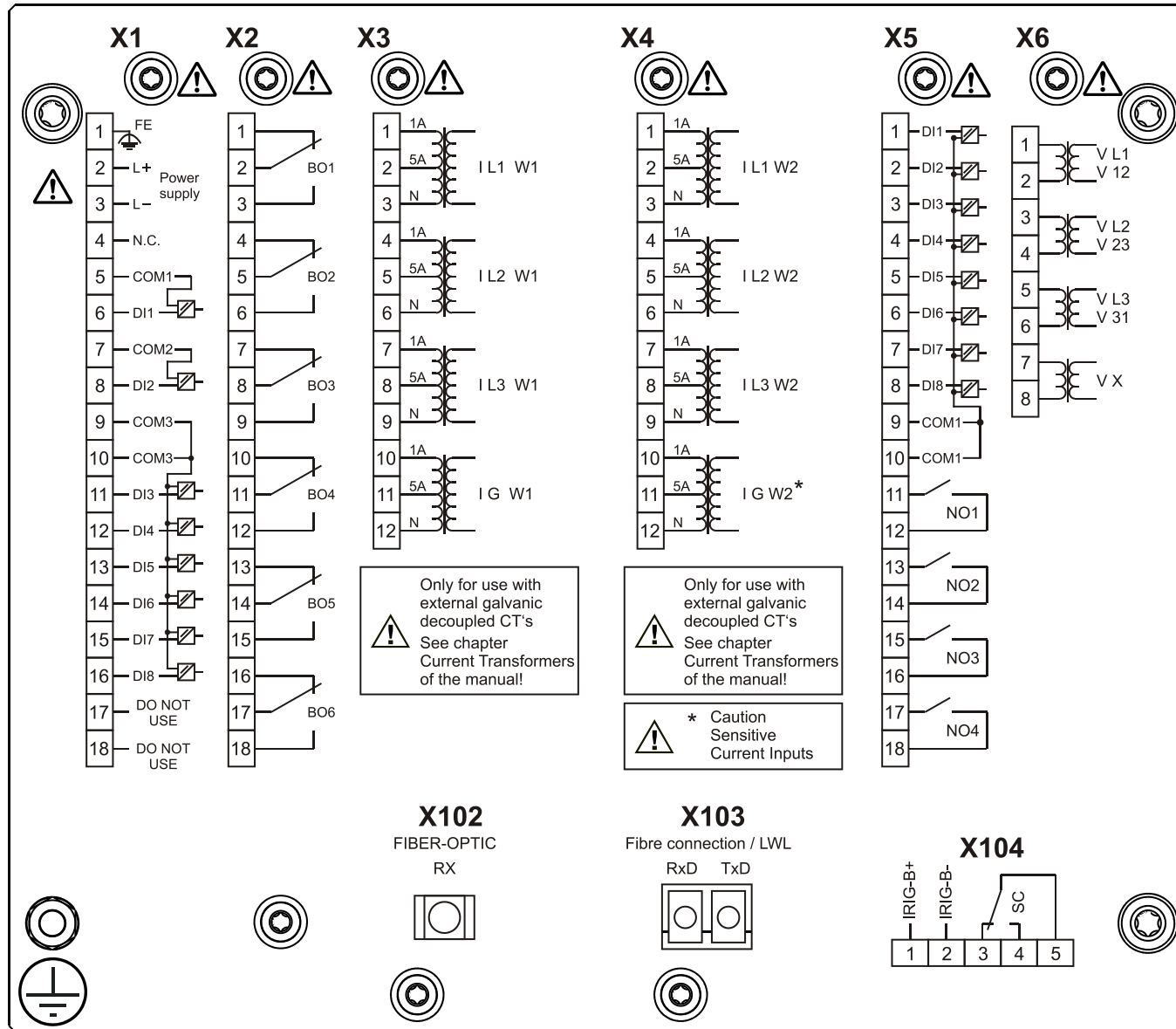
MCDTV4-2A2BIB



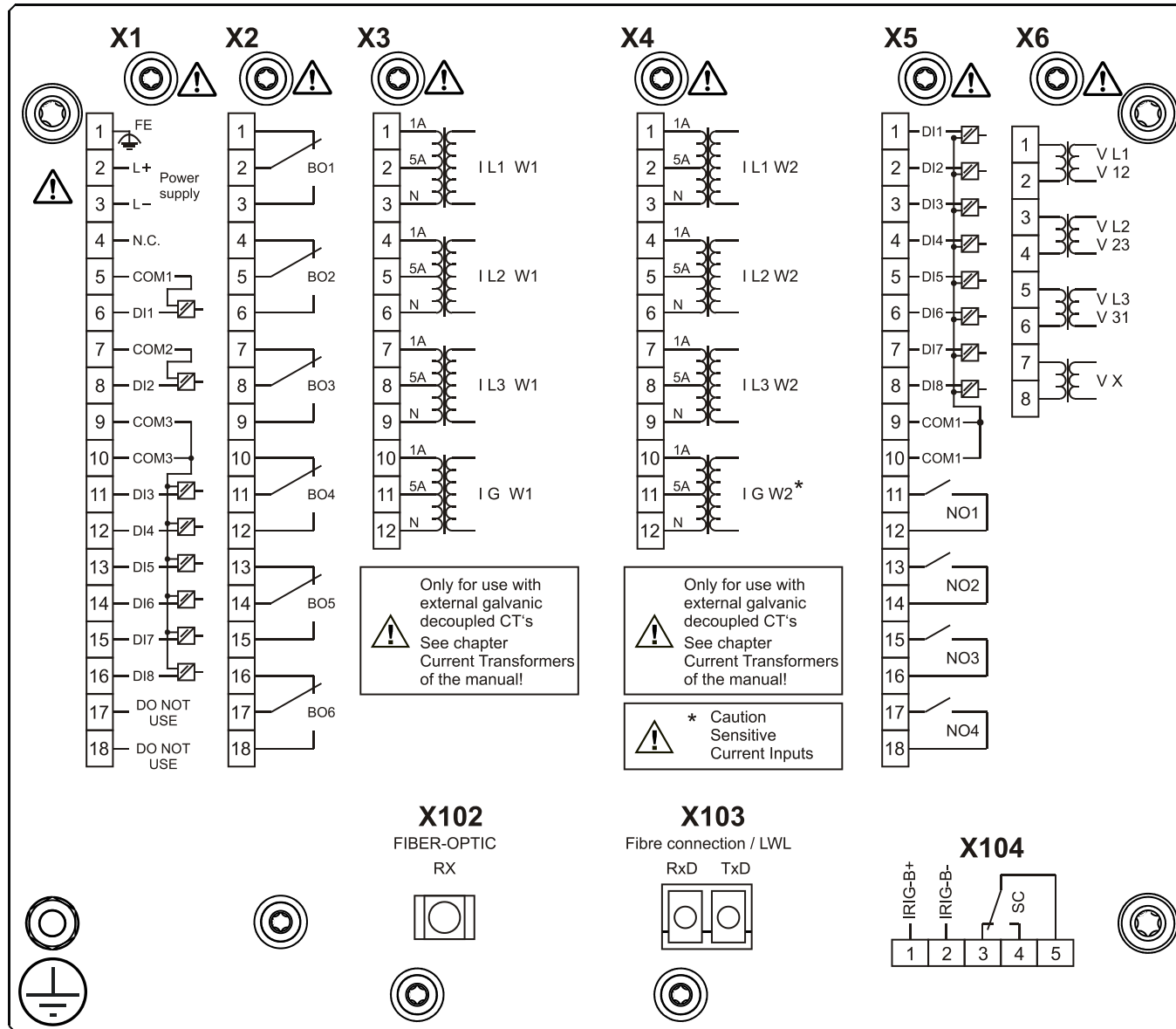
MCDTV4-2A2BKA



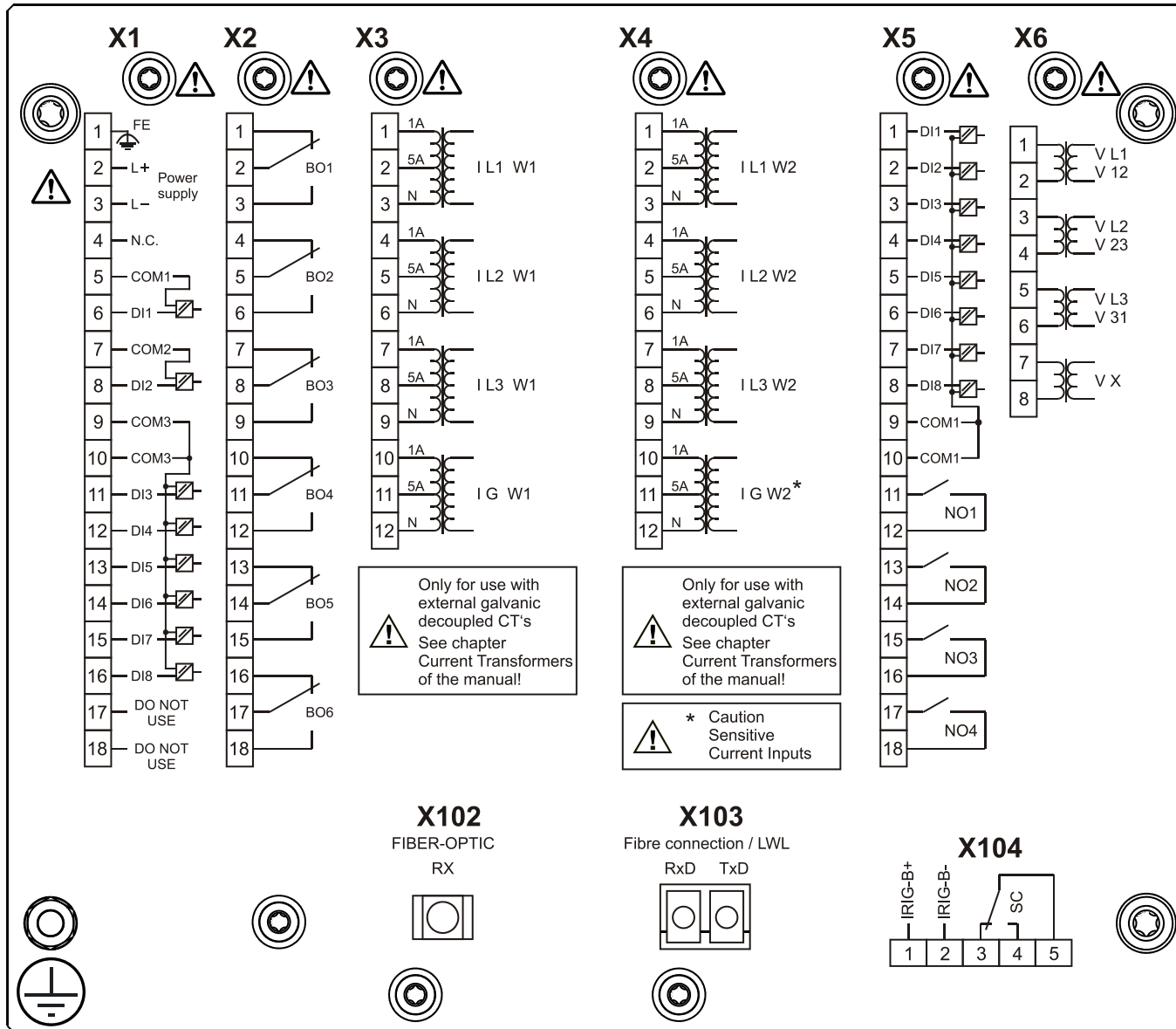
MCDTV4-2A2BKB



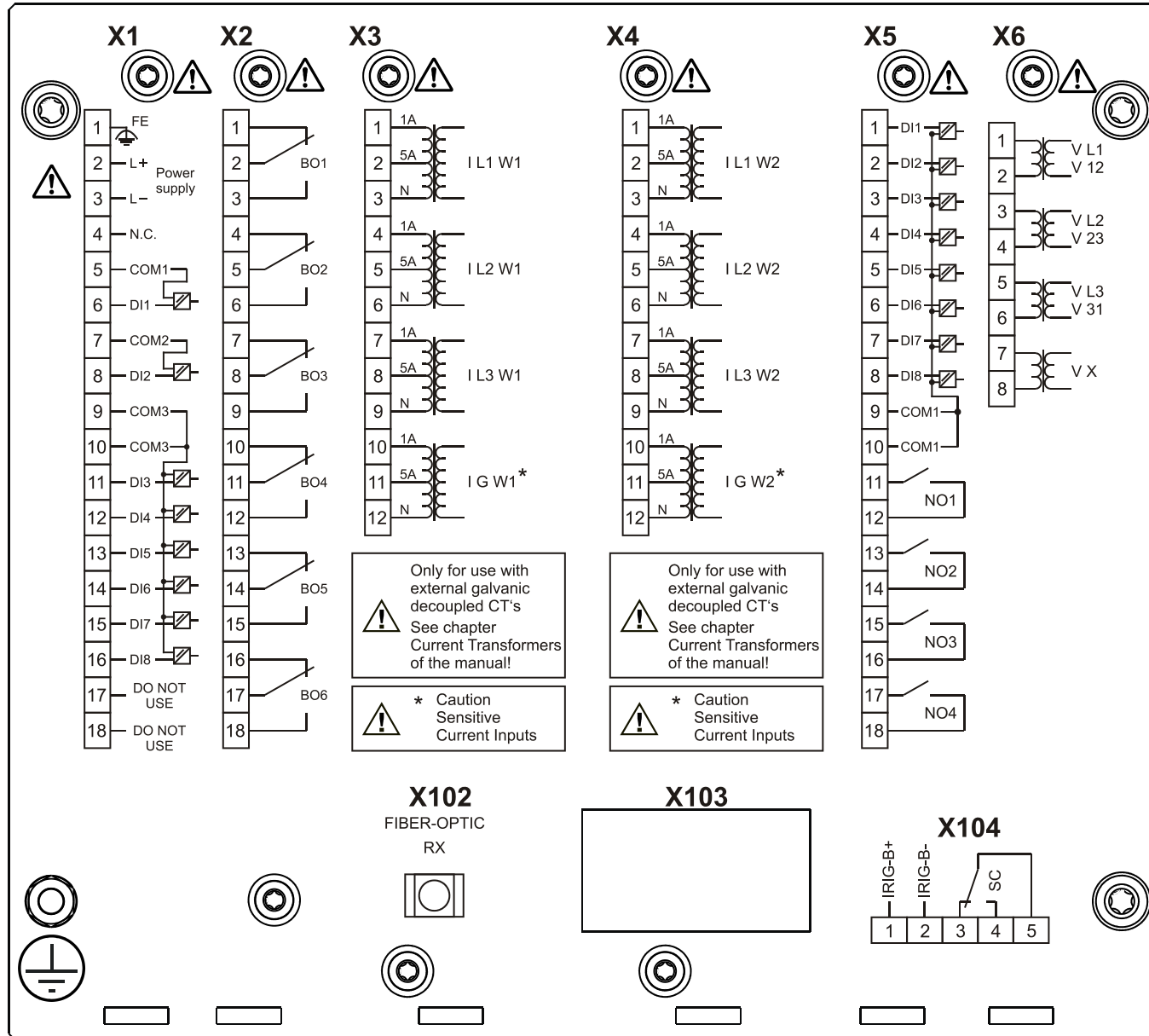
MCDTV4-2A2BLA



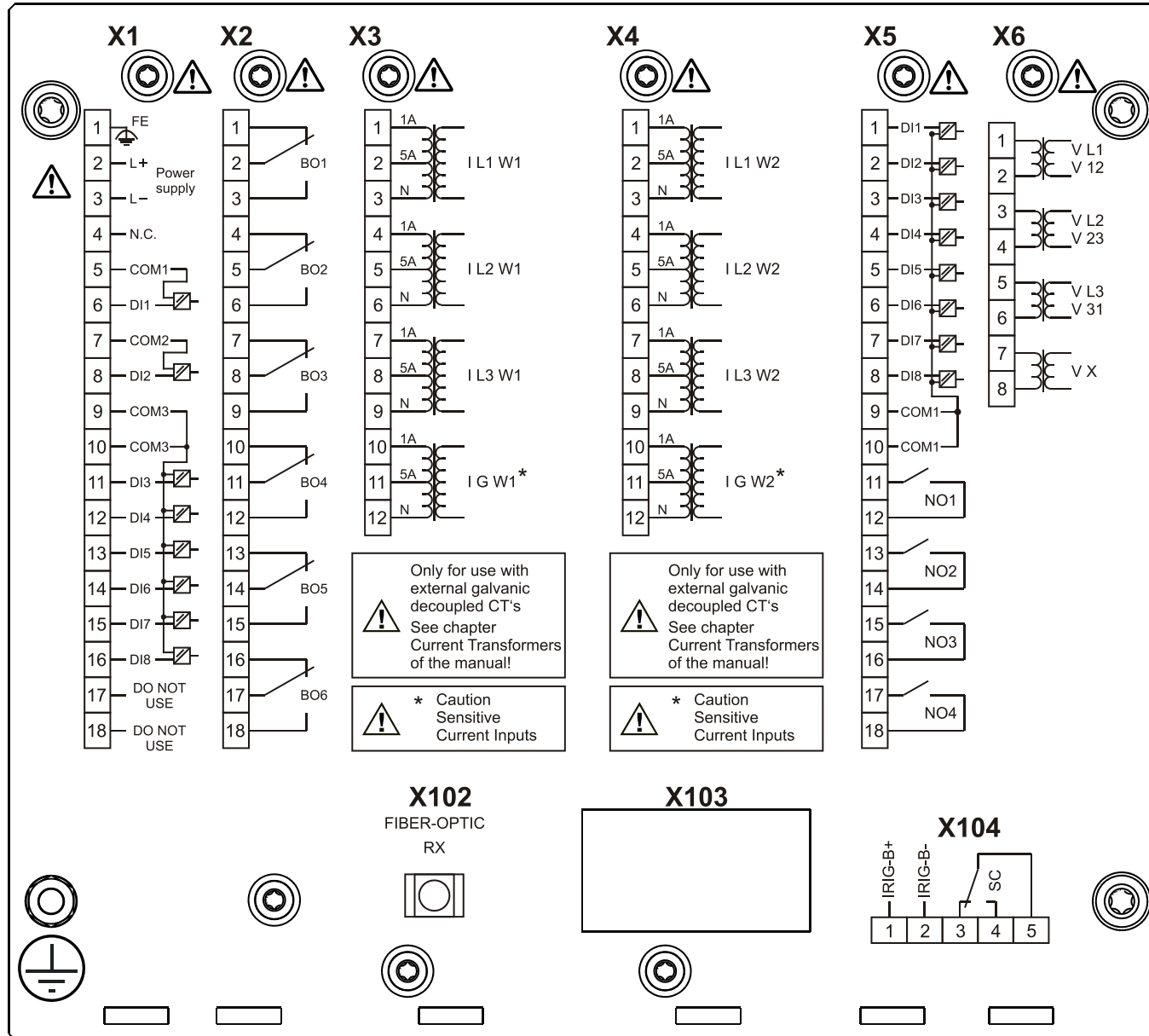
MCDTV4-2A2BLB



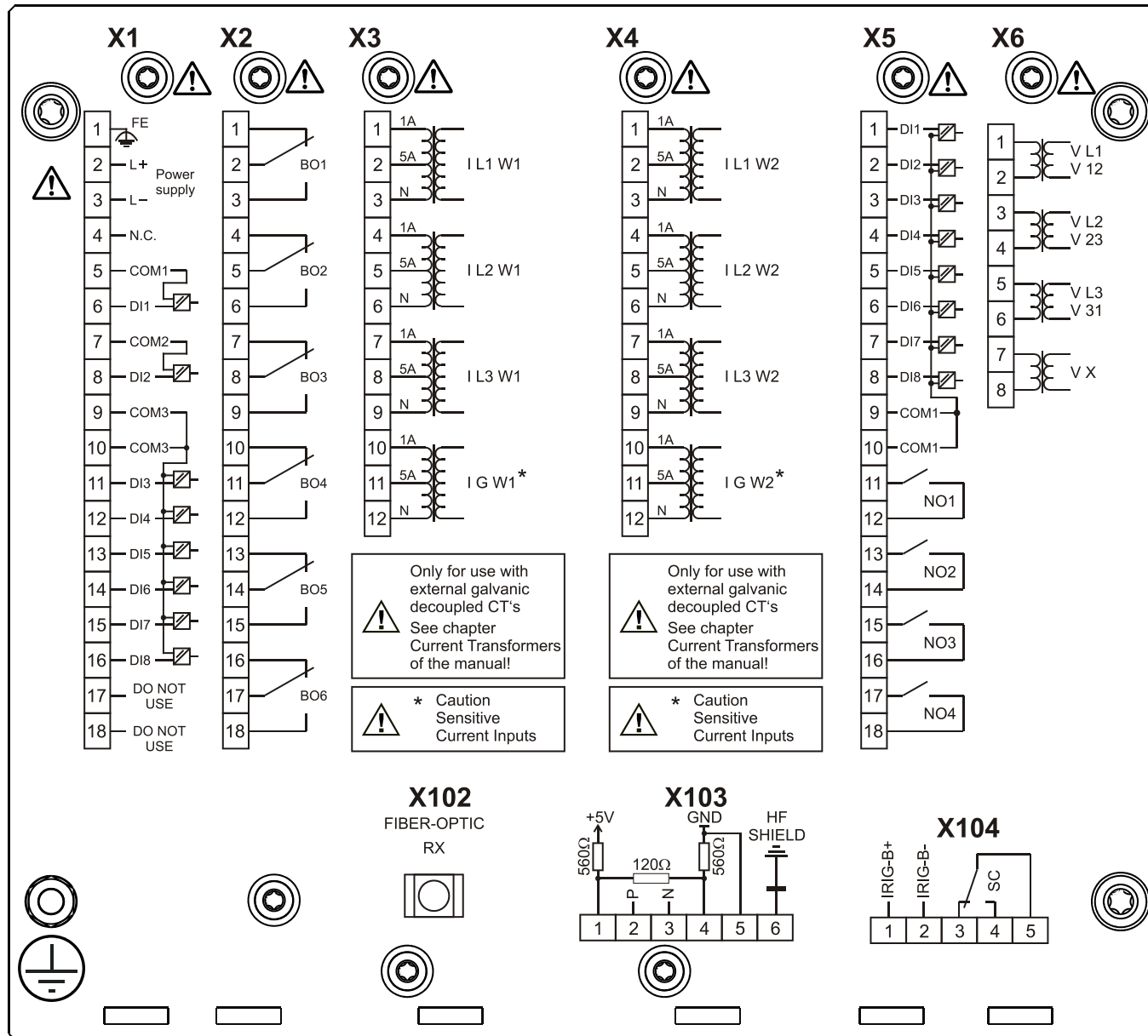
MCDTV4-2A3AAA



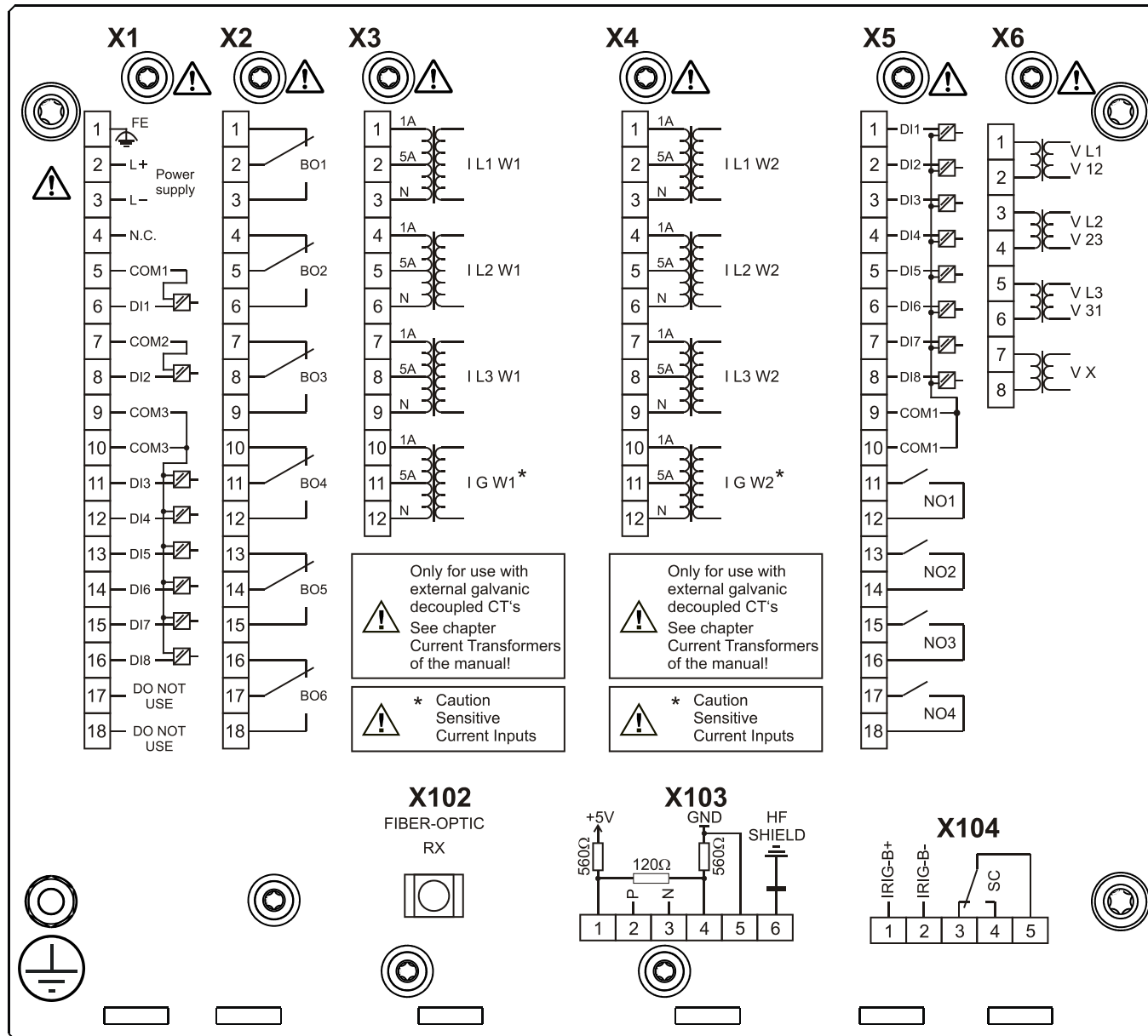
MCDTV4-2A3AAB



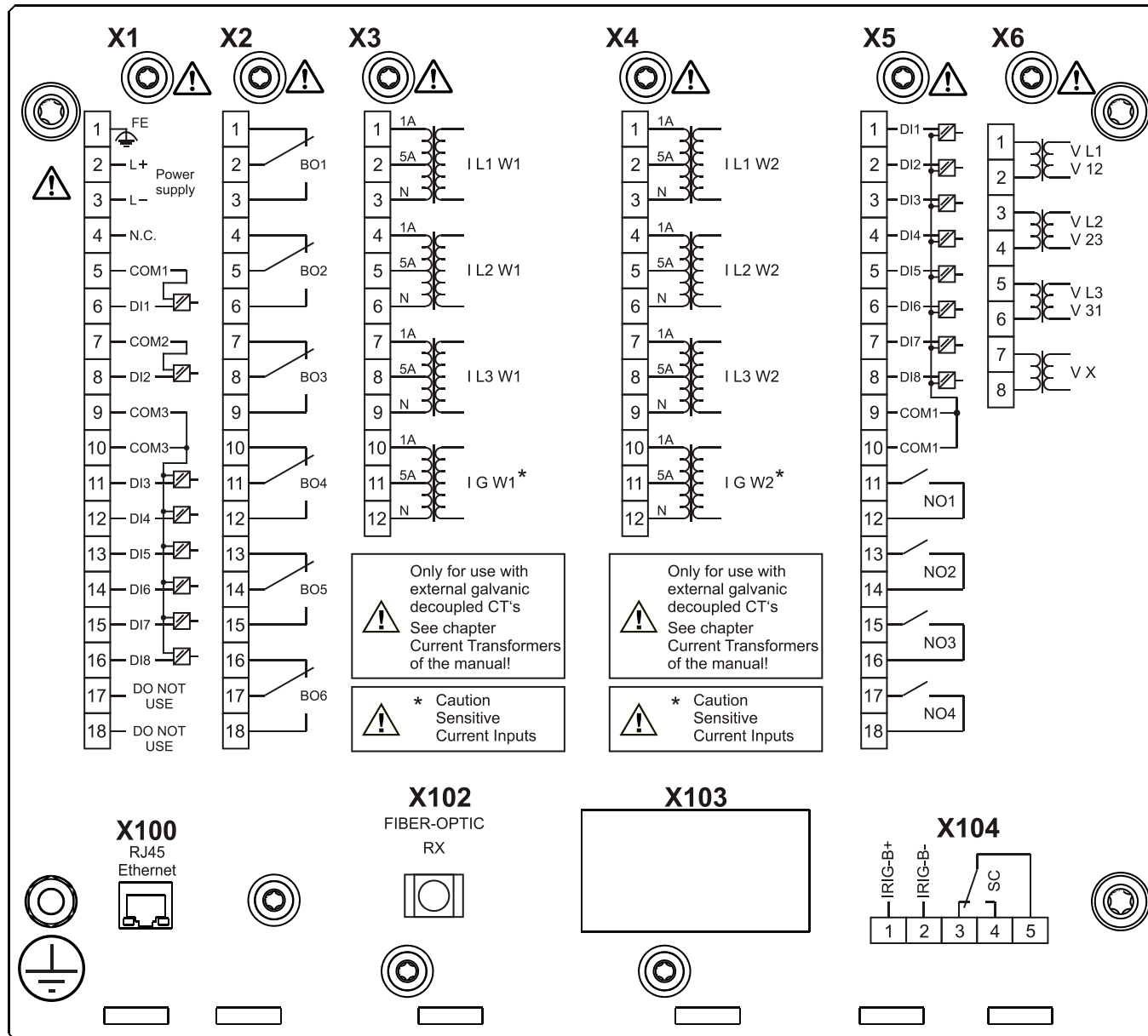
MCDTV4-2A3ABA



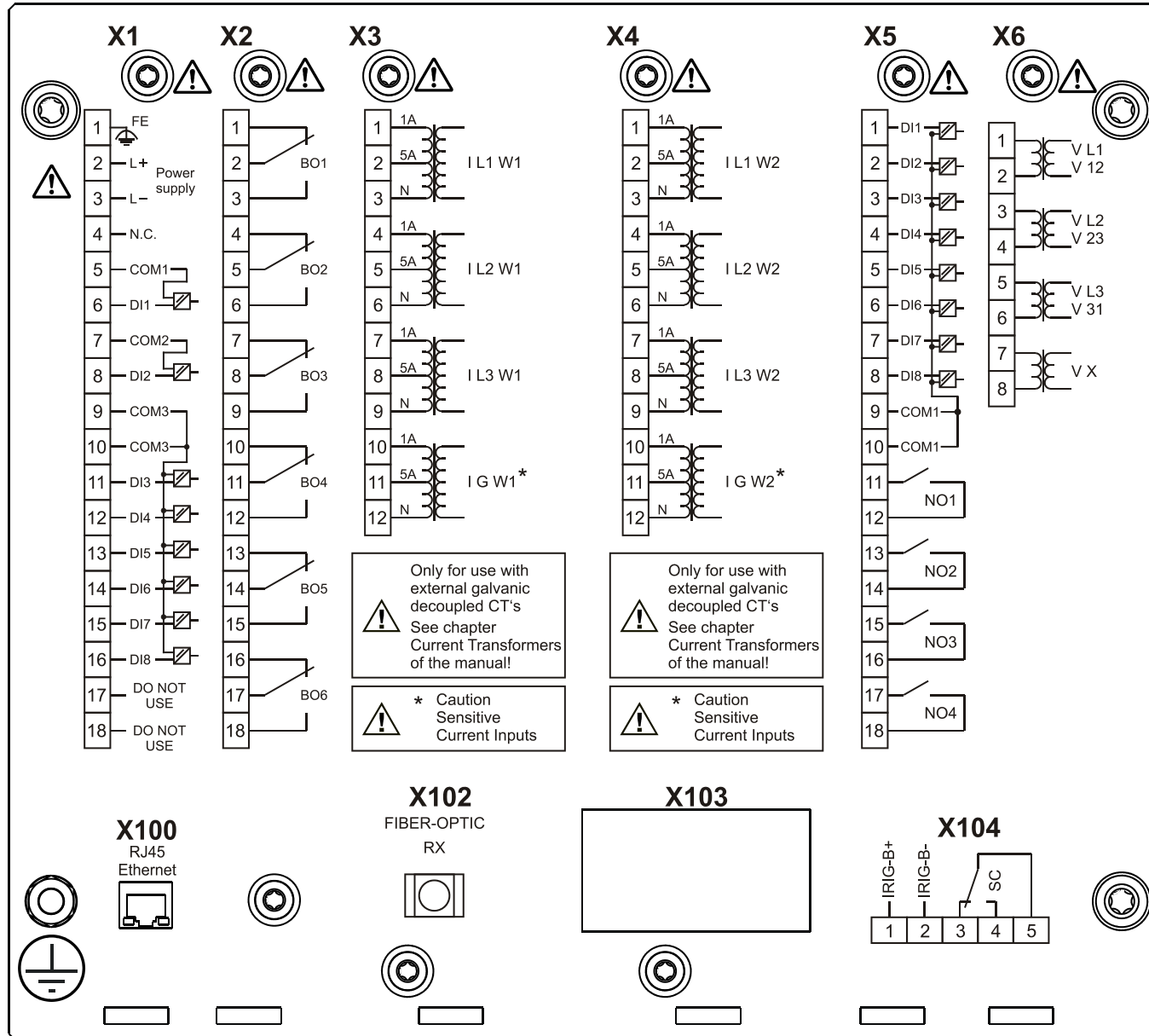
MCDTV4-2A3ABB



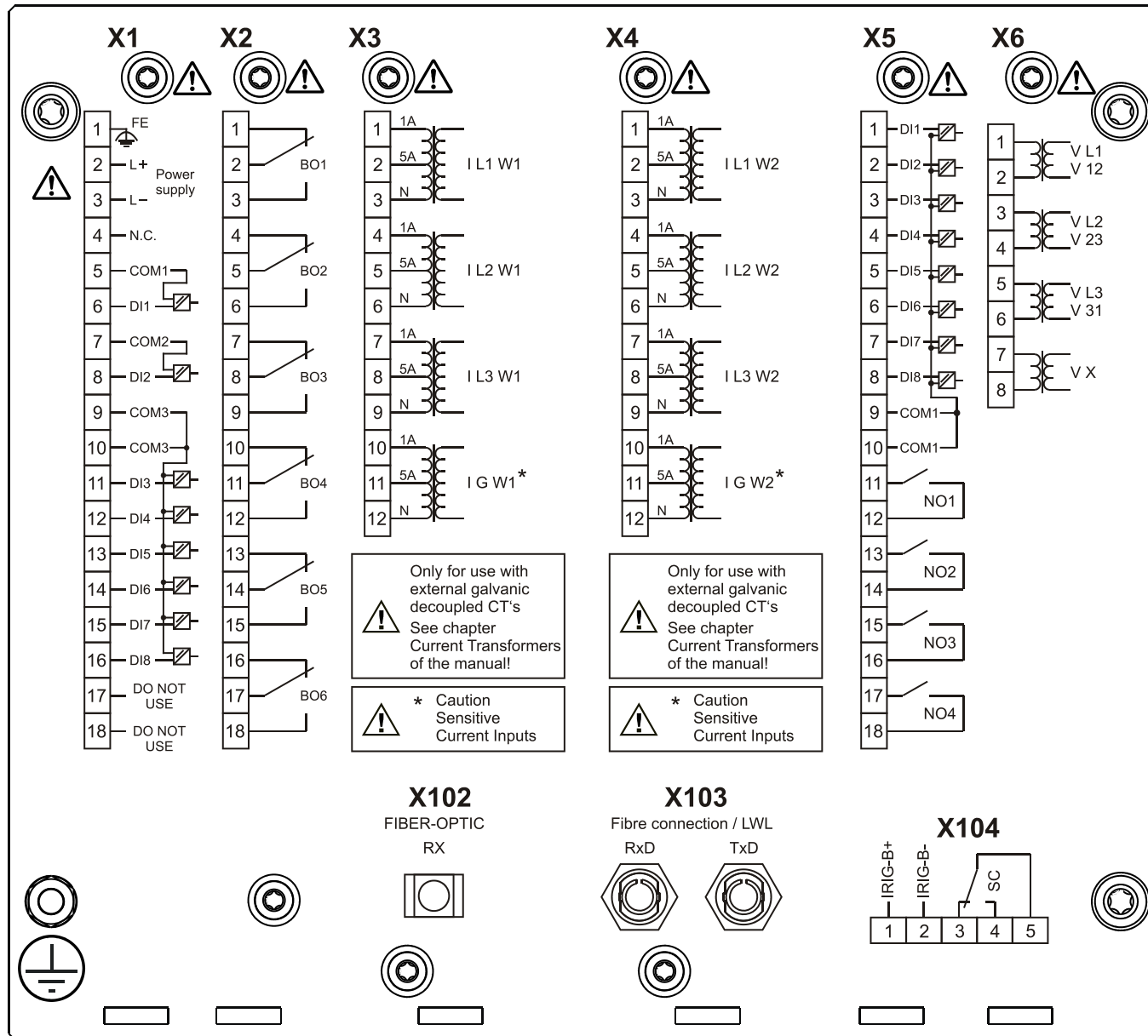
MCDTV4-2A3ACA



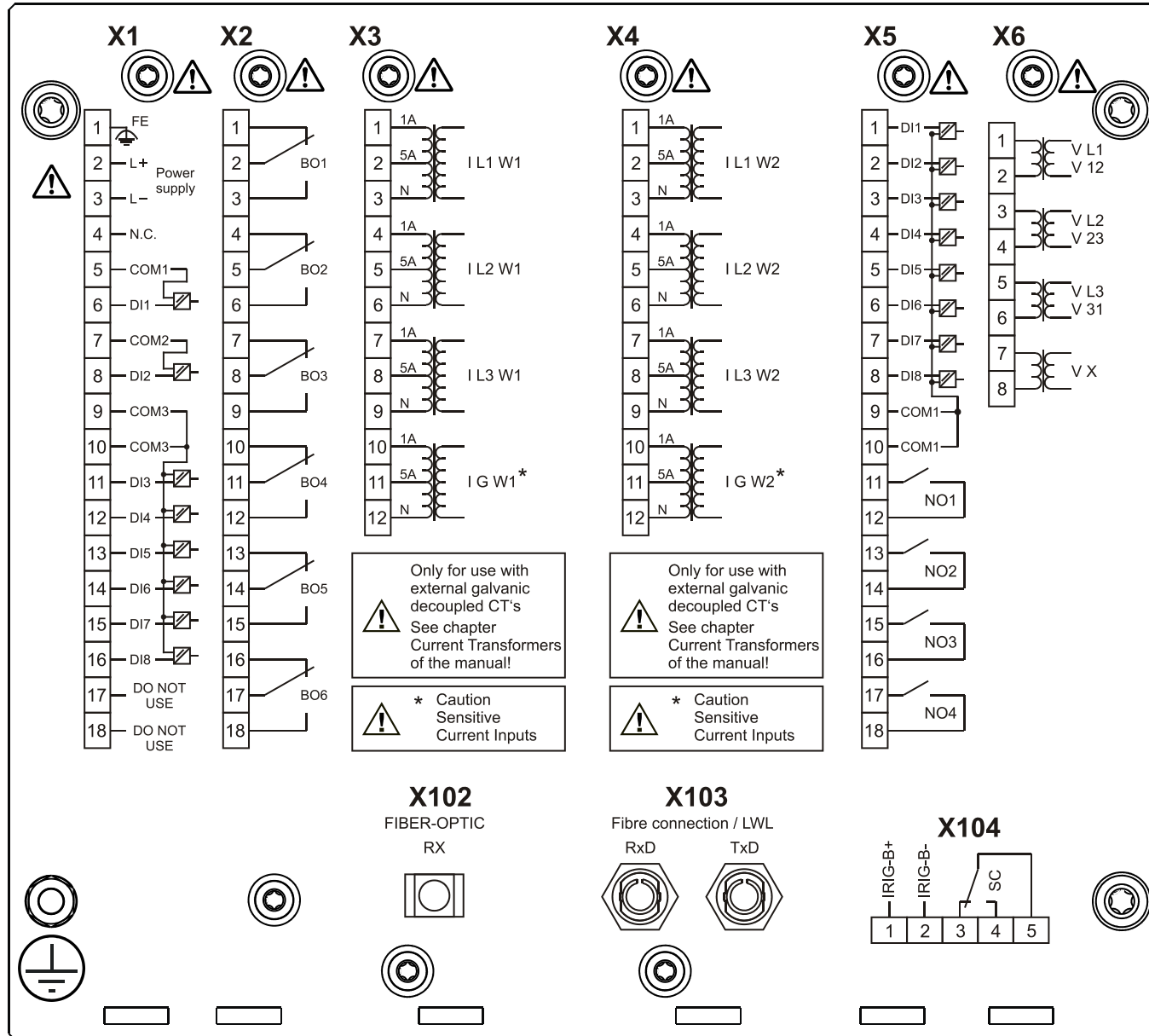
MCDTV4-2A3ACB



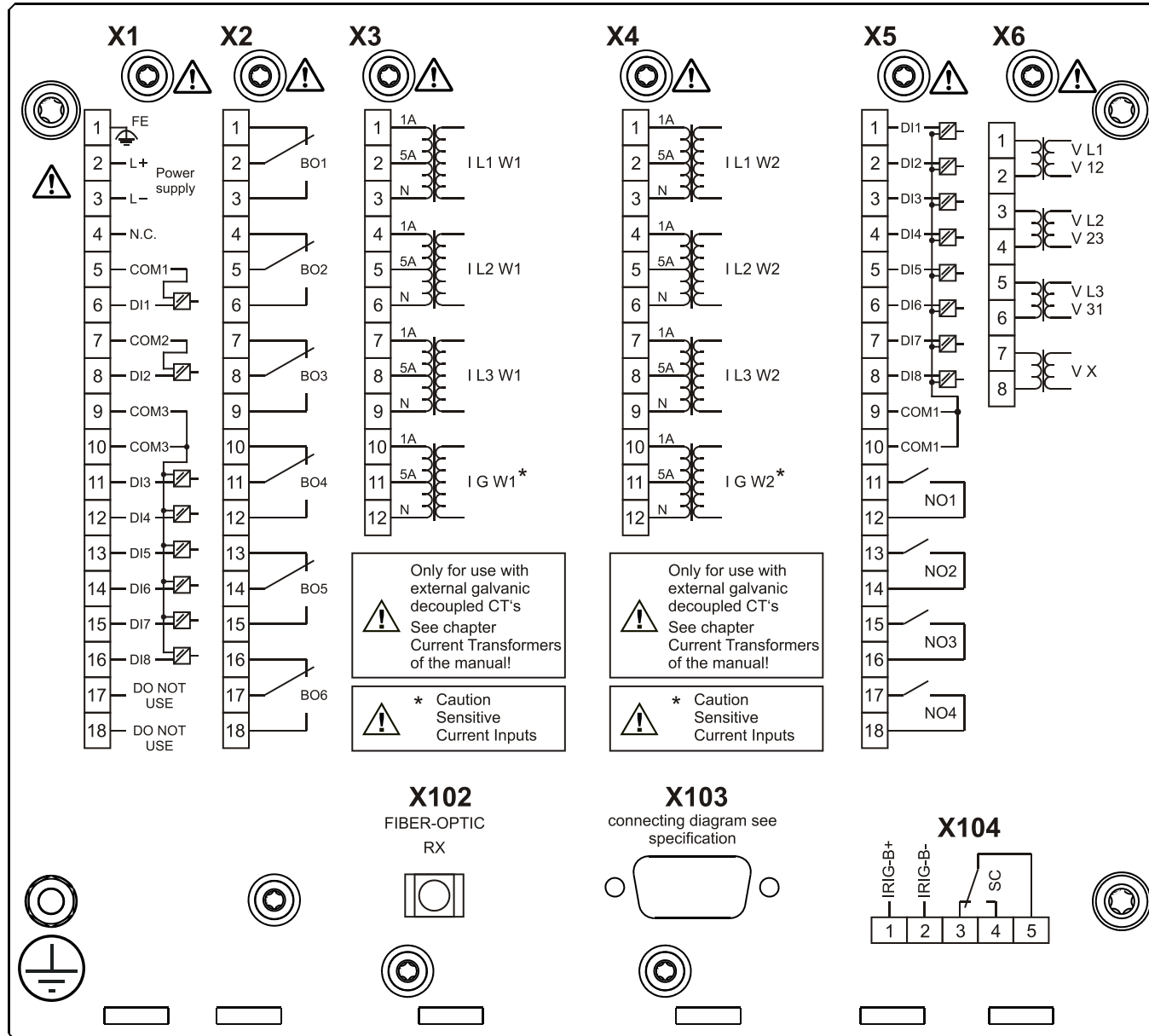
MCDTV4-2A3ADA



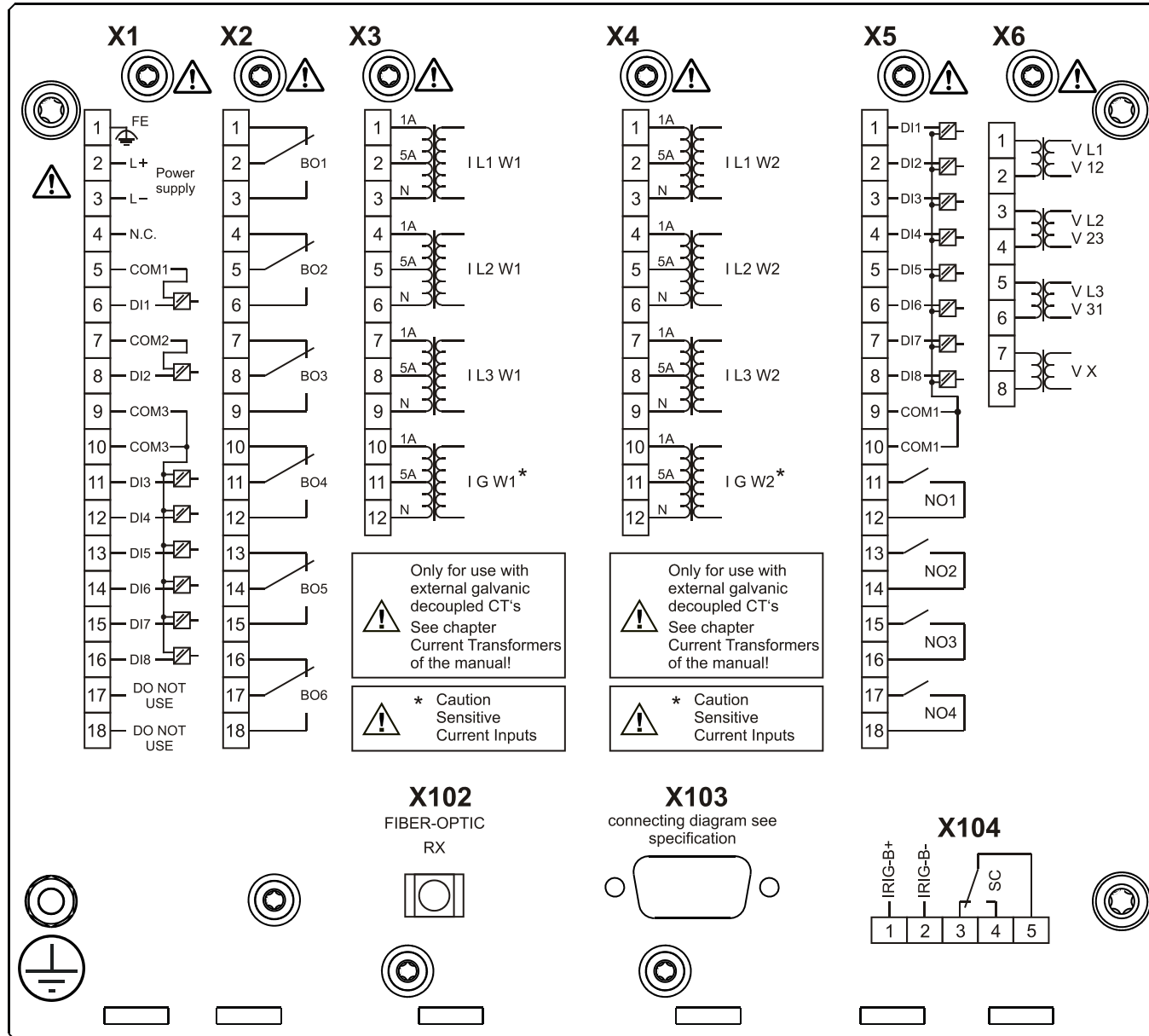
MCDTV4-2A3ADB



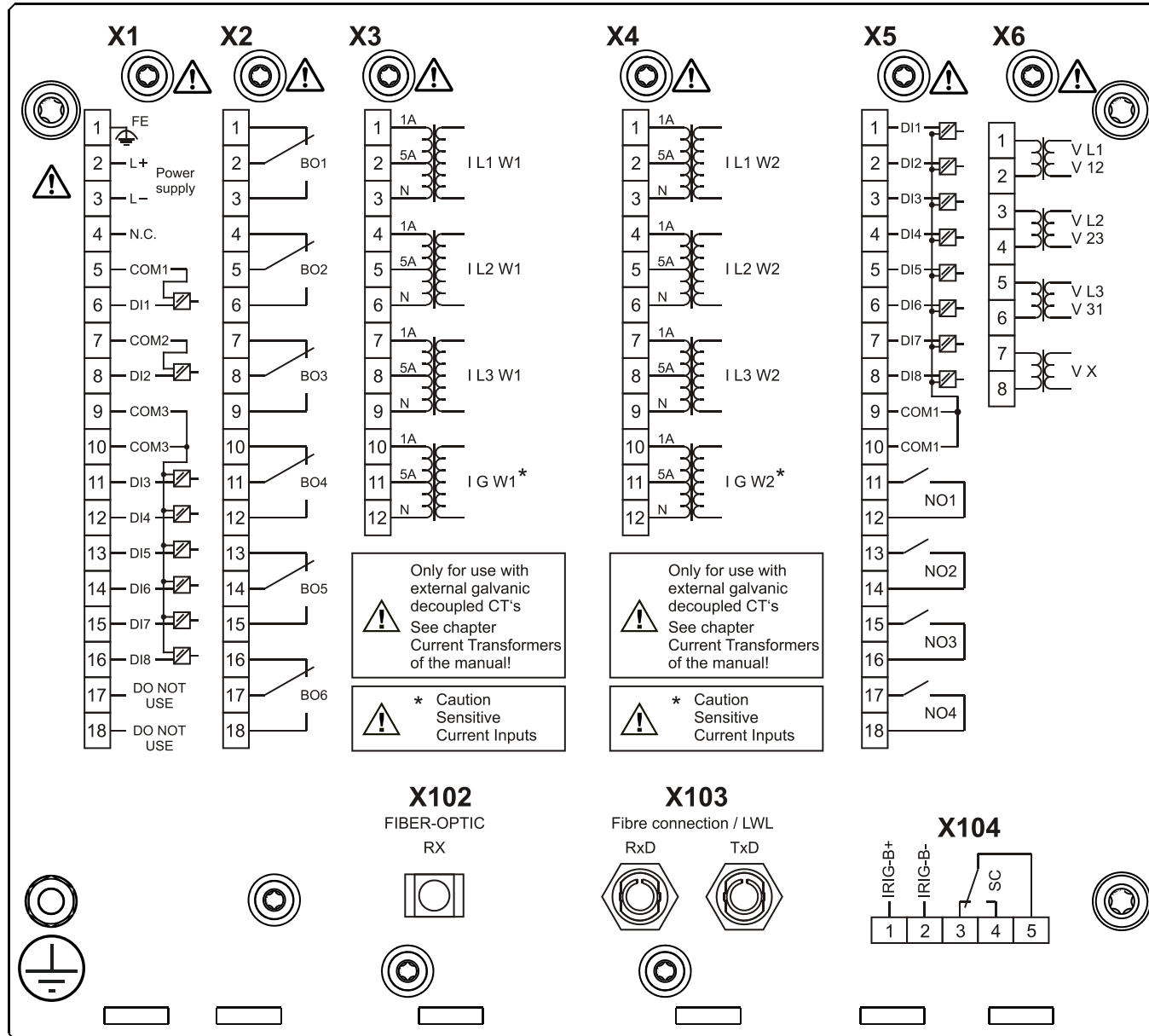
MCDTV4-2A3AEA



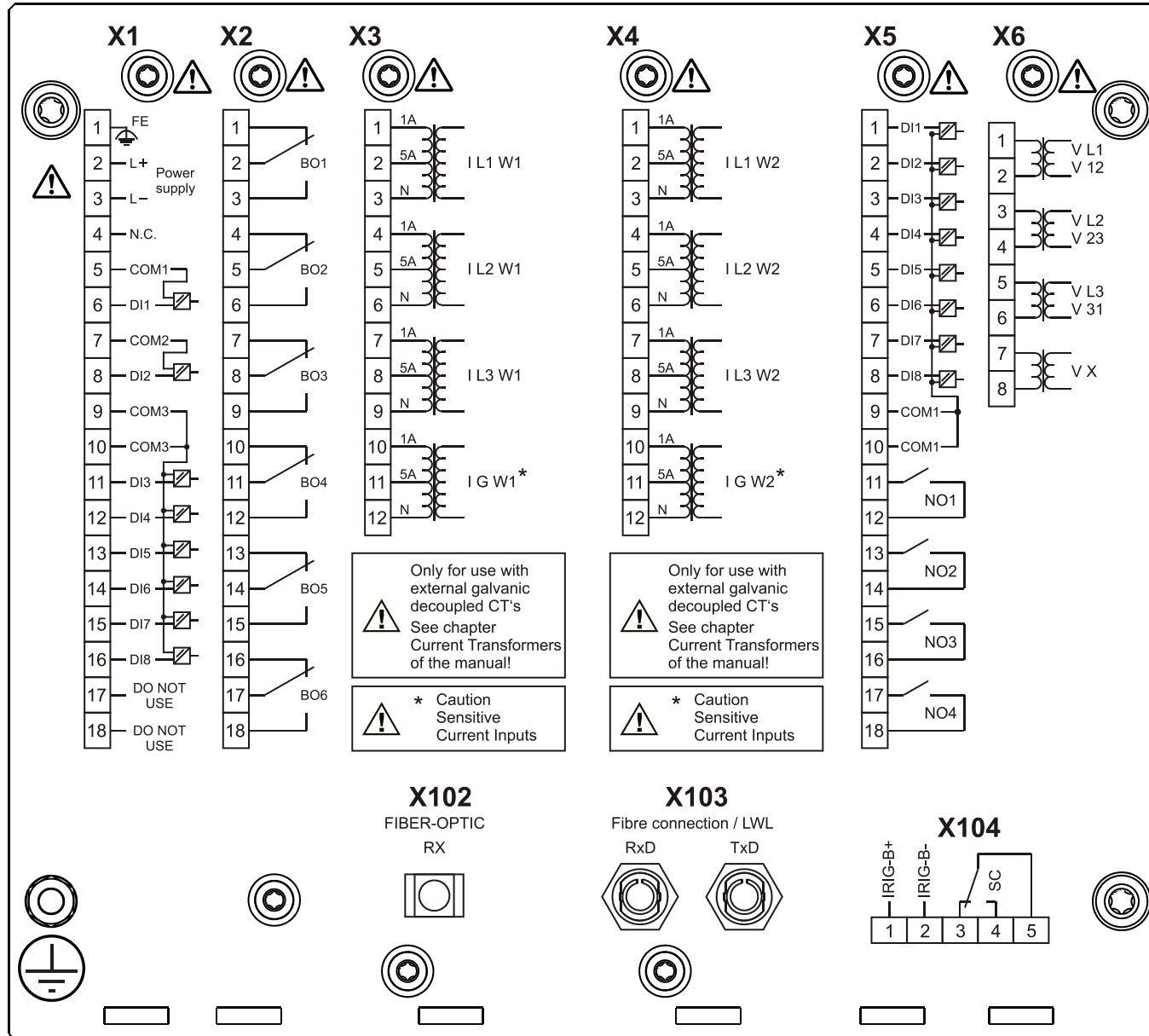
MCDTV4-2A3AEB



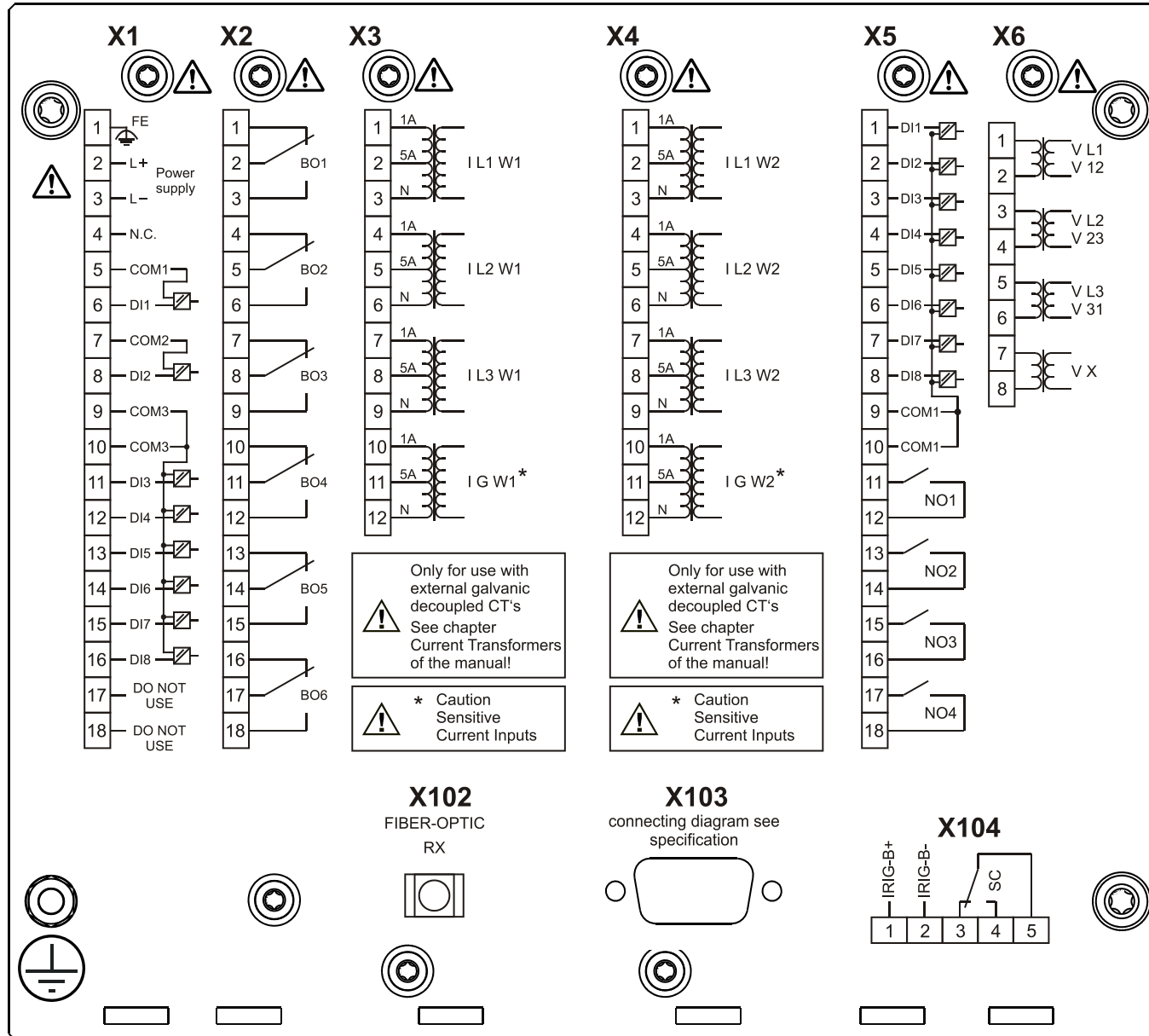
MCDTV4-2A3AFA



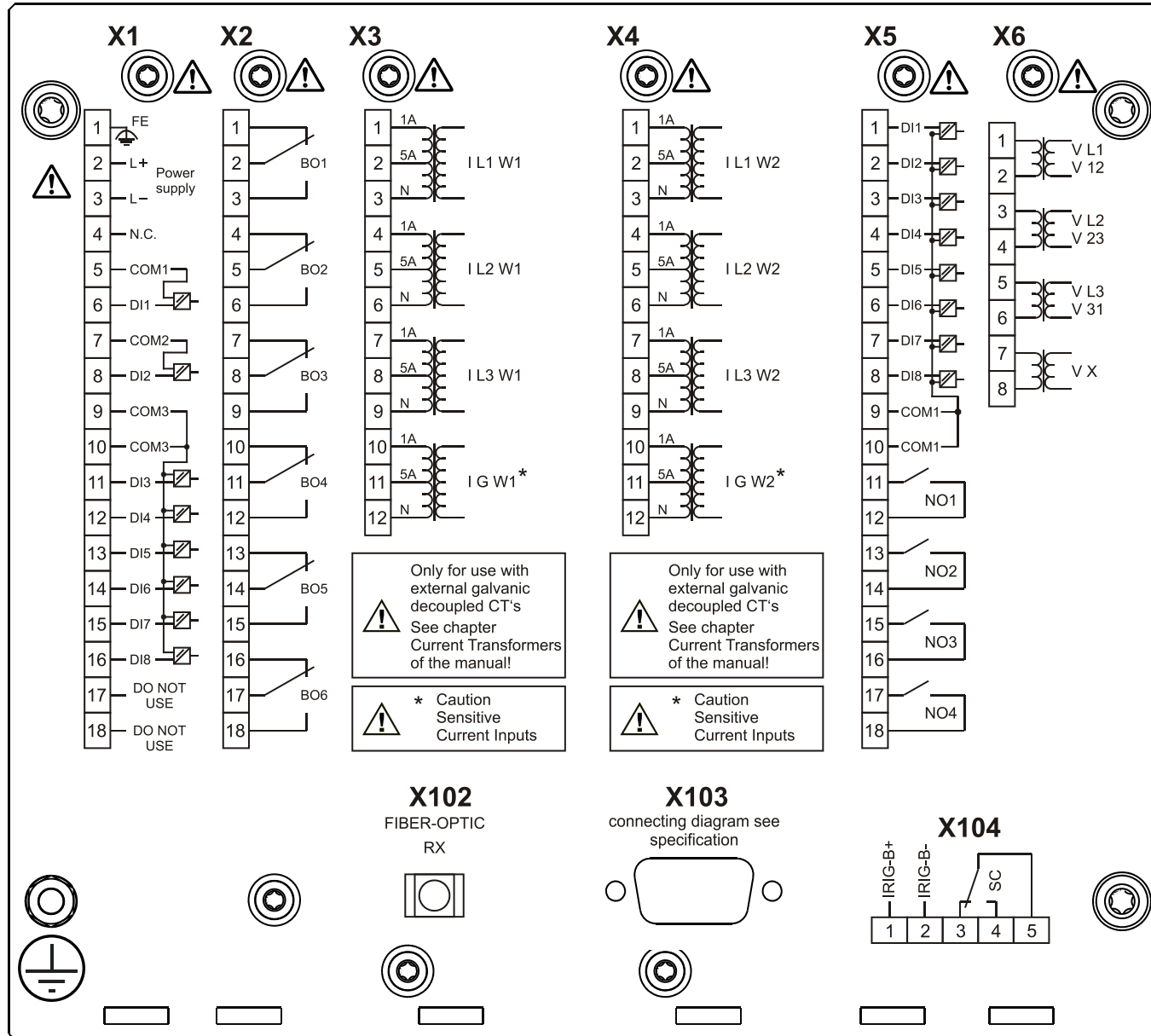
MCDTV4-2A3AFB



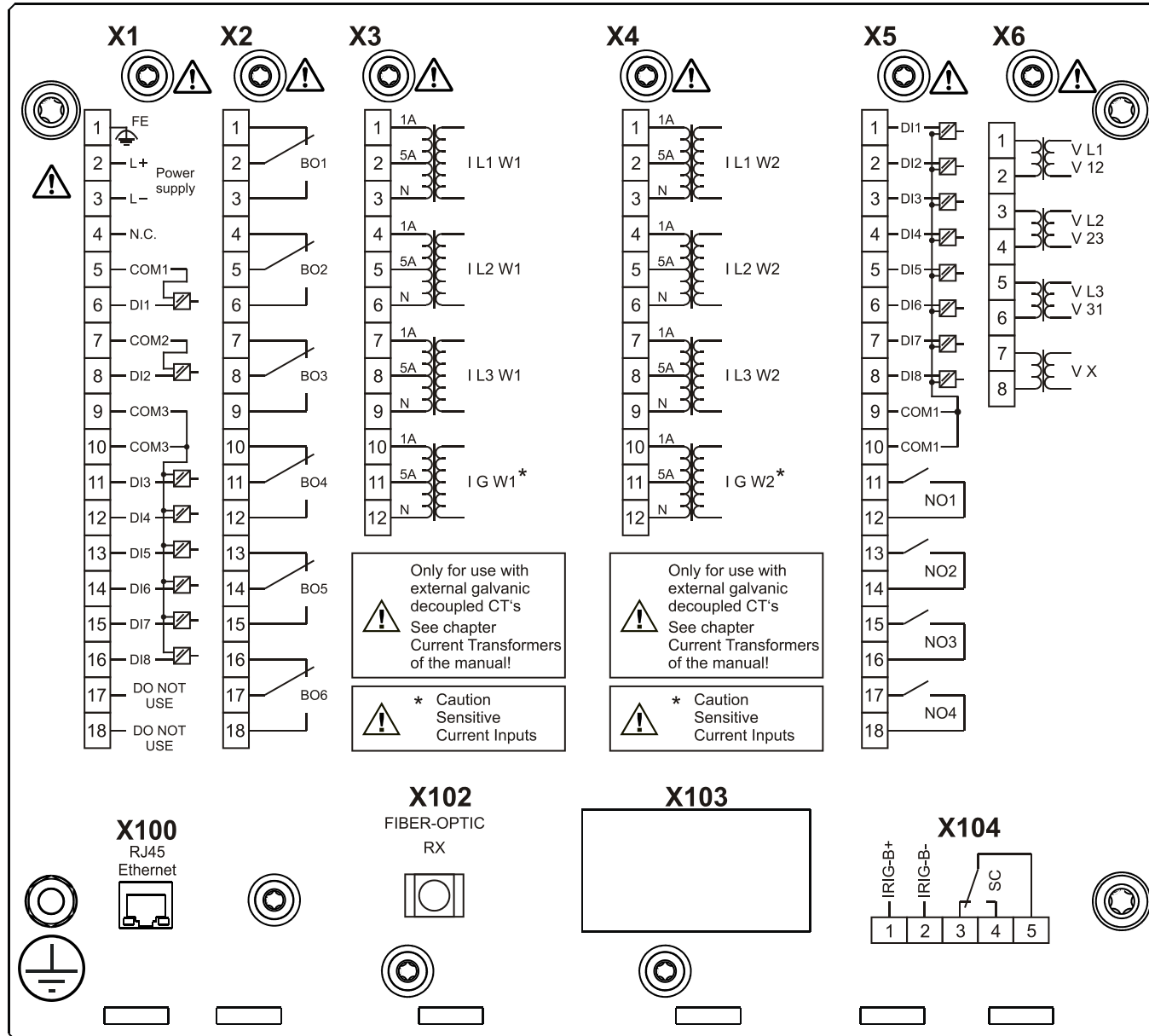
MCDTV4-2A3AGA



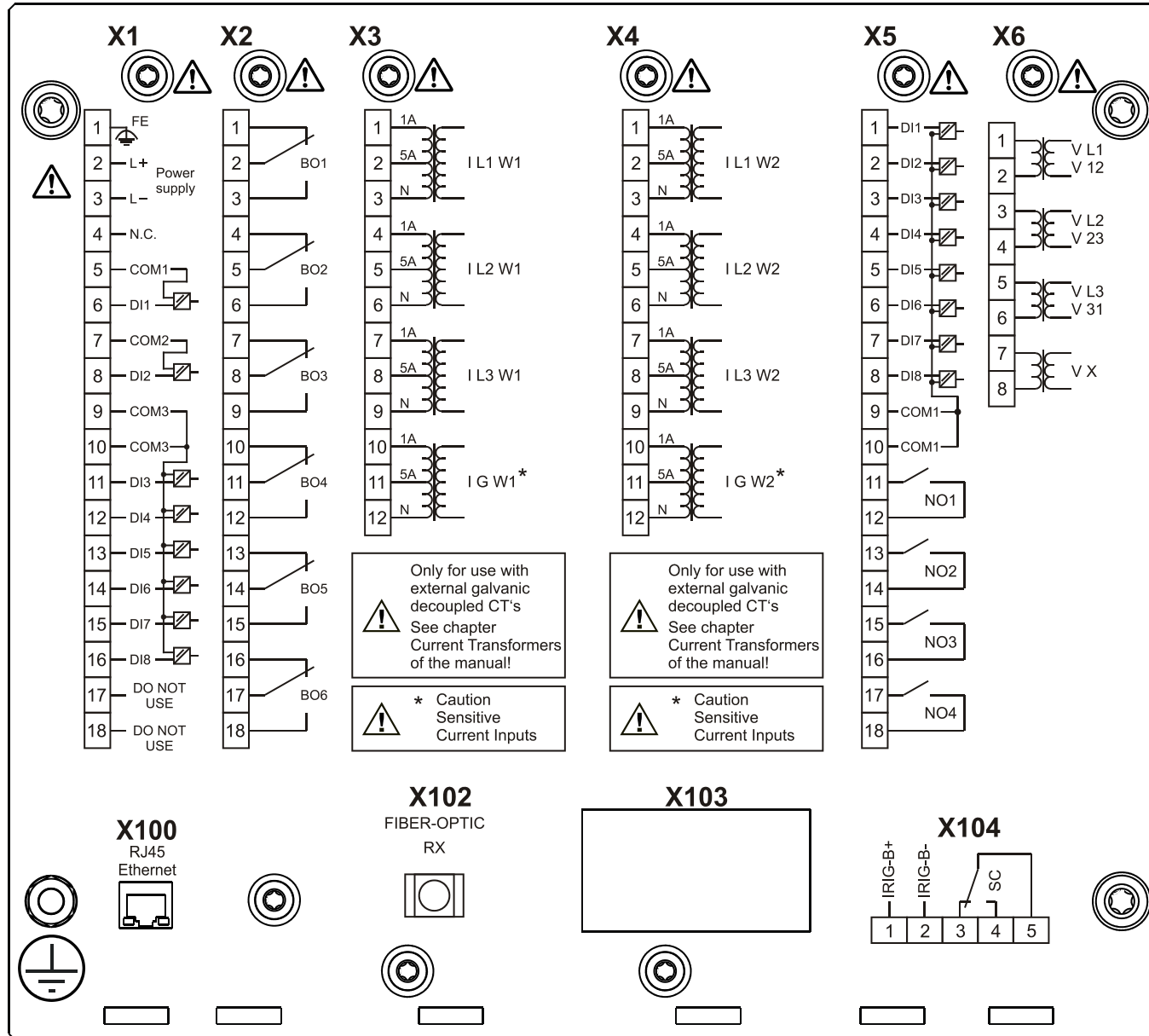
MCDTV4-2A3AGB



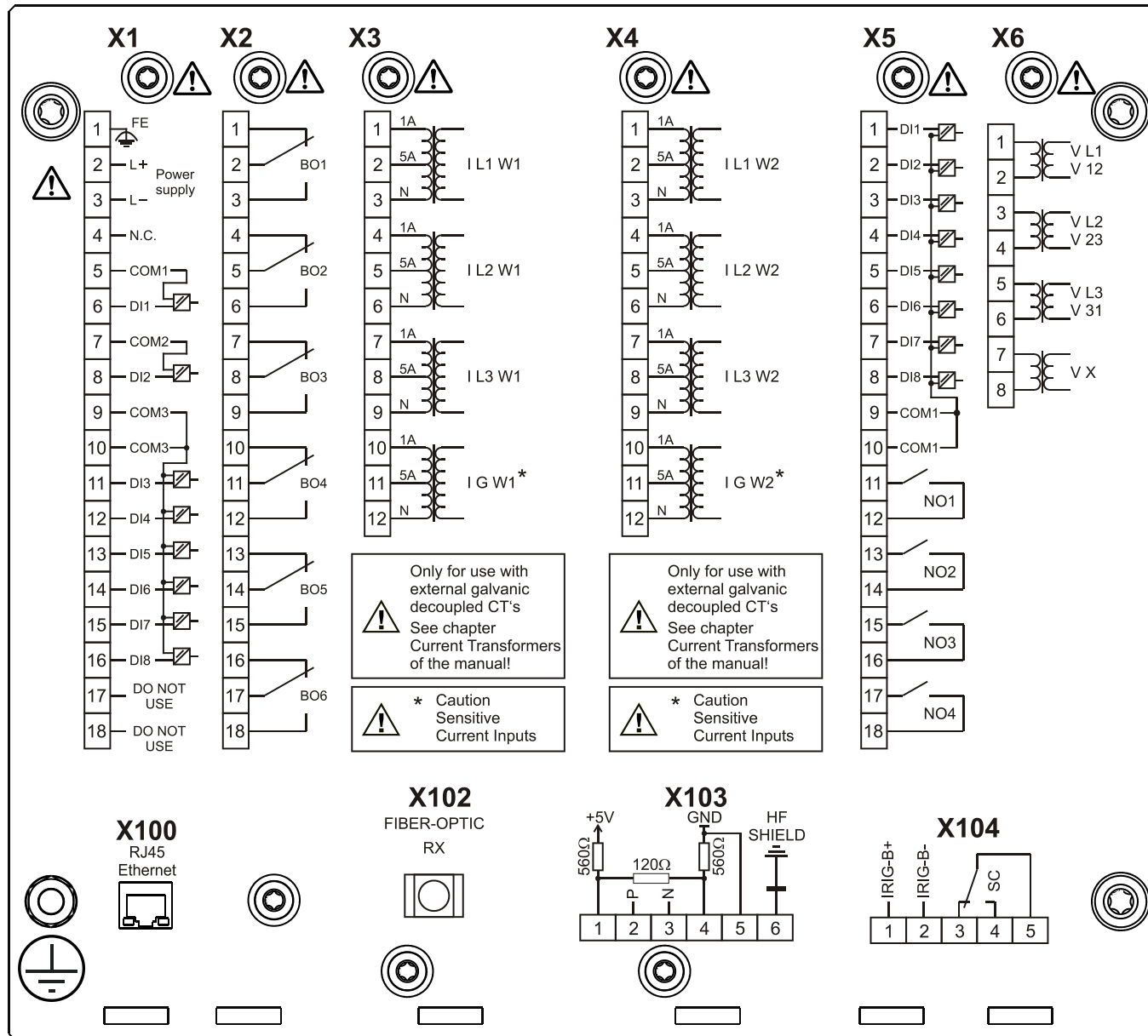
MCDTV4-2A3AHA



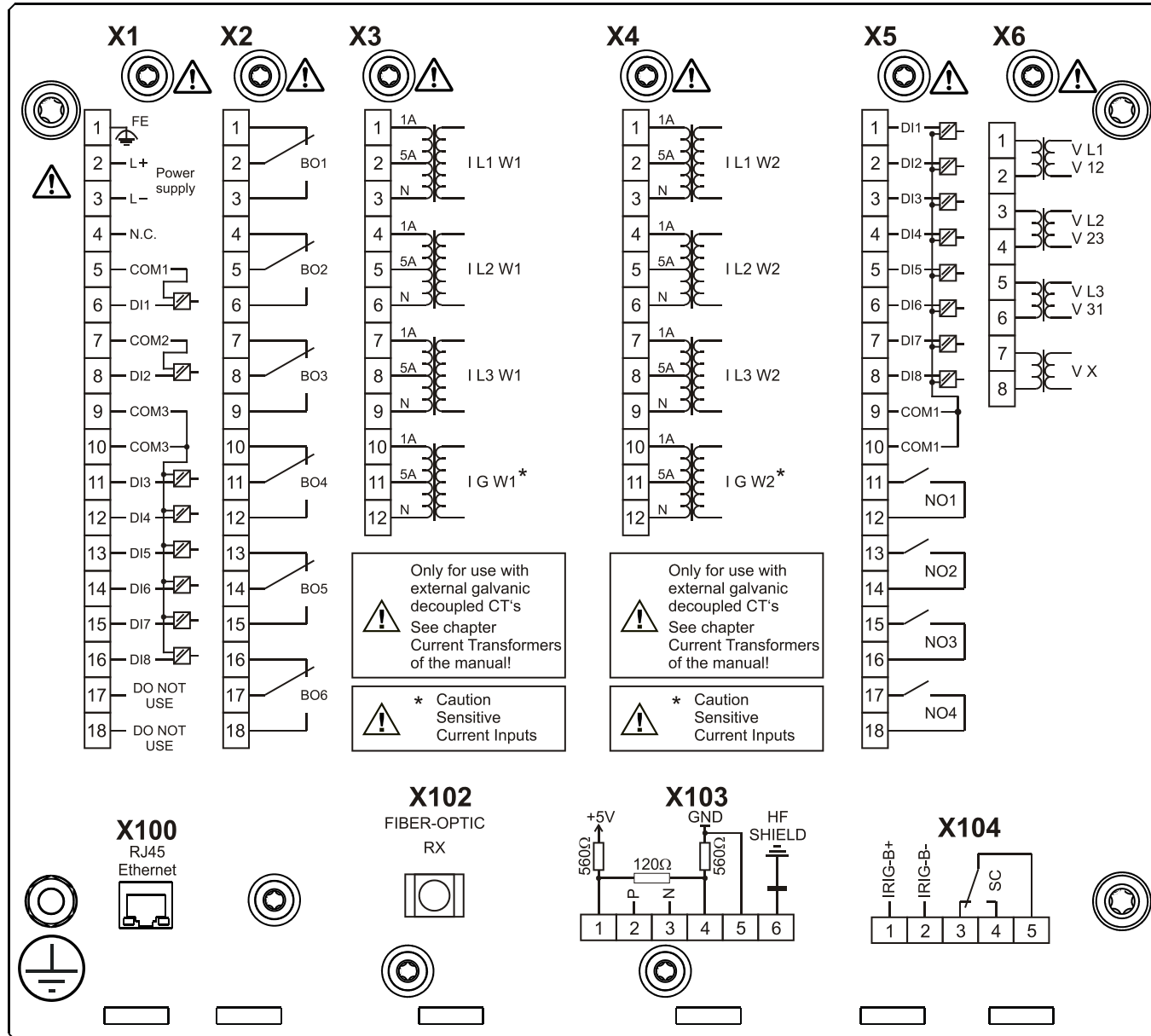
MCDTV4-2A3AHB



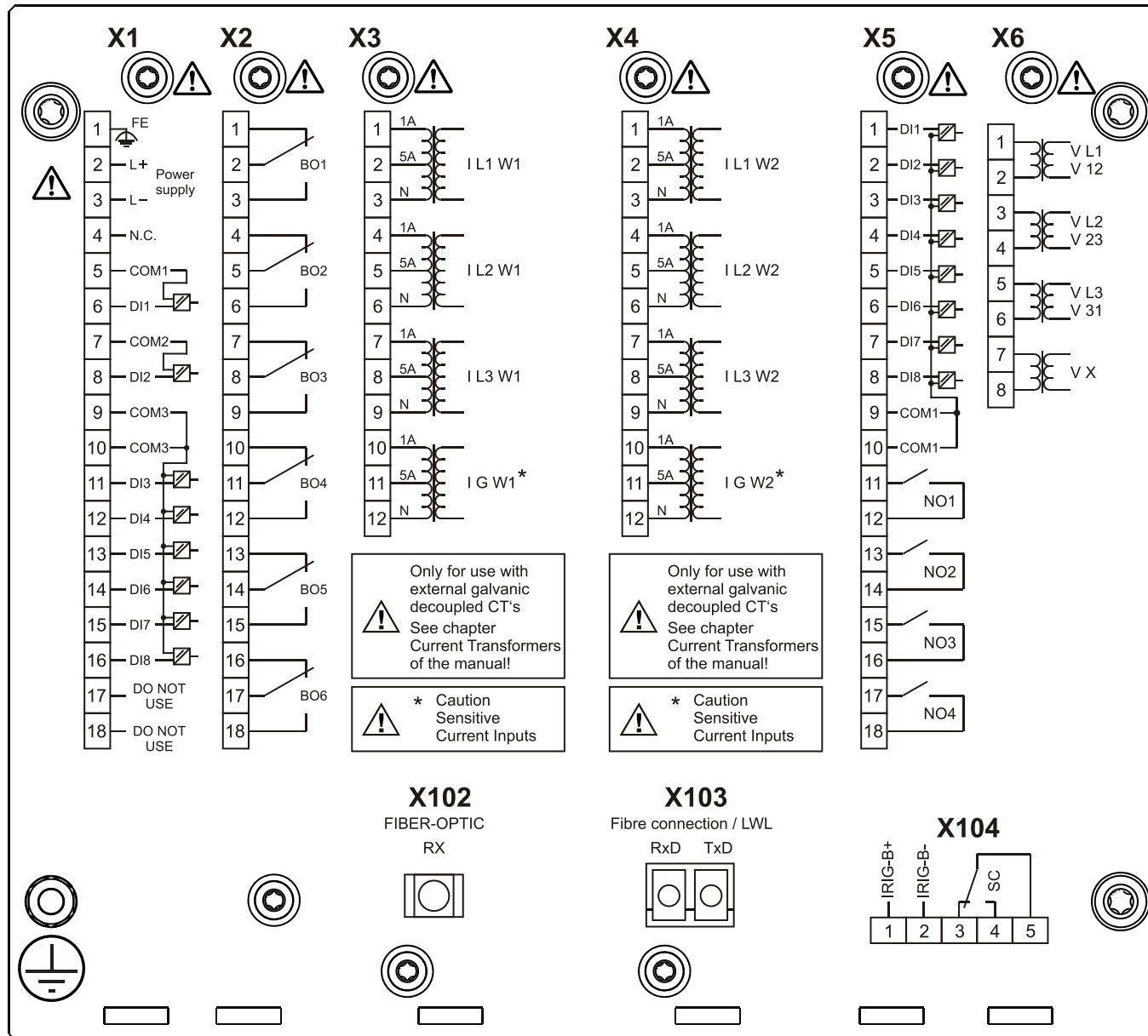
MCDTV4-2A3AIA



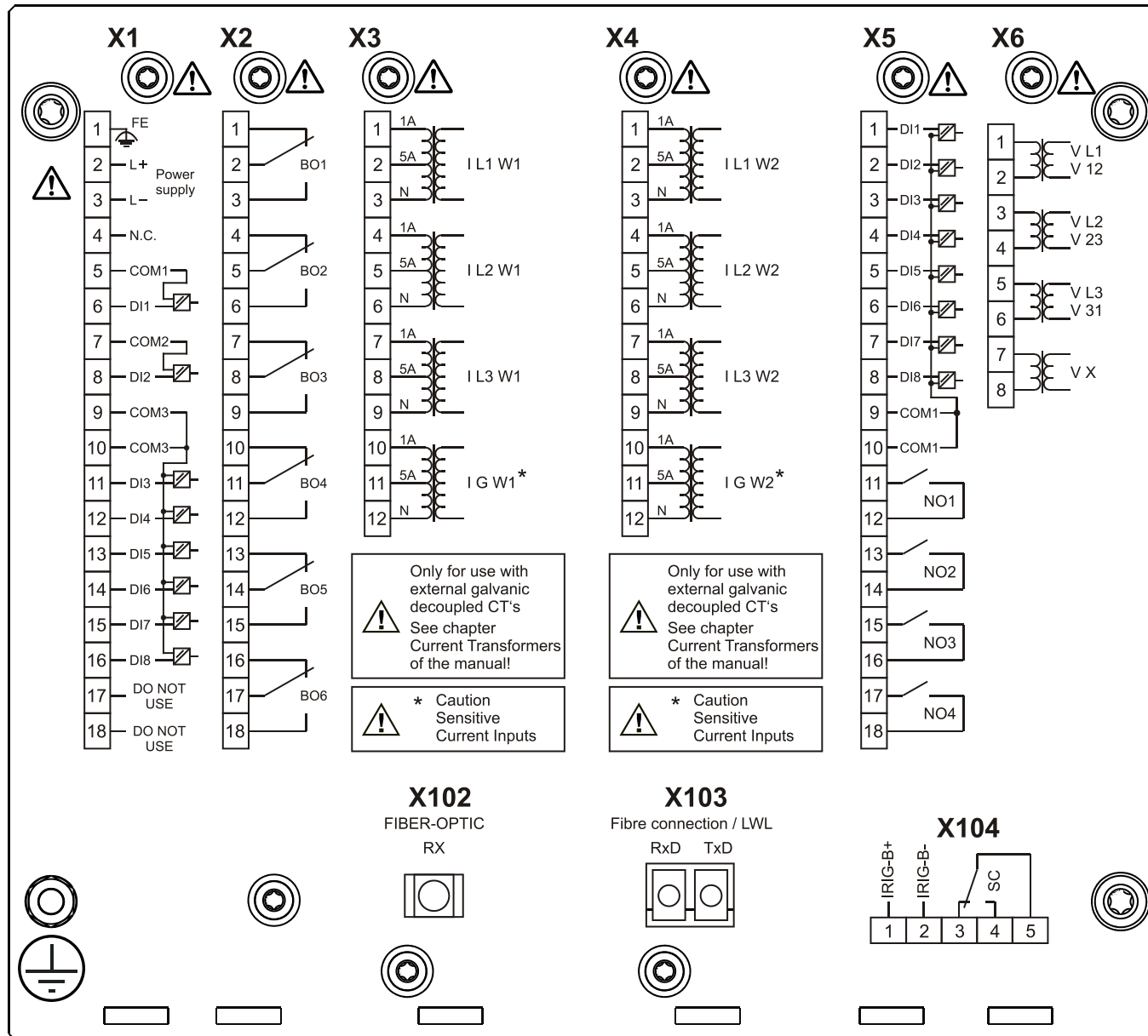
MCDTV4-2A3AIB



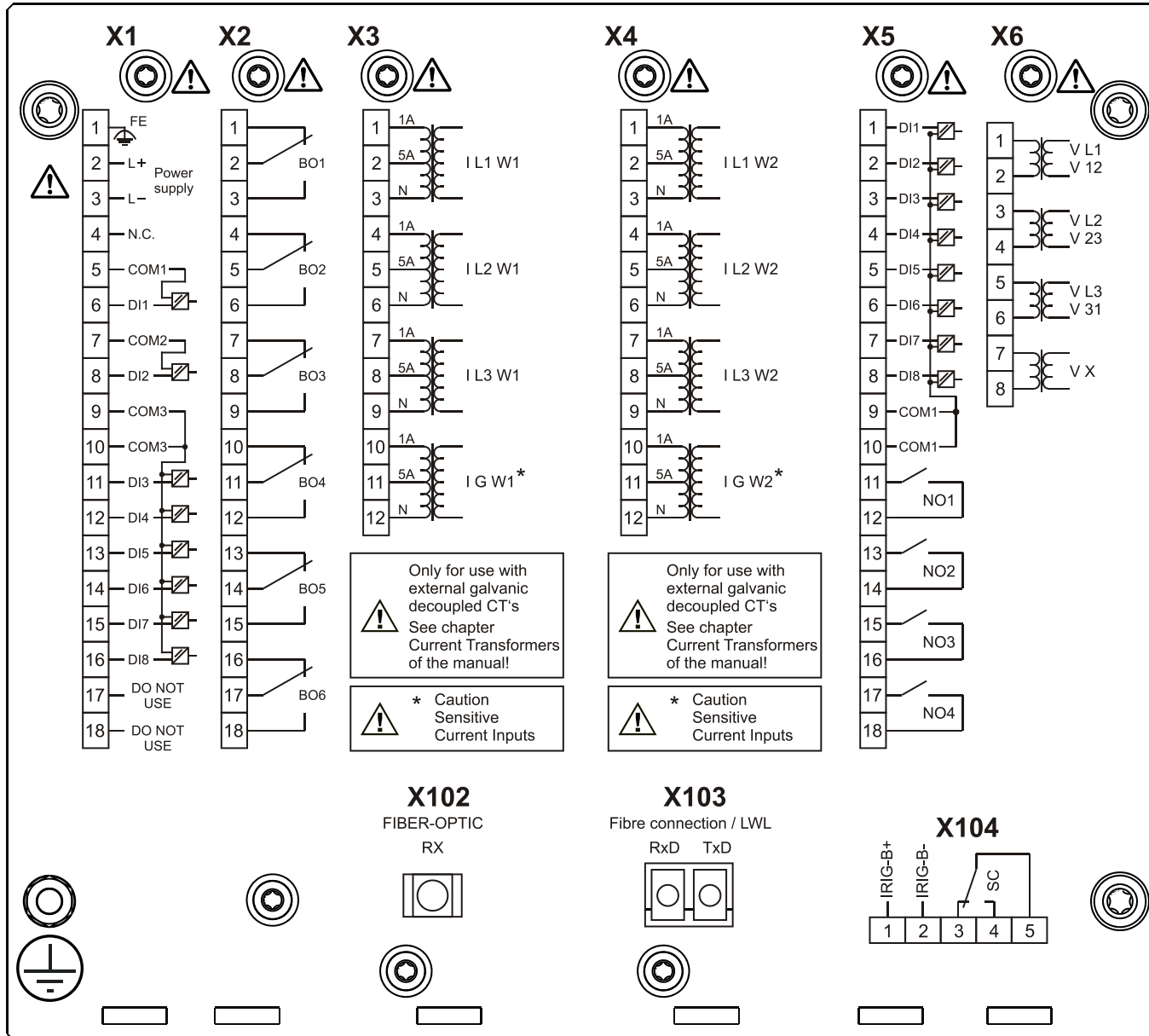
MCDTV4-2A3AKA



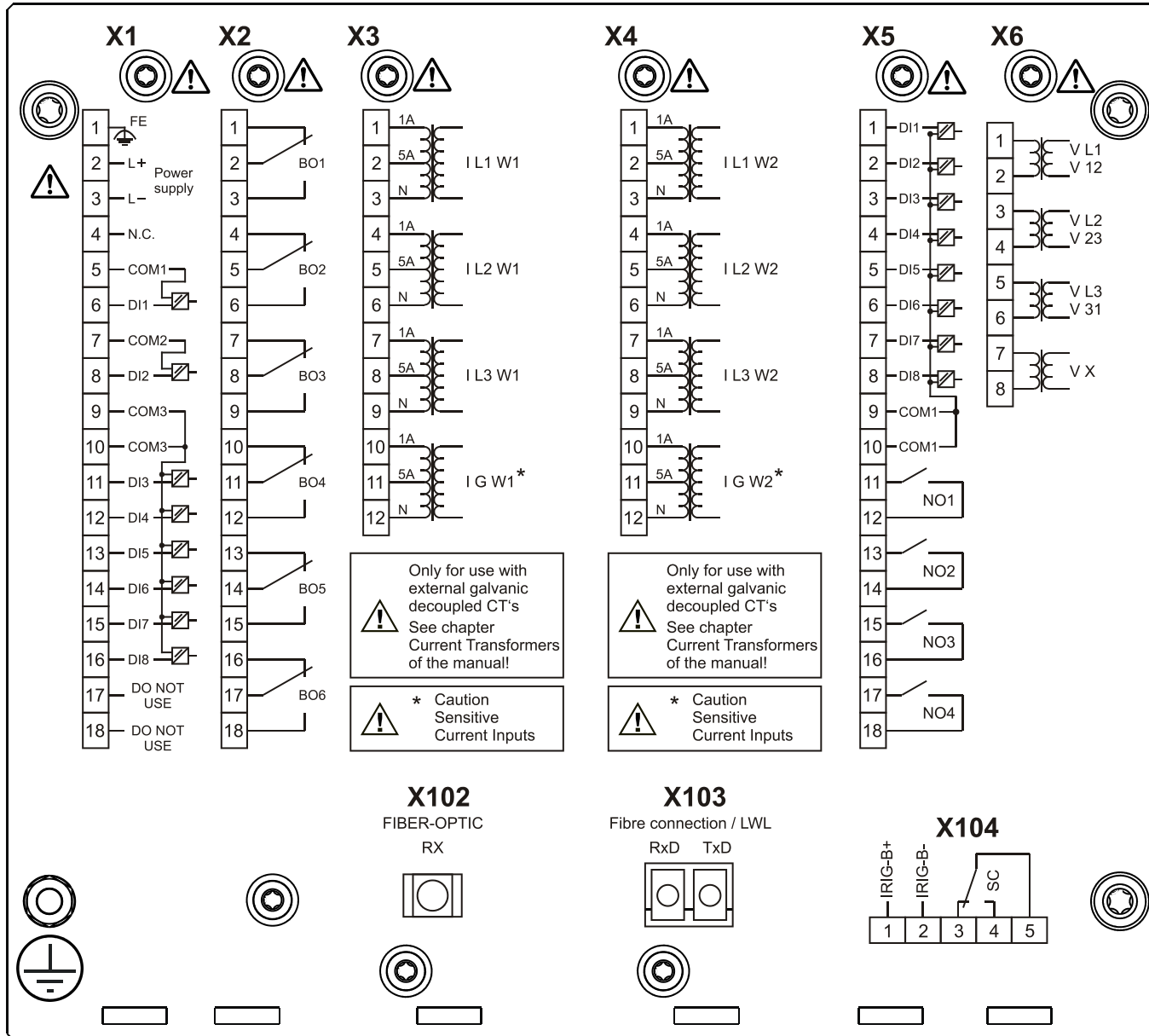
MCDTV4-2A3AKB



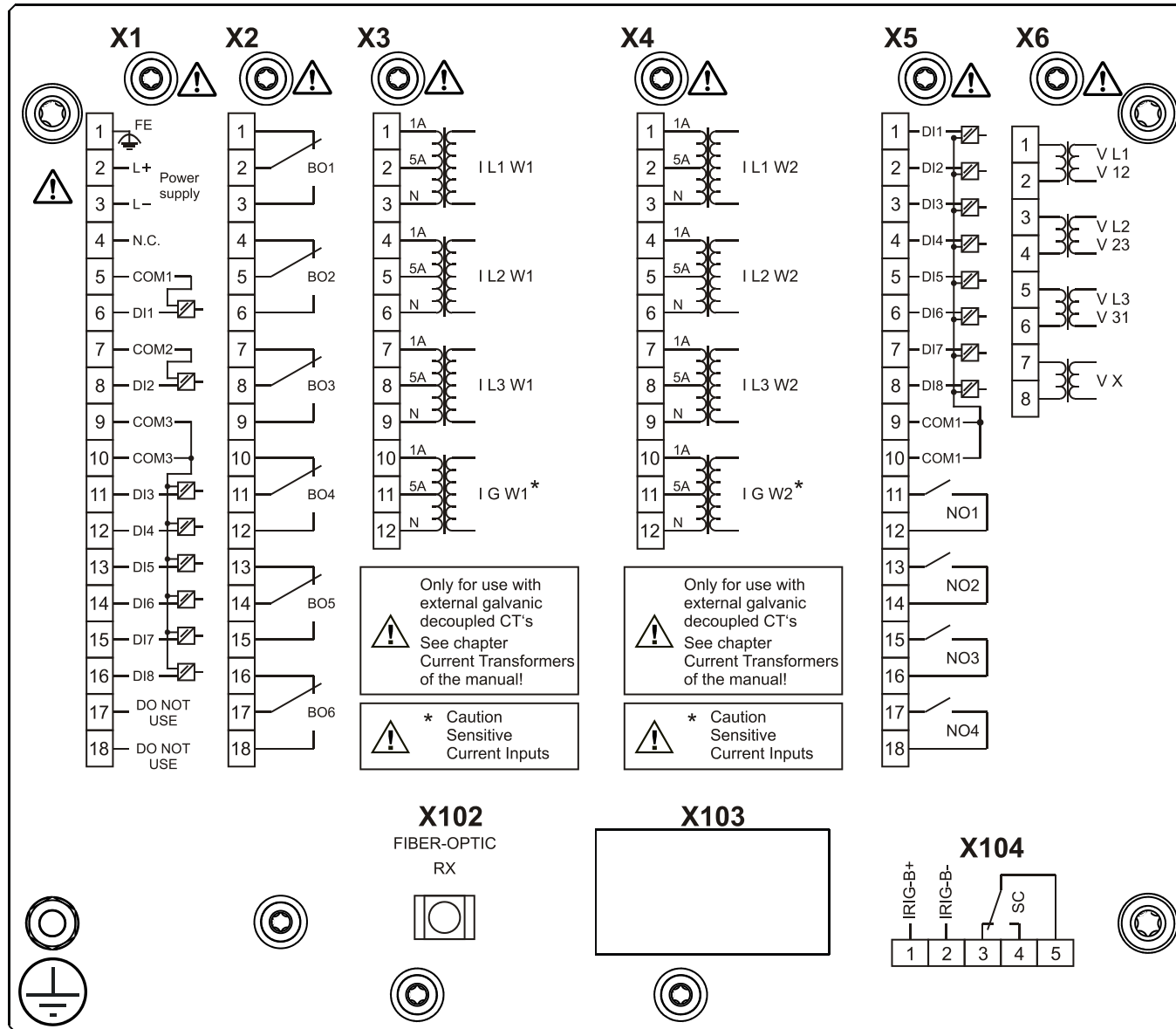
MCDTV4-2A3ALA



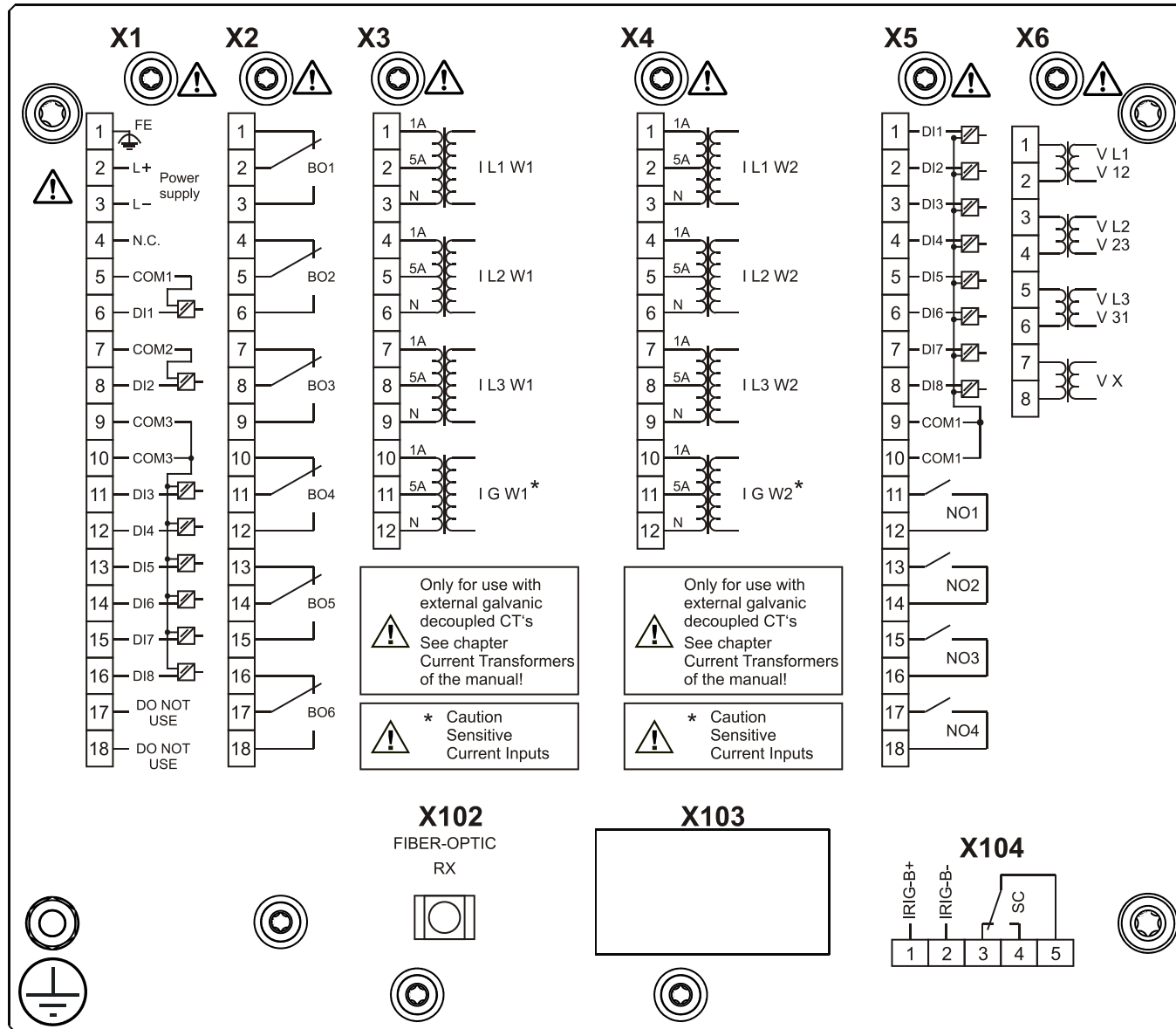
MCDTV4-2A3ALB



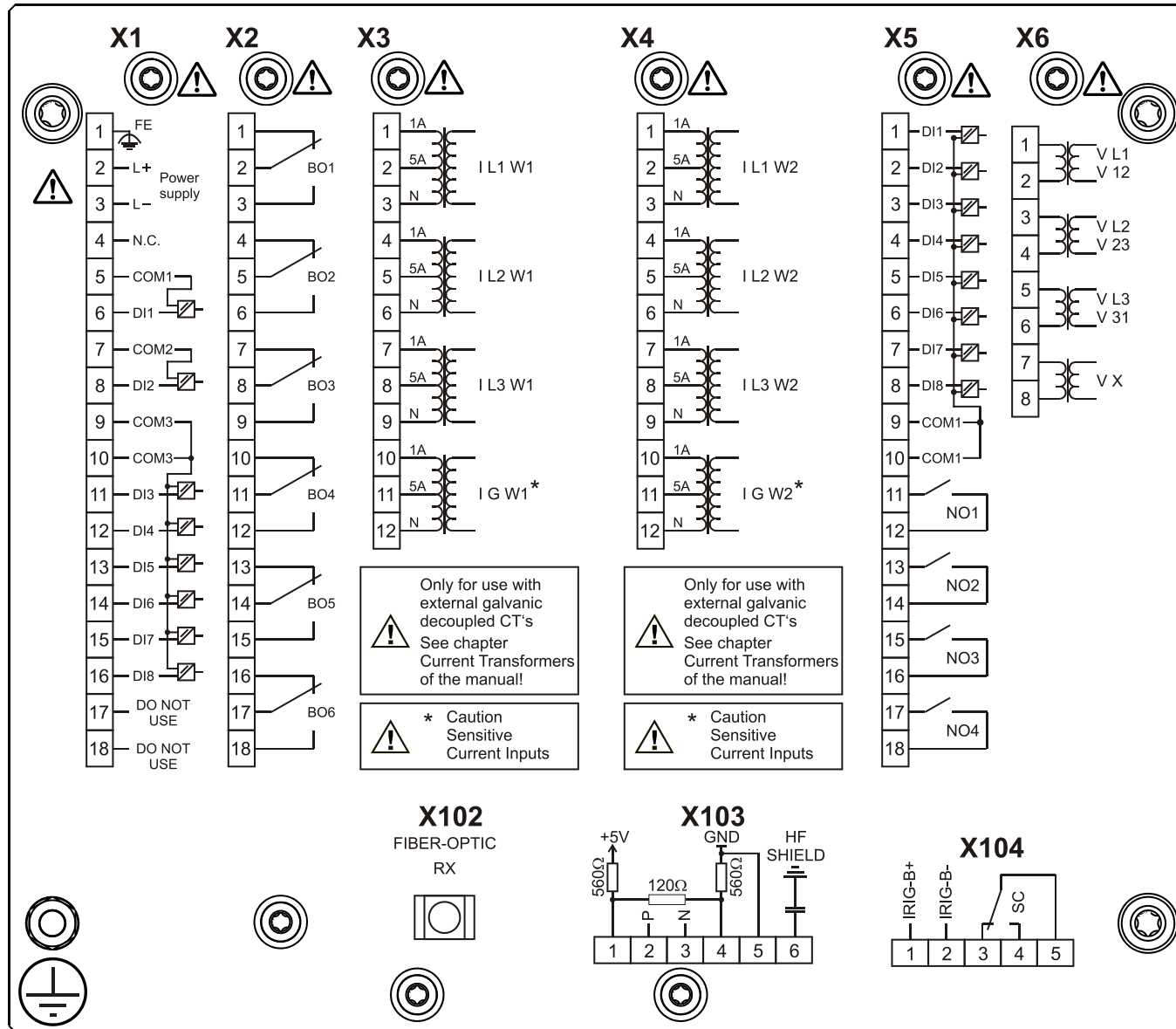
MCDTV4-2A3BAA



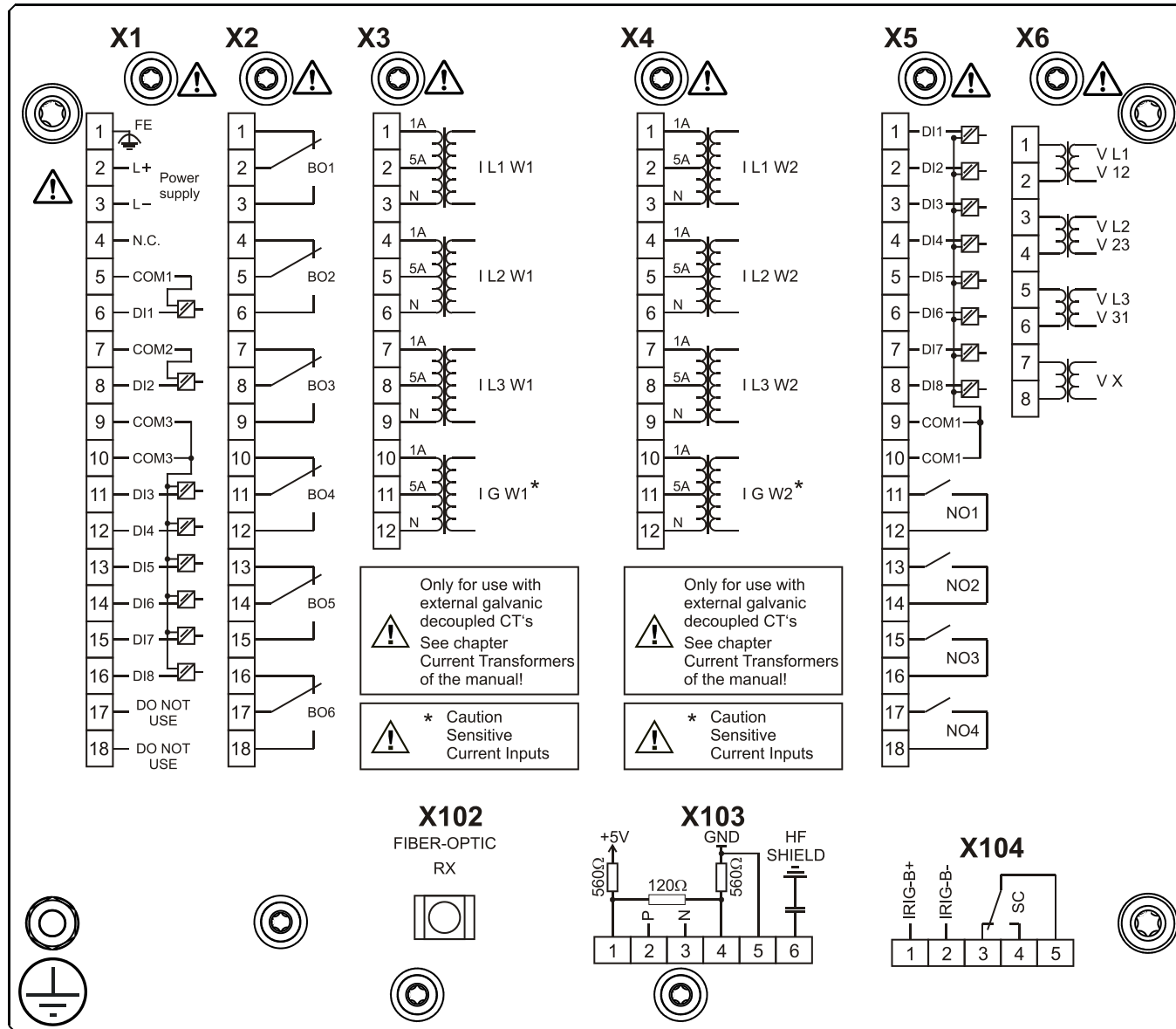
MCDTV4-2A3BAB



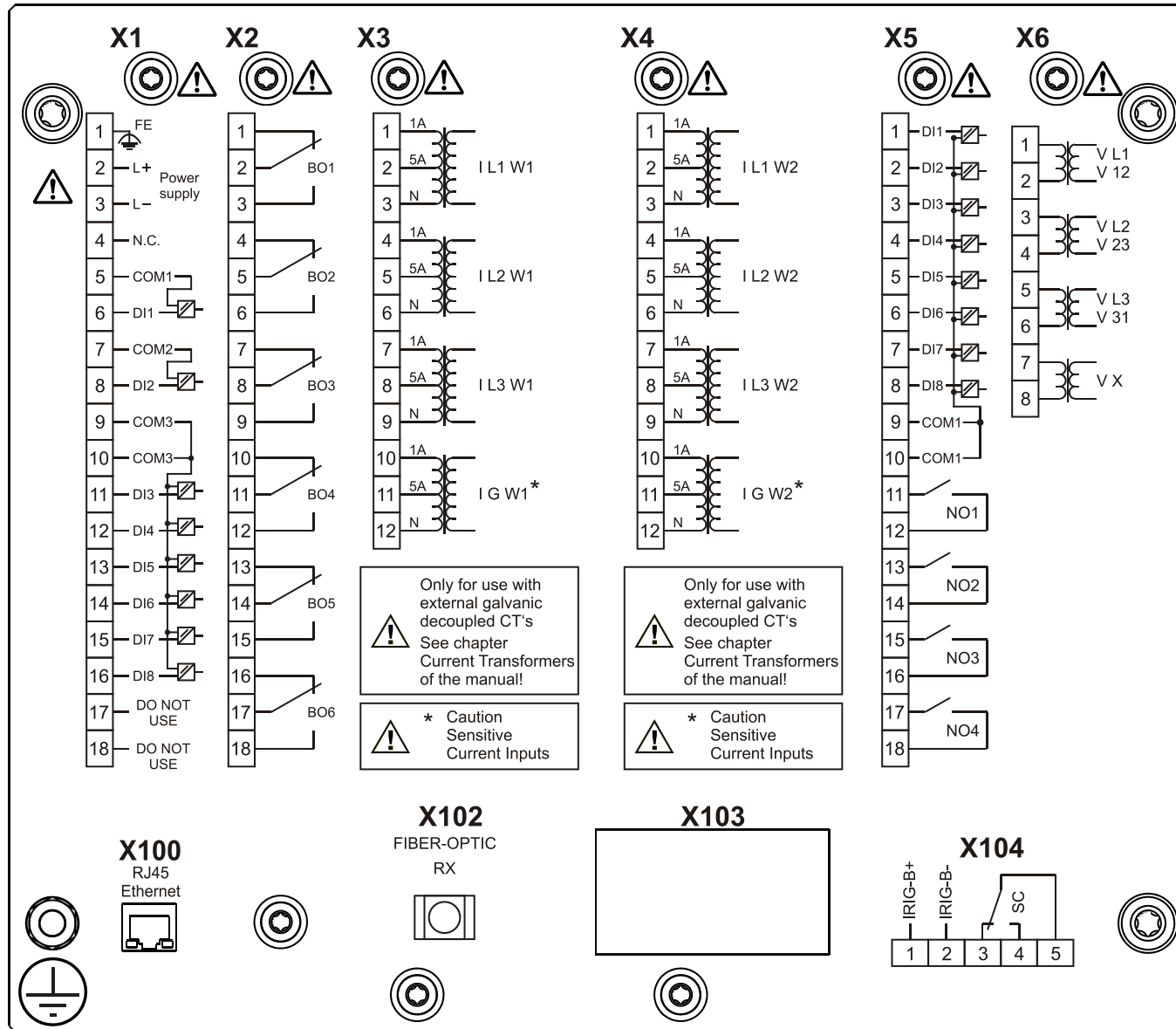
MCDTV4-2A3BBA



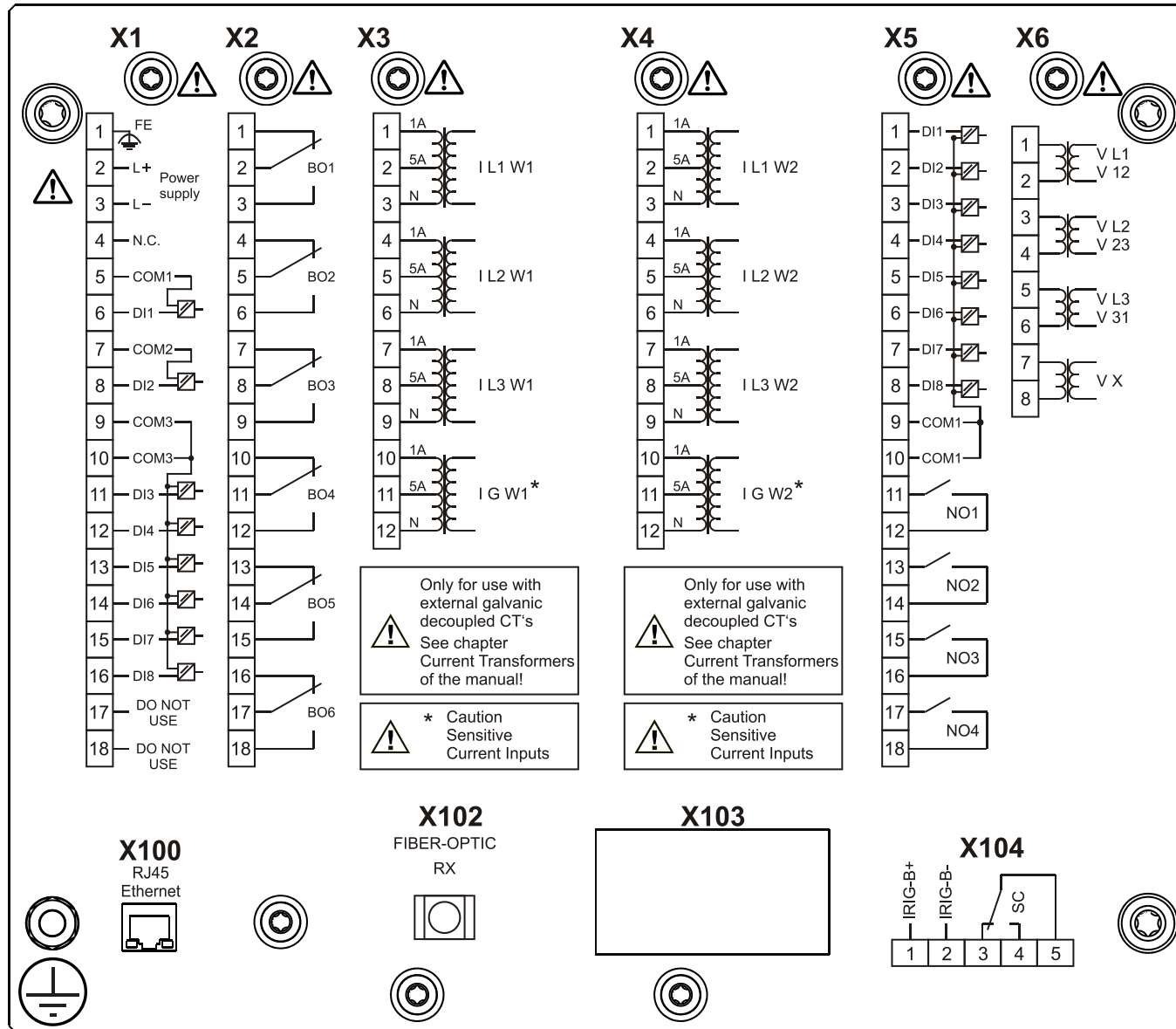
MCDTV4-2A3BBB



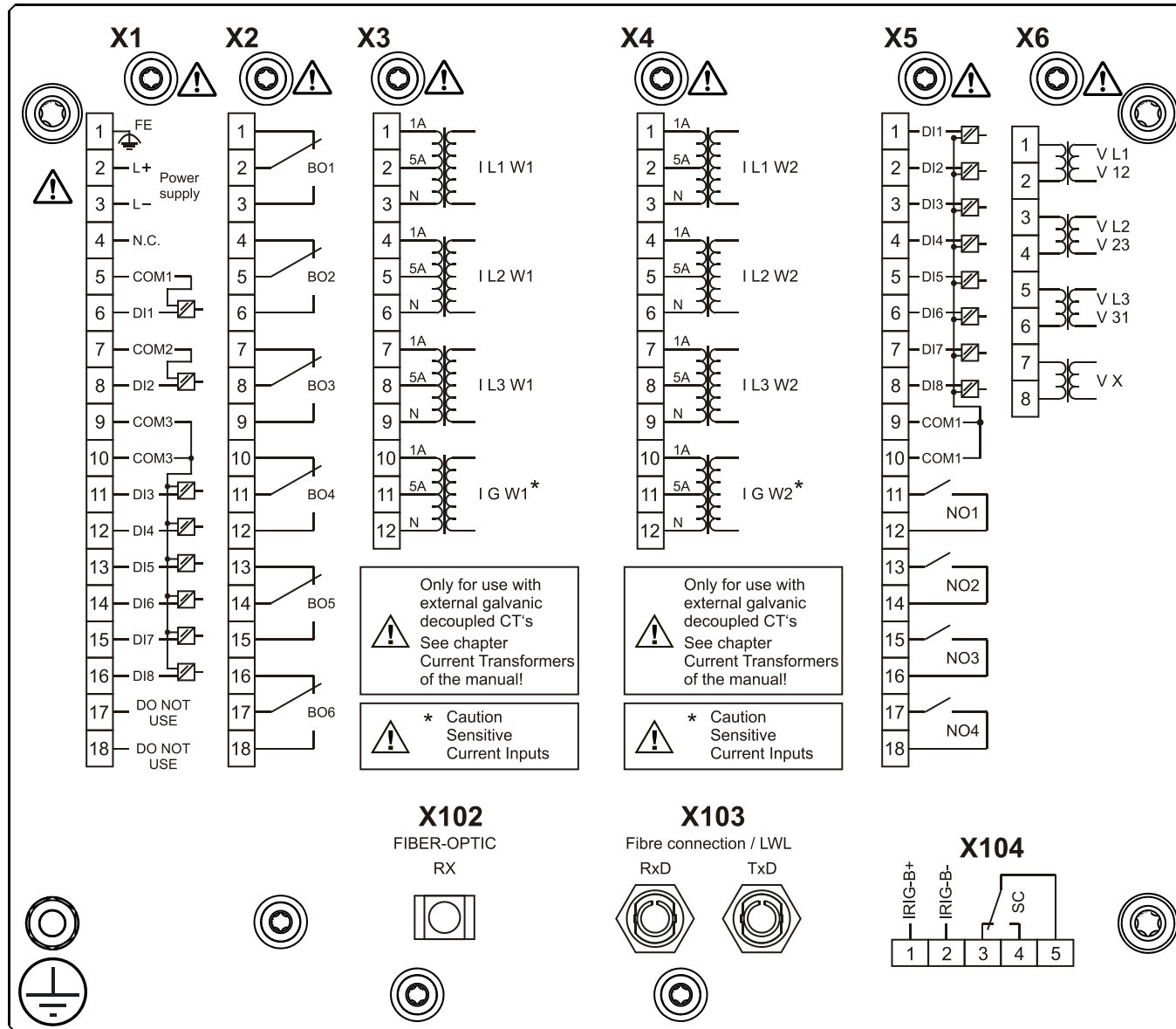
MCDTV4-2A3BCA



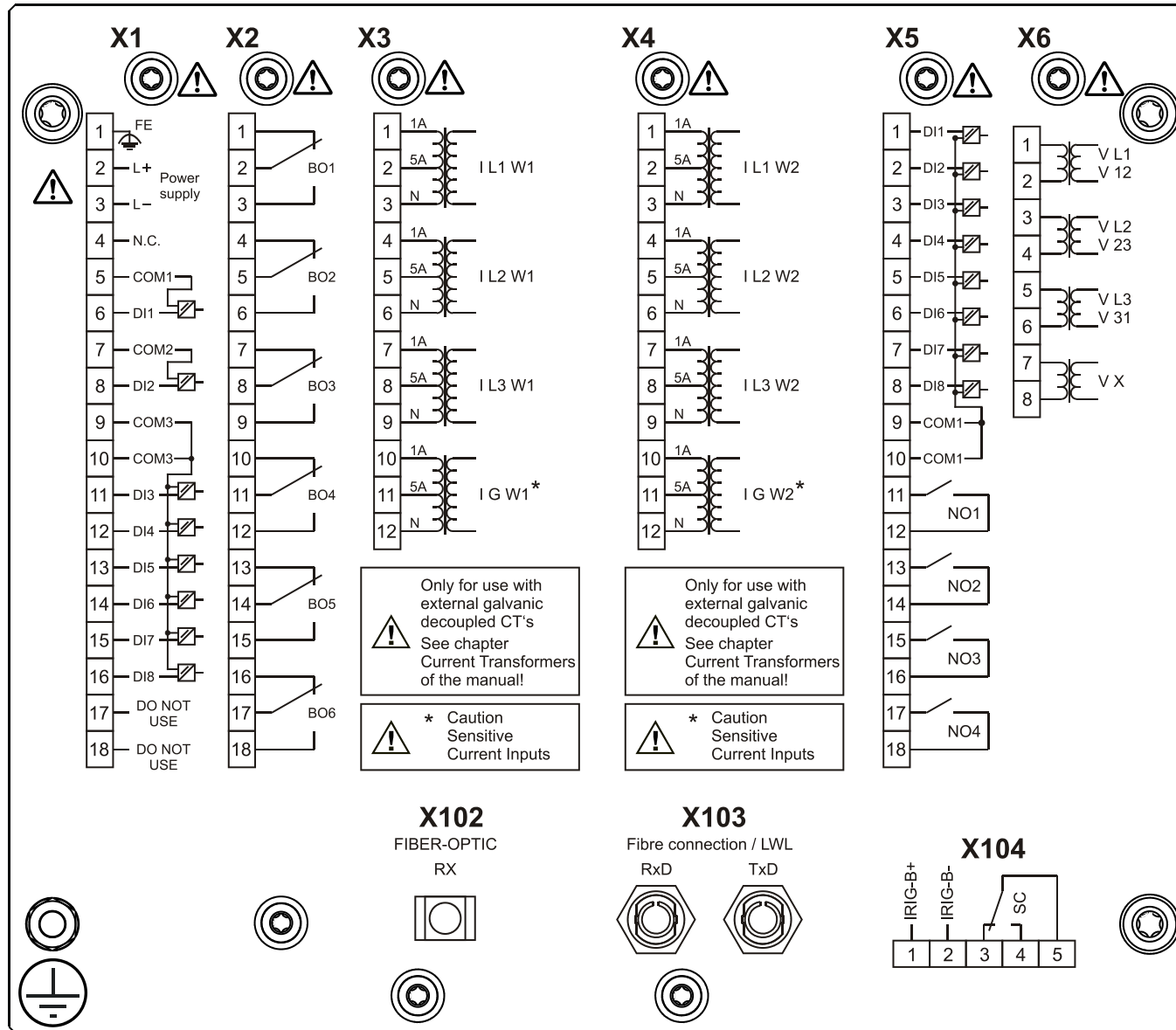
MCDTV4-2A3BCB



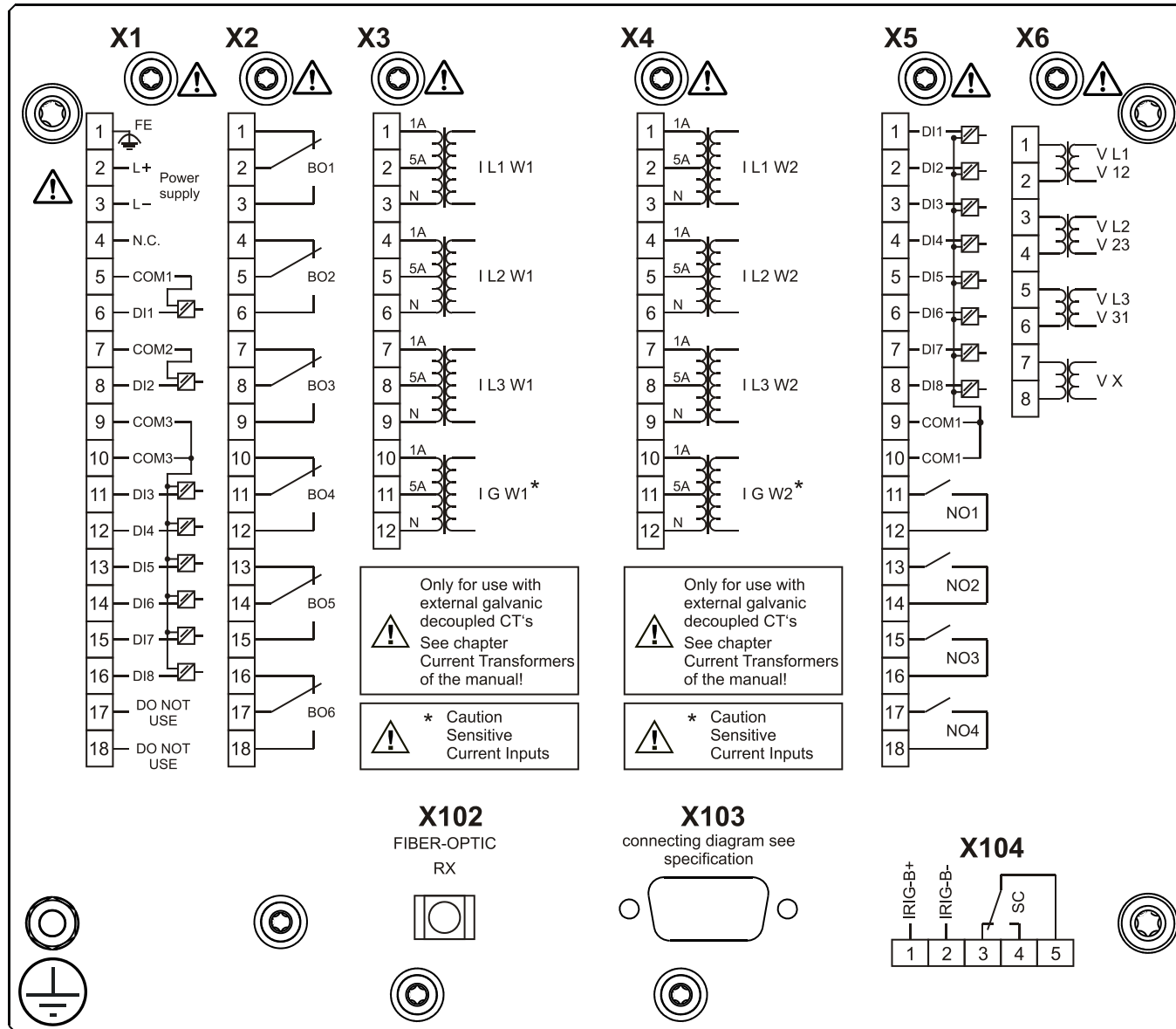
MCDTV4-2A3BDA



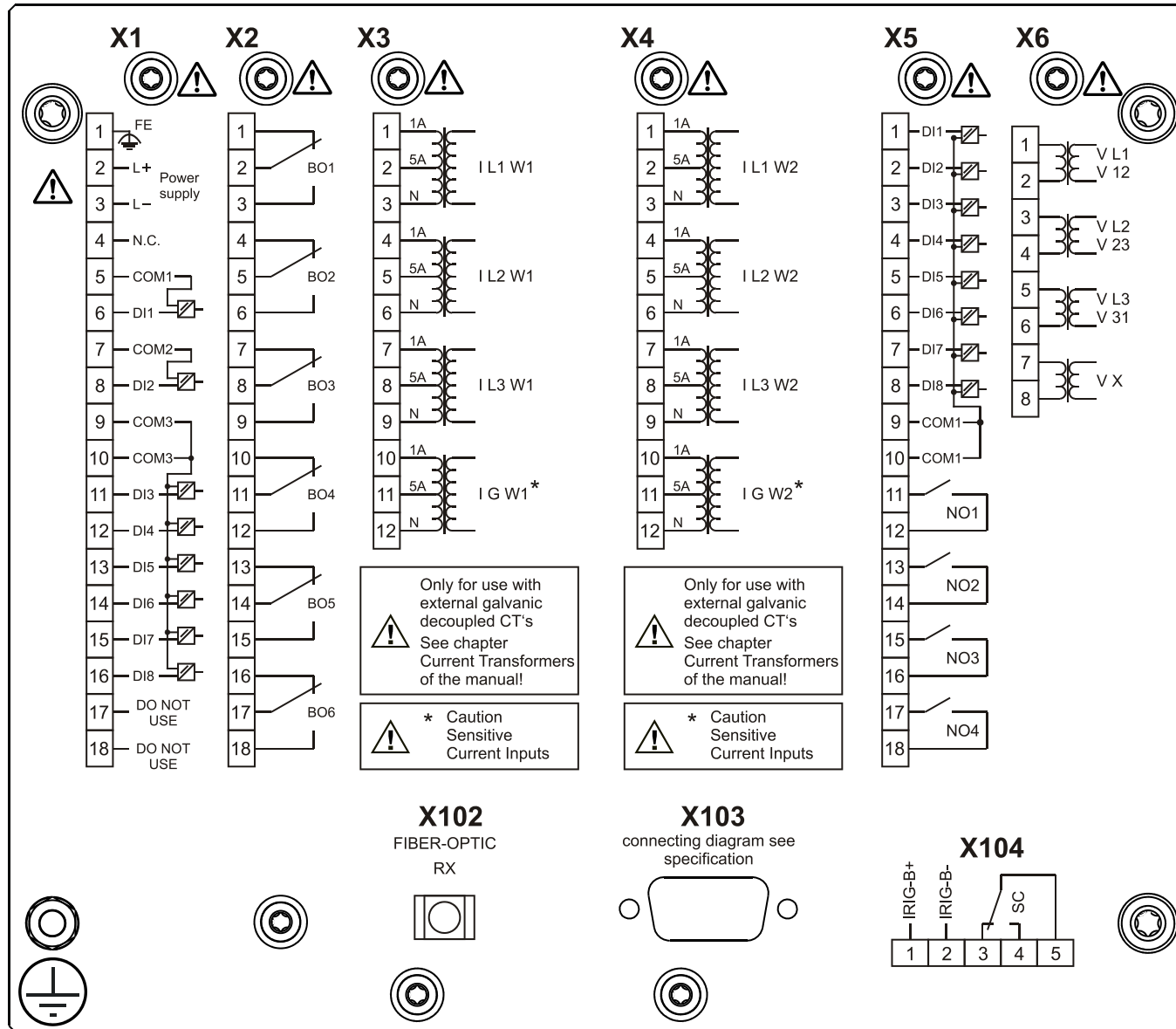
MCDTV4-2A3BDB



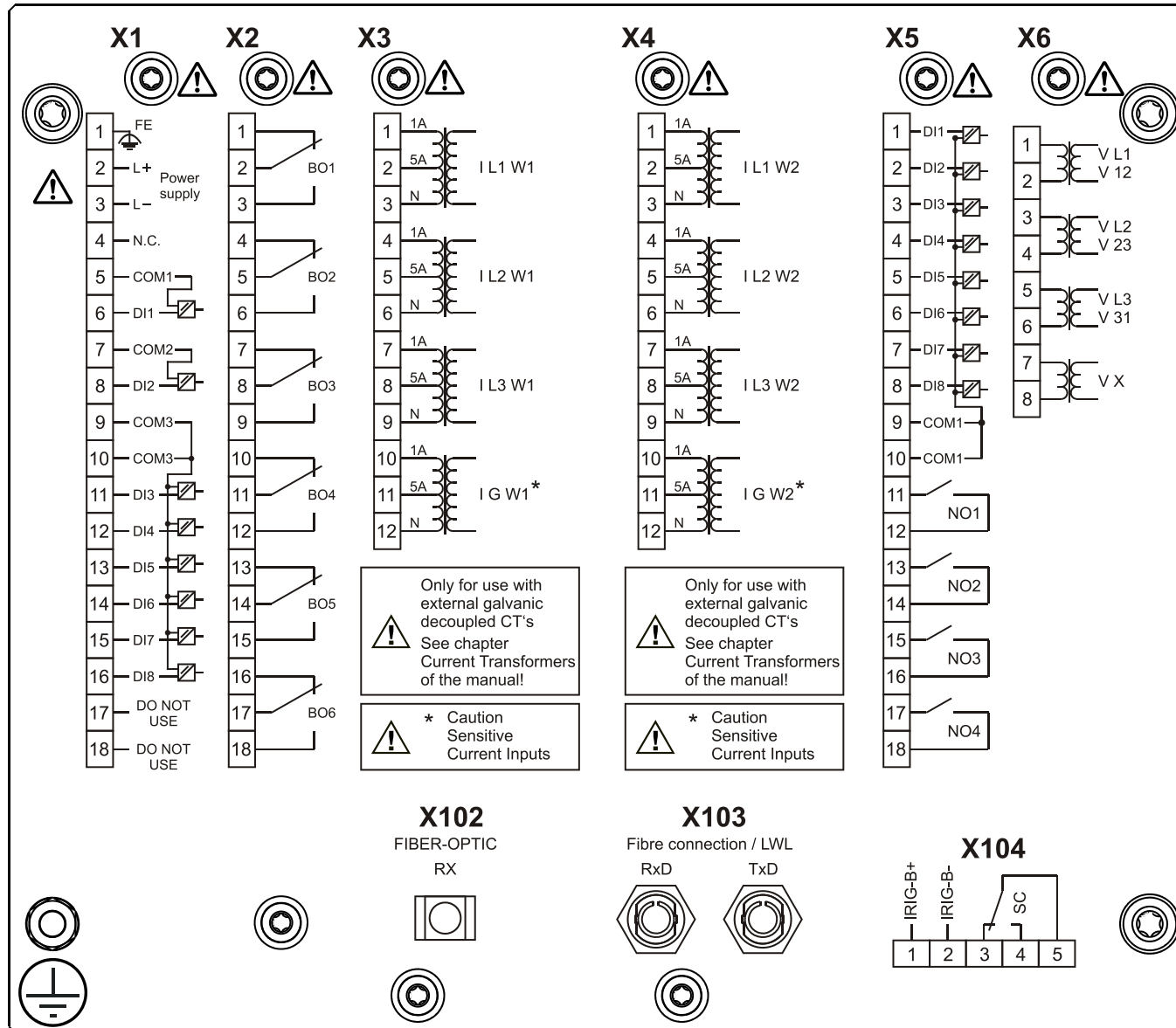
MCDTV4-2A3BEA



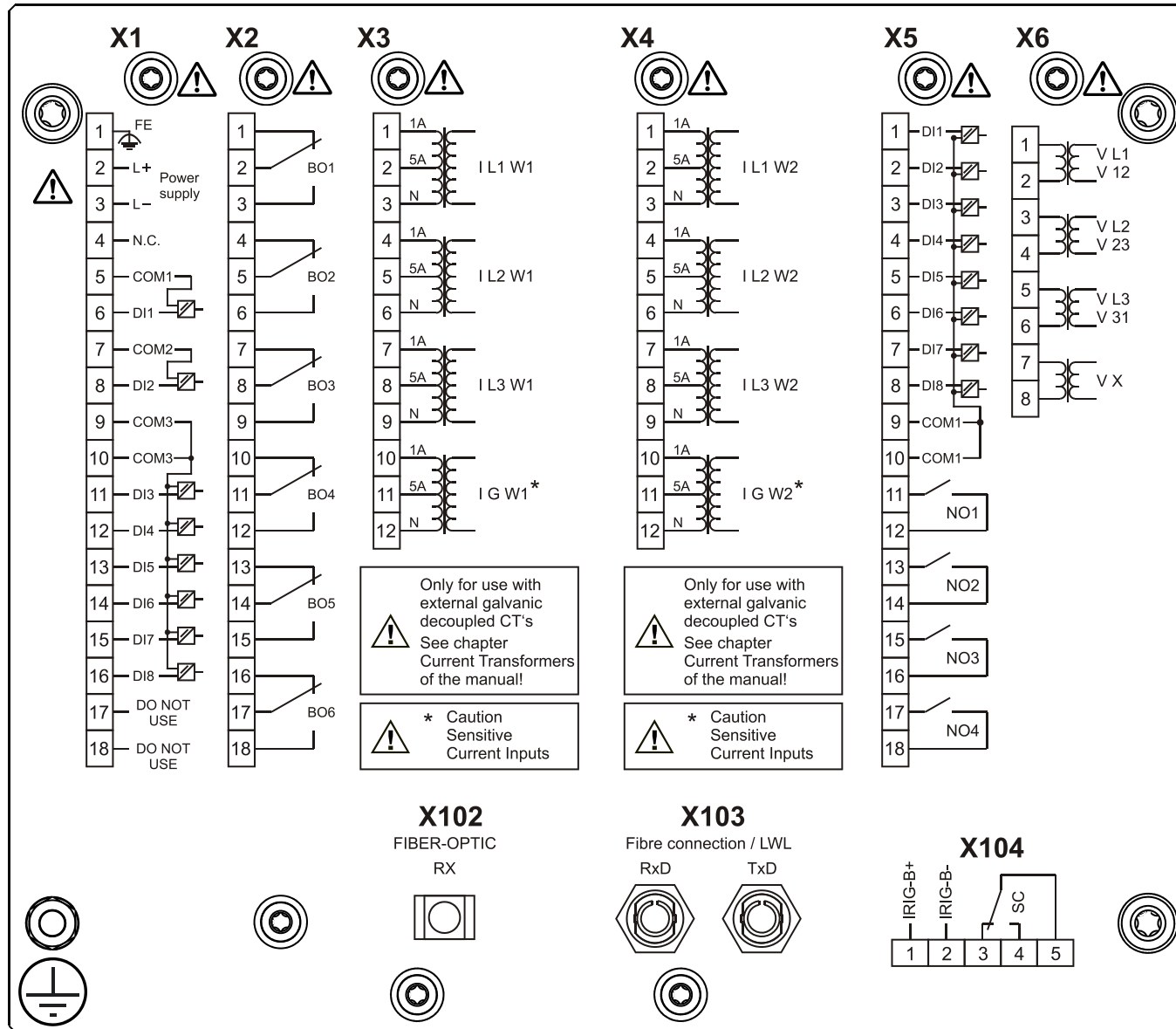
MCDTV4-2A3BEB



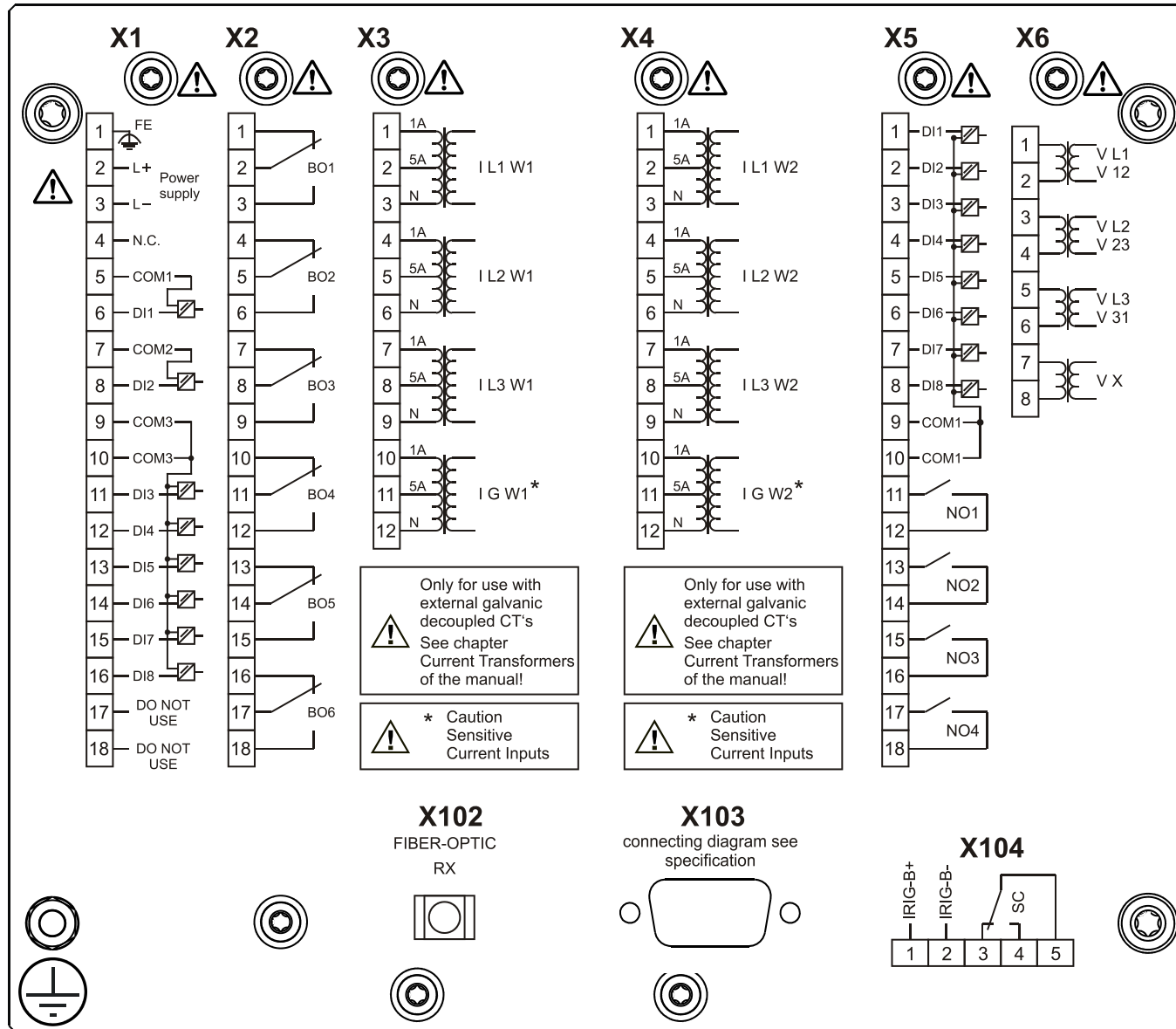
MCDTV4-2A3BFA



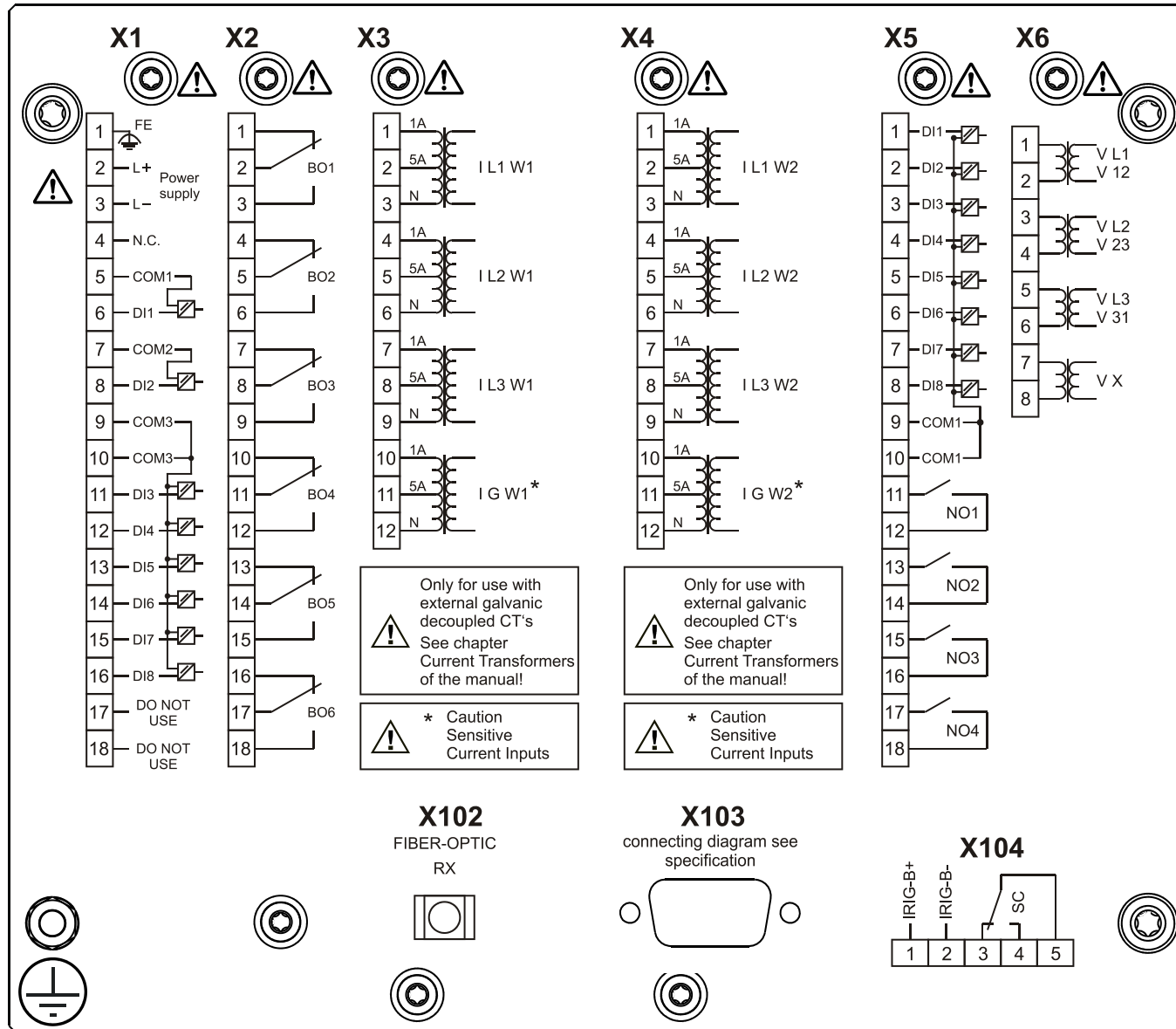
MCDTV4-2A3BFB



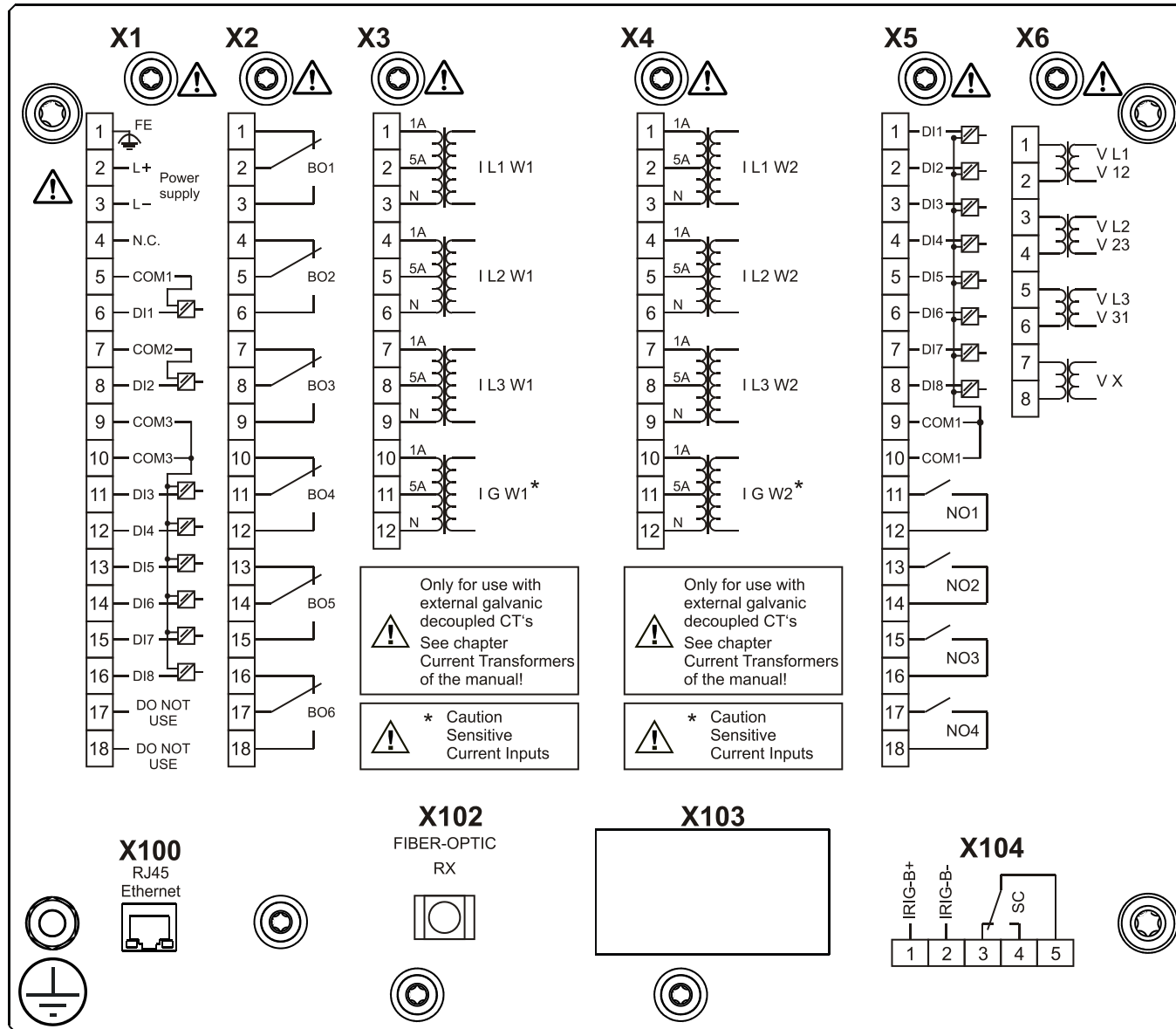
MCDTV4-2A3BGA



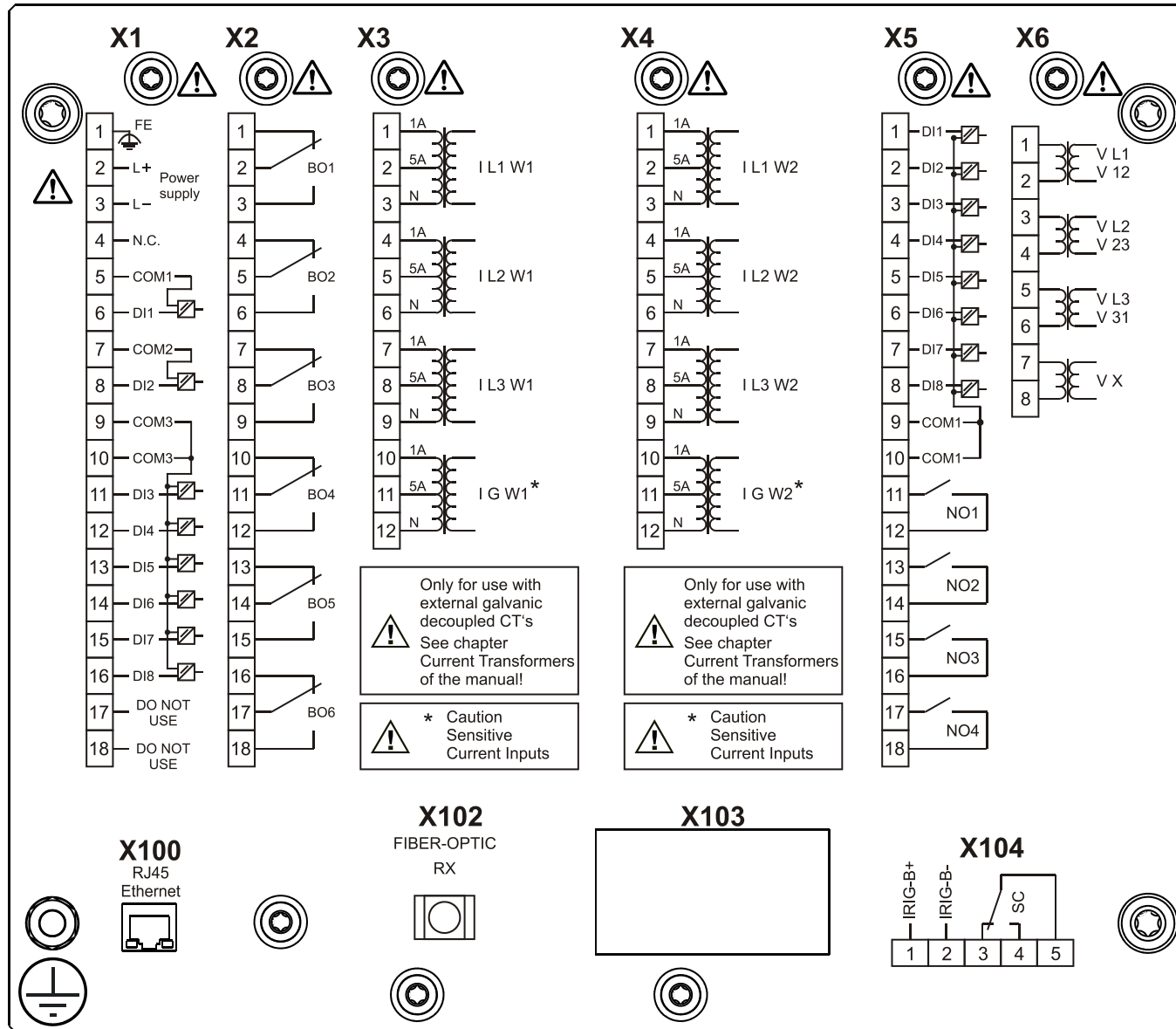
MCDTV4-2A3BGB



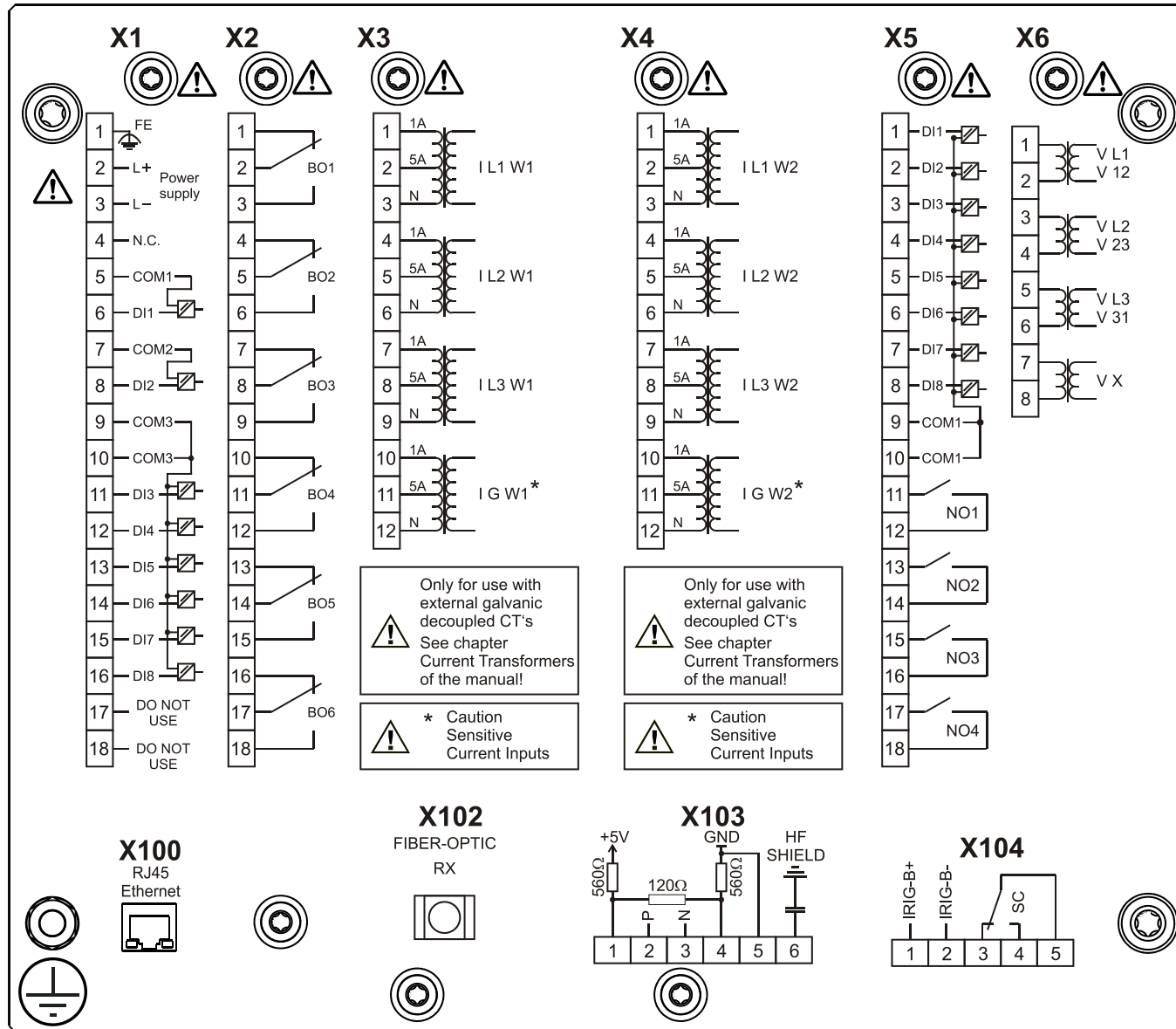
MCDTV4-2A3BHA



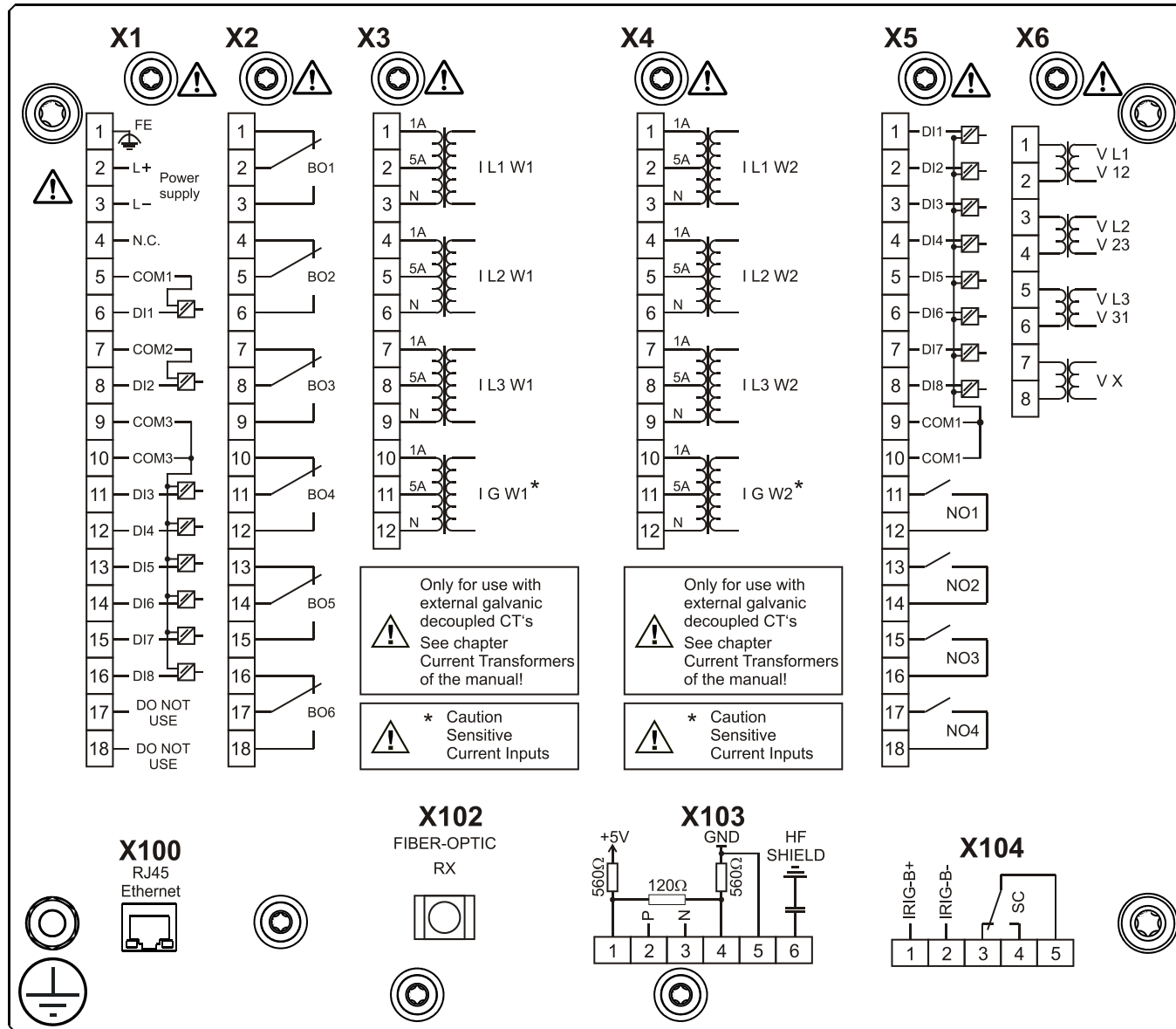
MCDTV4-2A3BHB



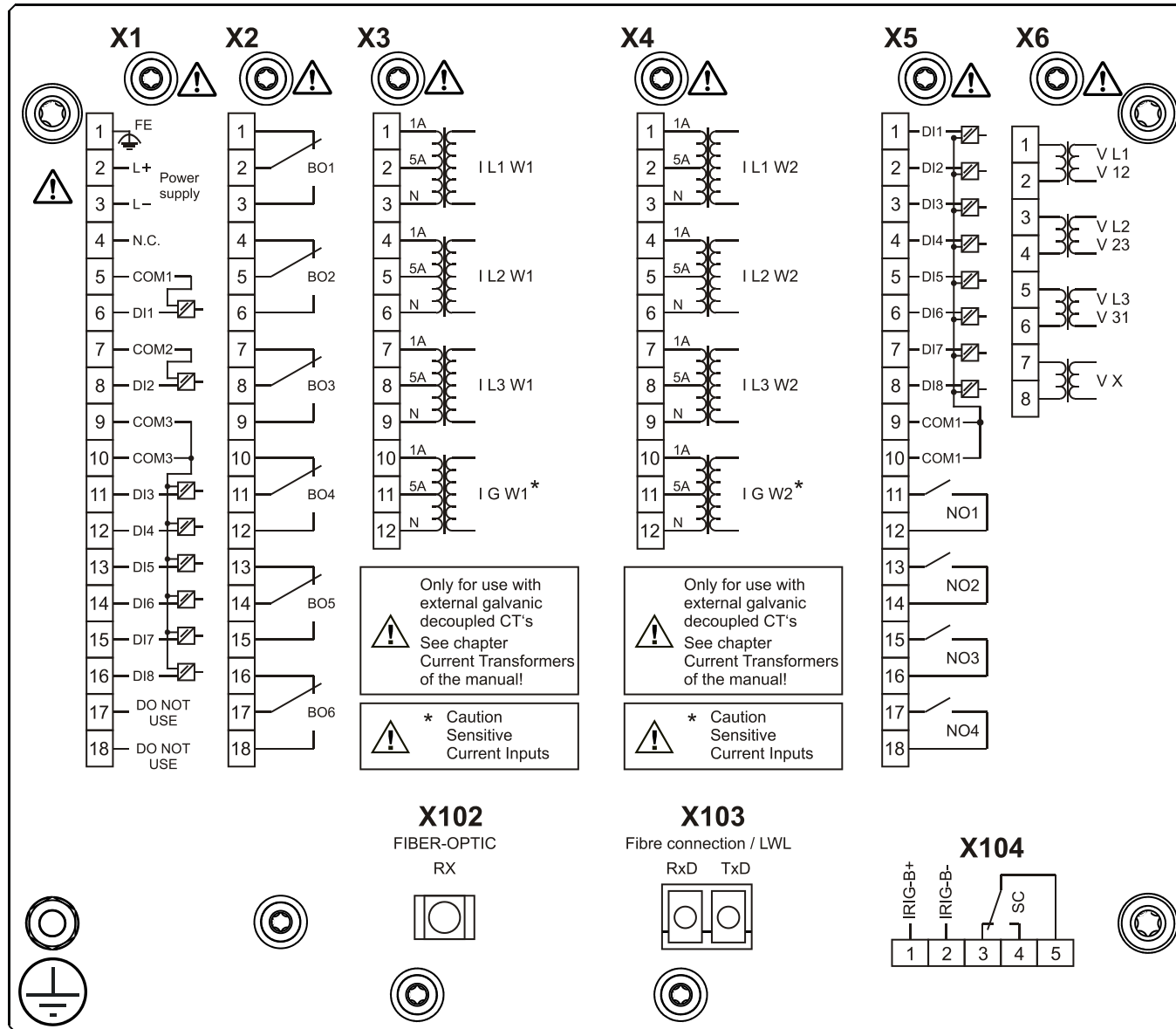
MCDTV4-2A3BIA



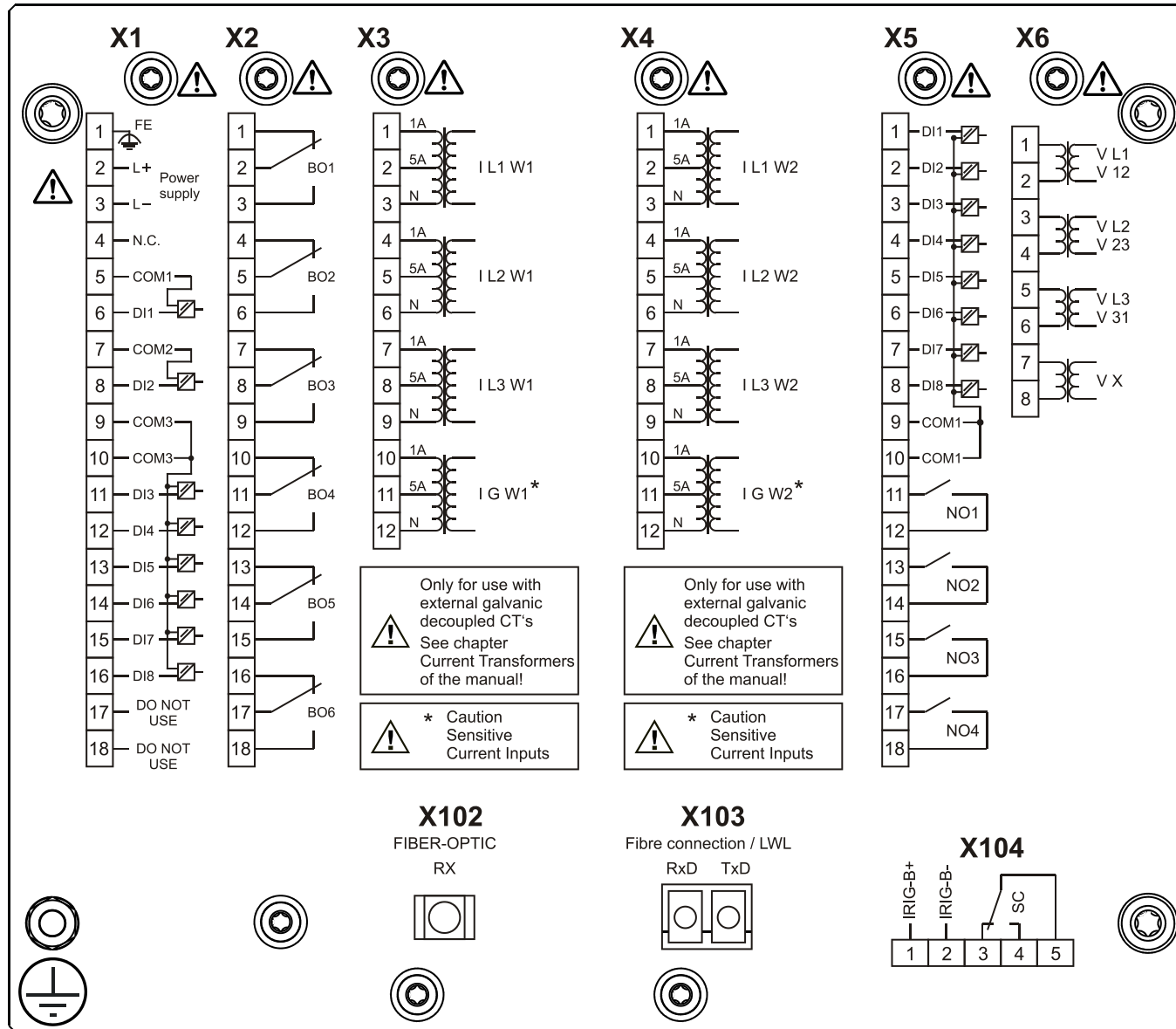
MCDTV4-2A3BIB



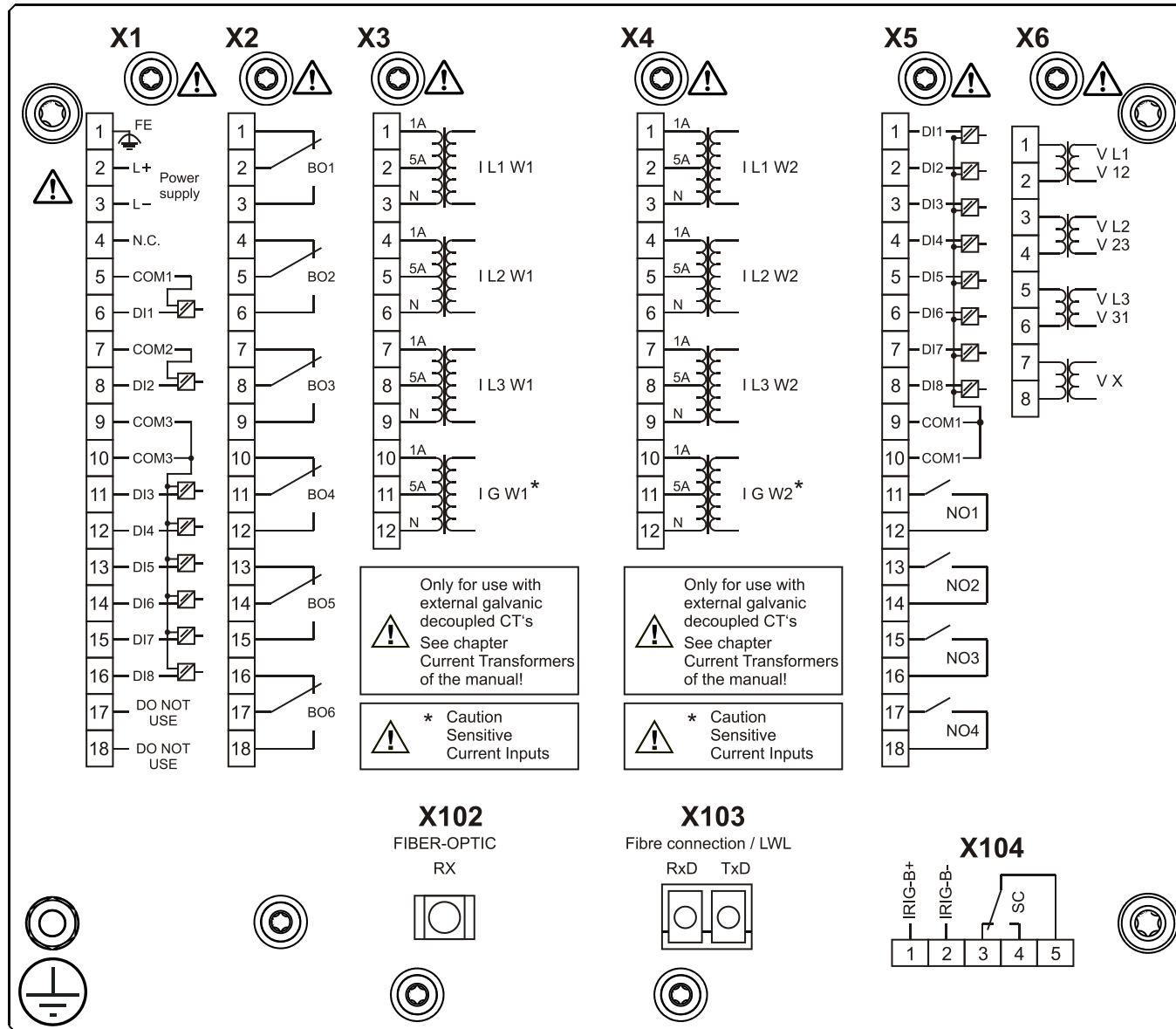
MCDTV4-2A3BKA



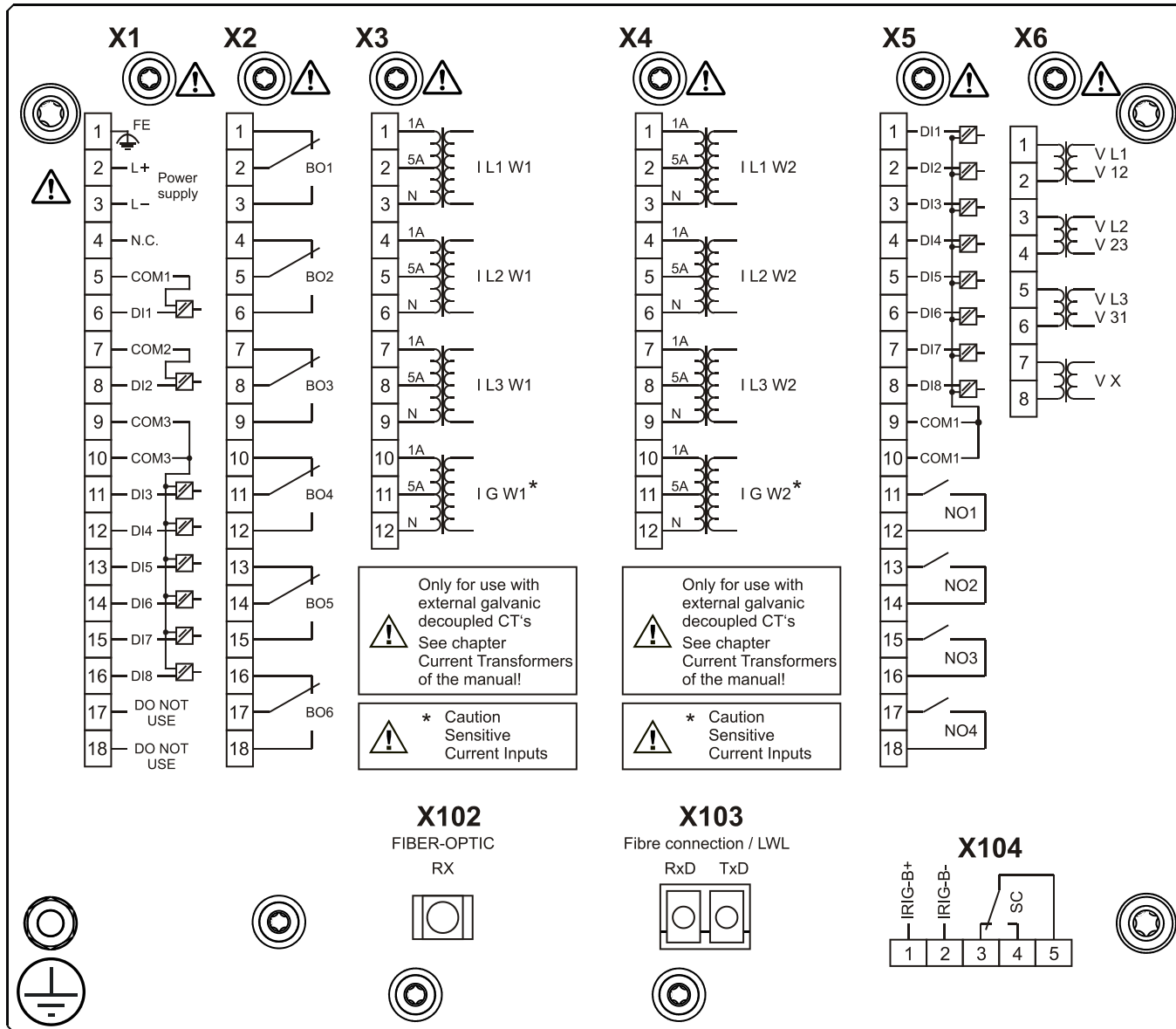
MCDTV4-2A3BKB



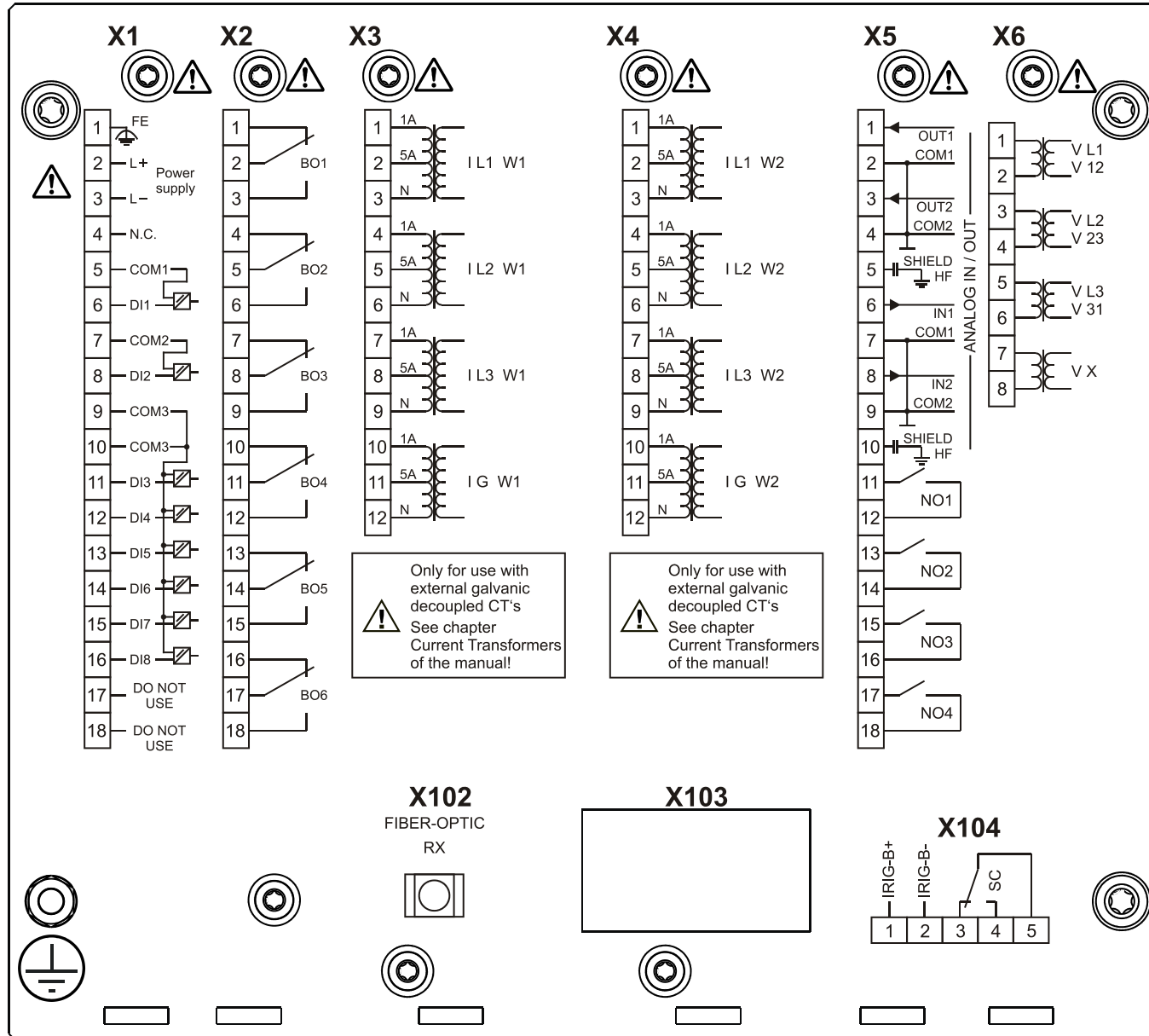
MCDTV4-2A3BLA



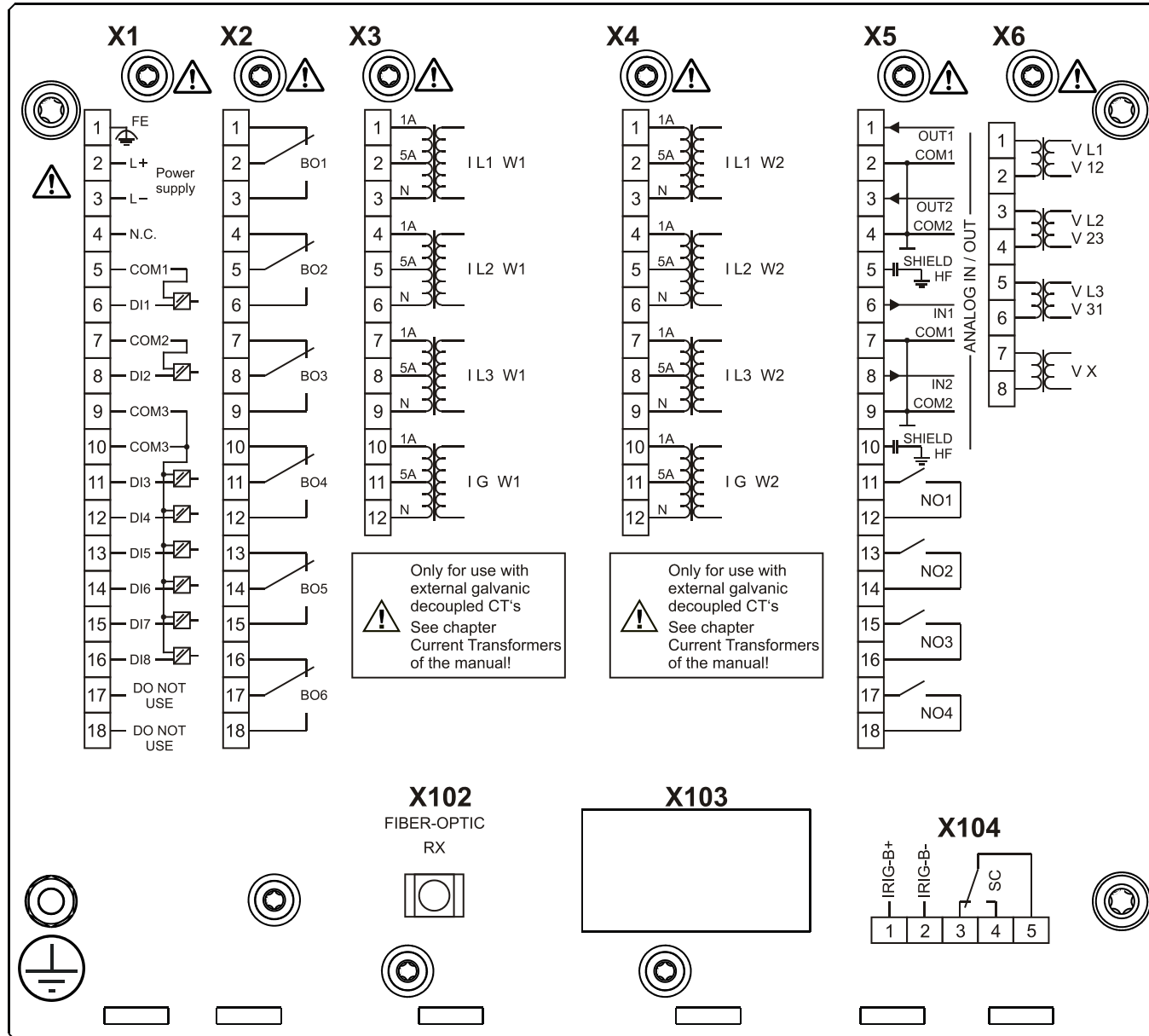
MCDTV4-2A3BLB



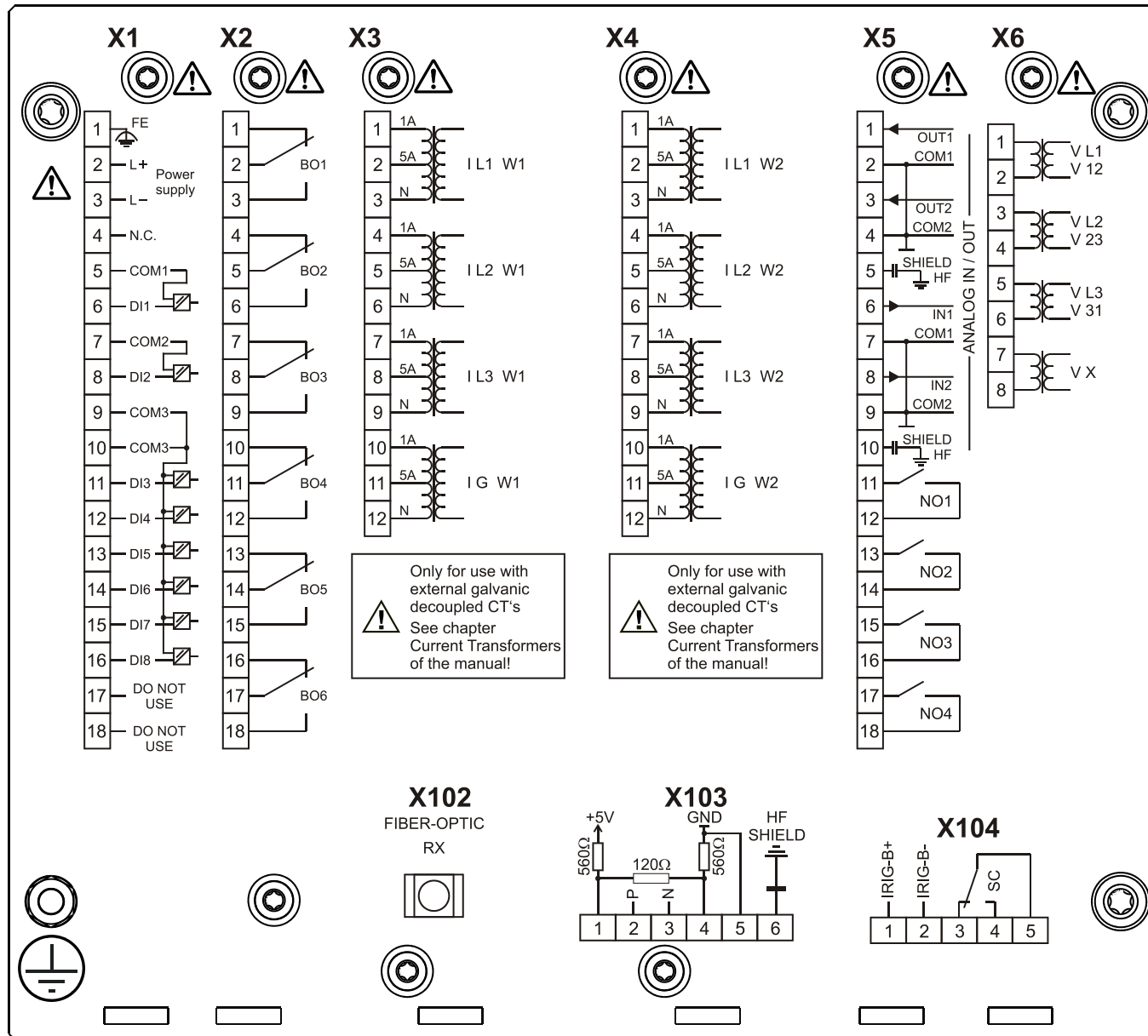
MCDTV4-2B0AAA



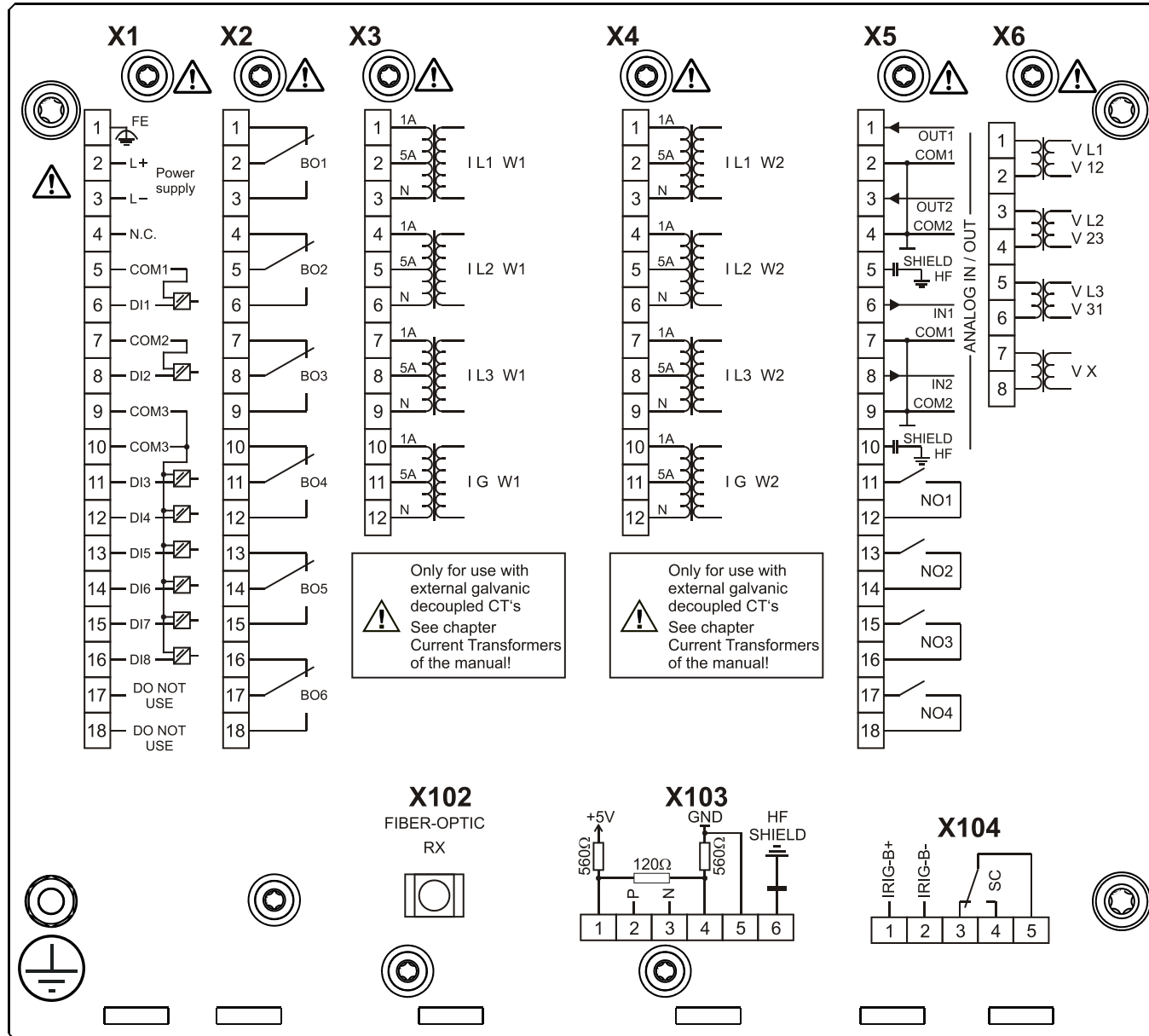
MCDTV4-2B0AAB



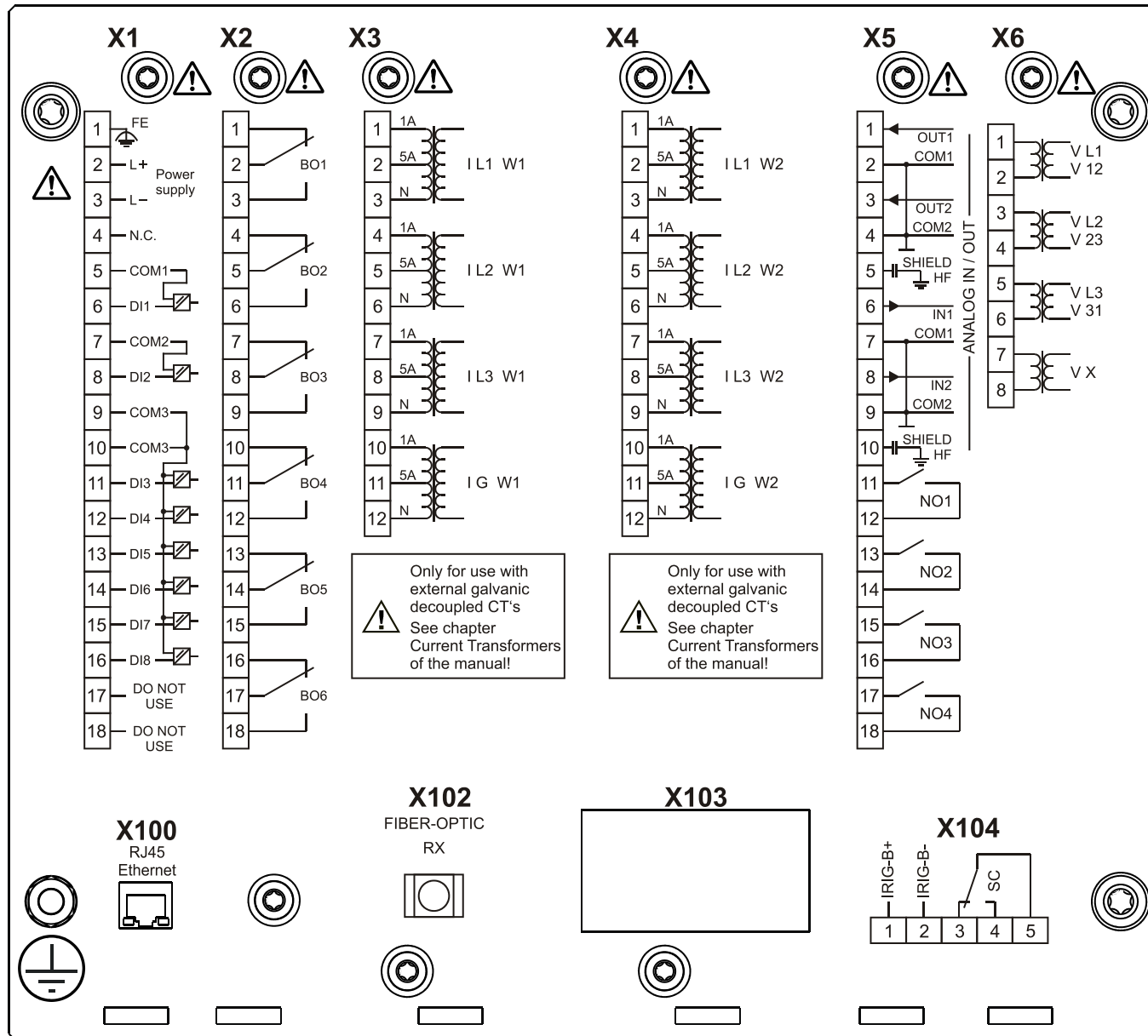
MCDTV4-2B0ABA



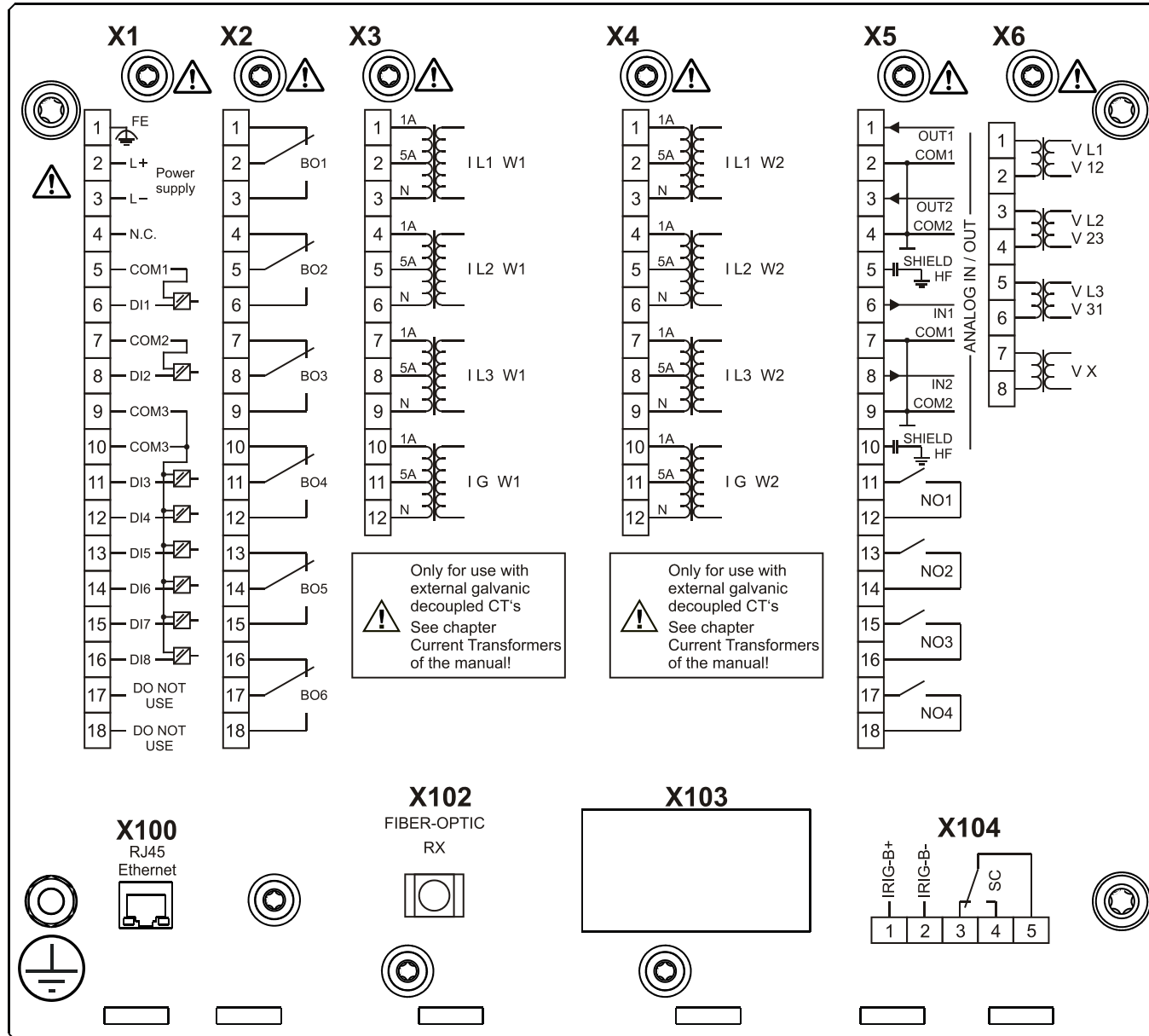
MCDTV4-2B0ABB



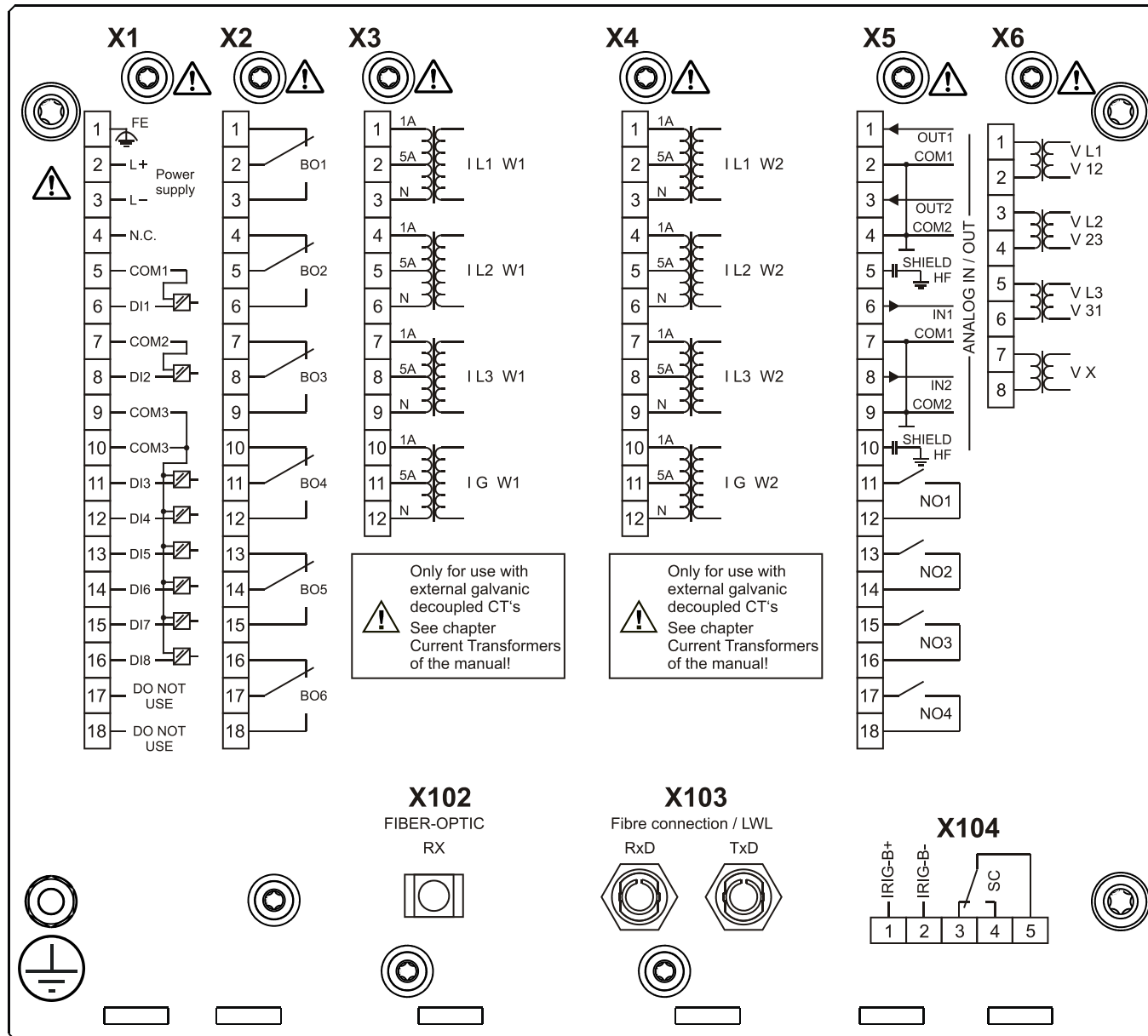
MCDTV4-2B0ACA



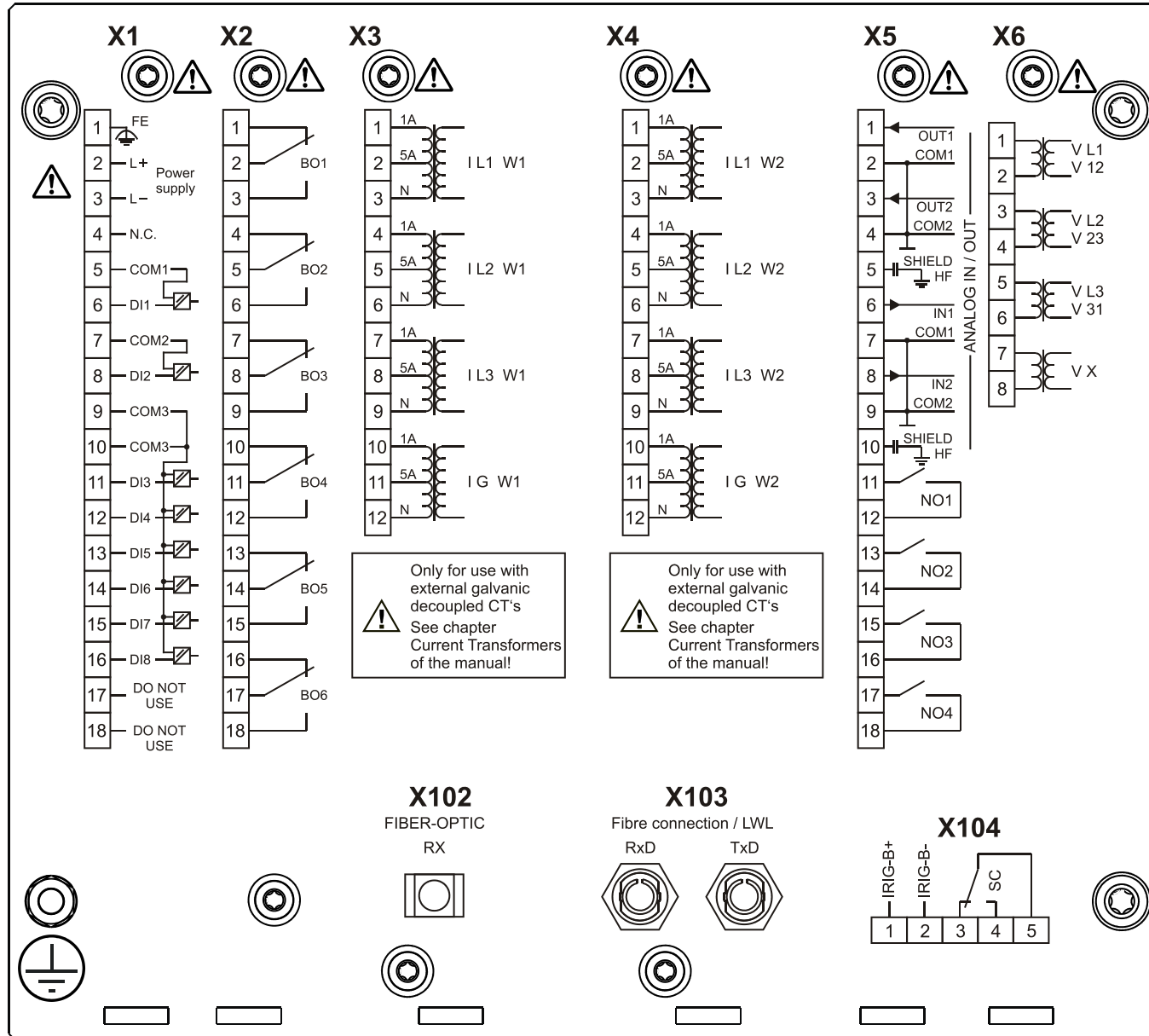
MCDTV4-2B0ACB



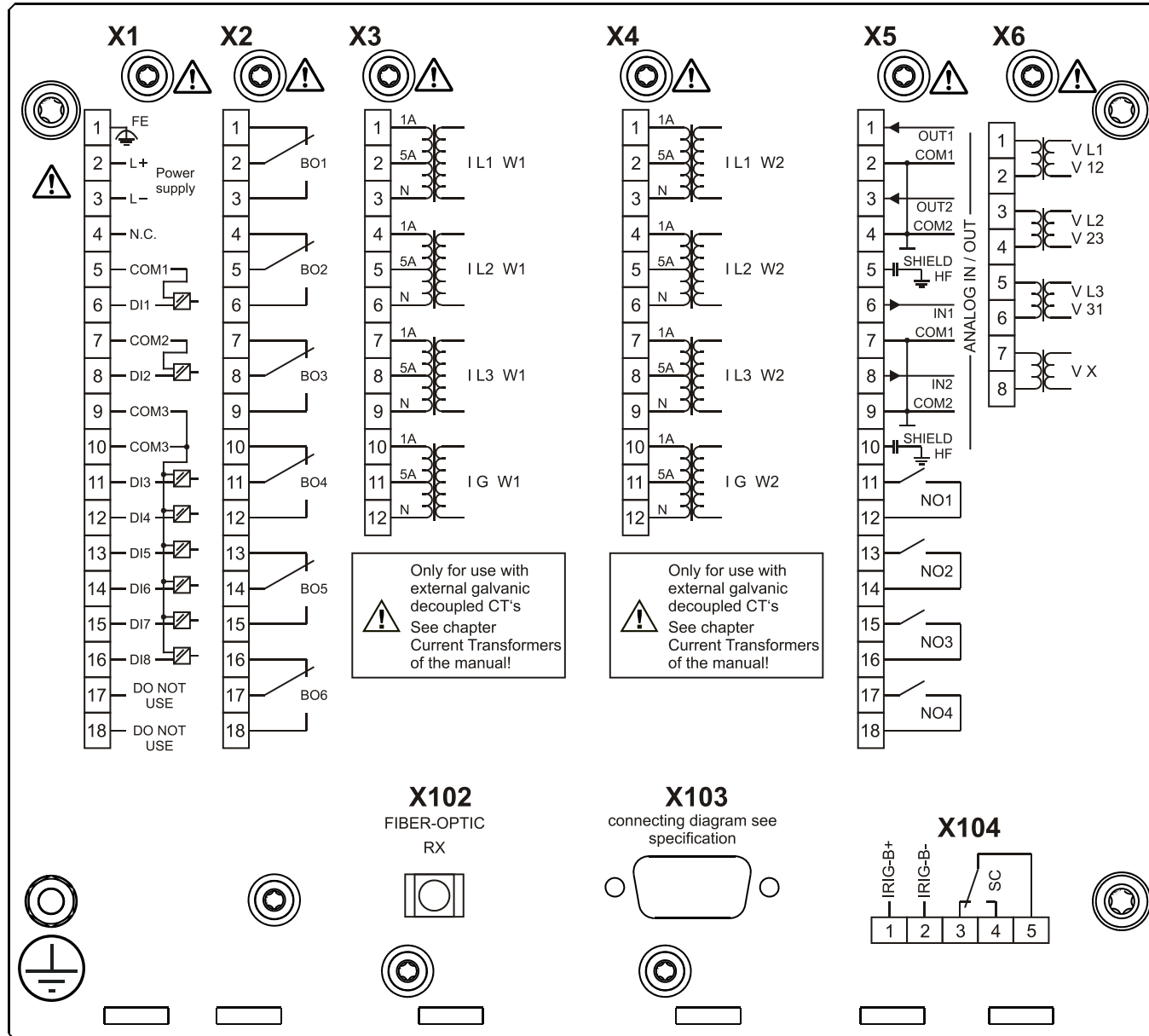
MCDTV4-2B0ADA



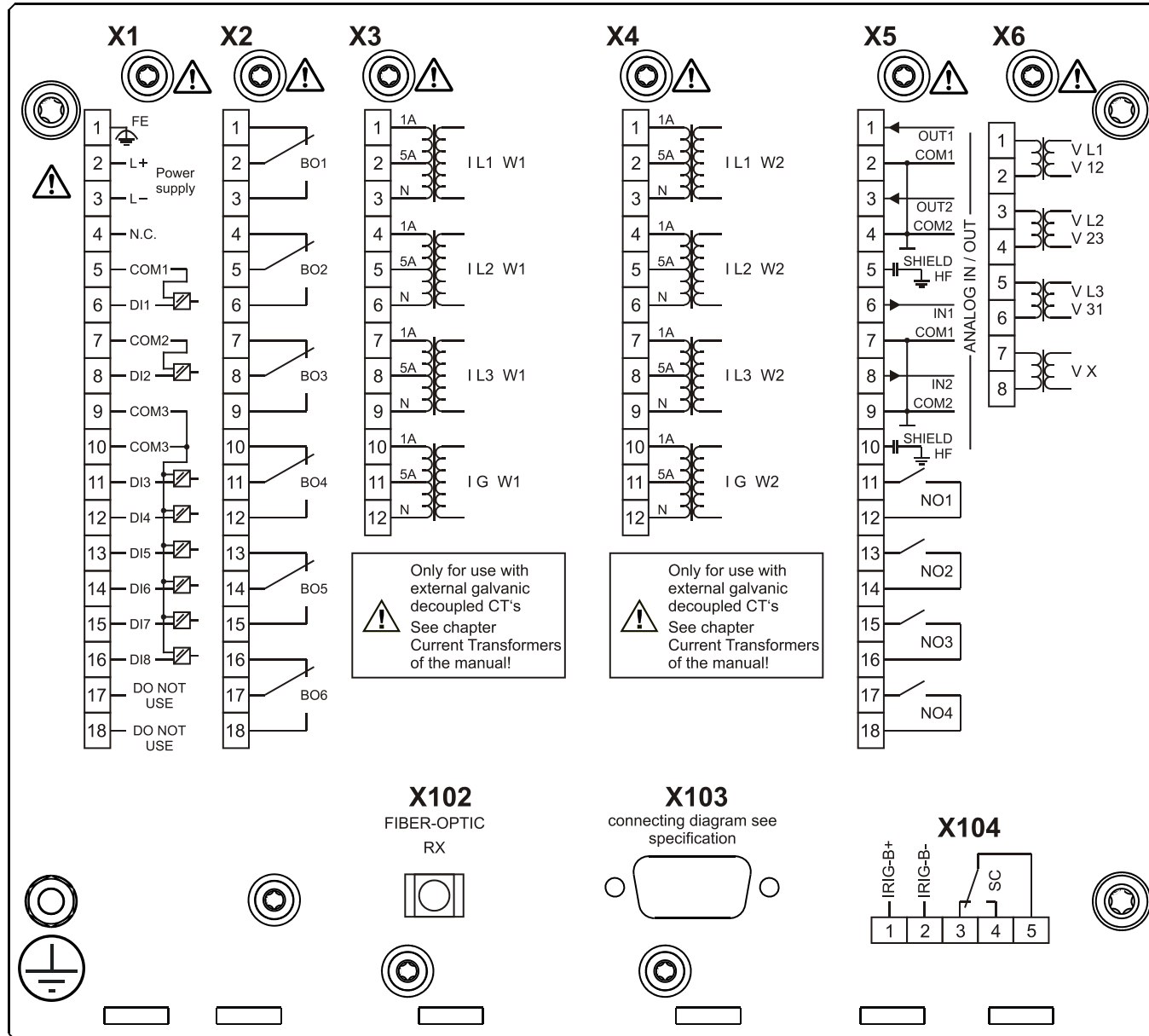
MCDTV4-2B0ADB



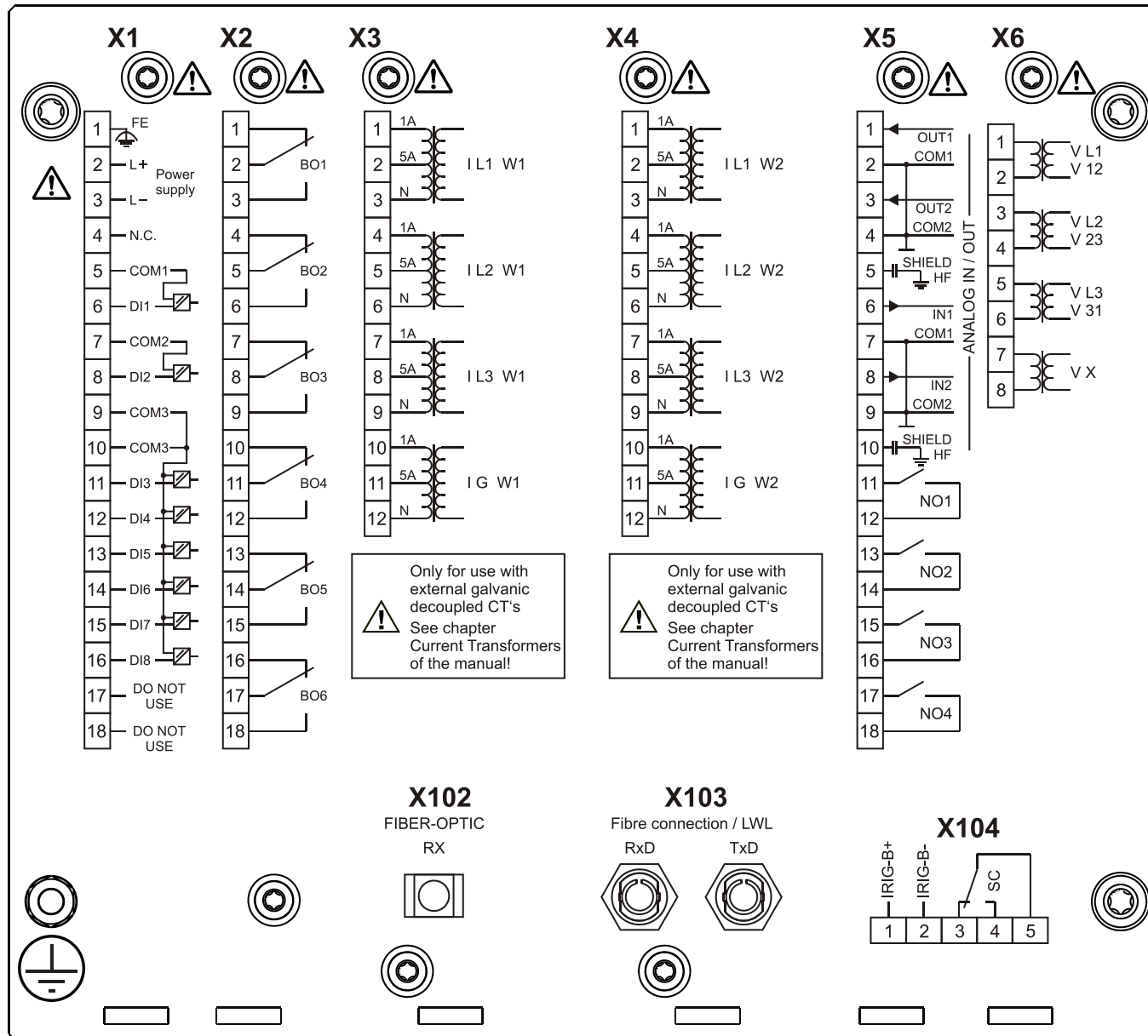
MCDTV4-2B0AEA



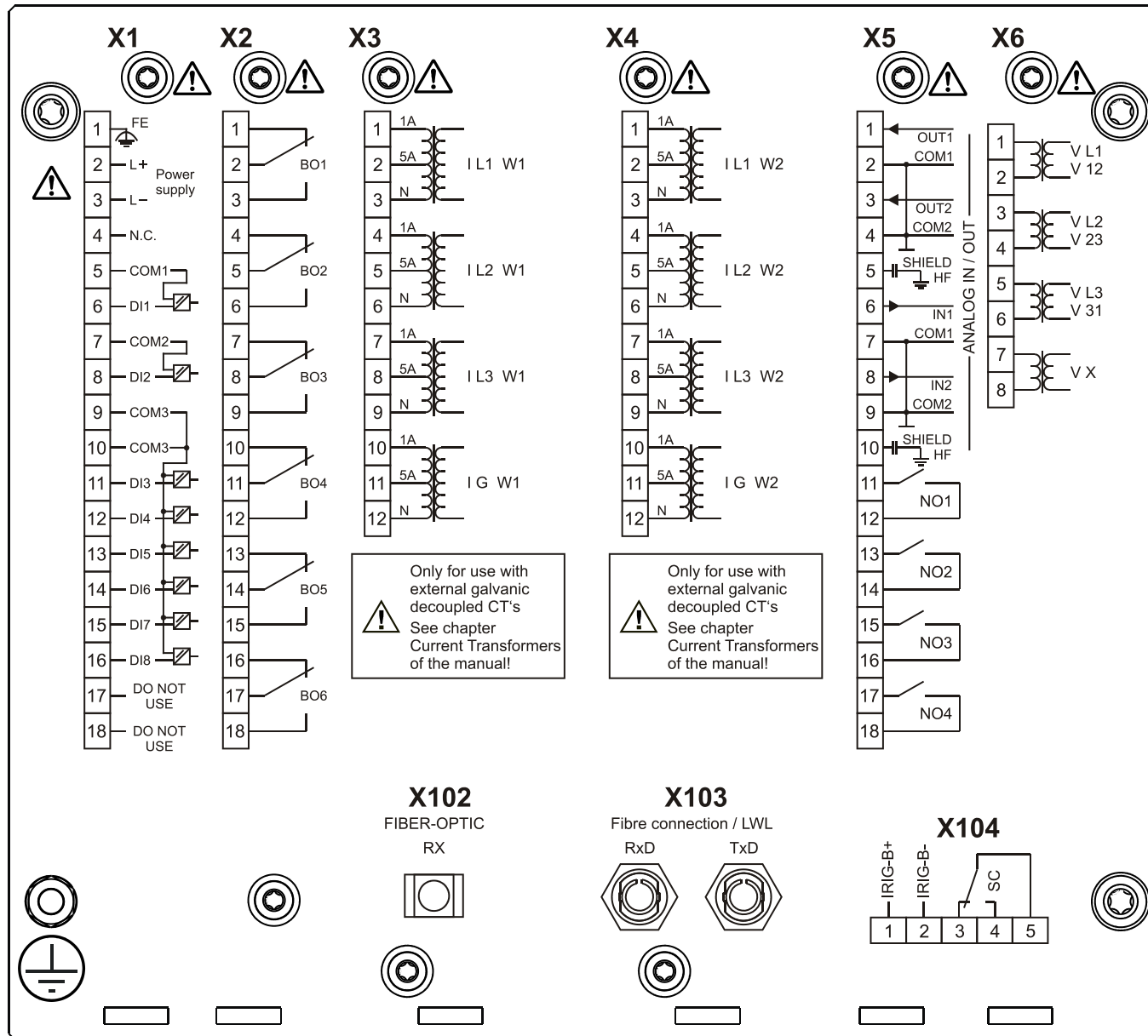
MCDTV4-2B0AEB



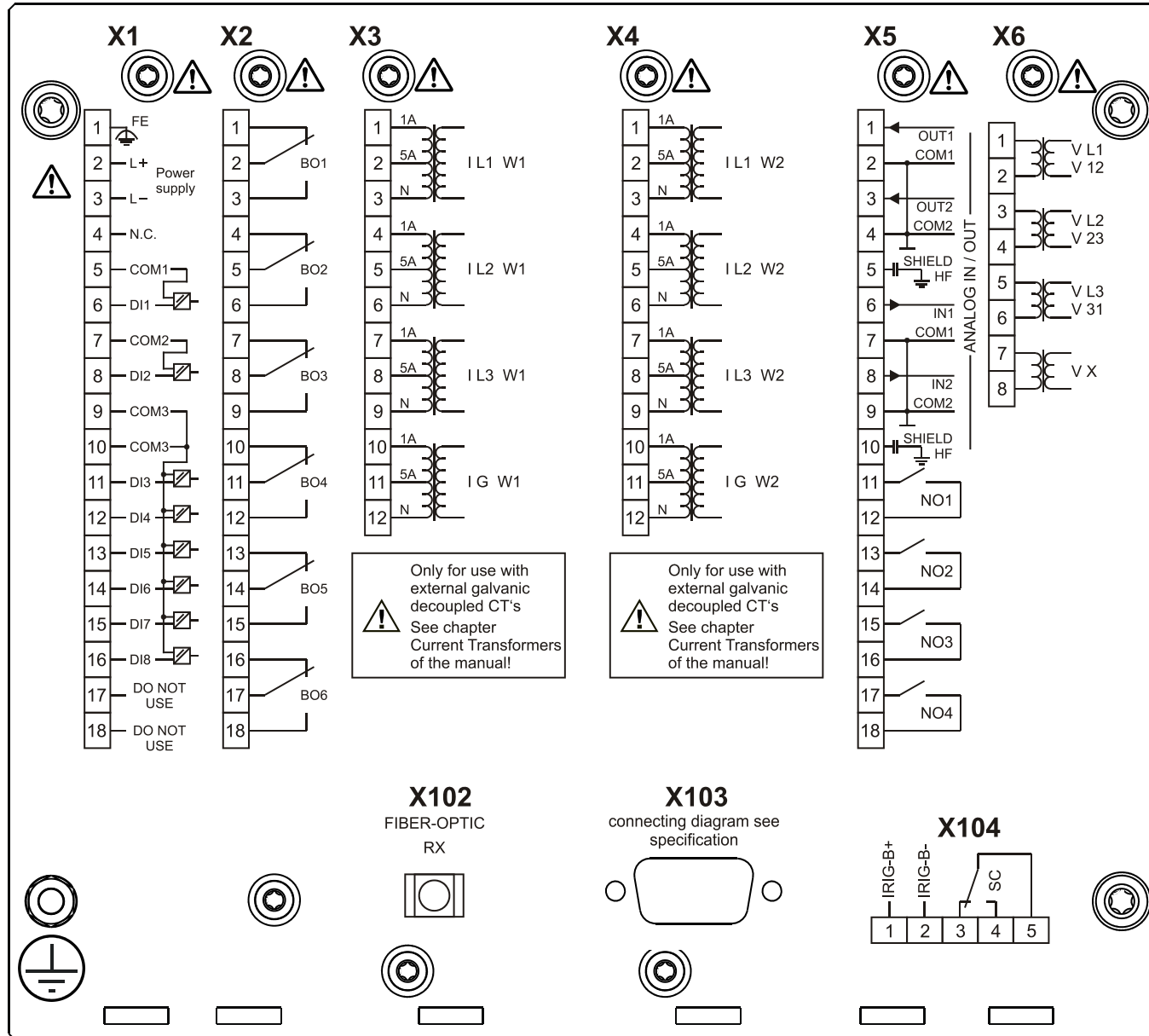
MCDTV4-2B0AFA



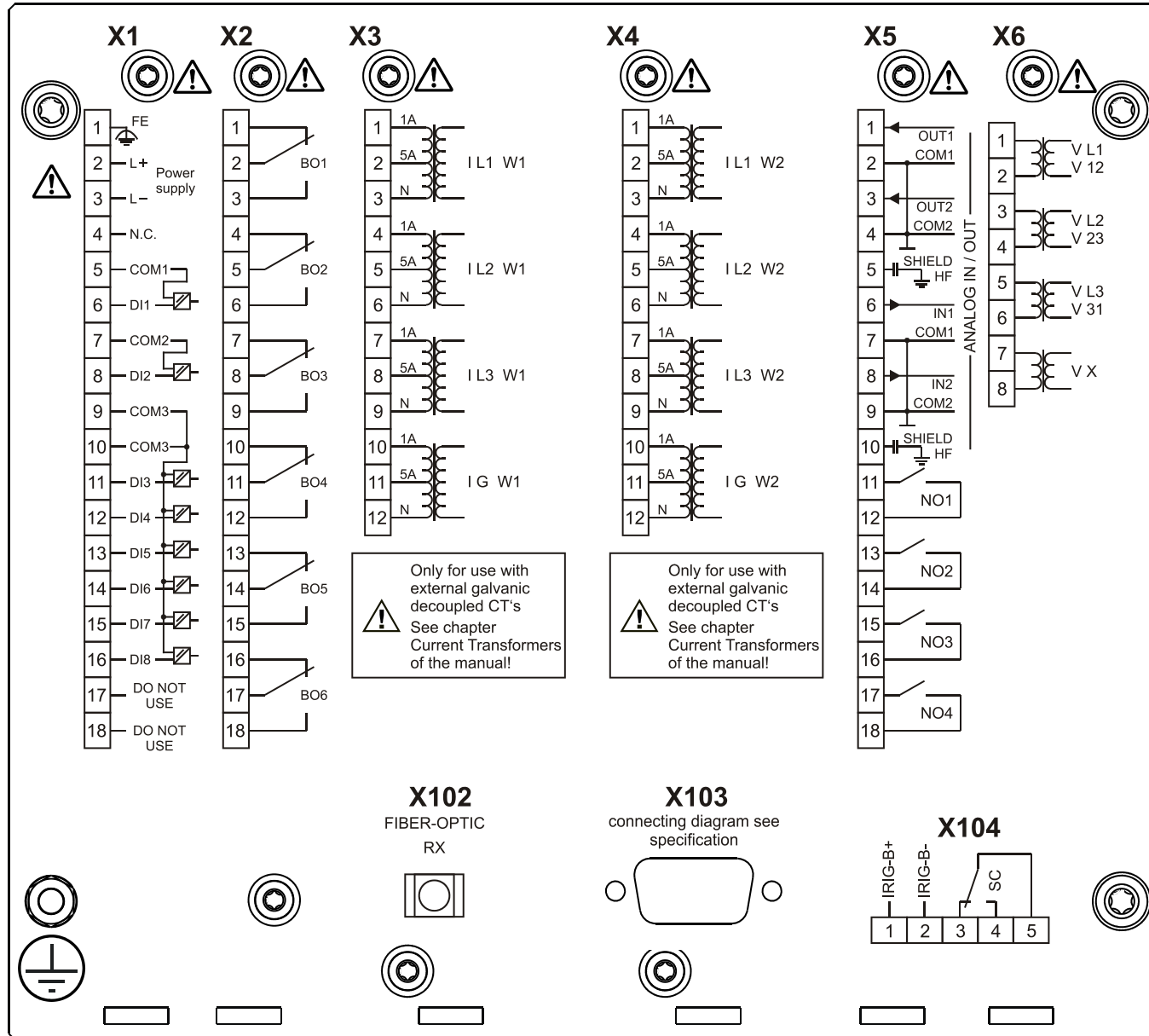
MCDTV4-2B0AFB



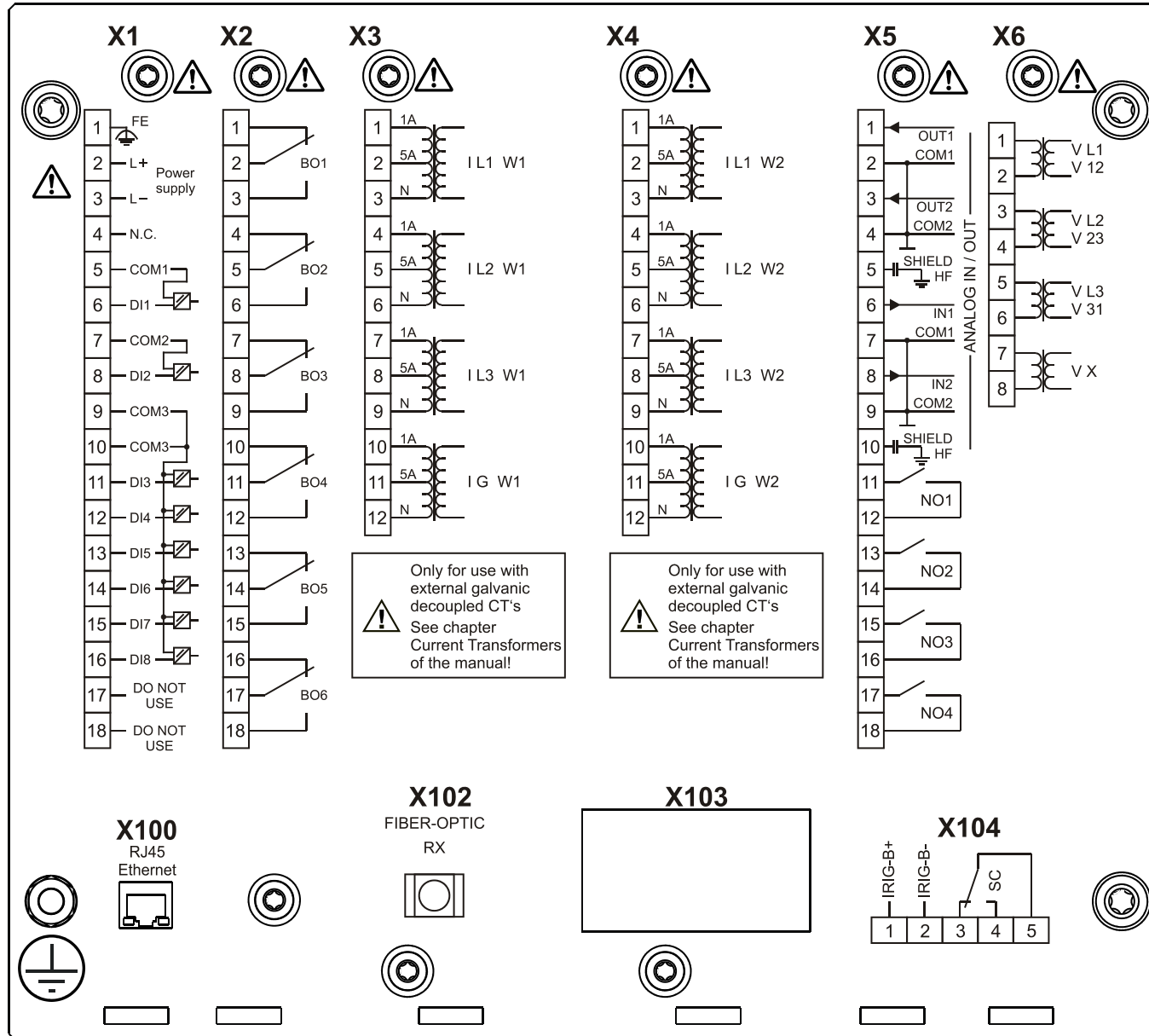
MCDTV4-2B0AGA



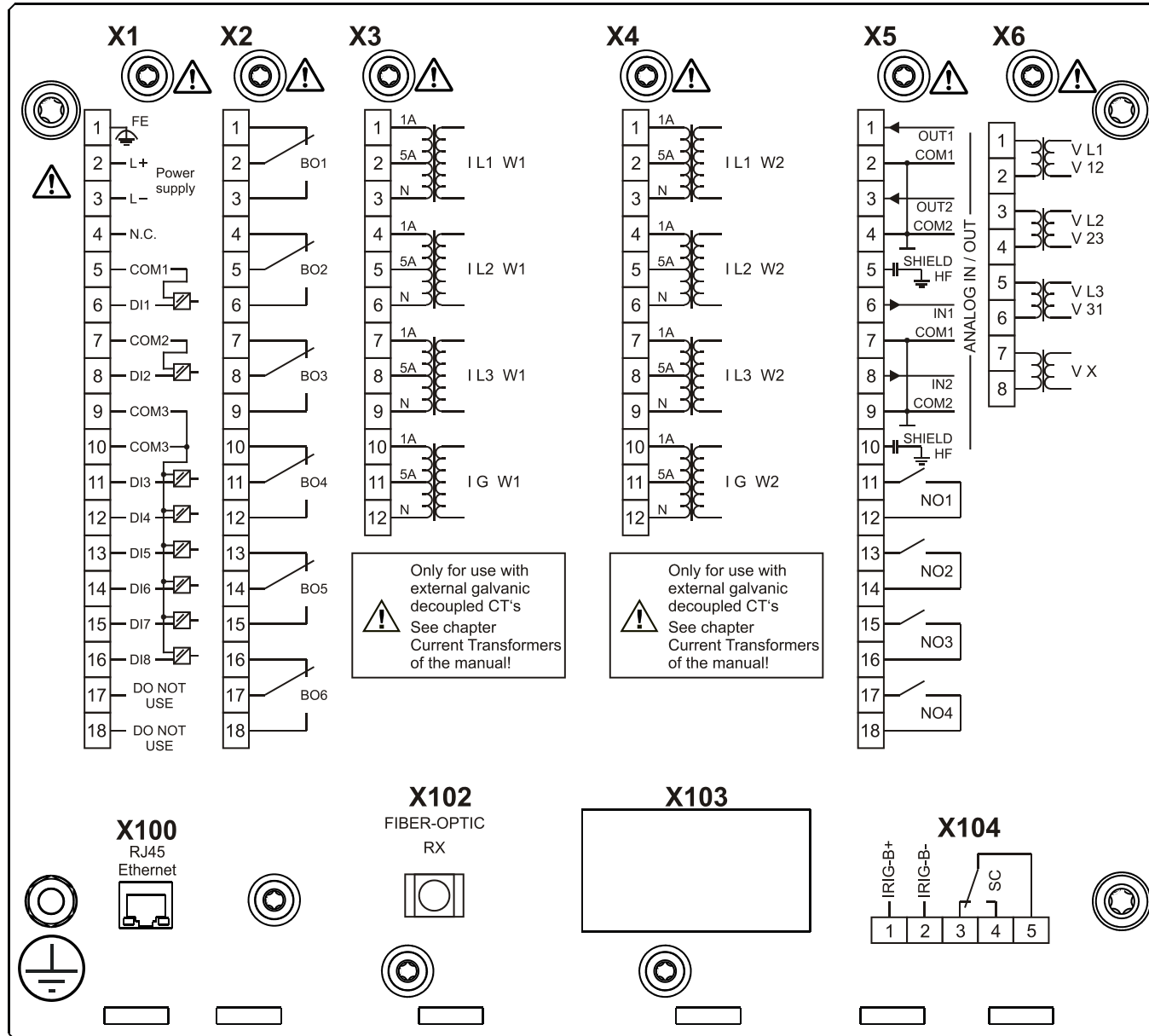
MCDTV4-2B0AGB



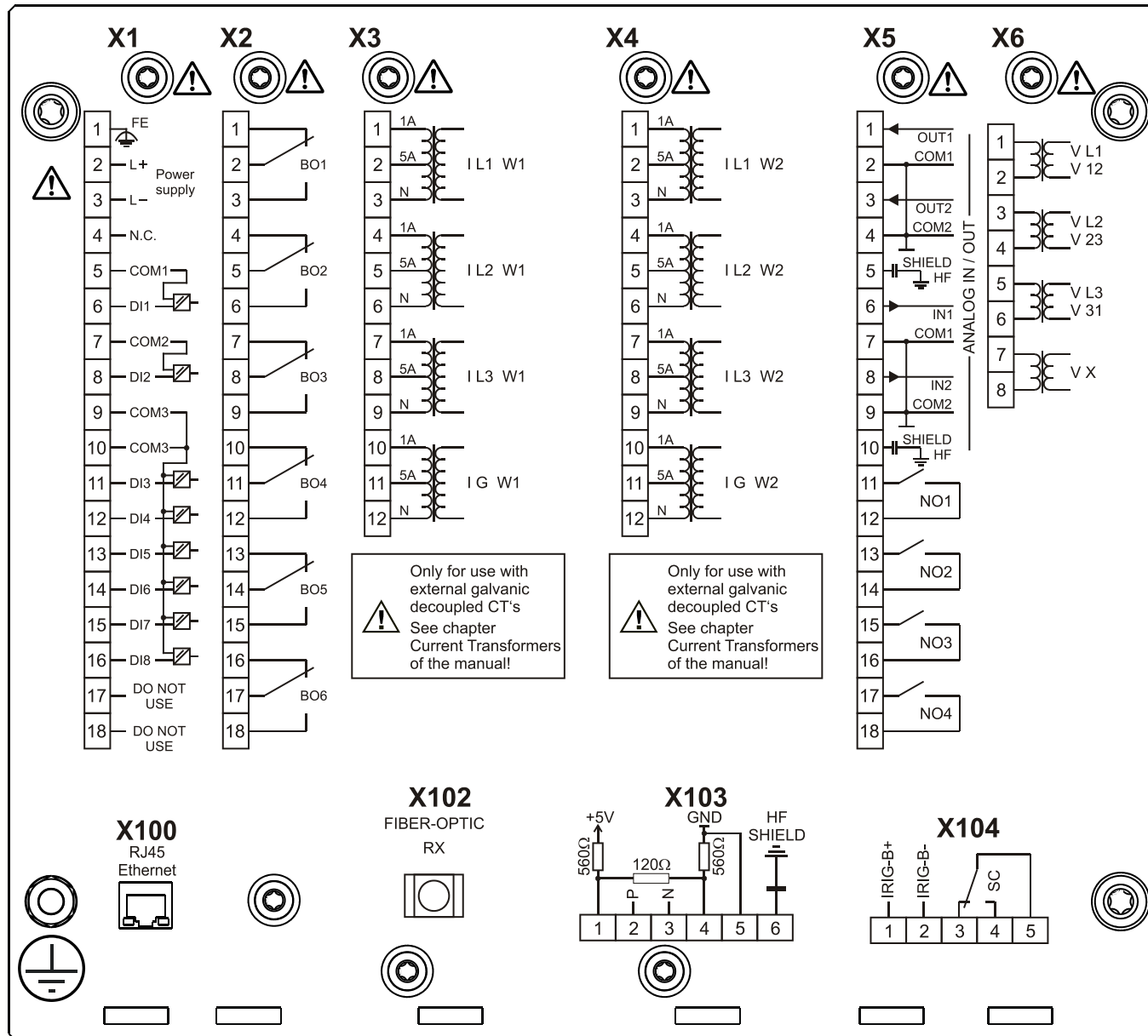
MCDTV4-2B0AHA



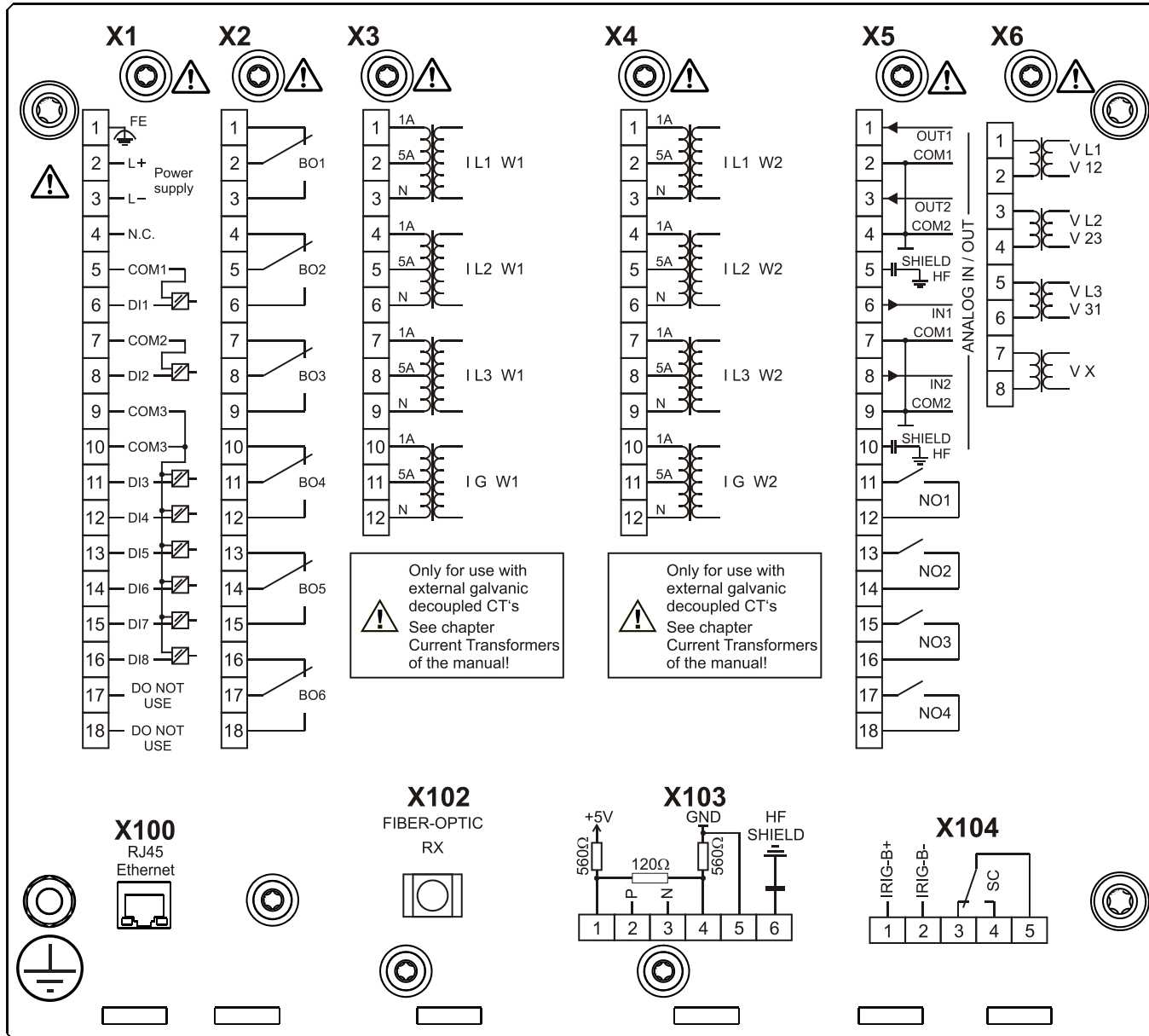
MCDTV4-2B0AHB



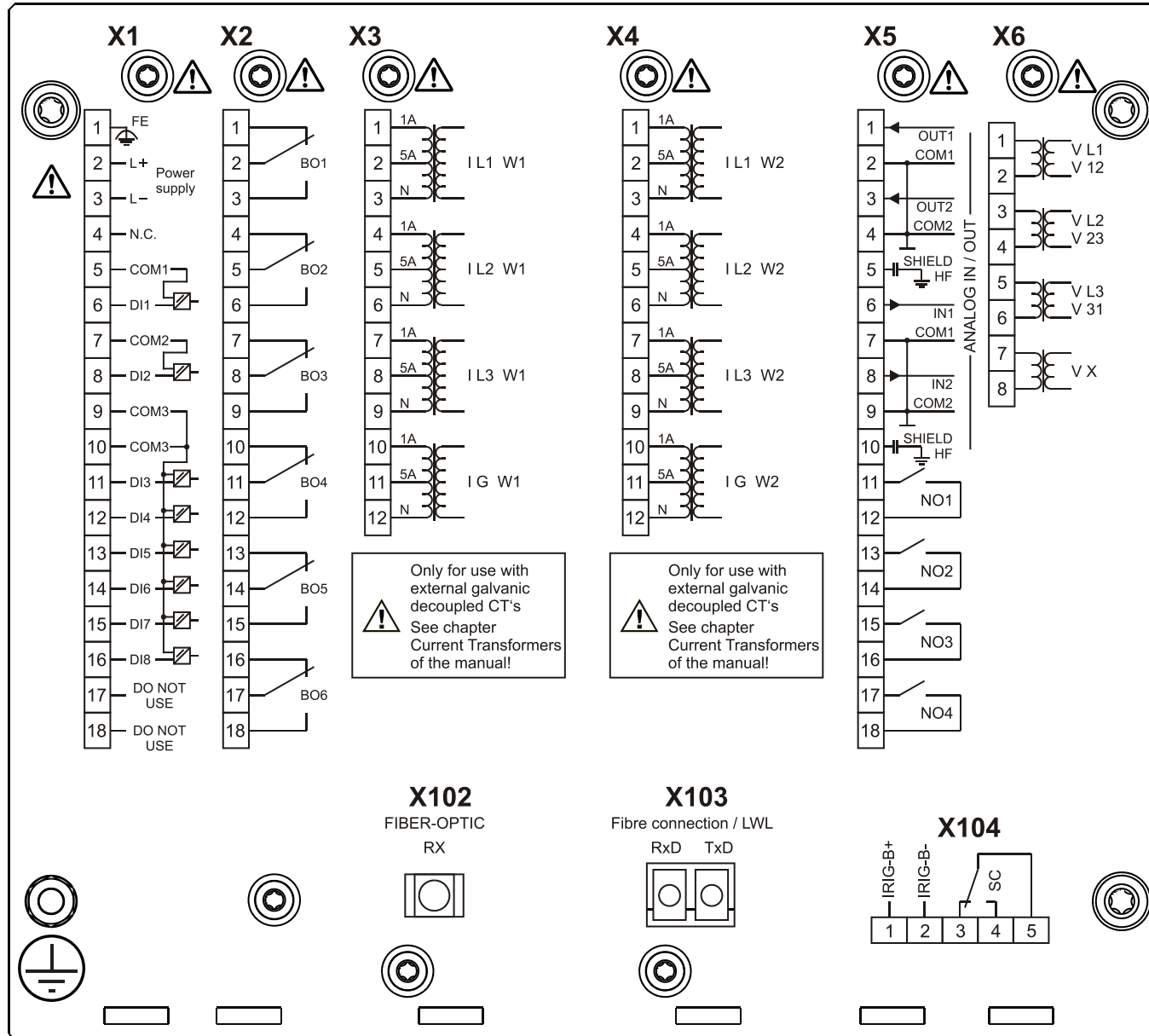
MCDTV4-2B0AIA



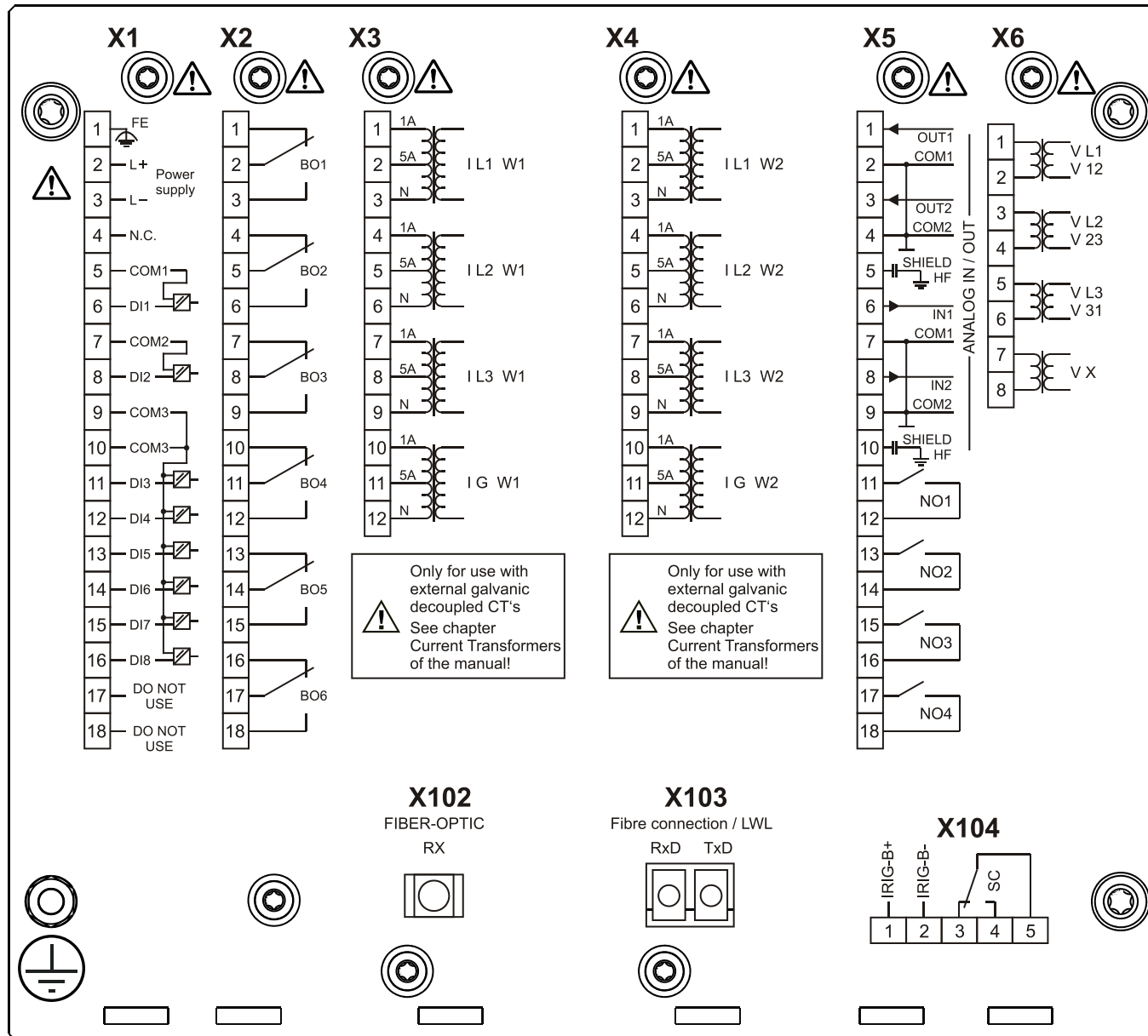
MCDTV4-2B0AIB



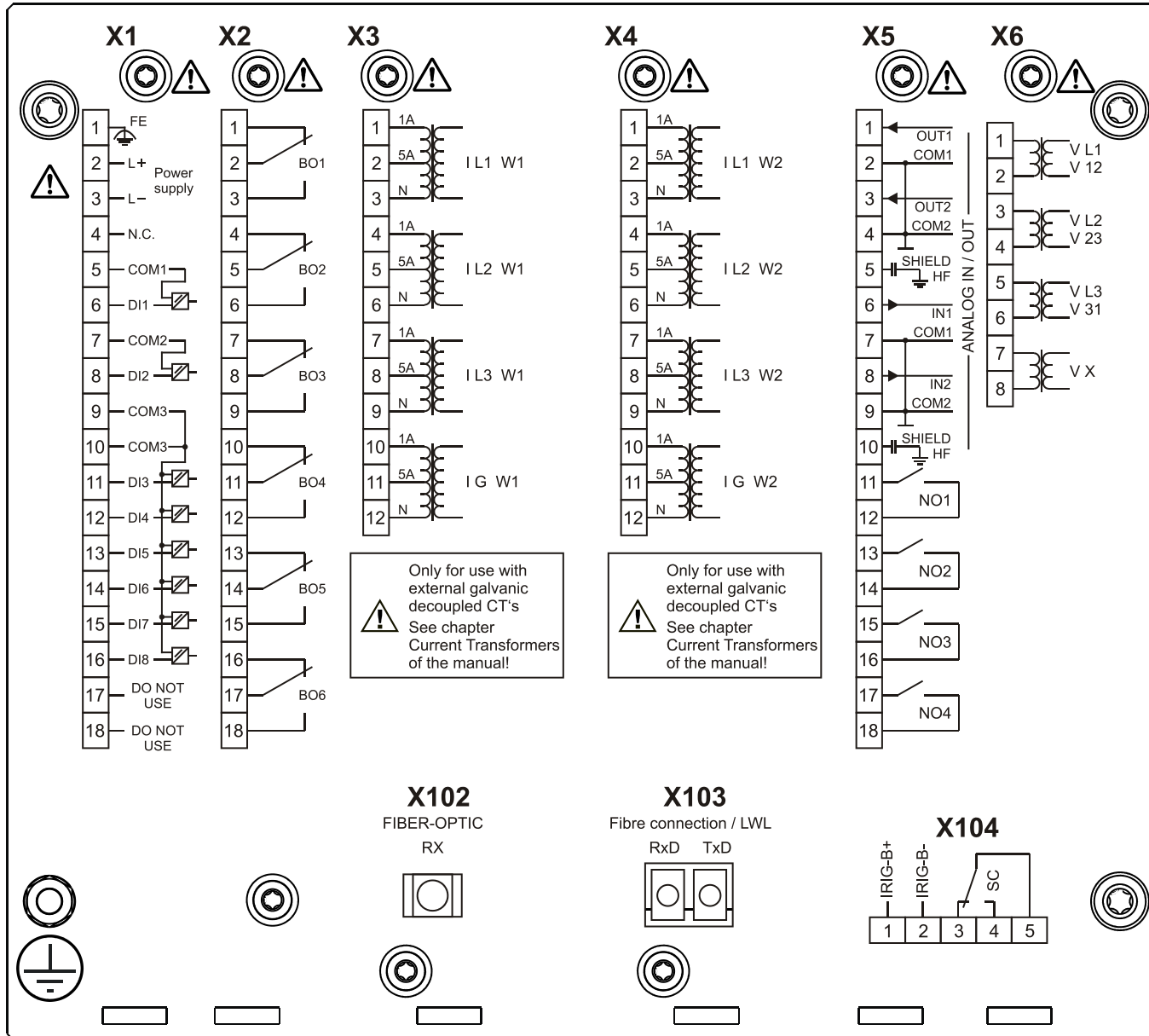
MCDTV4-2B0AKA



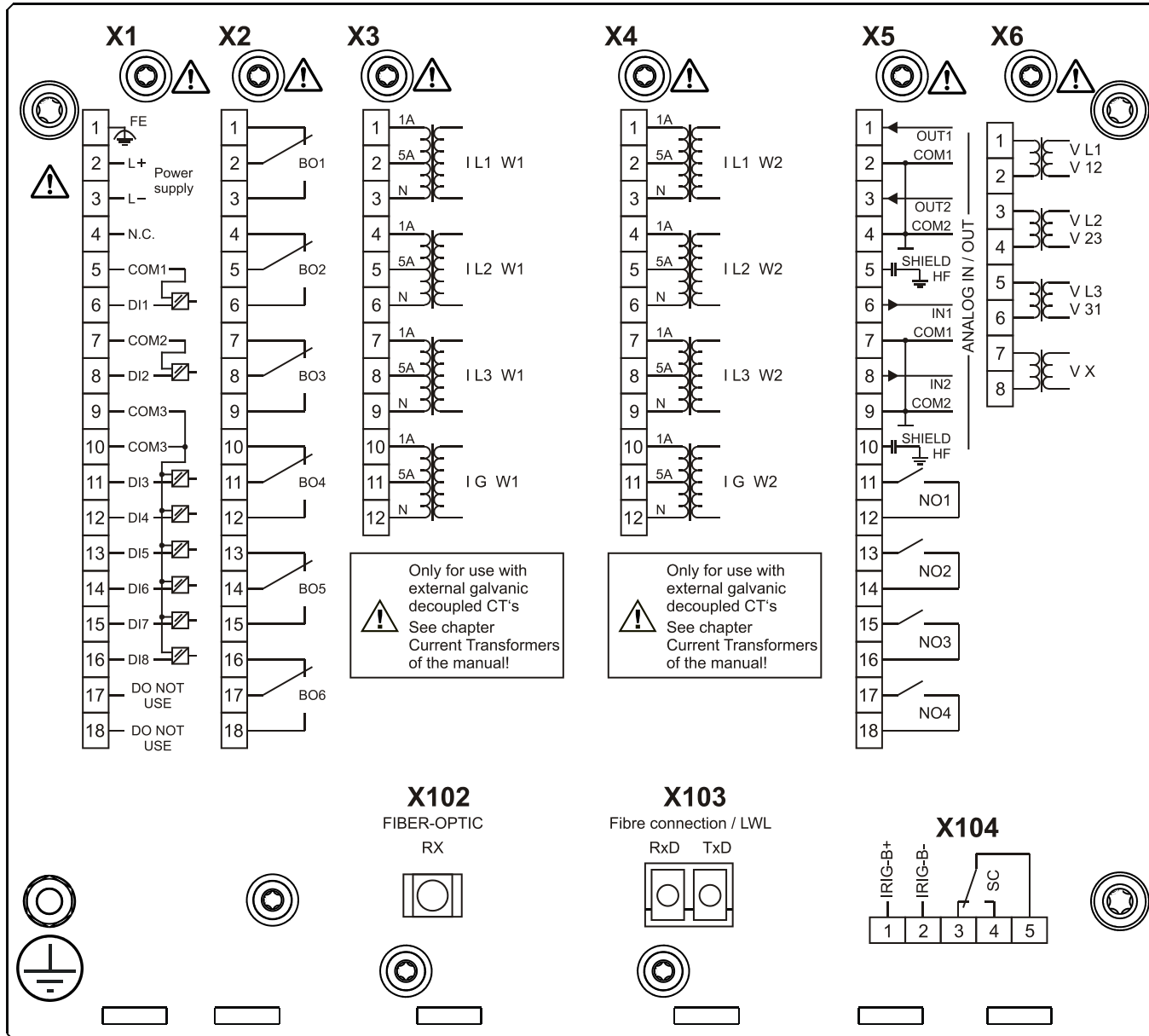
MCDTV4-2B0AKB



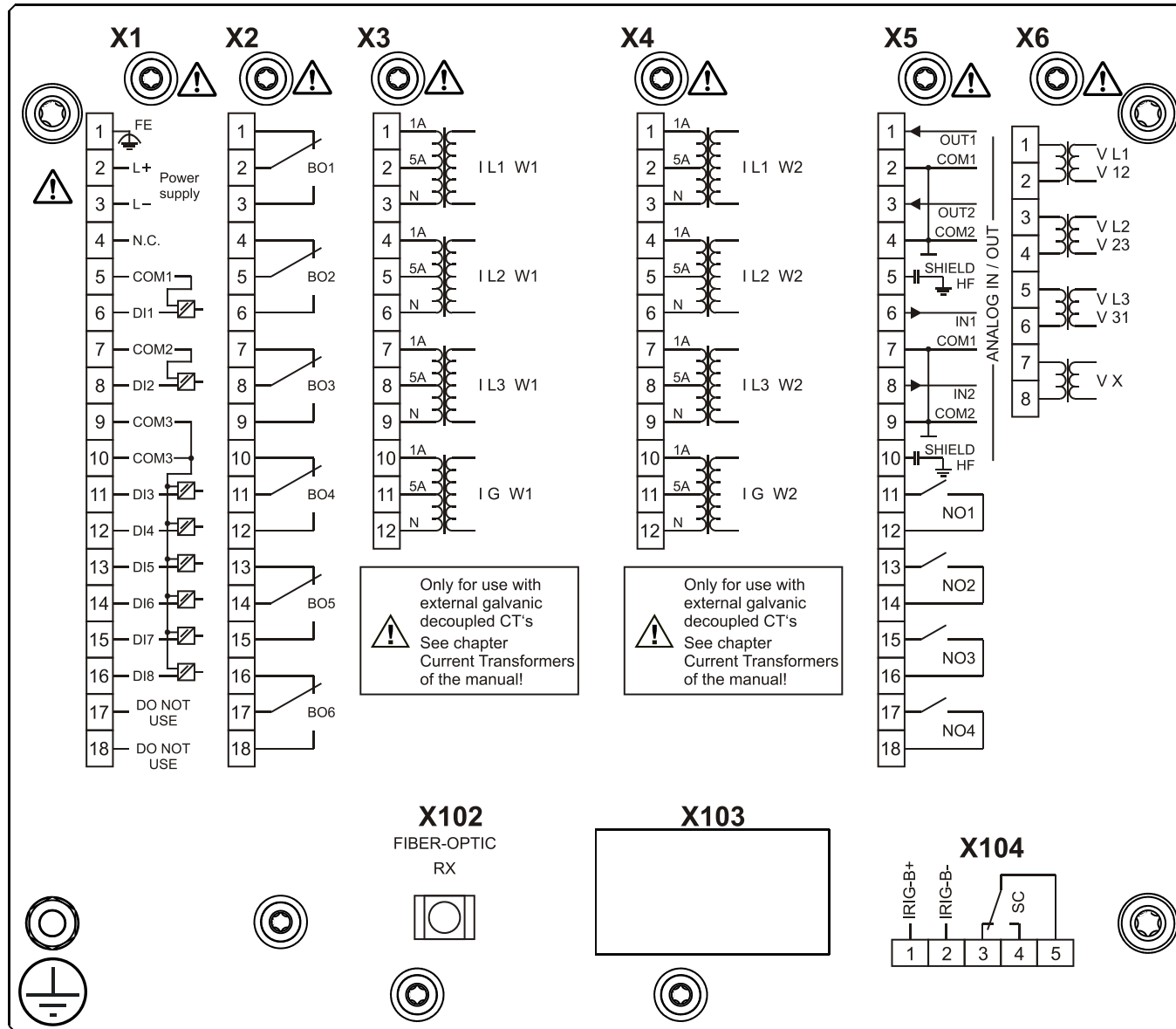
MCDTV4-2B0ALA



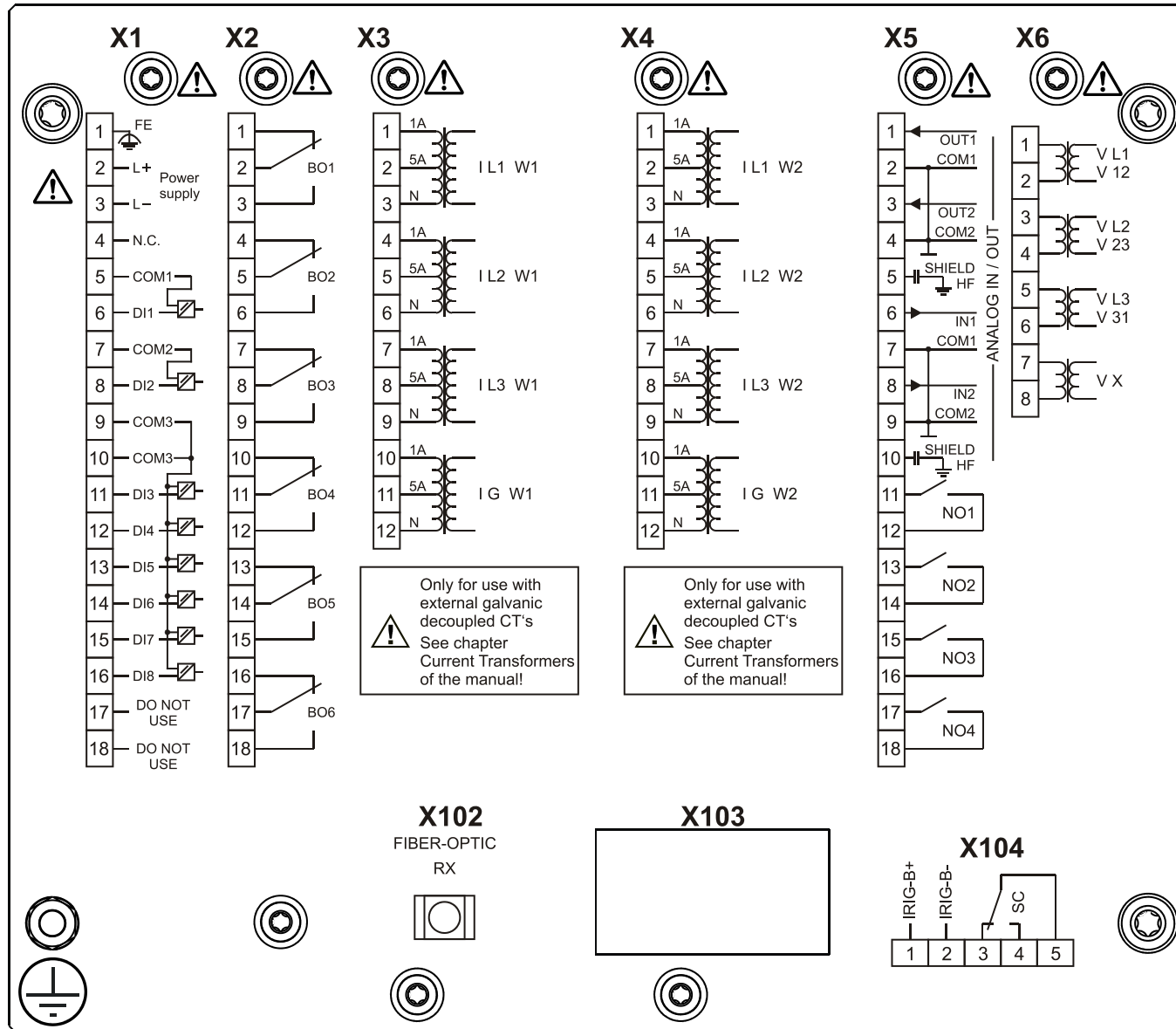
MCDTV4-2B0ALB



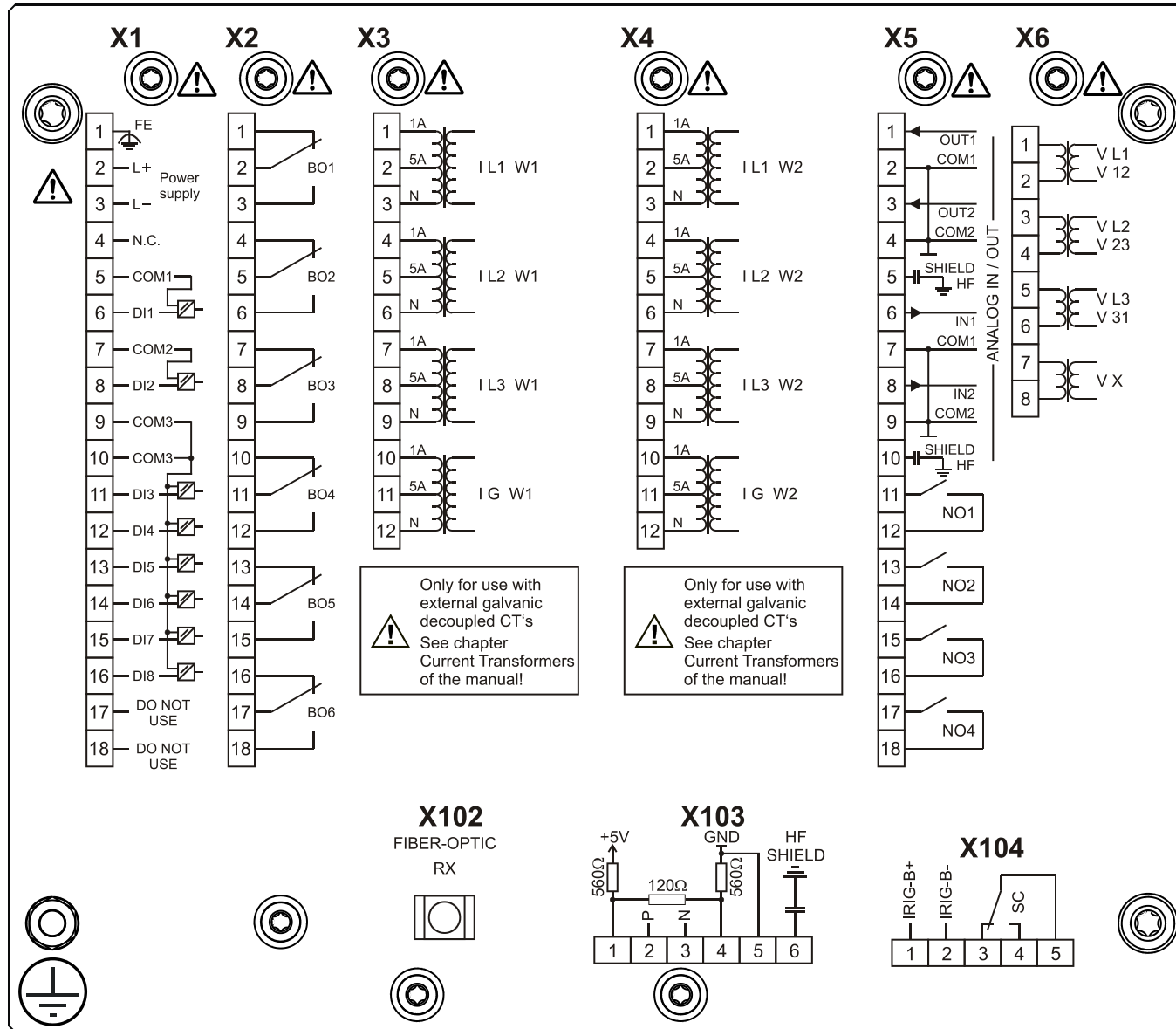
MCDTV4-2B0BAA



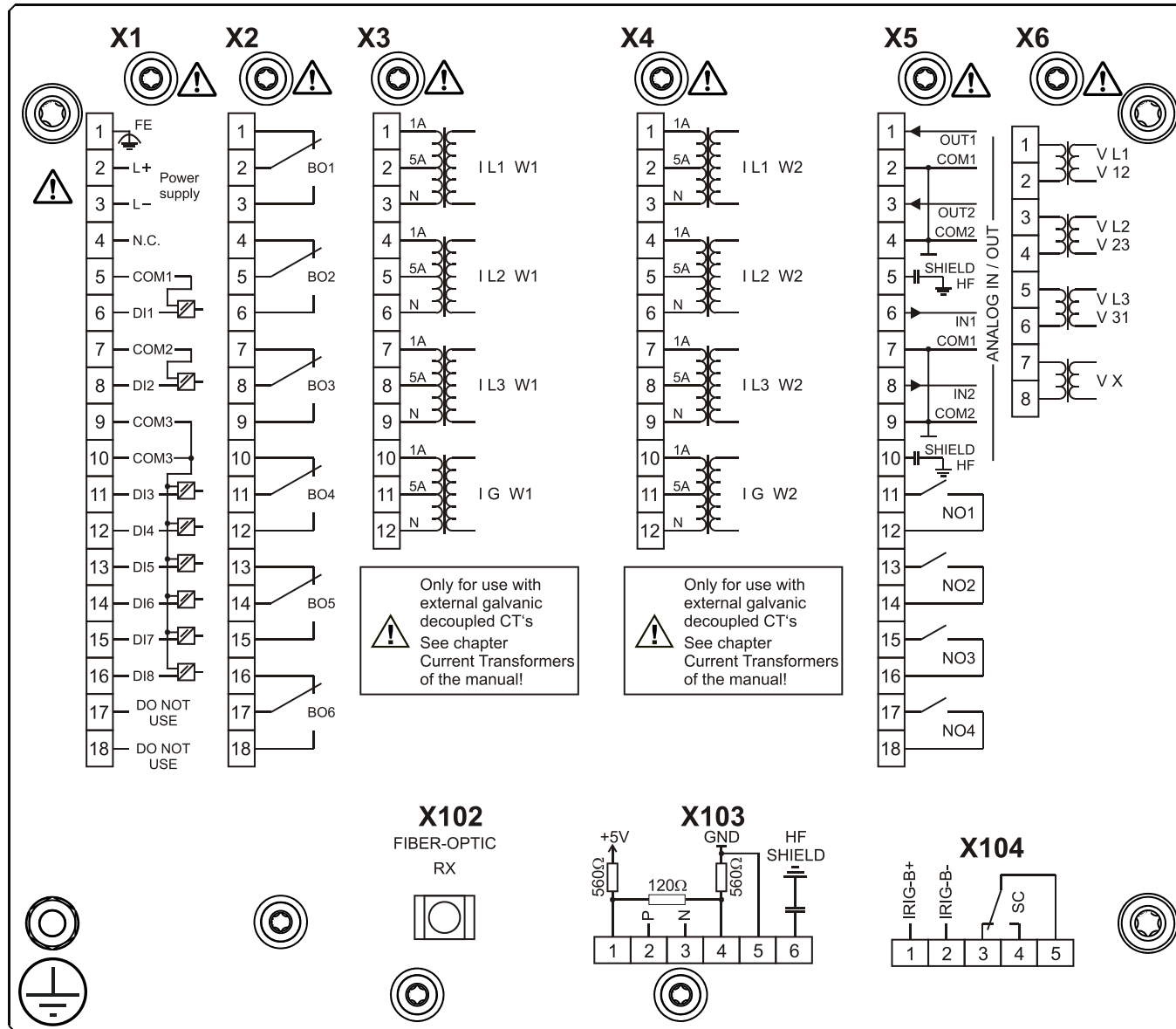
MCDTV4-2B0BAB



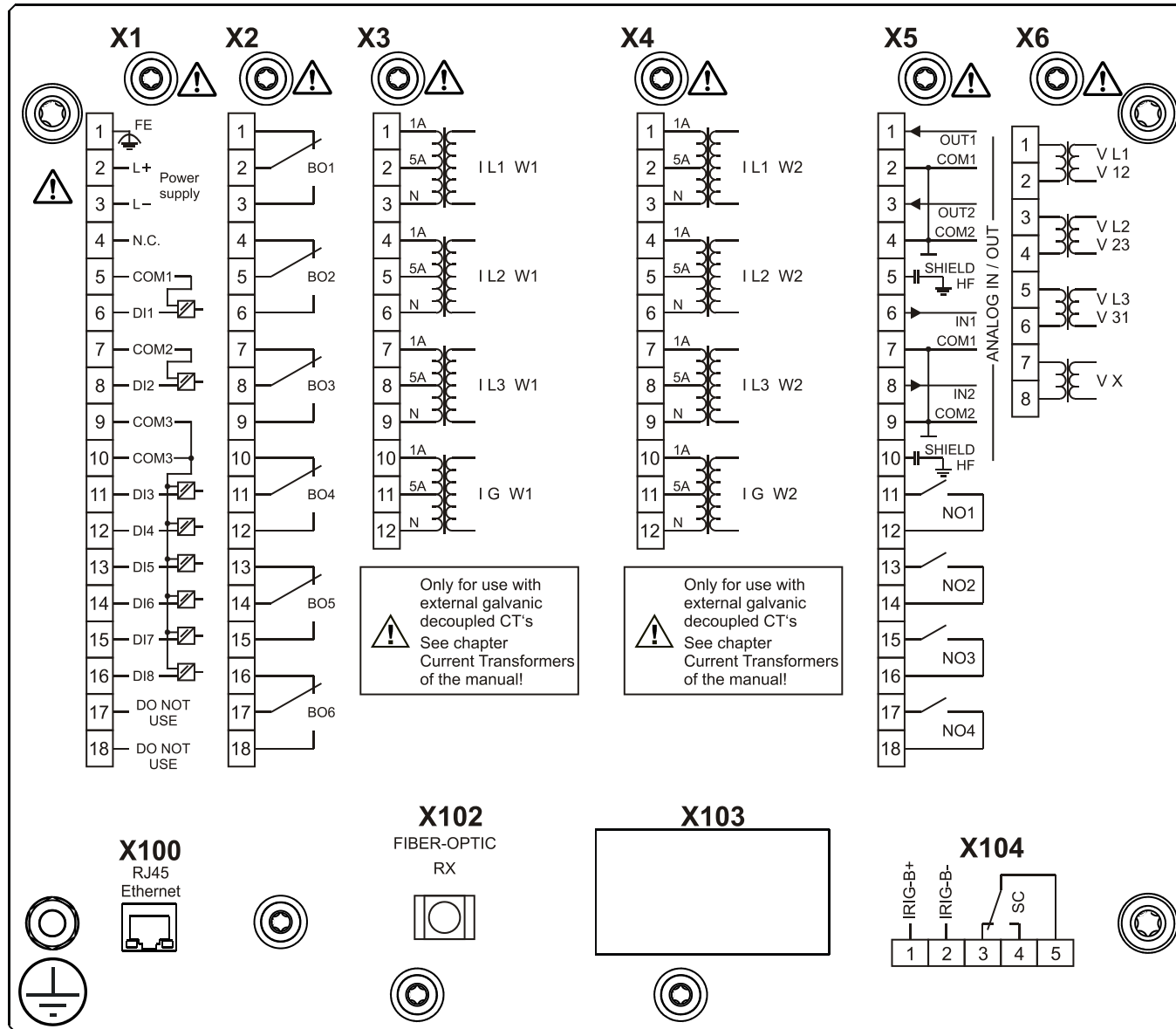
MCDTV4-2B0BBA



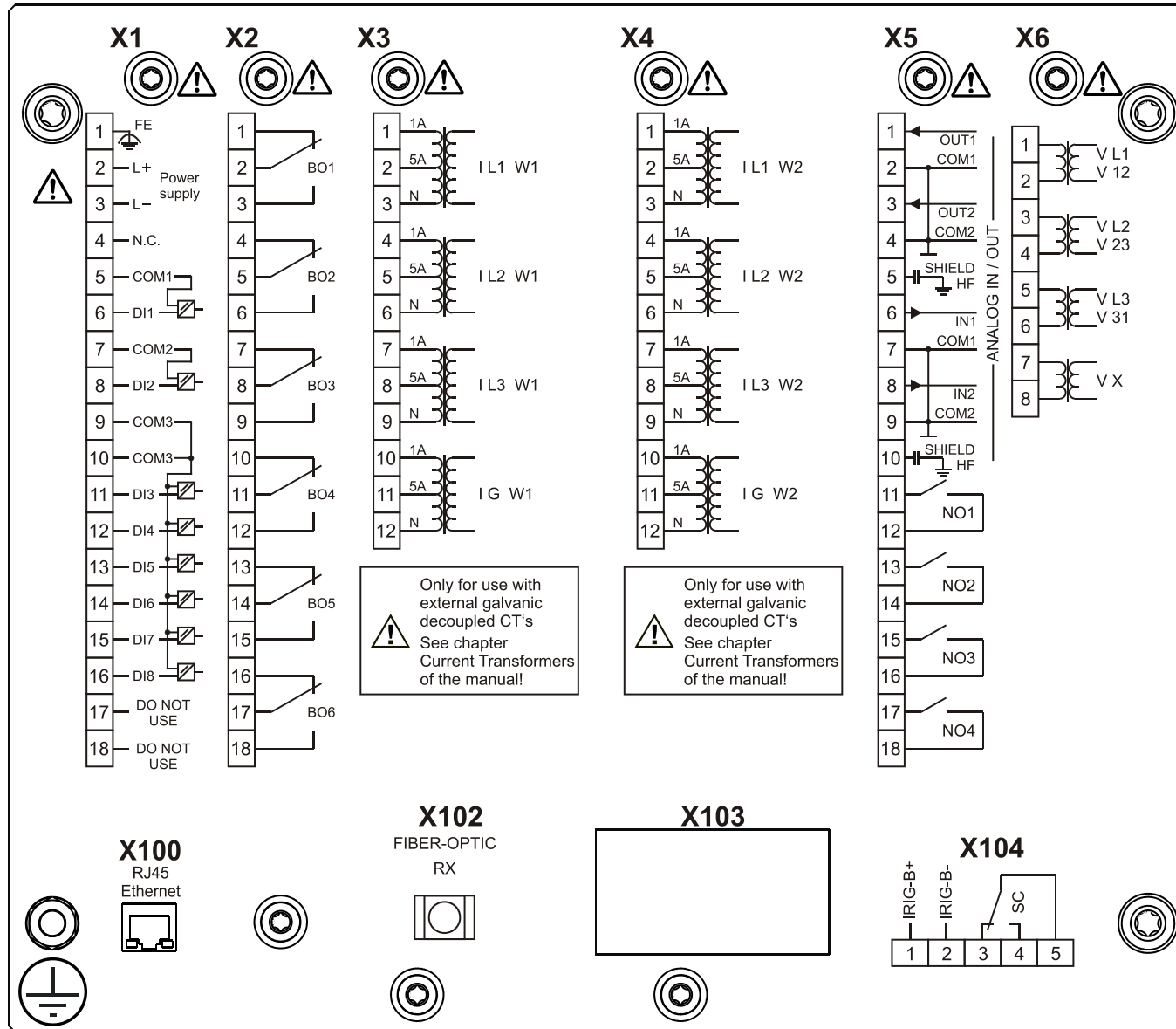
MCDTV4-2B0BBB



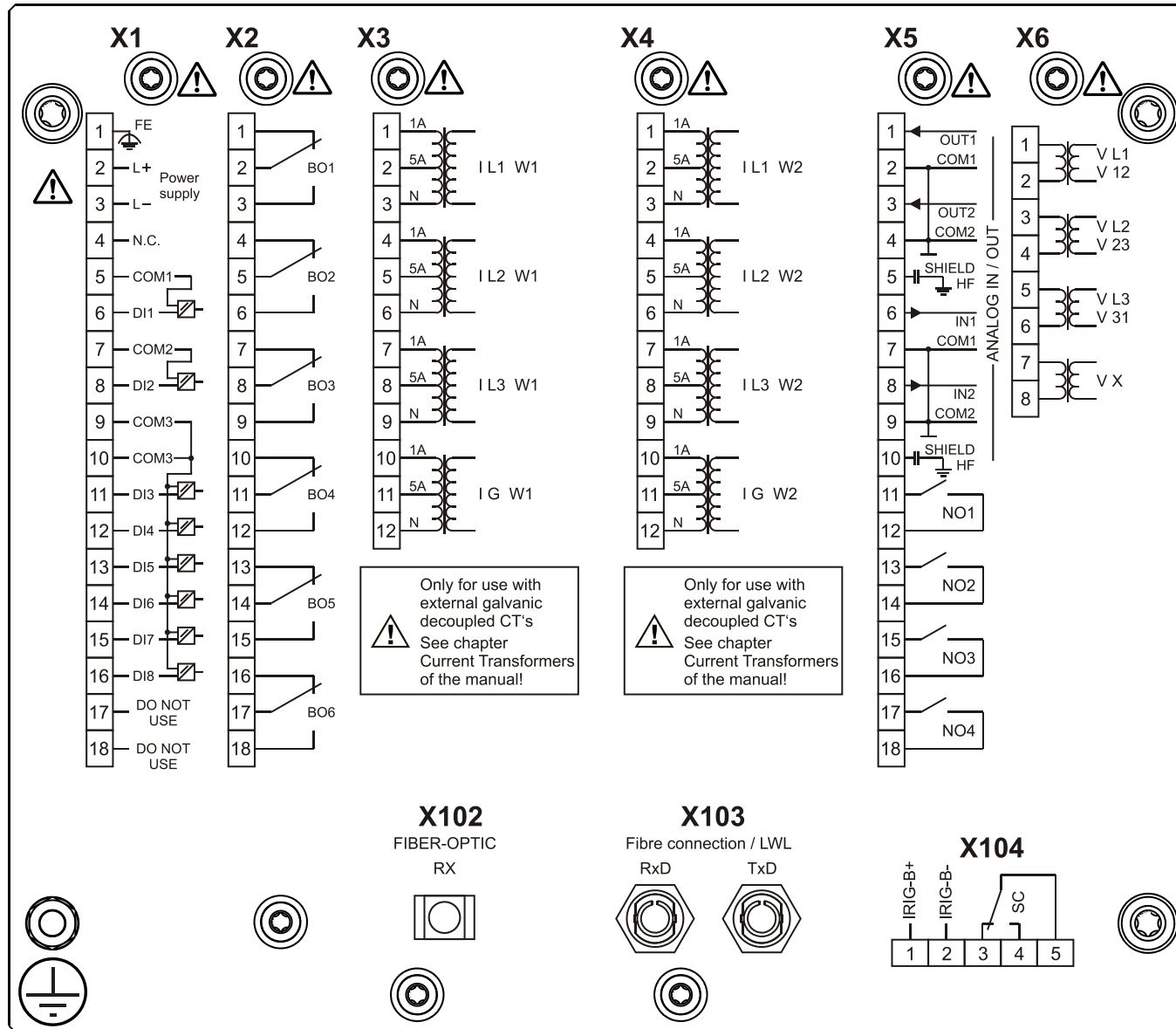
MCDTV4-2B0BCA



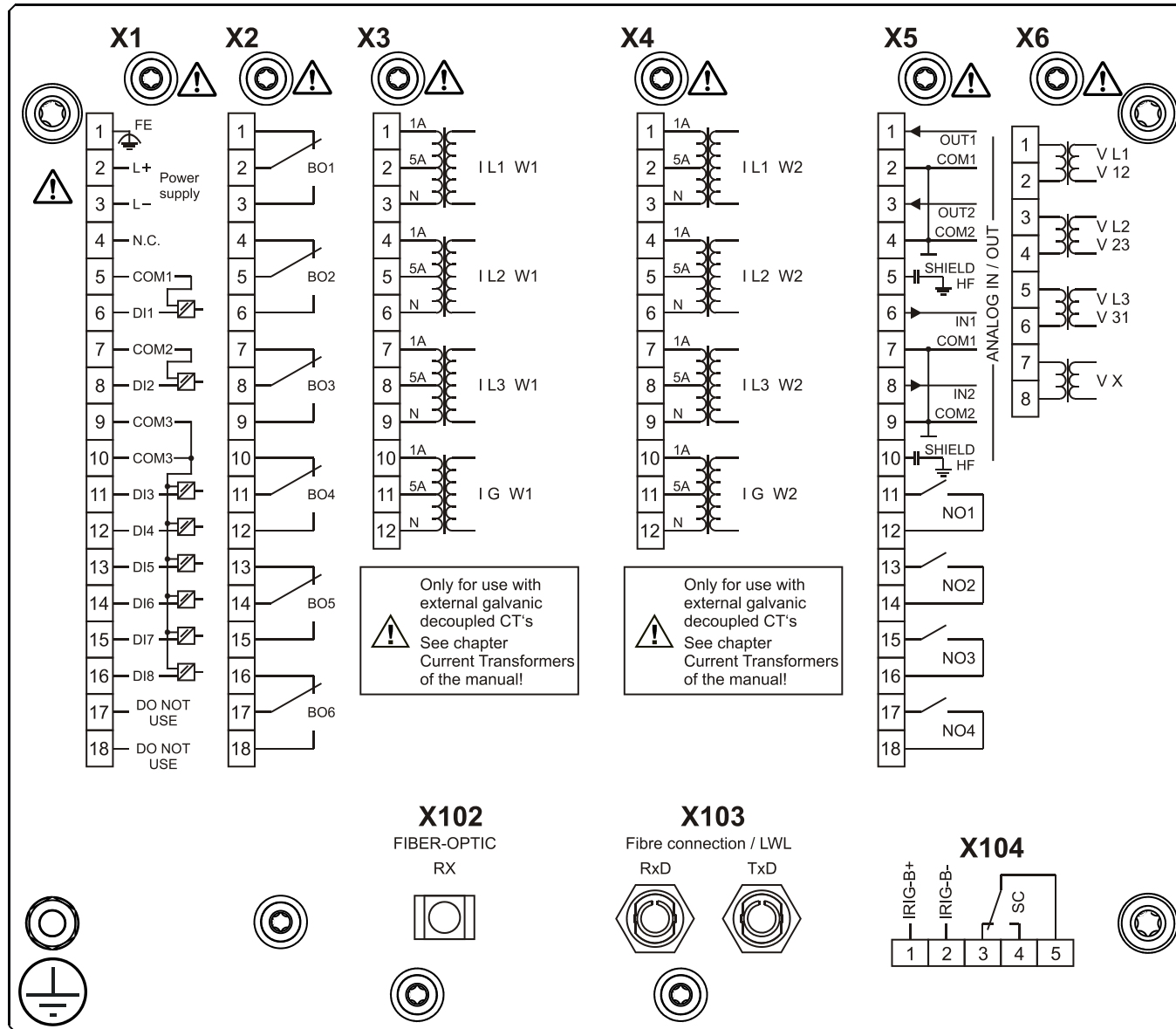
MCDTV4-2B0BCB



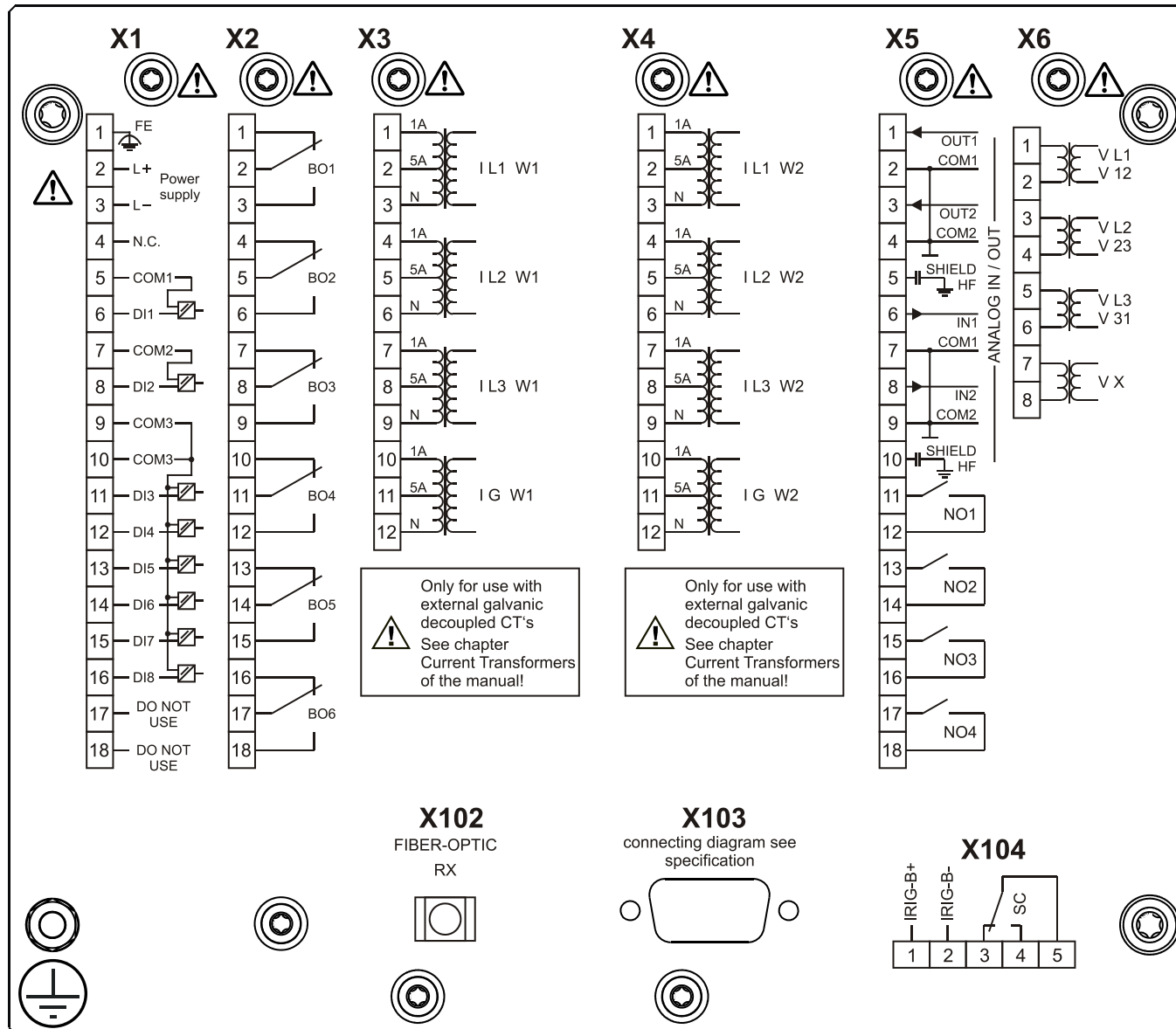
MCDTV4-2B0BDA



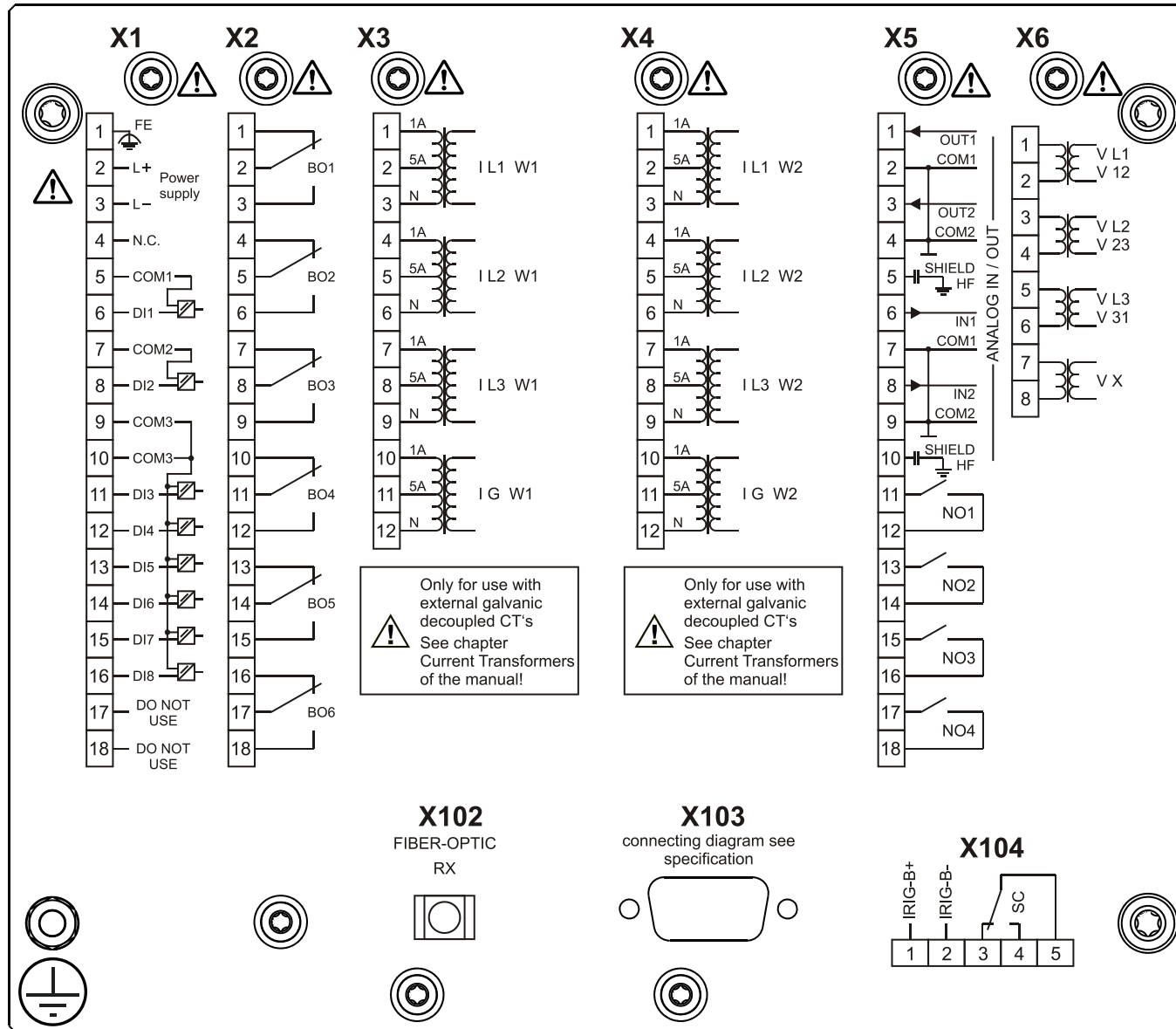
MCDTV4-2B0BDB



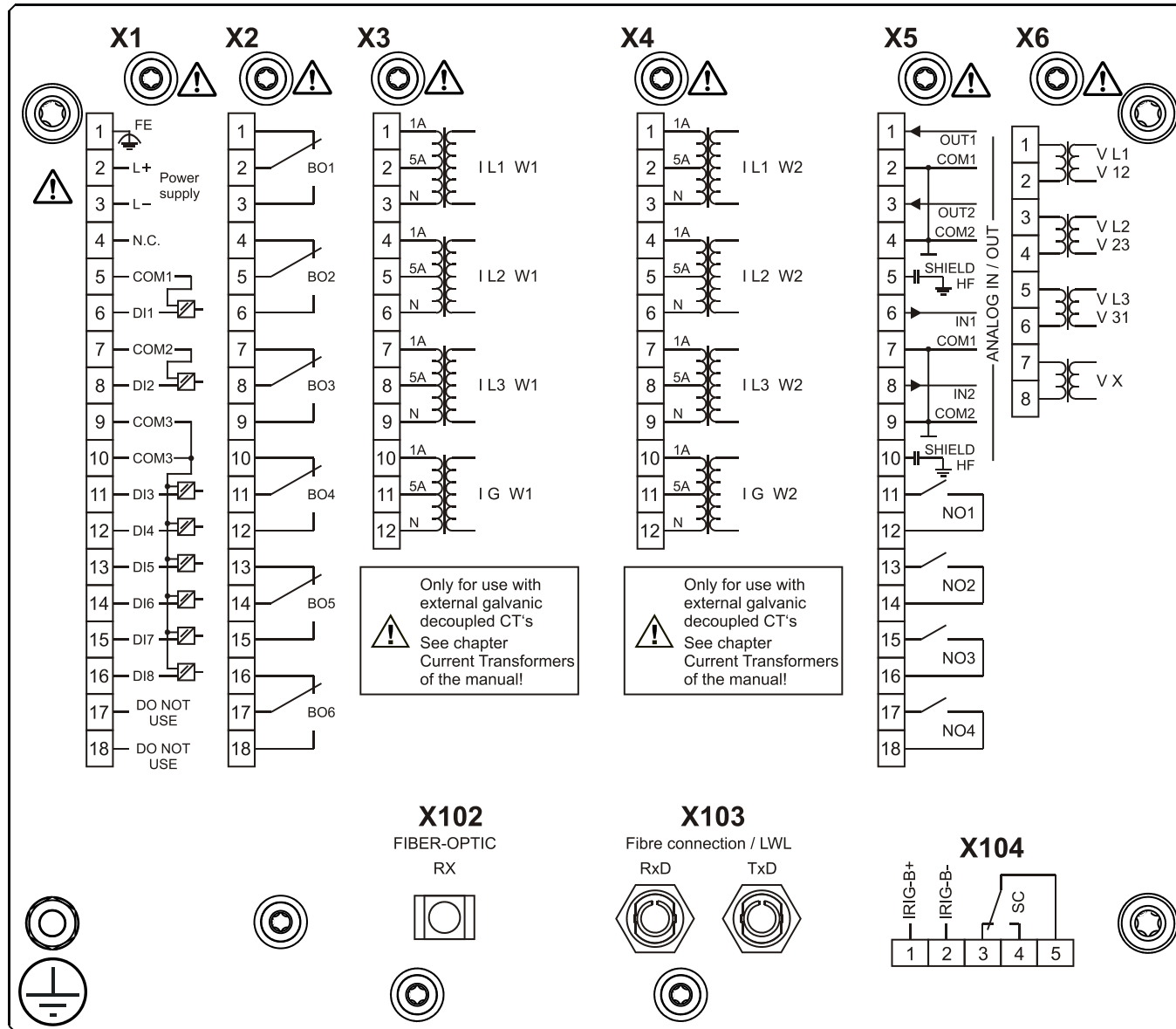
MCDTV4-2B0BEA



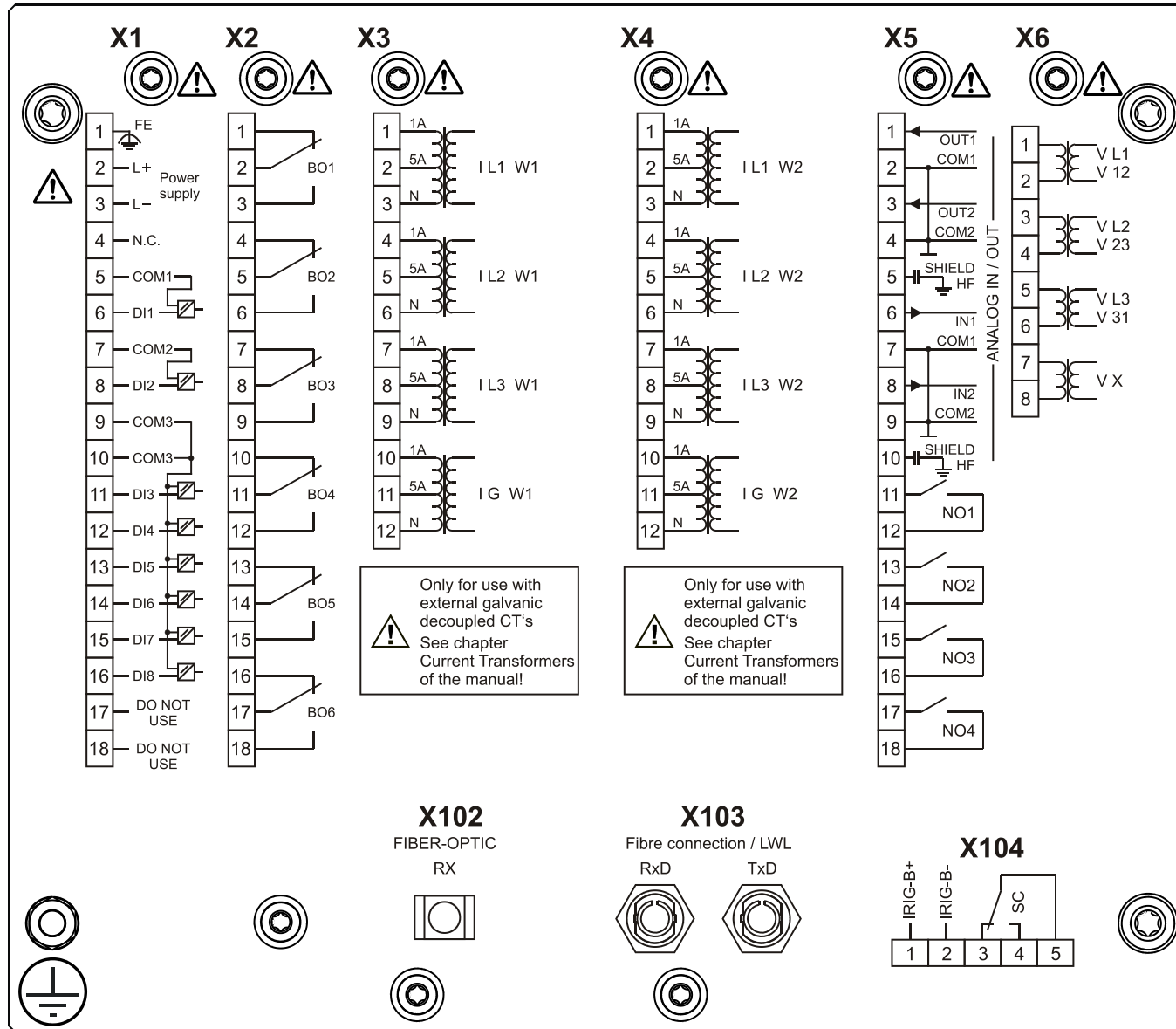
MCDTV4-2B0BEB



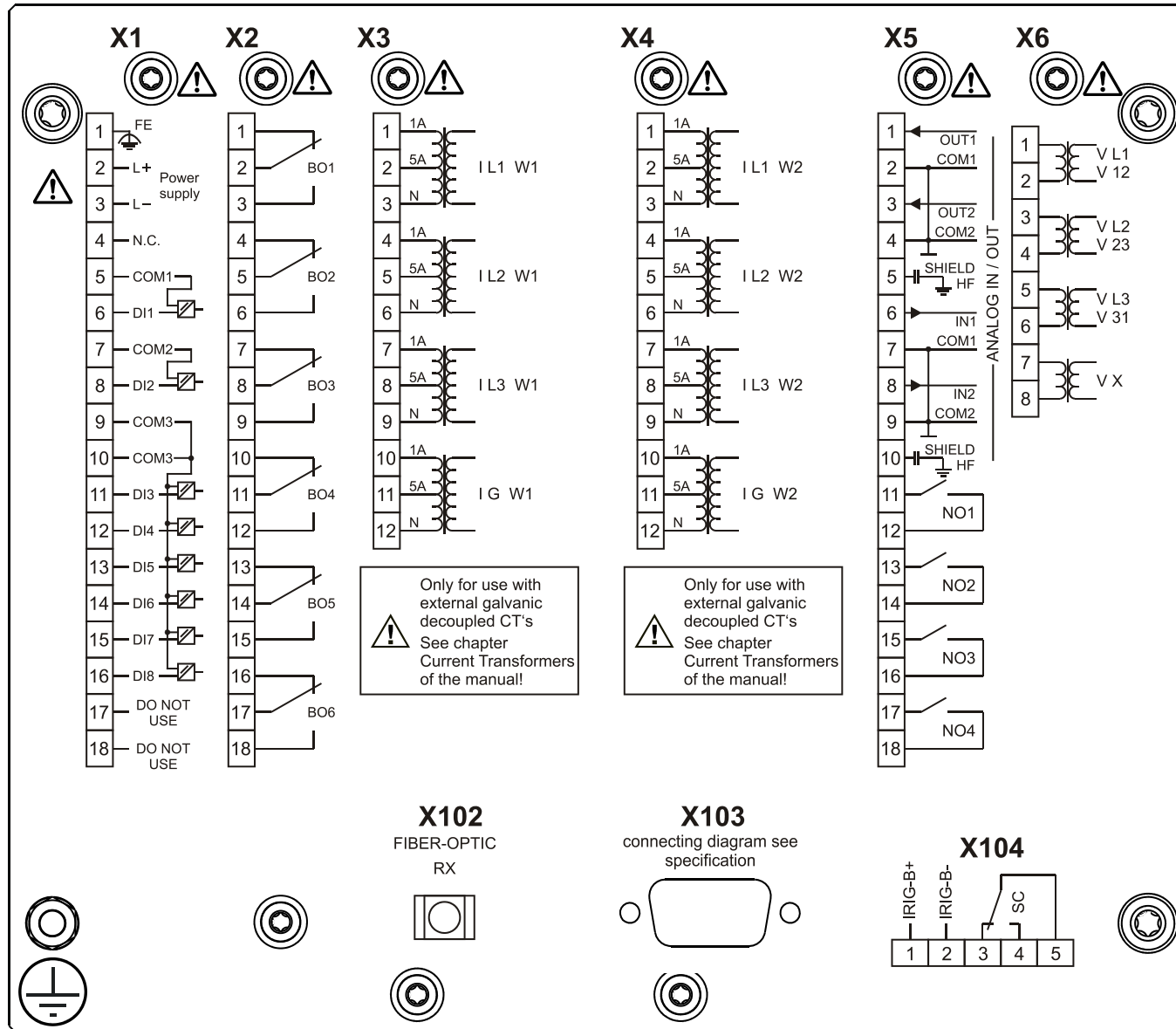
MCDTV4-2B0BFA



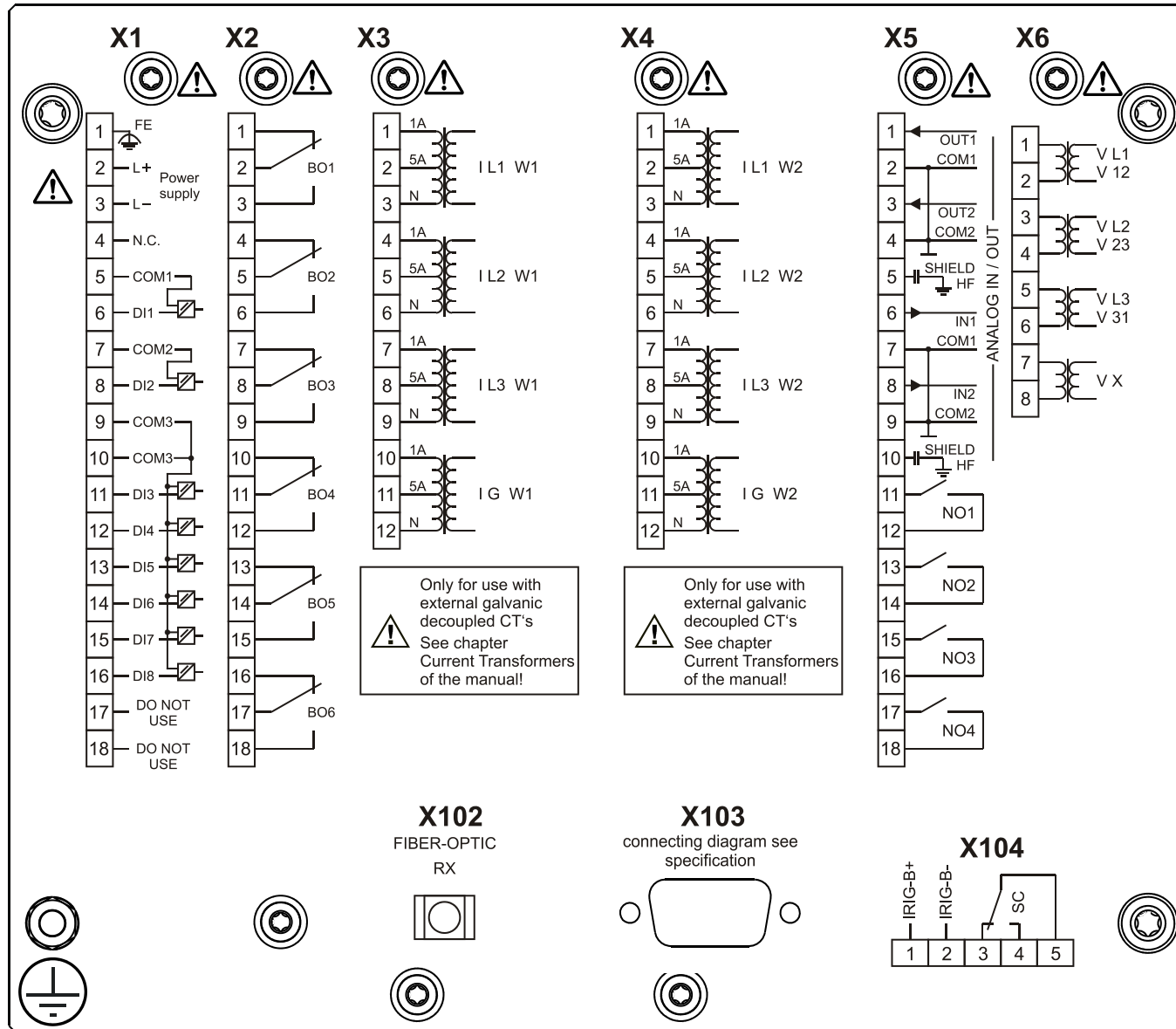
MCDTV4-2B0BFB



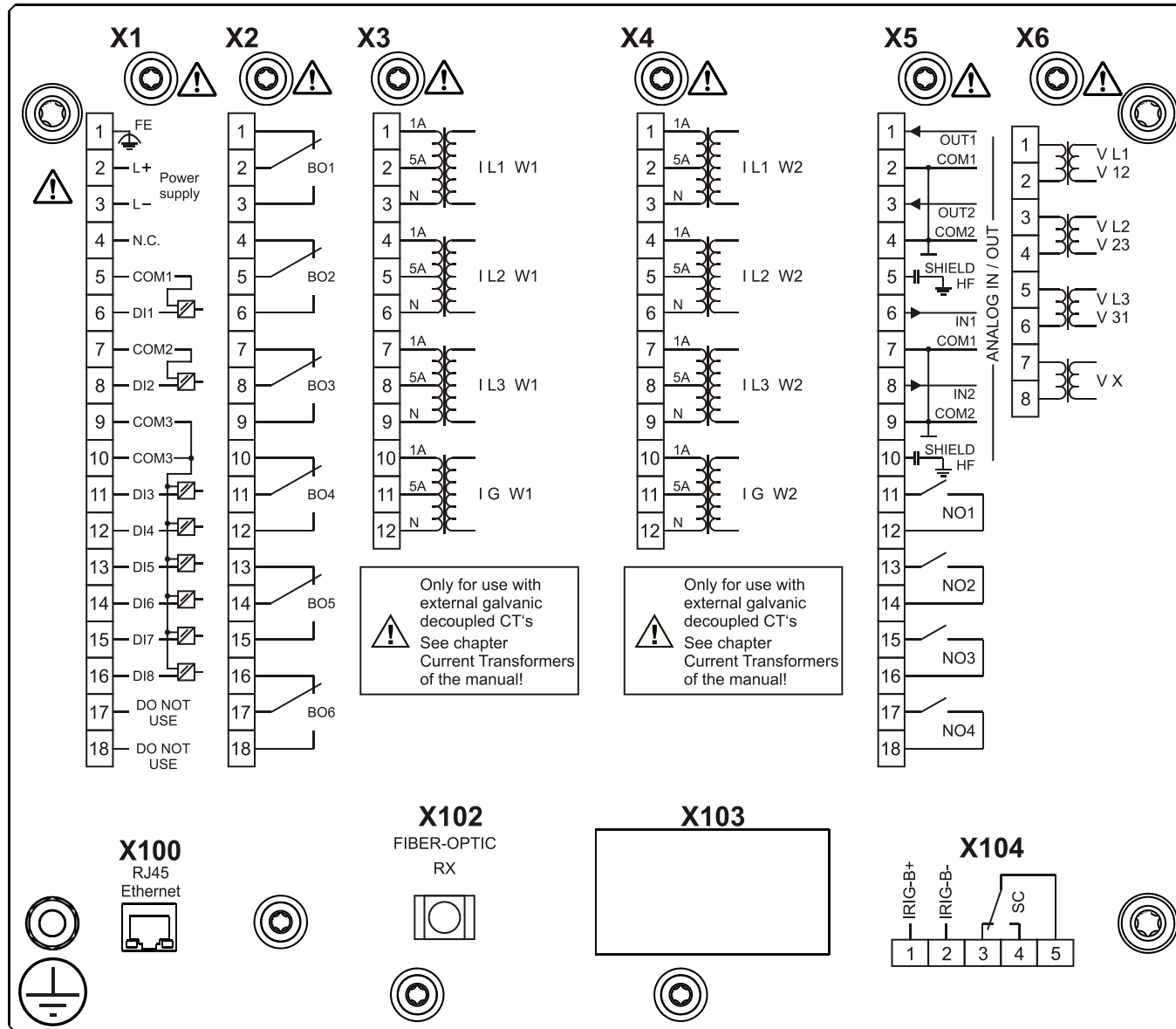
MCDTV4-2B0BGA



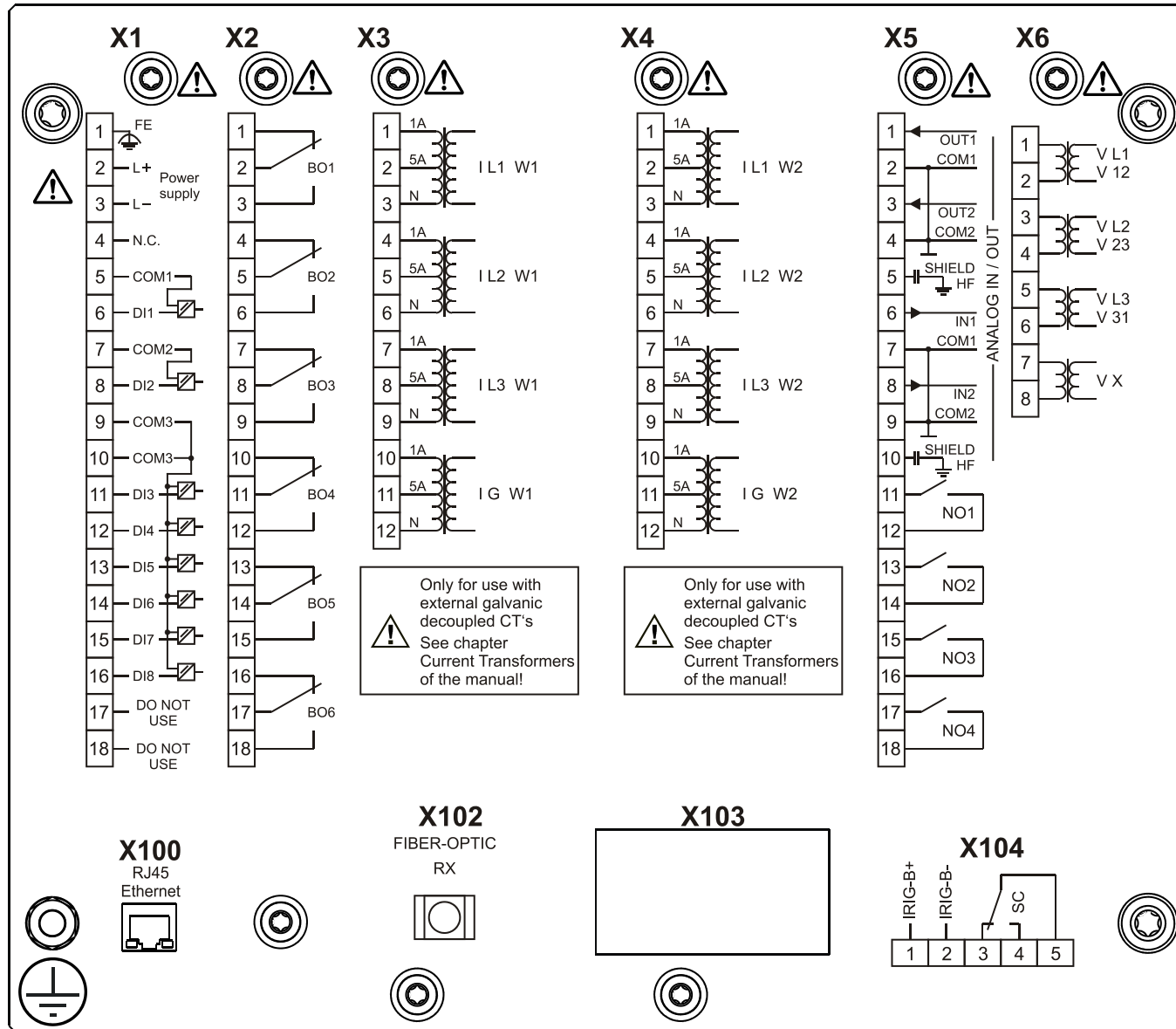
MCDTV4-2B0BGB



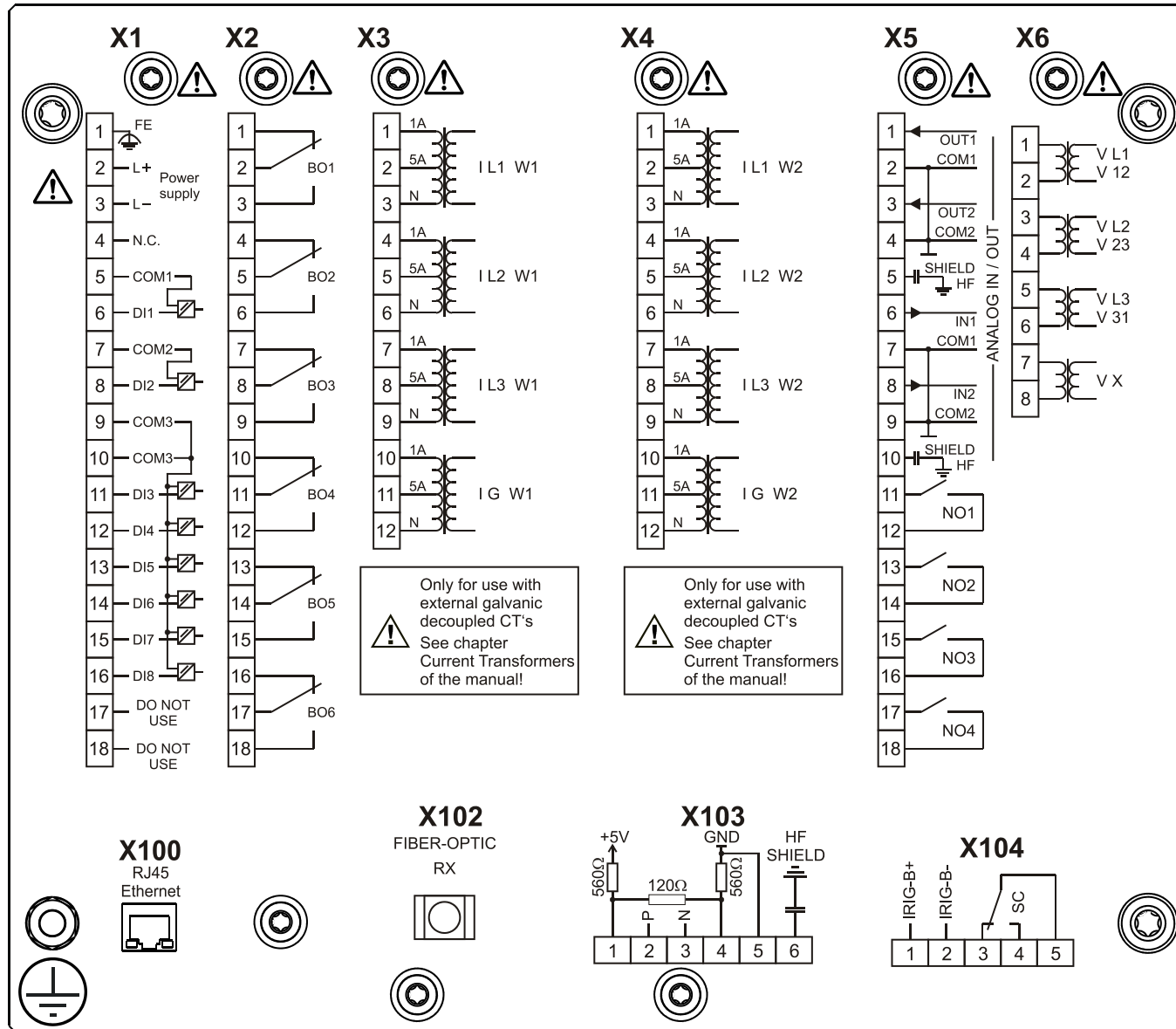
MCDTV4-2B0BHA



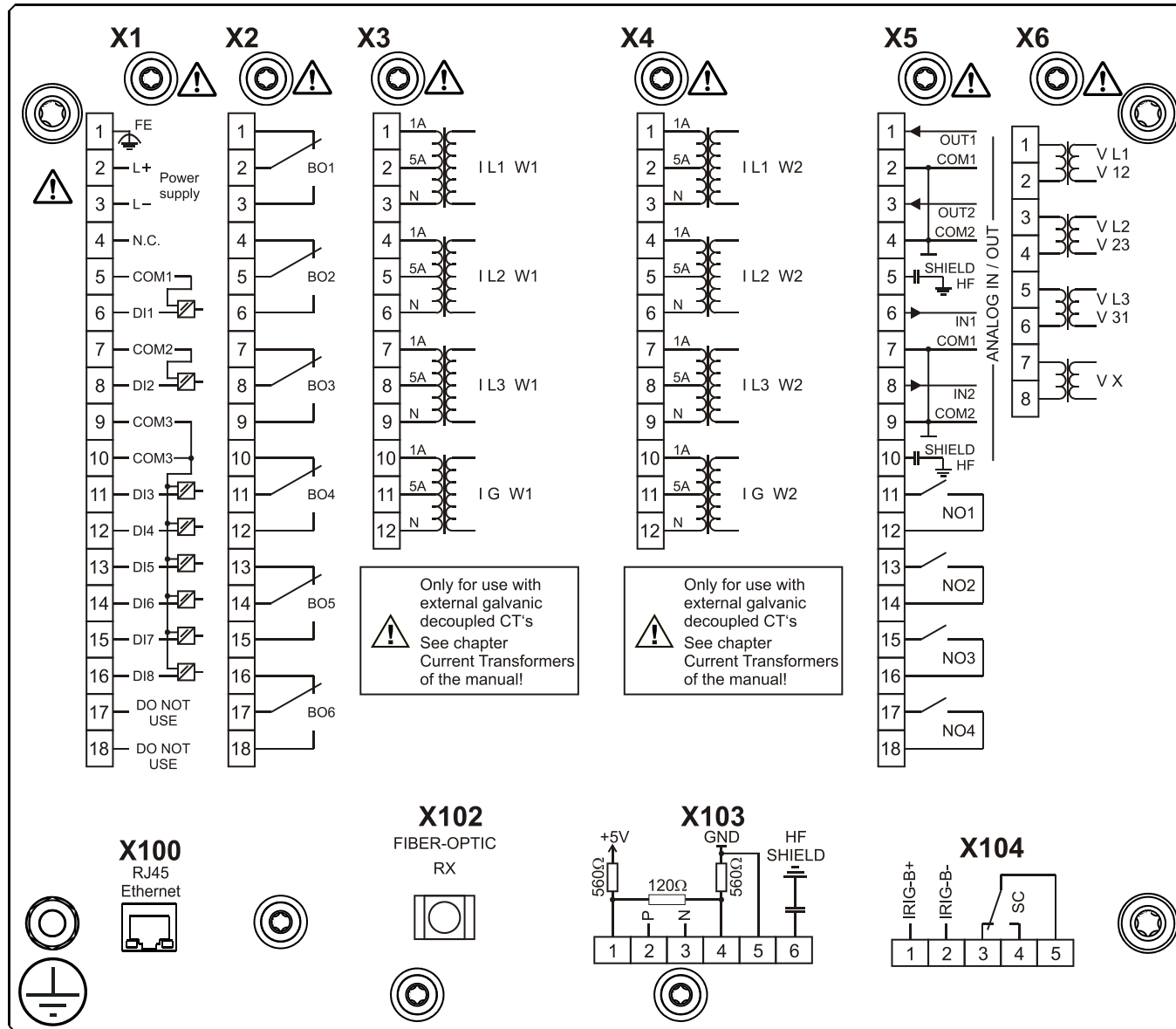
MCDTV4-2B0BHB



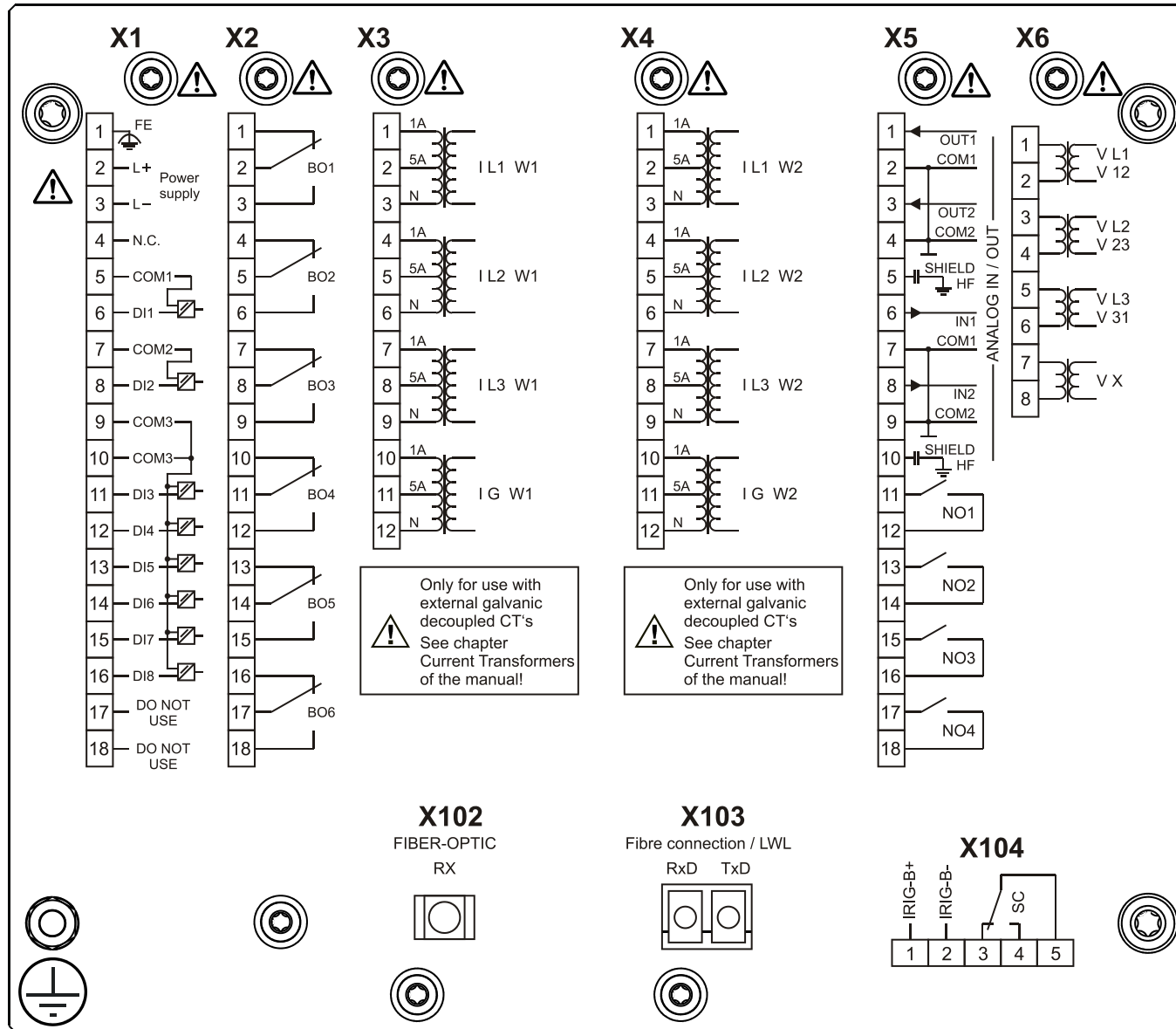
MCDTV4-2B0BIA



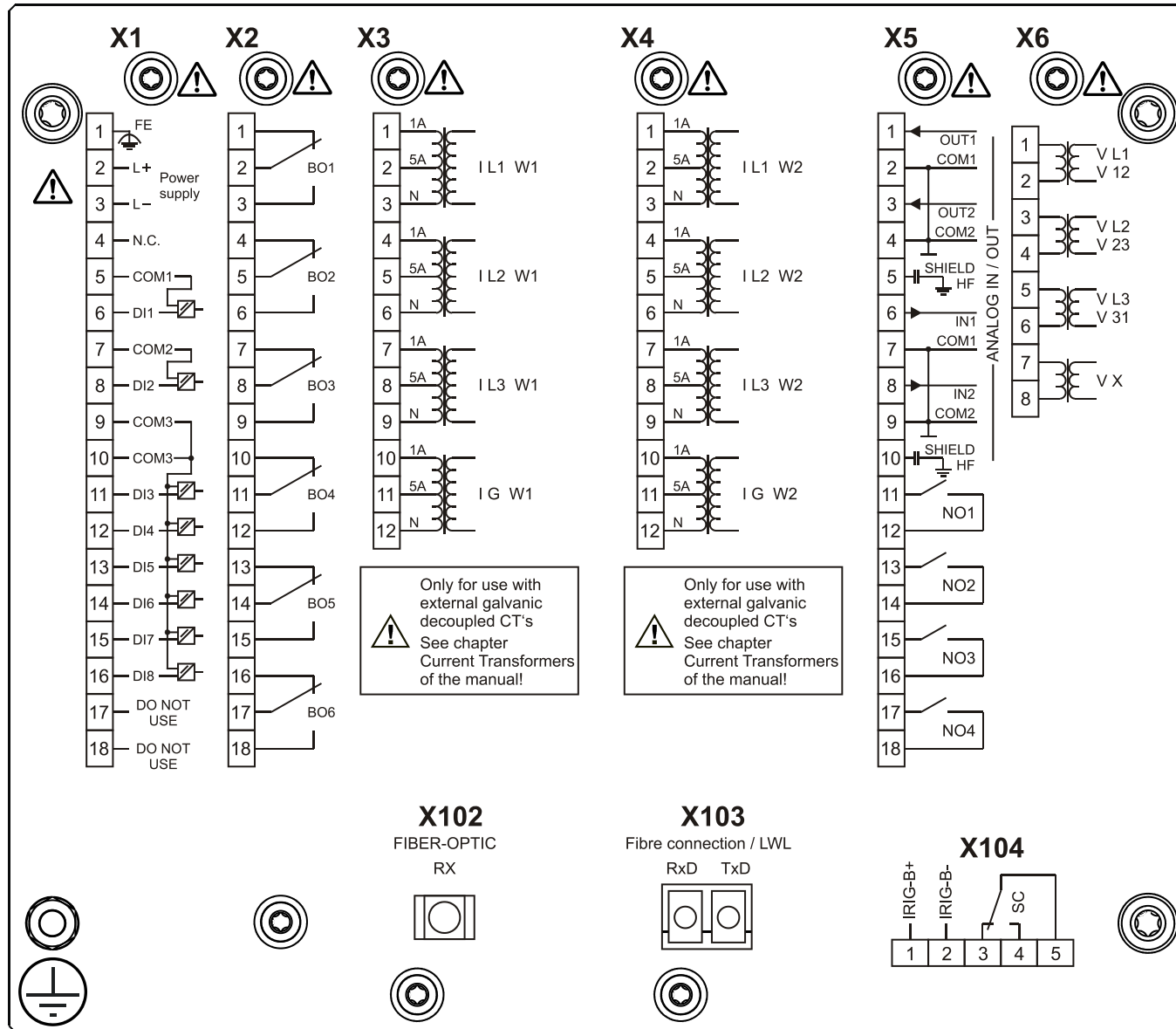
MCDTV4-2B0BIB



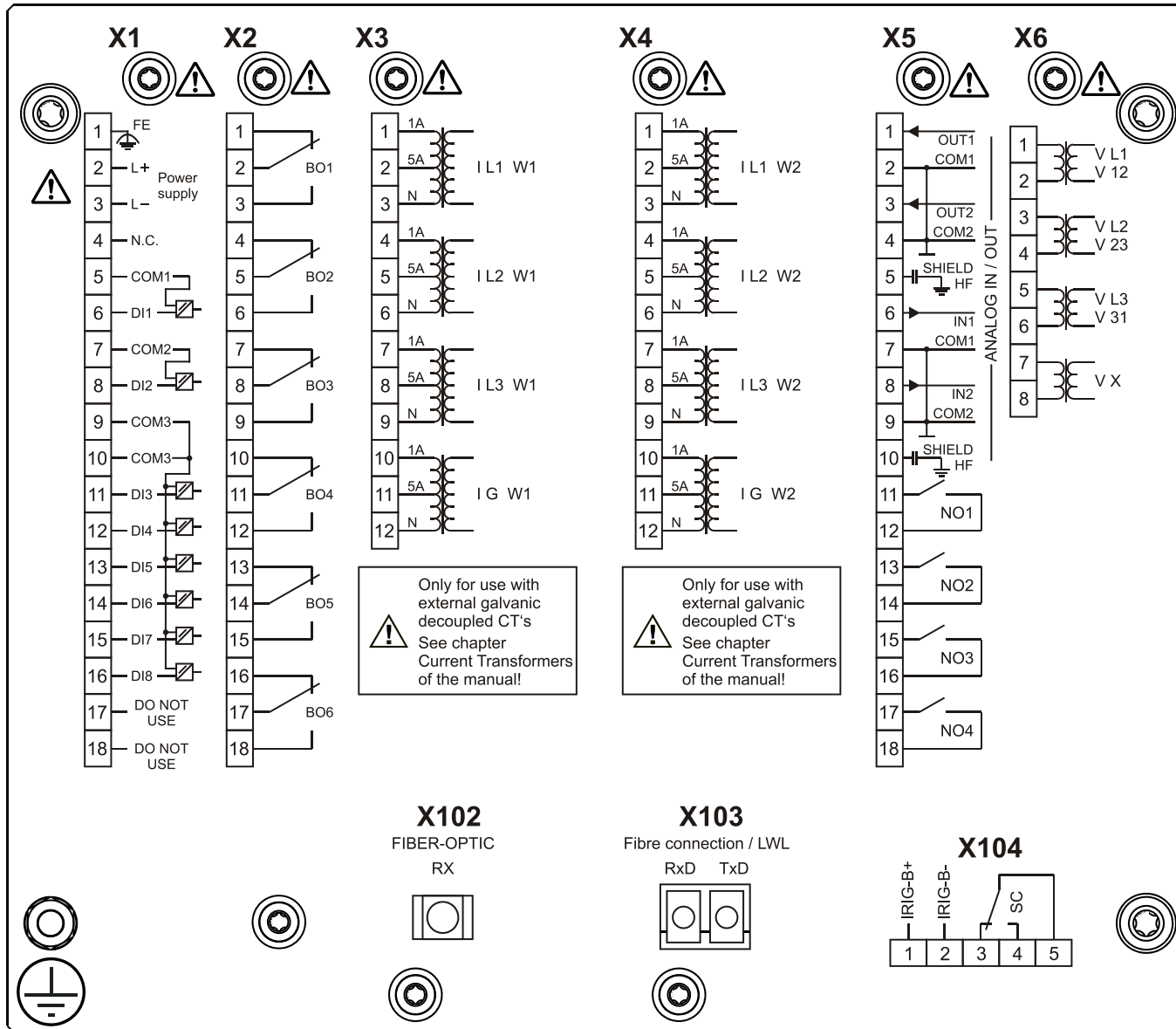
MCDTV4-2B0BKA



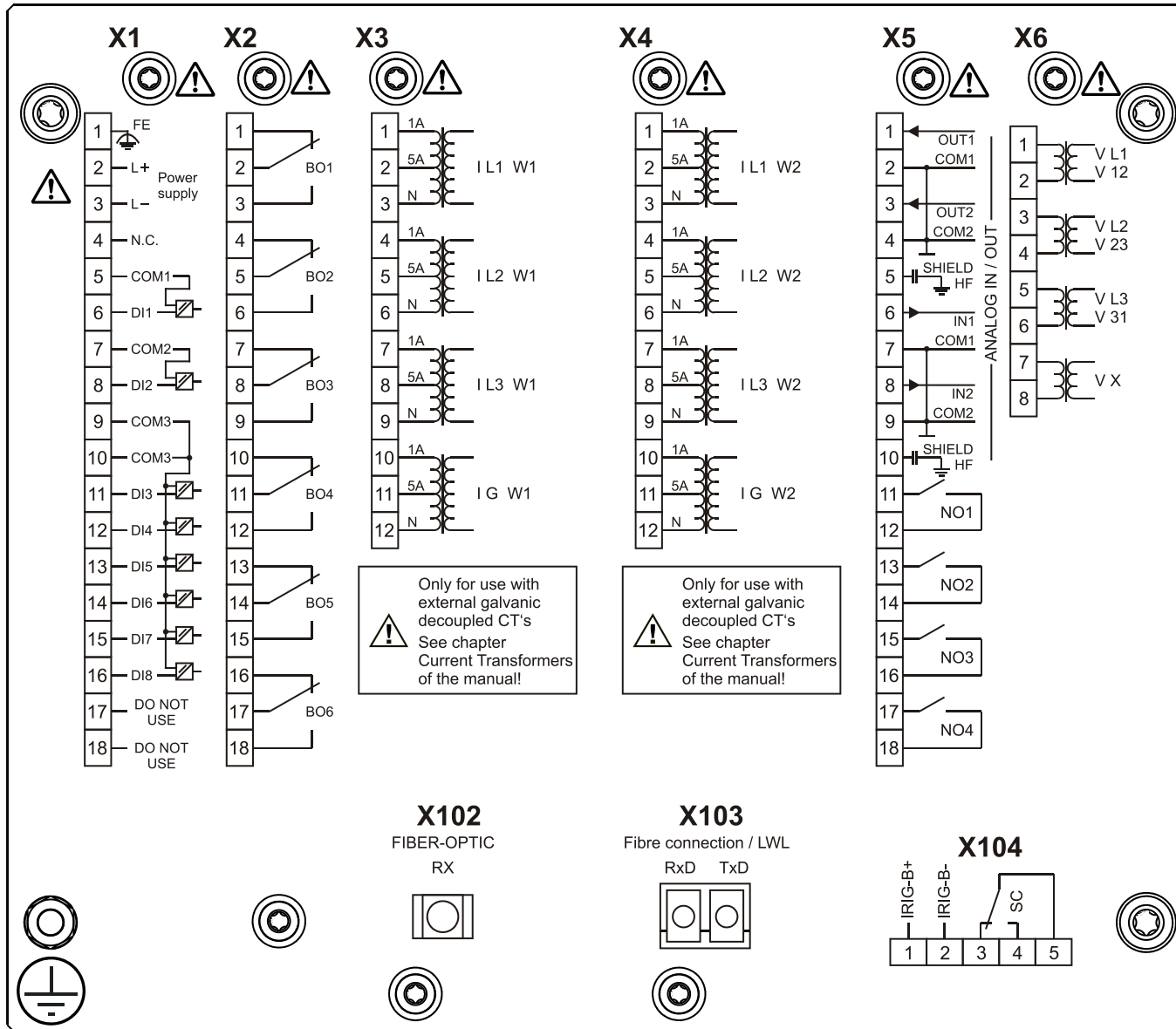
MCDTV4-2B0BKB



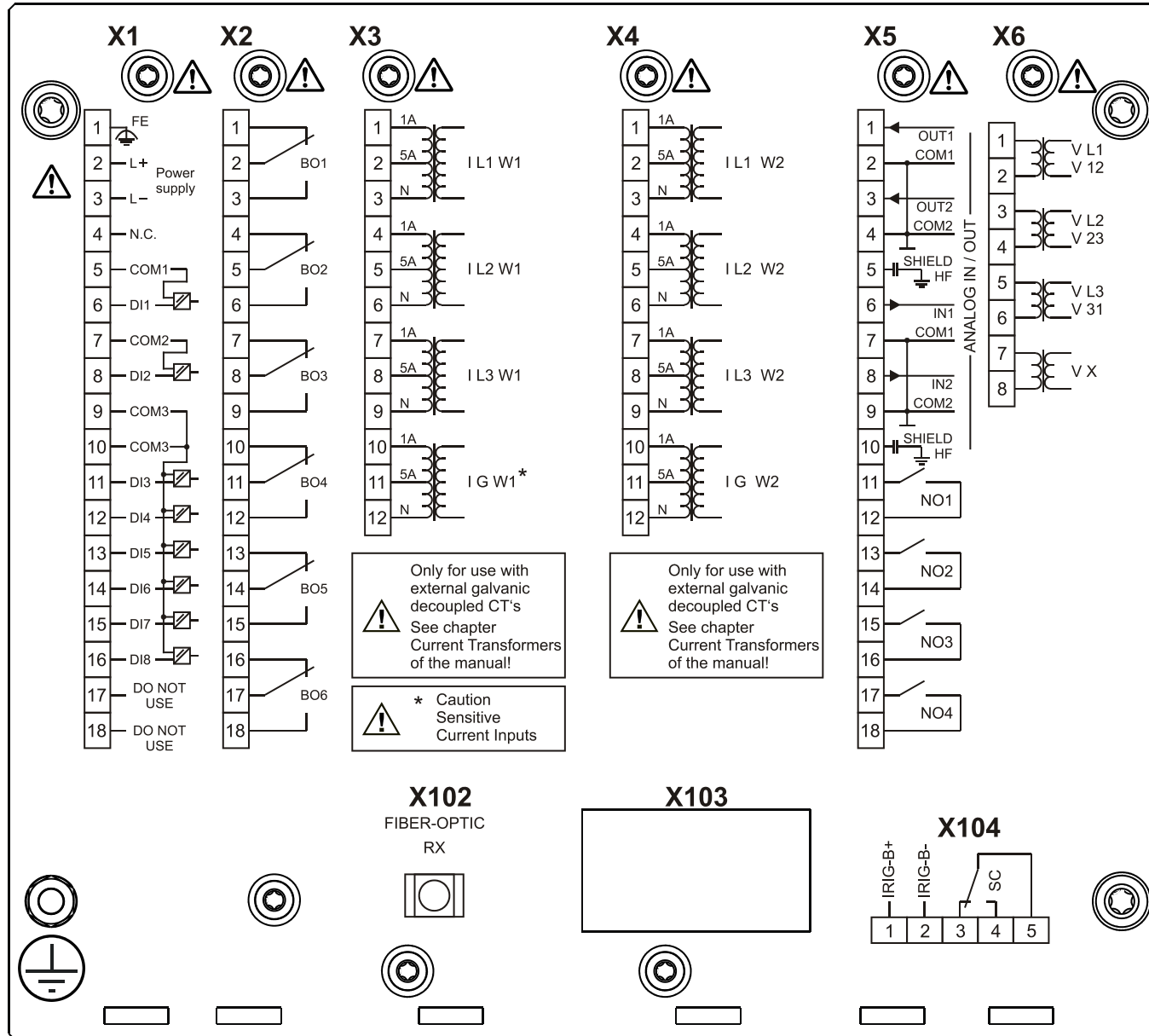
MCDTV4-2B0BLA



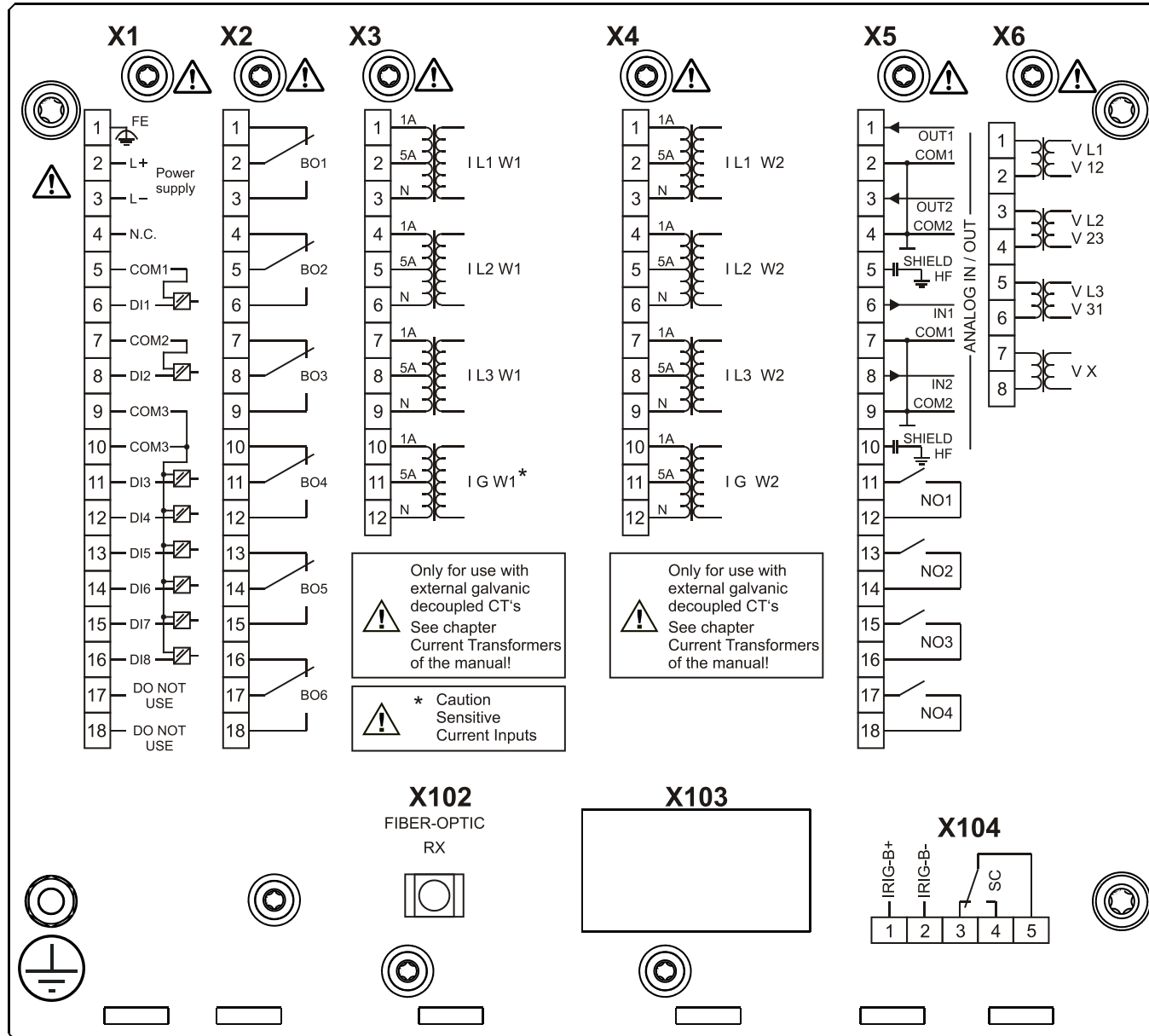
MCDTV4-2B0BLB



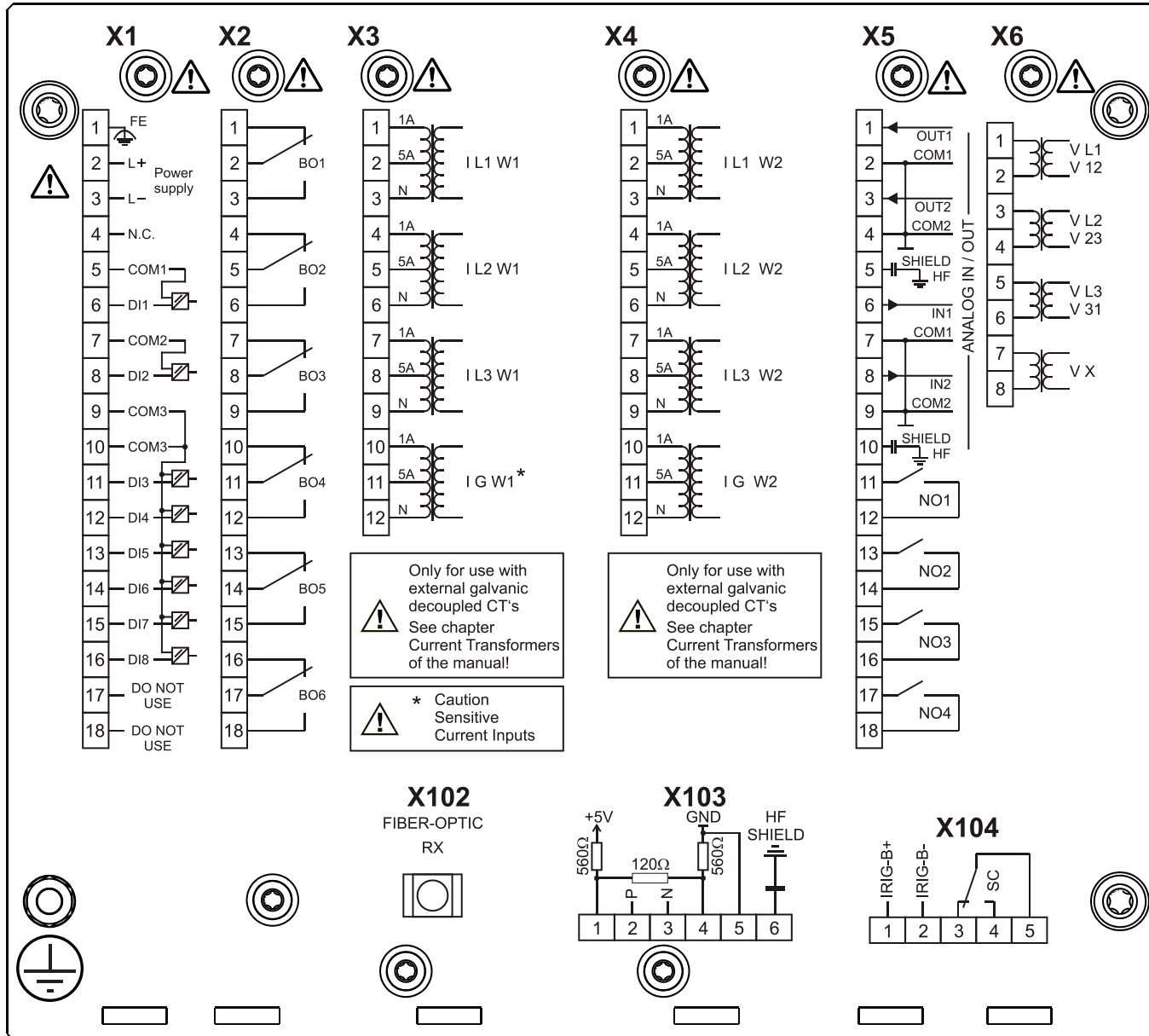
MCDTV4-2B1AAA



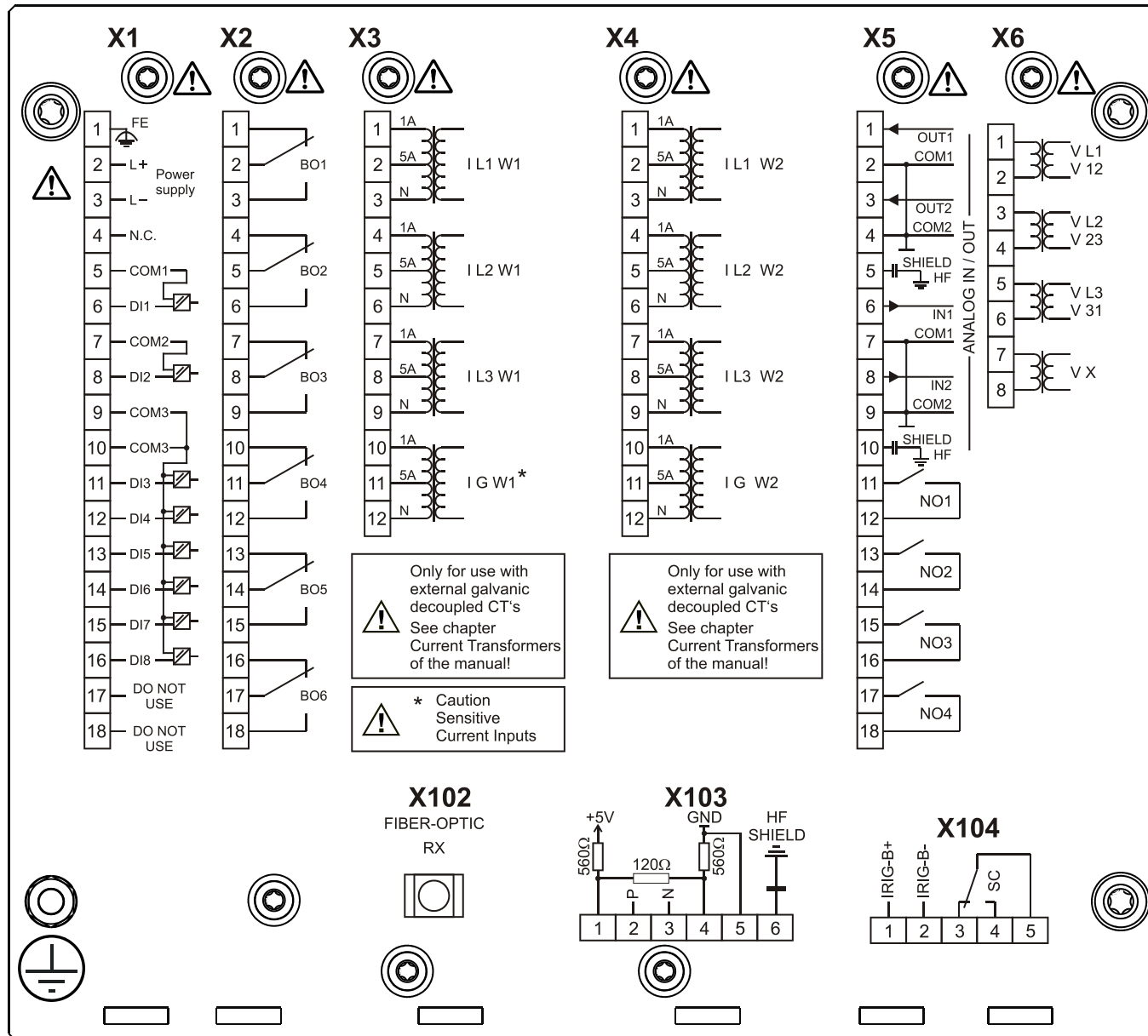
MCDTV4-2B1AAB



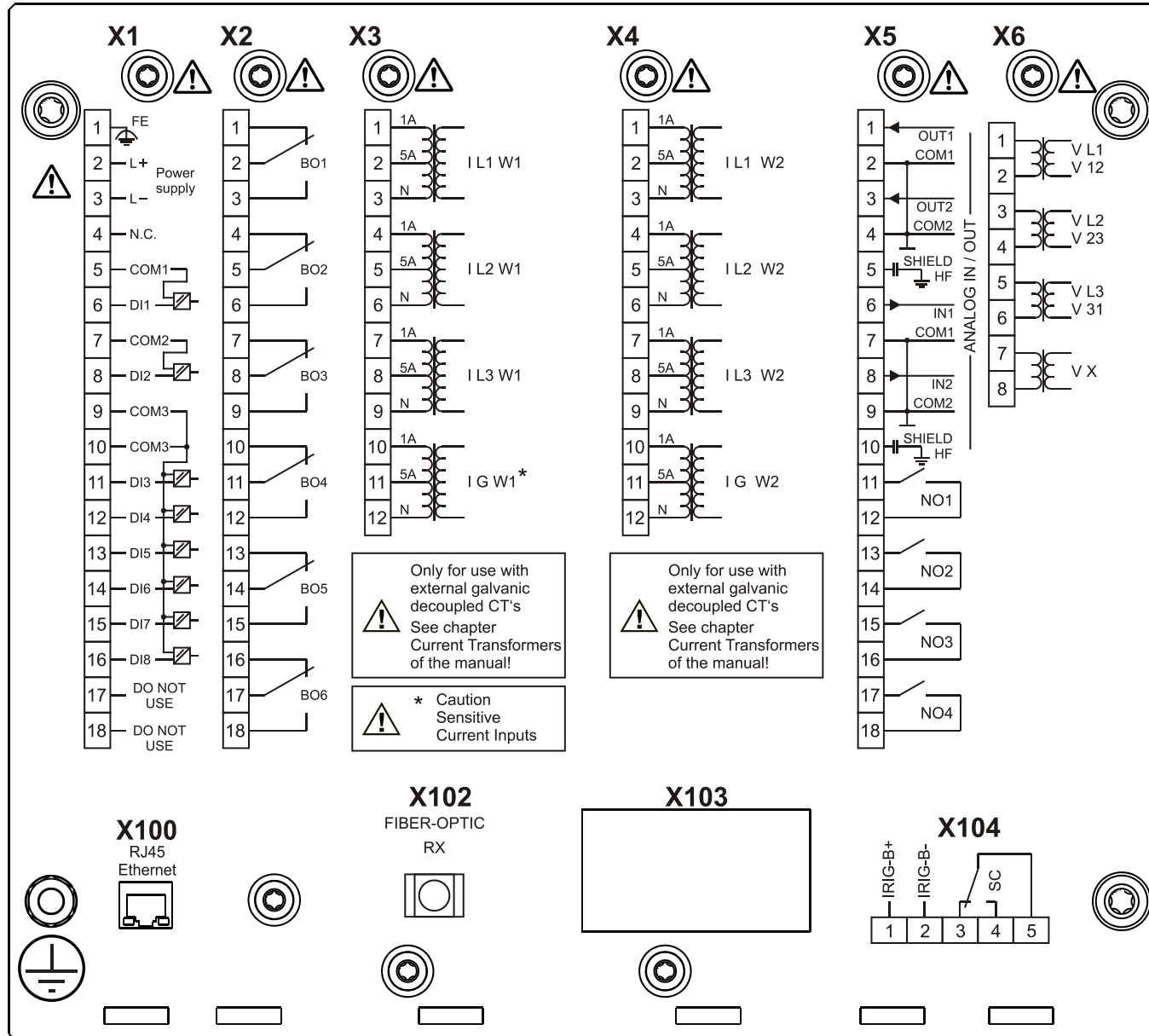
MCDTV4-2B1ABA



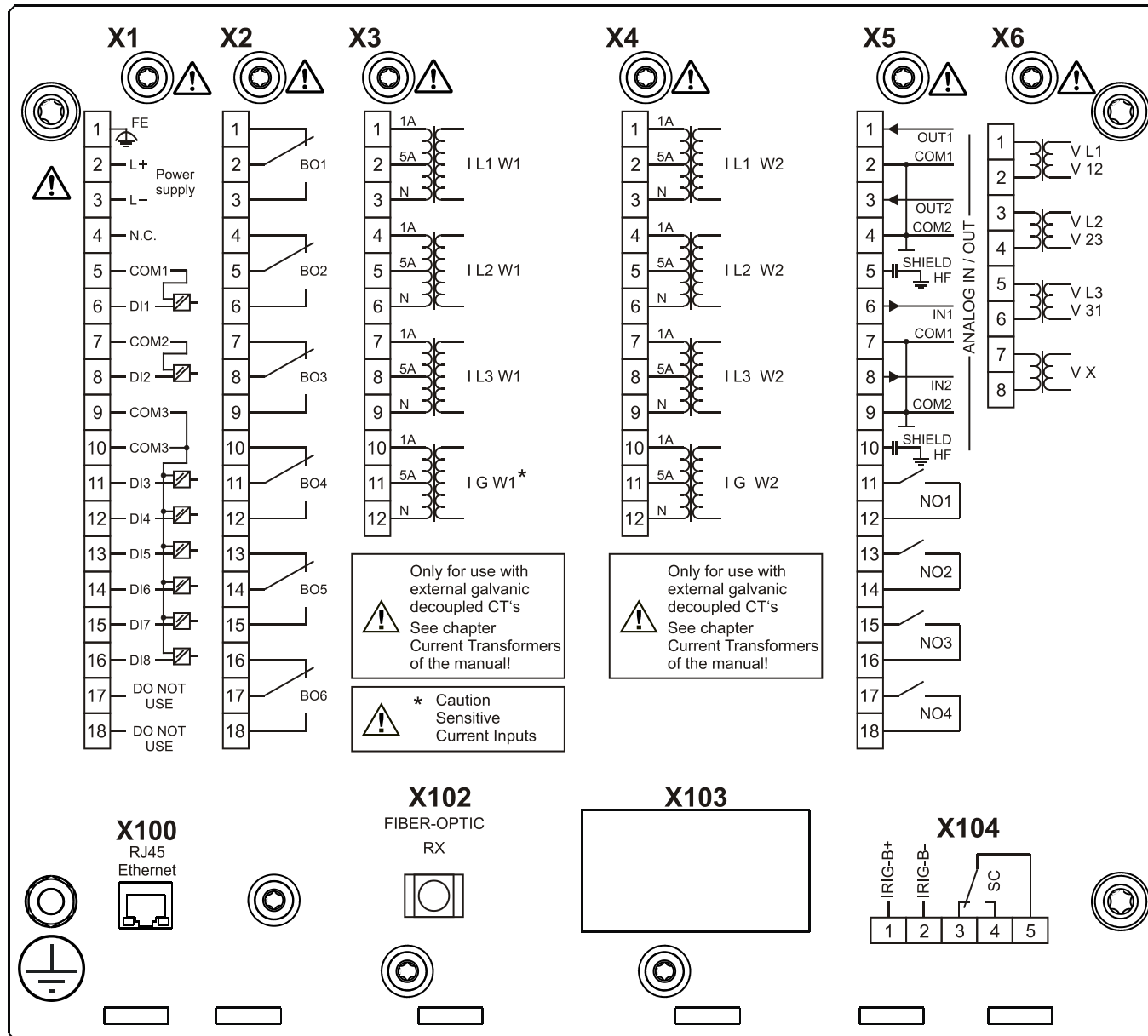
MCDTV4-2B1ABB



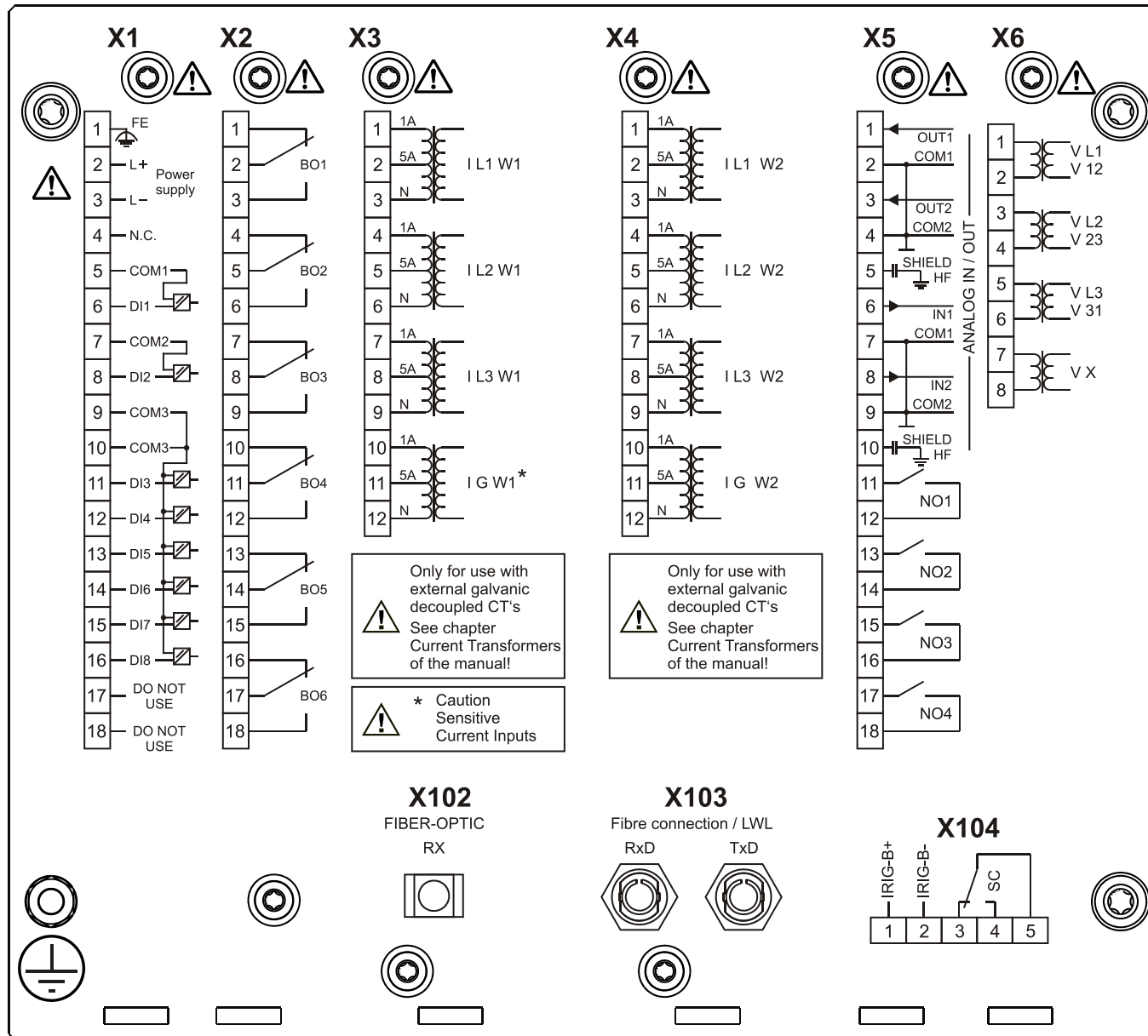
MCDTV4-2B1ACA



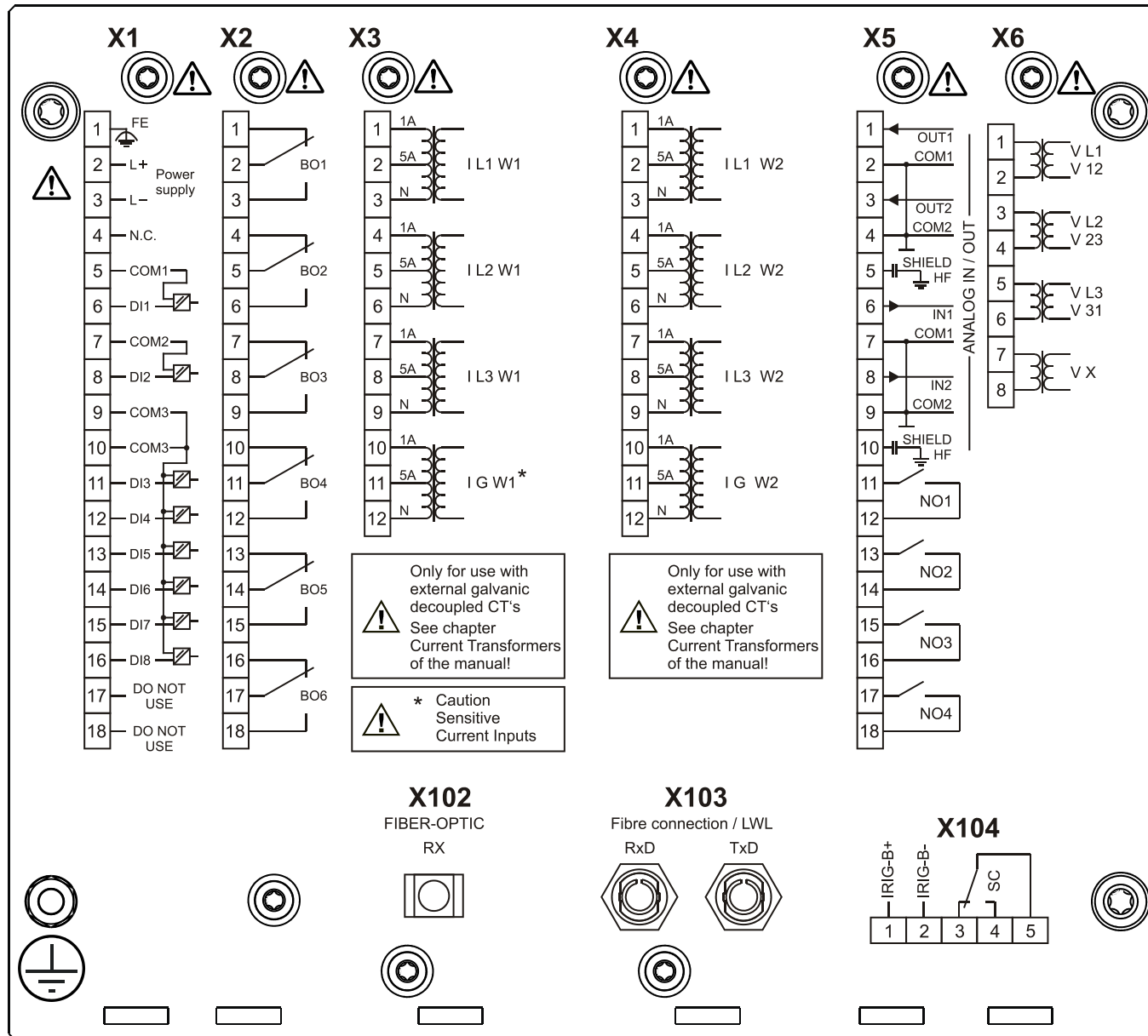
MCDTV4-2B1ACB



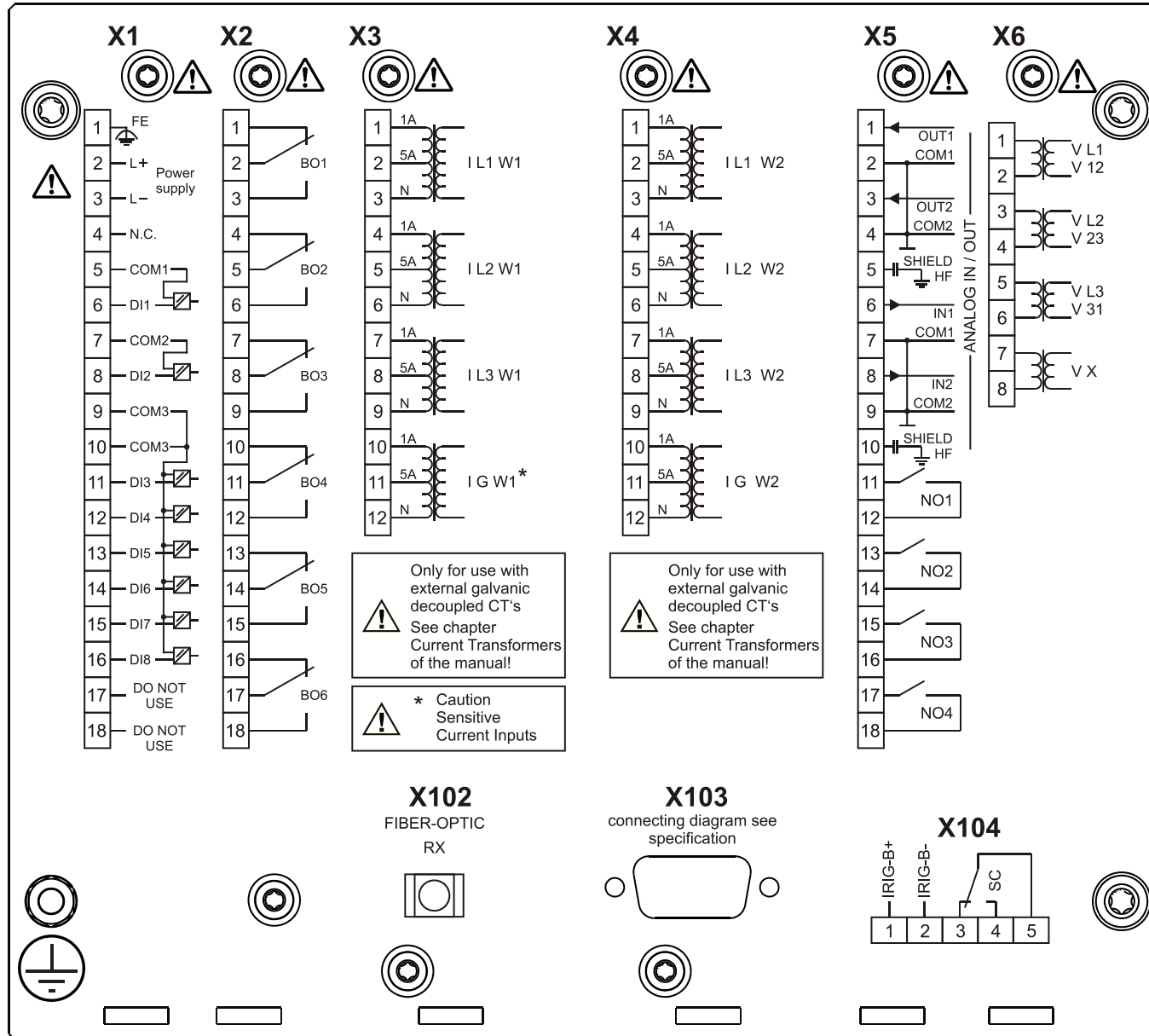
MCDTV4-2B1ADA



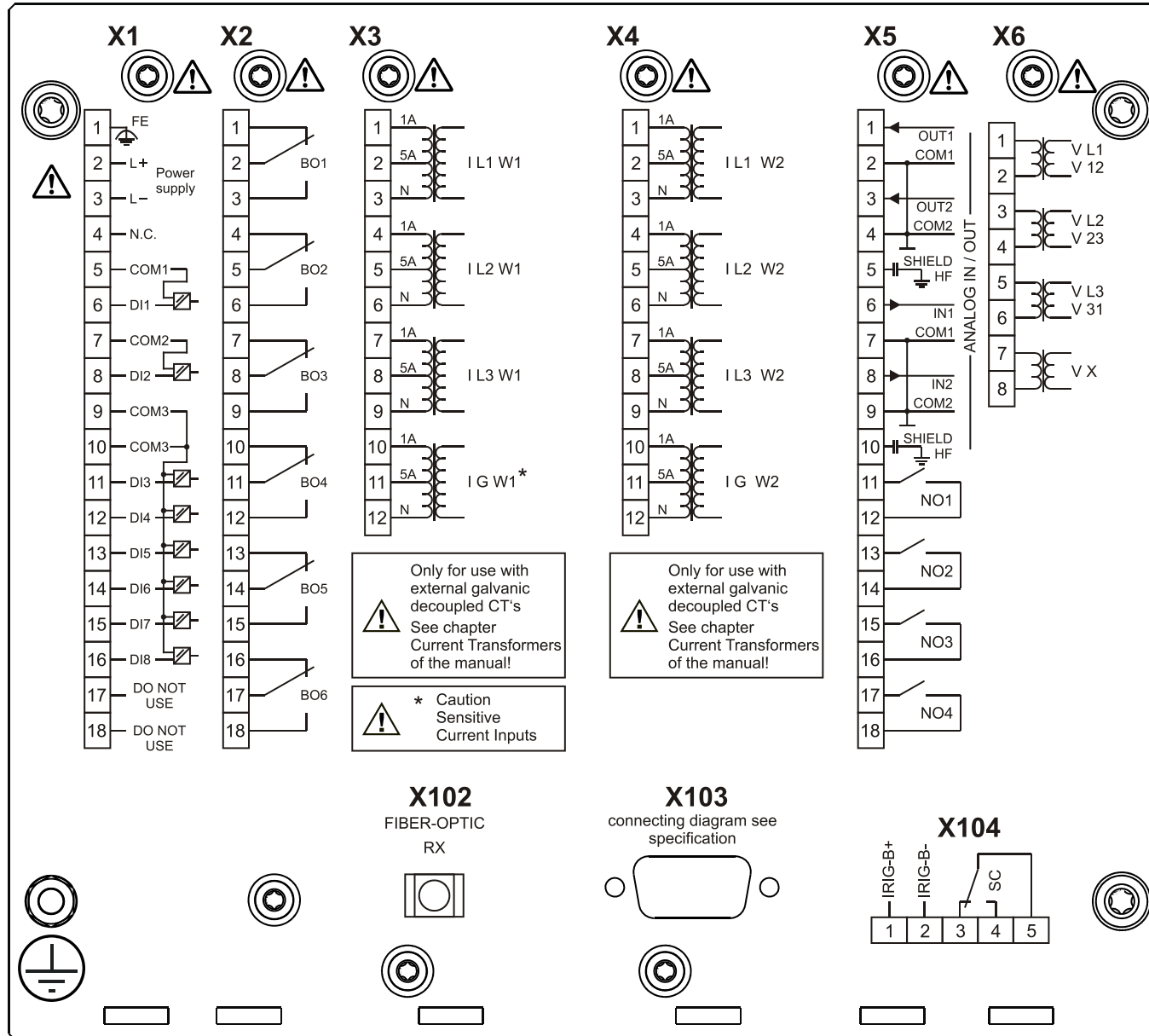
MCDTV4-2B1ADB



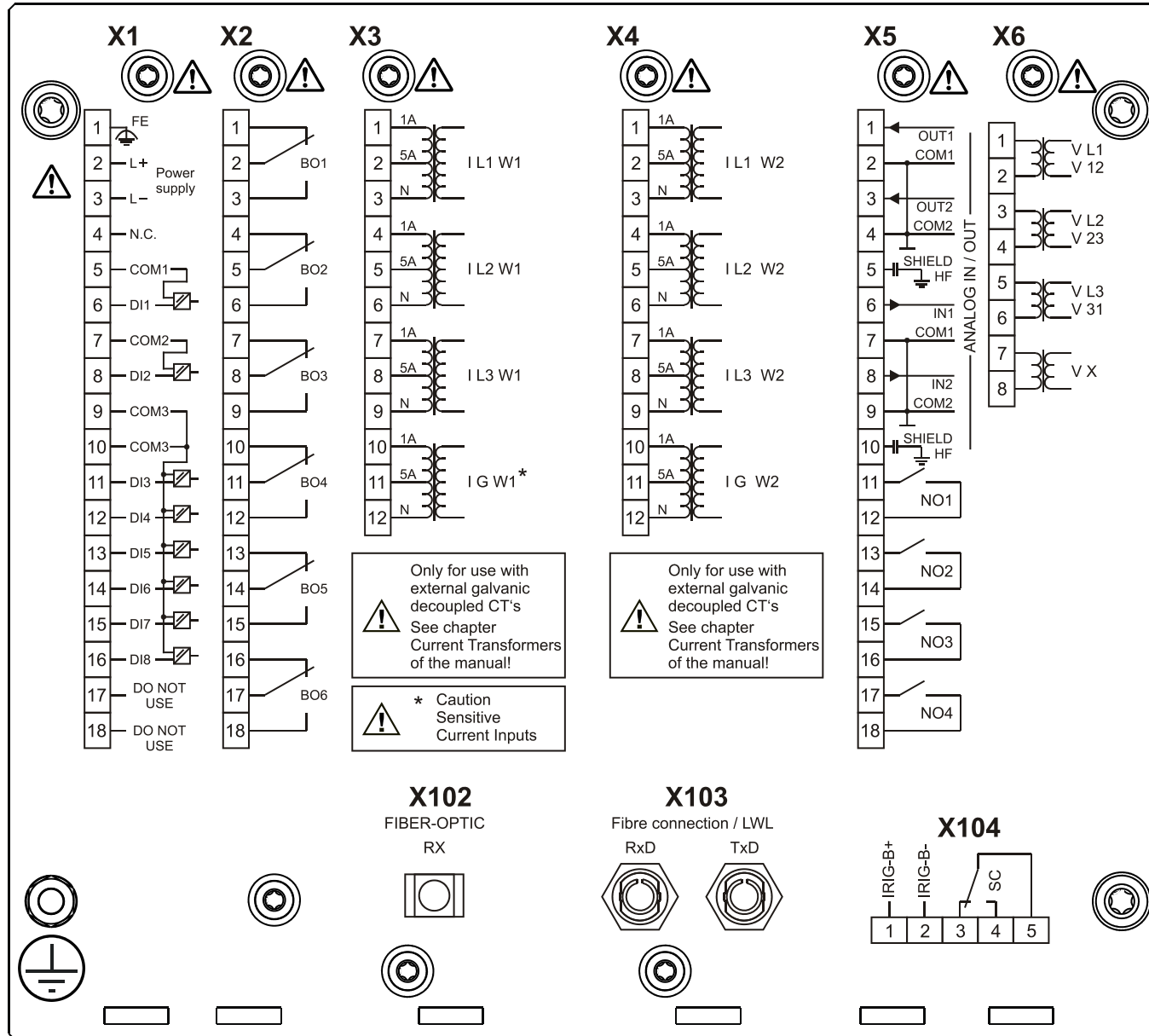
MCDTV4-2B1AEA



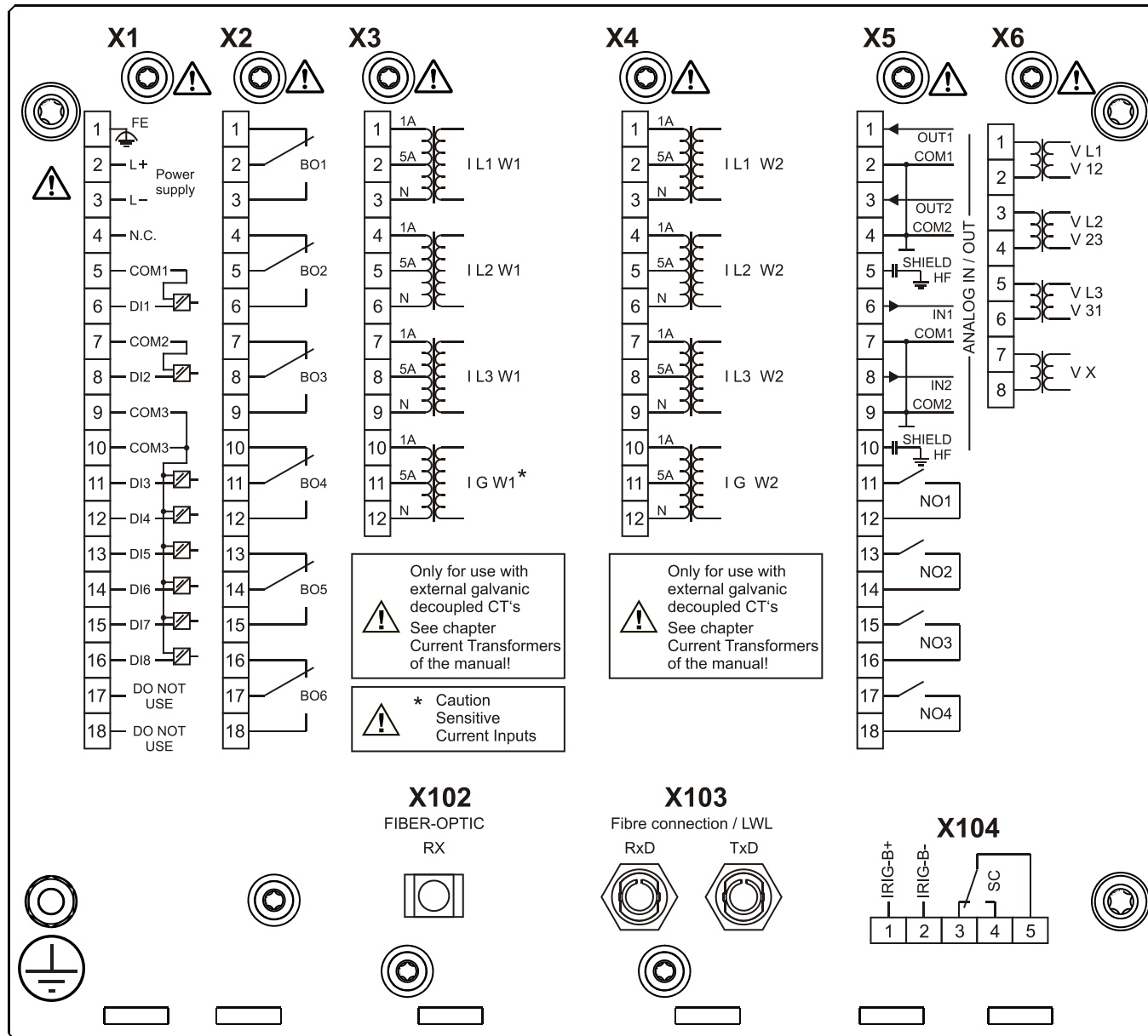
MCDTV4-2B1AEB



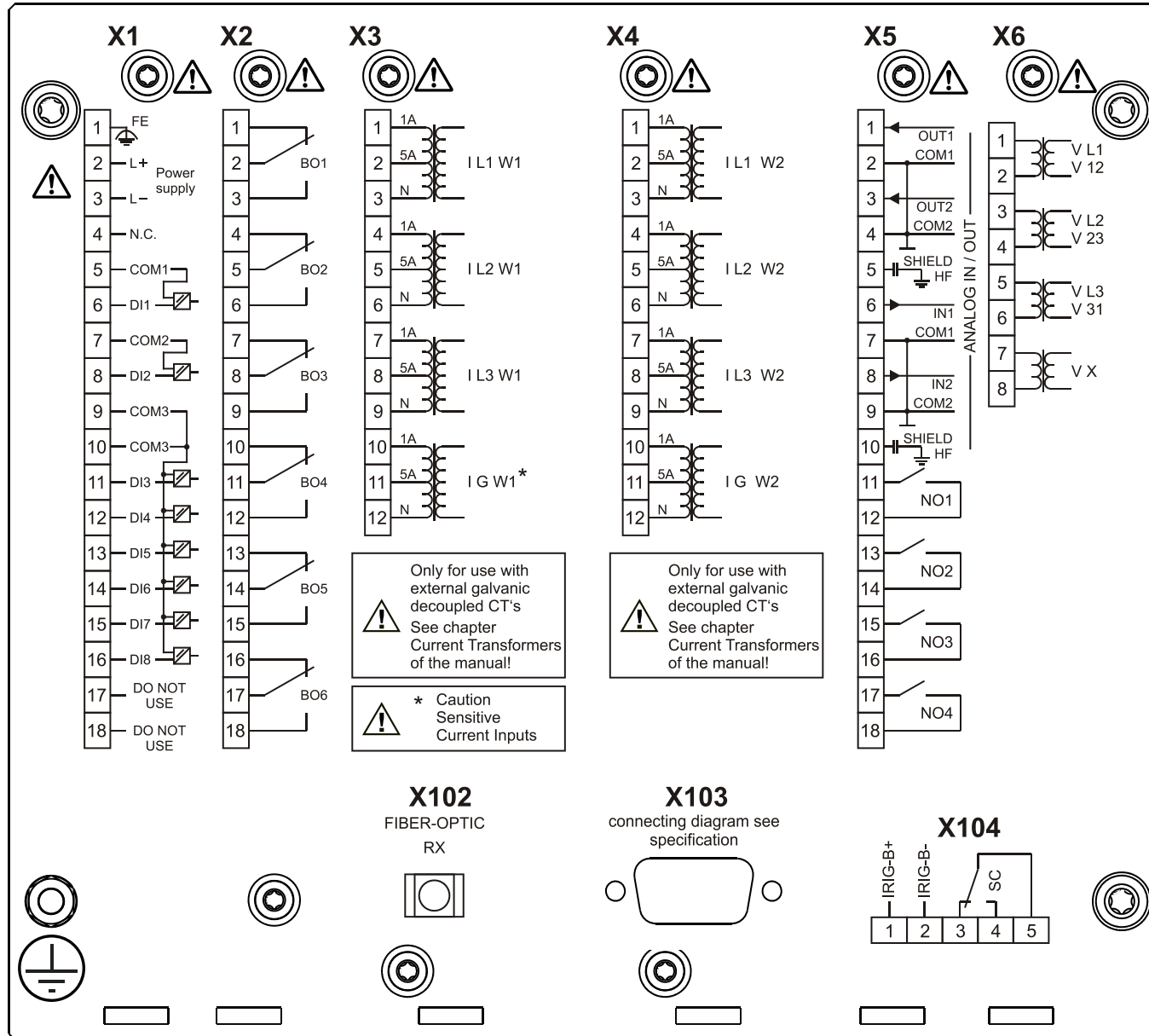
MCDTV4-2B1AFA



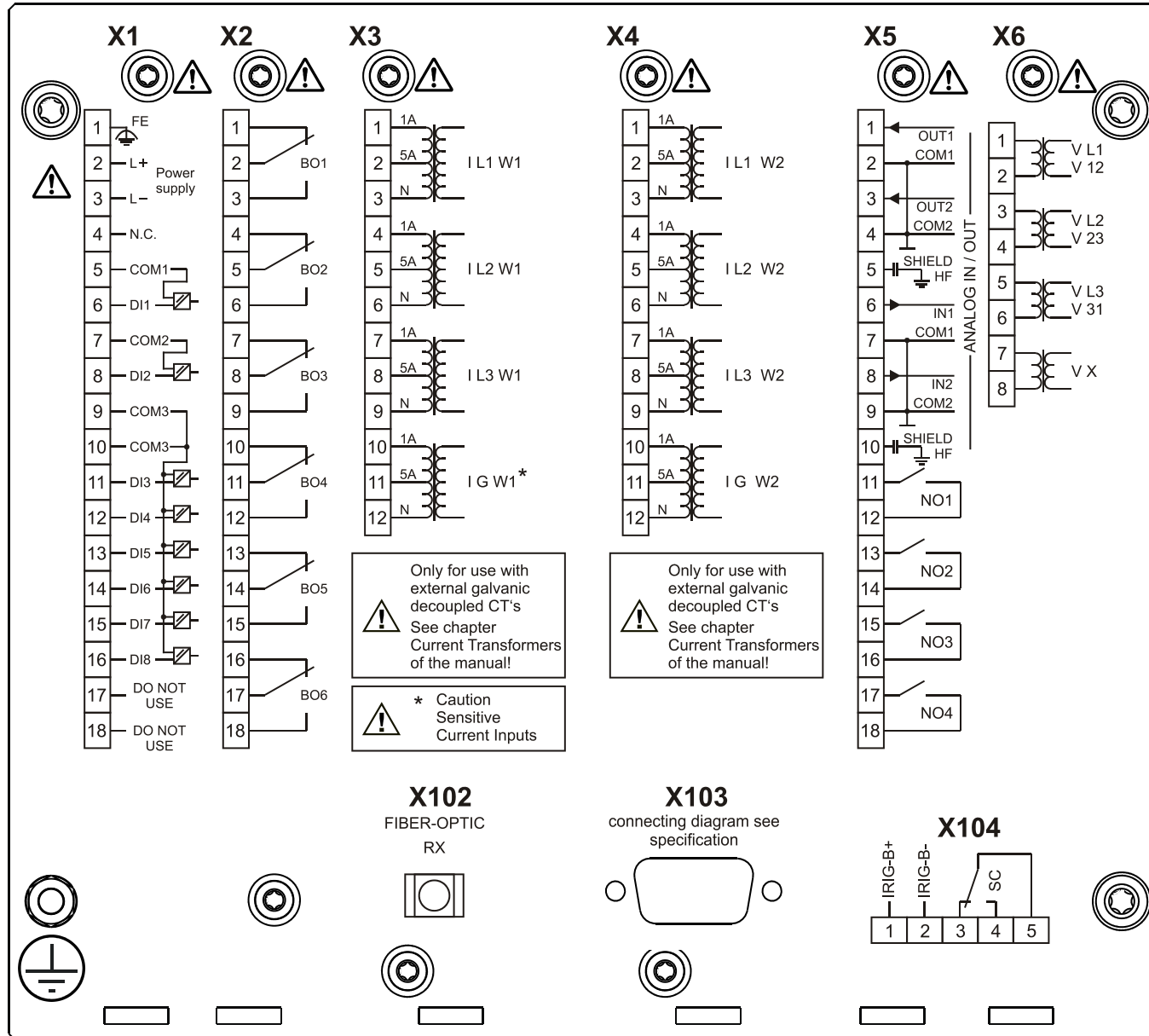
MCDTV4-2B1AFB



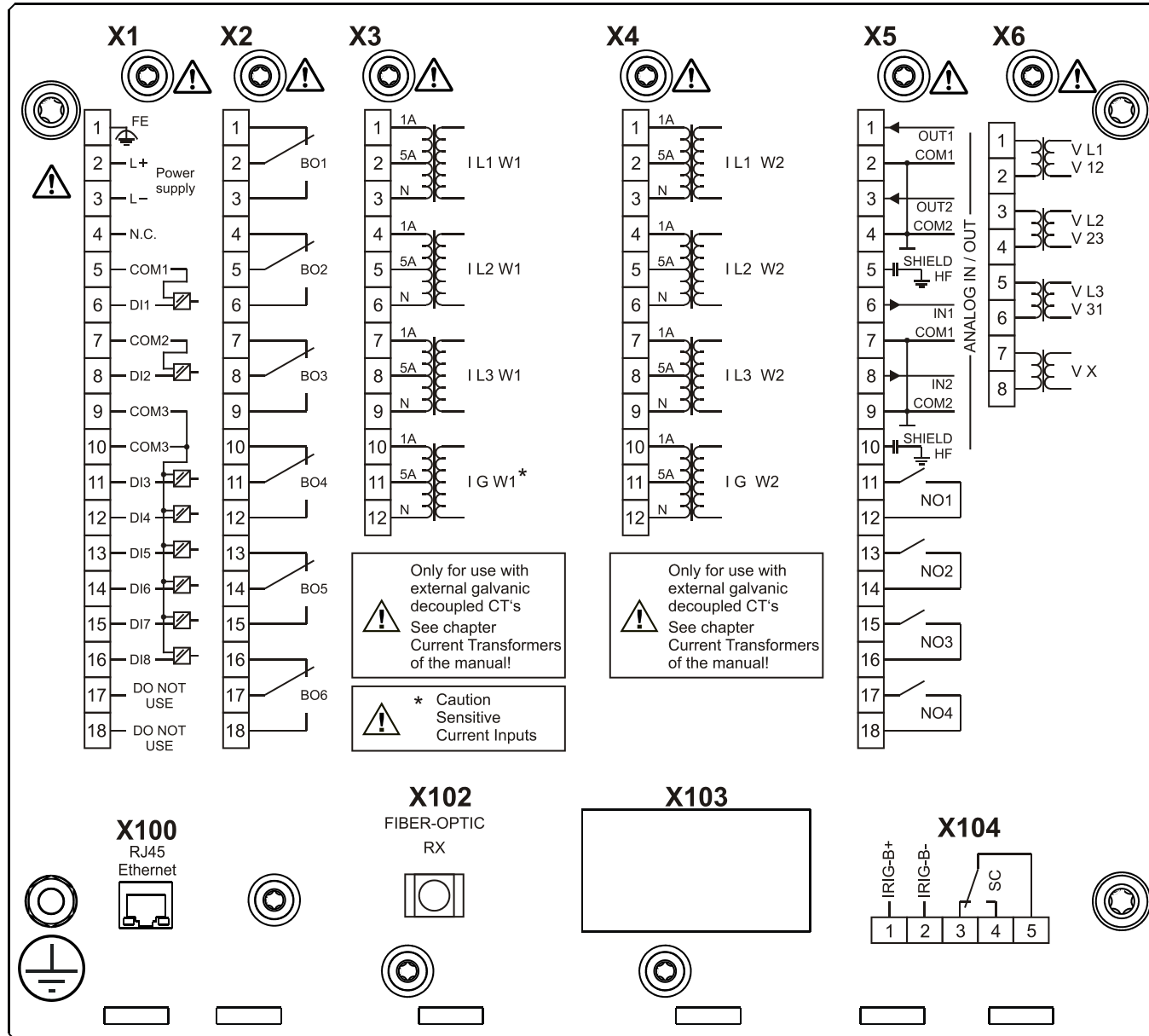
MCDTV4-2B1AGA



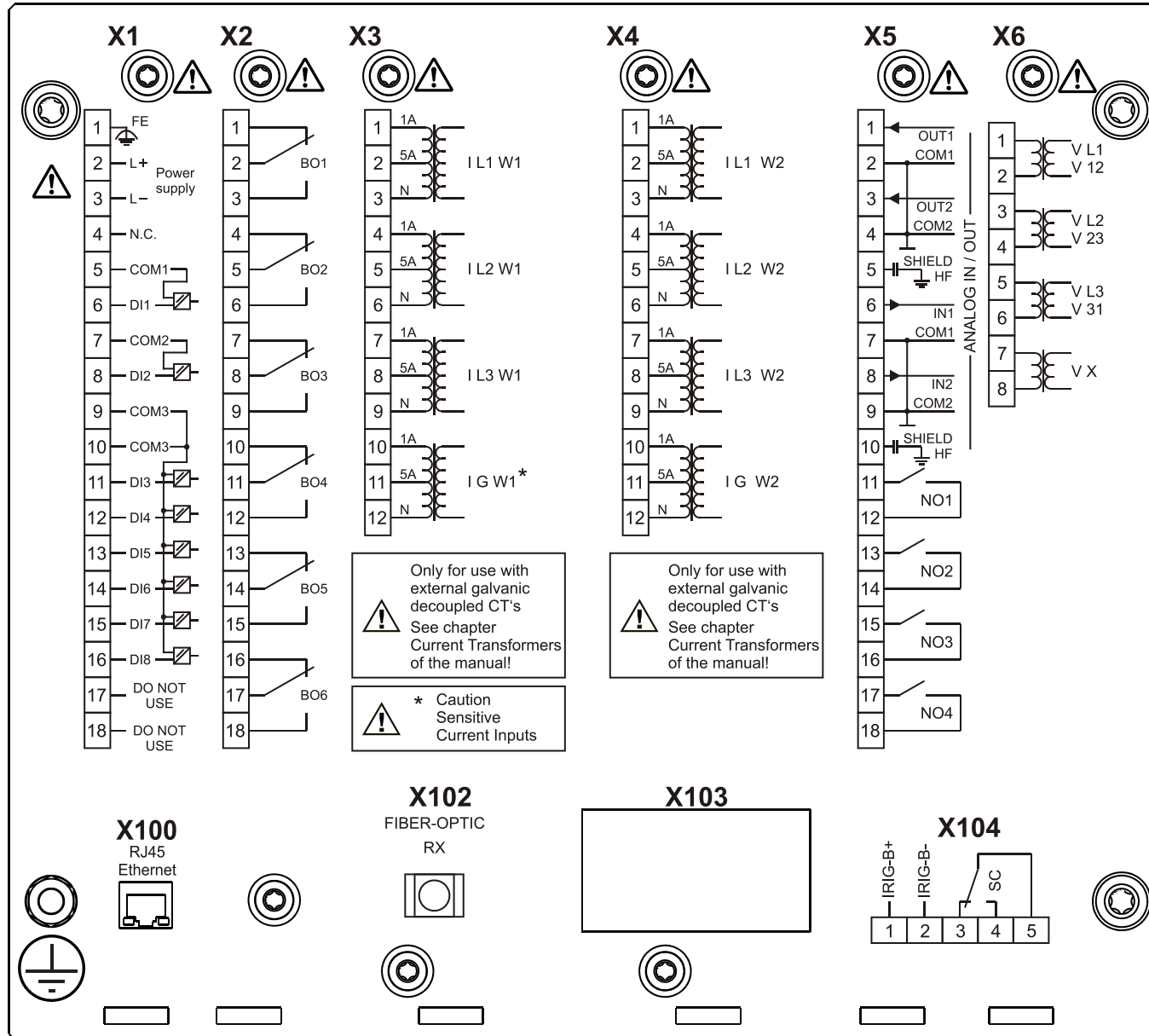
MCDTV4-2B1AGB



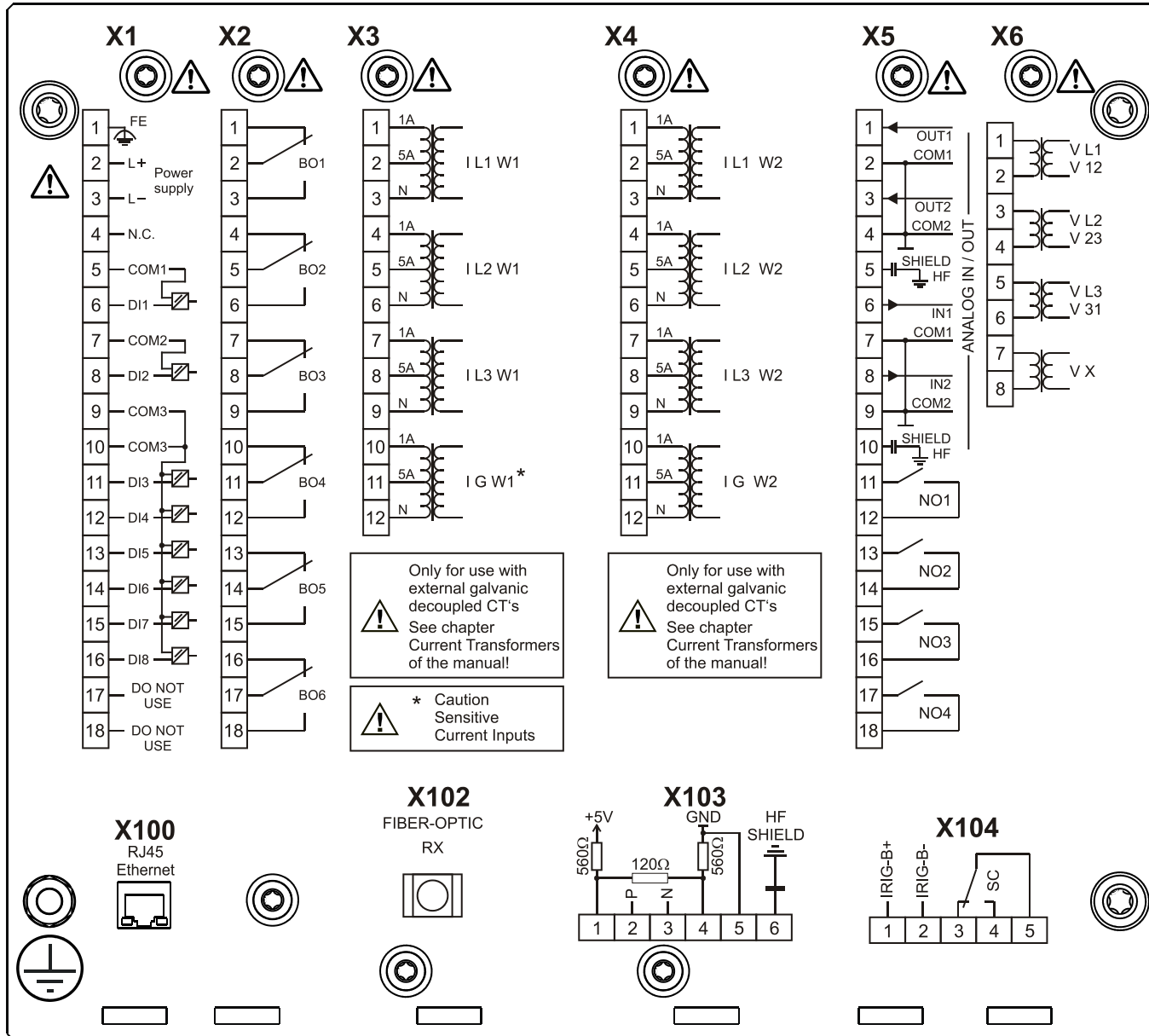
MCDTV4-2B1AHA



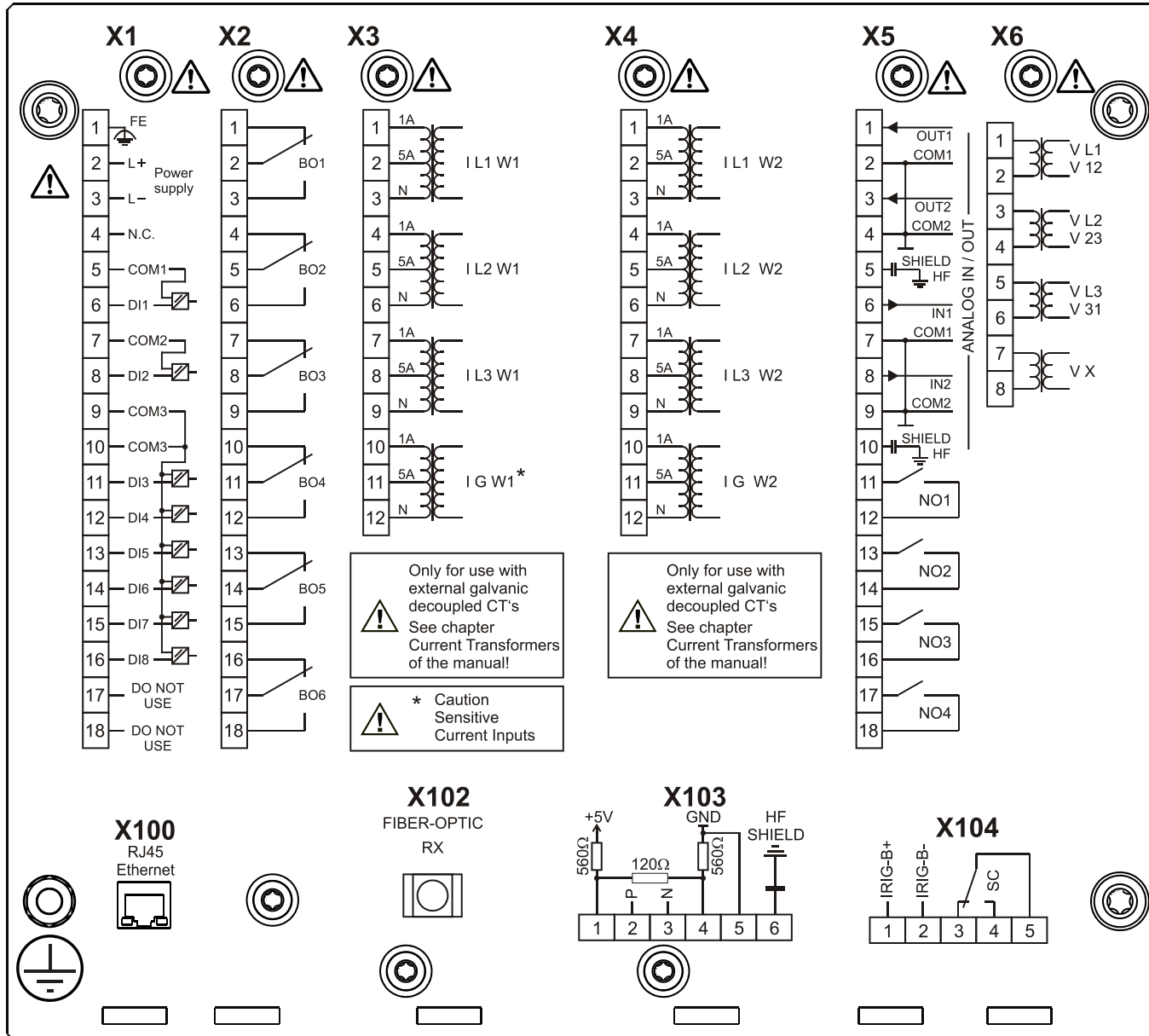
MCDTV4-2B1AHB



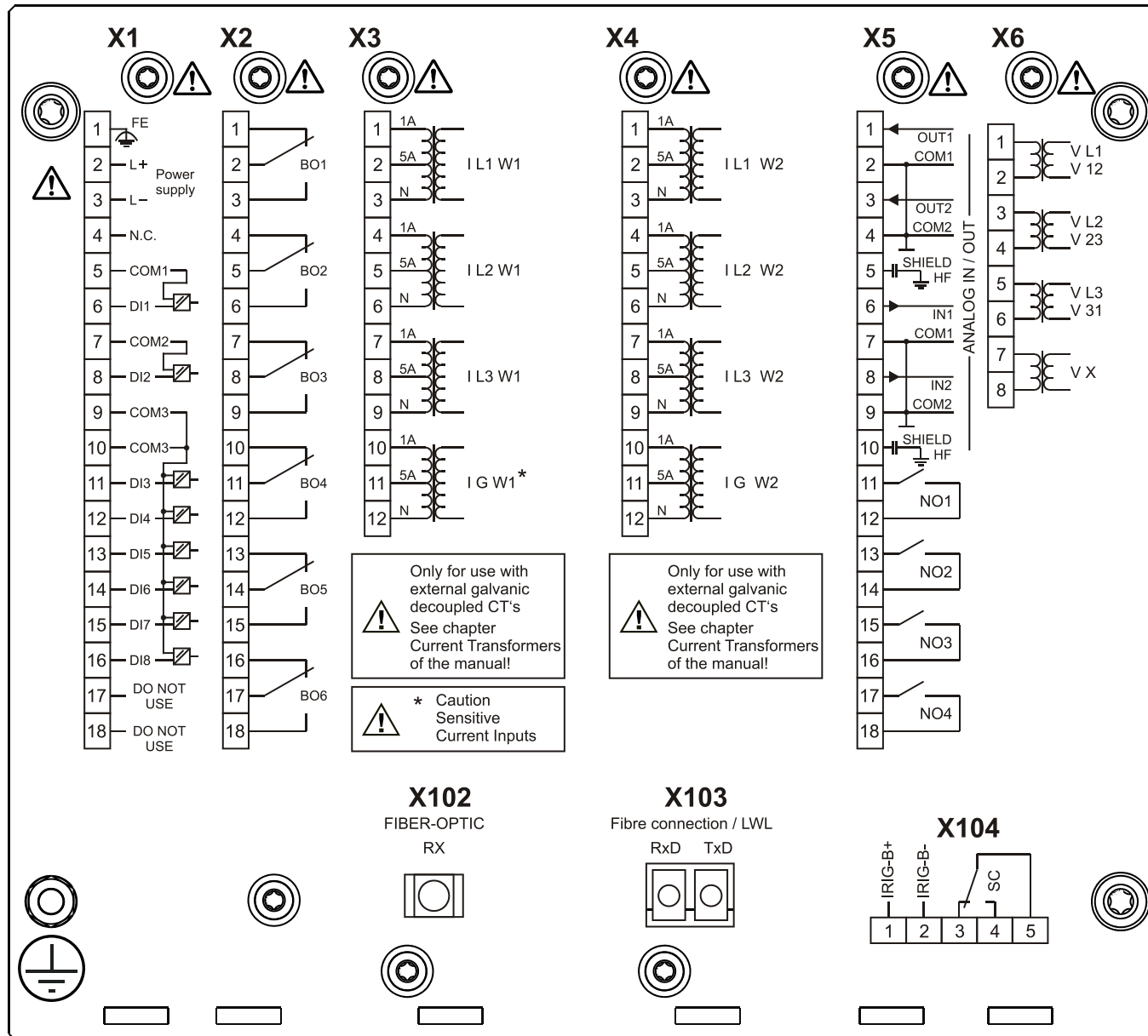
MCDTV4-2B1AIA



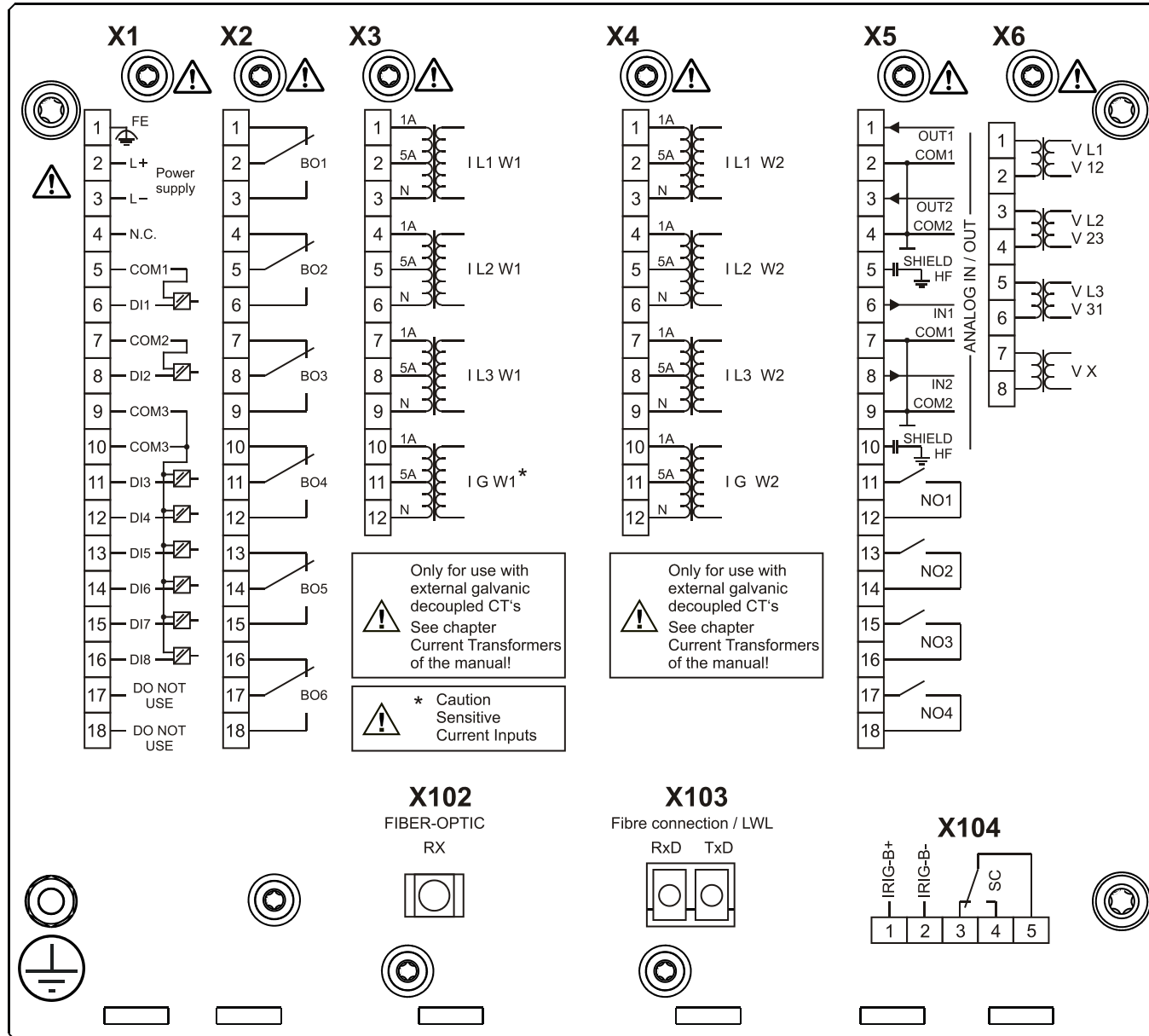
MCDTV4-2B1AIB



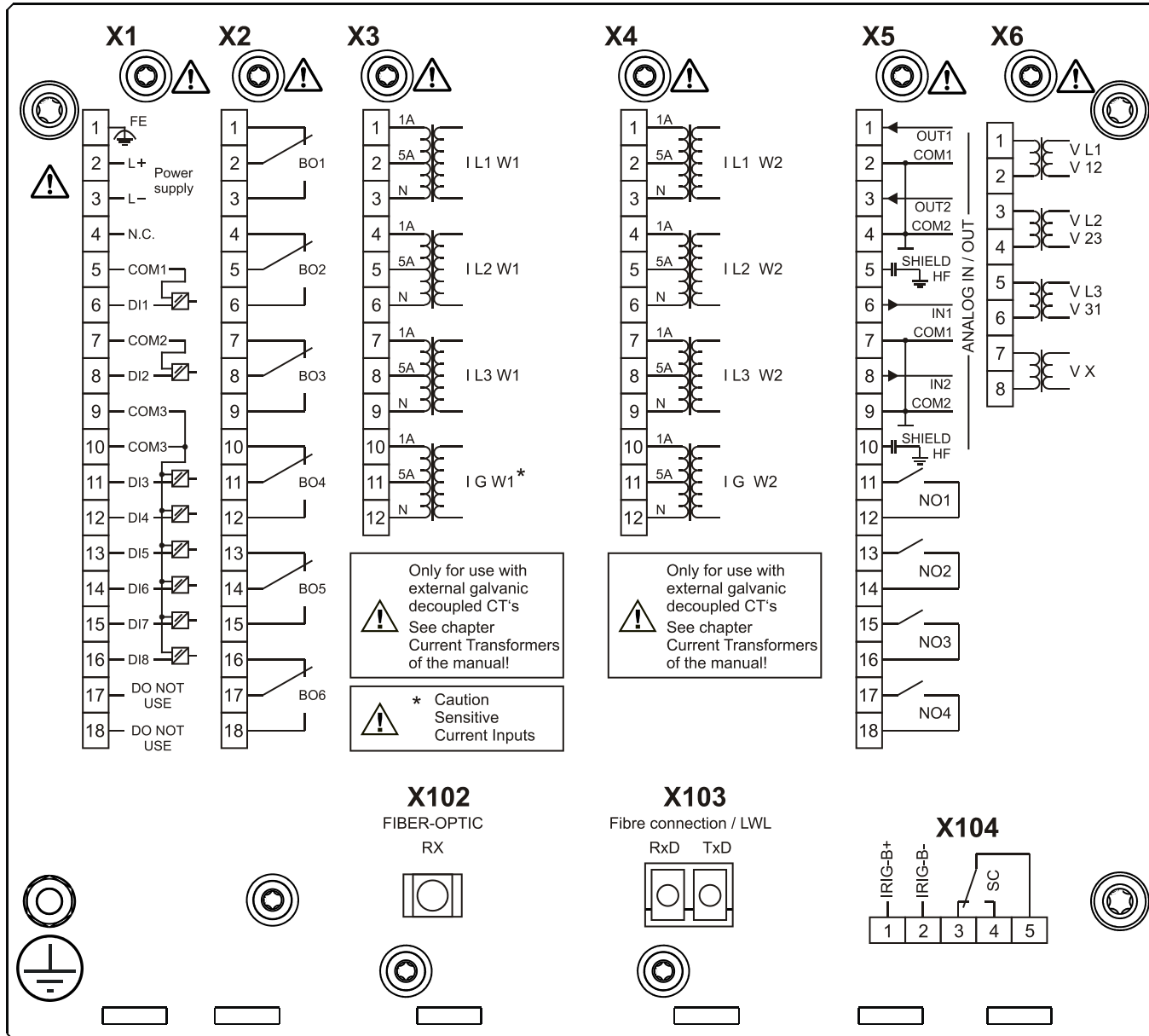
MCDTV4-2B1AKA



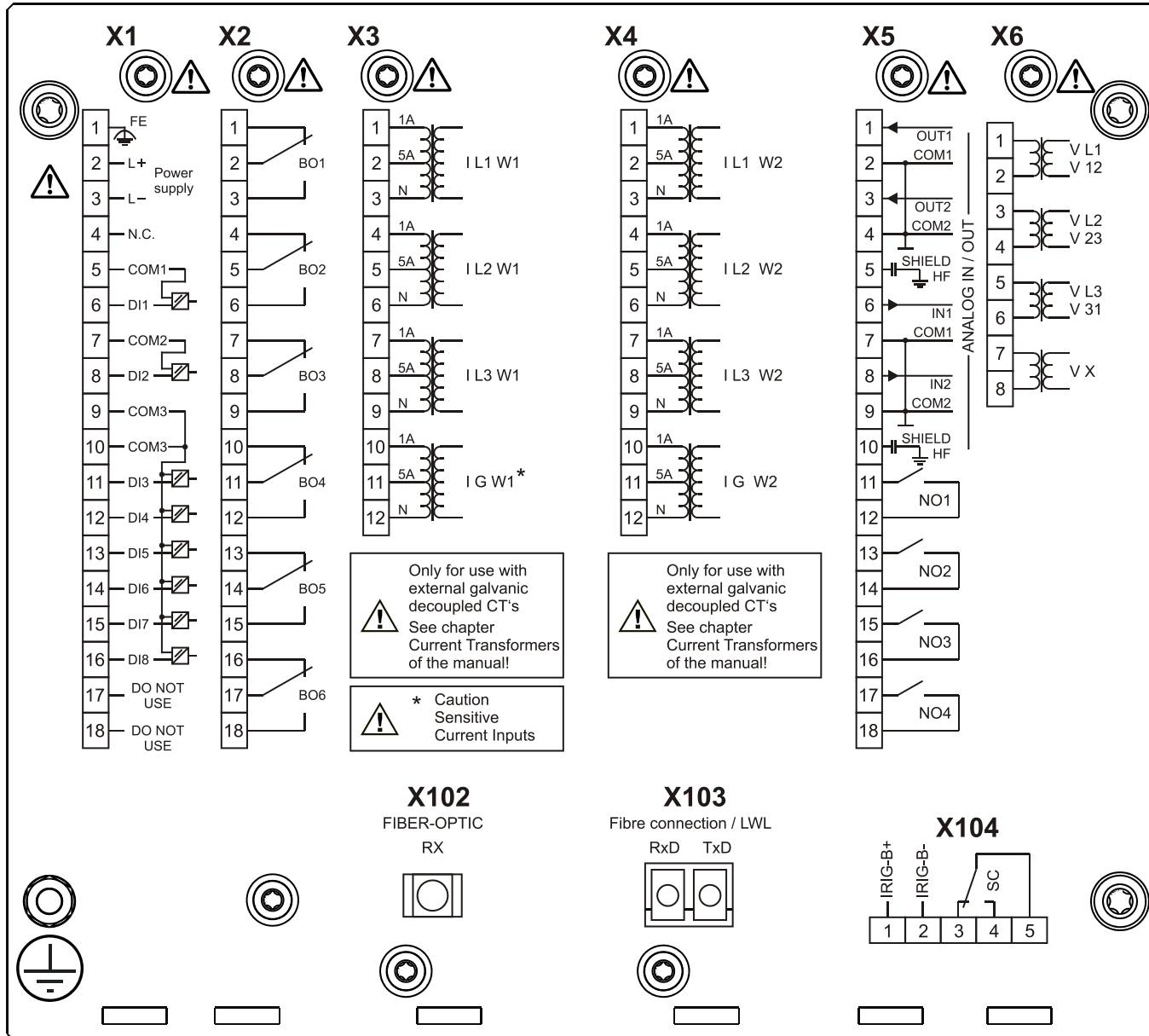
MCDTV4-2B1AKB



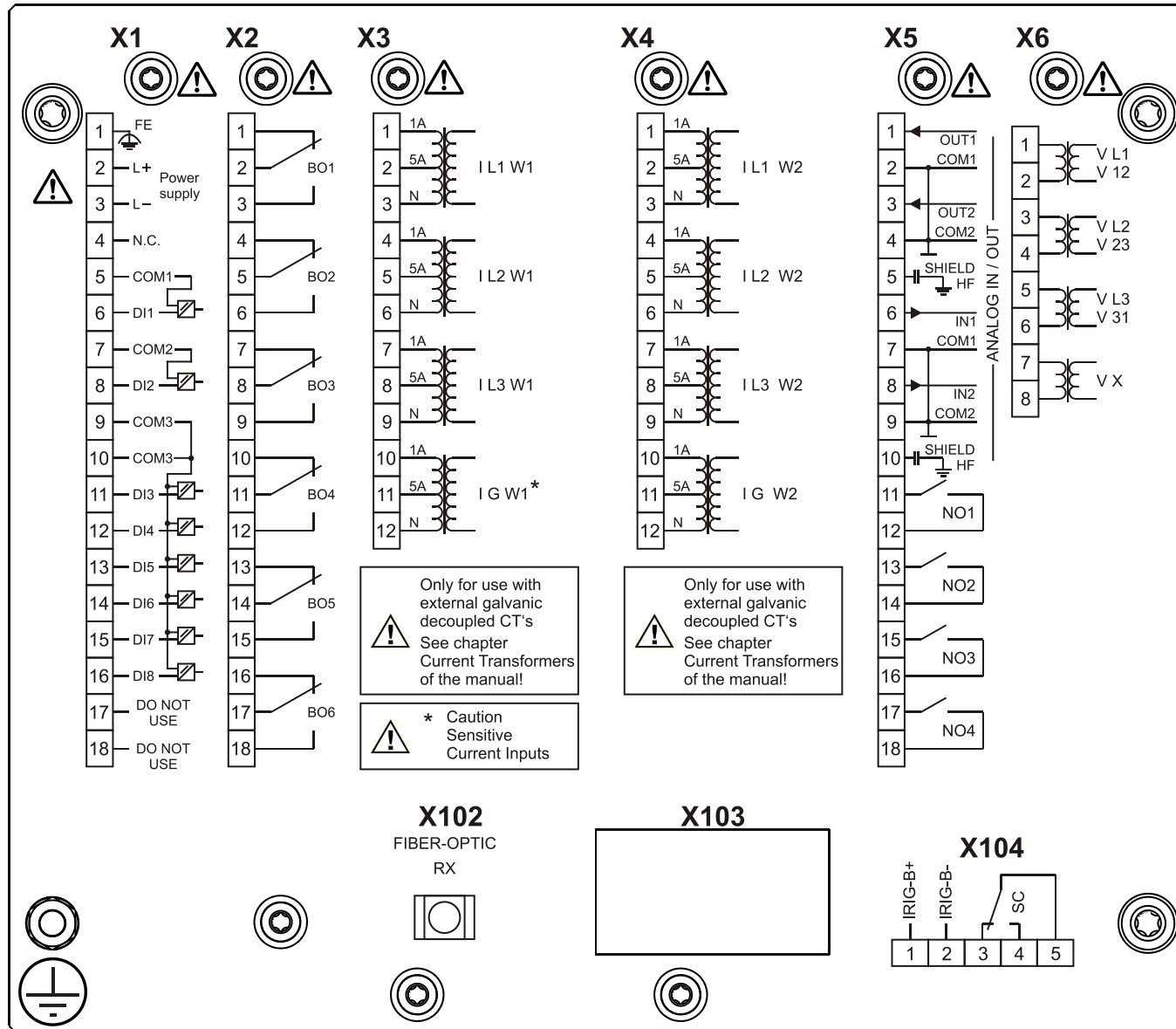
MCDTV4-2B1ALA



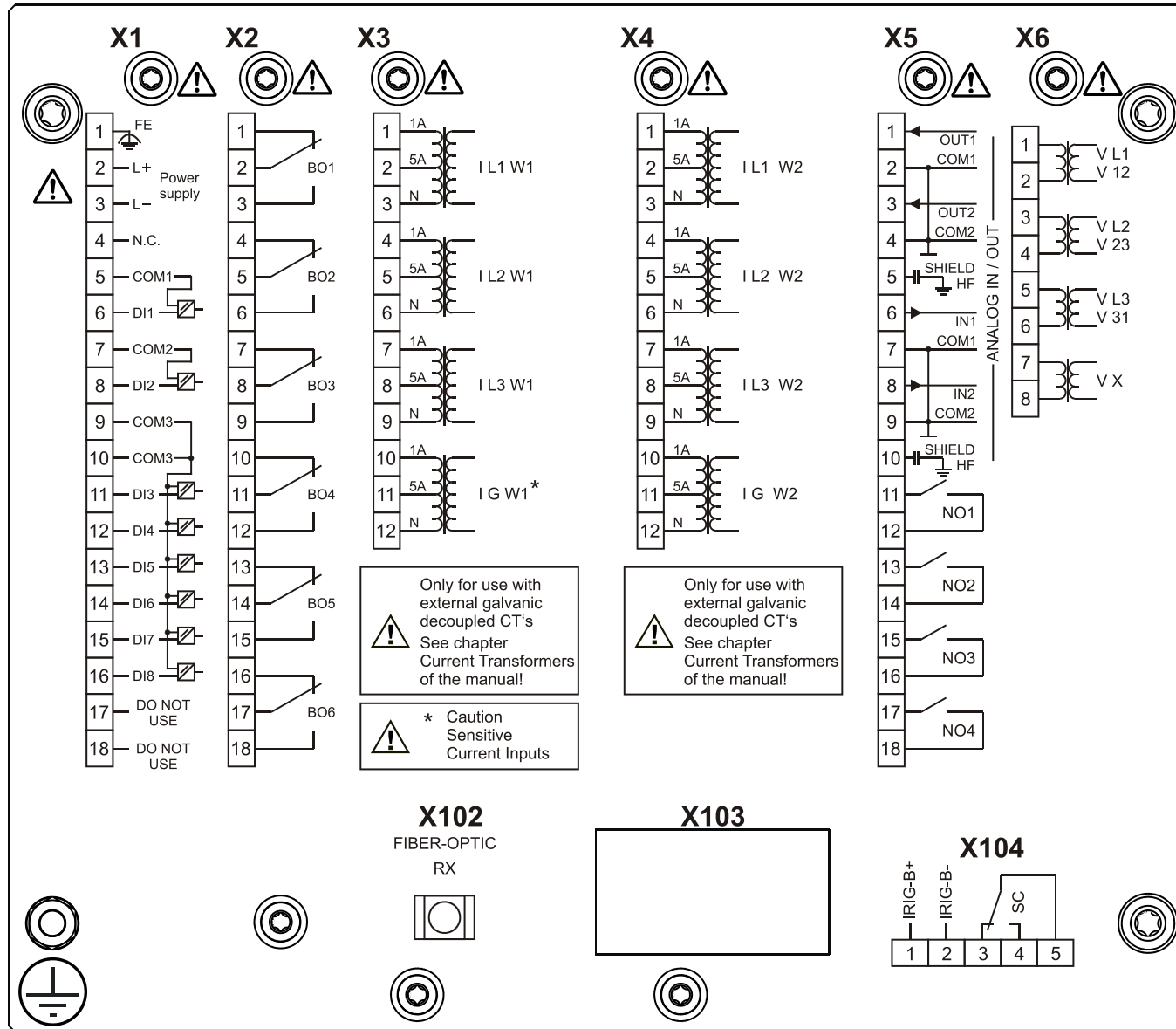
MCDTV4-2B1ALB



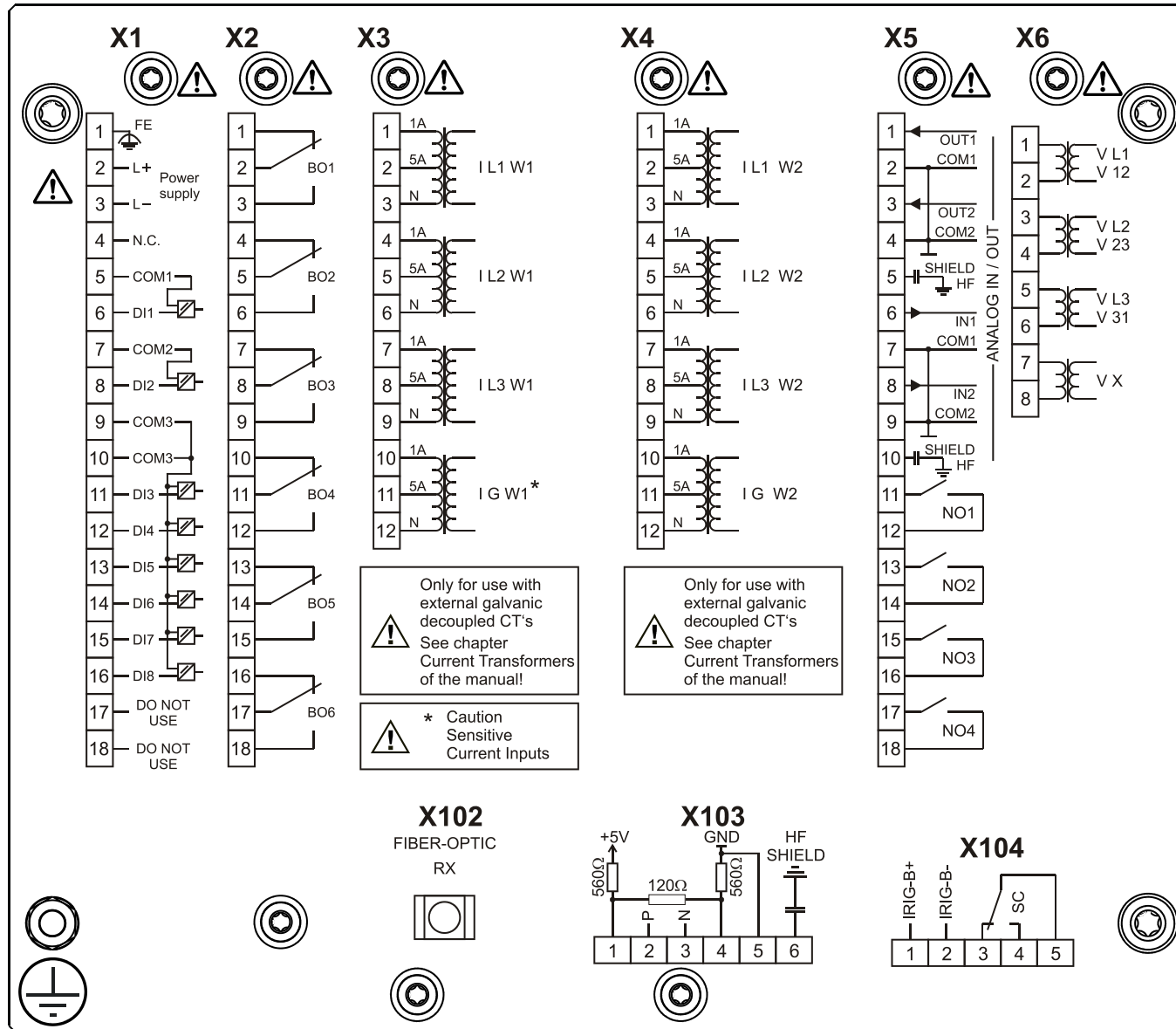
MCDTV4-2B1BAA



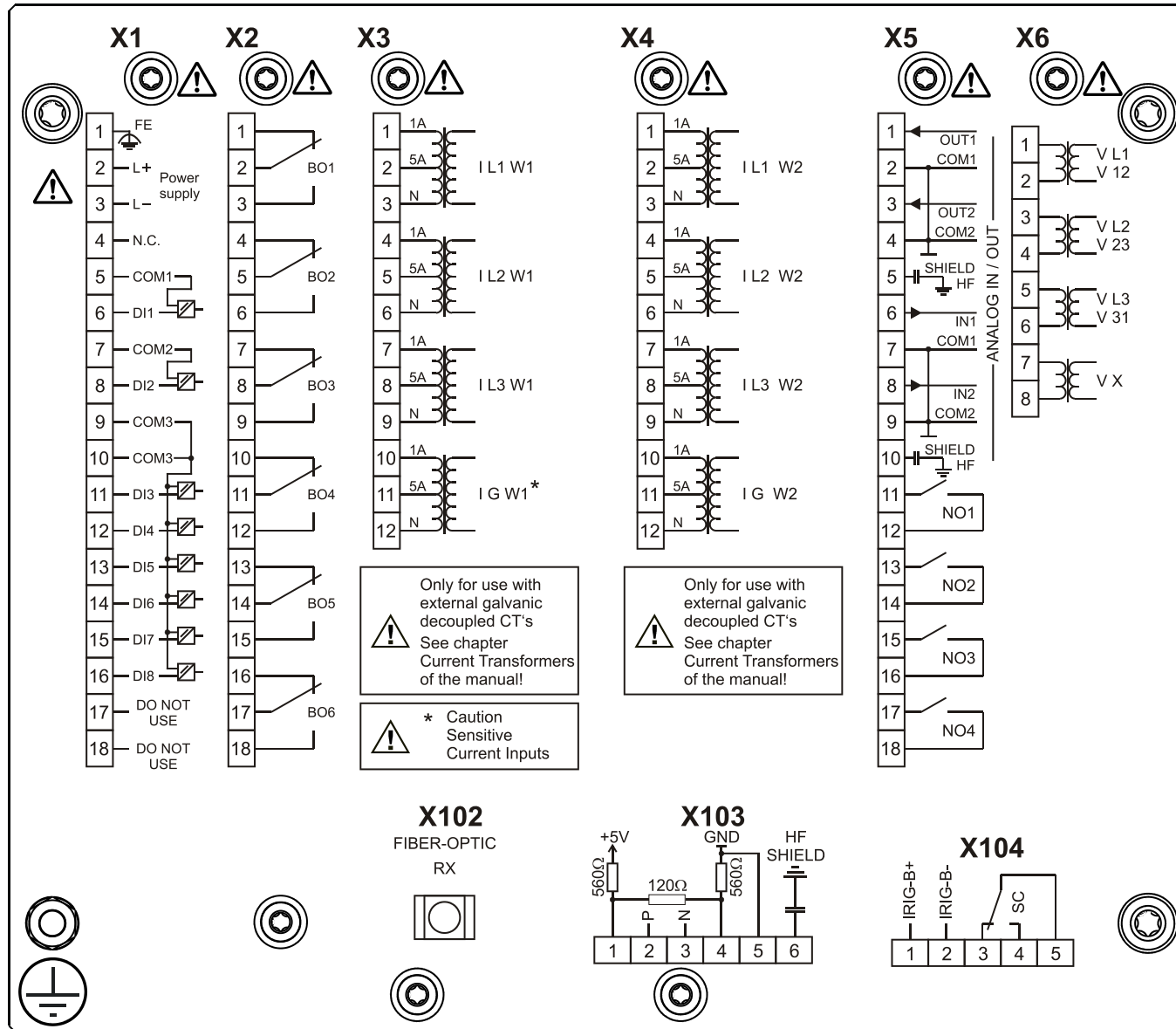
MCDTV4-2B1BAB



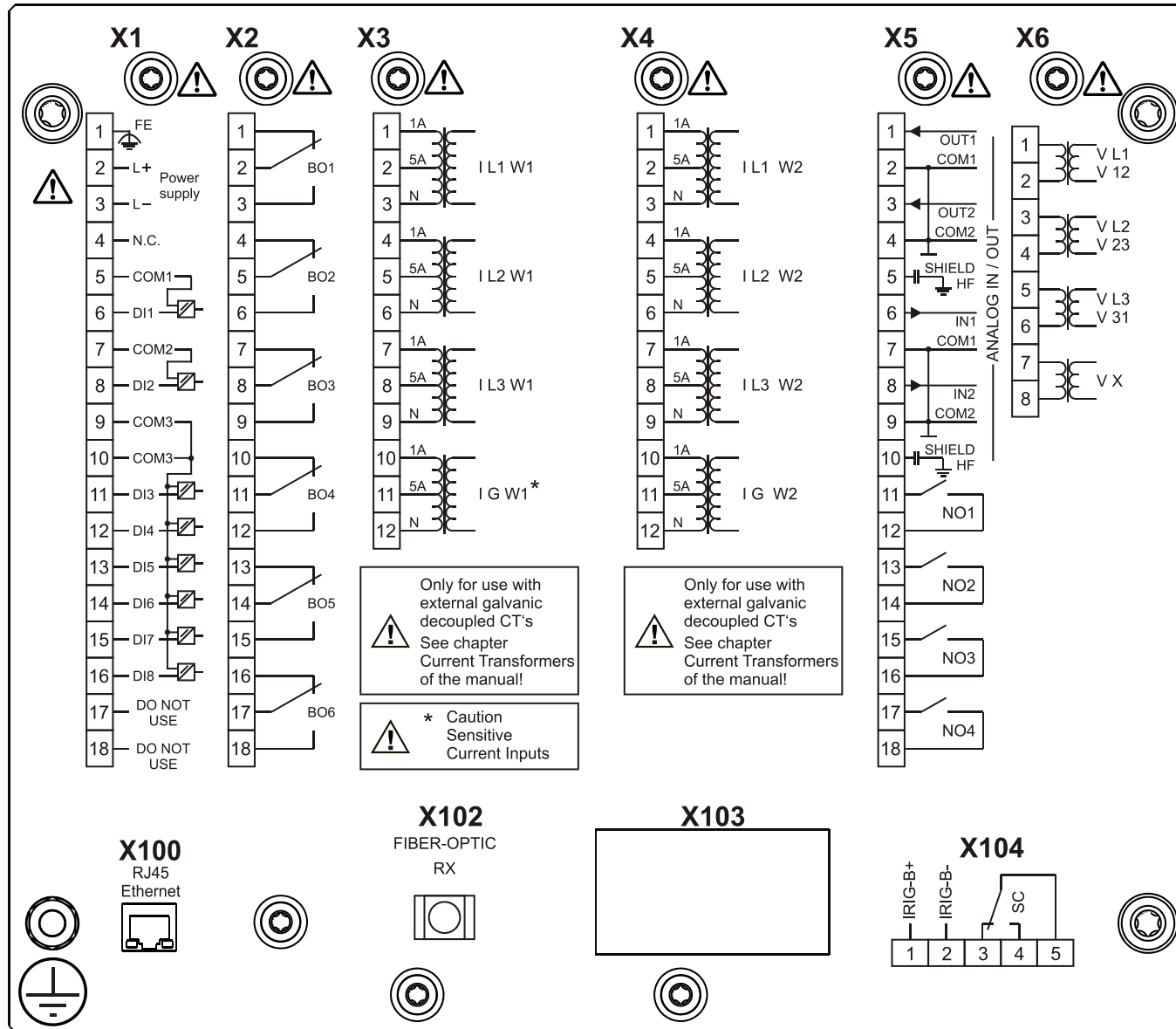
MCDTV4-2B1BBA



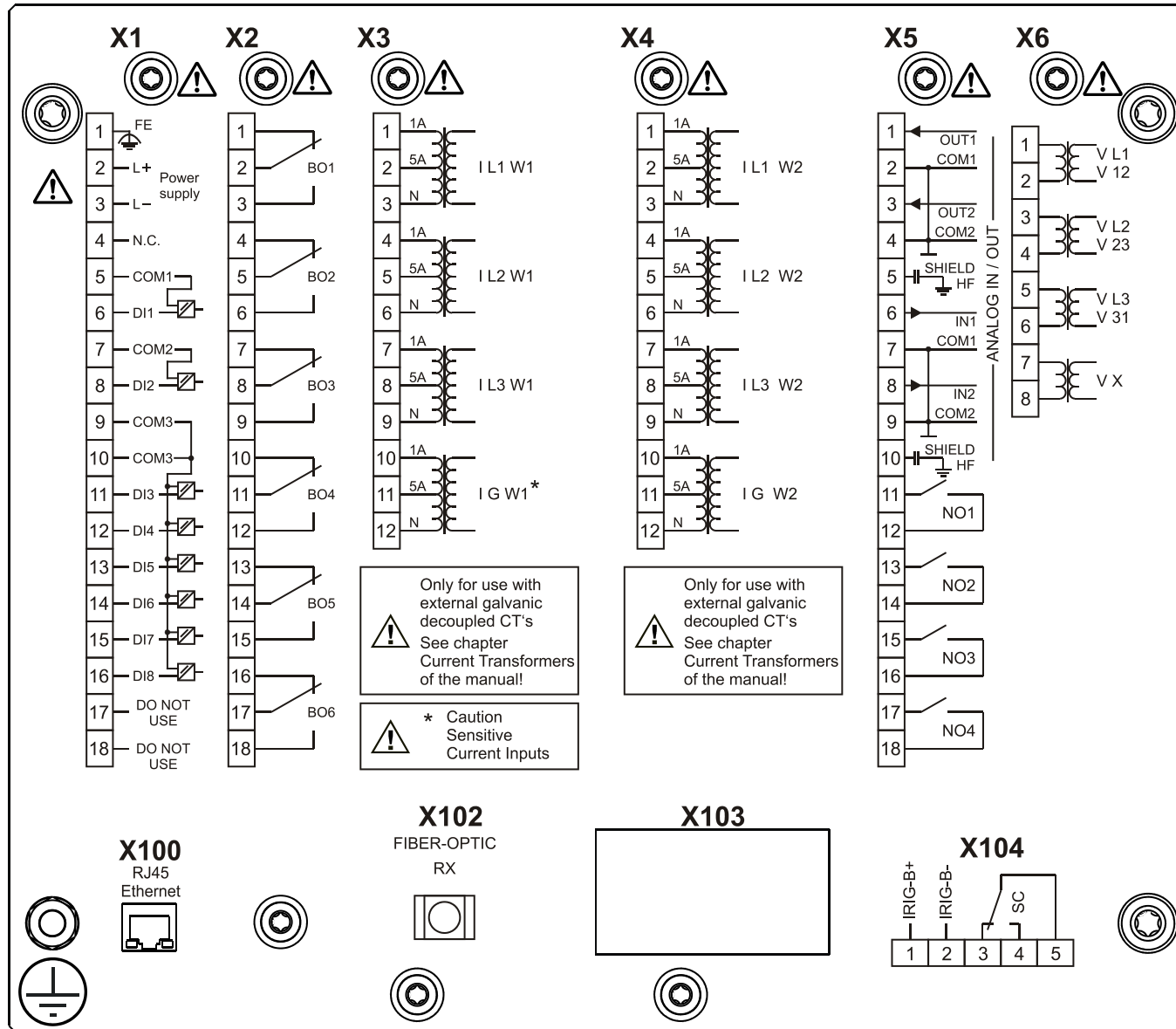
MCDTV4-2B1BBB



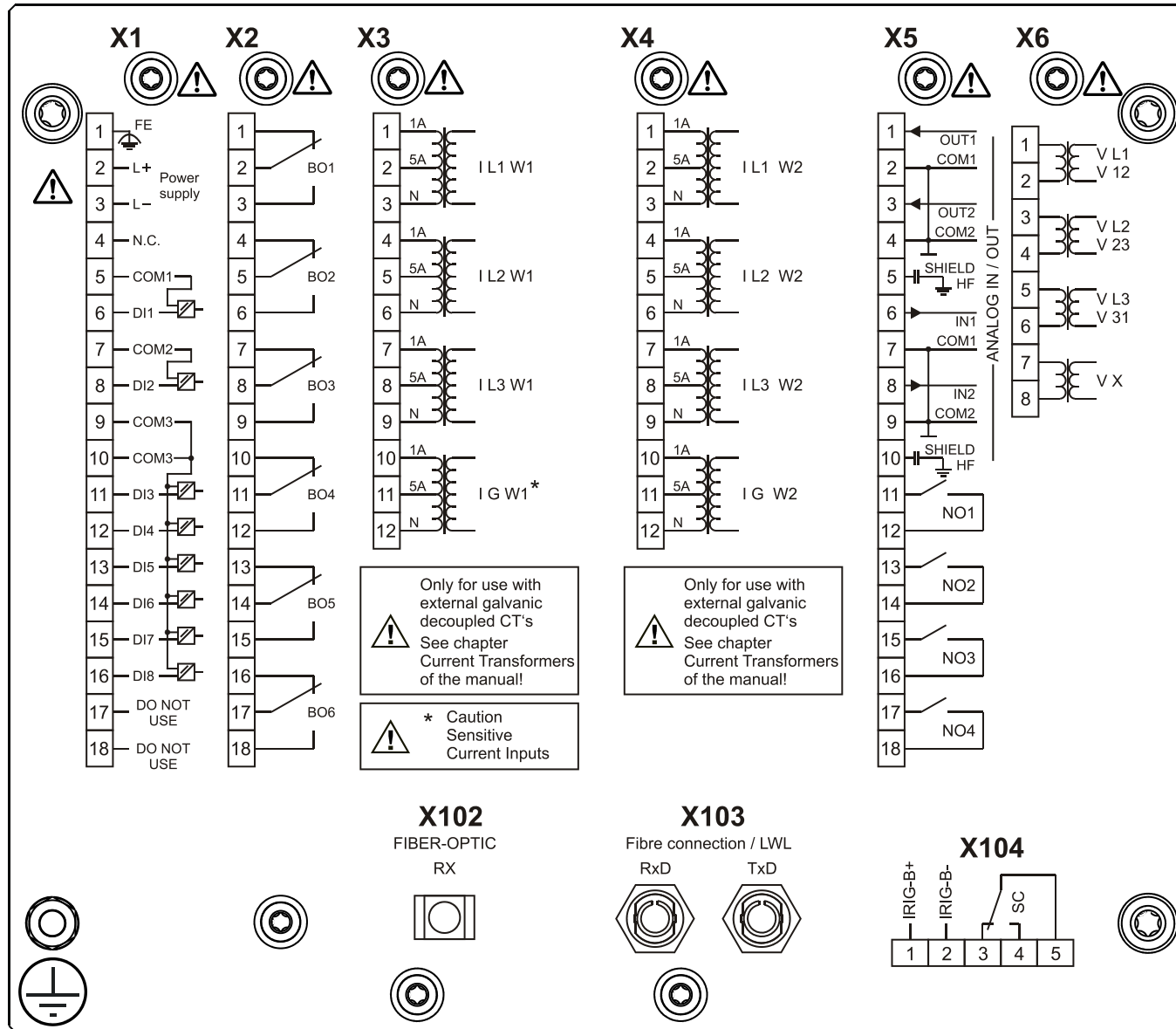
MCDTV4-2B1BCA



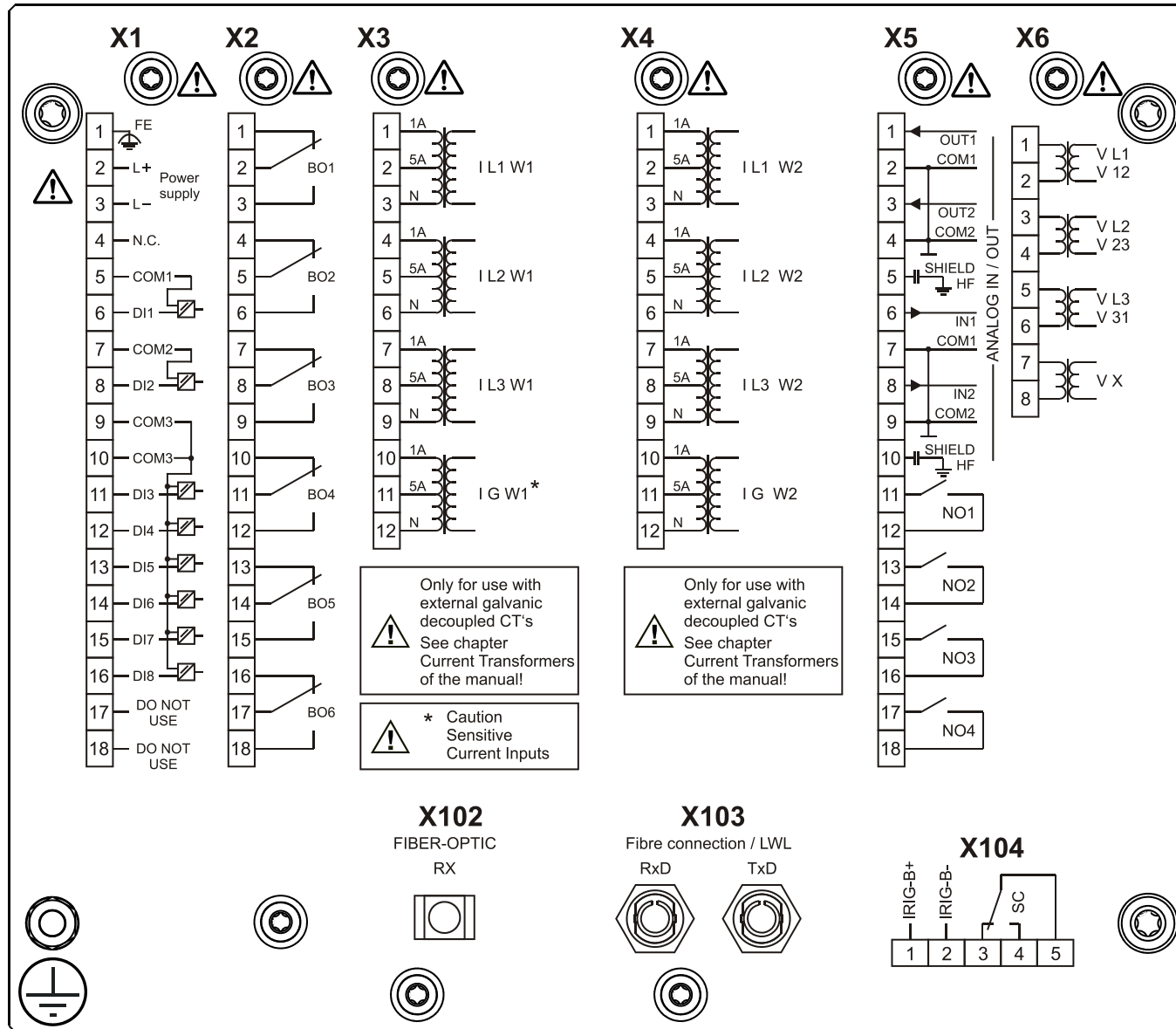
MCDTV4-2B1BCB



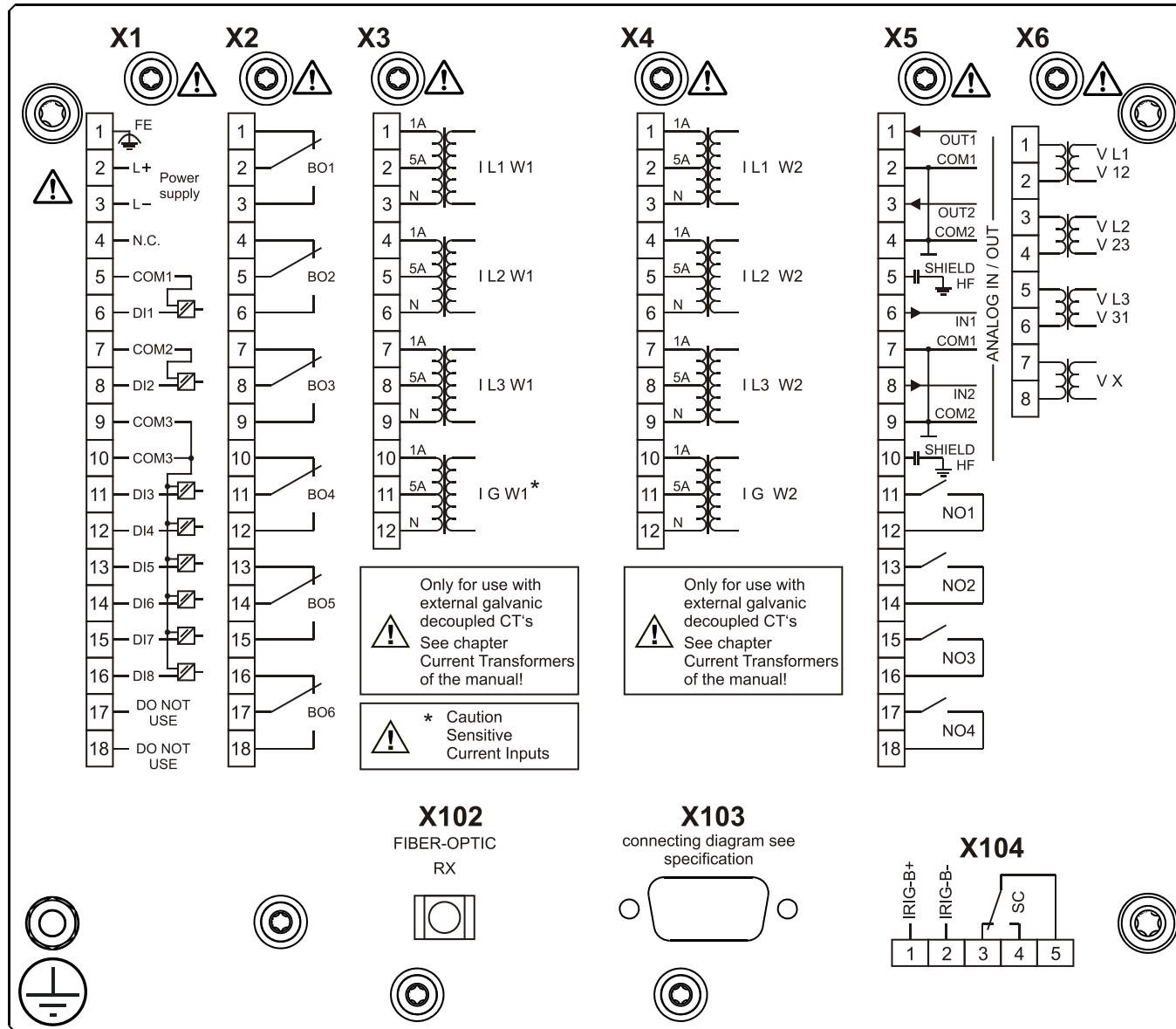
MCDTV4-2B1BDA



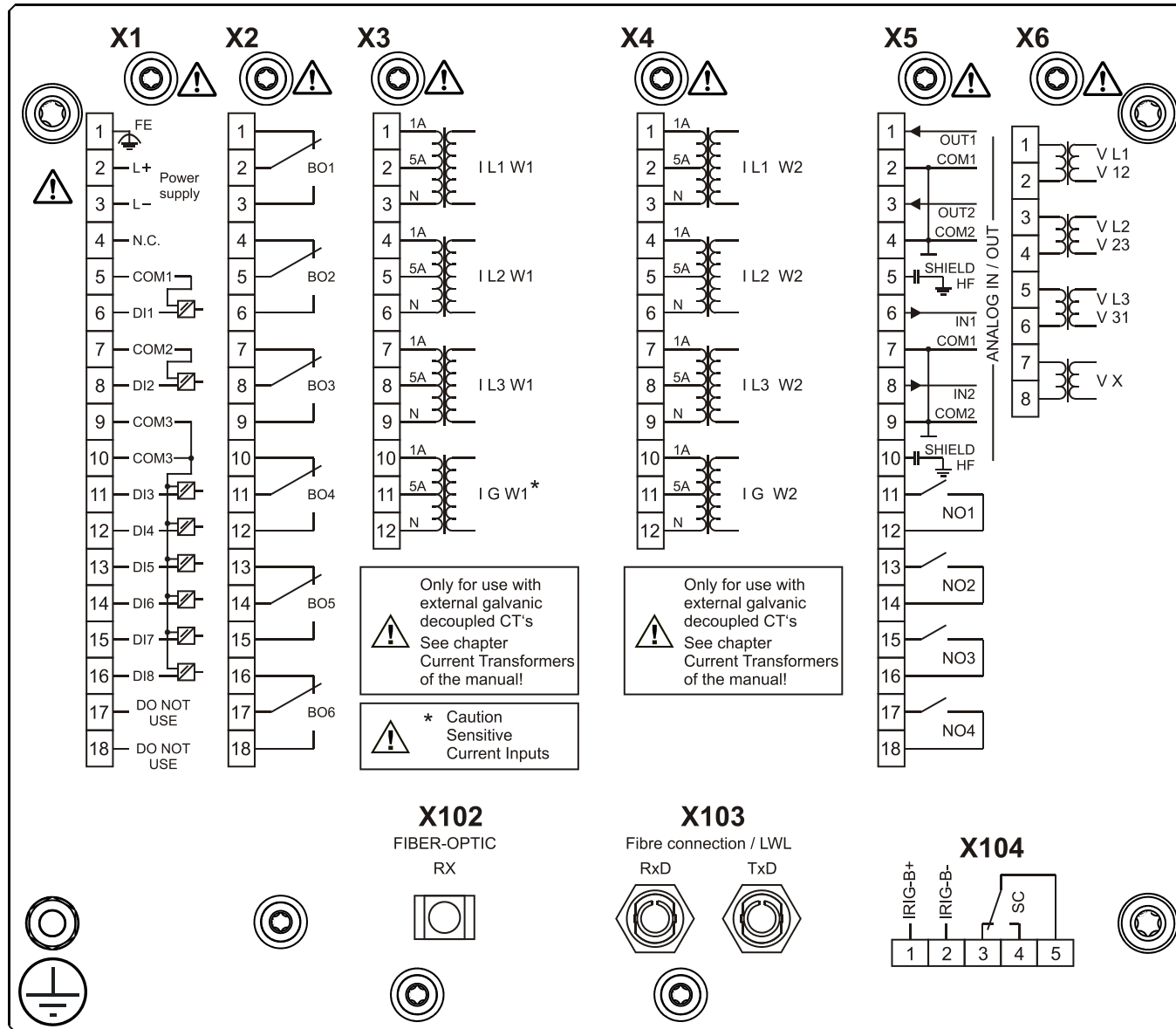
MCDTV4-2B1BDB



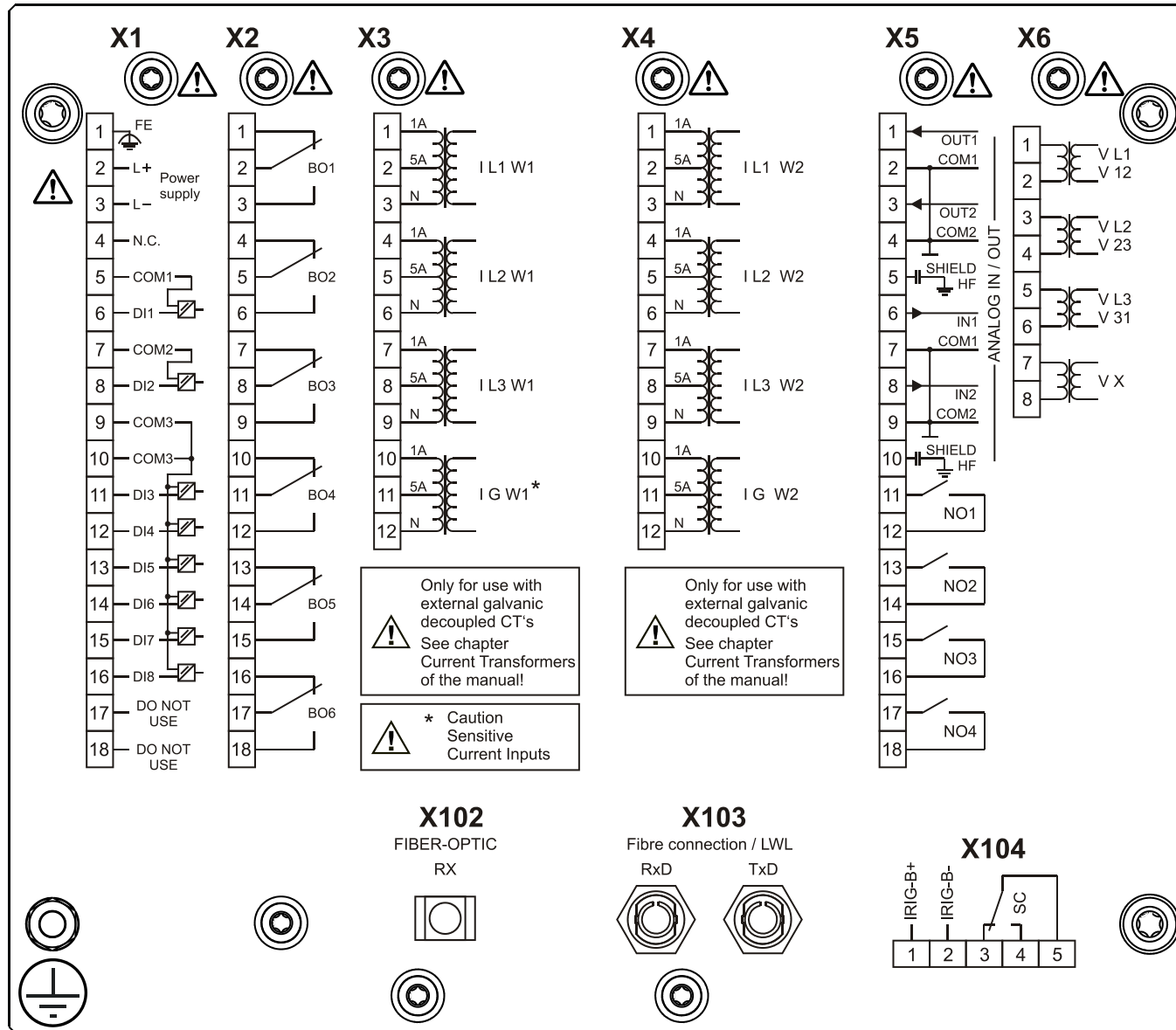
MCDTV4-2B1BEA



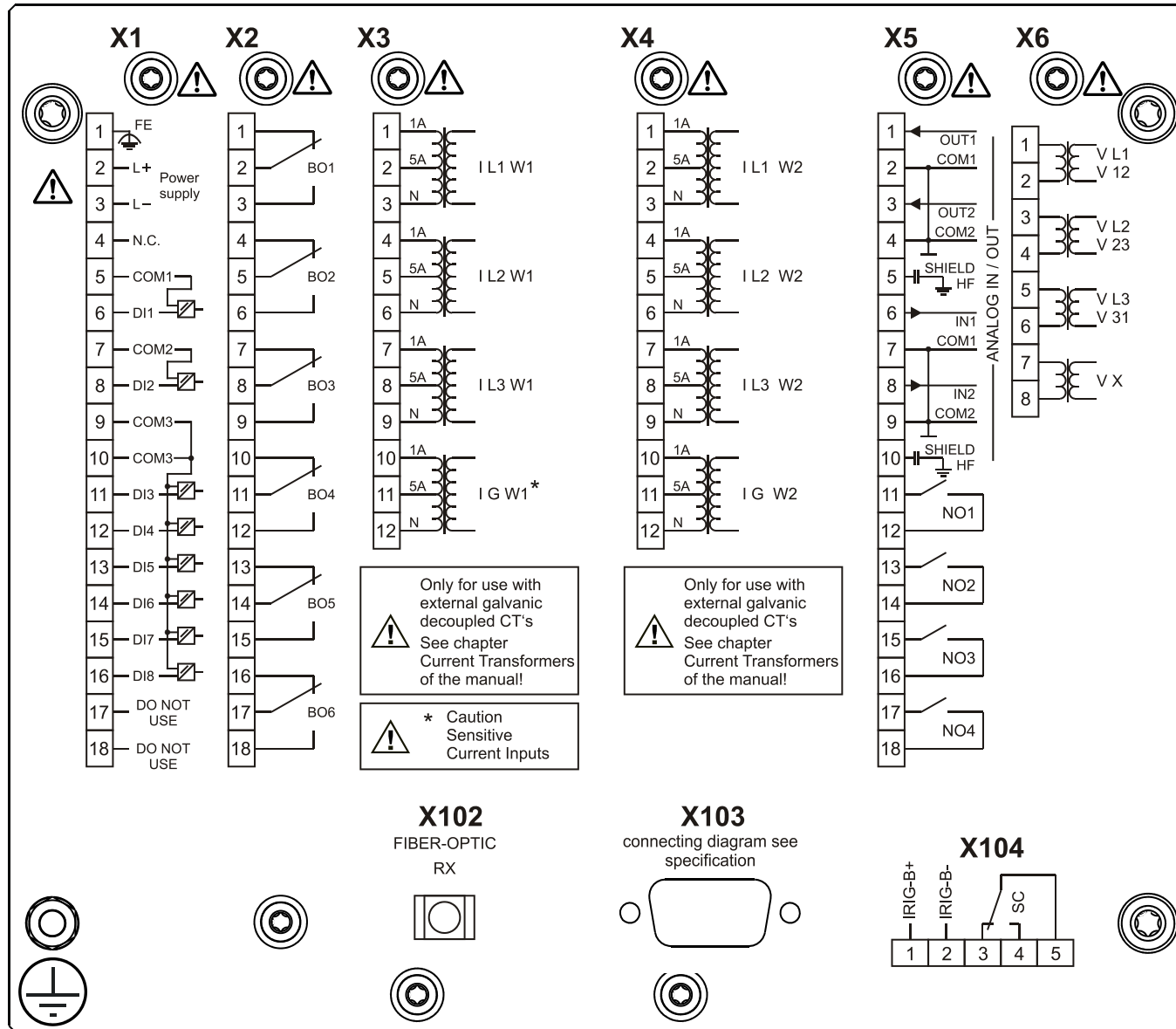
MCDTV4-2B1BFA



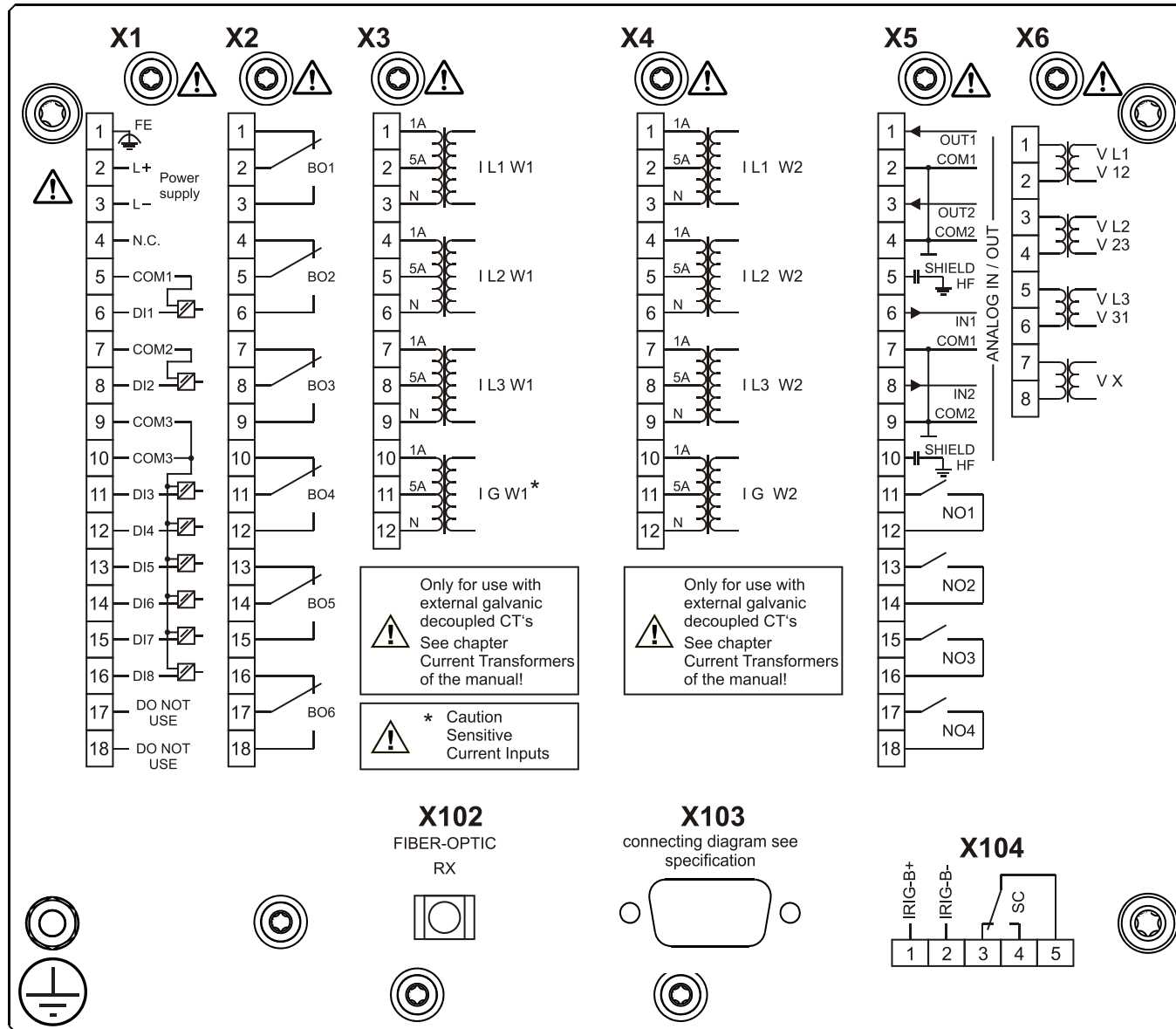
MCDTV4-2B1BFB



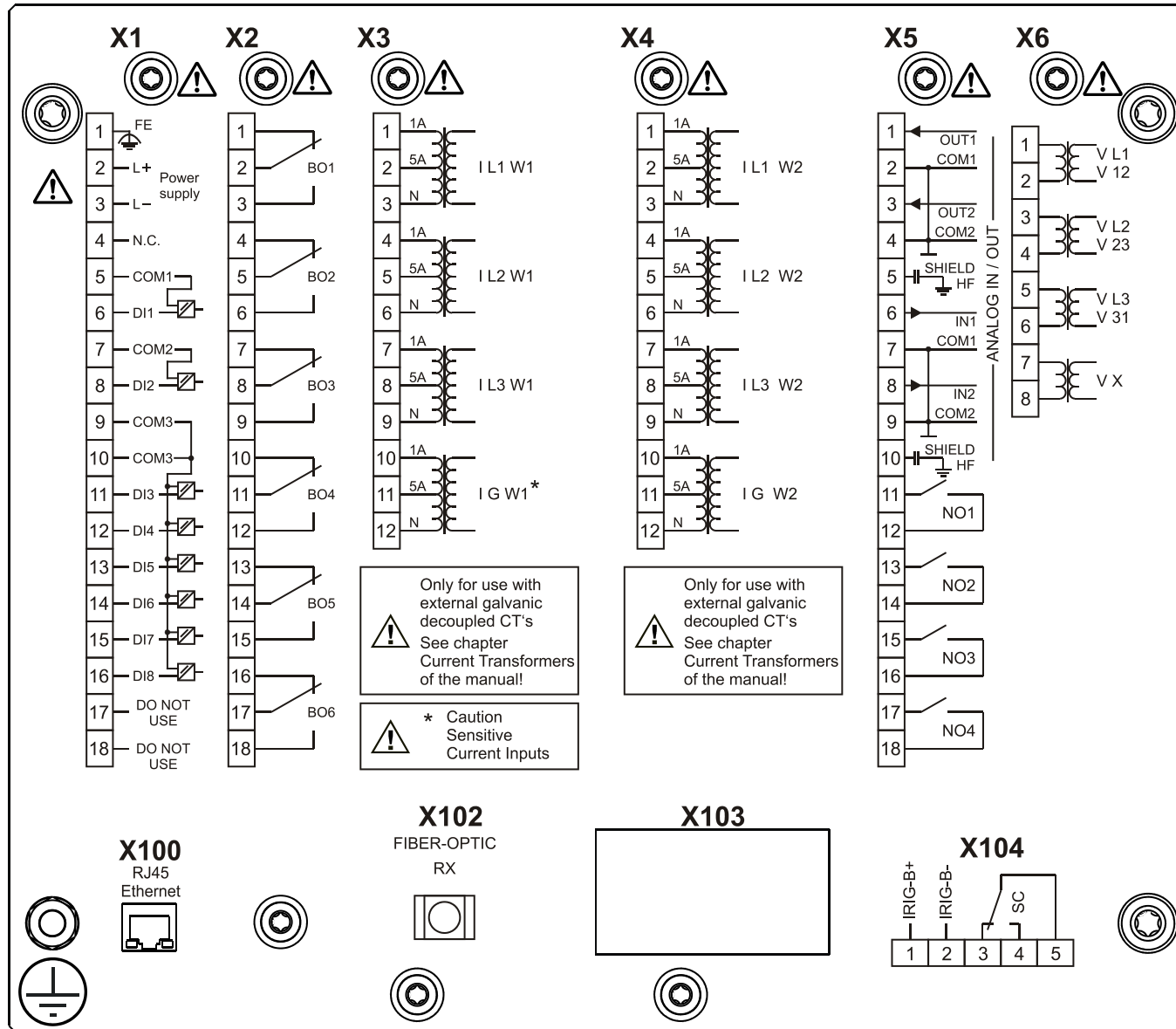
MCDTV4-2B1BGA



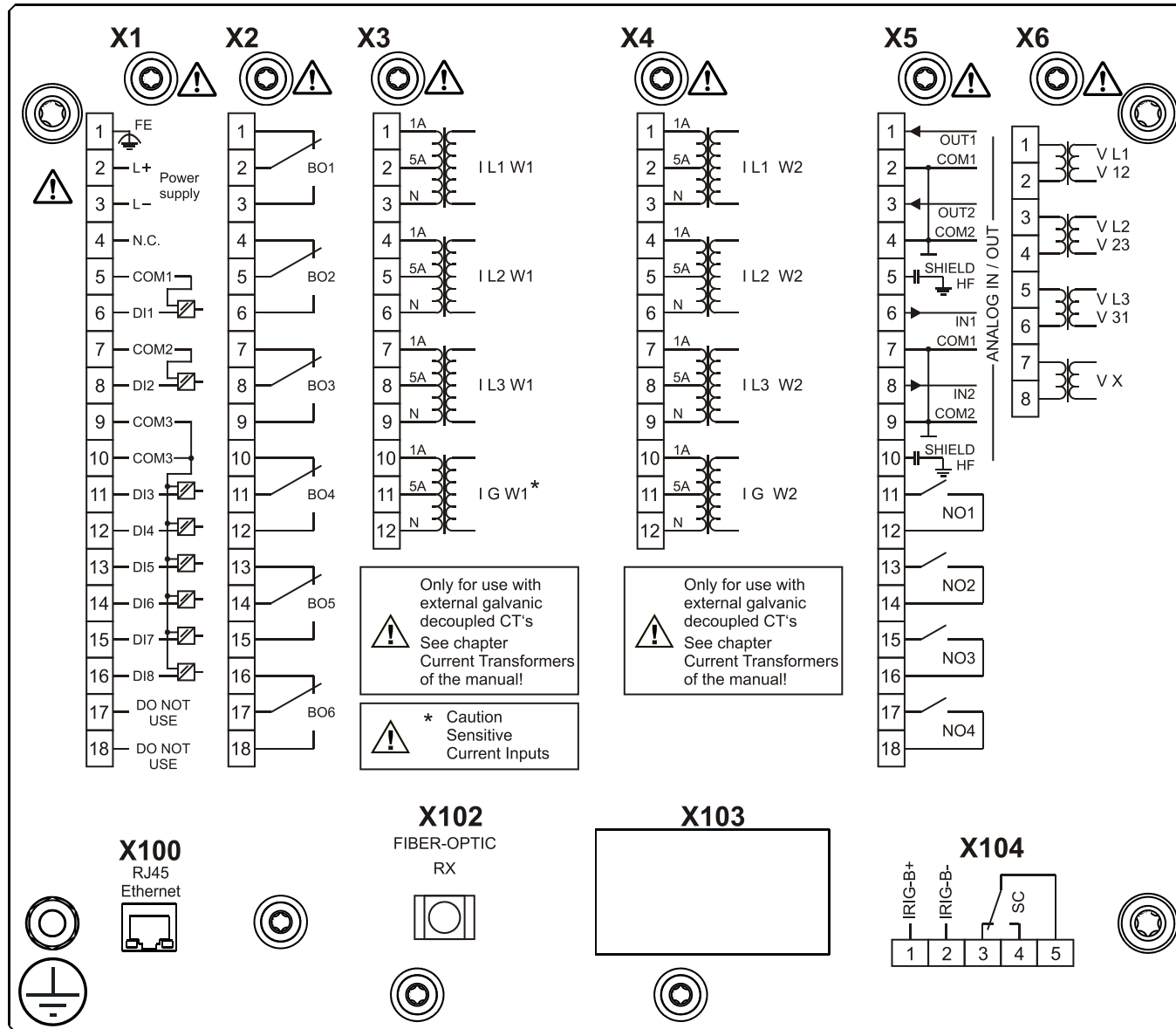
MCDTV4-2B1BGB



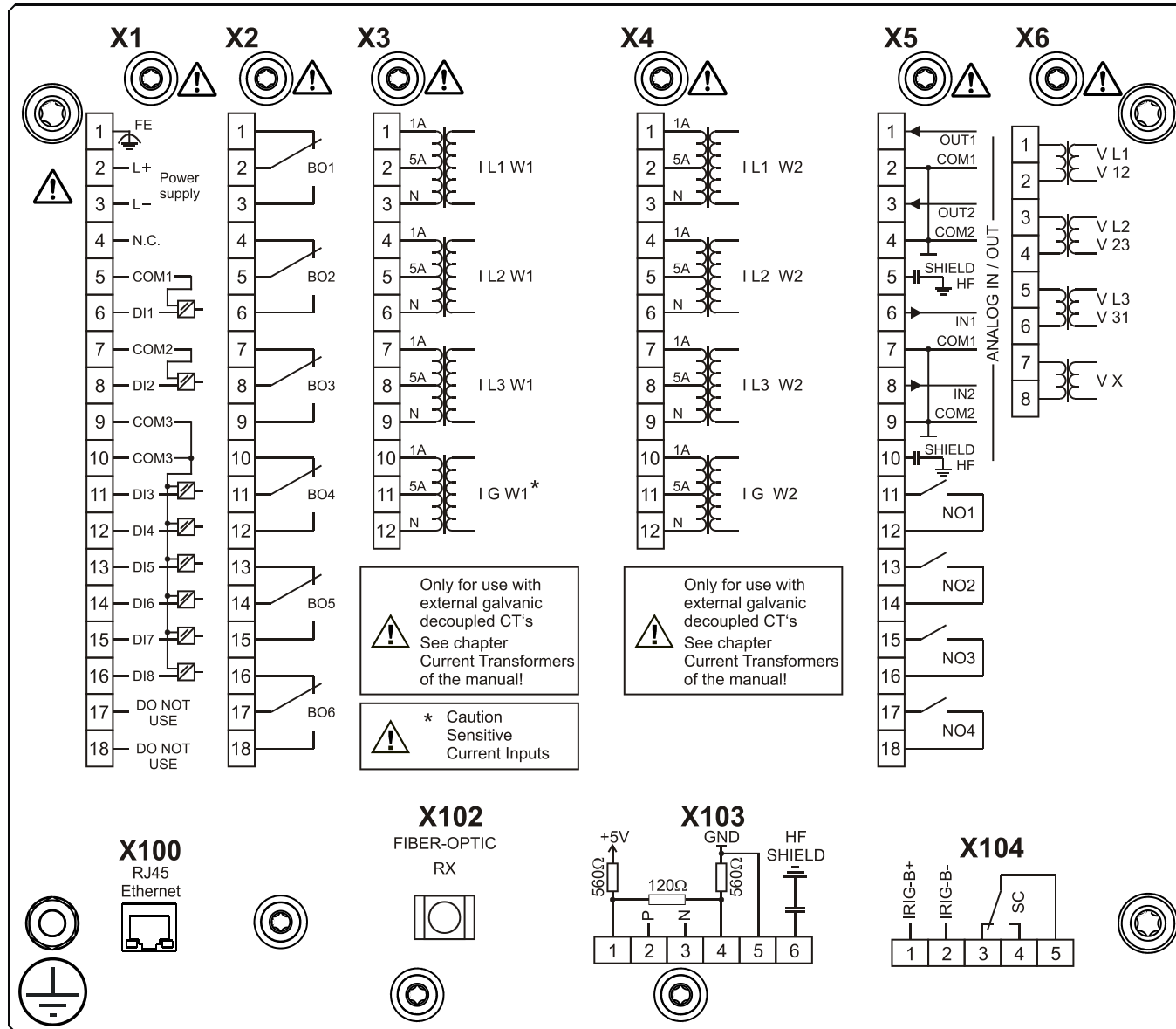
MCDTV4-2B1BHA



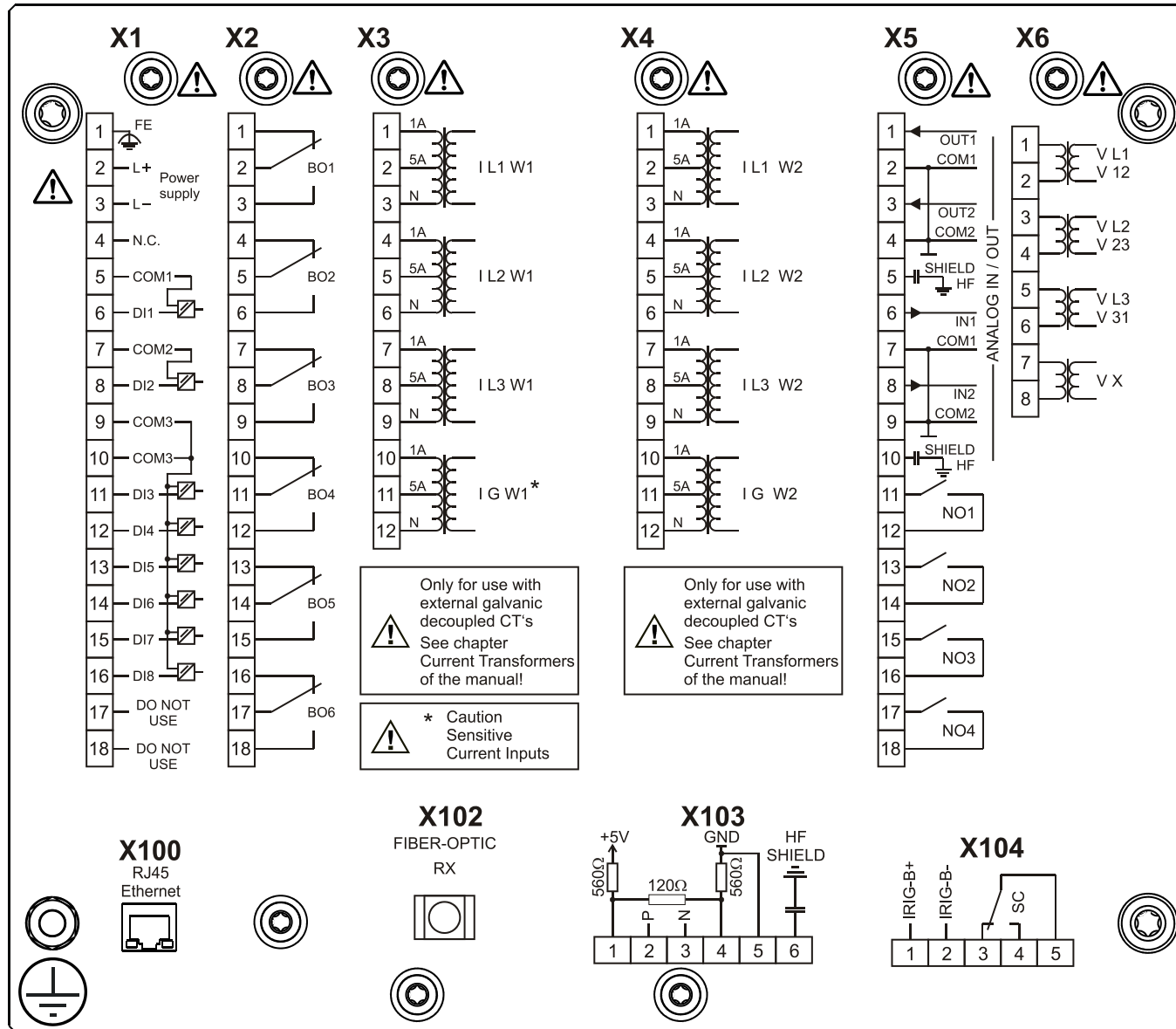
MCDTV4-2B1BHB



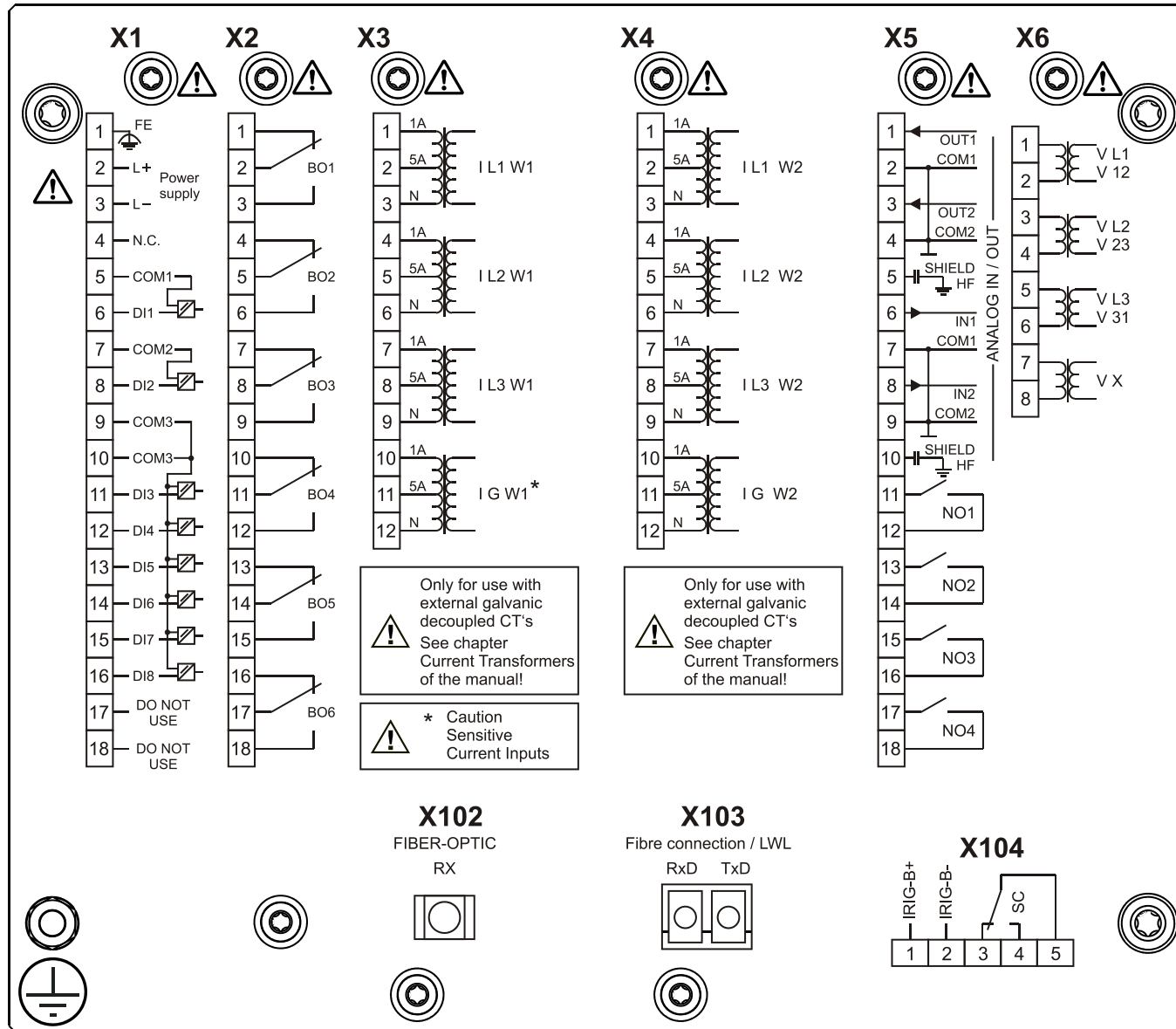
MCDTV4-2B1BIA



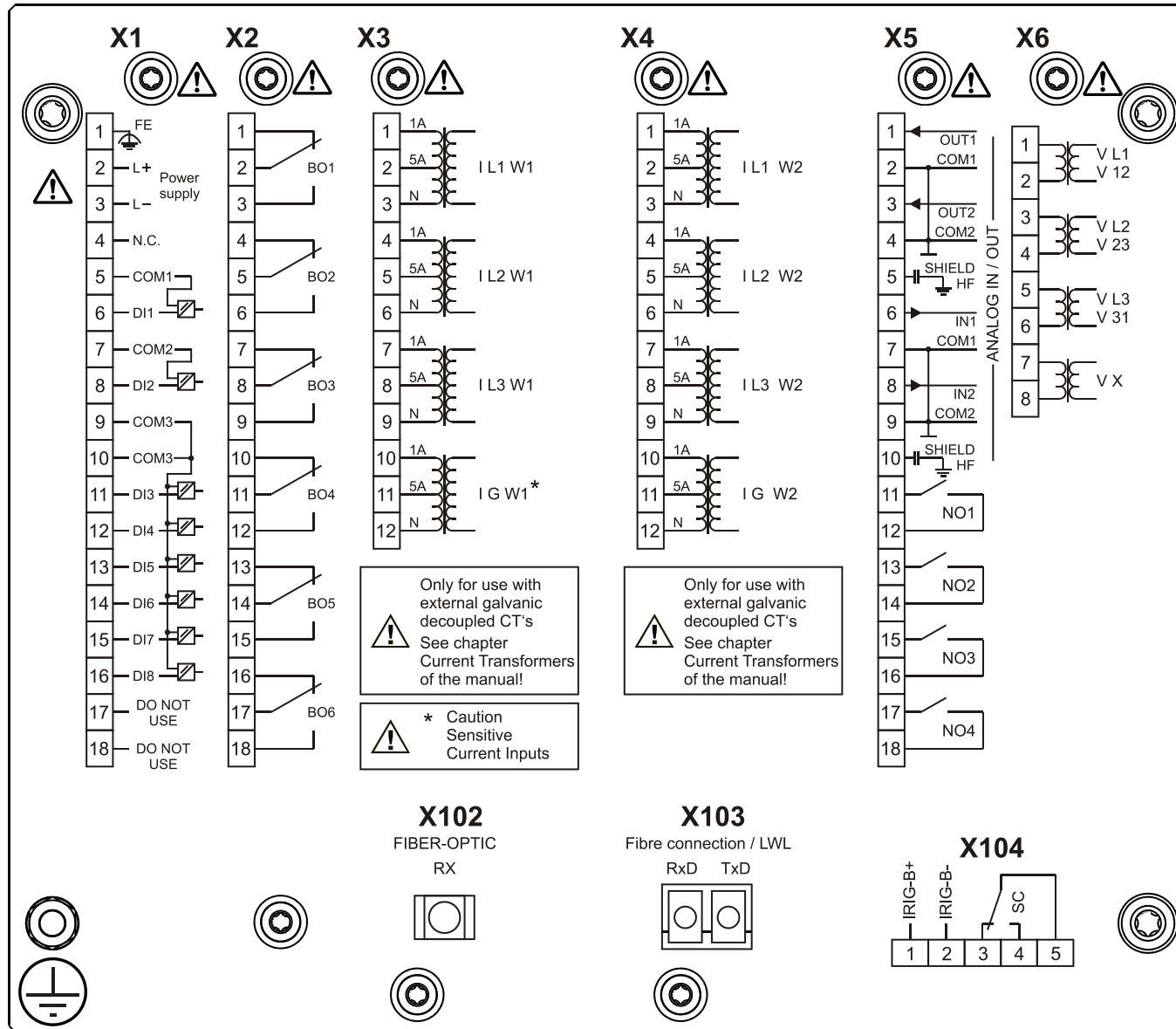
MCDTV4-2B1BIB



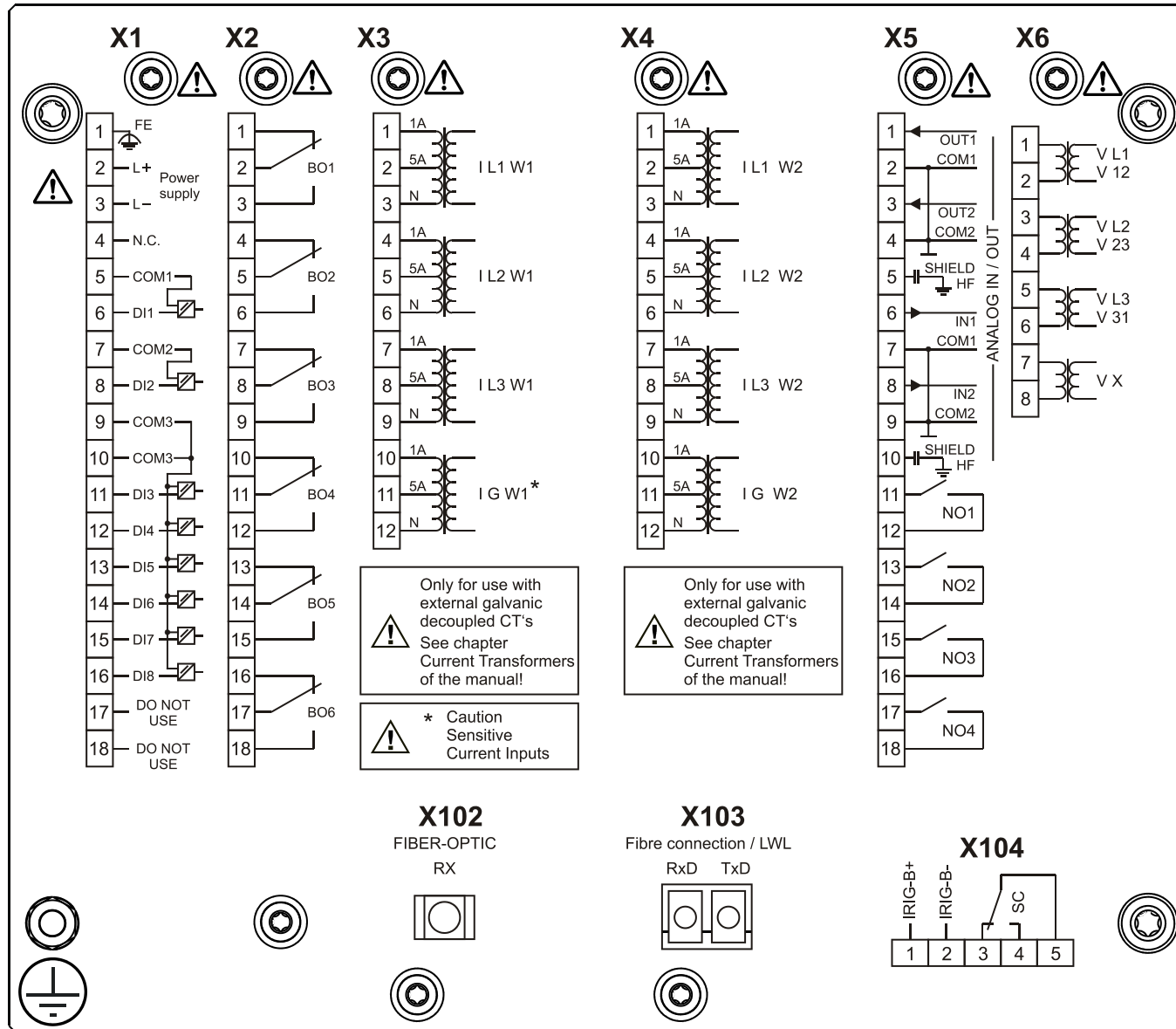
MCDTV4-2B1BKA



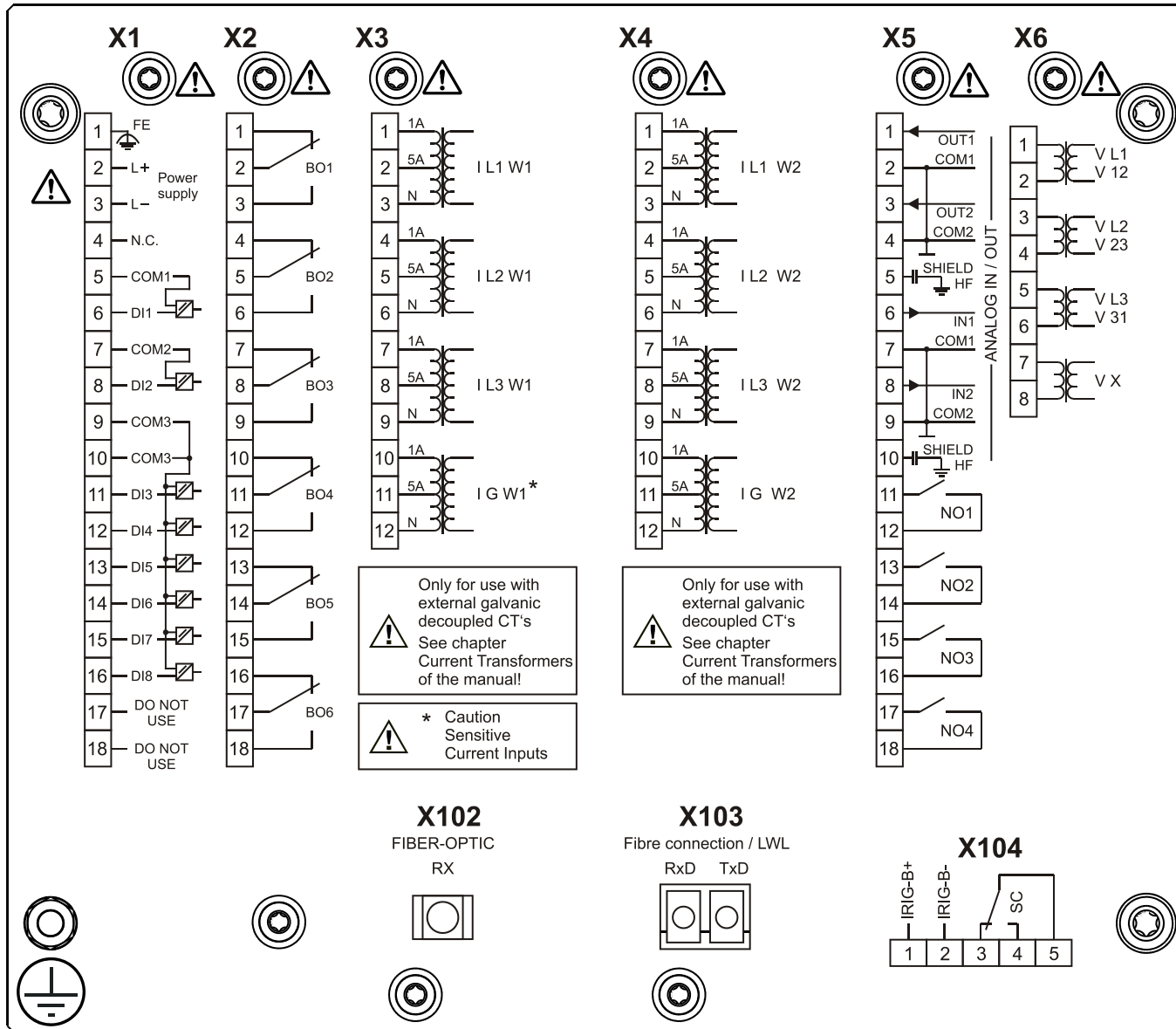
MCDTV4-2B1BKB



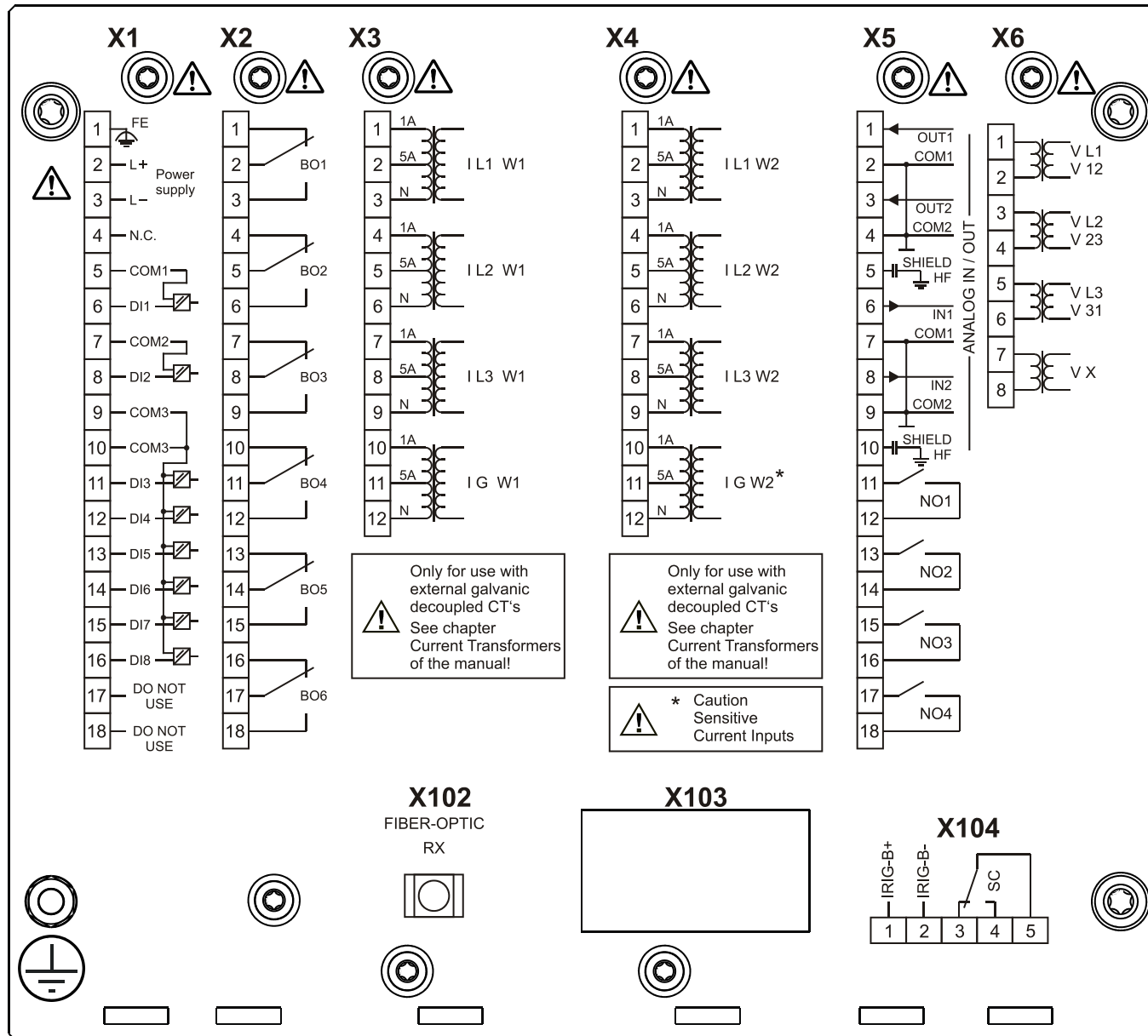
MCDTV4-2B1BLA



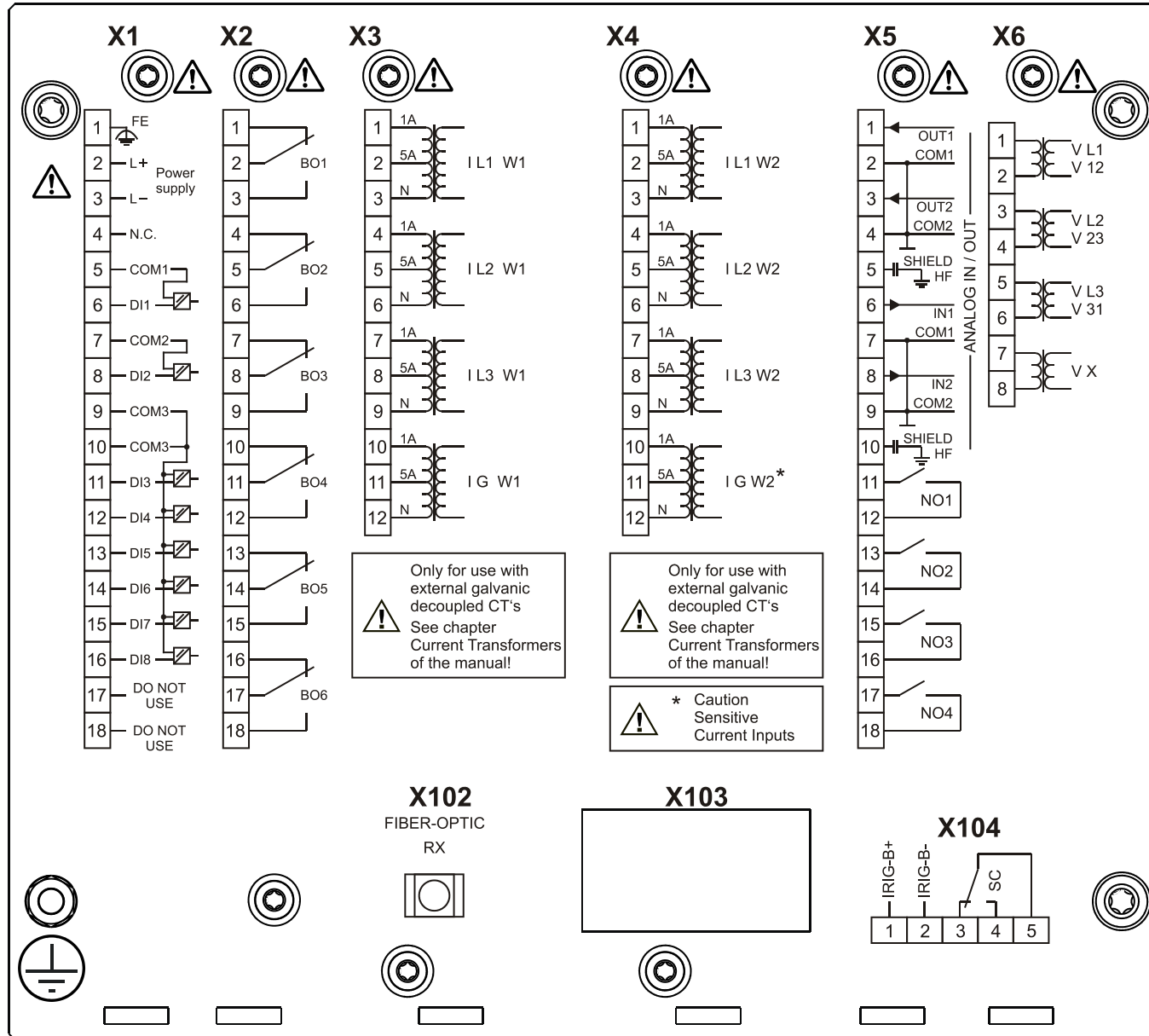
MCDTV4-2B1BLB



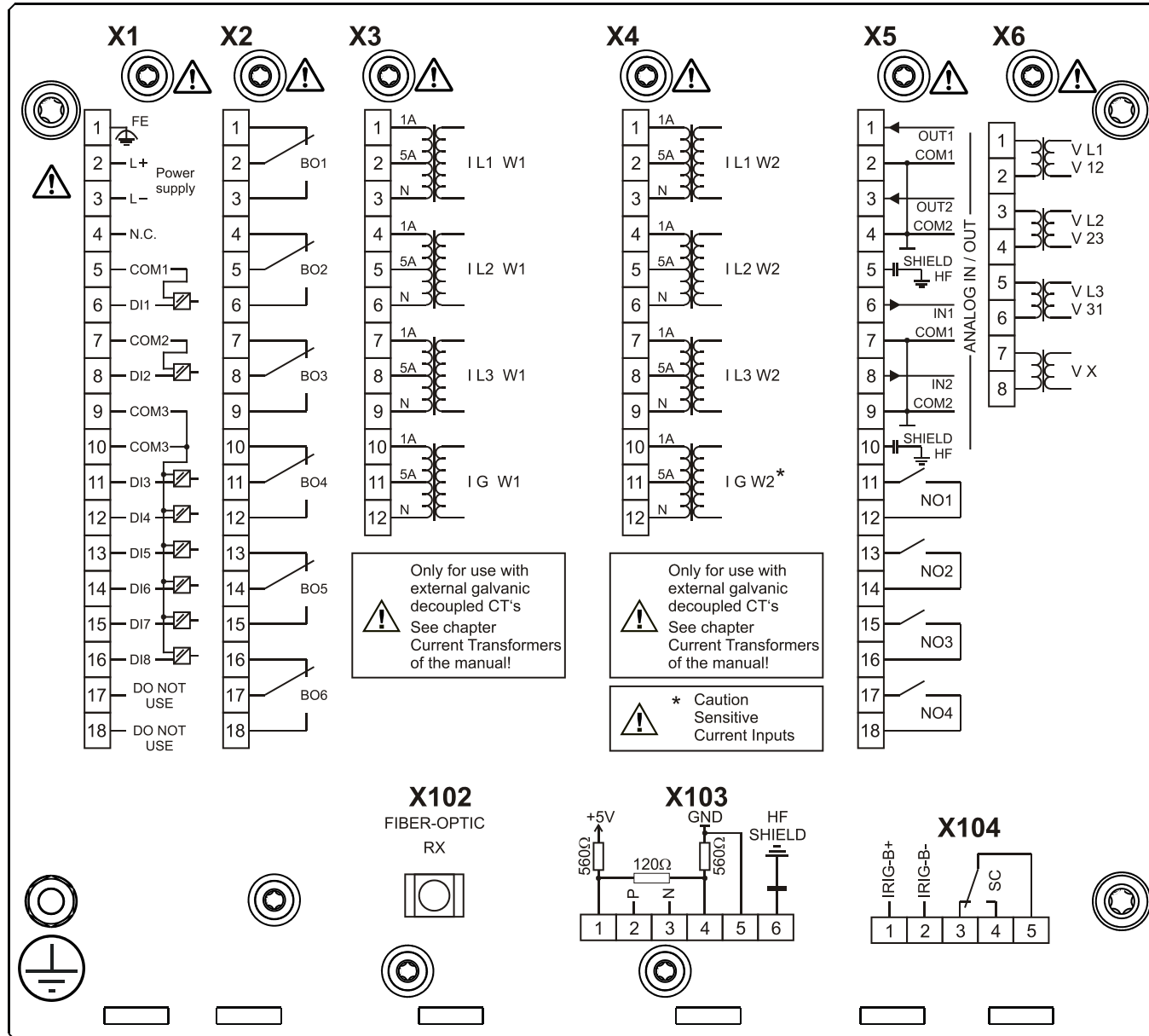
MCDTV4-2B2AAA



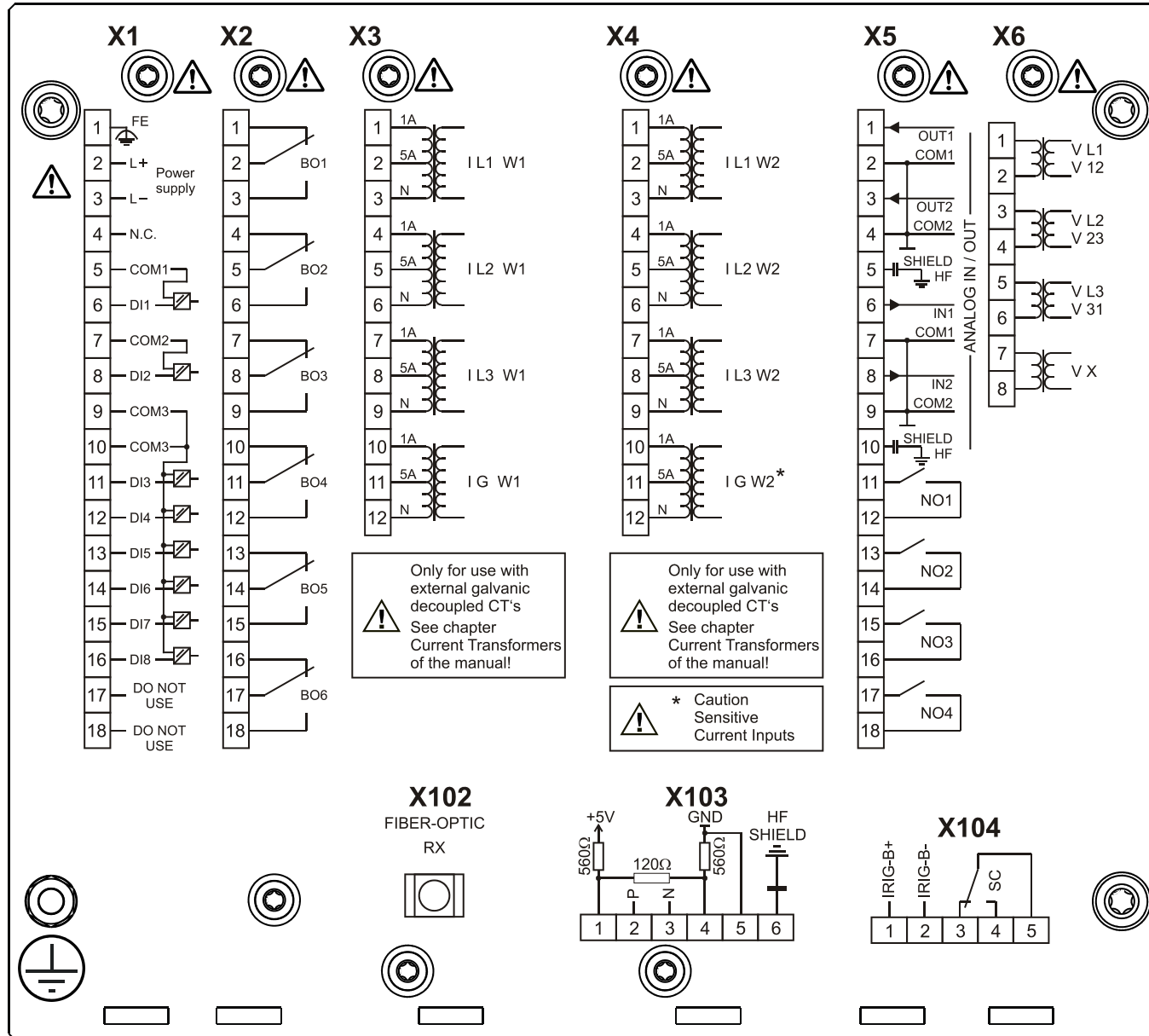
MCDTV4-2B2AAB



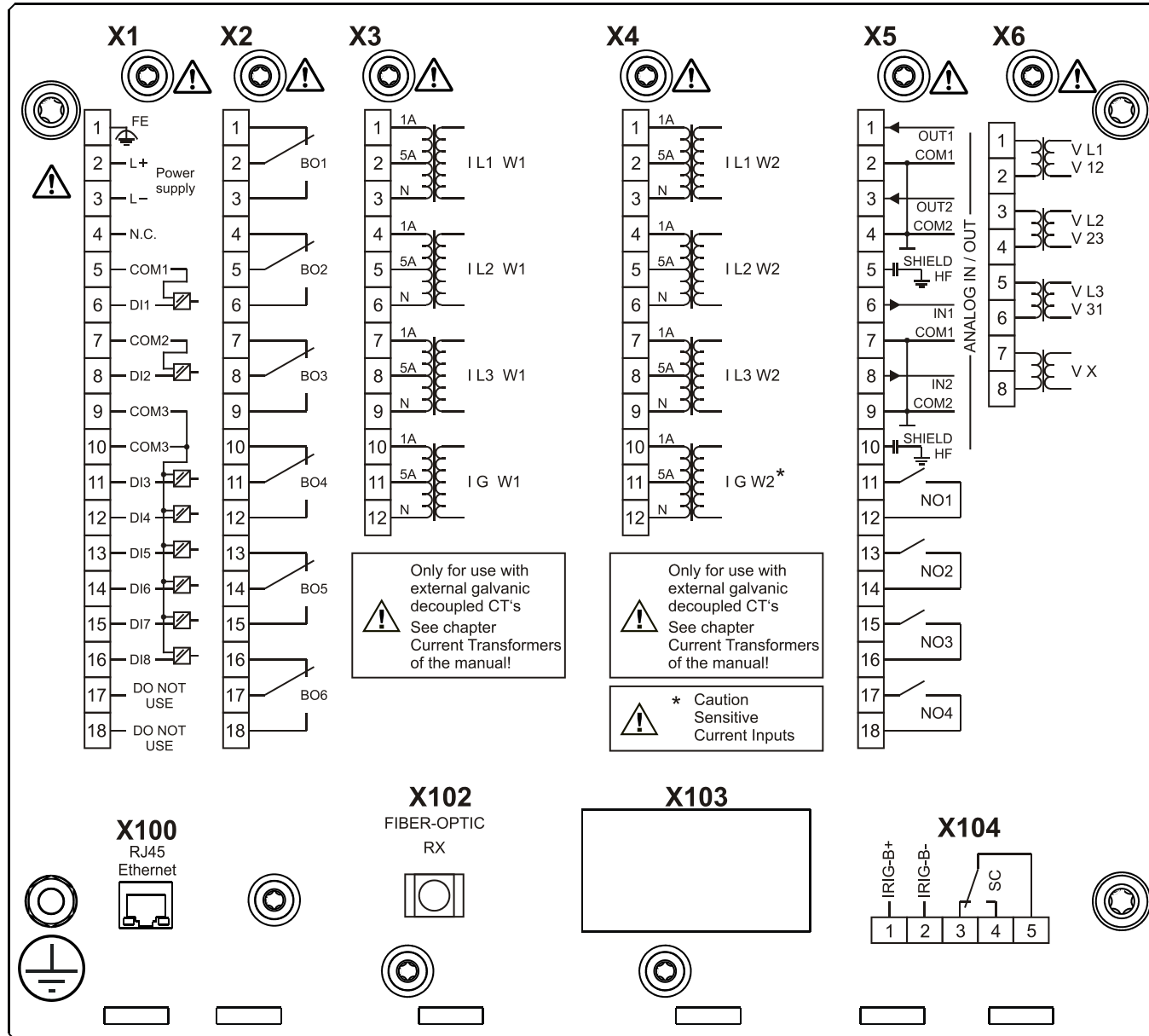
MCDTV4-2B2ABA



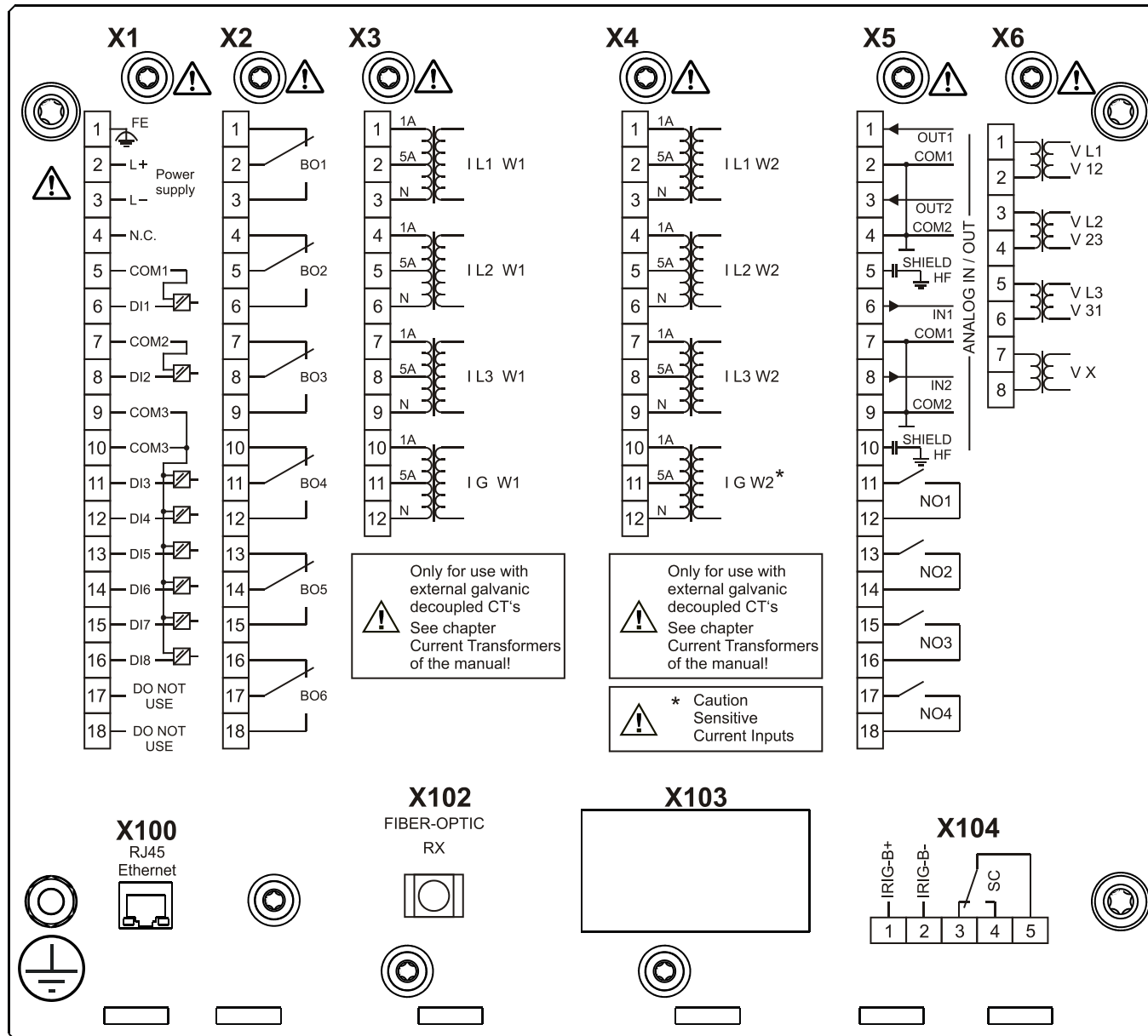
MCDTV4-2B2ABB



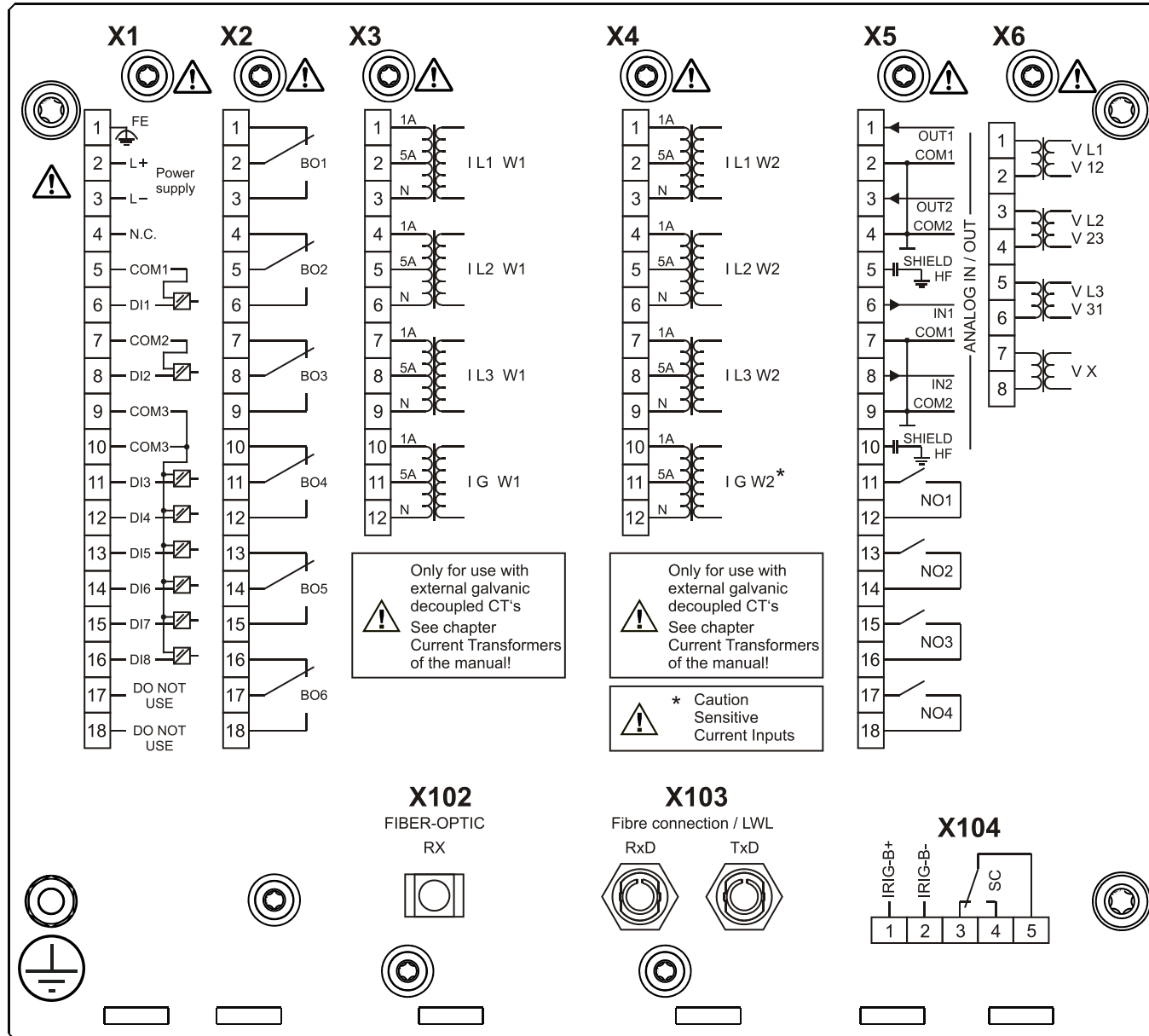
MCDTV4-2B2ACA



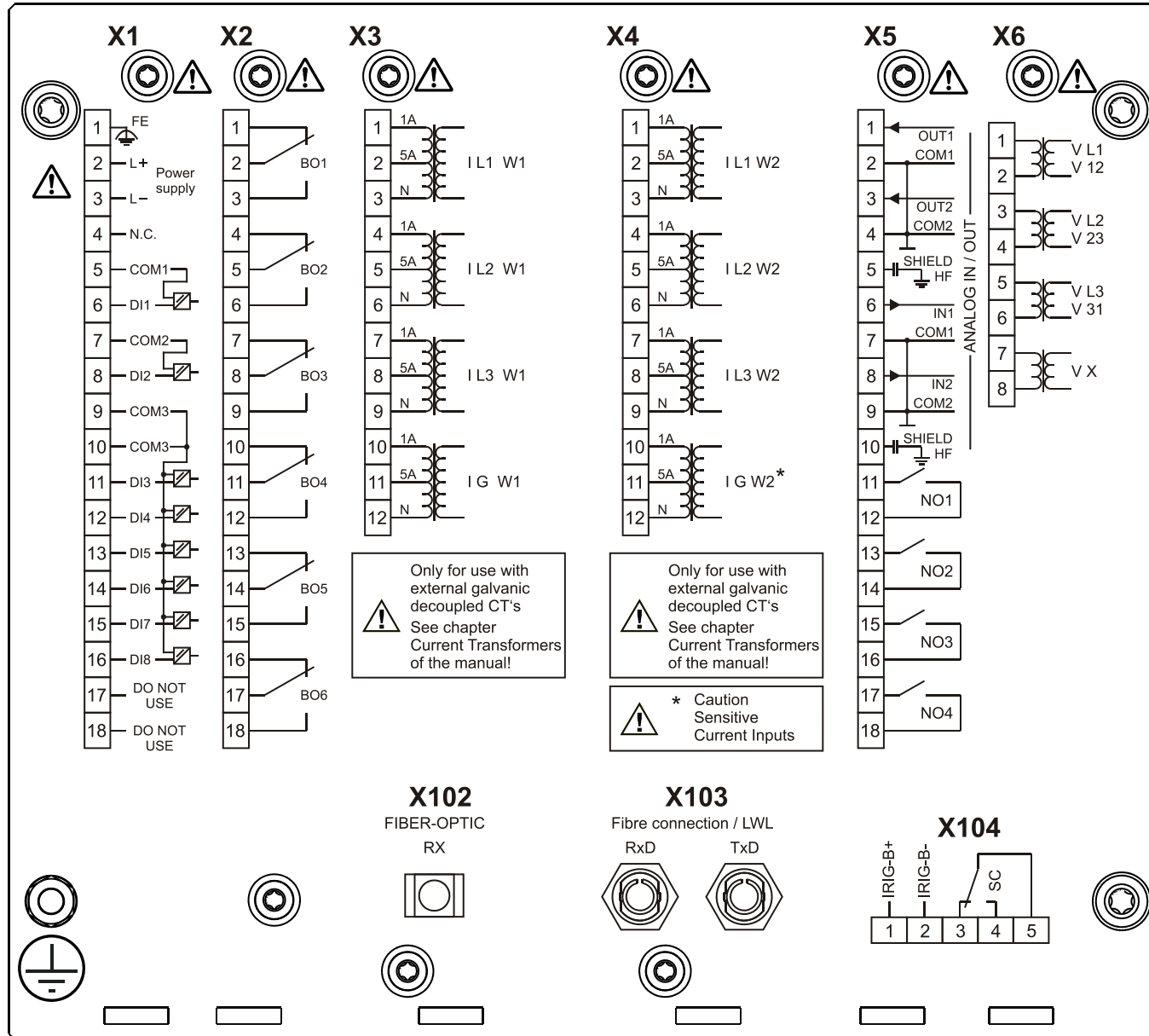
MCDTV4-2B2ACB



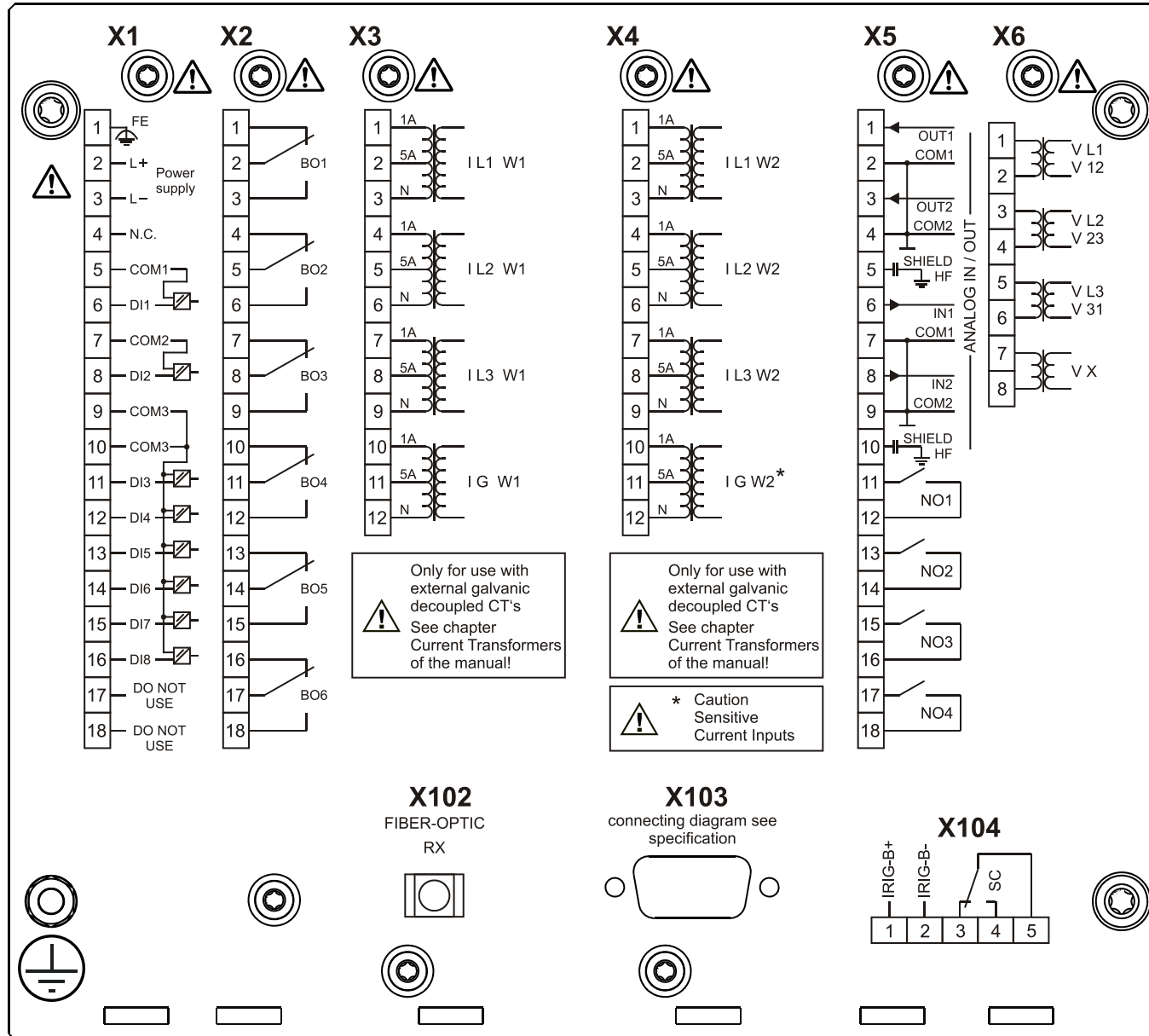
MCDTV4-2B2ADA



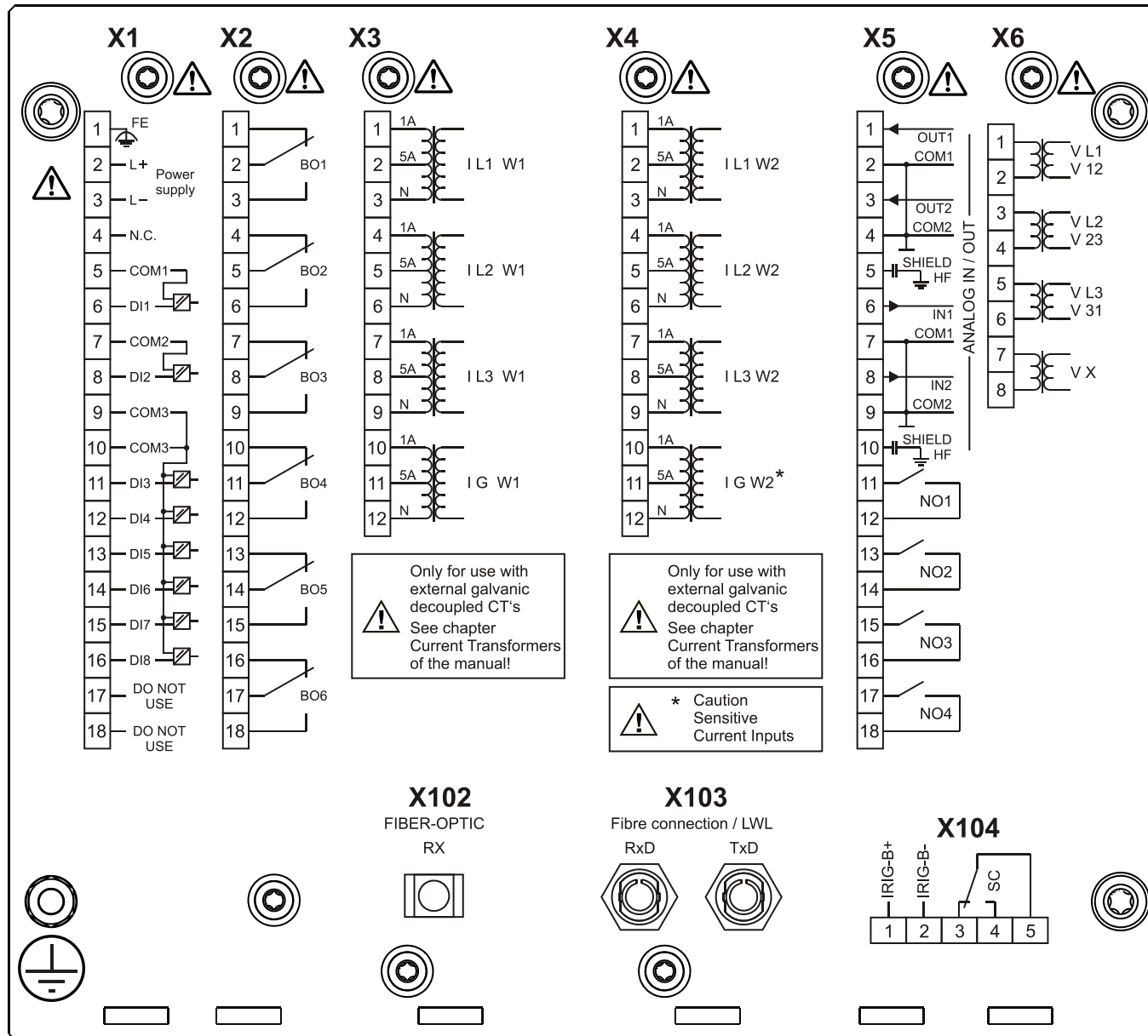
MCDTV4-2B2ADB



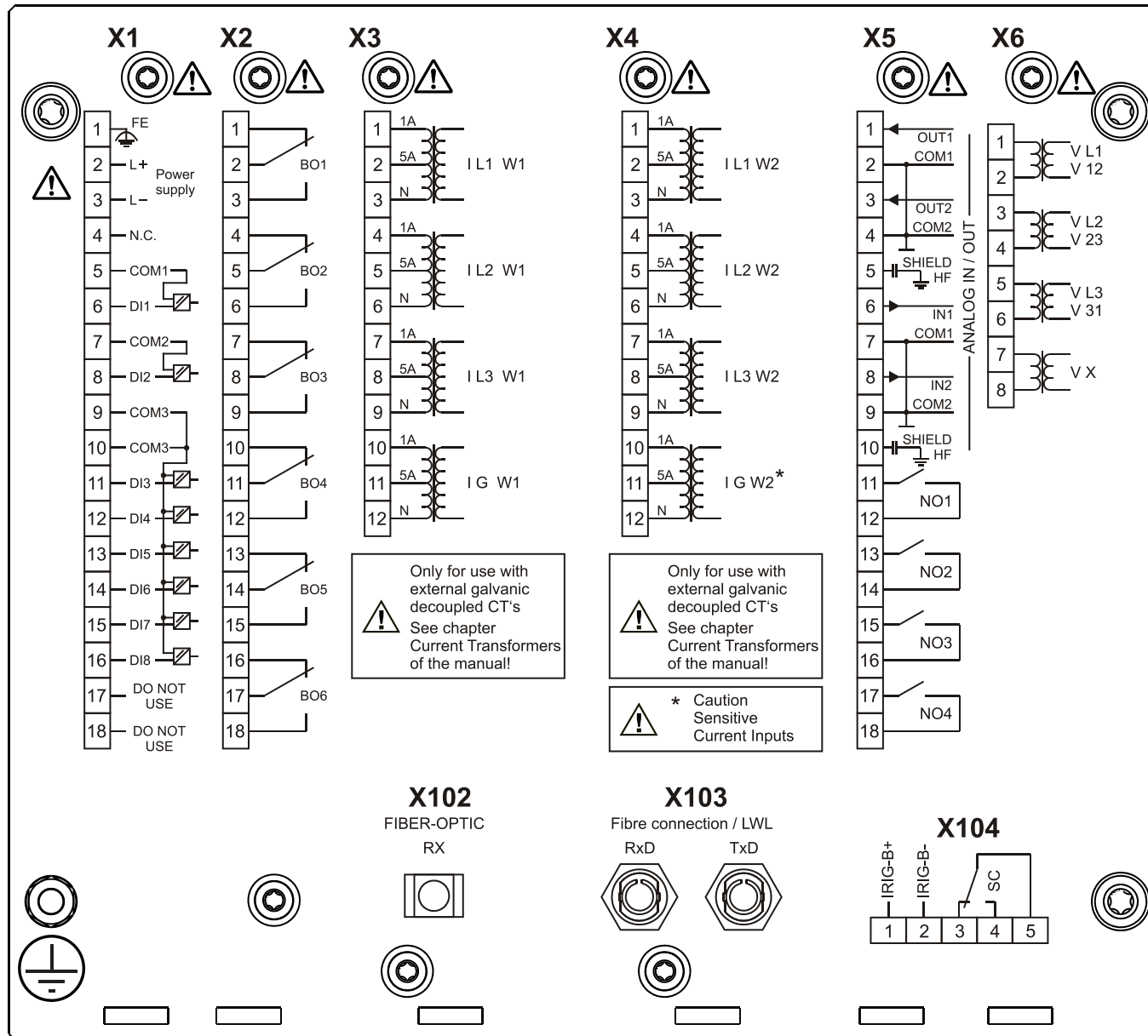
MCDTV4-2B2AEA



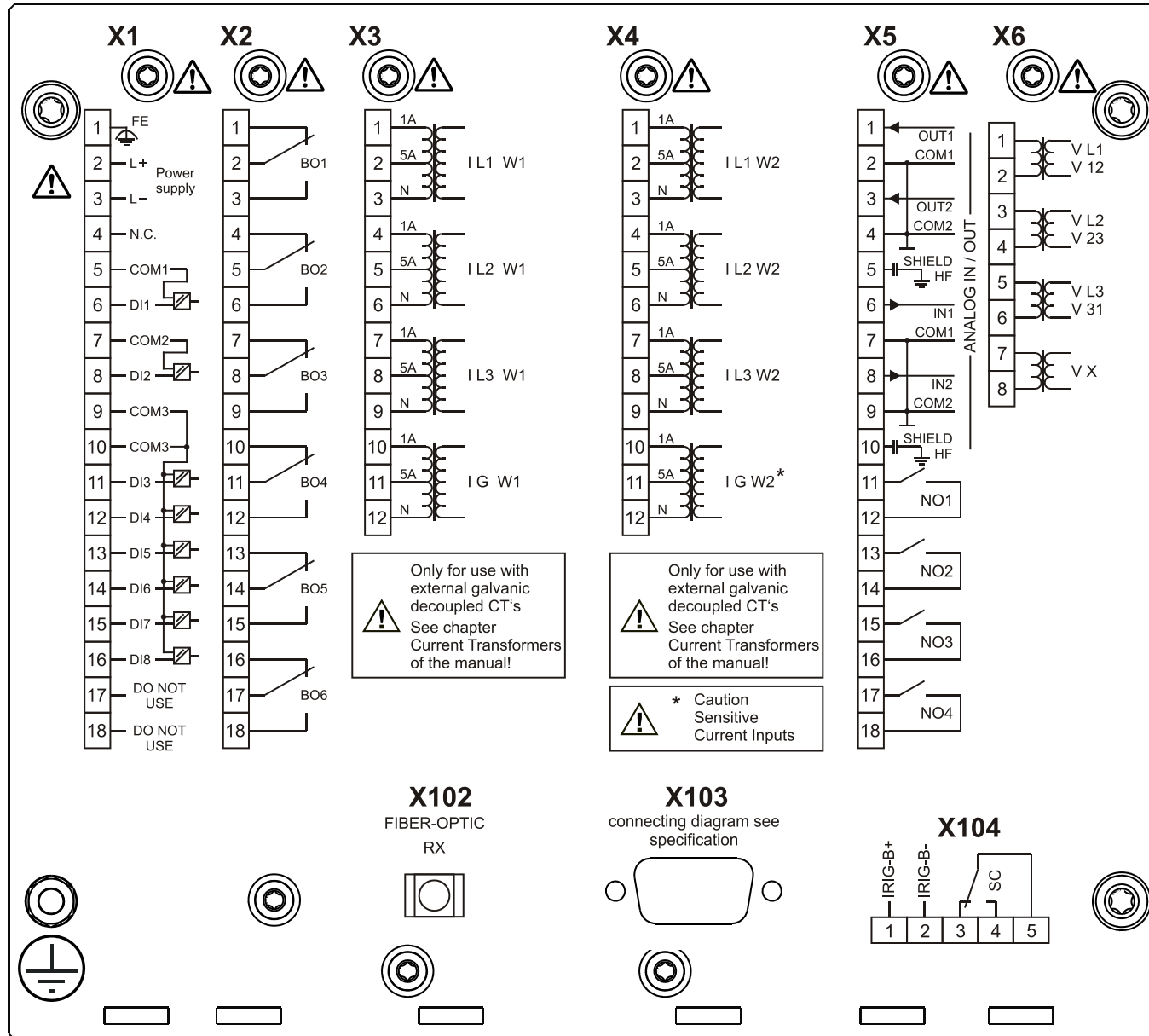
MCDTV4-2B2AFA



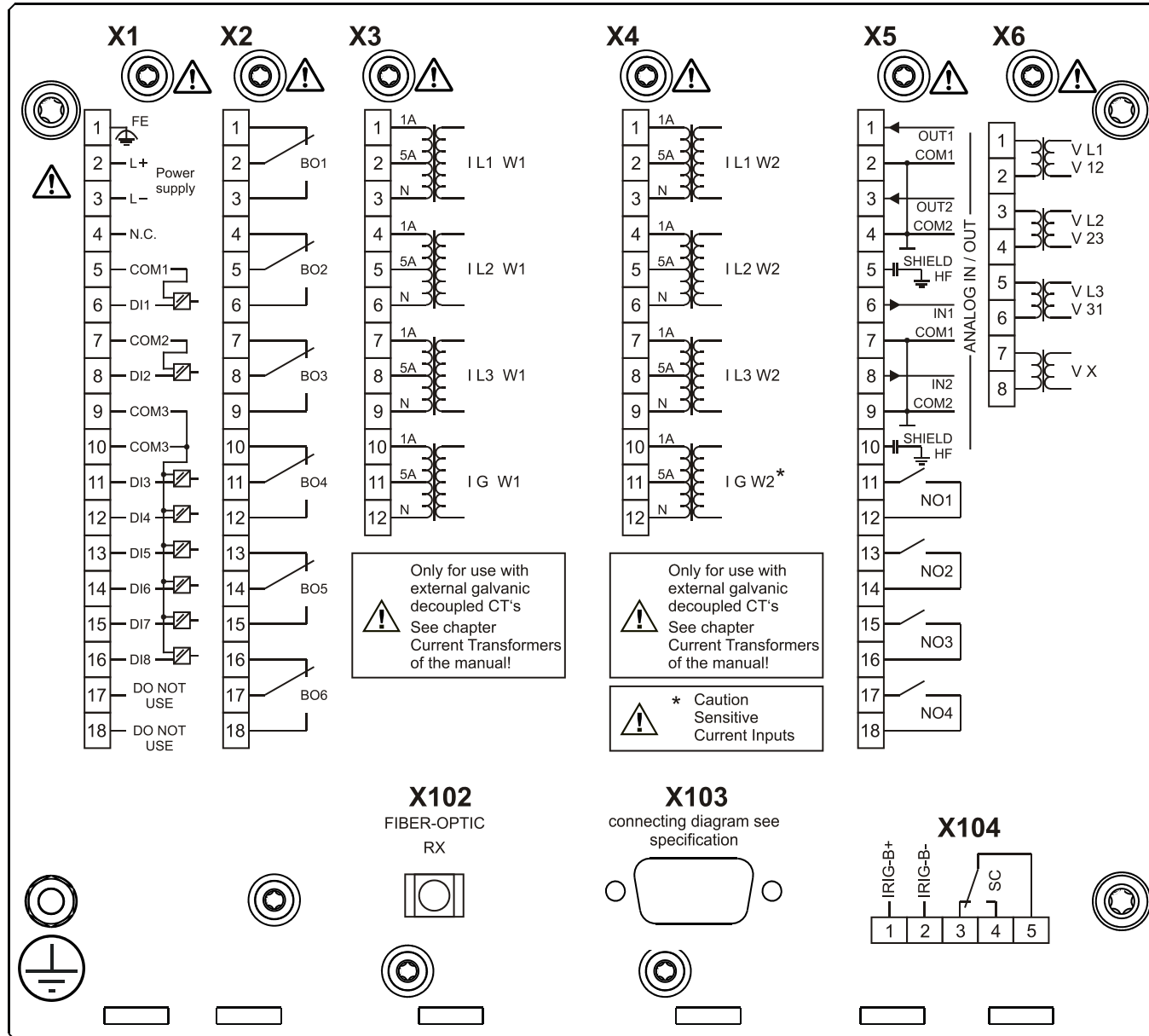
MCDTV4-2B2AFB



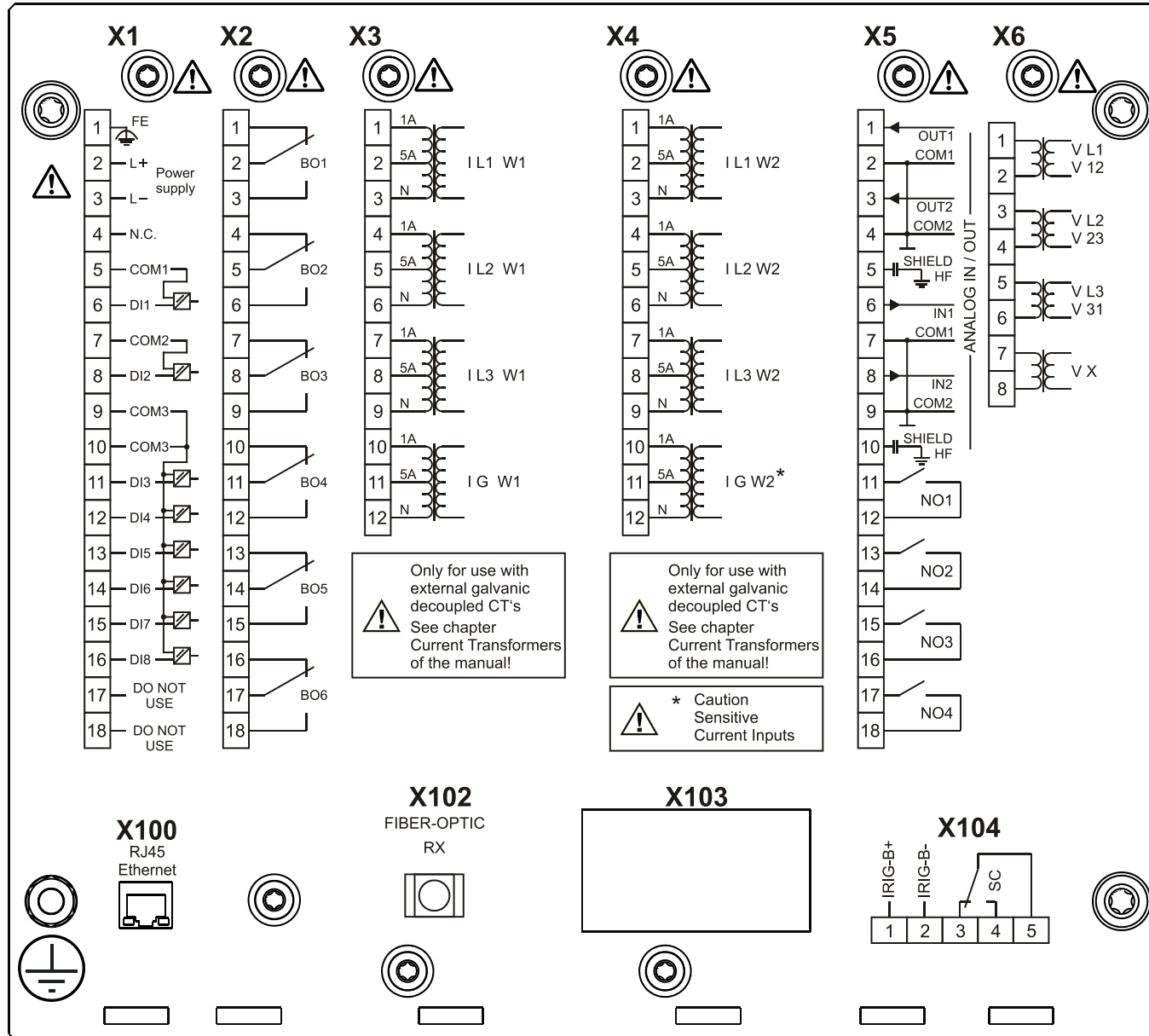
MCDTV4-2B2AGA



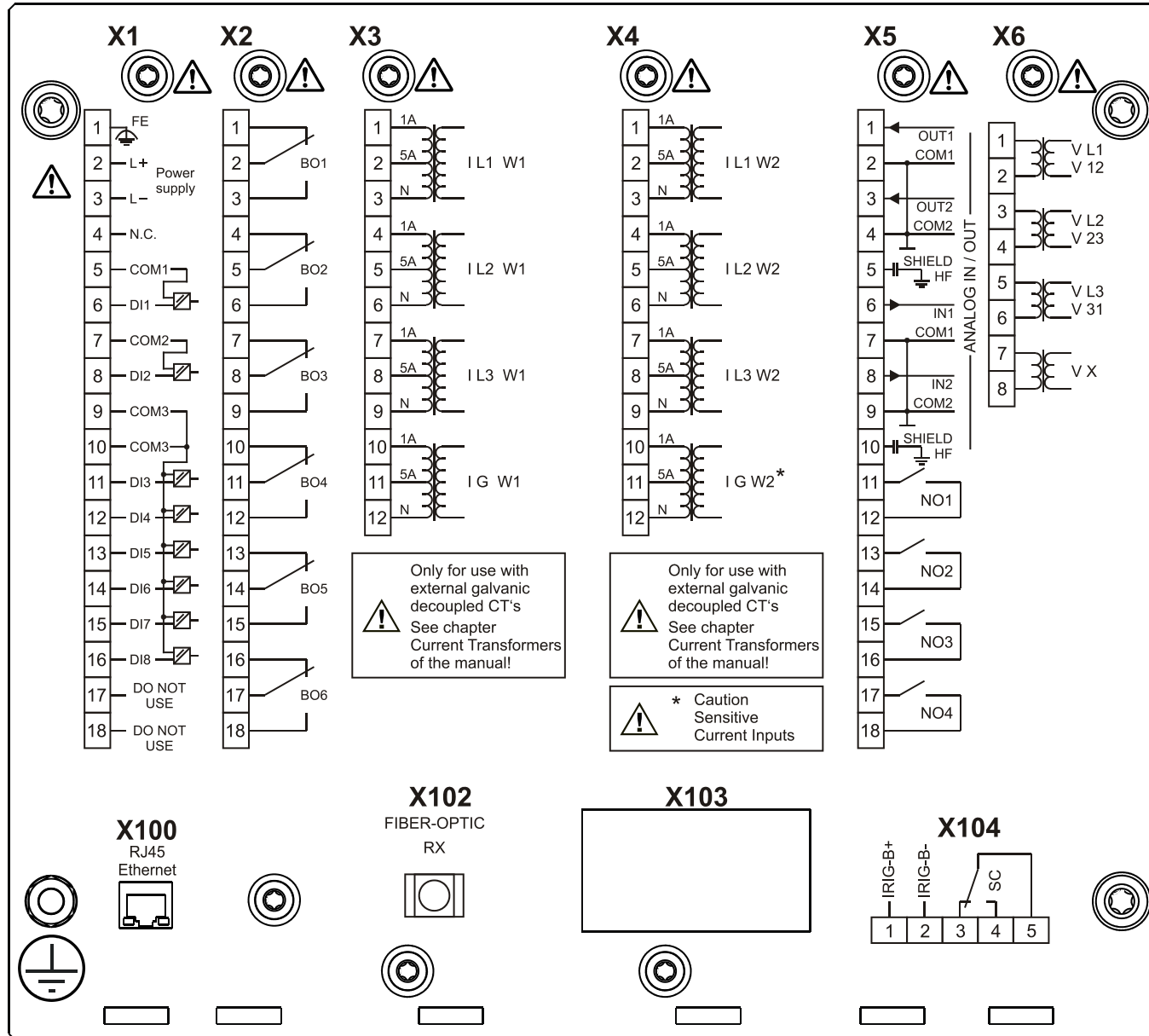
MCDTV4-2B2AGB



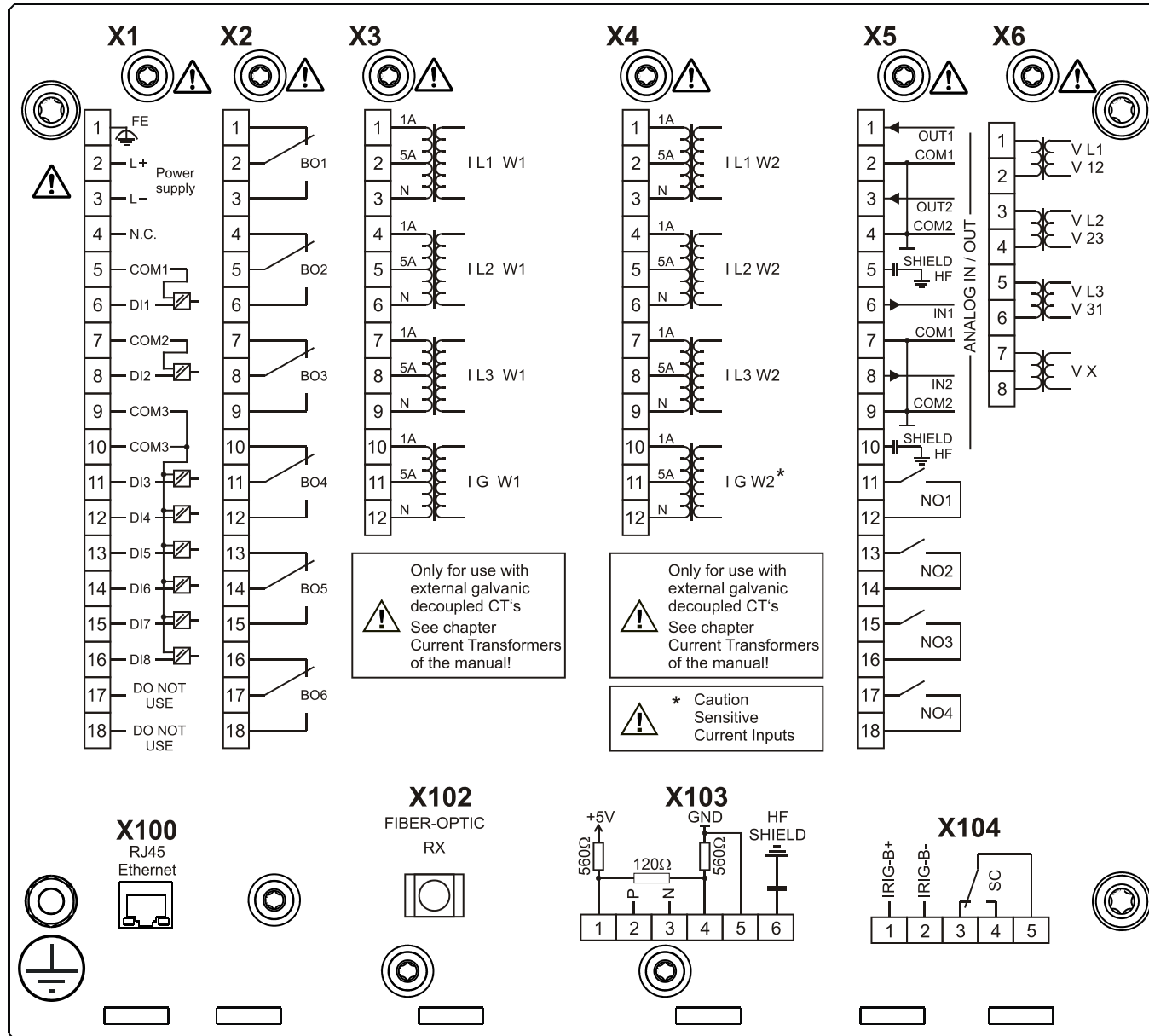
MCDTV4-2B2AHA



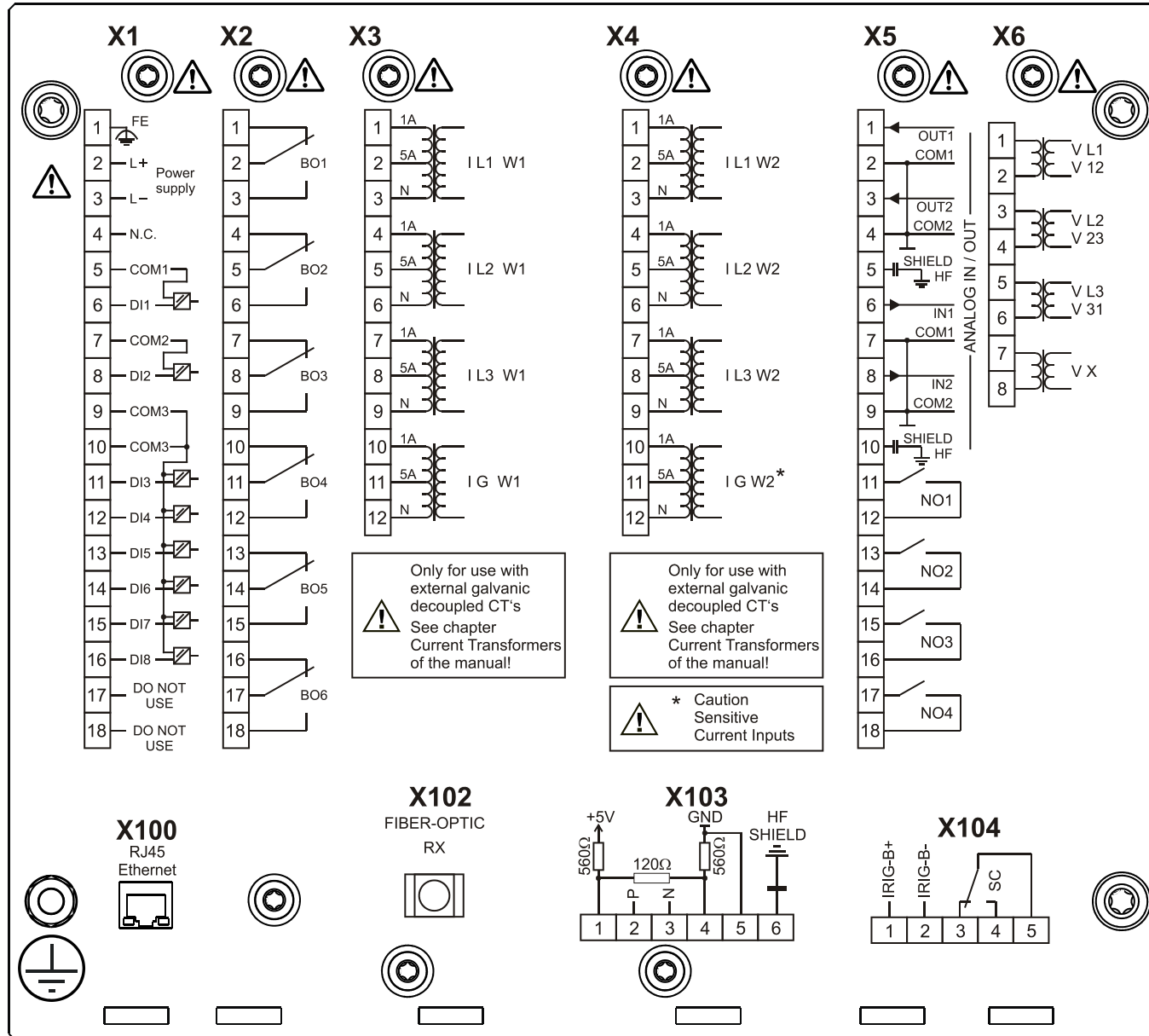
MCDTV4-2B2AHB



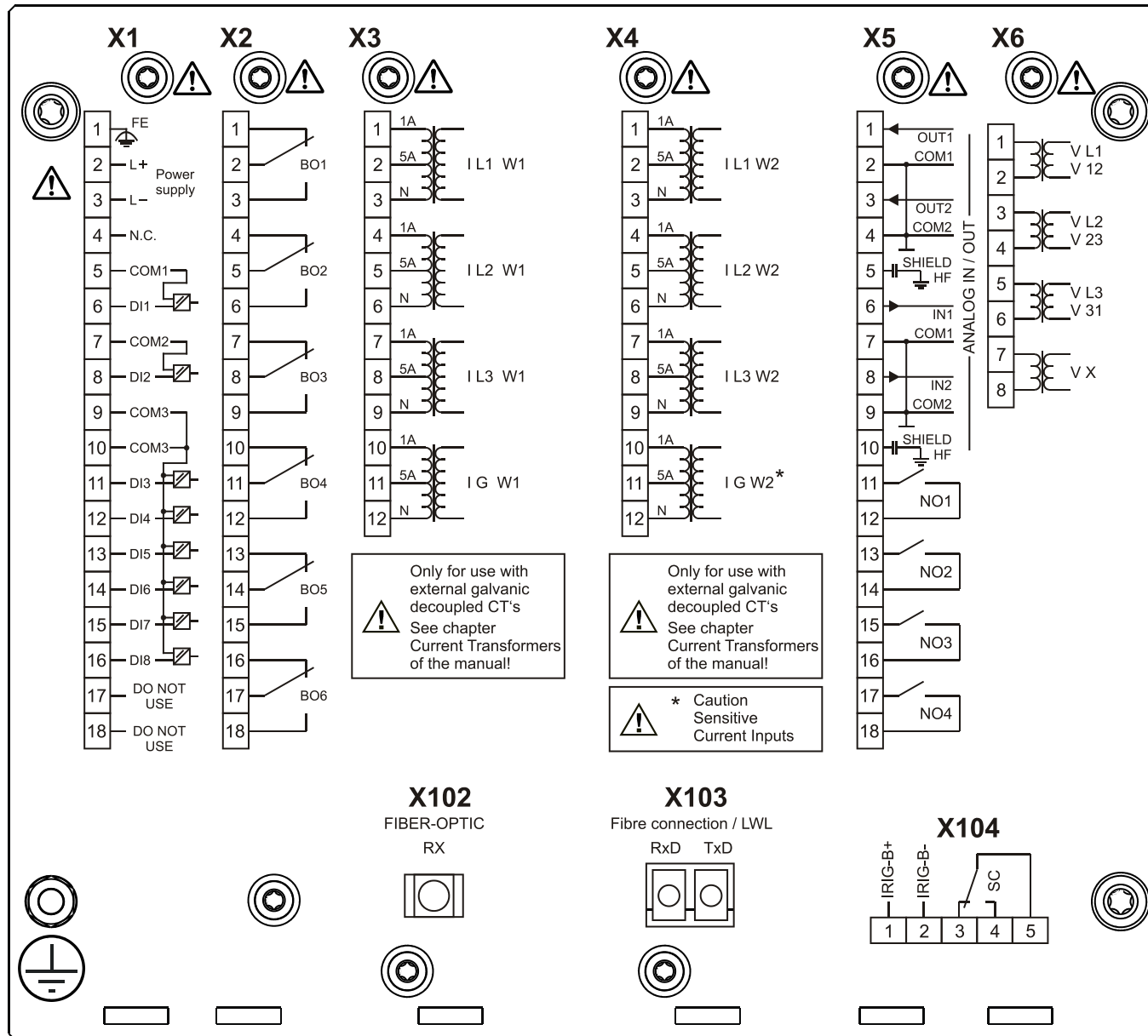
MCDTV4-2B2AIA



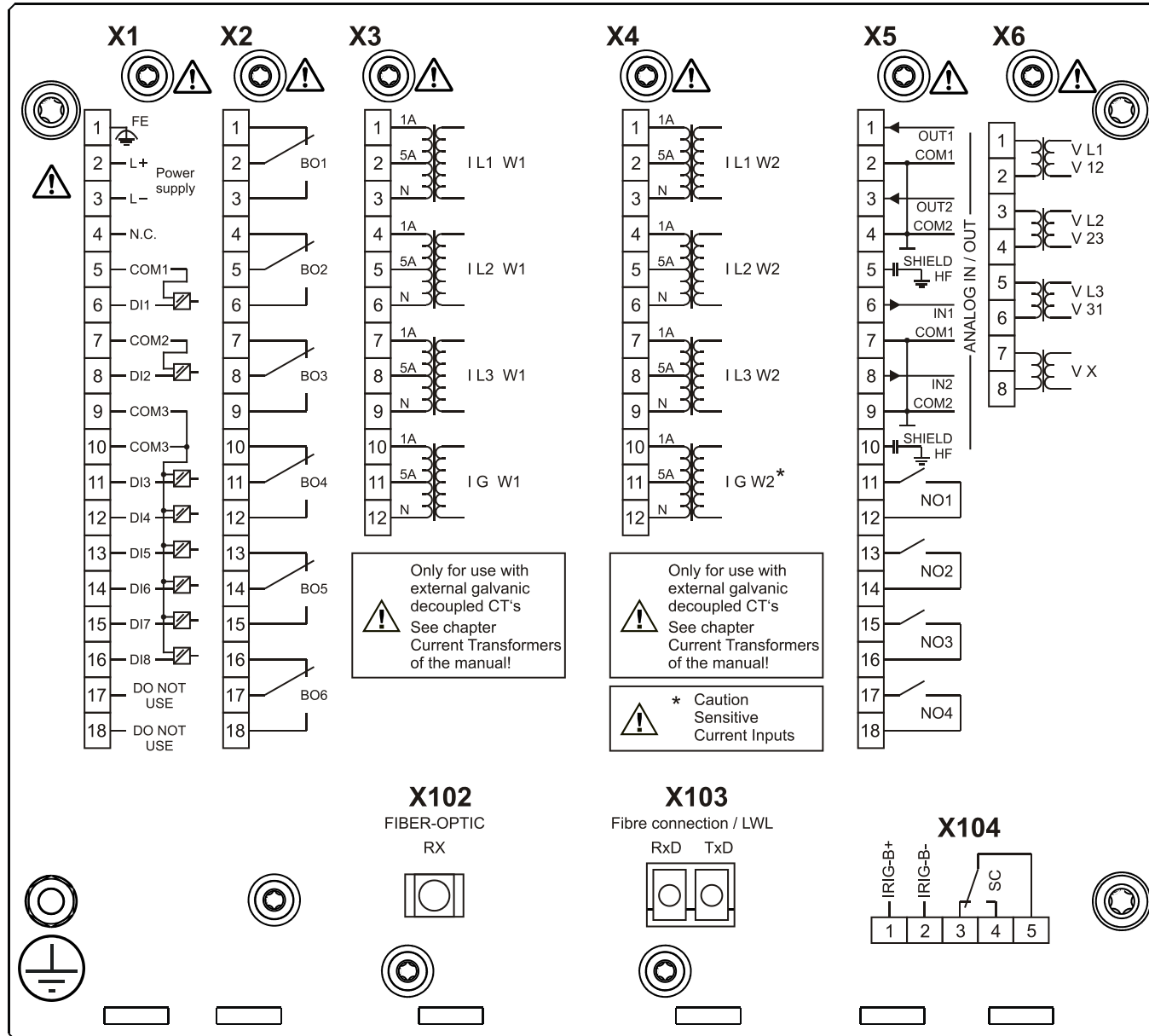
MCDTV4-2B2AIB



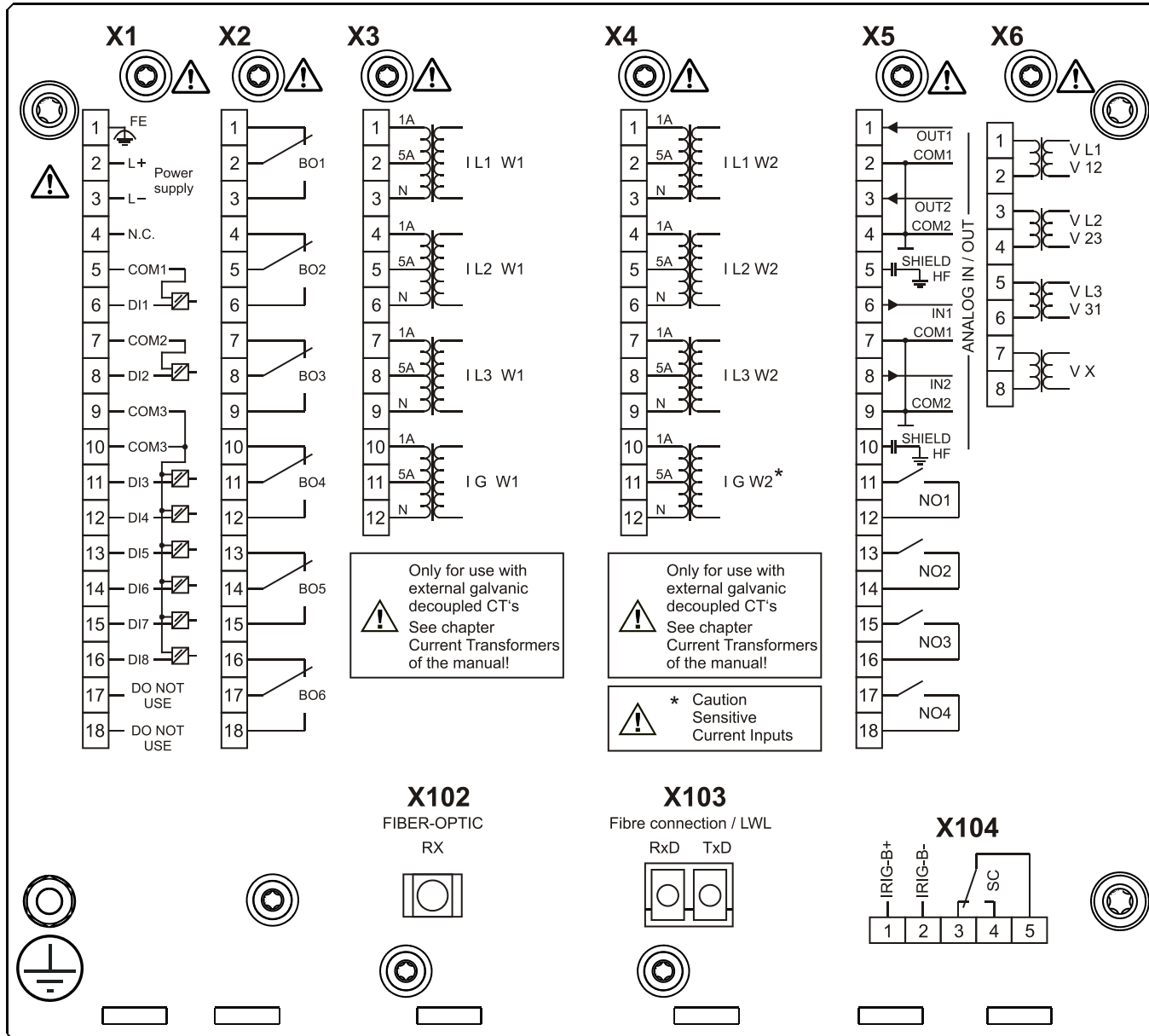
MCDTV4-2B2AKA



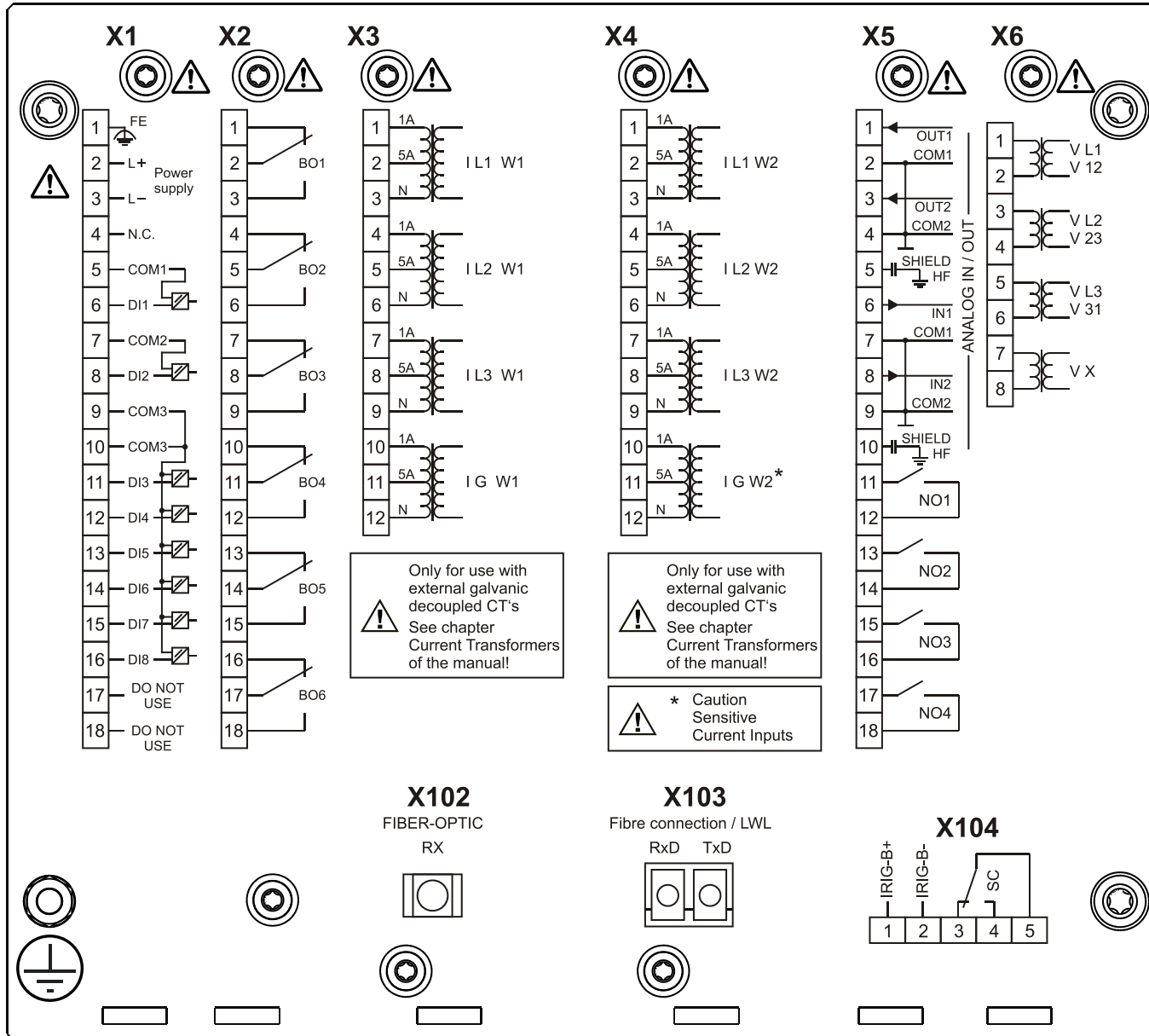
MCDTV4-2B2AKB



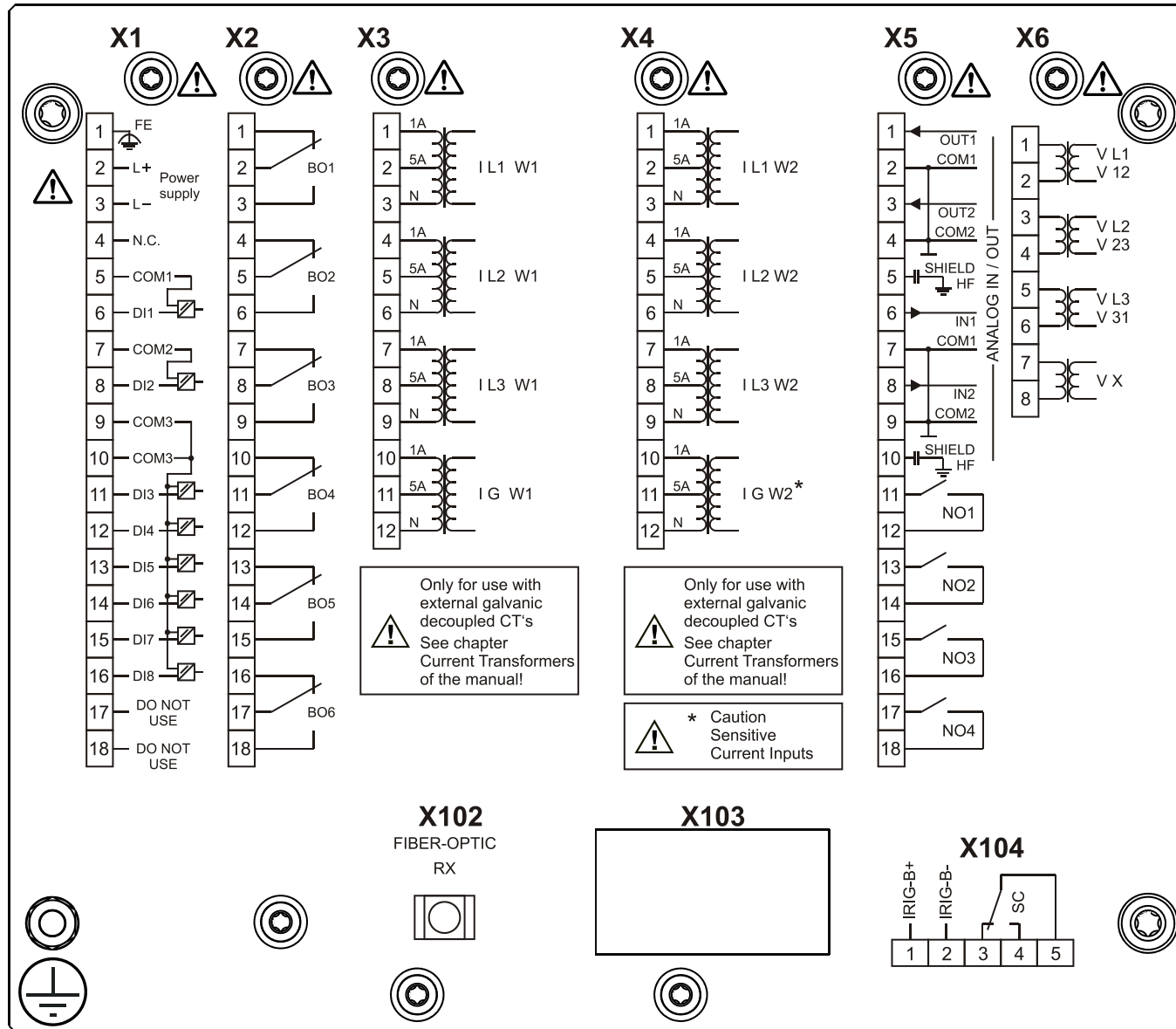
MCDTV4-2B2ALA



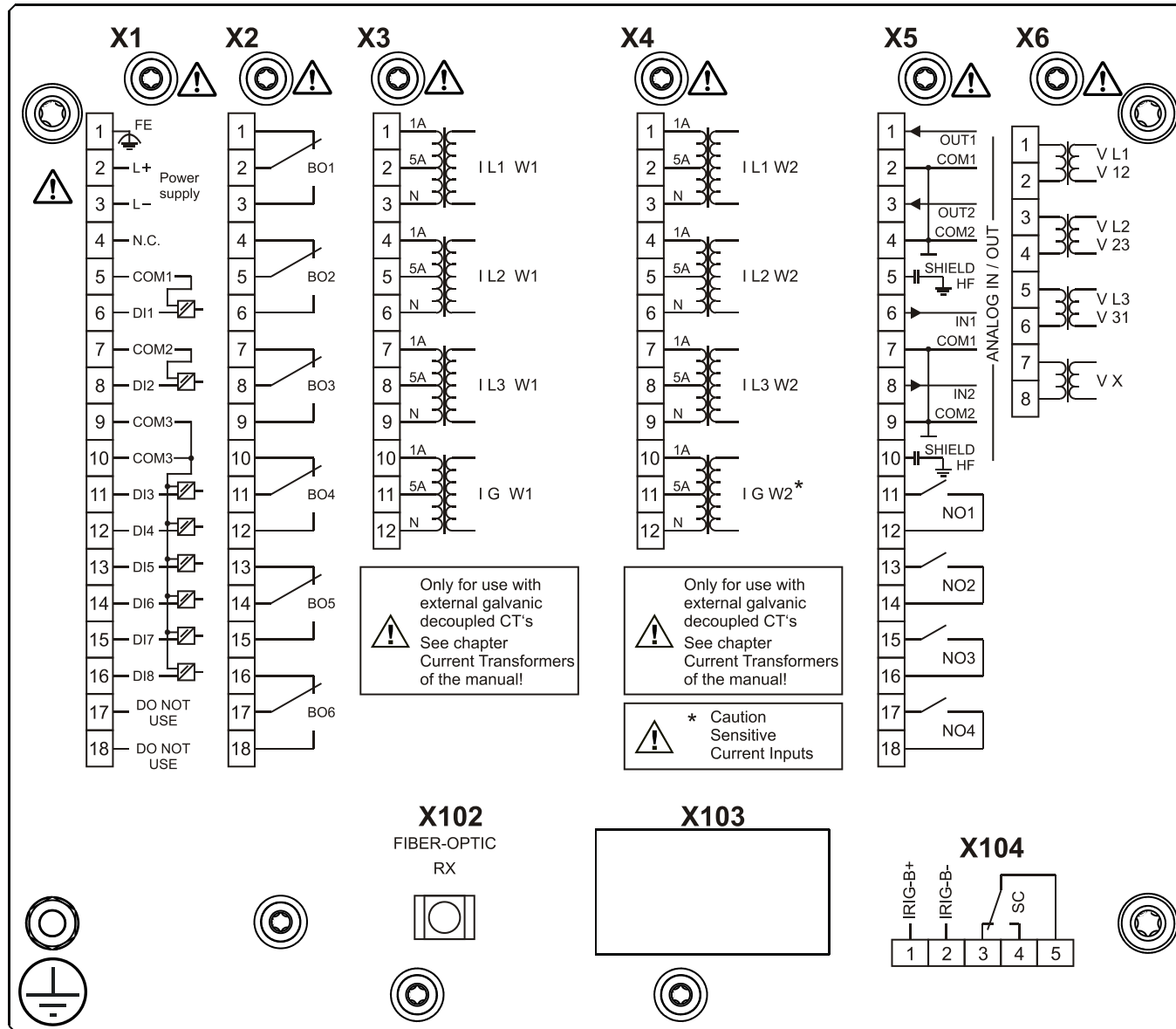
MCDTV4-2B2ALB



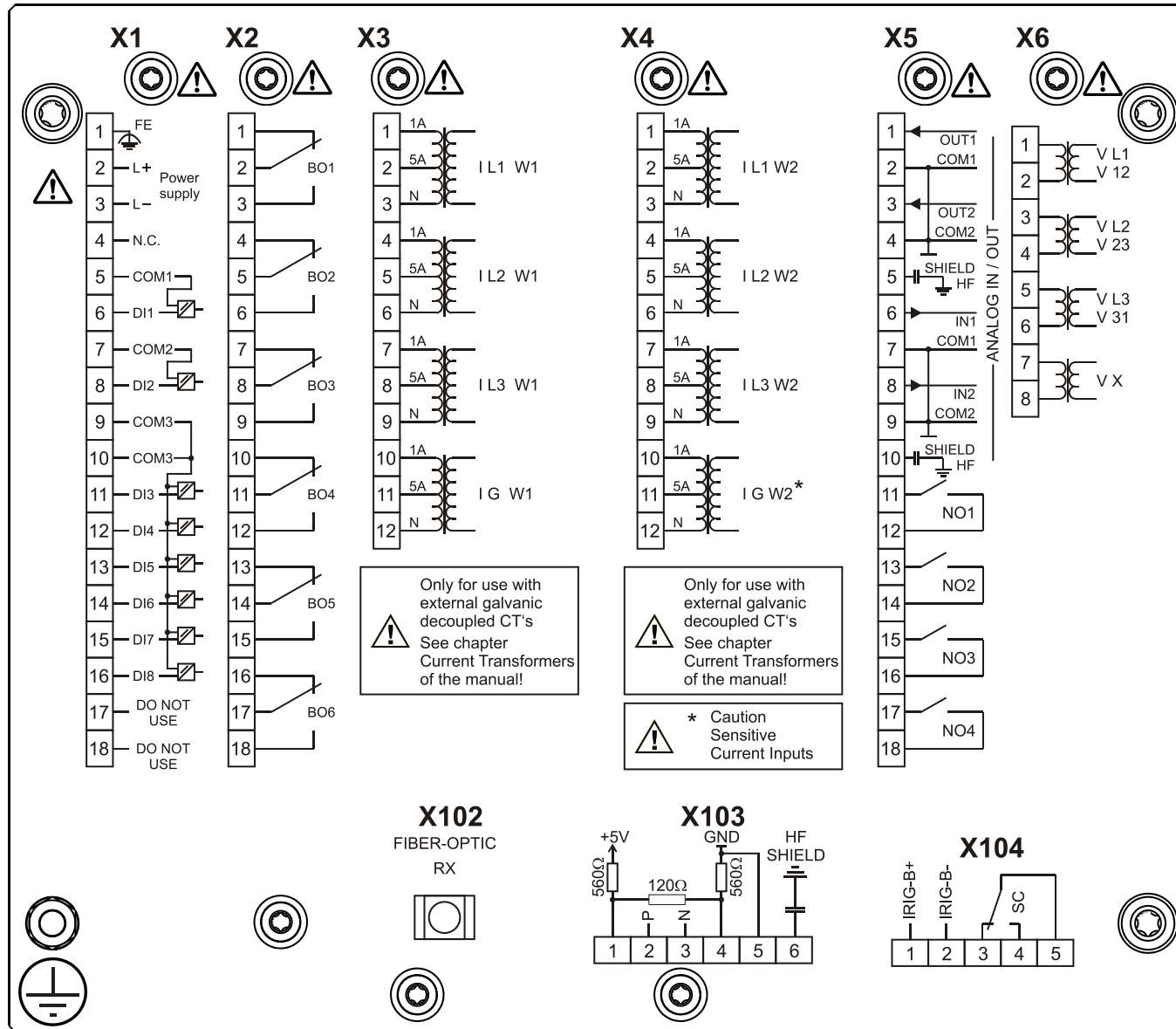
MCDTV4-2B2BAA



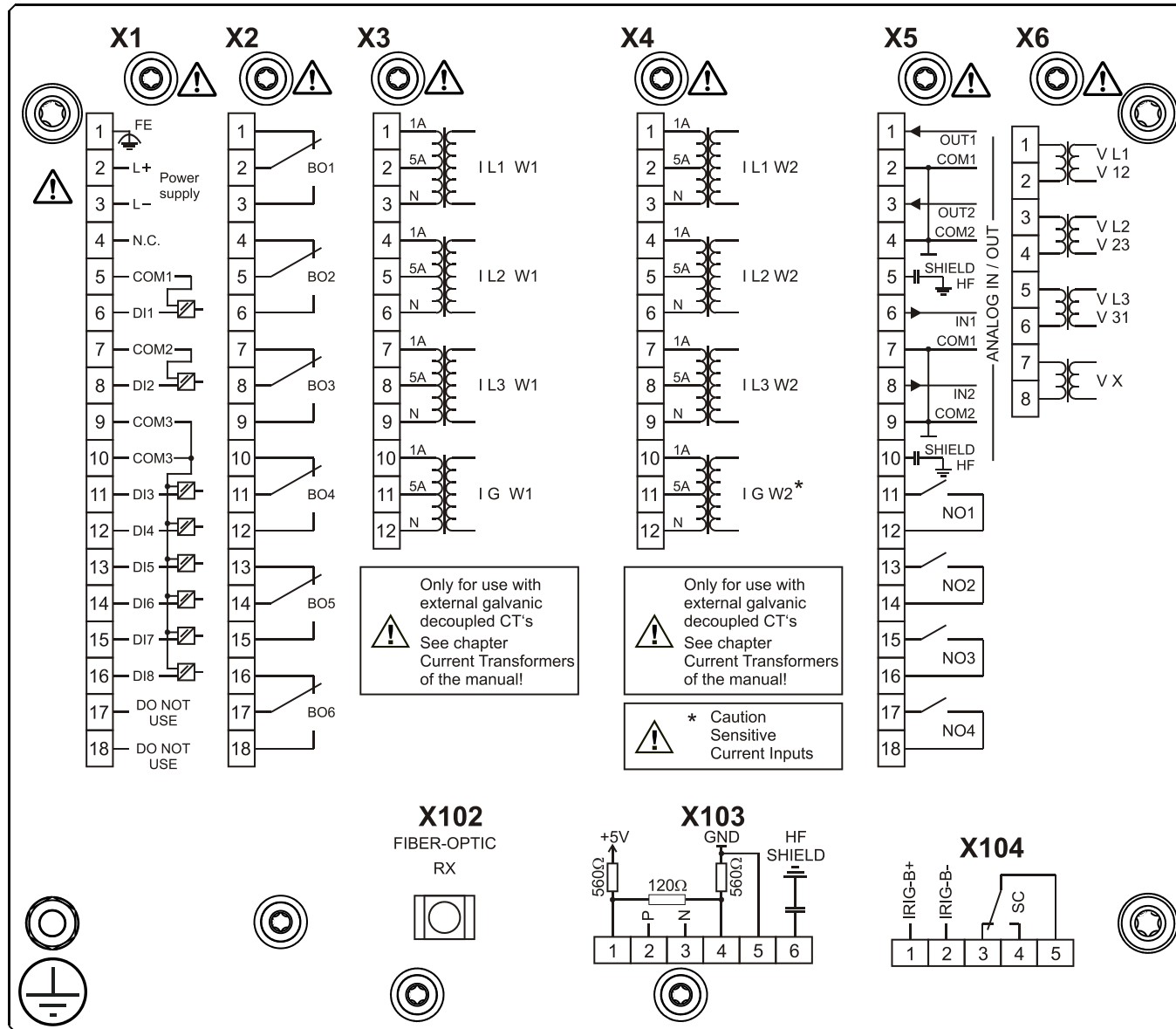
MCDTV4-2B2BAB



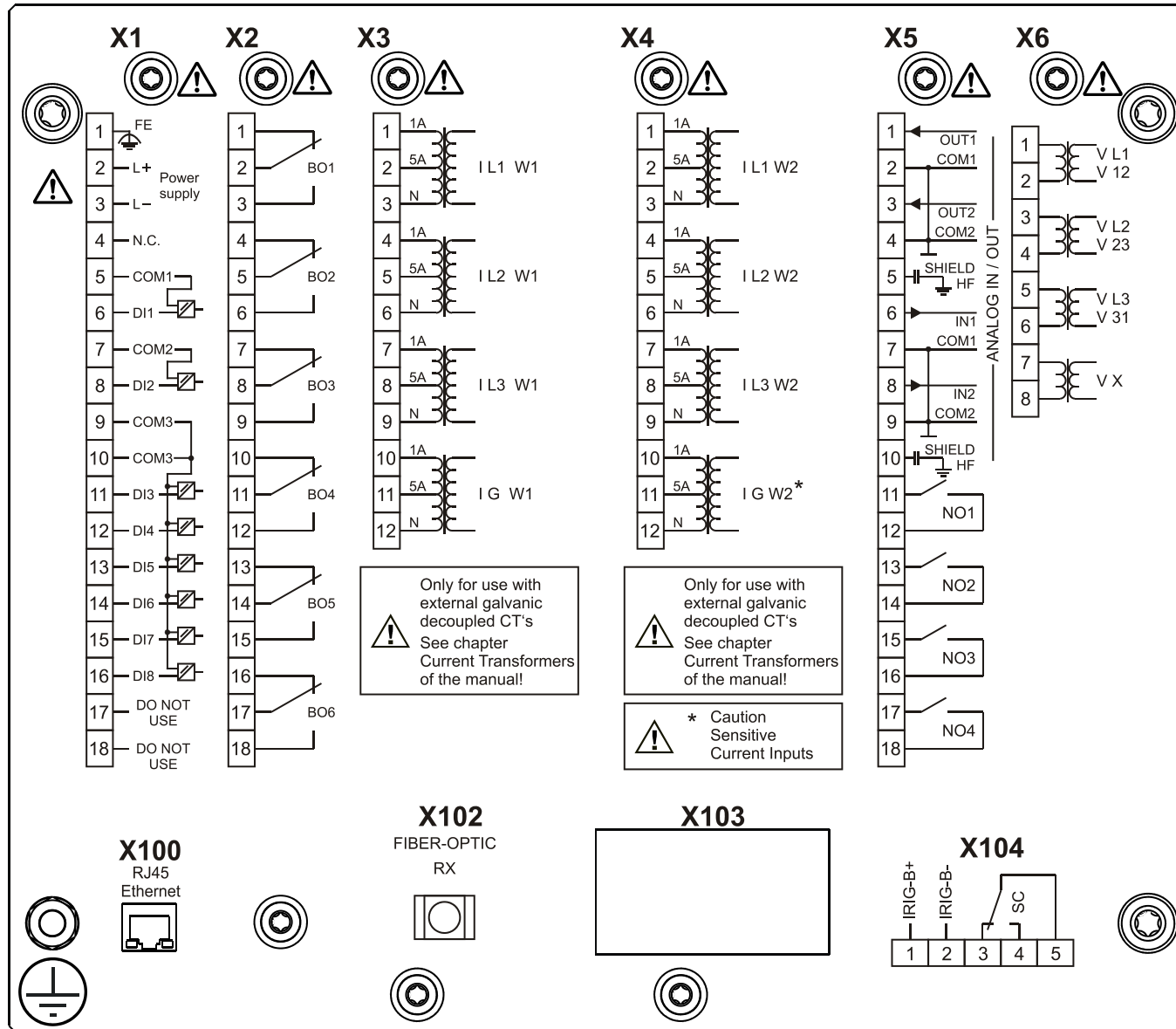
MCDTV4-2B2BBA



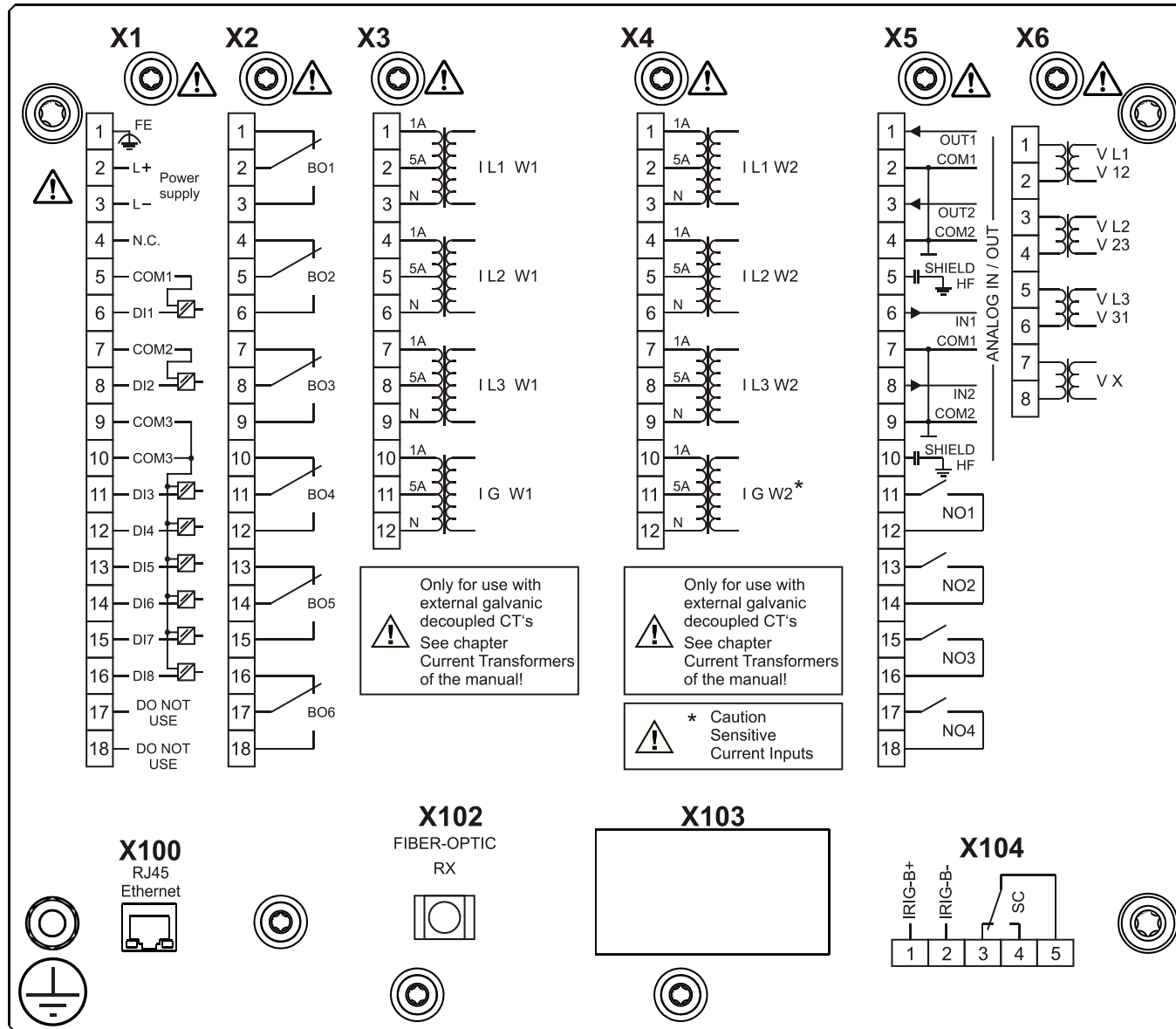
MCDTV4-2B2BBB



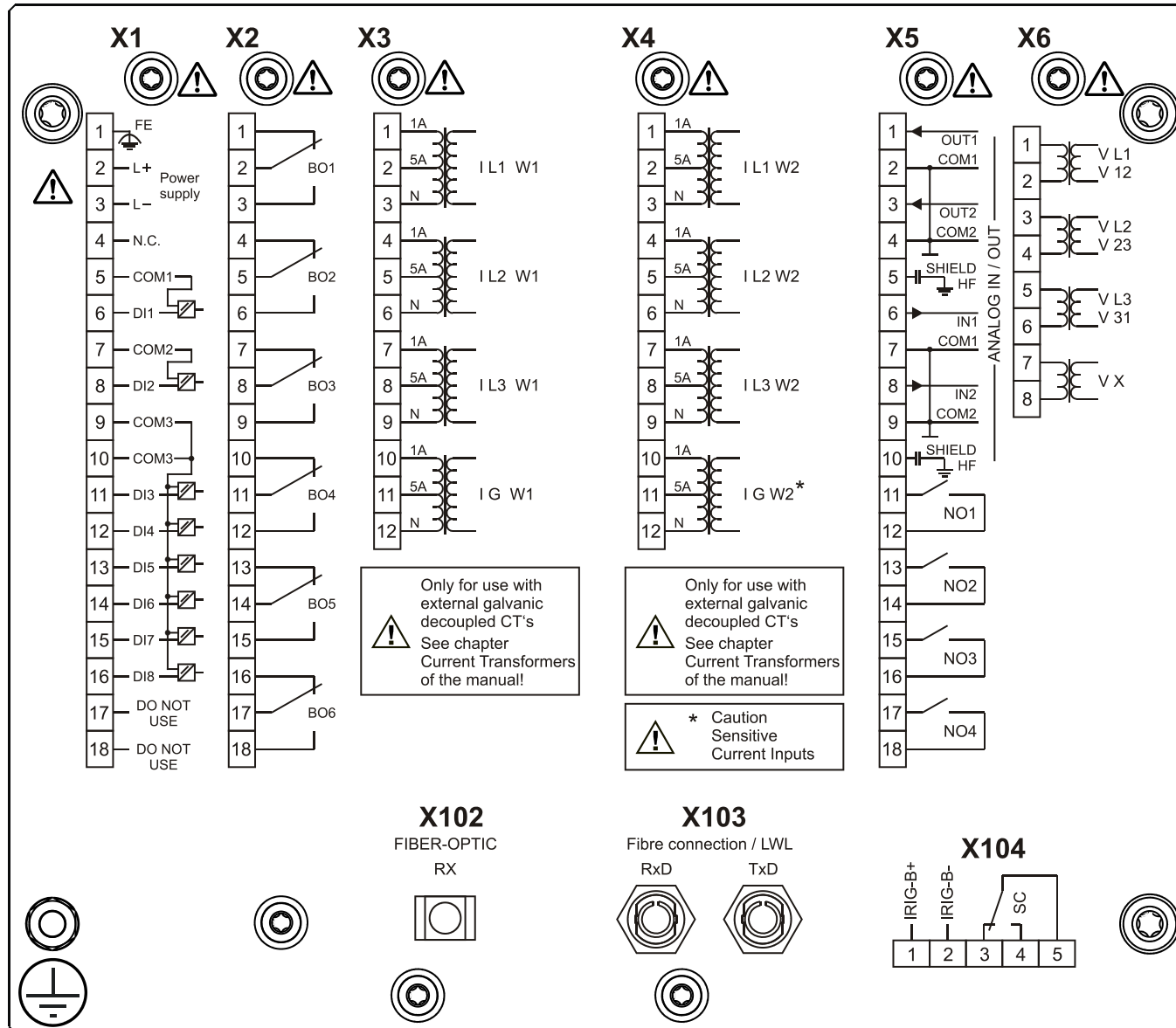
MCDTV4-2B2BCA



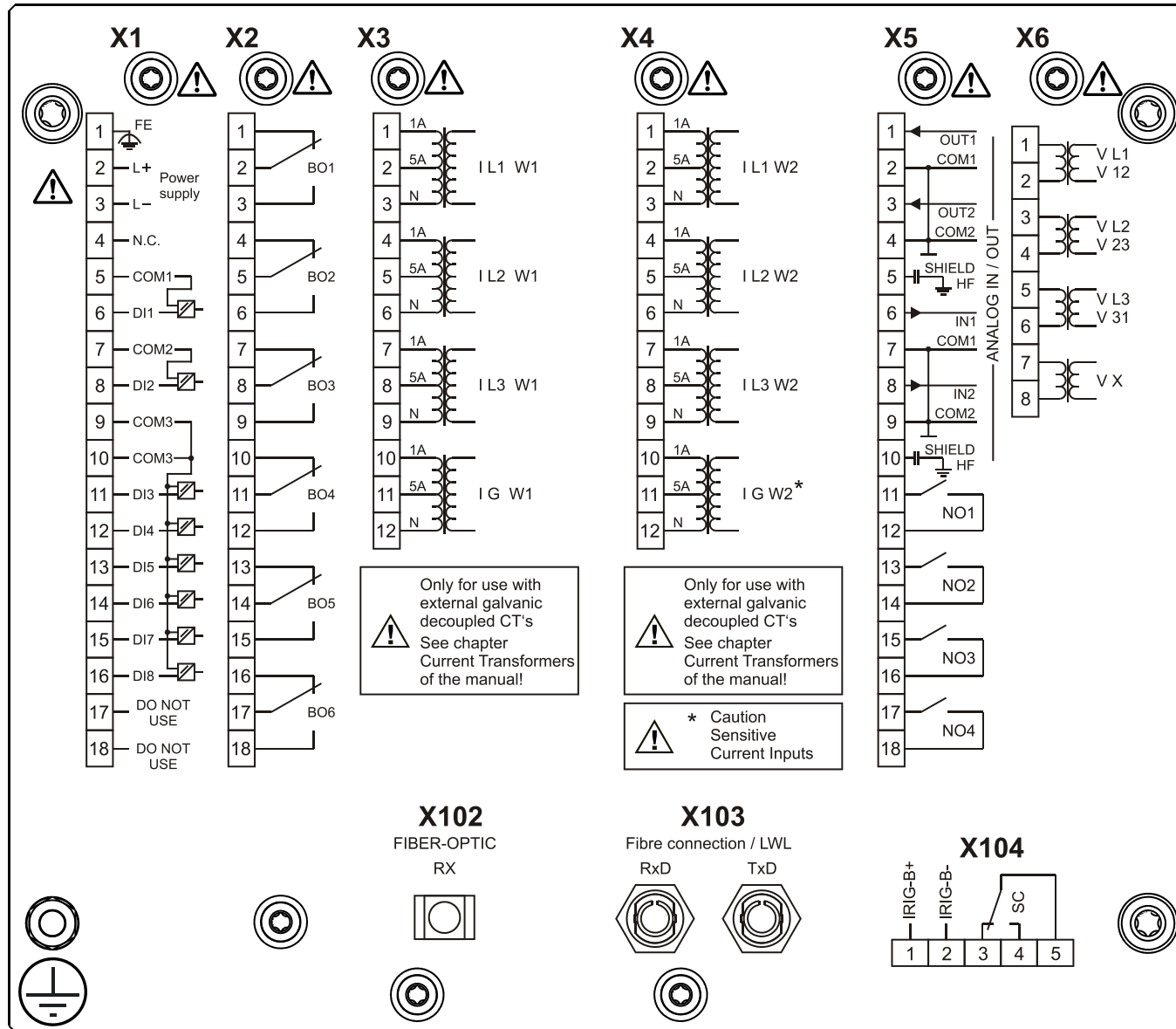
MCDTV4-2B2BCB



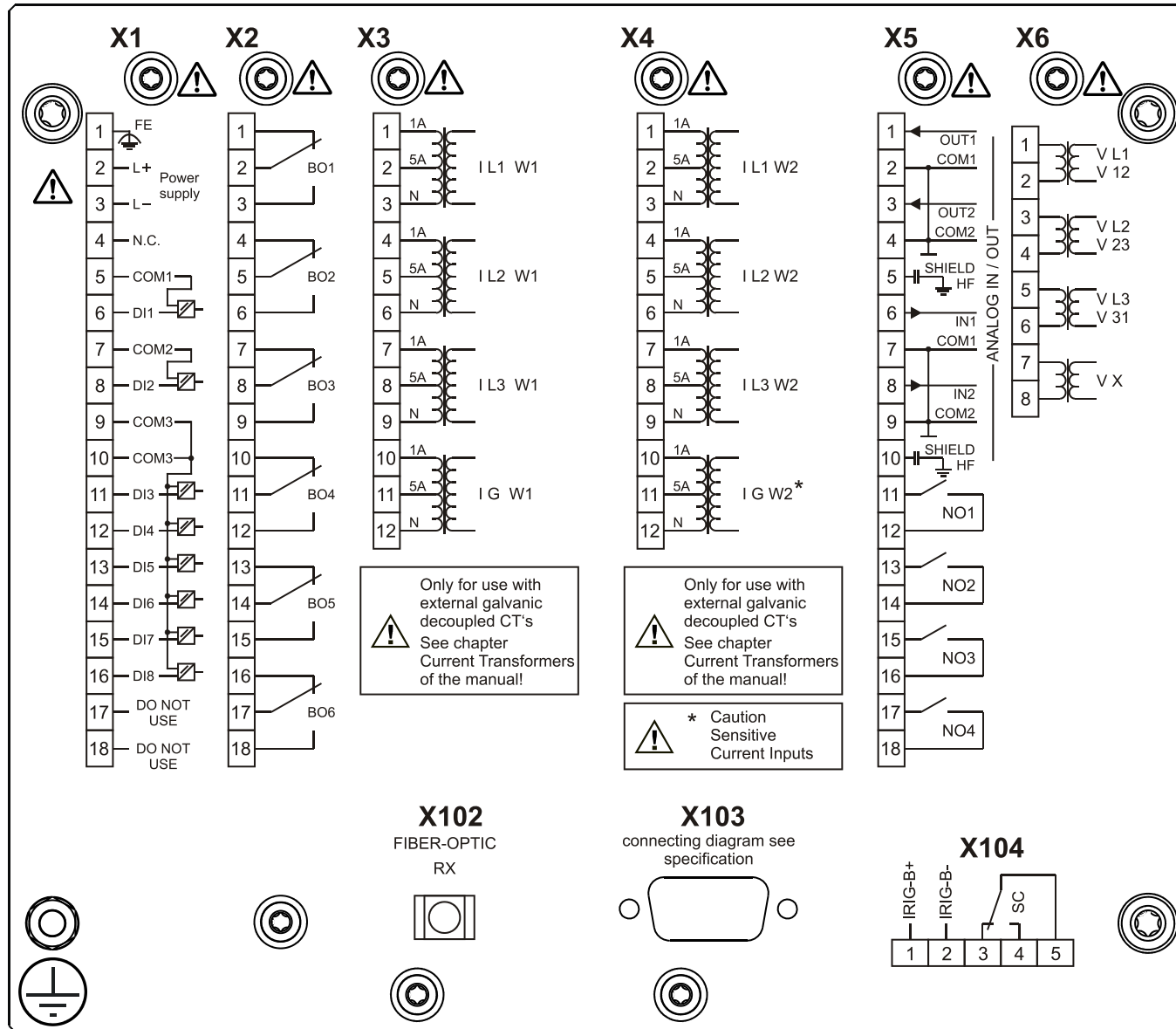
MCDTV4-2B2BDA



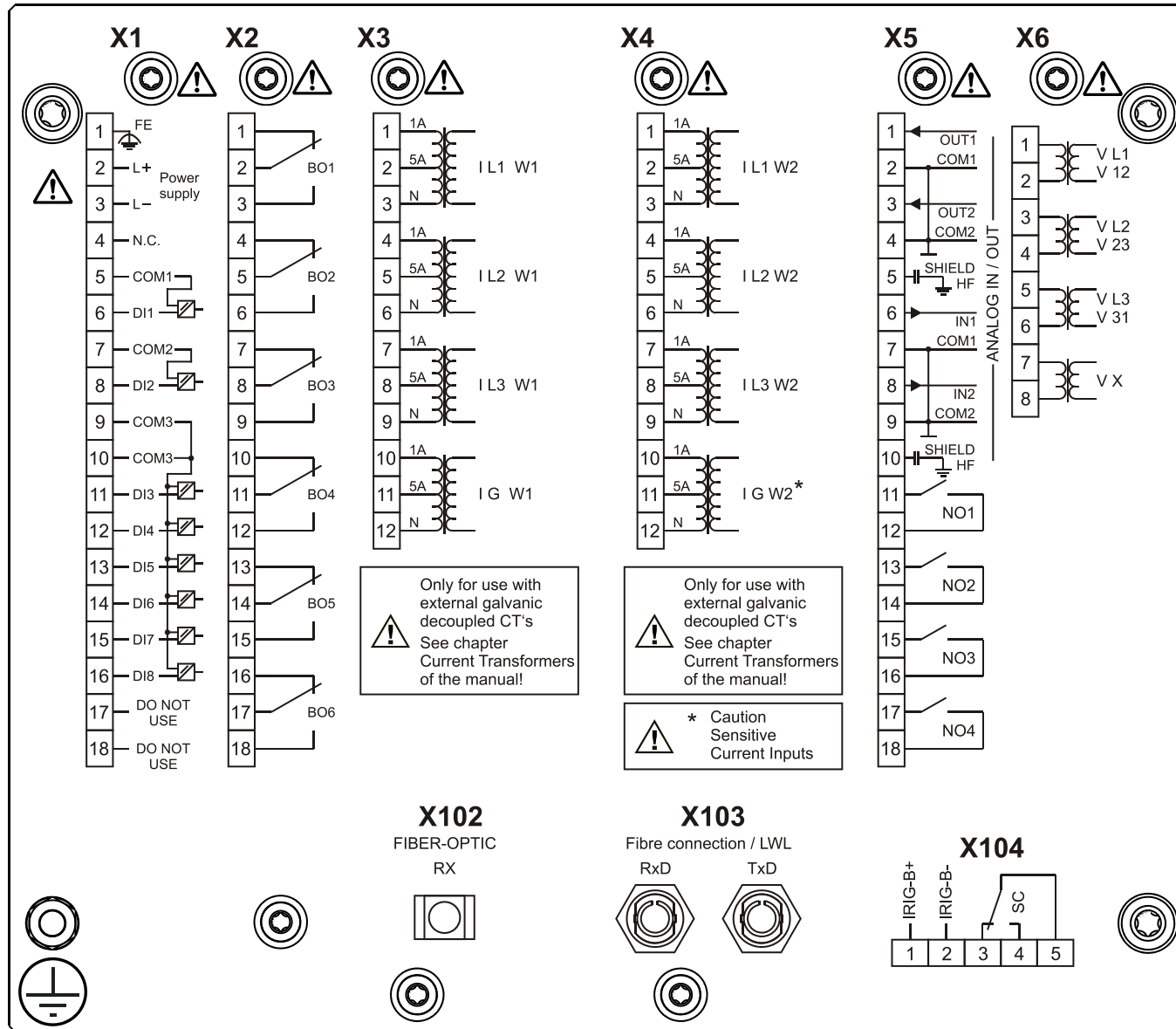
MCDTV4-2B2BDB



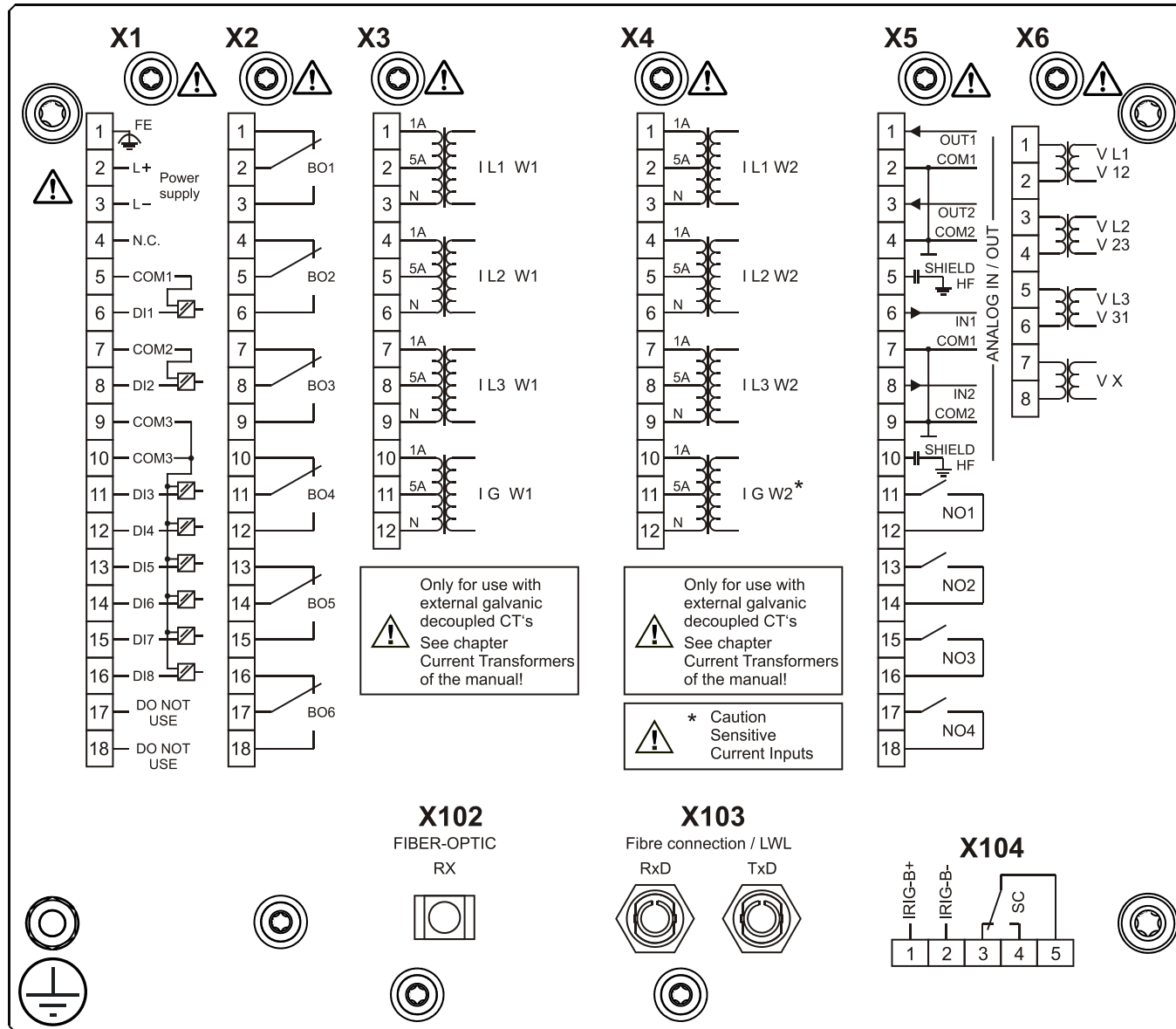
MCDTV4-2B2BEA



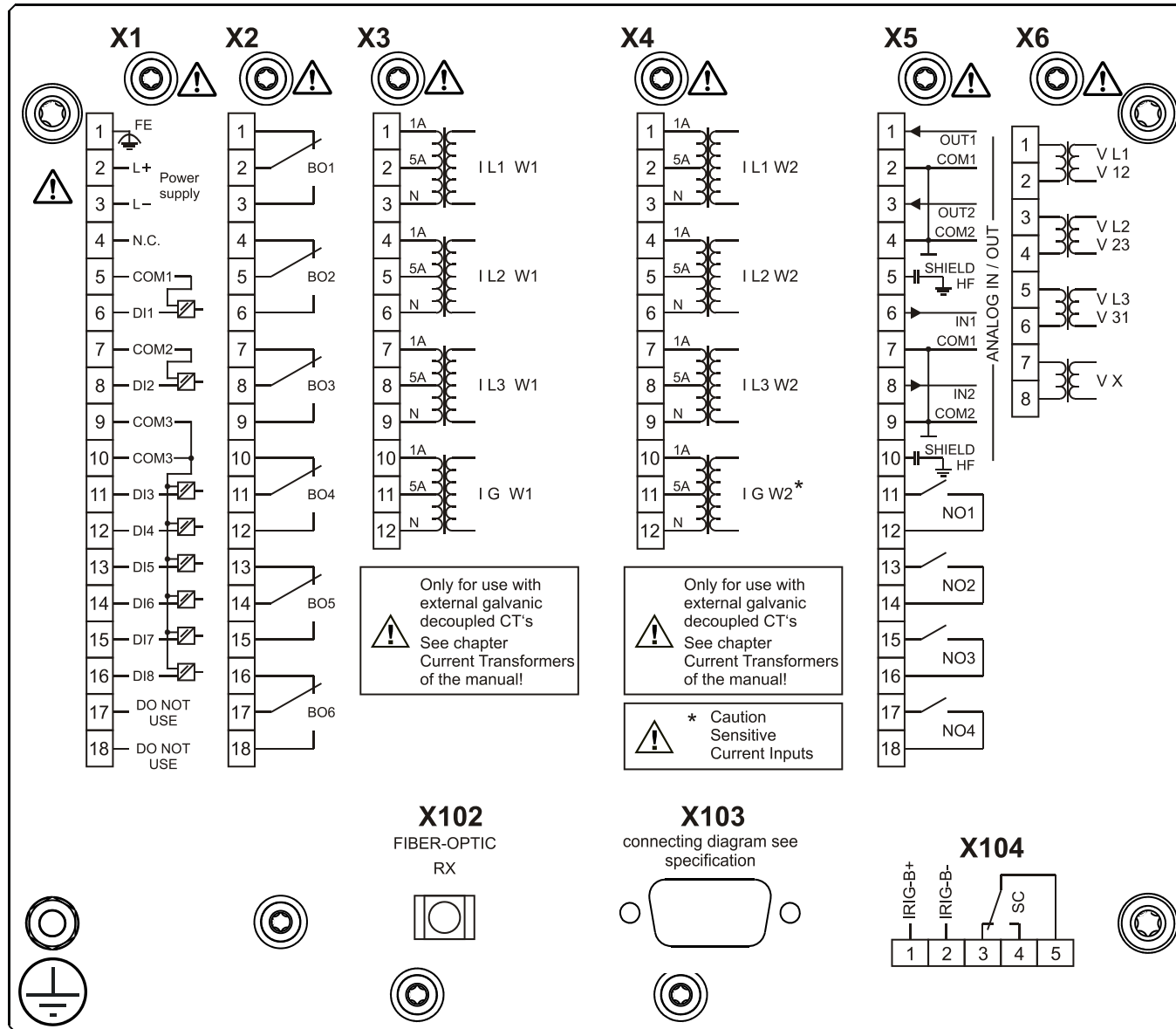
MCDTV4-2B2BFA



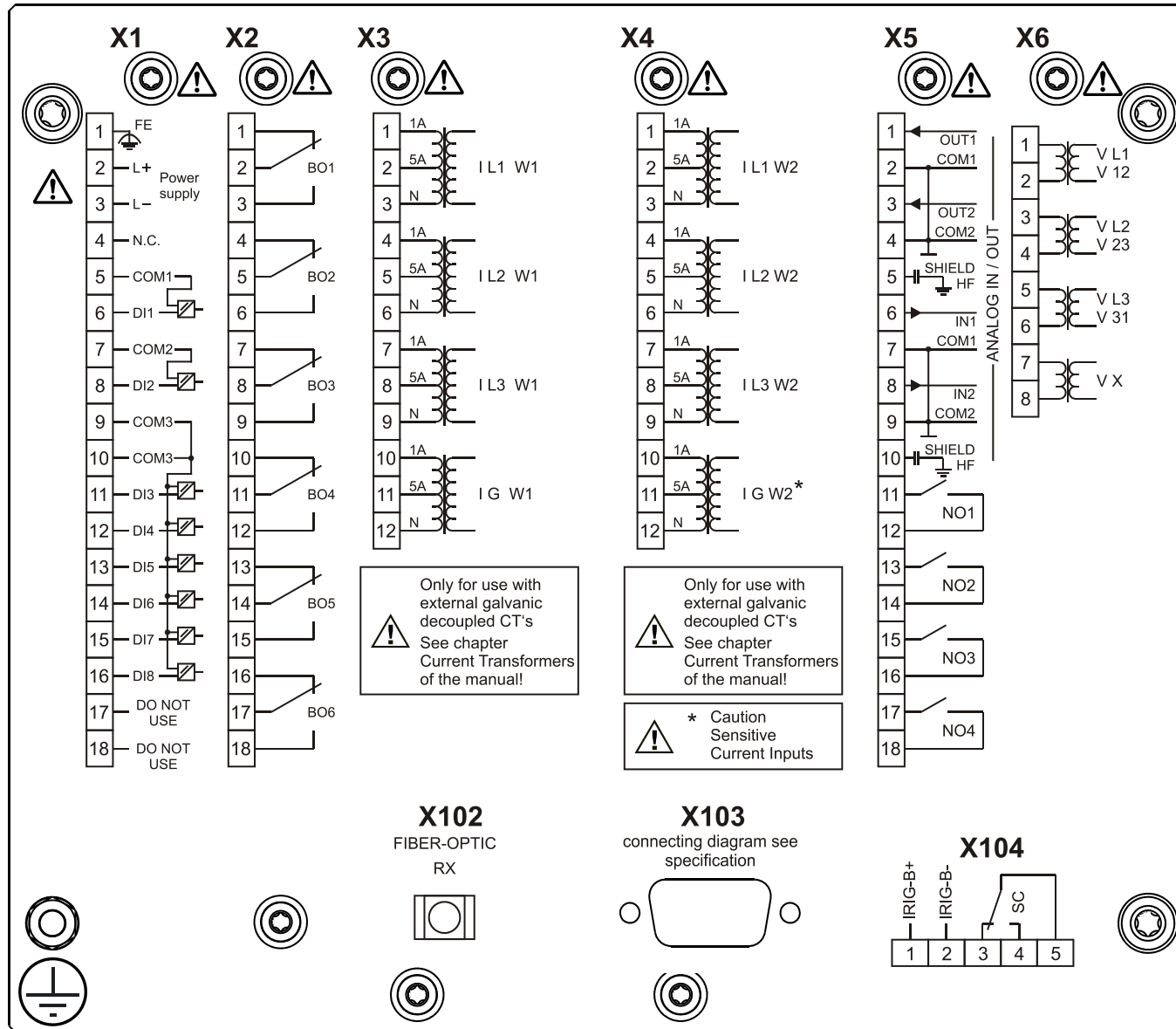
MCDTV4-2B2BFB



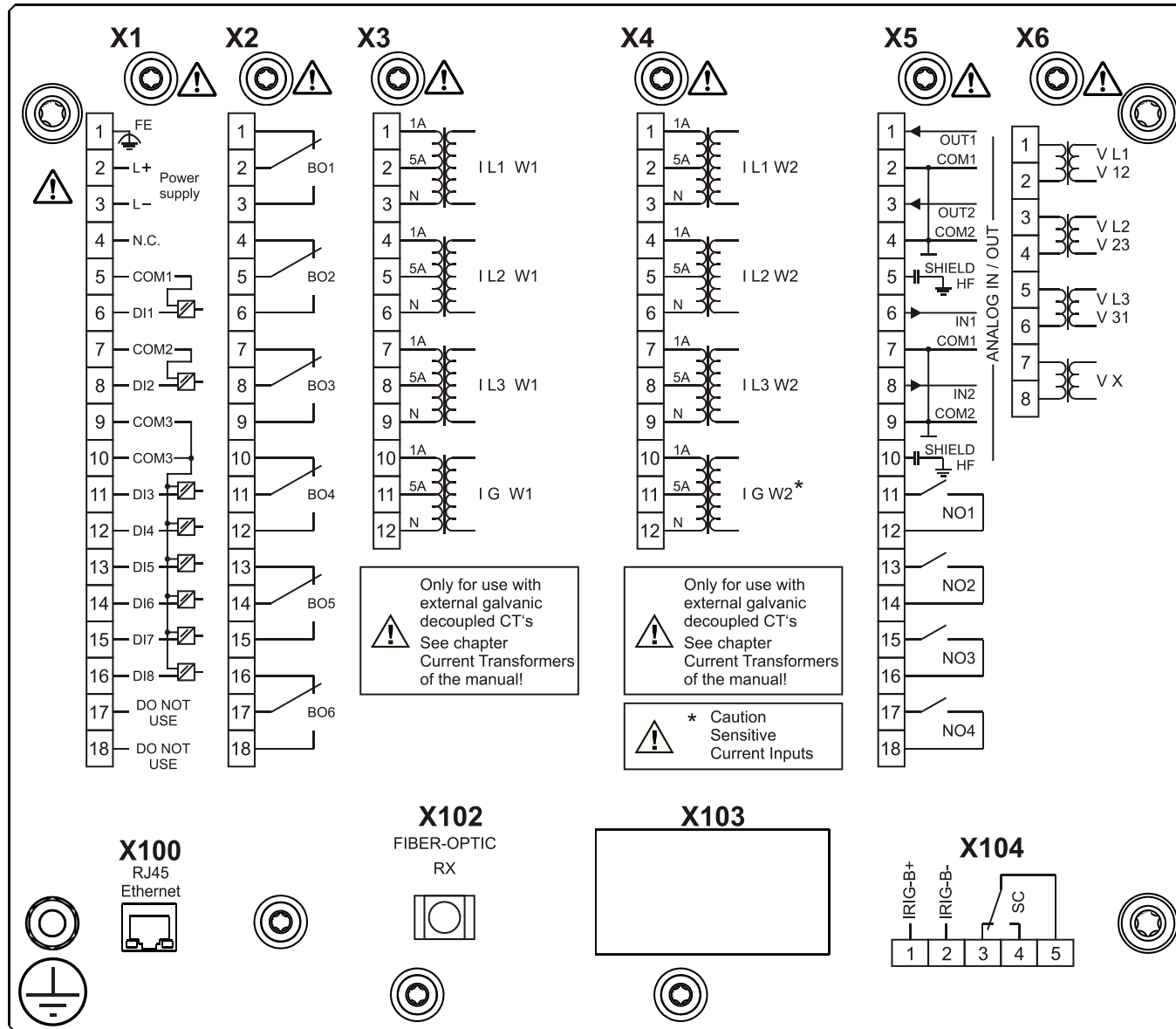
MCDTV4-2B2BGA



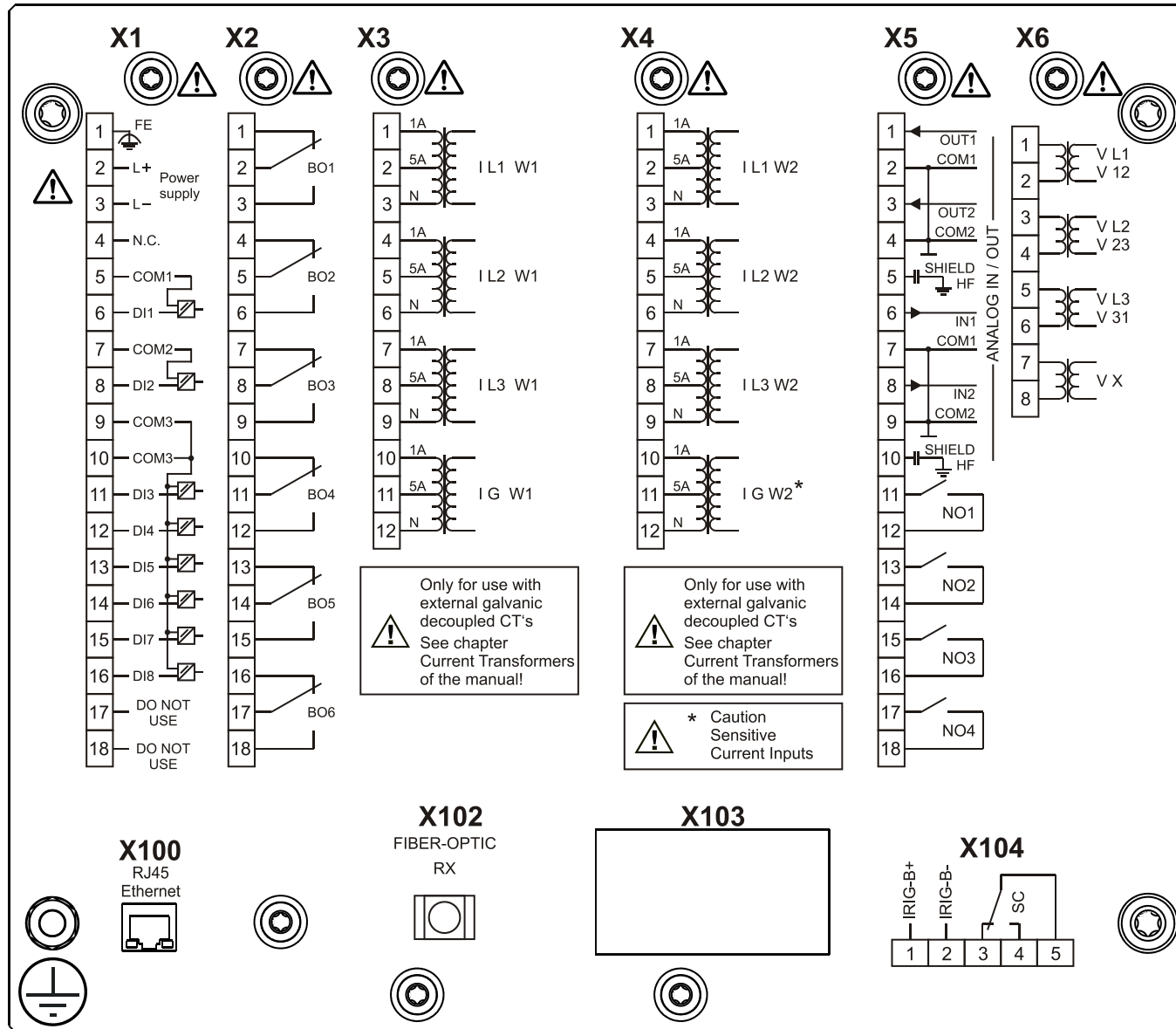
MCDTV4-2B2BGB



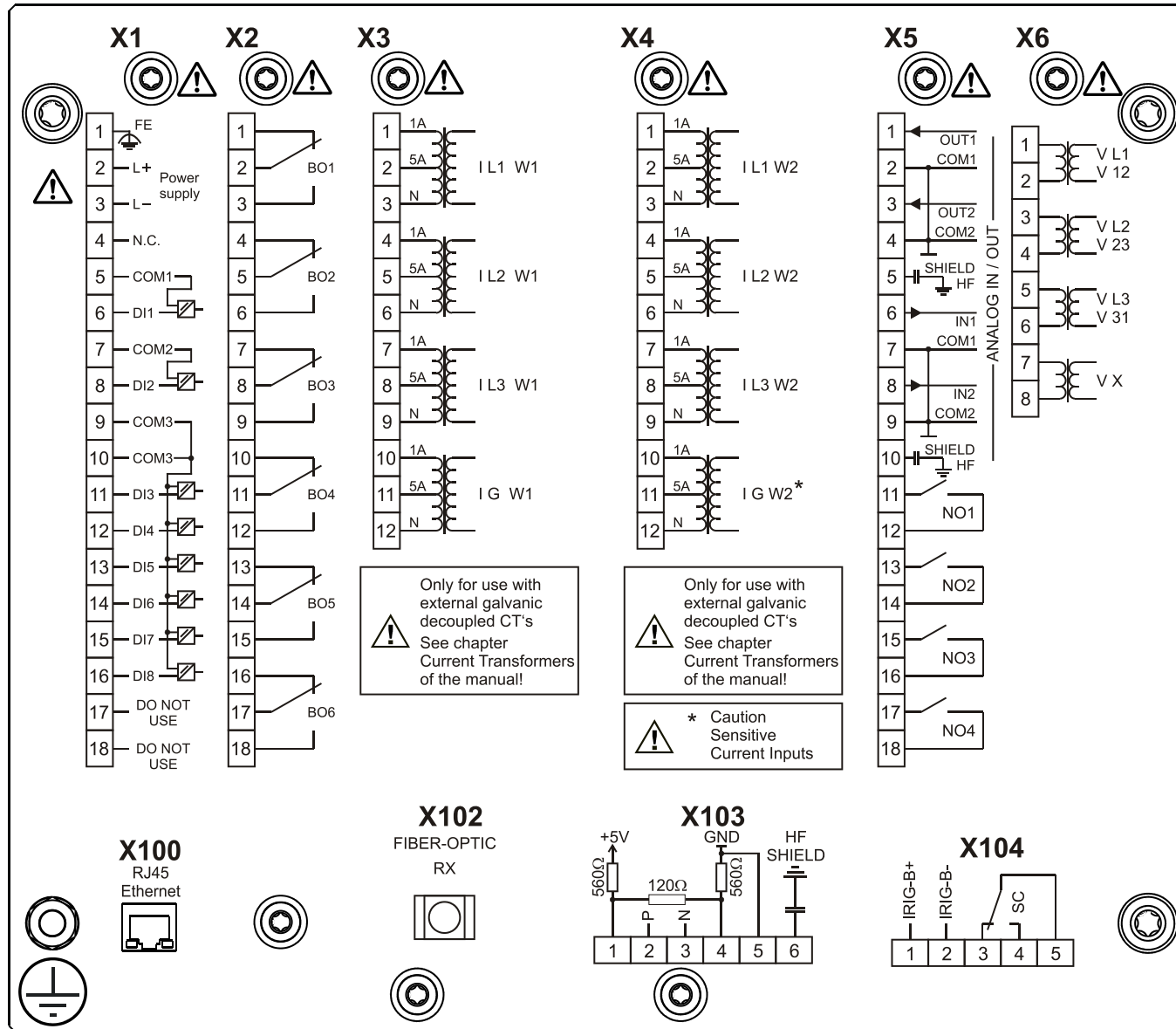
MCDTV4-2B2BHA



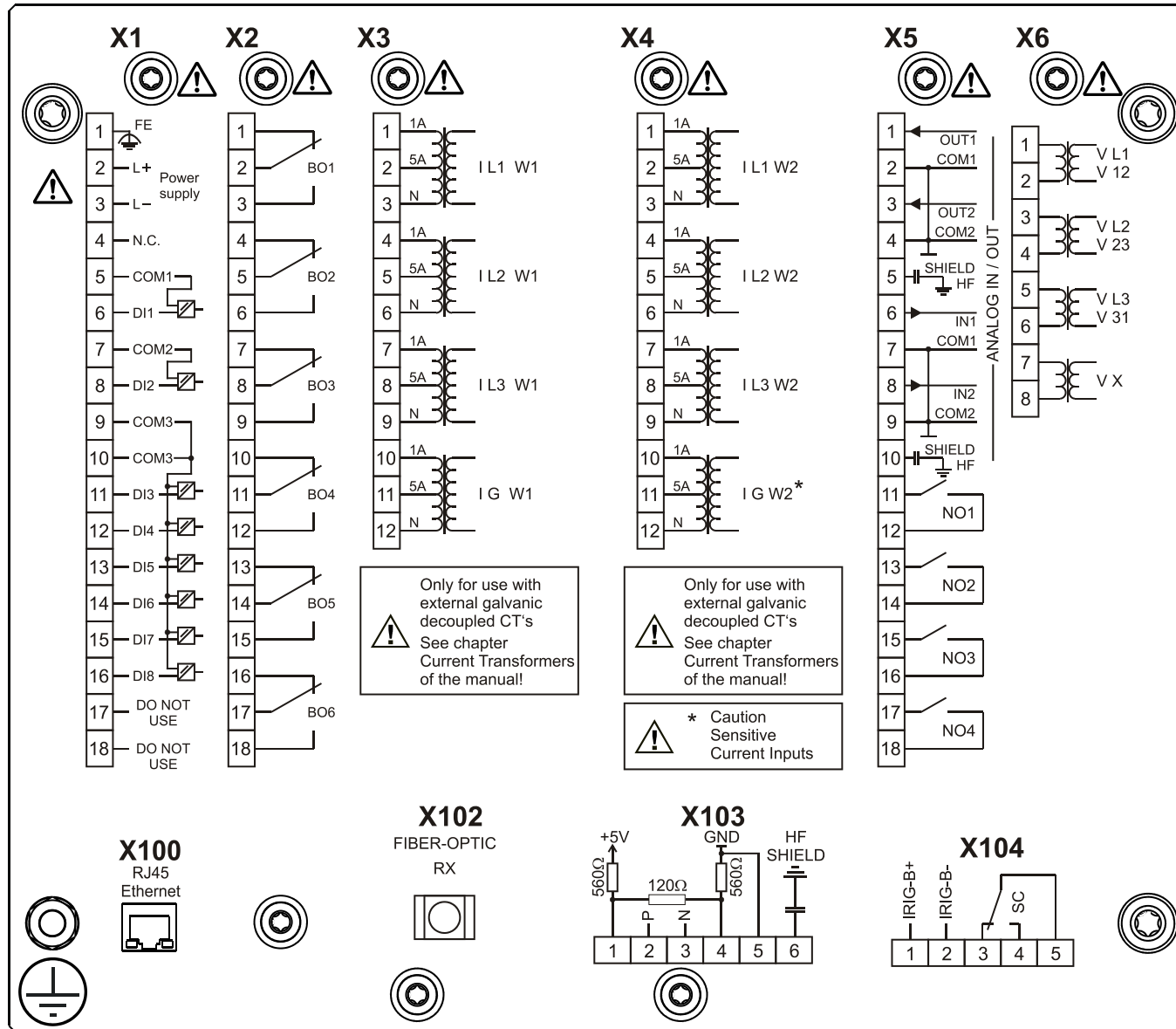
MCDTV4-2B2BHB



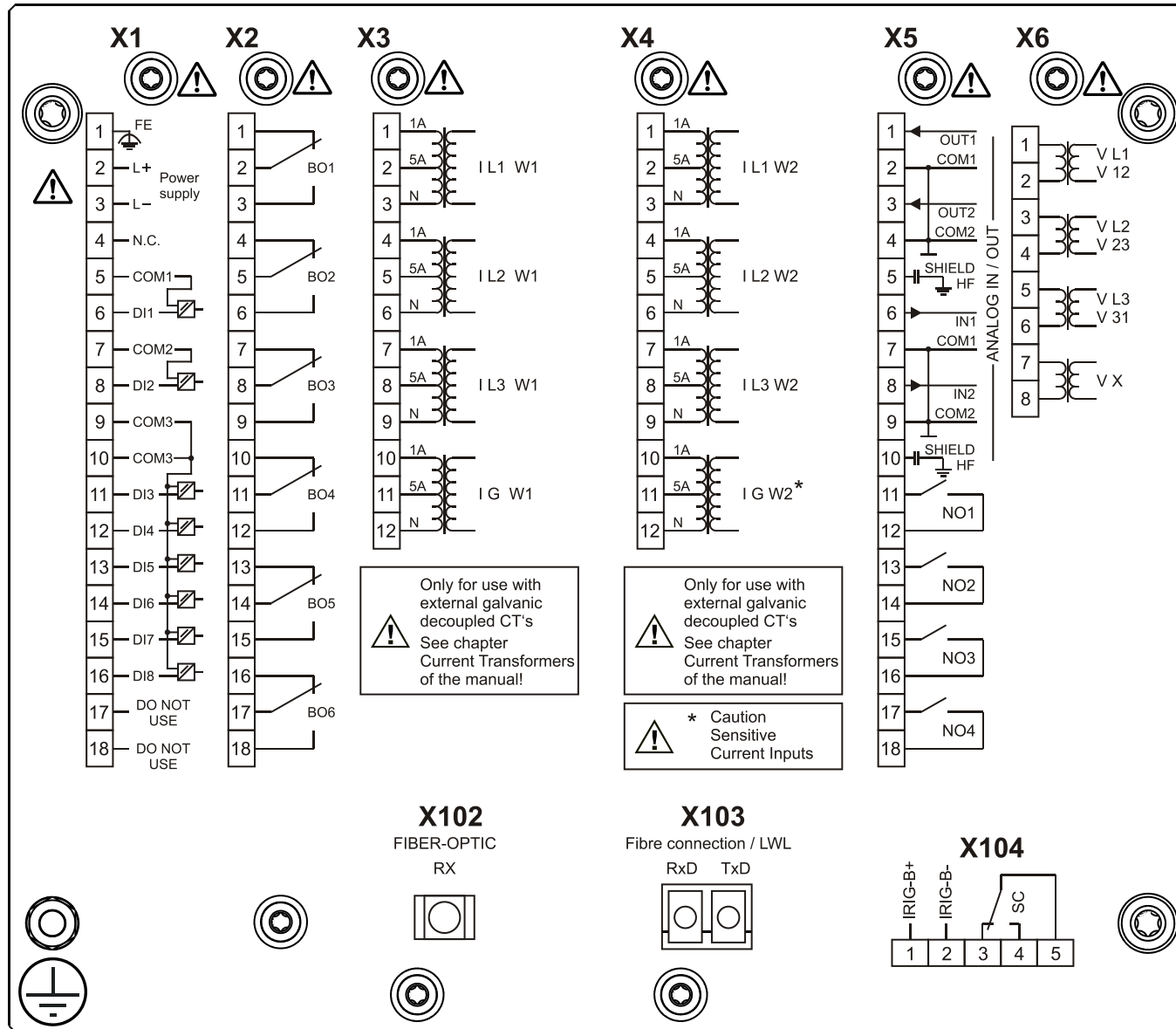
MCDTV4-2B2BIA



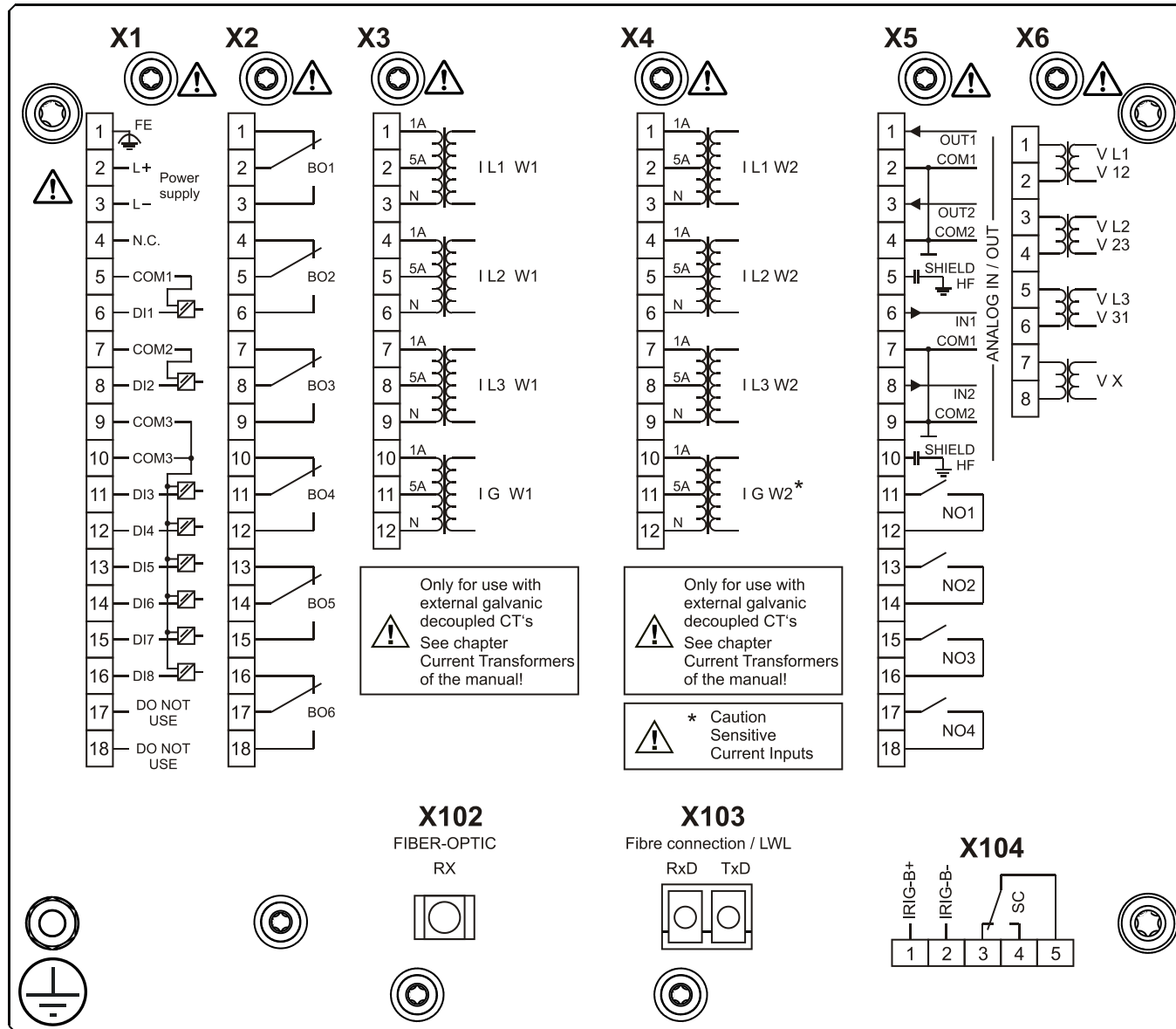
MCDTV4-2B2BIB



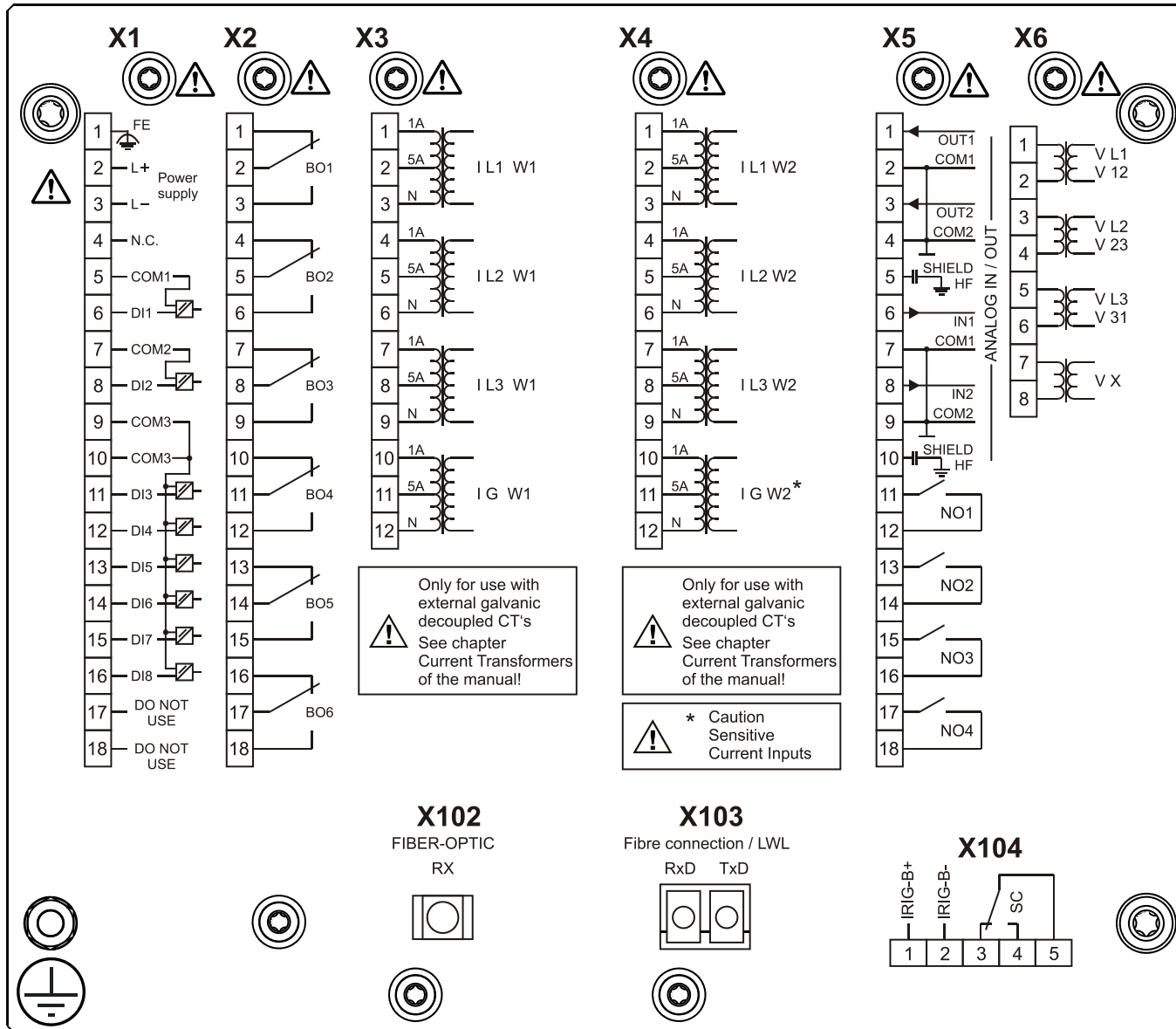
MCDTV4-2B2BKA



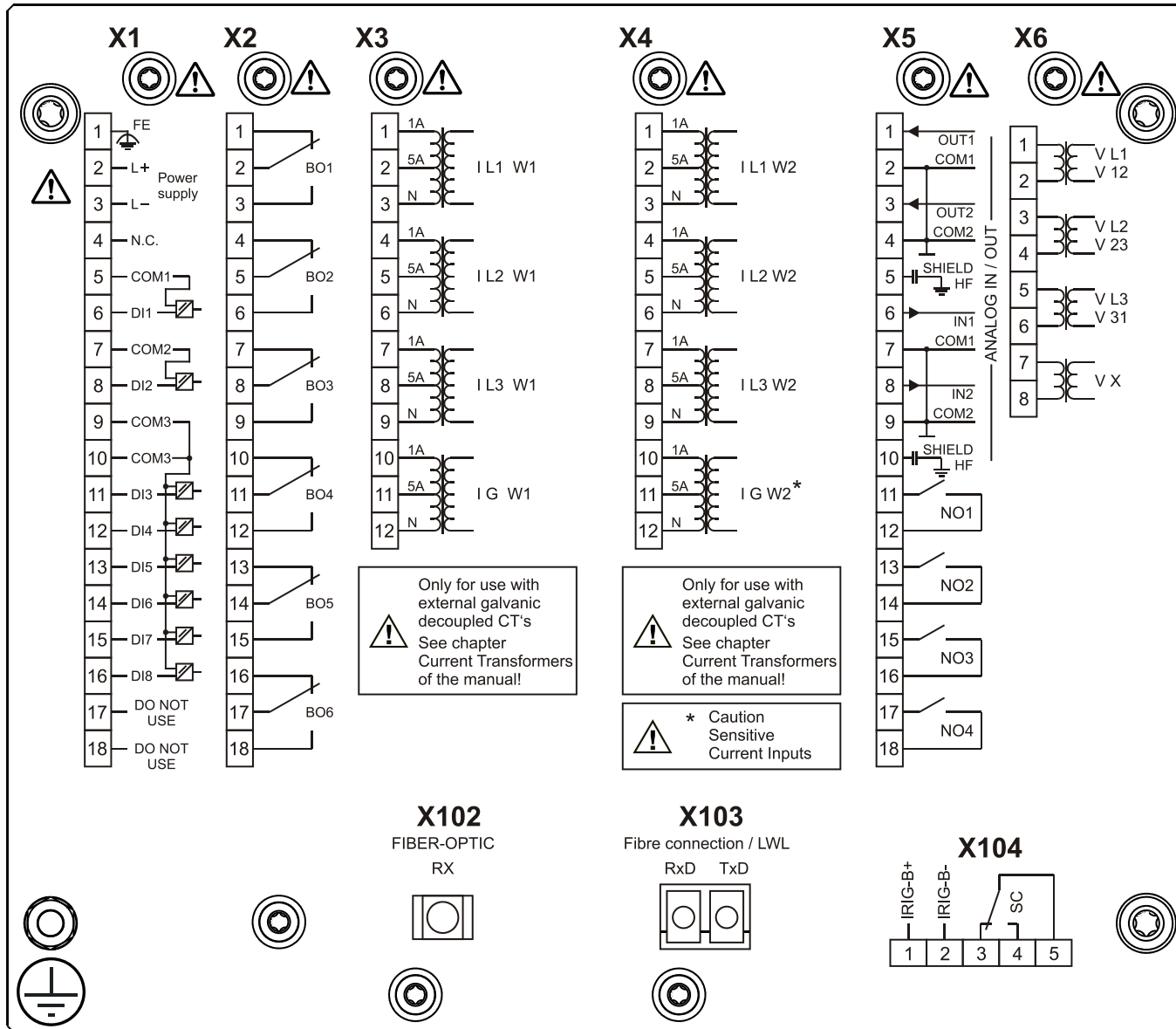
MCDTV4-2B2BKB



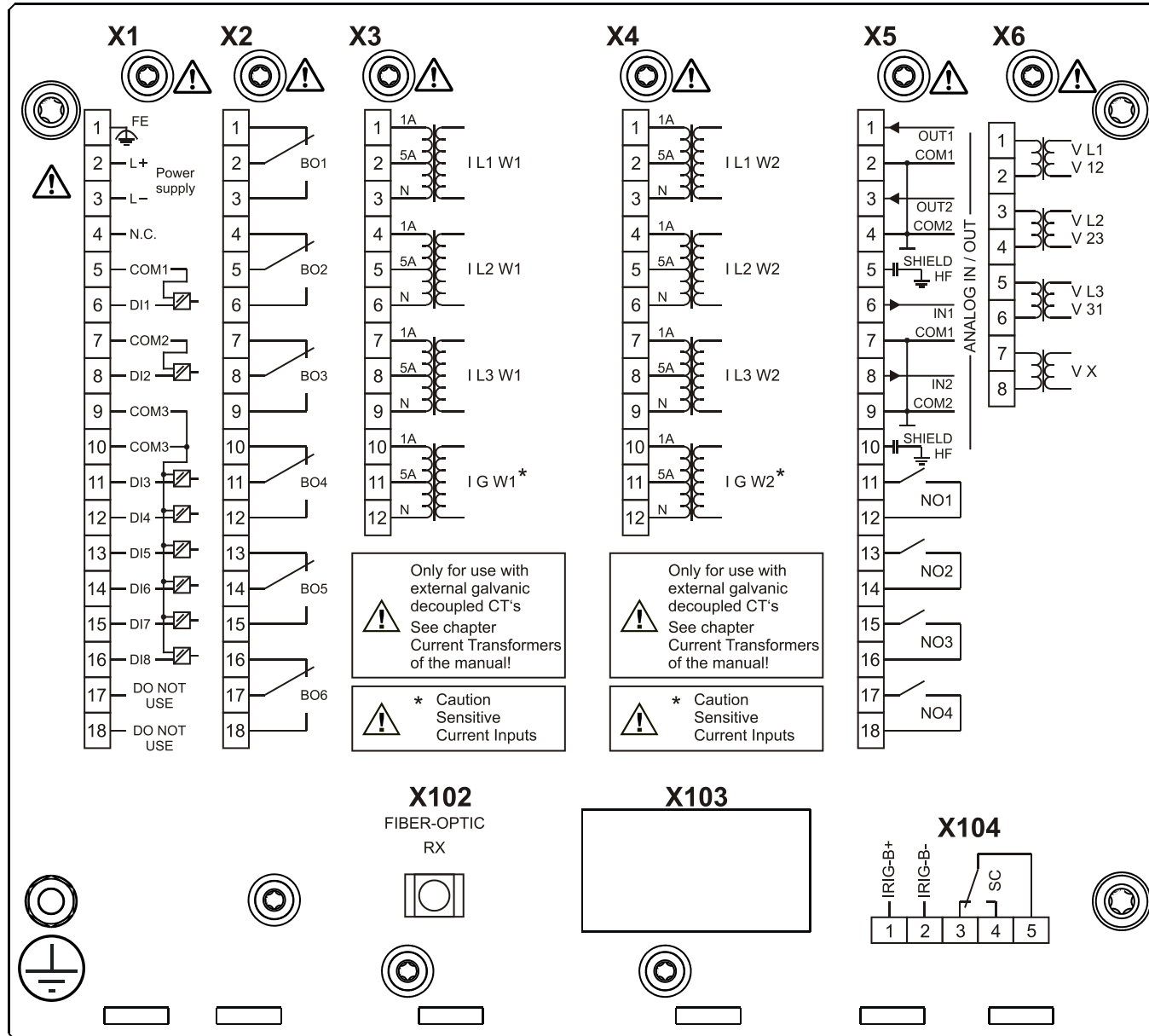
MCDTV4-2B2BLA



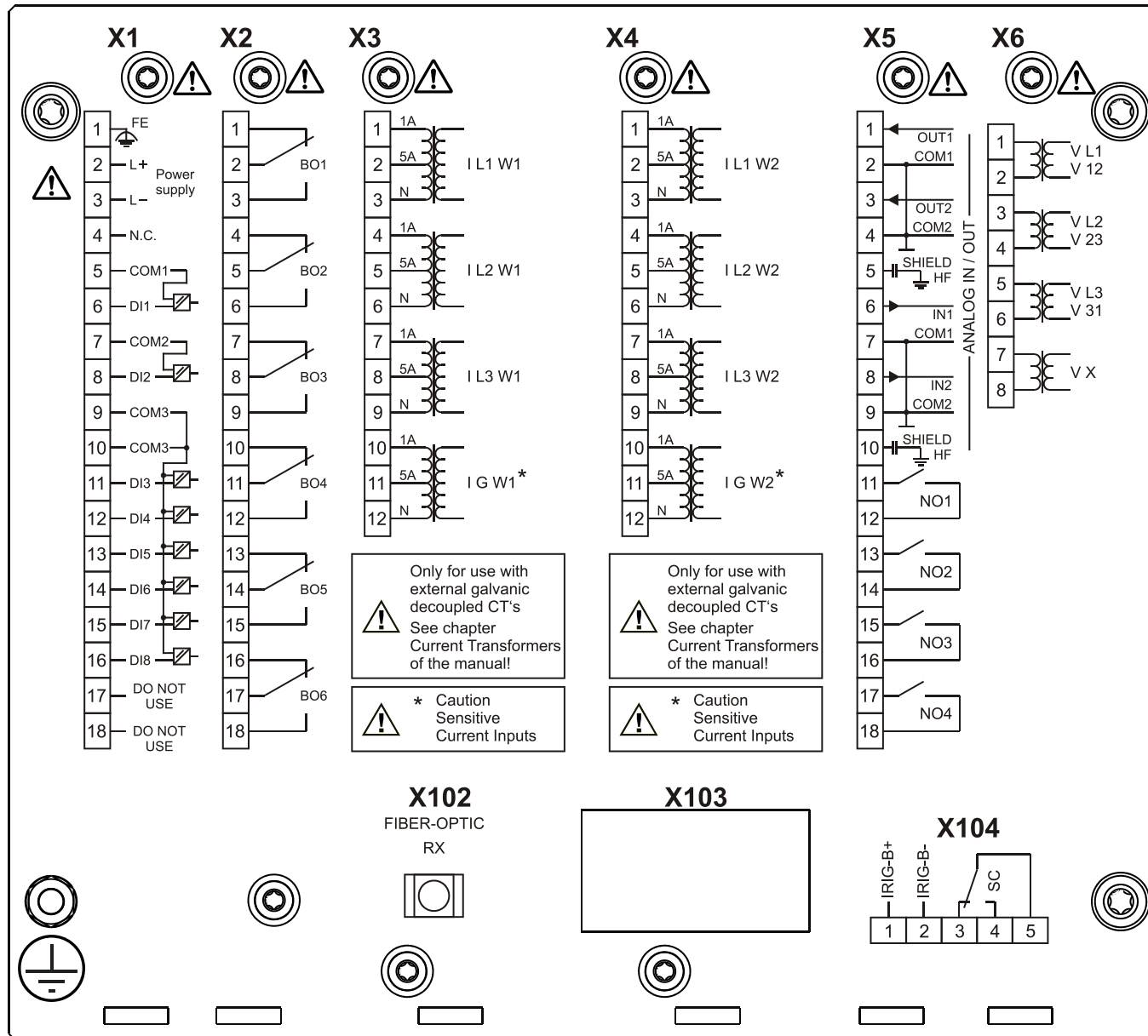
MCDTV4-2B2BLB



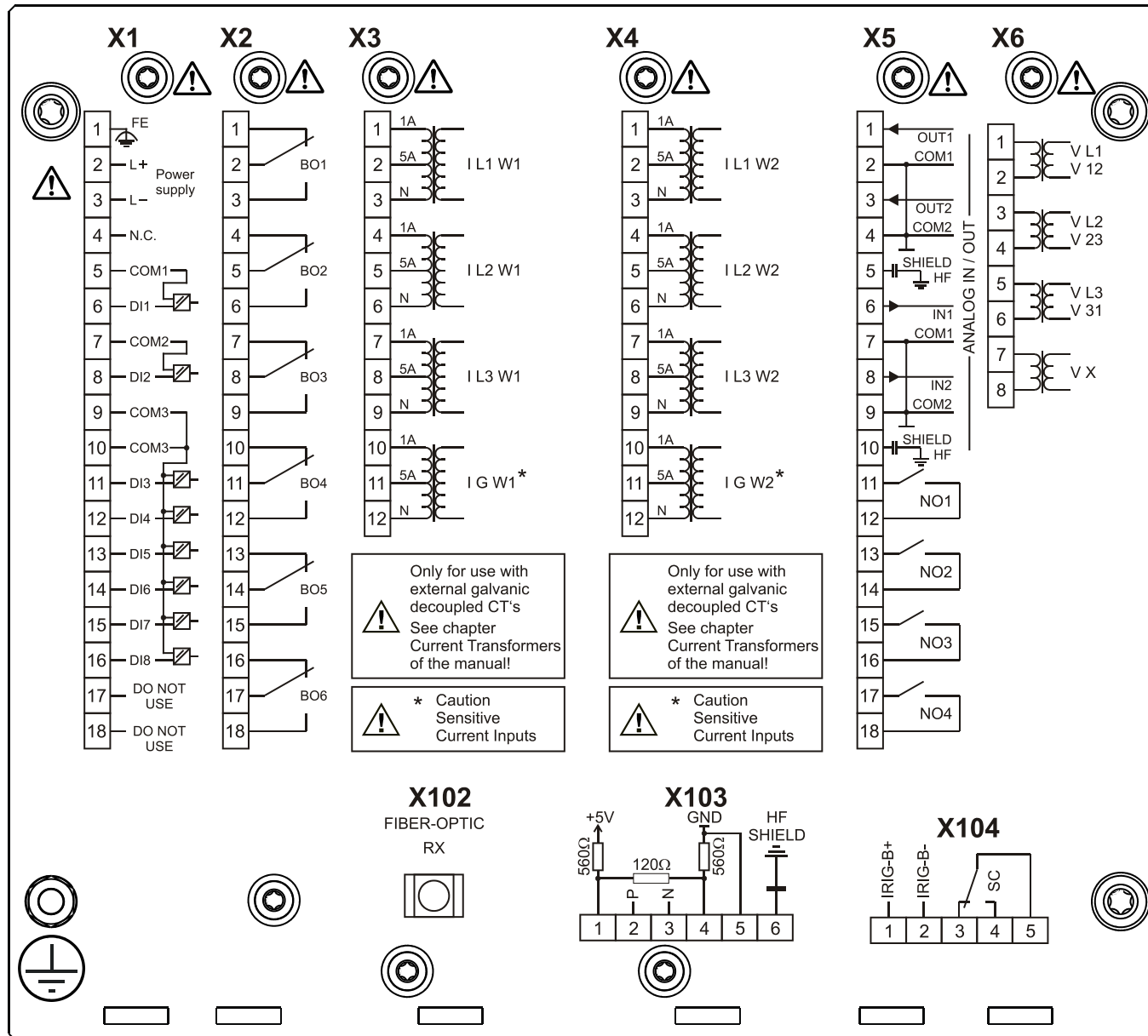
MCDTV4-2B3AAA



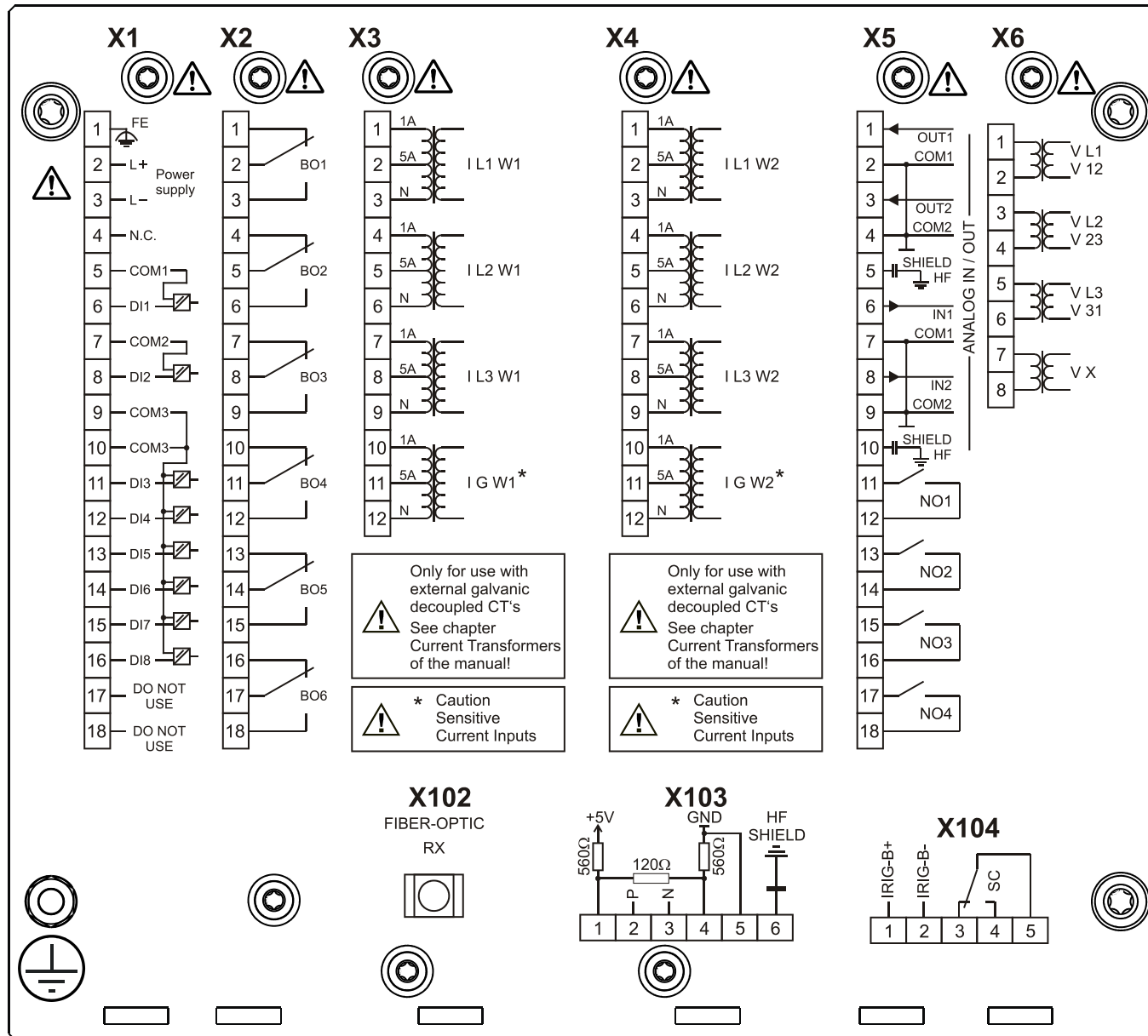
MCDTV4-2B3AAB



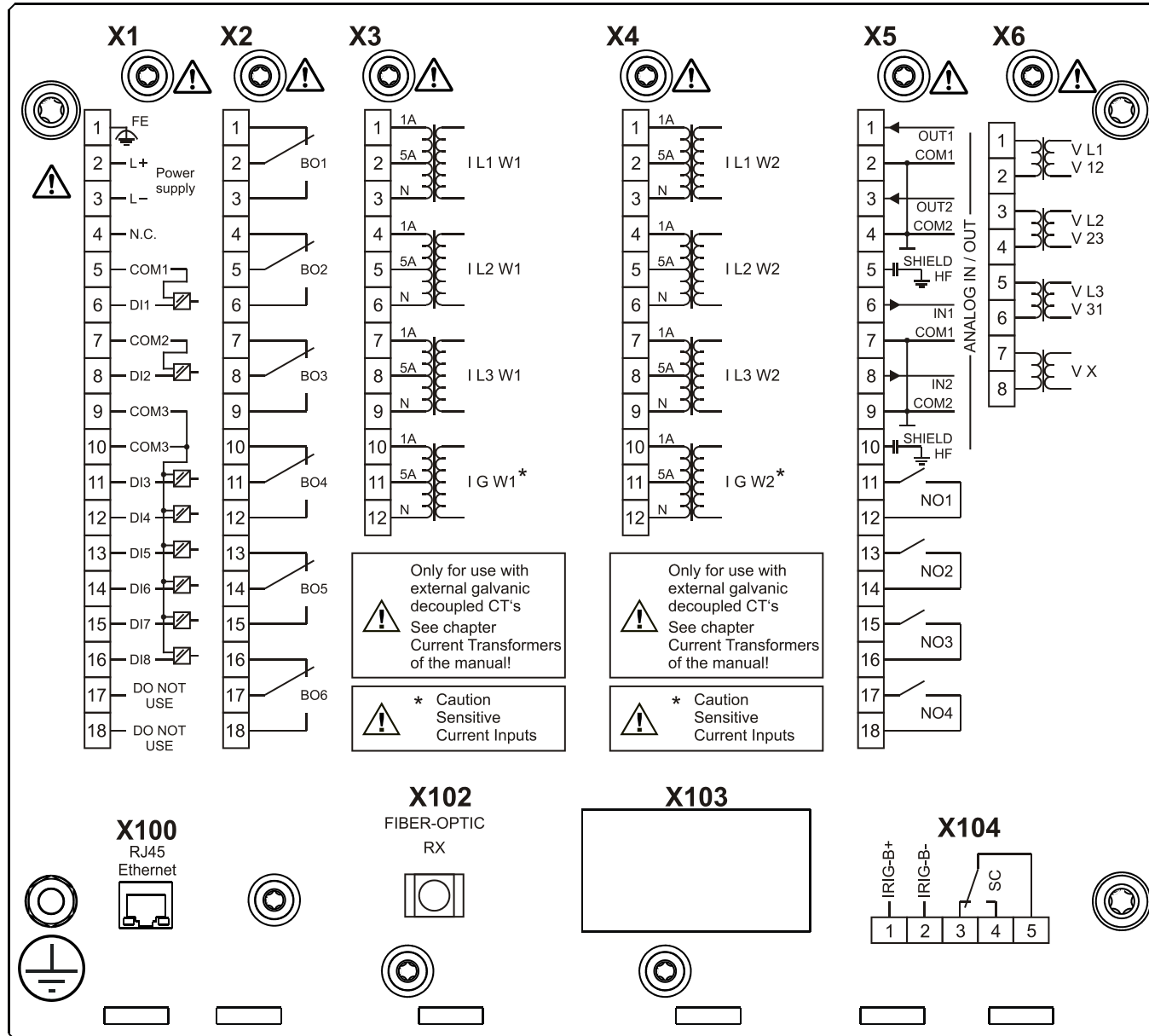
MCDTV4-2B3ABA



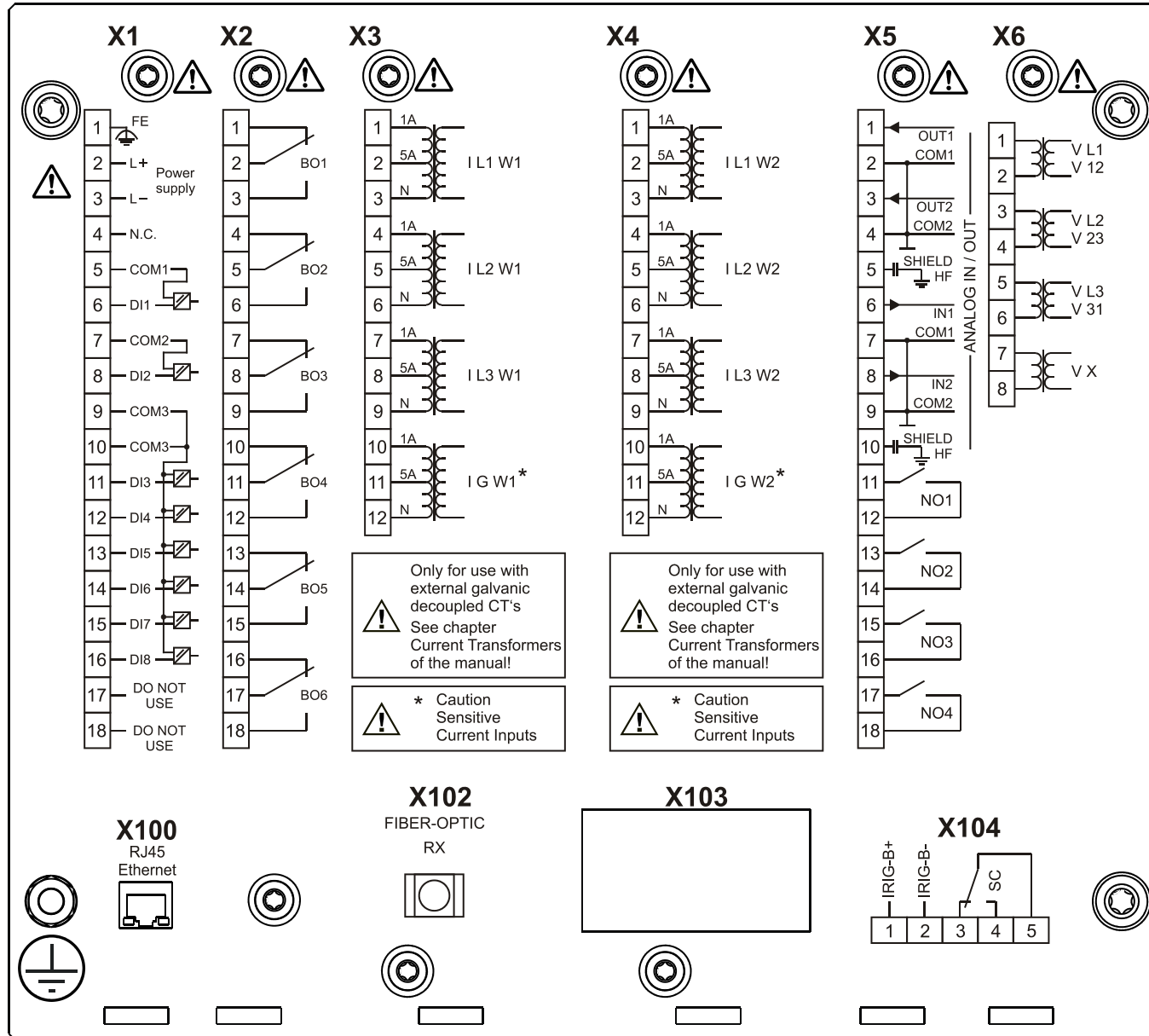
MCDTV4-2B3ABB



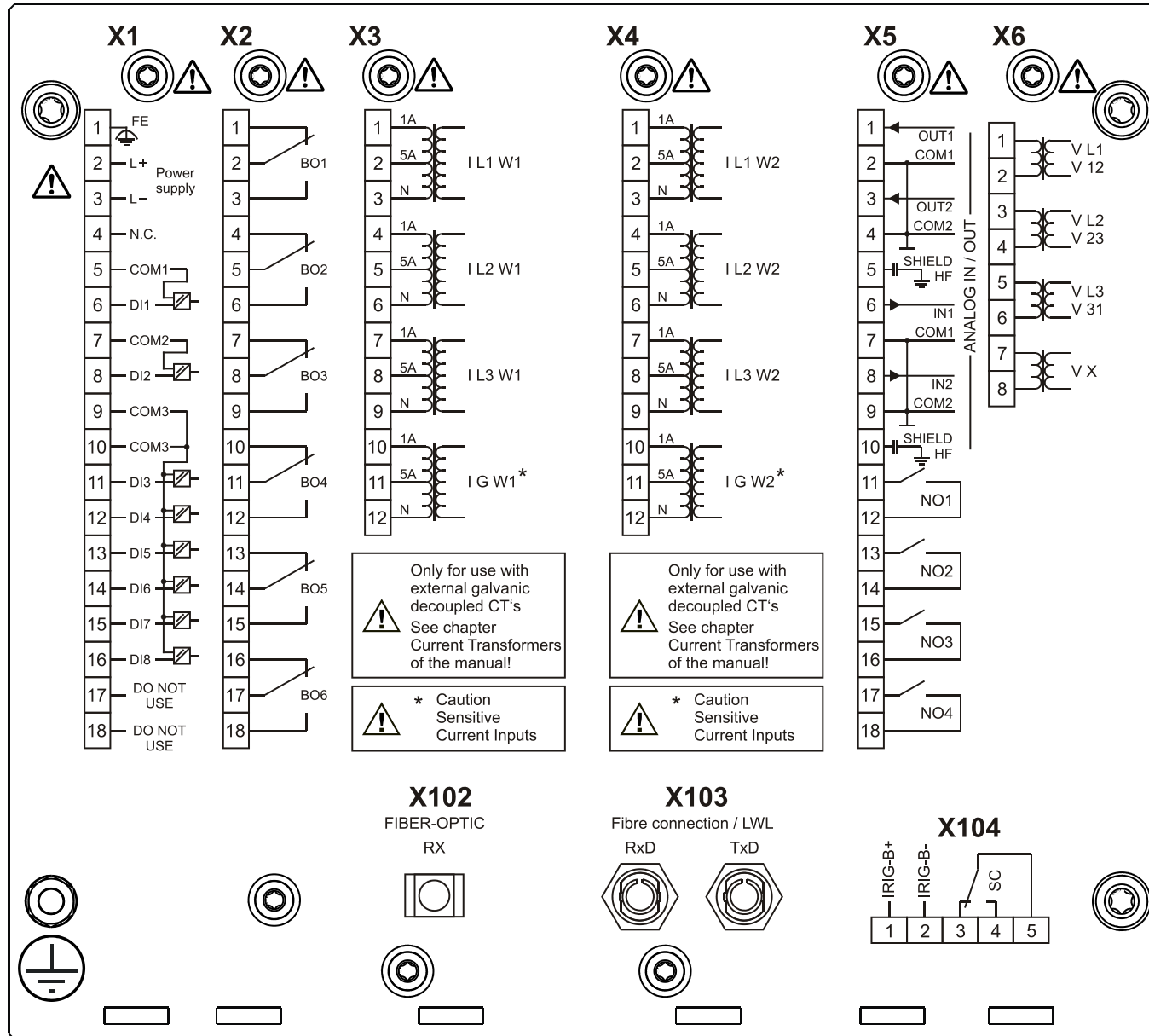
MCDTV4-2B3ACA



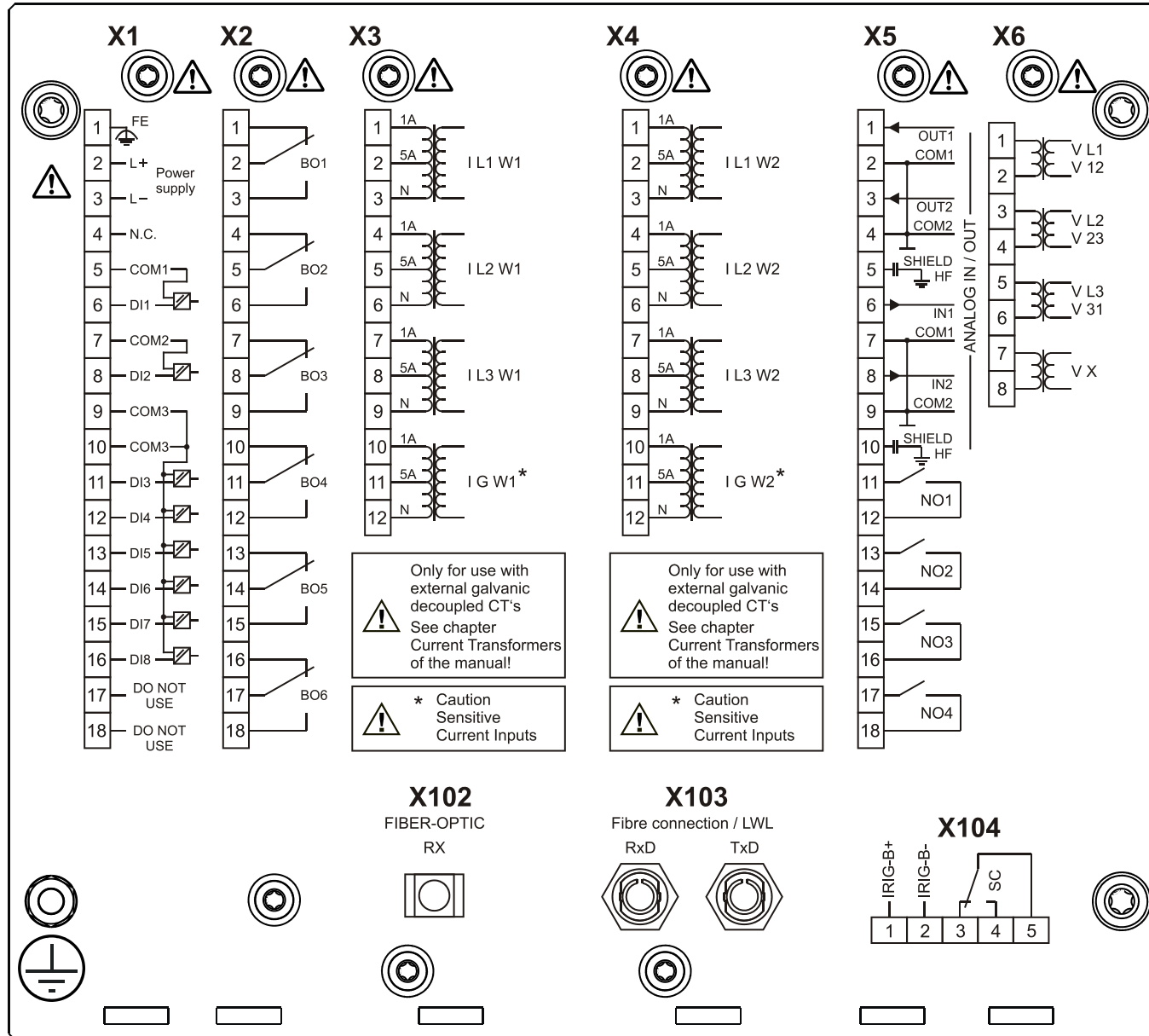
MCDTV4-2B3ACB



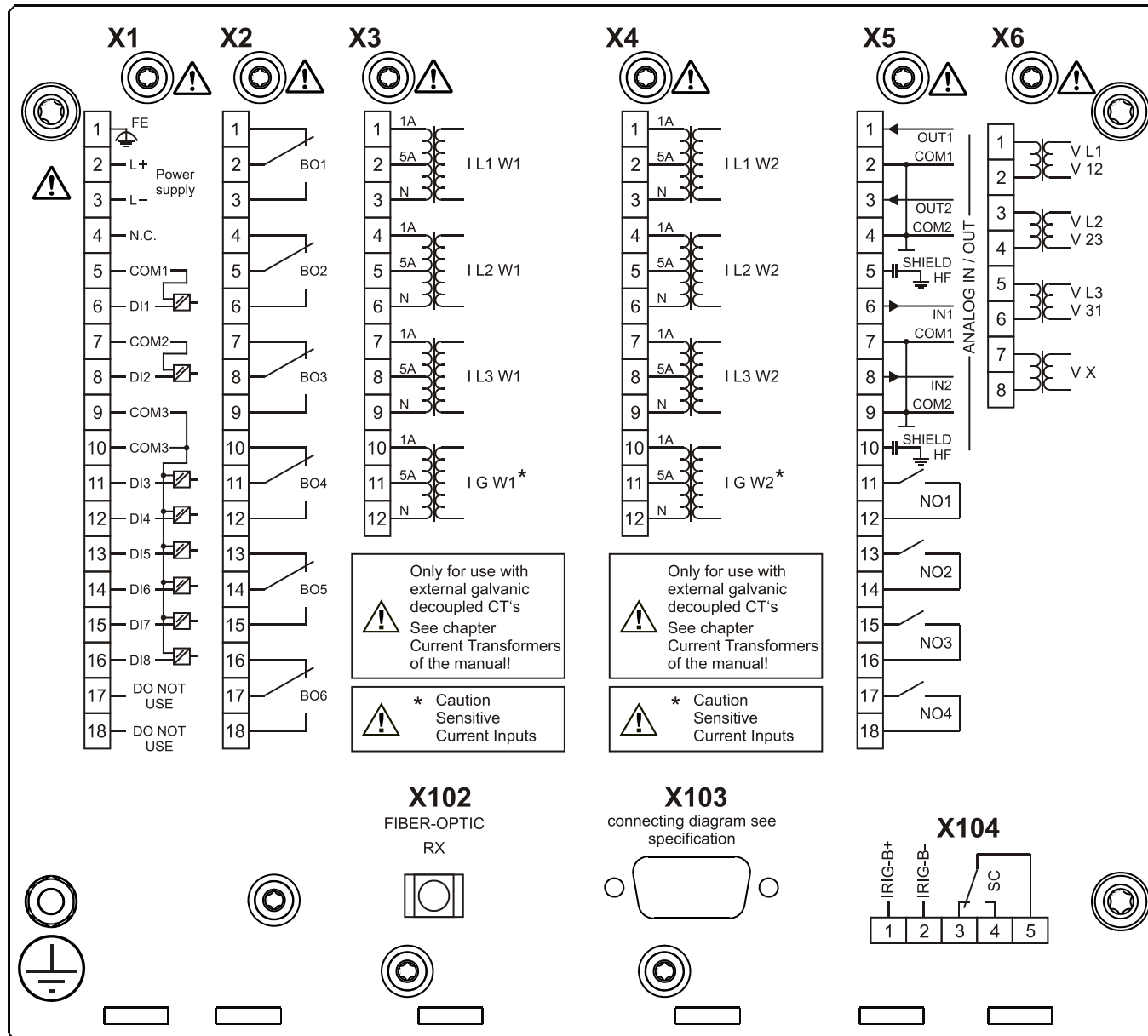
MCDTV4-2B3ADA



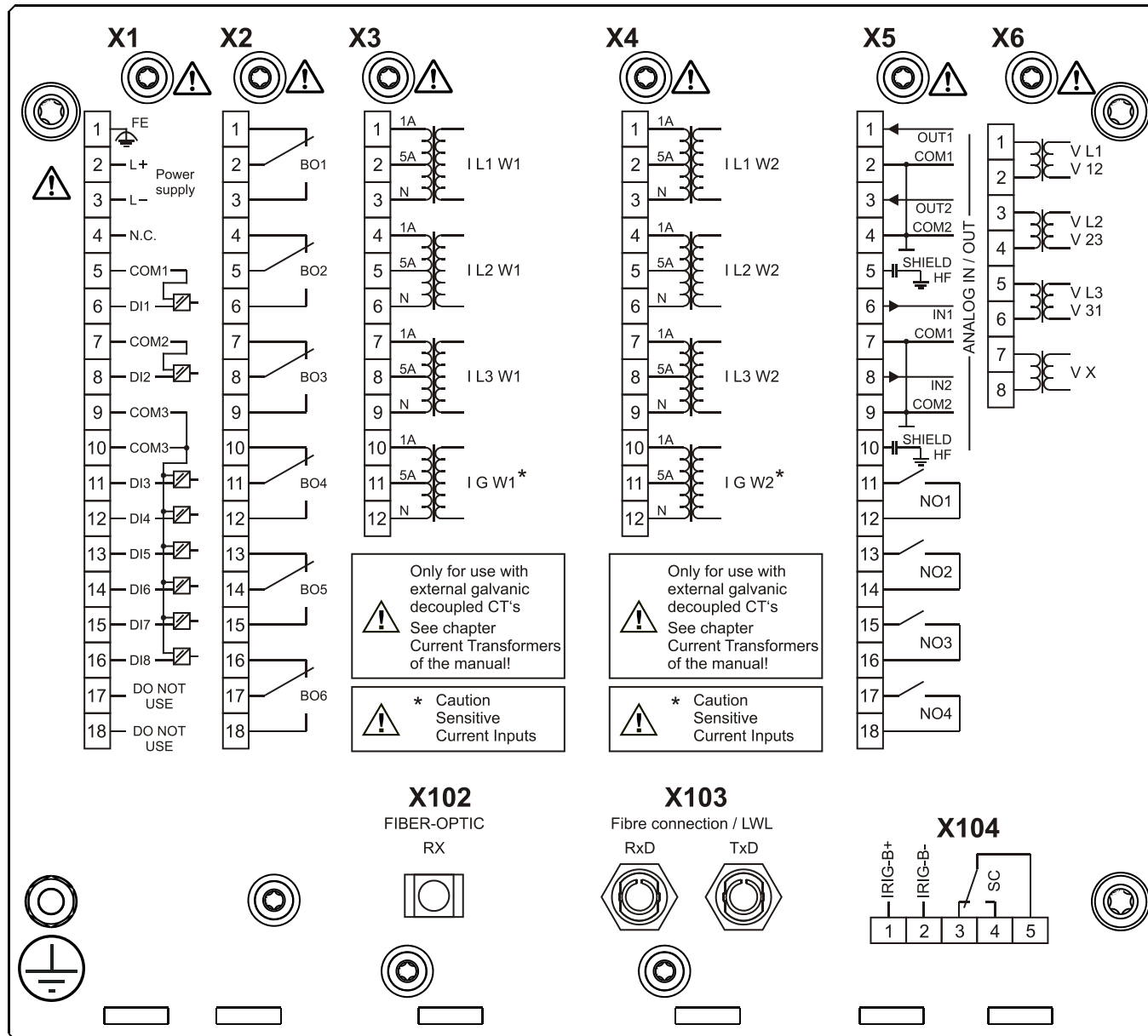
MCDTV4-2B3ADB



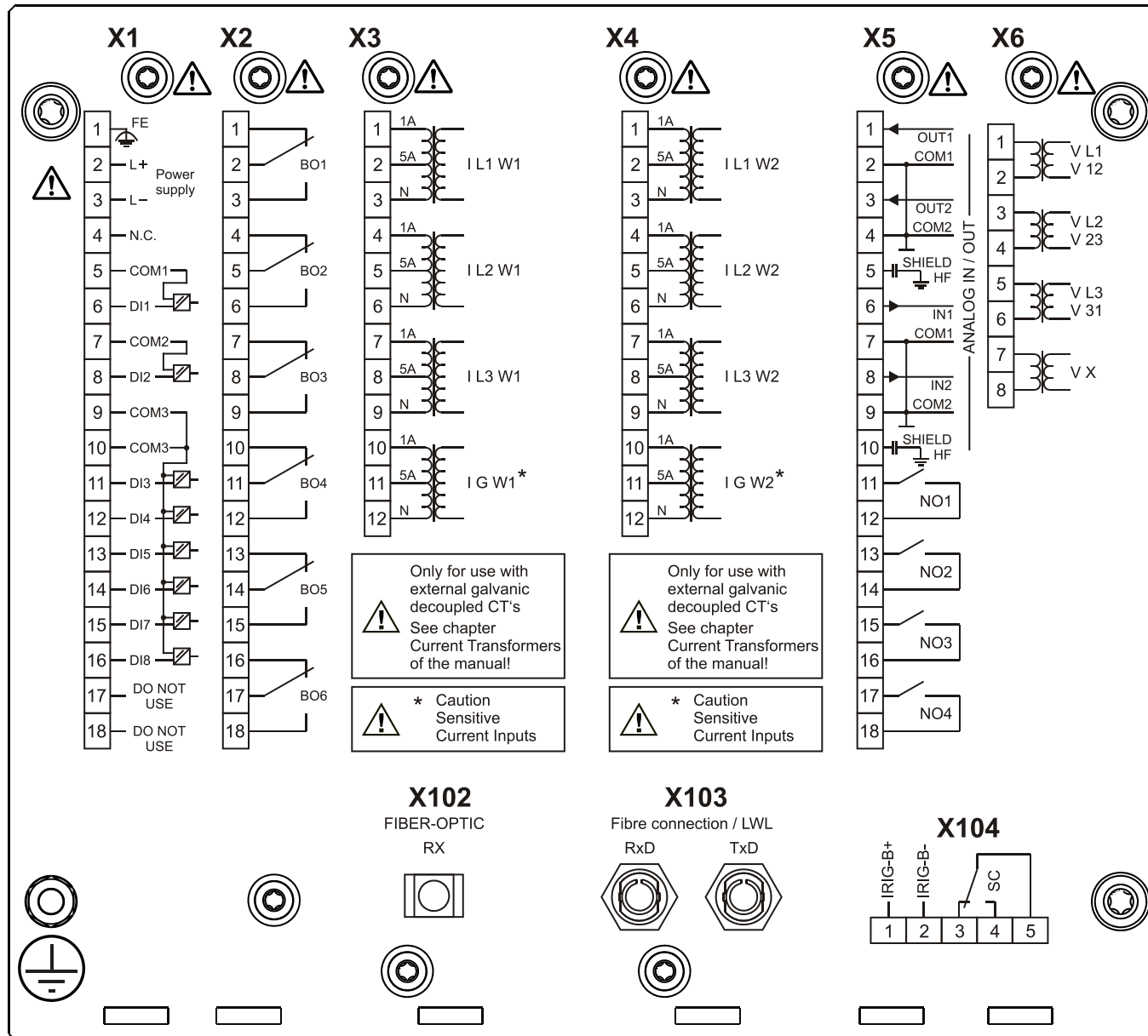
MCDTV4-2B3AEA



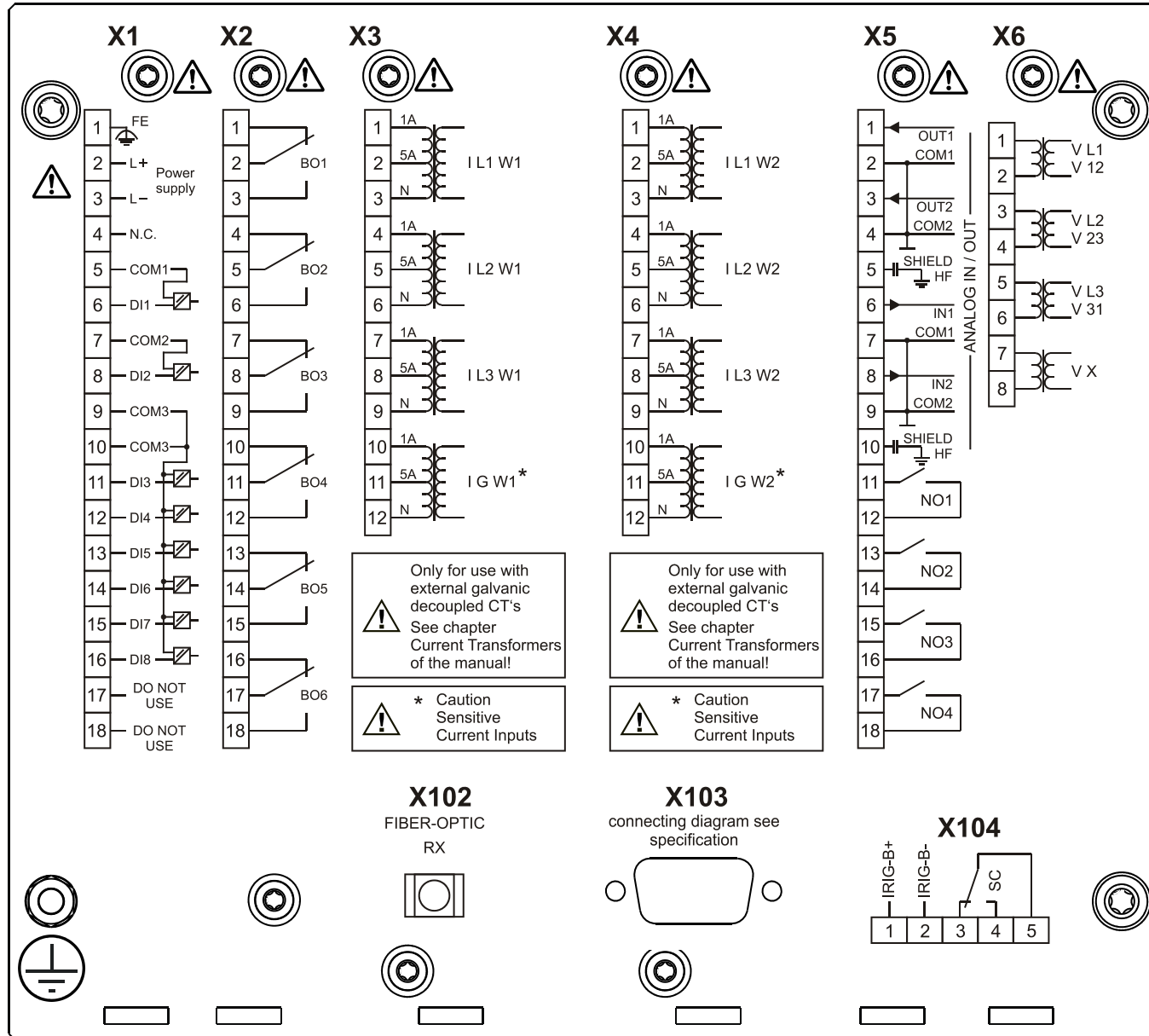
MCDTV4-2B3AFA



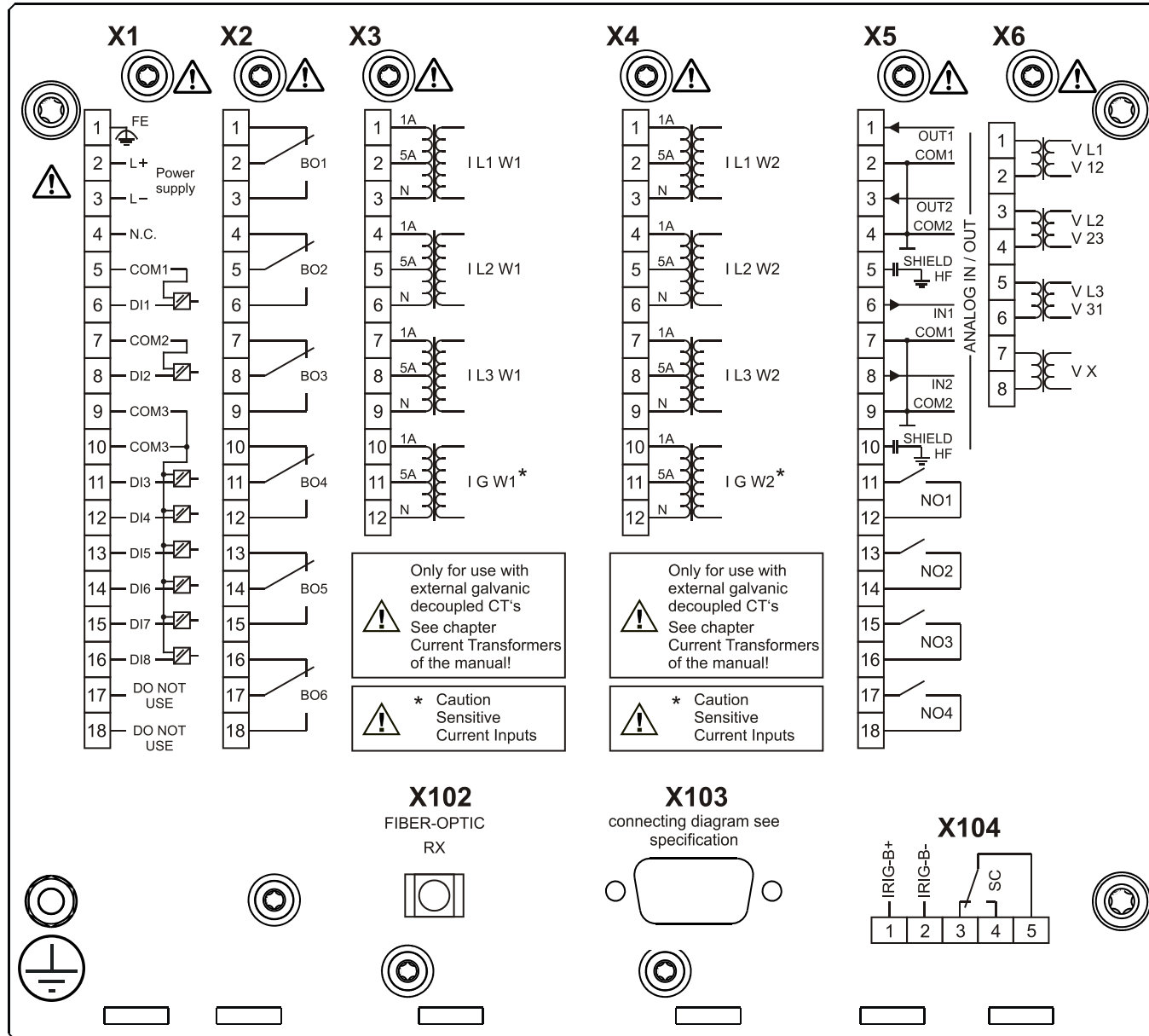
MCDTV4-2B3AFB



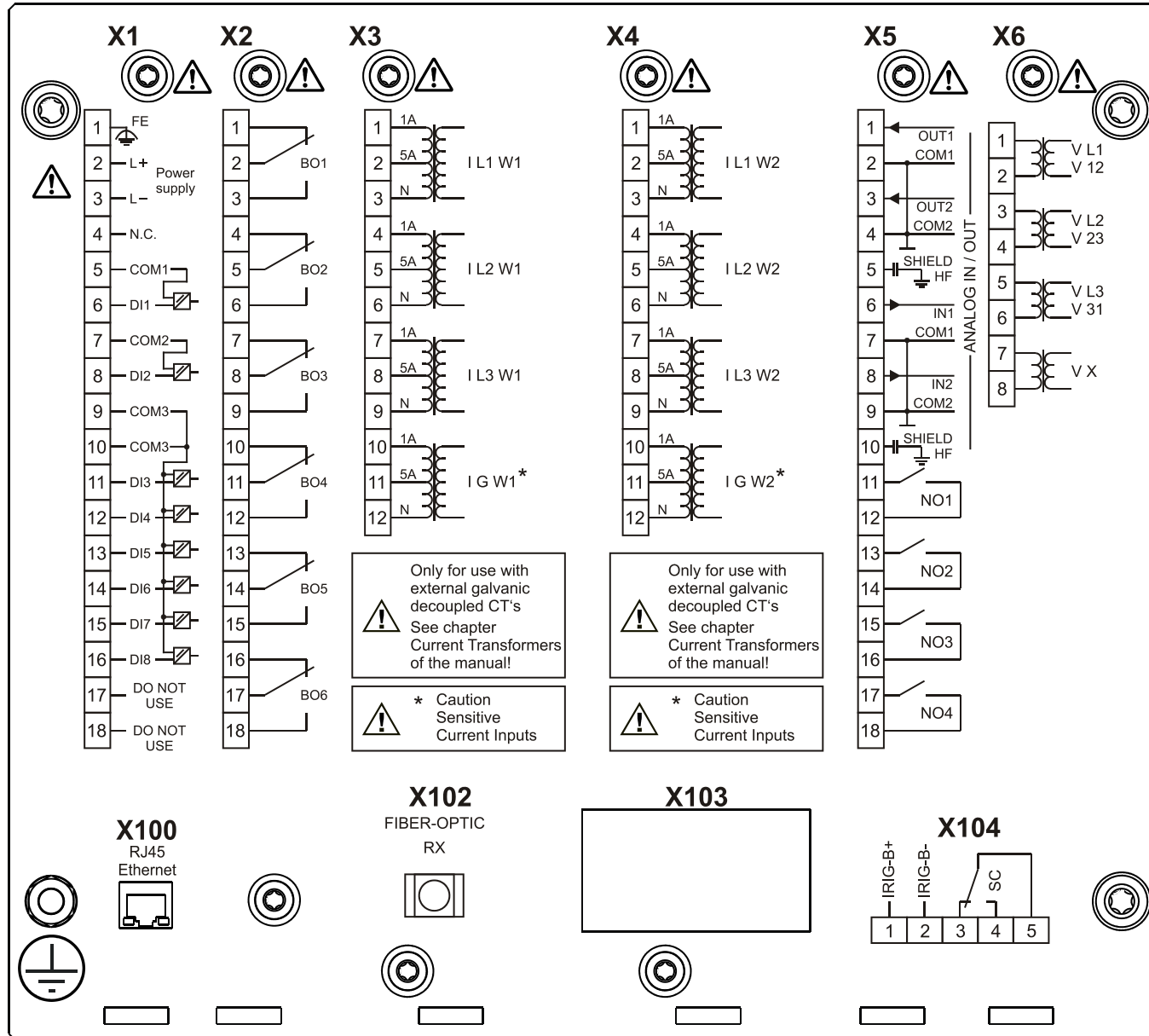
MCDTV4-2B3AGA



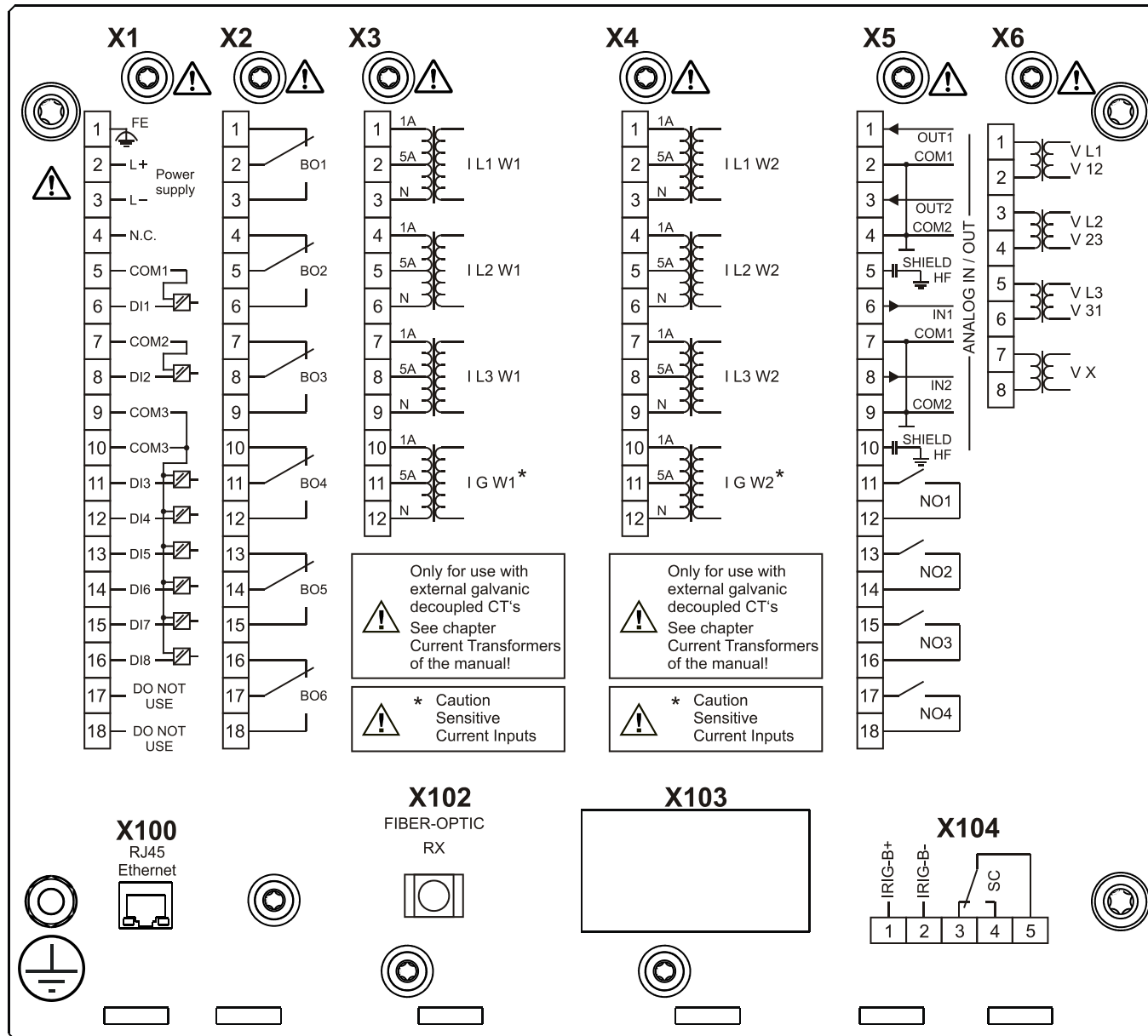
MCDTV4-2B3AGB



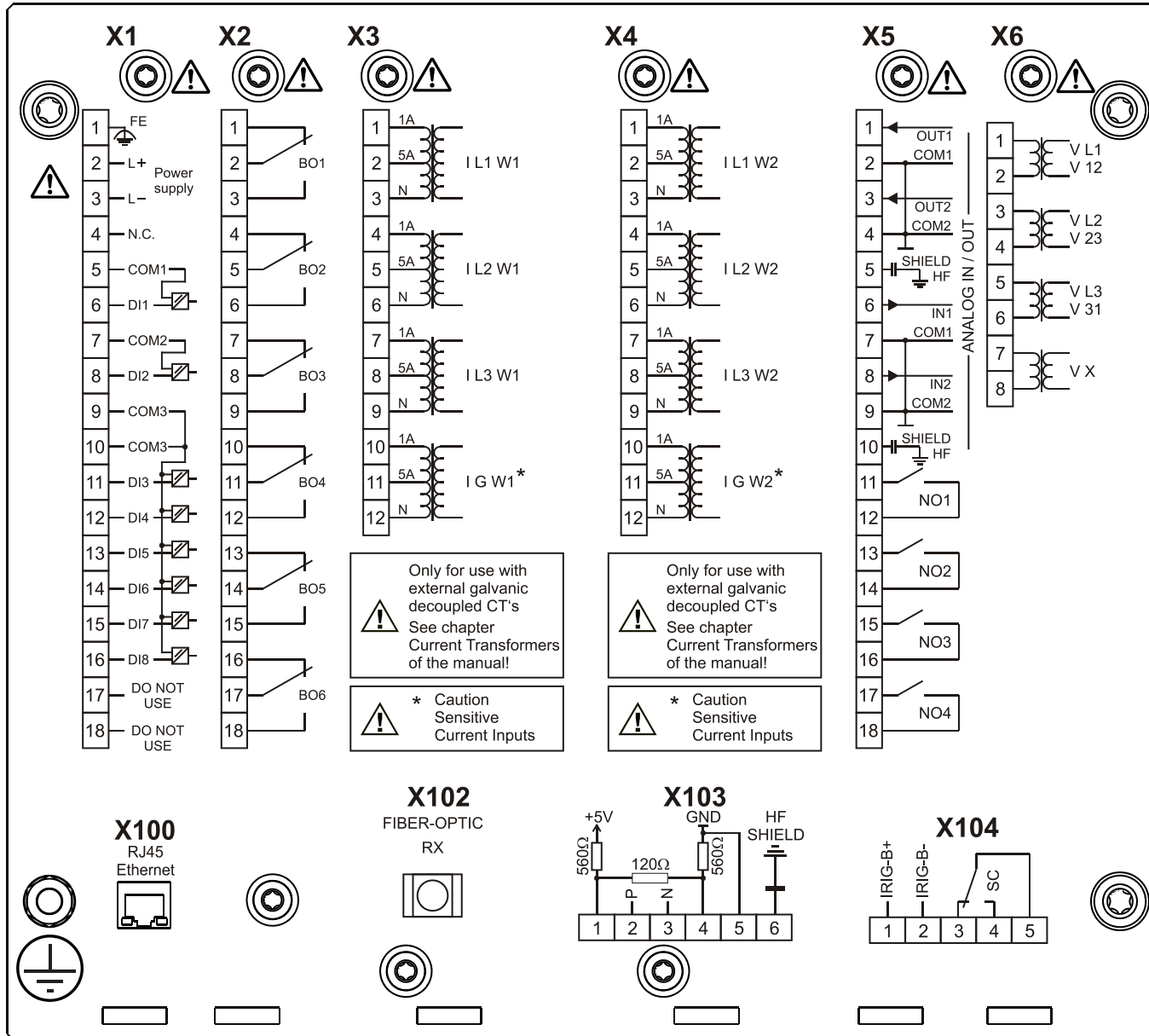
MCDTV4-2B3AHA



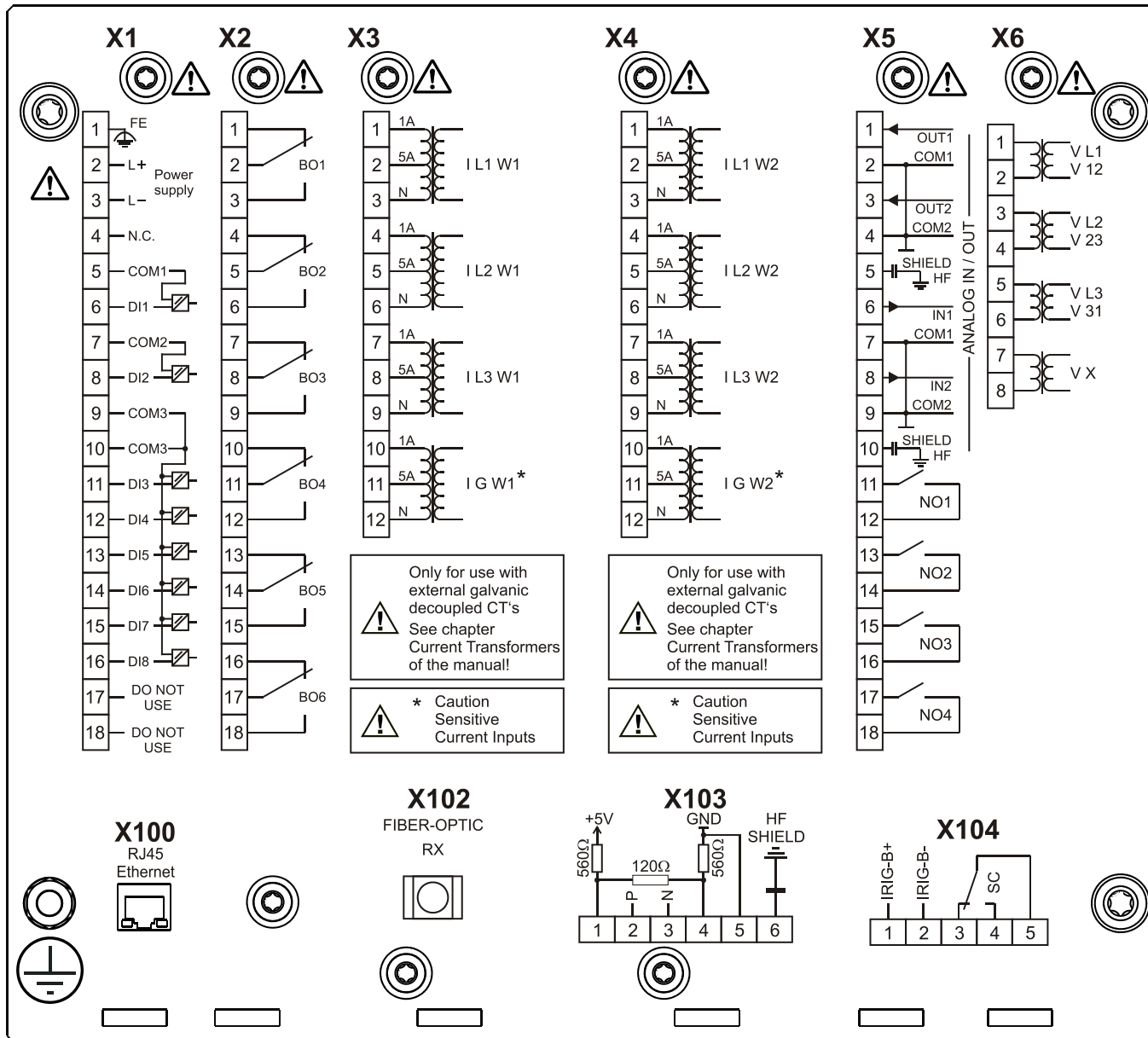
MCDTV4-2B3AHB



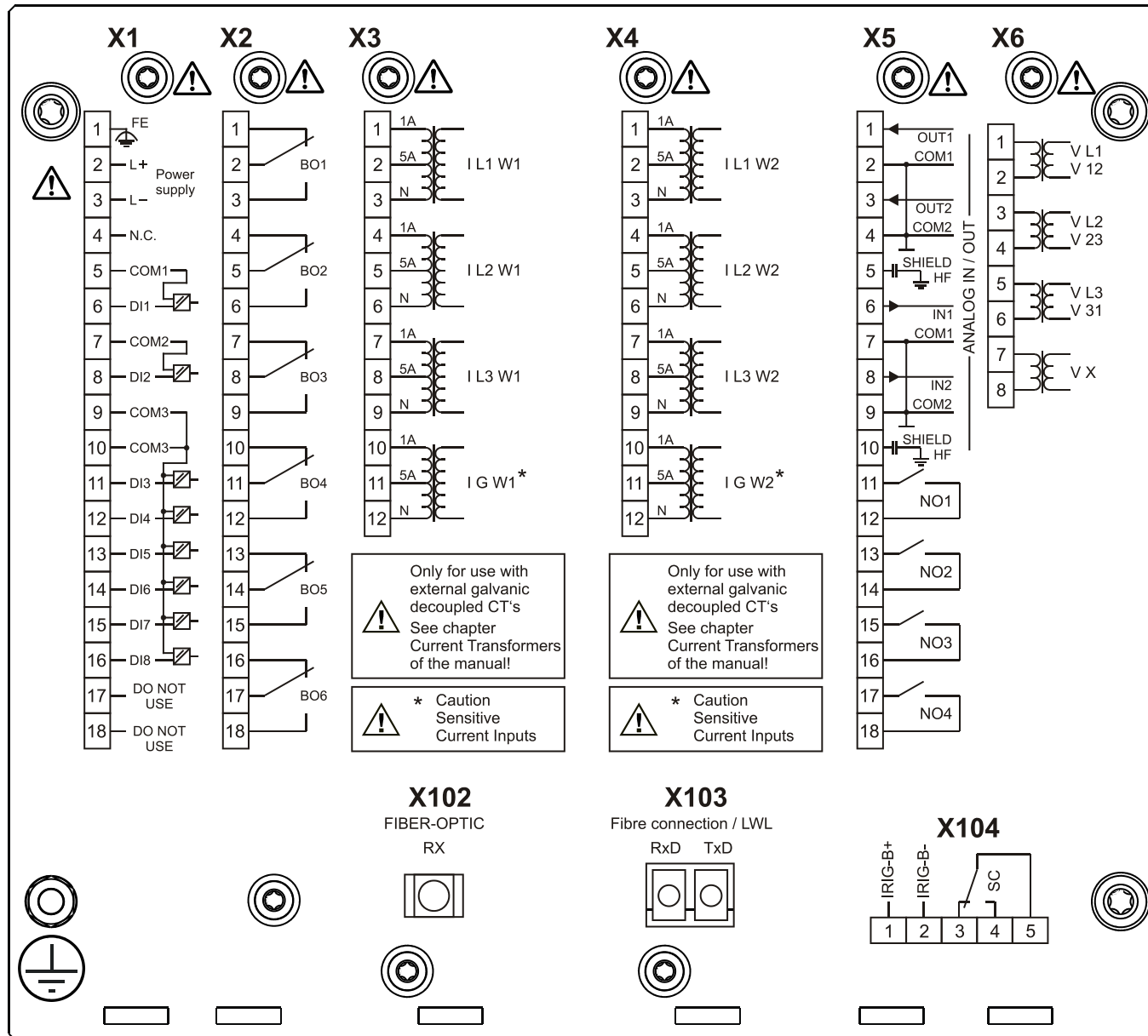
MCDTV4-2B3AIA



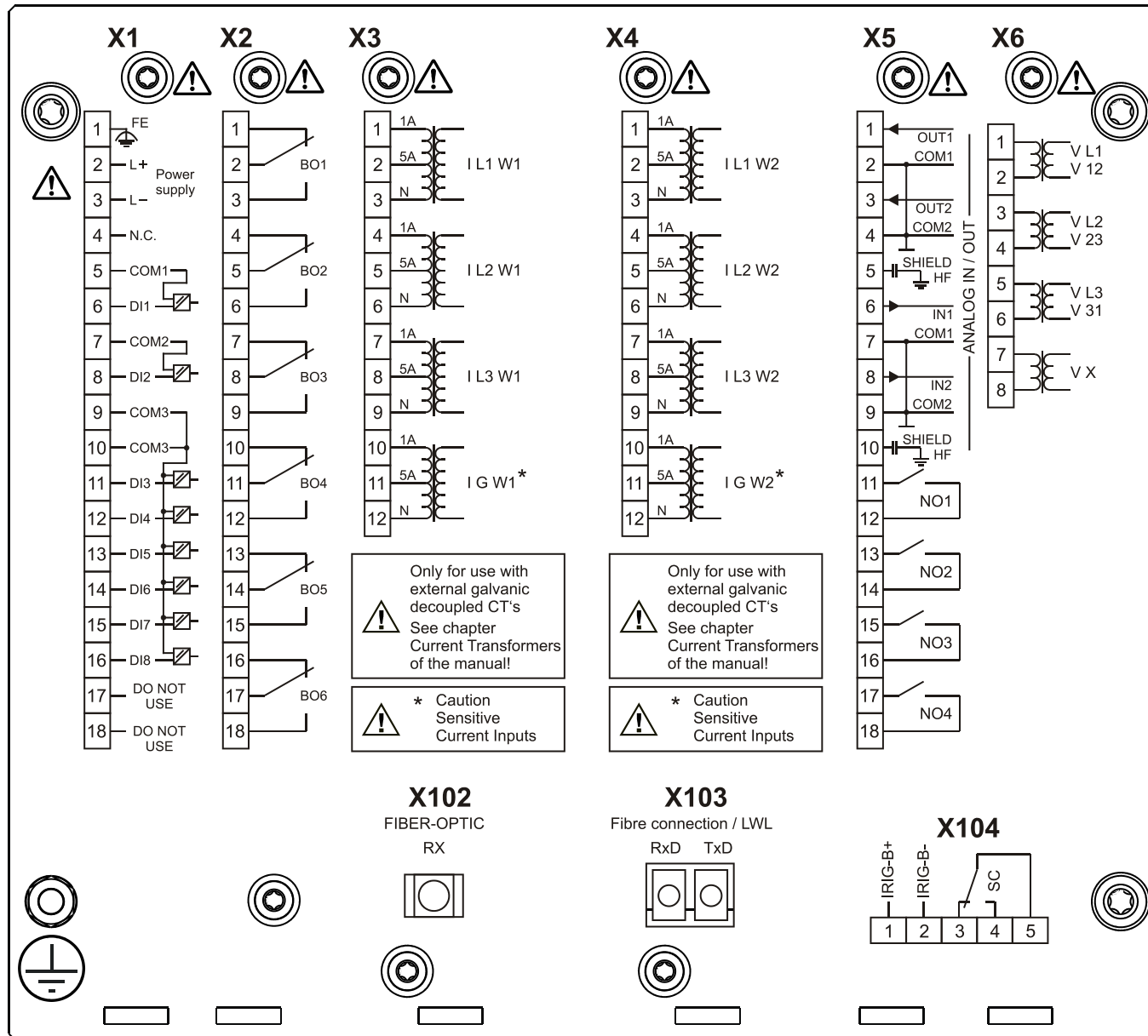
MCDTV4-2B3AIB



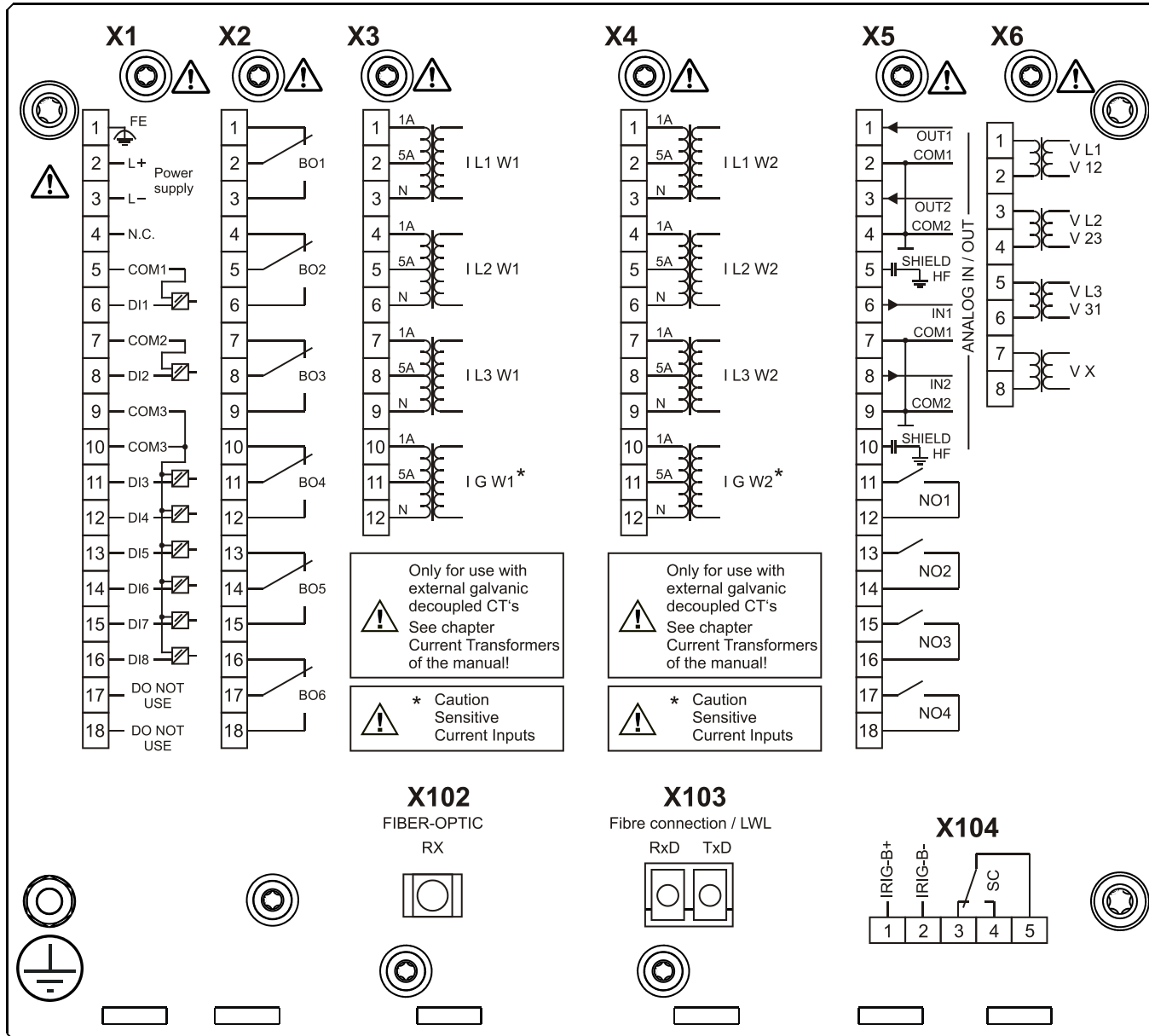
MCDTV4-2B3AKA



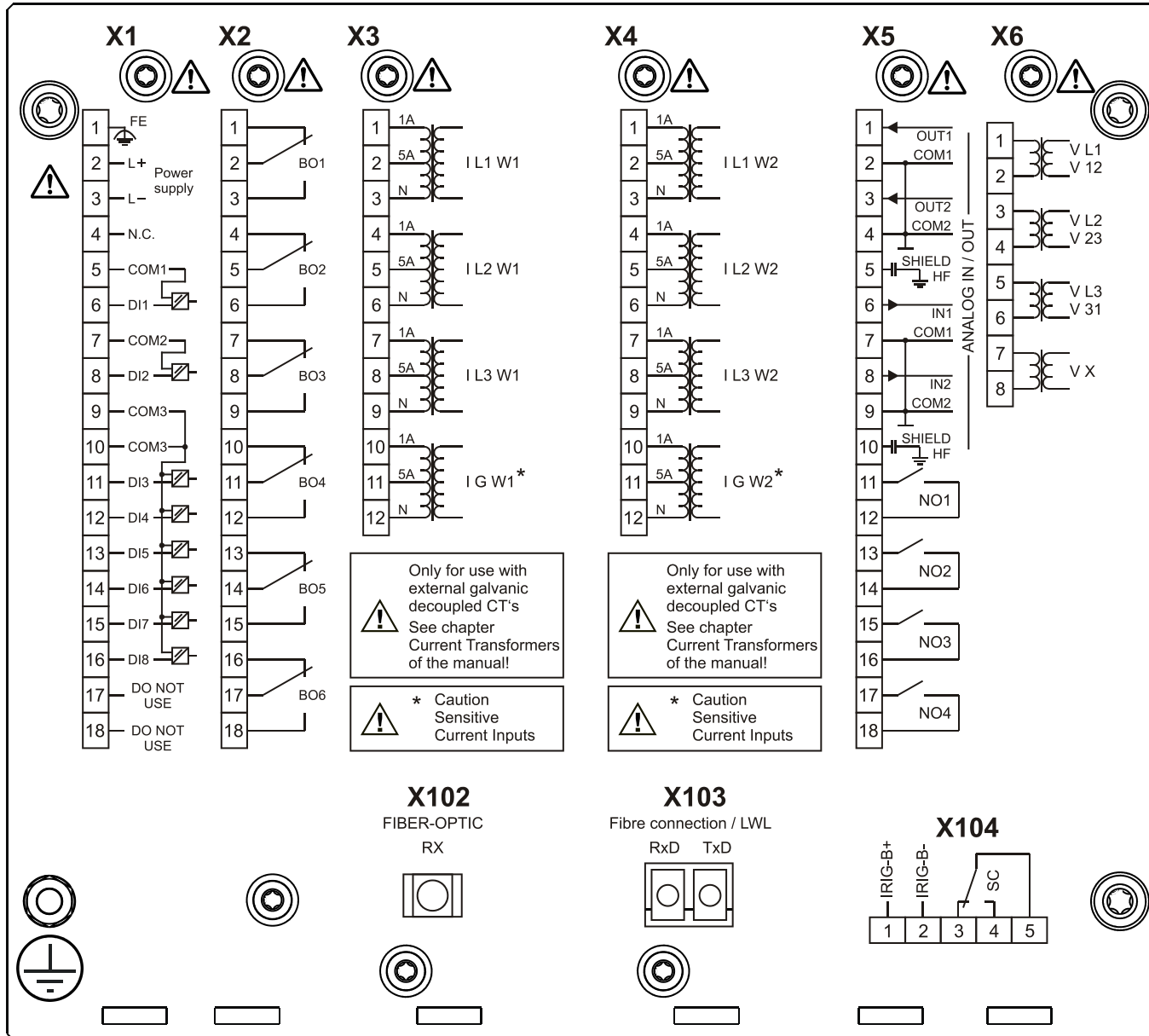
MCDTV4-2B3AKB



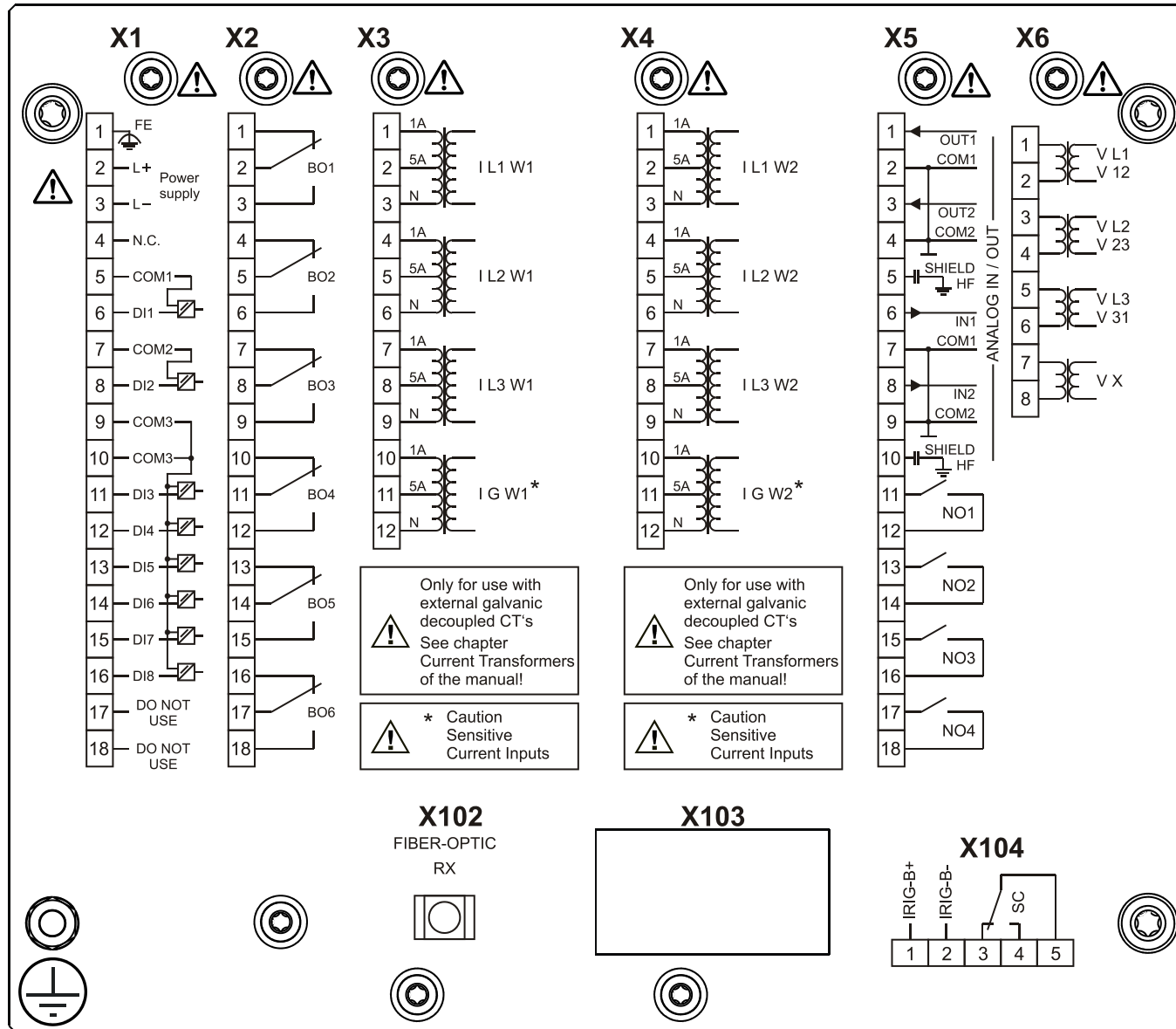
MCDTV4-2B3ALA



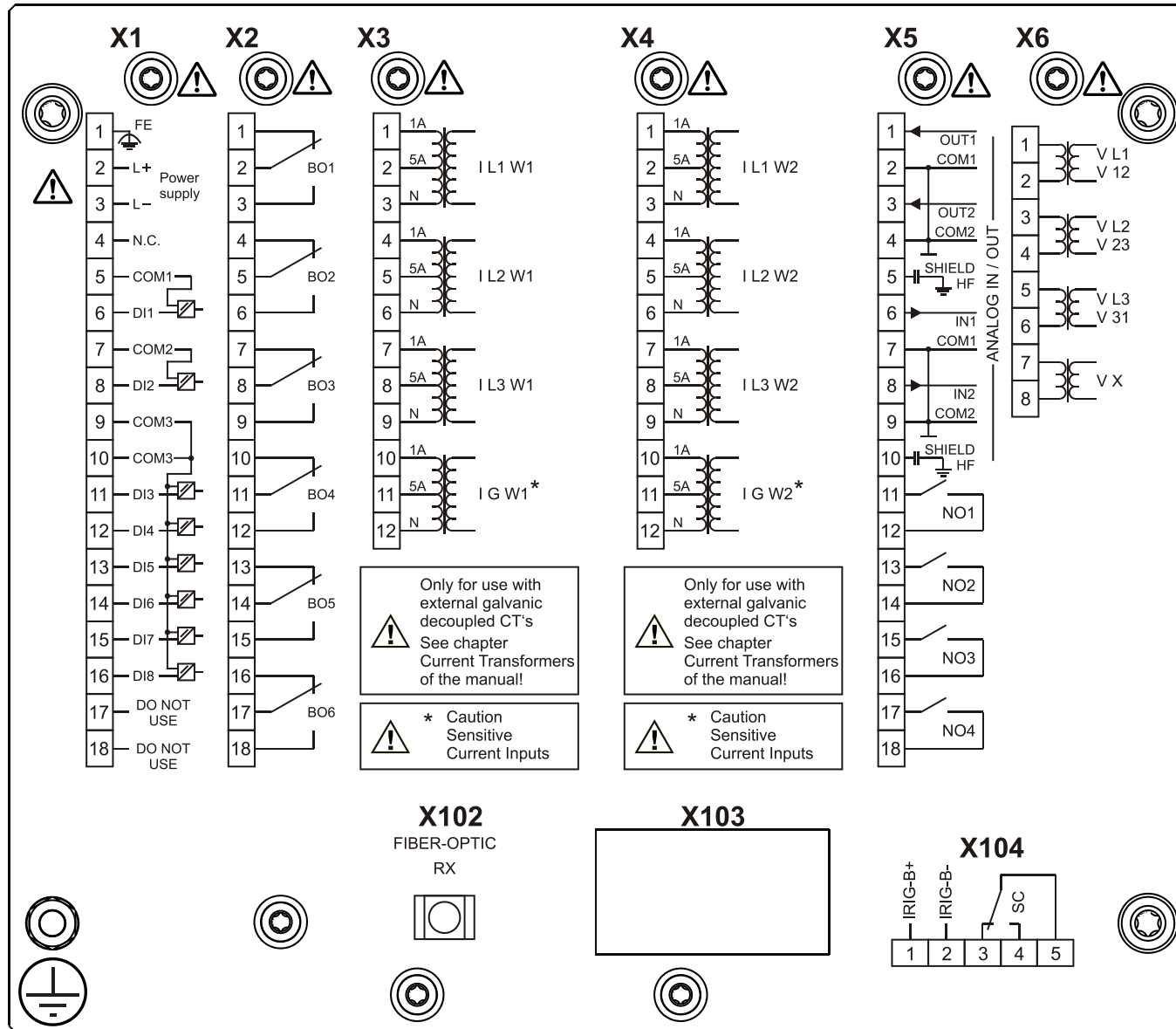
MCDTV4-2B3ALB



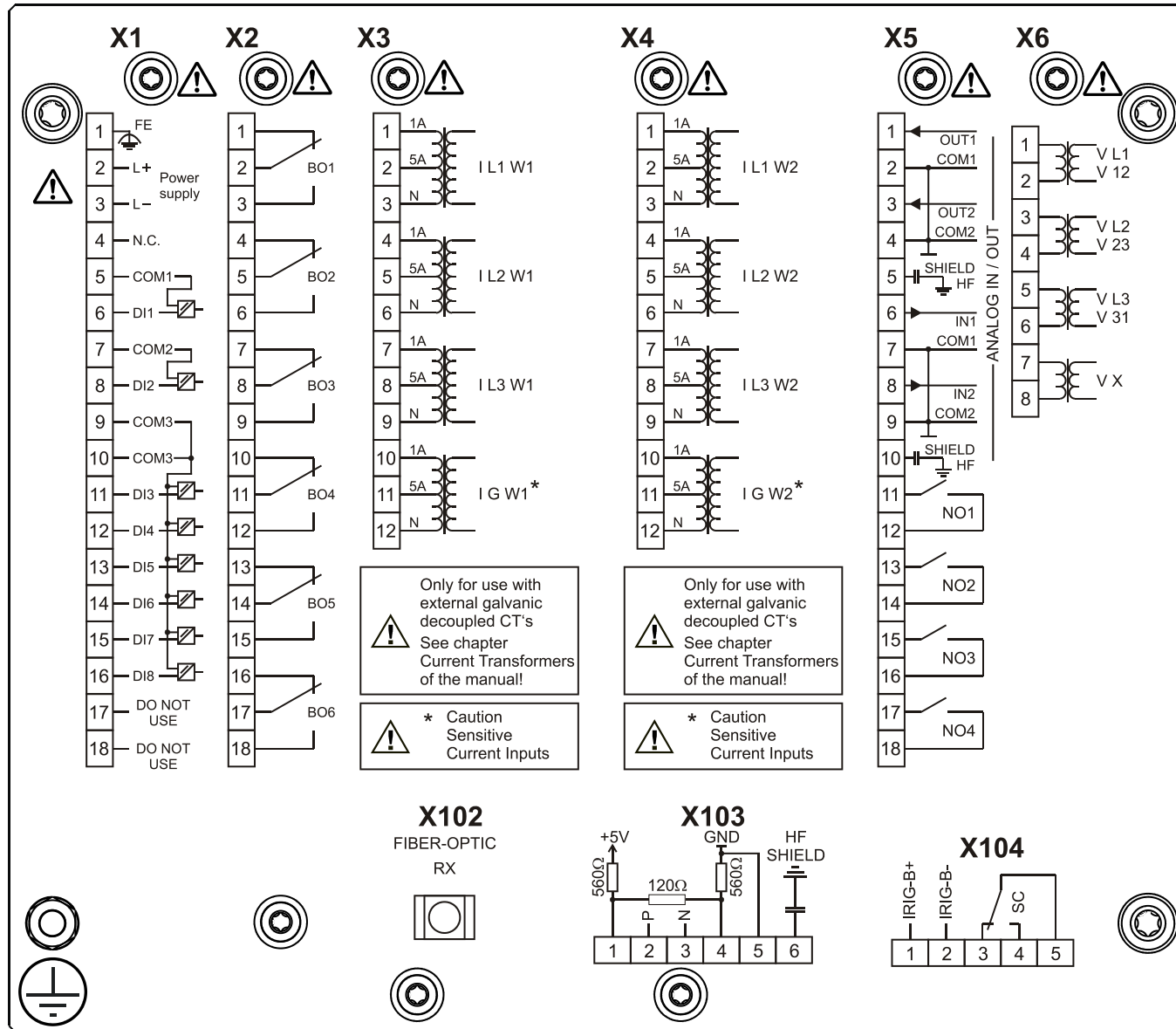
MCDTV4-2B3BAA



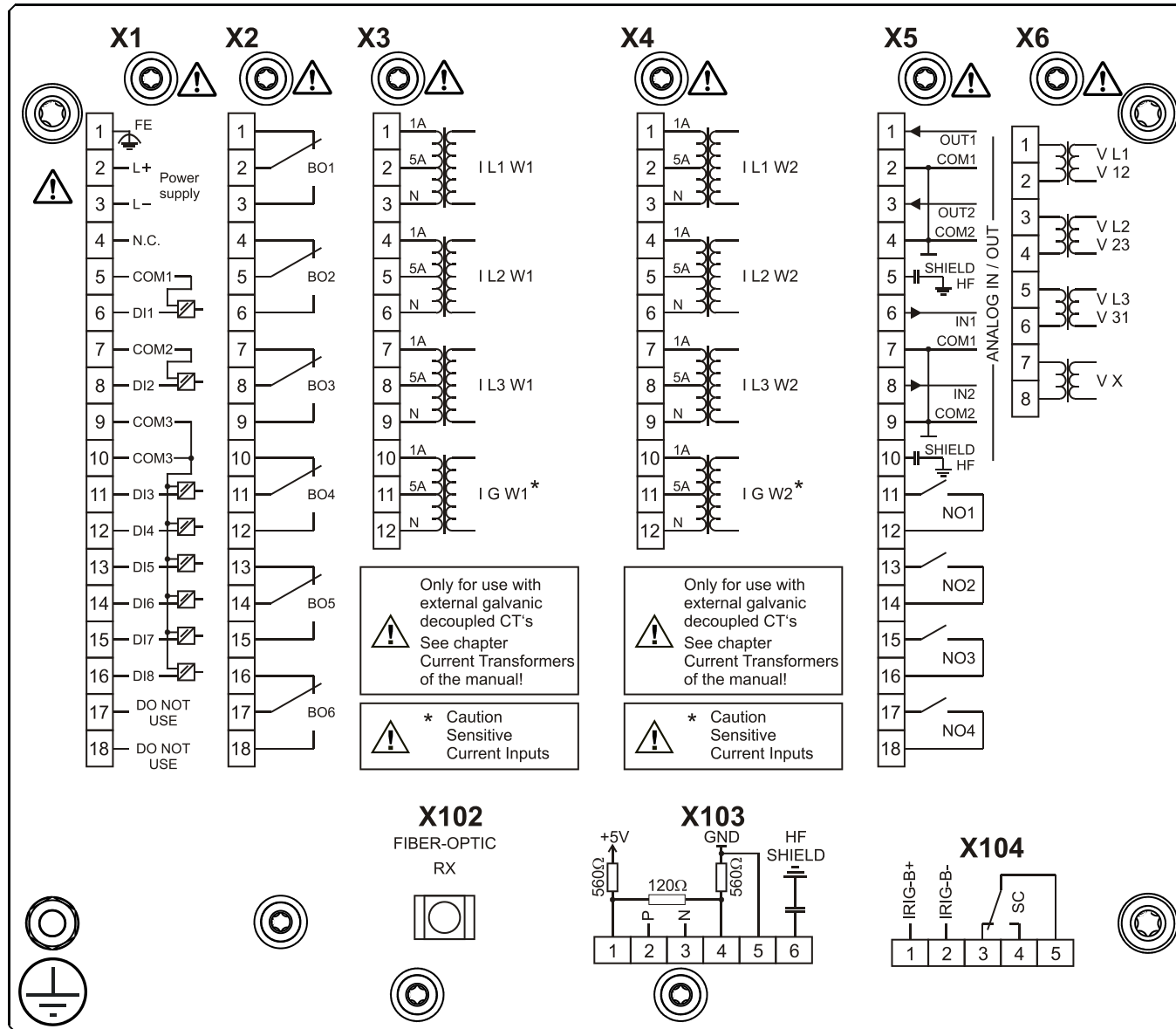
MCDTV4-2B3BAB



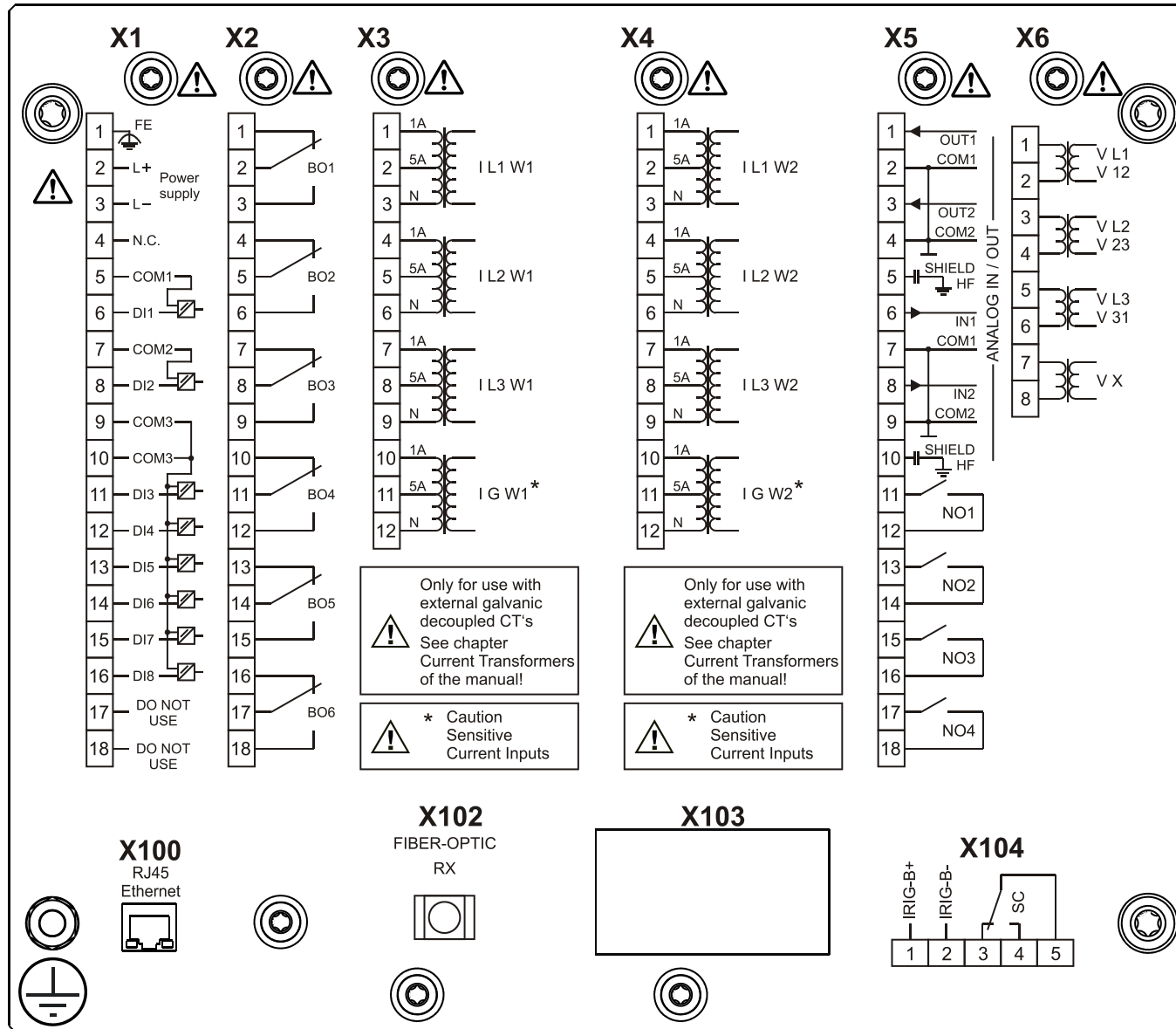
MCDTV4-2B3BBA



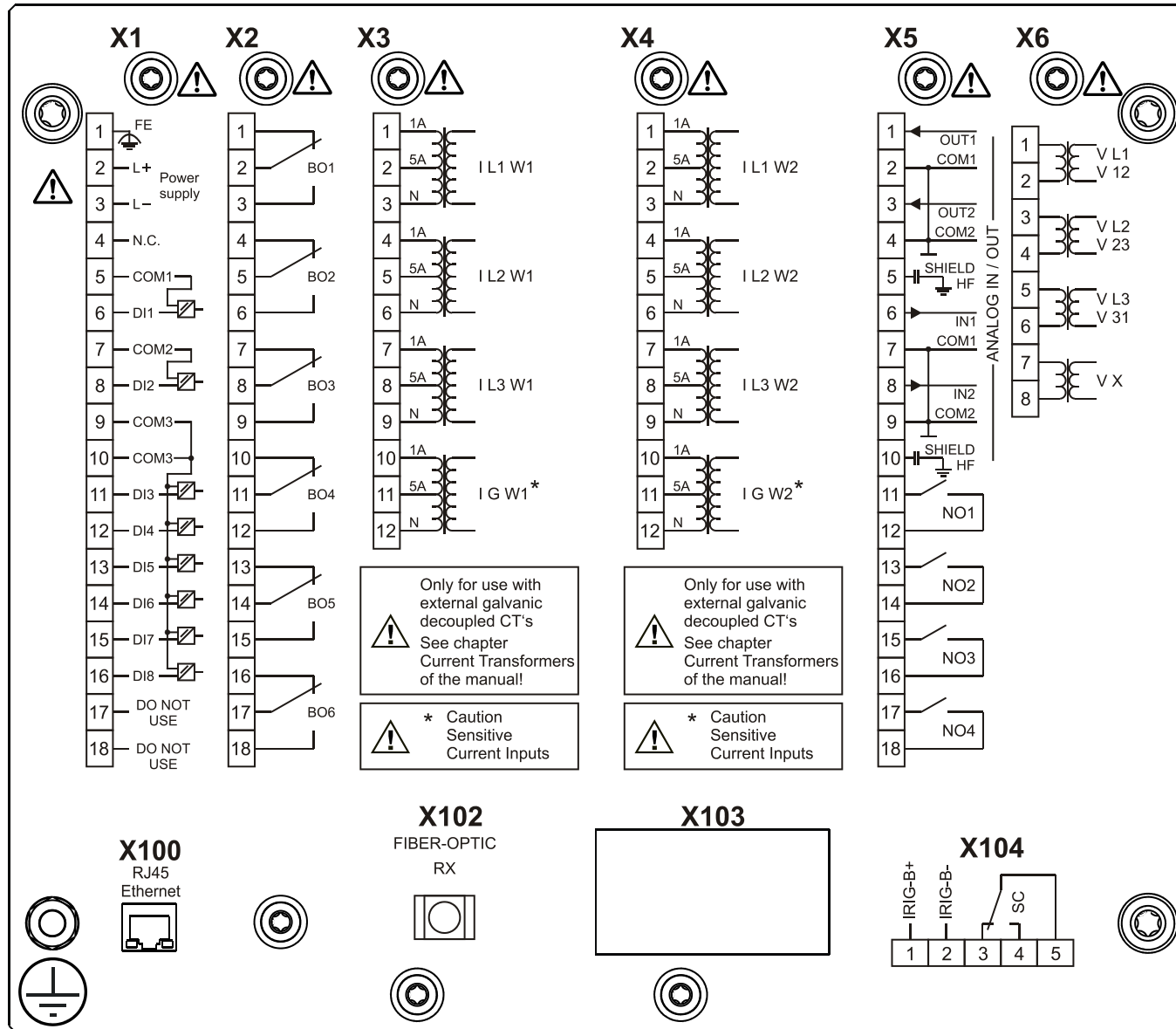
MCDTV4-2B3BBB



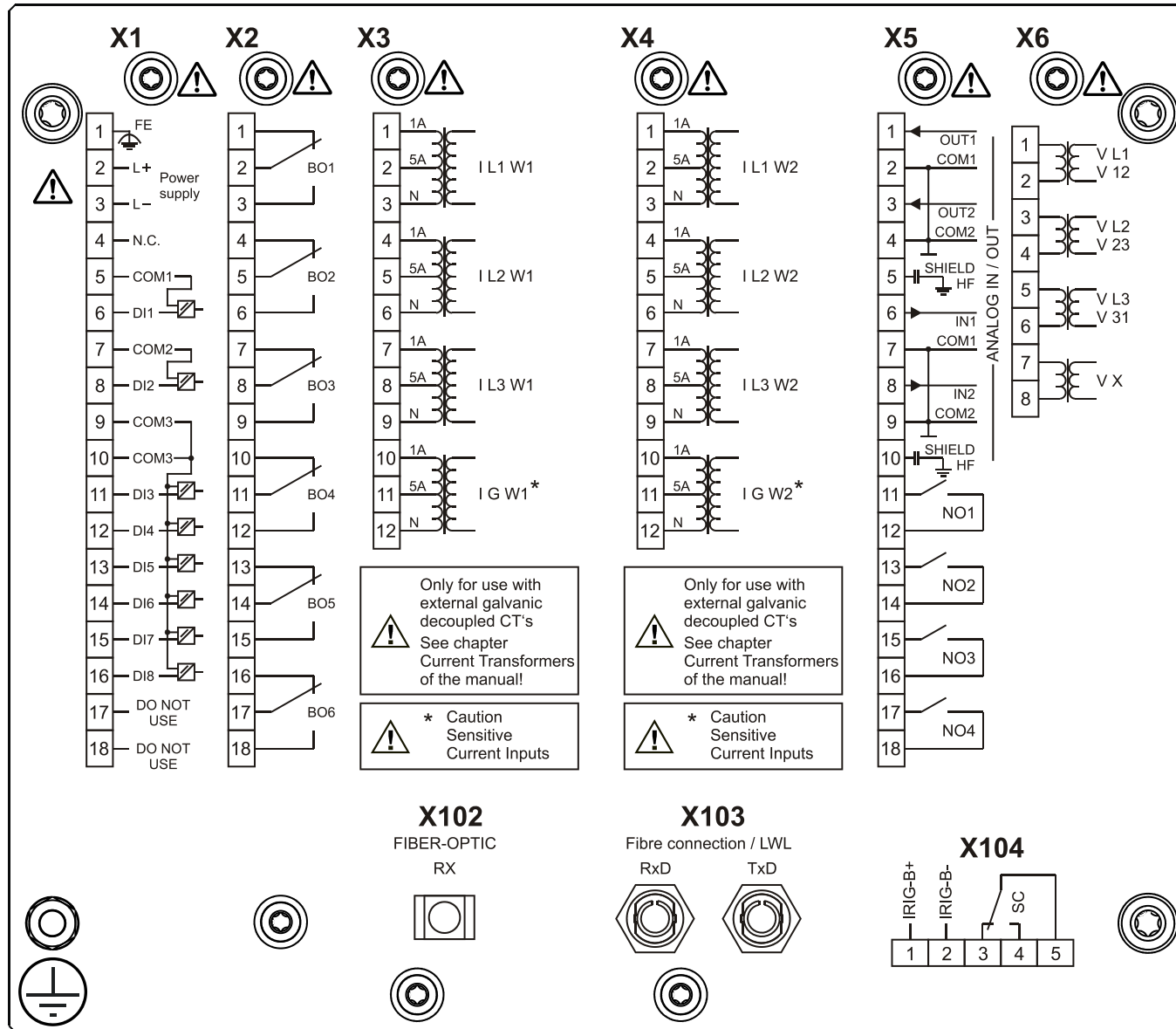
MCDTV4-2B3BCA



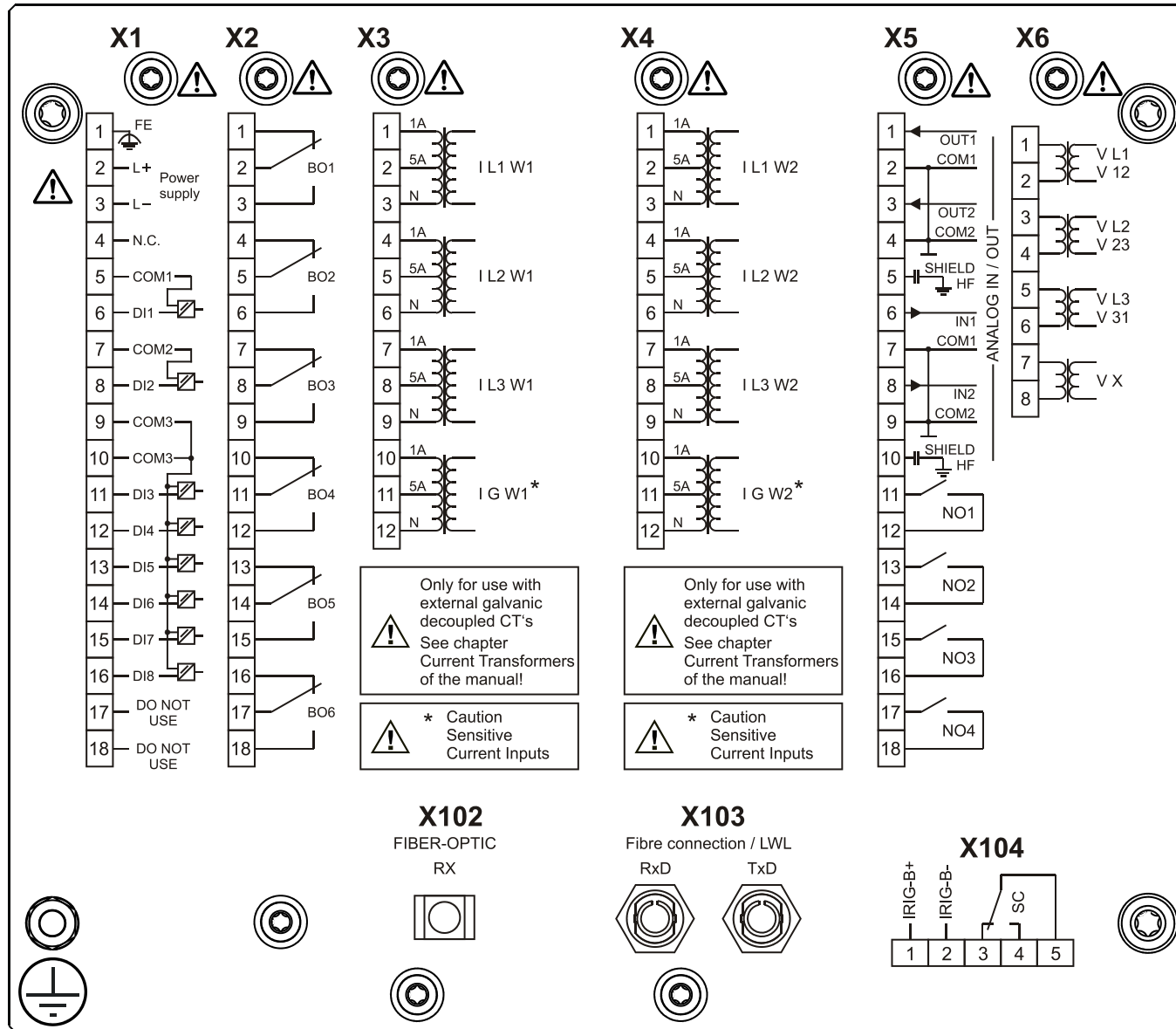
MCDTV4-2B3BCB



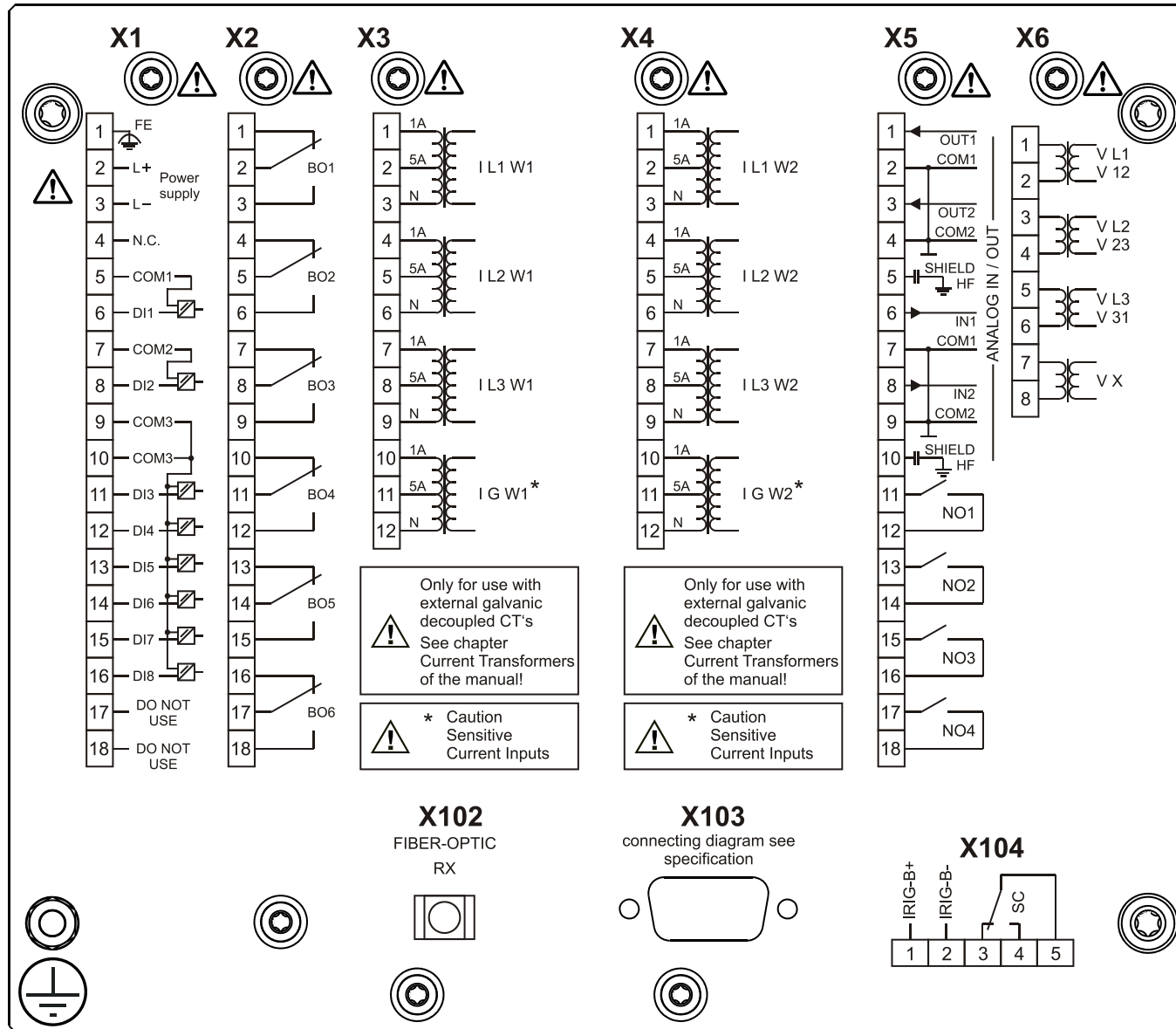
MCDTV4-2B3BDA



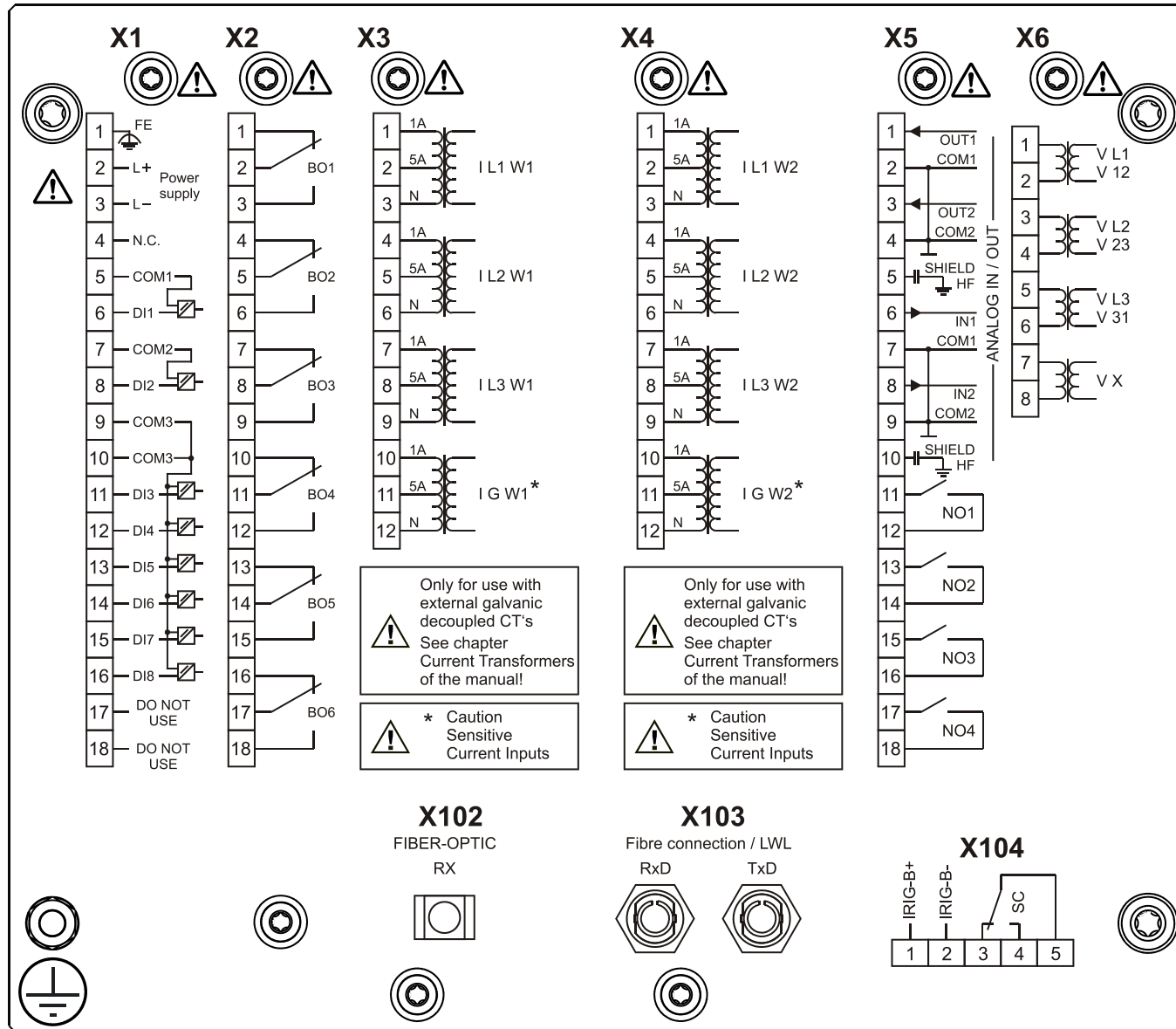
MCDTV4-2B3BDB



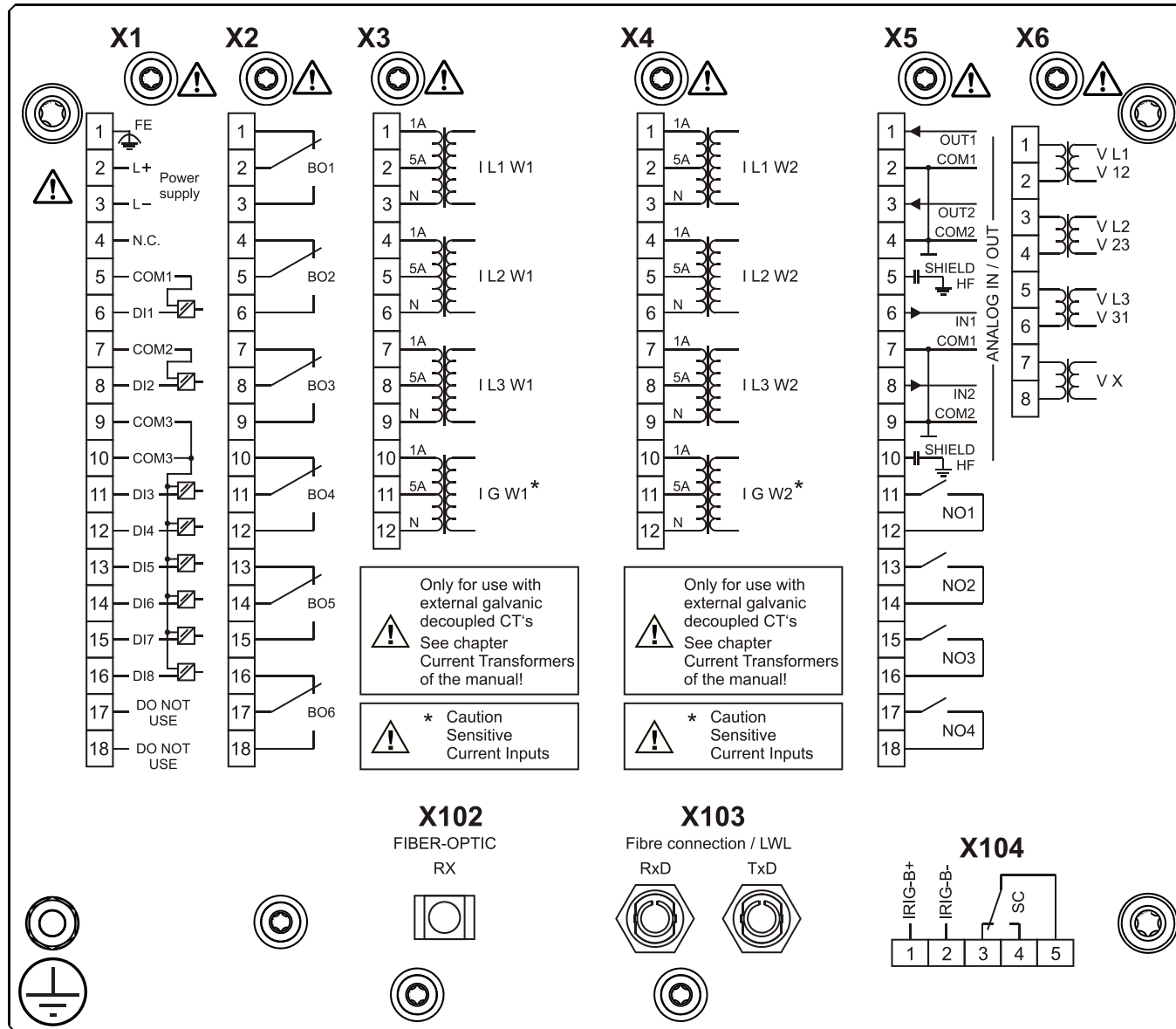
MCDTV4-2B3BEA



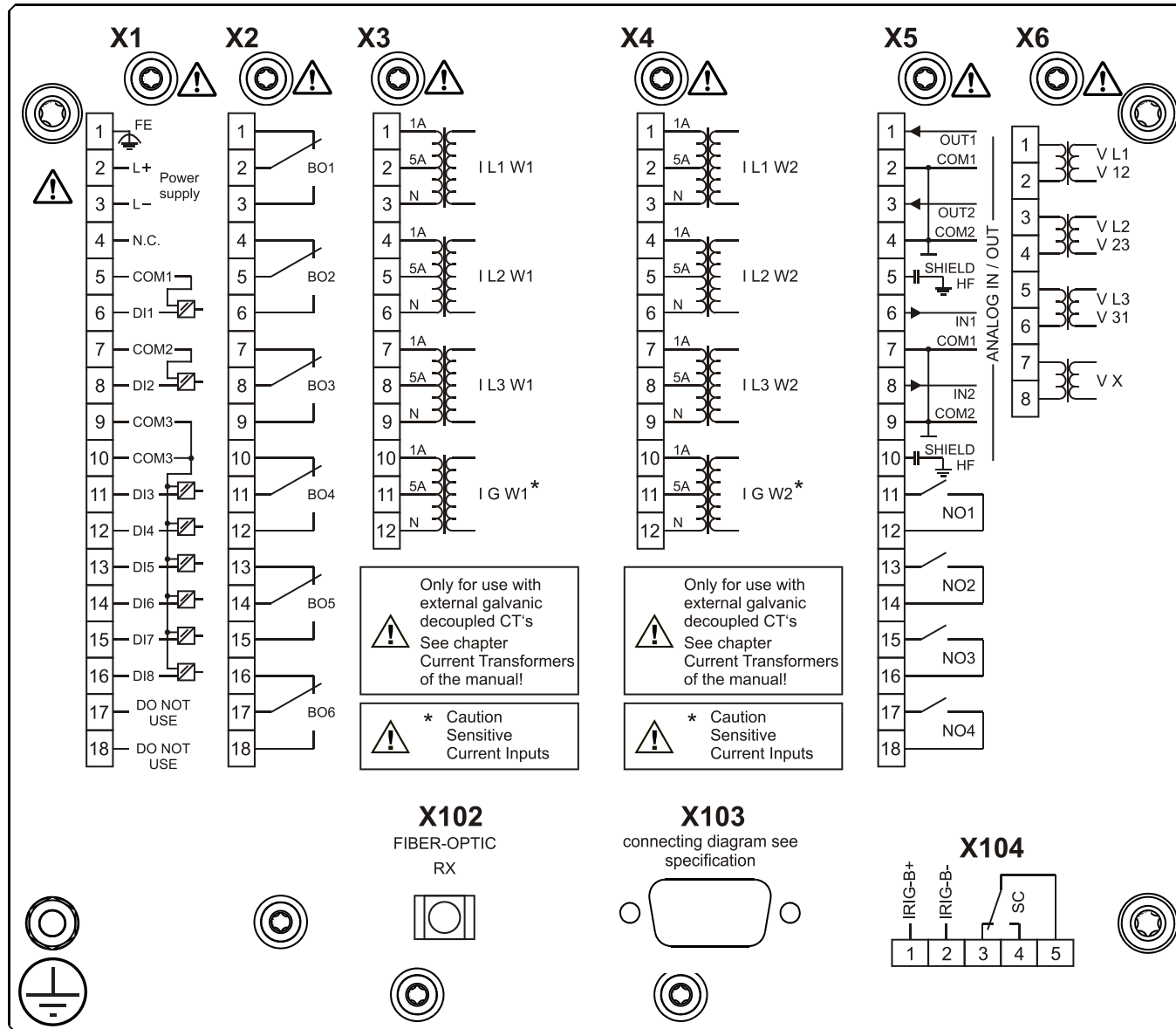
MCDTV4-2B3BFA



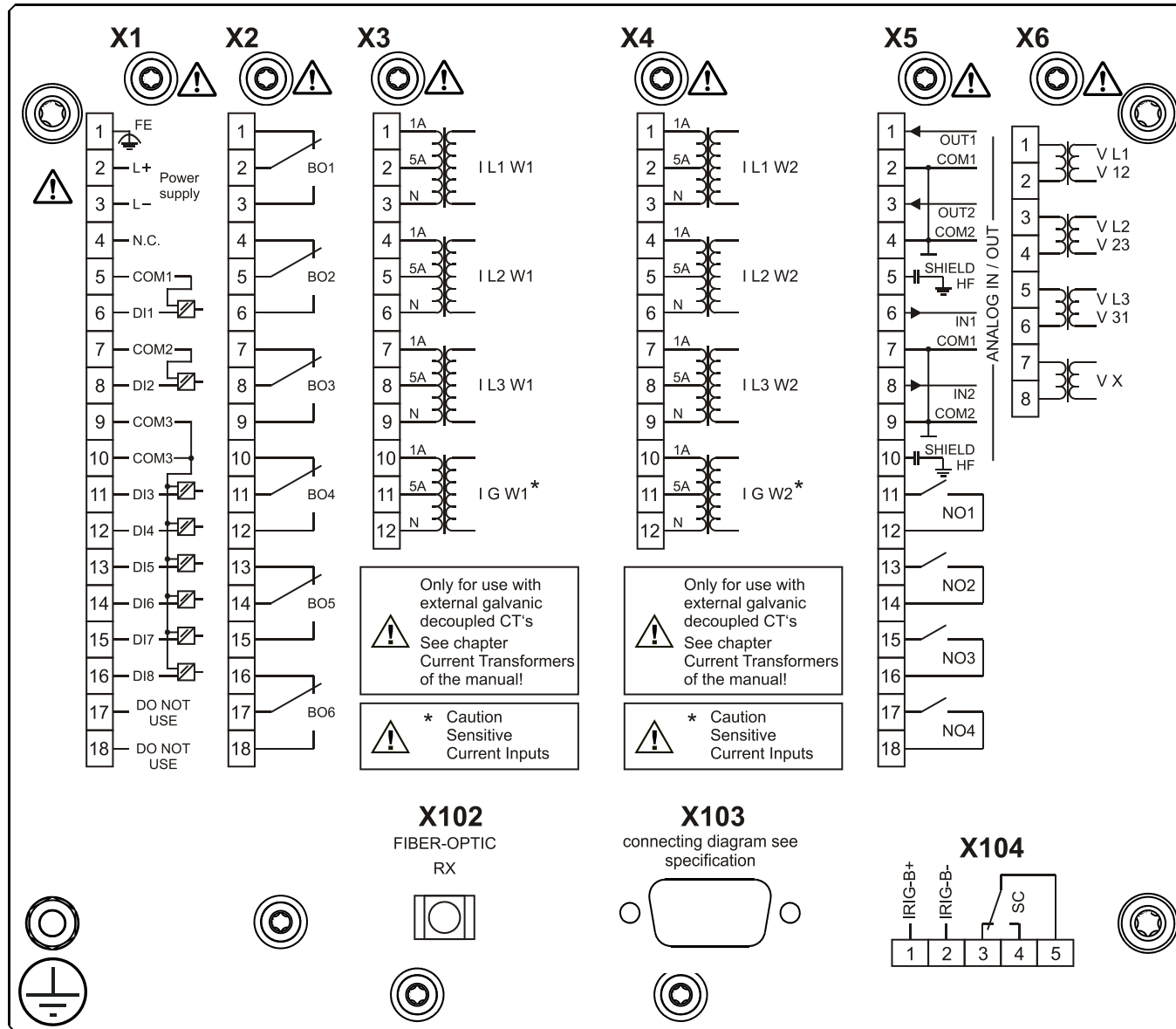
MCDTV4-2B3BFB



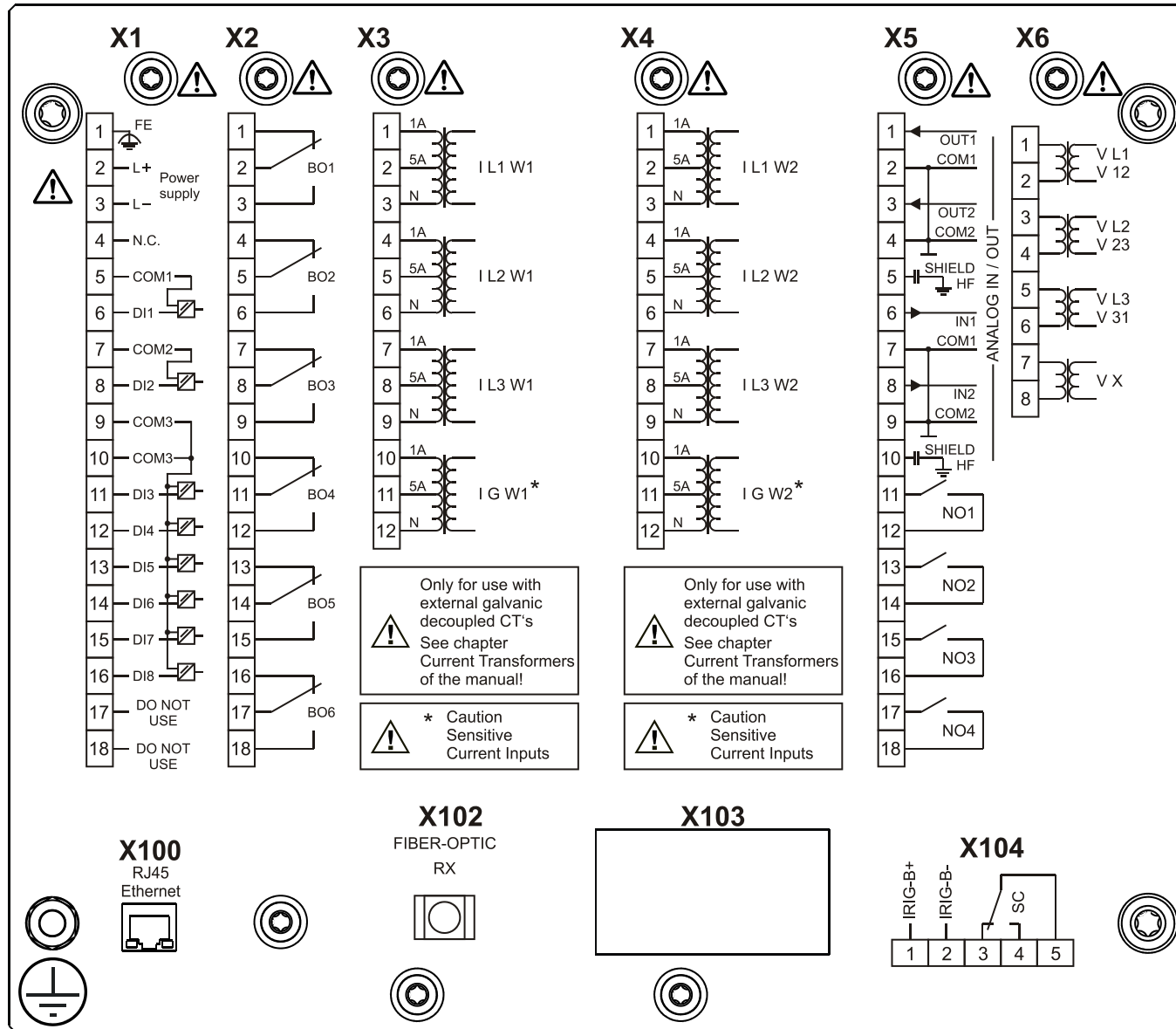
MCDTV4-2B3BGA



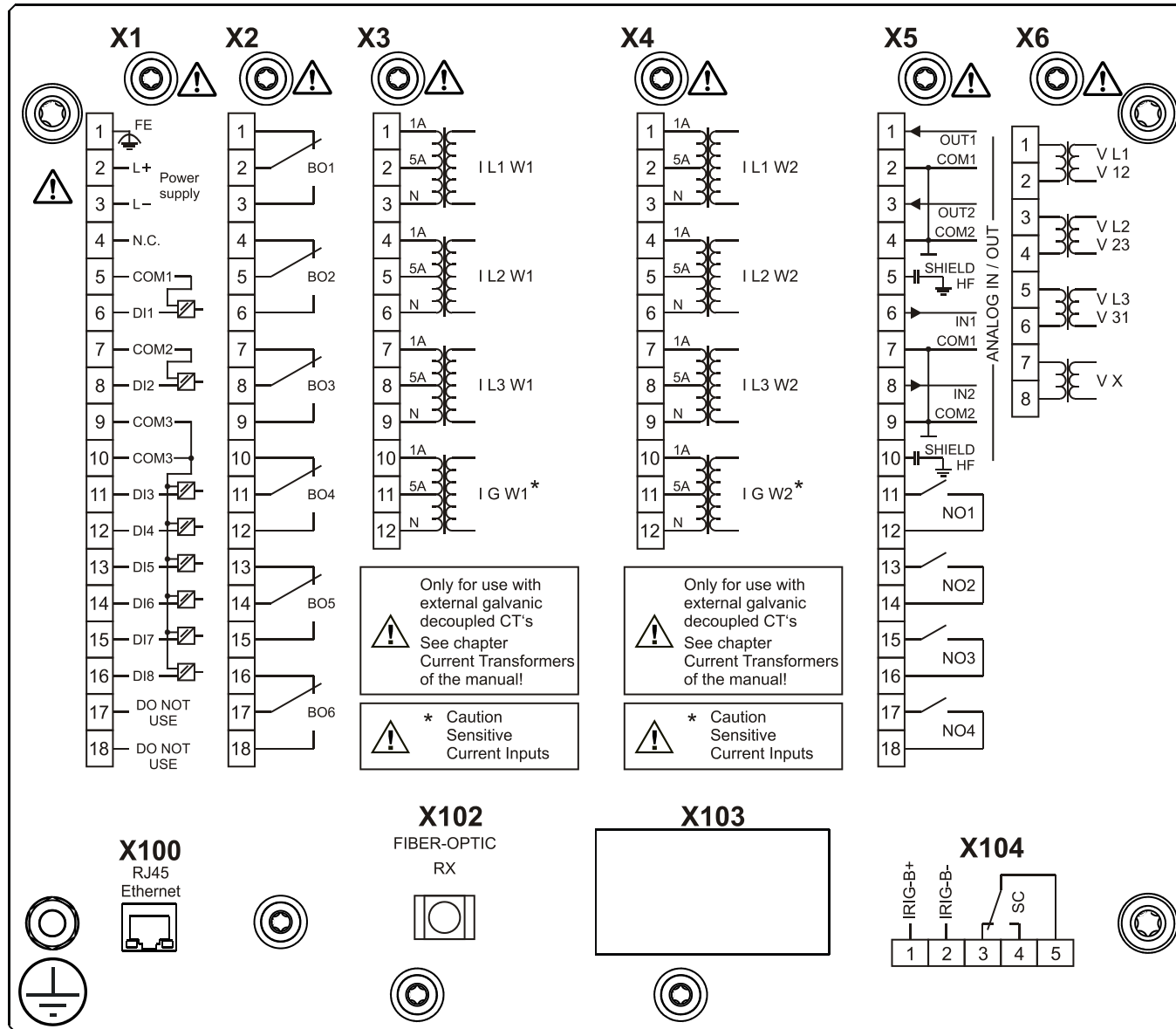
MCDTV4-2B3BGB



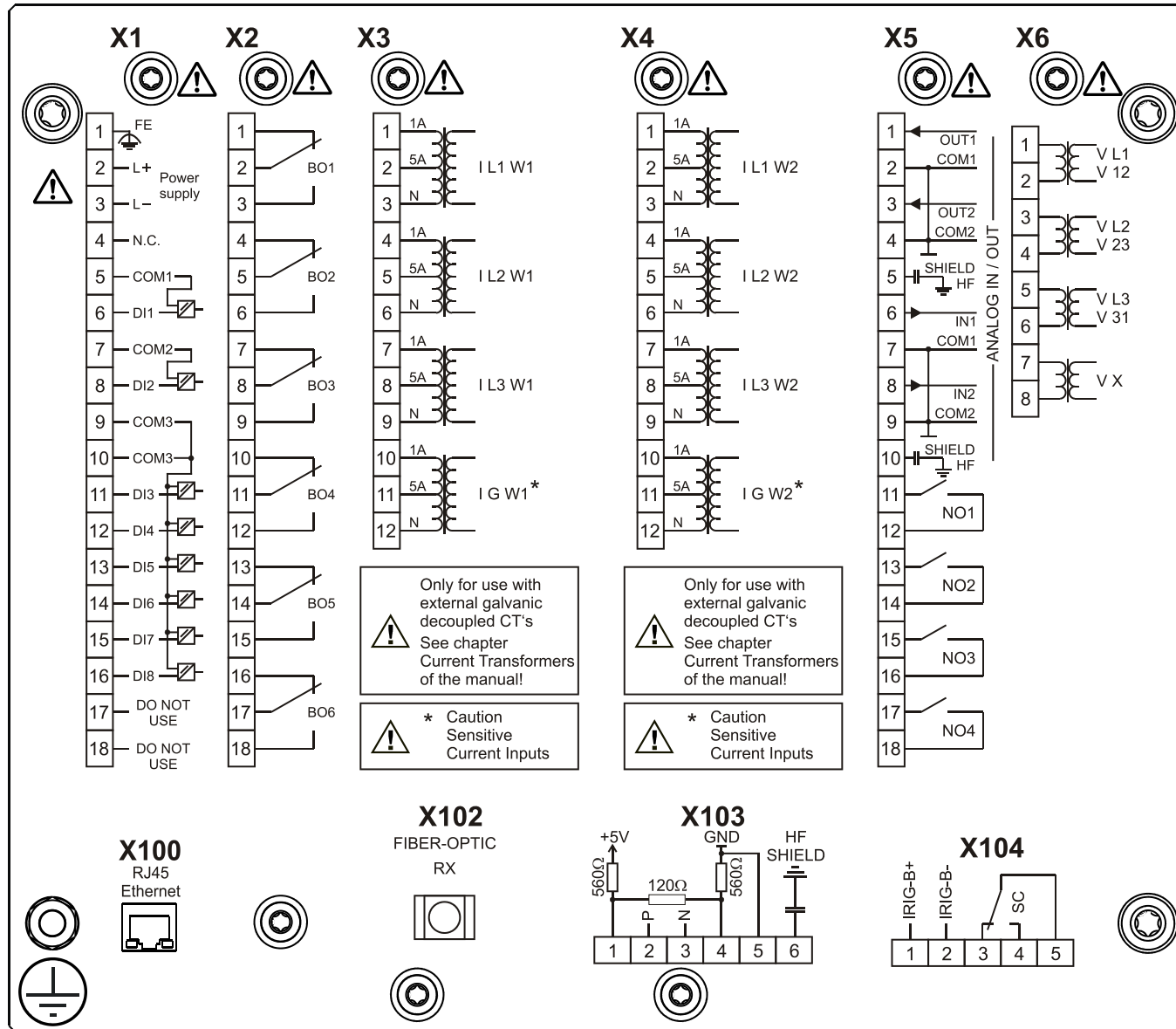
MCDTV4-2B3BHA



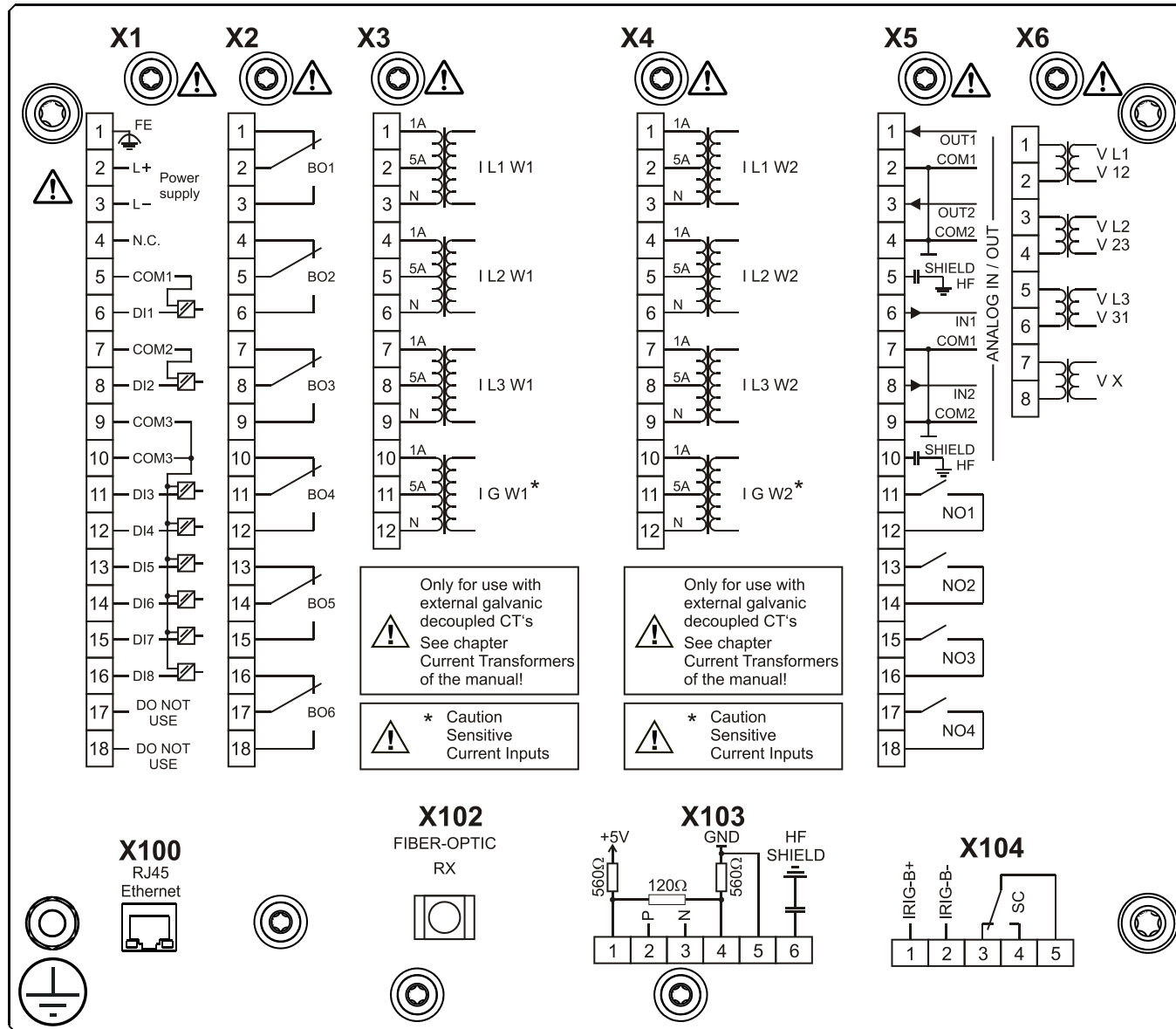
MCDTV4-2B3BHB



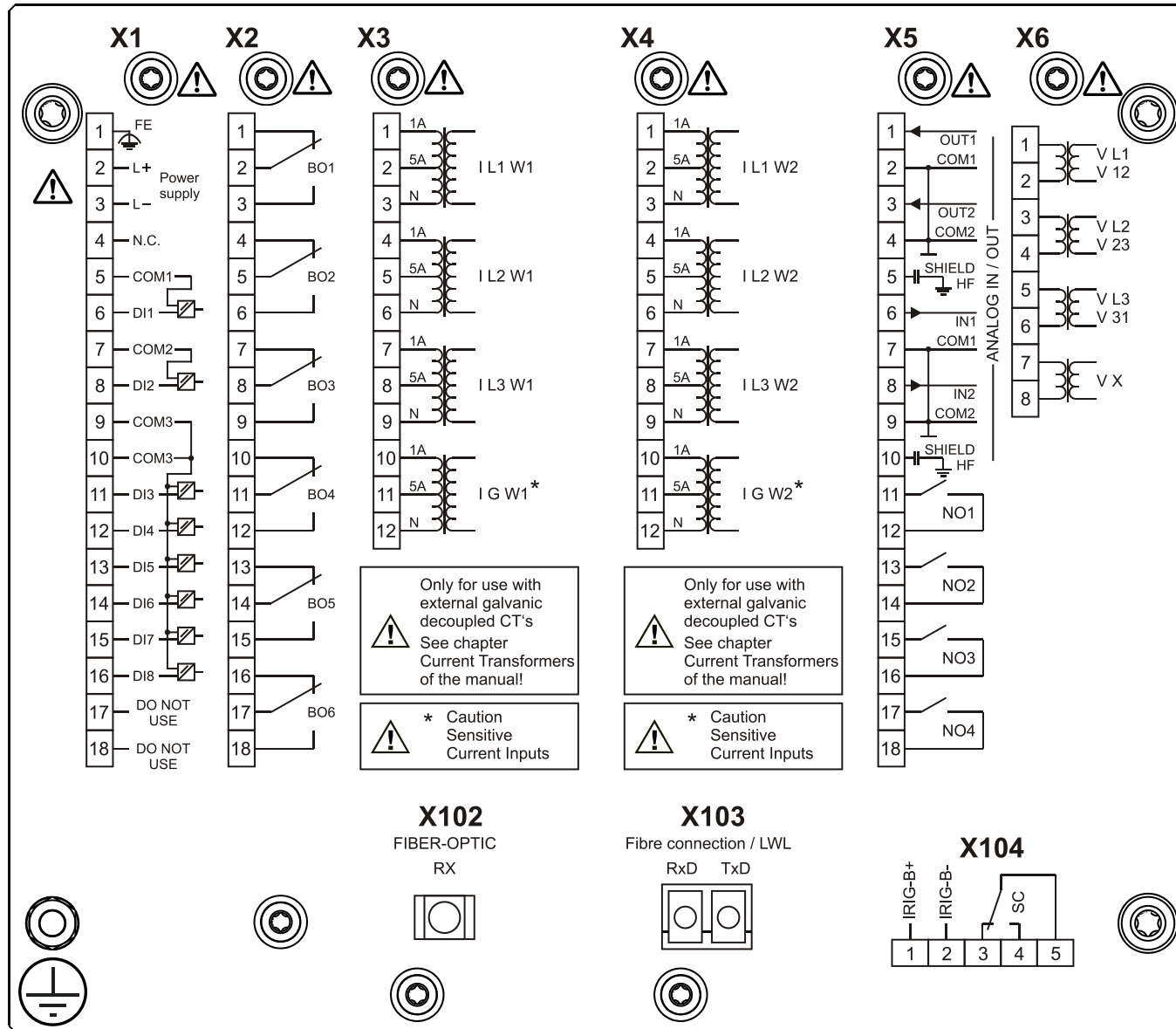
MCDTV4-2B3BIA



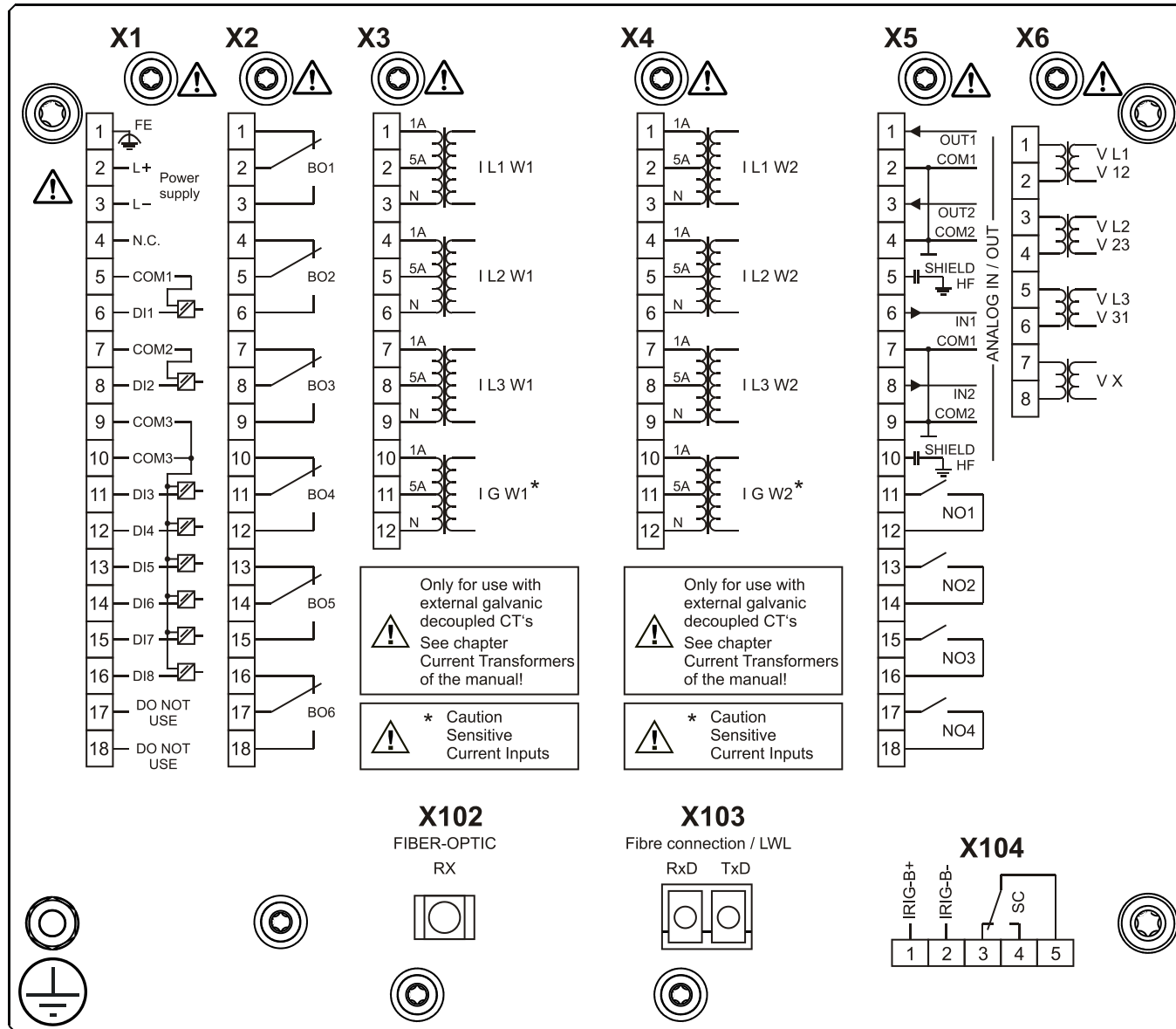
MCDTV4-2B3BIB



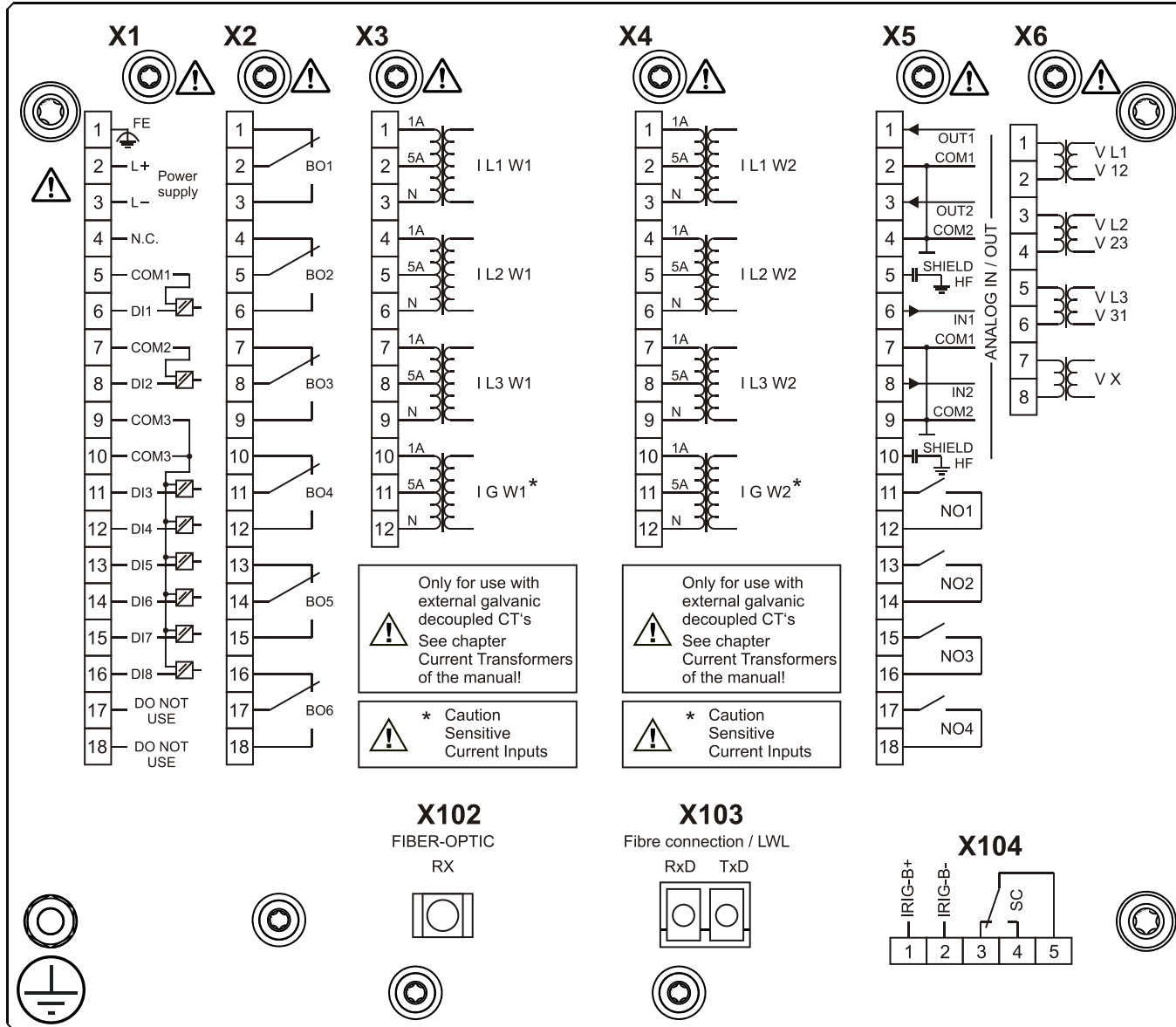
MCDTV4-2B3BKA



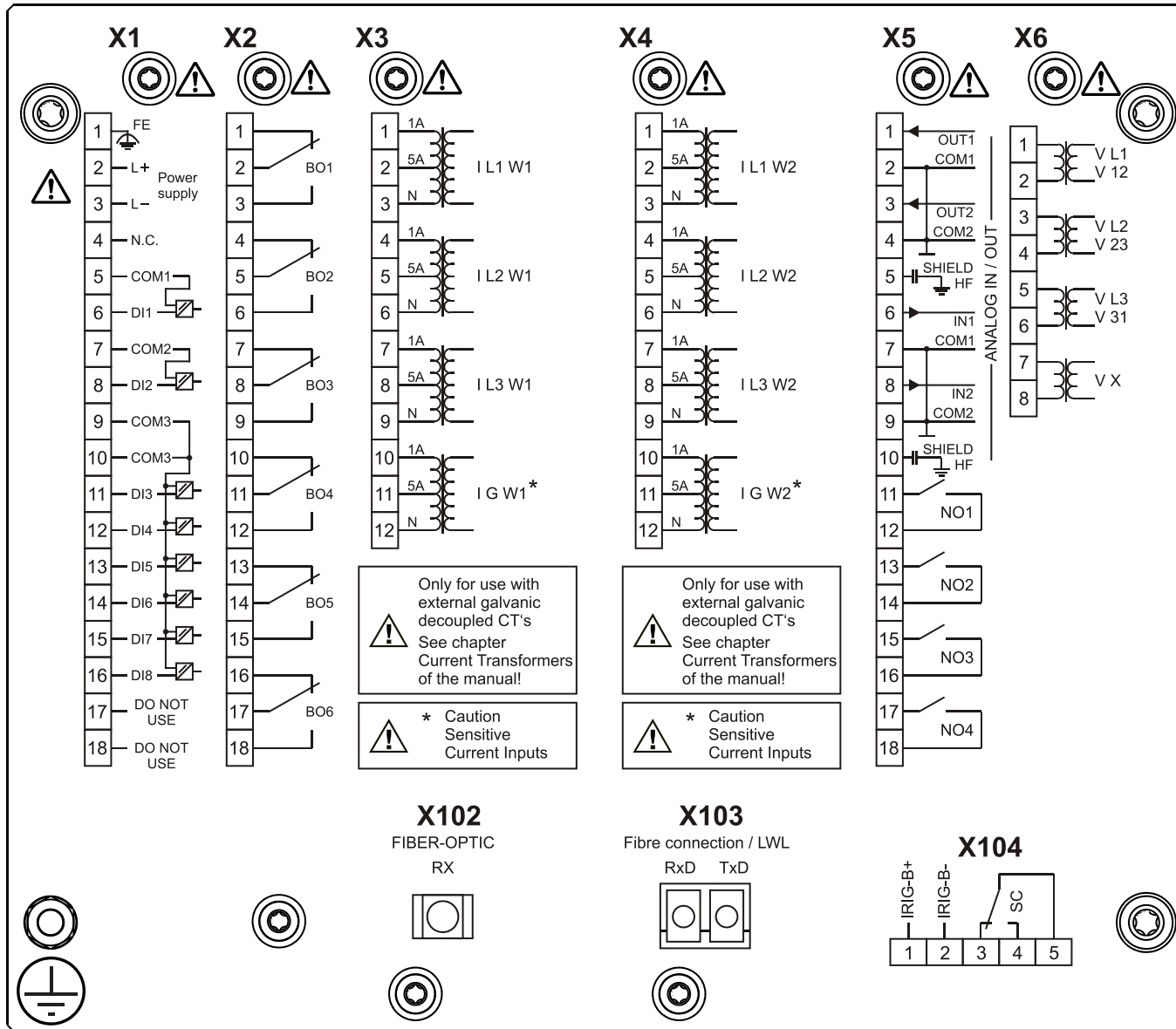
MCDTV4-2B3BKB



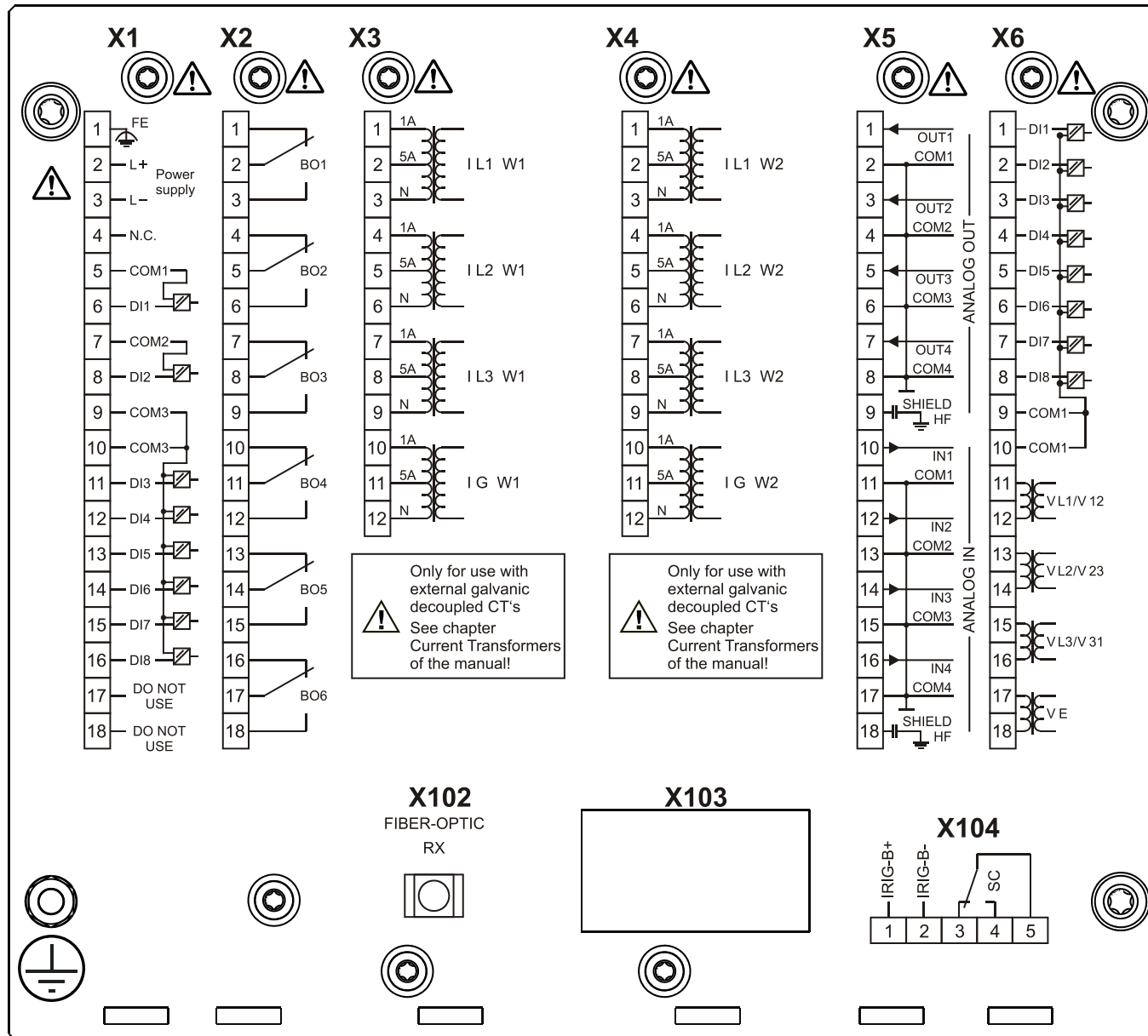
MCDTV4-2B3BLA



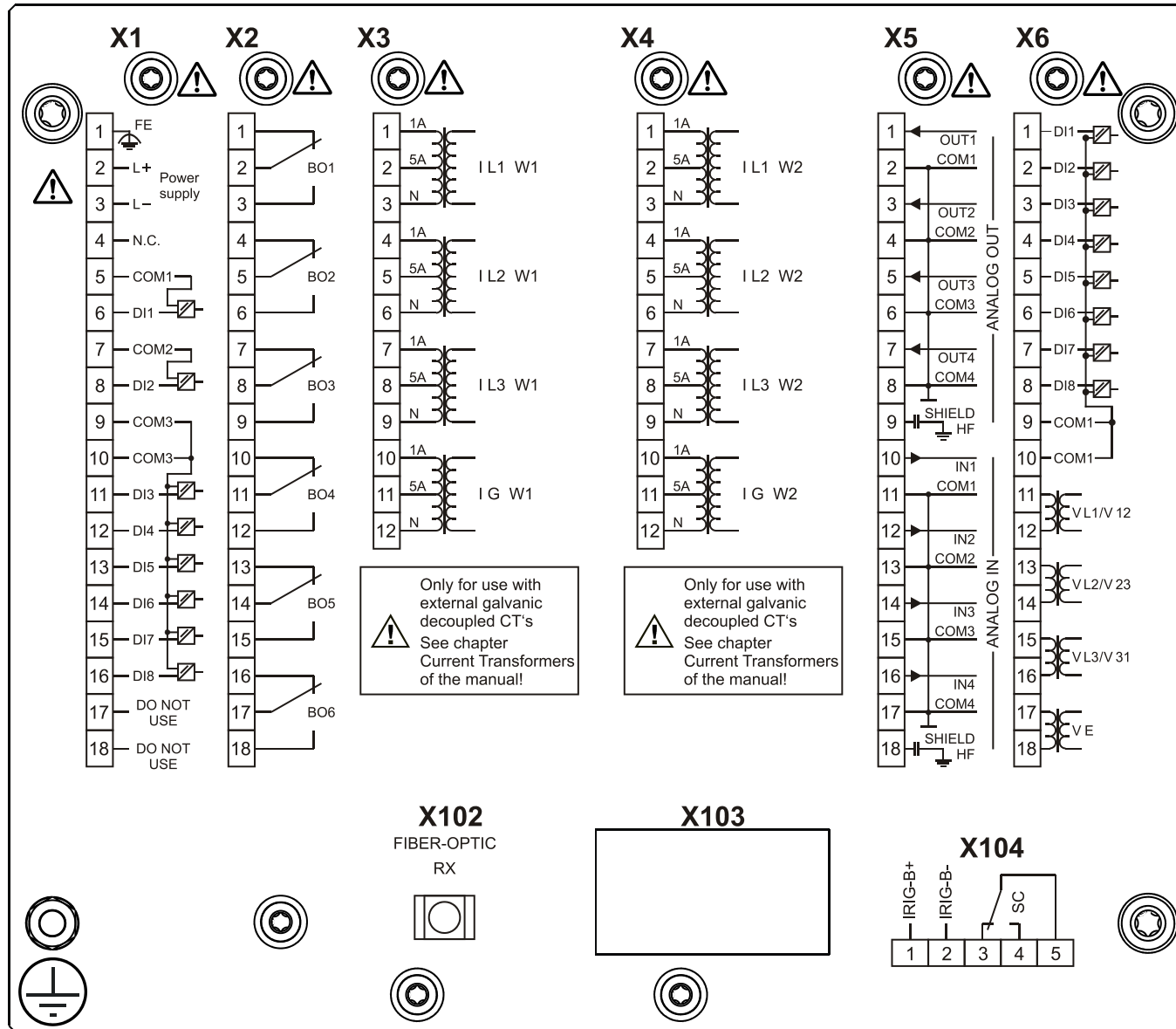
MCDTV4-2B3BLB



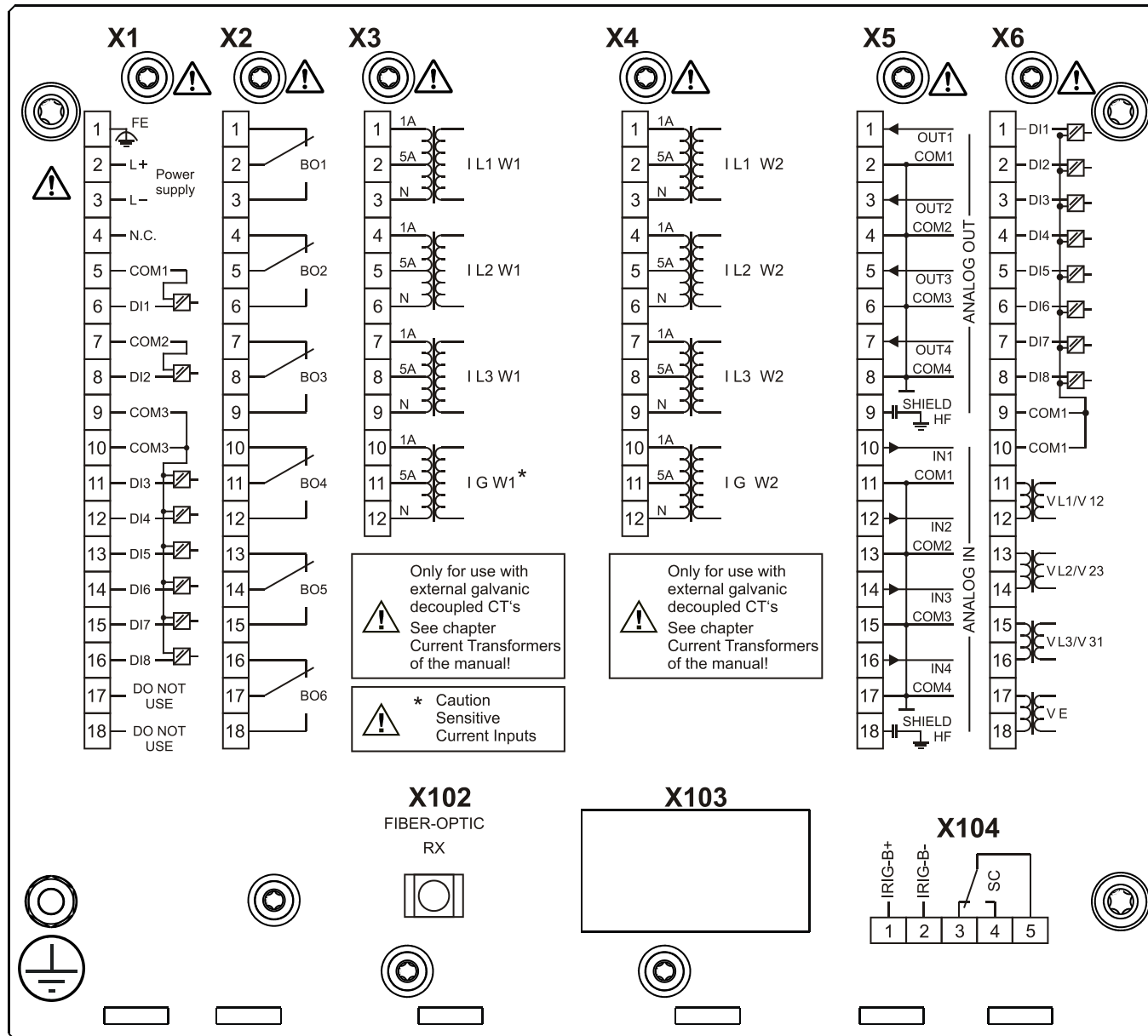
MCDTV4-2C0AAA



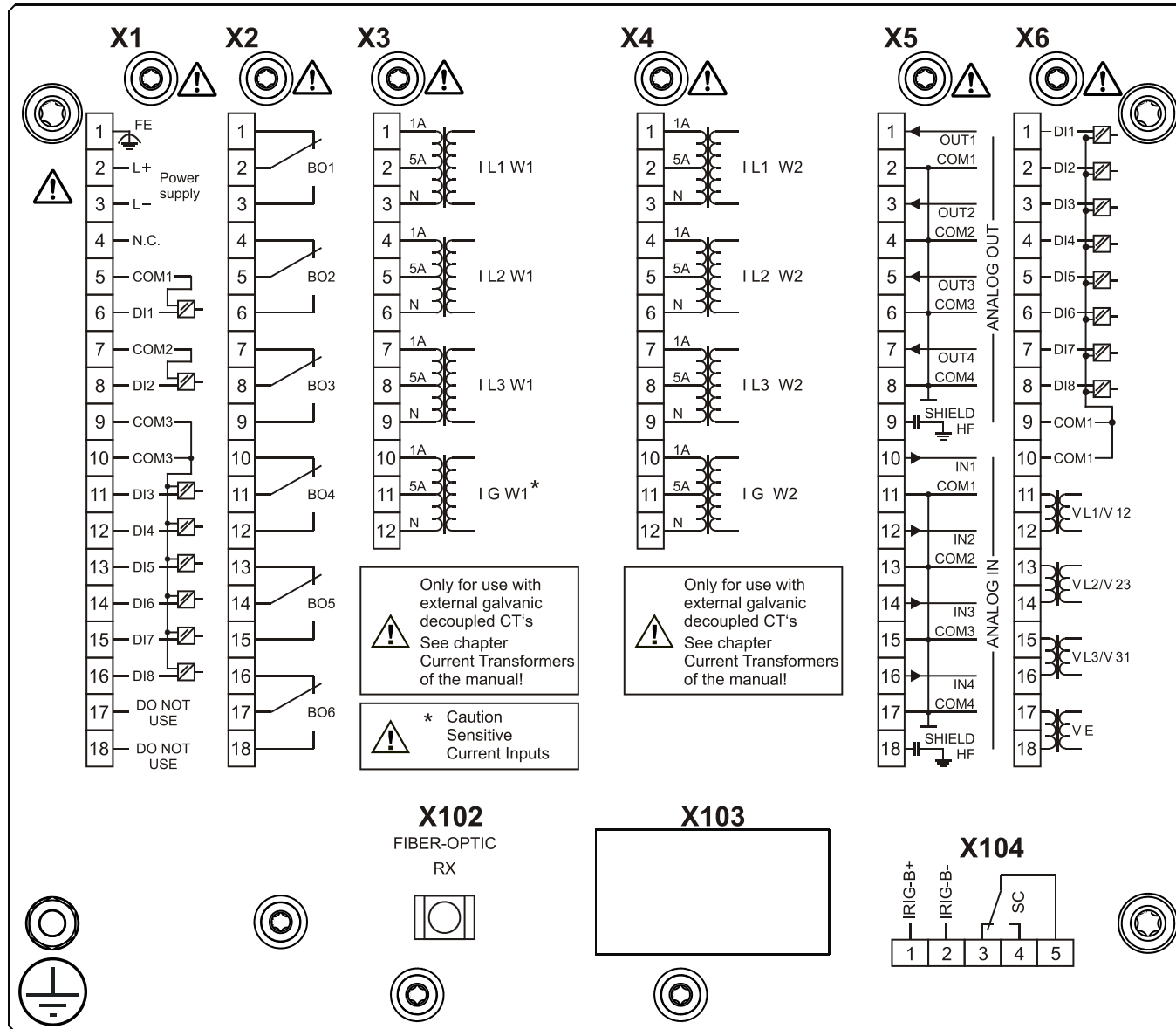
MCDTV4-2C0BAA



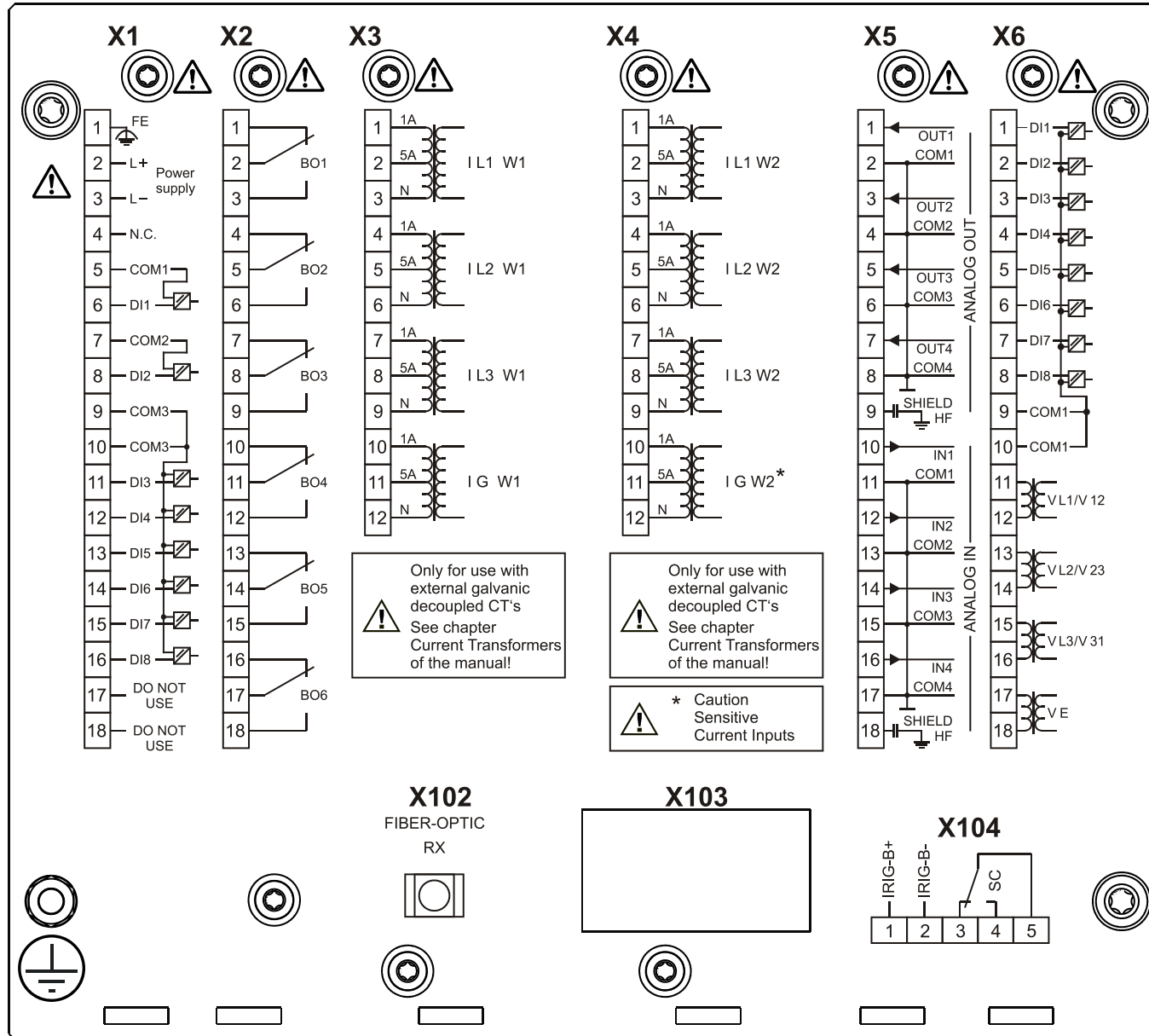
MCDTV4-2C1AAA



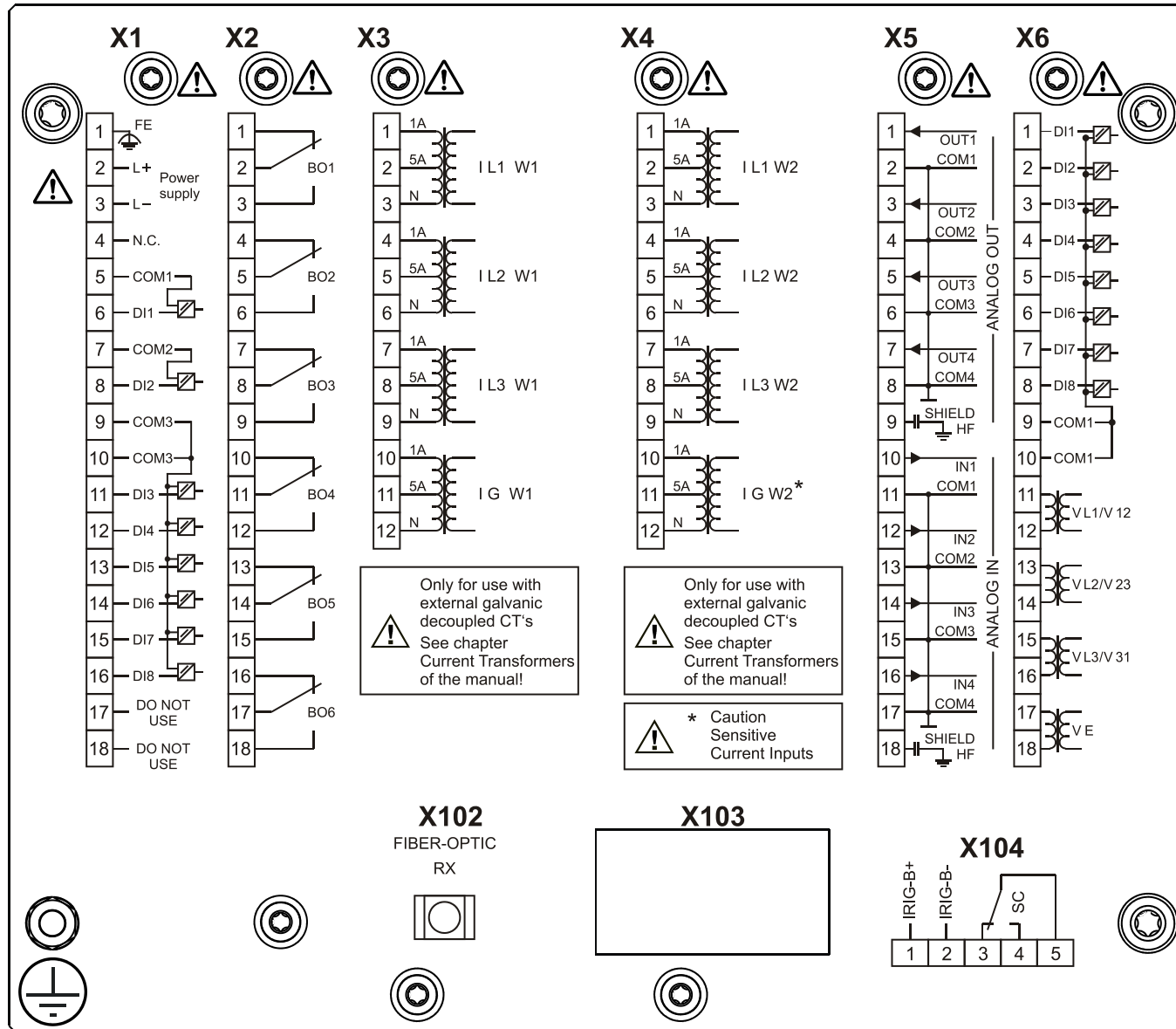
MCDTV4-2C1BAA



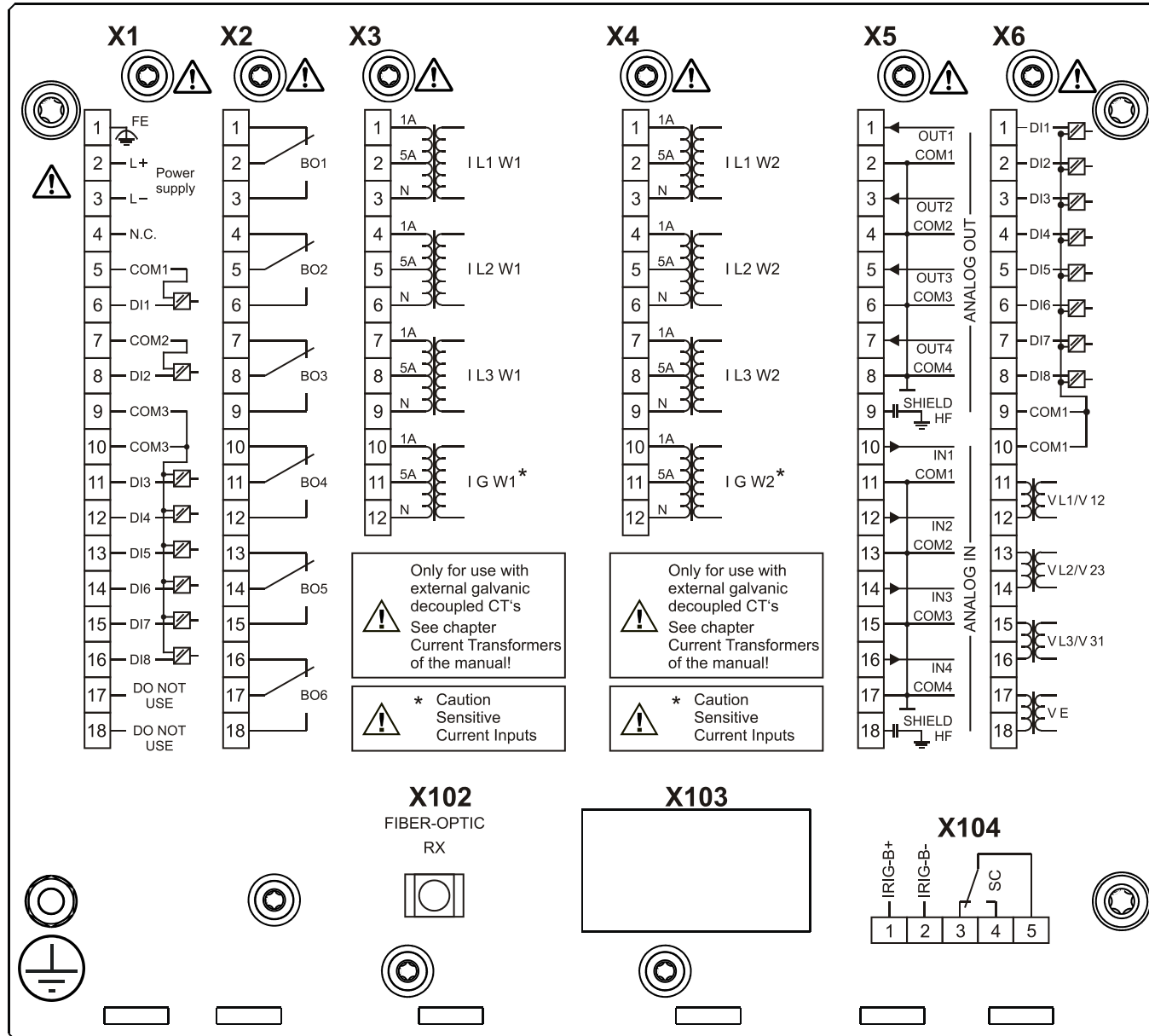
MCDTV4-2C2AAA



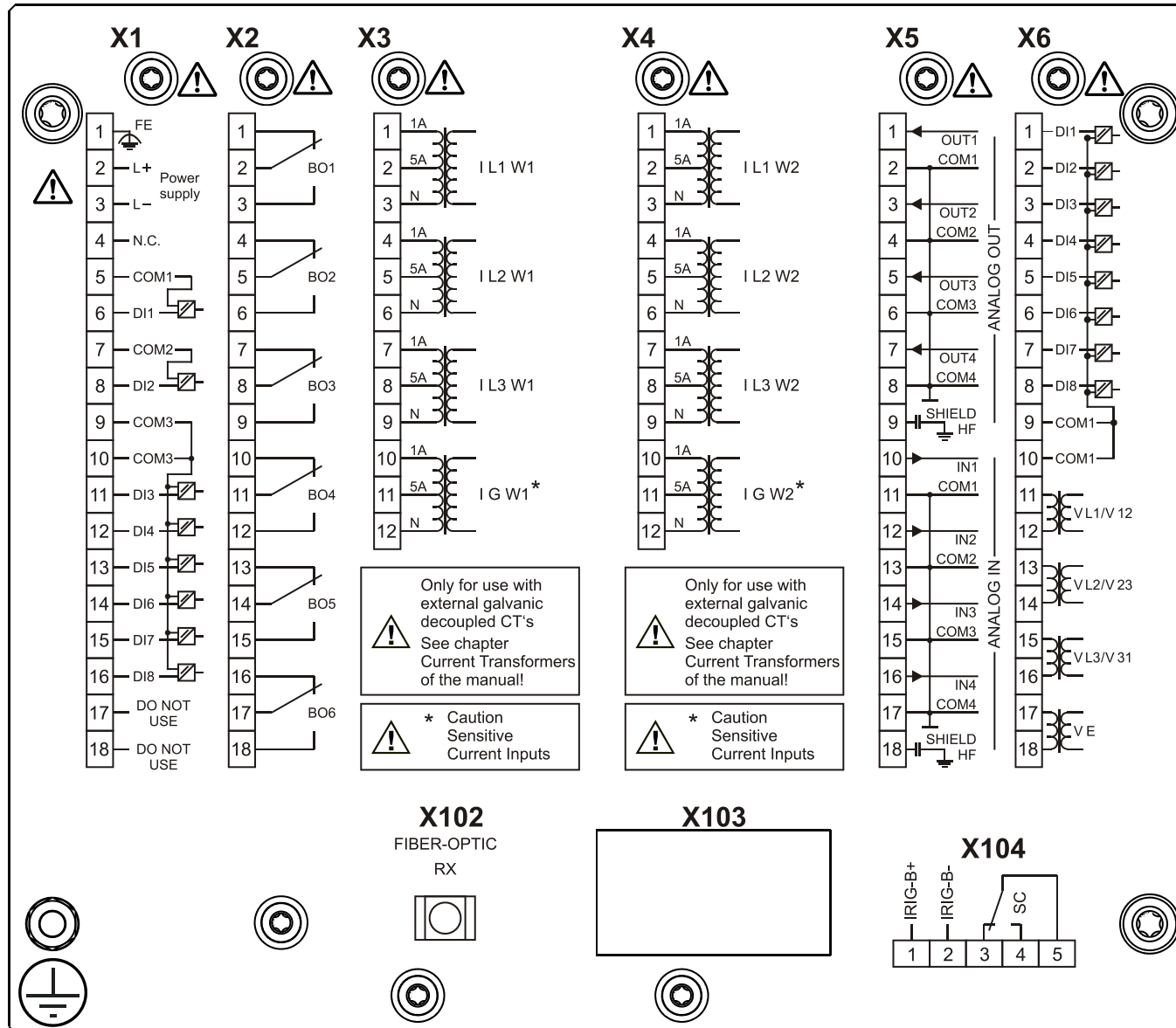
MCDTV4-2C2BAA



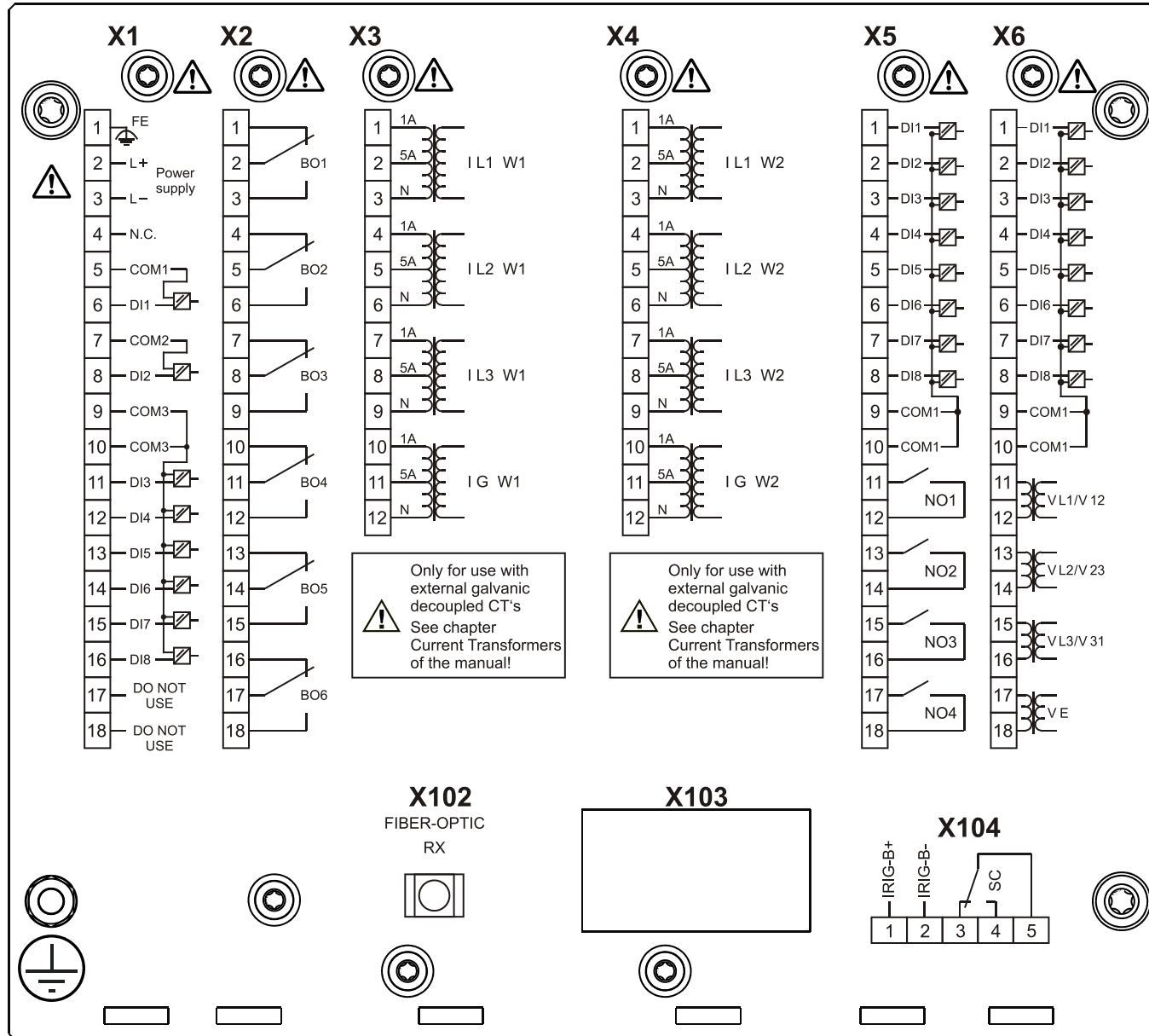
MCDTV4-2C3AAA



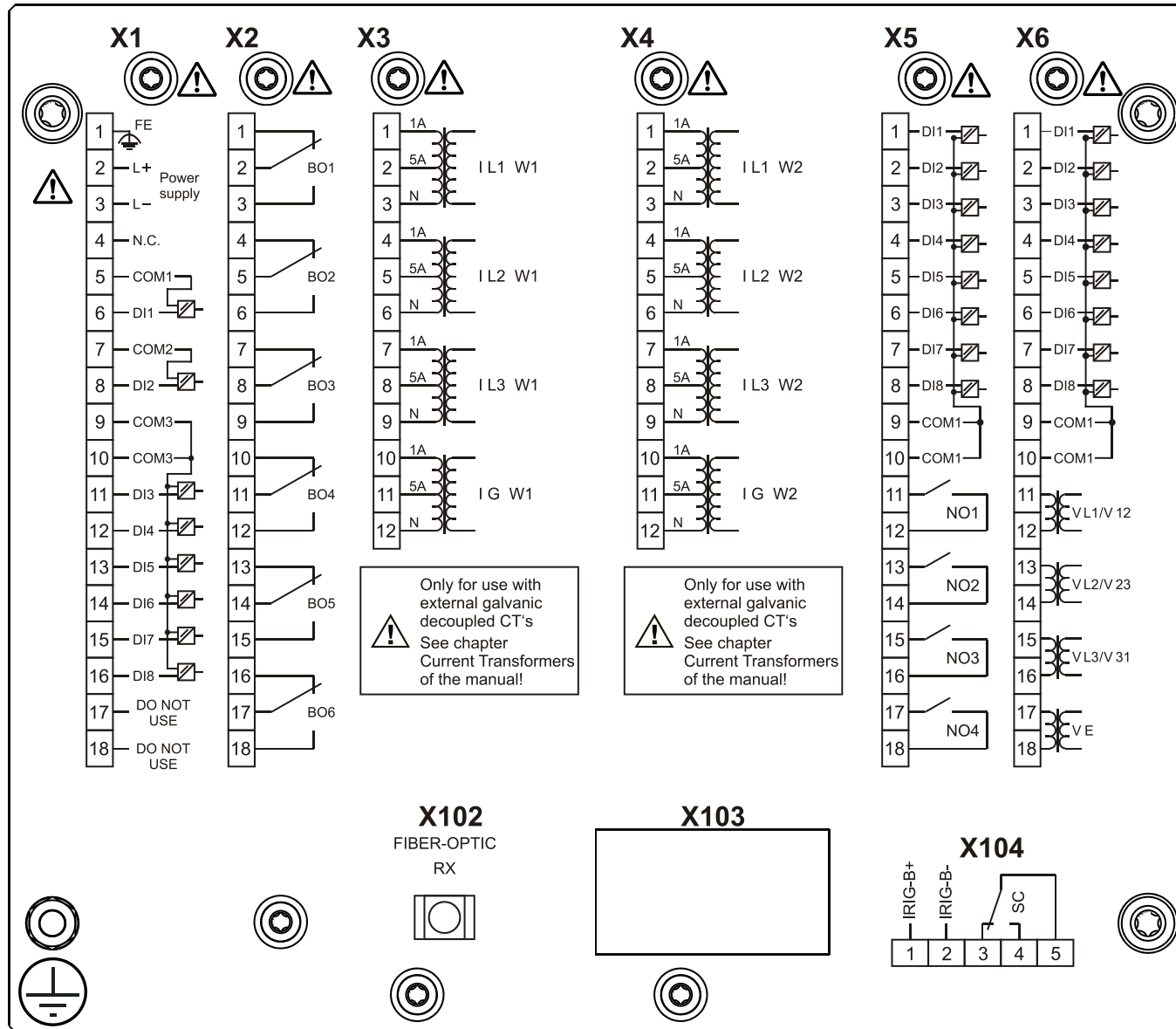
MCDTV4-2C3BAA



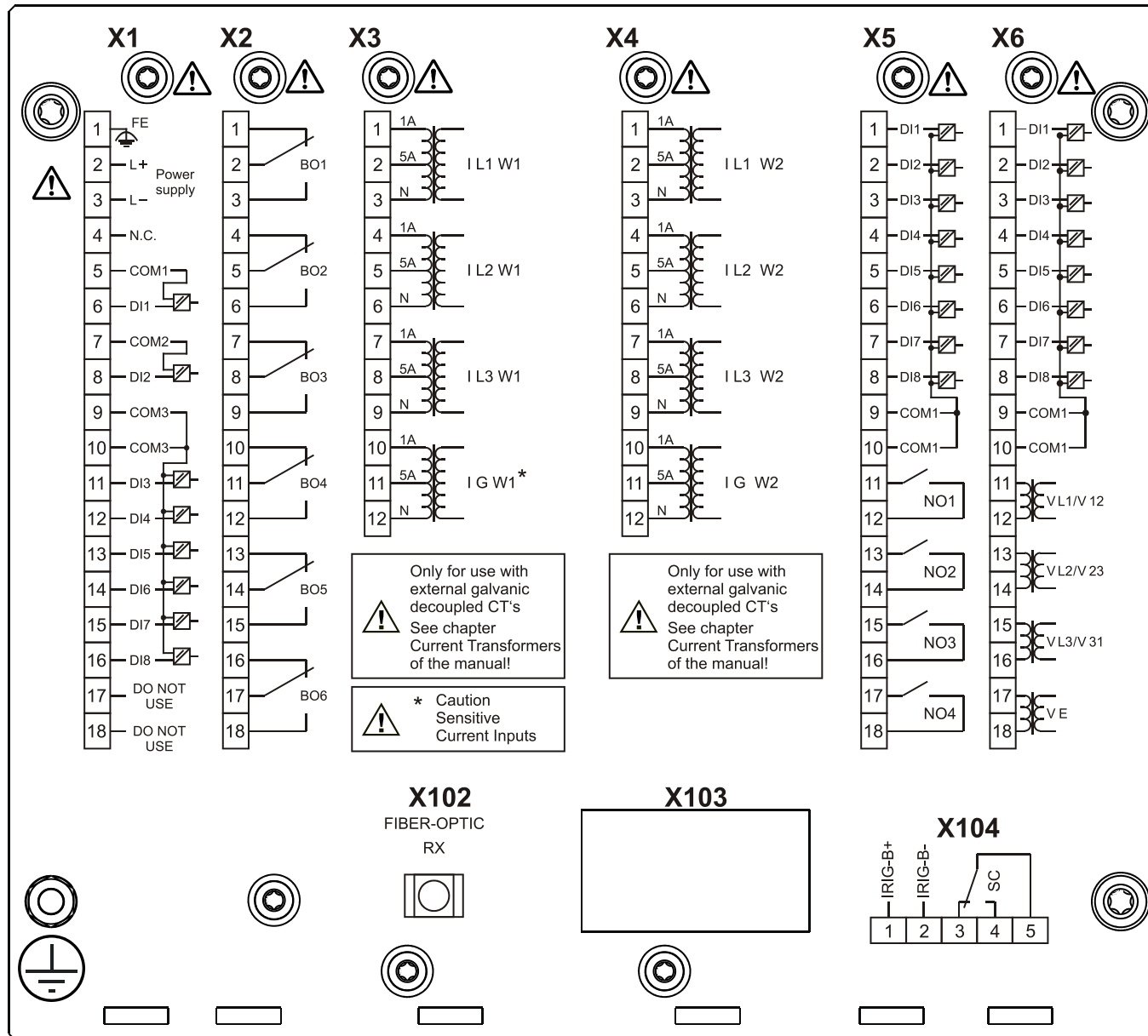
MCDTV4-2D0AAA



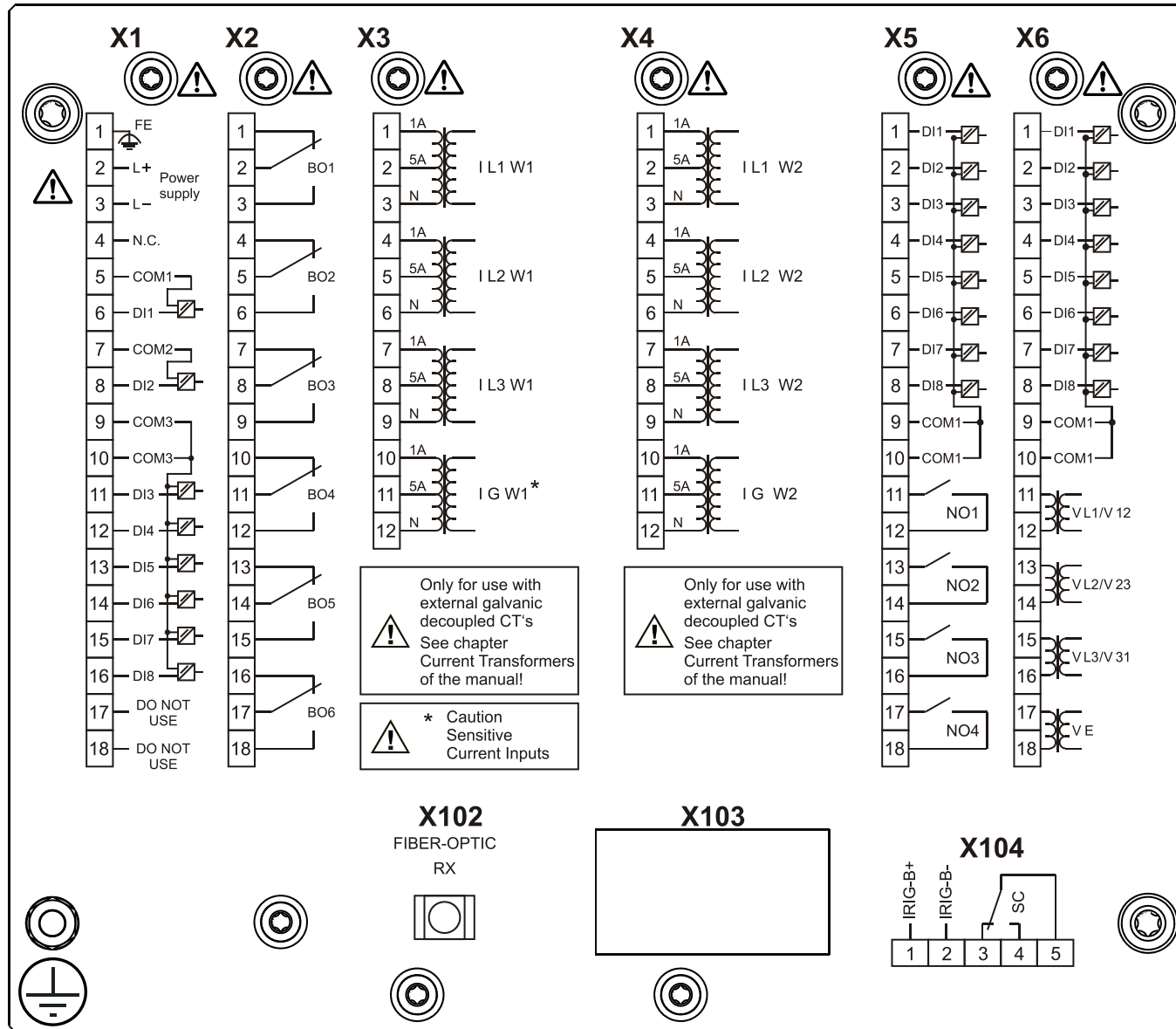
MCDTV4-2D0BAA



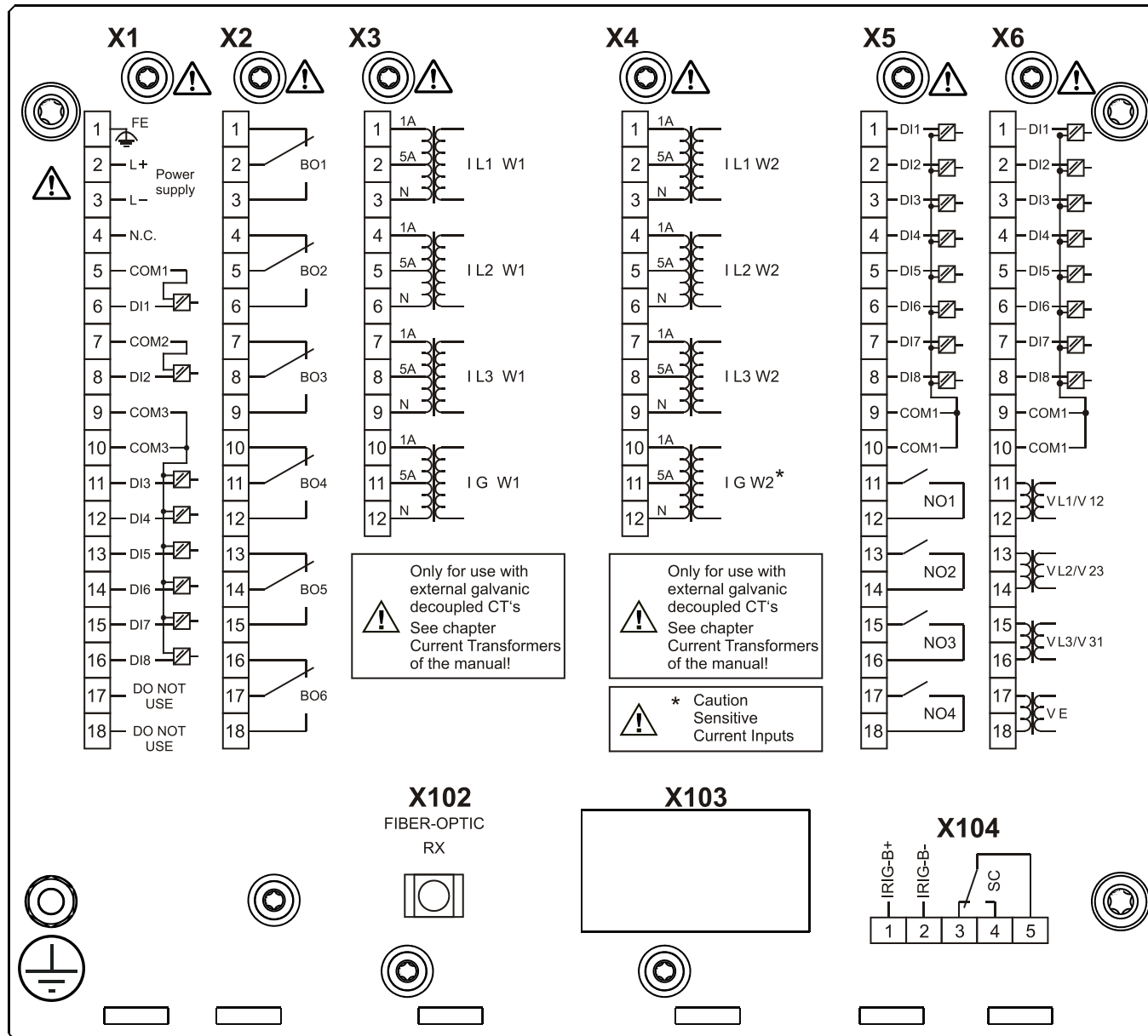
MCDTV4-2D1AAA



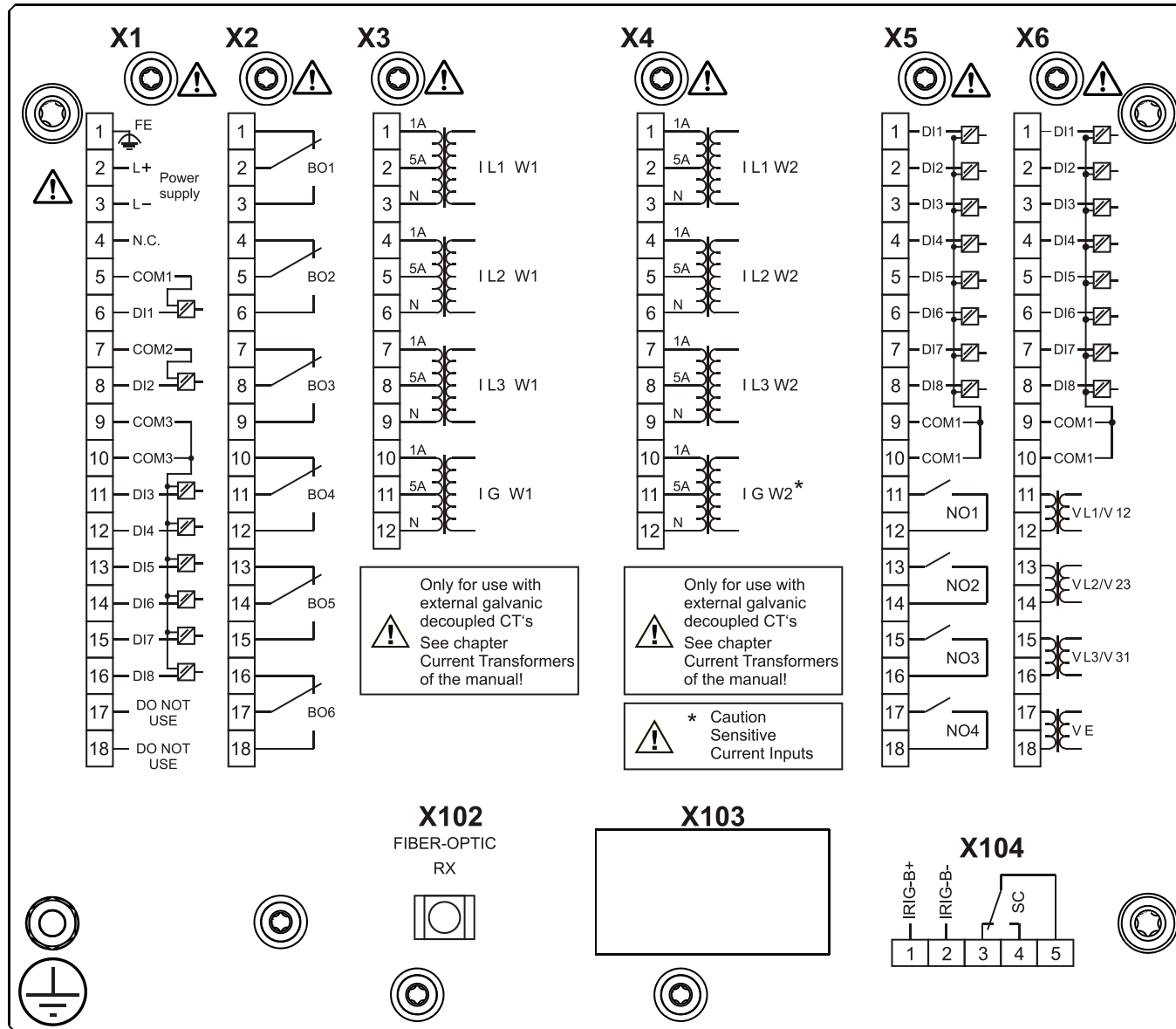
MCDTV4-2D1BAA



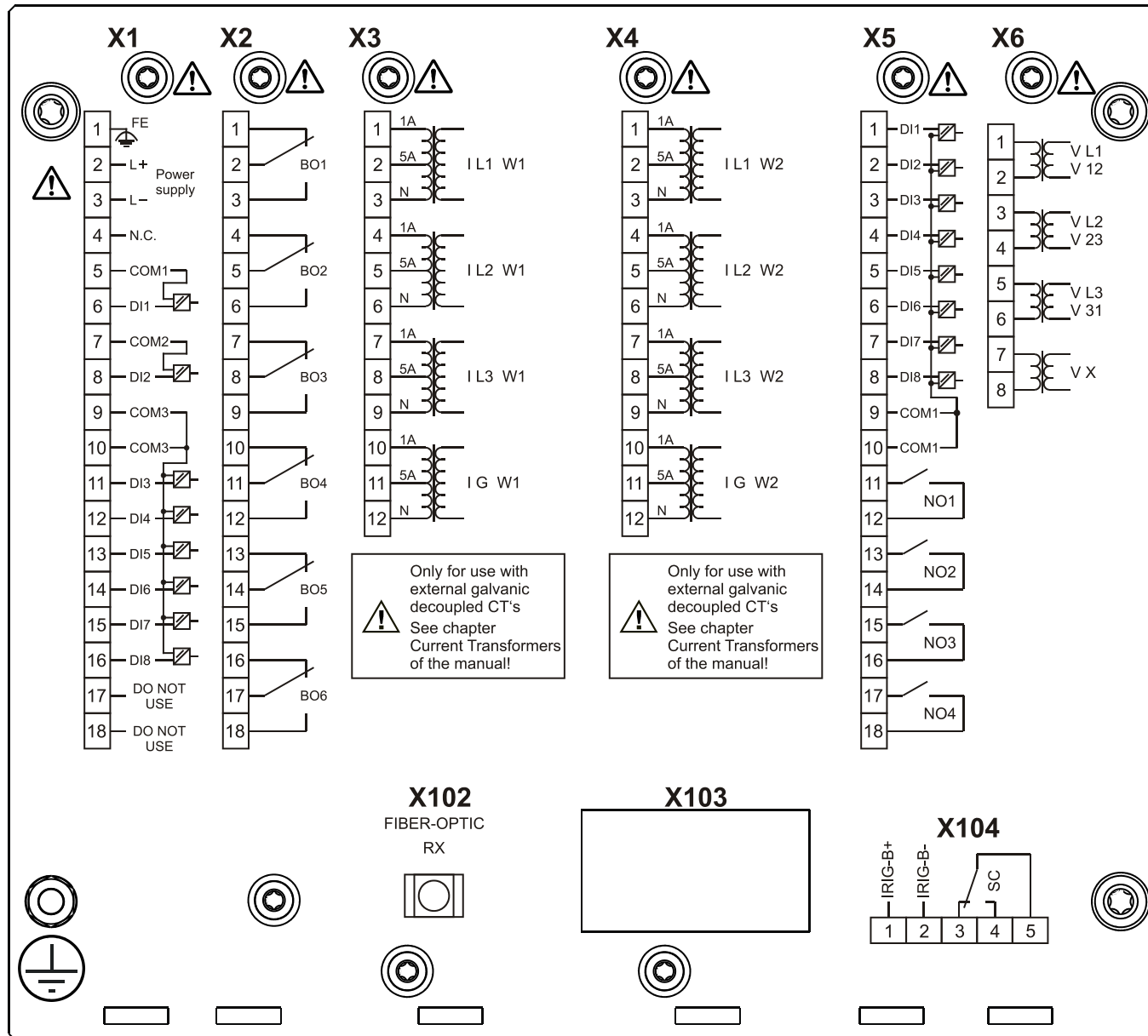
MCDTV4-2D2AAA



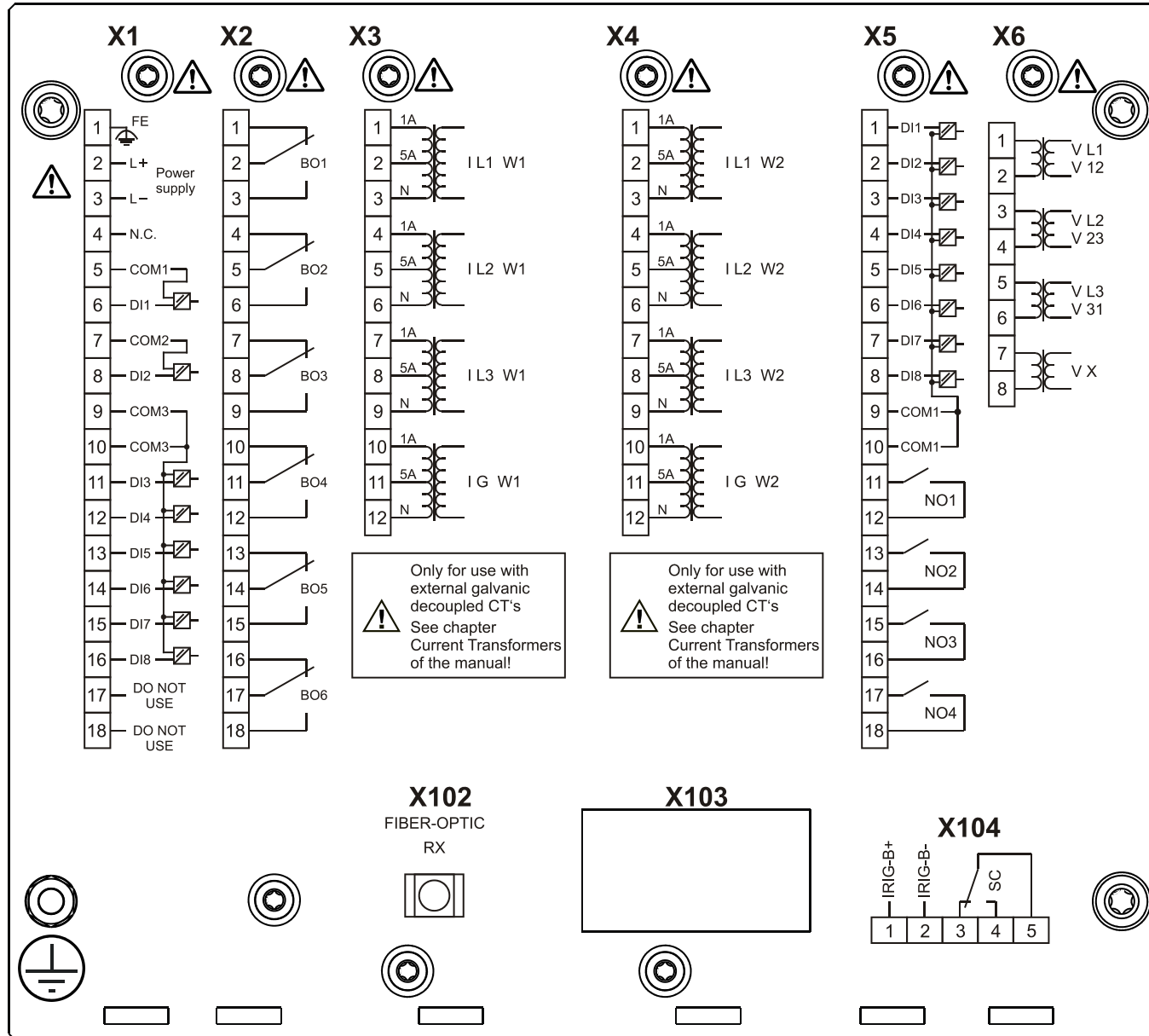
MCDTV4-2D2BAA



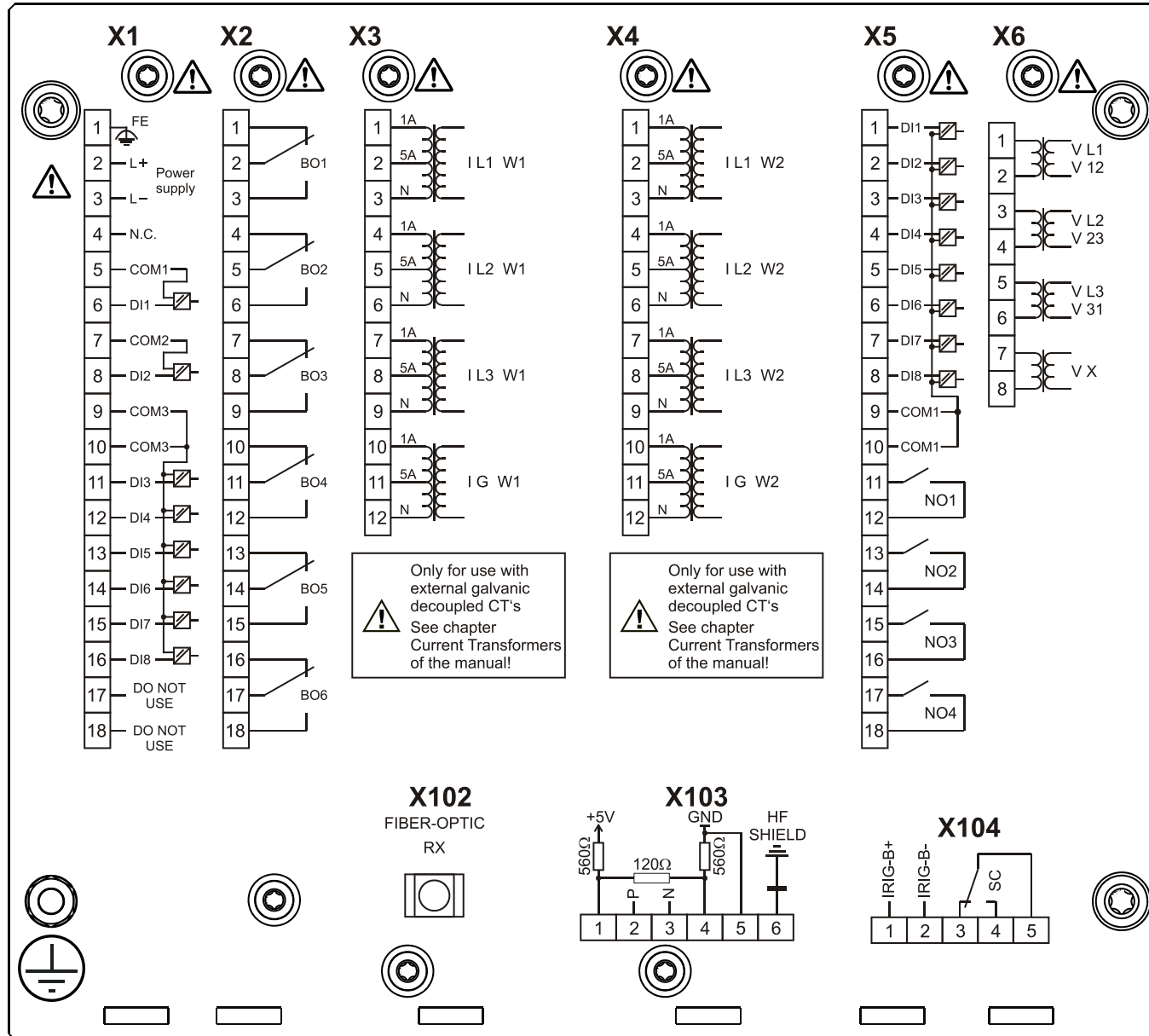
MCDTV4-2A0AAA



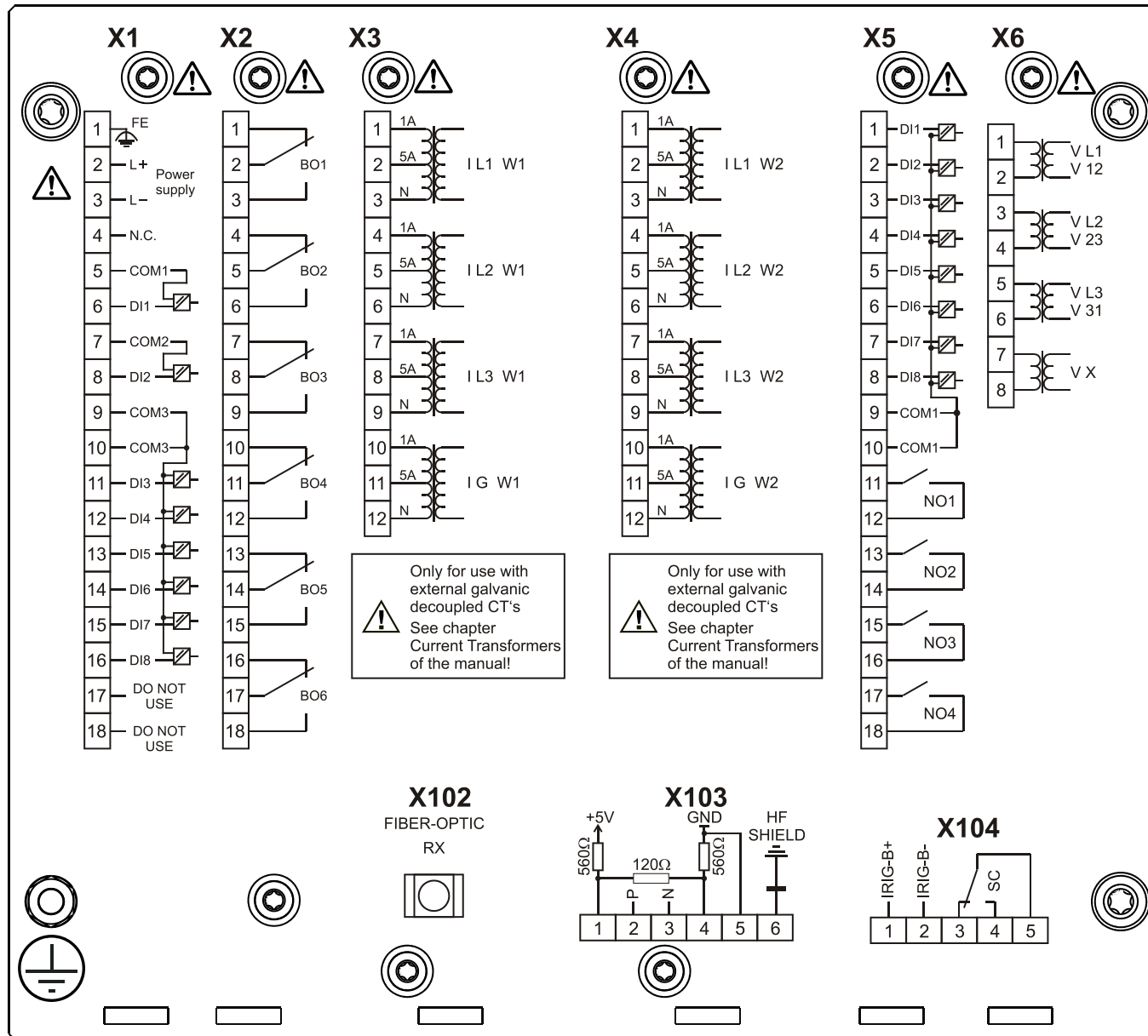
MCDTV4-2A0AAB



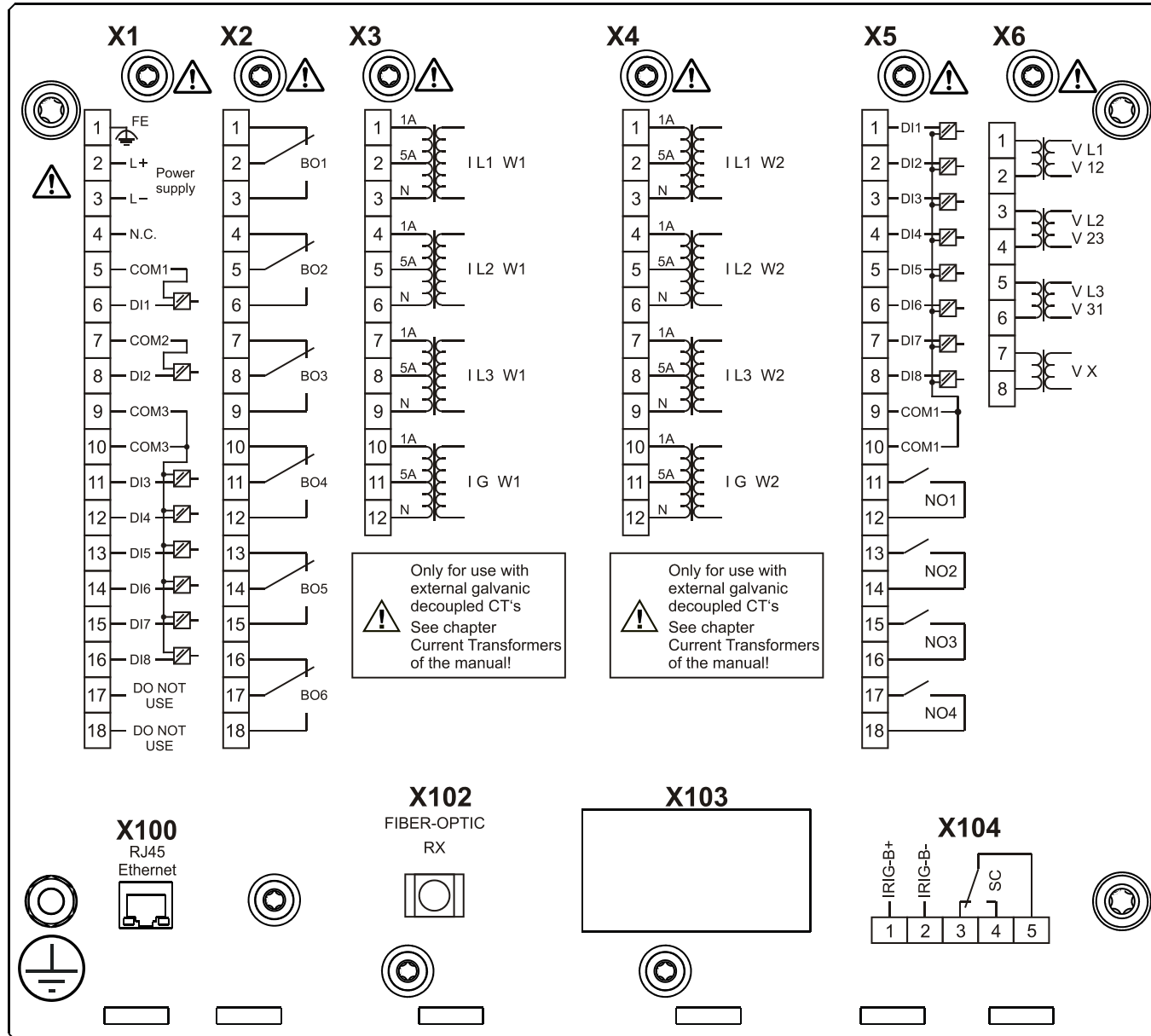
MCDTV4-2A0ABA



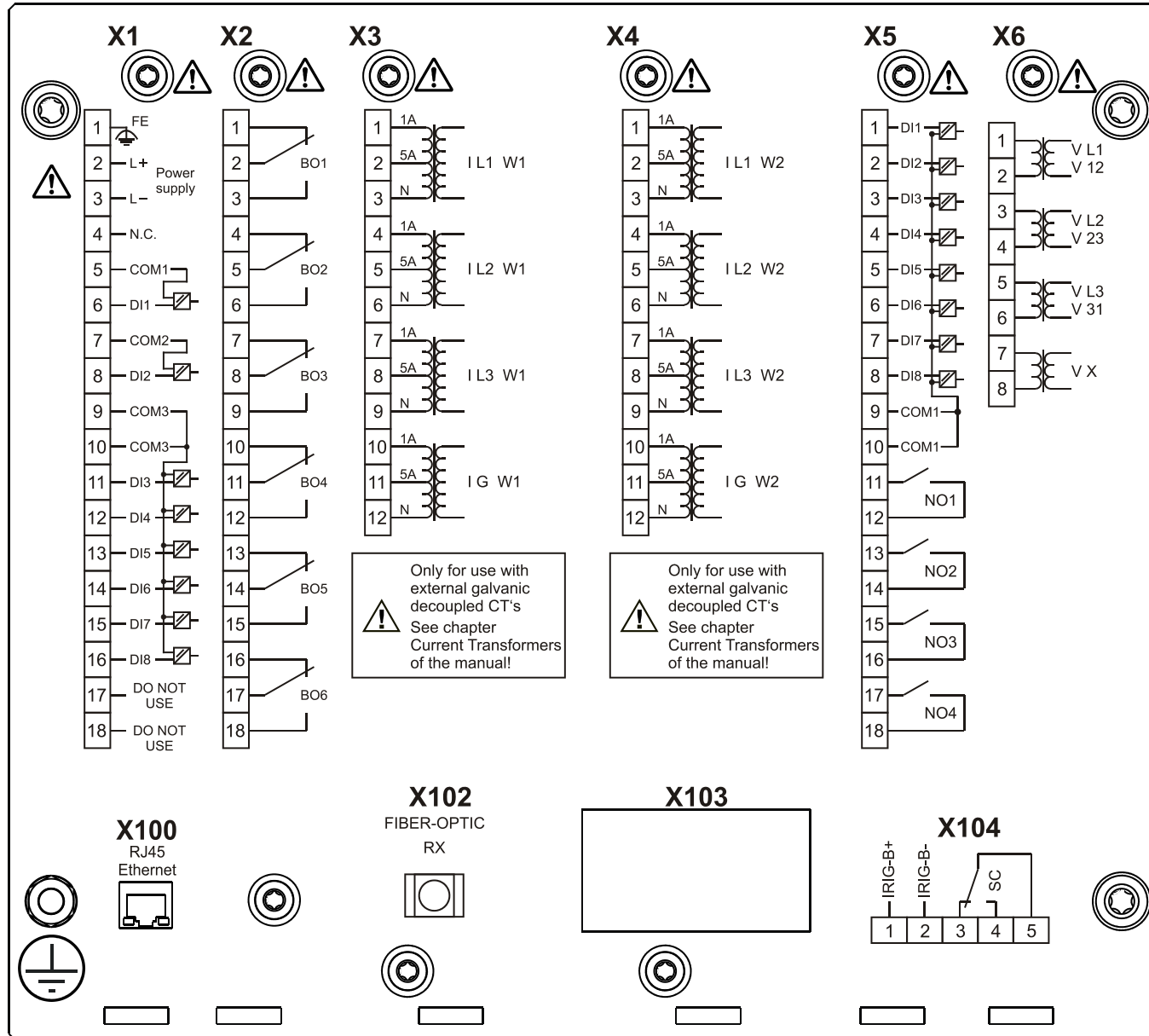
MCDTV4-2A0ABB



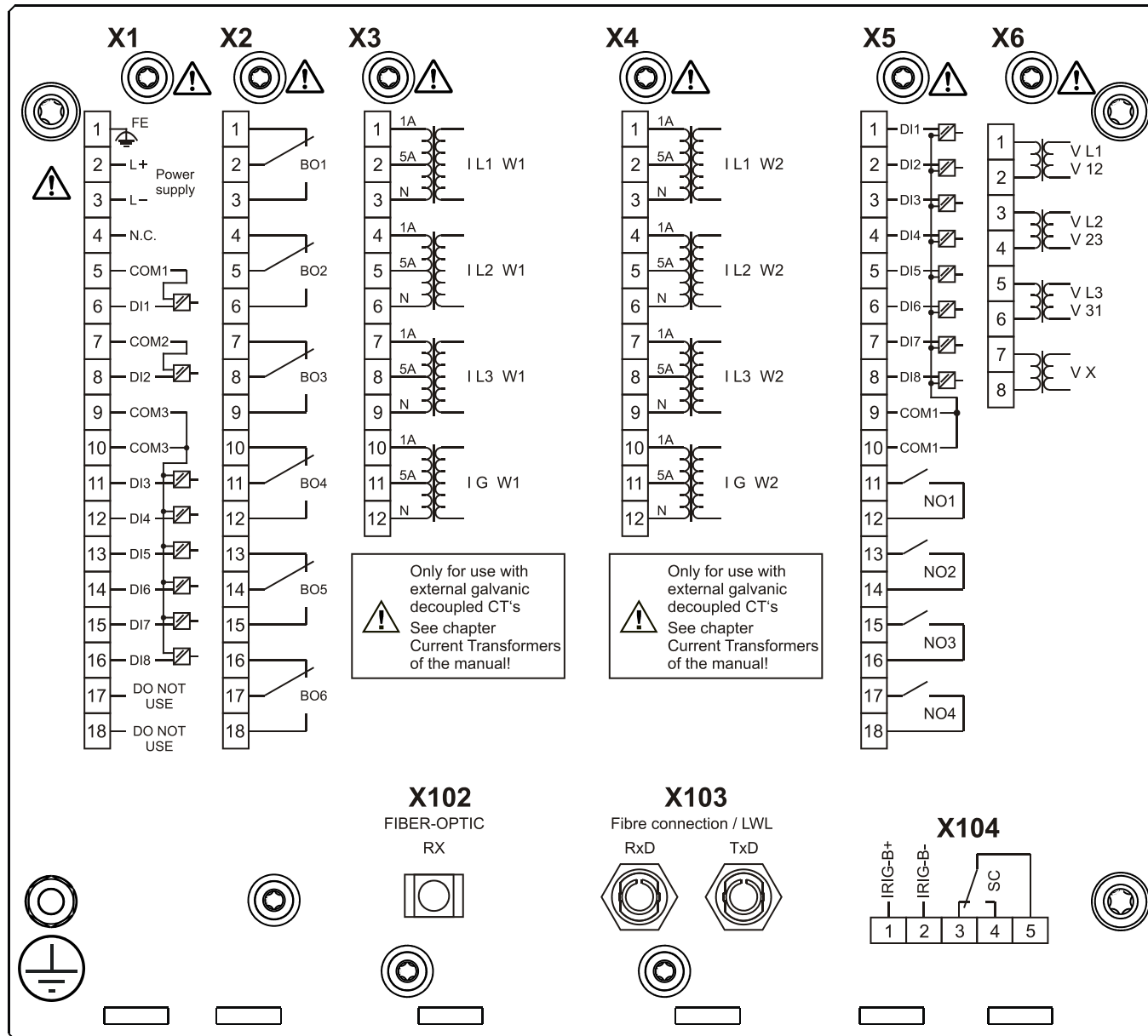
MCDTV4-2A0ACA



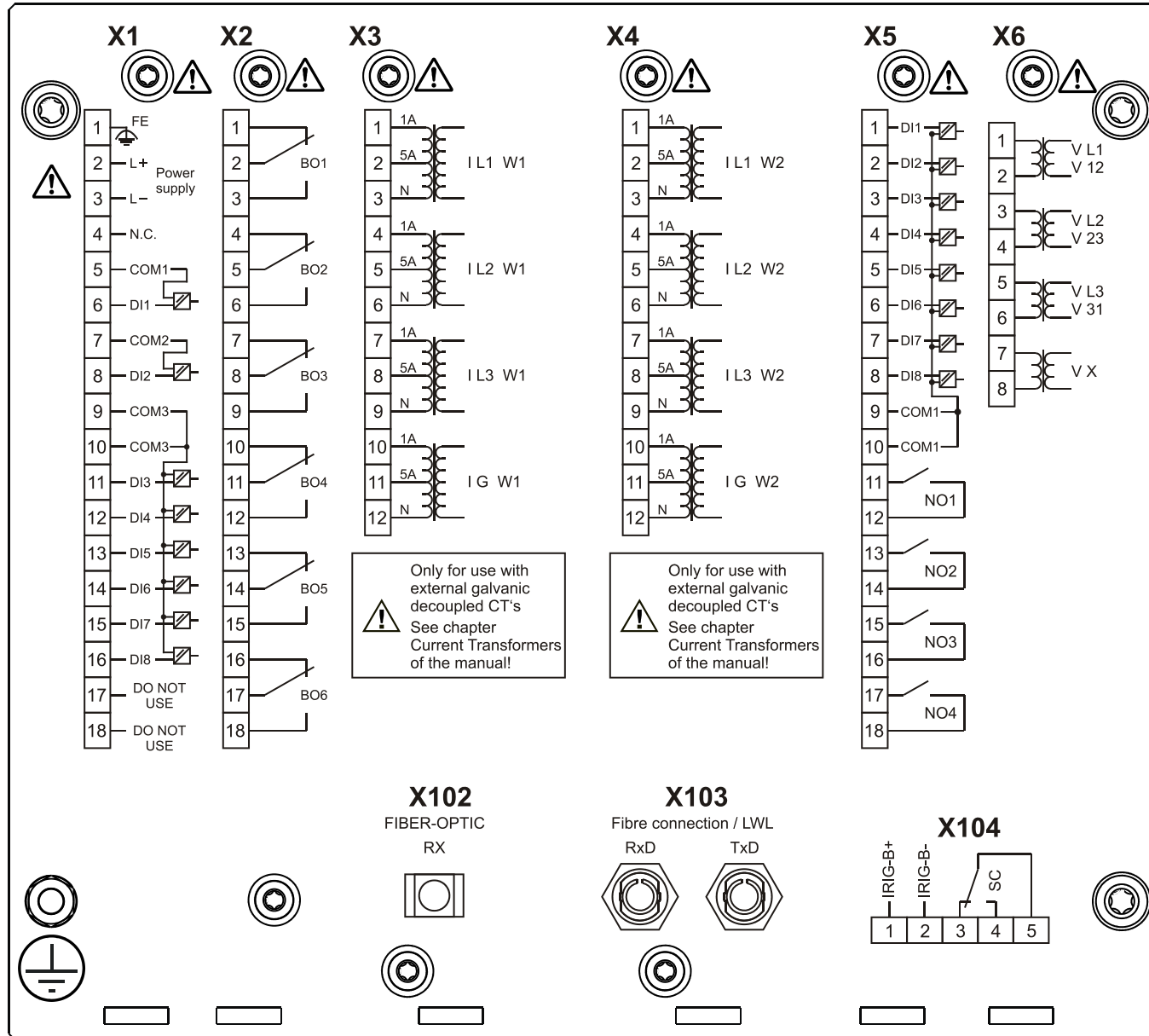
MCDTV4-2A0ACB



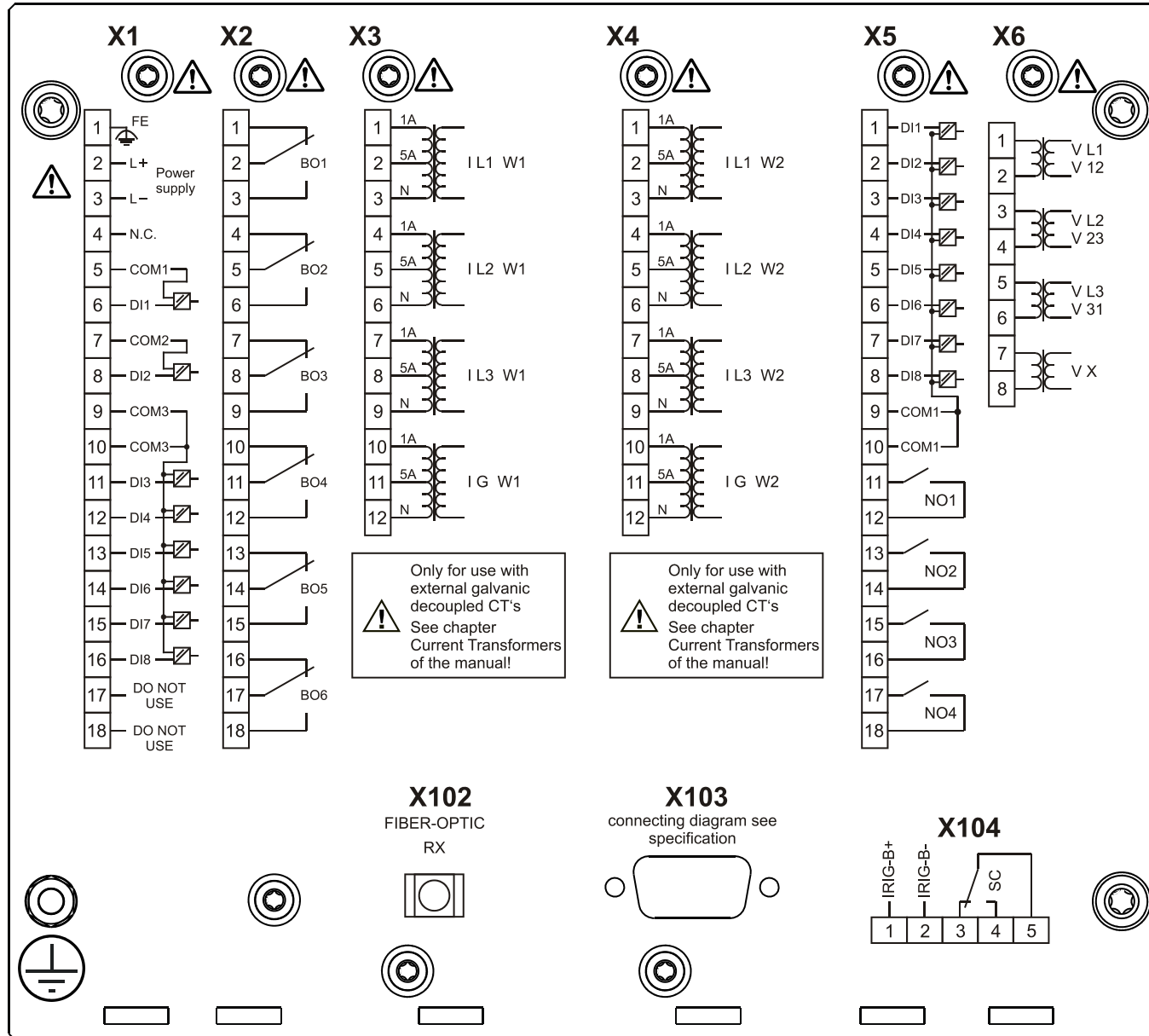
MCDTV4-2A0ADA



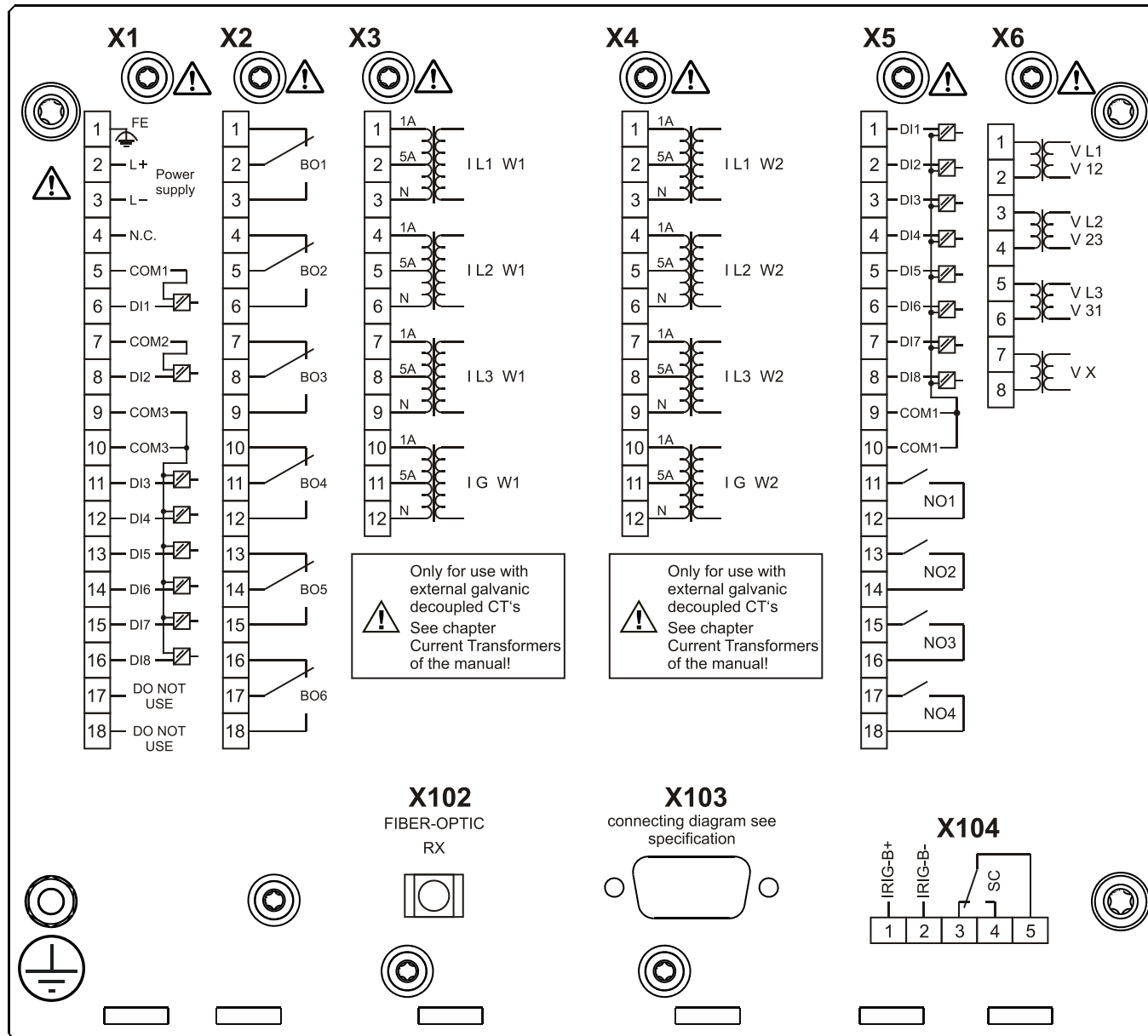
MCDTV4-2A0ADB



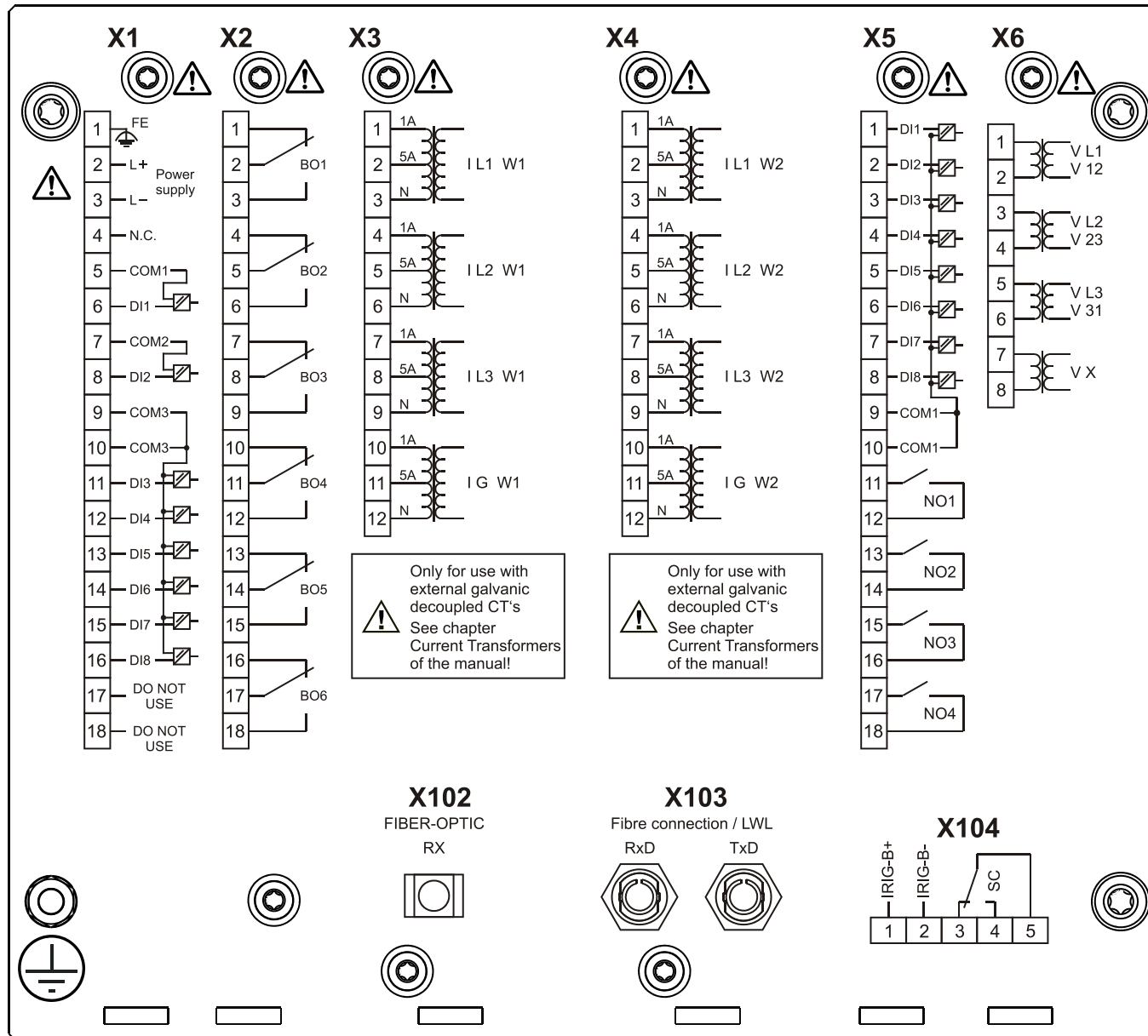
MCDTV4-2A0AEA



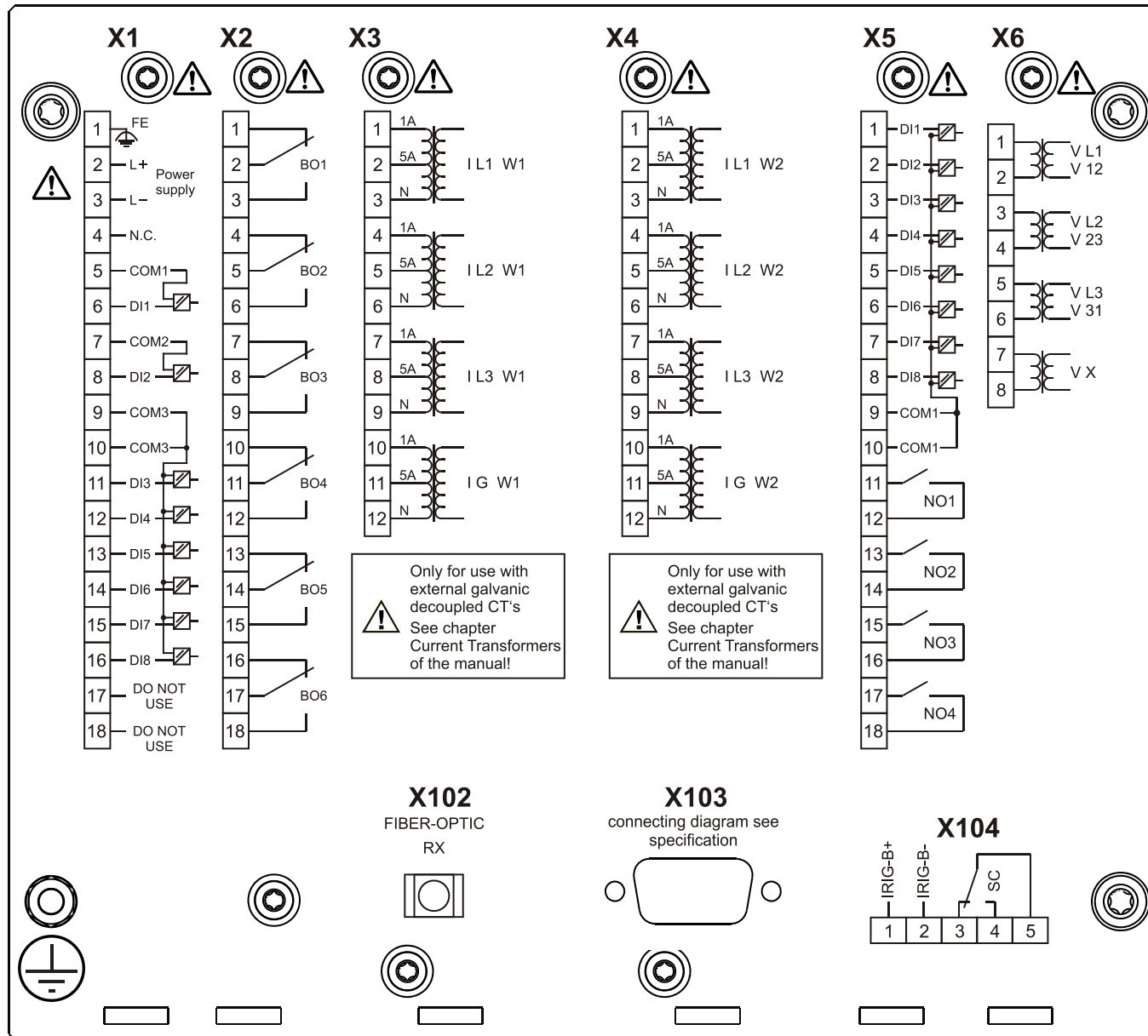
MCDTV4-2A0AEB



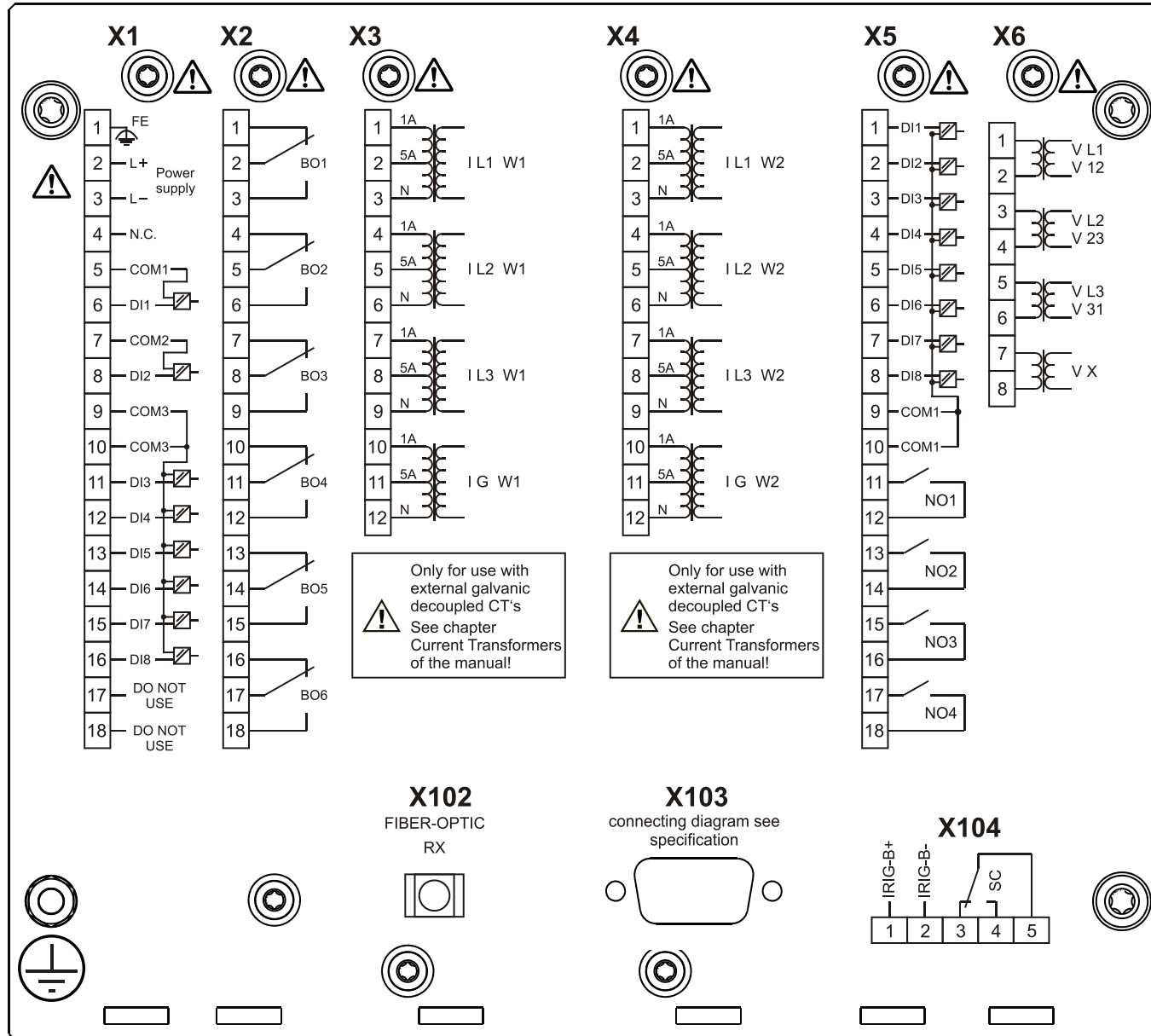
MCDTV4-2A0AFA



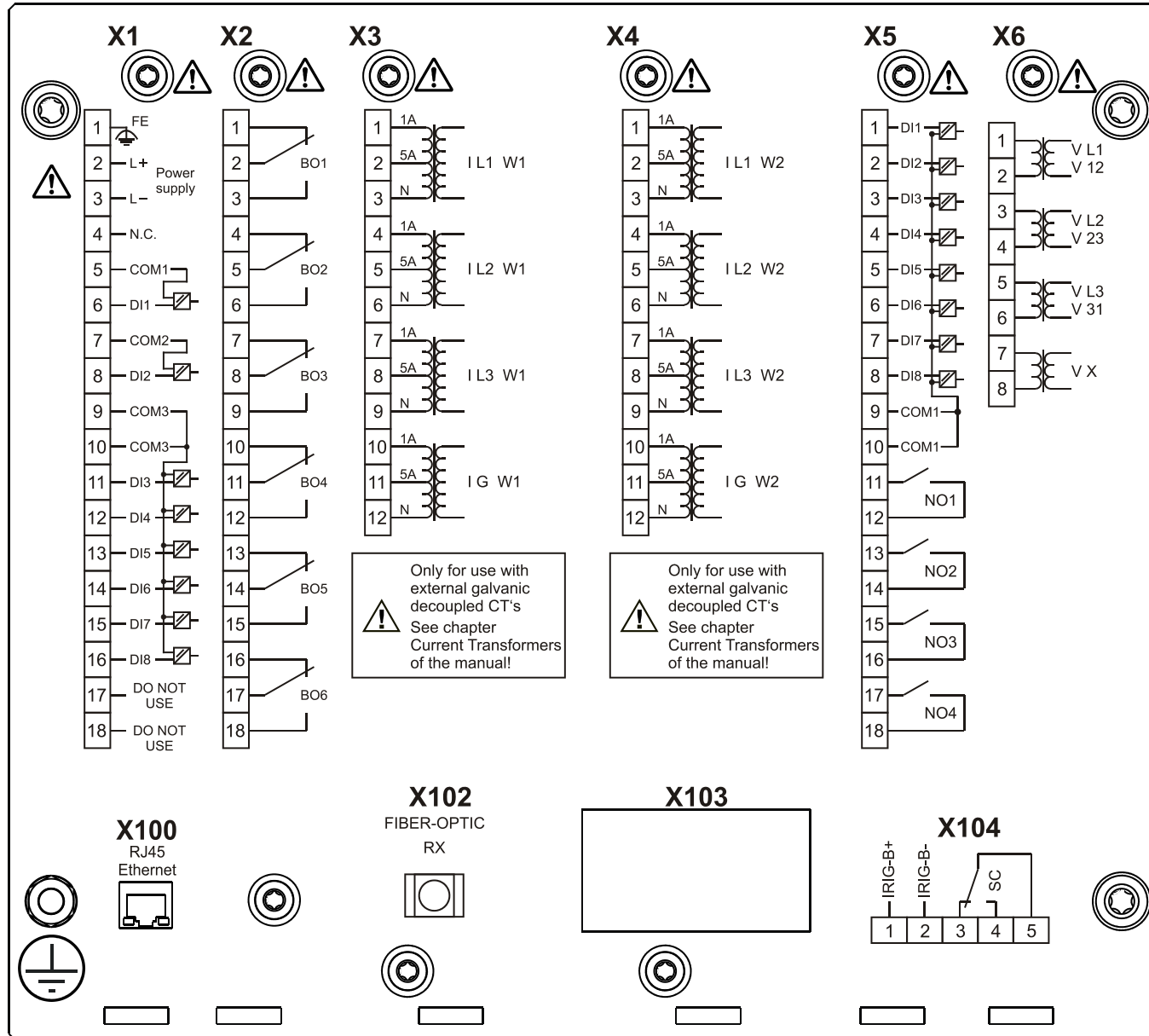
MCDTV4-2A0AGA



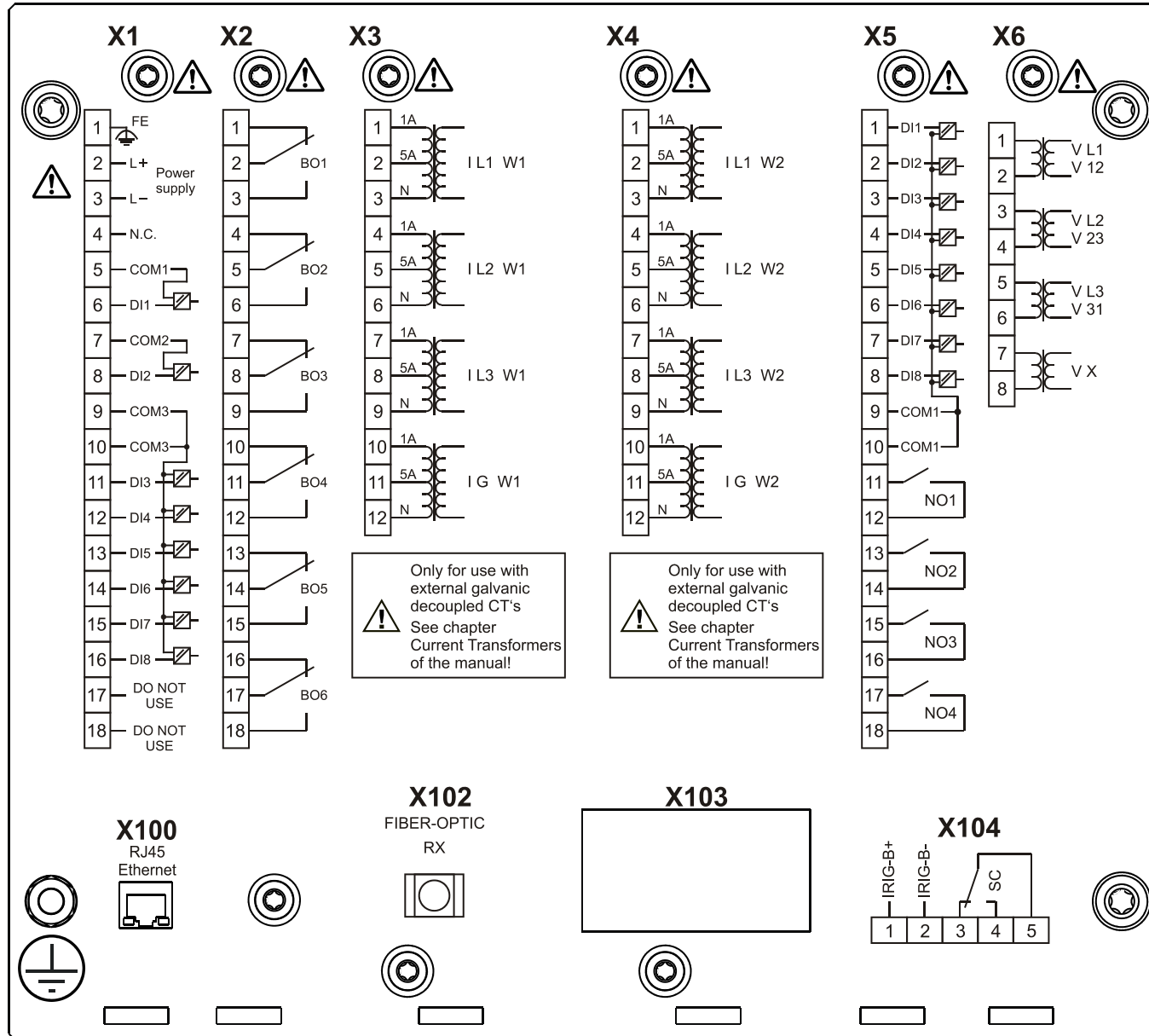
MCDTV4-2A0AGB



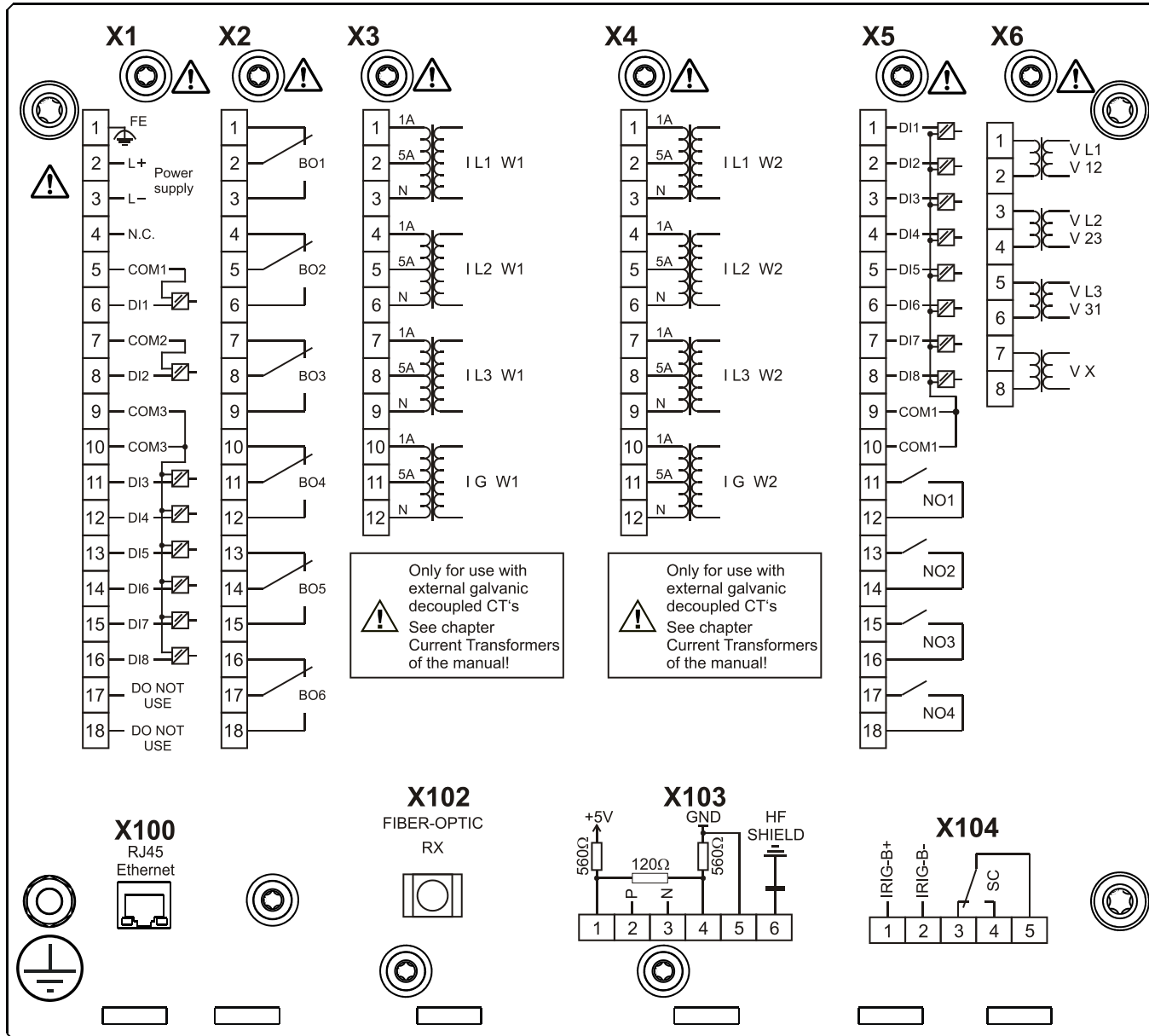
MCDTV4-2A0AHA



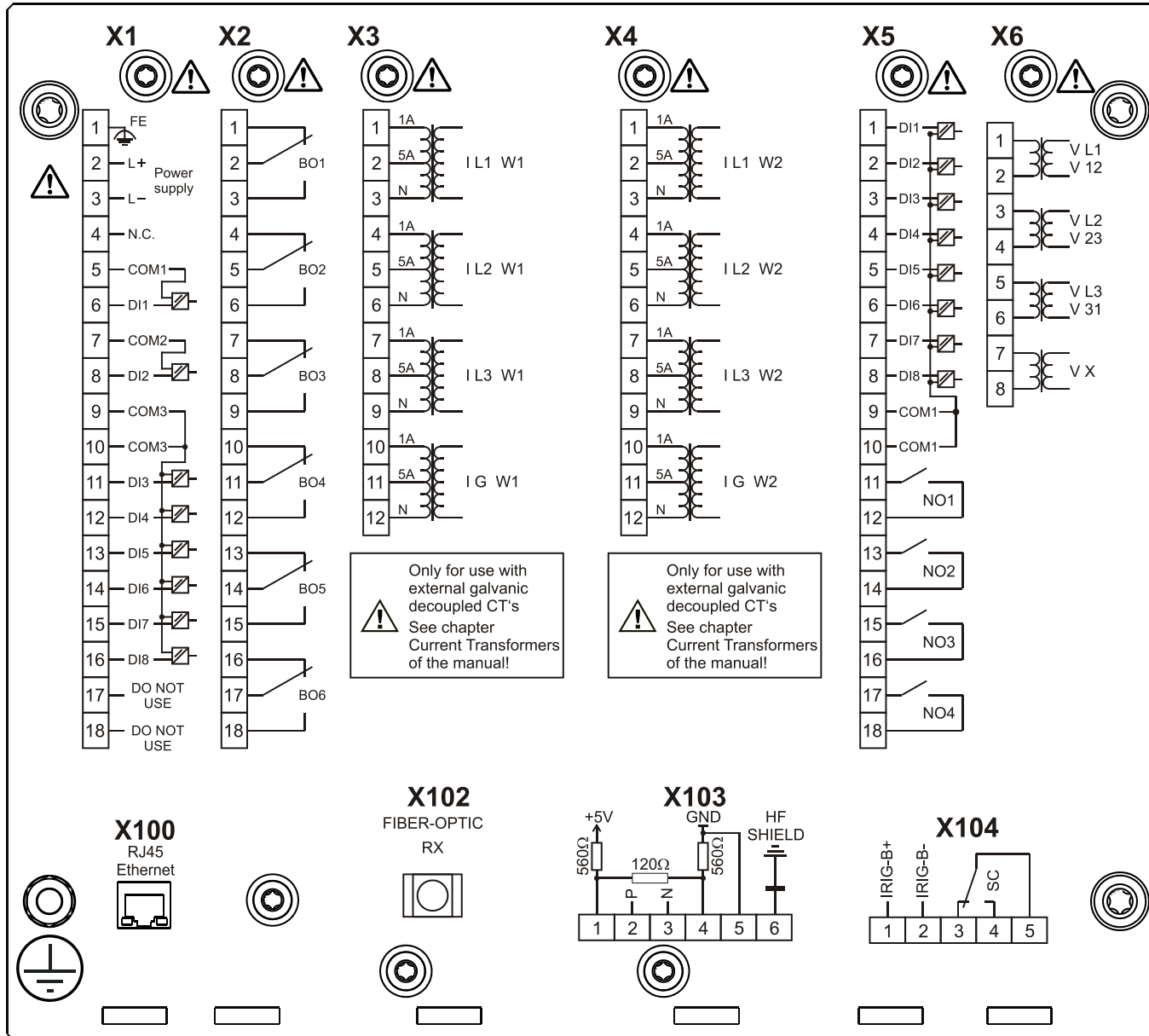
MCDTV4-2A0AHB



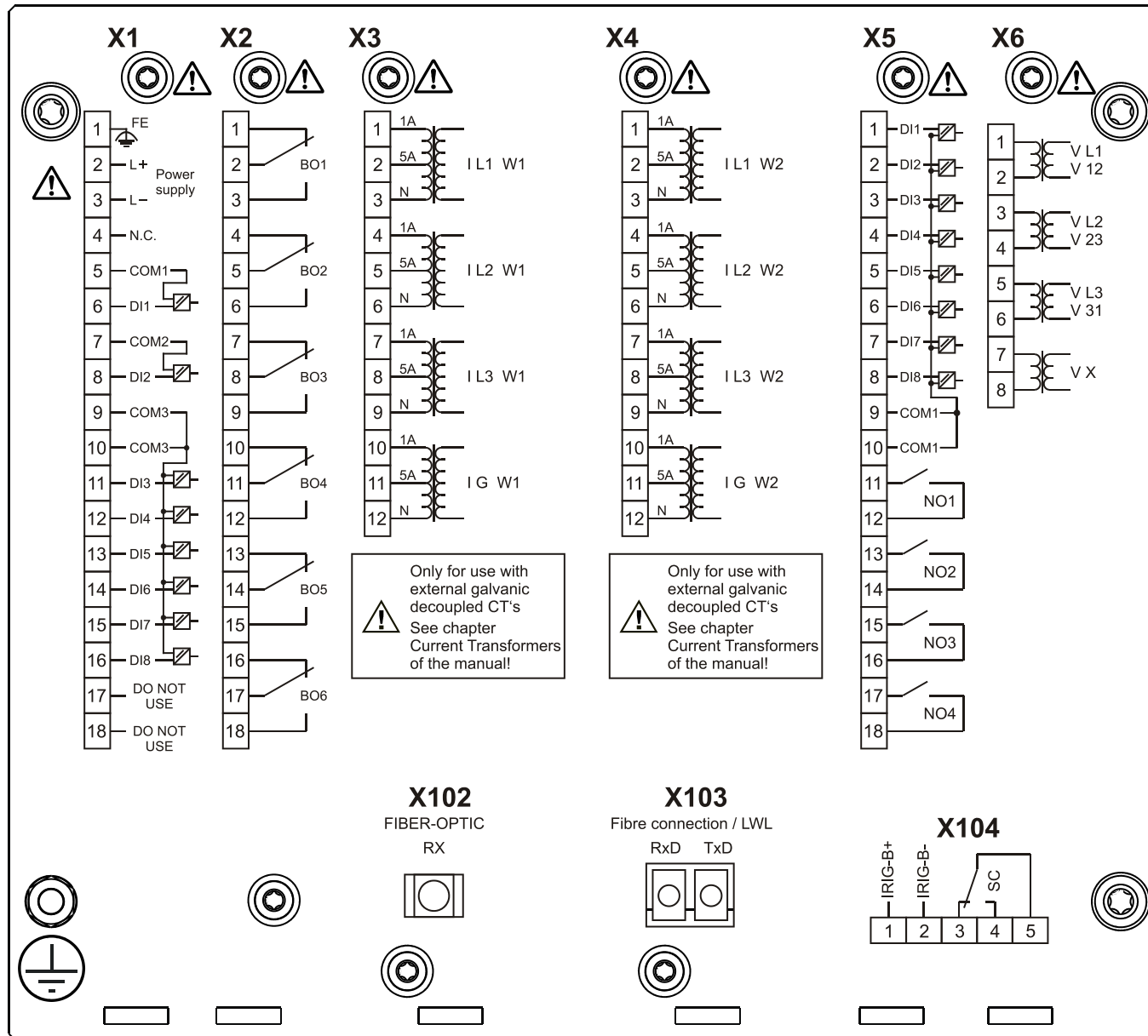
MCDTV4-2A0AIA



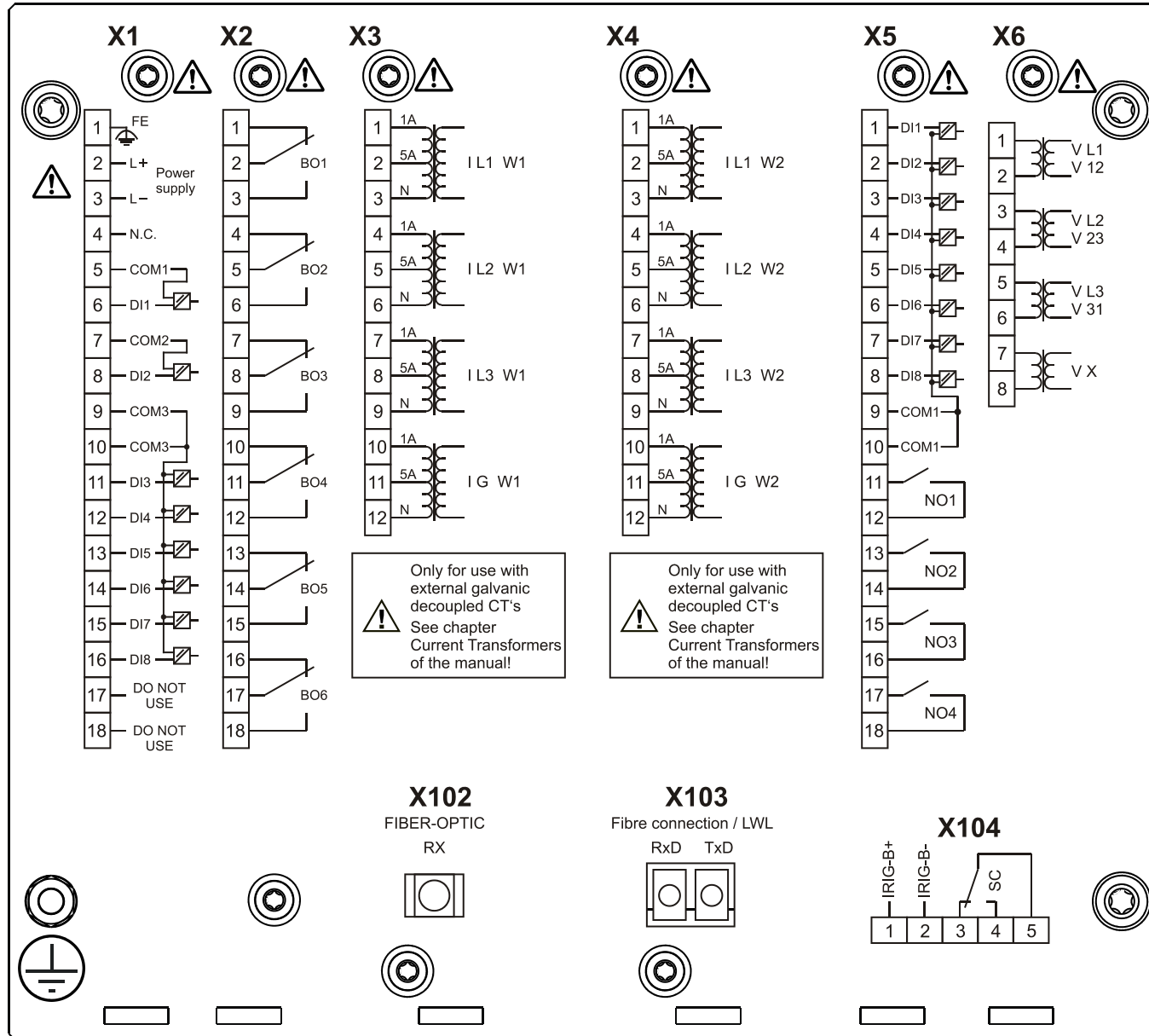
MCDTV4-2A0AIB



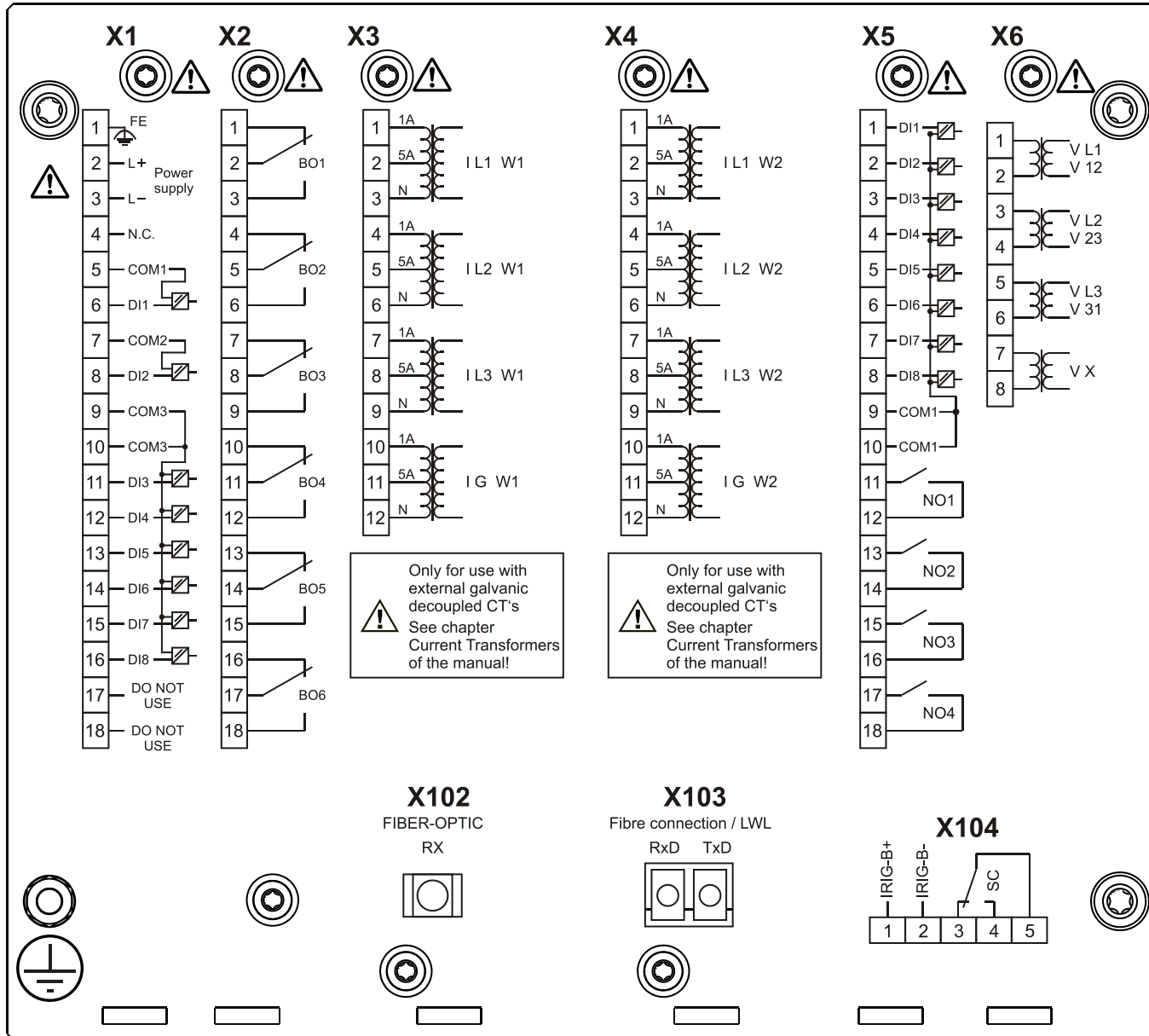
MCDTV4-2A0AKA



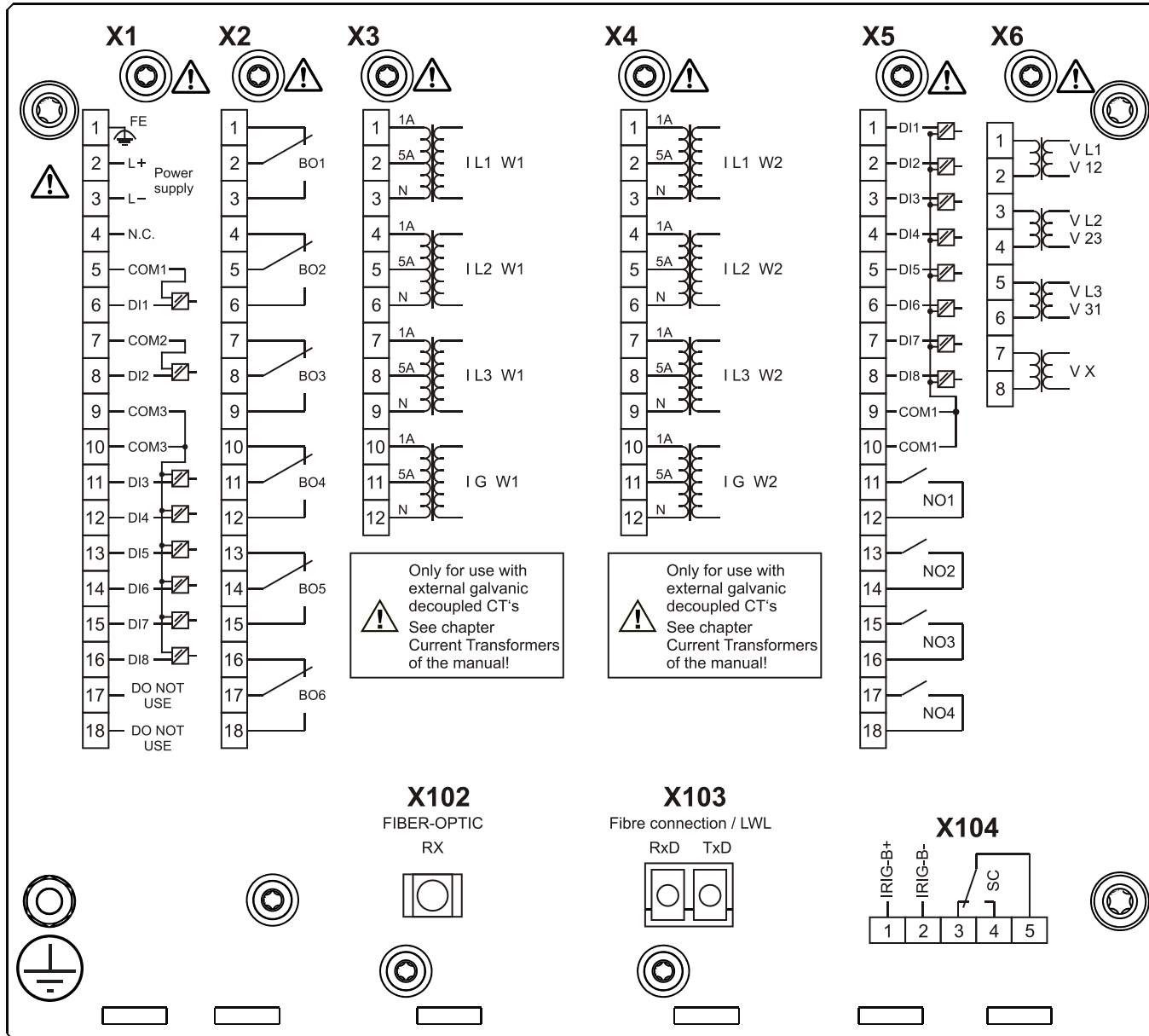
MCDTV4-2A0AKB



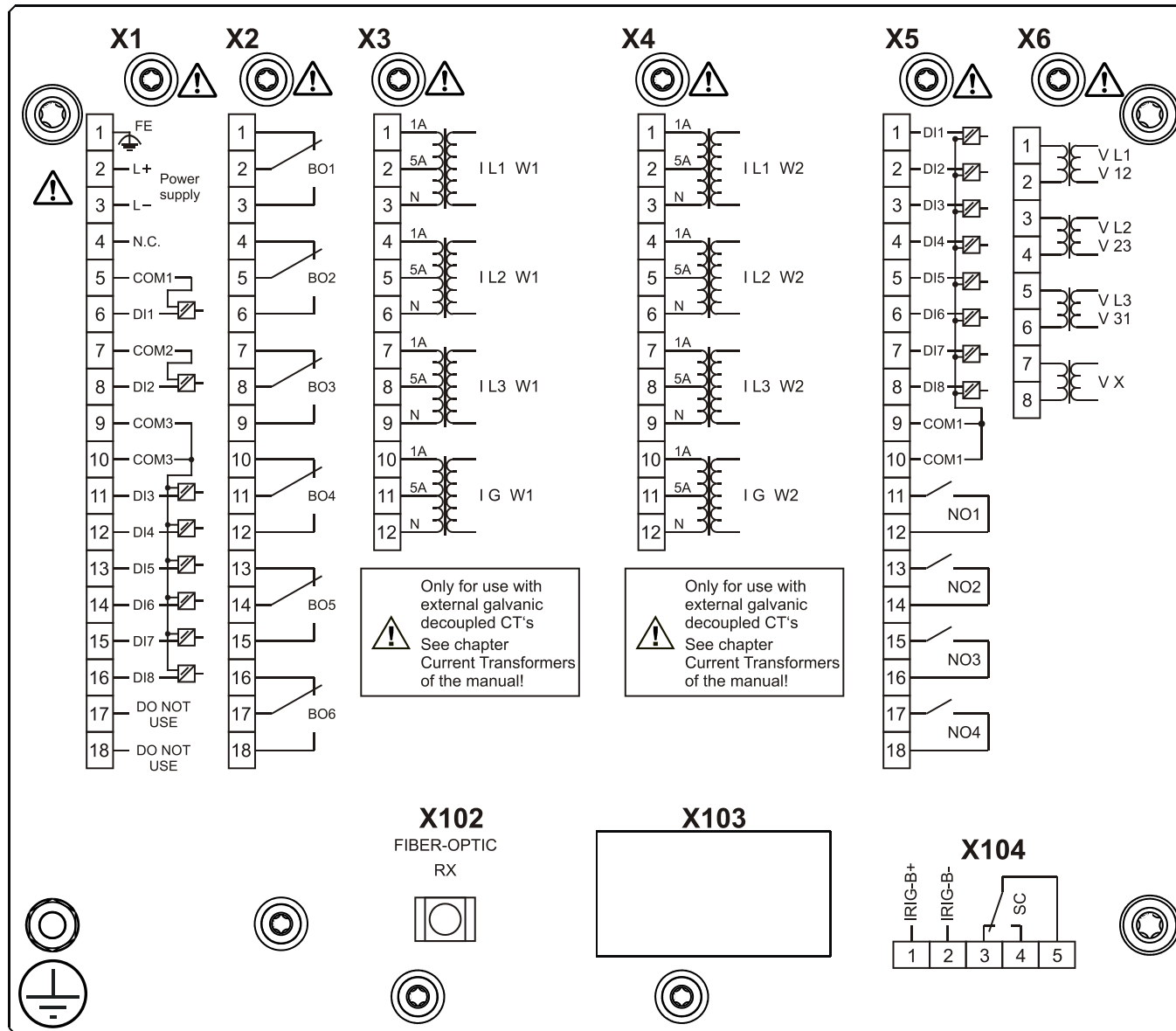
MCDTV4-2A0ALA



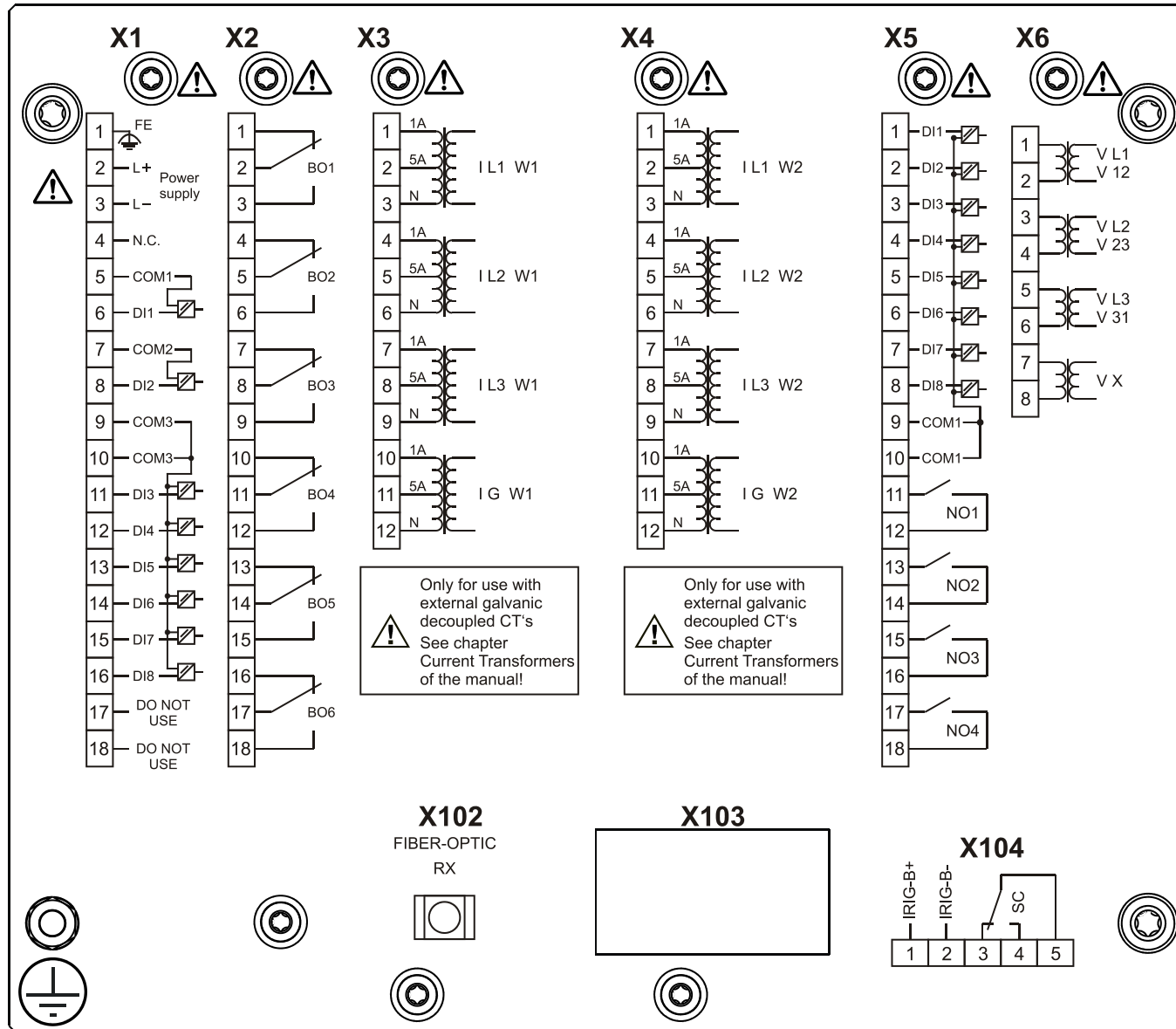
MCDTV4-2A0ALB



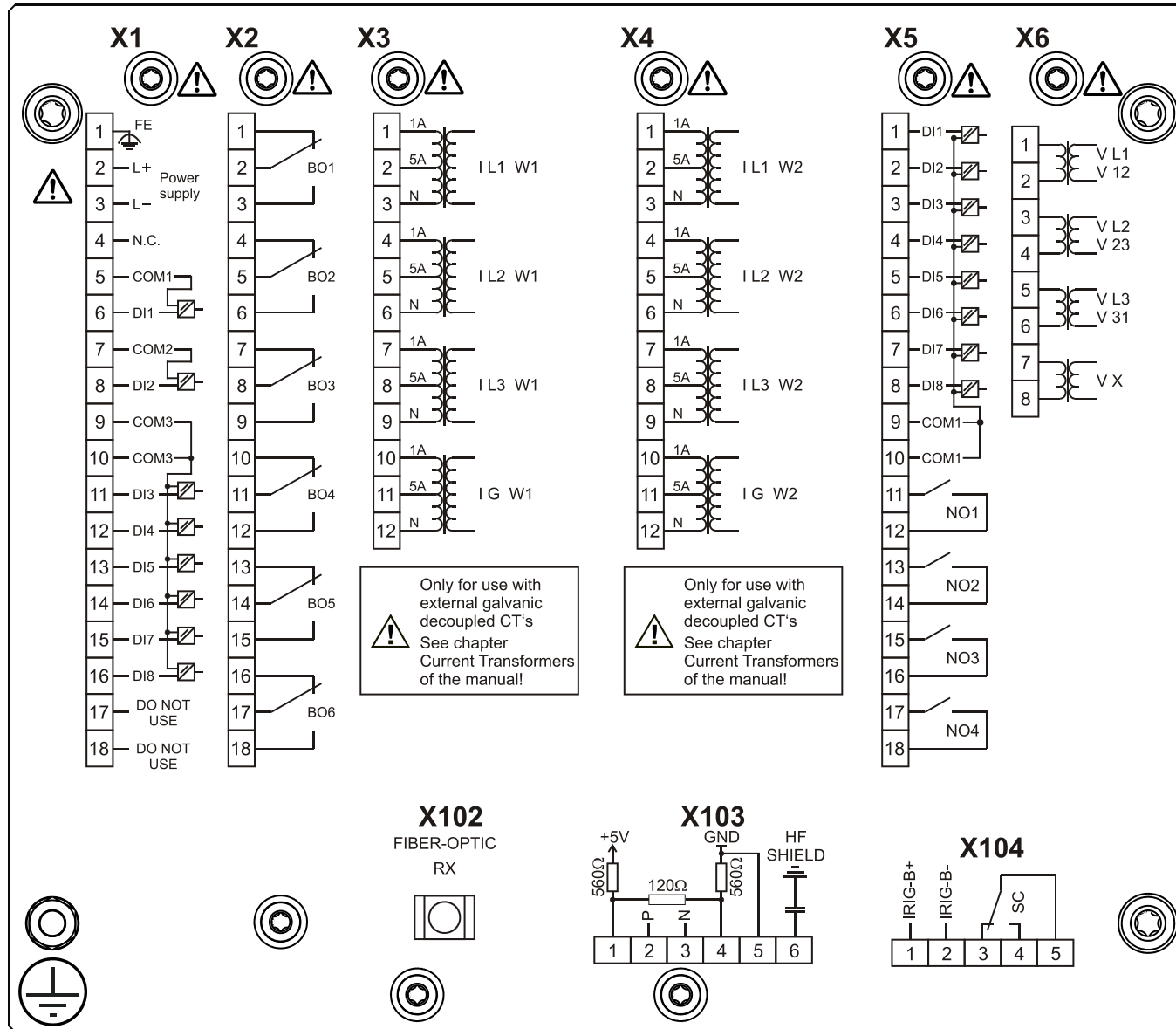
MCDTV4-2A0BAA



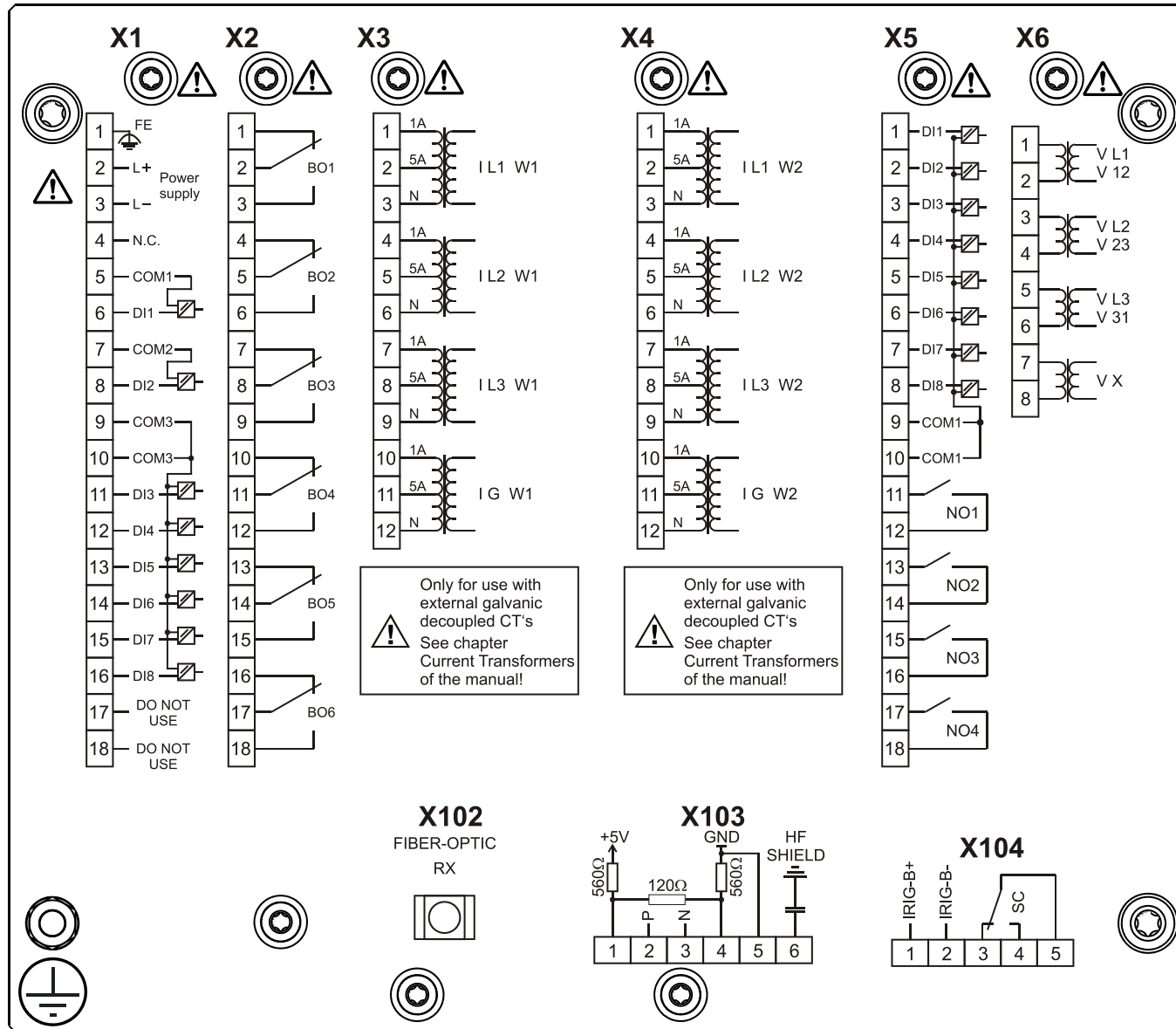
MCDTV4-2A0BAB



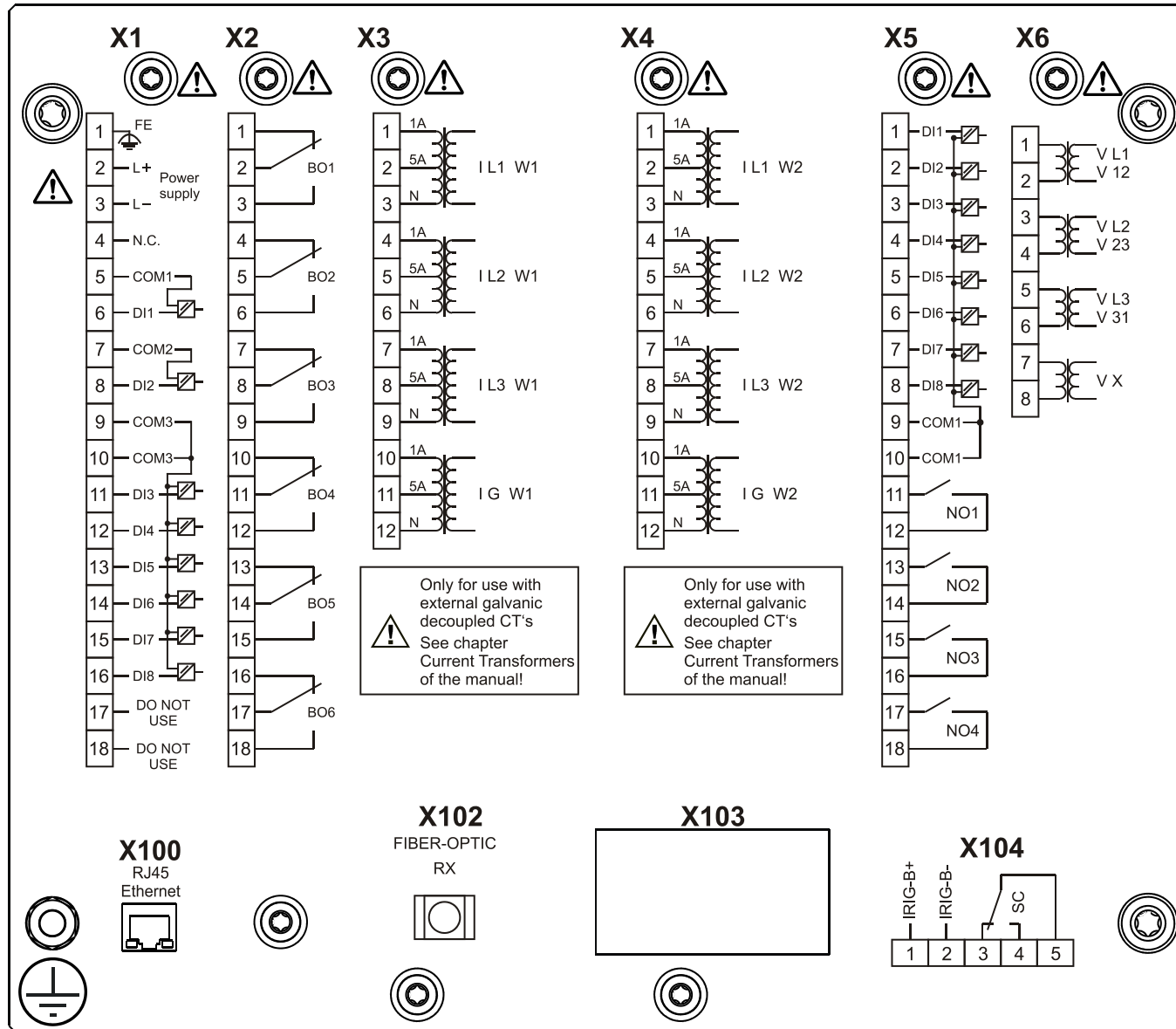
MCDTV4-2A0BBA



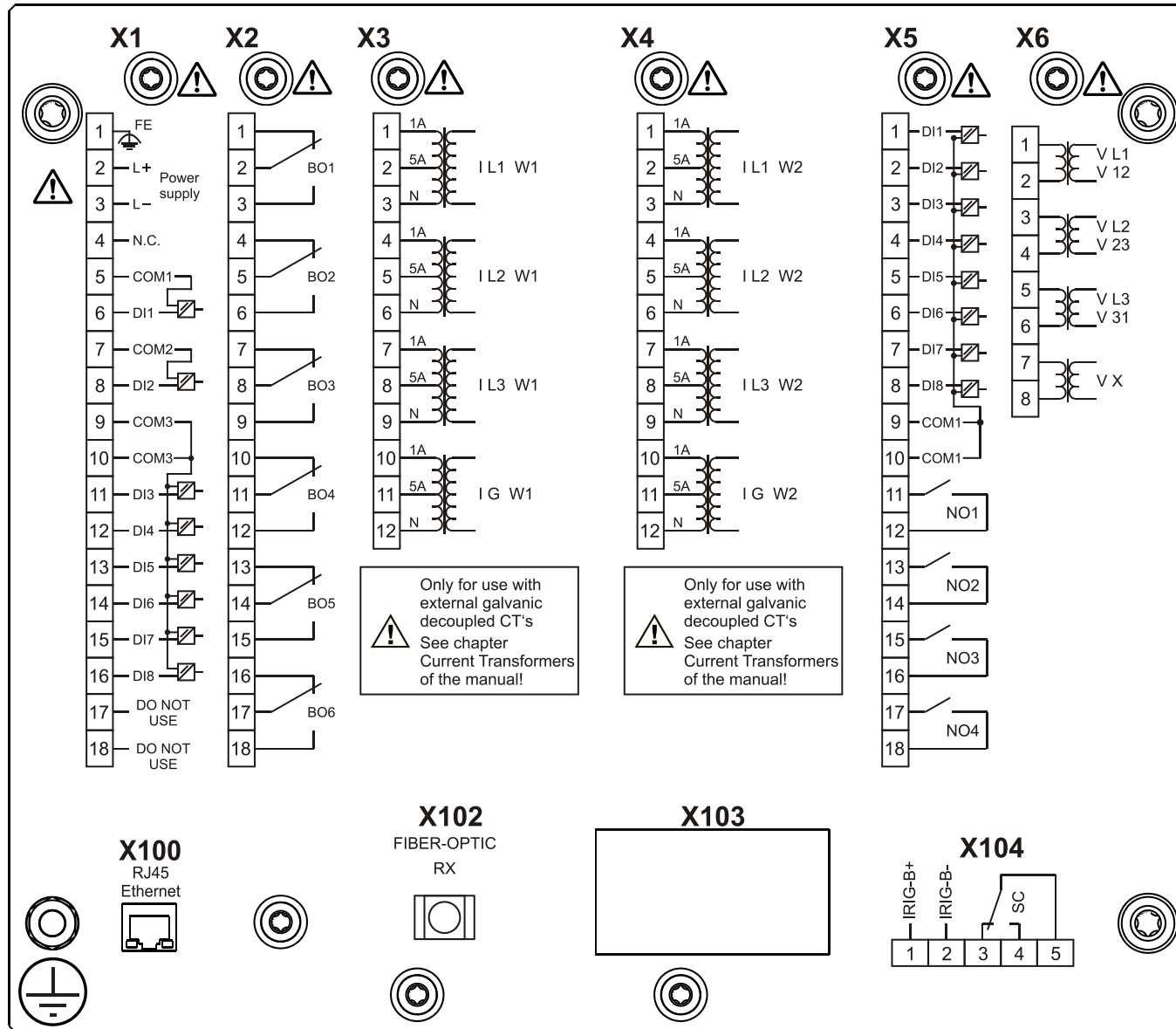
MCDTV4-2A0BBB



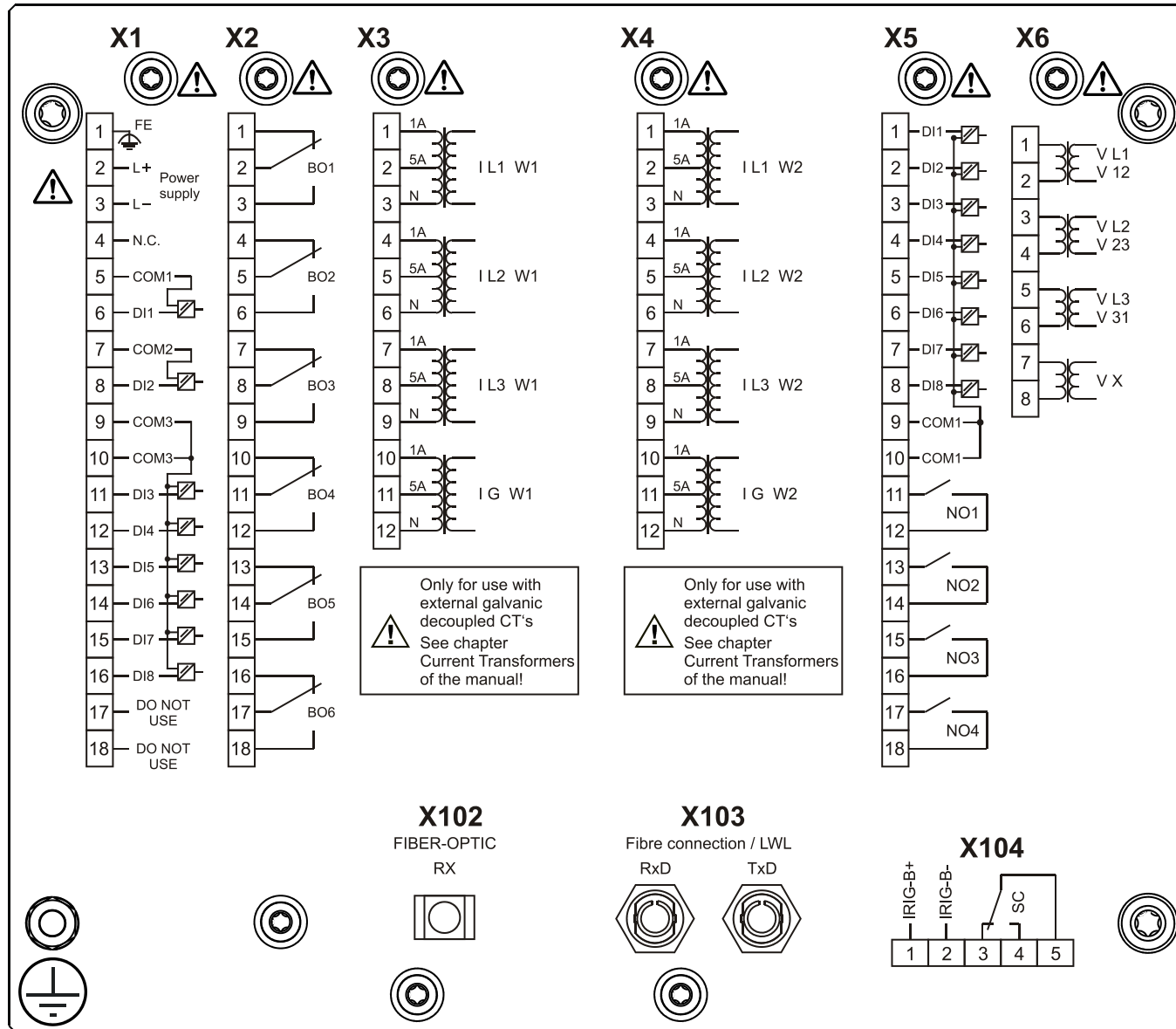
MCDTV4-2A0BCA



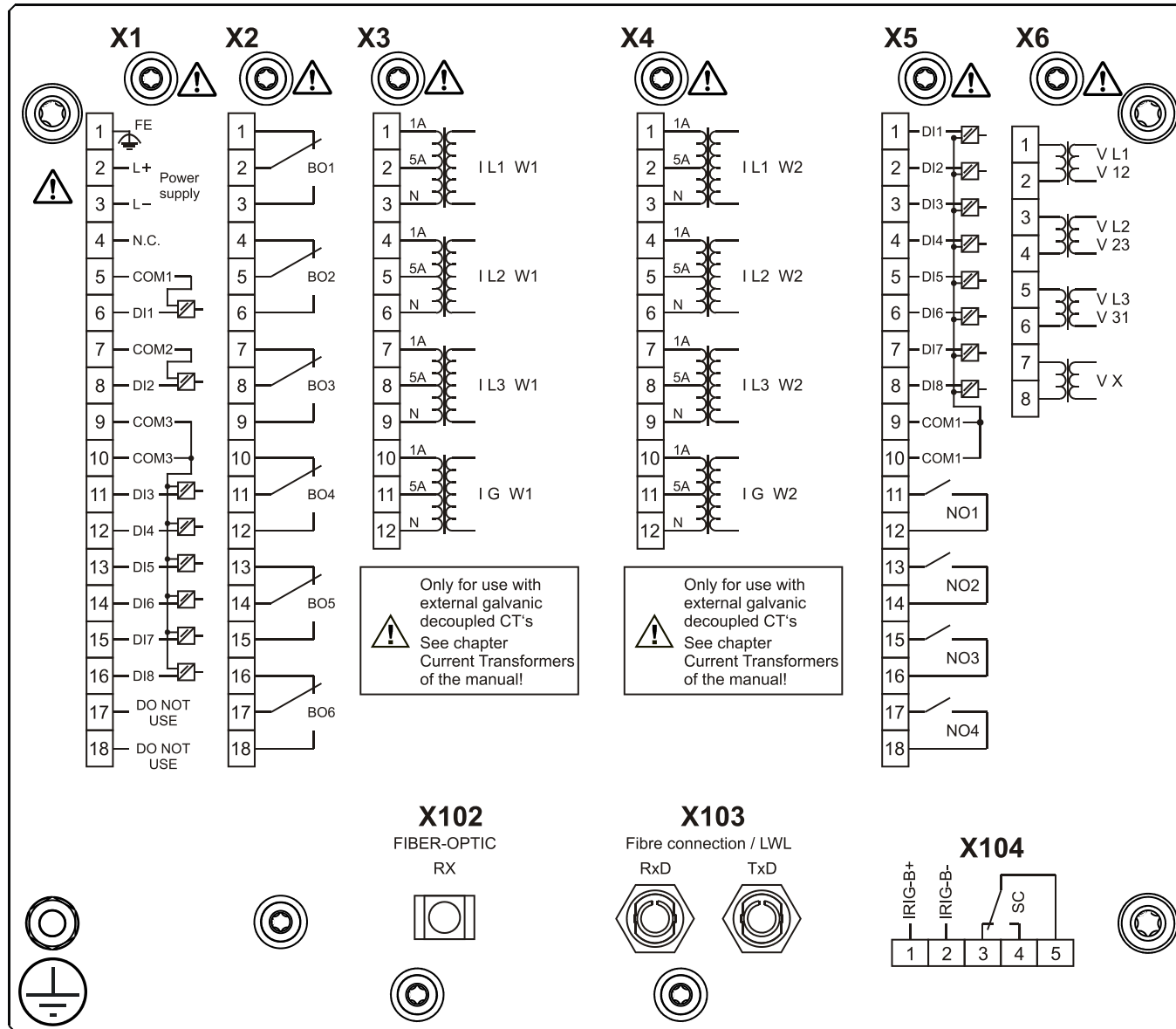
MCDTV4-2A0BCB



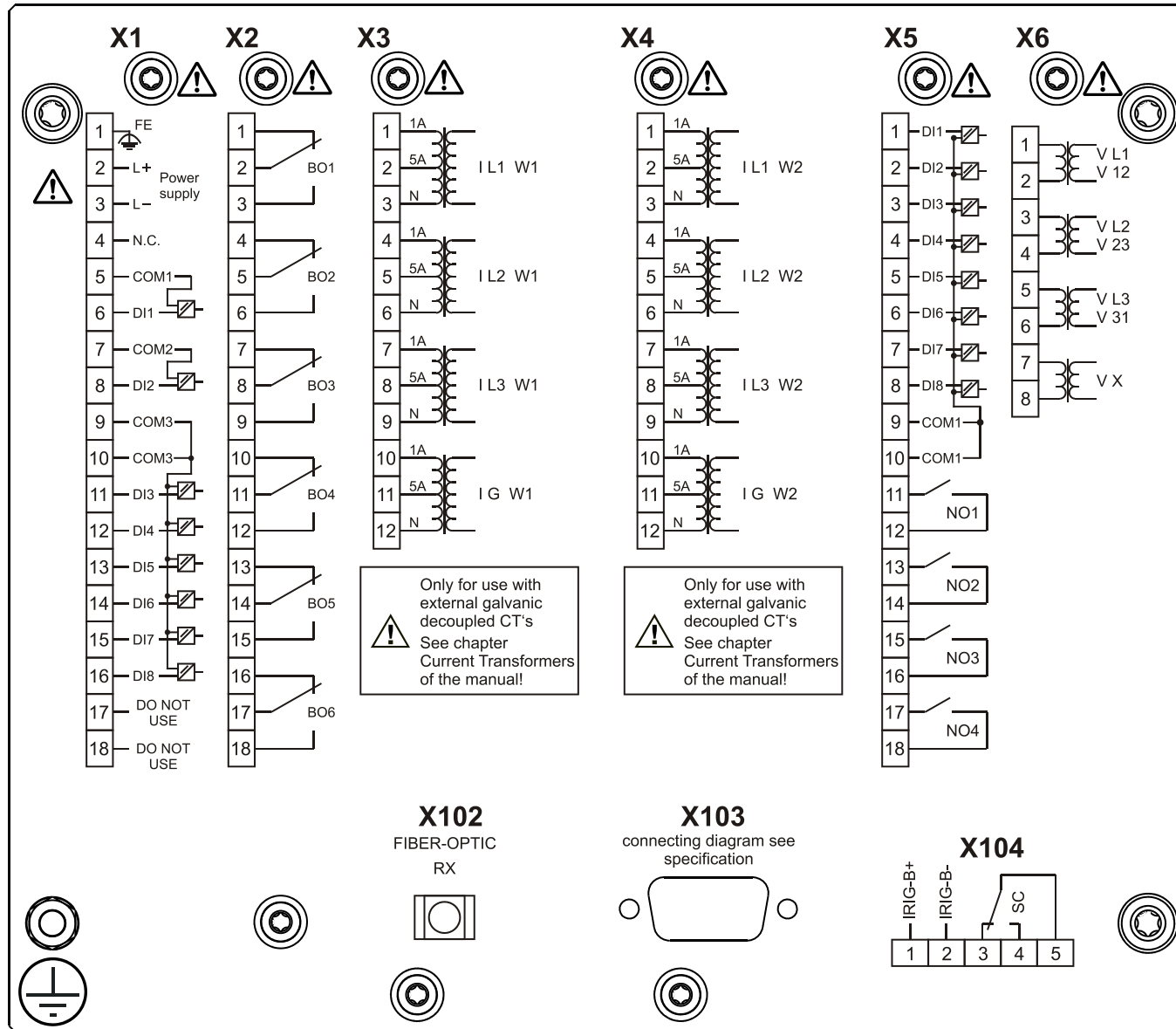
MCDTV4-2A0BDA



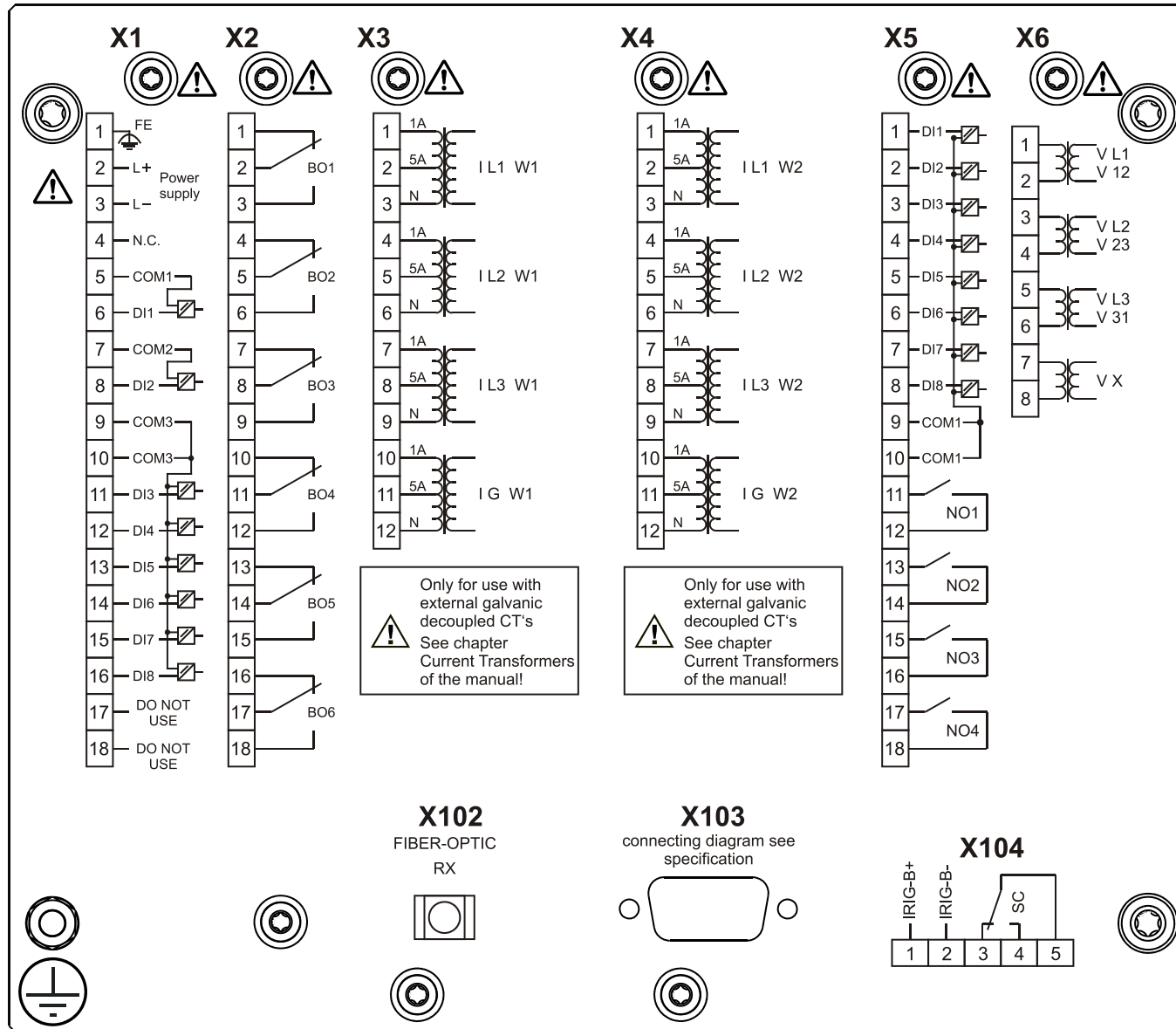
MCDTV4-2A0BDB



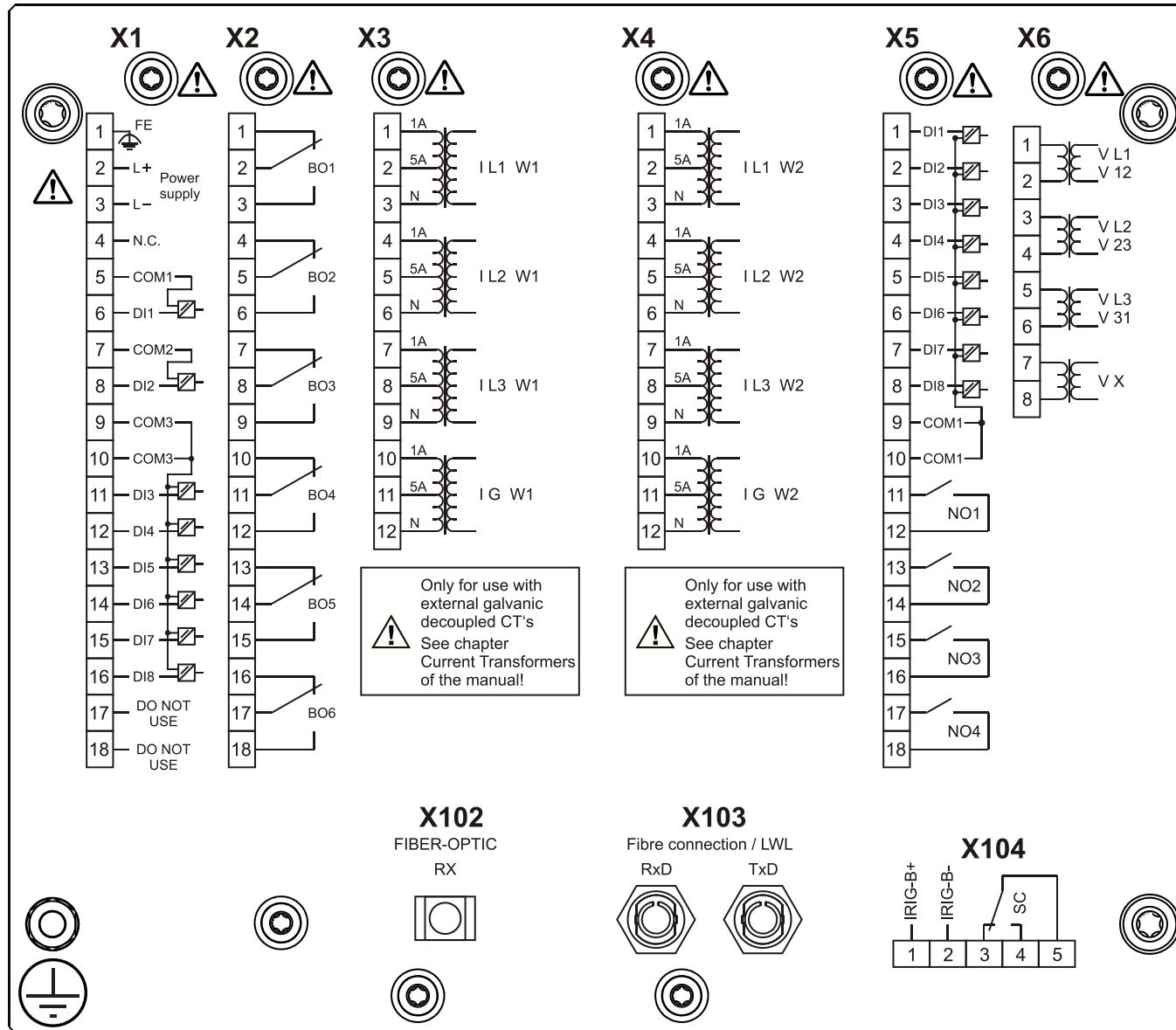
MCDTV4-2A0BEA



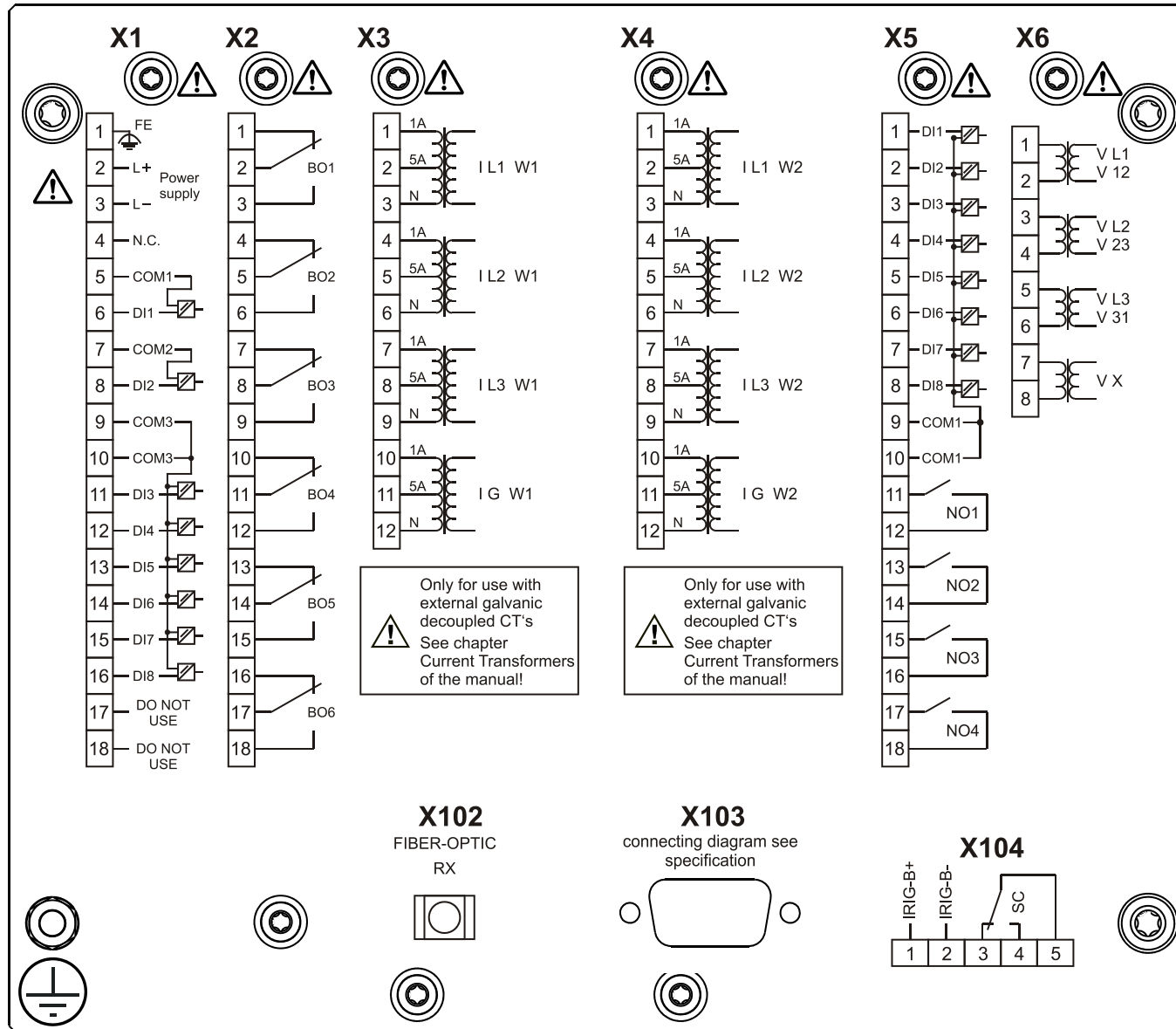
MCDTV4-2A0BEB



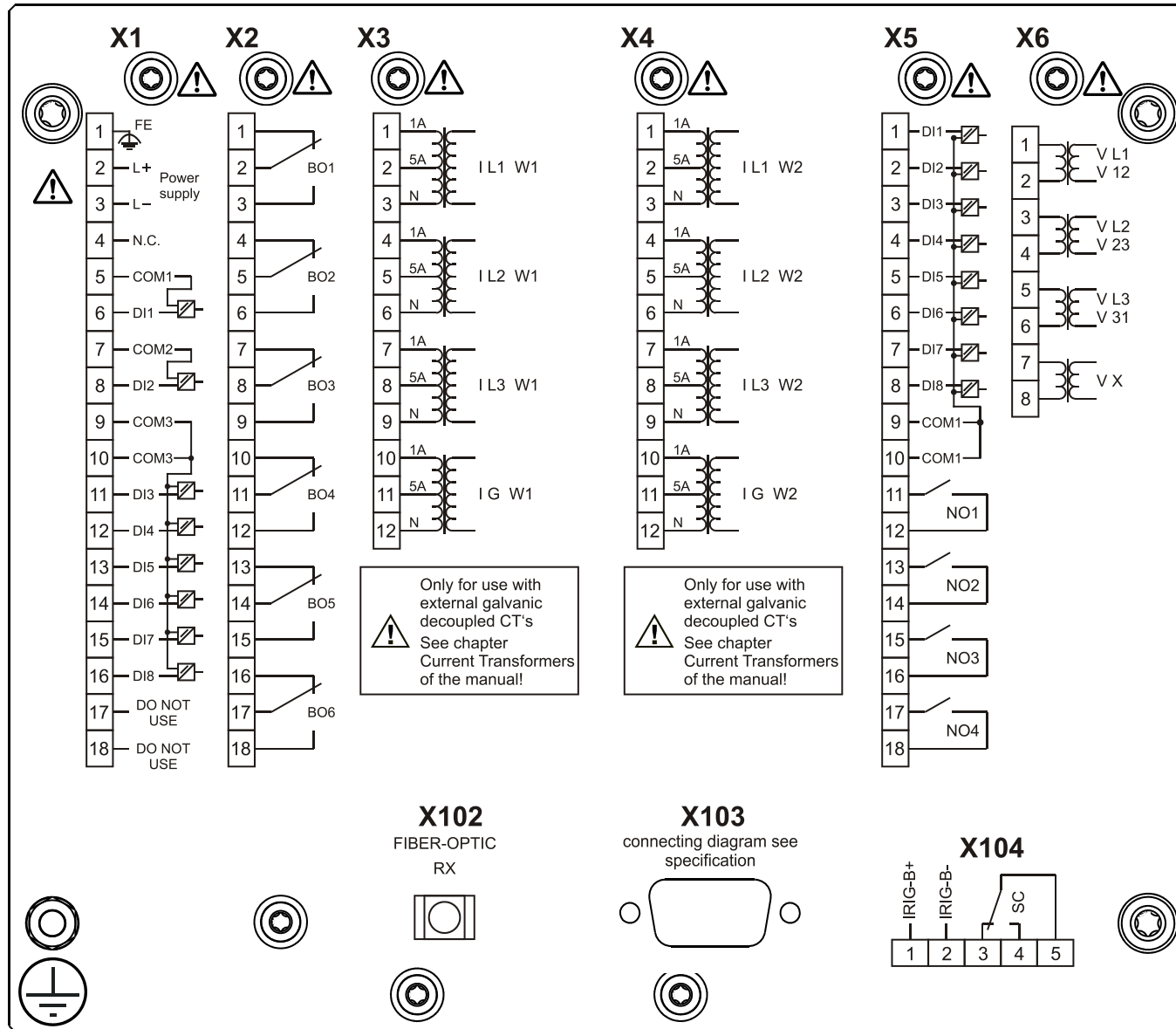
MCDTV4-2A0BFA



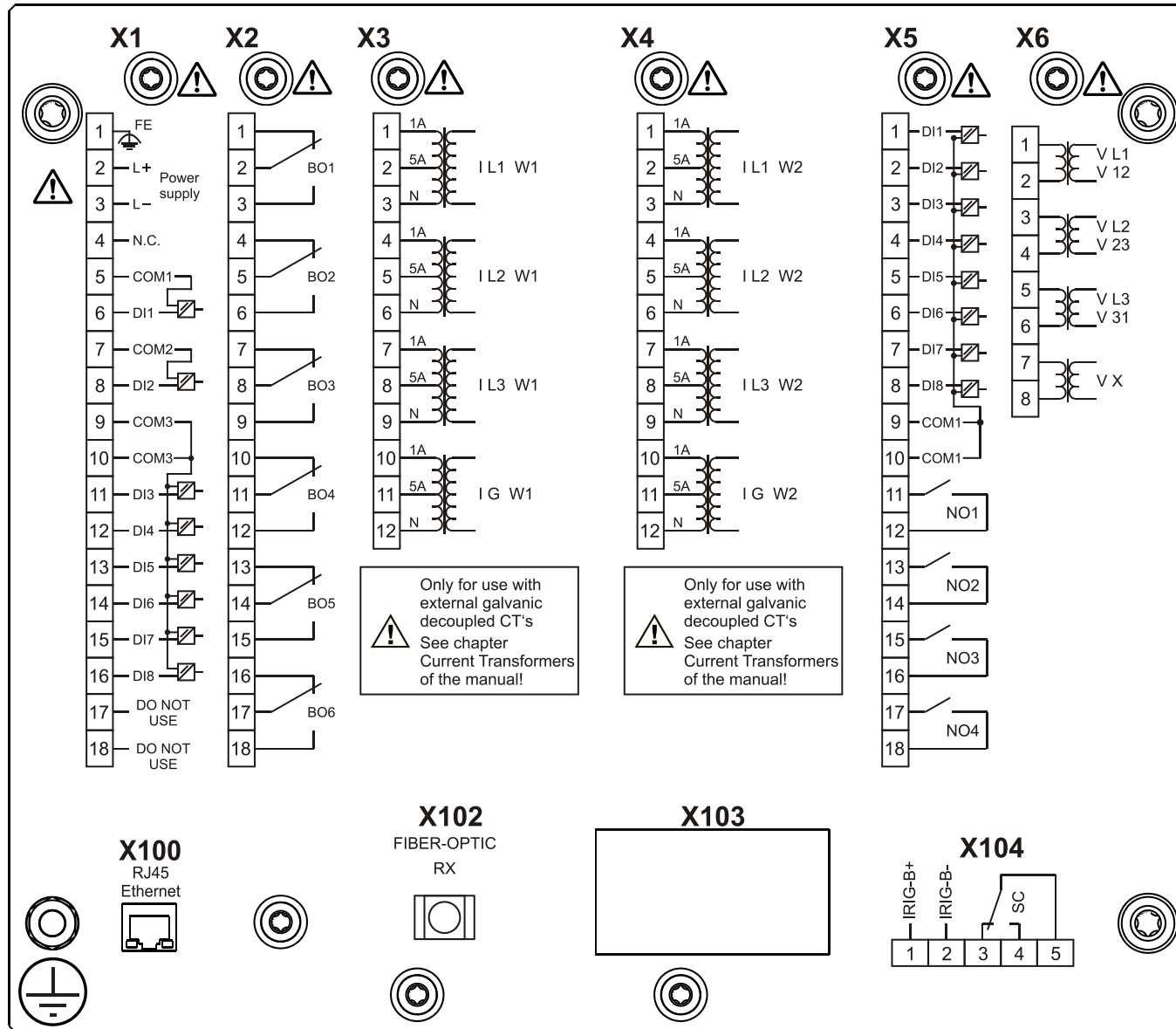
MCDTV4-2A0BGA



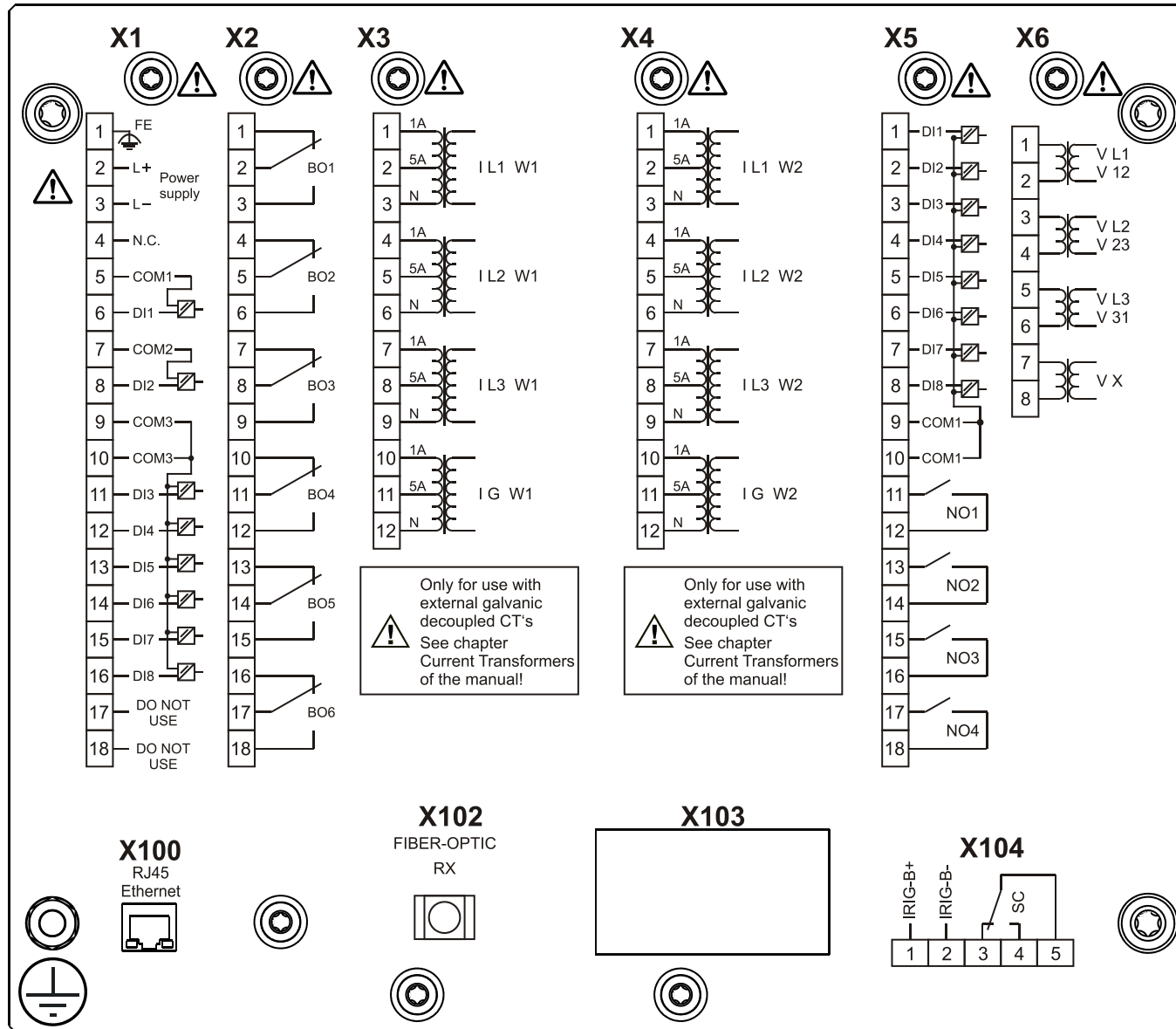
MCDTV4-2A0BGB



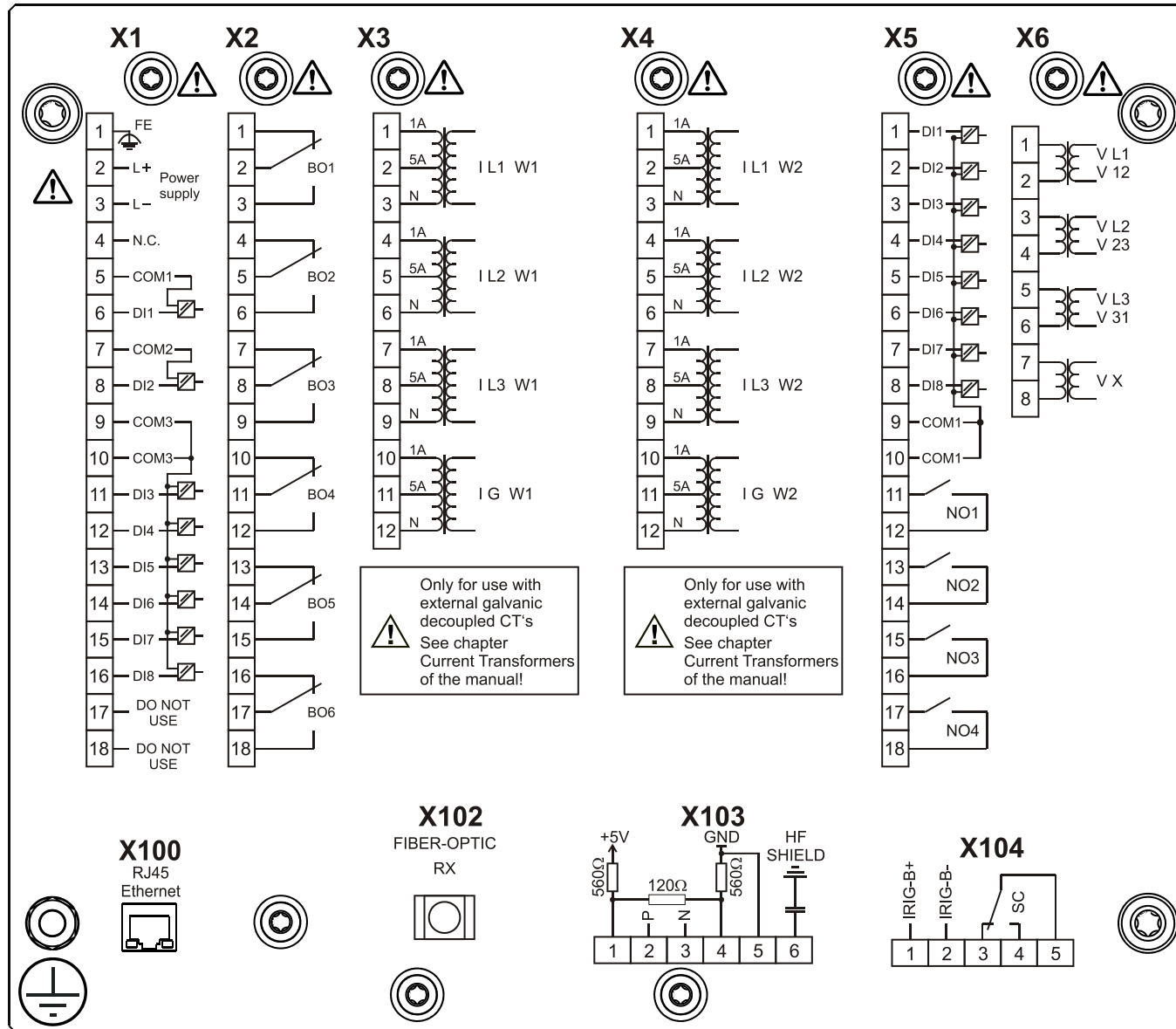
MCDTV4-2A0BHA



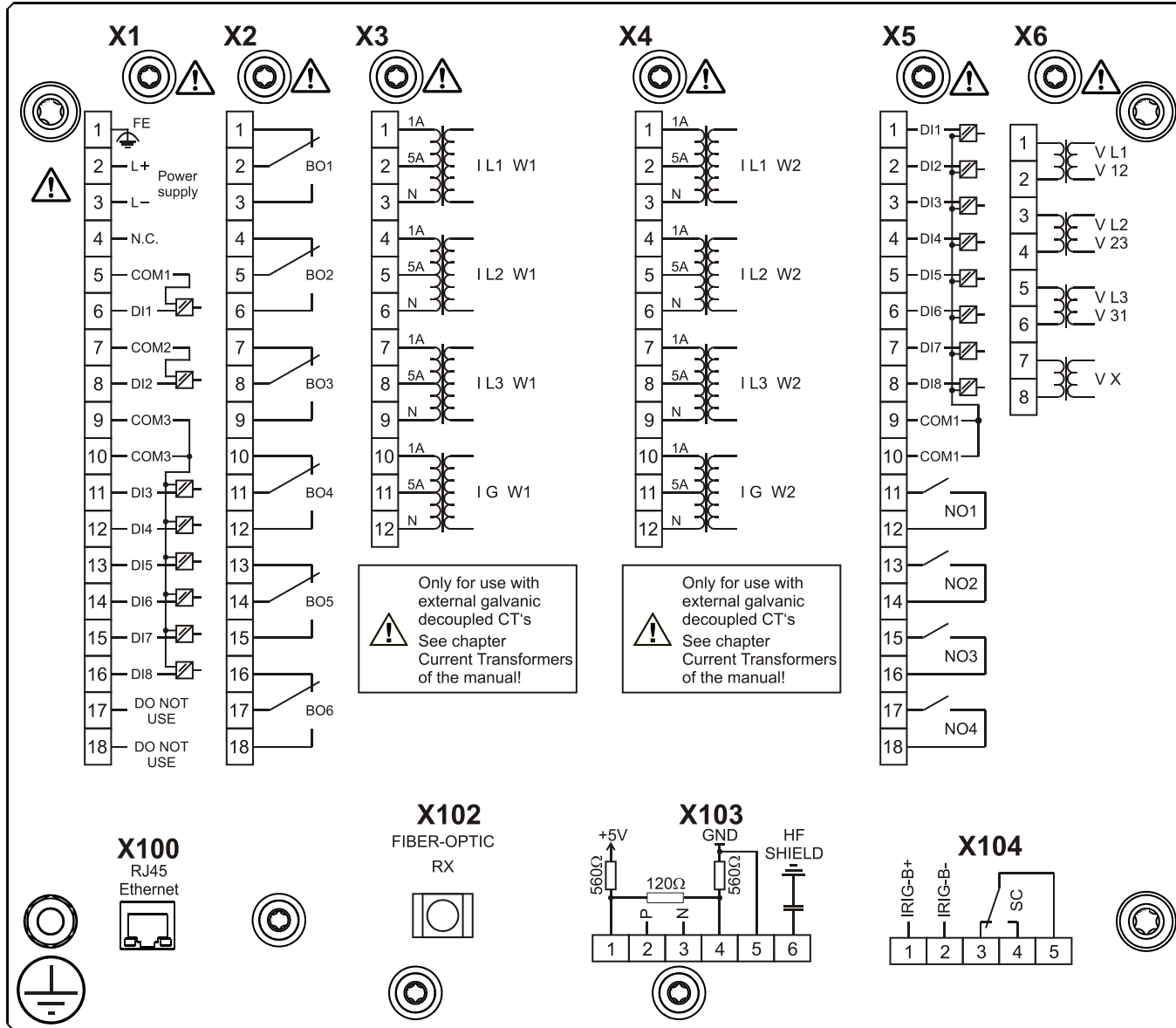
MCDTV4-2A0BHB



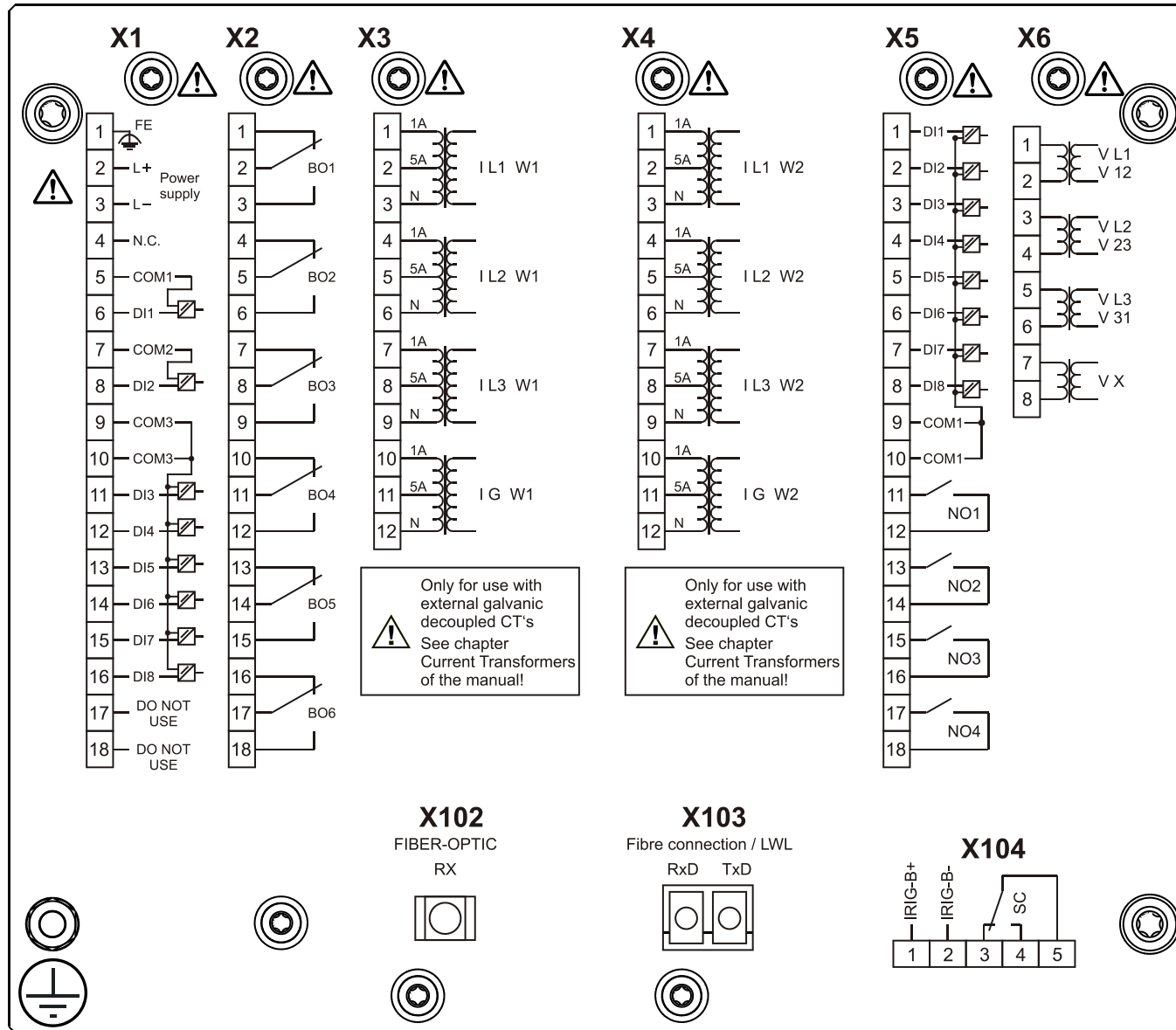
MCDTV4-2A0BIA



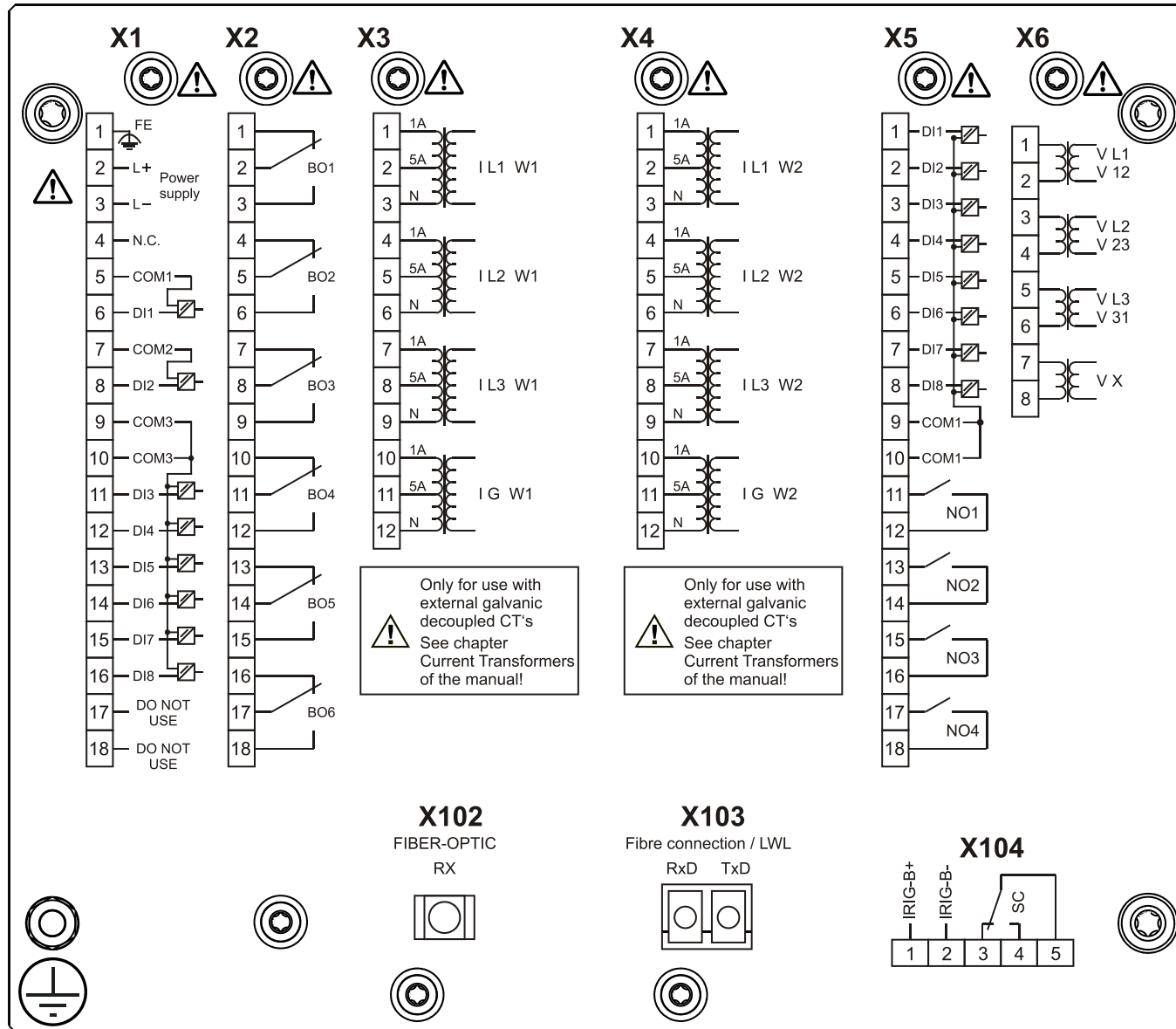
MCDTV4-2A0BIB



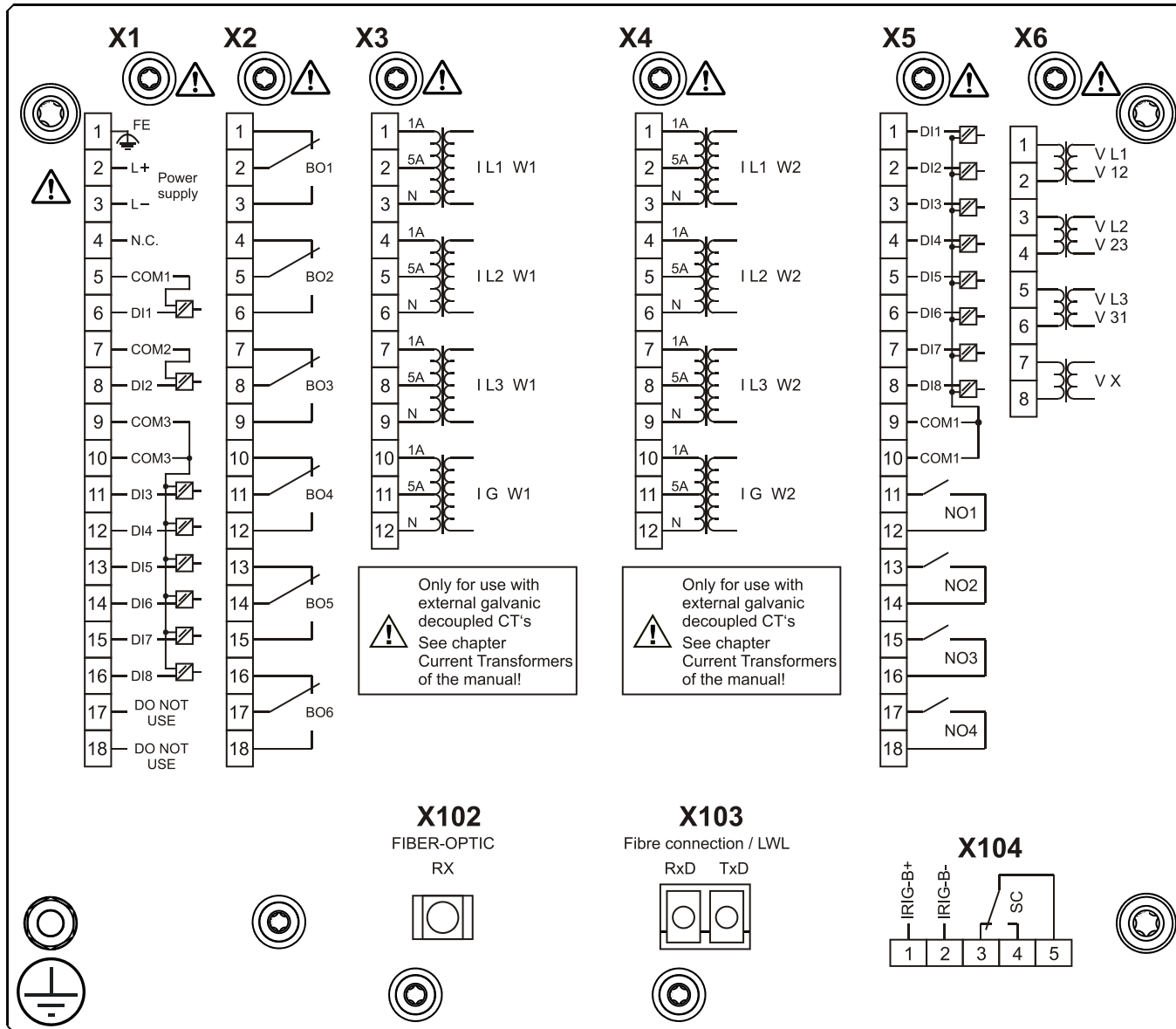
MCDTV4-2A0BKA



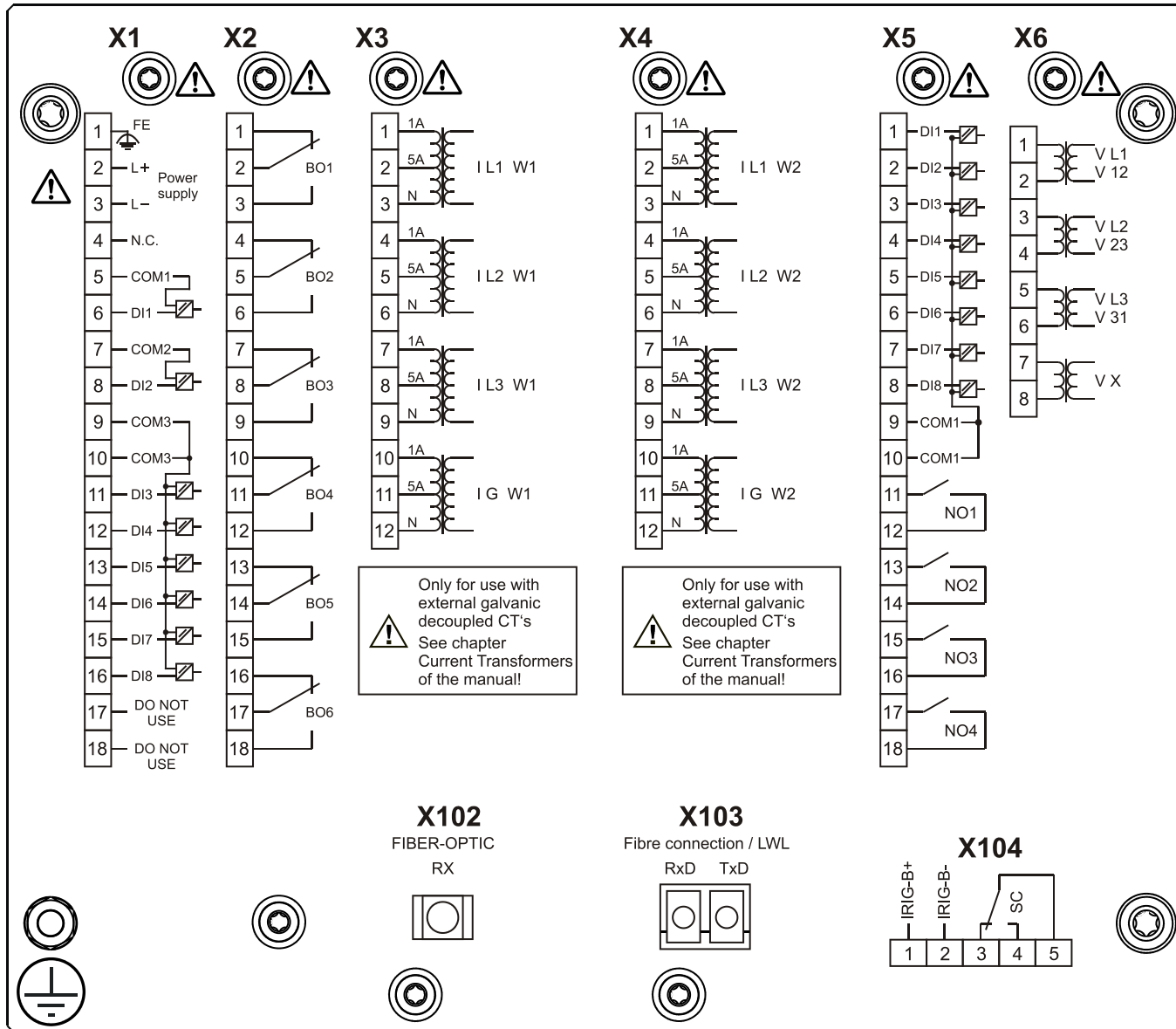
MCDTV4-2A0BKB



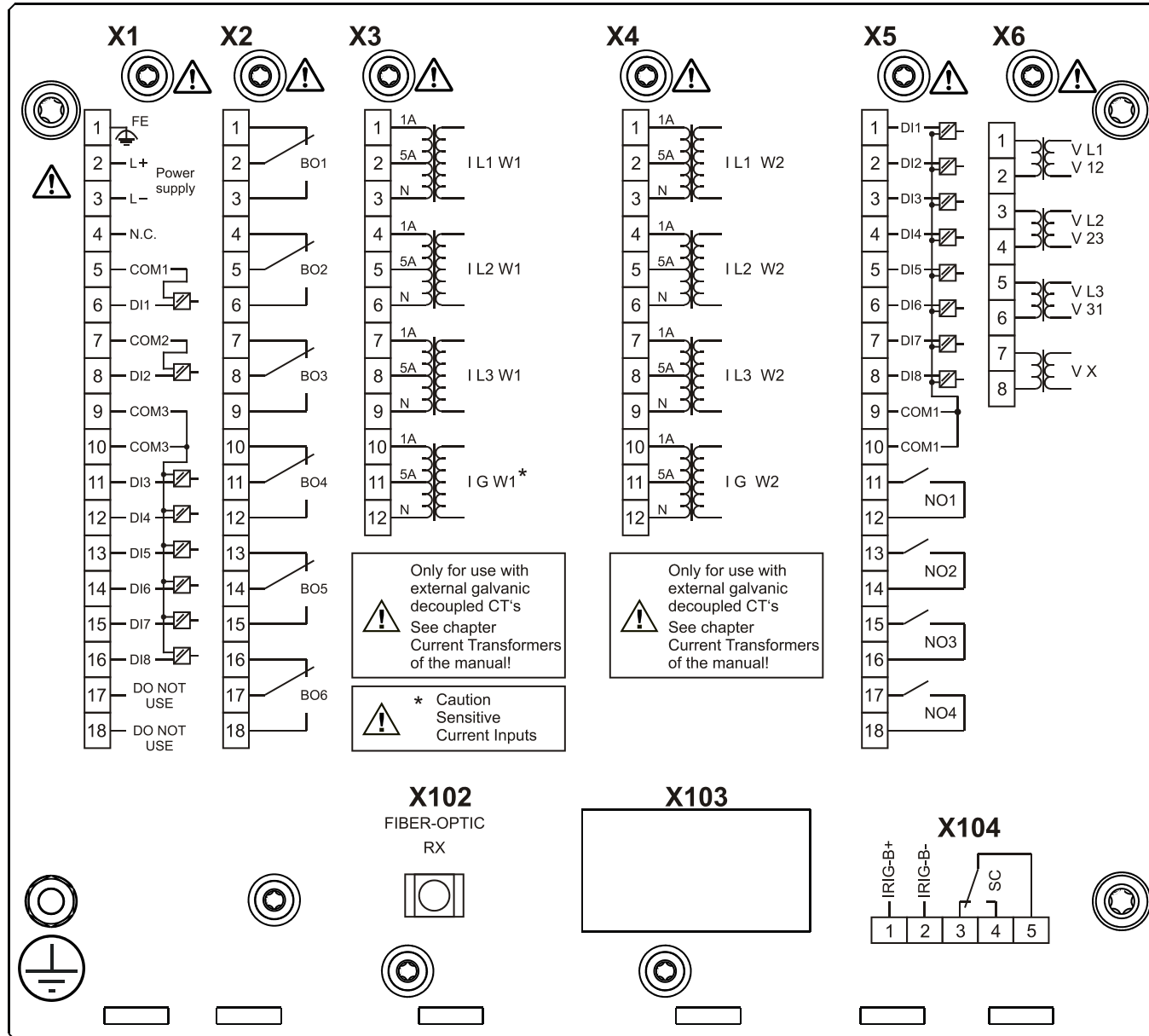
MCDTV4-2A0BLA



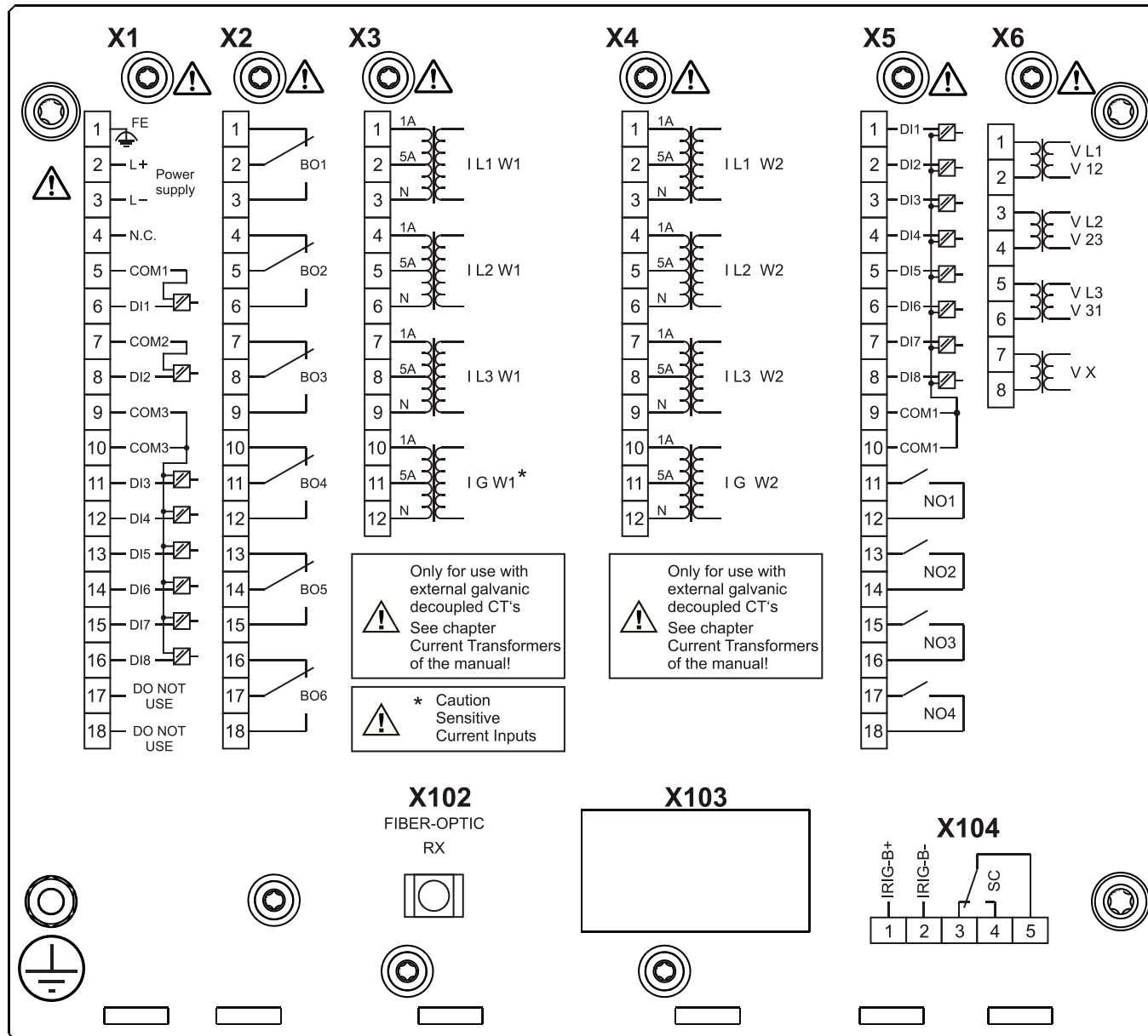
MCDTV4-2A0BLB



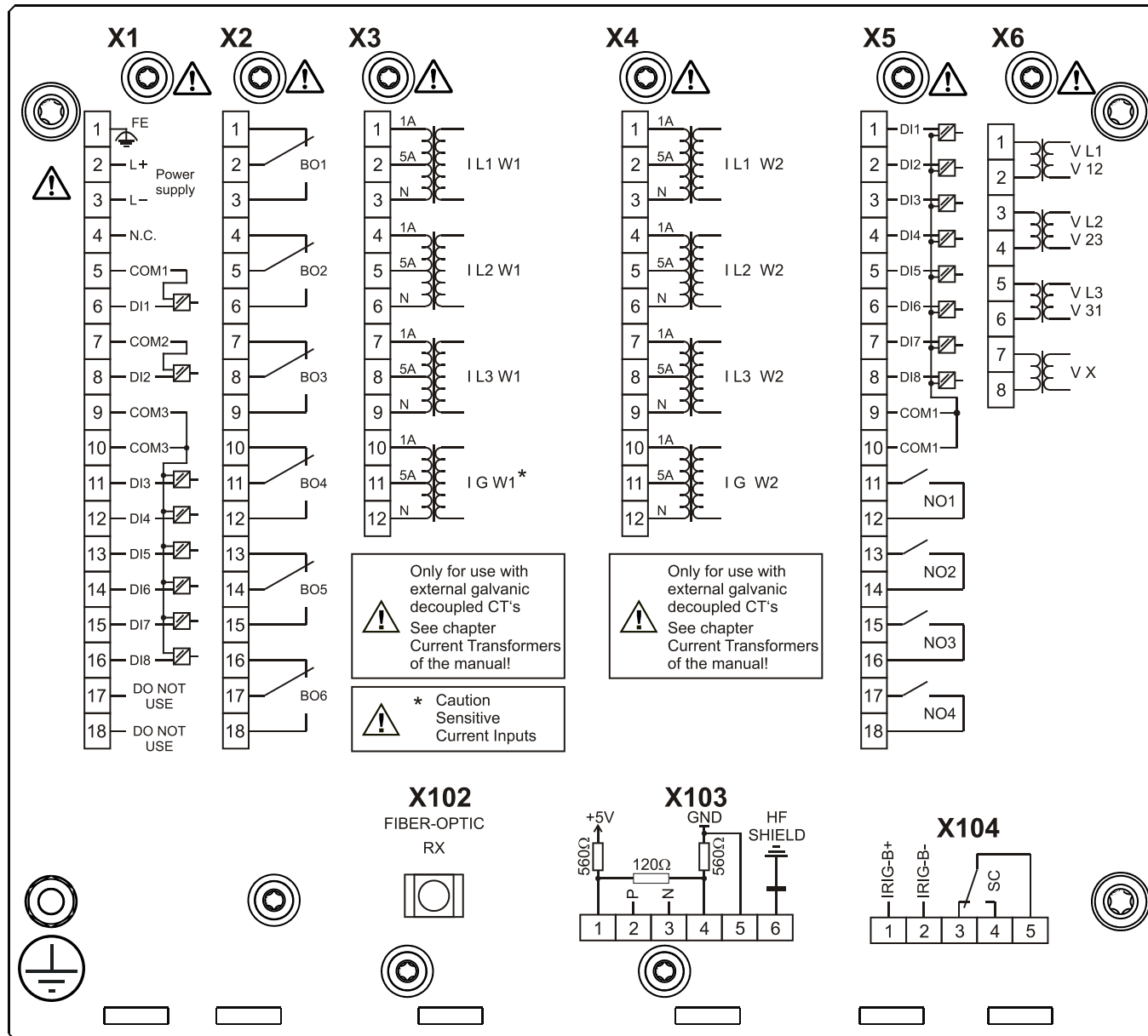
MCDTV4-2A1AAA



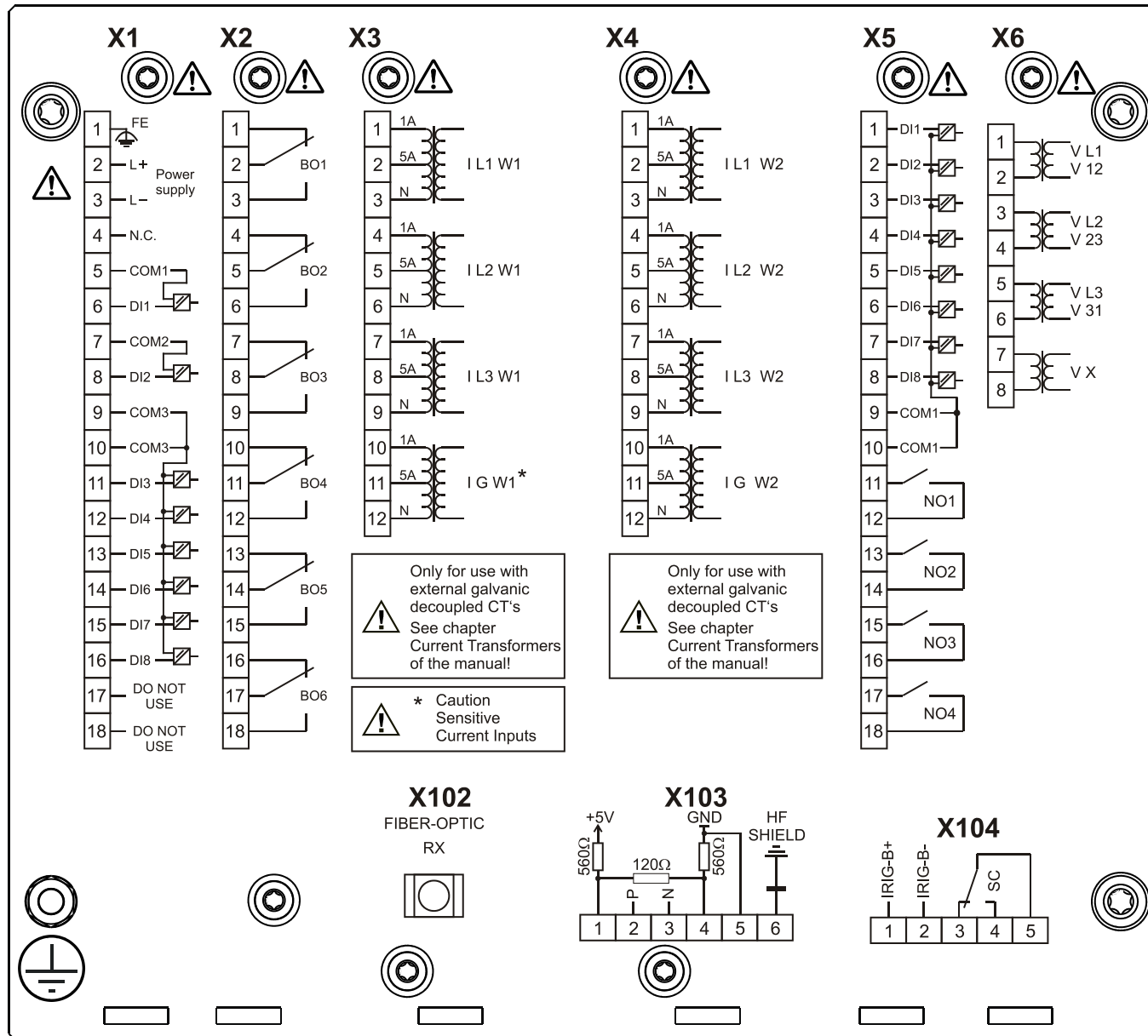
MCDTV4-2A1AAB



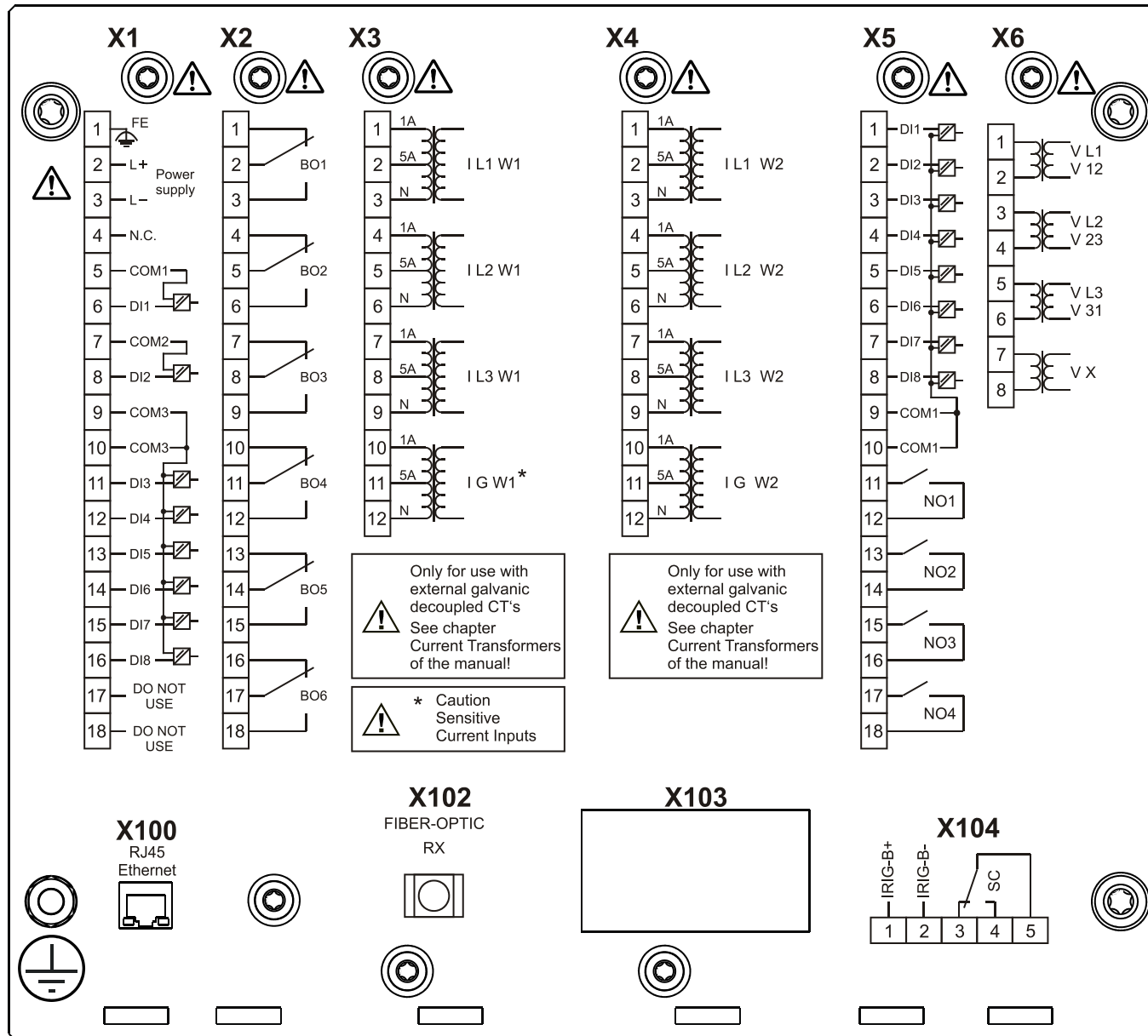
MCDTV4-2A1ABA



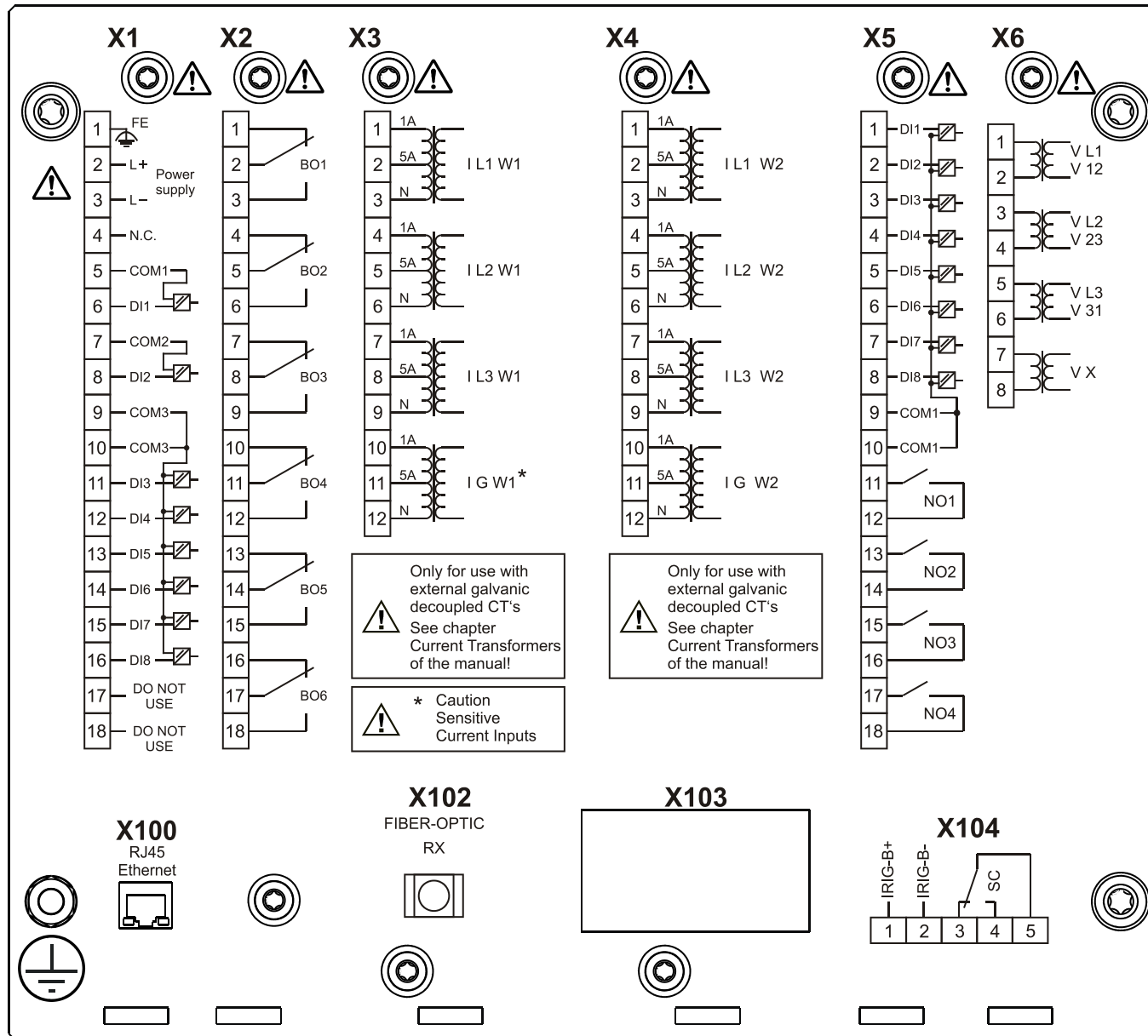
MCDTV4-2A1ABB



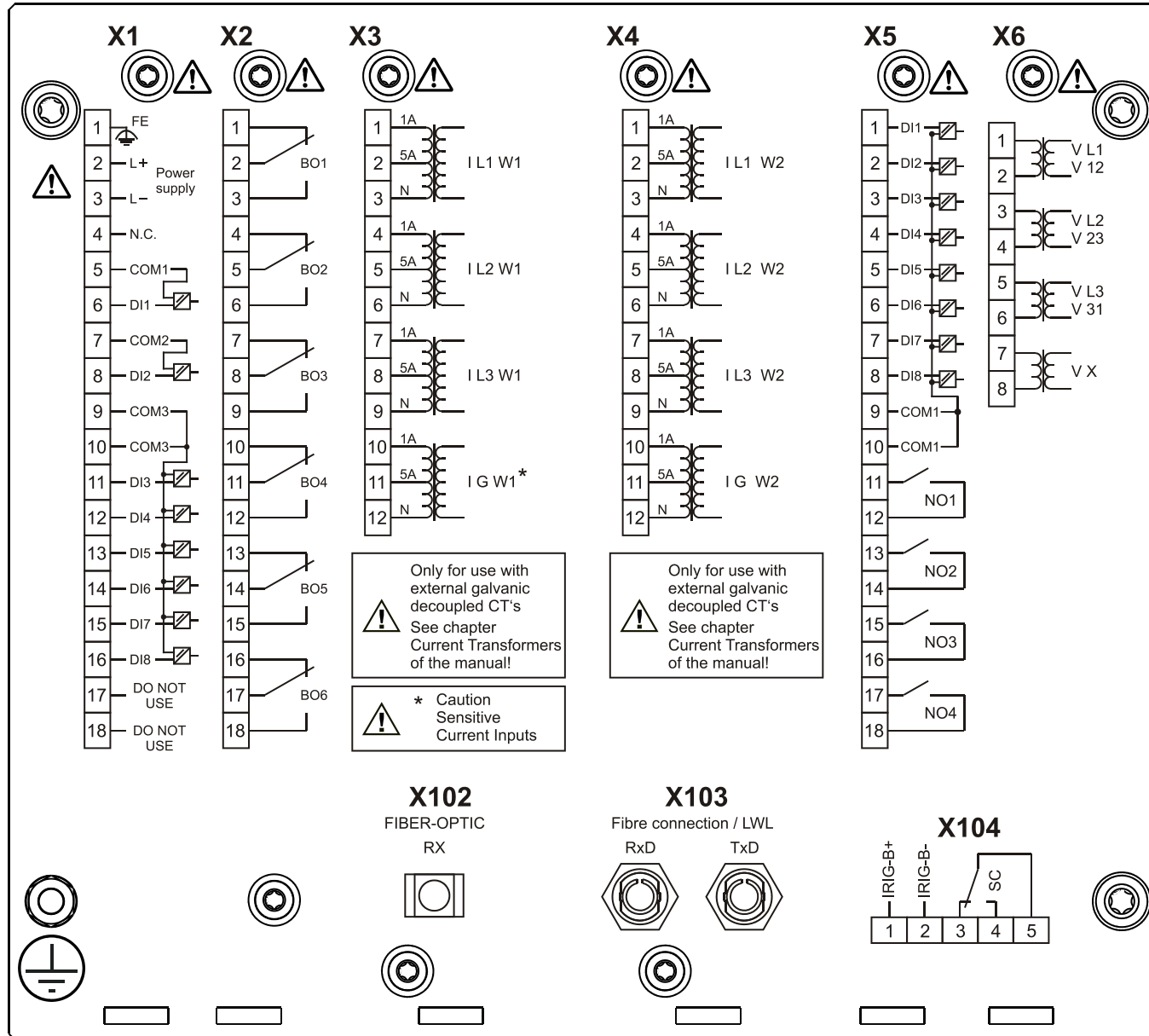
MCDTV4-2A1ACA



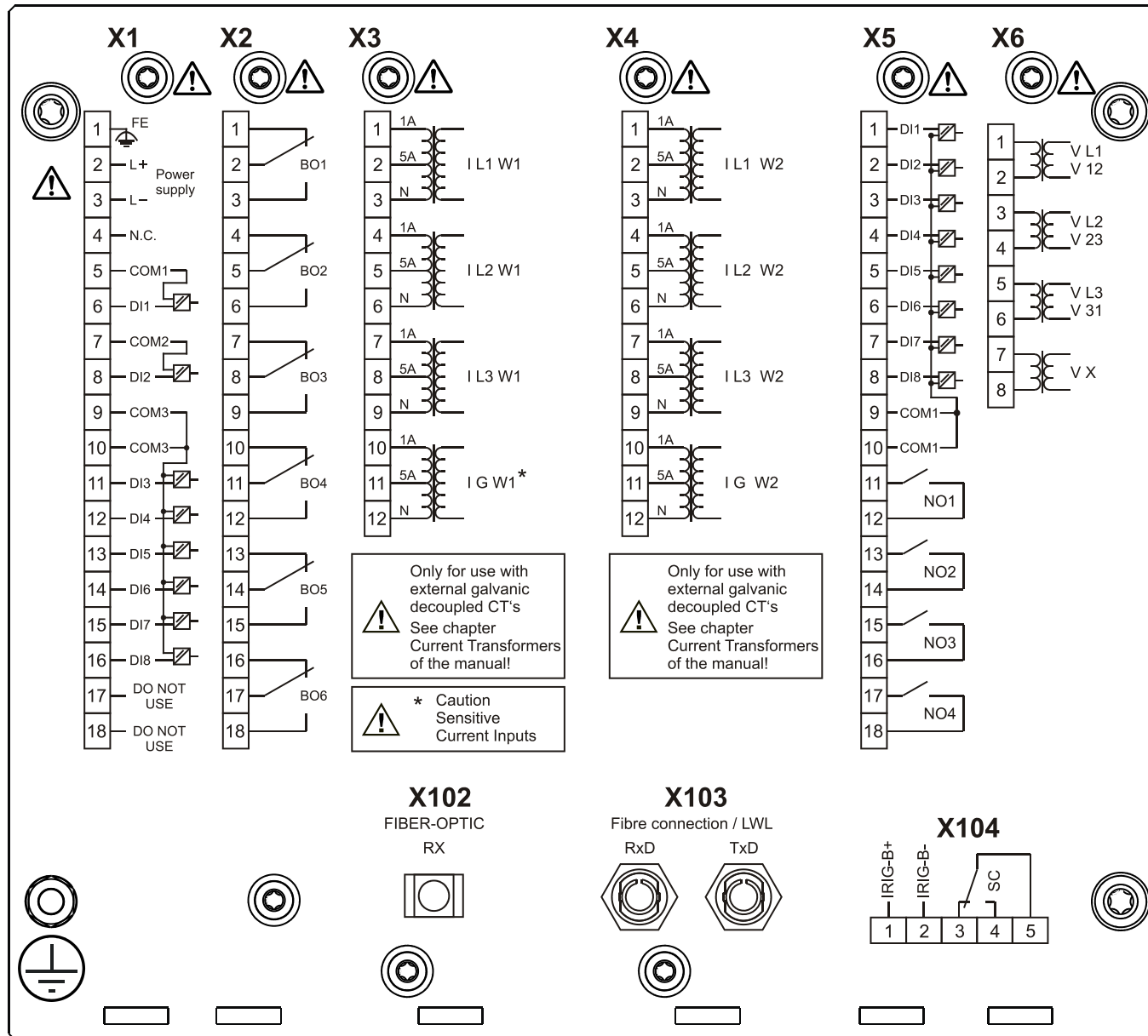
MCDTV4-2A1ACB



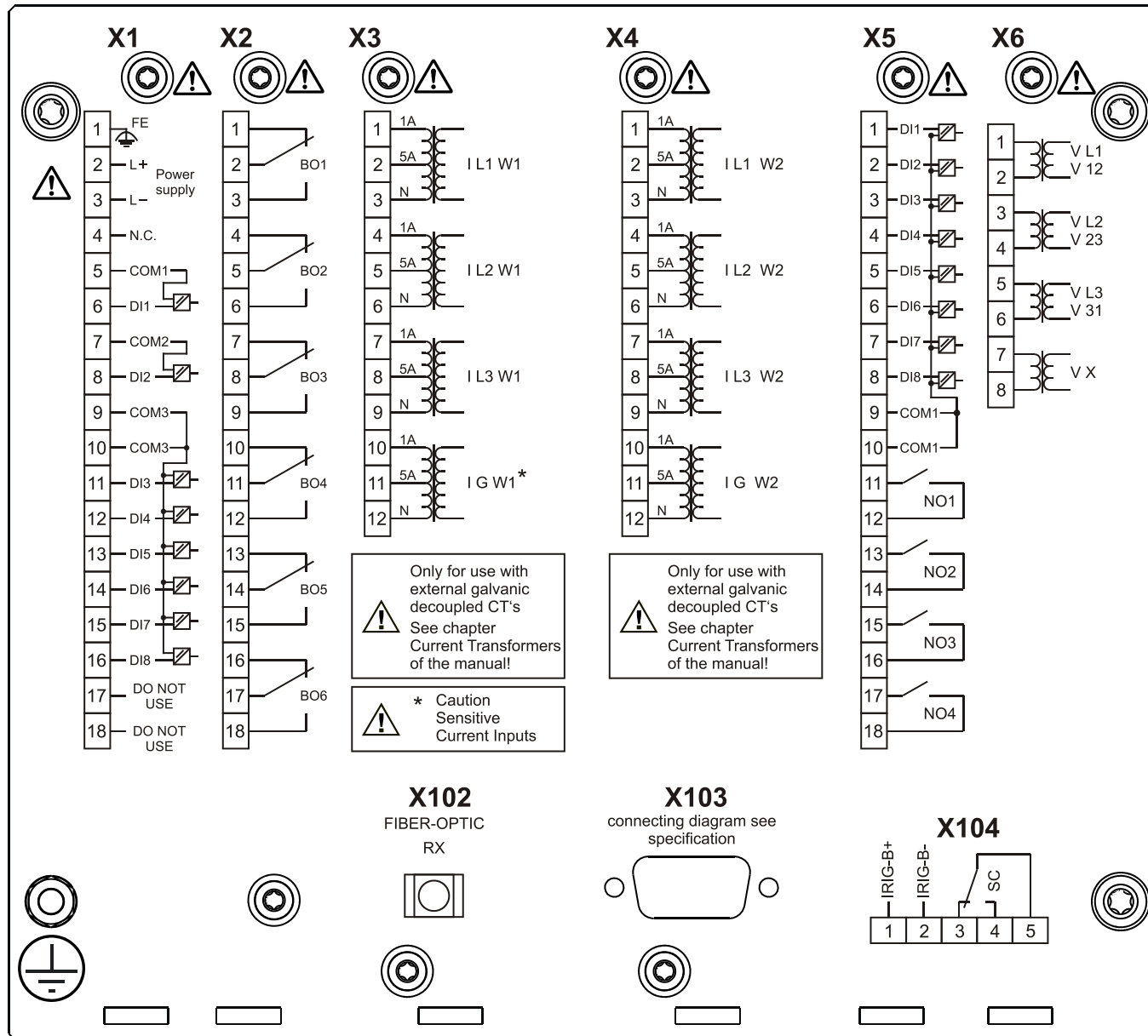
MCDTV4-2A1ADA



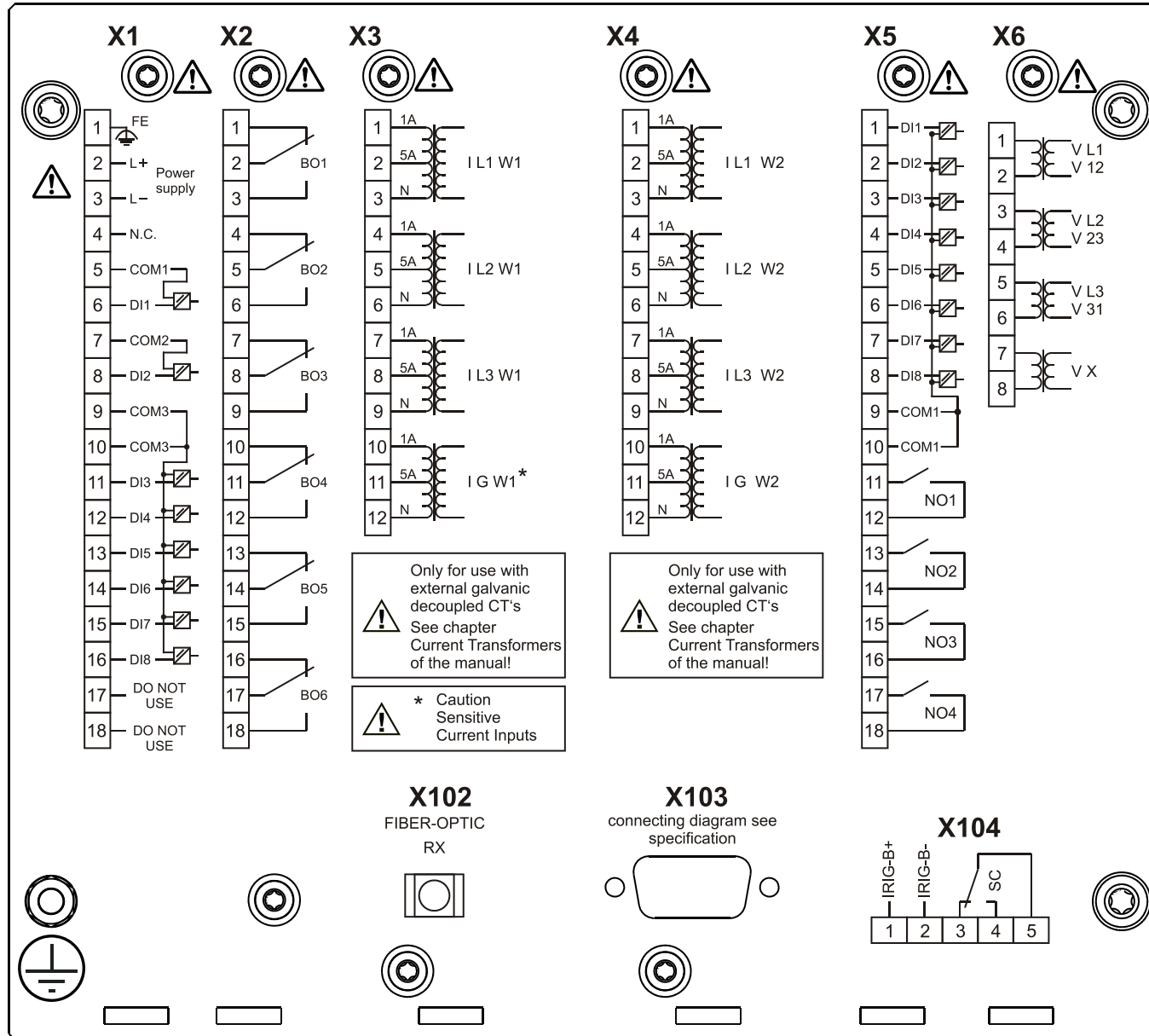
MCDTV4-2A1ADB



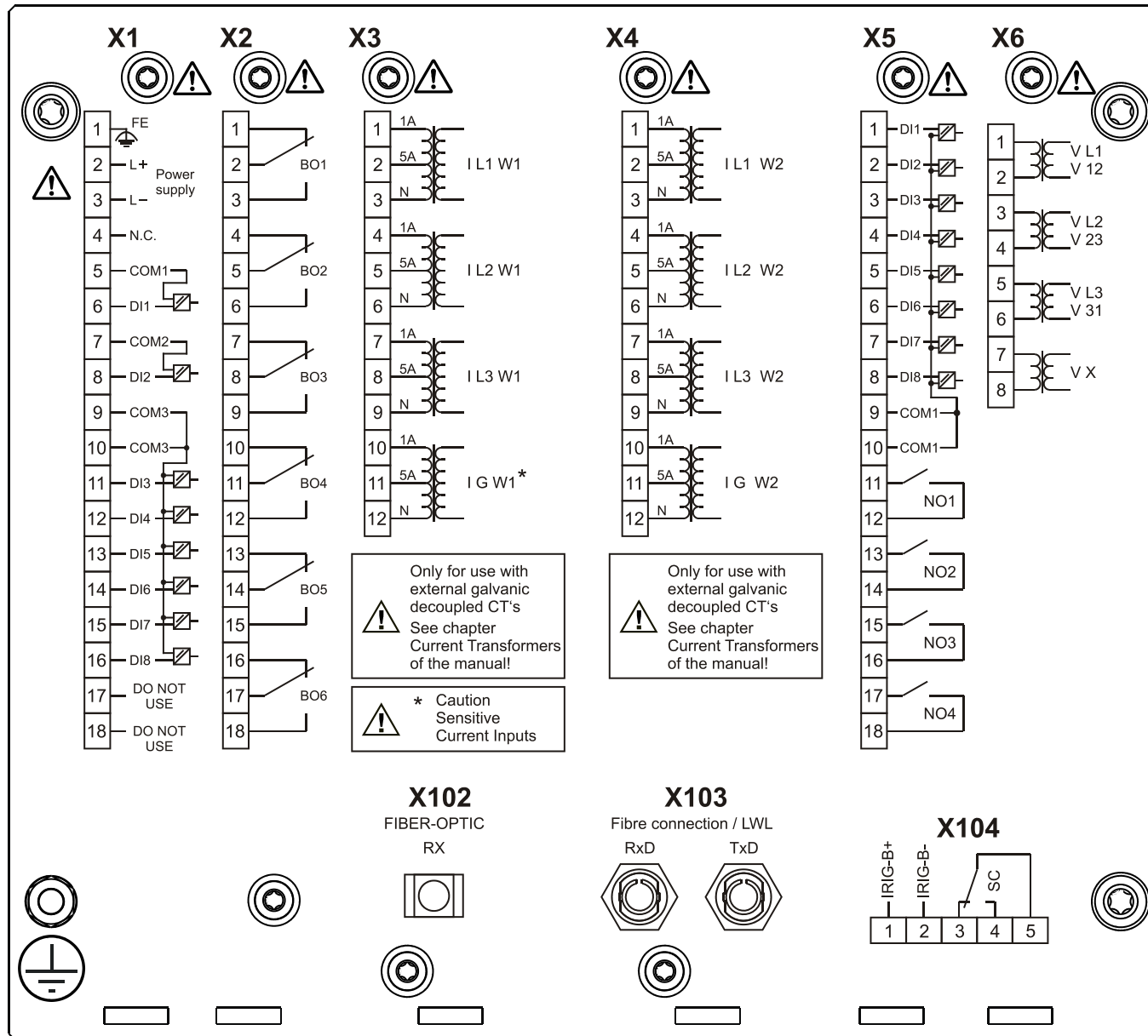
MCDTV4-2A1AEA



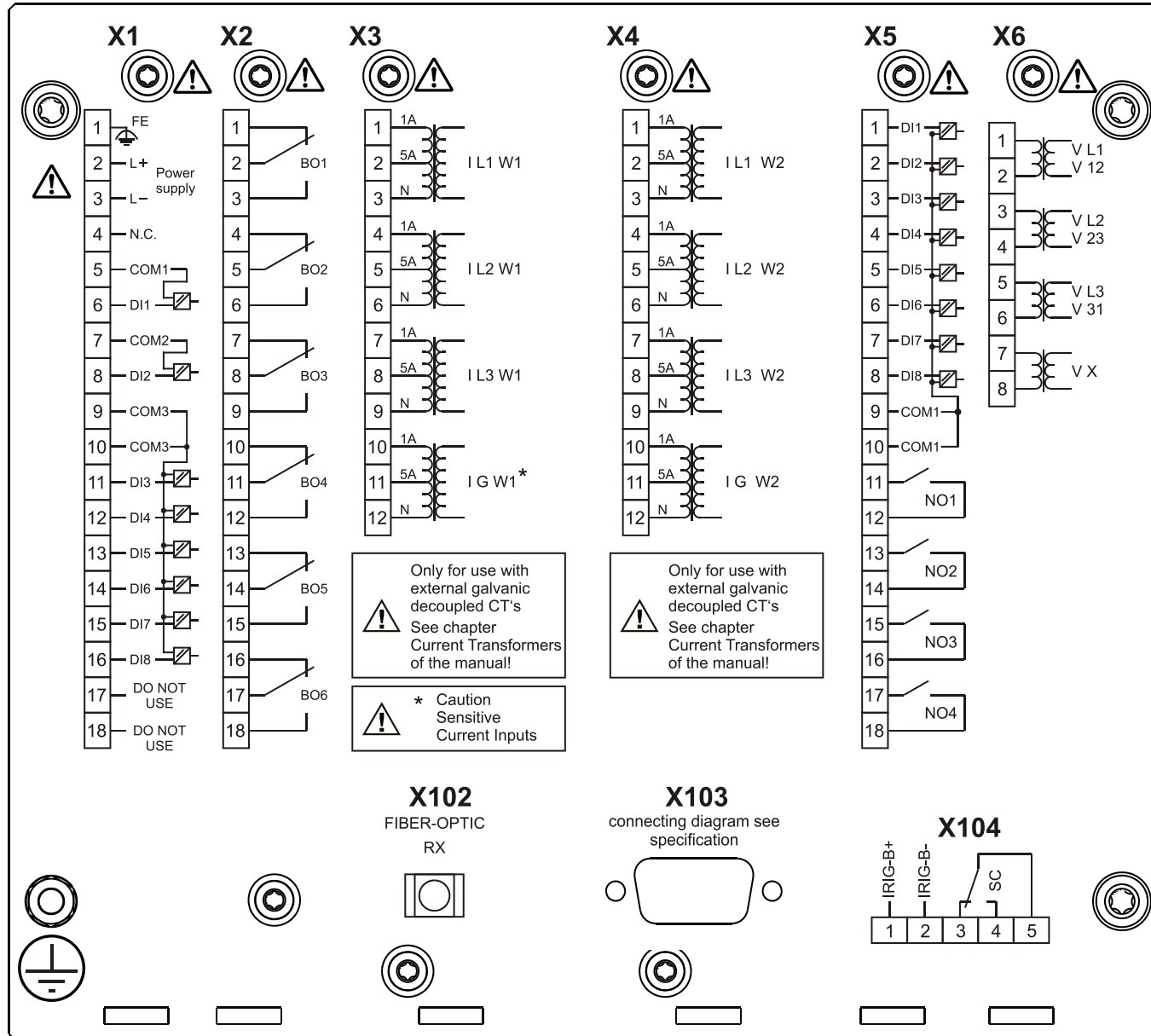
MCDTV4-2A1AEB



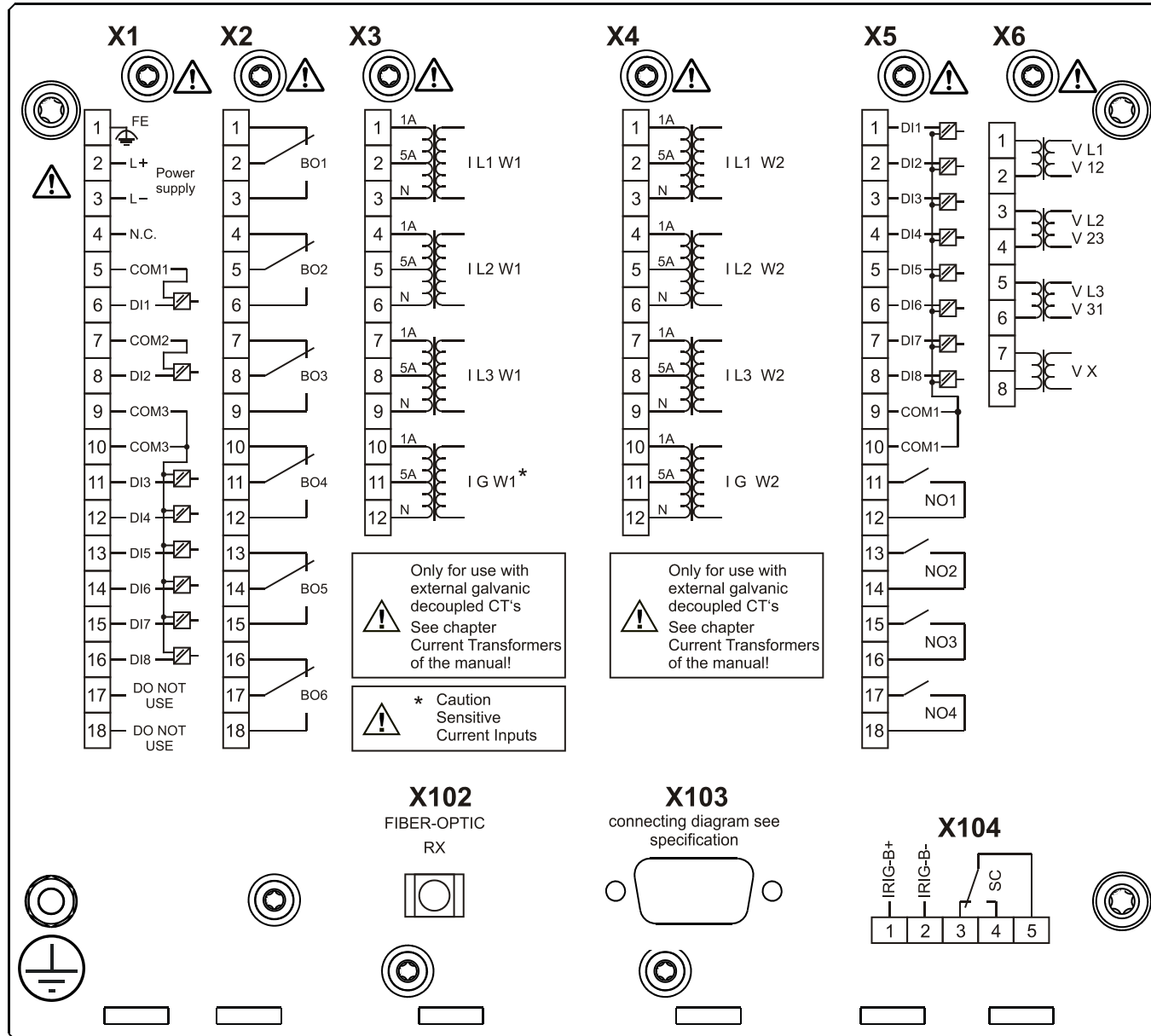
MCDTV4-2A1AFA



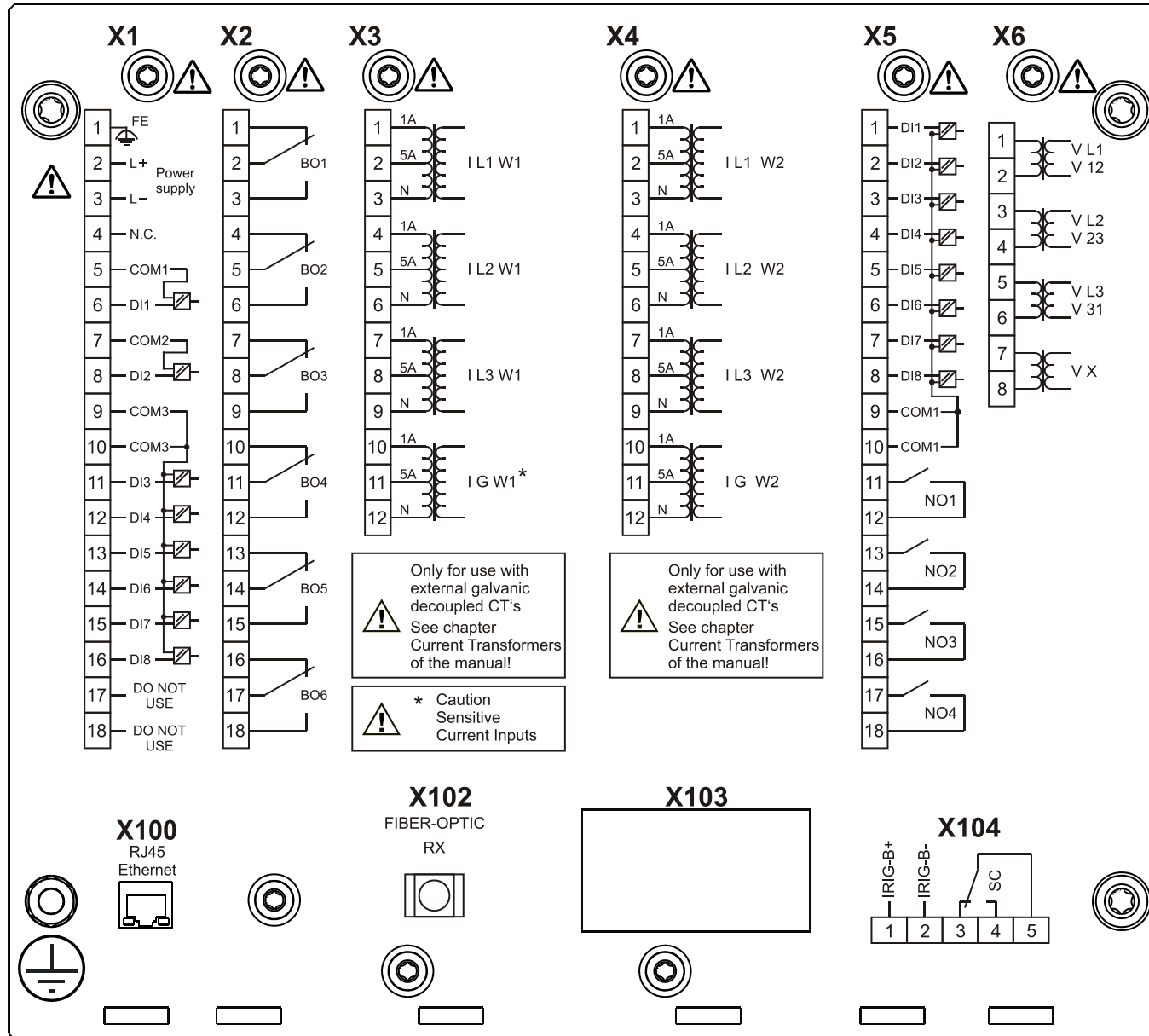
MCDTV4-2A1AGA



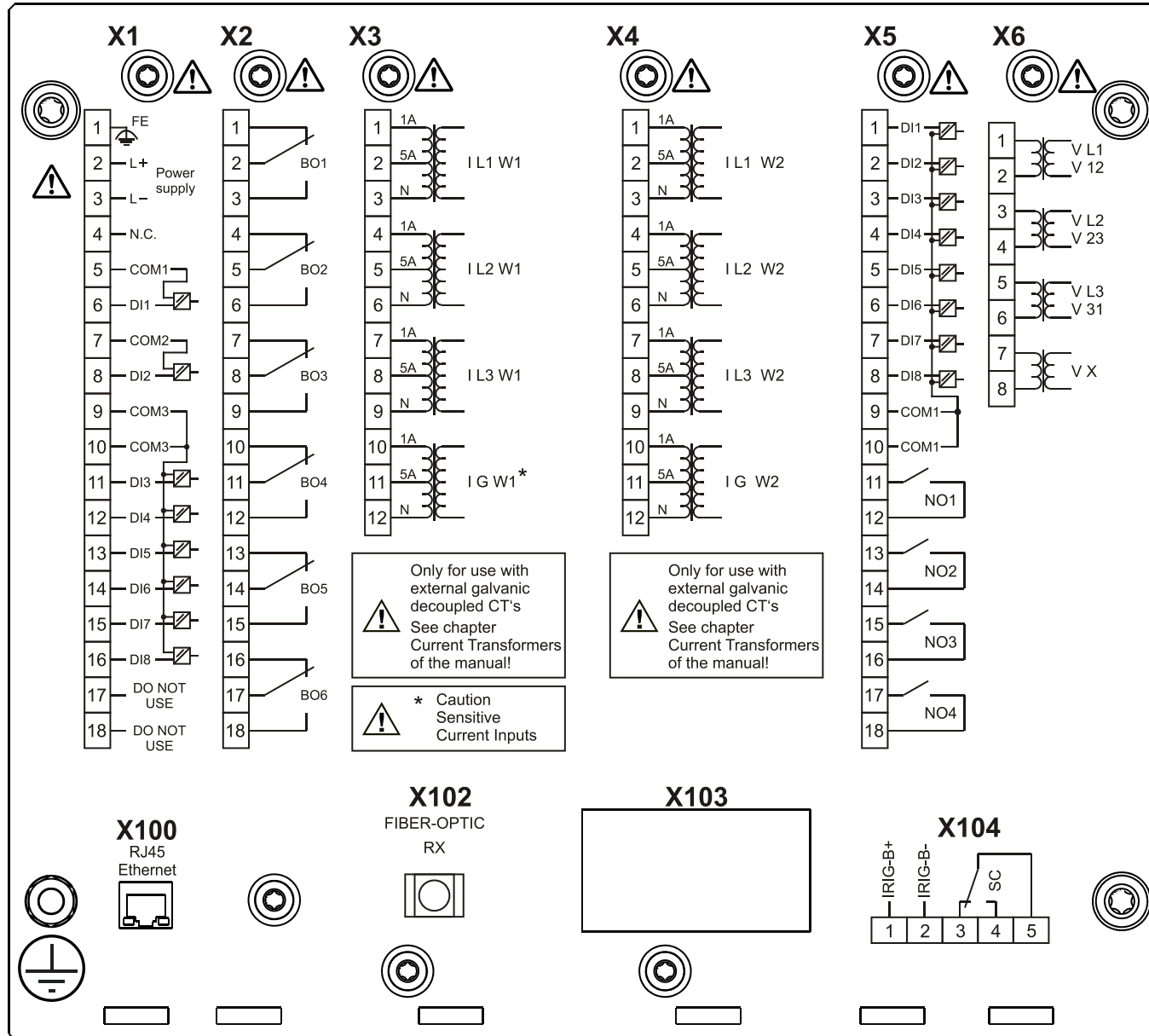
MCDTV4-2A1AGB



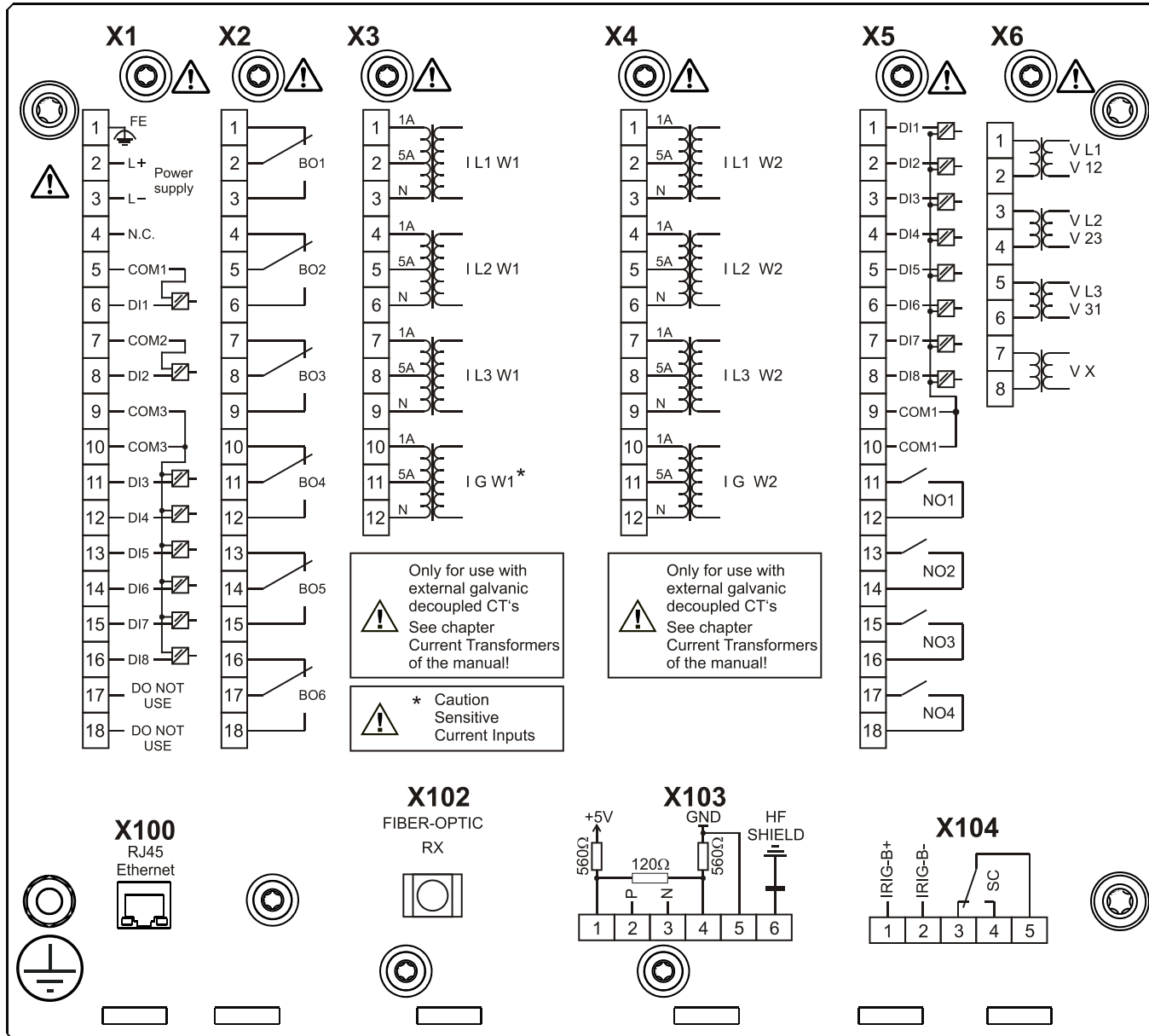
MCDTV4-2A1AHA



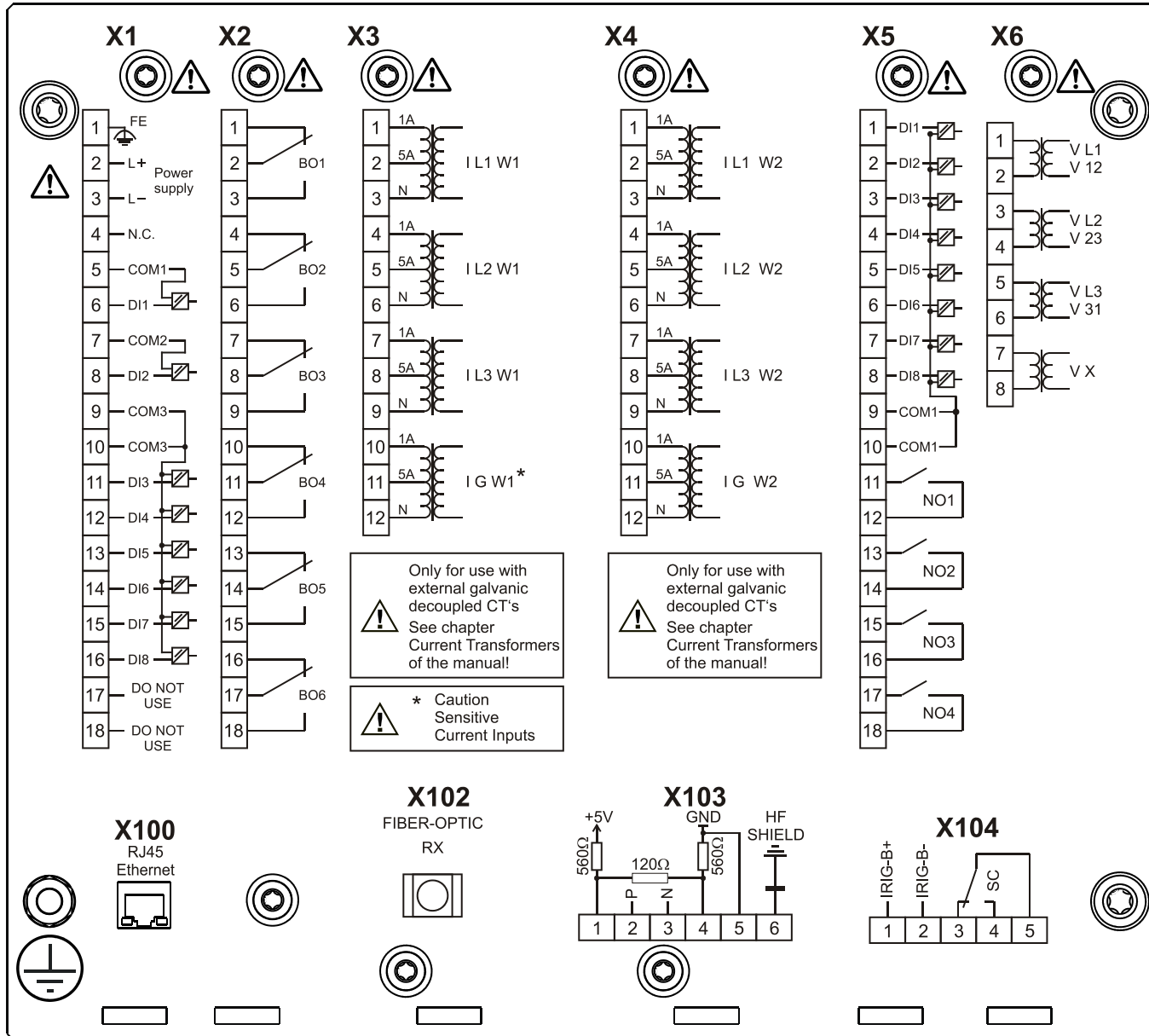
MCDTV4-2A1AHB



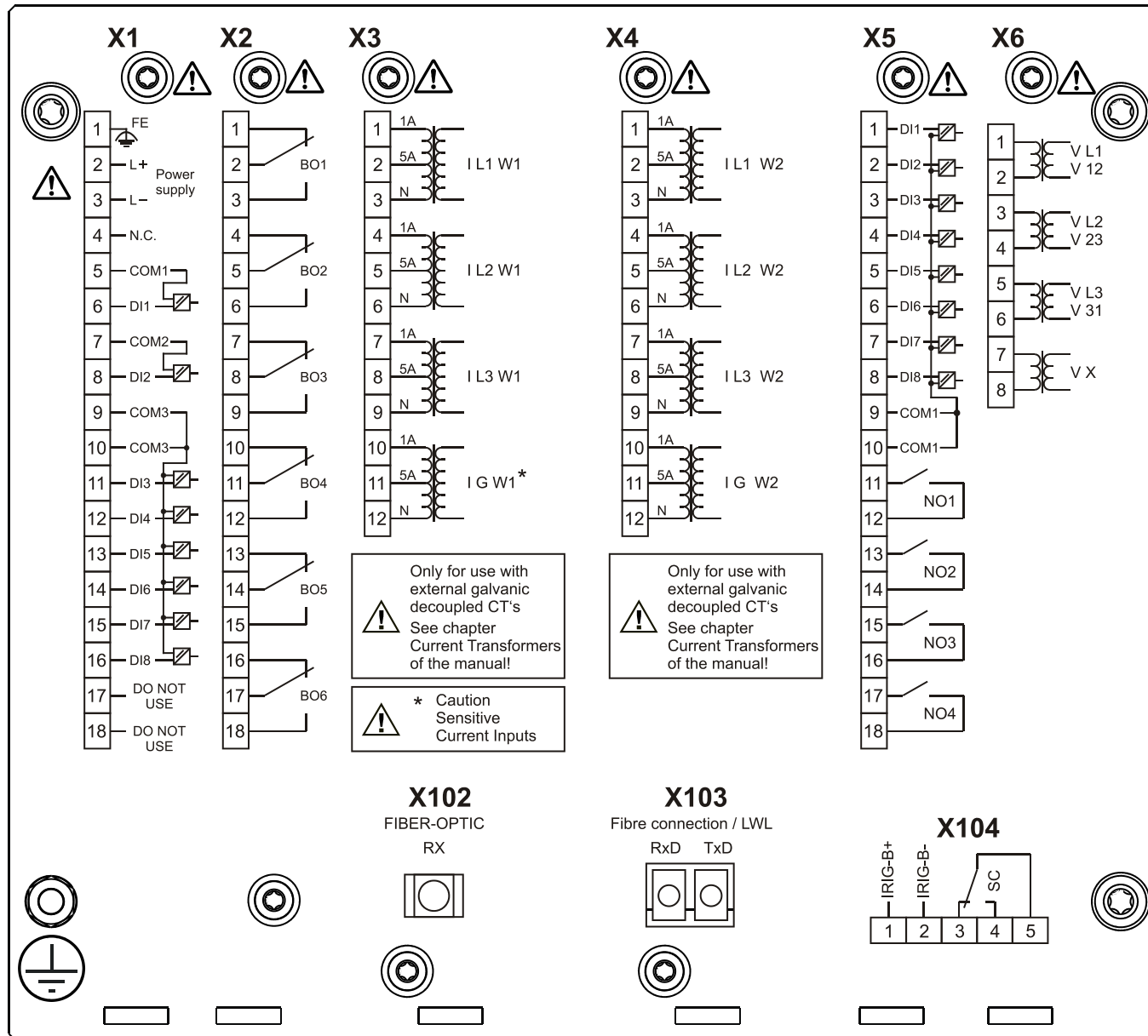
MCDTV4-2A1AIA



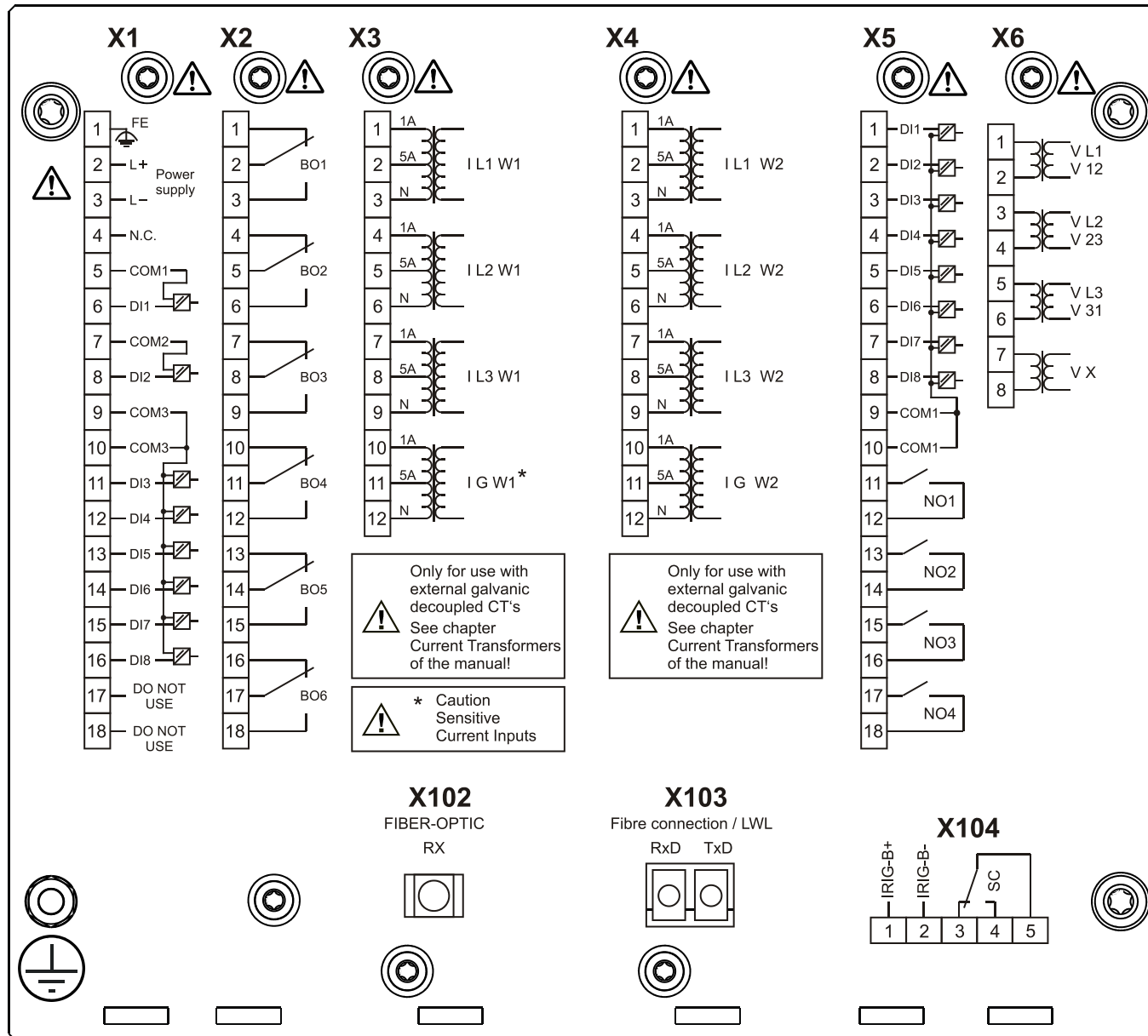
MCDTV4-2A1AIB



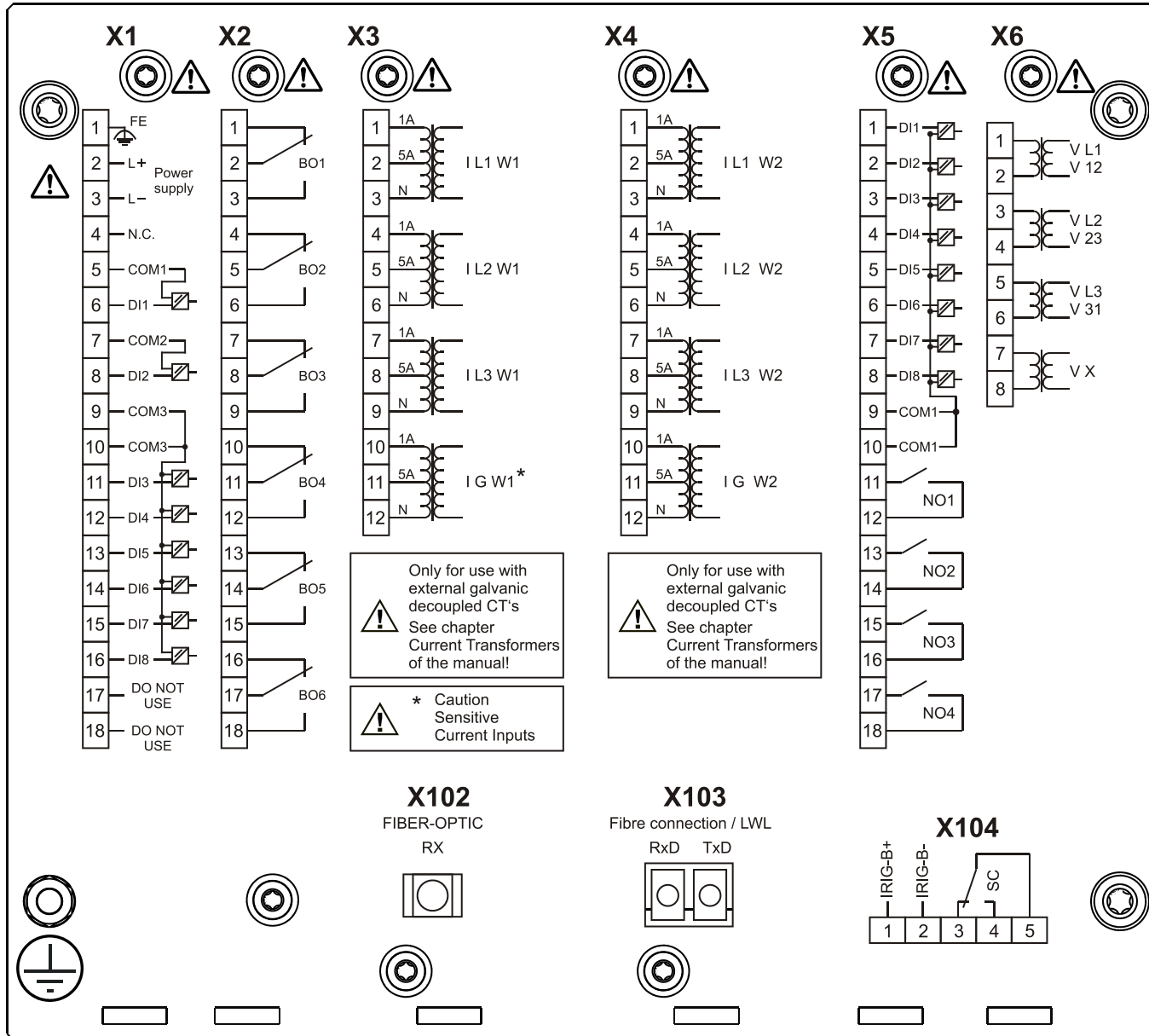
MCDTV4-2A1AKA



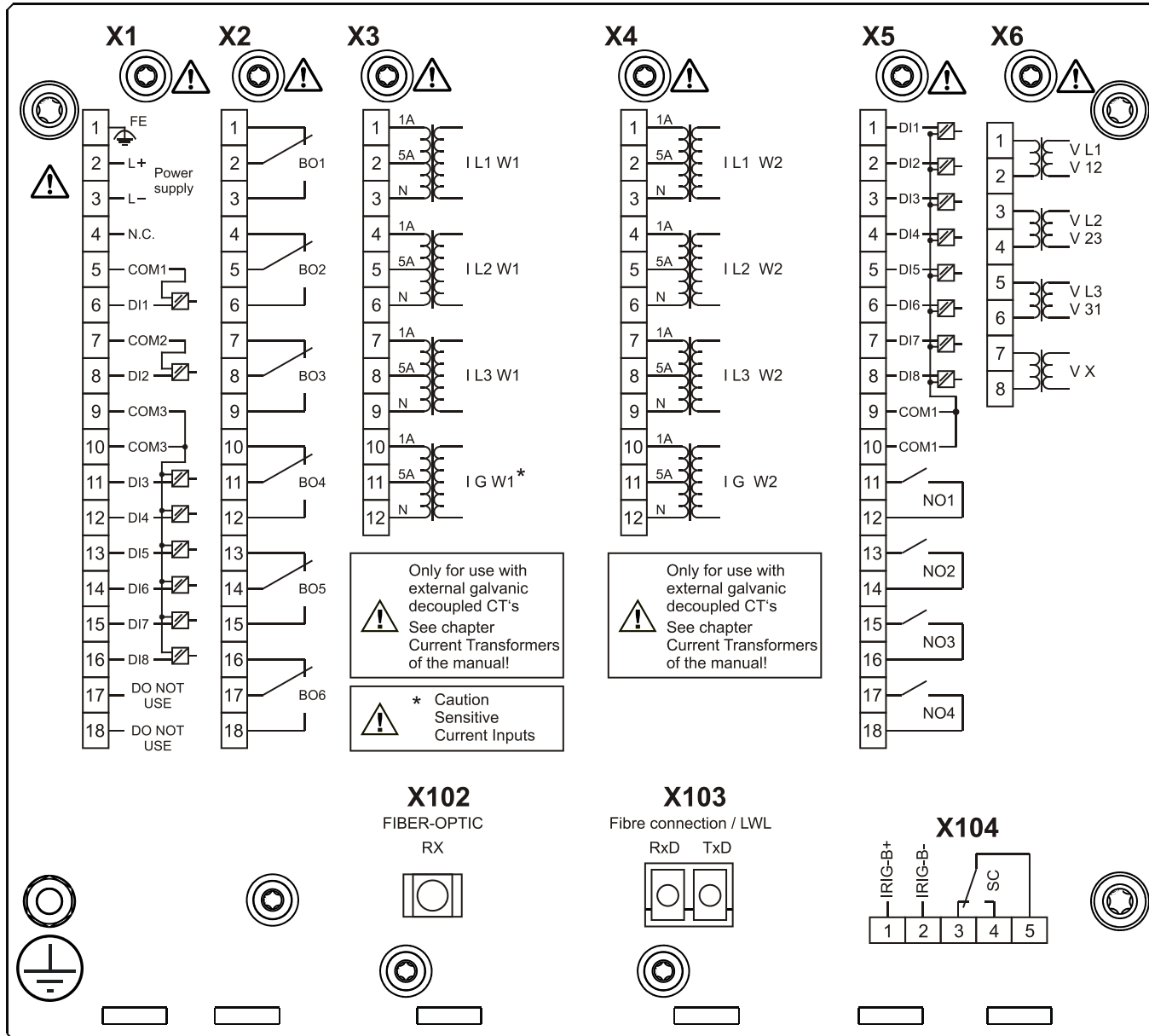
MCDTV4-2A1AKB



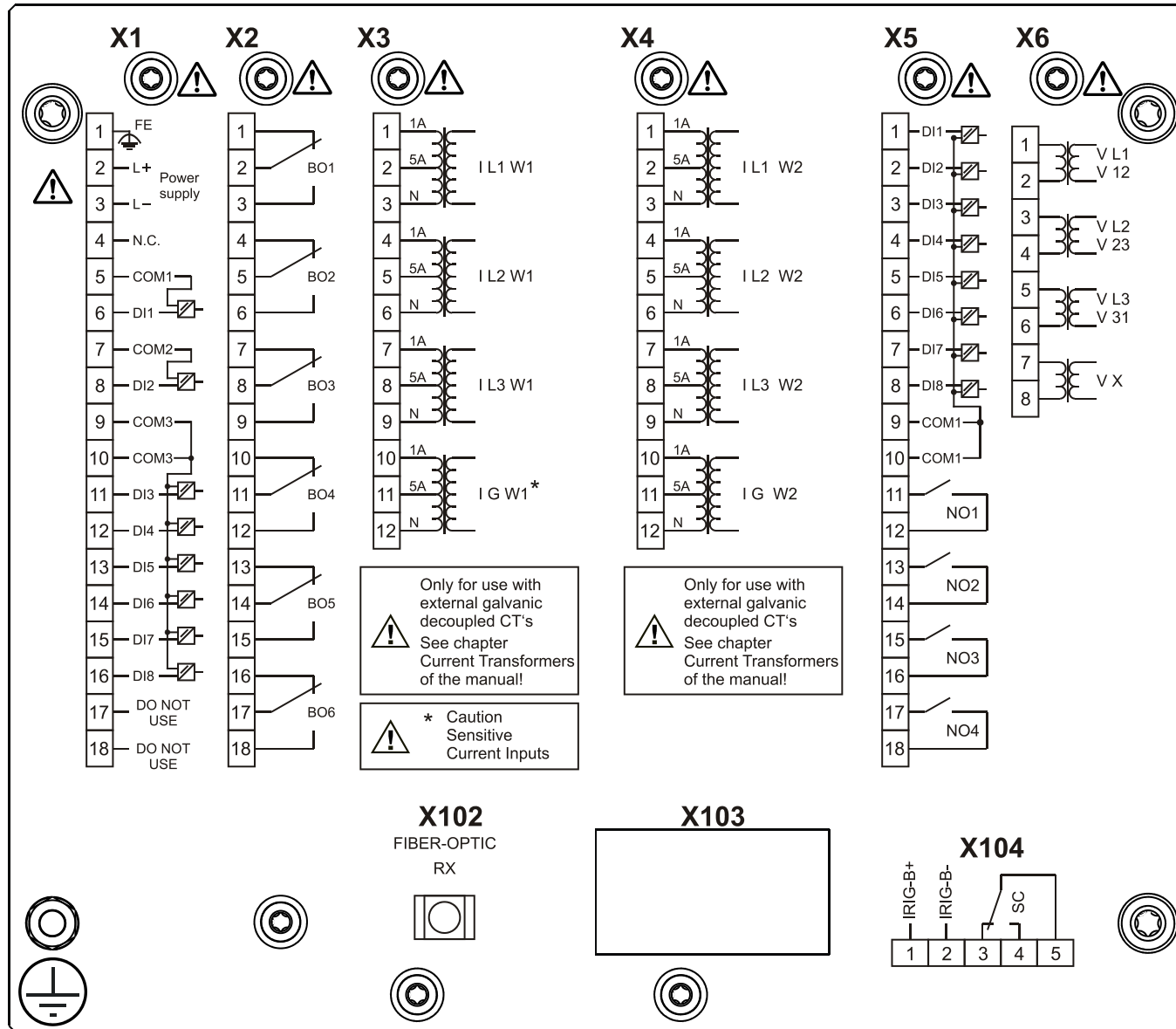
MCDTV4-2A1ALA



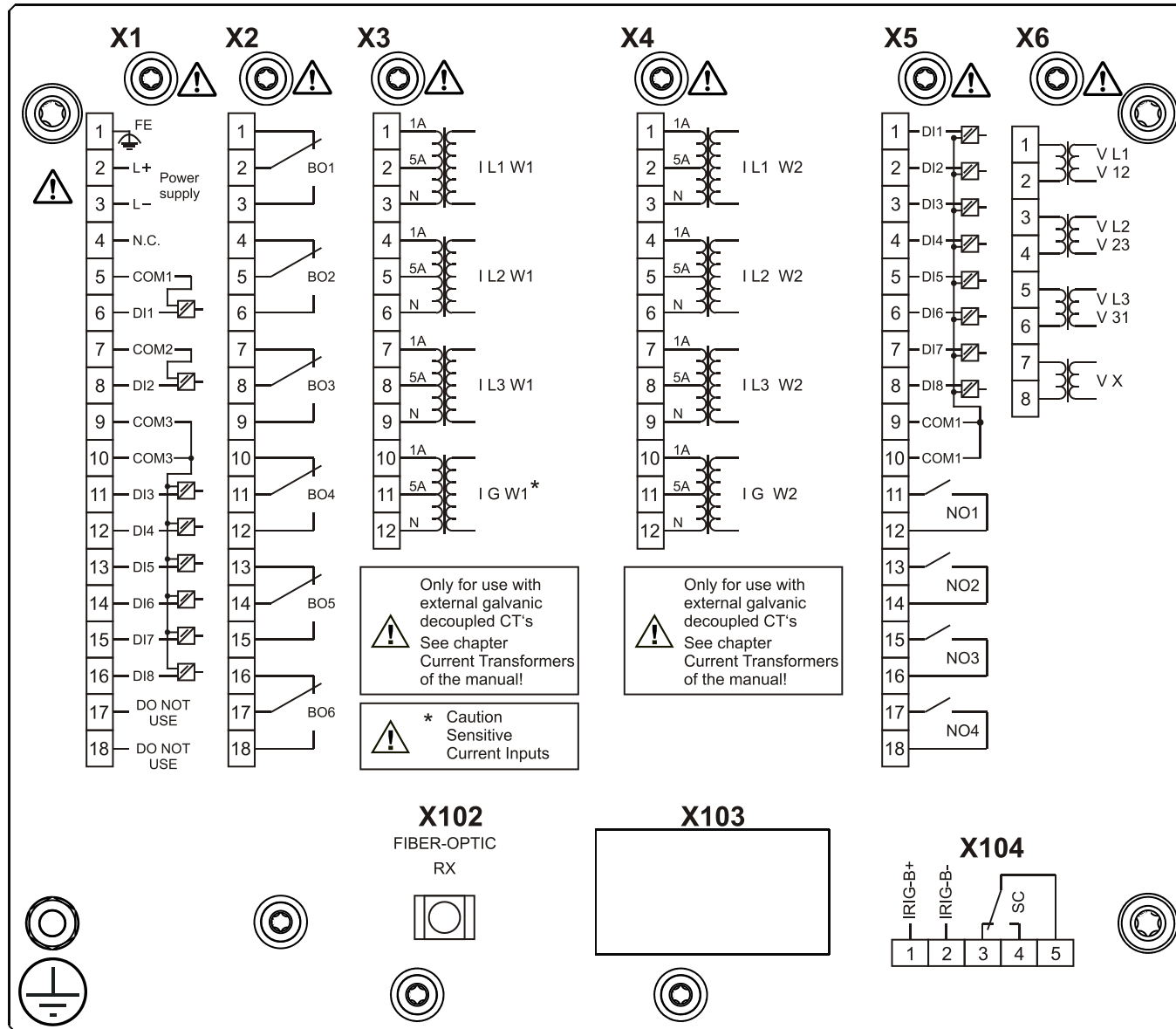
MCDTV4-2A1ALB



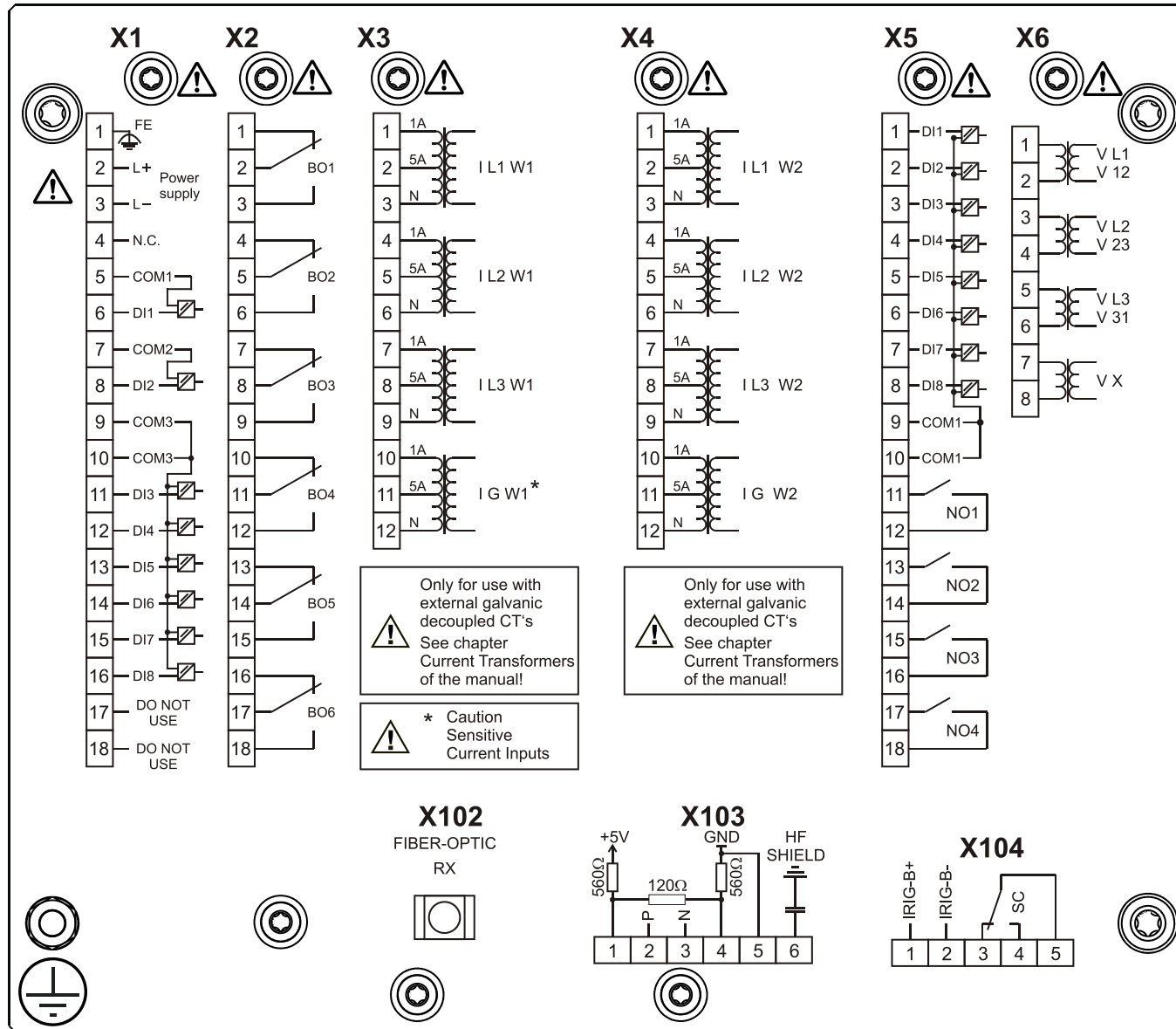
MCDTV4-2A1BAA



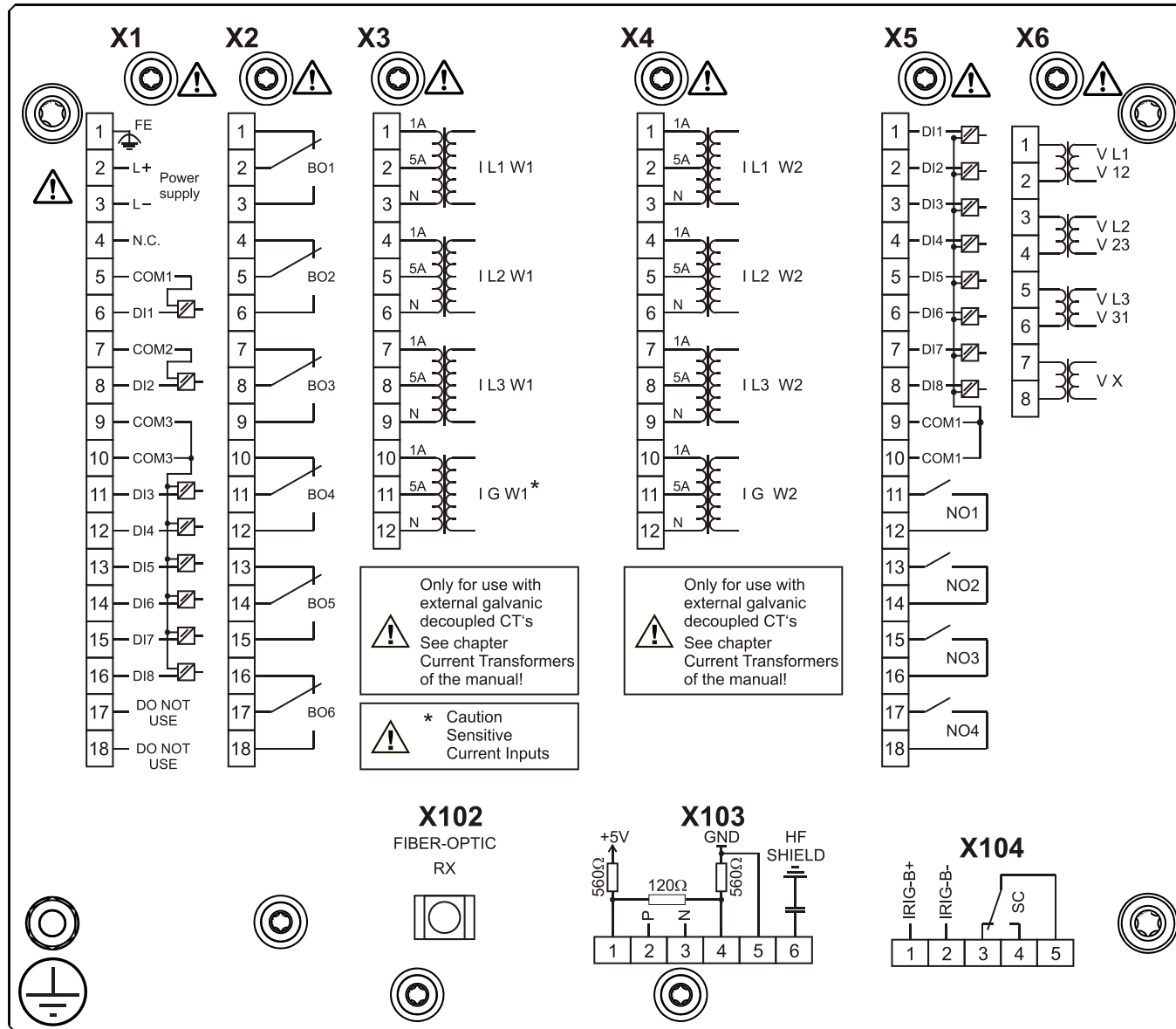
MCDTV4-2A1BAB



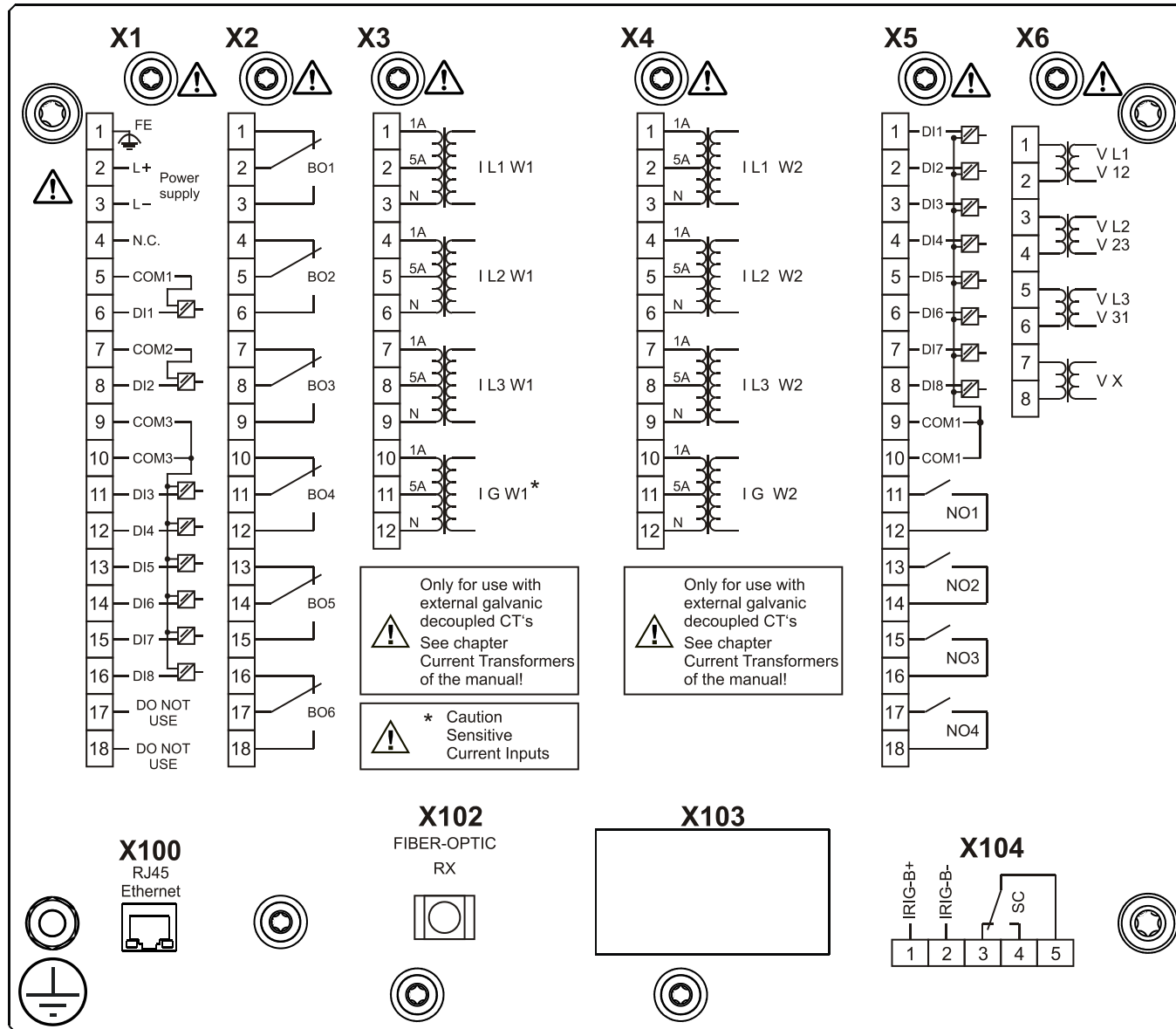
MCDTV4-2A1BBA



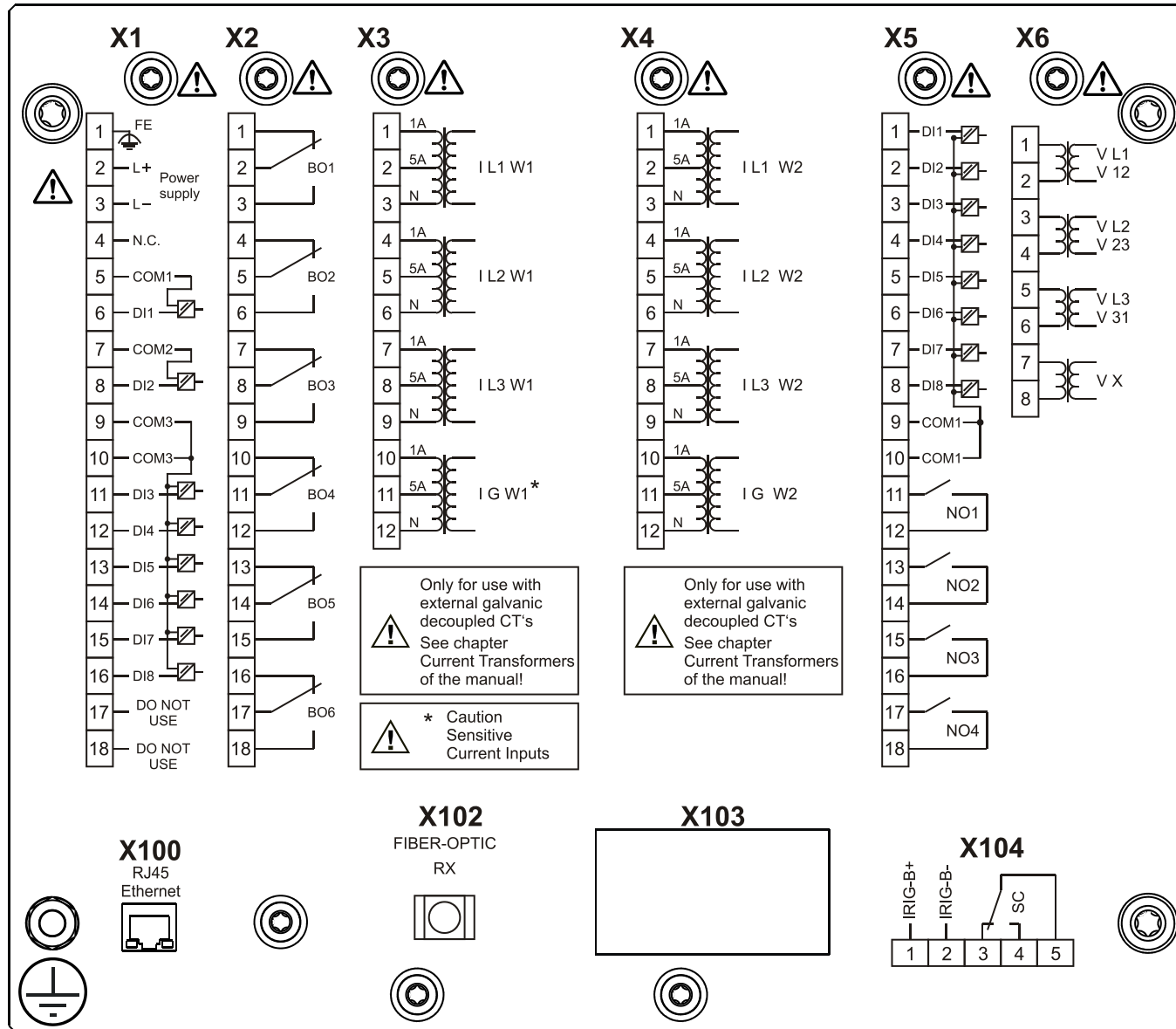
MCDTV4-2A1BBB



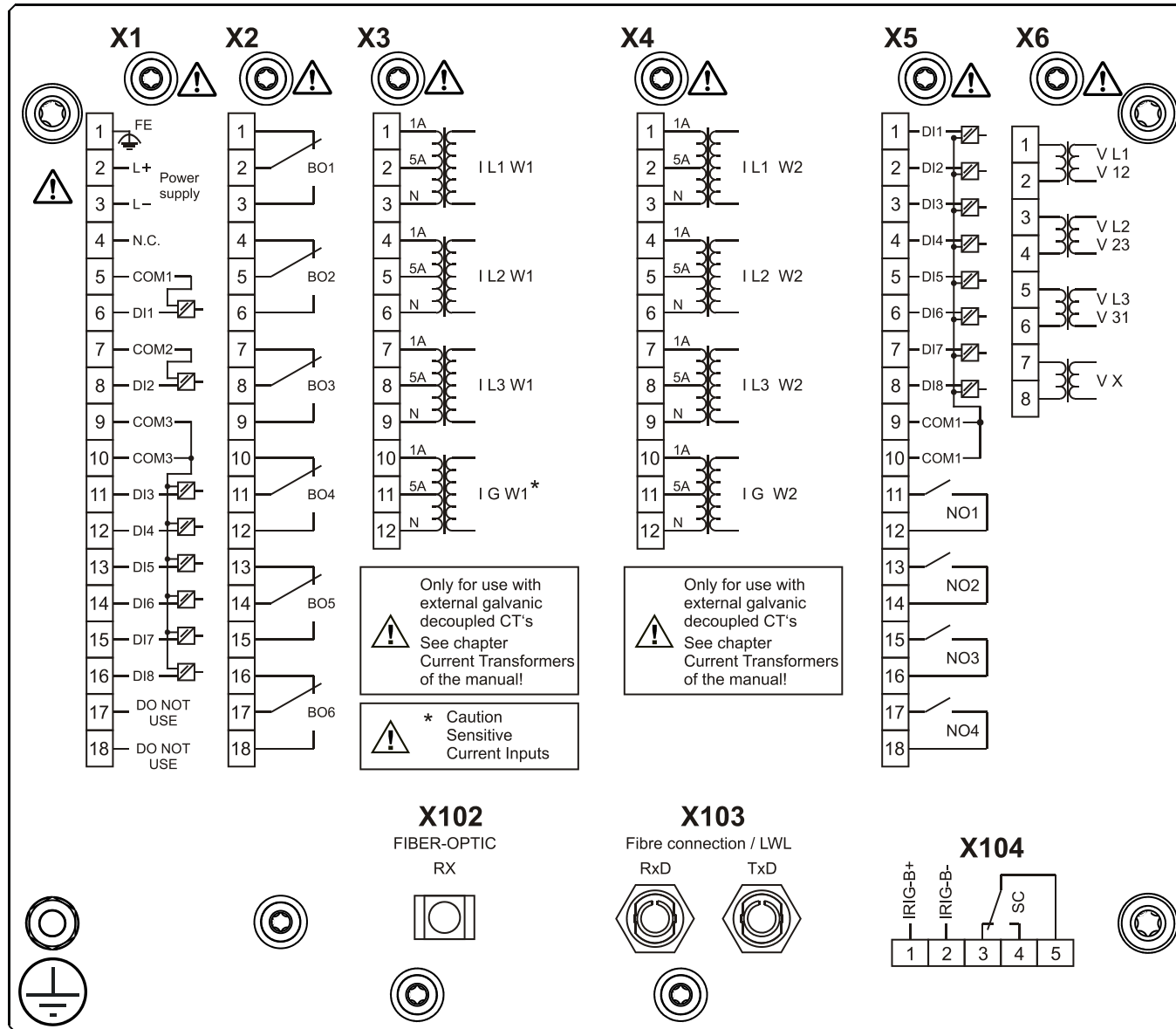
MCDTV4-2A1BCA



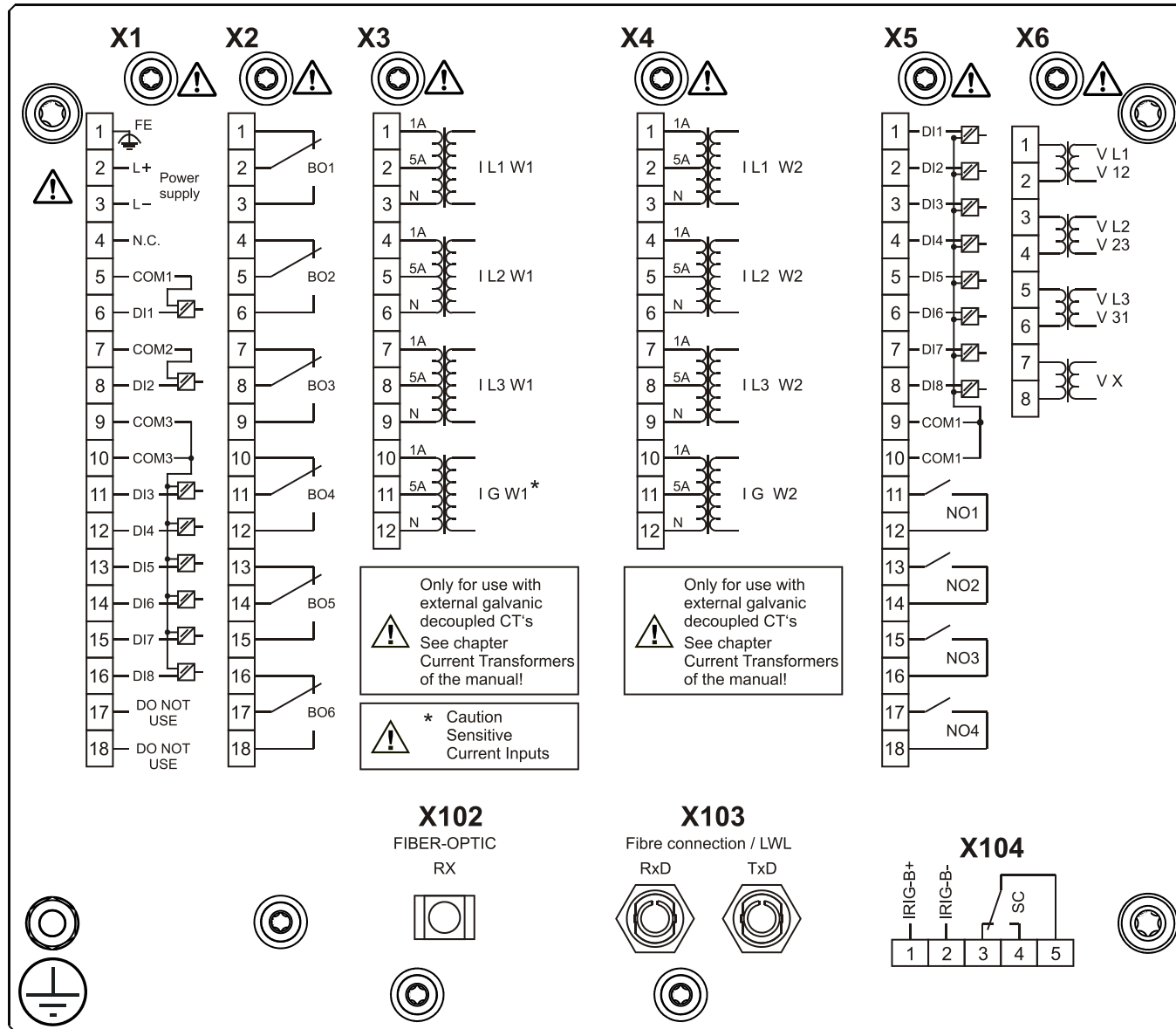
MCDTV4-2A1BCB



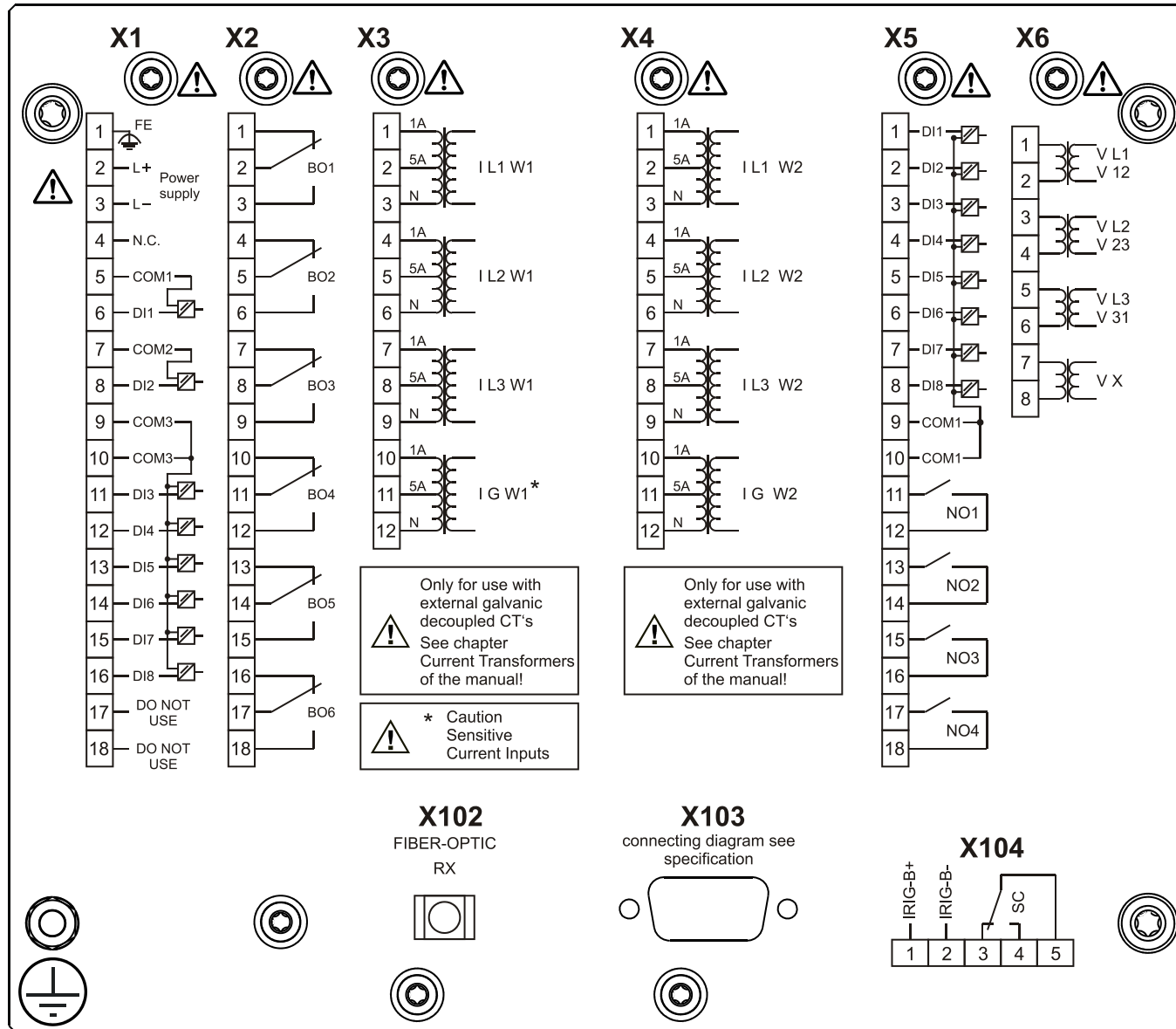
MCDTV4-2A1BDA



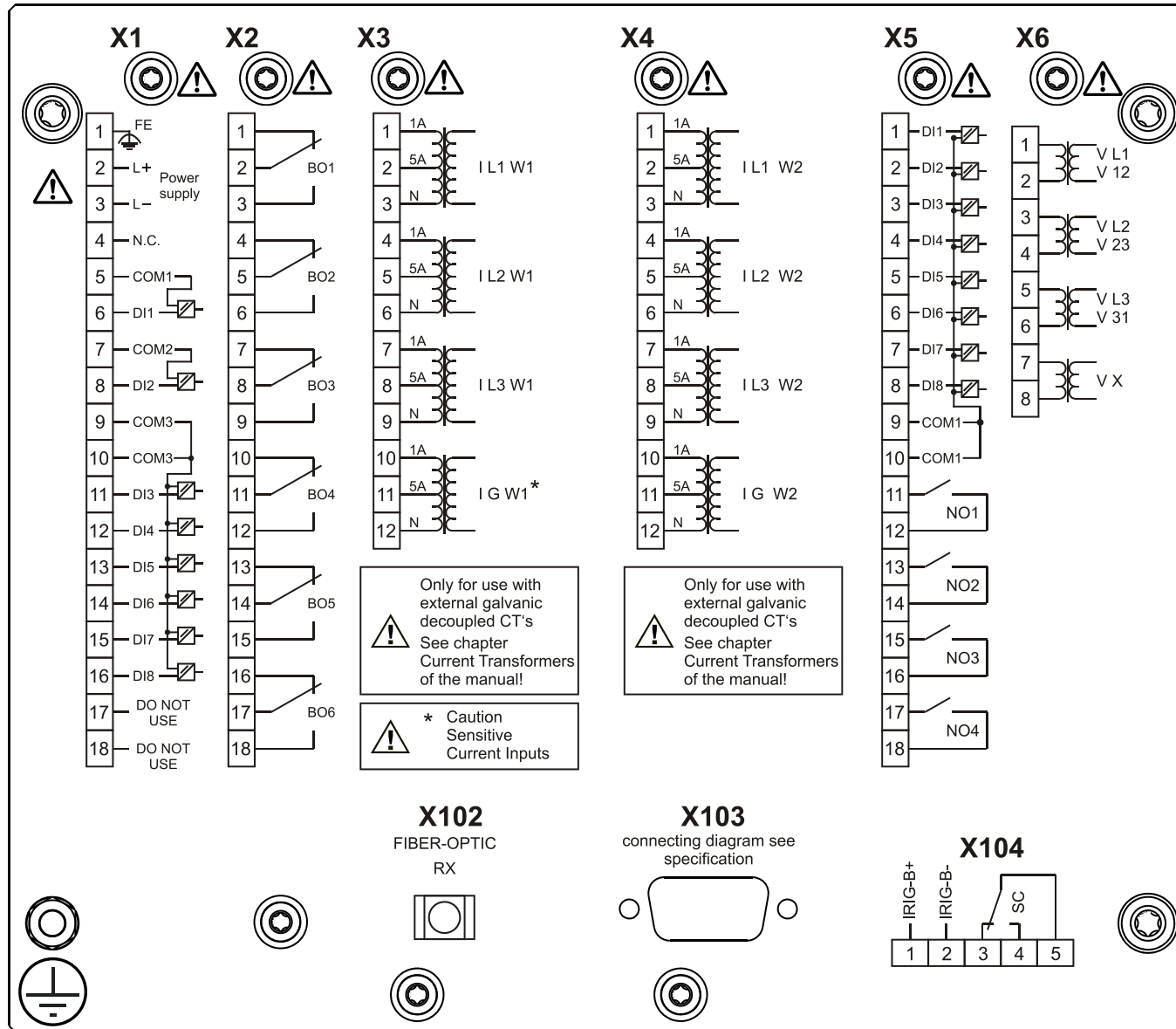
MCDTV4-2A1BDB



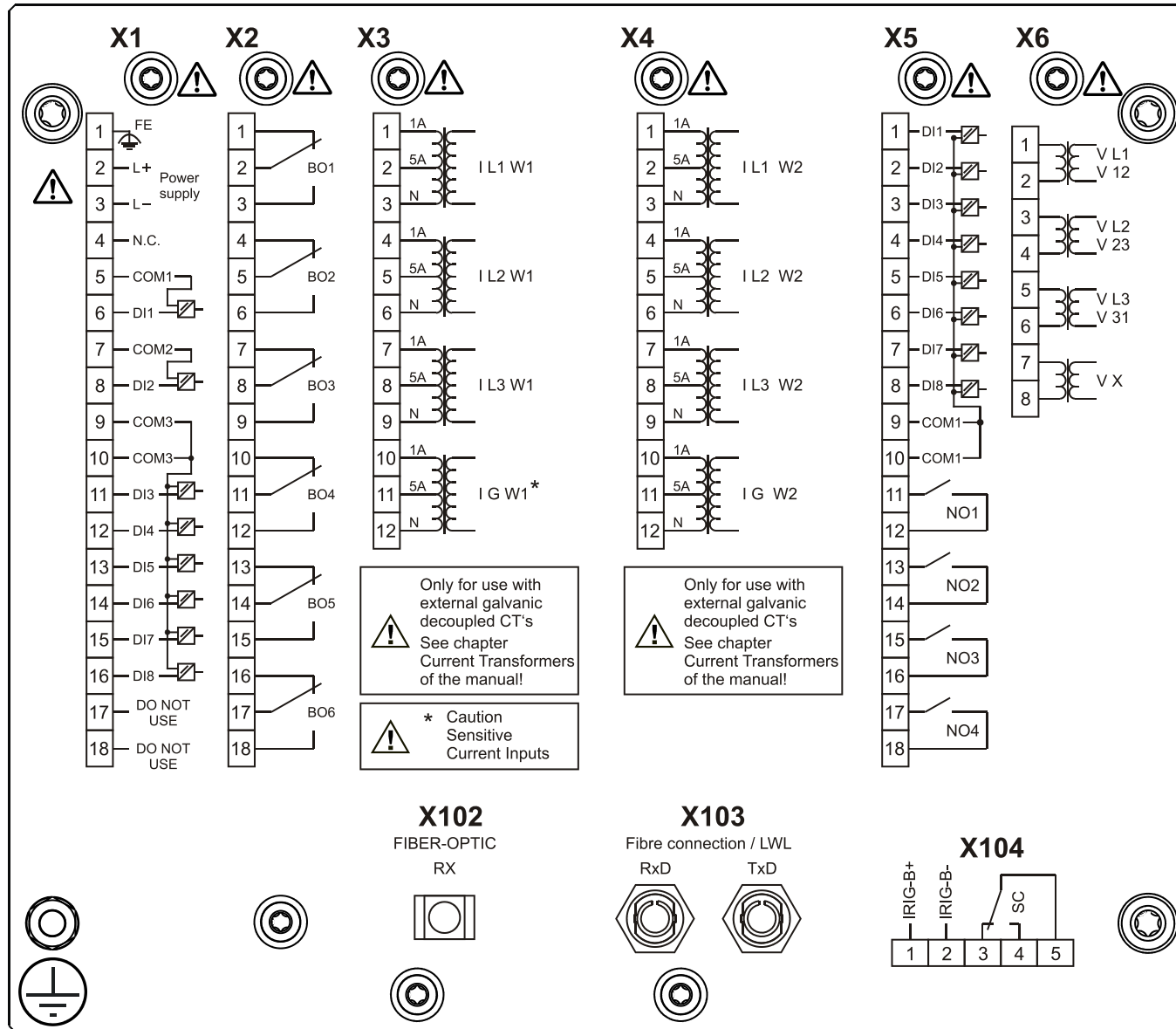
MCDTV4-2A1BEA



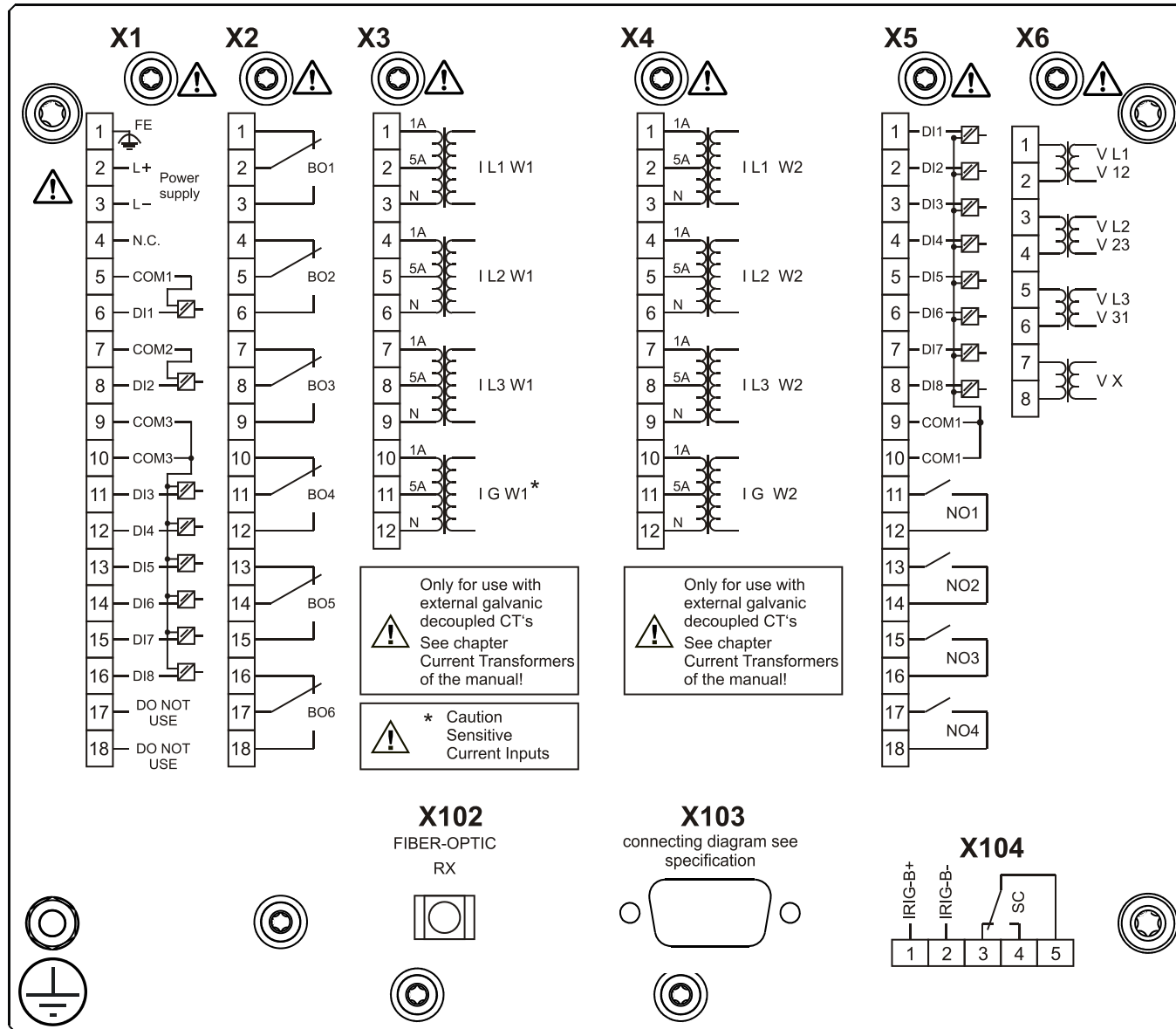
MCDTV4-2A1BEB



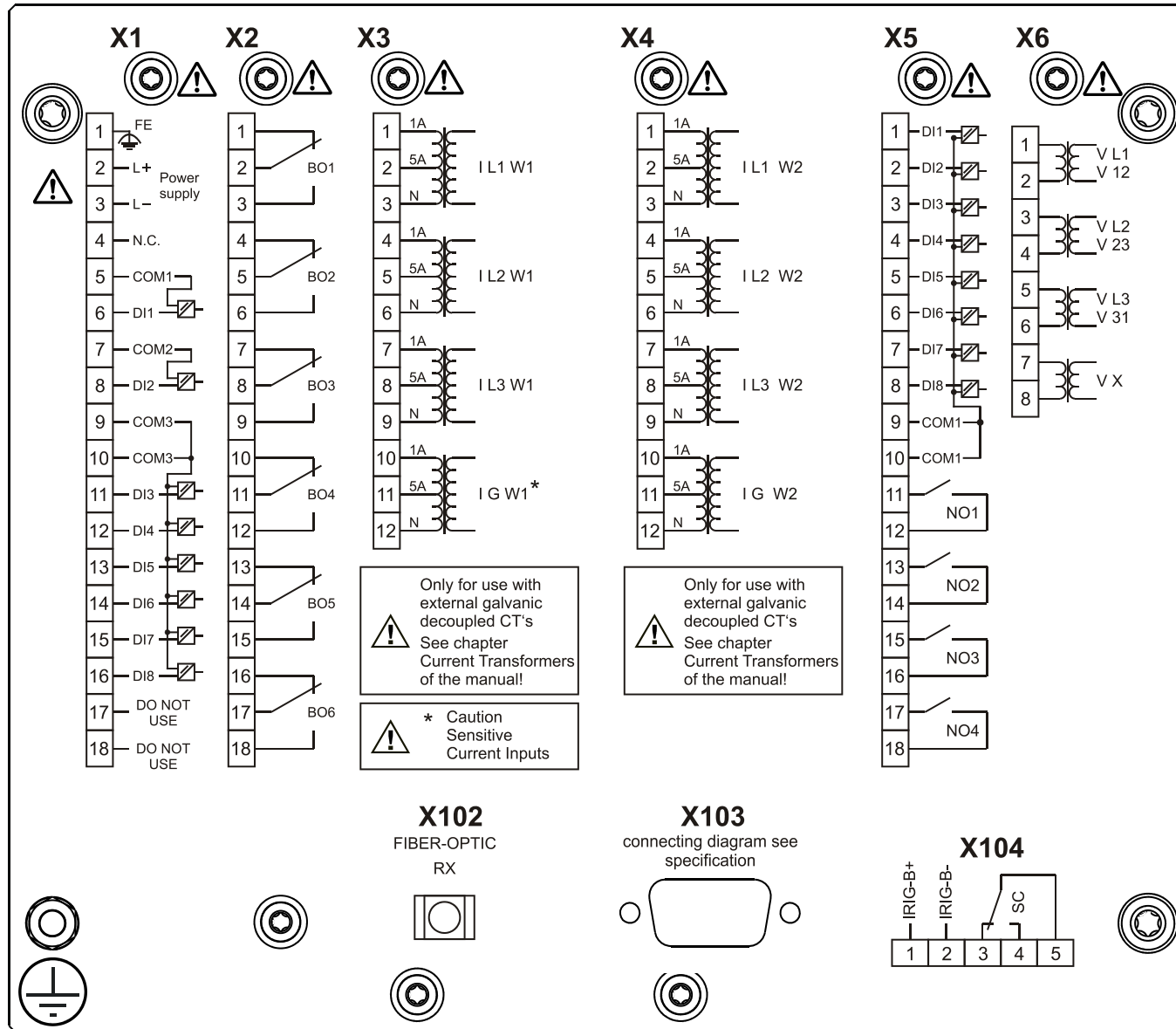
MCDTV4-2A1BFA



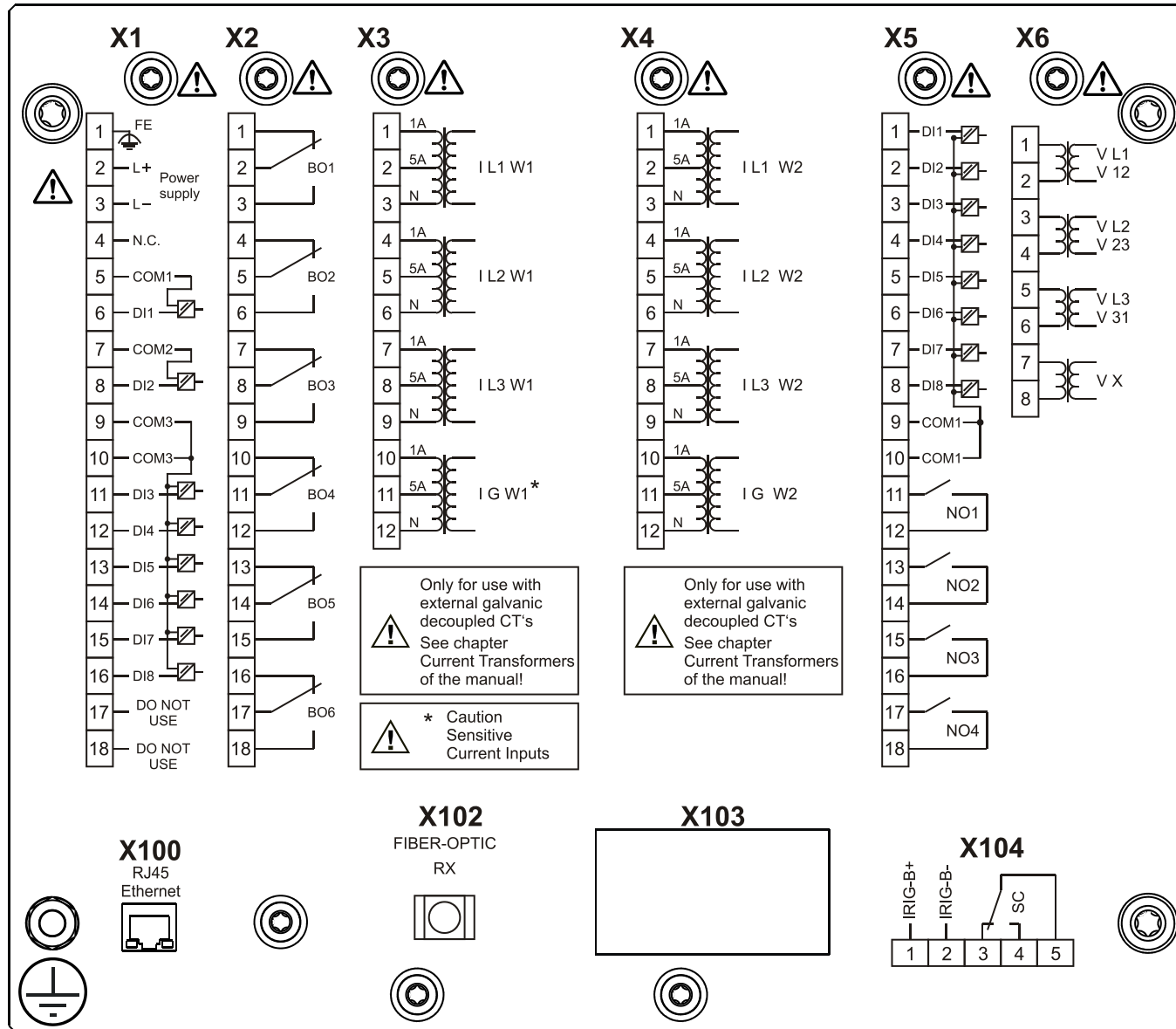
MCDTV4-2A1BGA



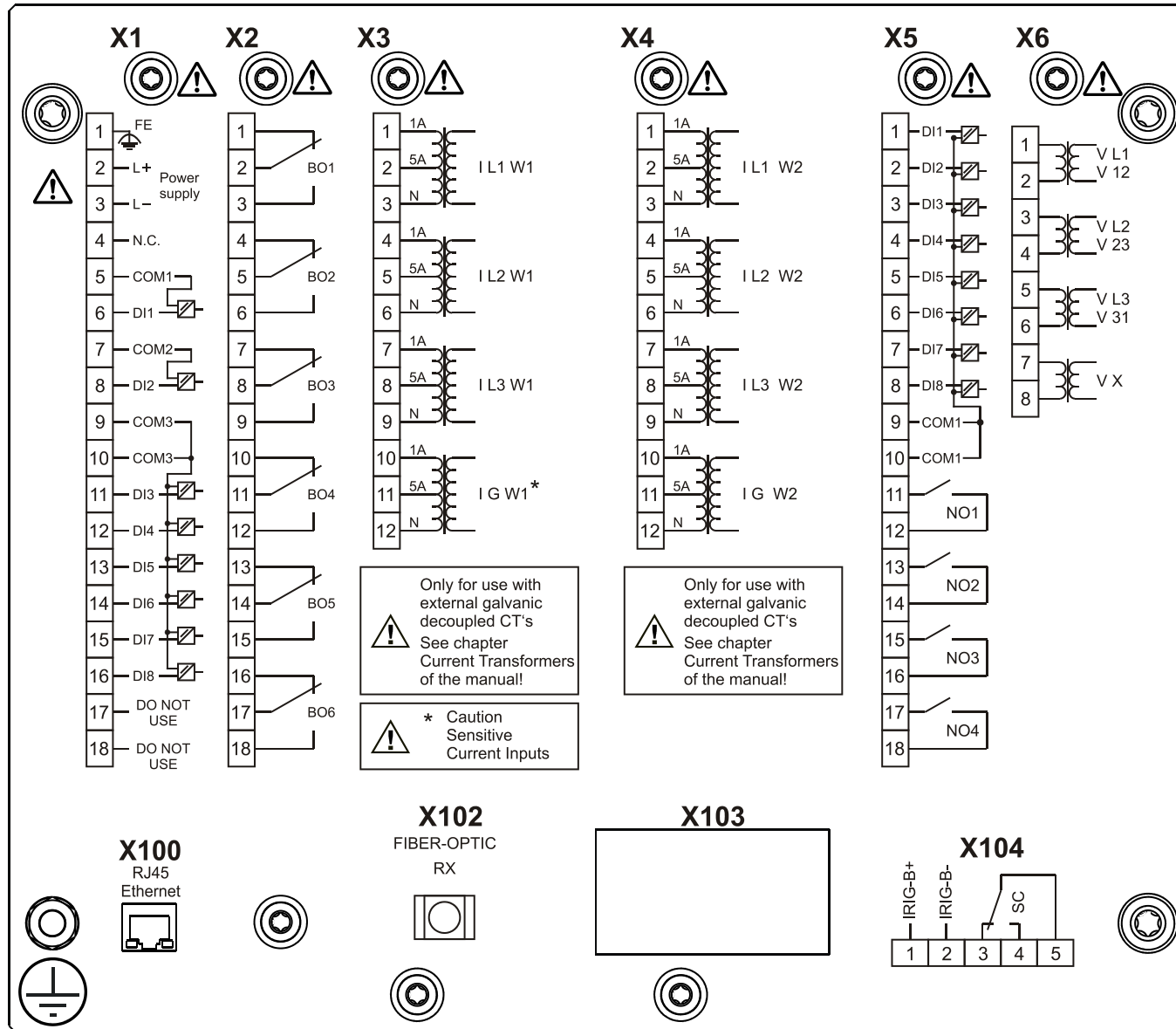
MCDTV4-2A1BGB



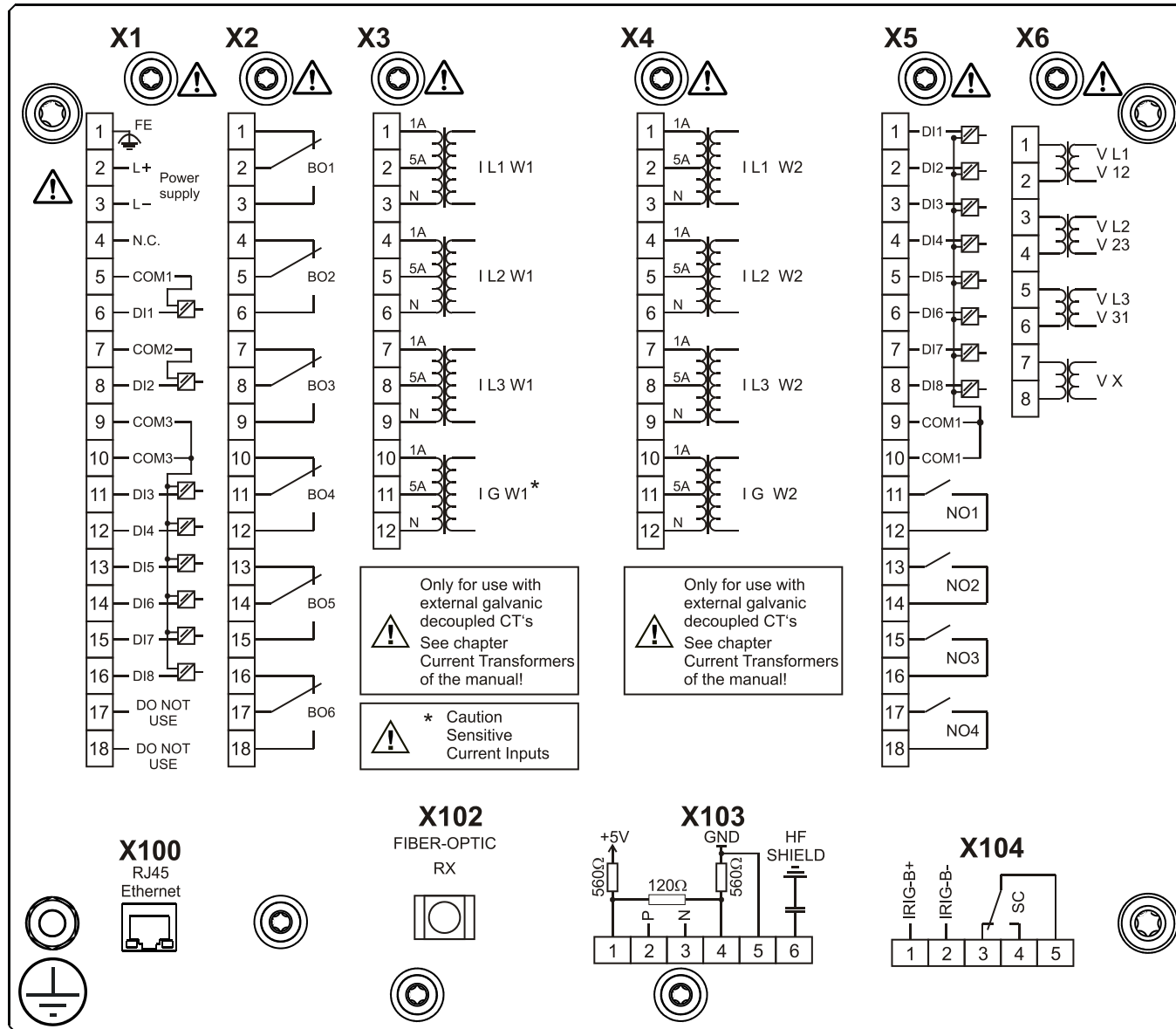
MCDTV4-2A1BHA



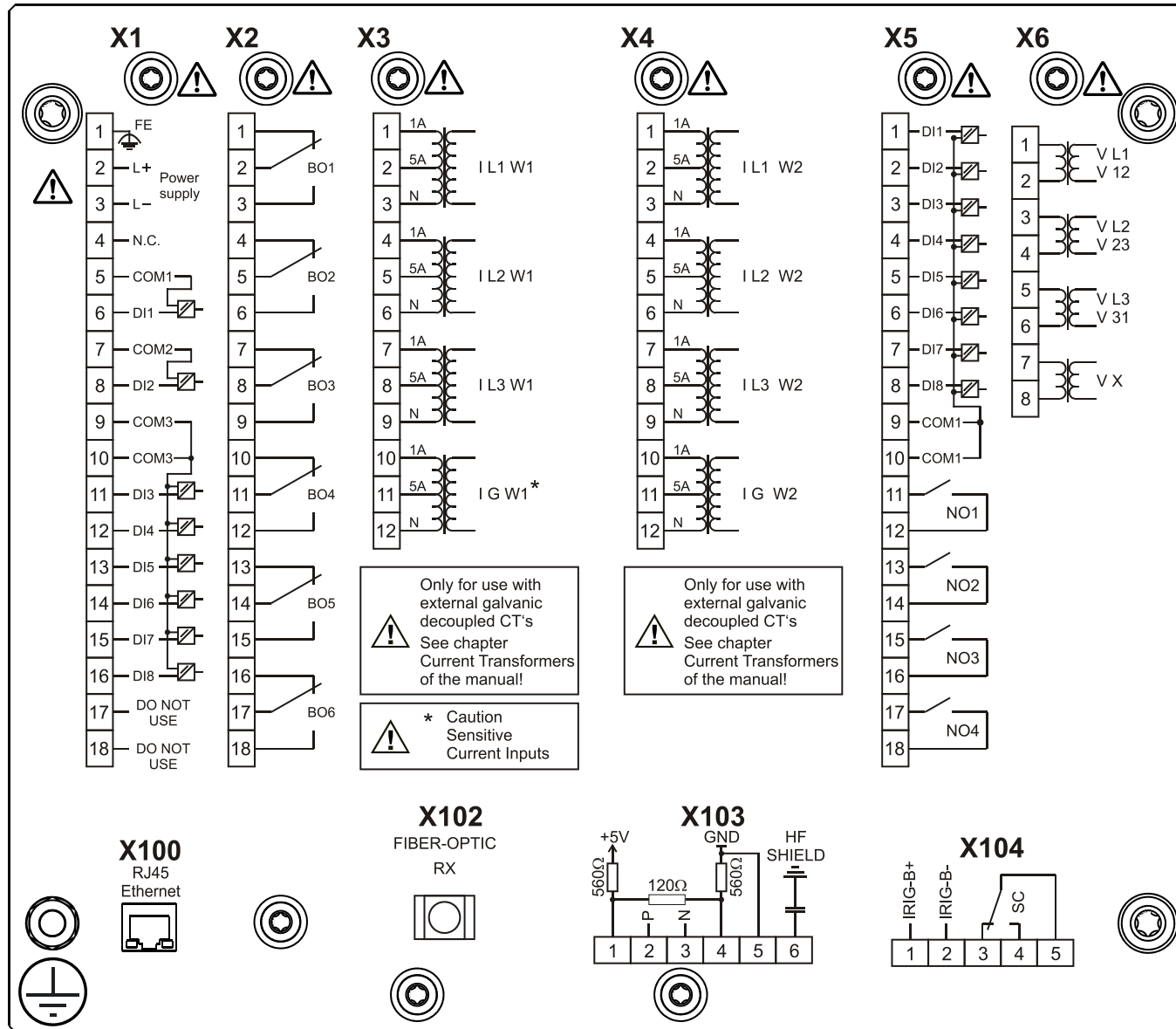
MCDTV4-2A1BHB



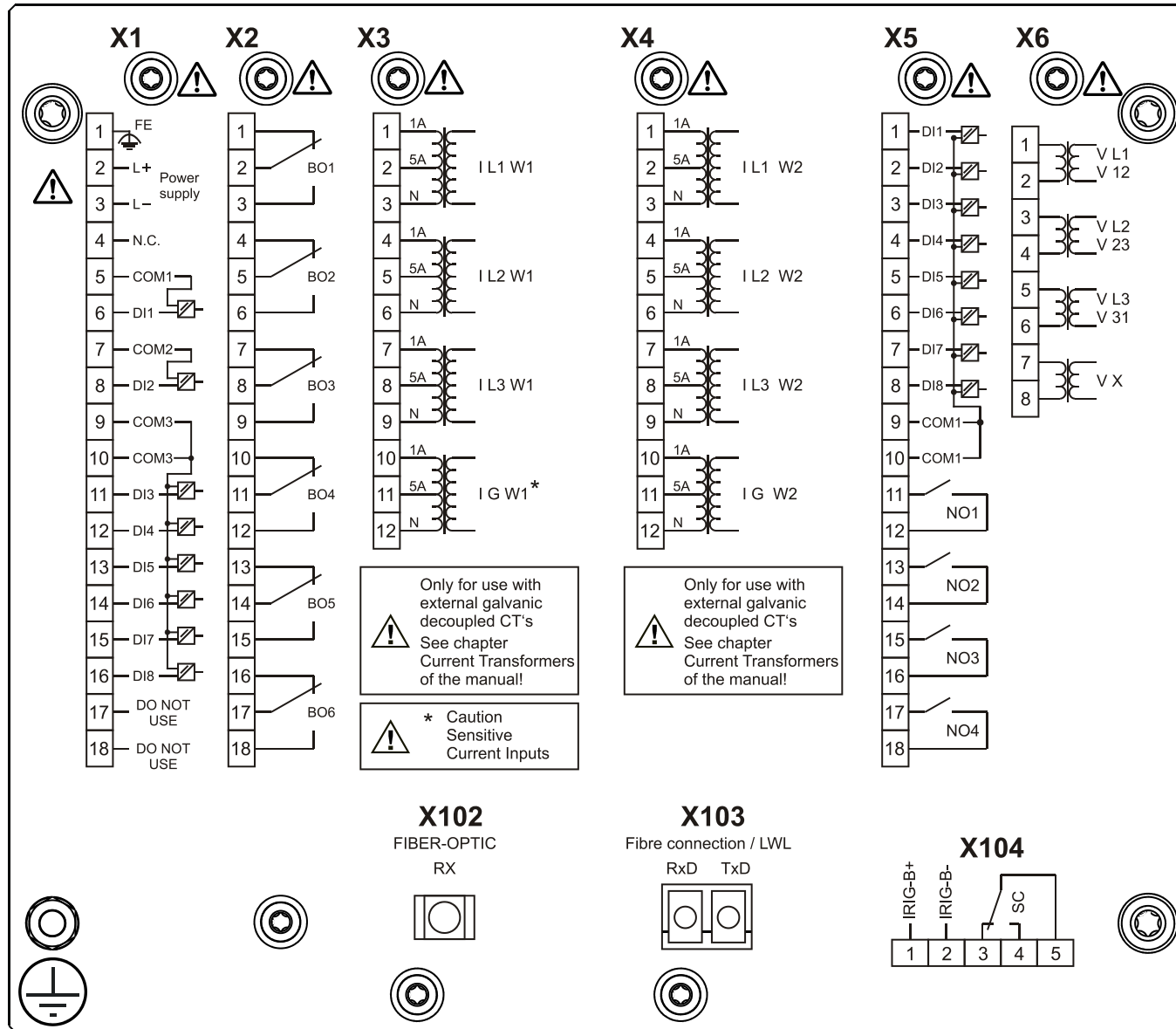
MCDTV4-2A1BIA



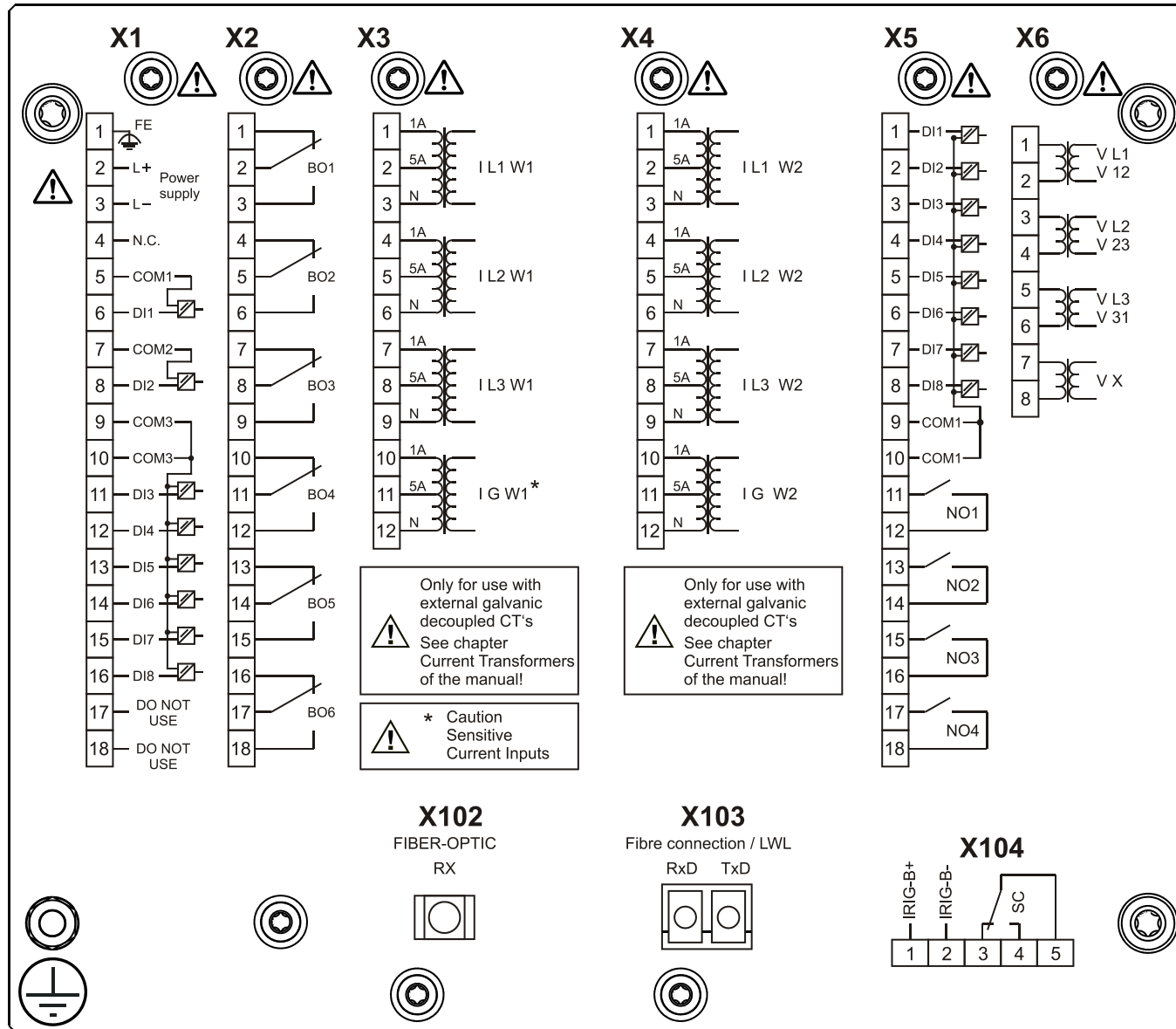
MCDTV4-2A1BIB



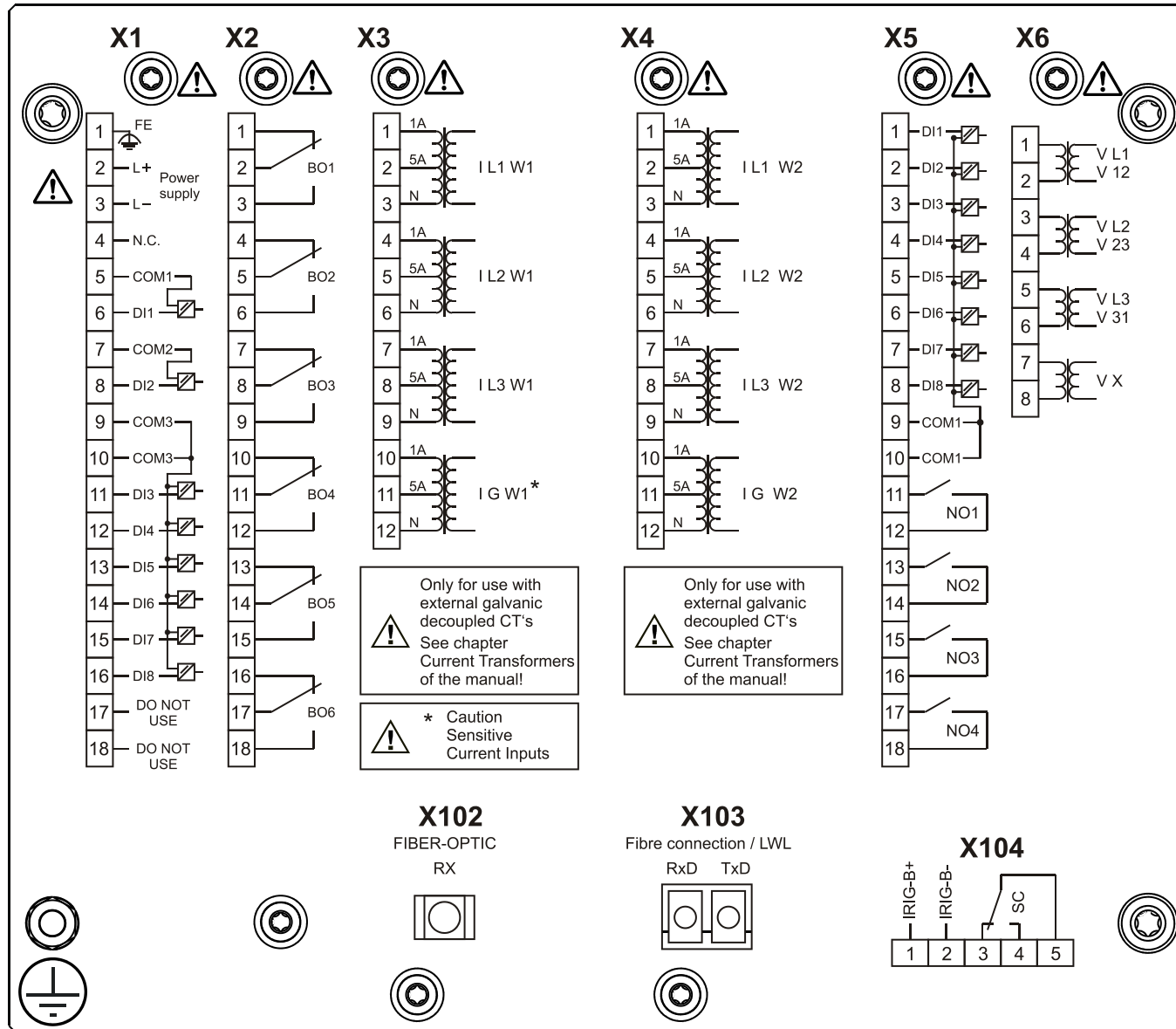
MCDTV4-2A1BKA



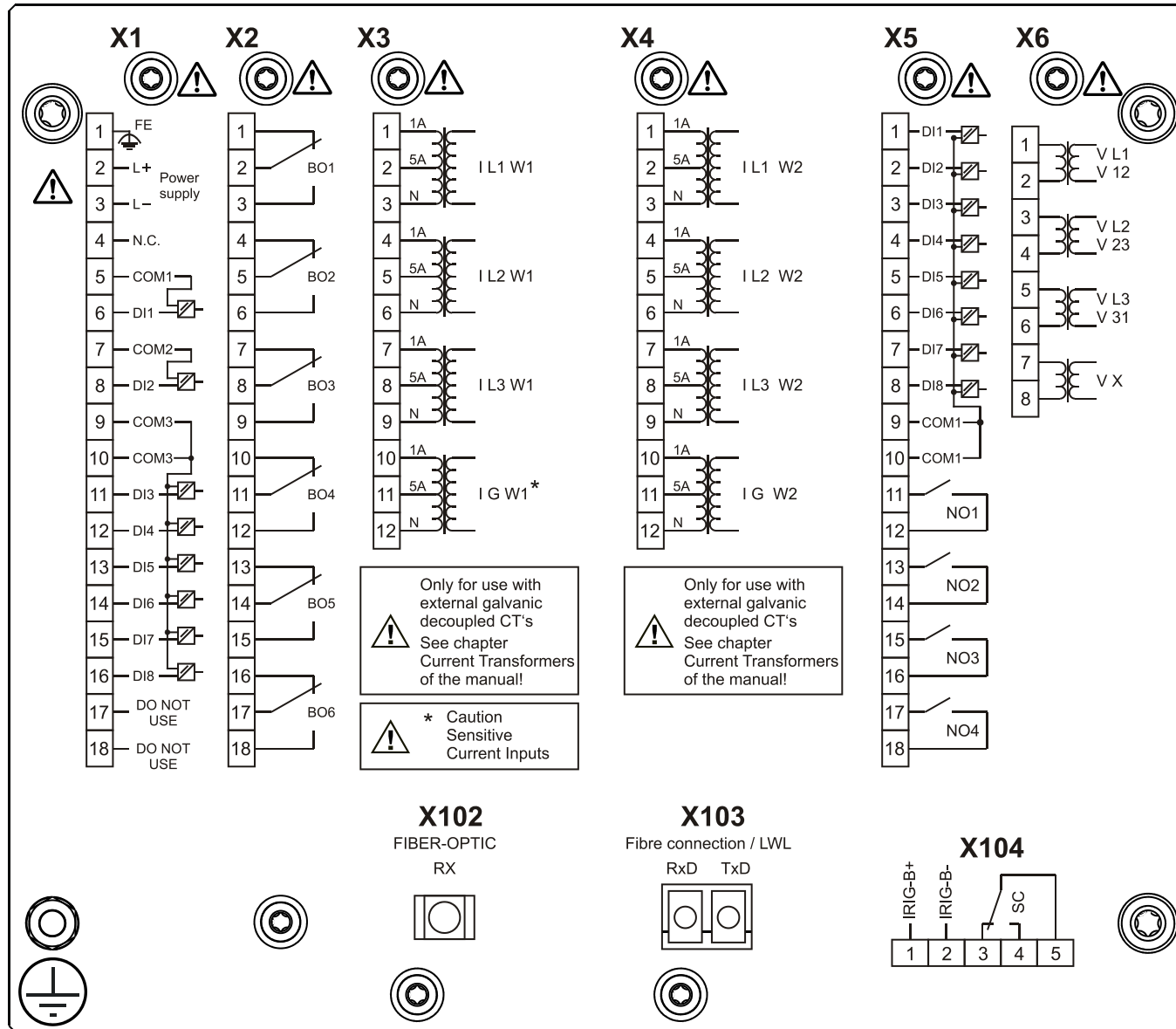
MCDTV4-2A1BKB



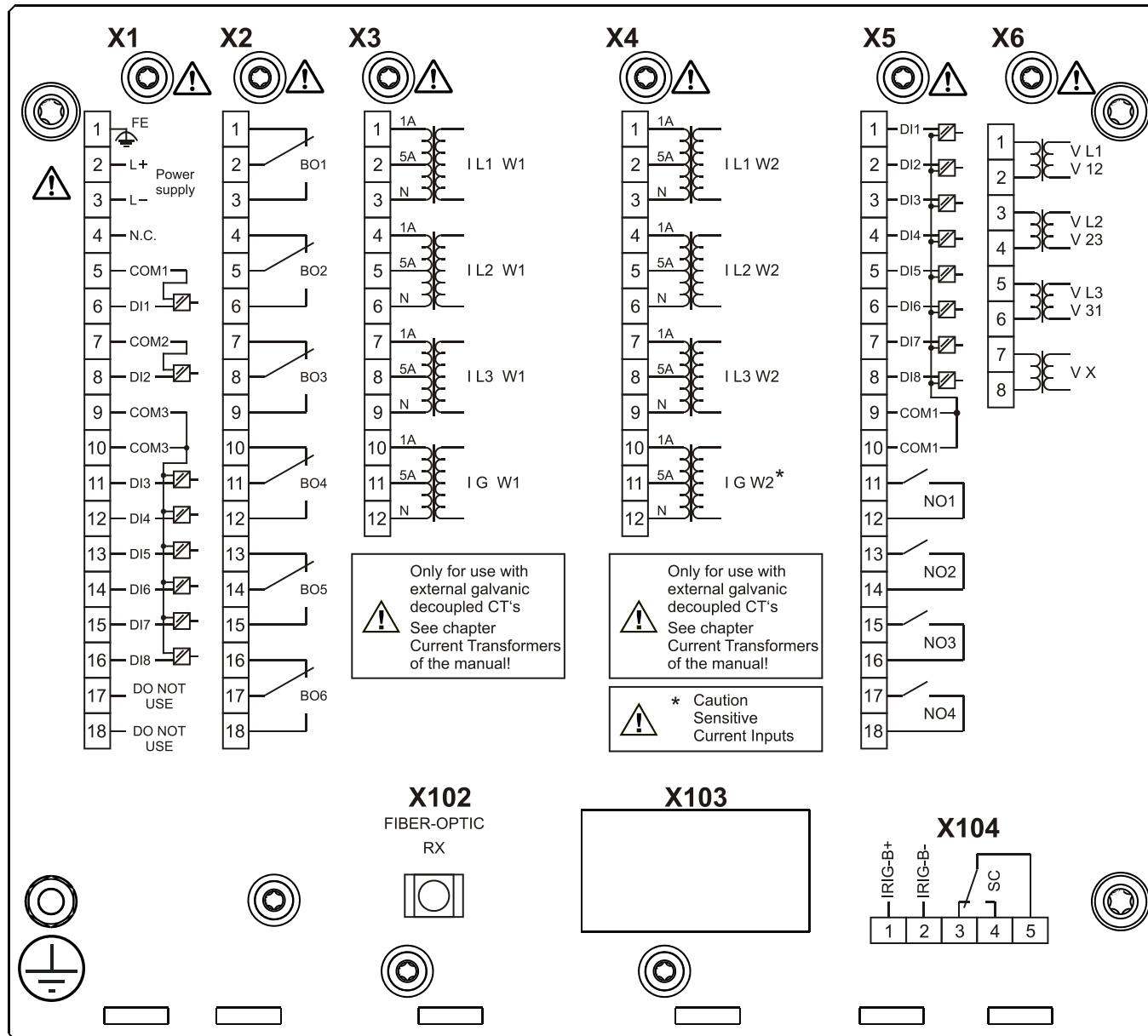
MCDTV4-2A1BLA



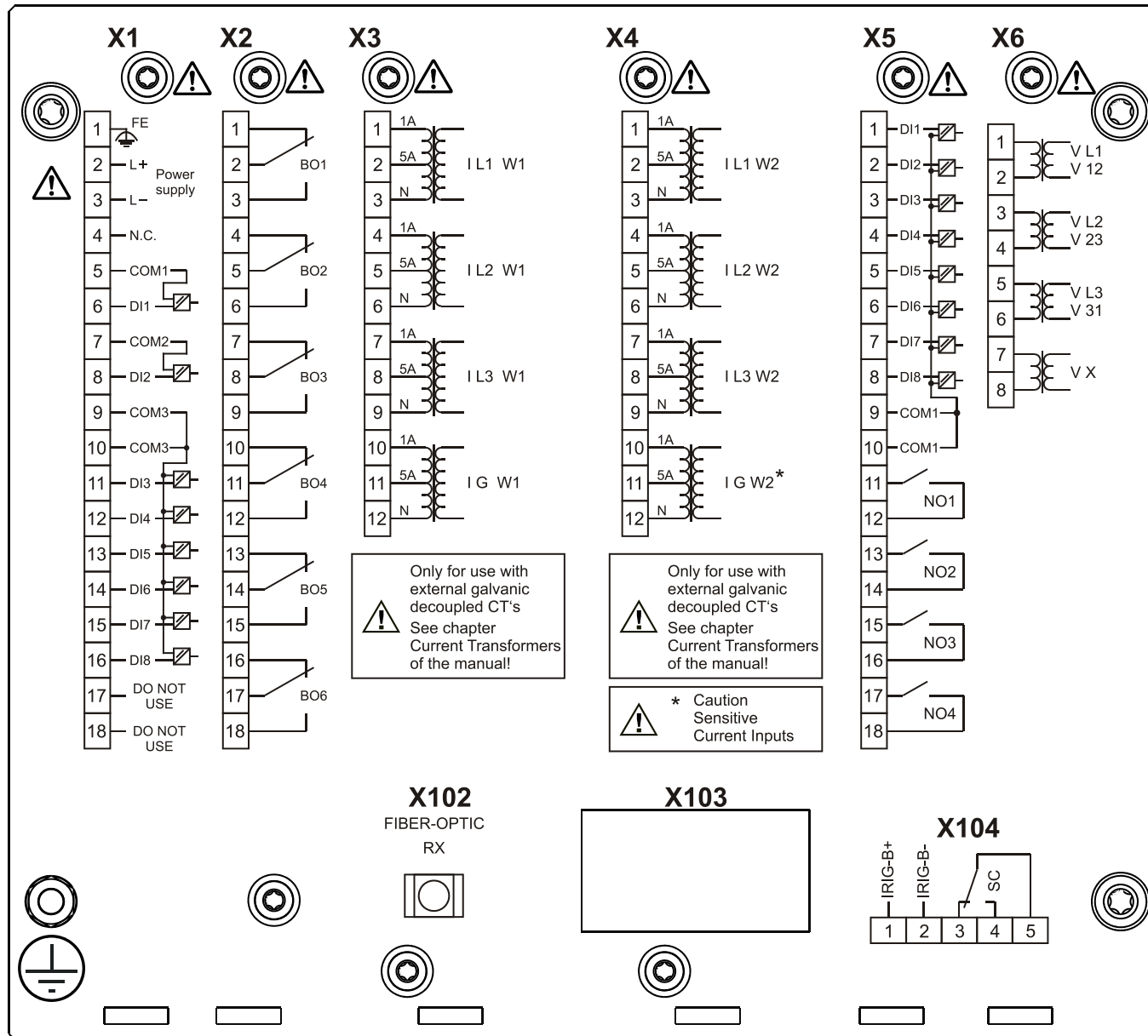
MCDTV4-2A1BLB



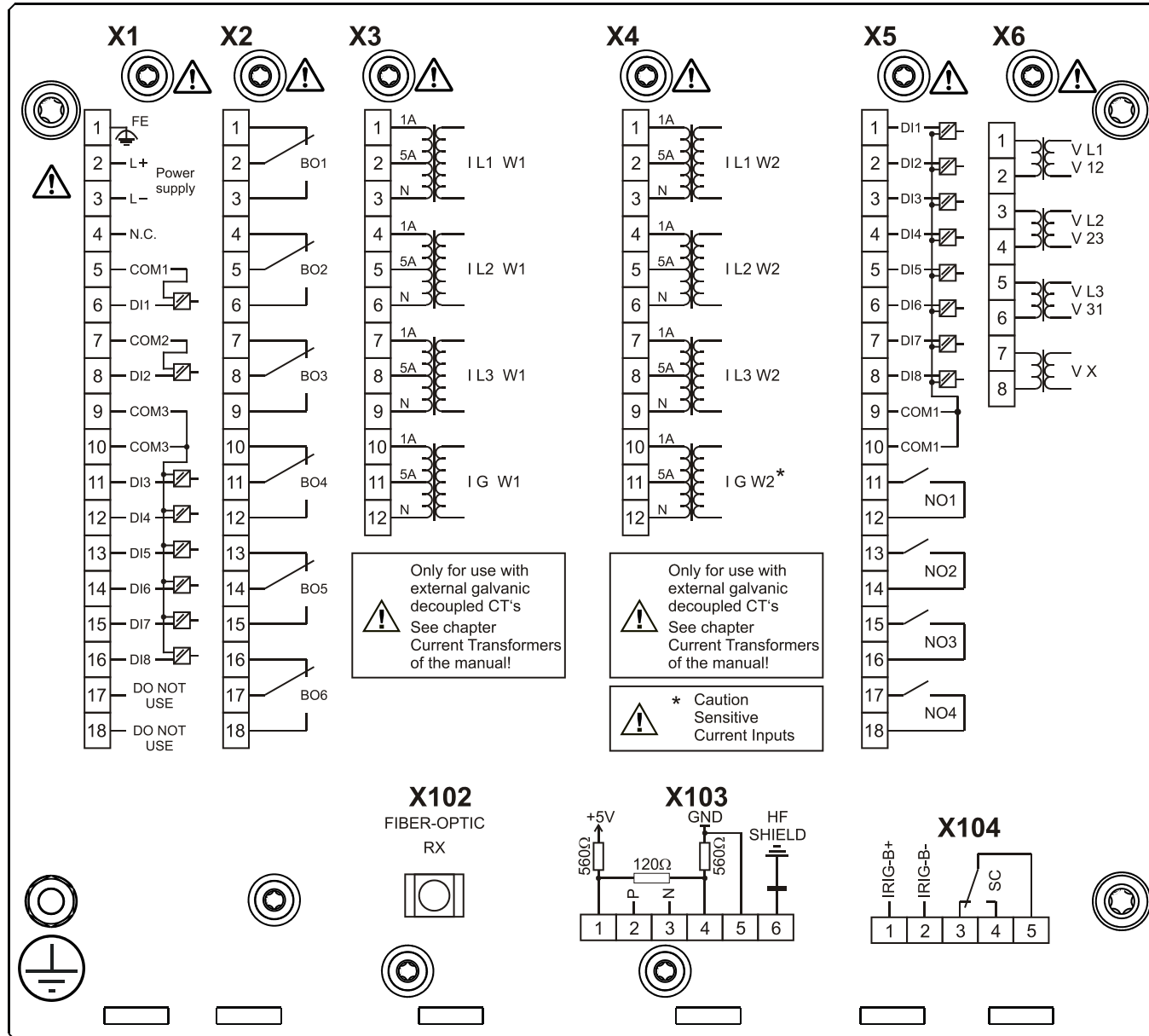
MCDTV4-2A2AAA



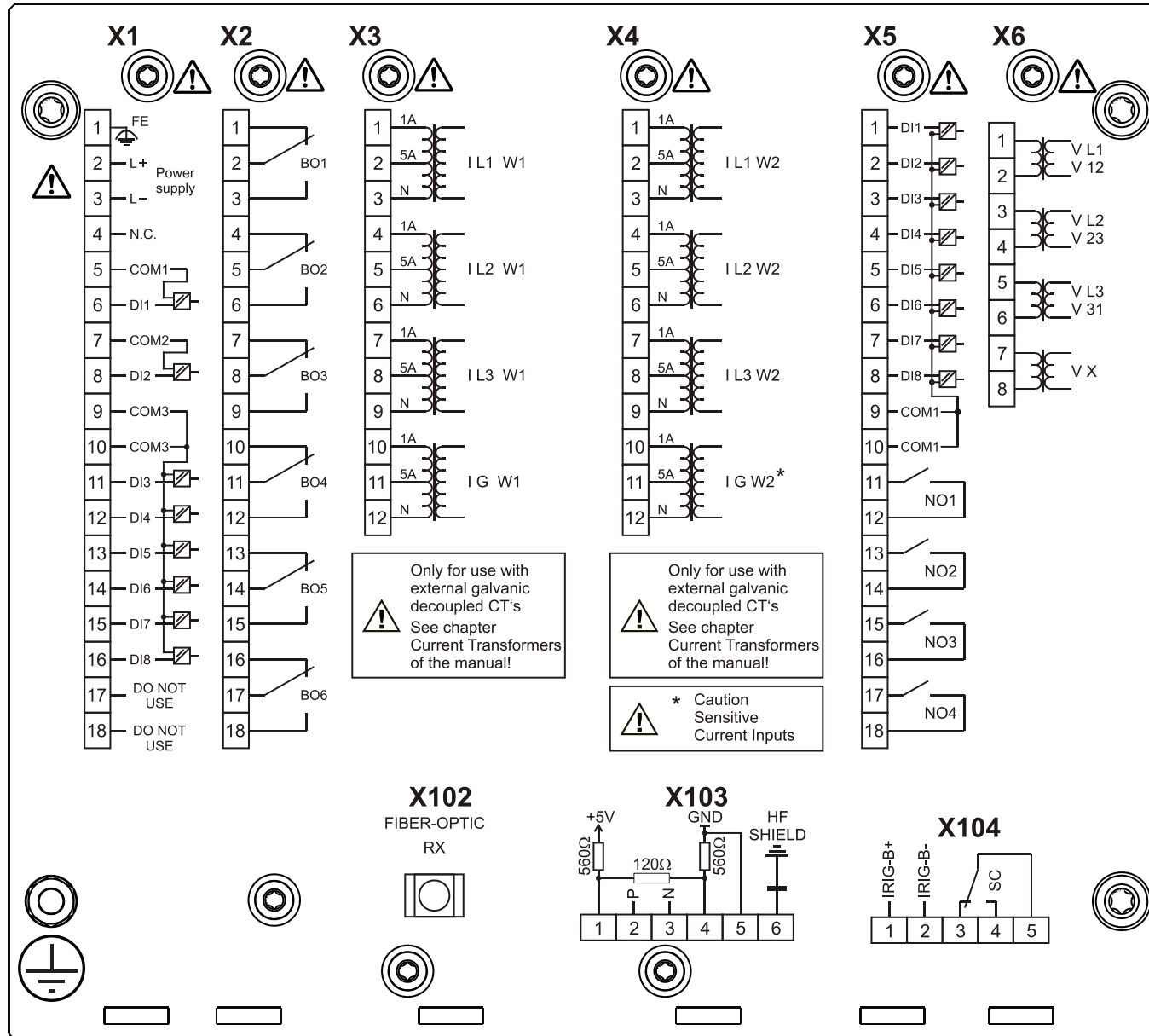
MCDTV4-2A2AAB



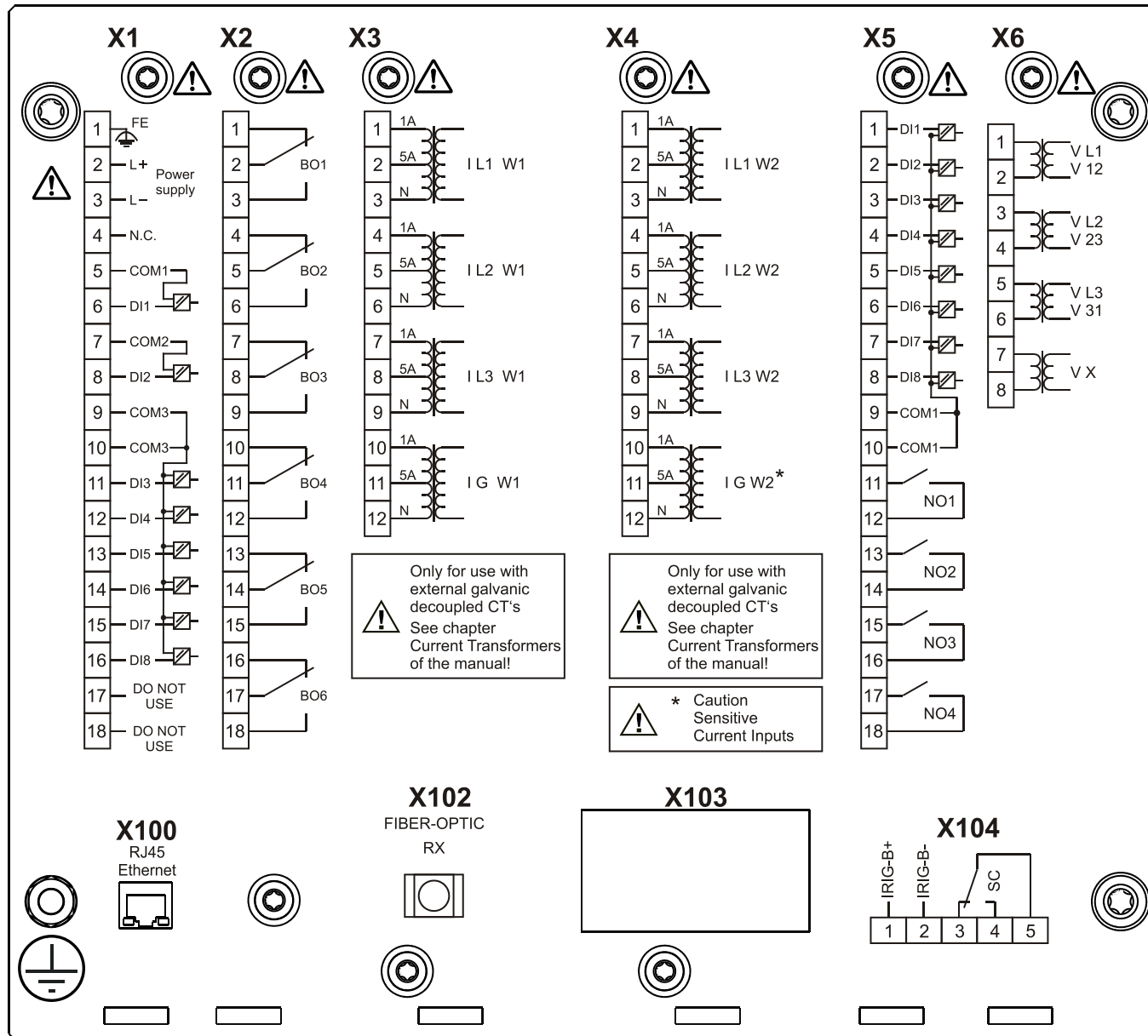
MCDTV4-2A2ABA



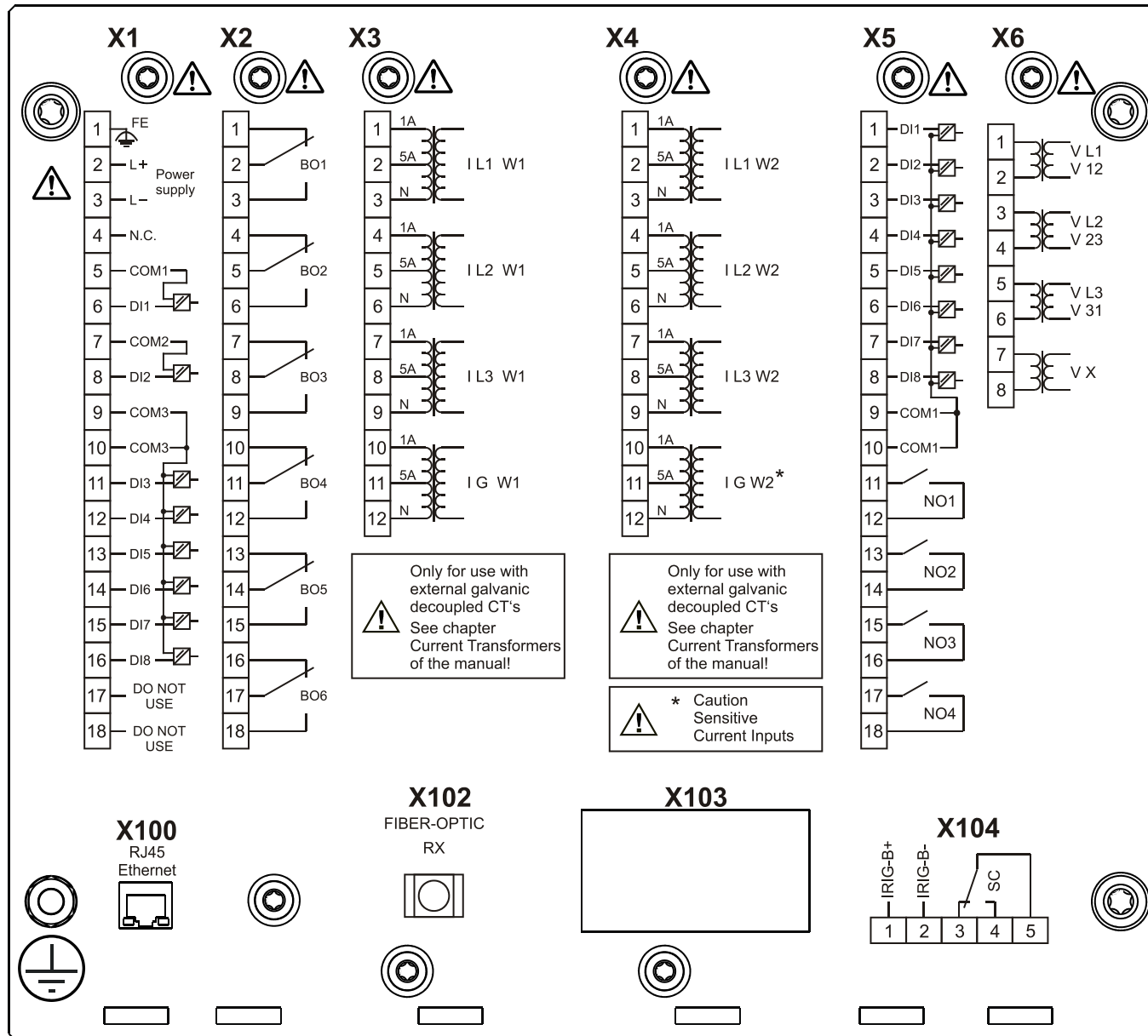
MCDTV4-2A2ABB



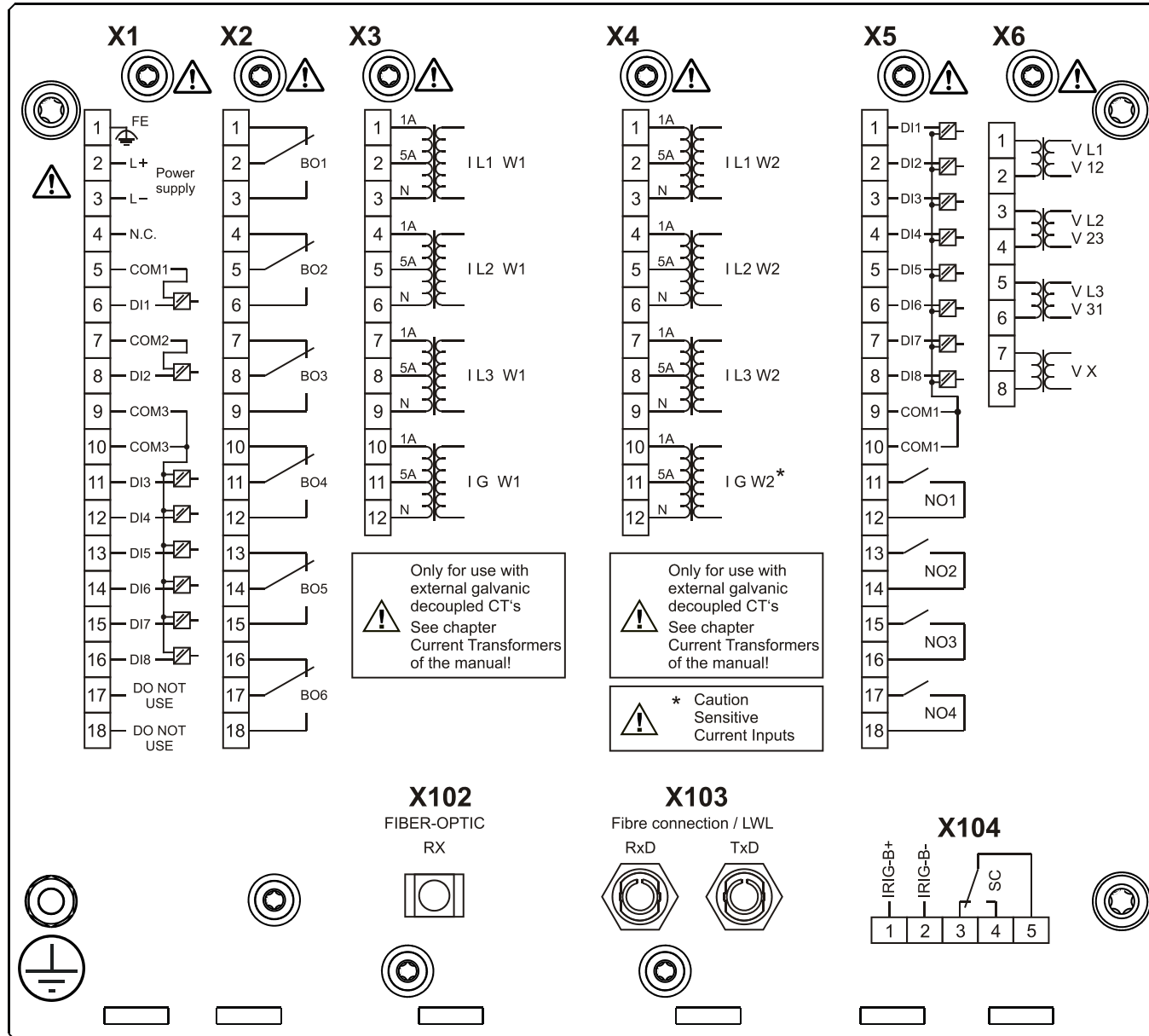
MCDTV4-2A2ACA



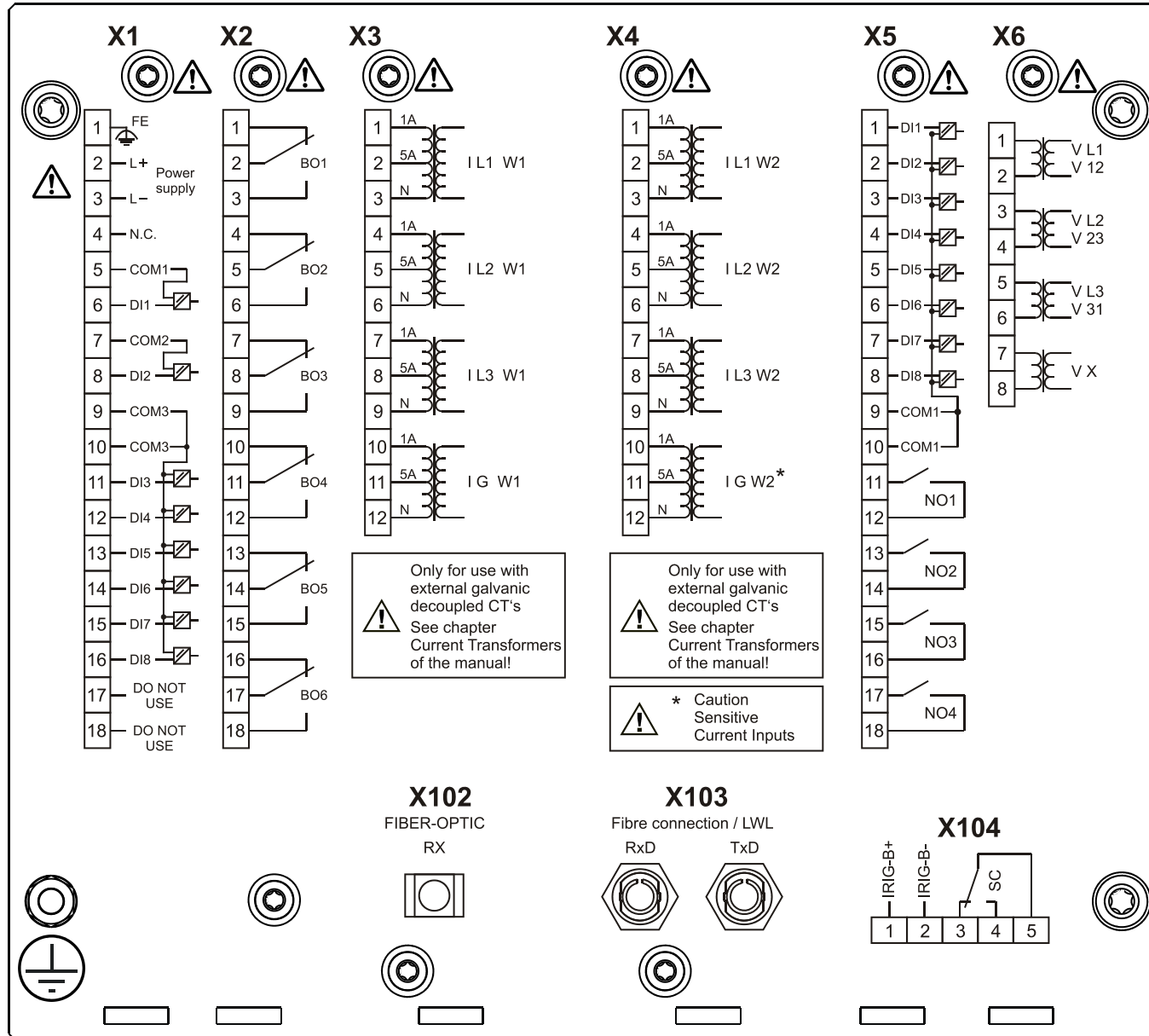
MCDTV4-2A2ACB



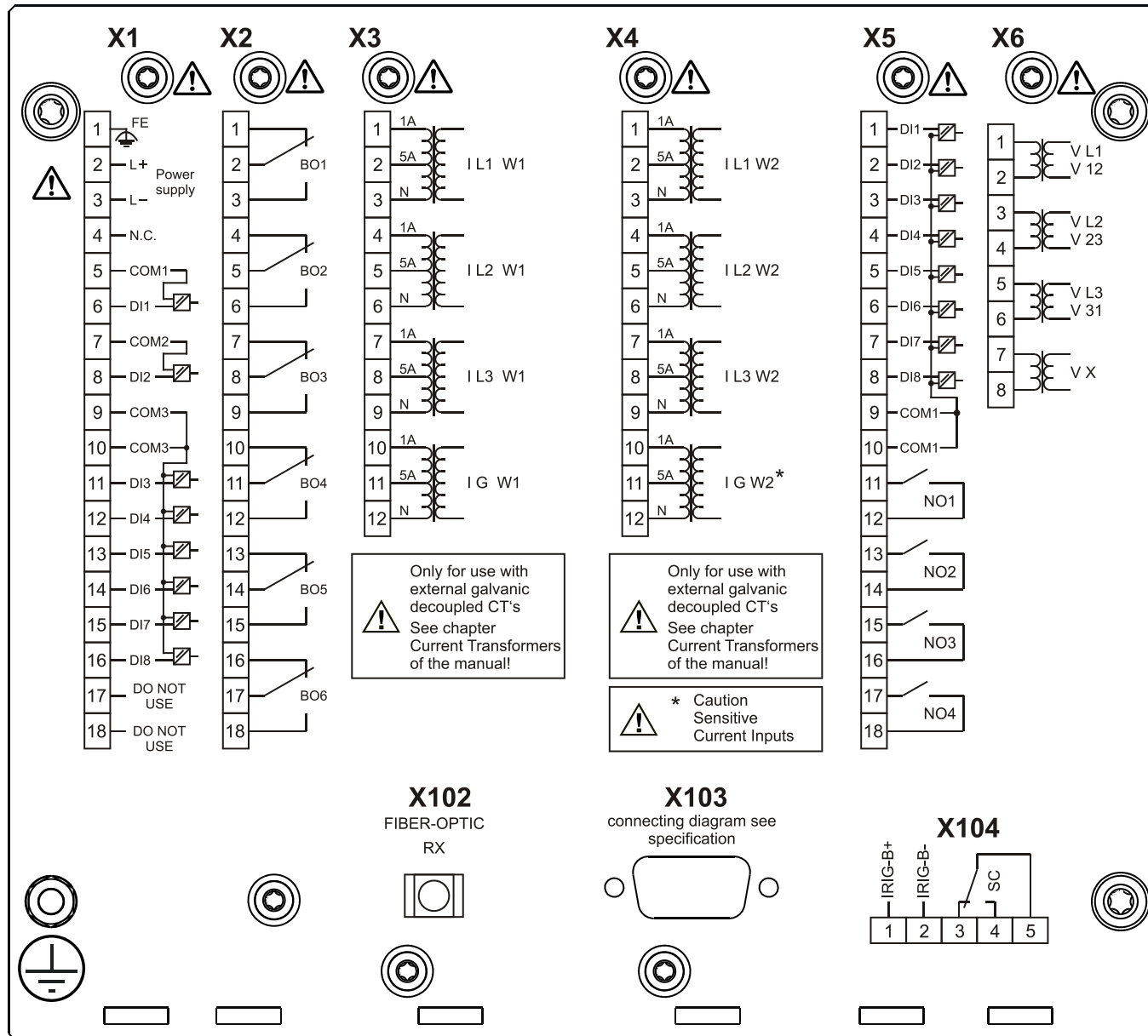
MCDTV4-2A2ADA



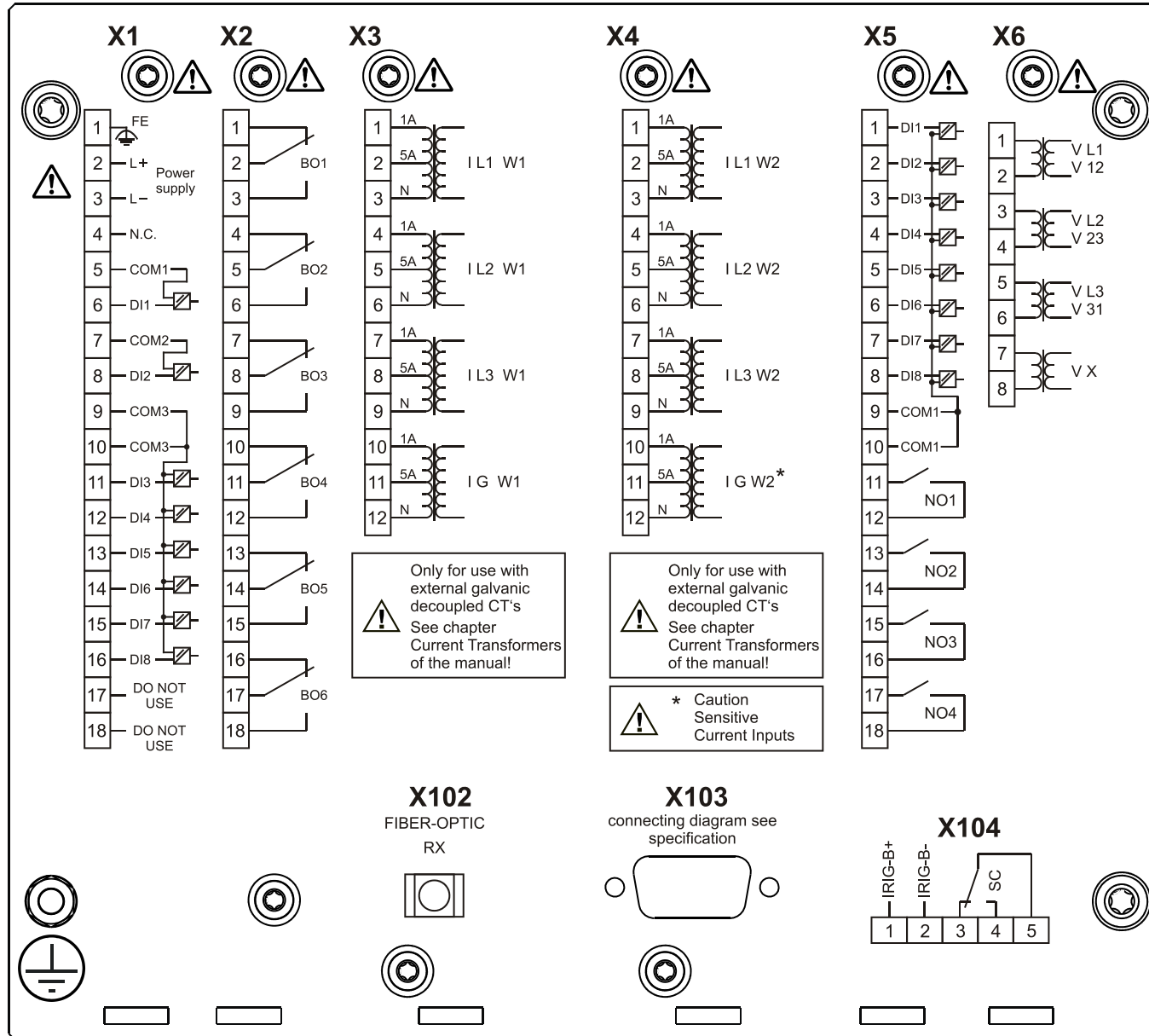
MCDTV4-2A2ADB



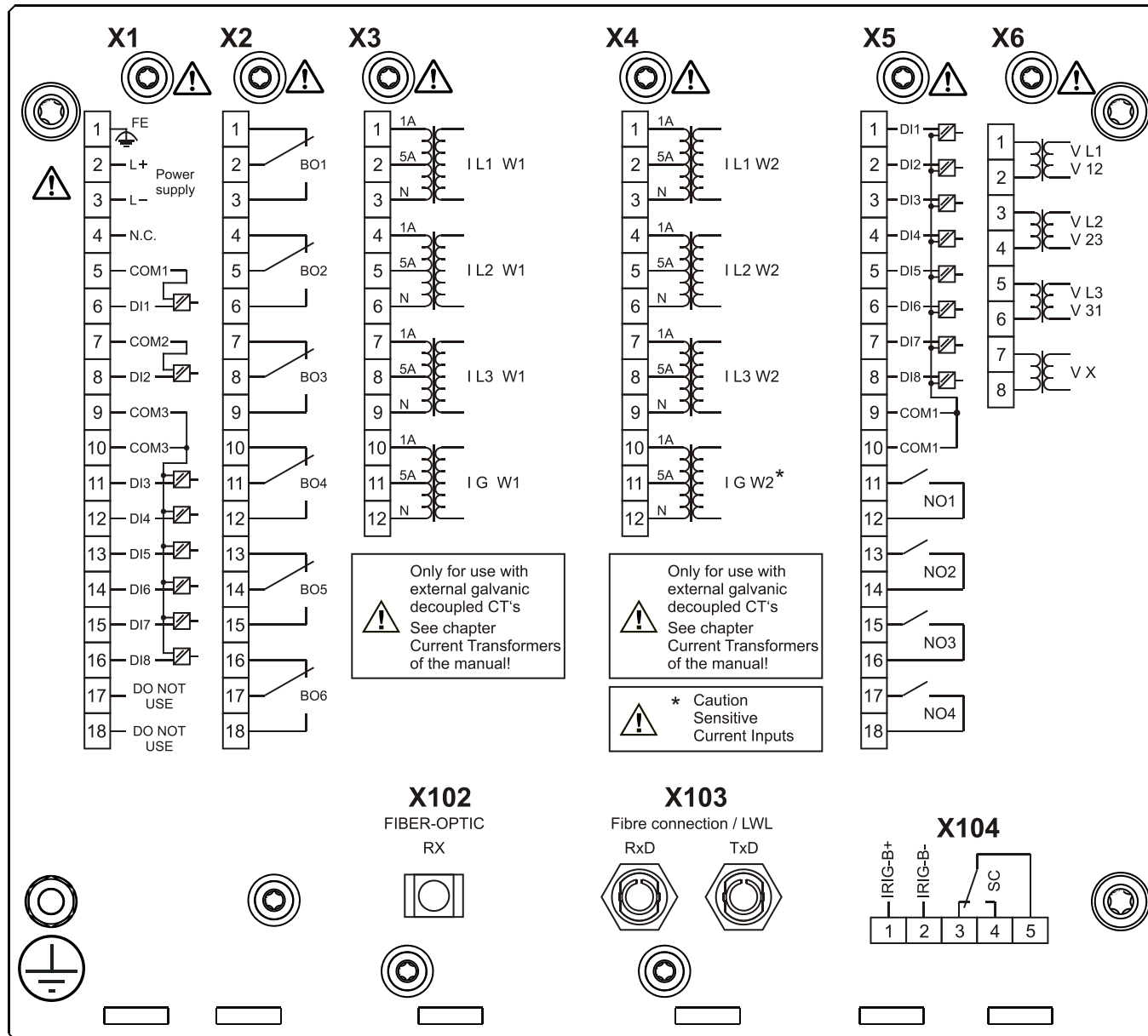
MCDTV4-2A2AEA



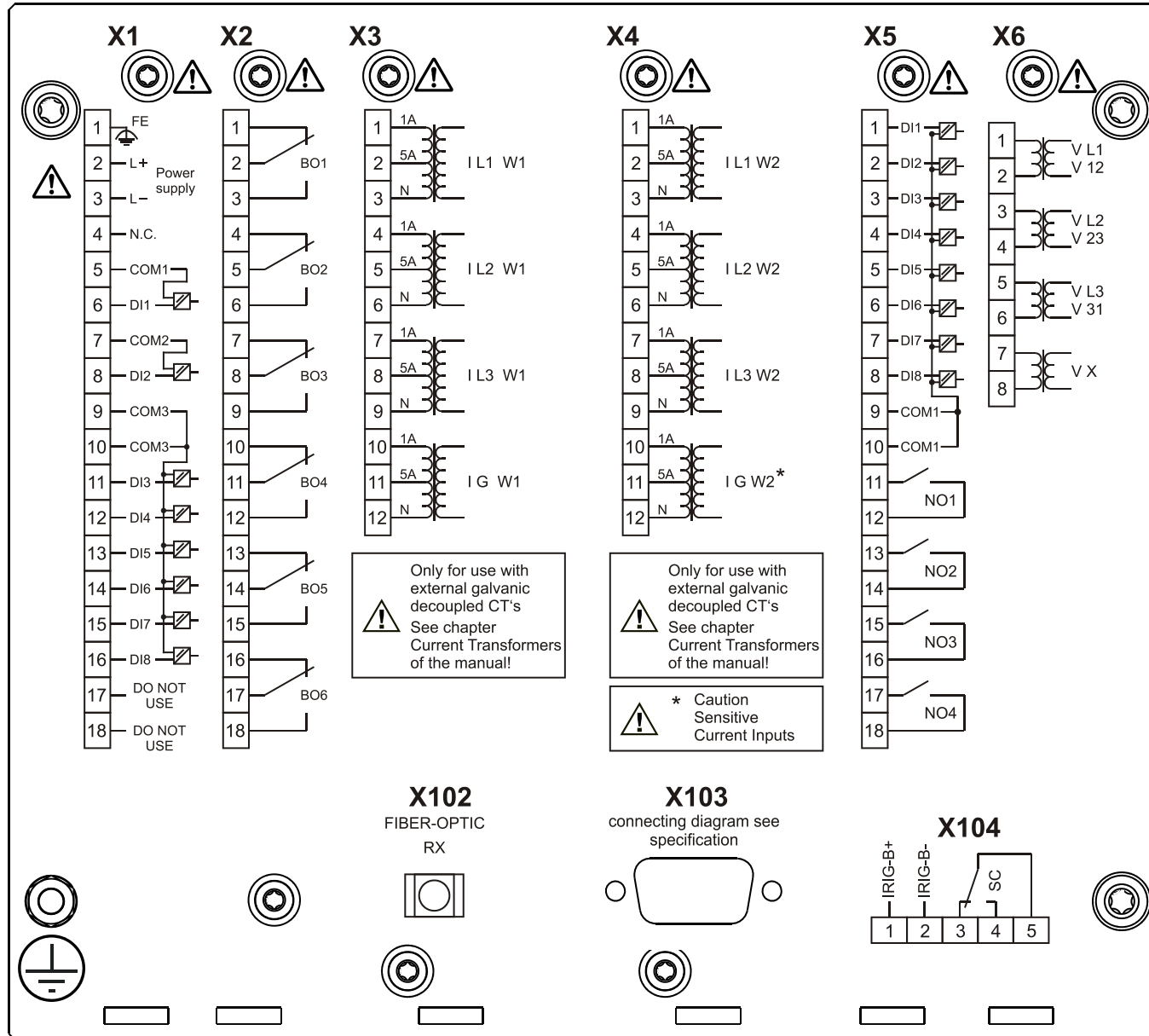
MCDTV4-2A2AEB



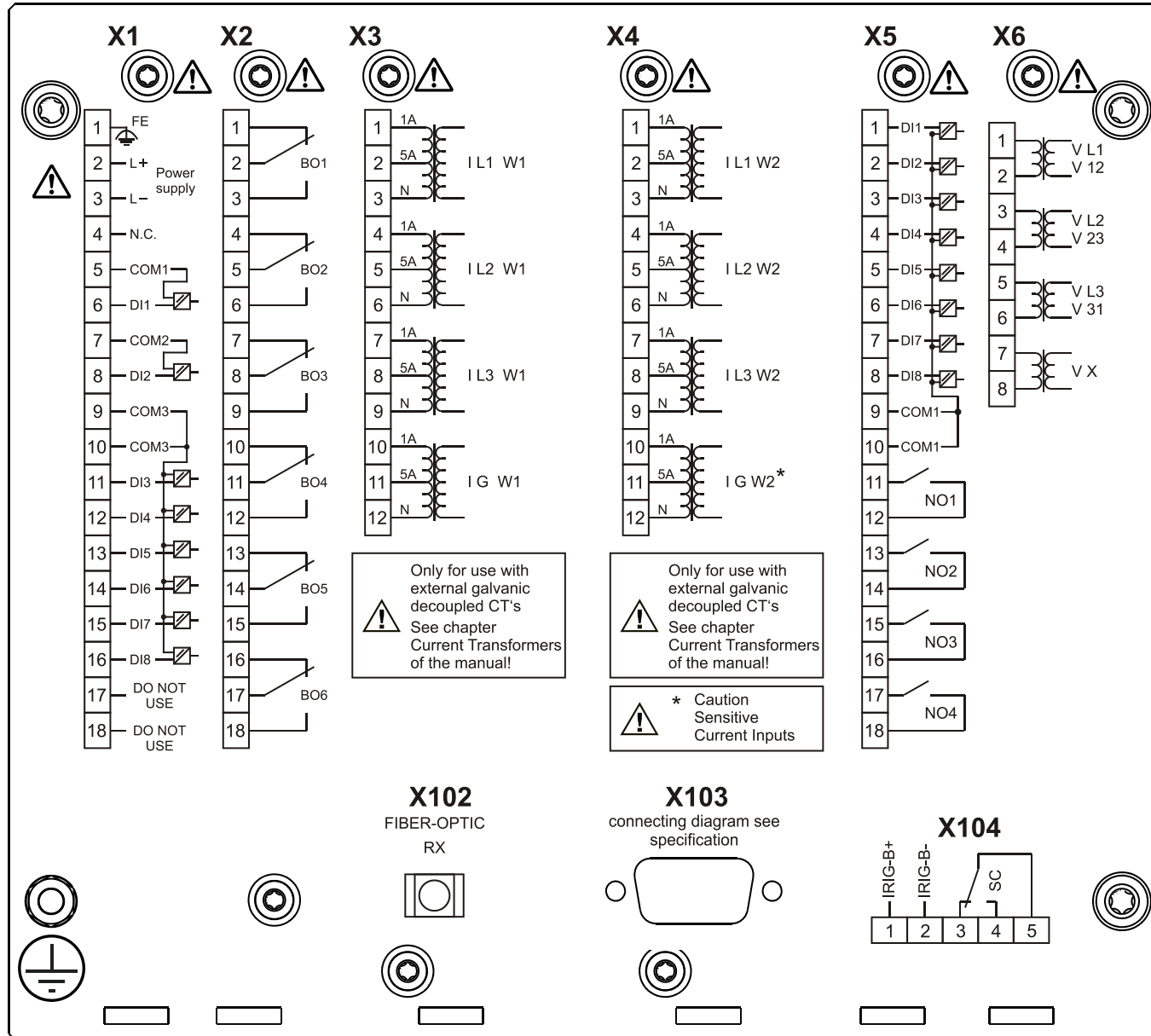
MCDTV4-2A2AFA



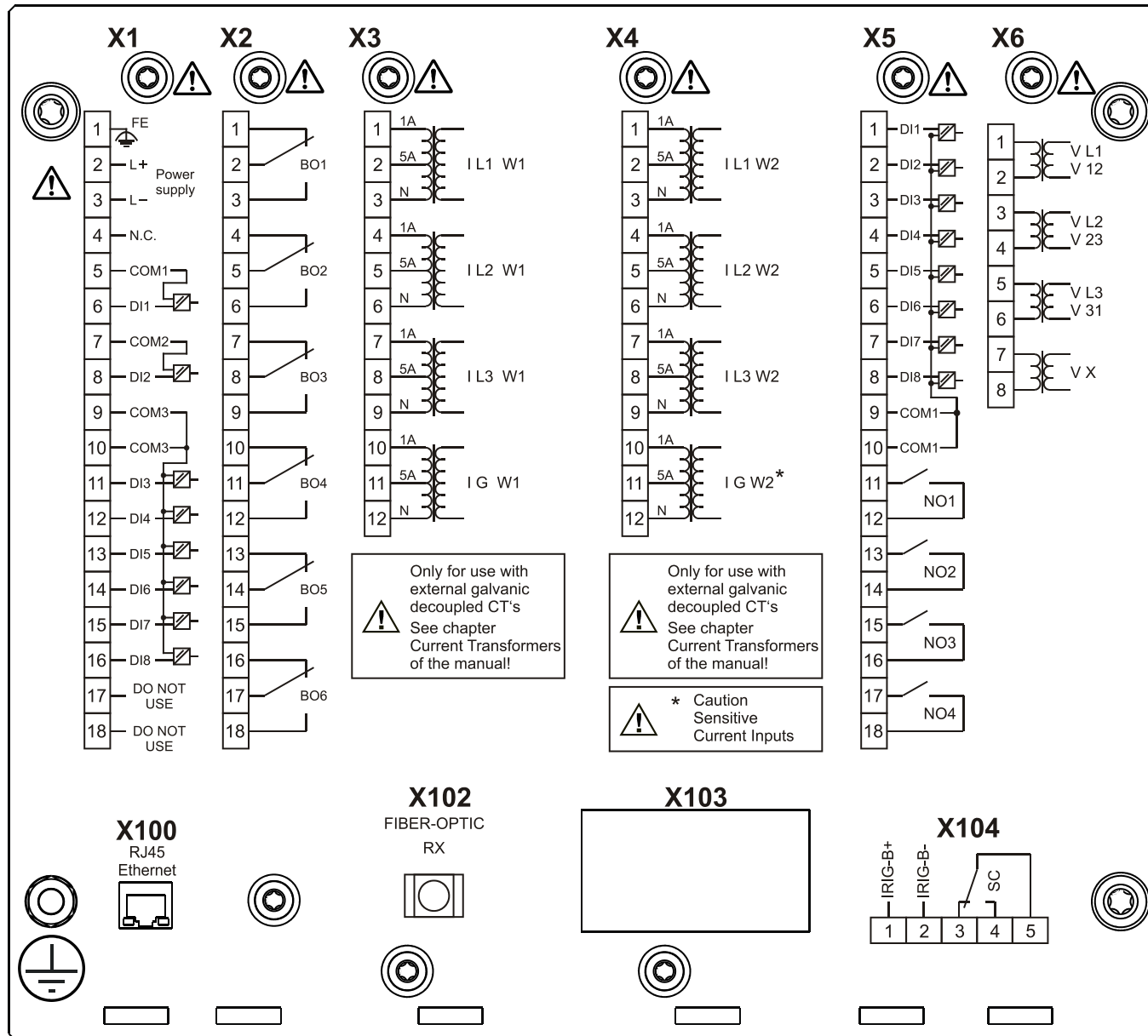
MCDTV4-2A2AGA



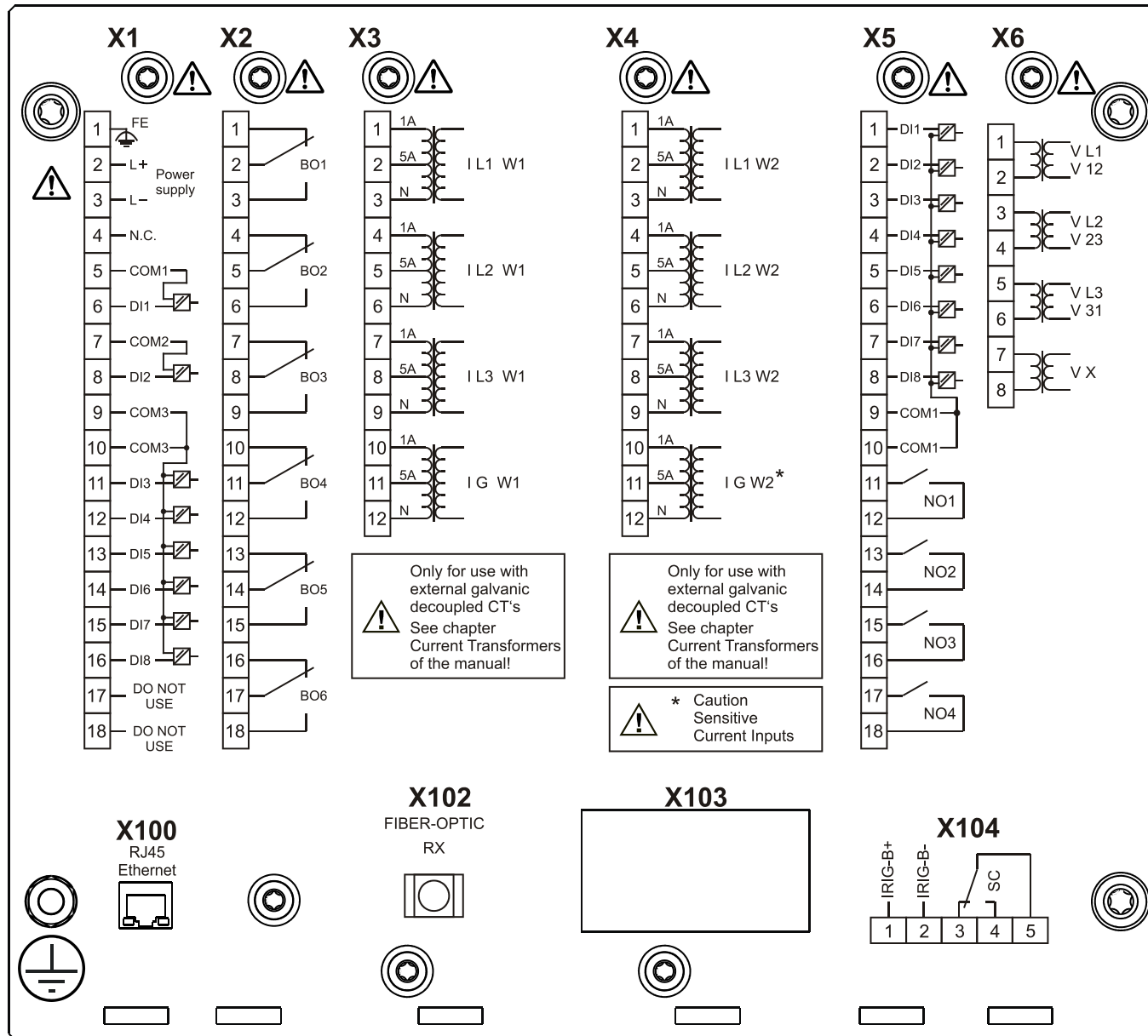
MCDTV4-2A2AGB



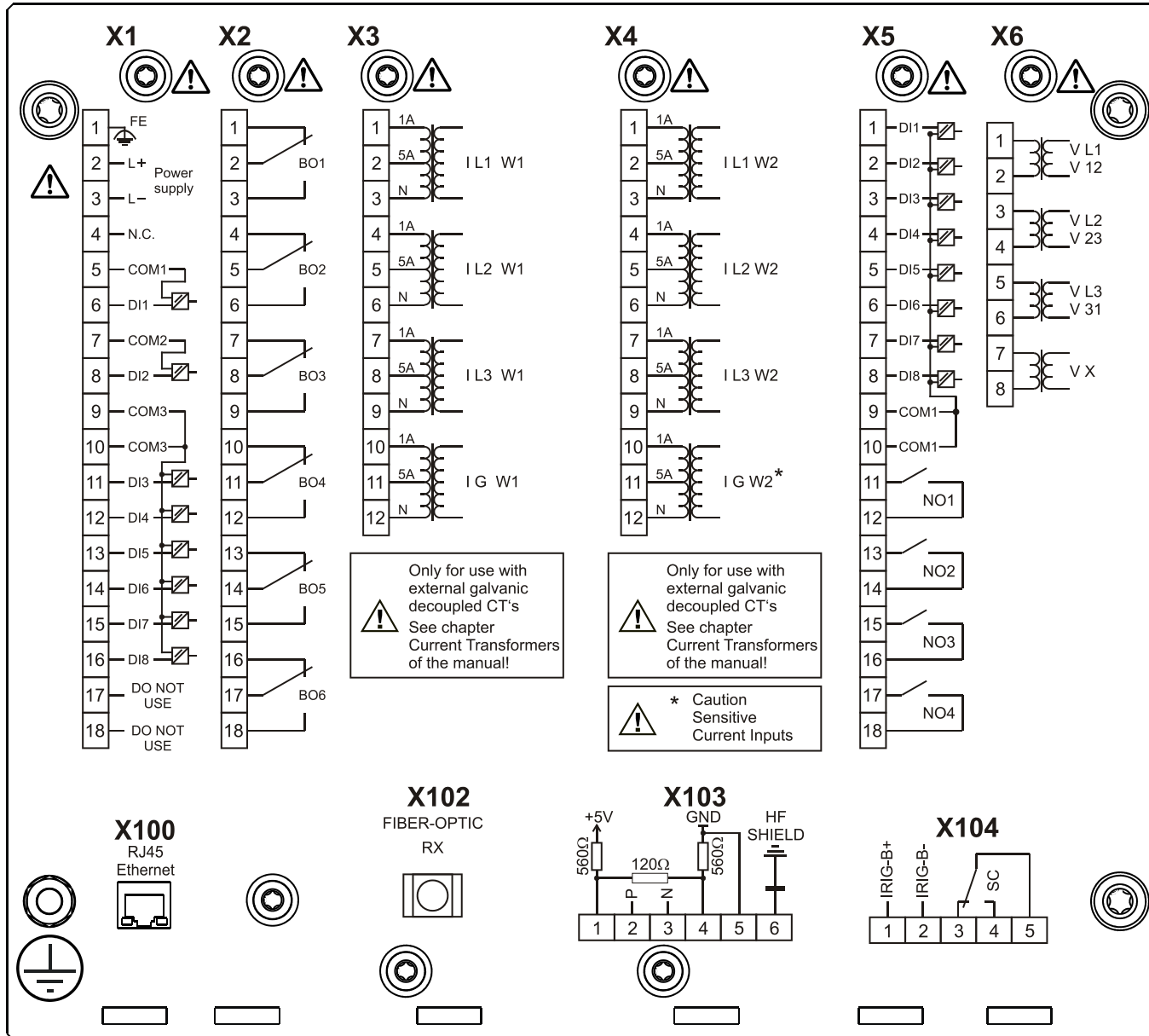
MCDTV4-2A2AHA



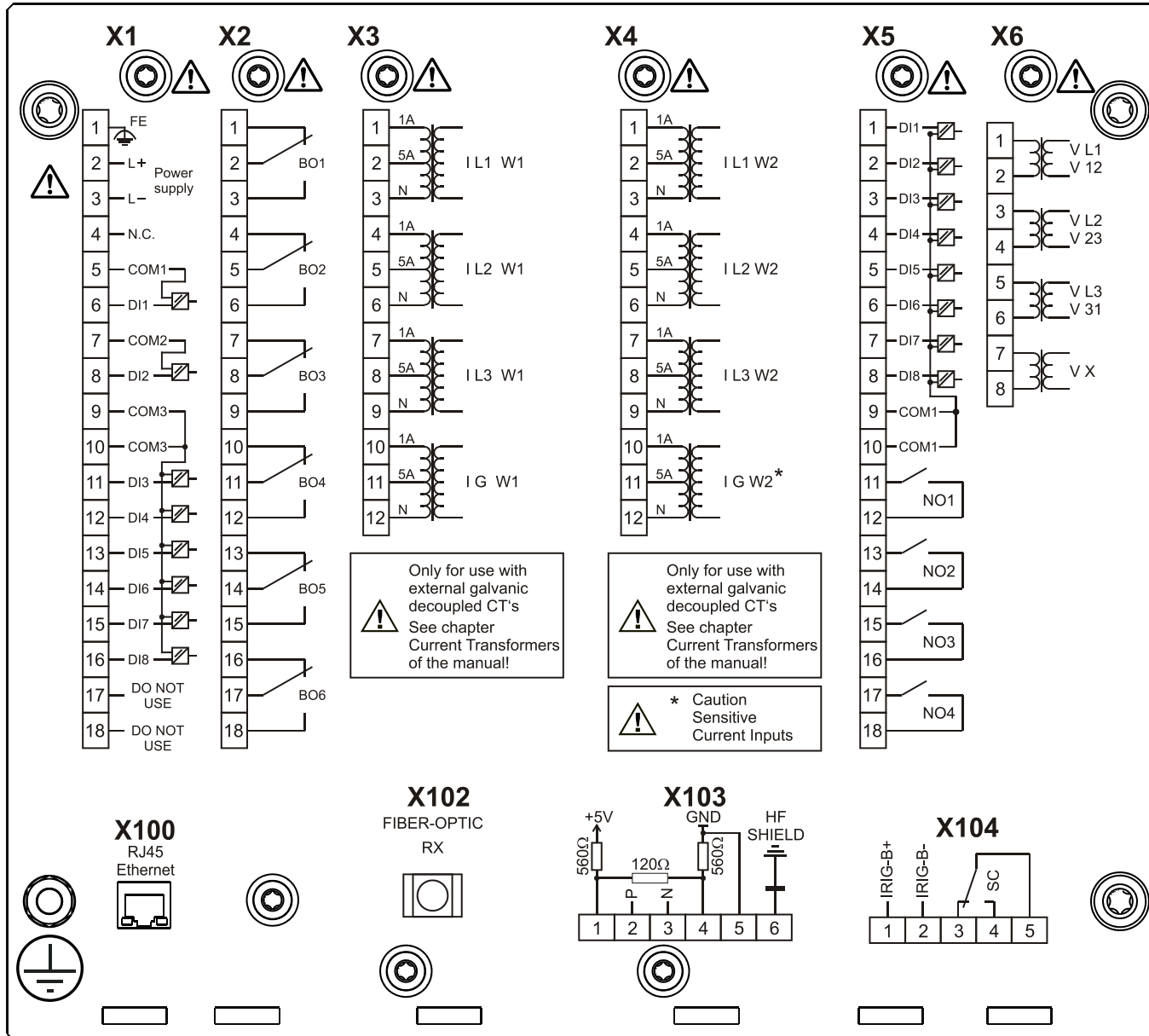
MCDTV4-2A2AHB



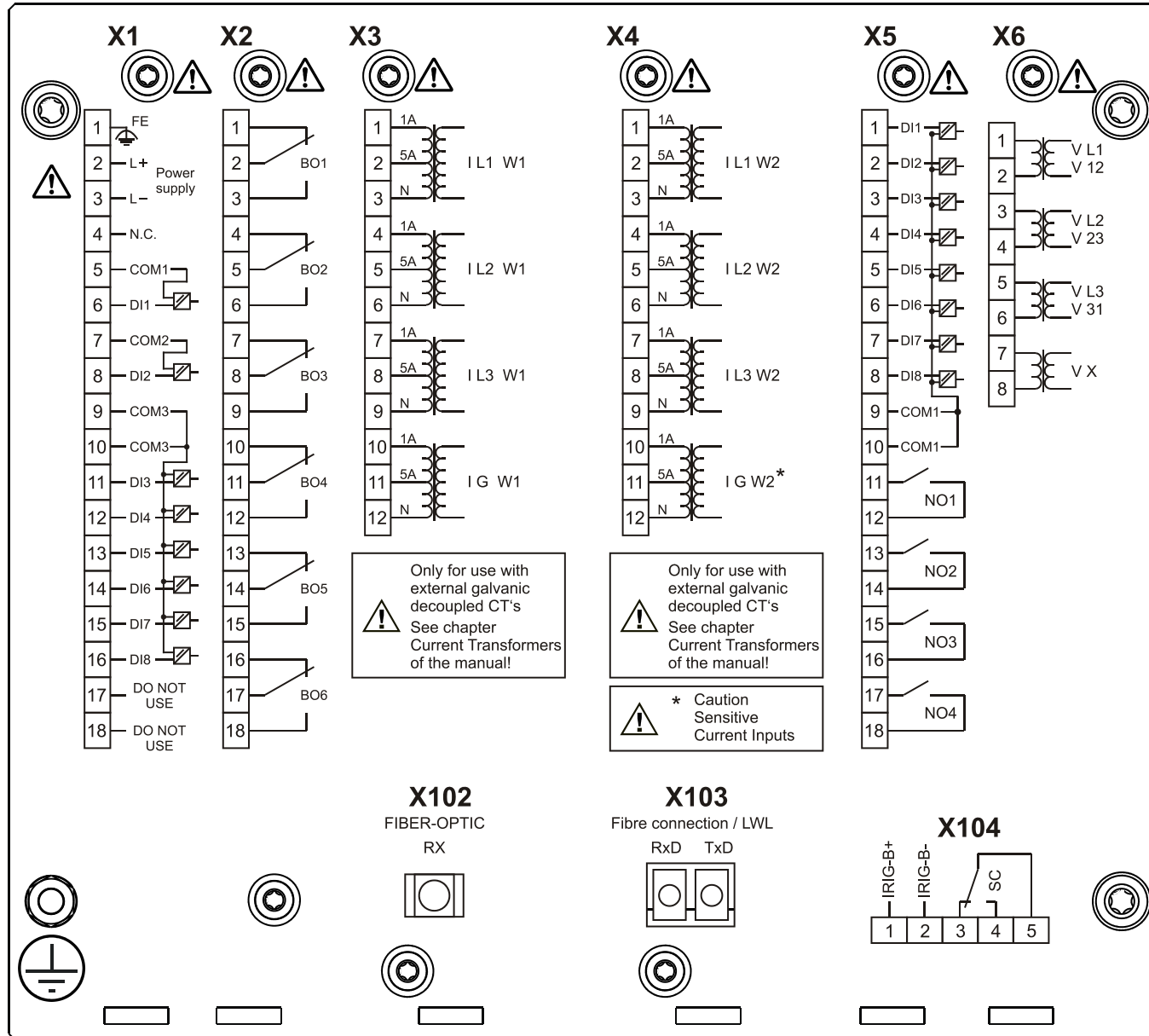
MCDTV4-2A2AIA



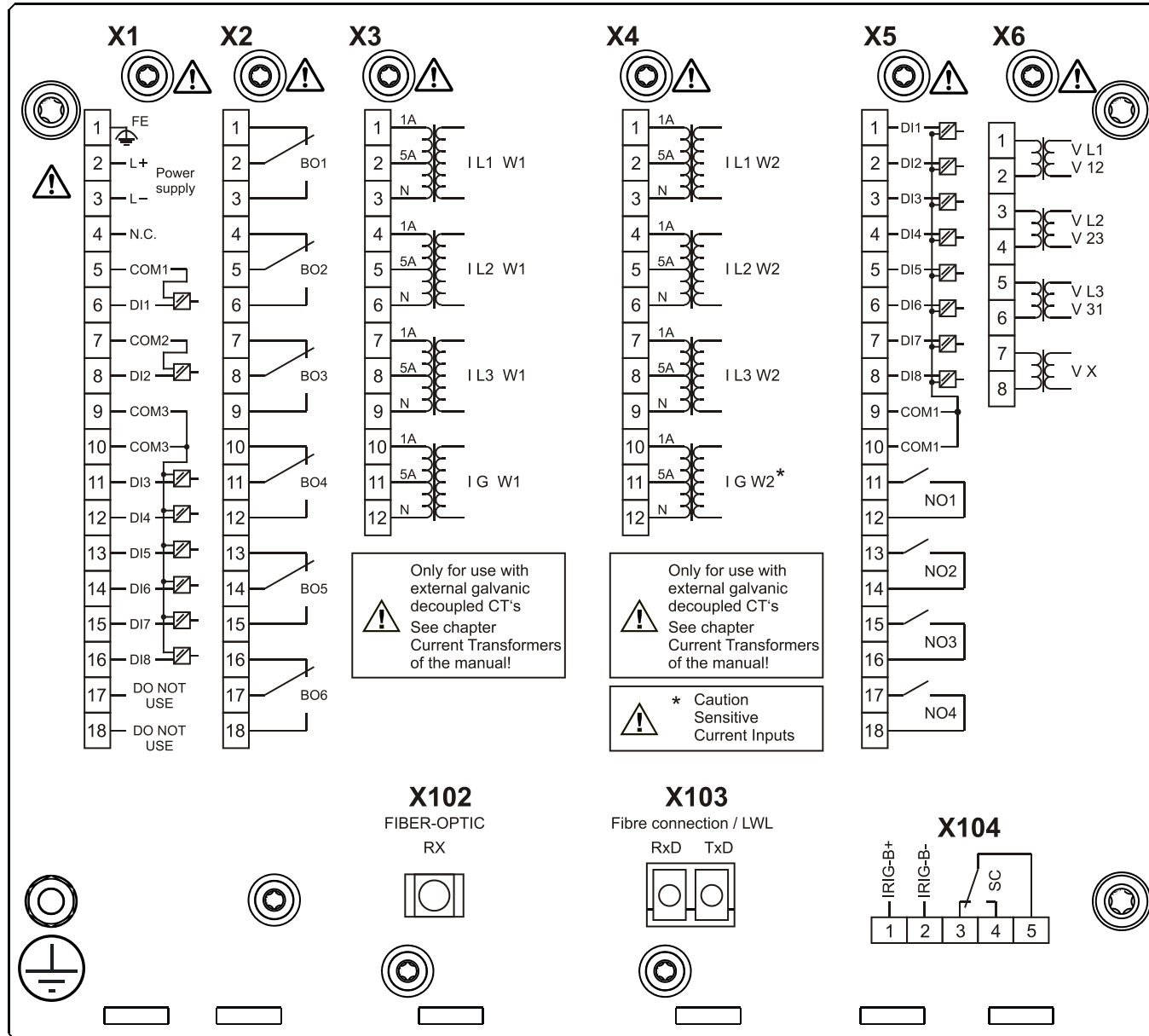
MCDTV4-2A2AIB



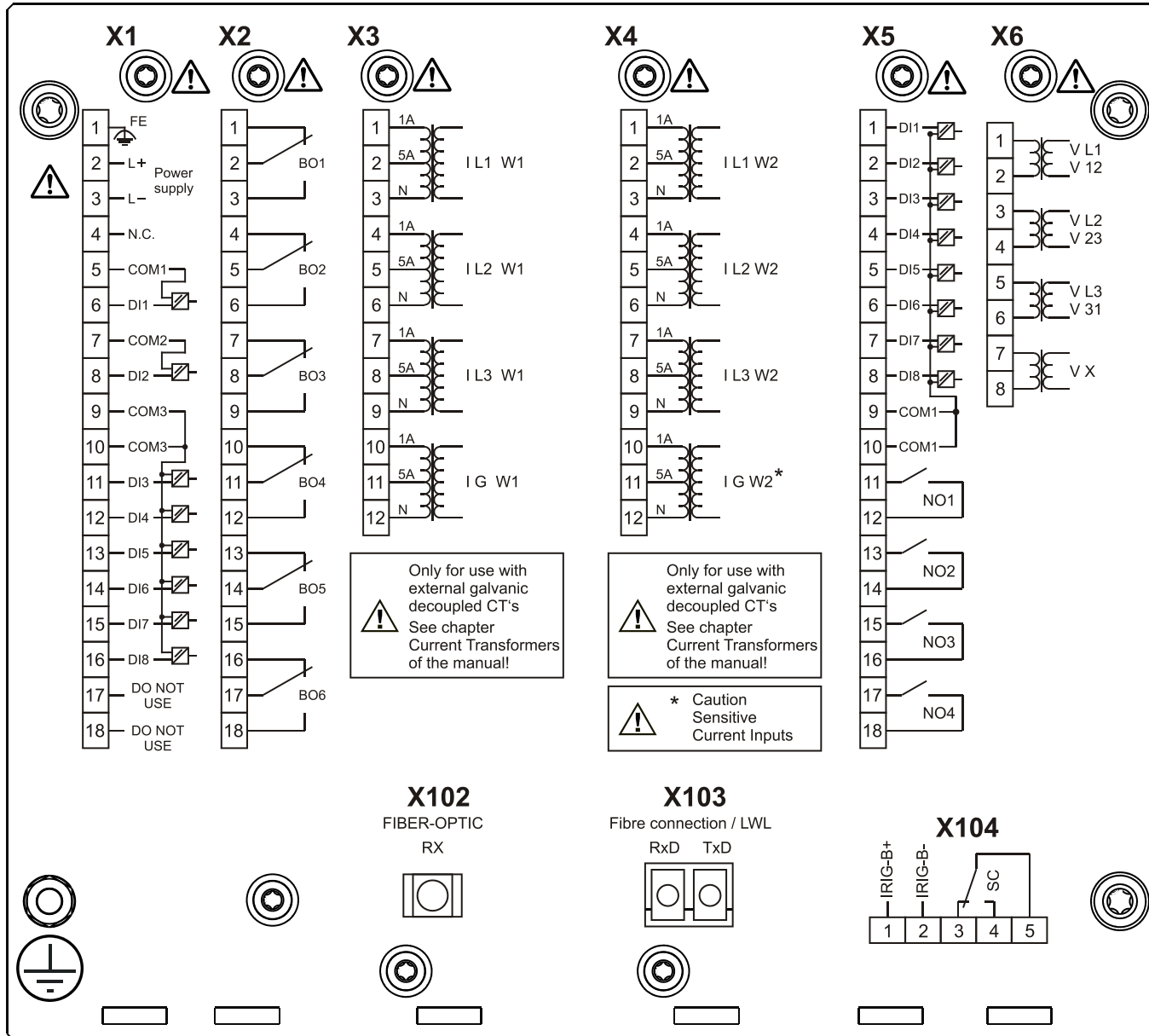
MCDTV4-2A2AKA



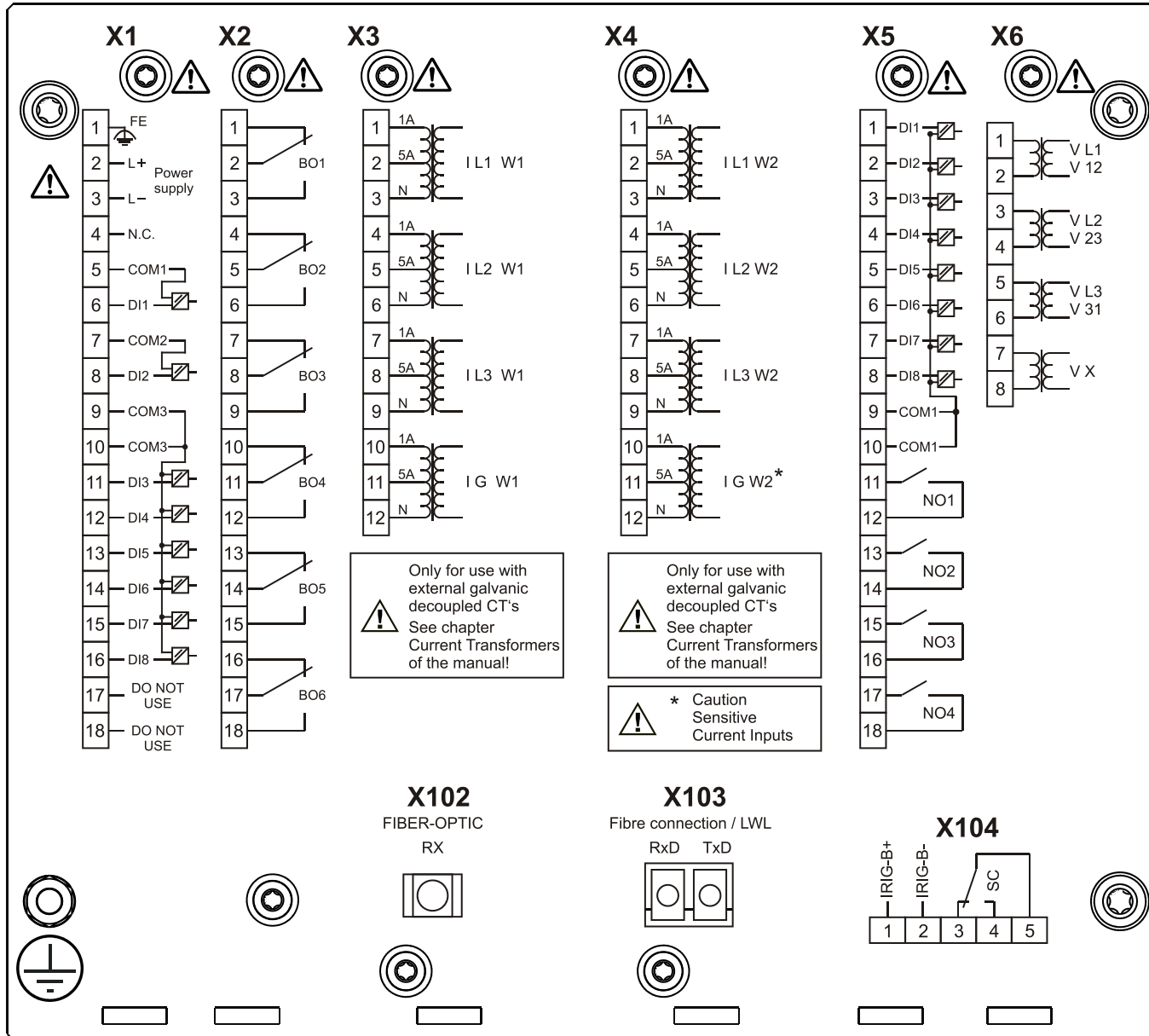
MCDTV4-2A2AKB



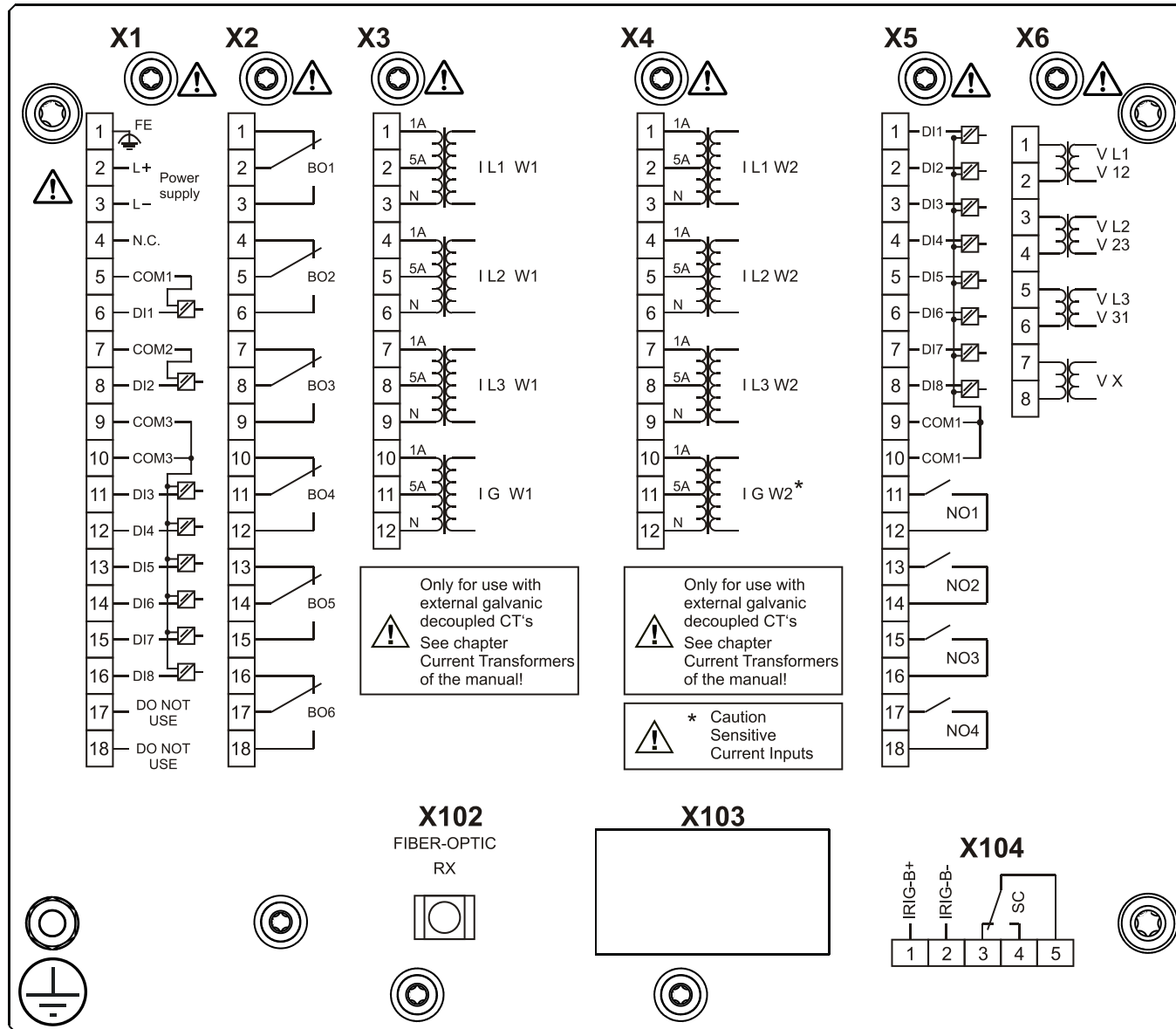
MCDTV4-2A2ALA



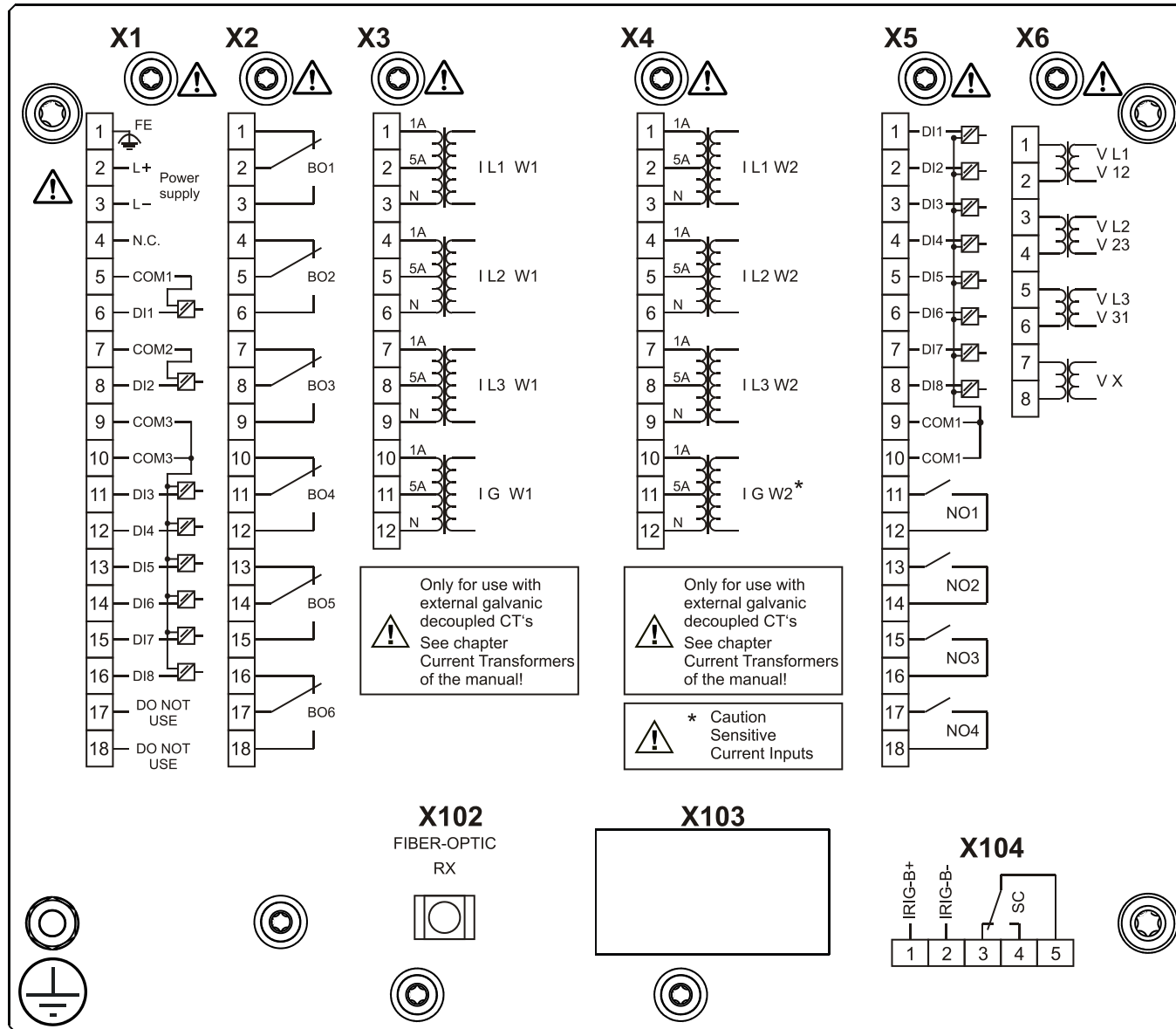
MCDTV4-2A2ALB



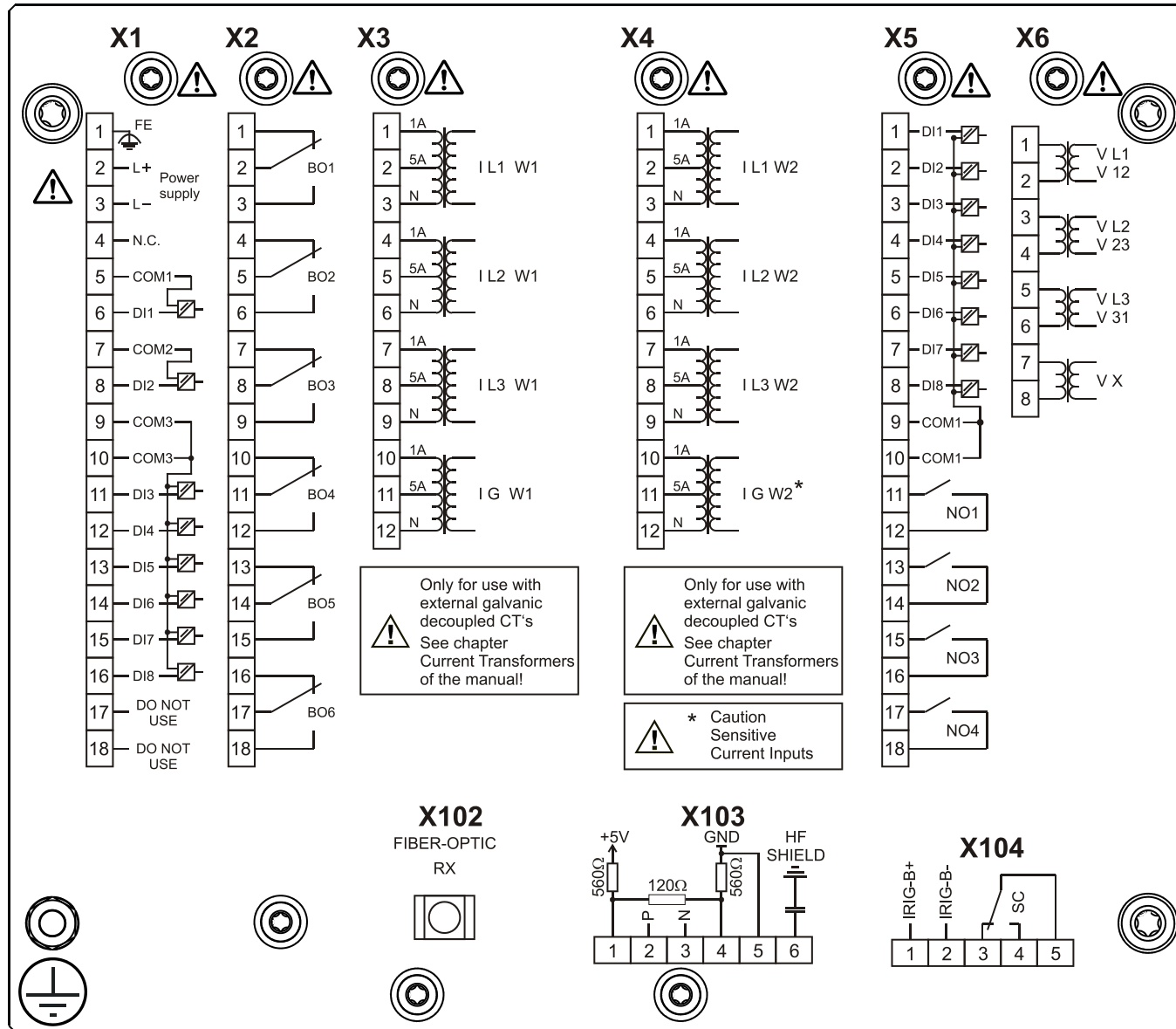
MCDTV4-2A2BAA



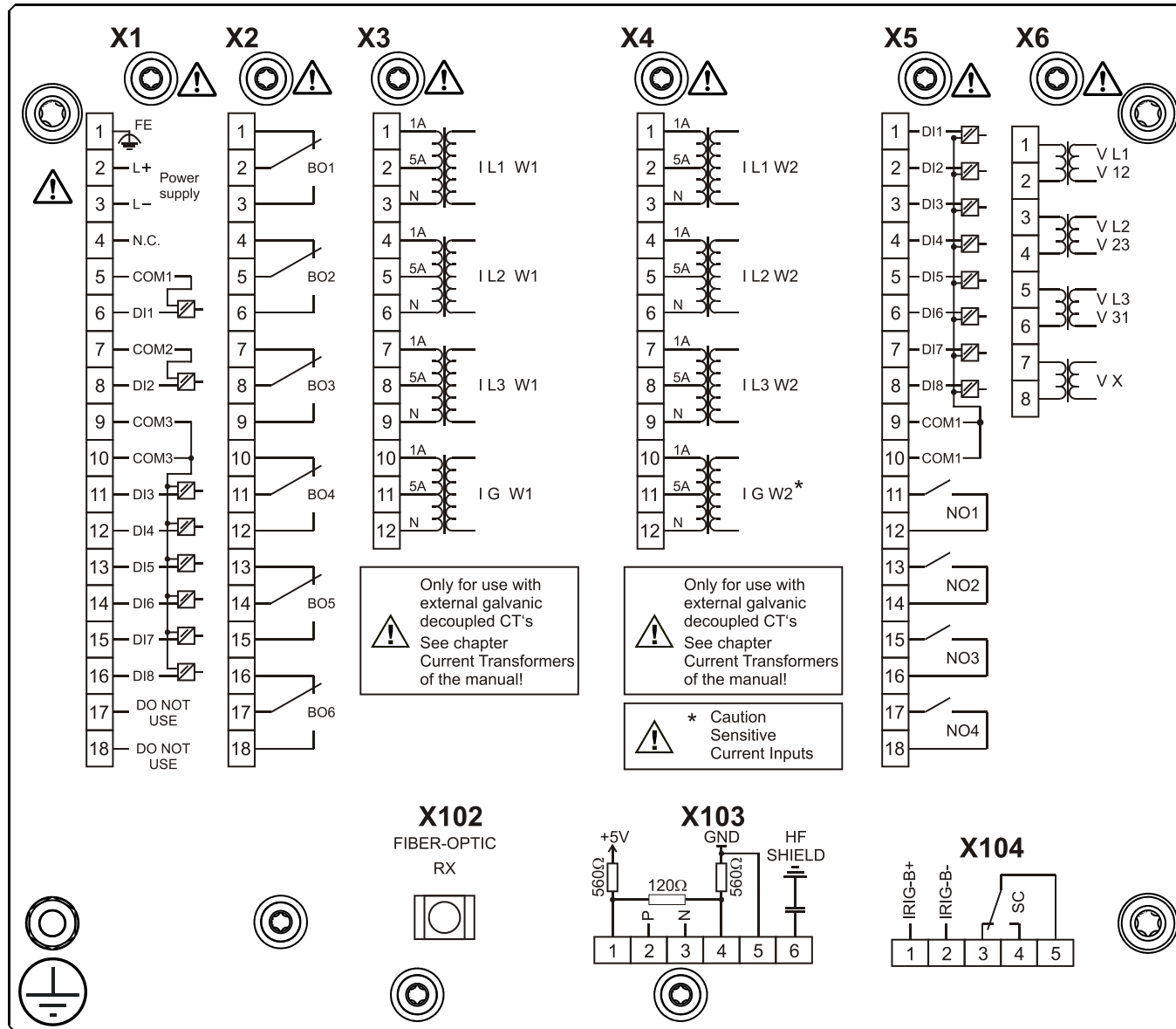
MCDTV4-2A2BAB



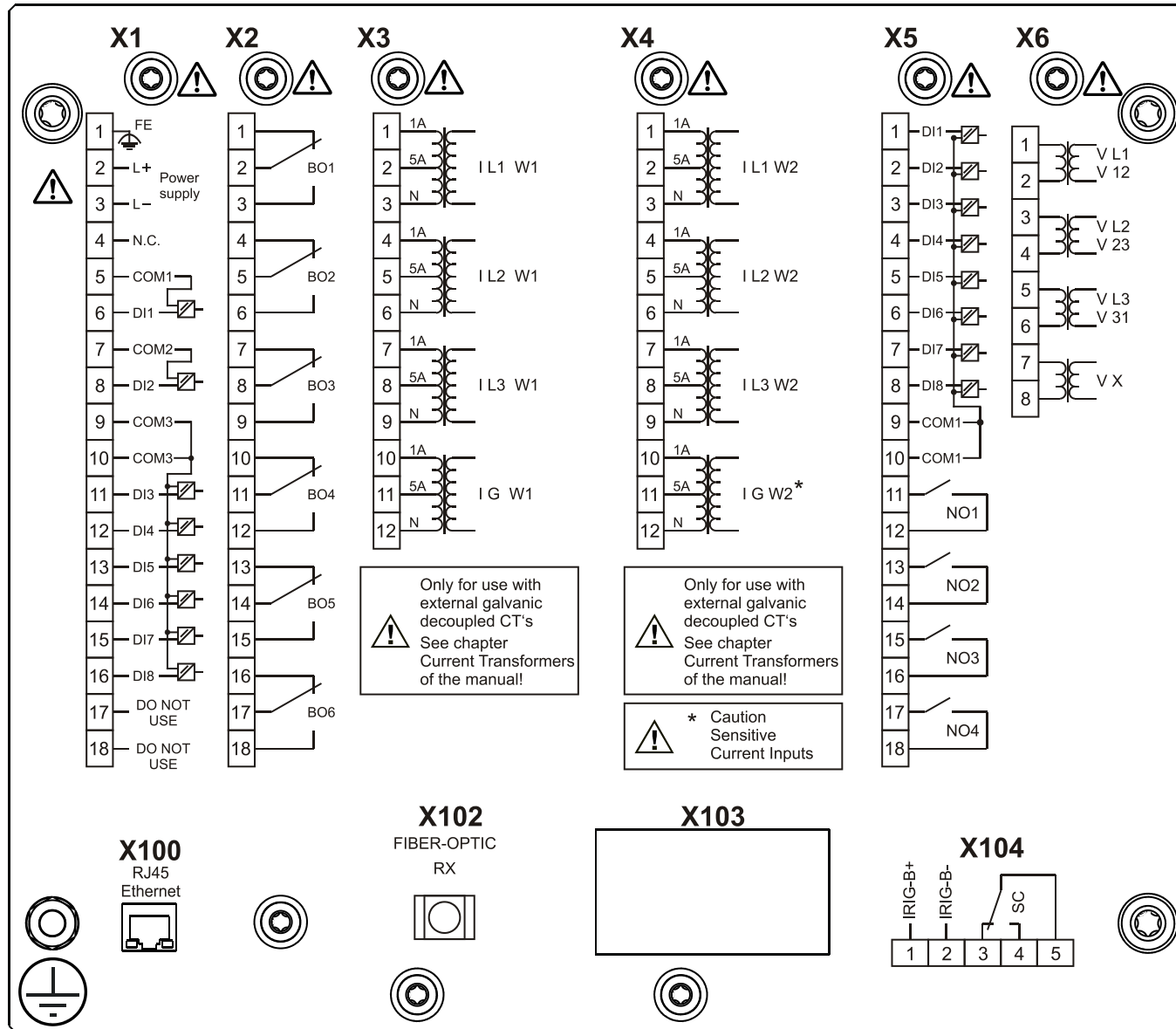
MCDTV4-2A2BBA



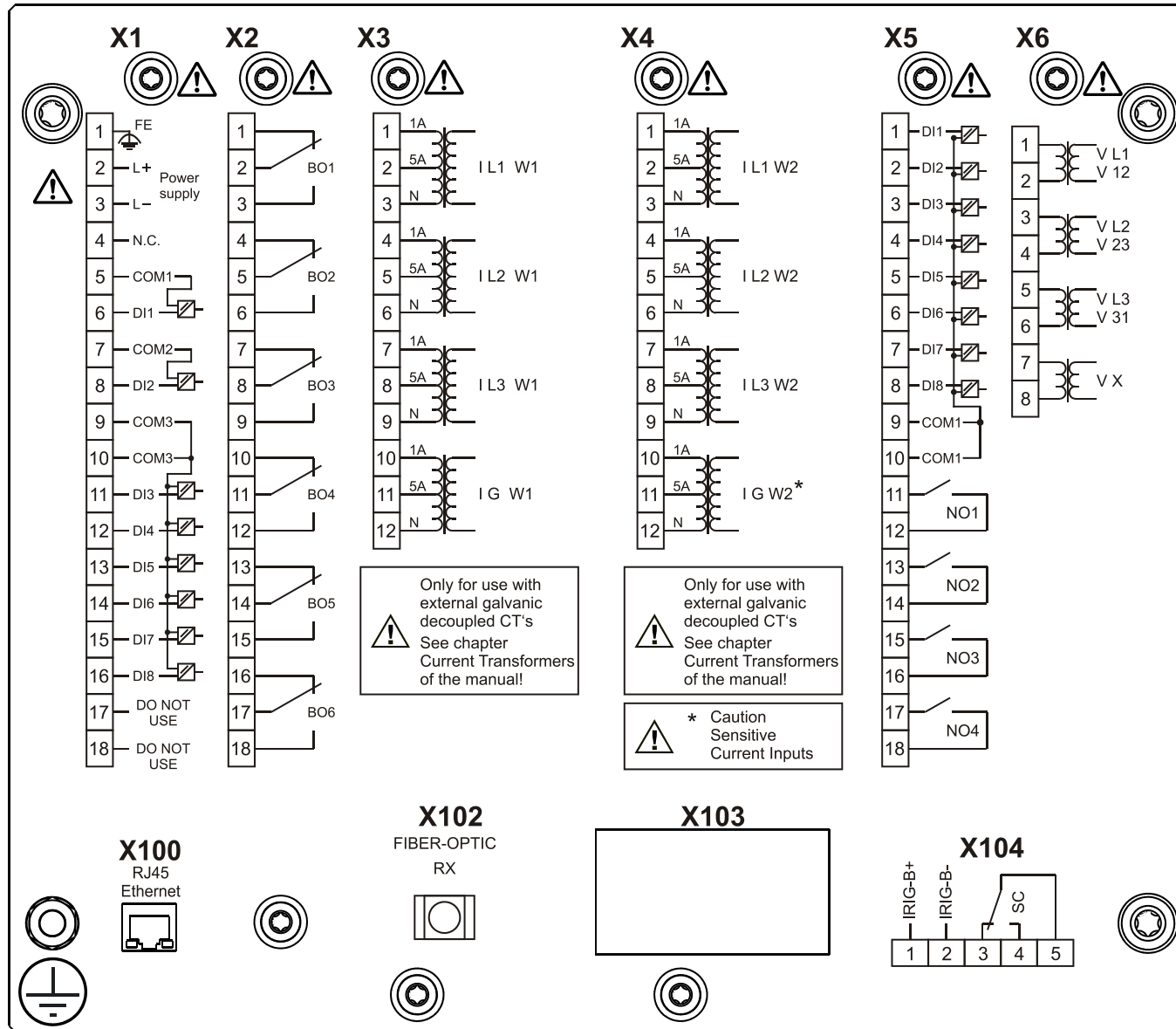
MCDTV4-2A2BBB



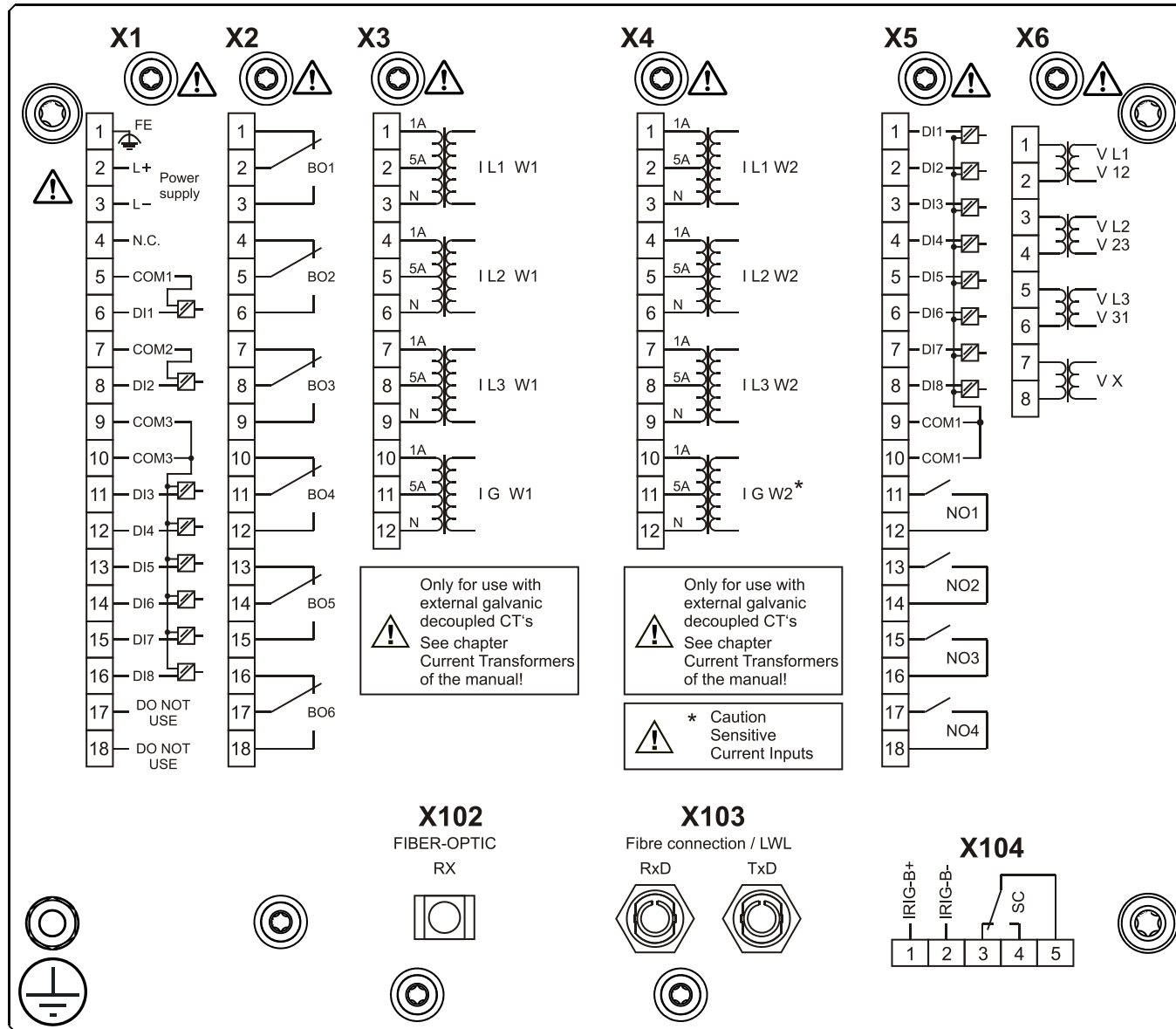
MCDTV4-2A2BCA



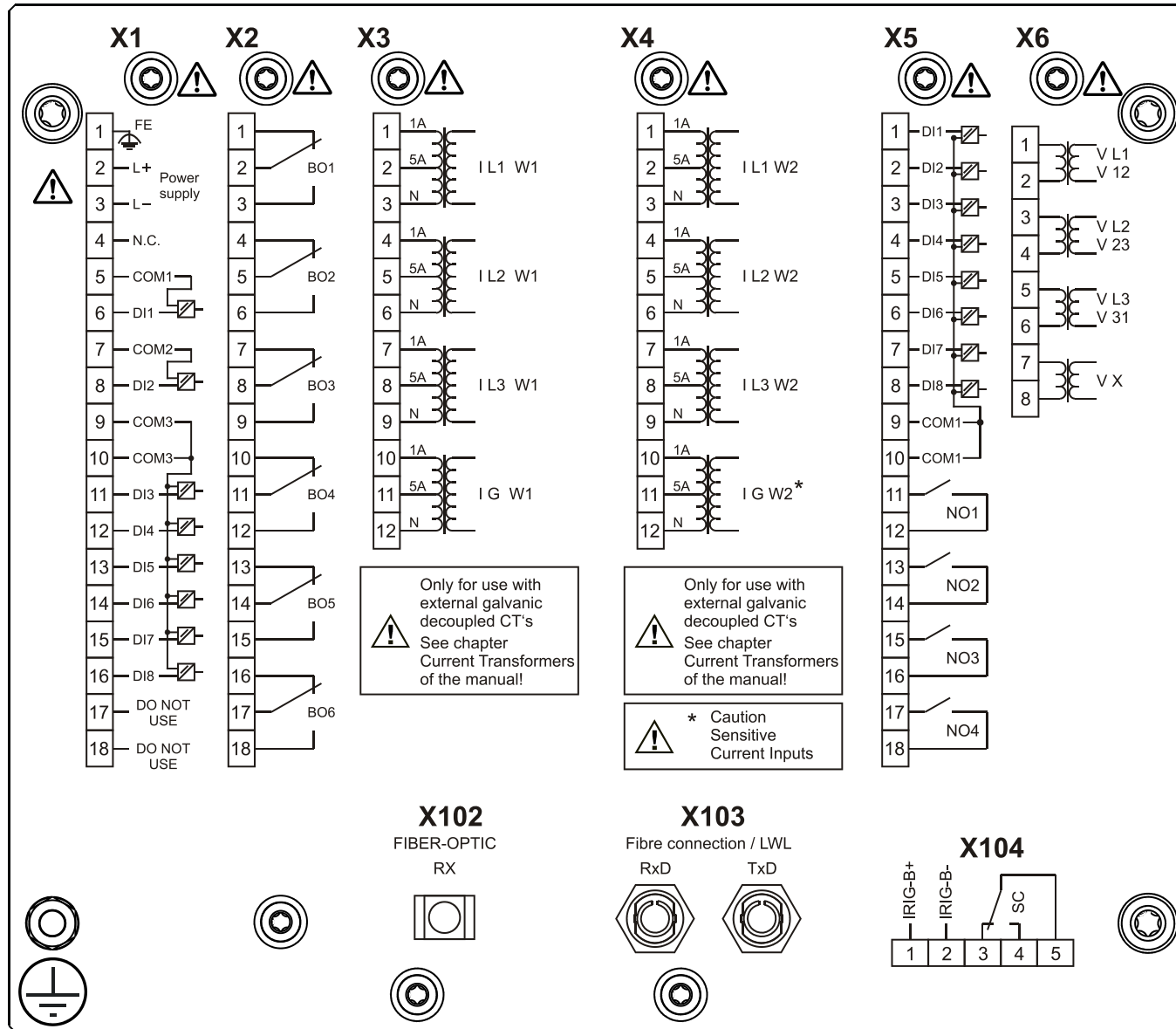
MCDTV4-2A2BCB



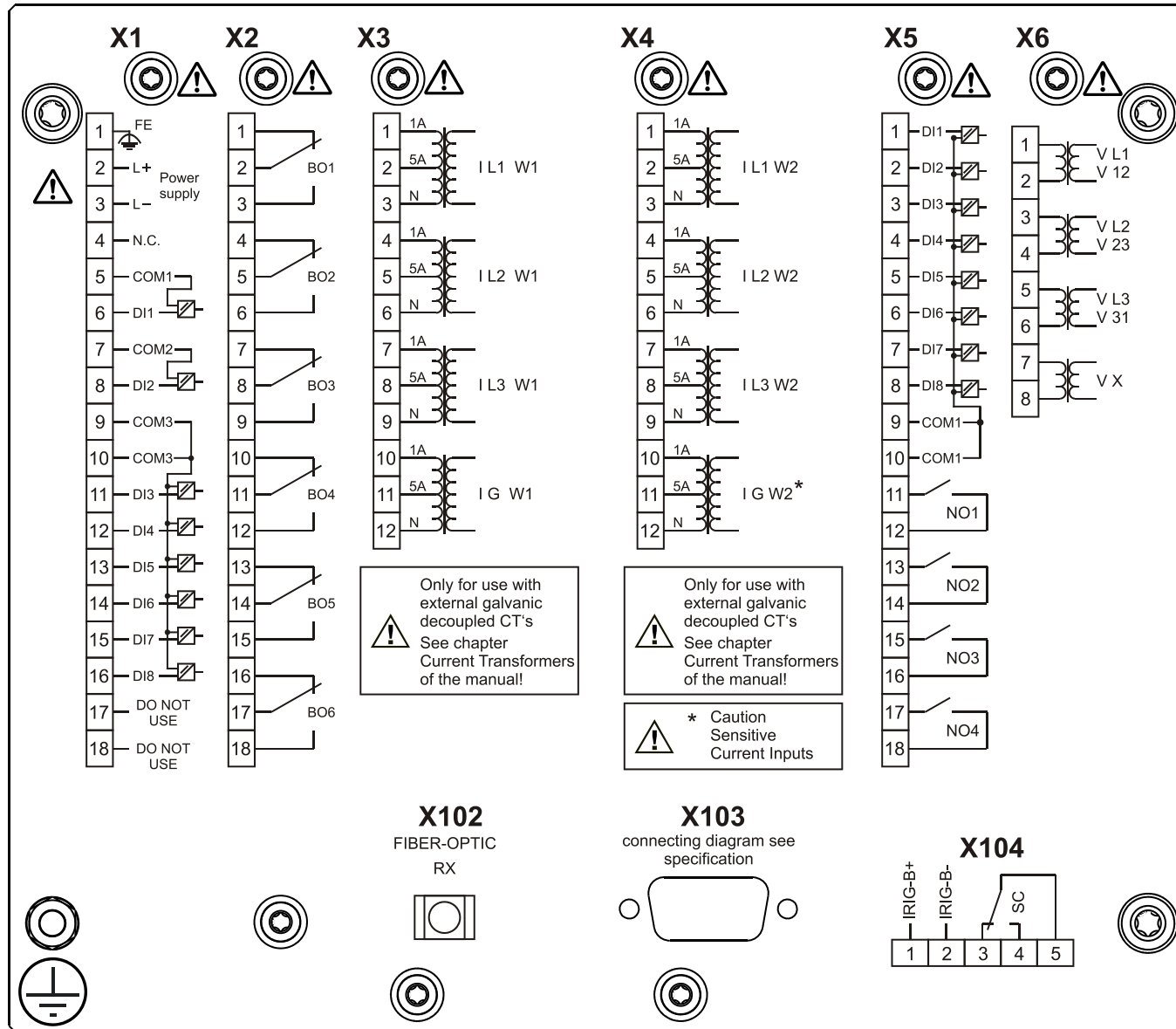
MCDTV4-2A2BDA



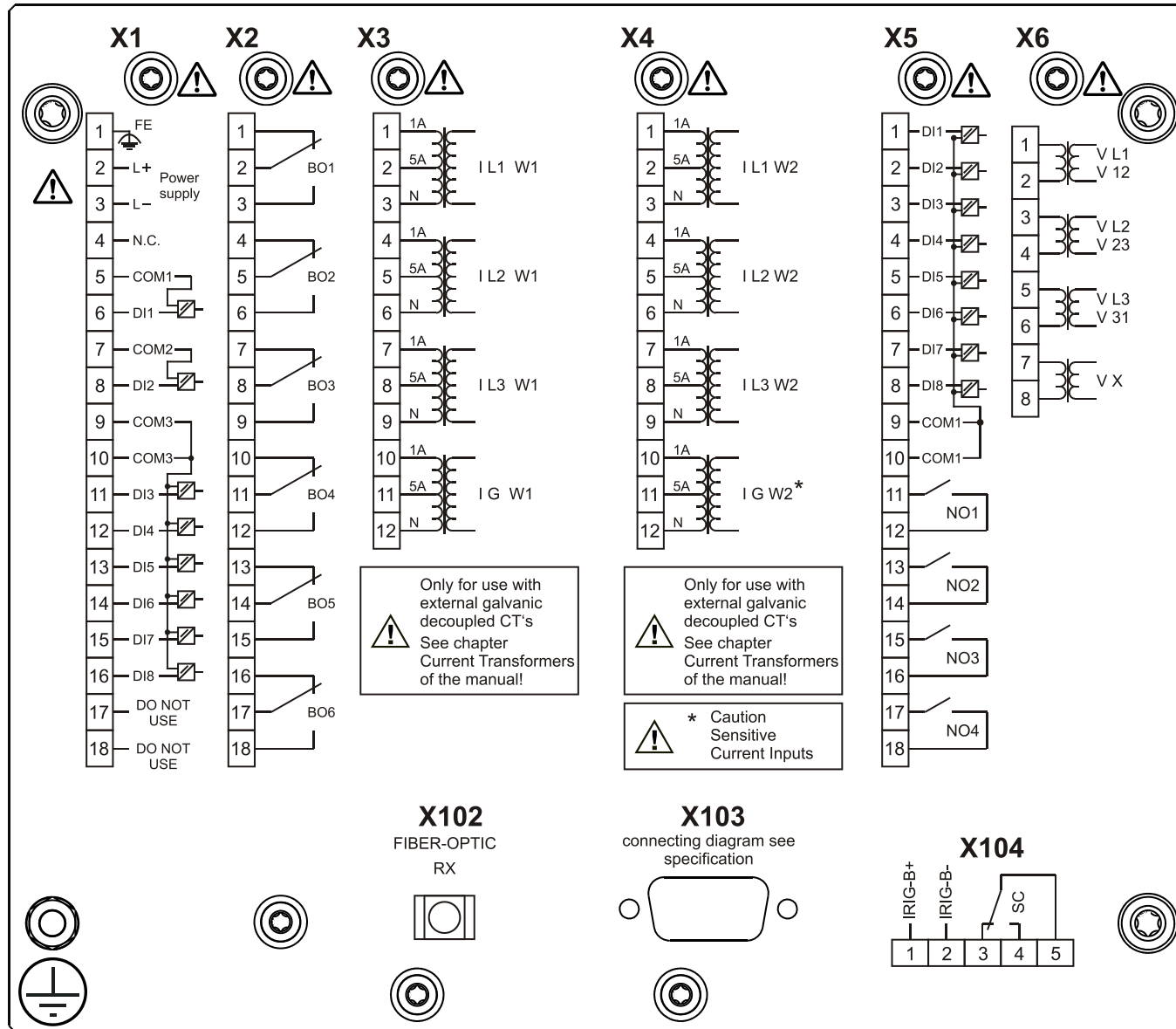
MCDTV4-2A2BDB



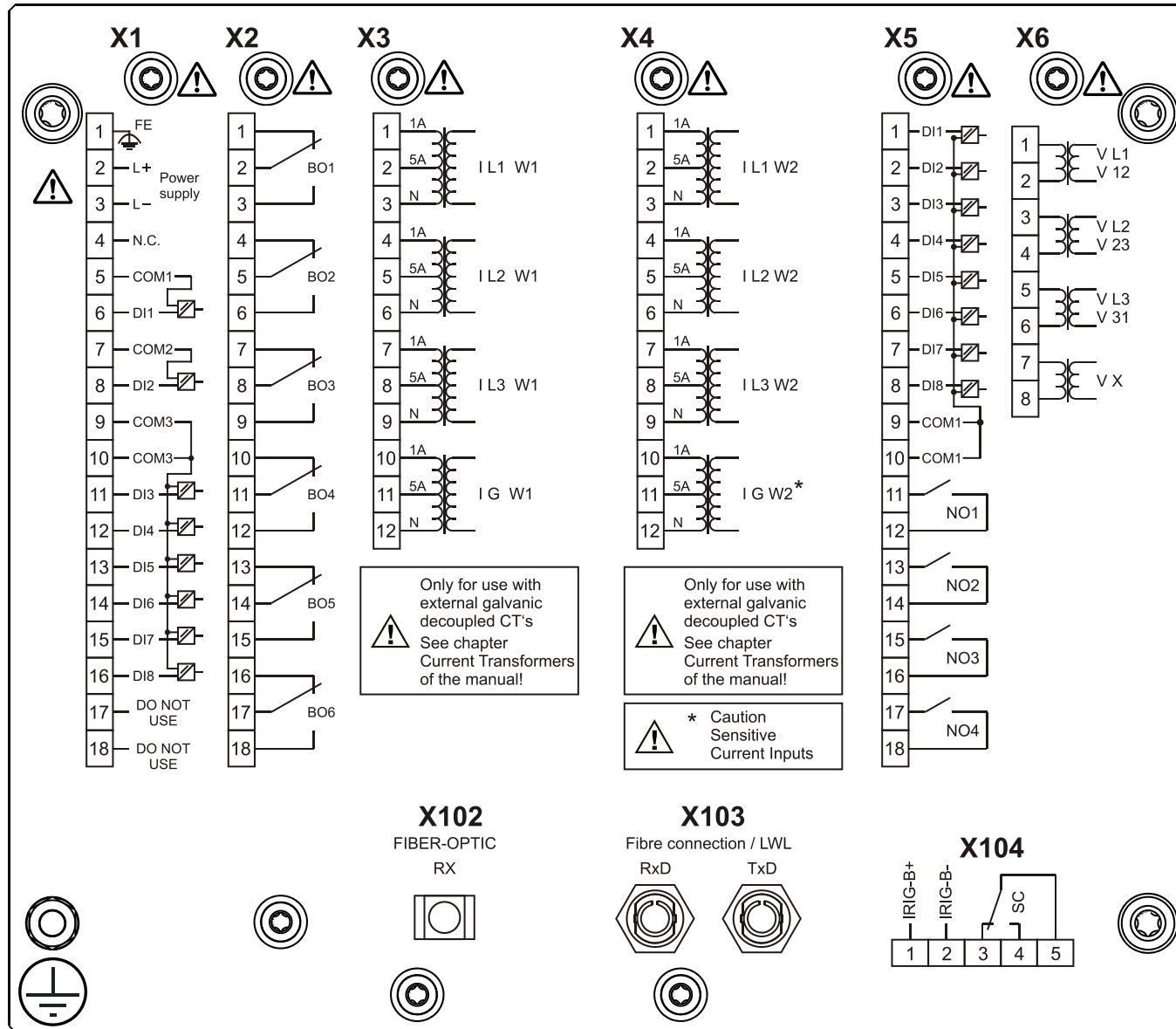
MCDTV4-2A2BEA



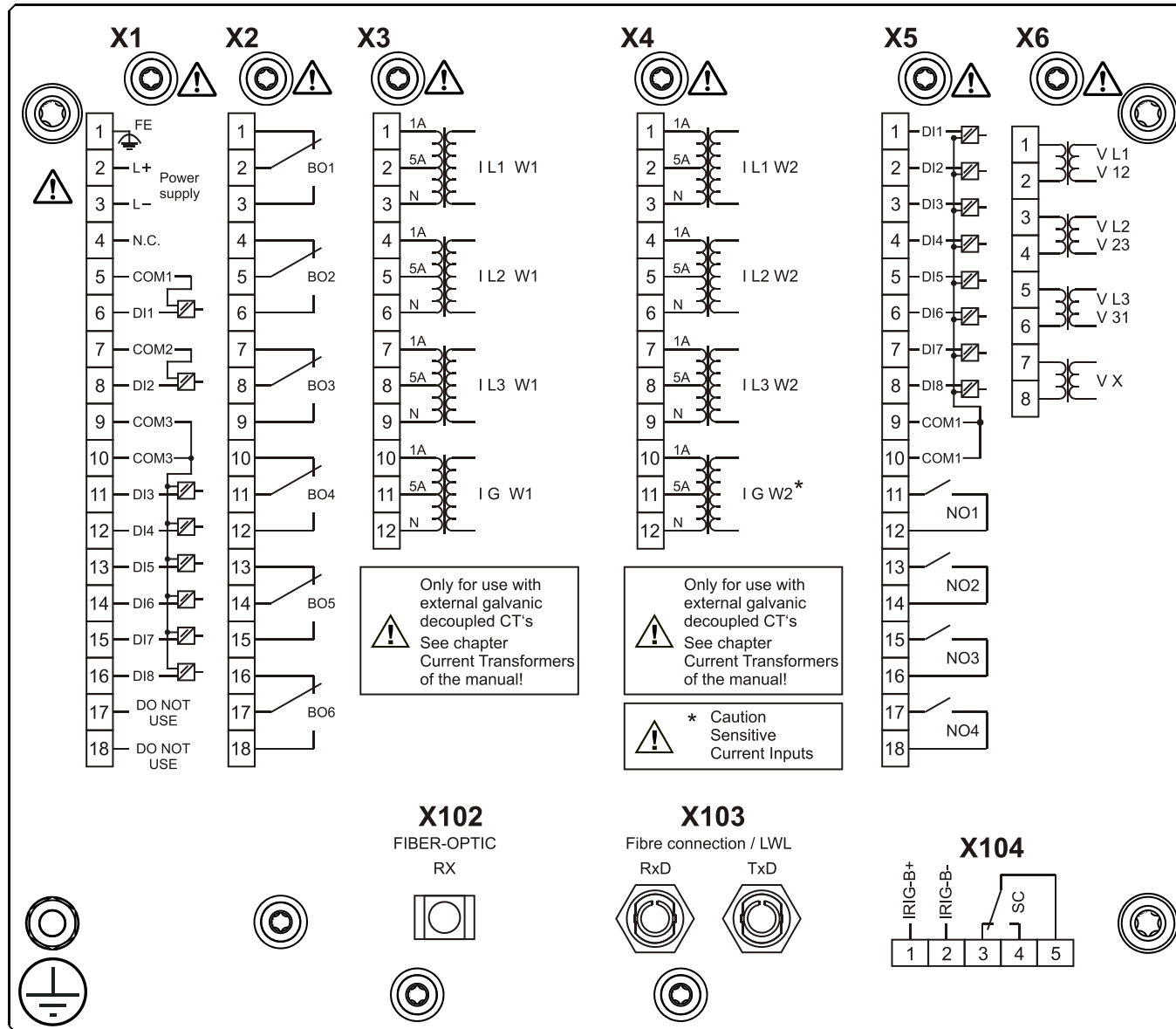
MCDTV4-2A2BEB



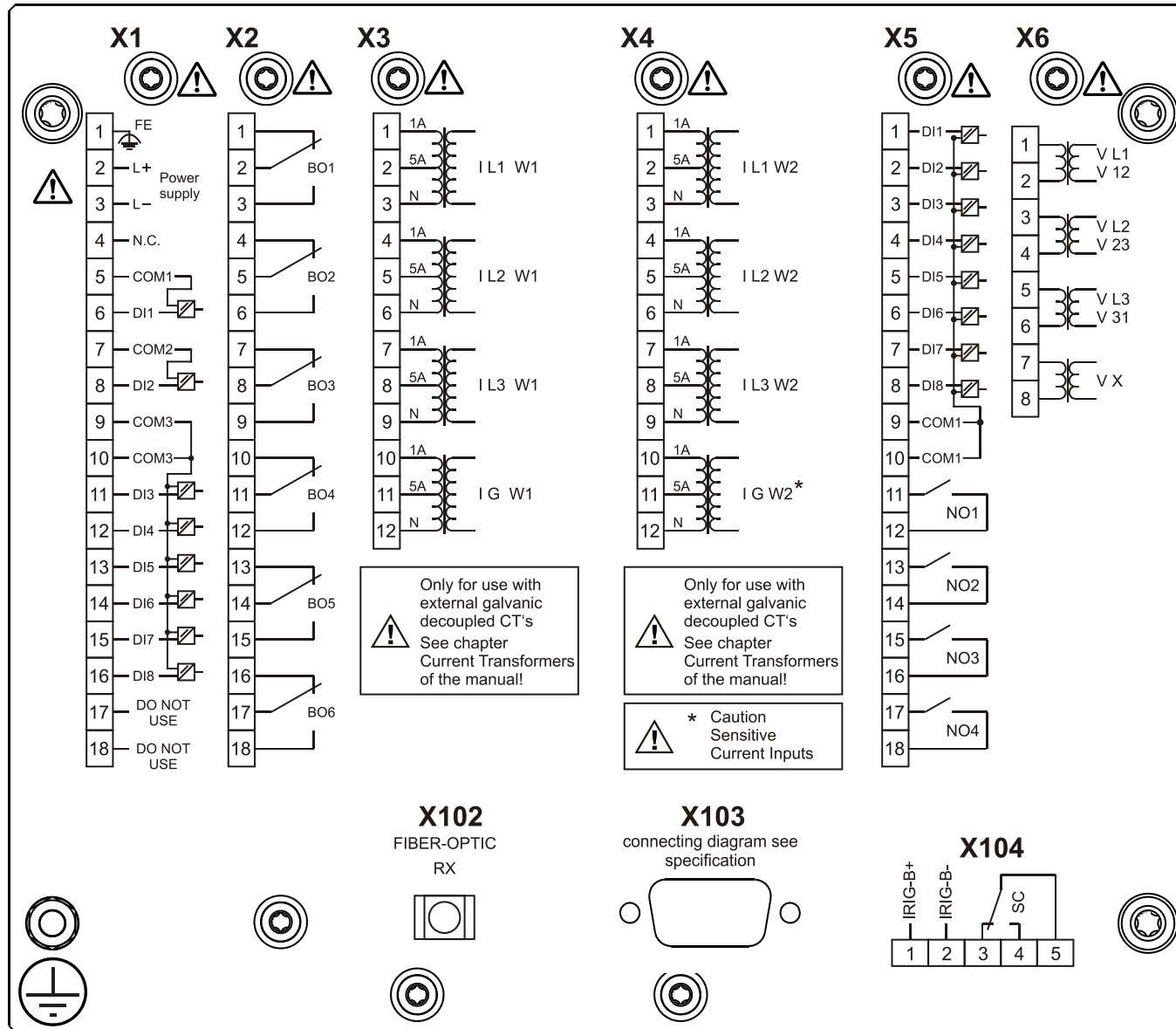
MCDTV4-2A2BFA



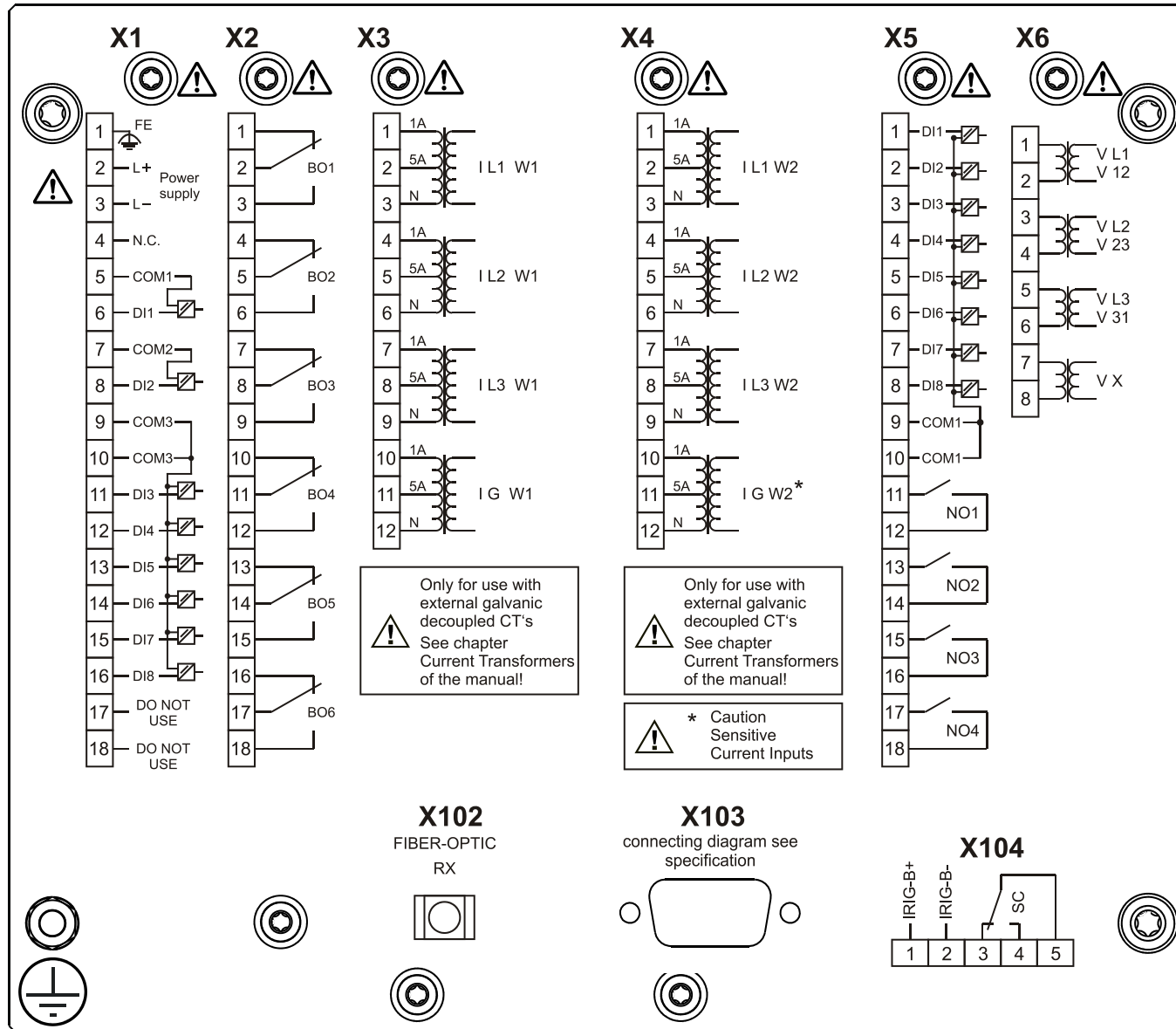
MCDTV4-2A2BFB



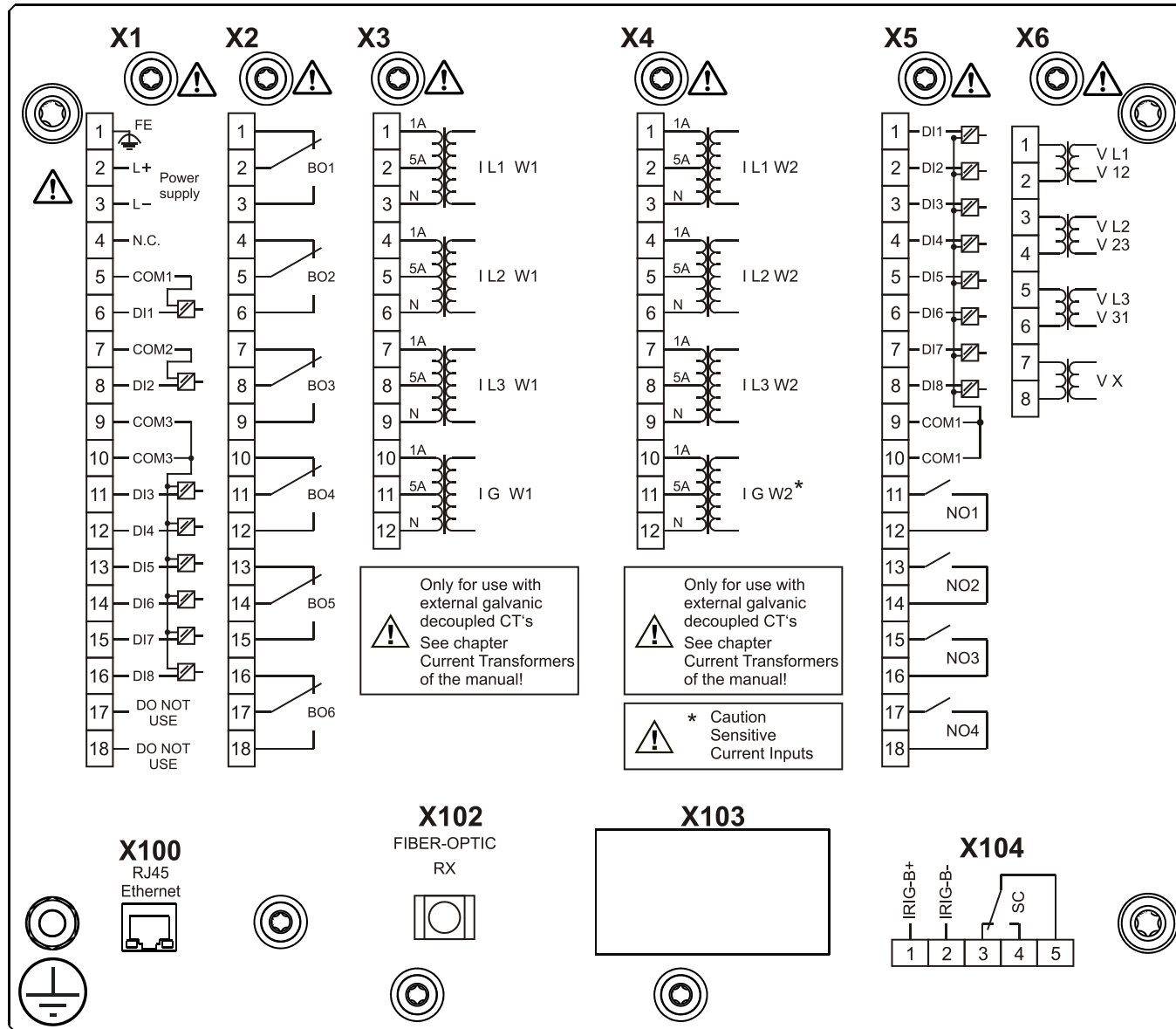
MCDTV4-2A2BGA



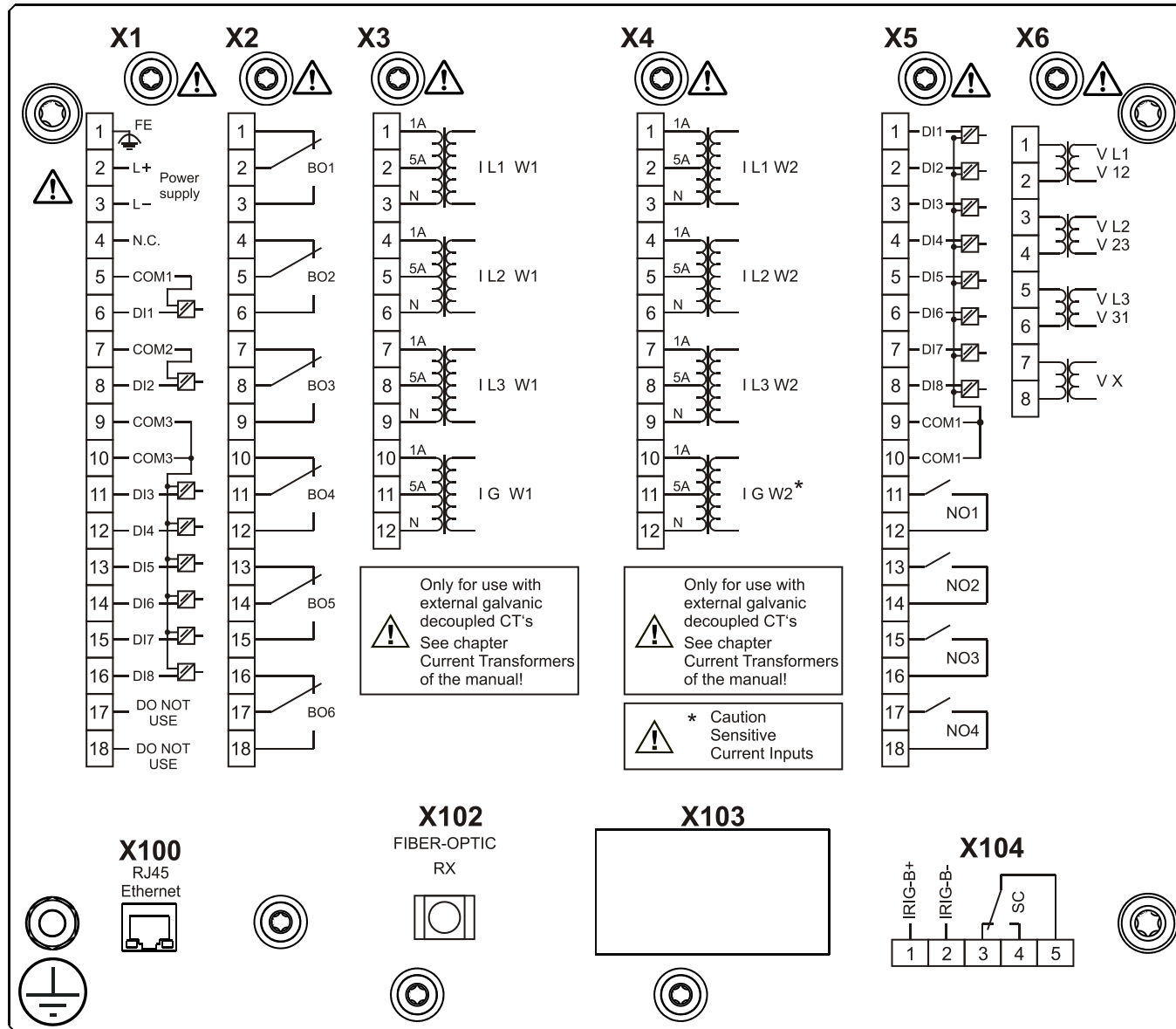
MCDTV4-2A2BGB



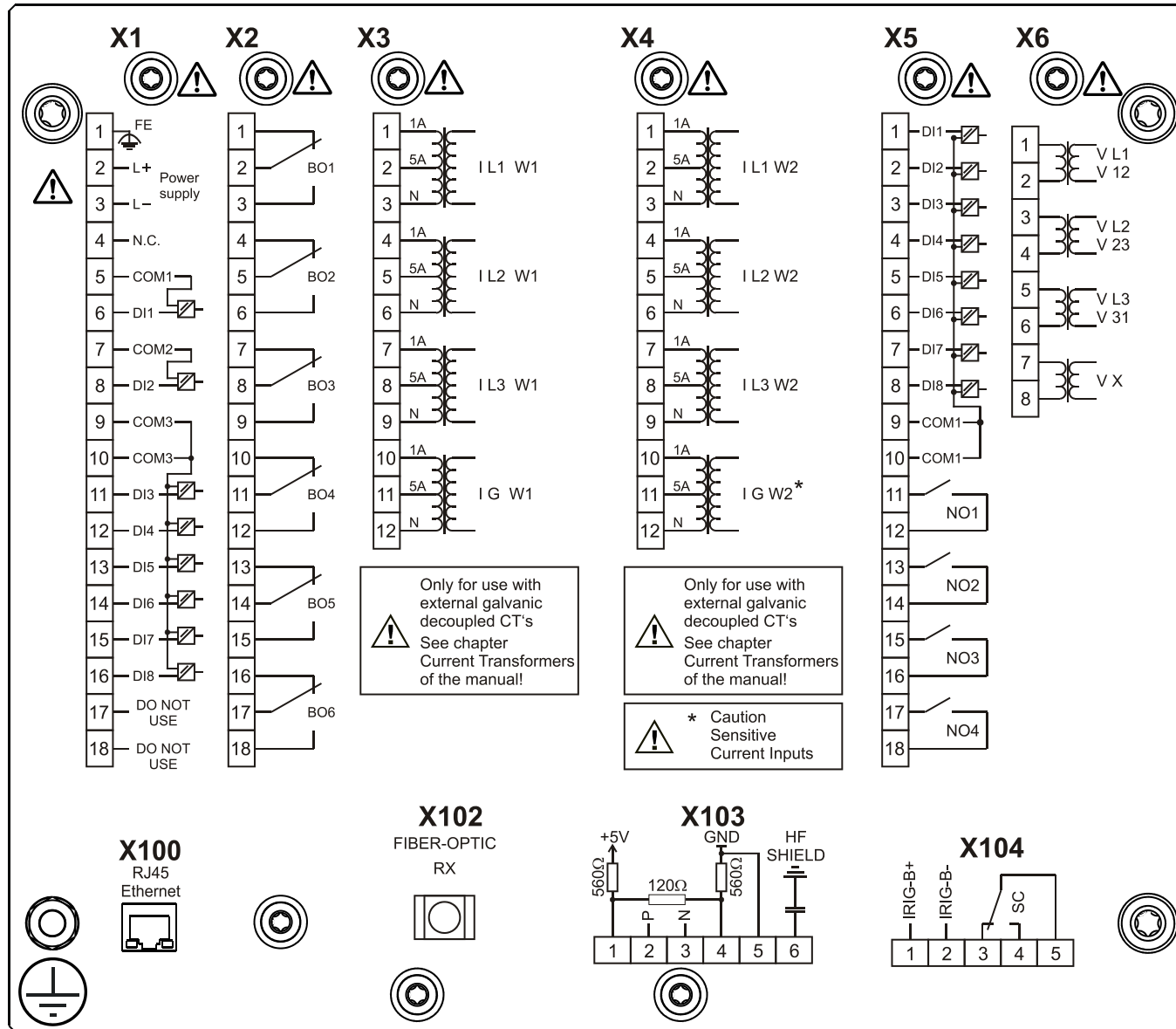
MCDTV4-2A2BHA



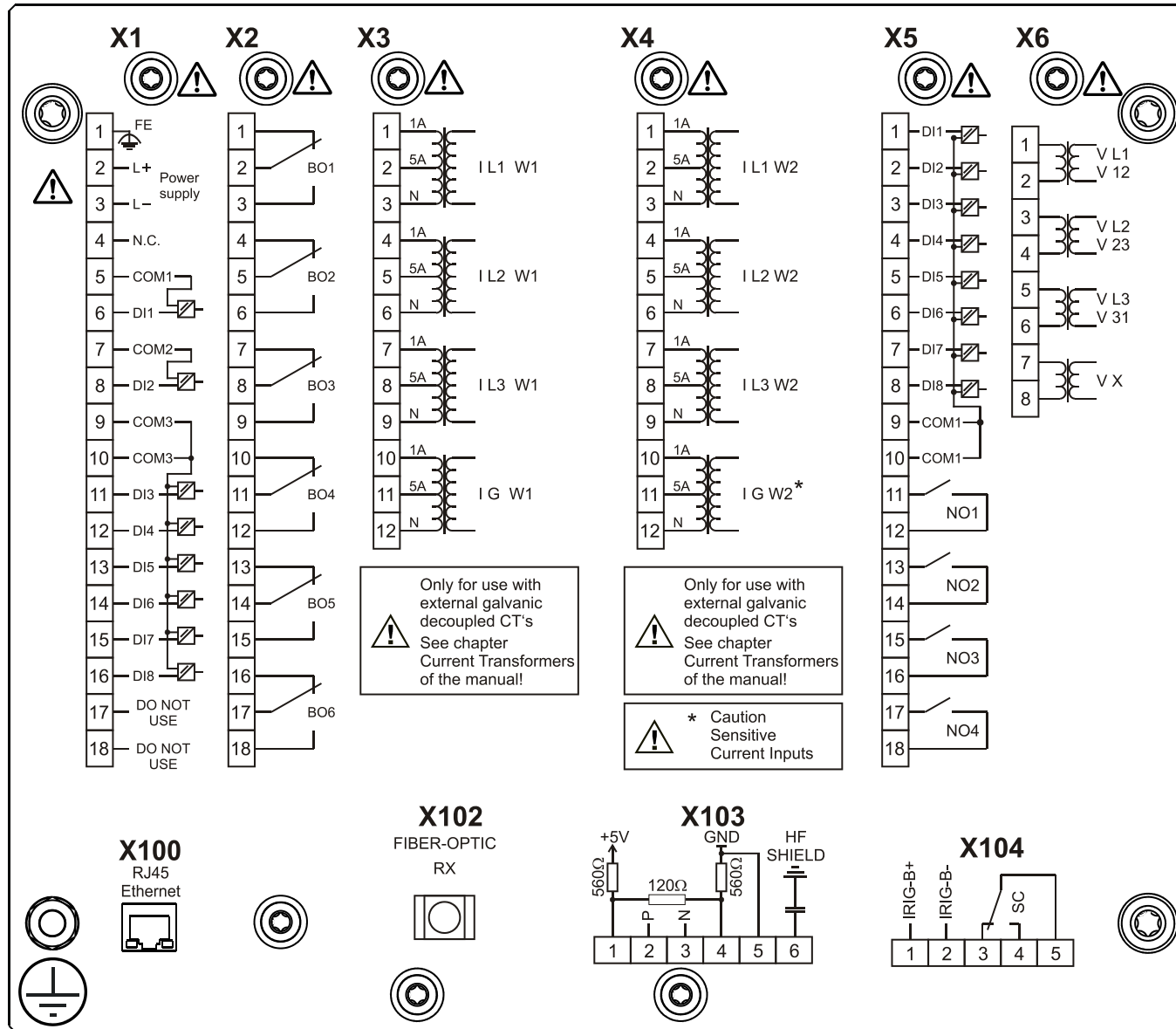
MCDTV4-2A2BHB



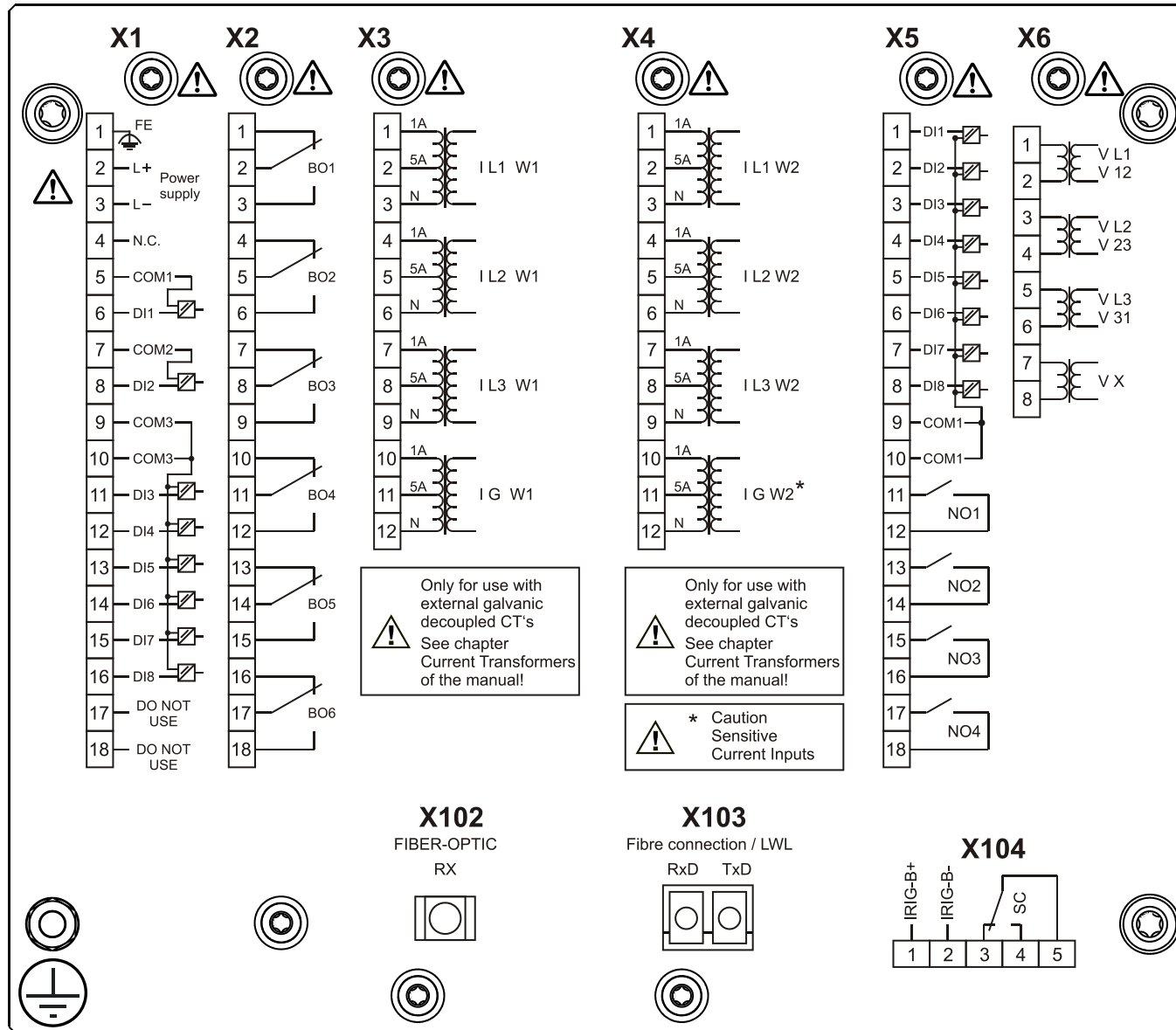
MCDTV4-2A2BIA



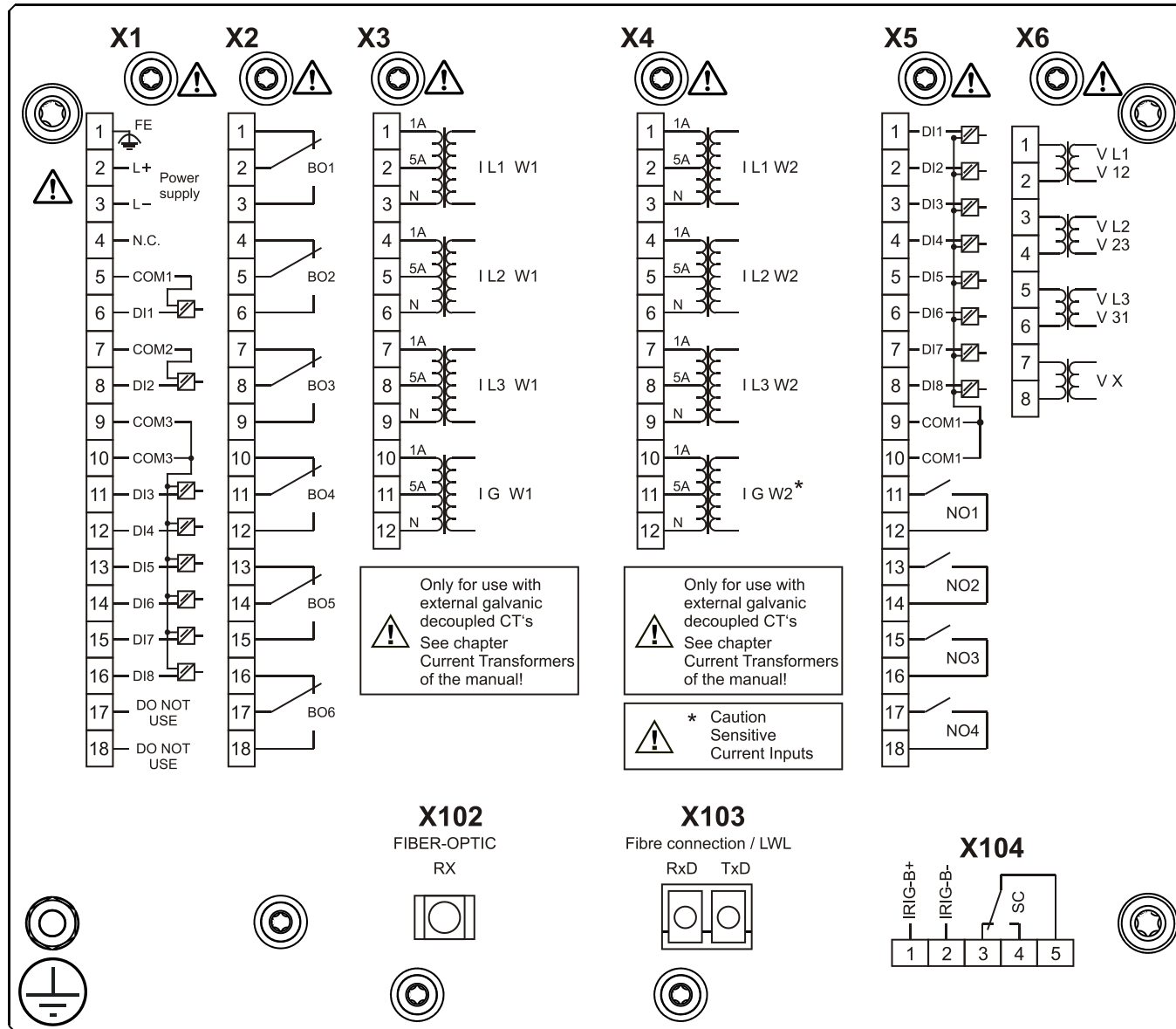
MCDTV4-2A2BIB



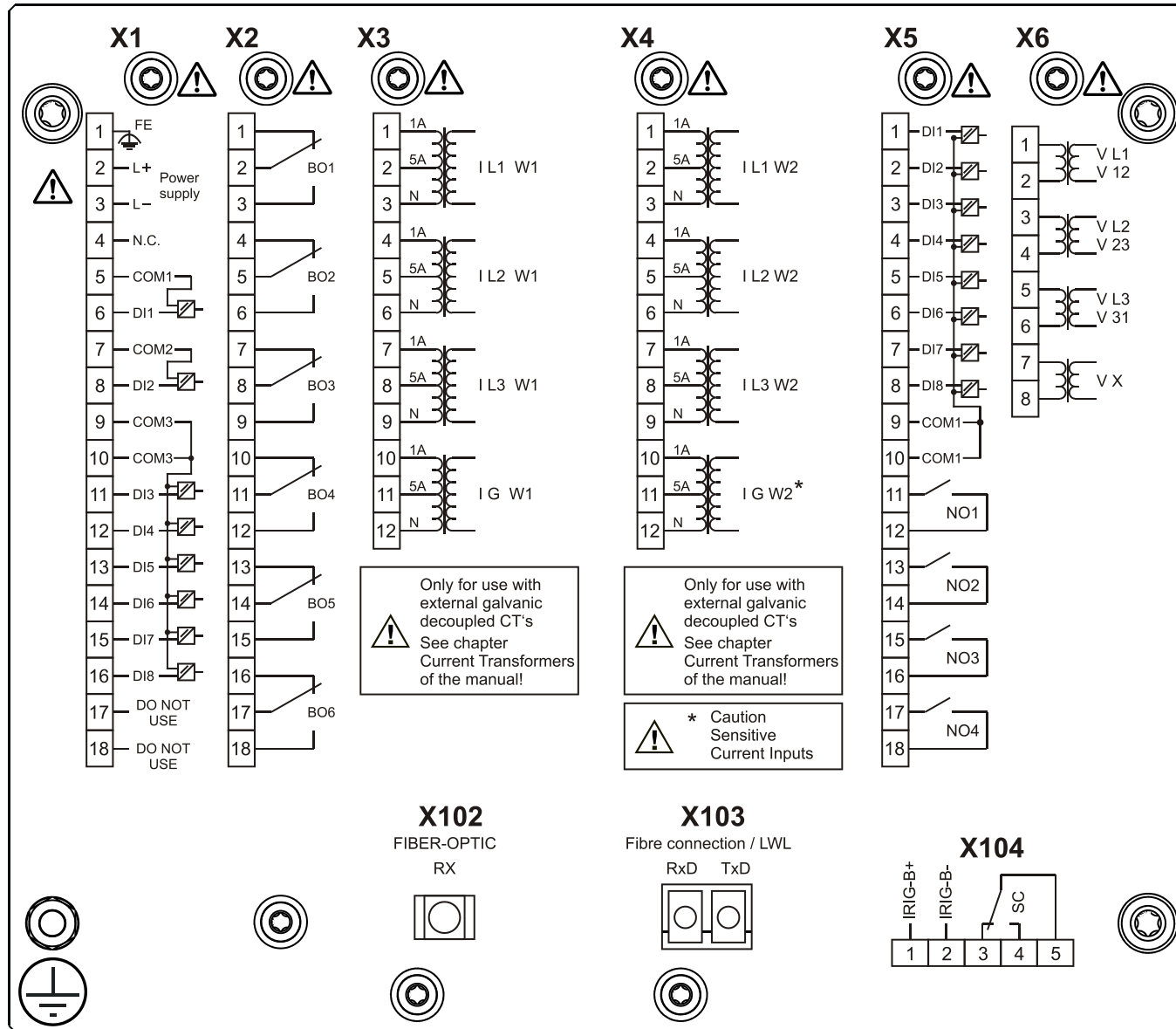
MCDTV4-2A2BKA



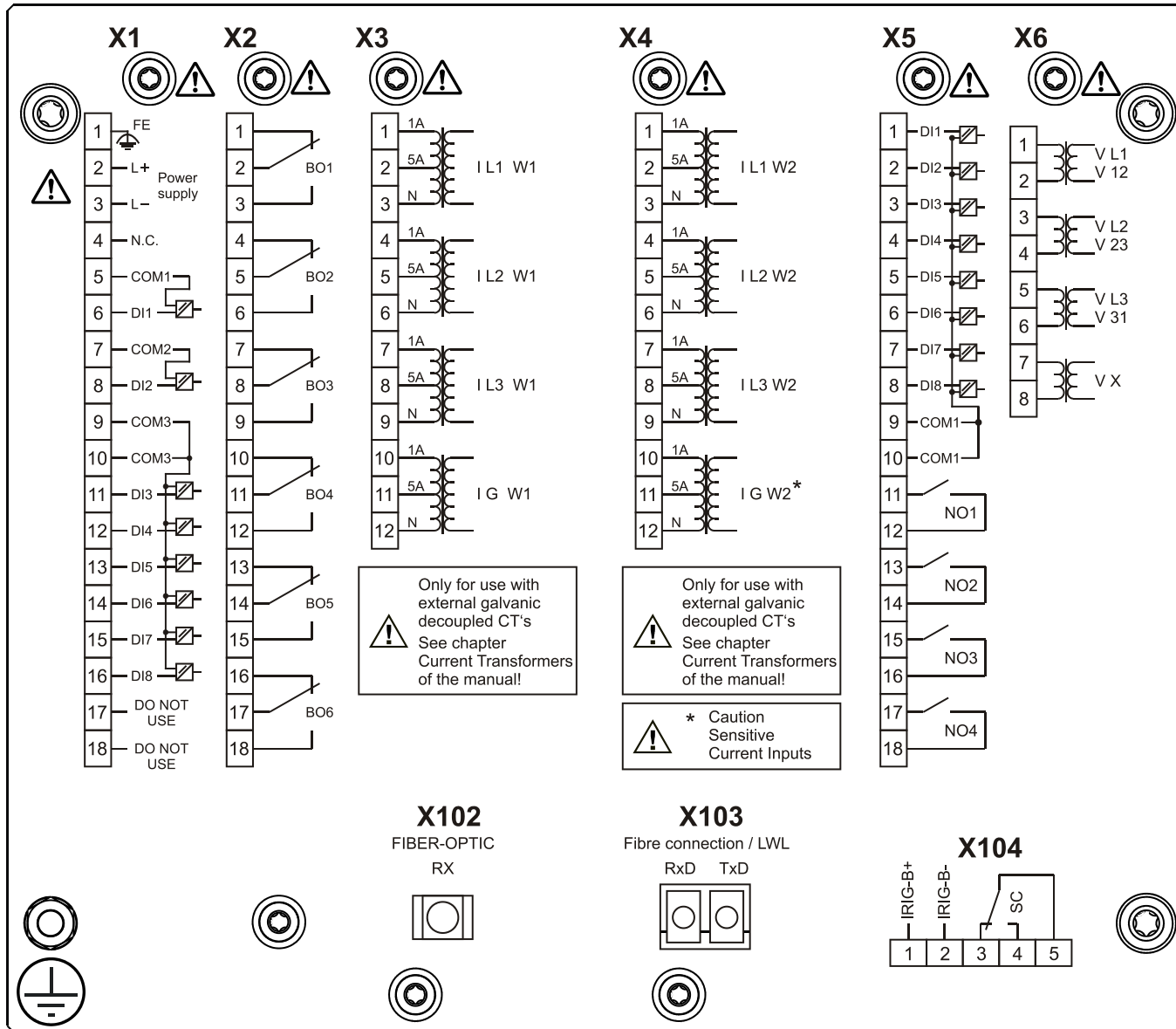
MCDTV4-2A2BKB



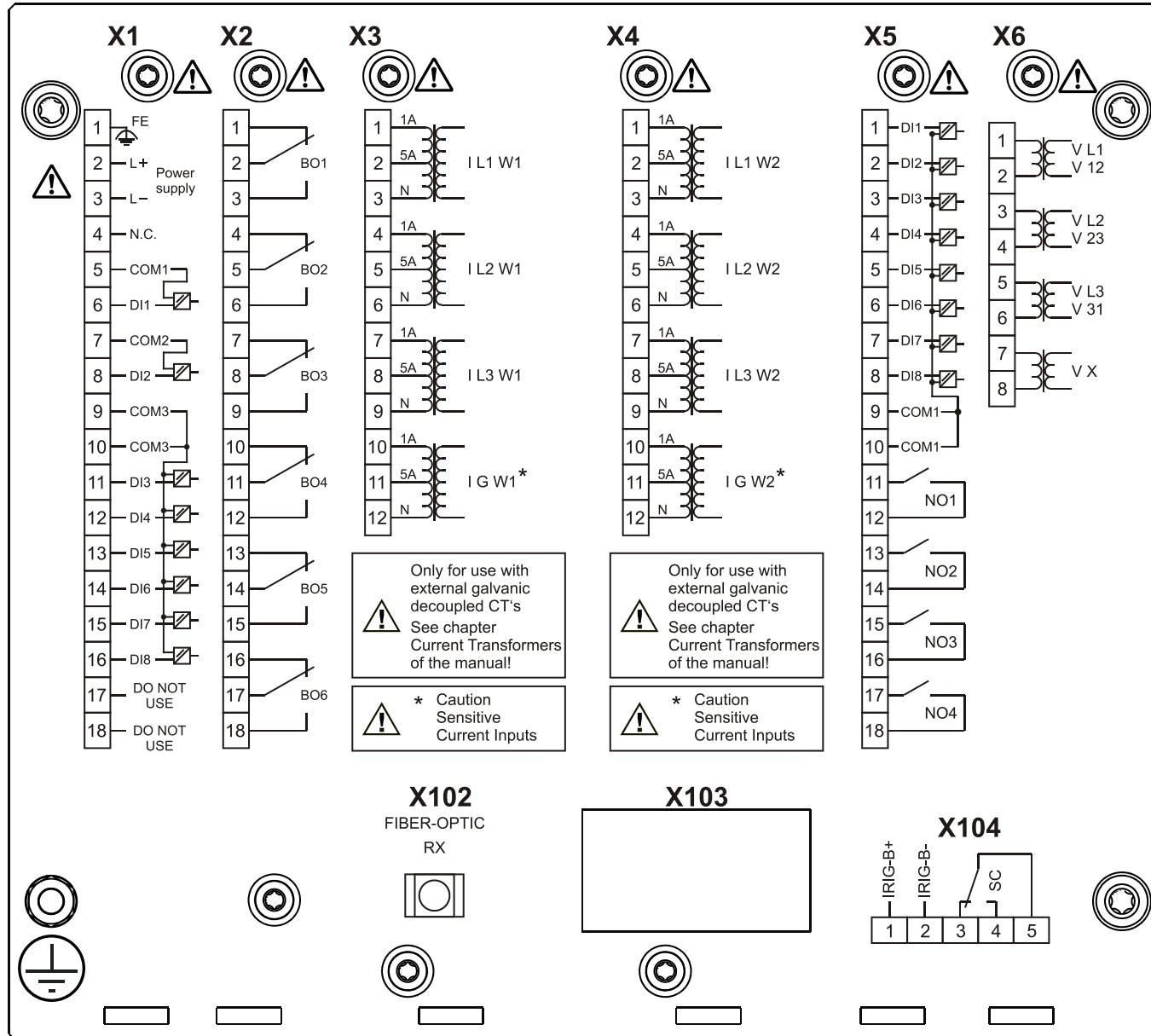
MCDTV4-2A2BLA



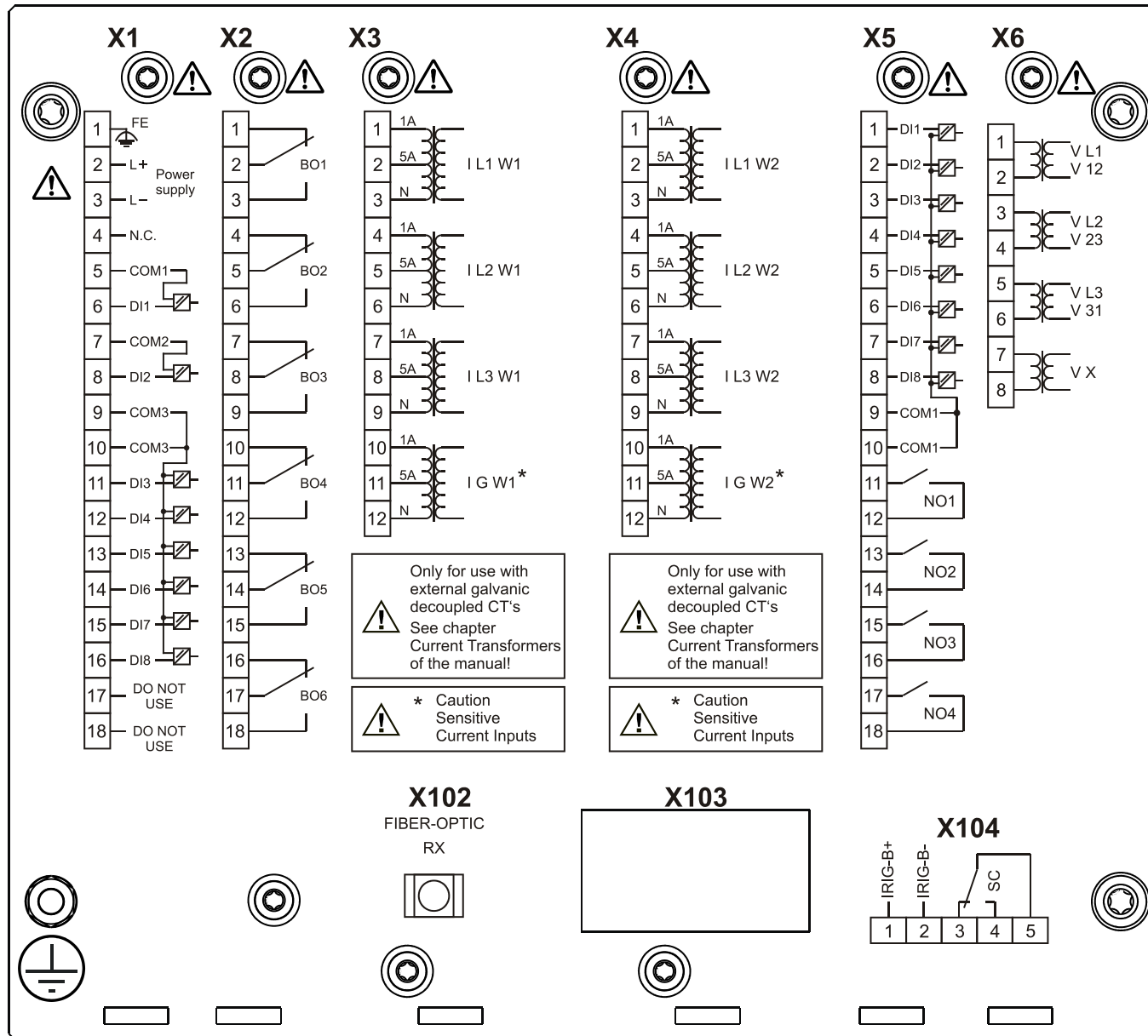
MCDTV4-2A2BLB



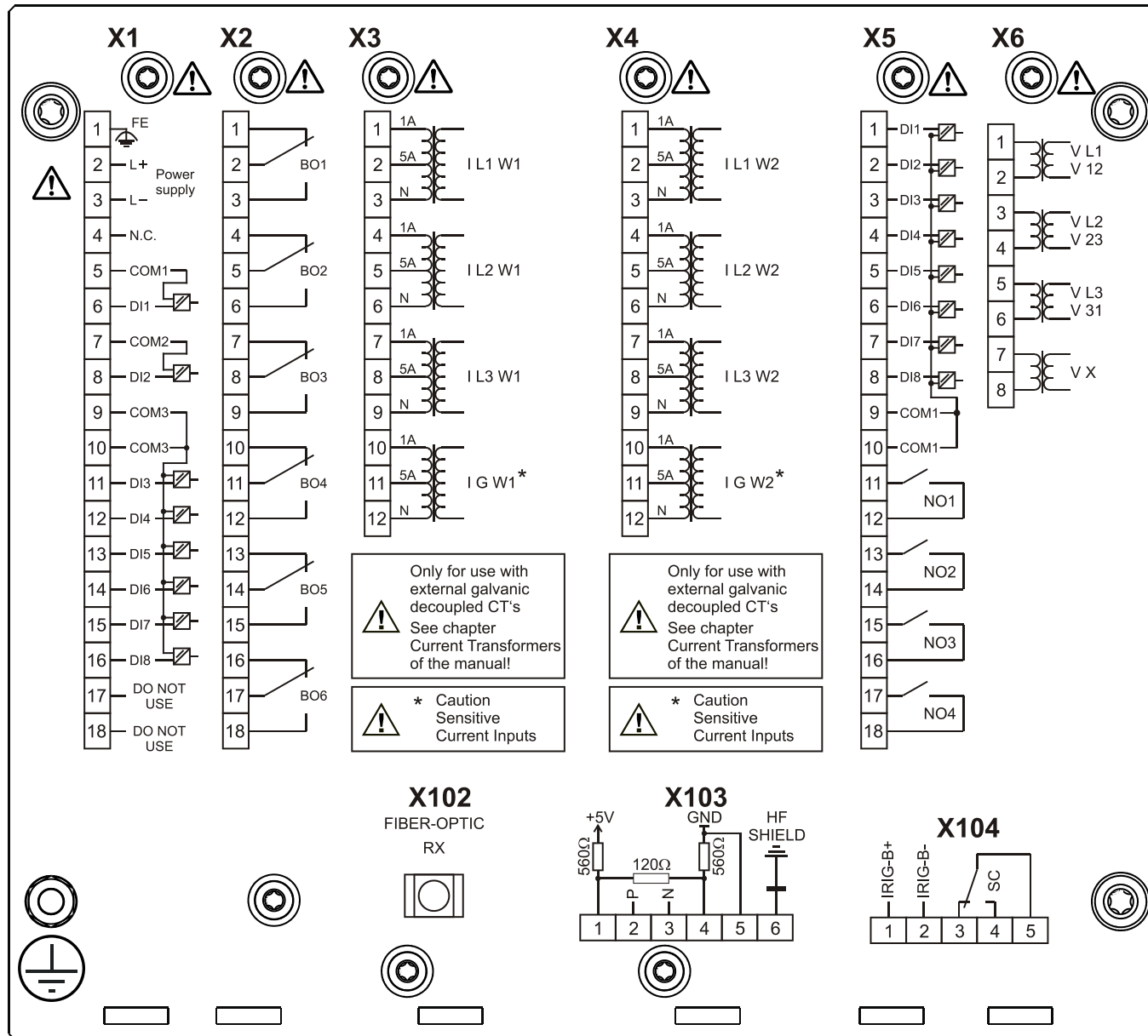
MCDTV4-2A3AAA



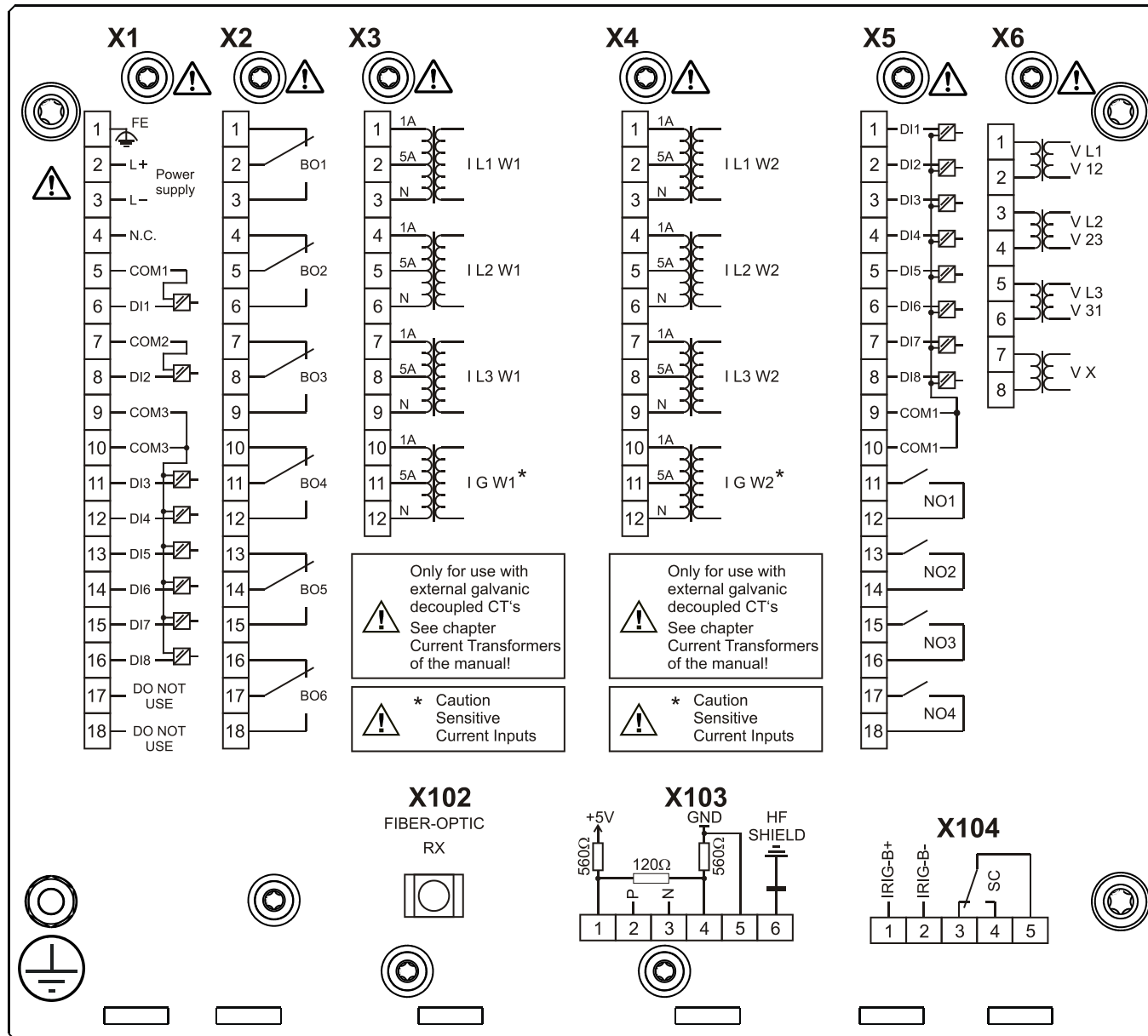
MCDTV4-2A3AAB



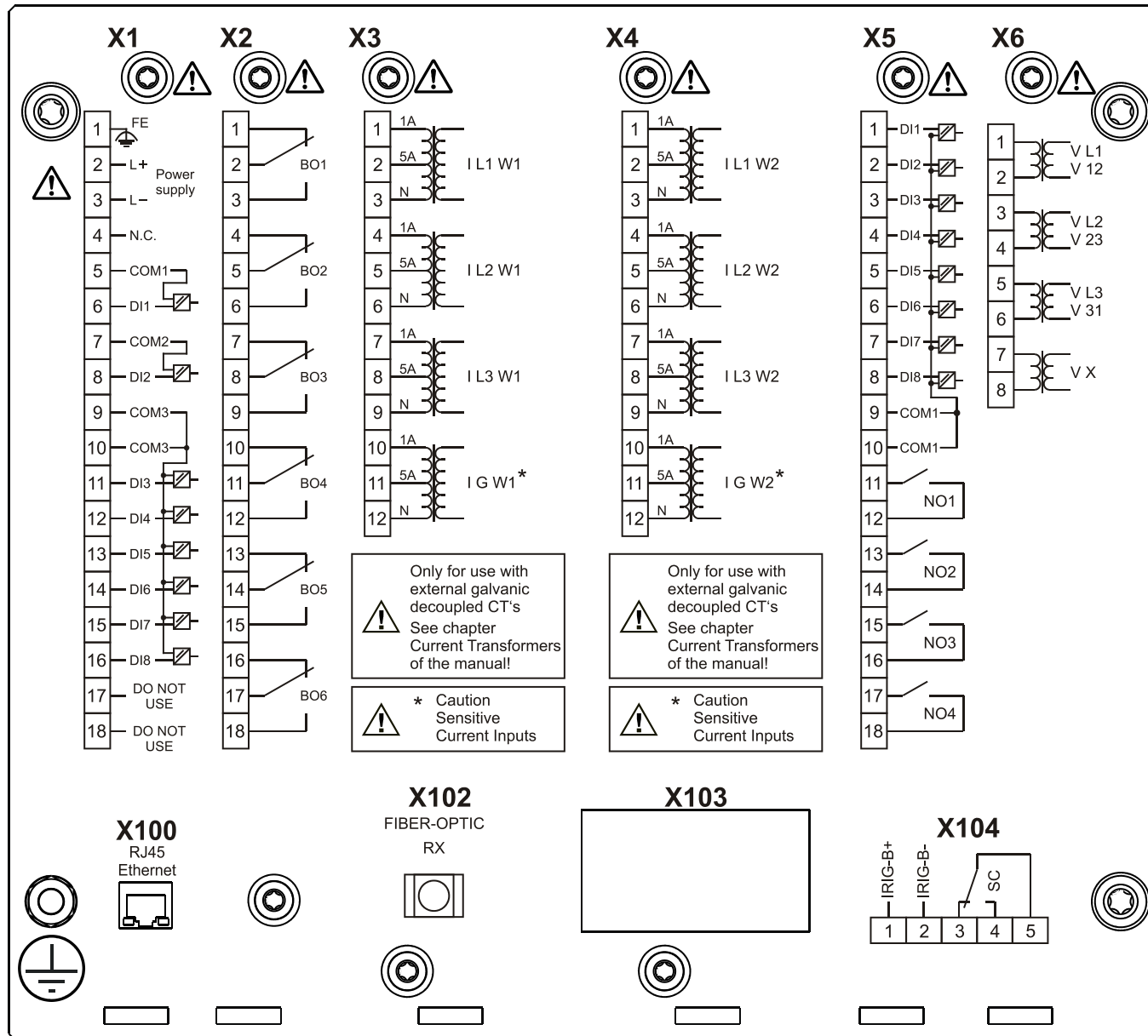
MCDTV4-2A3ABA



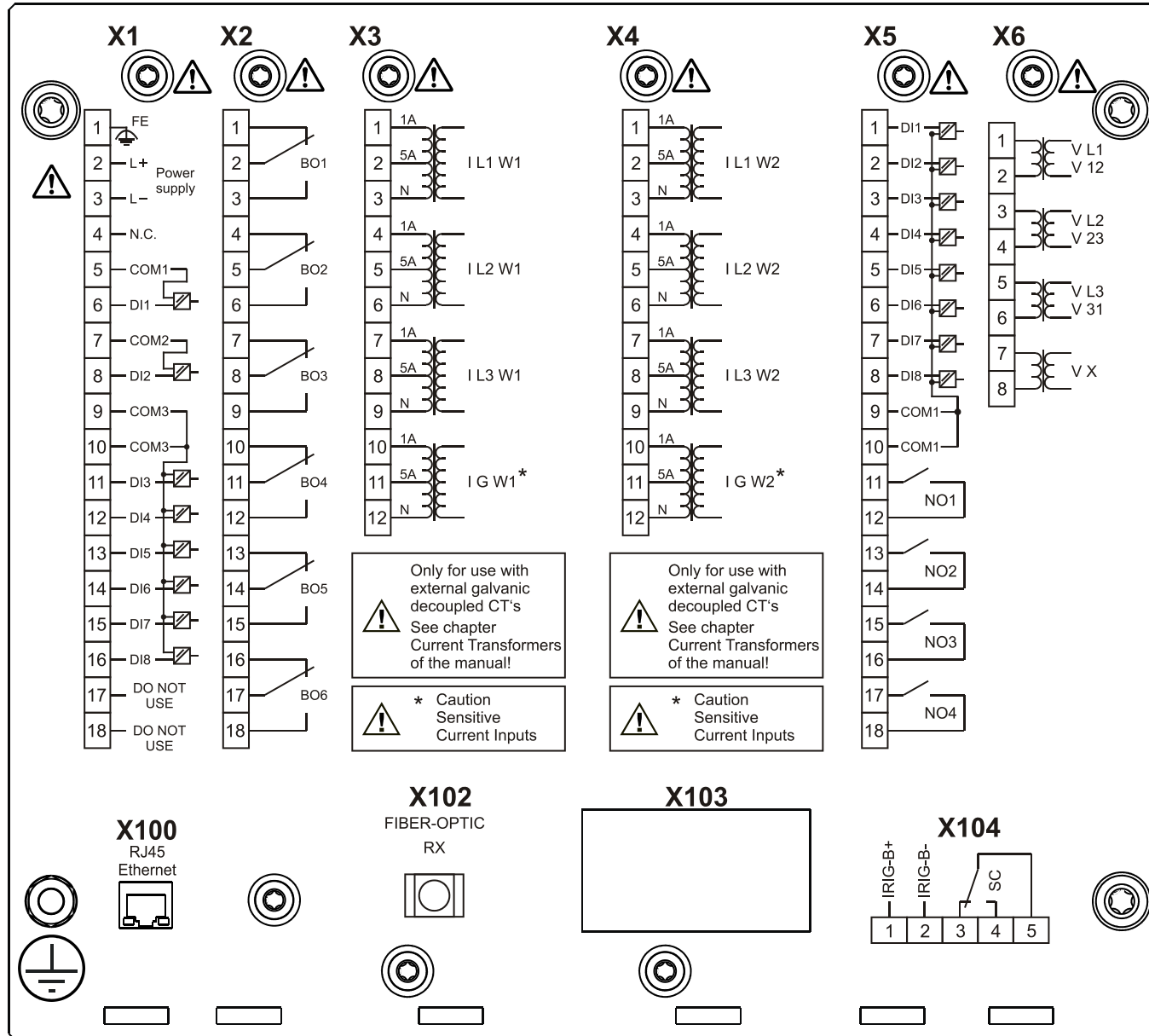
MCDTV4-2A3ABB



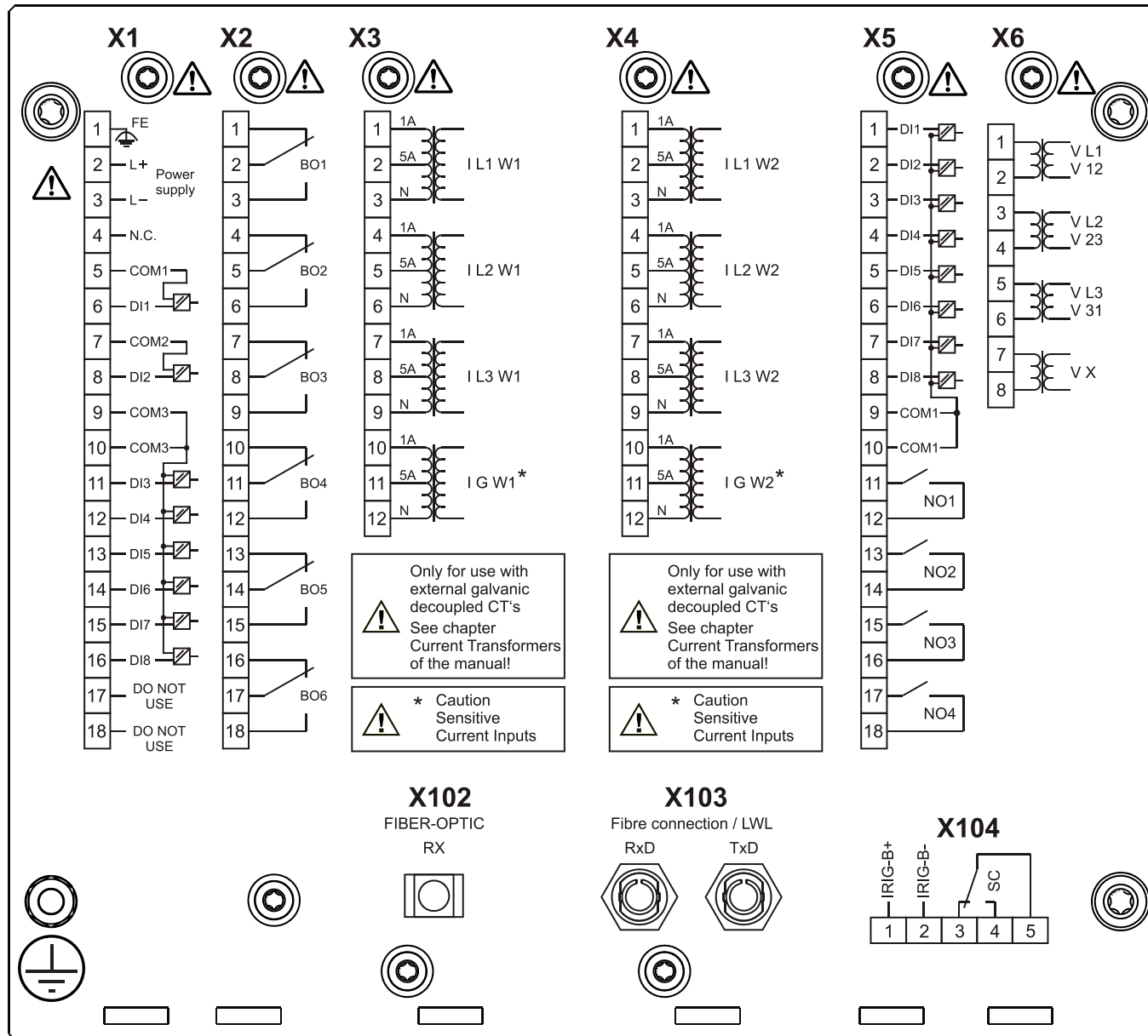
MCDTV4-2A3ACA



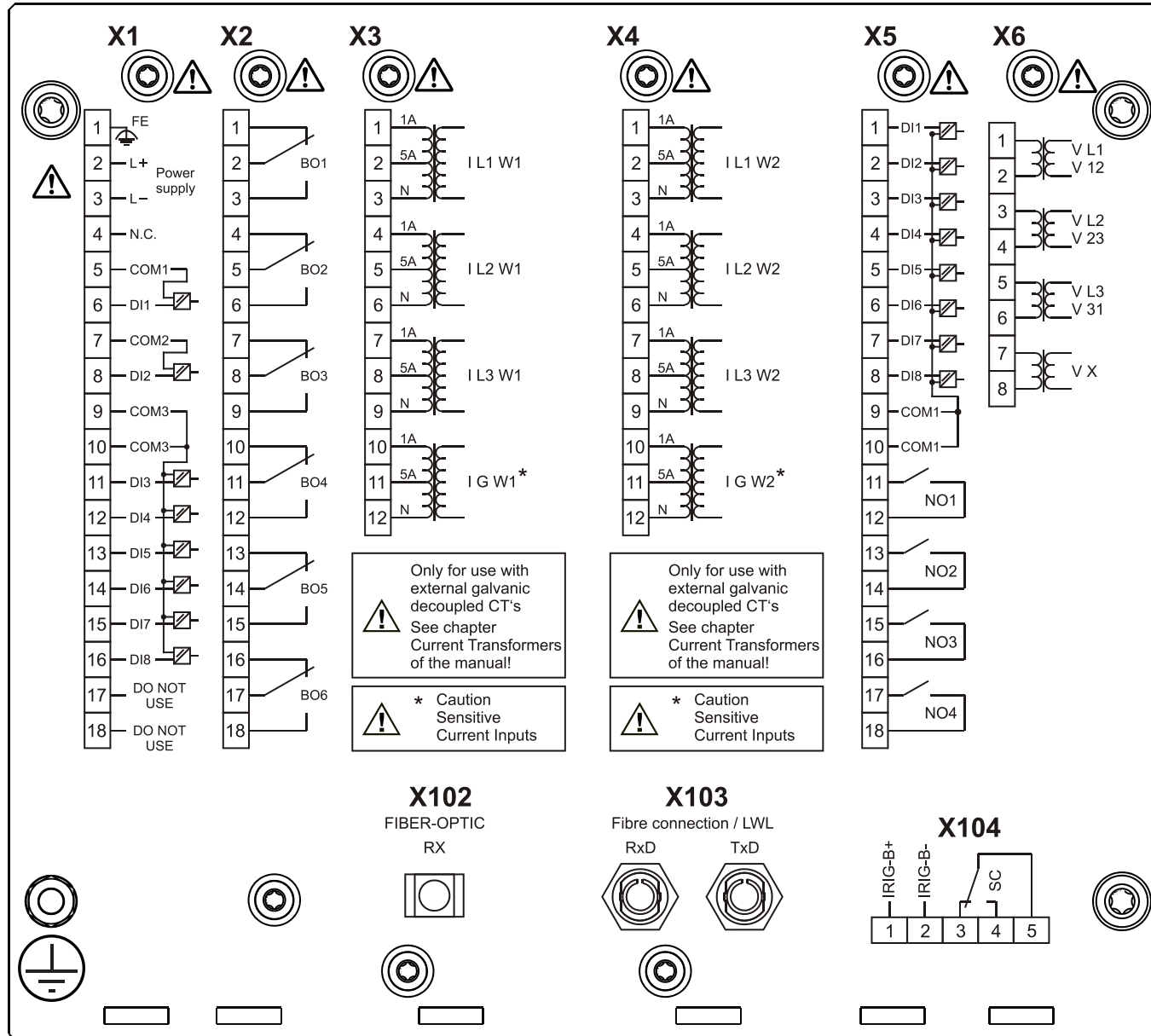
MCDTV4-2A3ACB



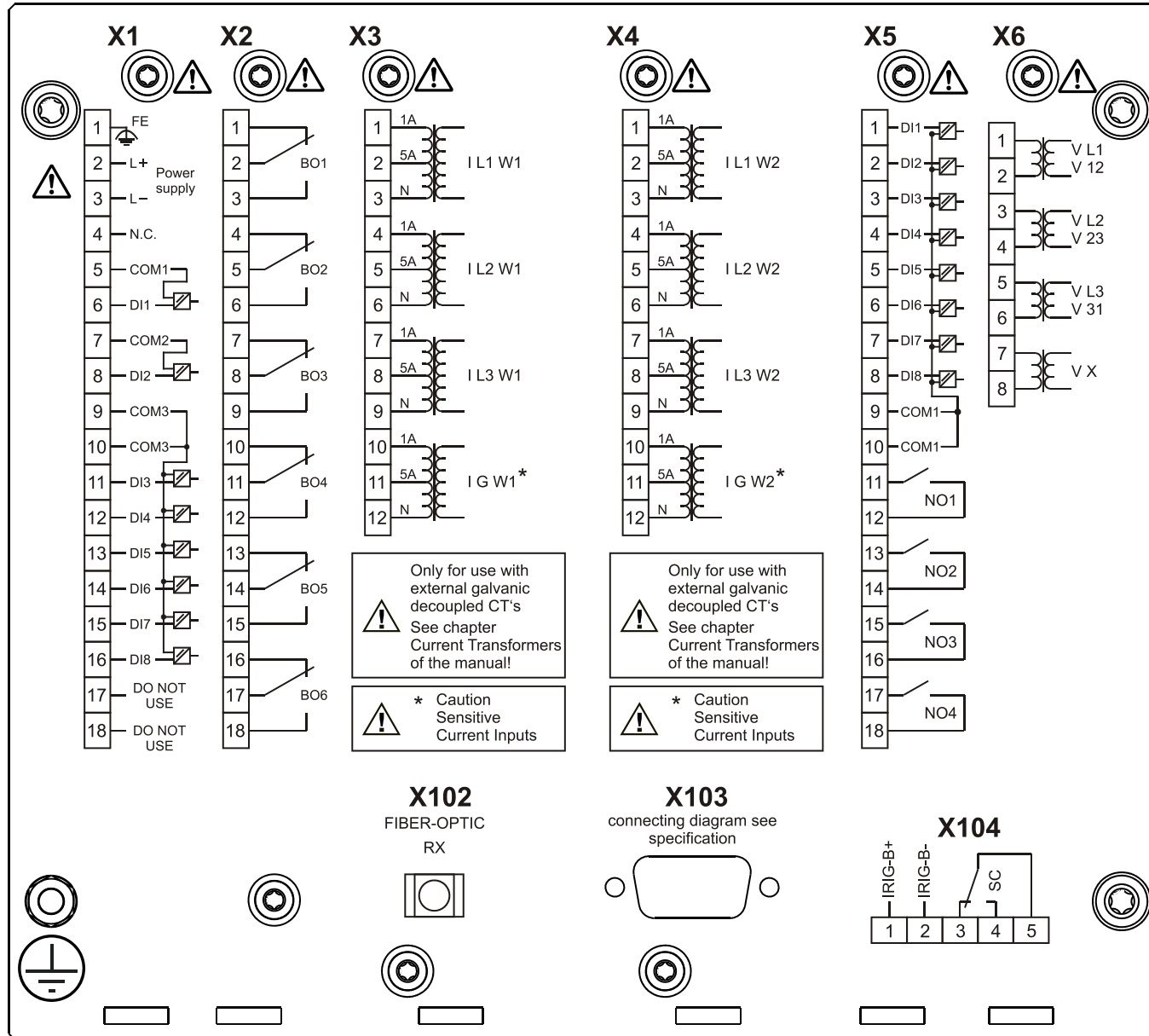
MCDTV4-2A3ADA



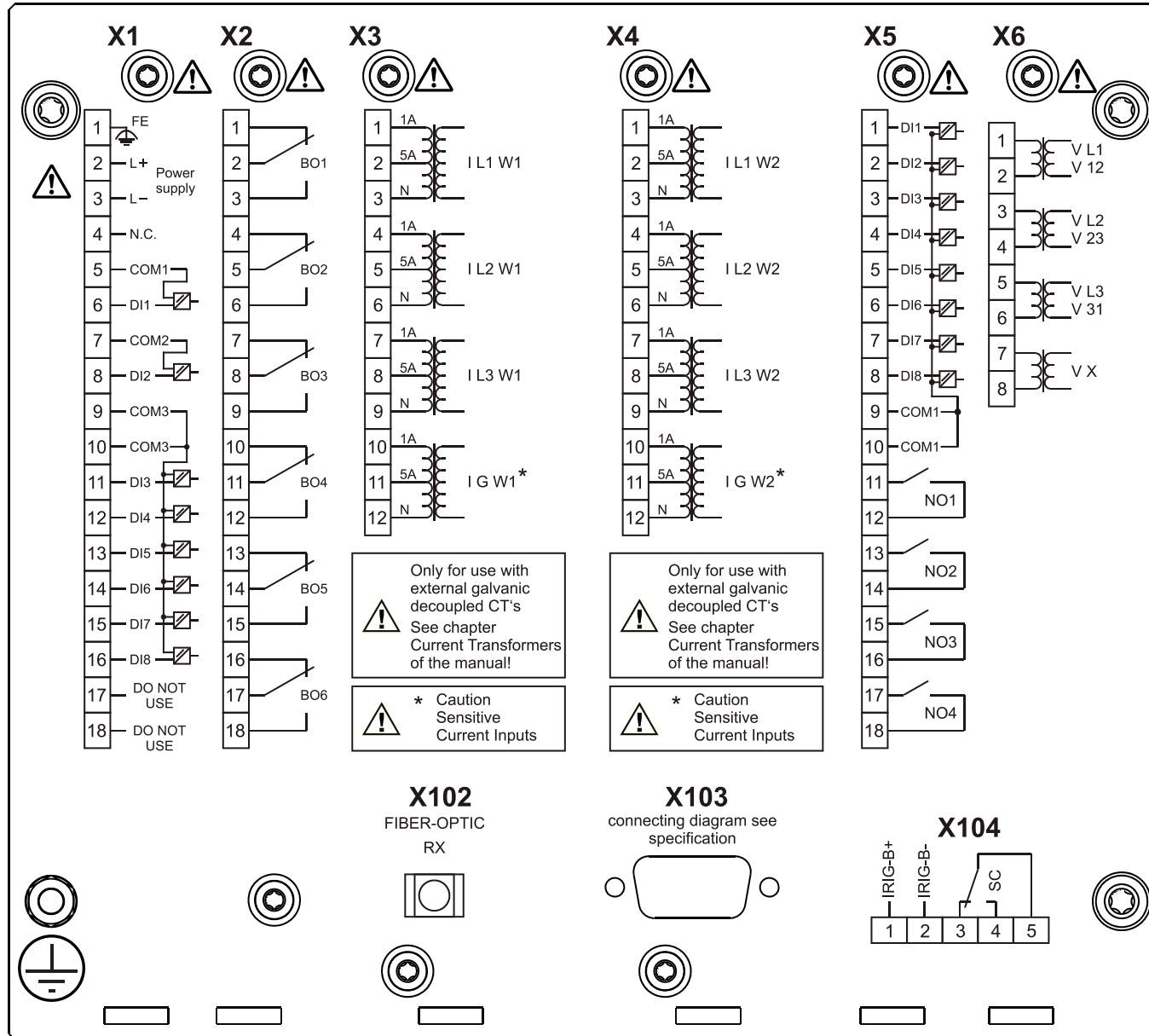
MCDTV4-2A3ADB



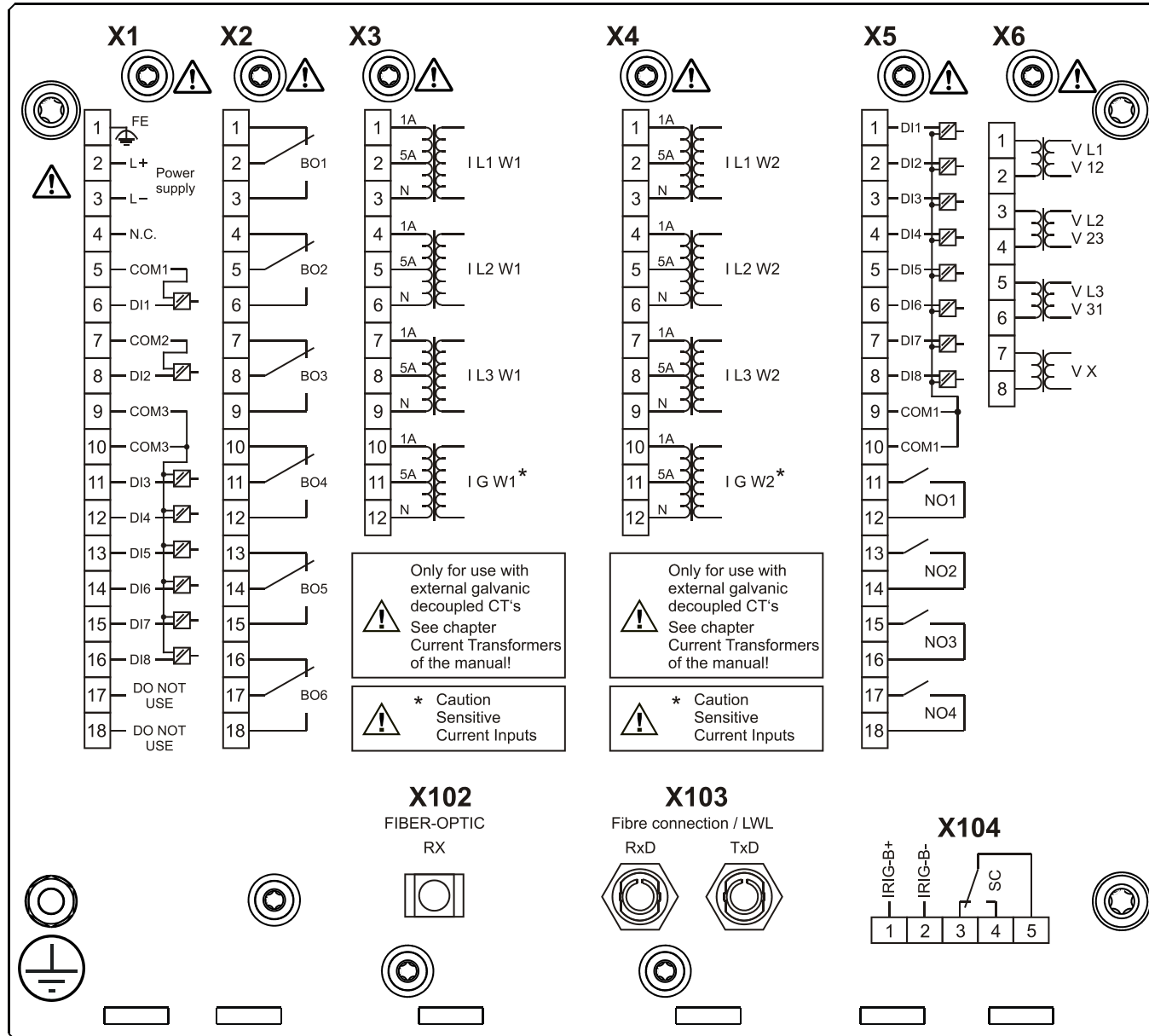
MCDTV4-2A3AEA



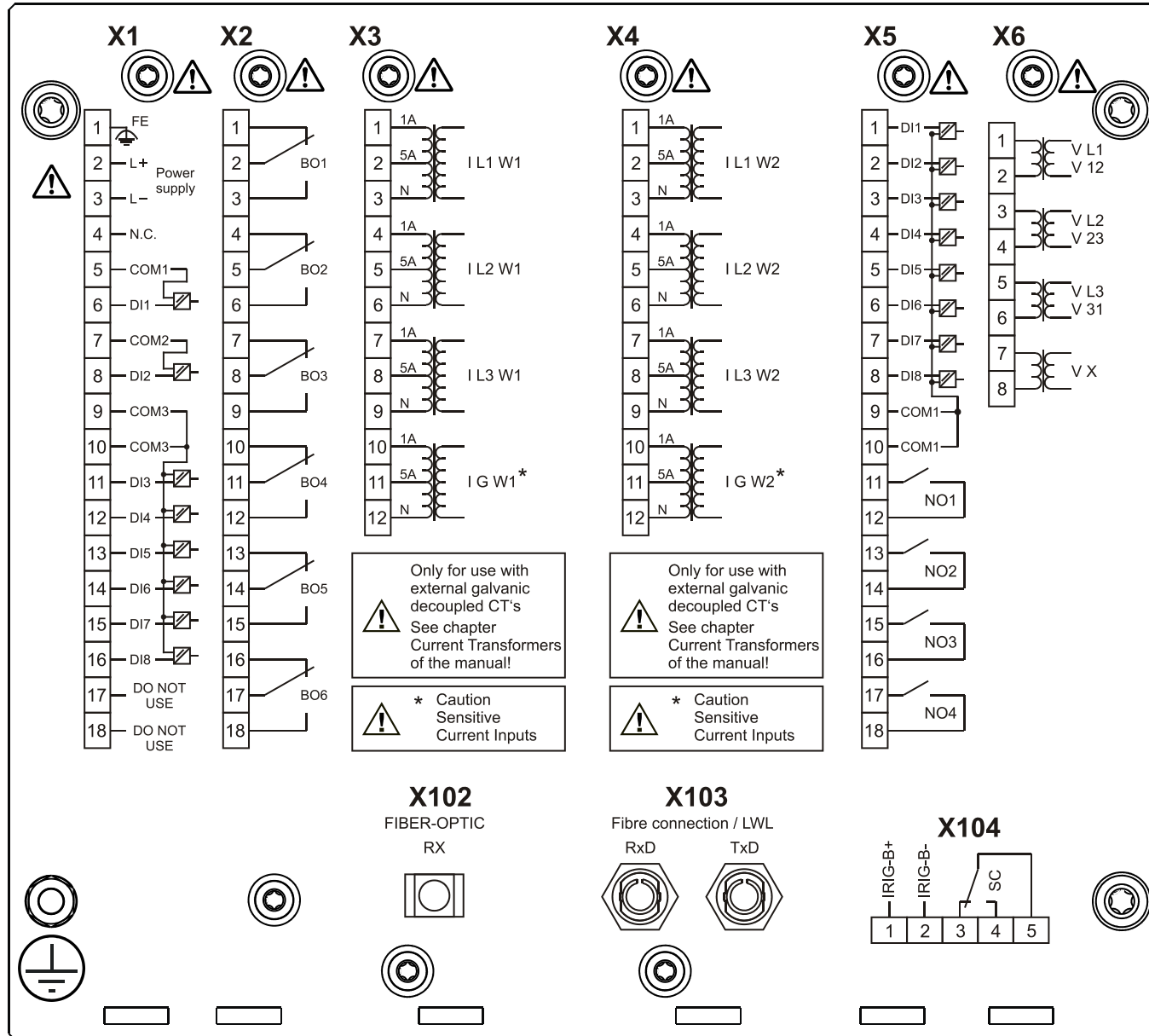
MCDTV4-2A3AEB



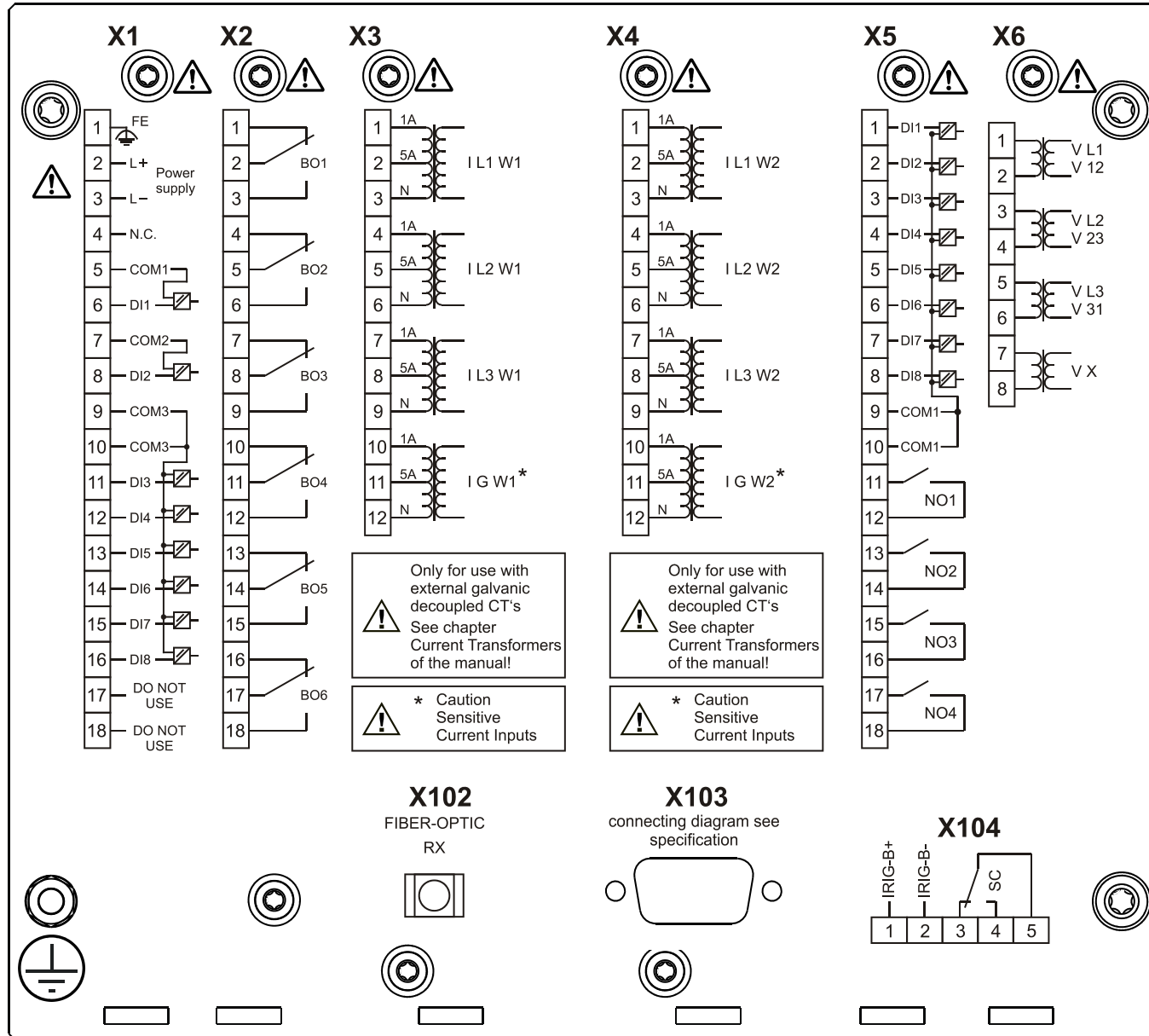
MCDTV4-2A3AFA



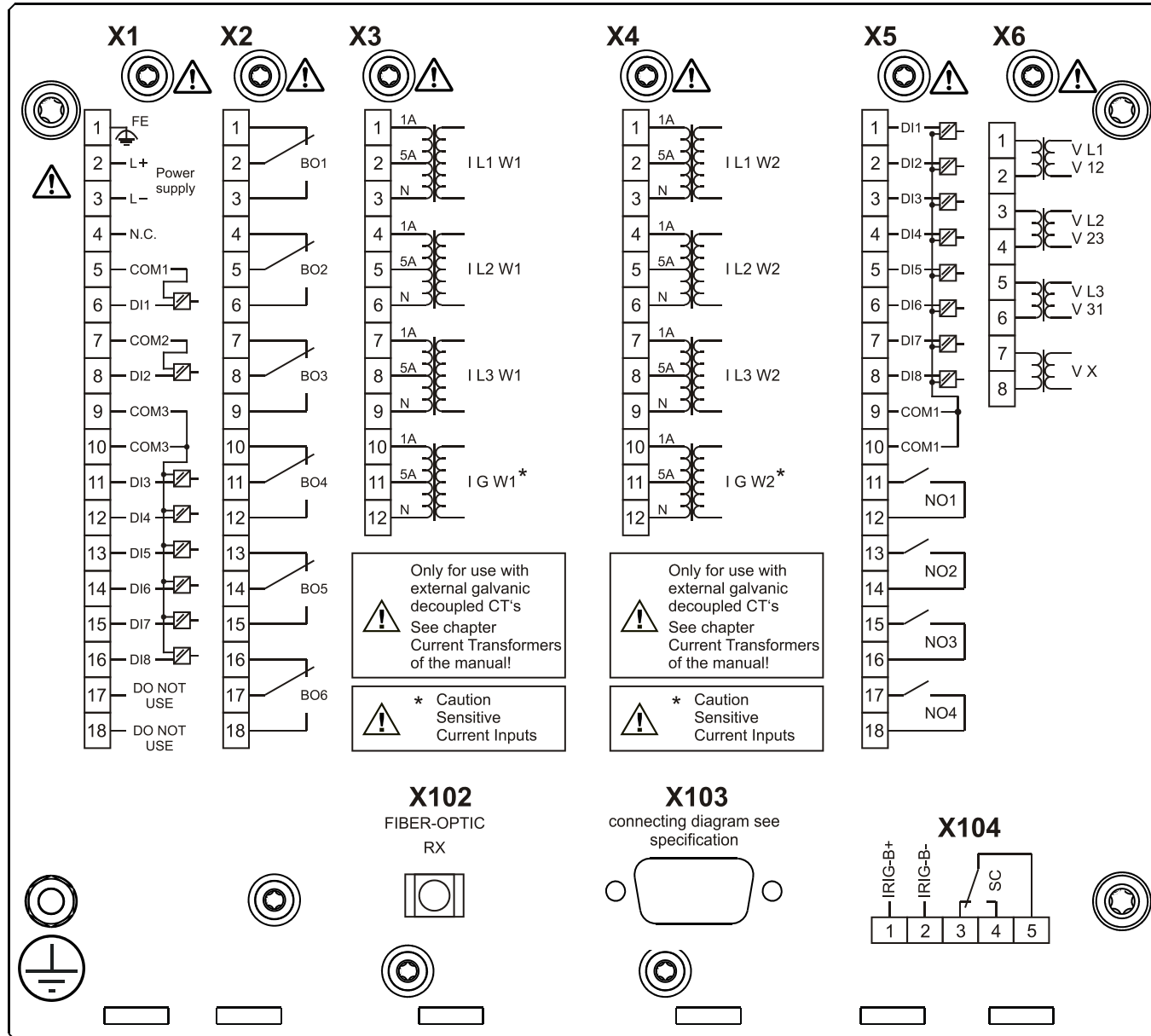
MCDTV4-2A3AFB



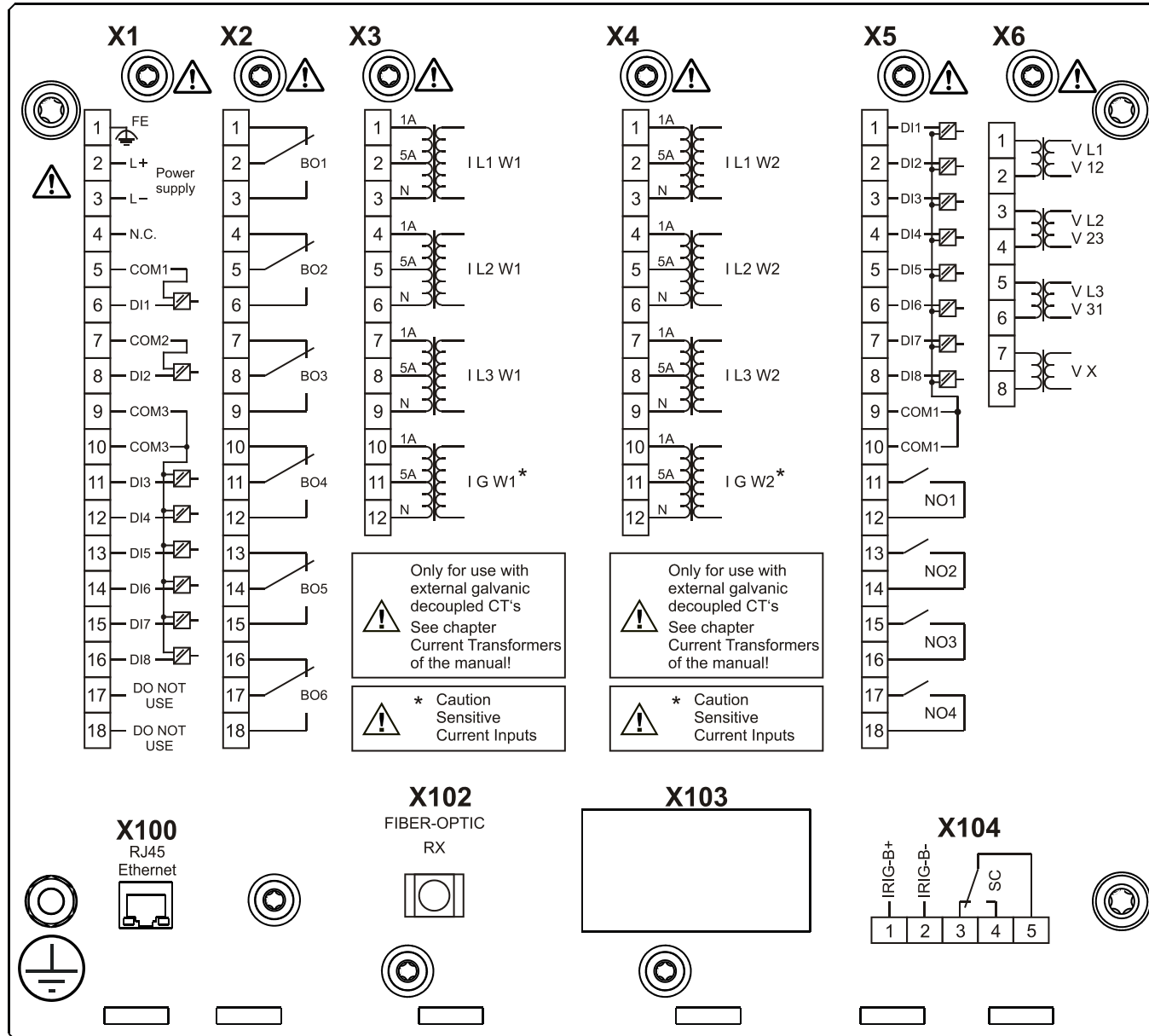
MCDTV4-2A3AGA



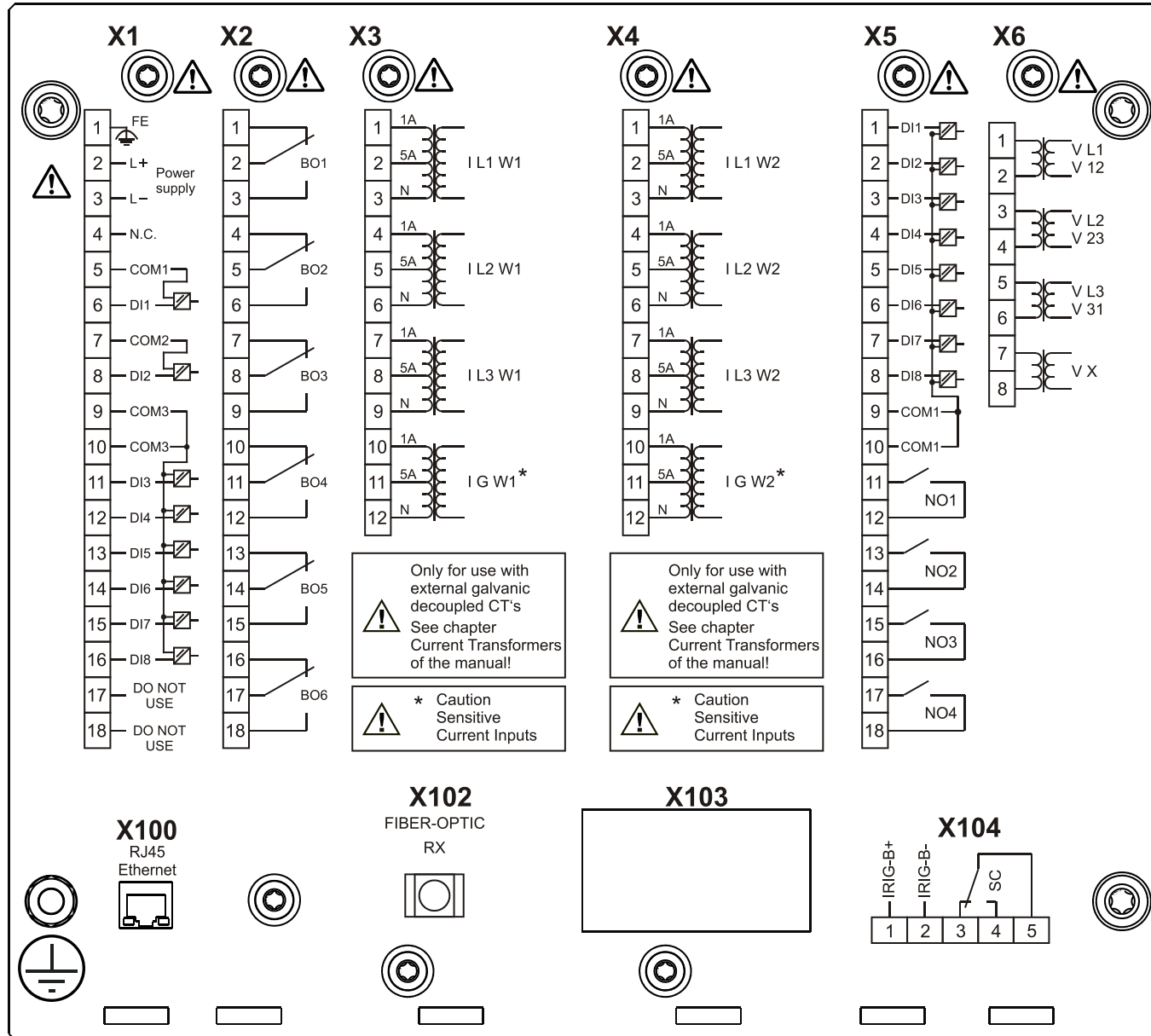
MCDTV4-2A3AGB



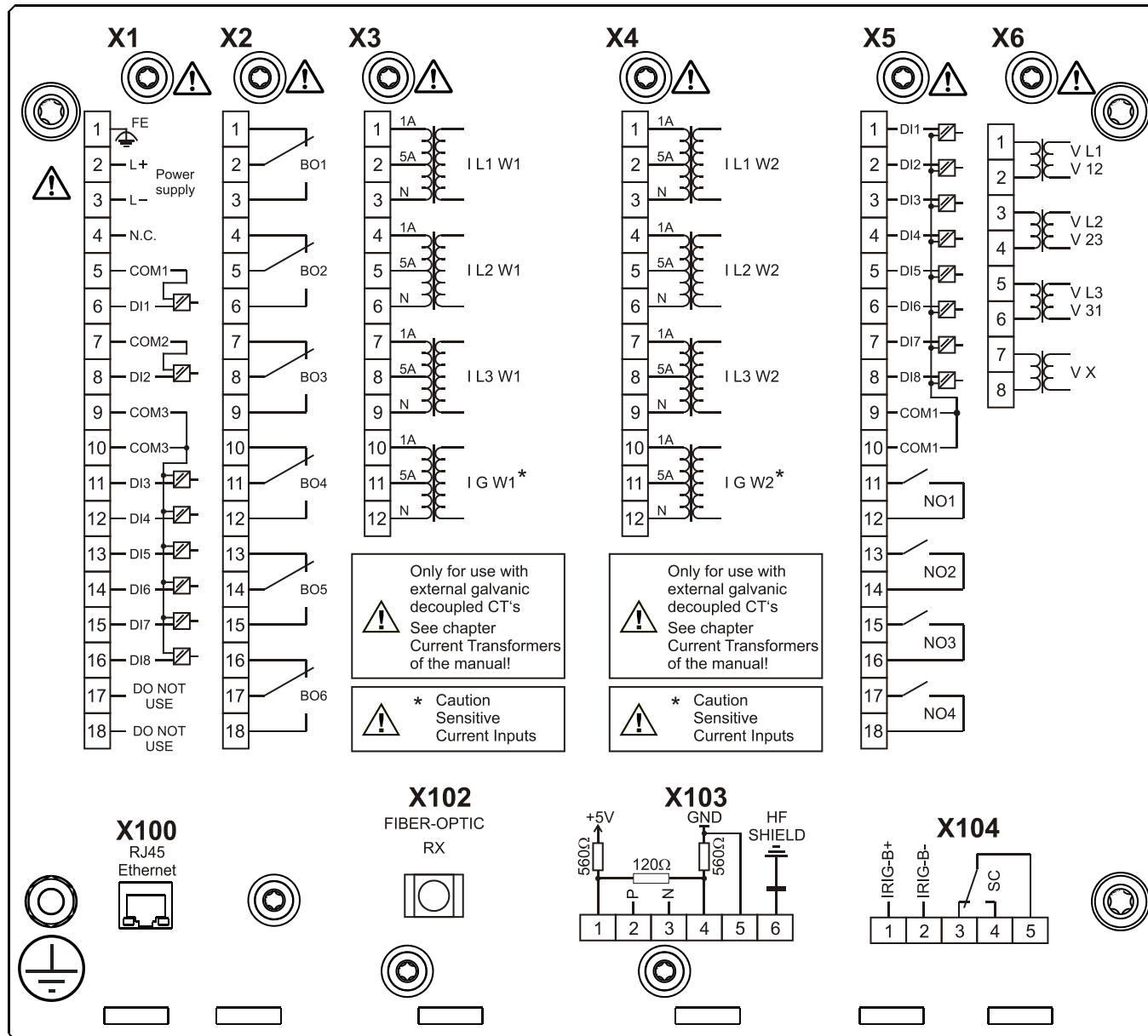
MCDTV4-2A3AHA



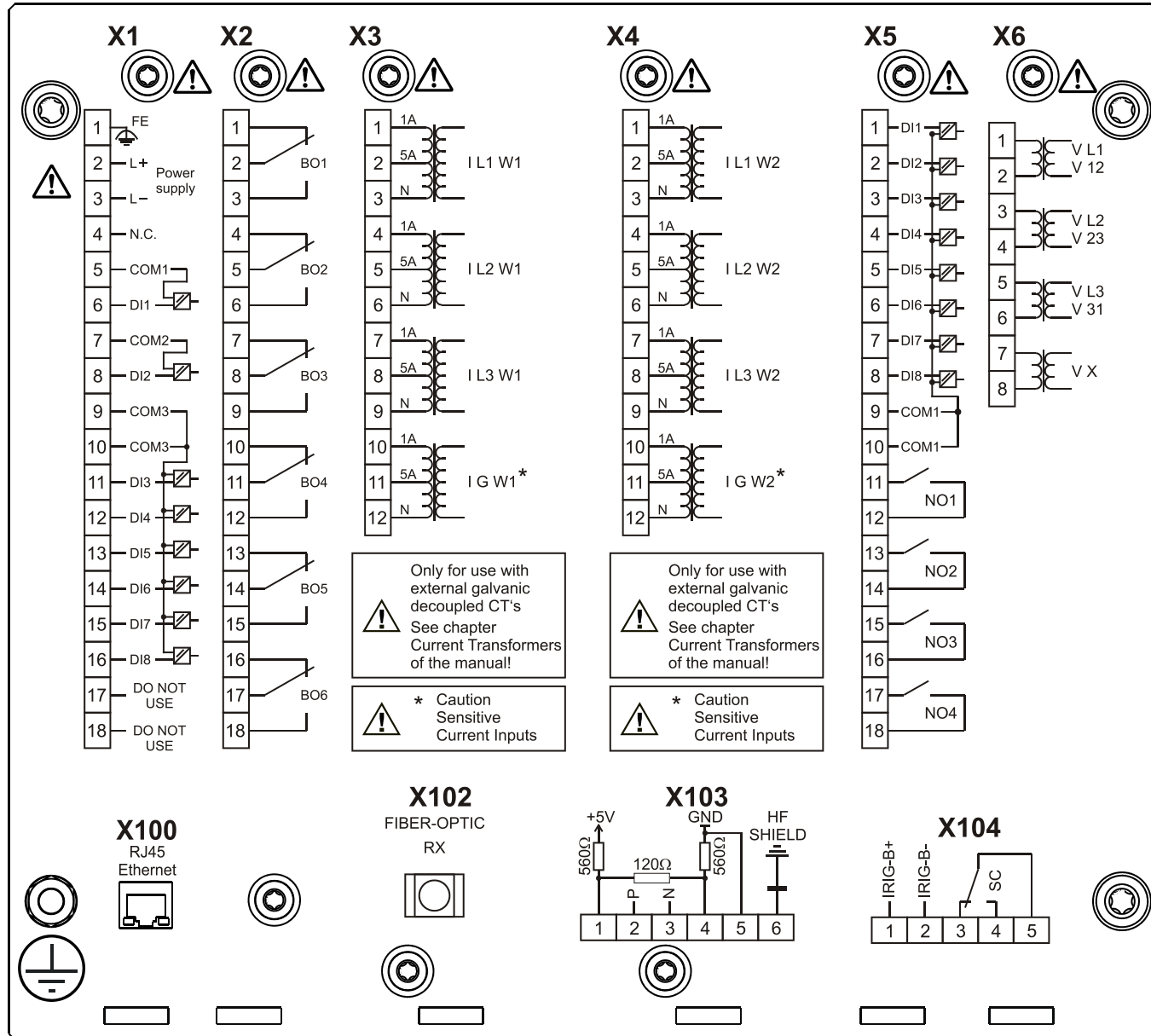
MCDTV4-2A3AHB



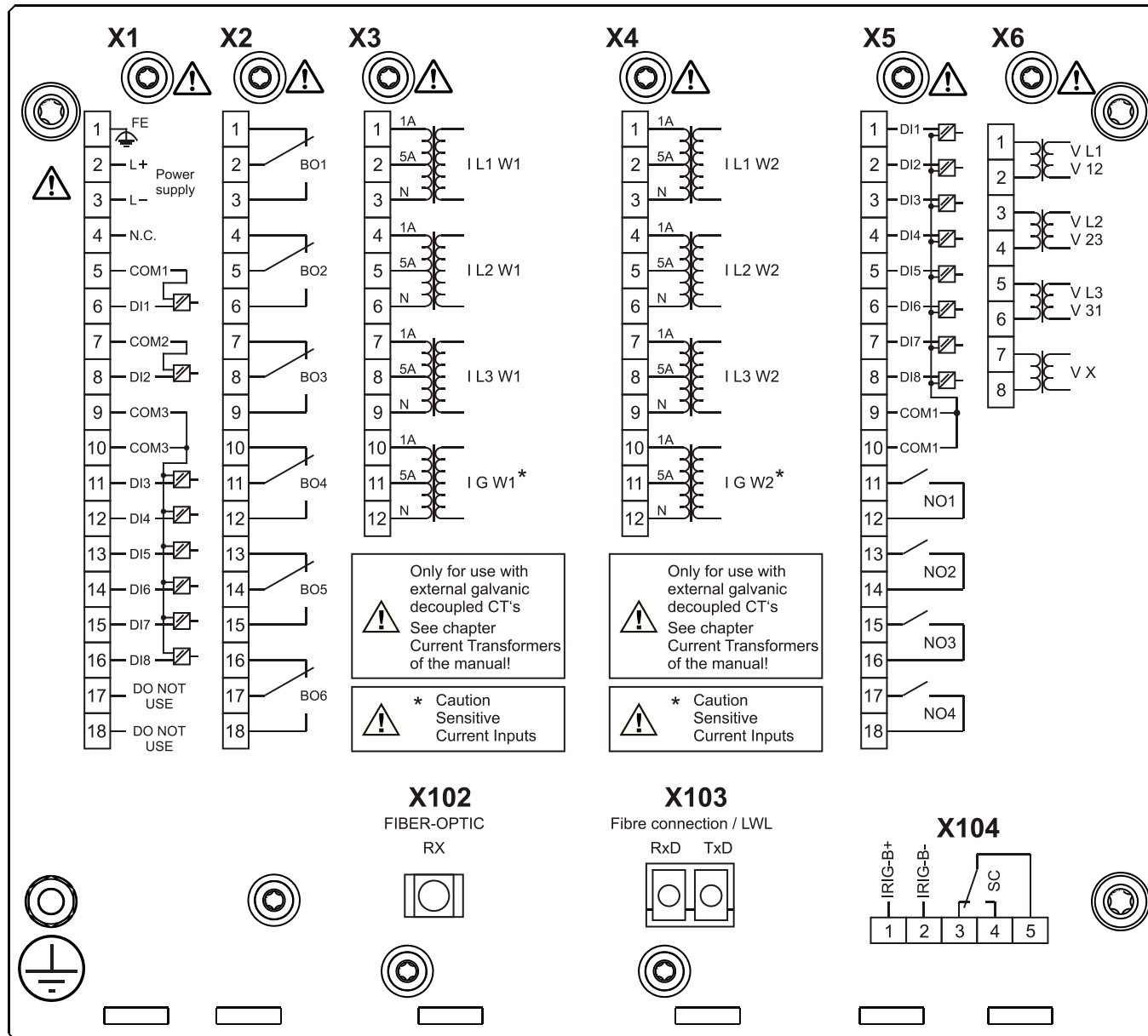
MCDTV4-2A3AIA



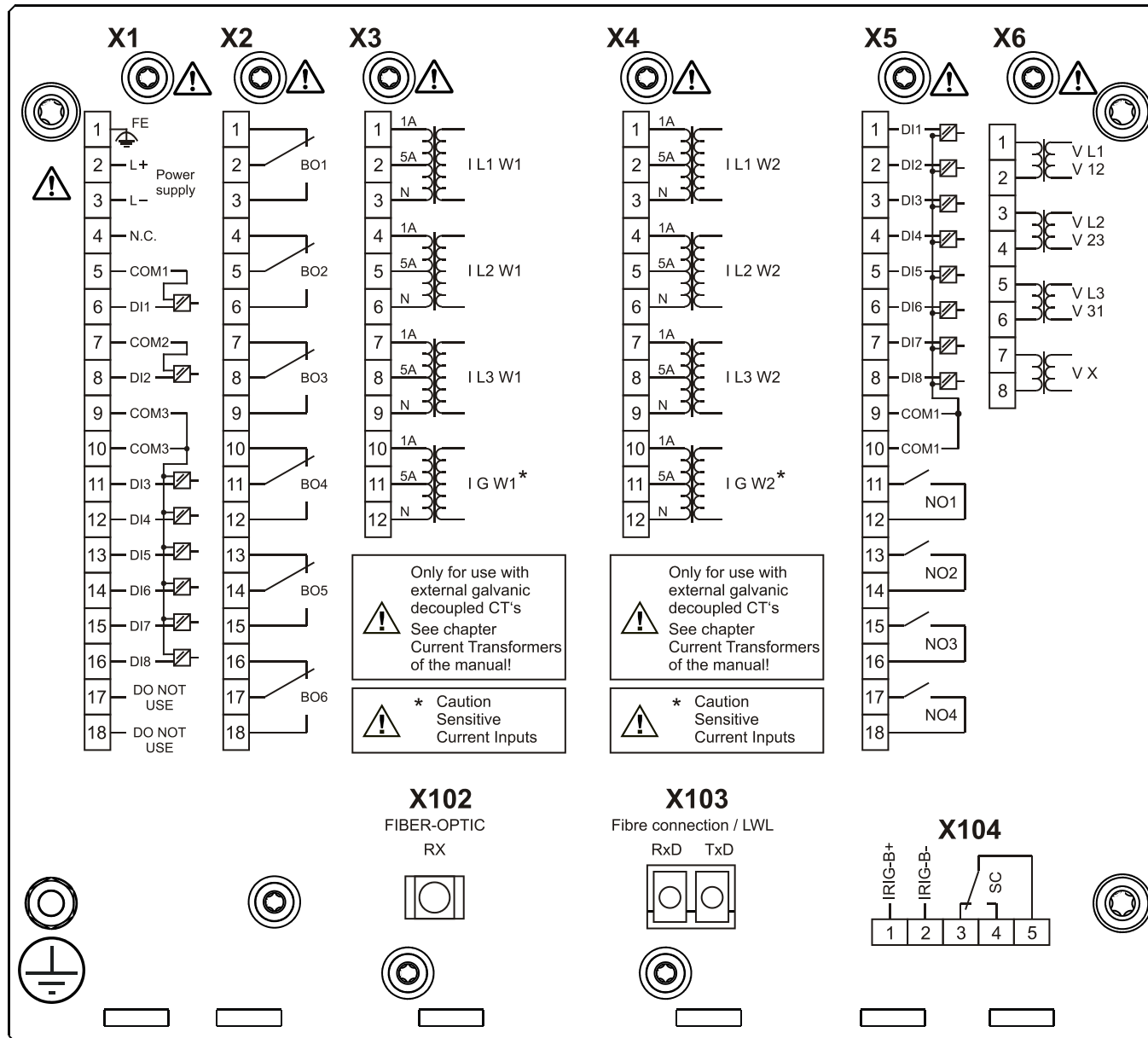
MCDTV4-2A3AIB



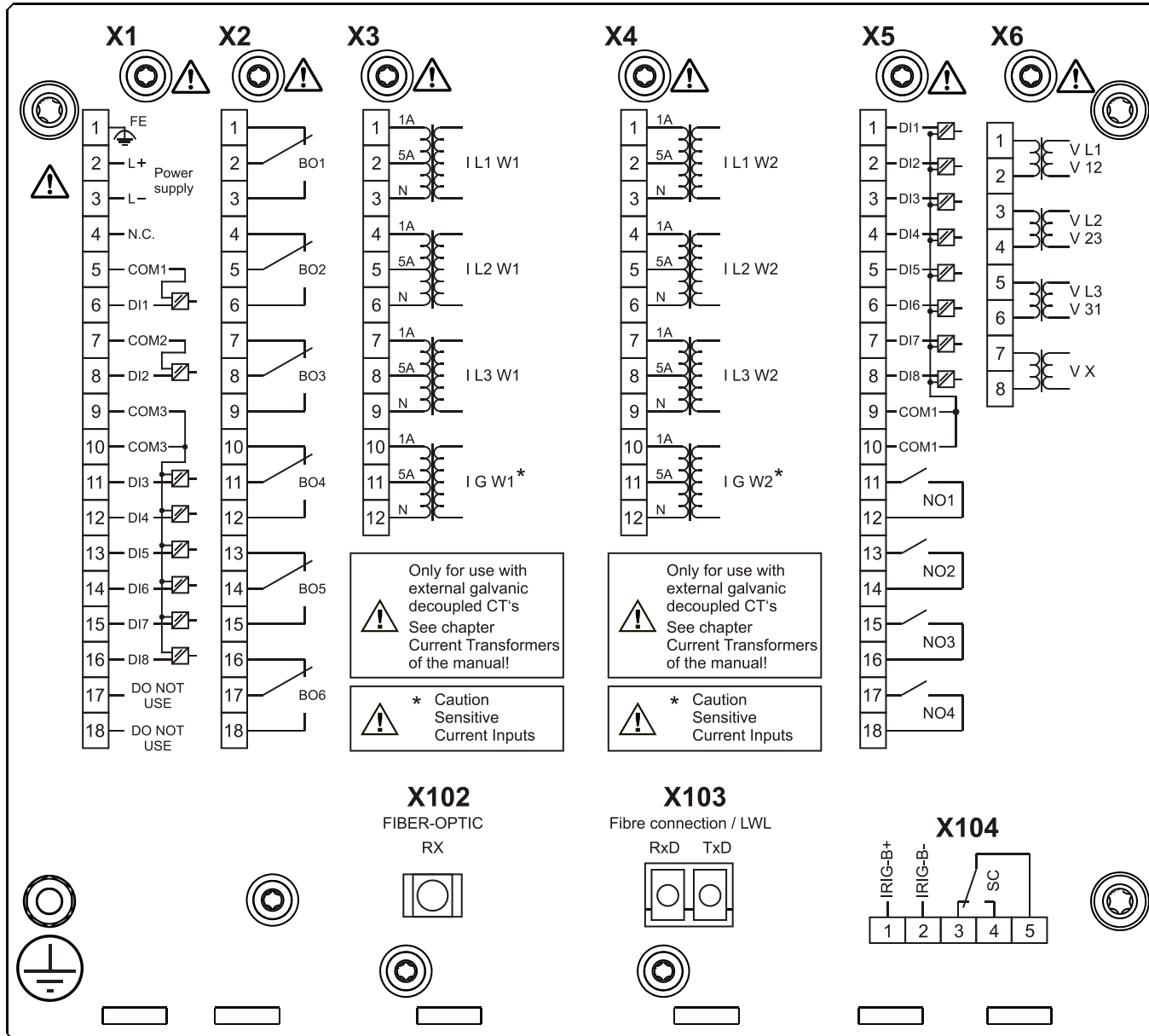
MCDTV4-2A3AKA



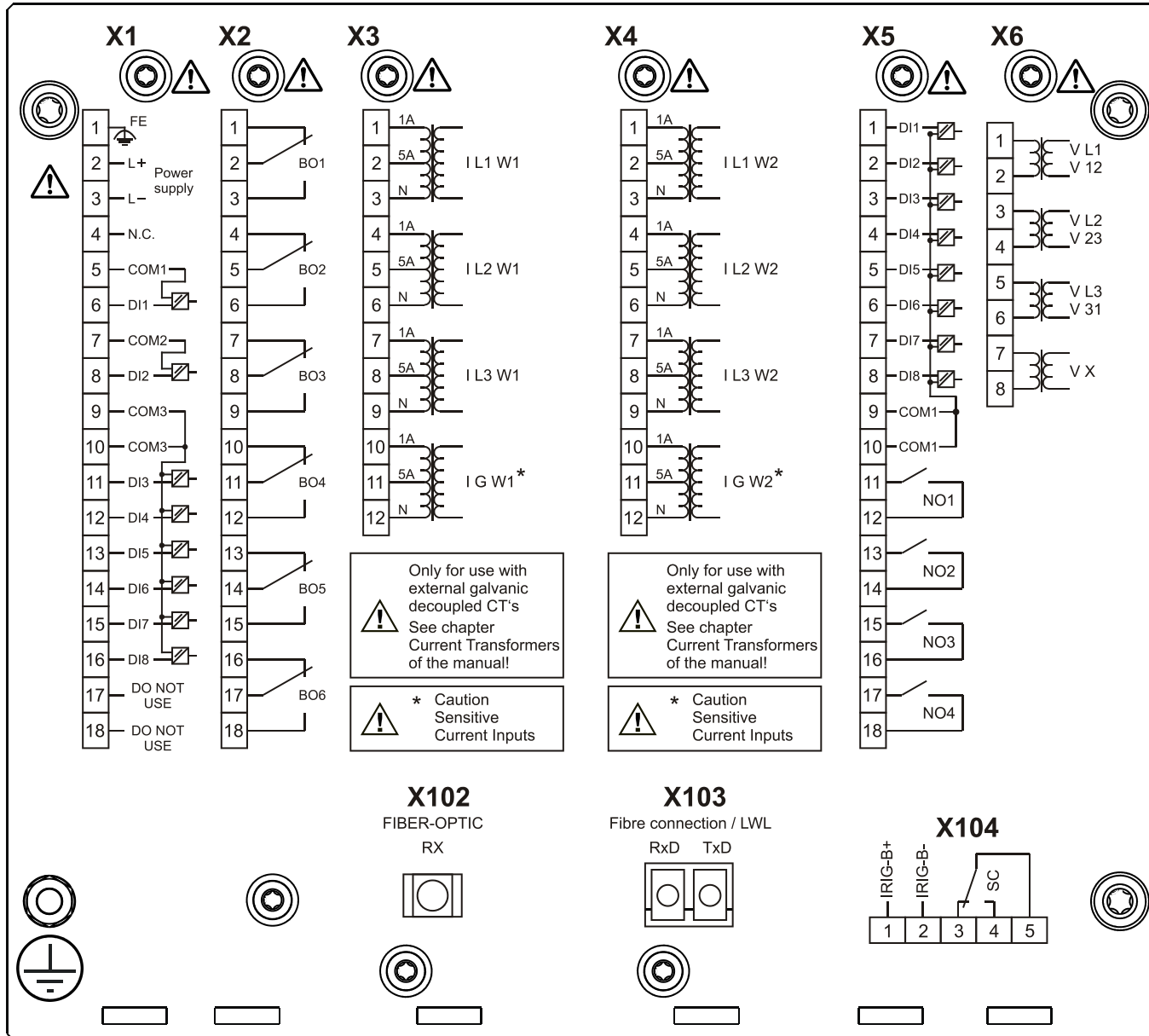
MCDTV4-2A3AKB



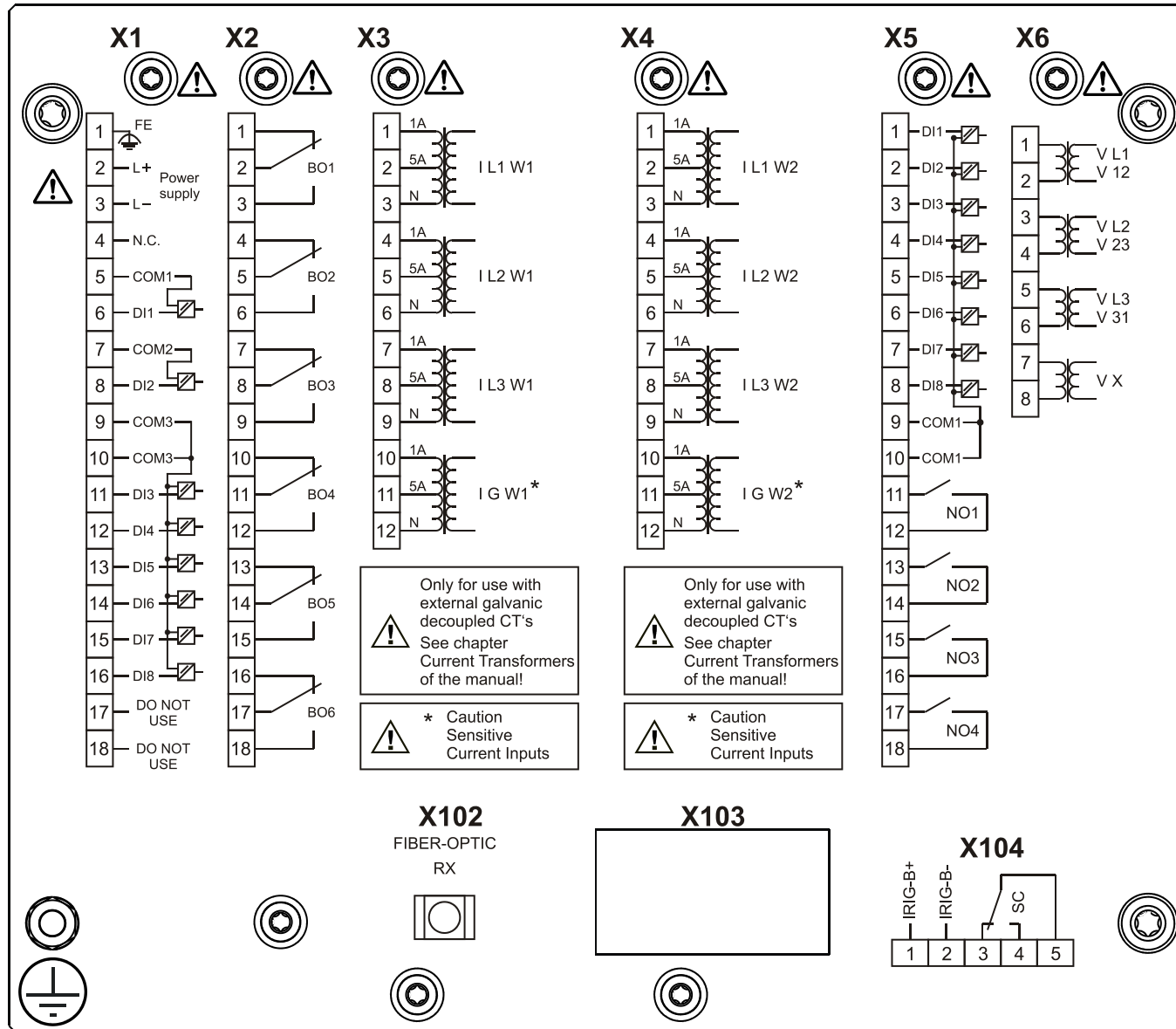
MCDTV4-2A3ALA



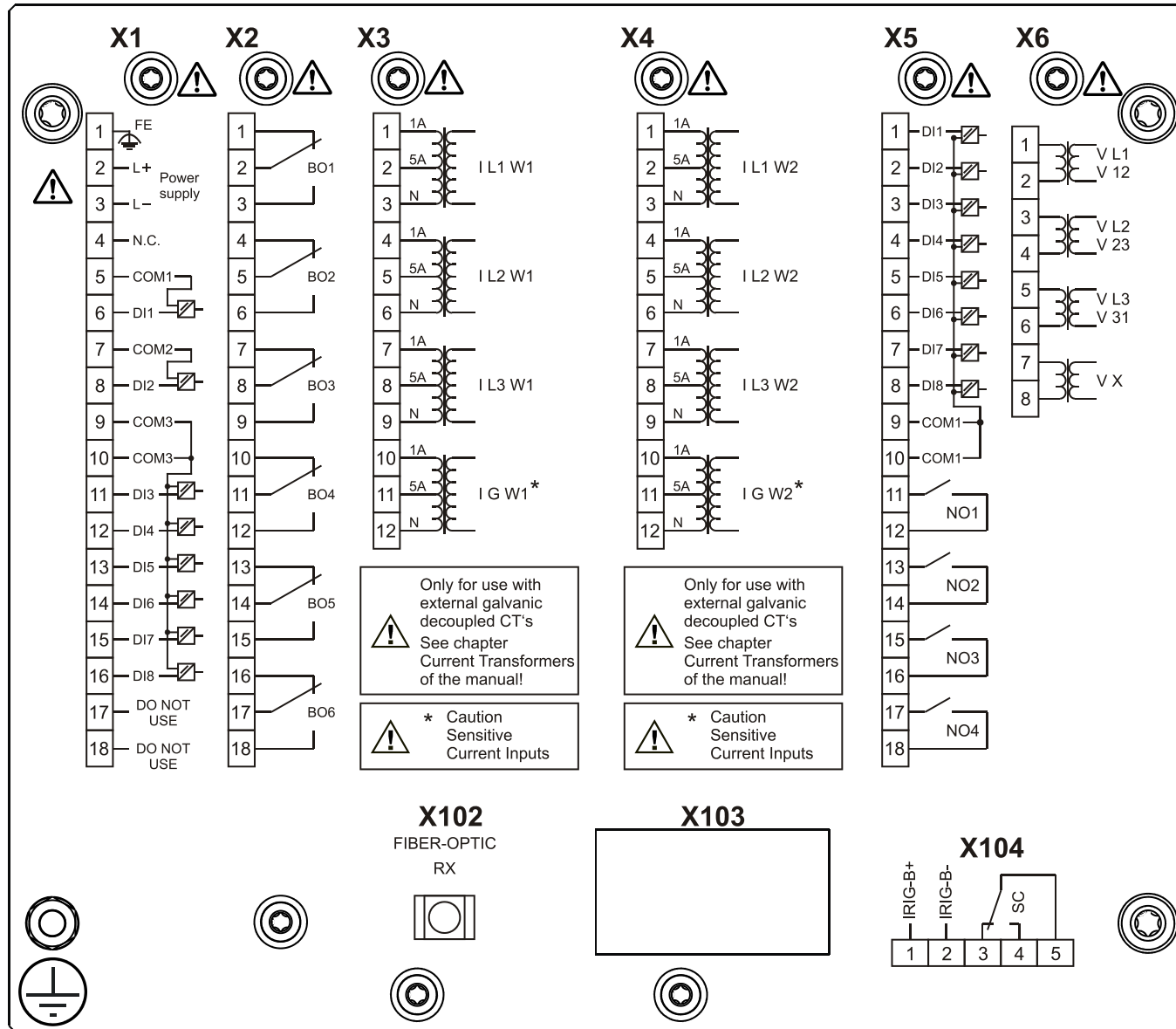
MCDTV4-2A3ALB



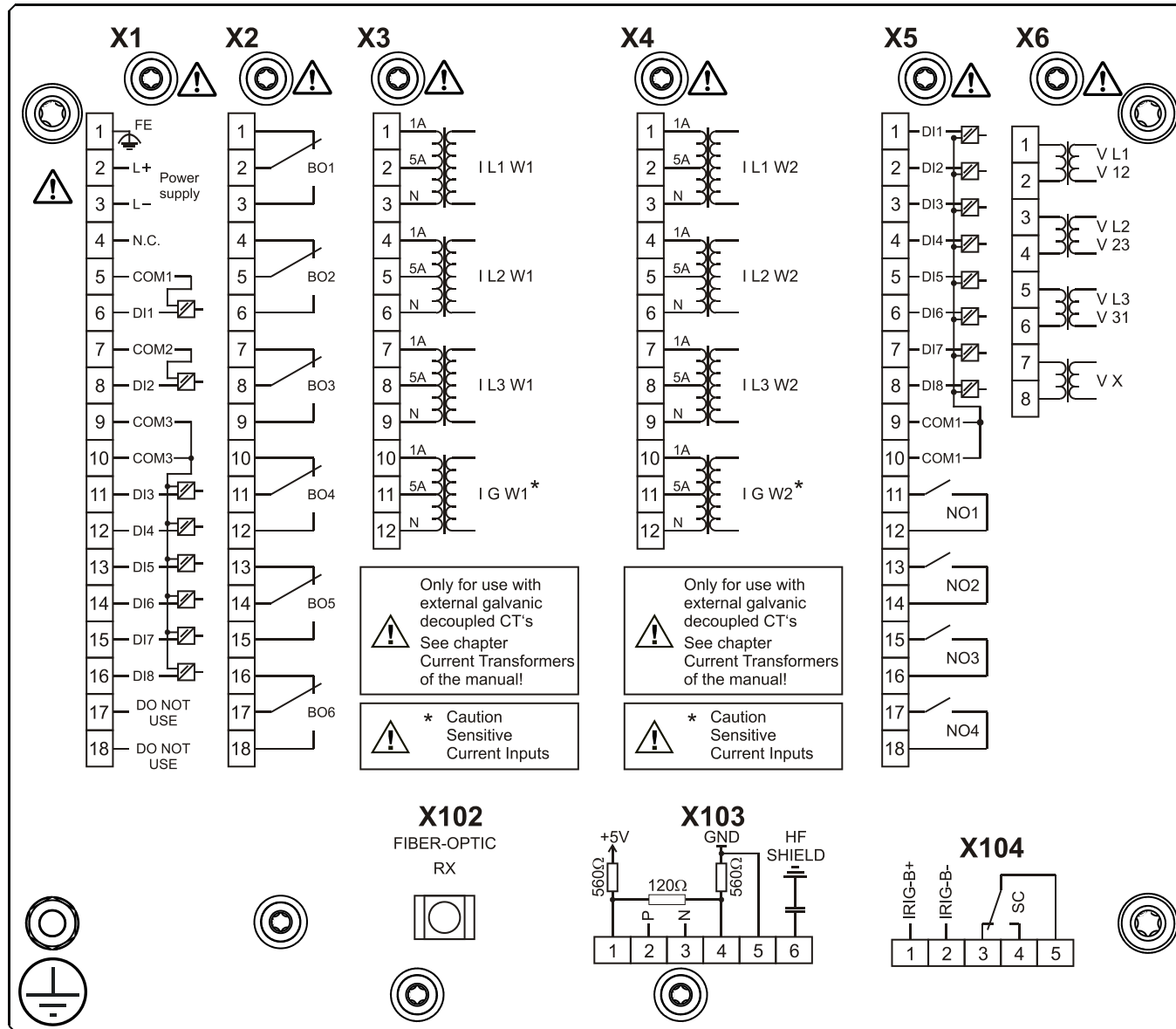
MCDTV4-2A3BAA



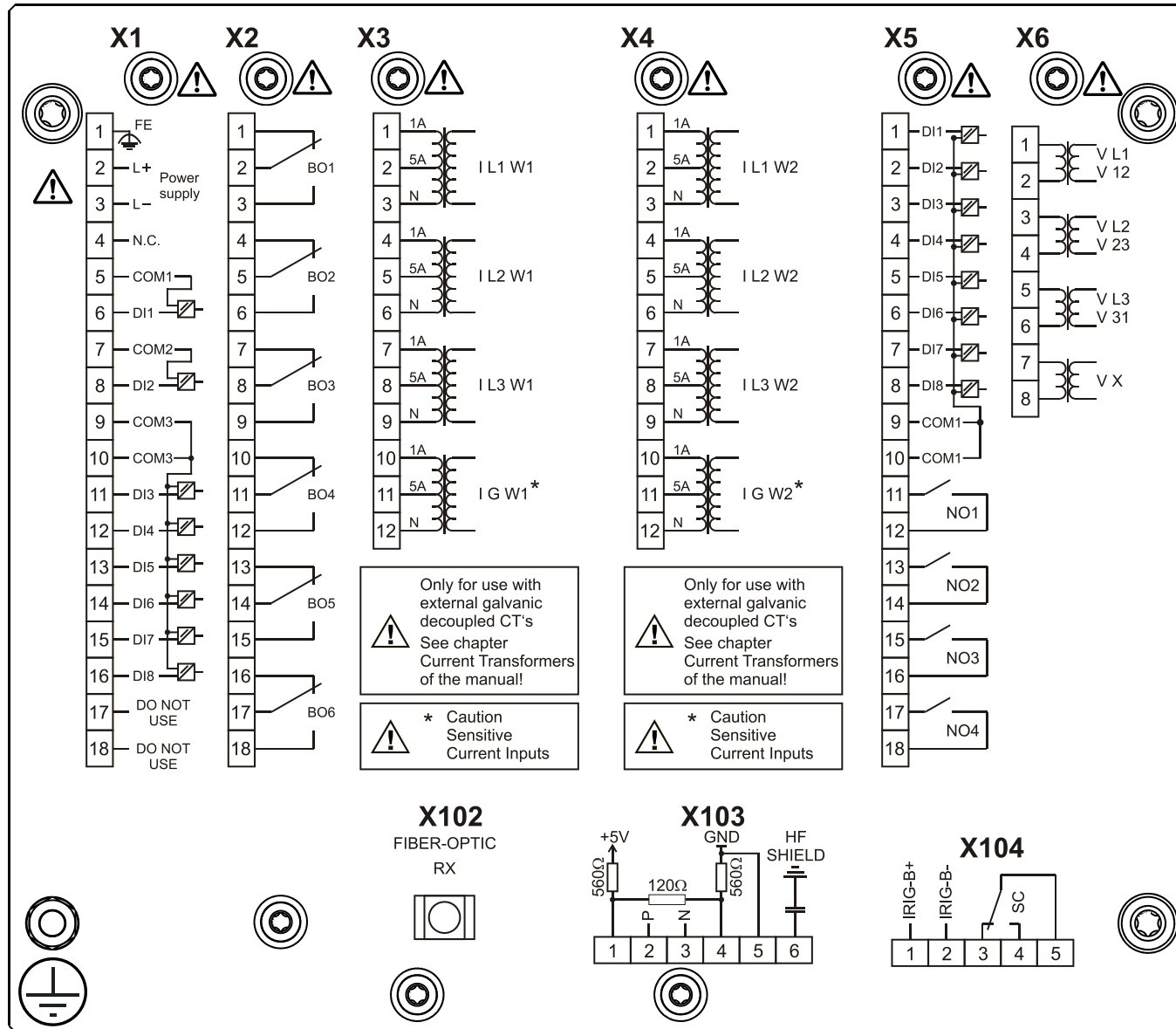
MCDTV4-2A3BAB



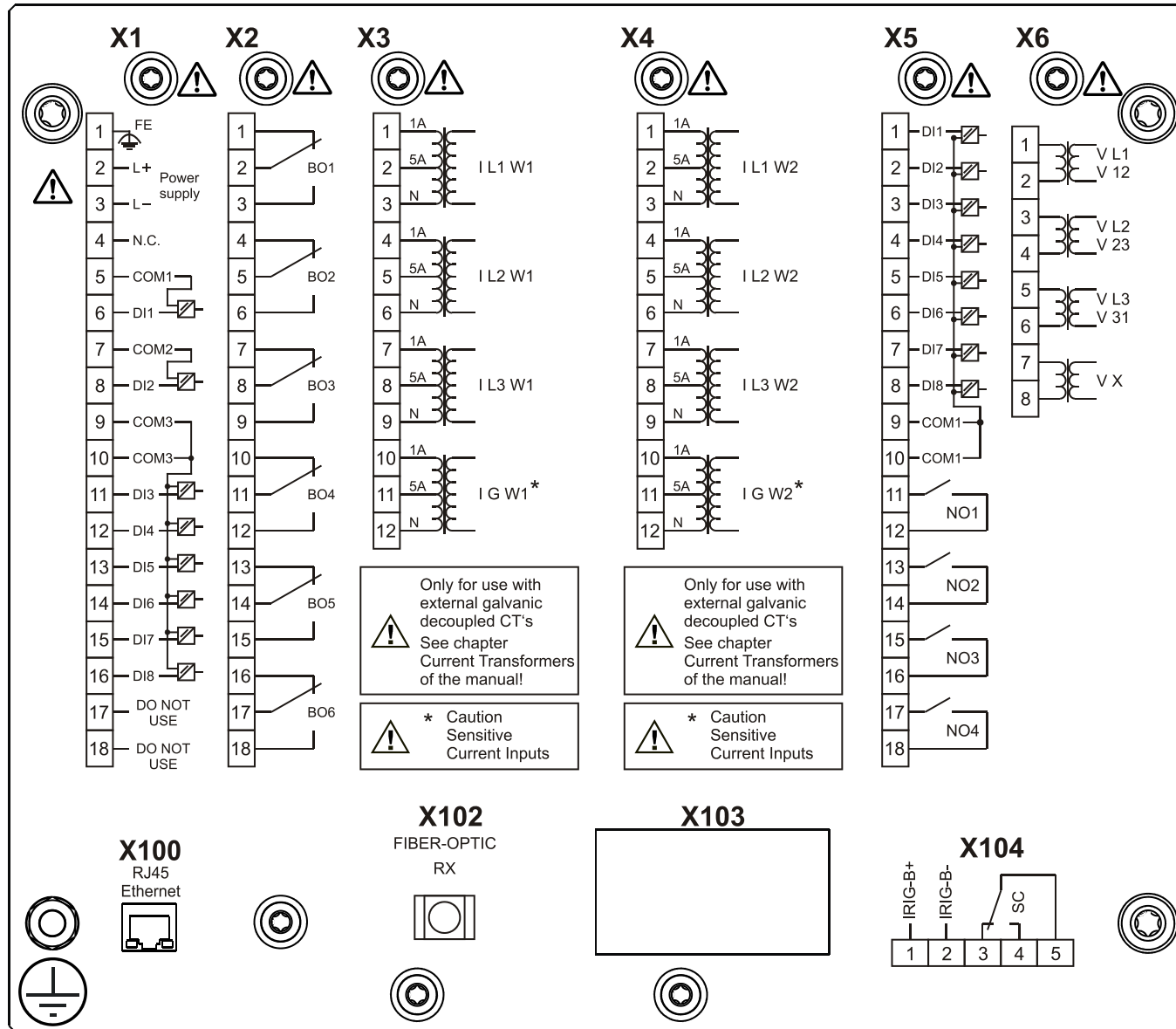
MCDTV4-2A3BBA



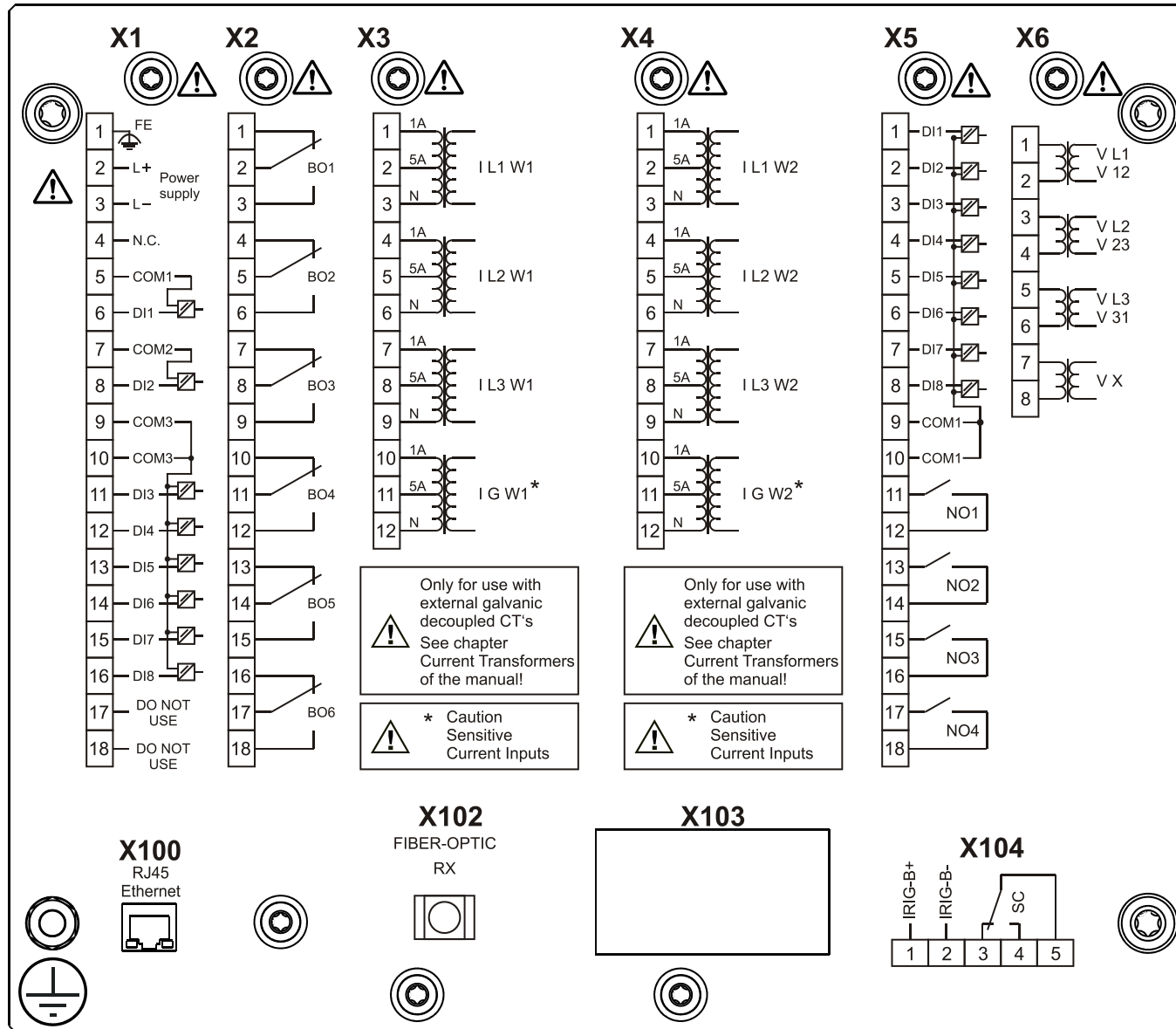
MCDTV4-2A3BBB



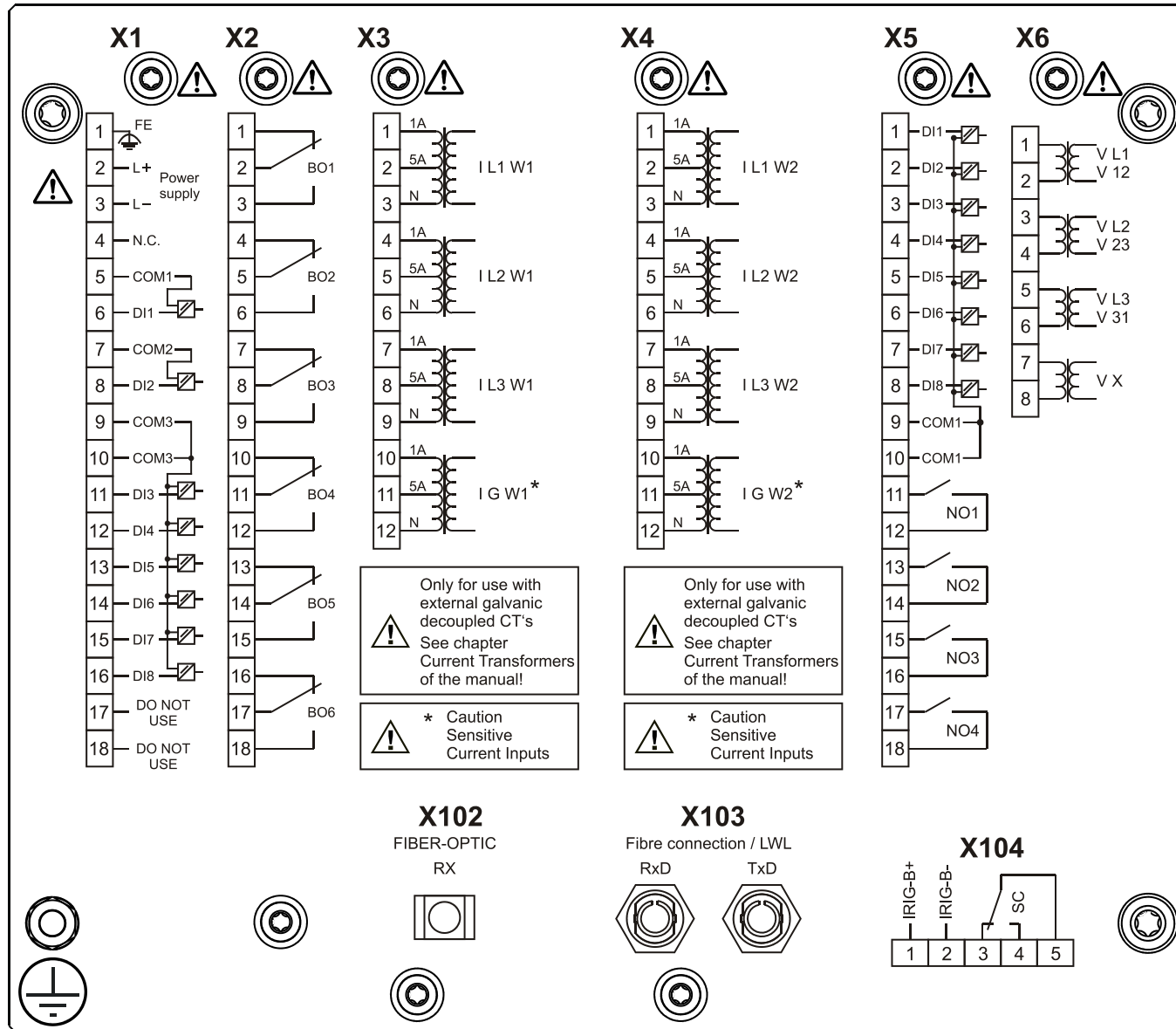
MCDTV4-2A3BCA



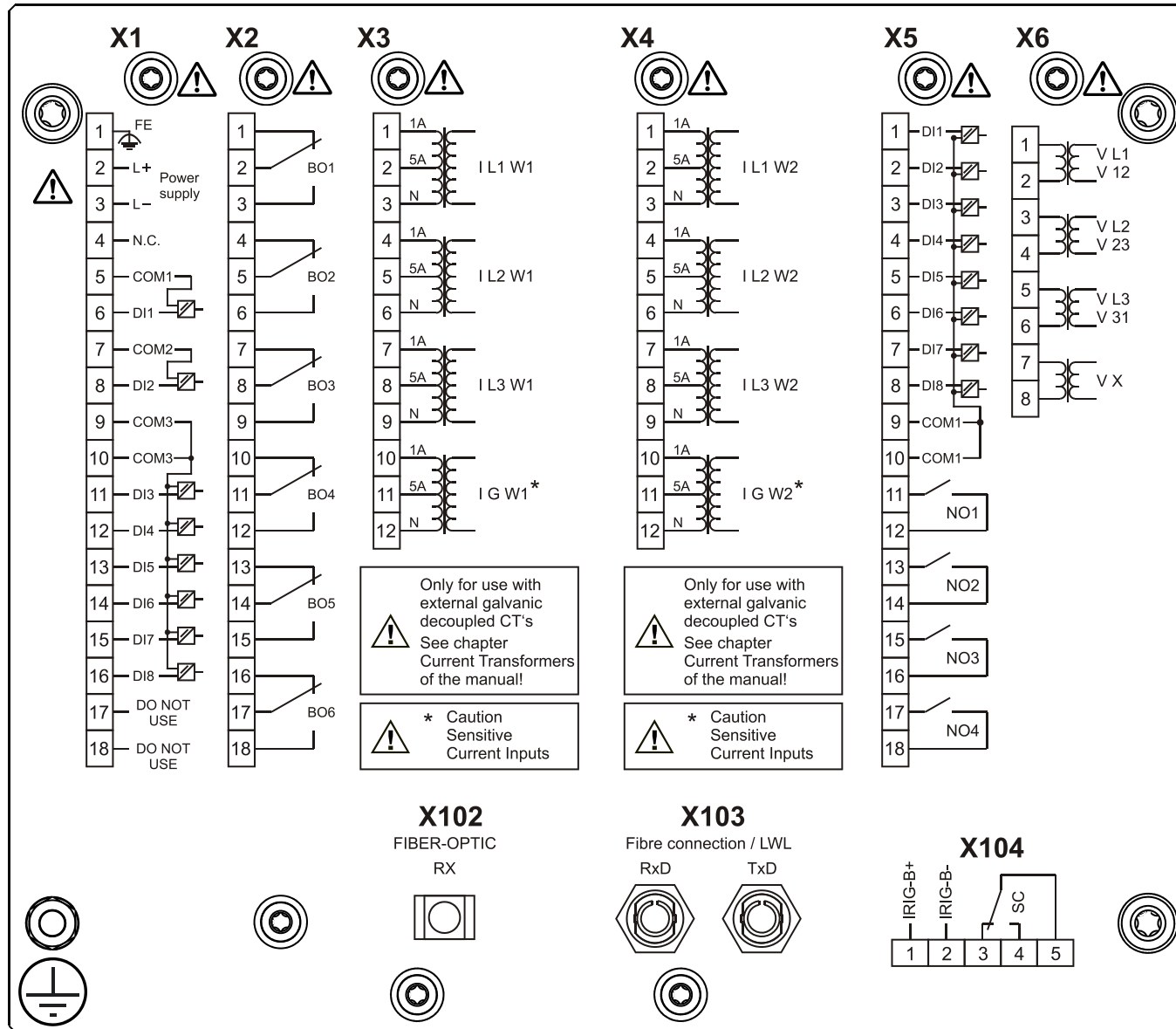
MCDTV4-2A3BCB



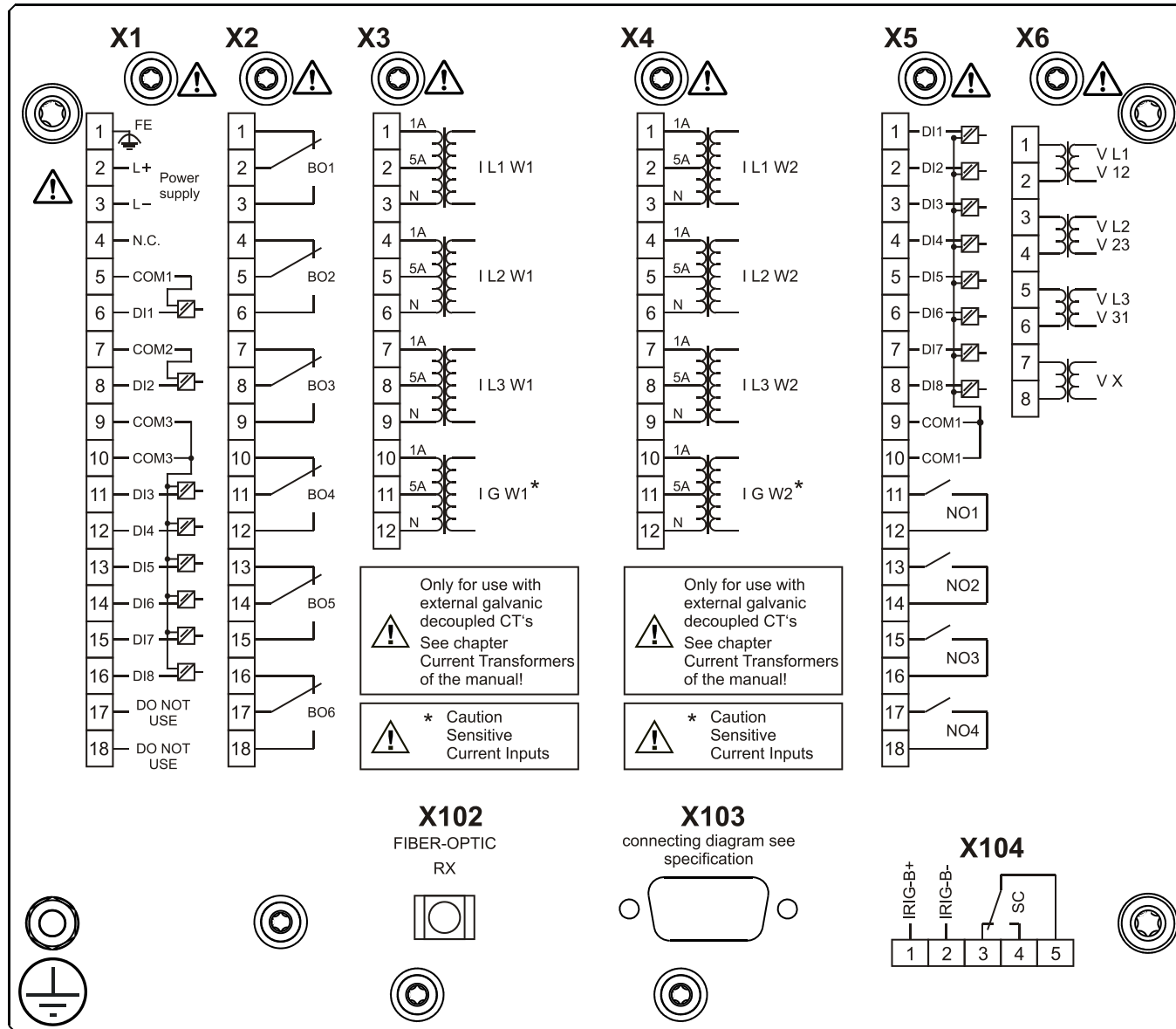
MCDTV4-2A3BDA



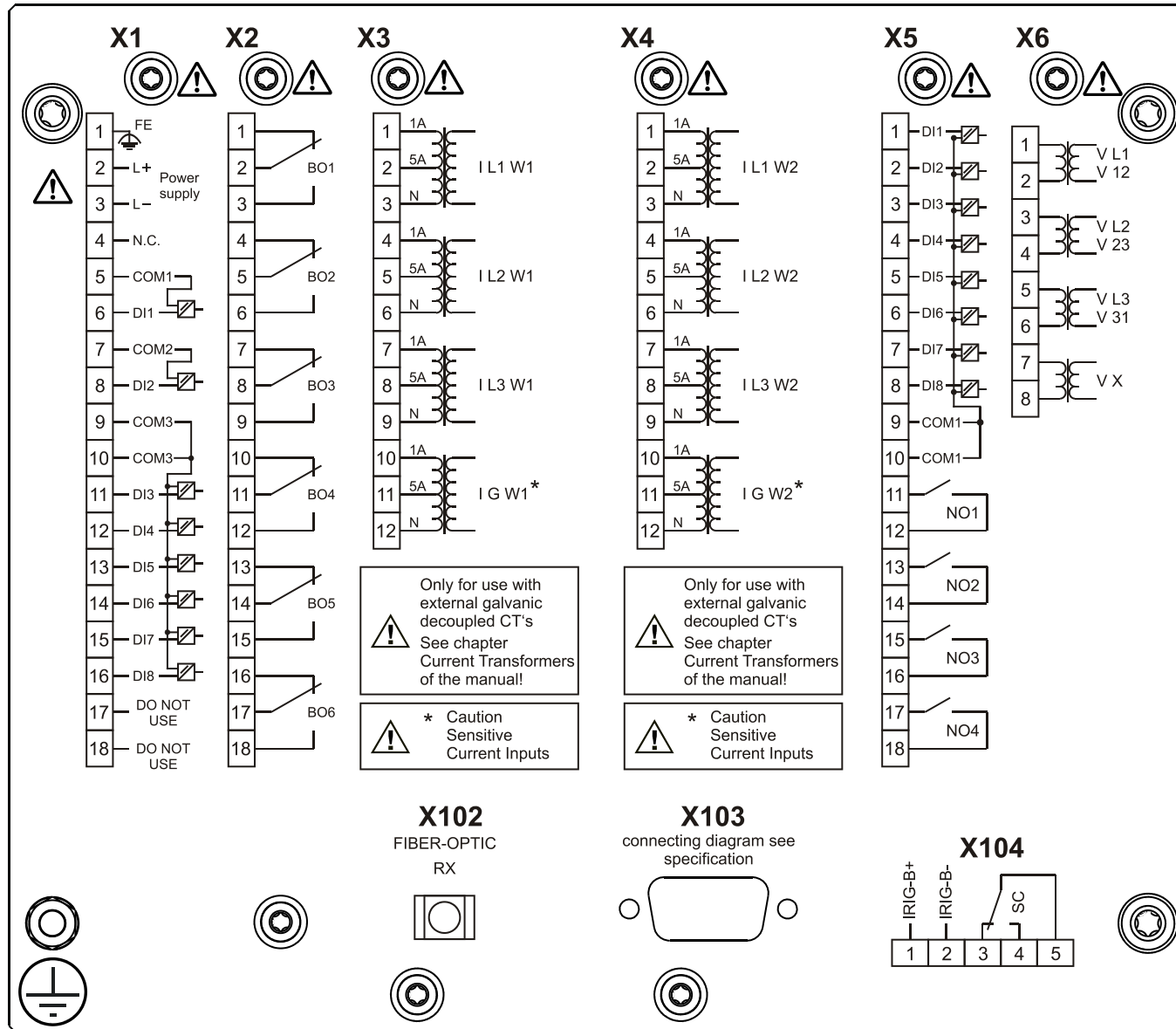
MCDTV4-2A3BDB



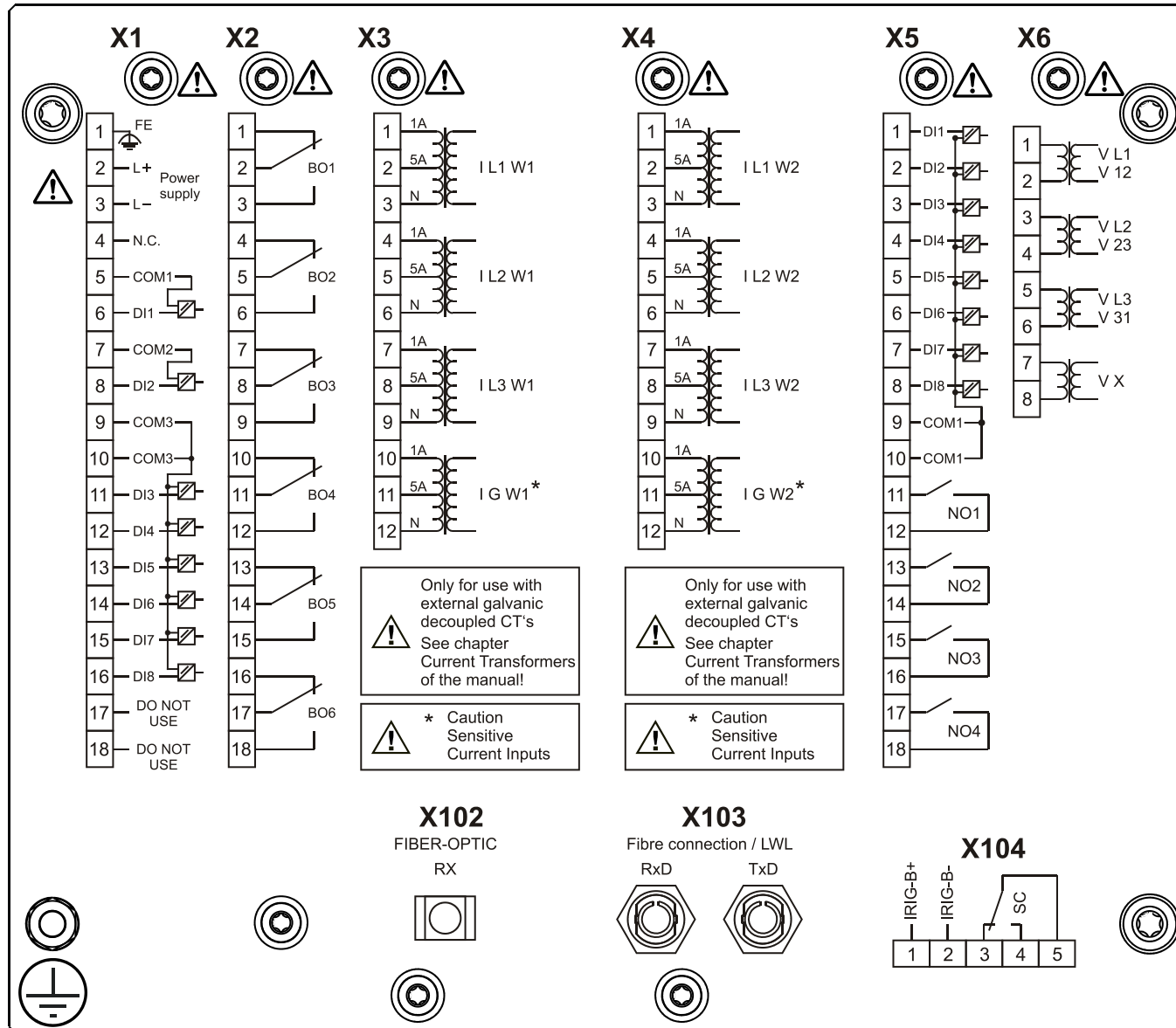
MCDTV4-2A3BEA



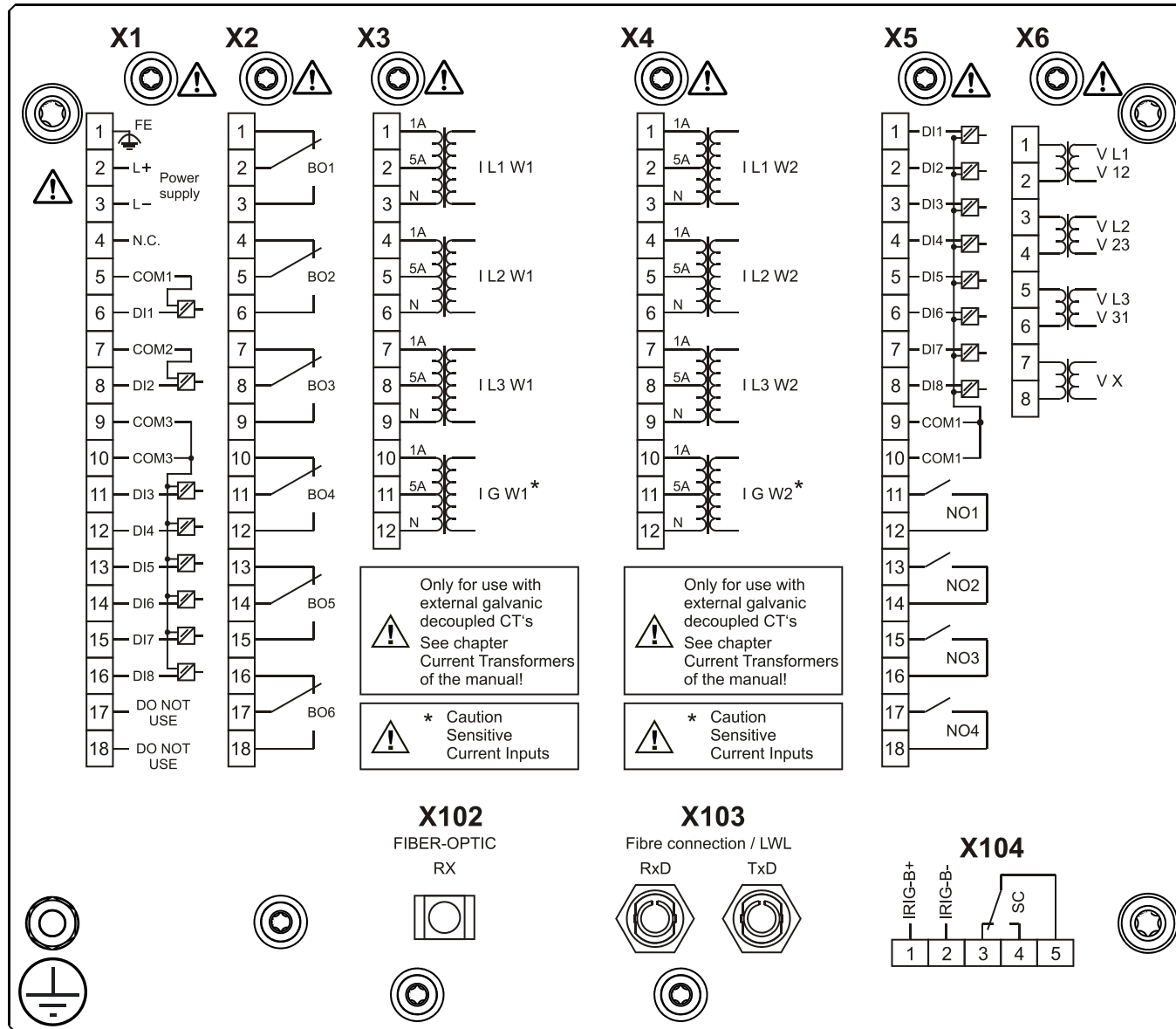
MCDTV4-2A3BEB



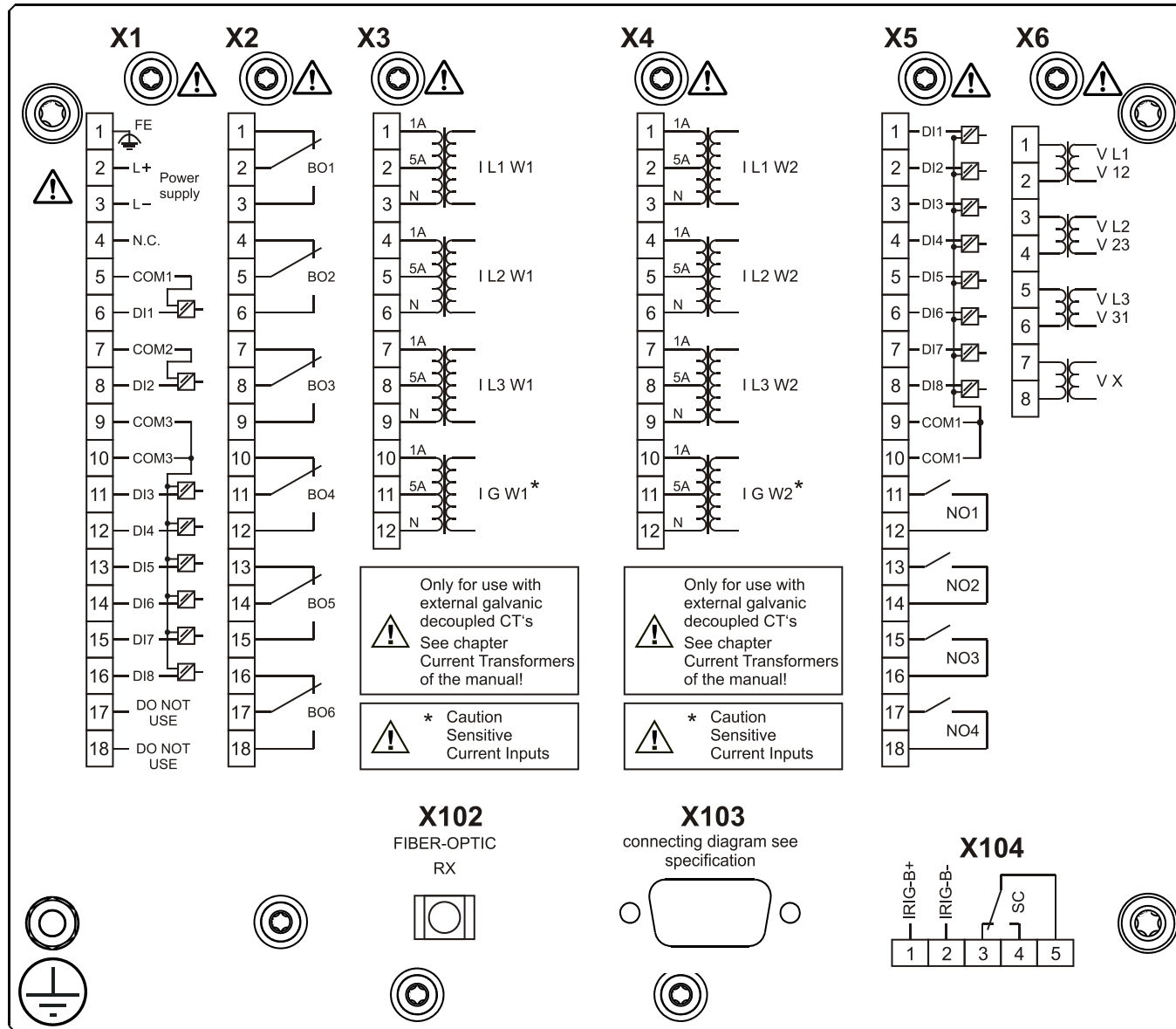
MCDTV4-2A3BFA



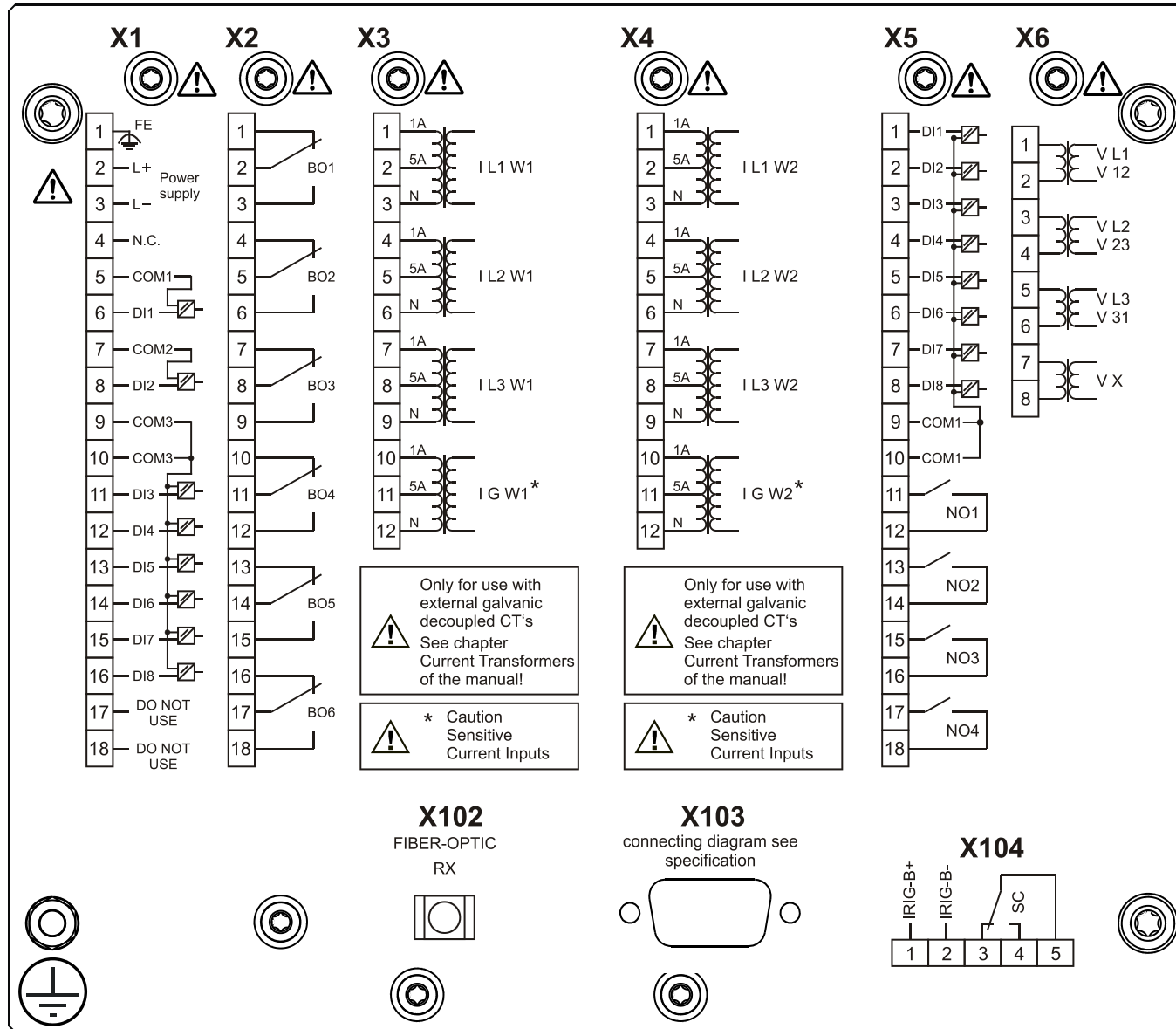
MCDTV4-2A3BFB



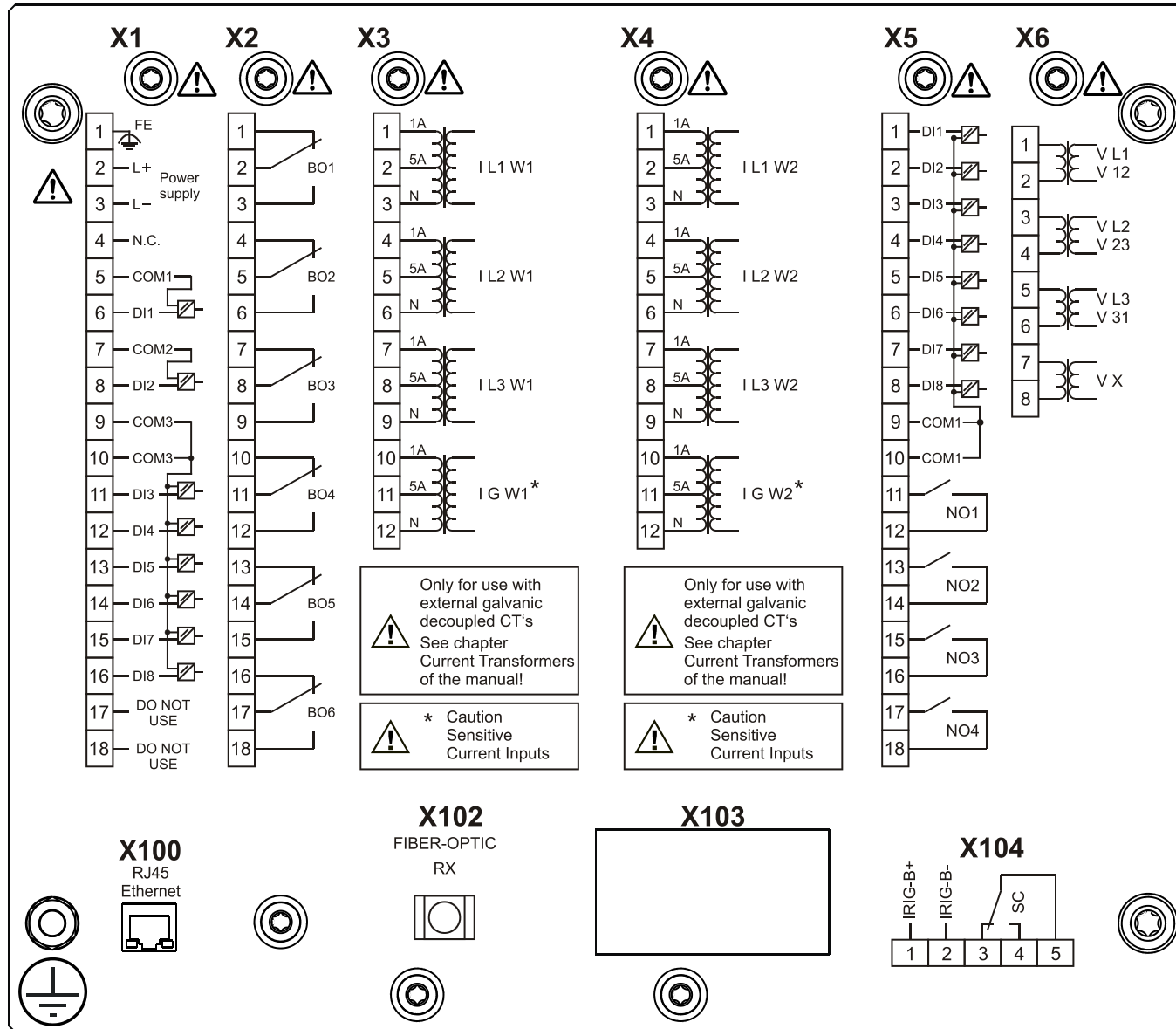
MCDTV4-2A3BGA



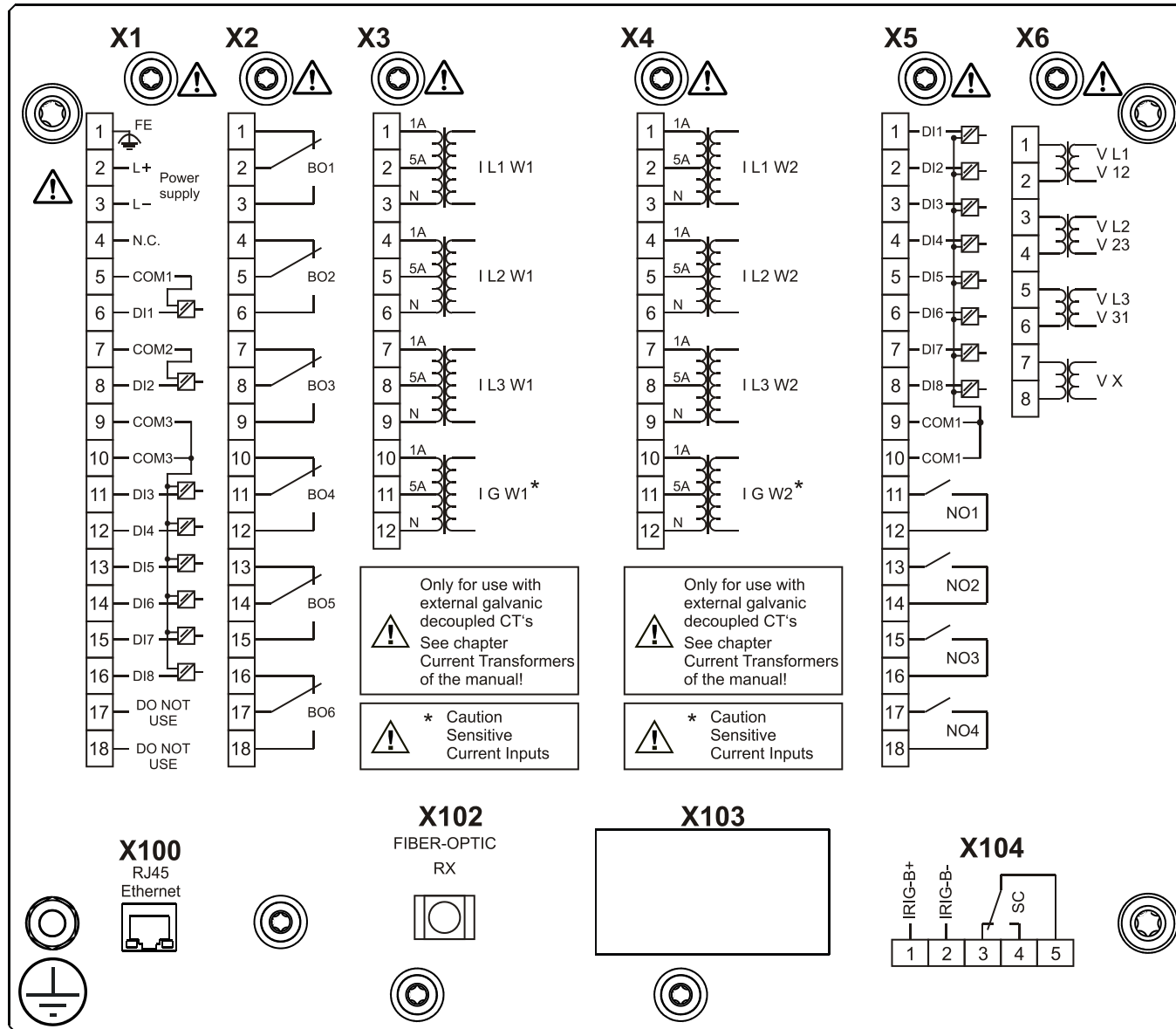
MCDTV4-2A3BGB



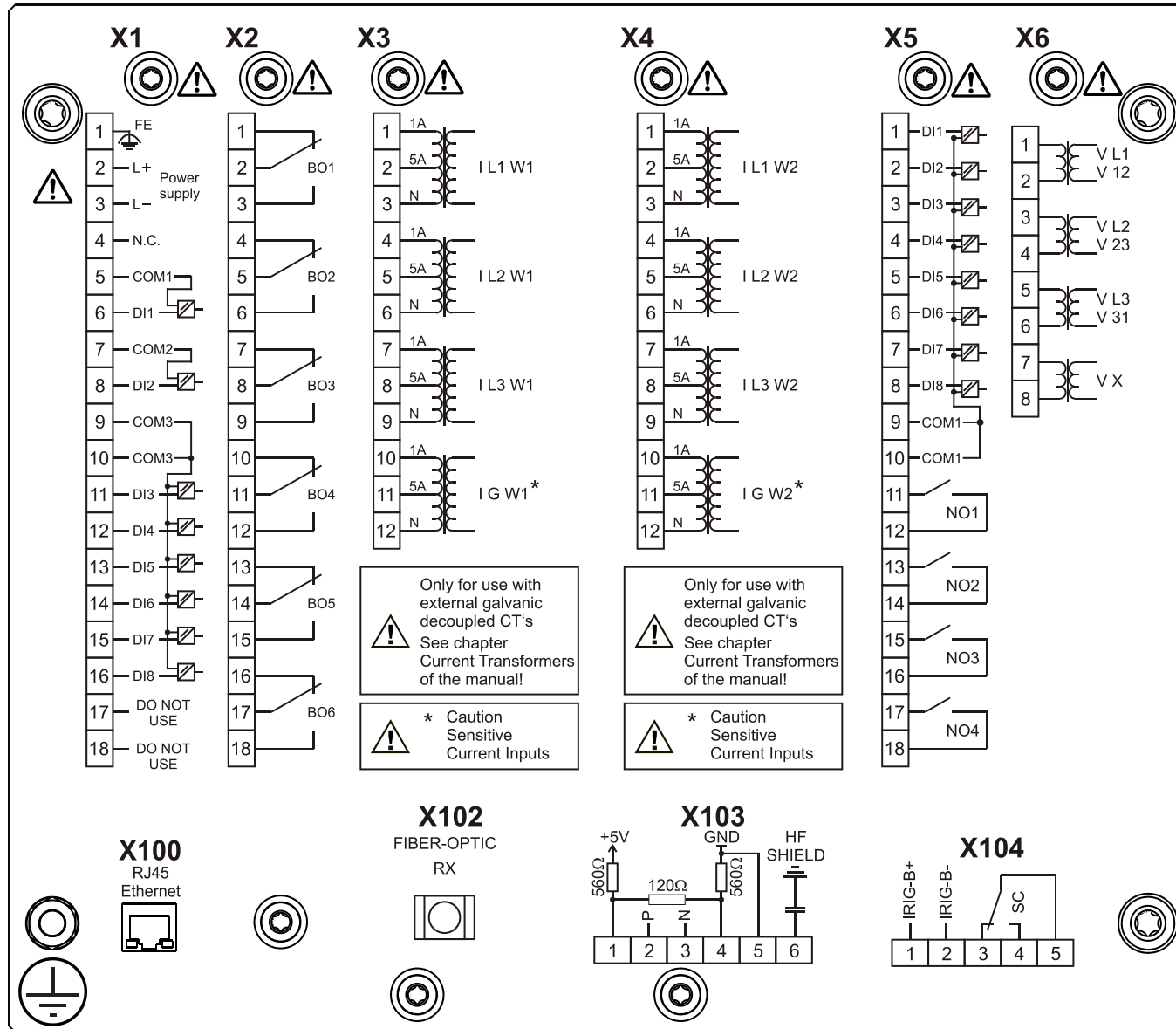
MCDTV4-2A3BHA



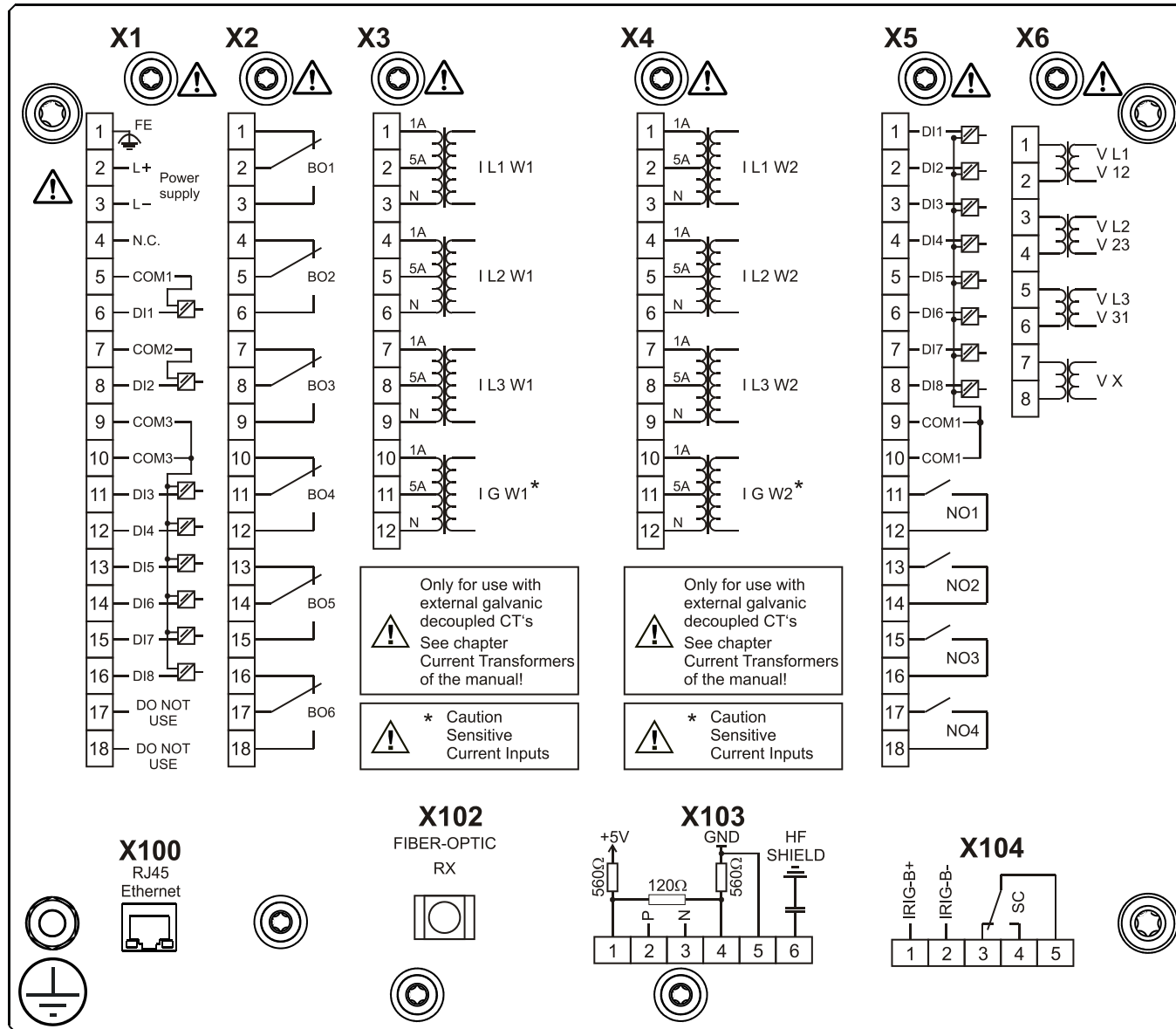
MCDTV4-2A3BHB



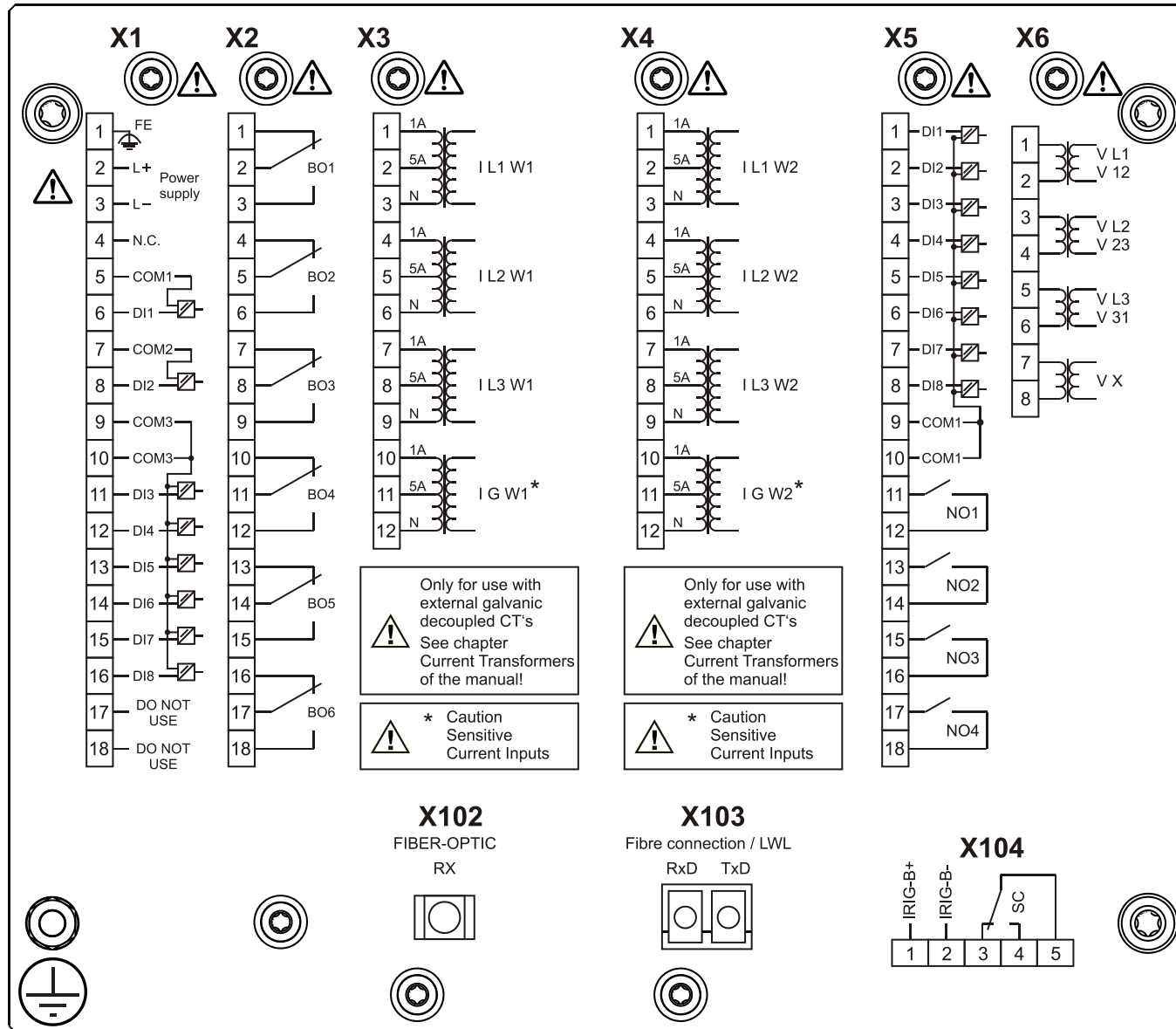
MCDTV4-2A3BIA



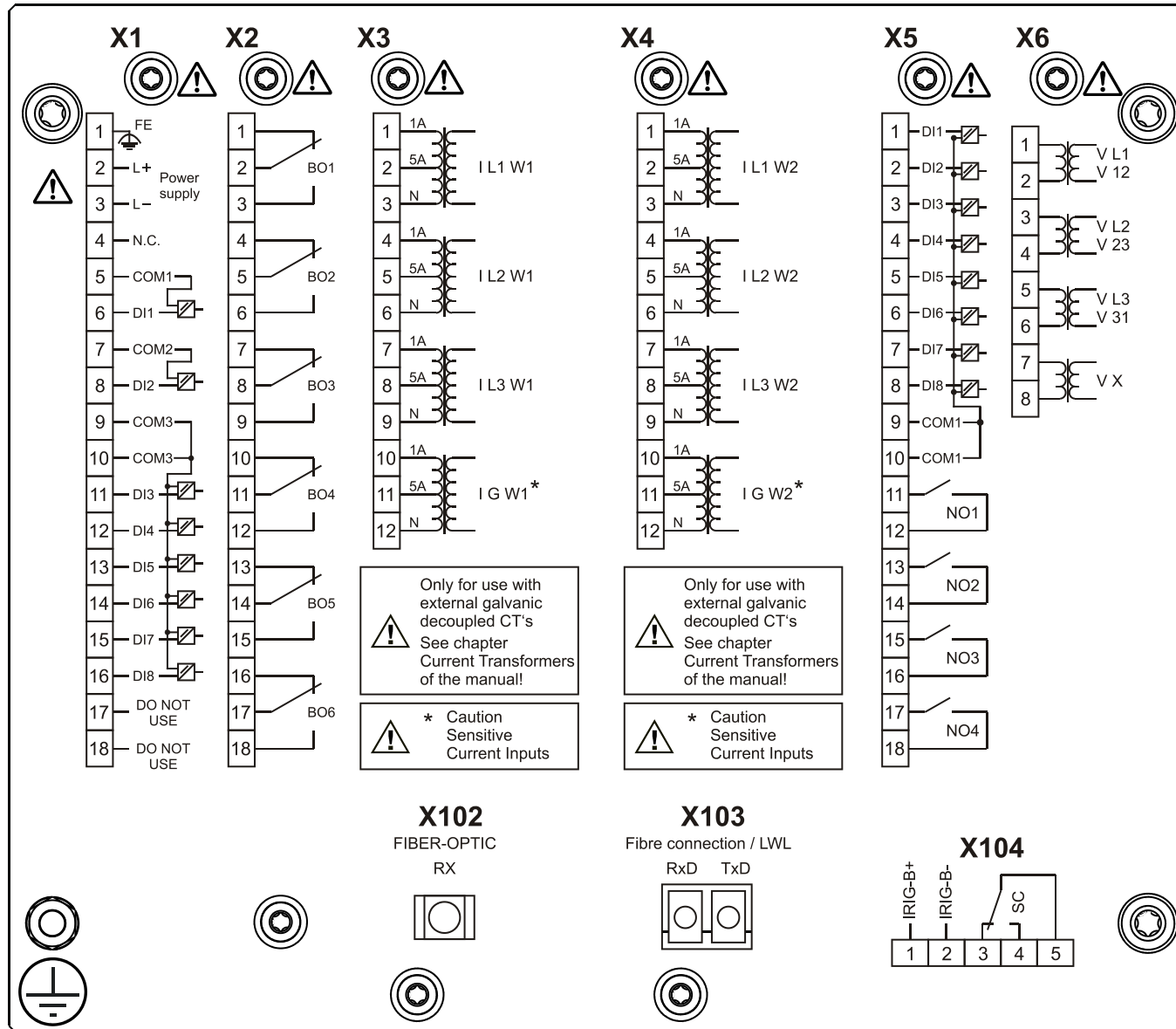
MCDTV4-2A3BIB



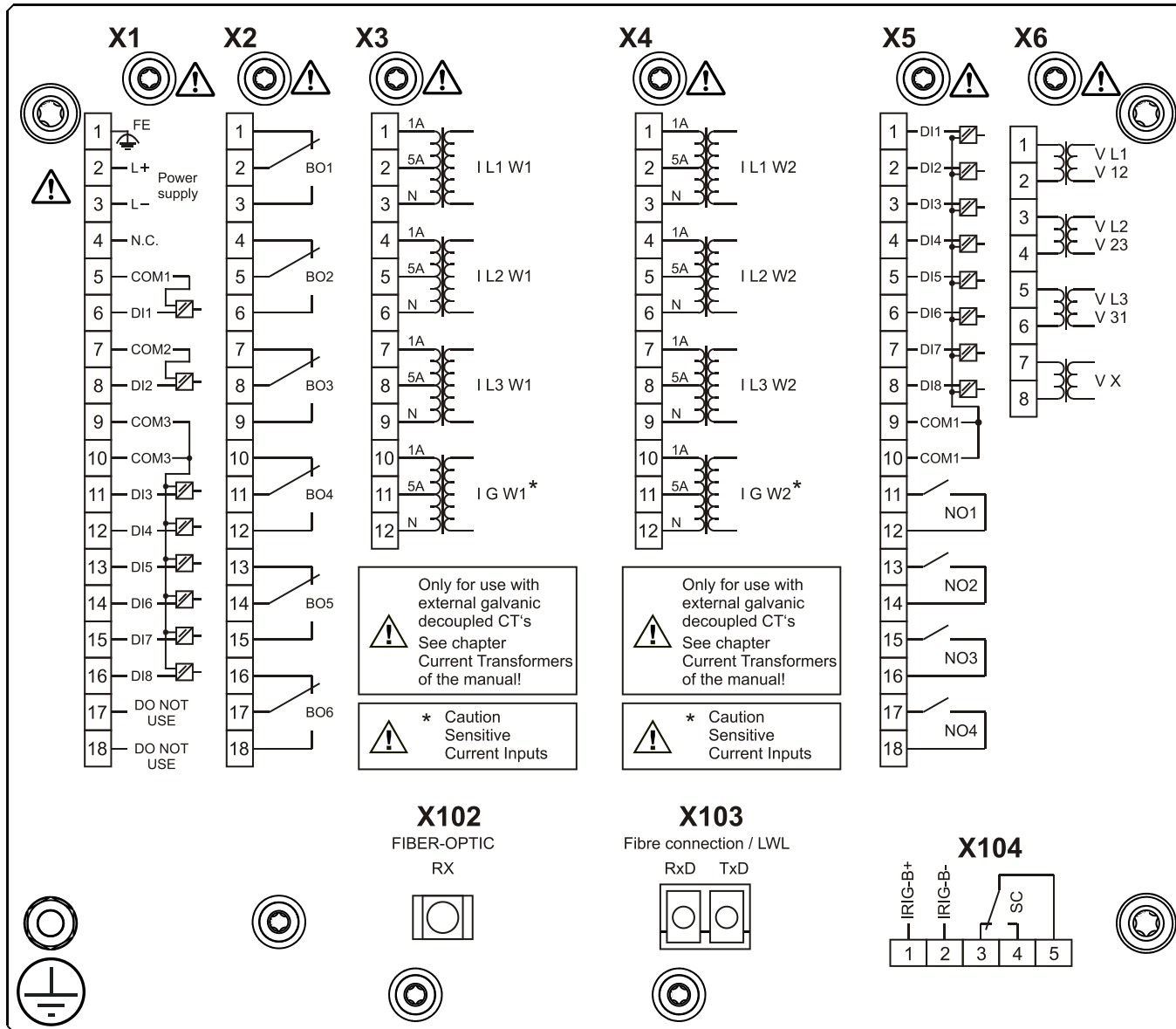
MCDTV4-2A3BKA



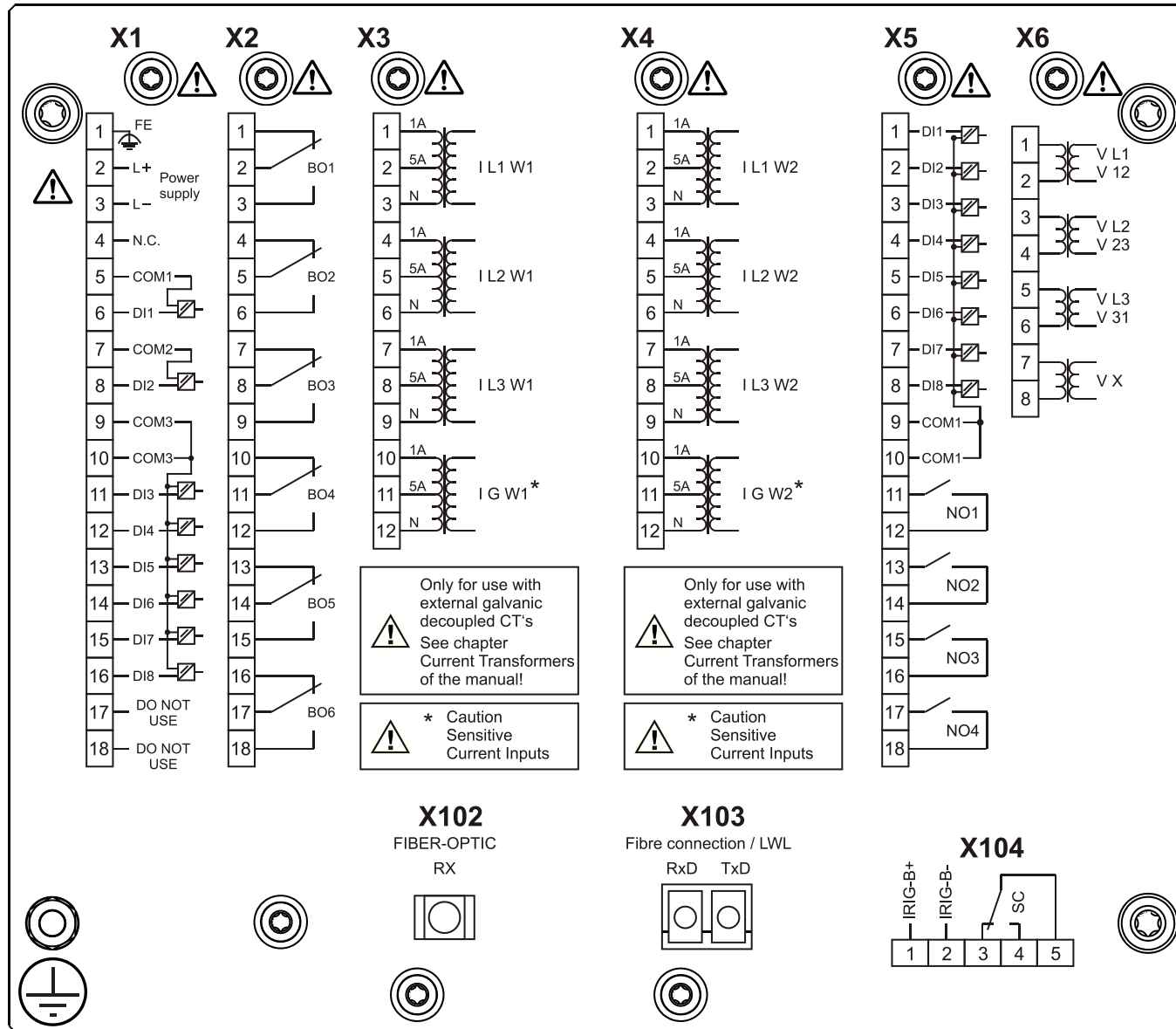
MCDTV4-2A3BKB



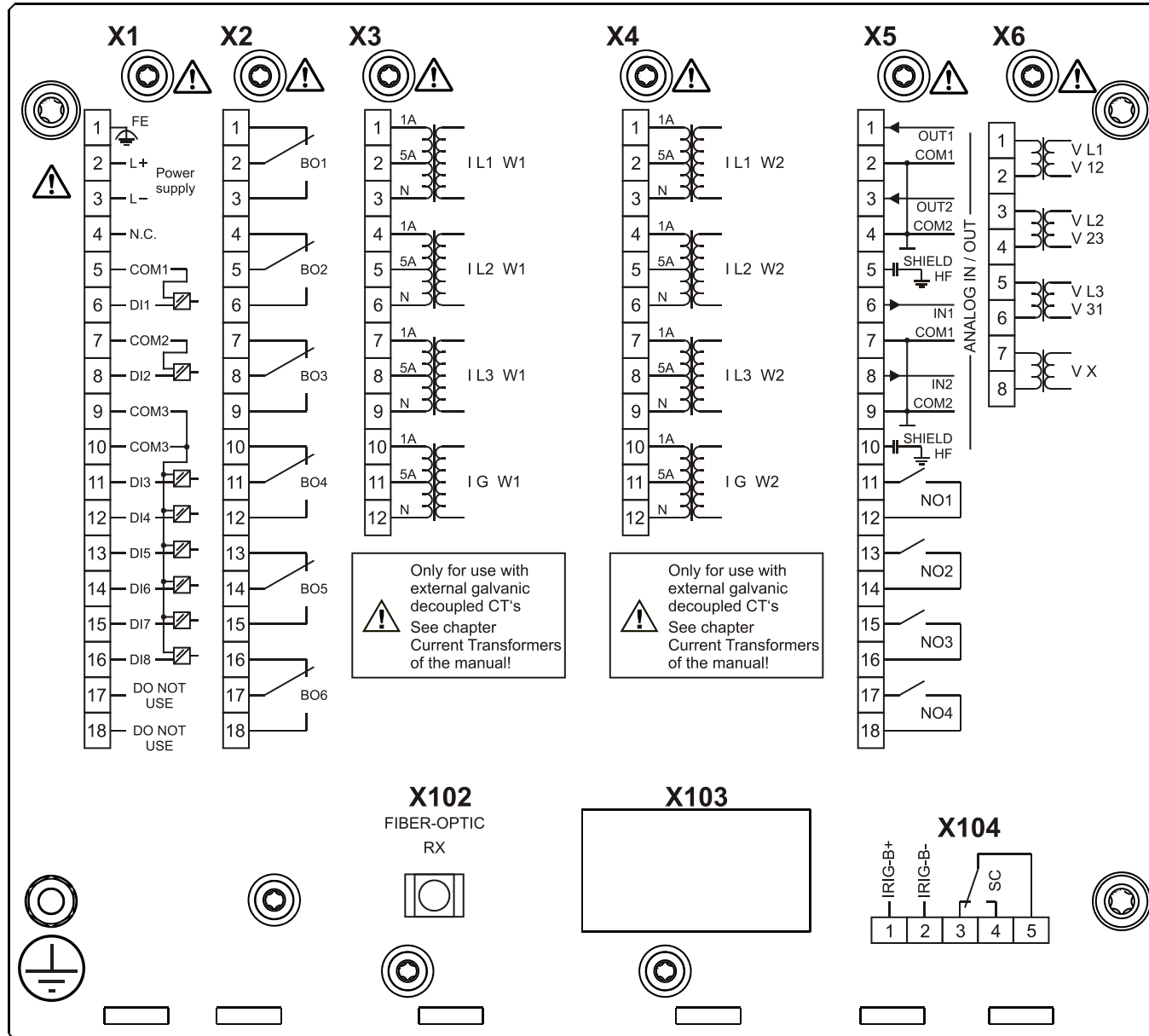
MCDTV4-2A3BLA



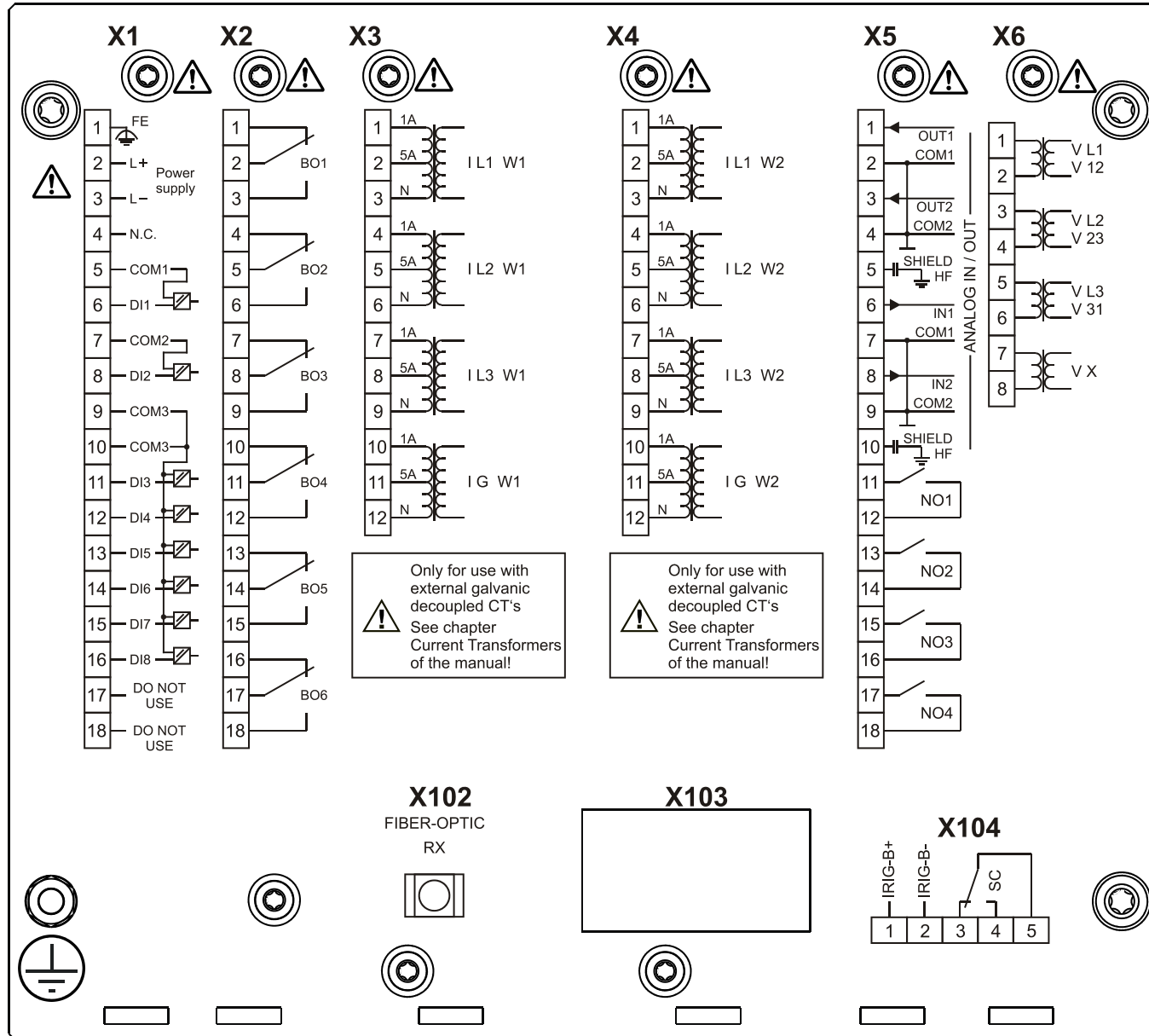
MCDTV4-2A3BLB



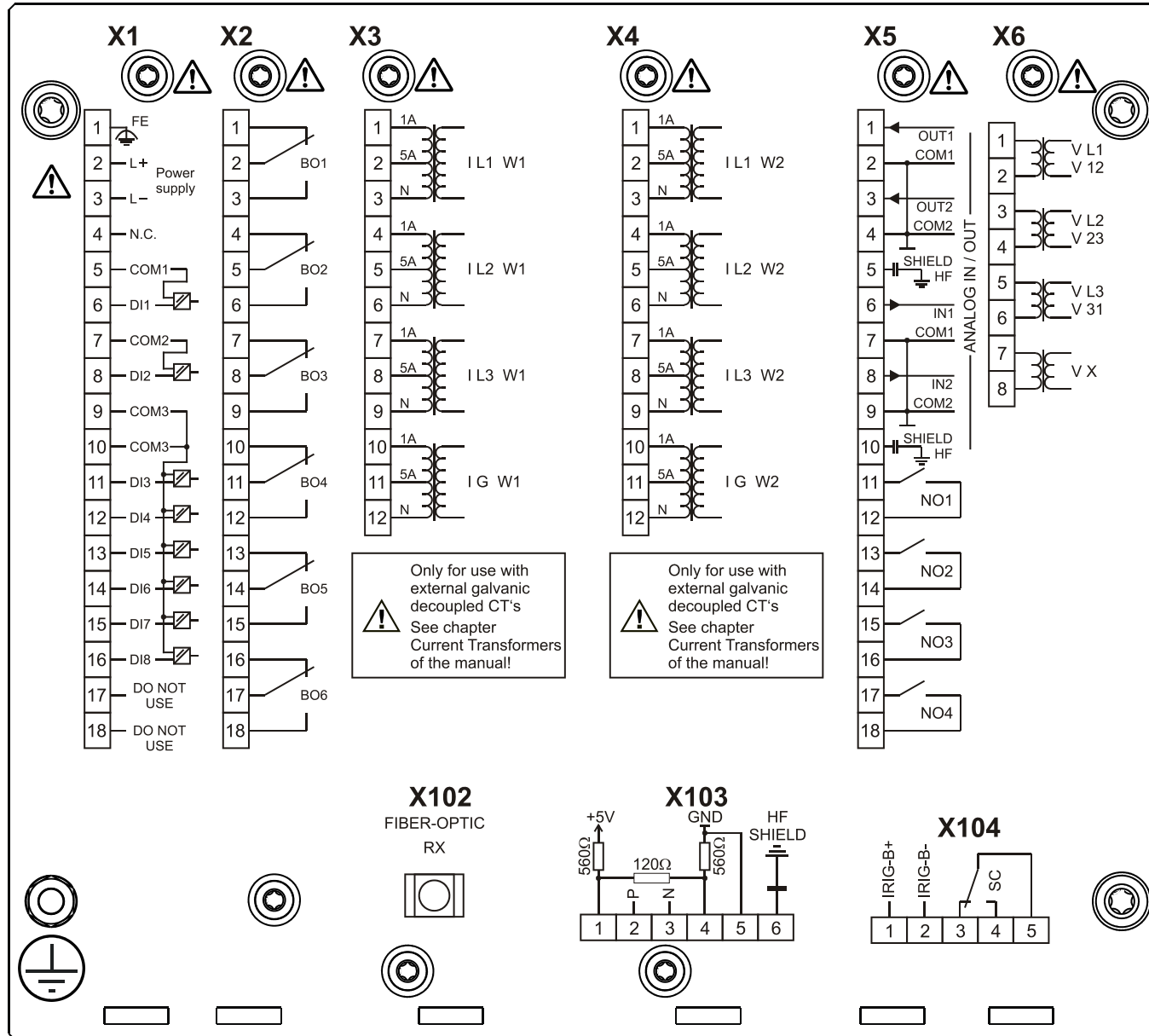
MCDTV4-2B0AAA



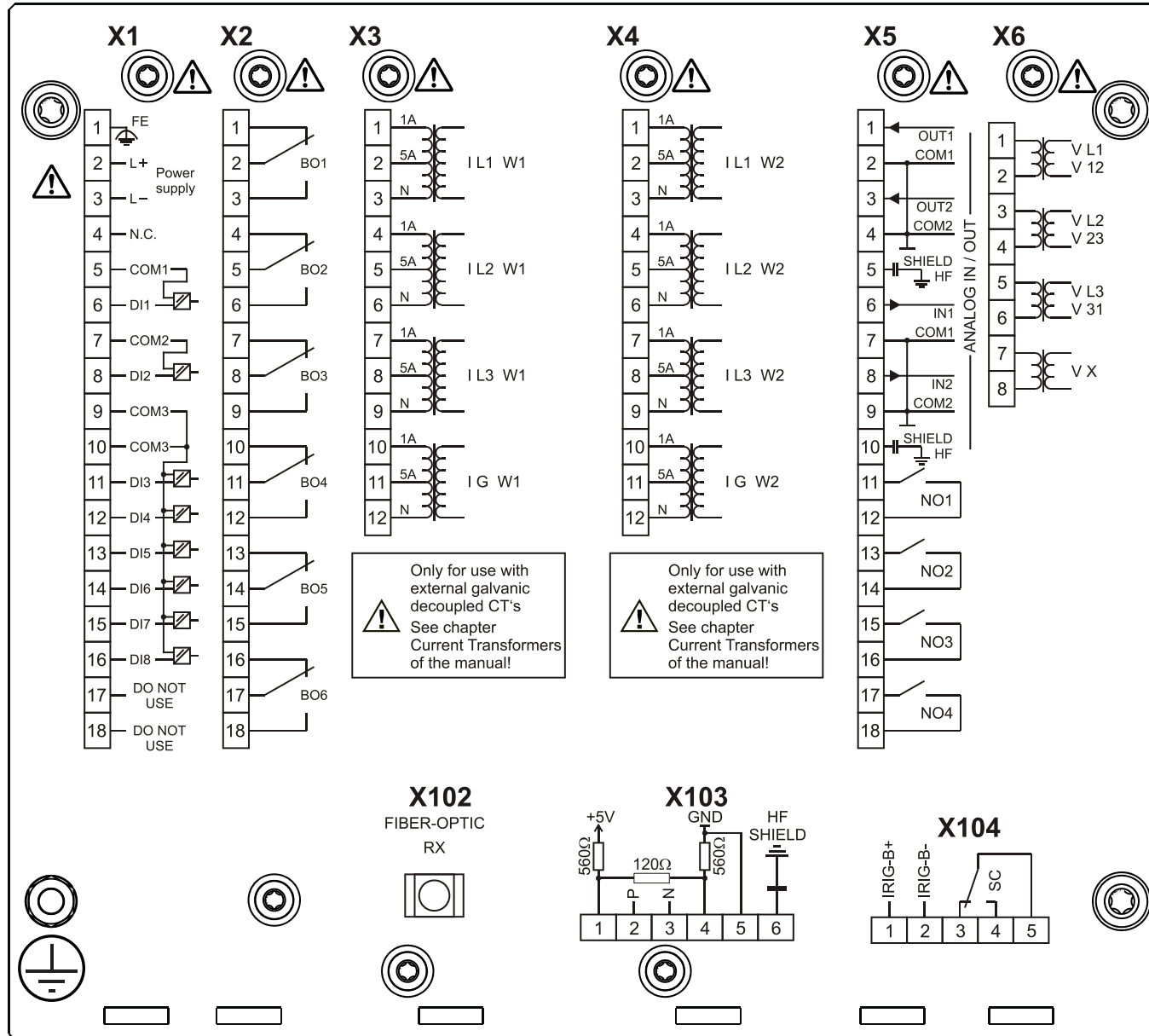
MCDTV4-2B0AAB



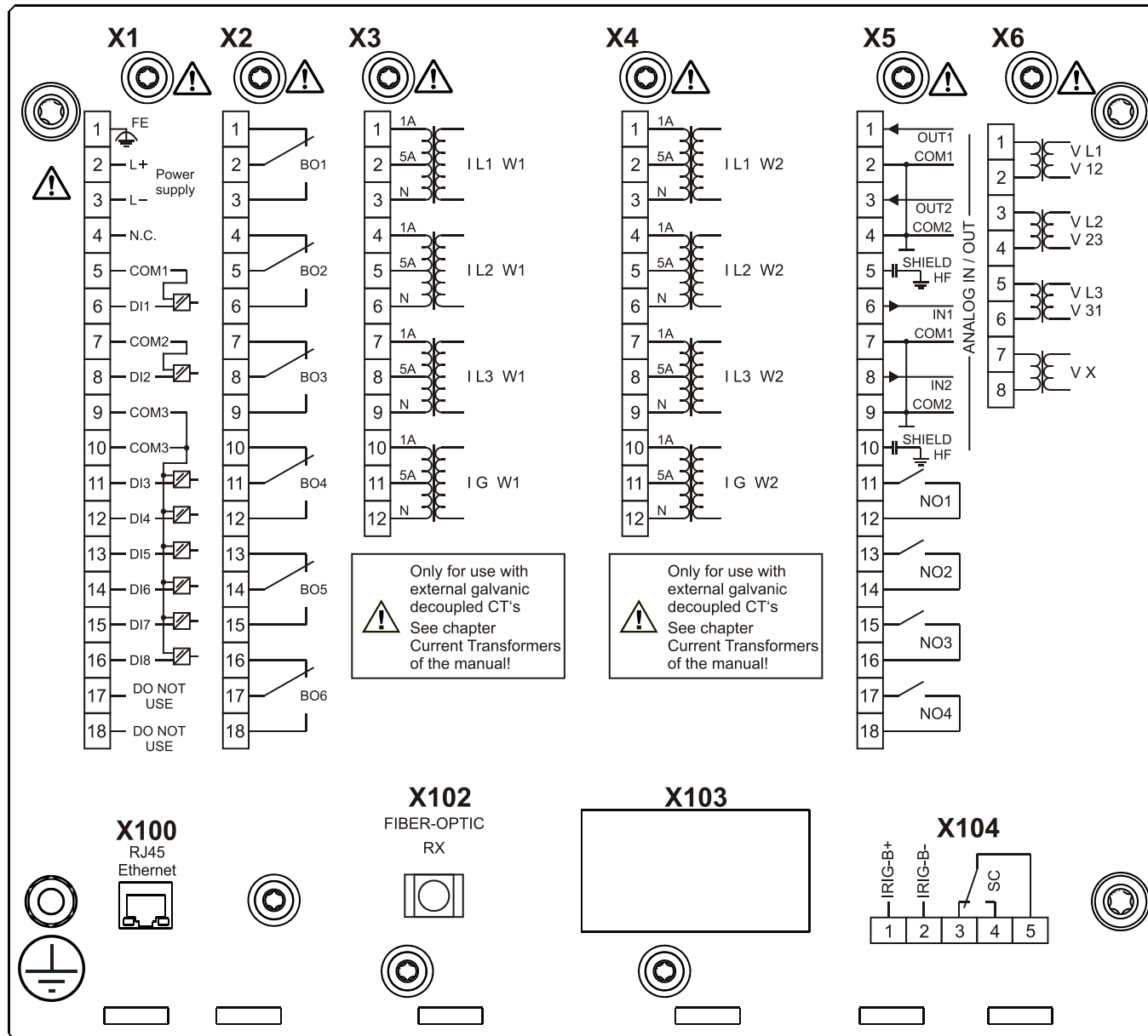
MCDTV4-2B0ABA



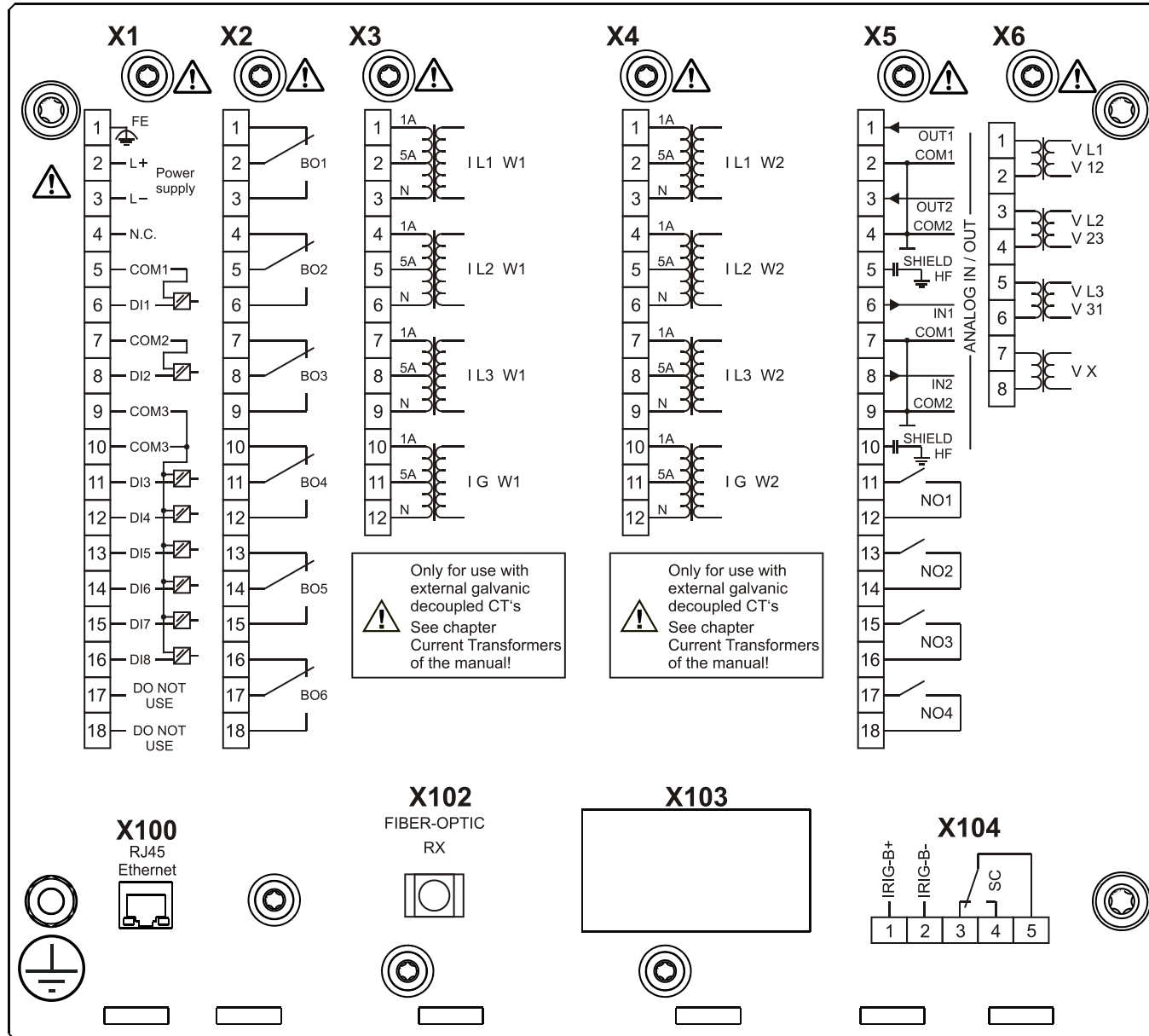
MCDTV4-2B0ABB



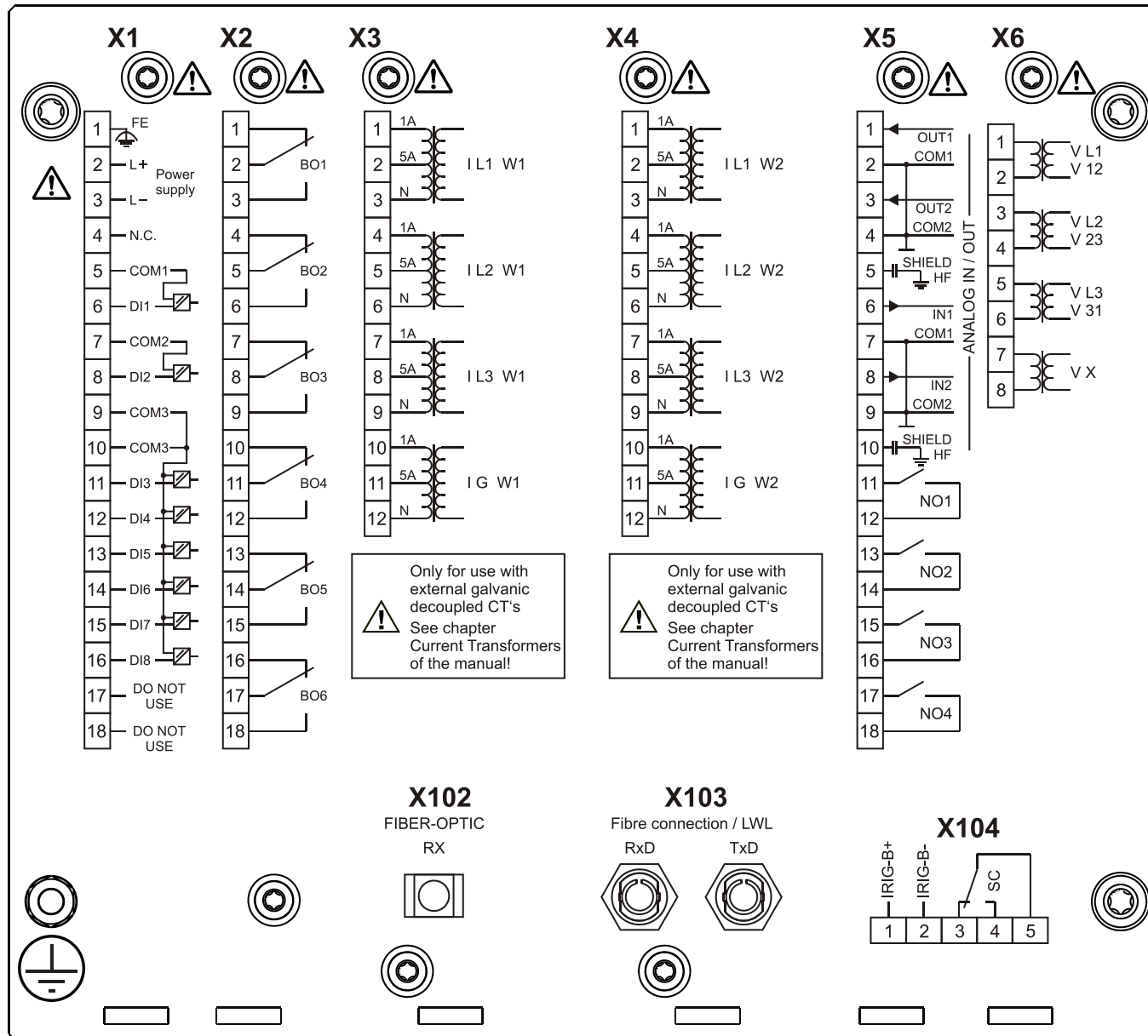
MCDTV4-2B0ACA



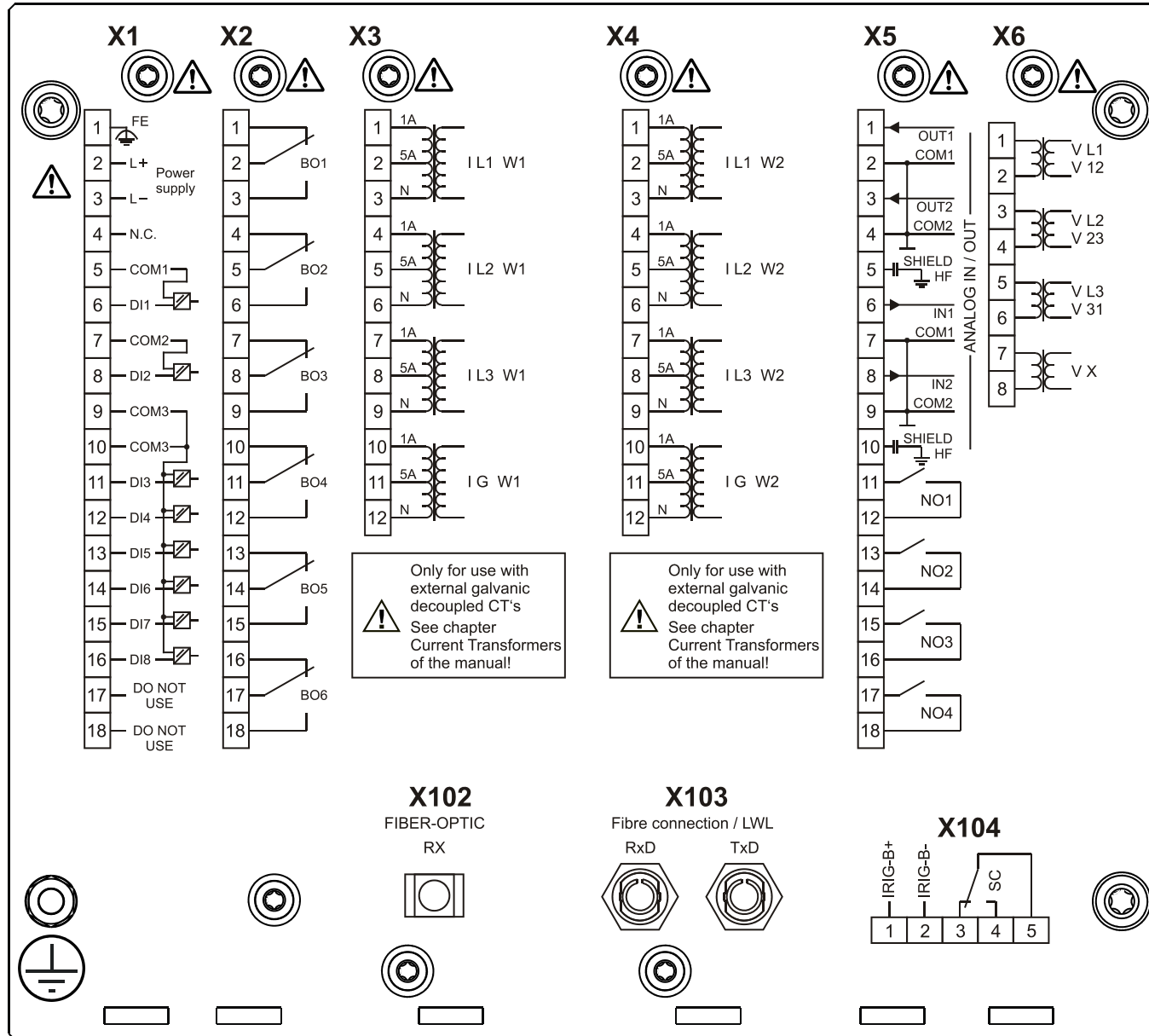
MCDTV4-2B0ACB



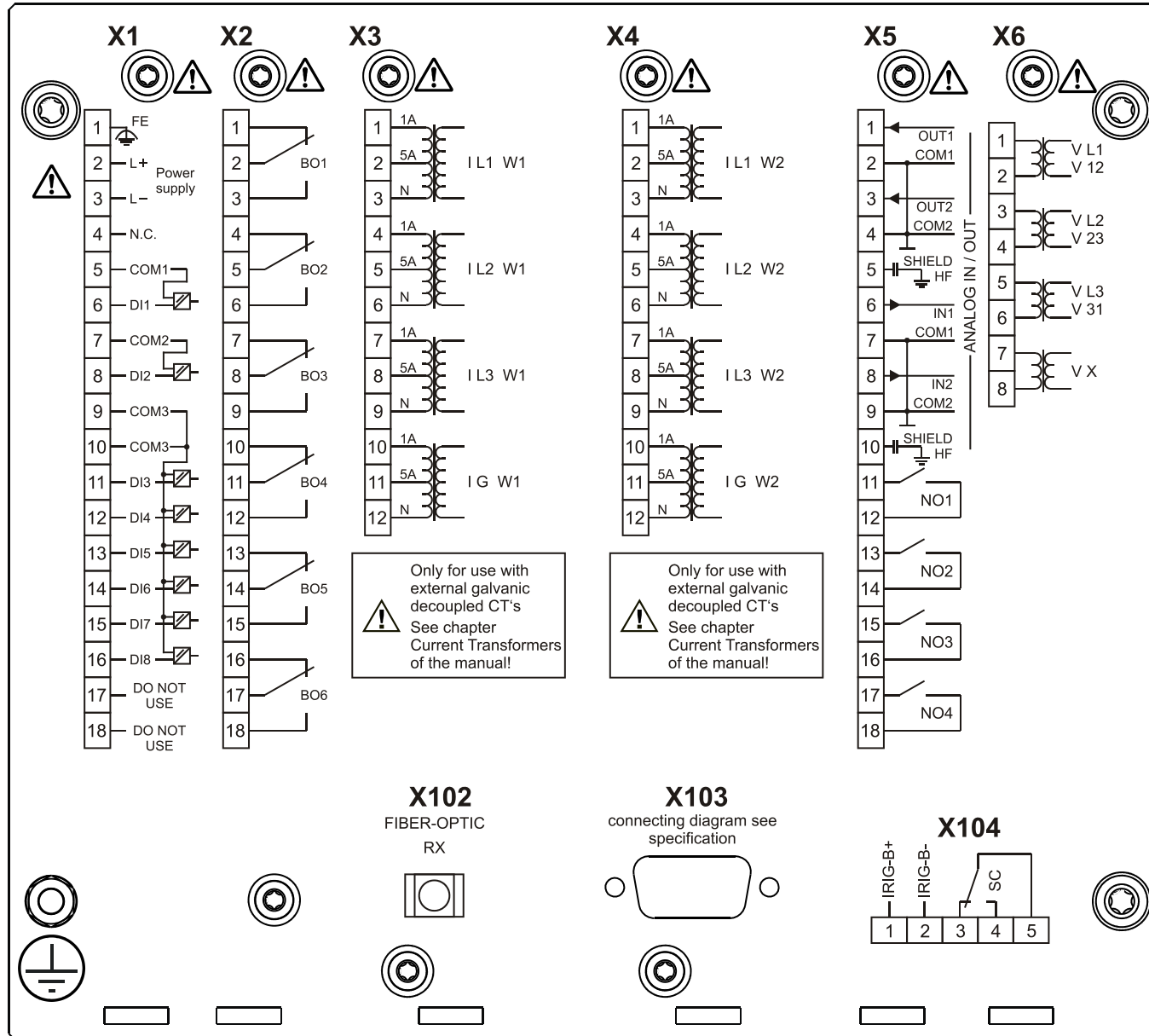
MCDTV4-2B0ADA



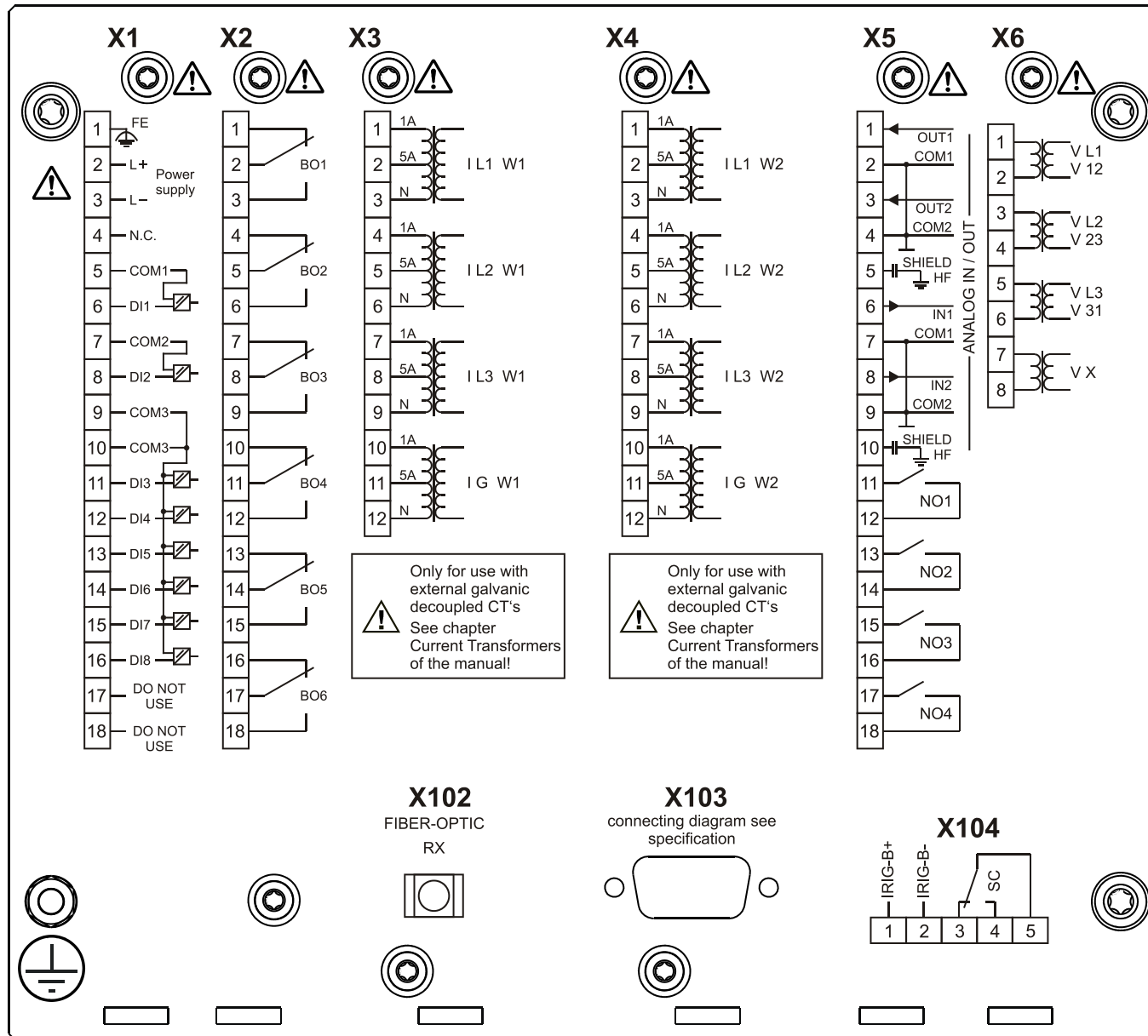
MCDTV4-2B0ADB



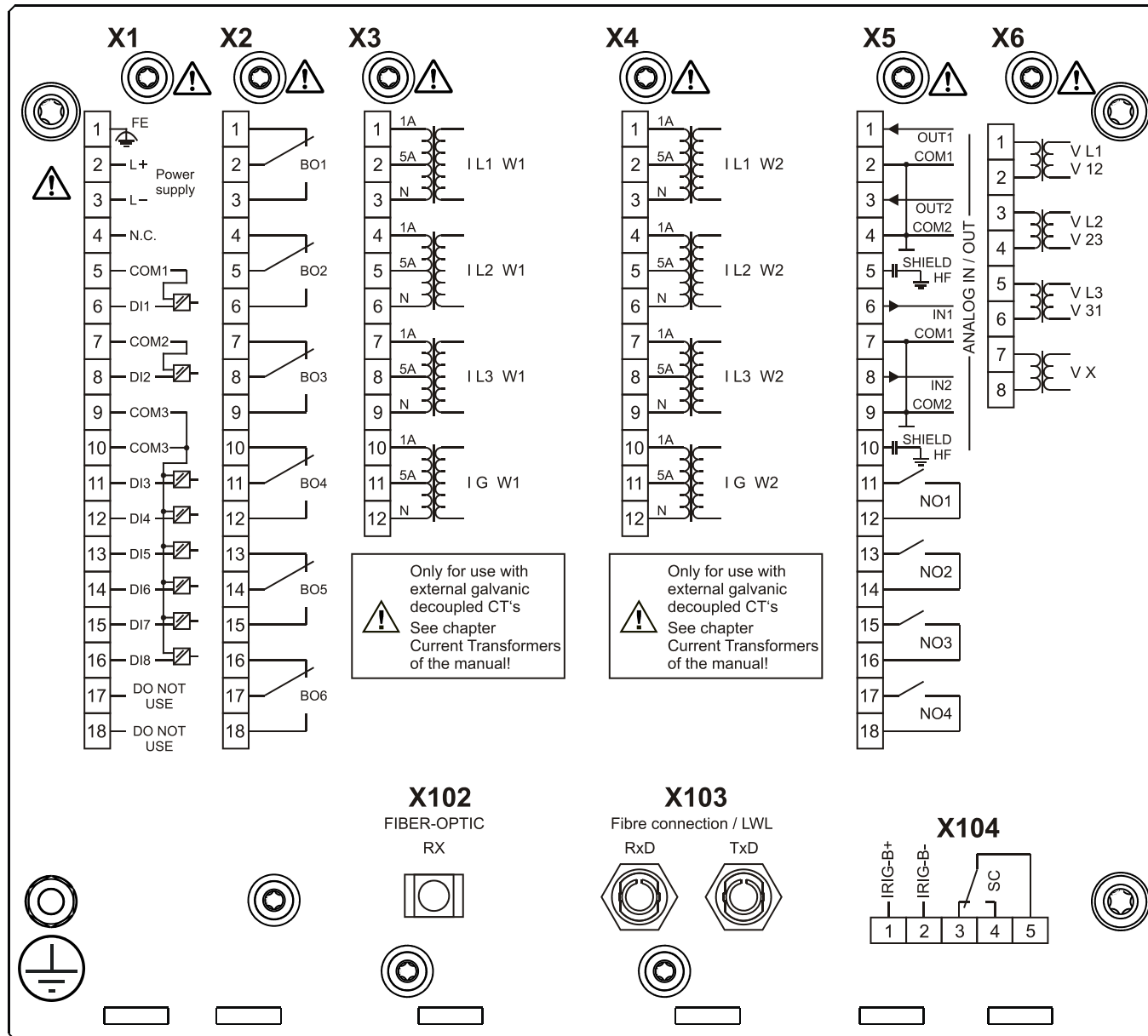
MCDTV4-2B0AEA



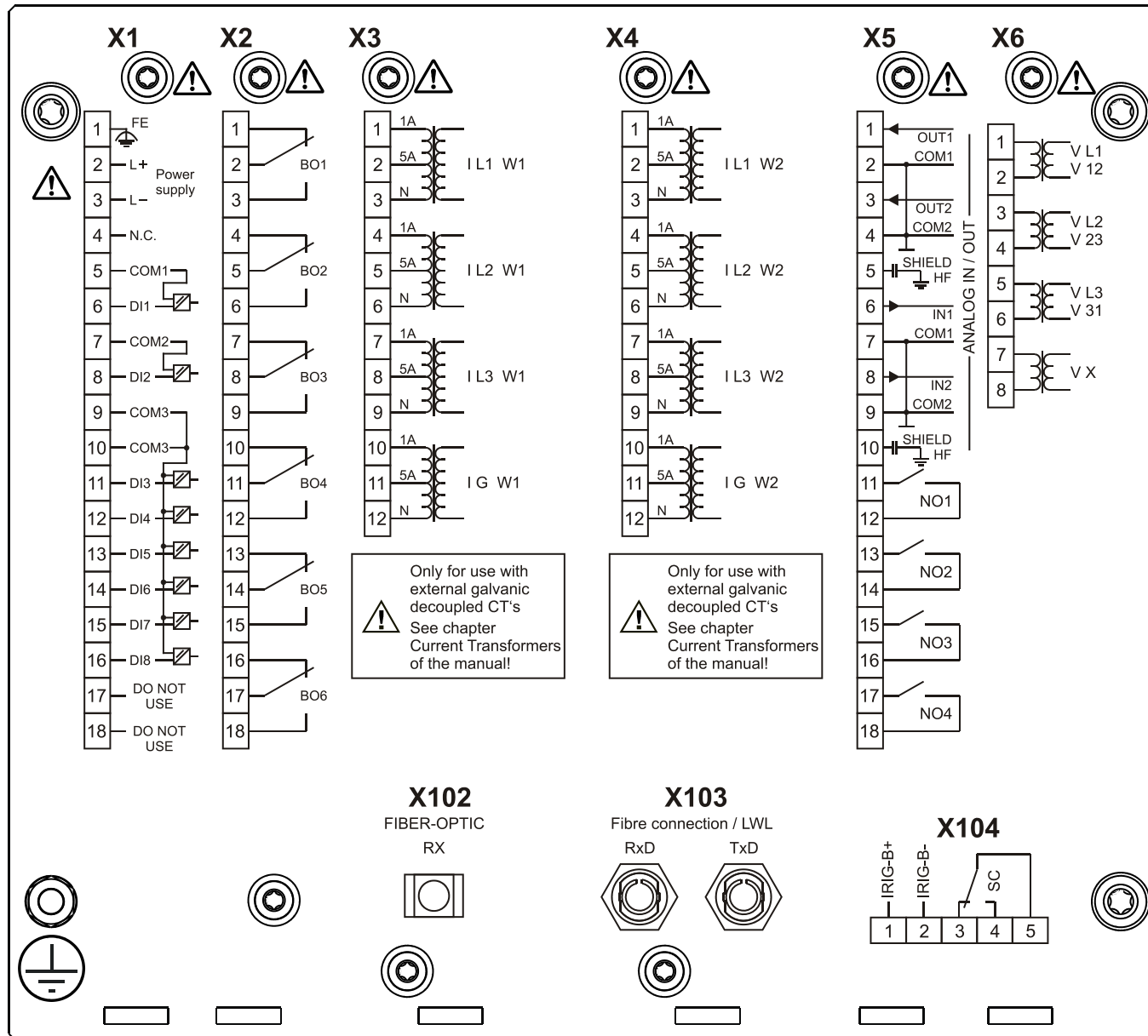
MCDTV4-2B0AEB



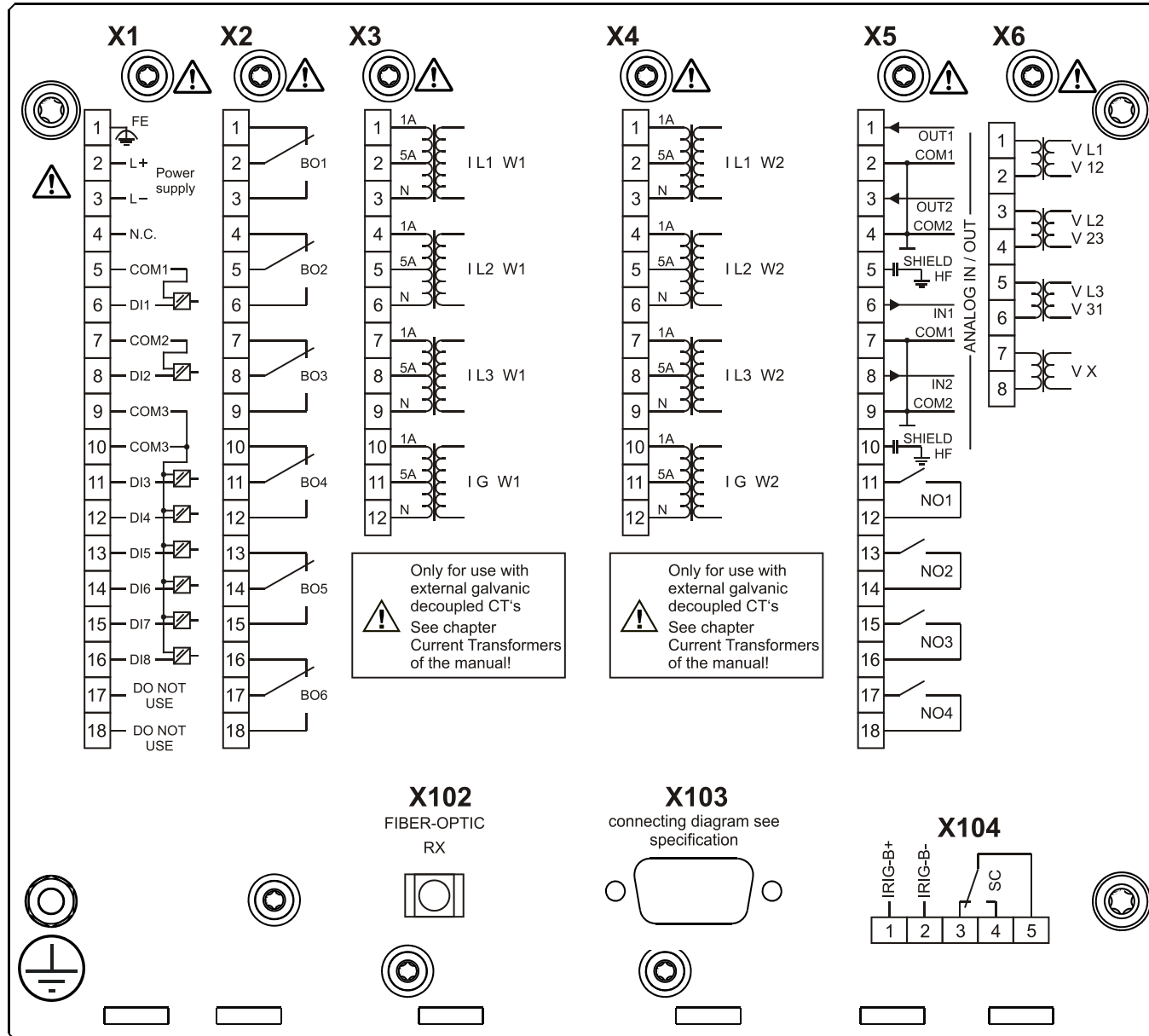
MCDTV4-2B0AFA



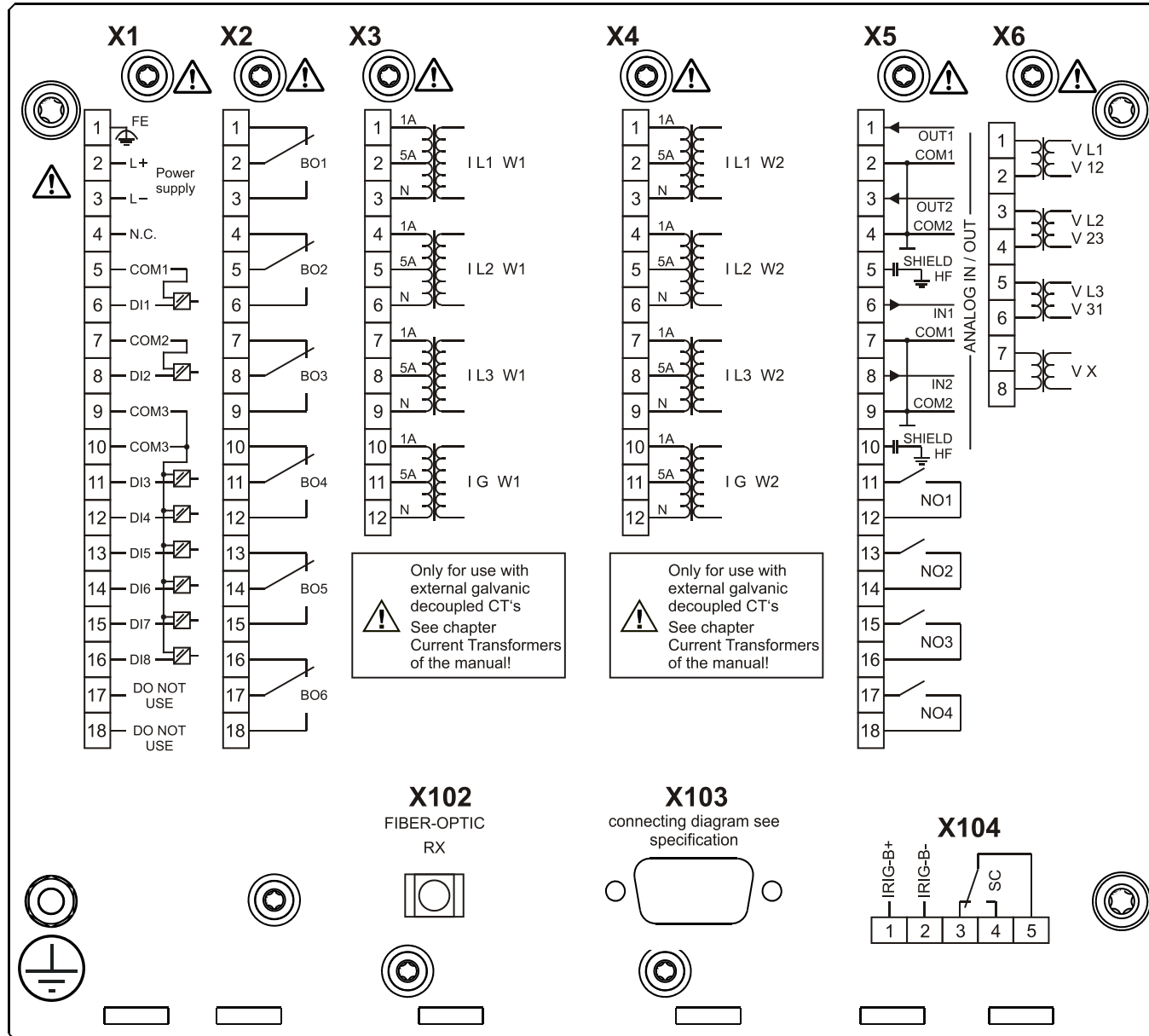
MCDTV4-2B0AFB



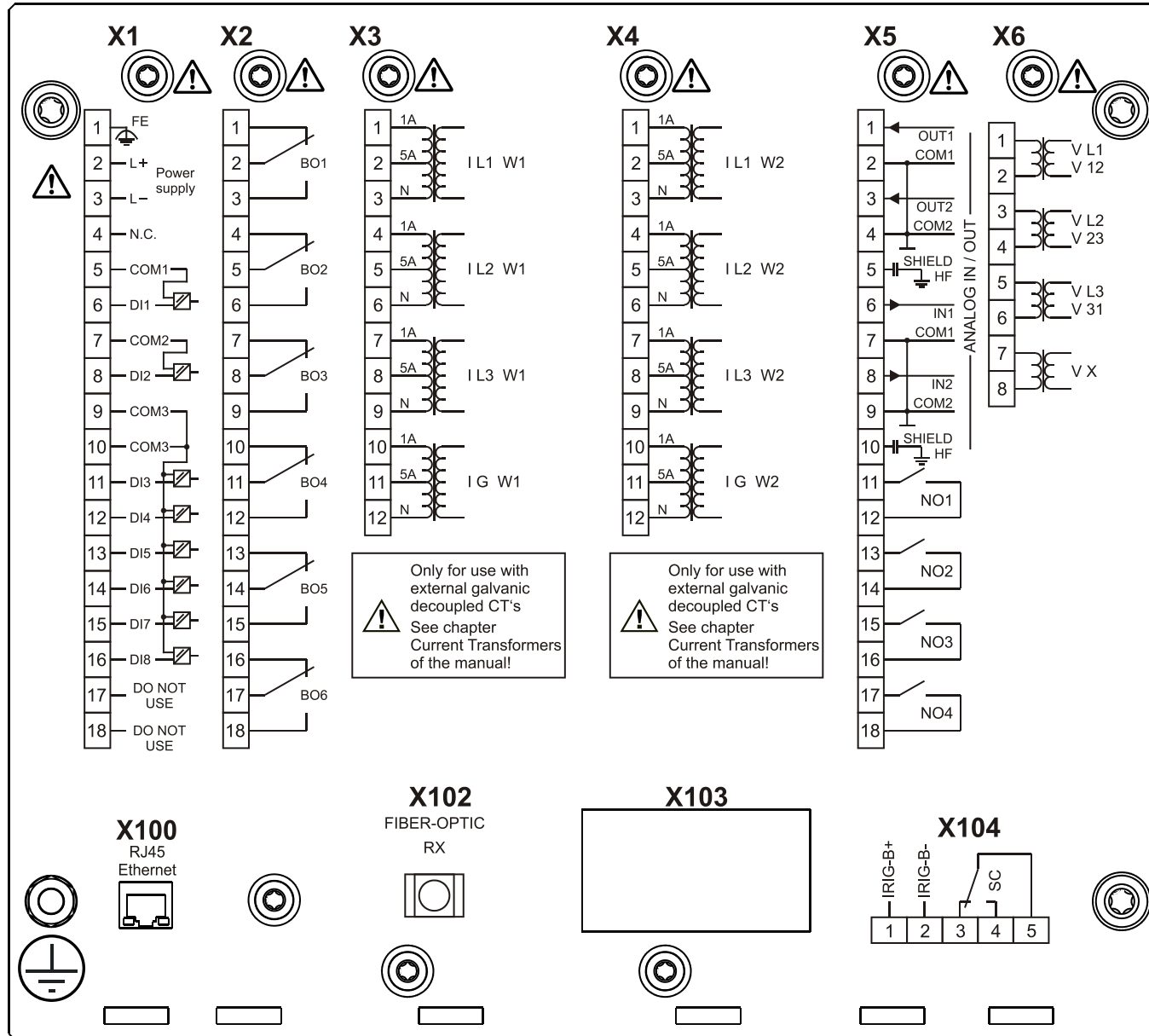
MCDTV4-2B0AGA



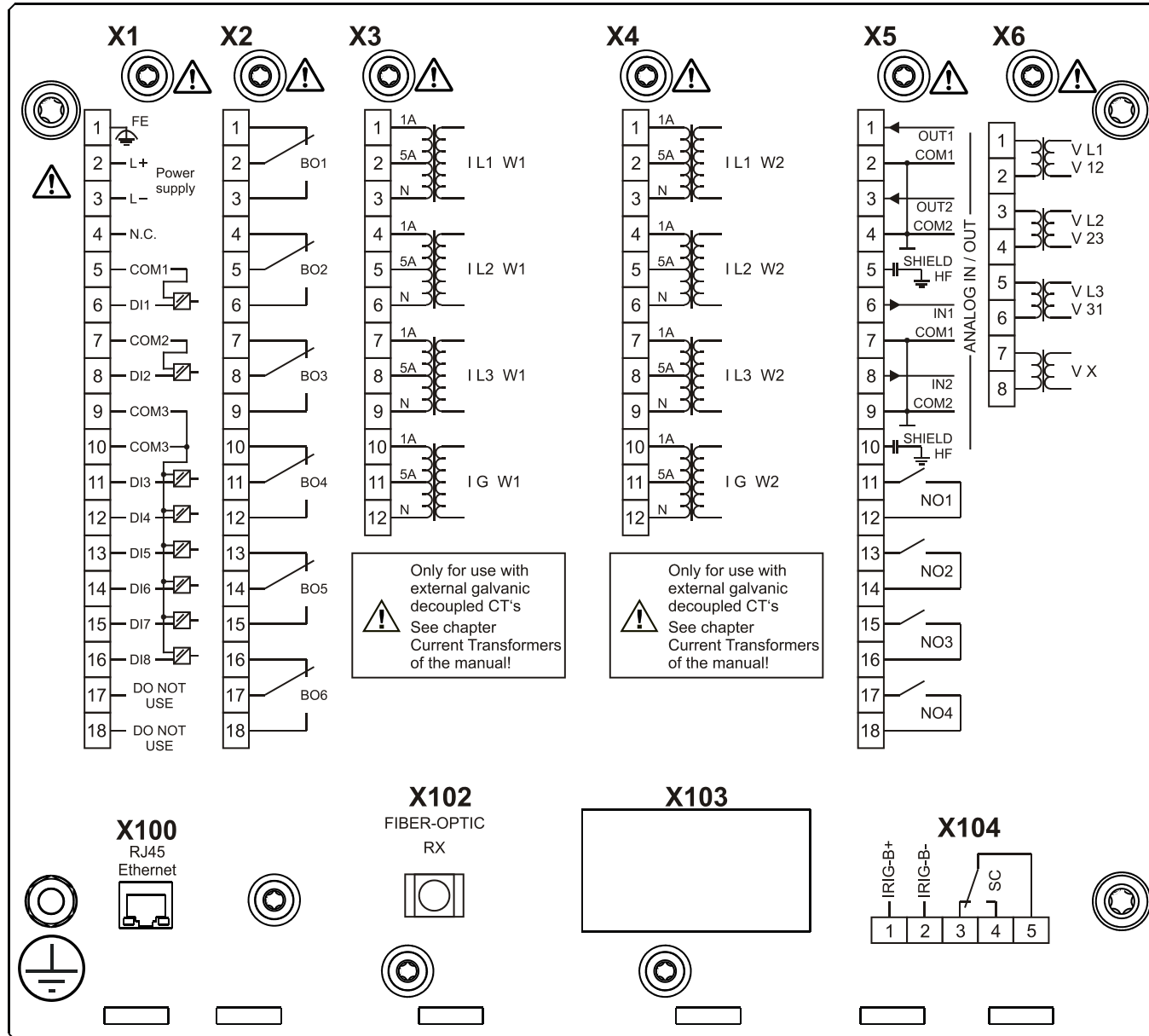
MCDTV4-2B0AGB



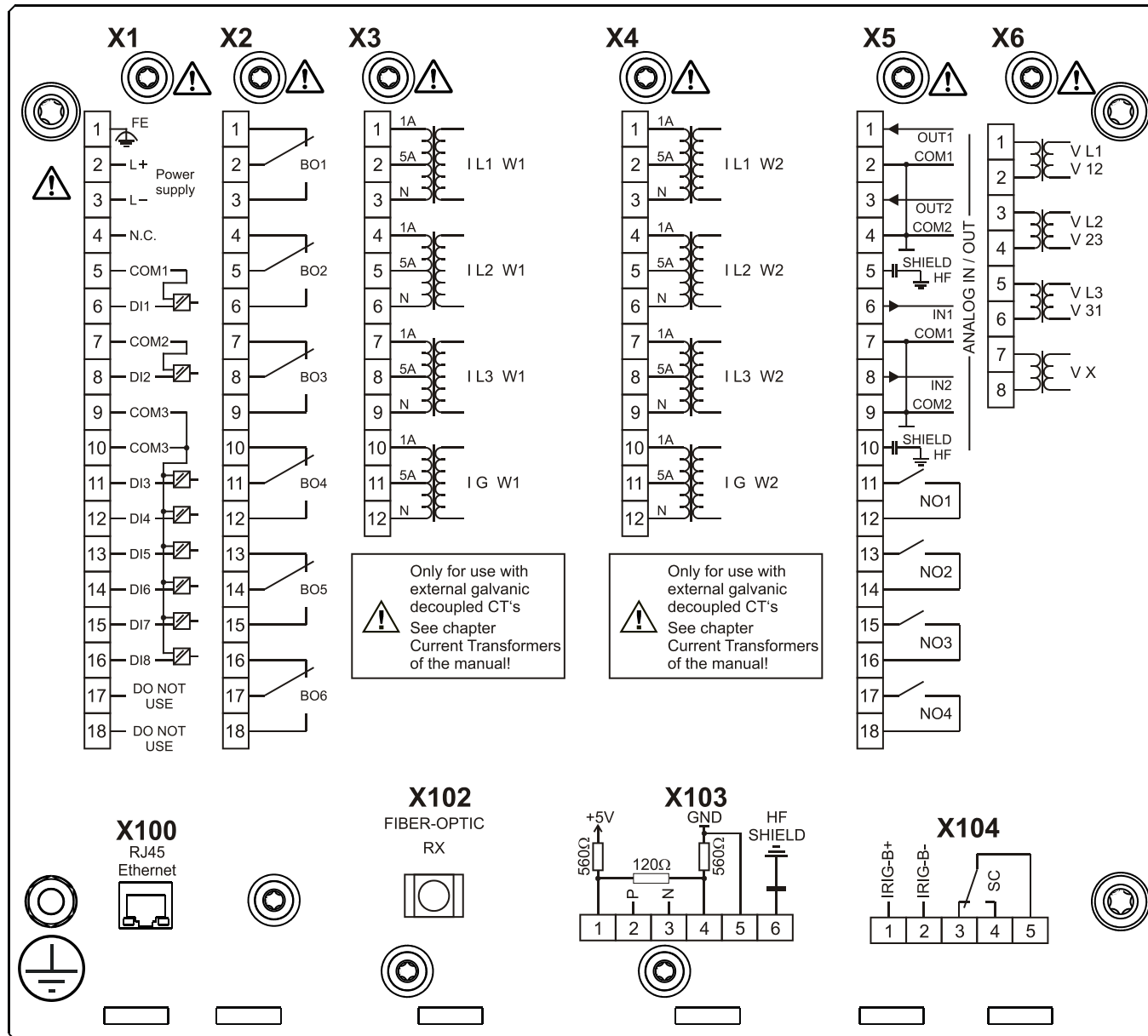
MCDTV4-2B0AHA



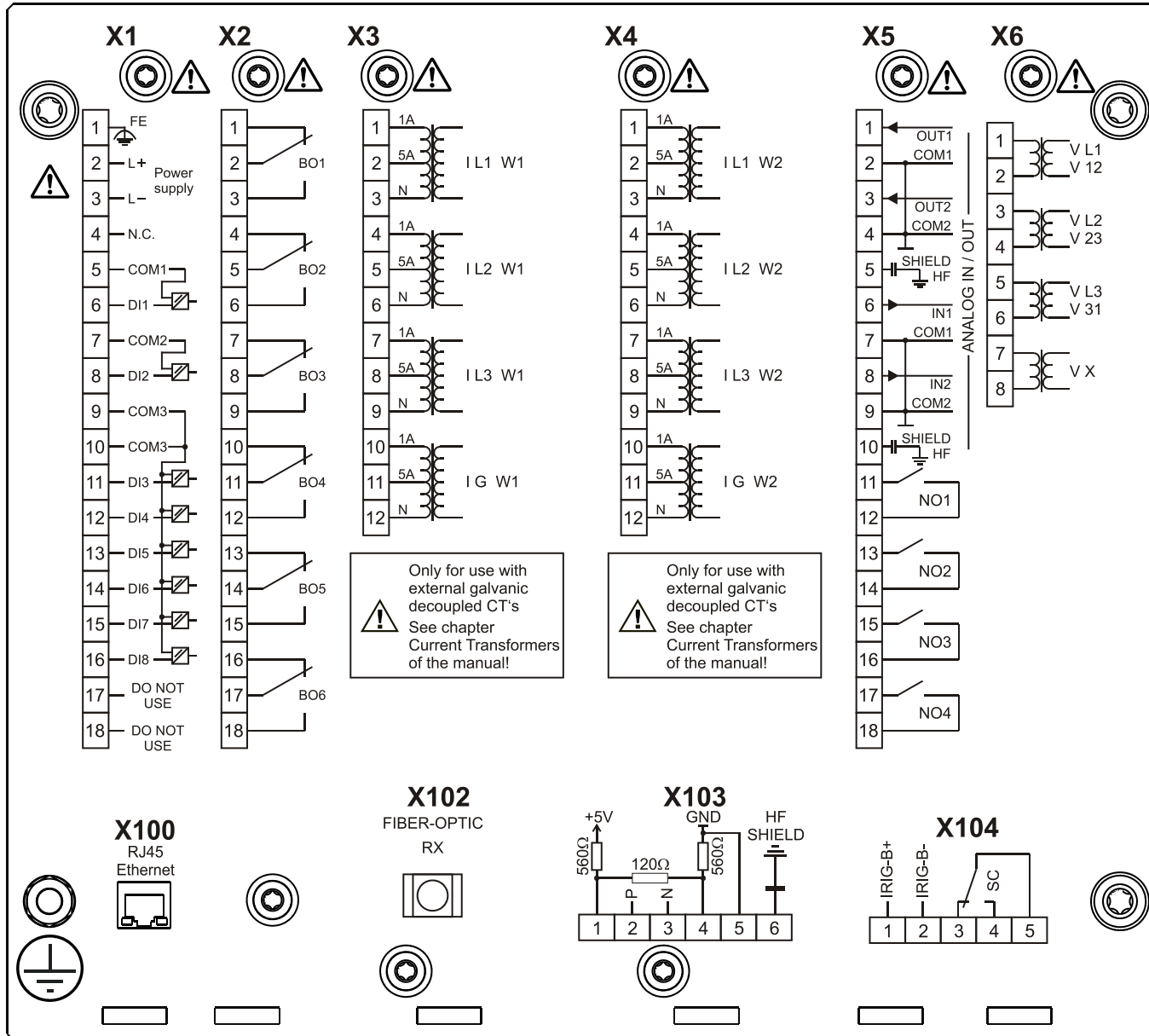
MCDTV4-2B0AHB



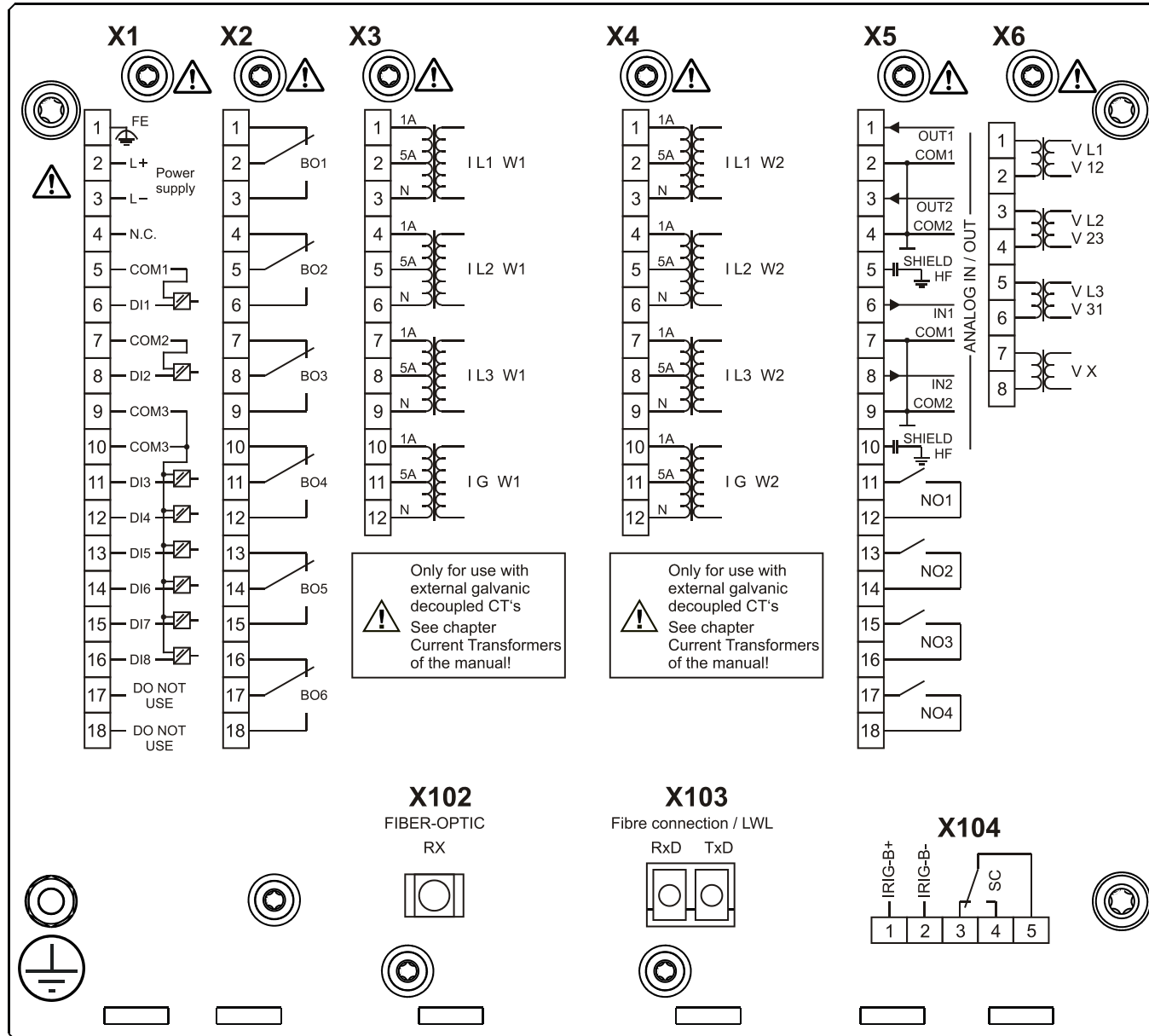
MCDTV4-2B0AIA



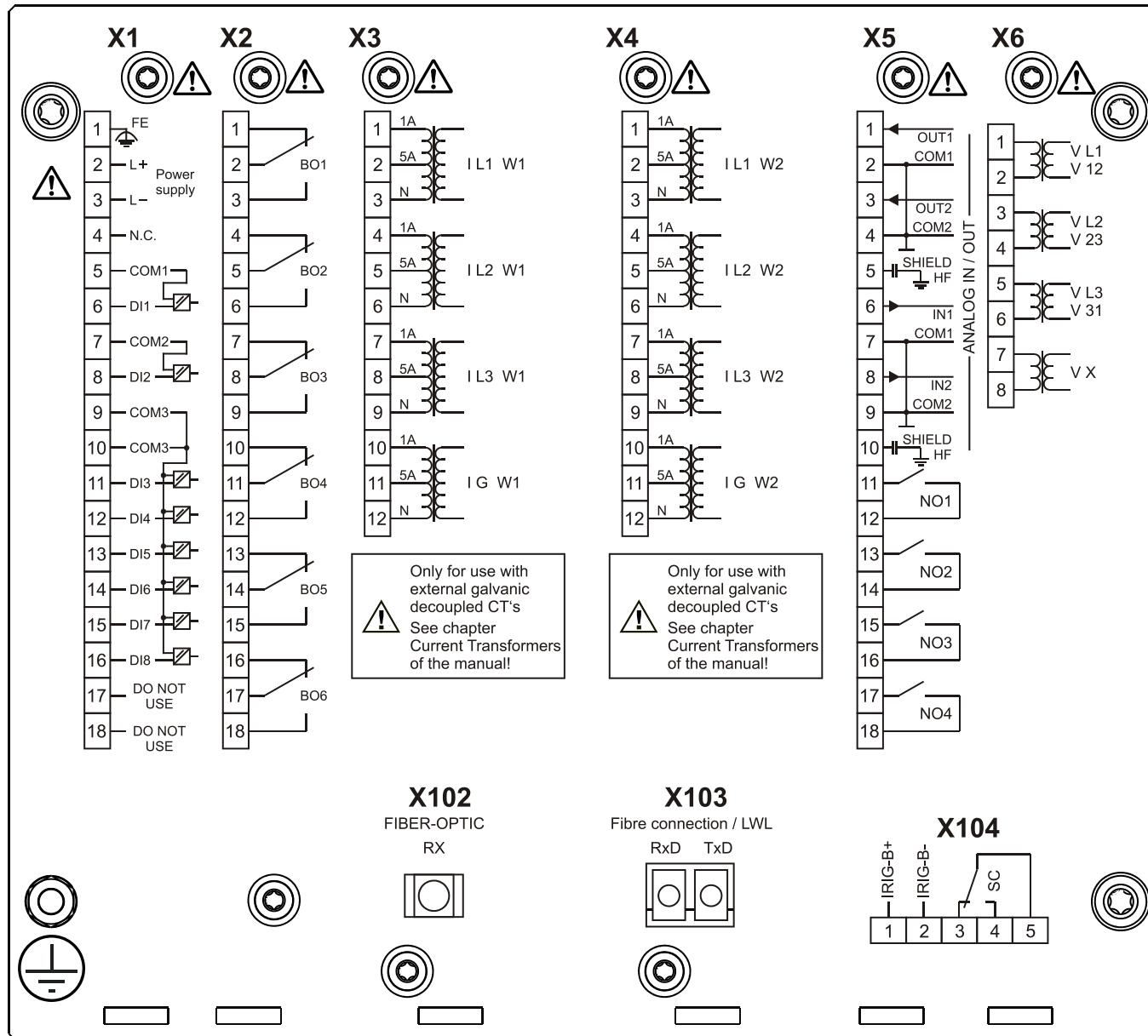
MCDTV4-2B0AIB



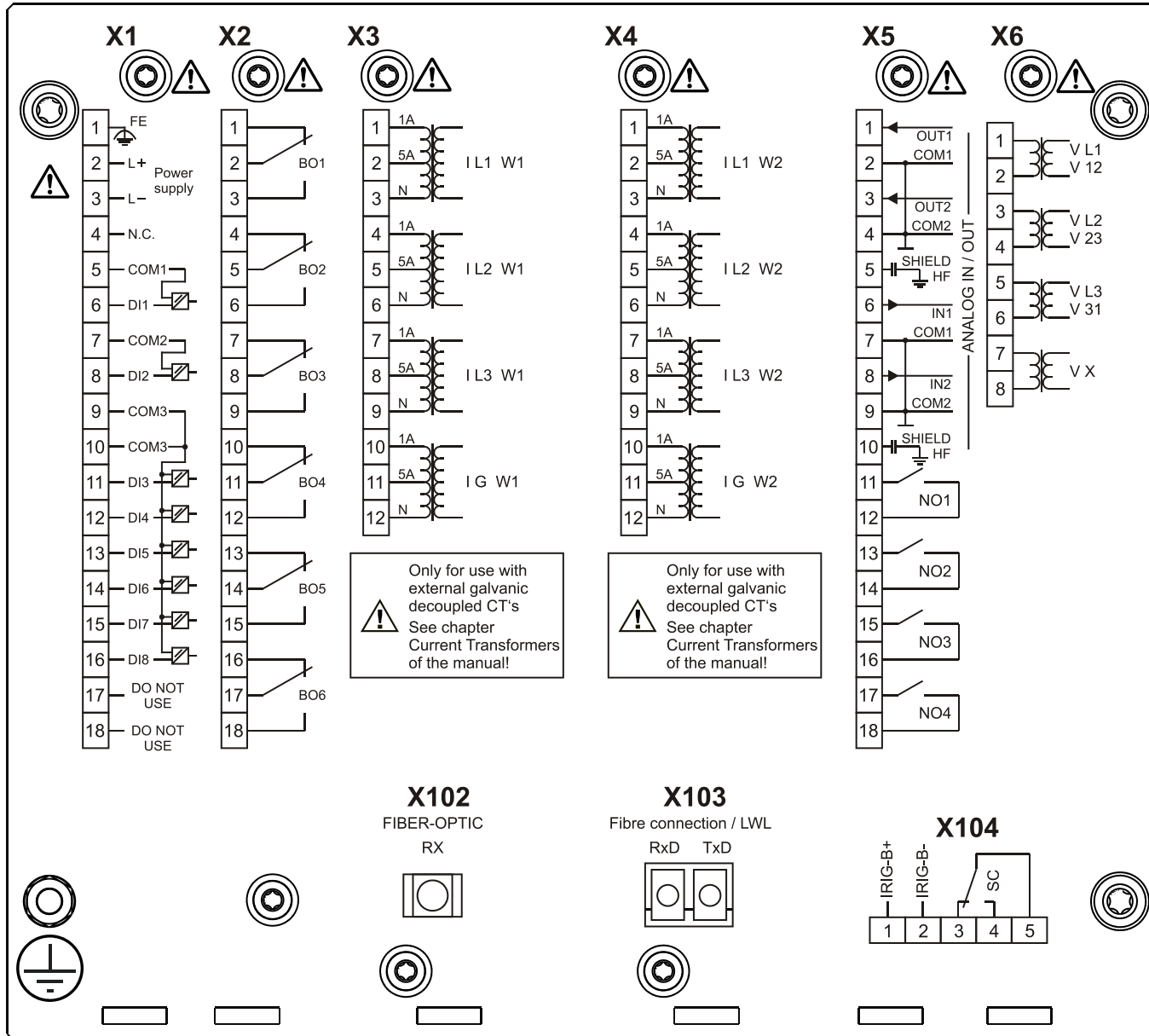
MCDTV4-2B0AKA



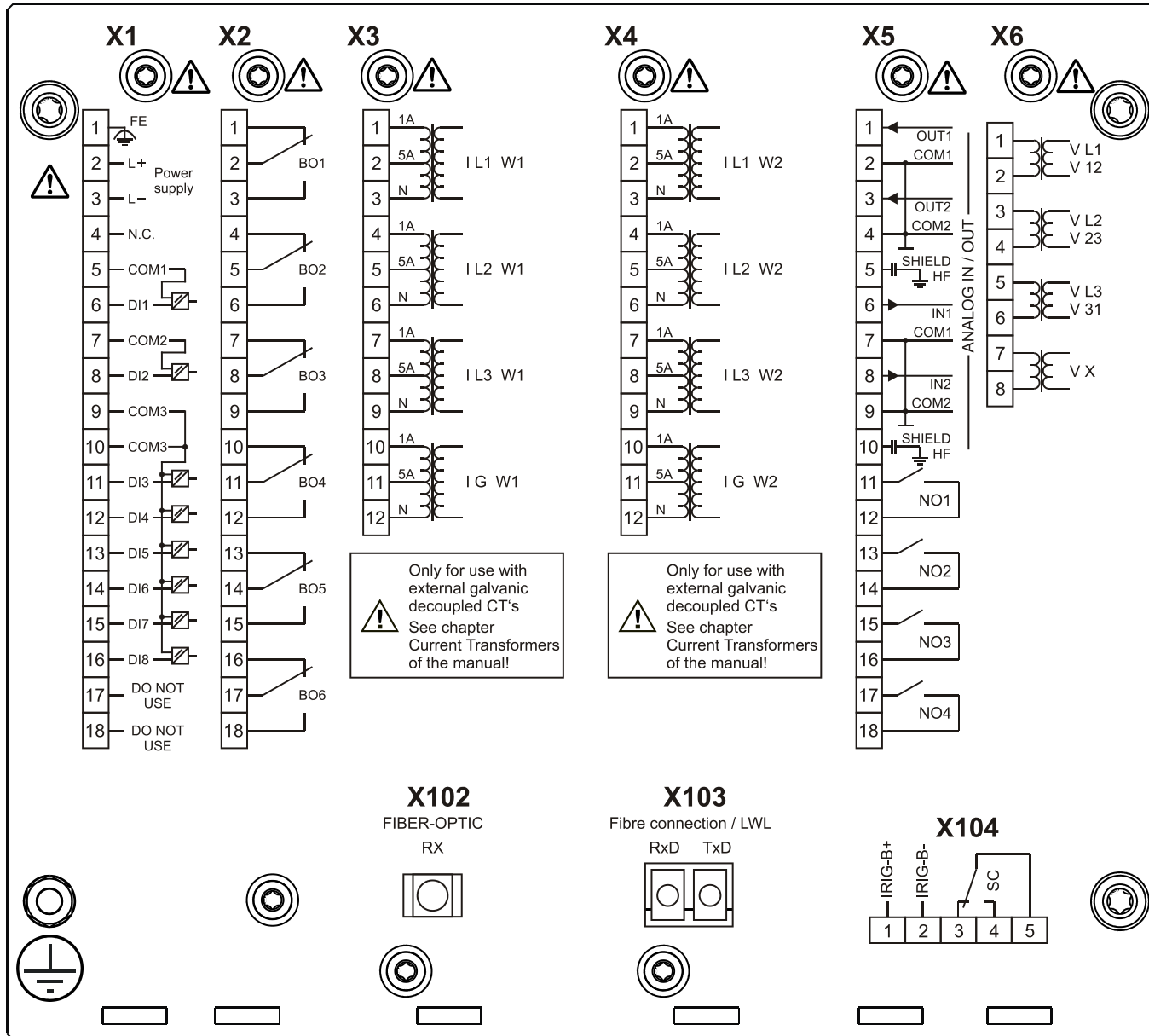
MCDTV4-2B0AKB



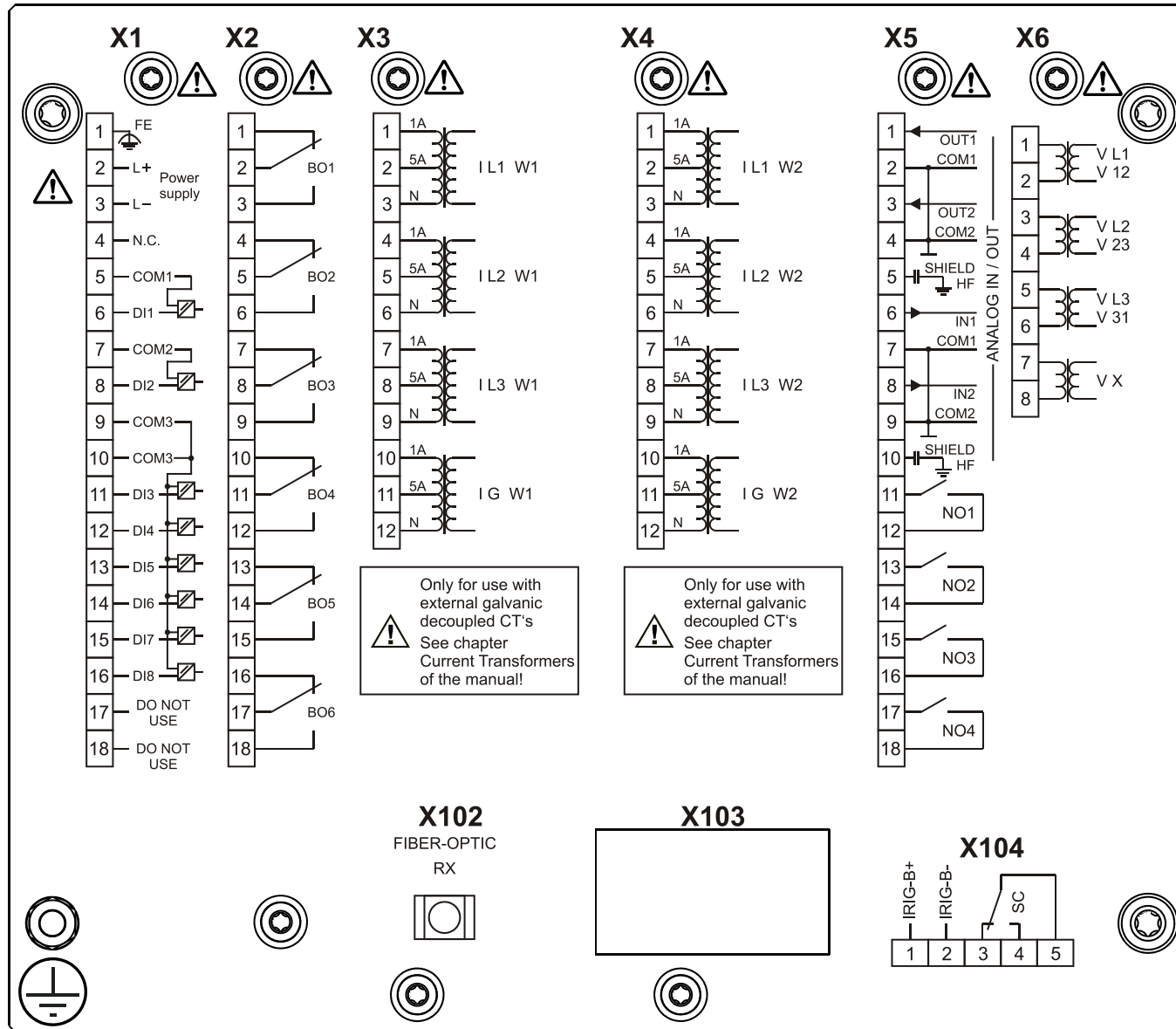
MCDTV4-2B0ALA



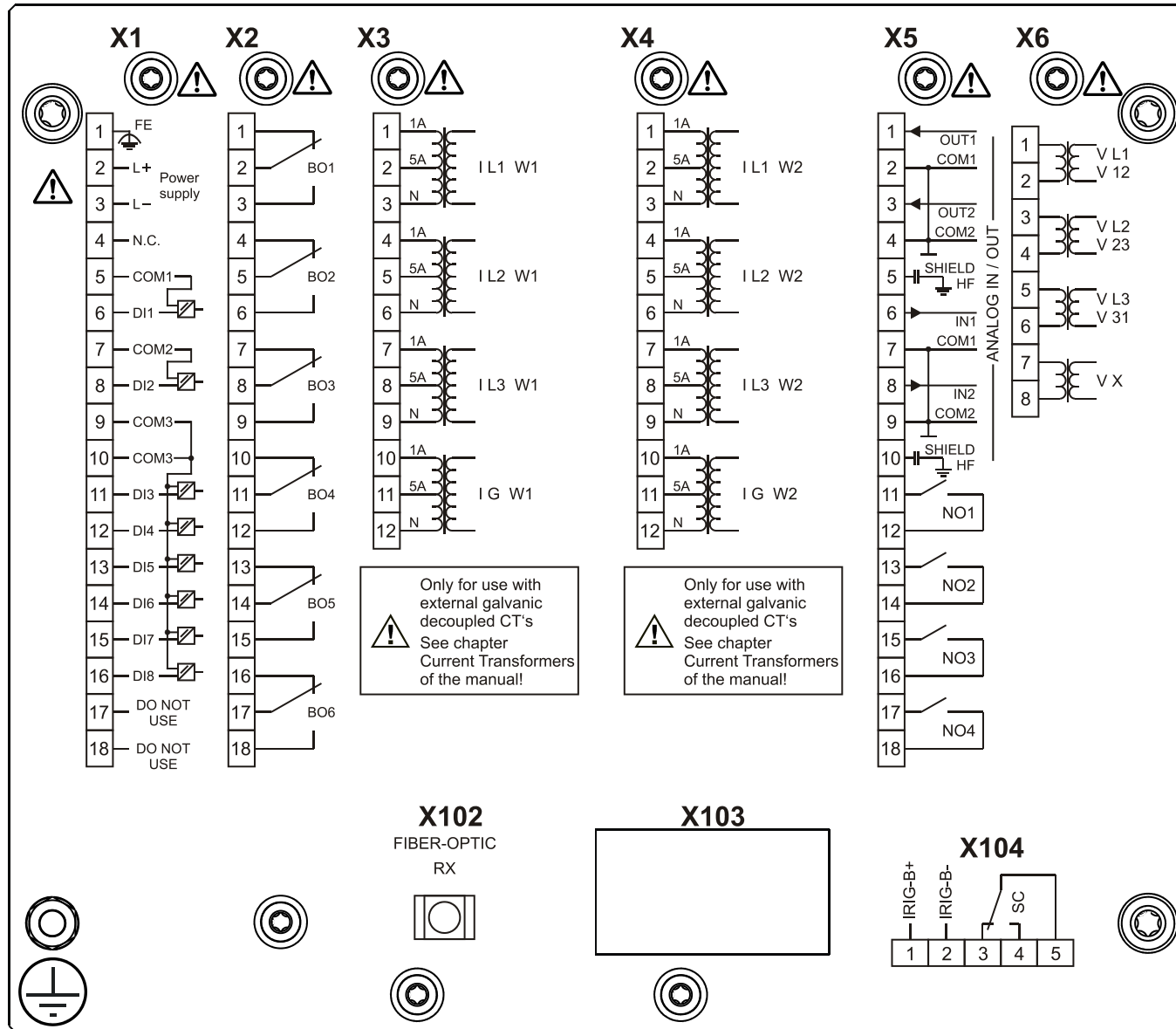
MCDTV4-2B0ALB



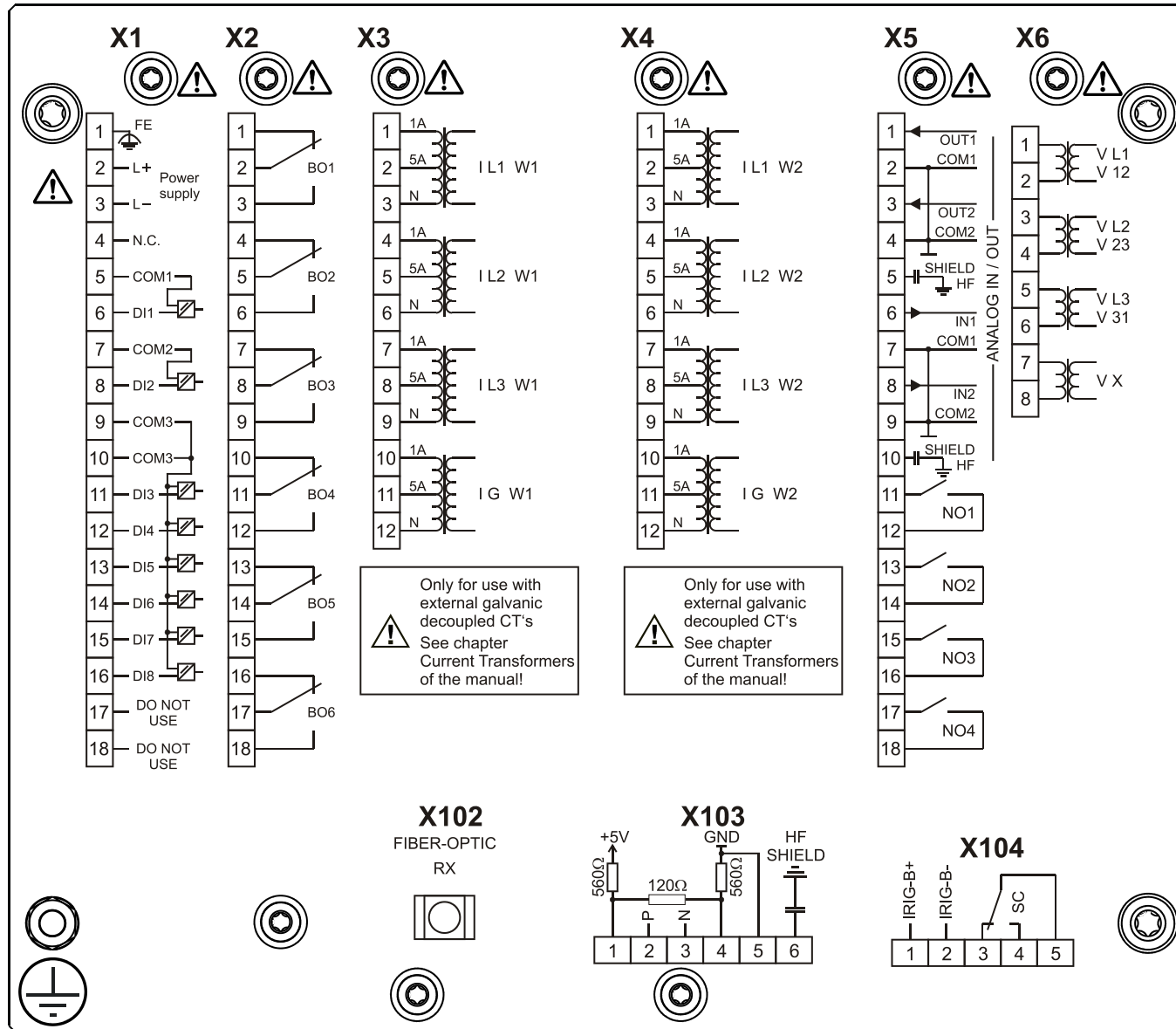
MCDTV4-2B0BAA



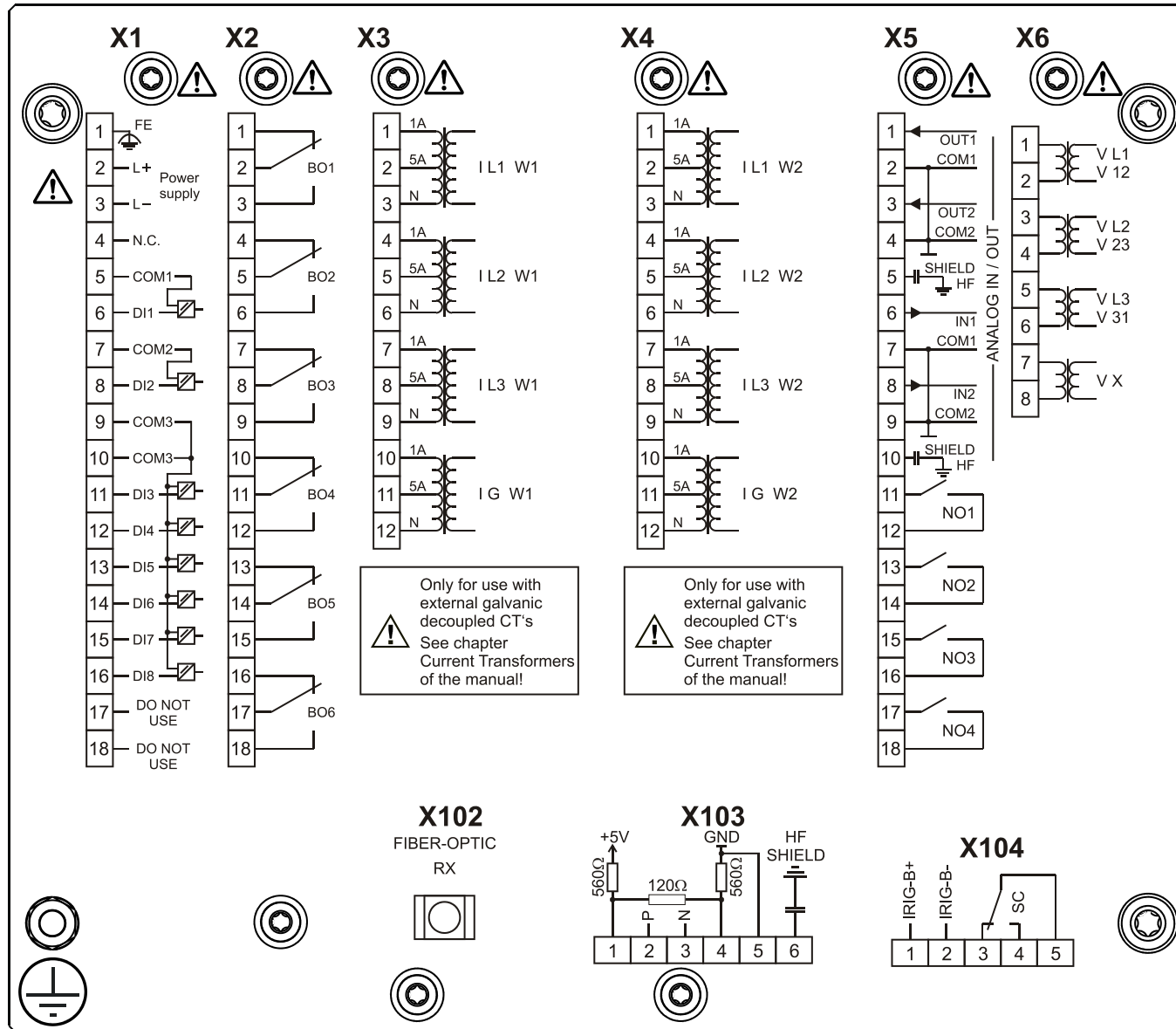
MCDTV4-2B0BAB



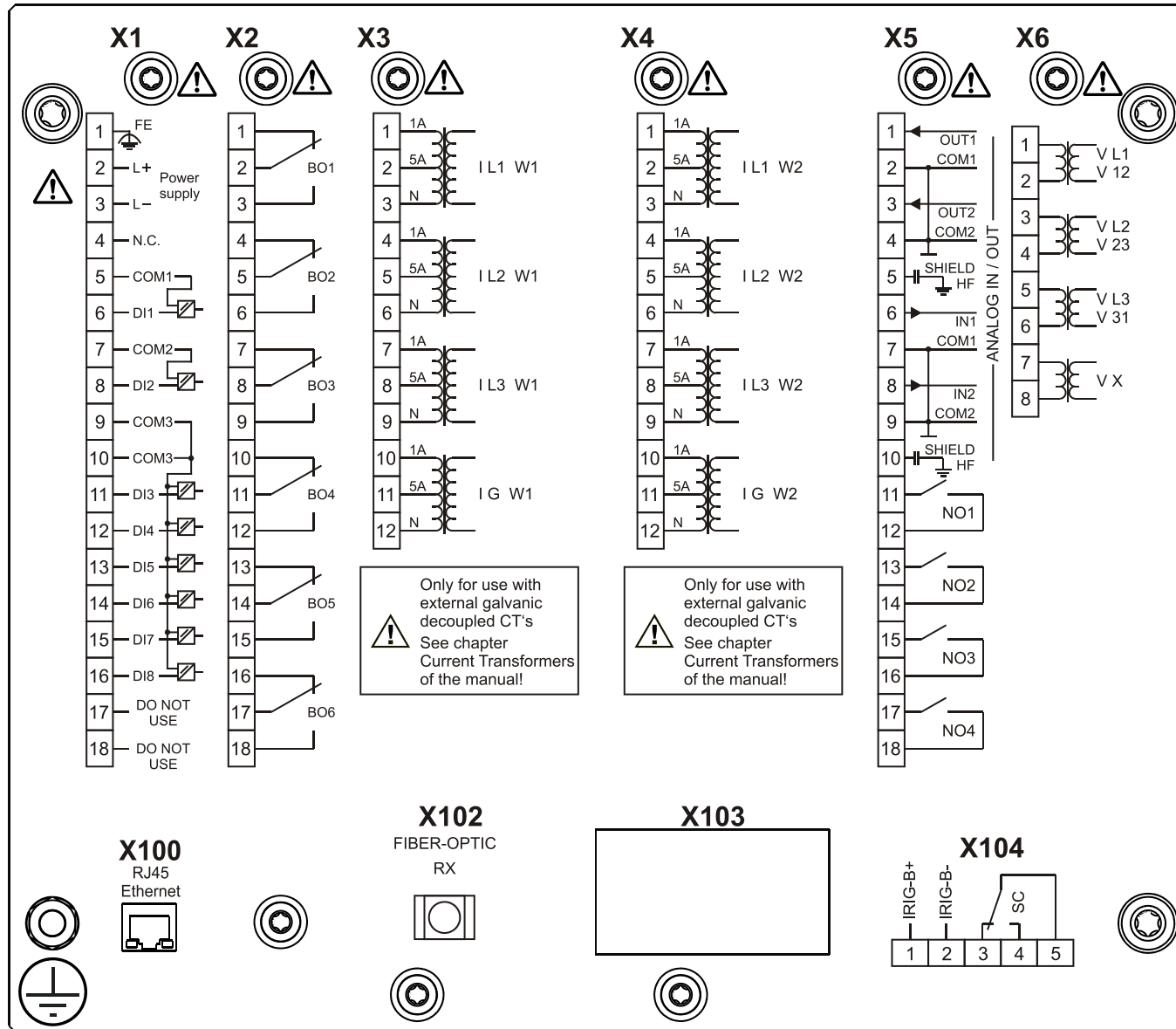
MCDTV4-2B0BBA



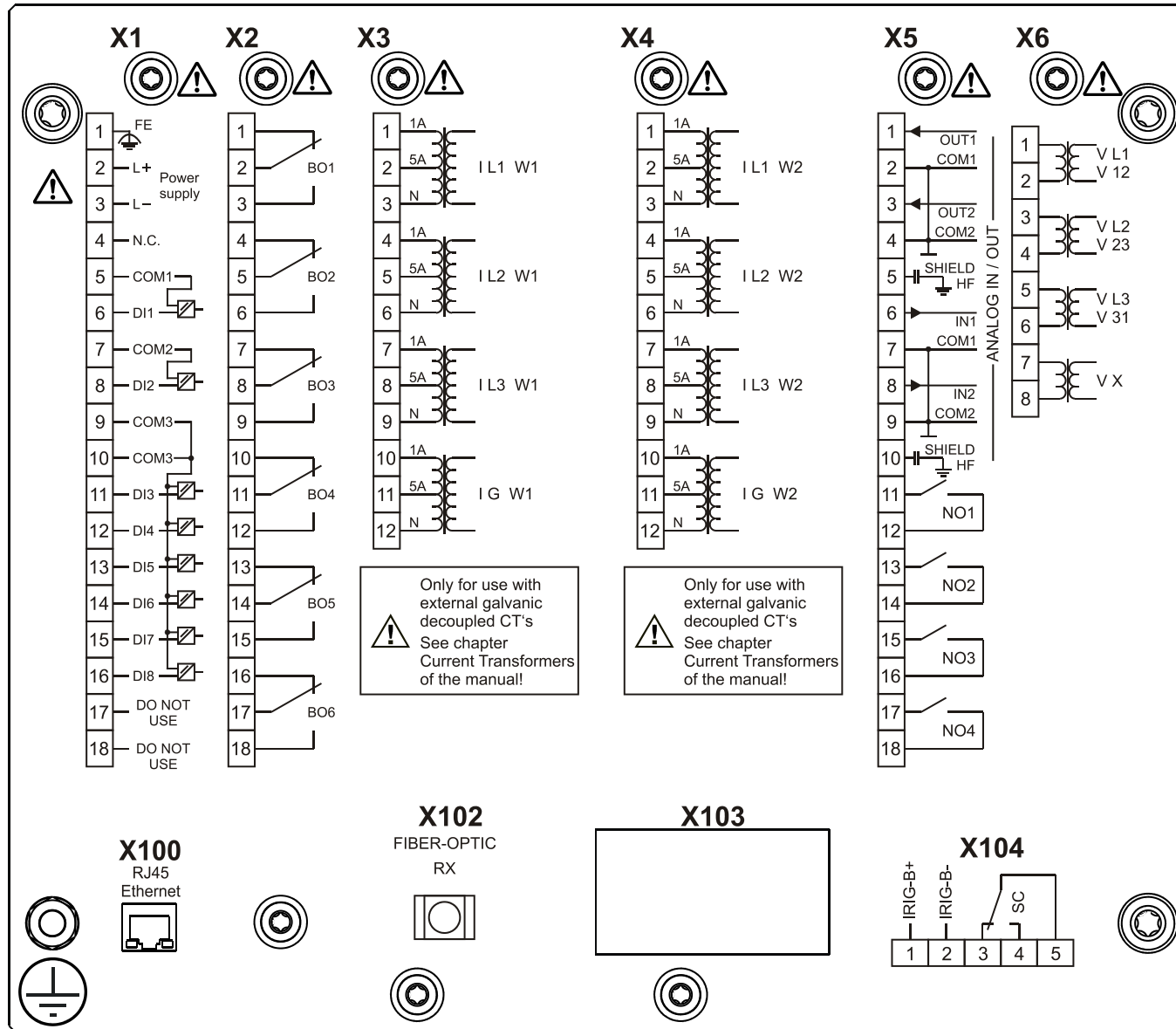
MCDTV4-2B0BBB



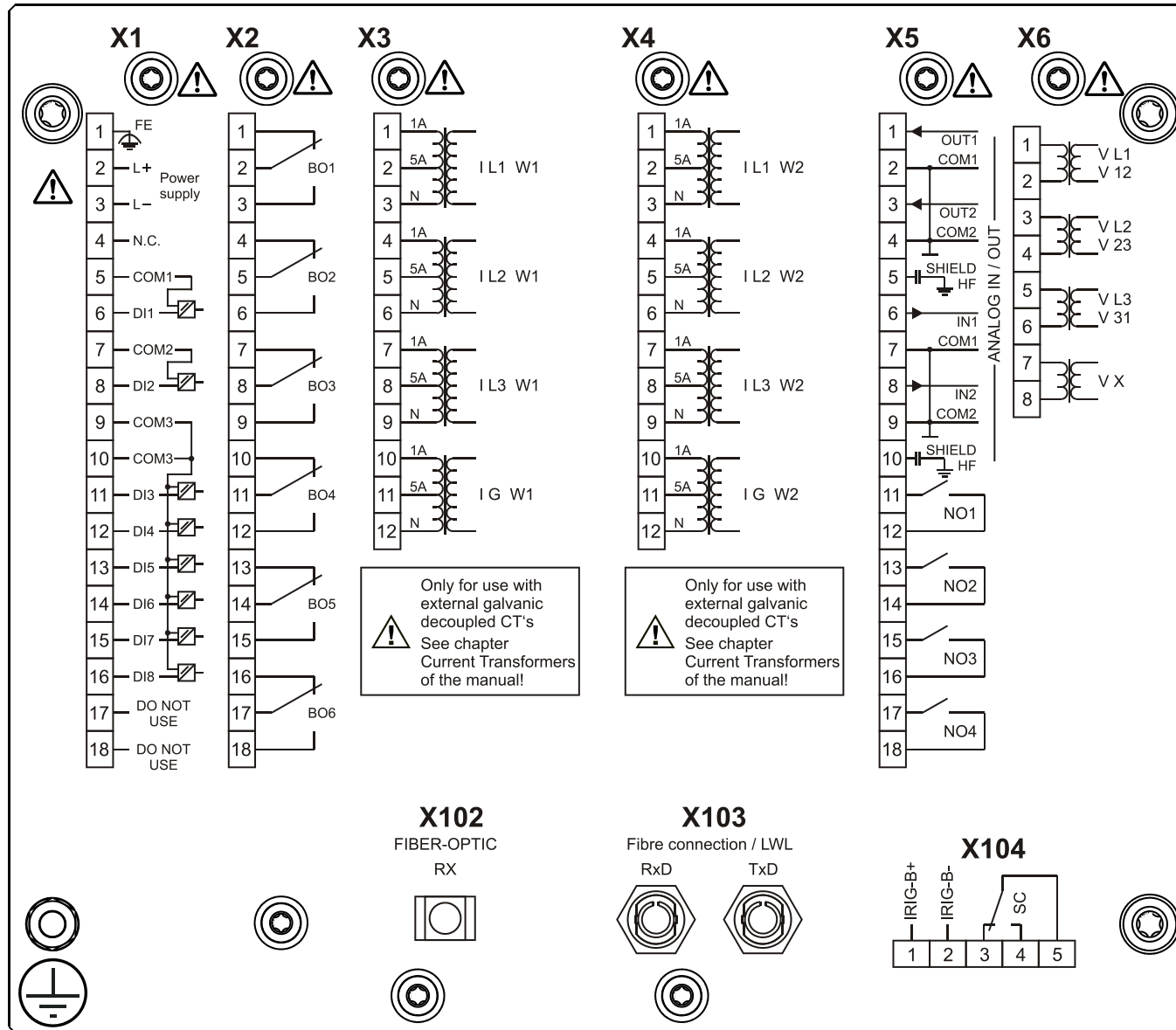
MCDTV4-2B0BCA



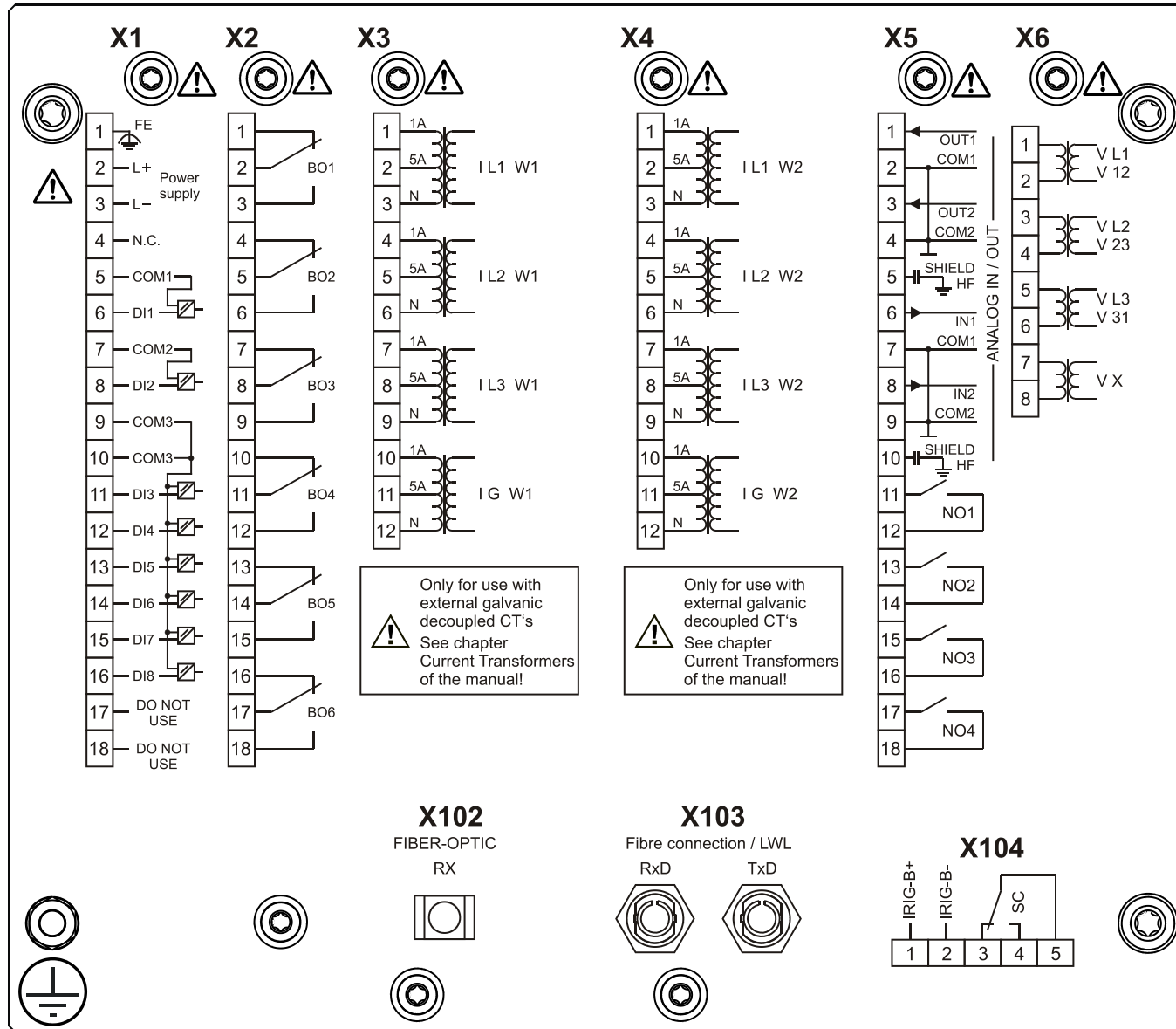
MCDTV4-2B0BCB



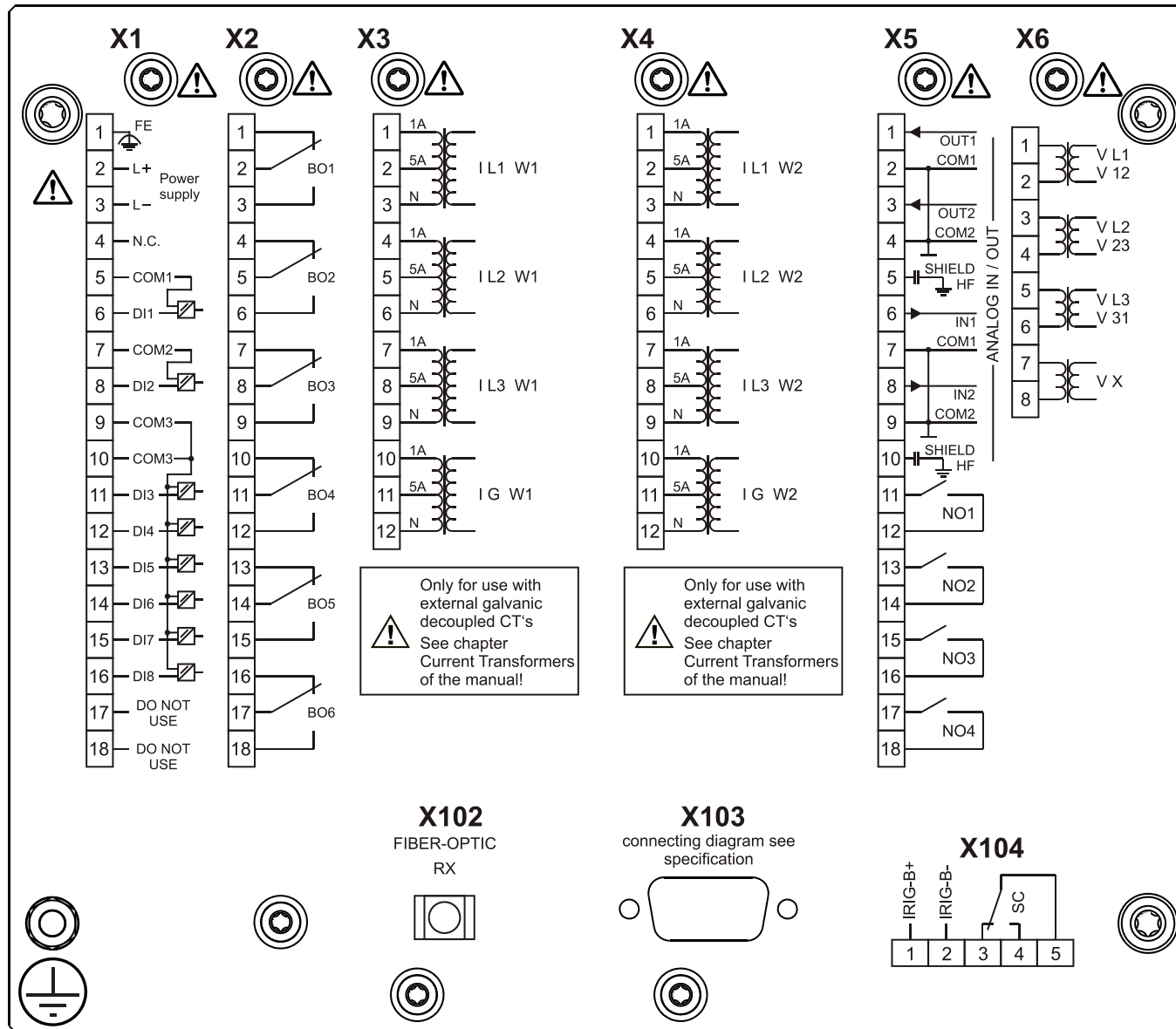
MCDTV4-2B0BDA



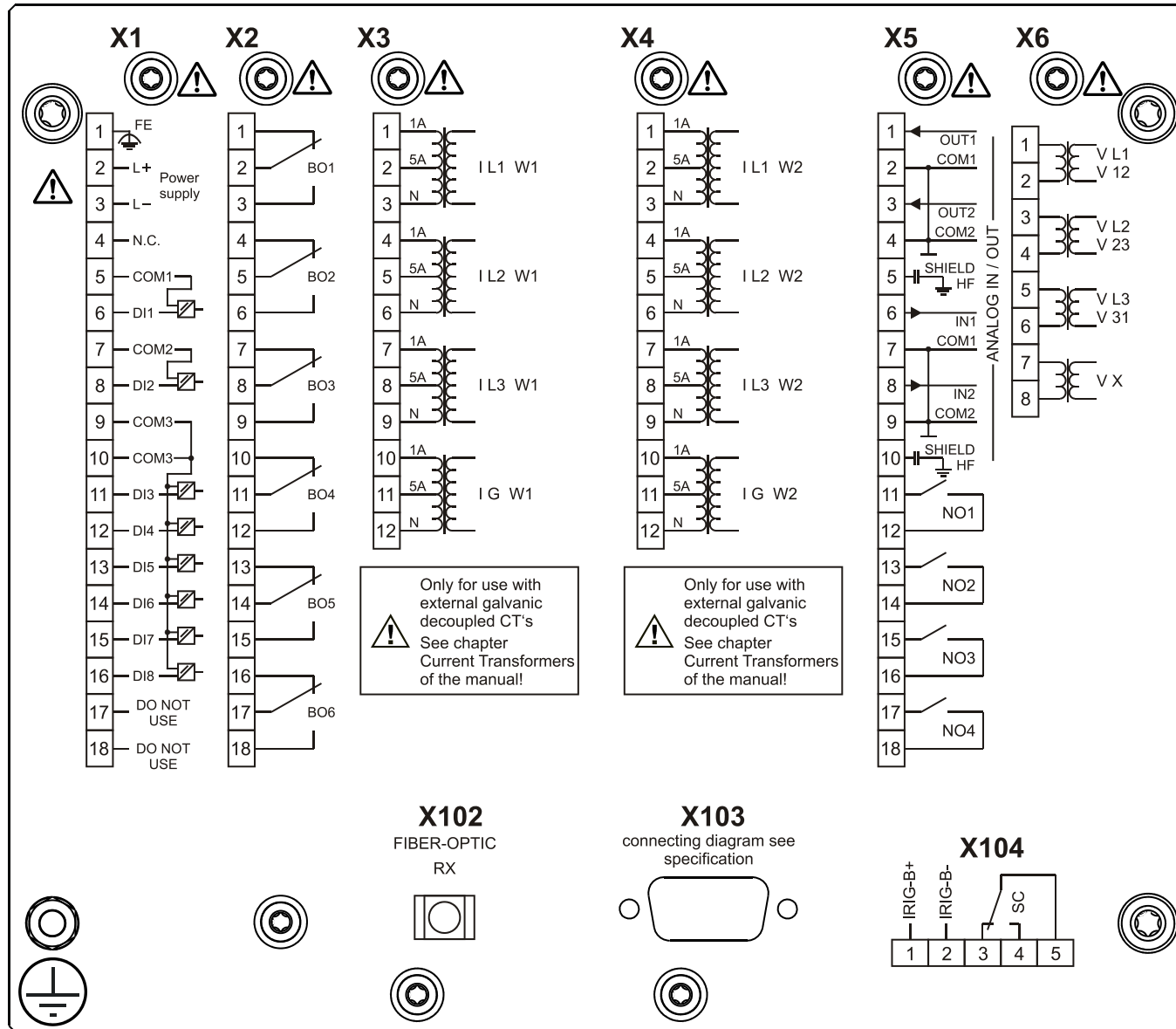
MCDTV4-2B0BDB



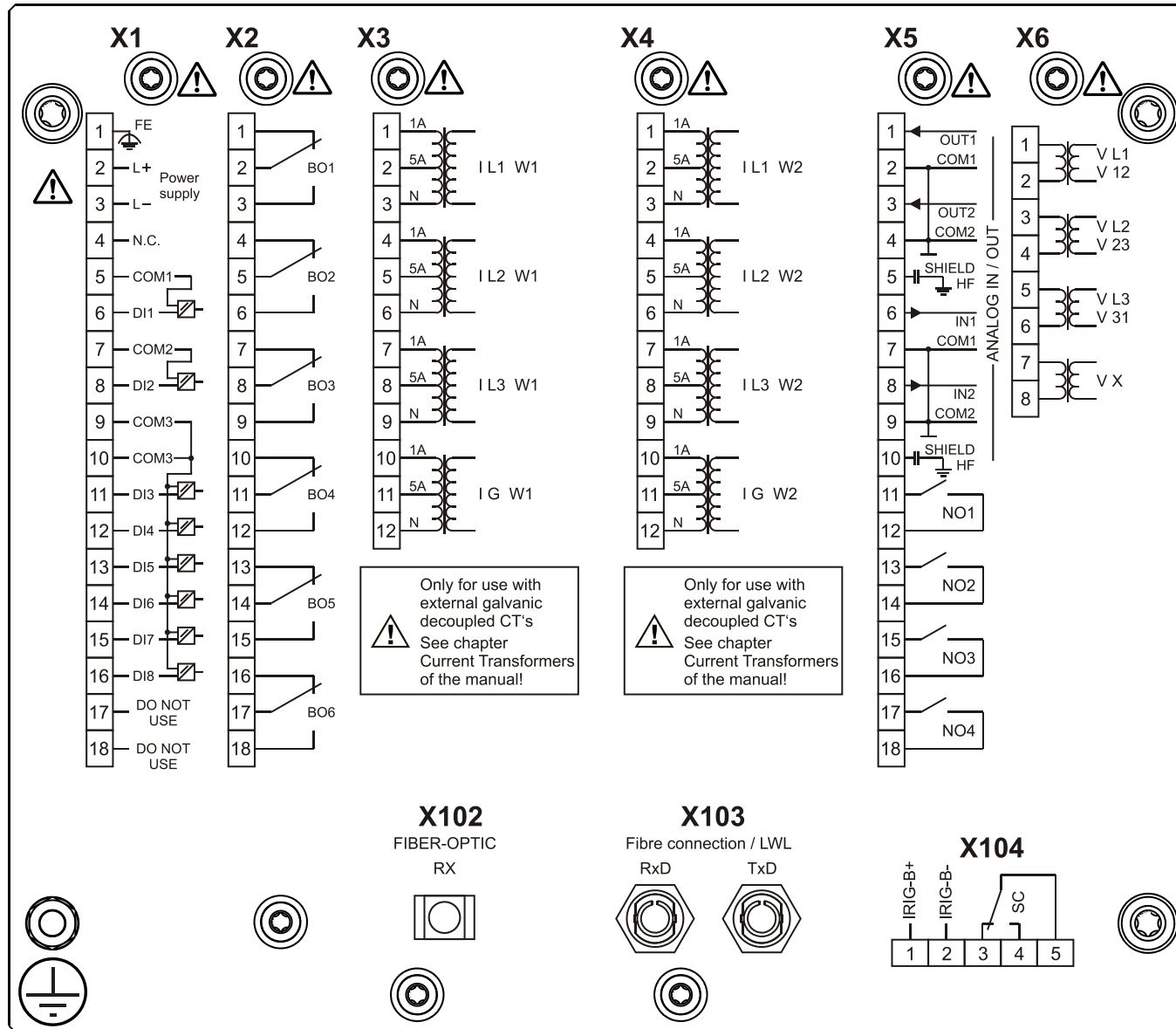
MCDTV4-2B0BEA



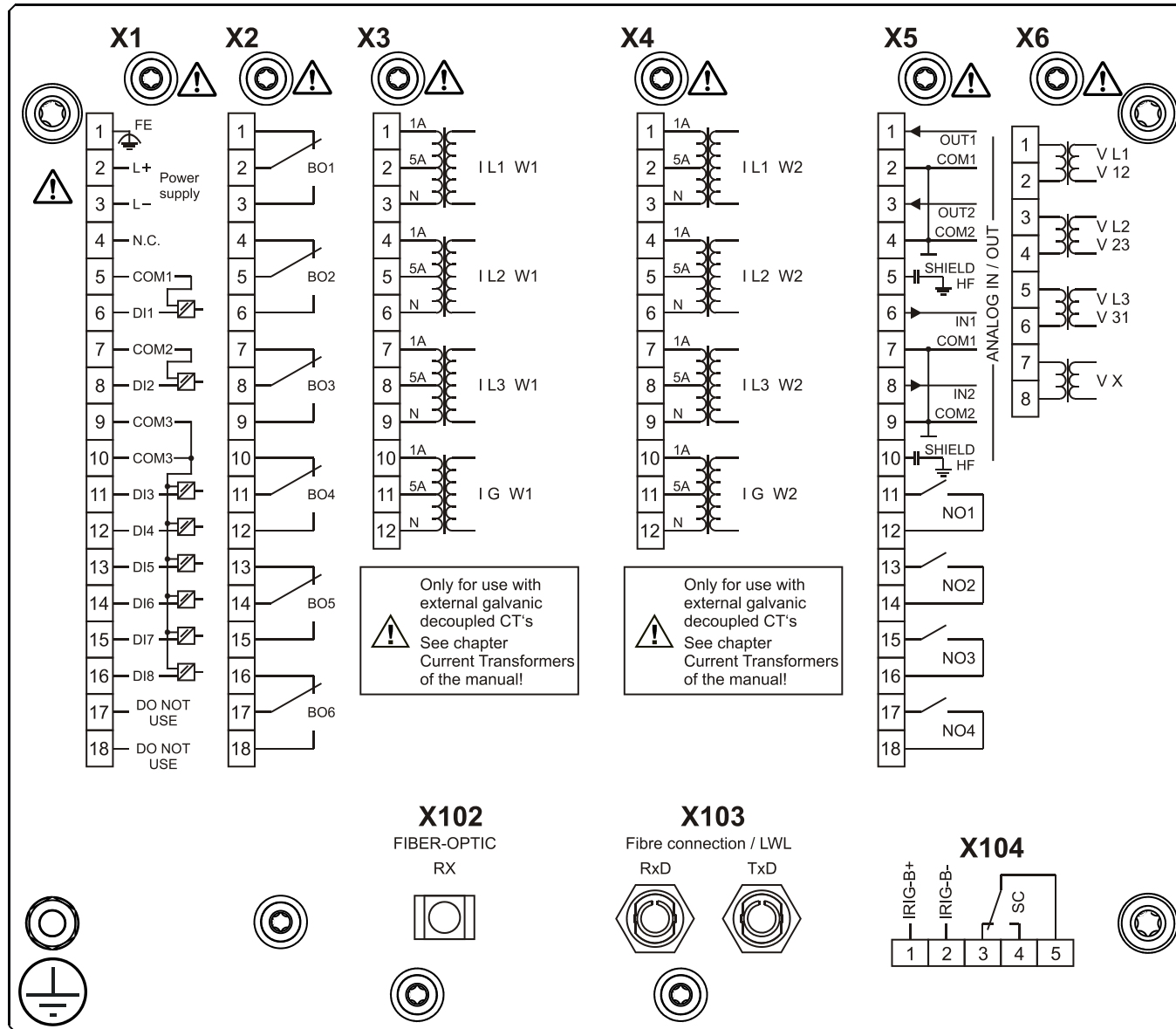
MCDTV4-2B0BEB



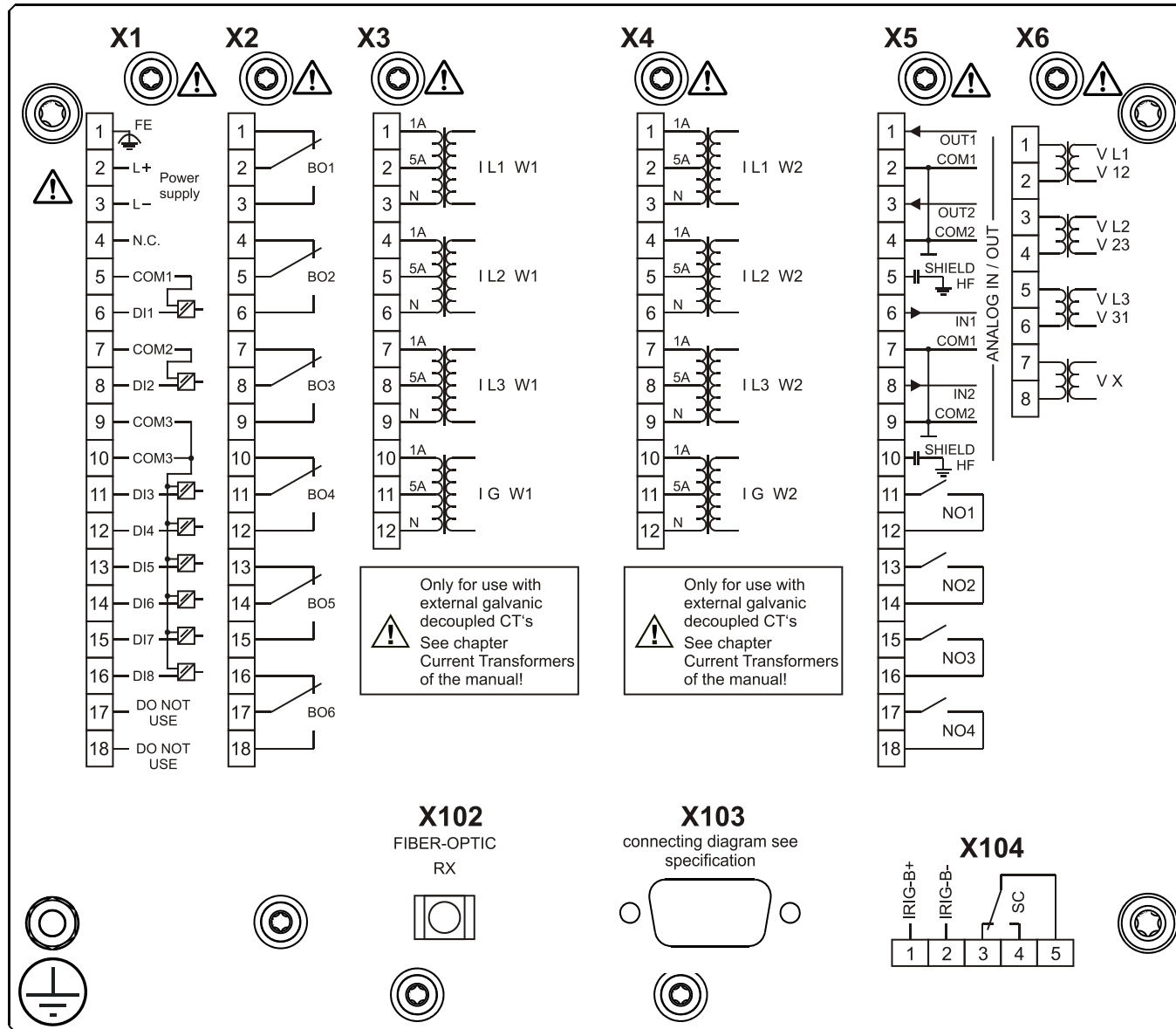
MCDTV4-2B0BFA



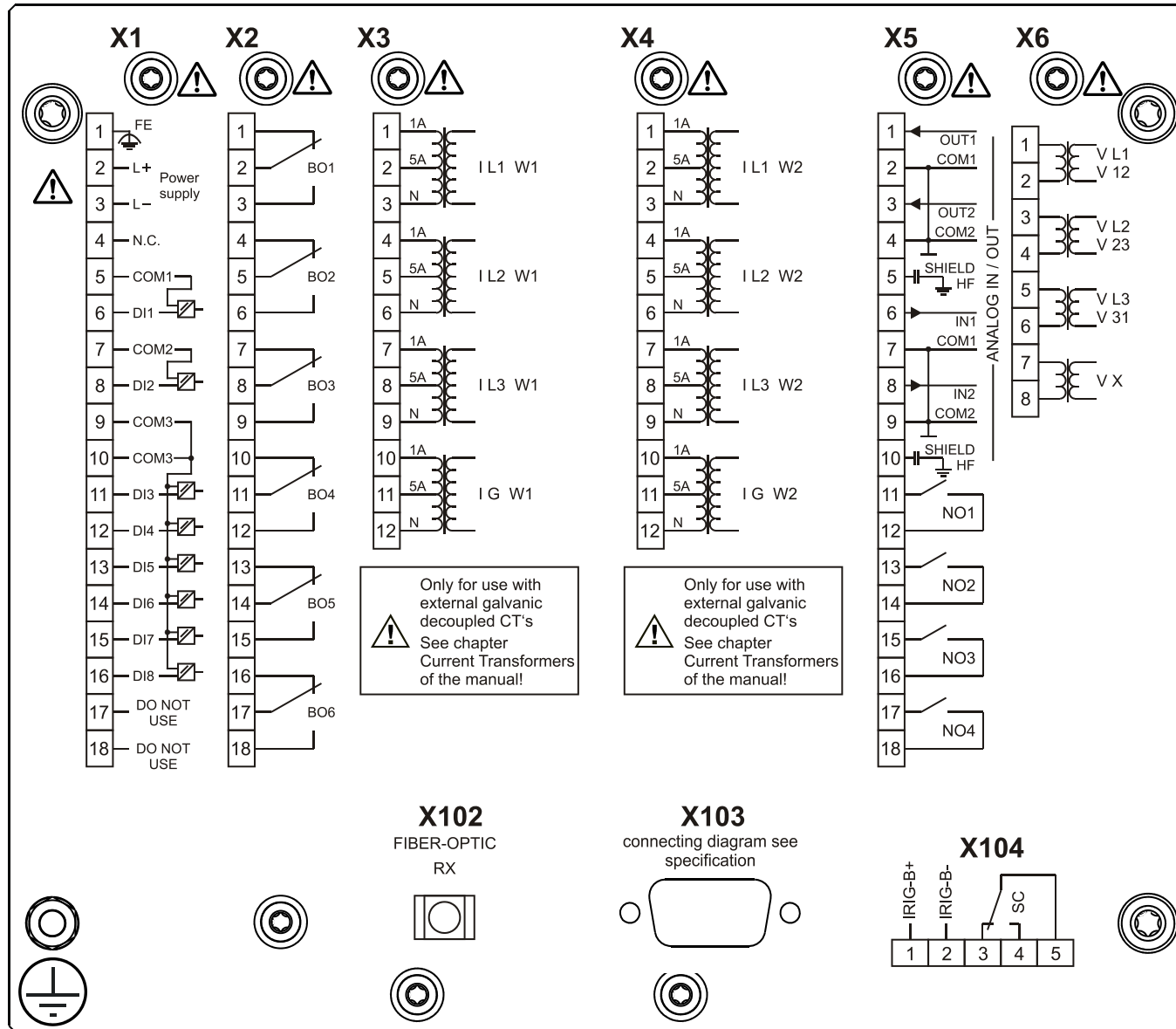
MCDTV4-2B0BFB



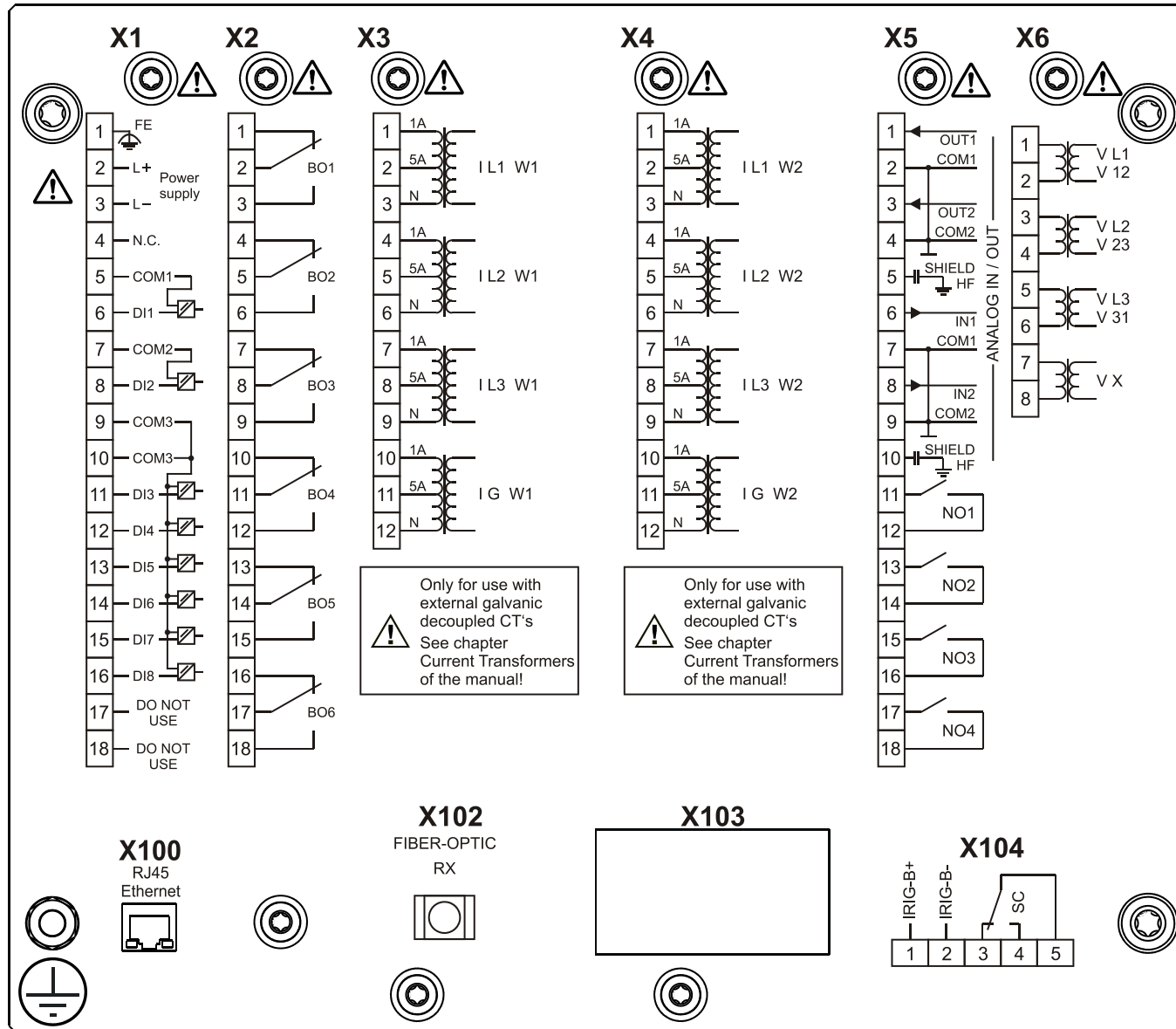
MCDTV4-2B0BGA



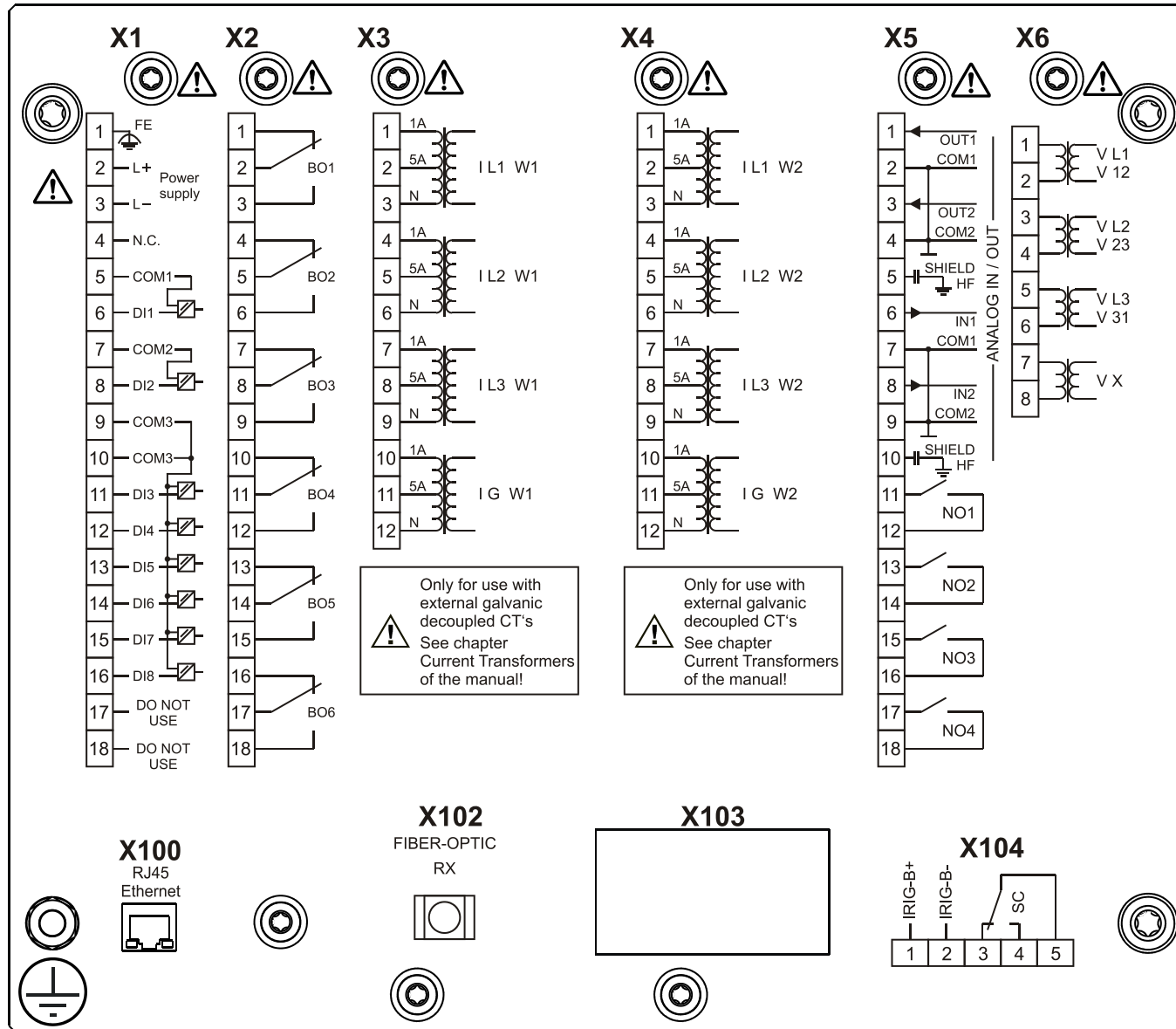
MCDTV4-2B0BGB



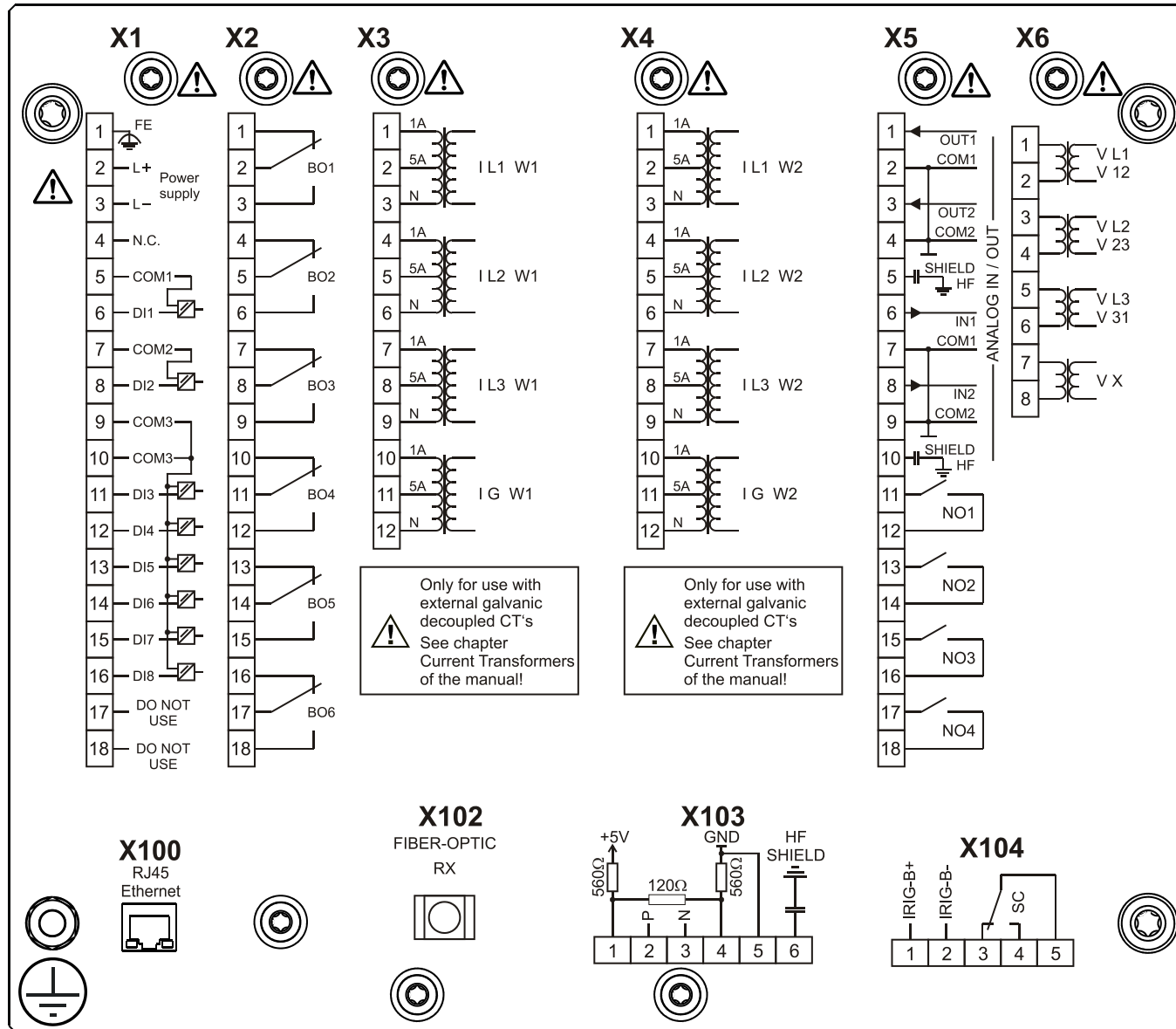
MCDTV4-2B0BHA



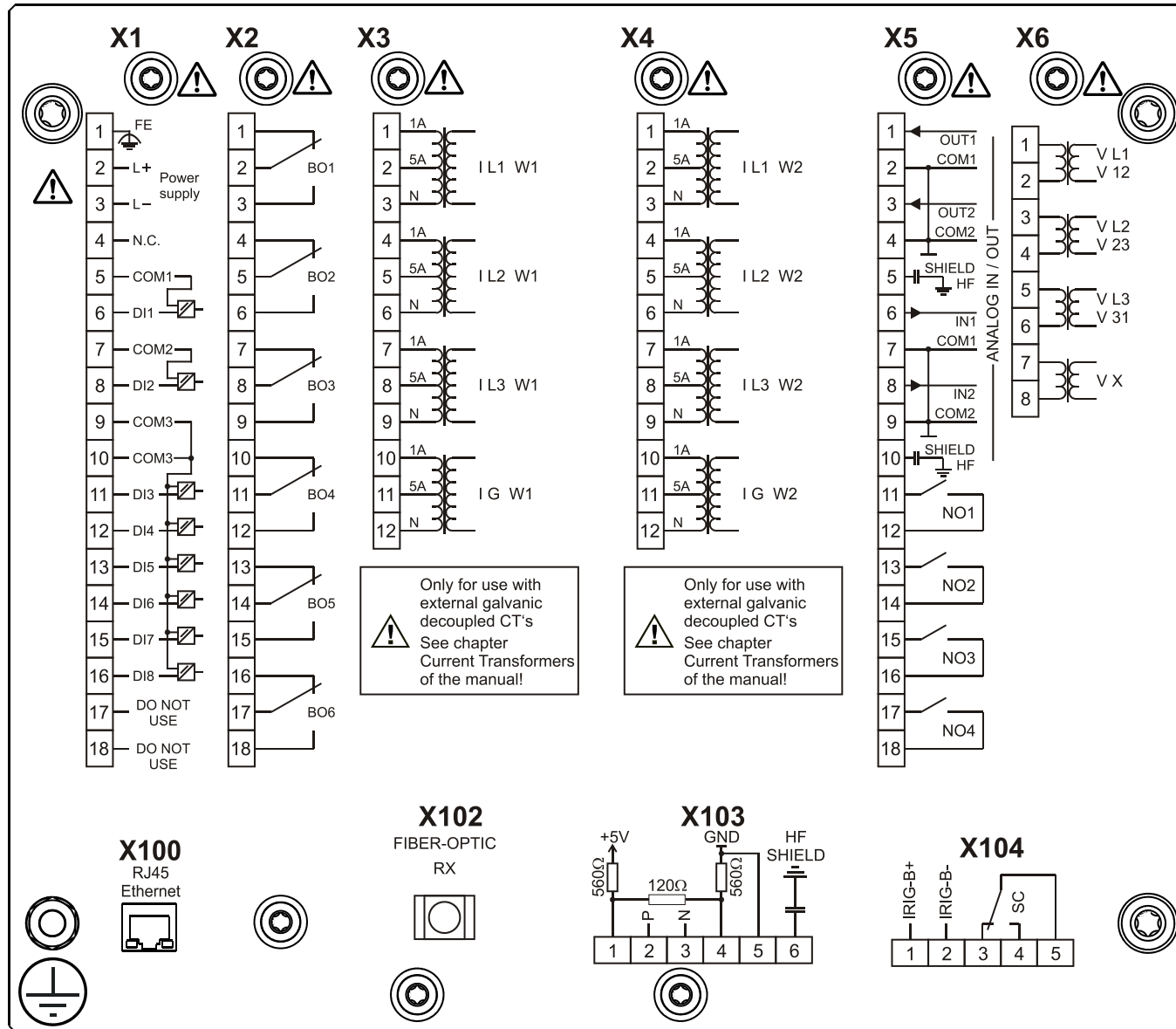
MCDTV4-2B0BHB



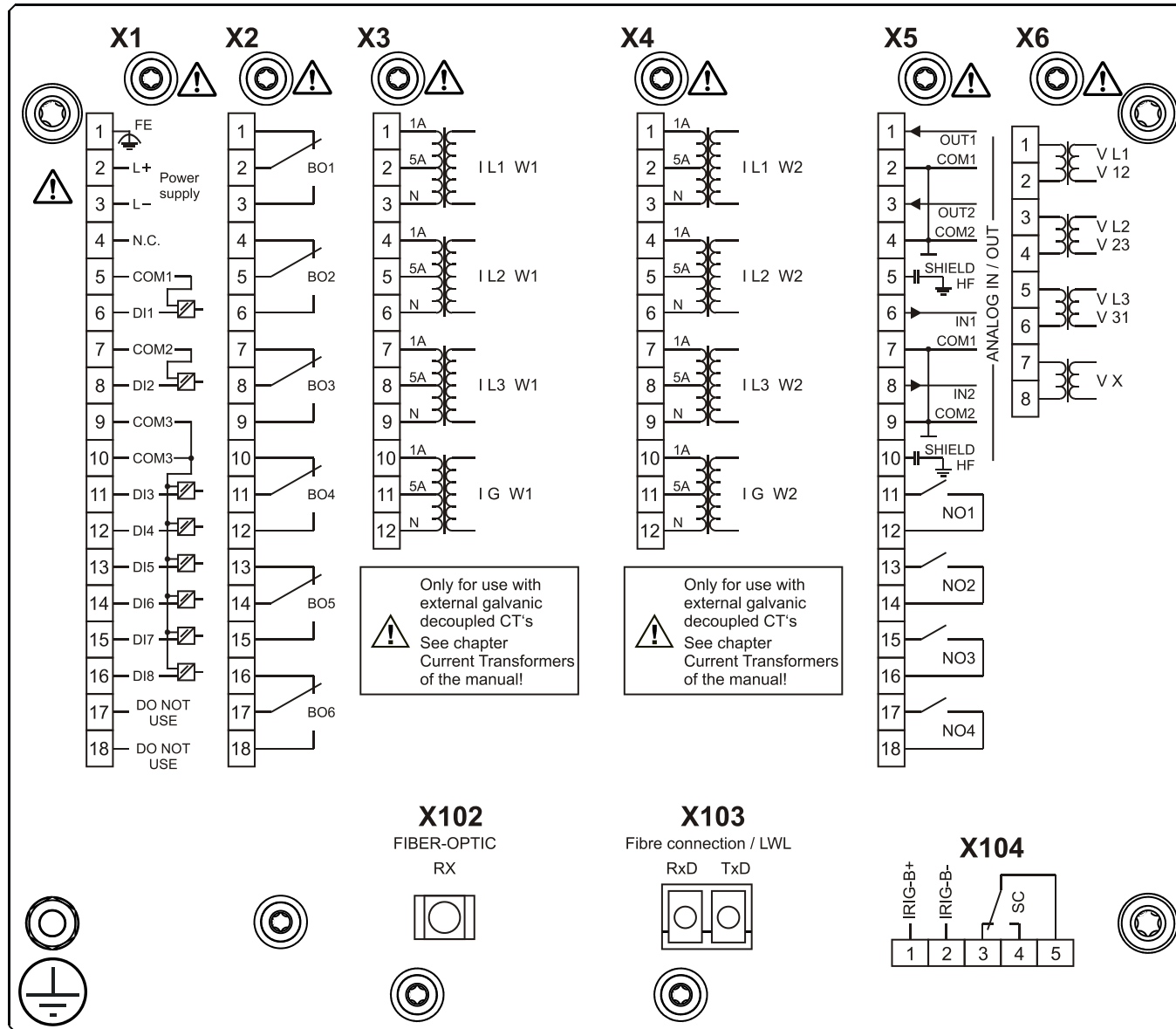
MCDTV4-2B0BIA



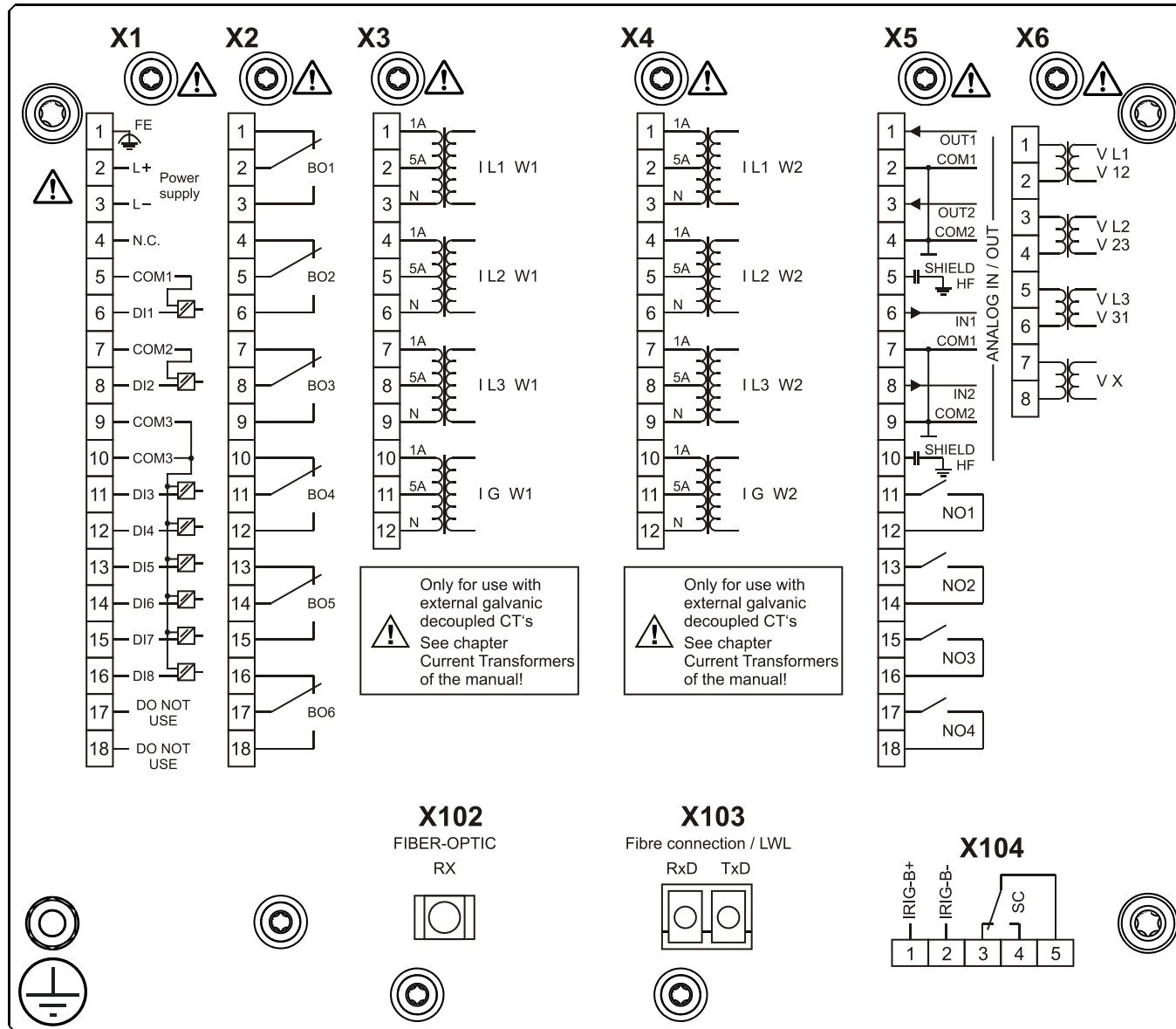
MCDTV4-2B0BIB



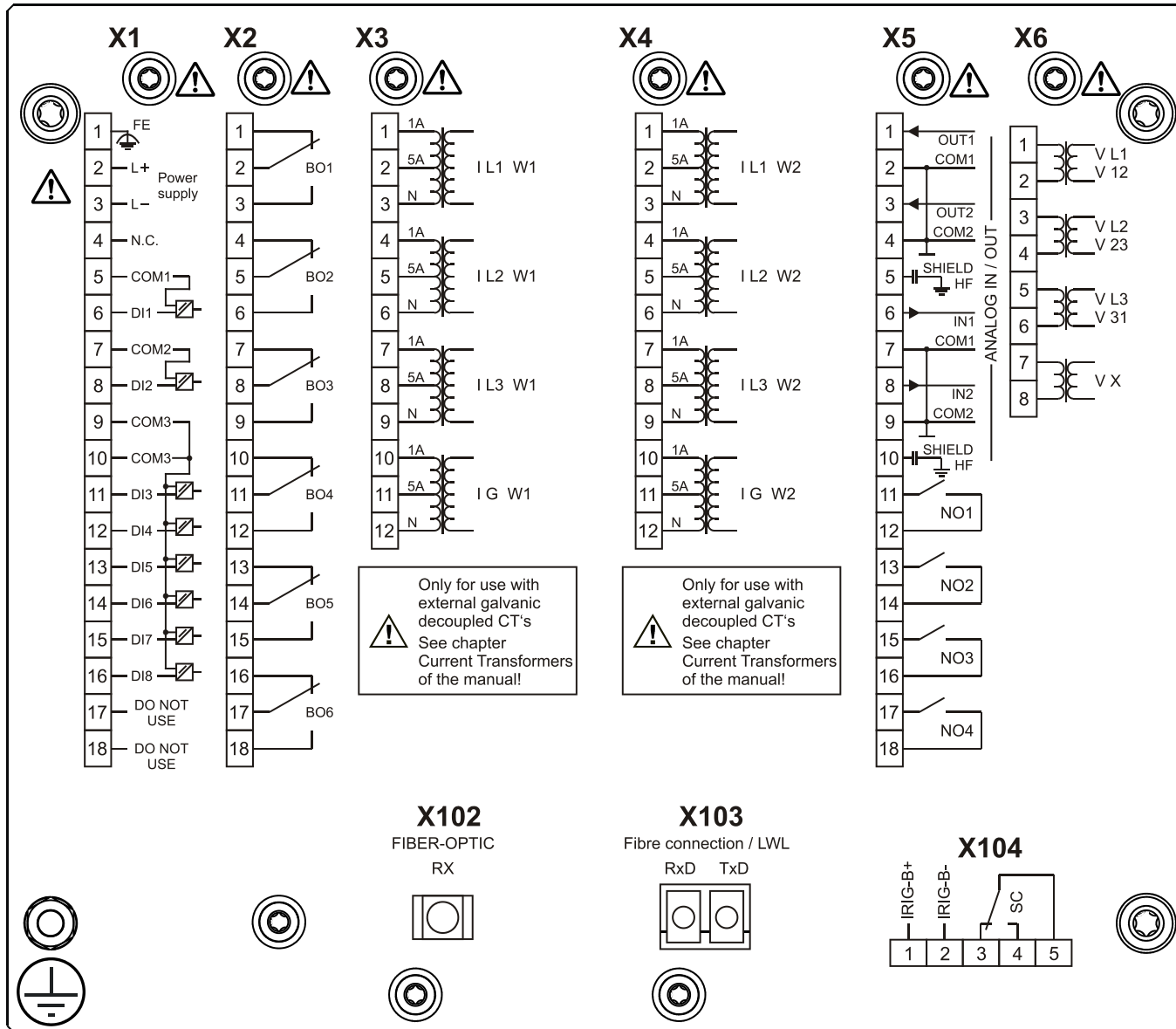
MCDTV4-2B0BKA



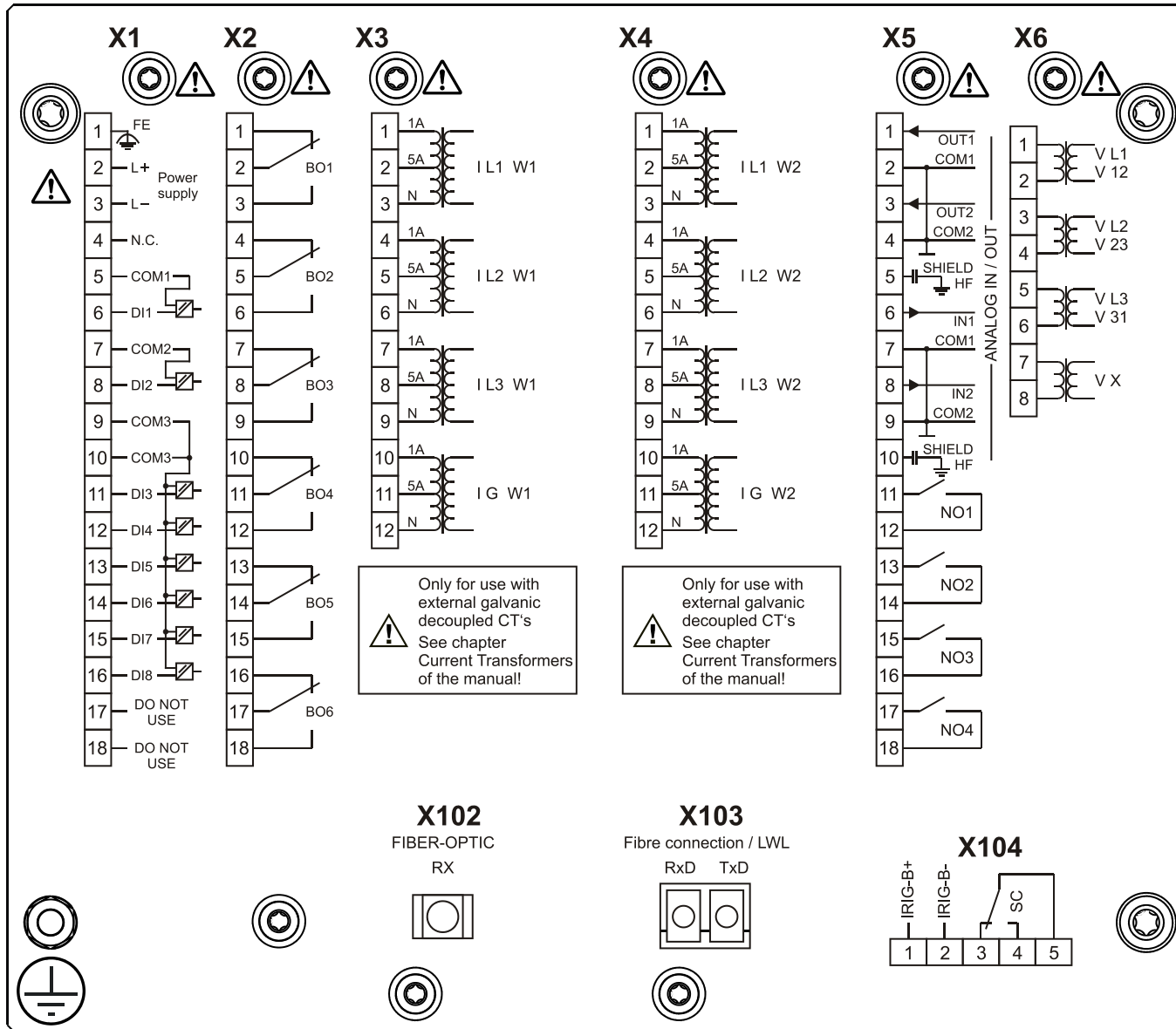
MCDTV4-2B0BKB



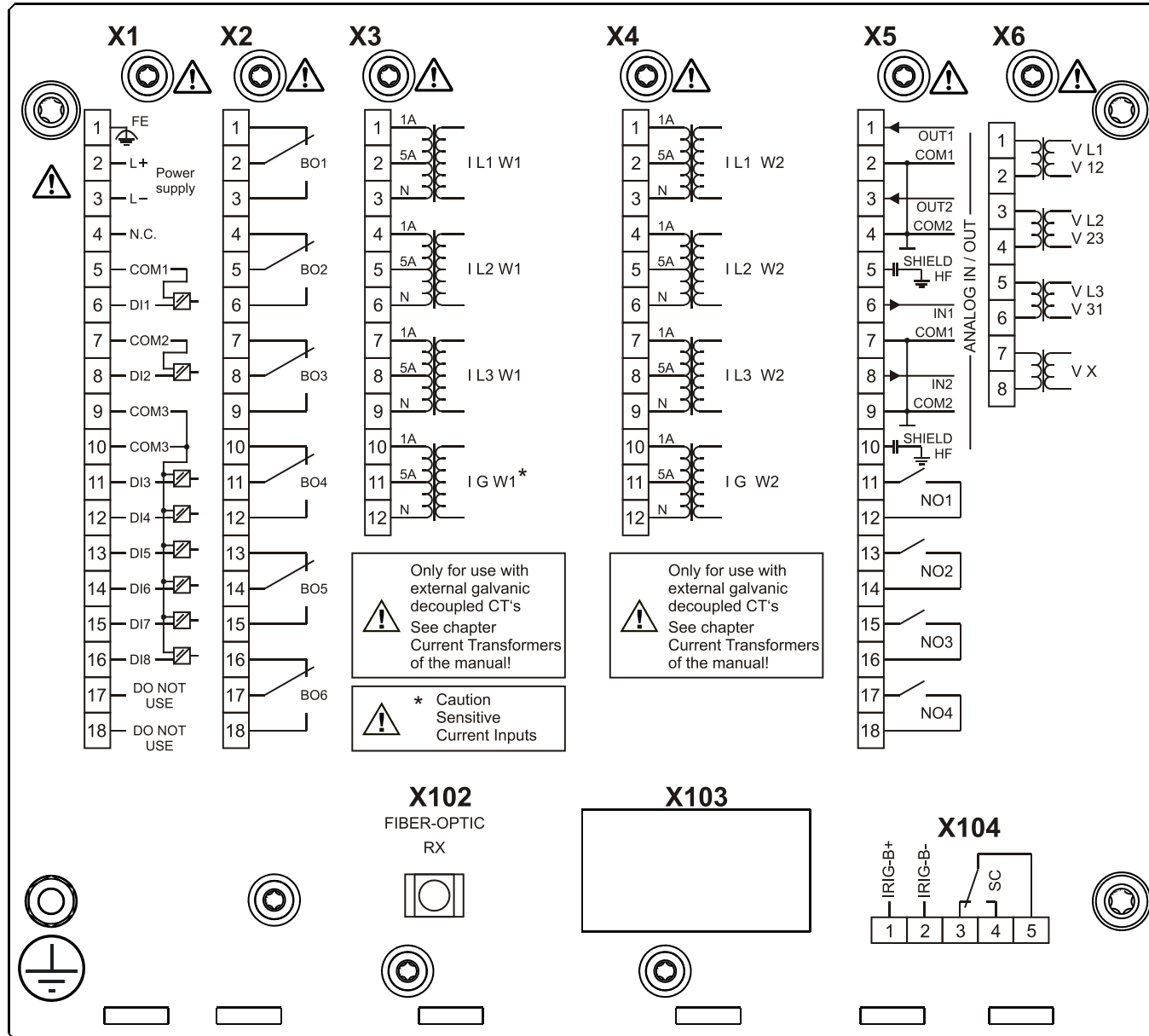
MCDTV4-2B0BLA



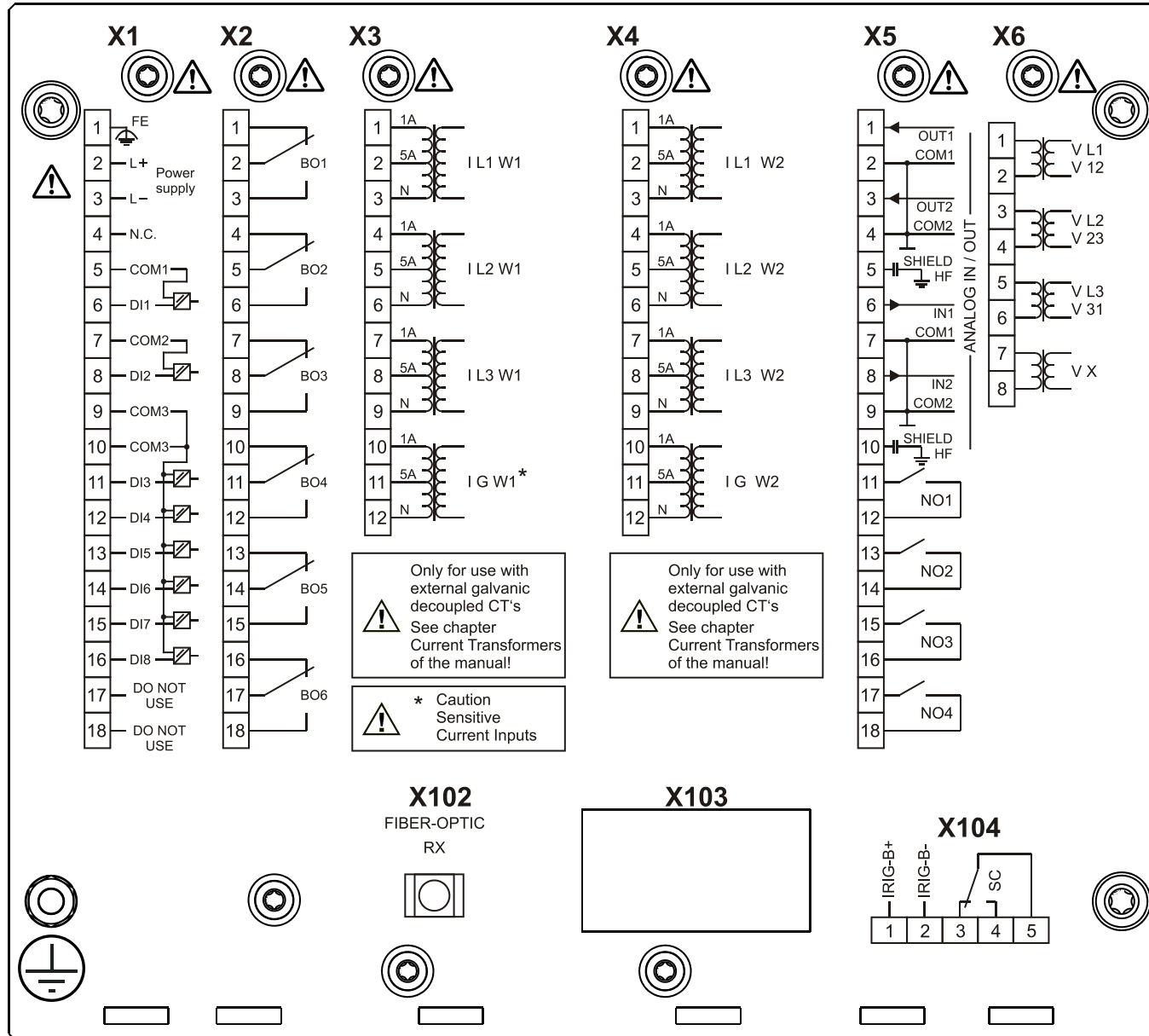
MCDTV4-2B0BLB



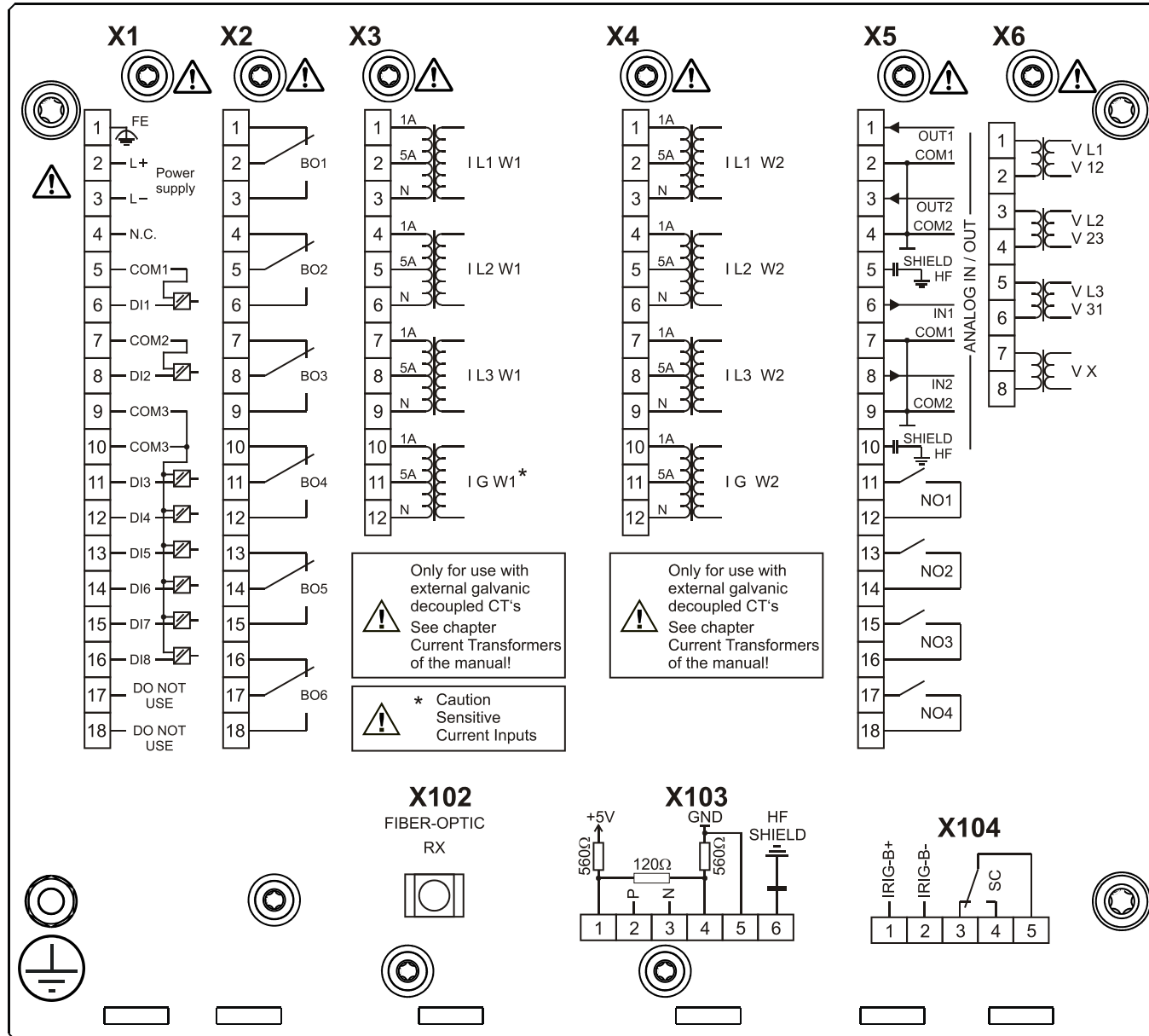
MCDTV4-2B1AAA



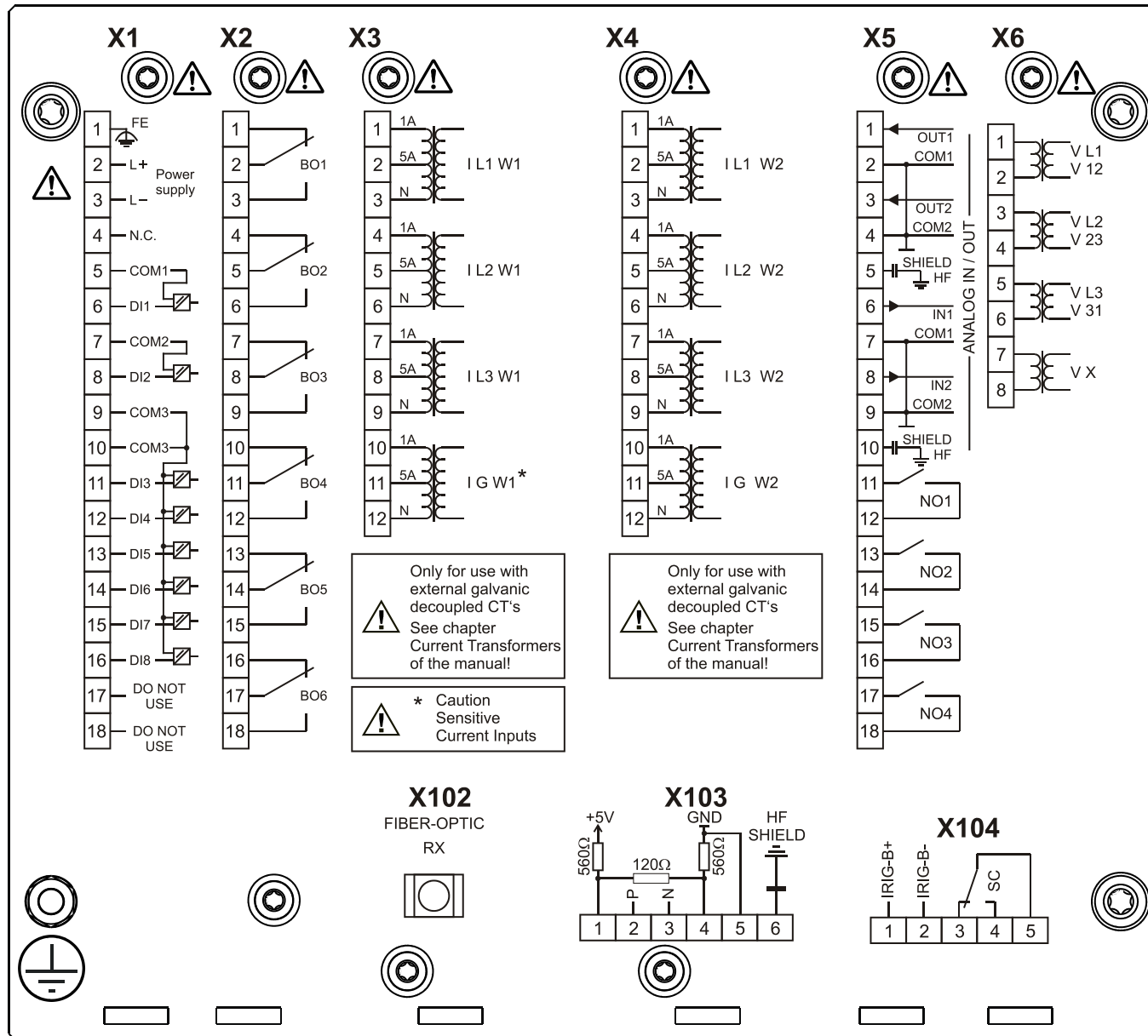
MCDTV4-2B1AAB



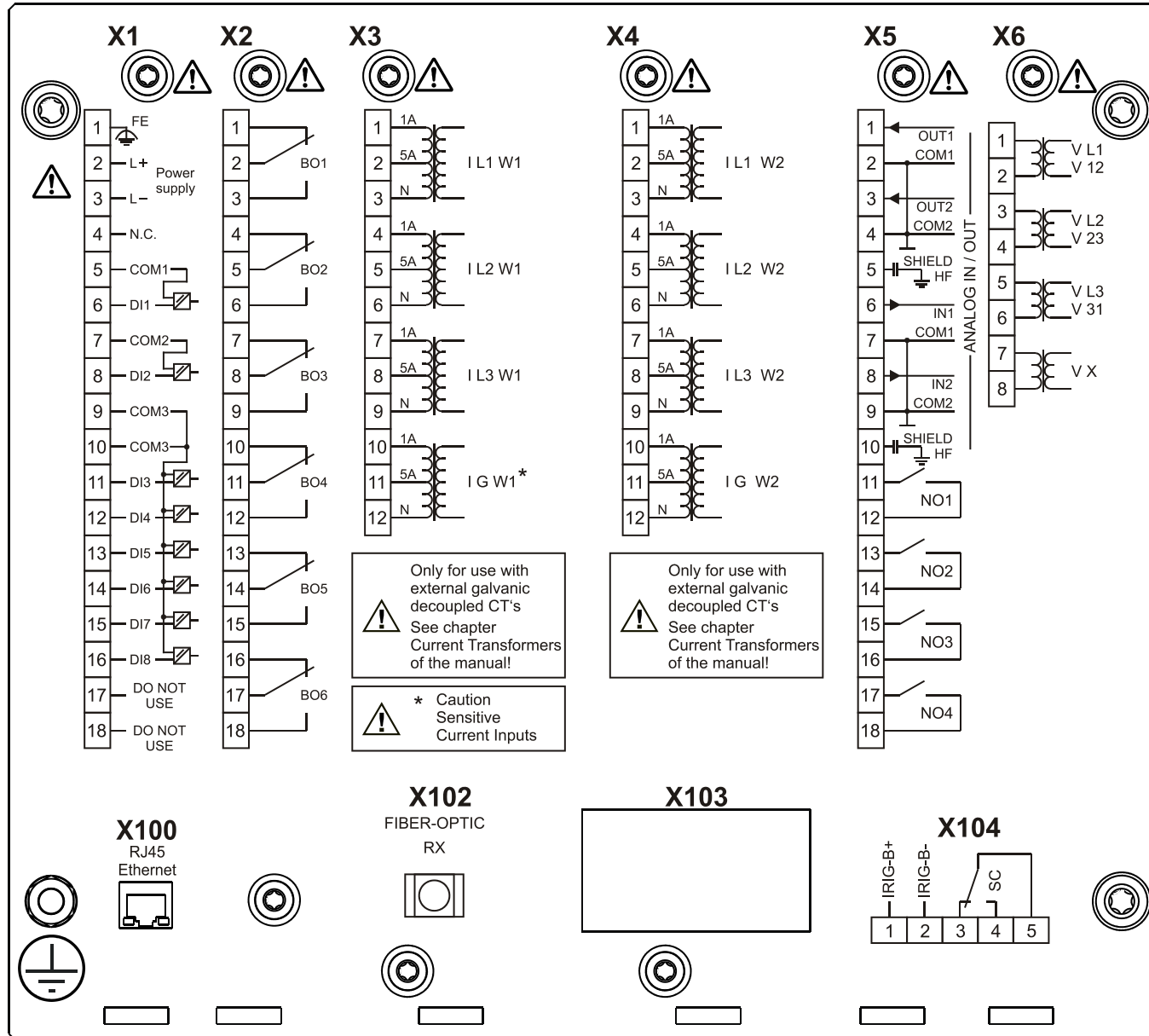
MCDTV4-2B1ABA



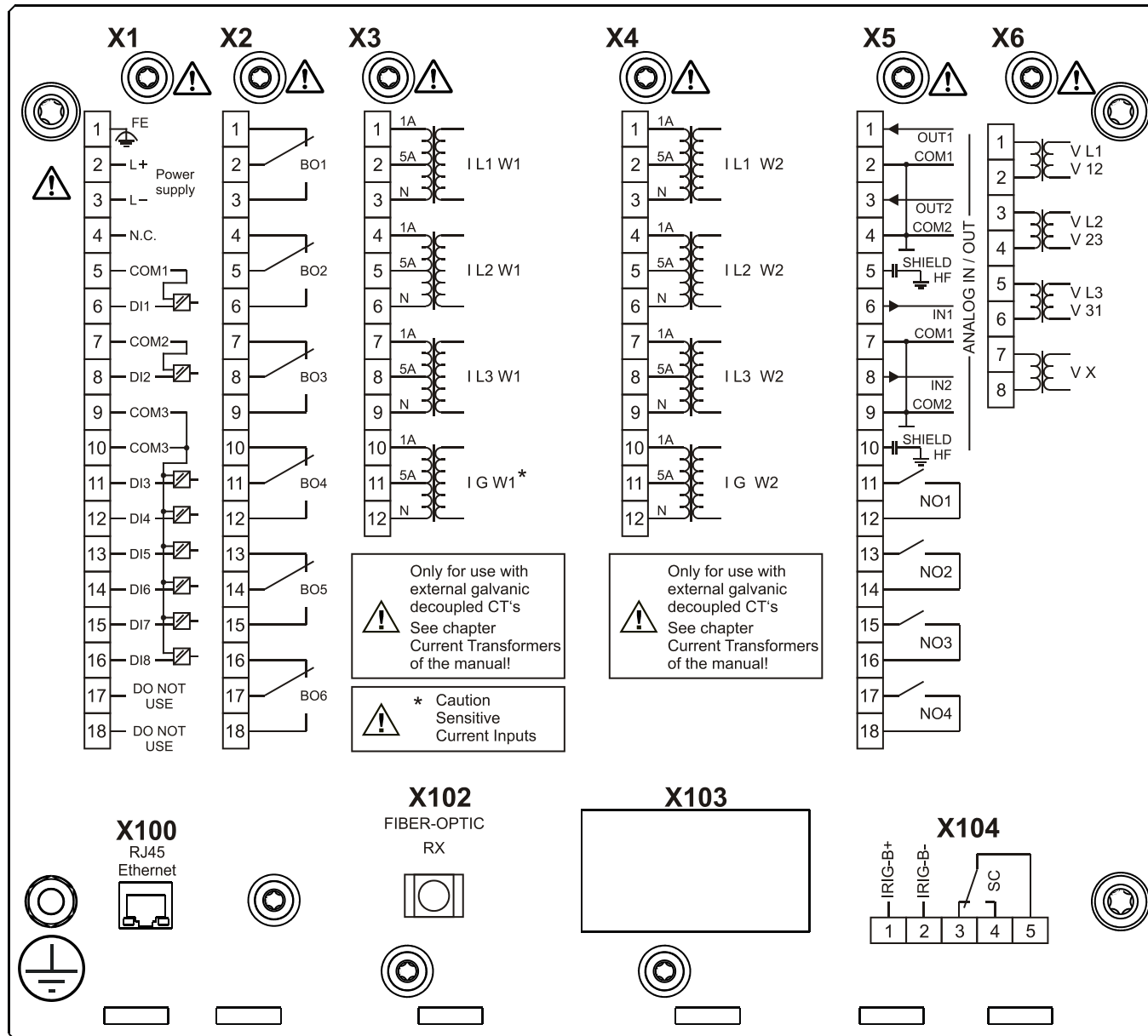
MCDTV4-2B1ABB



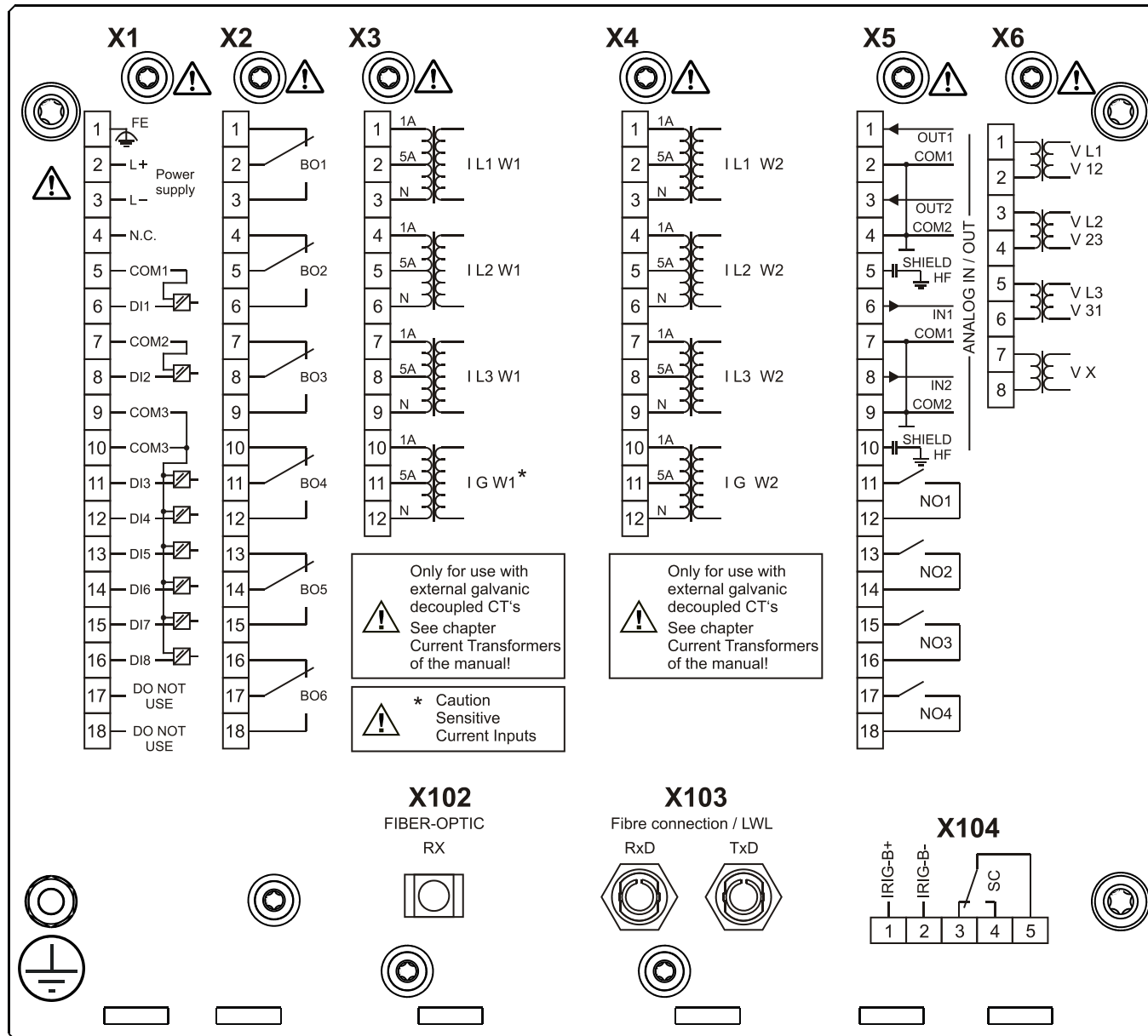
MCDTV4-2B1ACA



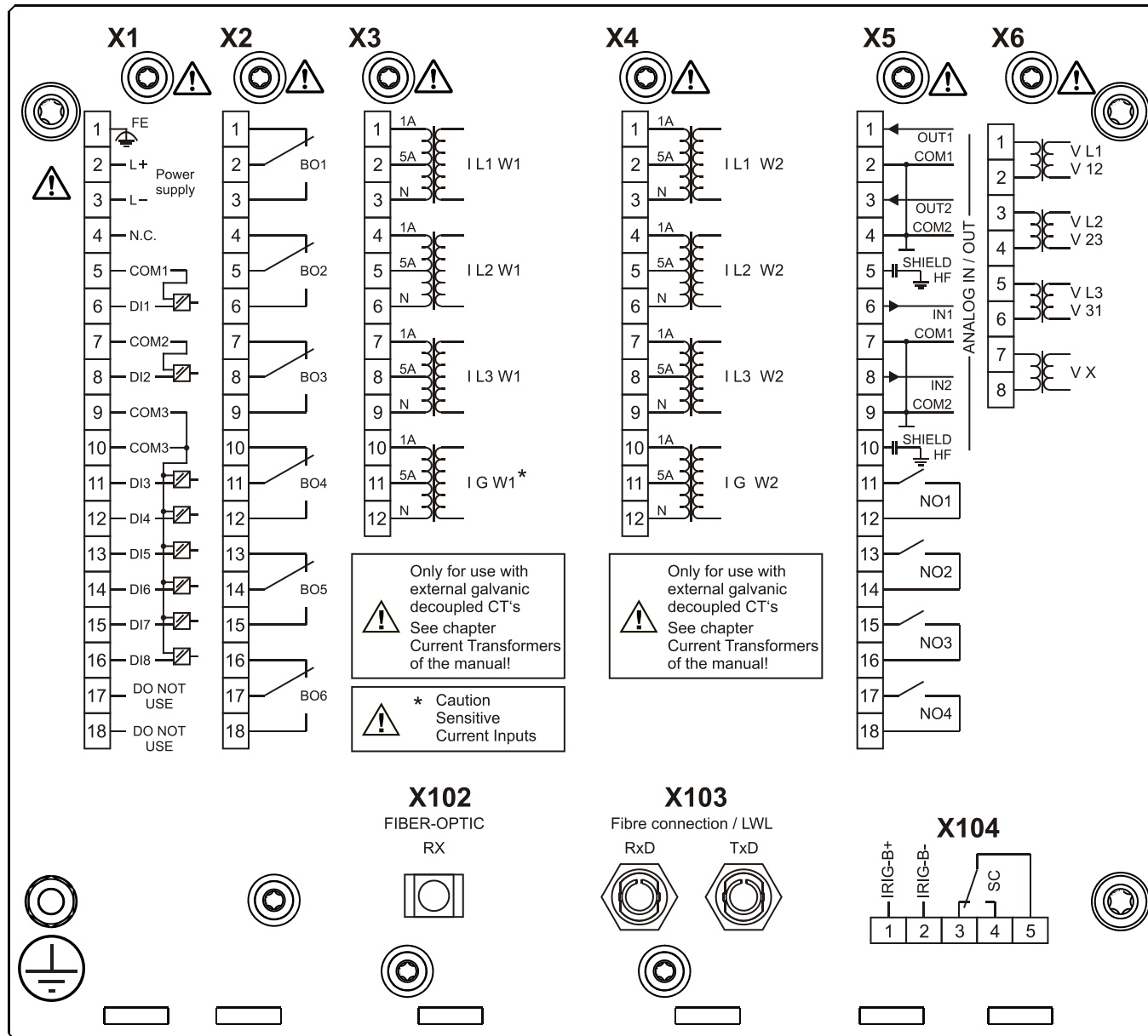
MCDTV4-2B1ACB



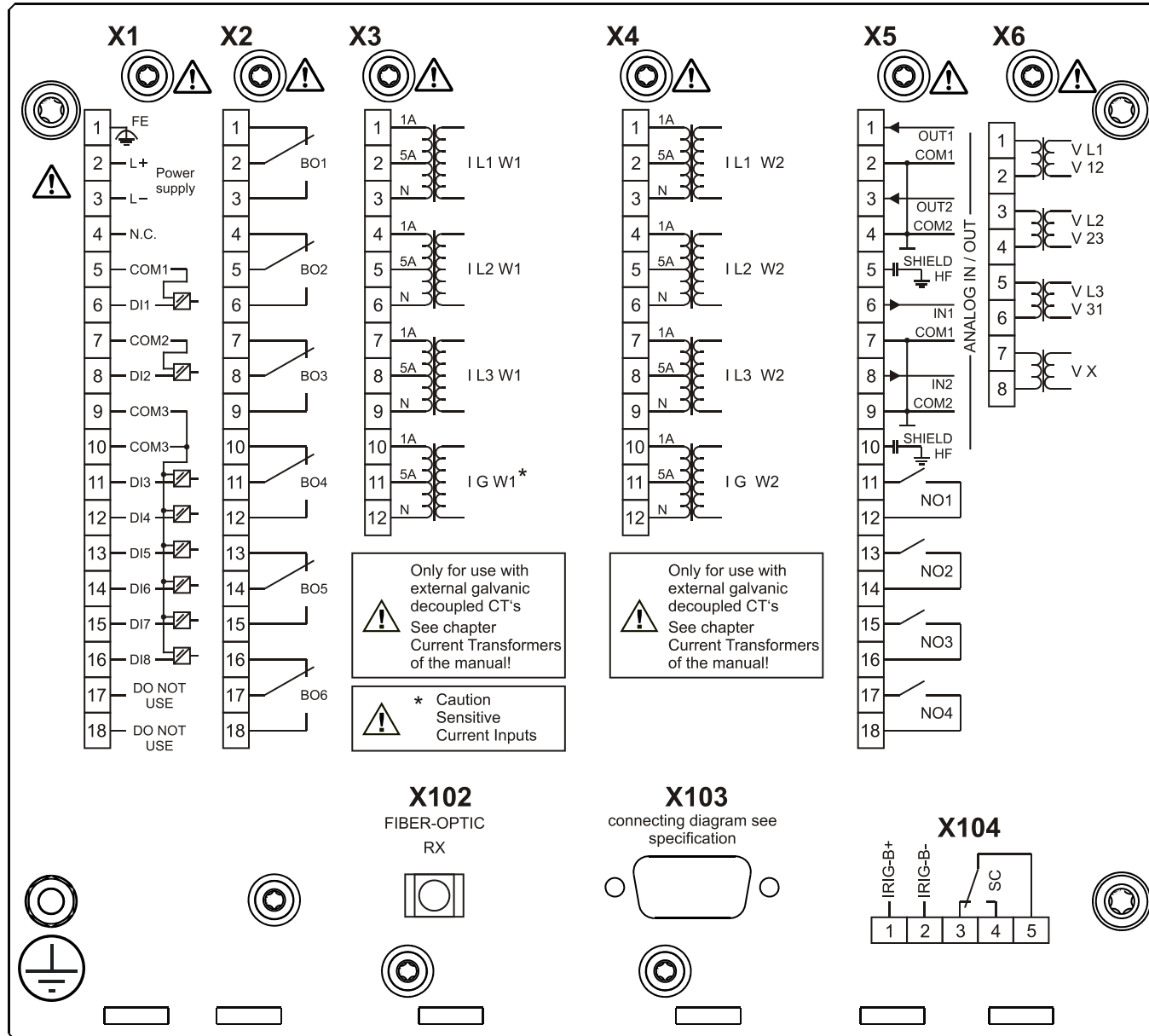
MCDTV4-2B1ADA



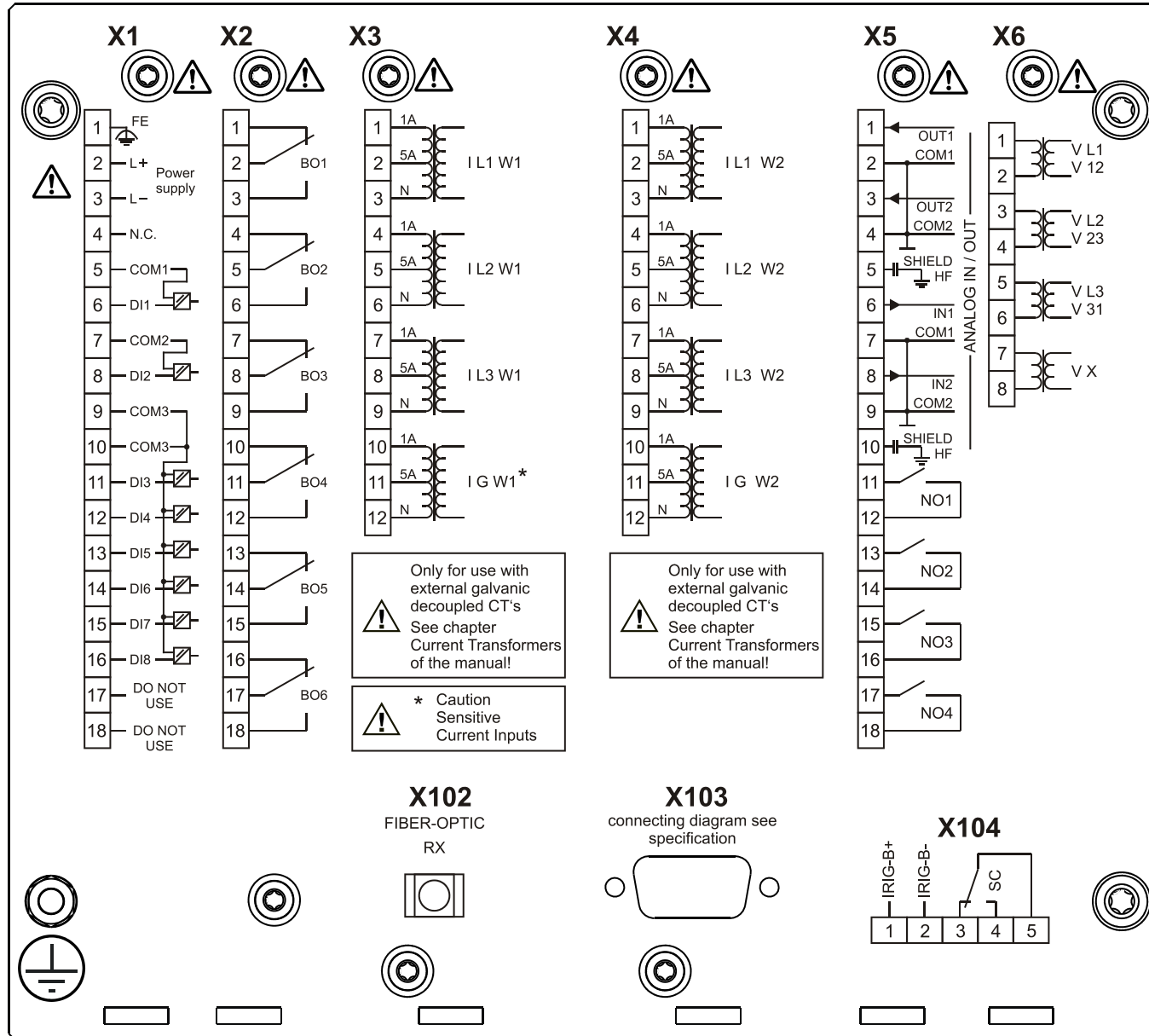
MCDTV4-2B1ADB



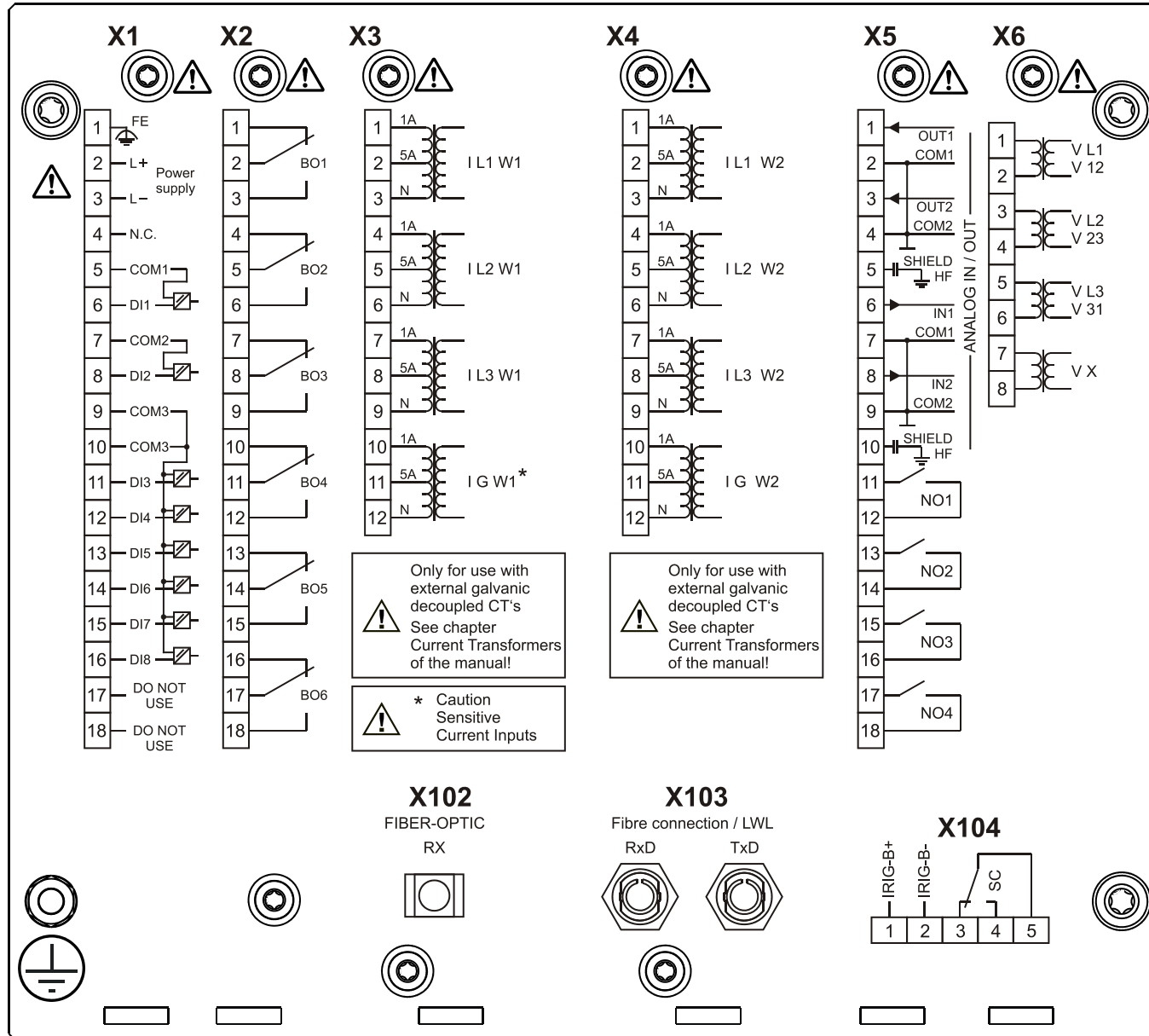
MCDTV4-2B1AEA



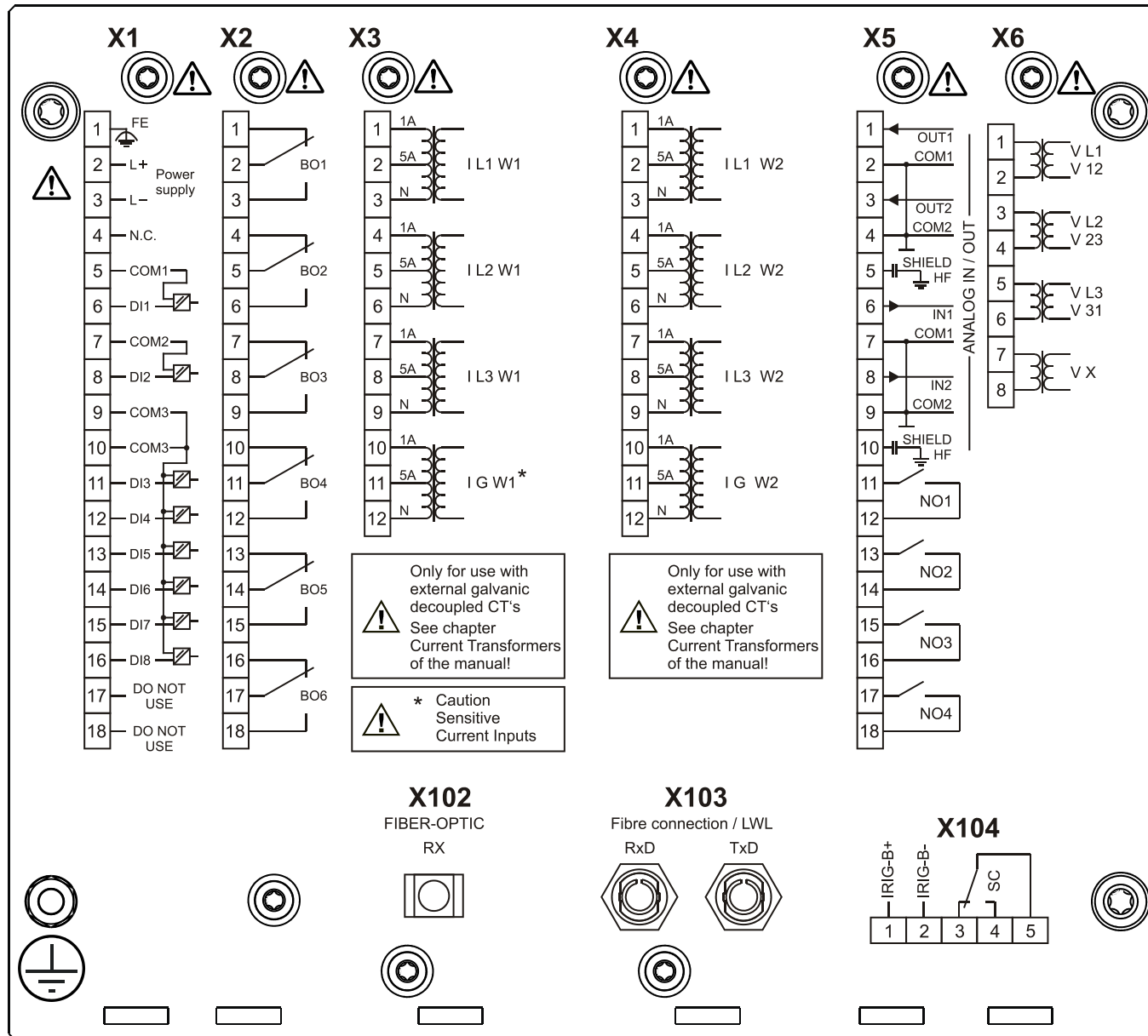
MCDTV4-2B1AEB



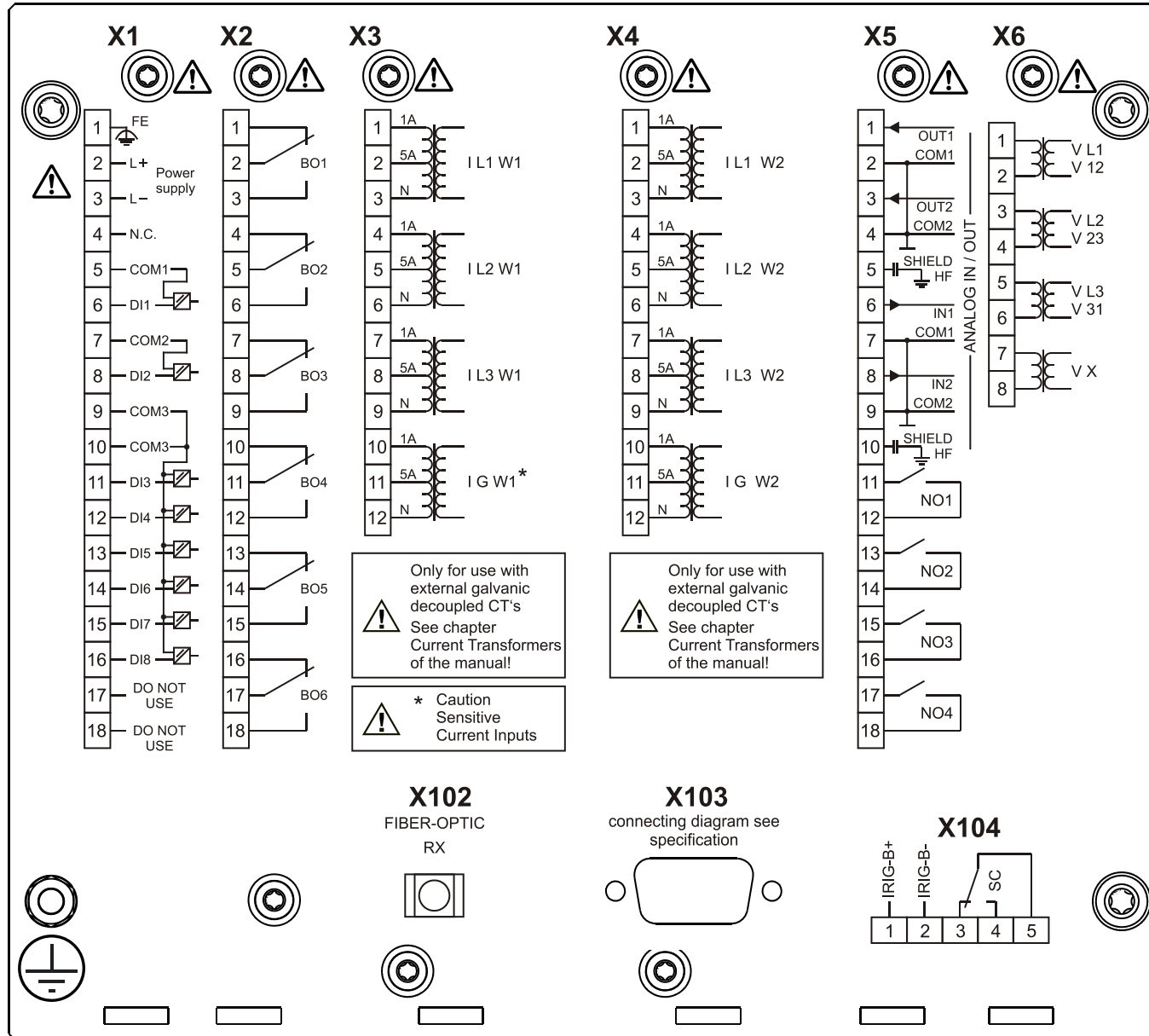
MCDTV4-2B1AFA



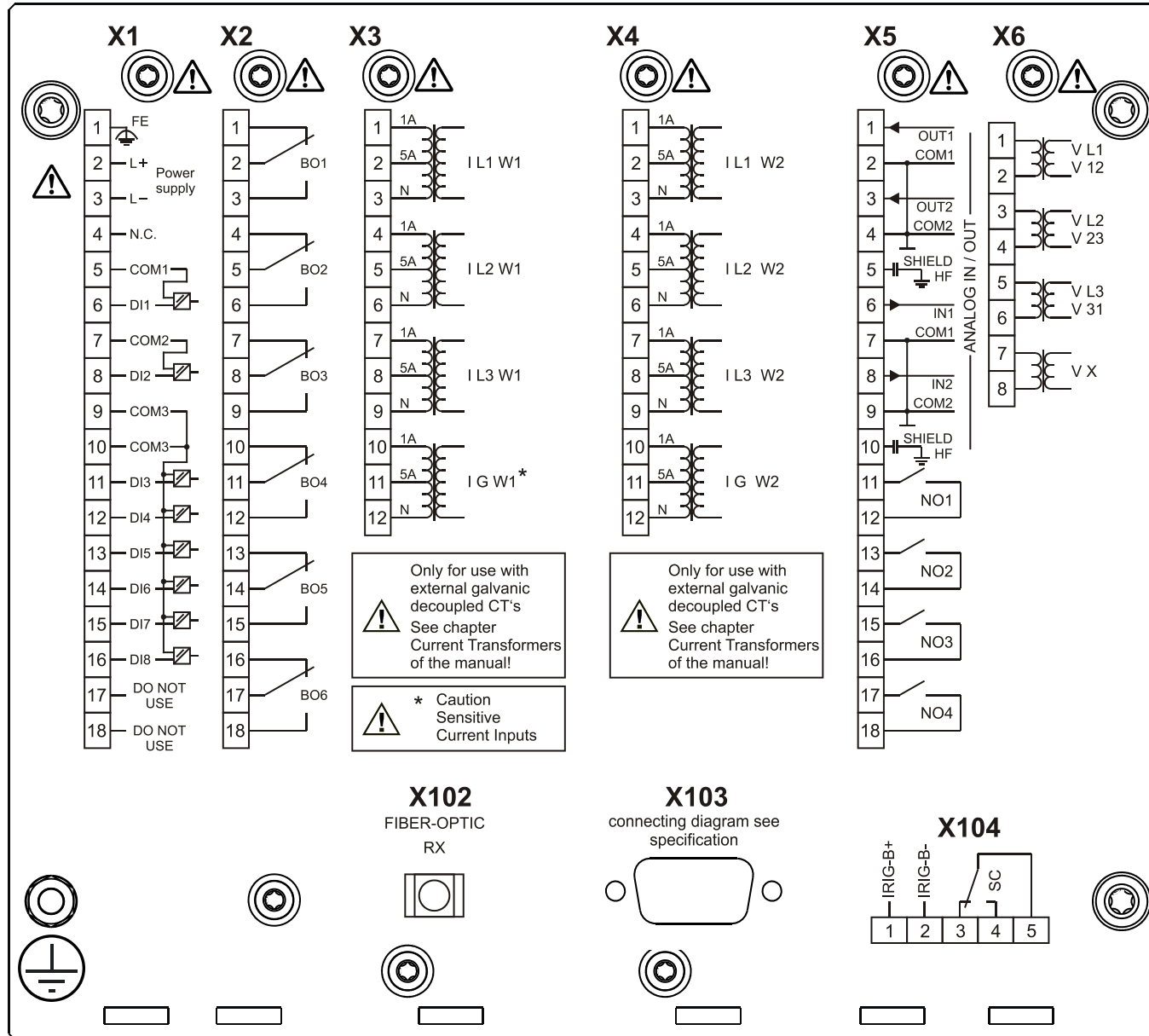
MCDTV4-2B1AFB



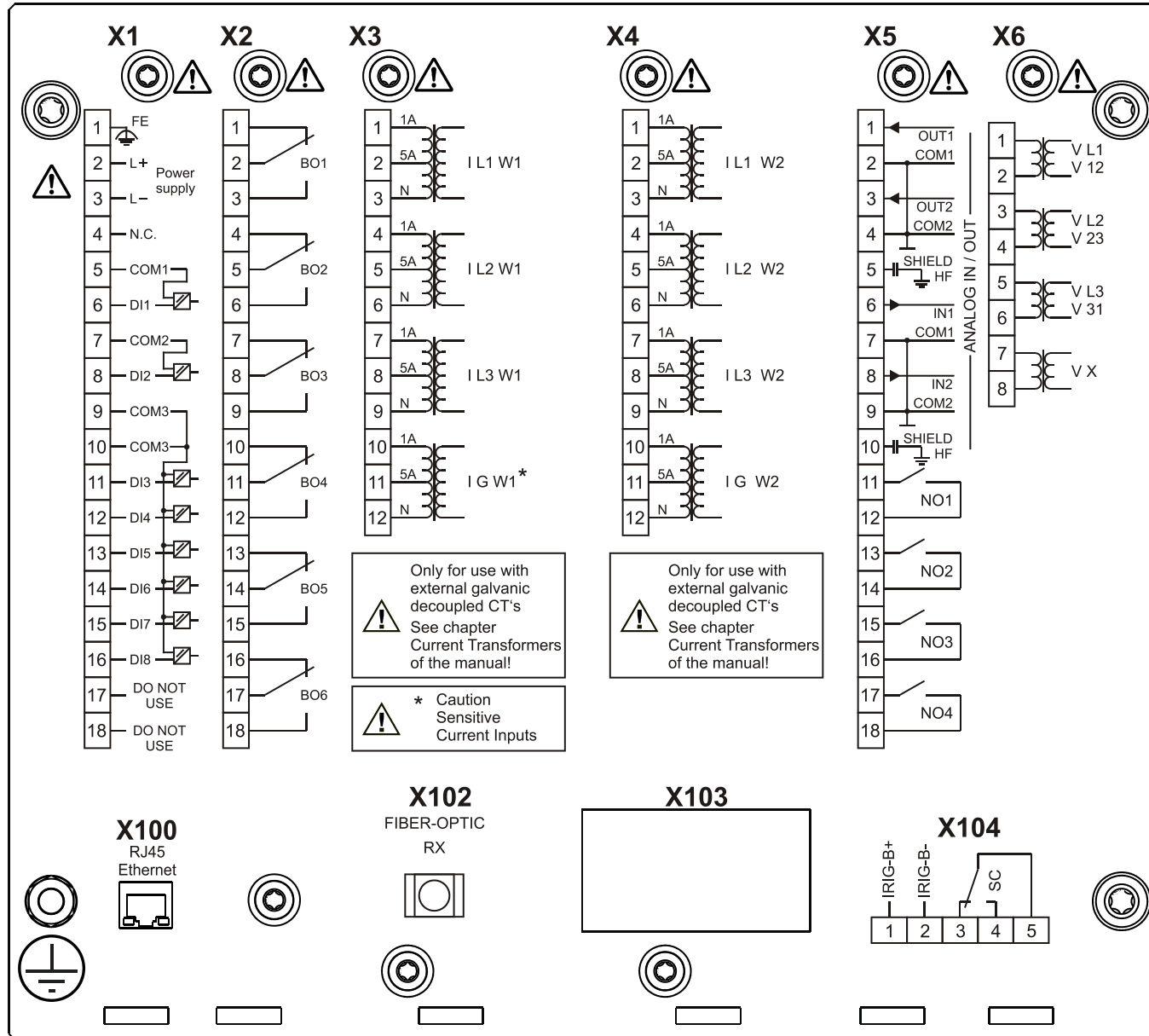
MCDTV4-2B1AGA



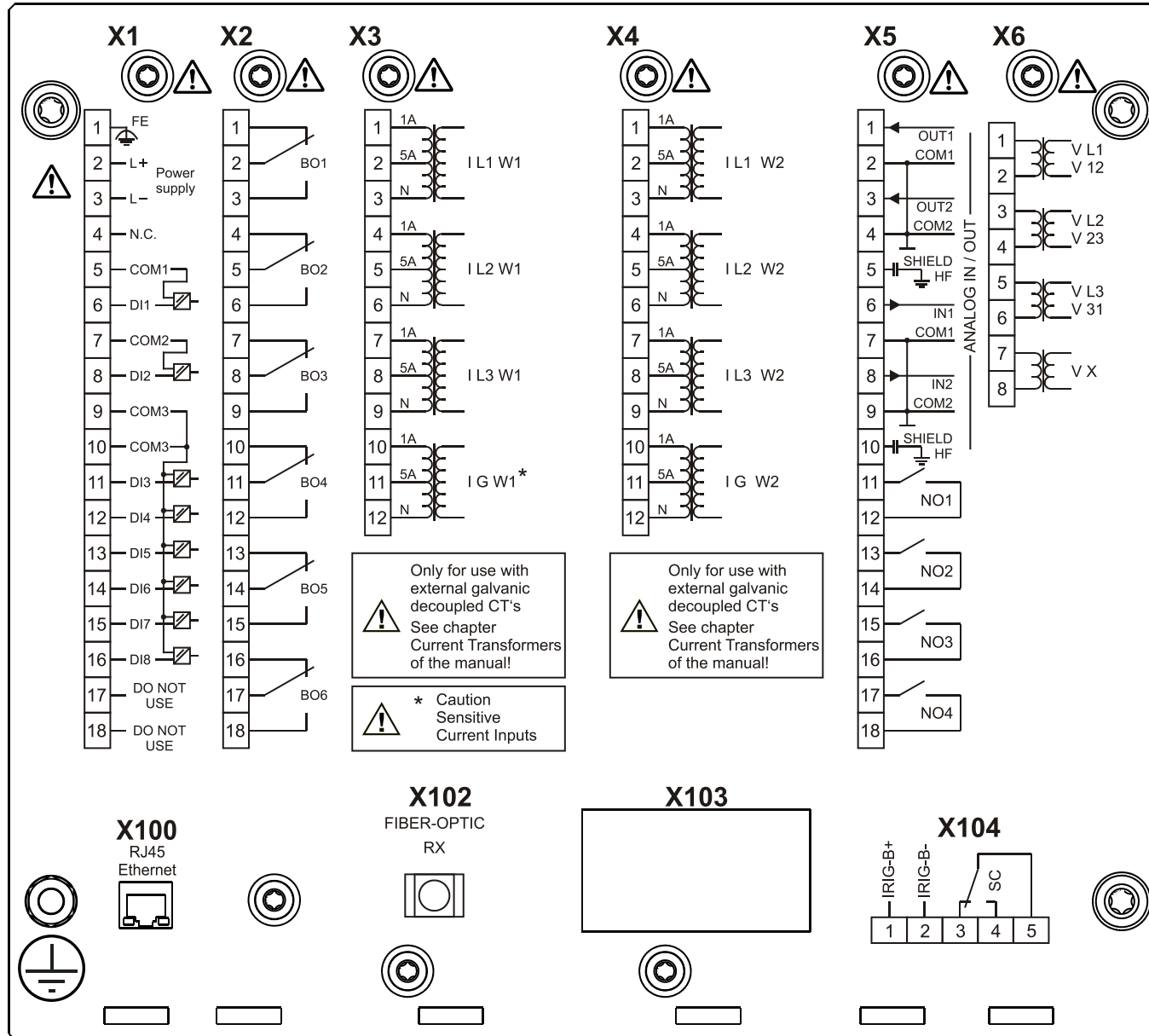
MCDTV4-2B1AGB



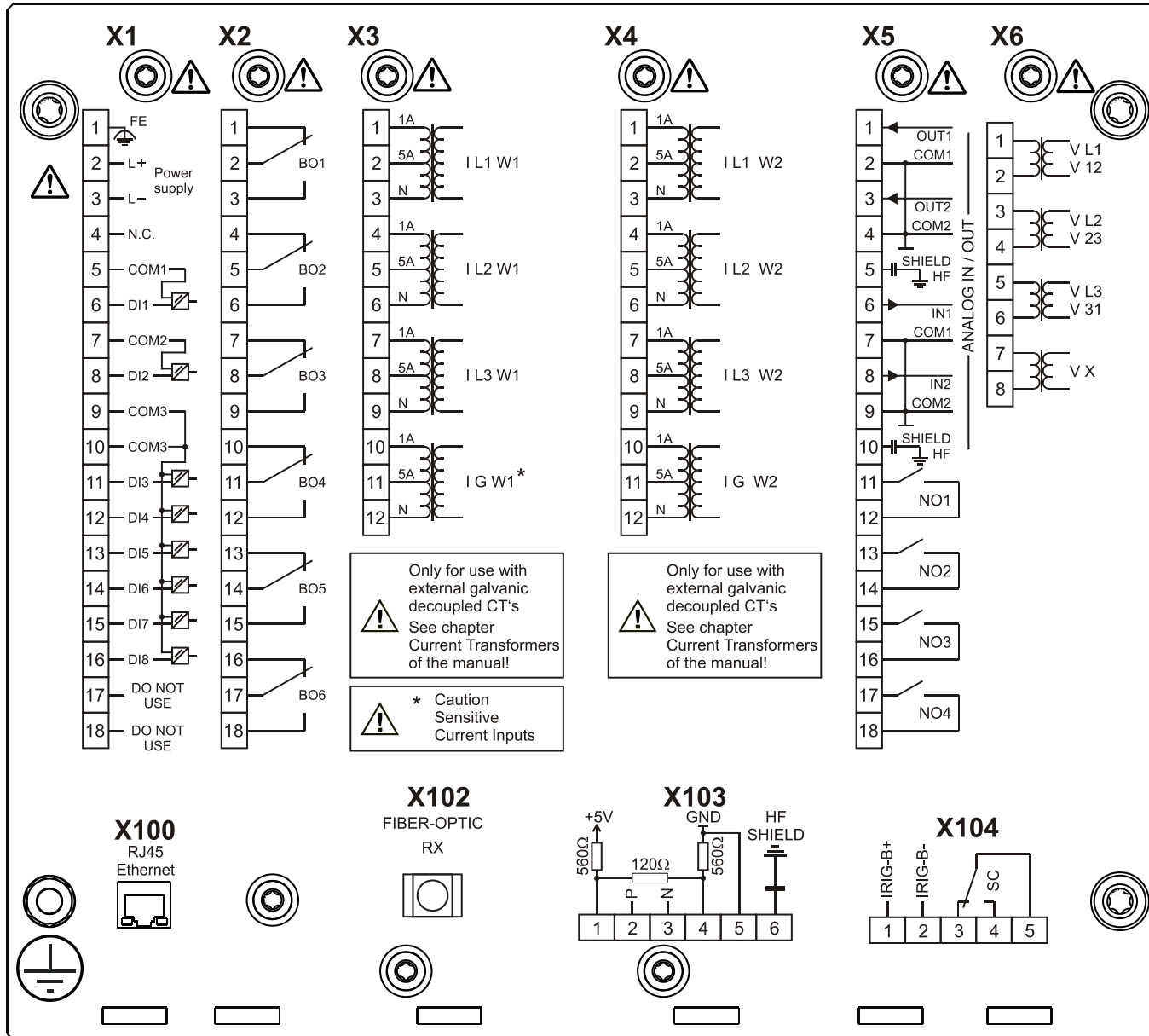
MCDTV4-2B1AHA



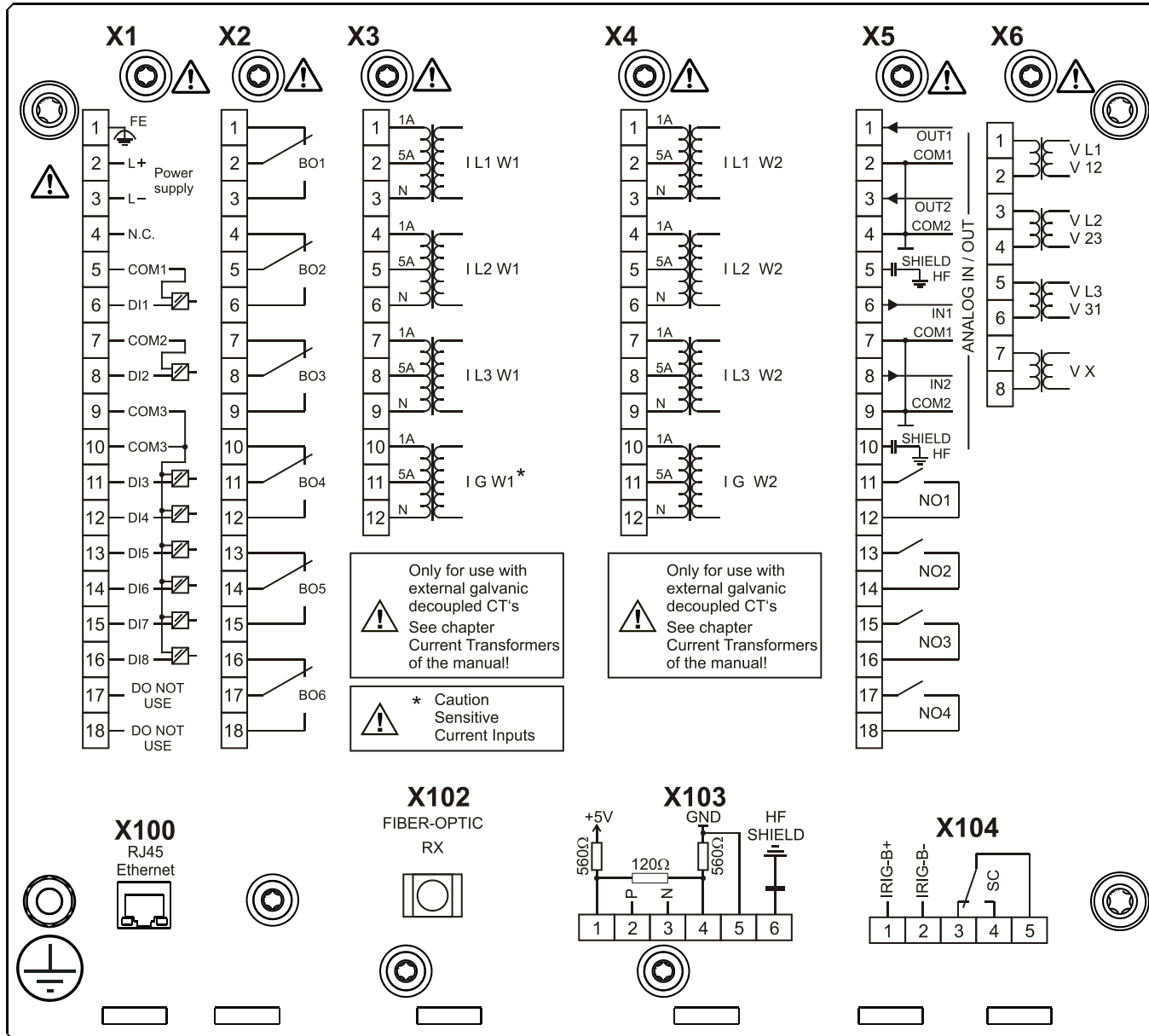
MCDTV4-2B1AHB



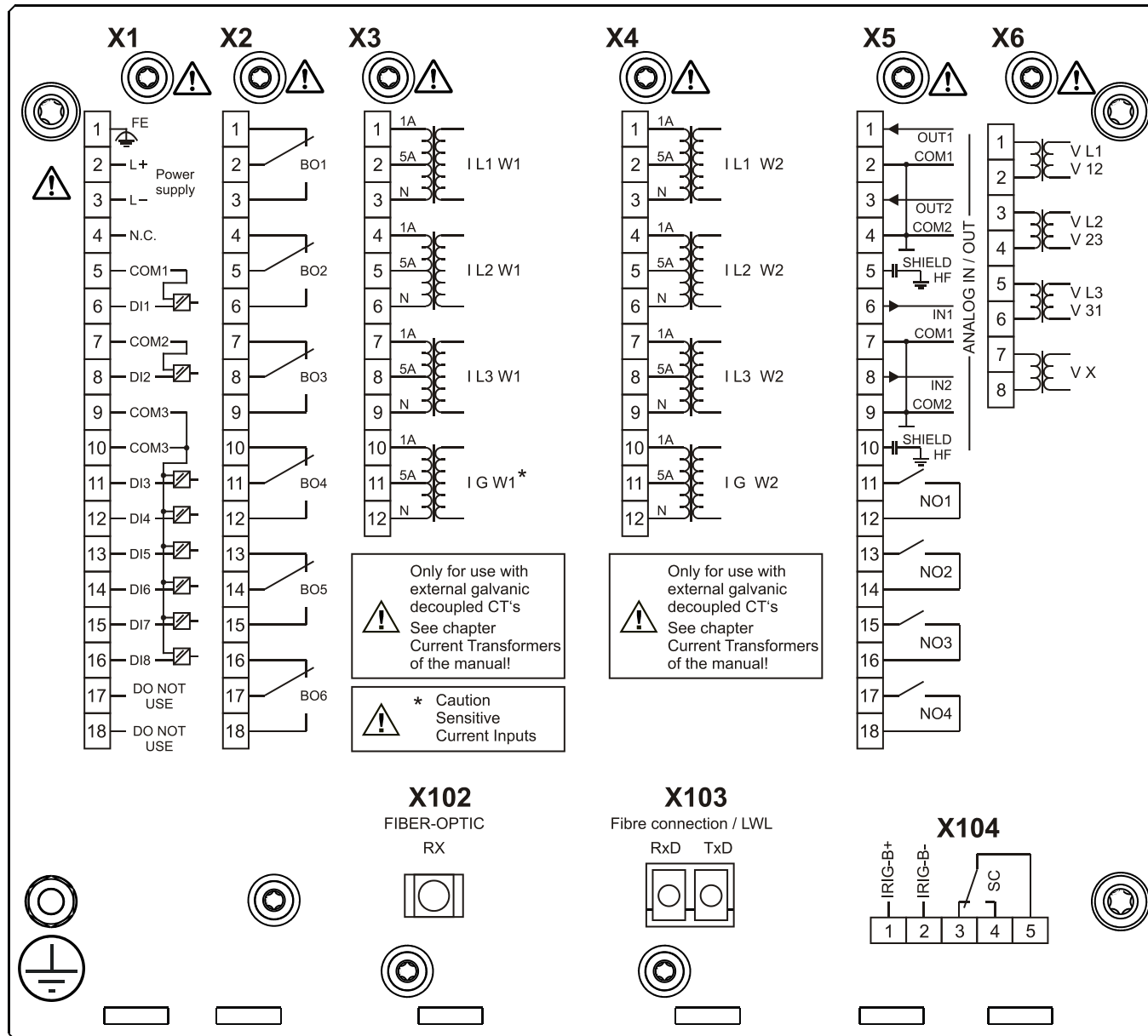
MCDTV4-2B1AIA



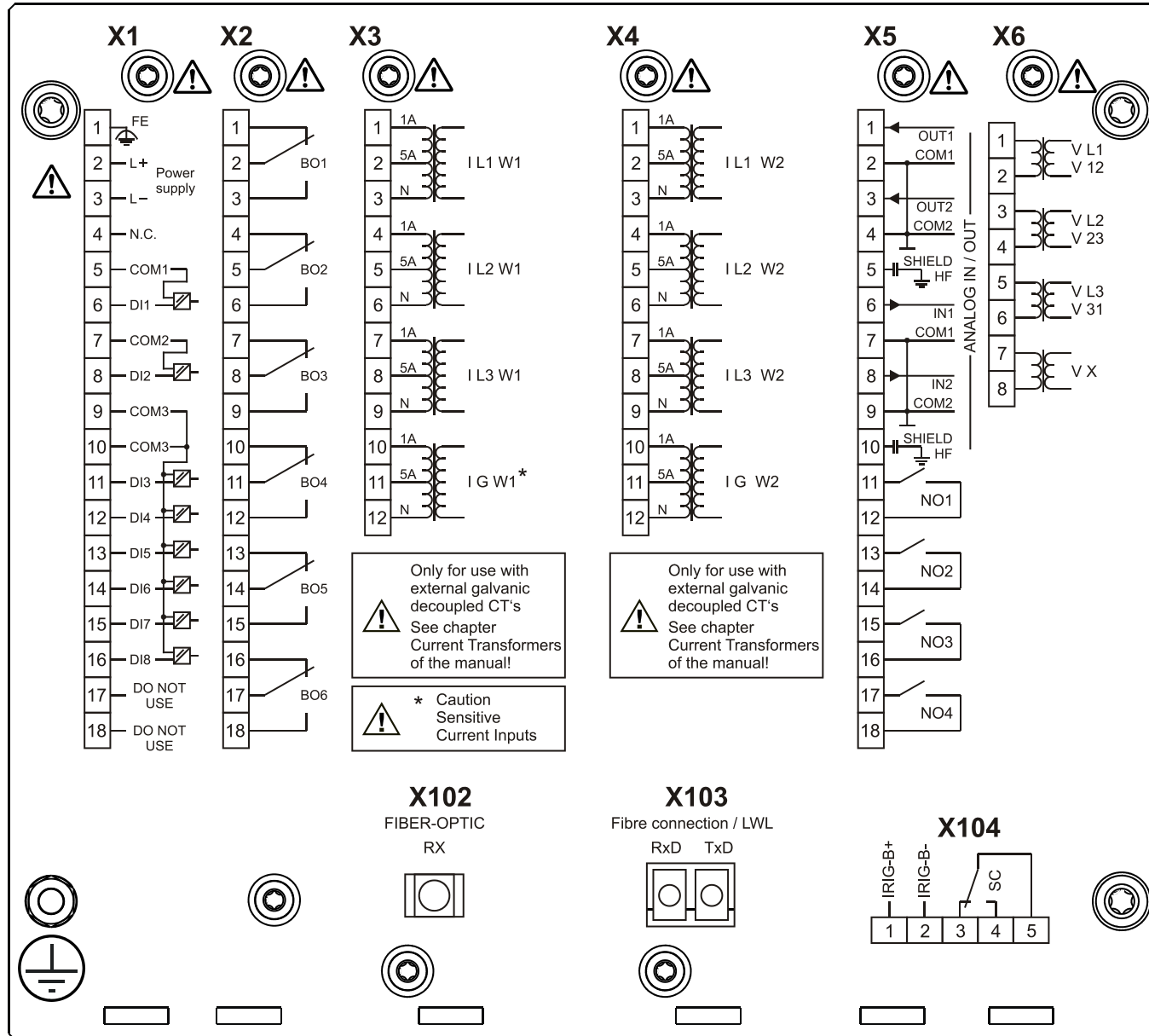
MCDTV4-2B1AIB



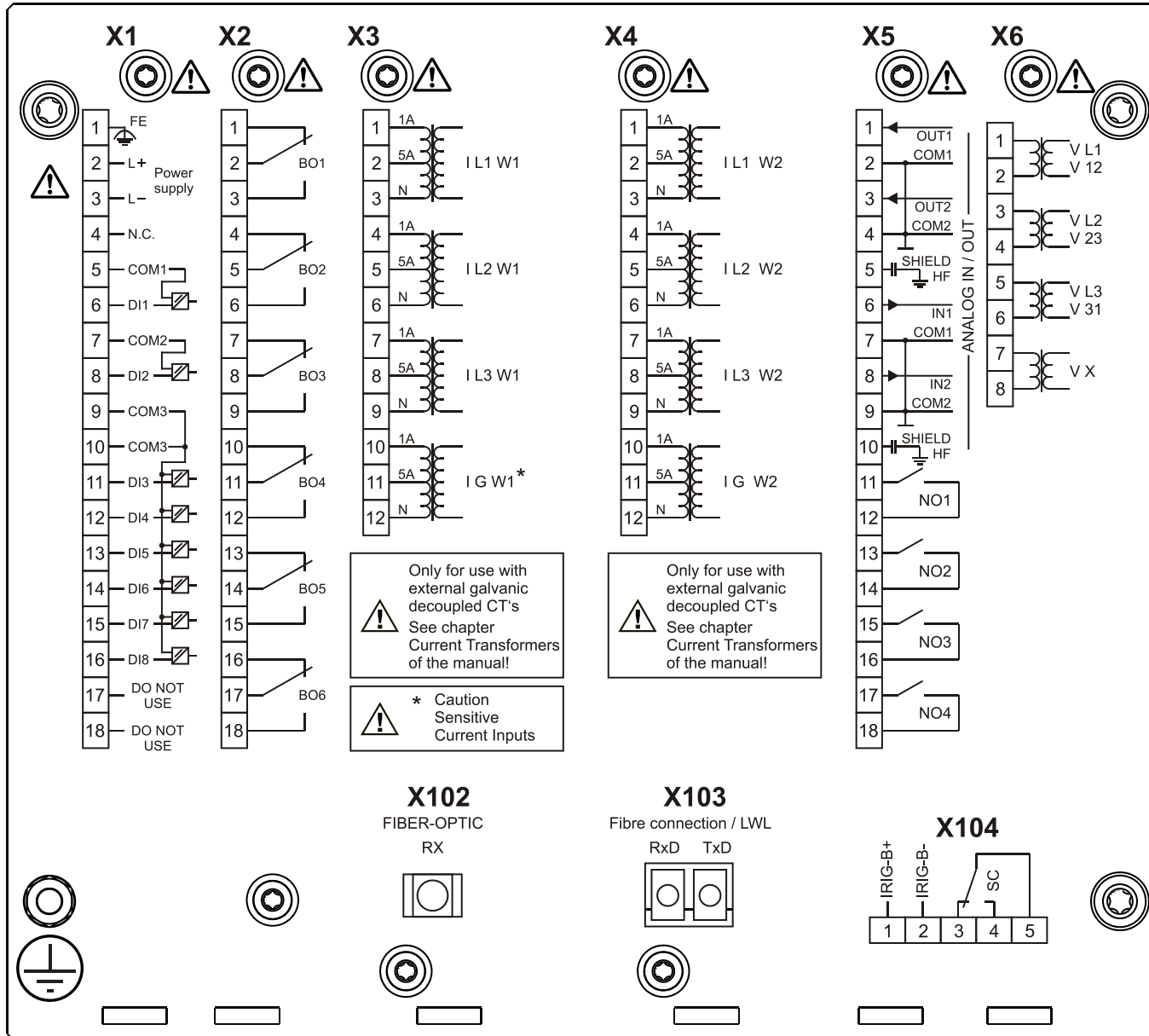
MCDTV4-2B1AKA



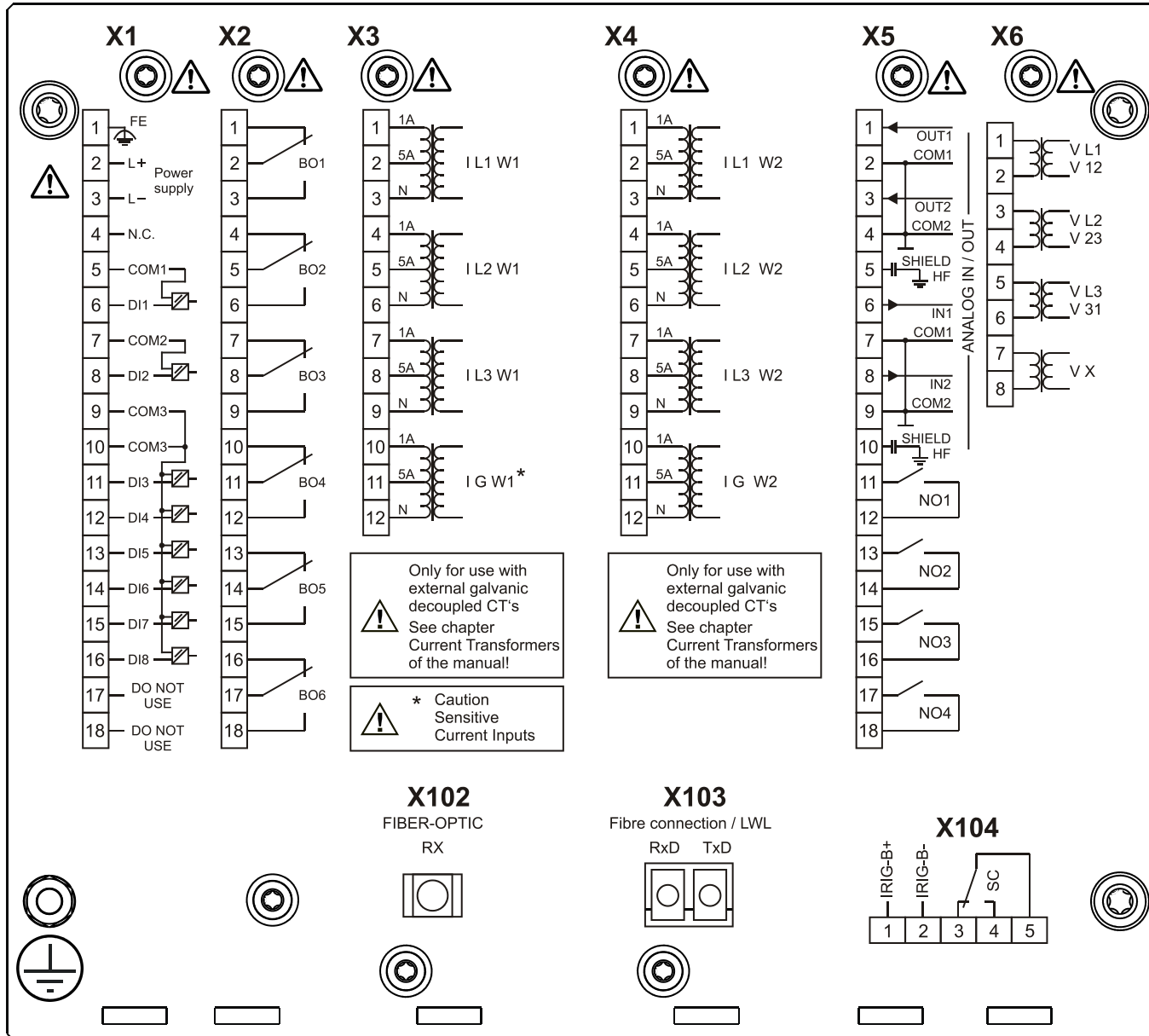
MCDTV4-2B1AKB



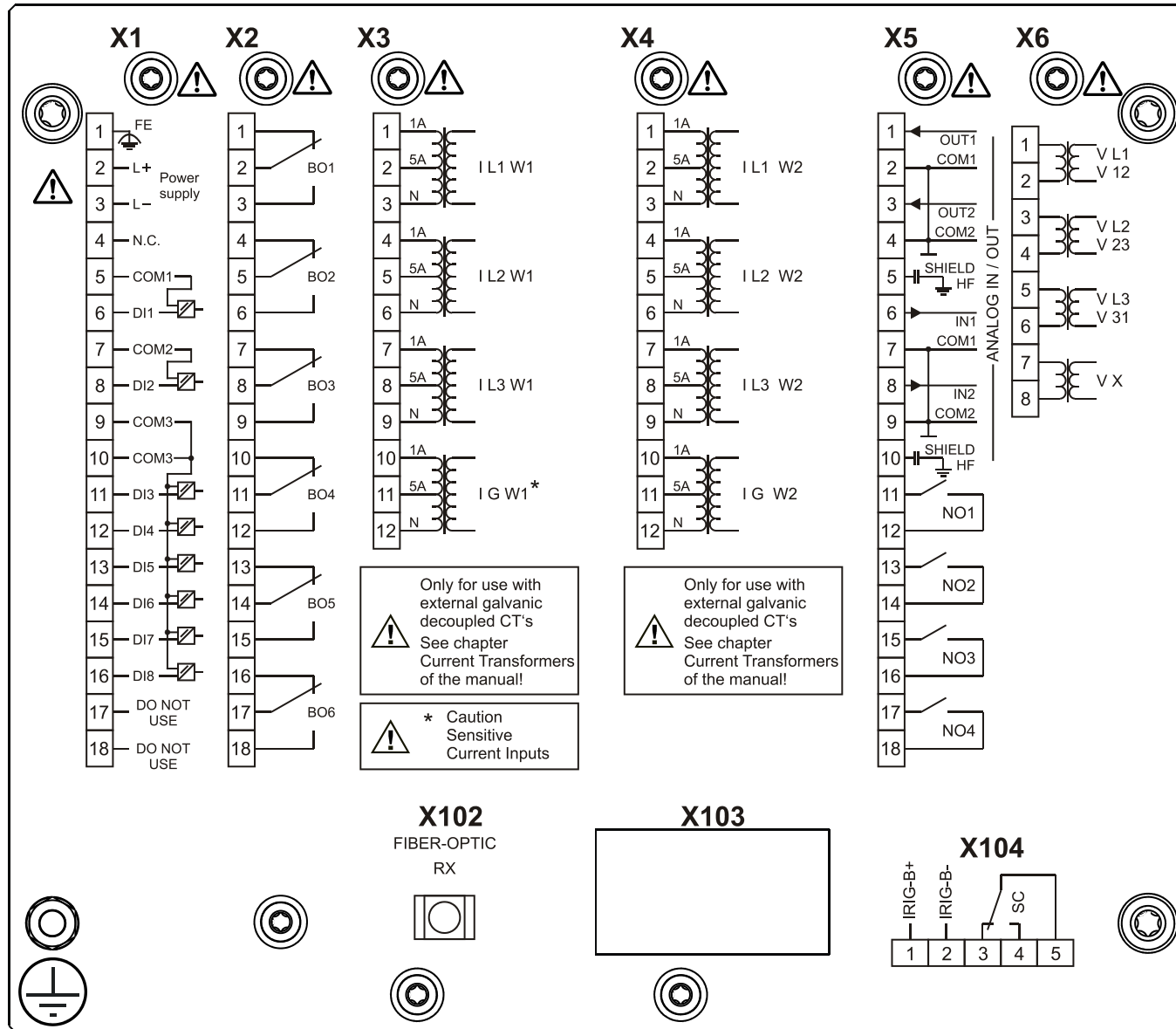
MCDTV4-2B1ALA



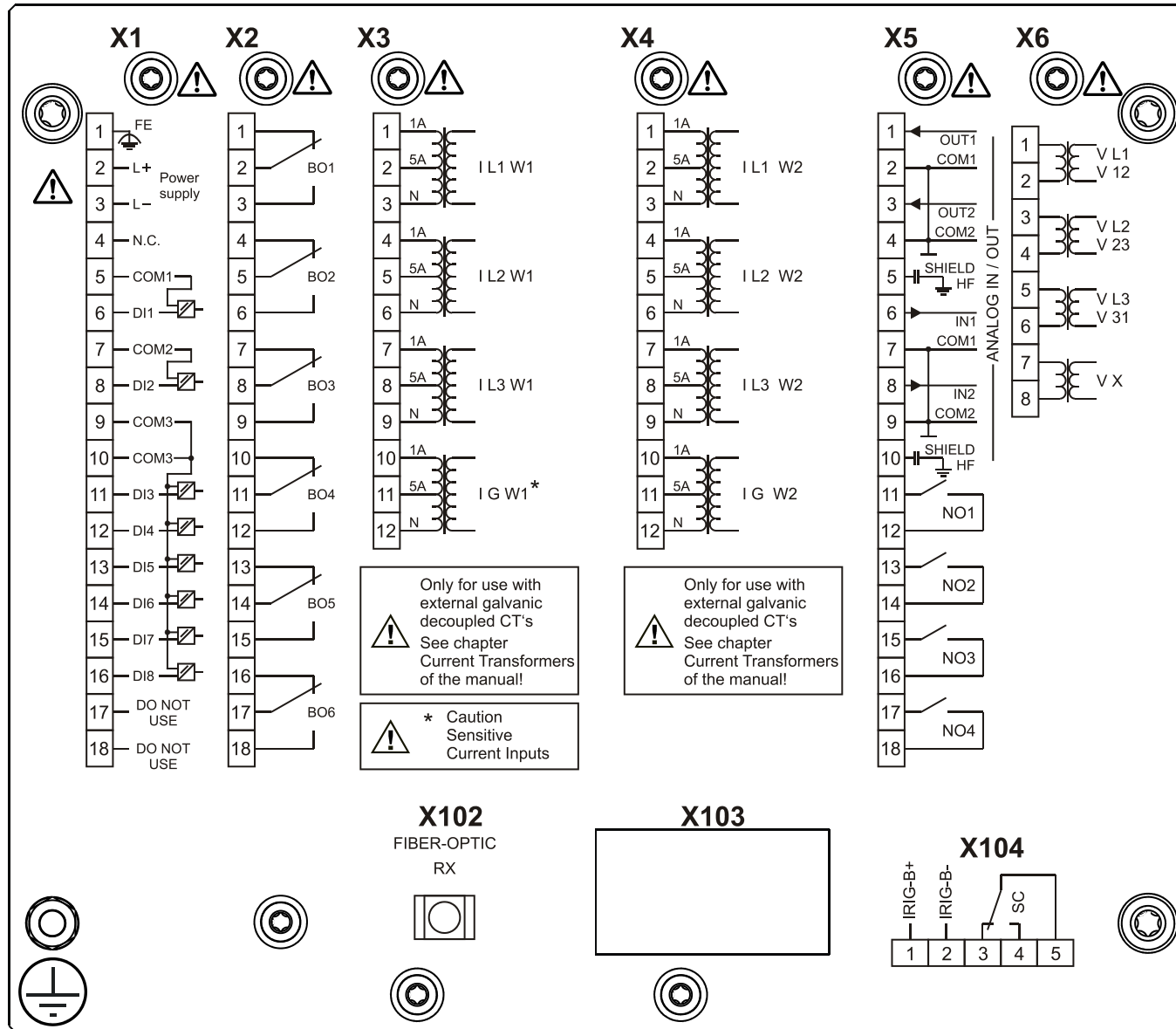
MCDTV4-2B1ALB



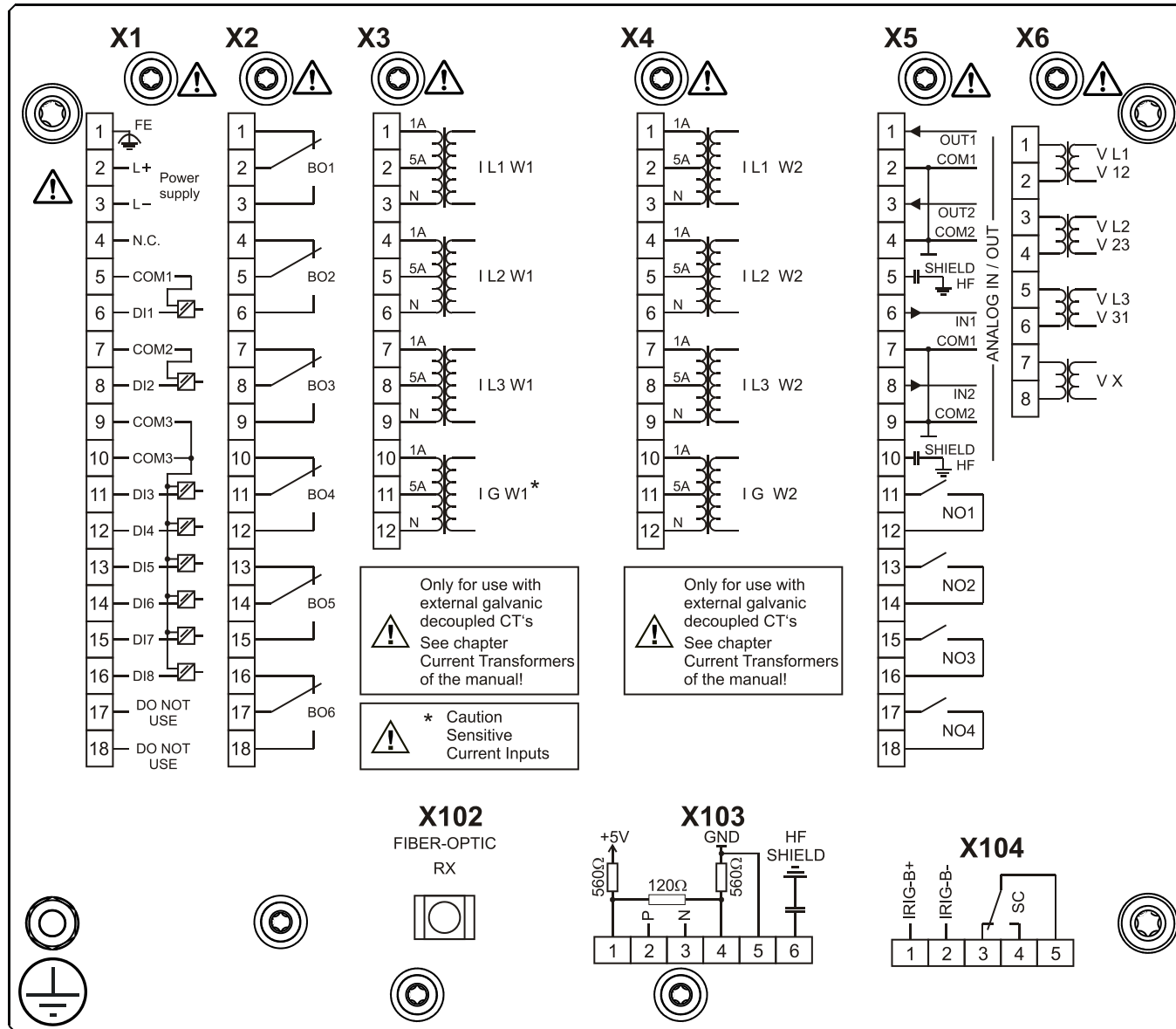
MCDTV4-2B1BAA



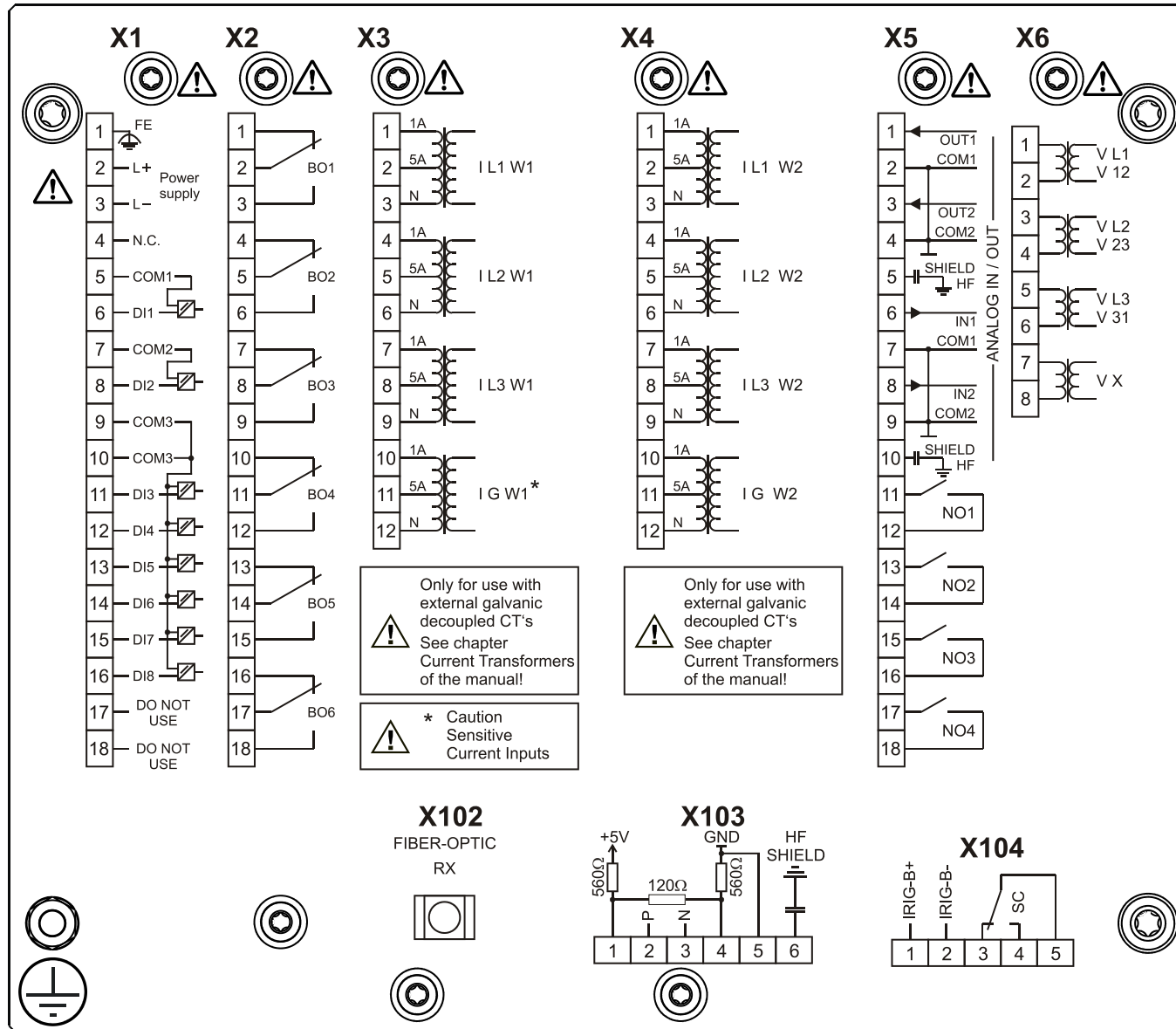
MCDTV4-2B1BAB



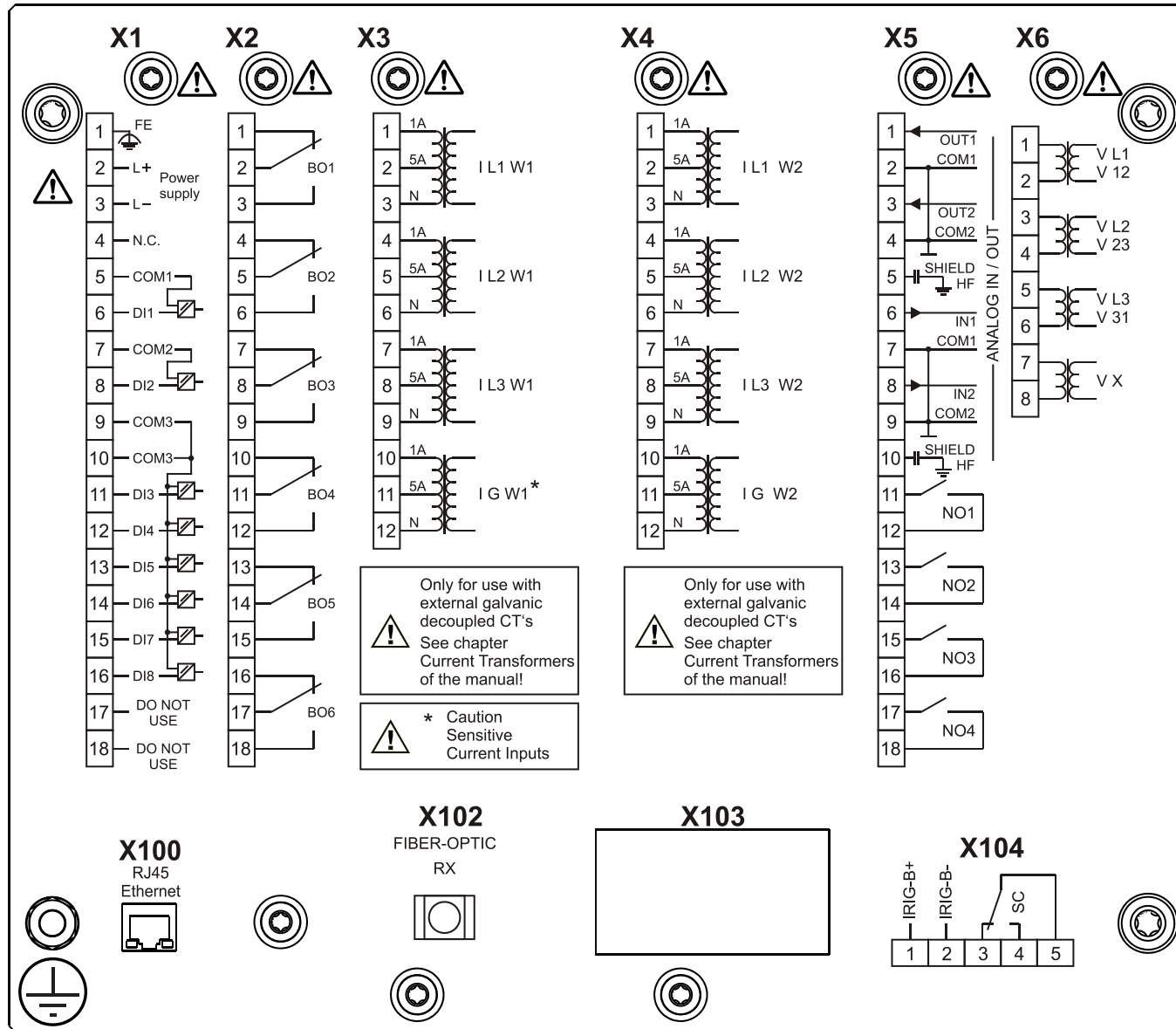
MCDTV4-2B1BBA



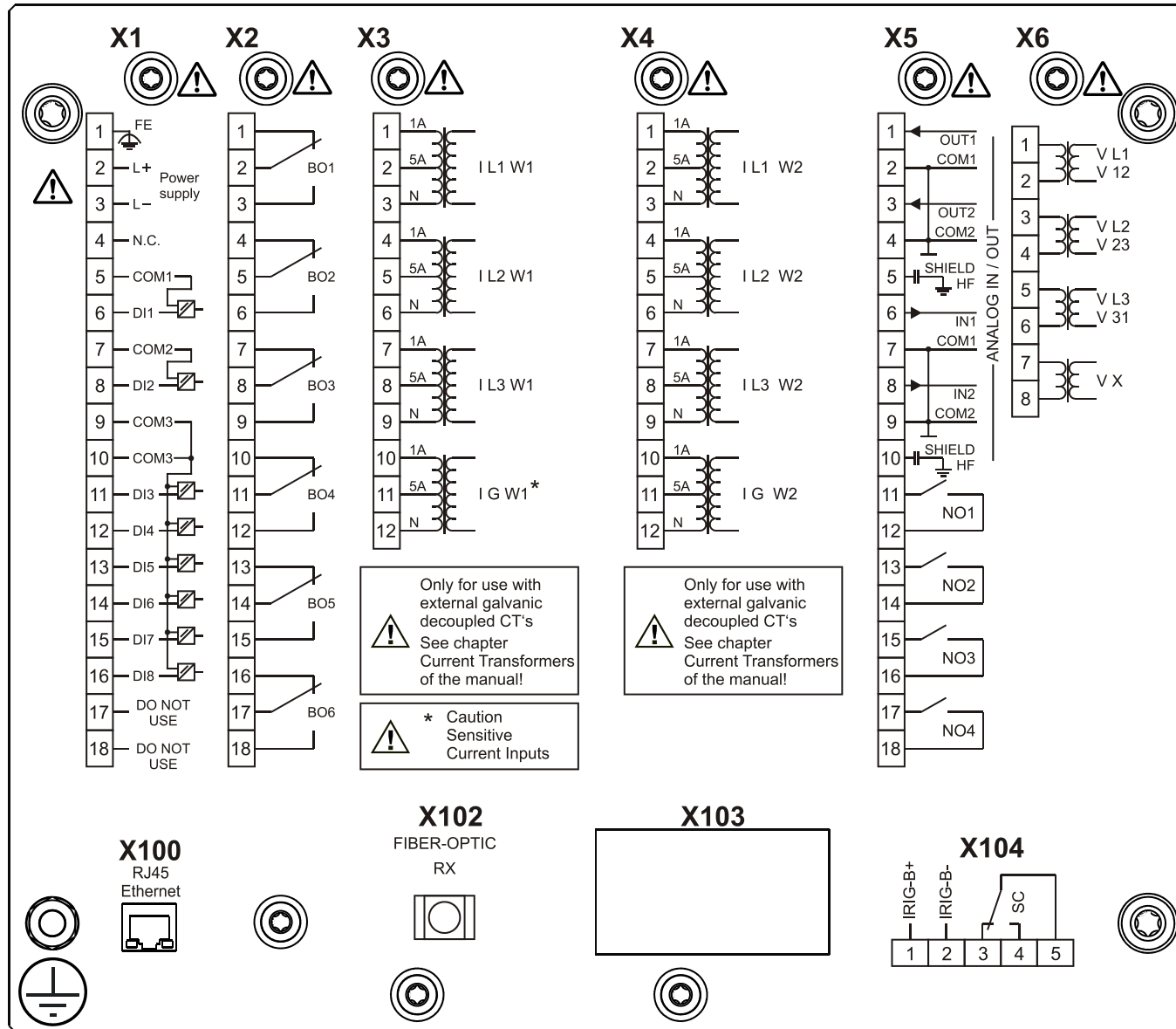
MCDTV4-2B1BBB



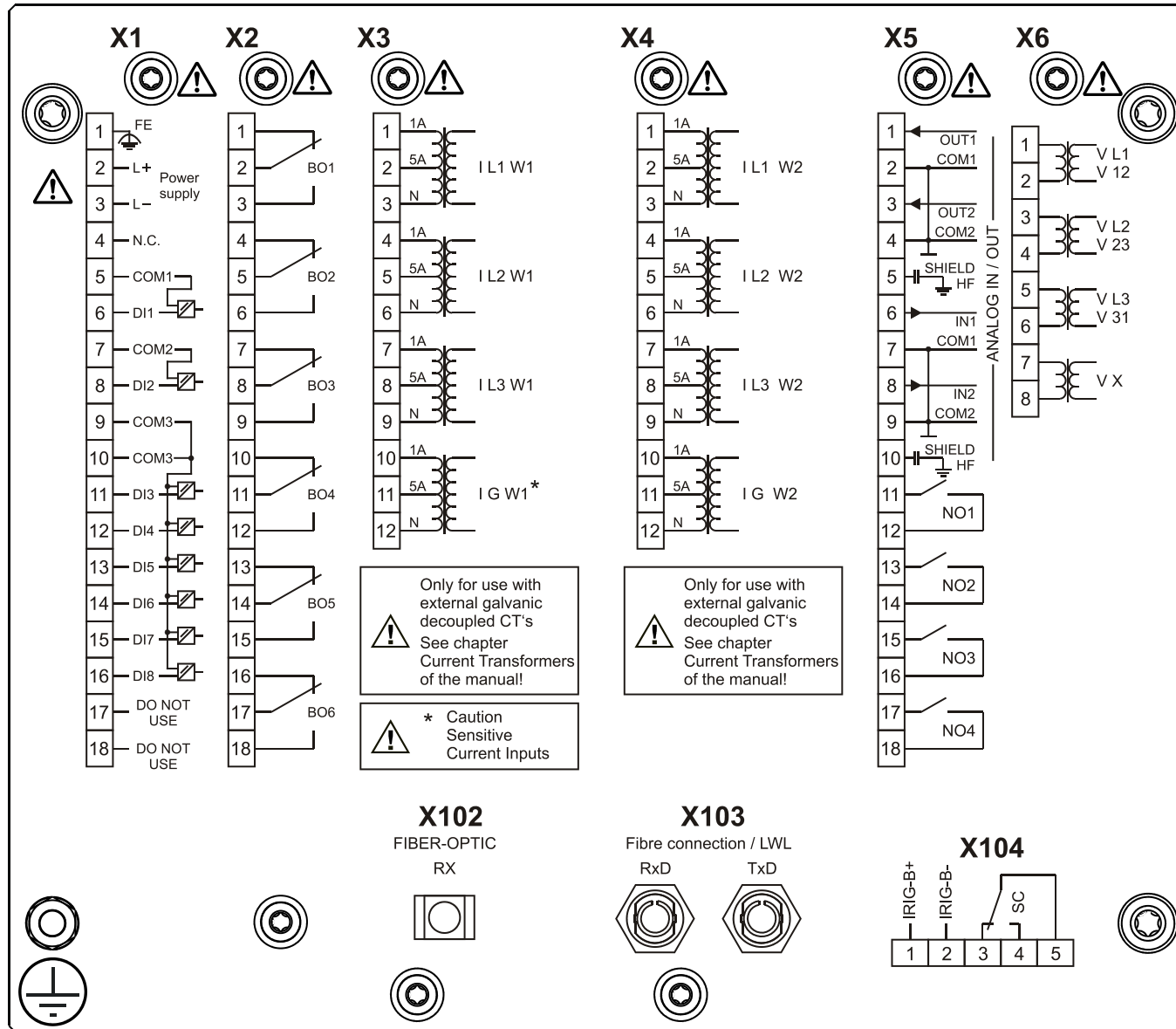
MCDTV4-2B1BCA



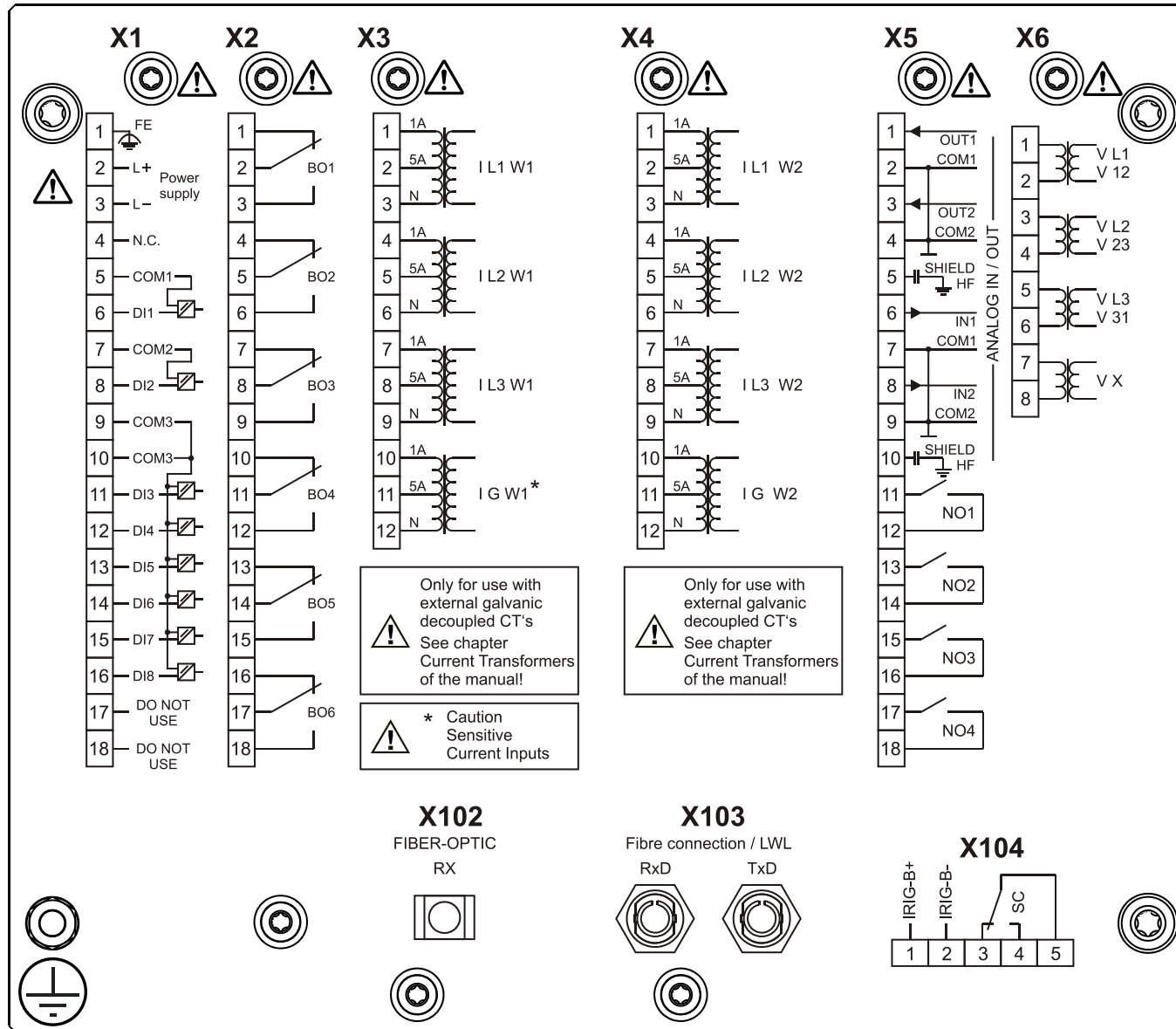
MCDTV4-2B1BCB



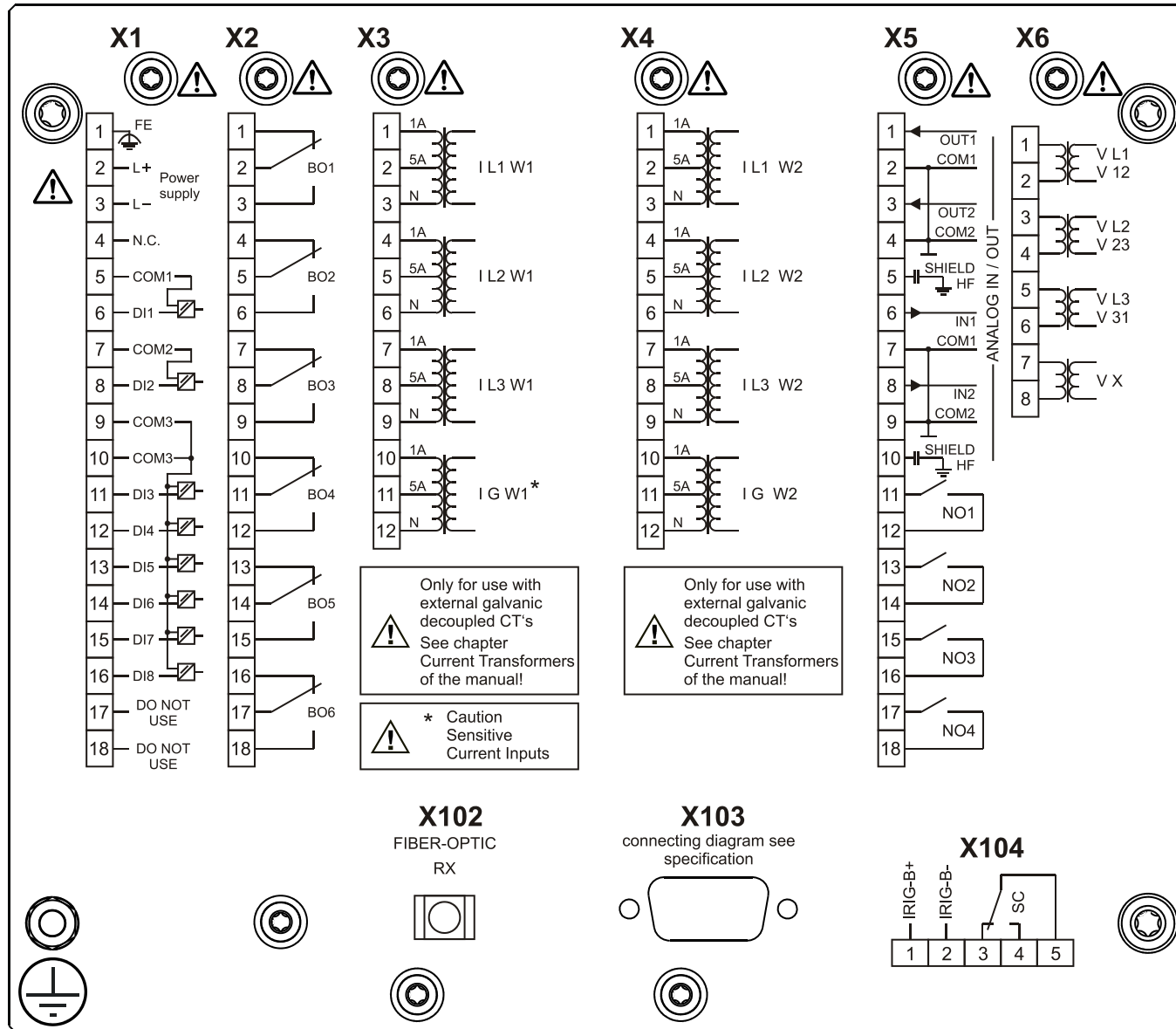
MCDTV4-2B1BDA



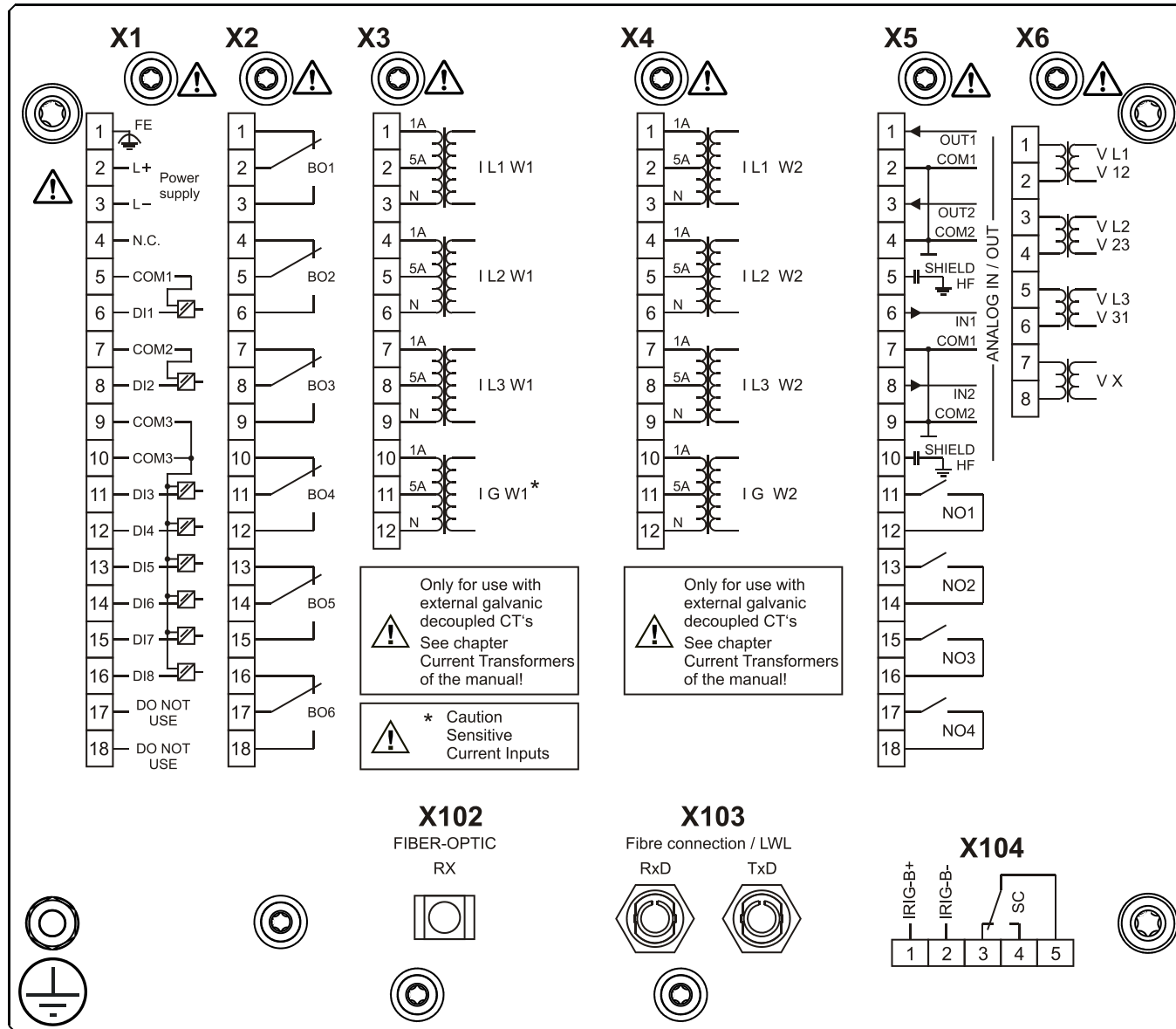
MCDTV4-2B1BDB



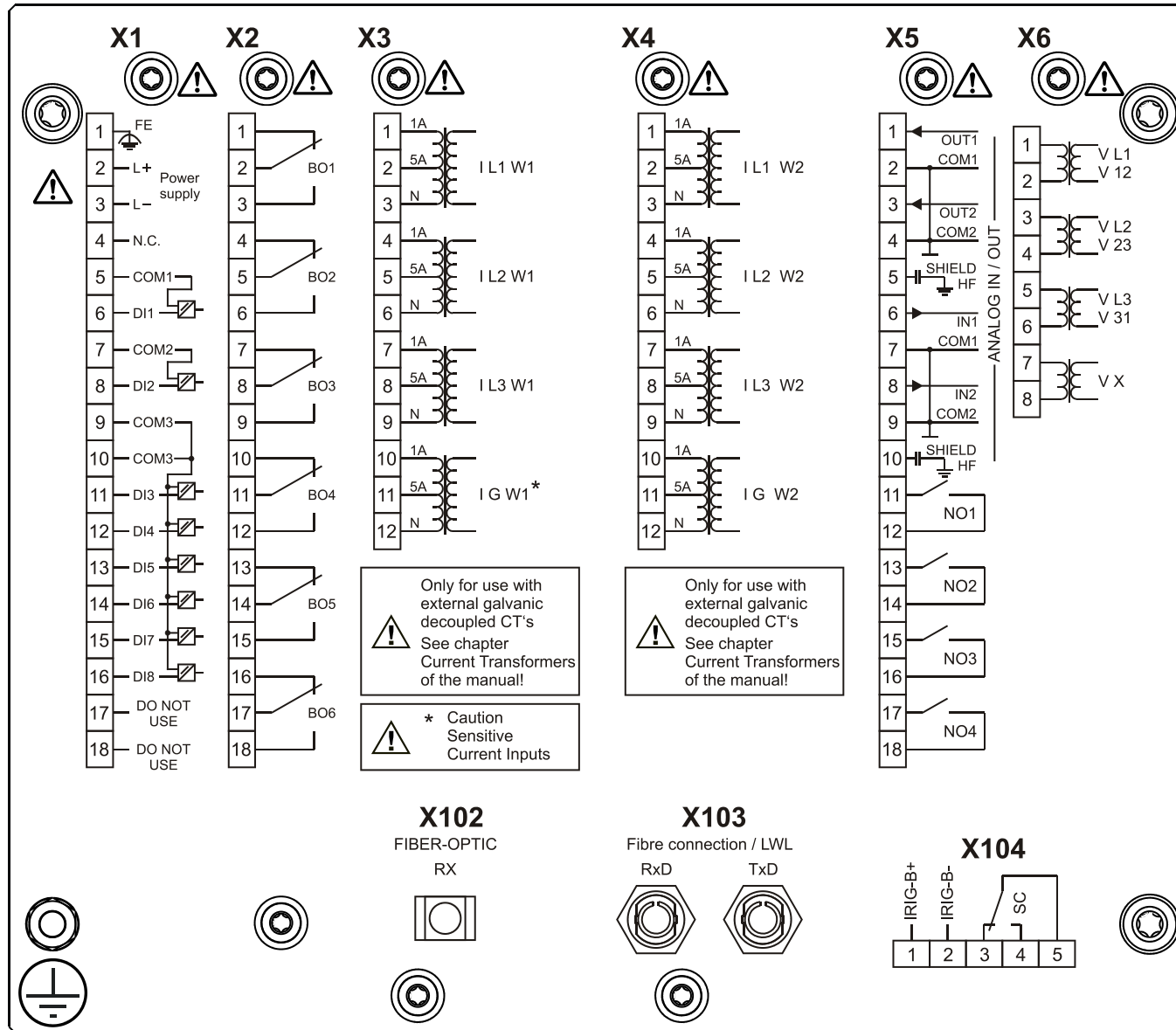
MCDTV4-2B1BEA



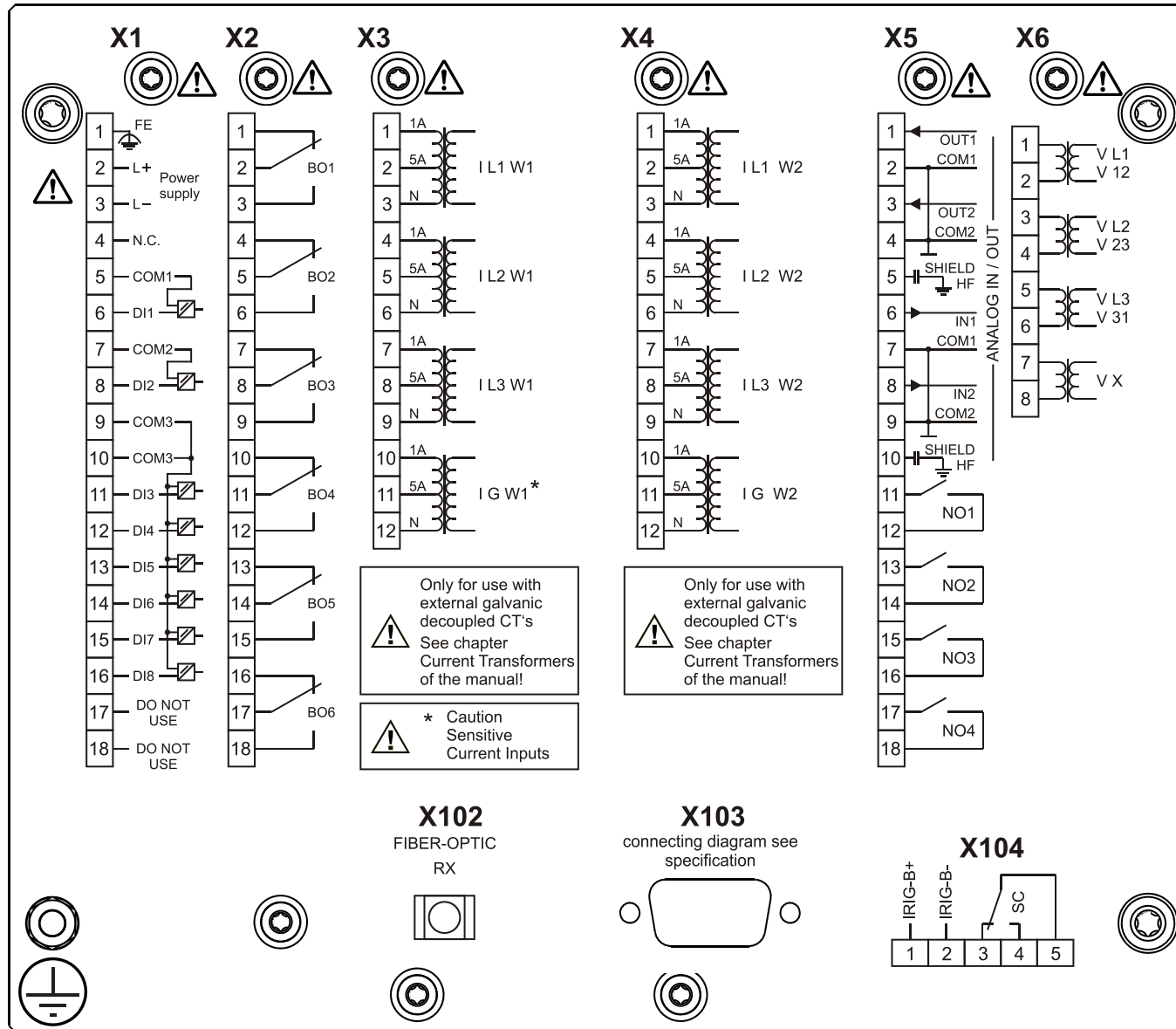
MCDTV4-2B1BFA



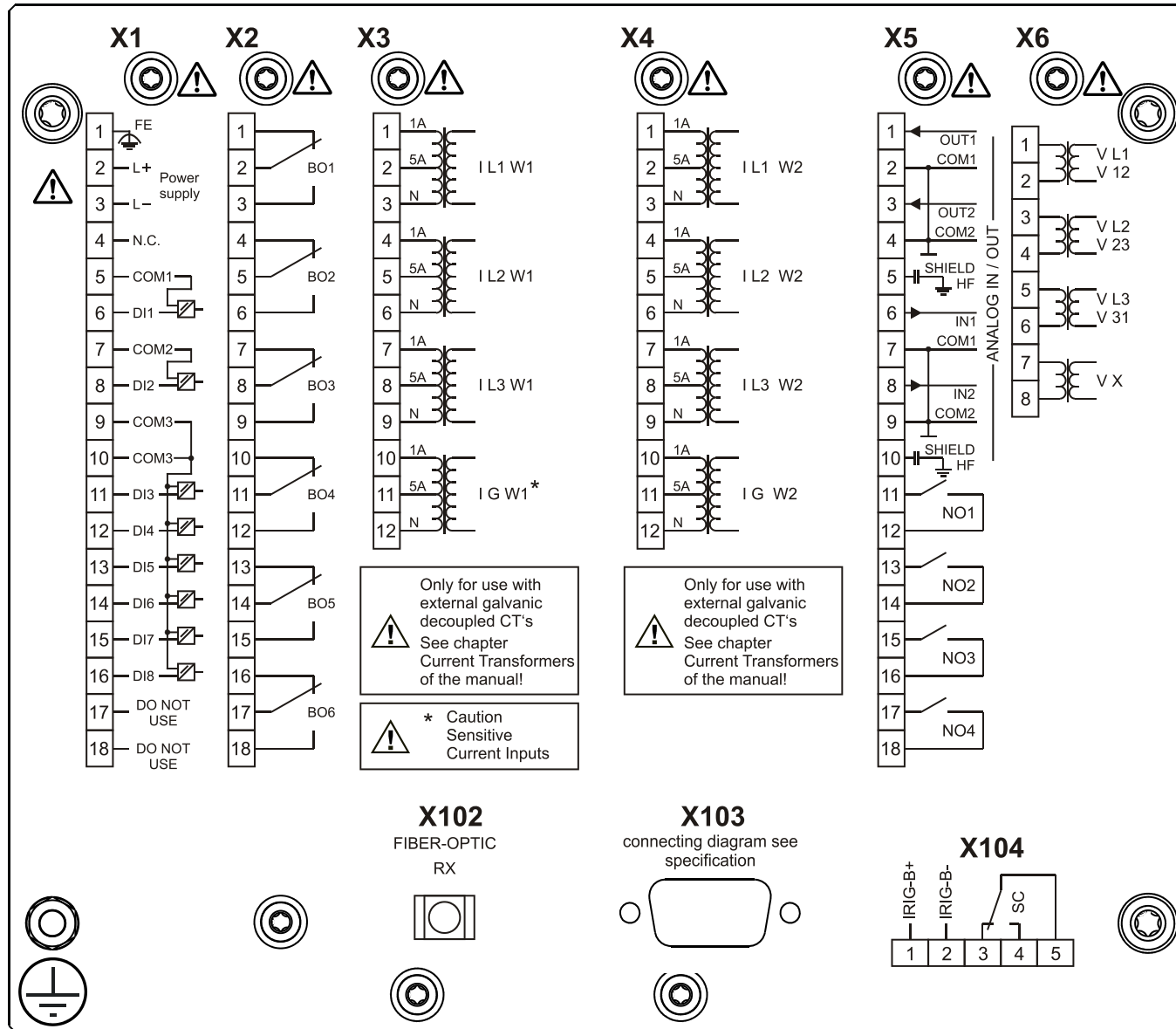
MCDTV4-2B1BFB



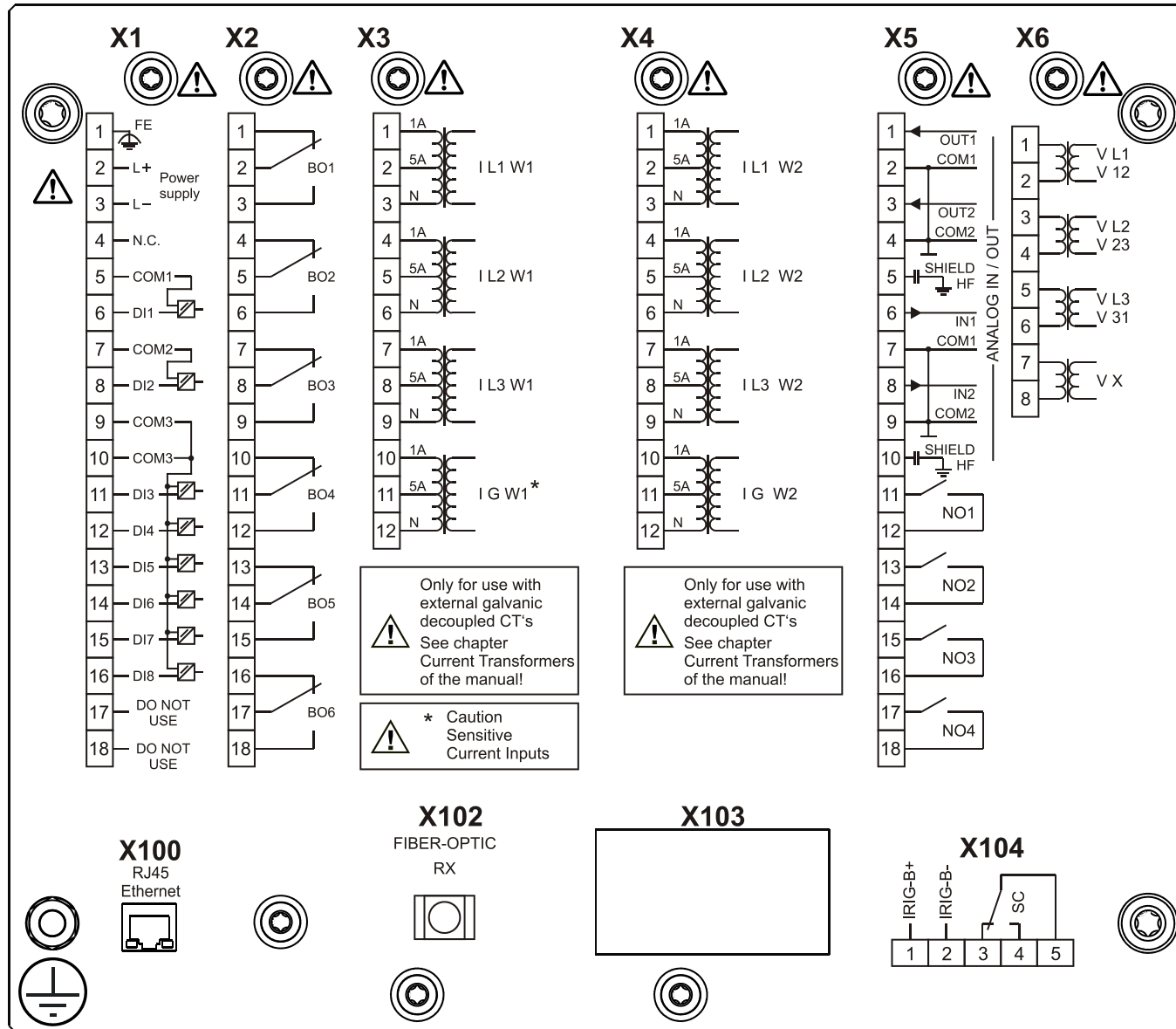
MCDTV4-2B1BGA



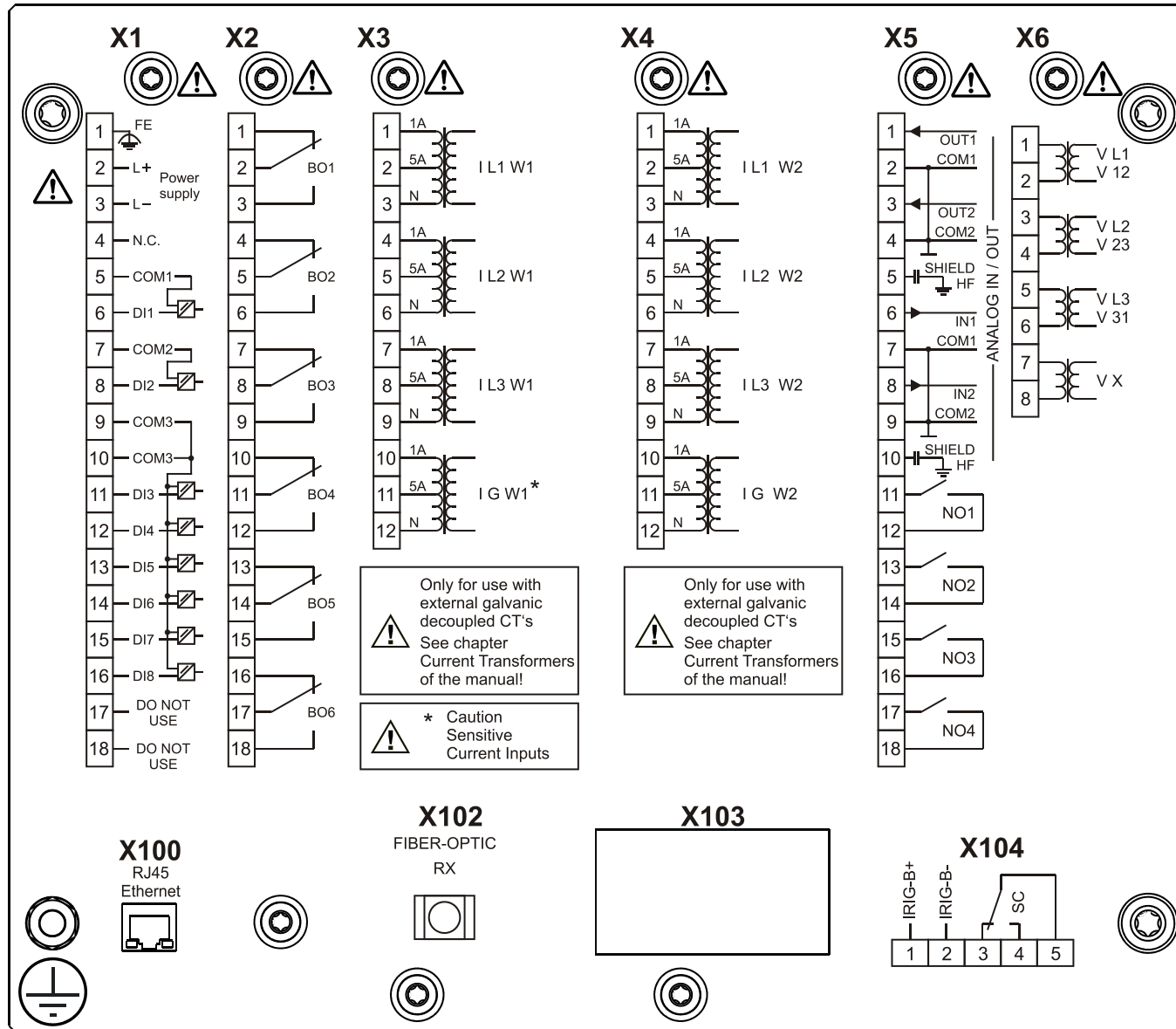
MCDTV4-2B1BGB



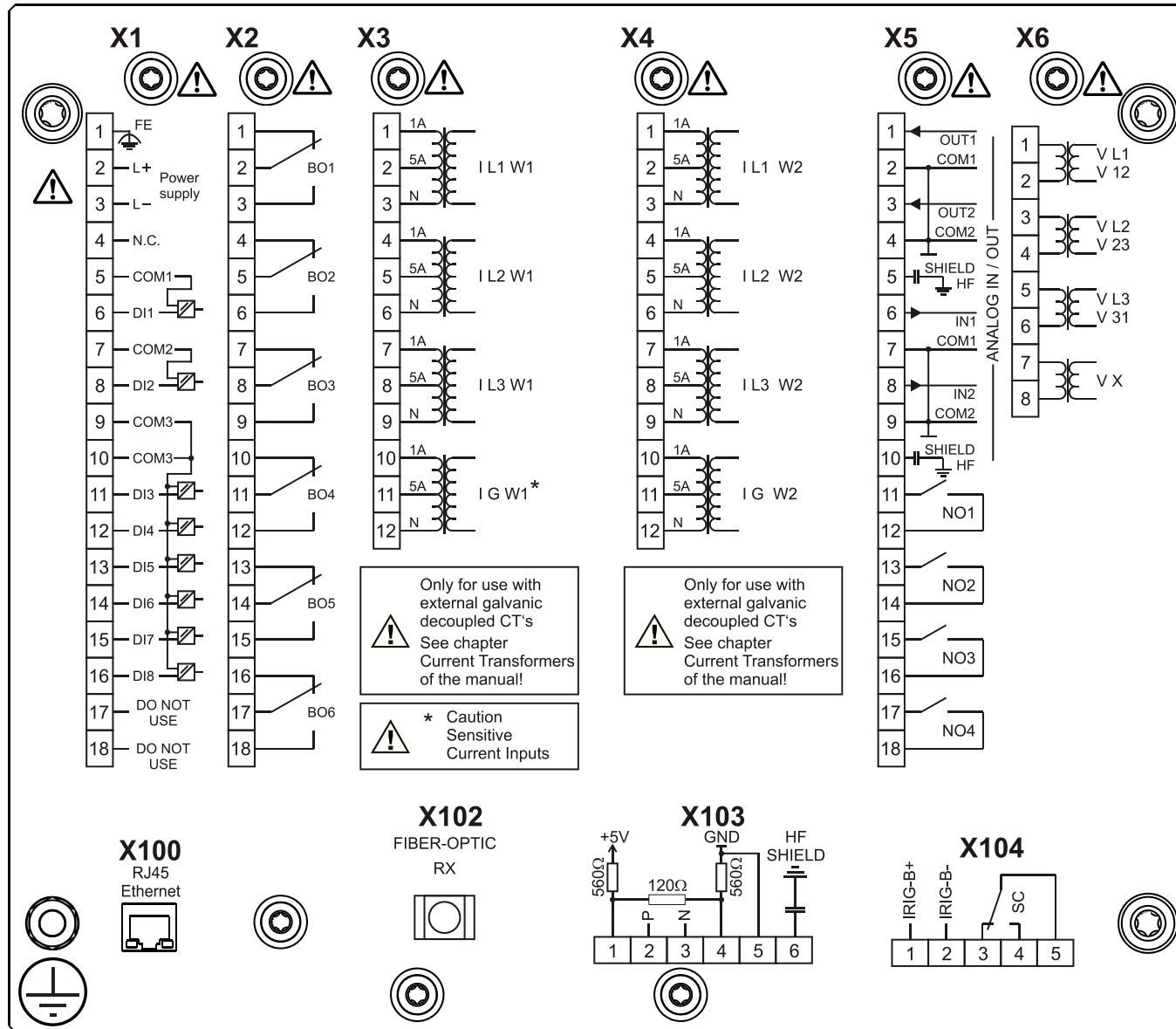
MCDTV4-2B1BHA



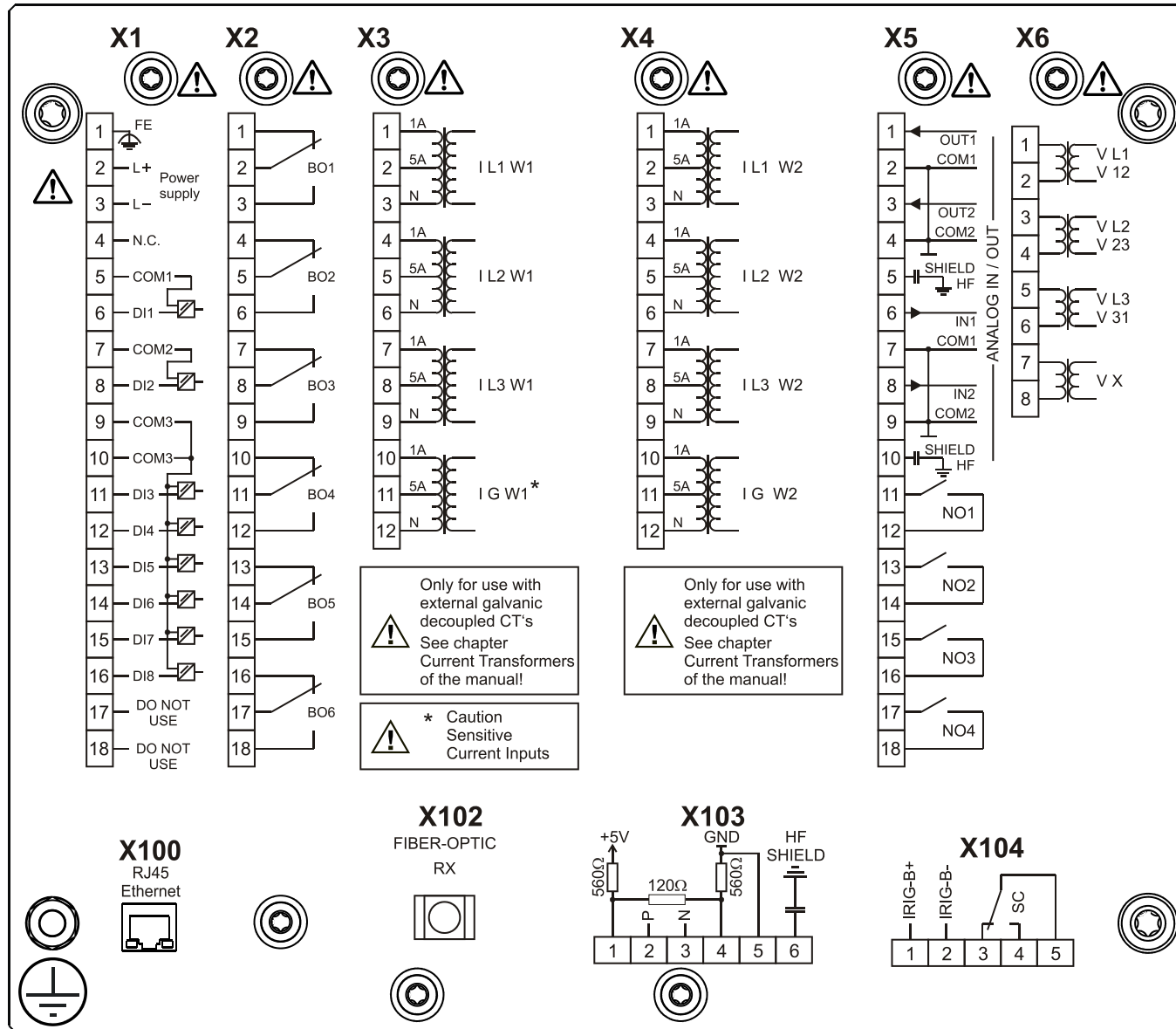
MCDTV4-2B1BHB



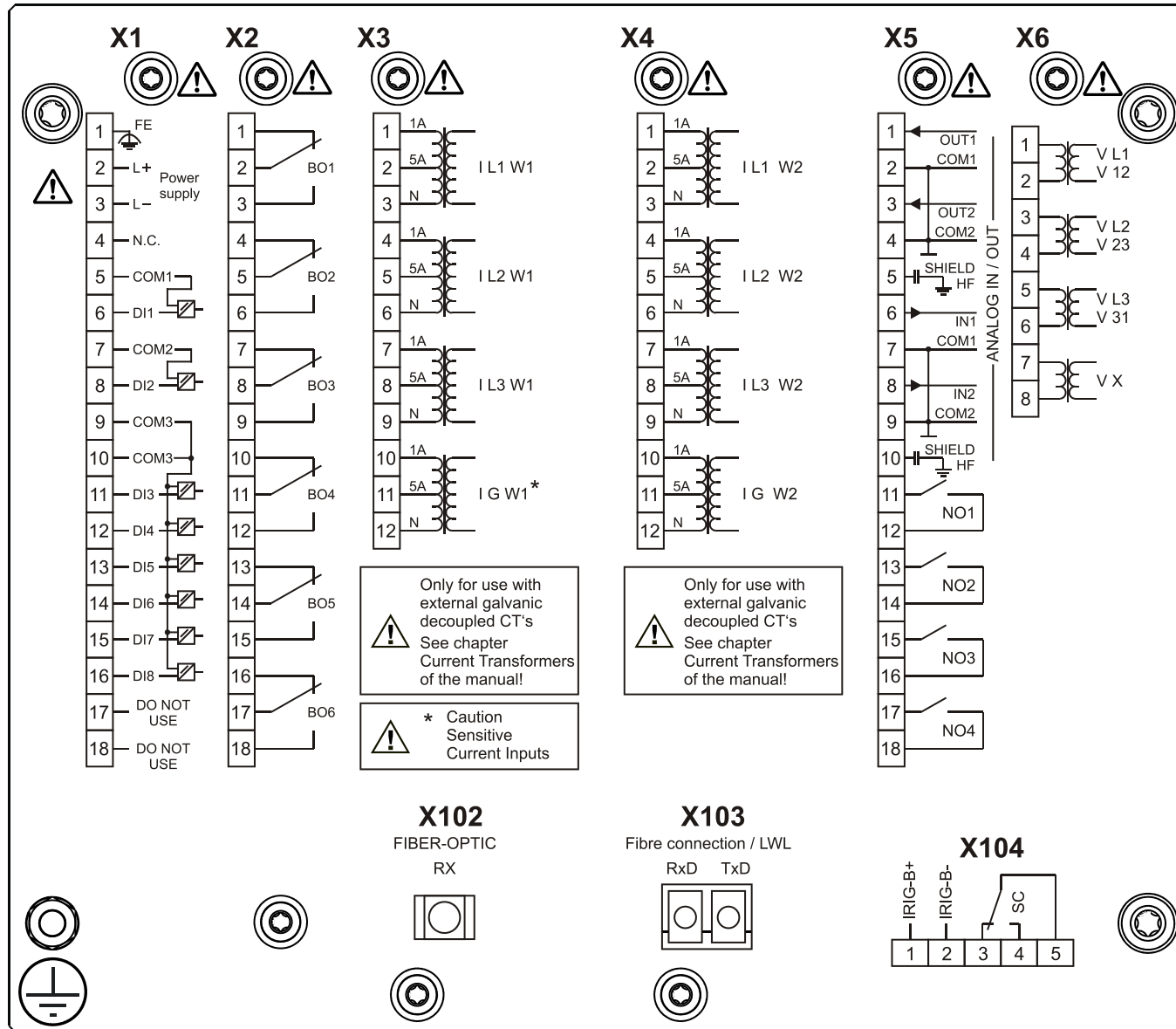
MCDTV4-2B1BIA



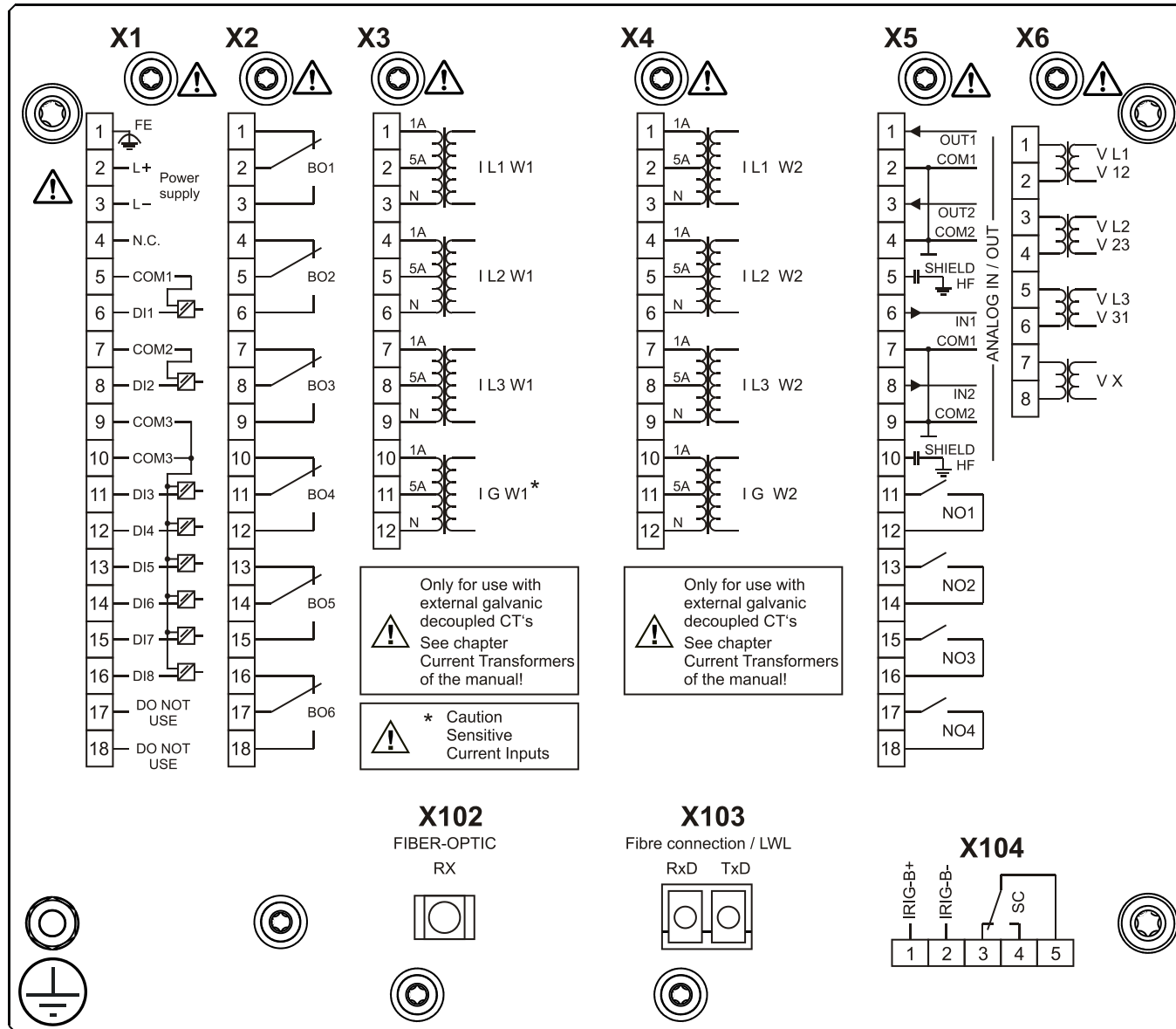
MCDTV4-2B1BIB



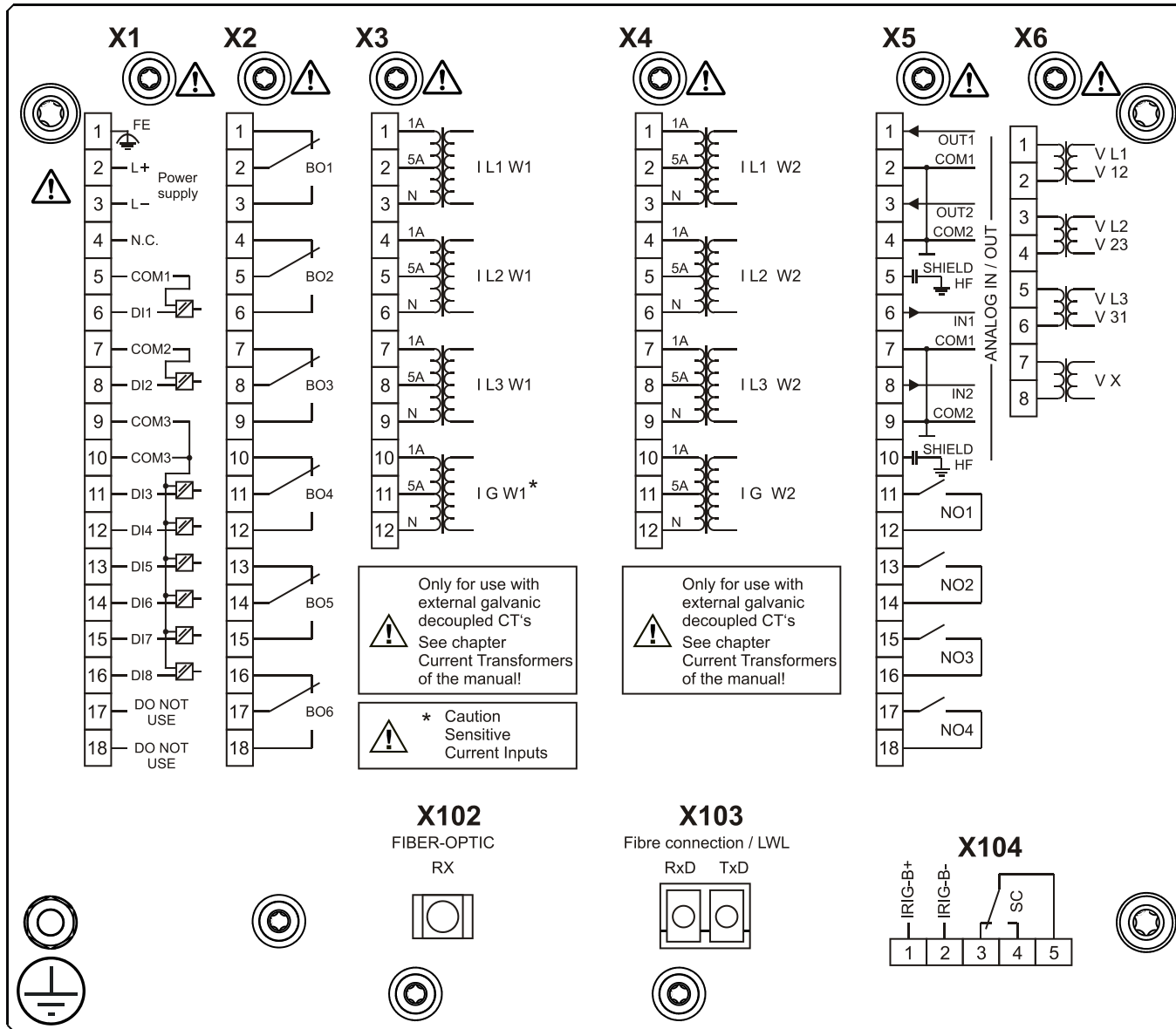
MCDTV4-2B1BKA



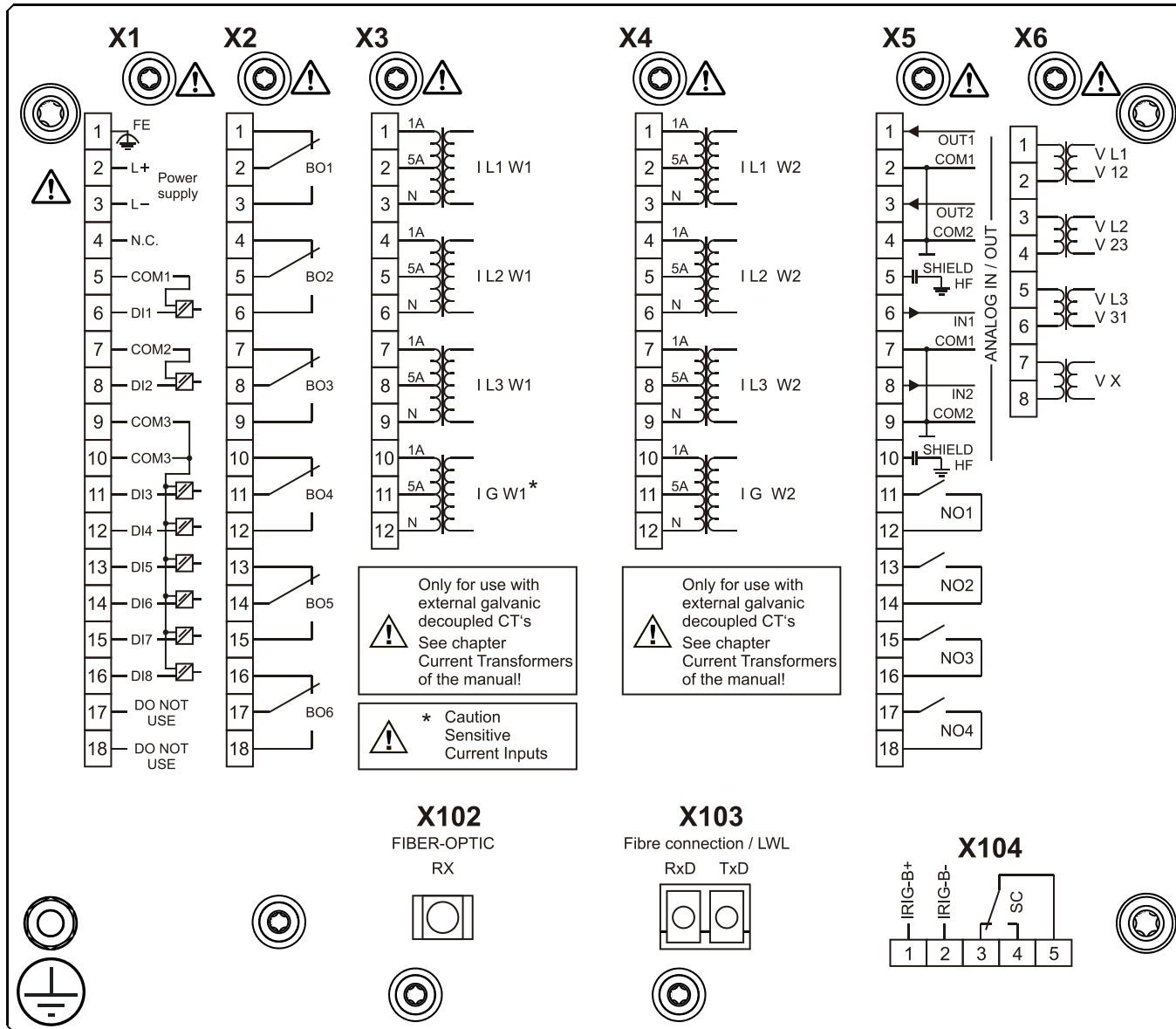
MCDTV4-2B1BKB



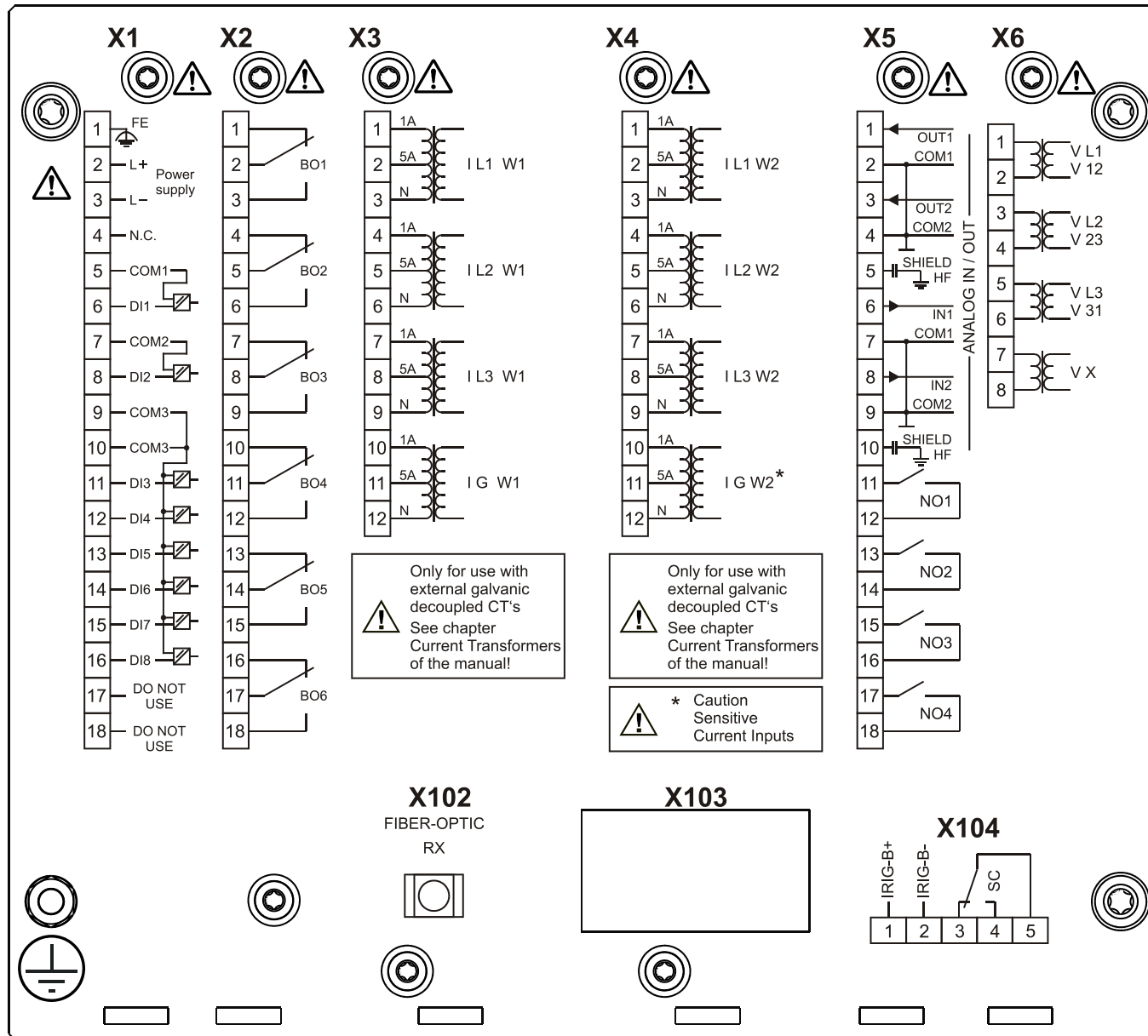
MCDTV4-2B1BLA



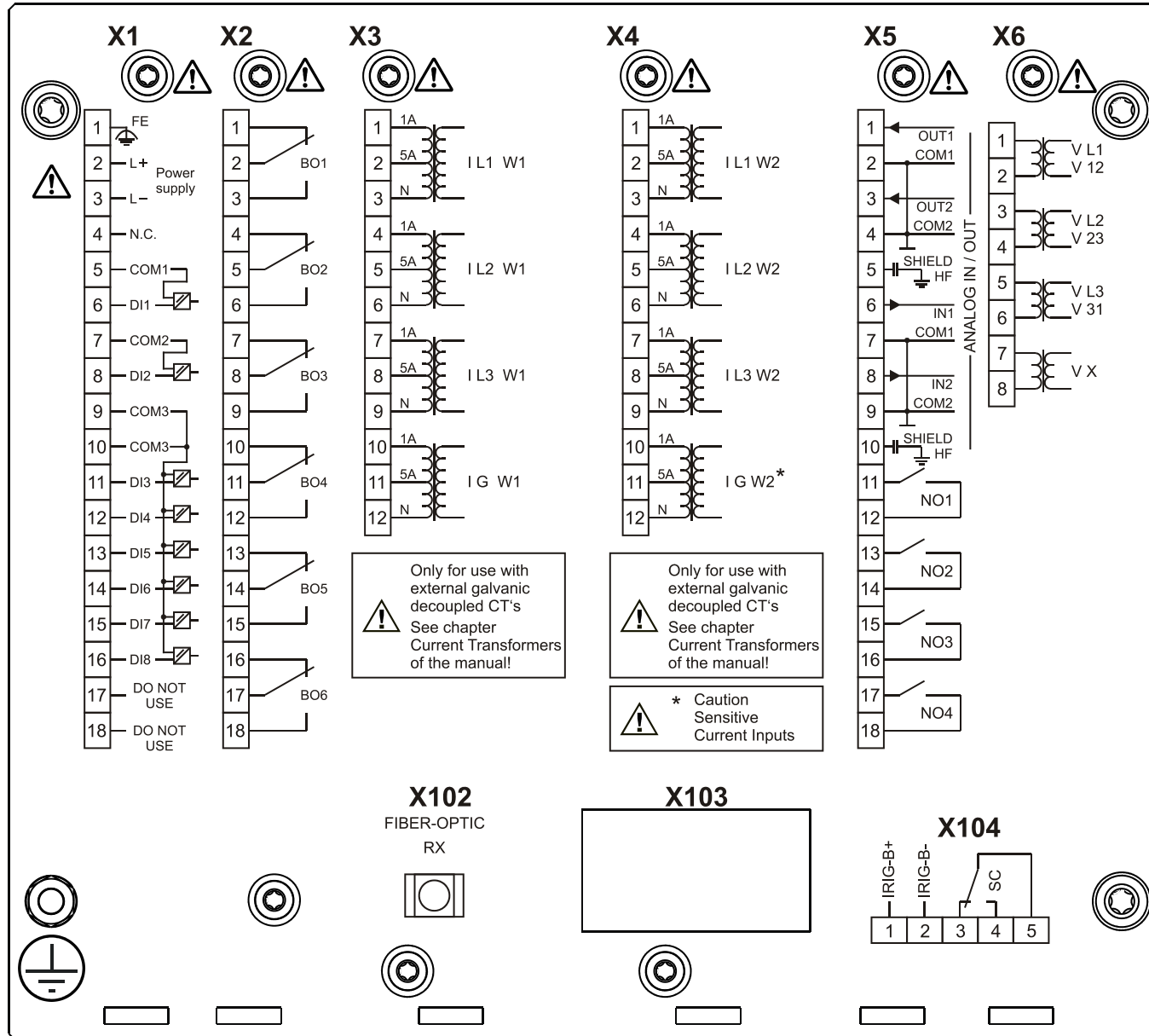
MCDTV4-2B1BLB



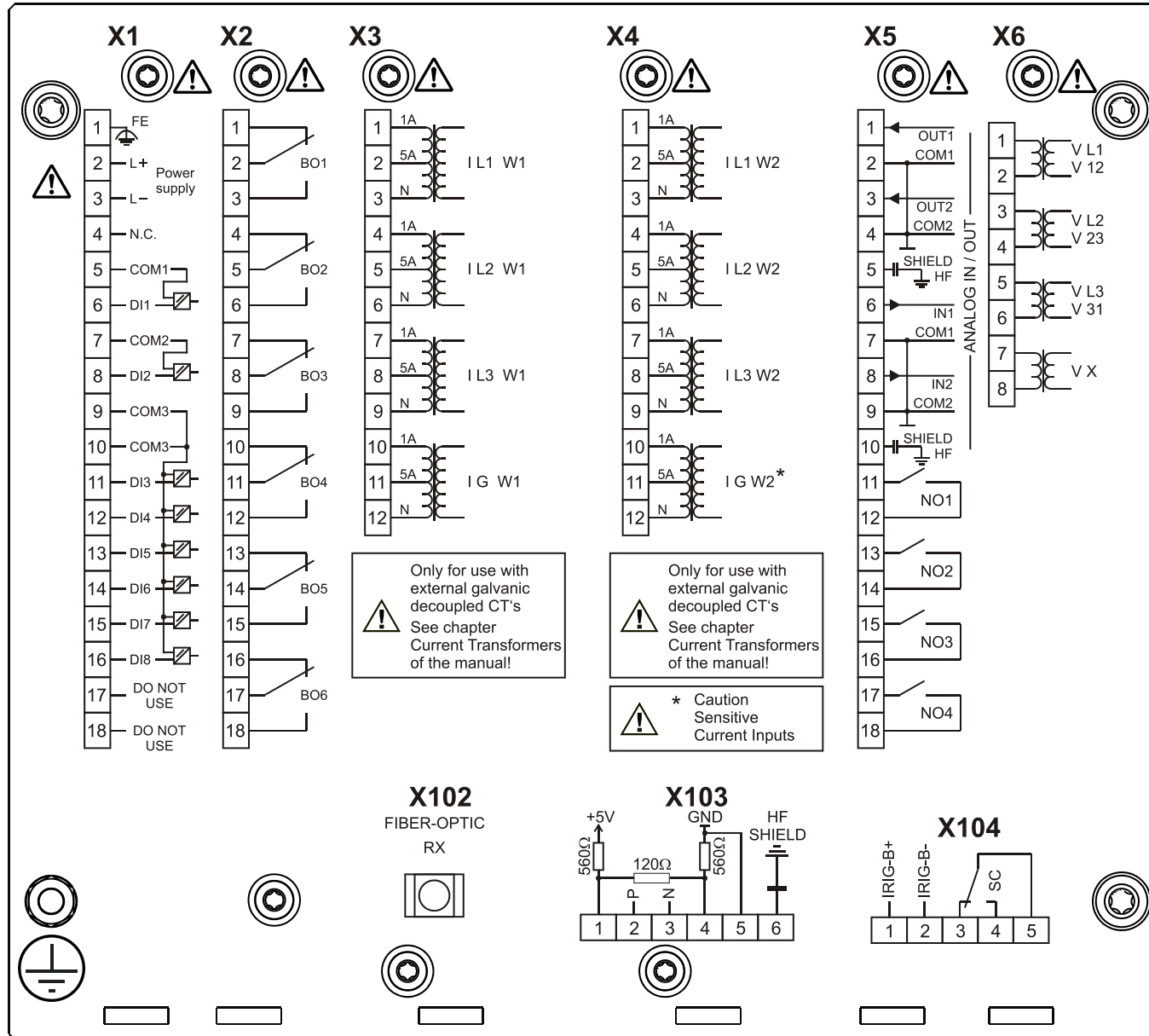
MCDTV4-2B2AAA



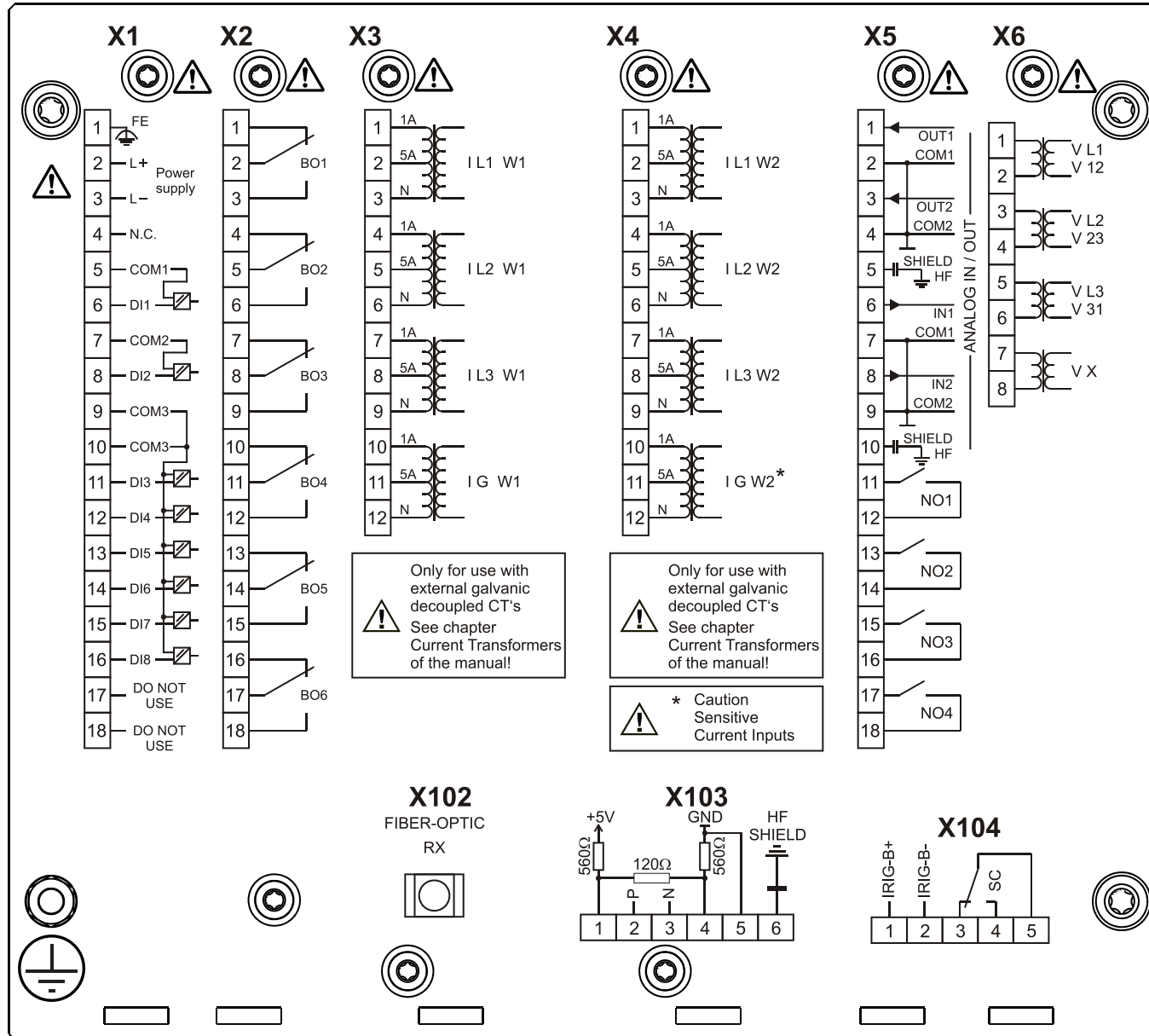
MCDTV4-2B2AAB



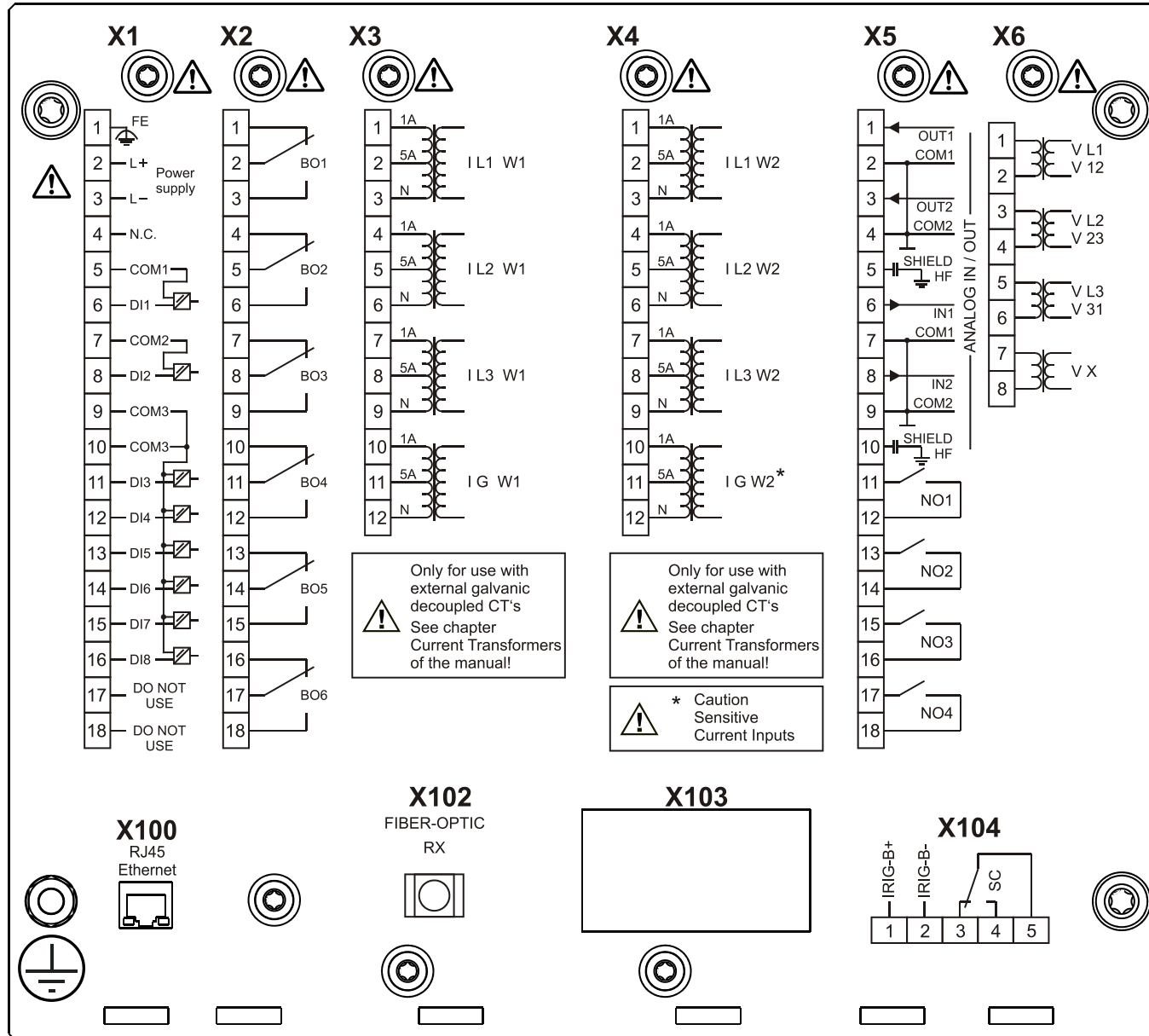
MCDTV4-2B2ABA



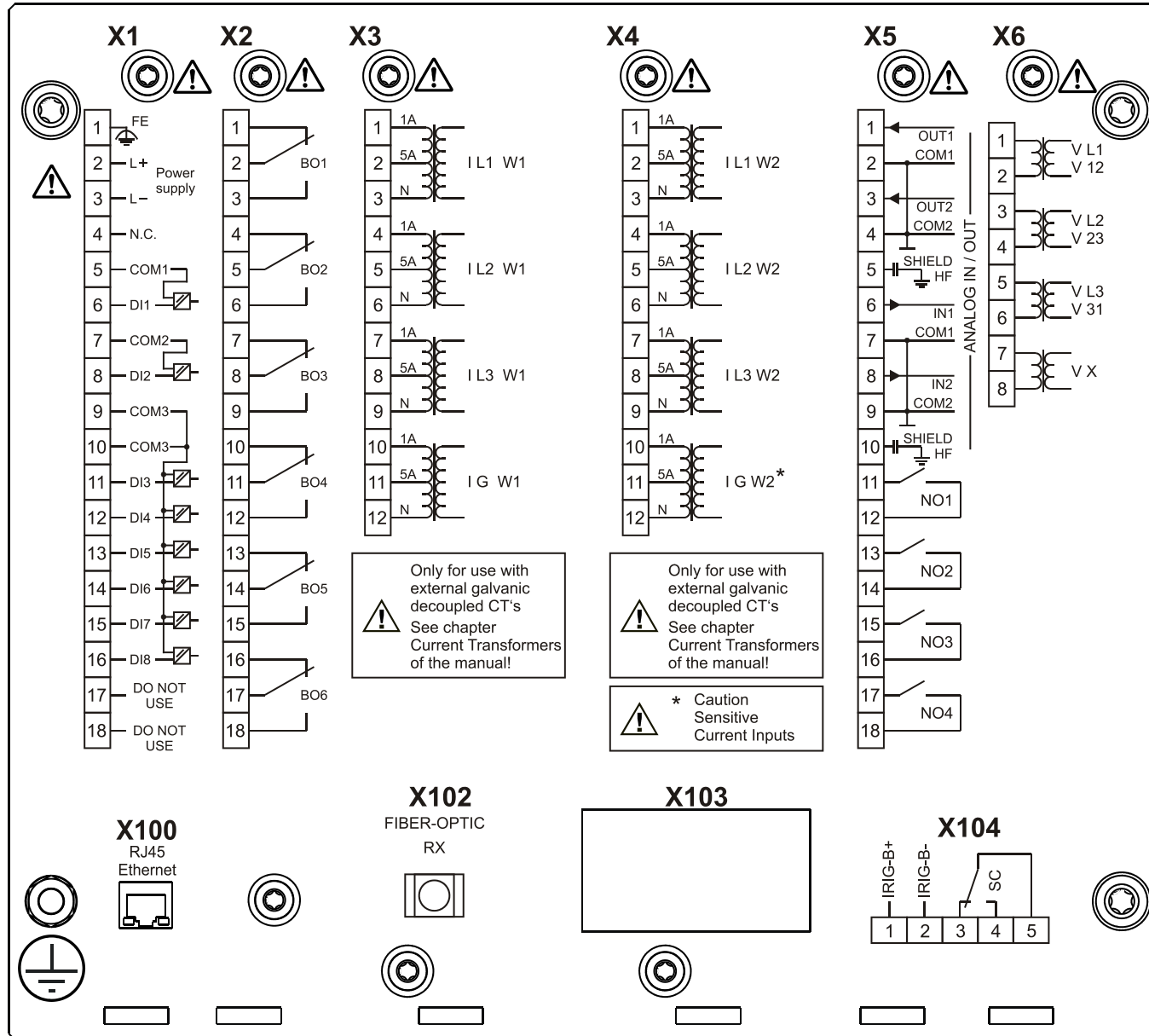
MCDTV4-2B2ABB



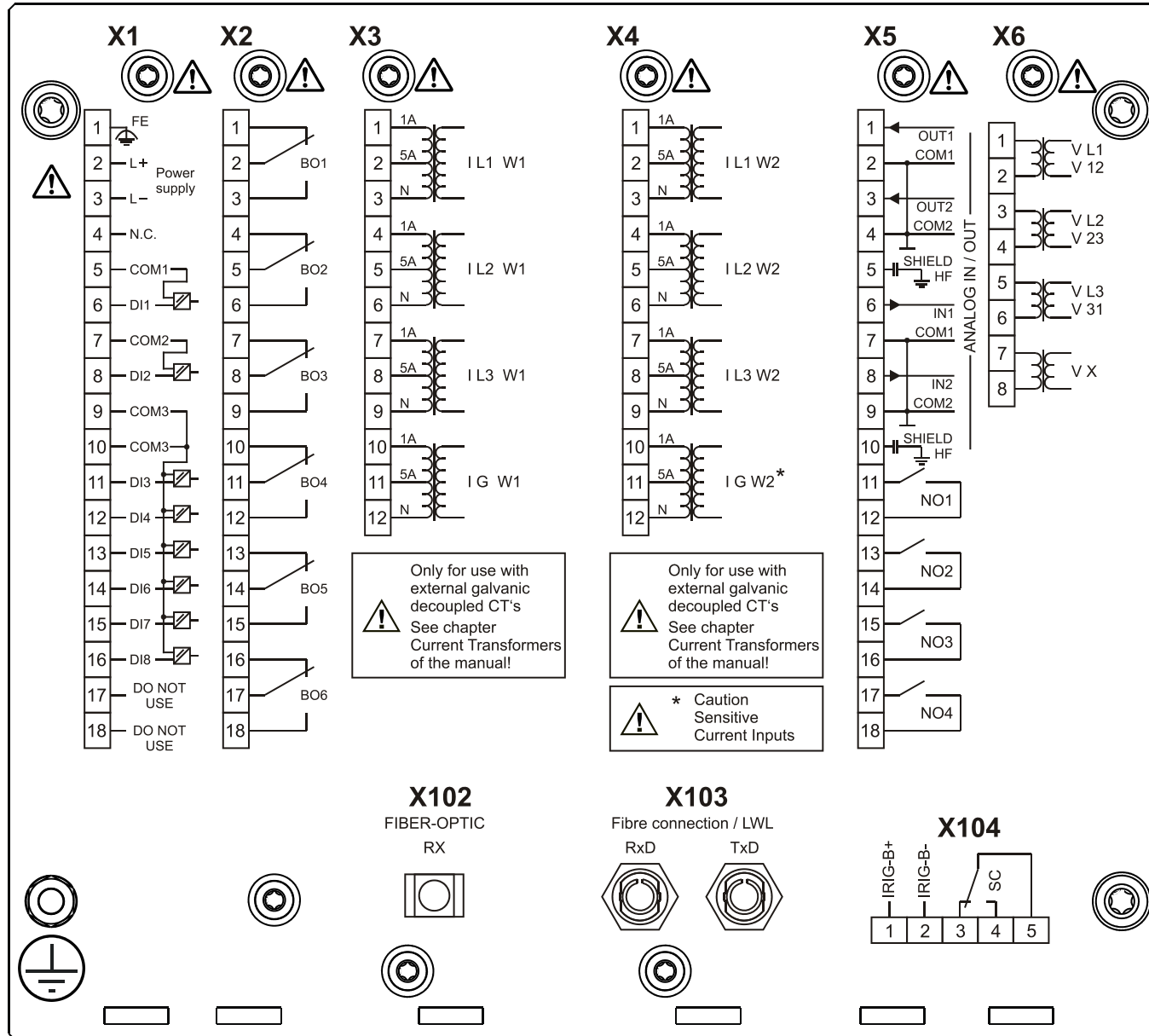
MCDTV4-2B2ACA



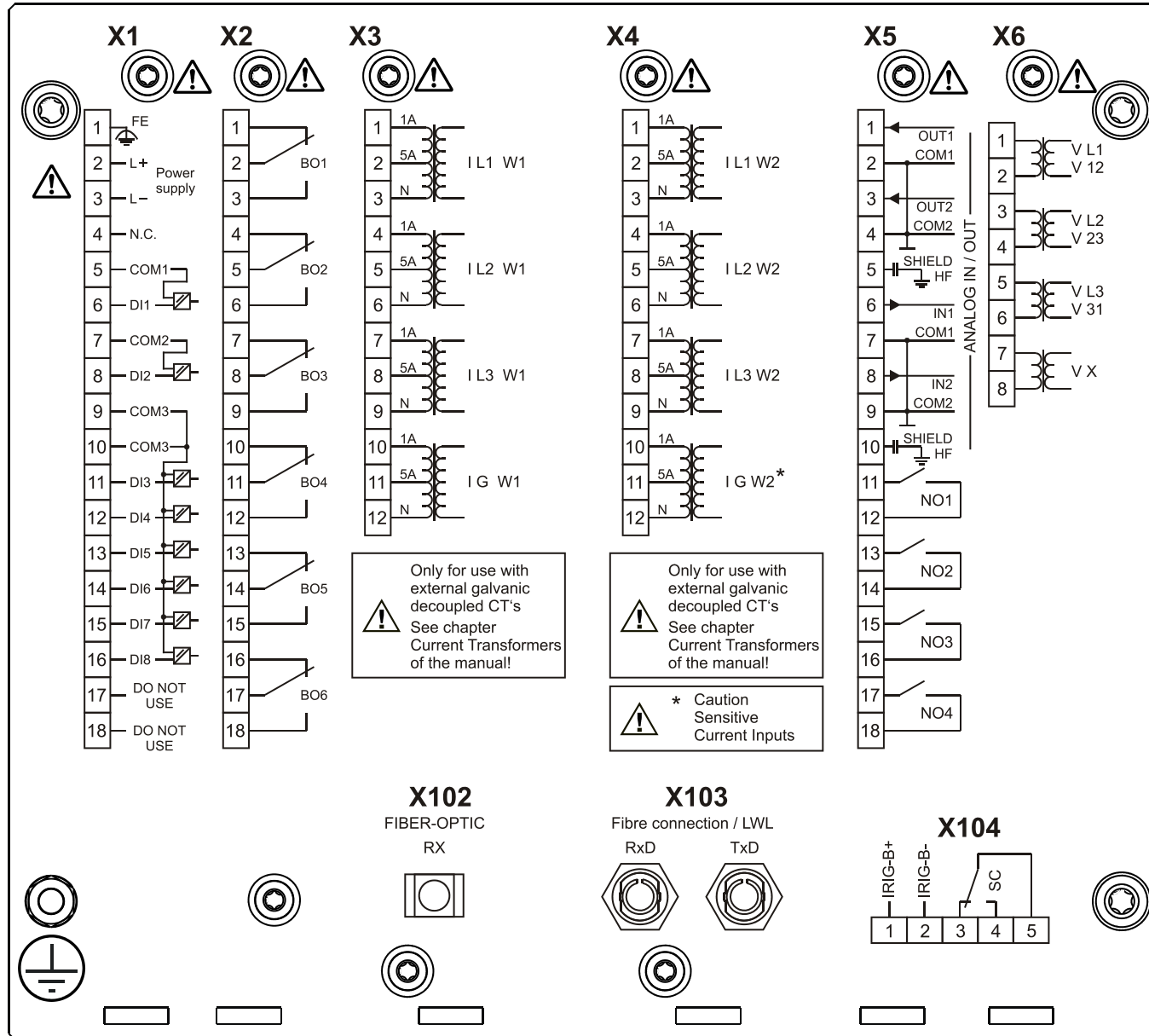
MCDTV4-2B2ACB



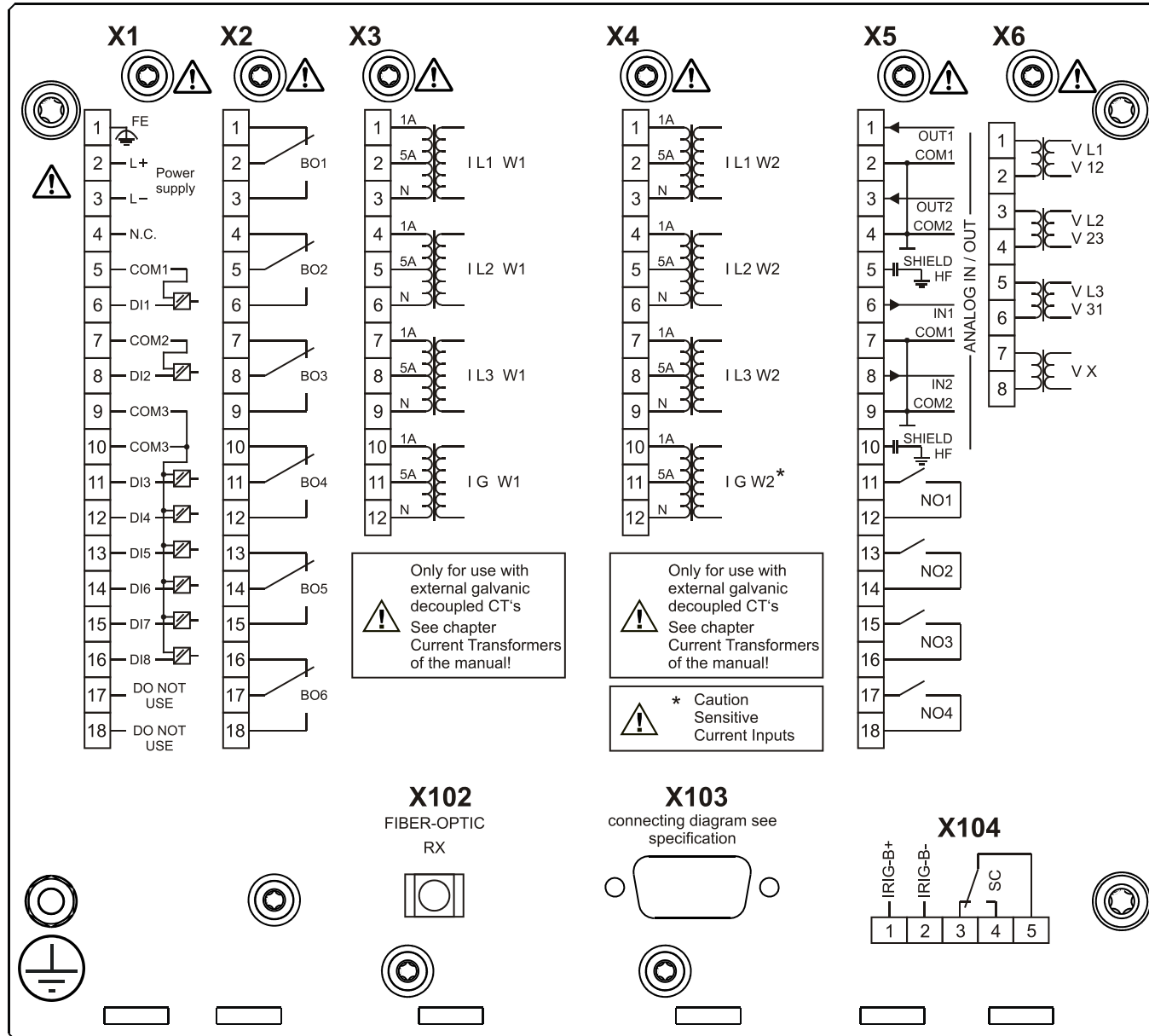
MCDTV4-2B2ADA



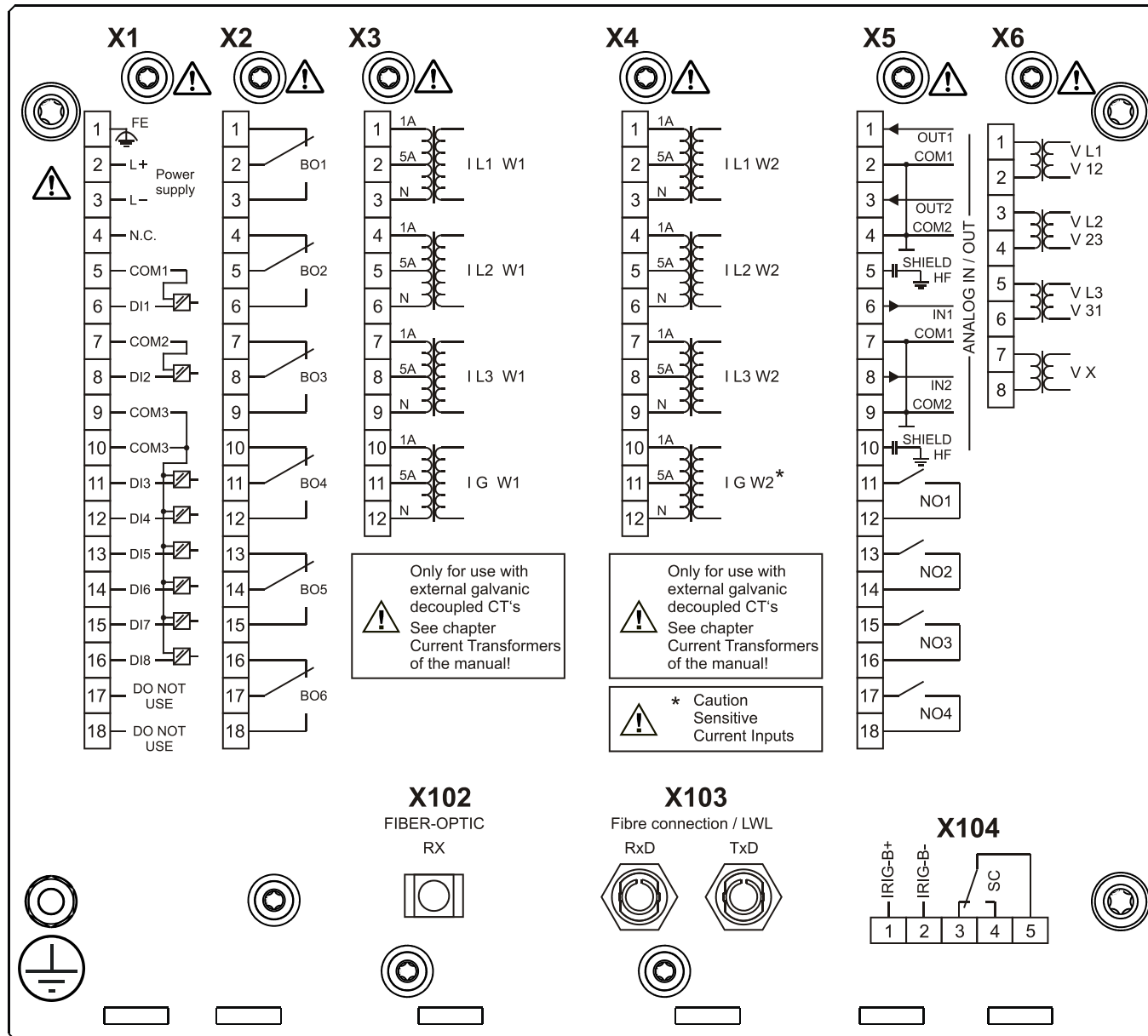
MCDTV4-2B2ADB



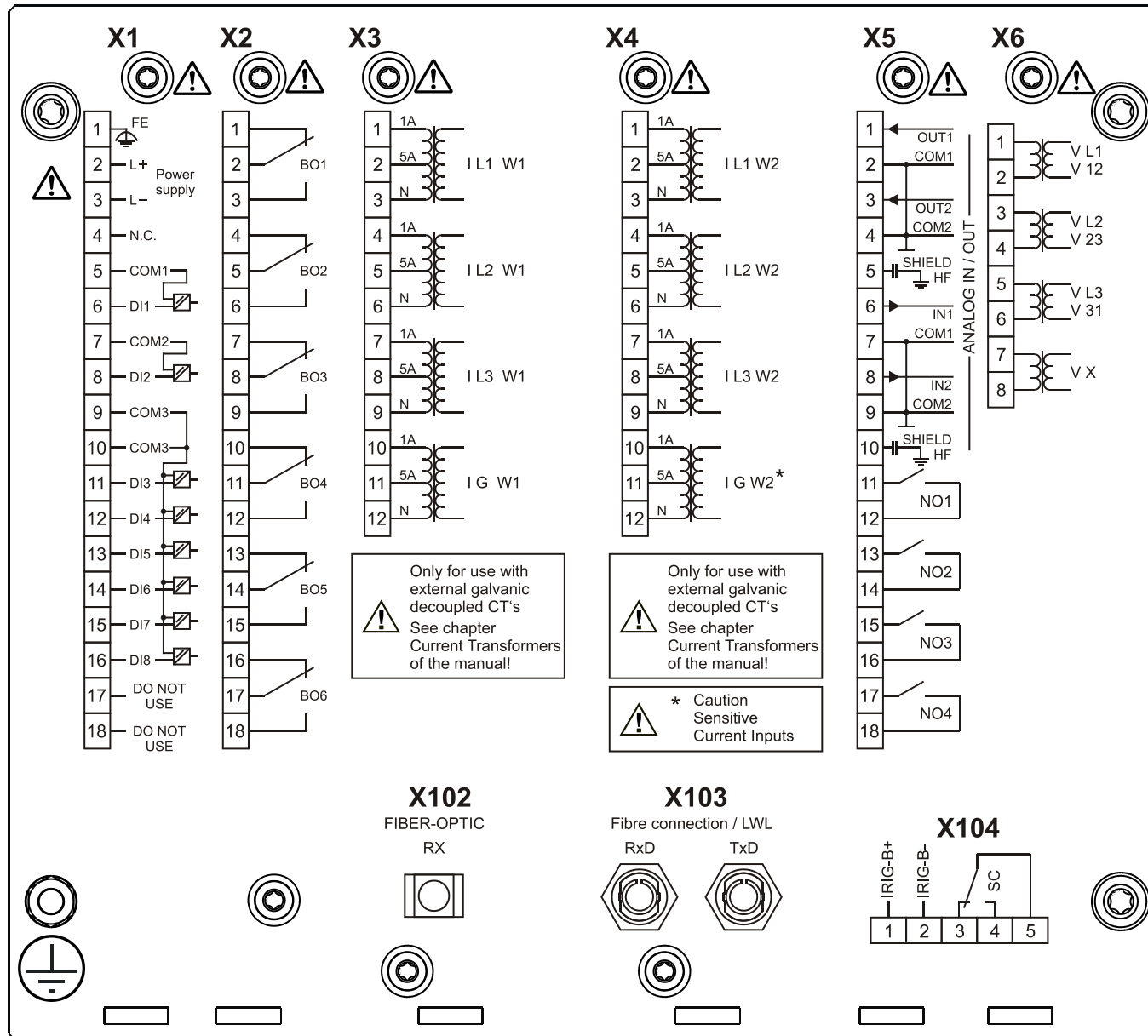
MCDTV4-2B2AEA



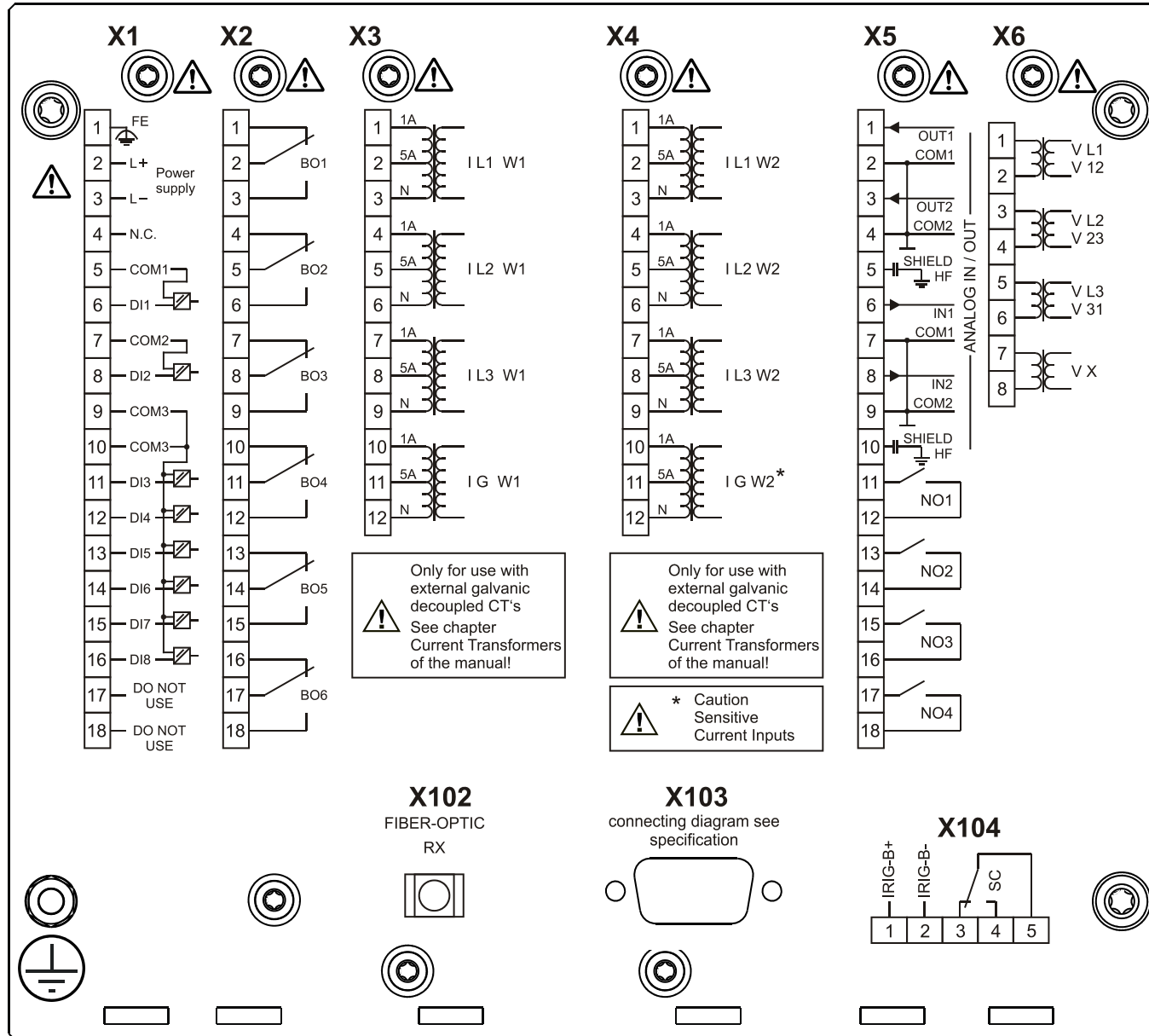
MCDTV4-2B2AFA



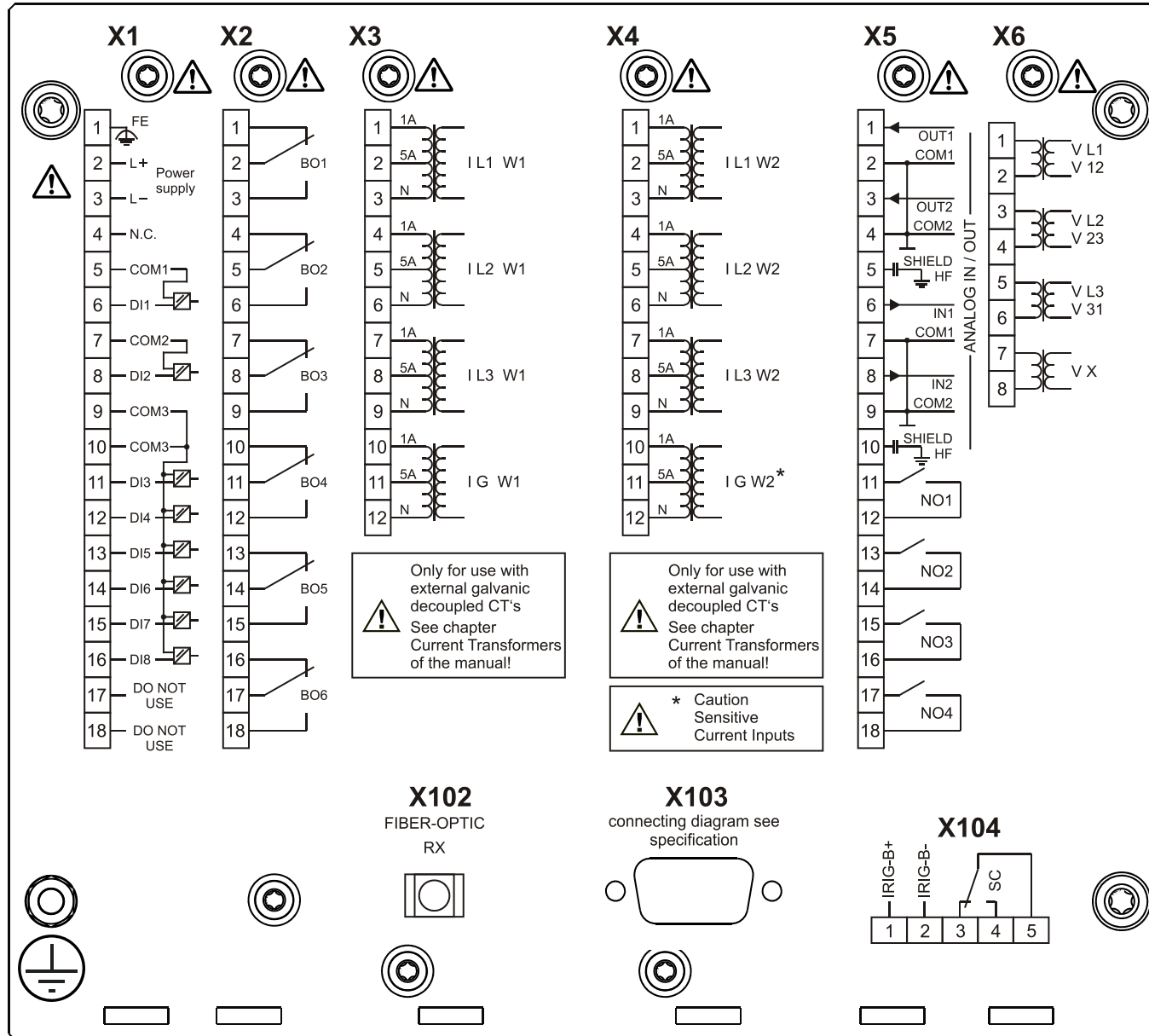
MCDTV4-2B2AFB



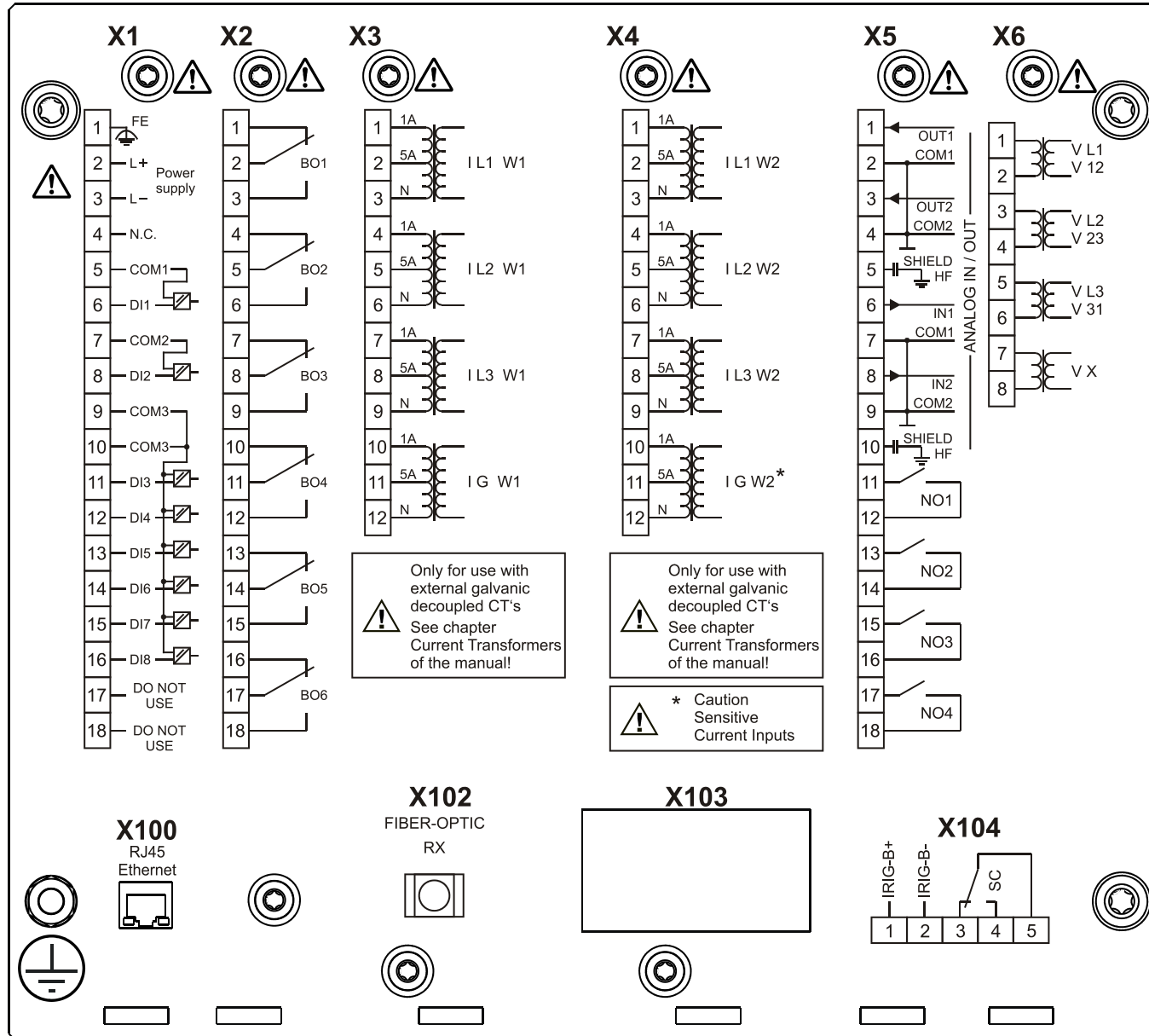
MCDTV4-2B2AGA



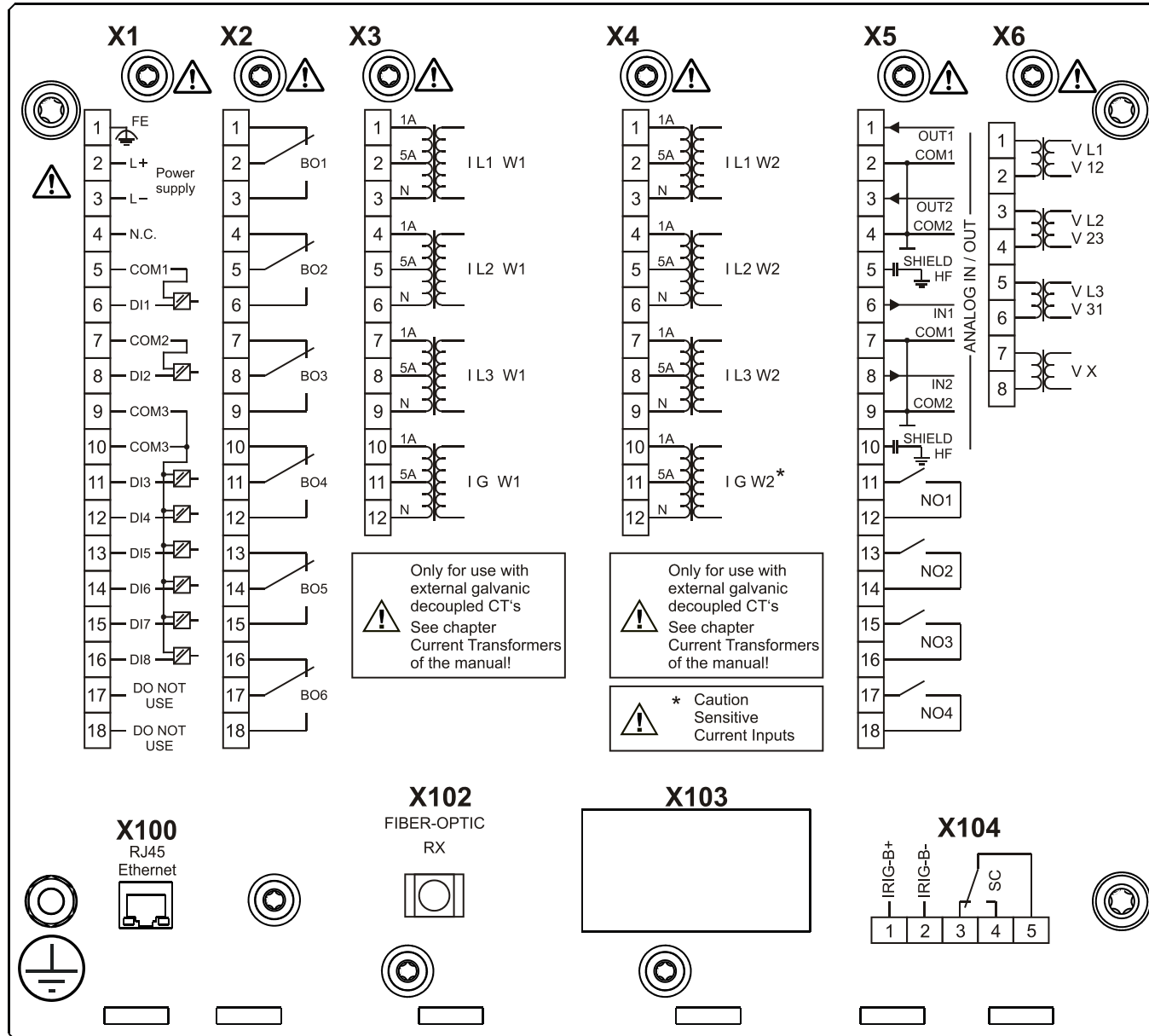
MCDTV4-2B2AGB



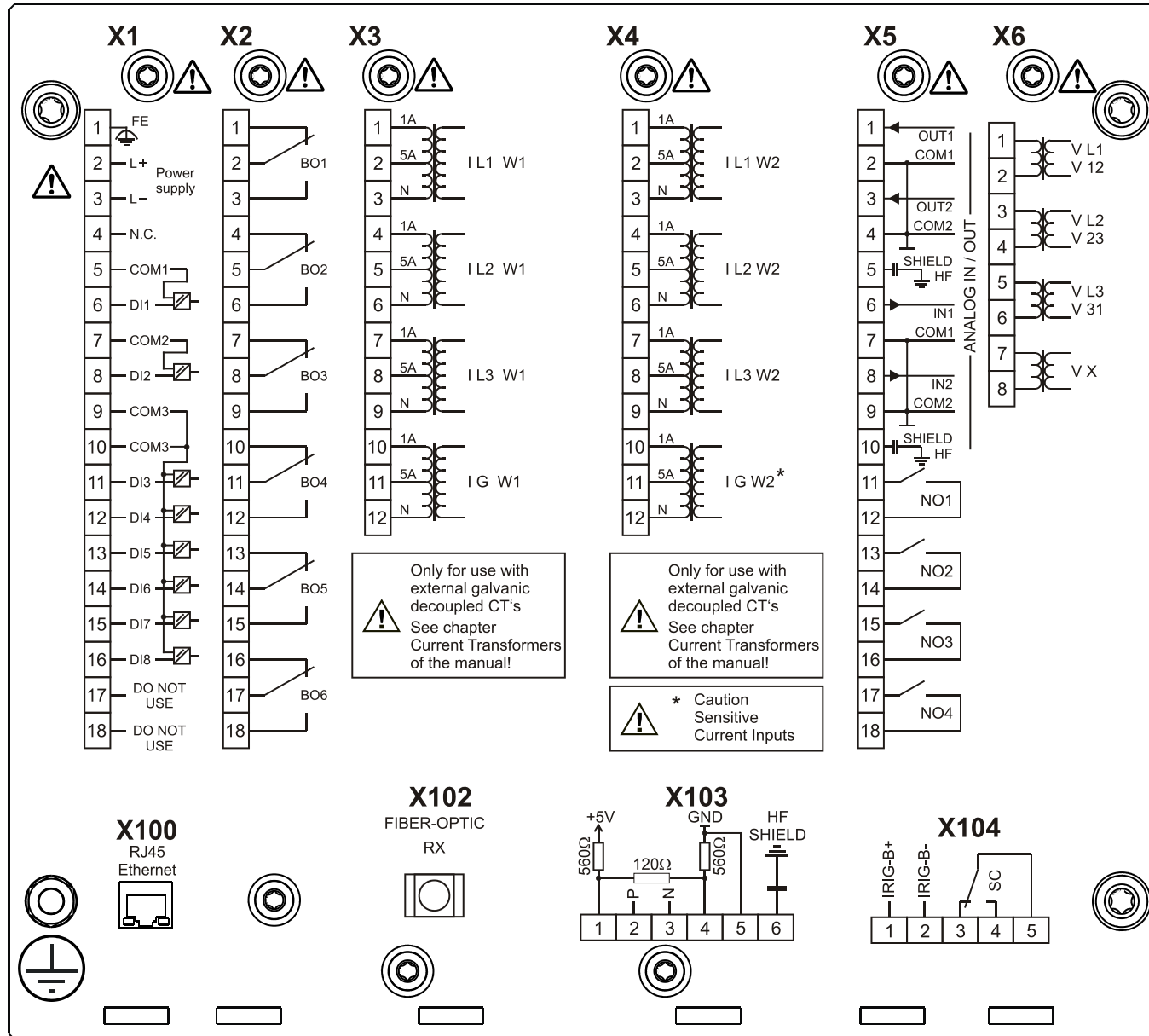
MCDTV4-2B2AHA



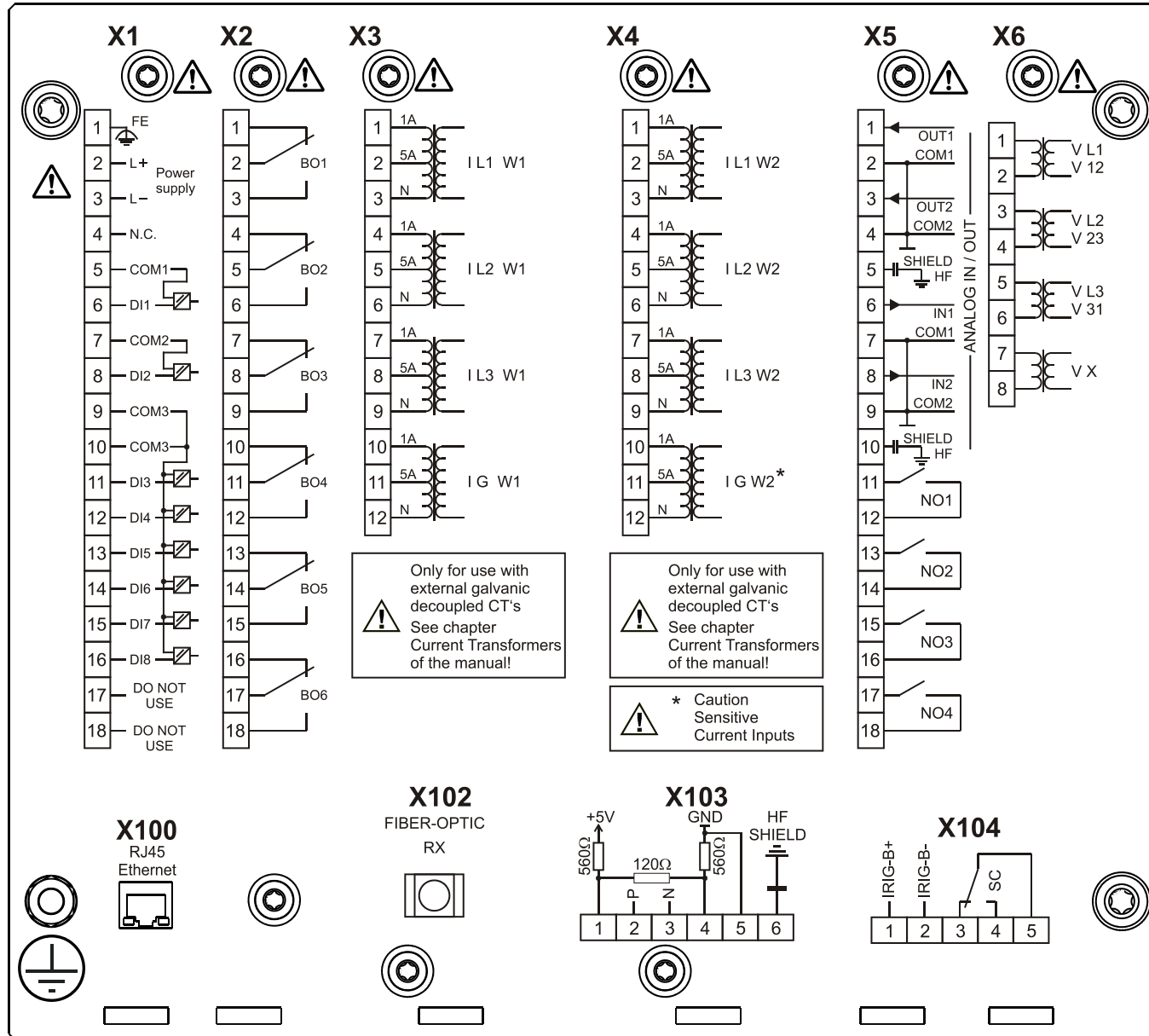
MCDTV4-2B2AHB



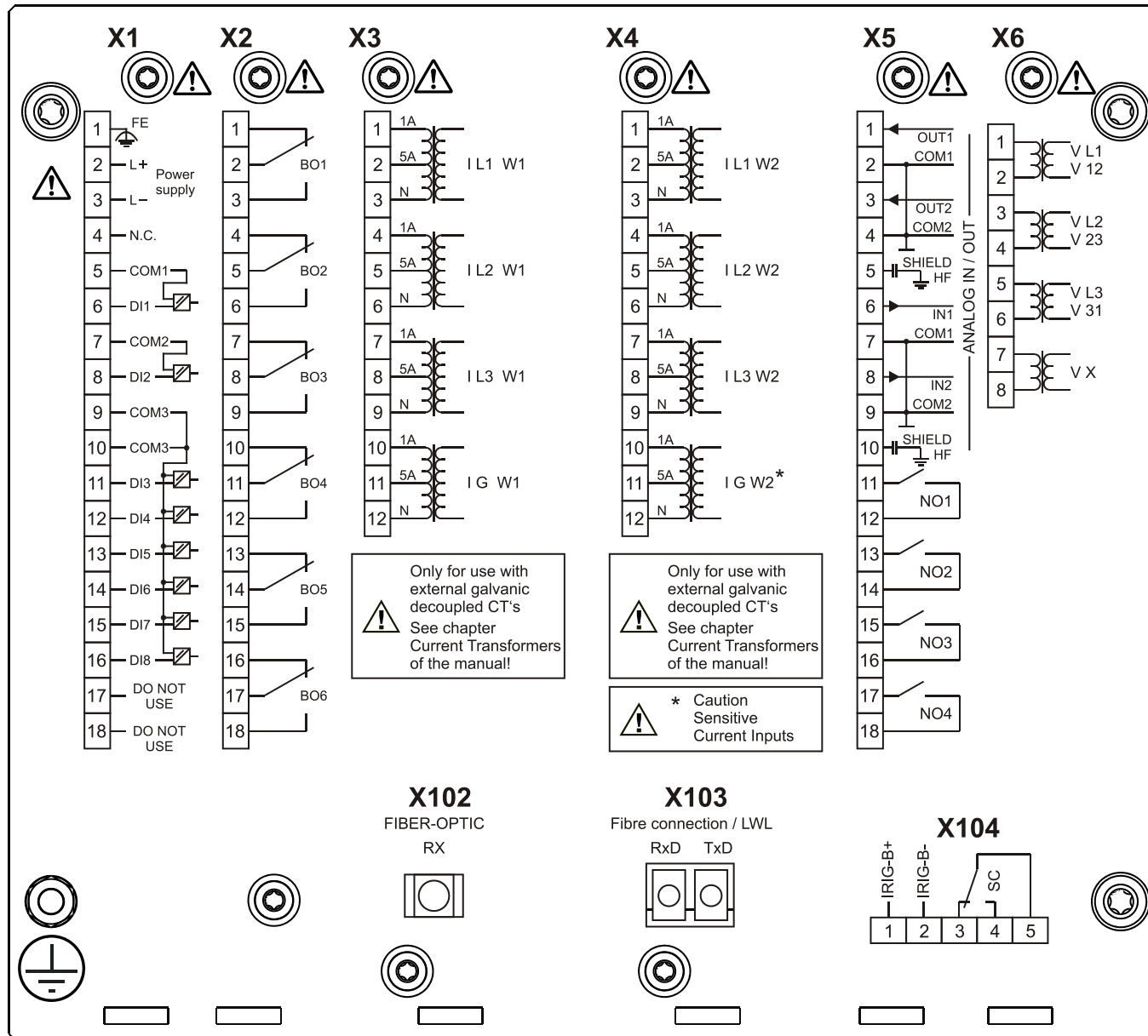
MCDTV4-2B2AIA



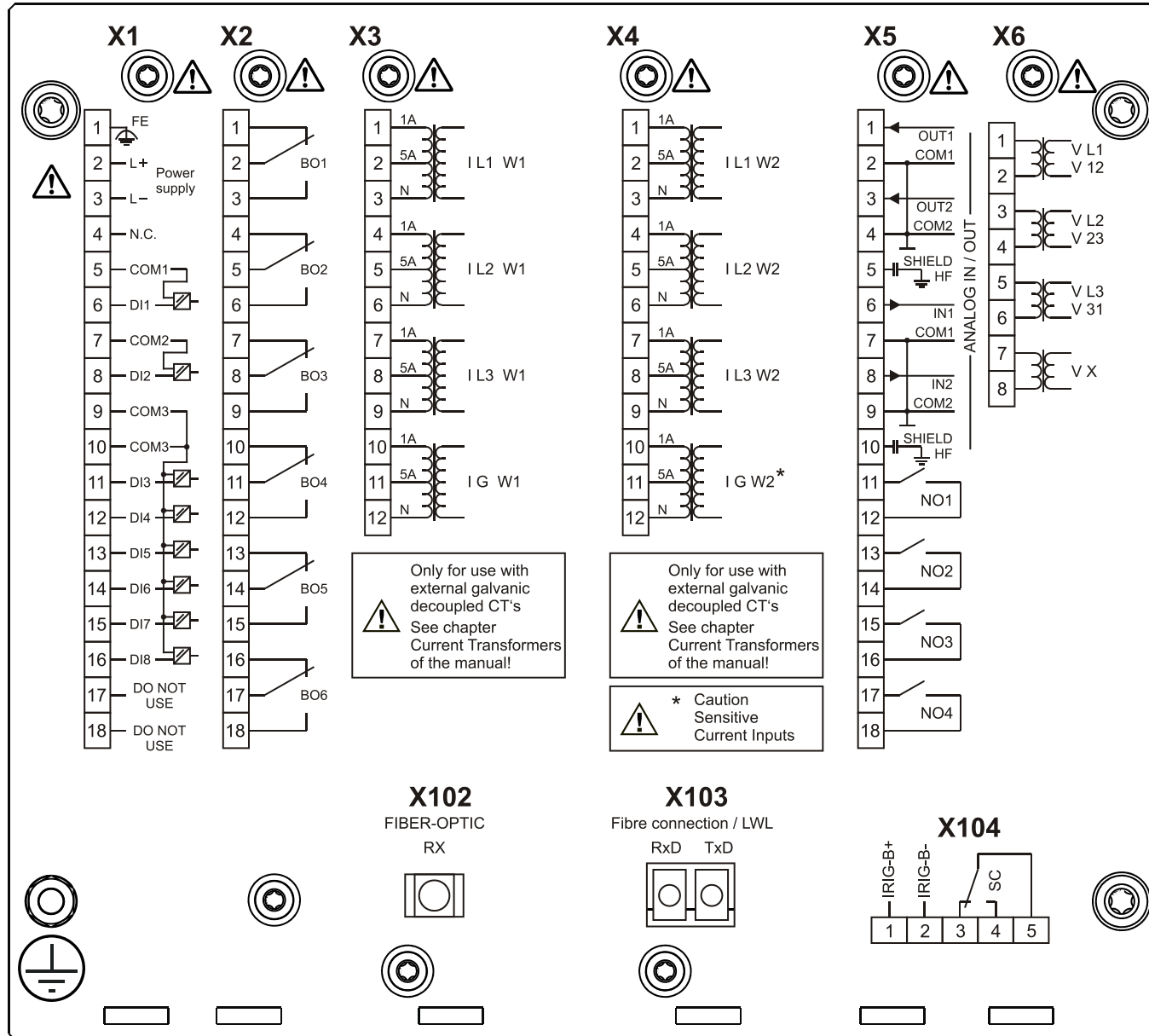
MCDTV4-2B2AIB



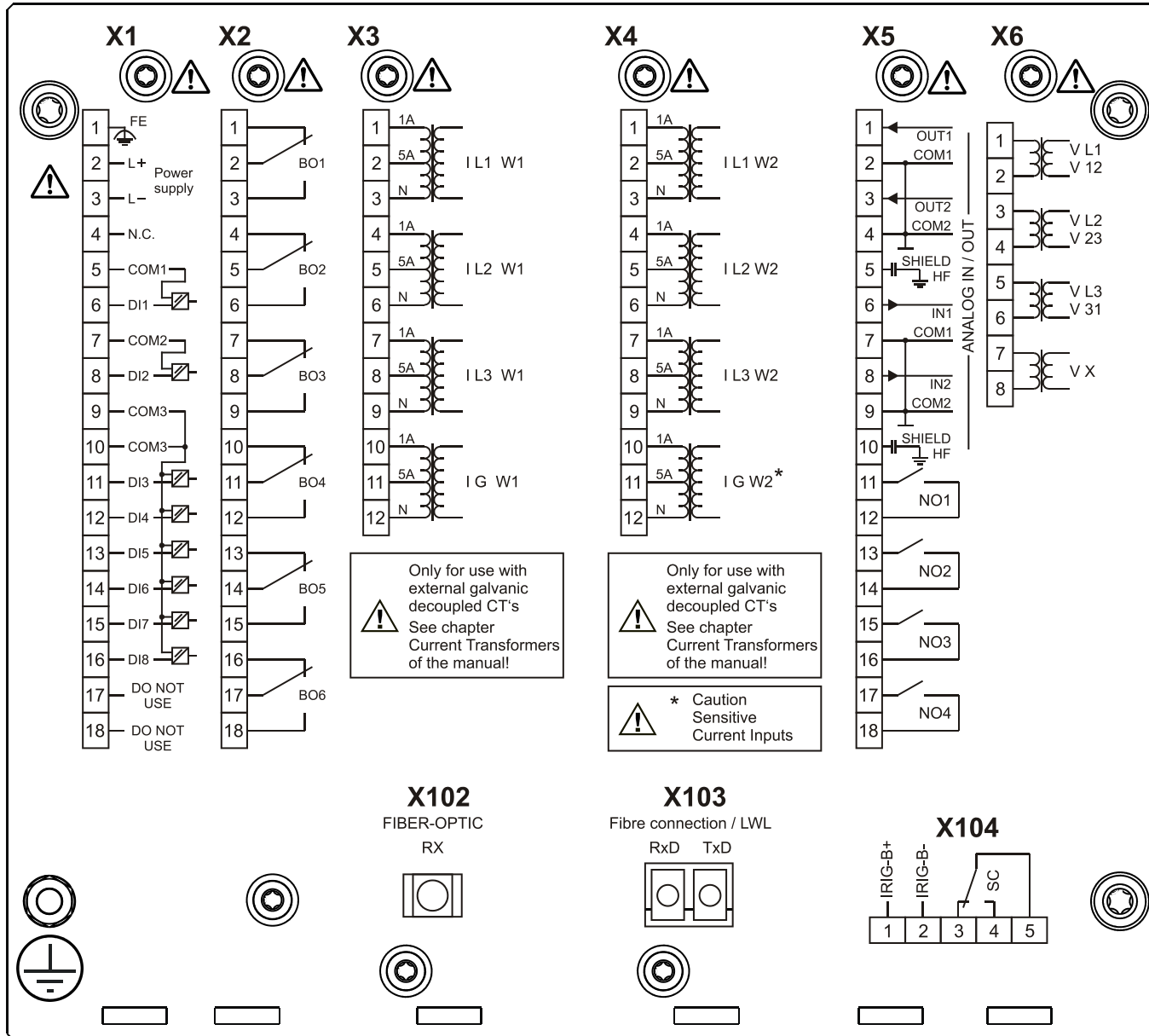
MCDTV4-2B2AKA



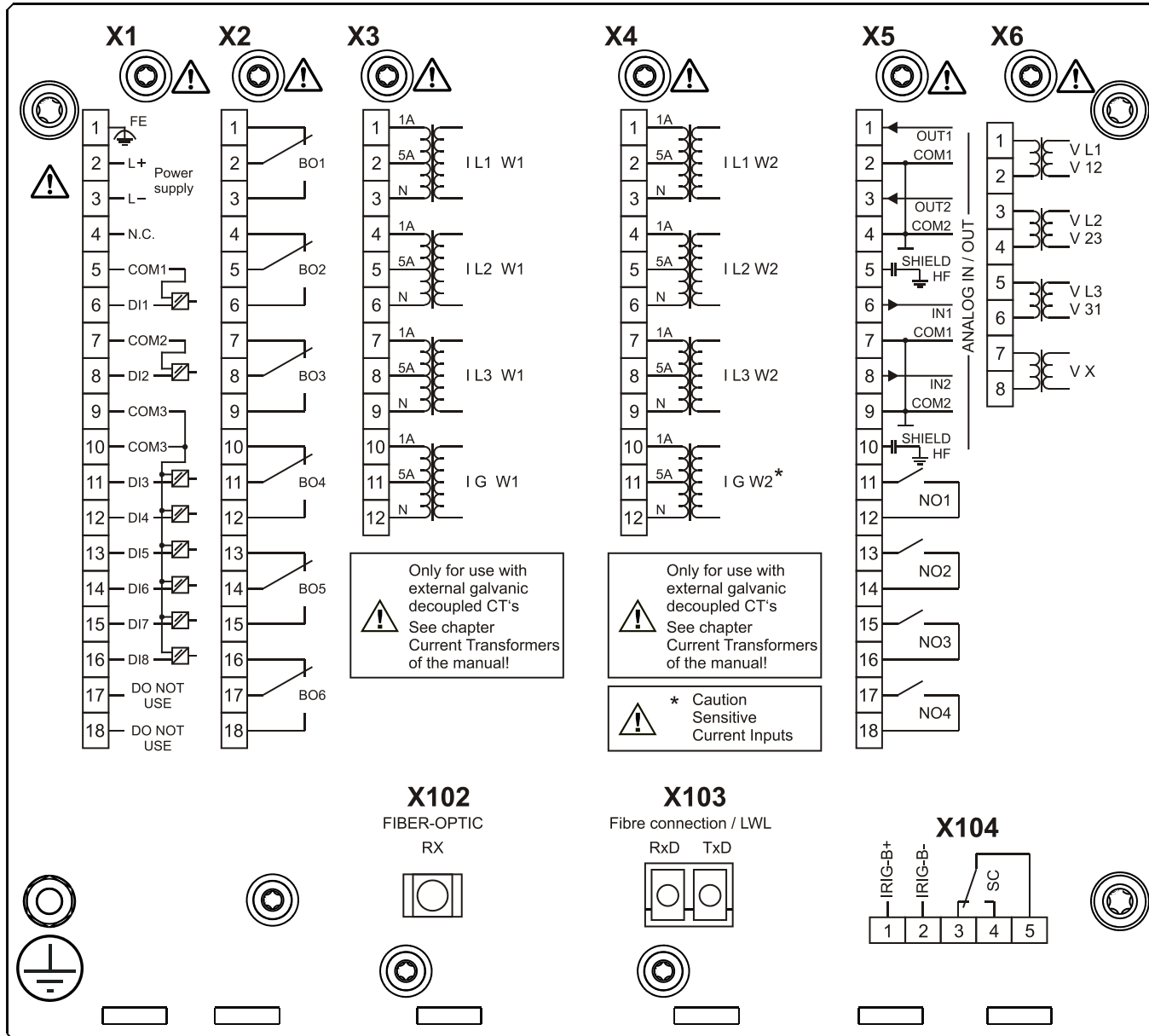
MCDTV4-2B2AKB



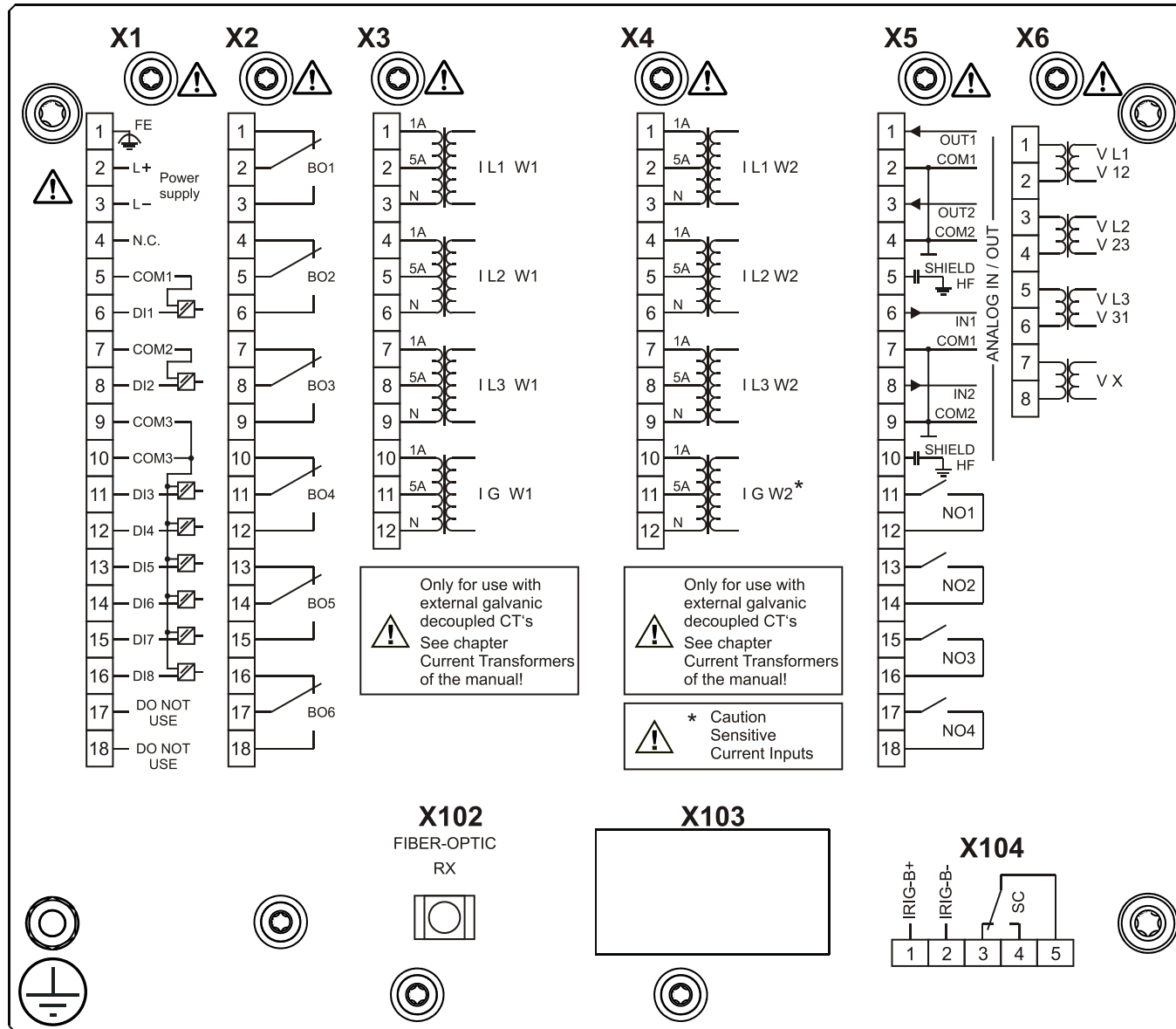
MCDTV4-2B2ALA



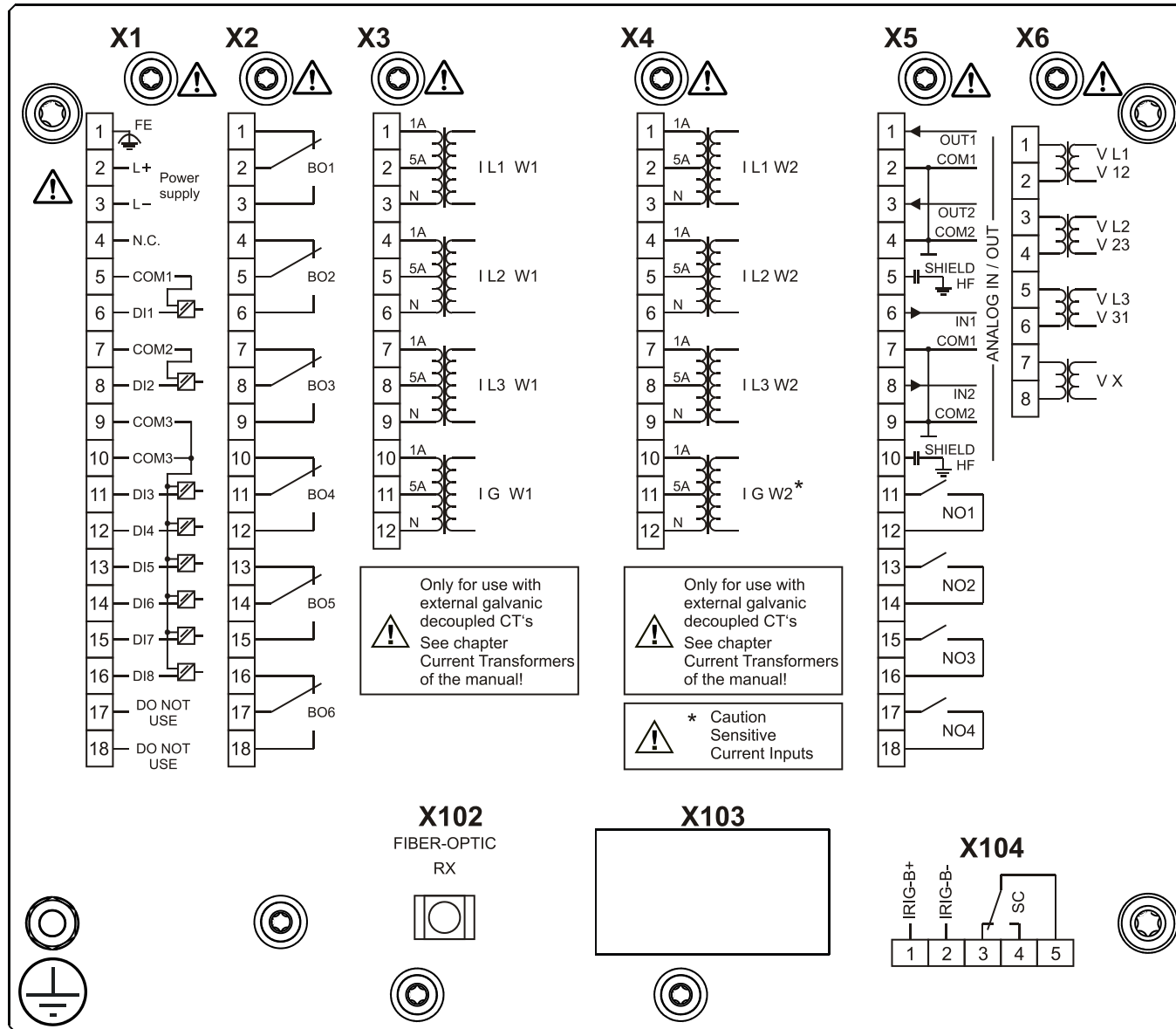
MCDTV4-2B2ALB



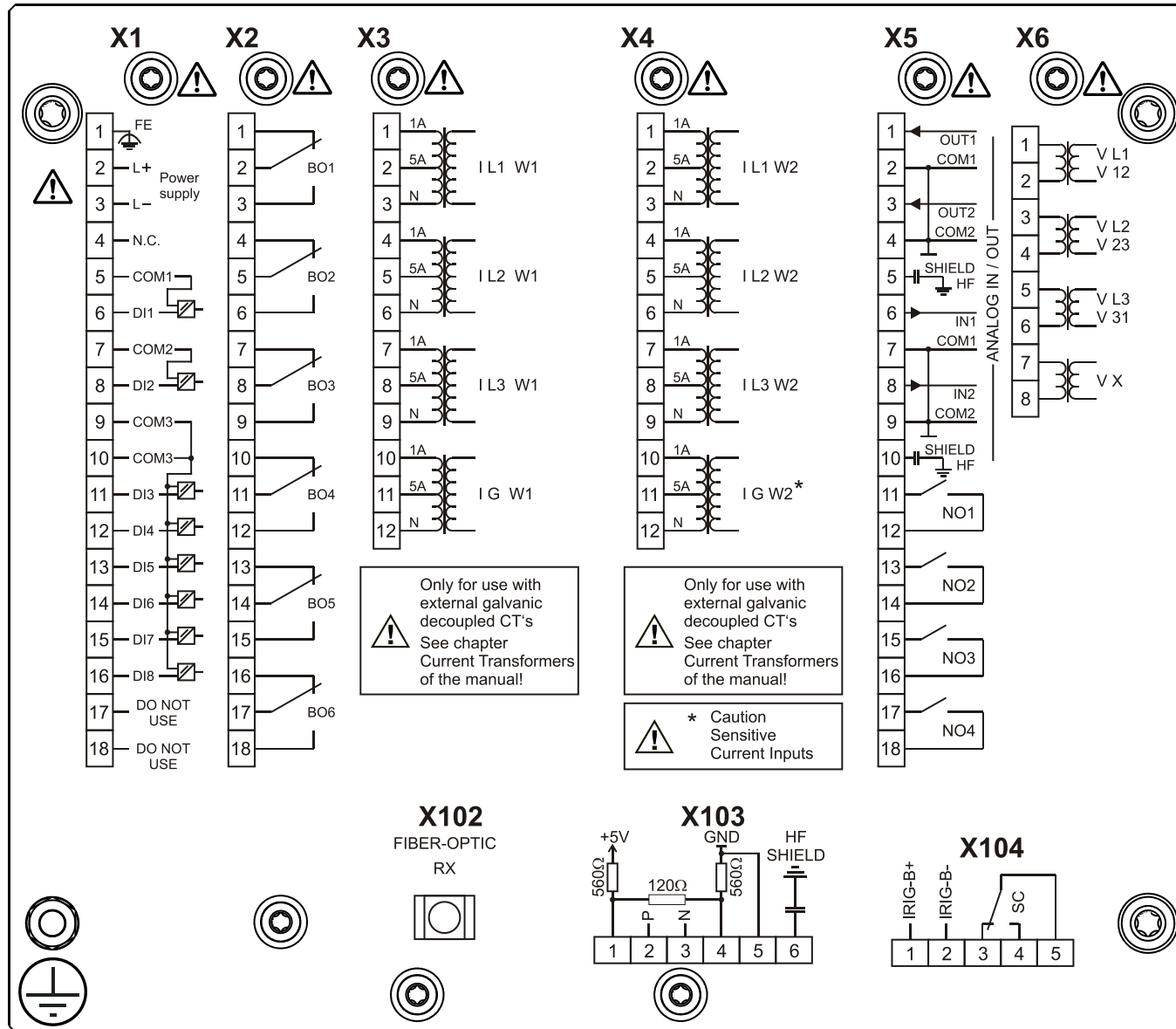
MCDTV4-2B2BAA



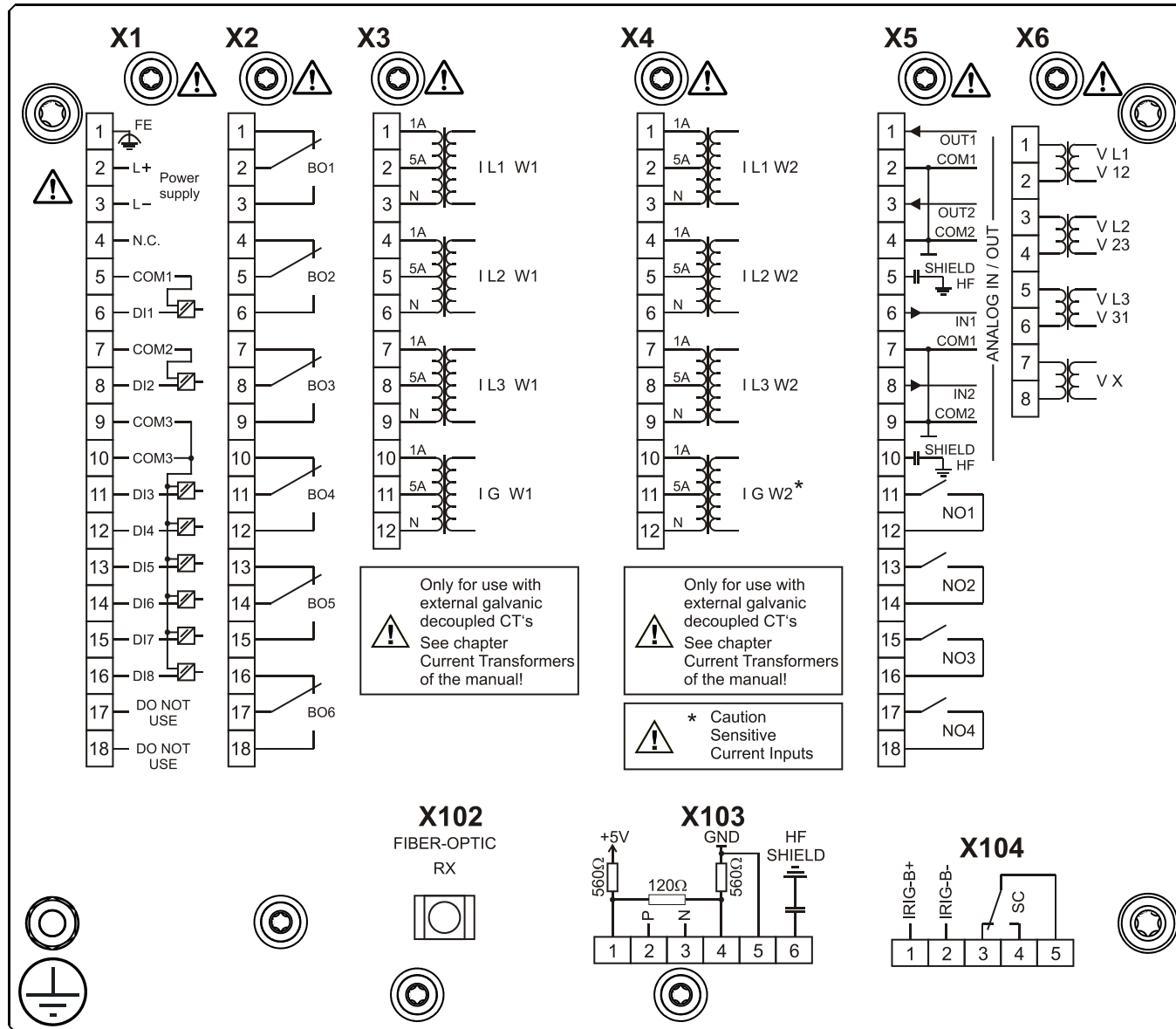
MCDTV4-2B2BAB



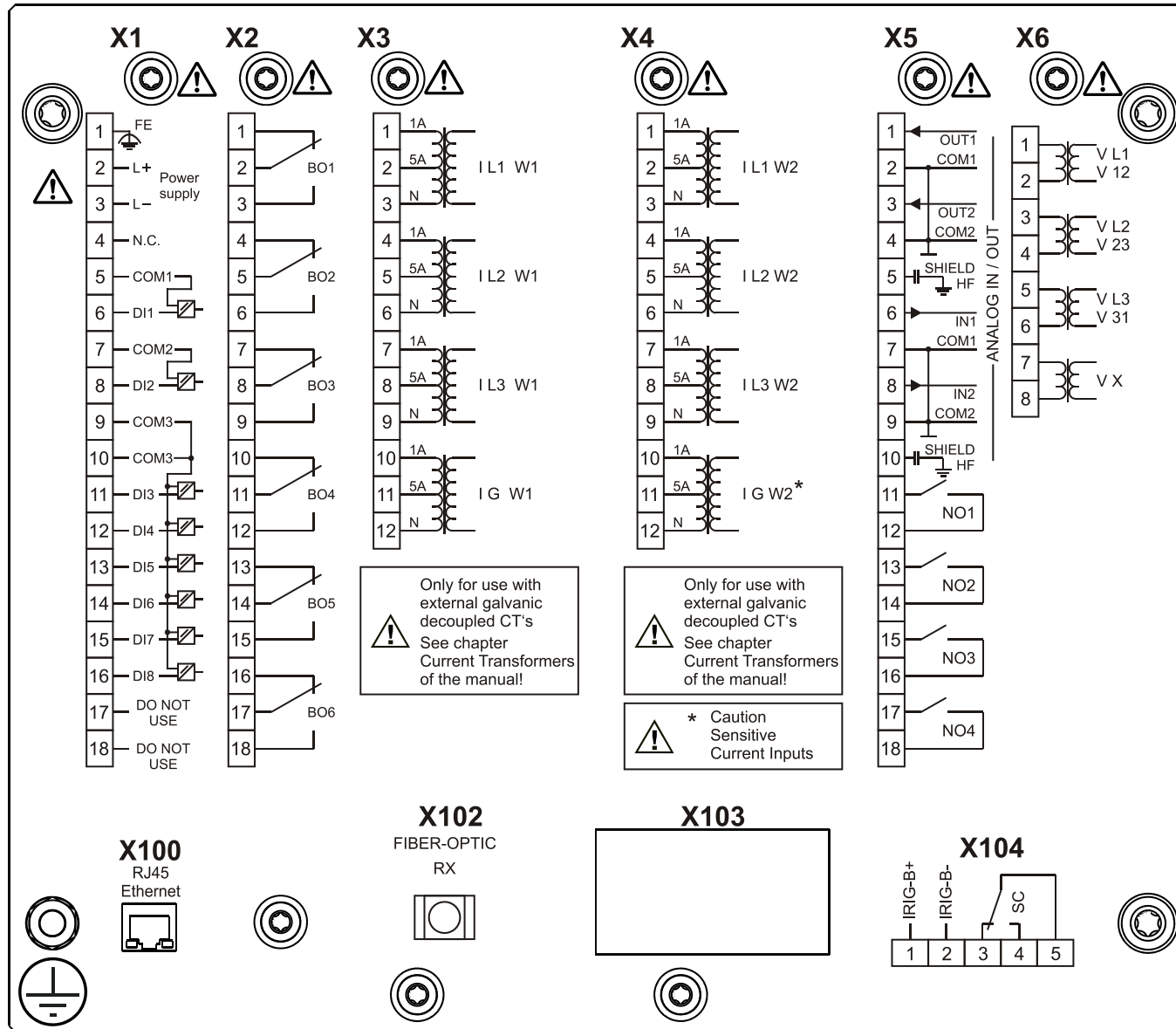
MCDTV4-2B2BBA



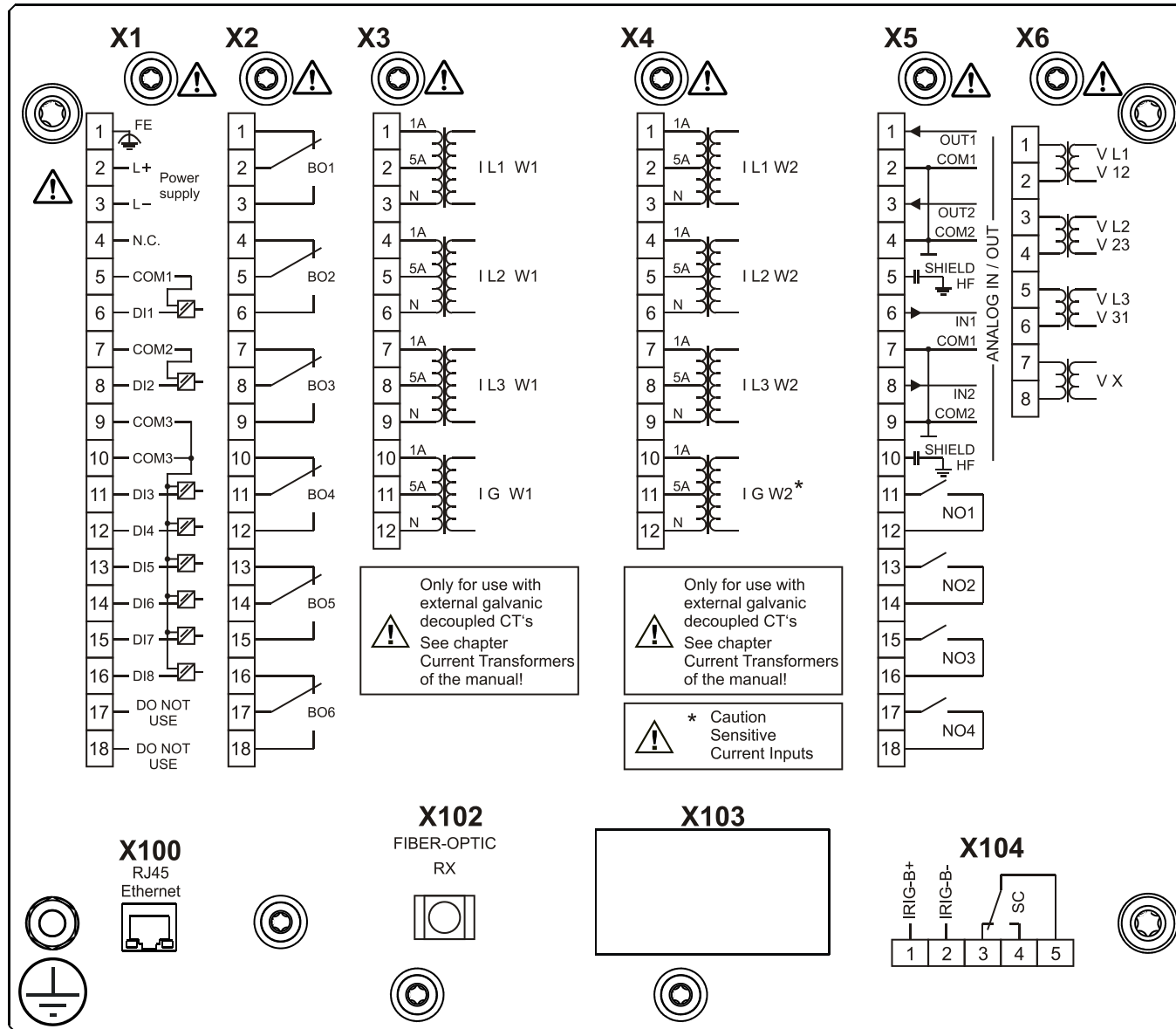
MCDTV4-2B2BBB



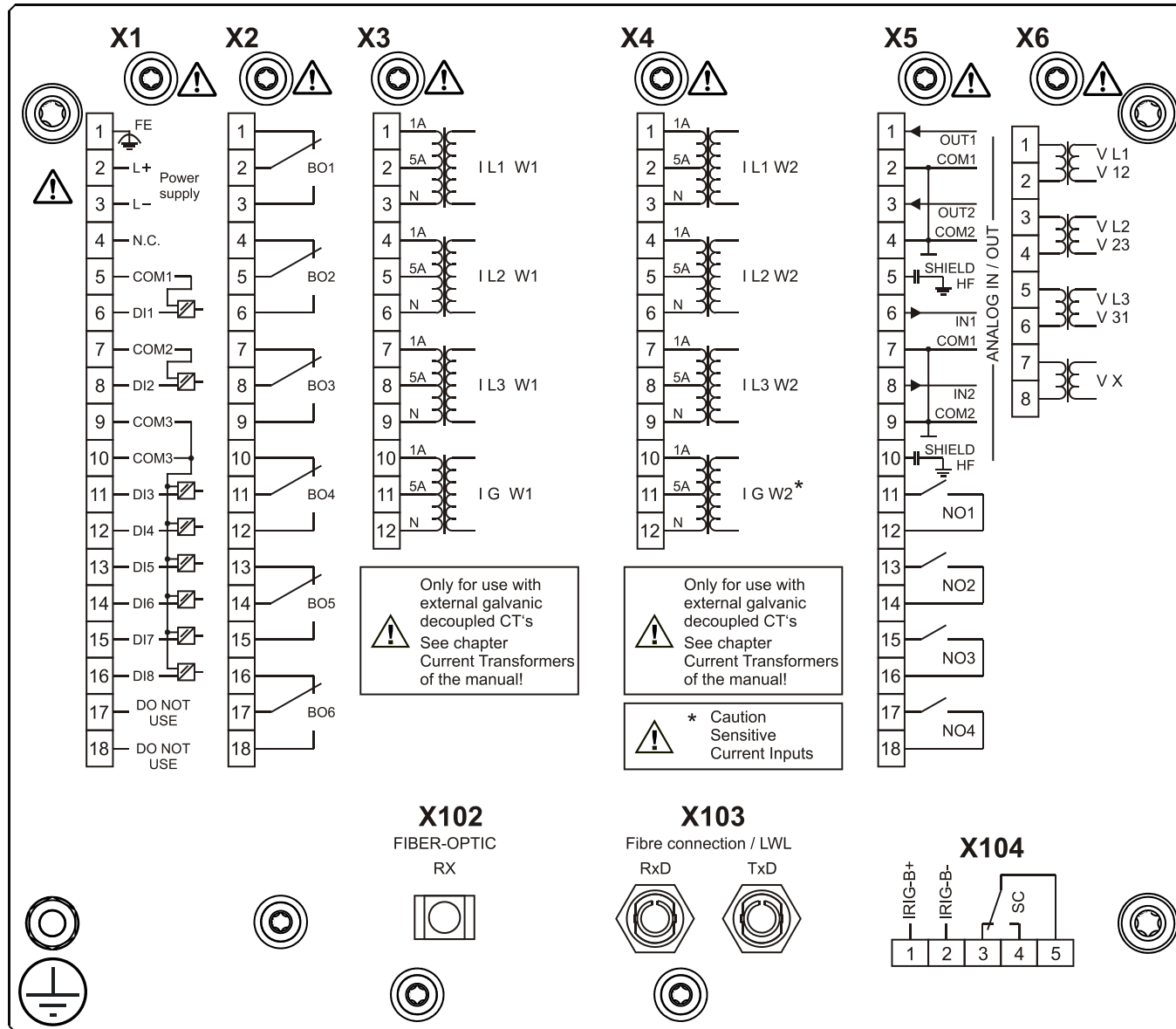
MCDTV4-2B2BCA



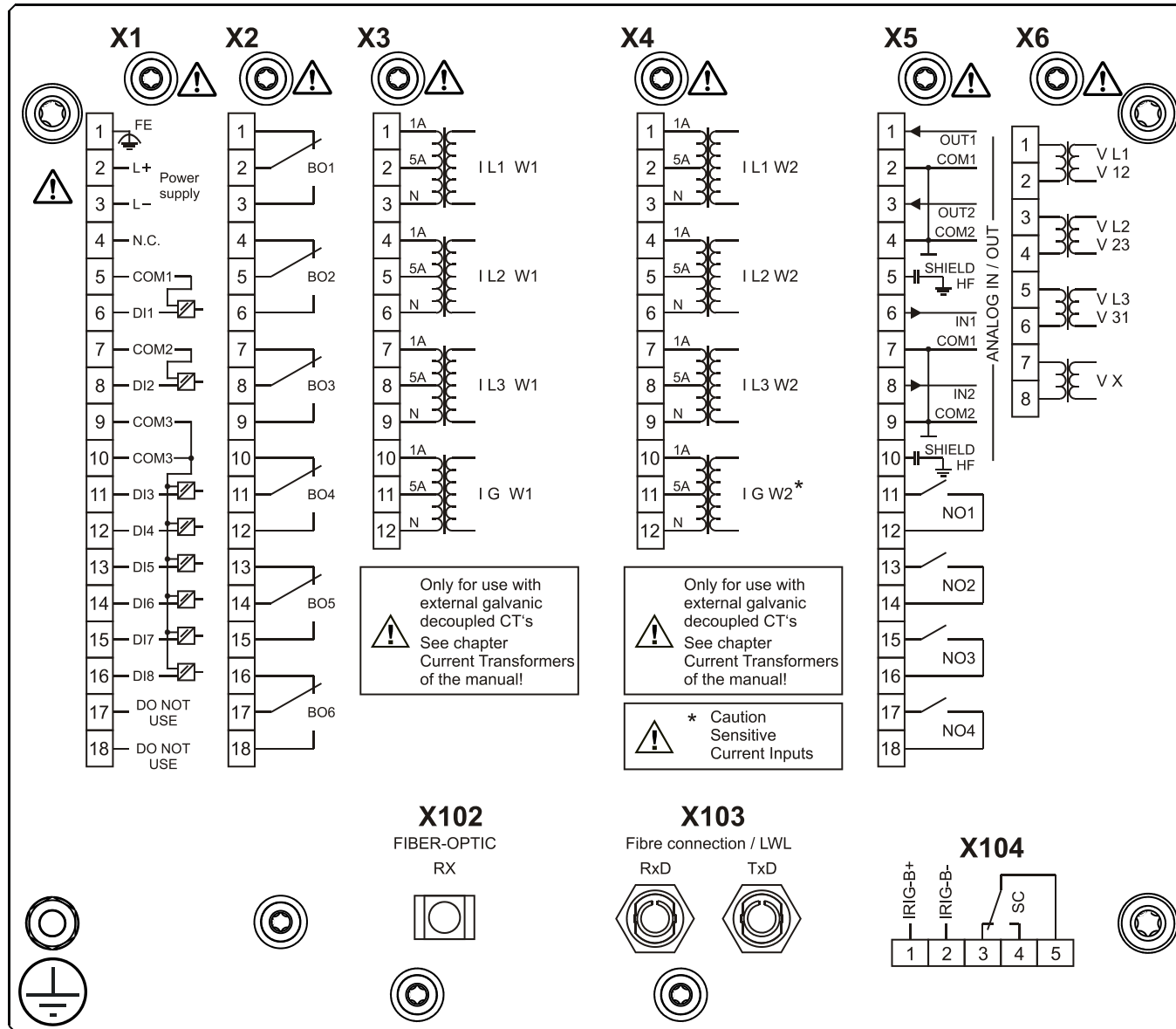
MCDTV4-2B2BCB



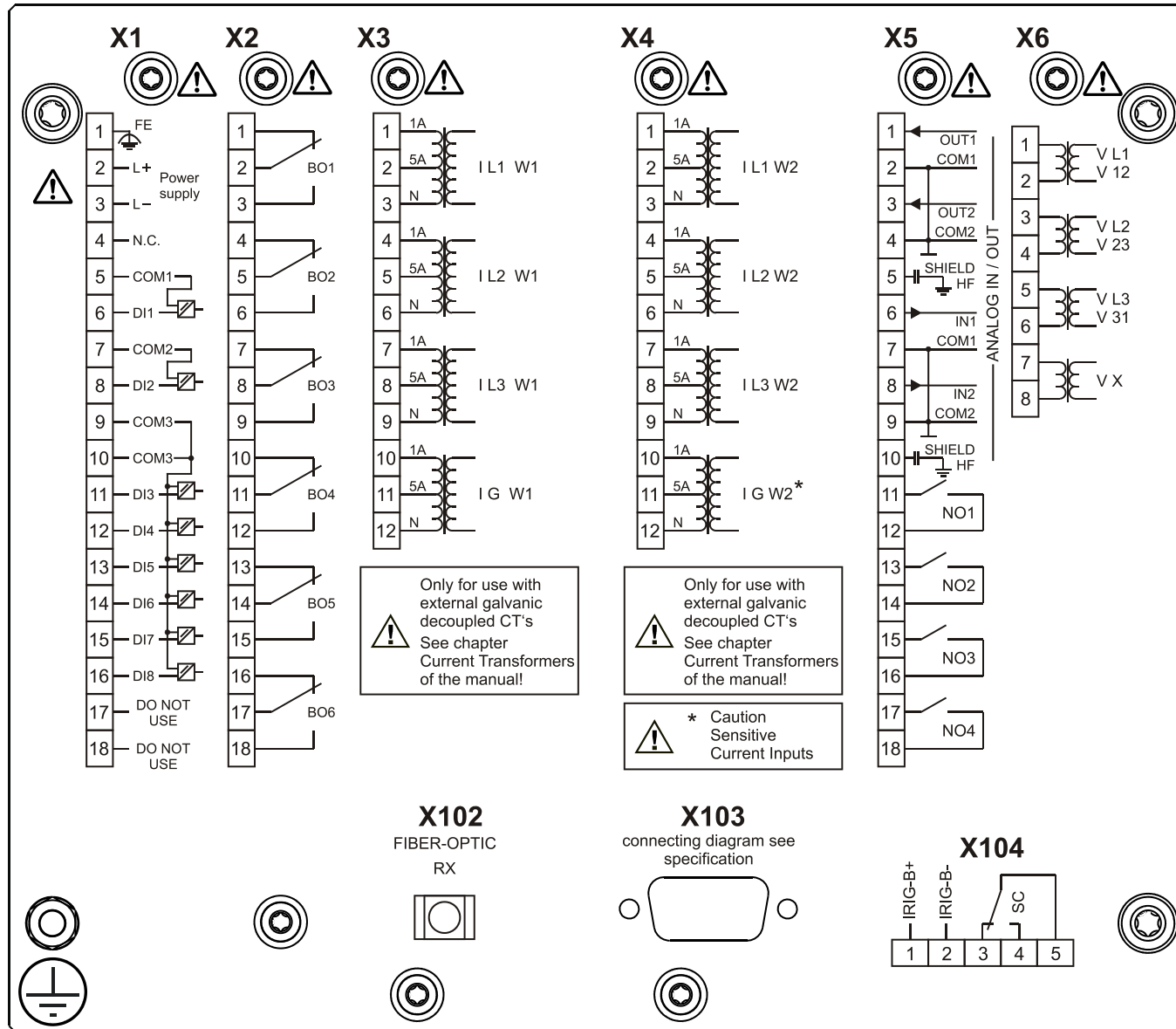
MCDTV4-2B2BDA



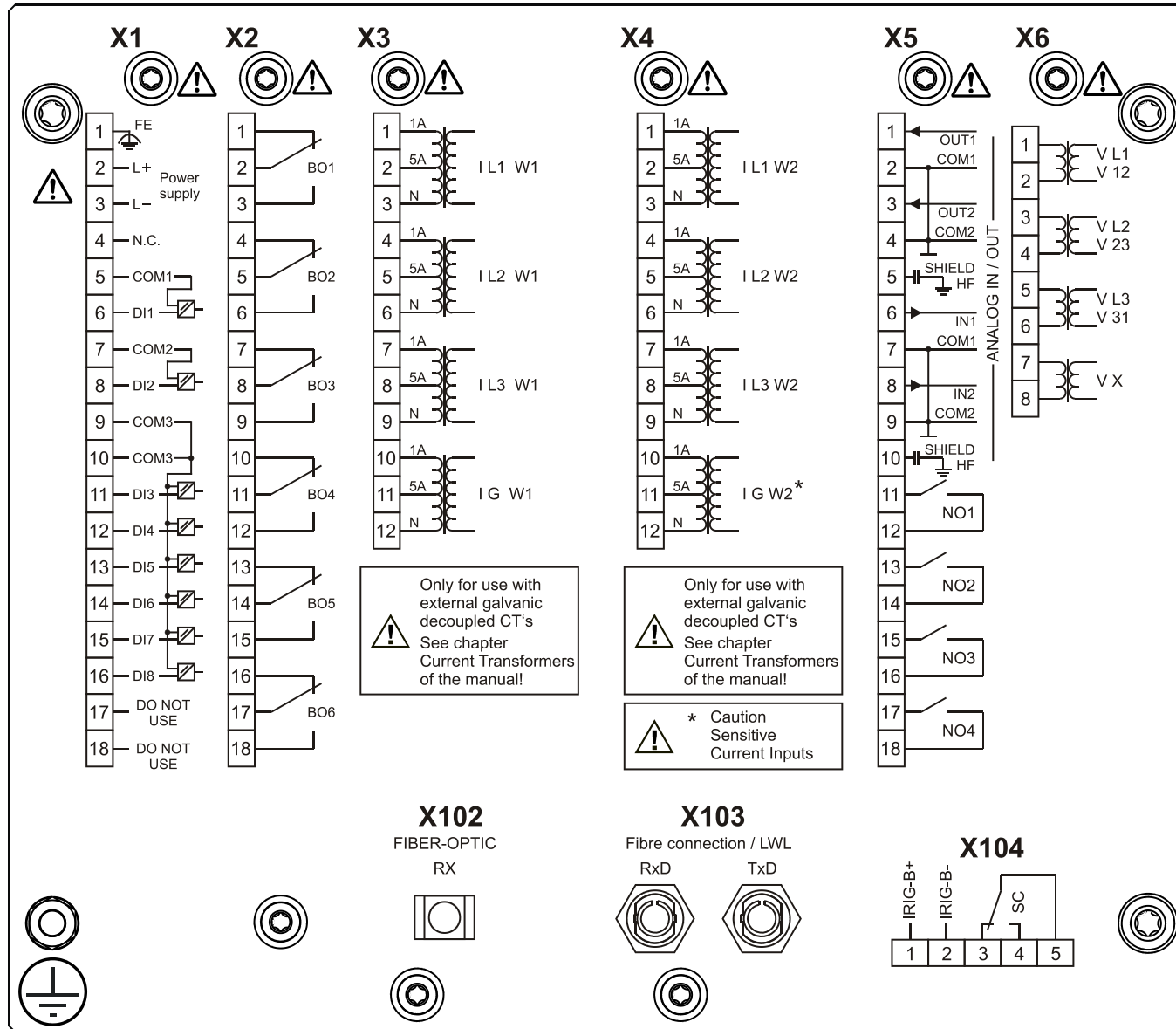
MCDTV4-2B2BDB



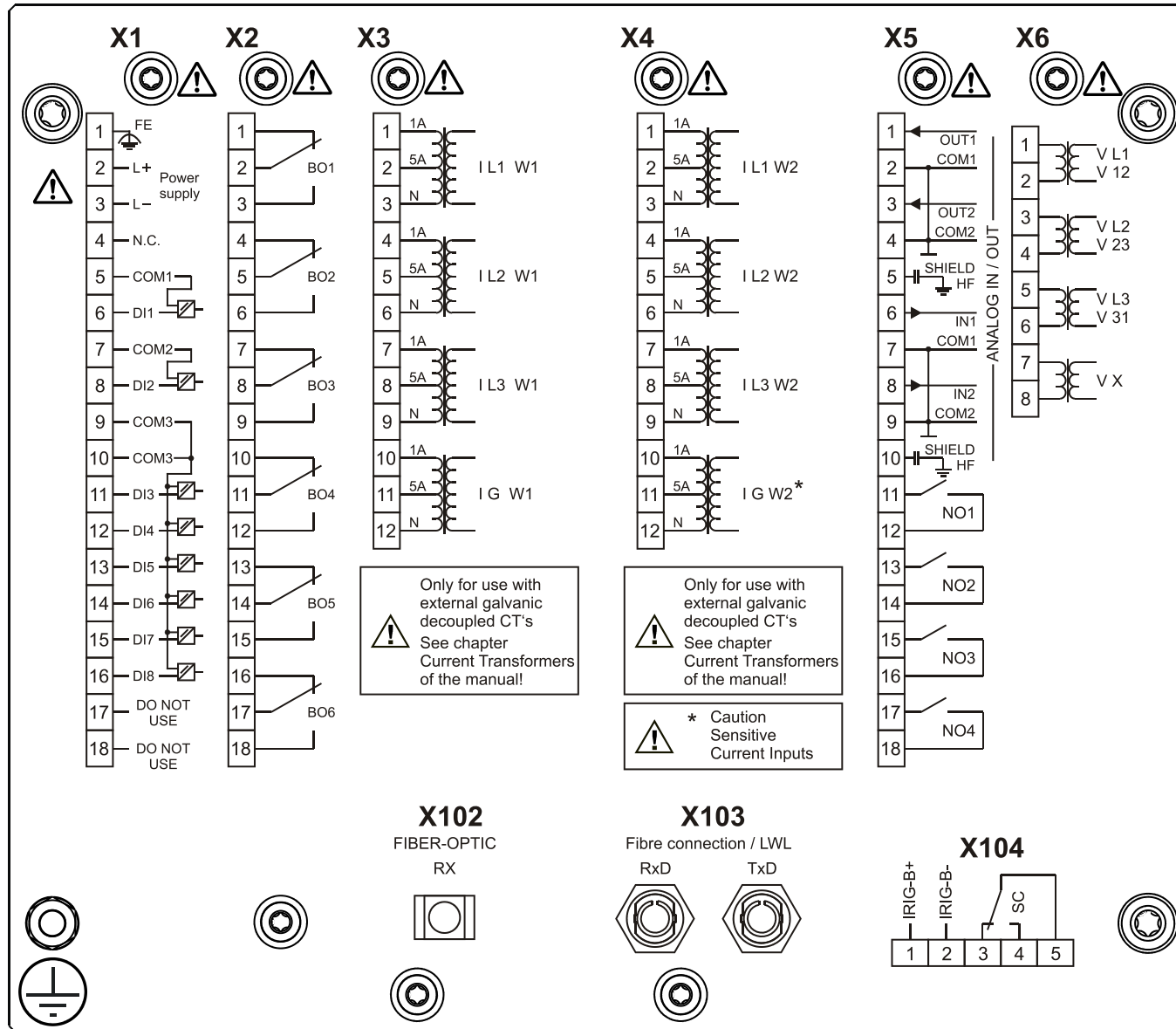
MCDTV4-2B2BEA



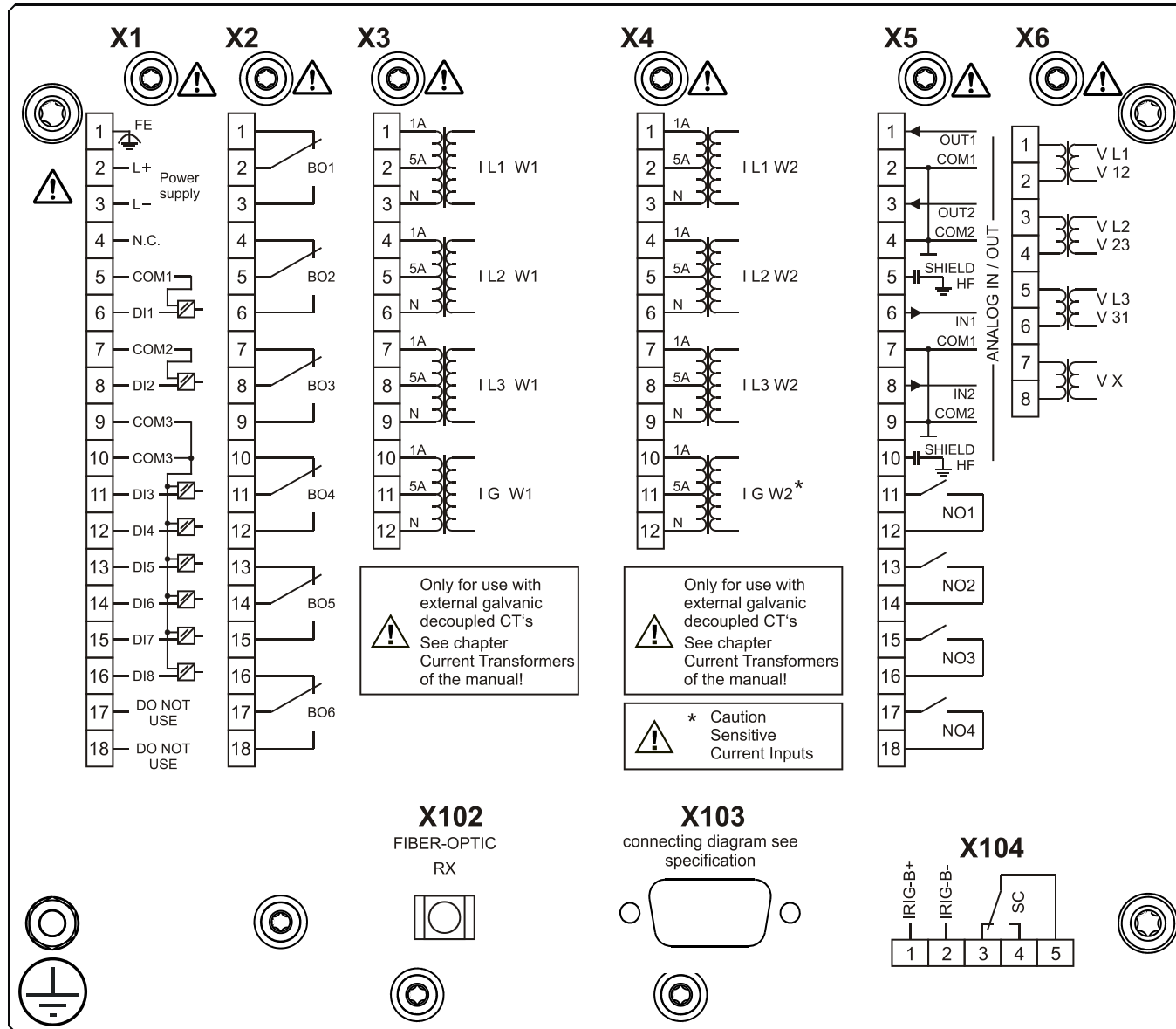
MCDTV4-2B2BFA



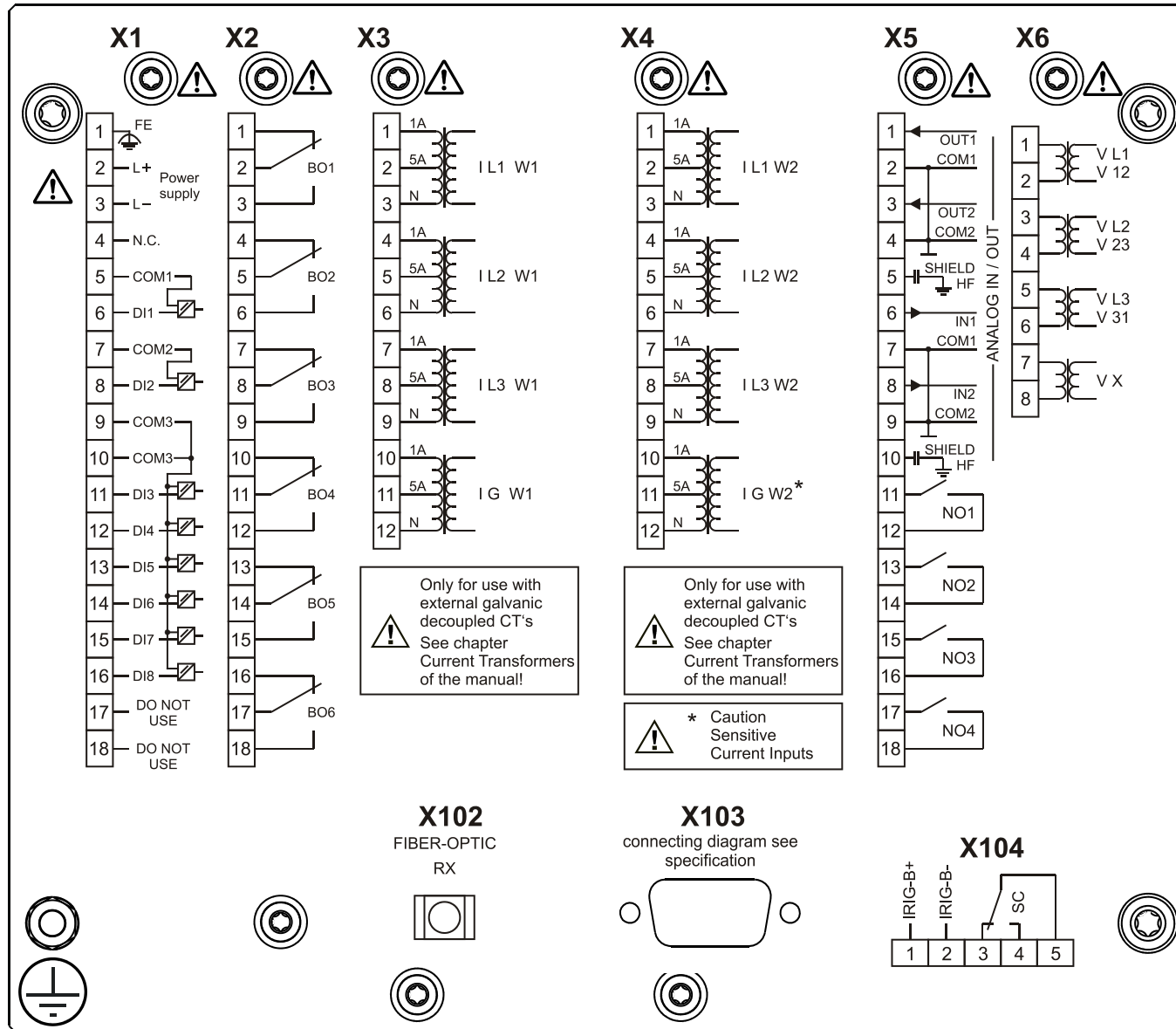
MCDTV4-2B2BFB



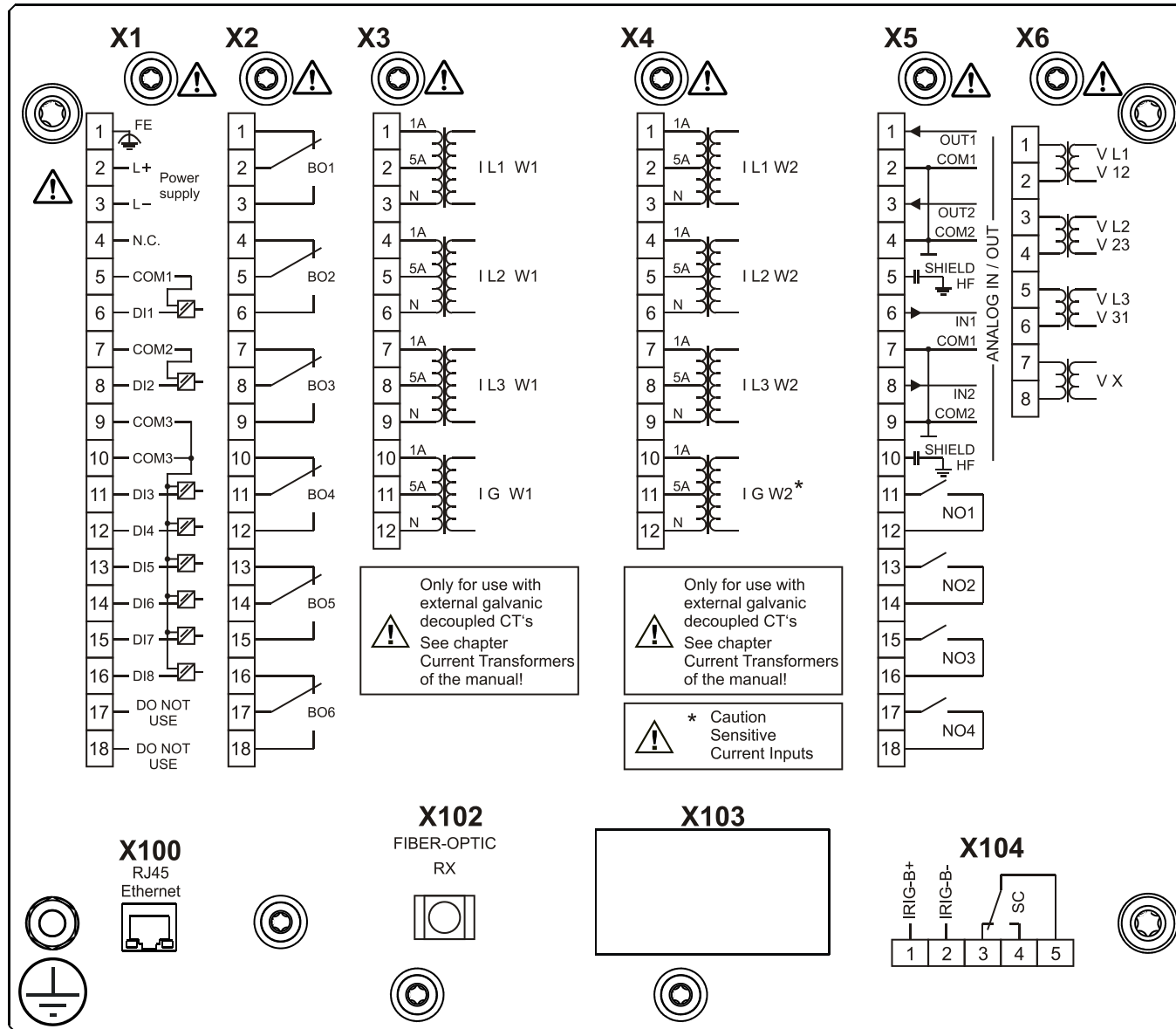
MCDTV4-2B2BGA



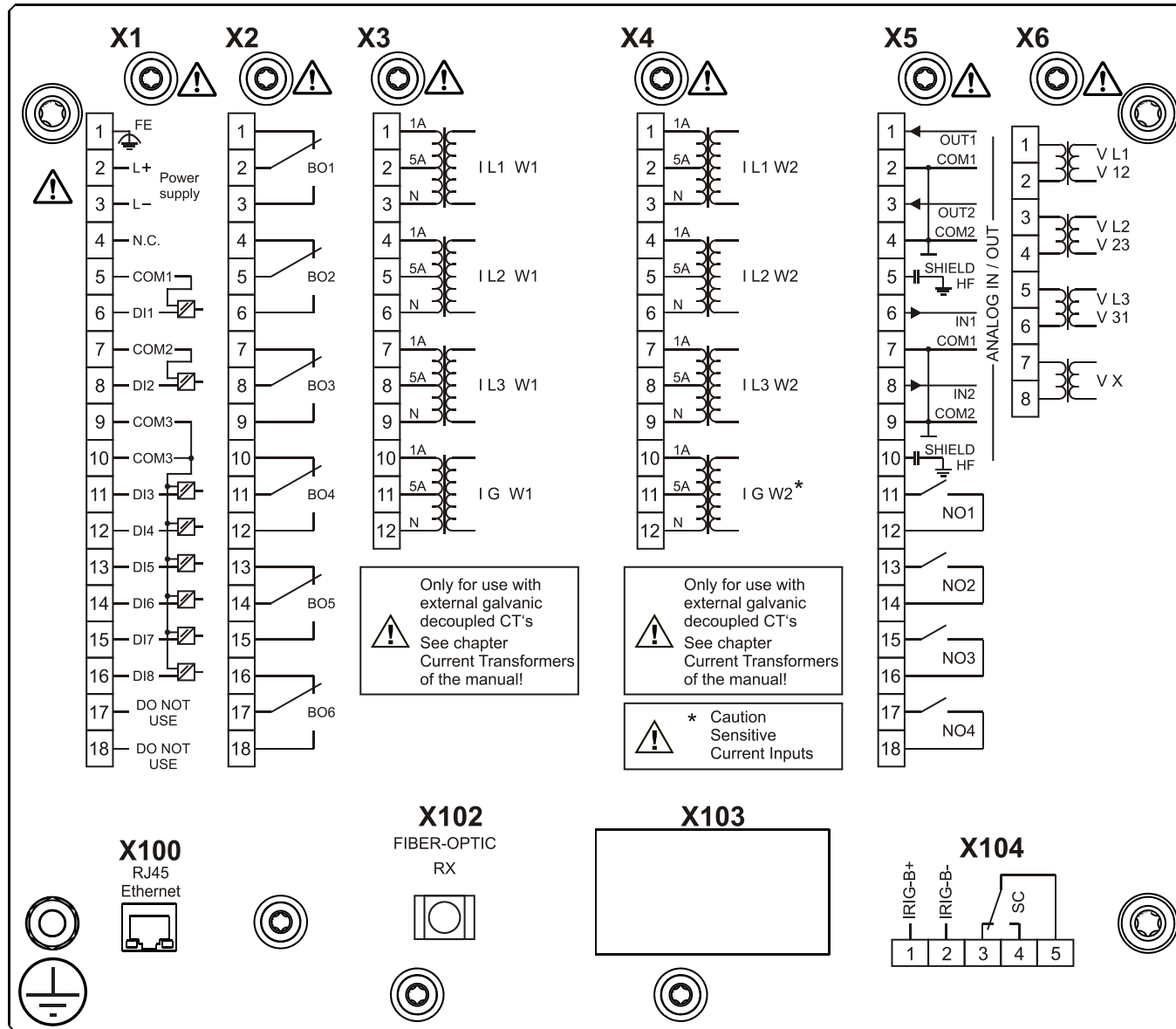
MCDTV4-2B2BGB



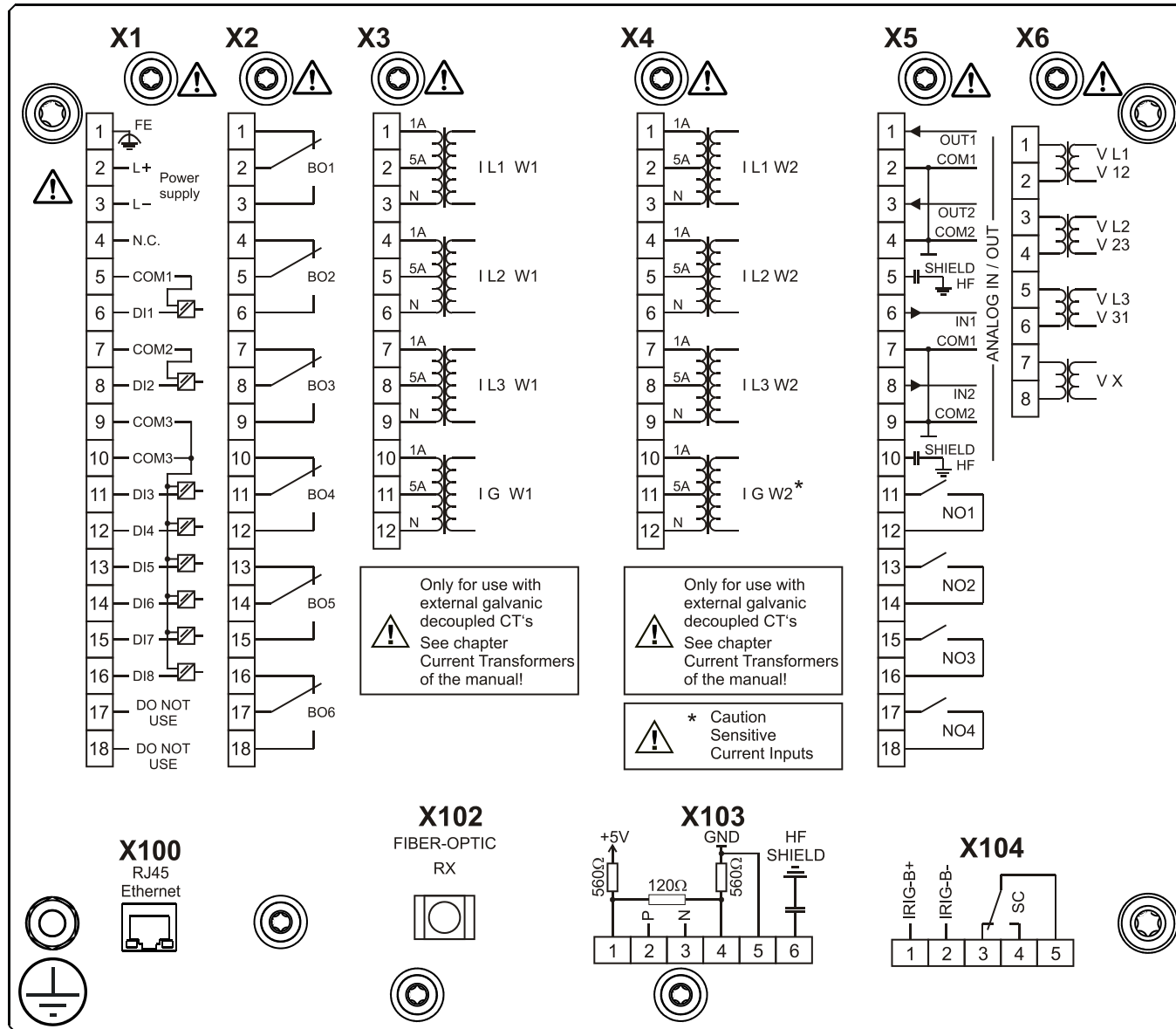
MCDTV4-2B2BHA



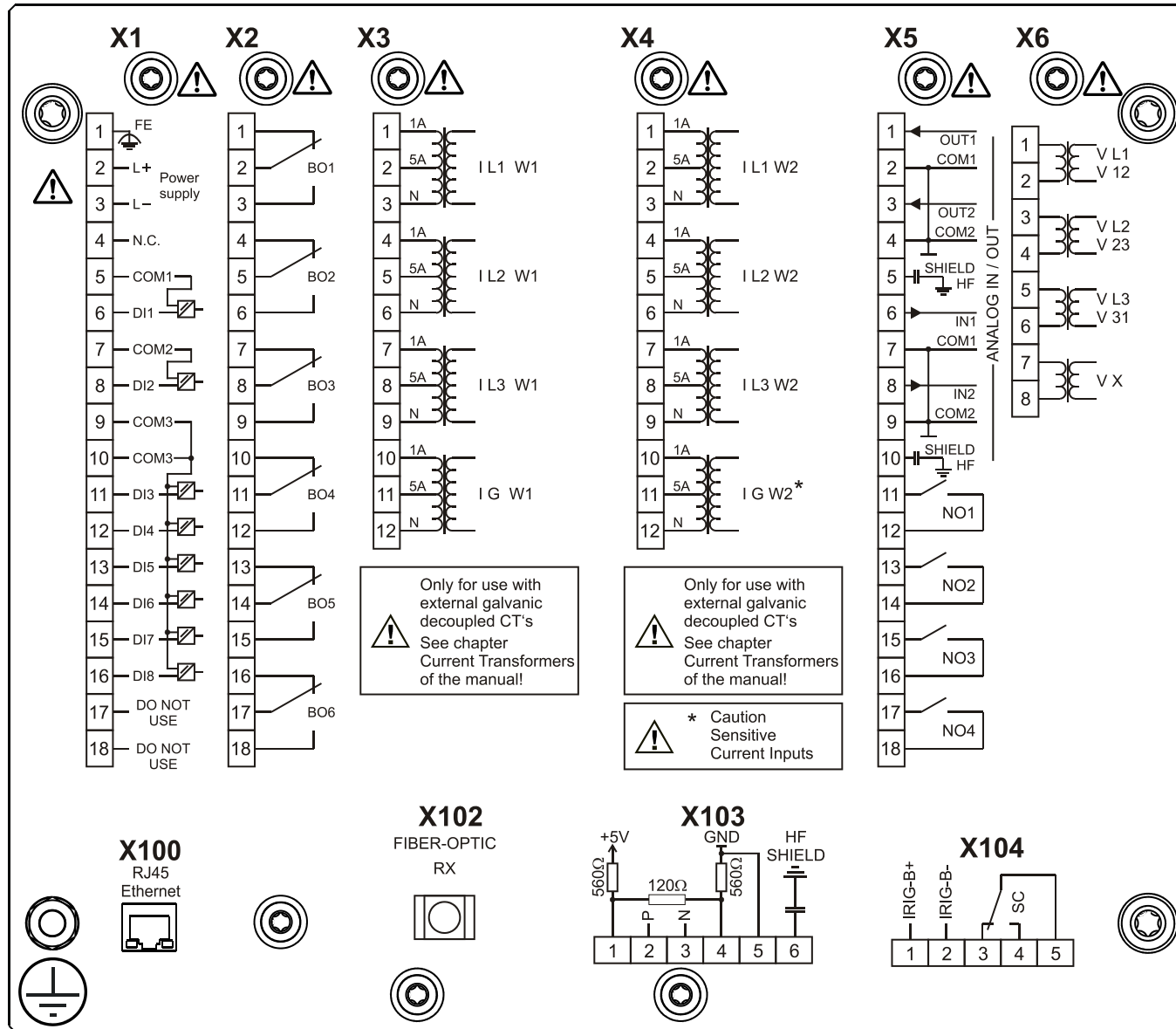
MCDTV4-2B2BHB



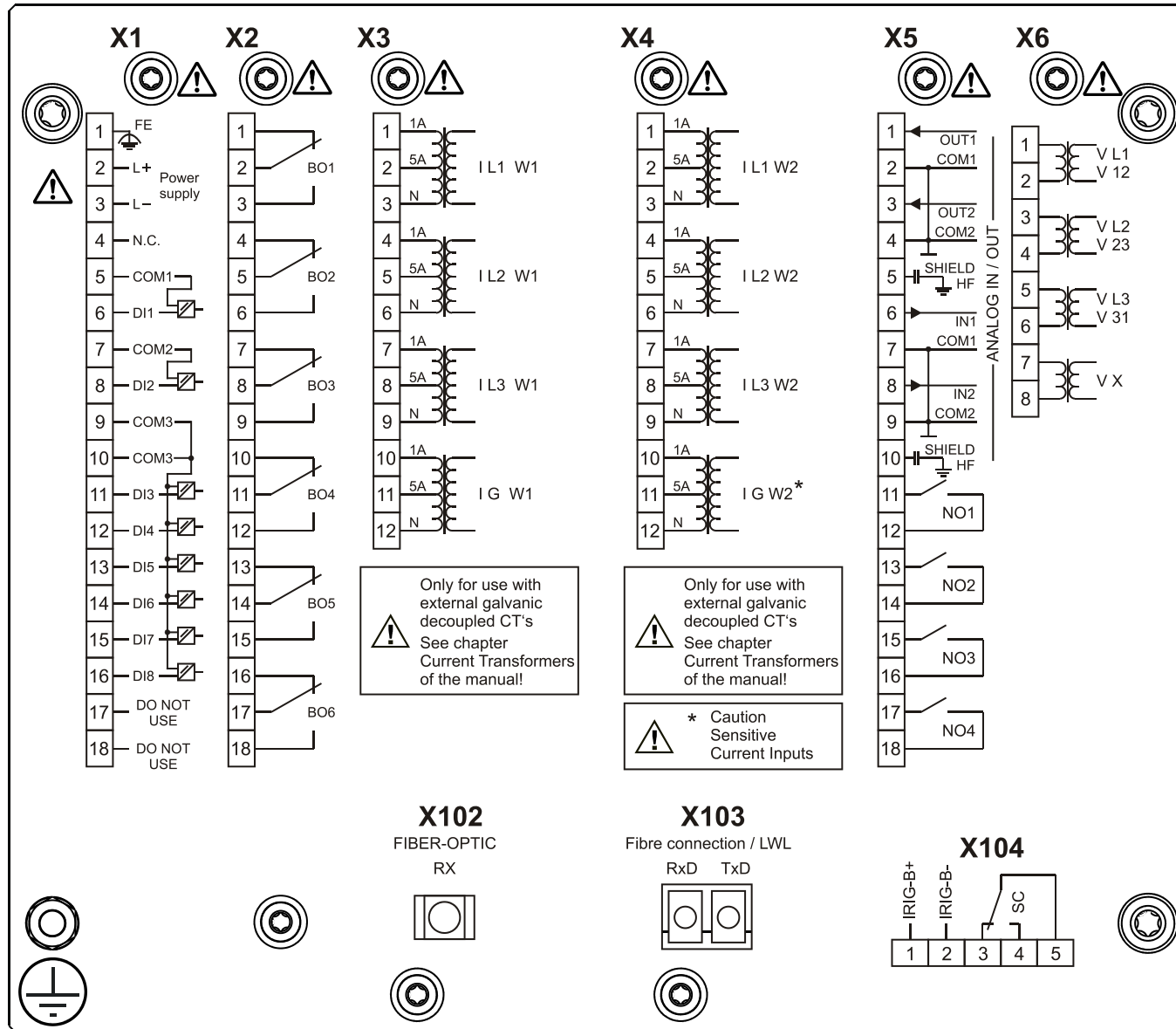
MCDTV4-2B2BIA



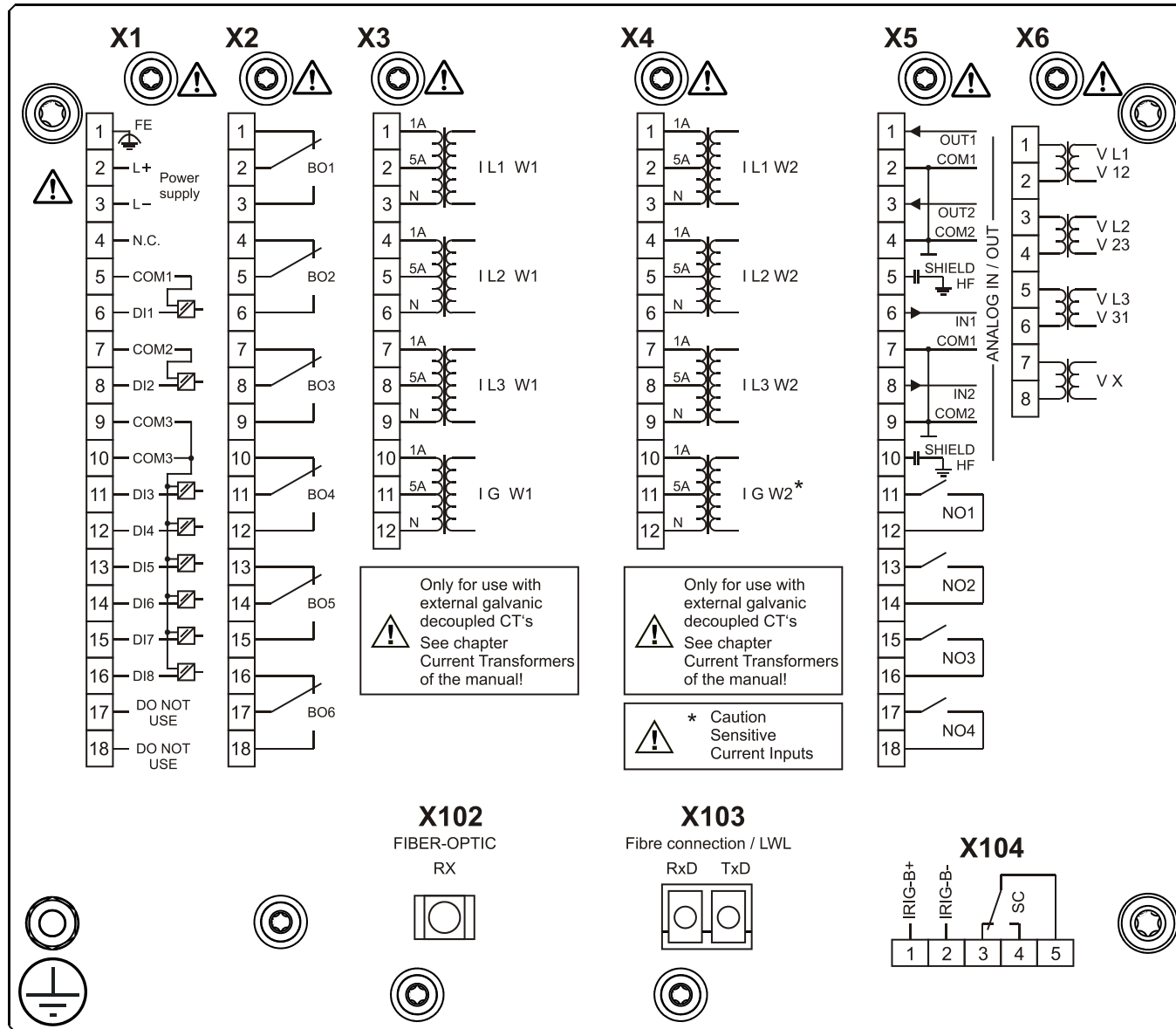
MCDTV4-2B2BIB



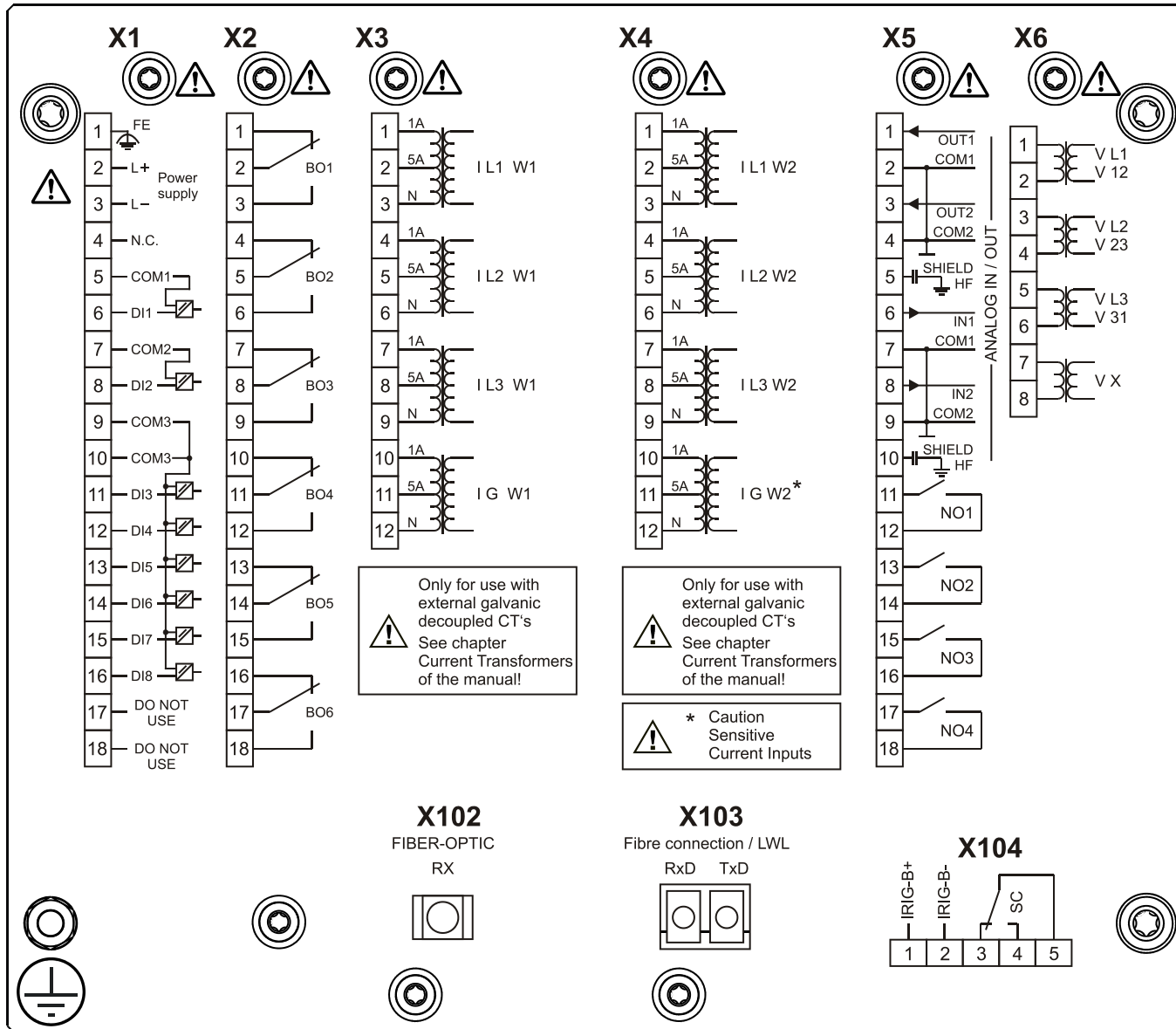
MCDTV4-2B2BKA



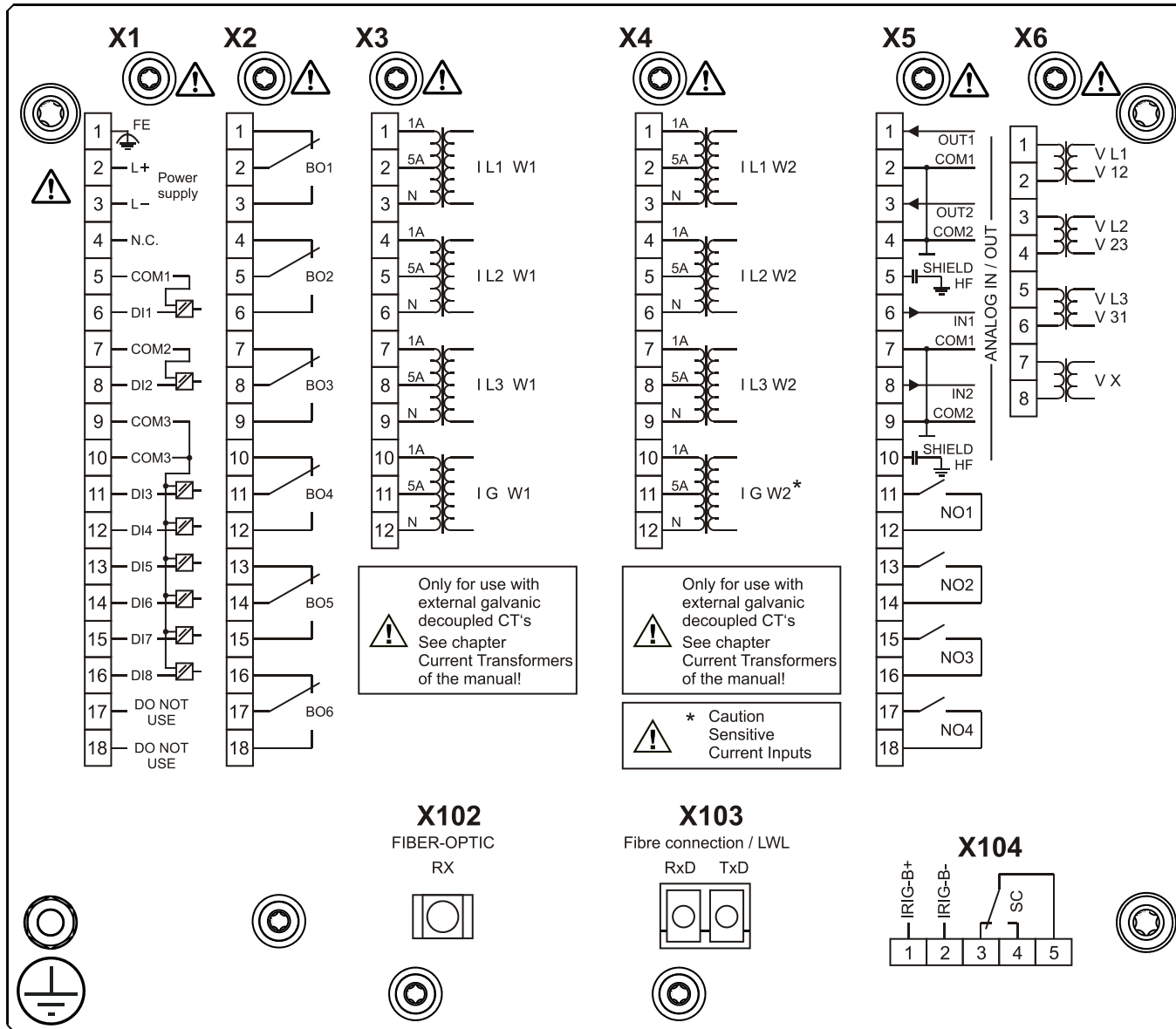
MCDTV4-2B2BKB



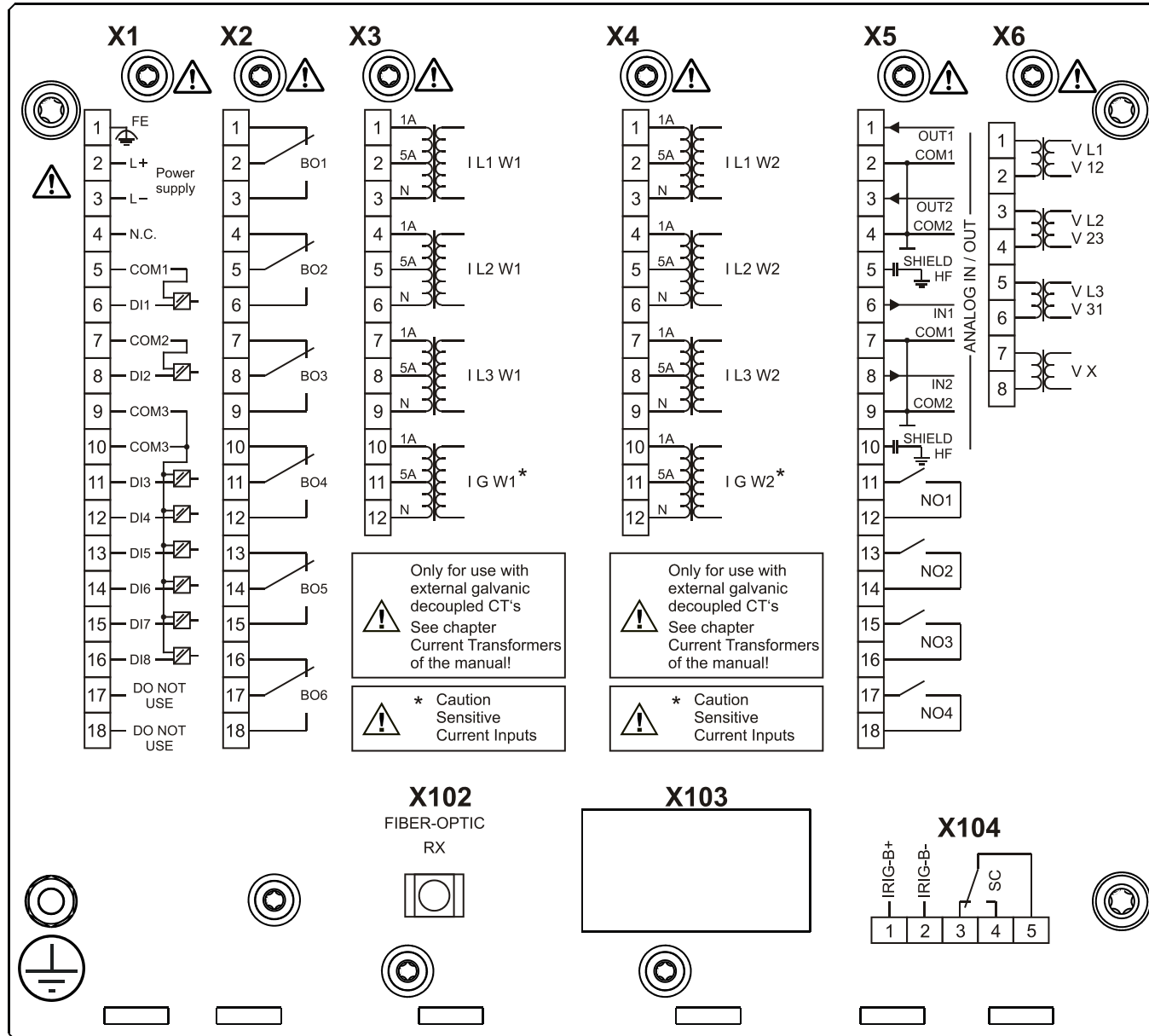
MCDTV4-2B2BLA



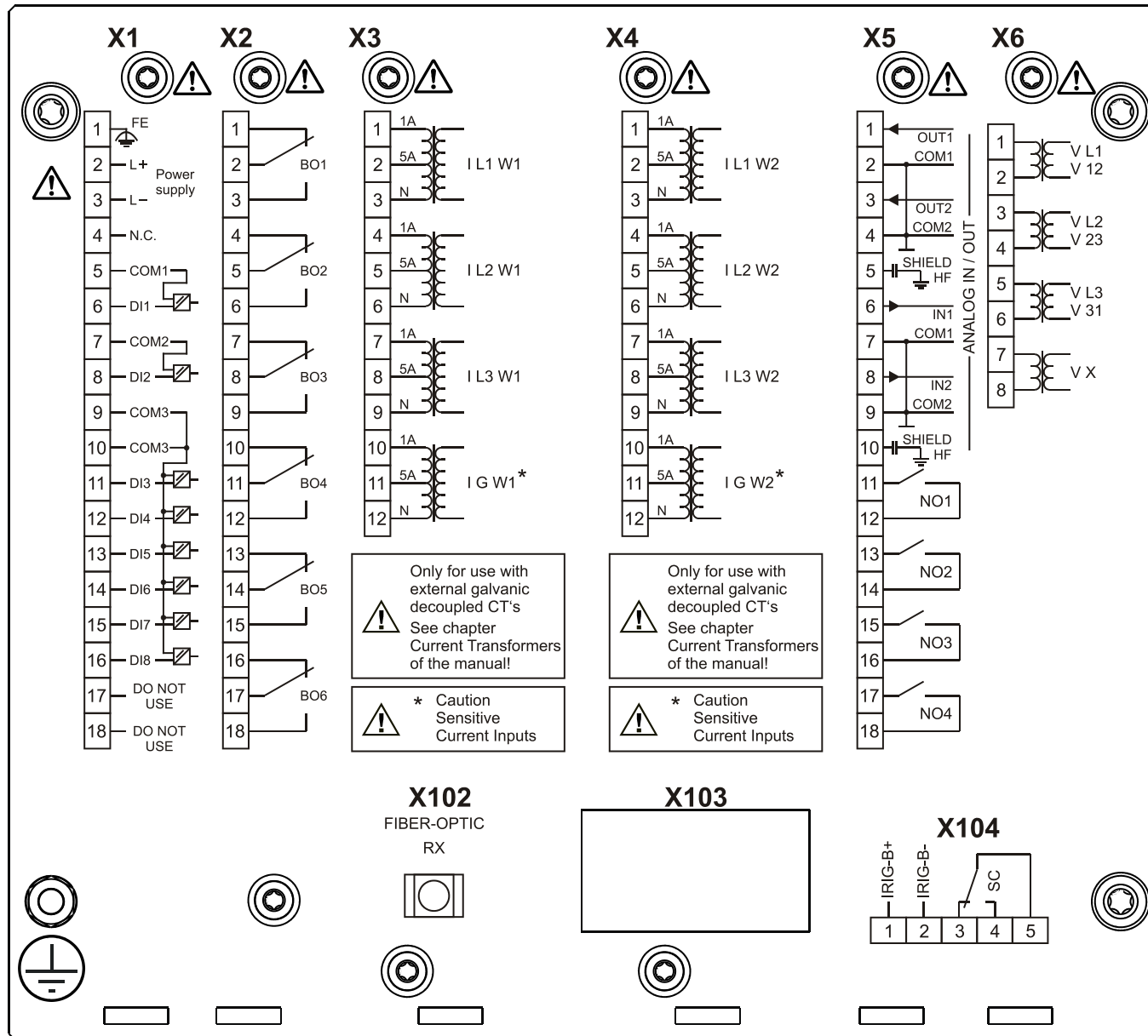
MCDTV4-2B2BLB



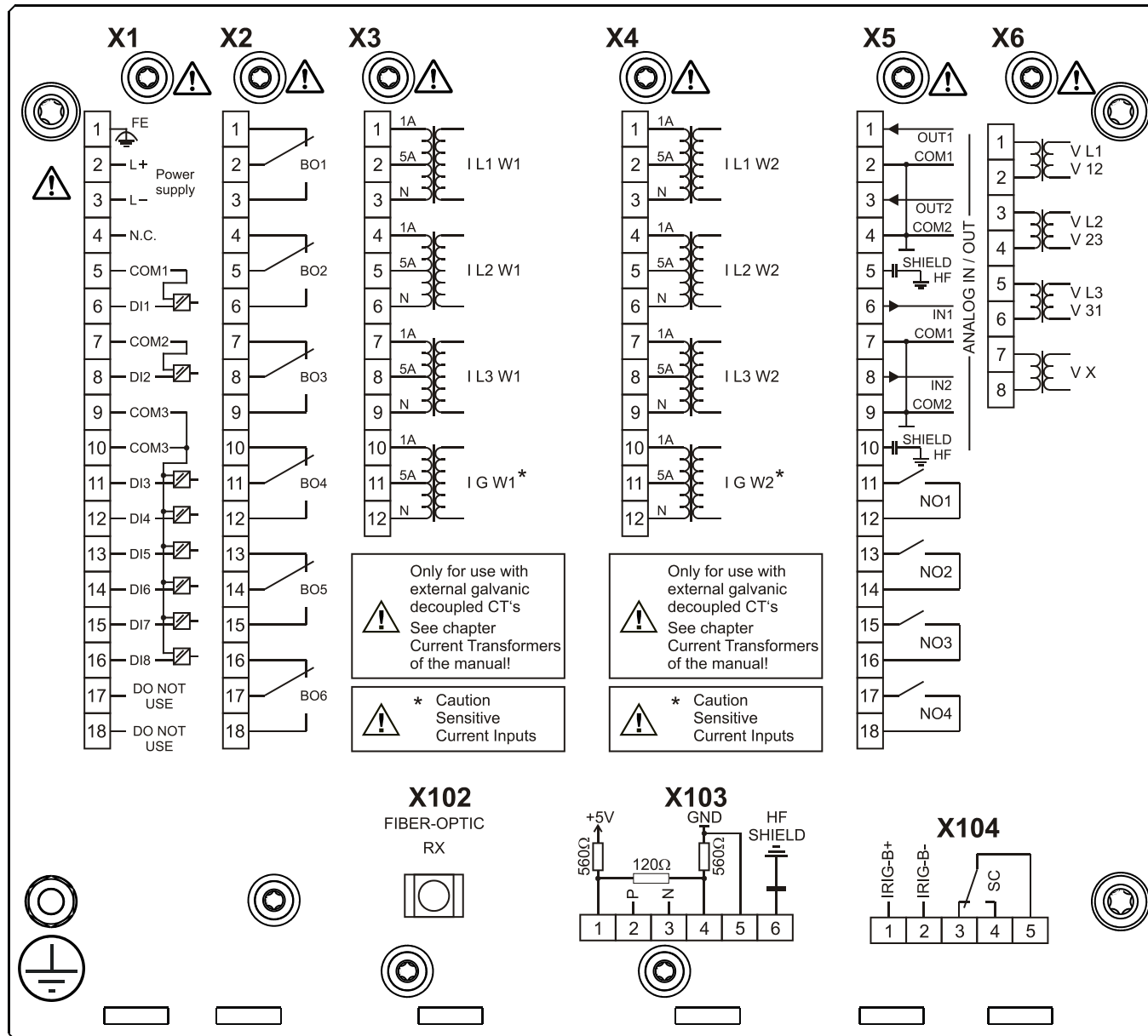
MCDTV4-2B3AAA



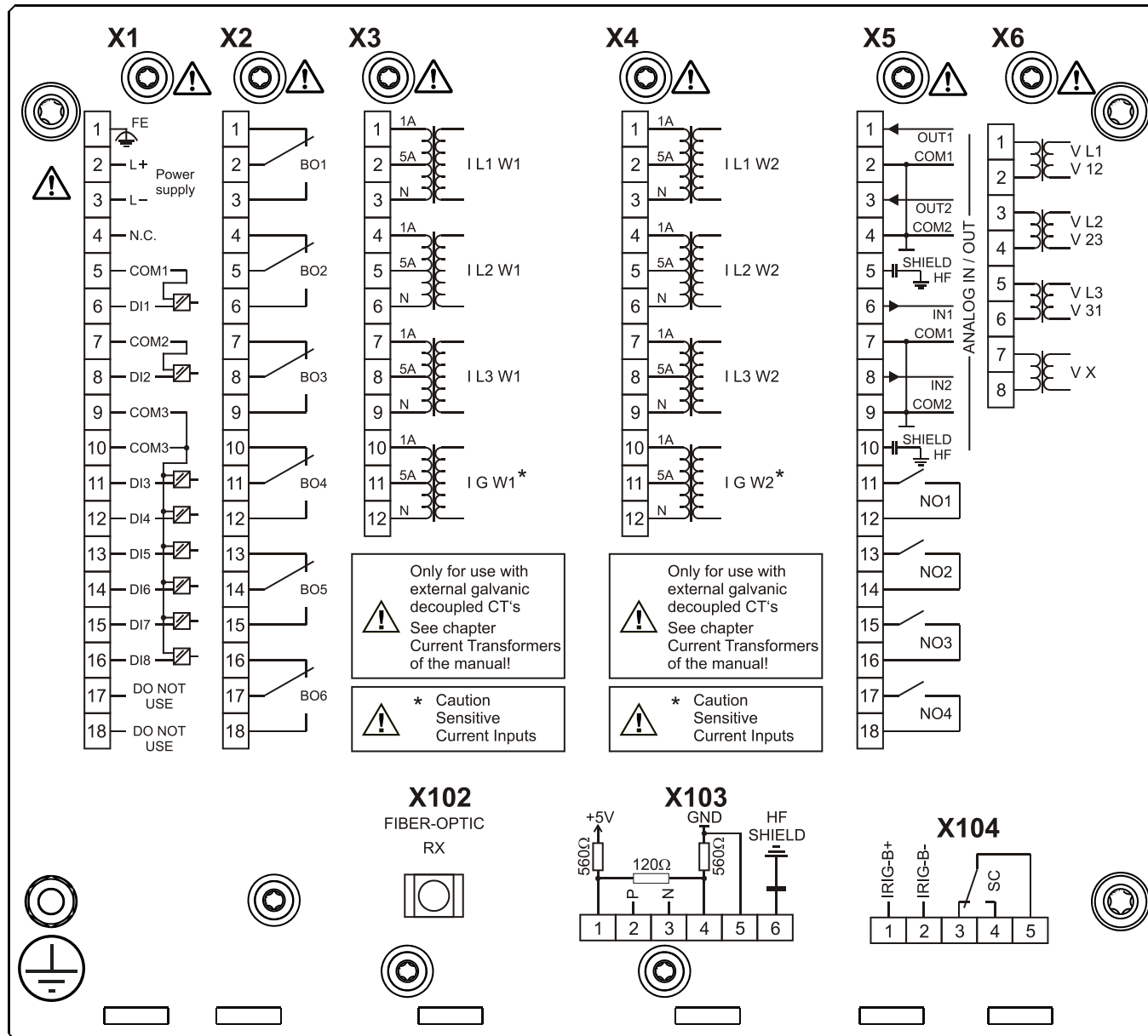
MCDTV4-2B3AAB



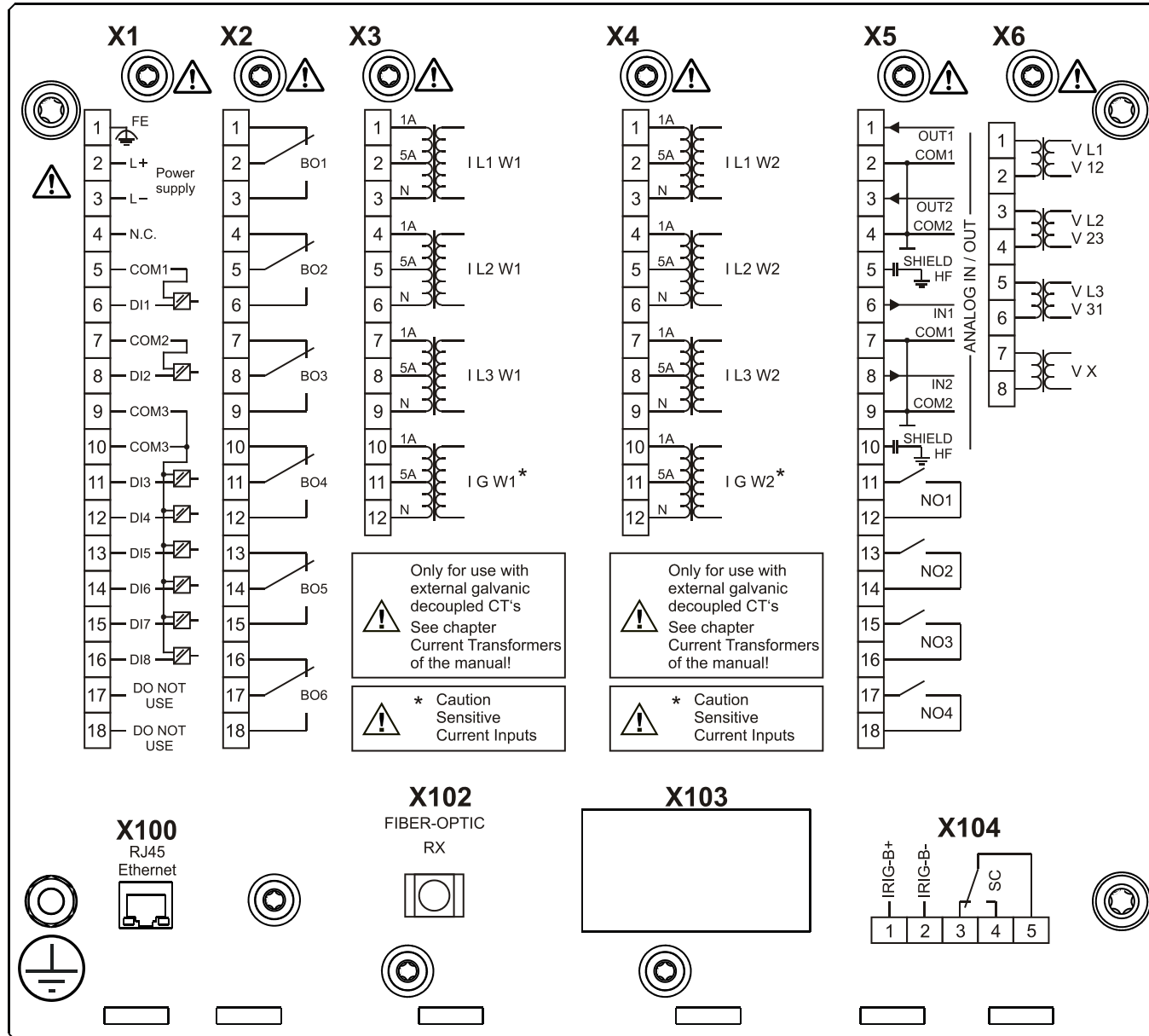
MCDTV4-2B3ABA



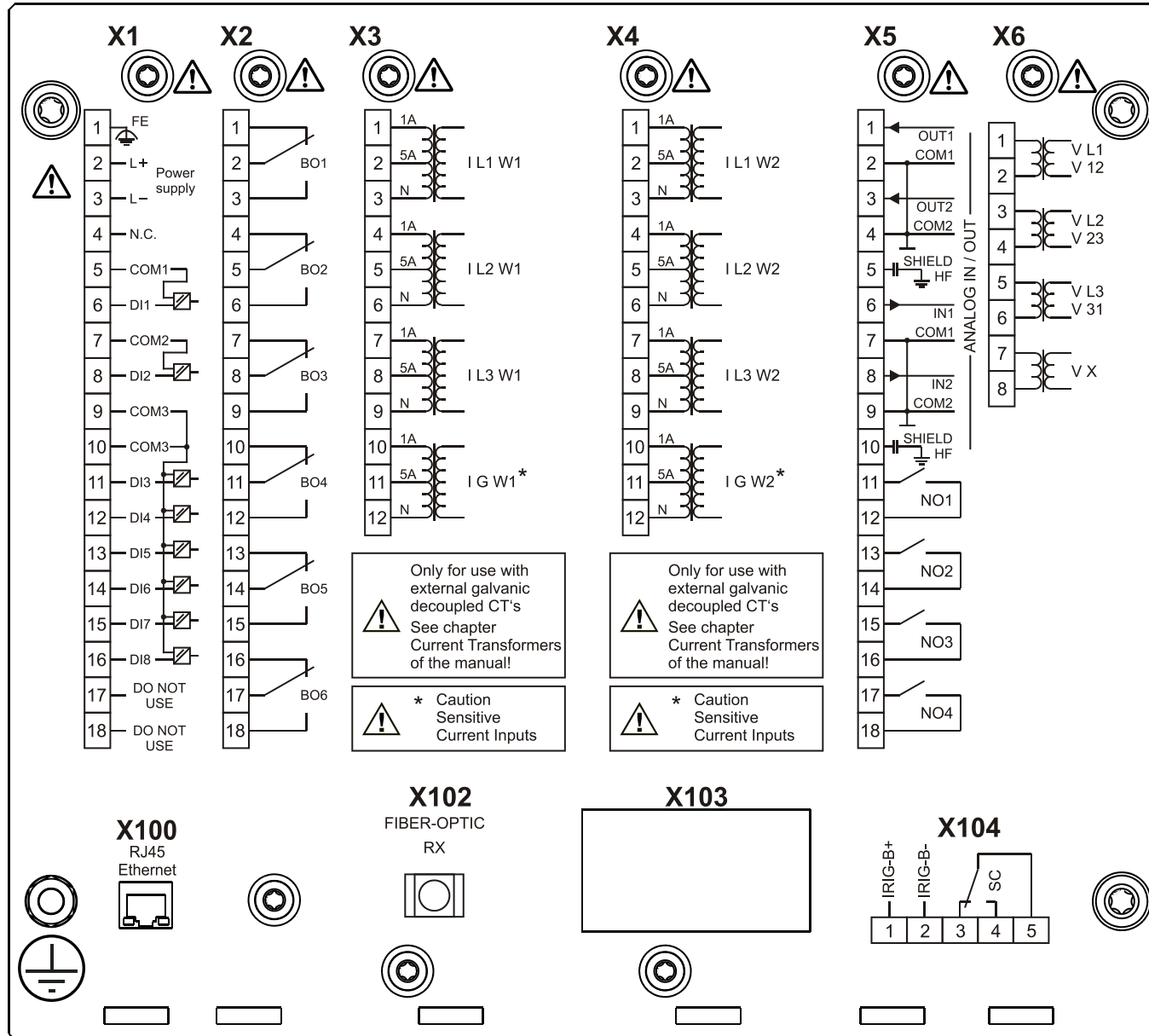
MCDTV4-2B3ABB



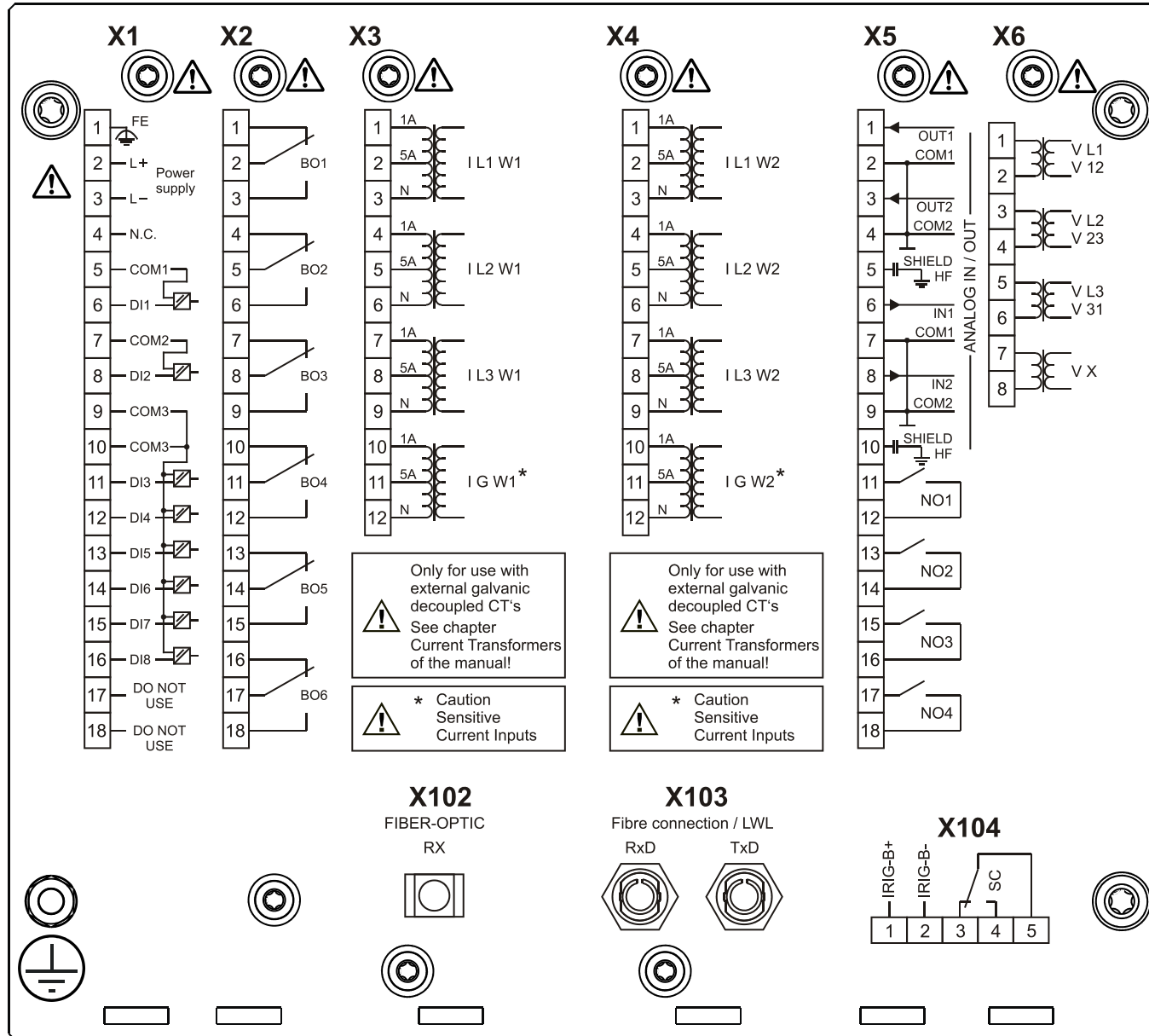
MCDTV4-2B3ACA



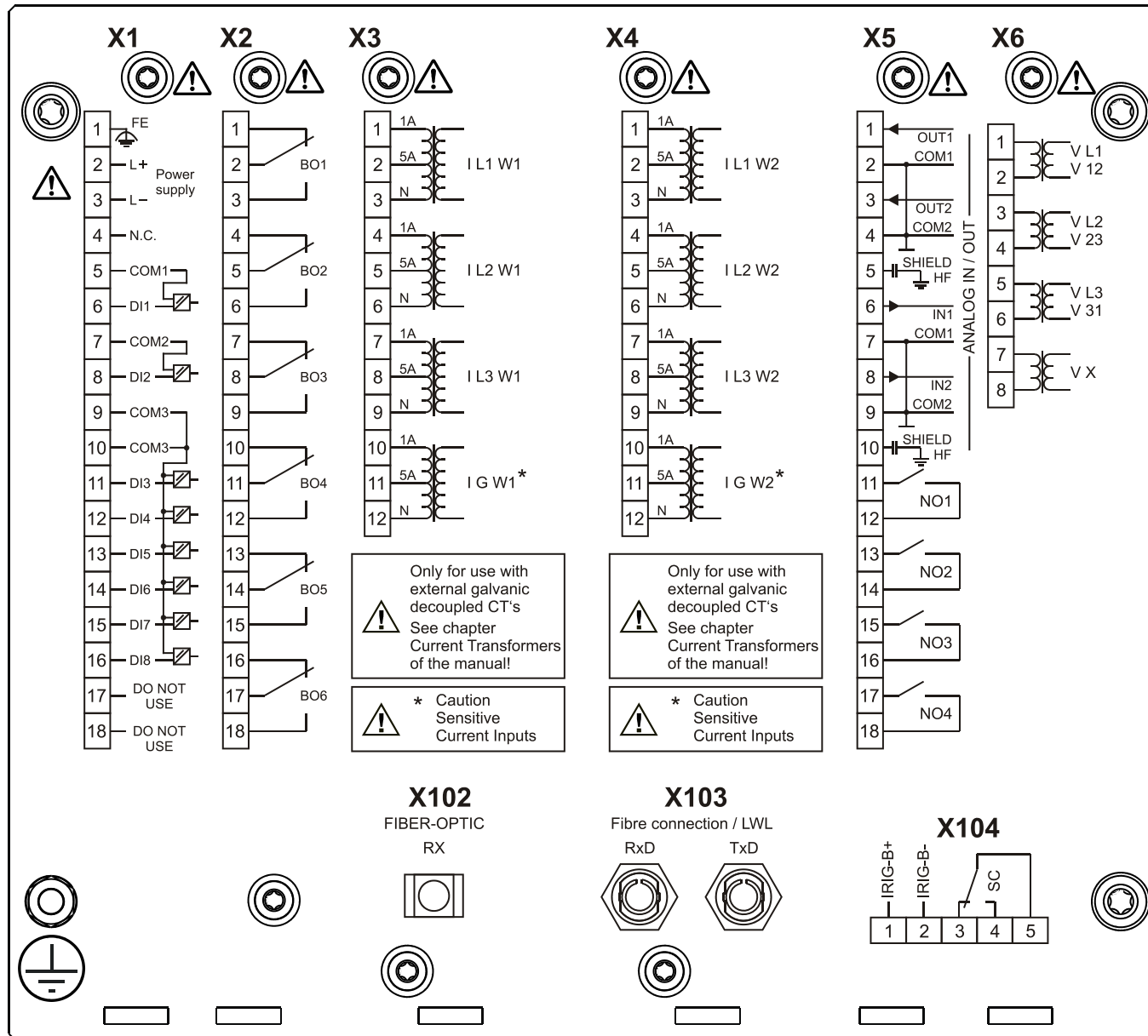
MCDTV4-2B3ACB



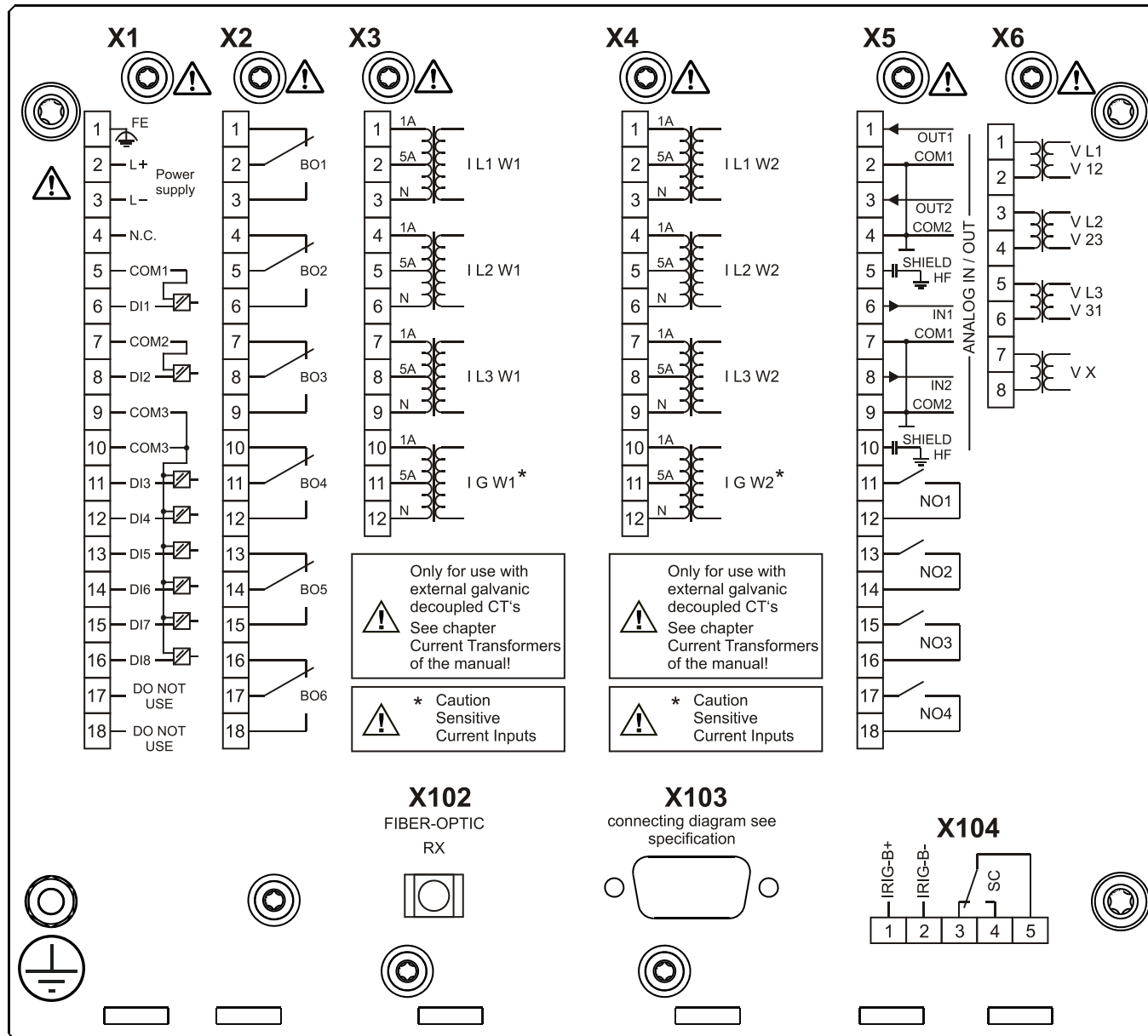
MCDTV4-2B3ADA



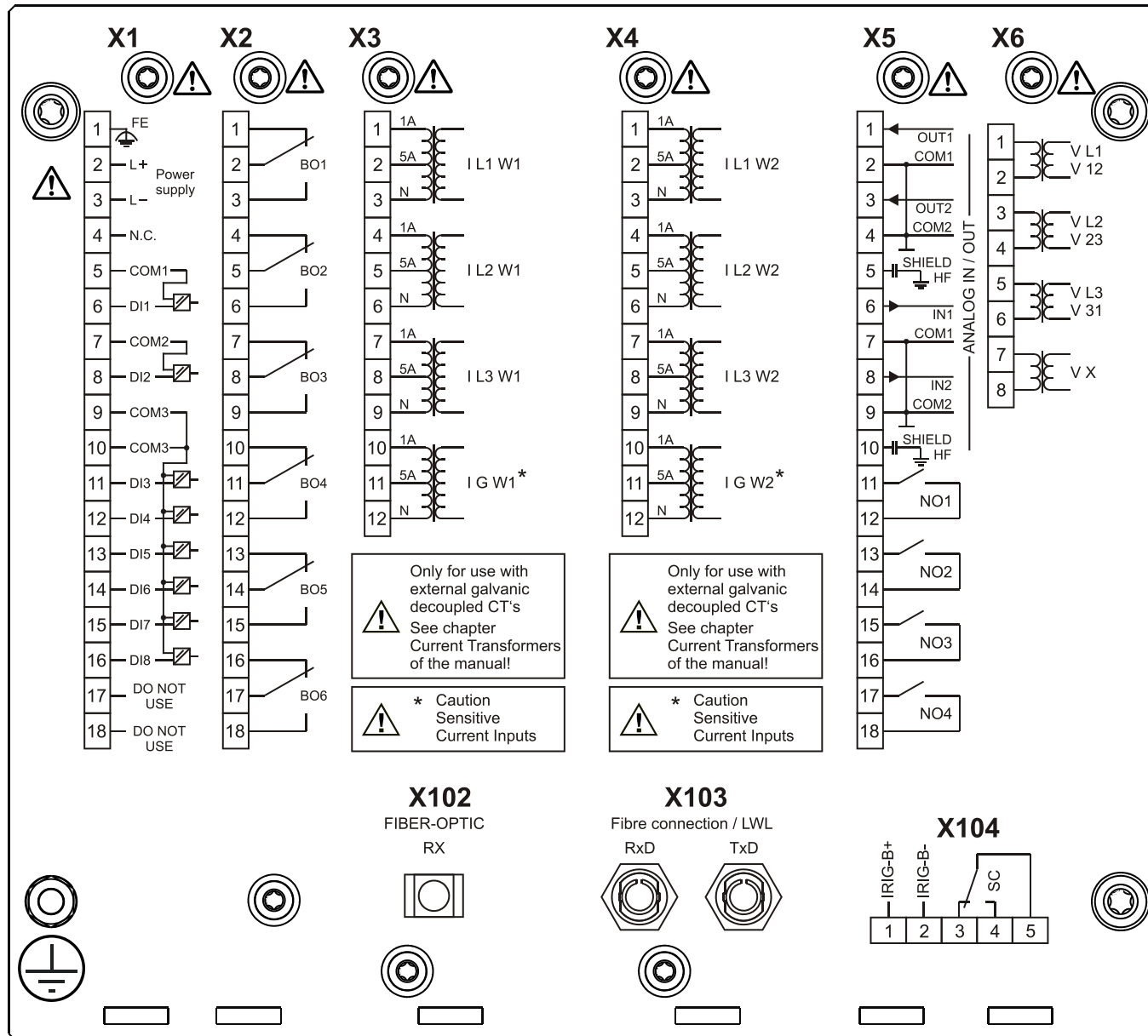
MCDTV4-2B3ADB



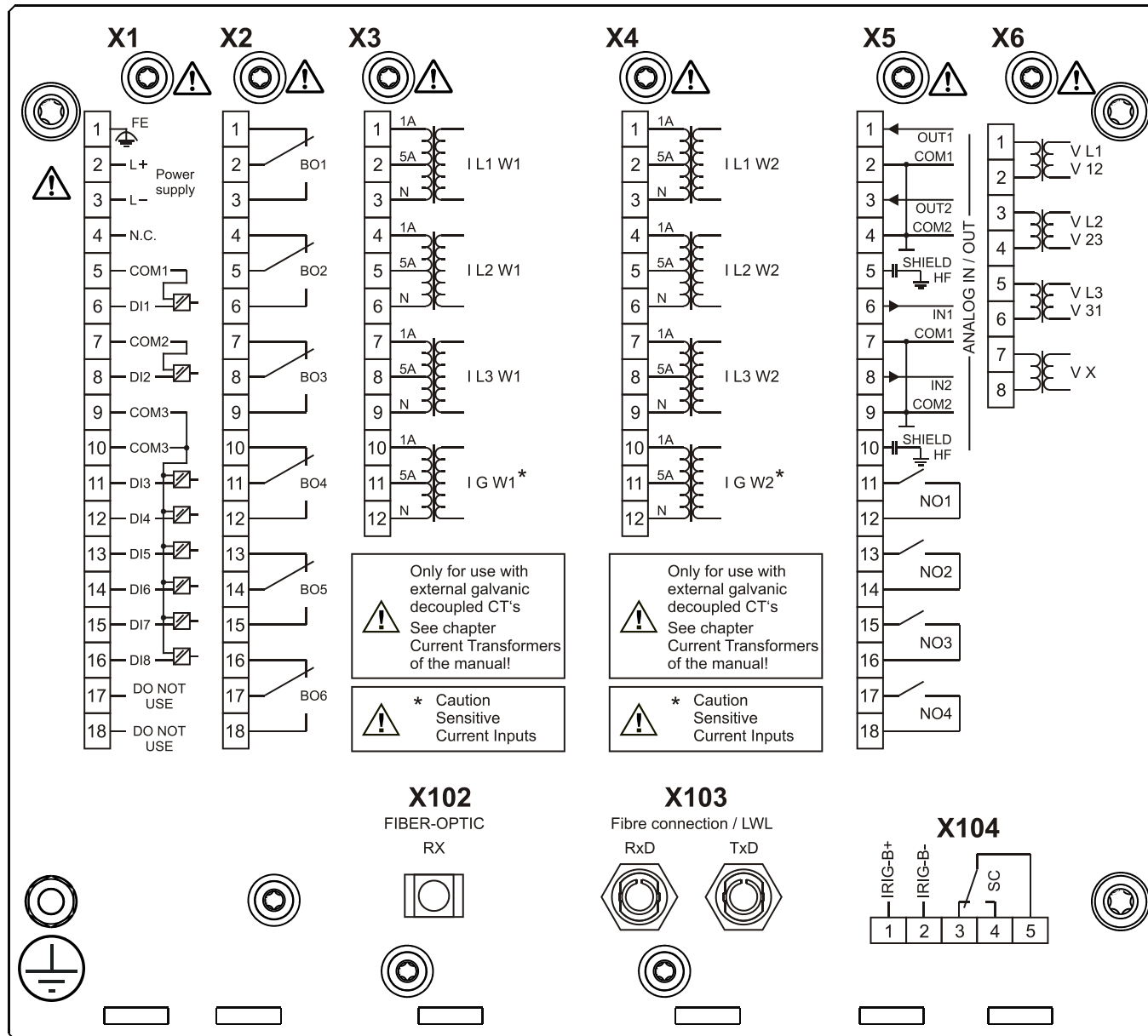
MCDTV4-2B3AEA



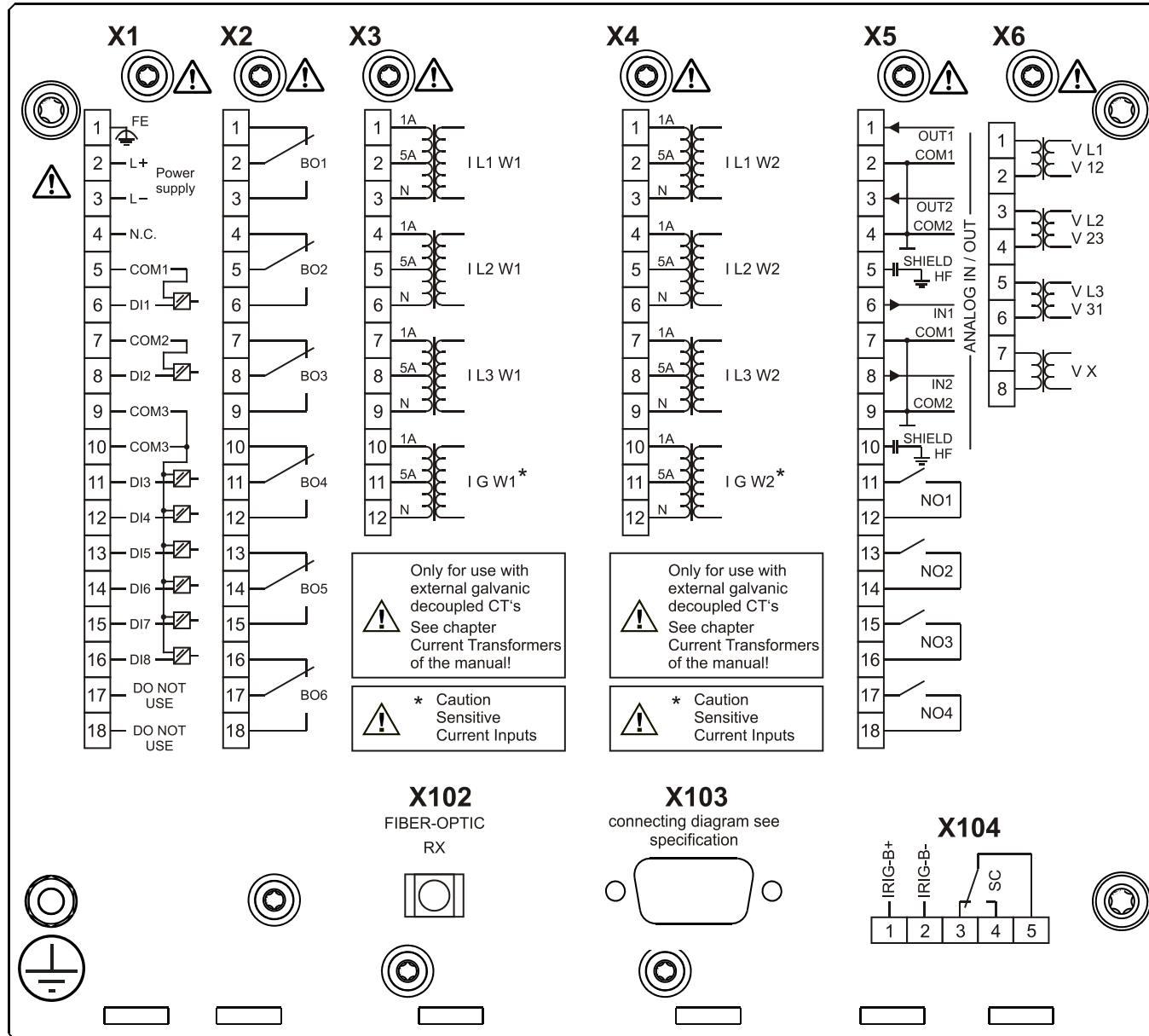
MCDTV4-2B3AFA



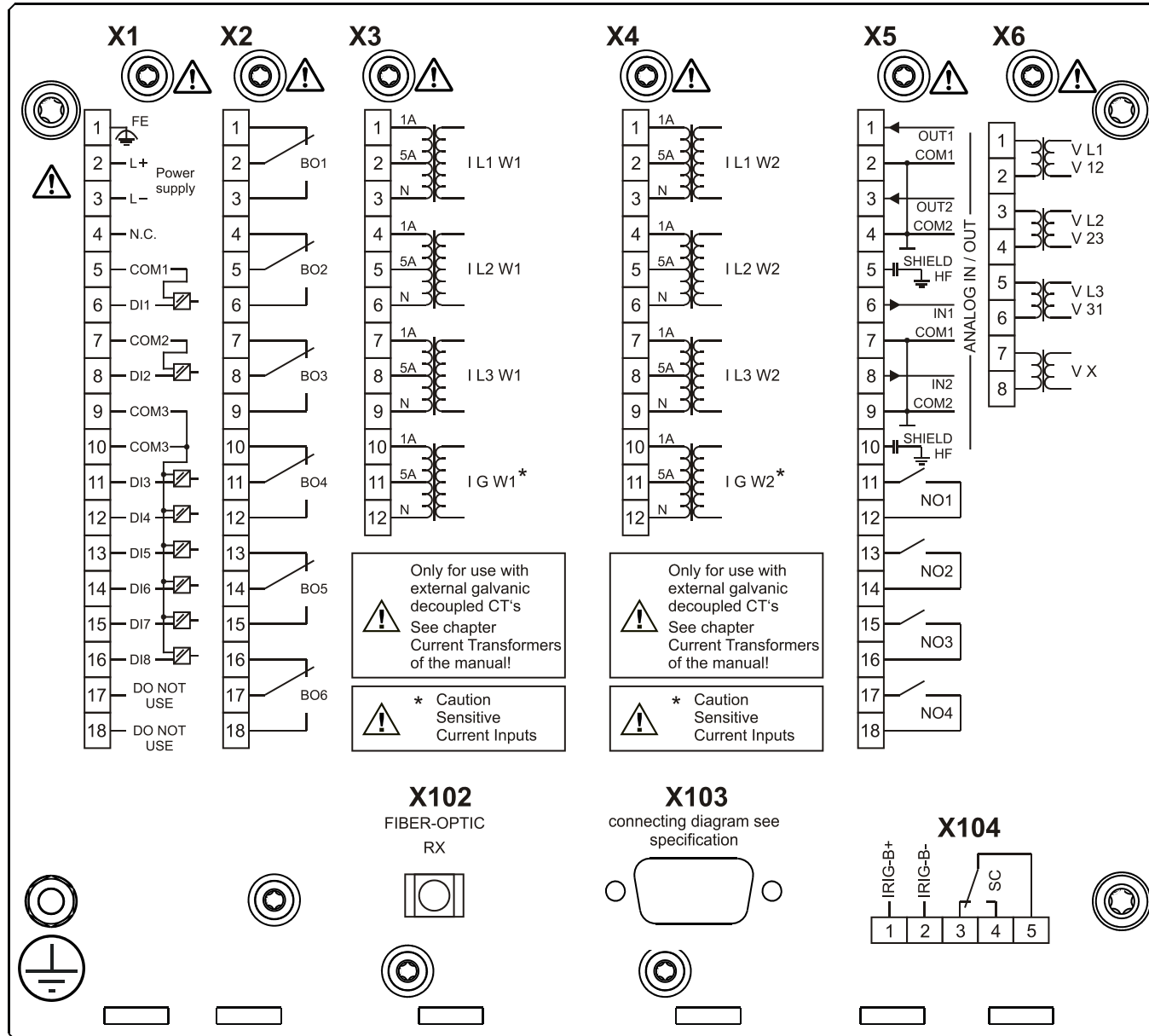
MCDTV4-2B3AFB



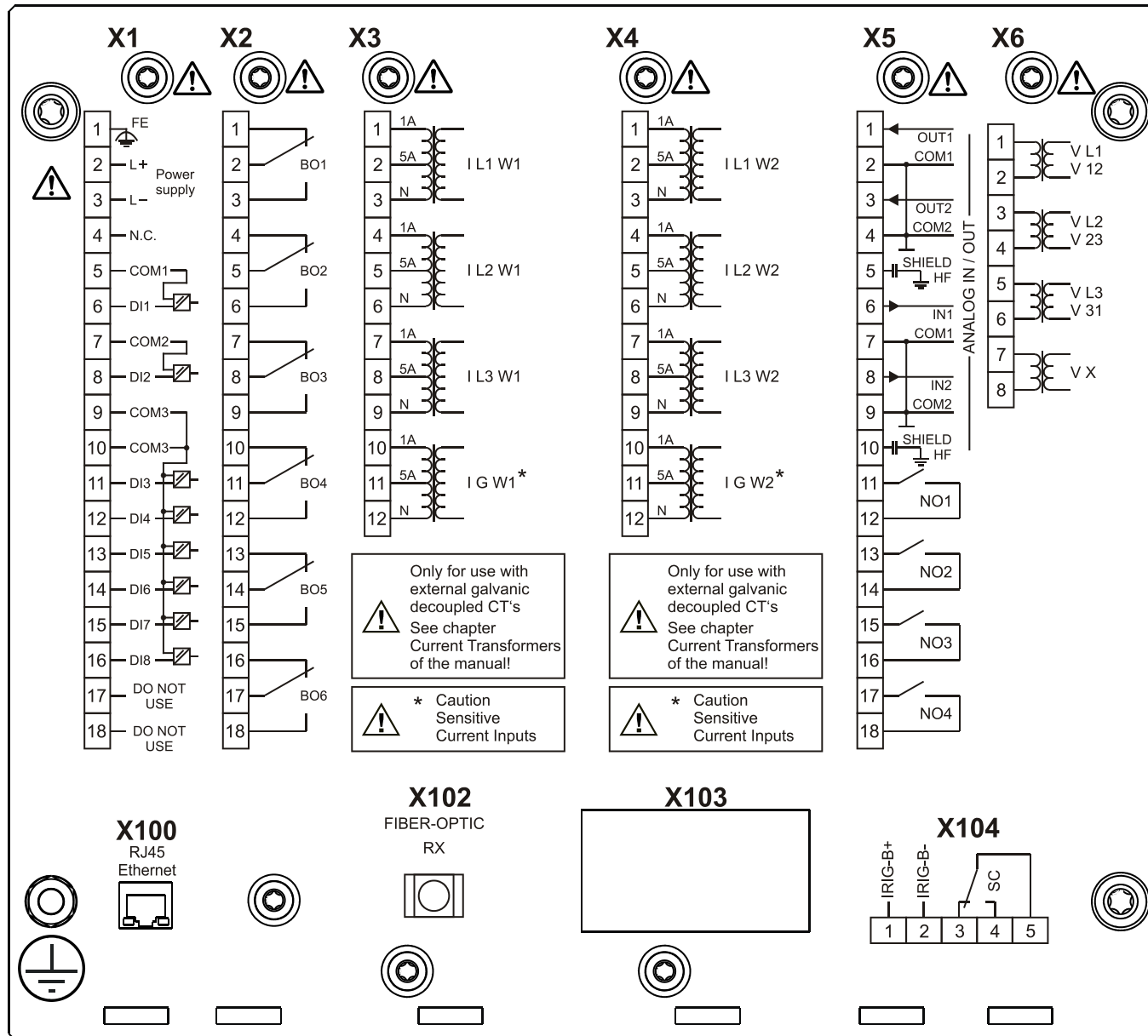
MCDTV4-2B3AGA



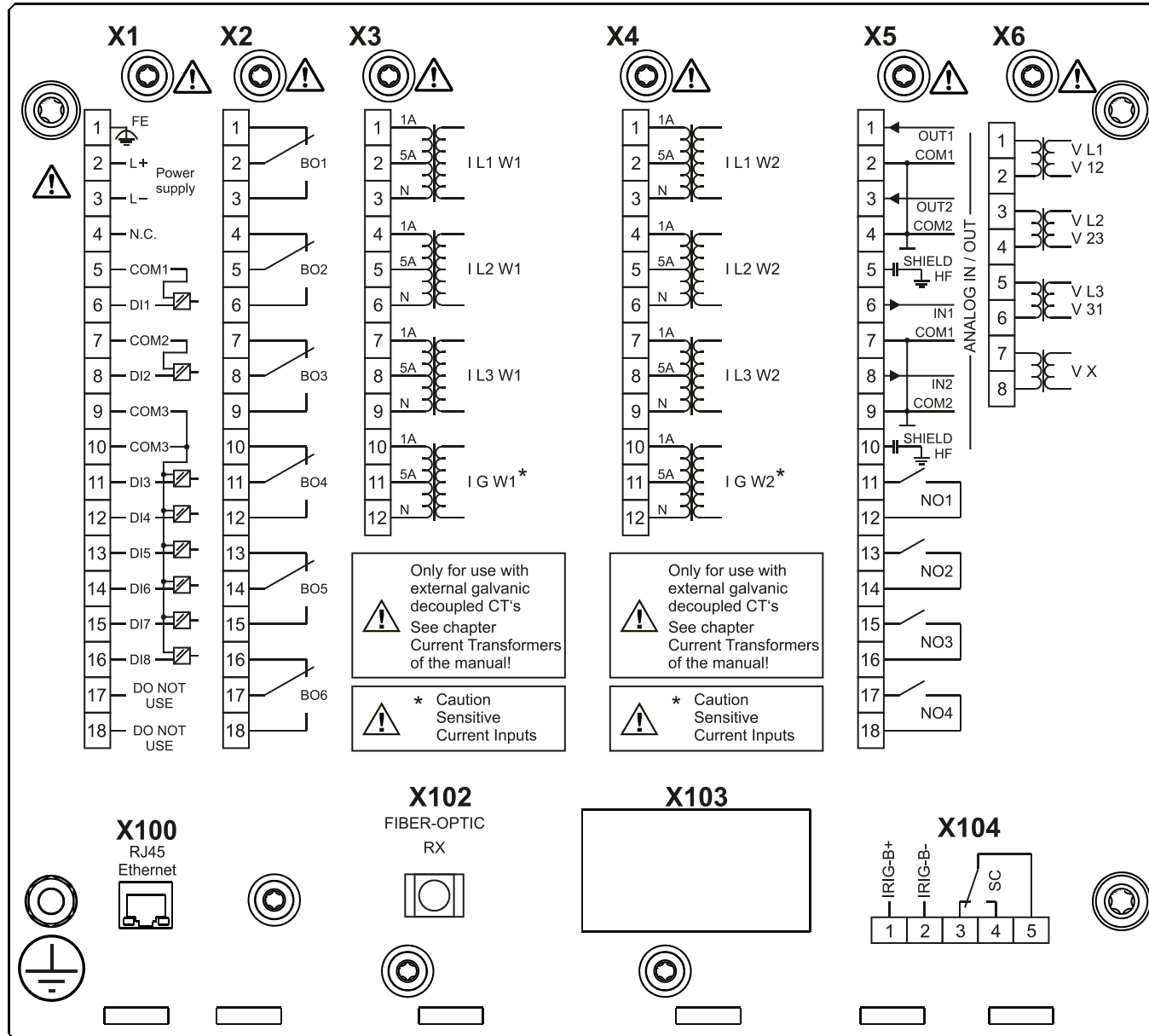
MCDTV4-2B3AGB



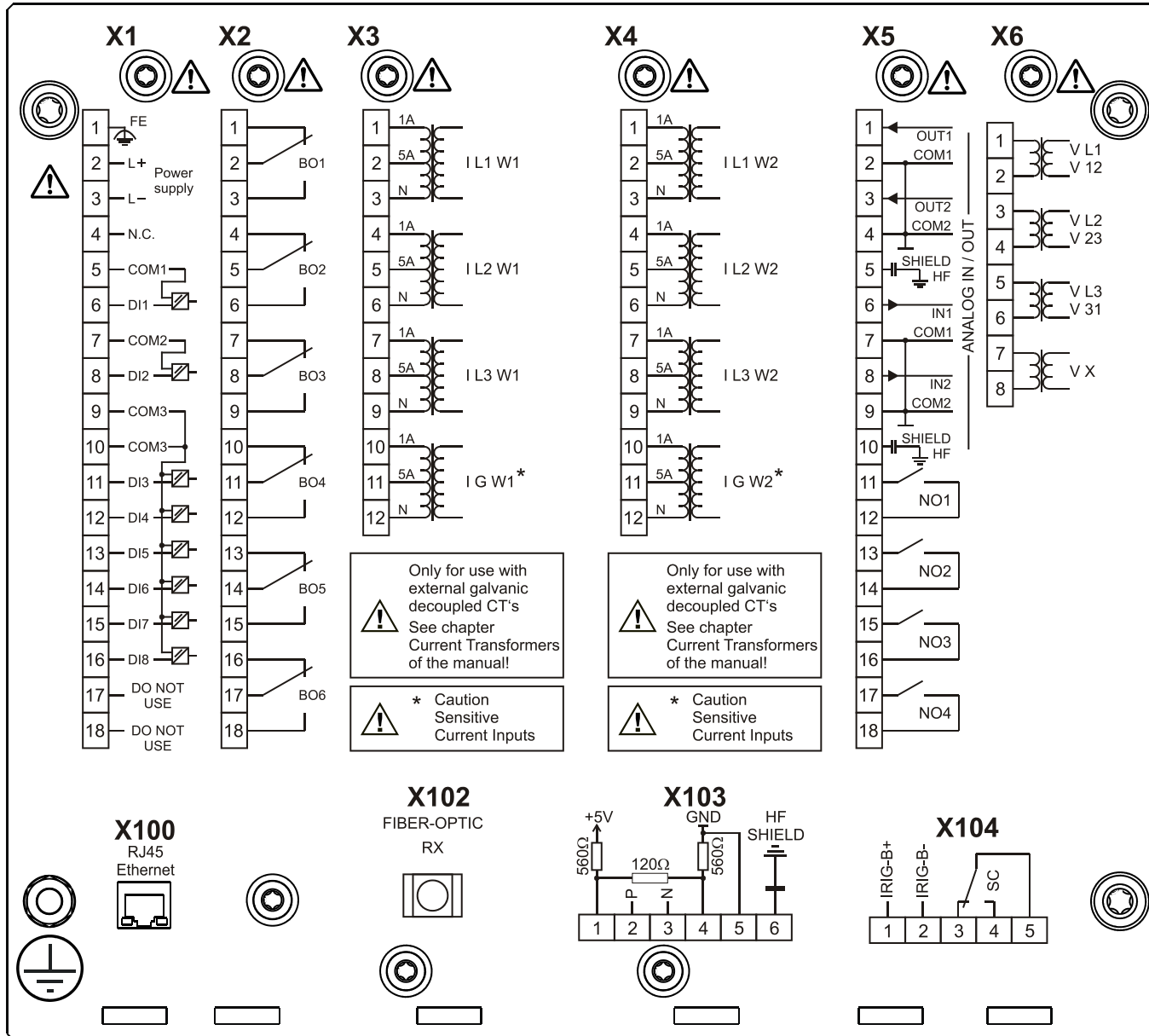
MCDTV4-2B3AHA



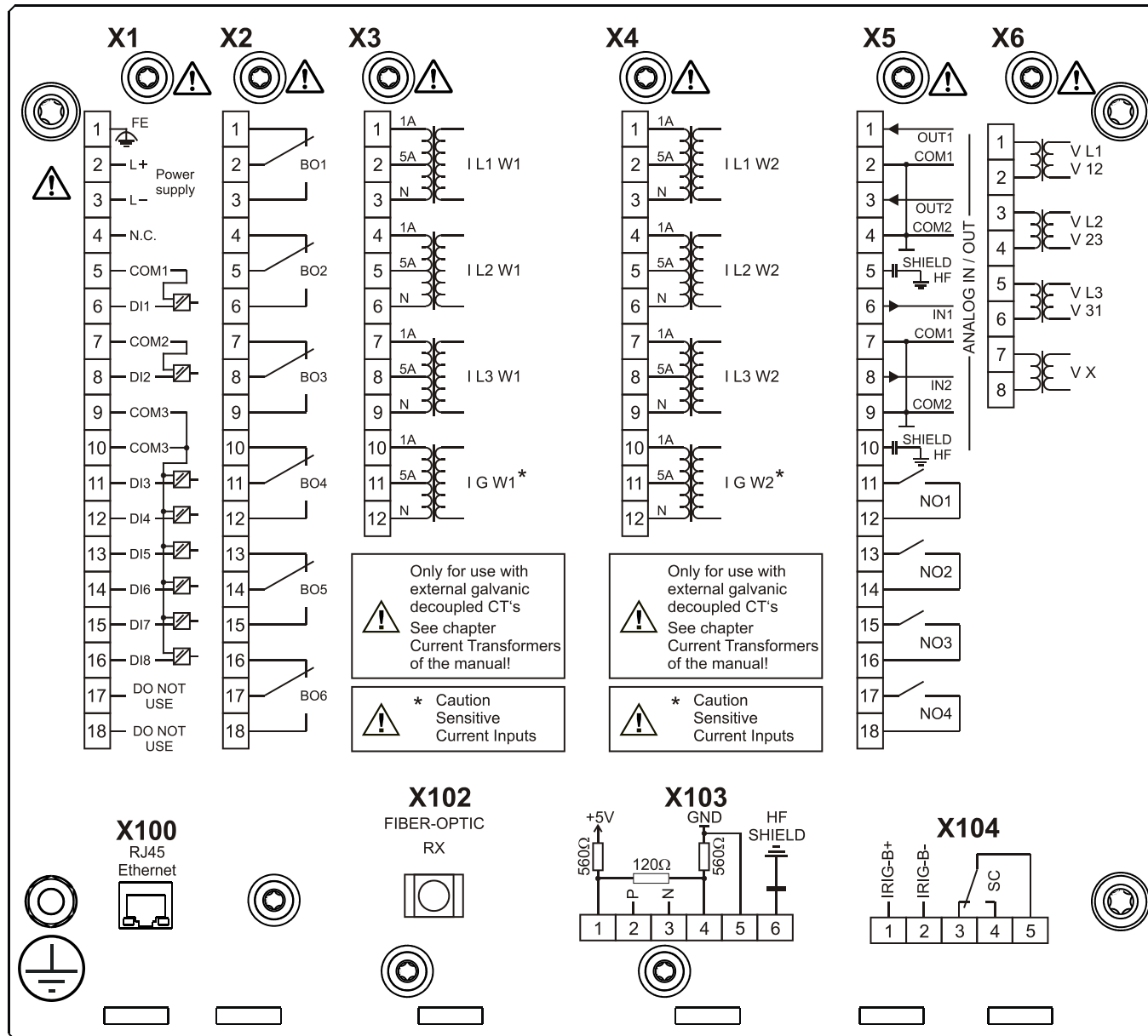
MCDTV4-2B3AHB



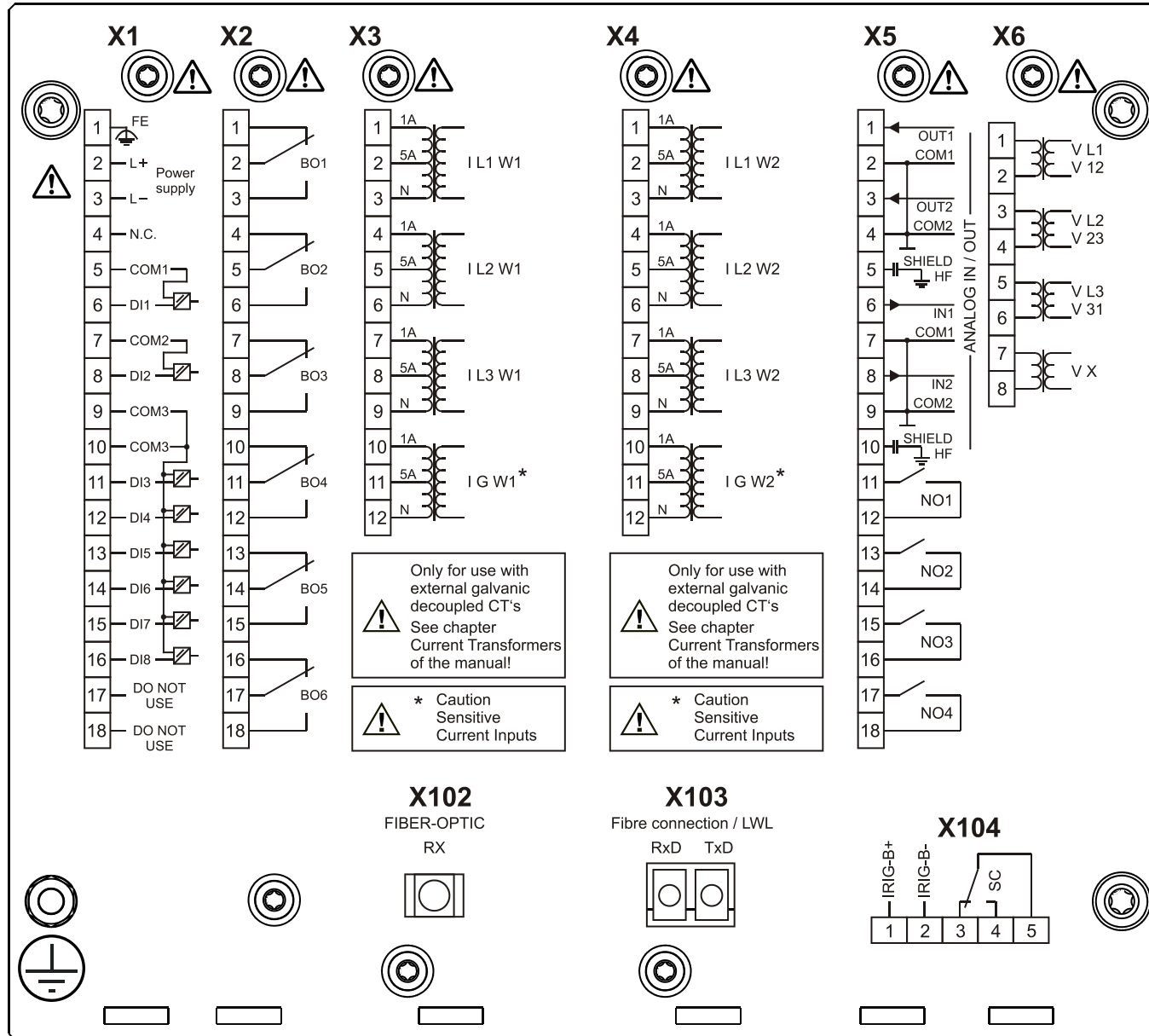
MCDTV4-2B3AIA



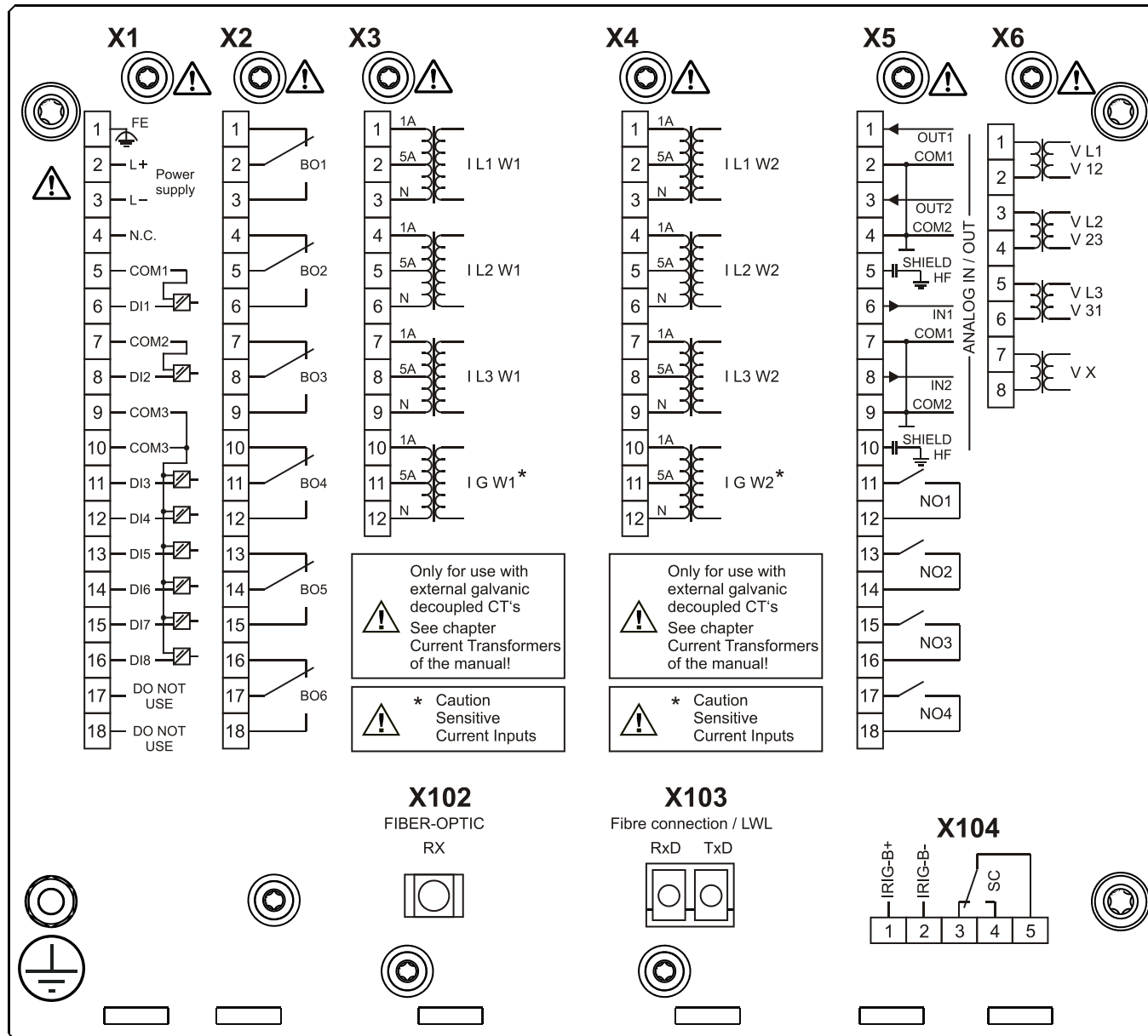
MCDTV4-2B3AIB



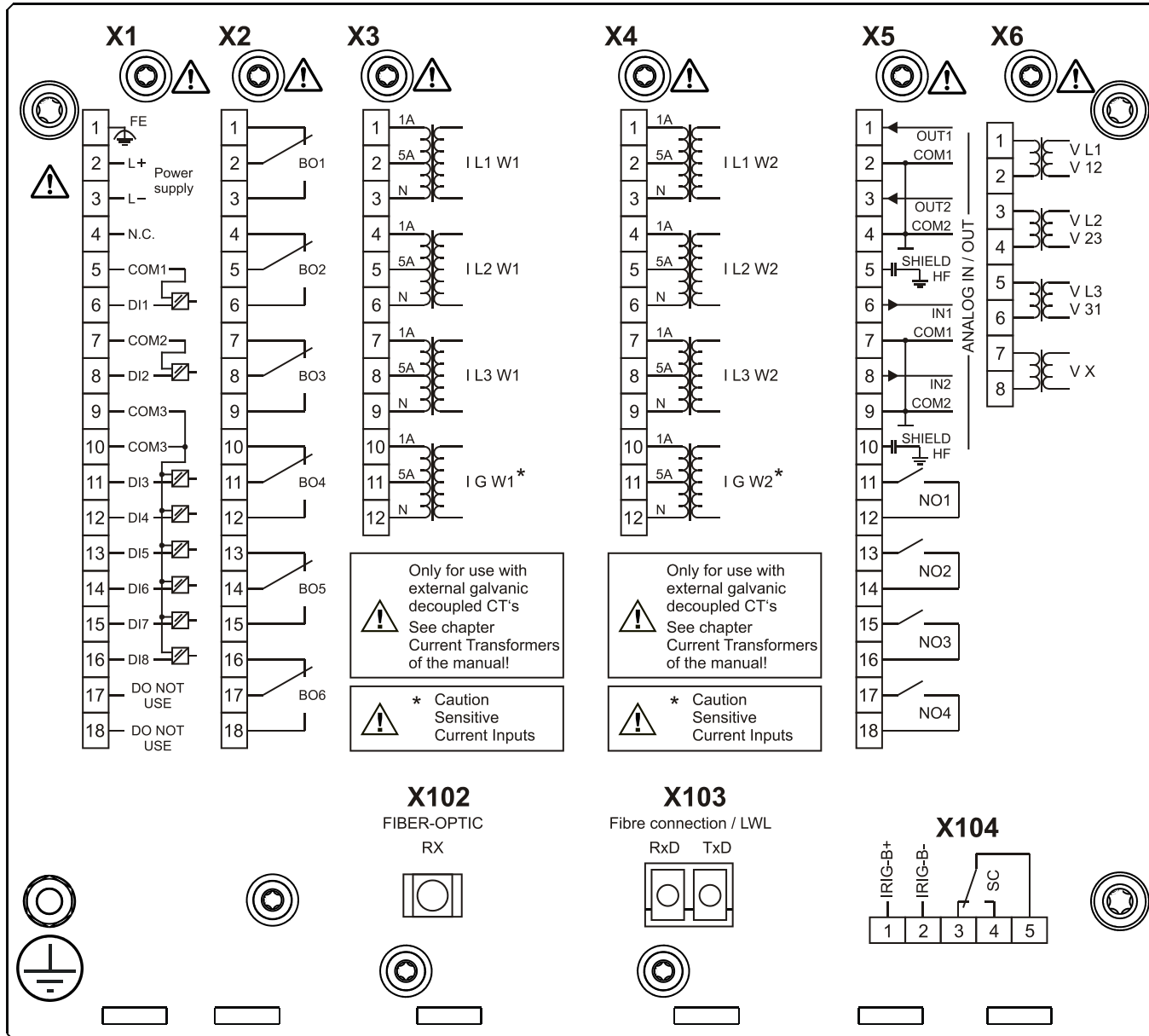
MCDTV4-2B3AKA



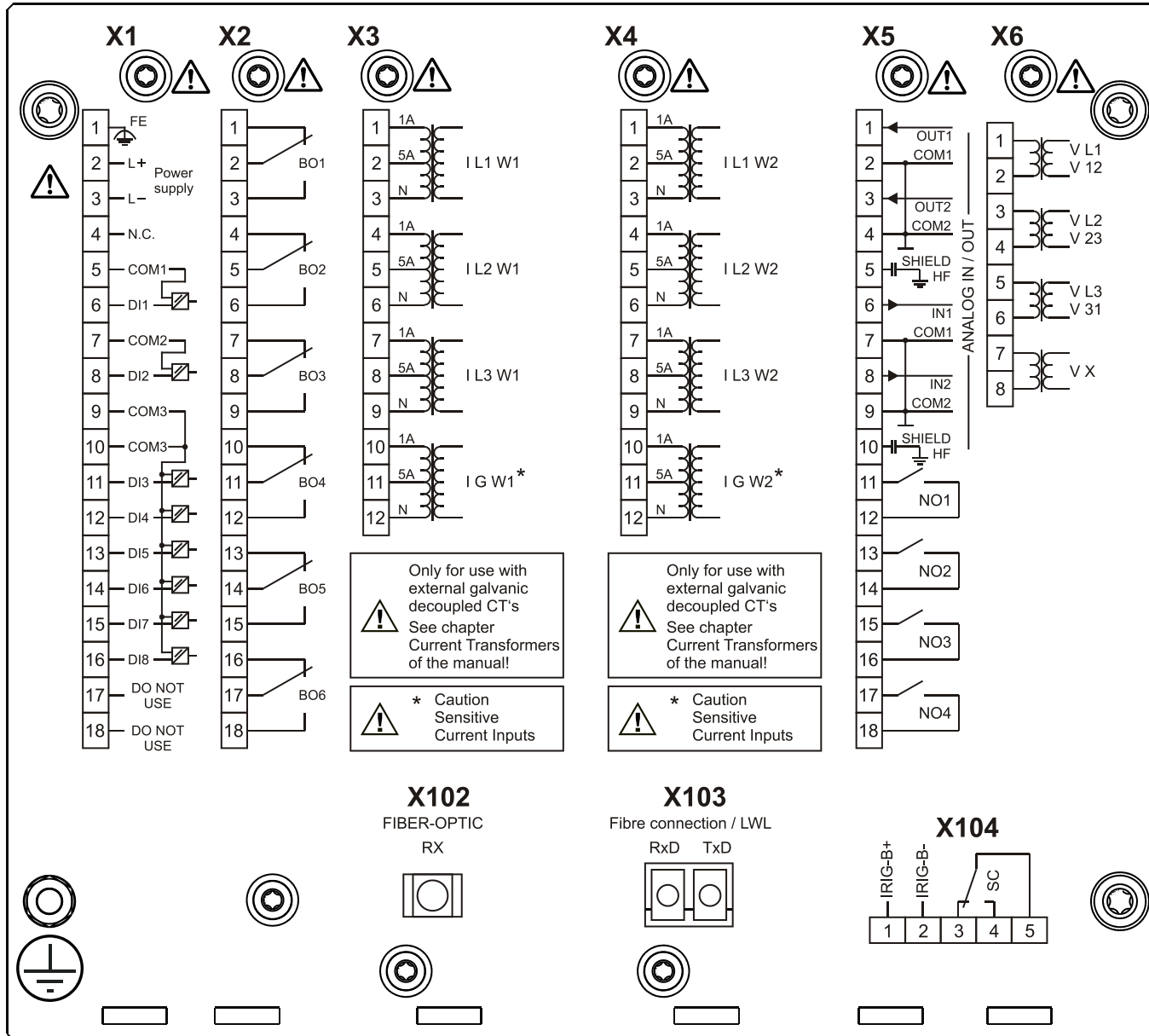
MCDTV4-2B3AKB



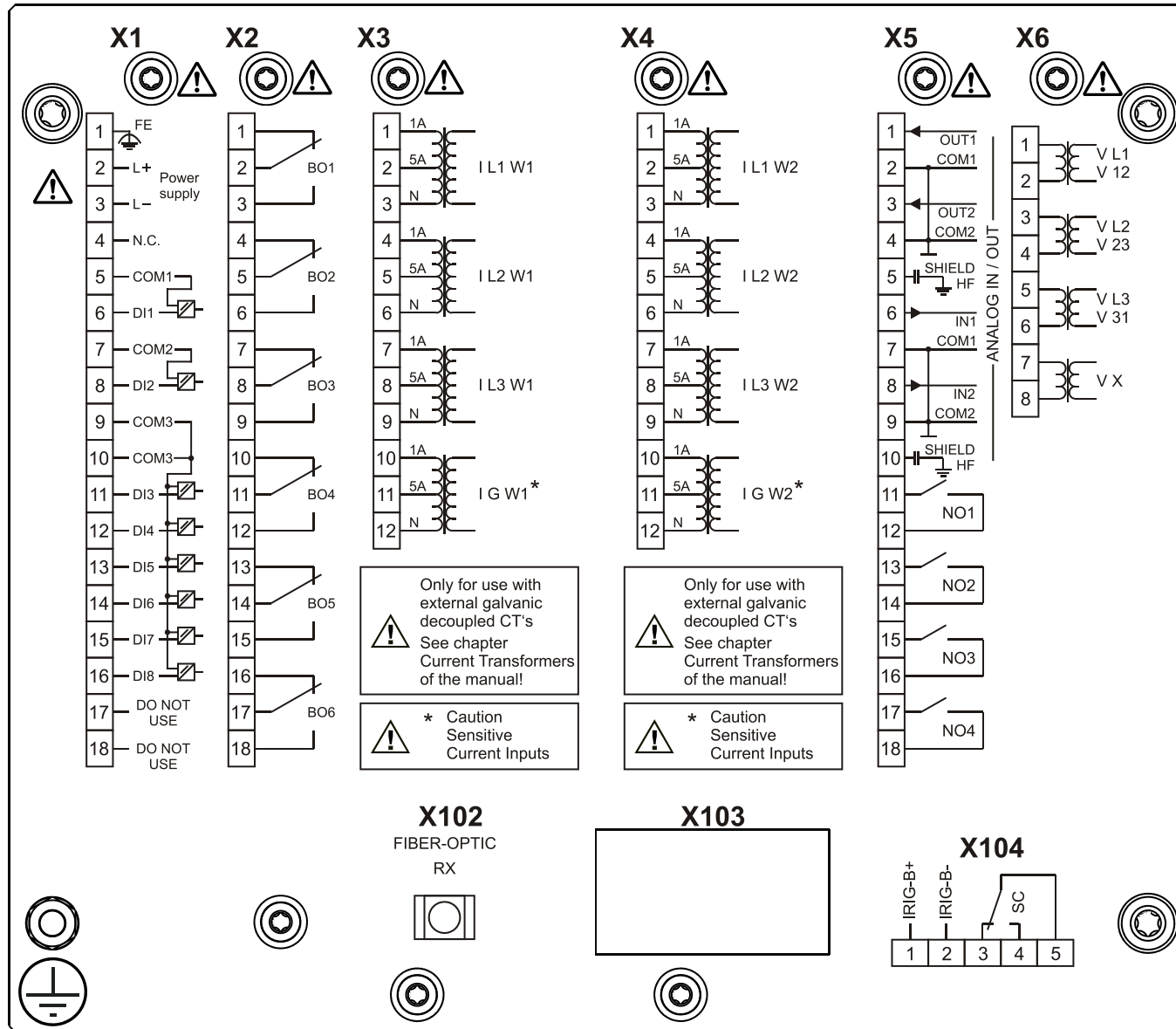
MCDTV4-2B3ALA



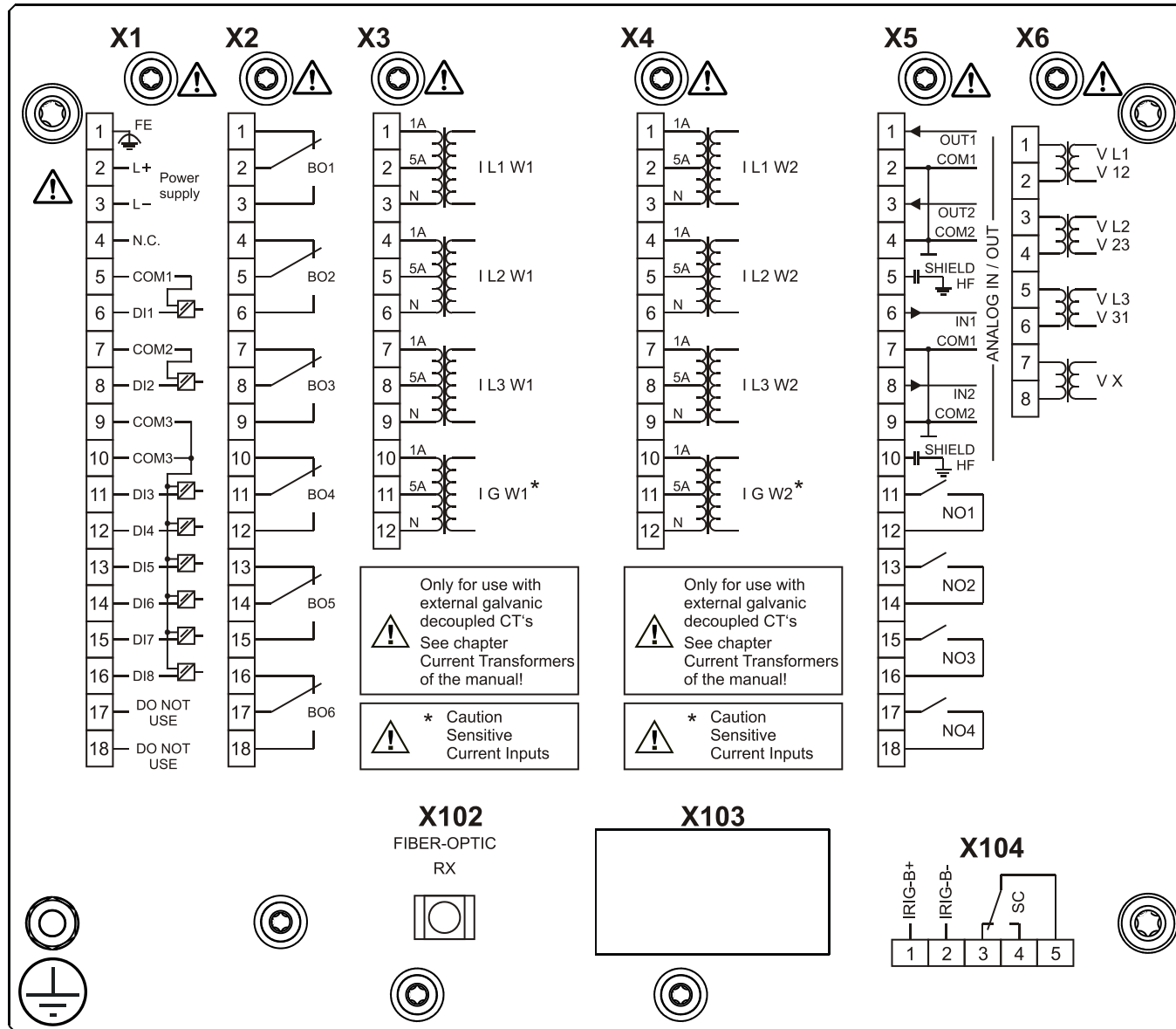
MCDTV4-2B3ALB



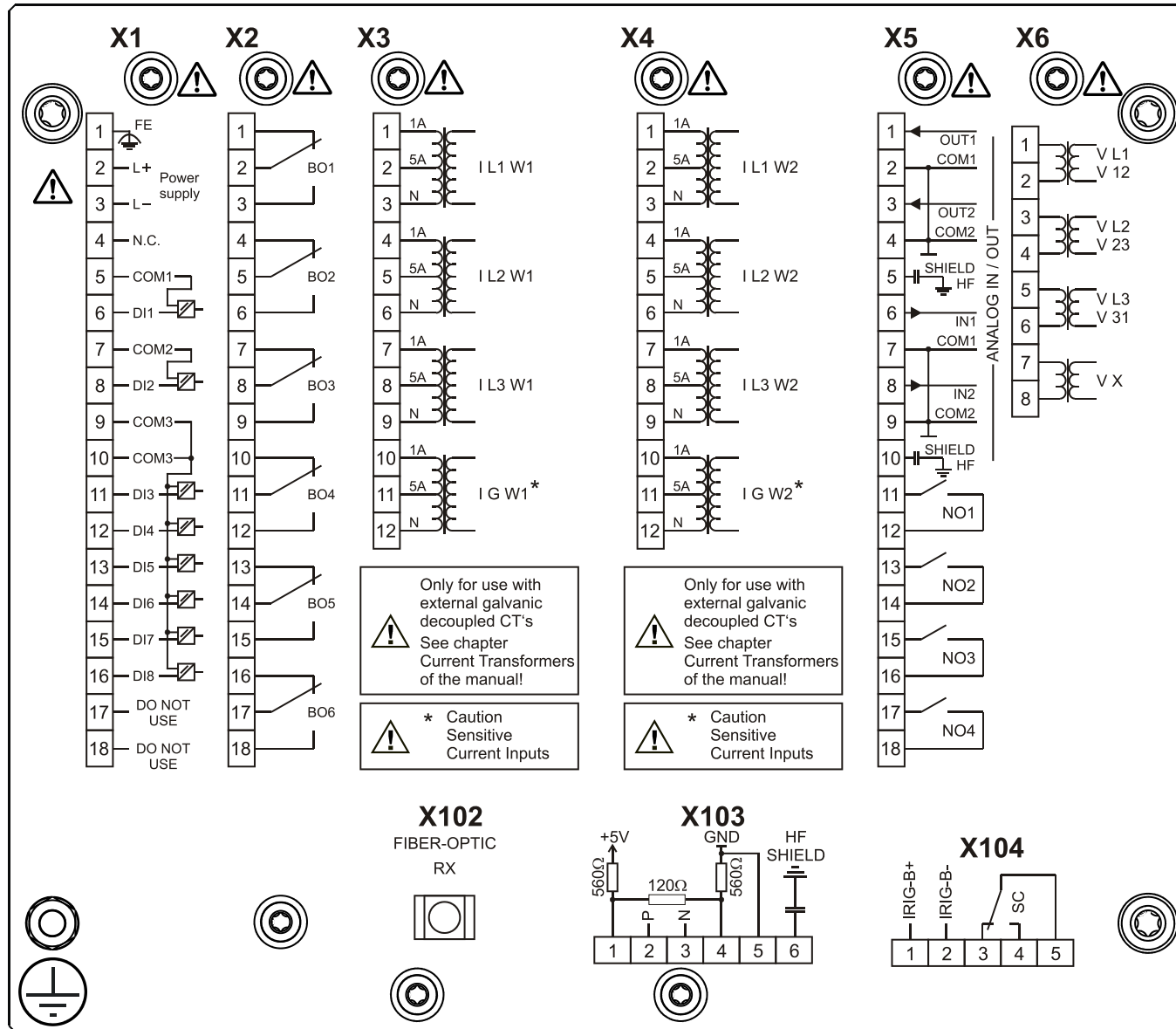
MCDTV4-2B3BAA



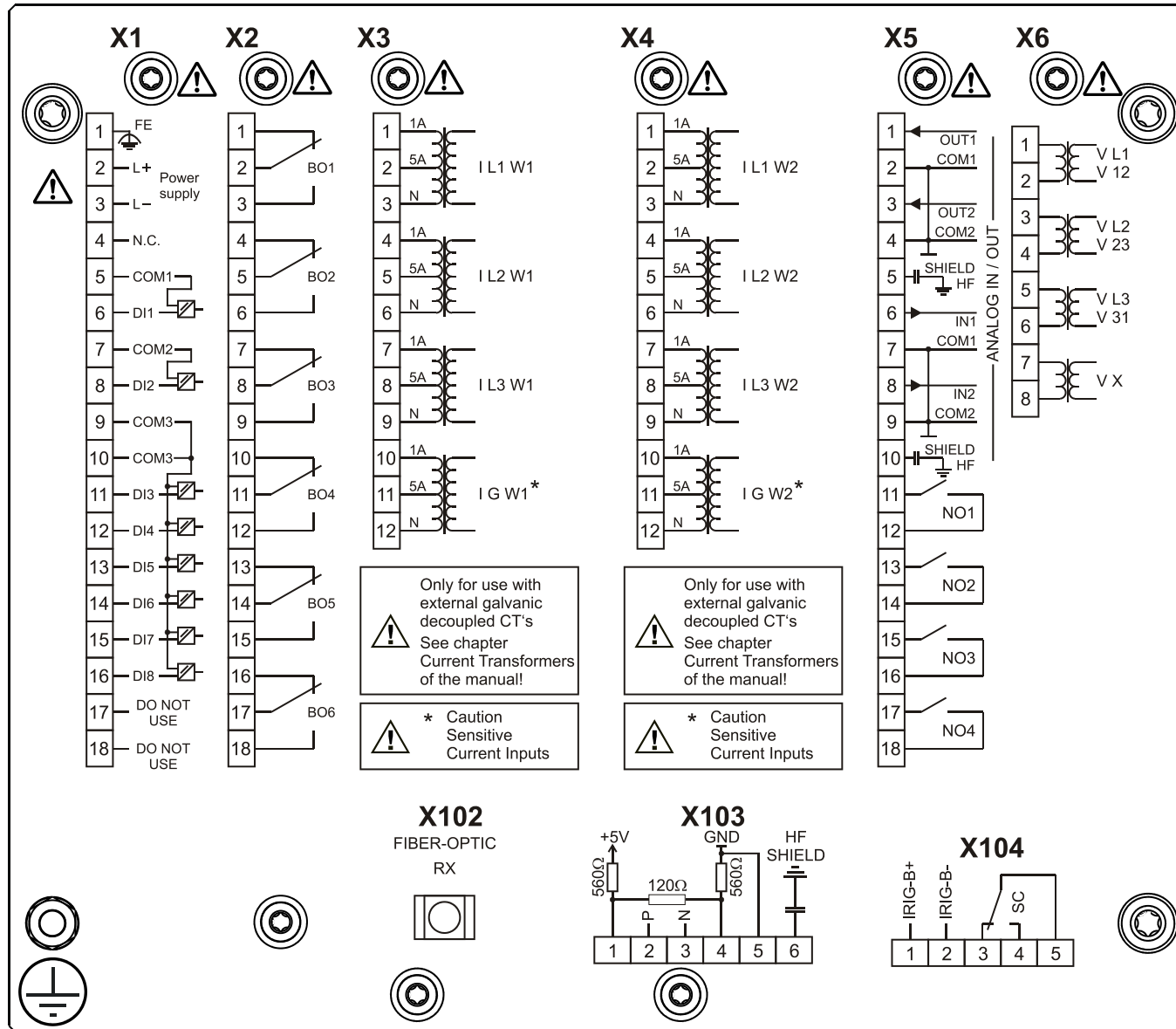
MCDTV4-2B3BAB



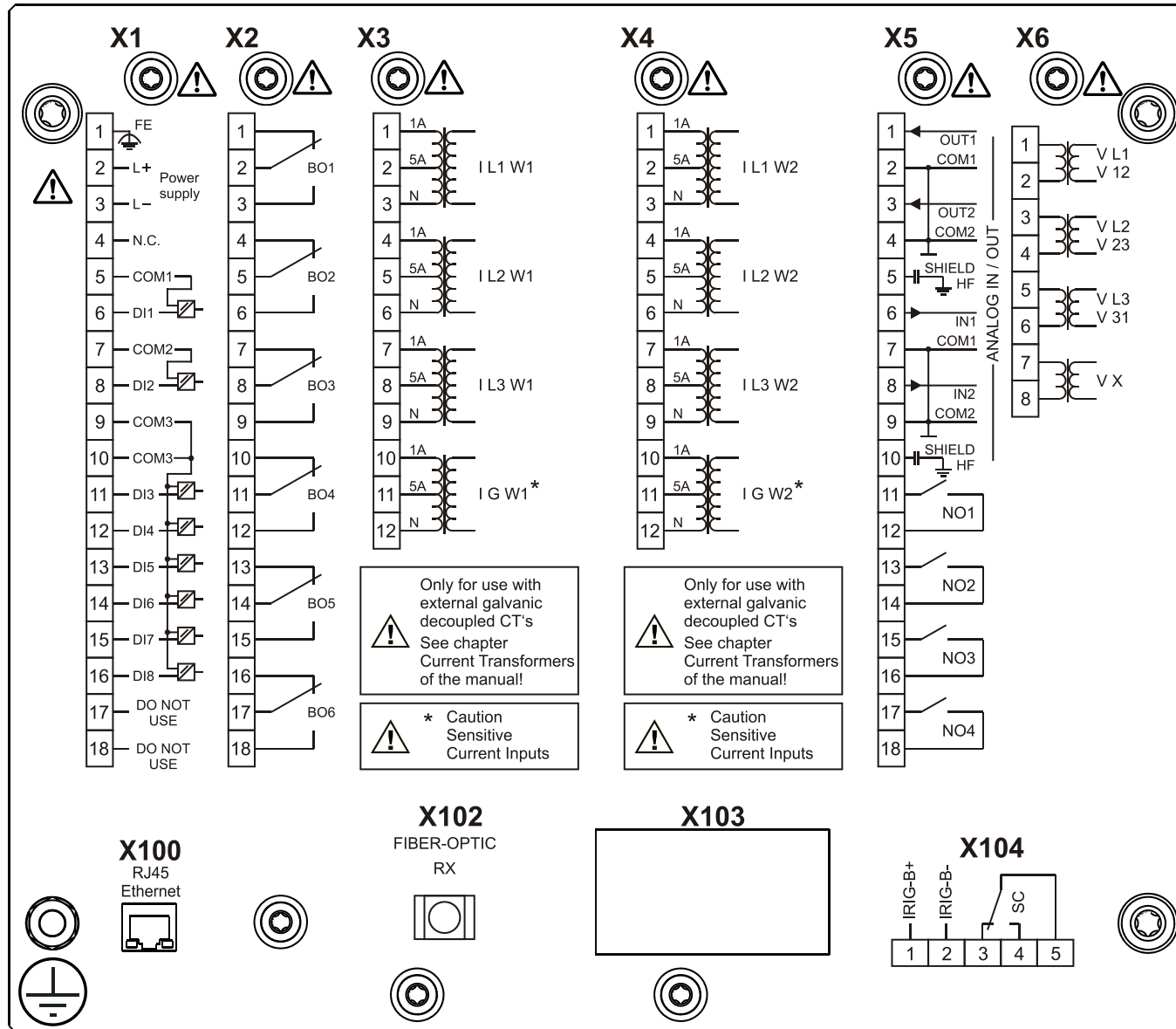
MCDTV4-2B3BBA



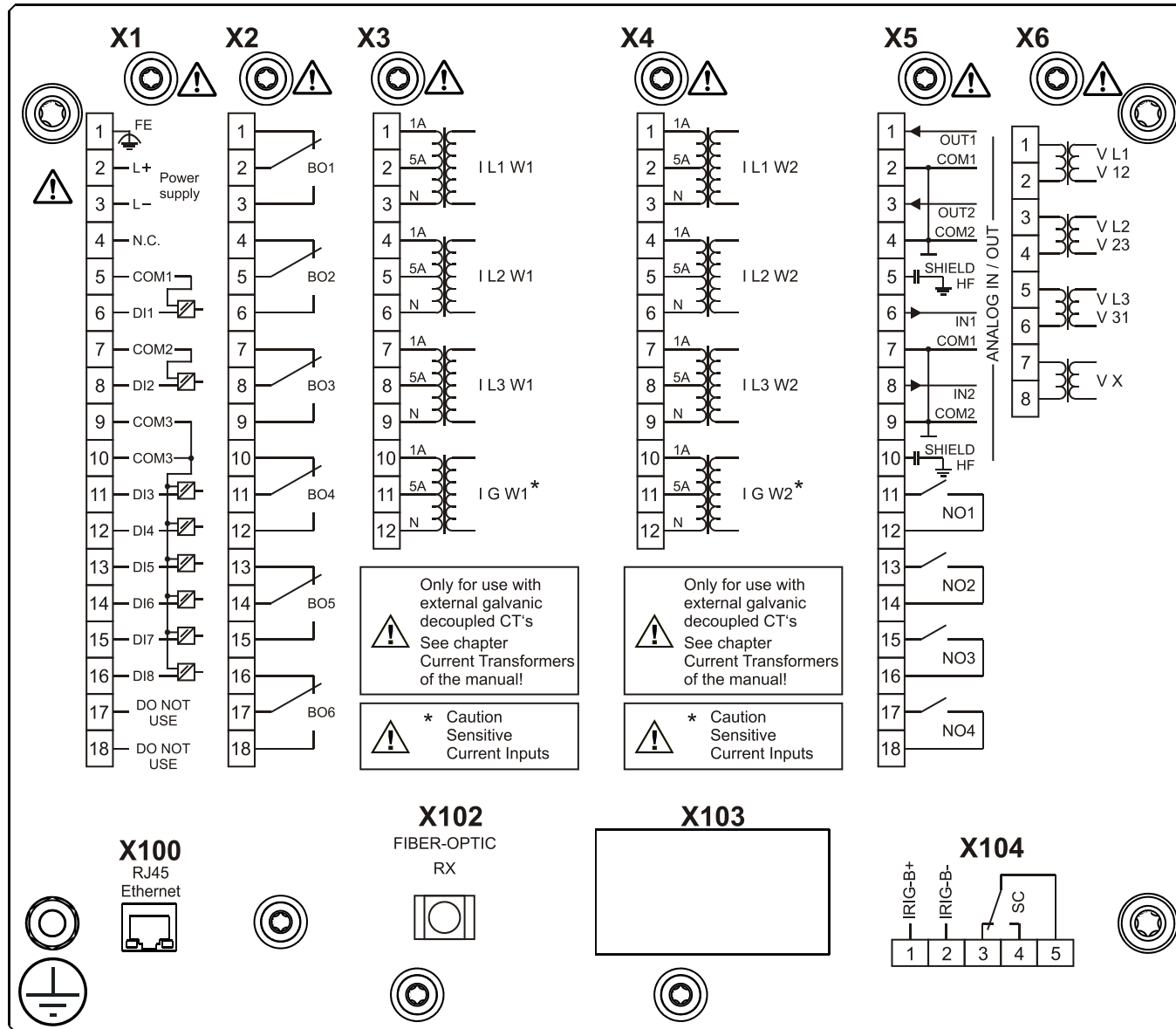
MCDTV4-2B3BBB



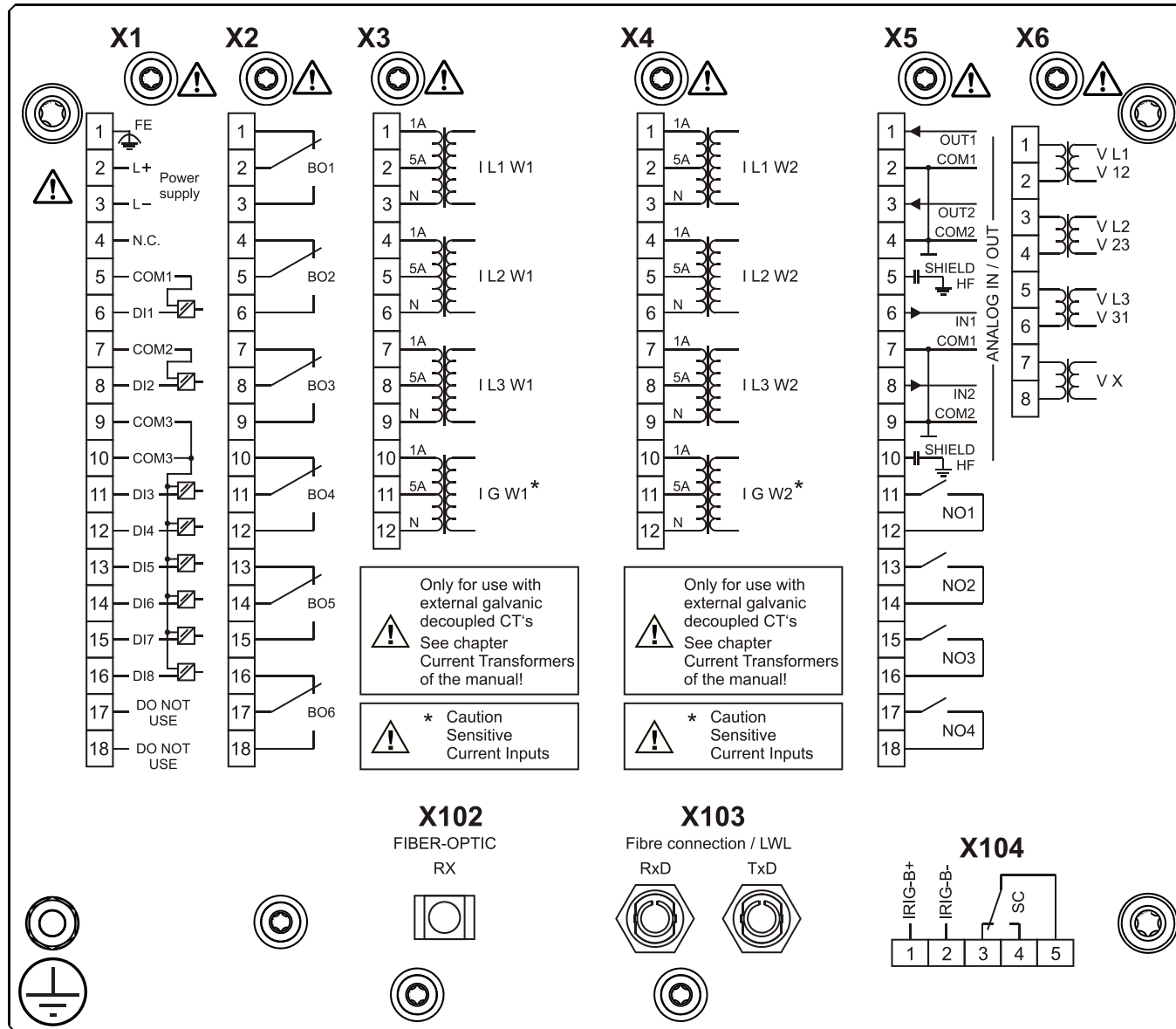
MCDTV4-2B3BCA



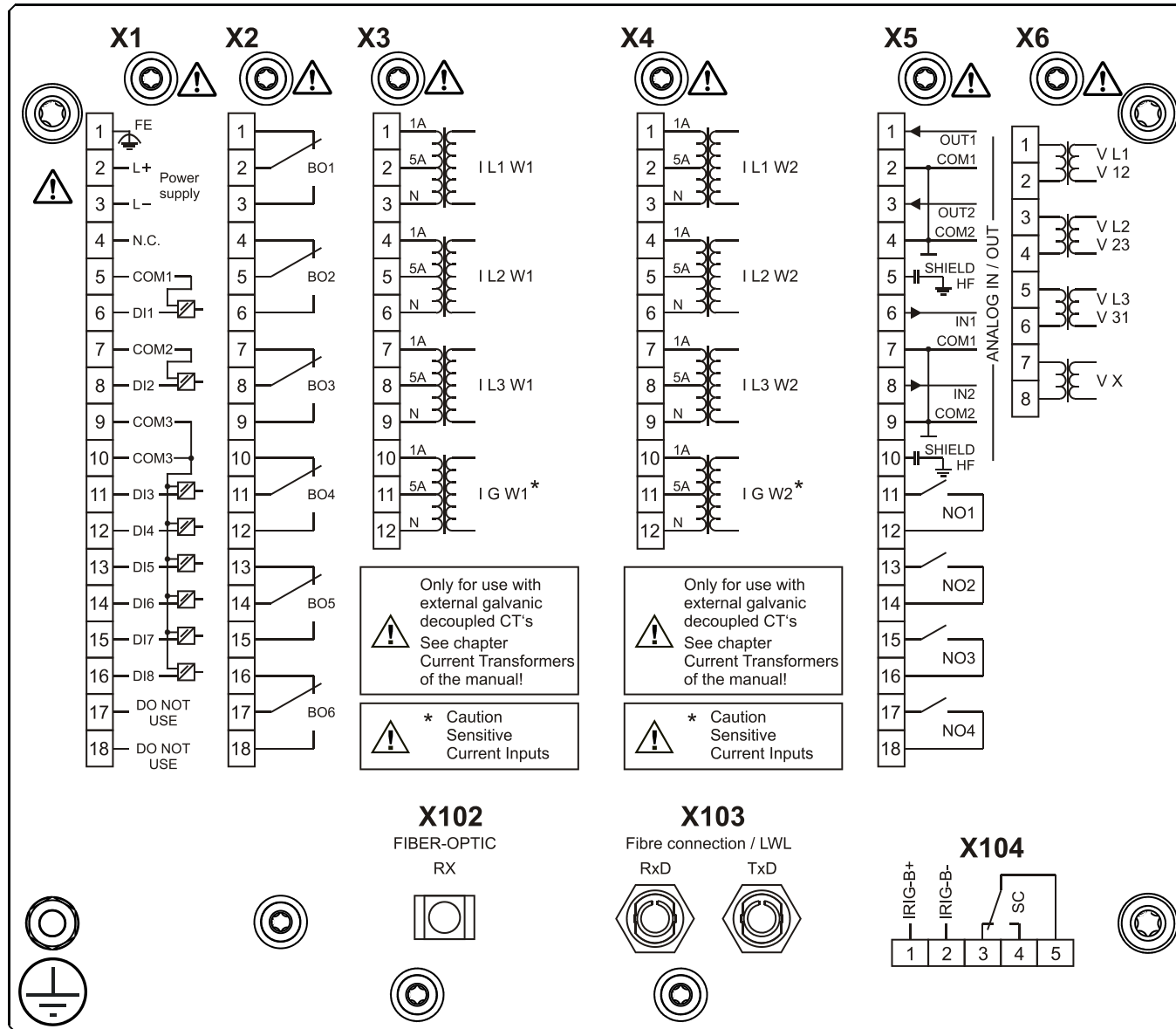
MCDTV4-2B3BCB



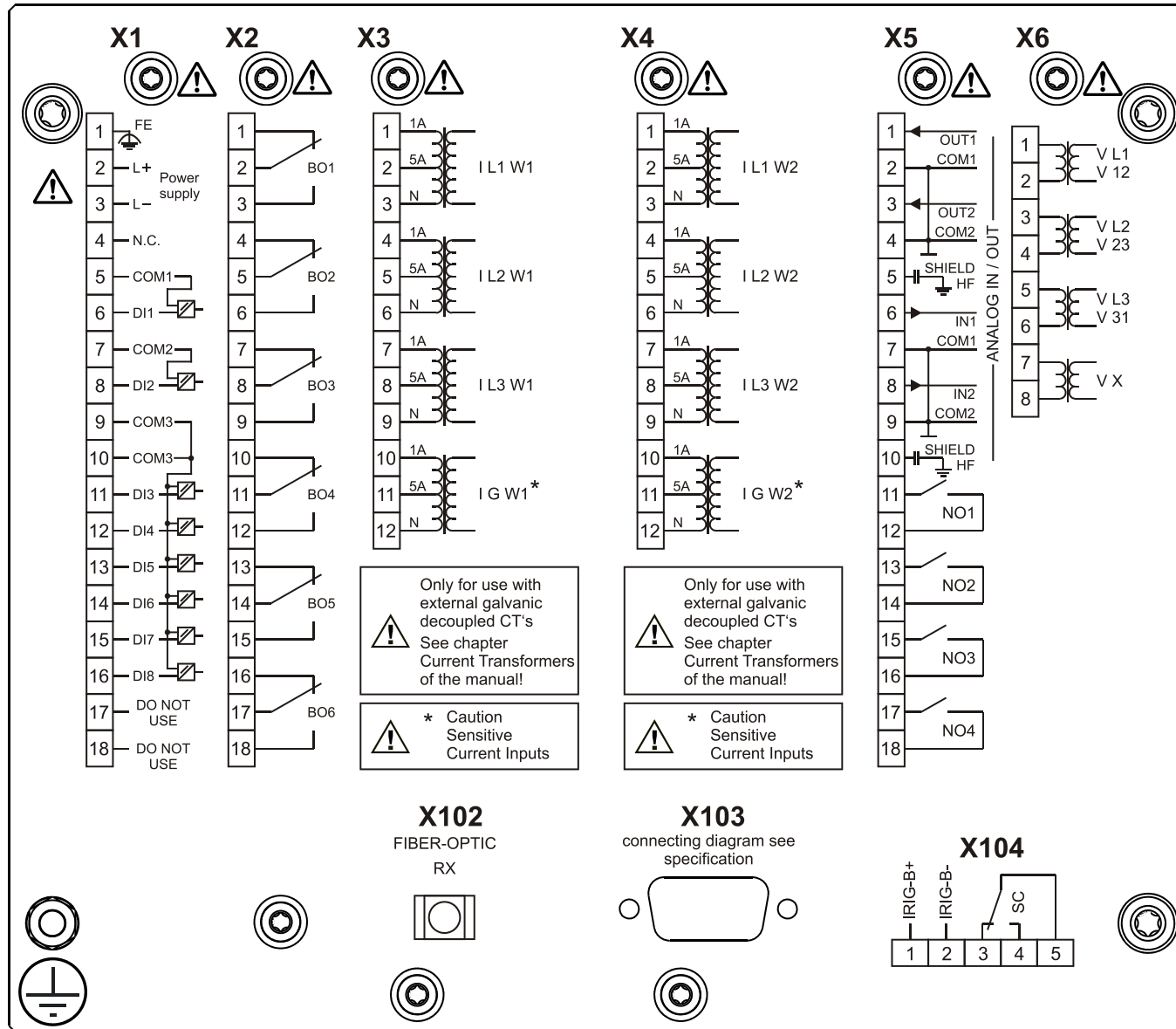
MCDTV4-2B3BDA



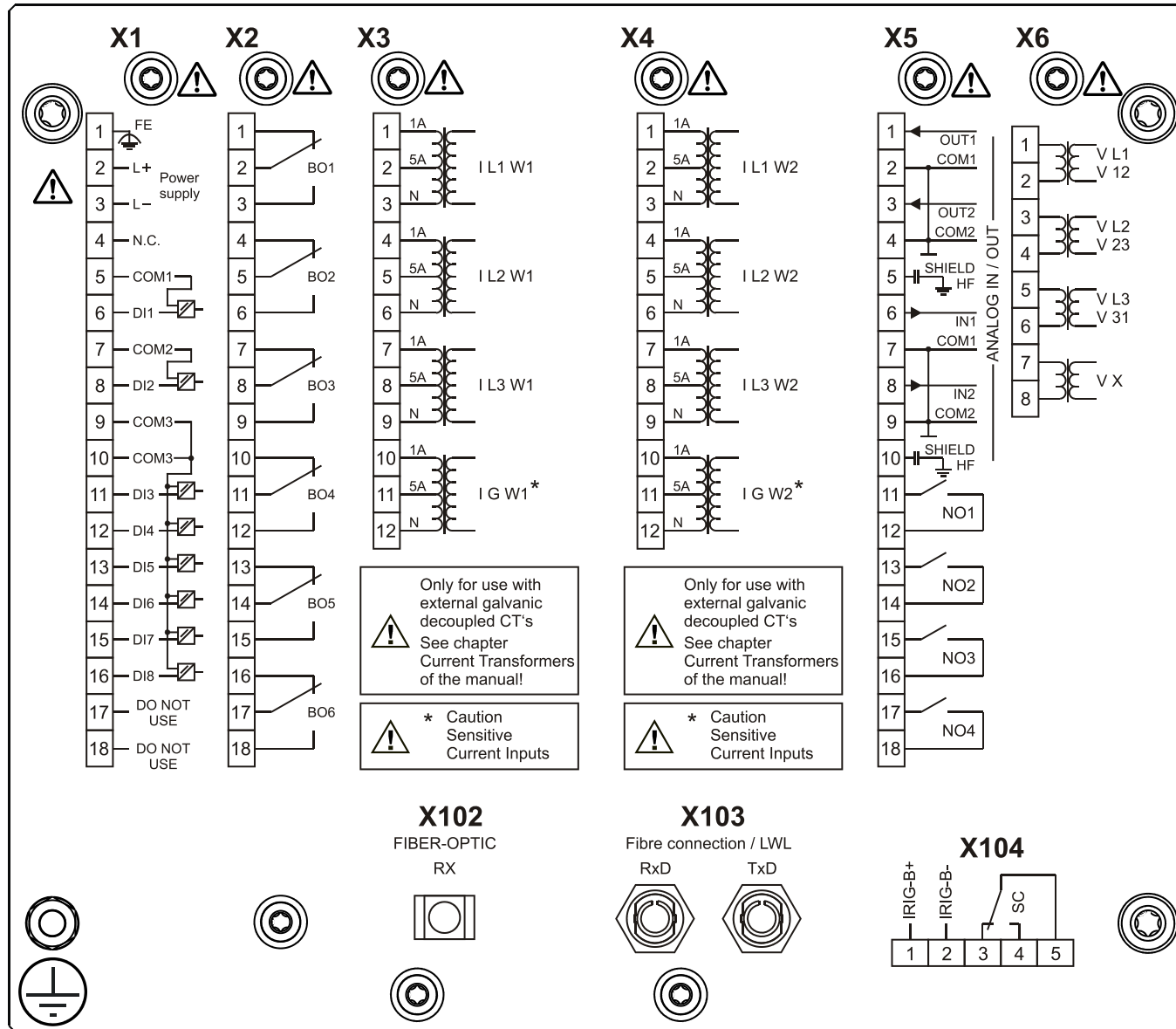
MCDTV4-2B3BDB



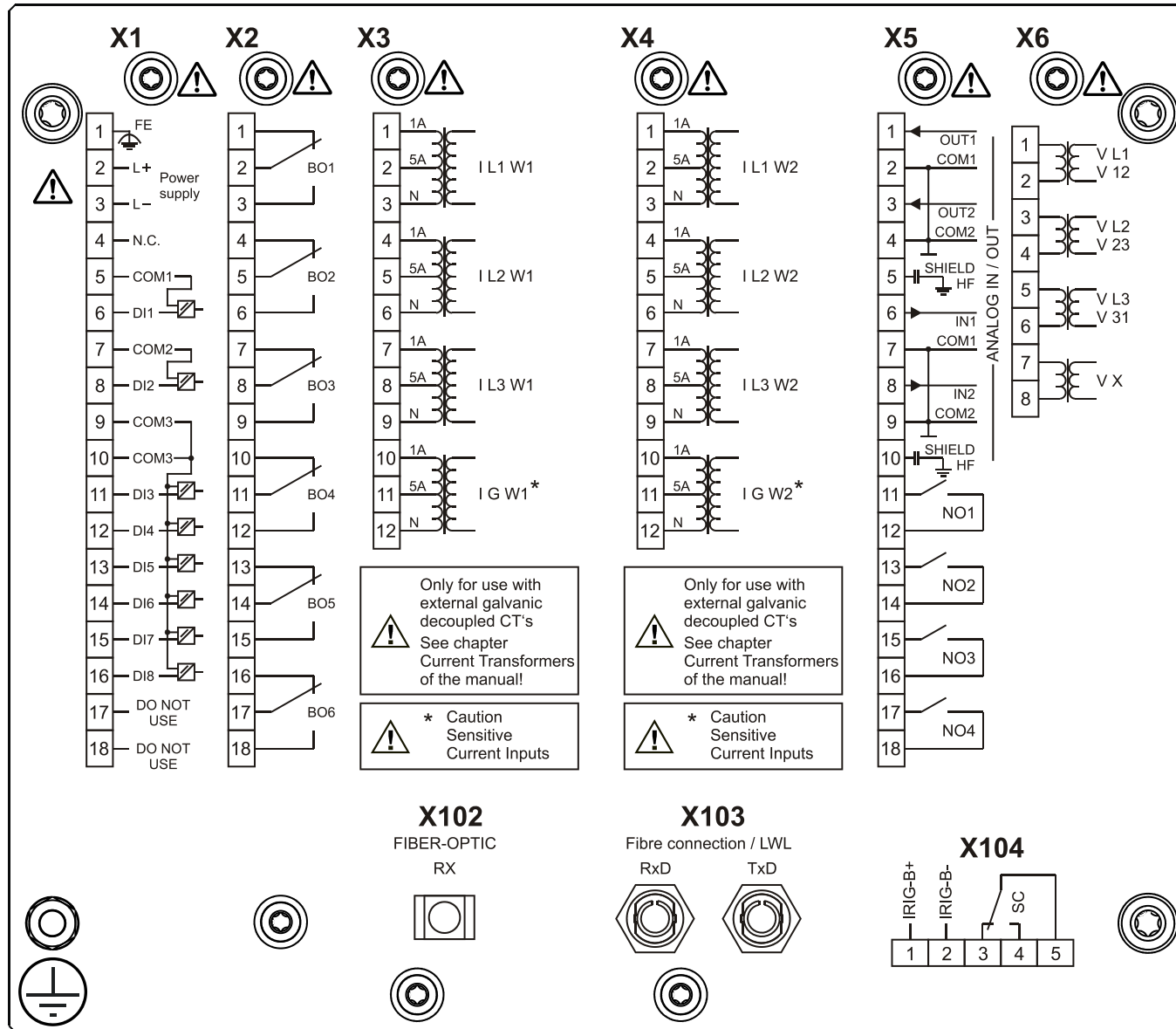
MCDTV4-2B3BEA



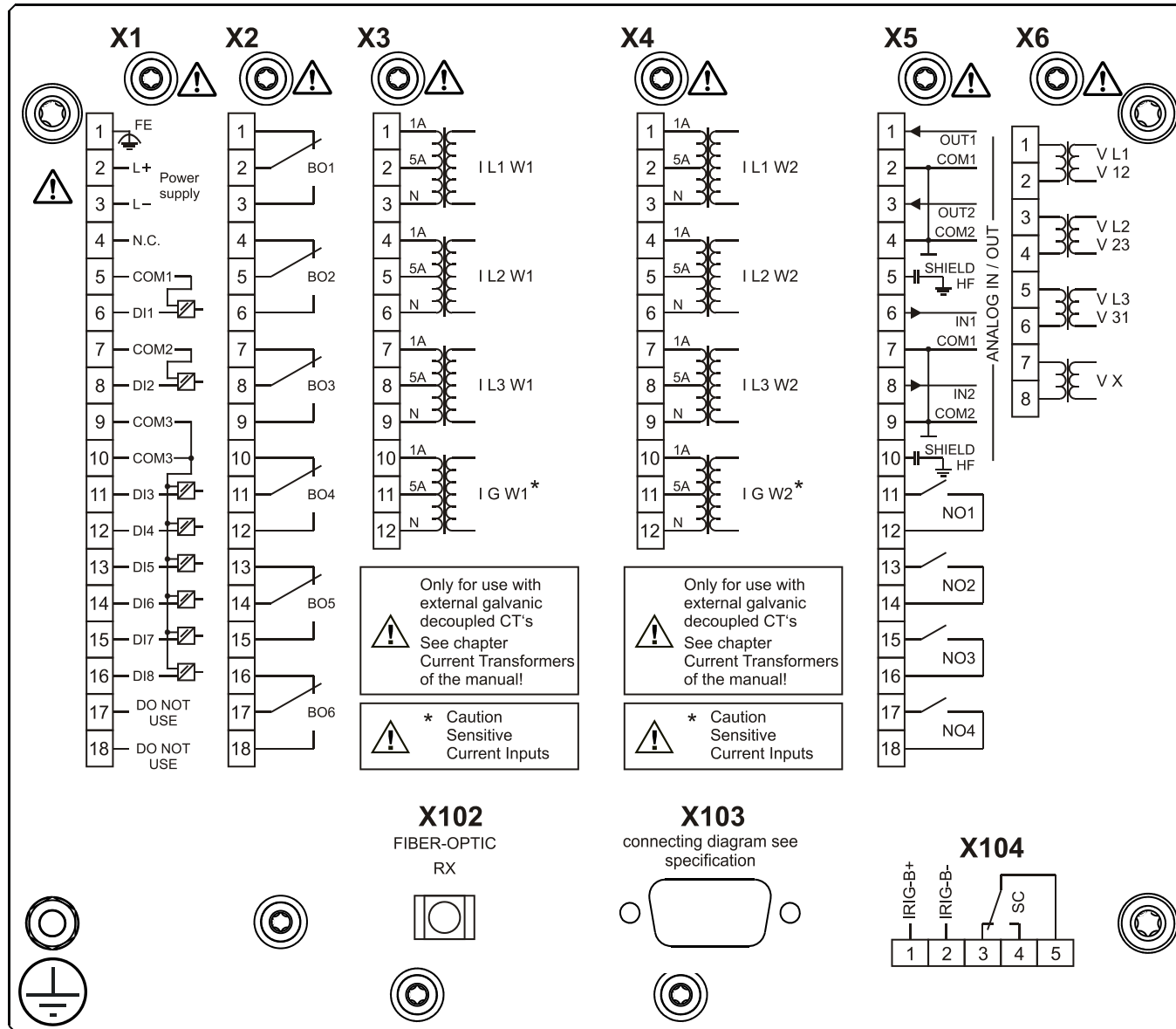
MCDTV4-2B3BFA



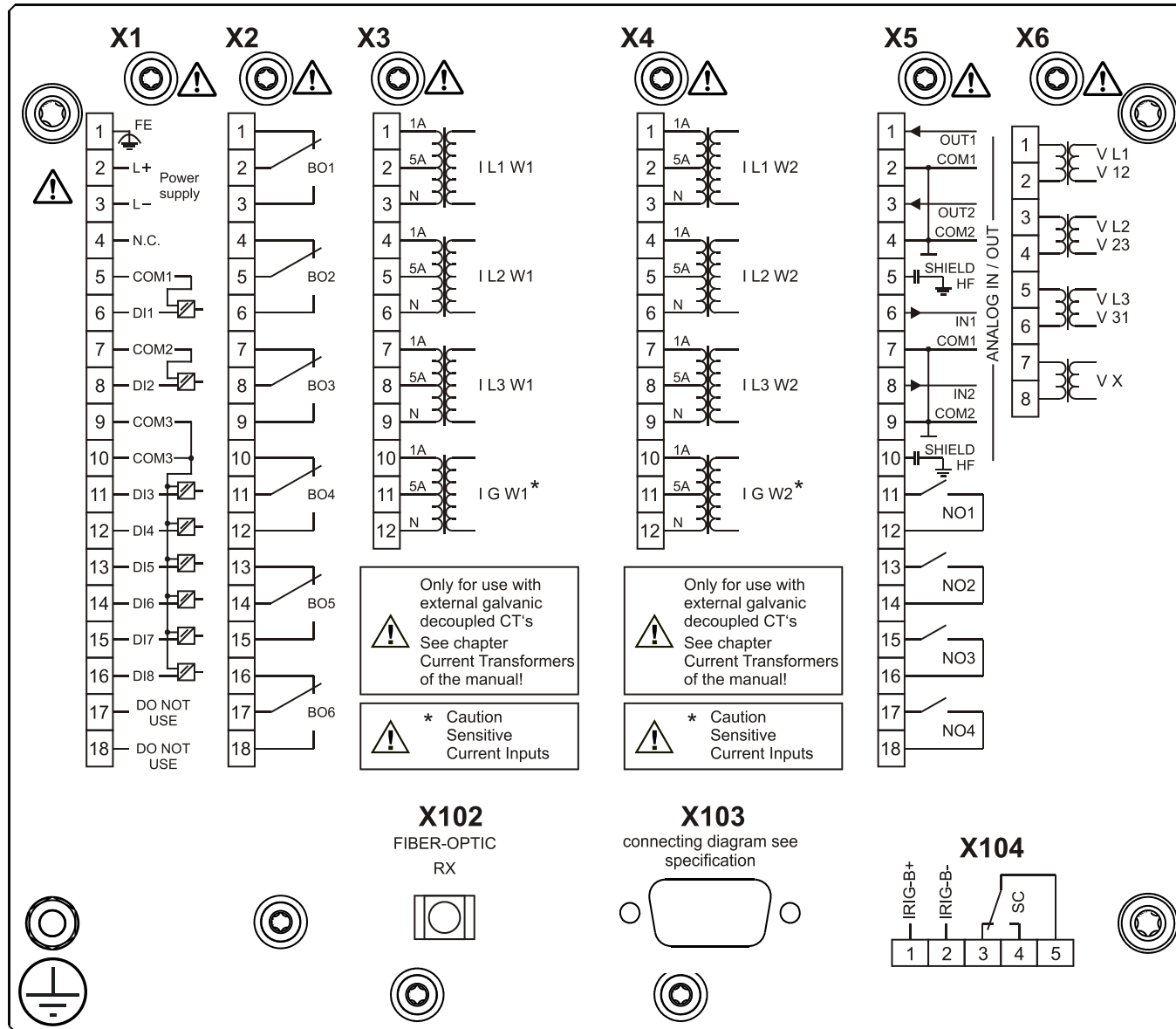
MCDTV4-2B3BFB



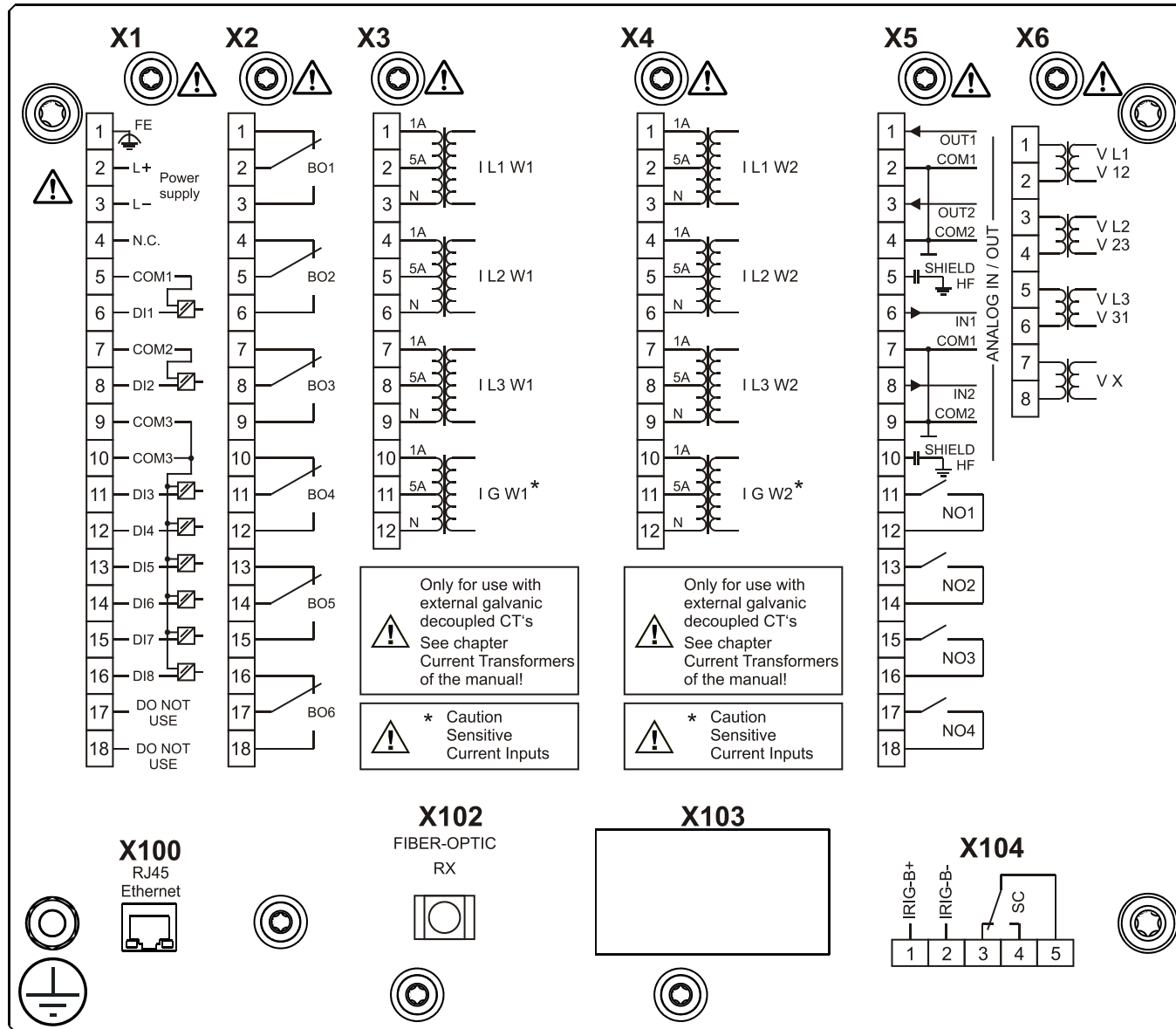
MCDTV4-2B3BGA



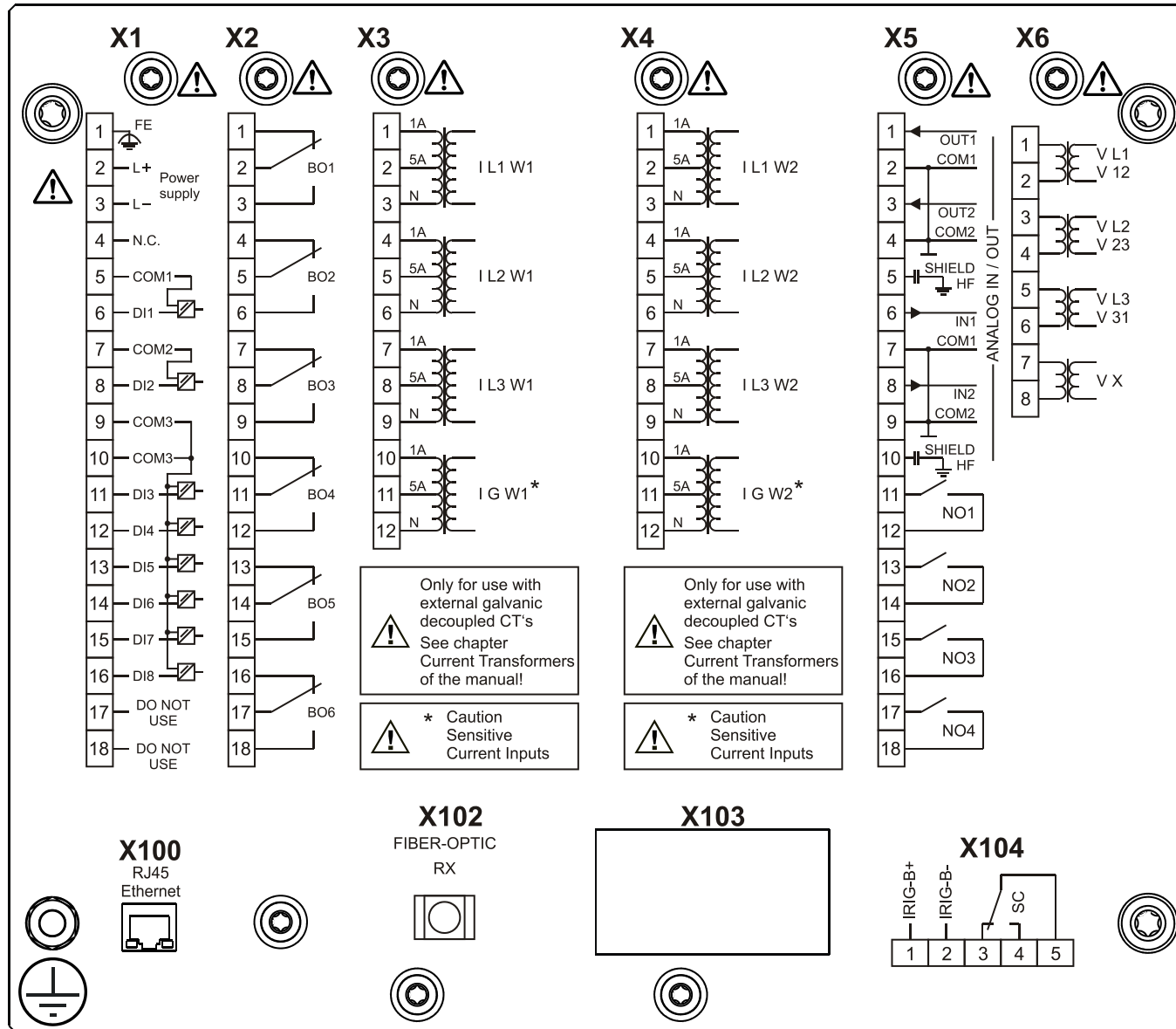
MCDTV4-2B3BGB



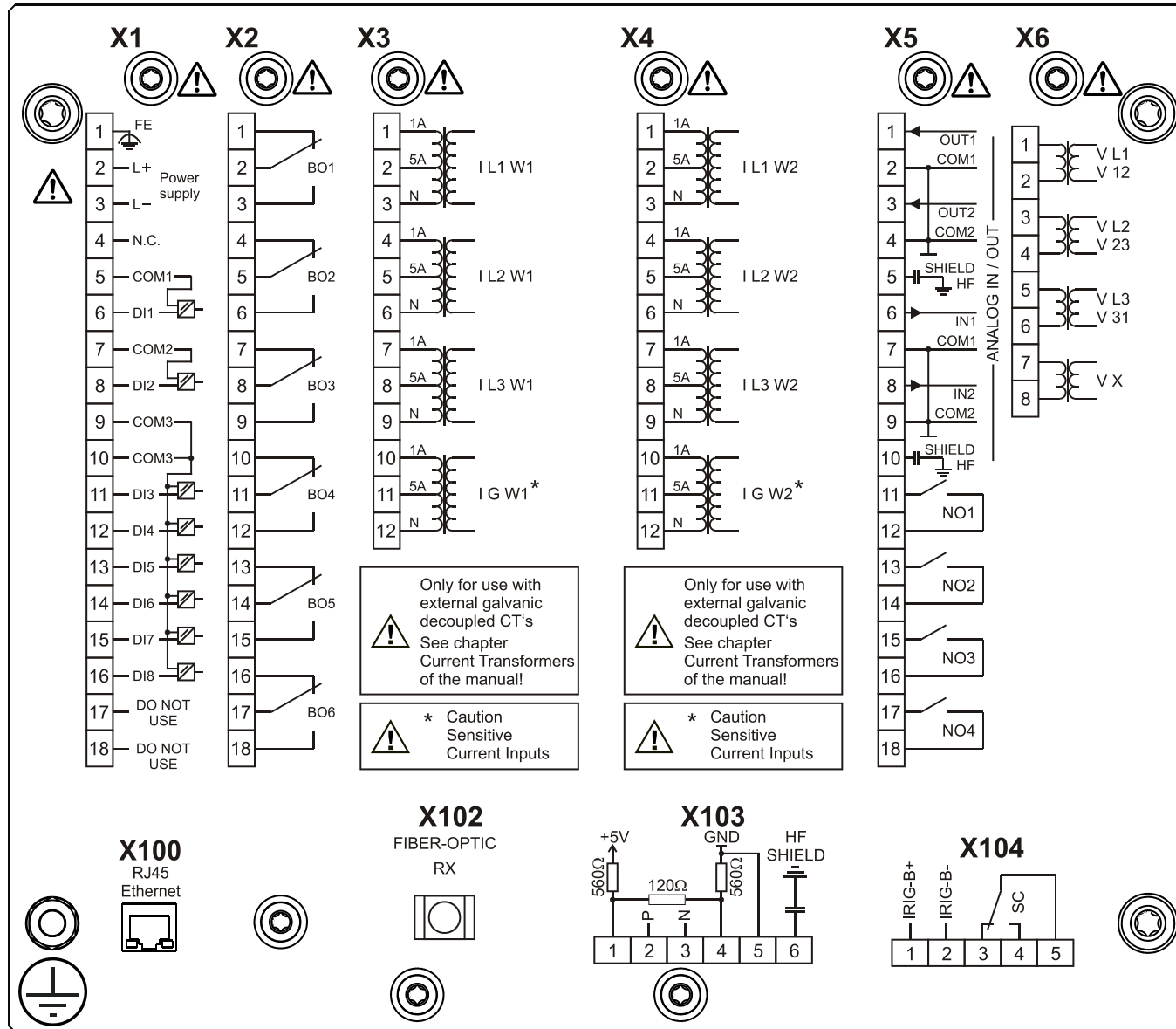
MCDTV4-2B3BHA



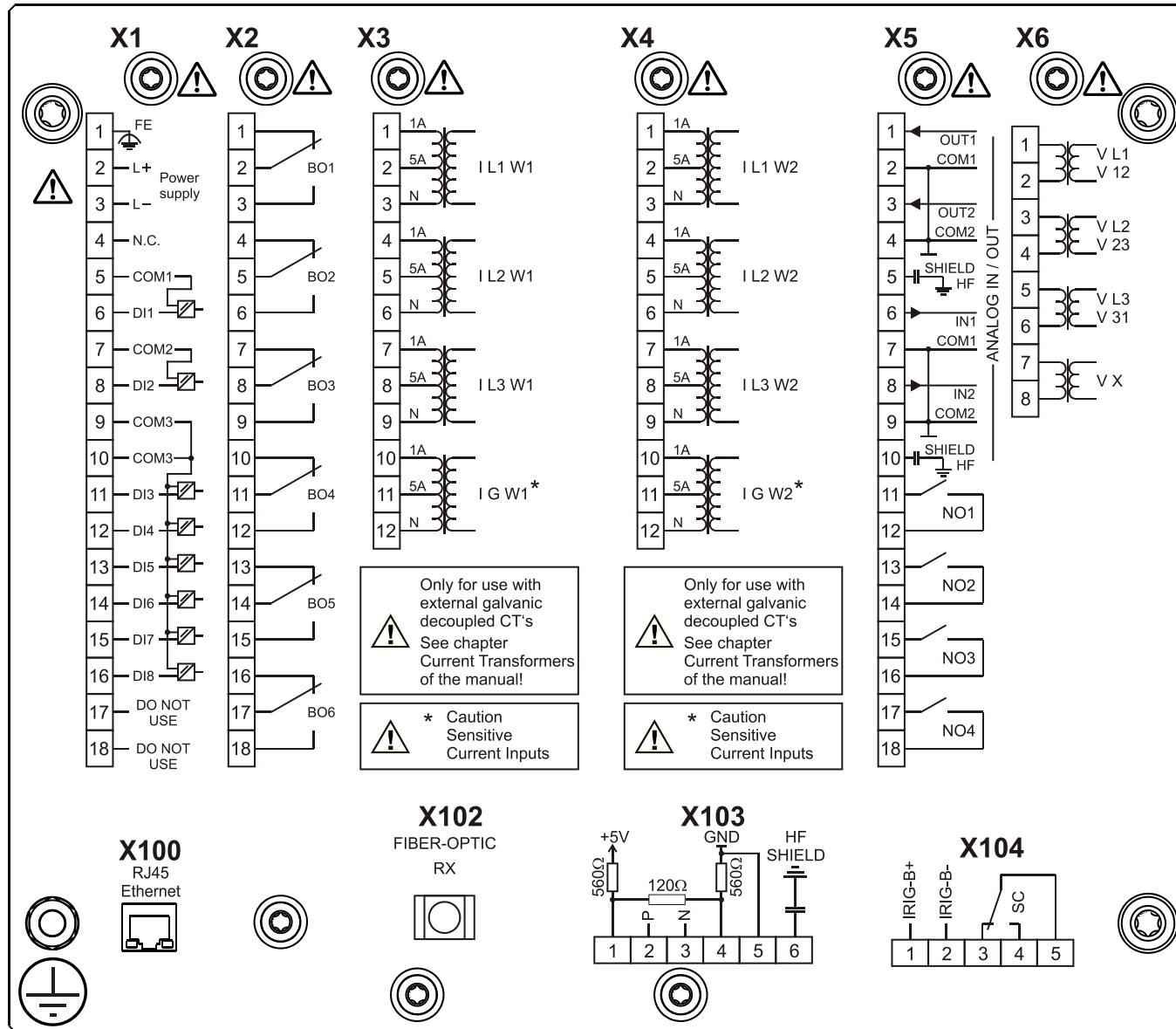
MCDTV4-2B3BHB



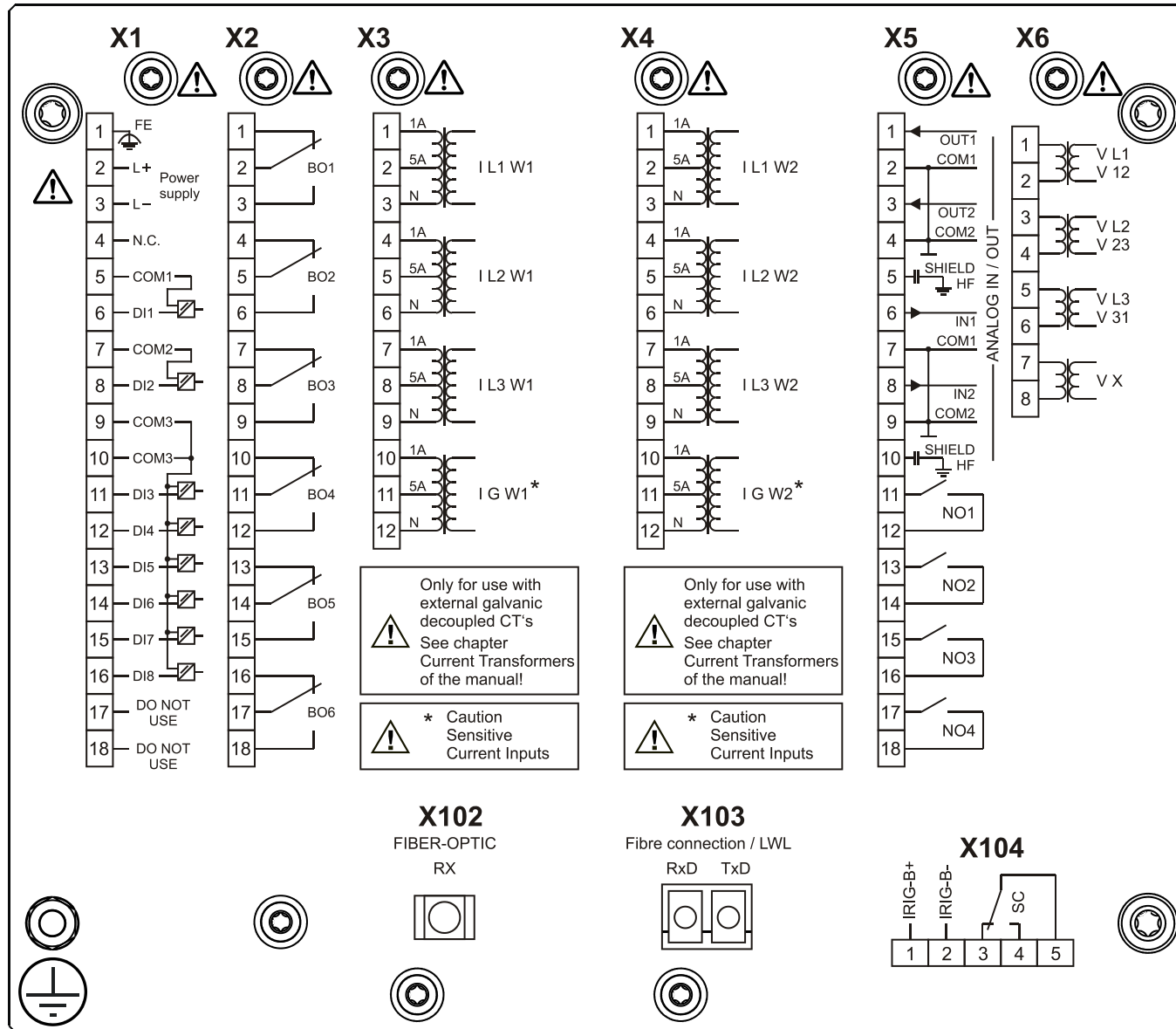
MCDTV4-2B3BIA



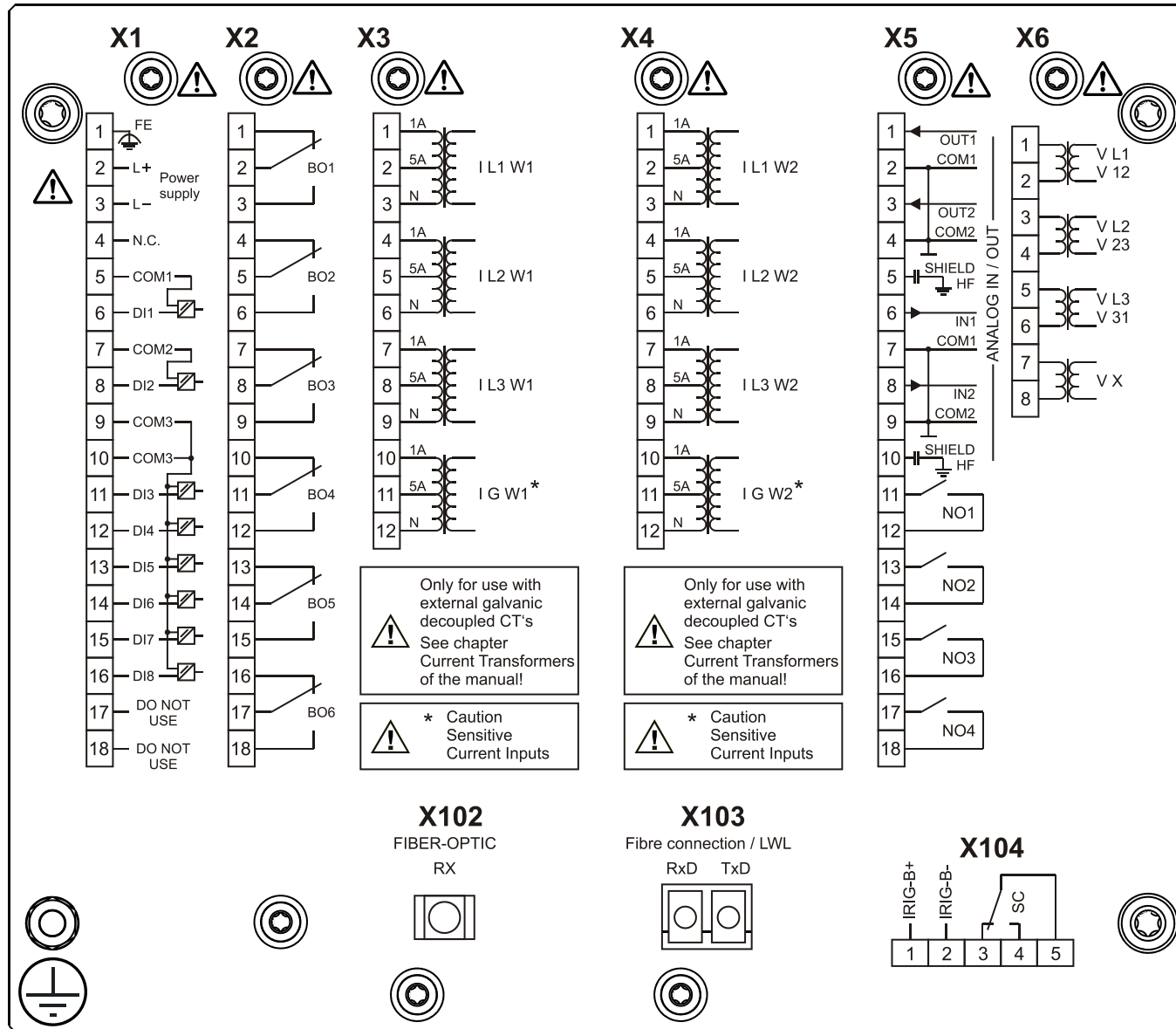
MCDTV4-2B3BIB



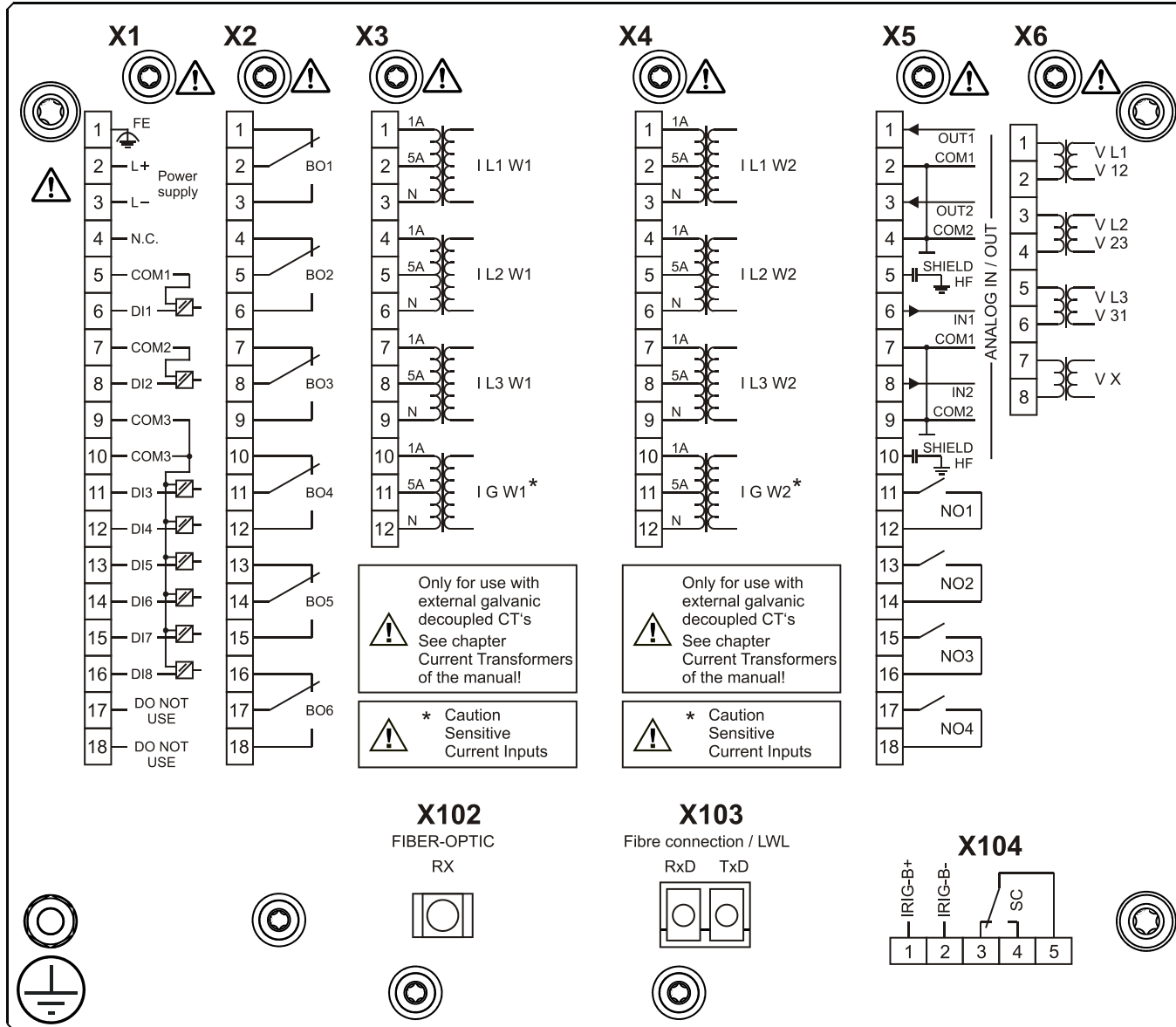
MCDTV4-2B3BKA



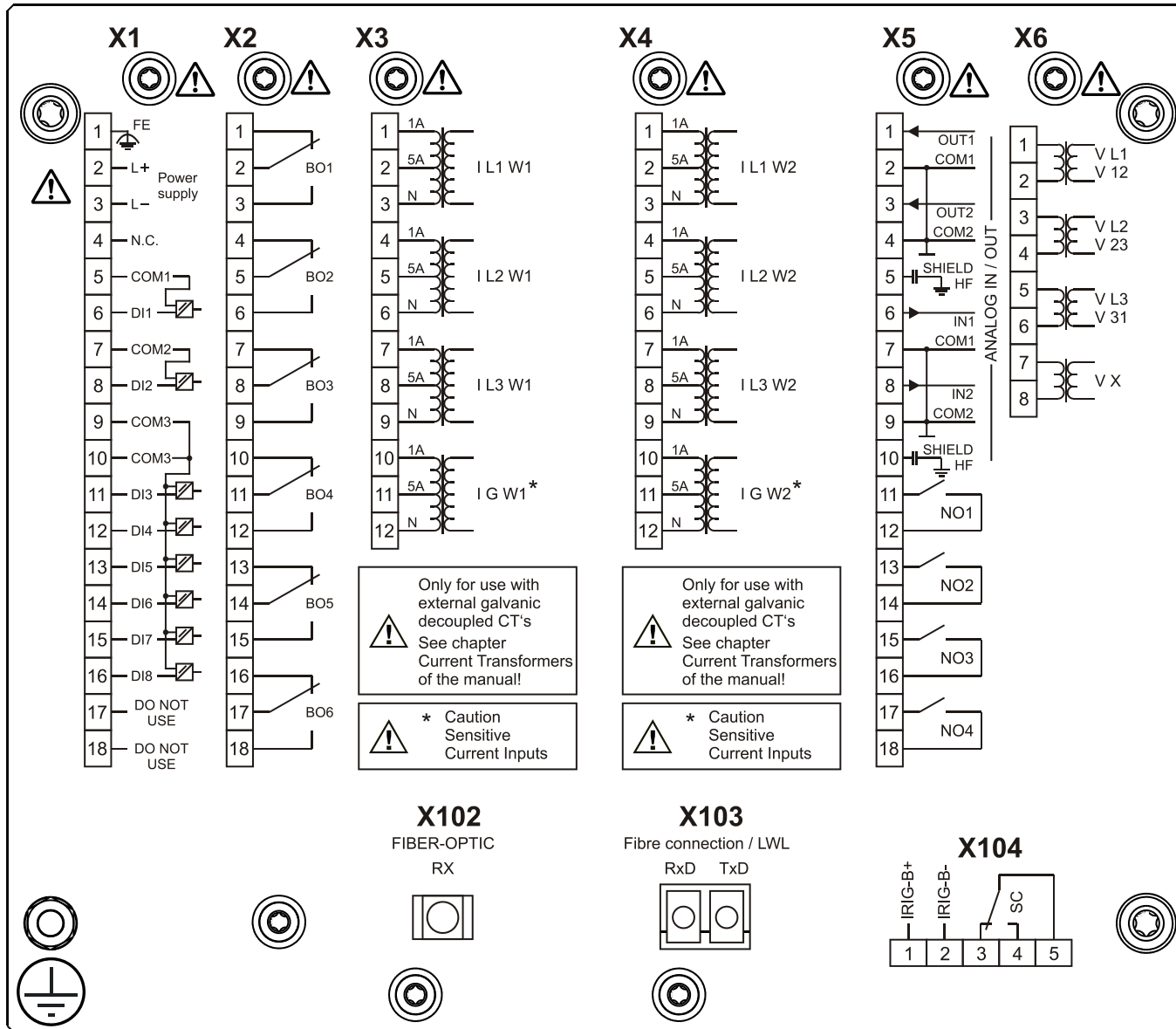
MCDTV4-2B3BKB



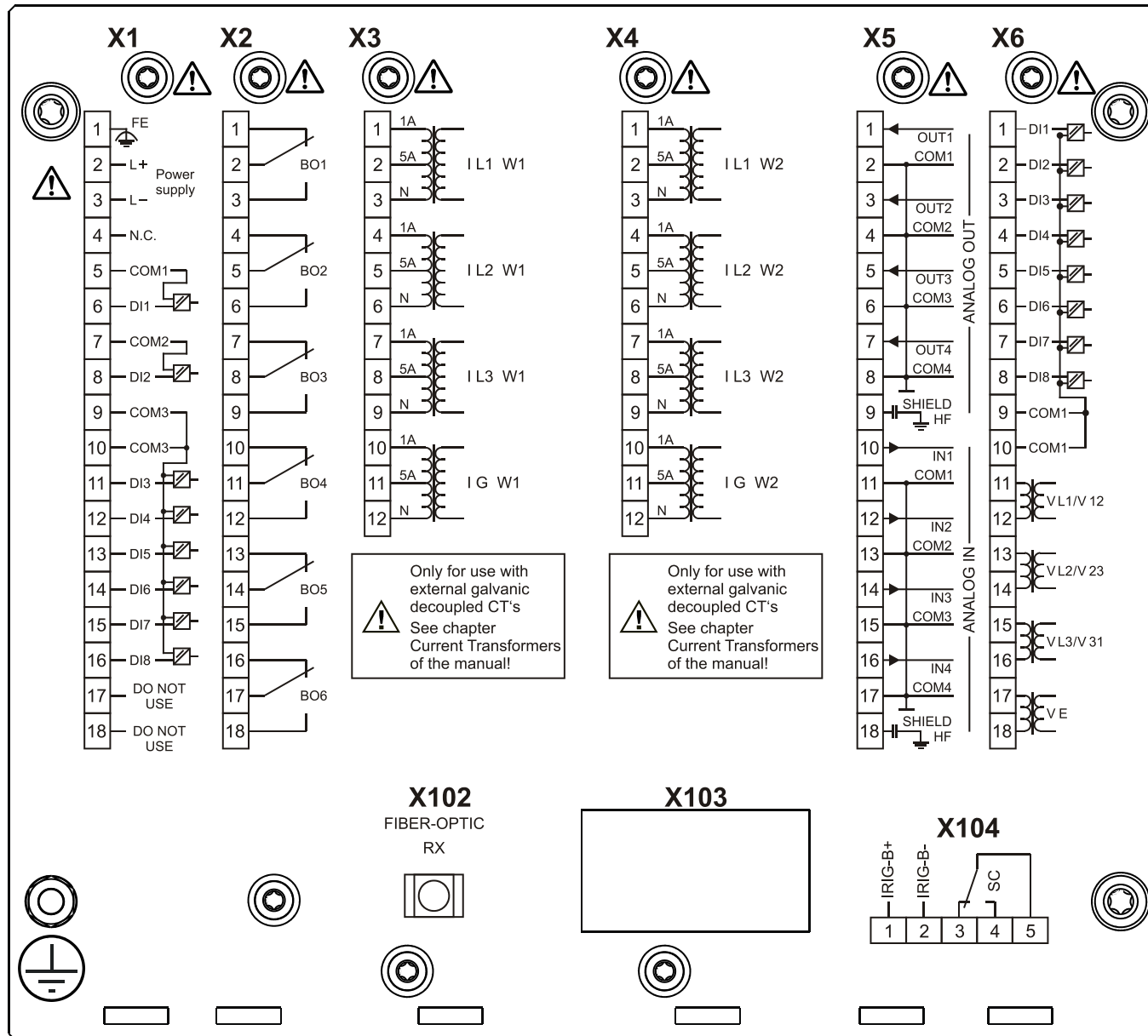
MCDTV4-2B3BLA



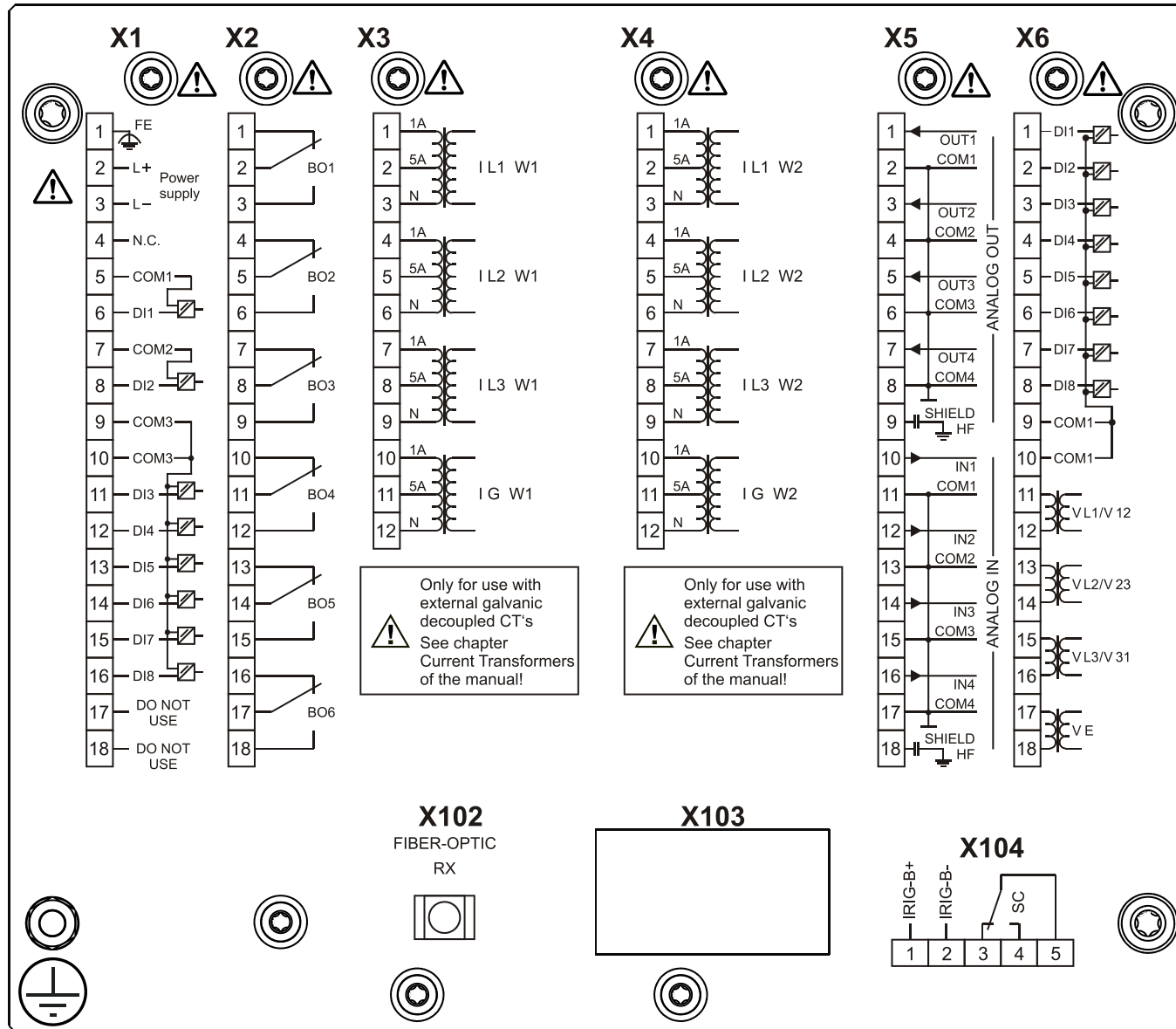
MCDTV4-2B3BLB



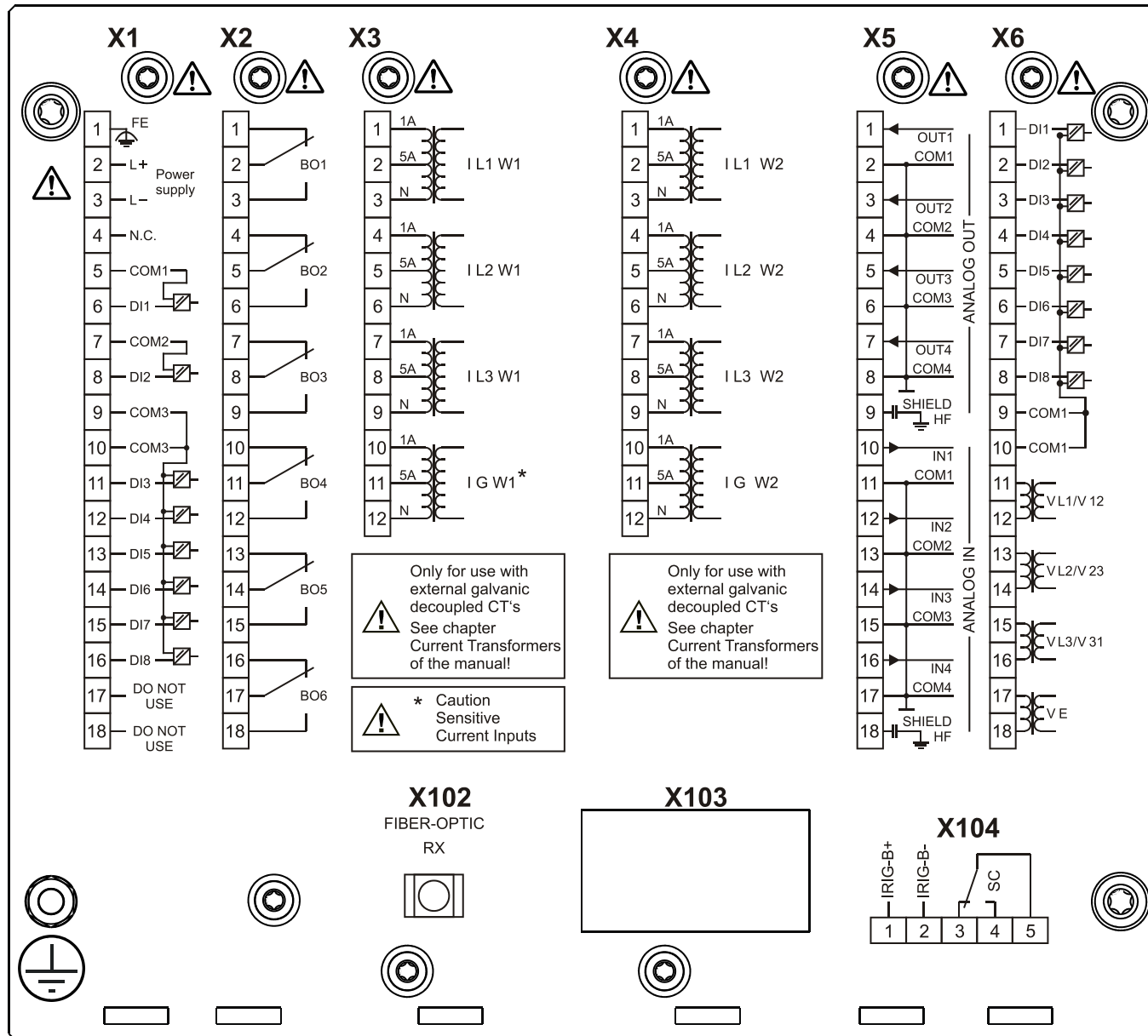
MCDTV4-2C0AAA



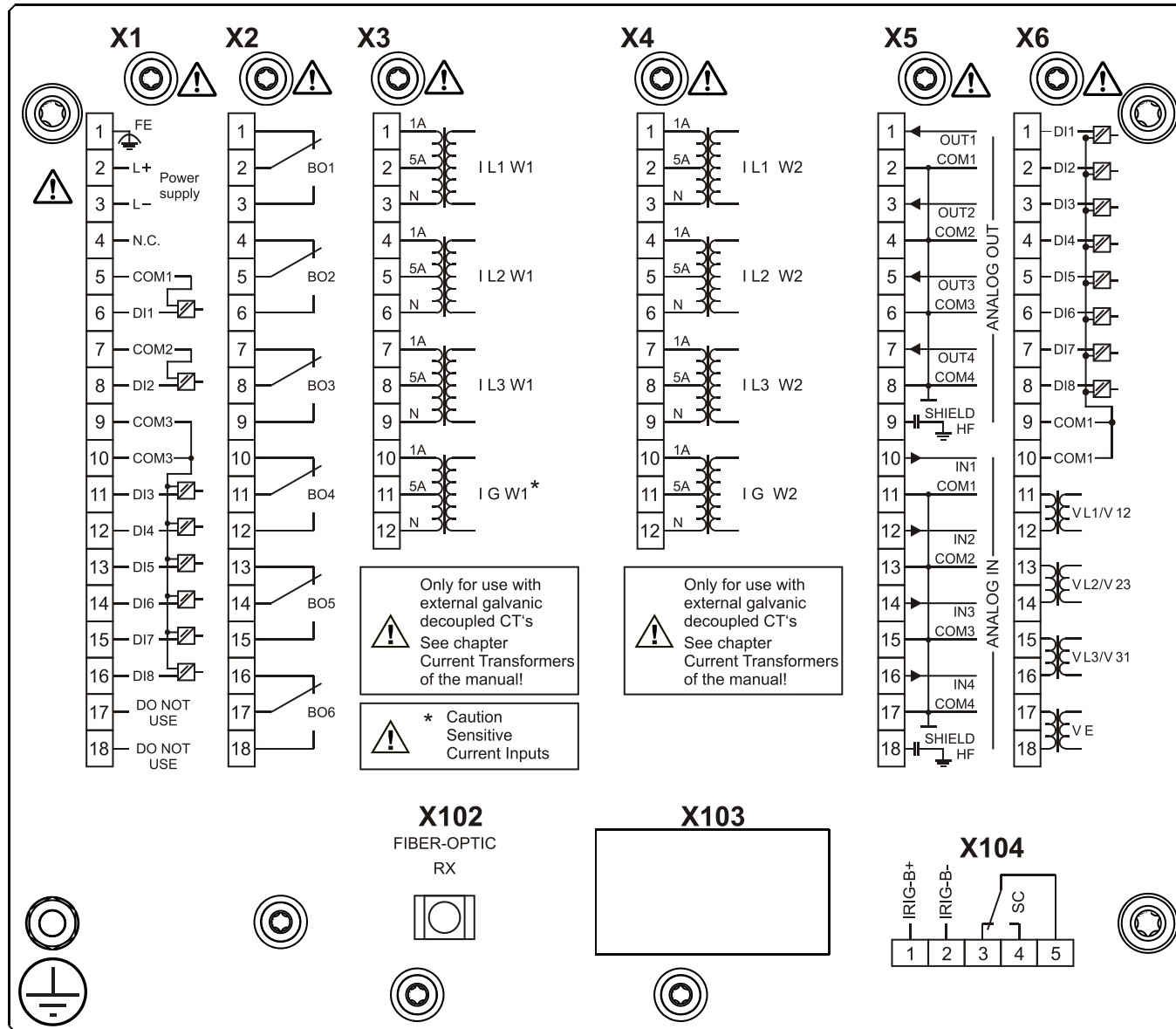
MCDTV4-2C0BAA



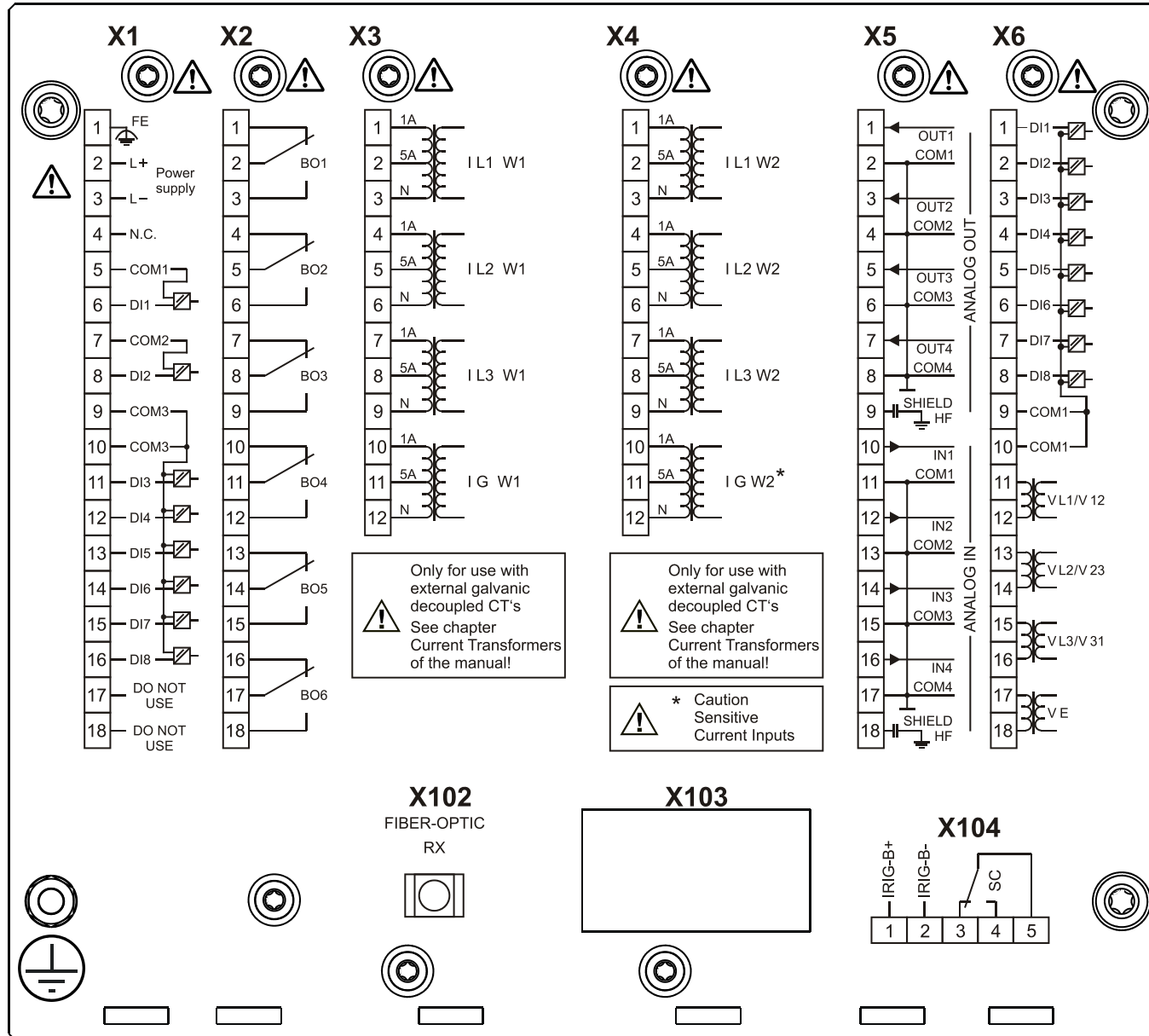
MCDTV4-2C1AAA



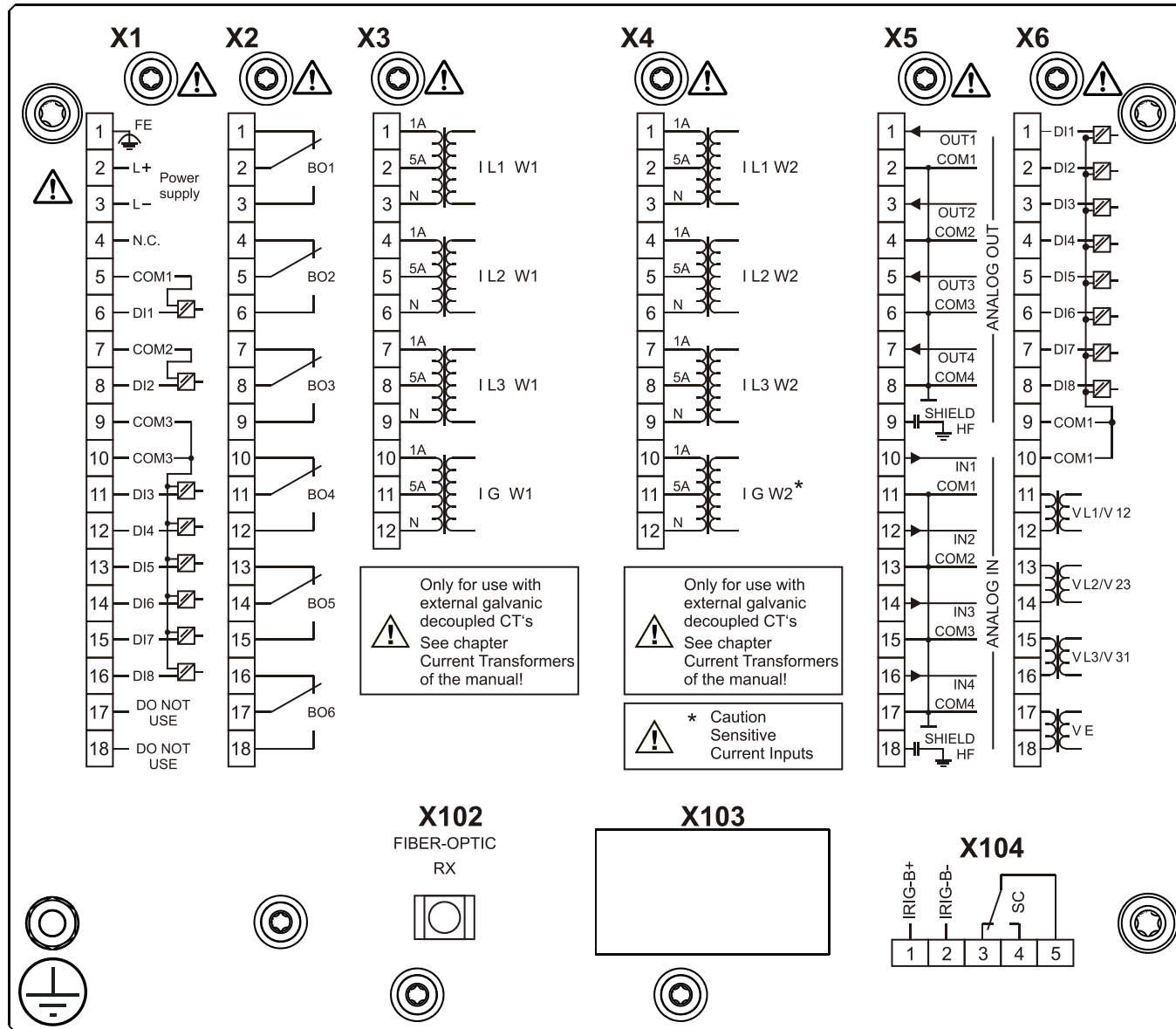
MCDTV4-2C1BAA



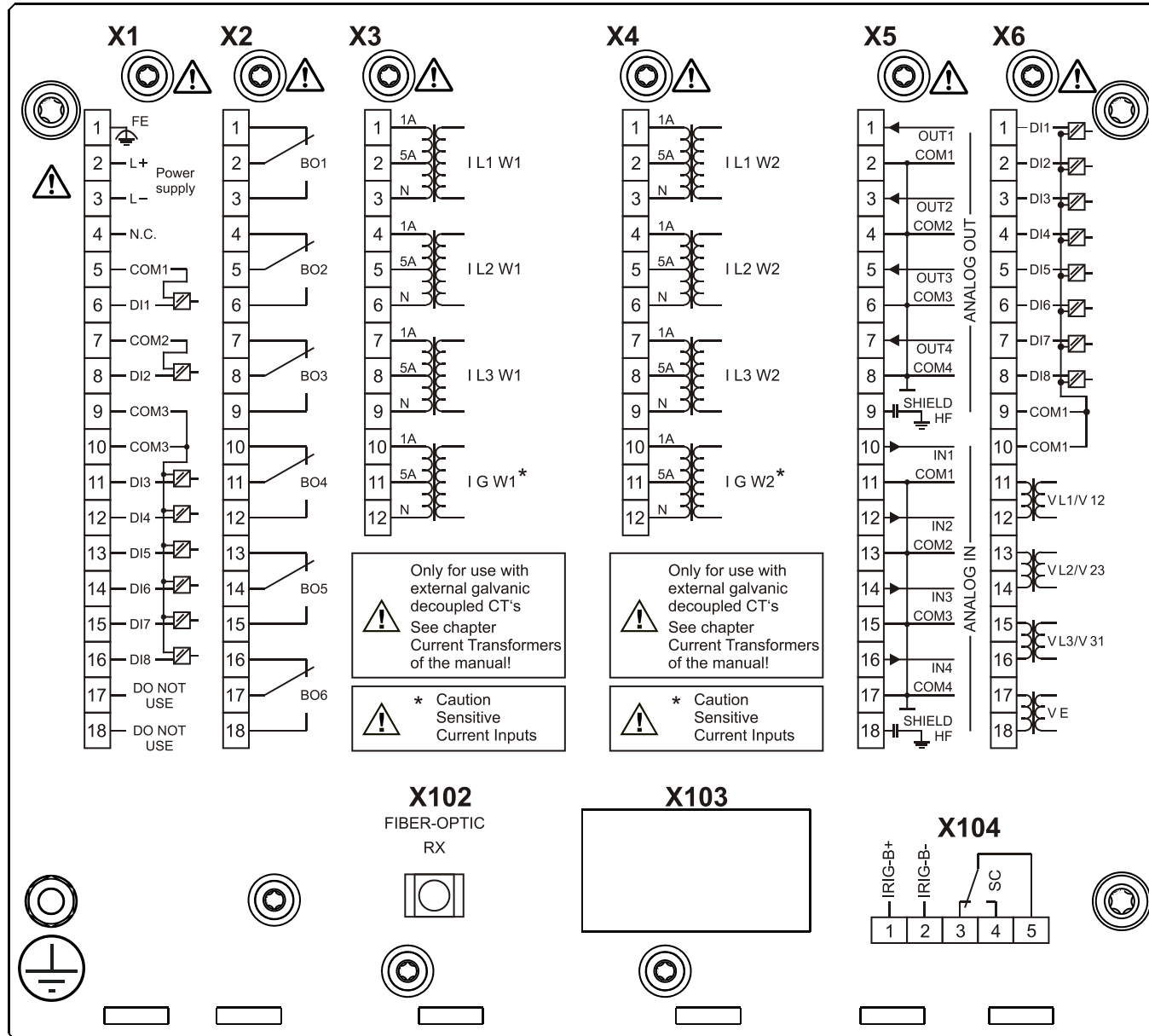
MCDTV4-2C2AAA



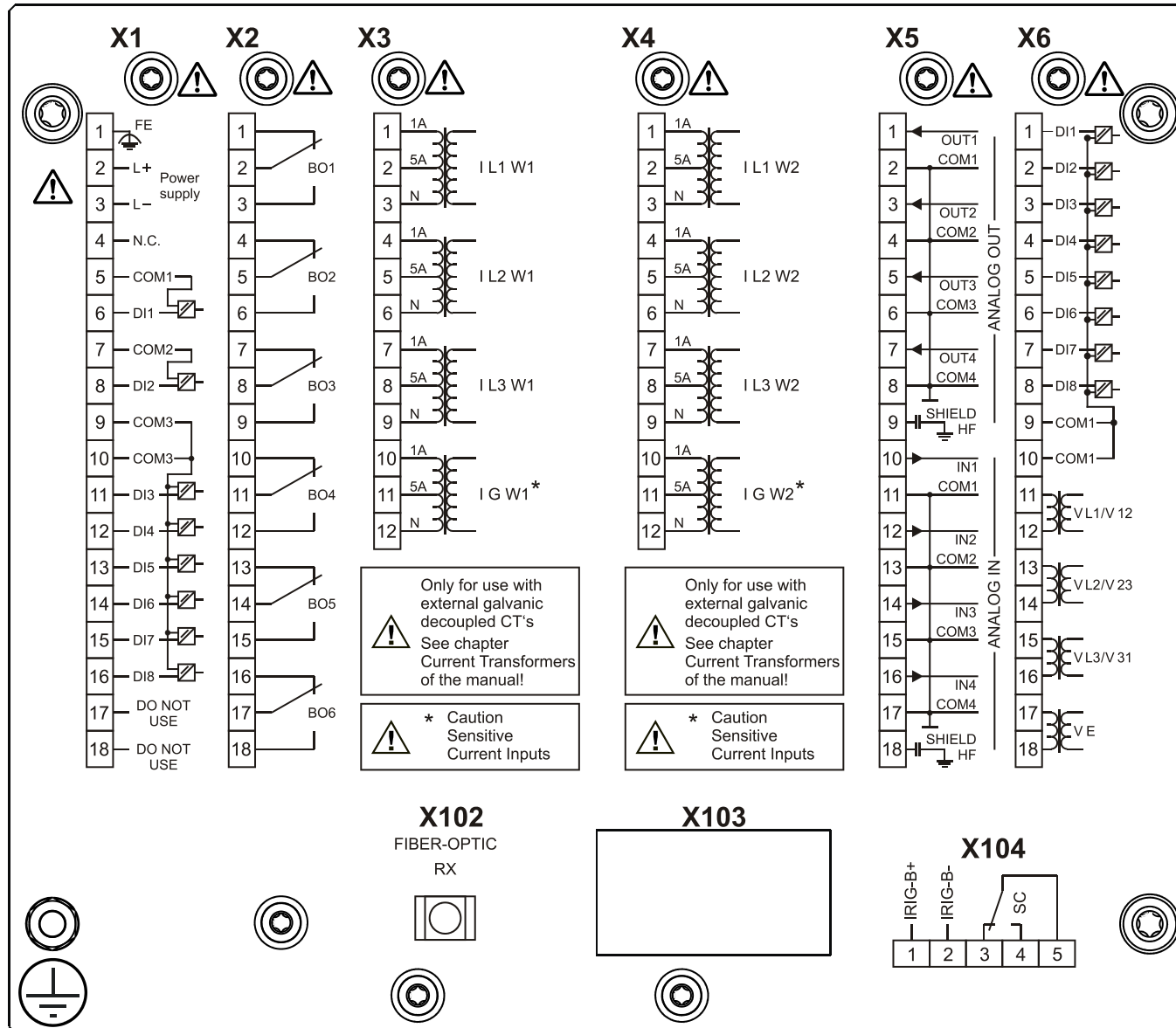
MCDTV4-2C2BAA



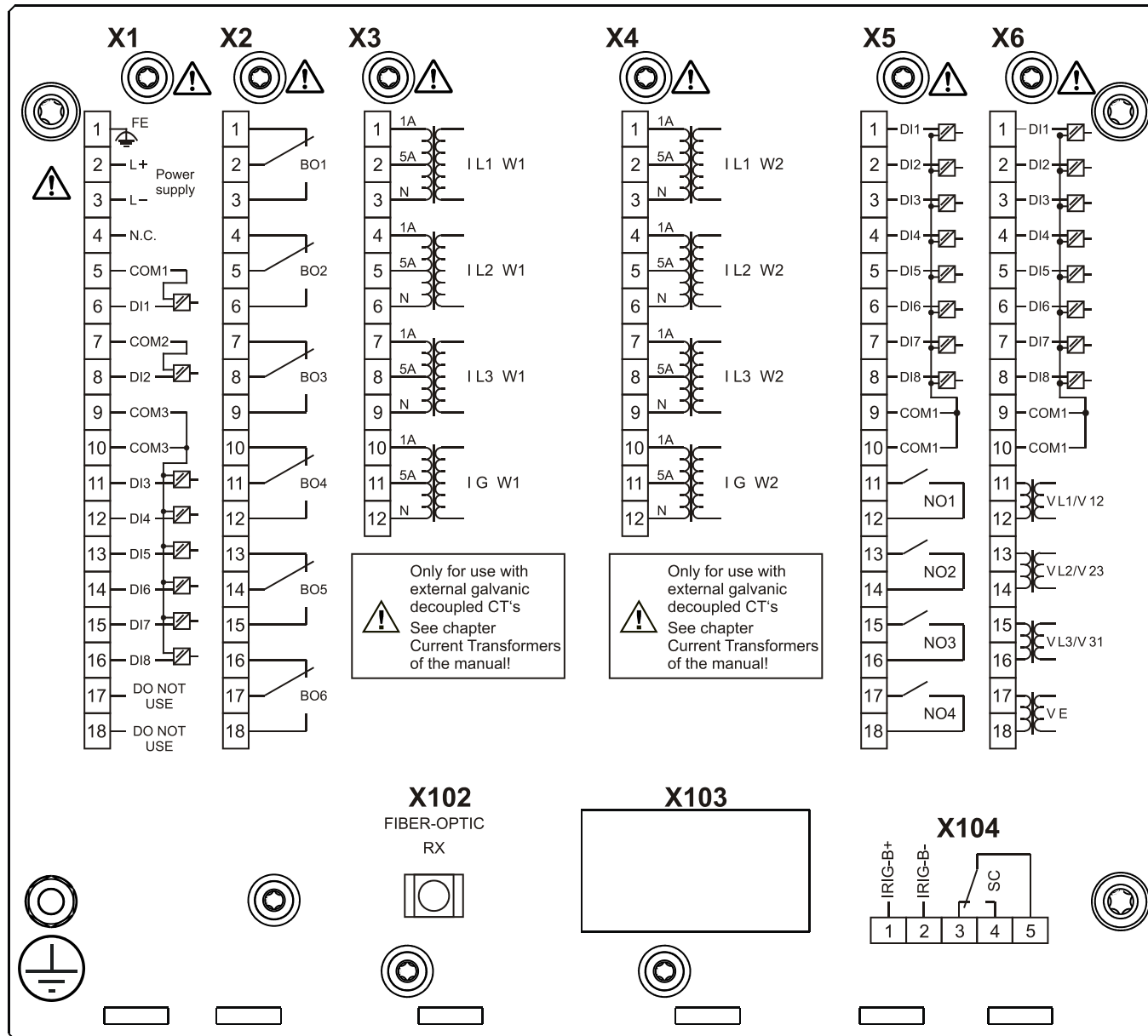
MCDTV4-2C3AAA



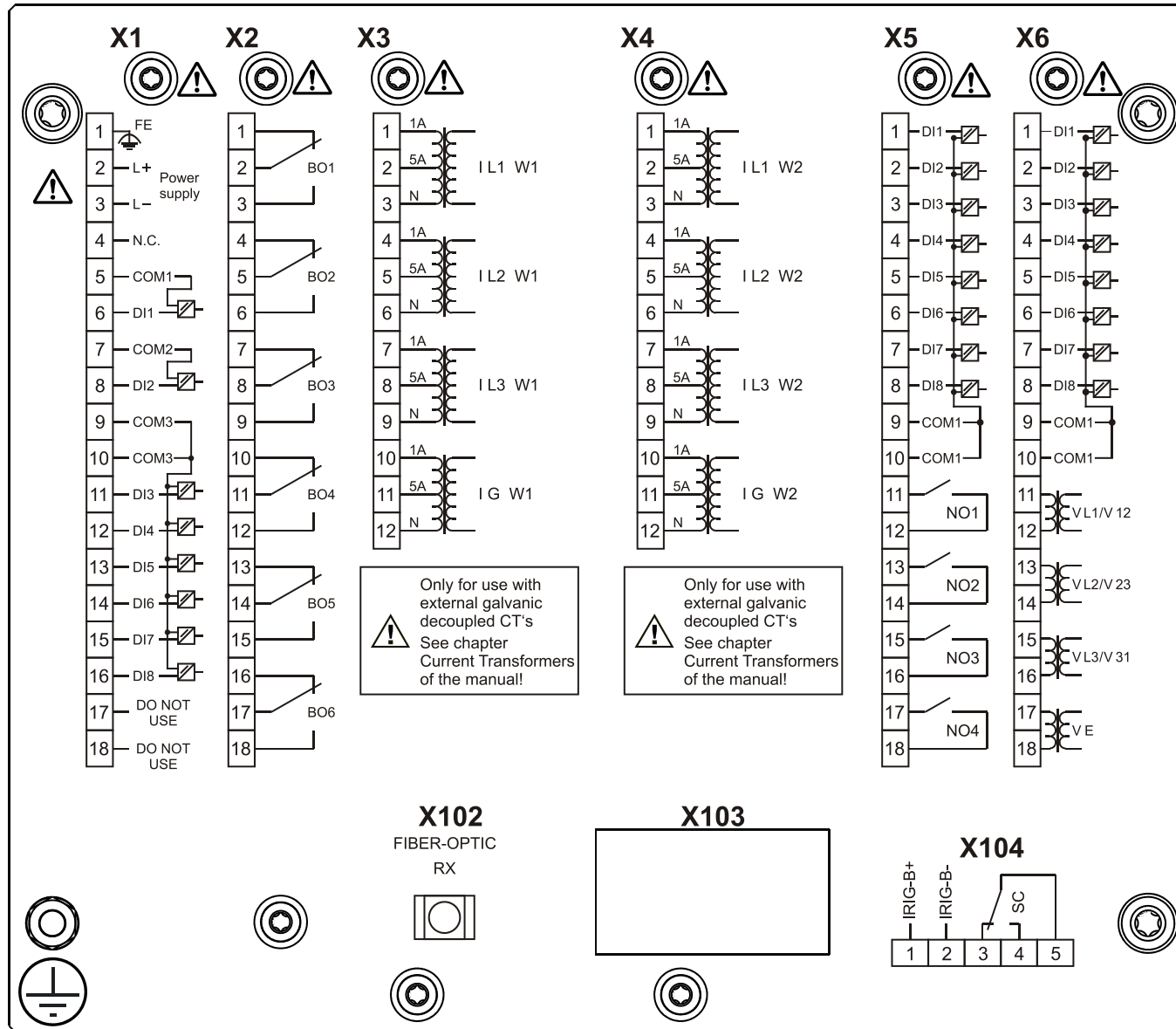
MCDTV4-2C3BAA



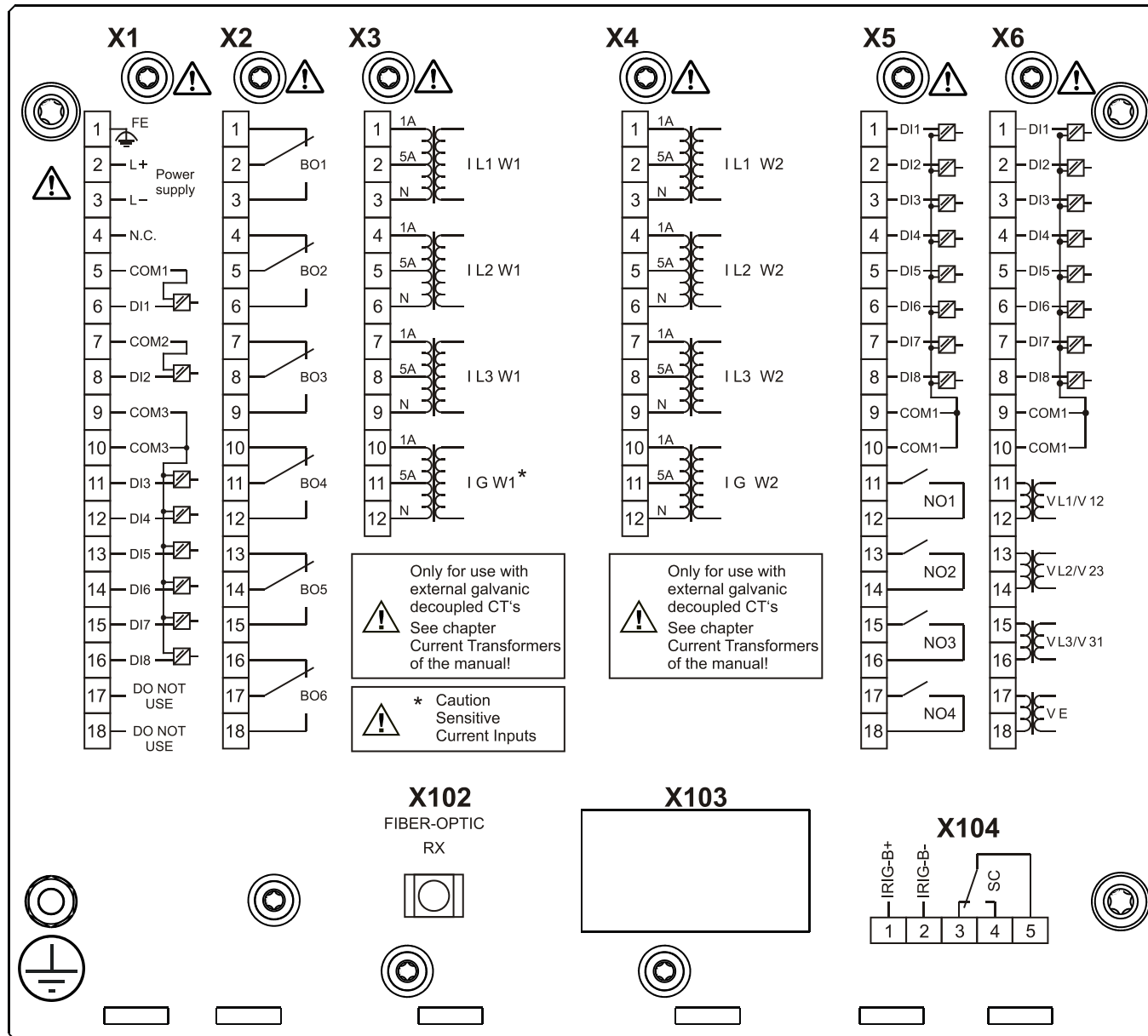
MCDTV4-2D0AAA



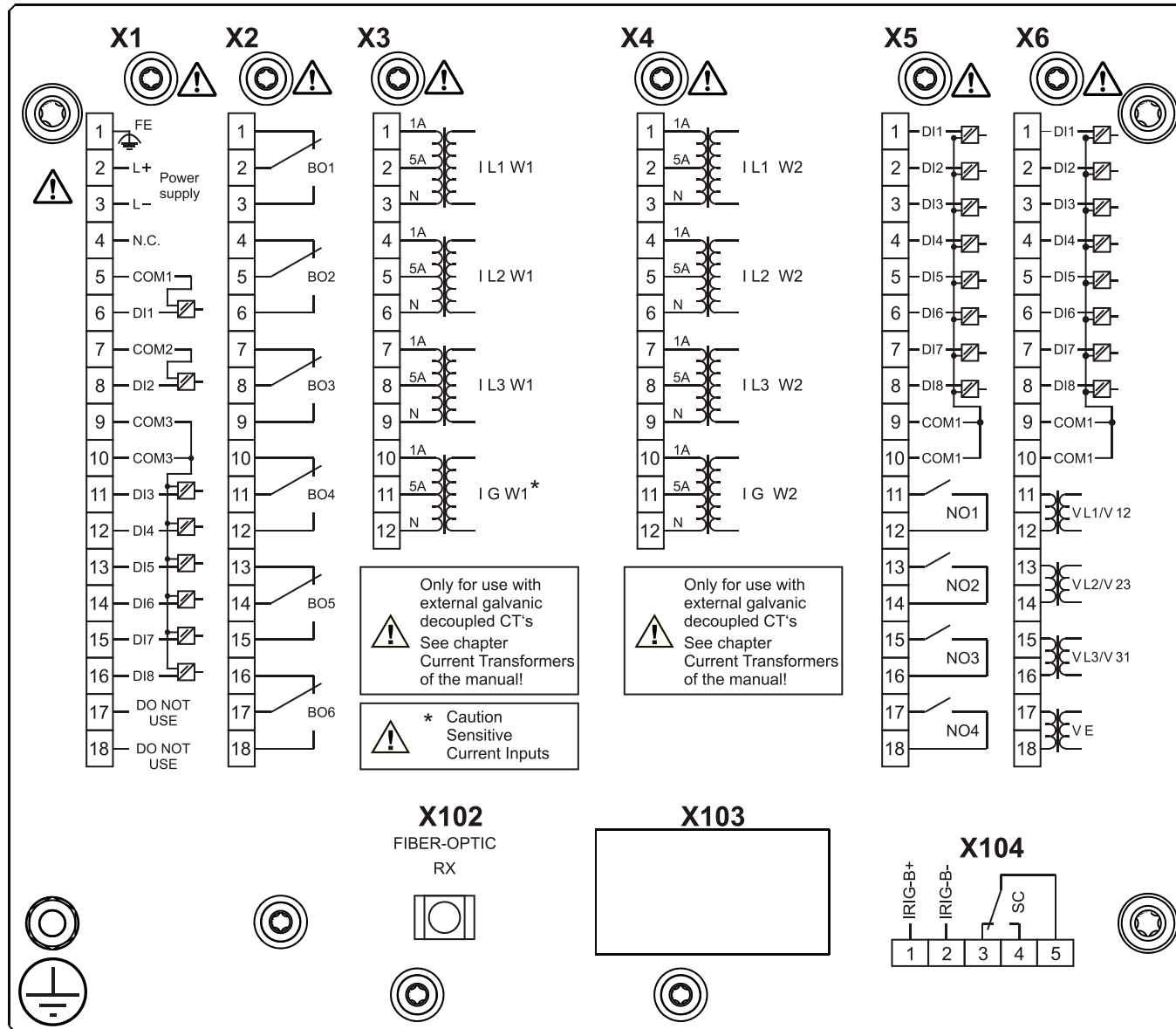
MCDTV4-2D0BAA



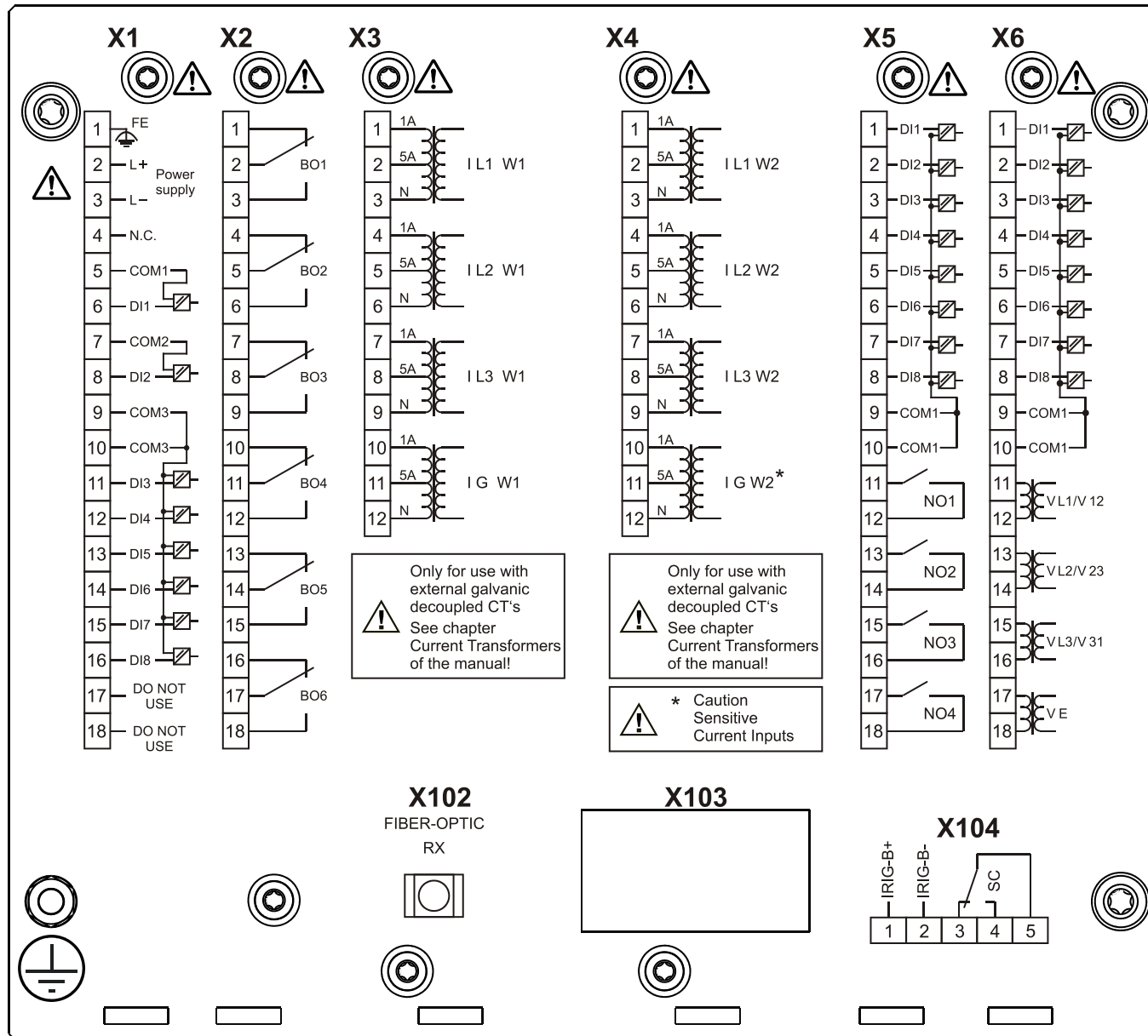
MCDTV4-2D1AAA



MCDTV4-2D1BAA



MCDTV4-2D2AAA



MCDTV4-2D2BAA

