

MCDLV4

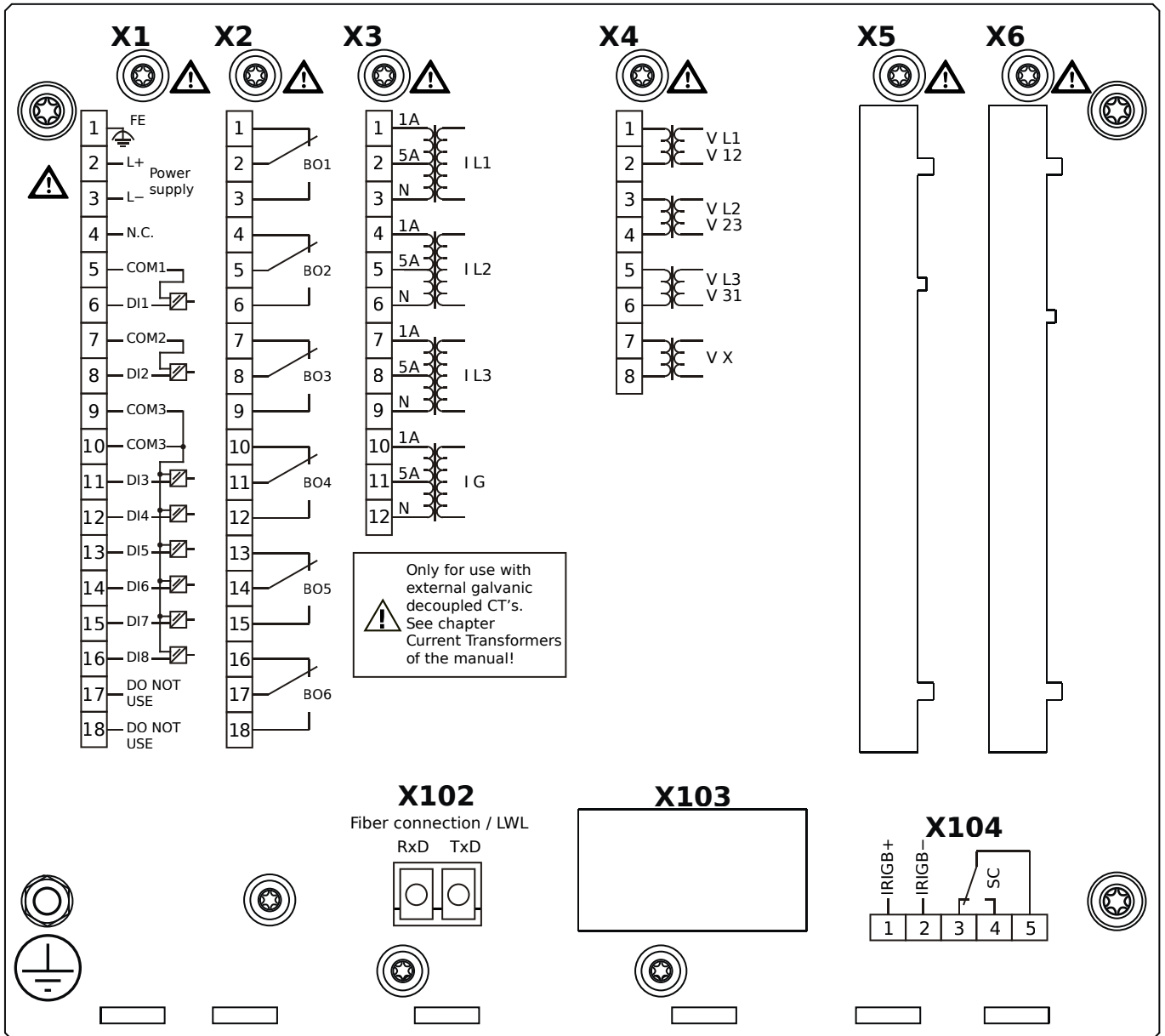
Software-Version: 3.4

DOK-WD-MCDLV4-2E

Revision: A

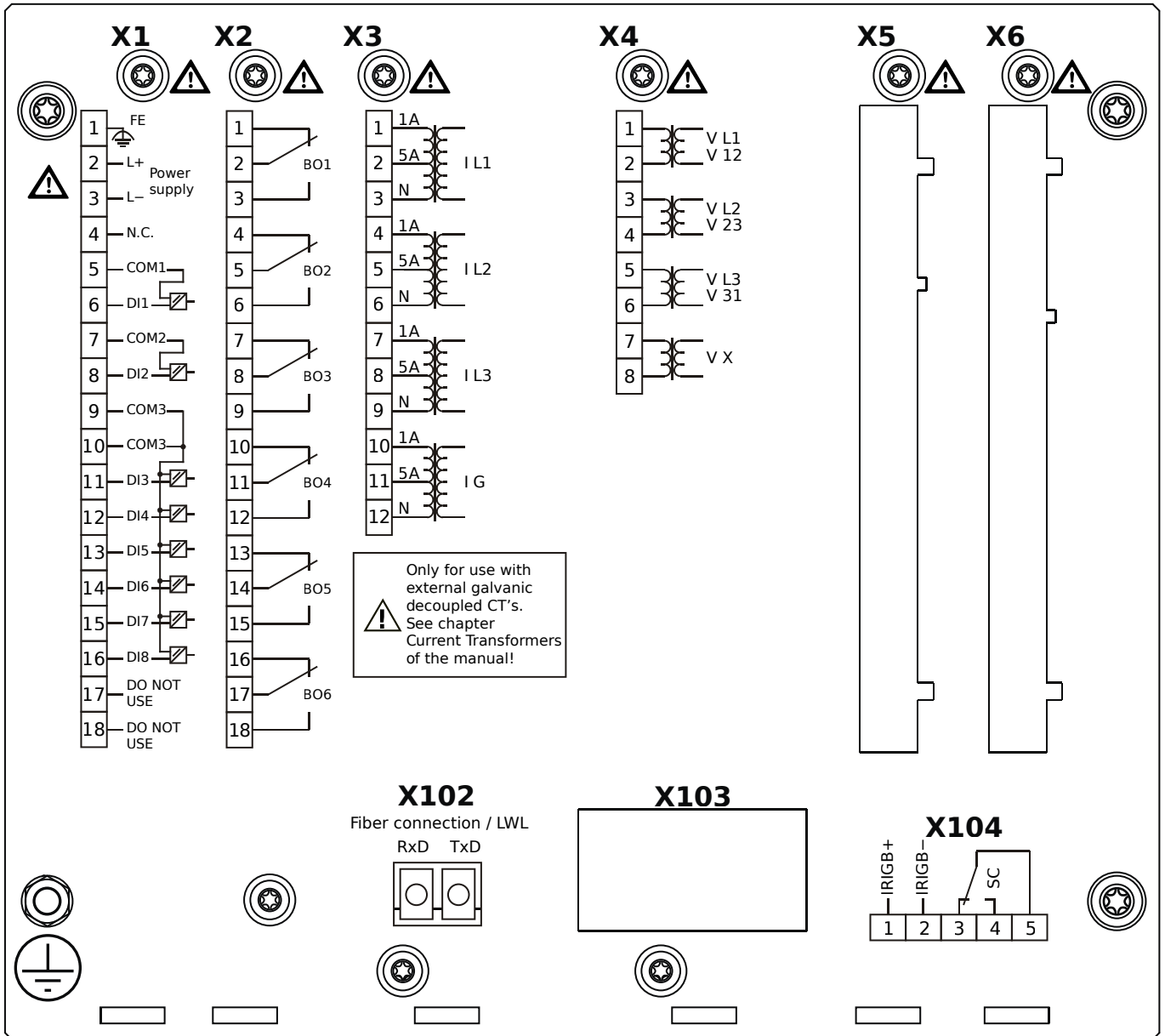
This document does not replace the Technical Manual.

MCDLV4-2A0A0AA



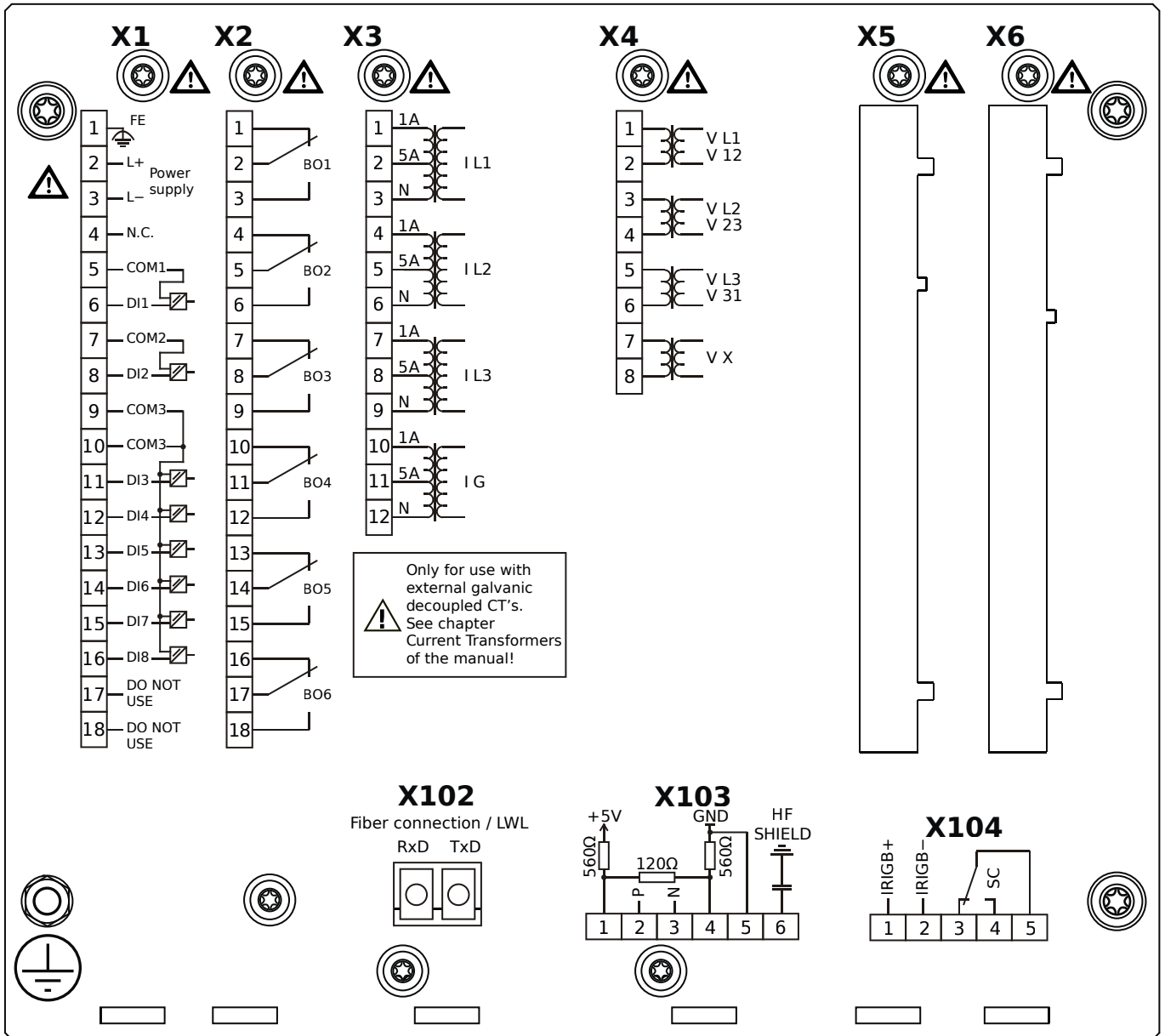
- X1** – DI8-X1: Wide-range power supply unit, incl. 2 non-grouped digital inputs and 6 grouped digital inputs
- X2** – OR-6: Assembly Group with 6 Relay Outputs
- X3** – TI-4: Standard current measuring card
- X4** – TU: Card with 4 voltage transformer measuring inputs
- X102** – Long-distance Protection Communication, Fiber optics interface, LC Connector
- X104** – IRIG-B00X, incl. System Contact (Supervision Contact)

MCDLV4-2A0A0AB



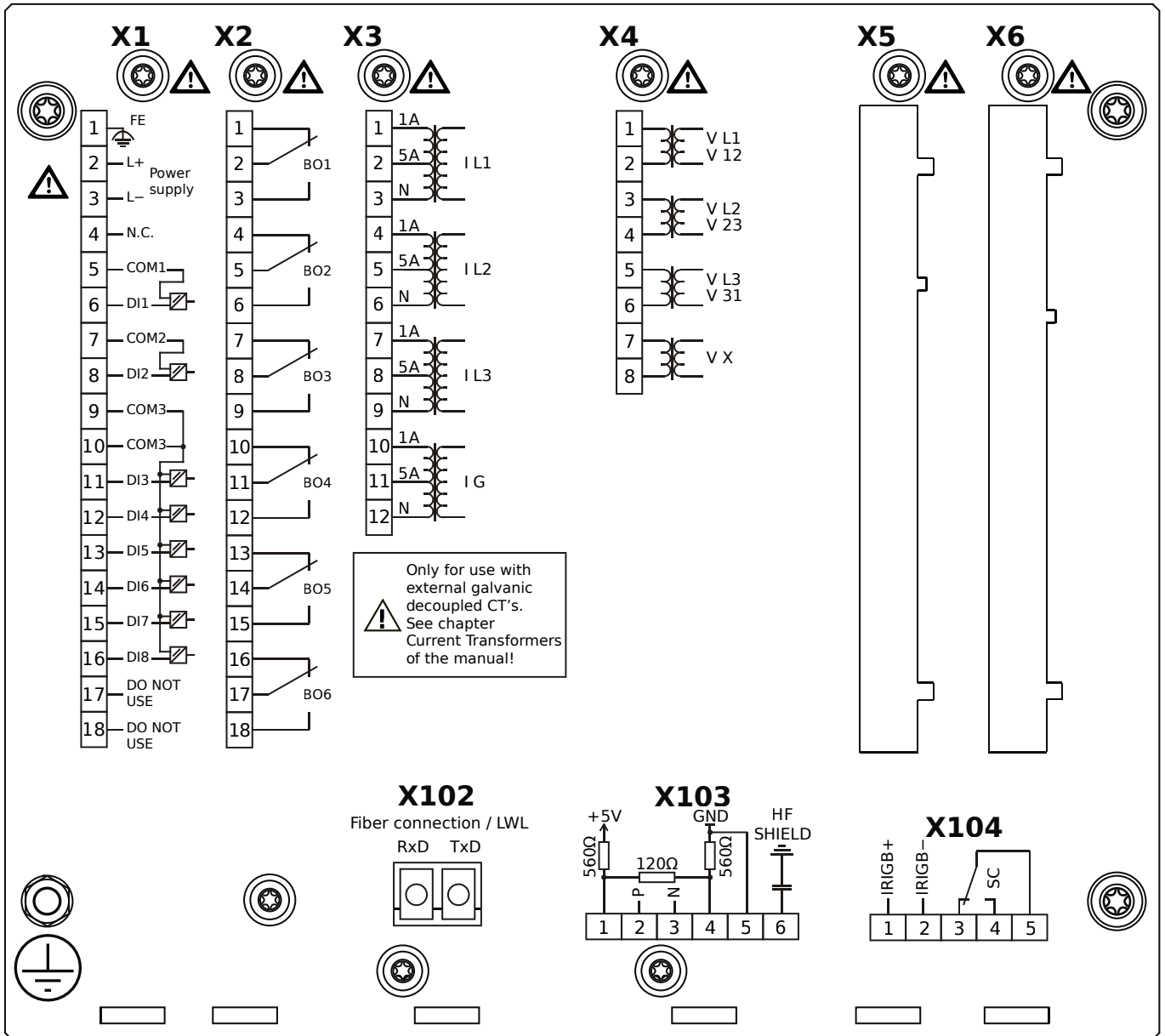
- X1** – DI8-X1: Wide-range power supply unit, incl. 2 non-grouped digital inputs and 6 grouped digital inputs
- X2** – OR-6: Assembly Group with 6 Relay Outputs
- X3** – TI-4: Standard current measuring card
- X4** – TU: Card with 4 voltage transformer measuring inputs
- X102** – Long-distance Protection Communication, Fiber optics interface, LC Connector
- X104** – IRIG-B00X, incl. System Contact (Supervision Contact)

MCDLV4-2A0A0BA



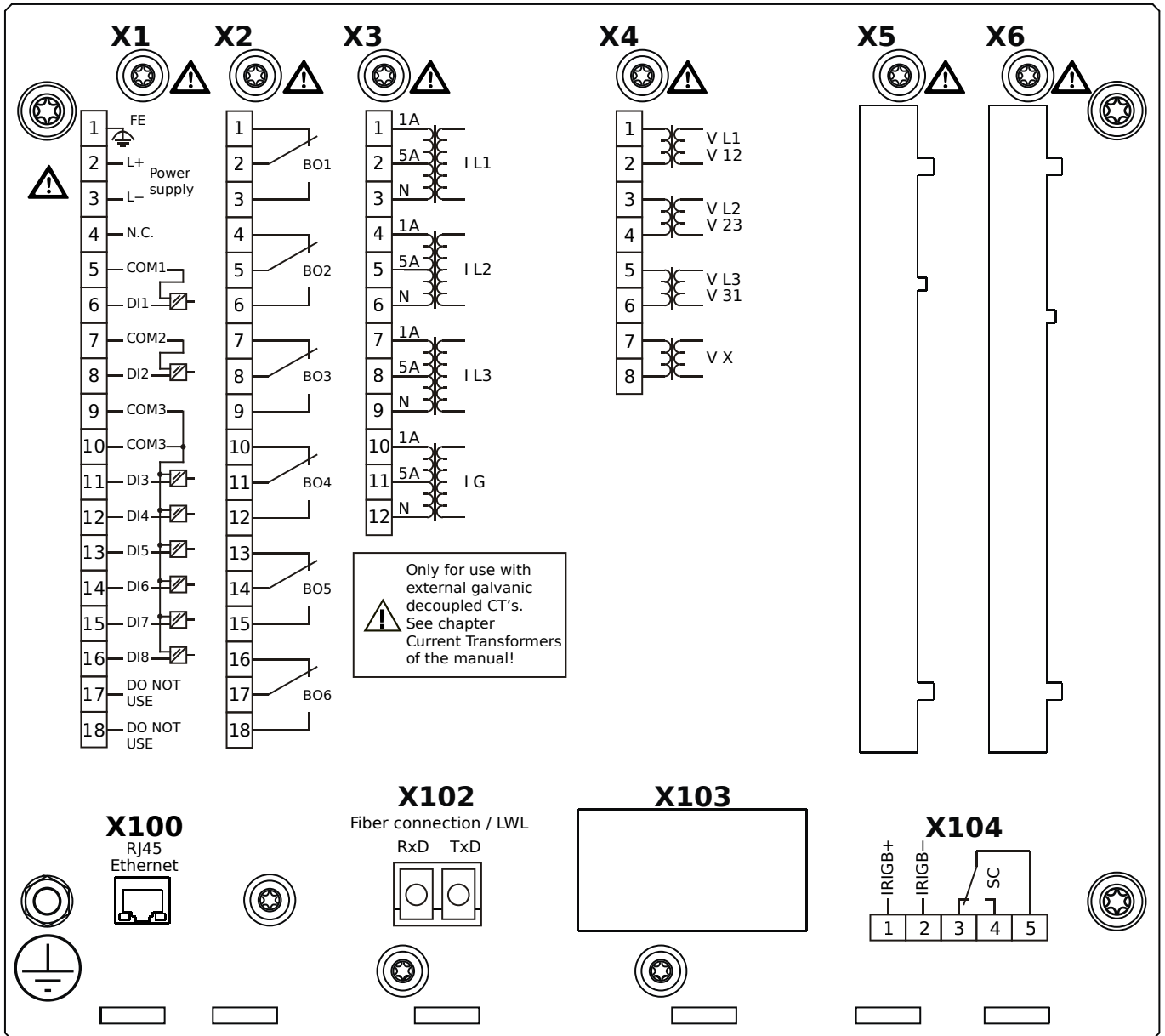
- X1** – DI8-X1: Wide-range power supply unit, incl. 2 non-grouped digital inputs and 6 grouped digital inputs
- X2** – OR-6: Assembly Group with 6 Relay Outputs
- X3** – TI-4: Standard current measuring card
- X4** – TU: Card with 4 voltage transformer measuring inputs
- X102** – Long-distance Protection Communication, Fiber optics interface, LC Connector
- X103** – Modbus RTU / IEC 60870-5-103 / DNP3.0 RTU, RS485, Terminals
- X104** – IRIG-B00X, incl. System Contact (Supervision Contact)

MCDLV4-2A0A0BB



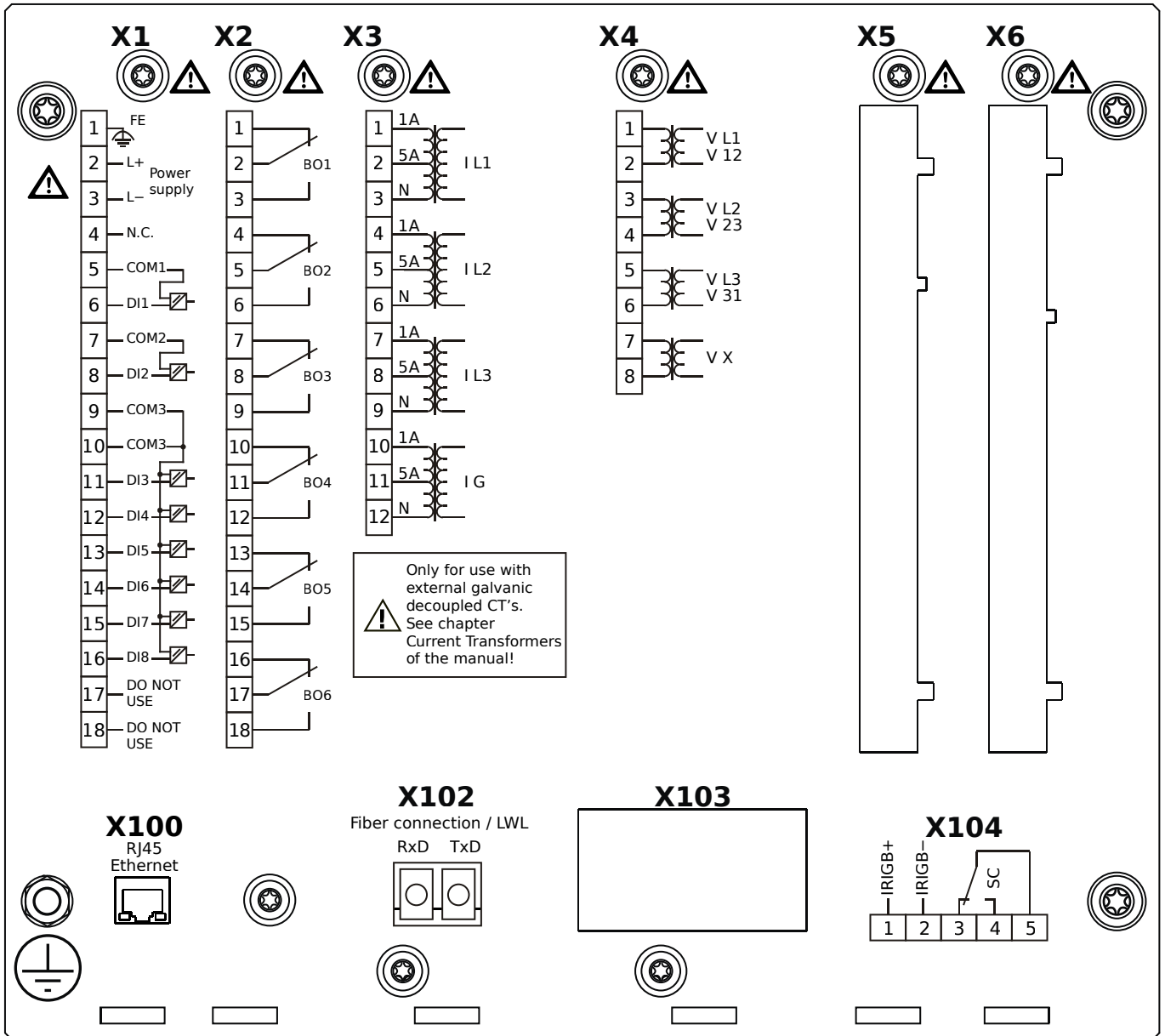
- X1** – DI8-X1: Wide-range power supply unit, incl. 2 non-grouped digital inputs and 6 grouped digital inputs
- X2** – OR-6: Assembly Group with 6 Relay Outputs
- X3** – TI-4: Standard current measuring card
- X4** – TU: Card with 4 voltage transformer measuring inputs
- X102** – Long-distance Protection Communication, Fiber optics interface, LC Connector
- X103** – Modbus RTU / IEC 60870-5-103 / DNP3.0 RTU, RS485, Terminals
- X104** – IRIG-B00X, incl. System Contact (Supervision Contact)

MCDLV4-2A0A0CA



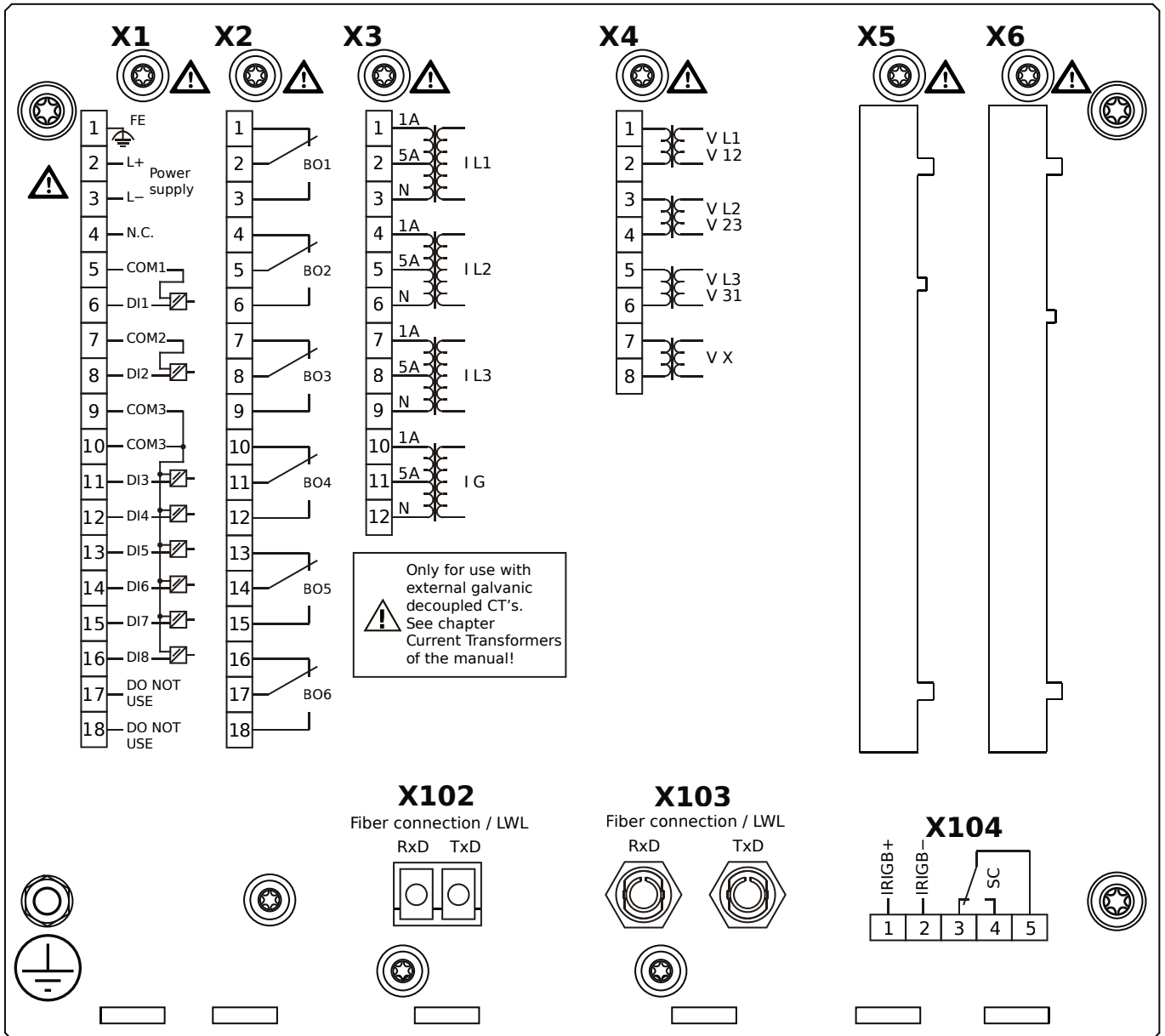
- X1** – DI8-X1: Wide-range power supply unit, incl. 2 non-grouped digital inputs and 6 grouped digital inputs
- X2** – OR-6: Assembly Group with 6 Relay Outputs
- X3** – TI-4: Standard current measuring card
- X4** – TU: Card with 4 voltage transformer measuring inputs
- X100** – Modbus TCP / DNP3.0 TCP/UDP, Ethernet interface, 100 Mbit/s, RJ45 (BASE100-FX)
- X102** – Long-distance Protection Communication, Fiber optics interface, LC Connector
- X104** – IRIG-B00X, incl. System Contact (Supervision Contact)

MCDLV4-2A0A0CB



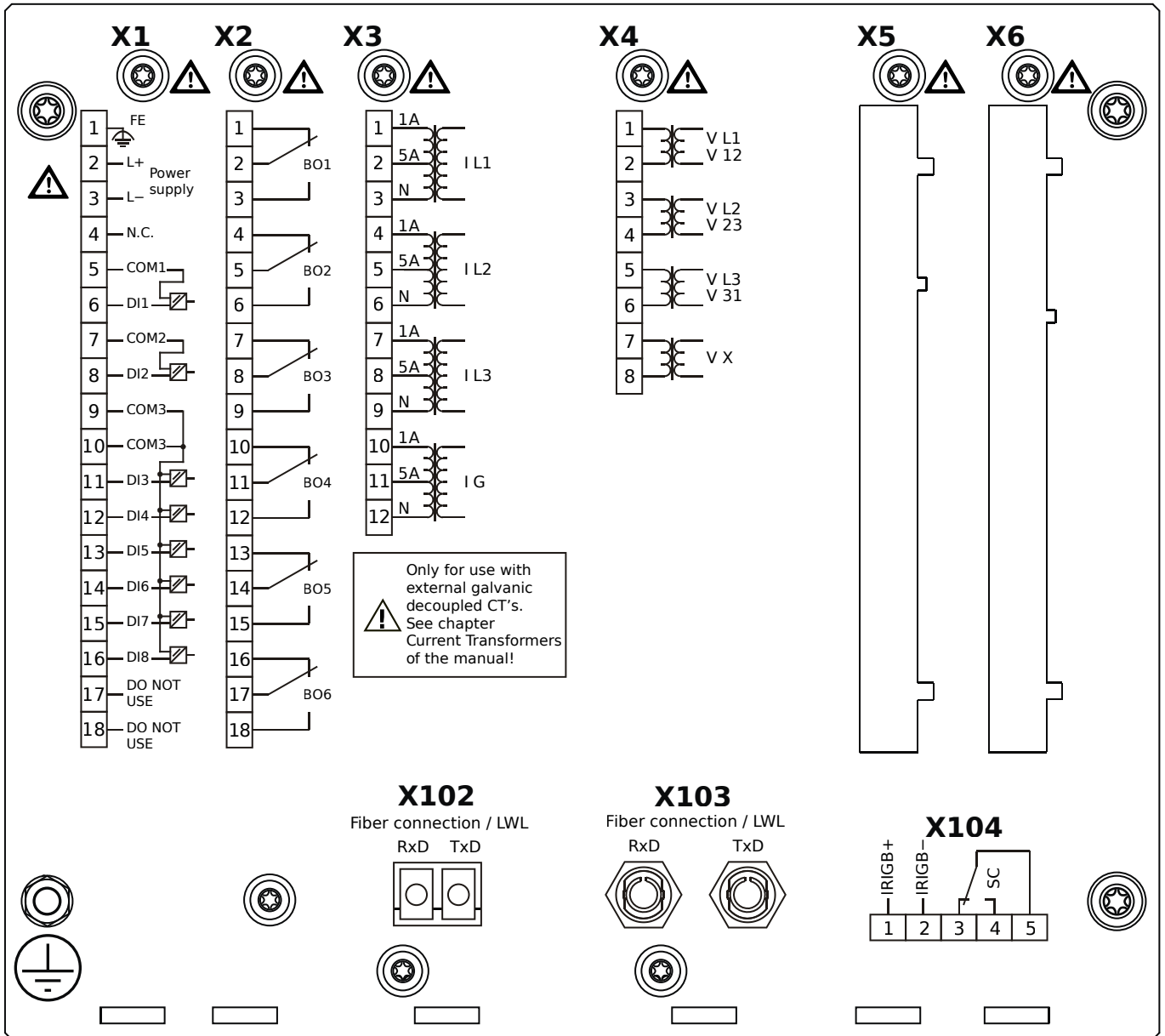
- X1** – DI8-X1: Wide-range power supply unit, incl. 2 non-grouped digital inputs and 6 grouped digital inputs
- X2** – OR-6: Assembly Group with 6 Relay Outputs
- X3** – TI-4: Standard current measuring card
- X4** – TU: Card with 4 voltage transformer measuring inputs
- X100** – Modbus TCP / DNP3.0 TCP/UDP, Ethernet interface, 100 Mbit/s, RJ45 (BASE100-FX)
- X102** – Long-distance Protection Communication, Fiber optics interface, LC Connector
- X104** – IRIG-B00X, incl. System Contact (Supervision Contact)

MCDLV4-2A0A0DA



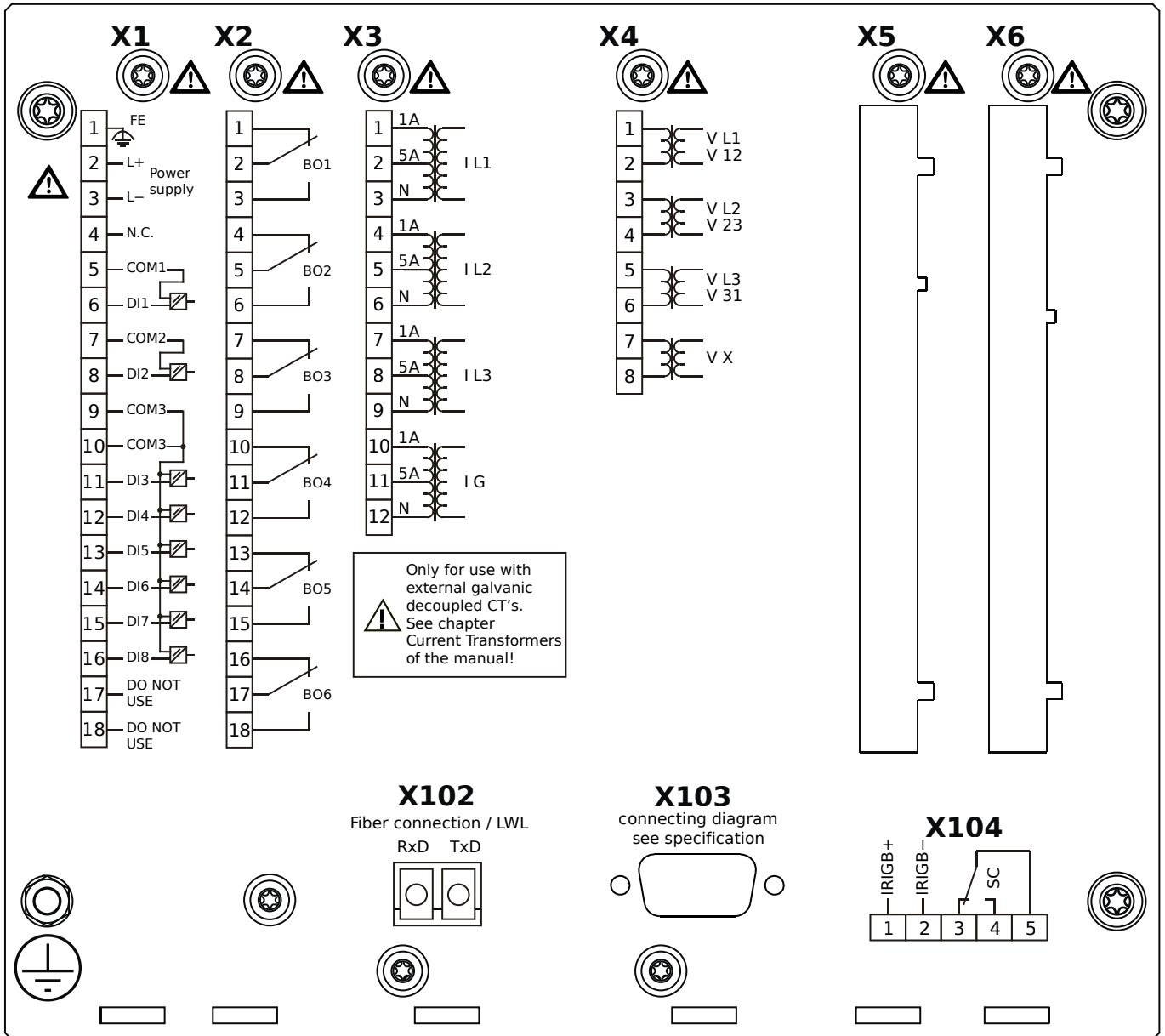
- X1** – DI8-X1: Wide-range power supply unit, incl. 2 non-grouped digital inputs and 6 grouped digital inputs
- X2** – OR-6: Assembly Group with 6 Relay Outputs
- X3** – TI-4: Standard current measuring card
- X4** – TU: Card with 4 voltage transformer measuring inputs
- X102** – Long-distance Protection Communication, Fiber optics interface, LC Connector
- X103** – Profibus-DP, Fiber optics interface, ST Connector
- X104** – IRIG-B00X, incl. System Contact (Supervision Contact)

MCDLV4-2A0A0DB



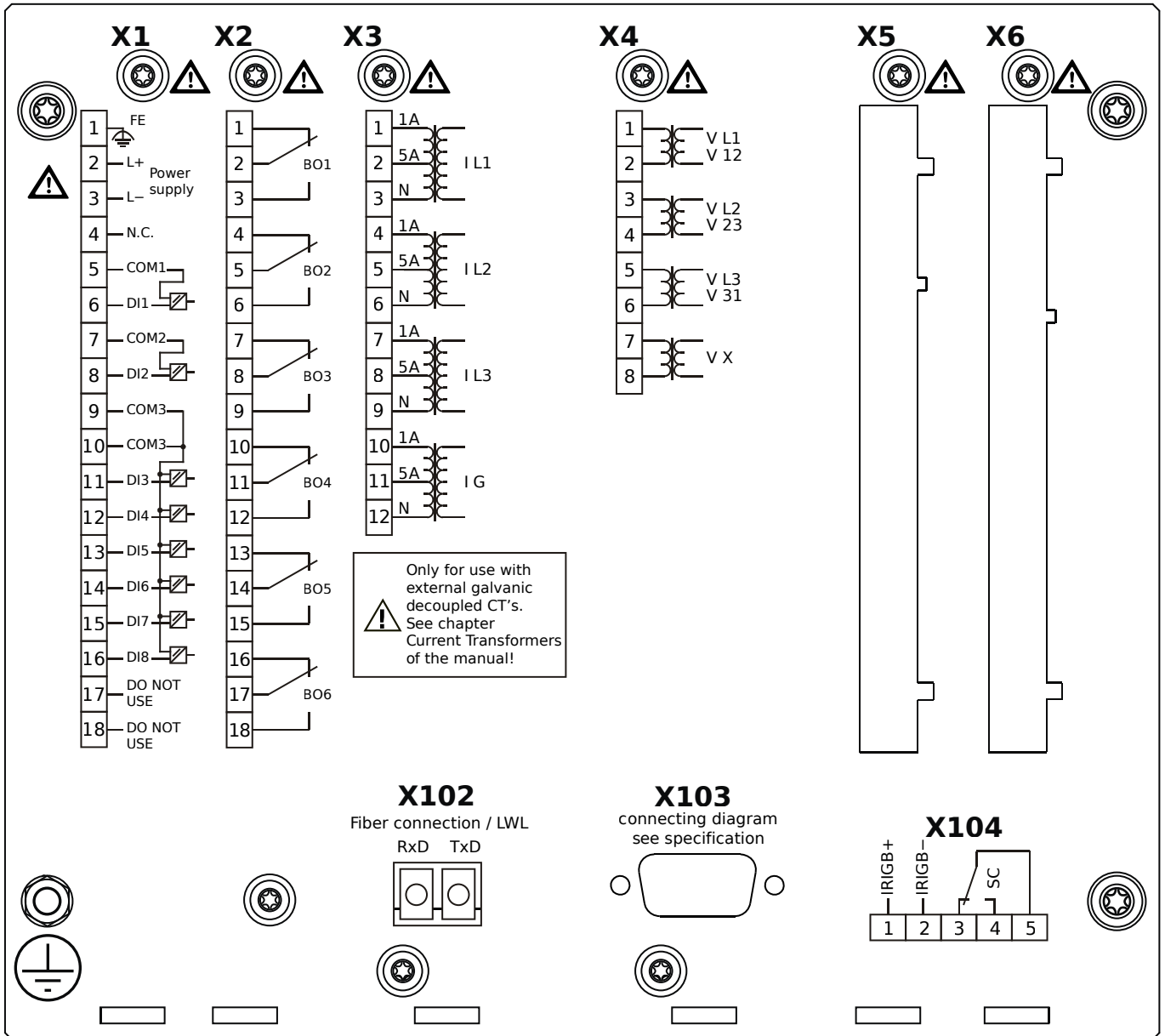
- X1** – DI8-X1: Wide-range power supply unit, incl. 2 non-grouped digital inputs and 6 grouped digital inputs
- X2** – OR-6: Assembly Group with 6 Relay Outputs
- X3** – TI-4: Standard current measuring card
- X4** – TU: Card with 4 voltage transformer measuring inputs
- X102** – Long-distance Protection Communication, Fiber optics interface, LC Connector
- X103** – Profibus-DP, Fiber optics interface, ST Connector
- X104** – IRIG-B00X, incl. System Contact (Supervision Contact)

MCDLV4-2A0A0EA



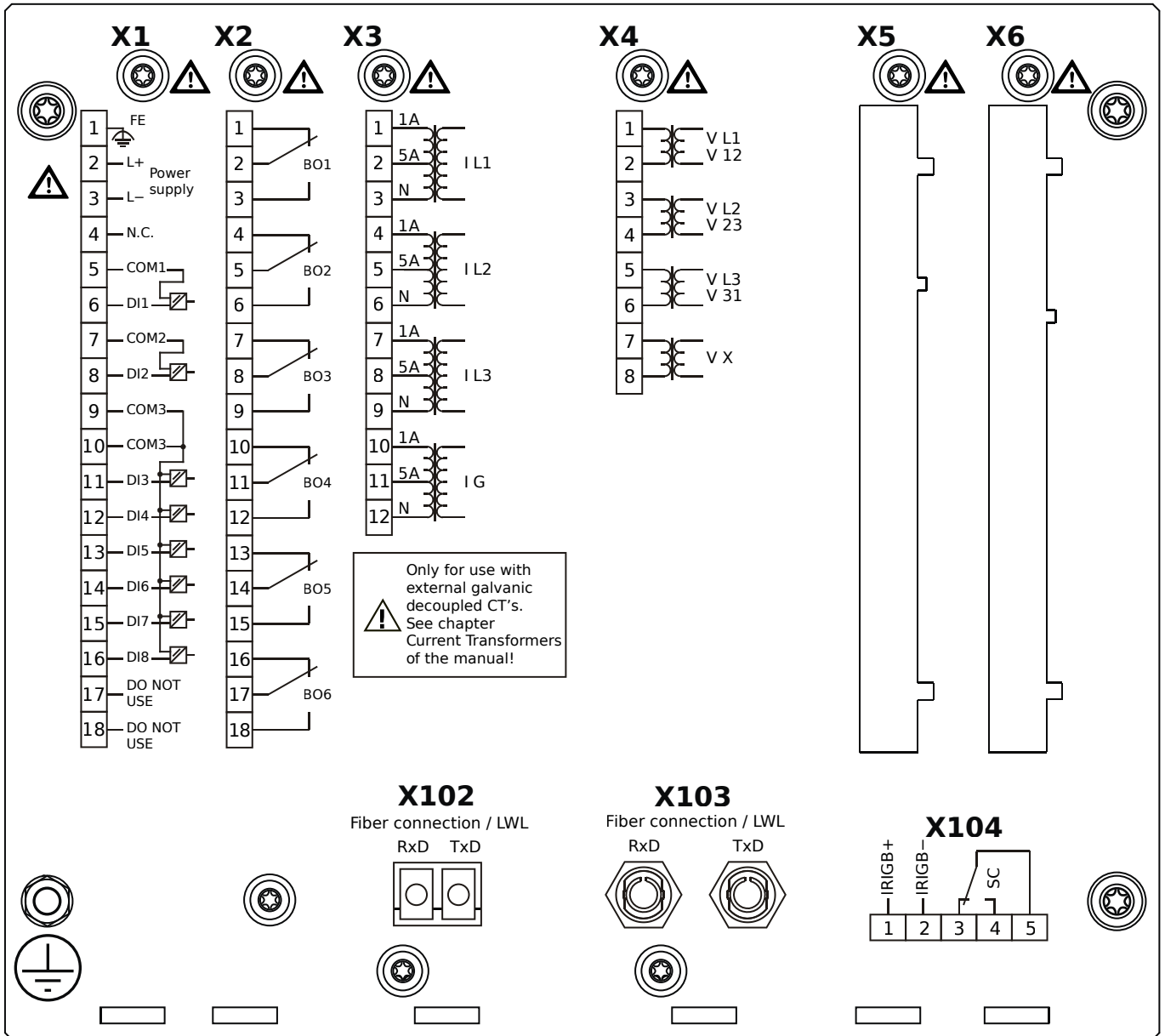
- X1** – DI8-X1: Wide-range power supply unit, incl. 2 non-grouped digital inputs and 6 grouped digital inputs
- X2** – OR-6: Assembly Group with 6 Relay Outputs
- X3** – TI-4: Standard current measuring card
- X4** – TU: Card with 4 voltage transformer measuring inputs
- X102** – Long-distance Protection Communication, Fiber optics interface, LC Connector
- X103** – Profibus-DP, RS485, D-SUB
- X104** – IRIG-B00X, incl. System Contact (Supervision Contact)

MCDLV4-2A0A0EB



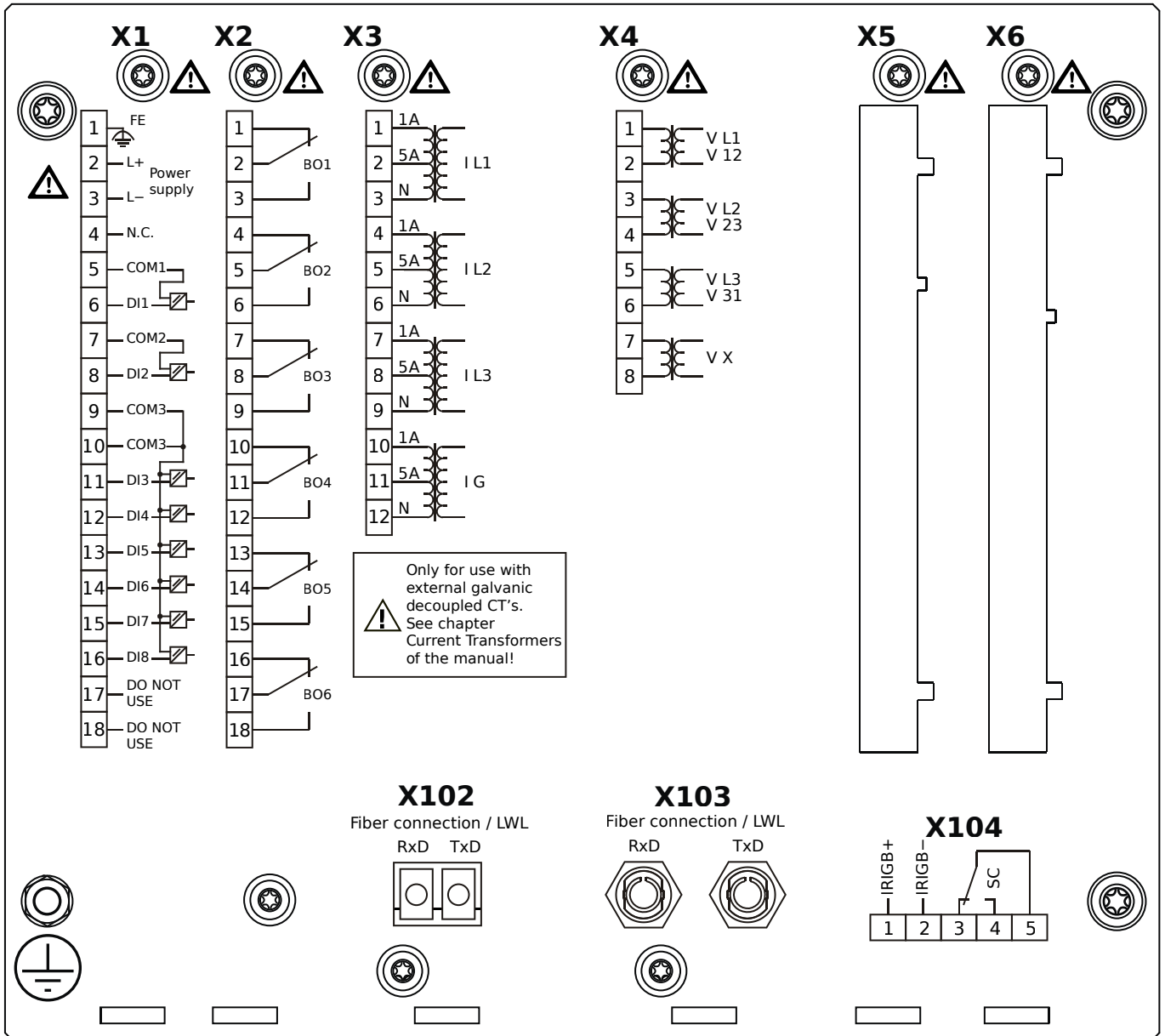
- X1** – DI8-X1: Wide-range power supply unit, incl. 2 non-grouped digital inputs and 6 grouped digital inputs
- X2** – OR-6: Assembly Group with 6 Relay Outputs
- X3** – TI-4: Standard current measuring card
- X4** – TU: Card with 4 voltage transformer measuring inputs
- X102** – Long-distance Protection Communication, Fiber optics interface, LC Connector
- X103** – Profibus-DP, RS485, D-SUB
- X104** – IRIG-B00X, incl. System Contact (Supervision Contact)

MCDLV4-2A0A0FA



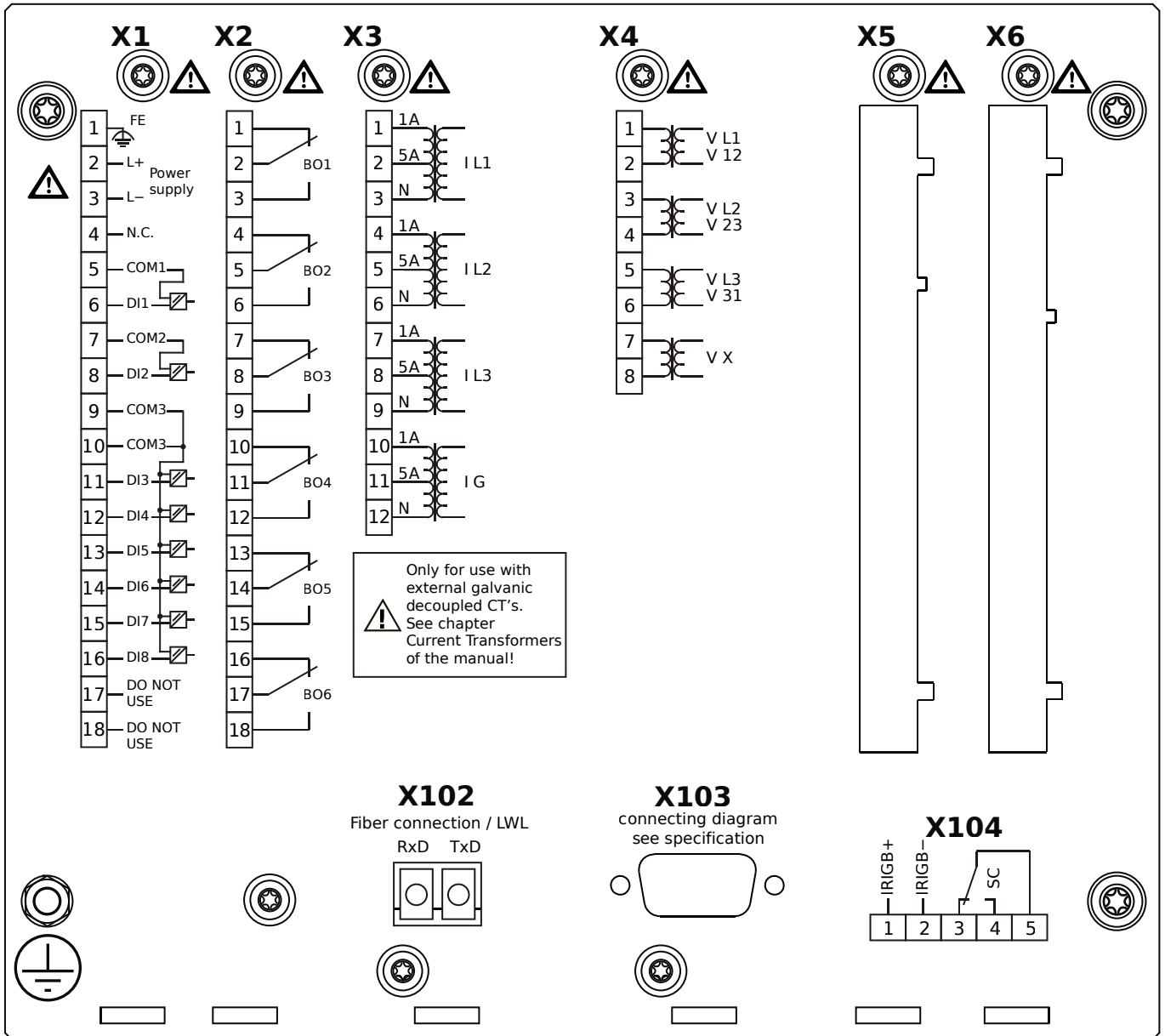
- X1** – DI8-X1: Wide-range power supply unit, incl. 2 non-grouped digital inputs and 6 grouped digital inputs
- X2** – OR-6: Assembly Group with 6 Relay Outputs
- X3** – TI-4: Standard current measuring card
- X4** – TU: Card with 4 voltage transformer measuring inputs
- X102** – Long-distance Protection Communication, Fiber optics interface, LC Connector
- X103** – Modbus RTU / IEC 60870-5-103 / DNP3.0 RTU, Fiber optics interface, ST Connector
- X104** – IRIG-B00X, incl. System Contact (Supervision Contact)

MCDLV4-2A0A0FB



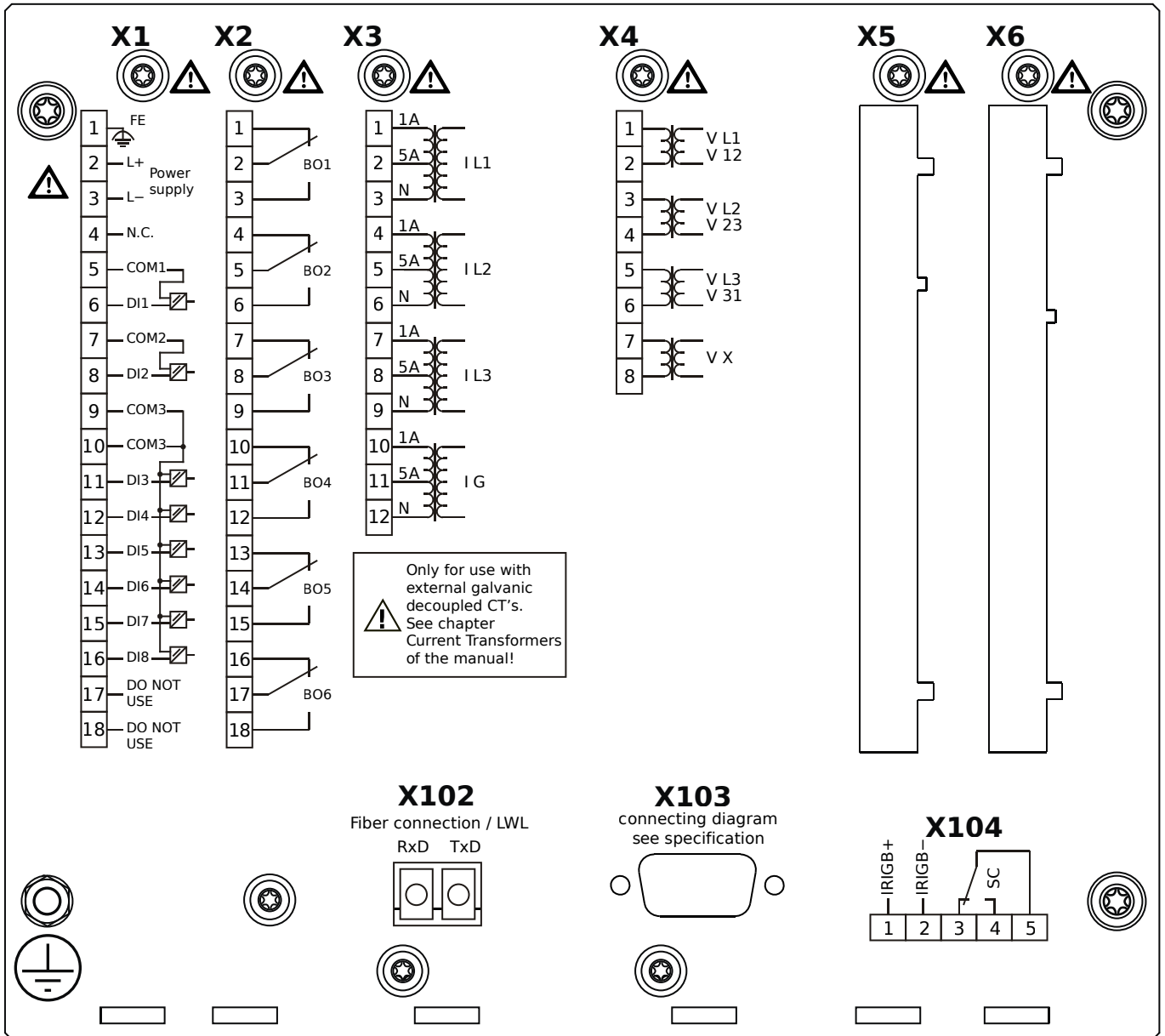
- X1** – DI8-X1: Wide-range power supply unit, incl. 2 non-grouped digital inputs and 6 grouped digital inputs
- X2** – OR-6: Assembly Group with 6 Relay Outputs
- X3** – TI-4: Standard current measuring card
- X4** – TU: Card with 4 voltage transformer measuring inputs
- X102** – Long-distance Protection Communication, Fiber optics interface, LC Connector
- X103** – Modbus RTU / IEC 60870-5-103 / DNP3.0 RTU, Fiber optics interface, ST Connector
- X104** – IRIG-B00X, incl. System Contact (Supervision Contact)

MCDLV4-2A0A0GA



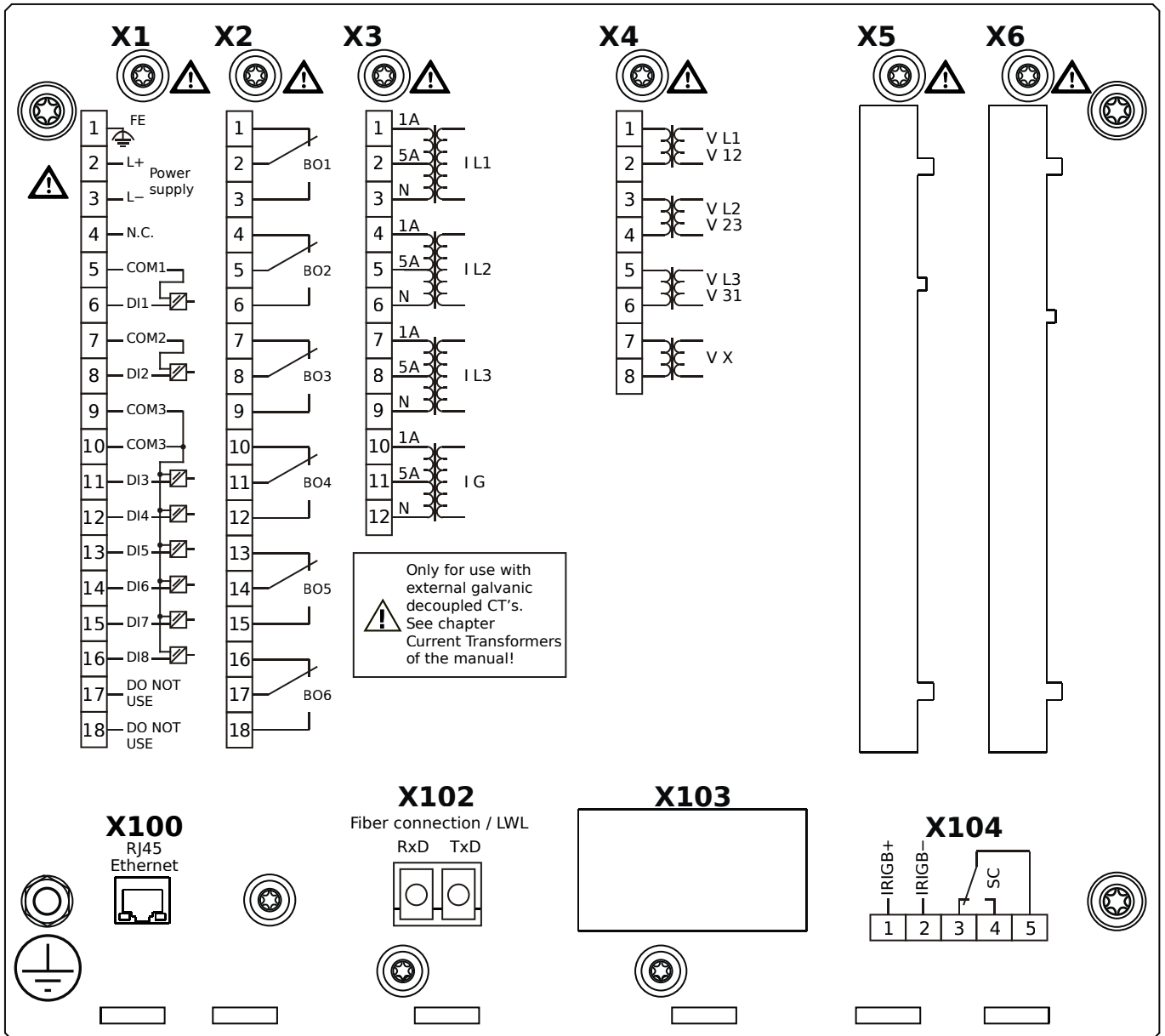
- X1** – DI8-X1: Wide-range power supply unit, incl. 2 non-grouped digital inputs and 6 grouped digital inputs
- X2** – OR-6: Assembly Group with 6 Relay Outputs
- X3** – TI-4: Standard current measuring card
- X4** – TU: Card with 4 voltage transformer measuring inputs
- X102** – Long-distance Protection Communication, Fiber optics interface, LC Connector
- X103** – Modbus RTU / IEC 60870-5-103 / DNP3.0 RTU, RS485, D-SUB
- X104** – IRIG-B00X, incl. System Contact (Supervision Contact)

MCDLV4-2A0A0GB



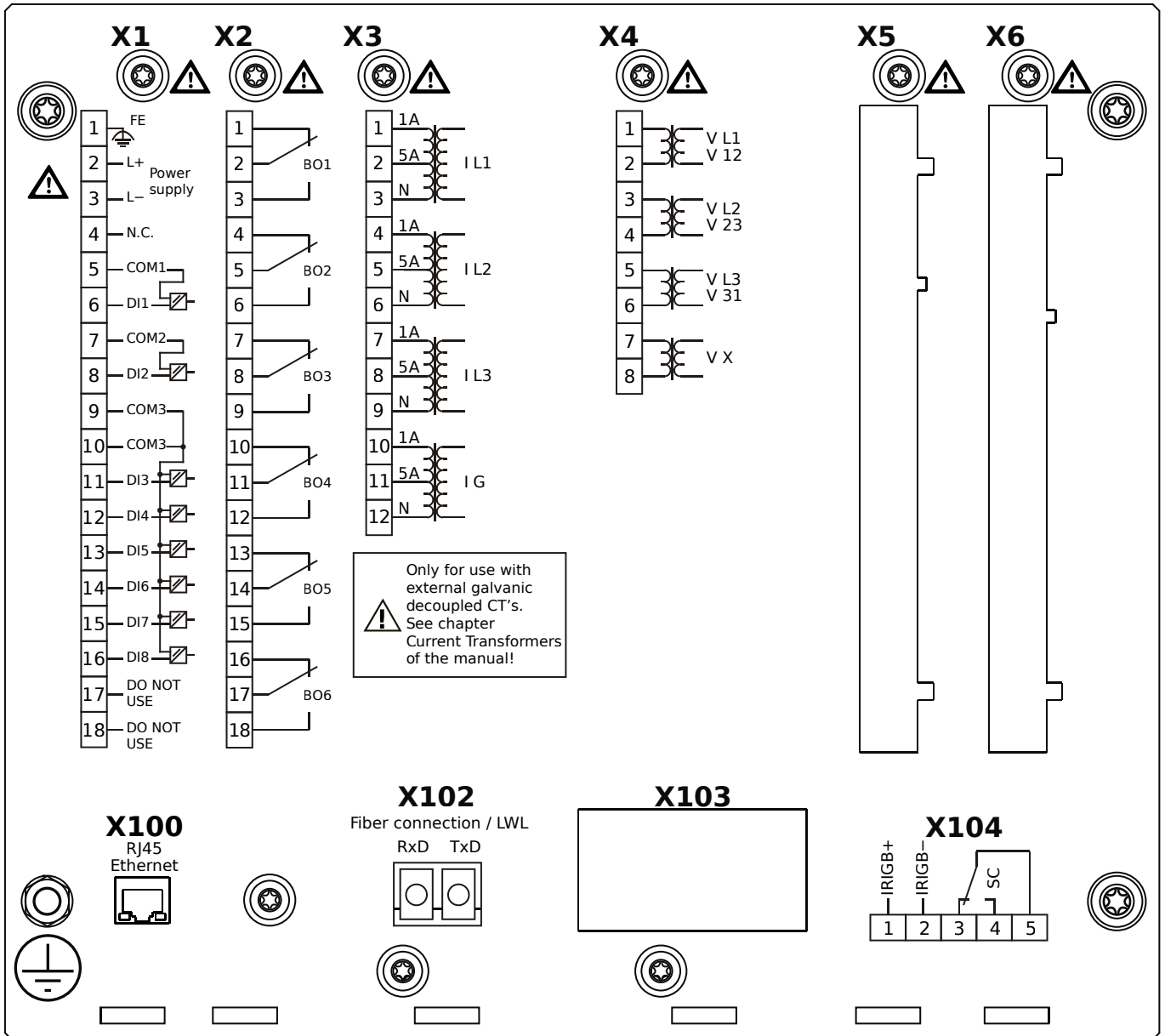
- X1** – DI8-X1: Wide-range power supply unit, incl. 2 non-grouped digital inputs and 6 grouped digital inputs
- X2** – OR-6: Assembly Group with 6 Relay Outputs
- X3** – TI-4: Standard current measuring card
- X4** – TU: Card with 4 voltage transformer measuring inputs
- X102** – Long-distance Protection Communication, Fiber optics interface, LC Connector
- X103** – Modbus RTU / IEC 60870-5-103 / DNP3.0 RTU, RS485, D-SUB
- X104** – IRIG-B00X, incl. System Contact (Supervision Contact)

MCDLV4-2A0A0HA



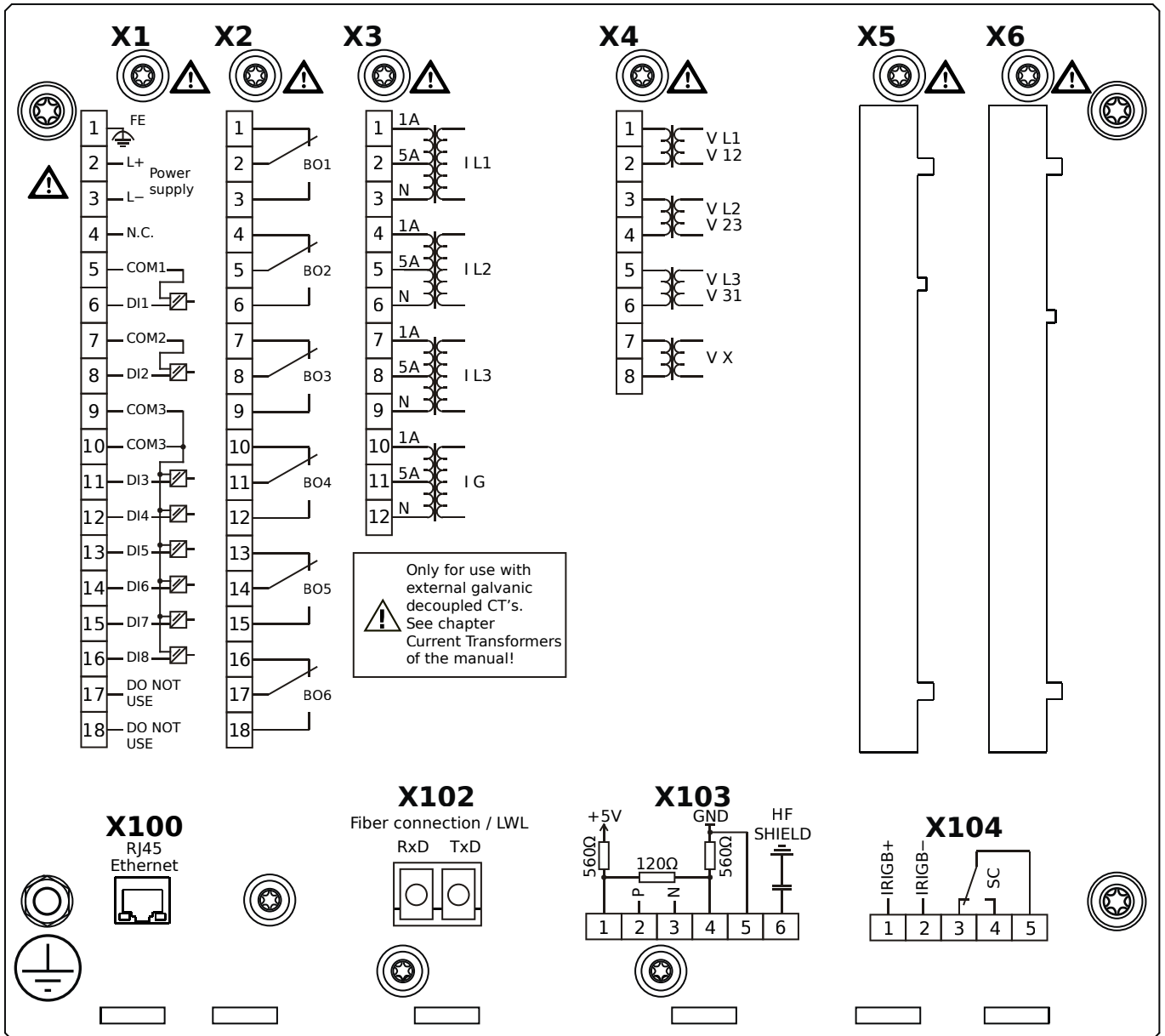
- X1** – DI8-X1: Wide-range power supply unit, incl. 2 non-grouped digital inputs and 6 grouped digital inputs
- X2** – OR-6: Assembly Group with 6 Relay Outputs
- X3** – TI-4: Standard current measuring card
- X4** – TU: Card with 4 voltage transformer measuring inputs
- X100** – IEC 61850 / Modbus TCP / DNP3.0 TCP/UDP, Ethernet interface, 100 Mbit/s, RJ45 (BASE100-FX)
- X102** – Long-distance Protection Communication, Fiber optics interface, LC Connector
- X104** – IRIG-B00X, incl. System Contact (Supervision Contact)

MCDLV4-2A0A0HB



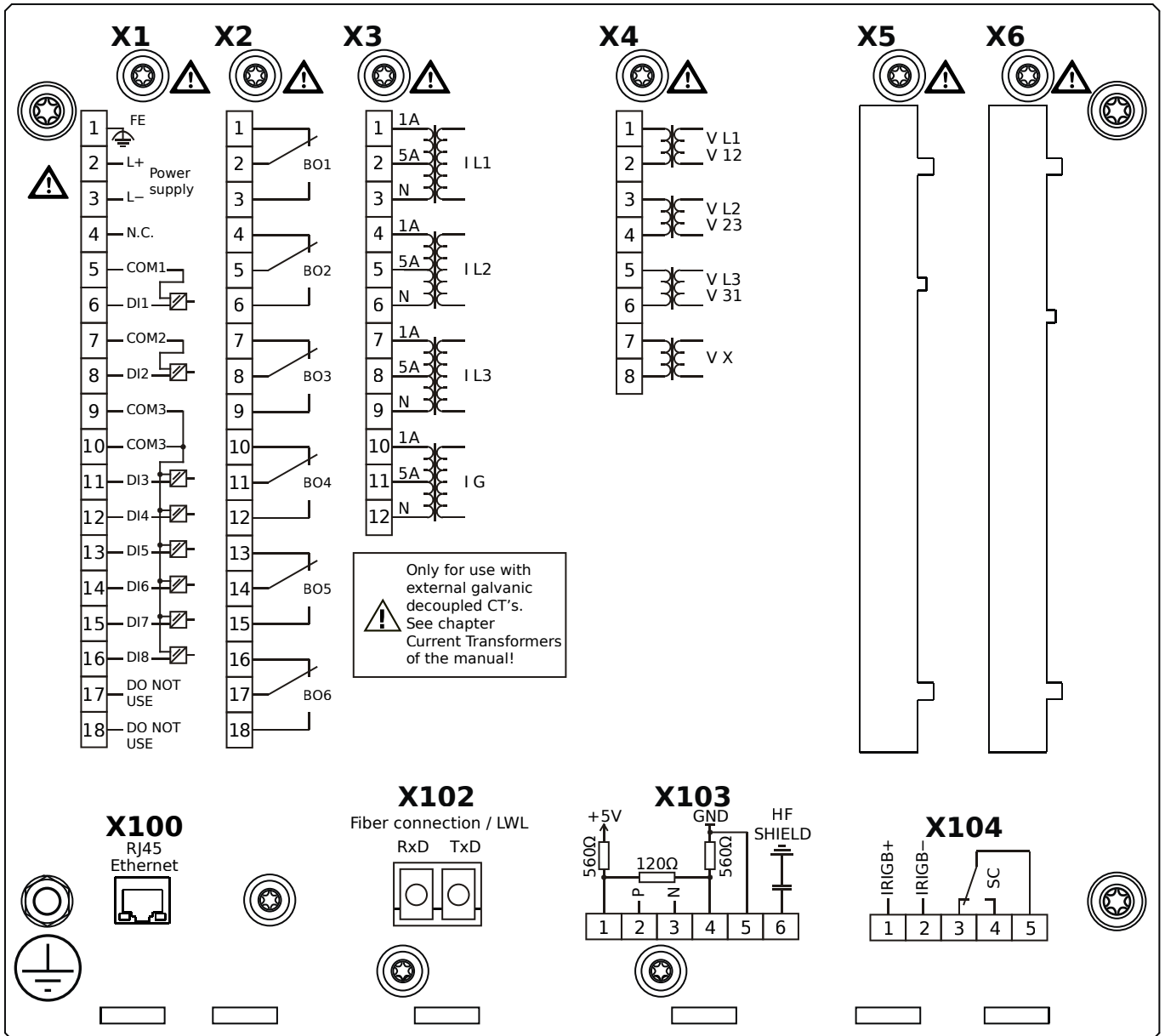
- X1** – DI8-X1: Wide-range power supply unit, incl. 2 non-grouped digital inputs and 6 grouped digital inputs
- X2** – OR-6: Assembly Group with 6 Relay Outputs
- X3** – TI-4: Standard current measuring card
- X4** – TU: Card with 4 voltage transformer measuring inputs
- X100** – IEC 61850 / Modbus TCP / DNP3.0 TCP/UDP, Ethernet interface, 100 Mbit/s, RJ45 (BASE100-FX)
- X102** – Long-distance Protection Communication, Fiber optics interface, LC Connector
- X104** – IRIG-B00X, incl. System Contact (Supervision Contact)

MCDLV4-2A0A01A



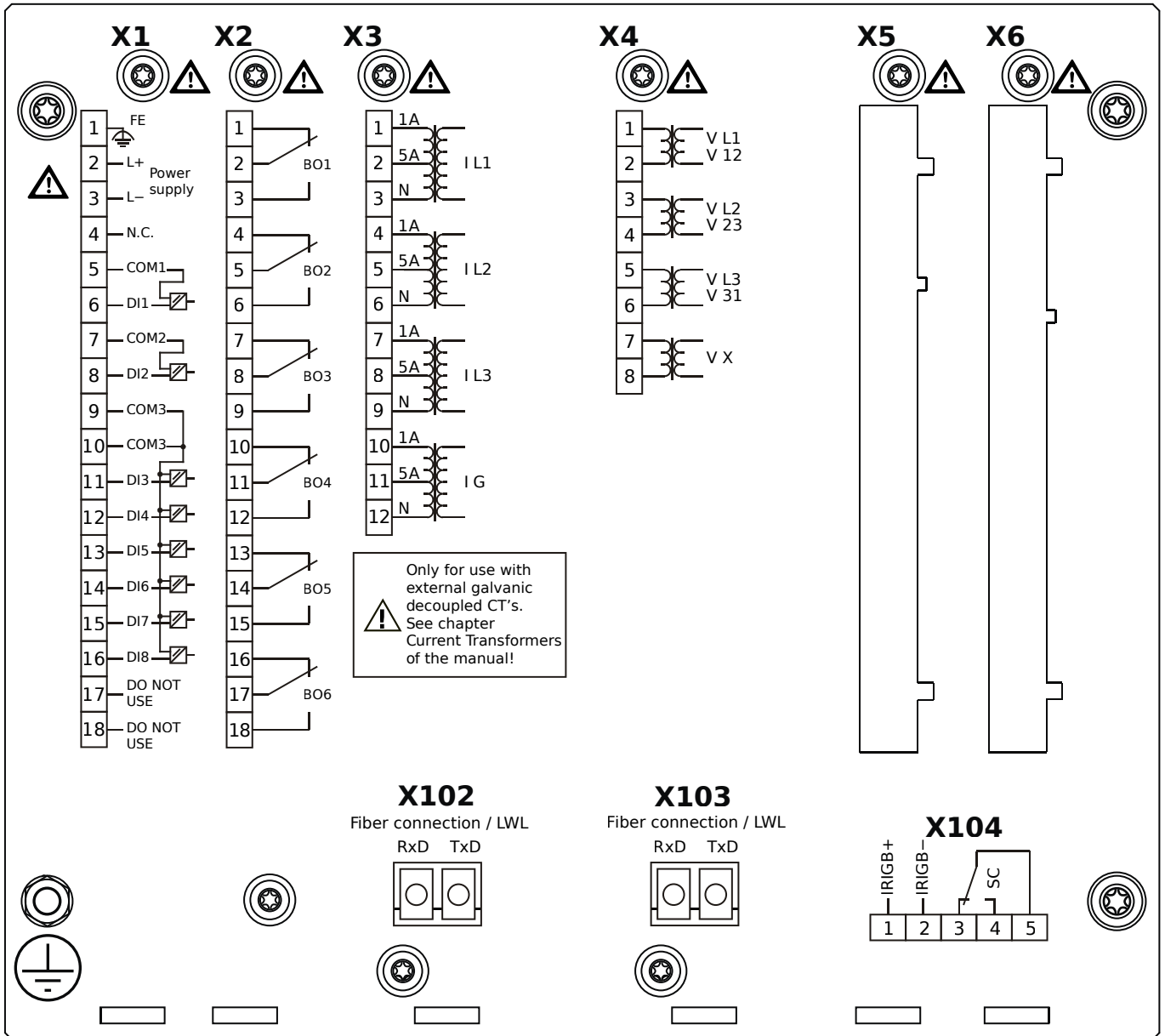
- X1** – DI8-X1: Wide-range power supply unit, incl. 2 non-grouped digital inputs and 6 grouped digital inputs
- X2** – OR-6: Assembly Group with 6 Relay Outputs
- X3** – TI-4: Standard current measuring card
- X4** – TU: Card with 4 voltage transformer measuring inputs
- X100** – Modbus TCP / DNP3.0 TCP/UDP, Ethernet interface, 100 Mbit/s, RJ45 (BASE100-FX)
- X102** – Long-distance Protection Communication, Fiber optics interface, LC Connector
- X103** – IEC 60870-5-103 / Modbus RTU / DNP3.0 RTU, RS485, Terminals
- X104** – IRIG-B00X, incl. System Contact (Supervision Contact)

MCDLV4-2A0A0IB



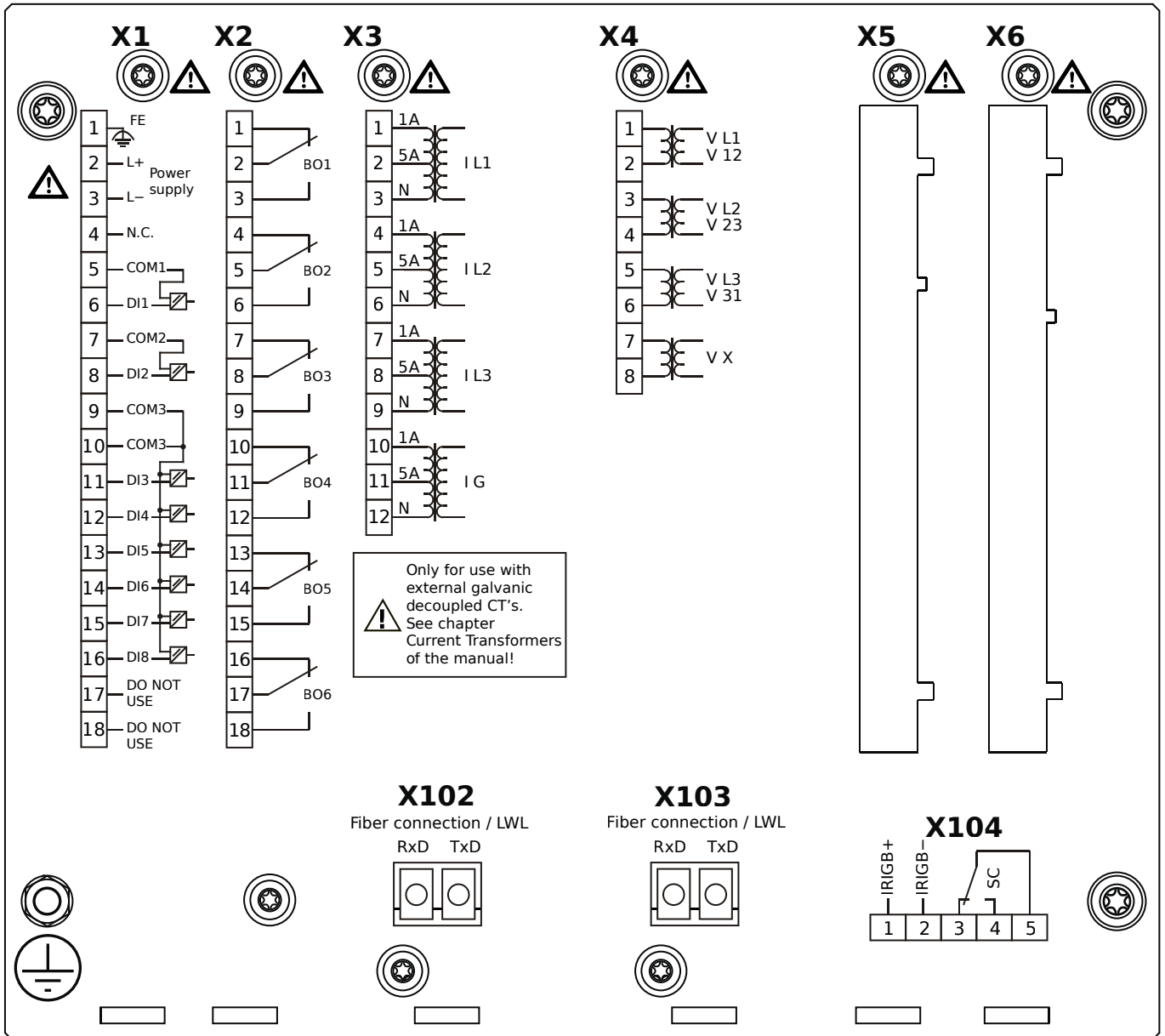
- X1** – DI8-X1: Wide-range power supply unit, incl. 2 non-grouped digital inputs and 6 grouped digital inputs
- X2** – OR-6: Assembly Group with 6 Relay Outputs
- X3** – TI-4: Standard current measuring card
- X4** – TU: Card with 4 voltage transformer measuring inputs
- X100** – Modbus TCP / DNP3.0 TCP/UDP, Ethernet interface, 100 Mbit/s, RJ45 (BASE100-FX)
- X102** – Long-distance Protection Communication, Fiber optics interface, LC Connector
- X103** – IEC 60870-5-103 / Modbus RTU / DNP3.0 RTU, RS485, Terminals
- X104** – IRIG-B00X, incl. System Contact (Supervision Contact)

MCDLV4-2A0A0KA



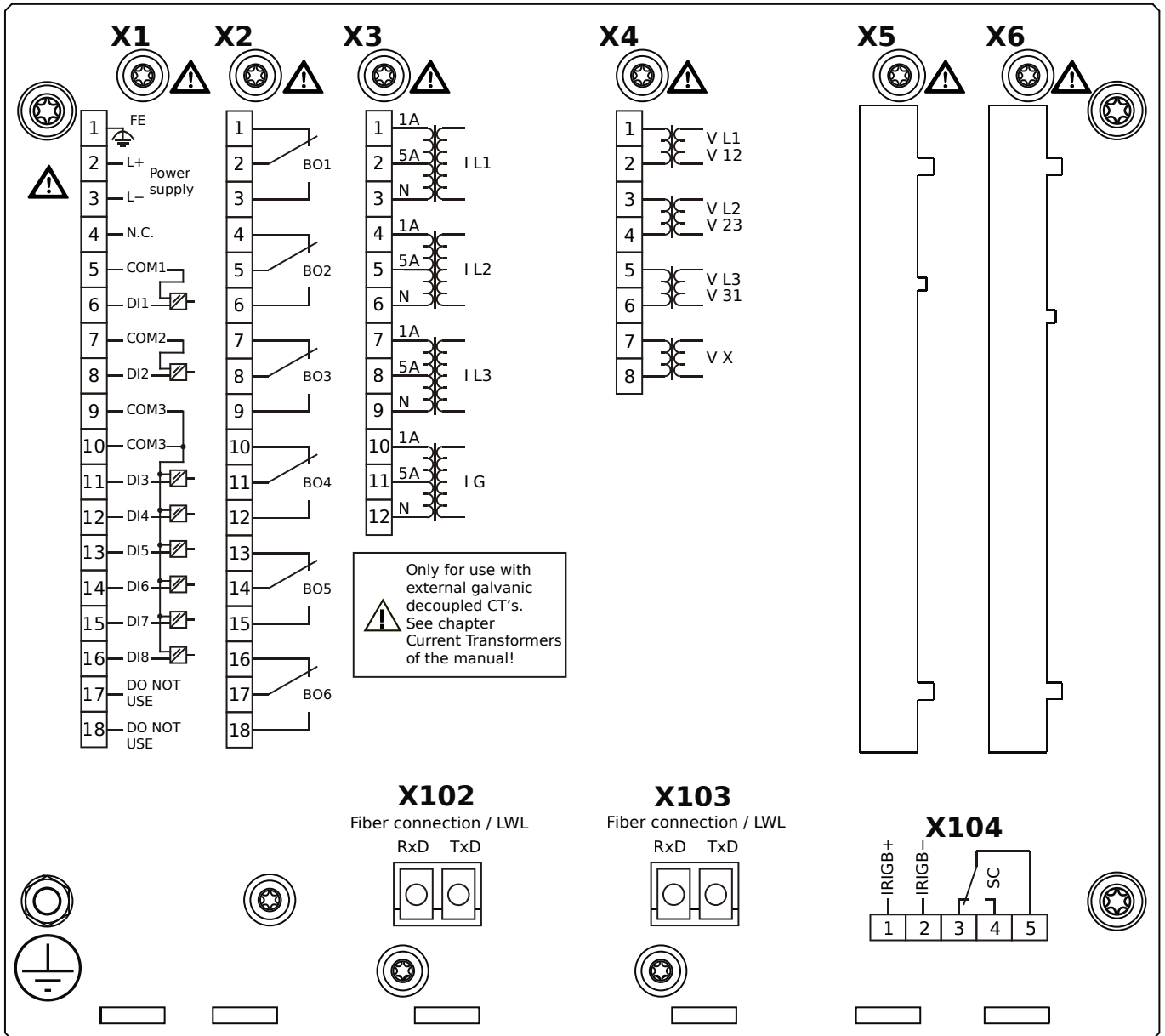
- X1** – DI8-X1: Wide-range power supply unit, incl. 2 non-grouped digital inputs and 6 grouped digital inputs
- X2** – OR-6: Assembly Group with 6 Relay Outputs
- X3** – TI-4: Standard current measuring card
- X4** – TU: Card with 4 voltage transformer measuring inputs
- X102** – Long-distance Protection Communication, Fiber optics interface, LC Connector
- X103** – IEC 61850 / Modbus TCP / DNP3.0 TCP/UDP, Fiber optics interface, LC Connector
- X104** – IRIG-B00X, incl. System Contact (Supervision Contact)

MCDLV4-2A0A0KB



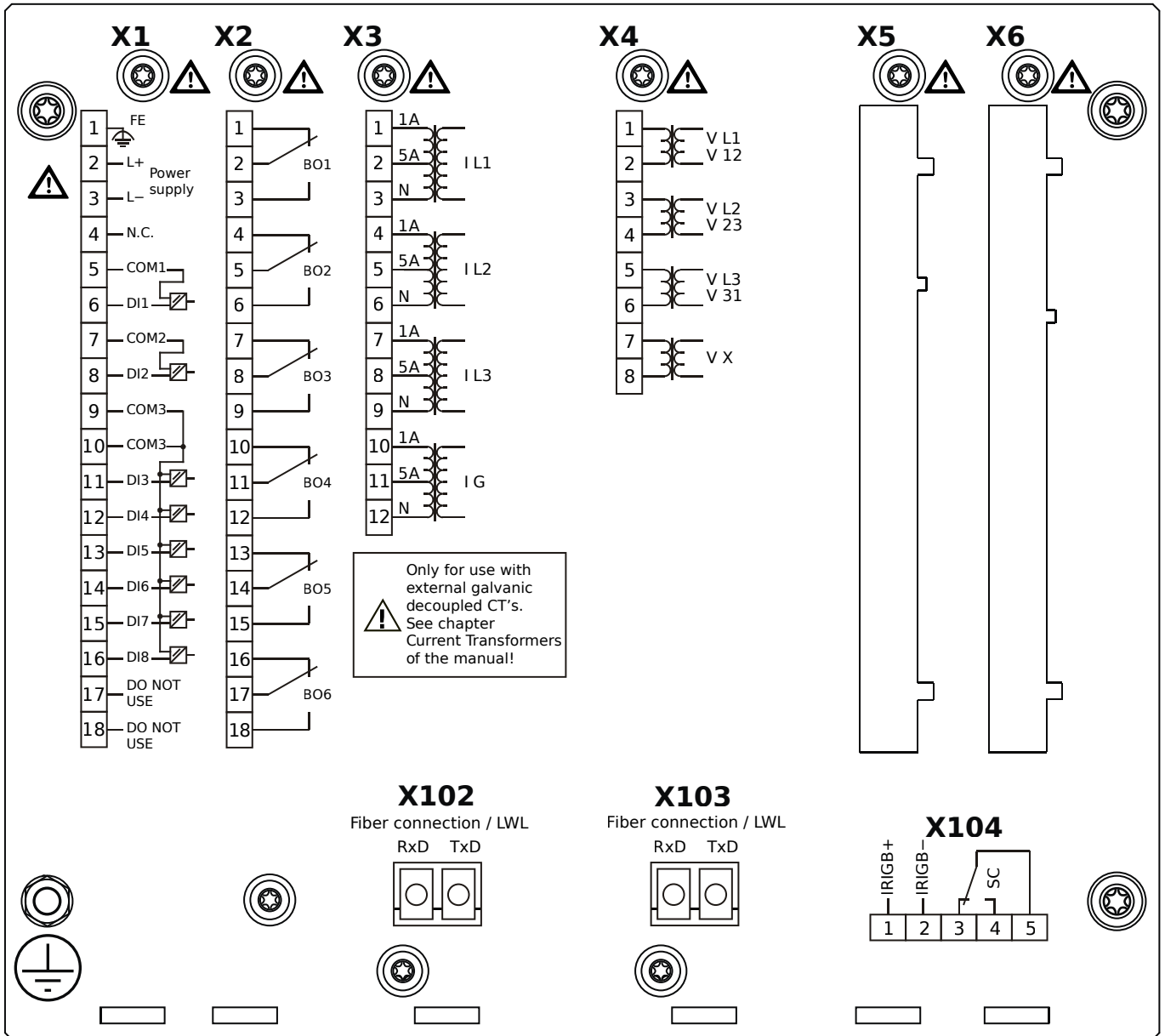
- X1** – DI8-X1: Wide-range power supply unit, incl. 2 non-grouped digital inputs and 6 grouped digital inputs
- X2** – OR-6: Assembly Group with 6 Relay Outputs
- X3** – TI-4: Standard current measuring card
- X4** – TU: Card with 4 voltage transformer measuring inputs
- X102** – Long-distance Protection Communication, Fiber optics interface, LC Connector
- X103** – IEC 61850 / Modbus TCP / DNP3.0 TCP/UDP, Fiber optics interface, LC Connector
- X104** – IRIG-B00X, incl. System Contact (Supervision Contact)

MCDLV4-2A0A0LA



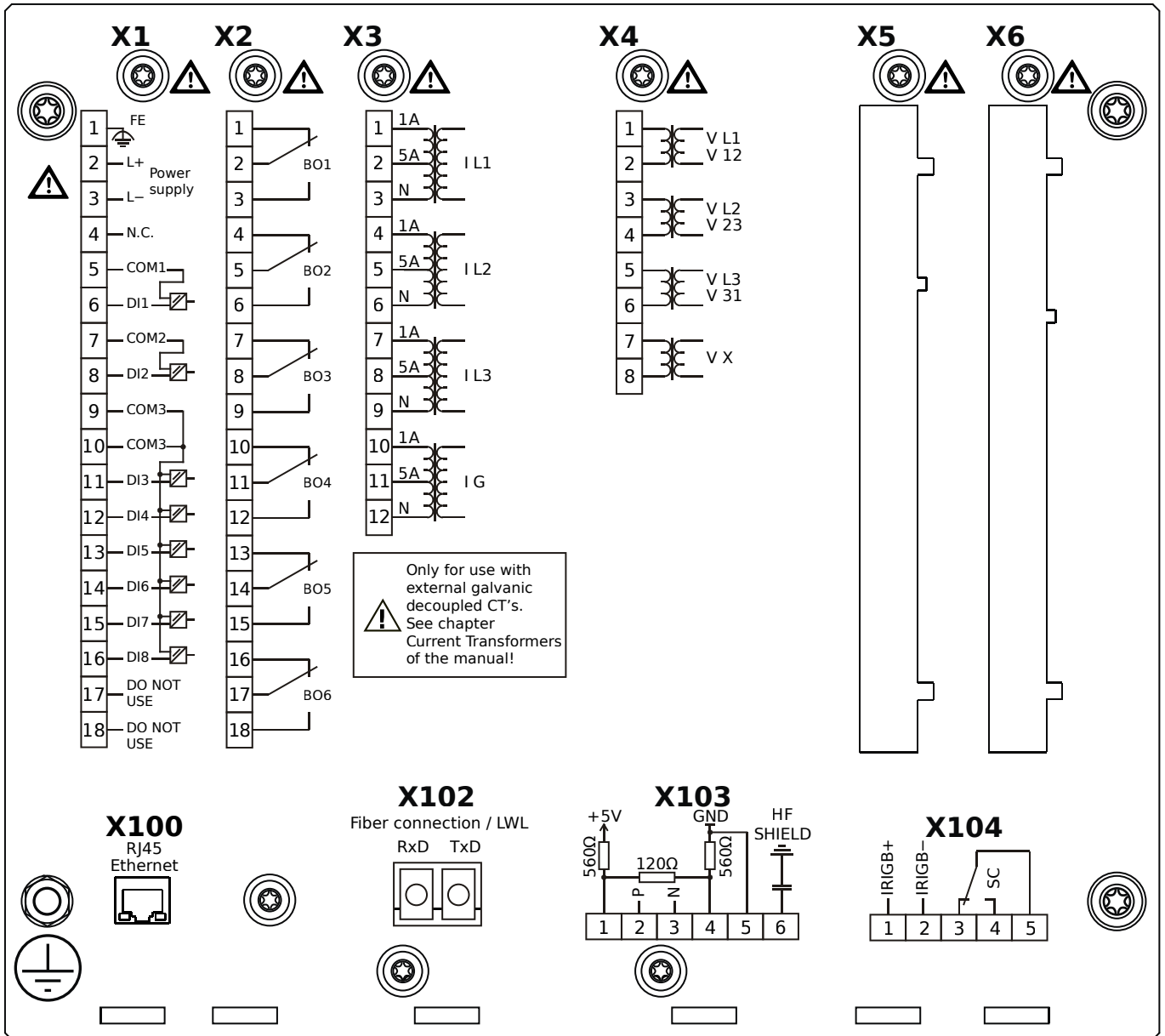
- X1** – DI8-X1: Wide-range power supply unit, incl. 2 non-grouped digital inputs and 6 grouped digital inputs
- X2** – OR-6: Assembly Group with 6 Relay Outputs
- X3** – TI-4: Standard current measuring card
- X4** – TU: Card with 4 voltage transformer measuring inputs
- X102** – Long-distance Protection Communication, Fiber optics interface, LC Connector
- X103** – Modbus TCP / DNP3.0 TCP/UDP, Fiber optics interface, LC Connector
- X104** – IRIG-B00X, incl. System Contact (Supervision Contact)

MCDLV4-2A0A0LB



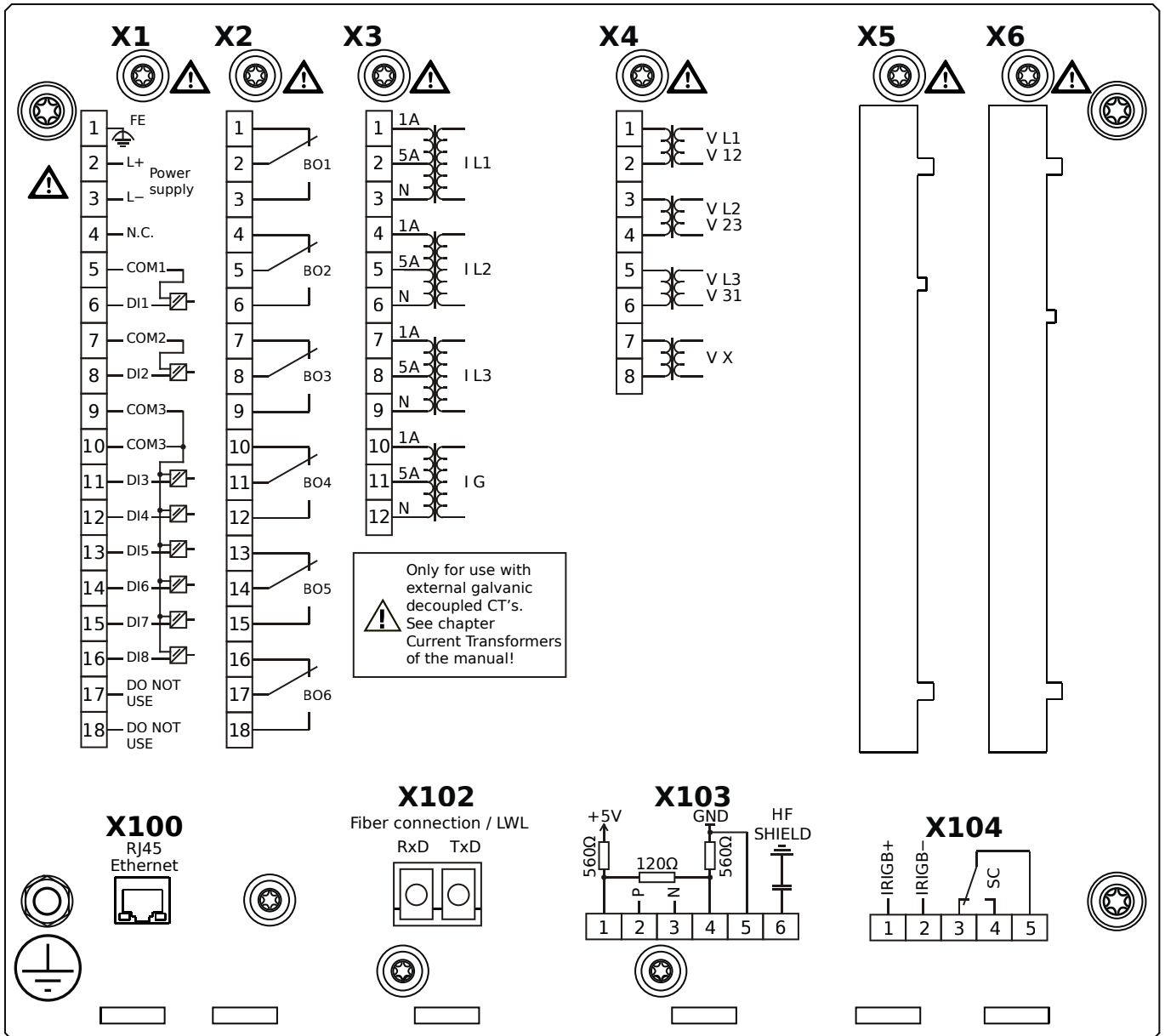
- X1** – DI8-X1: Wide-range power supply unit, incl. 2 non-grouped digital inputs and 6 grouped digital inputs
- X2** – OR-6: Assembly Group with 6 Relay Outputs
- X3** – TI-4: Standard current measuring card
- X4** – TU: Card with 4 voltage transformer measuring inputs
- X102** – Long-distance Protection Communication, Fiber optics interface, LC Connector
- X103** – Modbus TCP / DNP3.0 TCP/UDP, Fiber optics interface, LC Connector
- X104** – IRIG-B00X, incl. System Contact (Supervision Contact)

MCDLV4-2A0A0TA



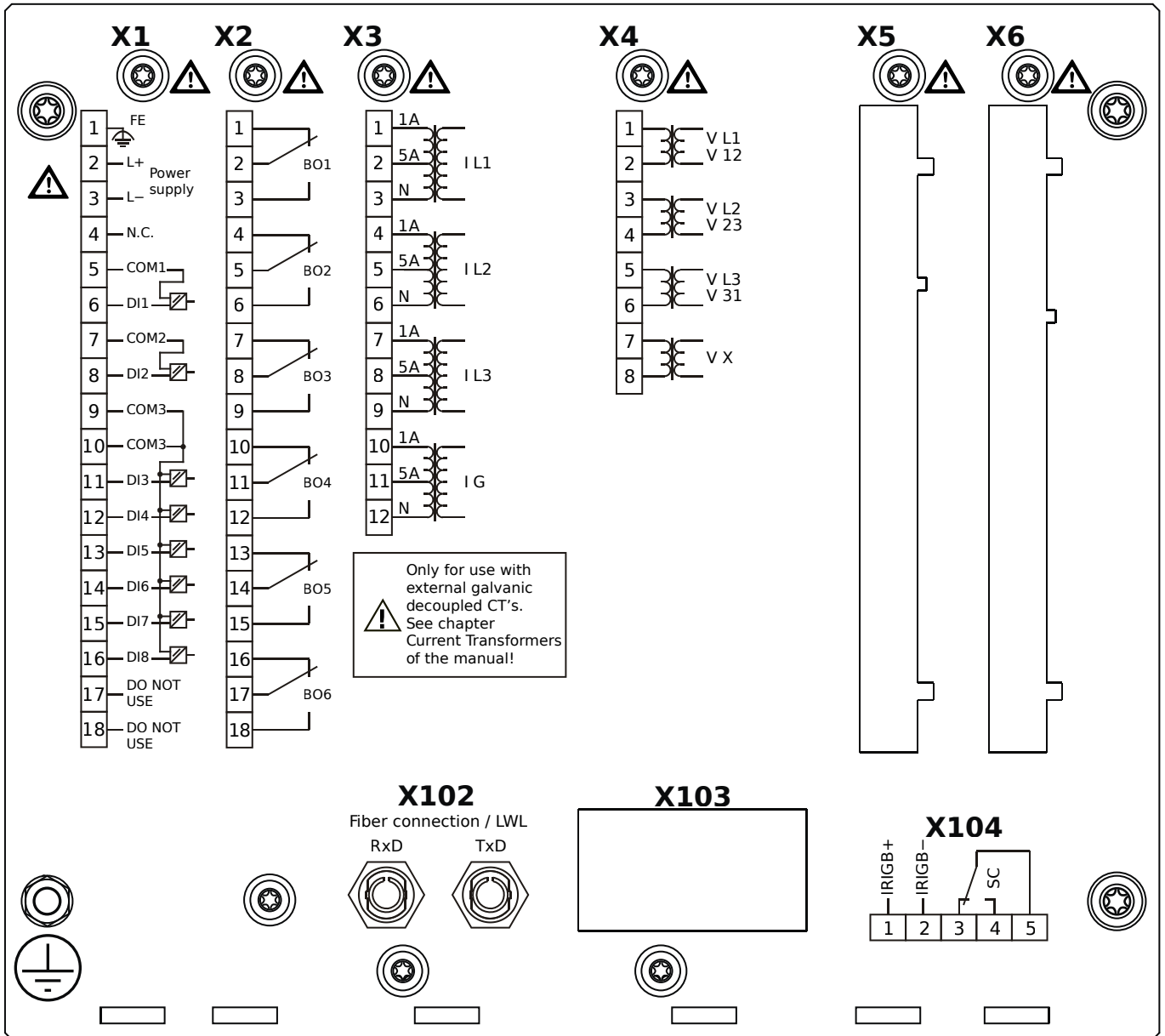
- X1** – DI8-X1: Wide-range power supply unit, incl. 2 non-grouped digital inputs and 6 grouped digital inputs
- X2** – OR-6: Assembly Group with 6 Relay Outputs
- X3** – TI-4: Standard current measuring card
- X4** – TU: Card with 4 voltage transformer measuring inputs
- X100** – IEC 61850 / Modbus TCP / DNP3.0 TCP/UDP, Ethernet interface, 100 Mbit/s, RJ45 (BASE100-FX)
- X102** – Long-distance Protection Communication, Fiber optics interface, LC Connector
- X103** – IEC 60870-5-103 / Modbus RTU / DNP3.0 RTU, RS485, Terminals
- X104** – IRIG-B00X, incl. System Contact (Supervision Contact)

MCDLV4-2A0A0TB



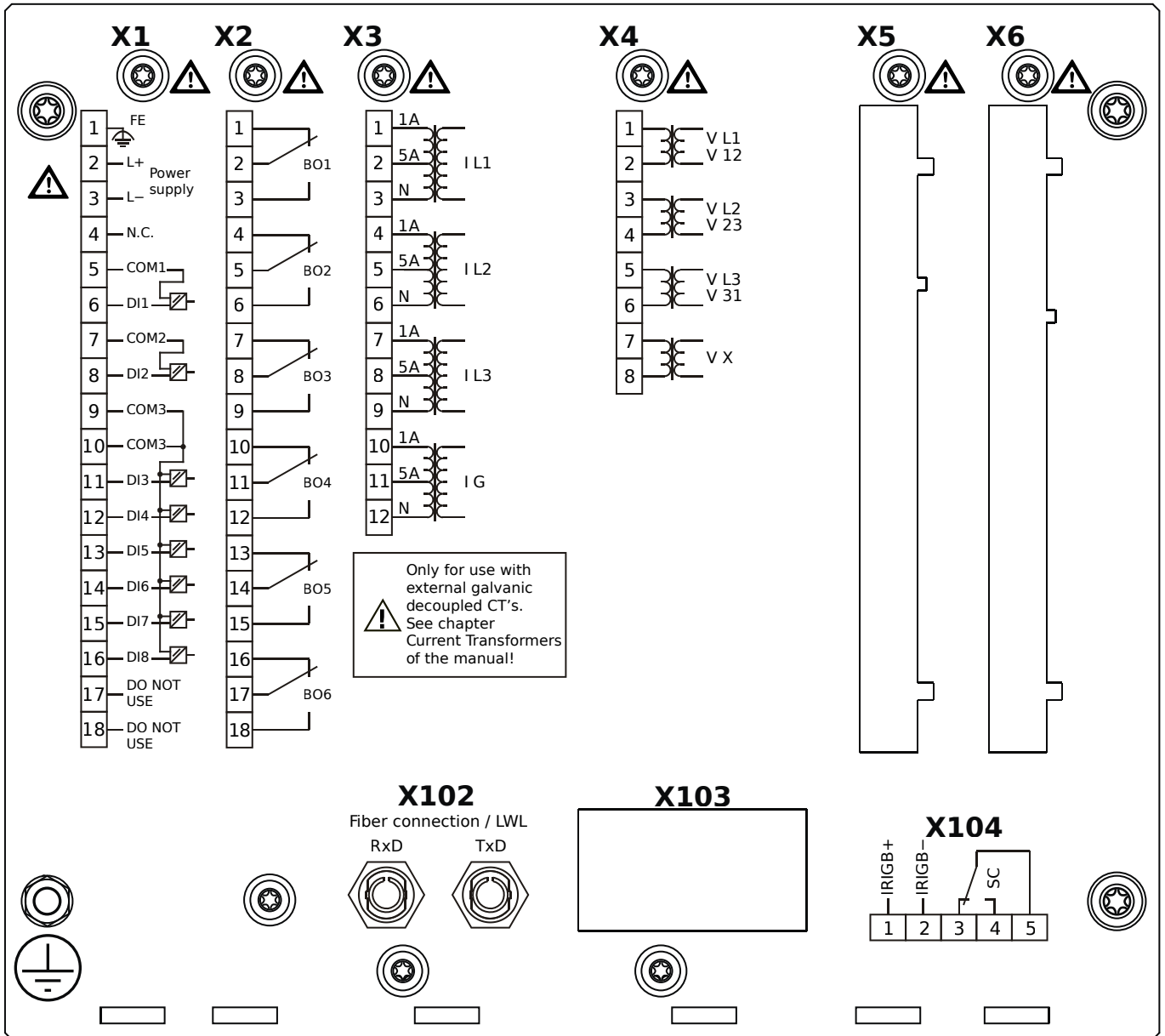
- X1** – DI8-X1: Wide-range power supply unit, incl. 2 non-grouped digital inputs and 6 grouped digital inputs
- X2** – OR-6: Assembly Group with 6 Relay Outputs
- X3** – TI-4: Standard current measuring card
- X4** – TU: Card with 4 voltage transformer measuring inputs
- X100** – IEC 61850 / Modbus TCP / DNP3.0 TCP/UDP, Ethernet interface, 100 Mbit/s, RJ45 (BASE100-FX)
- X102** – Long-distance Protection Communication, Fiber optics interface, LC Connector
- X103** – IEC 60870-5-103 / Modbus RTU / DNP3.0 RTU, RS485, Terminals
- X104** – IRIG-B00X, incl. System Contact (Supervision Contact)

MCDLV4-2A0A1AA



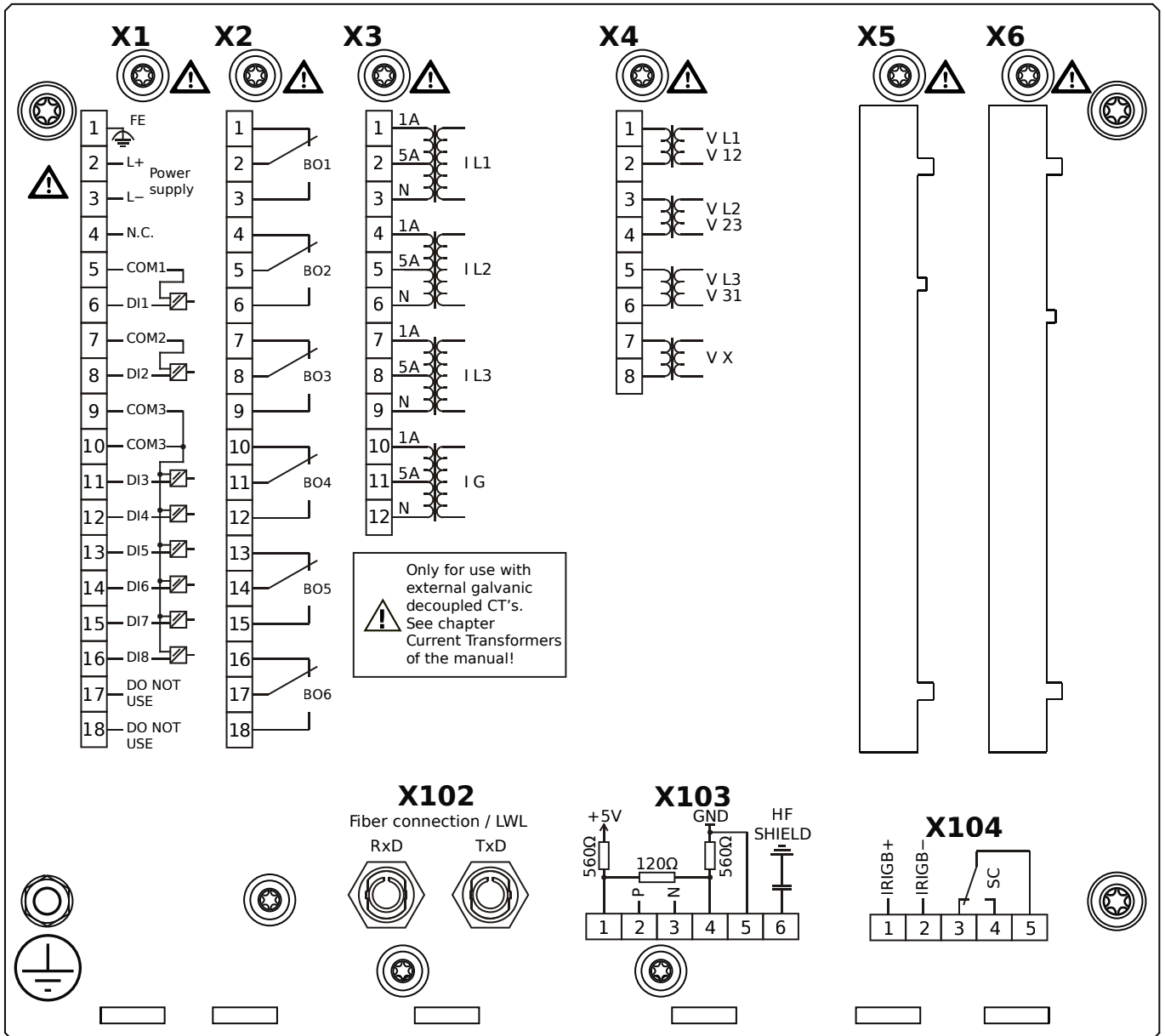
- X1** – DI8-X1: Wide-range power supply unit, incl. 2 non-grouped digital inputs and 6 grouped digital inputs
- X2** – OR-6: Assembly Group with 6 Relay Outputs
- X3** – TI-4: Standard current measuring card
- X4** – TU: Card with 4 voltage transformer measuring inputs
- X102** – Protection Communication, Fiber optics interface, ST Connector
- X104** – IRIG-B00X, incl. System Contact (Supervision Contact)

MCDLV4-2A0A1AB



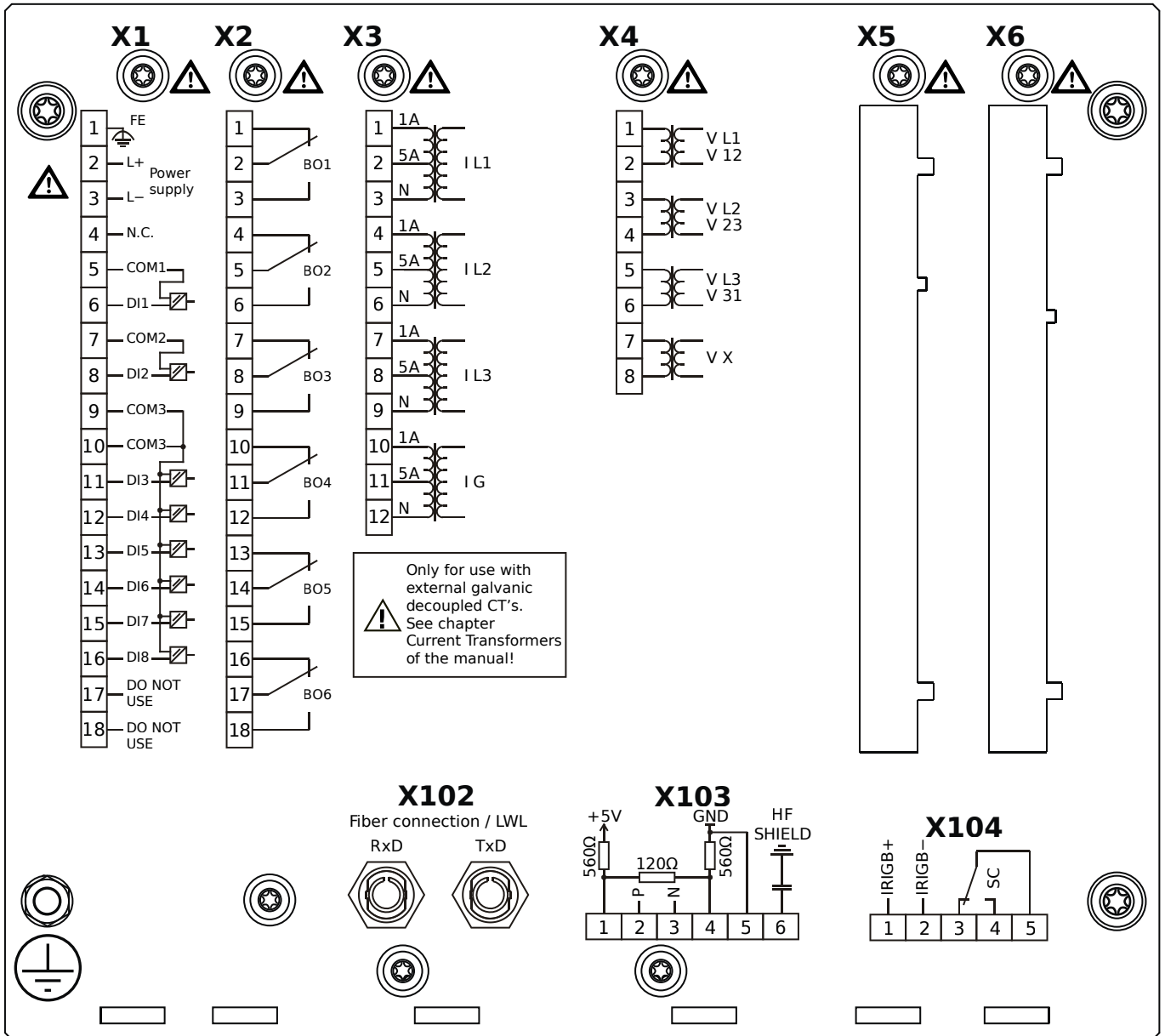
- X1** – DI8-X1: Wide-range power supply unit, incl. 2 non-grouped digital inputs and 6 grouped digital inputs
- X2** – OR-6: Assembly Group with 6 Relay Outputs
- X3** – TI-4: Standard current measuring card
- X4** – TU: Card with 4 voltage transformer measuring inputs
- X102** – Protection Communication, Fiber optics interface, ST Connector
- X104** – IRIG-B00X, incl. System Contact (Supervision Contact)

MCDLV4-2A0A1BA



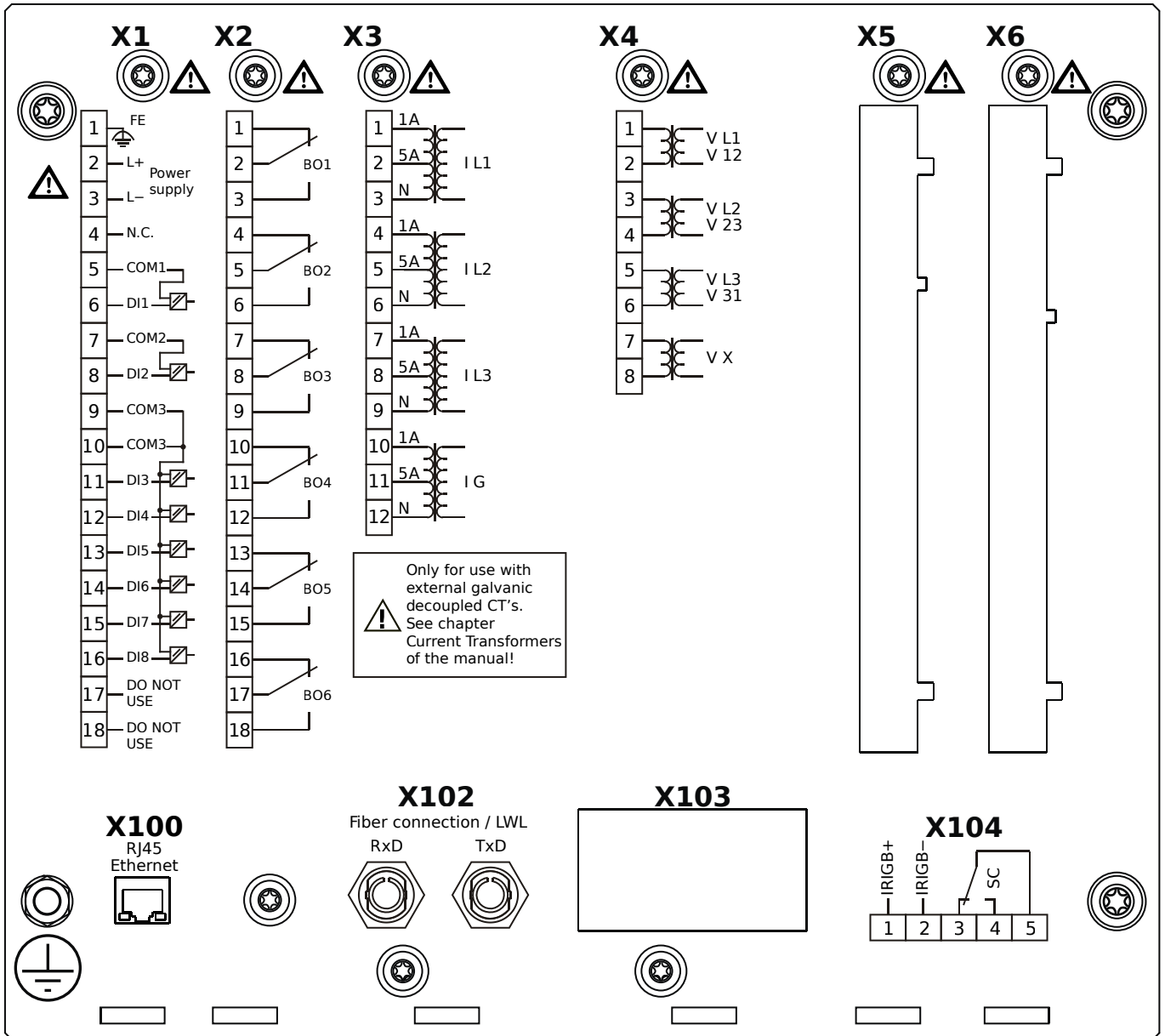
- X1** – DI8-X1: Wide-range power supply unit, incl. 2 non-grouped digital inputs and 6 grouped digital inputs
- X2** – OR-6: Assembly Group with 6 Relay Outputs
- X3** – TI-4: Standard current measuring card
- X4** – TU: Card with 4 voltage transformer measuring inputs
- X102** – Protection Communication, Fiber optics interface, ST Connector
- X103** – Modbus RTU / IEC 60870-5-103 / DNP3.0 RTU, RS485, Terminals
- X104** – IRIG-B00X, incl. System Contact (Supervision Contact)

MCDLV4-2A0A1BB



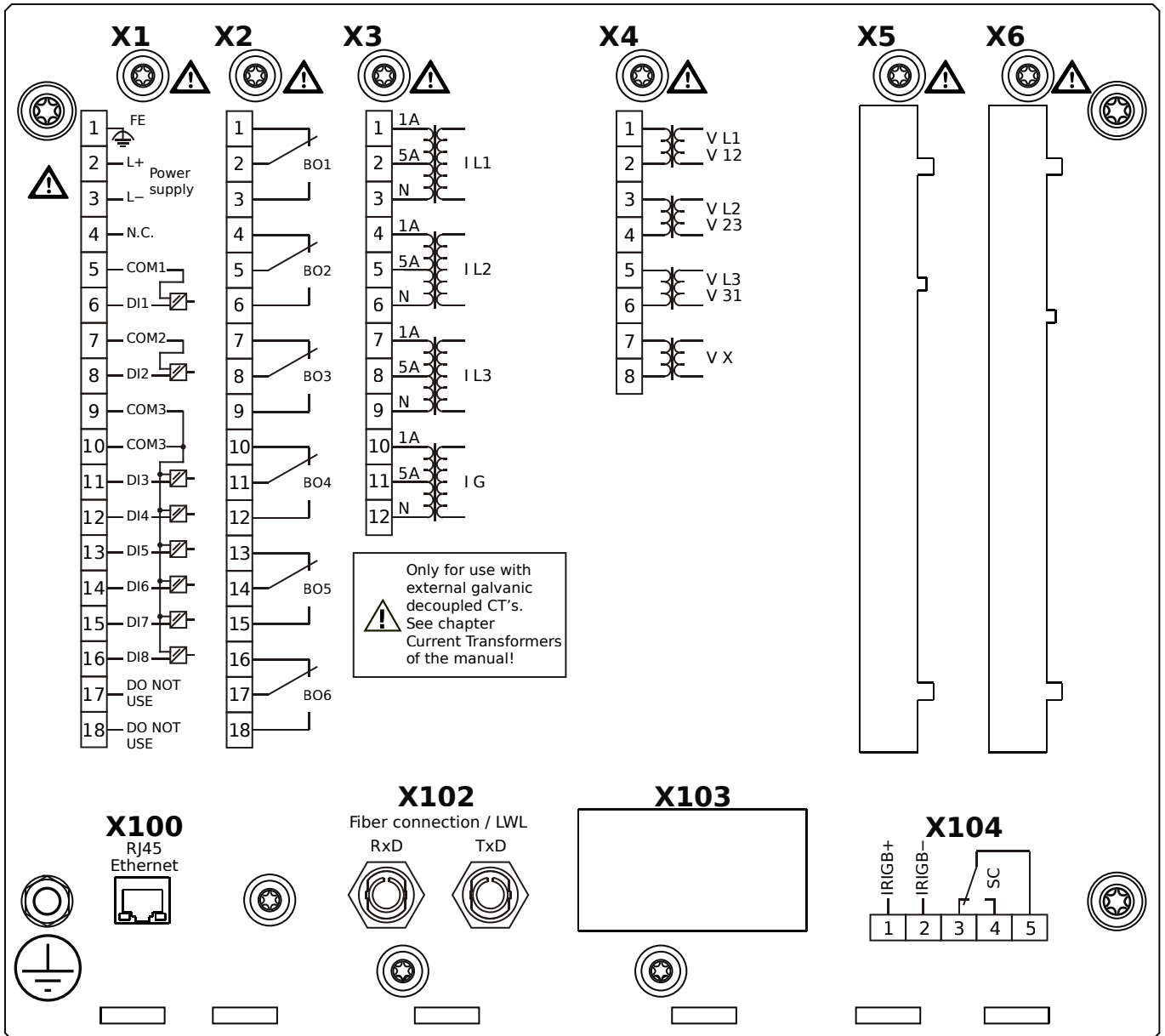
- X1** – DI8-X1: Wide-range power supply unit, incl. 2 non-grouped digital inputs and 6 grouped digital inputs
- X2** – OR-6: Assembly Group with 6 Relay Outputs
- X3** – TI-4: Standard current measuring card
- X4** – TU: Card with 4 voltage transformer measuring inputs
- X102** – Protection Communication, Fiber optics interface, ST Connector
- X103** – Modbus RTU / IEC 60870-5-103 / DNP3.0 RTU, RS485, Terminals
- X104** – IRIG-B00X, incl. System Contact (Supervision Contact)

MCDLV4-2A0A1CA



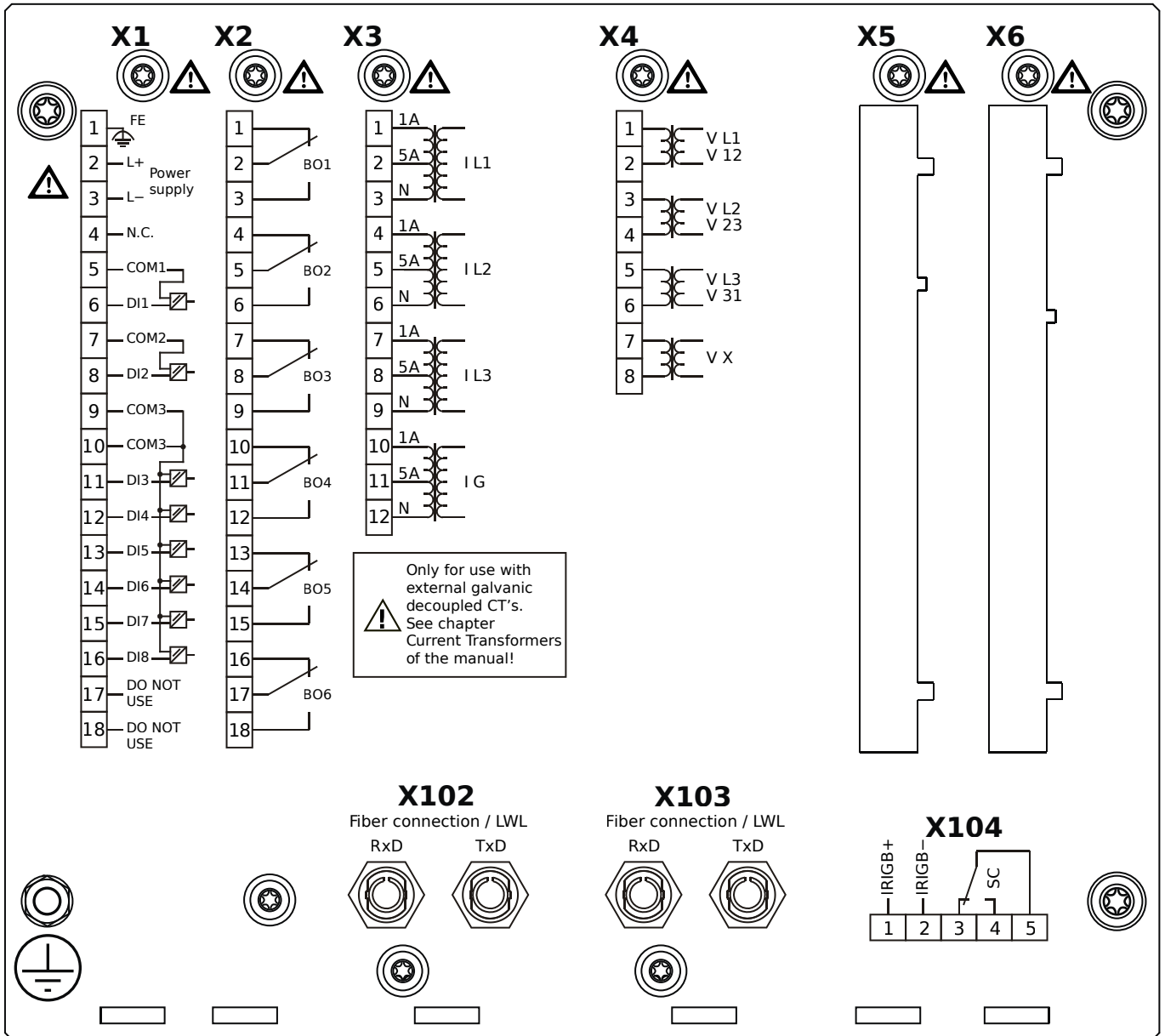
- X1** – DI8-X1: Wide-range power supply unit, incl. 2 non-grouped digital inputs and 6 grouped digital inputs
- X2** – OR-6: Assembly Group with 6 Relay Outputs
- X3** – TI-4: Standard current measuring card
- X4** – TU: Card with 4 voltage transformer measuring inputs
- X100** – Modbus TCP / DNP3.0 TCP/UDP, Ethernet interface, 100 Mbit/s, RJ45 (BASE100-FX)
- X102** – Protection Communication, Fiber optics interface, ST Connector
- X104** – IRIG-B00X, incl. System Contact (Supervision Contact)

MCDLV4-2A0A1CB



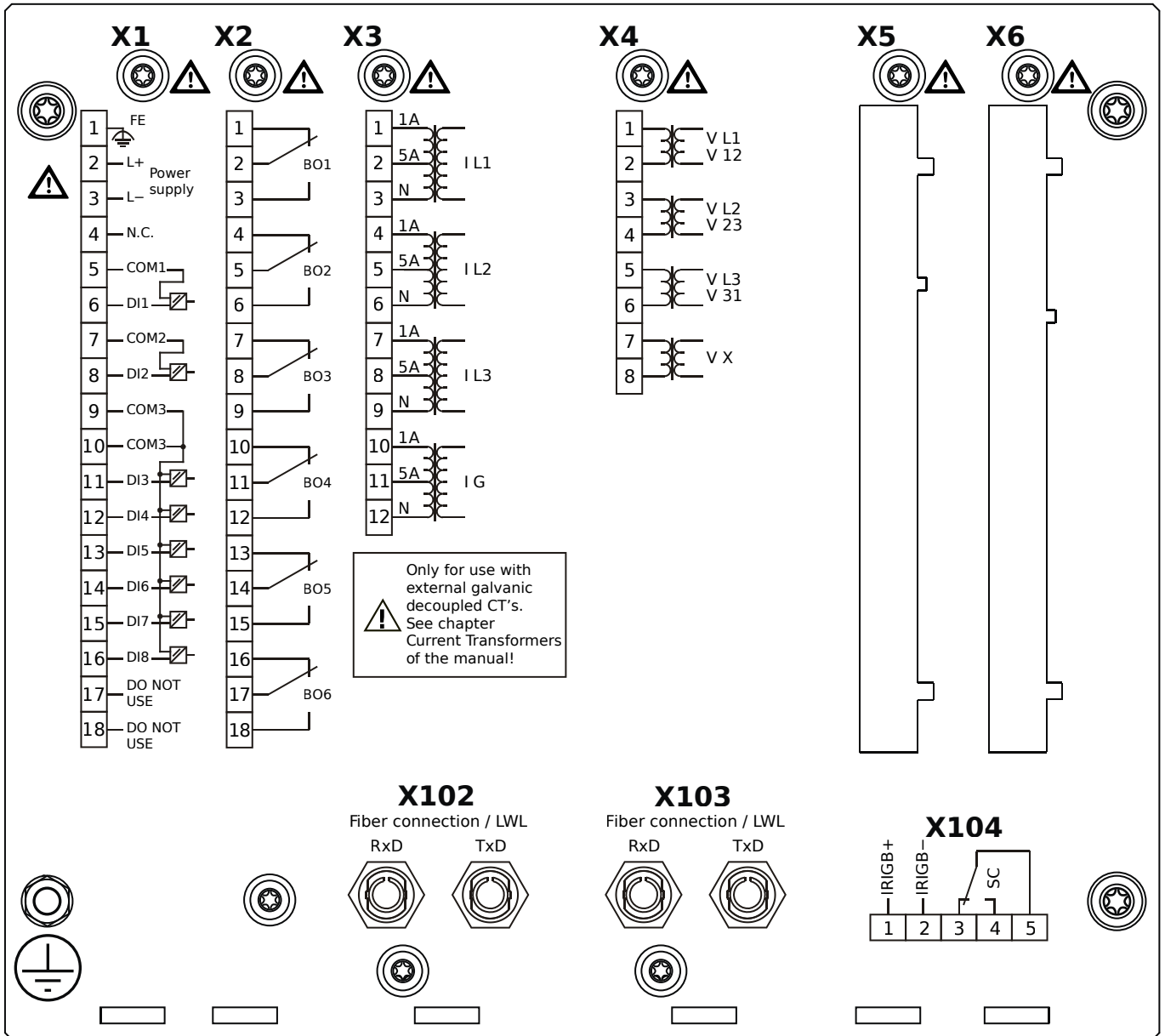
- X1** – DI8-X1: Wide-range power supply unit, incl. 2 non-grouped digital inputs and 6 grouped digital inputs
- X2** – OR-6: Assembly Group with 6 Relay Outputs
- X3** – TI-4: Standard current measuring card
- X4** – TU: Card with 4 voltage transformer measuring inputs
- X100** – Modbus TCP / DNP3.0 TCP/UDP, Ethernet interface, 100 Mbit/s, RJ45 (BASE100-FX)
- X102** – Protection Communication, Fiber optics interface, ST Connector
- X104** – IRIG-B00X, incl. System Contact (Supervision Contact)

MCDLV4-2A0A1DA



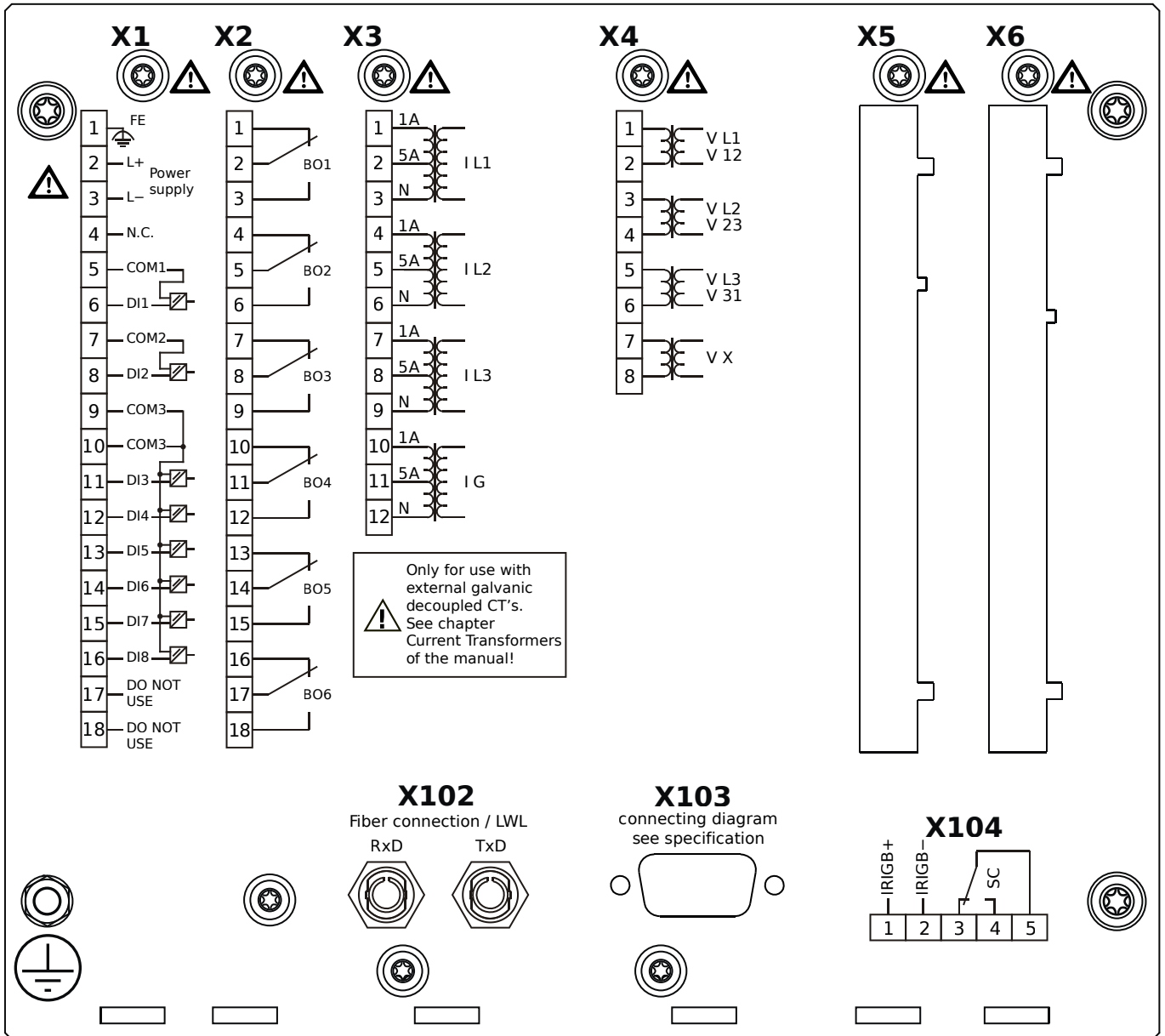
- X1** – DI8-X1: Wide-range power supply unit, incl. 2 non-grouped digital inputs and 6 grouped digital inputs
- X2** – OR-6: Assembly Group with 6 Relay Outputs
- X3** – TI-4: Standard current measuring card
- X4** – TU: Card with 4 voltage transformer measuring inputs
- X102** – Protection Communication, Fiber optics interface, ST Connector
- X103** – Profibus-DP, Fiber optics interface, ST Connector
- X104** – IRIG-B00X, incl. System Contact (Supervision Contact)

MCDLV4-2A0A1DB



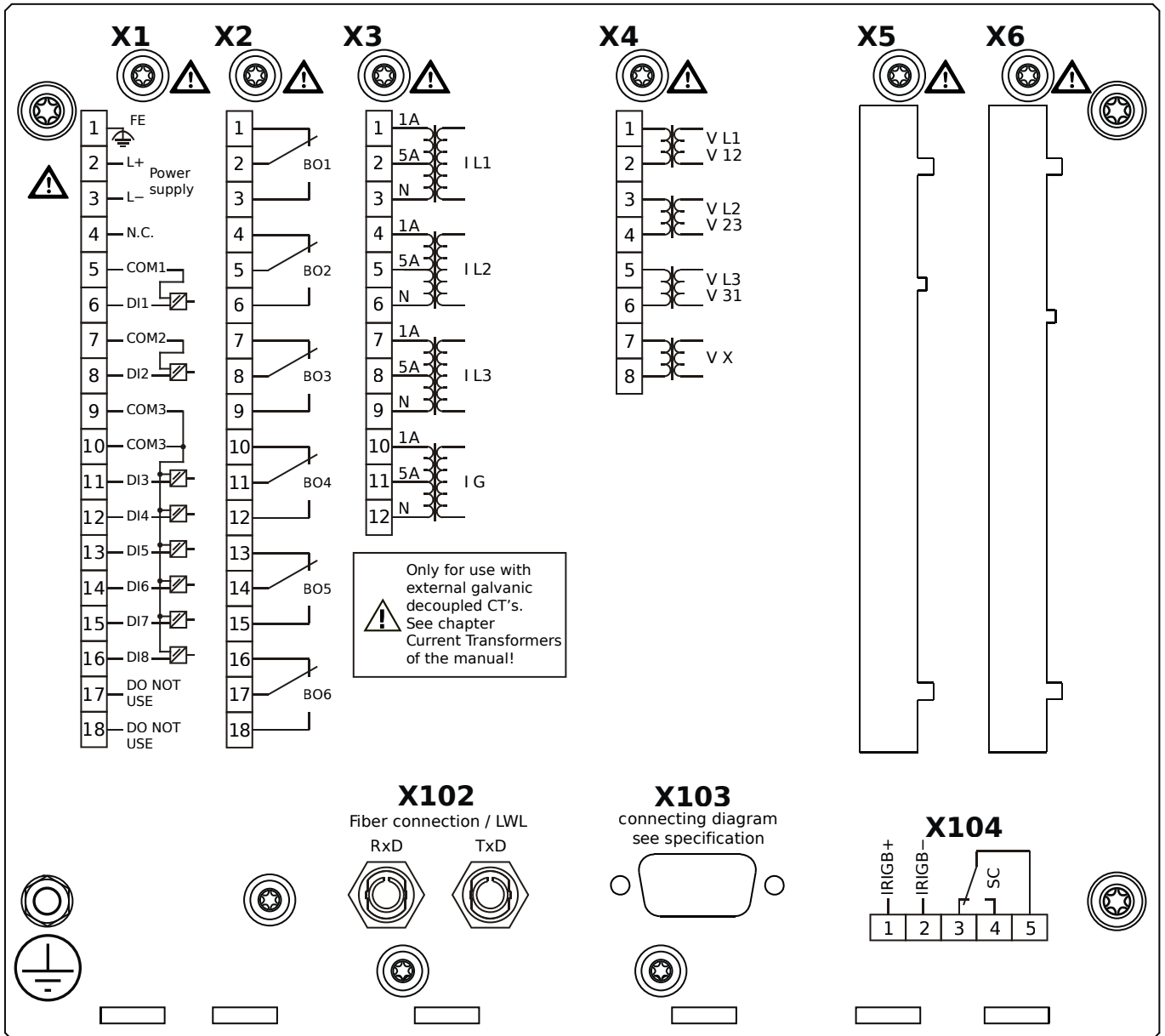
- X1** – DI8-X1: Wide-range power supply unit, incl. 2 non-grouped digital inputs and 6 grouped digital inputs
- X2** – OR-6: Assembly Group with 6 Relay Outputs
- X3** – TI-4: Standard current measuring card
- X4** – TU: Card with 4 voltage transformer measuring inputs
- X102** – Protection Communication, Fiber optics interface, ST Connector
- X103** – Profibus-DP, Fiber optics interface, ST Connector
- X104** – IRIG-B00X, incl. System Contact (Supervision Contact)

MCDLV4-2A0A1EA



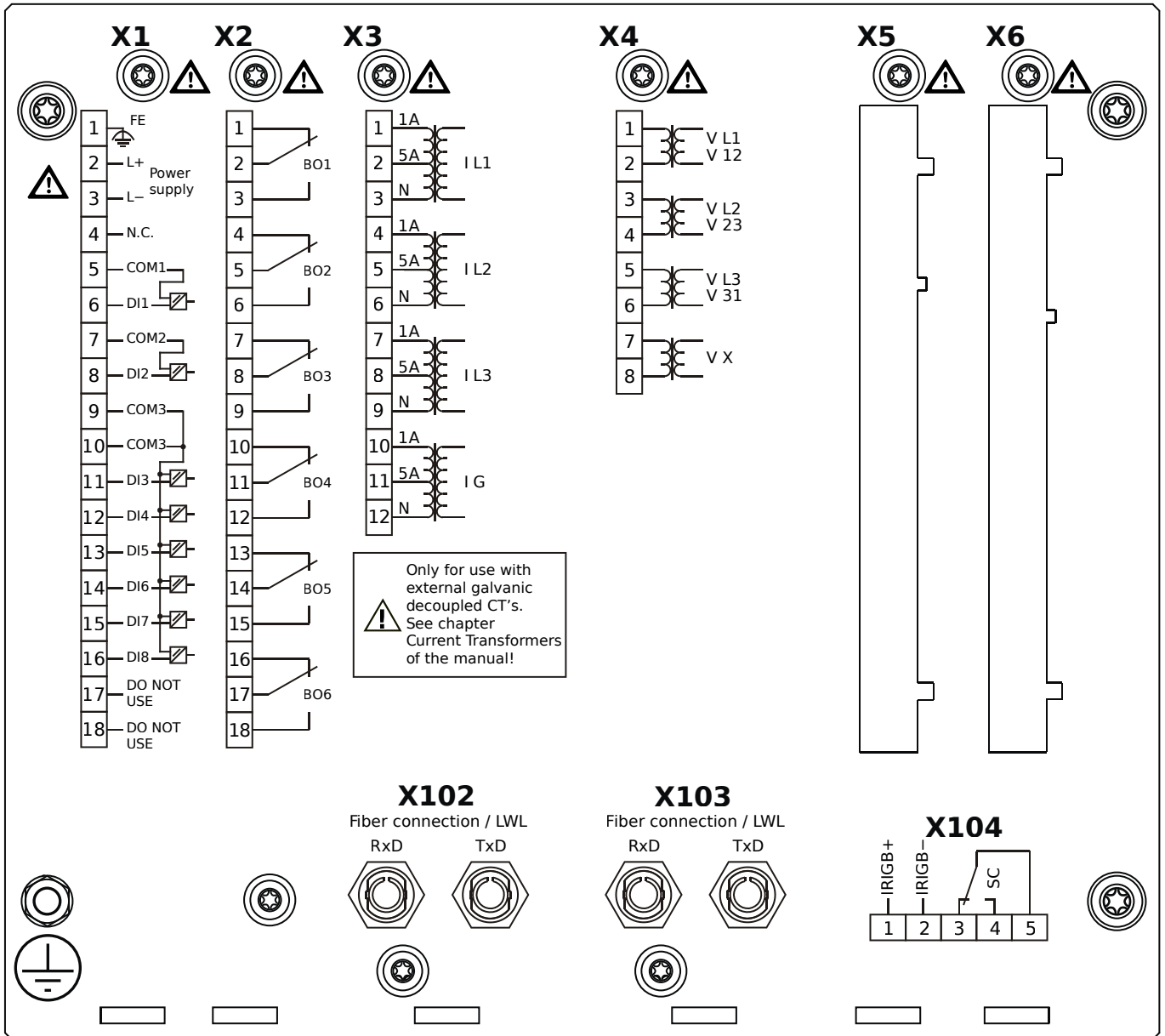
- X1** – DI8-X1: Wide-range power supply unit, incl. 2 non-grouped digital inputs and 6 grouped digital inputs
- X2** – OR-6: Assembly Group with 6 Relay Outputs
- X3** – TI-4: Standard current measuring card
- X4** – TU: Card with 4 voltage transformer measuring inputs
- X102** – Protection Communication, Fiber optics interface, ST Connector
- X103** – Profibus-DP, RS485, D-SUB
- X104** – IRIG-B00X, incl. System Contact (Supervision Contact)

MCDLV4-2A0A1EB



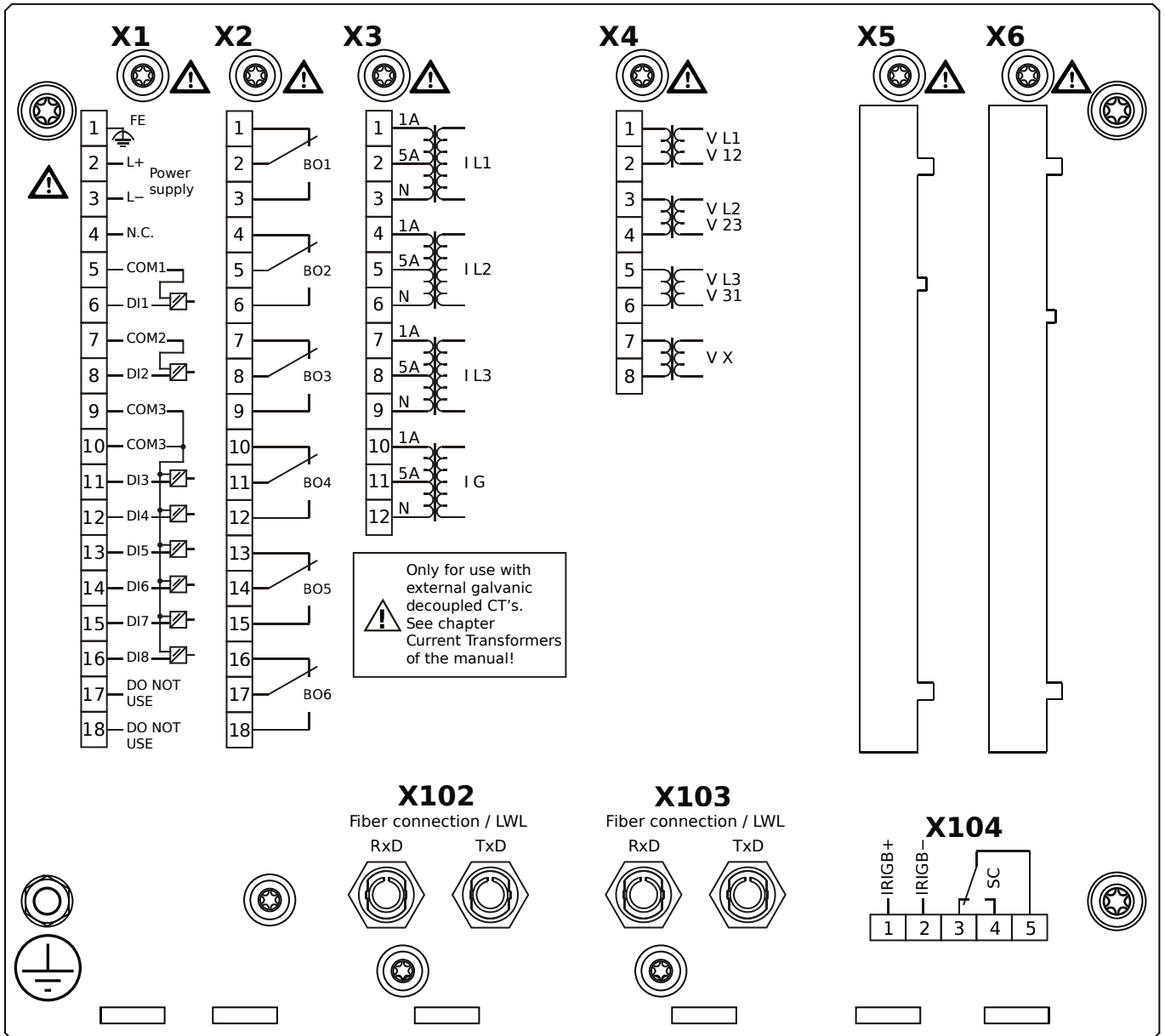
- X1** – DI8-X1: Wide-range power supply unit, incl. 2 non-grouped digital inputs and 6 grouped digital inputs
- X2** – OR-6: Assembly Group with 6 Relay Outputs
- X3** – TI-4: Standard current measuring card
- X4** – TU: Card with 4 voltage transformer measuring inputs
- X102** – Protection Communication, Fiber optics interface, ST Connector
- X103** – Profibus-DP, RS485, D-SUB
- X104** – IRIG-B00X, incl. System Contact (Supervision Contact)

MCDLV4-2A0A1FA



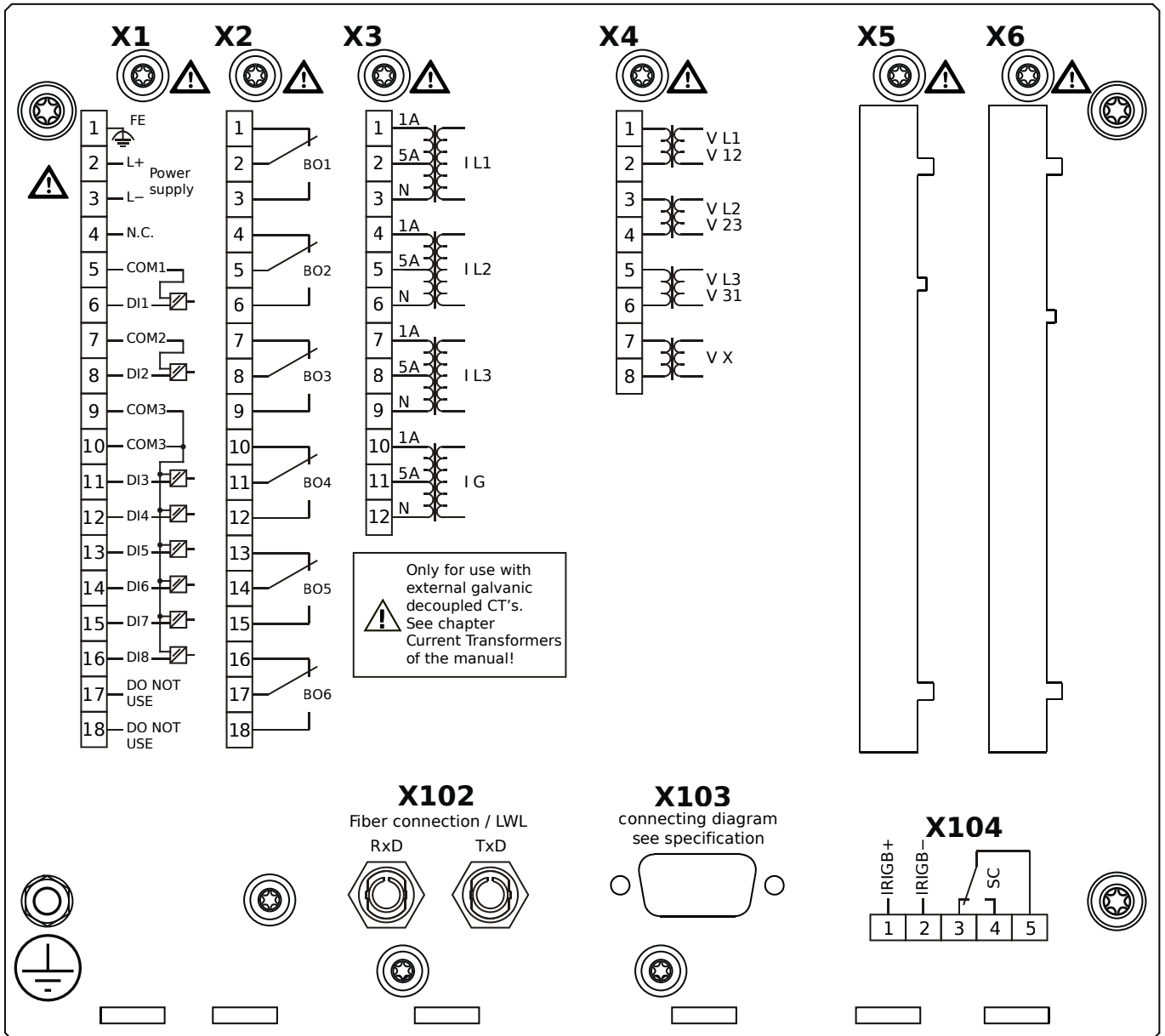
- X1** – DI8-X1: Wide-range power supply unit, incl. 2 non-grouped digital inputs and 6 grouped digital inputs
- X2** – OR-6: Assembly Group with 6 Relay Outputs
- X3** – TI-4: Standard current measuring card
- X4** – TU: Card with 4 voltage transformer measuring inputs
- X102** – Protection Communication, Fiber optics interface, ST Connector
- X103** – Modbus RTU / IEC 60870-5-103 / DNP3.0 RTU, Fiber optics interface, ST Connector
- X104** – IRIG-B00X, incl. System Contact (Supervision Contact)

MCDLV4-2A0A1FB



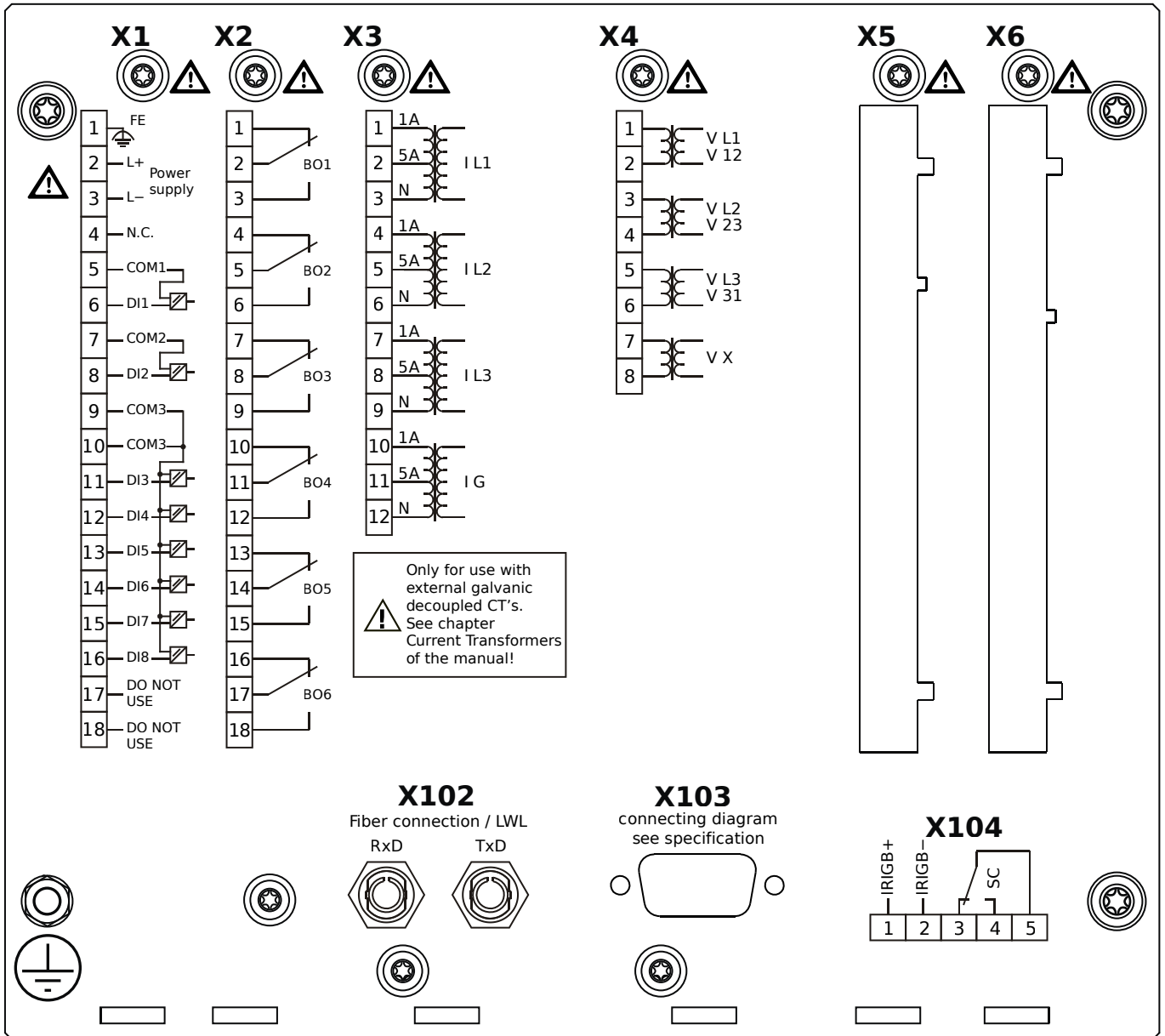
- X1** – DI8-X1: Wide-range power supply unit, incl. 2 non-grouped digital inputs and 6 grouped digital inputs
- X2** – OR-6: Assembly Group with 6 Relay Outputs
- X3** – TI-4: Standard current measuring card
- X4** – TU: Card with 4 voltage transformer measuring inputs
- X102** – Protection Communication, Fiber optics interface, ST Connector
- X103** – Modbus RTU / IEC 60870-5-103 / DNP3.0 RTU, Fiber optics interface, ST Connector
- X104** – IRIG-B00X, incl. System Contact (Supervision Contact)

MCDLV4-2A0A1GA



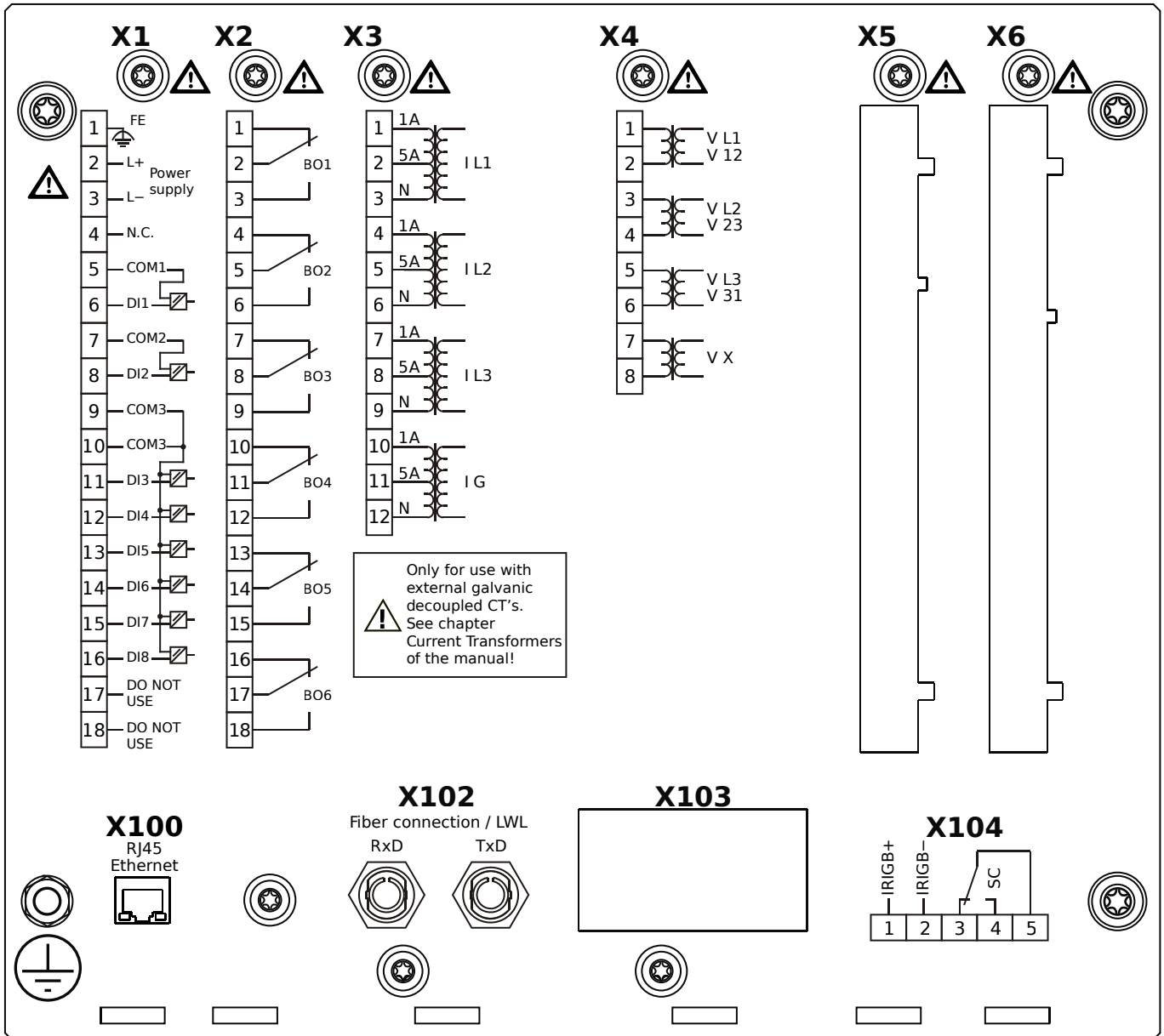
- X1** – DI8-X1: Wide-range power supply unit, incl. 2 non-grouped digital inputs and 6 grouped digital inputs
- X2** – OR-6: Assembly Group with 6 Relay Outputs
- X3** – TI-4: Standard current measuring card
- X4** – TU: Card with 4 voltage transformer measuring inputs
- X102** – Protection Communication, Fiber optics interface, ST Connector
- X103** – Modbus RTU / IEC 60870-5-103 / DNP3.0 RTU, RS485, D-SUB
- X104** – IRIG-B00X, incl. System Contact (Supervision Contact)

MCDLV4-2A0A1GB



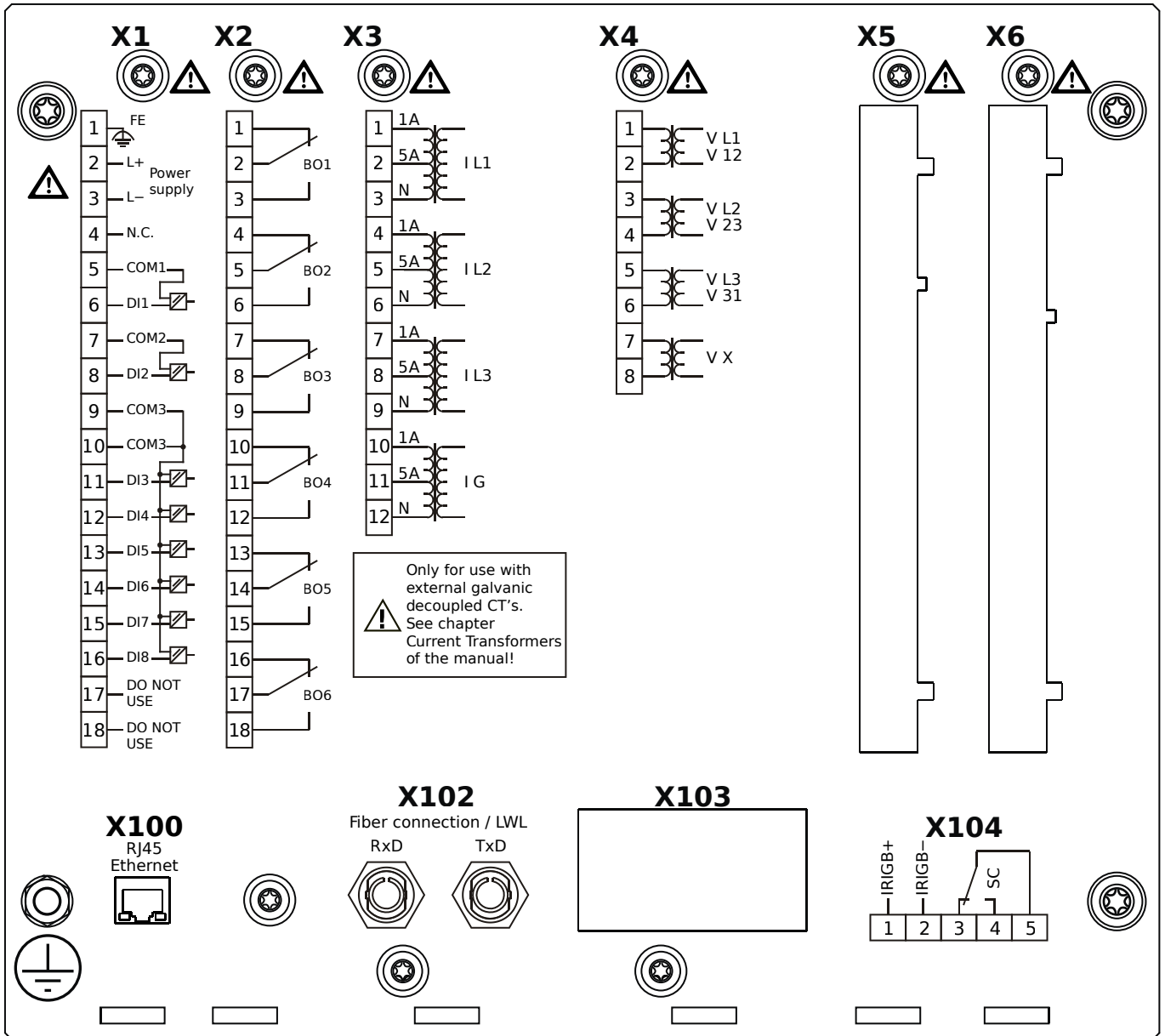
- X1** – DI8-X1: Wide-range power supply unit, incl. 2 non-grouped digital inputs and 6 grouped digital inputs
- X2** – OR-6: Assembly Group with 6 Relay Outputs
- X3** – TI-4: Standard current measuring card
- X4** – TU: Card with 4 voltage transformer measuring inputs
- X102** – Protection Communication, Fiber optics interface, ST Connector
- X103** – Modbus RTU / IEC 60870-5-103 / DNP3.0 RTU, RS485, D-SUB
- X104** – IRIG-B00X, incl. System Contact (Supervision Contact)

MCDLV4-2A0A1HA



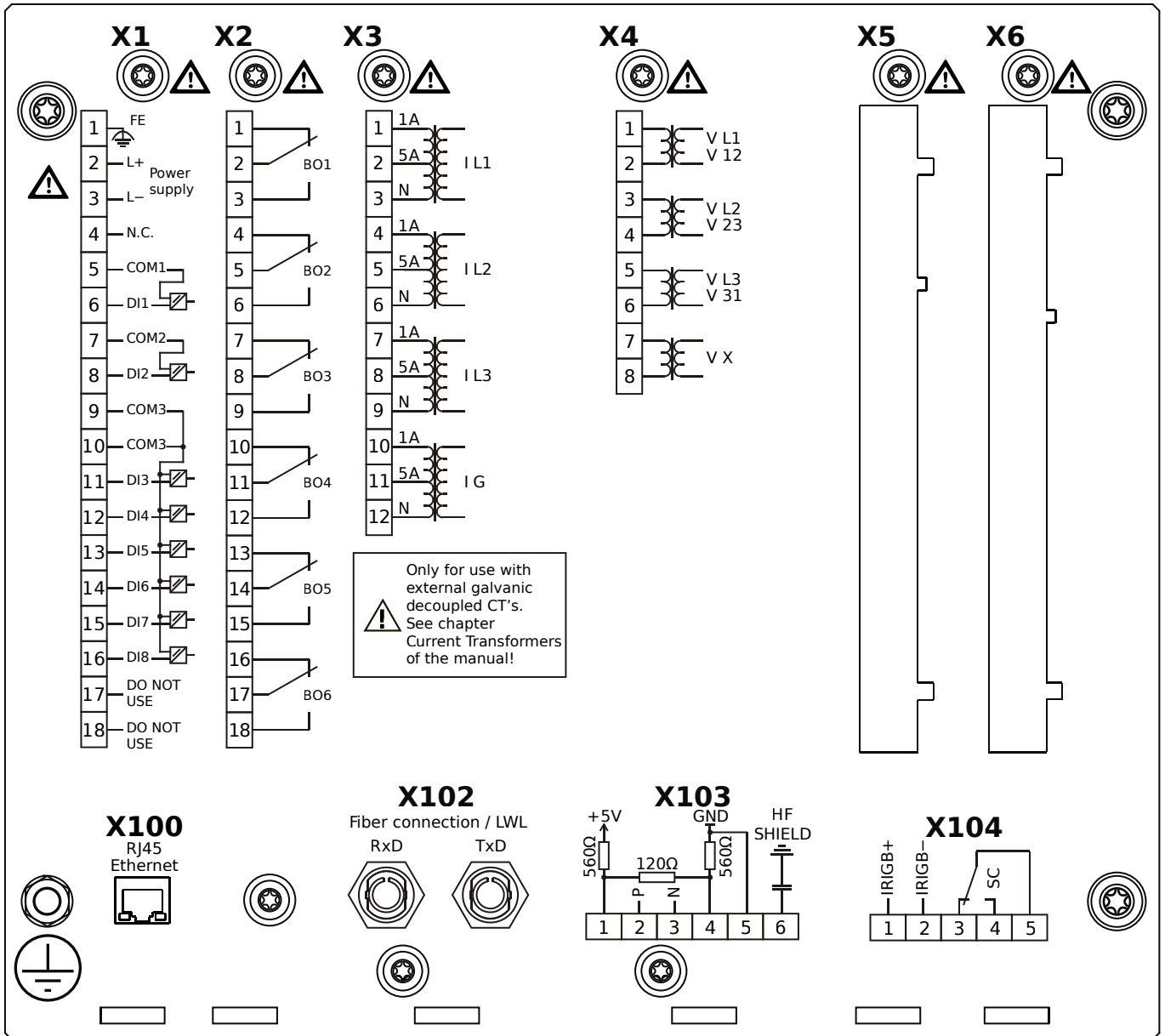
- X1** – DI8-X1: Wide-range power supply unit, incl. 2 non-grouped digital inputs and 6 grouped digital inputs
- X2** – OR-6: Assembly Group with 6 Relay Outputs
- X3** – TI-4: Standard current measuring card
- X4** – TU: Card with 4 voltage transformer measuring inputs
- X100** – IEC 61850 / Modbus TCP / DNP3.0 TCP/UDP, Ethernet interface, 100 Mbit/s, RJ45 (BASE100-FX)
- X102** – Protection Communication, Fiber optics interface, ST Connector
- X104** – IRIG-B00X, incl. System Contact (Supervision Contact)

MCDLV4-2A0A1HB



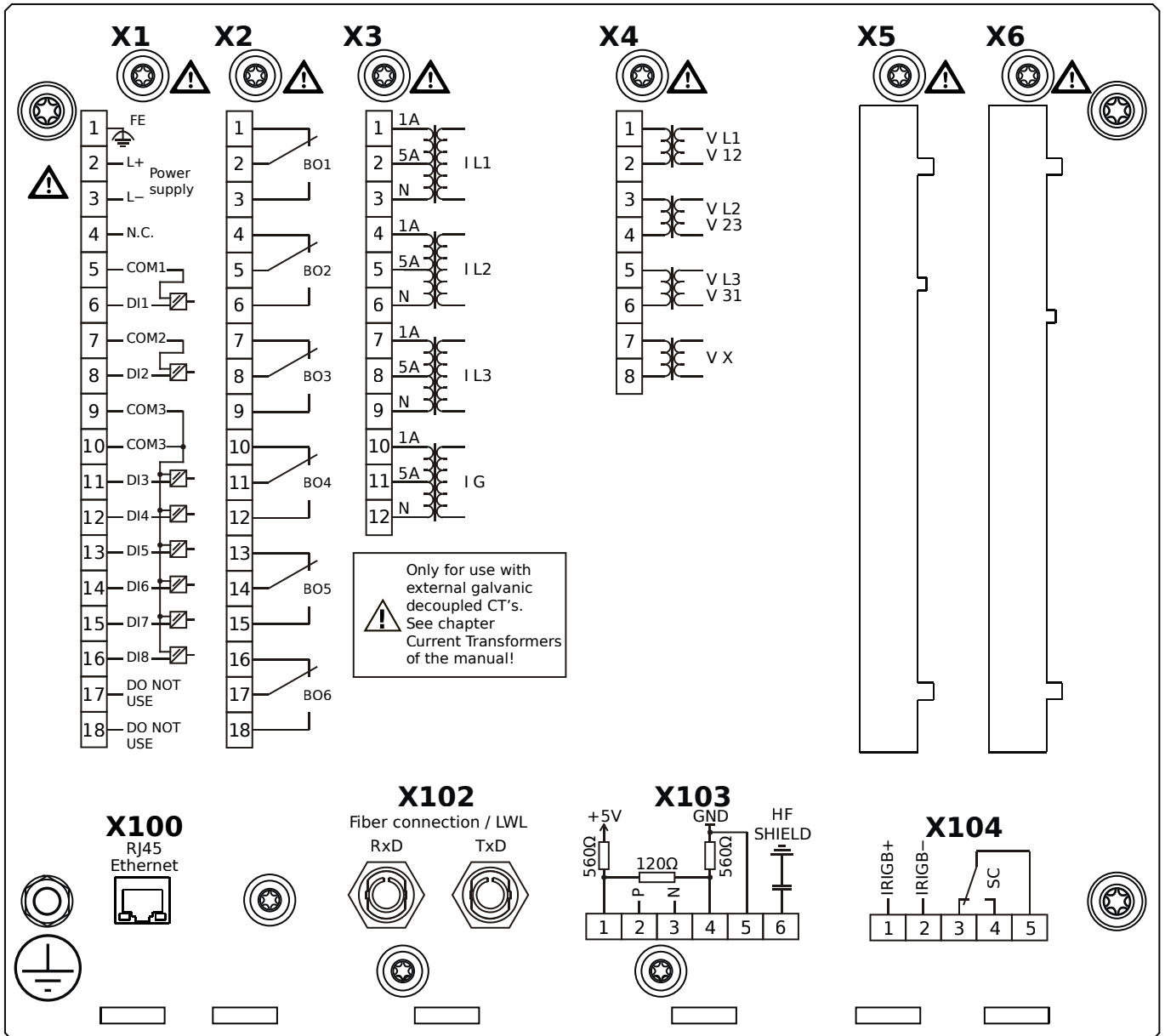
- X1** – DI8-X1: Wide-range power supply unit, incl. 2 non-grouped digital inputs and 6 grouped digital inputs
- X2** – OR-6: Assembly Group with 6 Relay Outputs
- X3** – TI-4: Standard current measuring card
- X4** – TU: Card with 4 voltage transformer measuring inputs
- X100** – IEC 61850 / Modbus TCP / DNP3.0 TCP/UDP, Ethernet interface, 100 Mbit/s, RJ45 (BASE100-FX)
- X102** – Protection Communication, Fiber optics interface, ST Connector
- X104** – IRIG-B00X, incl. System Contact (Supervision Contact)

MCDLV4-2A0A1IA



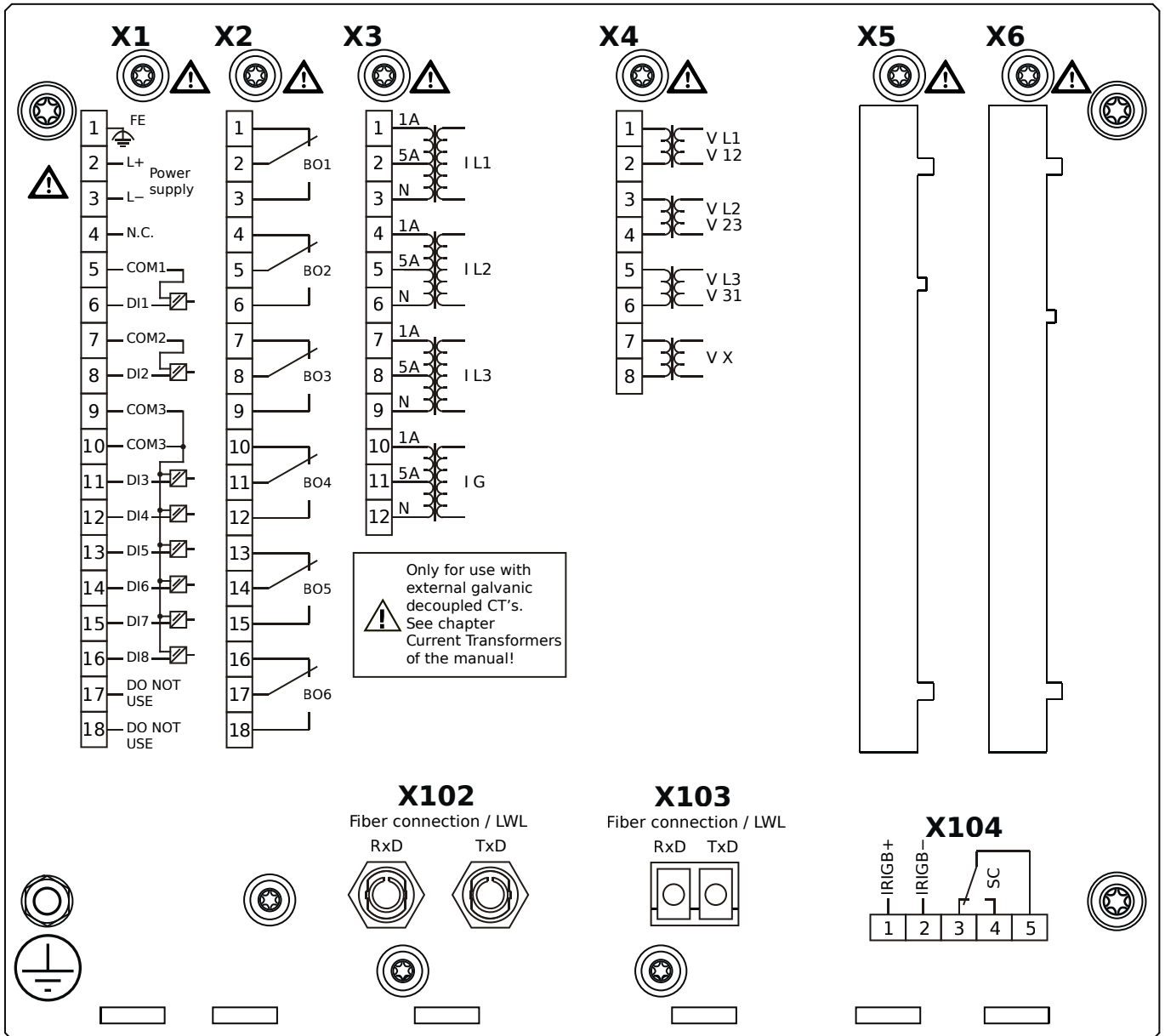
- X1** – DI8-X1: Wide-range power supply unit, incl. 2 non-grouped digital inputs and 6 grouped digital inputs
- X2** – OR-6: Assembly Group with 6 Relay Outputs
- X3** – TI-4: Standard current measuring card
- X4** – TU: Card with 4 voltage transformer measuring inputs
- X100** – Modbus TCP / DNP3.0 TCP/UDP, Ethernet interface, 100 Mbit/s, RJ45 (BASE100-FX)
- X102** – Protection Communication, Fiber optics interface, ST Connector
- X103** – IEC 60870-5-103 / Modbus RTU / DNP3.0 RTU, RS485, Terminals
- X104** – IRIG-B00X, incl. System Contact (Supervision Contact)

MCDLV4-2A0A1IB



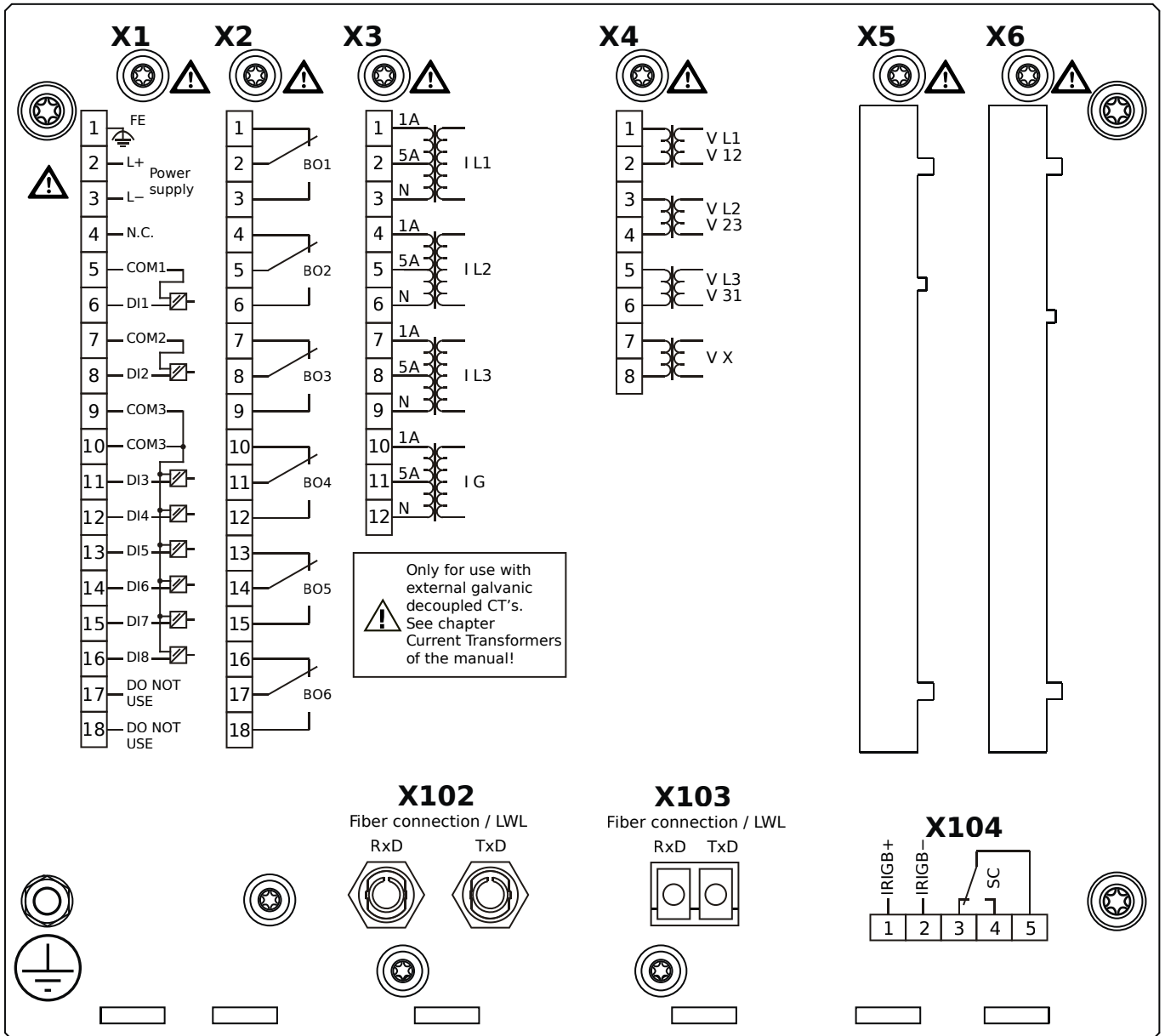
- X1** – DI8-X1: Wide-range power supply unit, incl. 2 non-grouped digital inputs and 6 grouped digital inputs
- X2** – OR-6: Assembly Group with 6 Relay Outputs
- X3** – TI-4: Standard current measuring card
- X4** – TU: Card with 4 voltage transformer measuring inputs
- X100** – Modbus TCP / DNP3.0 TCP/UDP, Ethernet interface, 100 Mbit/s, RJ45 (BASE100-FX)
- X102** – Protection Communication, Fiber optics interface, ST Connector
- X103** – IEC 60870-5-103 / Modbus RTU / DNP3.0 RTU, RS485, Terminals
- X104** – IRIG-B00X, incl. System Contact (Supervision Contact)

MCDLV4-2A0A1KA



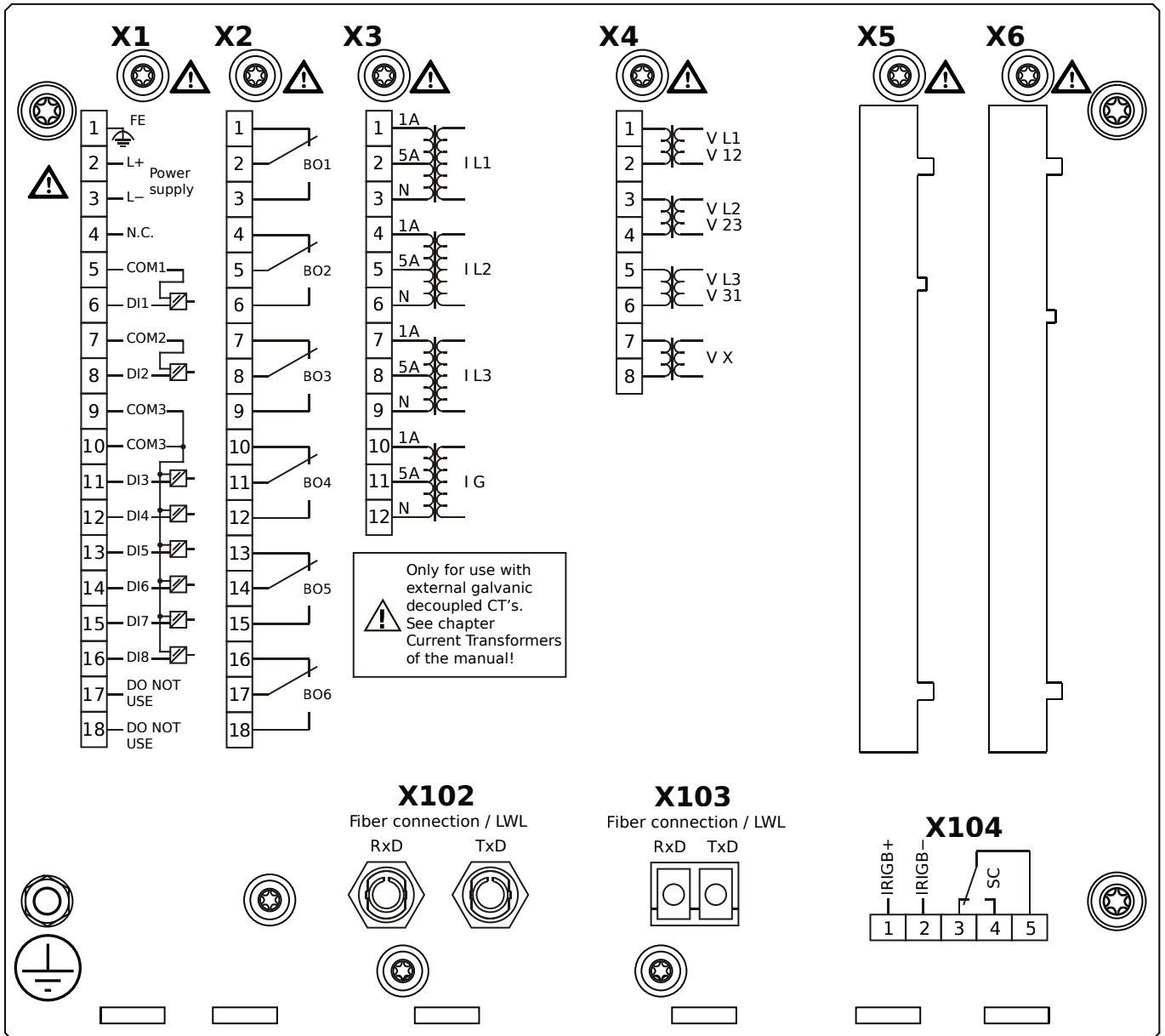
- X1** – DI8-X1: Wide-range power supply unit, incl. 2 non-grouped digital inputs and 6 grouped digital inputs
- X2** – OR-6: Assembly Group with 6 Relay Outputs
- X3** – TI-4: Standard current measuring card
- X4** – TU: Card with 4 voltage transformer measuring inputs
- X102** – Protection Communication, Fiber optics interface, ST Connector
- X103** – IEC 61850 / Modbus TCP / DNP3.0 TCP/UDP, Fiber optics interface, LC Connector
- X104** – IRIG-B00X, incl. System Contact (Supervision Contact)

MCDLV4-2A0A1KB



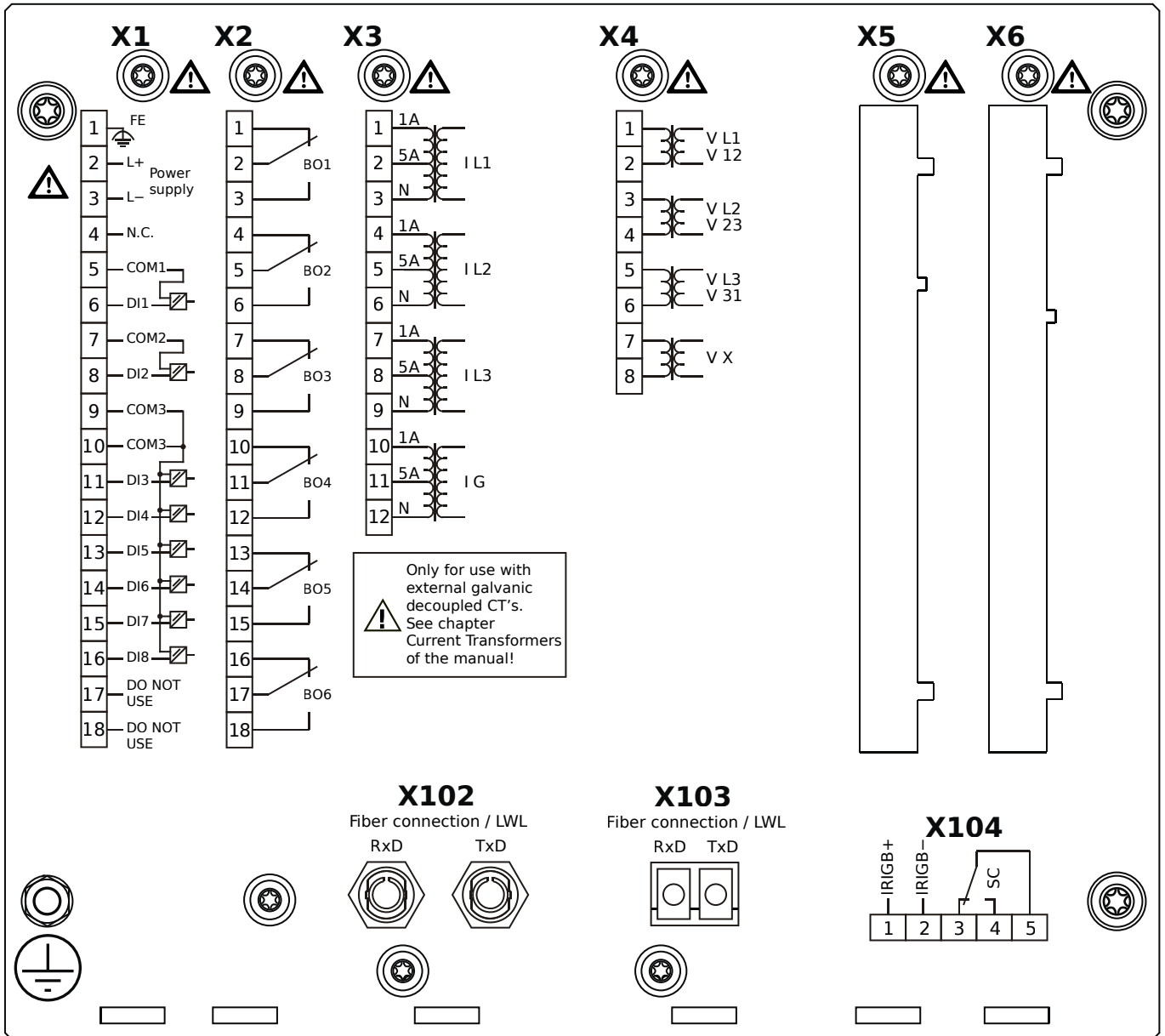
- X1** – DI8-X1: Wide-range power supply unit, incl. 2 non-grouped digital inputs and 6 grouped digital inputs
- X2** – OR-6: Assembly Group with 6 Relay Outputs
- X3** – TI-4: Standard current measuring card
- X4** – TU: Card with 4 voltage transformer measuring inputs
- X102** – Protection Communication, Fiber optics interface, ST Connector
- X103** – IEC 61850 / Modbus TCP / DNP3.0 TCP/UDP, Fiber optics interface, LC Connector
- X104** – IRIG-B00X, incl. System Contact (Supervision Contact)

MCDLV4-2A0A1LA



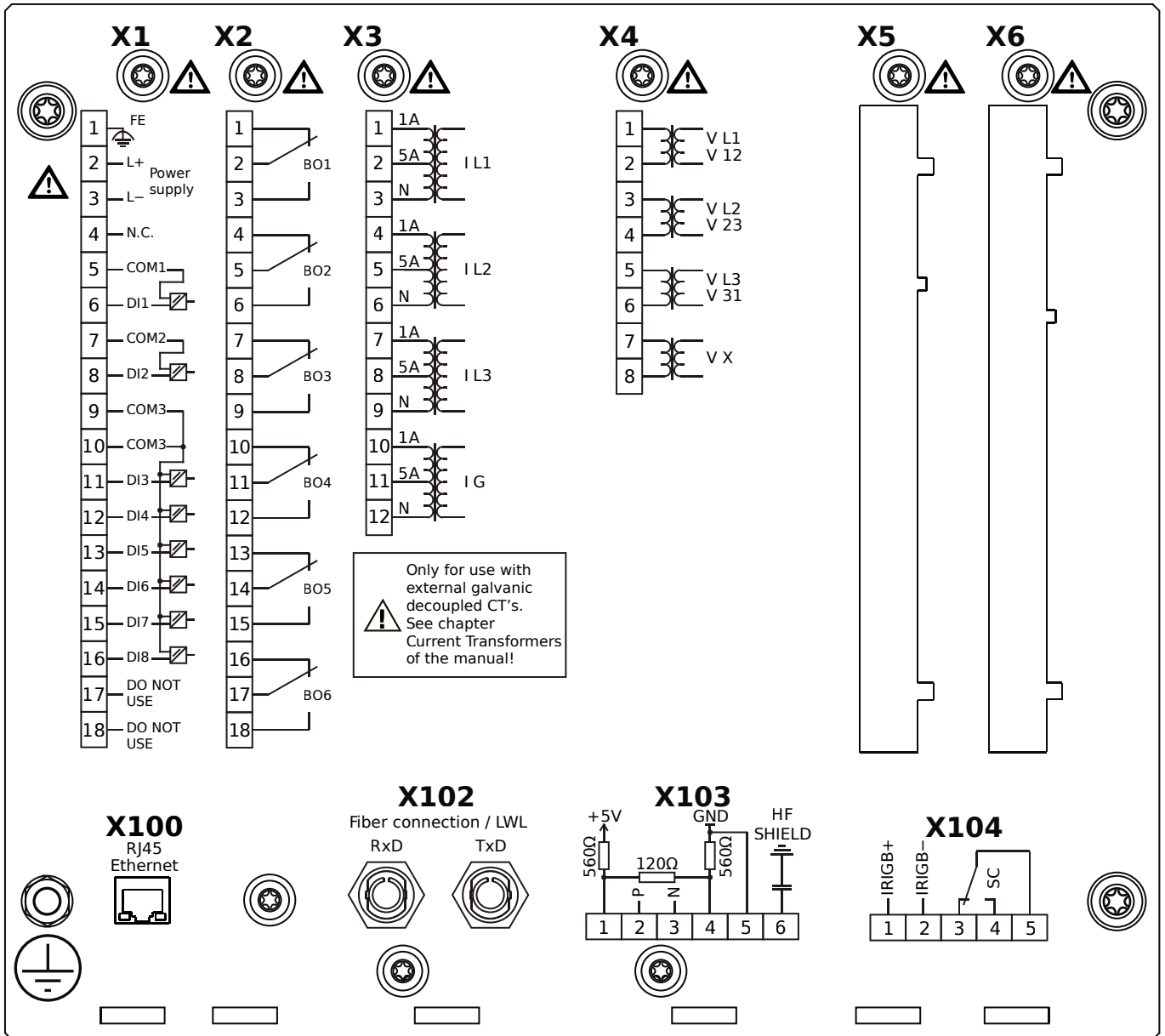
- X1** – DI8-X1: Wide-range power supply unit, incl. 2 non-grouped digital inputs and 6 grouped digital inputs
- X2** – OR-6: Assembly Group with 6 Relay Outputs
- X3** – TI-4: Standard current measuring card
- X4** – TU: Card with 4 voltage transformer measuring inputs
- X102** – Protection Communication, Fiber optics interface, ST Connector
- X103** – Modbus TCP / DNP3.0 TCP/UDP, Fiber optics interface, LC Connector
- X104** – IRIG-B00X, incl. System Contact (Supervision Contact)

MCDLV4-2A0A1LB



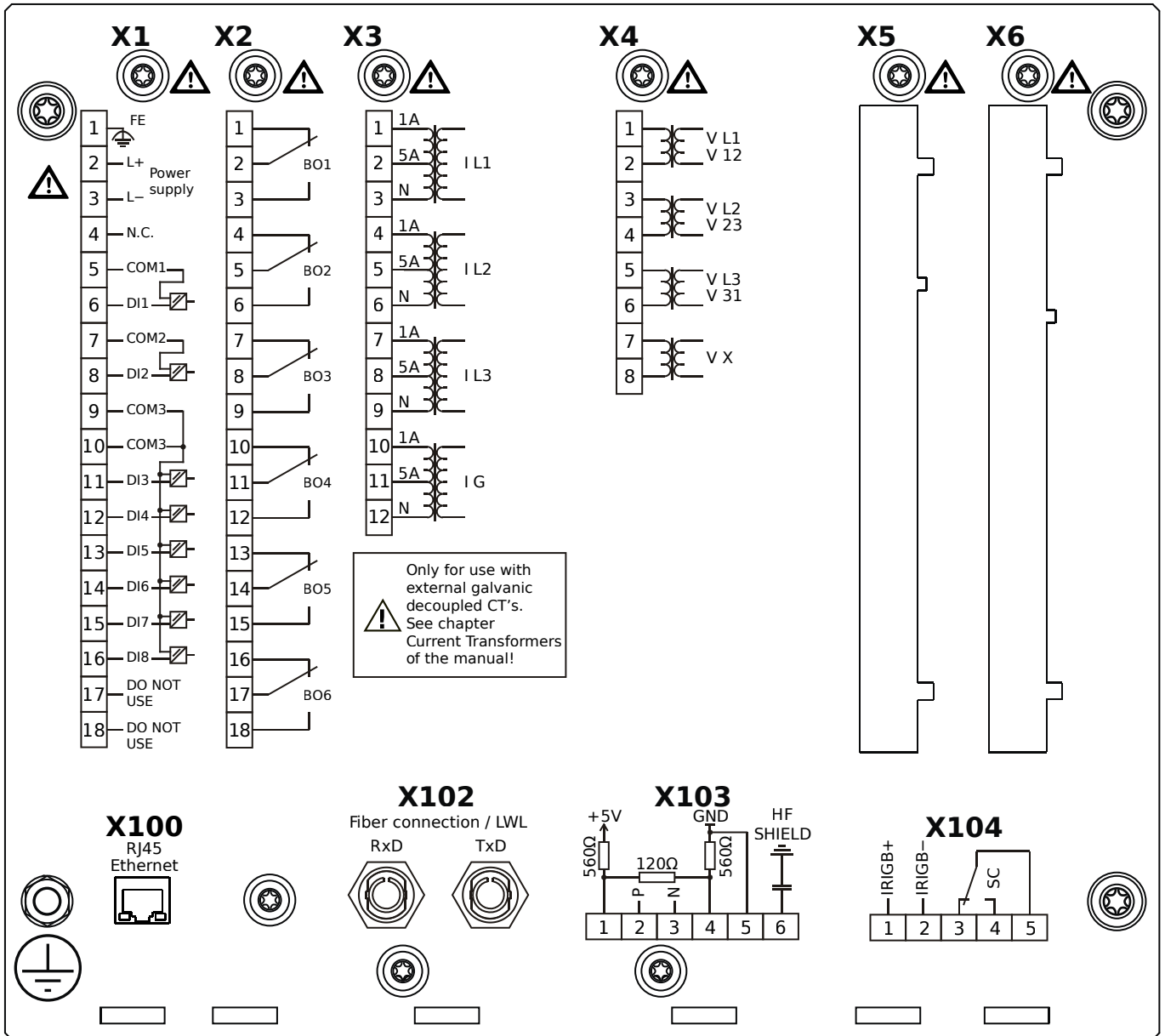
- X1** – DI8-X1: Wide-range power supply unit, incl. 2 non-grouped digital inputs and 6 grouped digital inputs
- X2** – OR-6: Assembly Group with 6 Relay Outputs
- X3** – TI-4: Standard current measuring card
- X4** – TU: Card with 4 voltage transformer measuring inputs
- X102** – Protection Communication, Fiber optics interface, ST Connector
- X103** – Modbus TCP / DNP3.0 TCP/UDP, Fiber optics interface, LC Connector
- X104** – IRIG-B00X, incl. System Contact (Supervision Contact)

MCDLV4-2A0A1TA



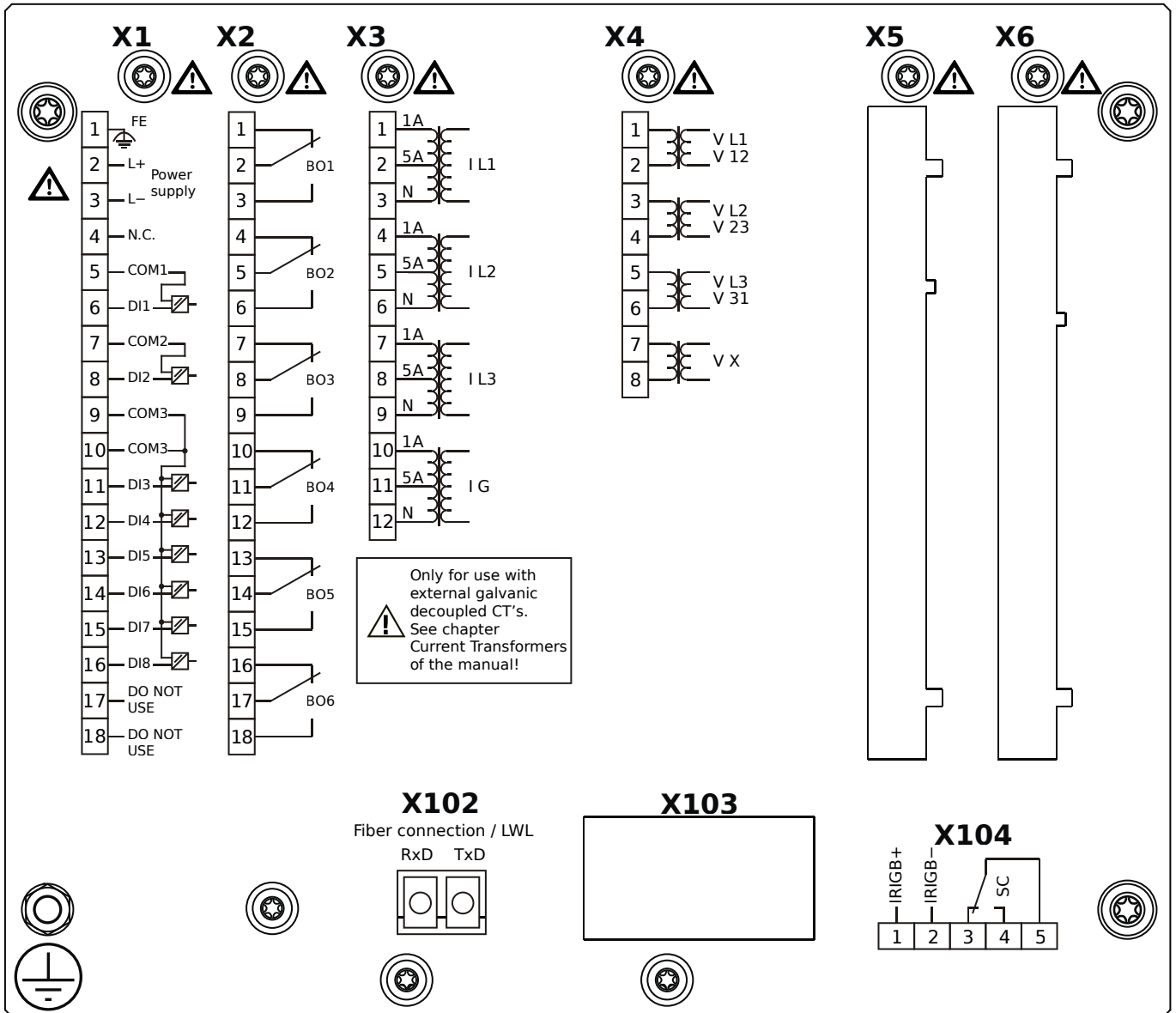
- X1** – DI8-X1: Wide-range power supply unit, incl. 2 non-grouped digital inputs and 6 grouped digital inputs
- X2** – OR-6: Assembly Group with 6 Relay Outputs
- X3** – TI-4: Standard current measuring card
- X4** – TU: Card with 4 voltage transformer measuring inputs
- X100** – IEC 61850 / Modbus TCP / DNP3.0 TCP/UDP, Ethernet interface, 100 Mbit/s, RJ45 (BASE100-FX)
- X102** – Protection Communication, Fiber optics interface, ST Connector
- X103** – IEC 60870-5-103 / Modbus RTU / DNP3.0 RTU, RS485, Terminals
- X104** – IRIG-B00X, incl. System Contact (Supervision Contact)

MCDLV4-2A0A1TB



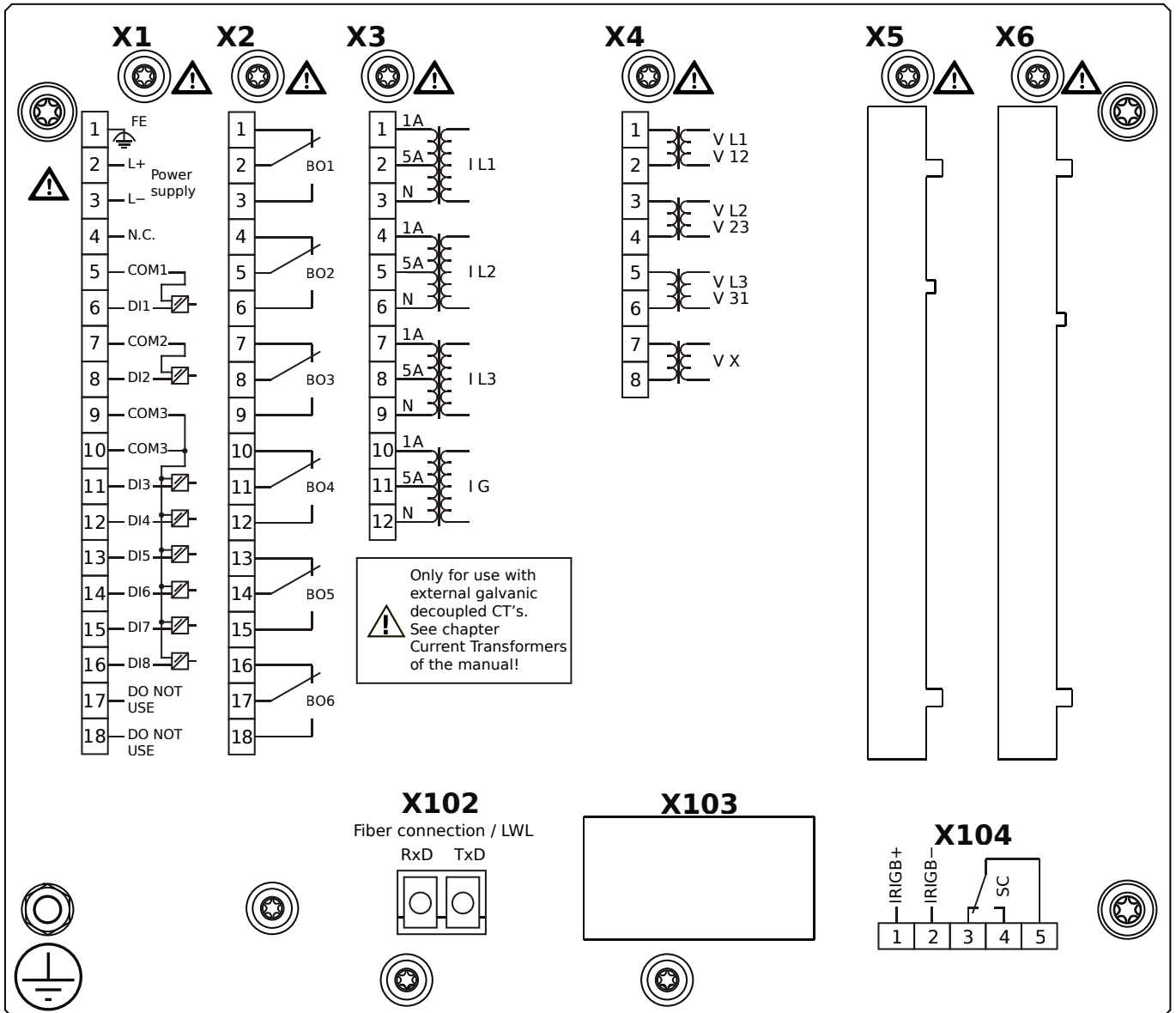
- X1** – DI8-X1: Wide-range power supply unit, incl. 2 non-grouped digital inputs and 6 grouped digital inputs
- X2** – OR-6: Assembly Group with 6 Relay Outputs
- X3** – TI-4: Standard current measuring card
- X4** – TU: Card with 4 voltage transformer measuring inputs
- X100** – IEC 61850 / Modbus TCP / DNP3.0 TCP/UDP, Ethernet interface, 100 Mbit/s, RJ45 (BASE100-FX)
- X102** – Protection Communication, Fiber optics interface, ST Connector
- X103** – IEC 60870-5-103 / Modbus RTU / DNP3.0 RTU, RS485, Terminals
- X104** – IRIG-B00X, incl. System Contact (Supervision Contact)

MCDLV4-2A0B0AA



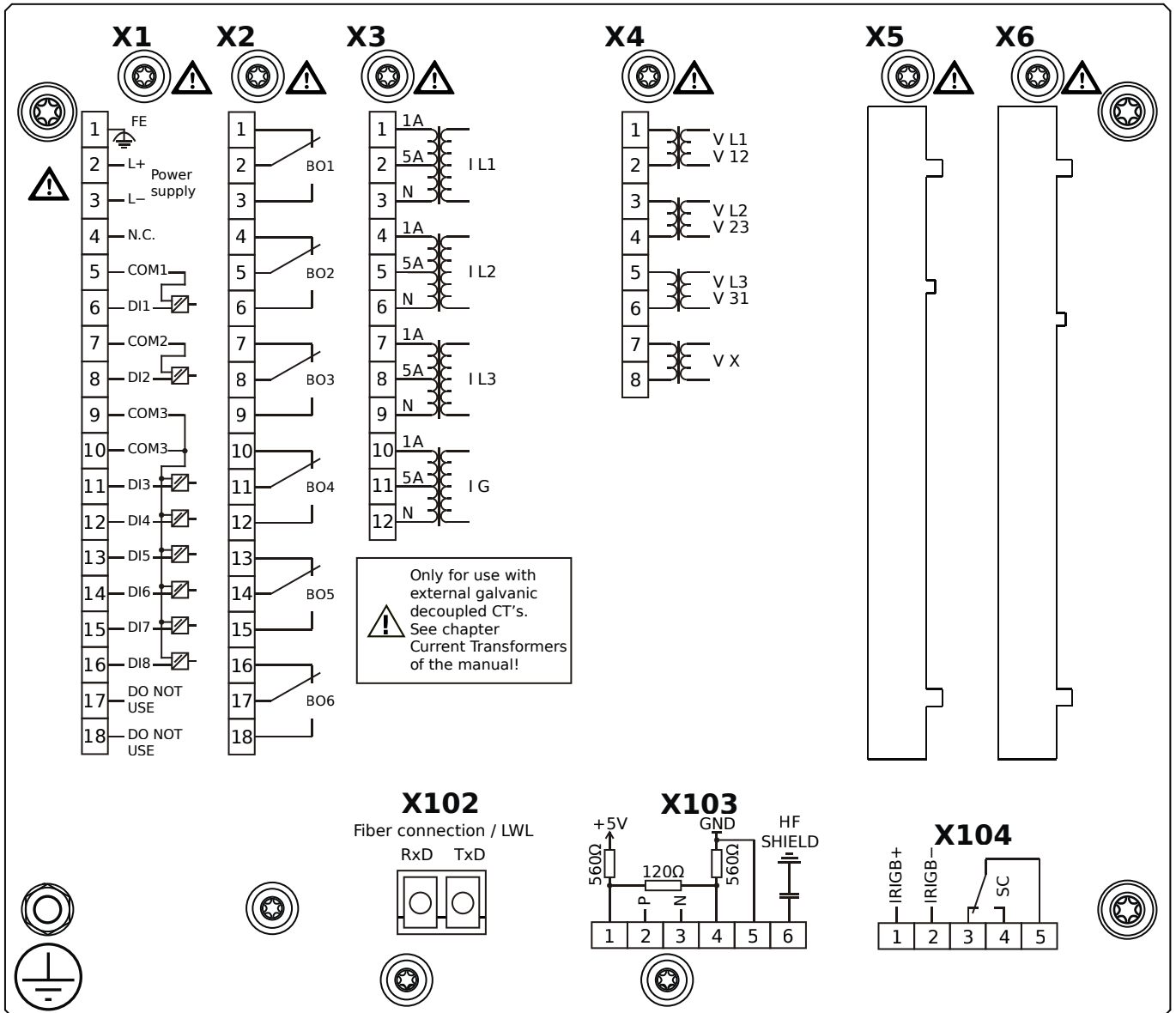
- X1** – DI8-X1: Wide-range power supply unit, incl. 2 non-grouped digital inputs and 6 grouped digital inputs
- X2** – OR-6: Assembly Group with 6 Relay Outputs
- X3** – TI-4: Standard current measuring card
- X4** – TU: Card with 4 voltage transformer measuring inputs
- X102** – Long-distance Protection Communication, Fiber optics interface, LC Connector
- X104** – IRIG-B00X, incl. System Contact (Supervision Contact)

MCDLV4-2A0B0AB



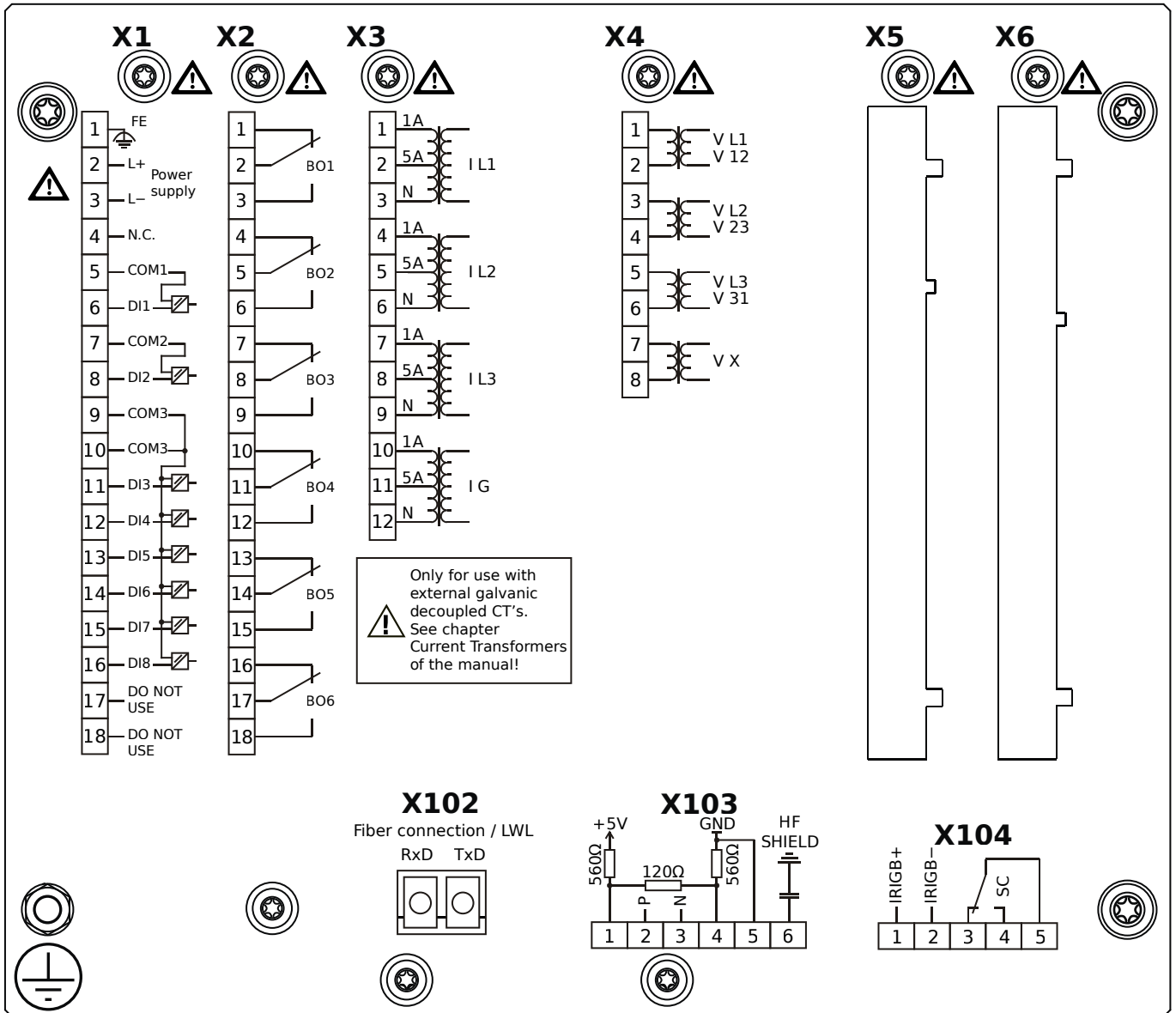
- X1** – DI8-X1: Wide-range power supply unit, incl. 2 non-grouped digital inputs and 6 grouped digital inputs
- X2** – OR-6: Assembly Group with 6 Relay Outputs
- X3** – TI-4: Standard current measuring card
- X4** – TU: Card with 4 voltage transformer measuring inputs
- X102** – Long-distance Protection Communication, Fiber optics interface, LC Connector
- X104** – IRIG-B00X, incl. System Contact (Supervision Contact)

MCDLV4-2A0B0BA



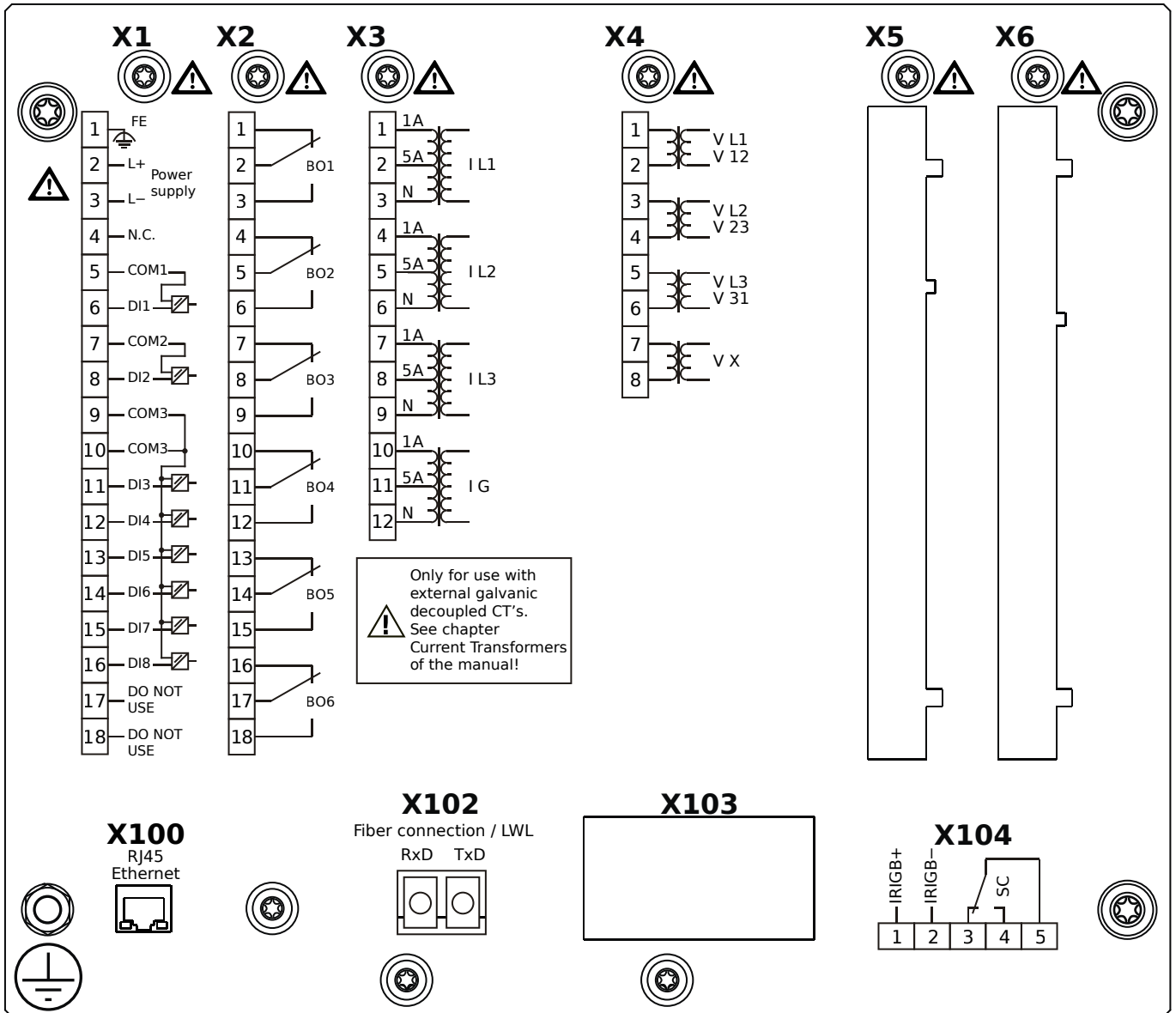
- X1** – DI8-X1: Wide-range power supply unit, incl. 2 non-grouped digital inputs and 6 grouped digital inputs
- X2** – OR-6: Assembly Group with 6 Relay Outputs
- X3** – TI-4: Standard current measuring card
- X4** – TU: Card with 4 voltage transformer measuring inputs
- X102** – Long-distance Protection Communication, Fiber optics interface, LC Connector
- X103** – Modbus RTU / IEC 60870-5-103 / DNP3.0 RTU, RS485, Terminals
- X104** – IRIG-B00X, incl. System Contact (Supervision Contact)

MCDLV4-2A0B0BB



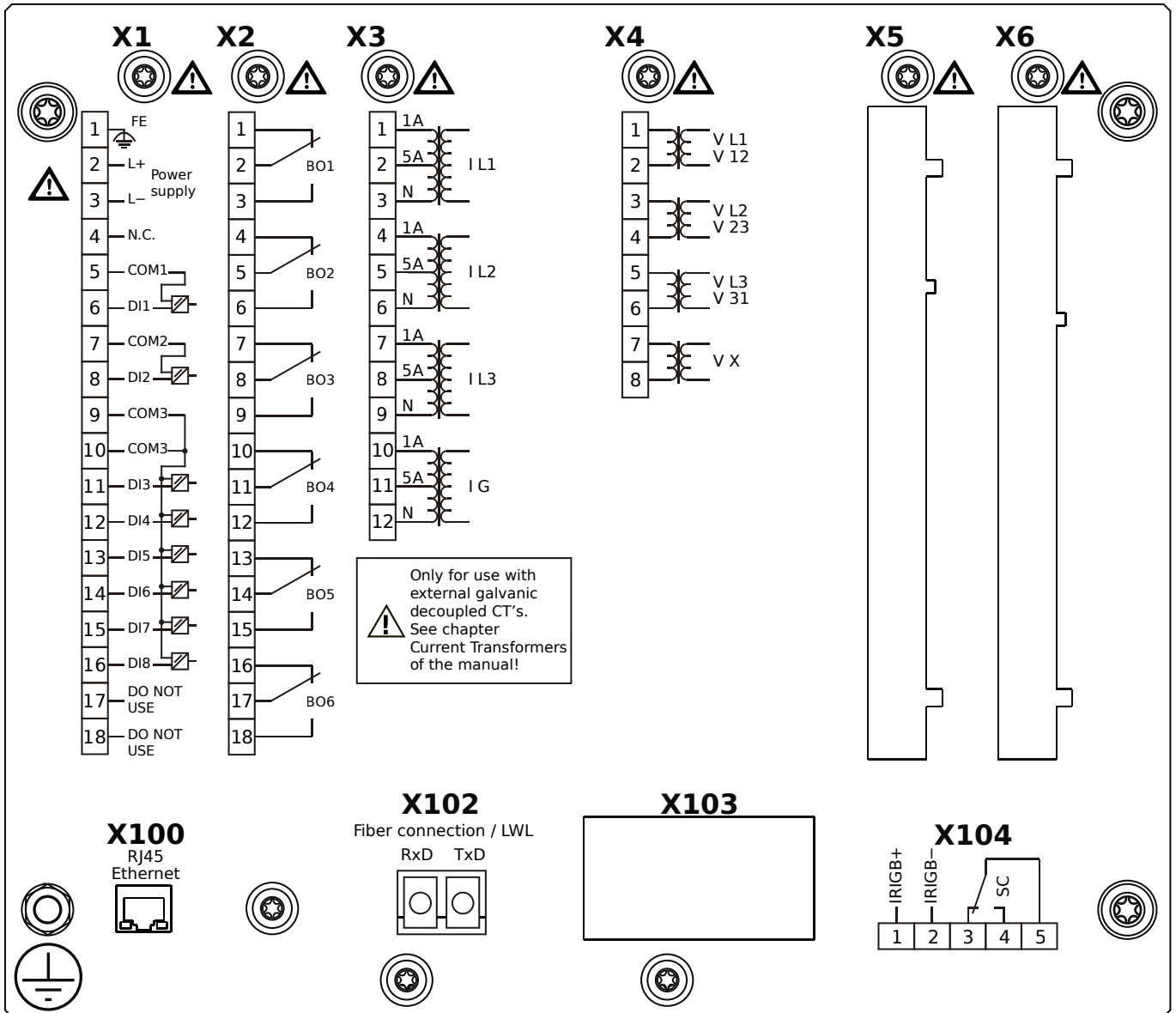
- X1** – DI8-X1: Wide-range power supply unit, incl. 2 non-grouped digital inputs and 6 grouped digital inputs
- X2** – OR-6: Assembly Group with 6 Relay Outputs
- X3** – TI-4: Standard current measuring card
- X4** – TU: Card with 4 voltage transformer measuring inputs
- X102** – Long-distance Protection Communication, Fiber optics interface, LC Connector
- X103** – Modbus RTU / IEC 60870-5-103 / DNP3.0 RTU, RS485, Terminals
- X104** – IRIG-B00X, incl. System Contact (Supervision Contact)

MCDLV4-2A0B0CA



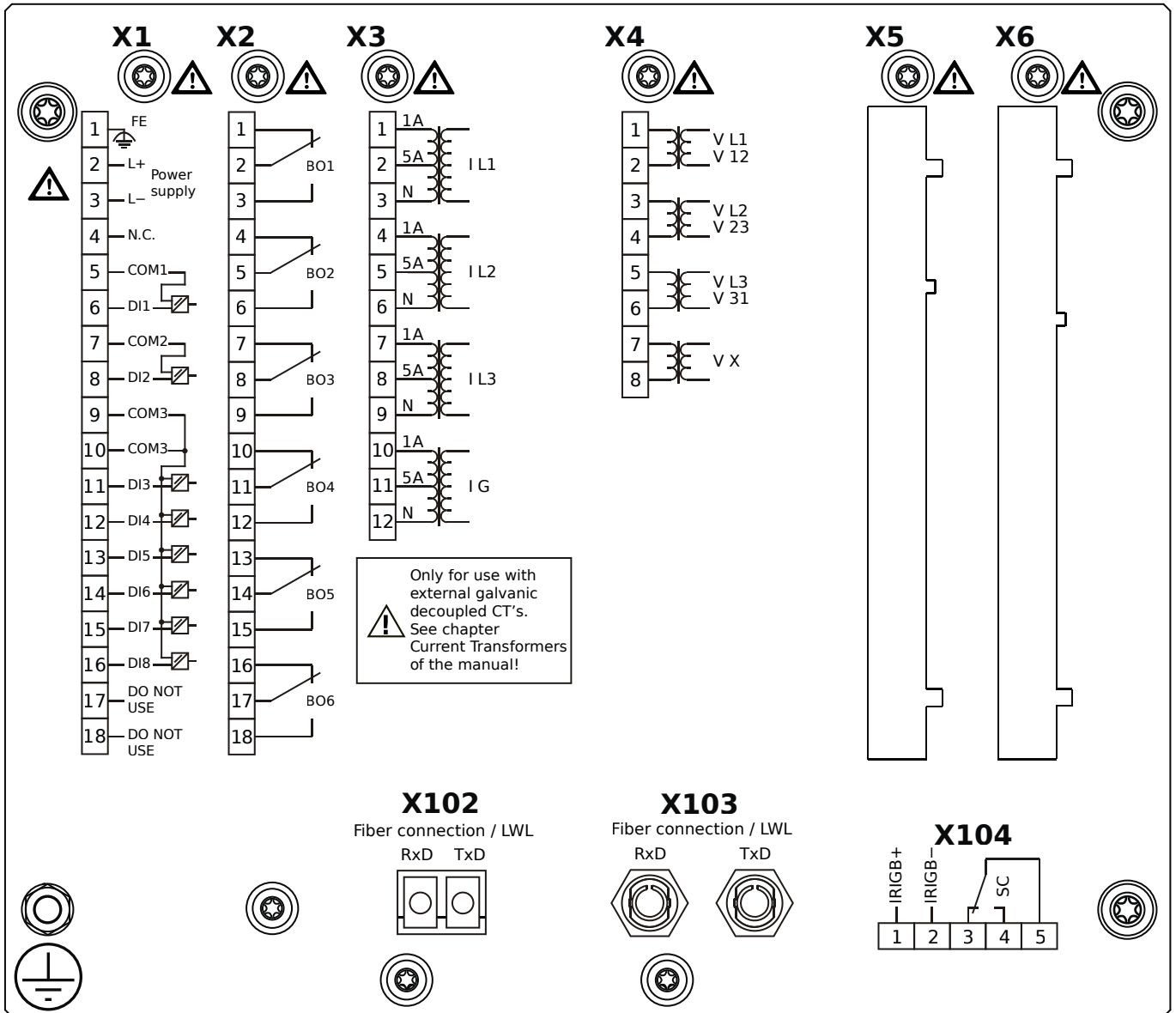
- X1** – DI8-X1: Wide-range power supply unit, incl. 2 non-grouped digital inputs and 6 grouped digital inputs
- X2** – OR-6: Assembly Group with 6 Relay Outputs
- X3** – TI-4: Standard current measuring card
- X4** – TU: Card with 4 voltage transformer measuring inputs
- X100** – Modbus TCP / DNP3.0 TCP/UDP, Ethernet interface, 100 Mbit/s, RJ45 (BASE100-FX)
- X102** – Long-distance Protection Communication, Fiber optics interface, LC Connector
- X104** – IRIG-B00X, incl. System Contact (Supervision Contact)

MCDLV4-2A0B0CB



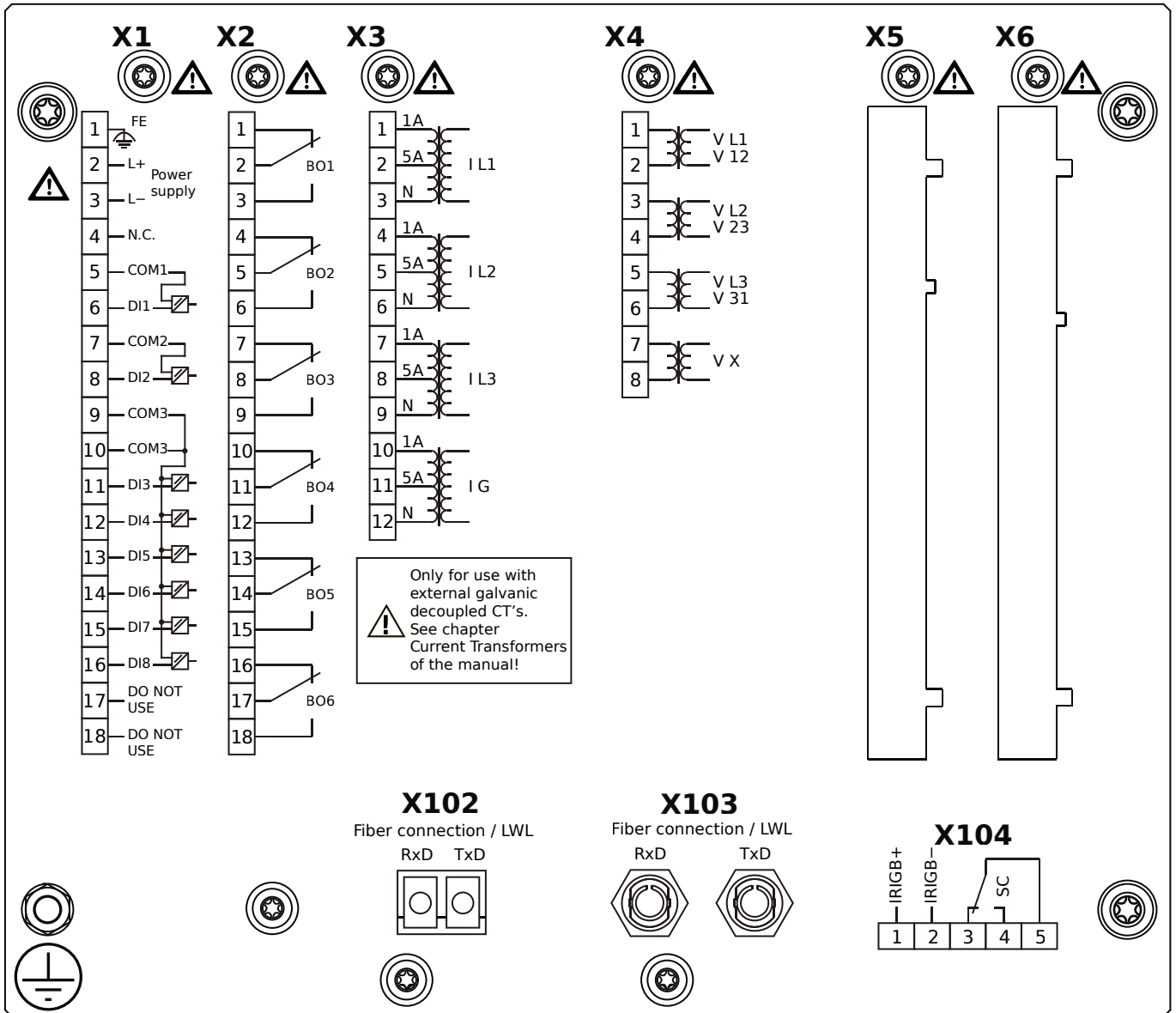
- X1** – DI8-X1: Wide-range power supply unit, incl. 2 non-grouped digital inputs and 6 grouped digital inputs
- X2** – OR-6: Assembly Group with 6 Relay Outputs
- X3** – TI-4: Standard current measuring card
- X4** – TU: Card with 4 voltage transformer measuring inputs
- X100** – Modbus TCP / DNP3.0 TCP/UDP, Ethernet interface, 100 Mbit/s, RJ45 (BASE100-FX)
- X102** – Long-distance Protection Communication, Fiber optics interface, LC Connector
- X104** – IRIG-B00X, incl. System Contact (Supervision Contact)

MCDLV4-2A0B0DA



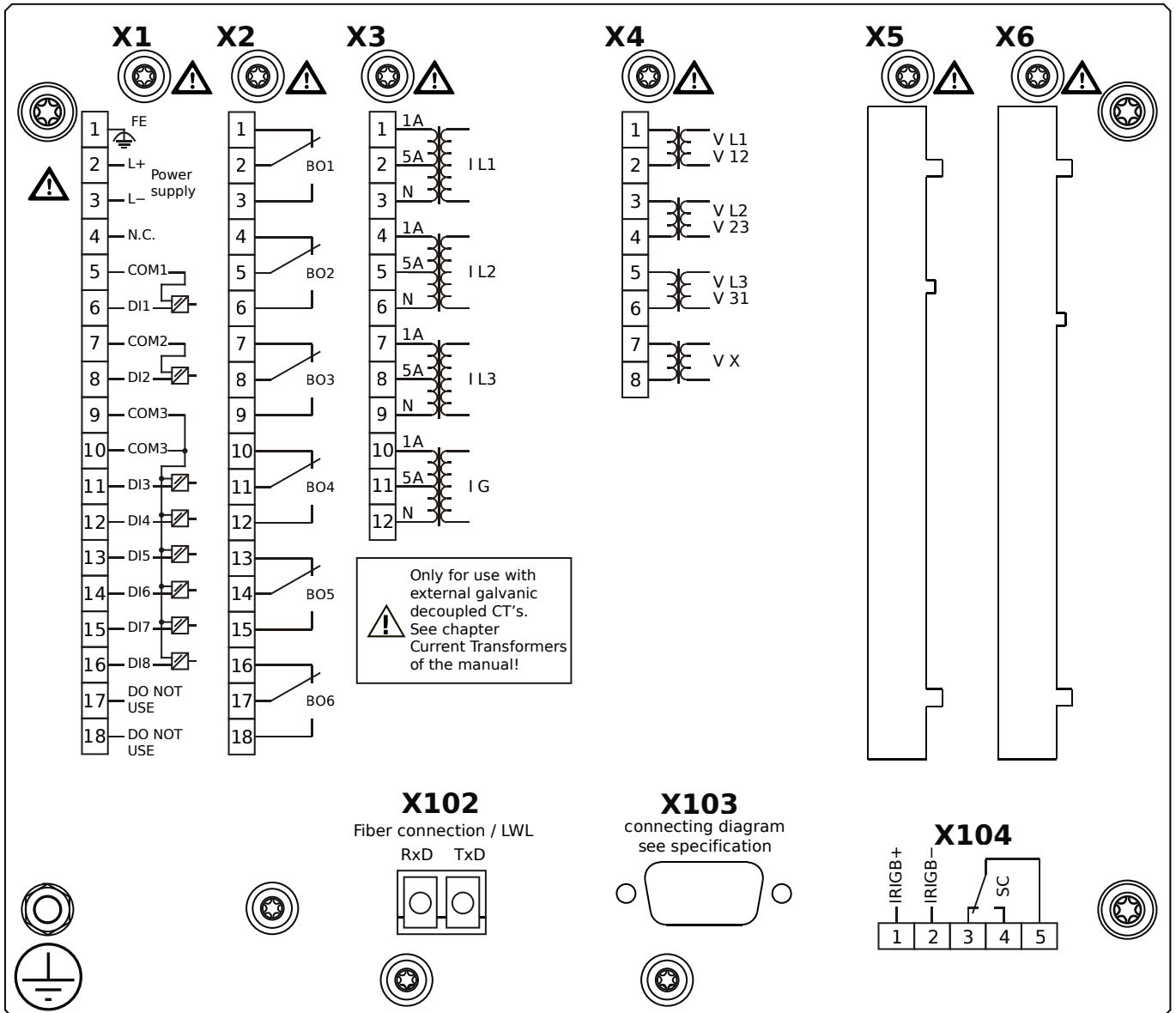
- X1** – DI8-X1: Wide-range power supply unit, incl. 2 non-grouped digital inputs and 6 grouped digital inputs
- X2** – OR-6: Assembly Group with 6 Relay Outputs
- X3** – TI-4: Standard current measuring card
- X4** – TU: Card with 4 voltage transformer measuring inputs
- X102** – Long-distance Protection Communication, Fiber optics interface, LC Connector
- X103** – Profibus-DP, Fiber optics interface, ST Connector
- X104** – IRIG-B00X, incl. System Contact (Supervision Contact)

MCDLV4-2A0B0DB



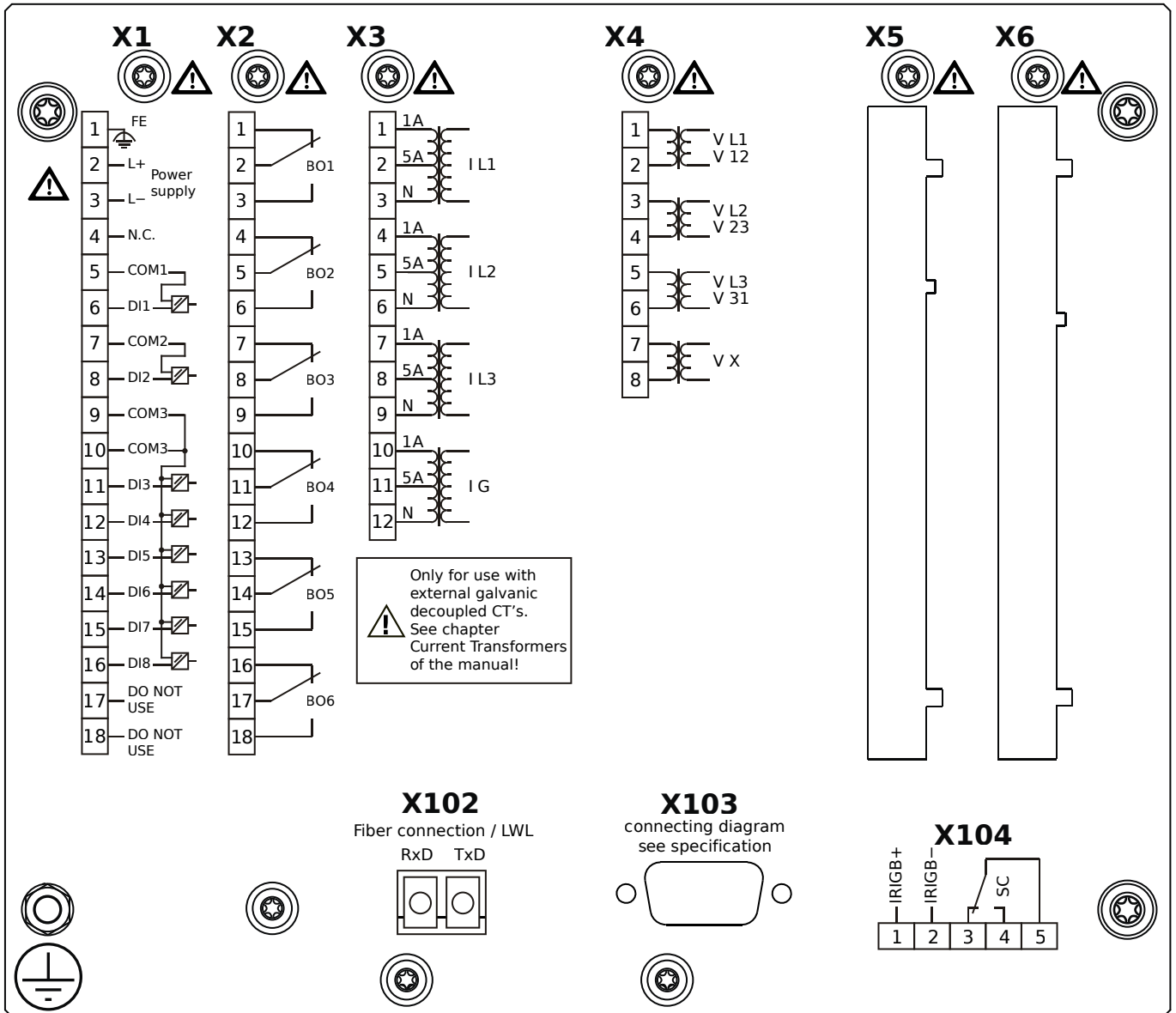
- X1** – DI8-X1: Wide-range power supply unit, incl. 2 non-grouped digital inputs and 6 grouped digital inputs
- X2** – OR-6: Assembly Group with 6 Relay Outputs
- X3** – TI-4: Standard current measuring card
- X4** – TU: Card with 4 voltage transformer measuring inputs
- X102** – Long-distance Protection Communication, Fiber optics interface, LC Connector
- X103** – Profibus-DP, Fiber optics interface, ST Connector
- X104** – IRIG-B00X, incl. System Contact (Supervision Contact)

MCDLV4-2A0B0EA



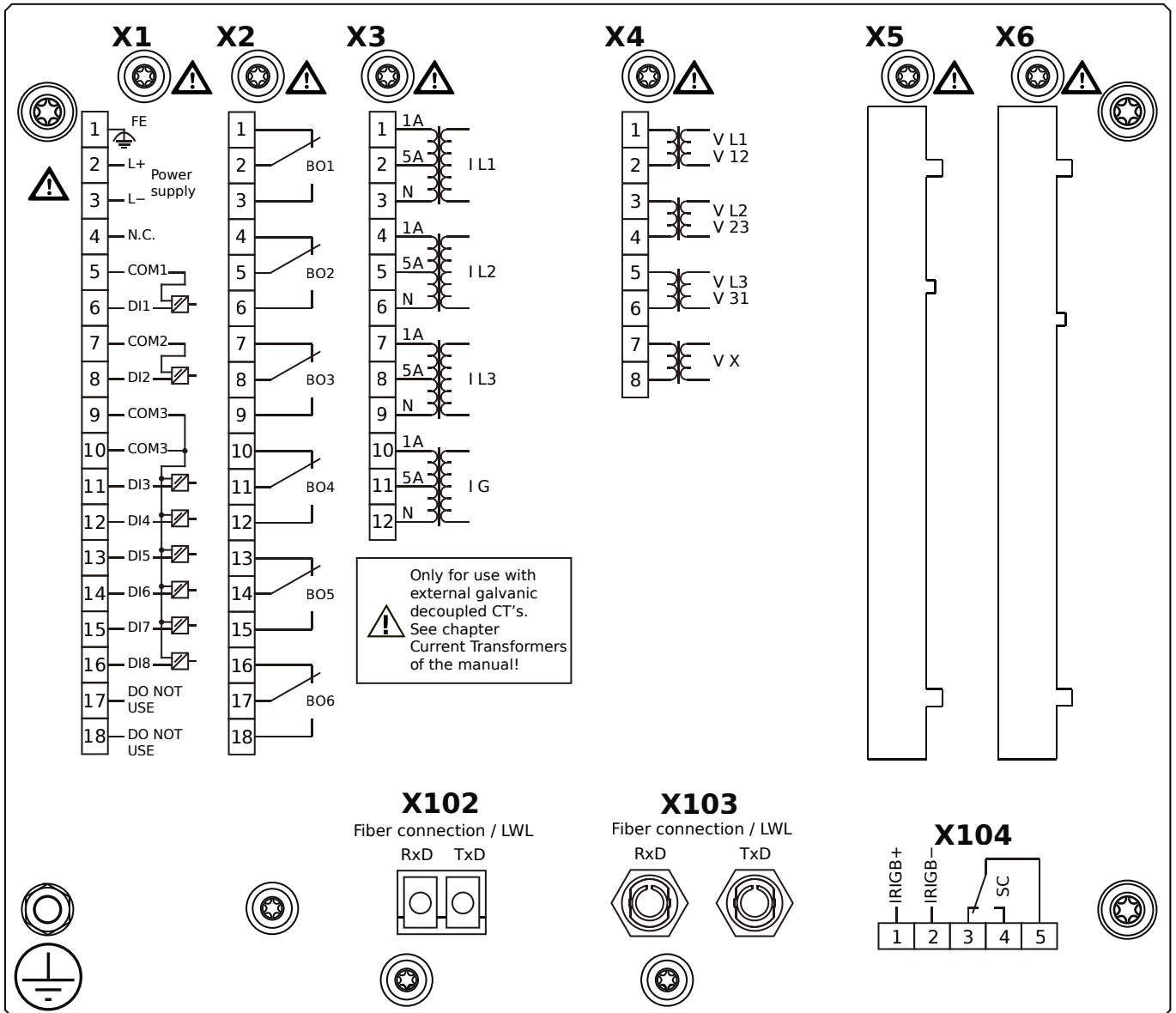
- X1** – DI8-X1: Wide-range power supply unit, incl. 2 non-grouped digital inputs and 6 grouped digital inputs
- X2** – OR-6: Assembly Group with 6 Relay Outputs
- X3** – TI-4: Standard current measuring card
- X4** – TU: Card with 4 voltage transformer measuring inputs
- X102** – Long-distance Protection Communication, Fiber optics interface, LC Connector
- X103** – Profibus-DP, RS485, D-SUB
- X104** – IRIG-B00X, incl. System Contact (Supervision Contact)

MCDLV4-2A0B0EB



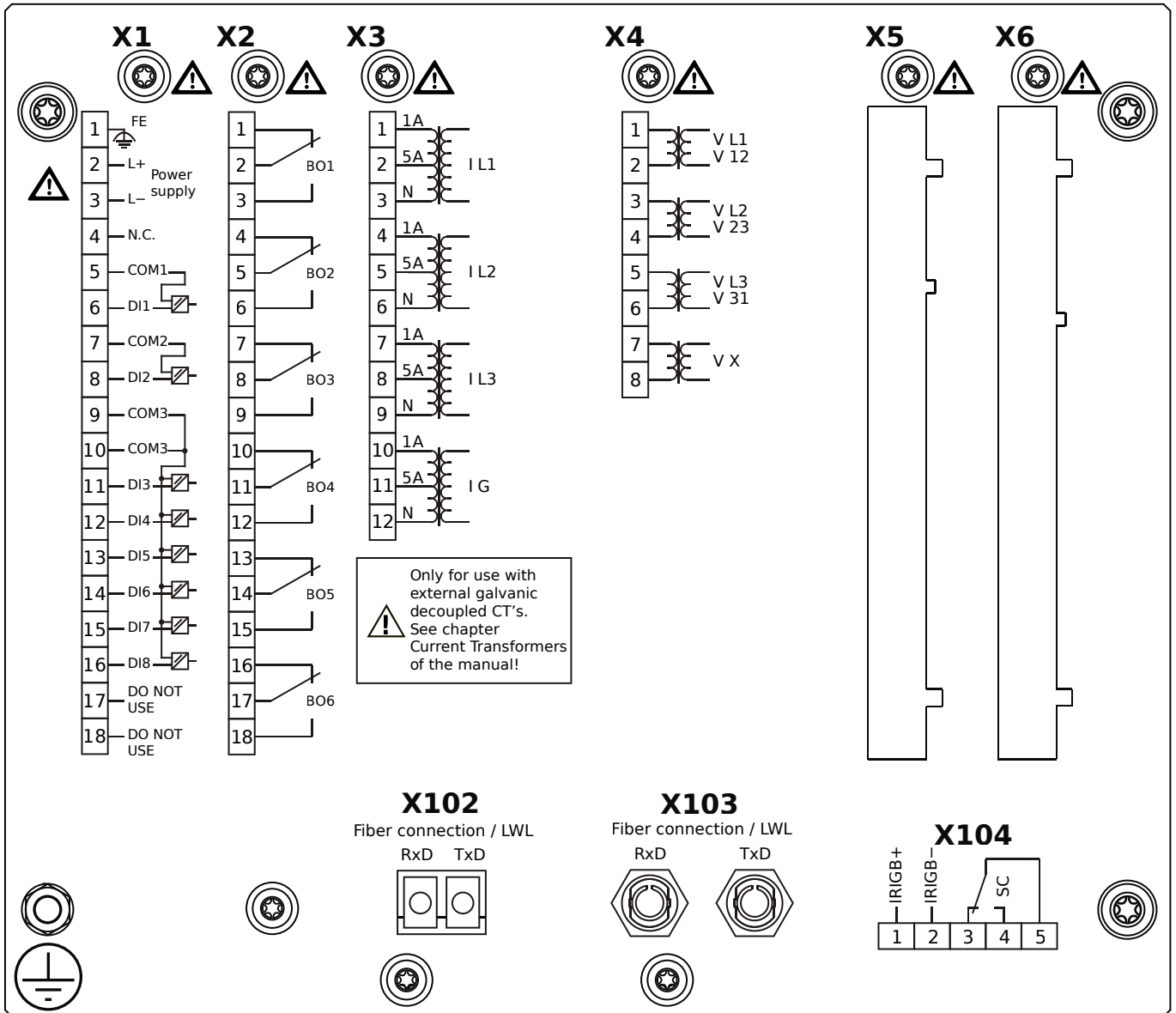
- X1** – DI8-X1: Wide-range power supply unit, incl. 2 non-grouped digital inputs and 6 grouped digital inputs
- X2** – OR-6: Assembly Group with 6 Relay Outputs
- X3** – TI-4: Standard current measuring card
- X4** – TU: Card with 4 voltage transformer measuring inputs
- X102** – Long-distance Protection Communication, Fiber optics interface, LC Connector
- X103** – Profibus-DP, RS485, D-SUB
- X104** – IRIG-B00X, incl. System Contact (Supervision Contact)

MCDLV4-2A0B0FA



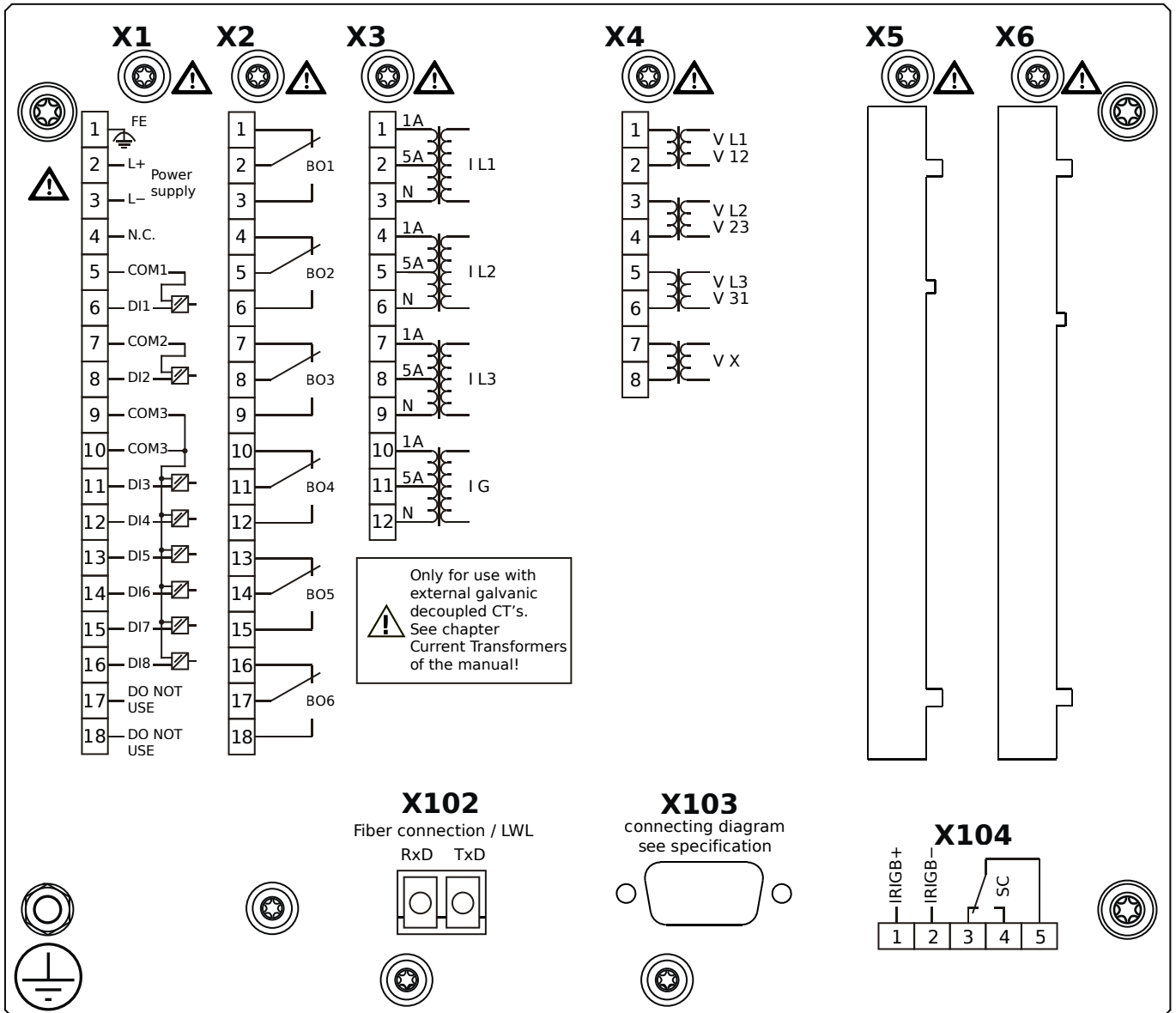
- X1** – DI8-X1: Wide-range power supply unit, incl. 2 non-grouped digital inputs and 6 grouped digital inputs
- X2** – OR-6: Assembly Group with 6 Relay Outputs
- X3** – TI-4: Standard current measuring card
- X4** – TU: Card with 4 voltage transformer measuring inputs
- X102** – Long-distance Protection Communication, Fiber optics interface, LC Connector
- X103** – Modbus RTU / IEC 60870-5-103 / DNP3.0 RTU, Fiber optics interface, ST Connector
- X104** – IRIG-B00X, incl. System Contact (Supervision Contact)

MCDLV4-2A0B0FB



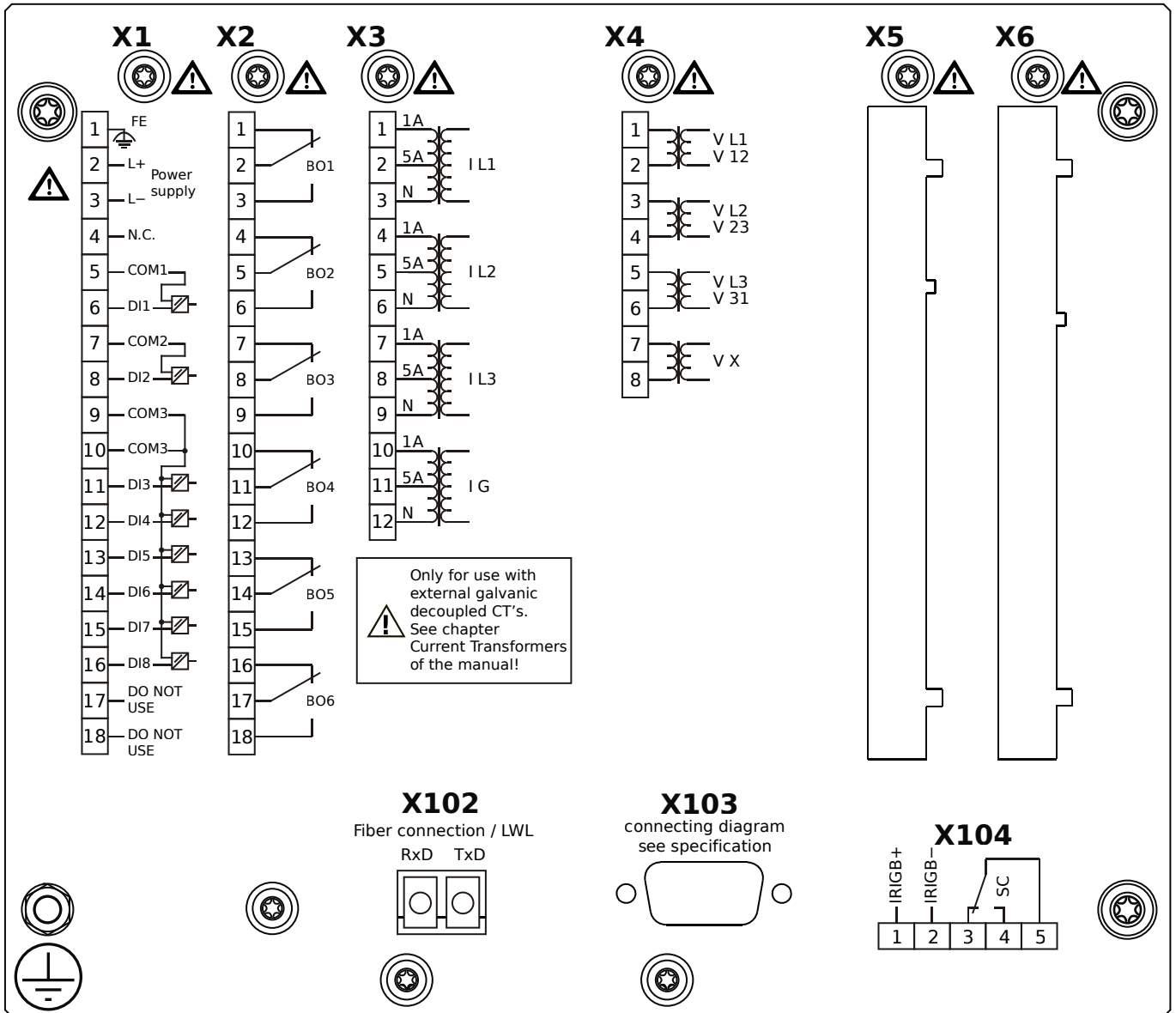
- X1** – DI8-X1: Wide-range power supply unit, incl. 2 non-grouped digital inputs and 6 grouped digital inputs
- X2** – OR-6: Assembly Group with 6 Relay Outputs
- X3** – TI-4: Standard current measuring card
- X4** – TU: Card with 4 voltage transformer measuring inputs
- X102** – Long-distance Protection Communication, Fiber optics interface, LC Connector
- X103** – Modbus RTU / IEC 60870-5-103 / DNP3.0 RTU, Fiber optics interface, ST Connector
- X104** – IRIG-B00X, incl. System Contact (Supervision Contact)

MCDLV4-2A0B0GA



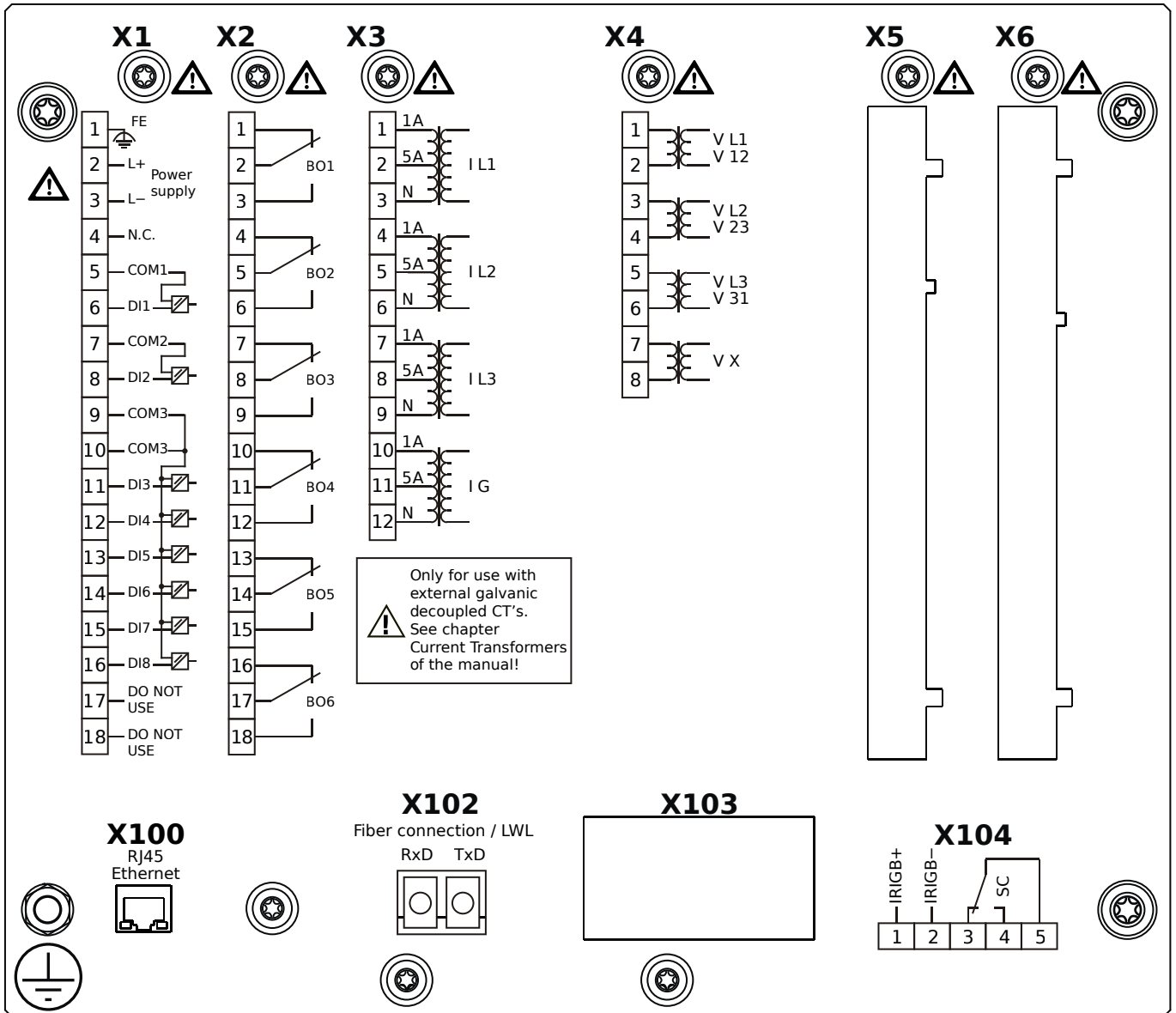
- X1** – DI8-X1: Wide-range power supply unit, incl. 2 non-grouped digital inputs and 6 grouped digital inputs
- X2** – OR-6: Assembly Group with 6 Relay Outputs
- X3** – TI-4: Standard current measuring card
- X4** – TU: Card with 4 voltage transformer measuring inputs
- X102** – Long-distance Protection Communication, Fiber optics interface, LC Connector
- X103** – Modbus RTU / IEC 60870-5-103 / DNP3.0 RTU, RS485, D-SUB
- X104** – IRIG-B00X, incl. System Contact (Supervision Contact)

MCDLV4-2A0B0GB



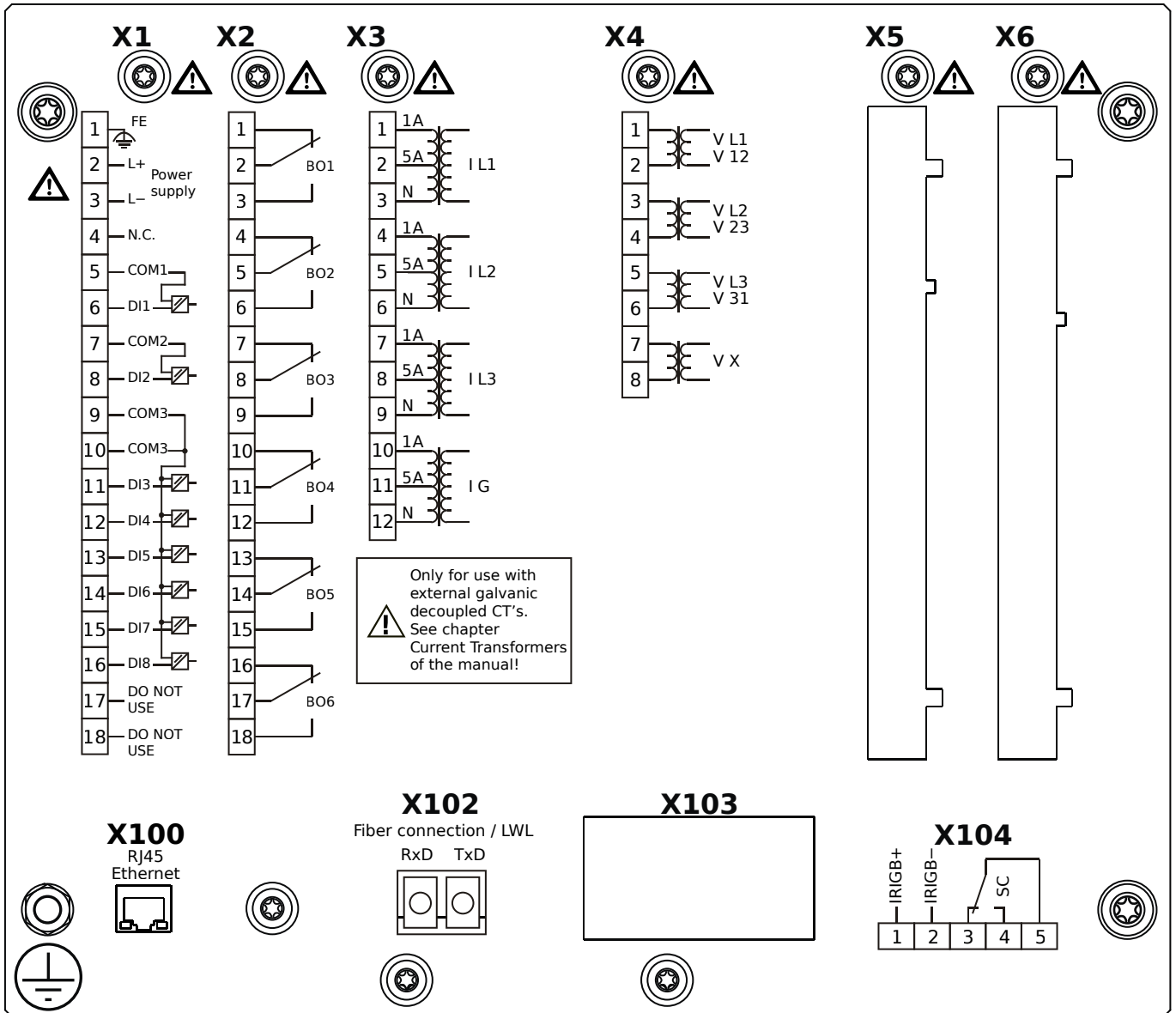
- X1** – DI8-X1: Wide-range power supply unit, incl. 2 non-grouped digital inputs and 6 grouped digital inputs
- X2** – OR-6: Assembly Group with 6 Relay Outputs
- X3** – TI-4: Standard current measuring card
- X4** – TU: Card with 4 voltage transformer measuring inputs
- X102** – Long-distance Protection Communication, Fiber optics interface, LC Connector
- X103** – Modbus RTU / IEC 60870-5-103 / DNP3.0 RTU, RS485, D-SUB
- X104** – IRIG-B00X, incl. System Contact (Supervision Contact)

MCDLV4-2A0B0HA



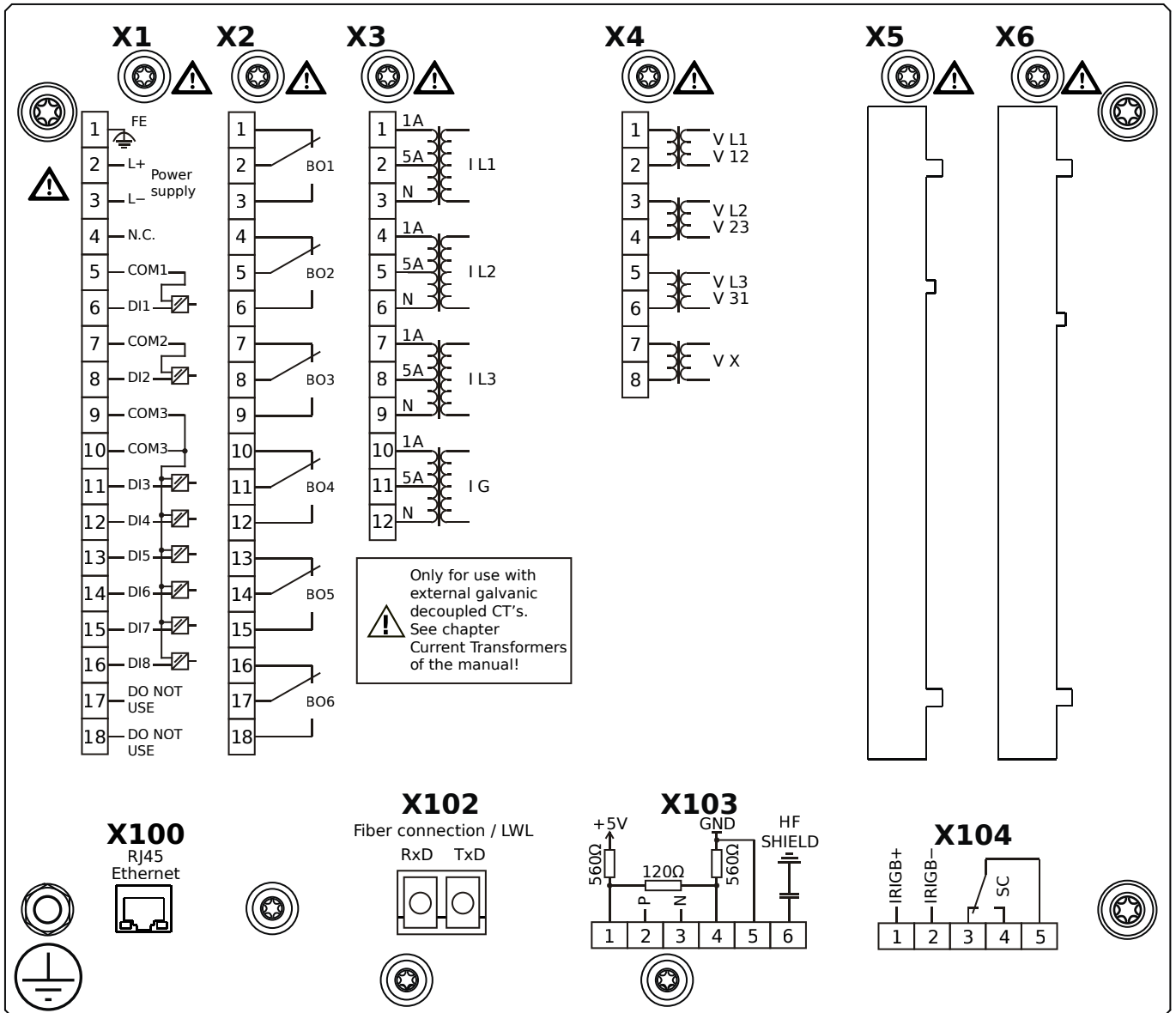
- X1** – DI8-X1: Wide-range power supply unit, incl. 2 non-grouped digital inputs and 6 grouped digital inputs
- X2** – OR-6: Assembly Group with 6 Relay Outputs
- X3** – TI-4: Standard current measuring card
- X4** – TU: Card with 4 voltage transformer measuring inputs
- X100** – IEC 61850 / Modbus TCP / DNP3.0 TCP/UDP, Ethernet interface, 100 Mbit/s, RJ45 (BASE100-FX)
- X102** – Long-distance Protection Communication, Fiber optics interface, LC Connector
- X104** – IRIG-B00X, incl. System Contact (Supervision Contact)

MCDLV4-2A0B0HB



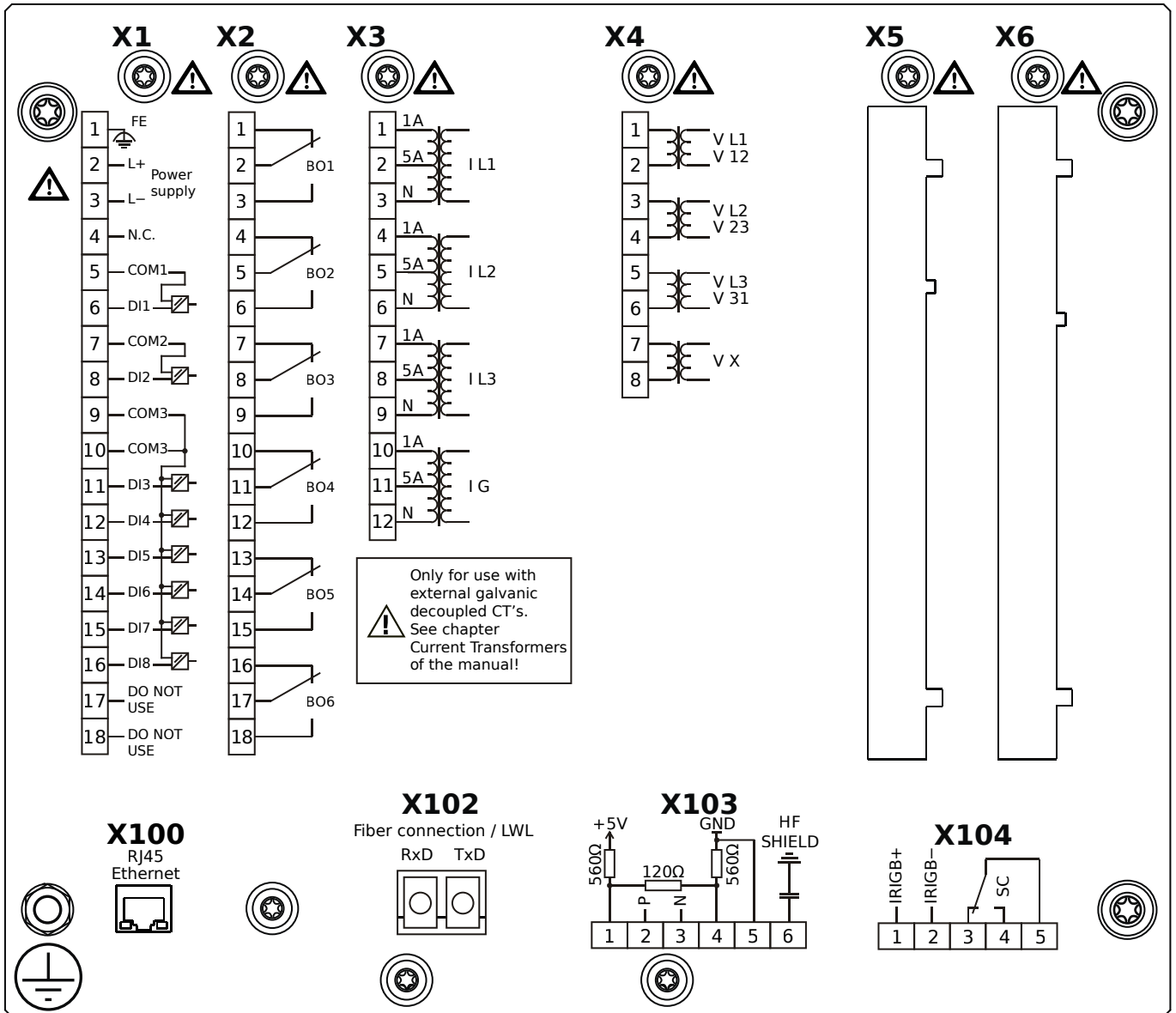
- X1** – DI8-X1: Wide-range power supply unit, incl. 2 non-grouped digital inputs and 6 grouped digital inputs
- X2** – OR-6: Assembly Group with 6 Relay Outputs
- X3** – TI-4: Standard current measuring card
- X4** – TU: Card with 4 voltage transformer measuring inputs
- X100** – IEC 61850 / Modbus TCP / DNP3.0 TCP/UDP, Ethernet interface, 100 Mbit/s, RJ45 (BASE100-FX)
- X102** – Long-distance Protection Communication, Fiber optics interface, LC Connector
- X104** – IRIG-B00X, incl. System Contact (Supervision Contact)

MCDLV4-2A0B01A



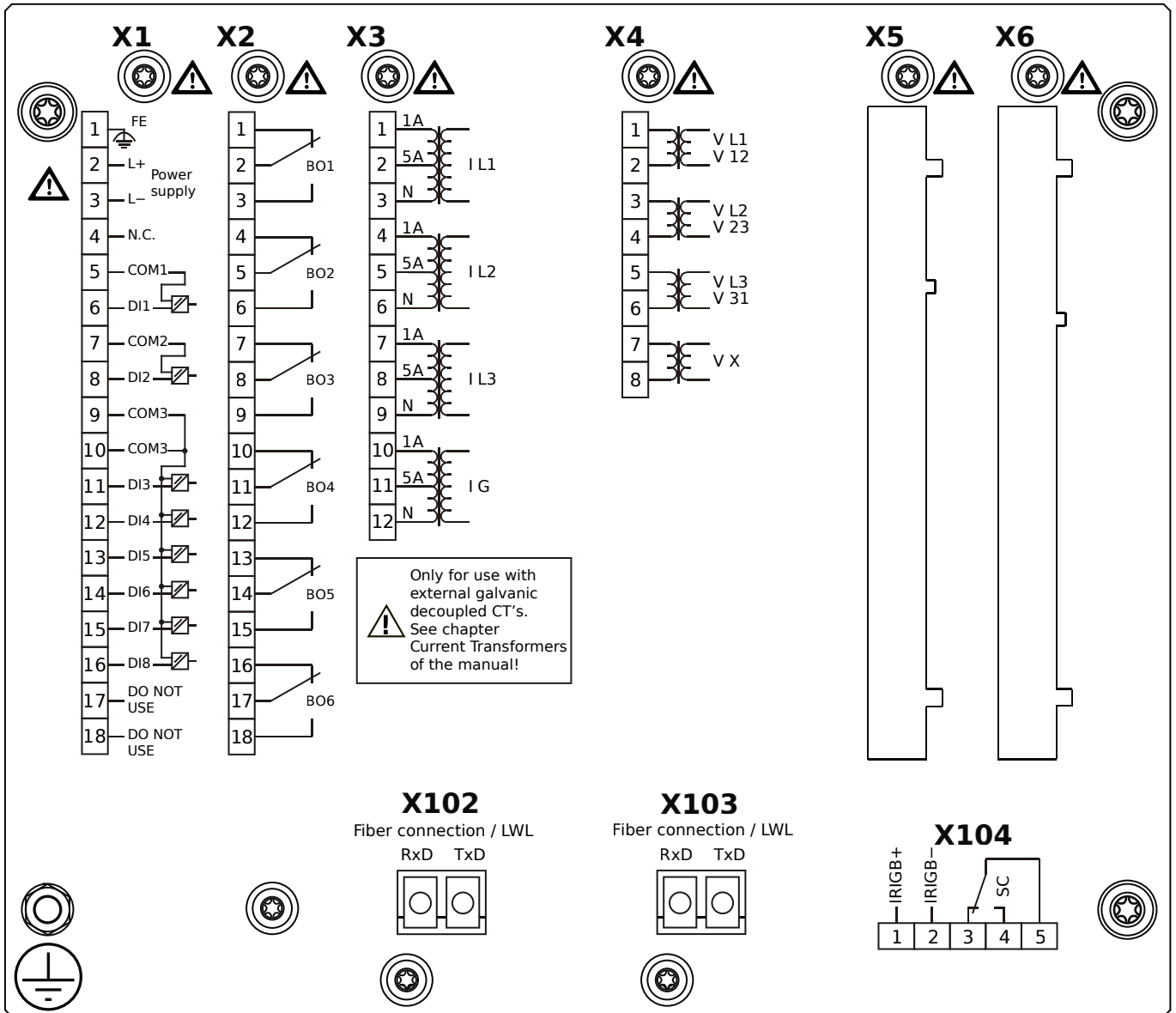
- X1** – DI8-X1: Wide-range power supply unit, incl. 2 non-grouped digital inputs and 6 grouped digital inputs
- X2** – OR-6: Assembly Group with 6 Relay Outputs
- X3** – TI-4: Standard current measuring card
- X4** – TU: Card with 4 voltage transformer measuring inputs
- X100** – Modbus TCP / DNP3.0 TCP/UDP, Ethernet interface, 100 Mbit/s, RJ45 (BASE100-FX)
- X102** – Long-distance Protection Communication, Fiber optics interface, LC Connector
- X103** – IEC 60870-5-103 / Modbus RTU / DNP3.0 RTU, RS485, Terminals
- X104** – IRIG-B00X, incl. System Contact (Supervision Contact)

MCDLV4-2A0B0IB



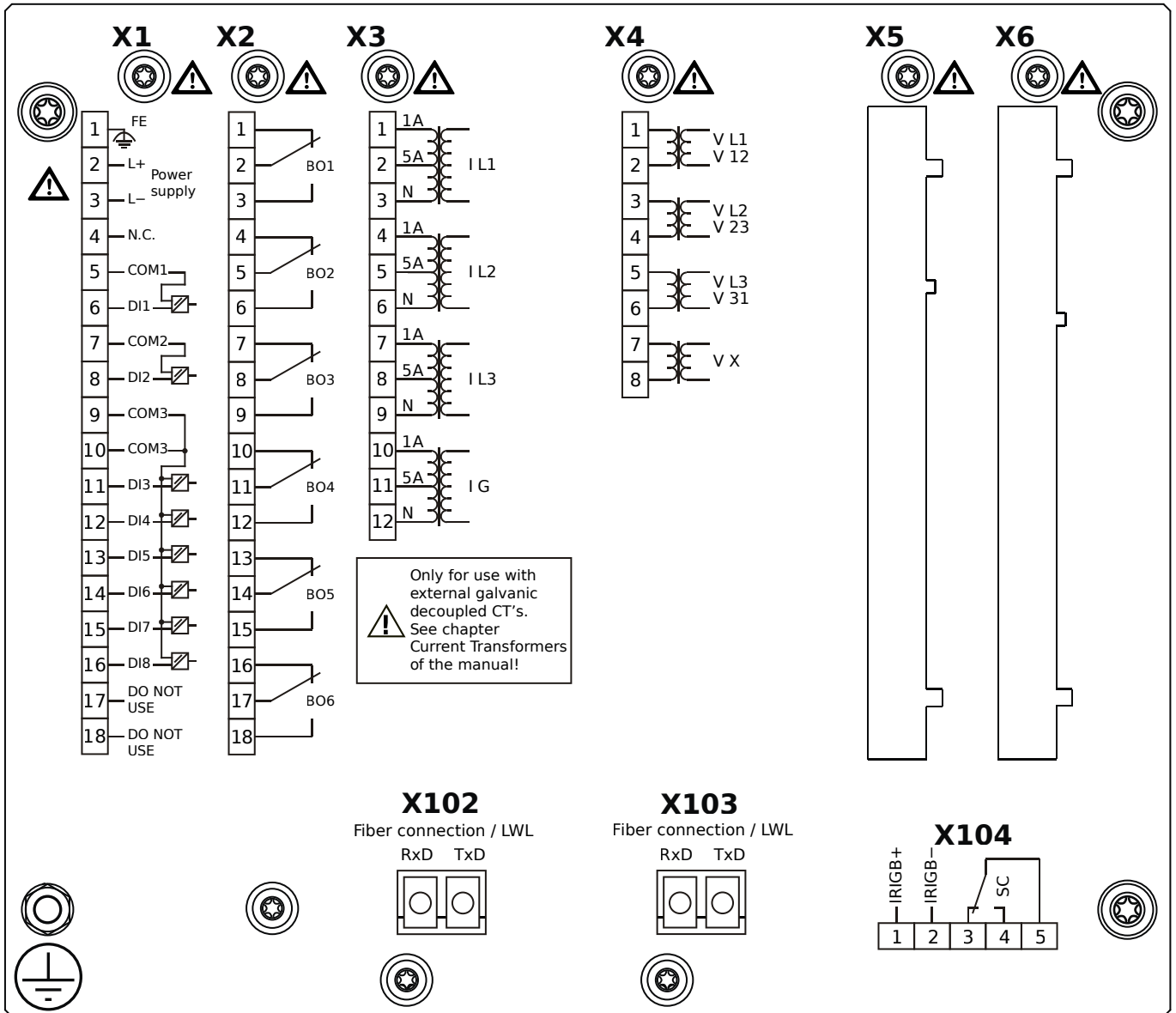
- X1** – DI8-X1: Wide-range power supply unit, incl. 2 non-grouped digital inputs and 6 grouped digital inputs
- X2** – OR-6: Assembly Group with 6 Relay Outputs
- X3** – TI-4: Standard current measuring card
- X4** – TU: Card with 4 voltage transformer measuring inputs
- X100** – Modbus TCP / DNP3.0 TCP/UDP, Ethernet interface, 100 Mbit/s, RJ45 (BASE100-FX)
- X102** – Long-distance Protection Communication, Fiber optics interface, LC Connector
- X103** – IEC 60870-5-103 / Modbus RTU / DNP3.0 RTU, RS485, Terminals
- X104** – IRIG-B00X, incl. System Contact (Supervision Contact)

MCDLV4-2A0B0KA



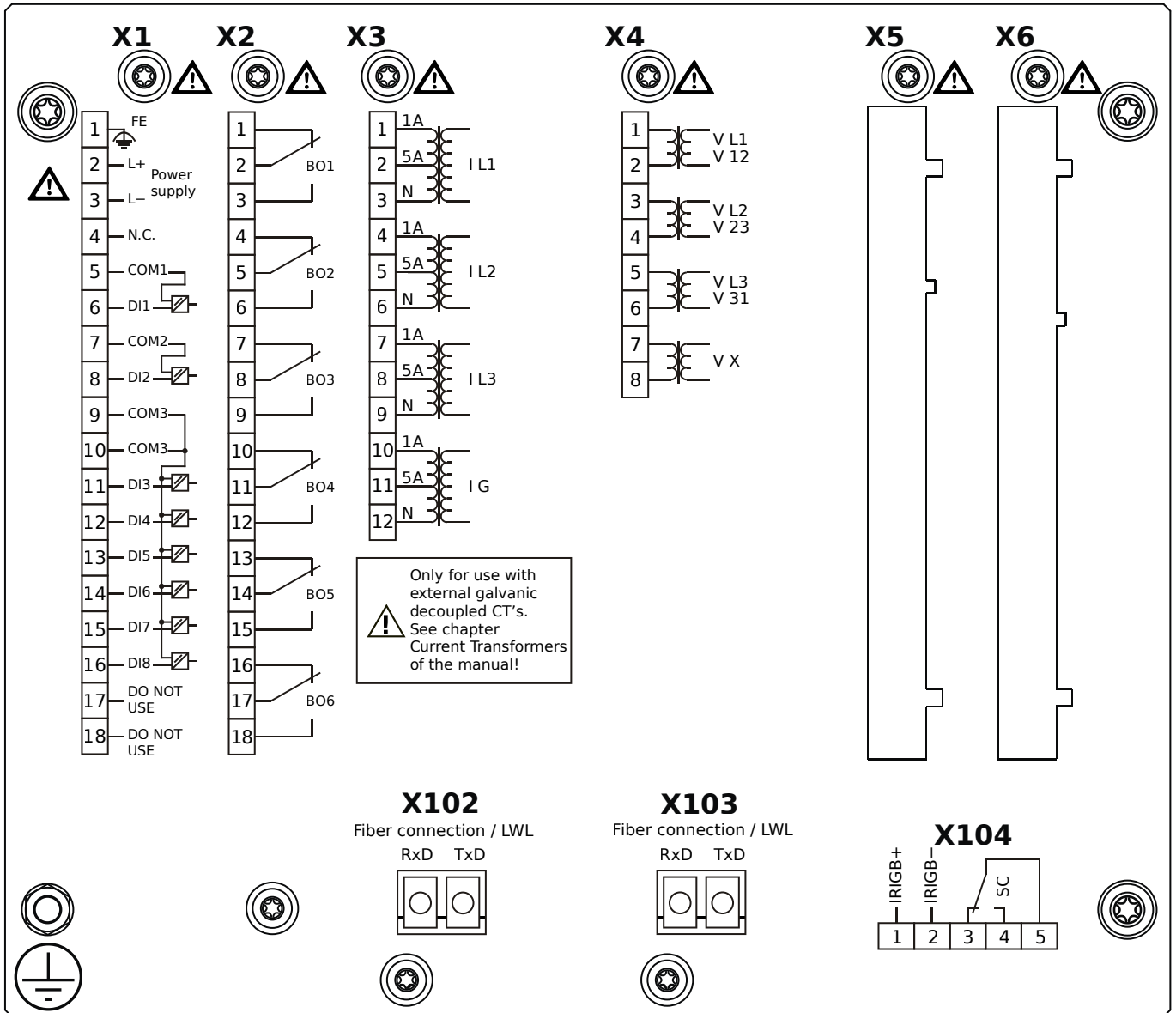
- X1** – DI8-X1: Wide-range power supply unit, incl. 2 non-grouped digital inputs and 6 grouped digital inputs
- X2** – OR-6: Assembly Group with 6 Relay Outputs
- X3** – TI-4: Standard current measuring card
- X4** – TU: Card with 4 voltage transformer measuring inputs
- X102** – Long-distance Protection Communication, Fiber optics interface, LC Connector
- X103** – IEC 61850 / Modbus TCP / DNP3.0 TCP/UDP, Fiber optics interface, LC Connector
- X104** – IRIG-B00X, incl. System Contact (Supervision Contact)

MCDLV4-2A0B0KB



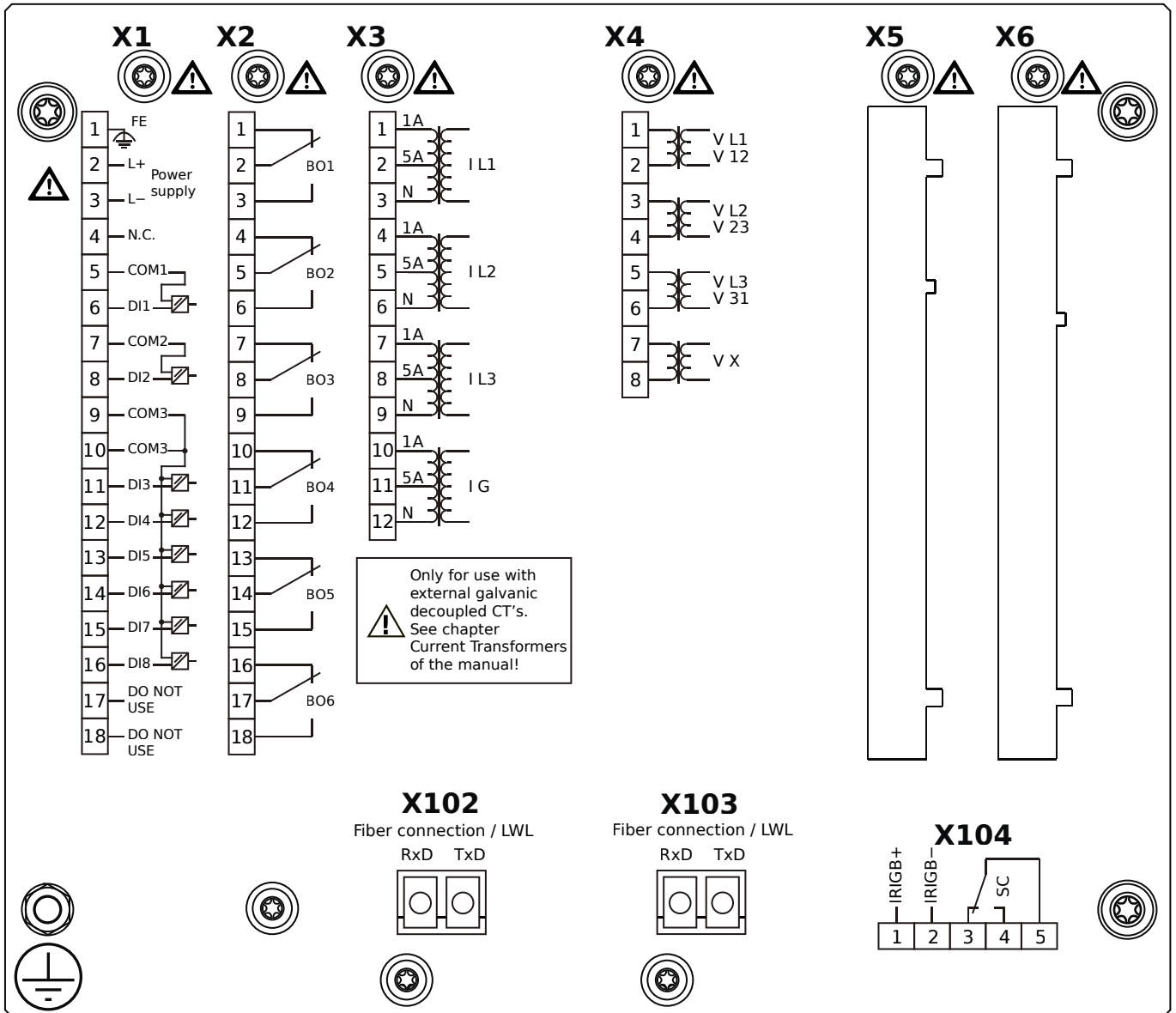
- X1** – DI8-X1: Wide-range power supply unit, incl. 2 non-grouped digital inputs and 6 grouped digital inputs
- X2** – OR-6: Assembly Group with 6 Relay Outputs
- X3** – TI-4: Standard current measuring card
- X4** – TU: Card with 4 voltage transformer measuring inputs
- X102** – Long-distance Protection Communication, Fiber optics interface, LC Connector
- X103** – IEC 61850 / Modbus TCP / DNP3.0 TCP/UDP, Fiber optics interface, LC Connector
- X104** – IRIG-B00X, incl. System Contact (Supervision Contact)

MCDLV4-2A0B0LA



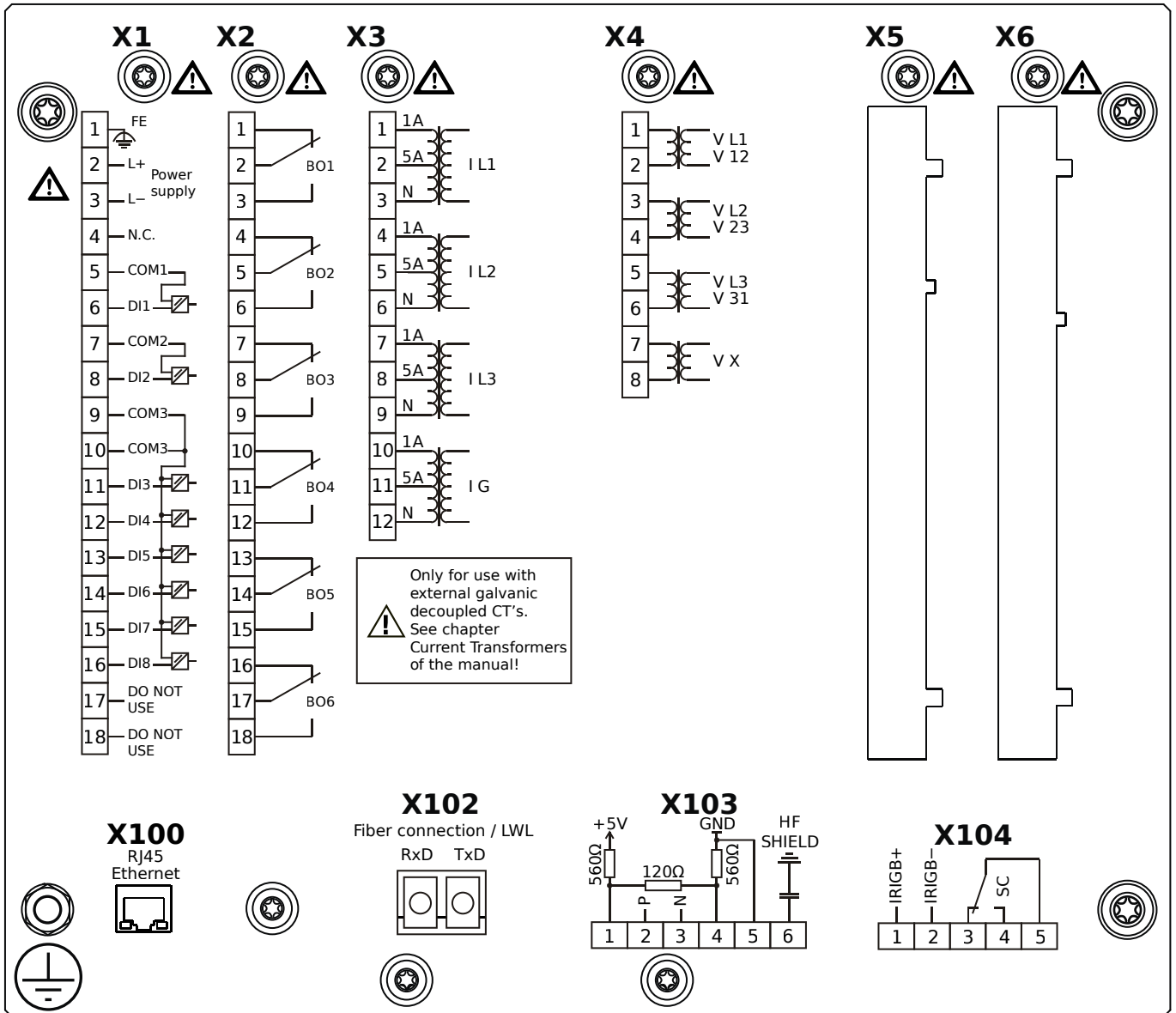
- X1** – DI8-X1: Wide-range power supply unit, incl. 2 non-grouped digital inputs and 6 grouped digital inputs
- X2** – OR-6: Assembly Group with 6 Relay Outputs
- X3** – TI-4: Standard current measuring card
- X4** – TU: Card with 4 voltage transformer measuring inputs
- X102** – Long-distance Protection Communication, Fiber optics interface, LC Connector
- X103** – Modbus TCP / DNP3.0 TCP/UDP, Fiber optics interface, LC Connector
- X104** – IRIG-B00X, incl. System Contact (Supervision Contact)

MCDLV4-2A0B0LB



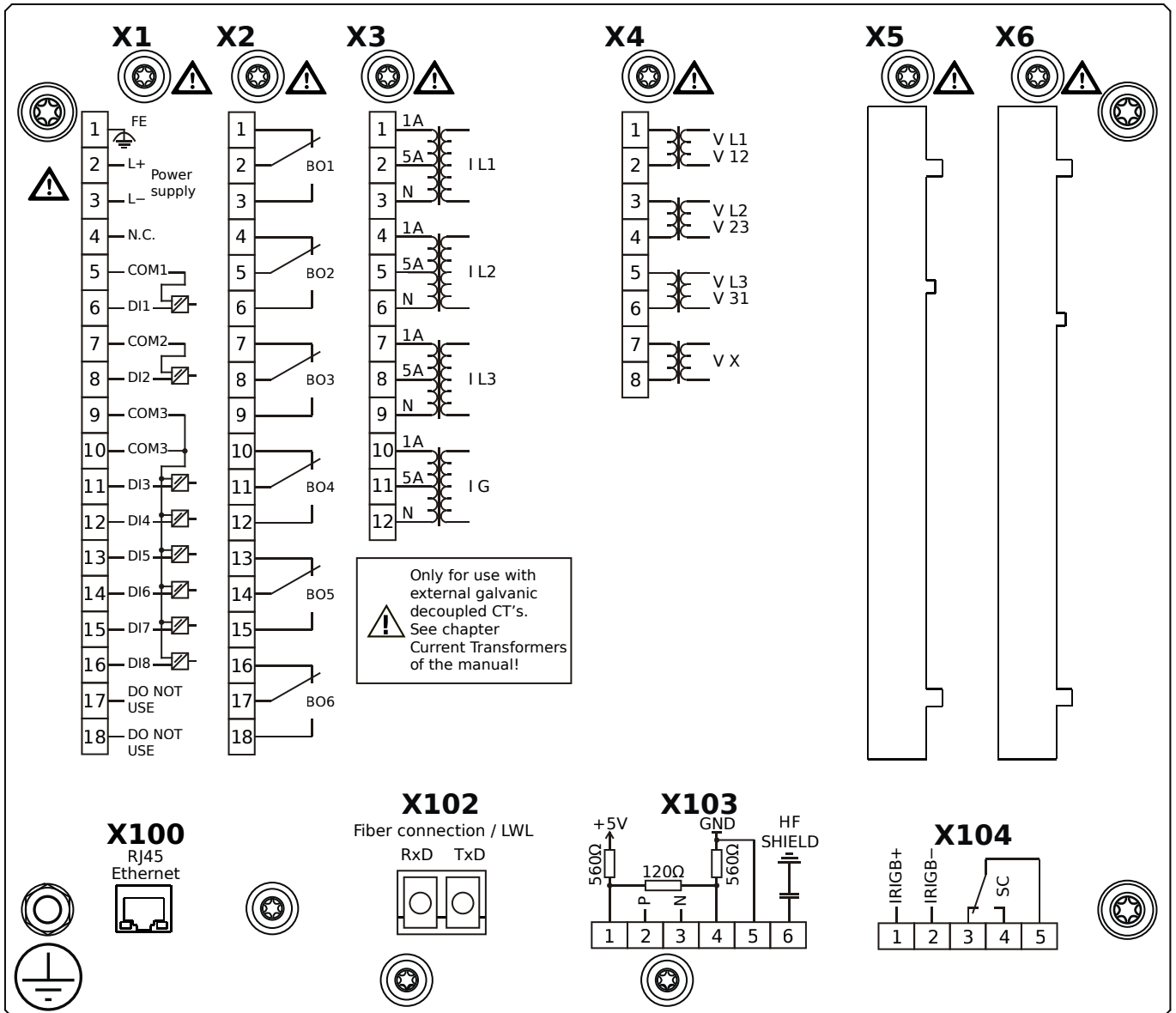
- X1** – DI8-X1: Wide-range power supply unit, incl. 2 non-grouped digital inputs and 6 grouped digital inputs
- X2** – OR-6: Assembly Group with 6 Relay Outputs
- X3** – TI-4: Standard current measuring card
- X4** – TU: Card with 4 voltage transformer measuring inputs
- X102** – Long-distance Protection Communication, Fiber optics interface, LC Connector
- X103** – Modbus TCP / DNP3.0 TCP/UDP, Fiber optics interface, LC Connector
- X104** – IRIG-B00X, incl. System Contact (Supervision Contact)

MCDLV4-2A0B0TA



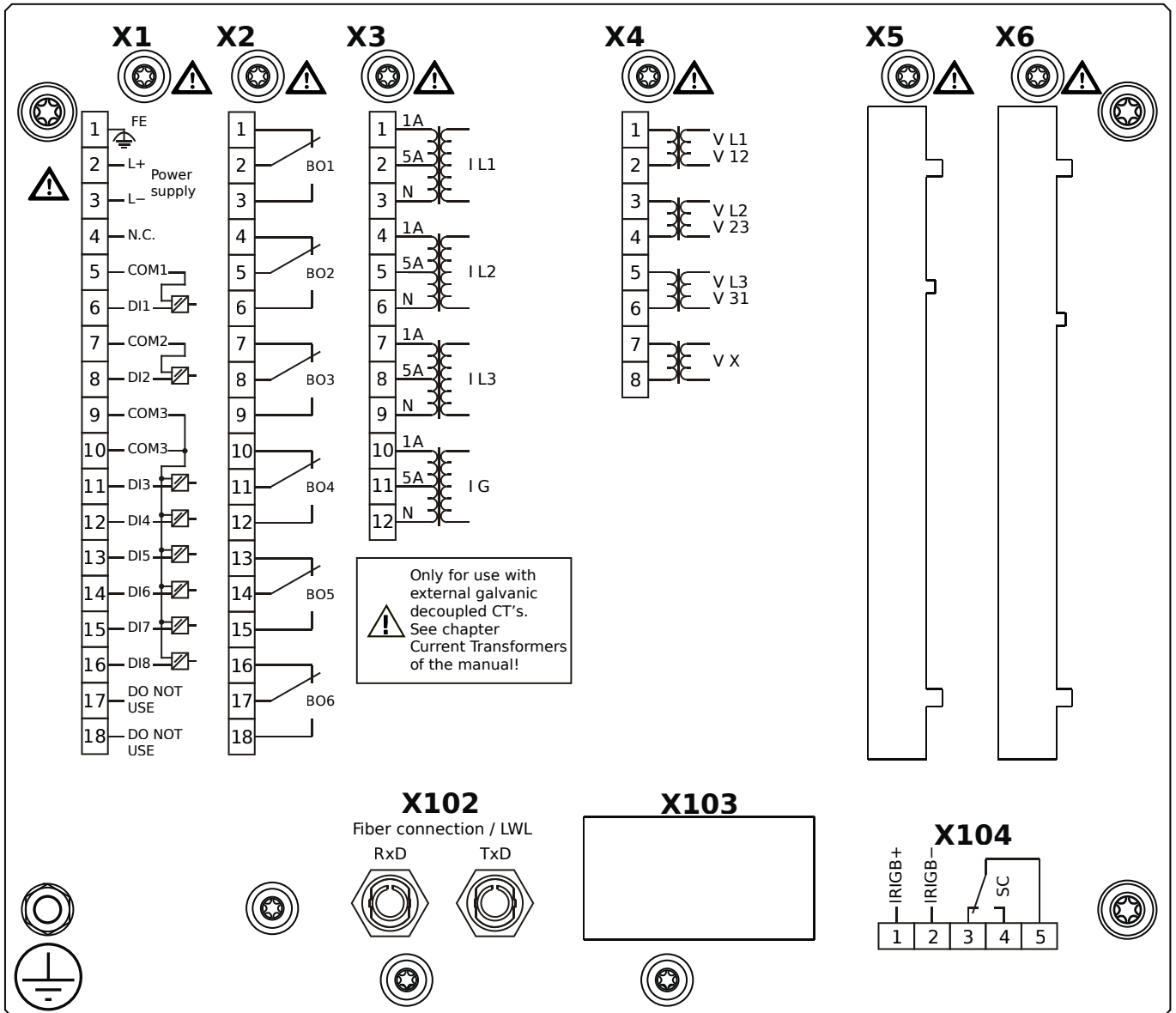
- X1** – DI8-X1: Wide-range power supply unit, incl. 2 non-grouped digital inputs and 6 grouped digital inputs
- X2** – OR-6: Assembly Group with 6 Relay Outputs
- X3** – TI-4: Standard current measuring card
- X4** – TU: Card with 4 voltage transformer measuring inputs
- X100** – IEC 61850 / Modbus TCP / DNP3.0 TCP/UDP, Ethernet interface, 100 Mbit/s, RJ45 (BASE100-FX)
- X102** – Long-distance Protection Communication, Fiber optics interface, LC Connector
- X103** – IEC 60870-5-103 / Modbus RTU / DNP3.0 RTU, RS485, Terminals
- X104** – IRIG-B00X, incl. System Contact (Supervision Contact)

MCDLV4-2A0B0TB



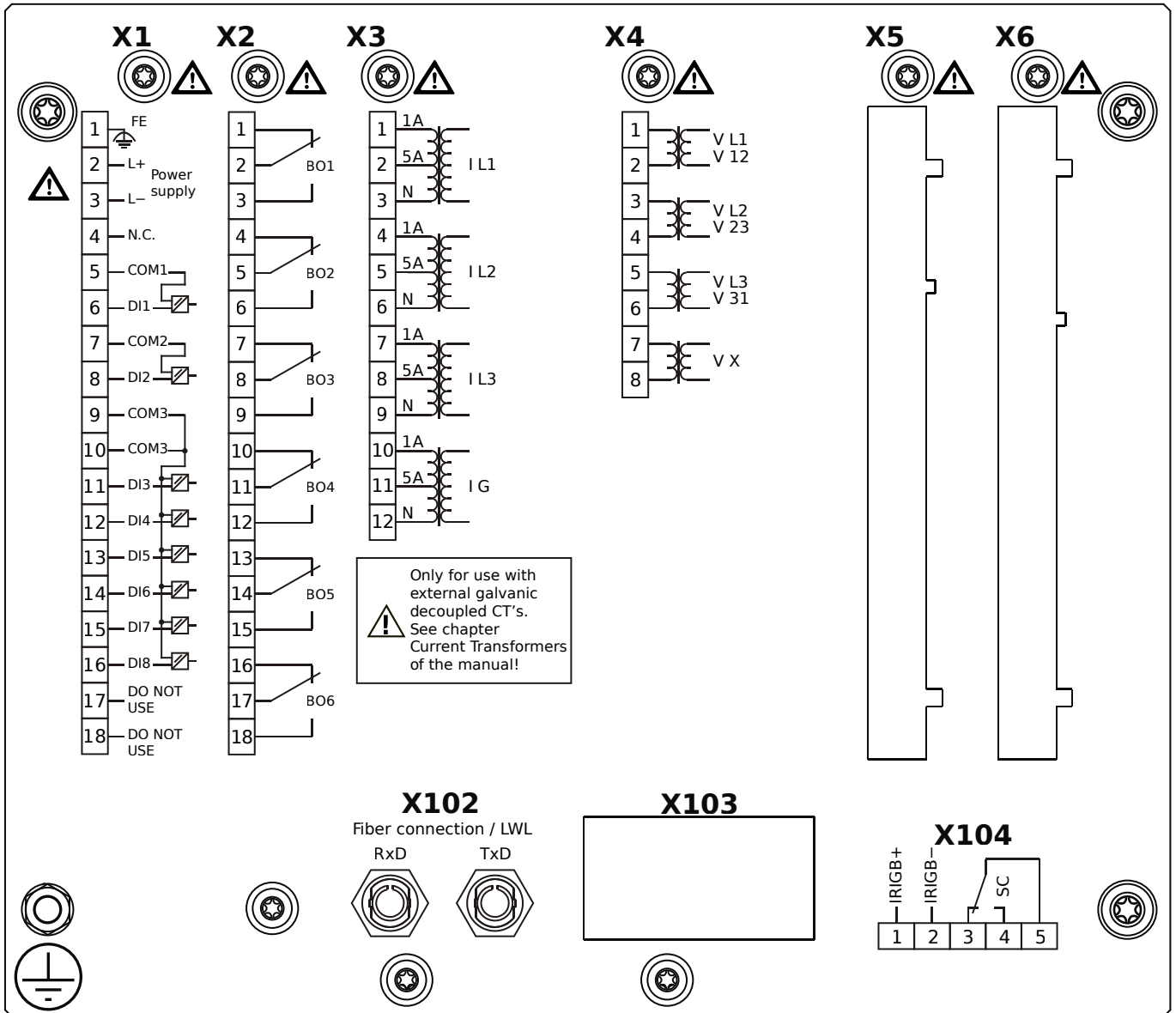
- X1** – DI8-X1: Wide-range power supply unit, incl. 2 non-grouped digital inputs and 6 grouped digital inputs
- X2** – OR-6: Assembly Group with 6 Relay Outputs
- X3** – TI-4: Standard current measuring card
- X4** – TU: Card with 4 voltage transformer measuring inputs
- X100** – IEC 61850 / Modbus TCP / DNP3.0 TCP/UDP, Ethernet interface, 100 Mbit/s, RJ45 (BASE100-FX)
- X102** – Long-distance Protection Communication, Fiber optics interface, LC Connector
- X103** – IEC 60870-5-103 / Modbus RTU / DNP3.0 RTU, RS485, Terminals
- X104** – IRIG-B00X, incl. System Contact (Supervision Contact)

MCDLV4-2A0B1AA



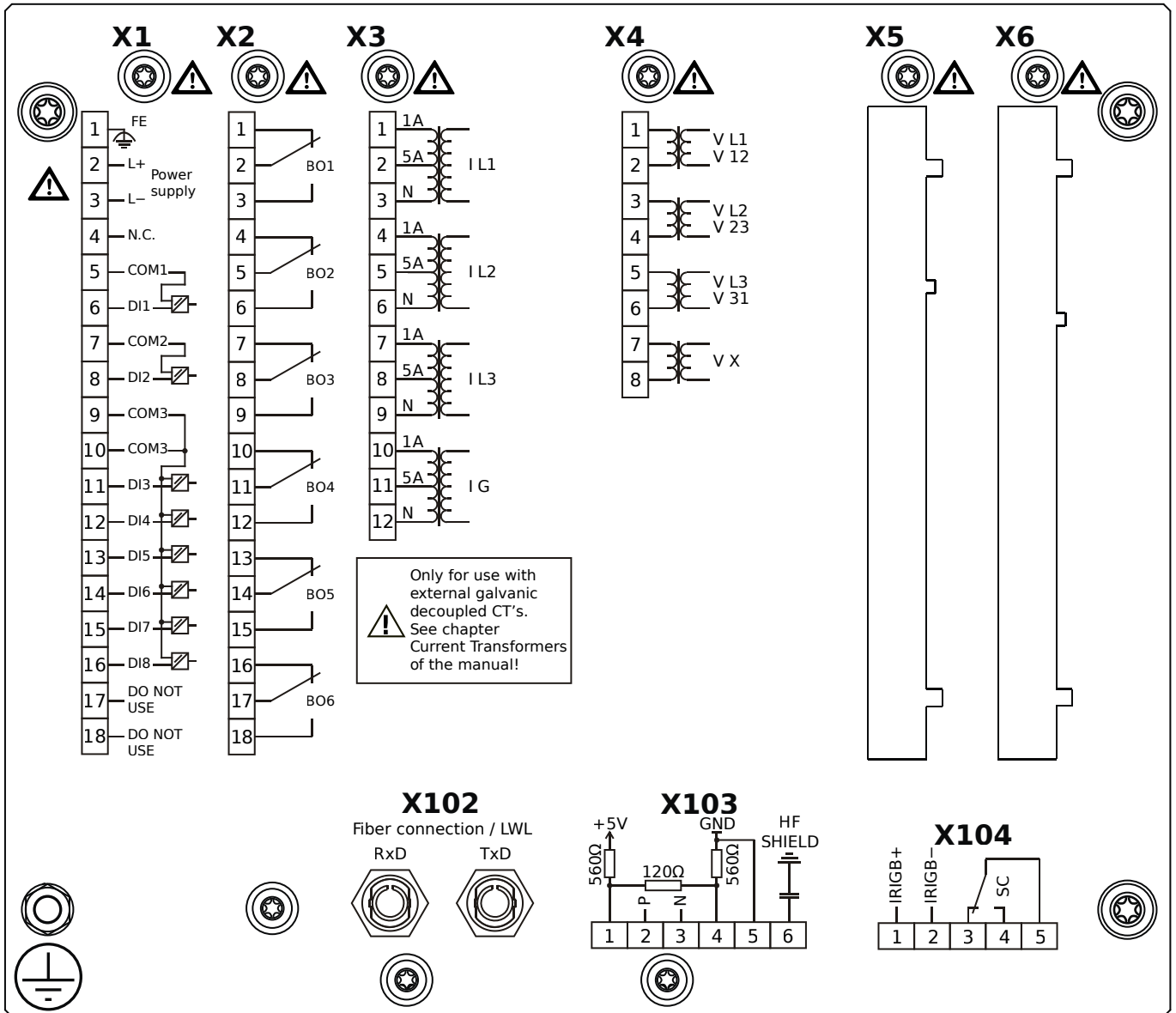
- X1** – DI8-X1: Wide-range power supply unit, incl. 2 non-grouped digital inputs and 6 grouped digital inputs
- X2** – OR-6: Assembly Group with 6 Relay Outputs
- X3** – TI-4: Standard current measuring card
- X4** – TU: Card with 4 voltage transformer measuring inputs
- X102** – Protection Communication, Fiber optics interface, ST Connector
- X104** – IRIG-B00X, incl. System Contact (Supervision Contact)

MCDLV4-2A0B1AB



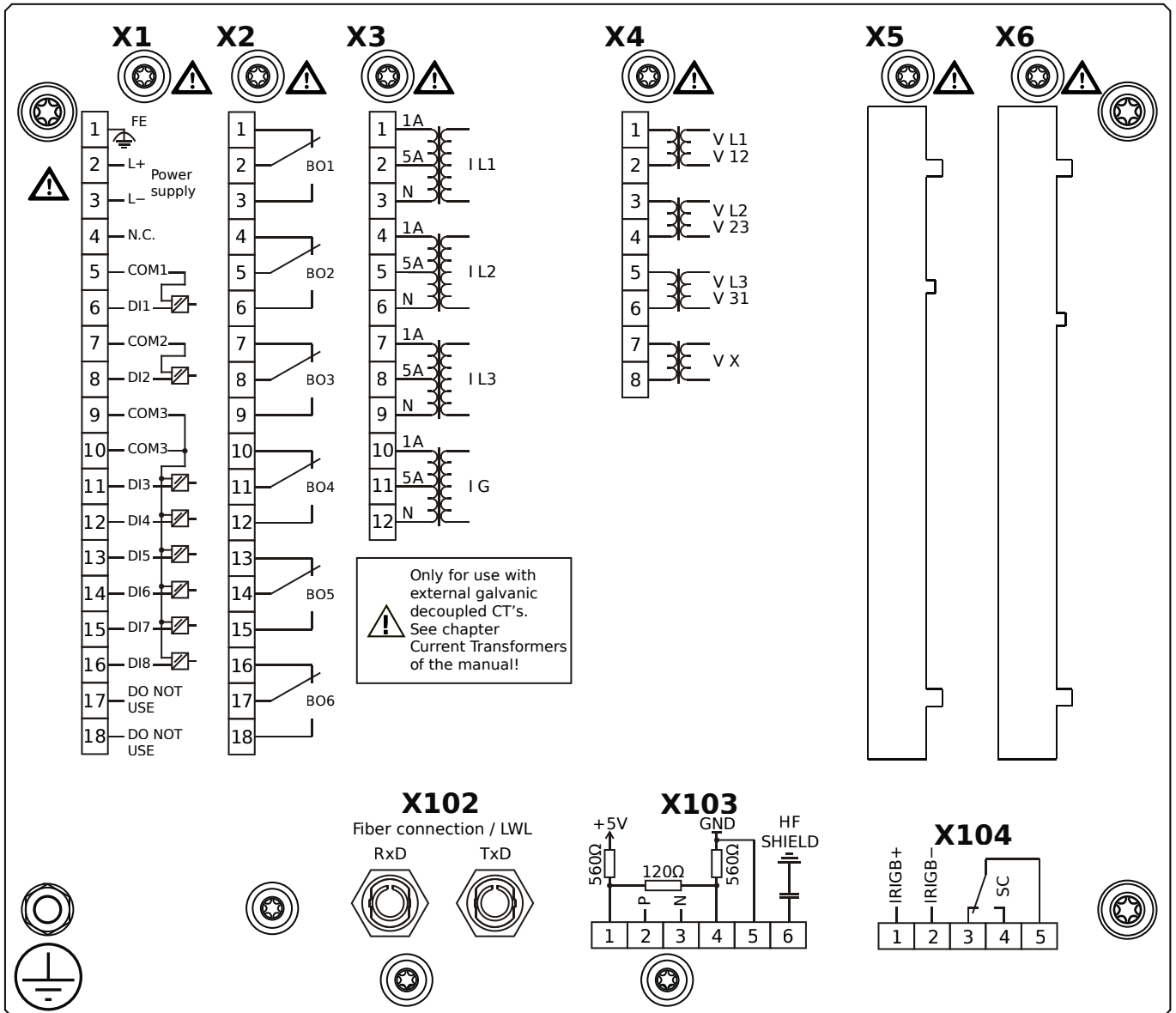
- X1** – DI8-X1: Wide-range power supply unit, incl. 2 non-grouped digital inputs and 6 grouped digital inputs
- X2** – OR-6: Assembly Group with 6 Relay Outputs
- X3** – TI-4: Standard current measuring card
- X4** – TU: Card with 4 voltage transformer measuring inputs
- X102** – Protection Communication, Fiber optics interface, ST Connector
- X104** – IRIG-B00X, incl. System Contact (Supervision Contact)

MCDLV4-2A0B1BA



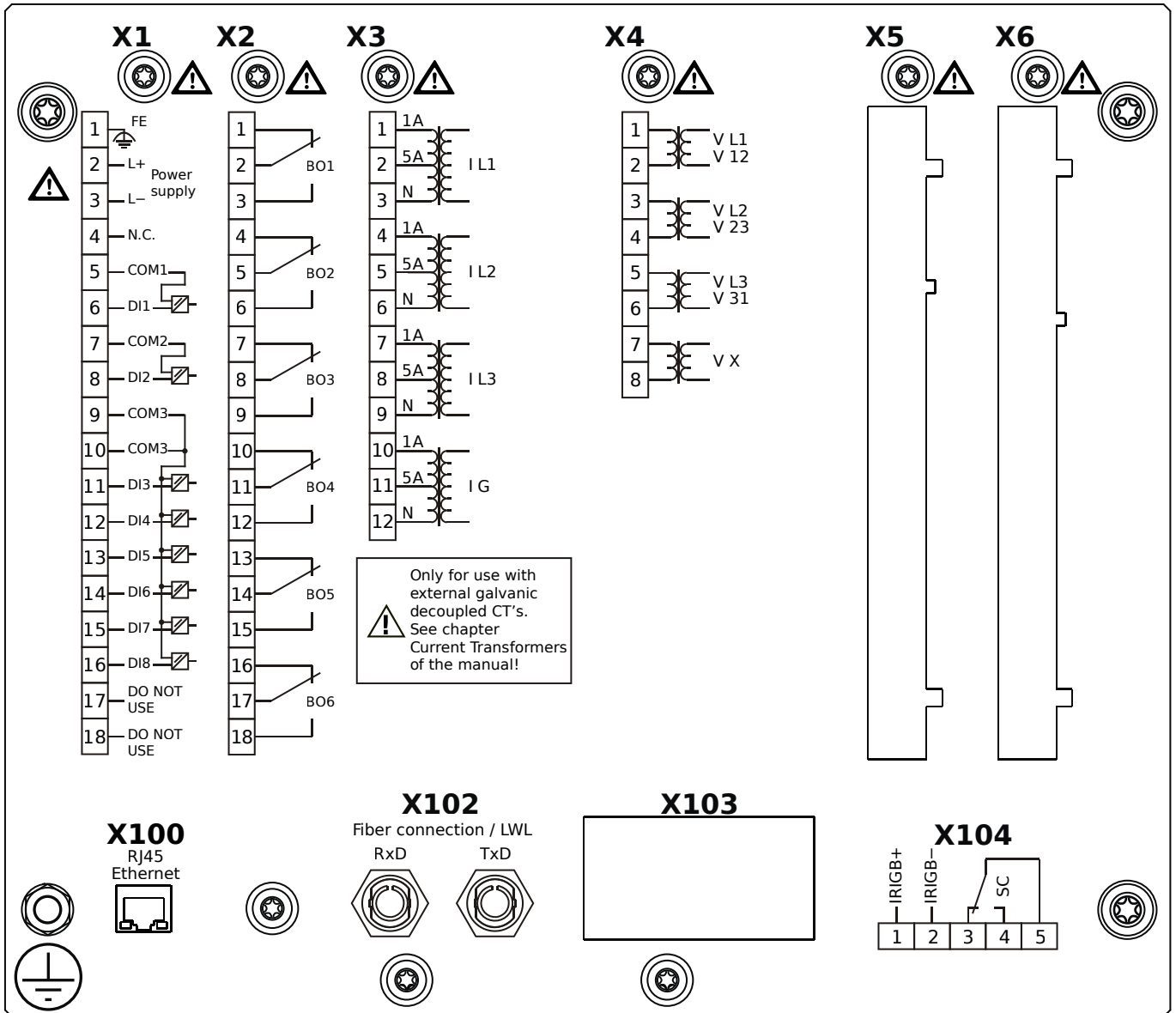
- X1** – DI8-X1: Wide-range power supply unit, incl. 2 non-grouped digital inputs and 6 grouped digital inputs
- X2** – OR-6: Assembly Group with 6 Relay Outputs
- X3** – TI-4: Standard current measuring card
- X4** – TU: Card with 4 voltage transformer measuring inputs
- X102** – Protection Communication, Fiber optics interface, ST Connector
- X103** – Modbus RTU / IEC 60870-5-103 / DNP3.0 RTU, RS485, Terminals
- X104** – IRIG-B00X, incl. System Contact (Supervision Contact)

MCDLV4-2A0B1BB



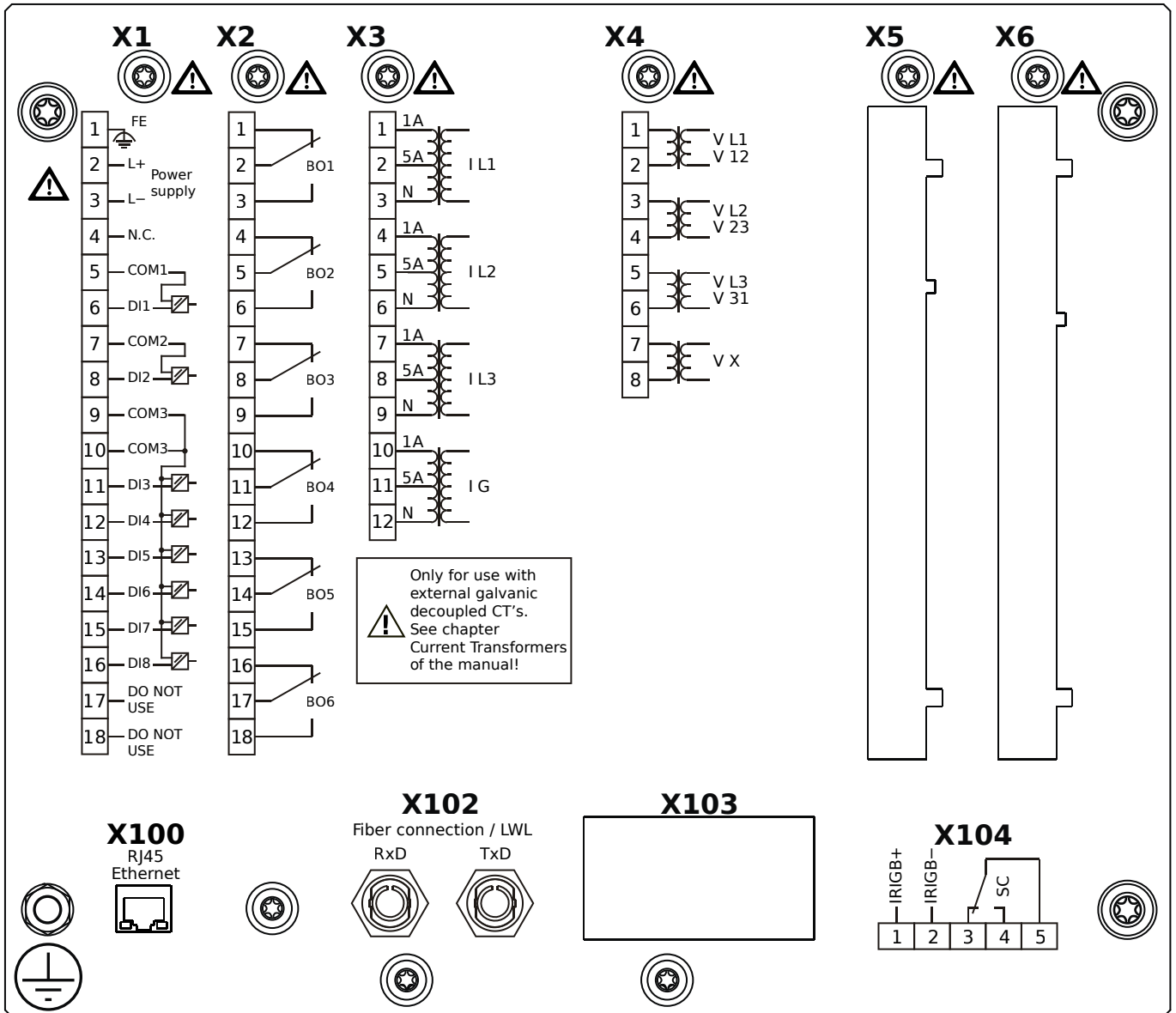
- X1** – DI8-X1: Wide-range power supply unit, incl. 2 non-grouped digital inputs and 6 grouped digital inputs
- X2** – OR-6: Assembly Group with 6 Relay Outputs
- X3** – TI-4: Standard current measuring card
- X4** – TU: Card with 4 voltage transformer measuring inputs
- X102** – Protection Communication, Fiber optics interface, ST Connector
- X103** – Modbus RTU / IEC 60870-5-103 / DNP3.0 RTU, RS485, Terminals
- X104** – IRIG-B00X, incl. System Contact (Supervision Contact)

MCDLV4-2A0B1CA



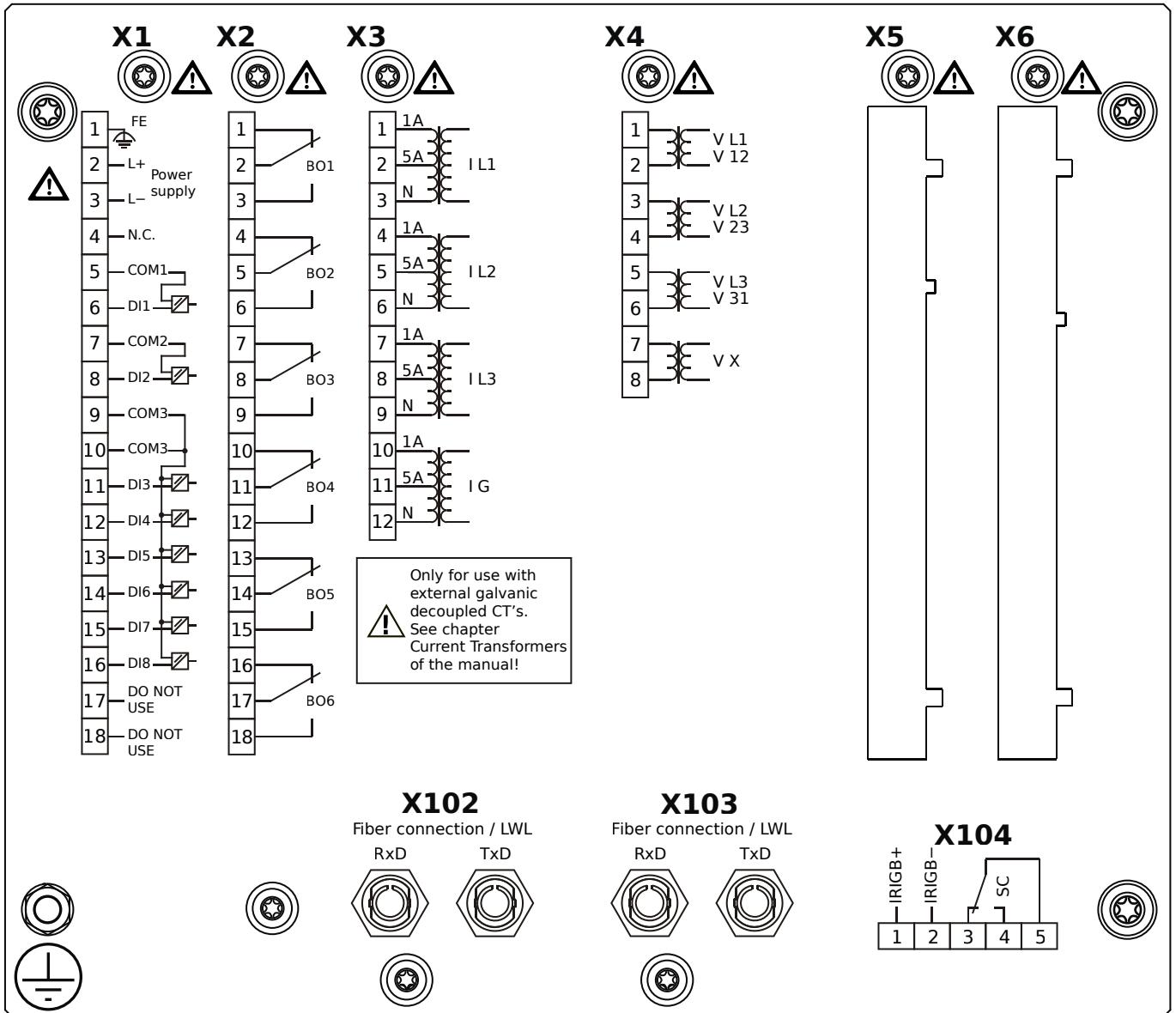
- X1** – DI8-X1: Wide-range power supply unit, incl. 2 non-grouped digital inputs and 6 grouped digital inputs
- X2** – OR-6: Assembly Group with 6 Relay Outputs
- X3** – TI-4: Standard current measuring card
- X4** – TU: Card with 4 voltage transformer measuring inputs
- X100** – Modbus TCP / DNP3.0 TCP/UDP, Ethernet interface, 100 Mbit/s, RJ45 (BASE100-FX)
- X102** – Protection Communication, Fiber optics interface, ST Connector
- X104** – IRIG-B00X, incl. System Contact (Supervision Contact)

MCDLV4-2A0B1CB



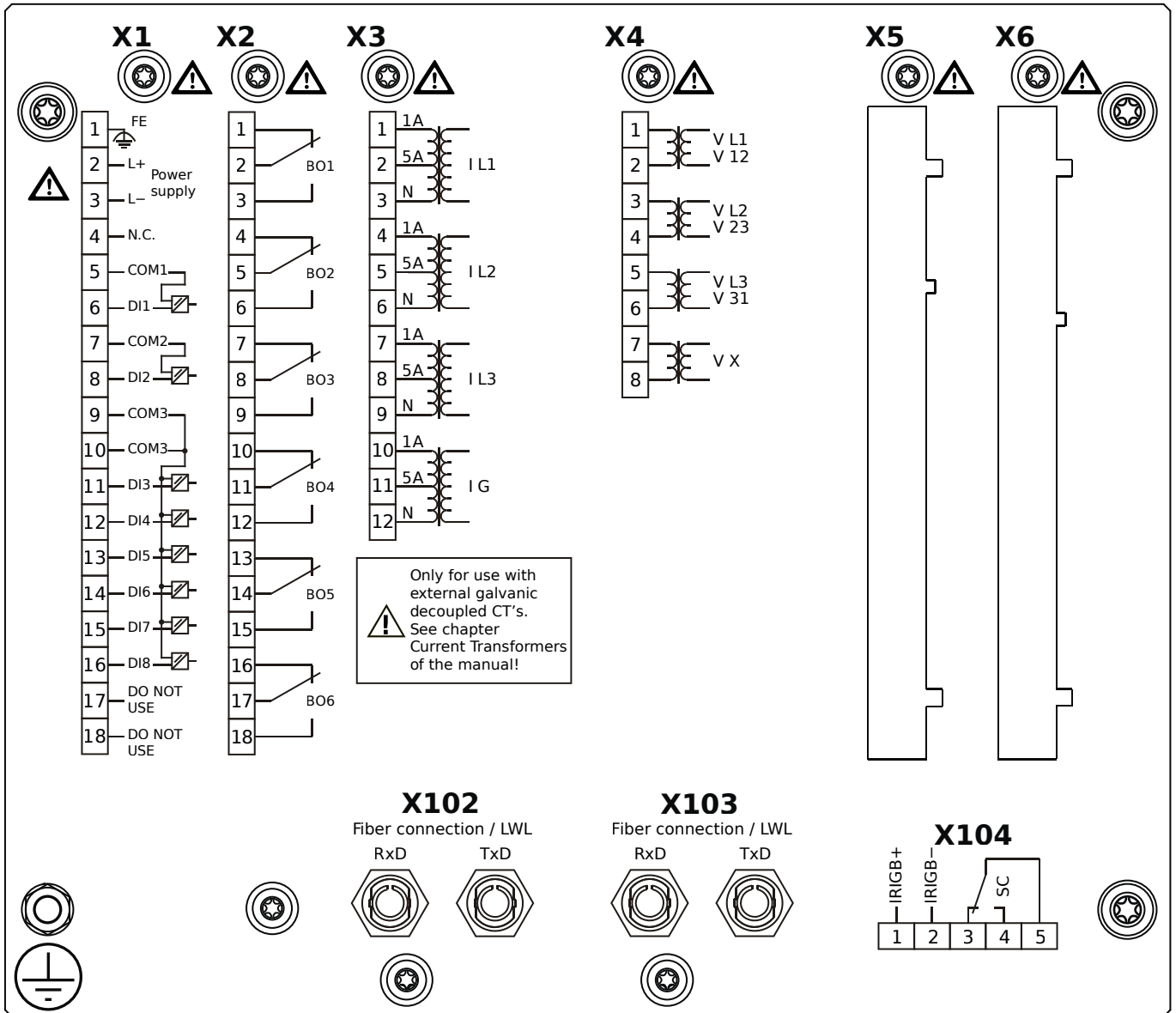
- X1** – DI8-X1: Wide-range power supply unit, incl. 2 non-grouped digital inputs and 6 grouped digital inputs
- X2** – OR-6: Assembly Group with 6 Relay Outputs
- X3** – TI-4: Standard current measuring card
- X4** – TU: Card with 4 voltage transformer measuring inputs
- X100** – Modbus TCP / DNP3.0 TCP/UDP, Ethernet interface, 100 Mbit/s, RJ45 (BASE100-FX)
- X102** – Protection Communication, Fiber optics interface, ST Connector
- X104** – IRIG-B00X, incl. System Contact (Supervision Contact)

MCDLV4-2A0B1DA



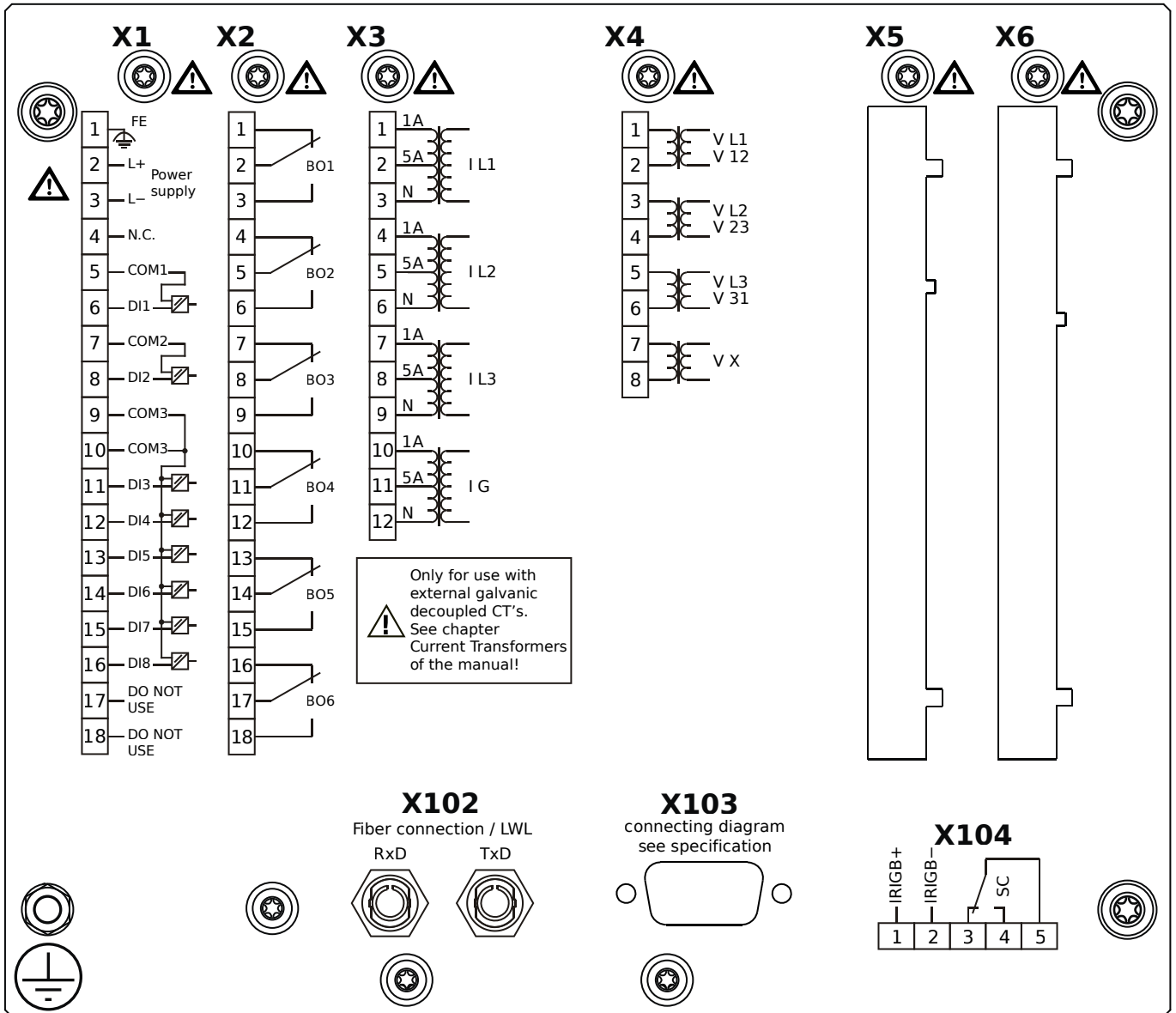
- X1** – DI8-X1: Wide-range power supply unit, incl. 2 non-grouped digital inputs and 6 grouped digital inputs
- X2** – OR-6: Assembly Group with 6 Relay Outputs
- X3** – TI-4: Standard current measuring card
- X4** – TU: Card with 4 voltage transformer measuring inputs
- X102** – Protection Communication, Fiber optics interface, ST Connector
- X103** – Profibus-DP, Fiber optics interface, ST Connector
- X104** – IRIG-B00X, incl. System Contact (Supervision Contact)

MCDLV4-2A0B1DB



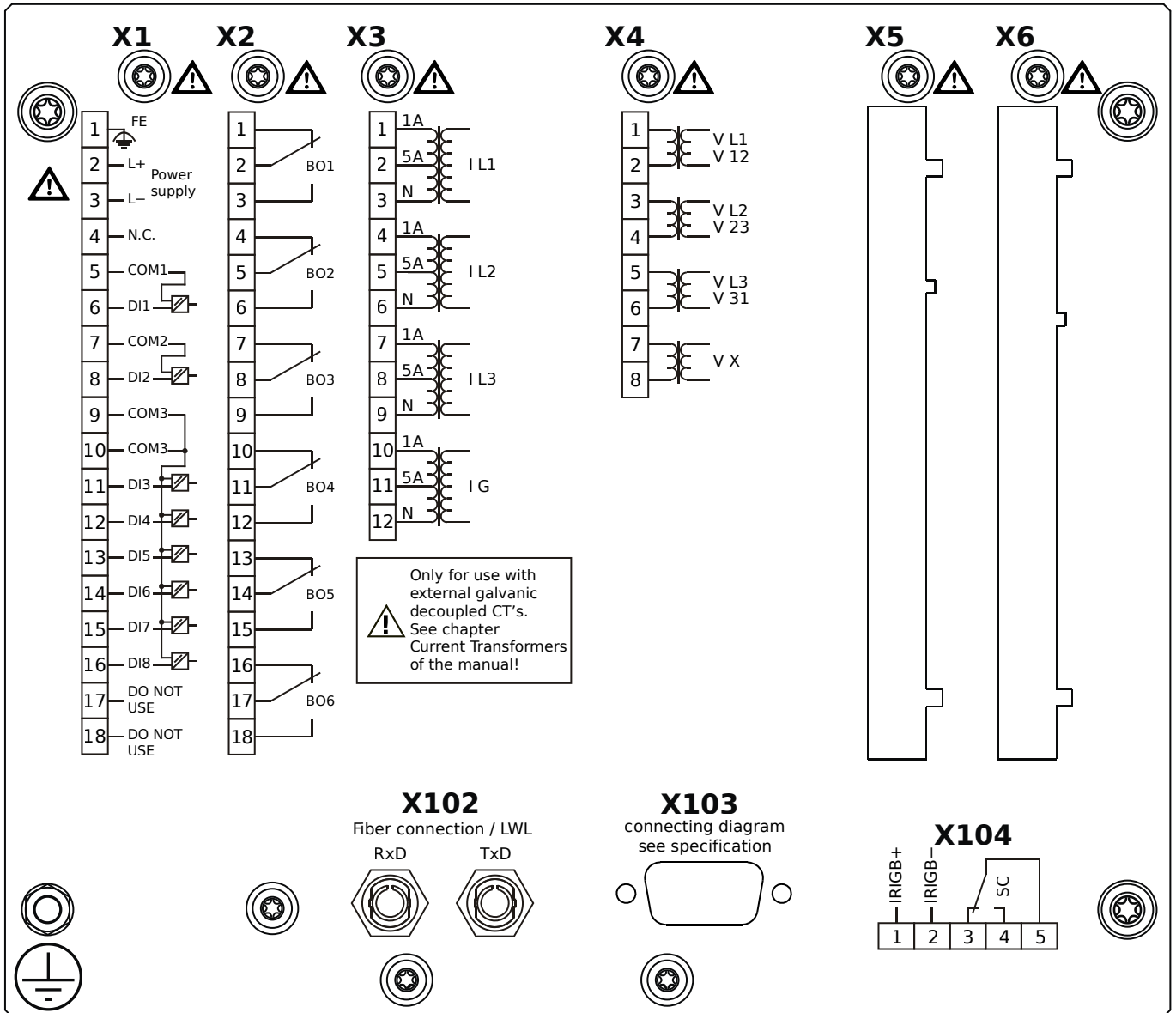
- X1** – DI8-X1: Wide-range power supply unit, incl. 2 non-grouped digital inputs and 6 grouped digital inputs
- X2** – OR-6: Assembly Group with 6 Relay Outputs
- X3** – TI-4: Standard current measuring card
- X4** – TU: Card with 4 voltage transformer measuring inputs
- X102** – Protection Communication, Fiber optics interface, ST Connector
- X103** – Profibus-DP, Fiber optics interface, ST Connector
- X104** – IRIG-B00X, incl. System Contact (Supervision Contact)

MCDLV4-2A0B1EA



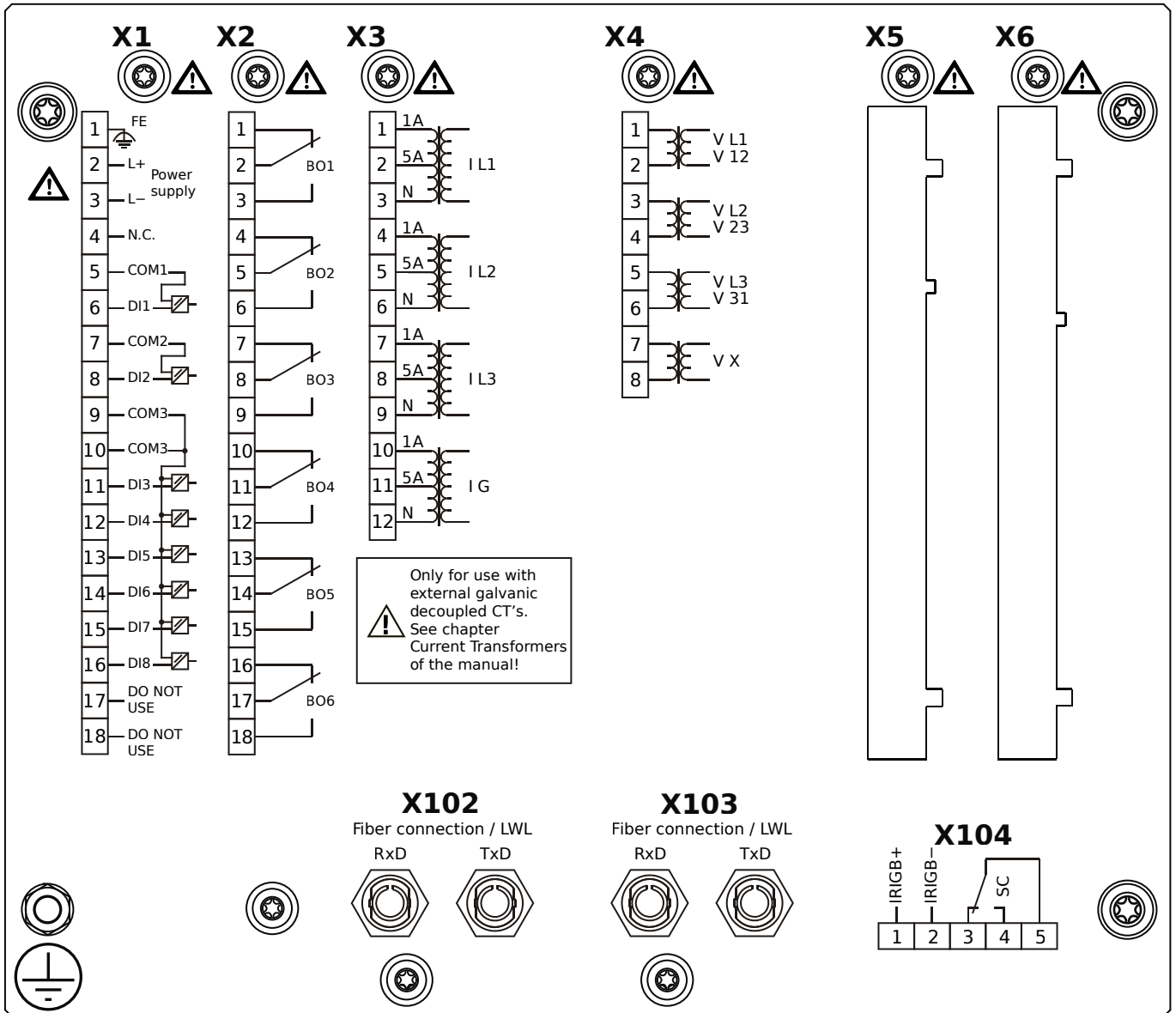
- X1** – DI8-X1: Wide-range power supply unit, incl. 2 non-grouped digital inputs and 6 grouped digital inputs
- X2** – OR-6: Assembly Group with 6 Relay Outputs
- X3** – TI-4: Standard current measuring card
- X4** – TU: Card with 4 voltage transformer measuring inputs
- X102** – Protection Communication, Fiber optics interface, ST Connector
- X103** – Profibus-DP, RS485, D-SUB
- X104** – IRIG-B00X, incl. System Contact (Supervision Contact)

MCDLV4-2A0B1EB



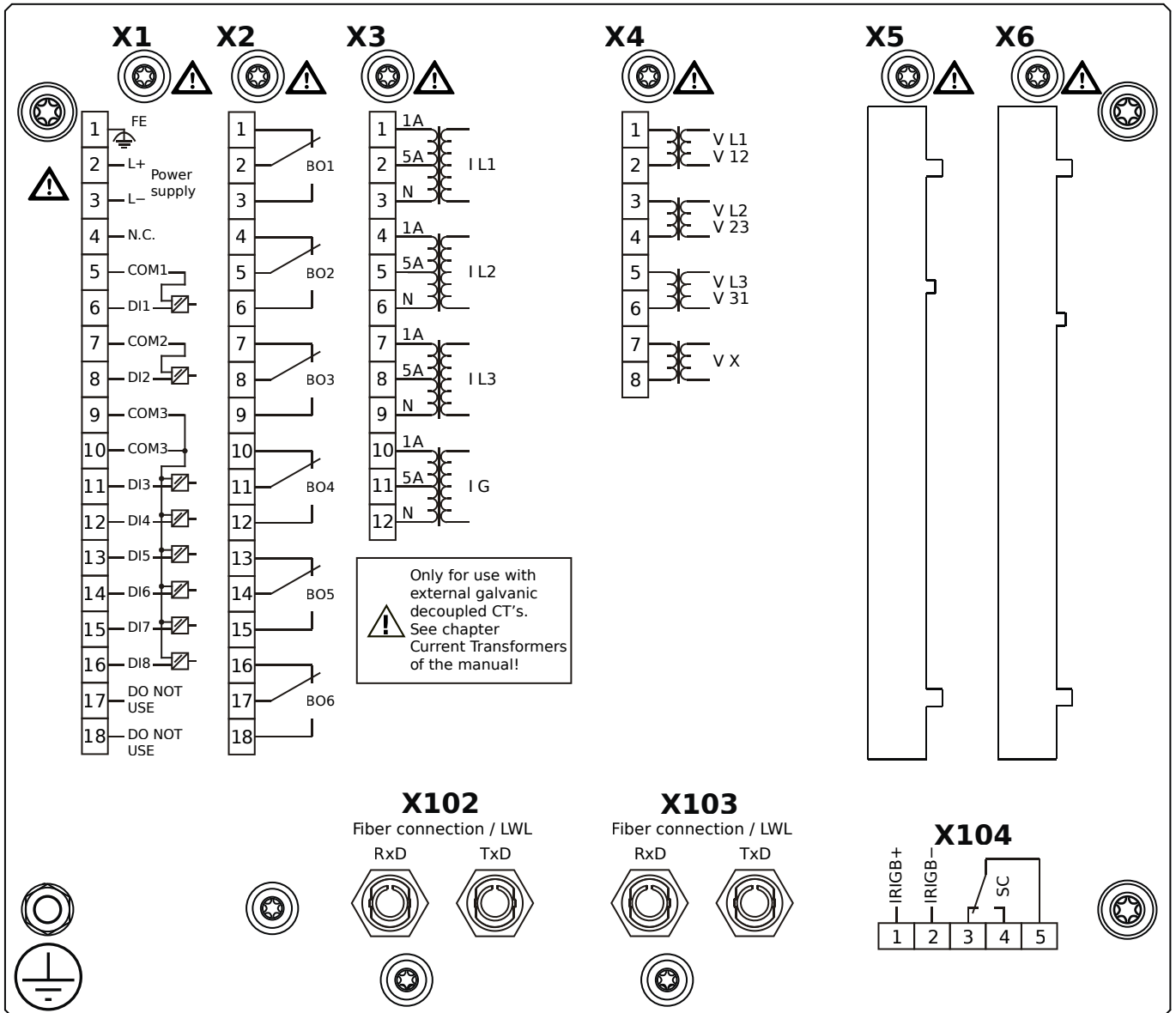
- X1** – DI8-X1: Wide-range power supply unit, incl. 2 non-grouped digital inputs and 6 grouped digital inputs
- X2** – OR-6: Assembly Group with 6 Relay Outputs
- X3** – TI-4: Standard current measuring card
- X4** – TU: Card with 4 voltage transformer measuring inputs
- X102** – Protection Communication, Fiber optics interface, ST Connector
- X103** – Profibus-DP, RS485, D-SUB
- X104** – IRIG-B00X, incl. System Contact (Supervision Contact)

MCDLV4-2A0B1FA



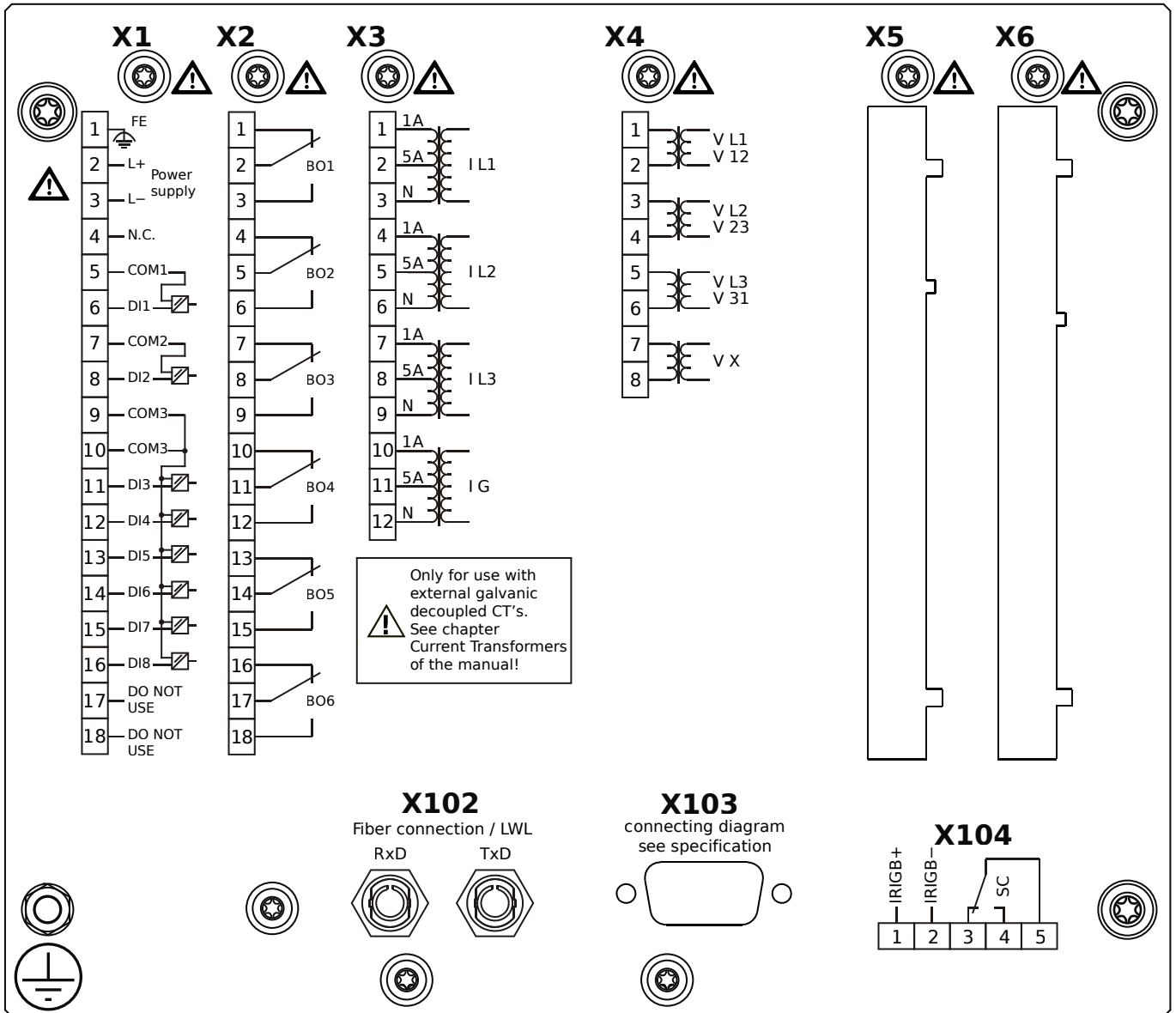
- X1** – DI8-X1: Wide-range power supply unit, incl. 2 non-grouped digital inputs and 6 grouped digital inputs
- X2** – OR-6: Assembly Group with 6 Relay Outputs
- X3** – TI-4: Standard current measuring card
- X4** – TU: Card with 4 voltage transformer measuring inputs
- X102** – Protection Communication, Fiber optics interface, ST Connector
- X103** – Modbus RTU / IEC 60870-5-103 / DNP3.0 RTU, Fiber optics interface, ST Connector
- X104** – IRIG-B00X, incl. System Contact (Supervision Contact)

MCDLV4-2A0B1FB



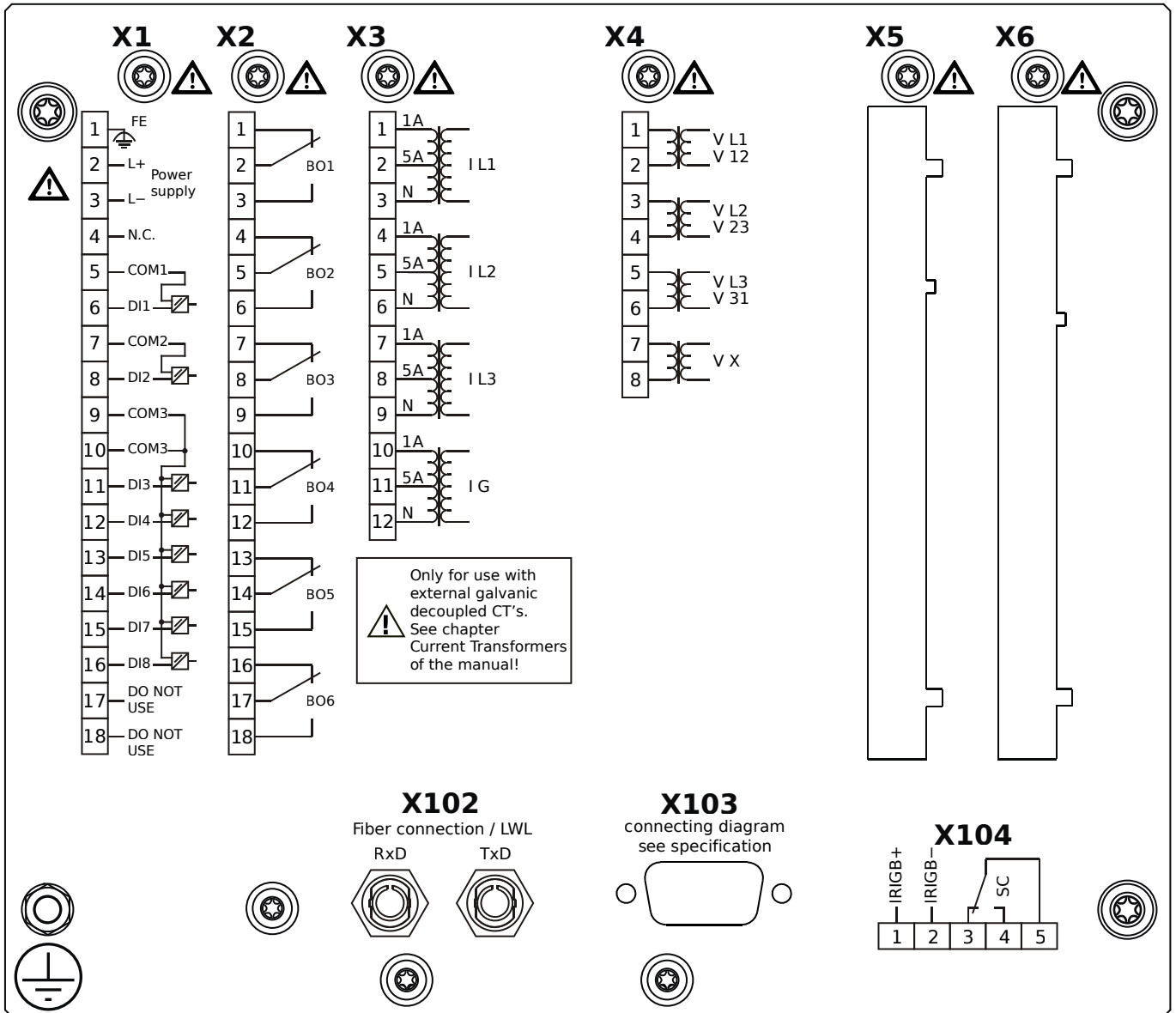
- X1** – DI8-X1: Wide-range power supply unit, incl. 2 non-grouped digital inputs and 6 grouped digital inputs
- X2** – OR-6: Assembly Group with 6 Relay Outputs
- X3** – TI-4: Standard current measuring card
- X4** – TU: Card with 4 voltage transformer measuring inputs
- X102** – Protection Communication, Fiber optics interface, ST Connector
- X103** – Modbus RTU / IEC 60870-5-103 / DNP3.0 RTU, Fiber optics interface, ST Connector
- X104** – IRIG-B00X, incl. System Contact (Supervision Contact)

MCDLV4-2A0B1GA



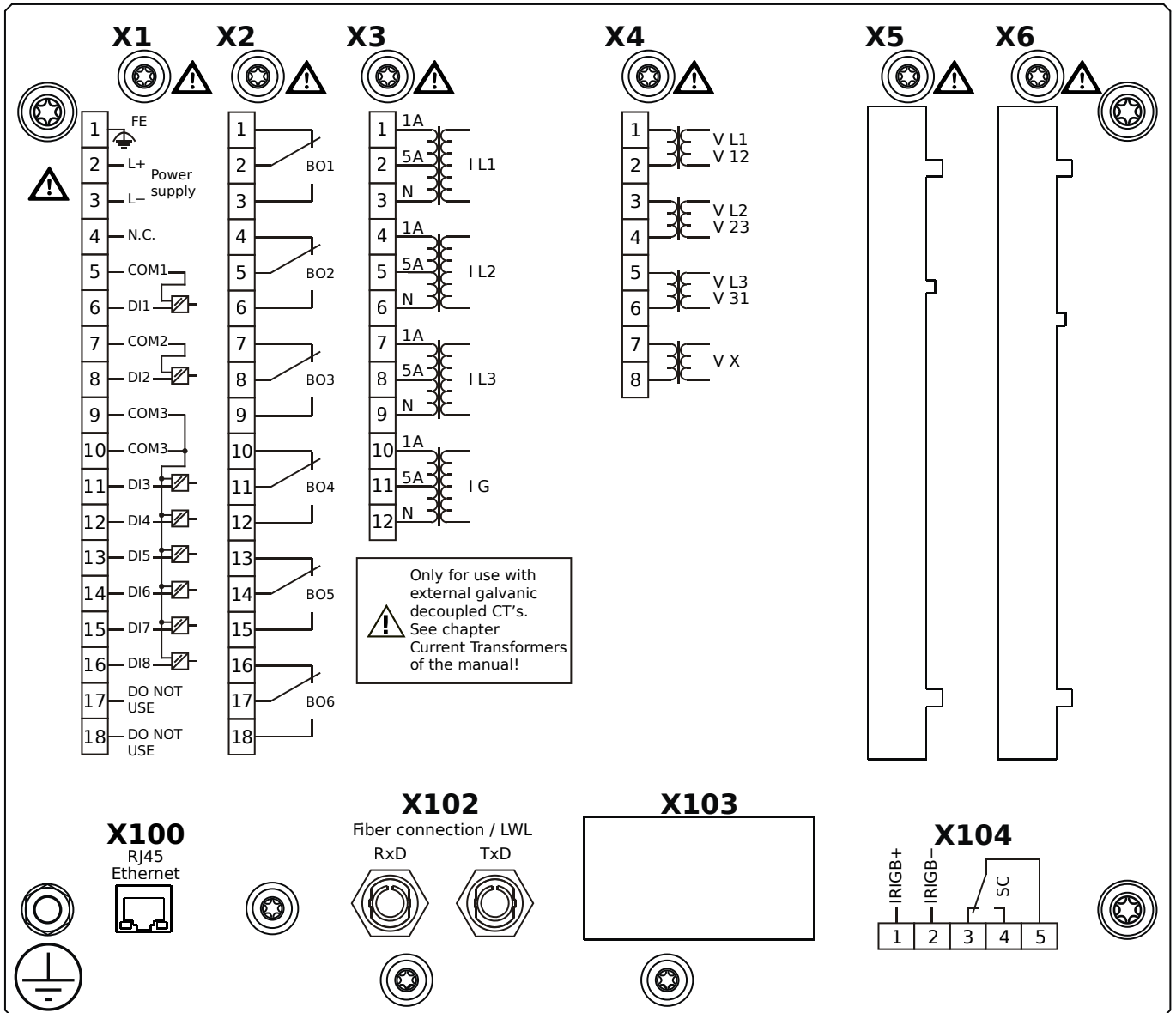
- X1** – DI8-X1: Wide-range power supply unit, incl. 2 non-grouped digital inputs and 6 grouped digital inputs
- X2** – OR-6: Assembly Group with 6 Relay Outputs
- X3** – TI-4: Standard current measuring card
- X4** – TU: Card with 4 voltage transformer measuring inputs
- X102** – Protection Communication, Fiber optics interface, ST Connector
- X103** – Modbus RTU / IEC 60870-5-103 / DNP3.0 RTU, RS485, D-SUB
- X104** – IRIG-B00X, incl. System Contact (Supervision Contact)

MCDLV4-2A0B1GB



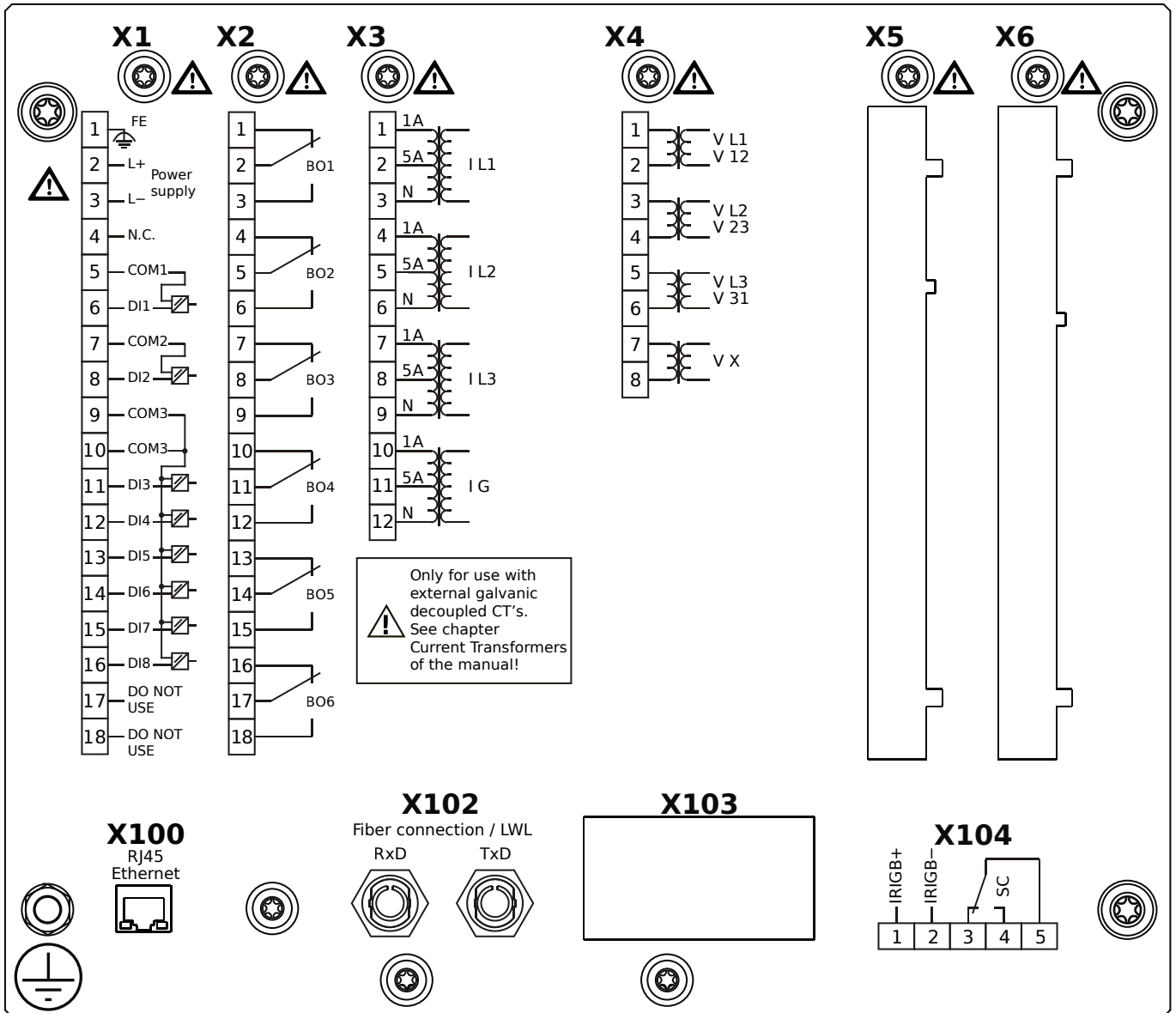
- X1** – DI8-X1: Wide-range power supply unit, incl. 2 non-grouped digital inputs and 6 grouped digital inputs
- X2** – OR-6: Assembly Group with 6 Relay Outputs
- X3** – TI-4: Standard current measuring card
- X4** – TU: Card with 4 voltage transformer measuring inputs
- X102** – Protection Communication, Fiber optics interface, ST Connector
- X103** – Modbus RTU / IEC 60870-5-103 / DNP3.0 RTU, RS485, D-SUB
- X104** – IRIG-B00X, incl. System Contact (Supervision Contact)

MCDLV4-2A0B1HA



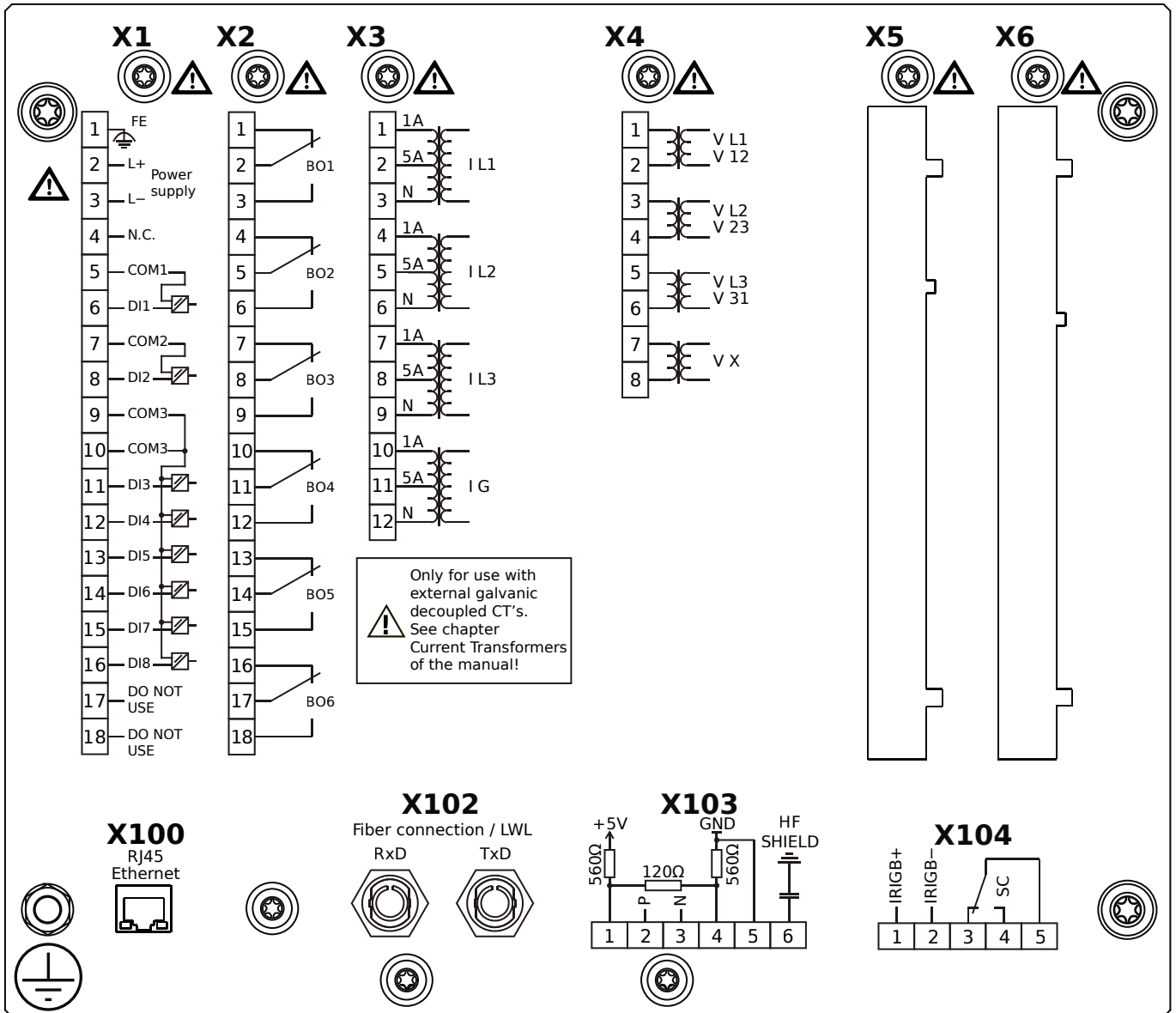
- X1** – DI8-X1: Wide-range power supply unit, incl. 2 non-grouped digital inputs and 6 grouped digital inputs
- X2** – OR-6: Assembly Group with 6 Relay Outputs
- X3** – TI-4: Standard current measuring card
- X4** – TU: Card with 4 voltage transformer measuring inputs
- X100** – IEC 61850 / Modbus TCP / DNP3.0 TCP/UDP, Ethernet interface, 100 Mbit/s, RJ45 (BASE100-FX)
- X102** – Protection Communication, Fiber optics interface, ST Connector
- X104** – IRIG-B00X, incl. System Contact (Supervision Contact)

MCDLV4-2A0B1HB



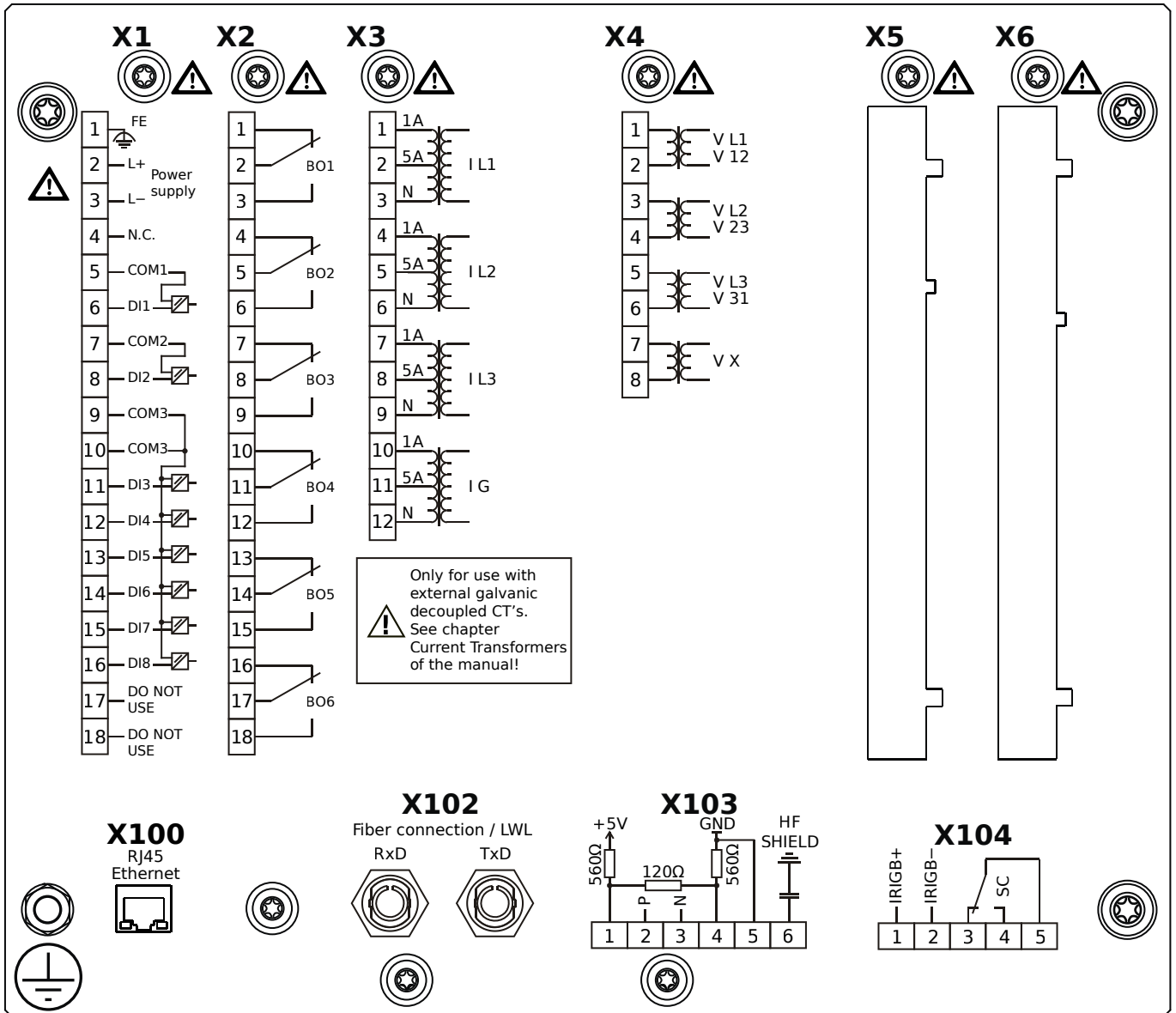
- X1** – DI8-X1: Wide-range power supply unit, incl. 2 non-grouped digital inputs and 6 grouped digital inputs
- X2** – OR-6: Assembly Group with 6 Relay Outputs
- X3** – TI-4: Standard current measuring card
- X4** – TU: Card with 4 voltage transformer measuring inputs
- X100** – IEC 61850 / Modbus TCP / DNP3.0 TCP/UDP, Ethernet interface, 100 Mbit/s, RJ45 (BASE100-FX)
- X102** – Protection Communication, Fiber optics interface, ST Connector
- X104** – IRIG-B00X, incl. System Contact (Supervision Contact)

MCDLV4-2A0B1IA



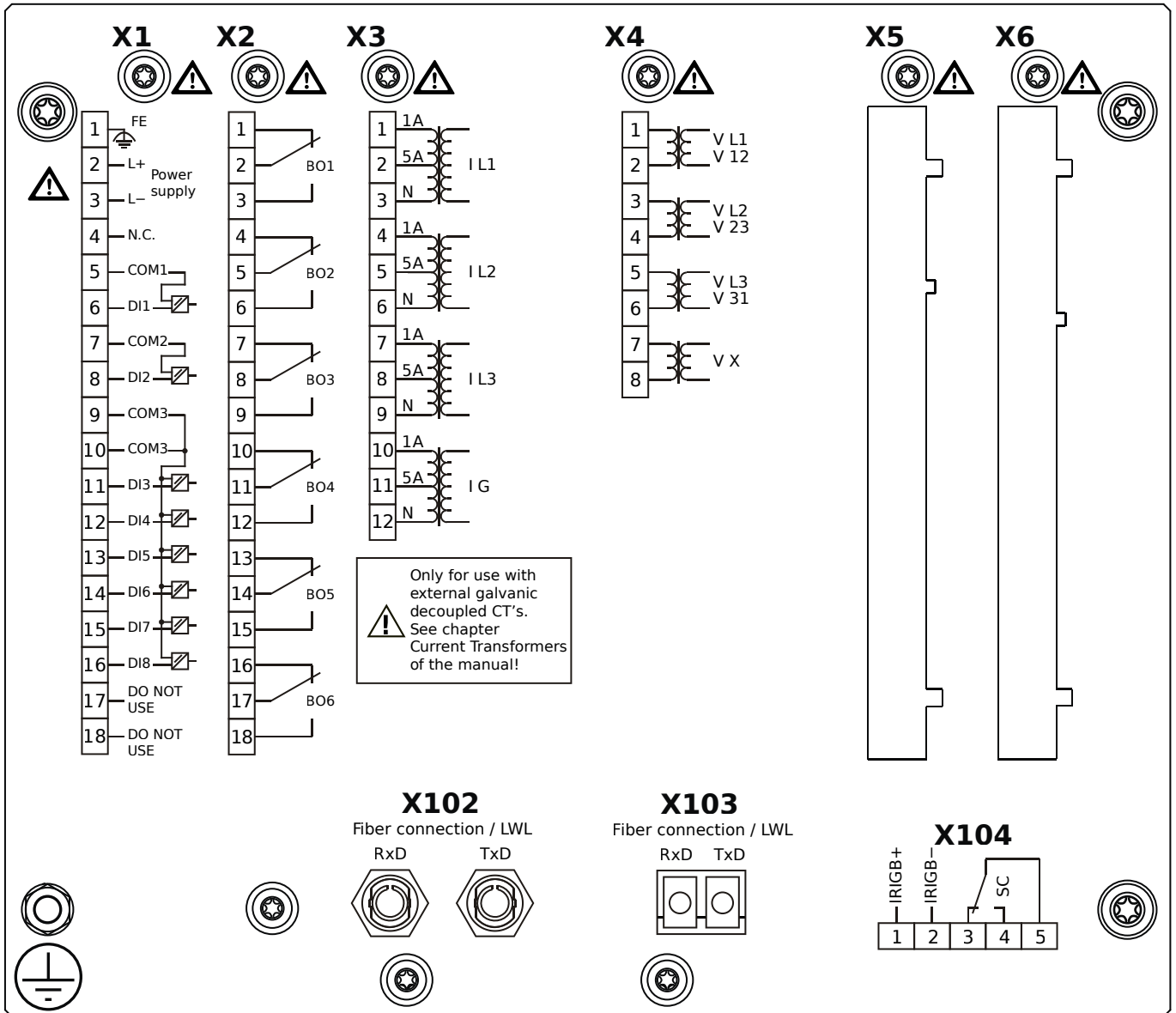
- X1** – DI8-X1: Wide-range power supply unit, incl. 2 non-grouped digital inputs and 6 grouped digital inputs
- X2** – OR-6: Assembly Group with 6 Relay Outputs
- X3** – TI-4: Standard current measuring card
- X4** – TU: Card with 4 voltage transformer measuring inputs
- X100** – Modbus TCP / DNP3.0 TCP/UDP, Ethernet interface, 100 Mbit/s, RJ45 (BASE100-FX)
- X102** – Protection Communication, Fiber optics interface, ST Connector
- X103** – IEC 60870-5-103 / Modbus RTU / DNP3.0 RTU, RS485, Terminals
- X104** – IRIG-B00X, incl. System Contact (Supervision Contact)

MCDLV4-2A0B1IB



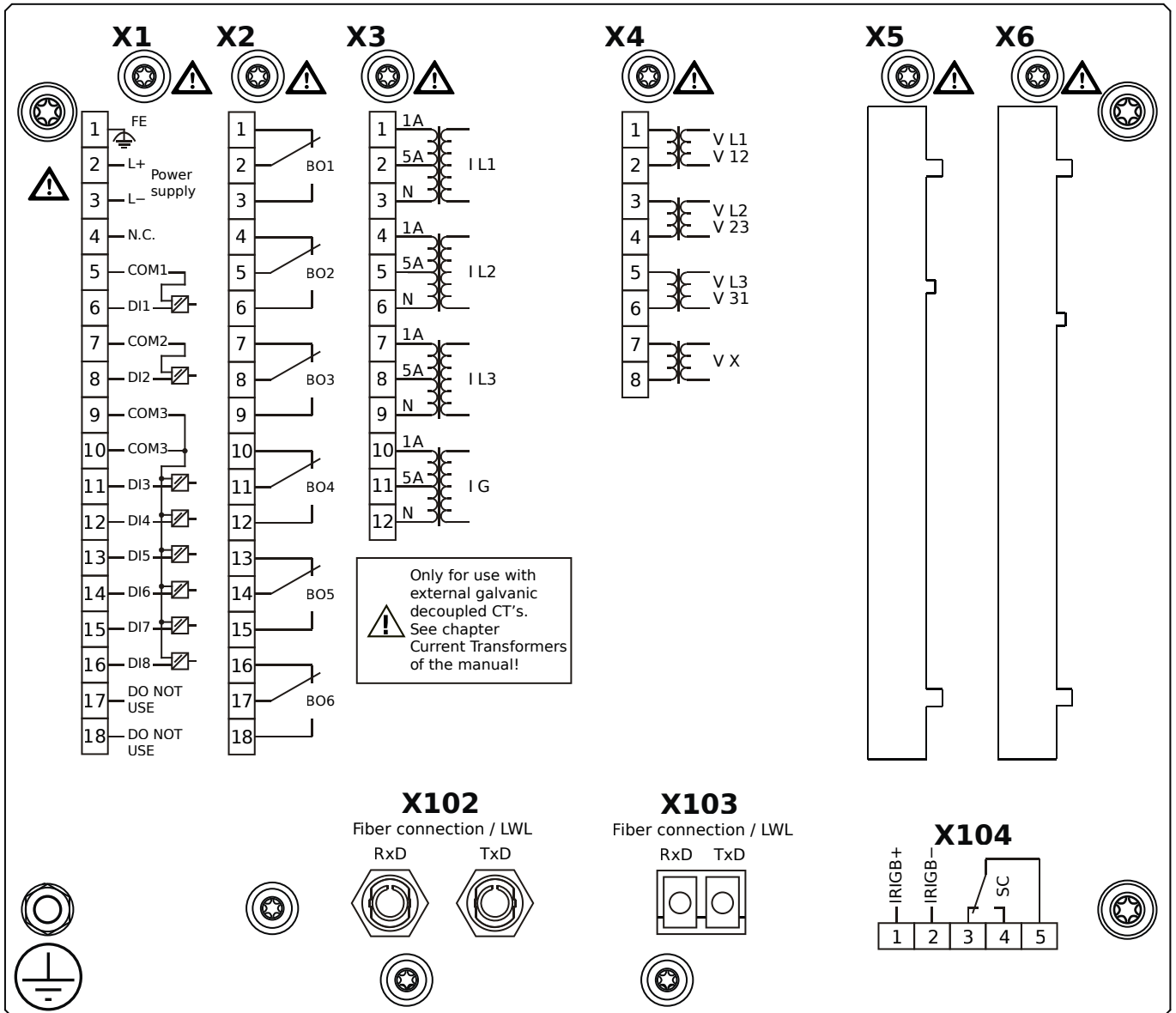
- X1** – DI8-X1: Wide-range power supply unit, incl. 2 non-grouped digital inputs and 6 grouped digital inputs
- X2** – OR-6: Assembly Group with 6 Relay Outputs
- X3** – TI-4: Standard current measuring card
- X4** – TU: Card with 4 voltage transformer measuring inputs
- X100** – Modbus TCP / DNP3.0 TCP/UDP, Ethernet interface, 100 Mbit/s, RJ45 (BASE100-FX)
- X102** – Protection Communication, Fiber optics interface, ST Connector
- X103** – IEC 60870-5-103 / Modbus RTU / DNP3.0 RTU, RS485, Terminals
- X104** – IRIG-B00X, incl. System Contact (Supervision Contact)

MCDLV4-2A0B1KA



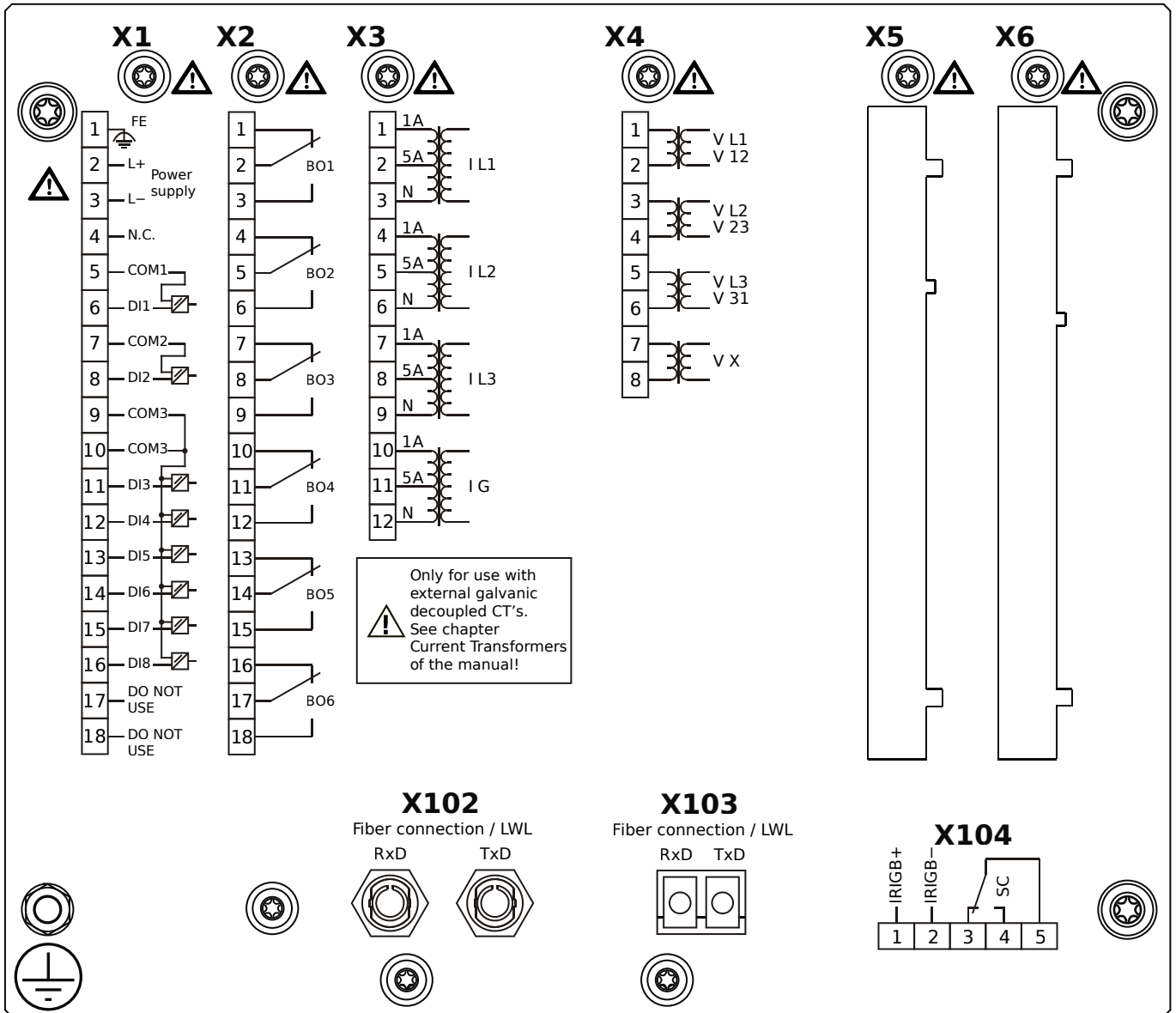
- X1** – DI8-X1: Wide-range power supply unit, incl. 2 non-grouped digital inputs and 6 grouped digital inputs
- X2** – OR-6: Assembly Group with 6 Relay Outputs
- X3** – TI-4: Standard current measuring card
- X4** – TU: Card with 4 voltage transformer measuring inputs
- X102** – Protection Communication, Fiber optics interface, ST Connector
- X103** – IEC 61850 / Modbus TCP / DNP3.0 TCP/UDP, Fiber optics interface, LC Connector
- X104** – IRIG-B00X, incl. System Contact (Supervision Contact)

MCDLV4-2A0B1KB



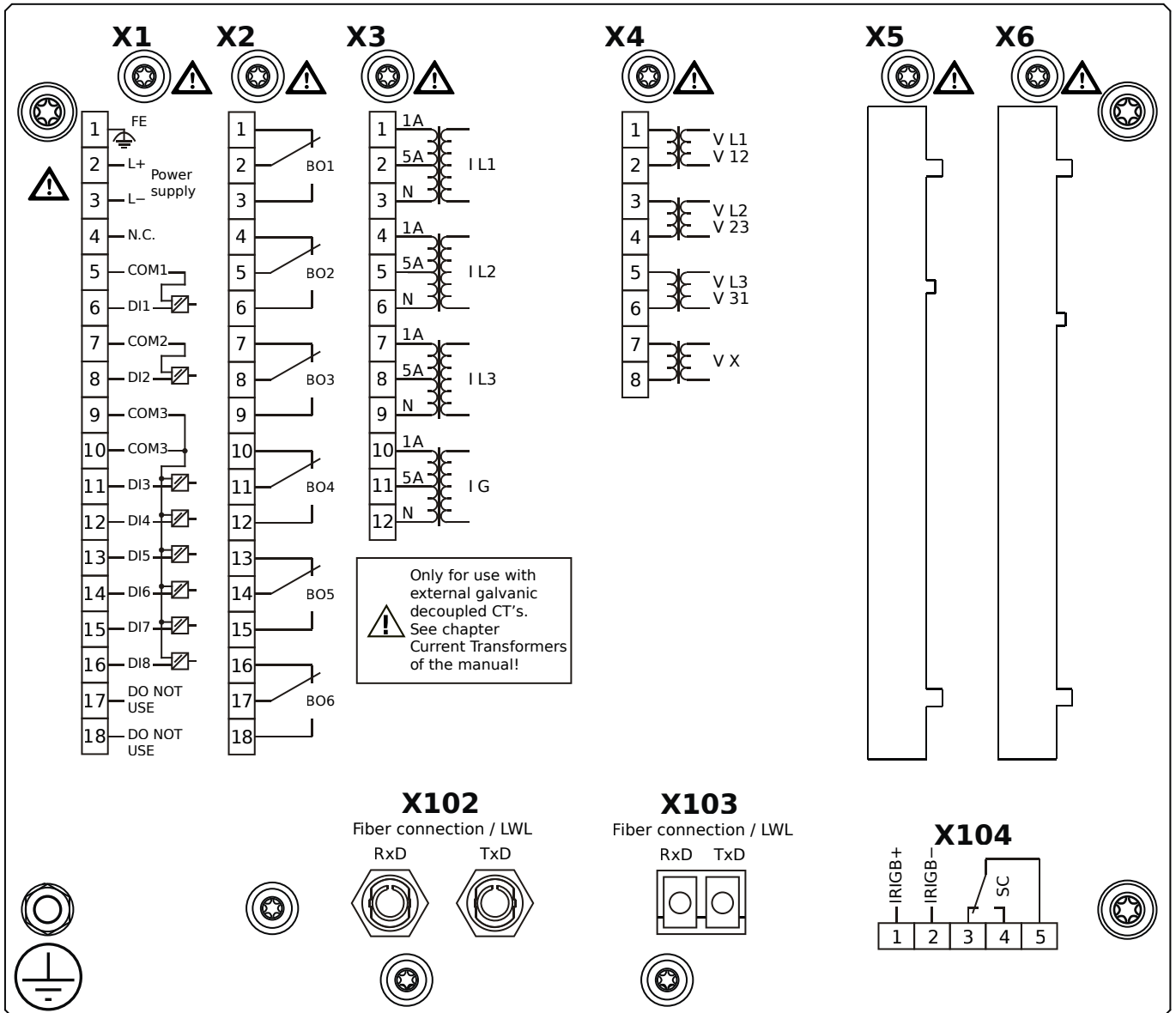
- X1** – DI8-X1: Wide-range power supply unit, incl. 2 non-grouped digital inputs and 6 grouped digital inputs
- X2** – OR-6: Assembly Group with 6 Relay Outputs
- X3** – TI-4: Standard current measuring card
- X4** – TU: Card with 4 voltage transformer measuring inputs
- X102** – Protection Communication, Fiber optics interface, ST Connector
- X103** – IEC 61850 / Modbus TCP / DNP3.0 TCP/UDP, Fiber optics interface, LC Connector
- X104** – IRIG-B00X, incl. System Contact (Supervision Contact)

MCDLV4-2A0B1LA



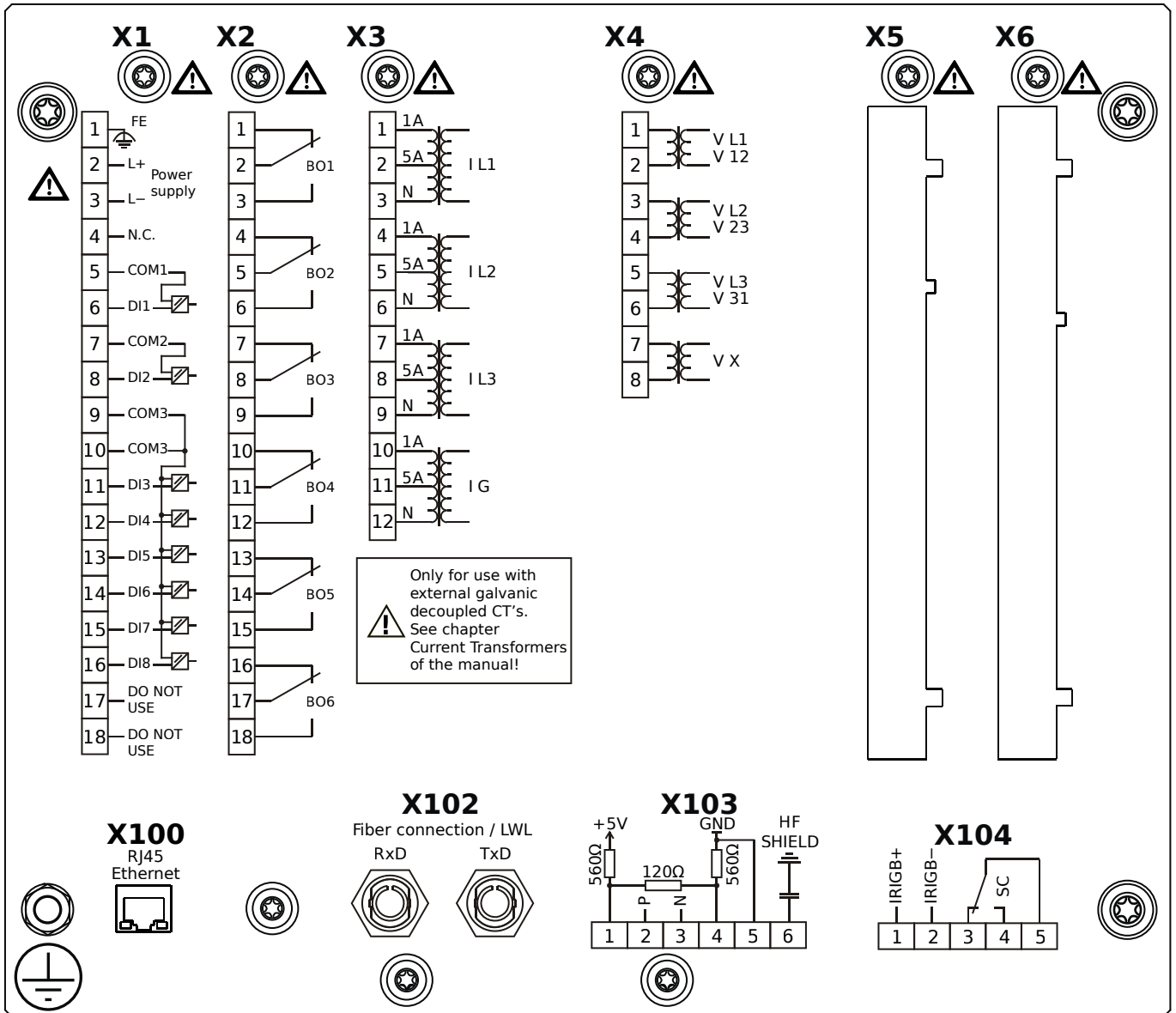
- X1** – DI8-X1: Wide-range power supply unit, incl. 2 non-grouped digital inputs and 6 grouped digital inputs
- X2** – OR-6: Assembly Group with 6 Relay Outputs
- X3** – TI-4: Standard current measuring card
- X4** – TU: Card with 4 voltage transformer measuring inputs
- X102** – Protection Communication, Fiber optics interface, ST Connector
- X103** – Modbus TCP / DNP3.0 TCP/UDP, Fiber optics interface, LC Connector
- X104** – IRIG-B00X, incl. System Contact (Supervision Contact)

MCDLV4-2A0B1LB



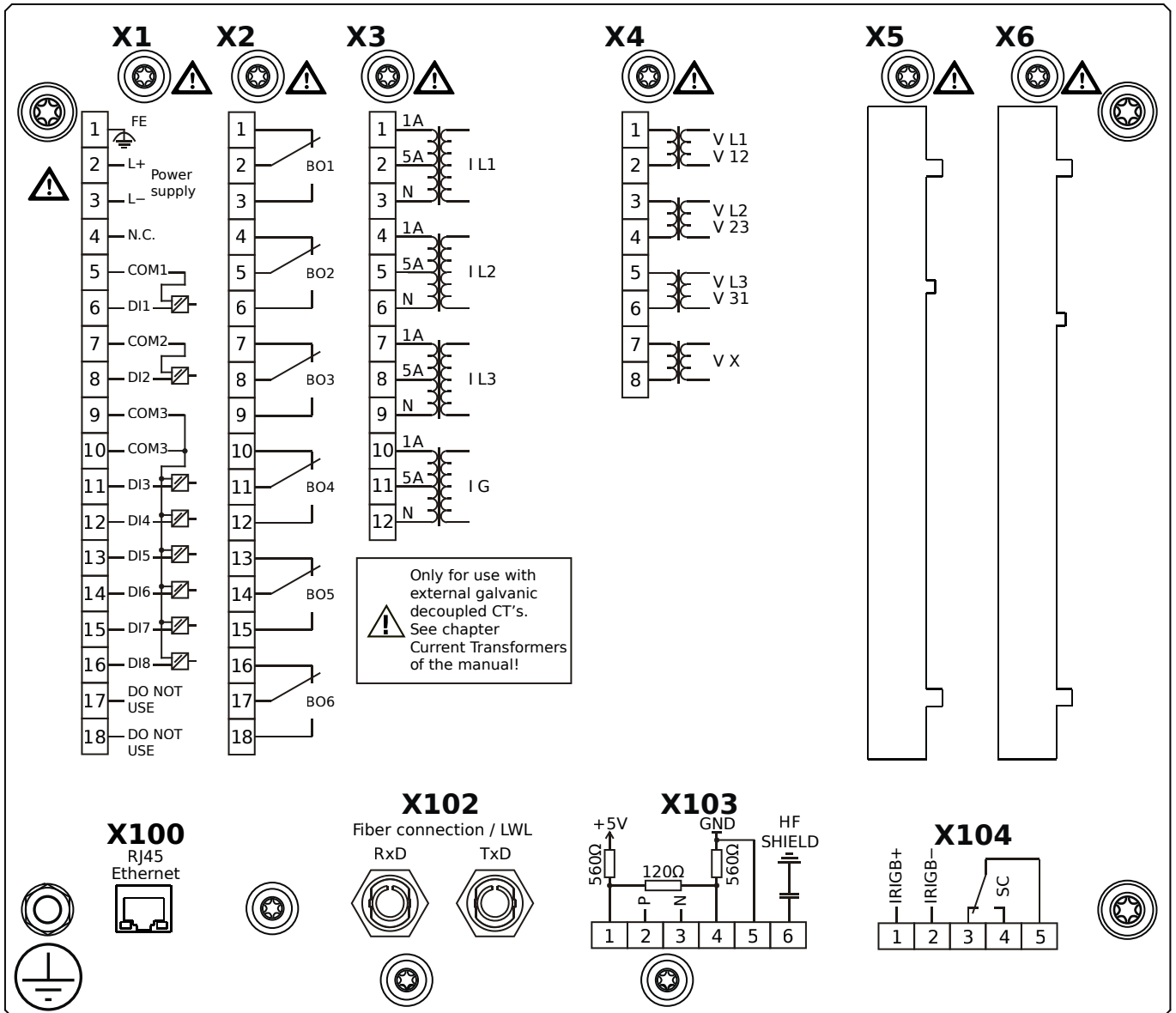
- X1** – DI8-X1: Wide-range power supply unit, incl. 2 non-grouped digital inputs and 6 grouped digital inputs
- X2** – OR-6: Assembly Group with 6 Relay Outputs
- X3** – TI-4: Standard current measuring card
- X4** – TU: Card with 4 voltage transformer measuring inputs
- X102** – Protection Communication, Fiber optics interface, ST Connector
- X103** – Modbus TCP / DNP3.0 TCP/UDP, Fiber optics interface, LC Connector
- X104** – IRIG-B00X, incl. System Contact (Supervision Contact)

MCDLV4-2A0B1TA



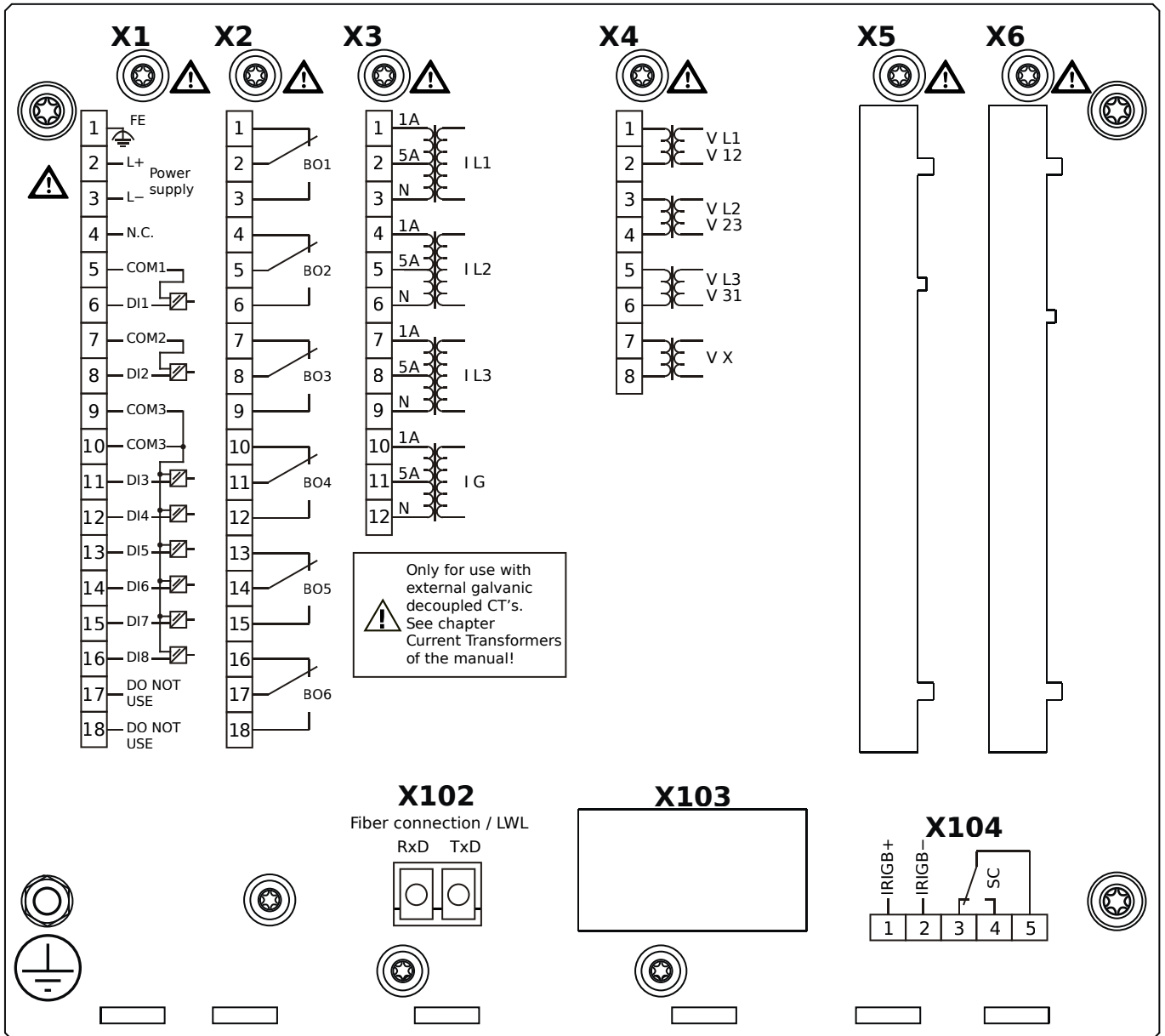
- X1** – DI8-X1: Wide-range power supply unit, incl. 2 non-grouped digital inputs and 6 grouped digital inputs
- X2** – OR-6: Assembly Group with 6 Relay Outputs
- X3** – TI-4: Standard current measuring card
- X4** – TU: Card with 4 voltage transformer measuring inputs
- X100** – IEC 61850 / Modbus TCP / DNP3.0 TCP/UDP, Ethernet interface, 100 Mbit/s, RJ45 (BASE100-FX)
- X102** – Protection Communication, Fiber optics interface, ST Connector
- X103** – IEC 60870-5-103 / Modbus RTU / DNP3.0 RTU, RS485, Terminals
- X104** – IRIG-B00X, incl. System Contact (Supervision Contact)

MCDLV4-2A0B1TB



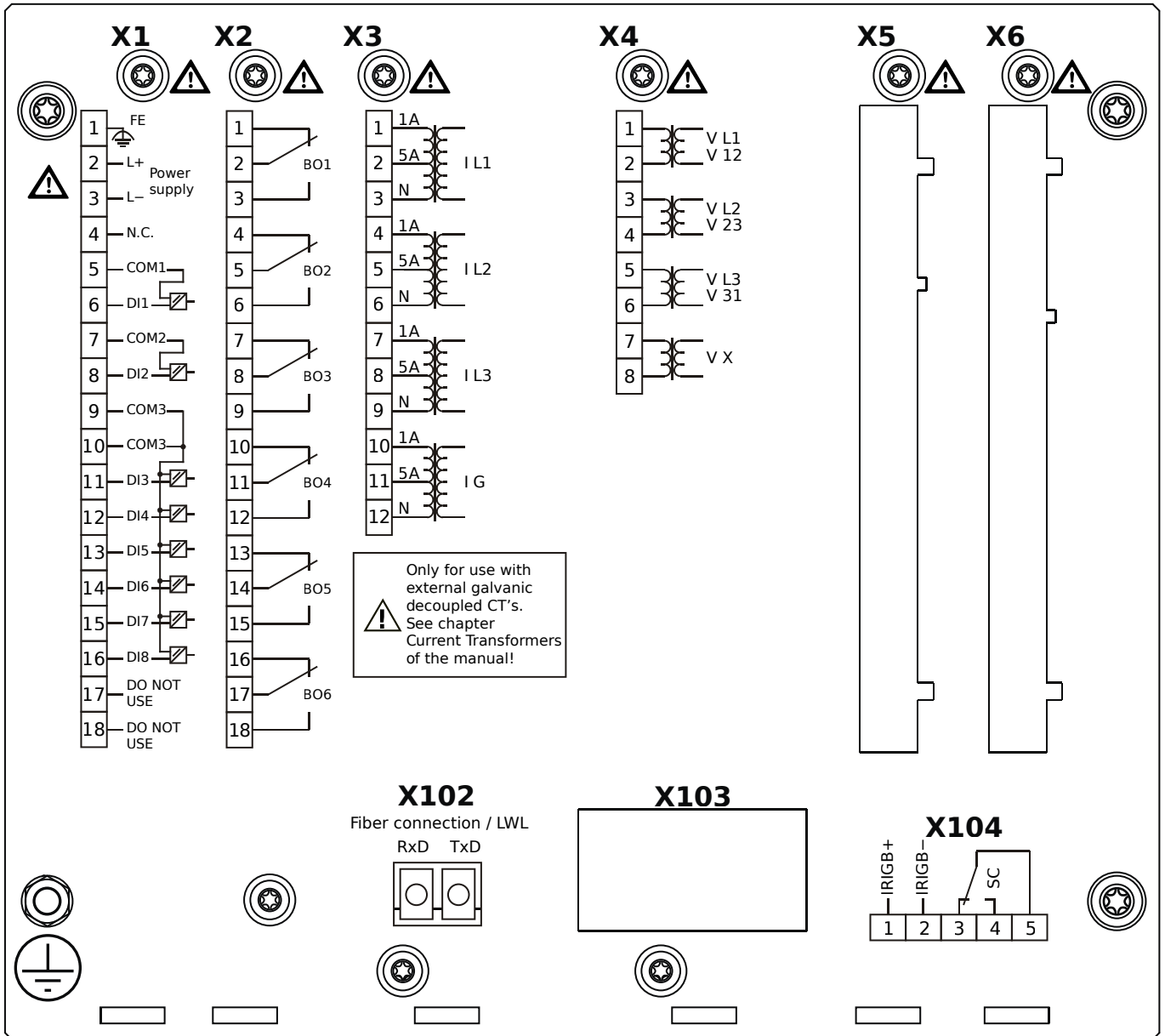
- X1** – DI8-X1: Wide-range power supply unit, incl. 2 non-grouped digital inputs and 6 grouped digital inputs
- X2** – OR-6: Assembly Group with 6 Relay Outputs
- X3** – TI-4: Standard current measuring card
- X4** – TU: Card with 4 voltage transformer measuring inputs
- X100** – IEC 61850 / Modbus TCP / DNP3.0 TCP/UDP, Ethernet interface, 100 Mbit/s, RJ45 (BASE100-FX)
- X102** – Protection Communication, Fiber optics interface, ST Connector
- X103** – IEC 60870-5-103 / Modbus RTU / DNP3.0 RTU, RS485, Terminals
- X104** – IRIG-B00X, incl. System Contact (Supervision Contact)

MCDLV4-2A0H0AA



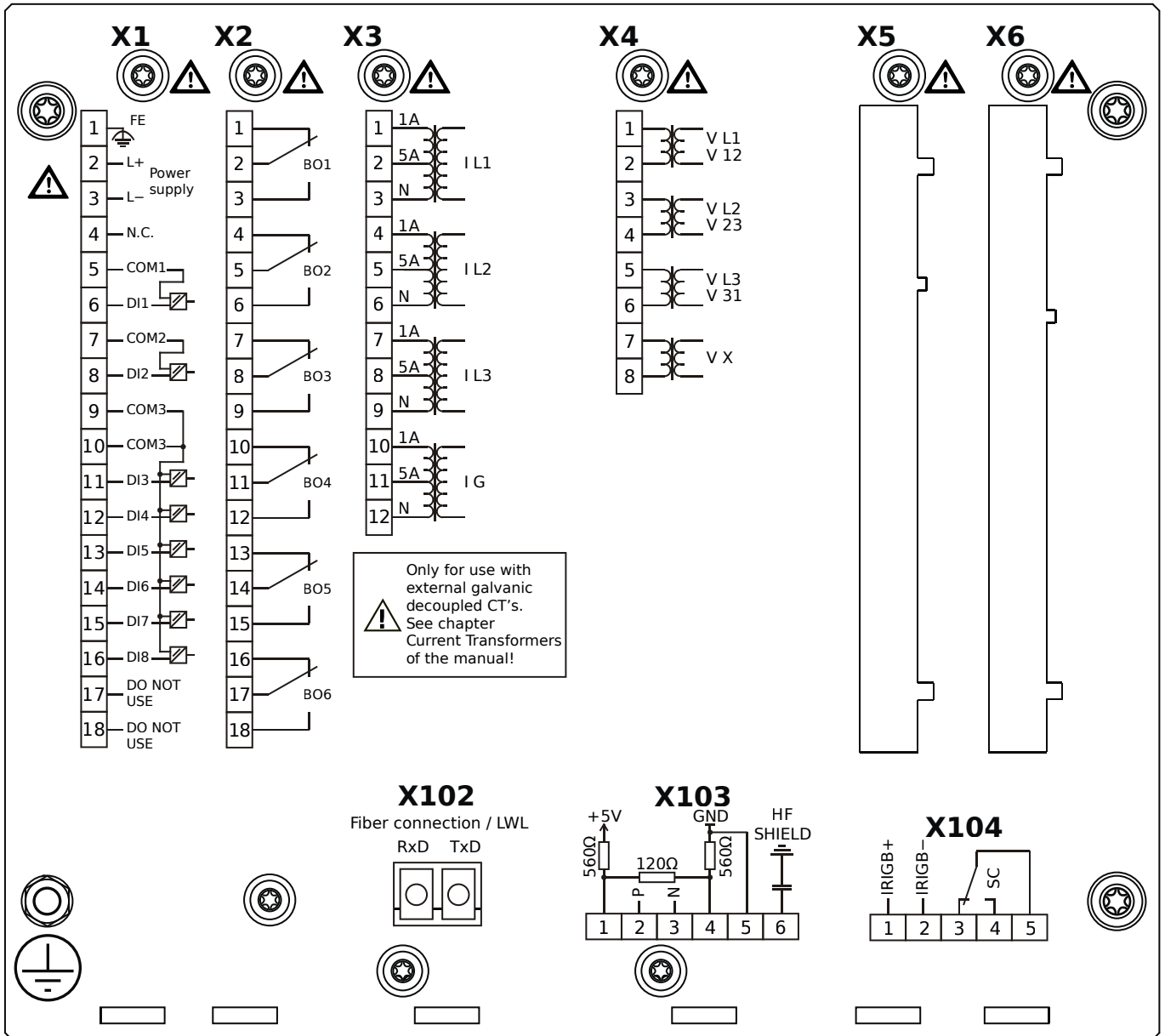
- X1** – DI8-X1: Wide-range power supply unit, incl. 2 non-grouped digital inputs and 6 grouped digital inputs
- X2** – OR-6: Assembly Group with 6 Relay Outputs
- X3** – TI-4: Standard current measuring card
- X4** – TU: Card with 4 voltage transformer measuring inputs
- X102** – Long-distance Protection Communication, Fiber optics interface, LC Connector
- X104** – IRIG-B00X, incl. System Contact (Supervision Contact)

MCDLV4-2A0H0AB



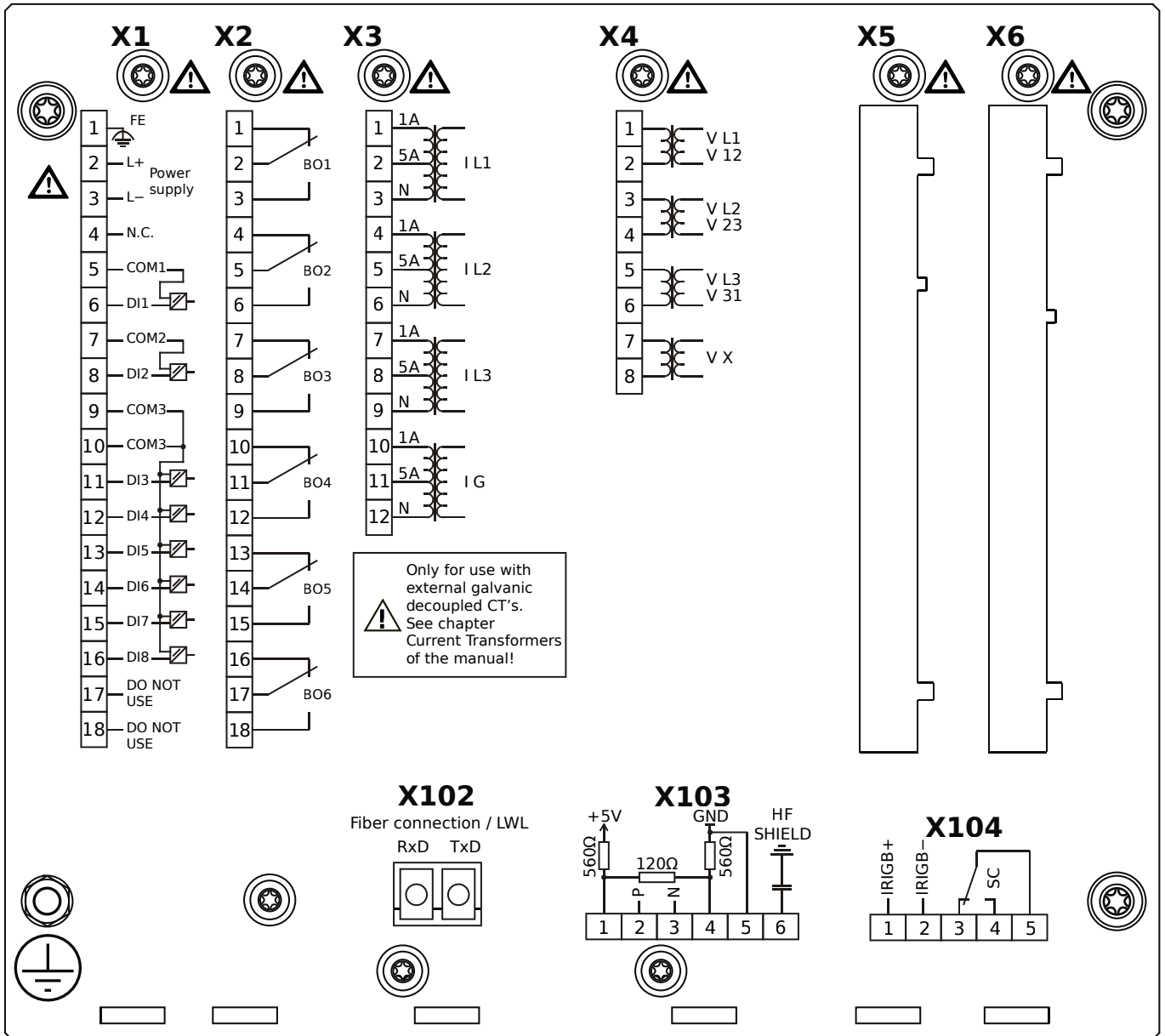
- X1** – DI8-X1: Wide-range power supply unit, incl. 2 non-grouped digital inputs and 6 grouped digital inputs
- X2** – OR-6: Assembly Group with 6 Relay Outputs
- X3** – TI-4: Standard current measuring card
- X4** – TU: Card with 4 voltage transformer measuring inputs
- X102** – Long-distance Protection Communication, Fiber optics interface, LC Connector
- X104** – IRIG-B00X, incl. System Contact (Supervision Contact)

MCDLV4-2A0H0BA



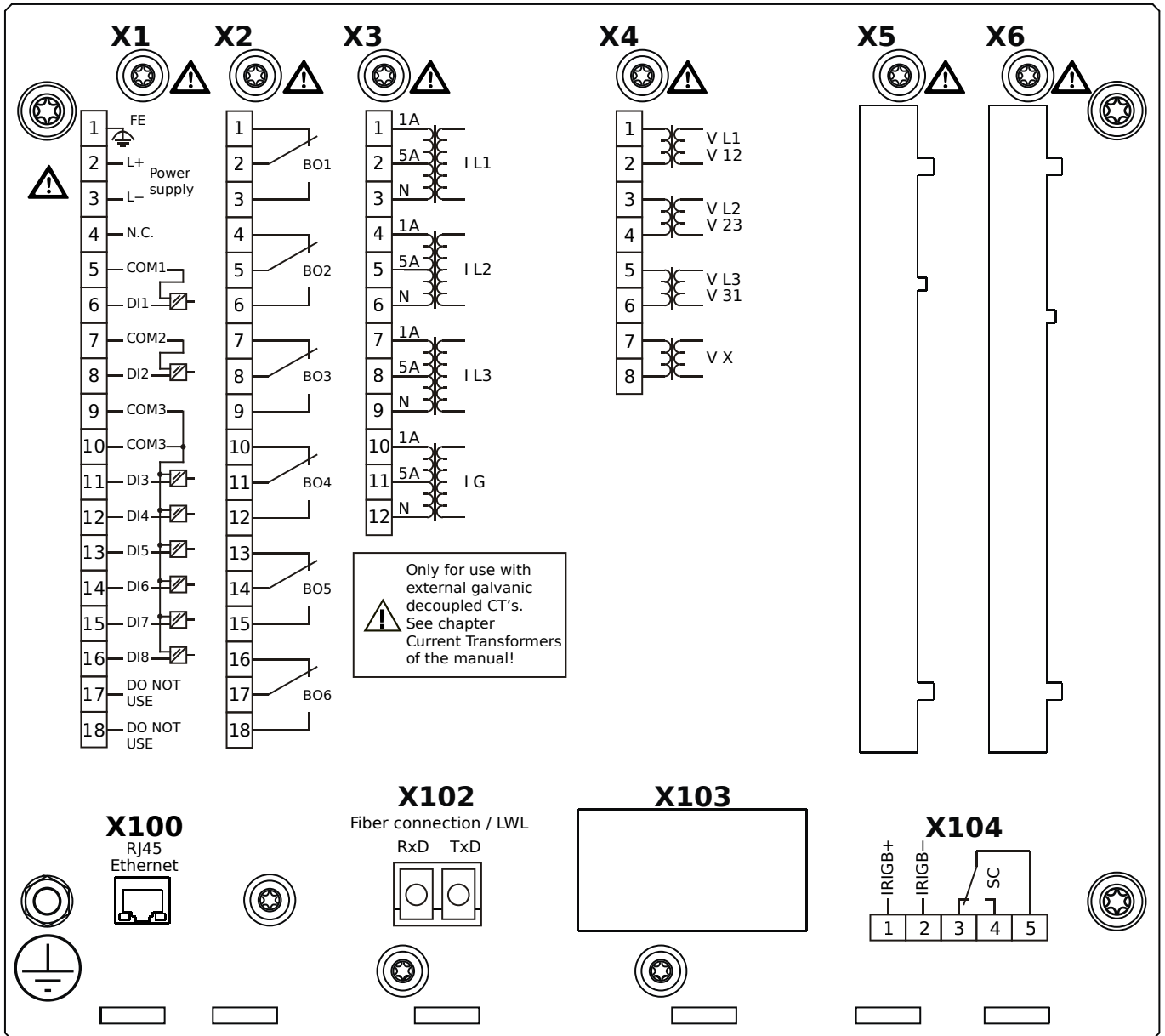
- X1** – DI8-X1: Wide-range power supply unit, incl. 2 non-grouped digital inputs and 6 grouped digital inputs
- X2** – OR-6: Assembly Group with 6 Relay Outputs
- X3** – TI-4: Standard current measuring card
- X4** – TU: Card with 4 voltage transformer measuring inputs
- X102** – Long-distance Protection Communication, Fiber optics interface, LC Connector
- X103** – Modbus RTU / IEC 60870-5-103 / DNP3.0 RTU, RS485, Terminals
- X104** – IRIG-B00X, incl. System Contact (Supervision Contact)

MCDLV4-2A0H0BB



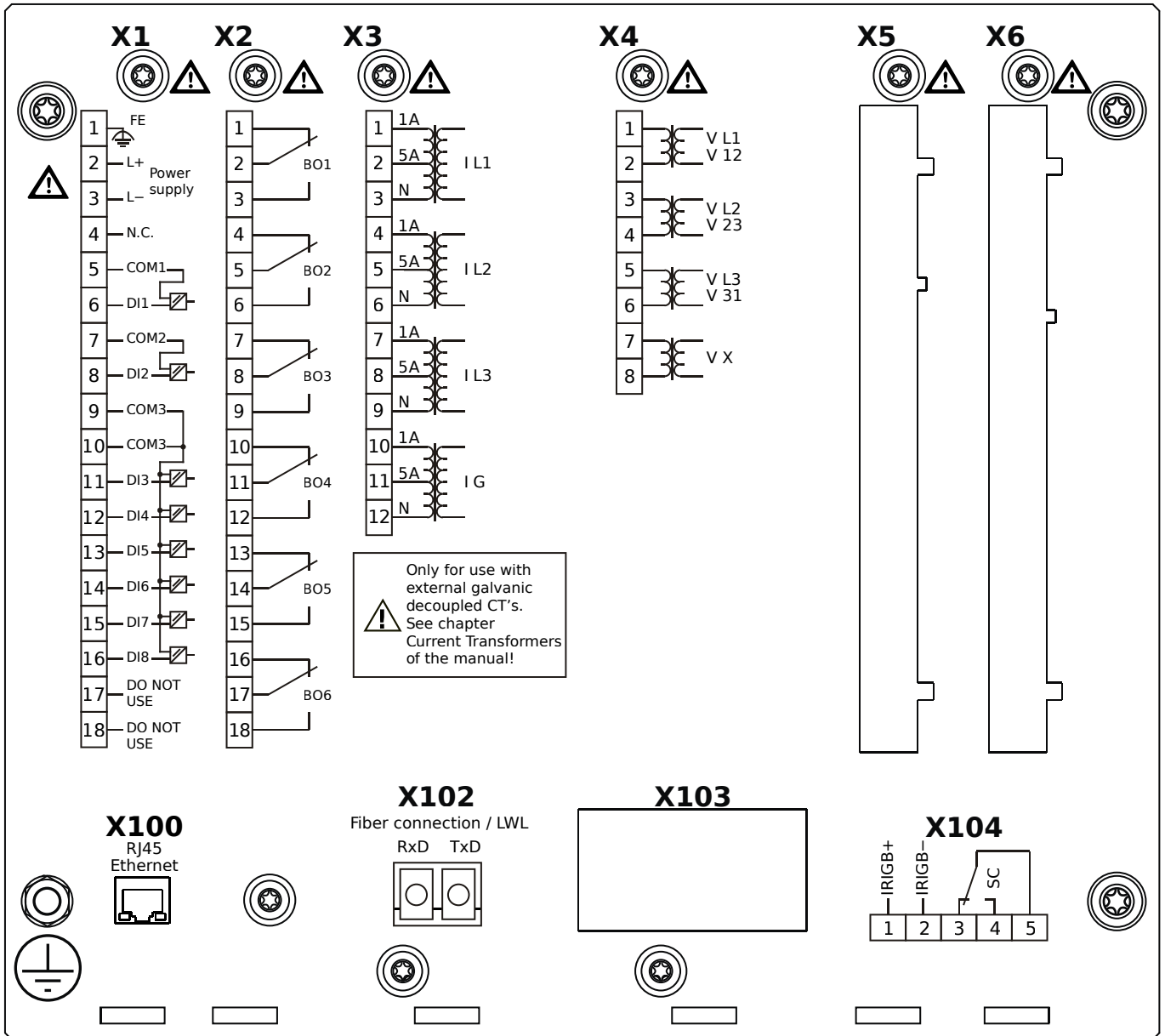
- X1** – DI8-X1: Wide-range power supply unit, incl. 2 non-grouped digital inputs and 6 grouped digital inputs
- X2** – OR-6: Assembly Group with 6 Relay Outputs
- X3** – TI-4: Standard current measuring card
- X4** – TU: Card with 4 voltage transformer measuring inputs
- X102** – Long-distance Protection Communication, Fiber optics interface, LC Connector
- X103** – Modbus RTU / IEC 60870-5-103 / DNP3.0 RTU, RS485, Terminals
- X104** – IRIG-B00X, incl. System Contact (Supervision Contact)

MCDLV4-2A0H0CA



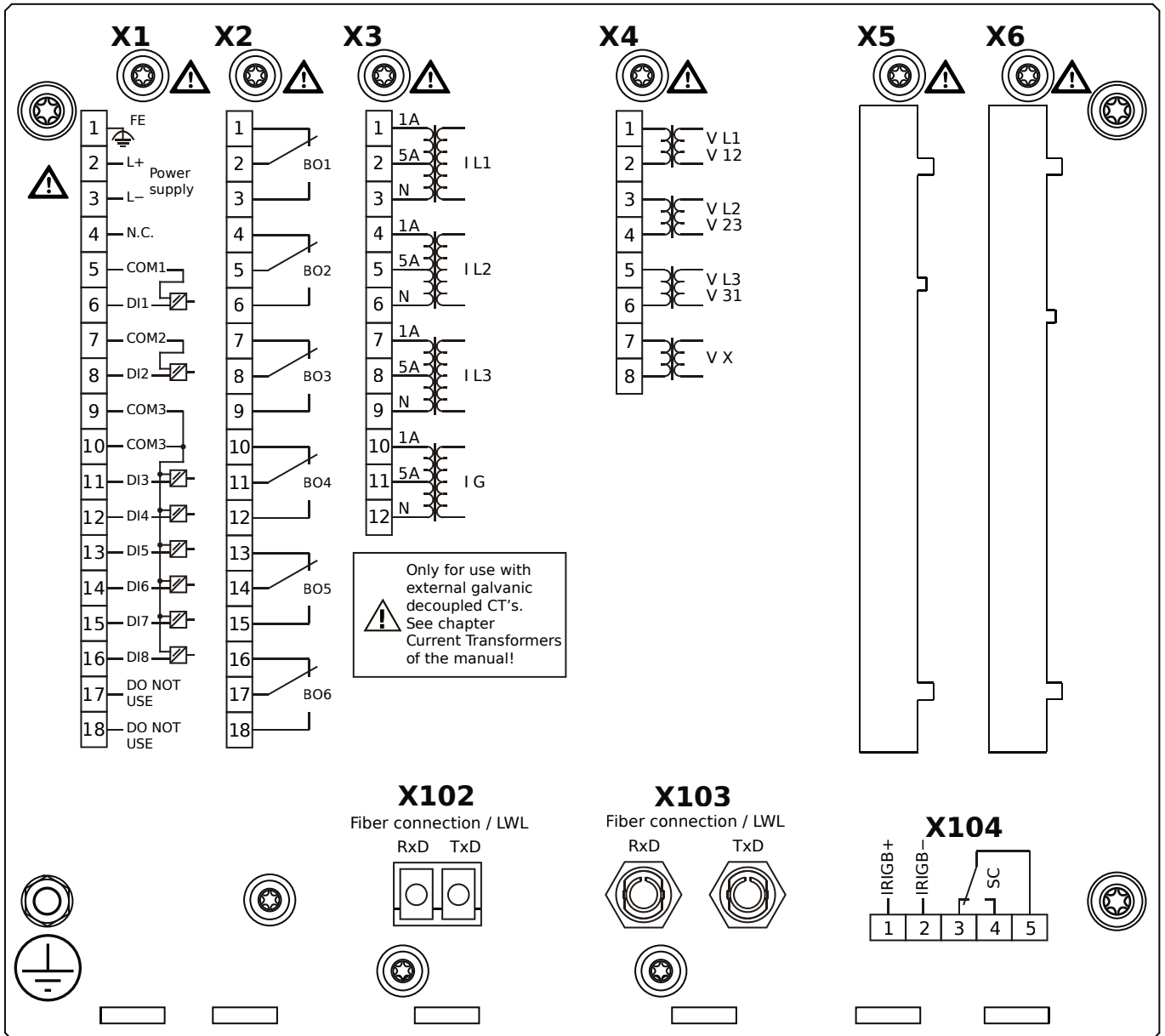
- X1** – DI8-X1: Wide-range power supply unit, incl. 2 non-grouped digital inputs and 6 grouped digital inputs
- X2** – OR-6: Assembly Group with 6 Relay Outputs
- X3** – TI-4: Standard current measuring card
- X4** – TU: Card with 4 voltage transformer measuring inputs
- X100** – Modbus TCP / DNP3.0 TCP/UDP, Ethernet interface, 100 Mbit/s, RJ45 (BASE100-FX)
- X102** – Long-distance Protection Communication, Fiber optics interface, LC Connector
- X104** – IRIG-B00X, incl. System Contact (Supervision Contact)

MCDLV4-2A0H0CB



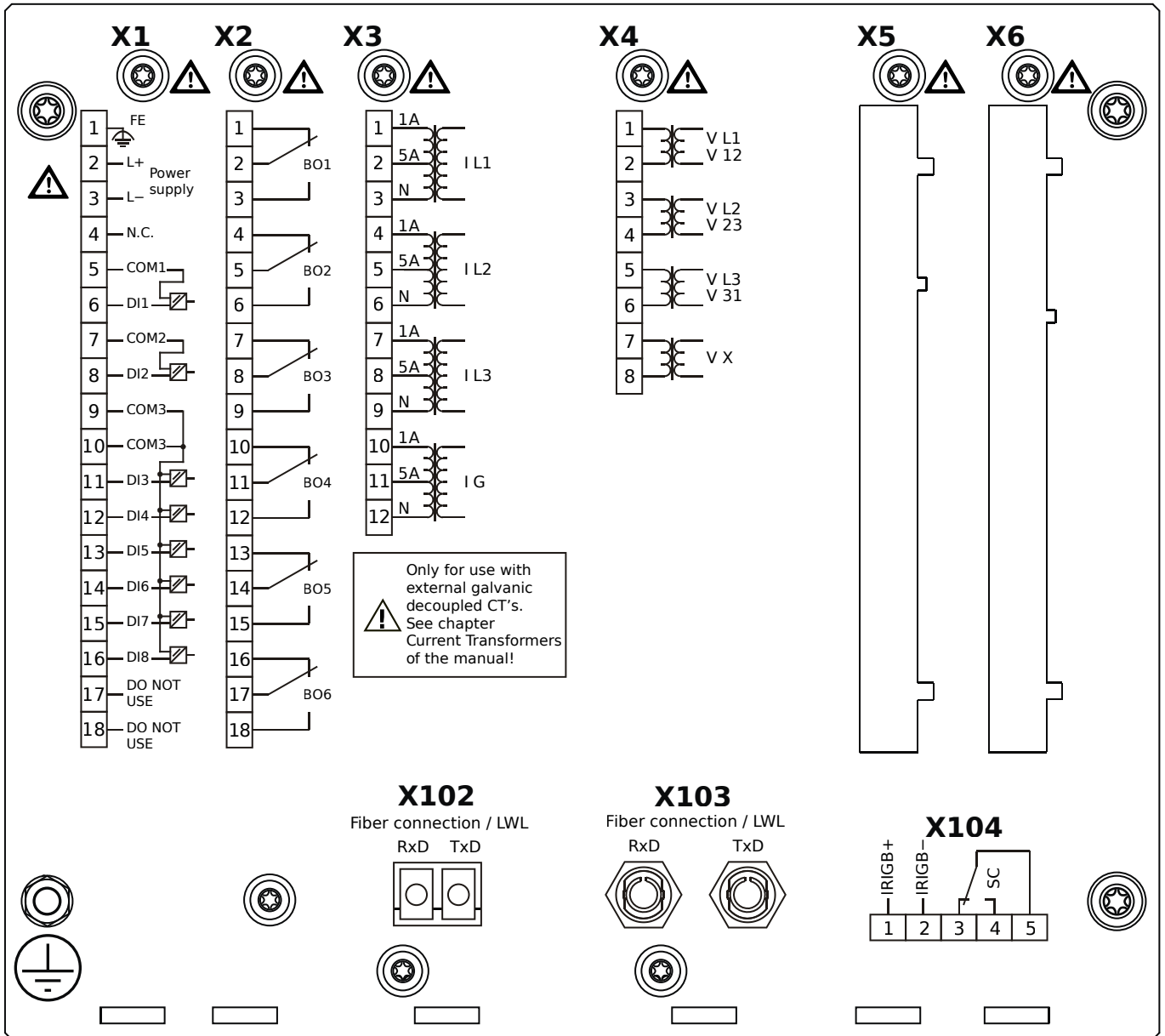
- X1** – DI8-X1: Wide-range power supply unit, incl. 2 non-grouped digital inputs and 6 grouped digital inputs
- X2** – OR-6: Assembly Group with 6 Relay Outputs
- X3** – TI-4: Standard current measuring card
- X4** – TU: Card with 4 voltage transformer measuring inputs
- X100** – Modbus TCP / DNP3.0 TCP/UDP, Ethernet interface, 100 Mbit/s, RJ45 (BASE100-FX)
- X102** – Long-distance Protection Communication, Fiber optics interface, LC Connector
- X104** – IRIG-B00X, incl. System Contact (Supervision Contact)

MCDLV4-2A0H0DA



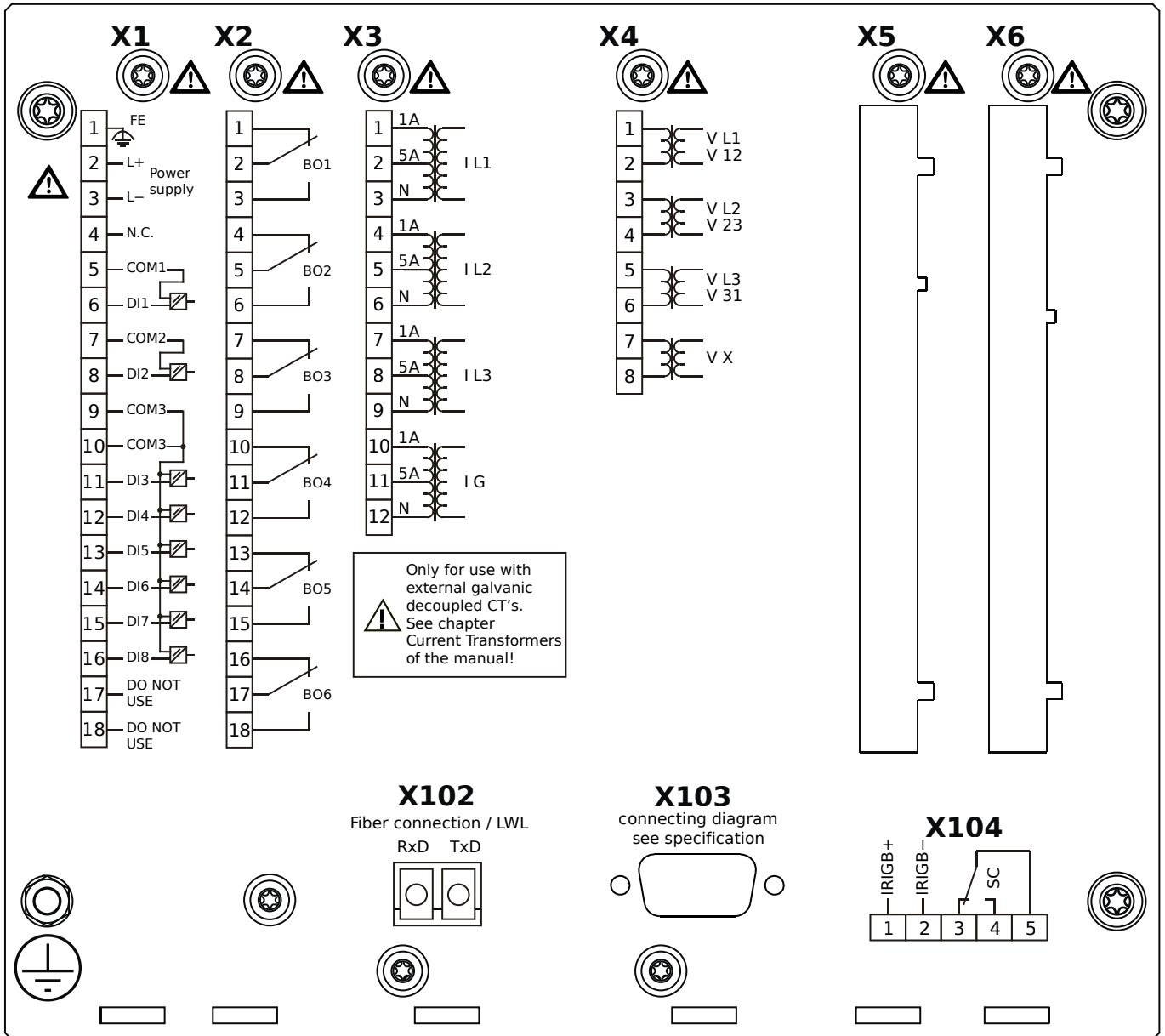
- X1** – DI8-X1: Wide-range power supply unit, incl. 2 non-grouped digital inputs and 6 grouped digital inputs
- X2** – OR-6: Assembly Group with 6 Relay Outputs
- X3** – TI-4: Standard current measuring card
- X4** – TU: Card with 4 voltage transformer measuring inputs
- X102** – Long-distance Protection Communication, Fiber optics interface, LC Connector
- X103** – Profibus-DP, Fiber optics interface, ST Connector
- X104** – IRIG-B00X, incl. System Contact (Supervision Contact)

MCDLV4-2A0H0DB



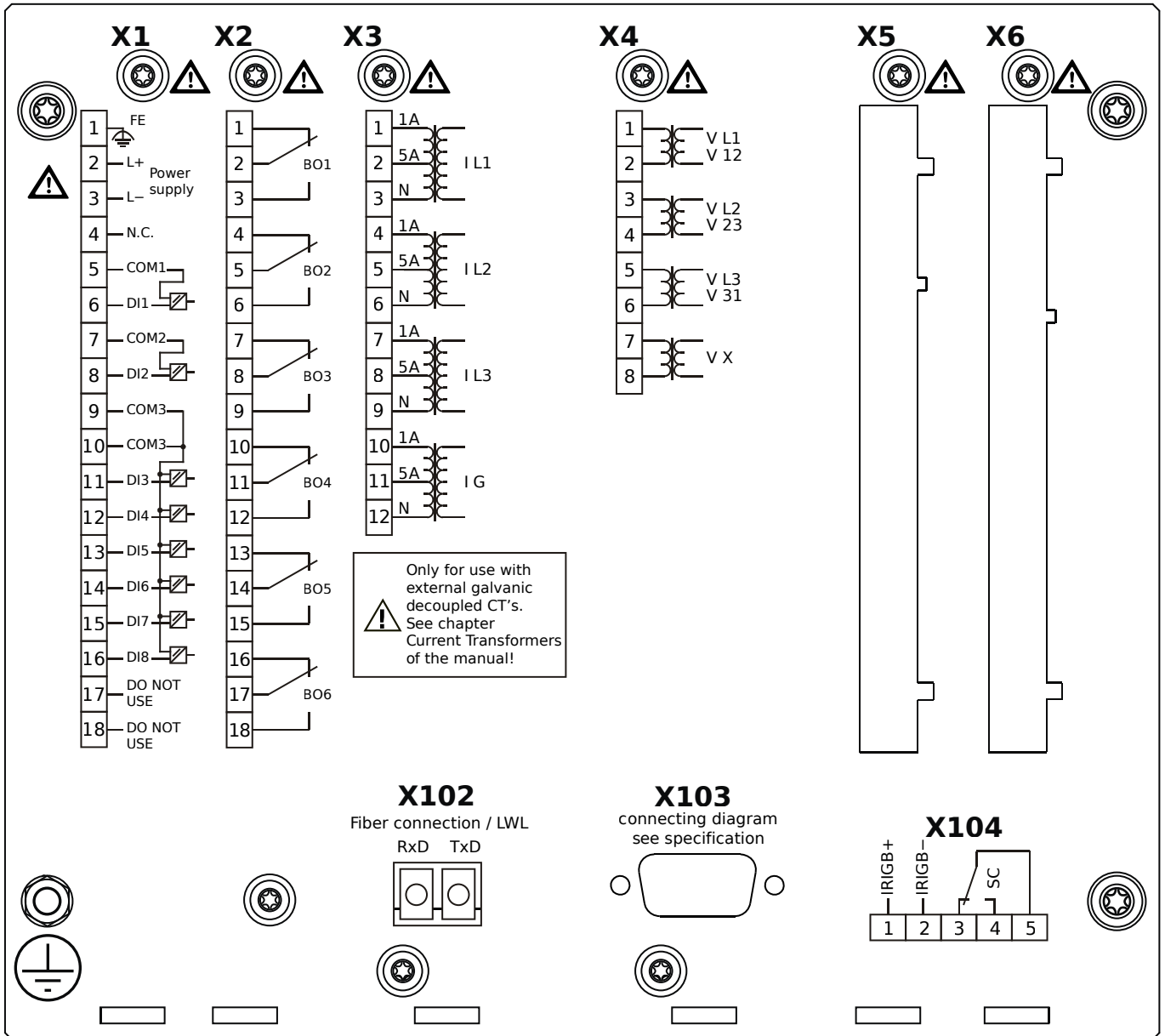
- X1** – DI8-X1: Wide-range power supply unit, incl. 2 non-grouped digital inputs and 6 grouped digital inputs
- X2** – OR-6: Assembly Group with 6 Relay Outputs
- X3** – TI-4: Standard current measuring card
- X4** – TU: Card with 4 voltage transformer measuring inputs
- X102** – Long-distance Protection Communication, Fiber optics interface, LC Connector
- X103** – Profibus-DP, Fiber optics interface, ST Connector
- X104** – IRIG-B00X, incl. System Contact (Supervision Contact)

MCDLV4-2A0H0EA



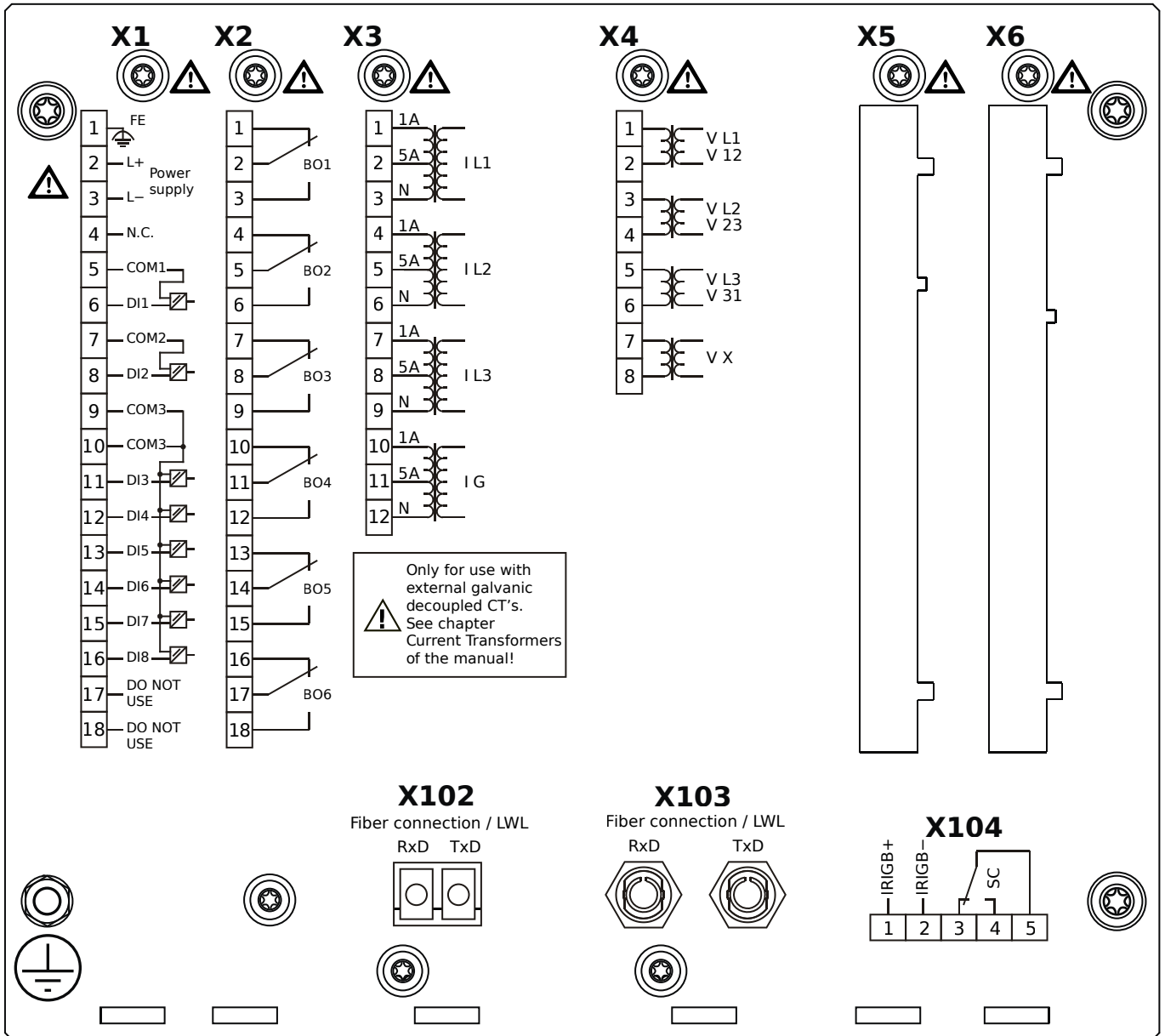
- X1** – DI8-X1: Wide-range power supply unit, incl. 2 non-grouped digital inputs and 6 grouped digital inputs
- X2** – OR-6: Assembly Group with 6 Relay Outputs
- X3** – TI-4: Standard current measuring card
- X4** – TU: Card with 4 voltage transformer measuring inputs
- X102** – Long-distance Protection Communication, Fiber optics interface, LC Connector
- X103** – Profibus-DP, RS485, D-SUB
- X104** – IRIG-B00X, incl. System Contact (Supervision Contact)

MCDLV4-2A0H0EB



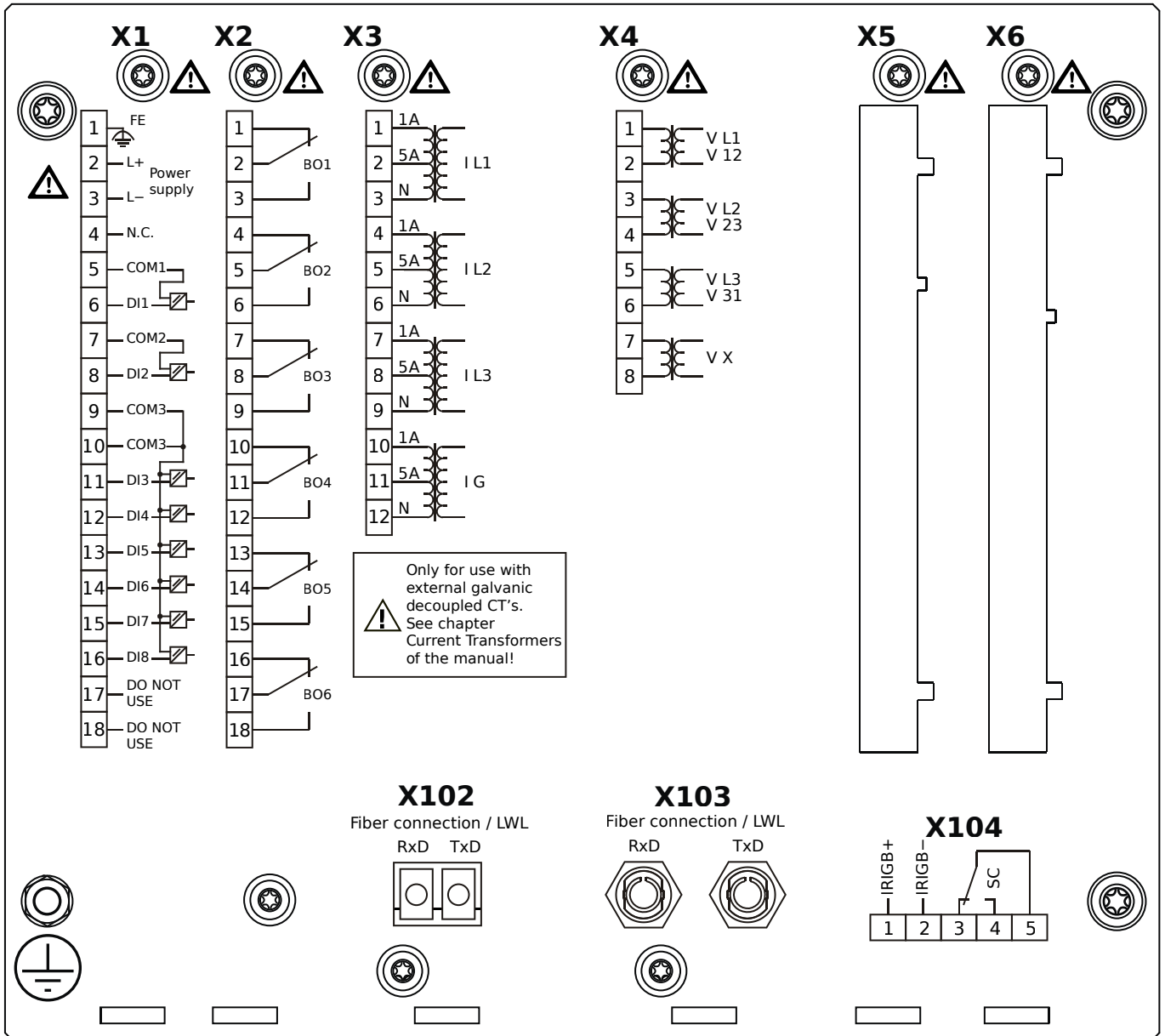
- X1** – DI8-X1: Wide-range power supply unit, incl. 2 non-grouped digital inputs and 6 grouped digital inputs
- X2** – OR-6: Assembly Group with 6 Relay Outputs
- X3** – TI-4: Standard current measuring card
- X4** – TU: Card with 4 voltage transformer measuring inputs
- X102** – Long-distance Protection Communication, Fiber optics interface, LC Connector
- X103** – Profibus-DP, RS485, D-SUB
- X104** – IRIG-B00X, incl. System Contact (Supervision Contact)

MCDLV4-2A0H0FA



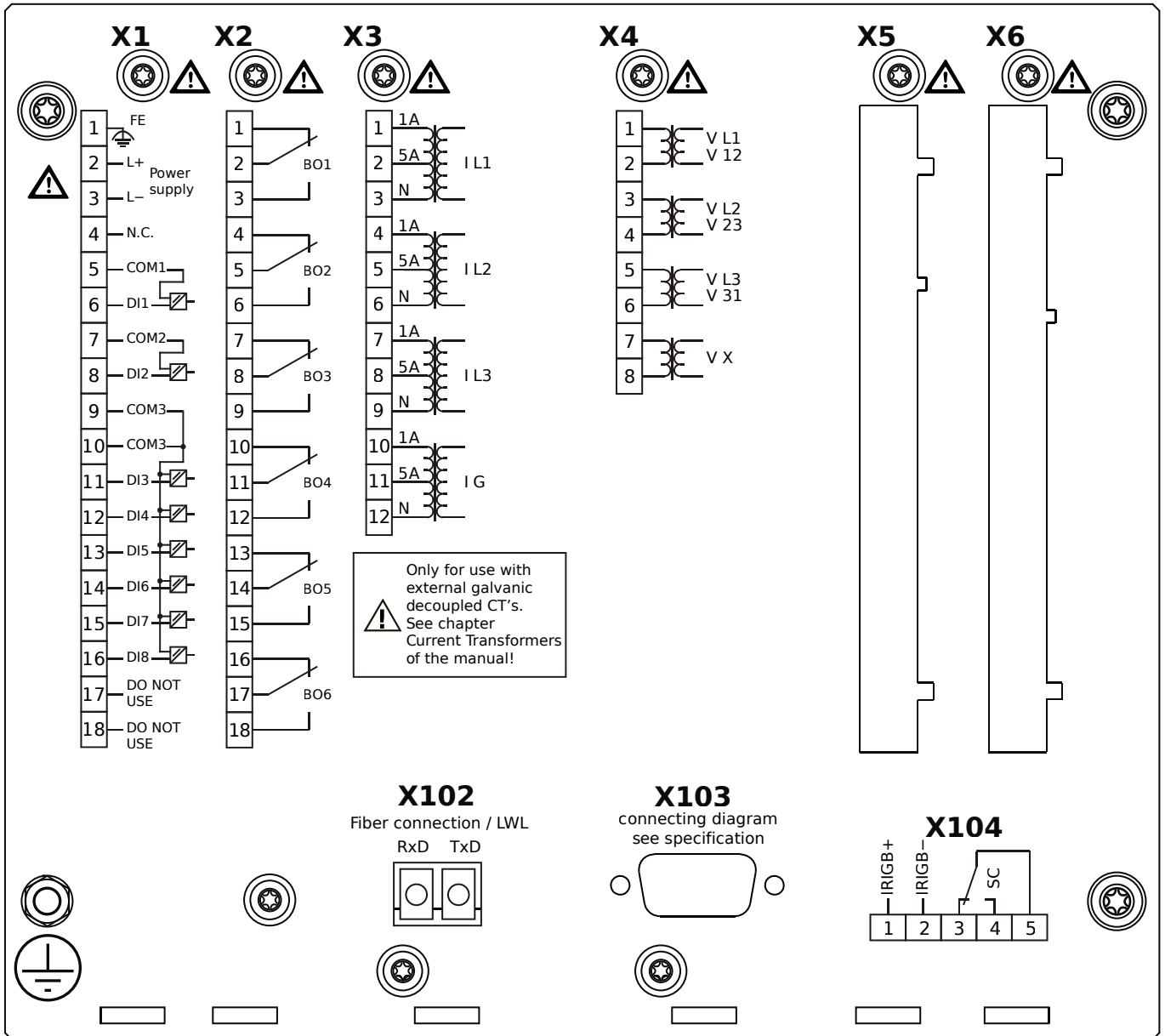
- X1** – DI8-X1: Wide-range power supply unit, incl. 2 non-grouped digital inputs and 6 grouped digital inputs
- X2** – OR-6: Assembly Group with 6 Relay Outputs
- X3** – TI-4: Standard current measuring card
- X4** – TU: Card with 4 voltage transformer measuring inputs
- X102** – Long-distance Protection Communication, Fiber optics interface, LC Connector
- X103** – Modbus RTU / IEC 60870-5-103 / DNP3.0 RTU, Fiber optics interface, ST Connector
- X104** – IRIG-B00X, incl. System Contact (Supervision Contact)

MCDLV4-2A0H0FB



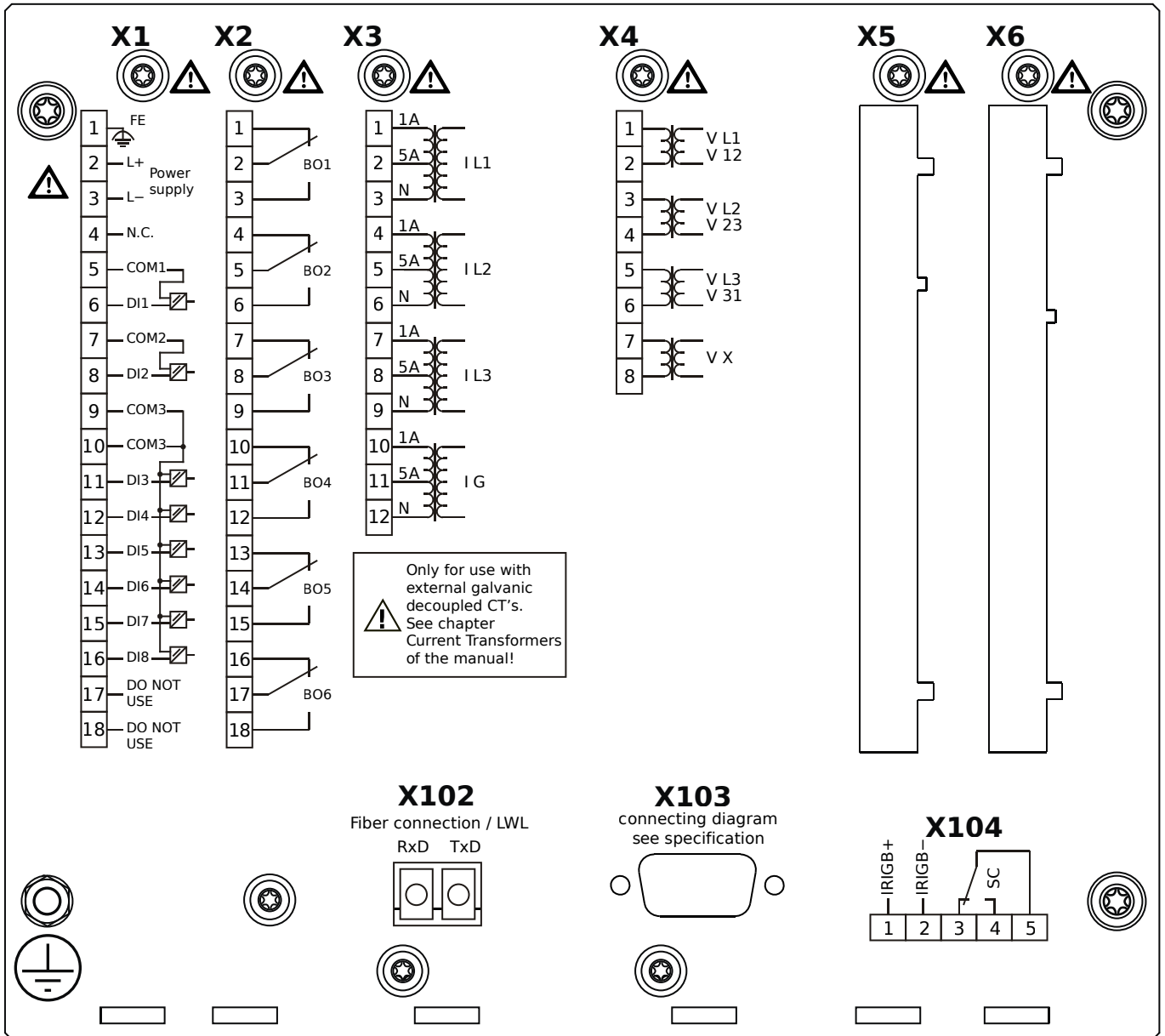
- X1** – DI8-X1: Wide-range power supply unit, incl. 2 non-grouped digital inputs and 6 grouped digital inputs
- X2** – OR-6: Assembly Group with 6 Relay Outputs
- X3** – TI-4: Standard current measuring card
- X4** – TU: Card with 4 voltage transformer measuring inputs
- X102** – Long-distance Protection Communication, Fiber optics interface, LC Connector
- X103** – Modbus RTU / IEC 60870-5-103 / DNP3.0 RTU, Fiber optics interface, ST Connector
- X104** – IRIG-B00X, incl. System Contact (Supervision Contact)

MCDLV4-2A0H0GA



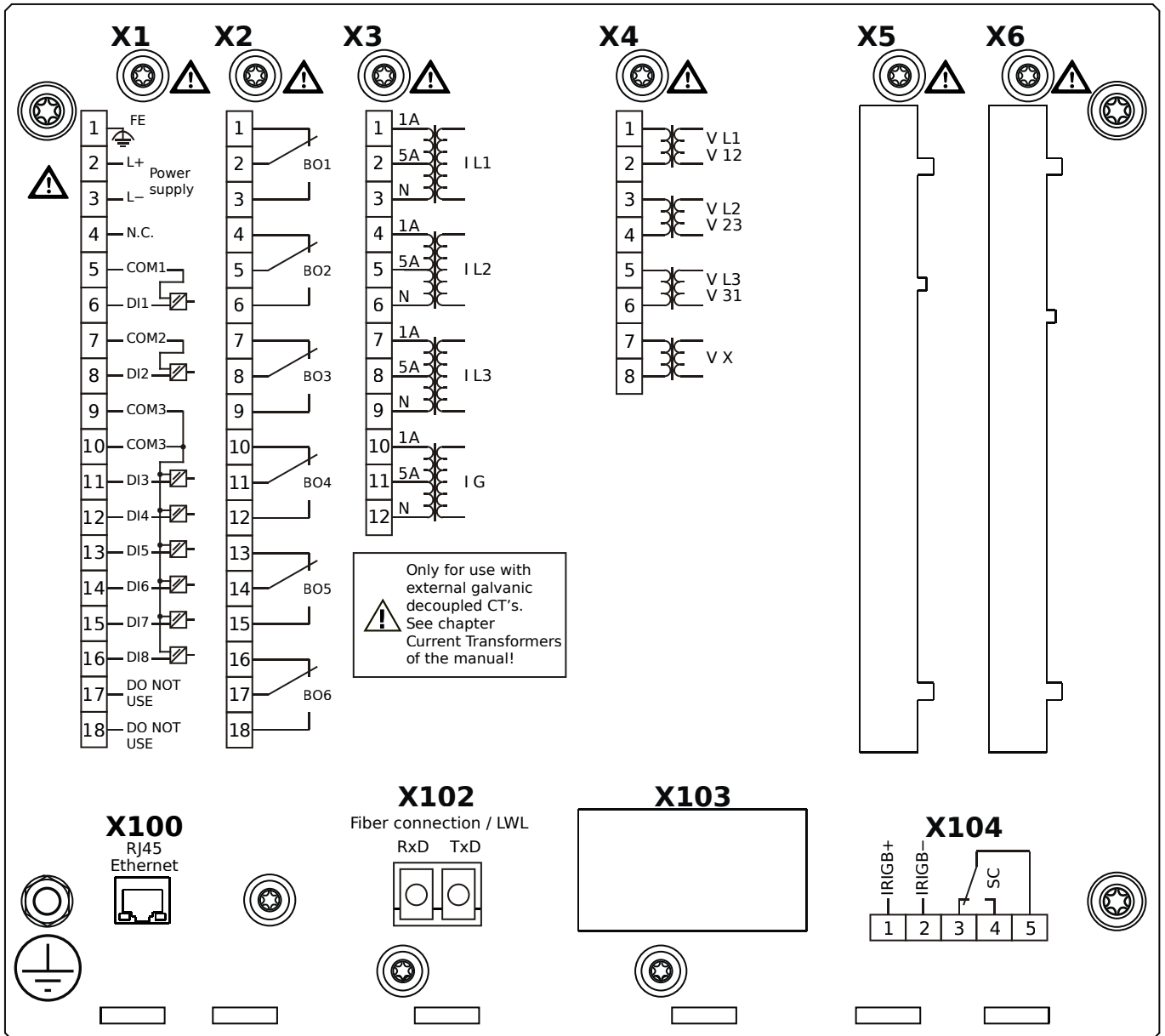
- X1** – DI8-X1: Wide-range power supply unit, incl. 2 non-grouped digital inputs and 6 grouped digital inputs
- X2** – OR-6: Assembly Group with 6 Relay Outputs
- X3** – TI-4: Standard current measuring card
- X4** – TU: Card with 4 voltage transformer measuring inputs
- X102** – Long-distance Protection Communication, Fiber optics interface, LC Connector
- X103** – Modbus RTU / IEC 60870-5-103 / DNP3.0 RTU, RS485, D-SUB
- X104** – IRIG-B00X, incl. System Contact (Supervision Contact)

MCDLV4-2A0H0GB



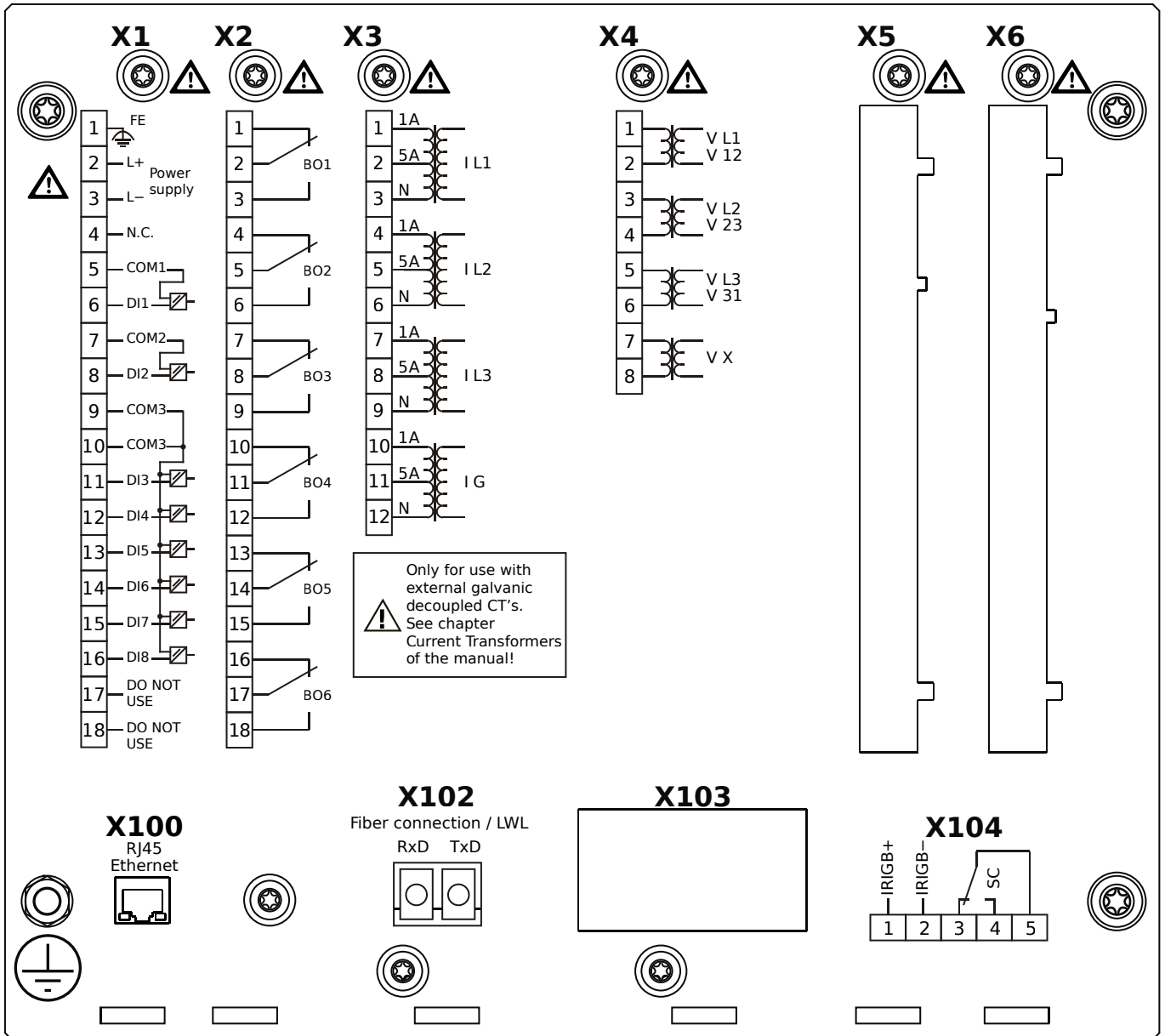
- X1** – DI8-X1: Wide-range power supply unit, incl. 2 non-grouped digital inputs and 6 grouped digital inputs
- X2** – OR-6: Assembly Group with 6 Relay Outputs
- X3** – TI-4: Standard current measuring card
- X4** – TU: Card with 4 voltage transformer measuring inputs
- X102** – Long-distance Protection Communication, Fiber optics interface, LC Connector
- X103** – Modbus RTU / IEC 60870-5-103 / DNP3.0 RTU, RS485, D-SUB
- X104** – IRIG-B00X, incl. System Contact (Supervision Contact)

MCDLV4-2A0H0HA



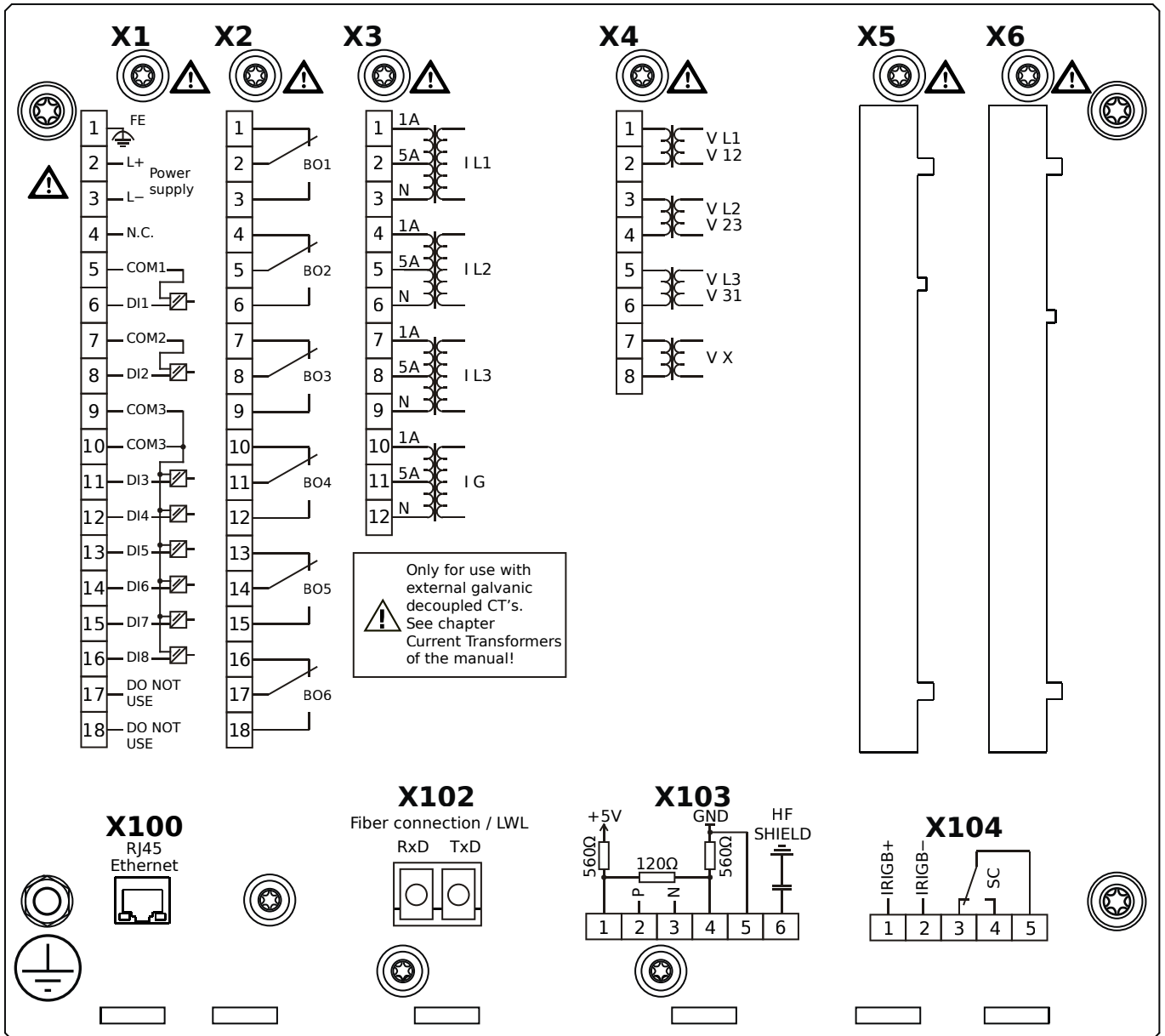
- X1** – DI8-X1: Wide-range power supply unit, incl. 2 non-grouped digital inputs and 6 grouped digital inputs
- X2** – OR-6: Assembly Group with 6 Relay Outputs
- X3** – TI-4: Standard current measuring card
- X4** – TU: Card with 4 voltage transformer measuring inputs
- X100** – IEC 61850 / Modbus TCP / DNP3.0 TCP/UDP, Ethernet interface, 100 Mbit/s, RJ45 (BASE100-FX)
- X102** – Long-distance Protection Communication, Fiber optics interface, LC Connector
- X104** – IRIG-B00X, incl. System Contact (Supervision Contact)

MCDLV4-2A0H0HB



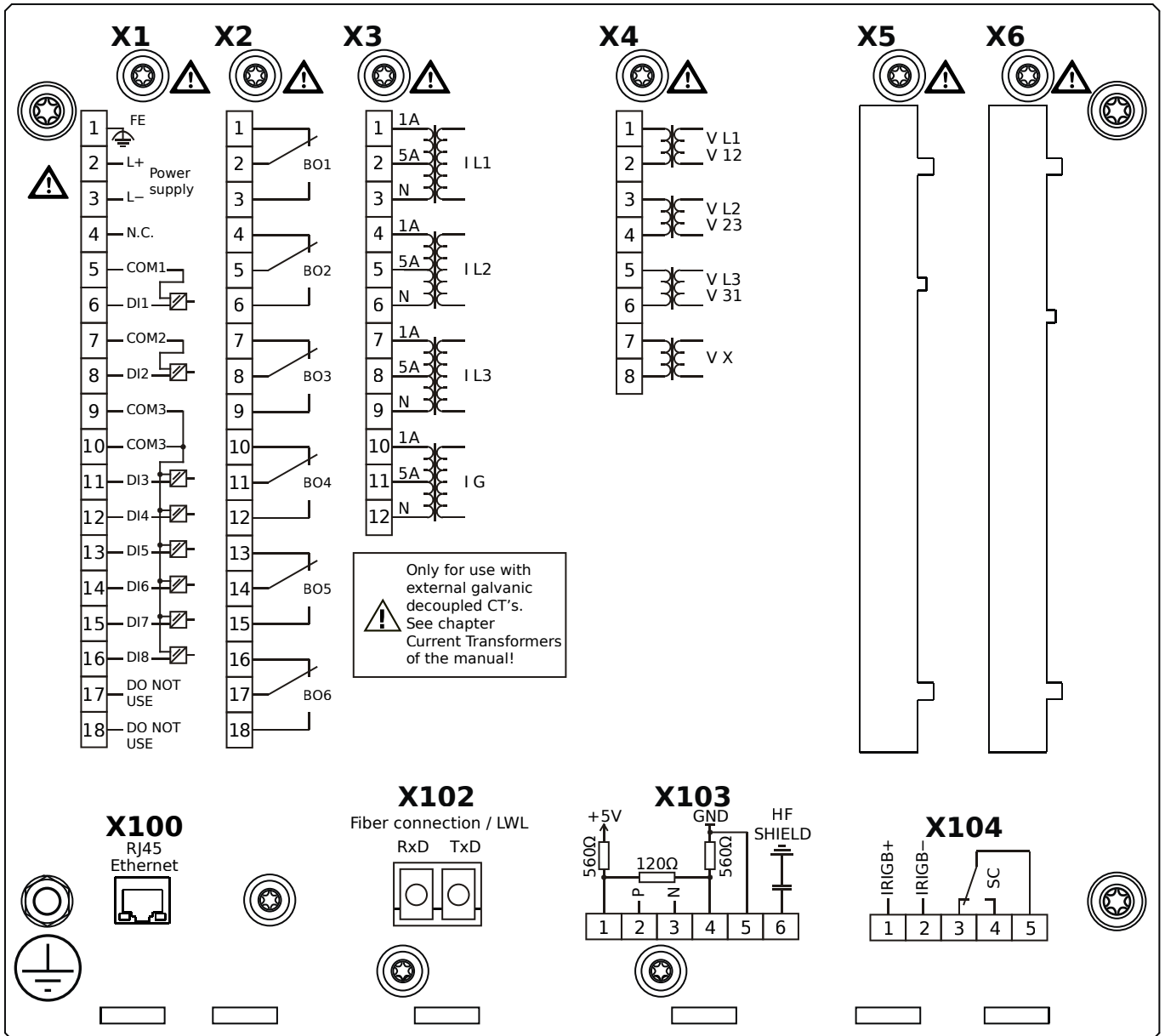
- X1** – DI8-X1: Wide-range power supply unit, incl. 2 non-grouped digital inputs and 6 grouped digital inputs
- X2** – OR-6: Assembly Group with 6 Relay Outputs
- X3** – TI-4: Standard current measuring card
- X4** – TU: Card with 4 voltage transformer measuring inputs
- X100** – IEC 61850 / Modbus TCP / DNP3.0 TCP/UDP, Ethernet interface, 100 Mbit/s, RJ45 (BASE100-FX)
- X102** – Long-distance Protection Communication, Fiber optics interface, LC Connector
- X104** – IRIG-B00X, incl. System Contact (Supervision Contact)

MCDLV4-2A0H01A



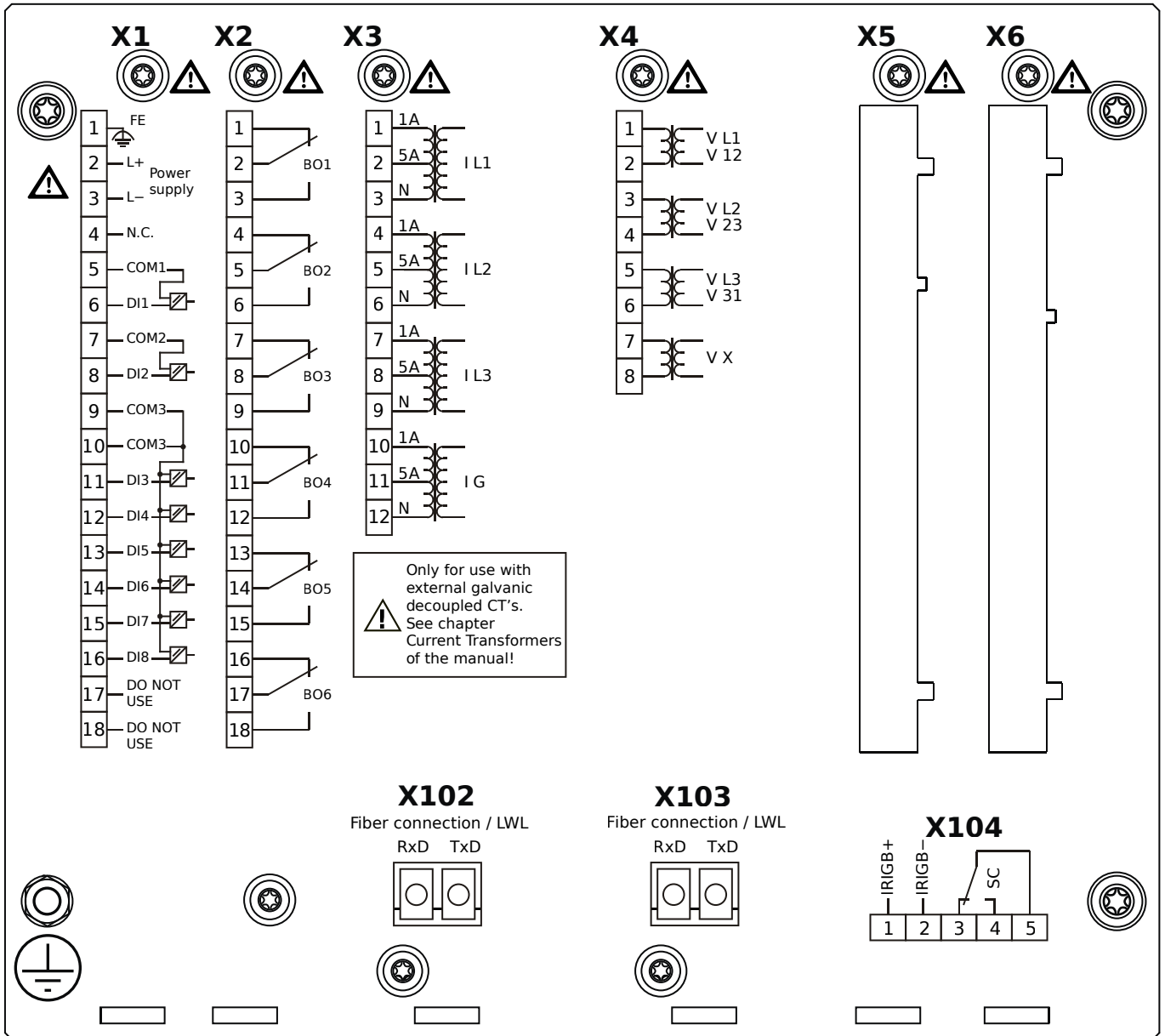
- X1** – DI8-X1: Wide-range power supply unit, incl. 2 non-grouped digital inputs and 6 grouped digital inputs
- X2** – OR-6: Assembly Group with 6 Relay Outputs
- X3** – TI-4: Standard current measuring card
- X4** – TU: Card with 4 voltage transformer measuring inputs
- X100** – Modbus TCP / DNP3.0 TCP/UDP, Ethernet interface, 100 Mbit/s, RJ45 (BASE100-FX)
- X102** – Long-distance Protection Communication, Fiber optics interface, LC Connector
- X103** – IEC 60870-5-103 / Modbus RTU / DNP3.0 RTU, RS485, Terminals
- X104** – IRIG-B00X, incl. System Contact (Supervision Contact)

MCDLV4-2A0H0IB



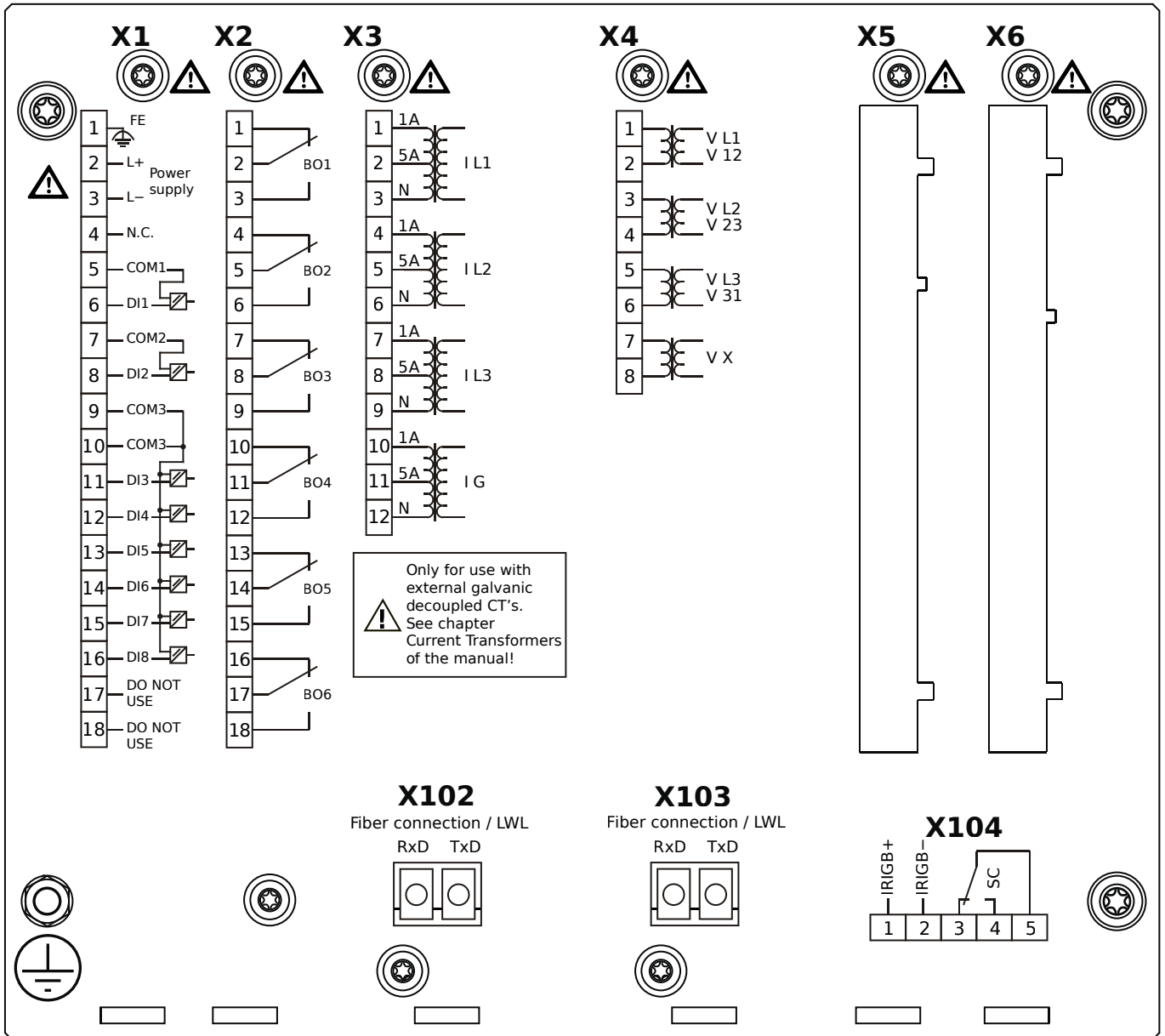
- X1** – DI8-X1: Wide-range power supply unit, incl. 2 non-grouped digital inputs and 6 grouped digital inputs
- X2** – OR-6: Assembly Group with 6 Relay Outputs
- X3** – TI-4: Standard current measuring card
- X4** – TU: Card with 4 voltage transformer measuring inputs
- X100** – Modbus TCP / DNP3.0 TCP/UDP, Ethernet interface, 100 Mbit/s, RJ45 (BASE100-FX)
- X102** – Long-distance Protection Communication, Fiber optics interface, LC Connector
- X103** – IEC 60870-5-103 / Modbus RTU / DNP3.0 RTU, RS485, Terminals
- X104** – IRIG-B00X, incl. System Contact (Supervision Contact)

MCDLV4-2A0H0KA



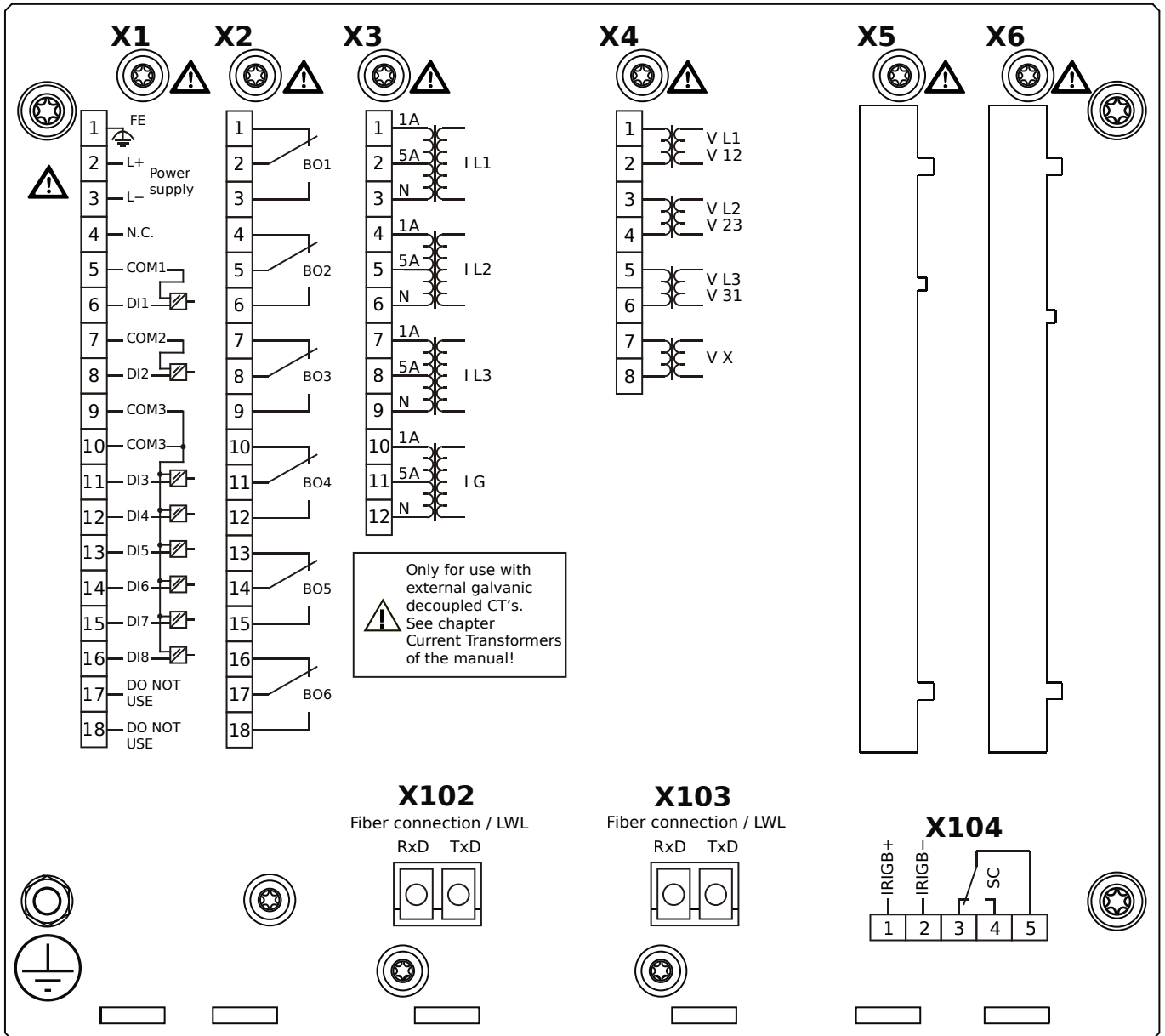
- X1** – DI8-X1: Wide-range power supply unit, incl. 2 non-grouped digital inputs and 6 grouped digital inputs
- X2** – OR-6: Assembly Group with 6 Relay Outputs
- X3** – TI-4: Standard current measuring card
- X4** – TU: Card with 4 voltage transformer measuring inputs
- X102** – Long-distance Protection Communication, Fiber optics interface, LC Connector
- X103** – IEC 61850 / Modbus TCP / DNP3.0 TCP/UDP, Fiber optics interface, LC Connector
- X104** – IRIG-B00X, incl. System Contact (Supervision Contact)

MCDLV4-2A0H0KB



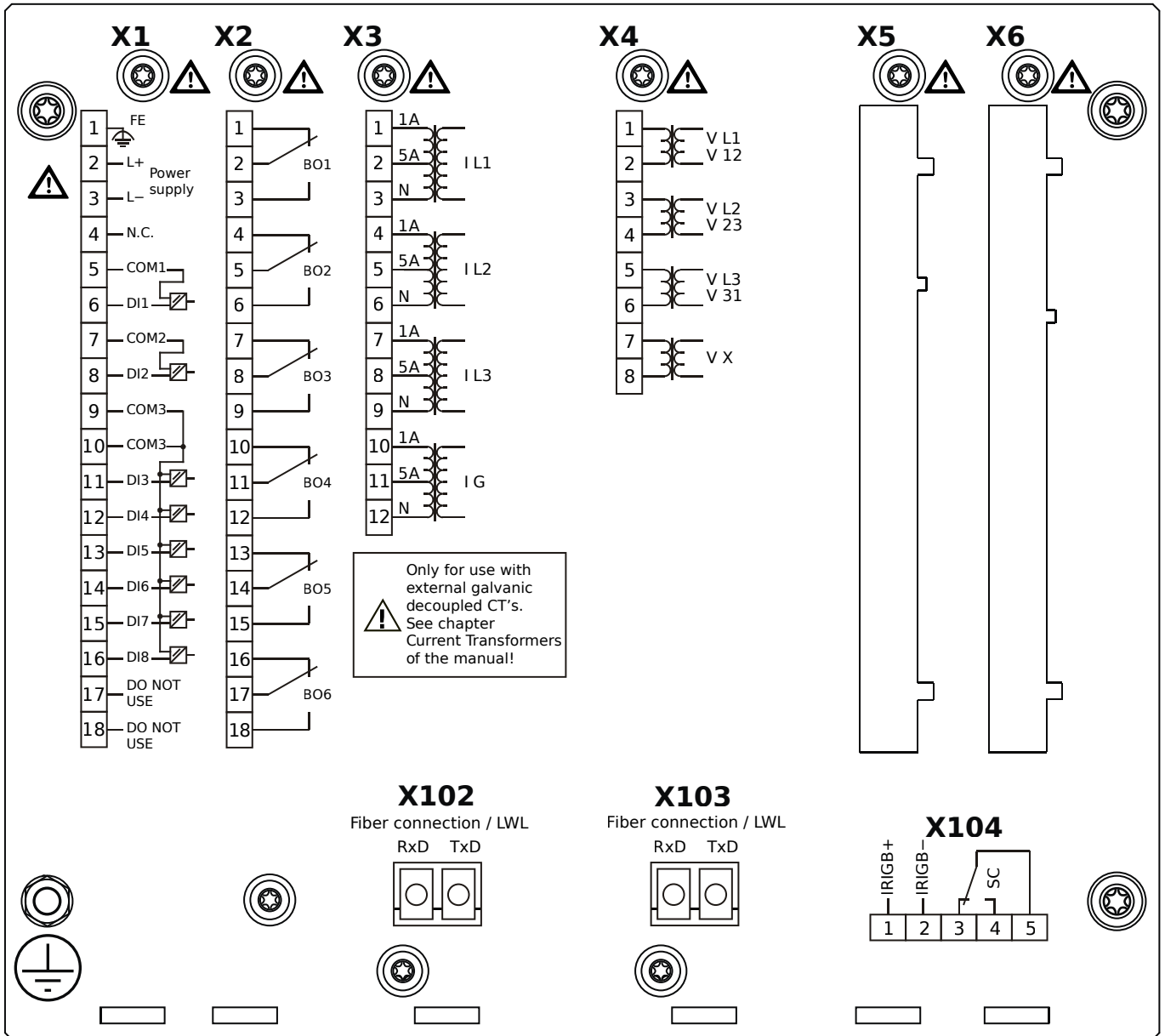
- X1** – DI8-X1: Wide-range power supply unit, incl. 2 non-grouped digital inputs and 6 grouped digital inputs
- X2** – OR-6: Assembly Group with 6 Relay Outputs
- X3** – TI-4: Standard current measuring card
- X4** – TU: Card with 4 voltage transformer measuring inputs
- X102** – Long-distance Protection Communication, Fiber optics interface, LC Connector
- X103** – IEC 61850 / Modbus TCP / DNP3.0 TCP/UDP, Fiber optics interface, LC Connector
- X104** – IRIG-B00X, incl. System Contact (Supervision Contact)

MCDLV4-2A0H0LA



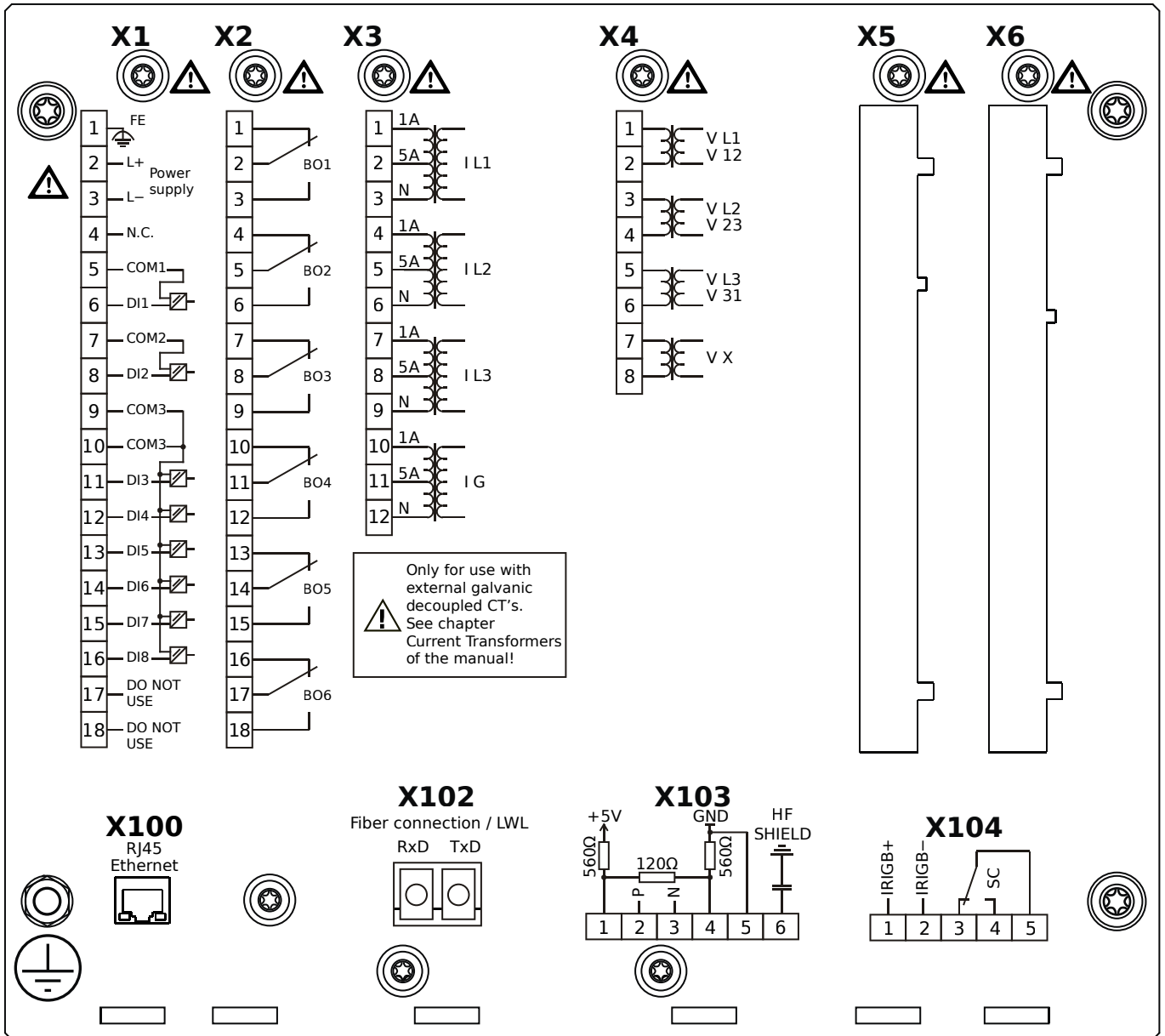
- X1** – DI8-X1: Wide-range power supply unit, incl. 2 non-grouped digital inputs and 6 grouped digital inputs
- X2** – OR-6: Assembly Group with 6 Relay Outputs
- X3** – TI-4: Standard current measuring card
- X4** – TU: Card with 4 voltage transformer measuring inputs
- X102** – Long-distance Protection Communication, Fiber optics interface, LC Connector
- X103** – Modbus TCP / DNP3.0 TCP/UDP, Fiber optics interface, LC Connector
- X104** – IRIG-B00X, incl. System Contact (Supervision Contact)

MCDLV4-2A0H0LB



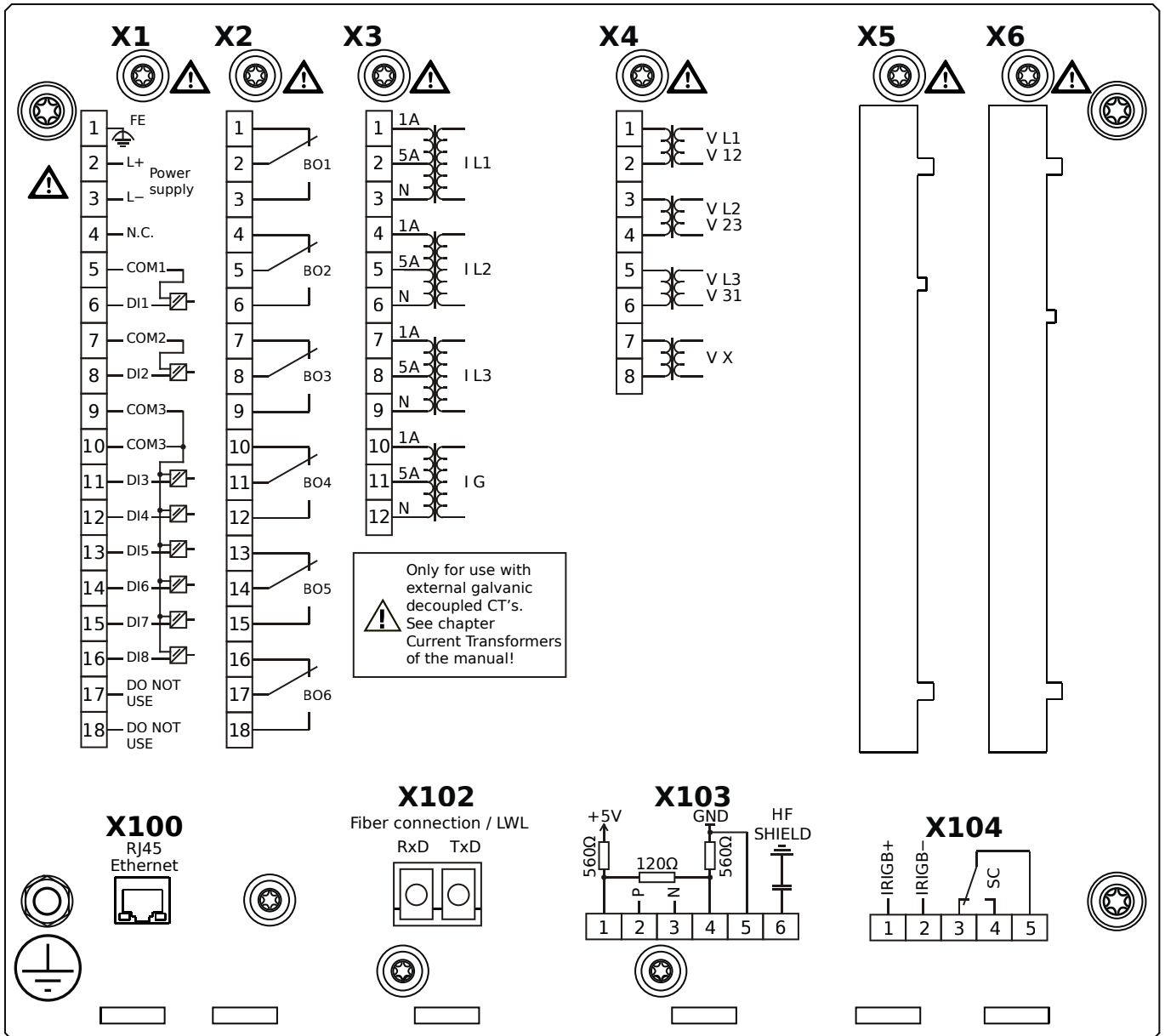
- X1** – DI8-X1: Wide-range power supply unit, incl. 2 non-grouped digital inputs and 6 grouped digital inputs
- X2** – OR-6: Assembly Group with 6 Relay Outputs
- X3** – TI-4: Standard current measuring card
- X4** – TU: Card with 4 voltage transformer measuring inputs
- X102** – Long-distance Protection Communication, Fiber optics interface, LC Connector
- X103** – Modbus TCP / DNP3.0 TCP/UDP, Fiber optics interface, LC Connector
- X104** – IRIG-B00X, incl. System Contact (Supervision Contact)

MCDLV4-2A0H0TA



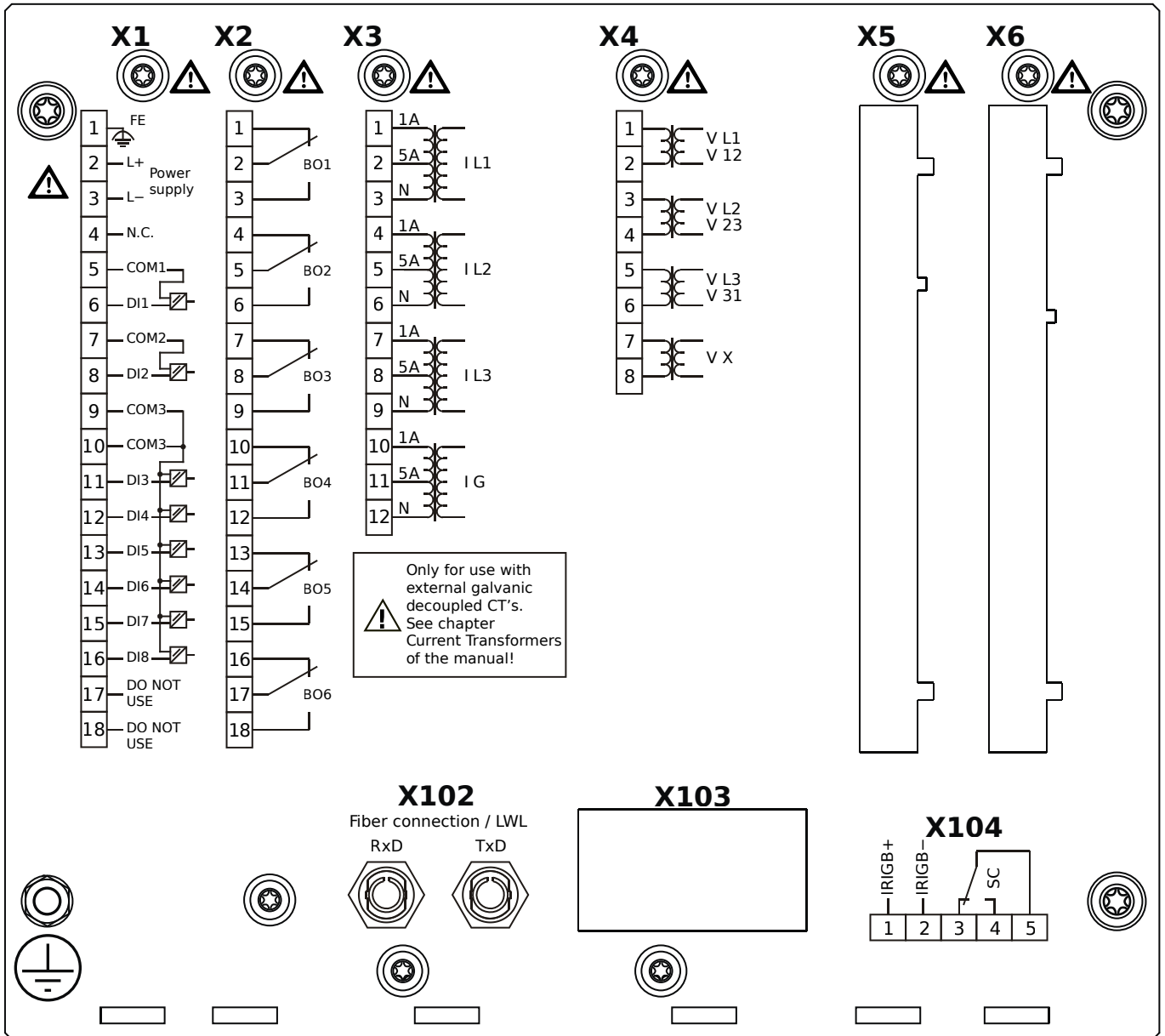
- X1** – DI8-X1: Wide-range power supply unit, incl. 2 non-grouped digital inputs and 6 grouped digital inputs
- X2** – OR-6: Assembly Group with 6 Relay Outputs
- X3** – TI-4: Standard current measuring card
- X4** – TU: Card with 4 voltage transformer measuring inputs
- X100** – IEC 61850 / Modbus TCP / DNP3.0 TCP/UDP, Ethernet interface, 100 Mbit/s, RJ45 (BASE100-FX)
- X102** – Long-distance Protection Communication, Fiber optics interface, LC Connector
- X103** – IEC 60870-5-103 / Modbus RTU / DNP3.0 RTU, RS485, Terminals
- X104** – IRIG-B00X, incl. System Contact (Supervision Contact)

MCDLV4-2A0H0TB



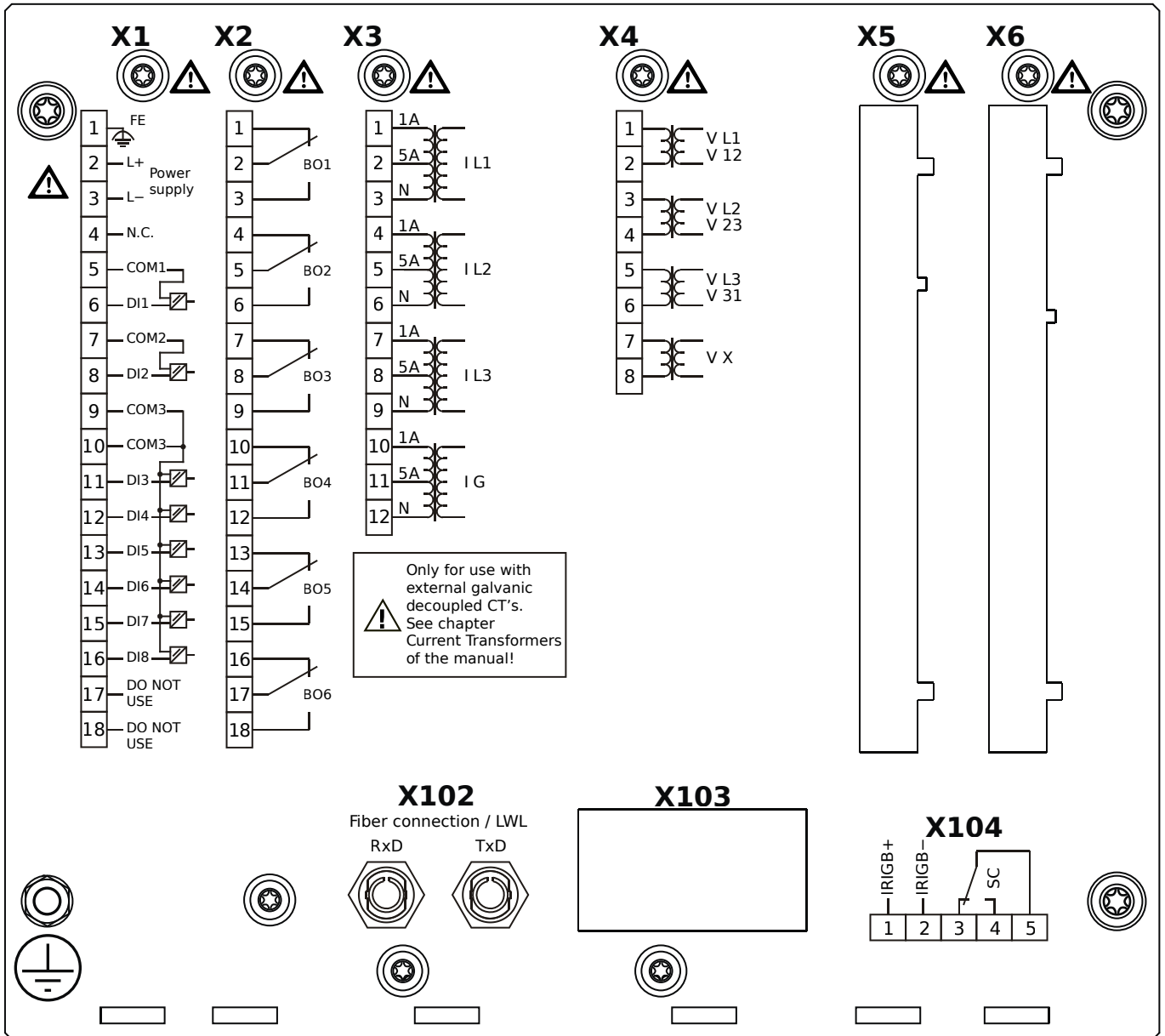
- X1** – DI8-X1: Wide-range power supply unit, incl. 2 non-grouped digital inputs and 6 grouped digital inputs
- X2** – OR-6: Assembly Group with 6 Relay Outputs
- X3** – TI-4: Standard current measuring card
- X4** – TU: Card with 4 voltage transformer measuring inputs
- X100** – IEC 61850 / Modbus TCP / DNP3.0 TCP/UDP, Ethernet interface, 100 Mbit/s, RJ45 (BASE100-FX)
- X102** – Long-distance Protection Communication, Fiber optics interface, LC Connector
- X103** – IEC 60870-5-103 / Modbus RTU / DNP3.0 RTU, RS485, Terminals
- X104** – IRIG-B00X, incl. System Contact (Supervision Contact)

MCDLV4-2A0H1AA



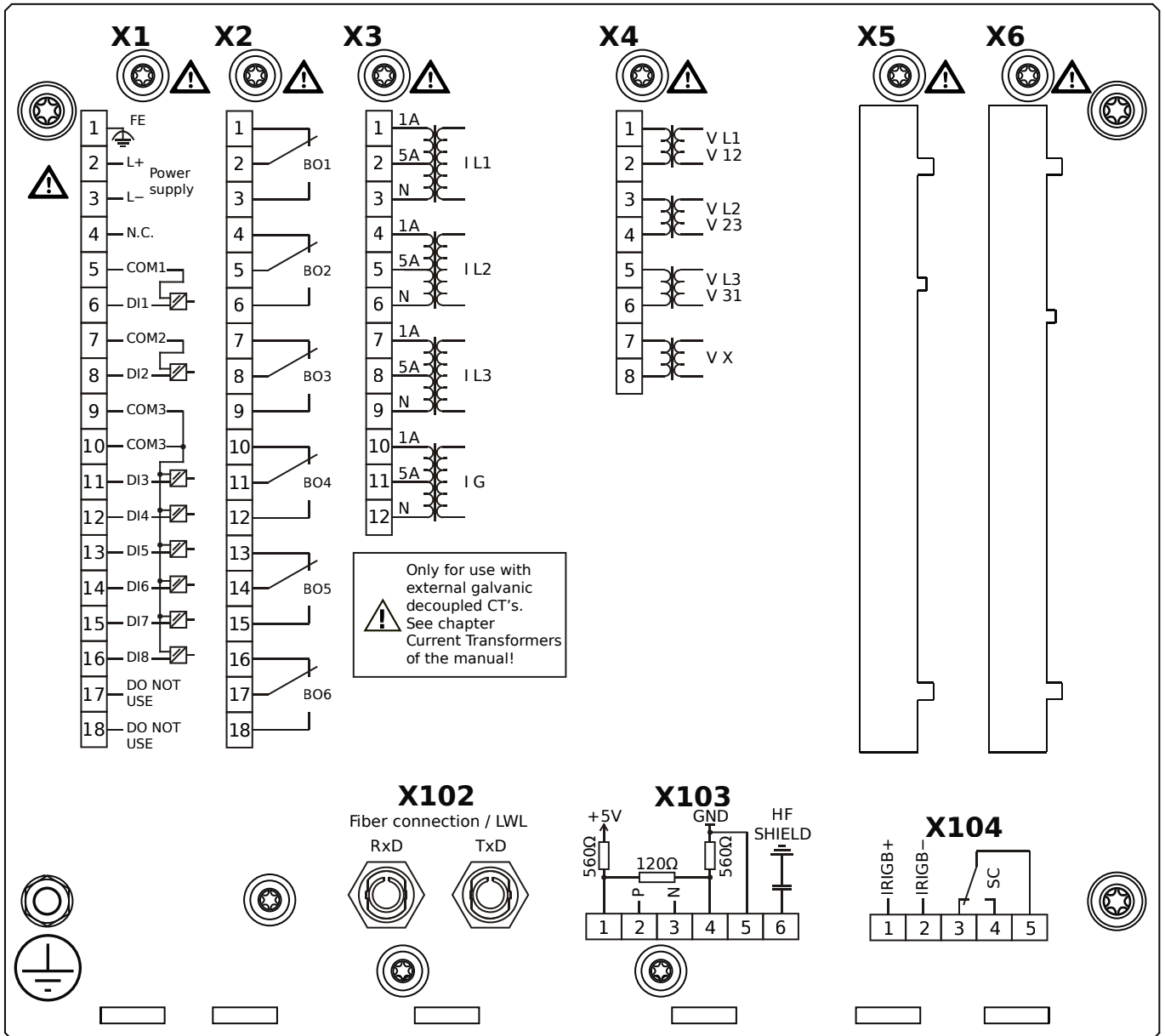
- X1** – DI8-X1: Wide-range power supply unit, incl. 2 non-grouped digital inputs and 6 grouped digital inputs
- X2** – OR-6: Assembly Group with 6 Relay Outputs
- X3** – TI-4: Standard current measuring card
- X4** – TU: Card with 4 voltage transformer measuring inputs
- X102** – Protection Communication, Fiber optics interface, ST Connector
- X104** – IRIG-B00X, incl. System Contact (Supervision Contact)

MCDLV4-2A0H1AB



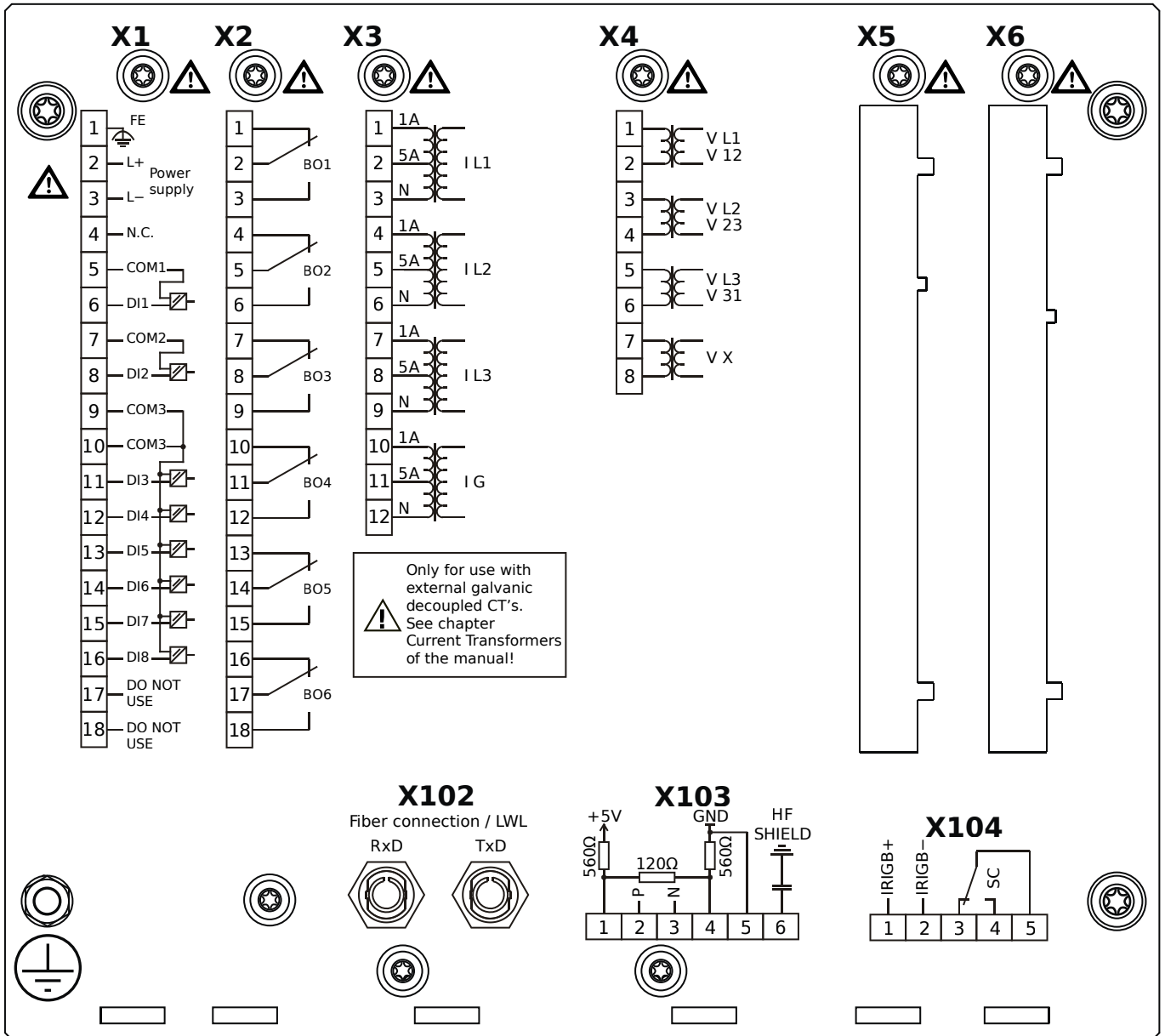
- X1** – DI8-X1: Wide-range power supply unit, incl. 2 non-grouped digital inputs and 6 grouped digital inputs
- X2** – OR-6: Assembly Group with 6 Relay Outputs
- X3** – TI-4: Standard current measuring card
- X4** – TU: Card with 4 voltage transformer measuring inputs
- X102** – Protection Communication, Fiber optics interface, ST Connector
- X104** – IRIG-B00X, incl. System Contact (Supervision Contact)

MCDLV4-2A0H1BA



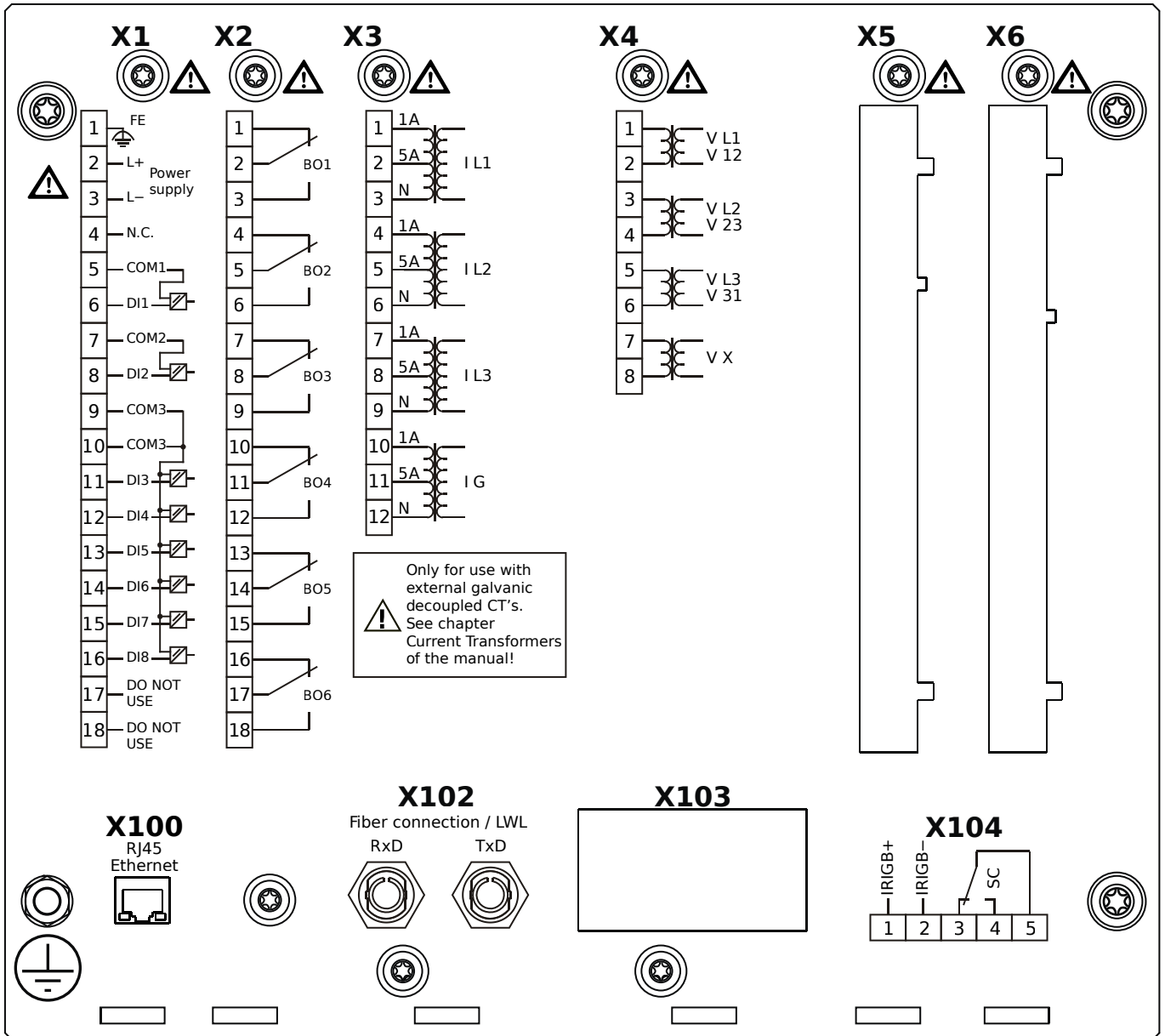
- X1** – DI8-X1: Wide-range power supply unit, incl. 2 non-grouped digital inputs and 6 grouped digital inputs
- X2** – OR-6: Assembly Group with 6 Relay Outputs
- X3** – TI-4: Standard current measuring card
- X4** – TU: Card with 4 voltage transformer measuring inputs
- X102** – Protection Communication, Fiber optics interface, ST Connector
- X103** – Modbus RTU / IEC 60870-5-103 / DNP3.0 RTU, RS485, Terminals
- X104** – IRIG-B00X, incl. System Contact (Supervision Contact)

MCDLV4-2A0H1BB



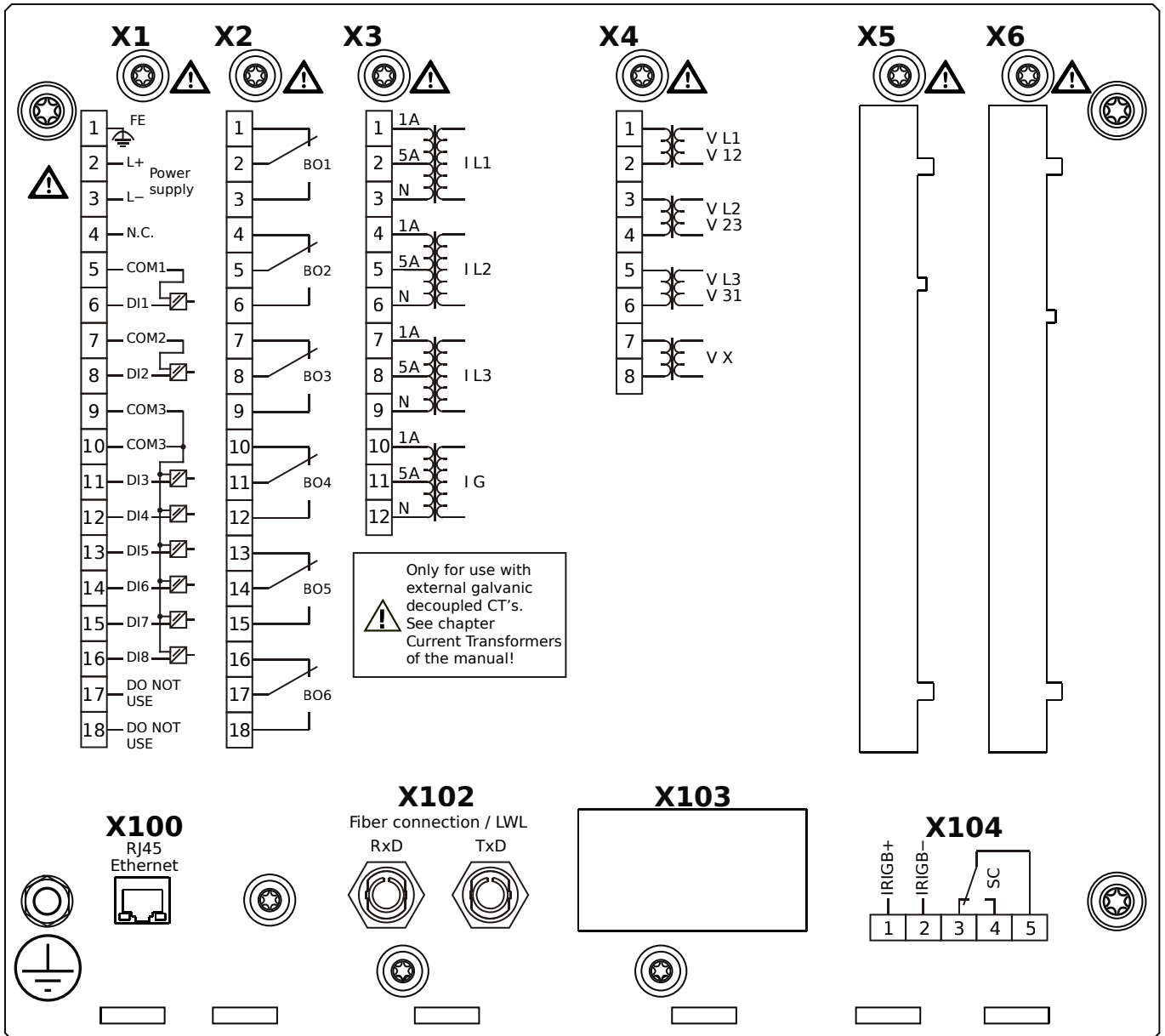
- X1** – DI8-X1: Wide-range power supply unit, incl. 2 non-grouped digital inputs and 6 grouped digital inputs
- X2** – OR-6: Assembly Group with 6 Relay Outputs
- X3** – TI-4: Standard current measuring card
- X4** – TU: Card with 4 voltage transformer measuring inputs
- X102** – Protection Communication, Fiber optics interface, ST Connector
- X103** – Modbus RTU / IEC 60870-5-103 / DNP3.0 RTU, RS485, Terminals
- X104** – IRIG-B00X, incl. System Contact (Supervision Contact)

MCDLV4-2A0H1CA



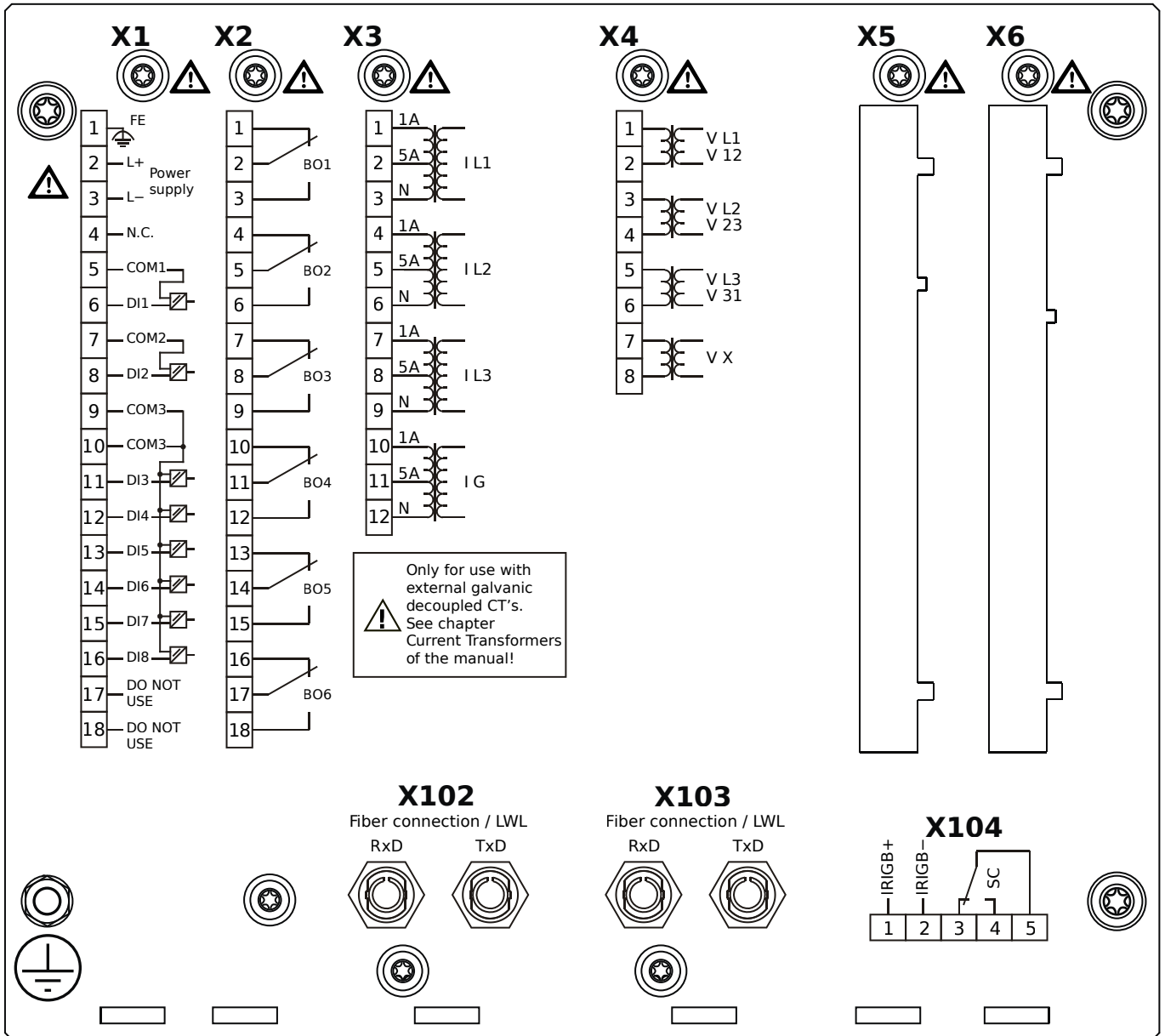
- X1** – DI8-X1: Wide-range power supply unit, incl. 2 non-grouped digital inputs and 6 grouped digital inputs
- X2** – OR-6: Assembly Group with 6 Relay Outputs
- X3** – TI-4: Standard current measuring card
- X4** – TU: Card with 4 voltage transformer measuring inputs
- X100** – Modbus TCP / DNP3.0 TCP/UDP, Ethernet interface, 100 Mbit/s, RJ45 (BASE100-FX)
- X102** – Protection Communication, Fiber optics interface, ST Connector
- X104** – IRIG-B00X, incl. System Contact (Supervision Contact)

MCDLV4-2A0H1CB



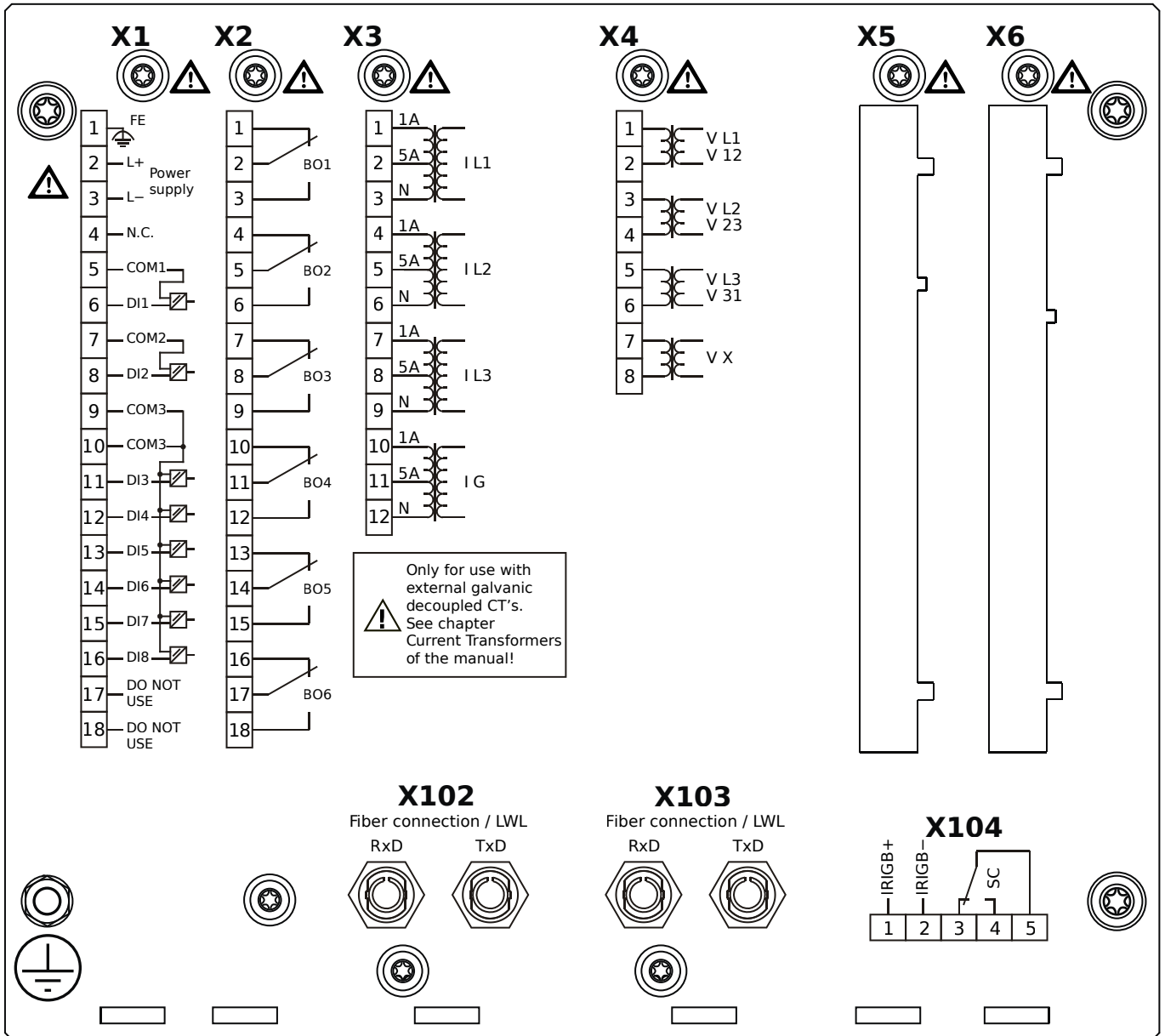
- X1** – DI8-X1: Wide-range power supply unit, incl. 2 non-grouped digital inputs and 6 grouped digital inputs
- X2** – OR-6: Assembly Group with 6 Relay Outputs
- X3** – TI-4: Standard current measuring card
- X4** – TU: Card with 4 voltage transformer measuring inputs
- X100** – Modbus TCP / DNP3.0 TCP/UDP, Ethernet interface, 100 Mbit/s, RJ45 (BASE100-FX)
- X102** – Protection Communication, Fiber optics interface, ST Connector
- X104** – IRIG-B00X, incl. System Contact (Supervision Contact)

MCDLV4-2A0H1DA



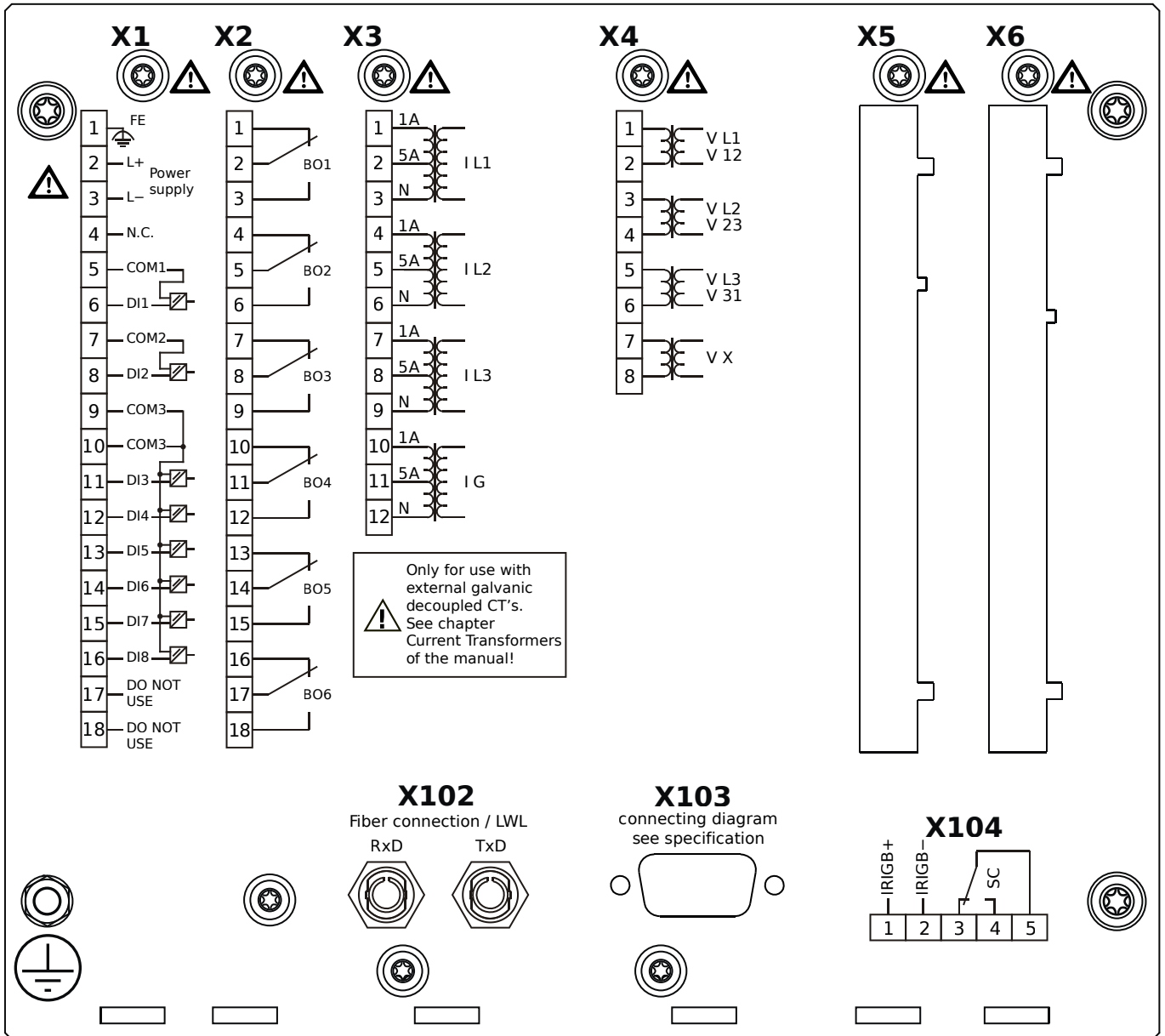
- X1** – DI8-X1: Wide-range power supply unit, incl. 2 non-grouped digital inputs and 6 grouped digital inputs
- X2** – OR-6: Assembly Group with 6 Relay Outputs
- X3** – TI-4: Standard current measuring card
- X4** – TU: Card with 4 voltage transformer measuring inputs
- X102** – Protection Communication, Fiber optics interface, ST Connector
- X103** – Profibus-DP, Fiber optics interface, ST Connector
- X104** – IRIG-B00X, incl. System Contact (Supervision Contact)

MCDLV4-2A0H1DB



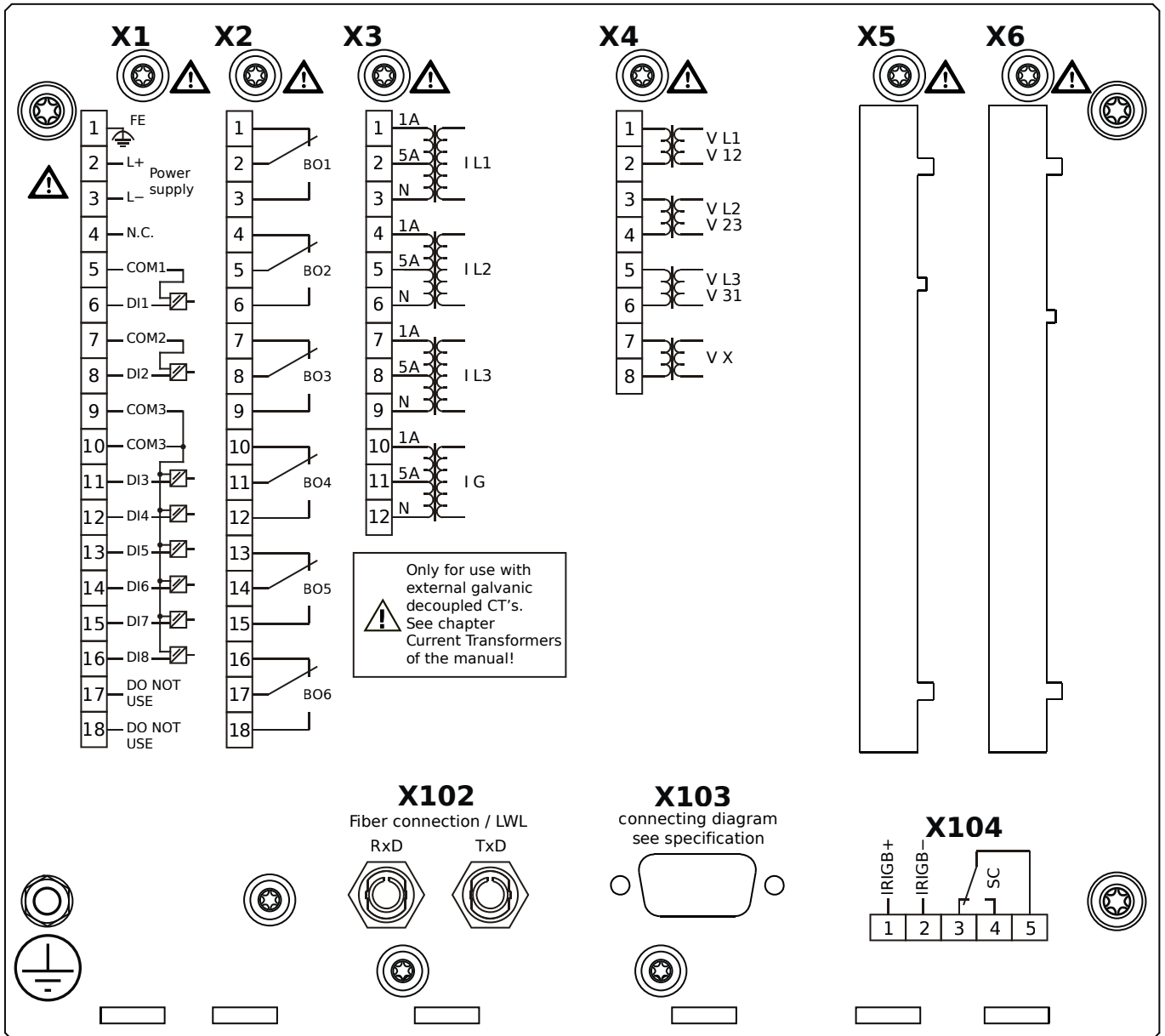
- X1** – DI8-X1: Wide-range power supply unit, incl. 2 non-grouped digital inputs and 6 grouped digital inputs
- X2** – OR-6: Assembly Group with 6 Relay Outputs
- X3** – TI-4: Standard current measuring card
- X4** – TU: Card with 4 voltage transformer measuring inputs
- X102** – Protection Communication, Fiber optics interface, ST Connector
- X103** – Profibus-DP, Fiber optics interface, ST Connector
- X104** – IRIG-B00X, incl. System Contact (Supervision Contact)

MCDLV4-2A0H1EA



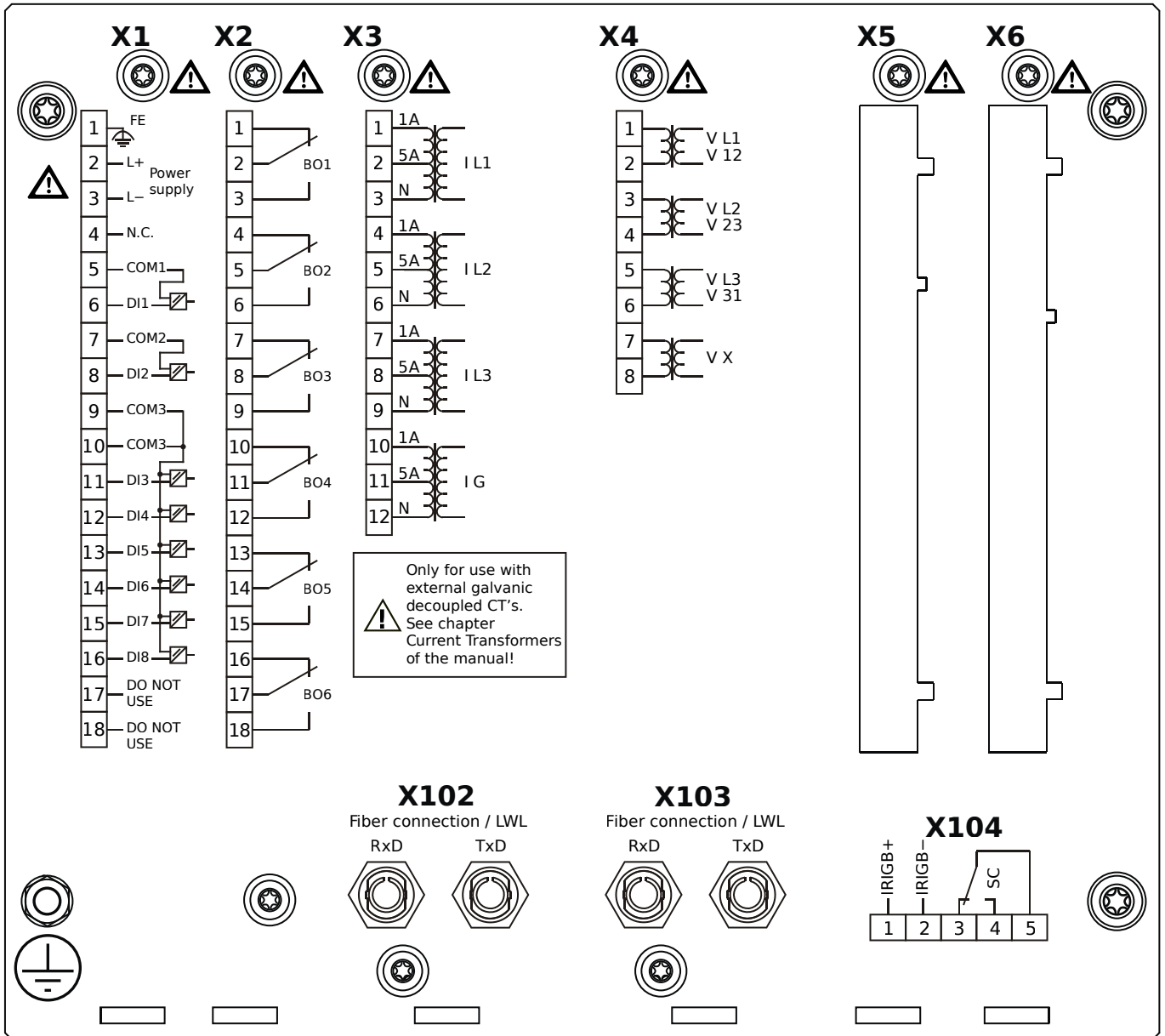
- X1** – DI8-X1: Wide-range power supply unit, incl. 2 non-grouped digital inputs and 6 grouped digital inputs
- X2** – OR-6: Assembly Group with 6 Relay Outputs
- X3** – TI-4: Standard current measuring card
- X4** – TU: Card with 4 voltage transformer measuring inputs
- X102** – Protection Communication, Fiber optics interface, ST Connector
- X103** – Profibus-DP, RS485, D-SUB
- X104** – IRIG-B00X, incl. System Contact (Supervision Contact)

MCDLV4-2A0H1EB



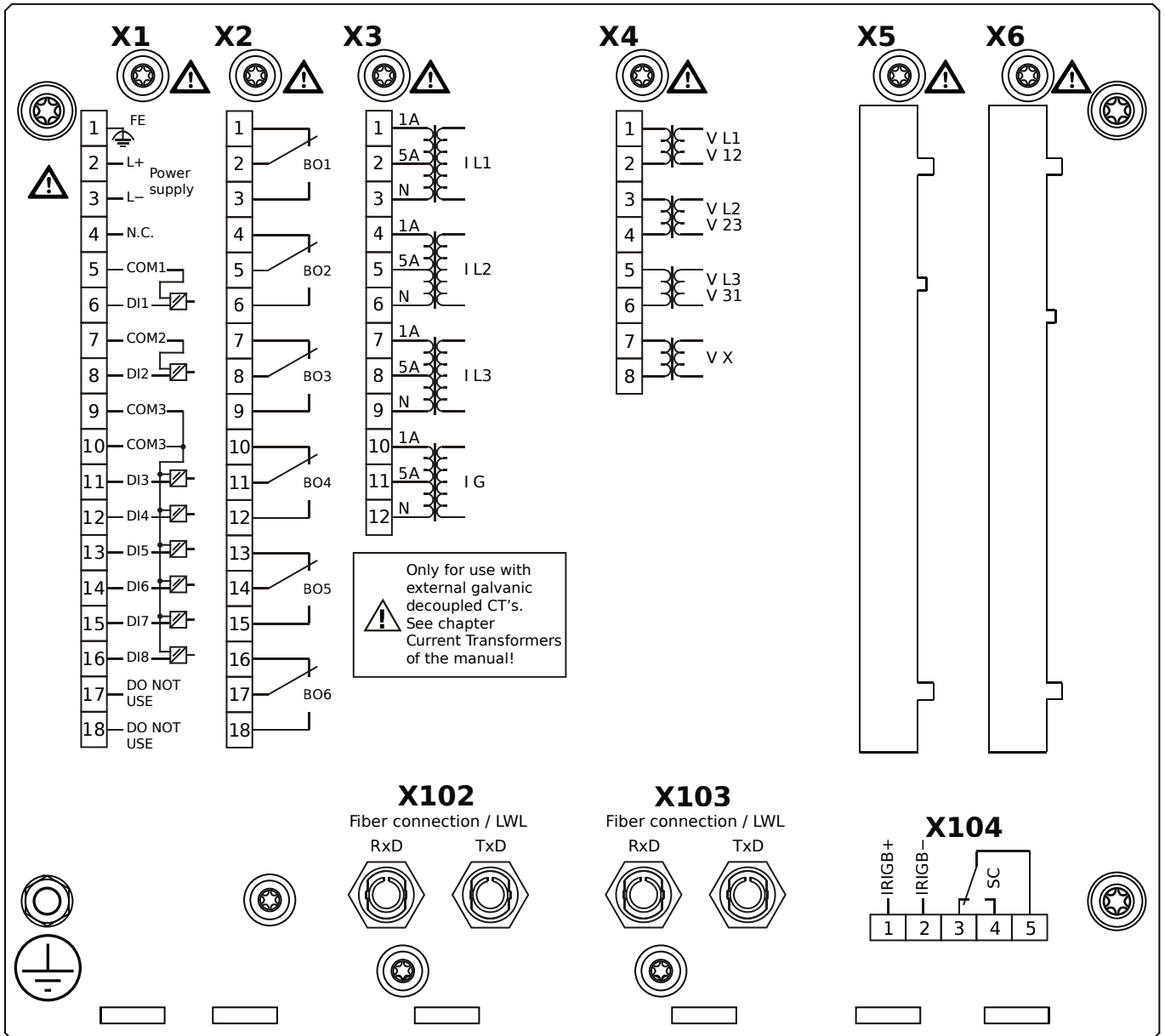
- X1** – DI8-X1: Wide-range power supply unit, incl. 2 non-grouped digital inputs and 6 grouped digital inputs
- X2** – OR-6: Assembly Group with 6 Relay Outputs
- X3** – TI-4: Standard current measuring card
- X4** – TU: Card with 4 voltage transformer measuring inputs
- X102** – Protection Communication, Fiber optics interface, ST Connector
- X103** – Profibus-DP, RS485, D-SUB
- X104** – IRIG-B00X, incl. System Contact (Supervision Contact)

MCDLV4-2A0H1FA



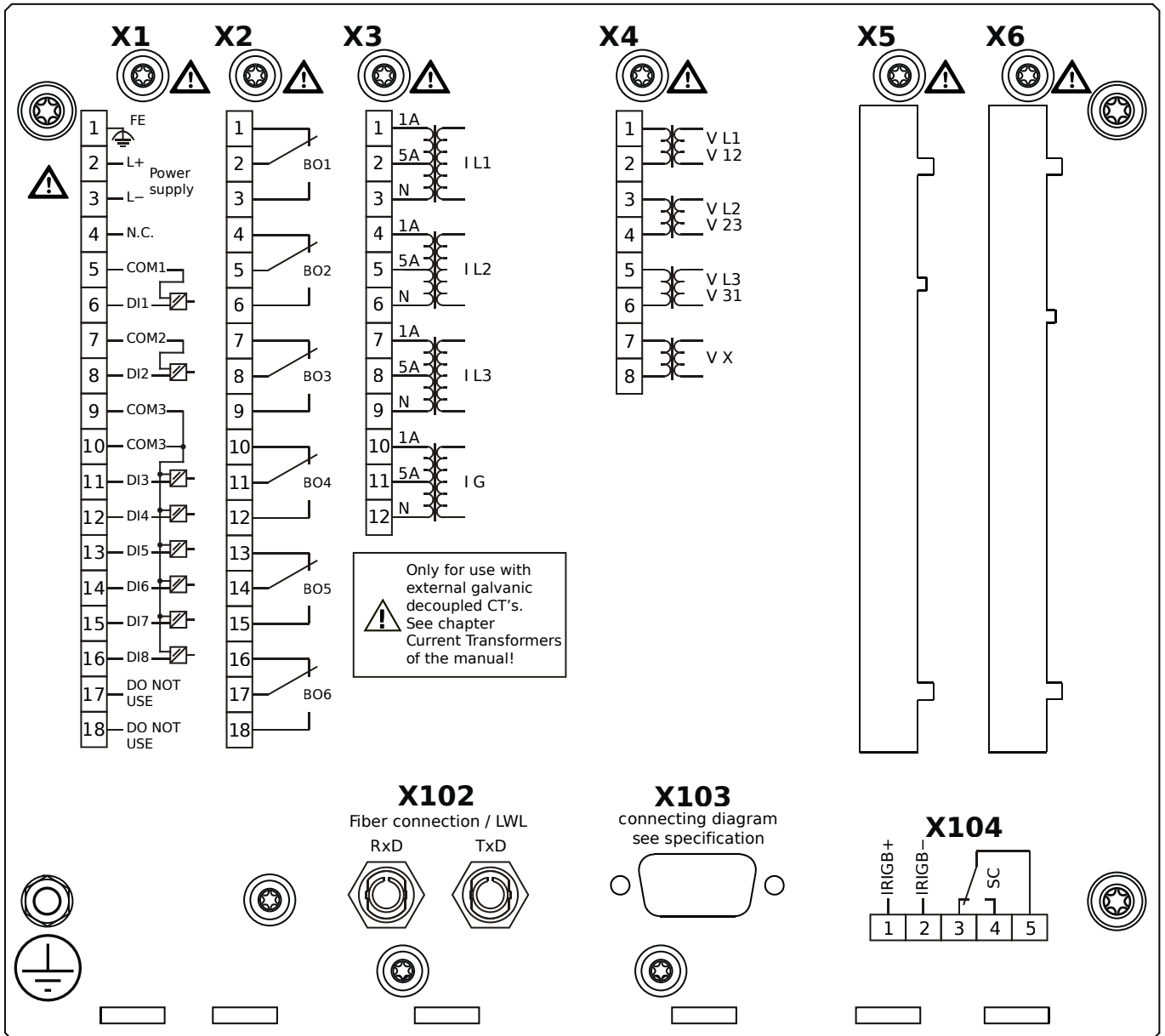
- X1** – DI8-X1: Wide-range power supply unit, incl. 2 non-grouped digital inputs and 6 grouped digital inputs
- X2** – OR-6: Assembly Group with 6 Relay Outputs
- X3** – TI-4: Standard current measuring card
- X4** – TU: Card with 4 voltage transformer measuring inputs
- X102** – Protection Communication, Fiber optics interface, ST Connector
- X103** – Modbus RTU / IEC 60870-5-103 / DNP3.0 RTU, Fiber optics interface, ST Connector
- X104** – IRIG-B00X, incl. System Contact (Supervision Contact)

MCDLV4-2A0H1FB



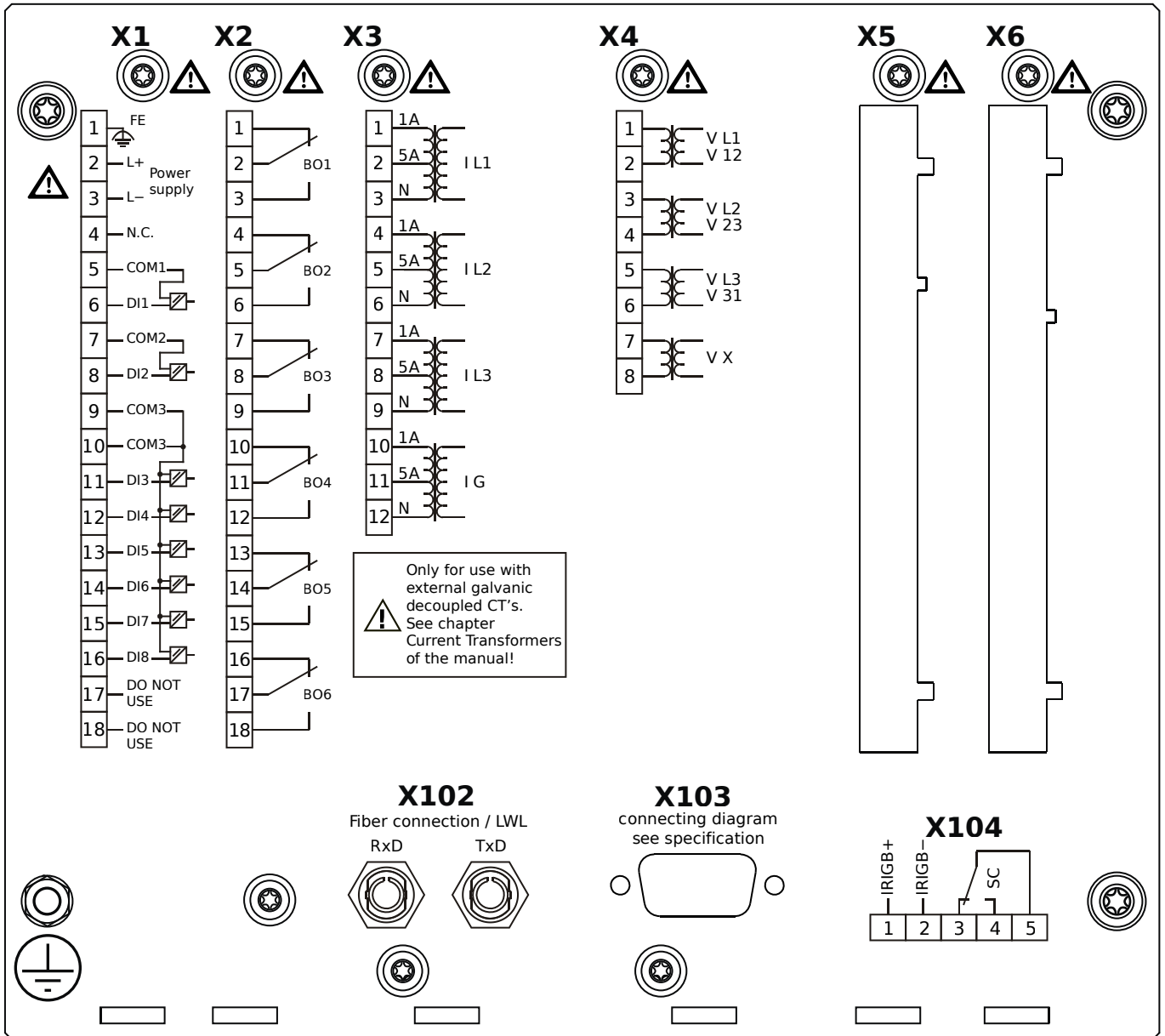
- X1** – DI8-X1: Wide-range power supply unit, incl. 2 non-grouped digital inputs and 6 grouped digital inputs
- X2** – OR-6: Assembly Group with 6 Relay Outputs
- X3** – TI-4: Standard current measuring card
- X4** – TU: Card with 4 voltage transformer measuring inputs
- X102** – Protection Communication, Fiber optics interface, ST Connector
- X103** – Modbus RTU / IEC 60870-5-103 / DNP3.0 RTU, Fiber optics interface, ST Connector
- X104** – IRIG-B00X, incl. System Contact (Supervision Contact)

MCDLV4-2A0H1GA



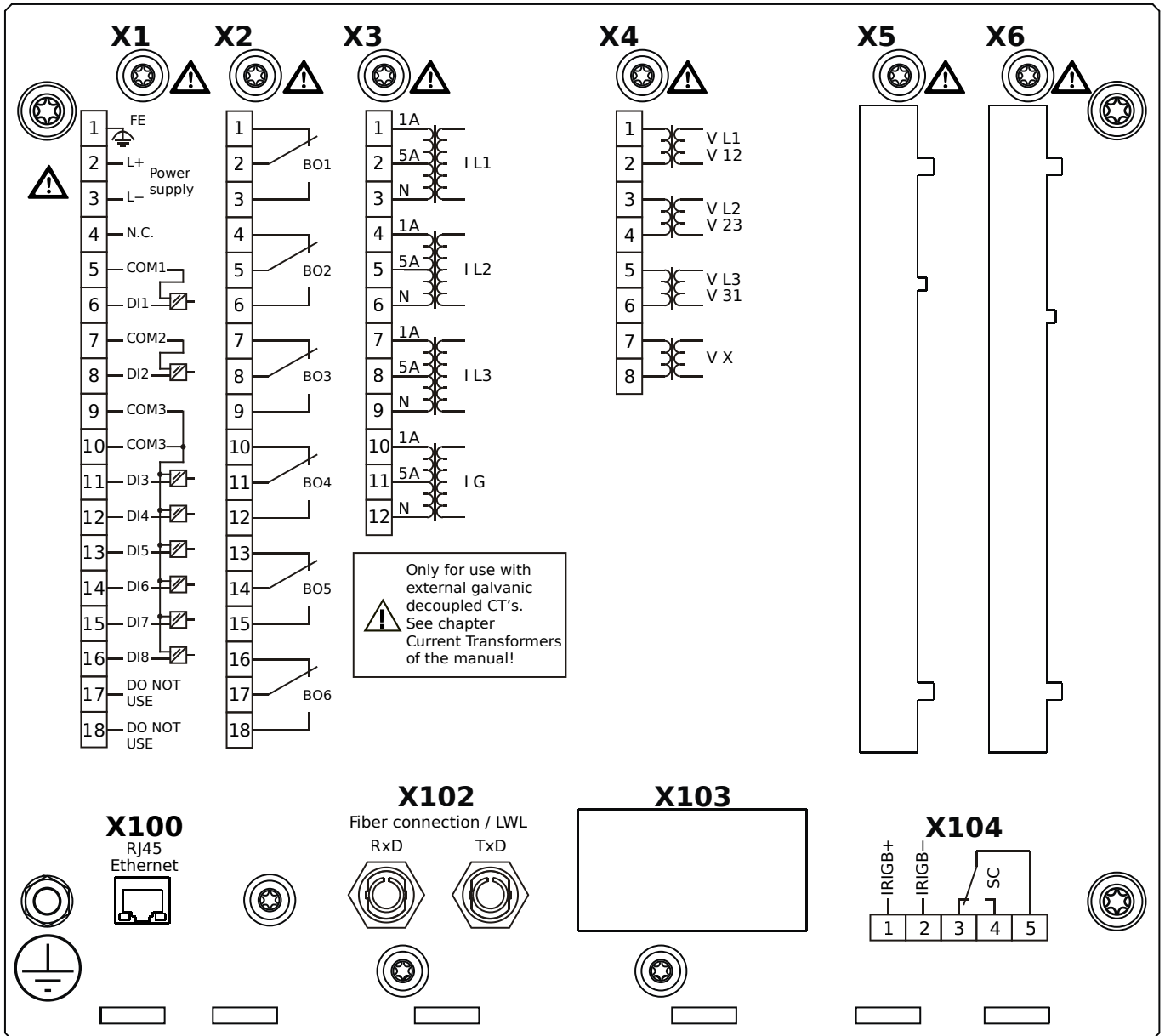
- X1** – DI8-X1: Wide-range power supply unit, incl. 2 non-grouped digital inputs and 6 grouped digital inputs
- X2** – OR-6: Assembly Group with 6 Relay Outputs
- X3** – TI-4: Standard current measuring card
- X4** – TU: Card with 4 voltage transformer measuring inputs
- X102** – Protection Communication, Fiber optics interface, ST Connector
- X103** – Modbus RTU / IEC 60870-5-103 / DNP3.0 RTU, RS485, D-SUB
- X104** – IRIG-B00X, incl. System Contact (Supervision Contact)

MCDLV4-2A0H1GB



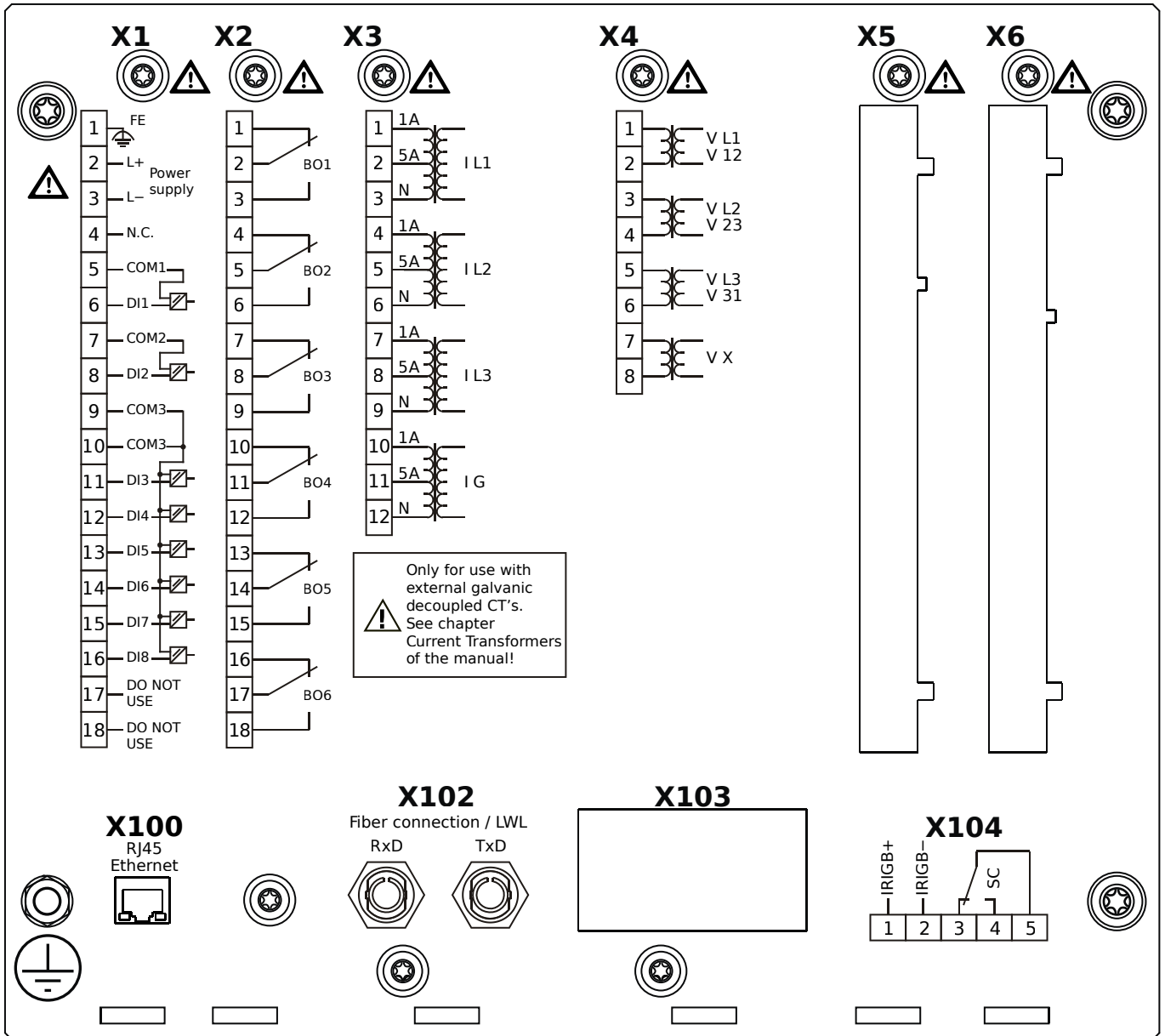
- X1** – DI8-X1: Wide-range power supply unit, incl. 2 non-grouped digital inputs and 6 grouped digital inputs
- X2** – OR-6: Assembly Group with 6 Relay Outputs
- X3** – TI-4: Standard current measuring card
- X4** – TU: Card with 4 voltage transformer measuring inputs
- X102** – Protection Communication, Fiber optics interface, ST Connector
- X103** – Modbus RTU / IEC 60870-5-103 / DNP3.0 RTU, RS485, D-SUB
- X104** – IRIG-B00X, incl. System Contact (Supervision Contact)

MCDLV4-2A0H1HA



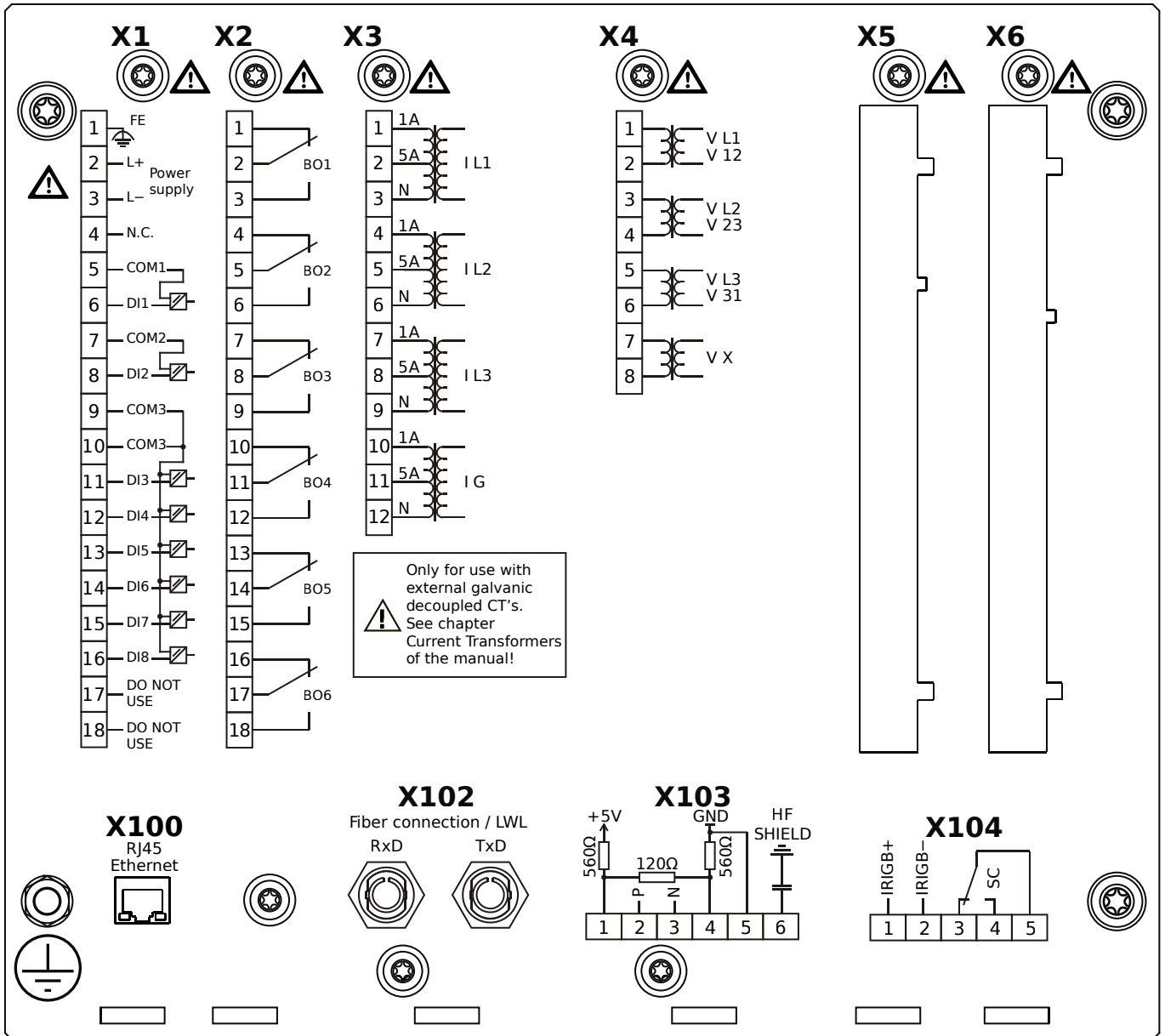
- X1** – DI8-X1: Wide-range power supply unit, incl. 2 non-grouped digital inputs and 6 grouped digital inputs
- X2** – OR-6: Assembly Group with 6 Relay Outputs
- X3** – TI-4: Standard current measuring card
- X4** – TU: Card with 4 voltage transformer measuring inputs
- X100** – IEC 61850 / Modbus TCP / DNP3.0 TCP/UDP, Ethernet interface, 100 Mbit/s, RJ45 (BASE100-FX)
- X102** – Protection Communication, Fiber optics interface, ST Connector
- X104** – IRIG-B00X, incl. System Contact (Supervision Contact)

MCDLV4-2A0H1HB



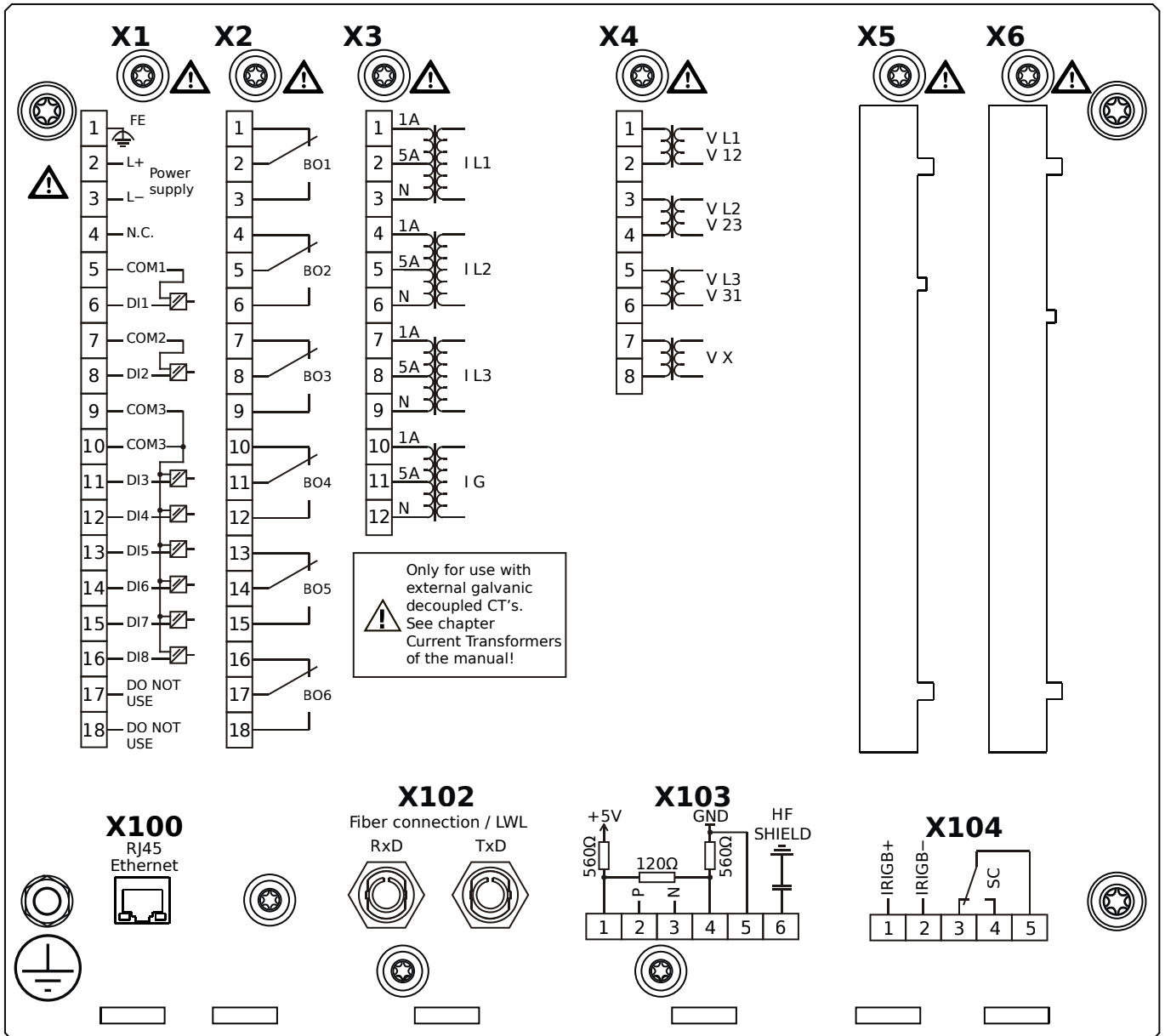
- X1** – DI8-X1: Wide-range power supply unit, incl. 2 non-grouped digital inputs and 6 grouped digital inputs
- X2** – OR-6: Assembly Group with 6 Relay Outputs
- X3** – TI-4: Standard current measuring card
- X4** – TU: Card with 4 voltage transformer measuring inputs
- X100** – IEC 61850 / Modbus TCP / DNP3.0 TCP/UDP, Ethernet interface, 100 Mbit/s, RJ45 (BASE100-FX)
- X102** – Protection Communication, Fiber optics interface, ST Connector
- X104** – IRIG-B00X, incl. System Contact (Supervision Contact)

MCDLV4-2A0H1IA



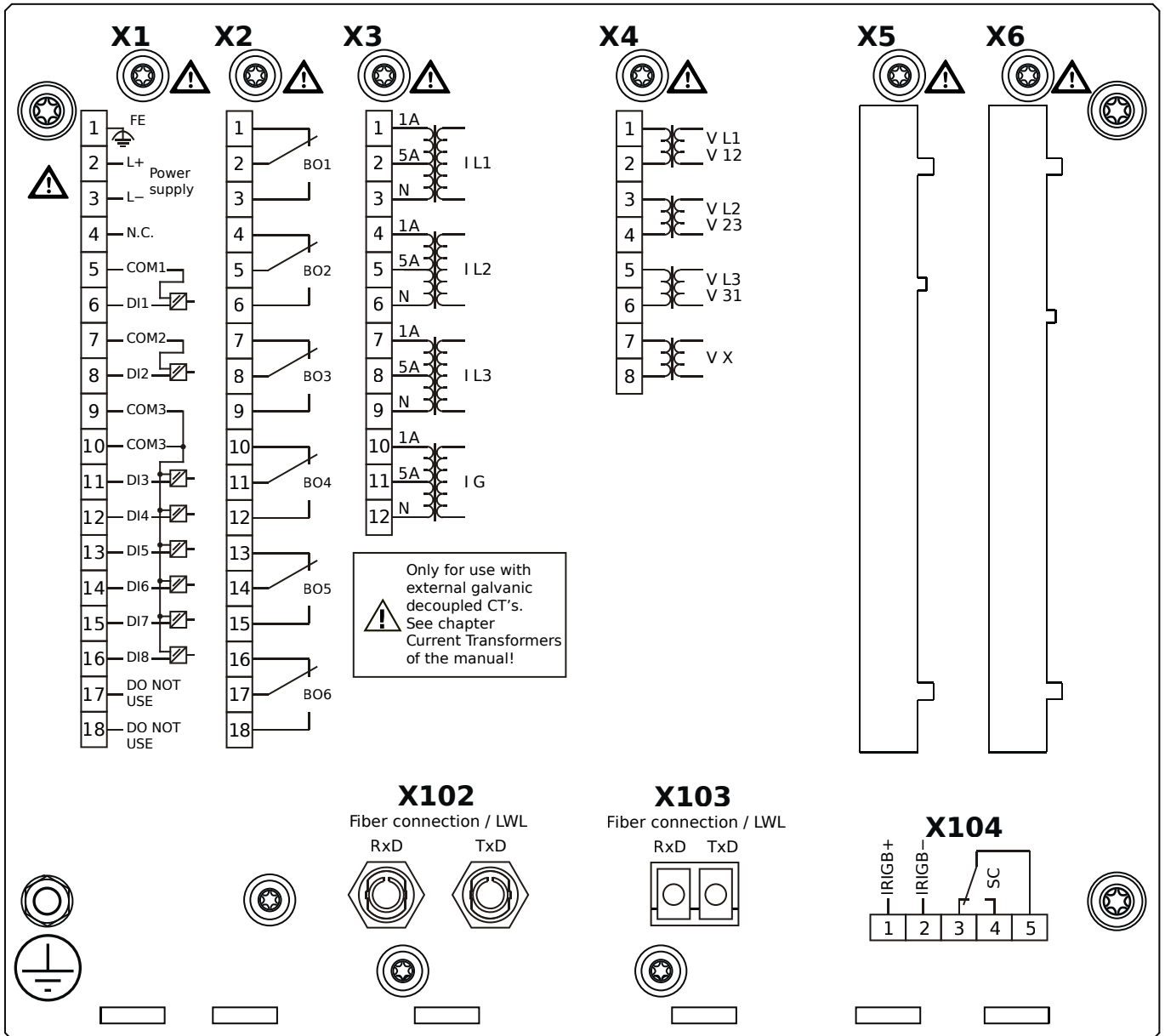
- X1** – DI8-X1: Wide-range power supply unit, incl. 2 non-grouped digital inputs and 6 grouped digital inputs
- X2** – OR-6: Assembly Group with 6 Relay Outputs
- X3** – TI-4: Standard current measuring card
- X4** – TU: Card with 4 voltage transformer measuring inputs
- X100** – Modbus TCP / DNP3.0 TCP/UDP, Ethernet interface, 100 Mbit/s, RJ45 (BASE100-FX)
- X102** – Protection Communication, Fiber optics interface, ST Connector
- X103** – IEC 60870-5-103 / Modbus RTU / DNP3.0 RTU, RS485, Terminals
- X104** – IRIG-B00X, incl. System Contact (Supervision Contact)

MCDLV4-2A0H1IB



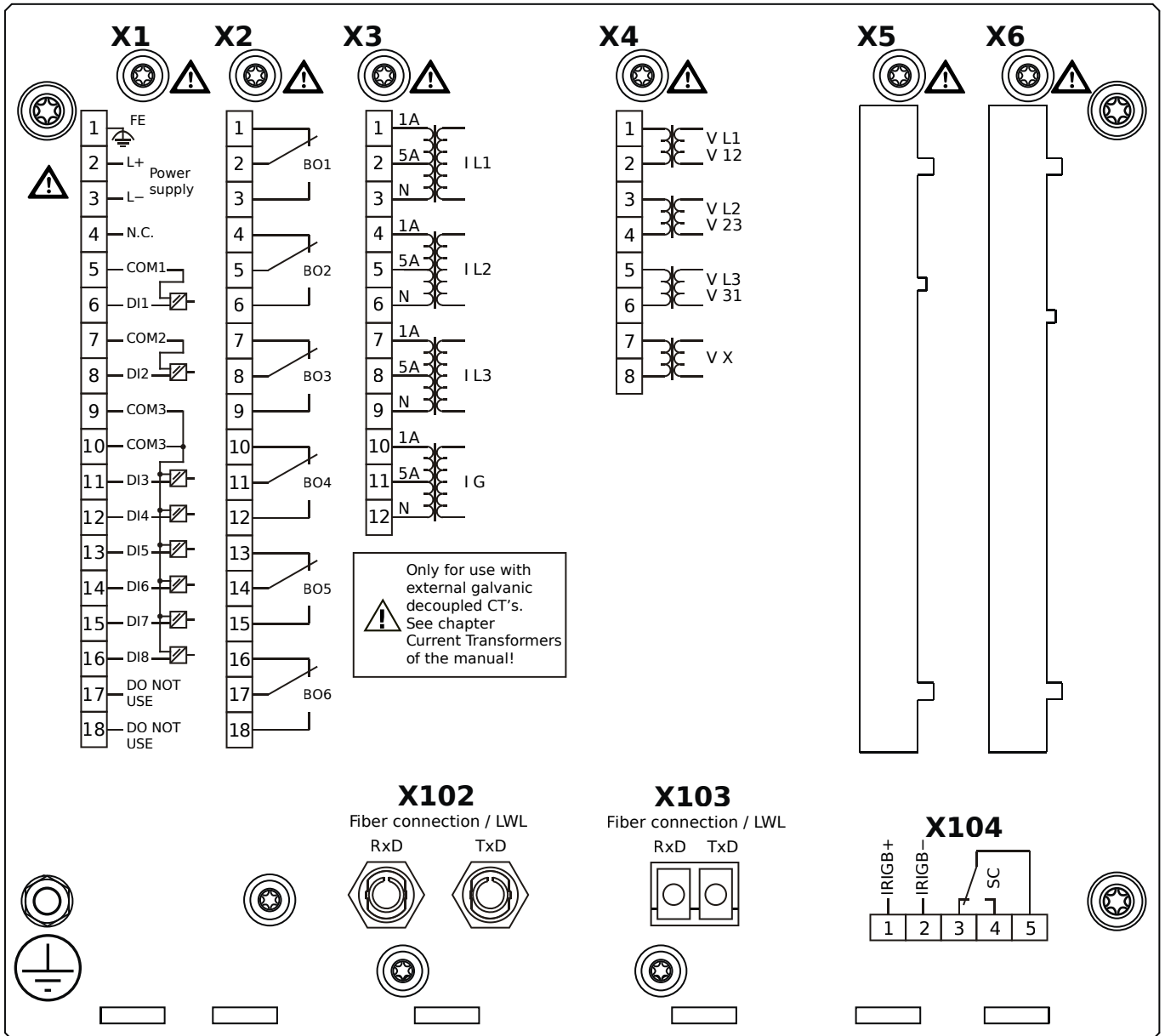
- X1** – DI8-X1: Wide-range power supply unit, incl. 2 non-grouped digital inputs and 6 grouped digital inputs
- X2** – OR-6: Assembly Group with 6 Relay Outputs
- X3** – TI-4: Standard current measuring card
- X4** – TU: Card with 4 voltage transformer measuring inputs
- X100** – Modbus TCP / DNP3.0 TCP/UDP, Ethernet interface, 100 Mbit/s, RJ45 (BASE100-FX)
- X102** – Protection Communication, Fiber optics interface, ST Connector
- X103** – IEC 60870-5-103 / Modbus RTU / DNP3.0 RTU, RS485, Terminals
- X104** – IRIG-B00X, incl. System Contact (Supervision Contact)

MCDLV4-2A0H1KA



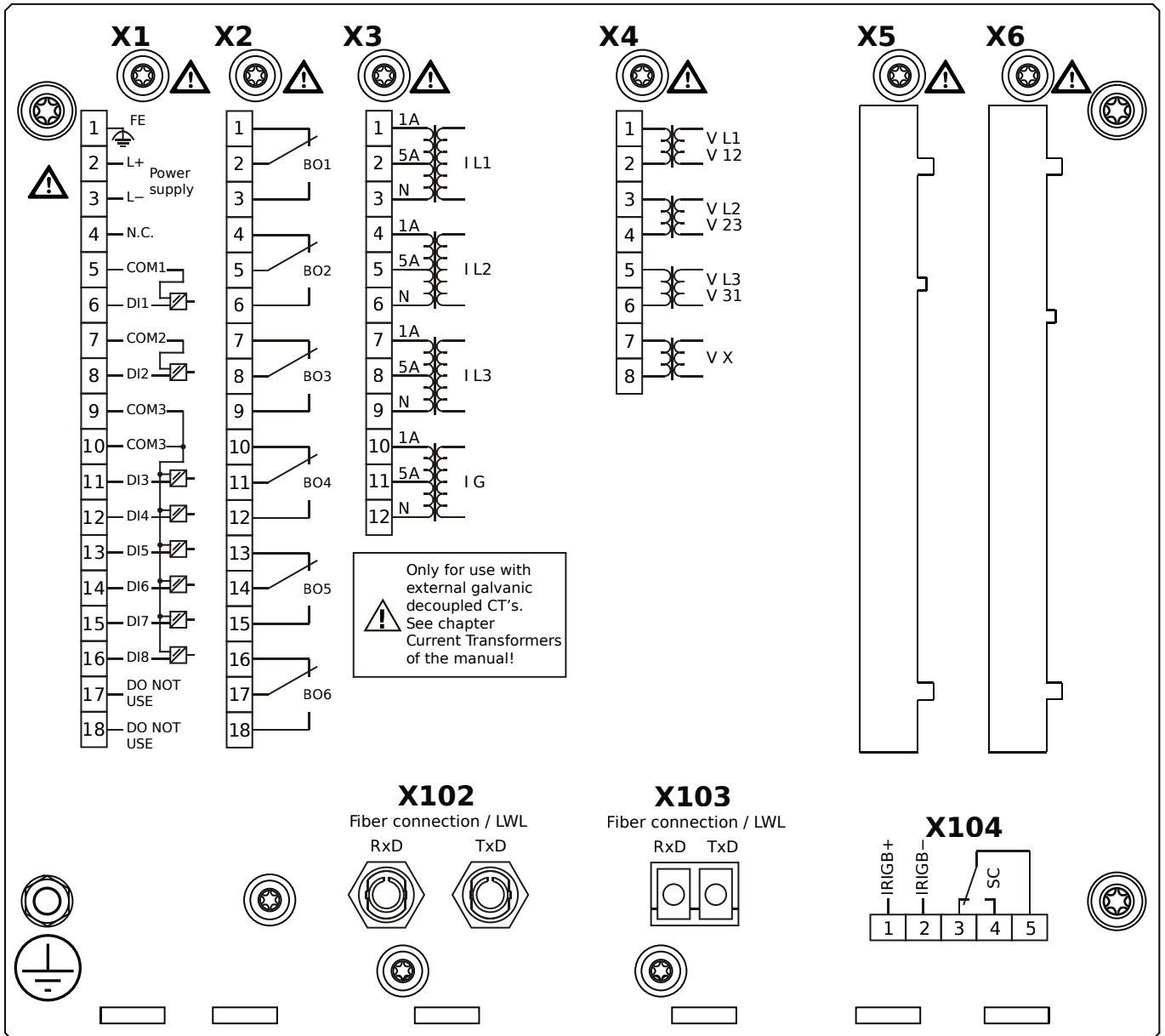
- X1** – DI8-X1: Wide-range power supply unit, incl. 2 non-grouped digital inputs and 6 grouped digital inputs
- X2** – OR-6: Assembly Group with 6 Relay Outputs
- X3** – TI-4: Standard current measuring card
- X4** – TU: Card with 4 voltage transformer measuring inputs
- X102** – Protection Communication, Fiber optics interface, ST Connector
- X103** – IEC 61850 / Modbus TCP / DNP3.0 TCP/UDP, Fiber optics interface, LC Connector
- X104** – IRIG-B00X, incl. System Contact (Supervision Contact)

MCDLV4-2A0H1KB



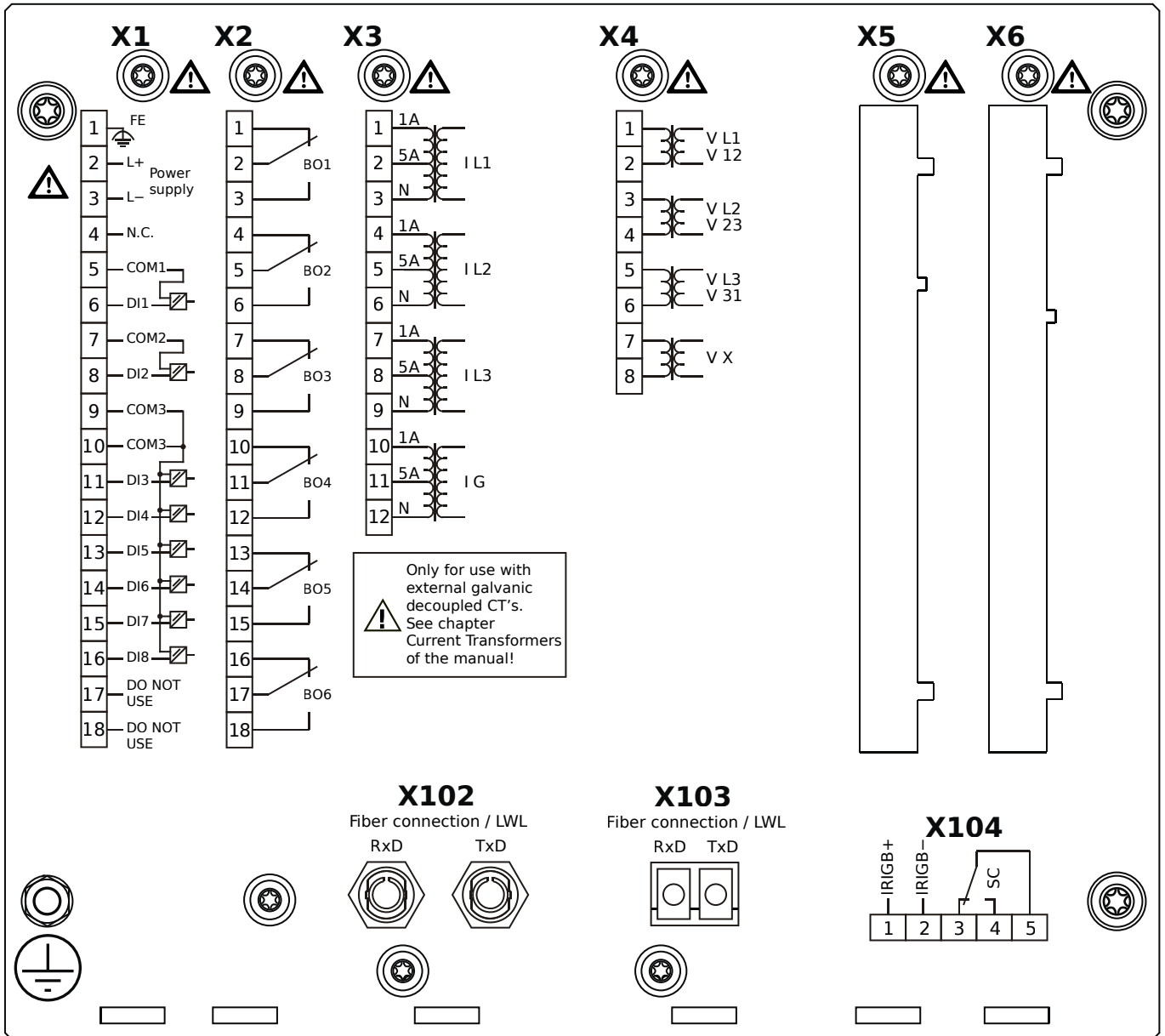
- X1** – DI8-X1: Wide-range power supply unit, incl. 2 non-grouped digital inputs and 6 grouped digital inputs
- X2** – OR-6: Assembly Group with 6 Relay Outputs
- X3** – TI-4: Standard current measuring card
- X4** – TU: Card with 4 voltage transformer measuring inputs
- X102** – Protection Communication, Fiber optics interface, ST Connector
- X103** – IEC 61850 / Modbus TCP / DNP3.0 TCP/UDP, Fiber optics interface, LC Connector
- X104** – IRIG-B00X, incl. System Contact (Supervision Contact)

MCDLV4-2A0H1LA



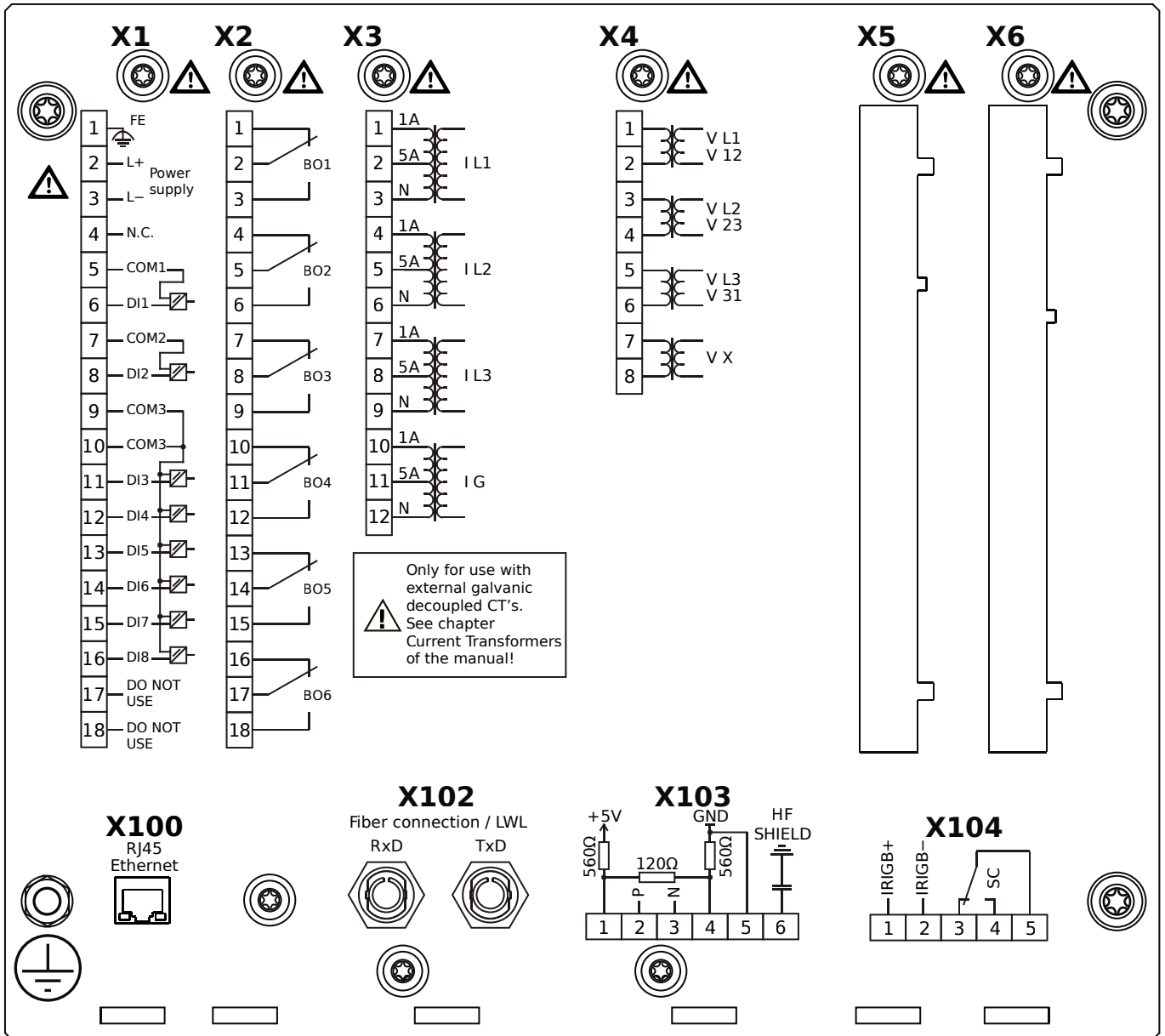
- X1** – DI8-X1: Wide-range power supply unit, incl. 2 non-grouped digital inputs and 6 grouped digital inputs
- X2** – OR-6: Assembly Group with 6 Relay Outputs
- X3** – TI-4: Standard current measuring card
- X4** – TU: Card with 4 voltage transformer measuring inputs
- X102** – Protection Communication, Fiber optics interface, ST Connector
- X103** – Modbus TCP / DNP3.0 TCP/UDP, Fiber optics interface, LC Connector
- X104** – IRIG-B00X, incl. System Contact (Supervision Contact)

MCDLV4-2A0H1LB



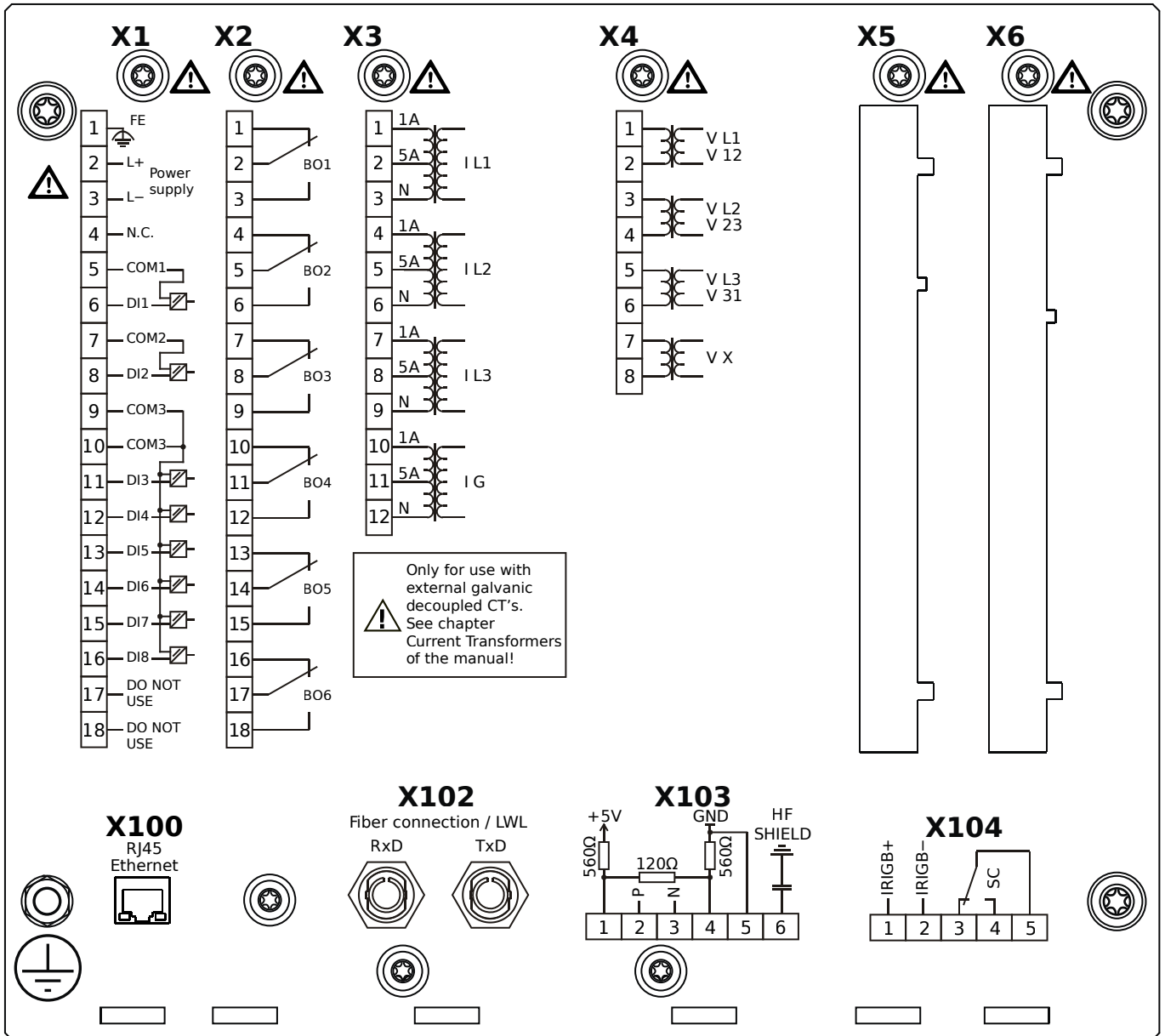
- X1** – DI8-X1: Wide-range power supply unit, incl. 2 non-grouped digital inputs and 6 grouped digital inputs
- X2** – OR-6: Assembly Group with 6 Relay Outputs
- X3** – TI-4: Standard current measuring card
- X4** – TU: Card with 4 voltage transformer measuring inputs
- X102** – Protection Communication, Fiber optics interface, ST Connector
- X103** – Modbus TCP / DNP3.0 TCP/UDP, Fiber optics interface, LC Connector
- X104** – IRIG-B00X, incl. System Contact (Supervision Contact)

MCDLV4-2A0H1TA



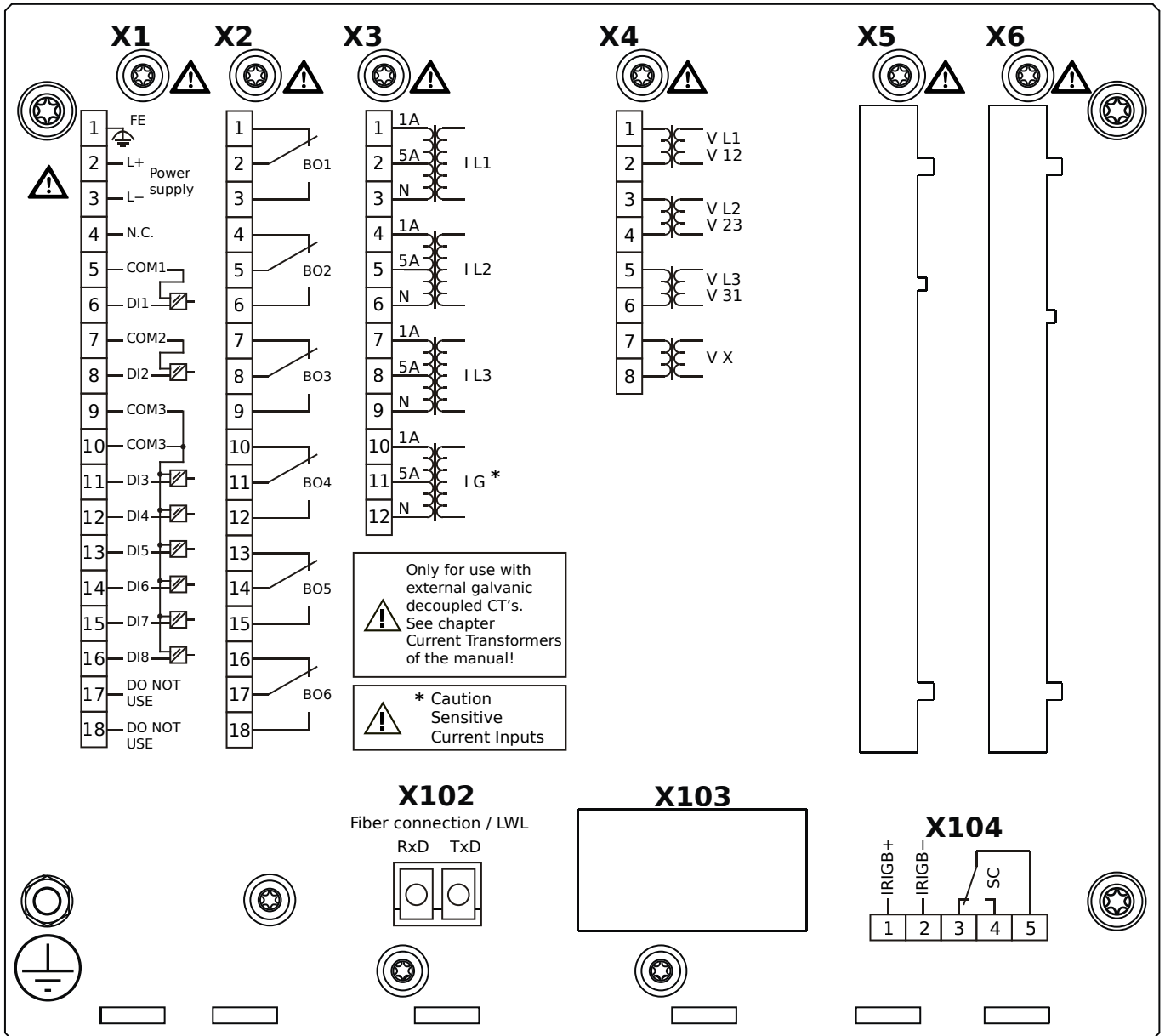
- X1** – DI8-X1: Wide-range power supply unit, incl. 2 non-grouped digital inputs and 6 grouped digital inputs
- X2** – OR-6: Assembly Group with 6 Relay Outputs
- X3** – TI-4: Standard current measuring card
- X4** – TU: Card with 4 voltage transformer measuring inputs
- X100** – IEC 61850 / Modbus TCP / DNP3.0 TCP/UDP, Ethernet interface, 100 Mbit/s, RJ45 (BASE100-FX)
- X102** – Protection Communication, Fiber optics interface, ST Connector
- X103** – IEC 60870-5-103 / Modbus RTU / DNP3.0 RTU, RS485, Terminals
- X104** – IRIG-B00X, incl. System Contact (Supervision Contact)

MCDLV4-2A0H1TB



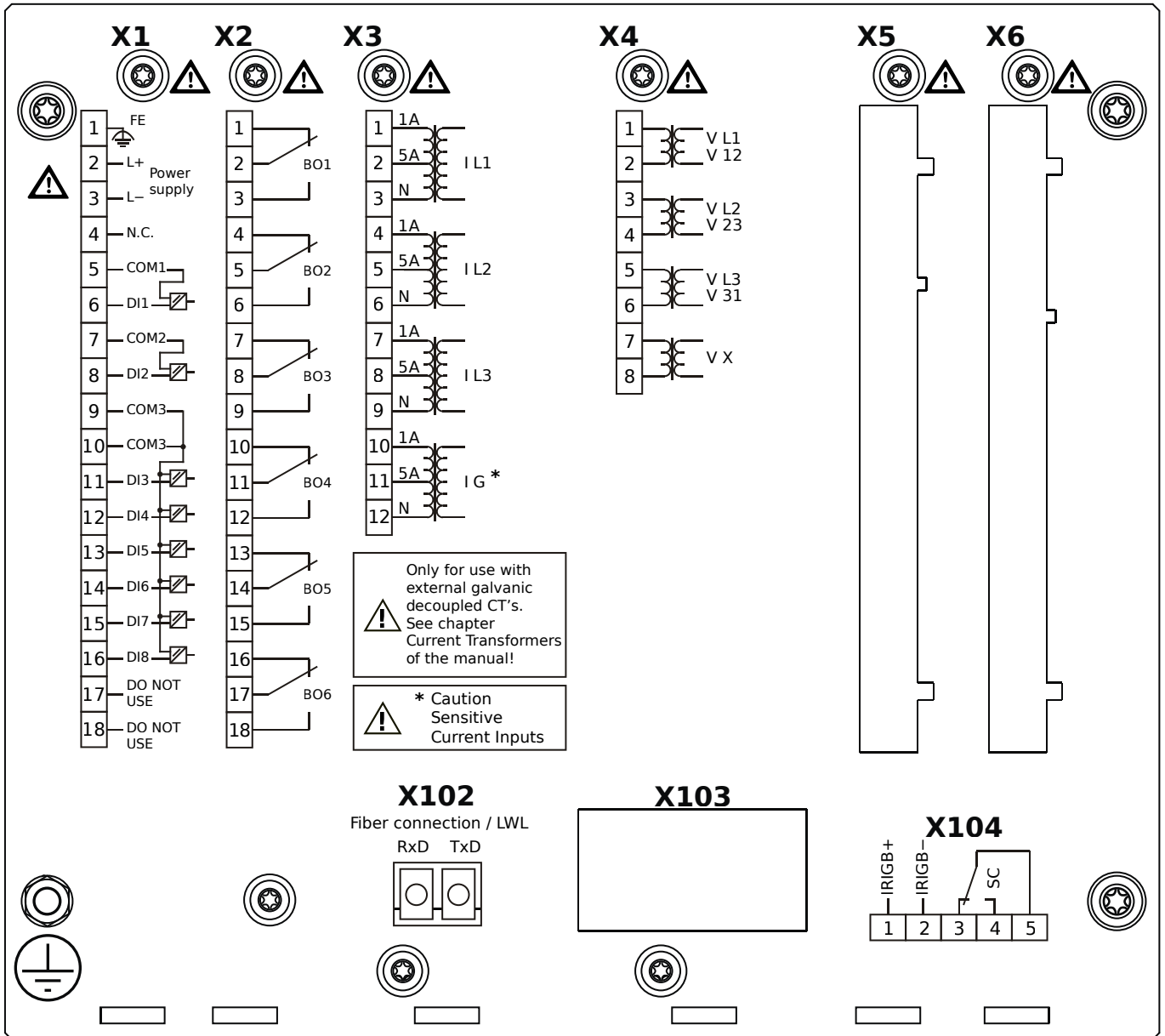
- X1** – DI8-X1: Wide-range power supply unit, incl. 2 non-grouped digital inputs and 6 grouped digital inputs
- X2** – OR-6: Assembly Group with 6 Relay Outputs
- X3** – TI-4: Standard current measuring card
- X4** – TU: Card with 4 voltage transformer measuring inputs
- X100** – IEC 61850 / Modbus TCP / DNP3.0 TCP/UDP, Ethernet interface, 100 Mbit/s, RJ45 (BASE100-FX)
- X102** – Protection Communication, Fiber optics interface, ST Connector
- X103** – IEC 60870-5-103 / Modbus RTU / DNP3.0 RTU, RS485, Terminals
- X104** – IRIG-B00X, incl. System Contact (Supervision Contact)

MCDLV4-2A1A0AA



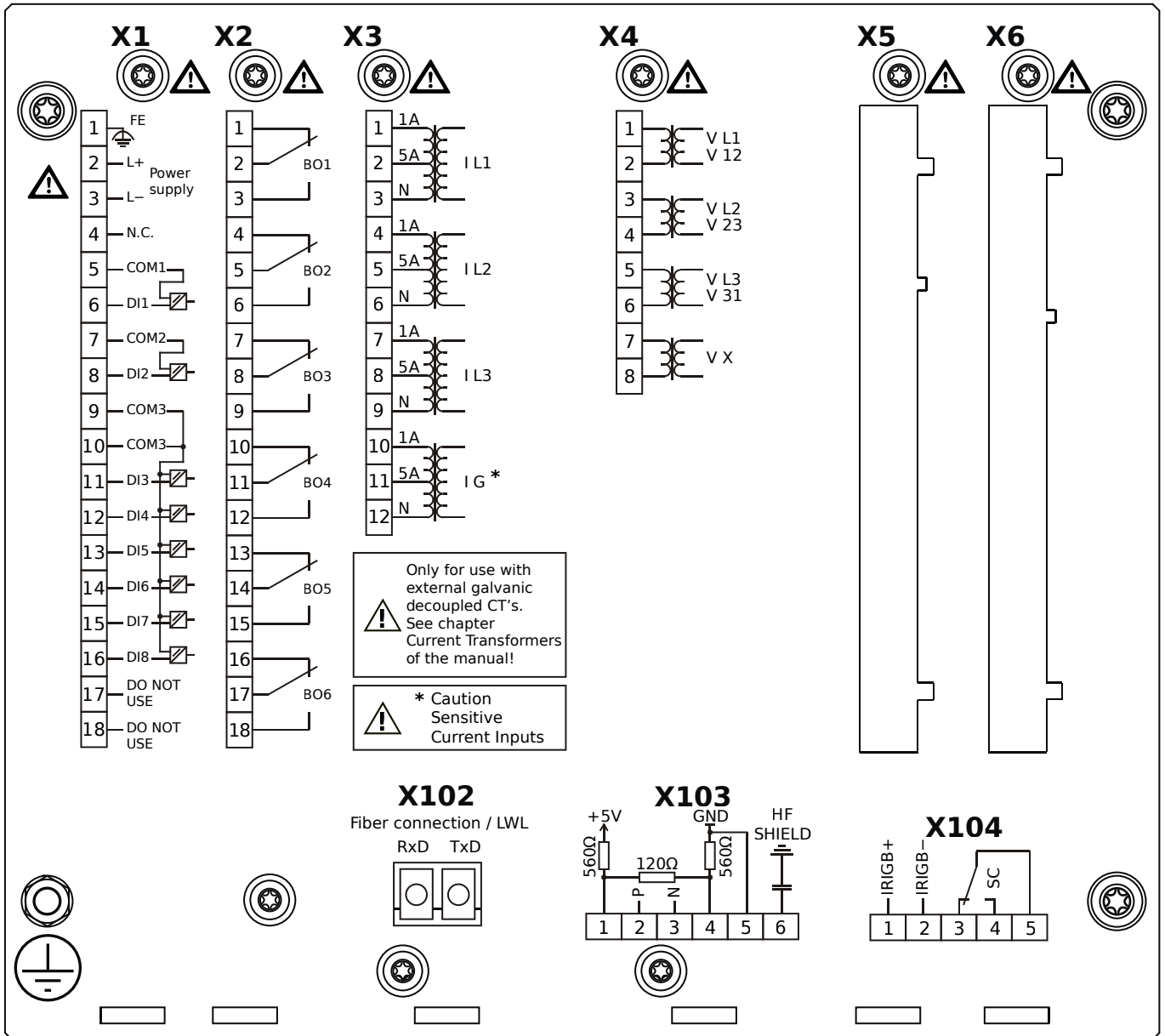
- X1** – DI8-X1: Wide-range power supply unit, incl. 2 non-grouped digital inputs and 6 grouped digital inputs
- X2** – OR-6: Assembly Group with 6 Relay Outputs
- X3** – TIs-4: Standard phase current measuring card and sensitive ground current measuring
- X4** – TU: Card with 4 voltage transformer measuring inputs
- X102** – Long-distance Protection Communication, Fiber optics interface, LC Connector
- X104** – IRIG-B00X, incl. System Contact (Supervision Contact)

MCDLV4-2A1A0AB



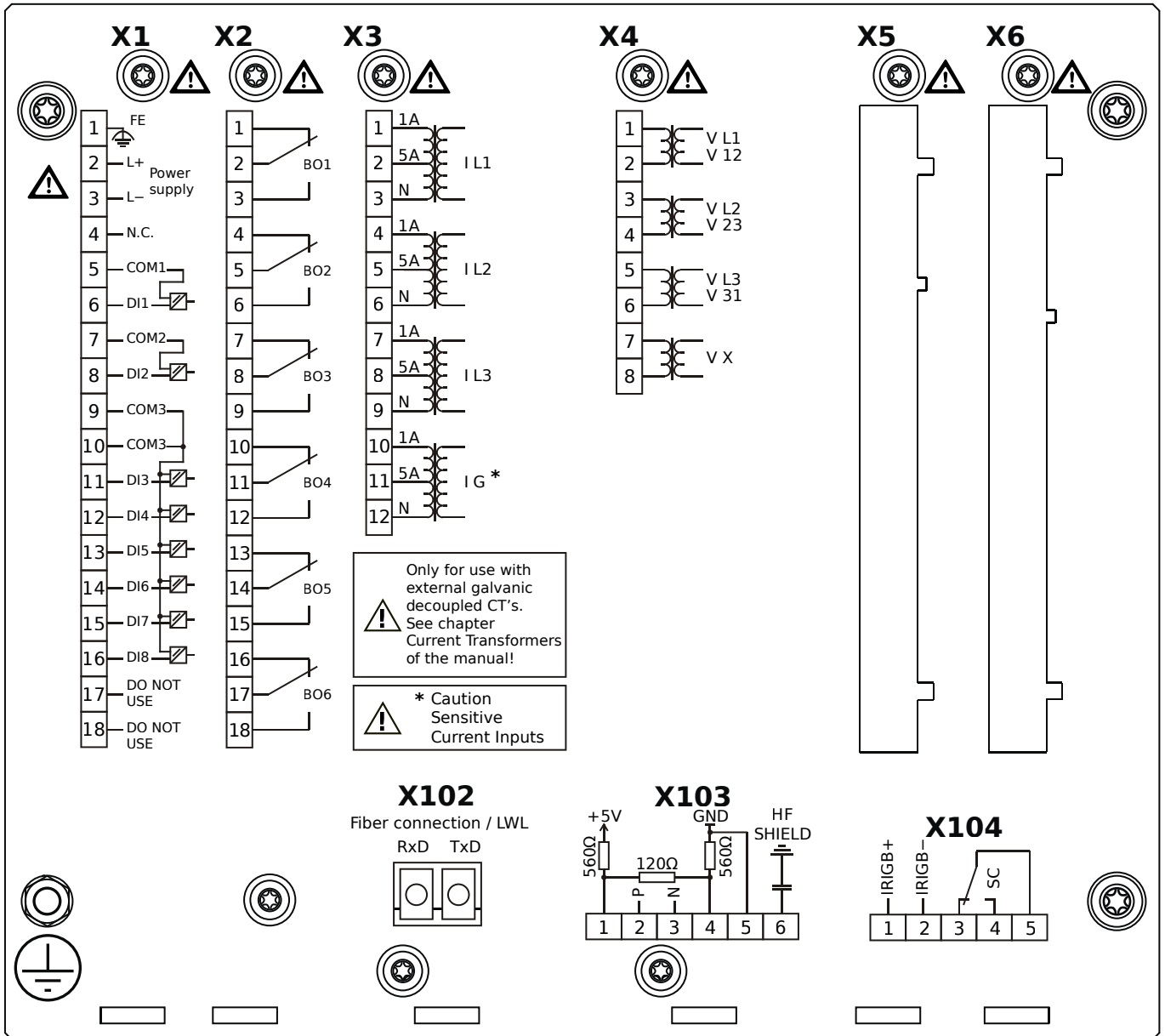
- X1** – DI8-X1: Wide-range power supply unit, incl. 2 non-grouped digital inputs and 6 grouped digital inputs
- X2** – OR-6: Assembly Group with 6 Relay Outputs
- X3** – TIs-4: Standard phase current measuring card and sensitive ground current measuring
- X4** – TU: Card with 4 voltage transformer measuring inputs
- X102** – Long-distance Protection Communication, Fiber optics interface, LC Connector
- X104** – IRIG-B00X, incl. System Contact (Supervision Contact)

MCDLV4-2A1A0BA



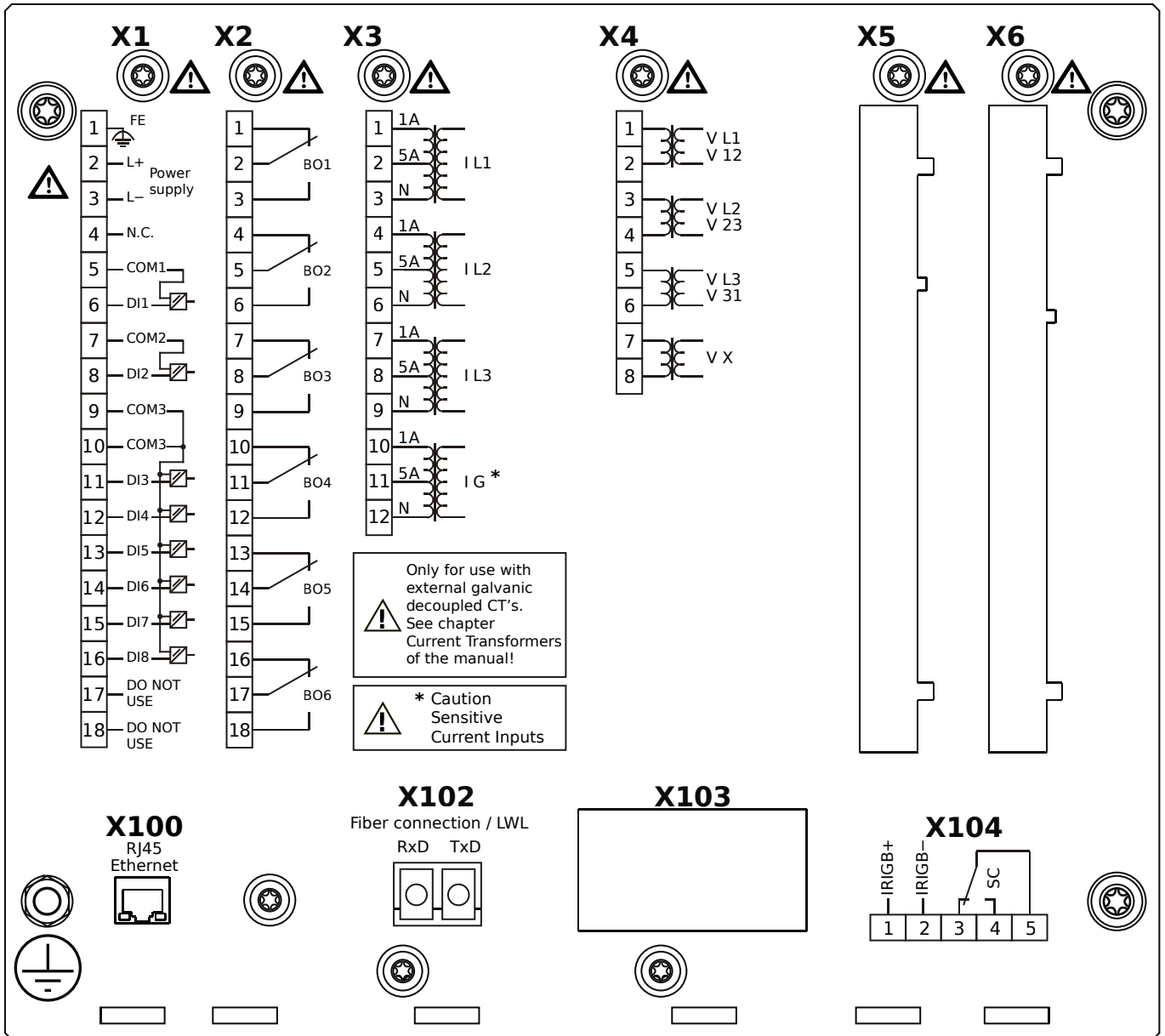
- X1** – DI8-X1: Wide-range power supply unit, incl. 2 non-grouped digital inputs and 6 grouped digital inputs
- X2** – OR-6: Assembly Group with 6 Relay Outputs
- X3** – TIs-4: Standard phase current measuring card and sensitive ground current measuring
- X4** – TU: Card with 4 voltage transformer measuring inputs
- X102** – Long-distance Protection Communication, Fiber optics interface, LC Connector
- X103** – Modbus RTU / IEC 60870-5-103 / DNP3.0 RTU, RS485, Terminals
- X104** – IRIG-B00X, incl. System Contact (Supervision Contact)

MCDLV4-2A1A0BB



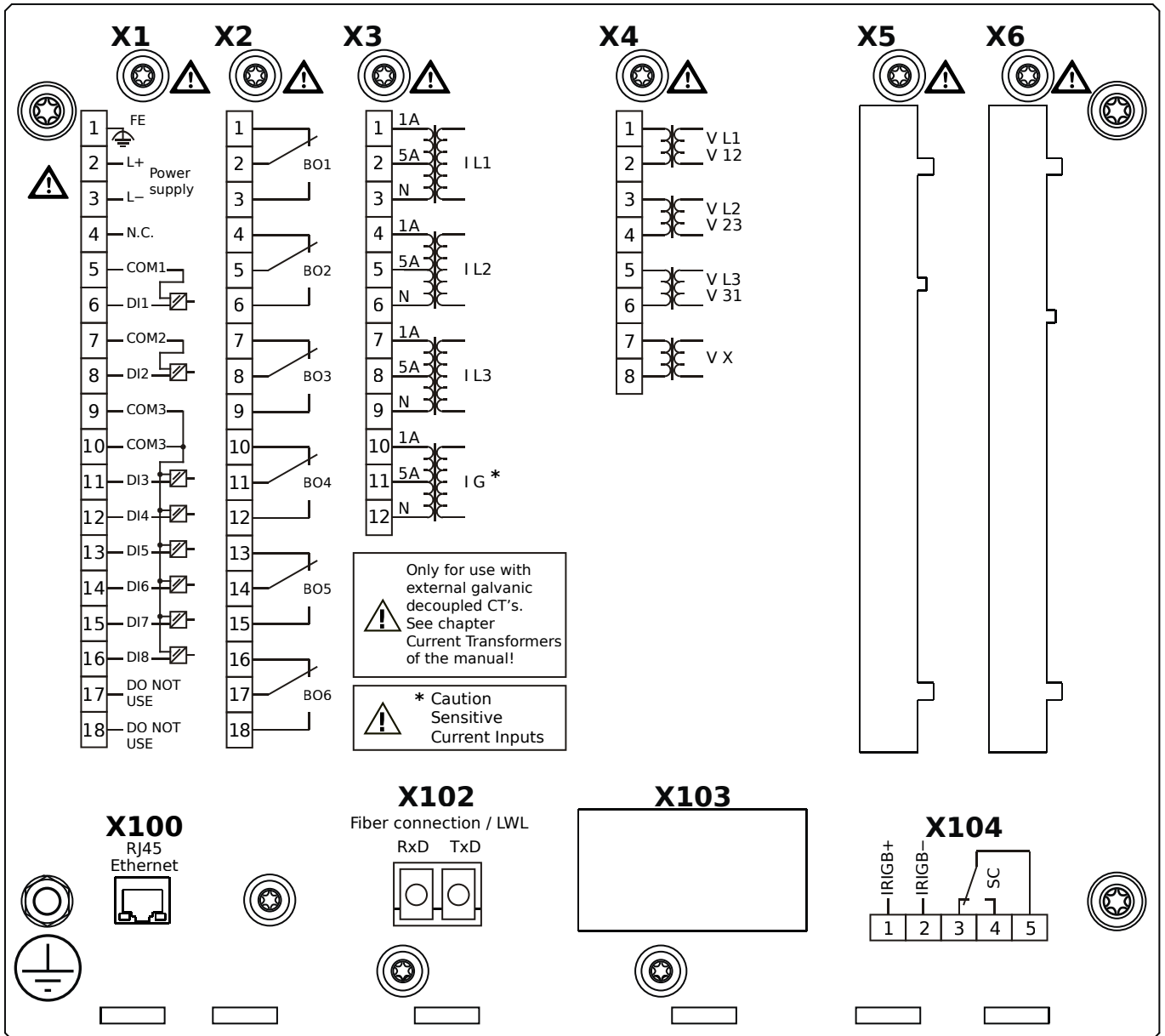
- X1** – DI8-X1: Wide-range power supply unit, incl. 2 non-grouped digital inputs and 6 grouped digital inputs
- X2** – OR-6: Assembly Group with 6 Relay Outputs
- X3** – TIs-4: Standard phase current measuring card and sensitive ground current measuring
- X4** – TU: Card with 4 voltage transformer measuring inputs
- X102** – Long-distance Protection Communication, Fiber optics interface, LC Connector
- X103** – Modbus RTU / IEC 60870-5-103 / DNP3.0 RTU, RS485, Terminals
- X104** – IRIG-B00X, incl. System Contact (Supervision Contact)

MCDLV4-2A1A0CA



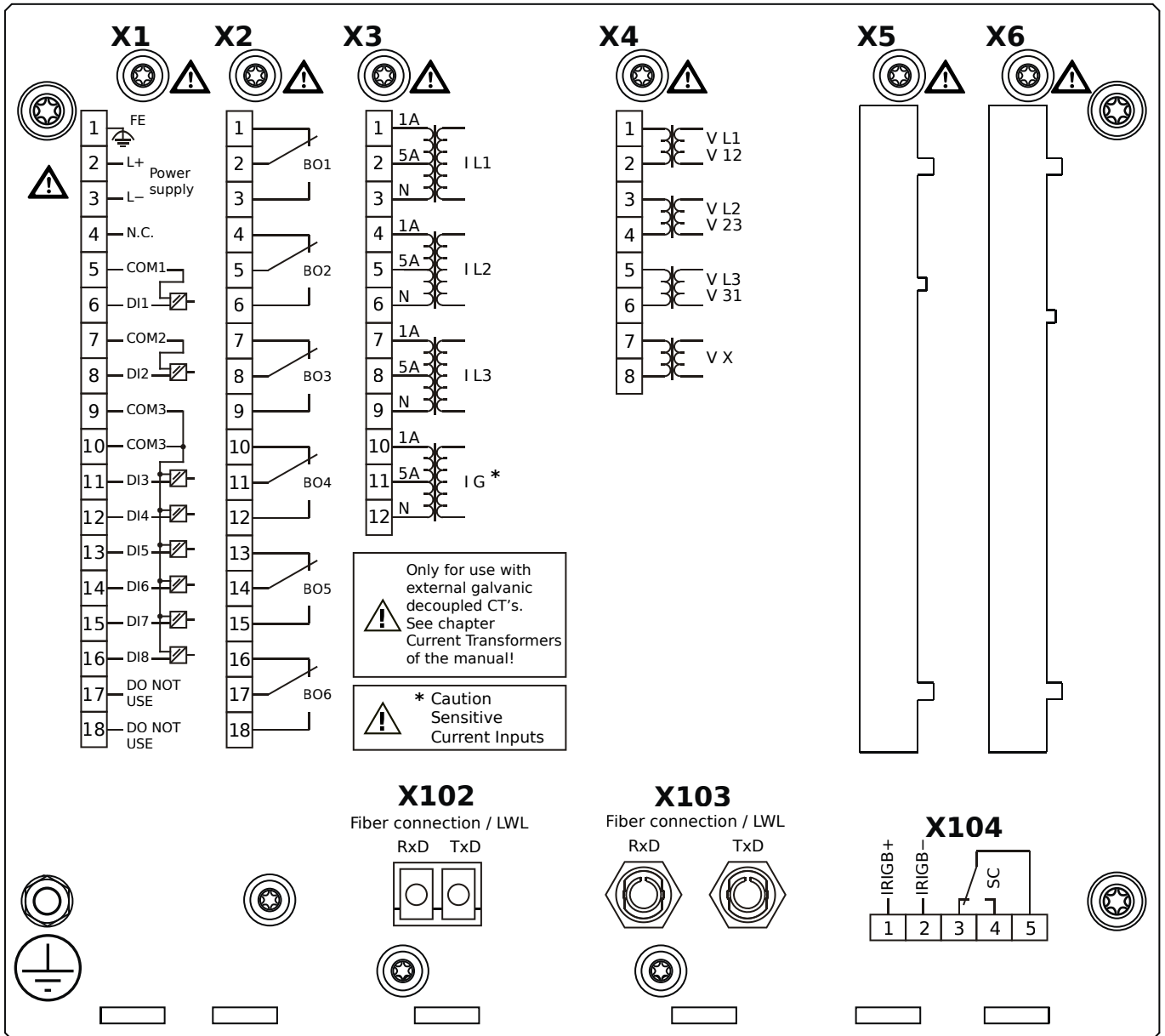
- X1** – DI8-X1: Wide-range power supply unit, incl. 2 non-grouped digital inputs and 6 grouped digital inputs
- X2** – OR-6: Assembly Group with 6 Relay Outputs
- X3** – TIs-4: Standard phase current measuring card and sensitive ground current measuring
- X4** – TU: Card with 4 voltage transformer measuring inputs
- X100** – Modbus TCP / DNP3.0 TCP/UDP, Ethernet interface, 100 Mbit/s, RJ45 (BASE100-FX)
- X102** – Long-distance Protection Communication, Fiber optics interface, LC Connector
- X104** – IRIG-B00X, incl. System Contact (Supervision Contact)

MCDLV4-2A1A0CB



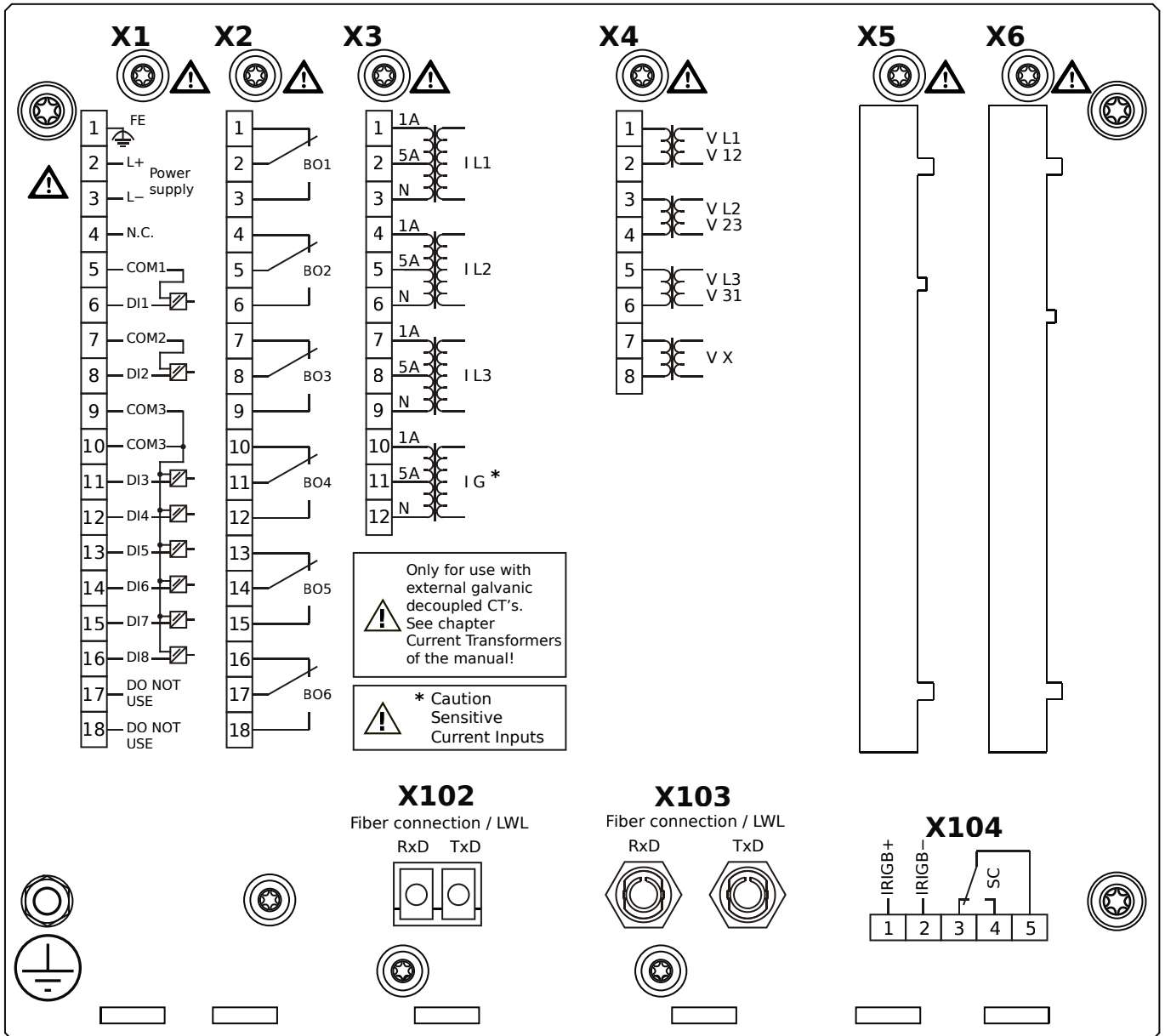
- X1** – DI8-X1: Wide-range power supply unit, incl. 2 non-grouped digital inputs and 6 grouped digital inputs
- X2** – OR-6: Assembly Group with 6 Relay Outputs
- X3** – TIs-4: Standard phase current measuring card and sensitive ground current measuring
- X4** – TU: Card with 4 voltage transformer measuring inputs
- X100** – Modbus TCP / DNP3.0 TCP/UDP, Ethernet interface, 100 Mbit/s, RJ45 (BASE100-FX)
- X102** – Long-distance Protection Communication, Fiber optics interface, LC Connector
- X104** – IRIG-B00X, incl. System Contact (Supervision Contact)

MCDLV4-2A1A0DA



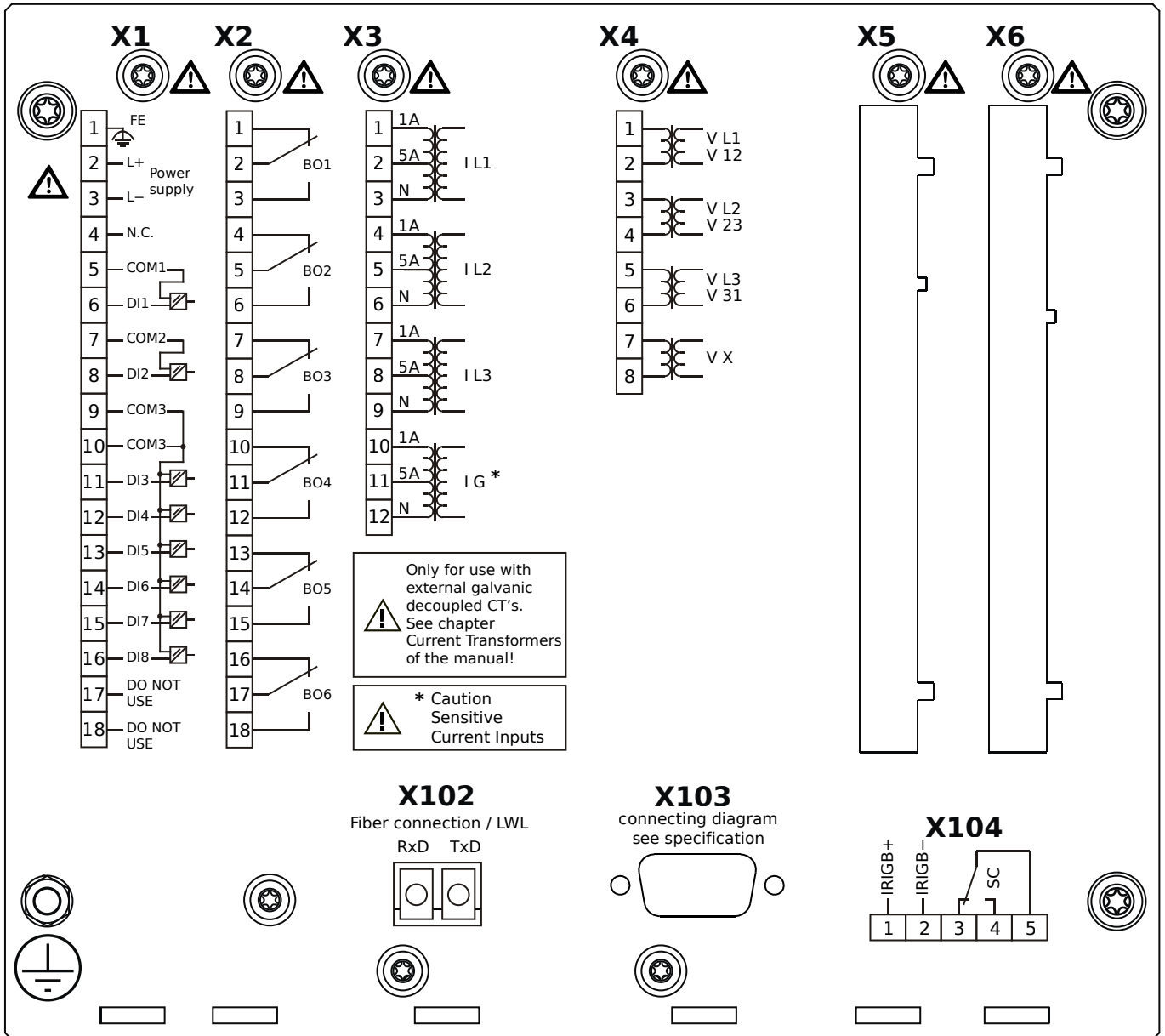
- X1** – DI8-X1: Wide-range power supply unit, incl. 2 non-grouped digital inputs and 6 grouped digital inputs
- X2** – OR-6: Assembly Group with 6 Relay Outputs
- X3** – TIs-4: Standard phase current measuring card and sensitive ground current measuring
- X4** – TU: Card with 4 voltage transformer measuring inputs
- X102** – Long-distance Protection Communication, Fiber optics interface, LC Connector
- X103** – Profibus-DP, Fiber optics interface, ST Connector
- X104** – IRIG-B00X, incl. System Contact (Supervision Contact)

MCDLV4-2A1A0DB



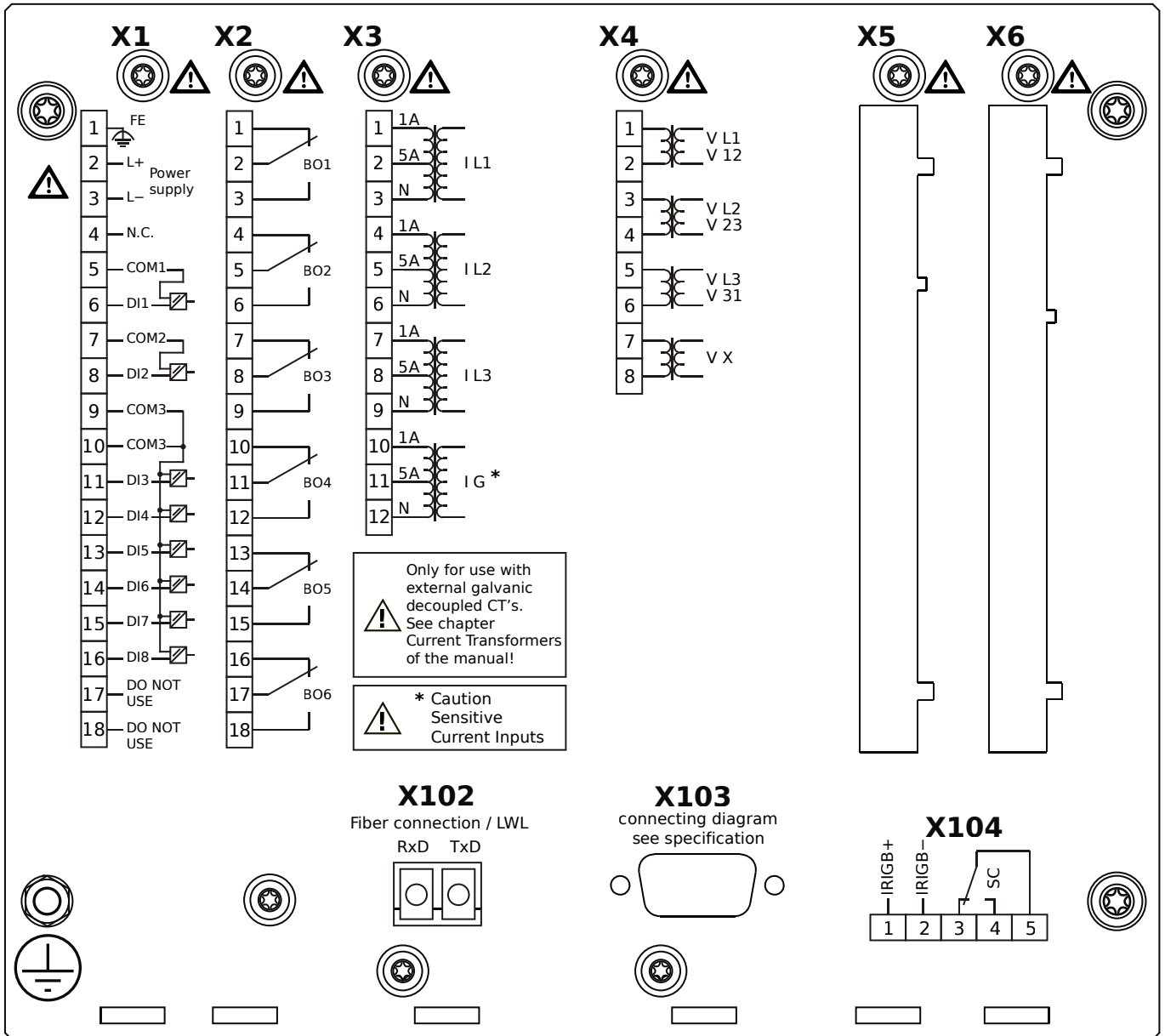
- X1** – DI8-X1: Wide-range power supply unit, incl. 2 non-grouped digital inputs and 6 grouped digital inputs
- X2** – OR-6: Assembly Group with 6 Relay Outputs
- X3** – TIs-4: Standard phase current measuring card and sensitive ground current measuring
- X4** – TU: Card with 4 voltage transformer measuring inputs
- X102** – Long-distance Protection Communication, Fiber optics interface, LC Connector
- X103** – Profibus-DP, Fiber optics interface, ST Connector
- X104** – IRIG-B00X, incl. System Contact (Supervision Contact)

MCDLV4-2A1A0EA



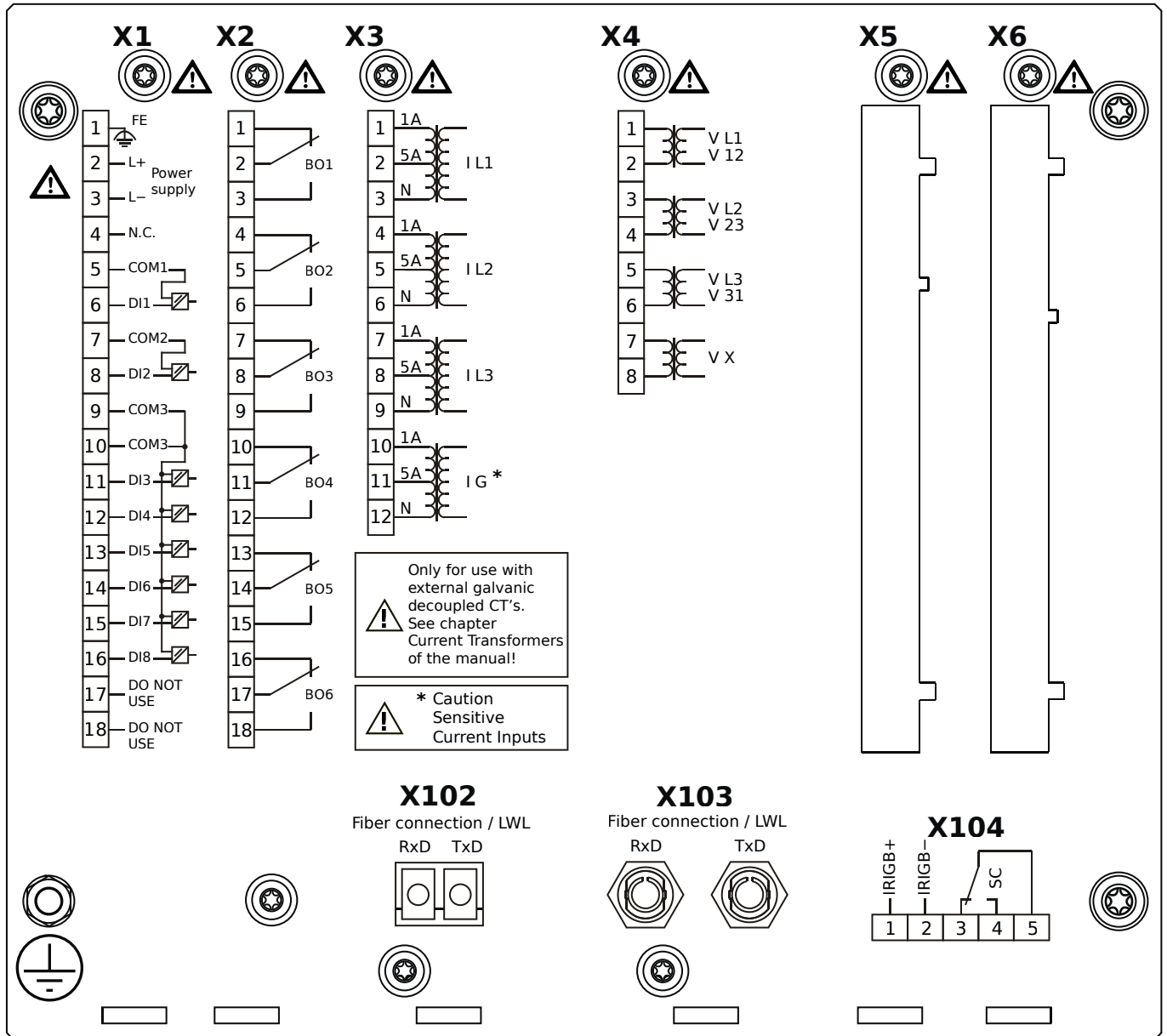
- X1** – DI8-X1: Wide-range power supply unit, incl. 2 non-grouped digital inputs and 6 grouped digital inputs
- X2** – OR-6: Assembly Group with 6 Relay Outputs
- X3** – TIs-4: Standard phase current measuring card and sensitive ground current measuring
- X4** – TU: Card with 4 voltage transformer measuring inputs
- X102** – Long-distance Protection Communication, Fiber optics interface, LC Connector
- X103** – Profibus-DP, RS485, D-SUB
- X104** – IRIG-B00X, incl. System Contact (Supervision Contact)

MCDLV4-2A1A0EB



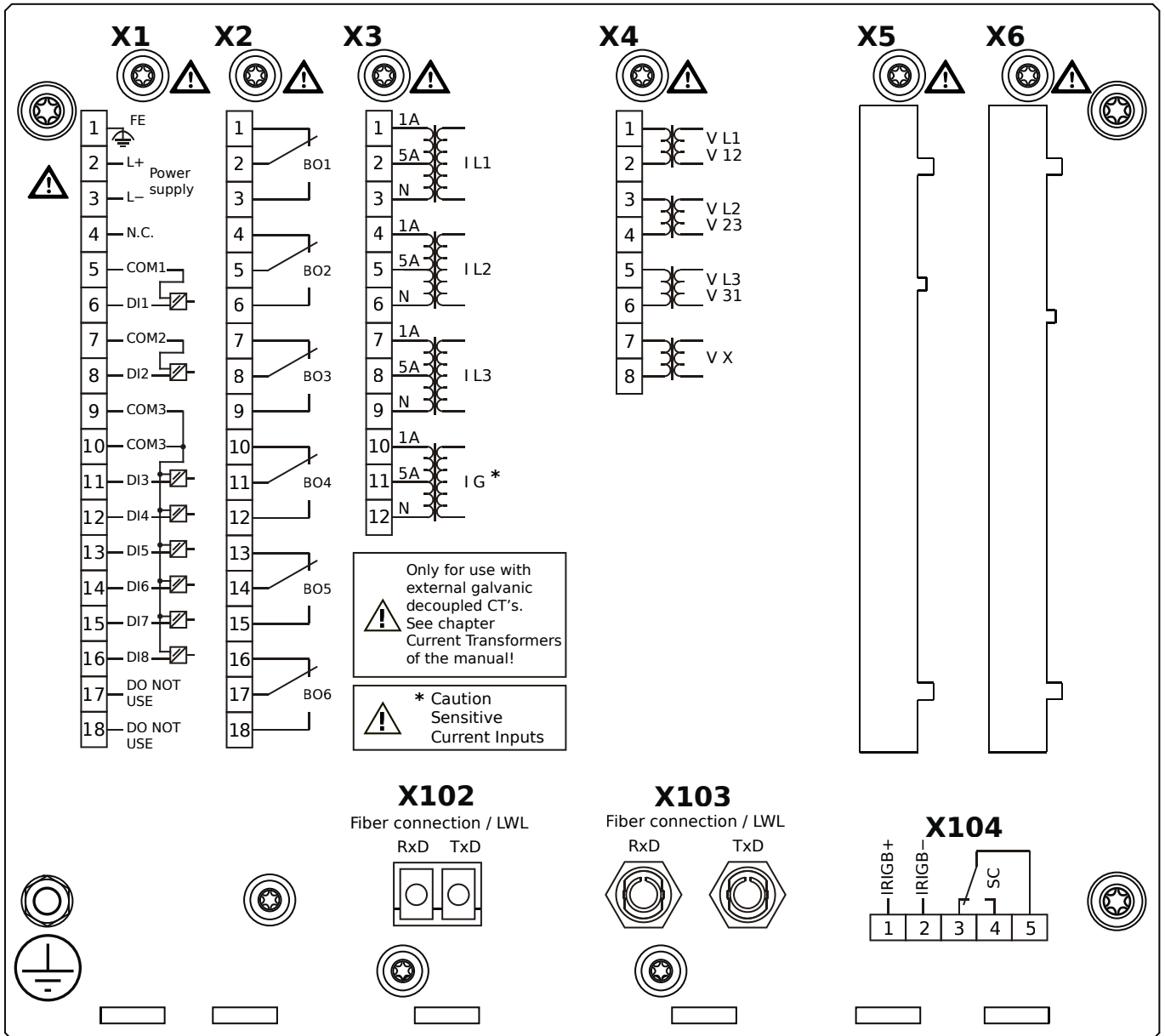
- X1** – DI8-X1: Wide-range power supply unit, incl. 2 non-grouped digital inputs and 6 grouped digital inputs
- X2** – OR-6: Assembly Group with 6 Relay Outputs
- X3** – TIs-4: Standard phase current measuring card and sensitive ground current measuring
- X4** – TU: Card with 4 voltage transformer measuring inputs
- X102** – Long-distance Protection Communication, Fiber optics interface, LC Connector
- X103** – Profibus-DP, RS485, D-SUB
- X104** – IRIG-B00X, incl. System Contact (Supervision Contact)

MCDLV4-2A1A0FA



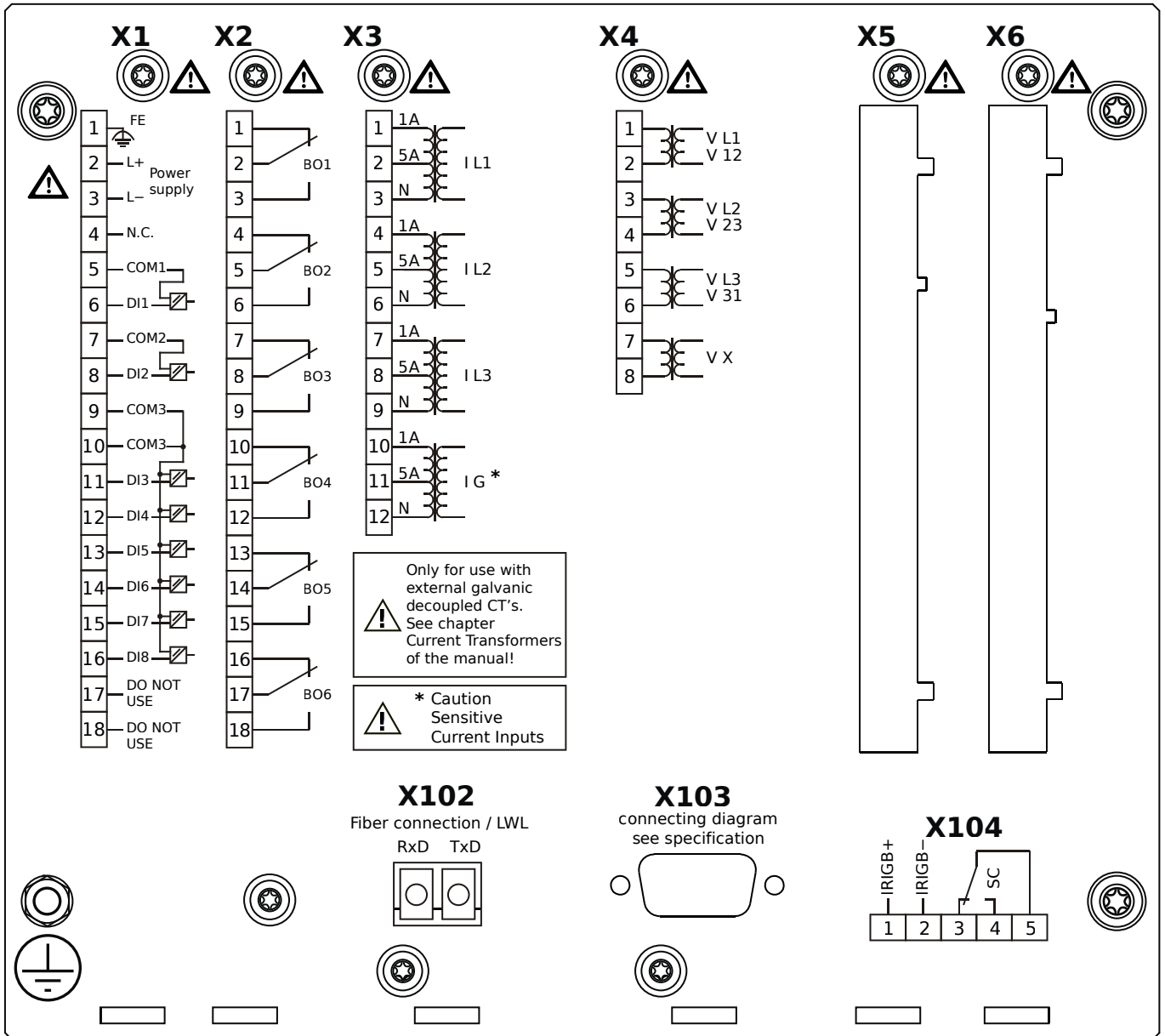
- X1** – DI8-X1: Wide-range power supply unit, incl. 2 non-grouped digital inputs and 6 grouped digital inputs
- X2** – OR-6: Assembly Group with 6 Relay Outputs
- X3** – TIs-4: Standard phase current measuring card and sensitive ground current measuring
- X4** – TU: Card with 4 voltage transformer measuring inputs
- X102** – Long-distance Protection Communication, Fiber optics interface, LC Connector
- X103** – Modbus RTU / IEC 60870-5-103 / DNP3.0 RTU, Fiber optics interface, ST Connector
- X104** – IRIG-B00X, incl. System Contact (Supervision Contact)

MCDLV4-2A1A0FB



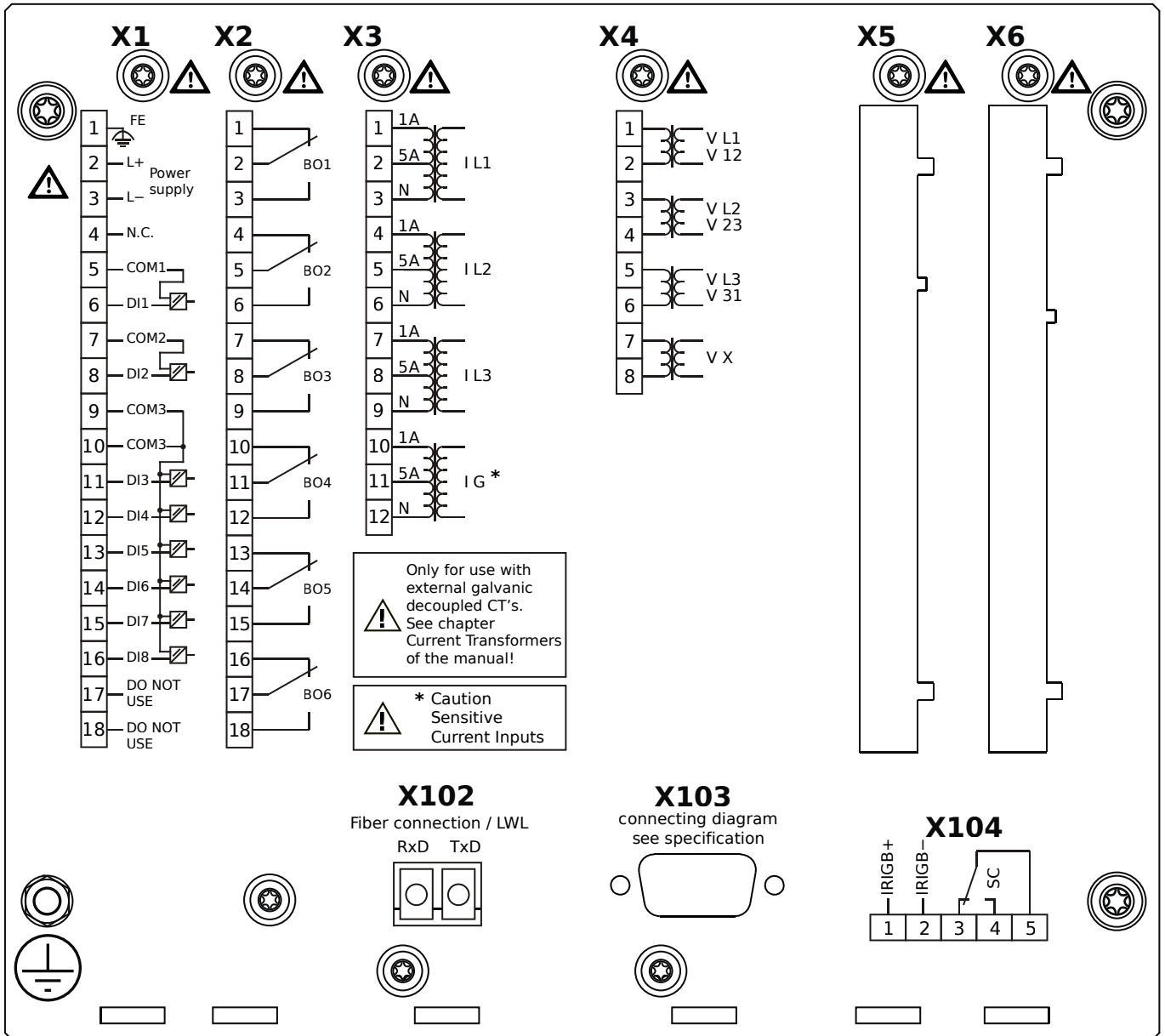
- X1** – DI8-X1: Wide-range power supply unit, incl. 2 non-grouped digital inputs and 6 grouped digital inputs
- X2** – OR-6: Assembly Group with 6 Relay Outputs
- X3** – TIs-4: Standard phase current measuring card and sensitive ground current measuring
- X4** – TU: Card with 4 voltage transformer measuring inputs
- X102** – Long-distance Protection Communication, Fiber optics interface, LC Connector
- X103** – Modbus RTU / IEC 60870-5-103 / DNP3.0 RTU, Fiber optics interface, ST Connector
- X104** – IRIG-B00X, incl. System Contact (Supervision Contact)

MCDLV4-2A1A0GA



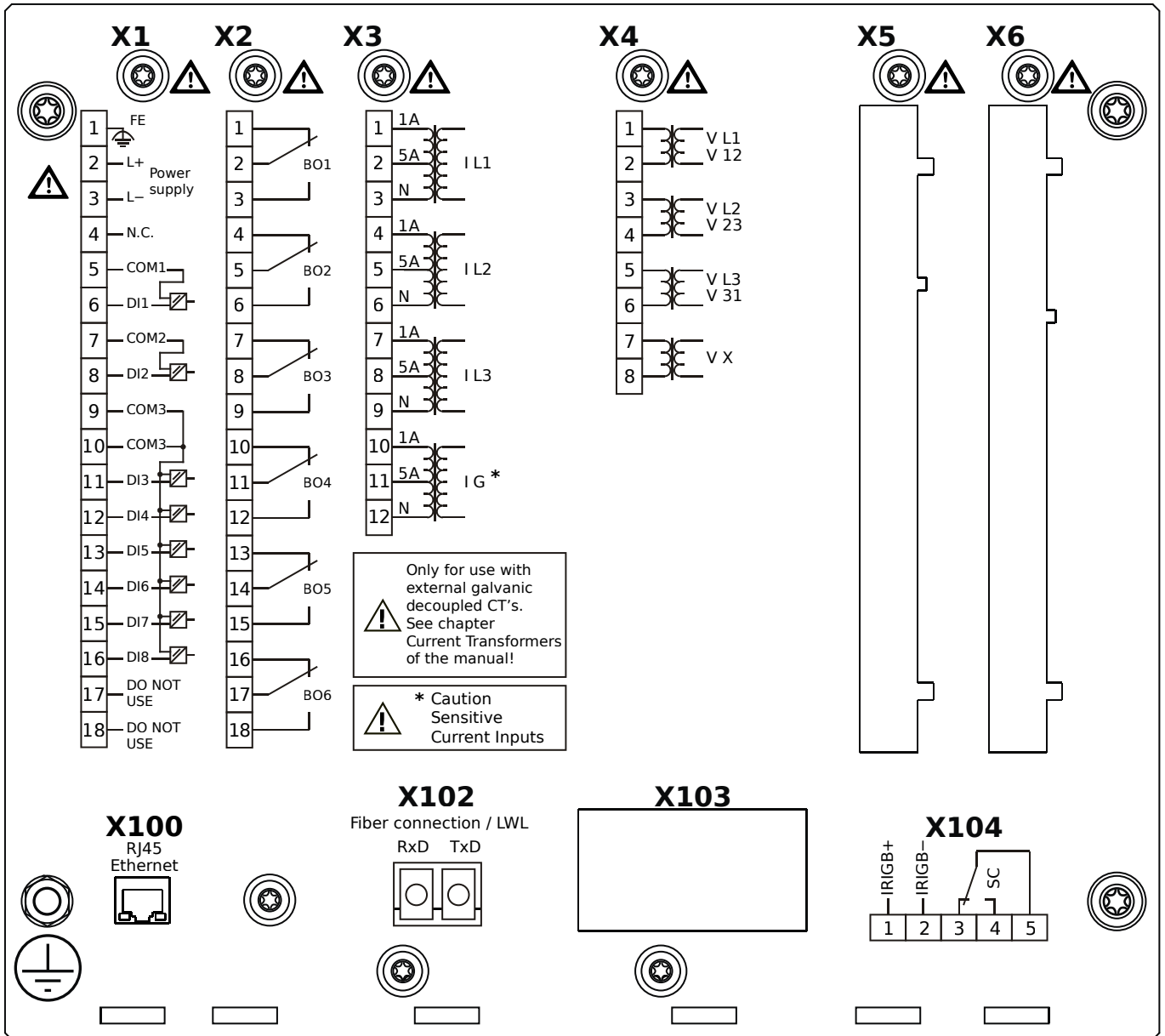
- X1** – DI8-X1: Wide-range power supply unit, incl. 2 non-grouped digital inputs and 6 grouped digital inputs
- X2** – OR-6: Assembly Group with 6 Relay Outputs
- X3** – TIs-4: Standard phase current measuring card and sensitive ground current measuring
- X4** – TU: Card with 4 voltage transformer measuring inputs
- X102** – Long-distance Protection Communication, Fiber optics interface, LC Connector
- X103** – Modbus RTU / IEC 60870-5-103 / DNP3.0 RTU, RS485, D-SUB
- X104** – IRIG-B00X, incl. System Contact (Supervision Contact)

MCDLV4-2A1A0GB



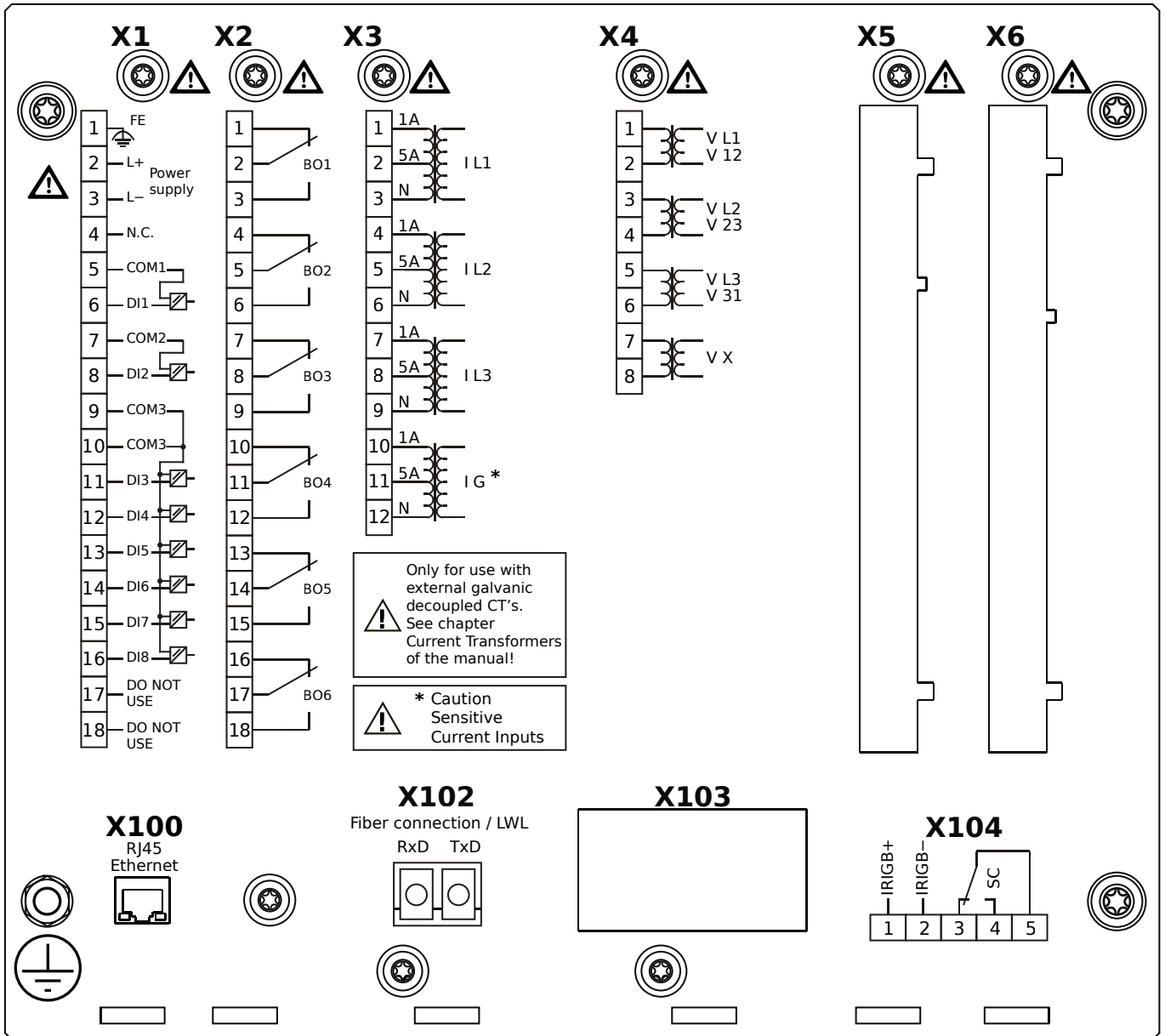
- X1** – DI8-X1: Wide-range power supply unit, incl. 2 non-grouped digital inputs and 6 grouped digital inputs
- X2** – OR-6: Assembly Group with 6 Relay Outputs
- X3** – TIs-4: Standard phase current measuring card and sensitive ground current measuring
- X4** – TU: Card with 4 voltage transformer measuring inputs
- X102** – Long-distance Protection Communication, Fiber optics interface, LC Connector
- X103** – Modbus RTU / IEC 60870-5-103 / DNP3.0 RTU, RS485, D-SUB
- X104** – IRIG-B00X, incl. System Contact (Supervision Contact)

MCDLV4-2A1A0HA



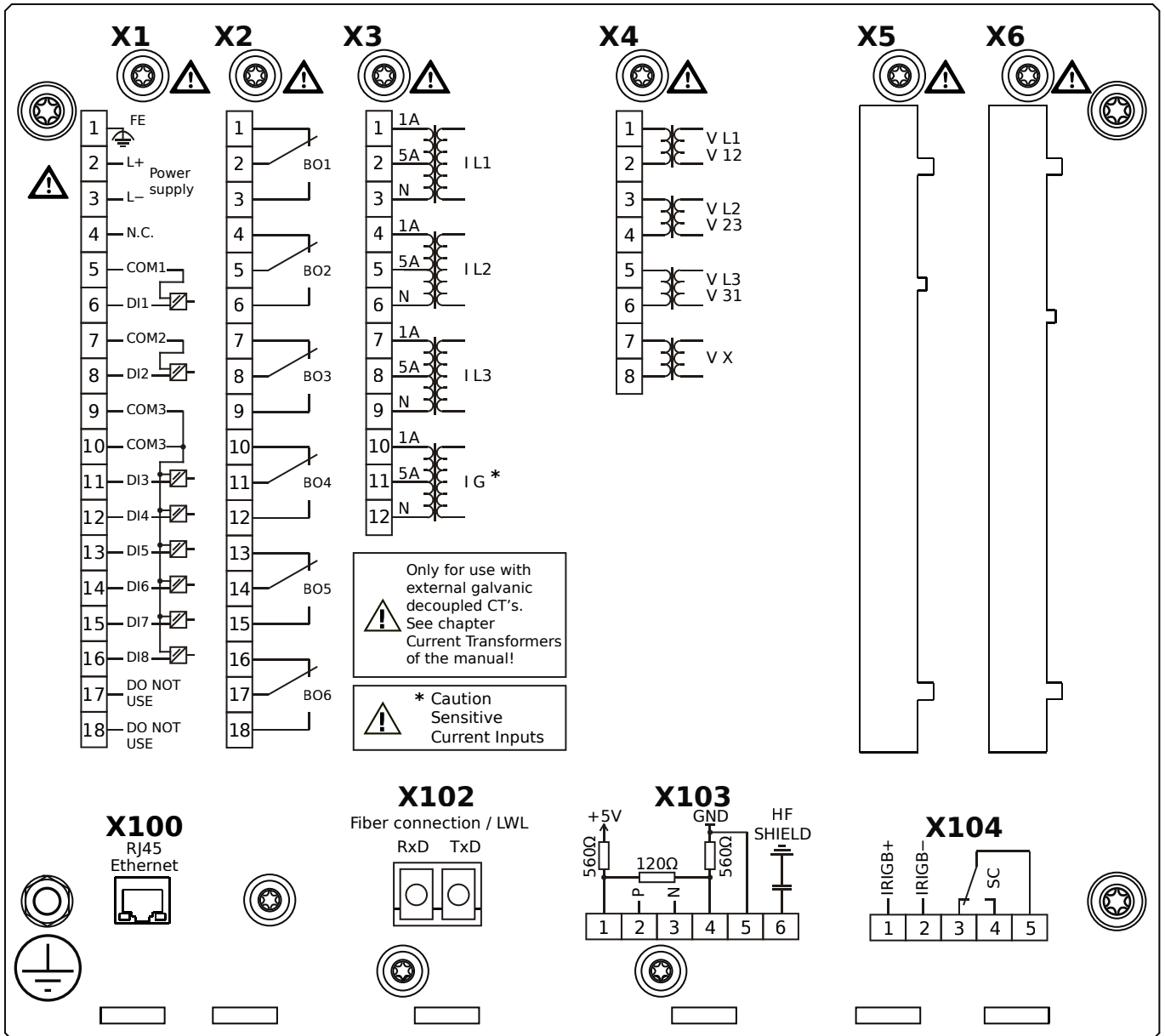
- X1** – DI8-X1: Wide-range power supply unit, incl. 2 non-grouped digital inputs and 6 grouped digital inputs
- X2** – OR-6: Assembly Group with 6 Relay Outputs
- X3** – TIs-4: Standard phase current measuring card and sensitive ground current measuring
- X4** – TU: Card with 4 voltage transformer measuring inputs
- X100** – IEC 61850 / Modbus TCP / DNP3.0 TCP/UDP, Ethernet interface, 100 Mbit/s, RJ45 (BASE100-FX)
- X102** – Long-distance Protection Communication, Fiber optics interface, LC Connector
- X104** – IRIG-B00X, incl. System Contact (Supervision Contact)

MCDLV4-2A1A0HB



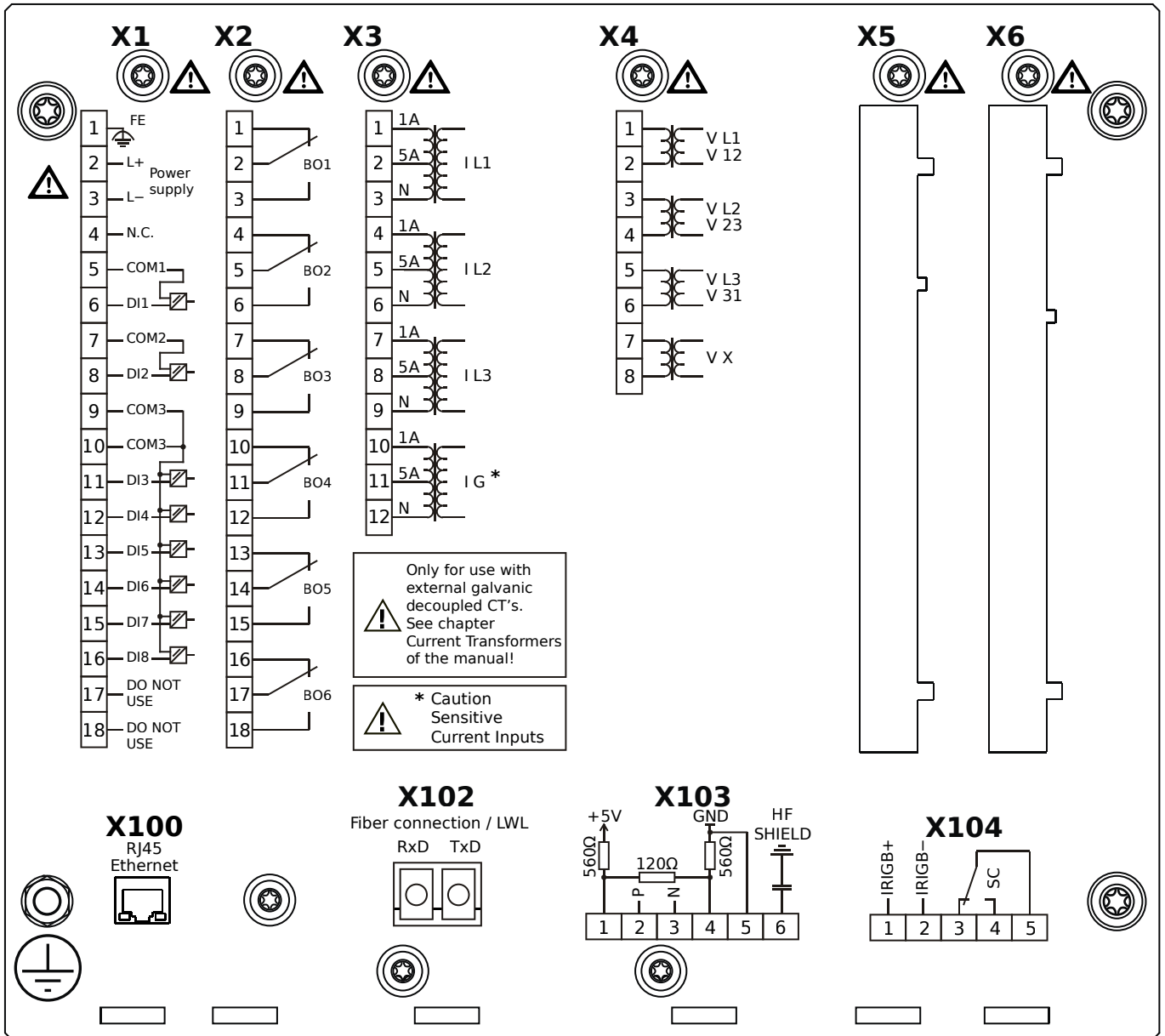
- X1** – DI8-X1: Wide-range power supply unit, incl. 2 non-grouped digital inputs and 6 grouped digital inputs
- X2** – OR-6: Assembly Group with 6 Relay Outputs
- X3** – TIs-4: Standard phase current measuring card and sensitive ground current measuring
- X4** – TU: Card with 4 voltage transformer measuring inputs
- X100** – IEC 61850 / Modbus TCP / DNP3.0 TCP/UDP, Ethernet interface, 100 Mbit/s, RJ45 (BASE100-FX)
- X102** – Long-distance Protection Communication, Fiber optics interface, LC Connector
- X104** – IRIG-B00X, incl. System Contact (Supervision Contact)

MCDLV4-2A1A0IA



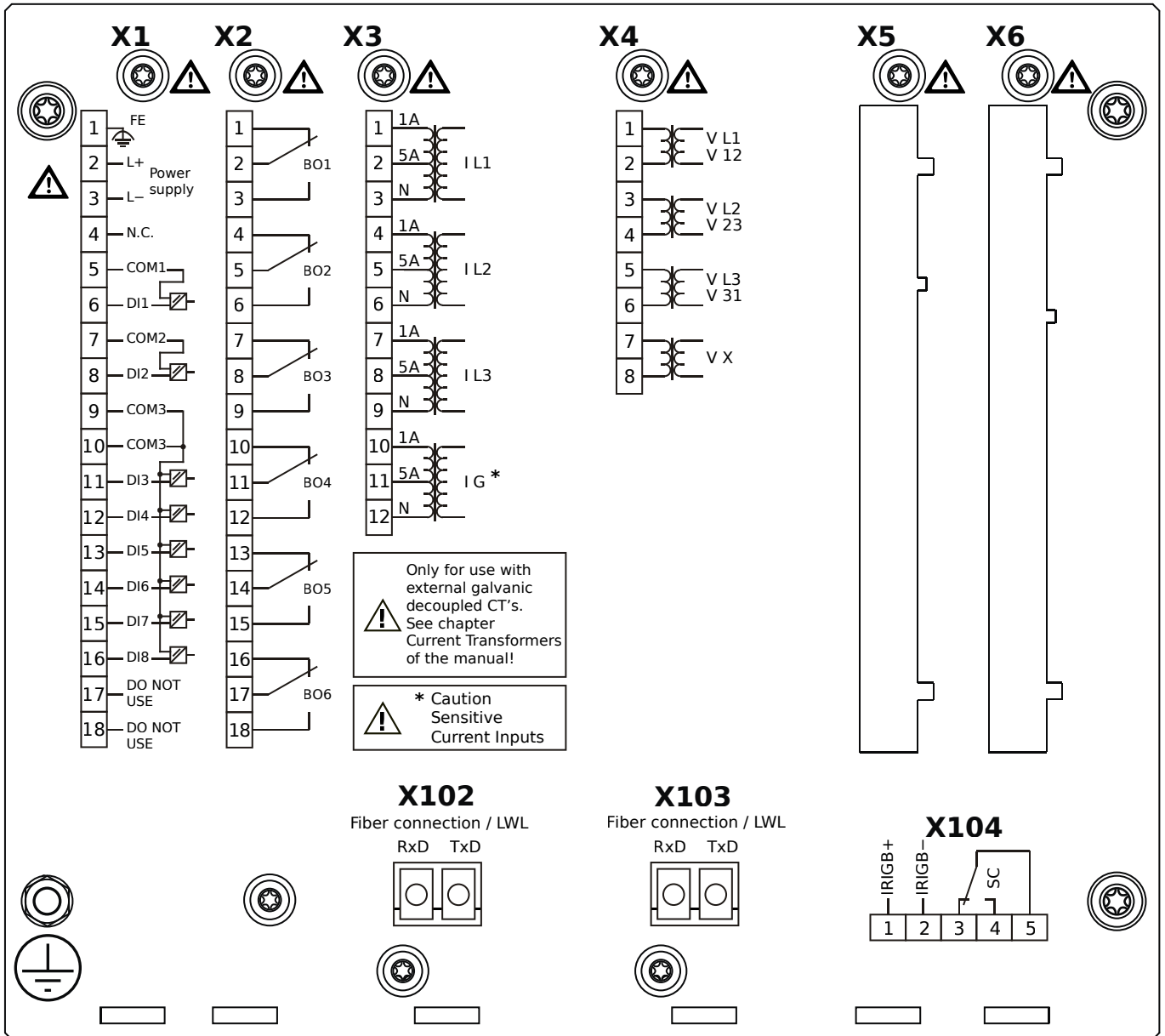
- X1** – DI8-X1: Wide-range power supply unit, incl. 2 non-grouped digital inputs and 6 grouped digital inputs
- X2** – OR-6: Assembly Group with 6 Relay Outputs
- X3** – TIs-4: Standard phase current measuring card and sensitive ground current measuring
- X4** – TU: Card with 4 voltage transformer measuring inputs
- X100** – Modbus TCP / DNP3.0 TCP/UDP, Ethernet interface, 100 Mbit/s, RJ45 (BASE100-FX)
- X102** – Long-distance Protection Communication, Fiber optics interface, LC Connector
- X103** – IEC 60870-5-103 / Modbus RTU / DNP3.0 RTU, RS485, Terminals
- X104** – IRIG-B00X, incl. System Contact (Supervision Contact)

MCDLV4-2A1A0IB



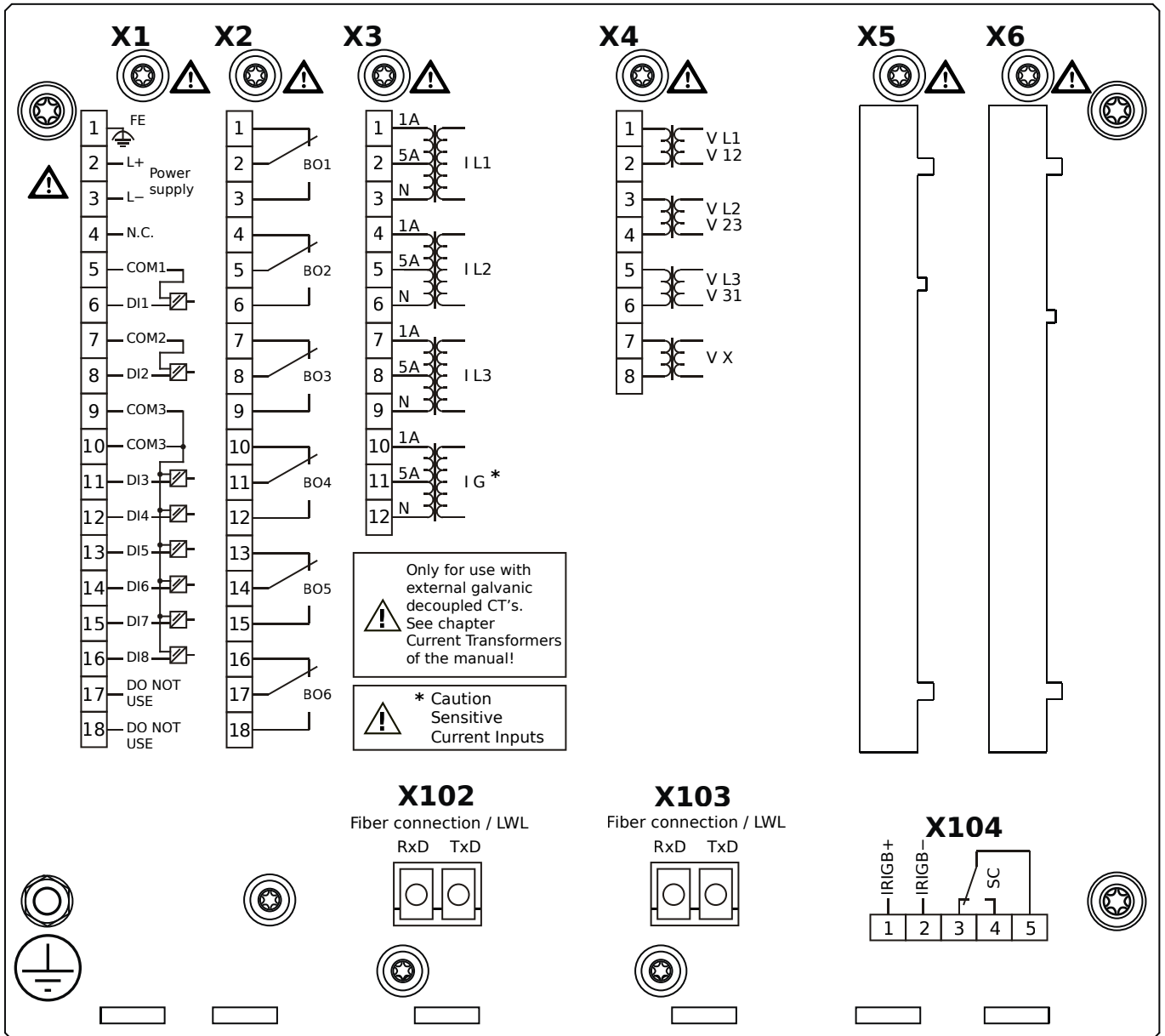
- X1** – DI8-X1: Wide-range power supply unit, incl. 2 non-grouped digital inputs and 6 grouped digital inputs
- X2** – OR-6: Assembly Group with 6 Relay Outputs
- X3** – TIs-4: Standard phase current measuring card and sensitive ground current measuring
- X4** – TU: Card with 4 voltage transformer measuring inputs
- X100** – Modbus TCP / DNP3.0 TCP/UDP, Ethernet interface, 100 Mbit/s, RJ45 (BASE100-FX)
- X102** – Long-distance Protection Communication, Fiber optics interface, LC Connector
- X103** – IEC 60870-5-103 / Modbus RTU / DNP3.0 RTU, RS485, Terminals
- X104** – IRIG-B00X, incl. System Contact (Supervision Contact)

MCDLV4-2A1A0KA



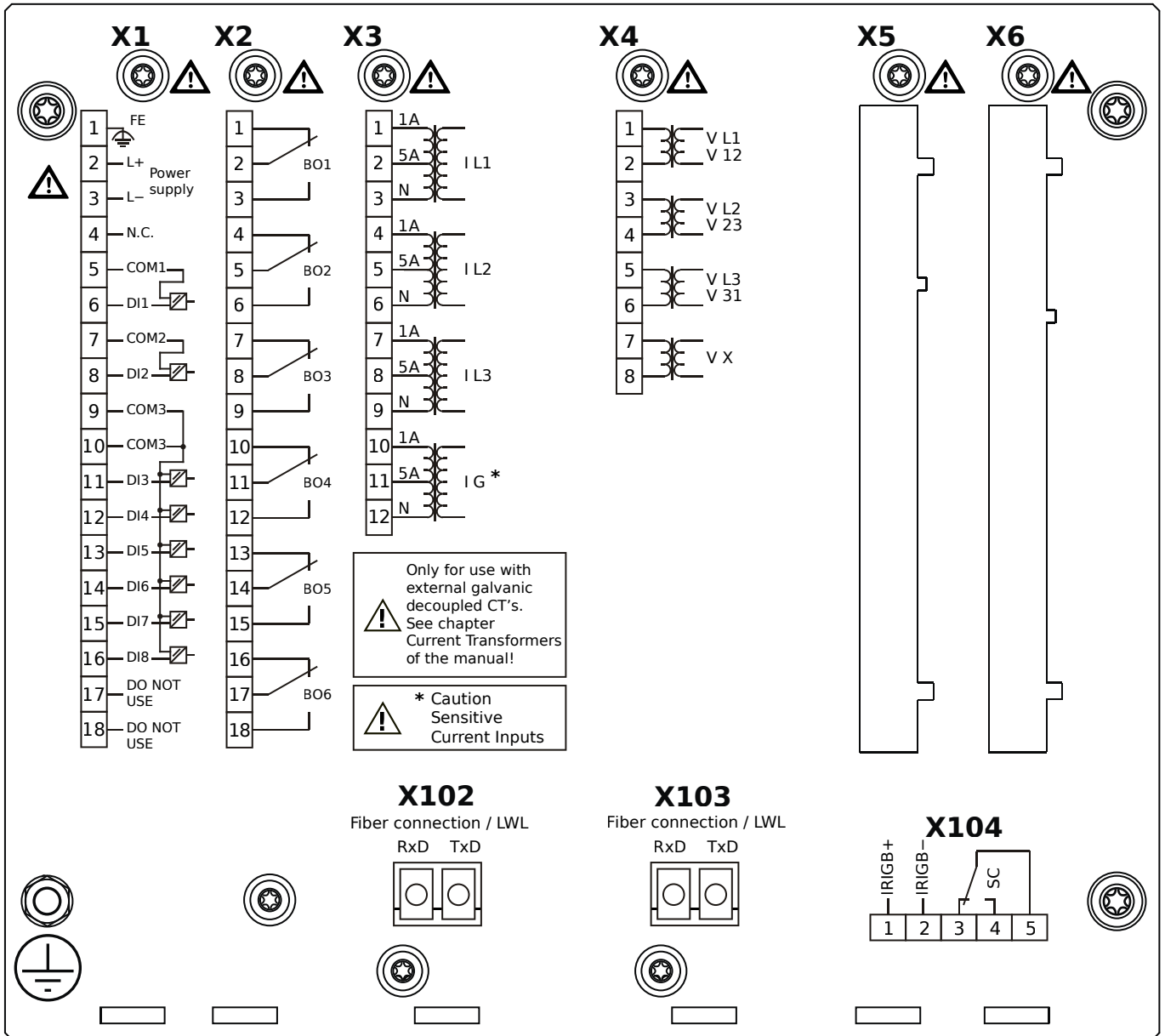
- X1** – DI8-X1: Wide-range power supply unit, incl. 2 non-grouped digital inputs and 6 grouped digital inputs
- X2** – OR-6: Assembly Group with 6 Relay Outputs
- X3** – TIs-4: Standard phase current measuring card and sensitive ground current measuring
- X4** – TU: Card with 4 voltage transformer measuring inputs
- X102** – Long-distance Protection Communication, Fiber optics interface, LC Connector
- X103** – IEC 61850 / Modbus TCP / DNP3.0 TCP/UDP, Fiber optics interface, LC Connector
- X104** – IRIG-B00X, incl. System Contact (Supervision Contact)

MCDLV4-2A1A0KB



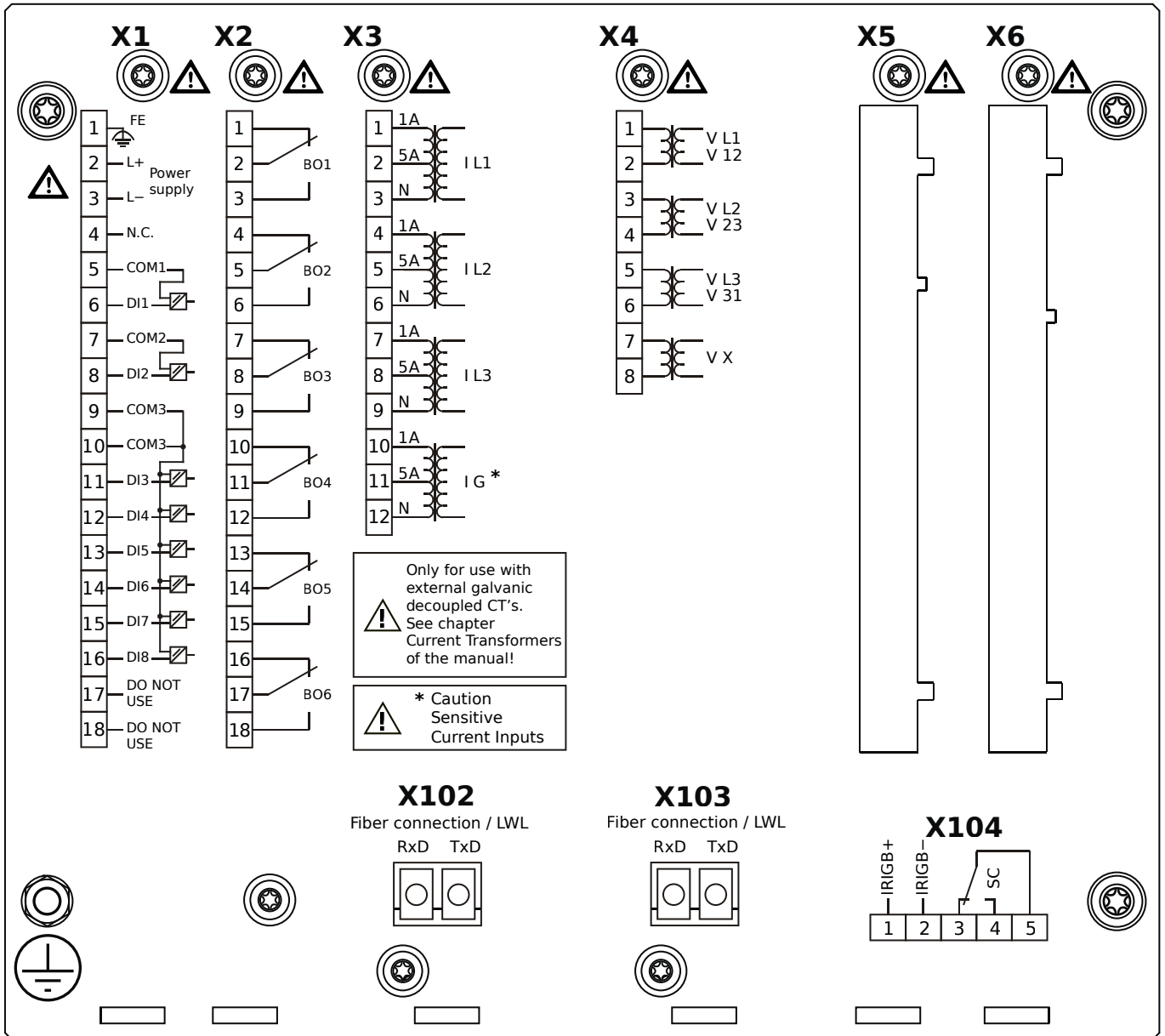
- X1** – DI8-X1: Wide-range power supply unit, incl. 2 non-grouped digital inputs and 6 grouped digital inputs
- X2** – OR-6: Assembly Group with 6 Relay Outputs
- X3** – TIs-4: Standard phase current measuring card and sensitive ground current measuring
- X4** – TU: Card with 4 voltage transformer measuring inputs
- X102** – Long-distance Protection Communication, Fiber optics interface, LC Connector
- X103** – IEC 61850 / Modbus TCP / DNP3.0 TCP/UDP, Fiber optics interface, LC Connector
- X104** – IRIG-B00X, incl. System Contact (Supervision Contact)

MCDLV4-2A1A0LA



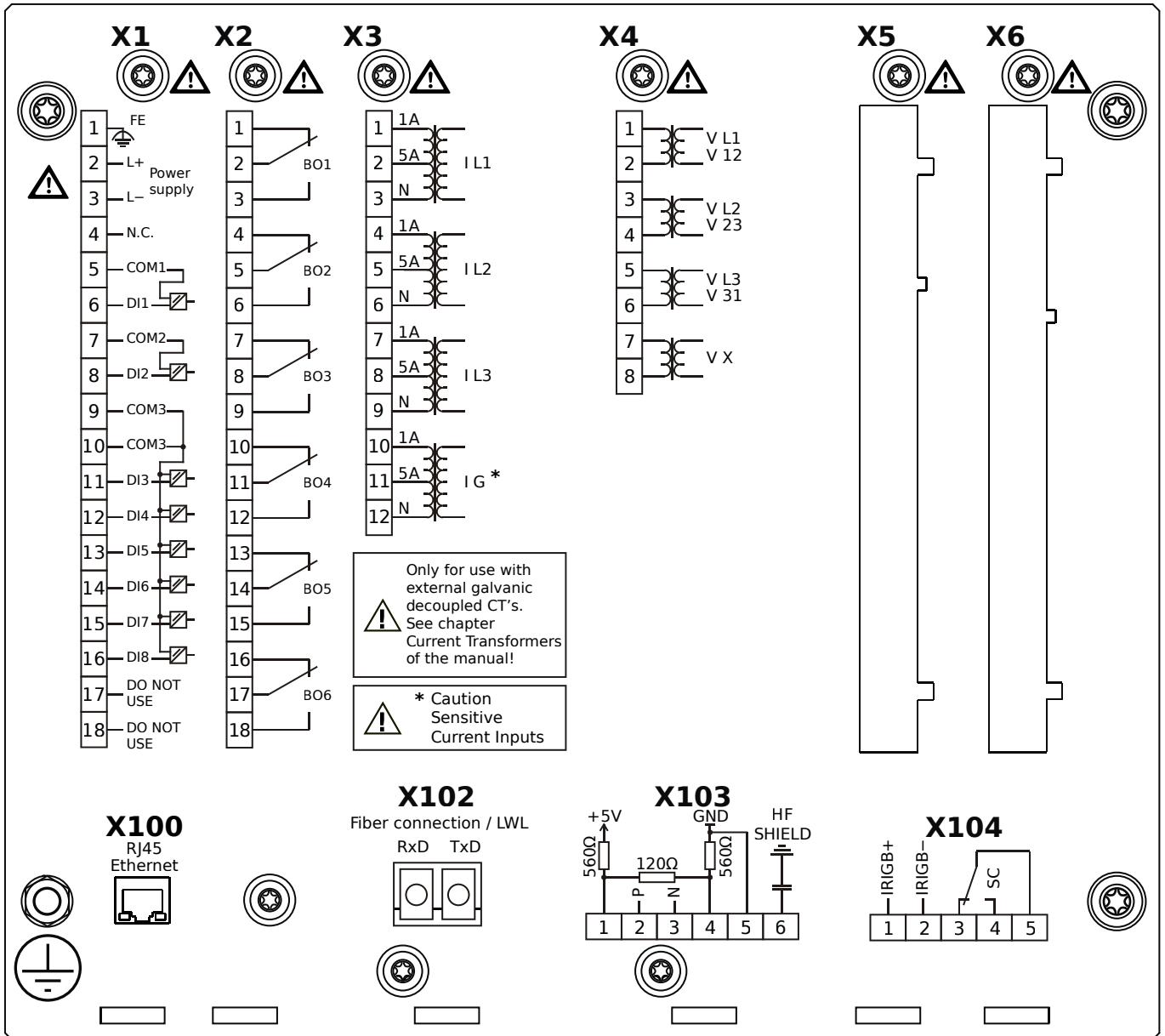
- X1** – DI8-X1: Wide-range power supply unit, incl. 2 non-grouped digital inputs and 6 grouped digital inputs
- X2** – OR-6: Assembly Group with 6 Relay Outputs
- X3** – TIs-4: Standard phase current measuring card and sensitive ground current measuring
- X4** – TU: Card with 4 voltage transformer measuring inputs
- X102** – Long-distance Protection Communication, Fiber optics interface, LC Connector
- X103** – Modbus TCP / DNP3.0 TCP/UDP, Fiber optics interface, LC Connector
- X104** – IRIG-B00X, incl. System Contact (Supervision Contact)

MCDLV4-2A1A0LB



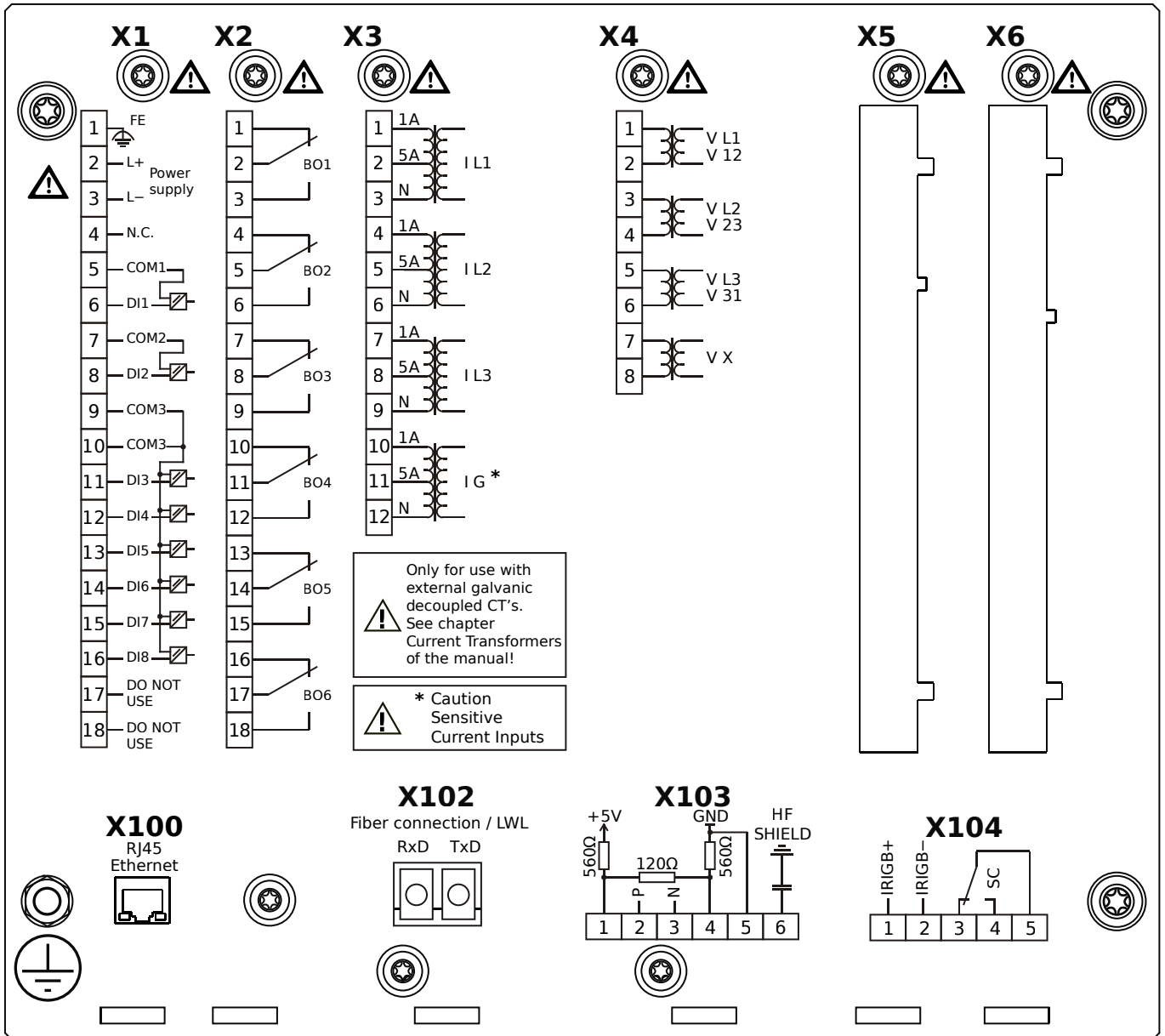
- X1** – DI8-X1: Wide-range power supply unit, incl. 2 non-grouped digital inputs and 6 grouped digital inputs
- X2** – OR-6: Assembly Group with 6 Relay Outputs
- X3** – TIs-4: Standard phase current measuring card and sensitive ground current measuring
- X4** – TU: Card with 4 voltage transformer measuring inputs
- X102** – Long-distance Protection Communication, Fiber optics interface, LC Connector
- X103** – Modbus TCP / DNP3.0 TCP/UDP, Fiber optics interface, LC Connector
- X104** – IRIG-B00X, incl. System Contact (Supervision Contact)

MCDLV4-2A1A0TA



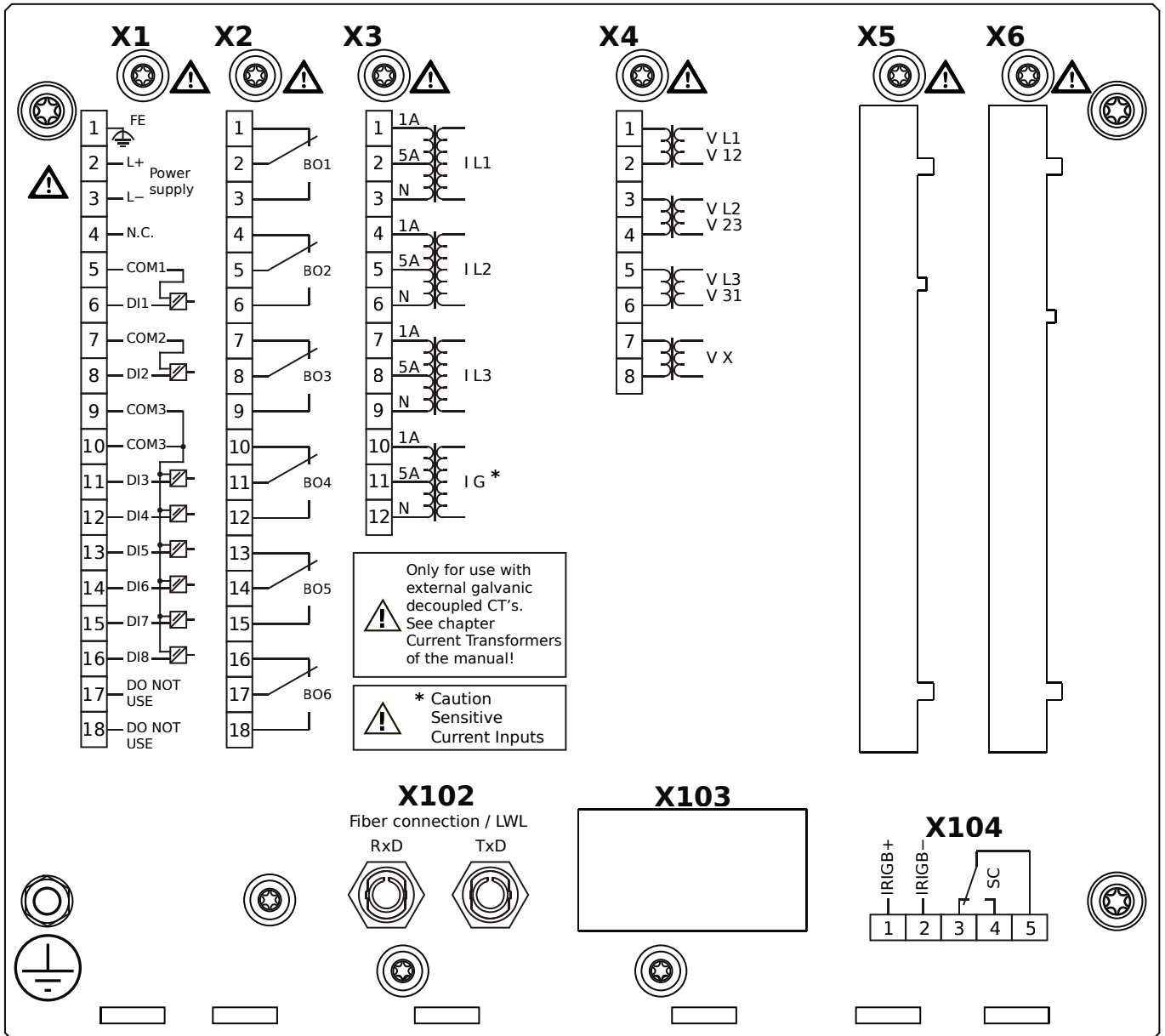
- X1** – DI8-X1: Wide-range power supply unit, incl. 2 non-grouped digital inputs and 6 grouped digital inputs
- X2** – OR-6: Assembly Group with 6 Relay Outputs
- X3** – TIs-4: Standard phase current measuring card and sensitive ground current measuring
- X4** – TU: Card with 4 voltage transformer measuring inputs
- X100** – IEC 61850 / Modbus TCP / DNP3.0 TCP/UDP, Ethernet interface, 100 Mbit/s, RJ45 (BASE100-FX)
- X102** – Long-distance Protection Communication, Fiber optics interface, LC Connector
- X103** – IEC 60870-5-103 / Modbus RTU / DNP3.0 RTU, RS485, Terminals
- X104** – IRIG-B00X, incl. System Contact (Supervision Contact)

MCDLV4-2A1A0TB



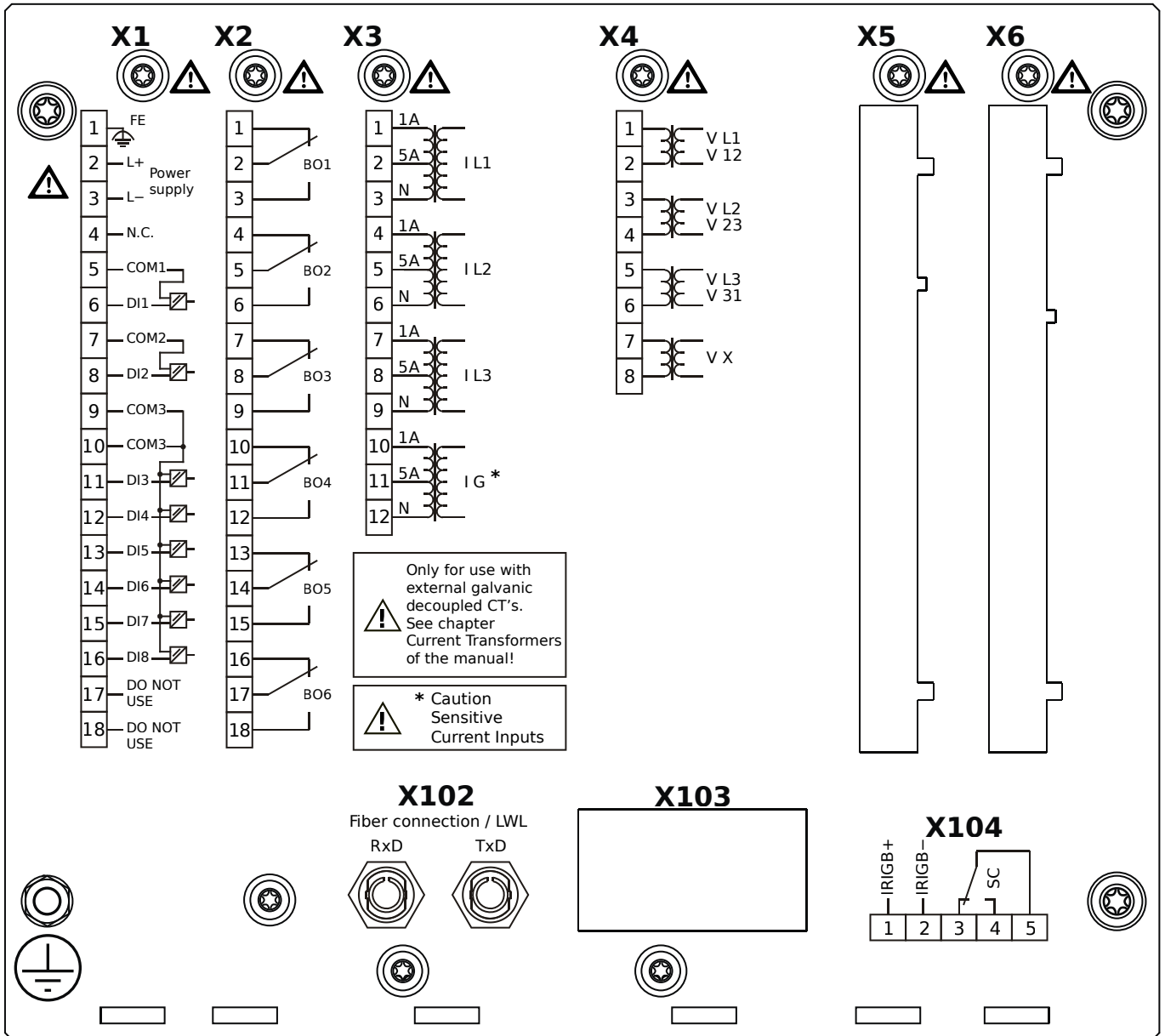
- X1** – DI8-X1: Wide-range power supply unit, incl. 2 non-grouped digital inputs and 6 grouped digital inputs
- X2** – OR-6: Assembly Group with 6 Relay Outputs
- X3** – TIs-4: Standard phase current measuring card and sensitive ground current measuring
- X4** – TU: Card with 4 voltage transformer measuring inputs
- X100** – IEC 61850 / Modbus TCP / DNP3.0 TCP/UDP, Ethernet interface, 100 Mbit/s, RJ45 (BASE100-FX)
- X102** – Long-distance Protection Communication, Fiber optics interface, LC Connector
- X103** – IEC 60870-5-103 / Modbus RTU / DNP3.0 RTU, RS485, Terminals
- X104** – IRIG-B00X, incl. System Contact (Supervision Contact)

MCDLV4-2A1A1AA



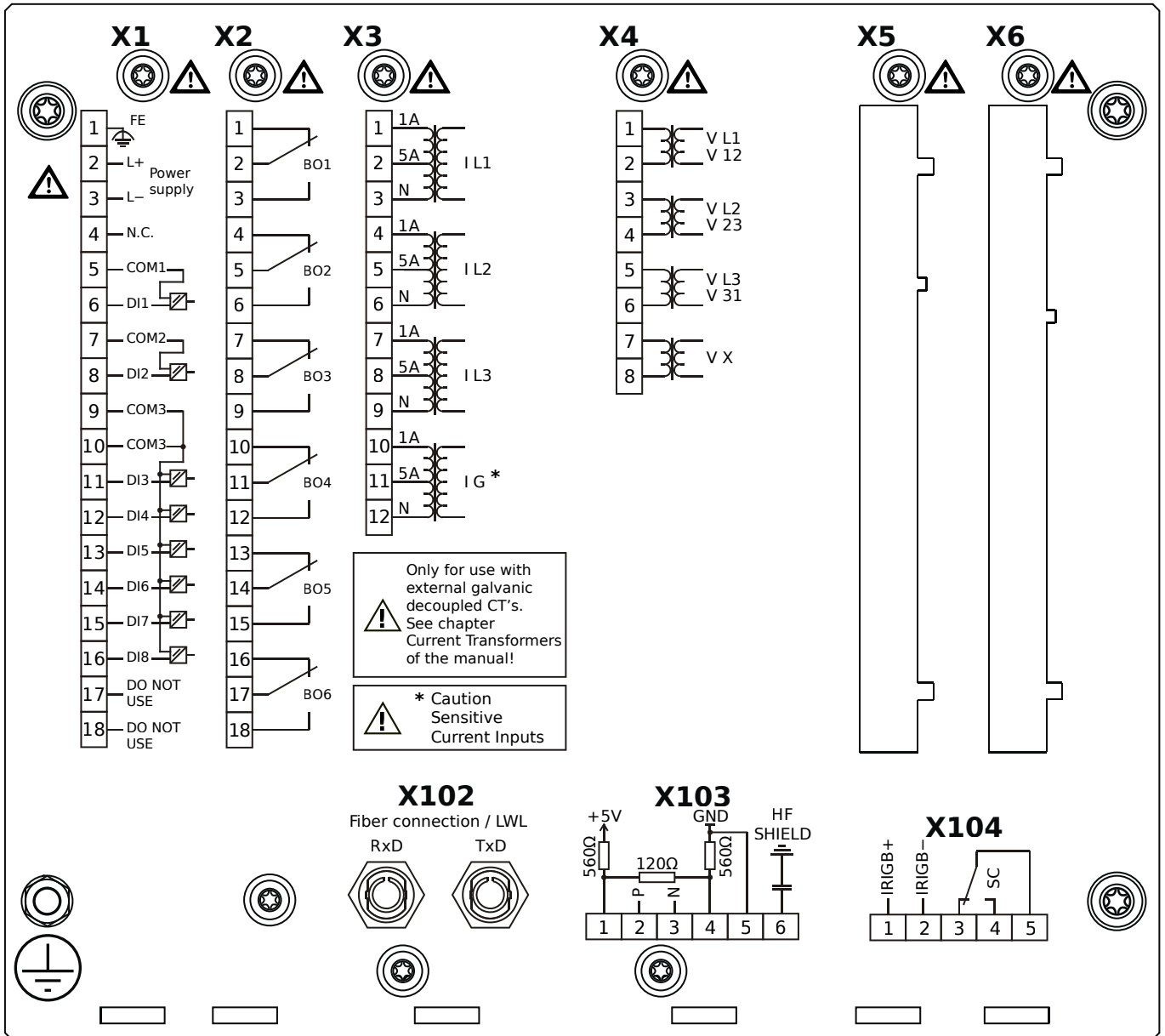
- X1** – DI8-X1: Wide-range power supply unit, incl. 2 non-grouped digital inputs and 6 grouped digital inputs
- X2** – OR-6: Assembly Group with 6 Relay Outputs
- X3** – TIs-4: Standard phase current measuring card and sensitive ground current measuring
- X4** – TU: Card with 4 voltage transformer measuring inputs
- X102** – Protection Communication, Fiber optics interface, ST Connector
- X104** – IRIG-B00X, incl. System Contact (Supervision Contact)

MCDLV4-2A1A1AB



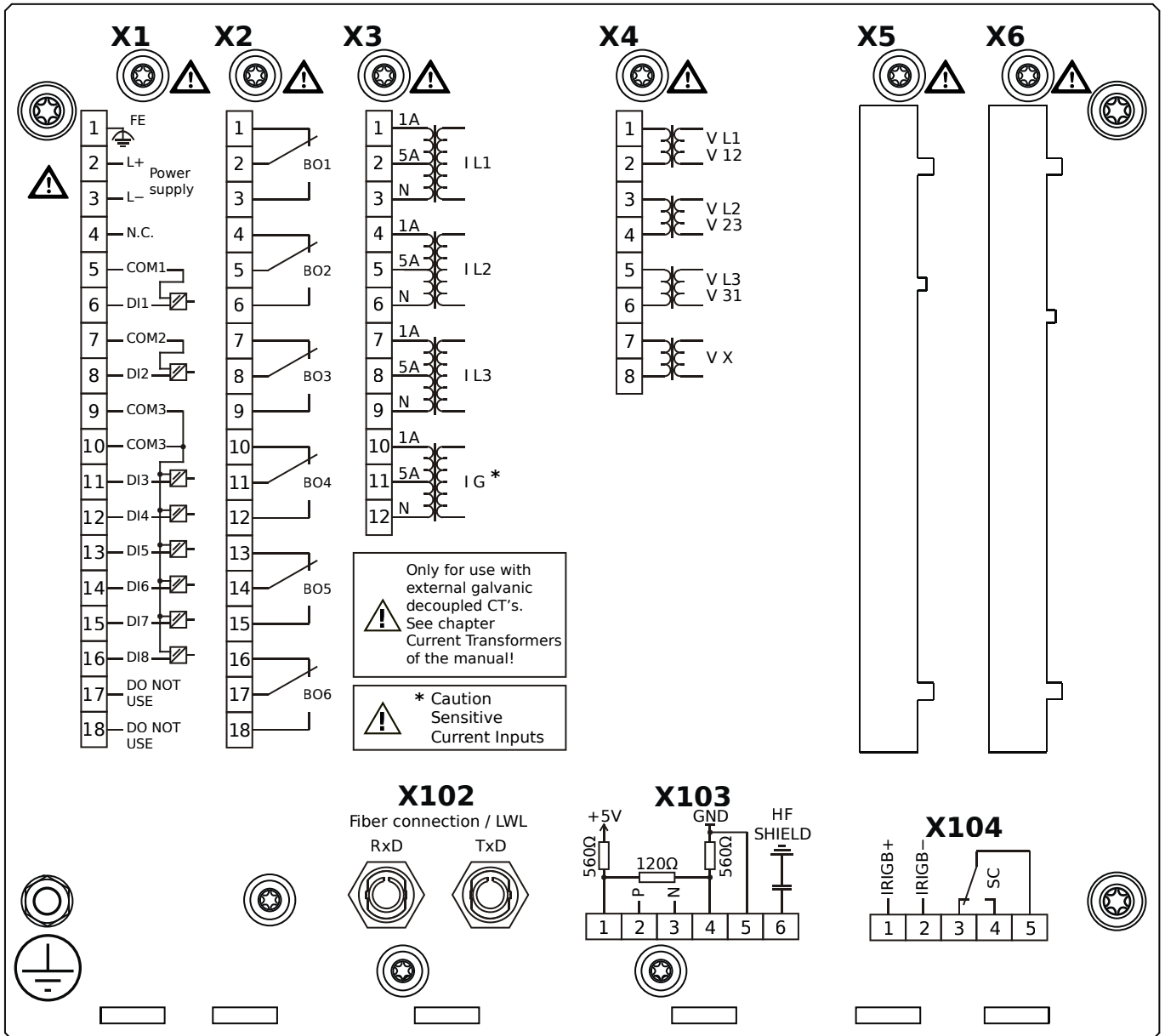
- X1** – DI8-X1: Wide-range power supply unit, incl. 2 non-grouped digital inputs and 6 grouped digital inputs
- X2** – OR-6: Assembly Group with 6 Relay Outputs
- X3** – TIs-4: Standard phase current measuring card and sensitive ground current measuring
- X4** – TU: Card with 4 voltage transformer measuring inputs
- X102** – Protection Communication, Fiber optics interface, ST Connector
- X104** – IRIG-B00X, incl. System Contact (Supervision Contact)

MCDLV4-2A1A1BA



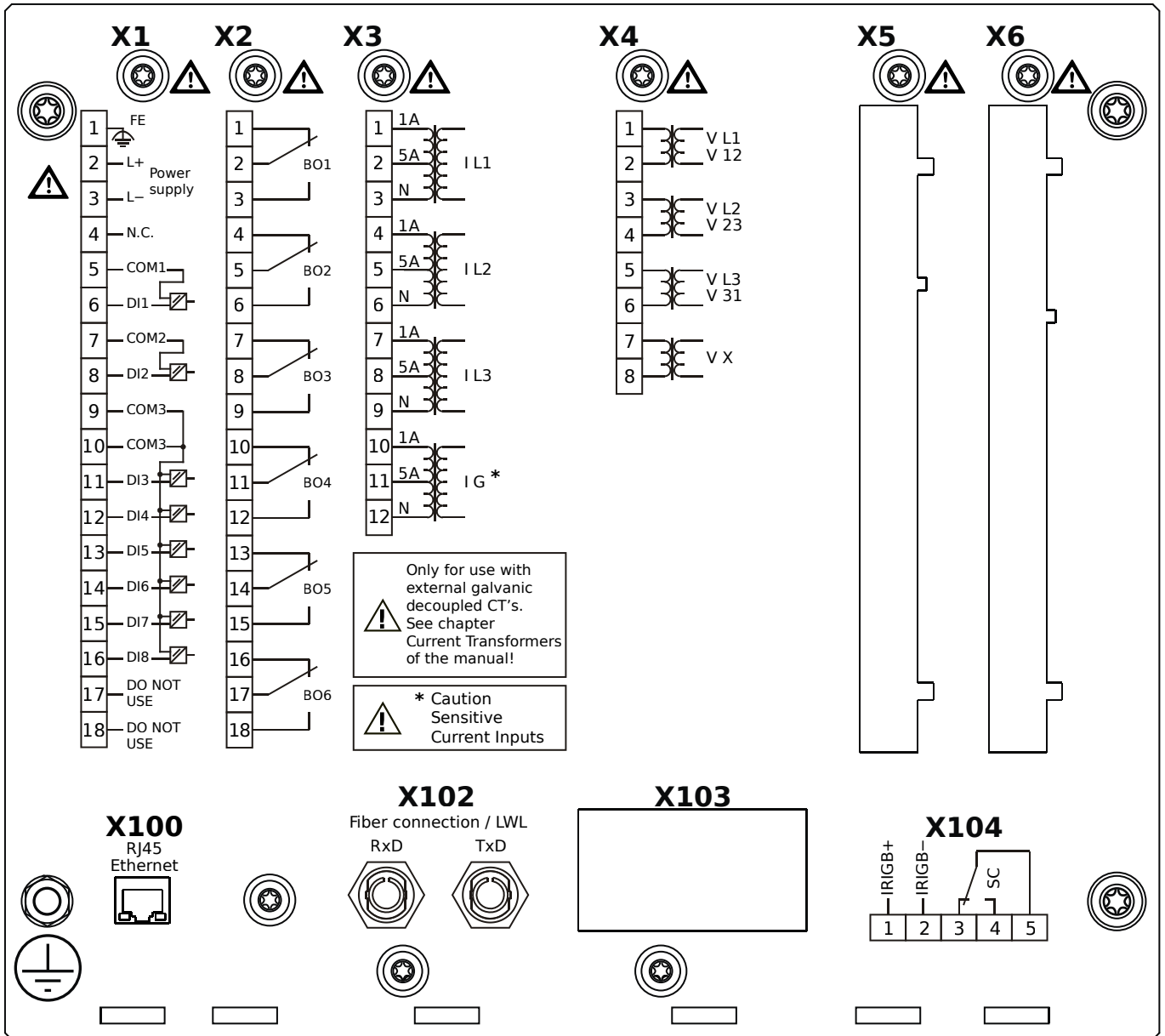
- X1** – DI8-X1: Wide-range power supply unit, incl. 2 non-grouped digital inputs and 6 grouped digital inputs
- X2** – OR-6: Assembly Group with 6 Relay Outputs
- X3** – TIs-4: Standard phase current measuring card and sensitive ground current measuring
- X4** – TU: Card with 4 voltage transformer measuring inputs
- X102** – Protection Communication, Fiber optics interface, ST Connector
- X103** – Modbus RTU / IEC 60870-5-103 / DNP3.0 RTU, RS485, Terminals
- X104** – IRIG-B00X, incl. System Contact (Supervision Contact)

MCDLV4-2A1A1BB



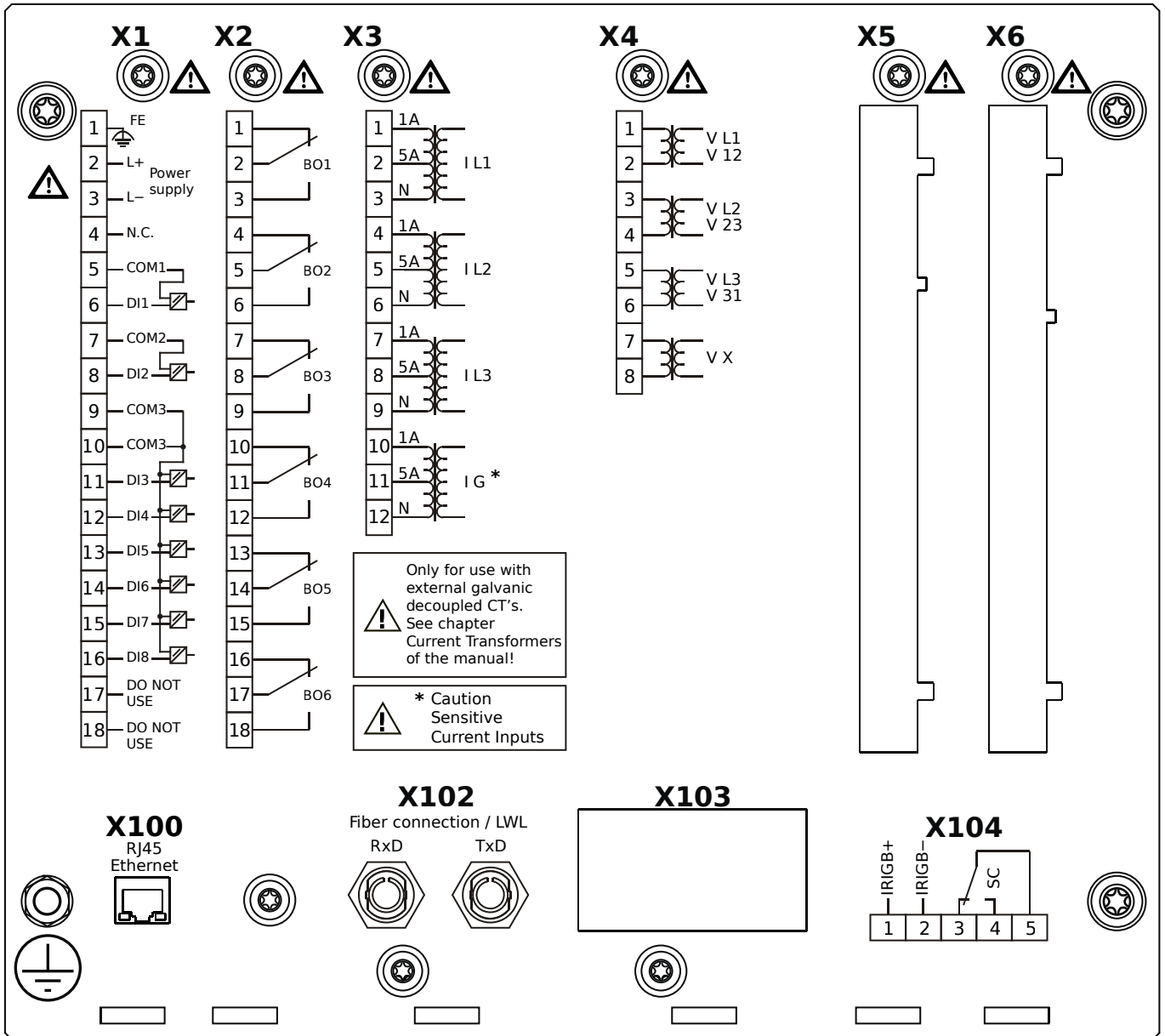
- X1** – DI8-X1: Wide-range power supply unit, incl. 2 non-grouped digital inputs and 6 grouped digital inputs
- X2** – OR-6: Assembly Group with 6 Relay Outputs
- X3** – TIs-4: Standard phase current measuring card and sensitive ground current measuring
- X4** – TU: Card with 4 voltage transformer measuring inputs
- X102** – Protection Communication, Fiber optics interface, ST Connector
- X103** – Modbus RTU / IEC 60870-5-103 / DNP3.0 RTU, RS485, Terminals
- X104** – IRIG-B00X, incl. System Contact (Supervision Contact)

MCDLV4-2A1A1CA



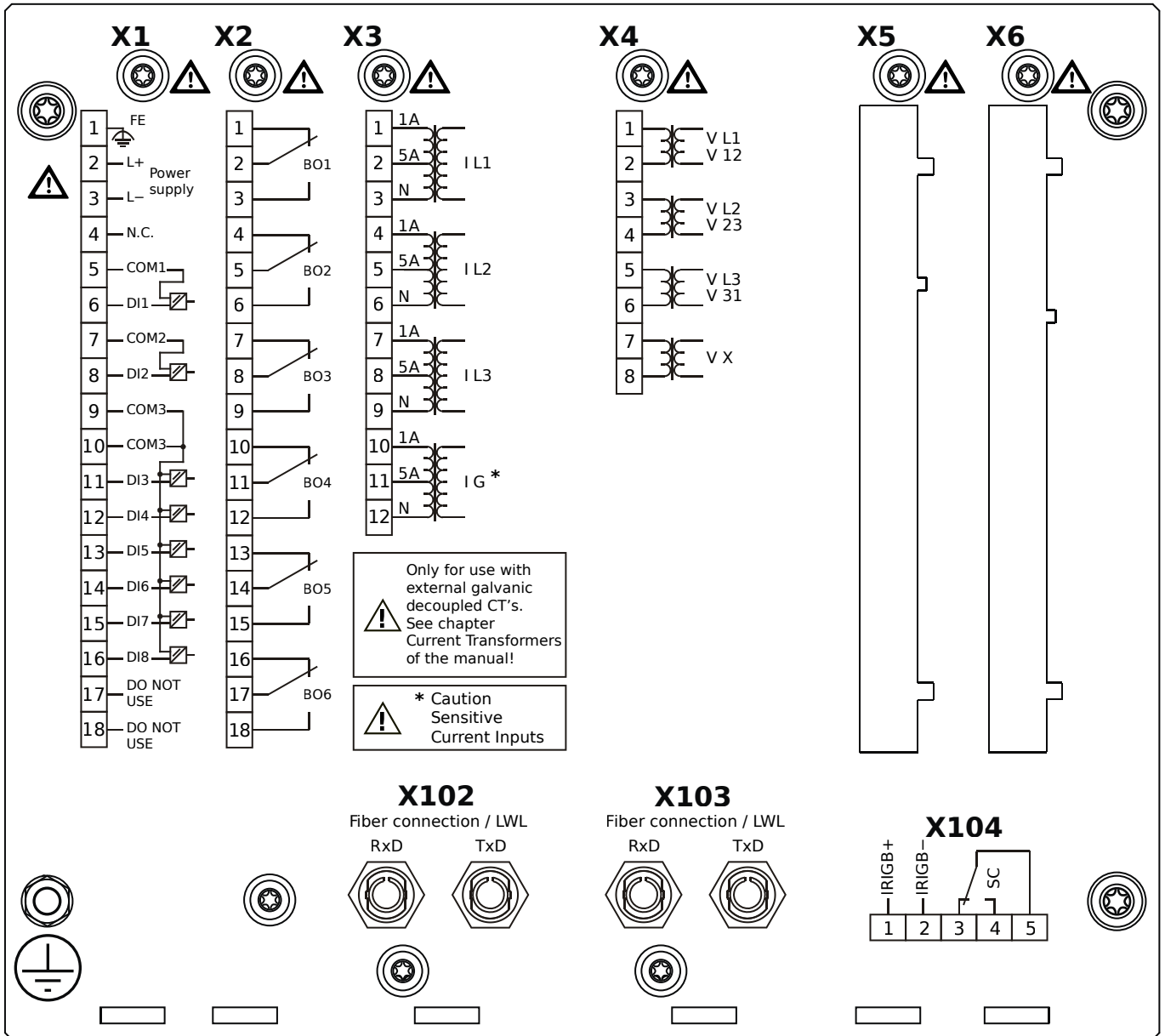
- X1** – DI8-X1: Wide-range power supply unit, incl. 2 non-grouped digital inputs and 6 grouped digital inputs
- X2** – OR-6: Assembly Group with 6 Relay Outputs
- X3** – TIs-4: Standard phase current measuring card and sensitive ground current measuring
- X4** – TU: Card with 4 voltage transformer measuring inputs
- X100** – Modbus TCP / DNP3.0 TCP/UDP, Ethernet interface, 100 Mbit/s, RJ45 (BASE100-FX)
- X102** – Protection Communication, Fiber optics interface, ST Connector
- X104** – IRIG-B00X, incl. System Contact (Supervision Contact)

MCDLV4-2A1A1CB



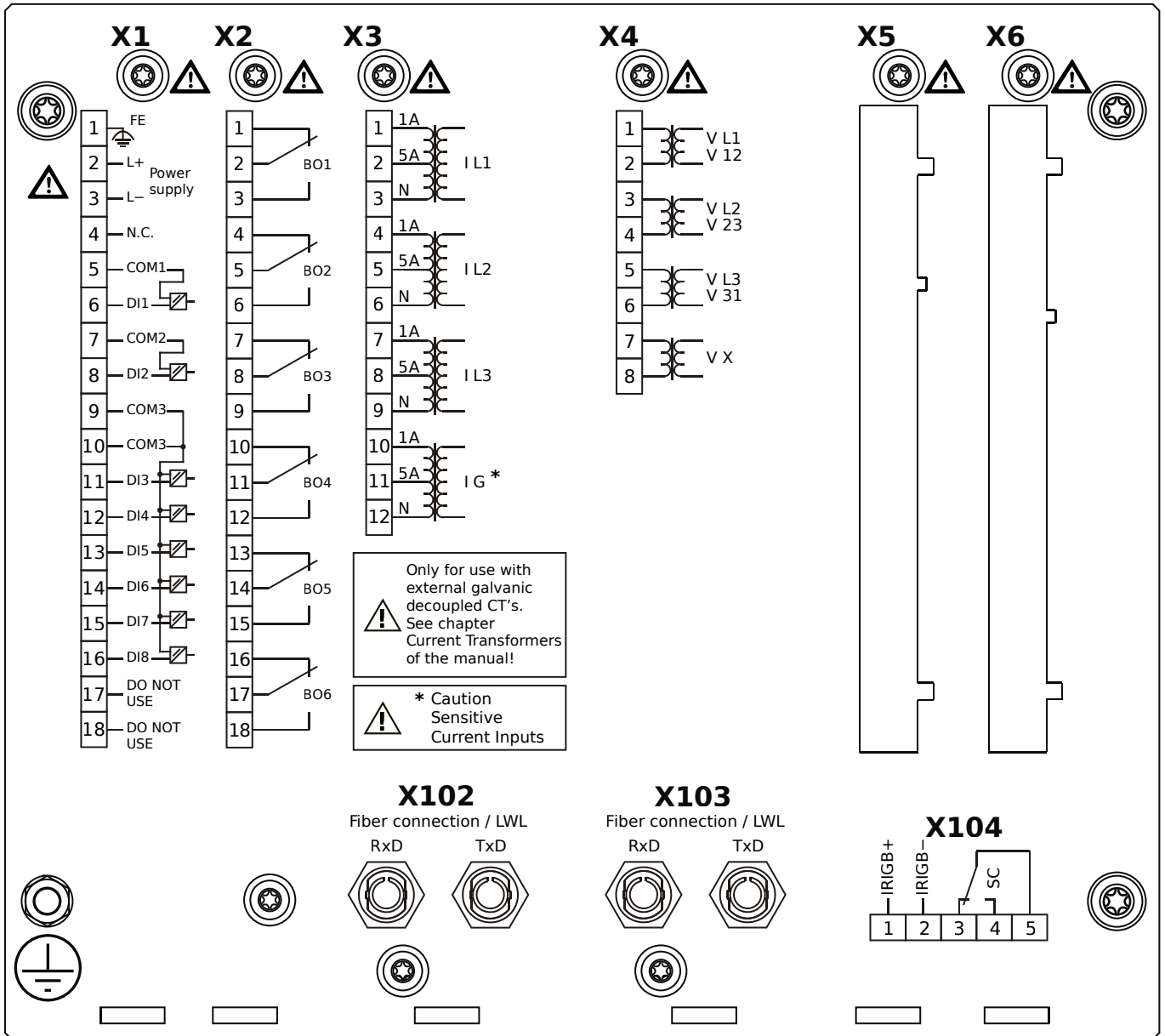
- X1** – DI8-X1: Wide-range power supply unit, incl. 2 non-grouped digital inputs and 6 grouped digital inputs
- X2** – OR-6: Assembly Group with 6 Relay Outputs
- X3** – TIs-4: Standard phase current measuring card and sensitive ground current measuring
- X4** – TU: Card with 4 voltage transformer measuring inputs
- X100** – Modbus TCP / DNP3.0 TCP/UDP, Ethernet interface, 100 Mbit/s, RJ45 (BASE100-FX)
- X102** – Protection Communication, Fiber optics interface, ST Connector
- X104** – IRIG-B00X, incl. System Contact (Supervision Contact)

MCDLV4-2A1A1DA



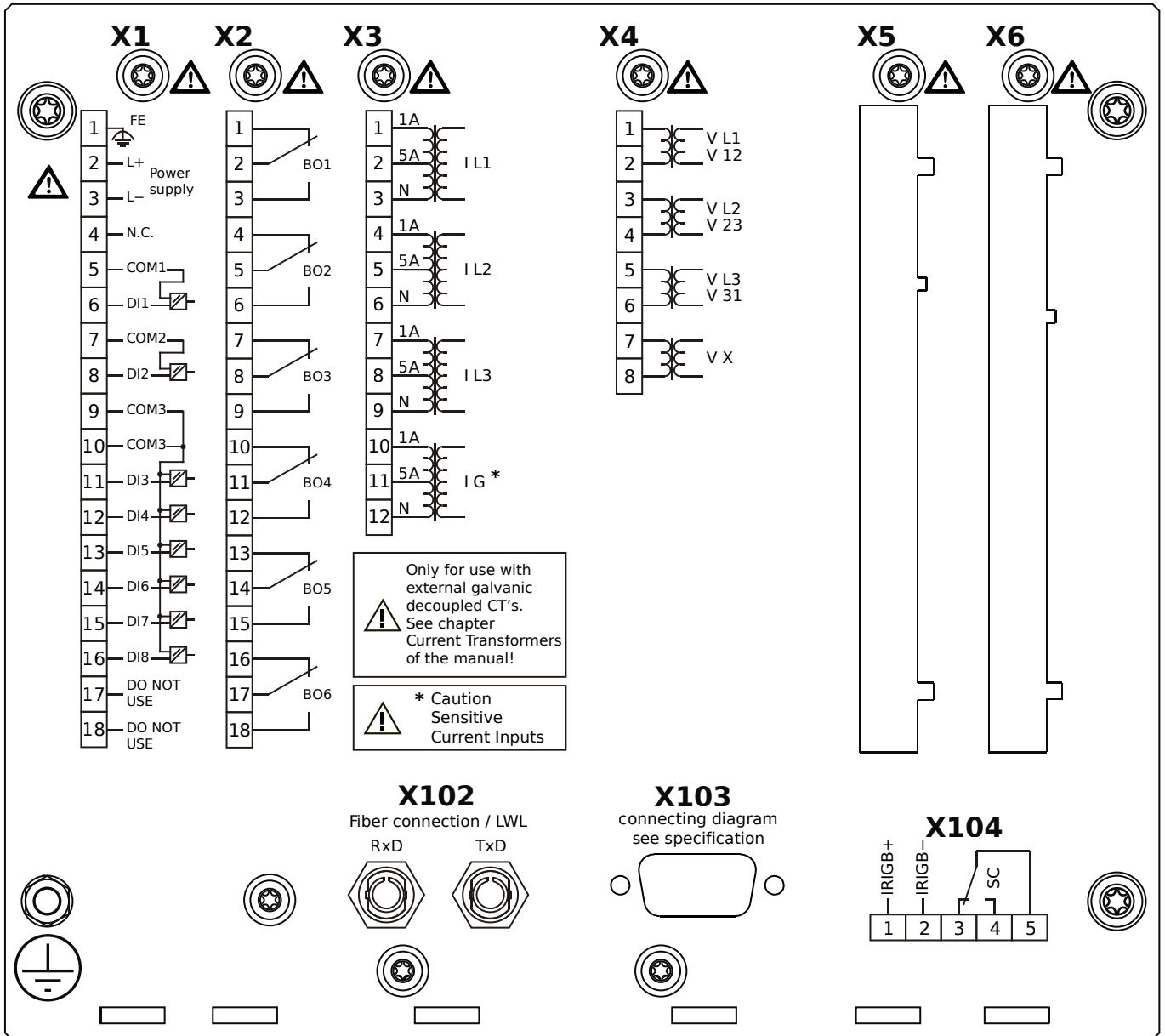
- X1** – DI8-X1: Wide-range power supply unit, incl. 2 non-grouped digital inputs and 6 grouped digital inputs
- X2** – OR-6: Assembly Group with 6 Relay Outputs
- X3** – TIs-4: Standard phase current measuring card and sensitive ground current measuring
- X4** – TU: Card with 4 voltage transformer measuring inputs
- X102** – Protection Communication, Fiber optics interface, ST Connector
- X103** – Profibus-DP, Fiber optics interface, ST Connector
- X104** – IRIG-B00X, incl. System Contact (Supervision Contact)

MCDLV4-2A1A1DB



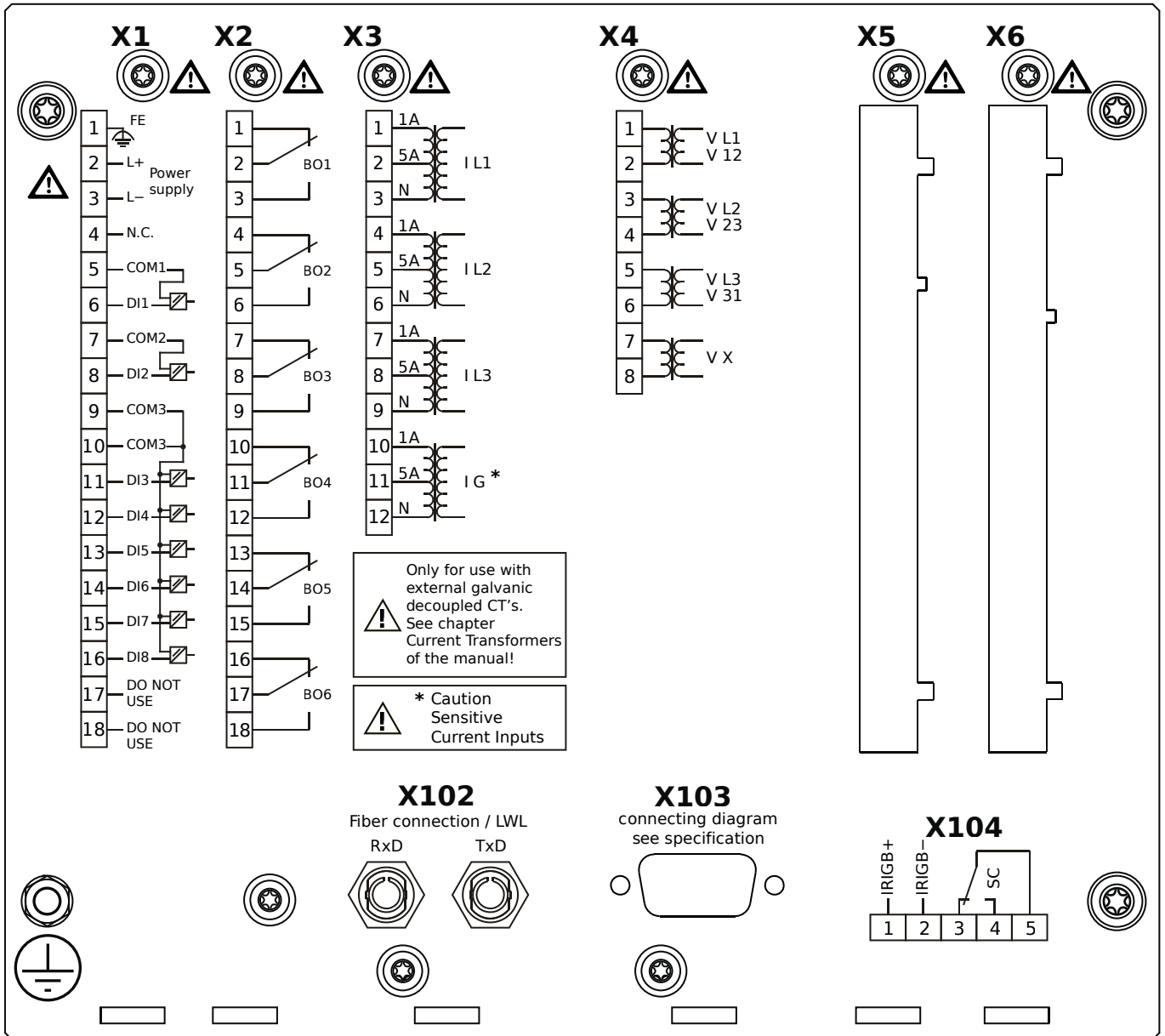
- X1** – DI8-X1: Wide-range power supply unit, incl. 2 non-grouped digital inputs and 6 grouped digital inputs
- X2** – OR-6: Assembly Group with 6 Relay Outputs
- X3** – TIs-4: Standard phase current measuring card and sensitive ground current measuring
- X4** – TU: Card with 4 voltage transformer measuring inputs
- X102** – Protection Communication, Fiber optics interface, ST Connector
- X103** – Profibus-DP, Fiber optics interface, ST Connector
- X104** – IRIG-B00X, incl. System Contact (Supervision Contact)

MCDLV4-2A1A1EA



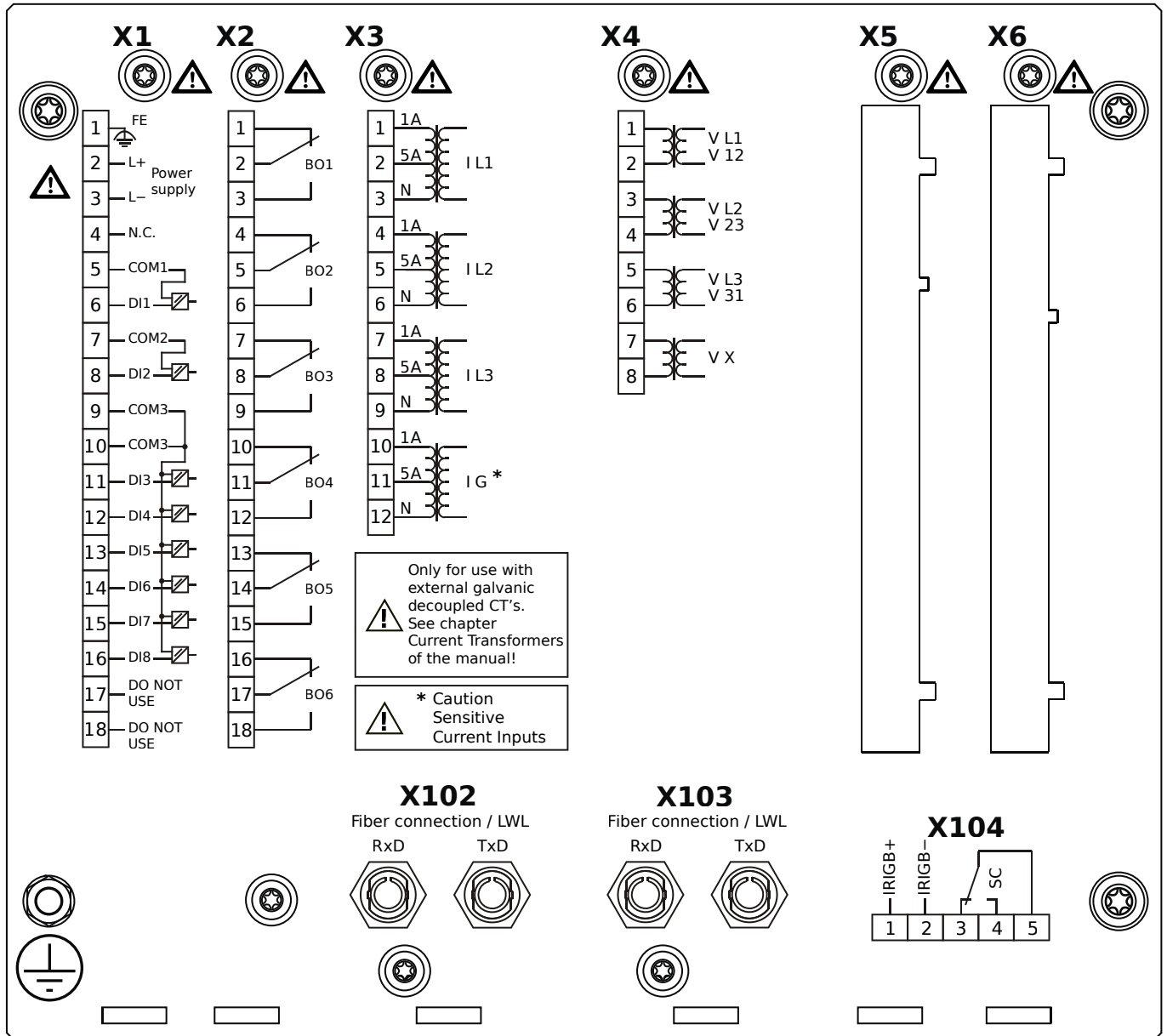
- X1** – DI8-X1: Wide-range power supply unit, incl. 2 non-grouped digital inputs and 6 grouped digital inputs
- X2** – OR-6: Assembly Group with 6 Relay Outputs
- X3** – TIs-4: Standard phase current measuring card and sensitive ground current measuring
- X4** – TU: Card with 4 voltage transformer measuring inputs
- X102** – Protection Communication, Fiber optics interface, ST Connector
- X103** – Profibus-DP, RS485, D-SUB
- X104** – IRIG-B00X, incl. System Contact (Supervision Contact)

MCDLV4-2A1A1EB



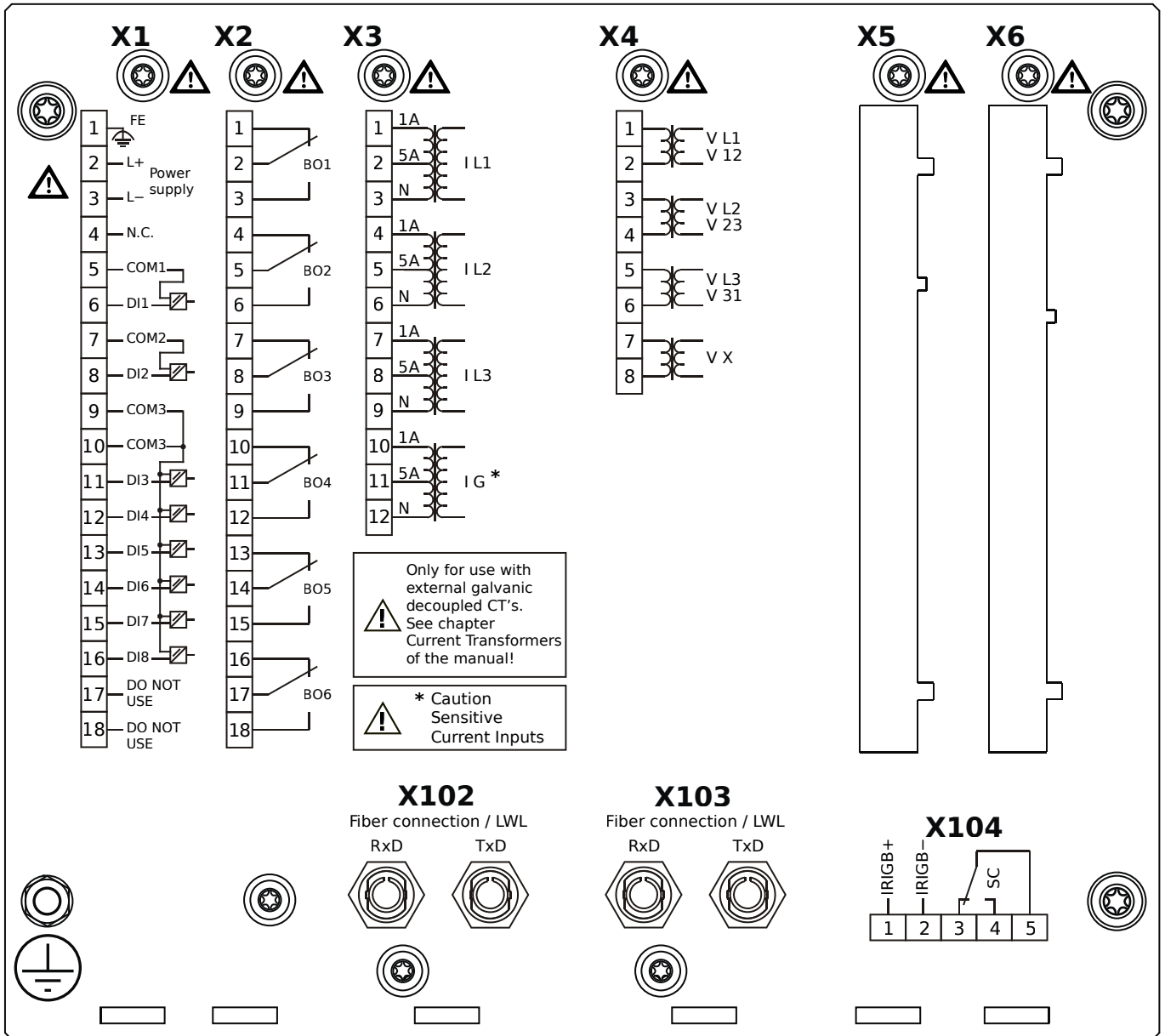
- X1** – DI8-X1: Wide-range power supply unit, incl. 2 non-grouped digital inputs and 6 grouped digital inputs
- X2** – OR-6: Assembly Group with 6 Relay Outputs
- X3** – TIs-4: Standard phase current measuring card and sensitive ground current measuring
- X4** – TU: Card with 4 voltage transformer measuring inputs
- X102** – Protection Communication, Fiber optics interface, ST Connector
- X103** – Profibus-DP, RS485, D-SUB
- X104** – IRIG-B00X, incl. System Contact (Supervision Contact)

MCDLV4-2A1A1FA



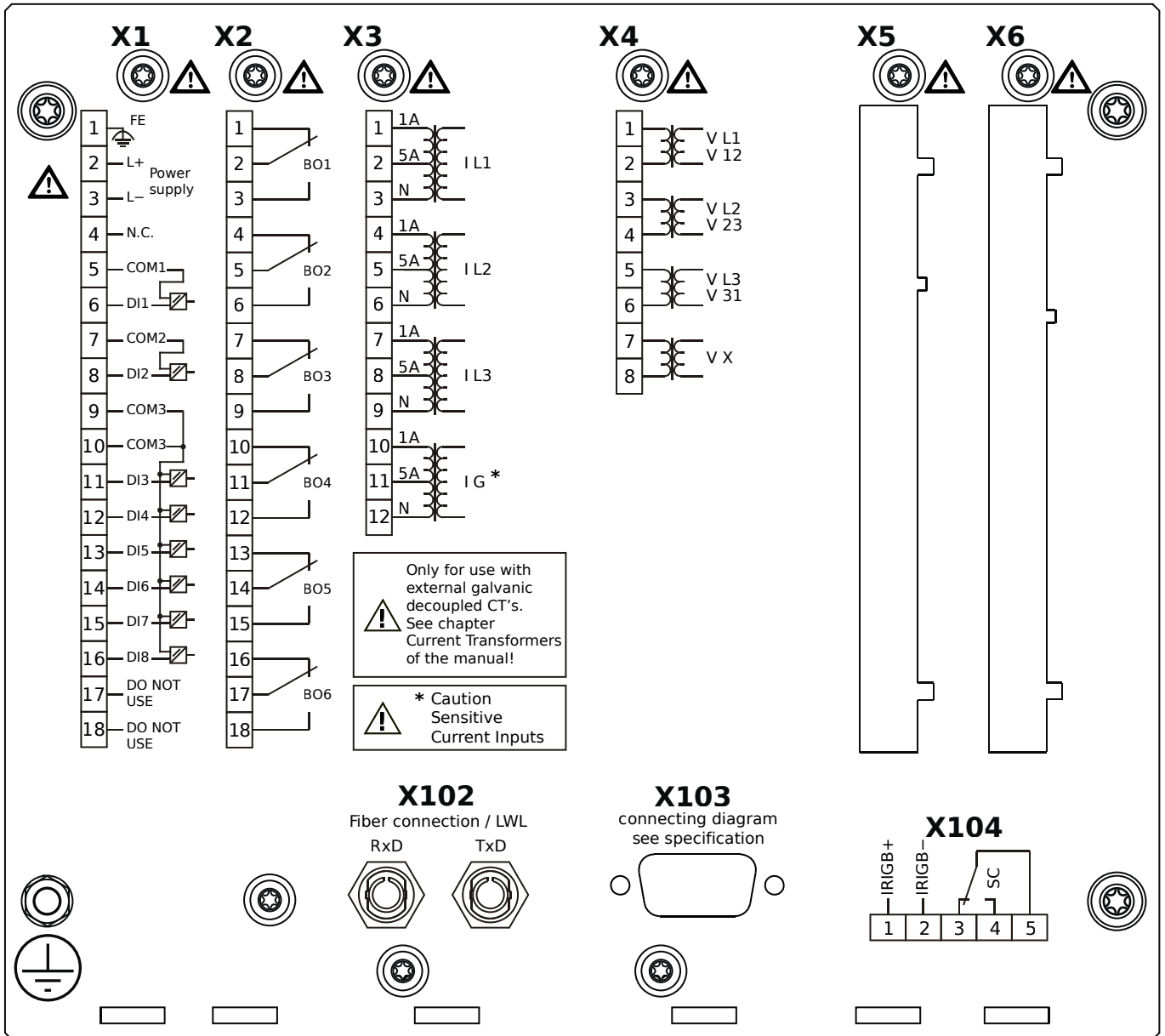
- X1** – DI8-X1: Wide-range power supply unit, incl. 2 non-grouped digital inputs and 6 grouped digital inputs
- X2** – OR-6: Assembly Group with 6 Relay Outputs
- X3** – TIs-4: Standard phase current measuring card and sensitive ground current measuring
- X4** – TU: Card with 4 voltage transformer measuring inputs
- X102** – Protection Communication, Fiber optics interface, ST Connector
- X103** – Modbus RTU / IEC 60870-5-103 / DNP3.0 RTU, Fiber optics interface, ST Connector
- X104** – IRIG-B00X, incl. System Contact (Supervision Contact)

MCDLV4-2A1A1FB



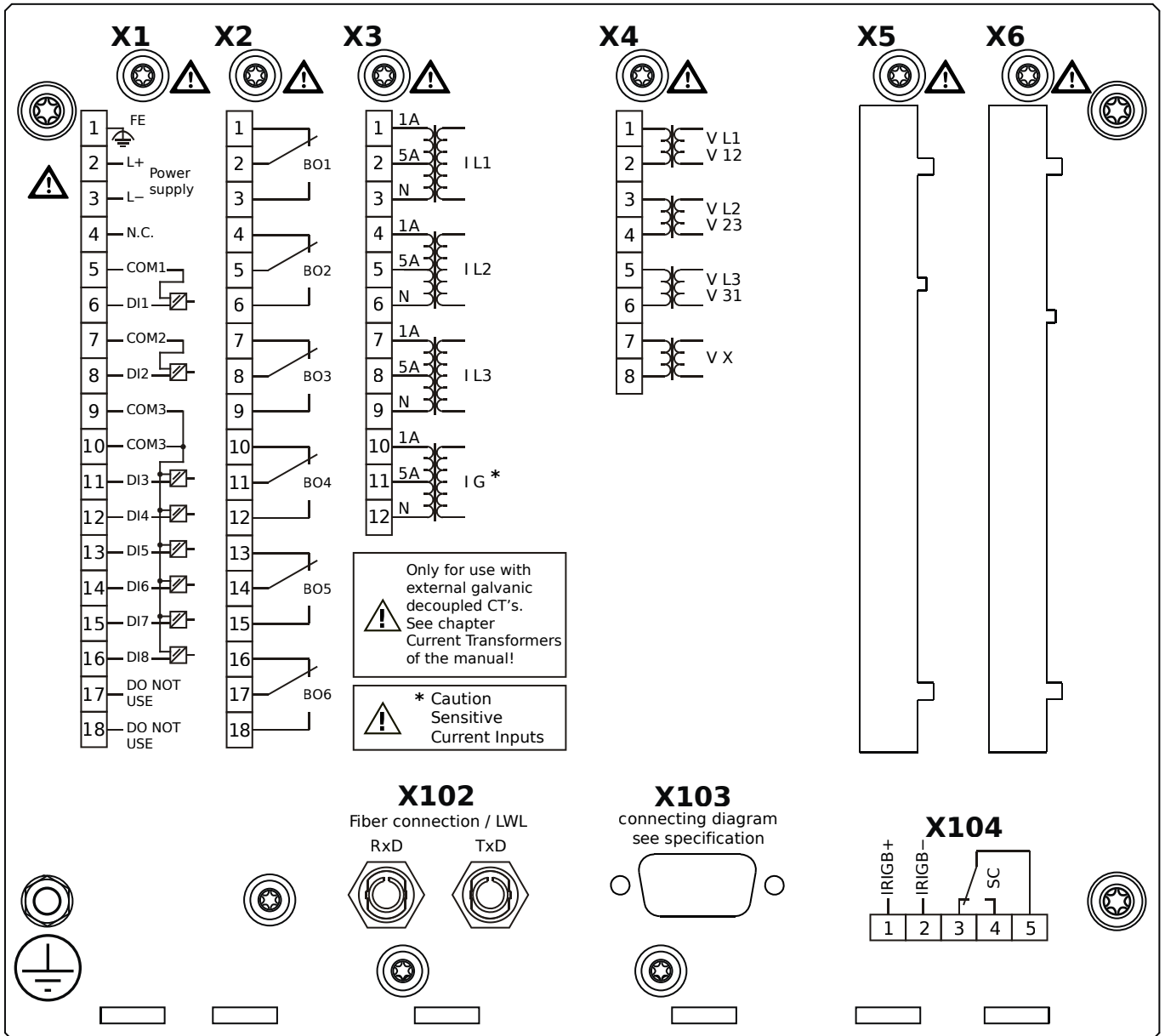
- X1** – DI8-X1: Wide-range power supply unit, incl. 2 non-grouped digital inputs and 6 grouped digital inputs
- X2** – OR-6: Assembly Group with 6 Relay Outputs
- X3** – TIs-4: Standard phase current measuring card and sensitive ground current measuring
- X4** – TU: Card with 4 voltage transformer measuring inputs
- X102** – Protection Communication, Fiber optics interface, ST Connector
- X103** – Modbus RTU / IEC 60870-5-103 / DNP3.0 RTU, Fiber optics interface, ST Connector
- X104** – IRIG-B00X, incl. System Contact (Supervision Contact)

MCDLV4-2A1A1GA



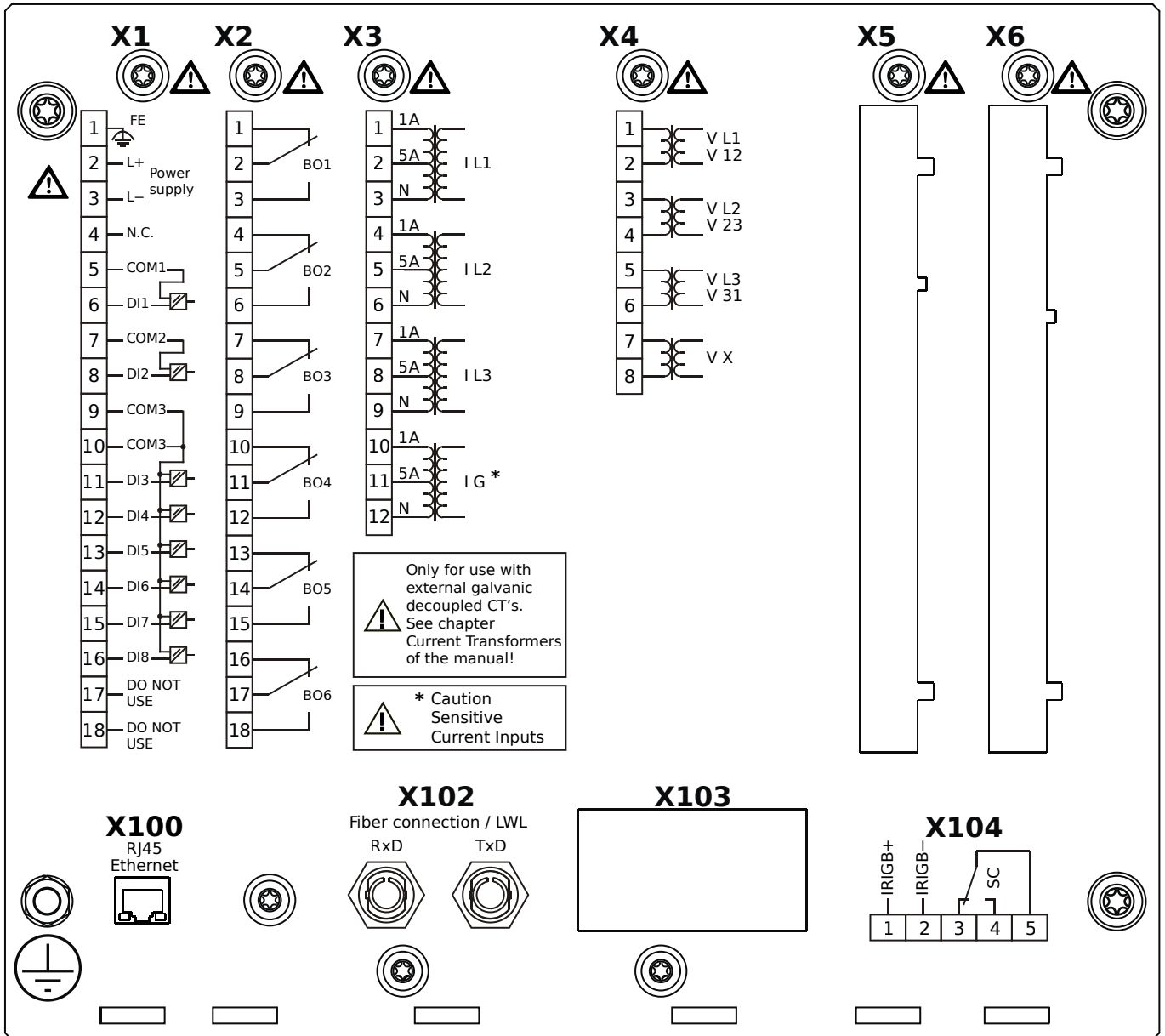
- X1** – DI8-X1: Wide-range power supply unit, incl. 2 non-grouped digital inputs and 6 grouped digital inputs
- X2** – OR-6: Assembly Group with 6 Relay Outputs
- X3** – TIs-4: Standard phase current measuring card and sensitive ground current measuring
- X4** – TU: Card with 4 voltage transformer measuring inputs
- X102** – Protection Communication, Fiber optics interface, ST Connector
- X103** – Modbus RTU / IEC 60870-5-103 / DNP3.0 RTU, RS485, D-SUB
- X104** – IRIG-B00X, incl. System Contact (Supervision Contact)

MCDLV4-2A1A1GB



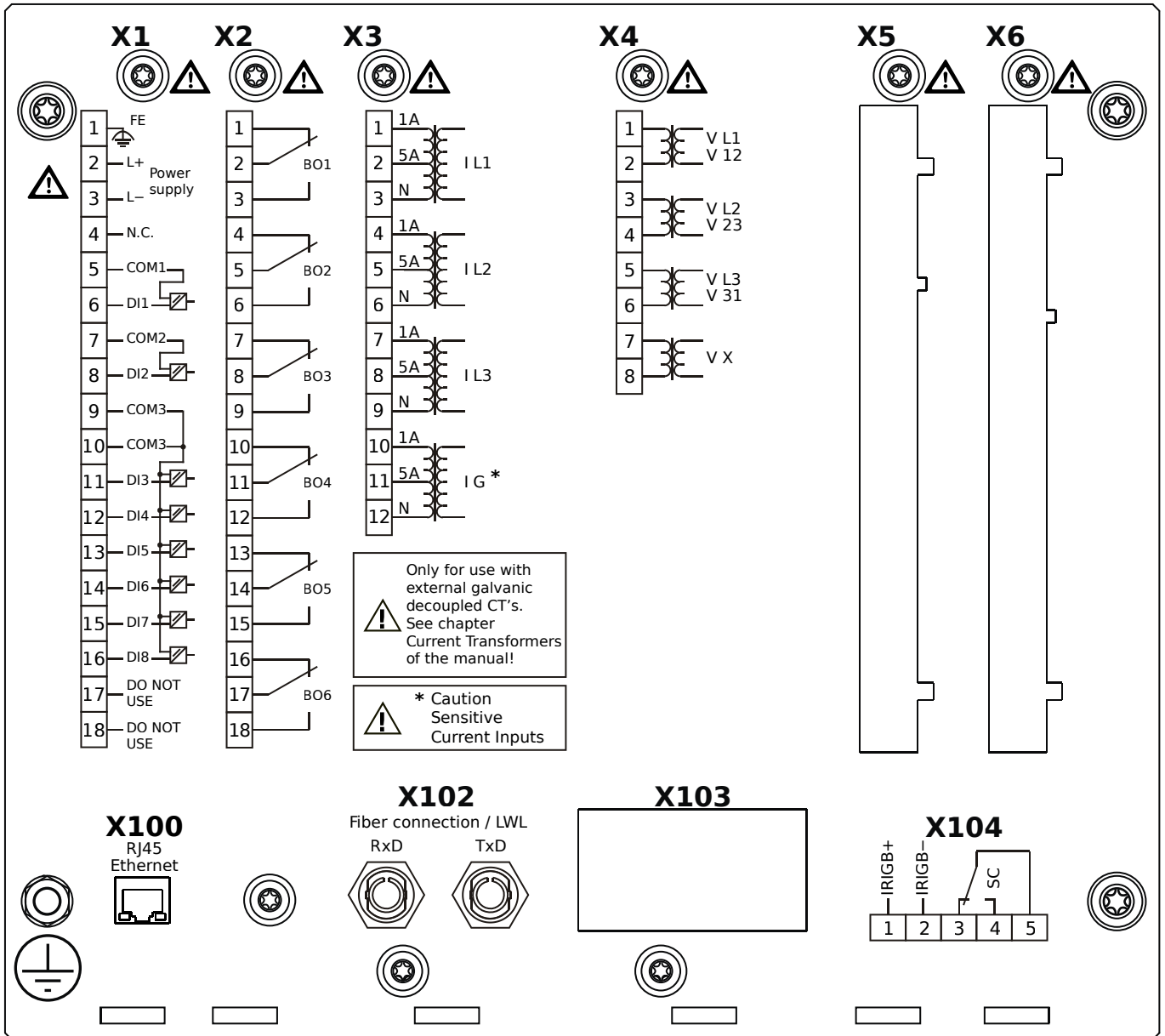
- X1** – DI8-X1: Wide-range power supply unit, incl. 2 non-grouped digital inputs and 6 grouped digital inputs
- X2** – OR-6: Assembly Group with 6 Relay Outputs
- X3** – TIs-4: Standard phase current measuring card and sensitive ground current measuring
- X4** – TU: Card with 4 voltage transformer measuring inputs
- X102** – Protection Communication, Fiber optics interface, ST Connector
- X103** – Modbus RTU / IEC 60870-5-103 / DNP3.0 RTU, RS485, D-SUB
- X104** – IRIG-B00X, incl. System Contact (Supervision Contact)

MCDLV4-2A1A1HA



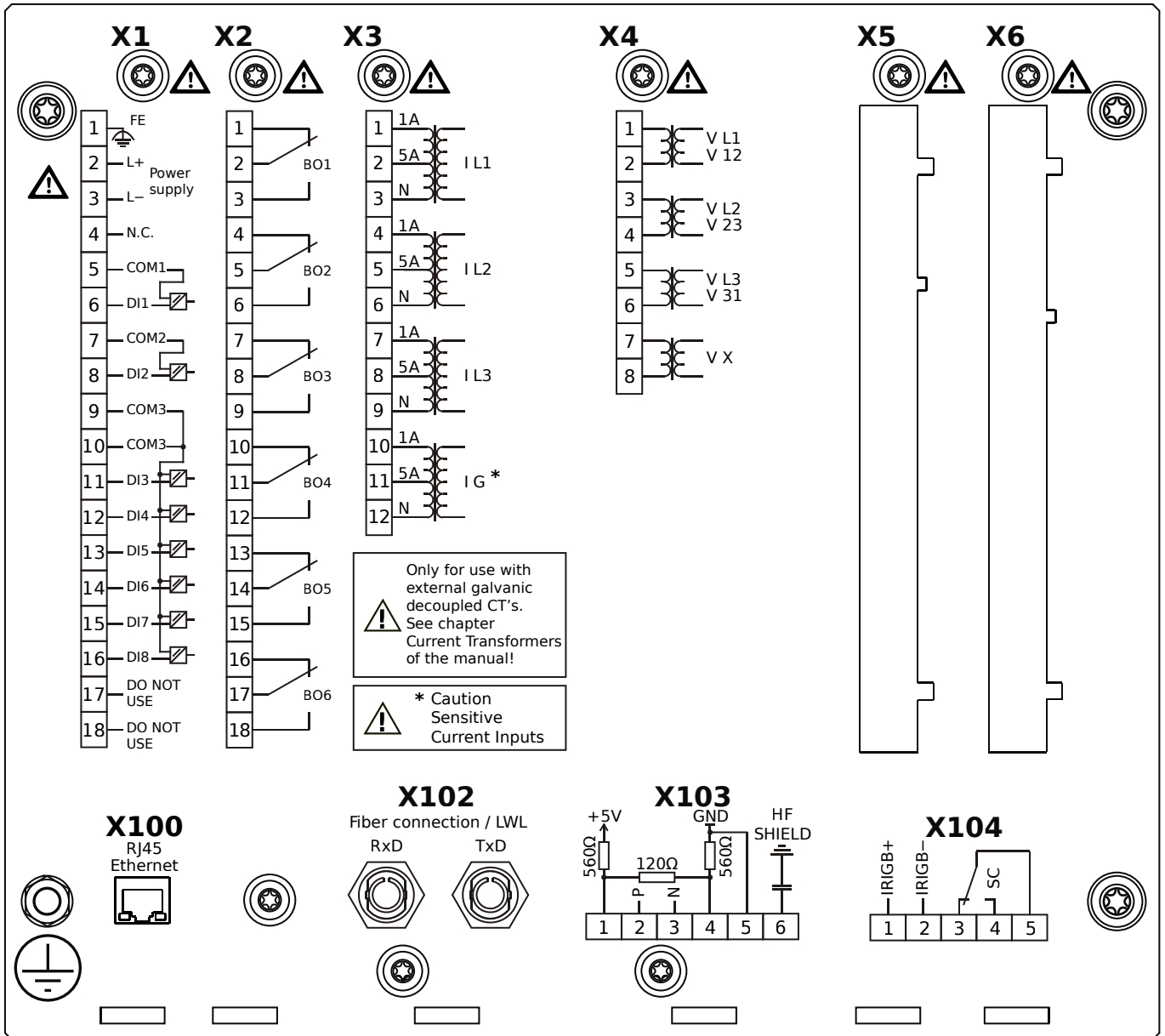
- X1** – DI8-X1: Wide-range power supply unit, incl. 2 non-grouped digital inputs and 6 grouped digital inputs
- X2** – OR-6: Assembly Group with 6 Relay Outputs
- X3** – TIs-4: Standard phase current measuring card and sensitive ground current measuring
- X4** – TU: Card with 4 voltage transformer measuring inputs
- X100** – IEC 61850 / Modbus TCP / DNP3.0 TCP/UDP, Ethernet interface, 100 Mbit/s, RJ45 (BASE100-FX)
- X102** – Protection Communication, Fiber optics interface, ST Connector
- X104** – IRIG-B00X, incl. System Contact (Supervision Contact)

MCDLV4-2A1A1HB



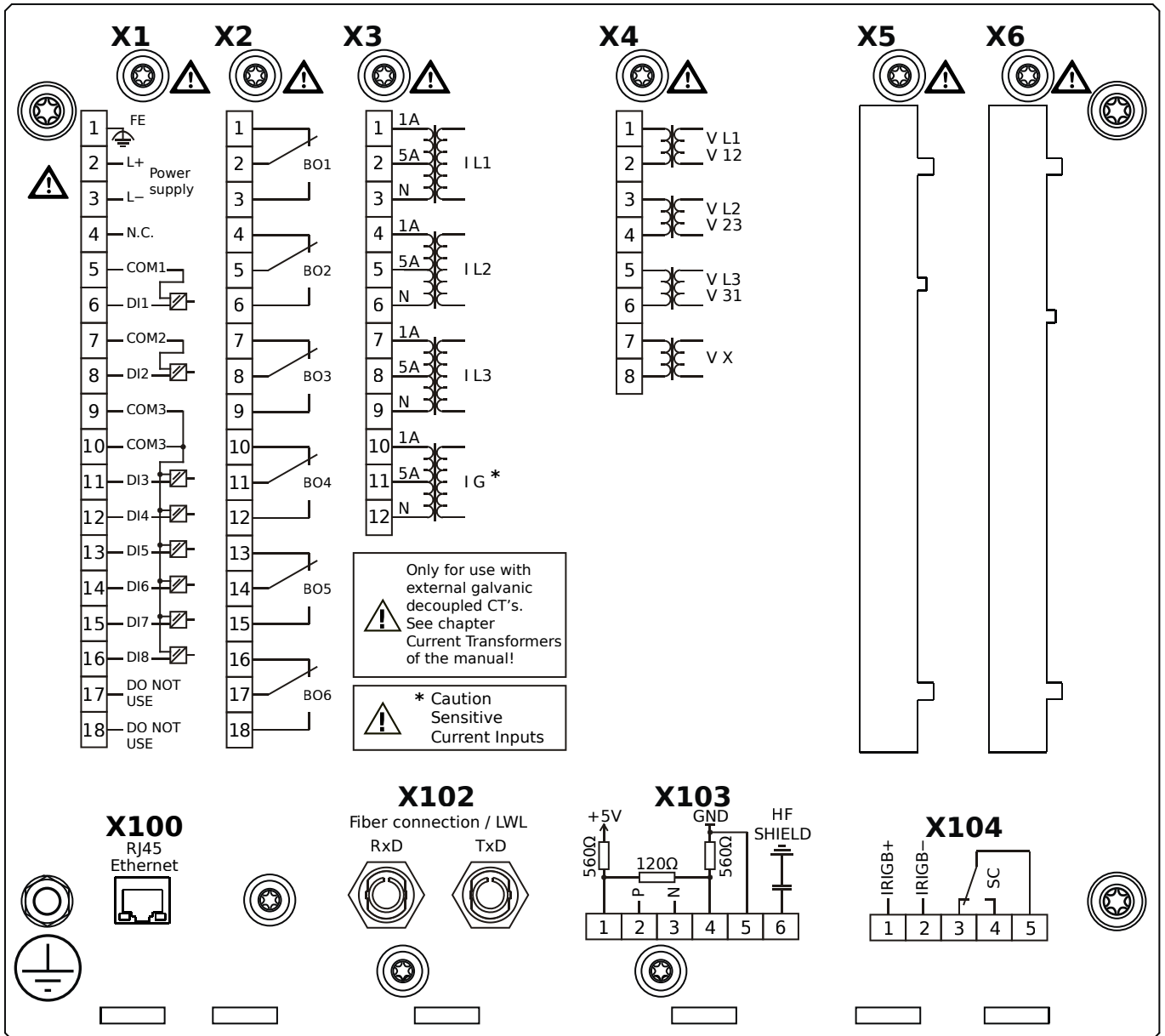
- X1** – DI8-X1: Wide-range power supply unit, incl. 2 non-grouped digital inputs and 6 grouped digital inputs
- X2** – OR-6: Assembly Group with 6 Relay Outputs
- X3** – TIs-4: Standard phase current measuring card and sensitive ground current measuring
- X4** – TU: Card with 4 voltage transformer measuring inputs
- X100** – IEC 61850 / Modbus TCP / DNP3.0 TCP/UDP, Ethernet interface, 100 Mbit/s, RJ45 (BASE100-FX)
- X102** – Protection Communication, Fiber optics interface, ST Connector
- X104** – IRIG-B00X, incl. System Contact (Supervision Contact)

MCDLV4-2A1A1IA



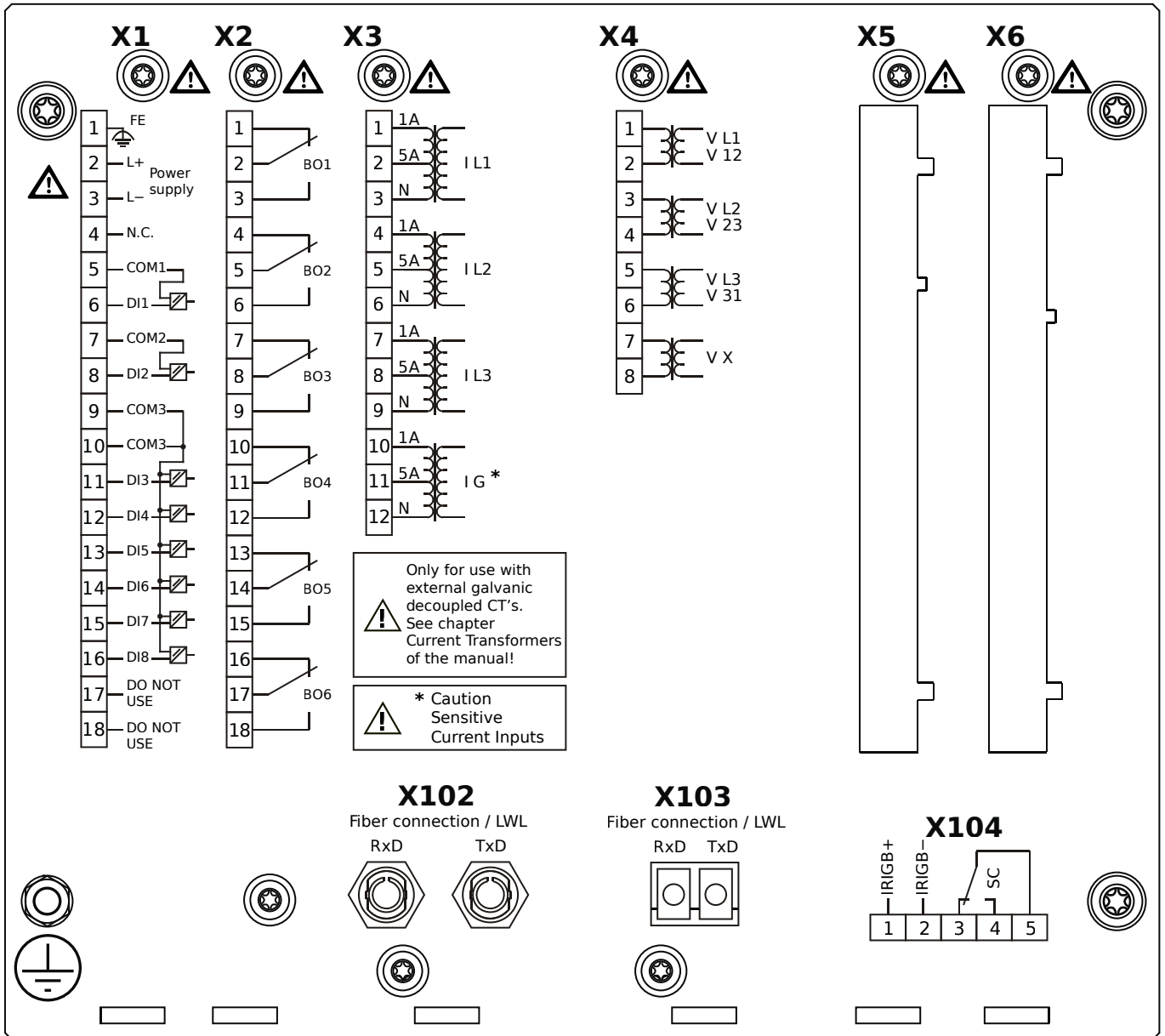
- X1** – DI8-X1: Wide-range power supply unit, incl. 2 non-grouped digital inputs and 6 grouped digital inputs
- X2** – OR-6: Assembly Group with 6 Relay Outputs
- X3** – TIs-4: Standard phase current measuring card and sensitive ground current measuring
- X4** – TU: Card with 4 voltage transformer measuring inputs
- X100** – Modbus TCP / DNP3.0 TCP/UDP, Ethernet interface, 100 Mbit/s, RJ45 (BASE100-FX)
- X102** – Protection Communication, Fiber optics interface, ST Connector
- X103** – IEC 60870-5-103 / Modbus RTU / DNP3.0 RTU, RS485, Terminals
- X104** – IRIG-B00X, incl. System Contact (Supervision Contact)

MCDLV4-2A1A1IB



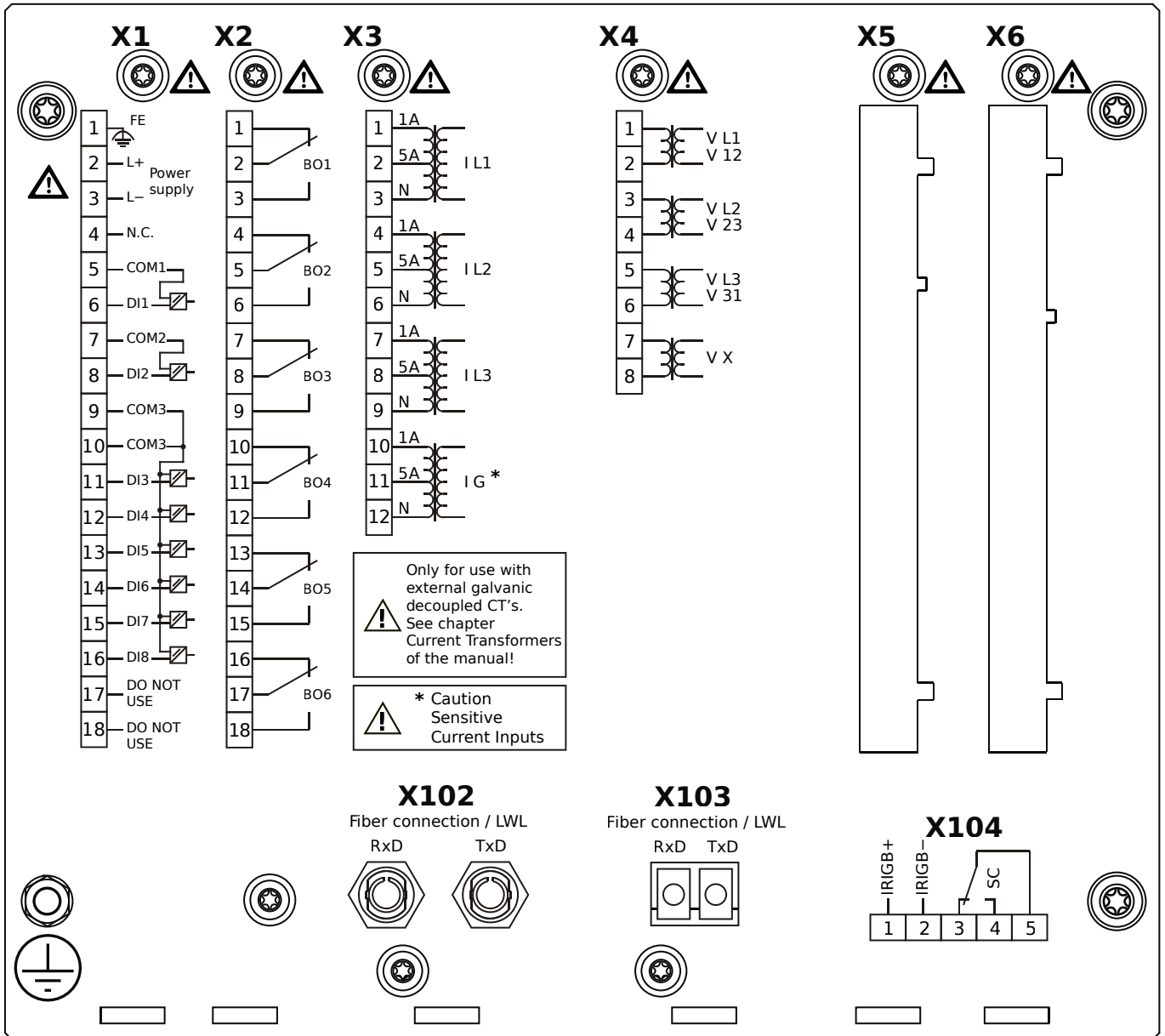
- X1** – DI8-X1: Wide-range power supply unit, incl. 2 non-grouped digital inputs and 6 grouped digital inputs
- X2** – OR-6: Assembly Group with 6 Relay Outputs
- X3** – TIs-4: Standard phase current measuring card and sensitive ground current measuring
- X4** – TU: Card with 4 voltage transformer measuring inputs
- X100** – Modbus TCP / DNP3.0 TCP/UDP, Ethernet interface, 100 Mbit/s, RJ45 (BASE100-FX)
- X102** – Protection Communication, Fiber optics interface, ST Connector
- X103** – IEC 60870-5-103 / Modbus RTU / DNP3.0 RTU, RS485, Terminals
- X104** – IRIG-B00X, incl. System Contact (Supervision Contact)

MCDLV4-2A1A1KA



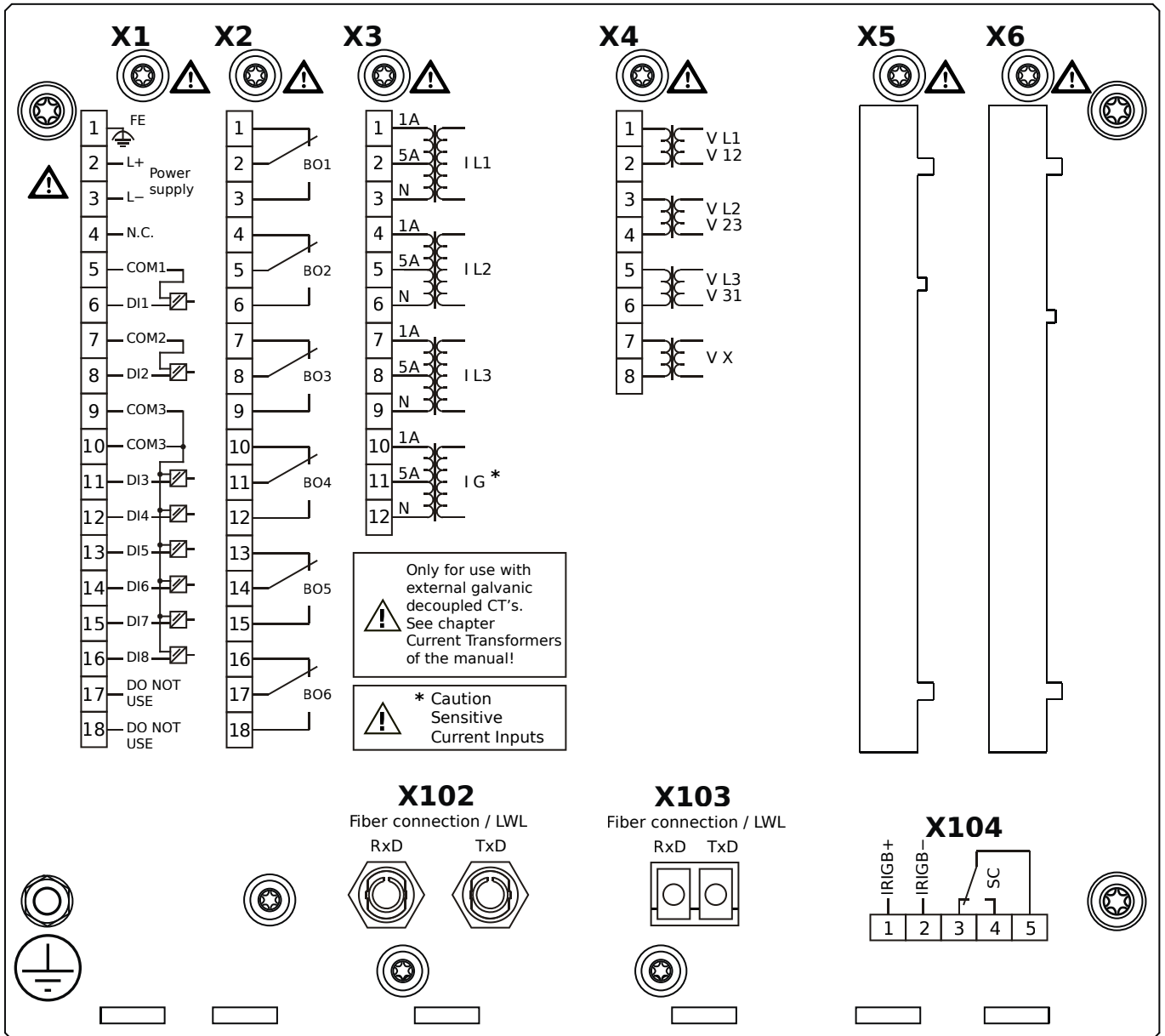
- X1** – DI8-X1: Wide-range power supply unit, incl. 2 non-grouped digital inputs and 6 grouped digital inputs
- X2** – OR-6: Assembly Group with 6 Relay Outputs
- X3** – TIs-4: Standard phase current measuring card and sensitive ground current measuring
- X4** – TU: Card with 4 voltage transformer measuring inputs
- X102** – Protection Communication, Fiber optics interface, ST Connector
- X103** – IEC 61850 / Modbus TCP / DNP3.0 TCP/UDP, Fiber optics interface, LC Connector
- X104** – IRIG-B00X, incl. System Contact (Supervision Contact)

MCDLV4-2A1A1KB



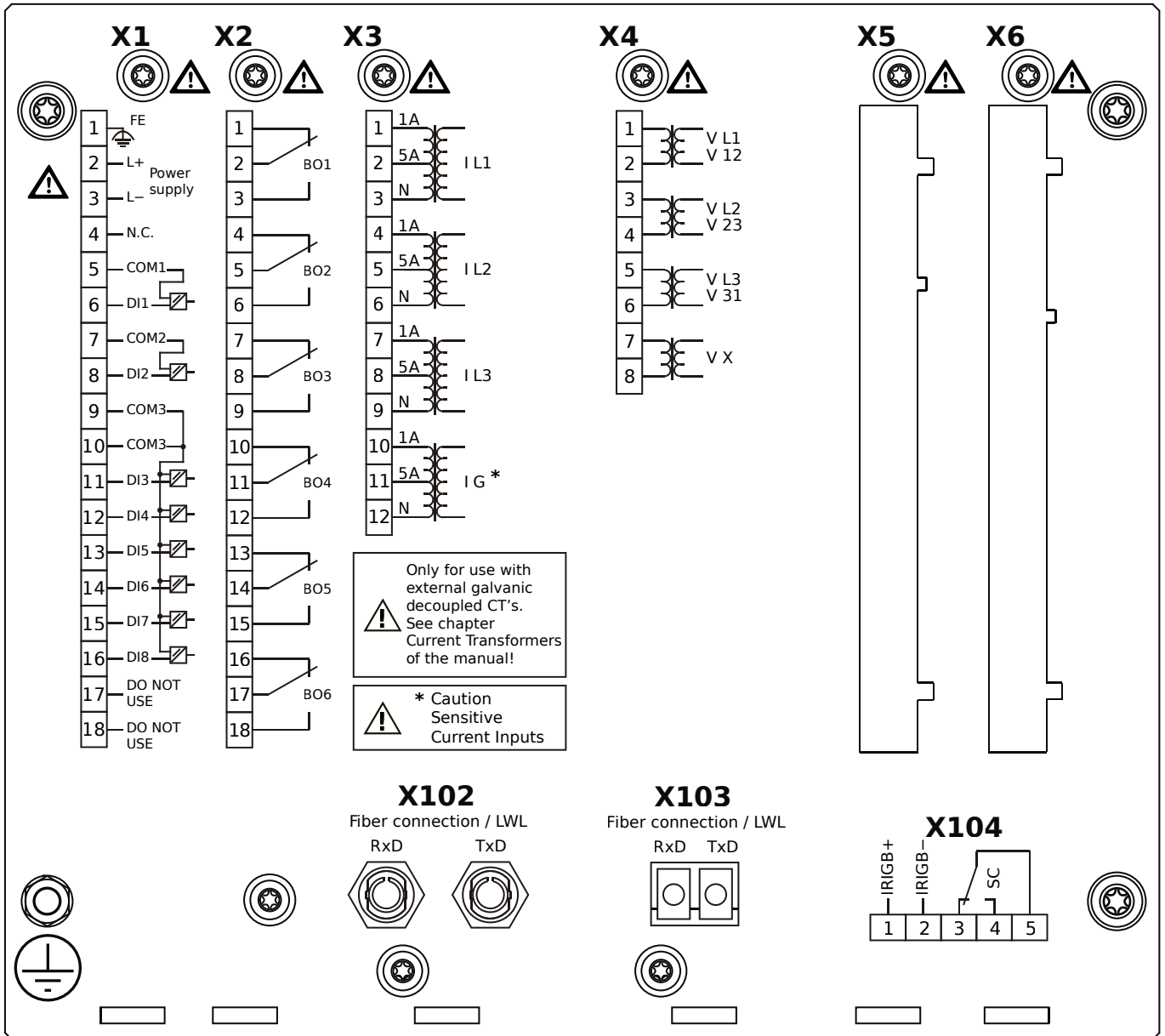
- X1** – DI8-X1: Wide-range power supply unit, incl. 2 non-grouped digital inputs and 6 grouped digital inputs
- X2** – OR-6: Assembly Group with 6 Relay Outputs
- X3** – TIs-4: Standard phase current measuring card and sensitive ground current measuring
- X4** – TU: Card with 4 voltage transformer measuring inputs
- X102** – Protection Communication, Fiber optics interface, ST Connector
- X103** – IEC 61850 / Modbus TCP / DNP3.0 TCP/UDP, Fiber optics interface, LC Connector
- X104** – IRIG-B00X, incl. System Contact (Supervision Contact)

MCDLV4-2A1A1LA



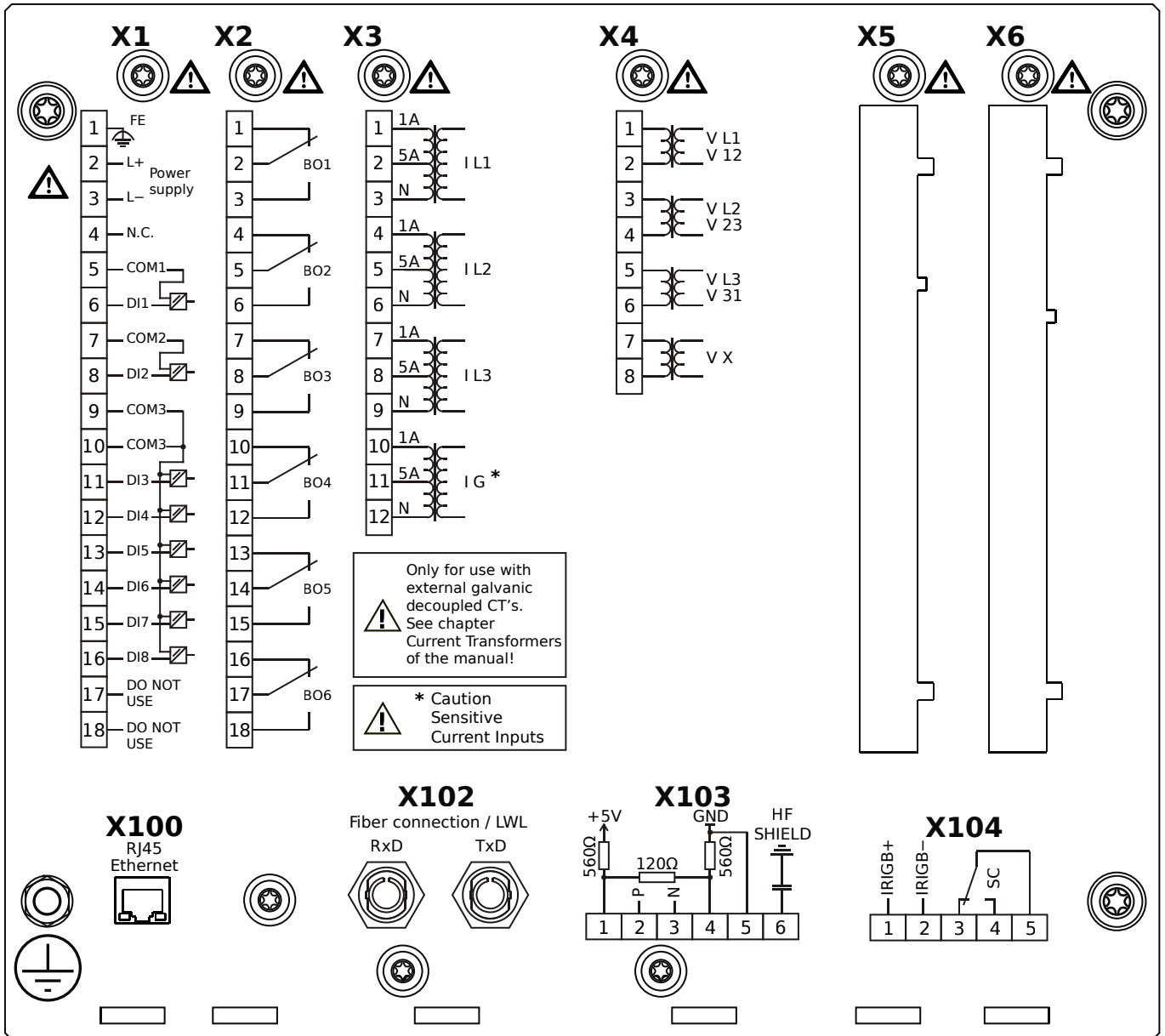
- X1** – DI8-X1: Wide-range power supply unit, incl. 2 non-grouped digital inputs and 6 grouped digital inputs
- X2** – OR-6: Assembly Group with 6 Relay Outputs
- X3** – TIs-4: Standard phase current measuring card and sensitive ground current measuring
- X4** – TU: Card with 4 voltage transformer measuring inputs
- X102** – Protection Communication, Fiber optics interface, ST Connector
- X103** – Modbus TCP / DNP3.0 TCP/UDP, Fiber optics interface, LC Connector
- X104** – IRIG-B00X, incl. System Contact (Supervision Contact)

MCDLV4-2A1A1LB



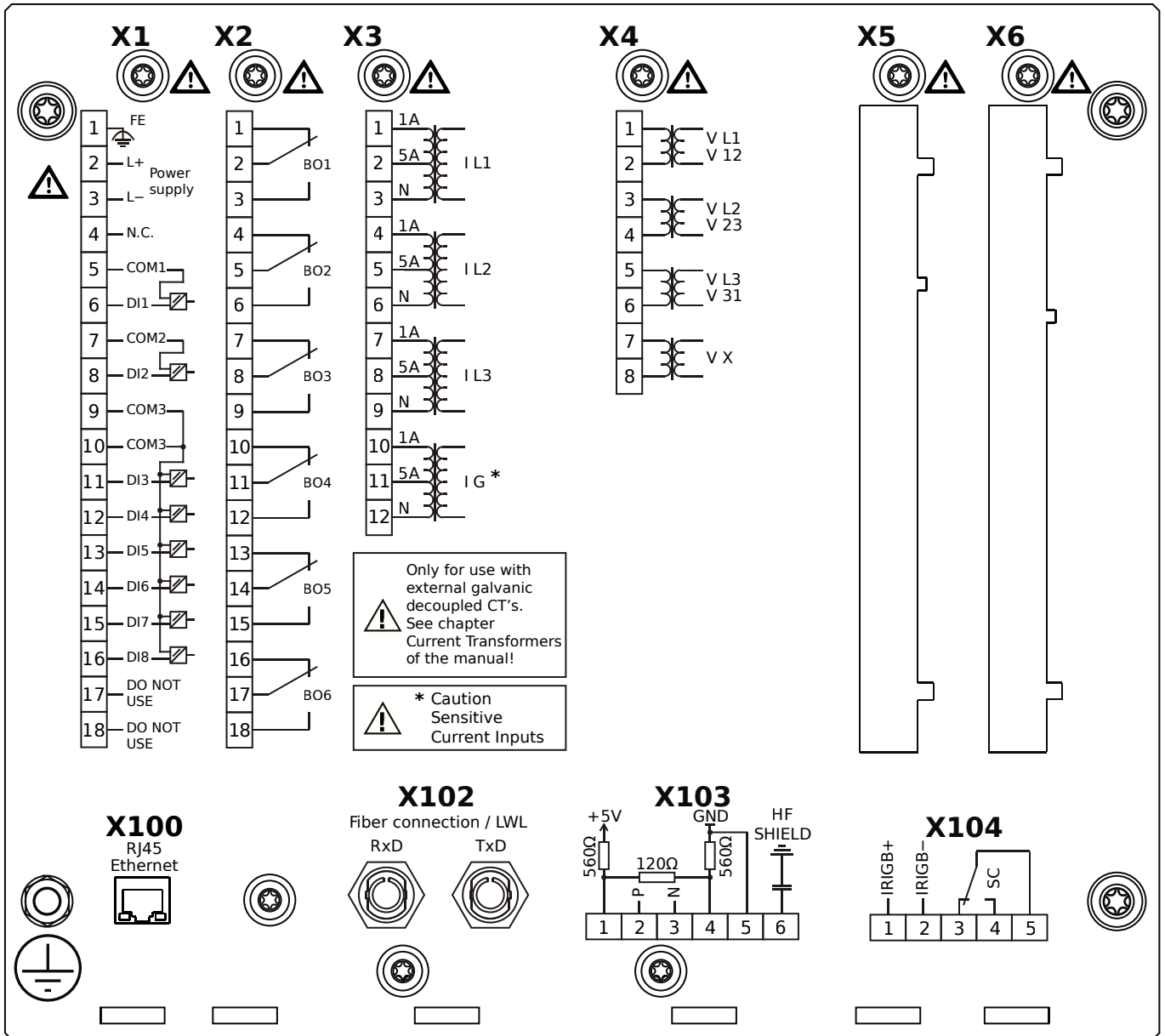
- X1** – DI8-X1: Wide-range power supply unit, incl. 2 non-grouped digital inputs and 6 grouped digital inputs
- X2** – OR-6: Assembly Group with 6 Relay Outputs
- X3** – TIs-4: Standard phase current measuring card and sensitive ground current measuring
- X4** – TU: Card with 4 voltage transformer measuring inputs
- X102** – Protection Communication, Fiber optics interface, ST Connector
- X103** – Modbus TCP / DNP3.0 TCP/UDP, Fiber optics interface, LC Connector
- X104** – IRIG-B00X, incl. System Contact (Supervision Contact)

MCDLV4-2A1A1TA



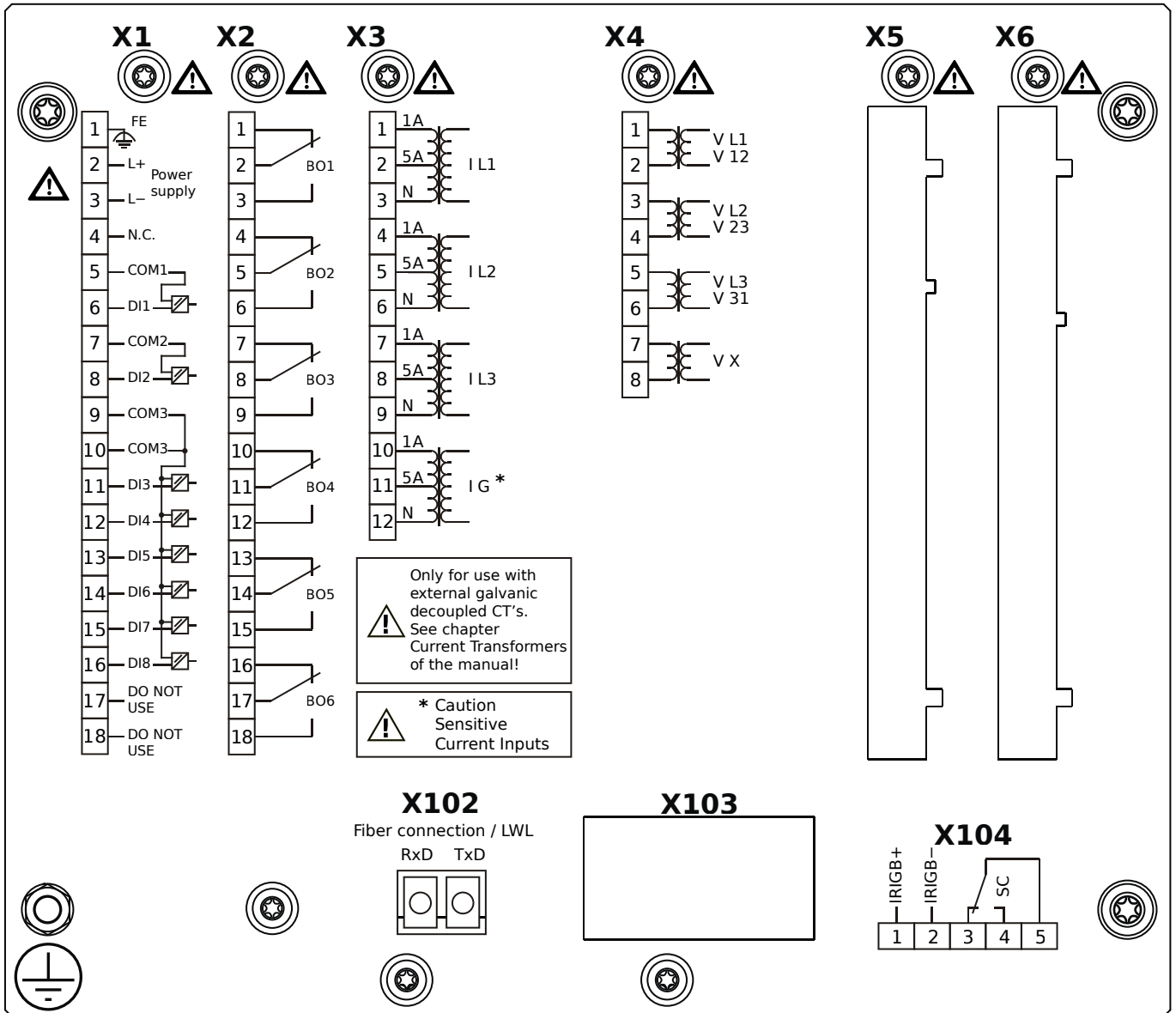
- X1** – DI8-X1: Wide-range power supply unit, incl. 2 non-grouped digital inputs and 6 grouped digital inputs
- X2** – OR-6: Assembly Group with 6 Relay Outputs
- X3** – TIs-4: Standard phase current measuring card and sensitive ground current measuring
- X4** – TU: Card with 4 voltage transformer measuring inputs
- X100** – IEC 61850 / Modbus TCP / DNP3.0 TCP/UDP, Ethernet interface, 100 Mbit/s, RJ45 (BASE100-FX)
- X102** – Protection Communication, Fiber optics interface, ST Connector
- X103** – IEC 60870-5-103 / Modbus RTU / DNP3.0 RTU, RS485, Terminals
- X104** – IRIG-B00X, incl. System Contact (Supervision Contact)

MCDLV4-2A1A1TB



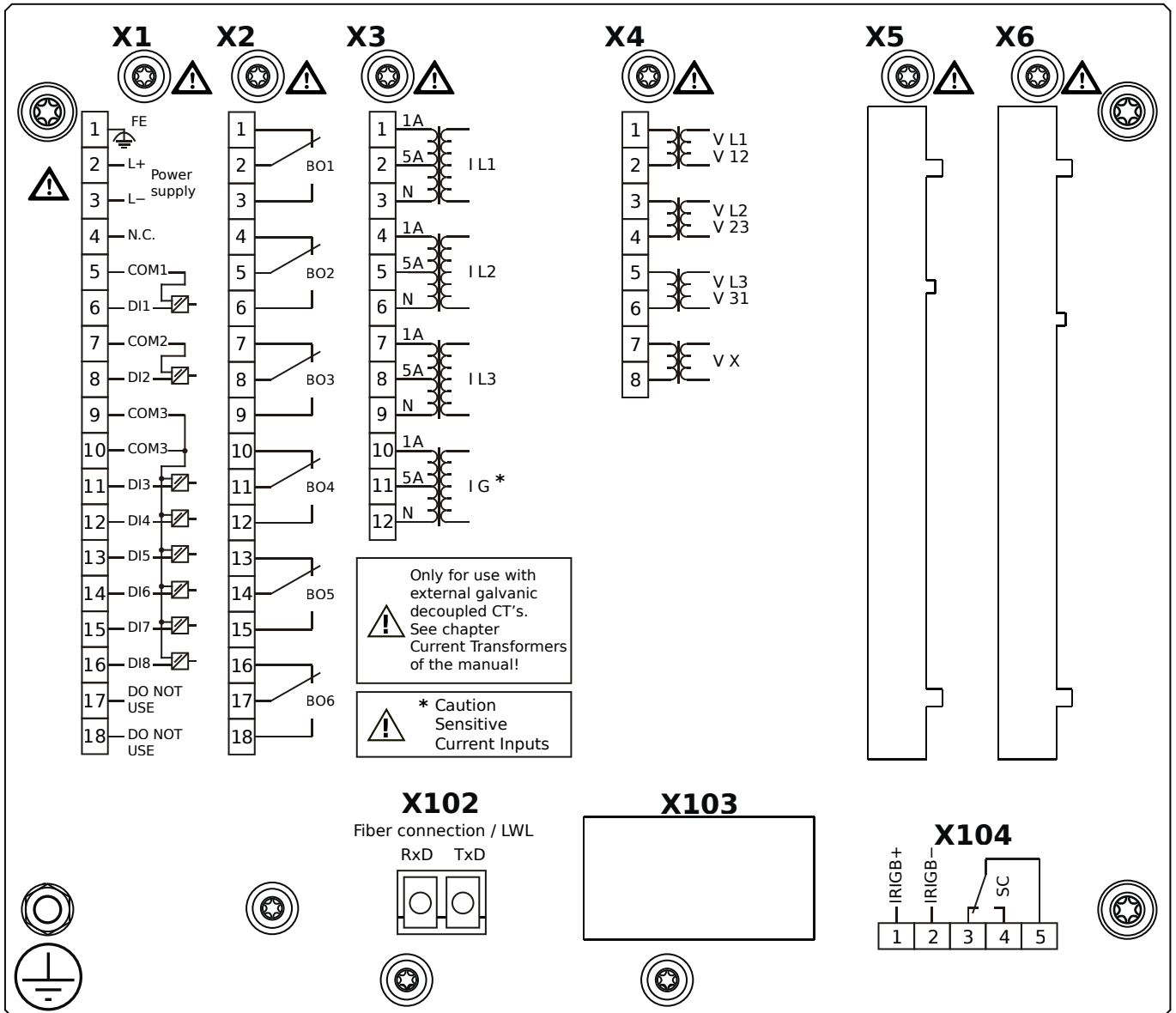
- X1** – DI8-X1: Wide-range power supply unit, incl. 2 non-grouped digital inputs and 6 grouped digital inputs
- X2** – OR-6: Assembly Group with 6 Relay Outputs
- X3** – TIs-4: Standard phase current measuring card and sensitive ground current measuring
- X4** – TU: Card with 4 voltage transformer measuring inputs
- X100** – IEC 61850 / Modbus TCP / DNP3.0 TCP/UDP, Ethernet interface, 100 Mbit/s, RJ45 (BASE100-FX)
- X102** – Protection Communication, Fiber optics interface, ST Connector
- X103** – IEC 60870-5-103 / Modbus RTU / DNP3.0 RTU, RS485, Terminals
- X104** – IRIG-B00X, incl. System Contact (Supervision Contact)

MCDLV4-2A1B0AA



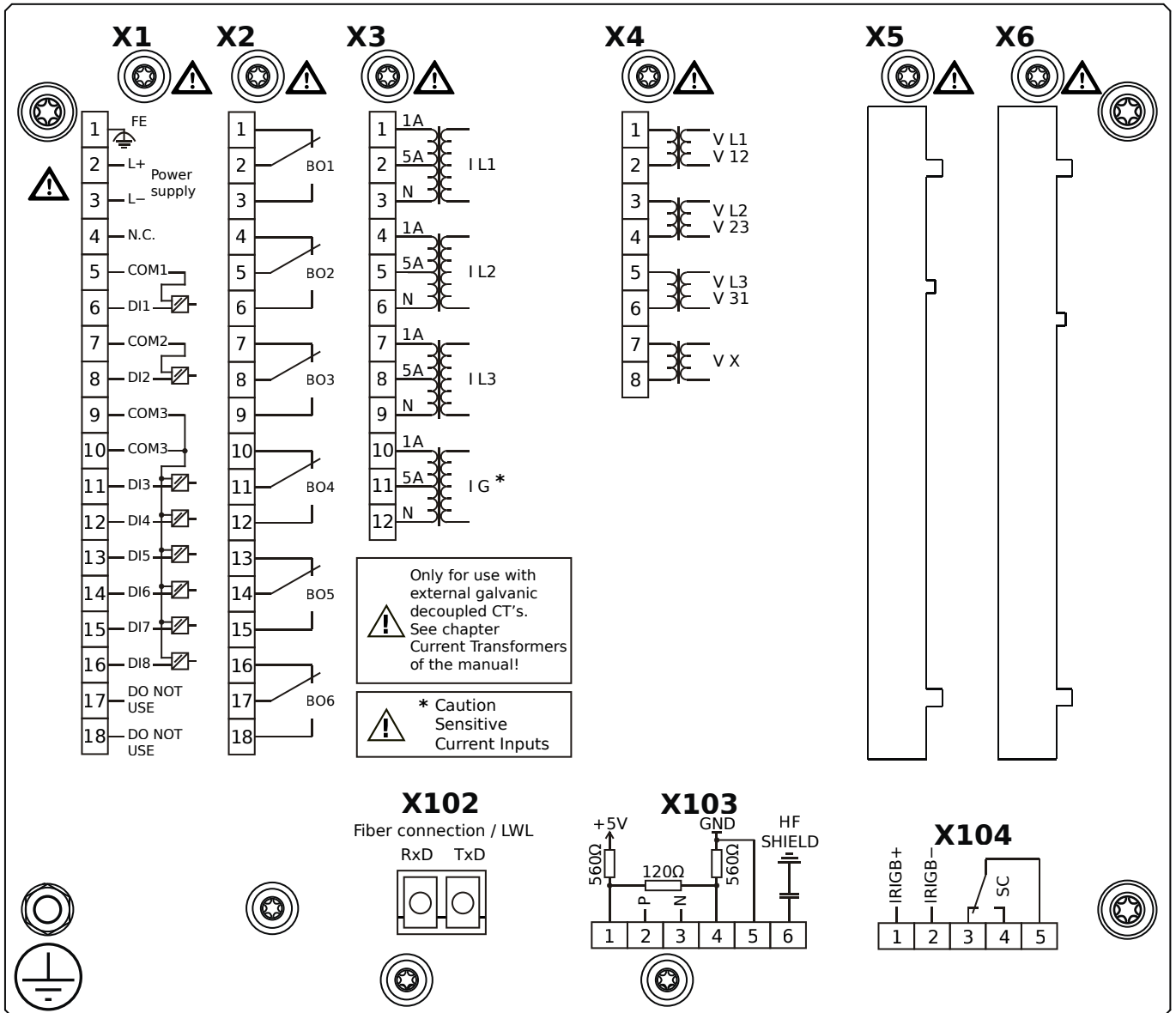
- X1** – DI8-X1: Wide-range power supply unit, incl. 2 non-grouped digital inputs and 6 grouped digital inputs
- X2** – OR-6: Assembly Group with 6 Relay Outputs
- X3** – TIs-4: Standard phase current measuring card and sensitive ground current measuring
- X4** – TU: Card with 4 voltage transformer measuring inputs
- X102** – Long-distance Protection Communication, Fiber optics interface, LC Connector
- X104** – IRIG-B00X, incl. System Contact (Supervision Contact)

MCDLV4-2A1B0AB



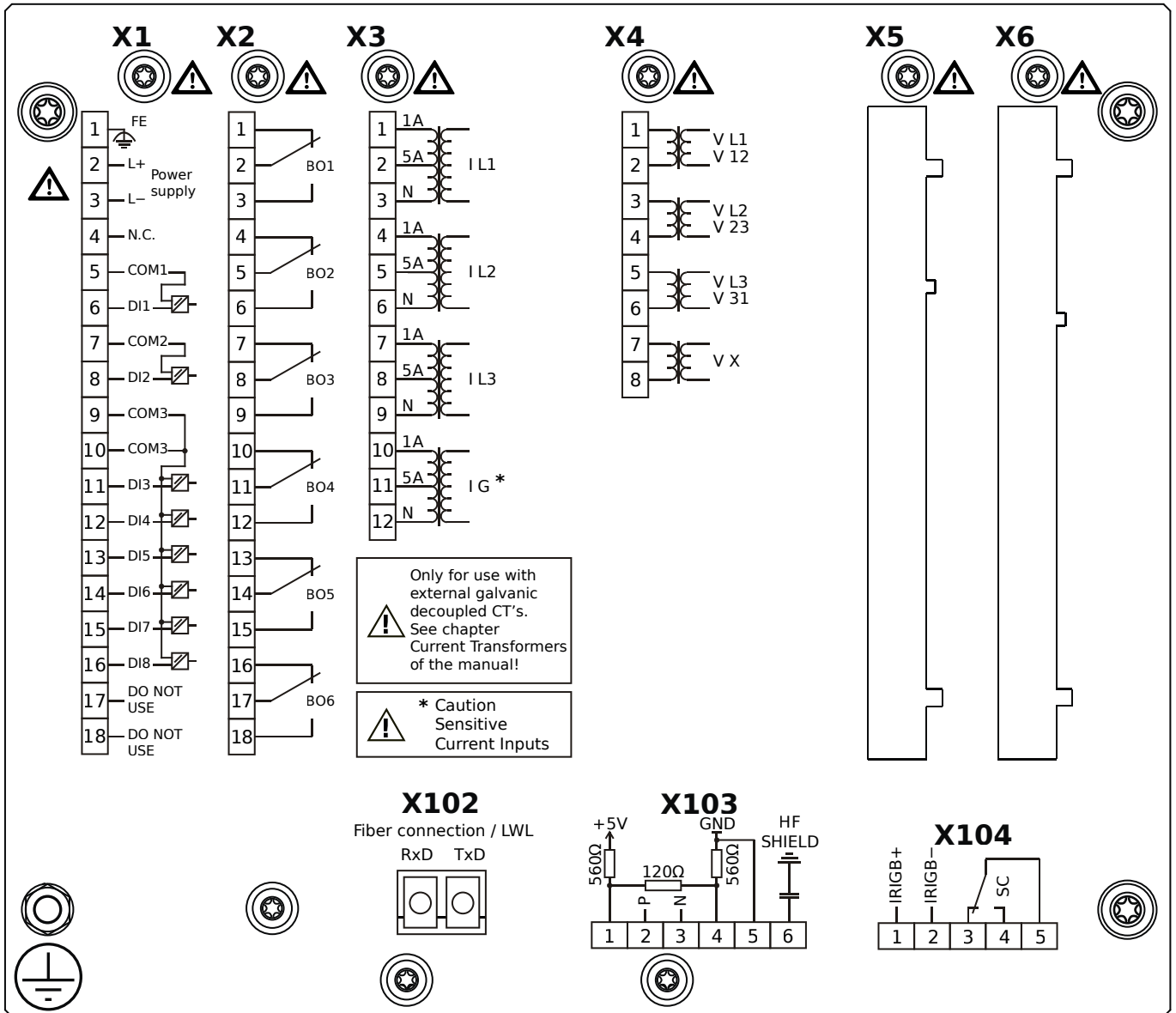
- X1** – DI8-X1: Wide-range power supply unit, incl. 2 non-grouped digital inputs and 6 grouped digital inputs
- X2** – OR-6: Assembly Group with 6 Relay Outputs
- X3** – TIs-4: Standard phase current measuring card and sensitive ground current measuring
- X4** – TU: Card with 4 voltage transformer measuring inputs
- X102** – Long-distance Protection Communication, Fiber optics interface, LC Connector
- X104** – IRIG-B00X, incl. System Contact (Supervision Contact)

MCDLV4-2A1B0BA



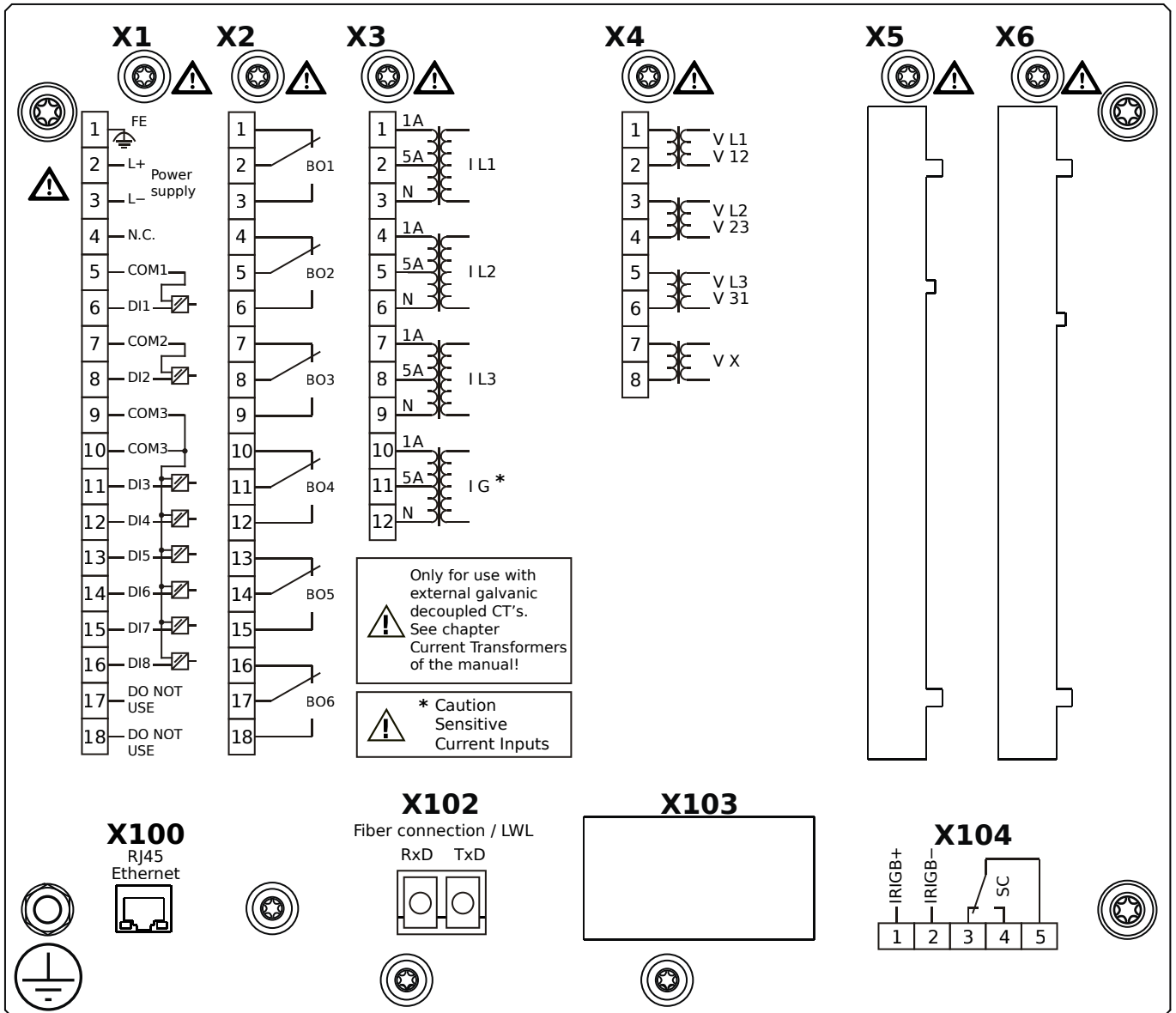
- X1** – DI8-X1: Wide-range power supply unit, incl. 2 non-grouped digital inputs and 6 grouped digital inputs
- X2** – OR-6: Assembly Group with 6 Relay Outputs
- X3** – TIs-4: Standard phase current measuring card and sensitive ground current measuring
- X4** – TU: Card with 4 voltage transformer measuring inputs
- X102** – Long-distance Protection Communication, Fiber optics interface, LC Connector
- X103** – Modbus RTU / IEC 60870-5-103 / DNP3.0 RTU, RS485, Terminals
- X104** – IRIG-B00X, incl. System Contact (Supervision Contact)

MCDLV4-2A1B0BB



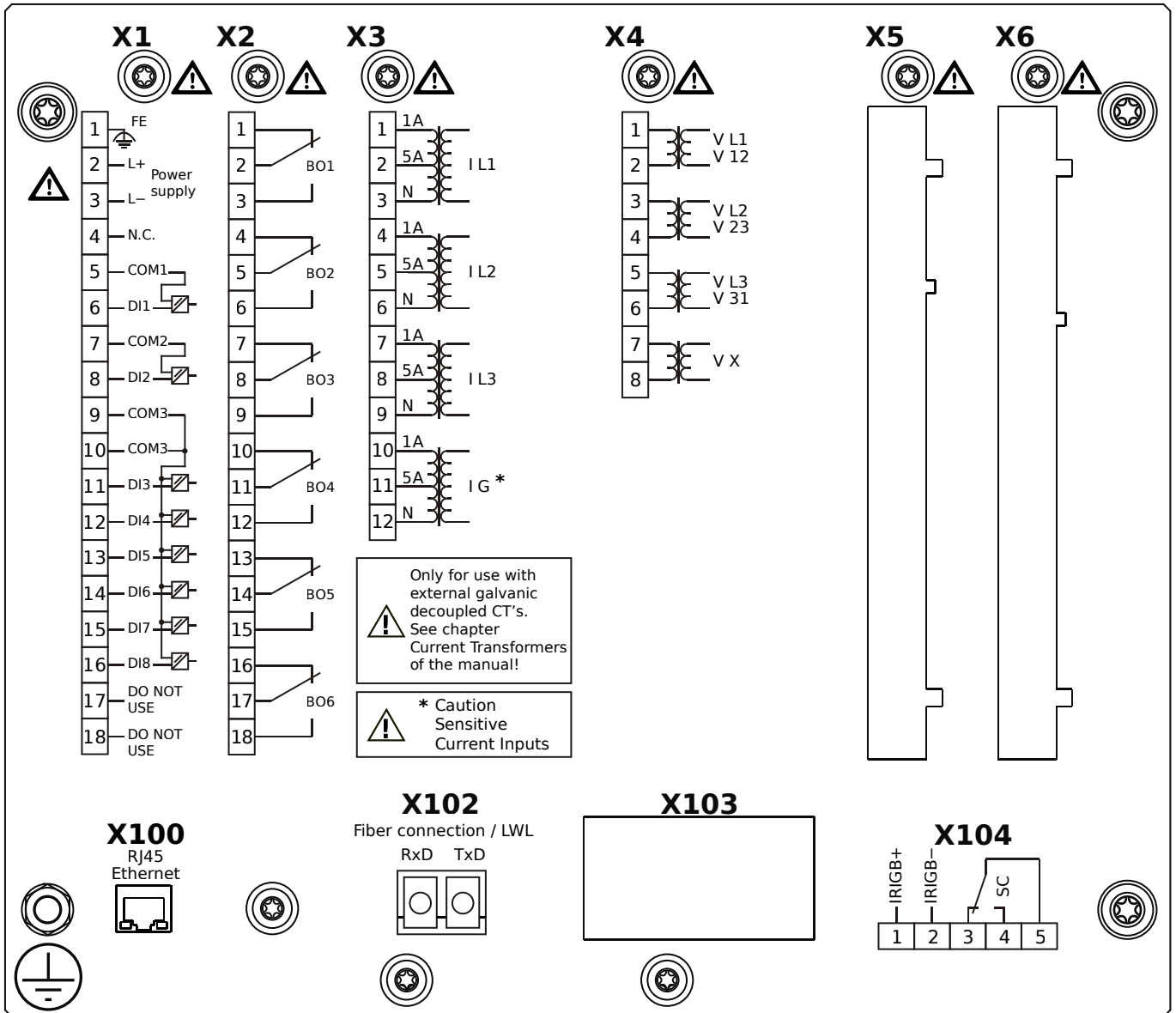
- X1** – DI8-X1: Wide-range power supply unit, incl. 2 non-grouped digital inputs and 6 grouped digital inputs
- X2** – OR-6: Assembly Group with 6 Relay Outputs
- X3** – TIs-4: Standard phase current measuring card and sensitive ground current measuring
- X4** – TU: Card with 4 voltage transformer measuring inputs
- X102** – Long-distance Protection Communication, Fiber optics interface, LC Connector
- X103** – Modbus RTU / IEC 60870-5-103 / DNP3.0 RTU, RS485, Terminals
- X104** – IRIG-B00X, incl. System Contact (Supervision Contact)

MCDLV4-2A1B0CA



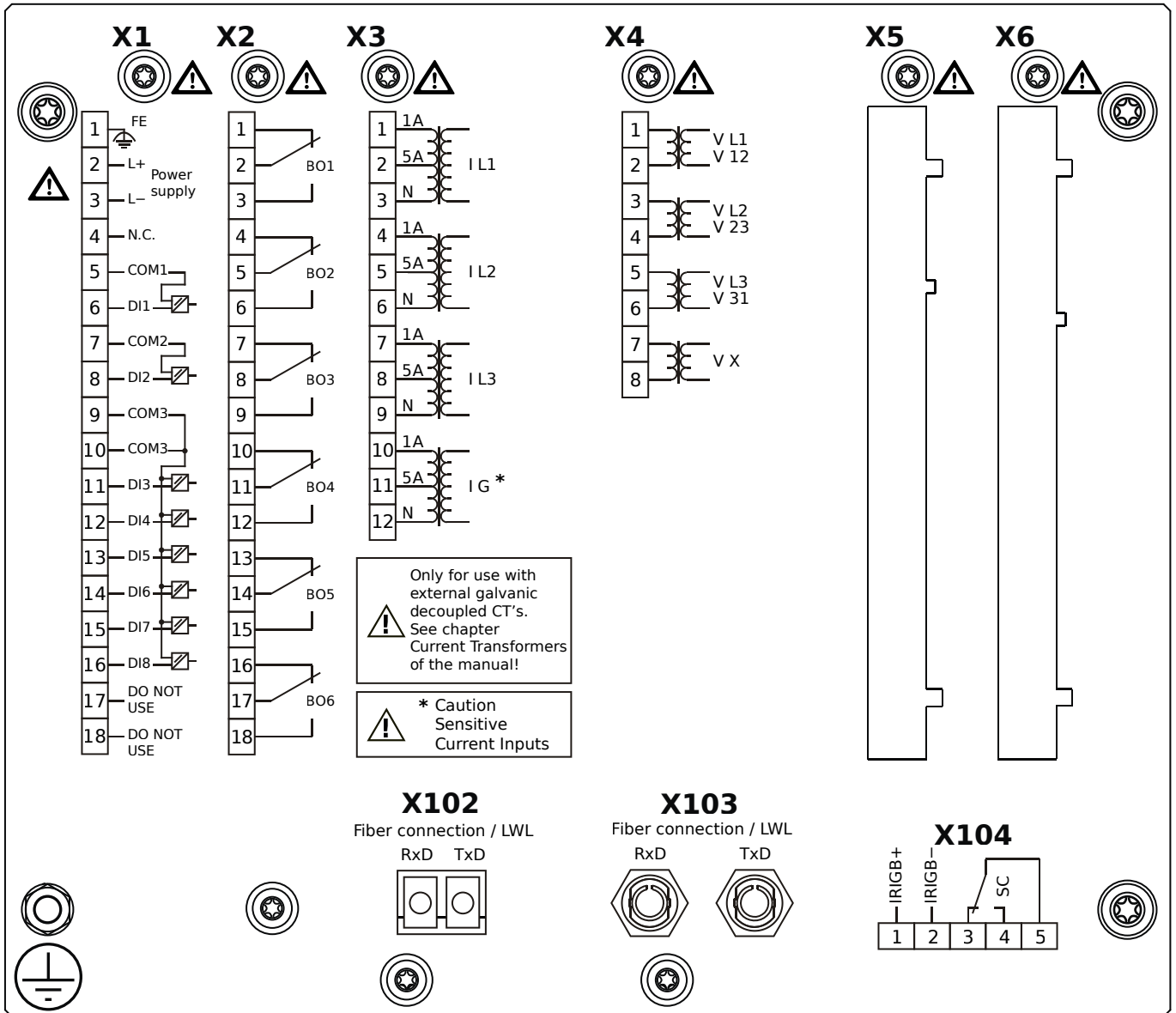
- X1** – DI8-X1: Wide-range power supply unit, incl. 2 non-grouped digital inputs and 6 grouped digital inputs
- X2** – OR-6: Assembly Group with 6 Relay Outputs
- X3** – TIs-4: Standard phase current measuring card and sensitive ground current measuring
- X4** – TU: Card with 4 voltage transformer measuring inputs
- X100** – Modbus TCP / DNP3.0 TCP/UDP, Ethernet interface, 100 Mbit/s, RJ45 (BASE100-FX)
- X102** – Long-distance Protection Communication, Fiber optics interface, LC Connector
- X104** – IRIG-B00X, incl. System Contact (Supervision Contact)

MCDLV4-2A1B0CB



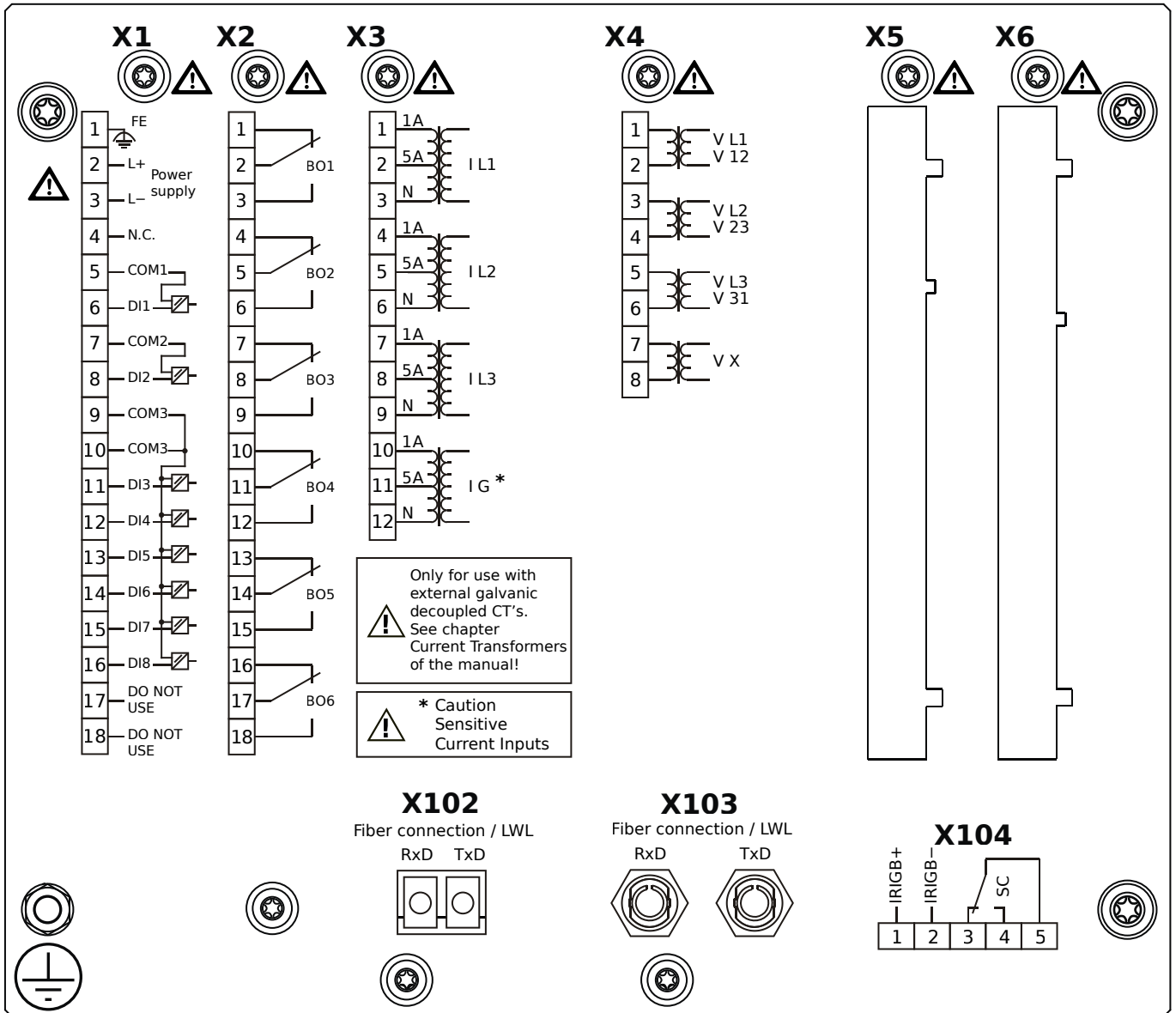
- X1** – DI8-X1: Wide-range power supply unit, incl. 2 non-grouped digital inputs and 6 grouped digital inputs
- X2** – OR-6: Assembly Group with 6 Relay Outputs
- X3** – TIs-4: Standard phase current measuring card and sensitive ground current measuring
- X4** – TU: Card with 4 voltage transformer measuring inputs
- X100** – Modbus TCP / DNP3.0 TCP/UDP, Ethernet interface, 100 Mbit/s, RJ45 (BASE100-FX)
- X102** – Long-distance Protection Communication, Fiber optics interface, LC Connector
- X104** – IRIG-B00X, incl. System Contact (Supervision Contact)

MCDLV4-2A1B0DA



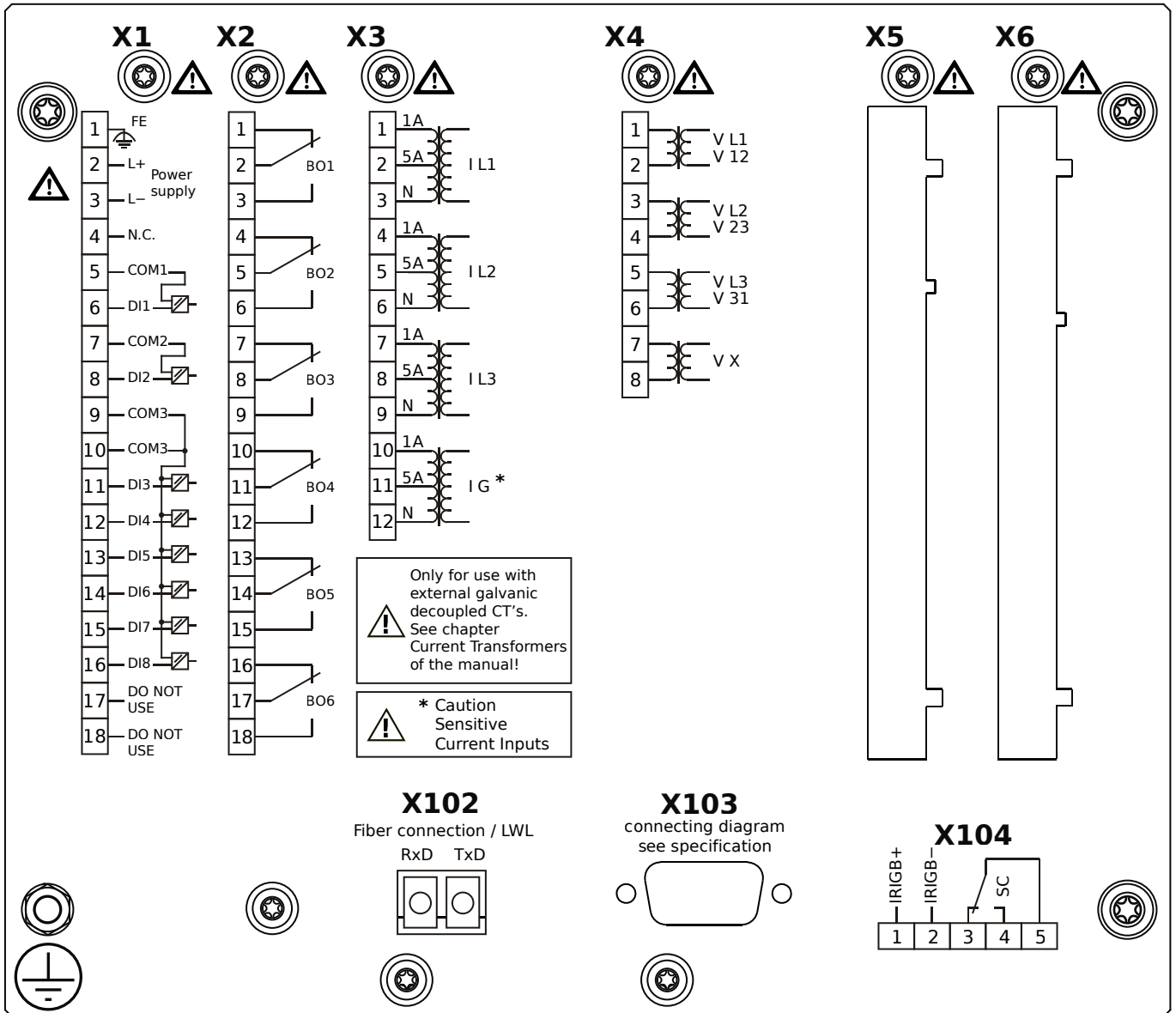
- X1** – DI8-X1: Wide-range power supply unit, incl. 2 non-grouped digital inputs and 6 grouped digital inputs
- X2** – OR-6: Assembly Group with 6 Relay Outputs
- X3** – TIs-4: Standard phase current measuring card and sensitive ground current measuring
- X4** – TU: Card with 4 voltage transformer measuring inputs
- X102** – Long-distance Protection Communication, Fiber optics interface, LC Connector
- X103** – Profibus-DP, Fiber optics interface, ST Connector
- X104** – IRIG-B00X, incl. System Contact (Supervision Contact)

MCDLV4-2A1B0DB



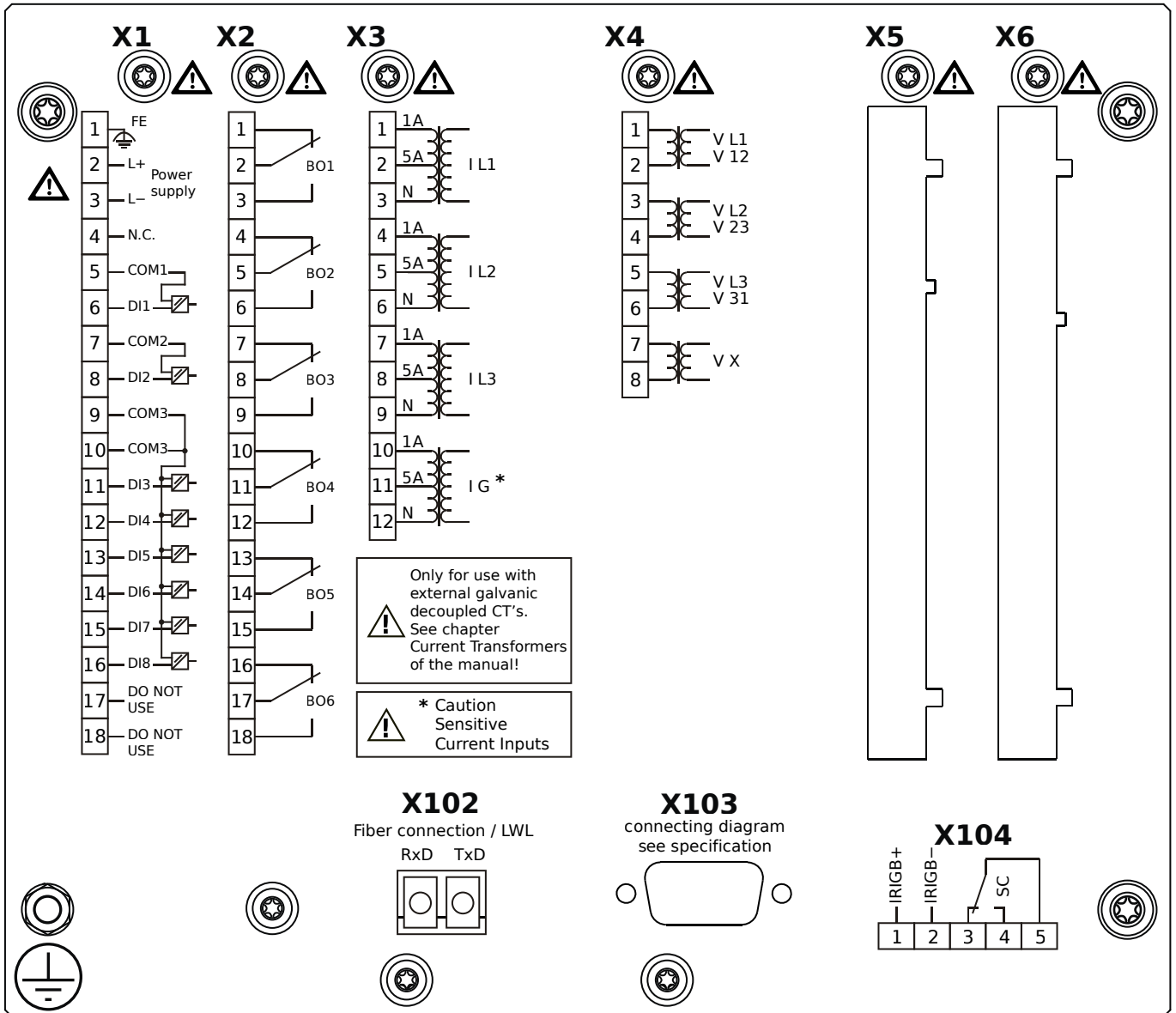
- X1** – DI8-X1: Wide-range power supply unit, incl. 2 non-grouped digital inputs and 6 grouped digital inputs
- X2** – OR-6: Assembly Group with 6 Relay Outputs
- X3** – TIs-4: Standard phase current measuring card and sensitive ground current measuring
- X4** – TU: Card with 4 voltage transformer measuring inputs
- X102** – Long-distance Protection Communication, Fiber optics interface, LC Connector
- X103** – Profibus-DP, Fiber optics interface, ST Connector
- X104** – IRIG-B00X, incl. System Contact (Supervision Contact)

MCDLV4-2A1B0EA



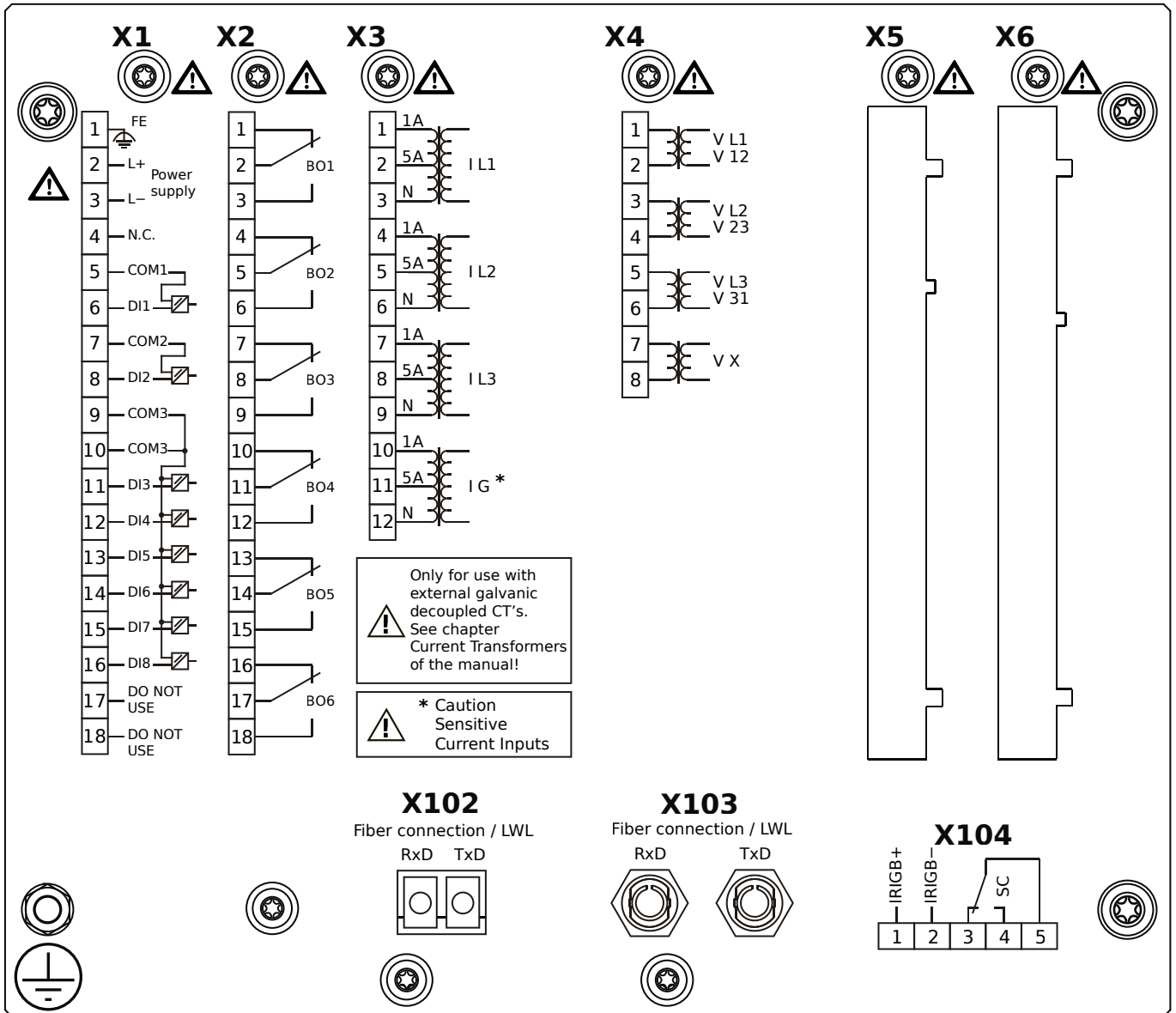
- X1** – DI8-X1: Wide-range power supply unit, incl. 2 non-grouped digital inputs and 6 grouped digital inputs
- X2** – OR-6: Assembly Group with 6 Relay Outputs
- X3** – TIs-4: Standard phase current measuring card and sensitive ground current measuring
- X4** – TU: Card with 4 voltage transformer measuring inputs
- X102** – Long-distance Protection Communication, Fiber optics interface, LC Connector
- X103** – Profibus-DP, RS485, D-SUB
- X104** – IRIG-B00X, incl. System Contact (Supervision Contact)

MCDLV4-2A1B0EB



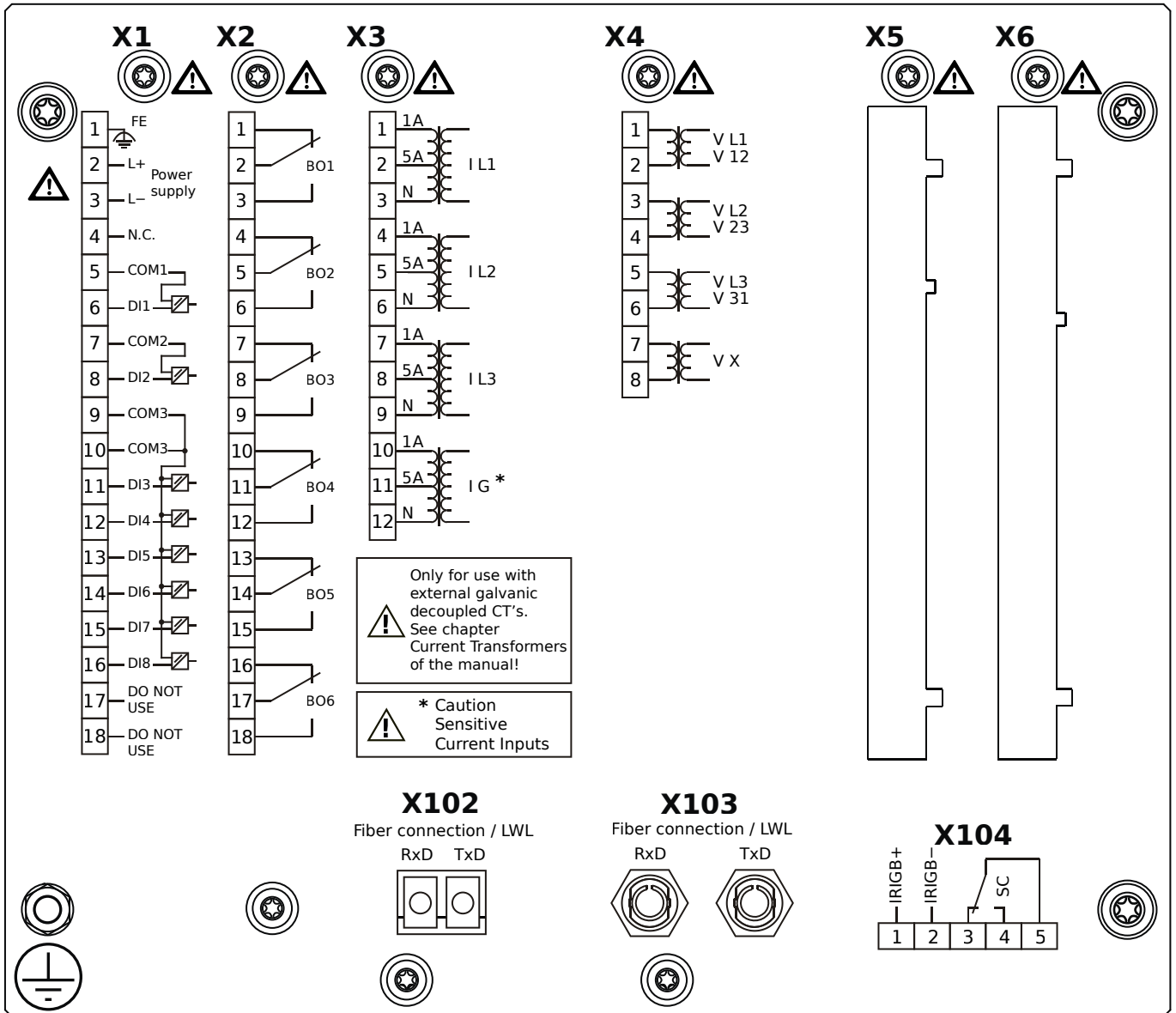
- X1** – DI8-X1: Wide-range power supply unit, incl. 2 non-grouped digital inputs and 6 grouped digital inputs
- X2** – OR-6: Assembly Group with 6 Relay Outputs
- X3** – TIs-4: Standard phase current measuring card and sensitive ground current measuring
- X4** – TU: Card with 4 voltage transformer measuring inputs
- X102** – Long-distance Protection Communication, Fiber optics interface, LC Connector
- X103** – Profibus-DP, RS485, D-SUB
- X104** – IRIG-B00X, incl. System Contact (Supervision Contact)

MCDLV4-2A1B0FA



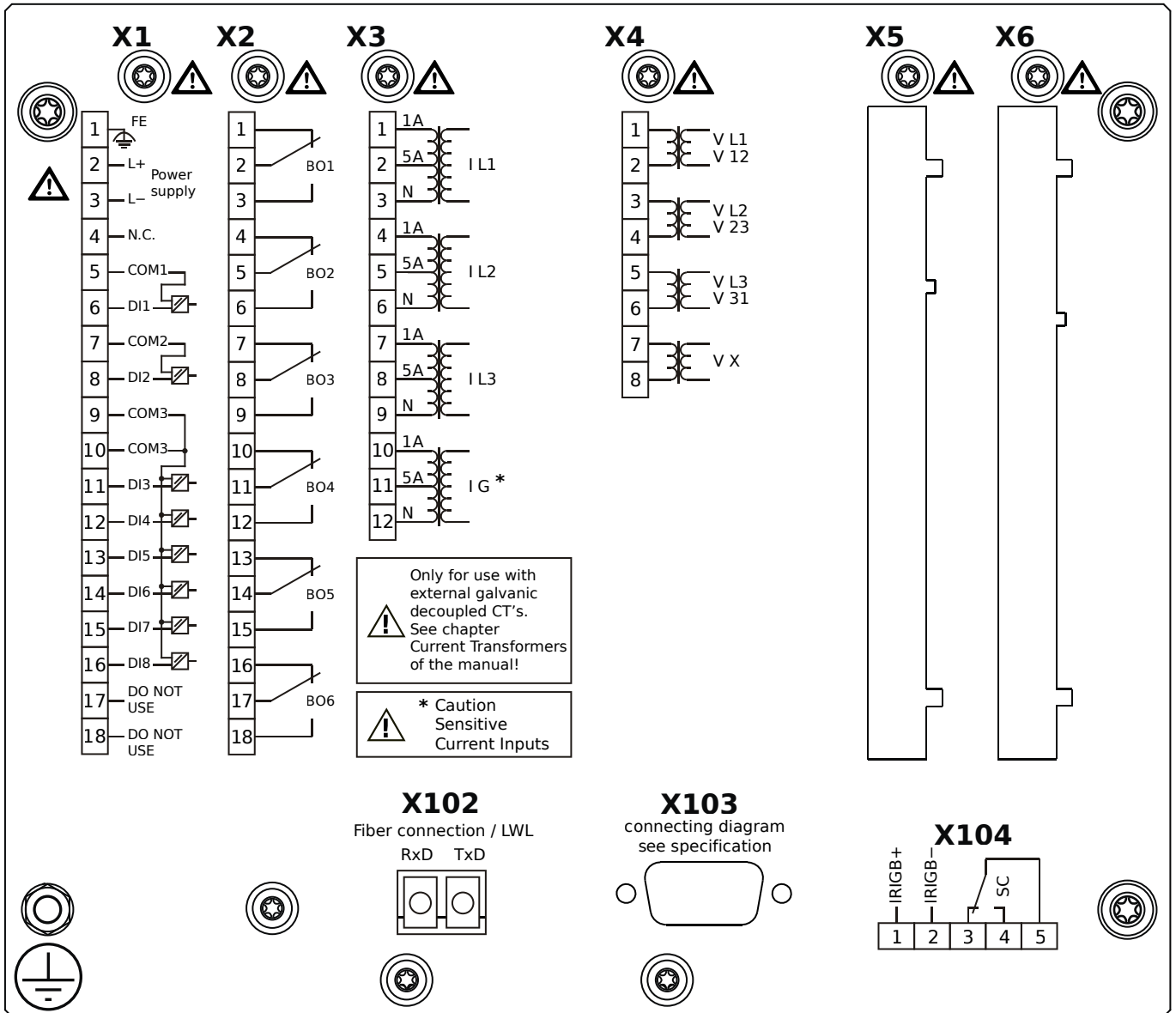
- X1** – DI8-X1: Wide-range power supply unit, incl. 2 non-grouped digital inputs and 6 grouped digital inputs
- X2** – OR-6: Assembly Group with 6 Relay Outputs
- X3** – TIs-4: Standard phase current measuring card and sensitive ground current measuring
- X4** – TU: Card with 4 voltage transformer measuring inputs
- X102** – Long-distance Protection Communication, Fiber optics interface, LC Connector
- X103** – Modbus RTU / IEC 60870-5-103 / DNP3.0 RTU, Fiber optics interface, ST Connector
- X104** – IRIG-B00X, incl. System Contact (Supervision Contact)

MCDLV4-2A1B0FB



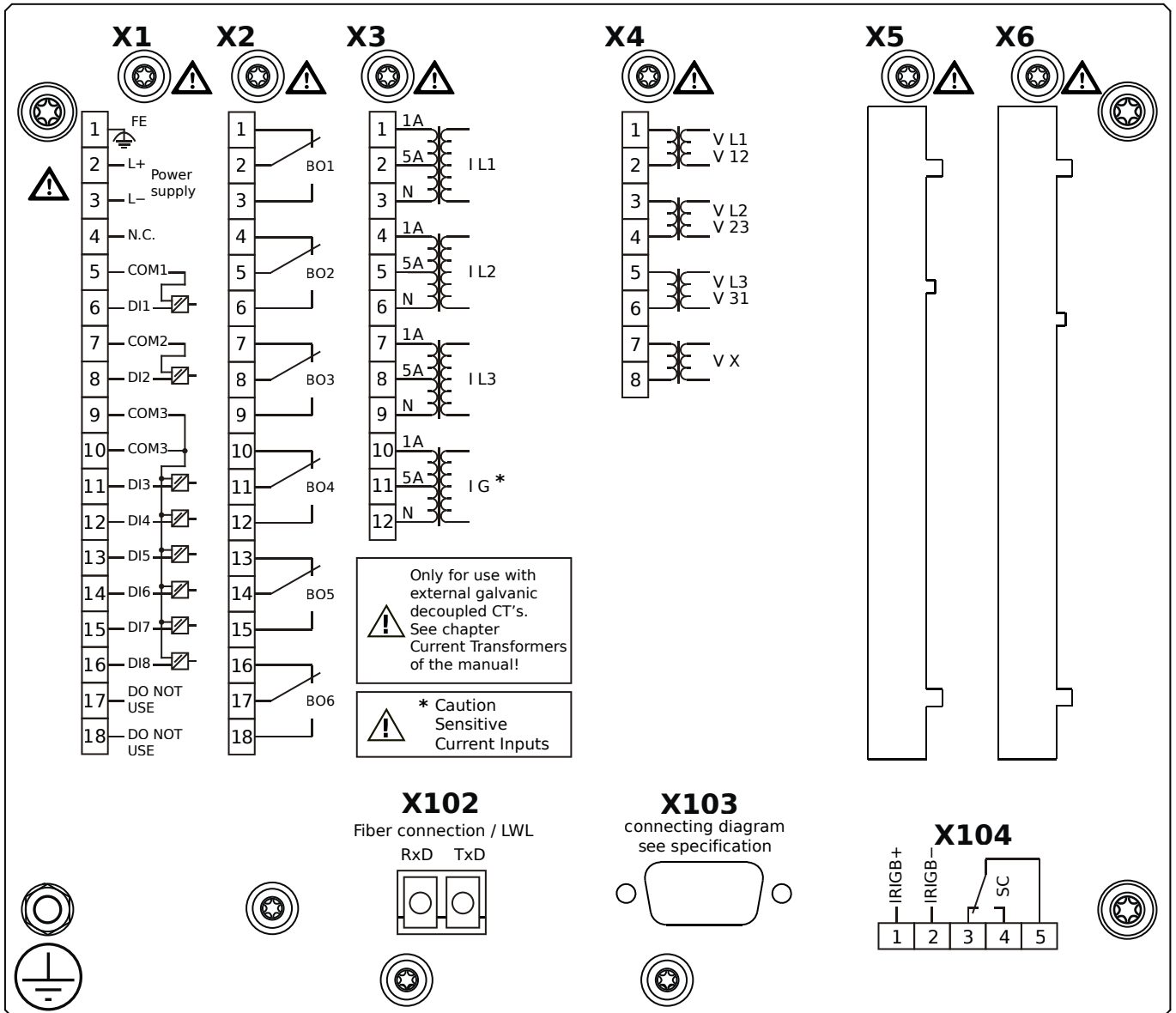
- X1** – DI8-X1: Wide-range power supply unit, incl. 2 non-grouped digital inputs and 6 grouped digital inputs
- X2** – OR-6: Assembly Group with 6 Relay Outputs
- X3** – TIs-4: Standard phase current measuring card and sensitive ground current measuring
- X4** – TU: Card with 4 voltage transformer measuring inputs
- X102** – Long-distance Protection Communication, Fiber optics interface, LC Connector
- X103** – Modbus RTU / IEC 60870-5-103 / DNP3.0 RTU, Fiber optics interface, ST Connector
- X104** – IRIG-B00X, incl. System Contact (Supervision Contact)

MCDLV4-2A1B0GA



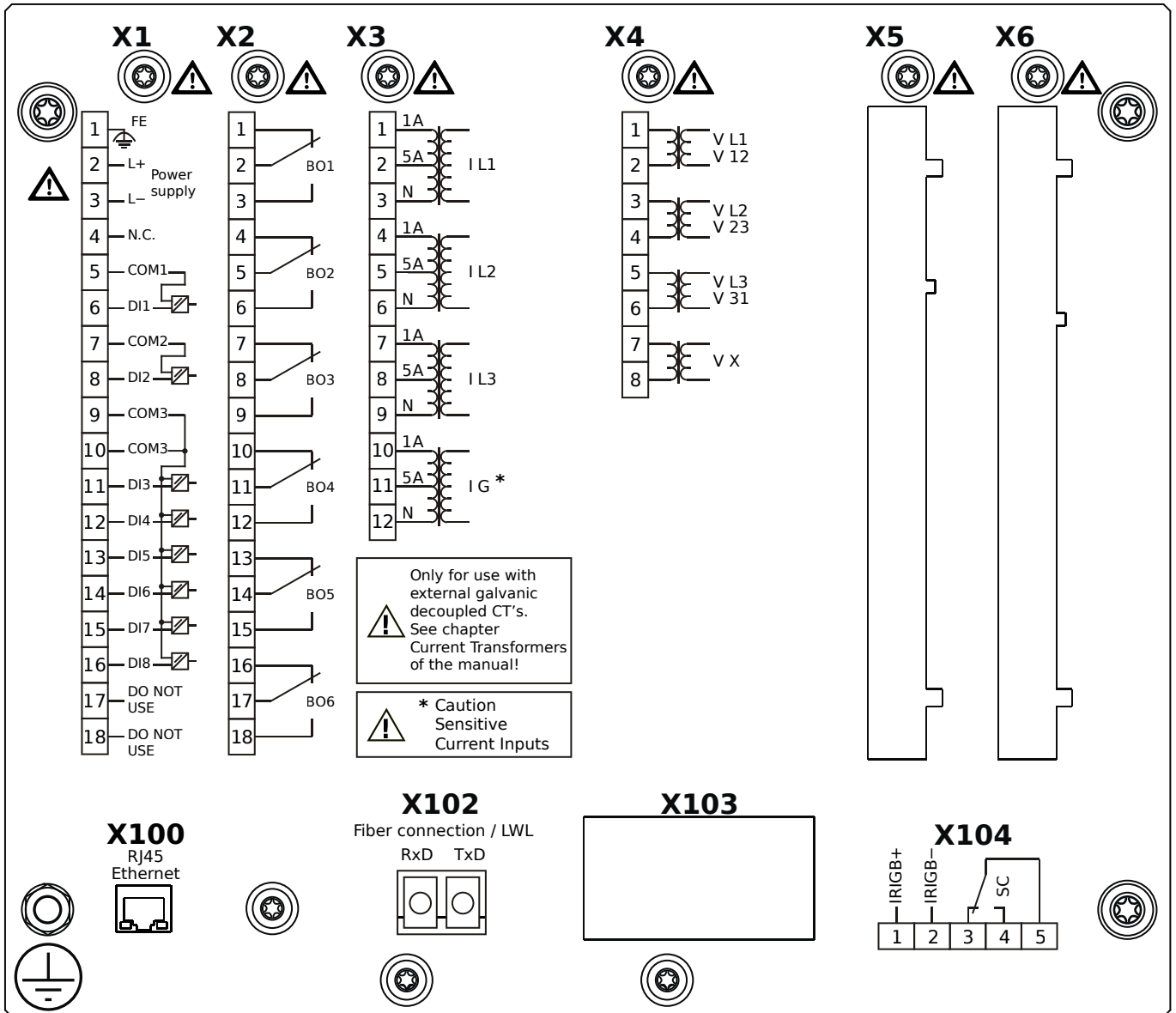
- X1** – DI8-X1: Wide-range power supply unit, incl. 2 non-grouped digital inputs and 6 grouped digital inputs
- X2** – OR-6: Assembly Group with 6 Relay Outputs
- X3** – TIs-4: Standard phase current measuring card and sensitive ground current measuring
- X4** – TU: Card with 4 voltage transformer measuring inputs
- X102** – Long-distance Protection Communication, Fiber optics interface, LC Connector
- X103** – Modbus RTU / IEC 60870-5-103 / DNP3.0 RTU, RS485, D-SUB
- X104** – IRIG-B00X, incl. System Contact (Supervision Contact)

MCDLV4-2A1B0GB



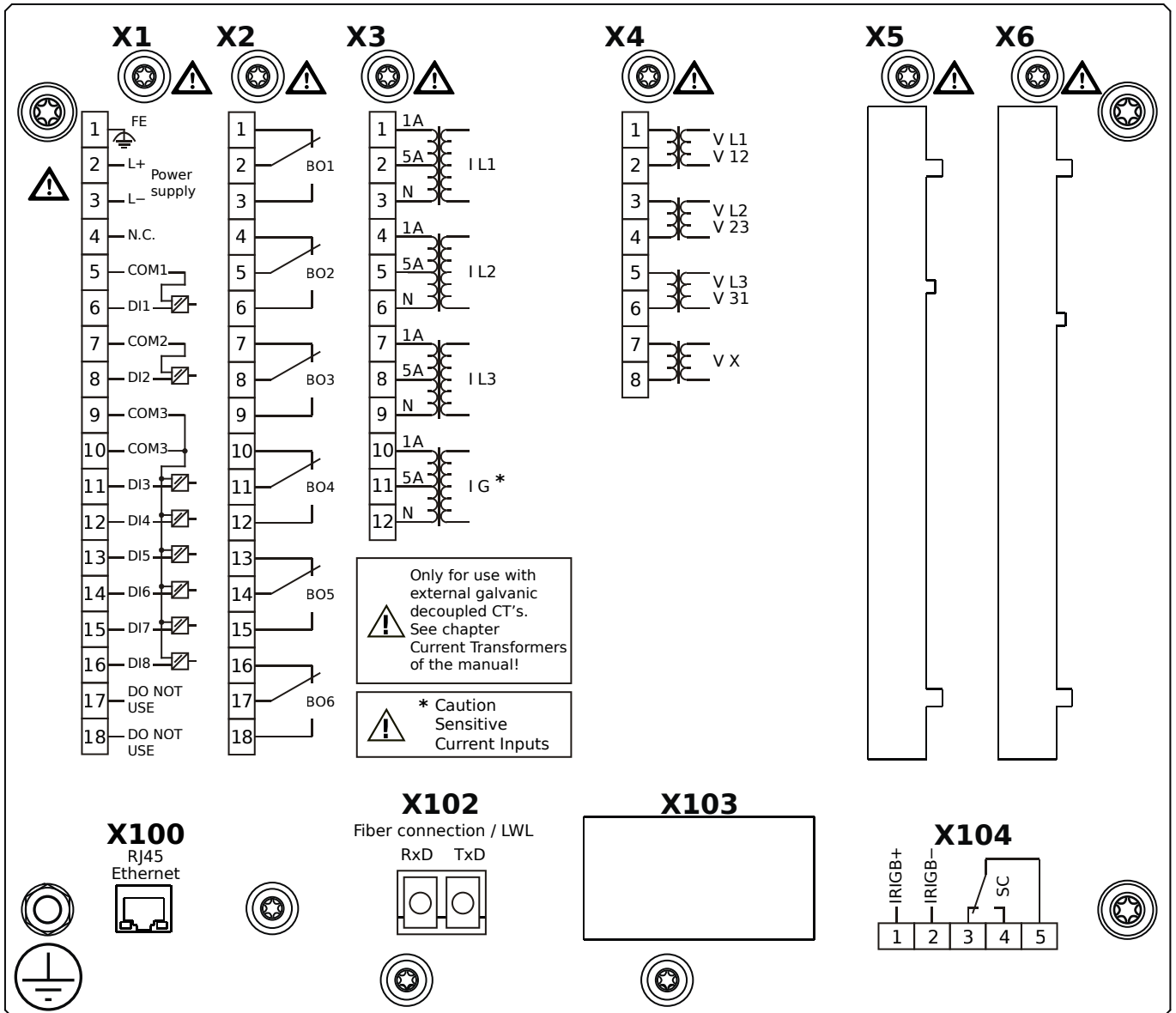
- X1** – DI8-X1: Wide-range power supply unit, incl. 2 non-grouped digital inputs and 6 grouped digital inputs
- X2** – OR-6: Assembly Group with 6 Relay Outputs
- X3** – TIs-4: Standard phase current measuring card and sensitive ground current measuring
- X4** – TU: Card with 4 voltage transformer measuring inputs
- X102** – Long-distance Protection Communication, Fiber optics interface, LC Connector
- X103** – Modbus RTU / IEC 60870-5-103 / DNP3.0 RTU, RS485, D-SUB
- X104** – IRIG-B00X, incl. System Contact (Supervision Contact)

MCDLV4-2A1B0HA



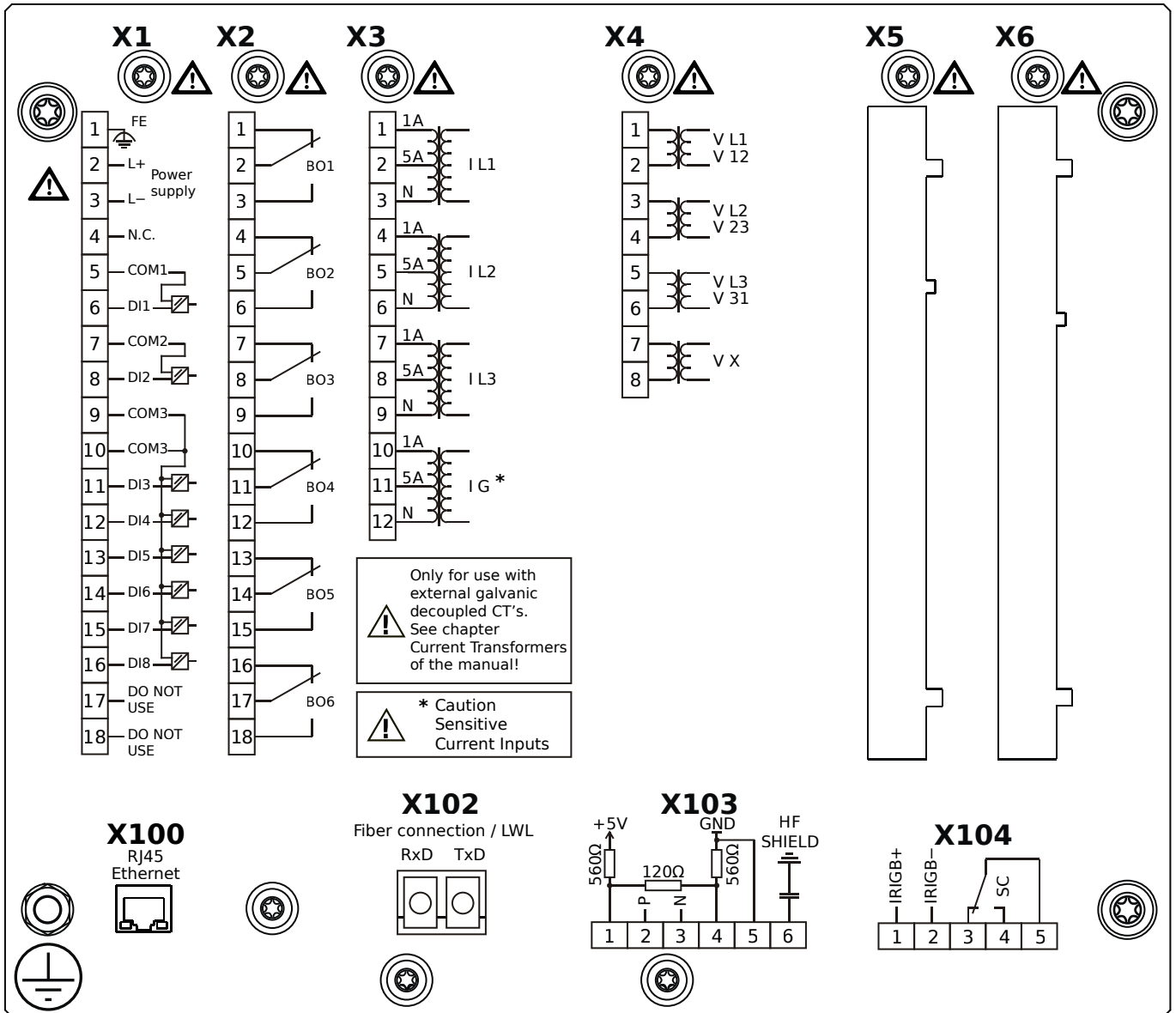
- X1** – DI8-X1: Wide-range power supply unit, incl. 2 non-grouped digital inputs and 6 grouped digital inputs
- X2** – OR-6: Assembly Group with 6 Relay Outputs
- X3** – TIs-4: Standard phase current measuring card and sensitive ground current measuring
- X4** – TU: Card with 4 voltage transformer measuring inputs
- X100** – IEC 61850 / Modbus TCP / DNP3.0 TCP/UDP, Ethernet interface, 100 Mbit/s, RJ45 (BASE100-FX)
- X102** – Long-distance Protection Communication, Fiber optics interface, LC Connector
- X104** – IRIG-B00X, incl. System Contact (Supervision Contact)

MCDLV4-2A1B0HB



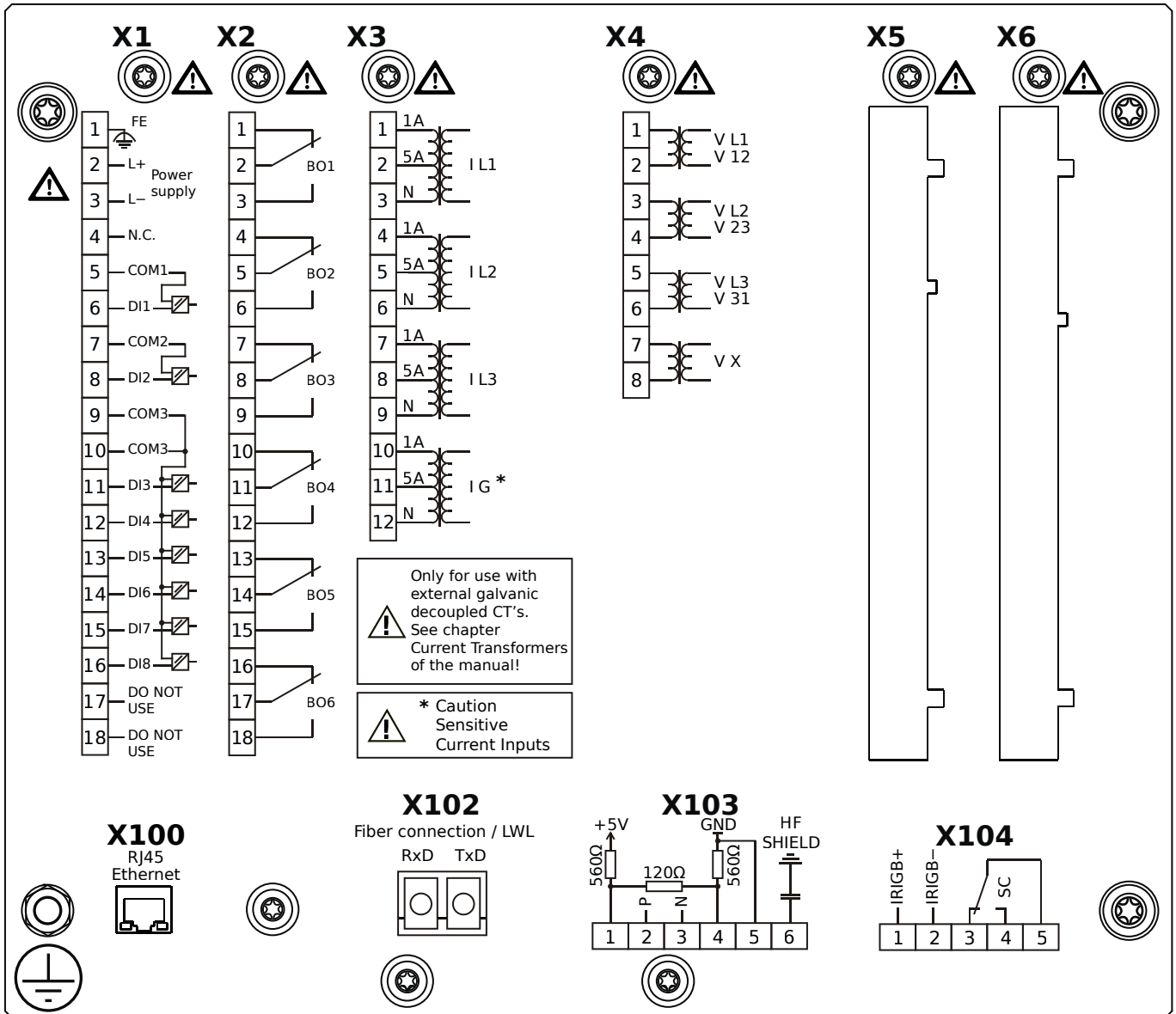
- X1** – DI8-X1: Wide-range power supply unit, incl. 2 non-grouped digital inputs and 6 grouped digital inputs
- X2** – OR-6: Assembly Group with 6 Relay Outputs
- X3** – TIs-4: Standard phase current measuring card and sensitive ground current measuring
- X4** – TU: Card with 4 voltage transformer measuring inputs
- X100** – IEC 61850 / Modbus TCP / DNP3.0 TCP/UDP, Ethernet interface, 100 Mbit/s, RJ45 (BASE100-FX)
- X102** – Long-distance Protection Communication, Fiber optics interface, LC Connector
- X104** – IRIG-B00X, incl. System Contact (Supervision Contact)

MCDLV4-2A1B0IA



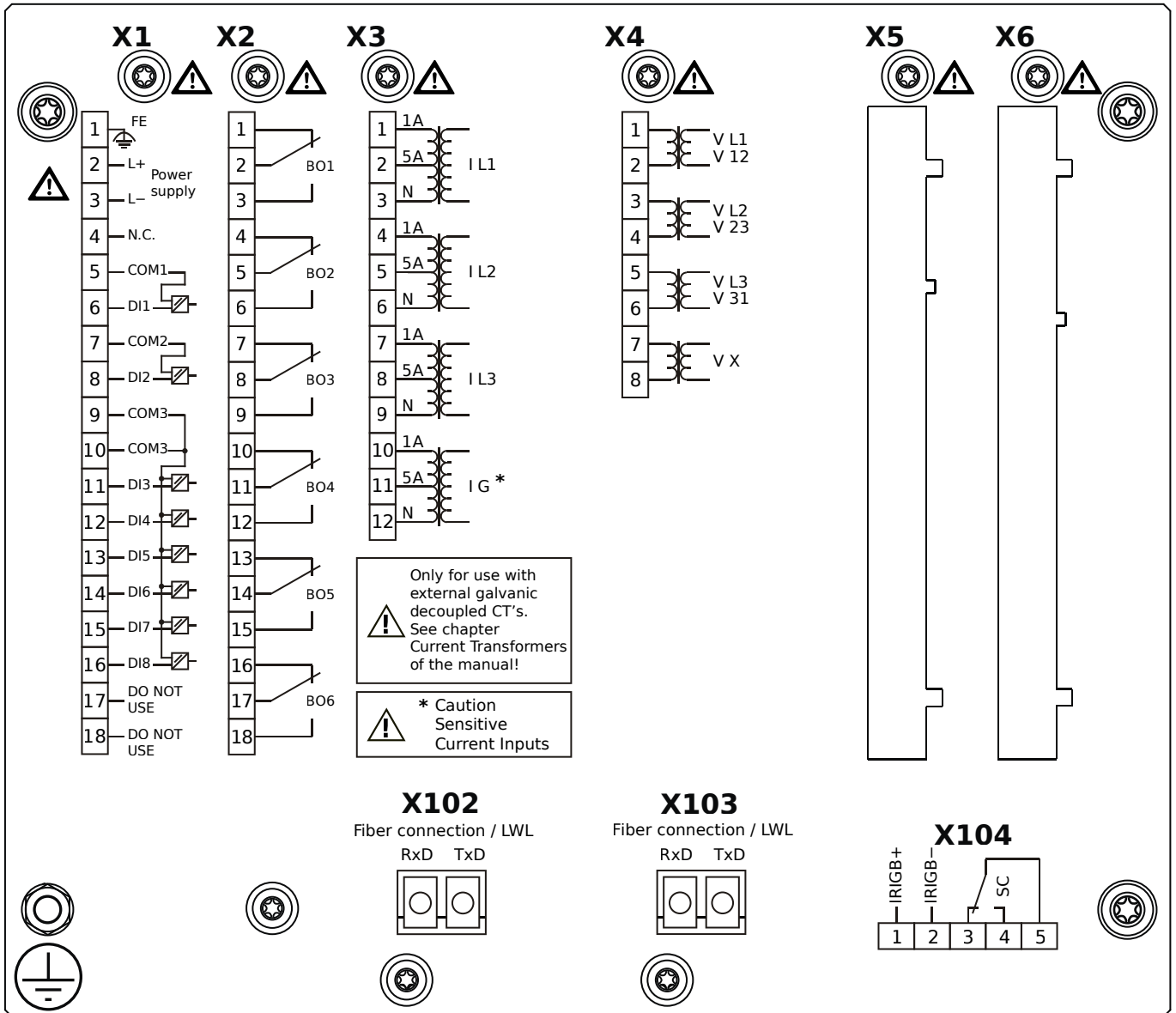
- X1** – DI8-X1: Wide-range power supply unit, incl. 2 non-grouped digital inputs and 6 grouped digital inputs
- X2** – OR-6: Assembly Group with 6 Relay Outputs
- X3** – TIs-4: Standard phase current measuring card and sensitive ground current measuring
- X4** – TU: Card with 4 voltage transformer measuring inputs
- X100** – Modbus TCP / DNP3.0 TCP/UDP, Ethernet interface, 100 Mbit/s, RJ45 (BASE100-FX)
- X102** – Long-distance Protection Communication, Fiber optics interface, LC Connector
- X103** – IEC 60870-5-103 / Modbus RTU / DNP3.0 RTU, RS485, Terminals
- X104** – IRIG-B00X, incl. System Contact (Supervision Contact)

MCDLV4-2A1B0IB



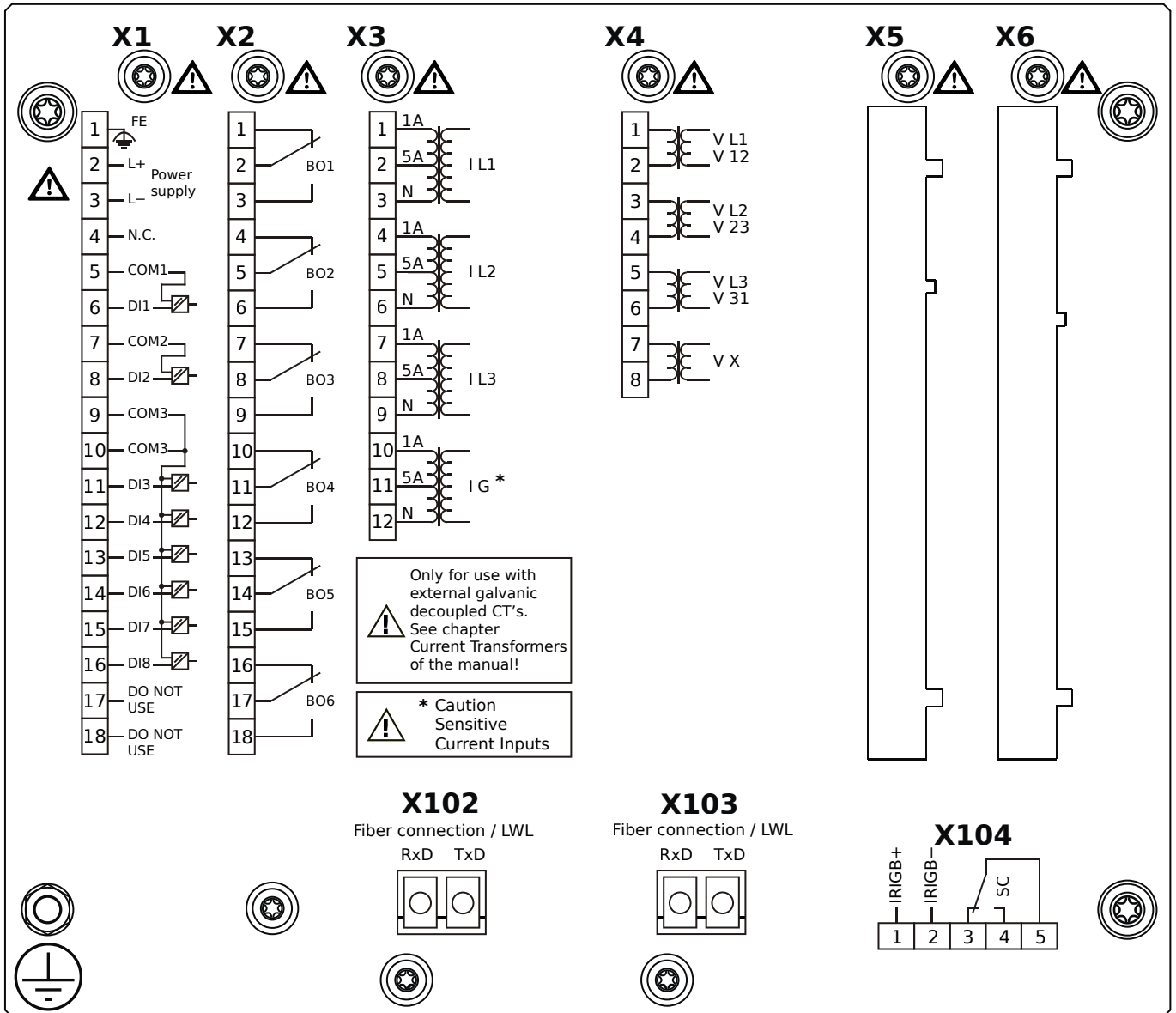
- X1** – DI8-X1: Wide-range power supply unit, incl. 2 non-grouped digital inputs and 6 grouped digital inputs
- X2** – OR-6: Assembly Group with 6 Relay Outputs
- X3** – TI-4: Standard phase current measuring card and sensitive ground current measuring
- X4** – TU: Card with 4 voltage transformer measuring inputs
- X100** – Modbus TCP / DNP3.0 TCP/UDP, Ethernet interface, 100 Mbit/s, RJ45 (BASE100-FX)
- X102** – Long-distance Protection Communication, Fiber optics interface, LC Connector
- X103** – IEC 60870-5-103 / Modbus RTU / DNP3.0 RTU, RS485, Terminals
- X104** – IRIG-B00X, incl. System Contact (Supervision Contact)

MCDLV4-2A1B0KA



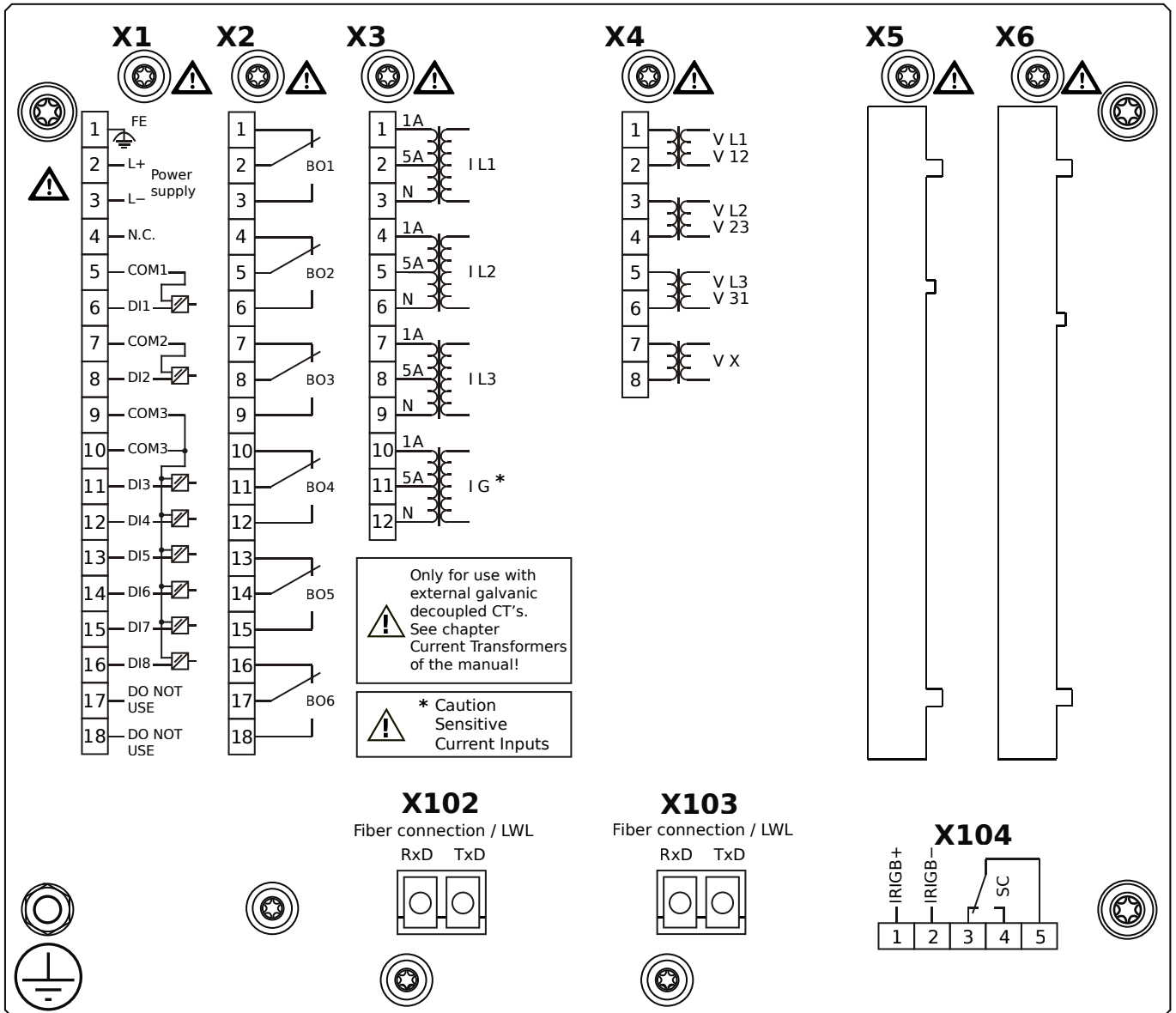
- X1** – DI8-X1: Wide-range power supply unit, incl. 2 non-grouped digital inputs and 6 grouped digital inputs
- X2** – OR-6: Assembly Group with 6 Relay Outputs
- X3** – TIs-4: Standard phase current measuring card and sensitive ground current measuring
- X4** – TU: Card with 4 voltage transformer measuring inputs
- X102** – Long-distance Protection Communication, Fiber optics interface, LC Connector
- X103** – IEC 61850 / Modbus TCP / DNP3.0 TCP/UDP, Fiber optics interface, LC Connector
- X104** – IRIG-B00X, incl. System Contact (Supervision Contact)

MCDLV4-2A1B0KB



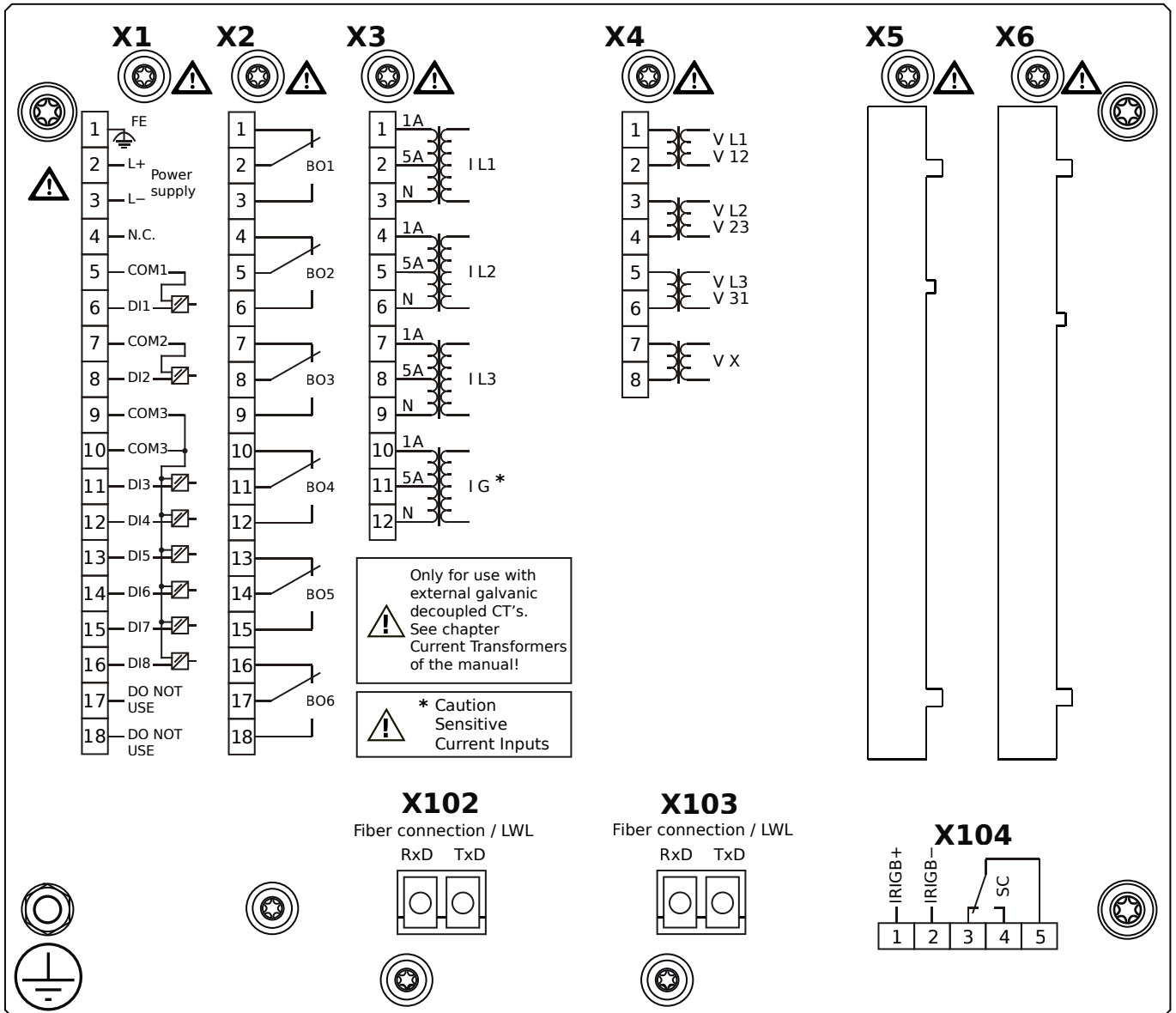
- X1** – DI8-X1: Wide-range power supply unit, incl. 2 non-grouped digital inputs and 6 grouped digital inputs
- X2** – OR-6: Assembly Group with 6 Relay Outputs
- X3** – TIs-4: Standard phase current measuring card and sensitive ground current measuring
- X4** – TU: Card with 4 voltage transformer measuring inputs
- X102** – Long-distance Protection Communication, Fiber optics interface, LC Connector
- X103** – IEC 61850 / Modbus TCP / DNP3.0 TCP/UDP, Fiber optics interface, LC Connector
- X104** – IRIG-B00X, incl. System Contact (Supervision Contact)

MCDLV4-2A1B0LA



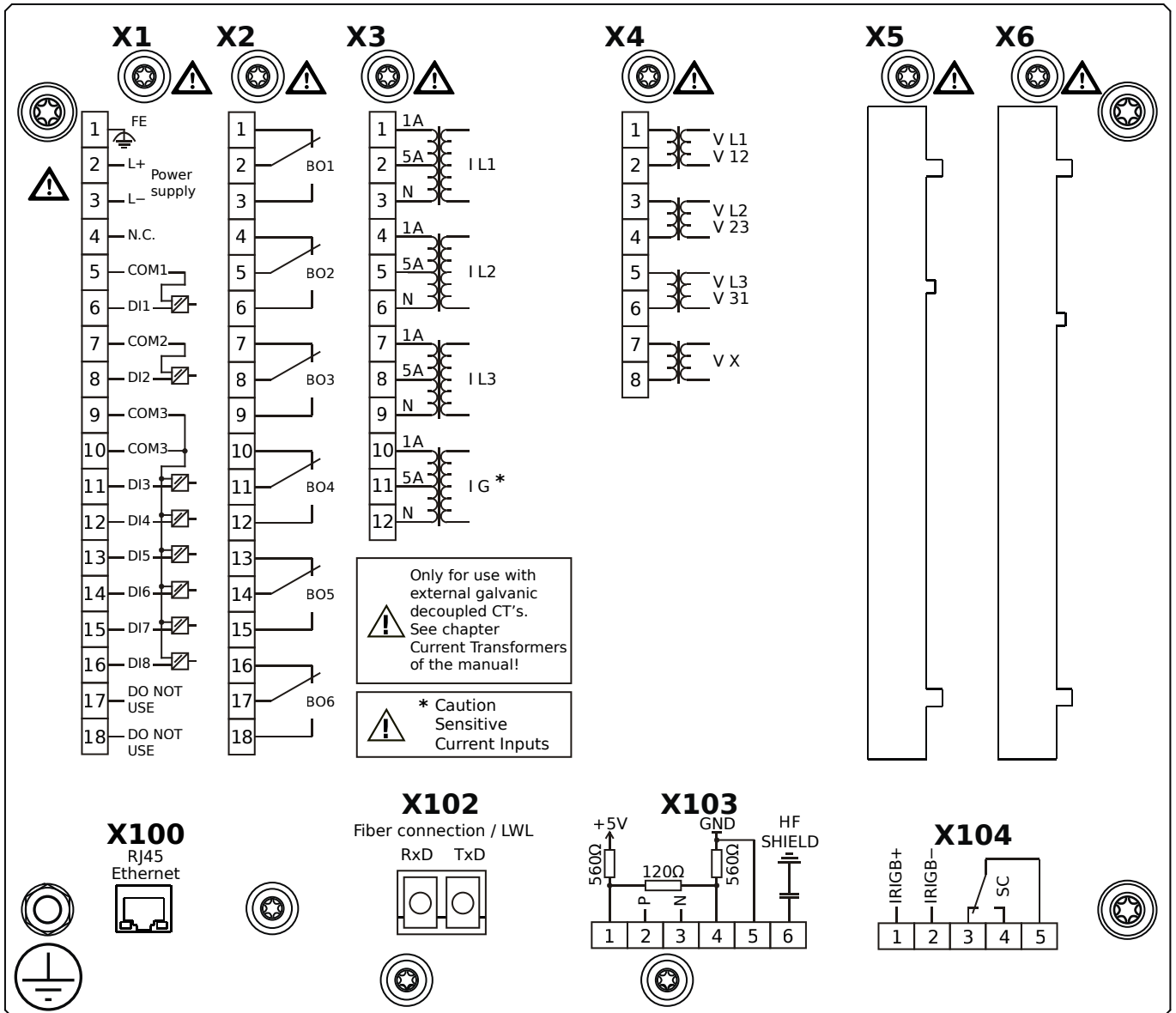
- X1** – DI8-X1: Wide-range power supply unit, incl. 2 non-grouped digital inputs and 6 grouped digital inputs
- X2** – OR-6: Assembly Group with 6 Relay Outputs
- X3** – TIs-4: Standard phase current measuring card and sensitive ground current measuring
- X4** – TU: Card with 4 voltage transformer measuring inputs
- X102** – Long-distance Protection Communication, Fiber optics interface, LC Connector
- X103** – Modbus TCP / DNP3.0 TCP/UDP, Fiber optics interface, LC Connector
- X104** – IRIG-B00X, incl. System Contact (Supervision Contact)

MCDLV4-2A1B0LB



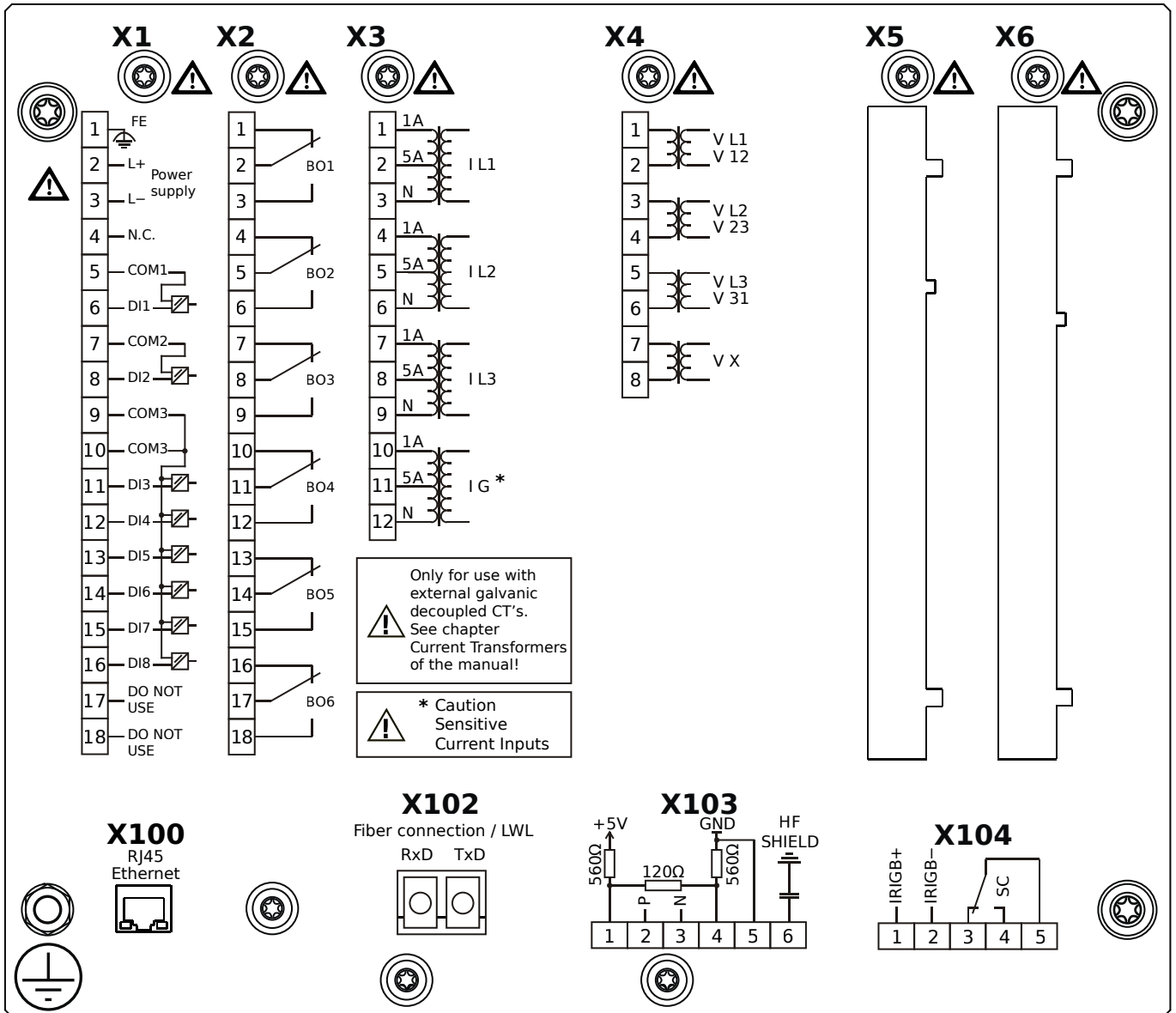
- X1** – DI8-X1: Wide-range power supply unit, incl. 2 non-grouped digital inputs and 6 grouped digital inputs
- X2** – OR-6: Assembly Group with 6 Relay Outputs
- X3** – TIs-4: Standard phase current measuring card and sensitive ground current measuring
- X4** – TU: Card with 4 voltage transformer measuring inputs
- X102** – Long-distance Protection Communication, Fiber optics interface, LC Connector
- X103** – Modbus TCP / DNP3.0 TCP/UDP, Fiber optics interface, LC Connector
- X104** – IRIG-B00X, incl. System Contact (Supervision Contact)

MCDLV4-2A1B0TA



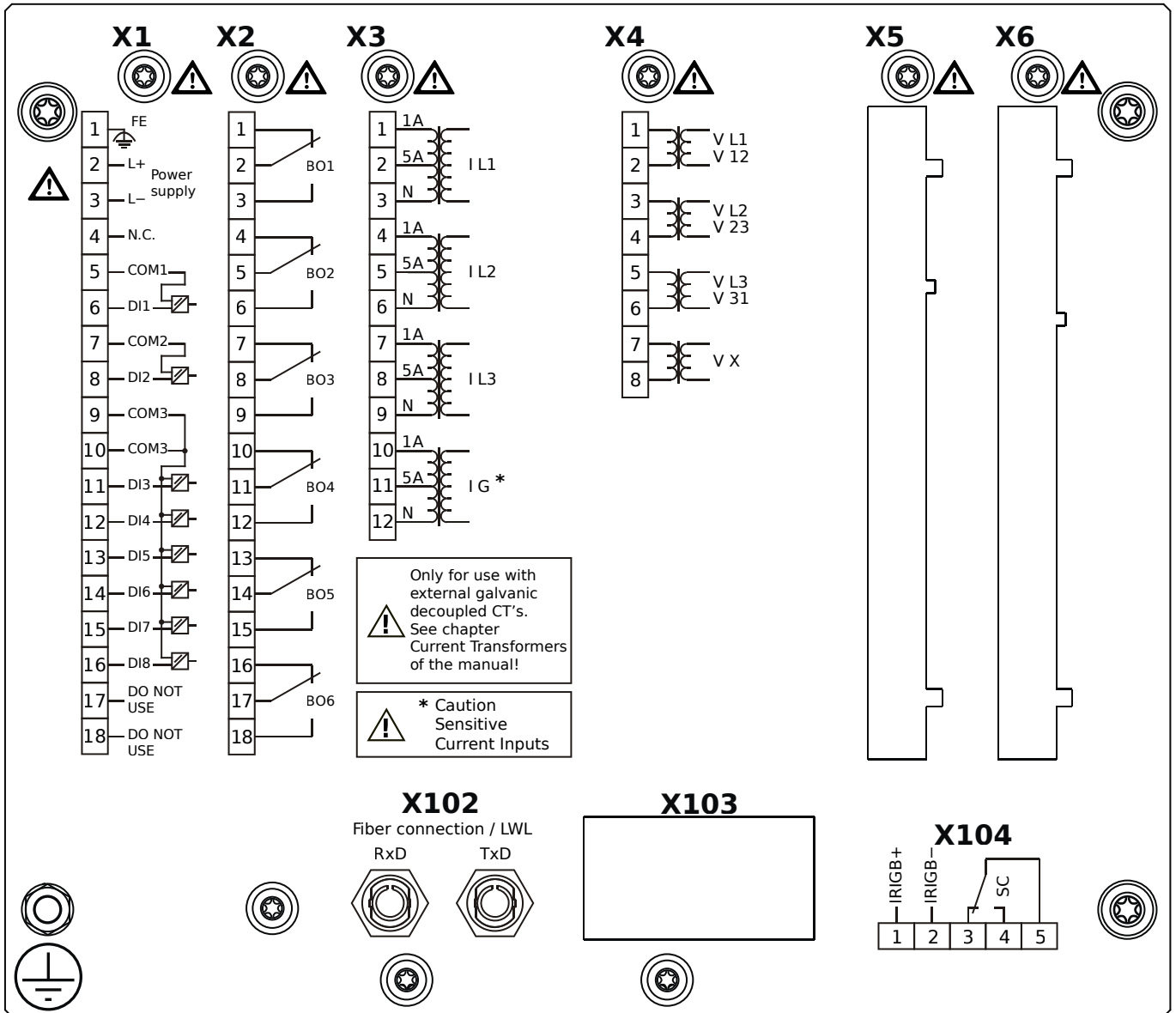
- X1** – DI8-X1: Wide-range power supply unit, incl. 2 non-grouped digital inputs and 6 grouped digital inputs
- X2** – OR-6: Assembly Group with 6 Relay Outputs
- X3** – TIs-4: Standard phase current measuring card and sensitive ground current measuring
- X4** – TU: Card with 4 voltage transformer measuring inputs
- X100** – IEC 61850 / Modbus TCP / DNP3.0 TCP/UDP, Ethernet interface, 100 Mbit/s, RJ45 (BASE100-FX)
- X102** – Long-distance Protection Communication, Fiber optics interface, LC Connector
- X103** – IEC 60870-5-103 / Modbus RTU / DNP3.0 RTU, RS485, Terminals
- X104** – IRIG-B00X, incl. System Contact (Supervision Contact)

MCDLV4-2A1B0TB



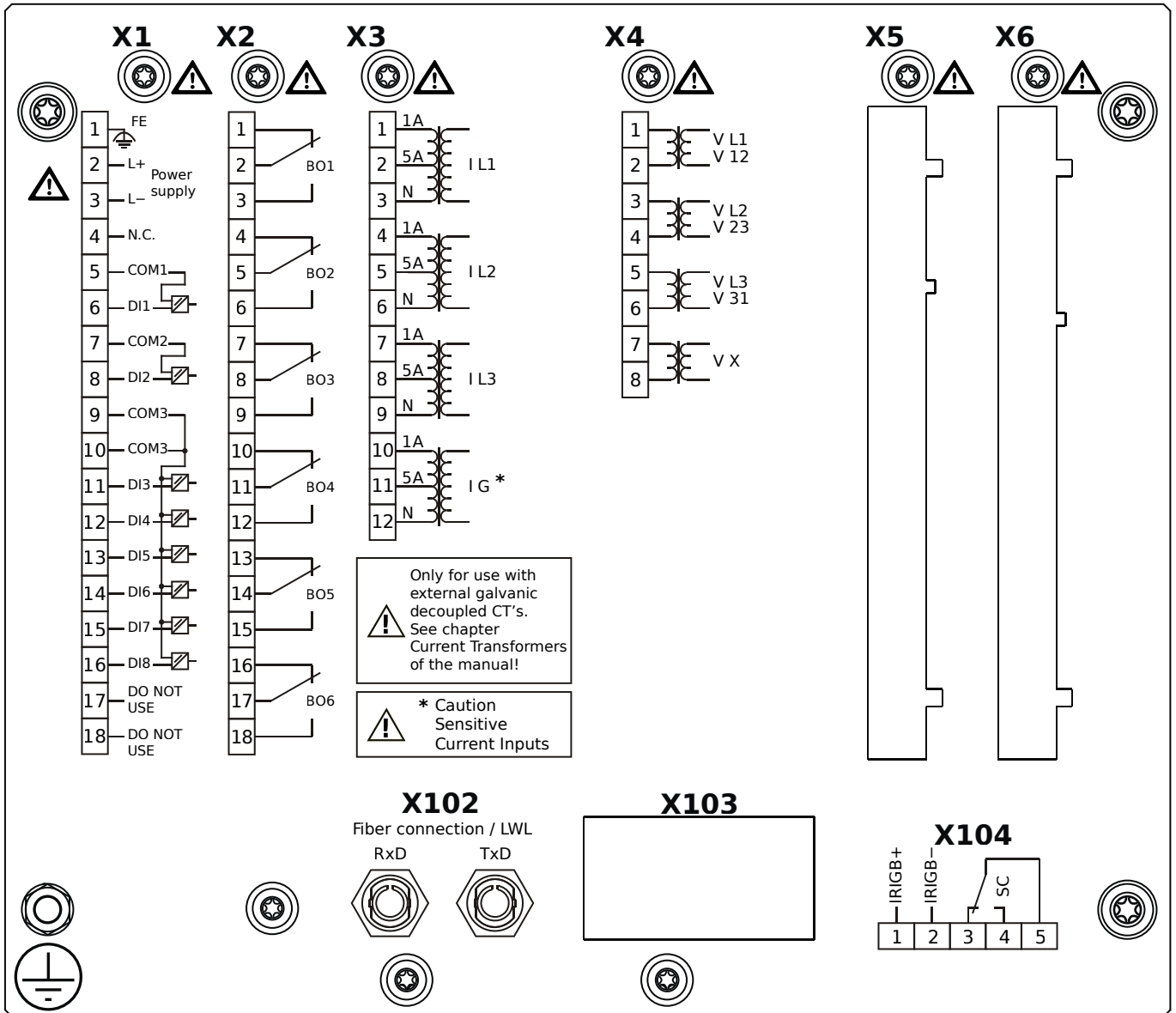
- X1** – DI8-X1: Wide-range power supply unit, incl. 2 non-grouped digital inputs and 6 grouped digital inputs
- X2** – OR-6: Assembly Group with 6 Relay Outputs
- X3** – TIs-4: Standard phase current measuring card and sensitive ground current measuring
- X4** – TU: Card with 4 voltage transformer measuring inputs
- X100** – IEC 61850 / Modbus TCP / DNP3.0 TCP/UDP, Ethernet interface, 100 Mbit/s, RJ45 (BASE100-FX)
- X102** – Long-distance Protection Communication, Fiber optics interface, LC Connector
- X103** – IEC 60870-5-103 / Modbus RTU / DNP3.0 RTU, RS485, Terminals
- X104** – IRIG-B00X, incl. System Contact (Supervision Contact)

MCDLV4-2A1B1AA



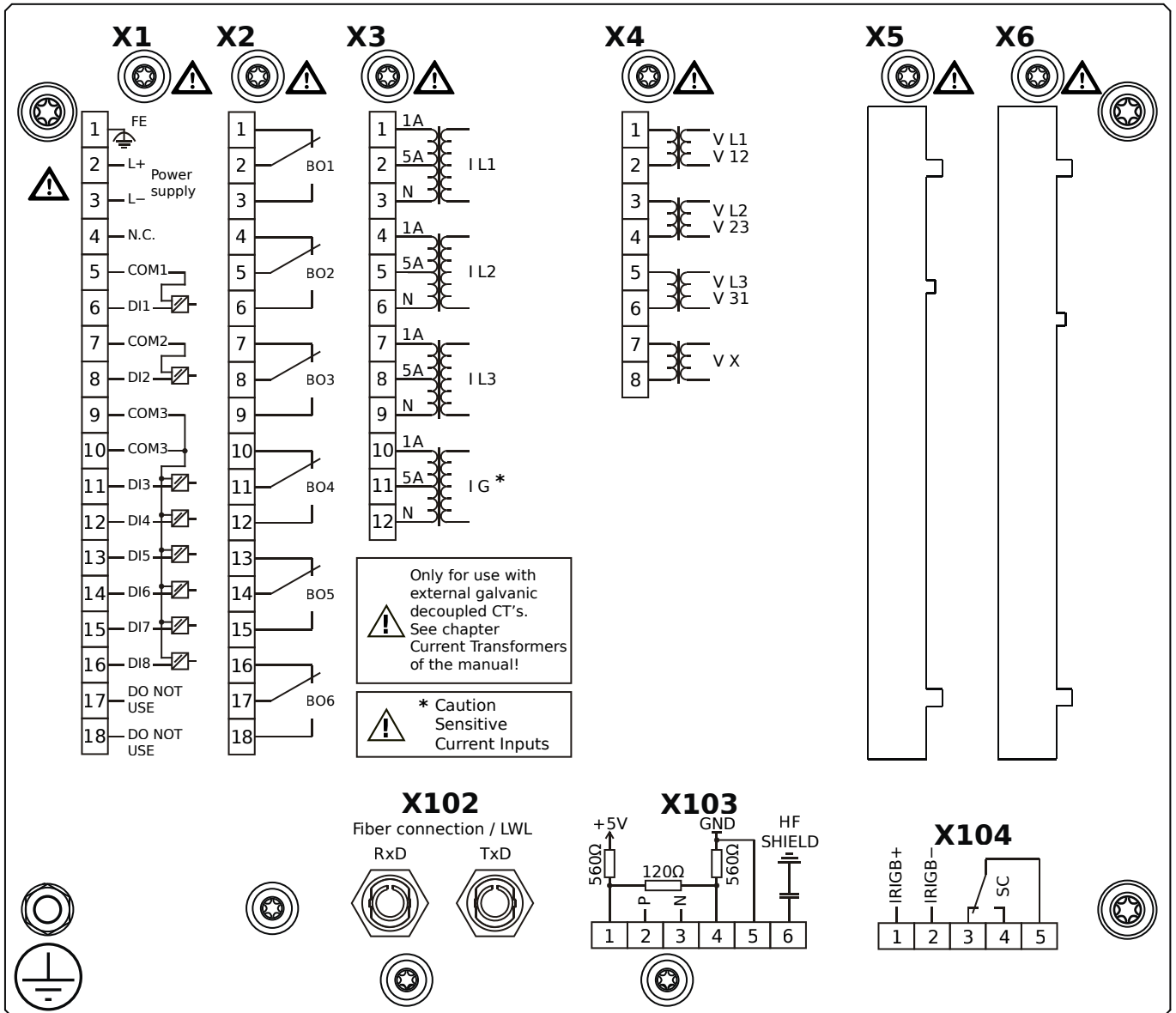
- X1** – DI8-X1: Wide-range power supply unit, incl. 2 non-grouped digital inputs and 6 grouped digital inputs
- X2** – OR-6: Assembly Group with 6 Relay Outputs
- X3** – TIs-4: Standard phase current measuring card and sensitive ground current measuring
- X4** – TU: Card with 4 voltage transformer measuring inputs
- X102** – Protection Communication, Fiber optics interface, ST Connector
- X104** – IRIG-B00X, incl. System Contact (Supervision Contact)

MCDLV4-2A1B1AB



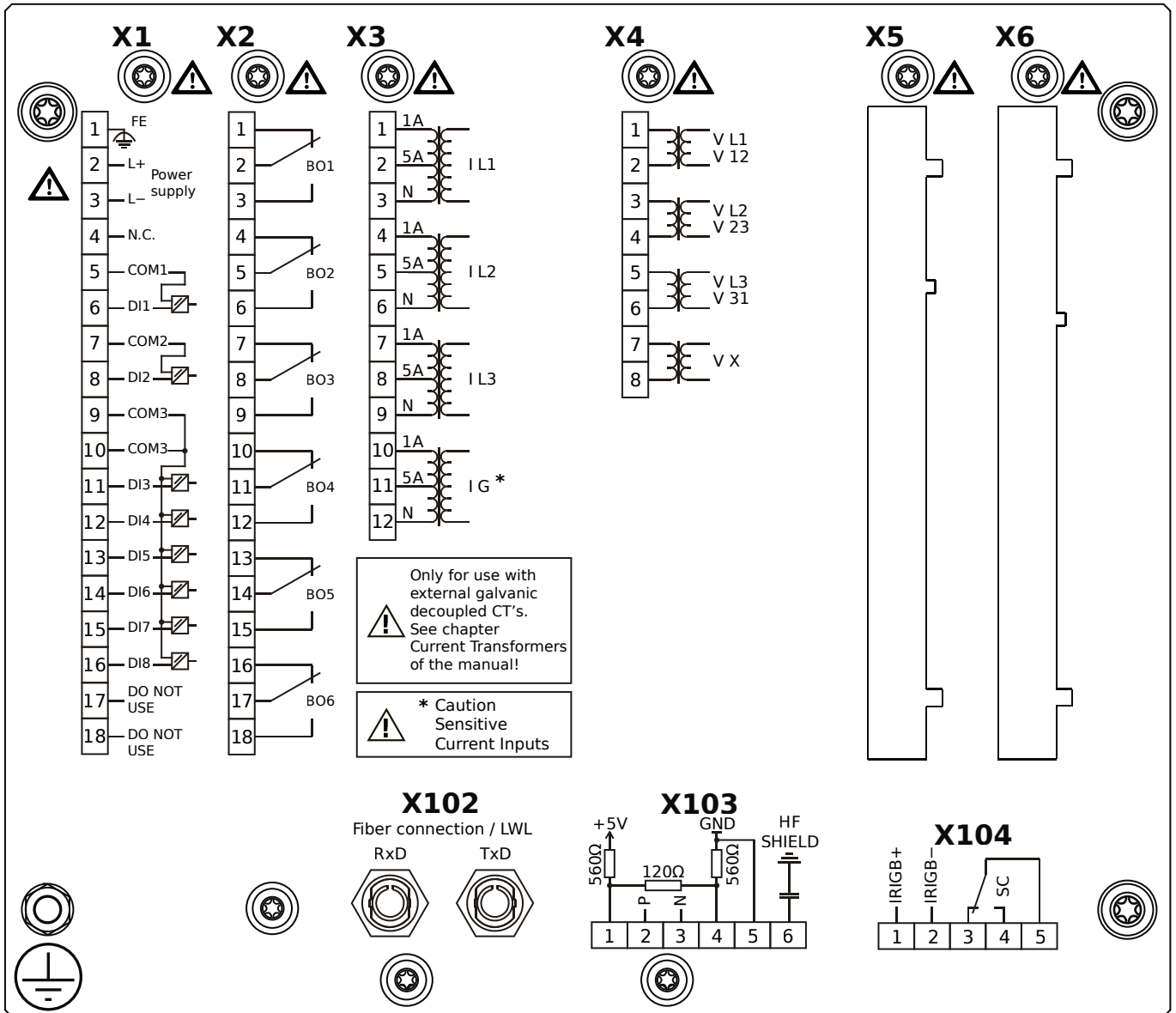
- X1** – DI8-X1: Wide-range power supply unit, incl. 2 non-grouped digital inputs and 6 grouped digital inputs
- X2** – OR-6: Assembly Group with 6 Relay Outputs
- X3** – TIs-4: Standard phase current measuring card and sensitive ground current measuring
- X4** – TU: Card with 4 voltage transformer measuring inputs
- X102** – Protection Communication, Fiber optics interface, ST Connector
- X104** – IRIG-B00X, incl. System Contact (Supervision Contact)

MCDLV4-2A1B1BA



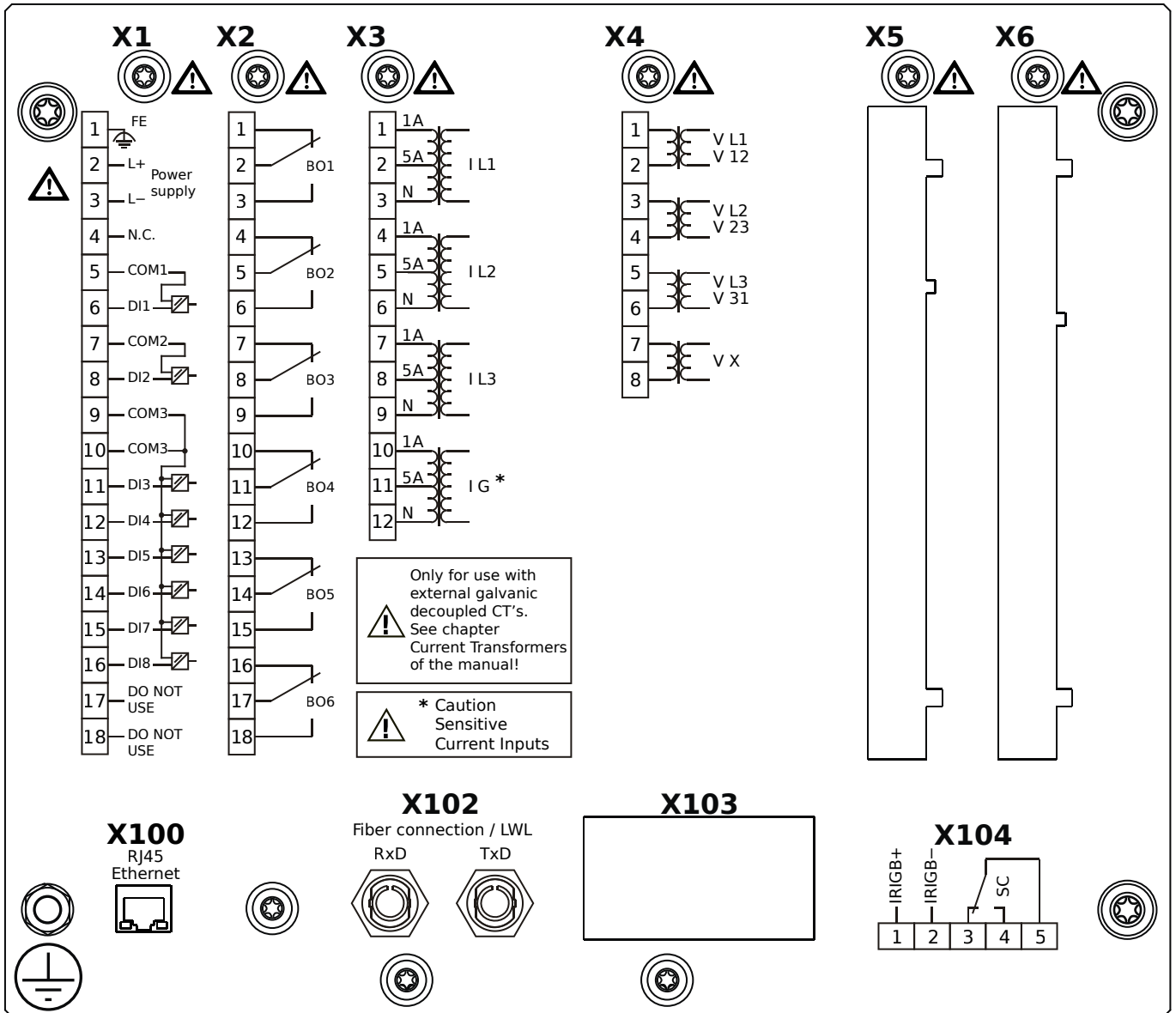
- X1** – DI8-X1: Wide-range power supply unit, incl. 2 non-grouped digital inputs and 6 grouped digital inputs
- X2** – OR-6: Assembly Group with 6 Relay Outputs
- X3** – TIs-4: Standard phase current measuring card and sensitive ground current measuring
- X4** – TU: Card with 4 voltage transformer measuring inputs
- X102** – Protection Communication, Fiber optics interface, ST Connector
- X103** – Modbus RTU / IEC 60870-5-103 / DNP3.0 RTU, RS485, Terminals
- X104** – IRIG-B00X, incl. System Contact (Supervision Contact)

MCDLV4-2A1B1BB



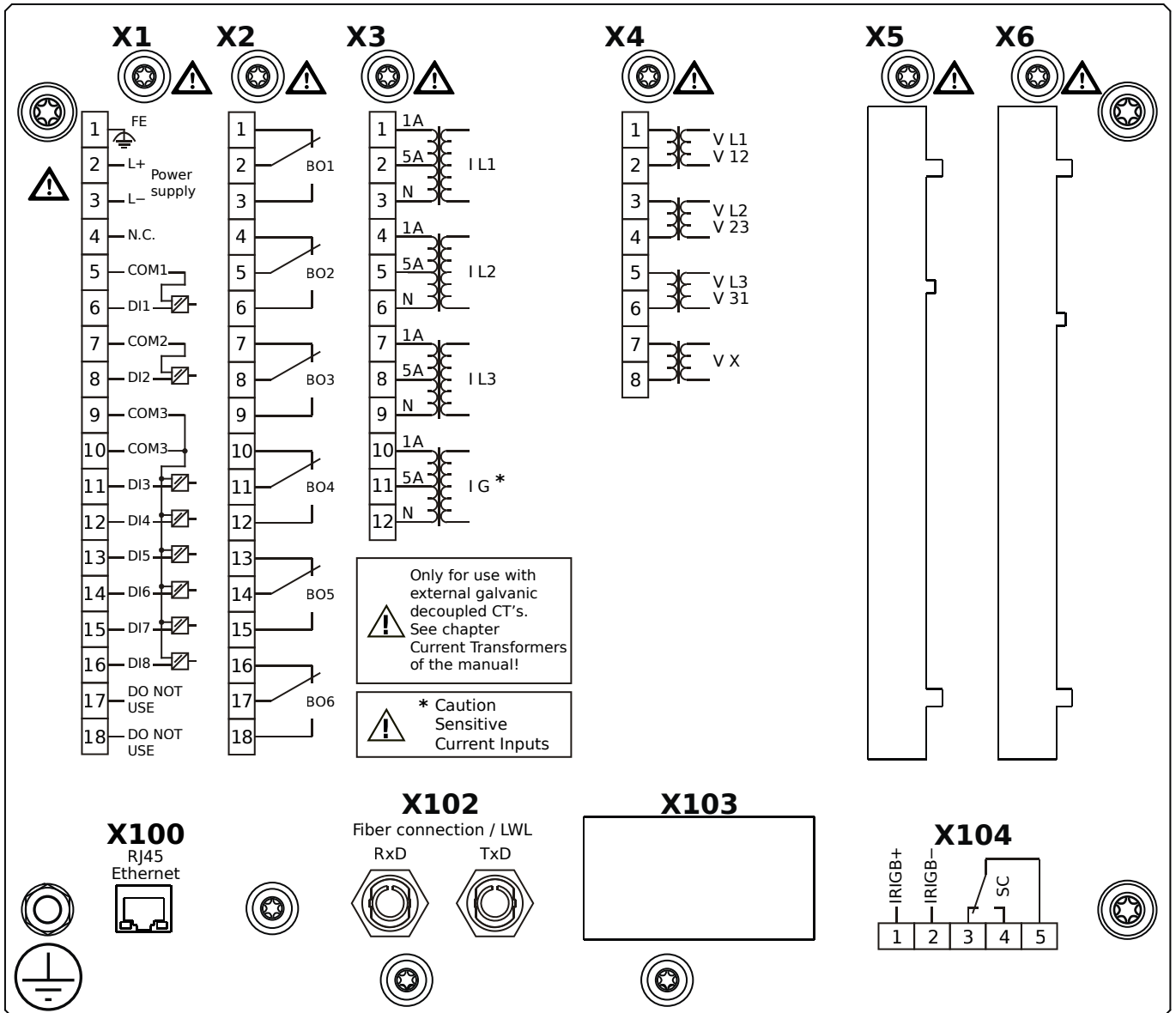
- X1** – DI8-X1: Wide-range power supply unit, incl. 2 non-grouped digital inputs and 6 grouped digital inputs
- X2** – OR-6: Assembly Group with 6 Relay Outputs
- X3** – TIs-4: Standard phase current measuring card and sensitive ground current measuring
- X4** – TU: Card with 4 voltage transformer measuring inputs
- X102** – Protection Communication, Fiber optics interface, ST Connector
- X103** – Modbus RTU / IEC 60870-5-103 / DNP3.0 RTU, RS485, Terminals
- X104** – IRIG-B00X, incl. System Contact (Supervision Contact)

MCDLV4-2A1B1CA



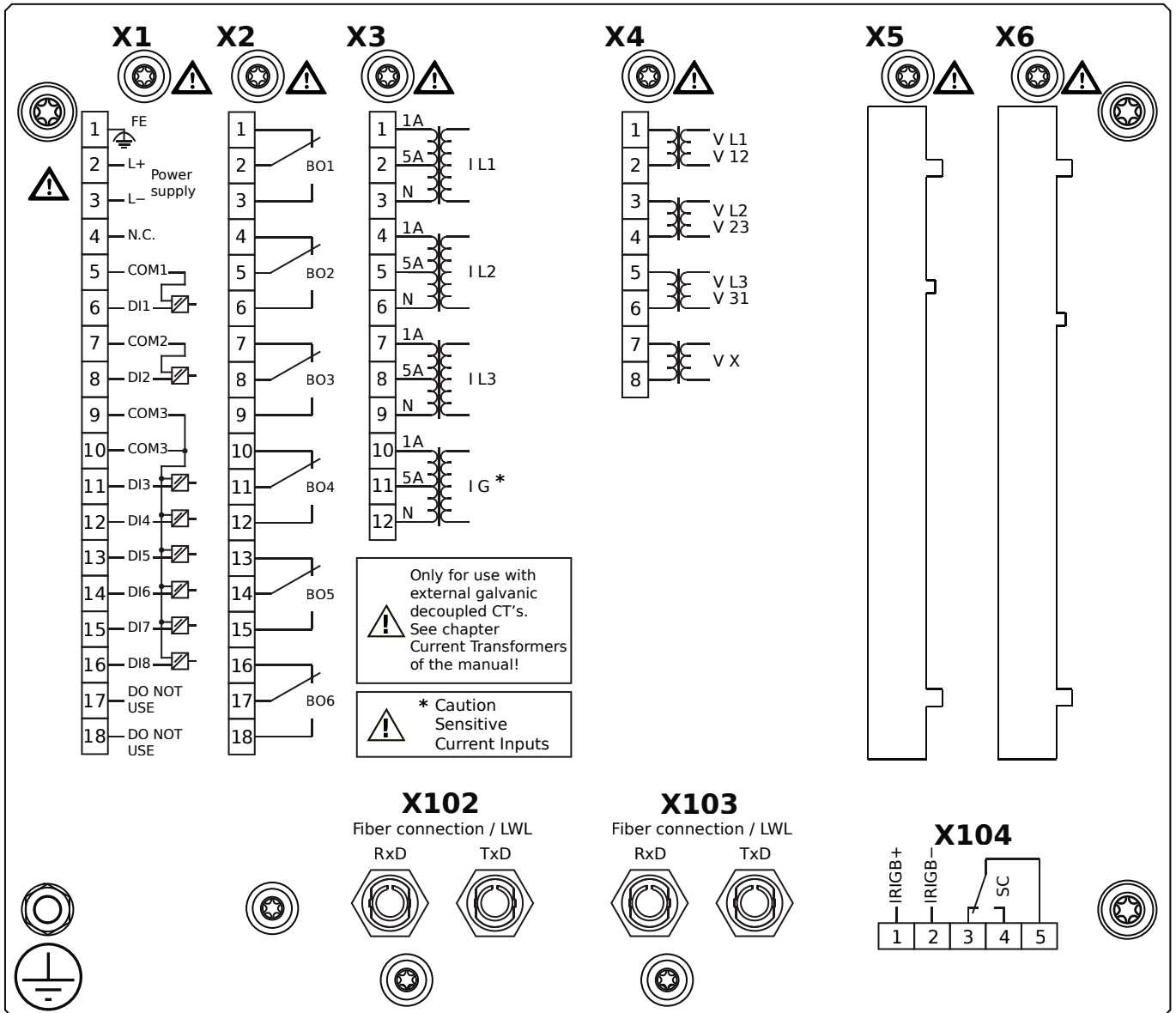
- X1** – DI8-X1: Wide-range power supply unit, incl. 2 non-grouped digital inputs and 6 grouped digital inputs
- X2** – OR-6: Assembly Group with 6 Relay Outputs
- X3** – TIs-4: Standard phase current measuring card and sensitive ground current measuring
- X4** – TU: Card with 4 voltage transformer measuring inputs
- X100** – Modbus TCP / DNP3.0 TCP/UDP, Ethernet interface, 100 Mbit/s, RJ45 (BASE100-FX)
- X102** – Protection Communication, Fiber optics interface, ST Connector
- X104** – IRIG-B00X, incl. System Contact (Supervision Contact)

MCDLV4-2A1B1CB



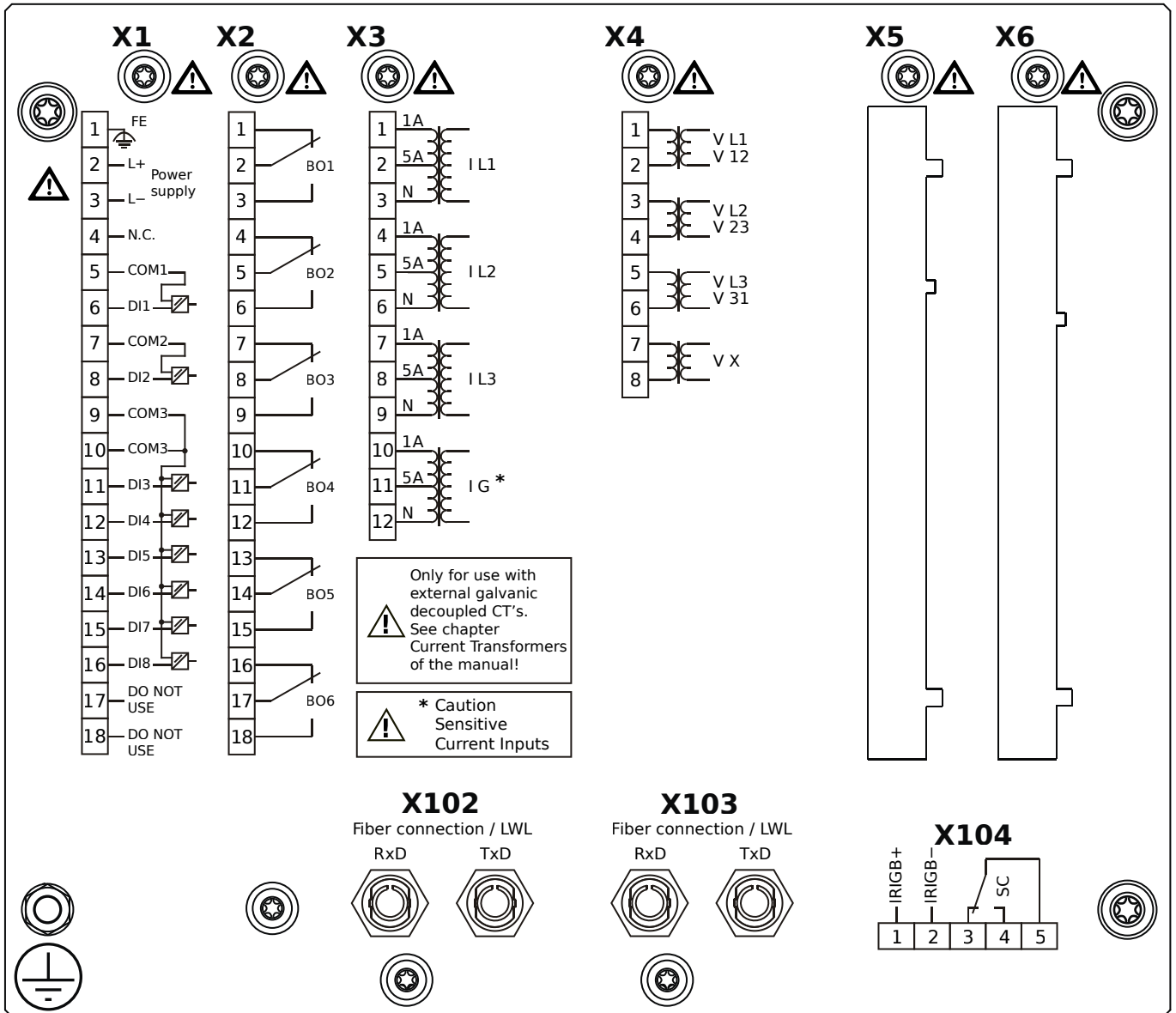
- X1** – DI8-X1: Wide-range power supply unit, incl. 2 non-grouped digital inputs and 6 grouped digital inputs
- X2** – OR-6: Assembly Group with 6 Relay Outputs
- X3** – TIs-4: Standard phase current measuring card and sensitive ground current measuring
- X4** – TU: Card with 4 voltage transformer measuring inputs
- X100** – Modbus TCP / DNP3.0 TCP/UDP, Ethernet interface, 100 Mbit/s, RJ45 (BASE100-FX)
- X102** – Protection Communication, Fiber optics interface, ST Connector
- X104** – IRIG-B00X, incl. System Contact (Supervision Contact)

MCDLV4-2A1B1DA



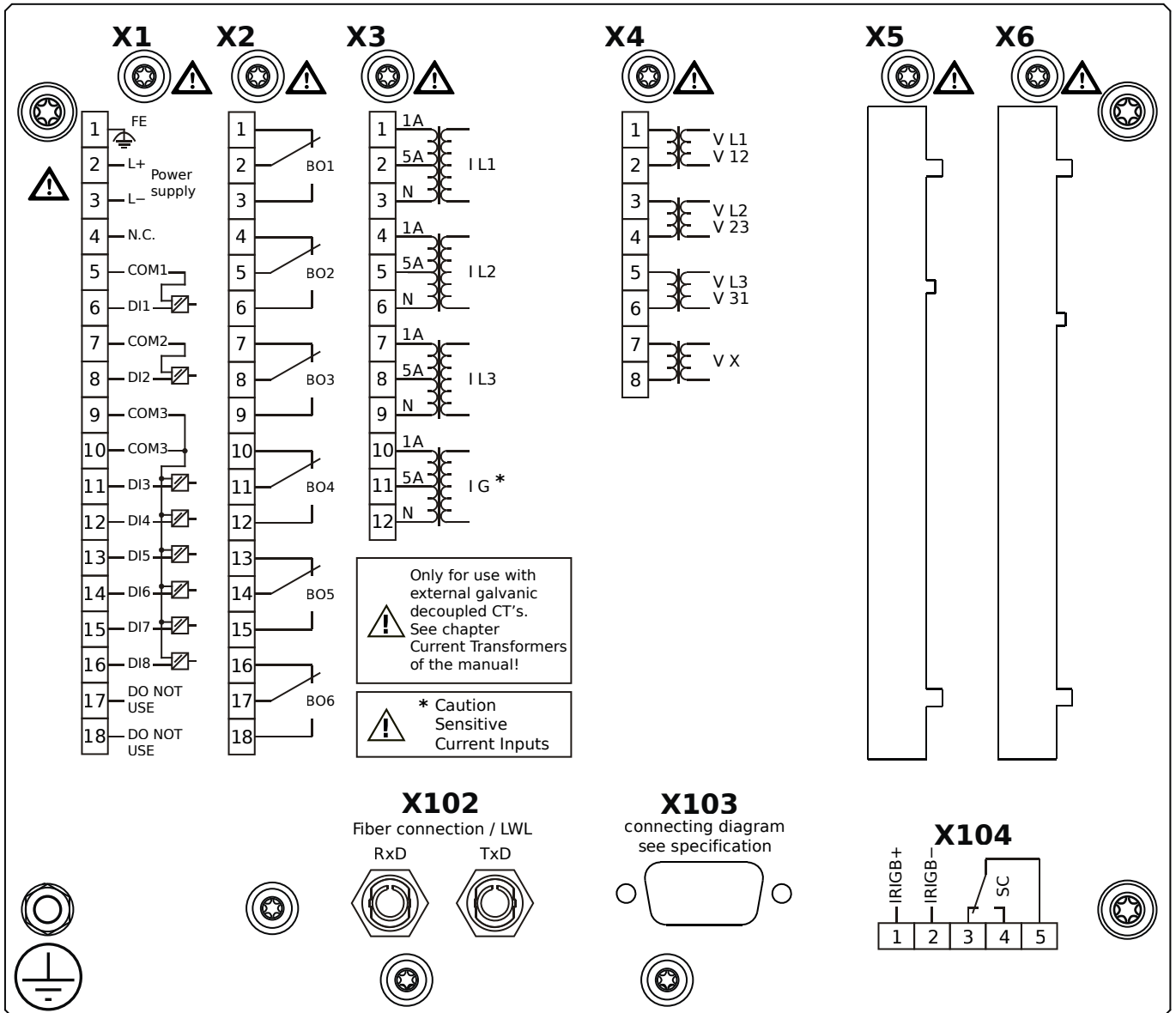
- X1** – DI8-X1: Wide-range power supply unit, incl. 2 non-grouped digital inputs and 6 grouped digital inputs
- X2** – OR-6: Assembly Group with 6 Relay Outputs
- X3** – TIs-4: Standard phase current measuring card and sensitive ground current measuring
- X4** – TU: Card with 4 voltage transformer measuring inputs
- X102** – Protection Communication, Fiber optics interface, ST Connector
- X103** – Profibus-DP, Fiber optics interface, ST Connector
- X104** – IRIG-B00X, incl. System Contact (Supervision Contact)

MCDLV4-2A1B1DB



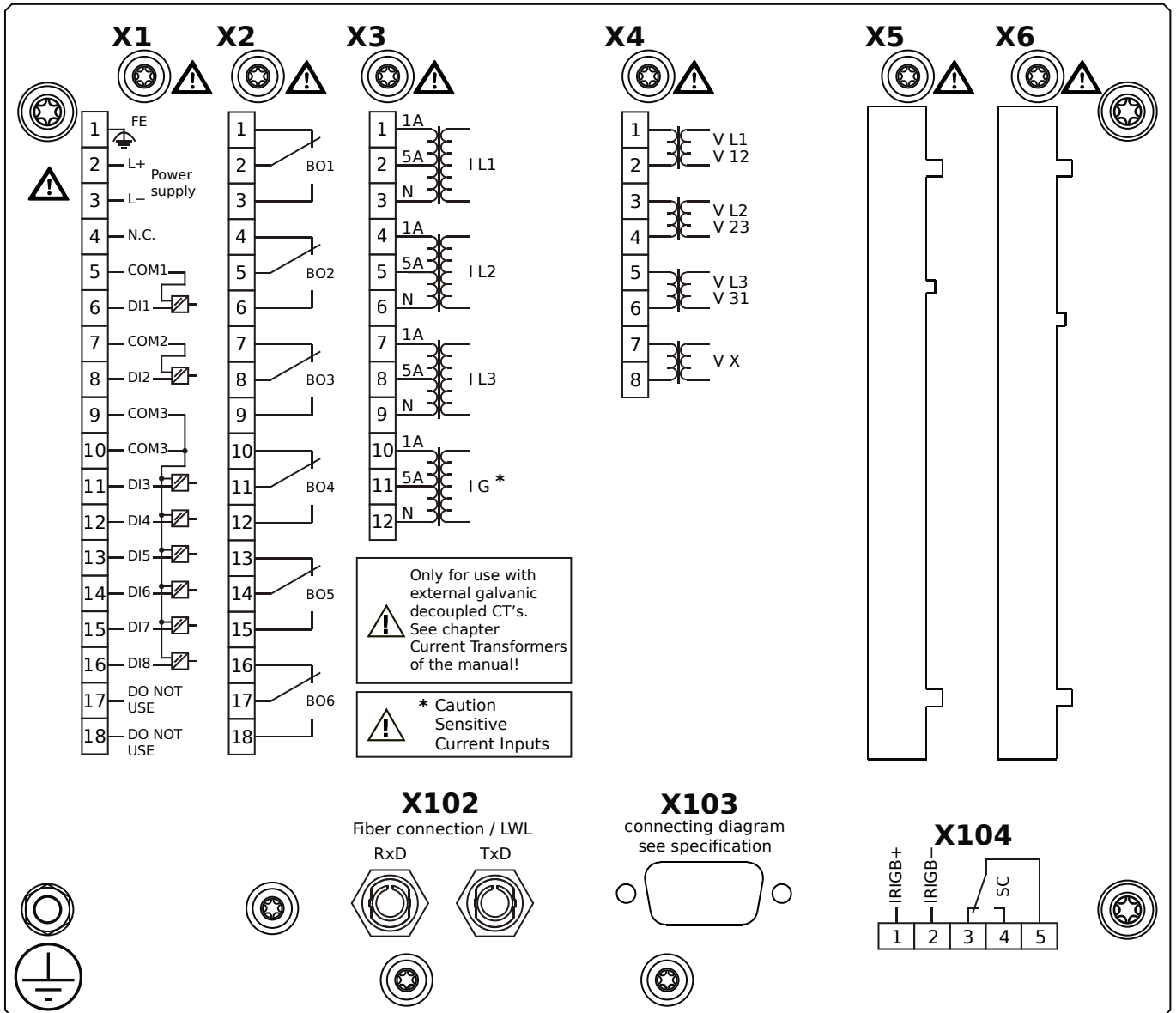
- X1** – DI8-X1: Wide-range power supply unit, incl. 2 non-grouped digital inputs and 6 grouped digital inputs
- X2** – OR-6: Assembly Group with 6 Relay Outputs
- X3** – TIs-4: Standard phase current measuring card and sensitive ground current measuring
- X4** – TU: Card with 4 voltage transformer measuring inputs
- X102** – Protection Communication, Fiber optics interface, ST Connector
- X103** – Profibus-DP, Fiber optics interface, ST Connector
- X104** – IRIG-B00X, incl. System Contact (Supervision Contact)

MCDLV4-2A1B1EA



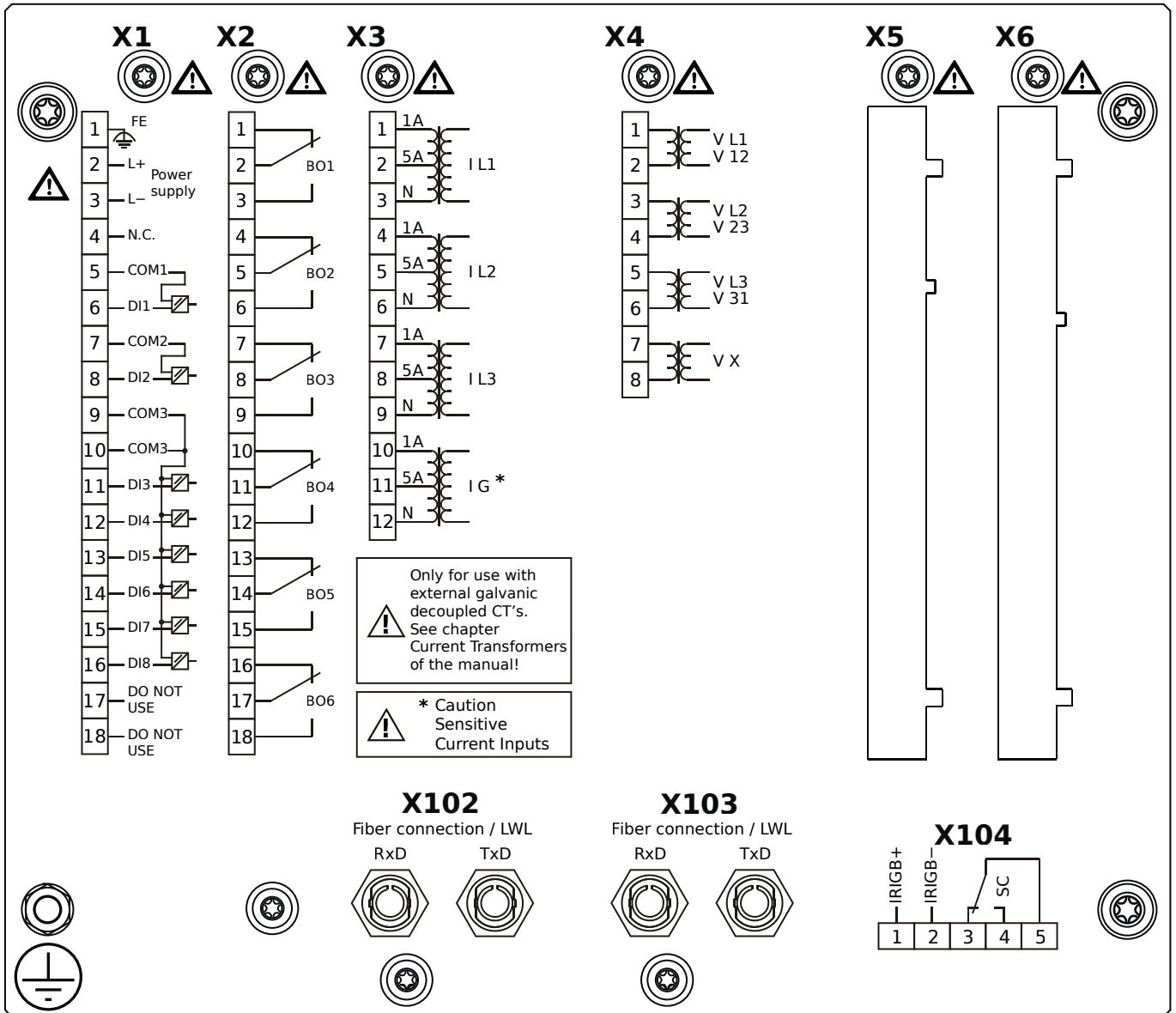
- X1** – DI8-X1: Wide-range power supply unit, incl. 2 non-grouped digital inputs and 6 grouped digital inputs
- X2** – OR-6: Assembly Group with 6 Relay Outputs
- X3** – TIs-4: Standard phase current measuring card and sensitive ground current measuring
- X4** – TU: Card with 4 voltage transformer measuring inputs
- X102** – Protection Communication, Fiber optics interface, ST Connector
- X103** – Profibus-DP, RS485, D-SUB
- X104** – IRIG-B00X, incl. System Contact (Supervision Contact)

MCDLV4-2A1B1EB



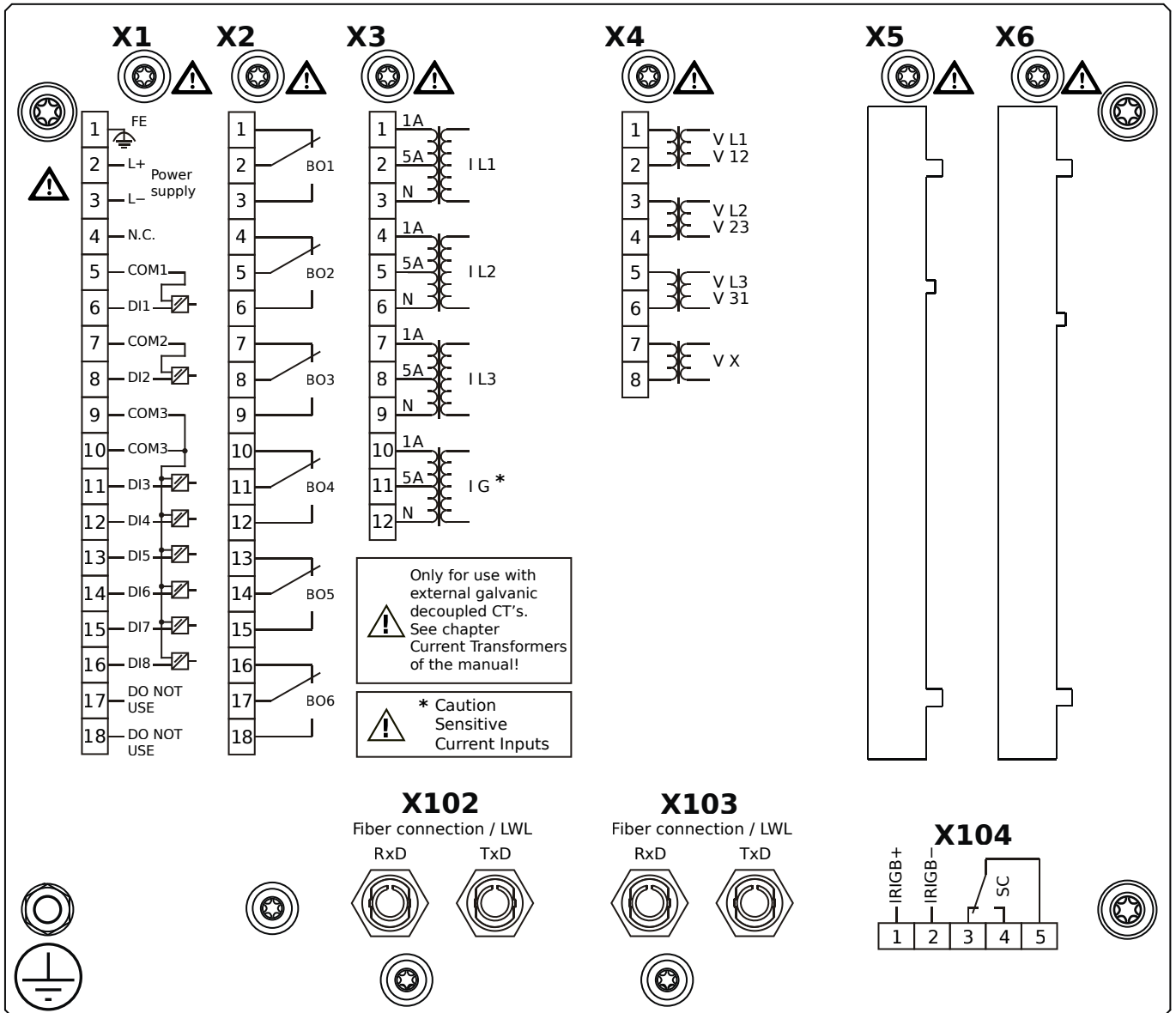
- X1** – DI8-X1: Wide-range power supply unit, incl. 2 non-grouped digital inputs and 6 grouped digital inputs
- X2** – OR-6: Assembly Group with 6 Relay Outputs
- X3** – TIs-4: Standard phase current measuring card and sensitive ground current measuring
- X4** – TU: Card with 4 voltage transformer measuring inputs
- X102** – Protection Communication, Fiber optics interface, ST Connector
- X103** – Profibus-DP, RS485, D-SUB
- X104** – IRIG-B00X, incl. System Contact (Supervision Contact)

MCDLV4-2A1B1FA



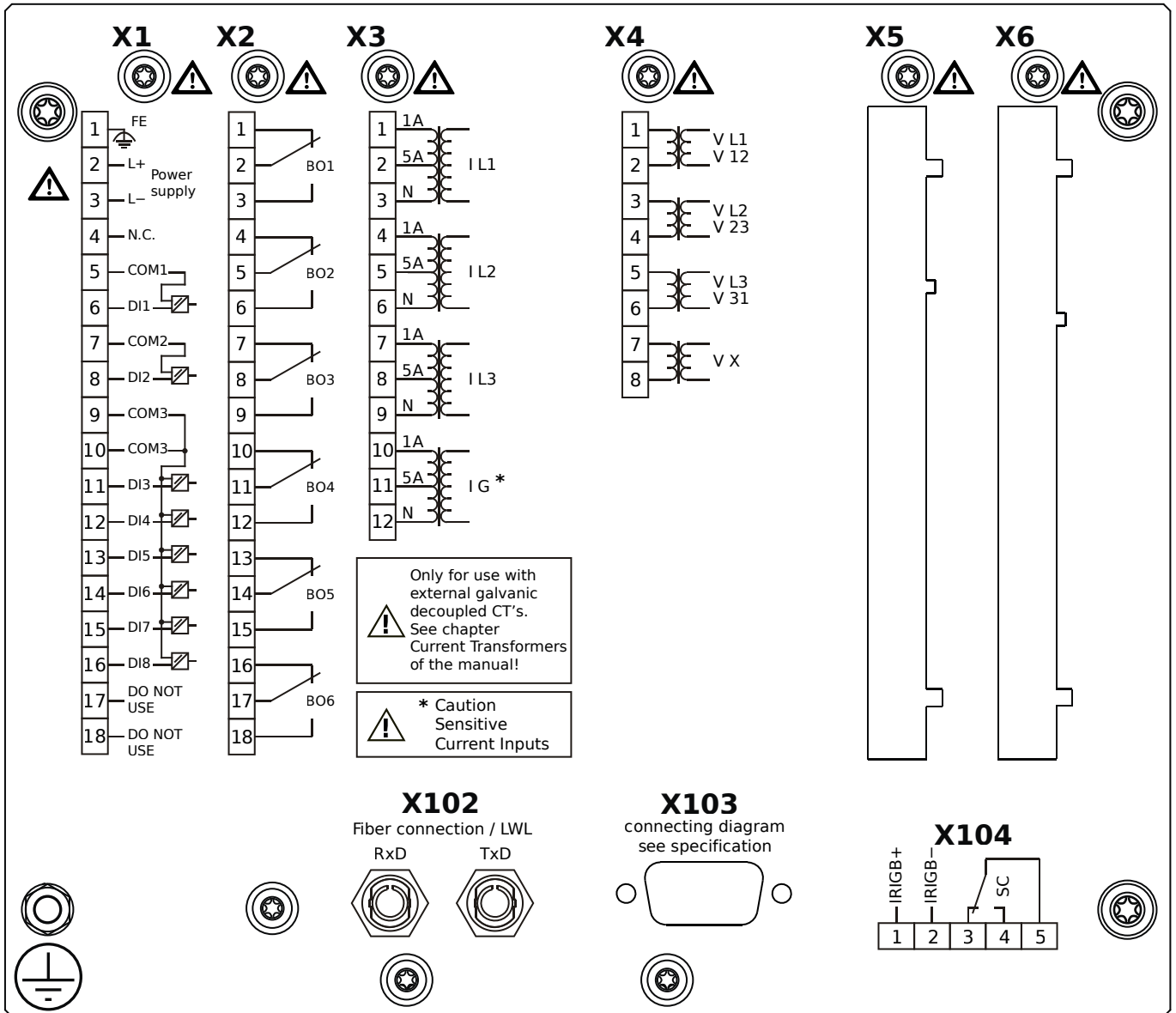
- X1** – DI8-X1: Wide-range power supply unit, incl. 2 non-grouped digital inputs and 6 grouped digital inputs
- X2** – OR-6: Assembly Group with 6 Relay Outputs
- X3** – TIs-4: Standard phase current measuring card and sensitive ground current measuring
- X4** – TU: Card with 4 voltage transformer measuring inputs
- X102** – Protection Communication, Fiber optics interface, ST Connector
- X103** – Modbus RTU / IEC 60870-5-103 / DNP3.0 RTU, Fiber optics interface, ST Connector
- X104** – IRIG-B00X, incl. System Contact (Supervision Contact)

MCDLV4-2A1B1FB



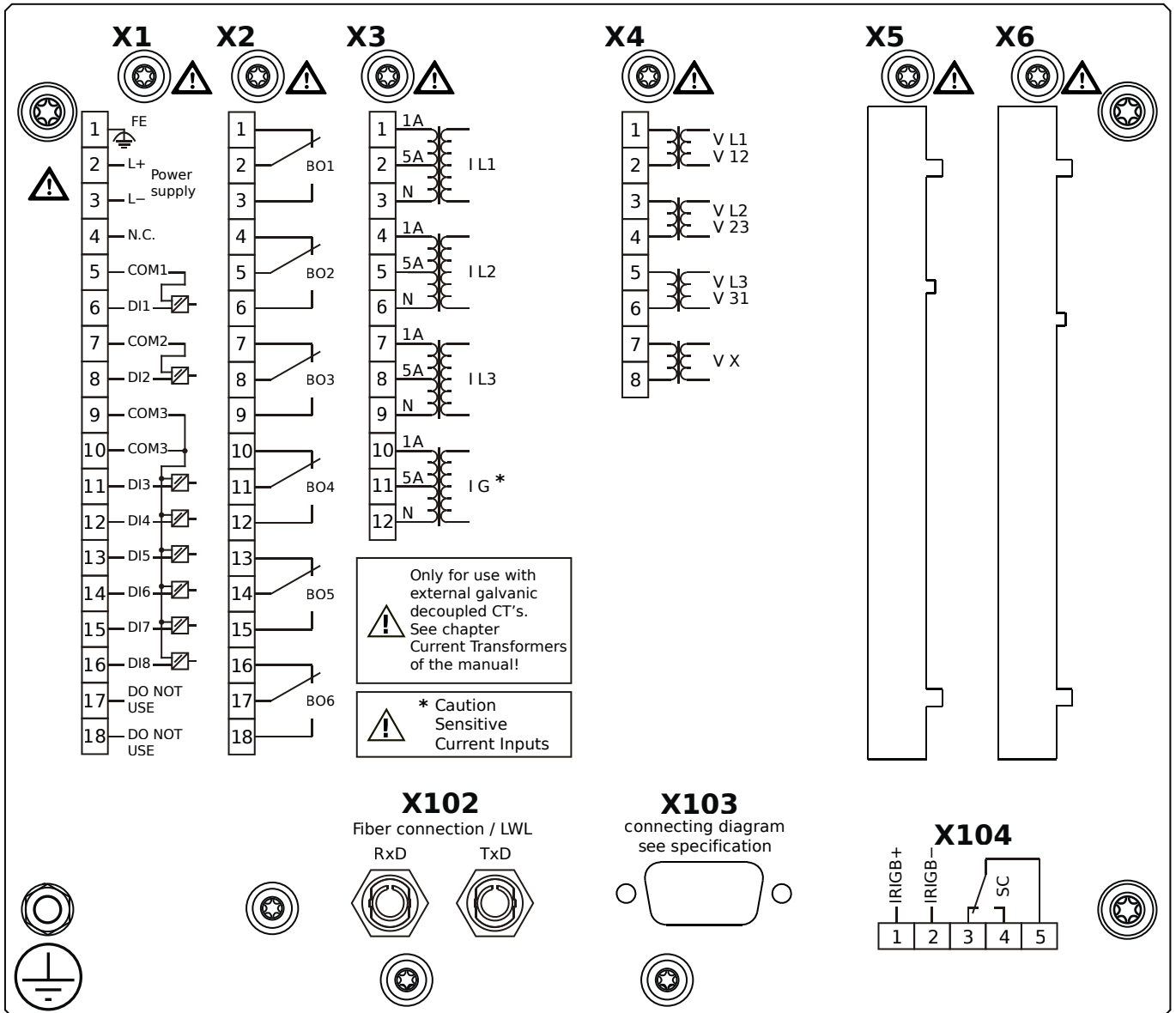
- X1** – DI8-X1: Wide-range power supply unit, incl. 2 non-grouped digital inputs and 6 grouped digital inputs
- X2** – OR-6: Assembly Group with 6 Relay Outputs
- X3** – TIs-4: Standard phase current measuring card and sensitive ground current measuring
- X4** – TU: Card with 4 voltage transformer measuring inputs
- X102** – Protection Communication, Fiber optics interface, ST Connector
- X103** – Modbus RTU / IEC 60870-5-103 / DNP3.0 RTU, Fiber optics interface, ST Connector
- X104** – IRIG-B00X, incl. System Contact (Supervision Contact)

MCDLV4-2A1B1GA



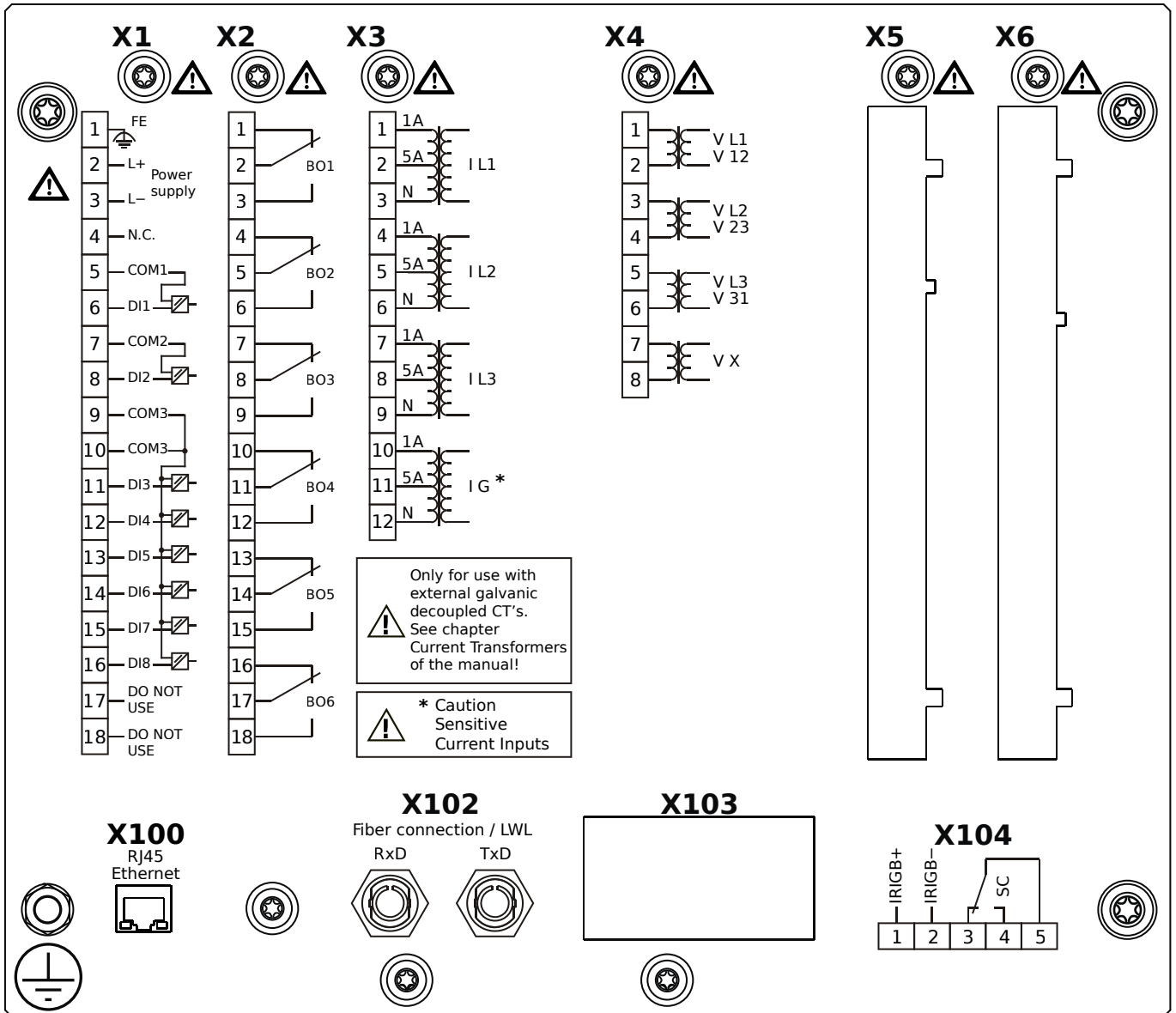
- X1** – DI8-X1: Wide-range power supply unit, incl. 2 non-grouped digital inputs and 6 grouped digital inputs
- X2** – OR-6: Assembly Group with 6 Relay Outputs
- X3** – TIs-4: Standard phase current measuring card and sensitive ground current measuring
- X4** – TU: Card with 4 voltage transformer measuring inputs
- X102** – Protection Communication, Fiber optics interface, ST Connector
- X103** – Modbus RTU / IEC 60870-5-103 / DNP3.0 RTU, RS485, D-SUB
- X104** – IRIG-B00X, incl. System Contact (Supervision Contact)

MCDLV4-2A1B1GB



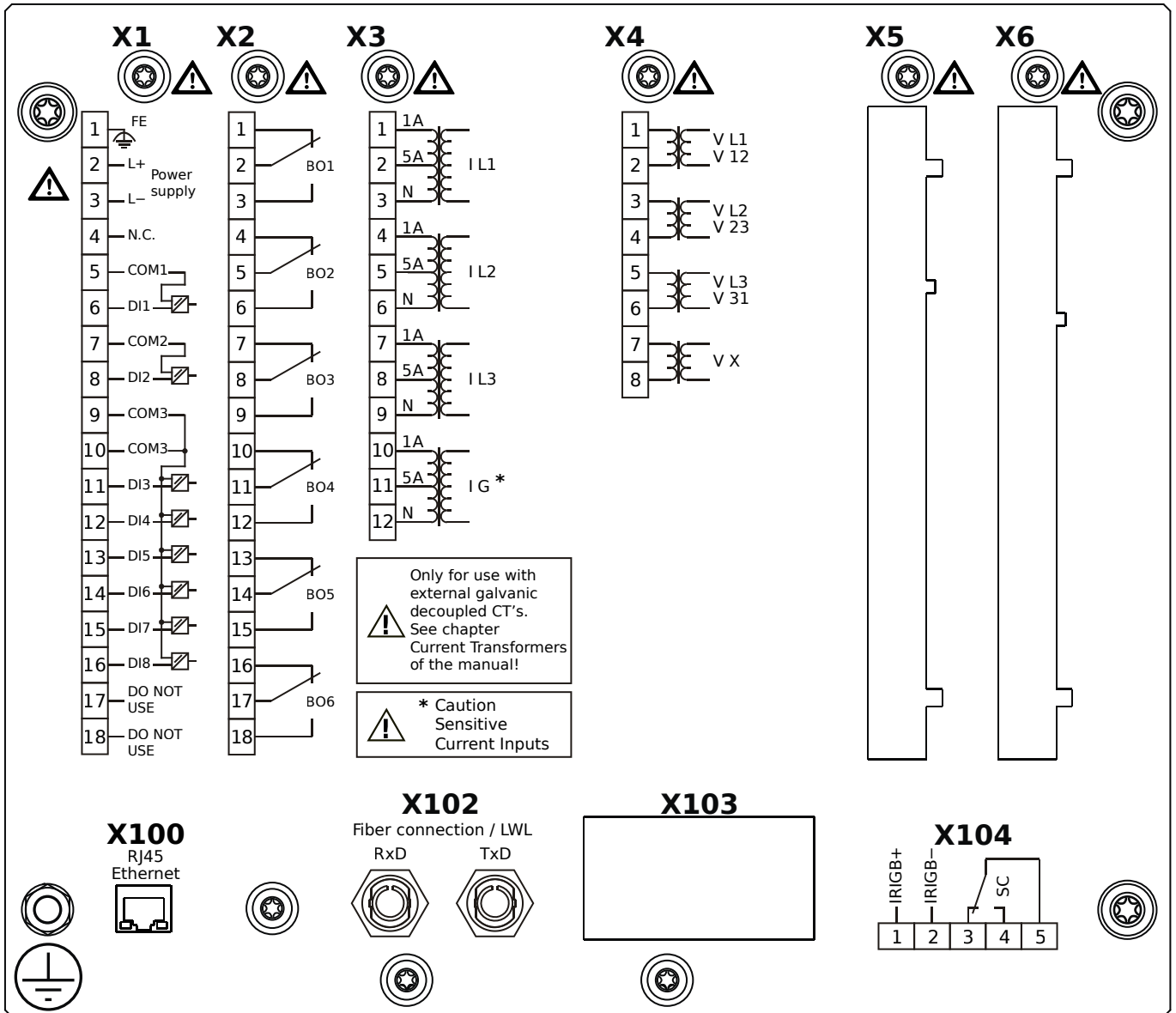
- X1** – DI8-X1: Wide-range power supply unit, incl. 2 non-grouped digital inputs and 6 grouped digital inputs
- X2** – OR-6: Assembly Group with 6 Relay Outputs
- X3** – TIs-4: Standard phase current measuring card and sensitive ground current measuring
- X4** – TU: Card with 4 voltage transformer measuring inputs
- X102** – Protection Communication, Fiber optics interface, ST Connector
- X103** – Modbus RTU / IEC 60870-5-103 / DNP3.0 RTU, RS485, D-SUB
- X104** – IRIG-B00X, incl. System Contact (Supervision Contact)

MCDLV4-2A1B1HA



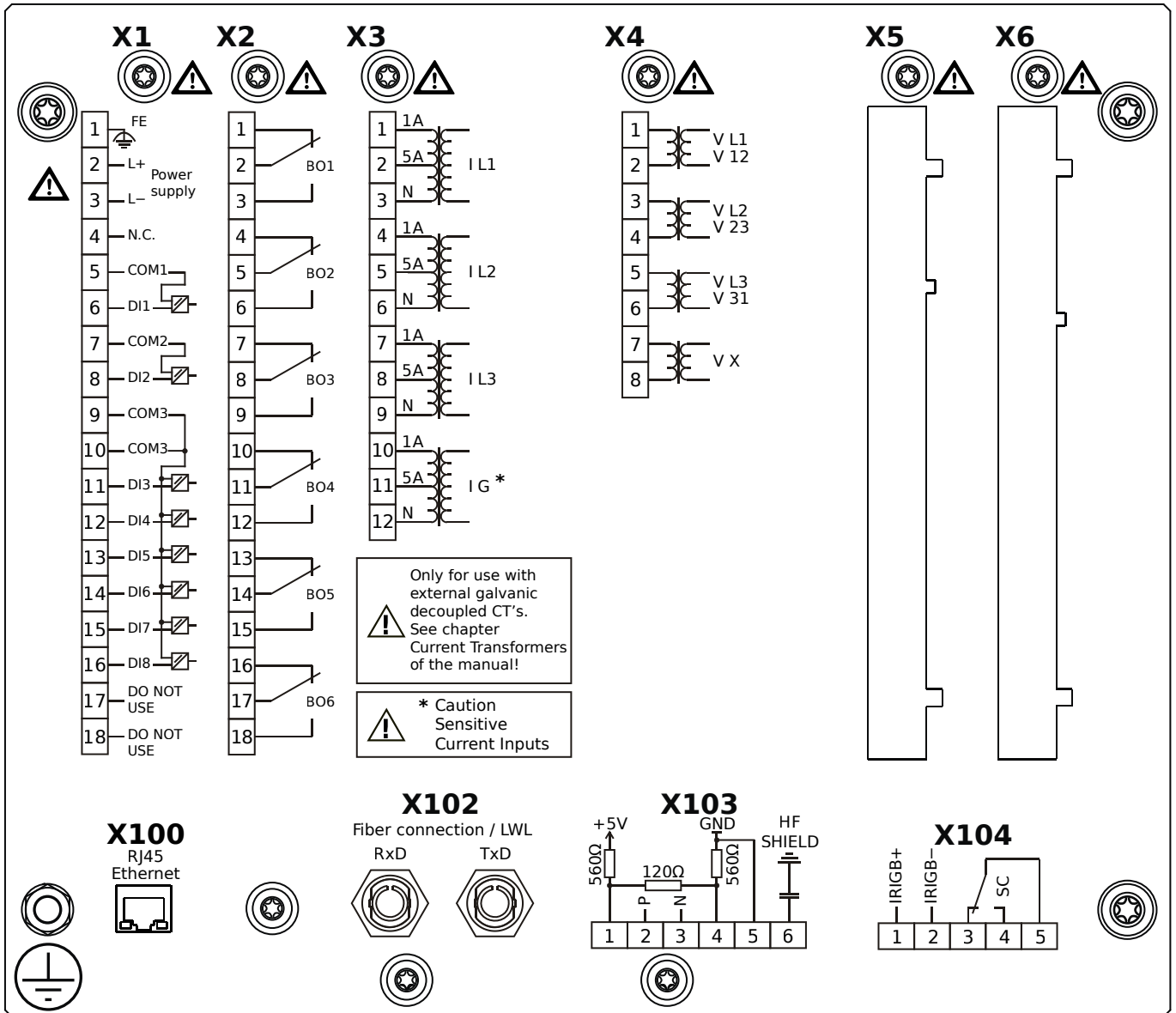
- X1** – DI8-X1: Wide-range power supply unit, incl. 2 non-grouped digital inputs and 6 grouped digital inputs
- X2** – OR-6: Assembly Group with 6 Relay Outputs
- X3** – TIs-4: Standard phase current measuring card and sensitive ground current measuring
- X4** – TU: Card with 4 voltage transformer measuring inputs
- X100** – IEC 61850 / Modbus TCP / DNP3.0 TCP/UDP, Ethernet interface, 100 Mbit/s, RJ45 (BASE100-FX)
- X102** – Protection Communication, Fiber optics interface, ST Connector
- X104** – IRIG-B00X, incl. System Contact (Supervision Contact)

MCDLV4-2A1B1HB



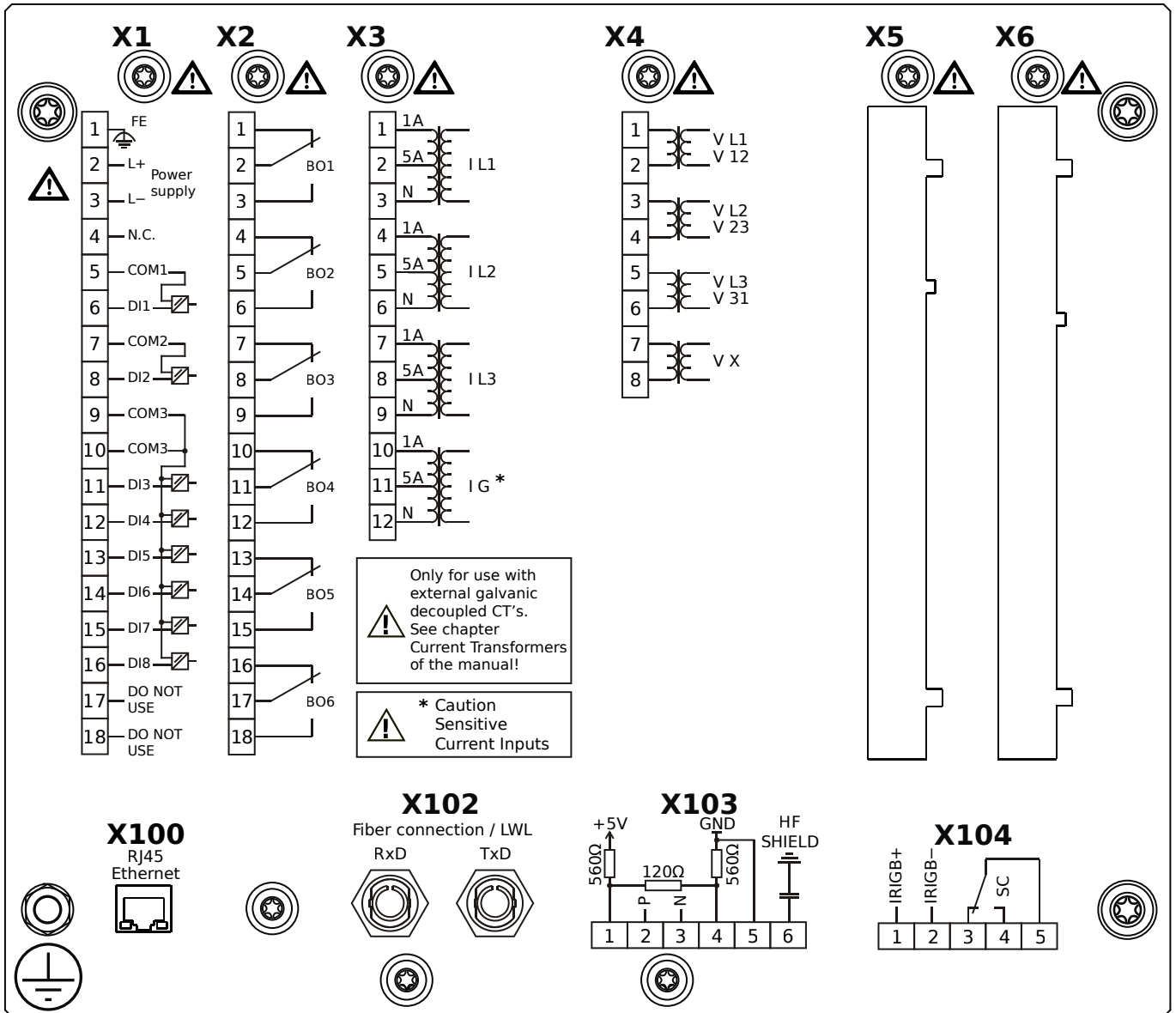
- X1** – DI8-X1: Wide-range power supply unit, incl. 2 non-grouped digital inputs and 6 grouped digital inputs
- X2** – OR-6: Assembly Group with 6 Relay Outputs
- X3** – TIs-4: Standard phase current measuring card and sensitive ground current measuring
- X4** – TU: Card with 4 voltage transformer measuring inputs
- X100** – IEC 61850 / Modbus TCP / DNP3.0 TCP/UDP, Ethernet interface, 100 Mbit/s, RJ45 (BASE100-FX)
- X102** – Protection Communication, Fiber optics interface, ST Connector
- X104** – IRIG-B00X, incl. System Contact (Supervision Contact)

MCDLV4-2A1B1IA



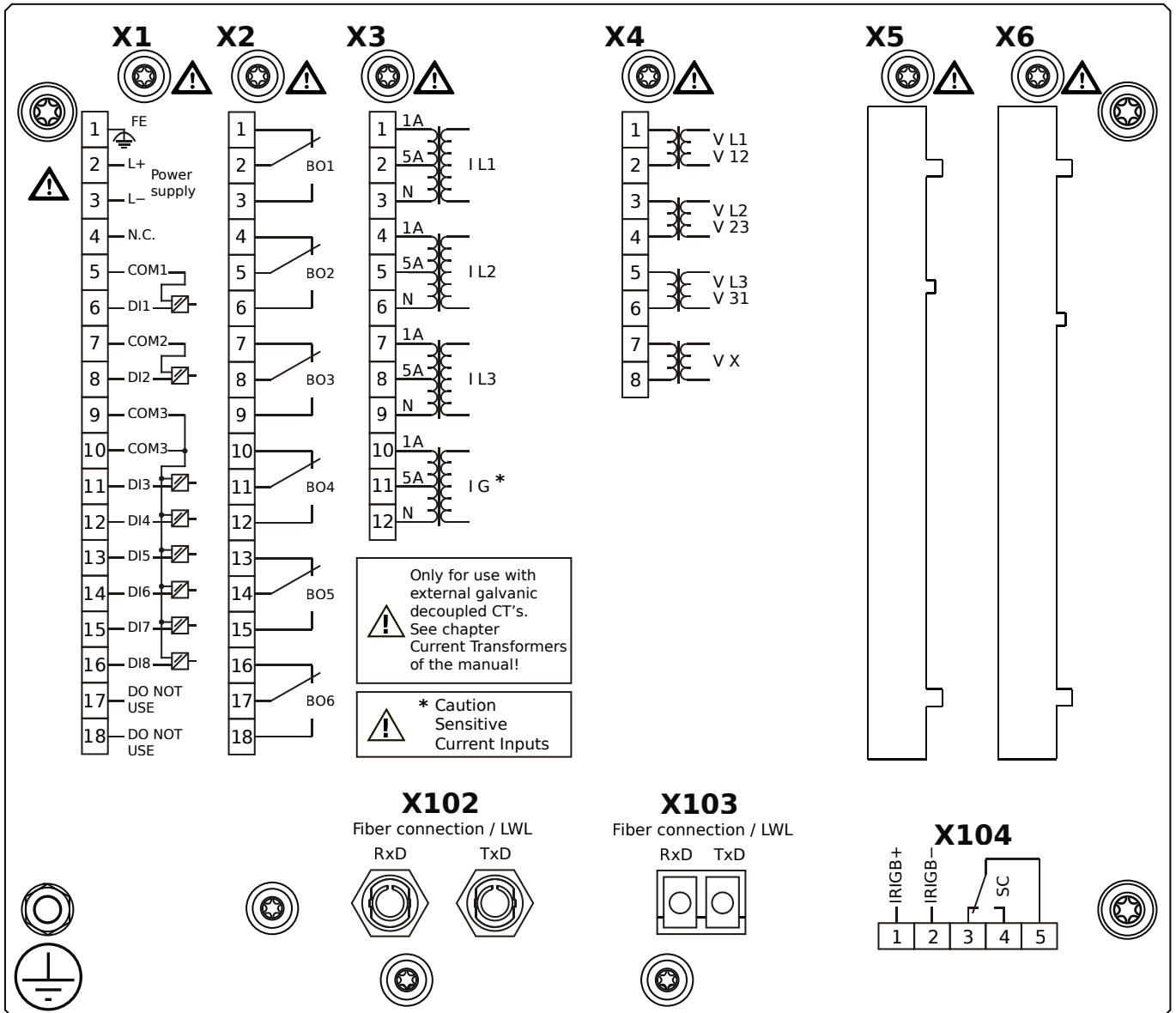
- X1** – DI8-X1: Wide-range power supply unit, incl. 2 non-grouped digital inputs and 6 grouped digital inputs
- X2** – OR-6: Assembly Group with 6 Relay Outputs
- X3** – TIs-4: Standard phase current measuring card and sensitive ground current measuring
- X4** – TU: Card with 4 voltage transformer measuring inputs
- X100** – Modbus TCP / DNP3.0 TCP/UDP, Ethernet interface, 100 Mbit/s, RJ45 (BASE100-FX)
- X102** – Protection Communication, Fiber optics interface, ST Connector
- X103** – IEC 60870-5-103 / Modbus RTU / DNP3.0 RTU, RS485, Terminals
- X104** – IRIG-B00X, incl. System Contact (Supervision Contact)

MCDLV4-2A1B1IB



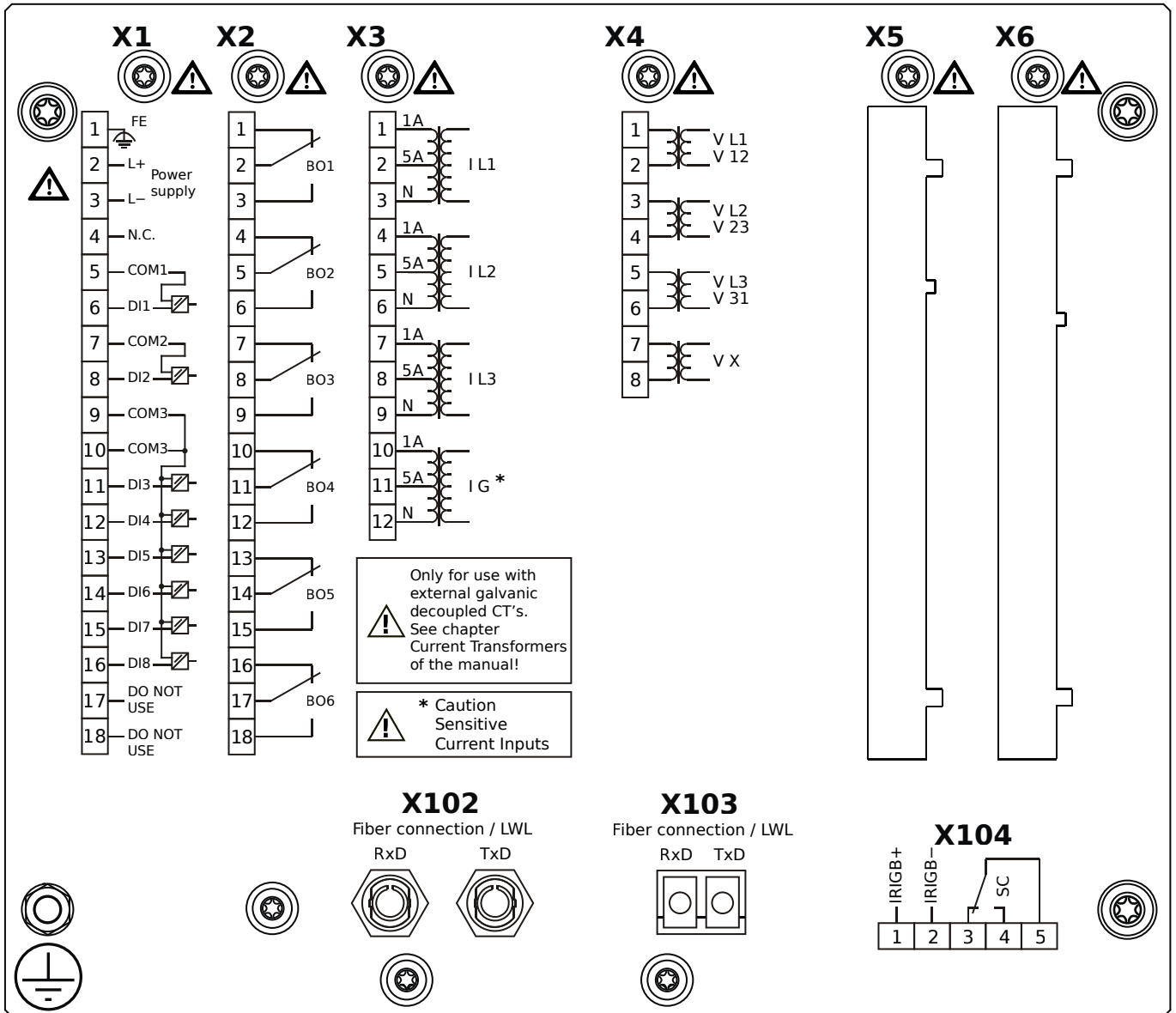
- X1** – DI8-X1: Wide-range power supply unit, incl. 2 non-grouped digital inputs and 6 grouped digital inputs
- X2** – OR-6: Assembly Group with 6 Relay Outputs
- X3** – TIs-4: Standard phase current measuring card and sensitive ground current measuring
- X4** – TU: Card with 4 voltage transformer measuring inputs
- X100** – Modbus TCP / DNP3.0 TCP/UDP, Ethernet interface, 100 Mbit/s, RJ45 (BASE100-FX)
- X102** – Protection Communication, Fiber optics interface, ST Connector
- X103** – IEC 60870-5-103 / Modbus RTU / DNP3.0 RTU, RS485, Terminals
- X104** – IRIG-B00X, incl. System Contact (Supervision Contact)

MCDLV4-2A1B1KA



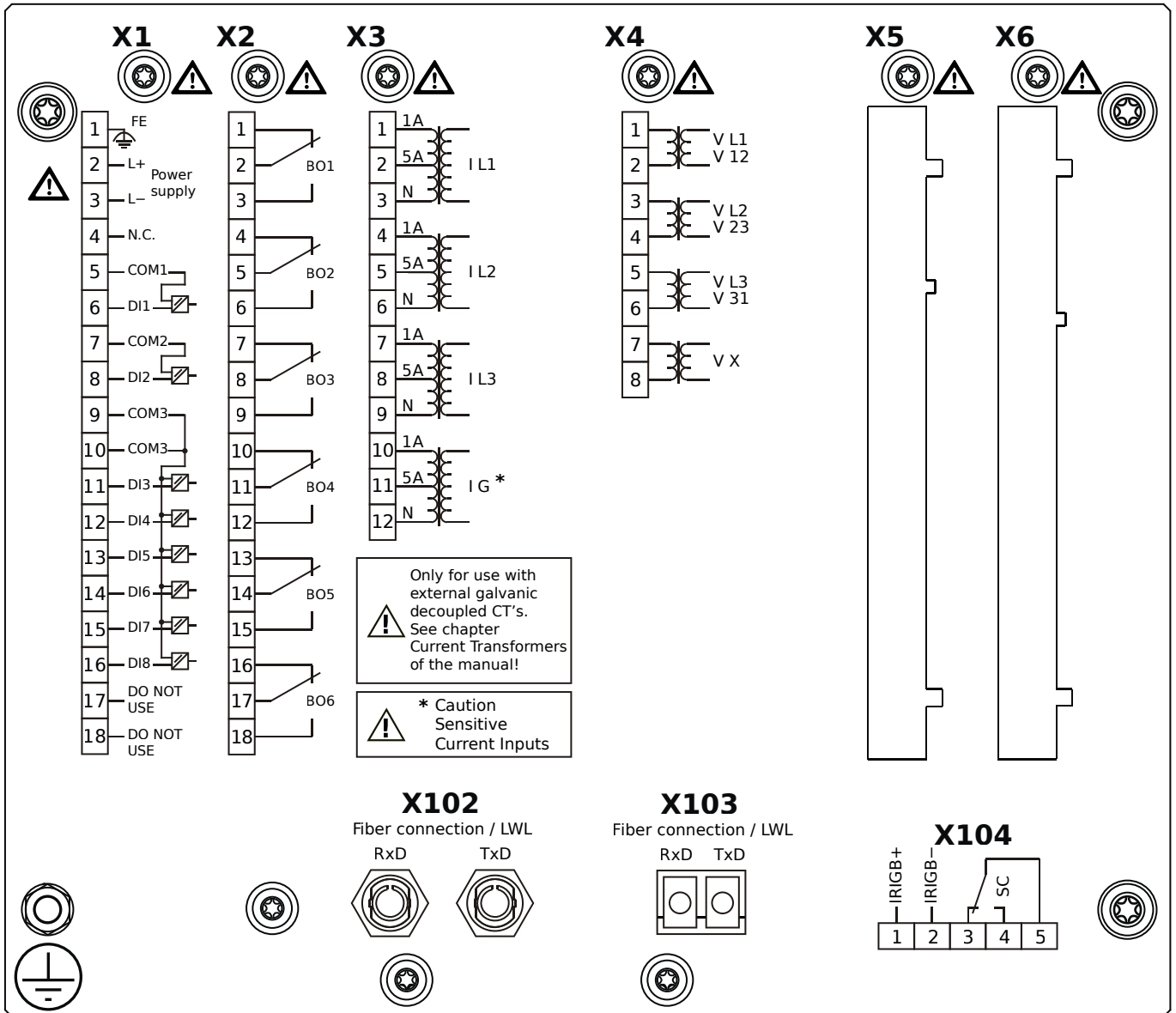
- X1** – DI8-X1: Wide-range power supply unit, incl. 2 non-grouped digital inputs and 6 grouped digital inputs
- X2** – OR-6: Assembly Group with 6 Relay Outputs
- X3** – TIs-4: Standard phase current measuring card and sensitive ground current measuring
- X4** – TU: Card with 4 voltage transformer measuring inputs
- X102** – Protection Communication, Fiber optics interface, ST Connector
- X103** – IEC 61850 / Modbus TCP / DNP3.0 TCP/UDP, Fiber optics interface, LC Connector
- X104** – IRIG-B00X, incl. System Contact (Supervision Contact)

MCDLV4-2A1B1KB



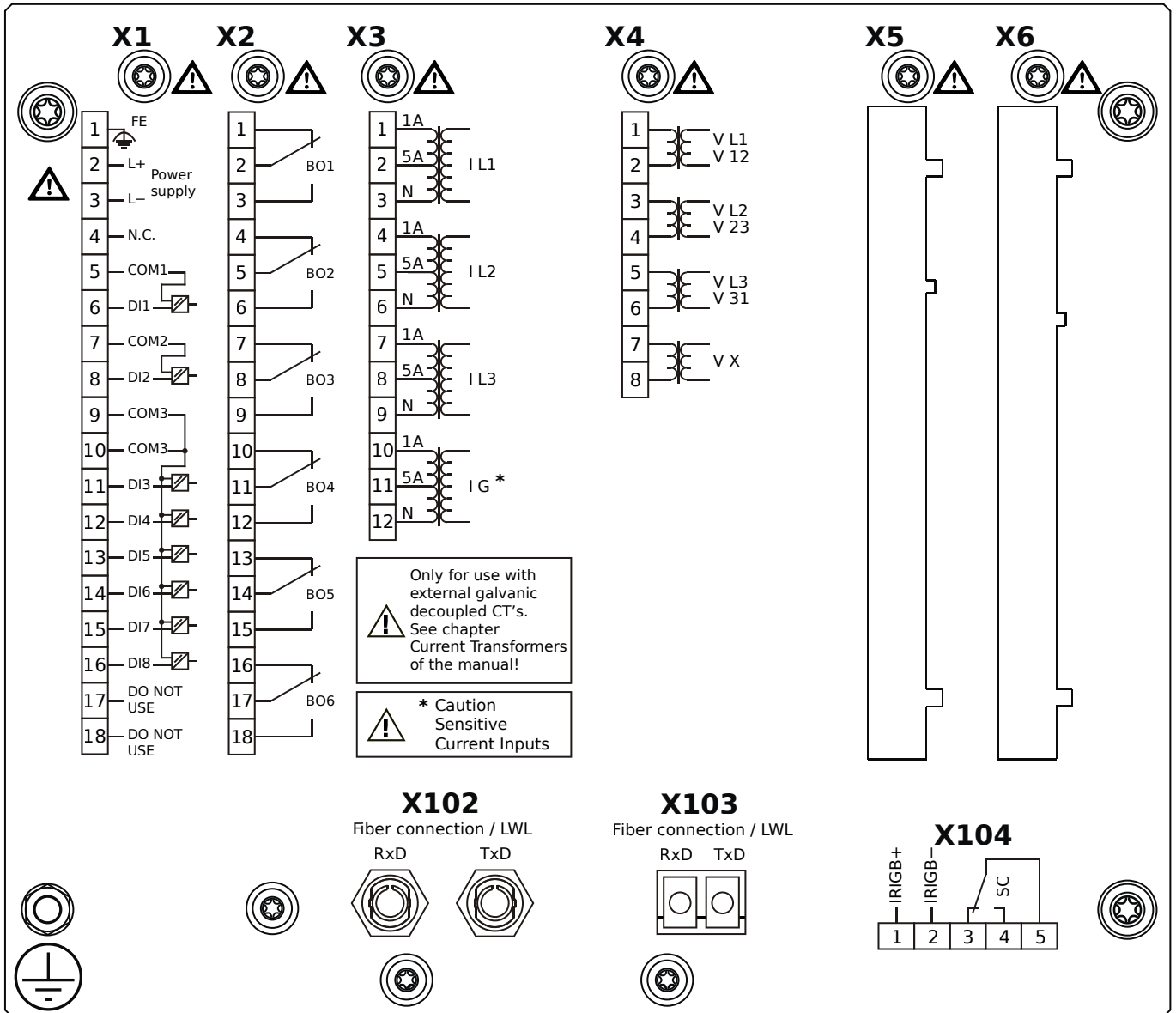
- X1** – DI8-X1: Wide-range power supply unit, incl. 2 non-grouped digital inputs and 6 grouped digital inputs
- X2** – OR-6: Assembly Group with 6 Relay Outputs
- X3** – TIs-4: Standard phase current measuring card and sensitive ground current measuring
- X4** – TU: Card with 4 voltage transformer measuring inputs
- X102** – Protection Communication, Fiber optics interface, ST Connector
- X103** – IEC 61850 / Modbus TCP / DNP3.0 TCP/UDP, Fiber optics interface, LC Connector
- X104** – IRIG-B00X, incl. System Contact (Supervision Contact)

MCDLV4-2A1B1LA



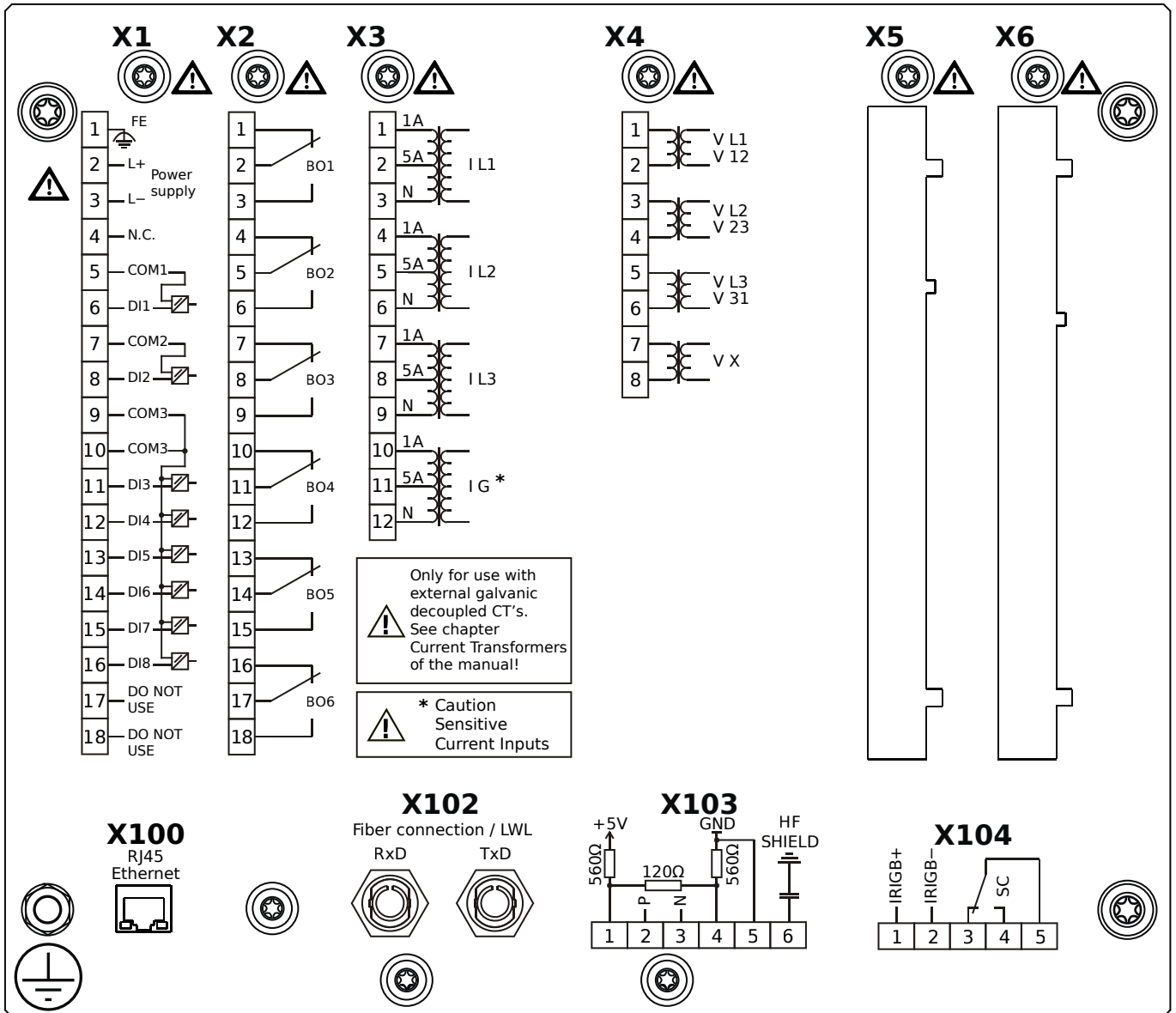
- X1** – DI8-X1: Wide-range power supply unit, incl. 2 non-grouped digital inputs and 6 grouped digital inputs
- X2** – OR-6: Assembly Group with 6 Relay Outputs
- X3** – TIs-4: Standard phase current measuring card and sensitive ground current measuring
- X4** – TU: Card with 4 voltage transformer measuring inputs
- X102** – Protection Communication, Fiber optics interface, ST Connector
- X103** – Modbus TCP / DNP3.0 TCP/UDP, Fiber optics interface, LC Connector
- X104** – IRIG-B00X, incl. System Contact (Supervision Contact)

MCDLV4-2A1B1LB



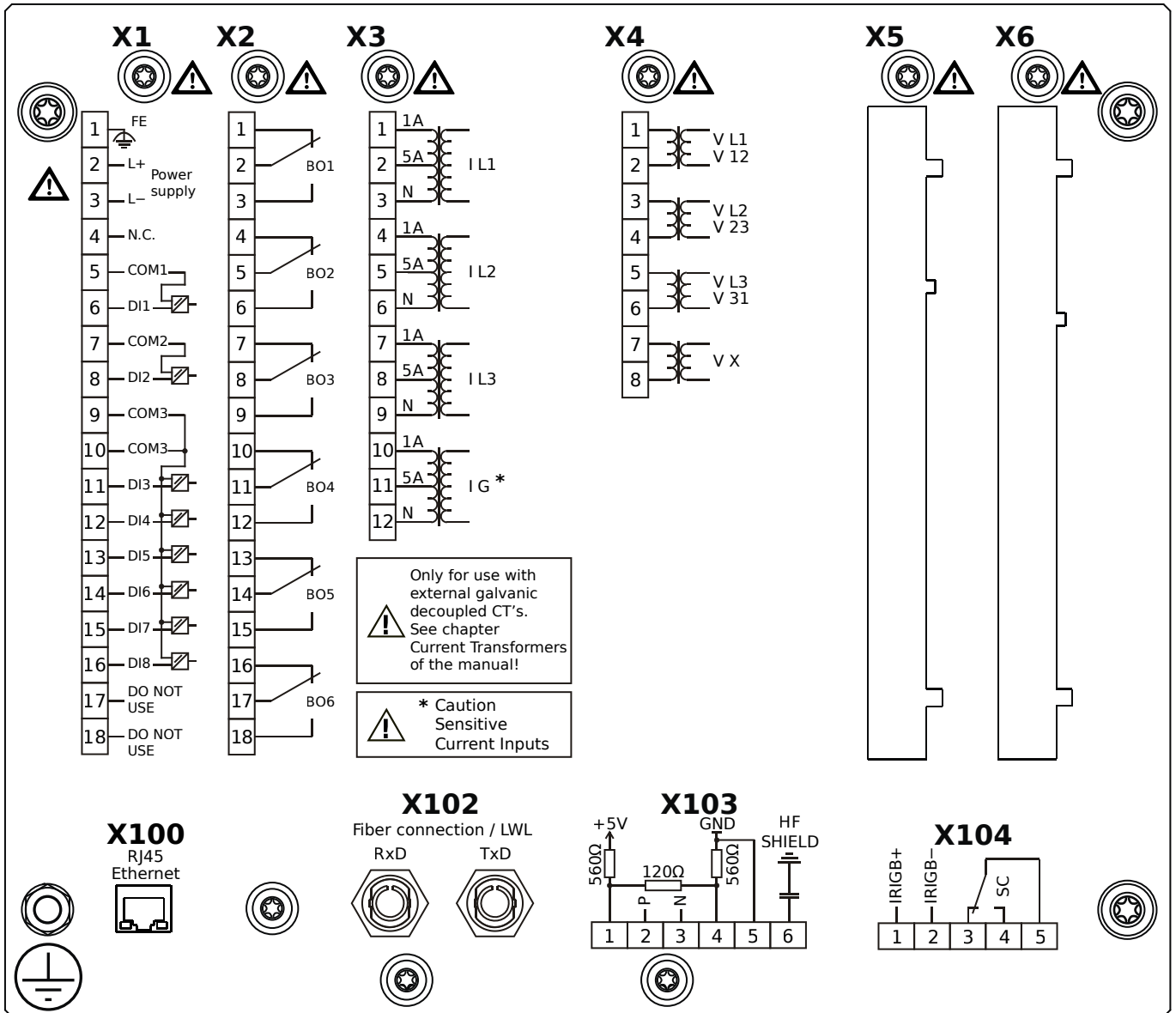
- X1** – DI8-X1: Wide-range power supply unit, incl. 2 non-grouped digital inputs and 6 grouped digital inputs
- X2** – OR-6: Assembly Group with 6 Relay Outputs
- X3** – TIs-4: Standard phase current measuring card and sensitive ground current measuring
- X4** – TU: Card with 4 voltage transformer measuring inputs
- X102** – Protection Communication, Fiber optics interface, ST Connector
- X103** – Modbus TCP / DNP3.0 TCP/UDP, Fiber optics interface, LC Connector
- X104** – IRIG-B00X, incl. System Contact (Supervision Contact)

MCDLV4-2A1B1TA



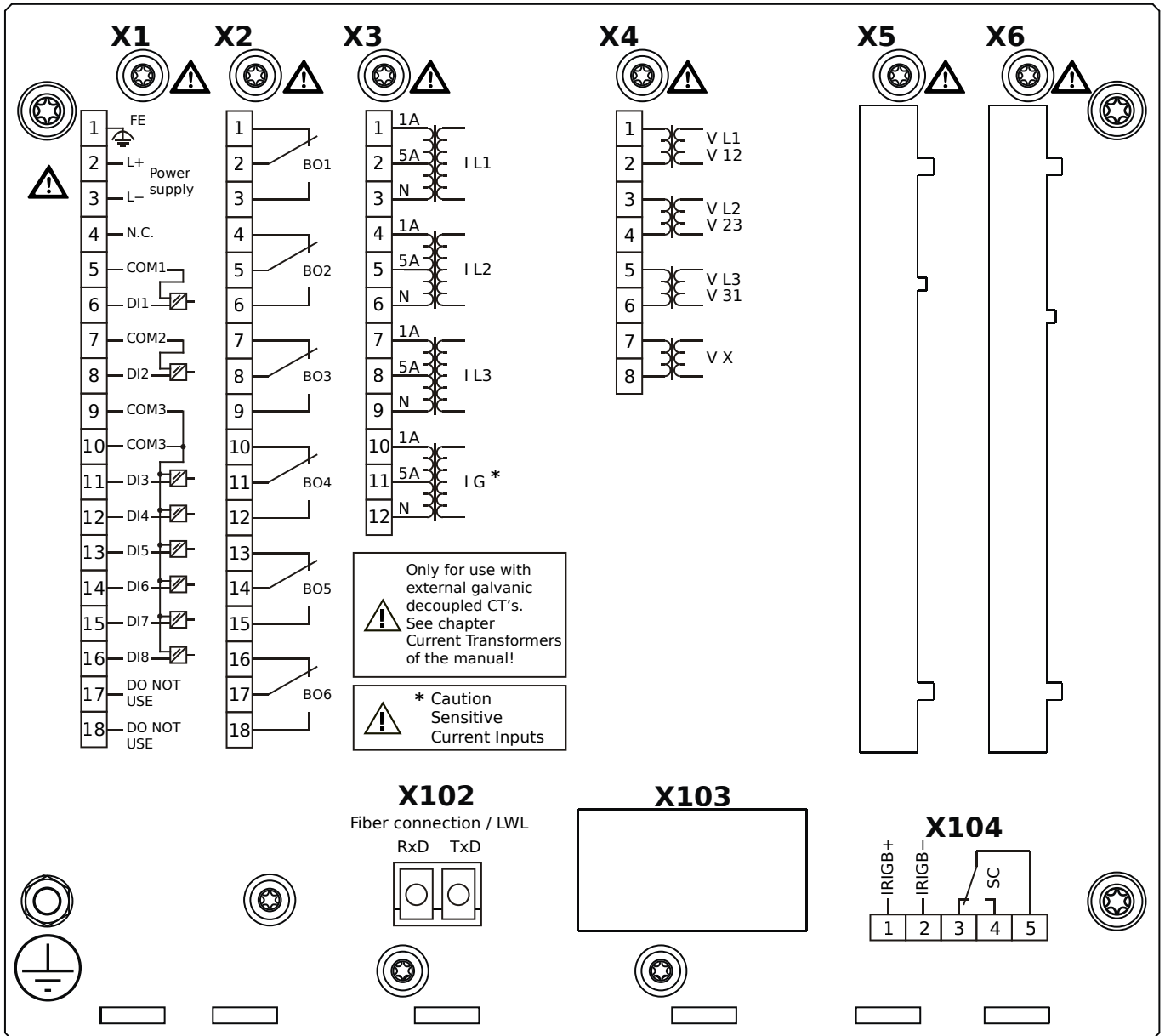
- X1** – DI8-X1: Wide-range power supply unit, incl. 2 non-grouped digital inputs and 6 grouped digital inputs
- X2** – OR-6: Assembly Group with 6 Relay Outputs
- X3** – TIs-4: Standard phase current measuring card and sensitive ground current measuring
- X4** – TU: Card with 4 voltage transformer measuring inputs
- X100** – IEC 61850 / Modbus TCP / DNP3.0 TCP/UDP, Ethernet interface, 100 Mbit/s, RJ45 (BASE100-FX)
- X102** – Protection Communication, Fiber optics interface, ST Connector
- X103** – IEC 60870-5-103 / Modbus RTU / DNP3.0 RTU, RS485, Terminals
- X104** – IRIG-B00X, incl. System Contact (Supervision Contact)

MCDLV4-2A1B1TB



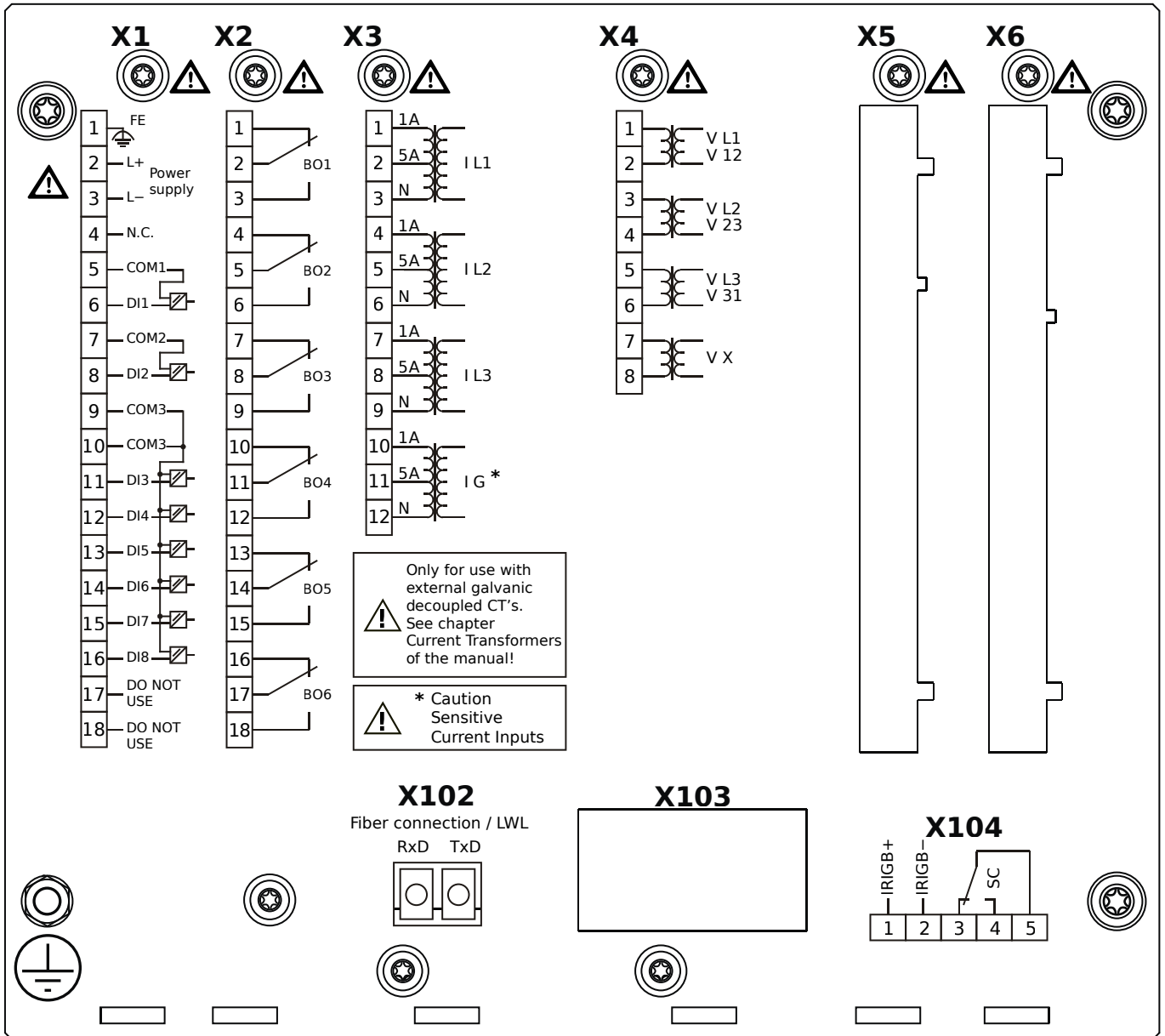
- X1** – DI8-X1: Wide-range power supply unit, incl. 2 non-grouped digital inputs and 6 grouped digital inputs
- X2** – OR-6: Assembly Group with 6 Relay Outputs
- X3** – TIs-4: Standard phase current measuring card and sensitive ground current measuring
- X4** – TU: Card with 4 voltage transformer measuring inputs
- X100** – IEC 61850 / Modbus TCP / DNP3.0 TCP/UDP, Ethernet interface, 100 Mbit/s, RJ45 (BASE100-FX)
- X102** – Protection Communication, Fiber optics interface, ST Connector
- X103** – IEC 60870-5-103 / Modbus RTU / DNP3.0 RTU, RS485, Terminals
- X104** – IRIG-B00X, incl. System Contact (Supervision Contact)

MCDLV4-2A1H0AA



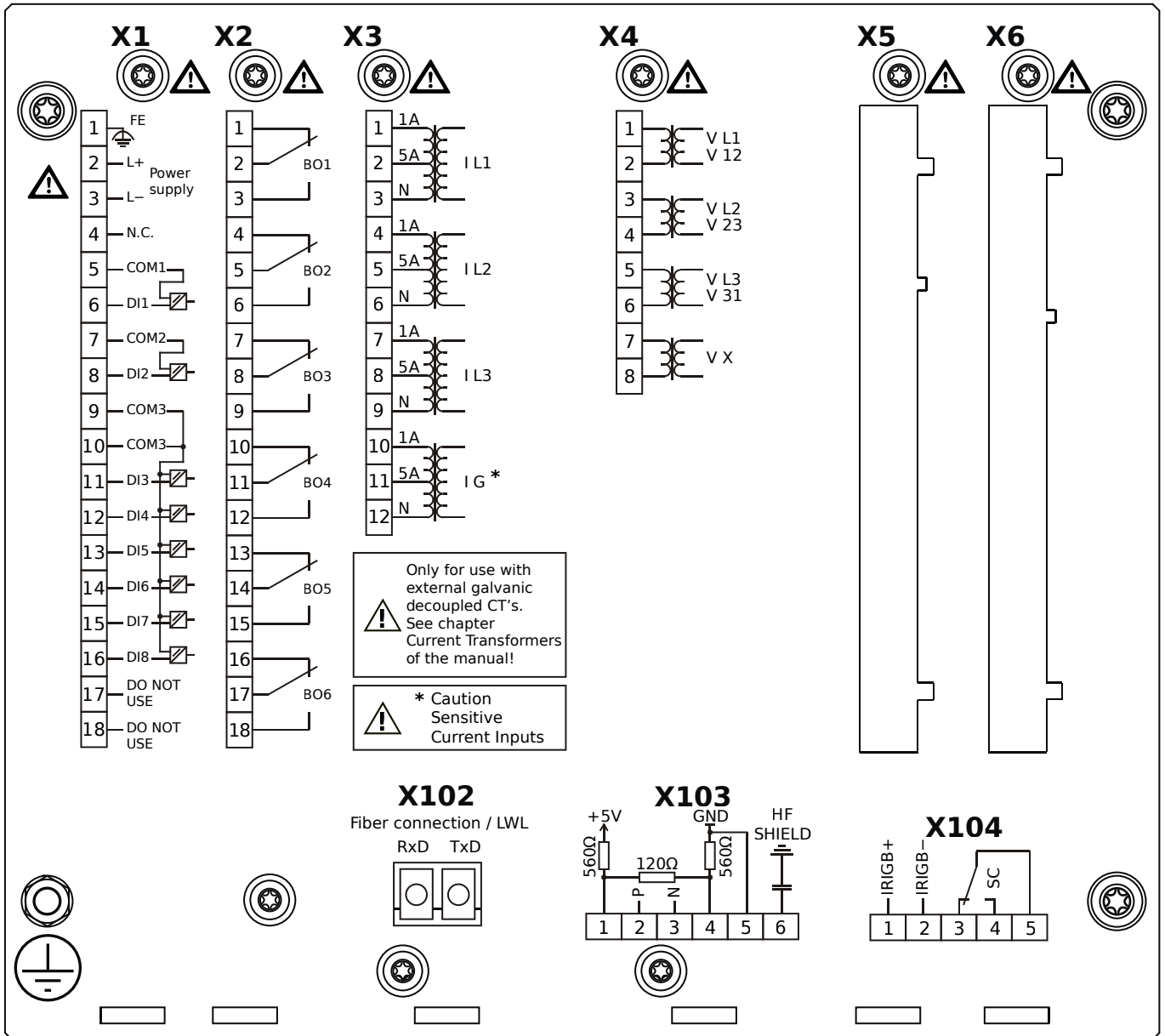
- X1** – DI8-X1: Wide-range power supply unit, incl. 2 non-grouped digital inputs and 6 grouped digital inputs
- X2** – OR-6: Assembly Group with 6 Relay Outputs
- X3** – TIs-4: Standard phase current measuring card and sensitive ground current measuring
- X4** – TU: Card with 4 voltage transformer measuring inputs
- X102** – Long-distance Protection Communication, Fiber optics interface, LC Connector
- X104** – IRIG-B00X, incl. System Contact (Supervision Contact)

MCDLV4-2A1H0AB



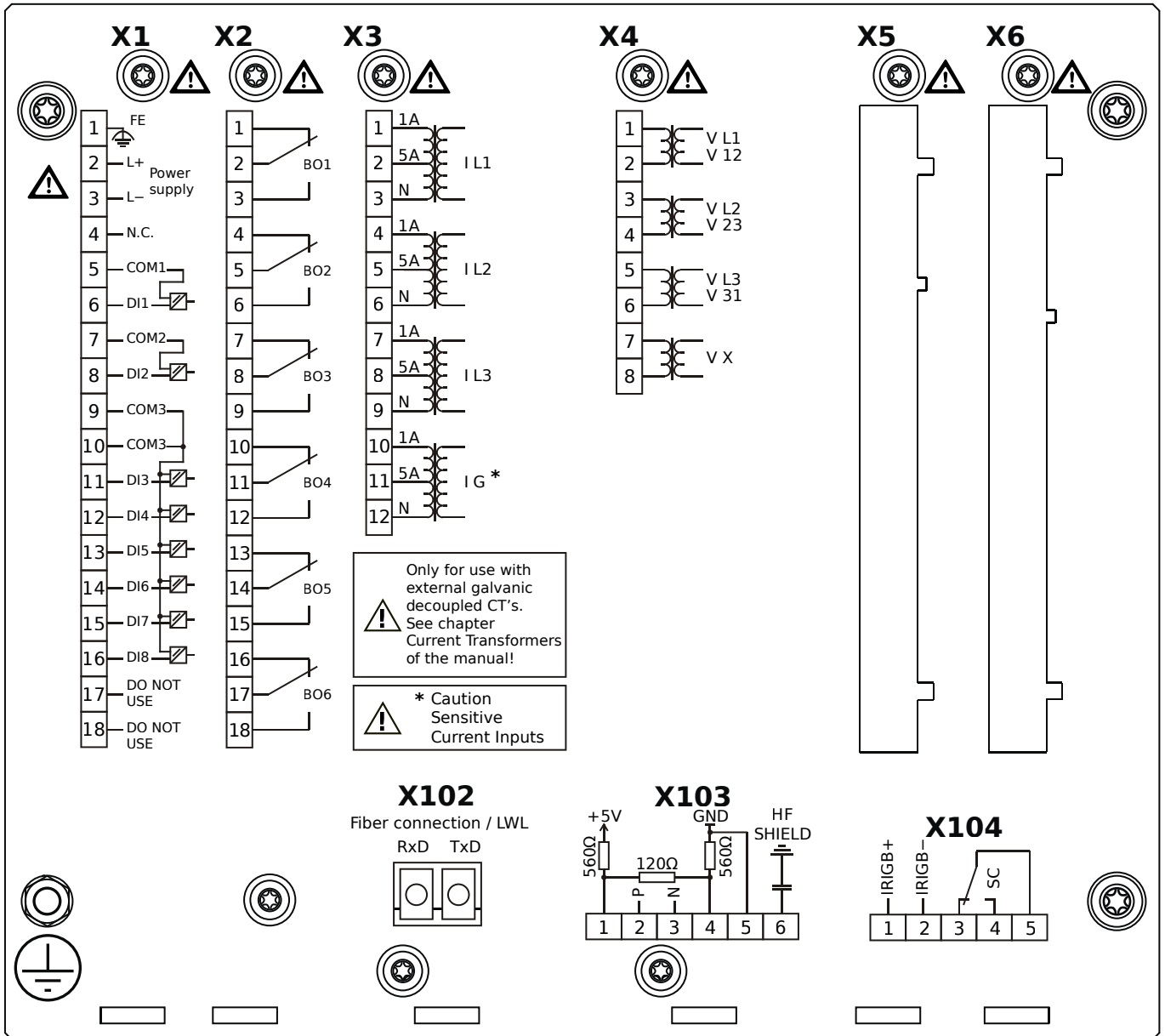
- X1** – DI8-X1: Wide-range power supply unit, incl. 2 non-grouped digital inputs and 6 grouped digital inputs
- X2** – OR-6: Assembly Group with 6 Relay Outputs
- X3** – TIs-4: Standard phase current measuring card and sensitive ground current measuring
- X4** – TU: Card with 4 voltage transformer measuring inputs
- X102** – Long-distance Protection Communication, Fiber optics interface, LC Connector
- X104** – IRIG-B00X, incl. System Contact (Supervision Contact)

MCDLV4-2A1H0BA



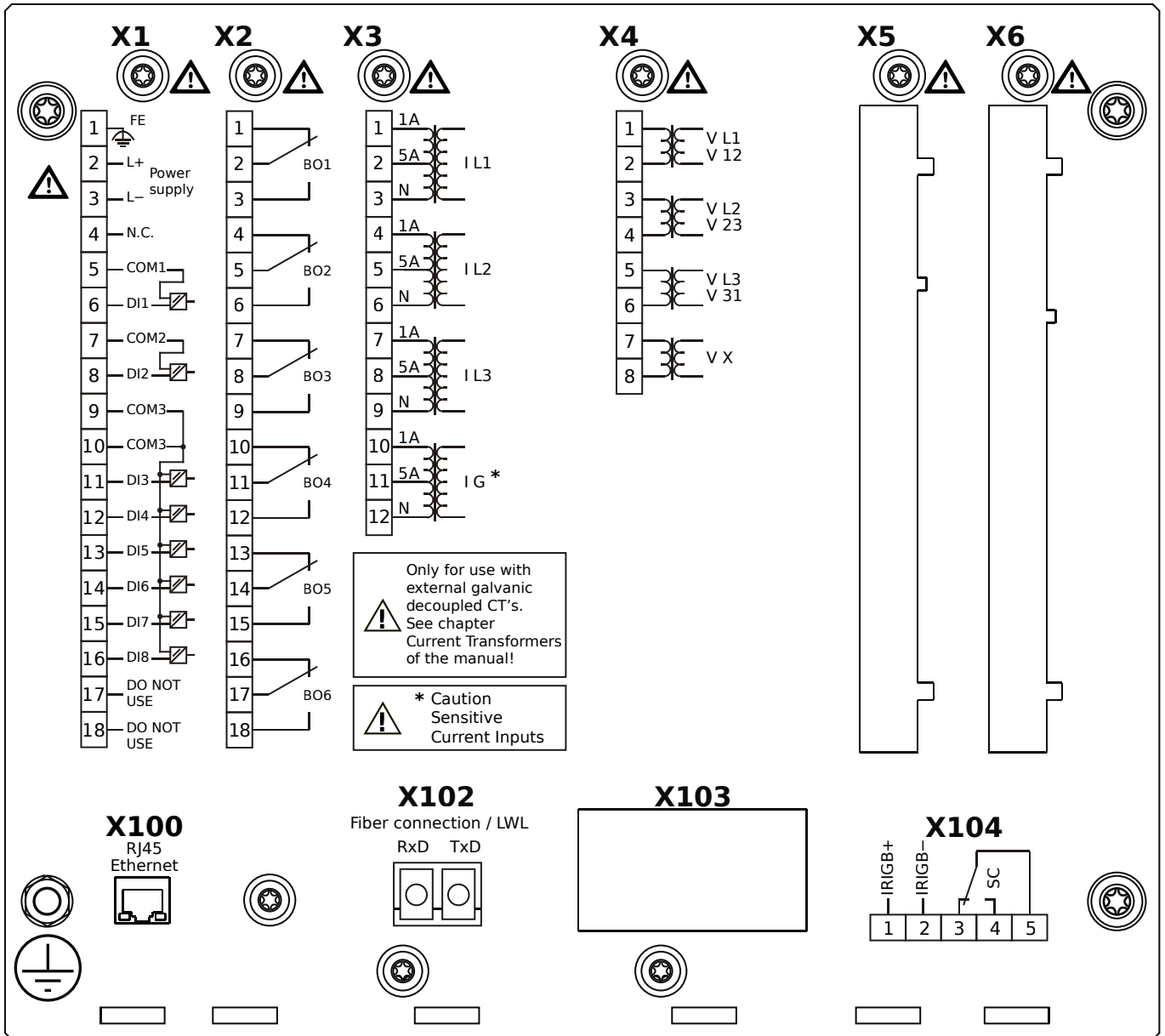
- X1** – DI8-X1: Wide-range power supply unit, incl. 2 non-grouped digital inputs and 6 grouped digital inputs
- X2** – OR-6: Assembly Group with 6 Relay Outputs
- X3** – TIs-4: Standard phase current measuring card and sensitive ground current measuring
- X4** – TU: Card with 4 voltage transformer measuring inputs
- X102** – Long-distance Protection Communication, Fiber optics interface, LC Connector
- X103** – Modbus RTU / IEC 60870-5-103 / DNP3.0 RTU, RS485, Terminals
- X104** – IRIG-B00X, incl. System Contact (Supervision Contact)

MCDLV4-2A1H0BB



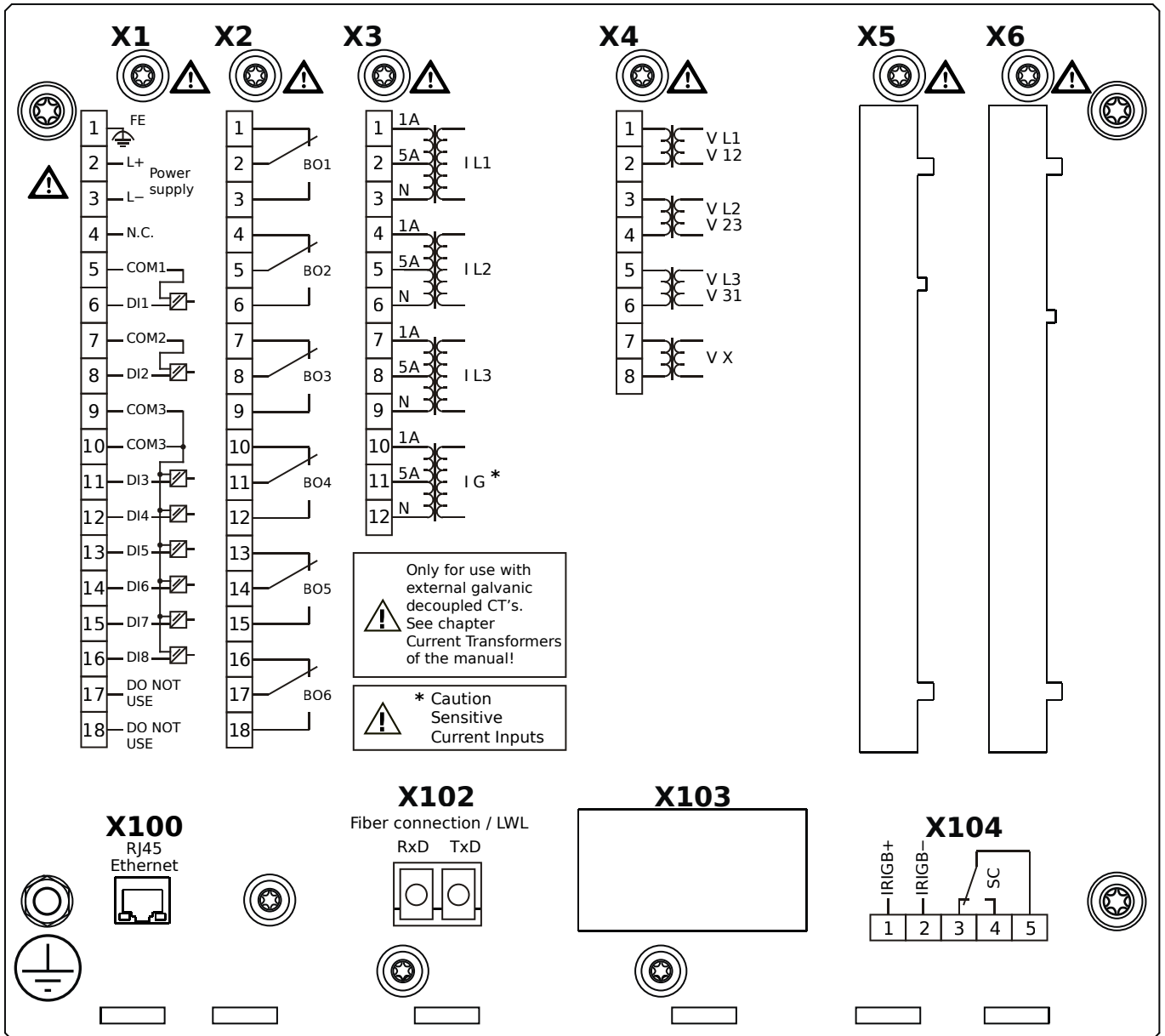
- X1** – DI8-X1: Wide-range power supply unit, incl. 2 non-grouped digital inputs and 6 grouped digital inputs
- X2** – OR-6: Assembly Group with 6 Relay Outputs
- X3** – TIs-4: Standard phase current measuring card and sensitive ground current measuring
- X4** – TU: Card with 4 voltage transformer measuring inputs
- X102** – Long-distance Protection Communication, Fiber optics interface, LC Connector
- X103** – Modbus RTU / IEC 60870-5-103 / DNP3.0 RTU, RS485, Terminals
- X104** – IRIG-B00X, incl. System Contact (Supervision Contact)

MCDLV4-2A1H0CA



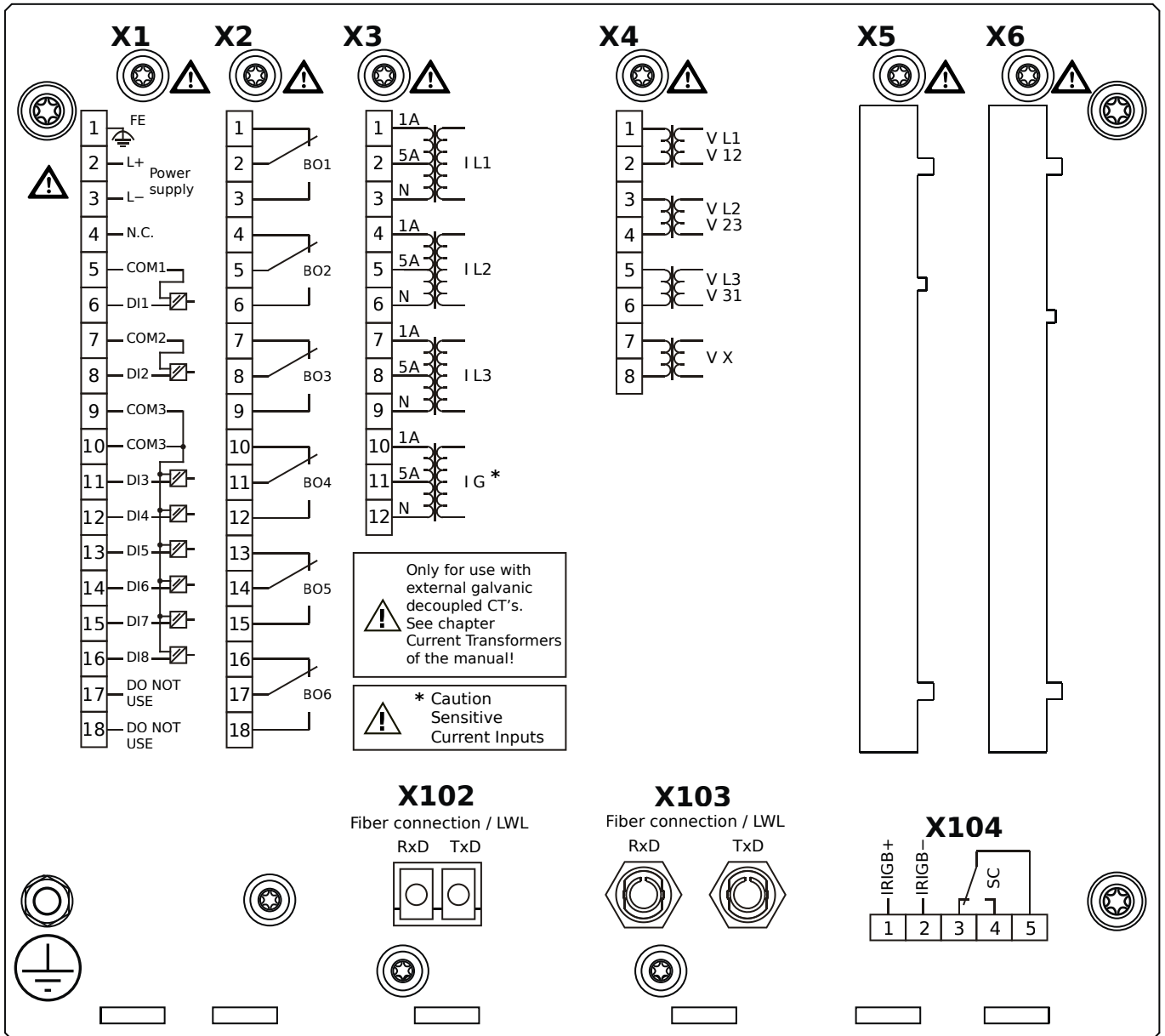
- X1** – DI8-X1: Wide-range power supply unit, incl. 2 non-grouped digital inputs and 6 grouped digital inputs
- X2** – OR-6: Assembly Group with 6 Relay Outputs
- X3** – TIs-4: Standard phase current measuring card and sensitive ground current measuring
- X4** – TU: Card with 4 voltage transformer measuring inputs
- X100** – Modbus TCP / DNP3.0 TCP/UDP, Ethernet interface, 100 Mbit/s, RJ45 (BASE100-FX)
- X102** – Long-distance Protection Communication, Fiber optics interface, LC Connector
- X104** – IRIG-B00X, incl. System Contact (Supervision Contact)

MCDLV4-2A1H0CB



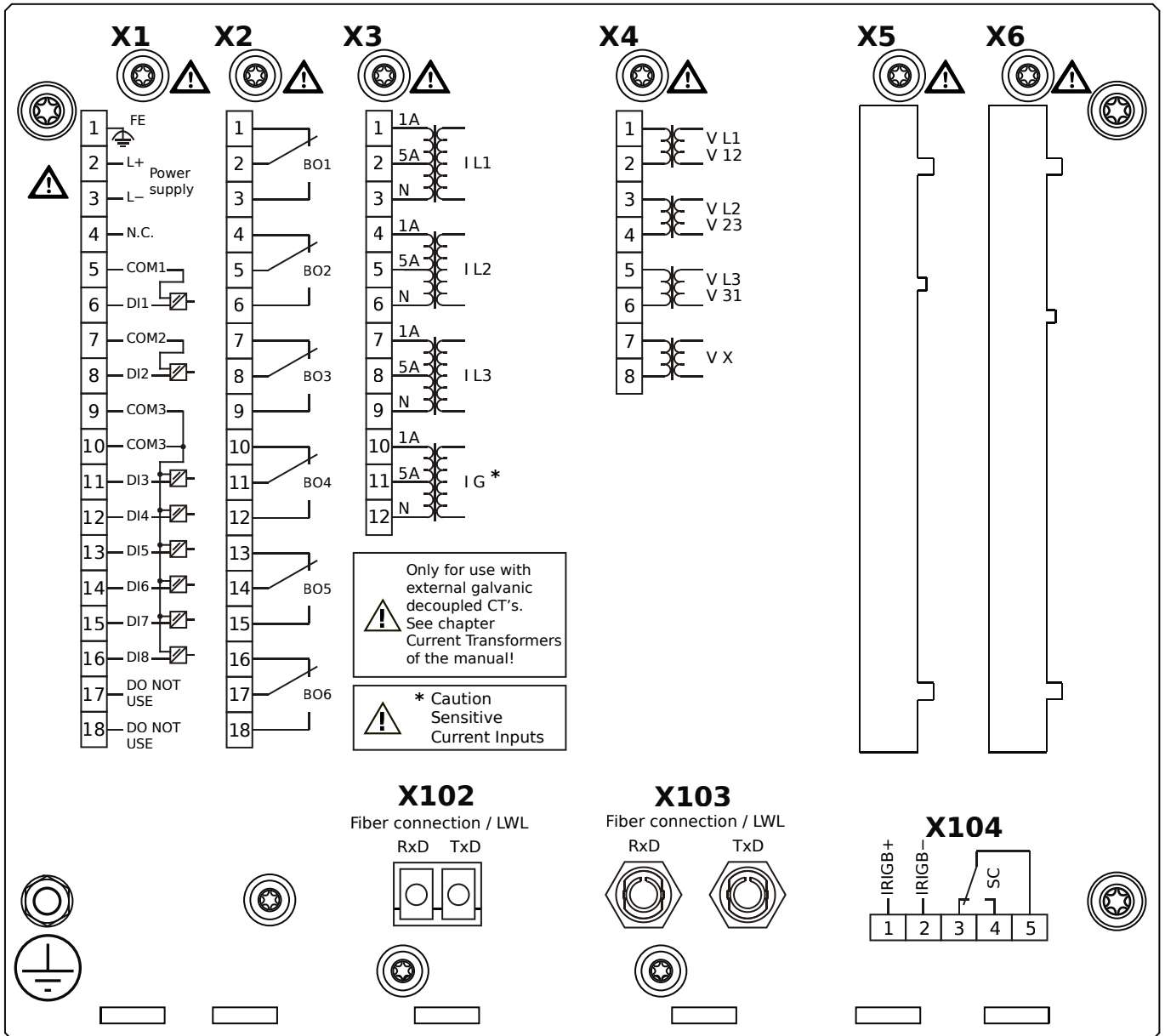
- X1** – DI8-X1: Wide-range power supply unit, incl. 2 non-grouped digital inputs and 6 grouped digital inputs
- X2** – OR-6: Assembly Group with 6 Relay Outputs
- X3** – TIs-4: Standard phase current measuring card and sensitive ground current measuring
- X4** – TU: Card with 4 voltage transformer measuring inputs
- X100** – Modbus TCP / DNP3.0 TCP/UDP, Ethernet interface, 100 Mbit/s, RJ45 (BASE100-FX)
- X102** – Long-distance Protection Communication, Fiber optics interface, LC Connector
- X104** – IRIG-B00X, incl. System Contact (Supervision Contact)

MCDLV4-2A1H0DA



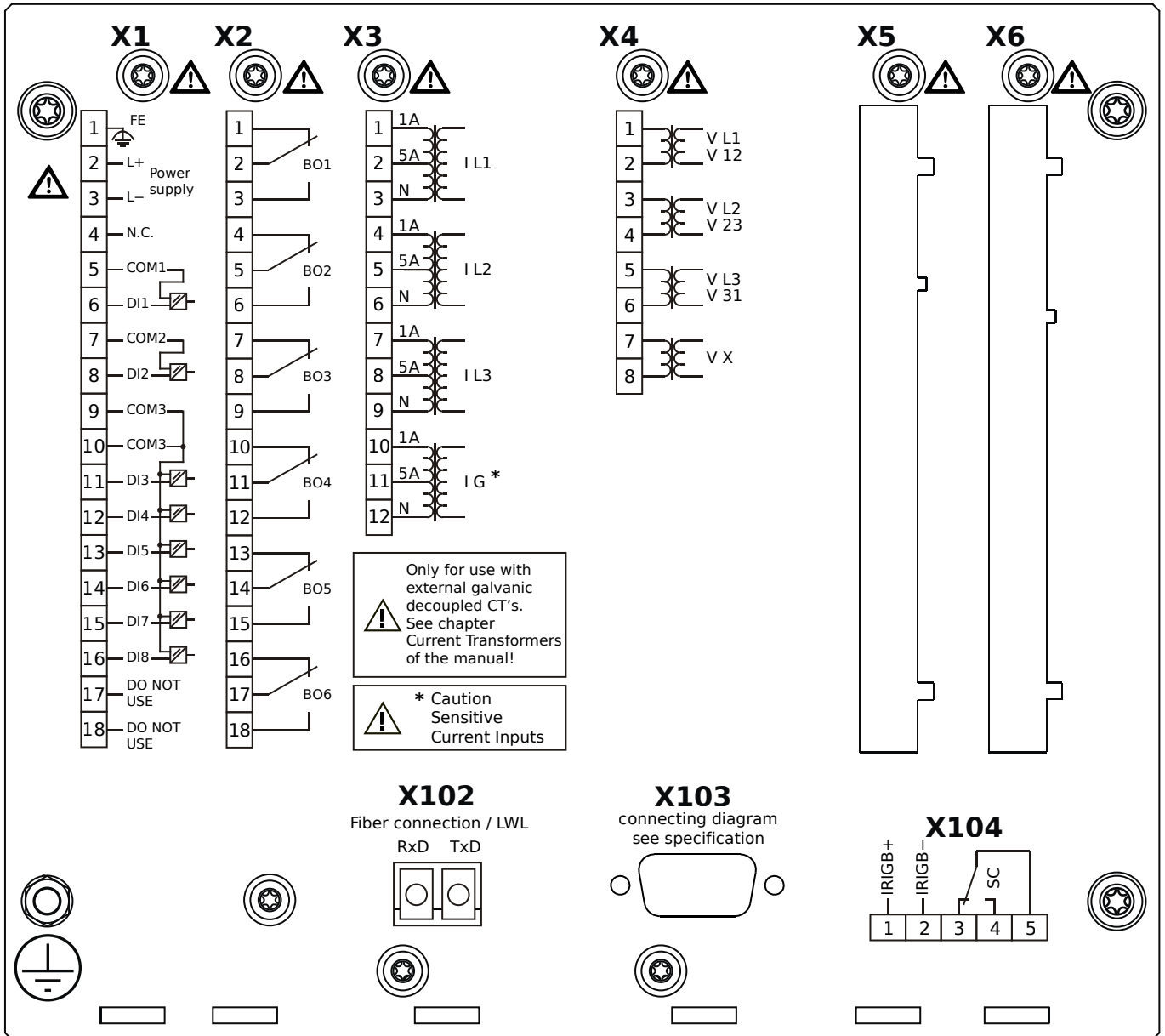
- X1** – DI8-X1: Wide-range power supply unit, incl. 2 non-grouped digital inputs and 6 grouped digital inputs
- X2** – OR-6: Assembly Group with 6 Relay Outputs
- X3** – TIs-4: Standard phase current measuring card and sensitive ground current measuring
- X4** – TU: Card with 4 voltage transformer measuring inputs
- X102** – Long-distance Protection Communication, Fiber optics interface, LC Connector
- X103** – Profibus-DP, Fiber optics interface, ST Connector
- X104** – IRIG-B00X, incl. System Contact (Supervision Contact)

MCDLV4-2A1H0DB



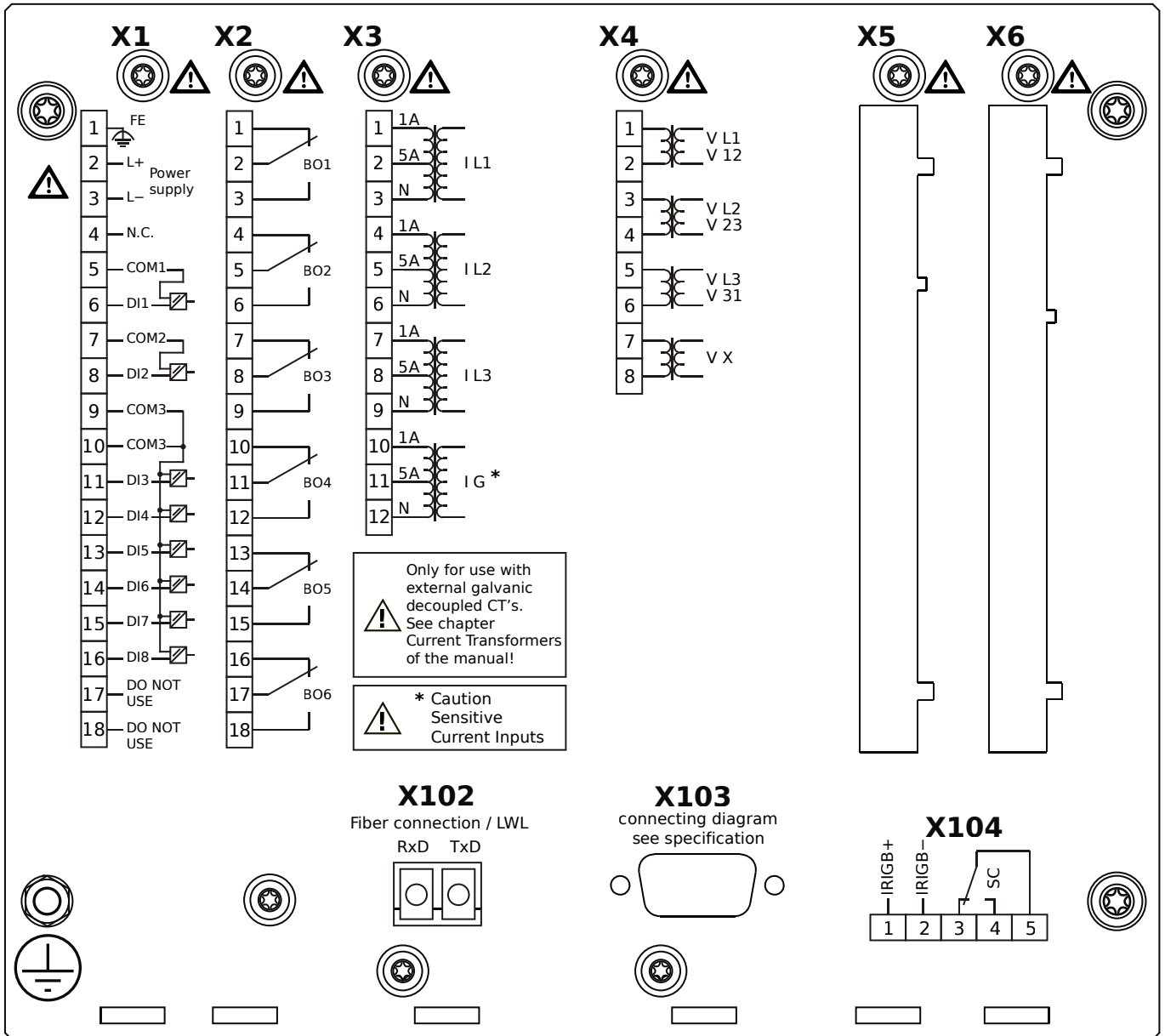
- X1** – DI8-X1: Wide-range power supply unit, incl. 2 non-grouped digital inputs and 6 grouped digital inputs
- X2** – OR-6: Assembly Group with 6 Relay Outputs
- X3** – TIs-4: Standard phase current measuring card and sensitive ground current measuring
- X4** – TU: Card with 4 voltage transformer measuring inputs
- X102** – Long-distance Protection Communication, Fiber optics interface, LC Connector
- X103** – Profibus-DP, Fiber optics interface, ST Connector
- X104** – IRIG-B00X, incl. System Contact (Supervision Contact)

MCDLV4-2A1H0EA



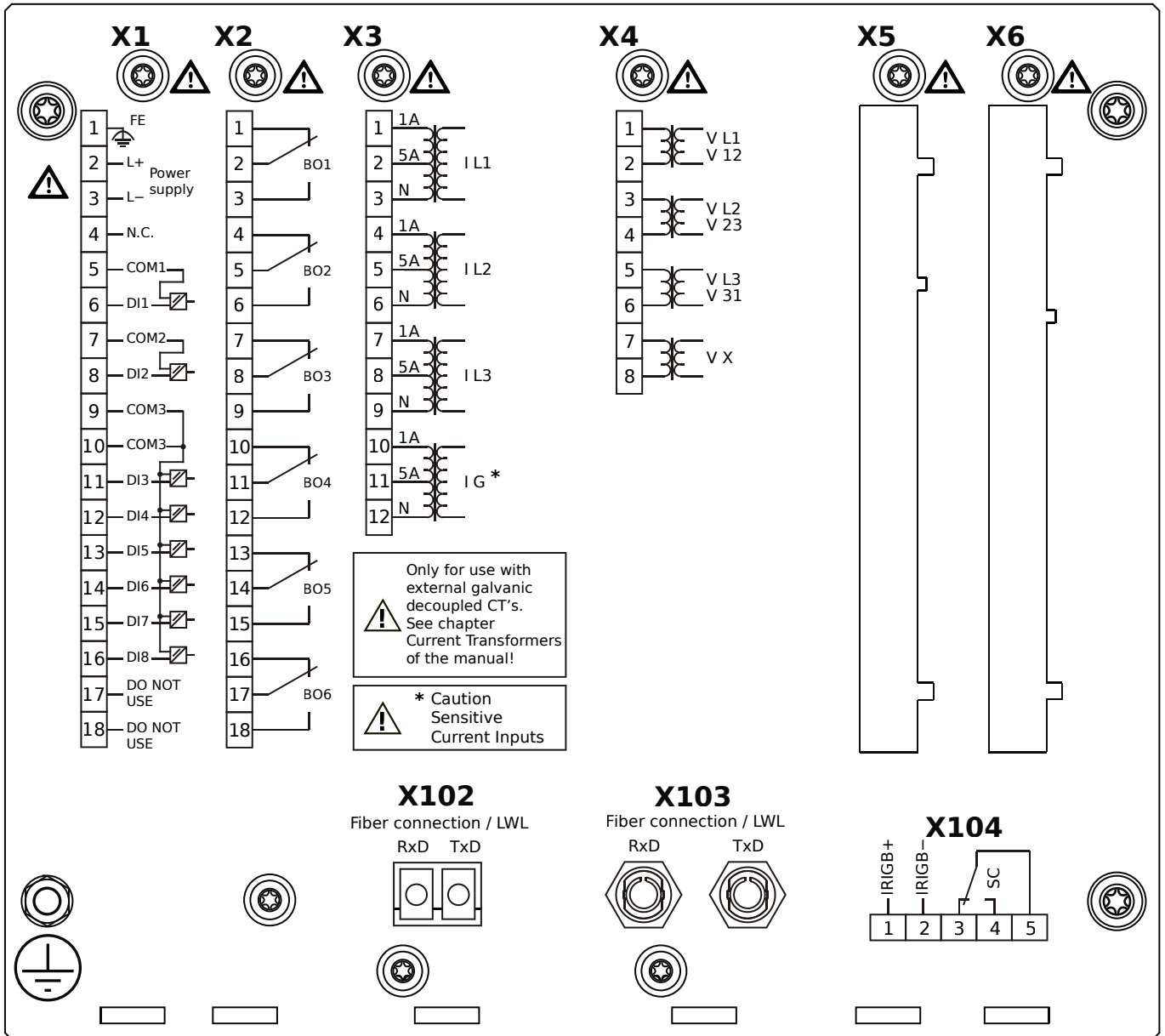
- X1** – DI8-X1: Wide-range power supply unit, incl. 2 non-grouped digital inputs and 6 grouped digital inputs
- X2** – OR-6: Assembly Group with 6 Relay Outputs
- X3** – TIs-4: Standard phase current measuring card and sensitive ground current measuring
- X4** – TU: Card with 4 voltage transformer measuring inputs
- X102** – Long-distance Protection Communication, Fiber optics interface, LC Connector
- X103** – Profibus-DP, RS485, D-SUB
- X104** – IRIG-B00X, incl. System Contact (Supervision Contact)

MCDLV4-2A1H0EB



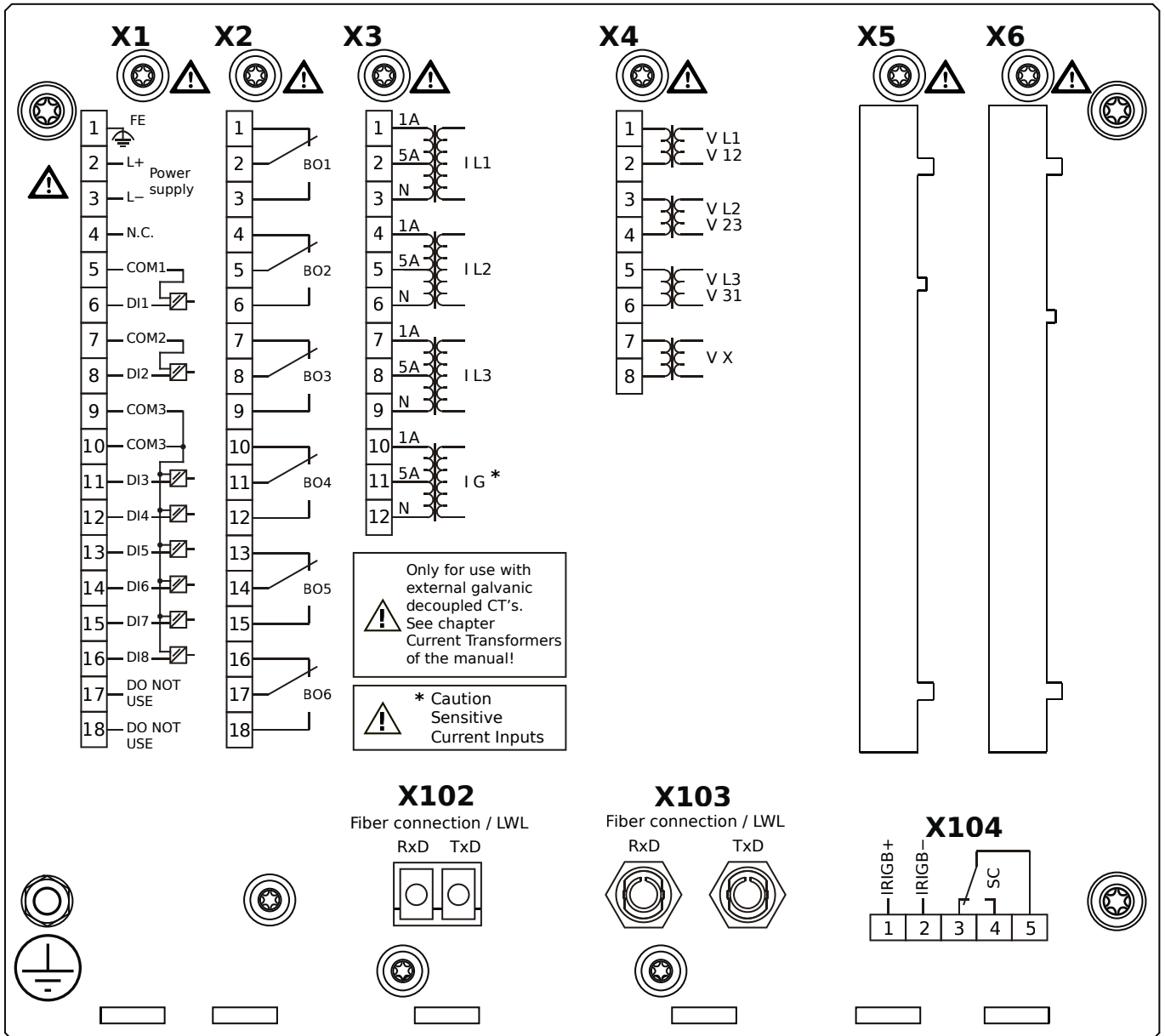
- X1** – DI8-X1: Wide-range power supply unit, incl. 2 non-grouped digital inputs and 6 grouped digital inputs
- X2** – OR-6: Assembly Group with 6 Relay Outputs
- X3** – TIs-4: Standard phase current measuring card and sensitive ground current measuring
- X4** – TU: Card with 4 voltage transformer measuring inputs
- X102** – Long-distance Protection Communication, Fiber optics interface, LC Connector
- X103** – Profibus-DP, RS485, D-SUB
- X104** – IRIG-B00X, incl. System Contact (Supervision Contact)

MCDLV4-2A1H0FA



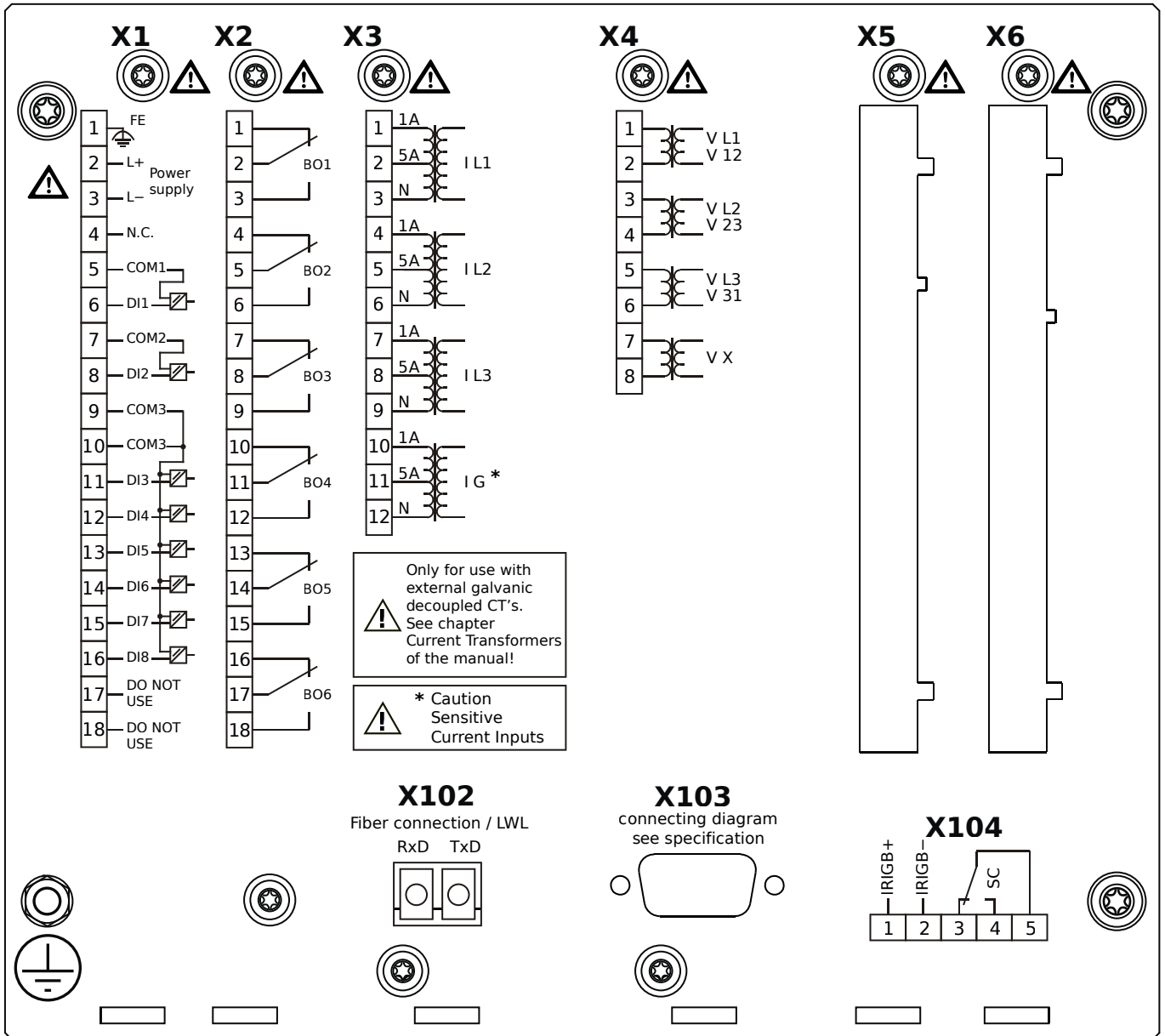
- X1** – DI8-X1: Wide-range power supply unit, incl. 2 non-grouped digital inputs and 6 grouped digital inputs
- X2** – OR-6: Assembly Group with 6 Relay Outputs
- X3** – TIs-4: Standard phase current measuring card and sensitive ground current measuring
- X4** – TU: Card with 4 voltage transformer measuring inputs
- X102** – Long-distance Protection Communication, Fiber optics interface, LC Connector
- X103** – Modbus RTU / IEC 60870-5-103 / DNP3.0 RTU, Fiber optics interface, ST Connector
- X104** – IRIG-B00X, incl. System Contact (Supervision Contact)

MCDLV4-2A1H0FB



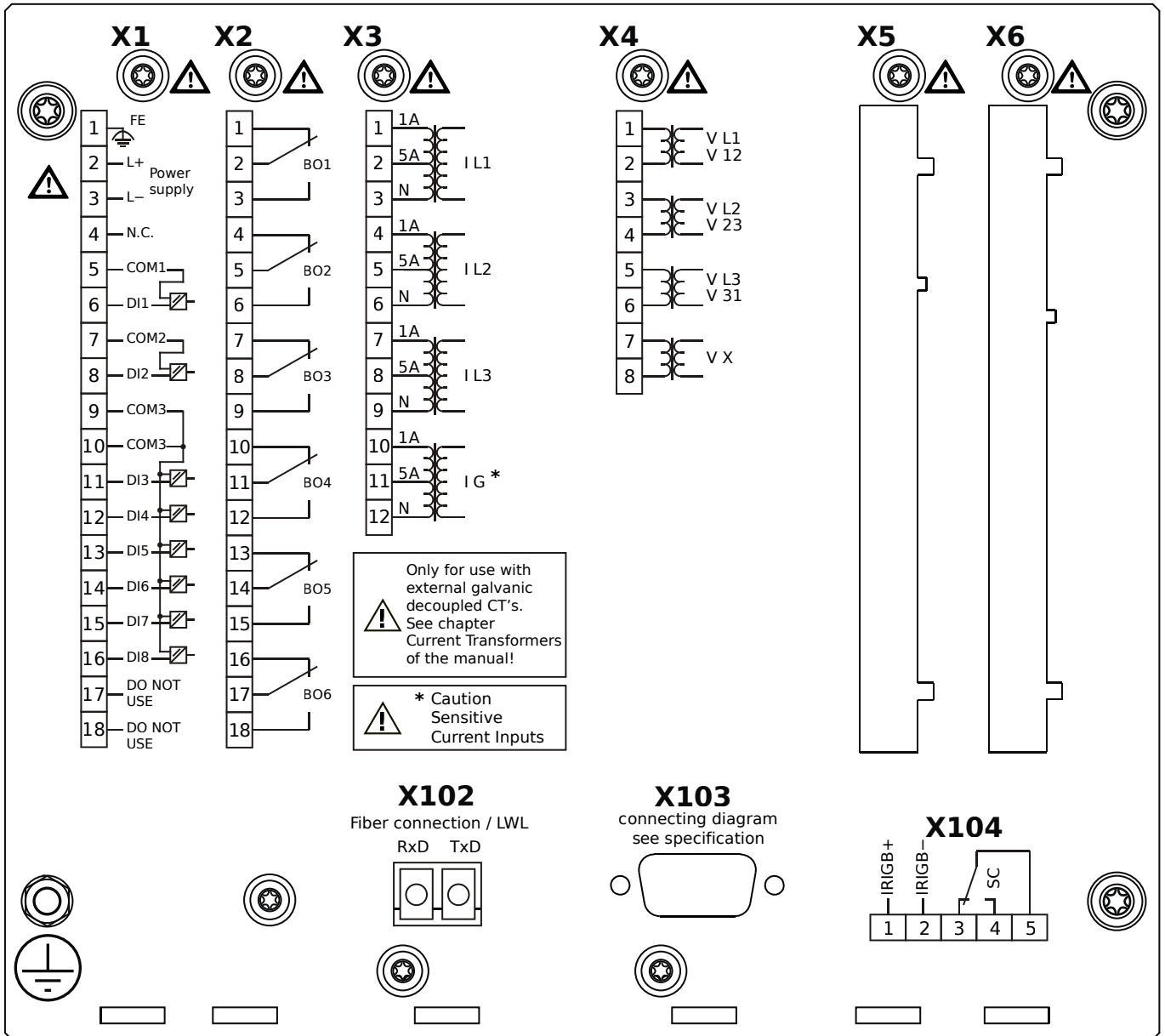
- X1** – DI8-X1: Wide-range power supply unit, incl. 2 non-grouped digital inputs and 6 grouped digital inputs
- X2** – OR-6: Assembly Group with 6 Relay Outputs
- X3** – TIs-4: Standard phase current measuring card and sensitive ground current measuring
- X4** – TU: Card with 4 voltage transformer measuring inputs
- X102** – Long-distance Protection Communication, Fiber optics interface, LC Connector
- X103** – Modbus RTU / IEC 60870-5-103 / DNP3.0 RTU, Fiber optics interface, ST Connector
- X104** – IRIG-B00X, incl. System Contact (Supervision Contact)

MCDLV4-2A1H0GA



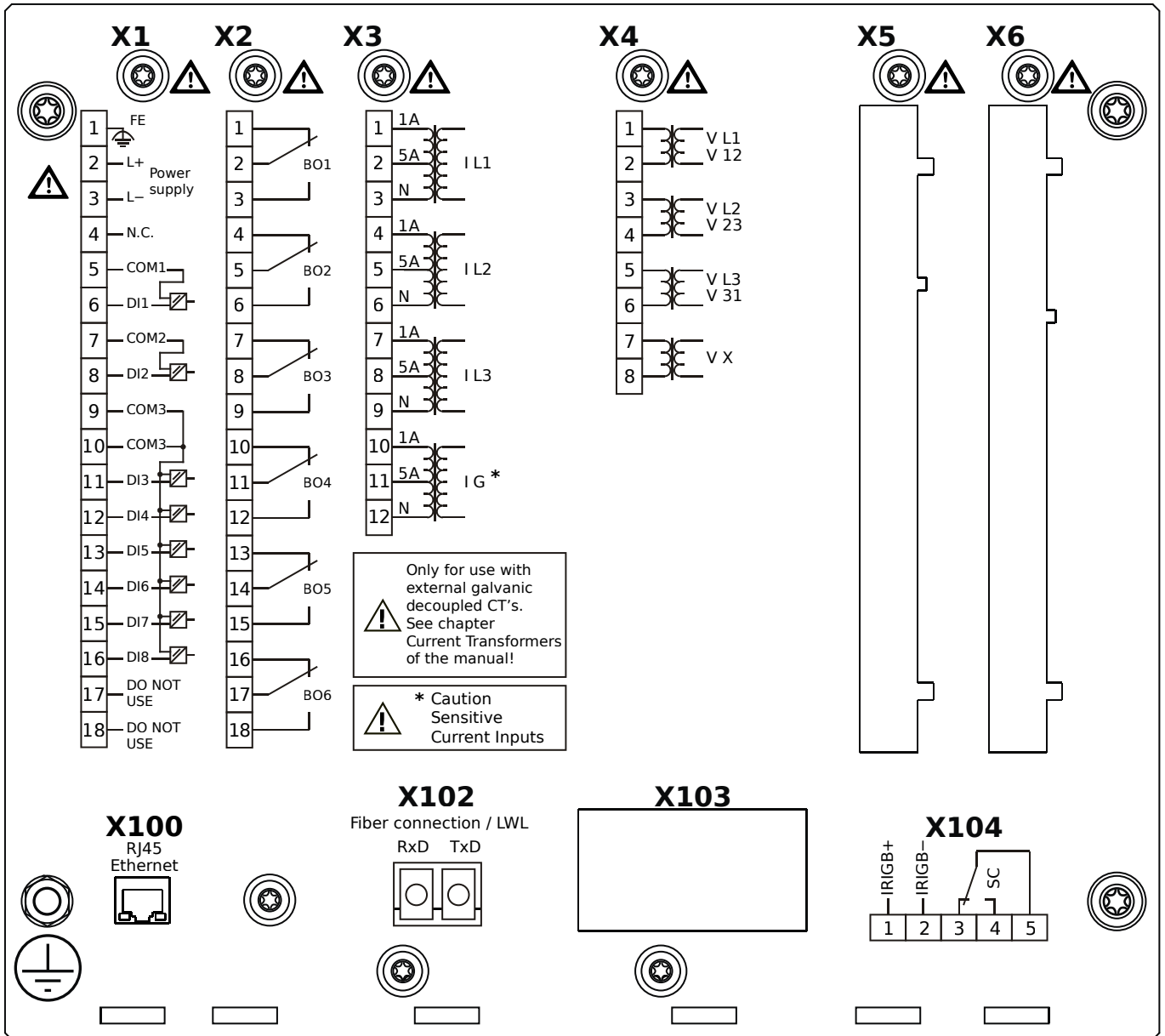
- X1** – DI8-X1: Wide-range power supply unit, incl. 2 non-grouped digital inputs and 6 grouped digital inputs
- X2** – OR-6: Assembly Group with 6 Relay Outputs
- X3** – TIs-4: Standard phase current measuring card and sensitive ground current measuring
- X4** – TU: Card with 4 voltage transformer measuring inputs
- X102** – Long-distance Protection Communication, Fiber optics interface, LC Connector
- X103** – Modbus RTU / IEC 60870-5-103 / DNP3.0 RTU, RS485, D-SUB
- X104** – IRIG-B00X, incl. System Contact (Supervision Contact)

MCDLV4-2A1H0GB



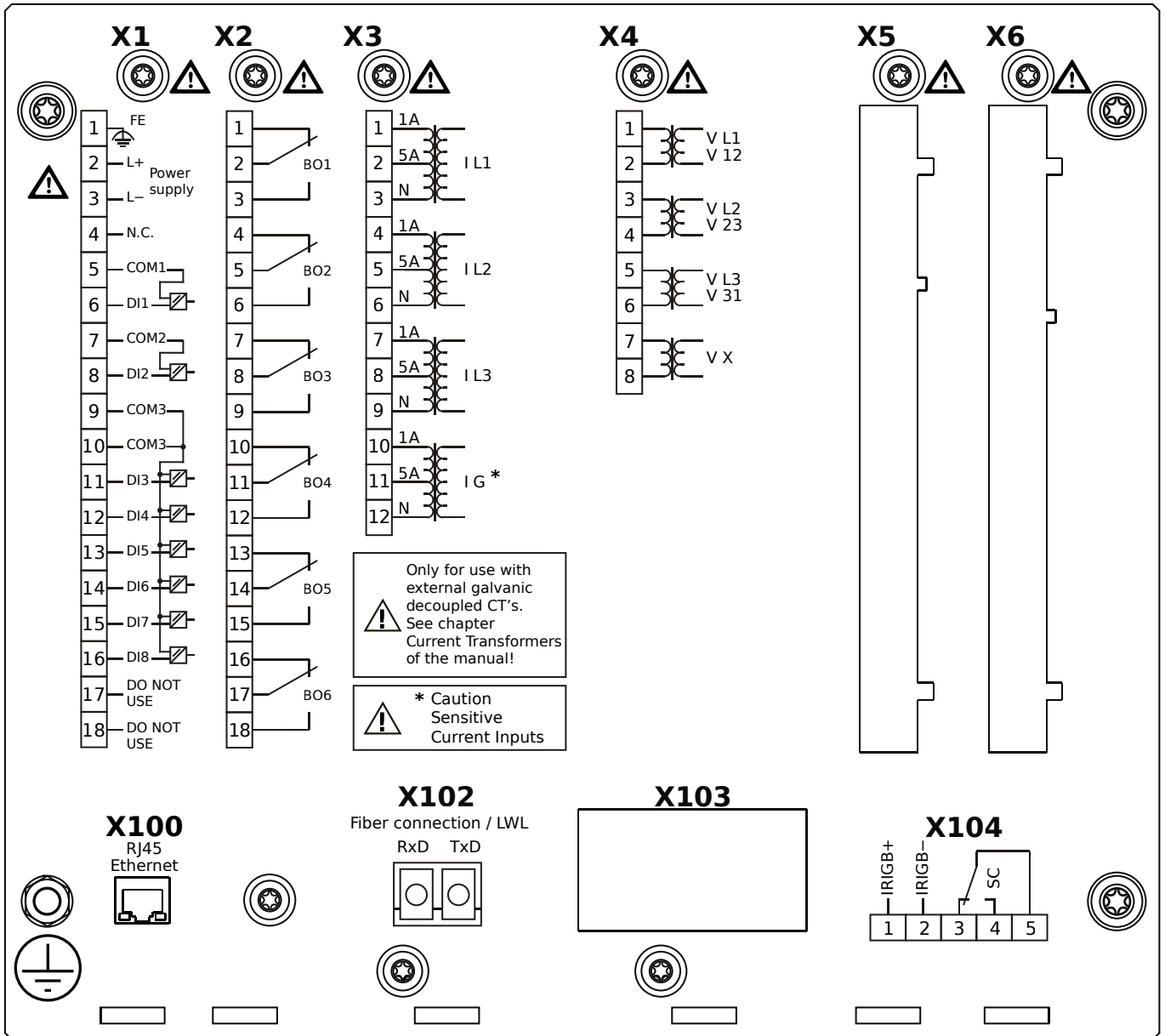
- X1** – DI8-X1: Wide-range power supply unit, incl. 2 non-grouped digital inputs and 6 grouped digital inputs
- X2** – OR-6: Assembly Group with 6 Relay Outputs
- X3** – TIs-4: Standard phase current measuring card and sensitive ground current measuring
- X4** – TU: Card with 4 voltage transformer measuring inputs
- X102** – Long-distance Protection Communication, Fiber optics interface, LC Connector
- X103** – Modbus RTU / IEC 60870-5-103 / DNP3.0 RTU, RS485, D-SUB
- X104** – IRIG-B00X, incl. System Contact (Supervision Contact)

MCDLV4-2A1H0HA



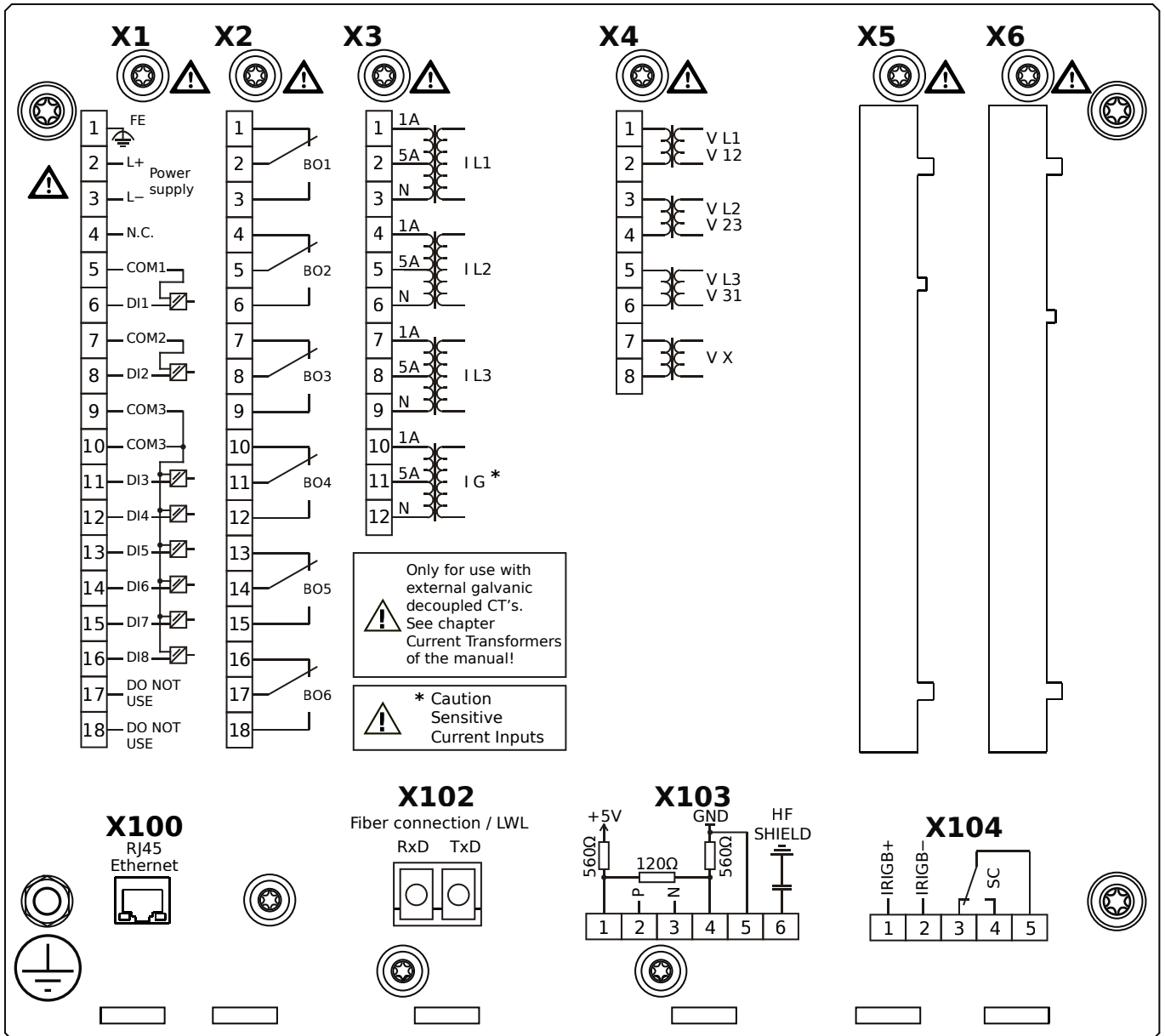
- X1** – DI8-X1: Wide-range power supply unit, incl. 2 non-grouped digital inputs and 6 grouped digital inputs
- X2** – OR-6: Assembly Group with 6 Relay Outputs
- X3** – TIs-4: Standard phase current measuring card and sensitive ground current measuring
- X4** – TU: Card with 4 voltage transformer measuring inputs
- X100** – IEC 61850 / Modbus TCP / DNP3.0 TCP/UDP, Ethernet interface, 100 Mbit/s, RJ45 (BASE100-FX)
- X102** – Long-distance Protection Communication, Fiber optics interface, LC Connector
- X104** – IRIG-B00X, incl. System Contact (Supervision Contact)

MCDLV4-2A1H0HB



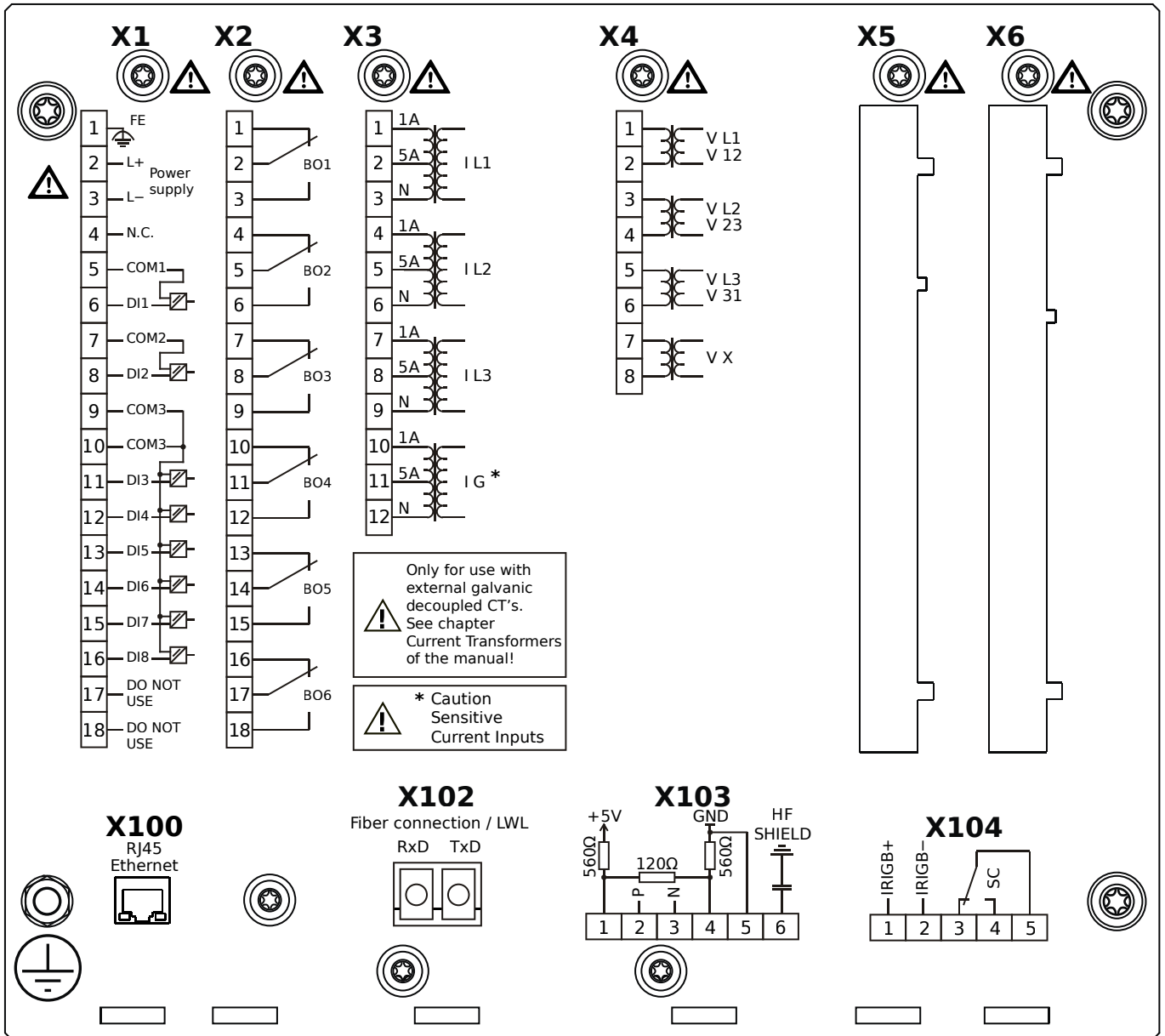
- X1** – DI8-X1: Wide-range power supply unit, incl. 2 non-grouped digital inputs and 6 grouped digital inputs
- X2** – OR-6: Assembly Group with 6 Relay Outputs
- X3** – TIs-4: Standard phase current measuring card and sensitive ground current measuring
- X4** – TU: Card with 4 voltage transformer measuring inputs
- X100** – IEC 61850 / Modbus TCP / DNP3.0 TCP/UDP, Ethernet interface, 100 Mbit/s, RJ45 (BASE100-FX)
- X102** – Long-distance Protection Communication, Fiber optics interface, LC Connector
- X104** – IRIG-B00X, incl. System Contact (Supervision Contact)

MCDLV4-2A1H0IA



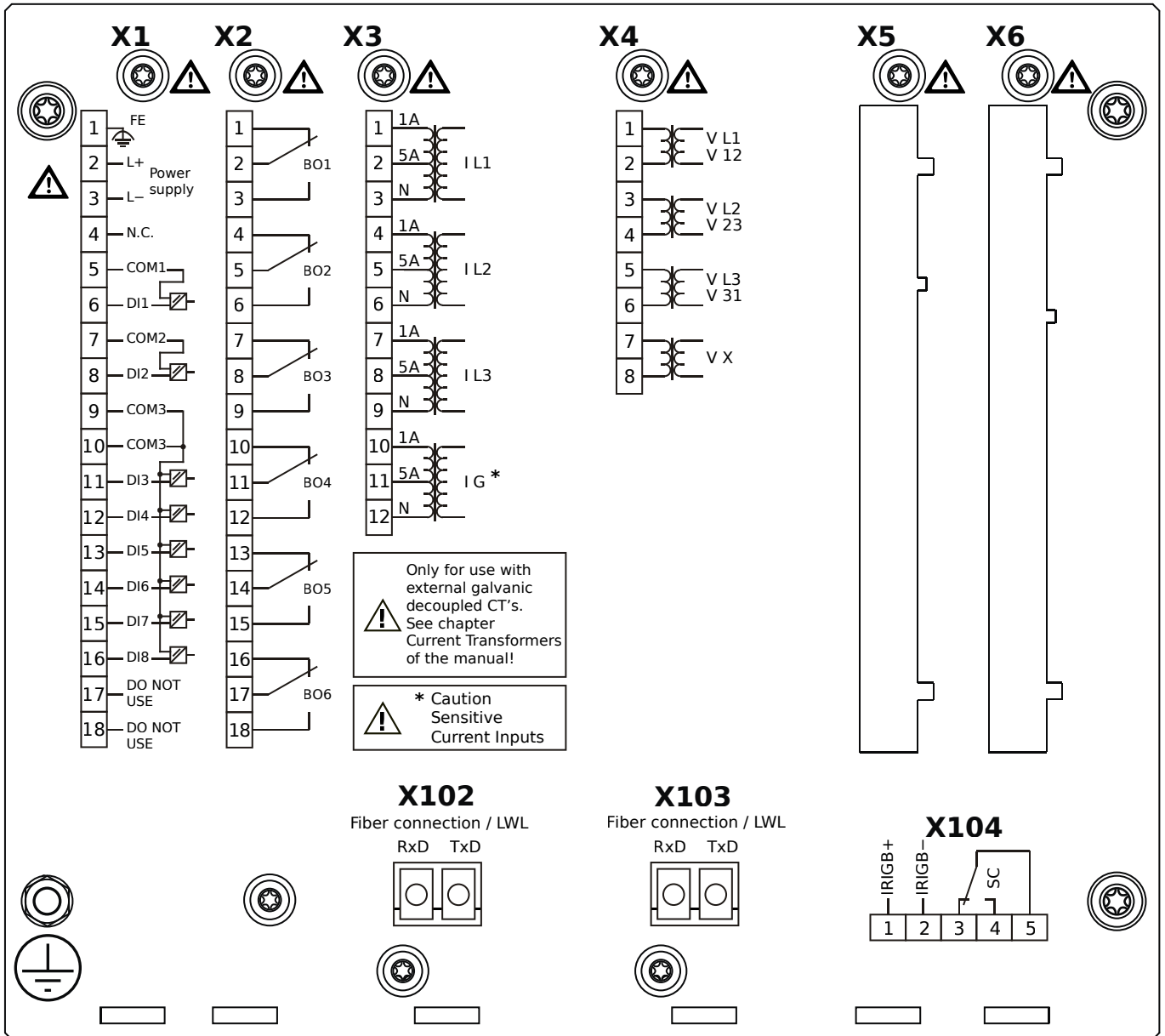
- X1** – DI8-X1: Wide-range power supply unit, incl. 2 non-grouped digital inputs and 6 grouped digital inputs
- X2** – OR-6: Assembly Group with 6 Relay Outputs
- X3** – TIs-4: Standard phase current measuring card and sensitive ground current measuring
- X4** – TU: Card with 4 voltage transformer measuring inputs
- X100** – Modbus TCP / DNP3.0 TCP/UDP, Ethernet interface, 100 Mbit/s, RJ45 (BASE100-FX)
- X102** – Long-distance Protection Communication, Fiber optics interface, LC Connector
- X103** – IEC 60870-5-103 / Modbus RTU / DNP3.0 RTU, RS485, Terminals
- X104** – IRIG-B00X, incl. System Contact (Supervision Contact)

MCDLV4-2A1H0IB



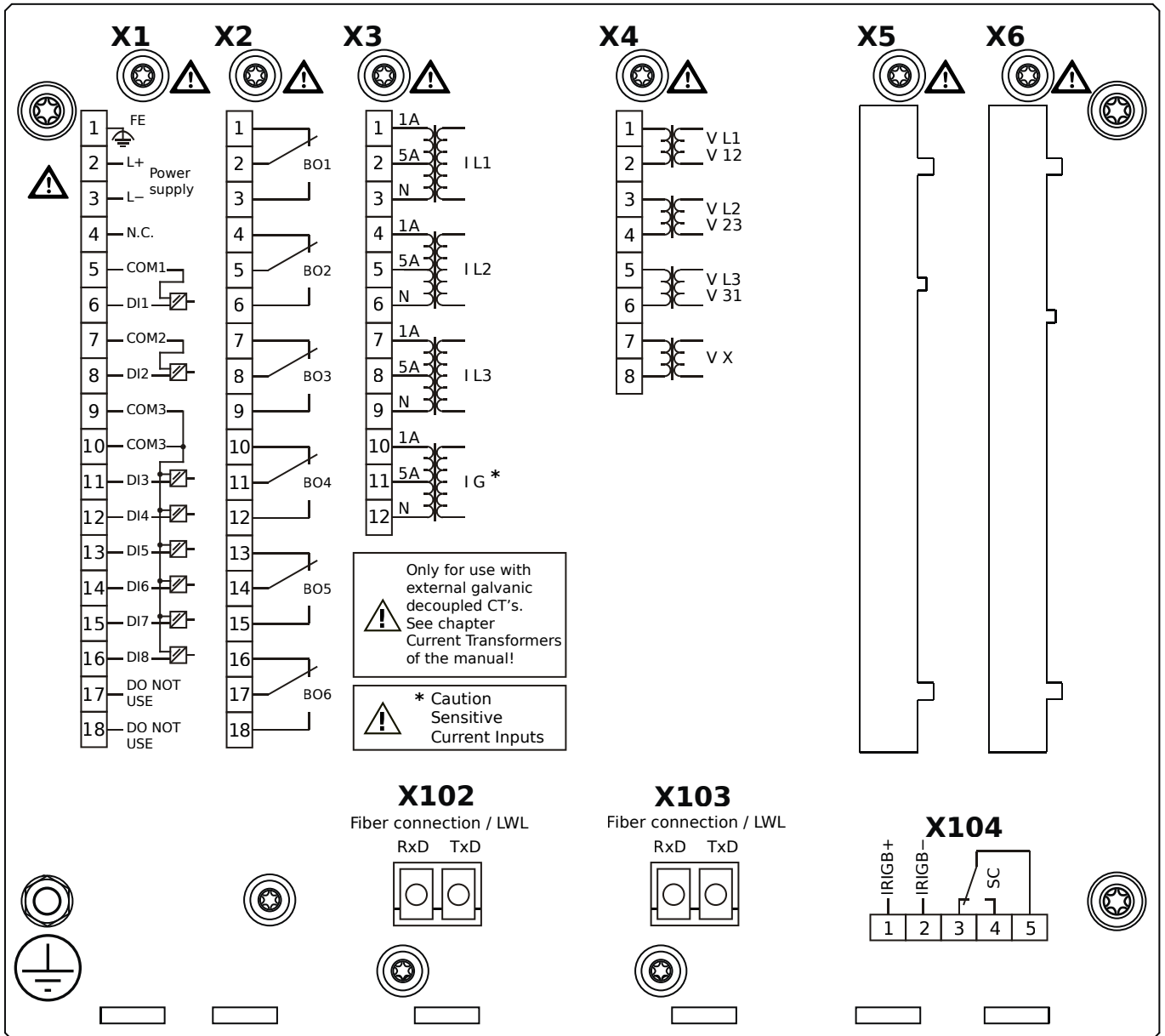
- X1** – DI8-X1: Wide-range power supply unit, incl. 2 non-grouped digital inputs and 6 grouped digital inputs
- X2** – OR-6: Assembly Group with 6 Relay Outputs
- X3** – TIs-4: Standard phase current measuring card and sensitive ground current measuring
- X4** – TU: Card with 4 voltage transformer measuring inputs
- X100** – Modbus TCP / DNP3.0 TCP/UDP, Ethernet interface, 100 Mbit/s, RJ45 (BASE100-FX)
- X102** – Long-distance Protection Communication, Fiber optics interface, LC Connector
- X103** – IEC 60870-5-103 / Modbus RTU / DNP3.0 RTU, RS485, Terminals
- X104** – IRIG-B00X, incl. System Contact (Supervision Contact)

MCDLV4-2A1H0KA



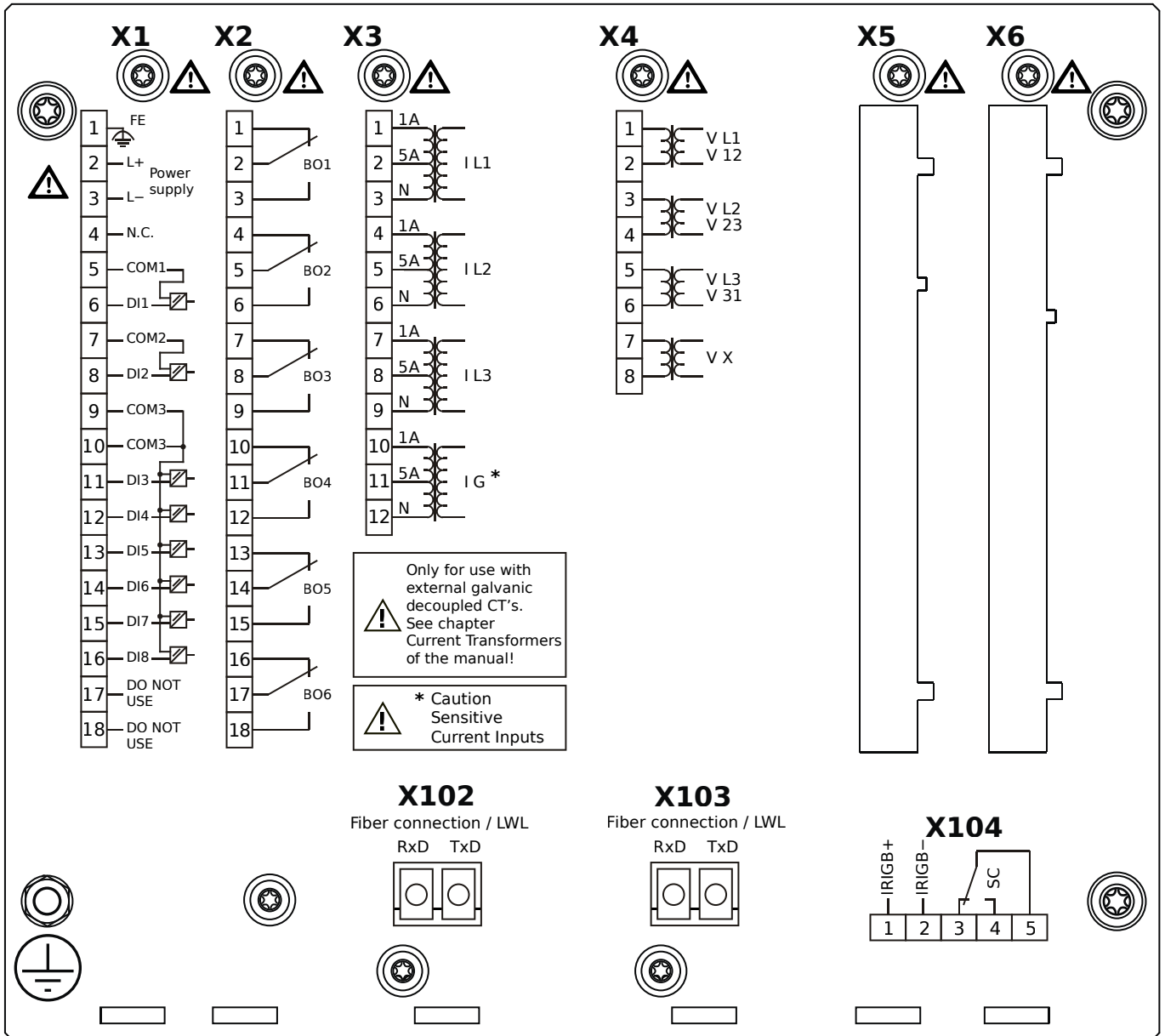
- X1** – DI8-X1: Wide-range power supply unit, incl. 2 non-grouped digital inputs and 6 grouped digital inputs
- X2** – OR-6: Assembly Group with 6 Relay Outputs
- X3** – TIs-4: Standard phase current measuring card and sensitive ground current measuring
- X4** – TU: Card with 4 voltage transformer measuring inputs
- X102** – Long-distance Protection Communication, Fiber optics interface, LC Connector
- X103** – IEC 61850 / Modbus TCP / DNP3.0 TCP/UDP, Fiber optics interface, LC Connector
- X104** – IRIG-B00X, incl. System Contact (Supervision Contact)

MCDLV4-2A1H0KB



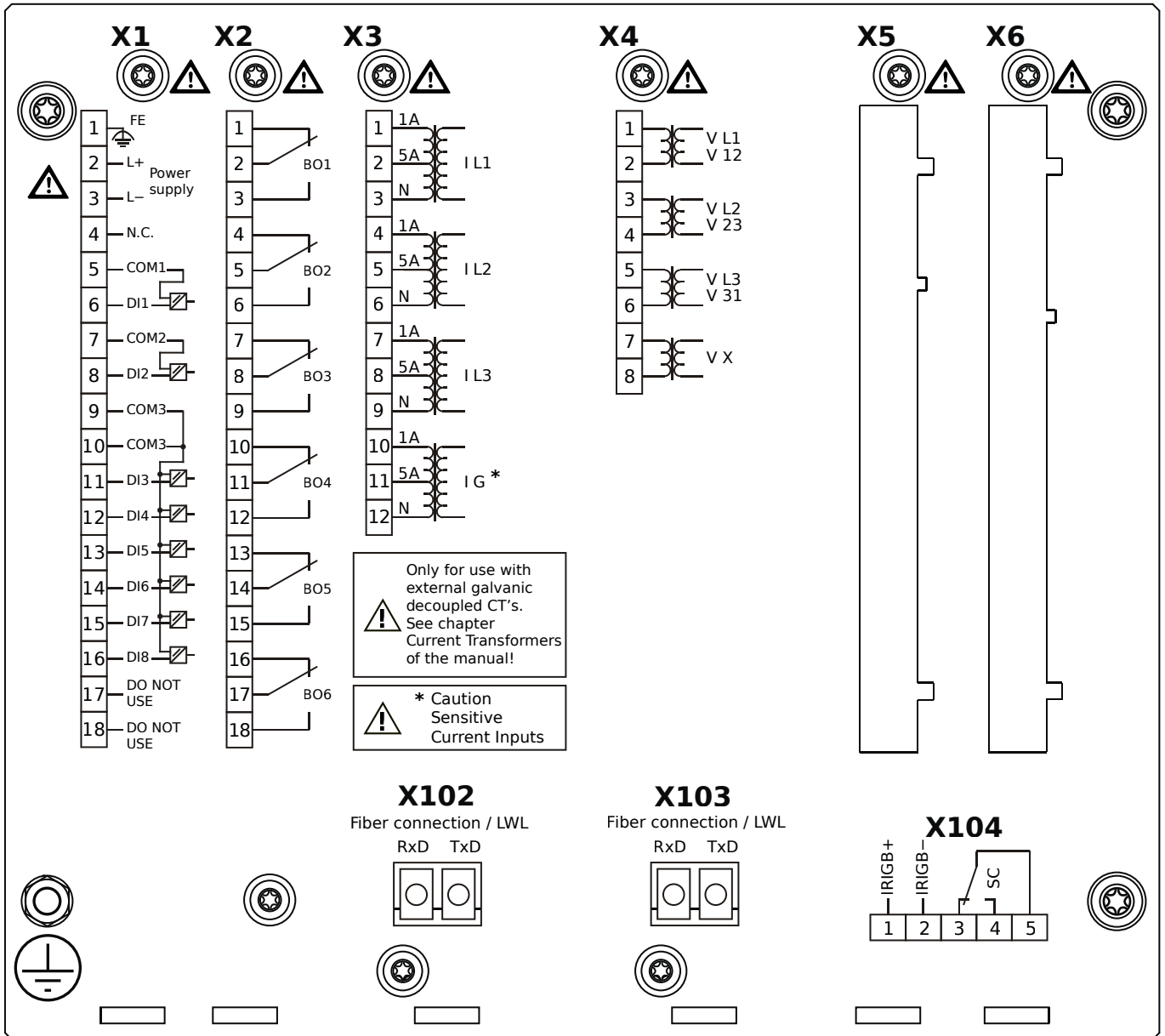
- X1** – DI8-X1: Wide-range power supply unit, incl. 2 non-grouped digital inputs and 6 grouped digital inputs
- X2** – OR-6: Assembly Group with 6 Relay Outputs
- X3** – TIs-4: Standard phase current measuring card and sensitive ground current measuring
- X4** – TU: Card with 4 voltage transformer measuring inputs
- X102** – Long-distance Protection Communication, Fiber optics interface, LC Connector
- X103** – IEC 61850 / Modbus TCP / DNP3.0 TCP/UDP, Fiber optics interface, LC Connector
- X104** – IRIG-B00X, incl. System Contact (Supervision Contact)

MCDLV4-2A1H0LA



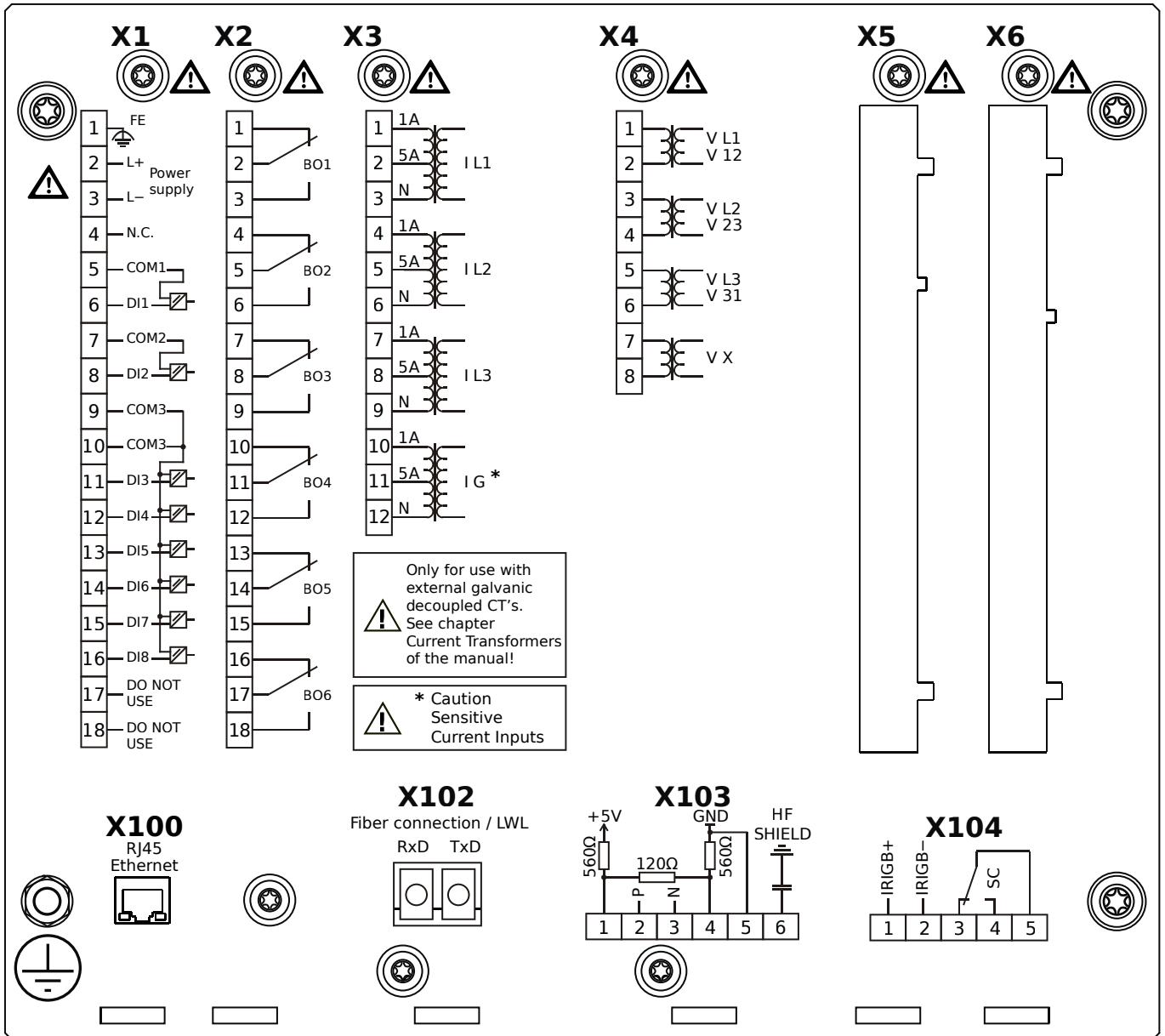
- X1** – DI8-X1: Wide-range power supply unit, incl. 2 non-grouped digital inputs and 6 grouped digital inputs
- X2** – OR-6: Assembly Group with 6 Relay Outputs
- X3** – TIs-4: Standard phase current measuring card and sensitive ground current measuring
- X4** – TU: Card with 4 voltage transformer measuring inputs
- X102** – Long-distance Protection Communication, Fiber optics interface, LC Connector
- X103** – Modbus TCP / DNP3.0 TCP/UDP, Fiber optics interface, LC Connector
- X104** – IRIG-B00X, incl. System Contact (Supervision Contact)

MCDLV4-2A1H0LB



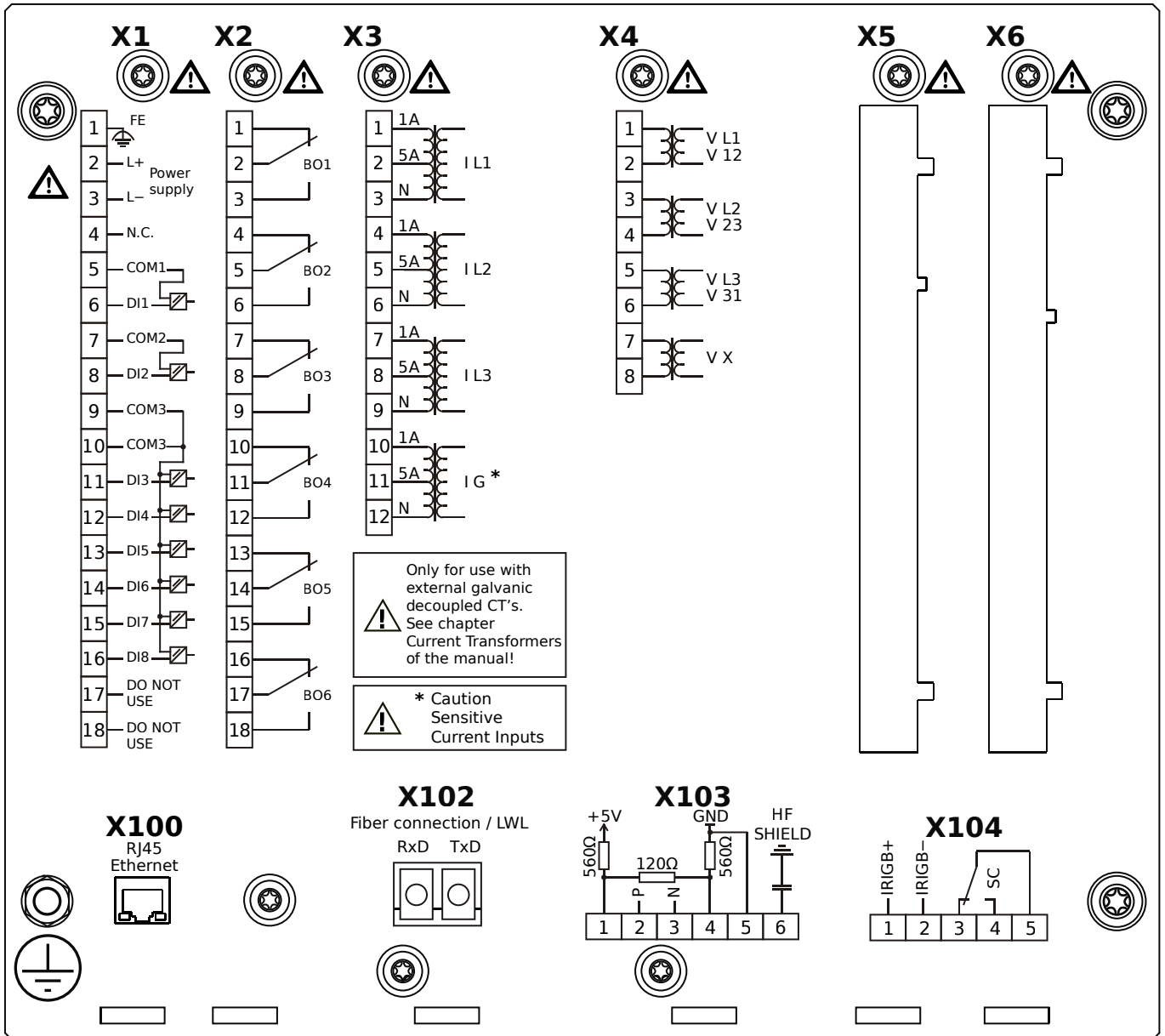
- X1** – DI8-X1: Wide-range power supply unit, incl. 2 non-grouped digital inputs and 6 grouped digital inputs
- X2** – OR-6: Assembly Group with 6 Relay Outputs
- X3** – TIs-4: Standard phase current measuring card and sensitive ground current measuring
- X4** – TU: Card with 4 voltage transformer measuring inputs
- X102** – Long-distance Protection Communication, Fiber optics interface, LC Connector
- X103** – Modbus TCP / DNP3.0 TCP/UDP, Fiber optics interface, LC Connector
- X104** – IRIG-B00X, incl. System Contact (Supervision Contact)

MCDLV4-2A1H0TA



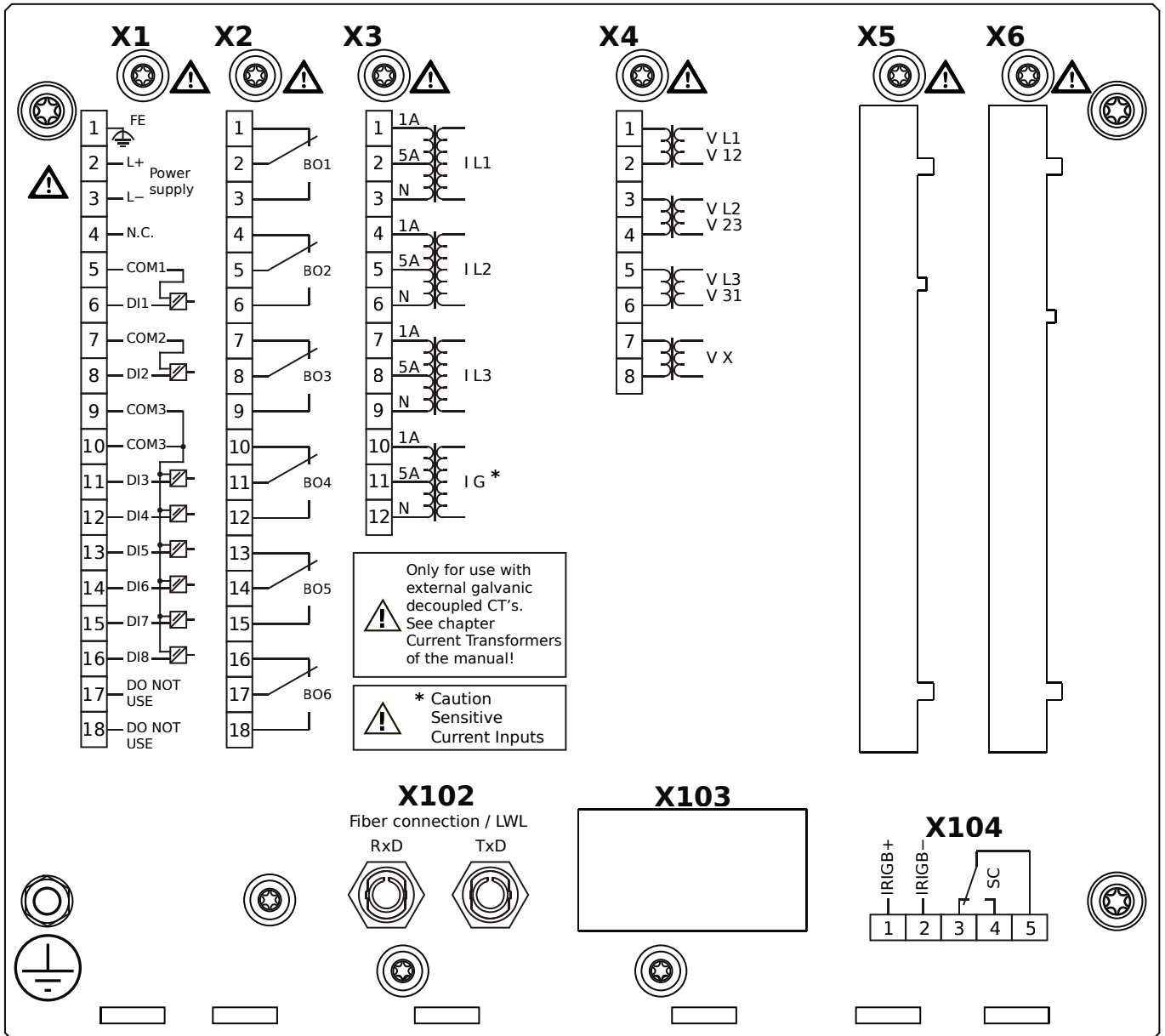
- X1** – DI8-X1: Wide-range power supply unit, incl. 2 non-grouped digital inputs and 6 grouped digital inputs
- X2** – OR-6: Assembly Group with 6 Relay Outputs
- X3** – TIs-4: Standard phase current measuring card and sensitive ground current measuring
- X4** – TU: Card with 4 voltage transformer measuring inputs
- X100** – IEC 61850 / Modbus TCP / DNP3.0 TCP/UDP, Ethernet interface, 100 Mbit/s, RJ45 (BASE100-FX)
- X102** – Long-distance Protection Communication, Fiber optics interface, LC Connector
- X103** – IEC 60870-5-103 / Modbus RTU / DNP3.0 RTU, RS485, Terminals
- X104** – IRIG-B00X, incl. System Contact (Supervision Contact)

MCDLV4-2A1H0TB



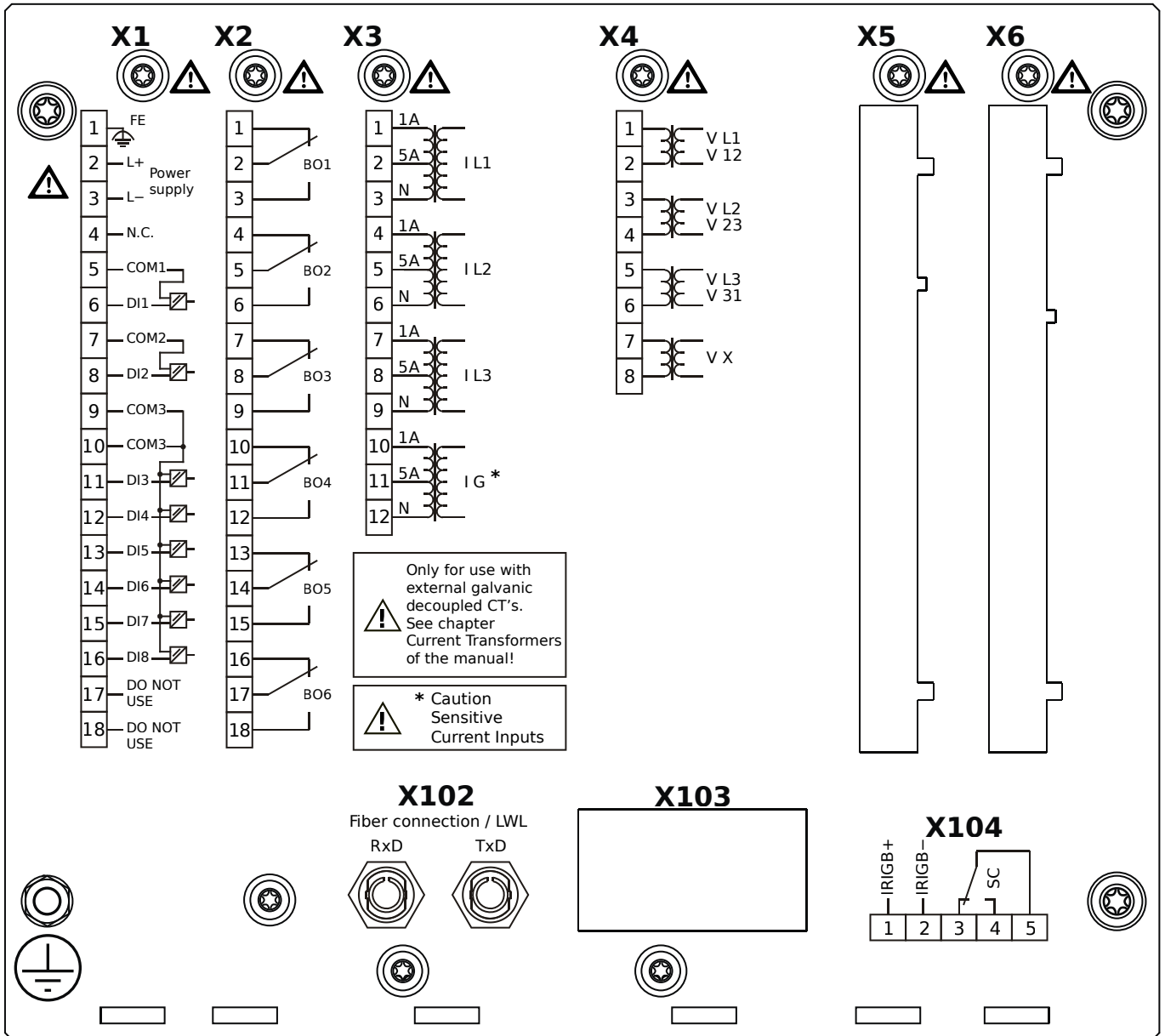
- X1** – DI8-X1: Wide-range power supply unit, incl. 2 non-grouped digital inputs and 6 grouped digital inputs
- X2** – OR-6: Assembly Group with 6 Relay Outputs
- X3** – TIs-4: Standard phase current measuring card and sensitive ground current measuring
- X4** – TU: Card with 4 voltage transformer measuring inputs
- X100** – IEC 61850 / Modbus TCP / DNP3.0 TCP/UDP, Ethernet interface, 100 Mbit/s, RJ45 (BASE100-FX)
- X102** – Long-distance Protection Communication, Fiber optics interface, LC Connector
- X103** – IEC 60870-5-103 / Modbus RTU / DNP3.0 RTU, RS485, Terminals
- X104** – IRIG-B00X, incl. System Contact (Supervision Contact)

MCDLV4-2A1H1AA



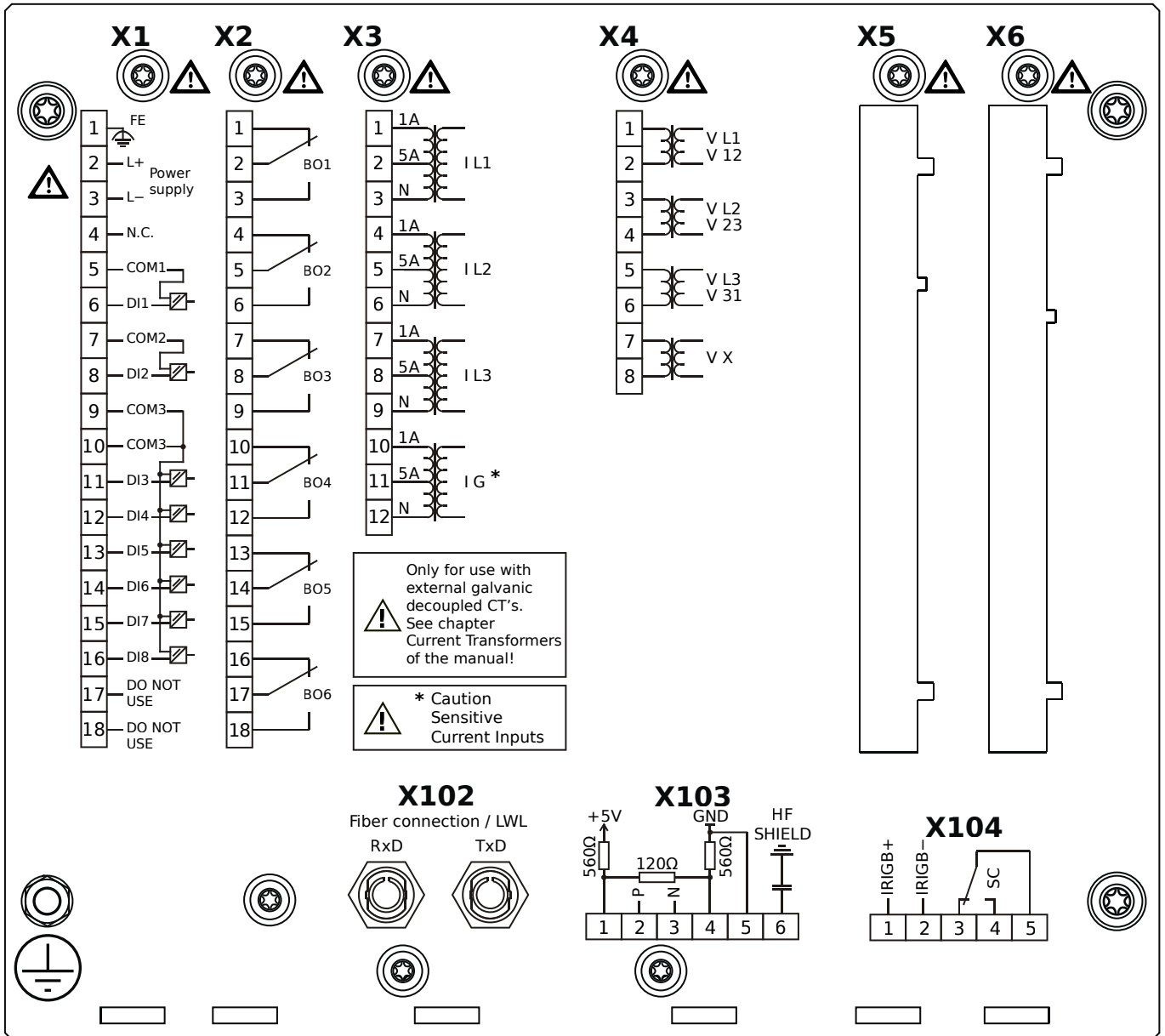
- X1** – DI8-X1: Wide-range power supply unit, incl. 2 non-grouped digital inputs and 6 grouped digital inputs
- X2** – OR-6: Assembly Group with 6 Relay Outputs
- X3** – TIs-4: Standard phase current measuring card and sensitive ground current measuring
- X4** – TU: Card with 4 voltage transformer measuring inputs
- X102** – Protection Communication, Fiber optics interface, ST Connector
- X104** – IRIG-B00X, incl. System Contact (Supervision Contact)

MCDLV4-2A1H1AB



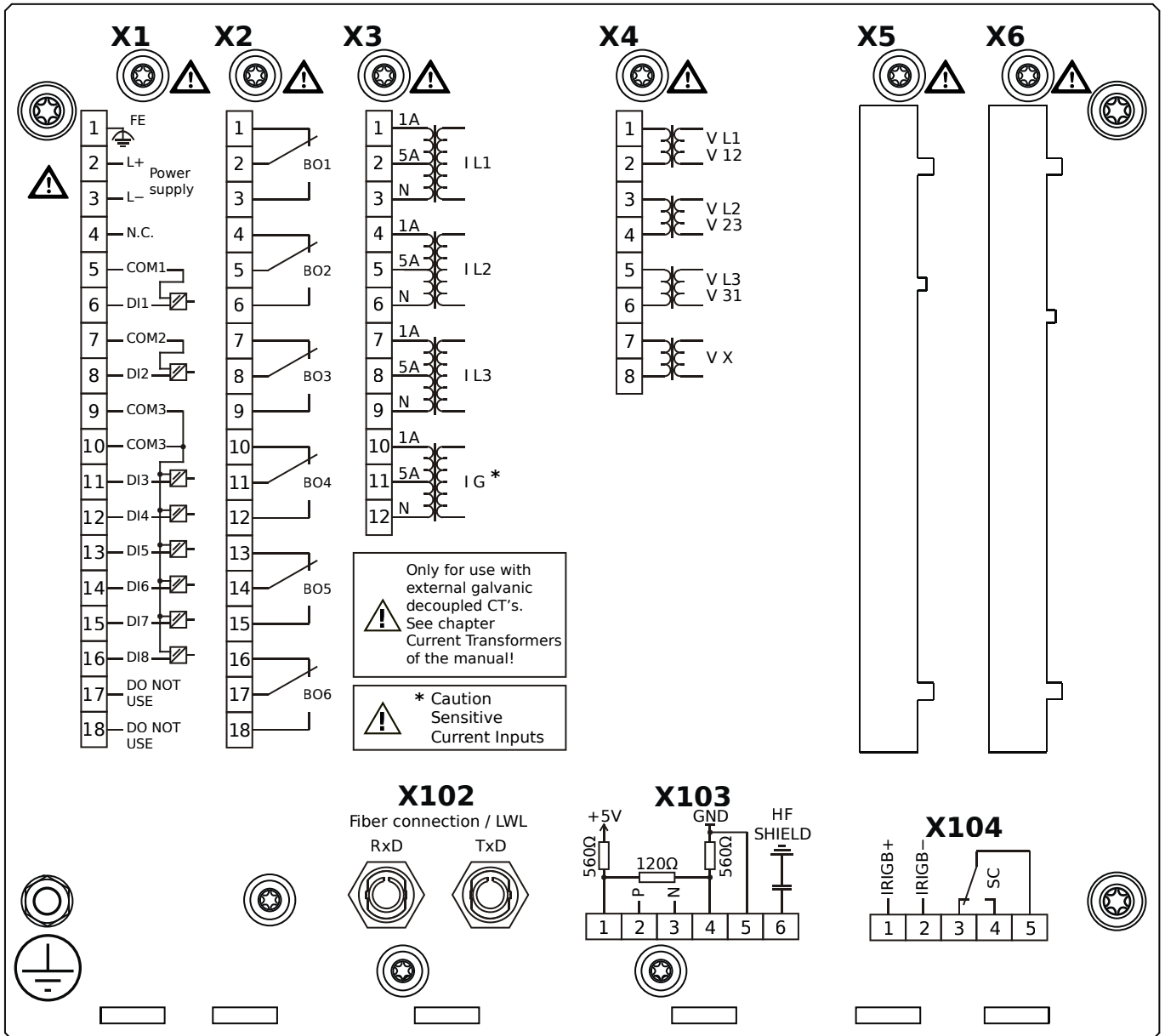
- X1** – DI8-X1: Wide-range power supply unit, incl. 2 non-grouped digital inputs and 6 grouped digital inputs
- X2** – OR-6: Assembly Group with 6 Relay Outputs
- X3** – TIs-4: Standard phase current measuring card and sensitive ground current measuring
- X4** – TU: Card with 4 voltage transformer measuring inputs
- X102** – Protection Communication, Fiber optics interface, ST Connector
- X104** – IRIG-B00X, incl. System Contact (Supervision Contact)

MCDLV4-2A1H1BA



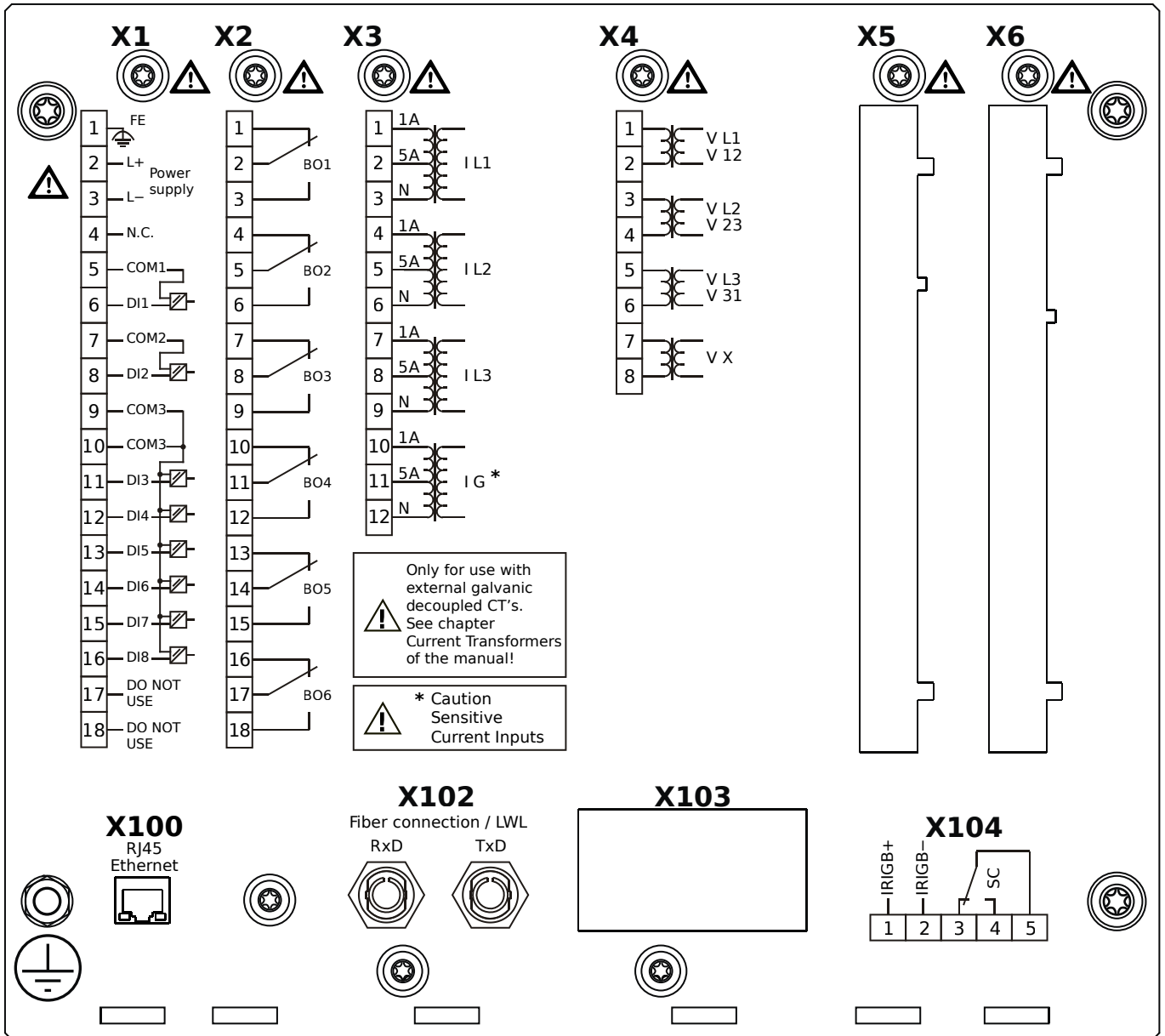
- X1** – DI8-X1: Wide-range power supply unit, incl. 2 non-grouped digital inputs and 6 grouped digital inputs
- X2** – OR-6: Assembly Group with 6 Relay Outputs
- X3** – TIs-4: Standard phase current measuring card and sensitive ground current measuring
- X4** – TU: Card with 4 voltage transformer measuring inputs
- X102** – Protection Communication, Fiber optics interface, ST Connector
- X103** – Modbus RTU / IEC 60870-5-103 / DNP3.0 RTU, RS485, Terminals
- X104** – IRIG-B00X, incl. System Contact (Supervision Contact)

MCDLV4-2A1H1BB



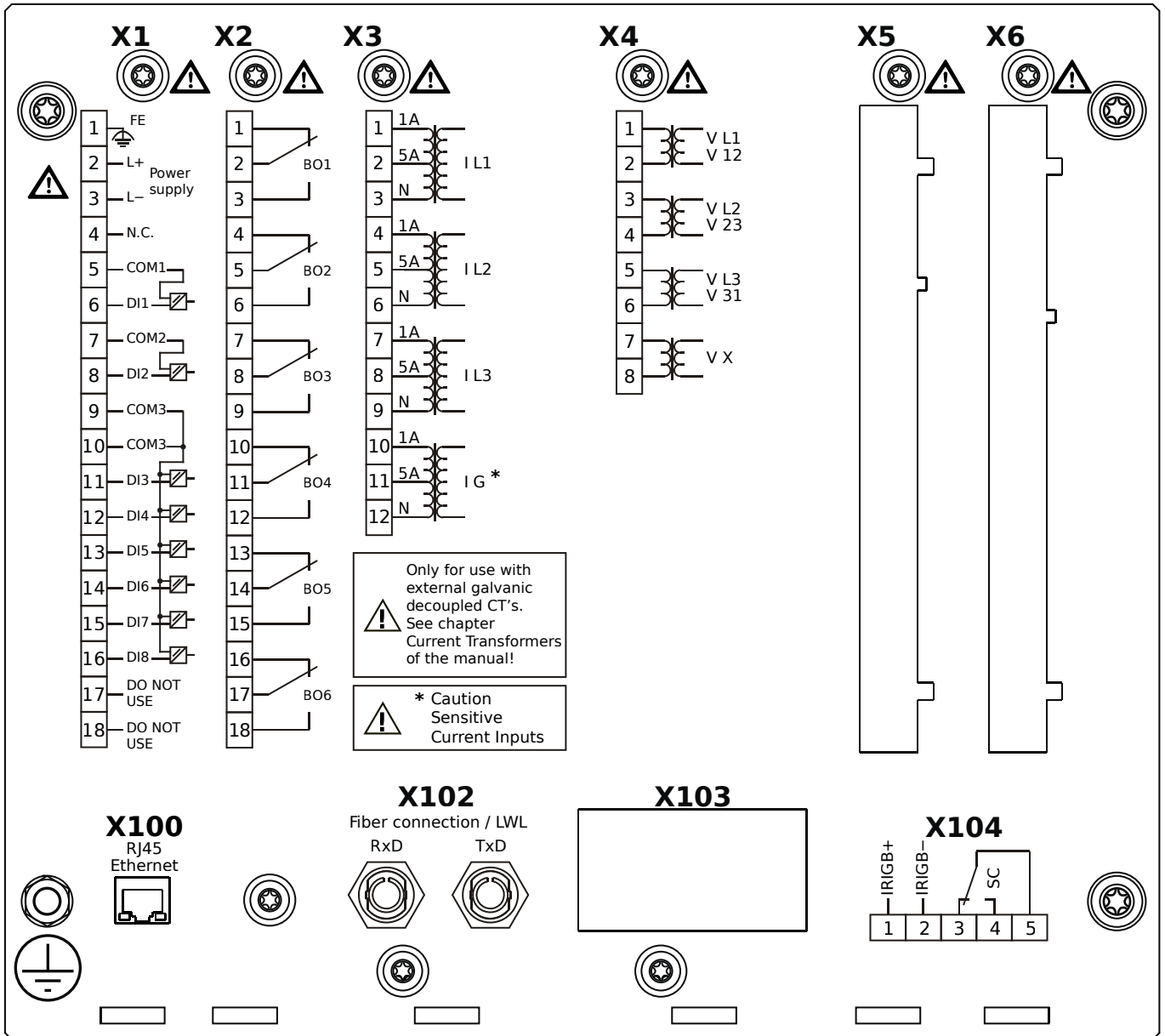
- X1** – DI8-X1: Wide-range power supply unit, incl. 2 non-grouped digital inputs and 6 grouped digital inputs
- X2** – OR-6: Assembly Group with 6 Relay Outputs
- X3** – TIs-4: Standard phase current measuring card and sensitive ground current measuring
- X4** – TU: Card with 4 voltage transformer measuring inputs
- X102** – Protection Communication, Fiber optics interface, ST Connector
- X103** – Modbus RTU / IEC 60870-5-103 / DNP3.0 RTU, RS485, Terminals
- X104** – IRIG-B00X, incl. System Contact (Supervision Contact)

MCDLV4-2A1H1CA



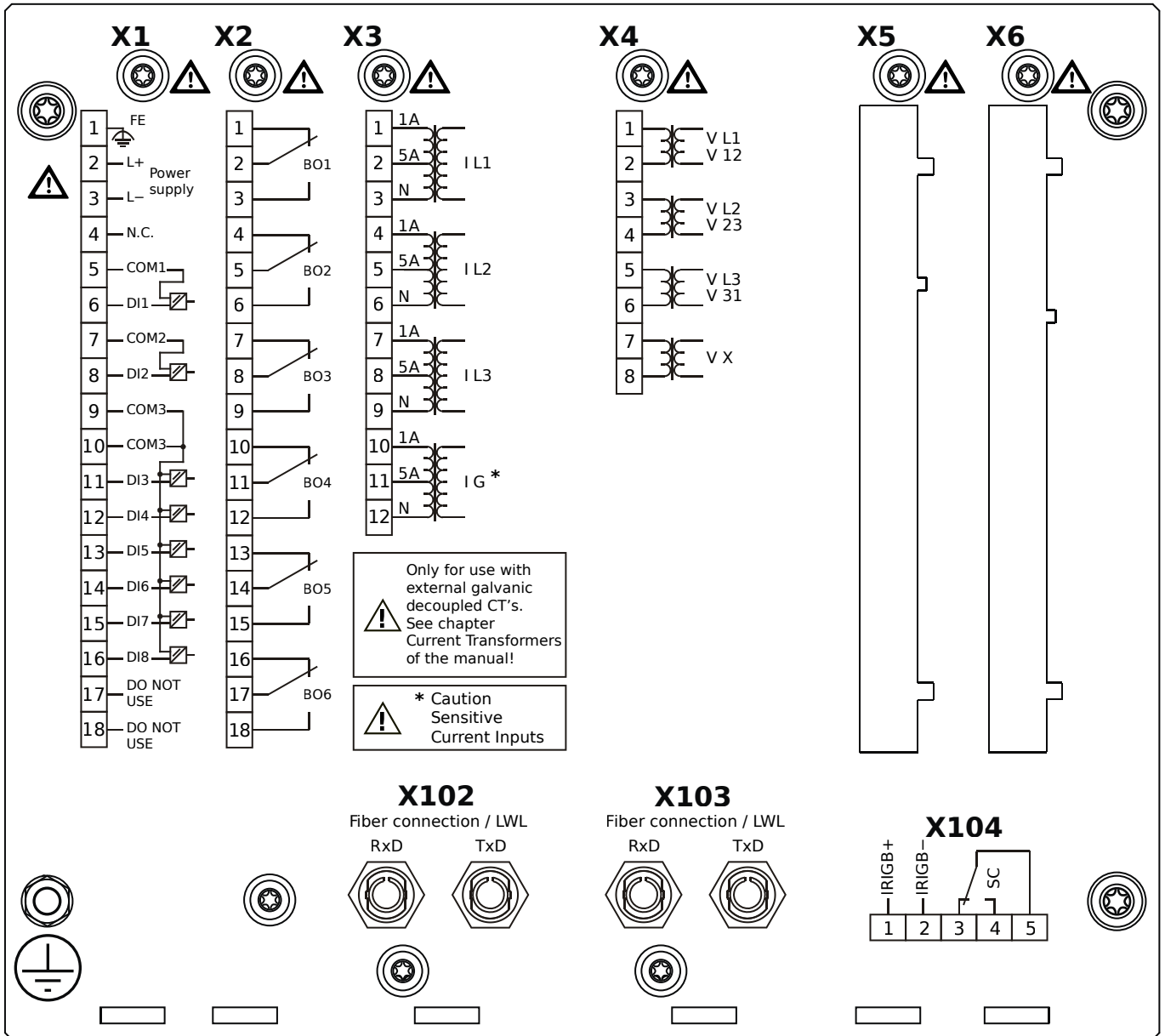
- X1** – DI8-X1: Wide-range power supply unit, incl. 2 non-grouped digital inputs and 6 grouped digital inputs
- X2** – OR-6: Assembly Group with 6 Relay Outputs
- X3** – TIs-4: Standard phase current measuring card and sensitive ground current measuring
- X4** – TU: Card with 4 voltage transformer measuring inputs
- X100** – Modbus TCP / DNP3.0 TCP/UDP, Ethernet interface, 100 Mbit/s, RJ45 (BASE100-FX)
- X102** – Protection Communication, Fiber optics interface, ST Connector
- X104** – IRIG-B00X, incl. System Contact (Supervision Contact)

MCDLV4-2A1H1CB



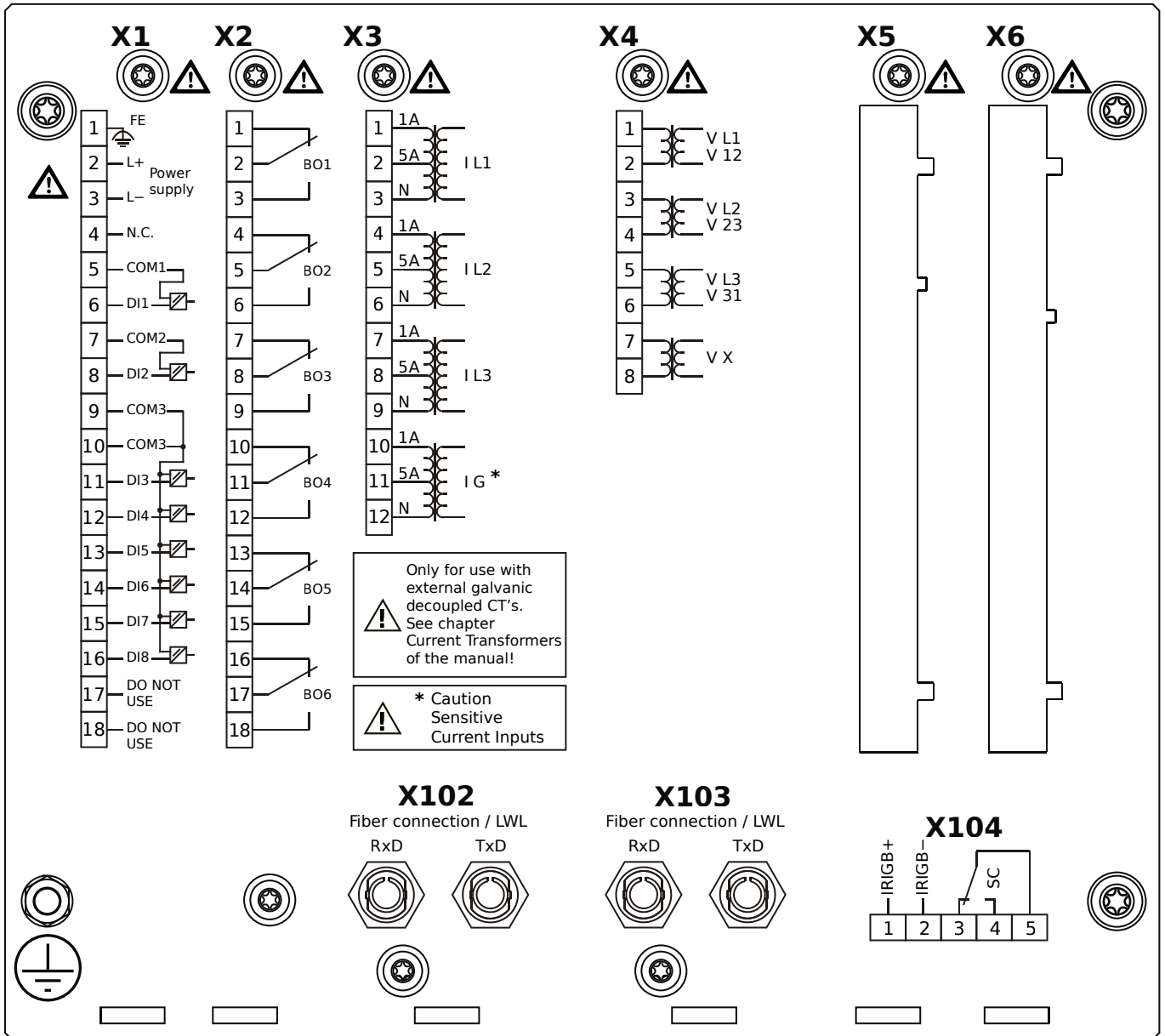
- X1** – DI8-X1: Wide-range power supply unit, incl. 2 non-grouped digital inputs and 6 grouped digital inputs
- X2** – OR-6: Assembly Group with 6 Relay Outputs
- X3** – TIs-4: Standard phase current measuring card and sensitive ground current measuring
- X4** – TU: Card with 4 voltage transformer measuring inputs
- X100** – Modbus TCP / DNP3.0 TCP/UDP, Ethernet interface, 100 Mbit/s, RJ45 (BASE100-FX)
- X102** – Protection Communication, Fiber optics interface, ST Connector
- X104** – IRIG-B00X, incl. System Contact (Supervision Contact)

MCDLV4-2A1H1DA



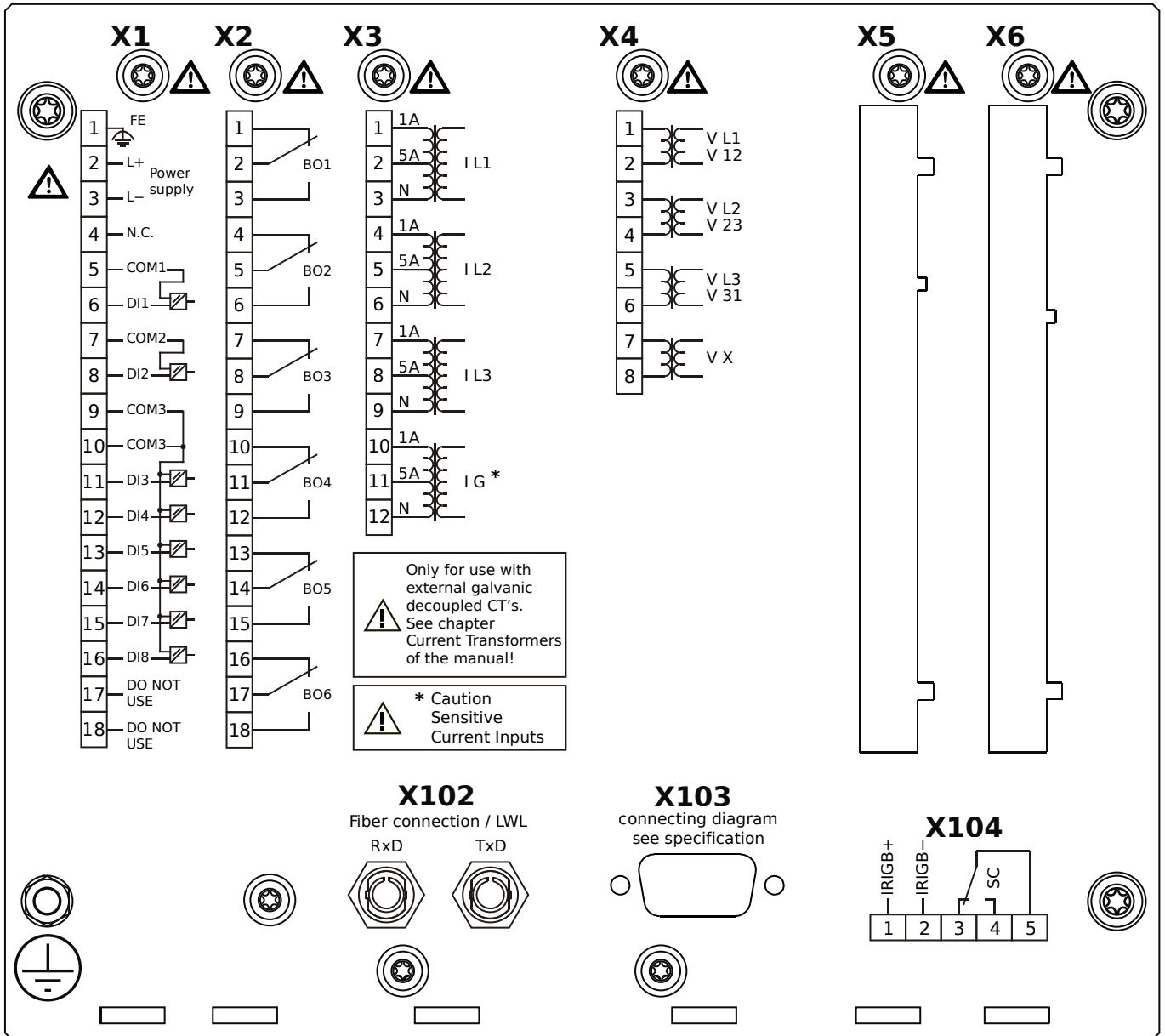
- X1** – DI8-X1: Wide-range power supply unit, incl. 2 non-grouped digital inputs and 6 grouped digital inputs
- X2** – OR-6: Assembly Group with 6 Relay Outputs
- X3** – TIs-4: Standard phase current measuring card and sensitive ground current measuring
- X4** – TU: Card with 4 voltage transformer measuring inputs
- X102** – Protection Communication, Fiber optics interface, ST Connector
- X103** – Profibus-DP, Fiber optics interface, ST Connector
- X104** – IRIG-B00X, incl. System Contact (Supervision Contact)

MCDLV4-2A1H1DB



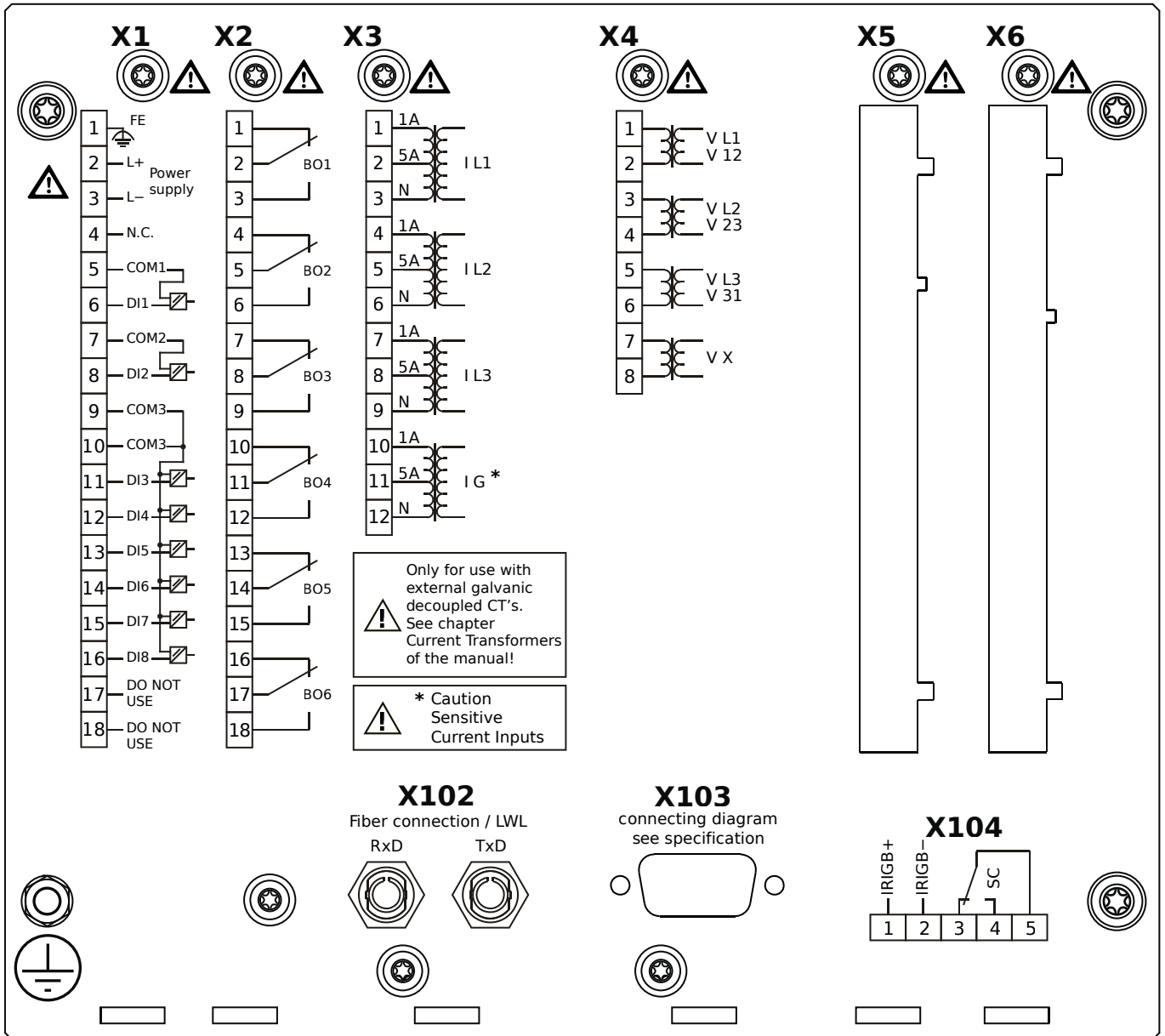
- X1** – DI8-X1: Wide-range power supply unit, incl. 2 non-grouped digital inputs and 6 grouped digital inputs
- X2** – OR-6: Assembly Group with 6 Relay Outputs
- X3** – TIs-4: Standard phase current measuring card and sensitive ground current measuring
- X4** – TU: Card with 4 voltage transformer measuring inputs
- X102** – Protection Communication, Fiber optics interface, ST Connector
- X103** – Profibus-DP, Fiber optics interface, ST Connector
- X104** – IRIG-B00X, incl. System Contact (Supervision Contact)

MCDLV4-2A1H1EA



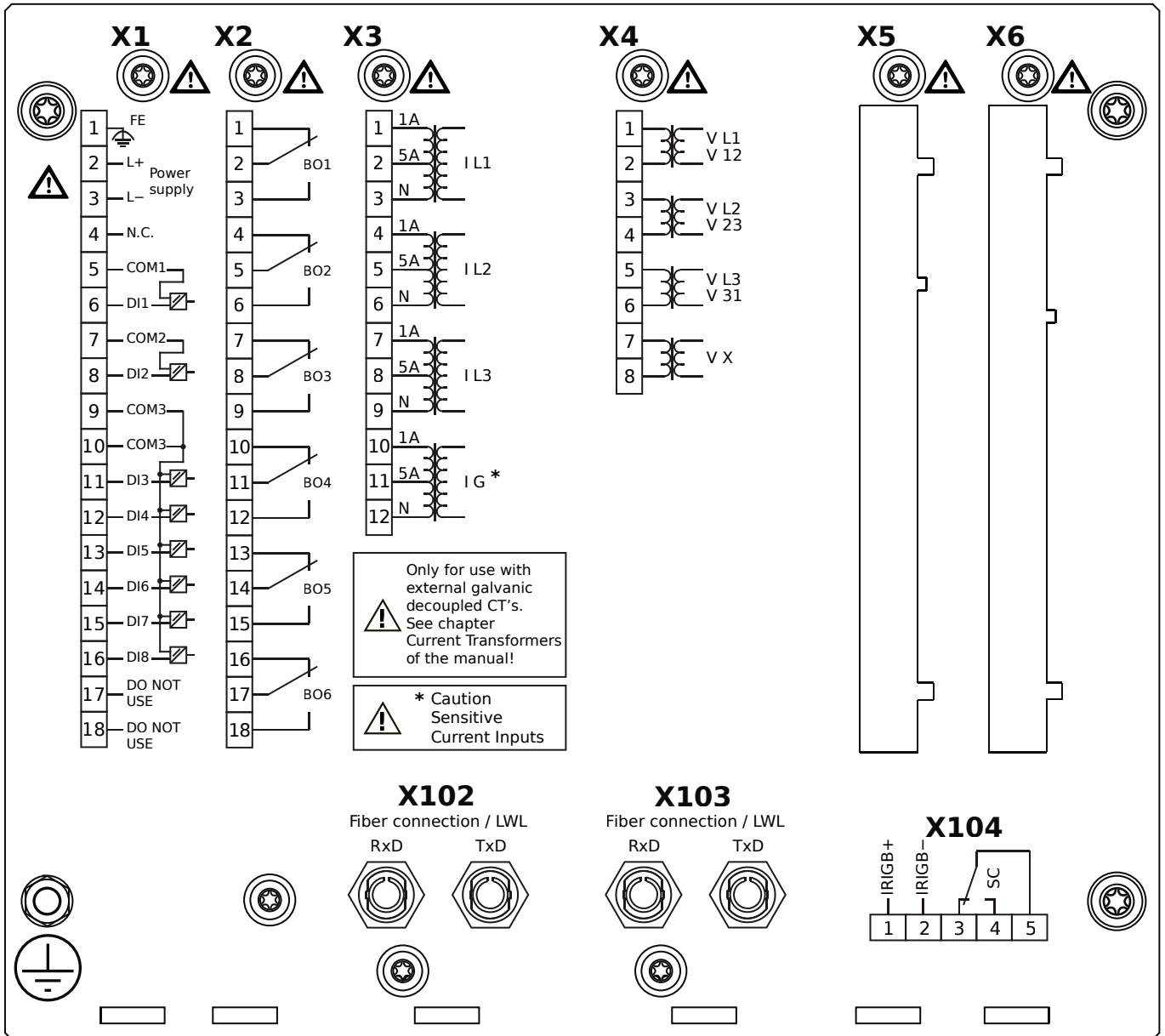
- X1** – DI8-X1: Wide-range power supply unit, incl. 2 non-grouped digital inputs and 6 grouped digital inputs
- X2** – OR-6: Assembly Group with 6 Relay Outputs
- X3** – TIs-4: Standard phase current measuring card and sensitive ground current measuring
- X4** – TU: Card with 4 voltage transformer measuring inputs
- X102** – Protection Communication, Fiber optics interface, ST Connector
- X103** – Profibus-DP, RS485, D-SUB
- X104** – IRIG-B00X, incl. System Contact (Supervision Contact)

MCDLV4-2A1H1EB



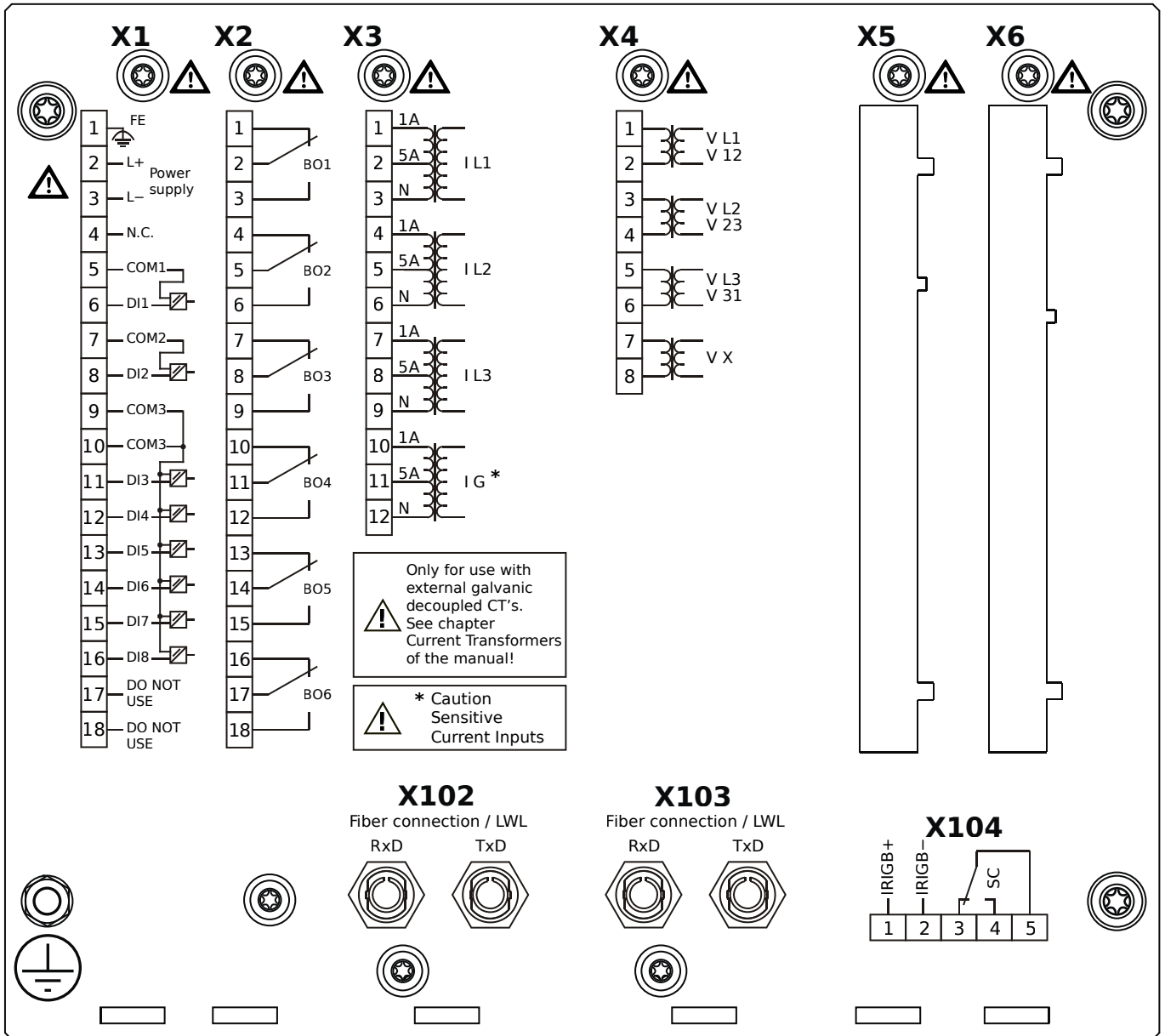
- X1** – DI8-X1: Wide-range power supply unit, incl. 2 non-grouped digital inputs and 6 grouped digital inputs
- X2** – OR-6: Assembly Group with 6 Relay Outputs
- X3** – TIs-4: Standard phase current measuring card and sensitive ground current measuring
- X4** – TU: Card with 4 voltage transformer measuring inputs
- X102** – Protection Communication, Fiber optics interface, ST Connector
- X103** – Profibus-DP, RS485, D-SUB
- X104** – IRIG-B00X, incl. System Contact (Supervision Contact)

MCDLV4-2A1H1FA



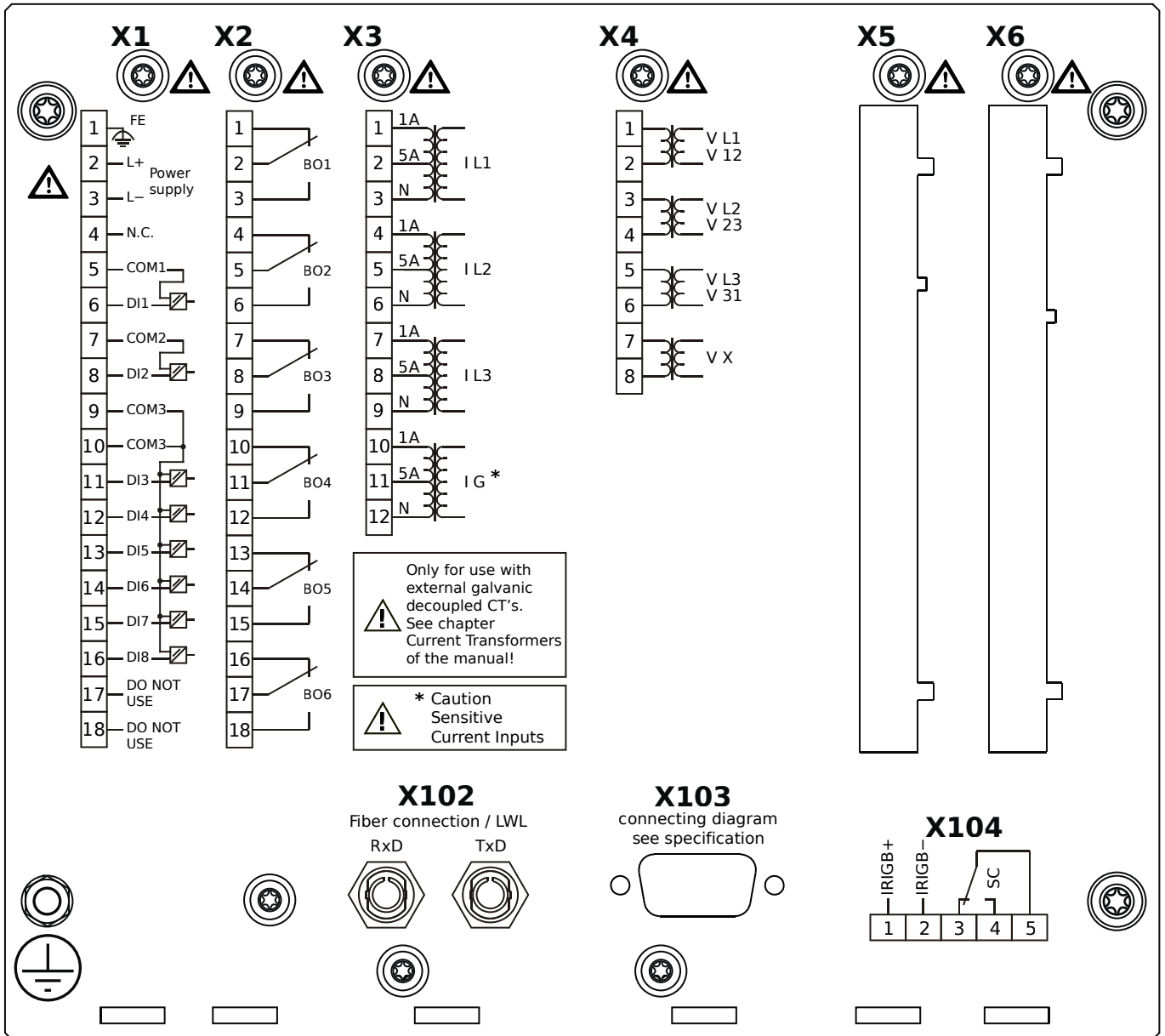
- X1** – DI8-X1: Wide-range power supply unit, incl. 2 non-grouped digital inputs and 6 grouped digital inputs
- X2** – OR-6: Assembly Group with 6 Relay Outputs
- X3** – TIs-4: Standard phase current measuring card and sensitive ground current measuring
- X4** – TU: Card with 4 voltage transformer measuring inputs
- X102** – Protection Communication, Fiber optics interface, ST Connector
- X103** – Modbus RTU / IEC 60870-5-103 / DNP3.0 RTU, Fiber optics interface, ST Connector
- X104** – IRIG-B00X, incl. System Contact (Supervision Contact)

MCDLV4-2A1H1FB



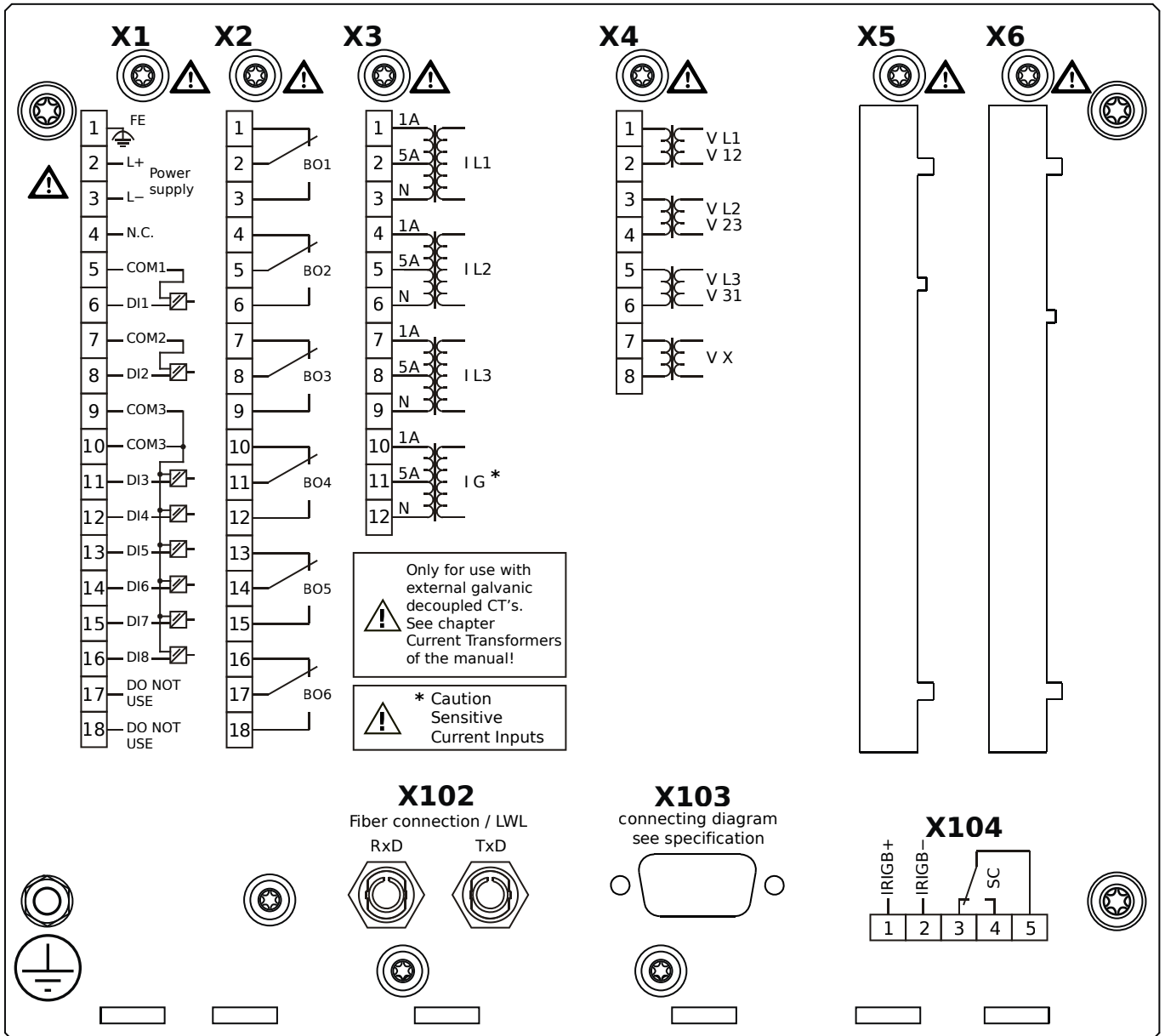
- X1** – DI8-X1: Wide-range power supply unit, incl. 2 non-grouped digital inputs and 6 grouped digital inputs
- X2** – OR-6: Assembly Group with 6 Relay Outputs
- X3** – TIs-4: Standard phase current measuring card and sensitive ground current measuring
- X4** – TU: Card with 4 voltage transformer measuring inputs
- X102** – Protection Communication, Fiber optics interface, ST Connector
- X103** – Modbus RTU / IEC 60870-5-103 / DNP3.0 RTU, Fiber optics interface, ST Connector
- X104** – IRIG-B00X, incl. System Contact (Supervision Contact)

MCDLV4-2A1H1GA



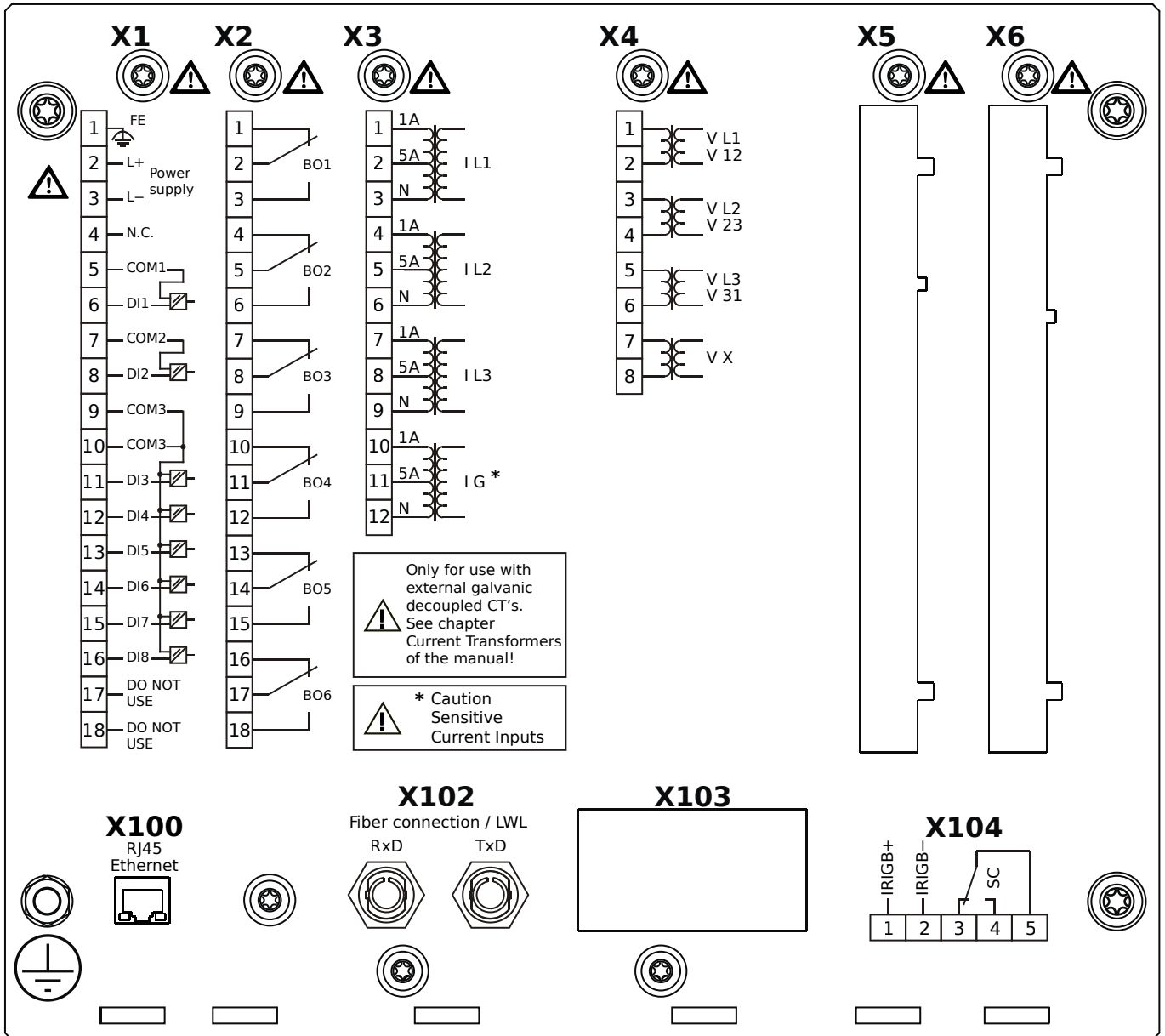
- X1** – DI8-X1: Wide-range power supply unit, incl. 2 non-grouped digital inputs and 6 grouped digital inputs
- X2** – OR-6: Assembly Group with 6 Relay Outputs
- X3** – TIs-4: Standard phase current measuring card and sensitive ground current measuring
- X4** – TU: Card with 4 voltage transformer measuring inputs
- X102** – Protection Communication, Fiber optics interface, ST Connector
- X103** – Modbus RTU / IEC 60870-5-103 / DNP3.0 RTU, RS485, D-SUB
- X104** – IRIG-B00X, incl. System Contact (Supervision Contact)

MCDLV4-2A1H1GB



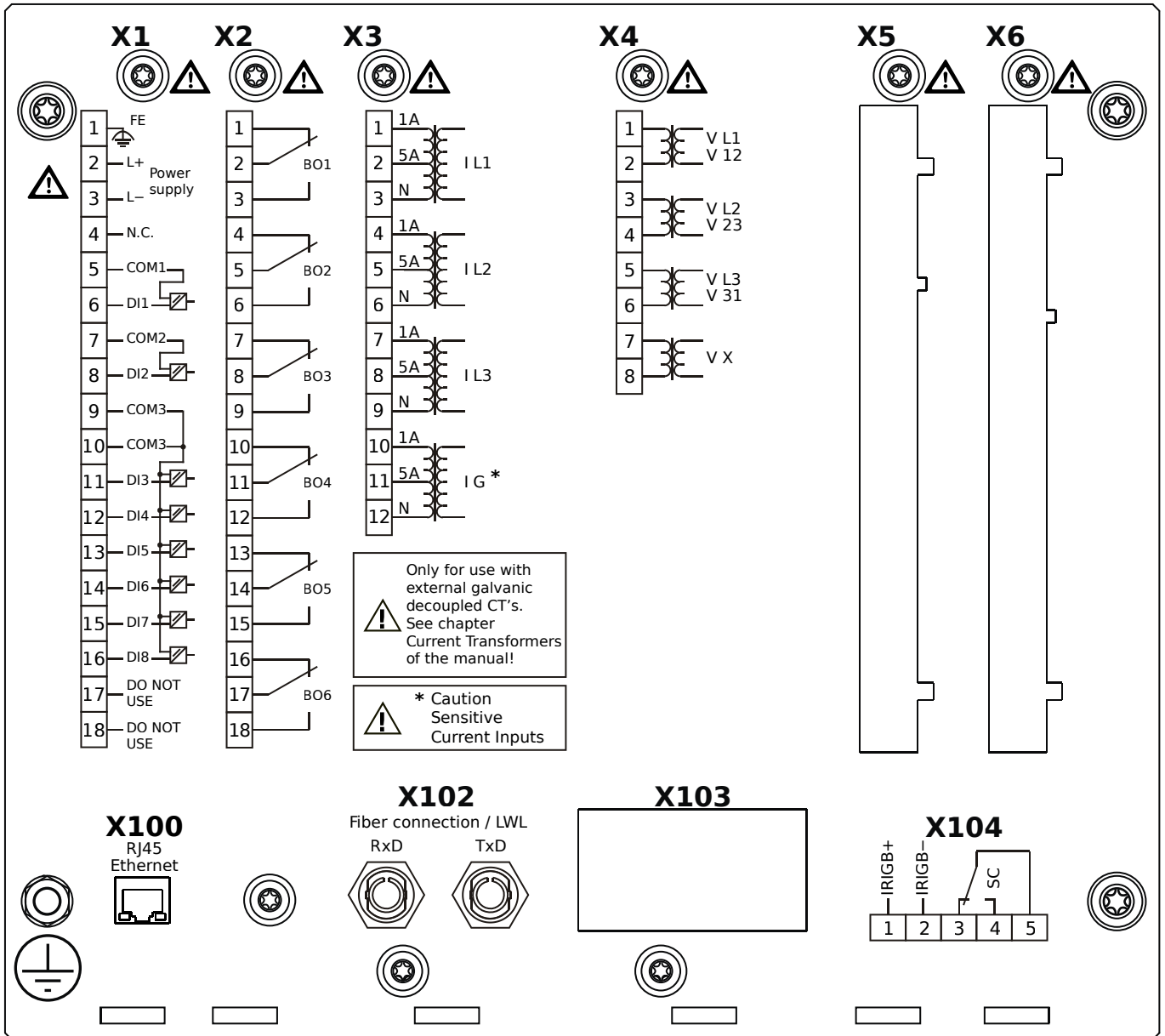
- X1** – DI8-X1: Wide-range power supply unit, incl. 2 non-grouped digital inputs and 6 grouped digital inputs
- X2** – OR-6: Assembly Group with 6 Relay Outputs
- X3** – TIs-4: Standard phase current measuring card and sensitive ground current measuring
- X4** – TU: Card with 4 voltage transformer measuring inputs
- X102** – Protection Communication, Fiber optics interface, ST Connector
- X103** – Modbus RTU / IEC 60870-5-103 / DNP3.0 RTU, RS485, D-SUB
- X104** – IRIG-B00X, incl. System Contact (Supervision Contact)

MCDLV4-2A1H1HA



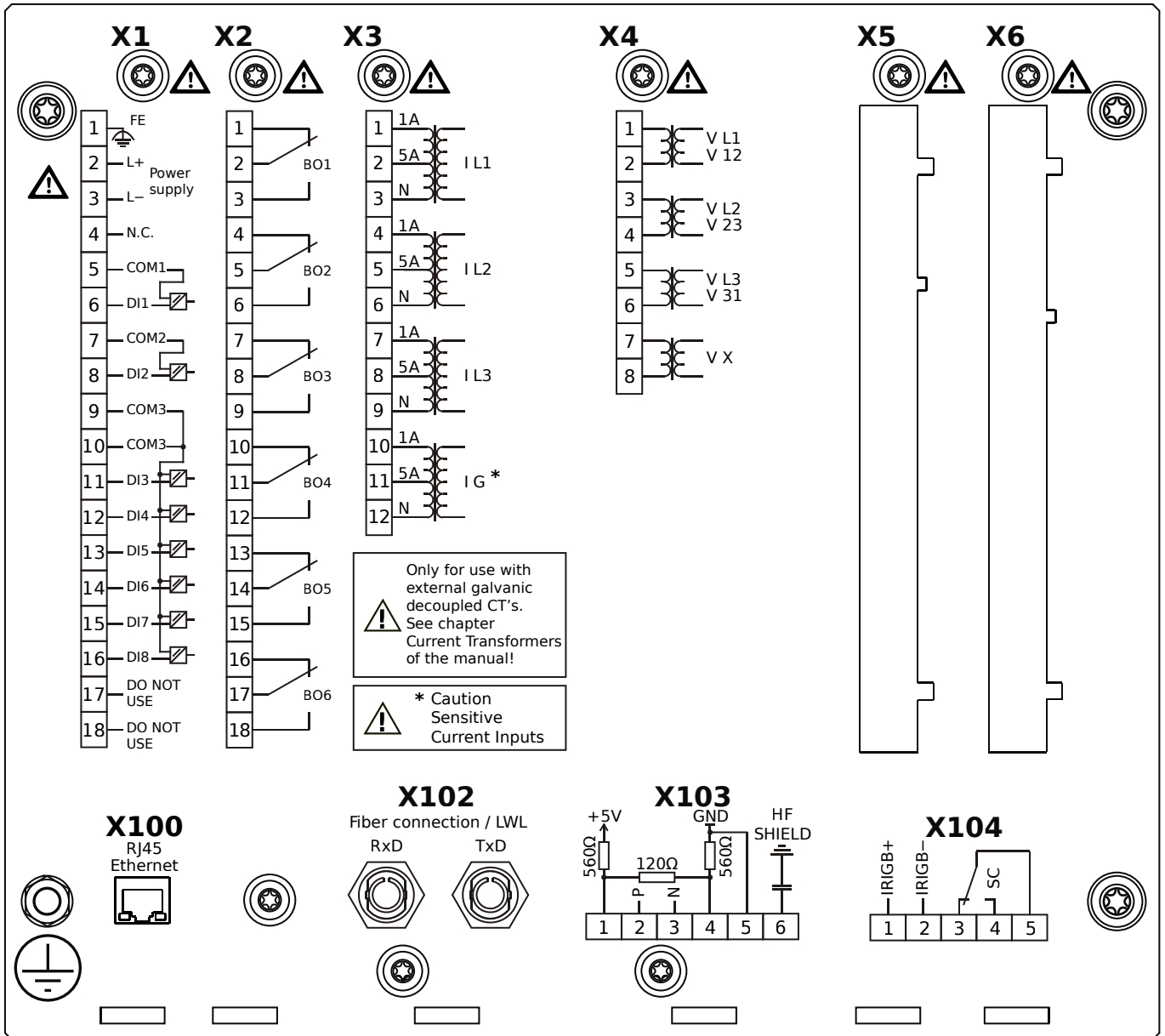
- X1** – DI8-X1: Wide-range power supply unit, incl. 2 non-grouped digital inputs and 6 grouped digital inputs
- X2** – OR-6: Assembly Group with 6 Relay Outputs
- X3** – TIs-4: Standard phase current measuring card and sensitive ground current measuring
- X4** – TU: Card with 4 voltage transformer measuring inputs
- X100** – IEC 61850 / Modbus TCP / DNP3.0 TCP/UDP, Ethernet interface, 100 Mbit/s, RJ45 (BASE100-FX)
- X102** – Protection Communication, Fiber optics interface, ST Connector
- X104** – IRIG-B00X, incl. System Contact (Supervision Contact)

MCDLV4-2A1H1HB



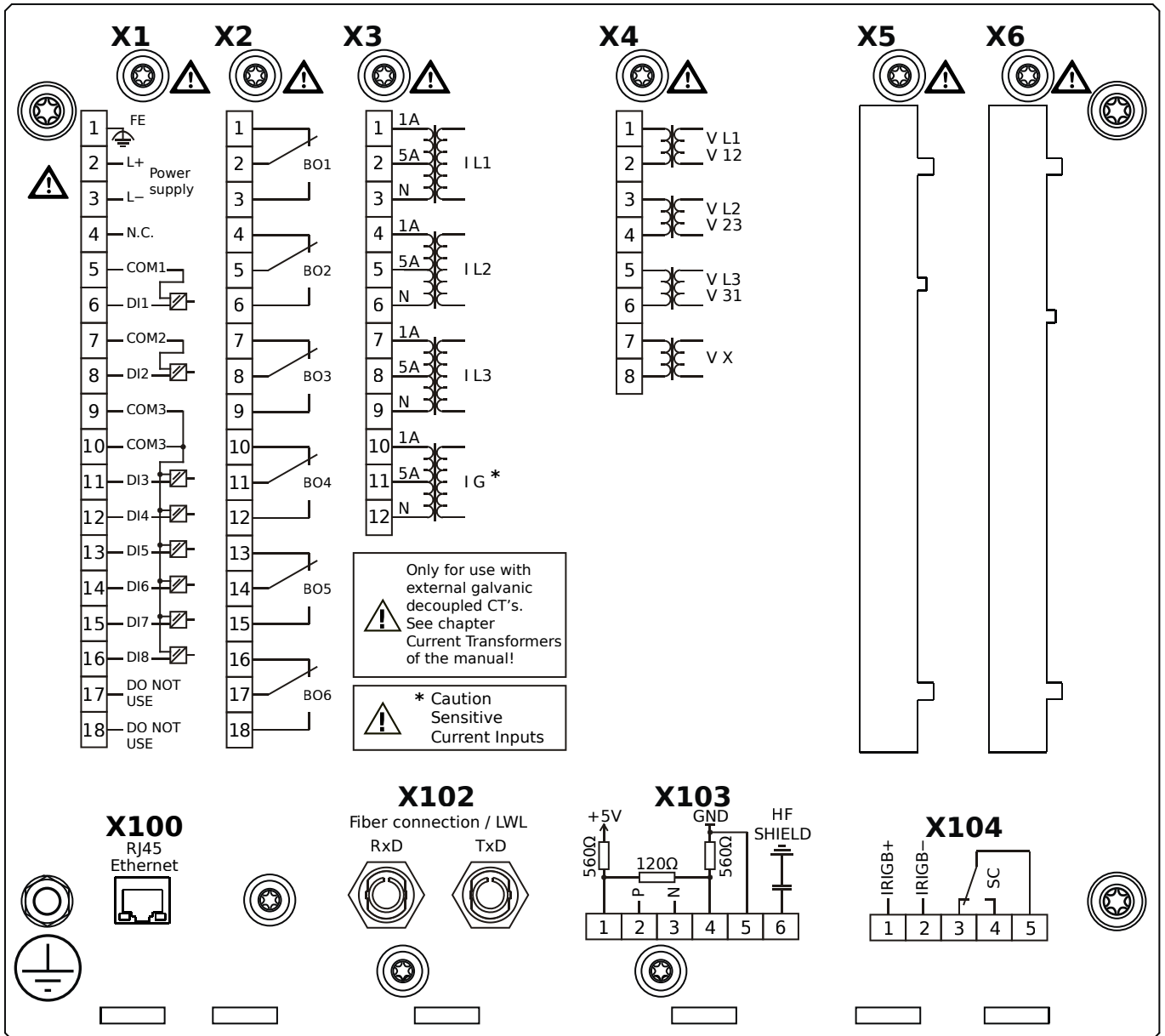
- X1** – DI8-X1: Wide-range power supply unit, incl. 2 non-grouped digital inputs and 6 grouped digital inputs
- X2** – OR-6: Assembly Group with 6 Relay Outputs
- X3** – TIs-4: Standard phase current measuring card and sensitive ground current measuring
- X4** – TU: Card with 4 voltage transformer measuring inputs
- X100** – IEC 61850 / Modbus TCP / DNP3.0 TCP/UDP, Ethernet interface, 100 Mbit/s, RJ45 (BASE100-FX)
- X102** – Protection Communication, Fiber optics interface, ST Connector
- X104** – IRIG-B00X, incl. System Contact (Supervision Contact)

MCDLV4-2A1H1IA



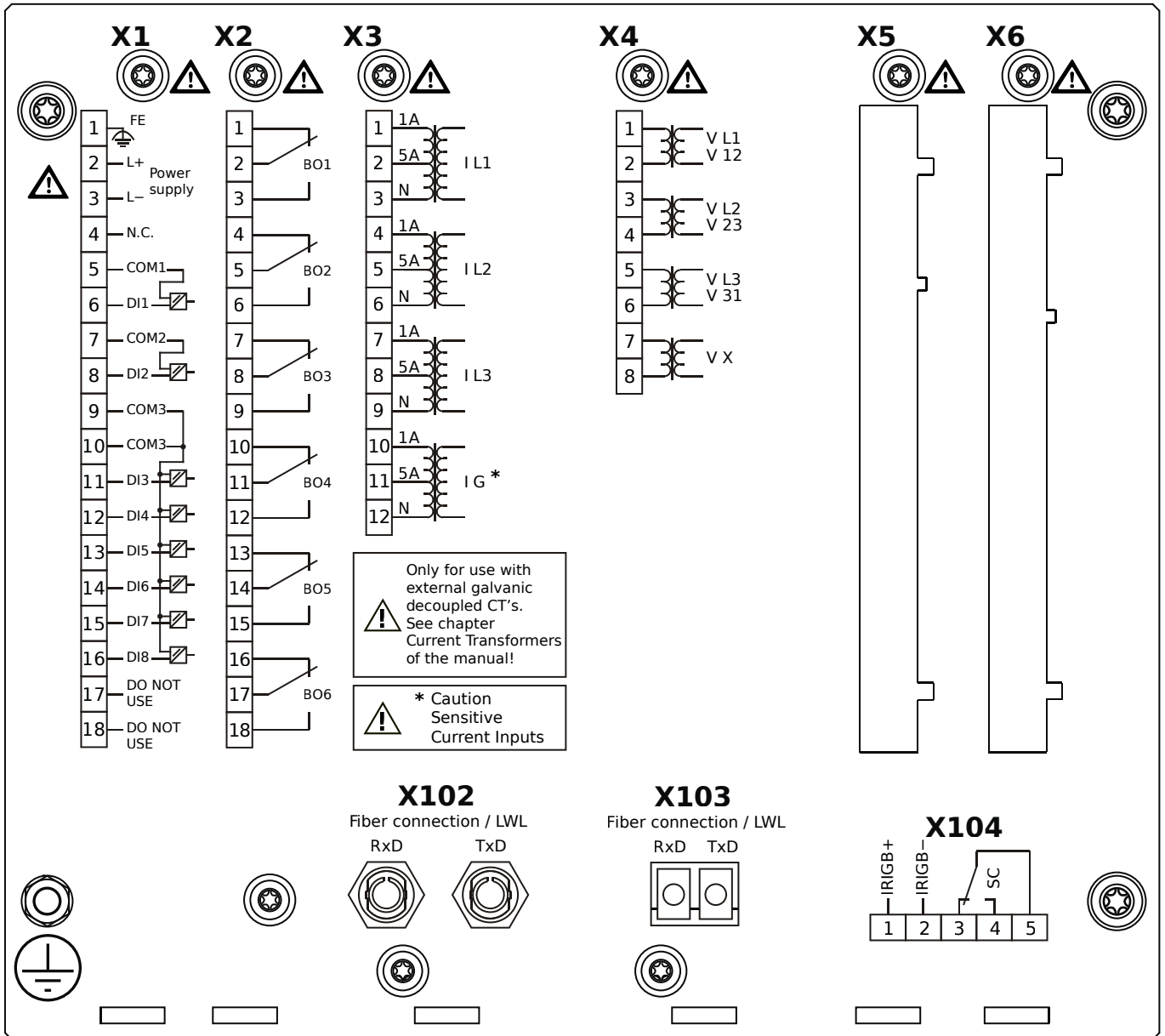
- X1** – DI8-X1: Wide-range power supply unit, incl. 2 non-grouped digital inputs and 6 grouped digital inputs
- X2** – OR-6: Assembly Group with 6 Relay Outputs
- X3** – TIs-4: Standard phase current measuring card and sensitive ground current measuring
- X4** – TU: Card with 4 voltage transformer measuring inputs
- X100** – Modbus TCP / DNP3.0 TCP/UDP, Ethernet interface, 100 Mbit/s, RJ45 (BASE100-FX)
- X102** – Protection Communication, Fiber optics interface, ST Connector
- X103** – IEC 60870-5-103 / Modbus RTU / DNP3.0 RTU, RS485, Terminals
- X104** – IRIG-B00X, incl. System Contact (Supervision Contact)

MCDLV4-2A1H1IB



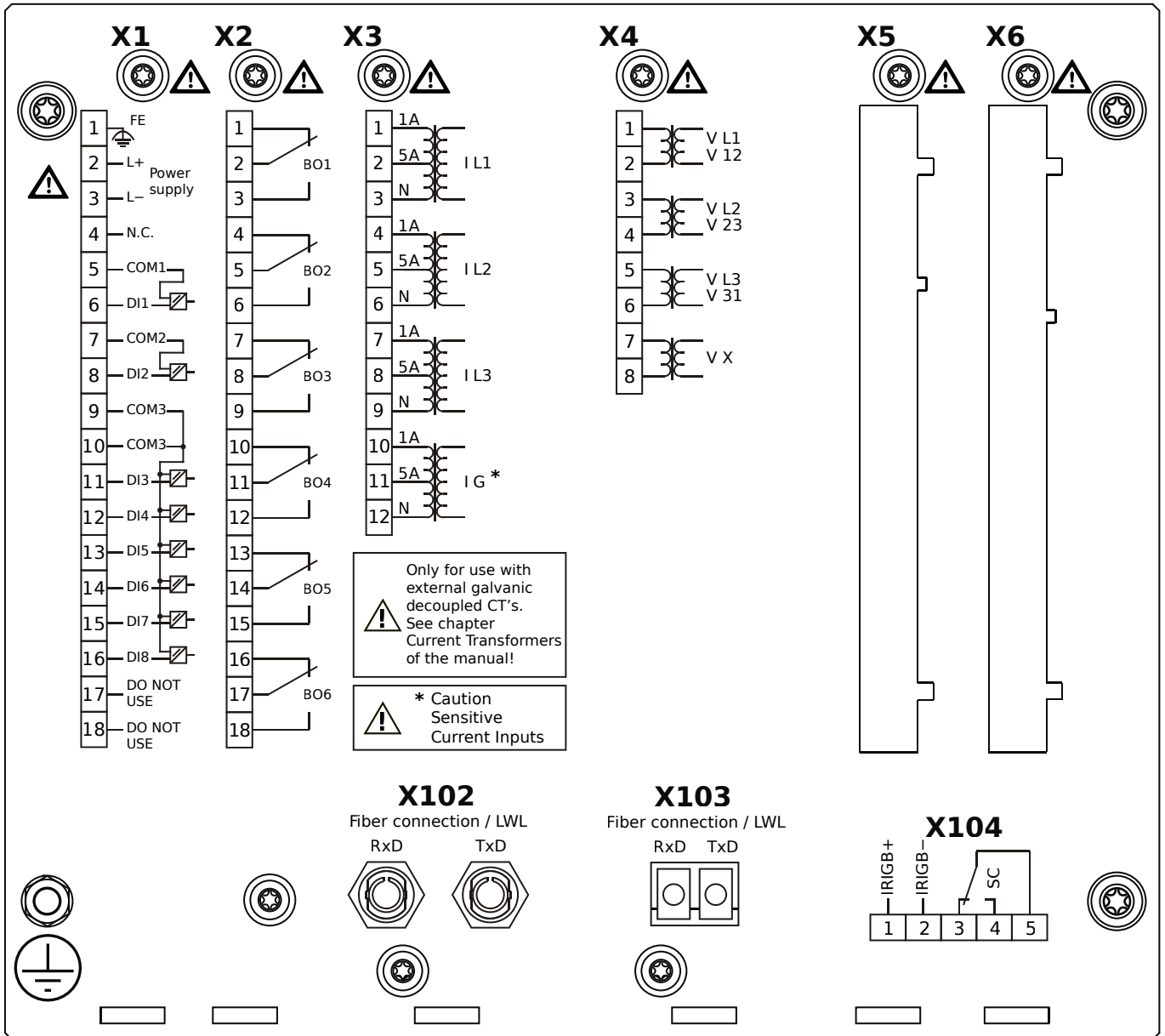
- X1** – DI8-X1: Wide-range power supply unit, incl. 2 non-grouped digital inputs and 6 grouped digital inputs
- X2** – OR-6: Assembly Group with 6 Relay Outputs
- X3** – TIs-4: Standard phase current measuring card and sensitive ground current measuring
- X4** – TU: Card with 4 voltage transformer measuring inputs
- X100** – Modbus TCP / DNP3.0 TCP/UDP, Ethernet interface, 100 Mbit/s, RJ45 (BASE100-FX)
- X102** – Protection Communication, Fiber optics interface, ST Connector
- X103** – IEC 60870-5-103 / Modbus RTU / DNP3.0 RTU, RS485, Terminals
- X104** – IRIG-B00X, incl. System Contact (Supervision Contact)

MCDLV4-2A1H1KA



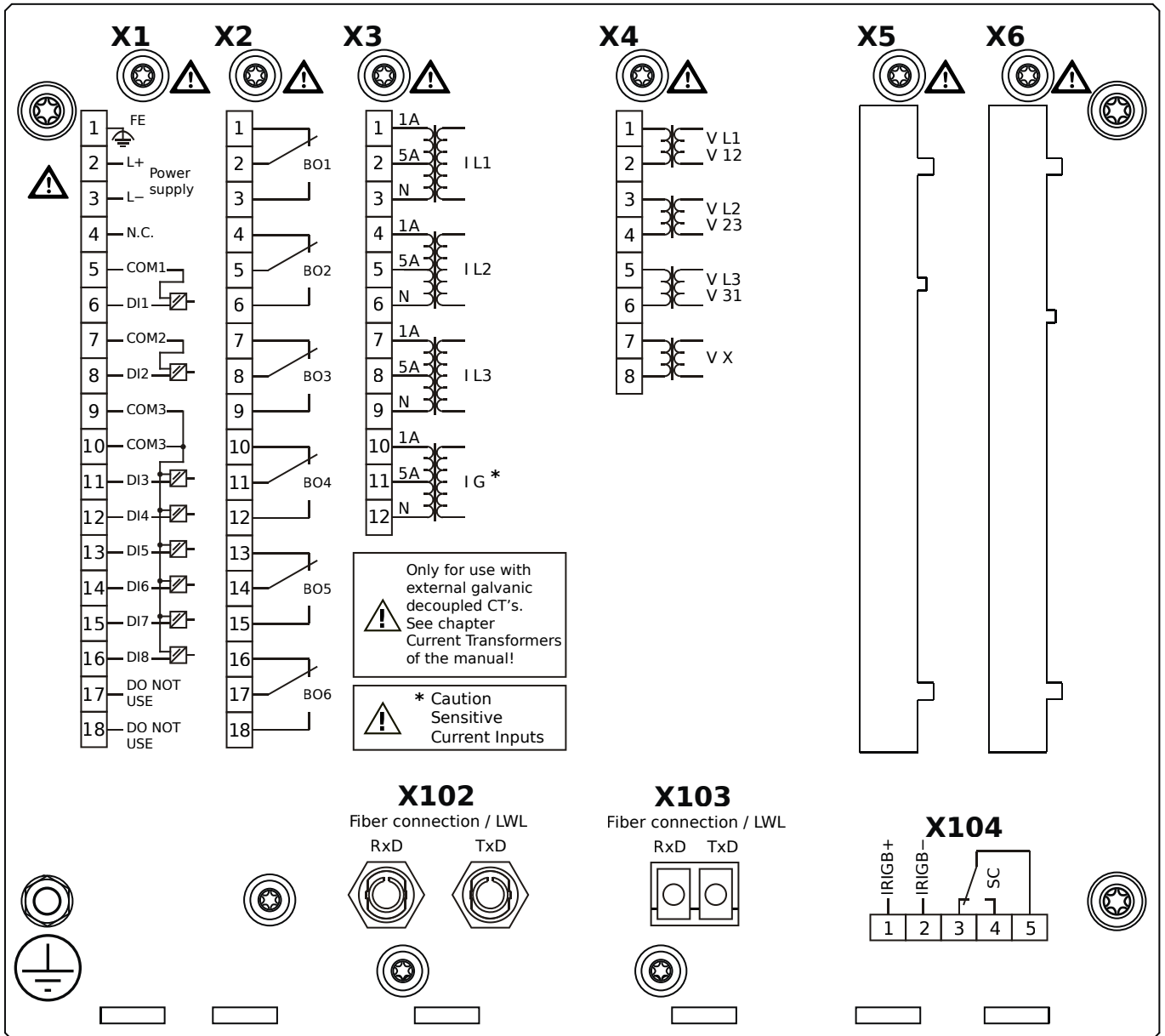
- X1** – DI8-X1: Wide-range power supply unit, incl. 2 non-grouped digital inputs and 6 grouped digital inputs
- X2** – OR-6: Assembly Group with 6 Relay Outputs
- X3** – TIs-4: Standard phase current measuring card and sensitive ground current measuring
- X4** – TU: Card with 4 voltage transformer measuring inputs
- X102** – Protection Communication, Fiber optics interface, ST Connector
- X103** – IEC 61850 / Modbus TCP / DNP3.0 TCP/UDP, Fiber optics interface, LC Connector
- X104** – IRIG-B00X, incl. System Contact (Supervision Contact)

MCDLV4-2A1H1KB



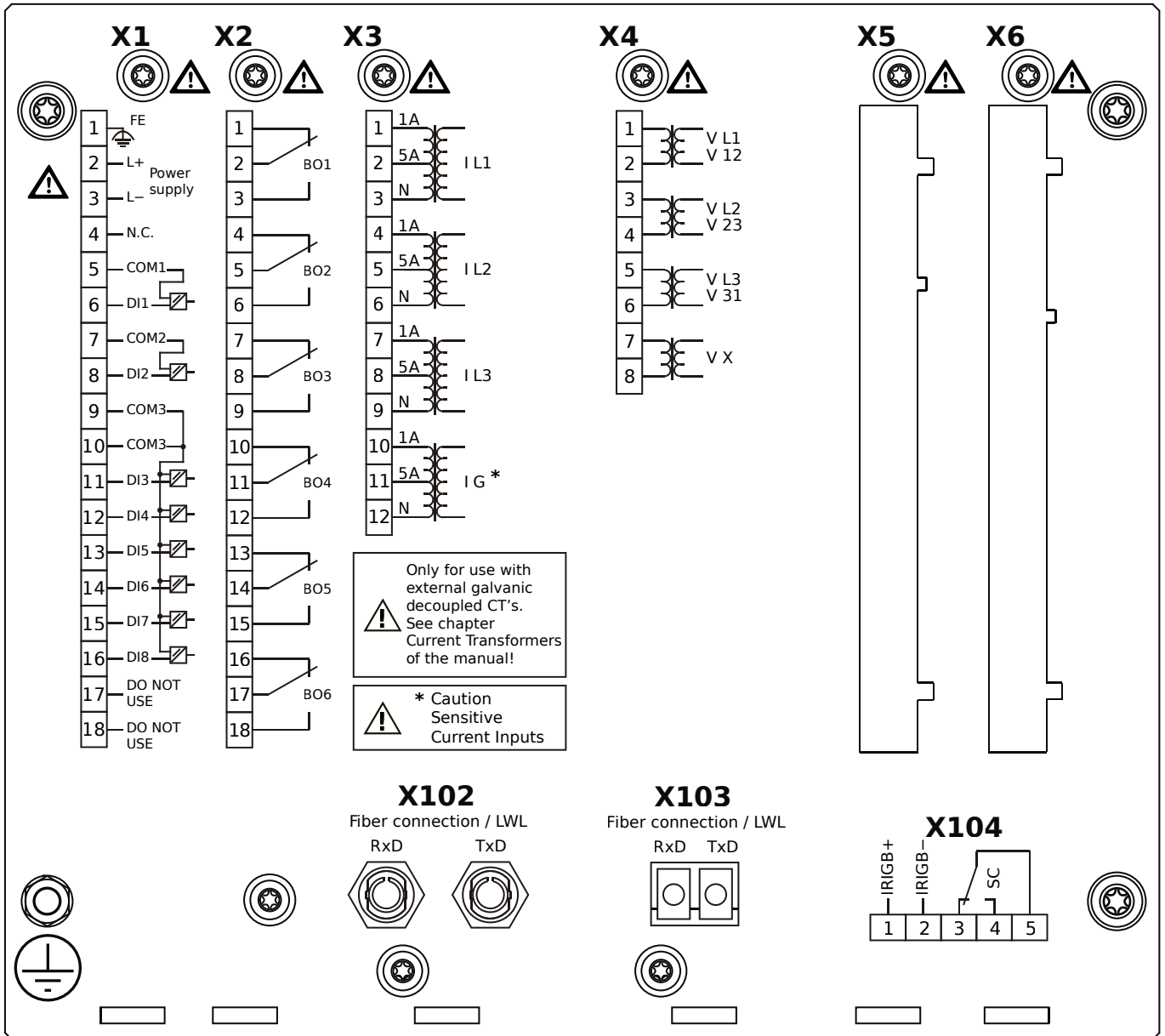
- X1** – DI8-X1: Wide-range power supply unit, incl. 2 non-grouped digital inputs and 6 grouped digital inputs
- X2** – OR-6: Assembly Group with 6 Relay Outputs
- X3** – TIs-4: Standard phase current measuring card and sensitive ground current measuring
- X4** – TU: Card with 4 voltage transformer measuring inputs
- X102** – Protection Communication, Fiber optics interface, ST Connector
- X103** – IEC 61850 / Modbus TCP / DNP3.0 TCP/UDP, Fiber optics interface, LC Connector
- X104** – IRIG-B00X, incl. System Contact (Supervision Contact)

MCDLV4-2A1H1LA



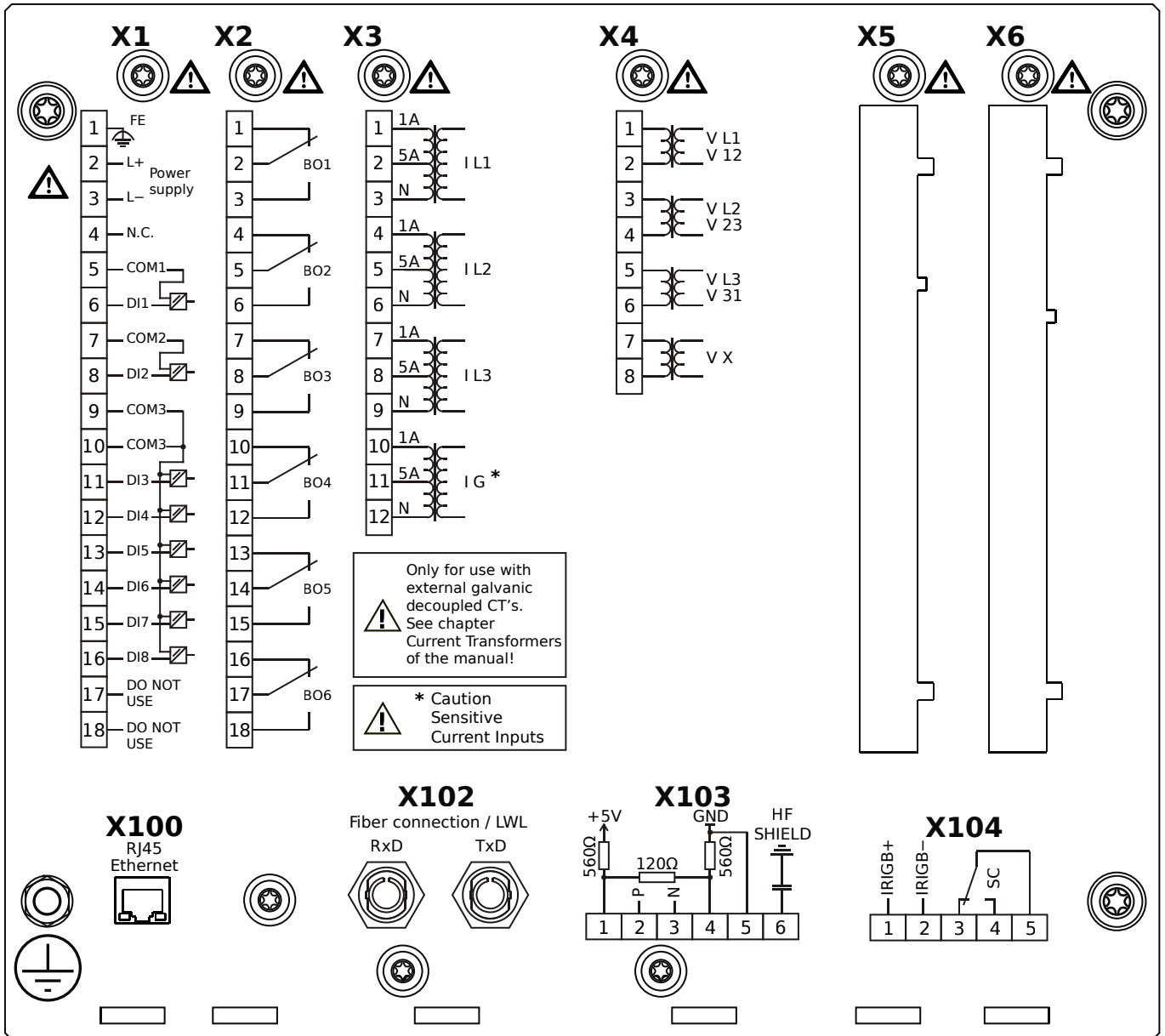
- X1** – DI8-X1: Wide-range power supply unit, incl. 2 non-grouped digital inputs and 6 grouped digital inputs
- X2** – OR-6: Assembly Group with 6 Relay Outputs
- X3** – TIs-4: Standard phase current measuring card and sensitive ground current measuring
- X4** – TU: Card with 4 voltage transformer measuring inputs
- X102** – Protection Communication, Fiber optics interface, ST Connector
- X103** – Modbus TCP / DNP3.0 TCP/UDP, Fiber optics interface, LC Connector
- X104** – IRIG-B00X, incl. System Contact (Supervision Contact)

MCDLV4-2A1H1LB



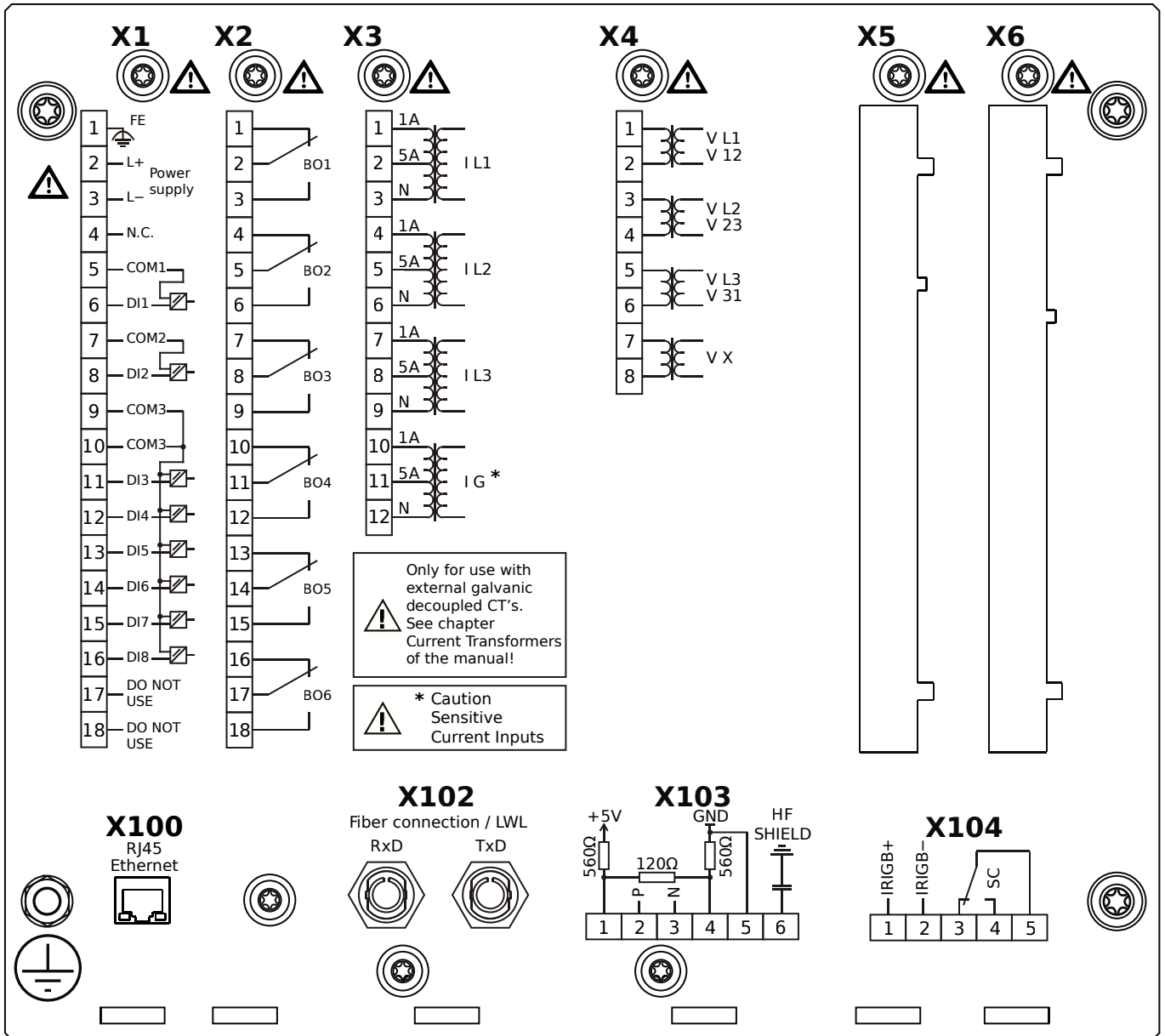
- X1** – DI8-X1: Wide-range power supply unit, incl. 2 non-grouped digital inputs and 6 grouped digital inputs
- X2** – OR-6: Assembly Group with 6 Relay Outputs
- X3** – TIs-4: Standard phase current measuring card and sensitive ground current measuring
- X4** – TU: Card with 4 voltage transformer measuring inputs
- X102** – Protection Communication, Fiber optics interface, ST Connector
- X103** – Modbus TCP / DNP3.0 TCP/UDP, Fiber optics interface, LC Connector
- X104** – IRIG-B00X, incl. System Contact (Supervision Contact)

MCDLV4-2A1H1TA



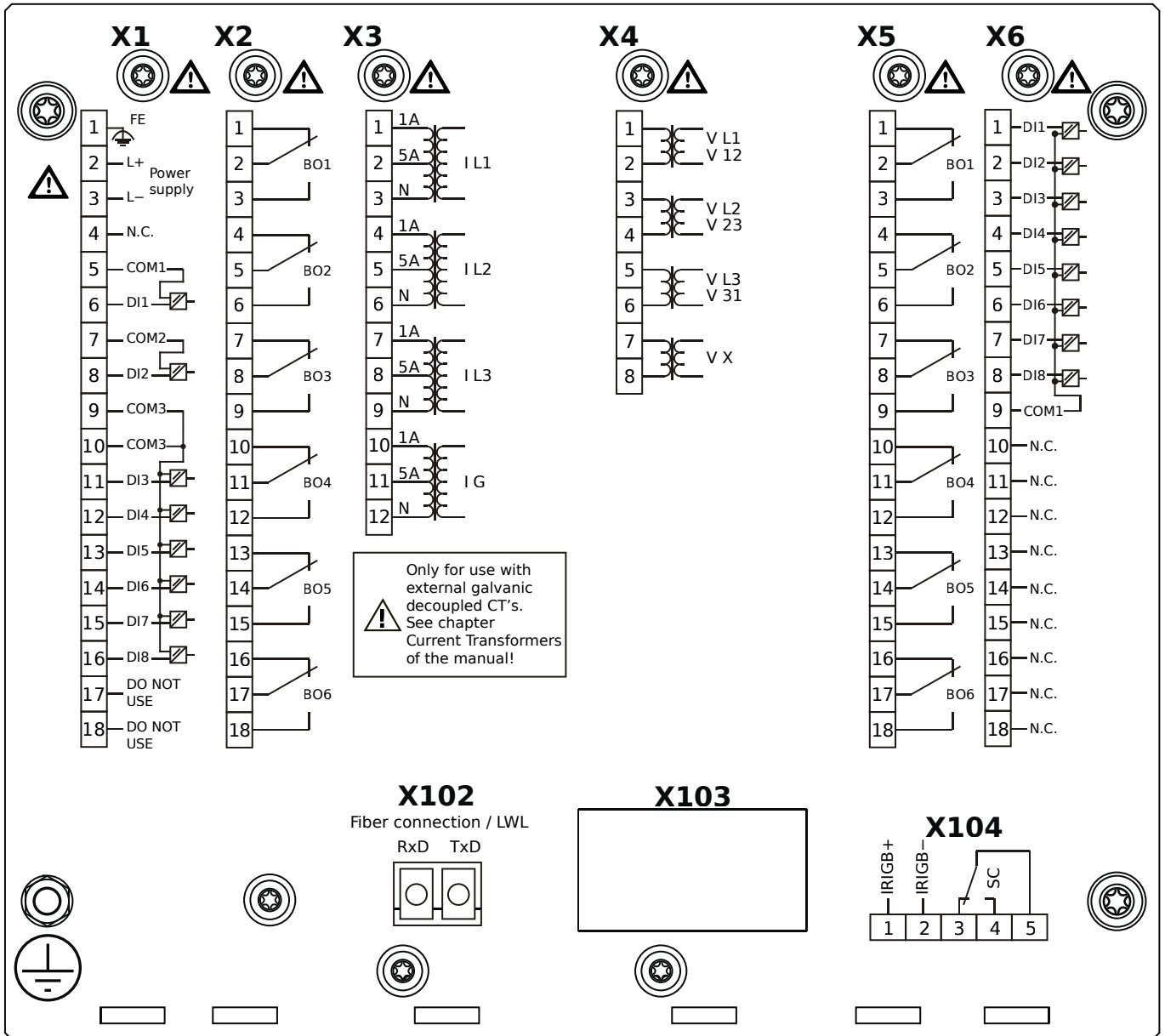
- X1** – DI8-X1: Wide-range power supply unit, incl. 2 non-grouped digital inputs and 6 grouped digital inputs
- X2** – OR-6: Assembly Group with 6 Relay Outputs
- X3** – TIs-4: Standard phase current measuring card and sensitive ground current measuring
- X4** – TU: Card with 4 voltage transformer measuring inputs
- X100** – IEC 61850 / Modbus TCP / DNP3.0 TCP/UDP, Ethernet interface, 100 Mbit/s, RJ45 (BASE100-FX)
- X102** – Protection Communication, Fiber optics interface, ST Connector
- X103** – IEC 60870-5-103 / Modbus RTU / DNP3.0 RTU, RS485, Terminals
- X104** – IRIG-B00X, incl. System Contact (Supervision Contact)

MCDLV4-2A1H1TB



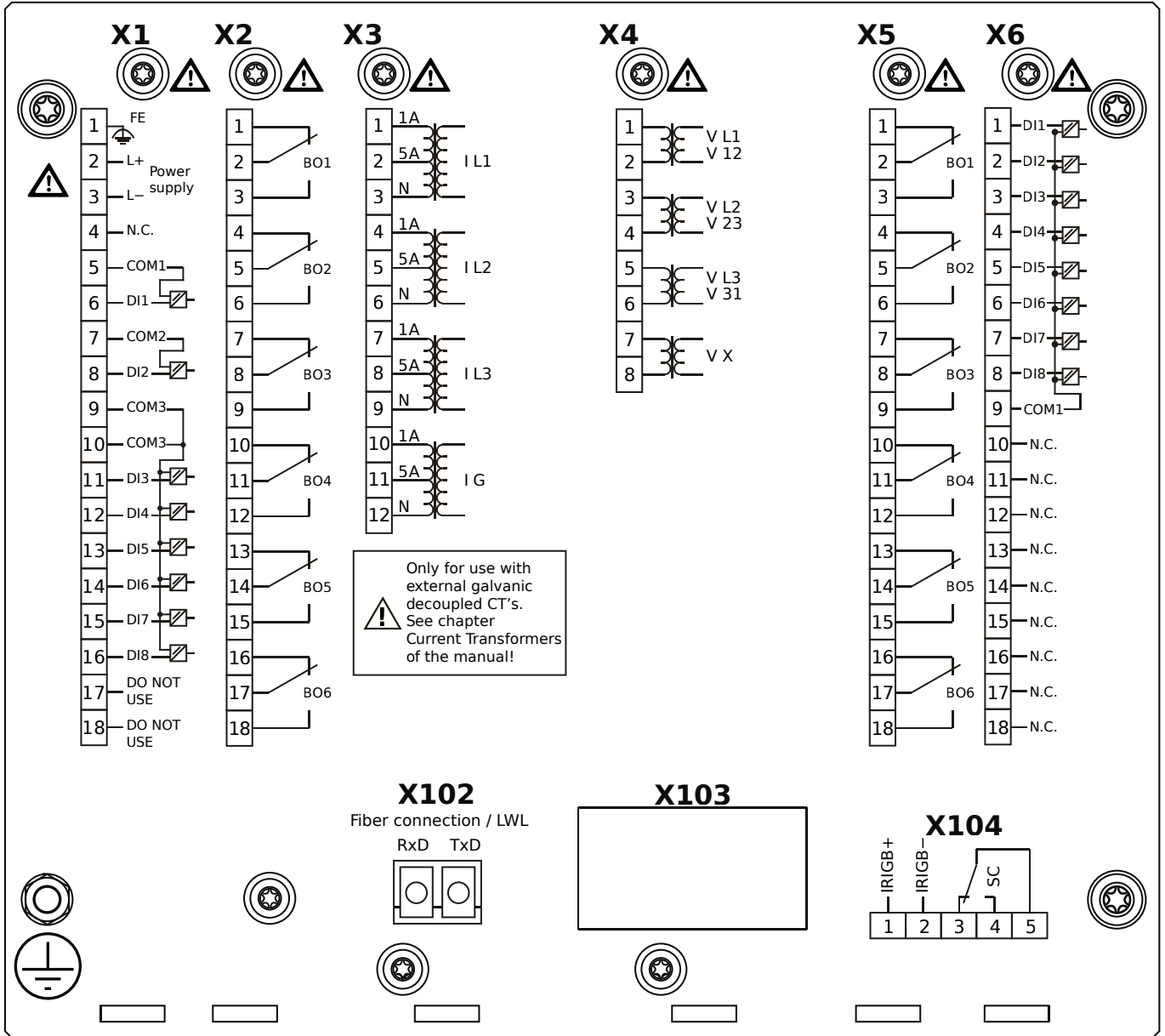
- X1** – DI8-X1: Wide-range power supply unit, incl. 2 non-grouped digital inputs and 6 grouped digital inputs
- X2** – OR-6: Assembly Group with 6 Relay Outputs
- X3** – TIs-4: Standard phase current measuring card and sensitive ground current measuring
- X4** – TU: Card with 4 voltage transformer measuring inputs
- X100** – IEC 61850 / Modbus TCP / DNP3.0 TCP/UDP, Ethernet interface, 100 Mbit/s, RJ45 (BASE100-FX)
- X102** – Protection Communication, Fiber optics interface, ST Connector
- X103** – IEC 60870-5-103 / Modbus RTU / DNP3.0 RTU, RS485, Terminals
- X104** – IRIG-B00X, incl. System Contact (Supervision Contact)

MCDLV4-2D0A0AA



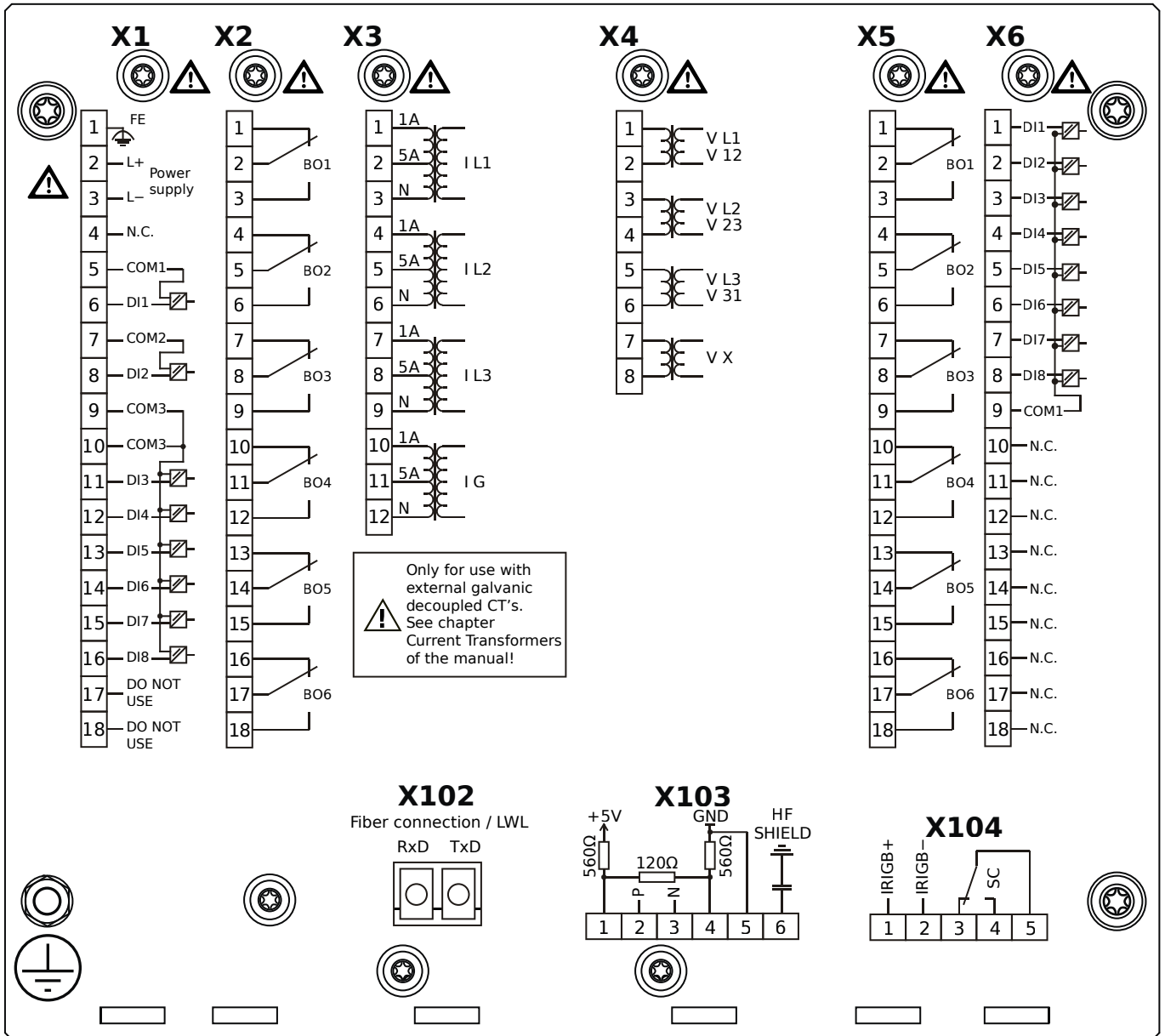
- X1** – DI8-X1: Wide-range power supply unit, incl. 2 non-grouped digital inputs and 6 grouped digital inputs
- X2** – OR-6: Assembly Group with 6 Relay Outputs
- X3** – TI-4: Standard current measuring card
- X4** – TU: Card with 4 voltage transformer measuring inputs
- X5** – OR-6: Assembly Group with 6 Relay Outputs
- X6** – DI8: Assembly Group with 8 Digital Inputs
- X102** – Long-distance Protection Communication, Fiber optics interface, LC Connector
- X104** – IRIG-B00X, incl. System Contact (Supervision Contact)

MCDLV4-2D0A0AB



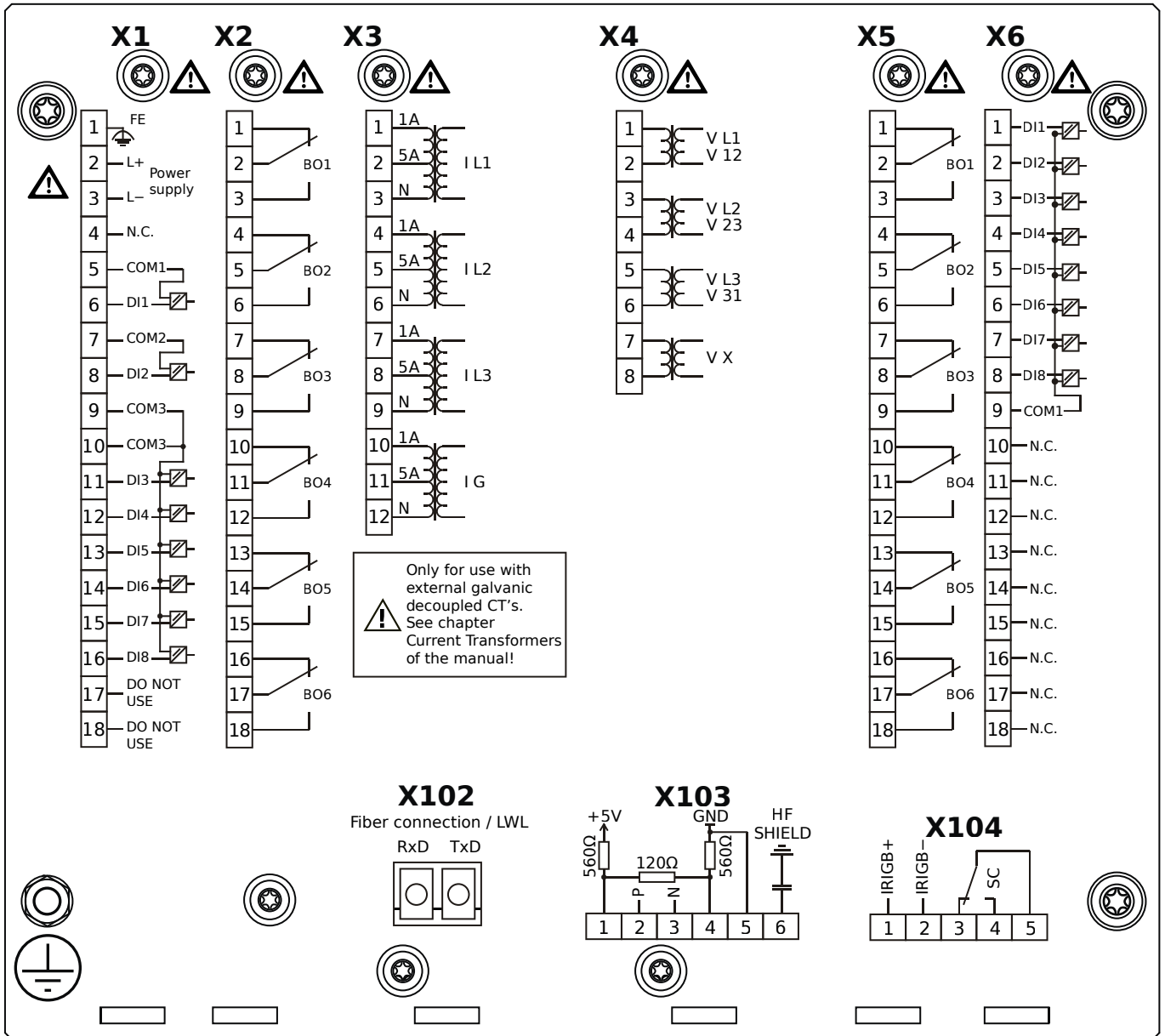
- X1** – DI8-X1: Wide-range power supply unit, incl. 2 non-grouped digital inputs and 6 grouped digital inputs
- X2** – OR-6: Assembly Group with 6 Relay Outputs
- X3** – TI-4: Standard current measuring card
- X4** – TU: Card with 4 voltage transformer measuring inputs
- X5** – OR-6: Assembly Group with 6 Relay Outputs
- X6** – DI8: Assembly Group with 8 Digital Inputs
- X102** – Long-distance Protection Communication, Fiber optics interface, LC Connector
- X104** – IRIG-B00X, incl. System Contact (Supervision Contact)

MCDLV4-2D0A0BA



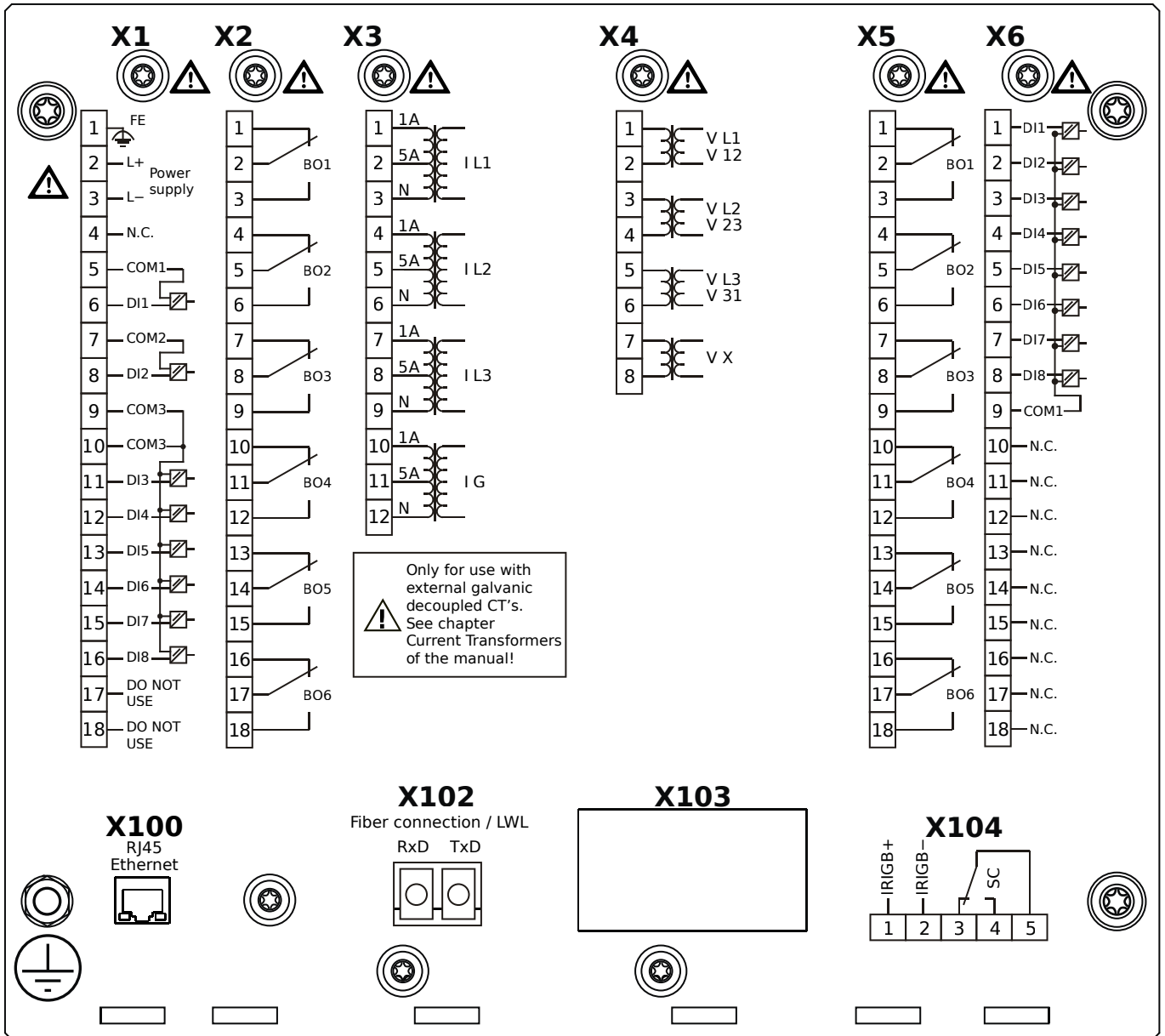
- X1** – DI8-X1: Wide-range power supply unit, incl. 2 non-grouped digital inputs and 6 grouped digital inputs
- X2** – OR-6: Assembly Group with 6 Relay Outputs
- X3** – TI-4: Standard current measuring card
- X4** – TU: Card with 4 voltage transformer measuring inputs
- X5** – OR-6: Assembly Group with 6 Relay Outputs
- X6** – DI8: Assembly Group with 8 Digital Inputs
- X102** – Long-distance Protection Communication, Fiber optics interface, LC Connector
- X103** – Modbus RTU / IEC 60870-5-103 / DNP3.0 RTU, RS485, Terminals
- X104** – IRIG-B00X, incl. System Contact (Supervision Contact)

MCDLV4-2D0A0BB



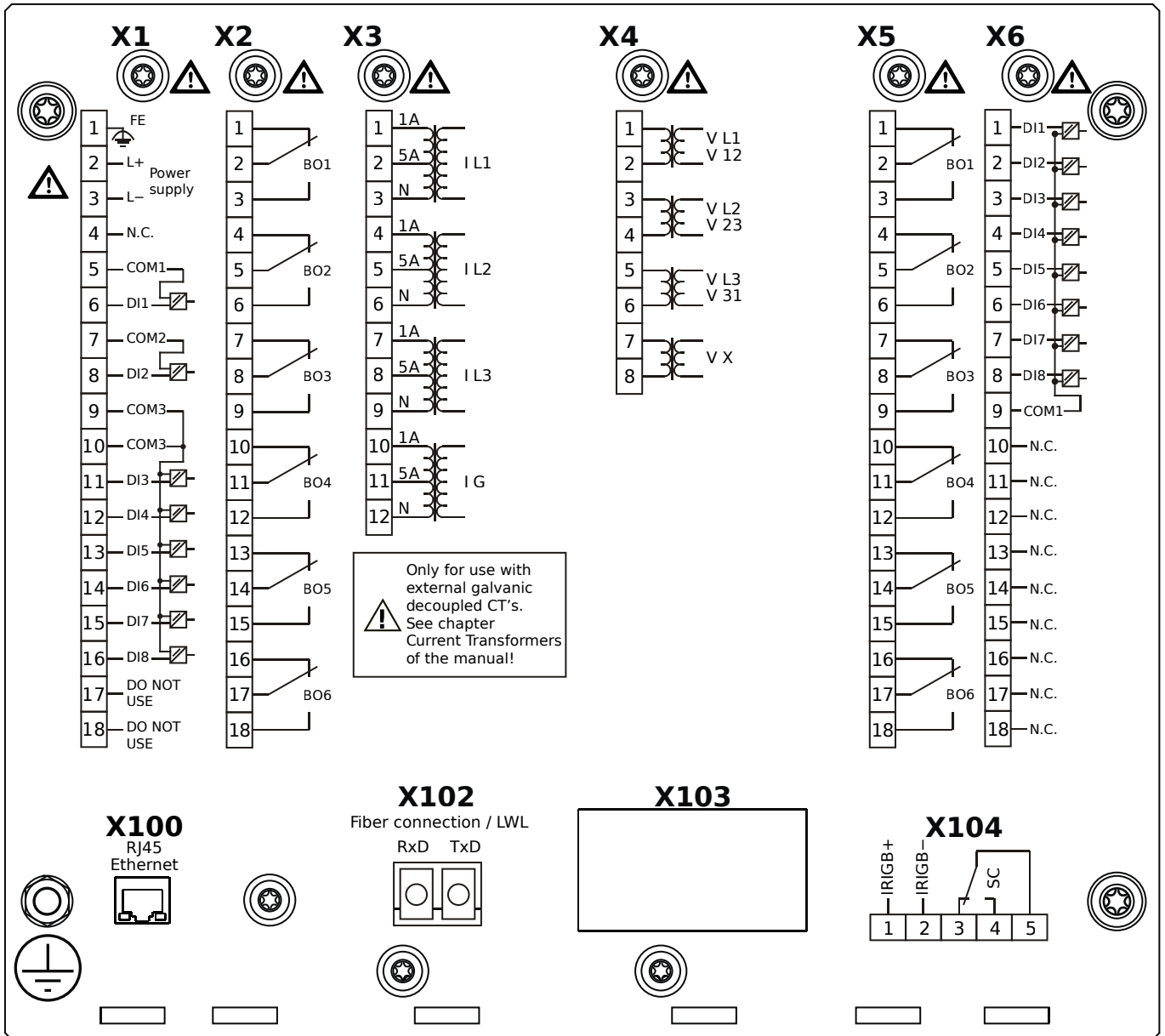
- X1** – DI8-X1: Wide-range power supply unit, incl. 2 non-grouped digital inputs and 6 grouped digital inputs
- X2** – OR-6: Assembly Group with 6 Relay Outputs
- X3** – TI-4: Standard current measuring card
- X4** – TU: Card with 4 voltage transformer measuring inputs
- X5** – OR-6: Assembly Group with 6 Relay Outputs
- X6** – DI8: Assembly Group with 8 Digital Inputs
- X102** – Long-distance Protection Communication, Fiber optics interface, LC Connector
- X103** – Modbus RTU / IEC 60870-5-103 / DNP3.0 RTU, RS485, Terminals
- X104** – IRIG-B00X, incl. System Contact (Supervision Contact)

MCDLV4-2D0A0CA



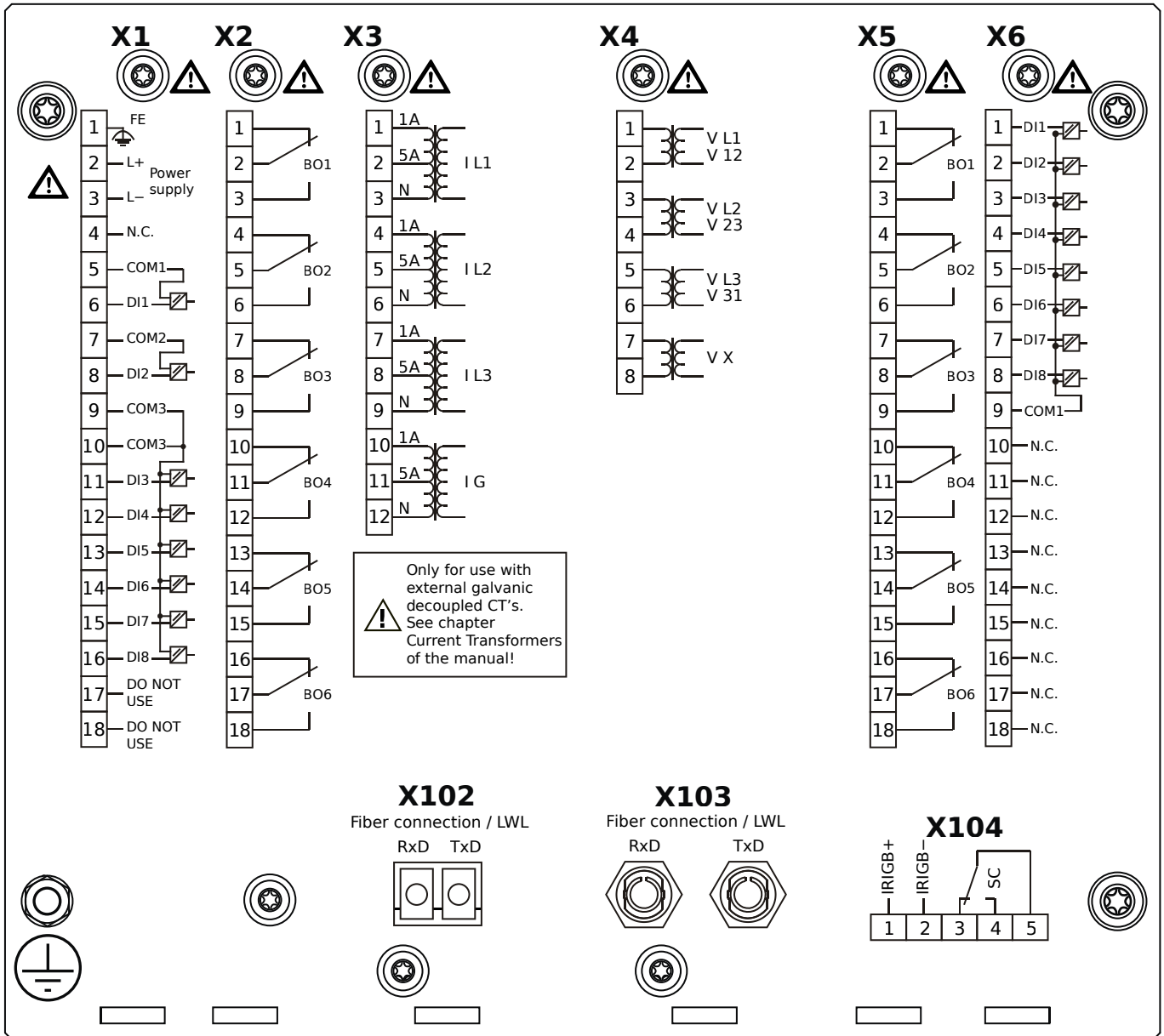
- X1** – DI8-X1: Wide-range power supply unit, incl. 2 non-grouped digital inputs and 6 grouped digital inputs
- X2** – OR-6: Assembly Group with 6 Relay Outputs
- X3** – TI-4: Standard current measuring card
- X4** – TU: Card with 4 voltage transformer measuring inputs
- X5** – OR-6: Assembly Group with 6 Relay Outputs
- X6** – DI8: Assembly Group with 8 Digital Inputs
- X100** – Modbus TCP / DNP3.0 TCP/UDP, Ethernet interface, 100 Mbit/s, RJ45 (BASE100-FX)
- X102** – Long-distance Protection Communication, Fiber optics interface, LC Connector
- X104** – IRIG-B00X, incl. System Contact (Supervision Contact)

MCDLV4-2D0A0CB



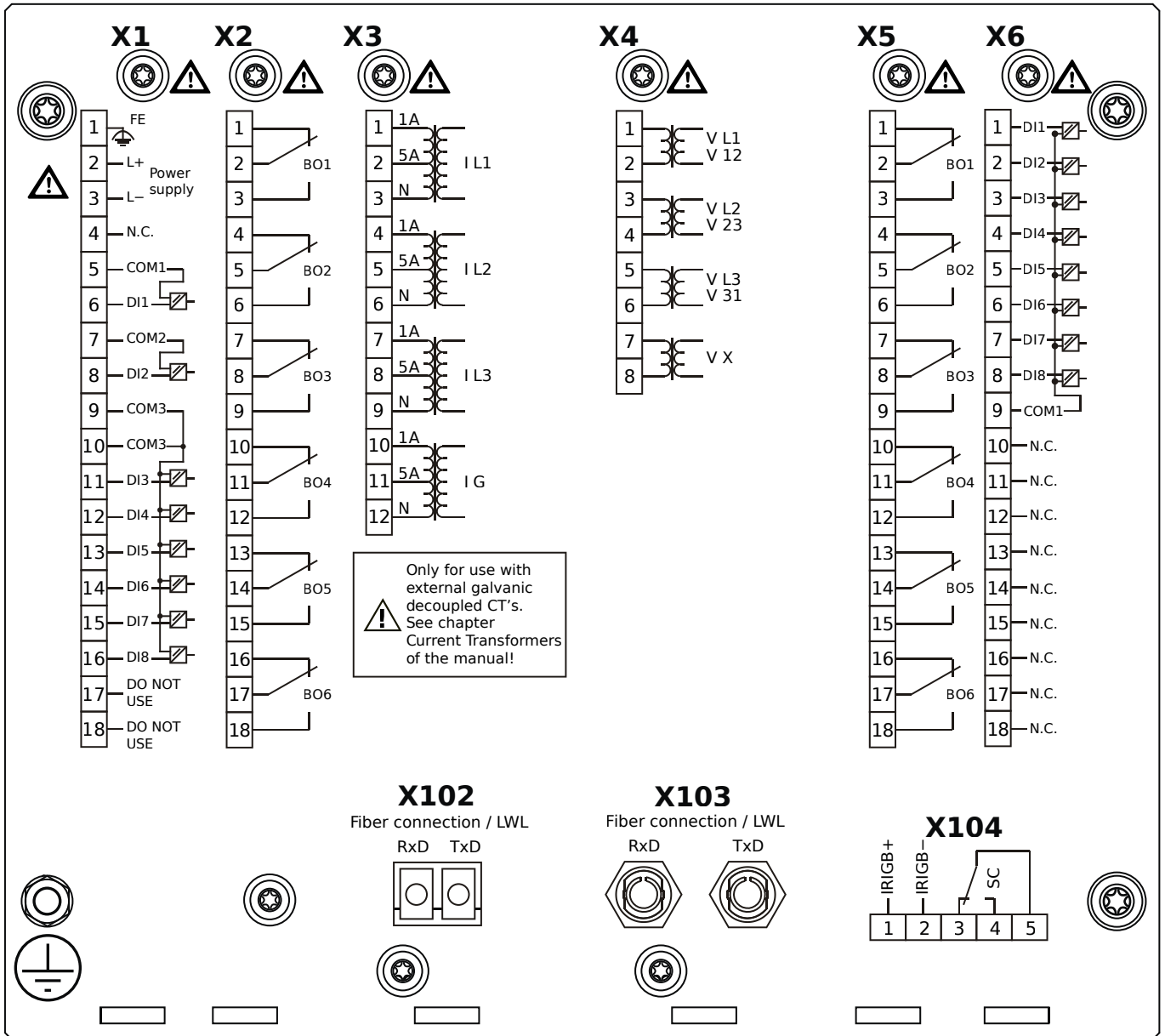
- X1** – DI8-X1: Wide-range power supply unit, incl. 2 non-grouped digital inputs and 6 grouped digital inputs
- X2** – OR-6: Assembly Group with 6 Relay Outputs
- X3** – TI-4: Standard current measuring card
- X4** – TU: Card with 4 voltage transformer measuring inputs
- X5** – OR-6: Assembly Group with 6 Relay Outputs
- X6** – DI8: Assembly Group with 8 Digital Inputs
- X100** – Modbus TCP / DNP3.0 TCP/UDP, Ethernet interface, 100 Mbit/s, RJ45 (BASE100-FX)
- X102** – Long-distance Protection Communication, Fiber optics interface, LC Connector
- X104** – IRIG-B00X, incl. System Contact (Supervision Contact)

MCDLV4-2D0A0DA



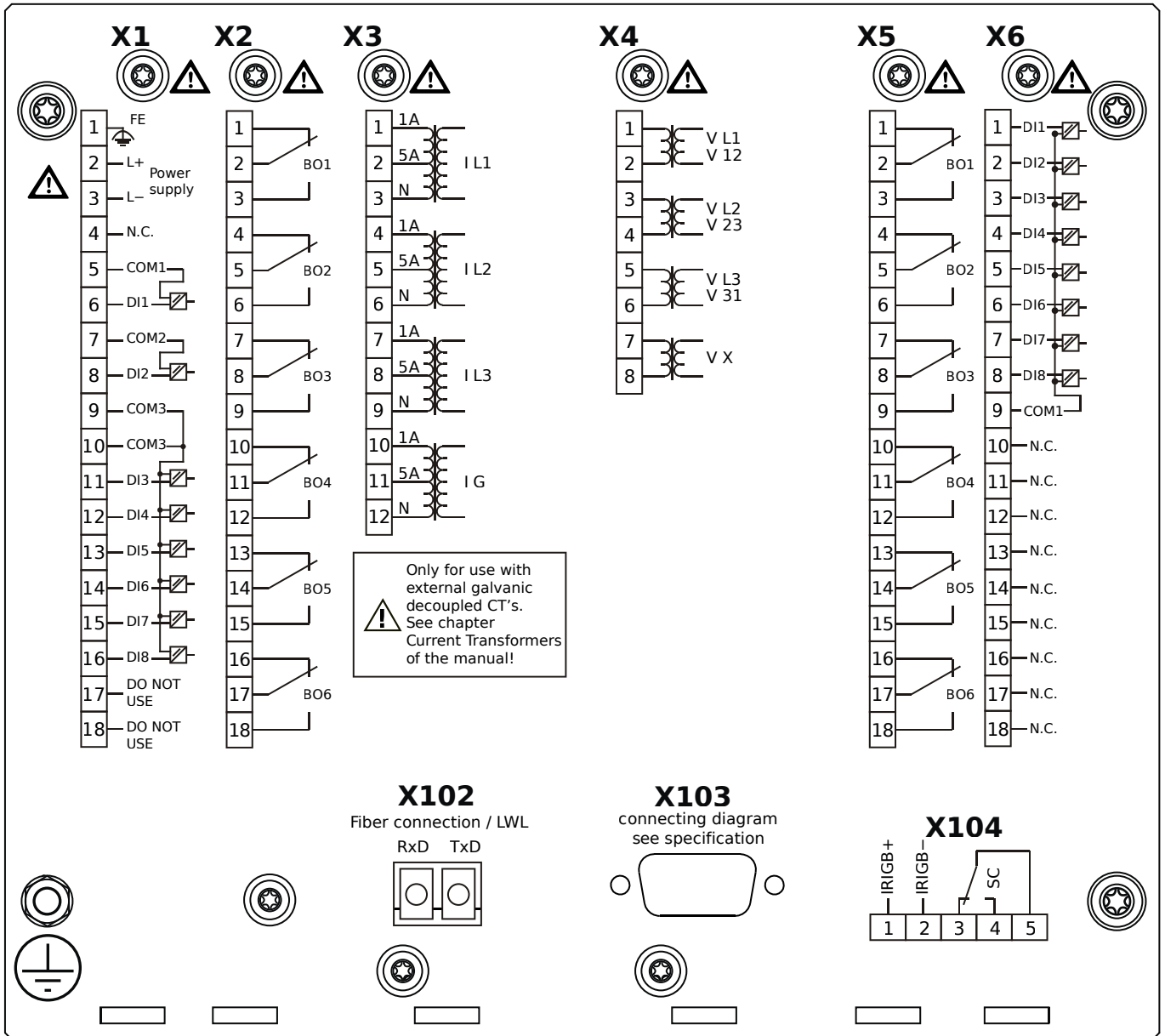
- X1** – DI8-X1: Wide-range power supply unit, incl. 2 non-grouped digital inputs and 6 grouped digital inputs
- X2** – OR-6: Assembly Group with 6 Relay Outputs
- X3** – TI-4: Standard current measuring card
- X4** – TU: Card with 4 voltage transformer measuring inputs
- X5** – OR-6: Assembly Group with 6 Relay Outputs
- X6** – DI8: Assembly Group with 8 Digital Inputs
- X102** – Long-distance Protection Communication, Fiber optics interface, LC Connector
- X103** – Profibus-DP, Fiber optics interface, ST Connector
- X104** – IRIG-B00X, incl. System Contact (Supervision Contact)

MCDLV4-2D0A0DB



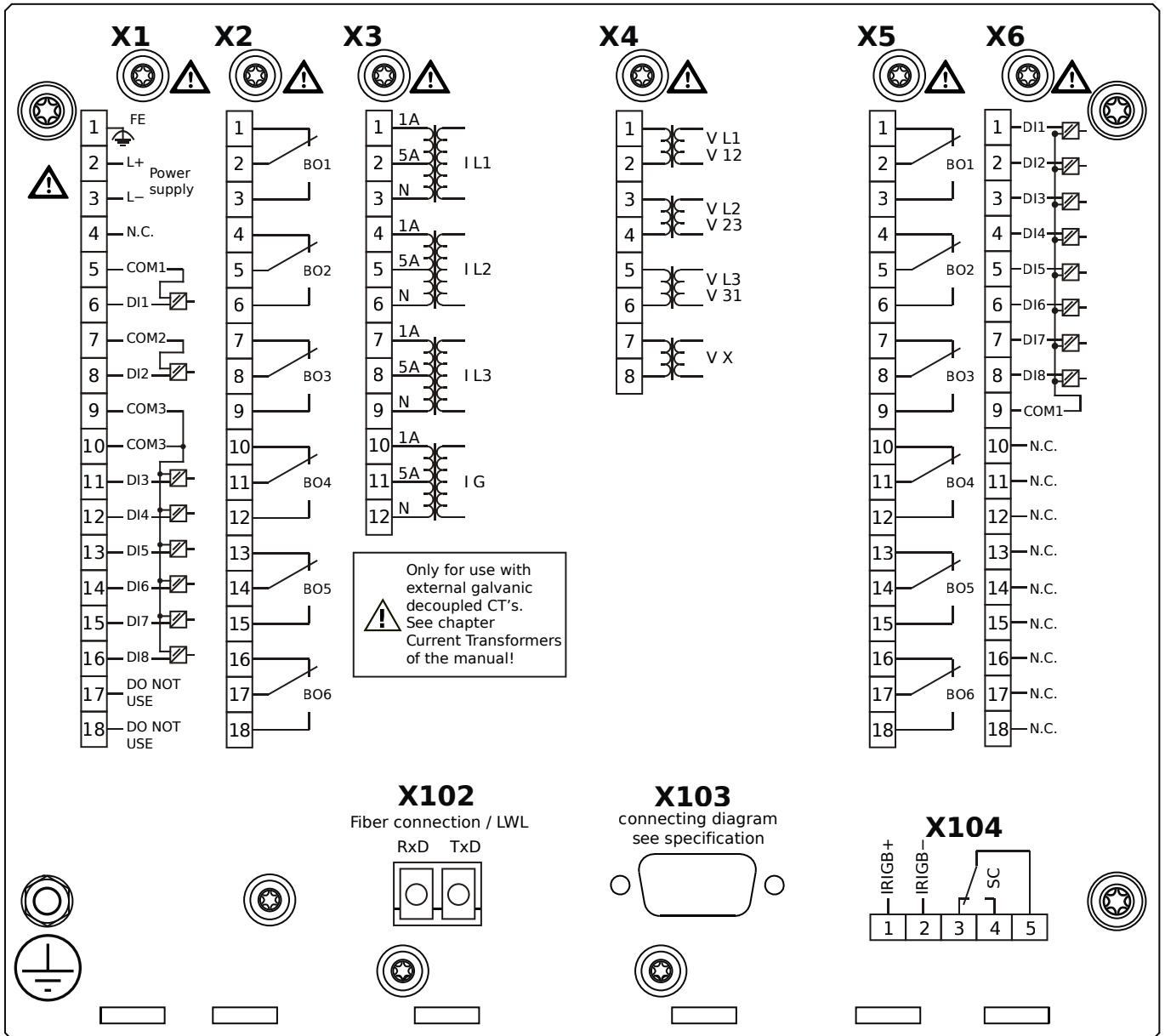
- X1** – DI8-X1: Wide-range power supply unit, incl. 2 non-grouped digital inputs and 6 grouped digital inputs
- X2** – OR-6: Assembly Group with 6 Relay Outputs
- X3** – TI-4: Standard current measuring card
- X4** – TU: Card with 4 voltage transformer measuring inputs
- X5** – OR-6: Assembly Group with 6 Relay Outputs
- X6** – DI8: Assembly Group with 8 Digital Inputs
- X102** – Long-distance Protection Communication, Fiber optics interface, LC Connector
- X103** – Profibus-DP, Fiber optics interface, ST Connector
- X104** – IRIG-B00X, incl. System Contact (Supervision Contact)

MCDLV4-2D0A0EA



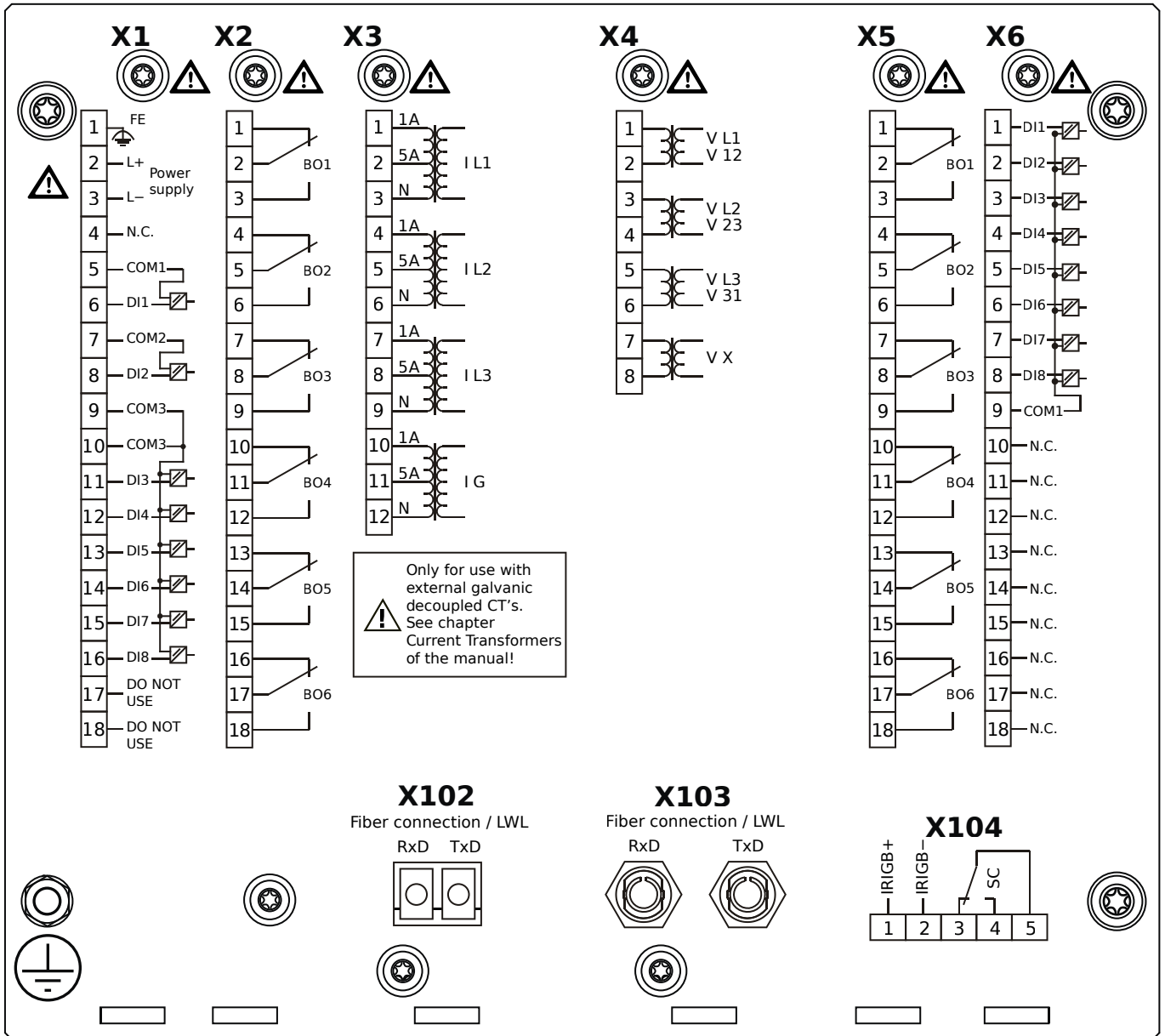
- X1** – DI8-X1: Wide-range power supply unit, incl. 2 non-grouped digital inputs and 6 grouped digital inputs
- X2** – OR-6: Assembly Group with 6 Relay Outputs
- X3** – TI-4: Standard current measuring card
- X4** – TU: Card with 4 voltage transformer measuring inputs
- X5** – OR-6: Assembly Group with 6 Relay Outputs
- X6** – DI8: Assembly Group with 8 Digital Inputs
- X102** – Long-distance Protection Communication, Fiber optics interface, LC Connector
- X103** – Profibus-DP, RS485, D-SUB
- X104** – IRIG-B00X, incl. System Contact (Supervision Contact)

MCDLV4-2D0A0EB



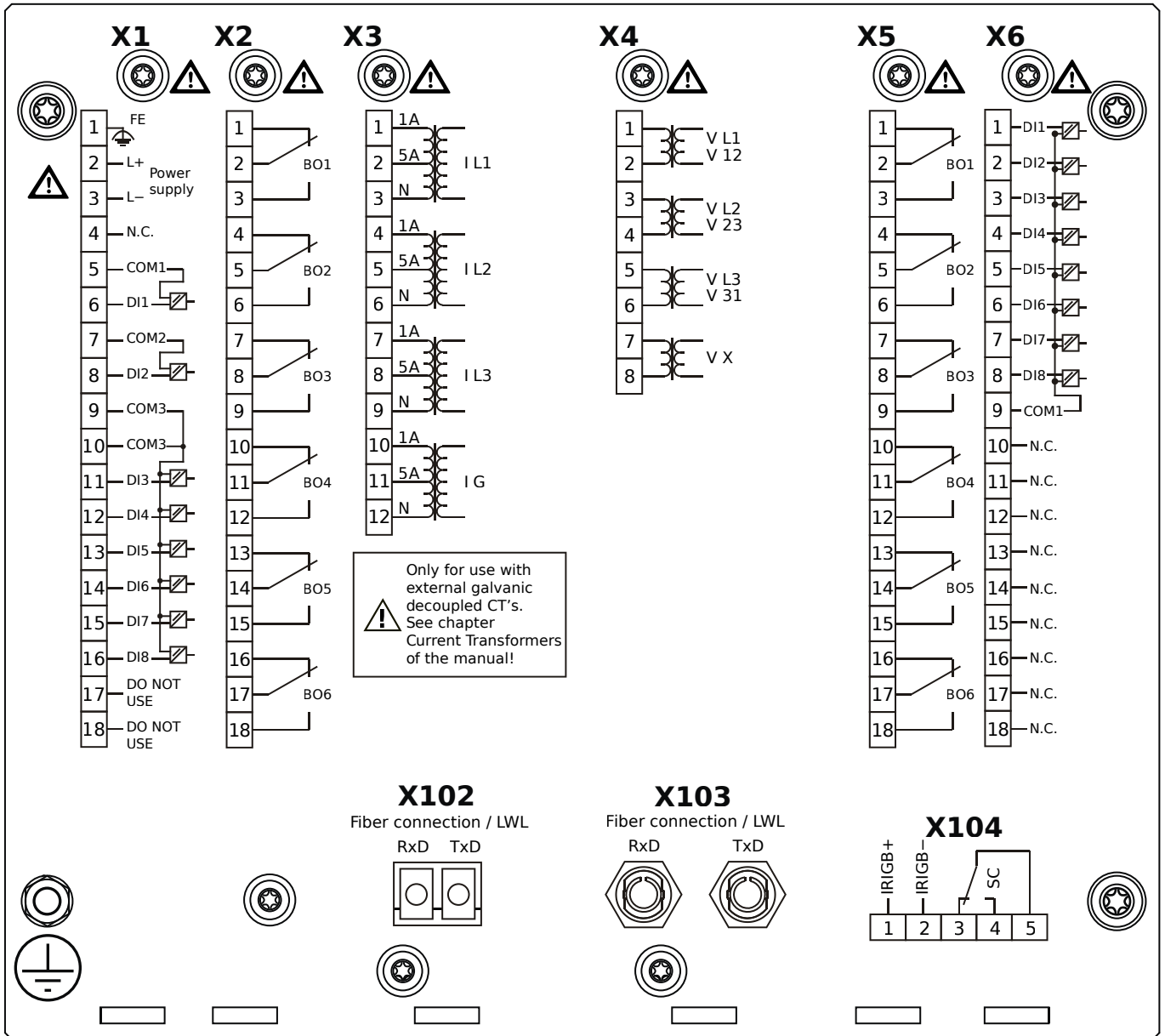
- X1** – DI8-X1: Wide-range power supply unit, incl. 2 non-grouped digital inputs and 6 grouped digital inputs
- X2** – OR-6: Assembly Group with 6 Relay Outputs
- X3** – TI-4: Standard current measuring card
- X4** – TU: Card with 4 voltage transformer measuring inputs
- X5** – OR-6: Assembly Group with 6 Relay Outputs
- X6** – DI8: Assembly Group with 8 Digital Inputs
- X102** – Long-distance Protection Communication, Fiber optics interface, LC Connector
- X103** – Profibus-DP, RS485, D-SUB
- X104** – IRIG-B00X, incl. System Contact (Supervision Contact)

MCDLV4-2D0A0FA



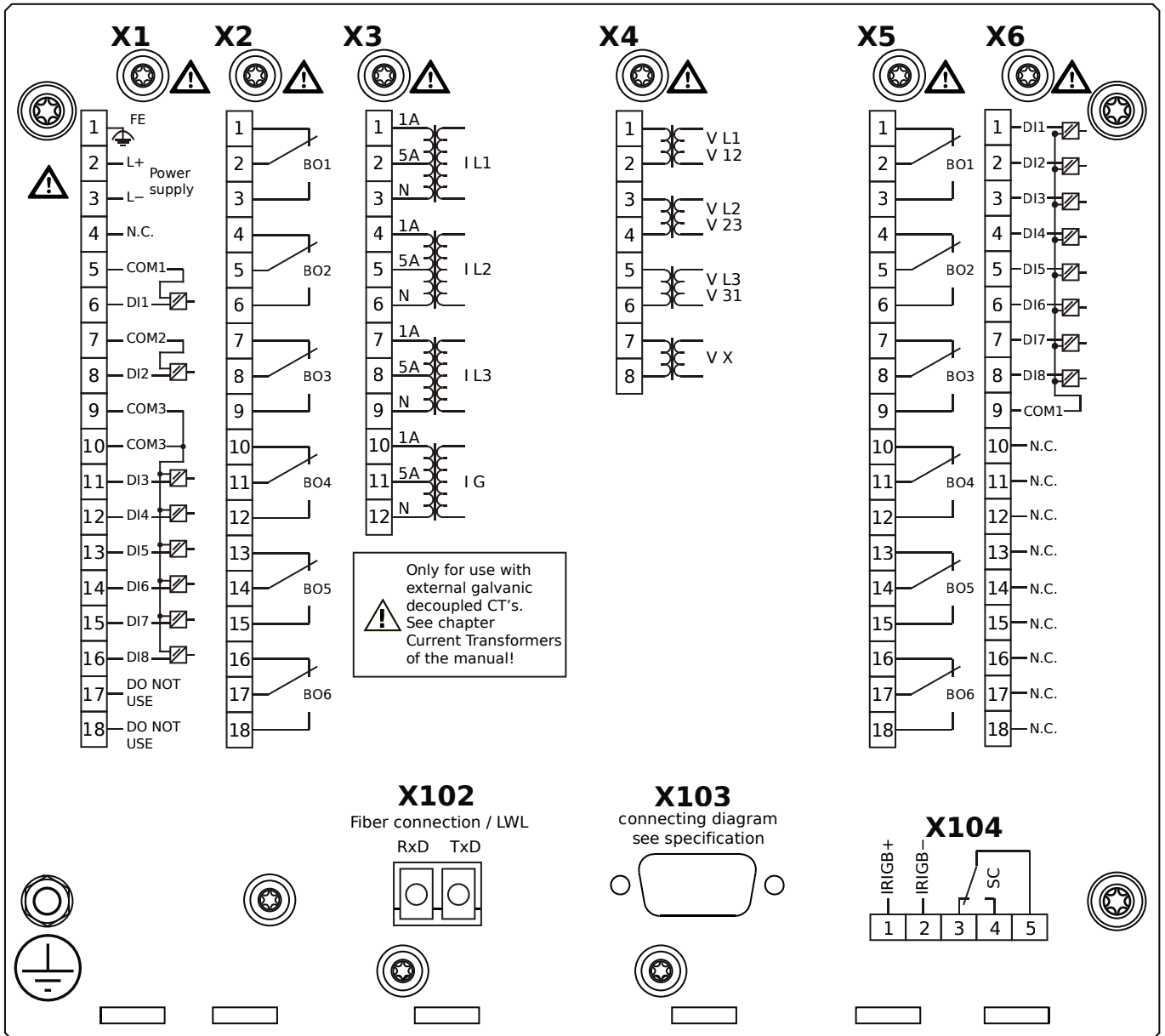
- X1** – DI8-X1: Wide-range power supply unit, incl. 2 non-grouped digital inputs and 6 grouped digital inputs
- X2** – OR-6: Assembly Group with 6 Relay Outputs
- X3** – TI-4: Standard current measuring card
- X4** – TU: Card with 4 voltage transformer measuring inputs
- X5** – OR-6: Assembly Group with 6 Relay Outputs
- X6** – DI8: Assembly Group with 8 Digital Inputs
- X102** – Long-distance Protection Communication, Fiber optics interface, LC Connector
- X103** – Modbus RTU / IEC 60870-5-103 / DNP3.0 RTU, Fiber optics interface, ST Connector
- X104** – IRIG-B00X, incl. System Contact (Supervision Contact)

MCDLV4-2D0A0FB



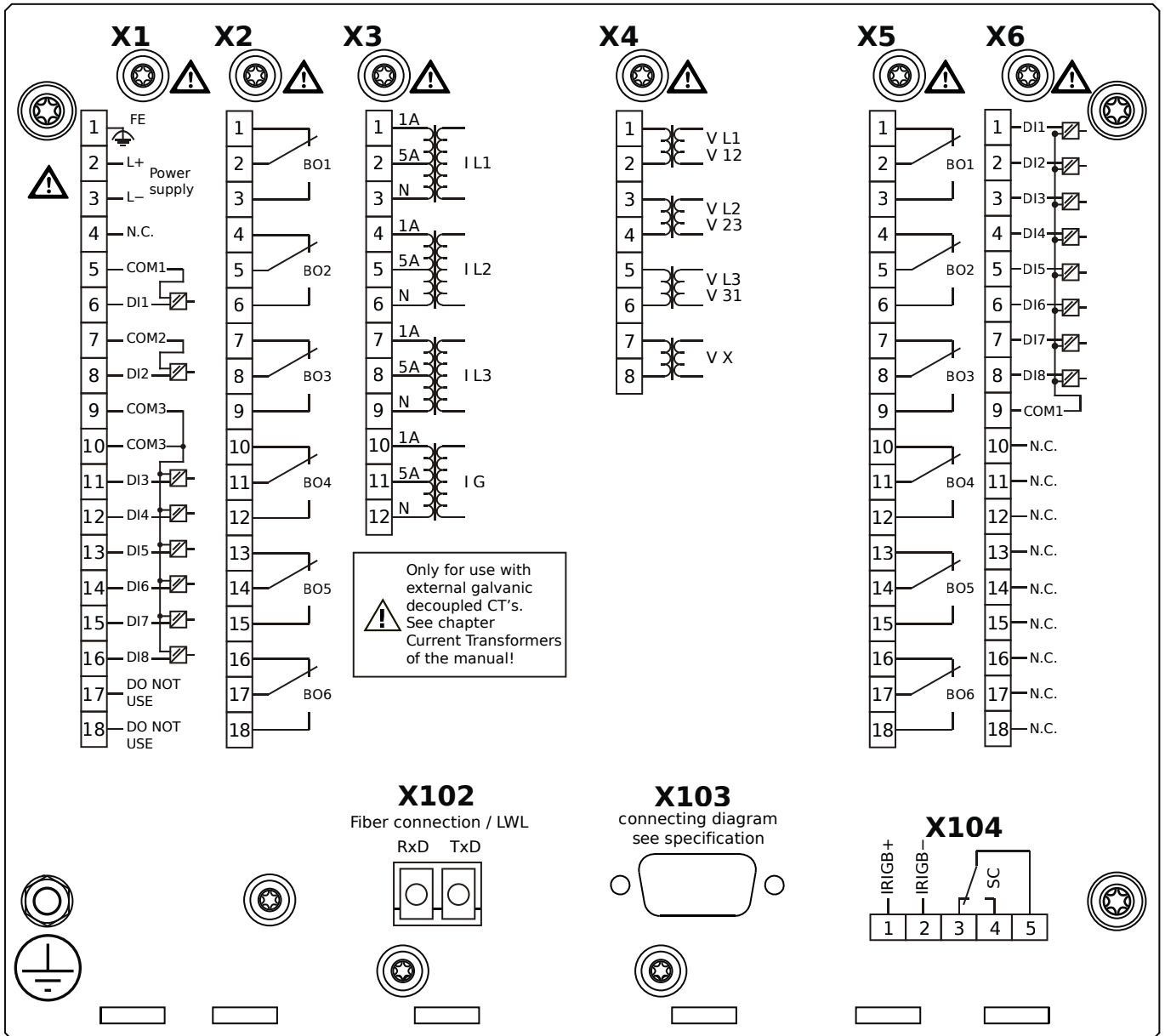
- X1** – DI8-X1: Wide-range power supply unit, incl. 2 non-grouped digital inputs and 6 grouped digital inputs
- X2** – OR-6: Assembly Group with 6 Relay Outputs
- X3** – TI-4: Standard current measuring card
- X4** – TU: Card with 4 voltage transformer measuring inputs
- X5** – OR-6: Assembly Group with 6 Relay Outputs
- X6** – DI8: Assembly Group with 8 Digital Inputs
- X102** – Long-distance Protection Communication, Fiber optics interface, LC Connector
- X103** – Modbus RTU / IEC 60870-5-103 / DNP3.0 RTU, Fiber optics interface, ST Connector
- X104** – IRIG-B00X, incl. System Contact (Supervision Contact)

MCDLV4-2D0A0GA



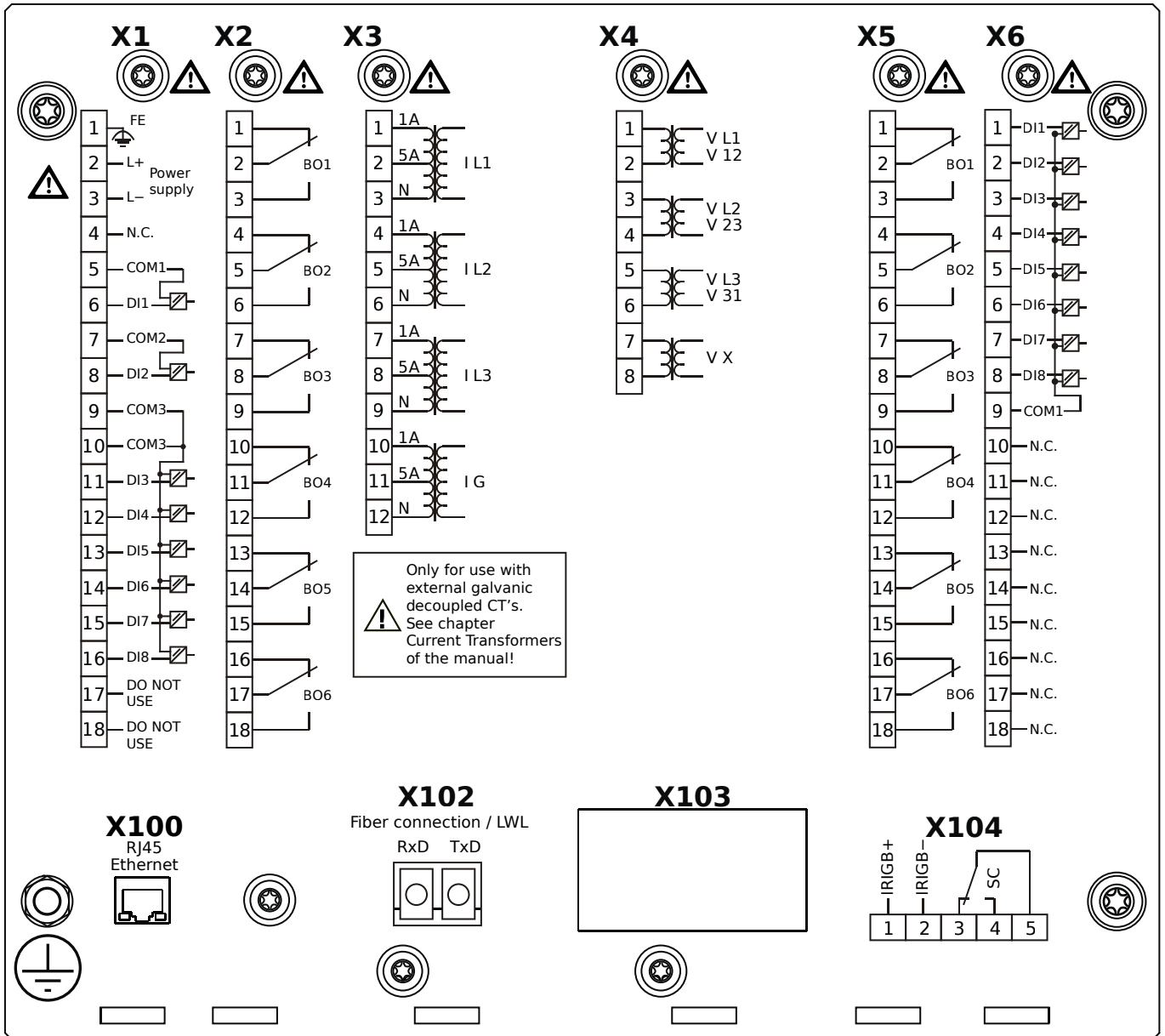
- X1** – DI8-X1: Wide-range power supply unit, incl. 2 non-grouped digital inputs and 6 grouped digital inputs
- X2** – OR-6: Assembly Group with 6 Relay Outputs
- X3** – TI-4: Standard current measuring card
- X4** – TU: Card with 4 voltage transformer measuring inputs
- X5** – OR-6: Assembly Group with 6 Relay Outputs
- X6** – DI8: Assembly Group with 8 Digital Inputs
- X102** – Long-distance Protection Communication, Fiber optics interface, LC Connector
- X103** – Modbus RTU / IEC 60870-5-103 / DNP3.0 RTU, RS485, D-SUB
- X104** – IRIG-B00X, incl. System Contact (Supervision Contact)

MCDLV4-2D0A0GB



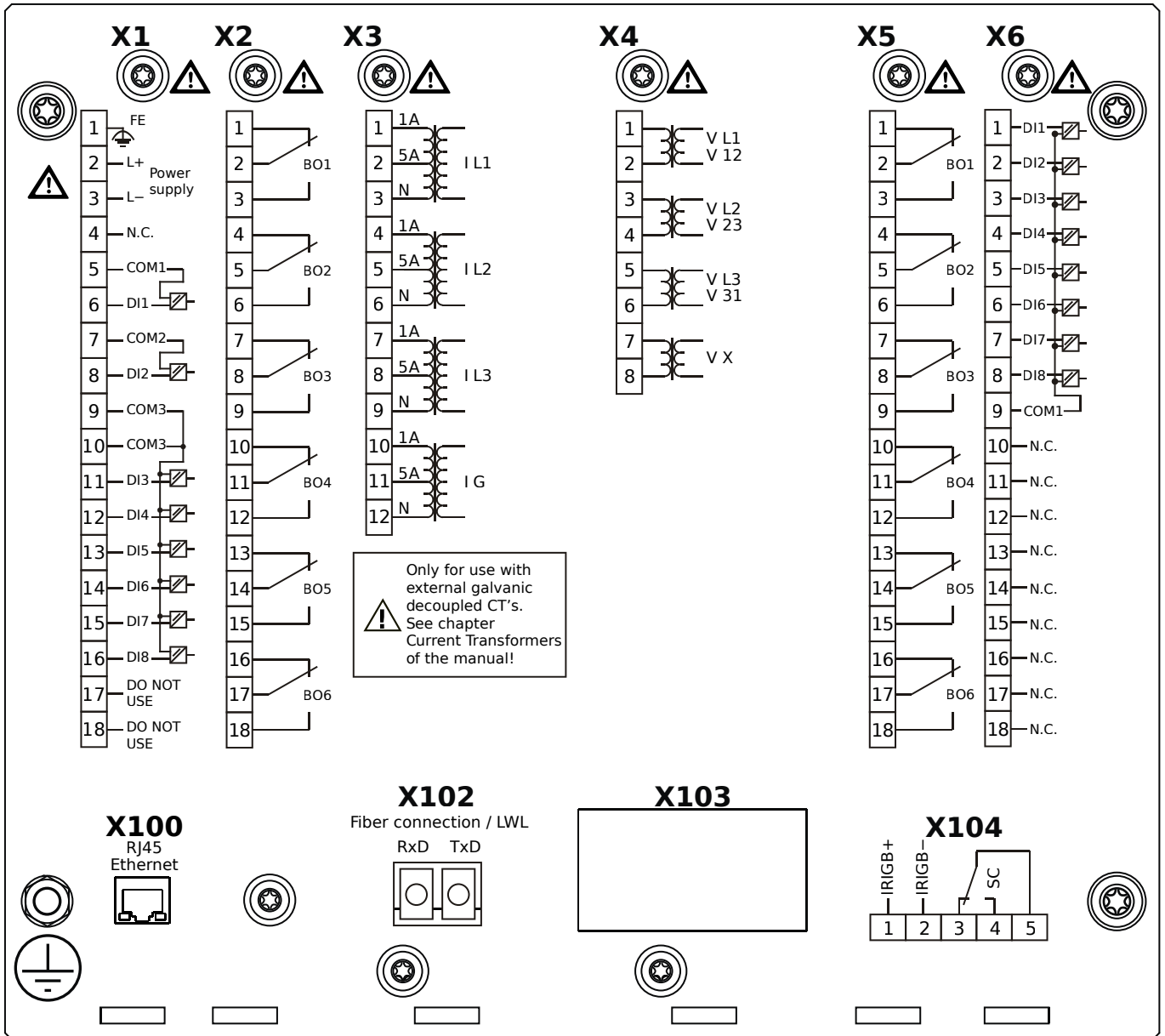
- X1** – DI8-X1: Wide-range power supply unit, incl. 2 non-grouped digital inputs and 6 grouped digital inputs
- X2** – OR-6: Assembly Group with 6 Relay Outputs
- X3** – TI-4: Standard current measuring card
- X4** – TU: Card with 4 voltage transformer measuring inputs
- X5** – OR-6: Assembly Group with 6 Relay Outputs
- X6** – DI8: Assembly Group with 8 Digital Inputs
- X102** – Long-distance Protection Communication, Fiber optics interface, LC Connector
- X103** – Modbus RTU / IEC 60870-5-103 / DNP3.0 RTU, RS485, D-SUB
- X104** – IRIG-B00X, incl. System Contact (Supervision Contact)

MCDLV4-2D0A0HA



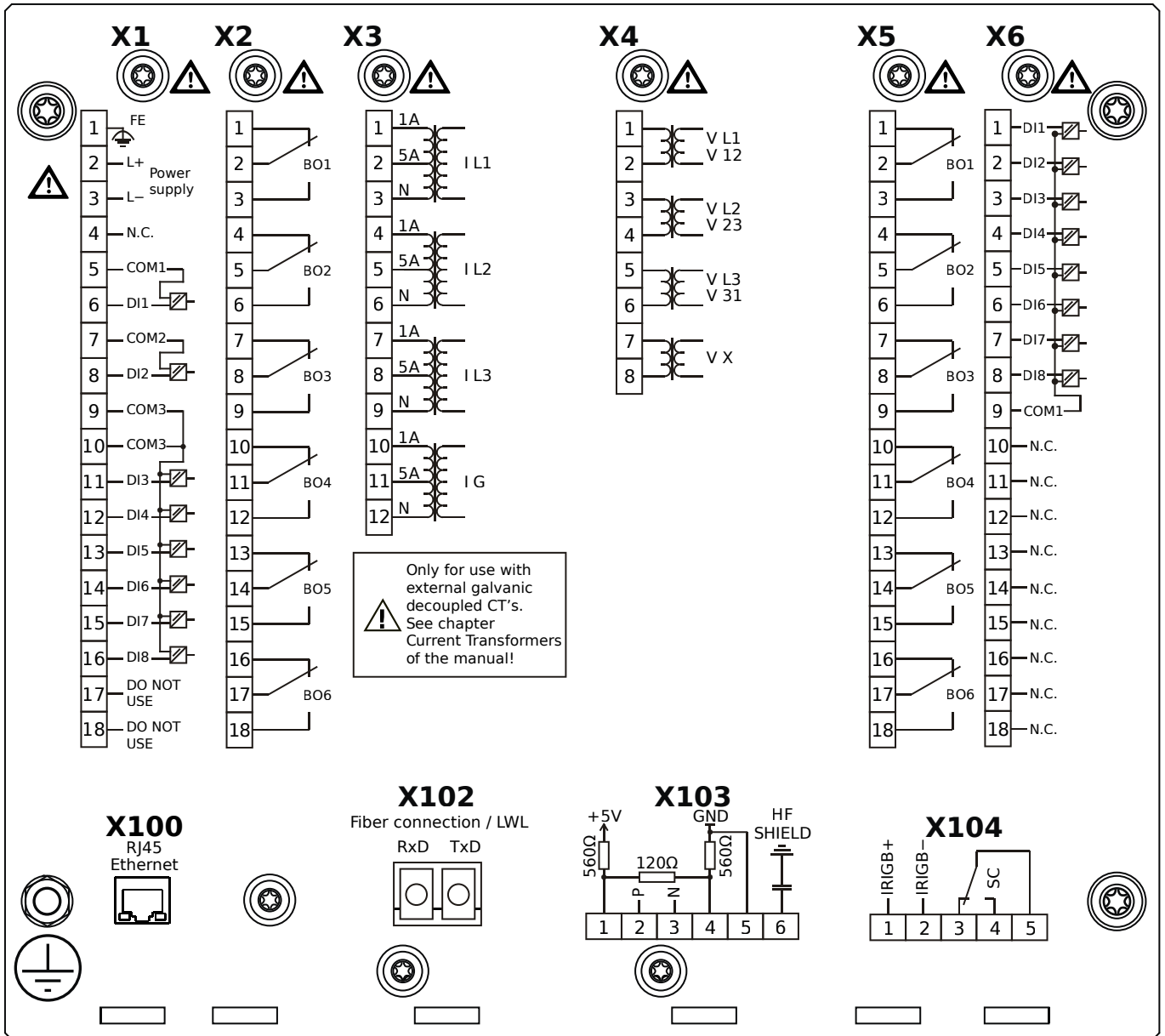
- X1** – DI8-X1: Wide-range power supply unit, incl. 2 non-grouped digital inputs and 6 grouped digital inputs
- X2** – OR-6: Assembly Group with 6 Relay Outputs
- X3** – TI-4: Standard current measuring card
- X4** – TU: Card with 4 voltage transformer measuring inputs
- X5** – OR-6: Assembly Group with 6 Relay Outputs
- X6** – DI8: Assembly Group with 8 Digital Inputs
- X100** – IEC 61850 / Modbus TCP / DNP3.0 TCP/UDP, Ethernet interface, 100 Mbit/s, RJ45 (BASE100-FX)
- X102** – Long-distance Protection Communication, Fiber optics interface, LC Connector
- X104** – IRIG-B00X, incl. System Contact (Supervision Contact)

MCDLV4-2D0A0HB



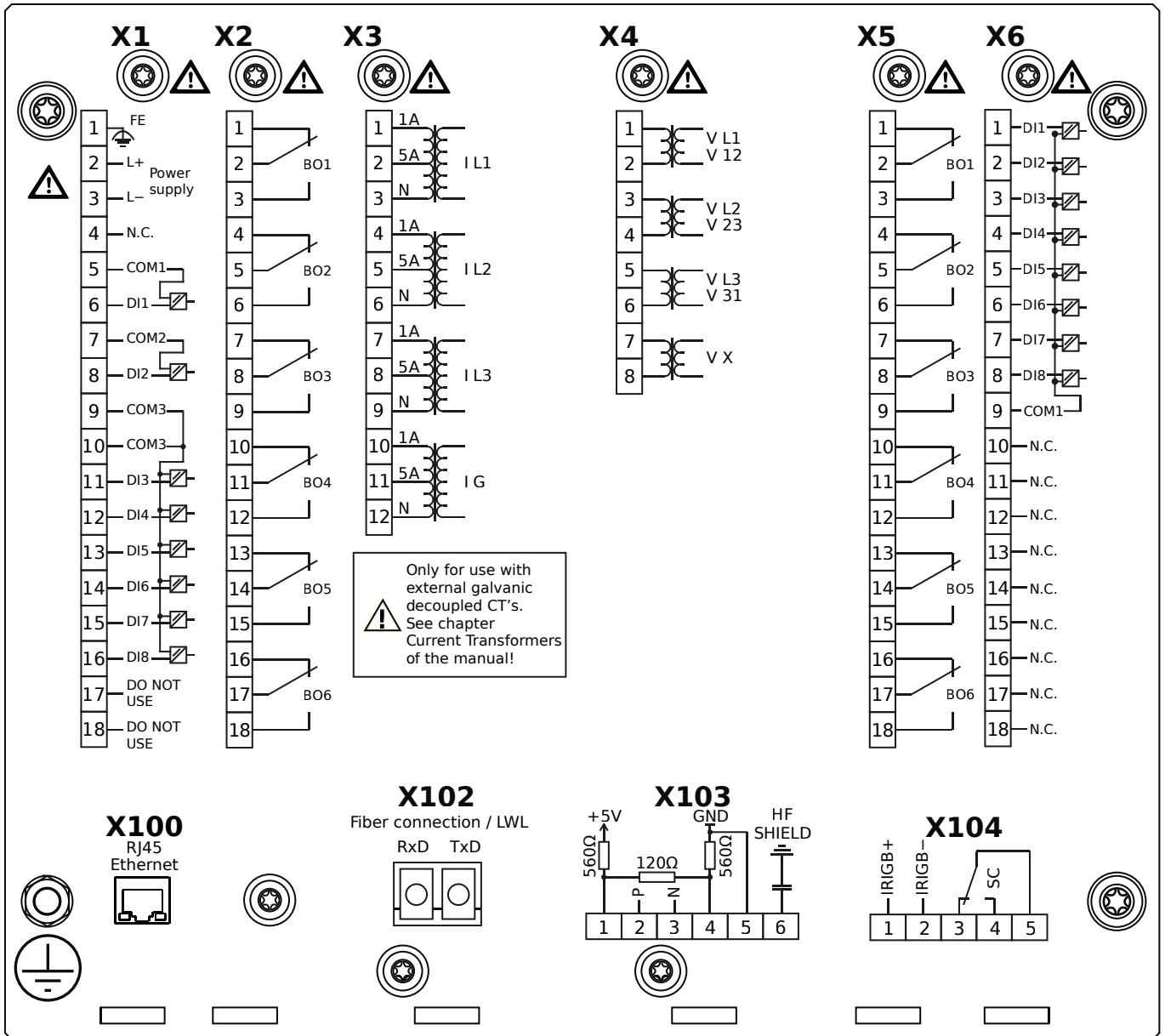
- X1** – DI8-X1: Wide-range power supply unit, incl. 2 non-grouped digital inputs and 6 grouped digital inputs
- X2** – OR-6: Assembly Group with 6 Relay Outputs
- X3** – TI-4: Standard current measuring card
- X4** – TU: Card with 4 voltage transformer measuring inputs
- X5** – OR-6: Assembly Group with 6 Relay Outputs
- X6** – DI8: Assembly Group with 8 Digital Inputs
- X100** – IEC 61850 / Modbus TCP / DNP3.0 TCP/UDP, Ethernet interface, 100 Mbit/s, RJ45 (BASE100-FX)
- X102** – Long-distance Protection Communication, Fiber optics interface, LC Connector
- X104** – IRIG-B00X, incl. System Contact (Supervision Contact)

MCDLV4-2D0A01A



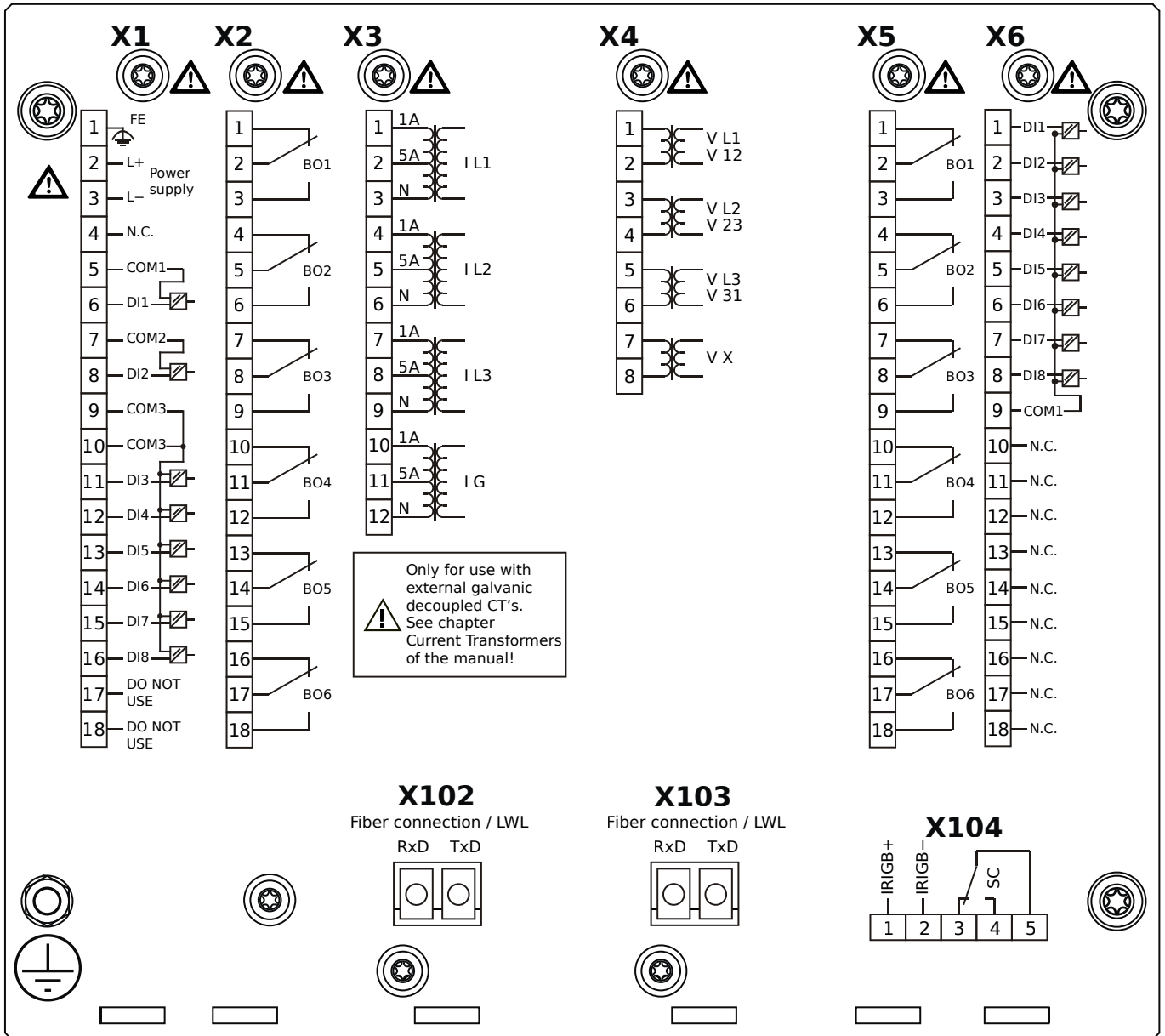
- X1** – DI8-X1: Wide-range power supply unit, incl. 2 non-grouped digital inputs and 6 grouped digital inputs
- X2** – OR-6: Assembly Group with 6 Relay Outputs
- X3** – TI-4: Standard current measuring card
- X4** – TU: Card with 4 voltage transformer measuring inputs
- X5** – OR-6: Assembly Group with 6 Relay Outputs
- X6** – DI8: Assembly Group with 8 Digital Inputs
- X100** – Modbus TCP / DNP3.0 TCP/UDP, Ethernet interface, 100 Mbit/s, RJ45 (BASE100-FX)
- X102** – Long-distance Protection Communication, Fiber optics interface, LC Connector
- X103** – IEC 60870-5-103 / Modbus RTU / DNP3.0 RTU, RS485, Terminals
- X104** – IRIG-B00X, incl. System Contact (Supervision Contact)

MCDLV4-2D0A0IB



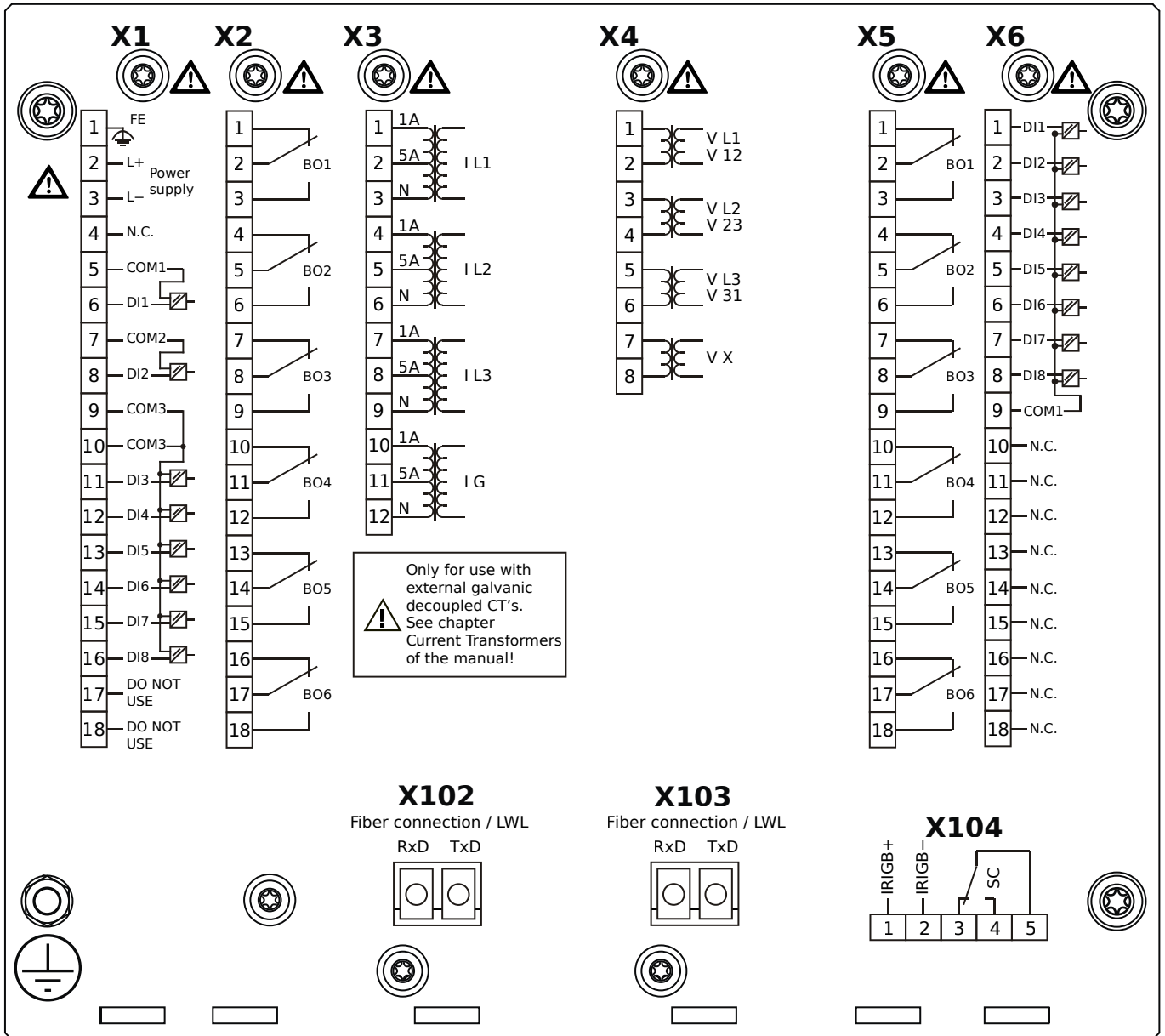
- X1** – DI8-X1: Wide-range power supply unit, incl. 2 non-grouped digital inputs and 6 grouped digital inputs
- X2** – OR-6: Assembly Group with 6 Relay Outputs
- X3** – TI-4: Standard current measuring card
- X4** – TU: Card with 4 voltage transformer measuring inputs
- X5** – OR-6: Assembly Group with 6 Relay Outputs
- X6** – DI8: Assembly Group with 8 Digital Inputs
- X100** – Modbus TCP / DNP3.0 TCP/UDP, Ethernet interface, 100 Mbit/s, RJ45 (BASE100-FX)
- X102** – Long-distance Protection Communication, Fiber optics interface, LC Connector
- X103** – IEC 60870-5-103 / Modbus RTU / DNP3.0 RTU, RS485, Terminals
- X104** – IRIG-B00X, incl. System Contact (Supervision Contact)

MCDLV4-2D0A0KA



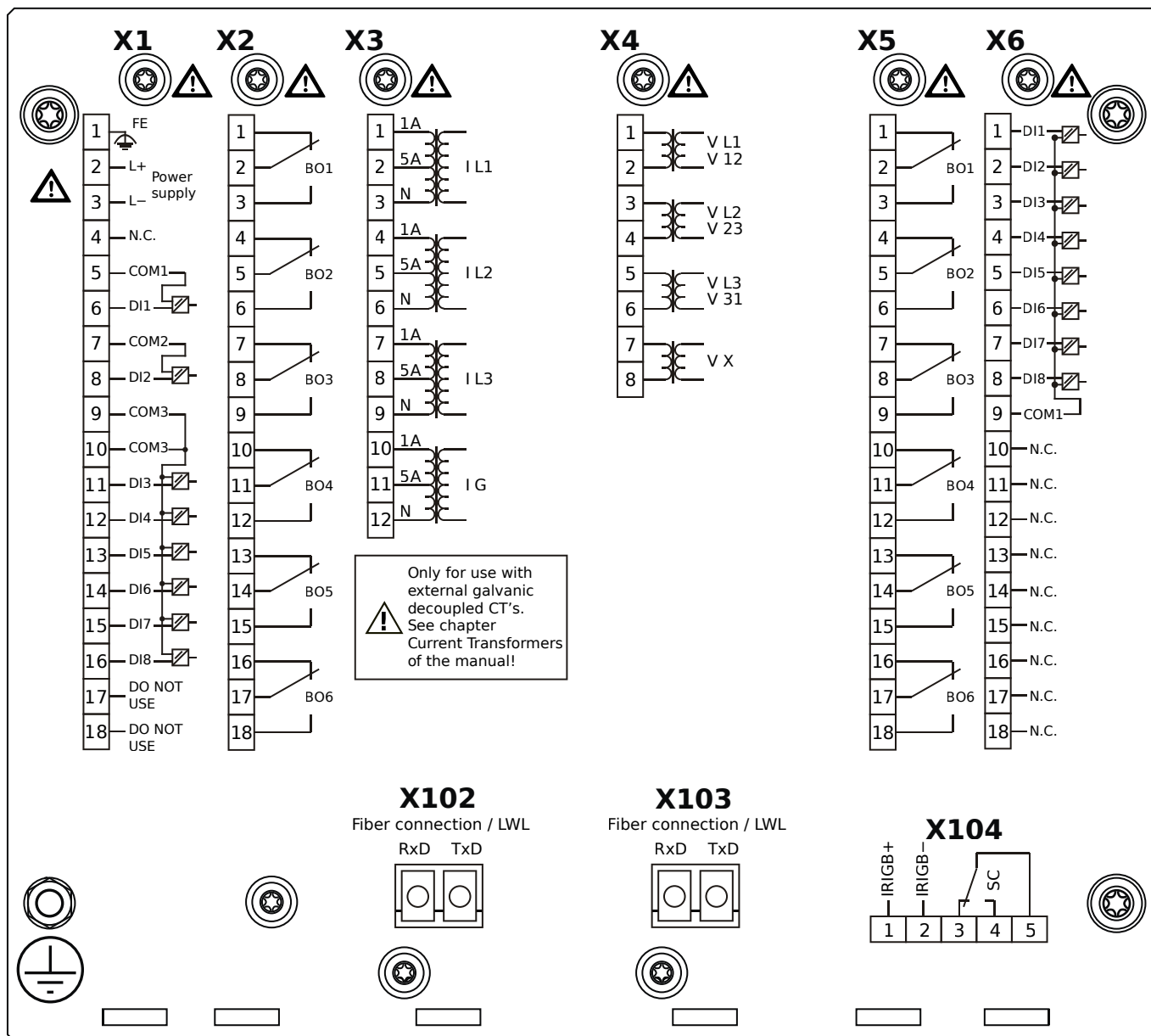
- X1** – DI8-X1: Wide-range power supply unit, incl. 2 non-grouped digital inputs and 6 grouped digital inputs
- X2** – OR-6: Assembly Group with 6 Relay Outputs
- X3** – TI-4: Standard current measuring card
- X4** – TU: Card with 4 voltage transformer measuring inputs
- X5** – OR-6: Assembly Group with 6 Relay Outputs
- X6** – DI8: Assembly Group with 8 Digital Inputs
- X102** – Long-distance Protection Communication, Fiber optics interface, LC Connector
- X103** – IEC 61850 / Modbus TCP / DNP3.0 TCP/UDP, Fiber optics interface, LC Connector
- X104** – IRIG-B00X, incl. System Contact (Supervision Contact)

MCDLV4-2D0A0KB



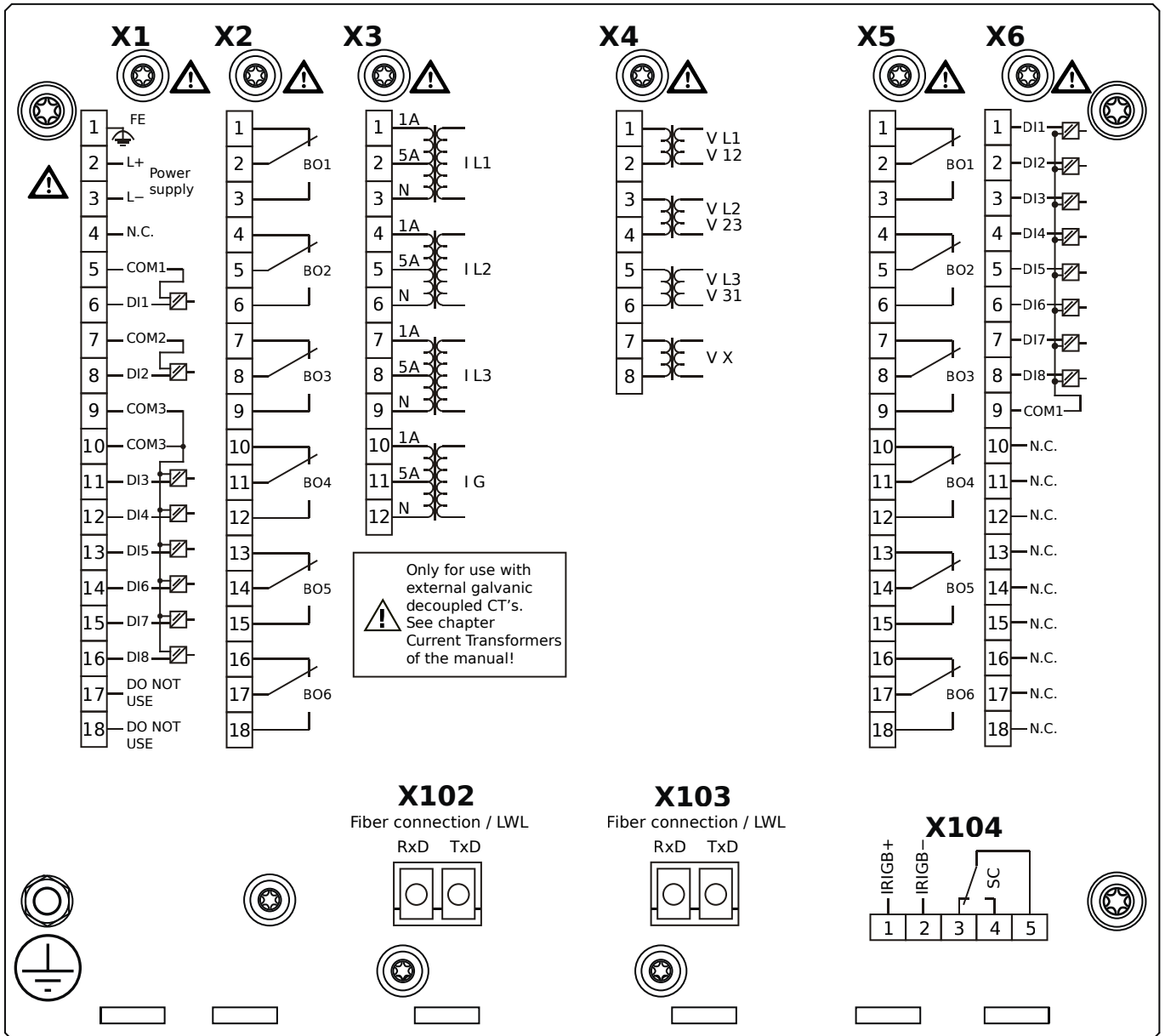
- X1** – DI8-X1: Wide-range power supply unit, incl. 2 non-grouped digital inputs and 6 grouped digital inputs
- X2** – OR-6: Assembly Group with 6 Relay Outputs
- X3** – TI-4: Standard current measuring card
- X4** – TU: Card with 4 voltage transformer measuring inputs
- X5** – OR-6: Assembly Group with 6 Relay Outputs
- X6** – DI8: Assembly Group with 8 Digital Inputs
- X102** – Long-distance Protection Communication, Fiber optics interface, LC Connector
- X103** – IEC 61850 / Modbus TCP / DNP3.0 TCP/UDP, Fiber optics interface, LC Connector
- X104** – IRIG-B00X, incl. System Contact (Supervision Contact)

MCDLV4-2D0A0LA



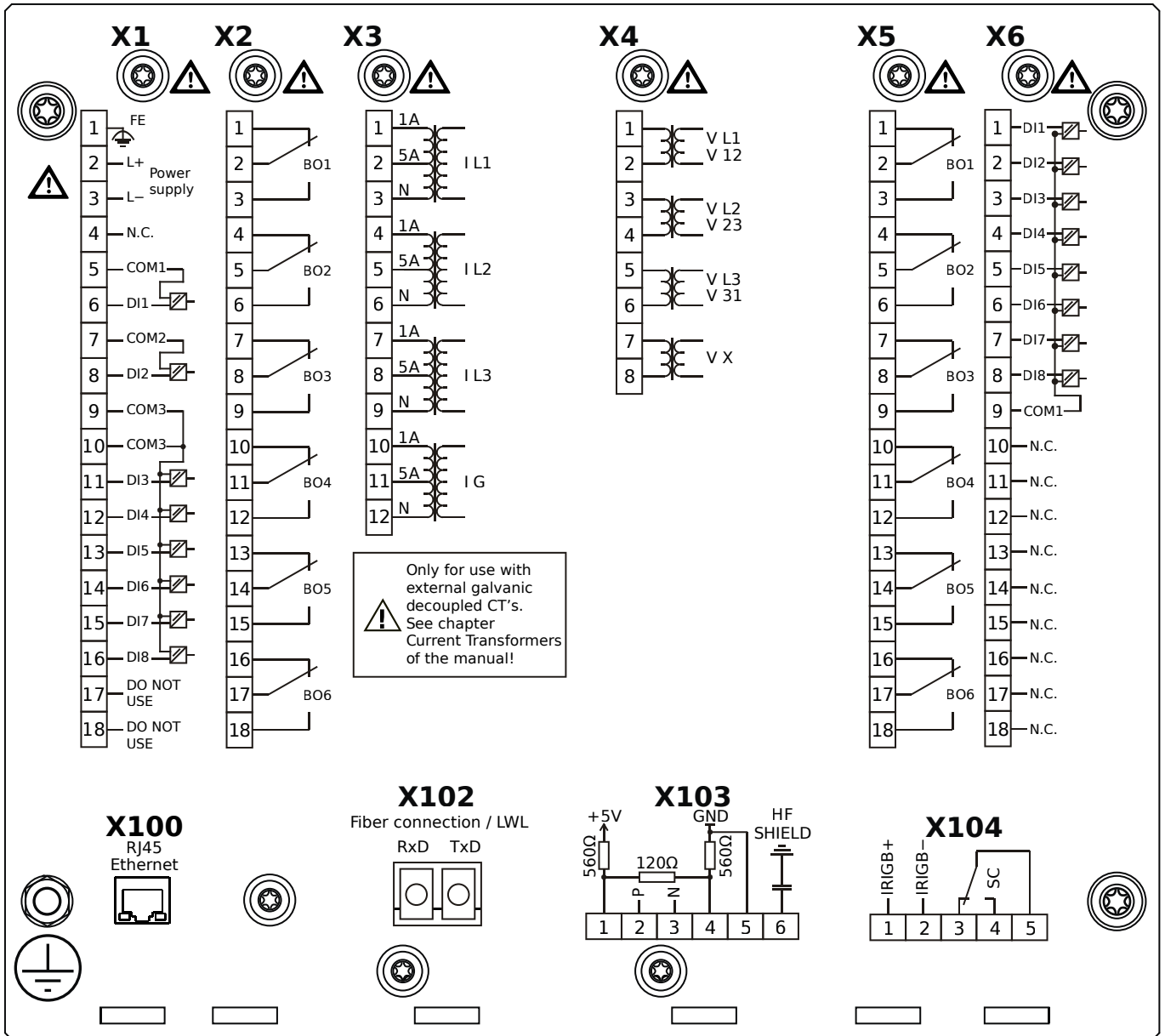
- X1** – DI8-X1: Wide-range power supply unit, incl. 2 non-grouped digital inputs and 6 grouped digital inputs
- X2** – OR-6: Assembly Group with 6 Relay Outputs
- X3** – TI-4: Standard current measuring card
- X4** – TU: Card with 4 voltage transformer measuring inputs
- X5** – OR-6: Assembly Group with 6 Relay Outputs
- X6** – DI8: Assembly Group with 8 Digital Inputs
- X102** – Long-distance Protection Communication, Fiber optics interface, LC Connector
- X103** – Modbus TCP / DNP3.0 TCP/UDP, Fiber optics interface, LC Connector
- X104** – IRIG-B00X, incl. System Contact (Supervision Contact)

MCDLV4-2D0A0LB



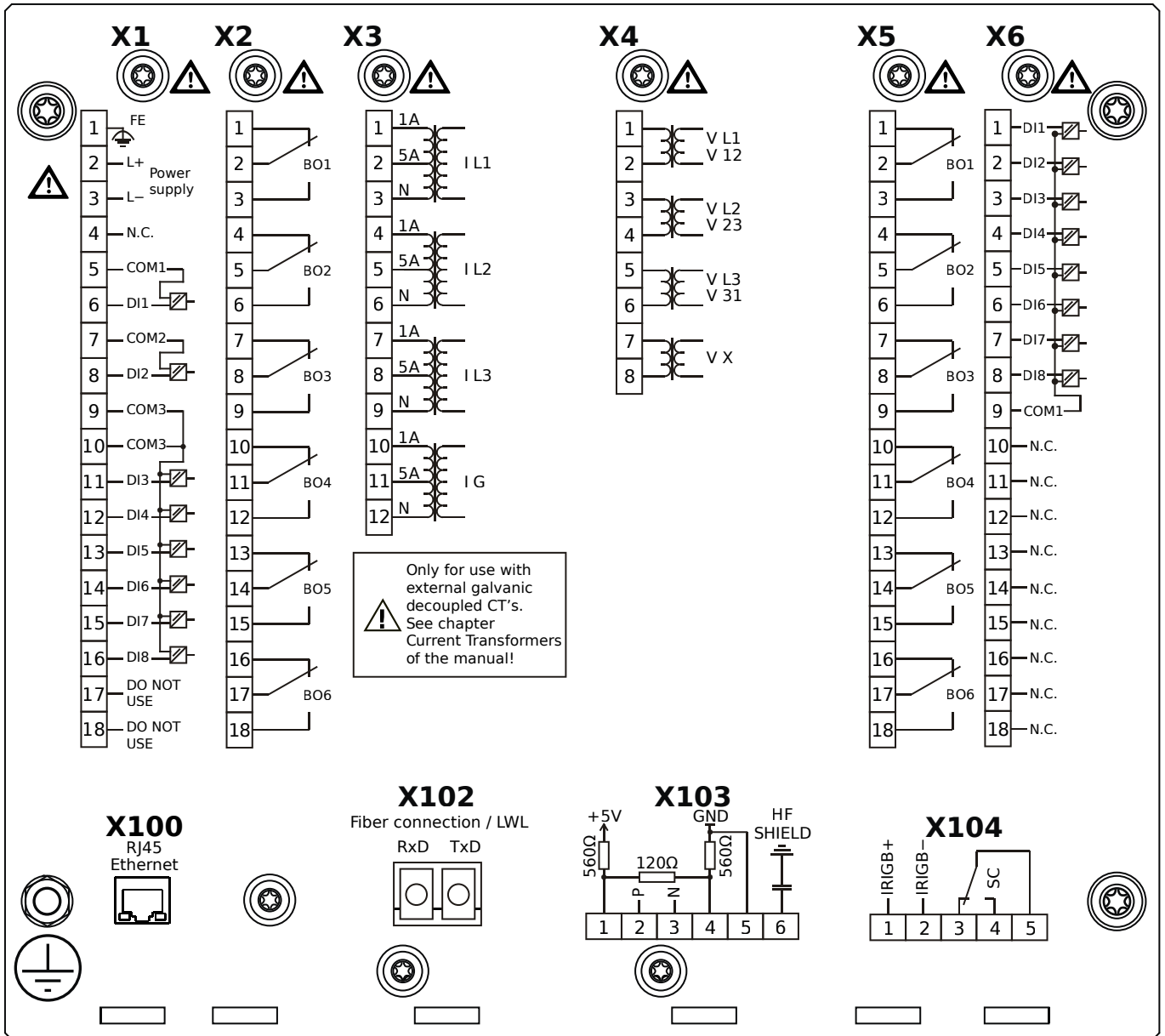
- X1** – DI8-X1: Wide-range power supply unit, incl. 2 non-grouped digital inputs and 6 grouped digital inputs
- X2** – OR-6: Assembly Group with 6 Relay Outputs
- X3** – TI-4: Standard current measuring card
- X4** – TU: Card with 4 voltage transformer measuring inputs
- X5** – OR-6: Assembly Group with 6 Relay Outputs
- X6** – DI8: Assembly Group with 8 Digital Inputs
- X102** – Long-distance Protection Communication, Fiber optics interface, LC Connector
- X103** – Modbus TCP / DNP3.0 TCP/UDP, Fiber optics interface, LC Connector
- X104** – IRIG-B00X, incl. System Contact (Supervision Contact)

MCDLV4-2D0A0TA



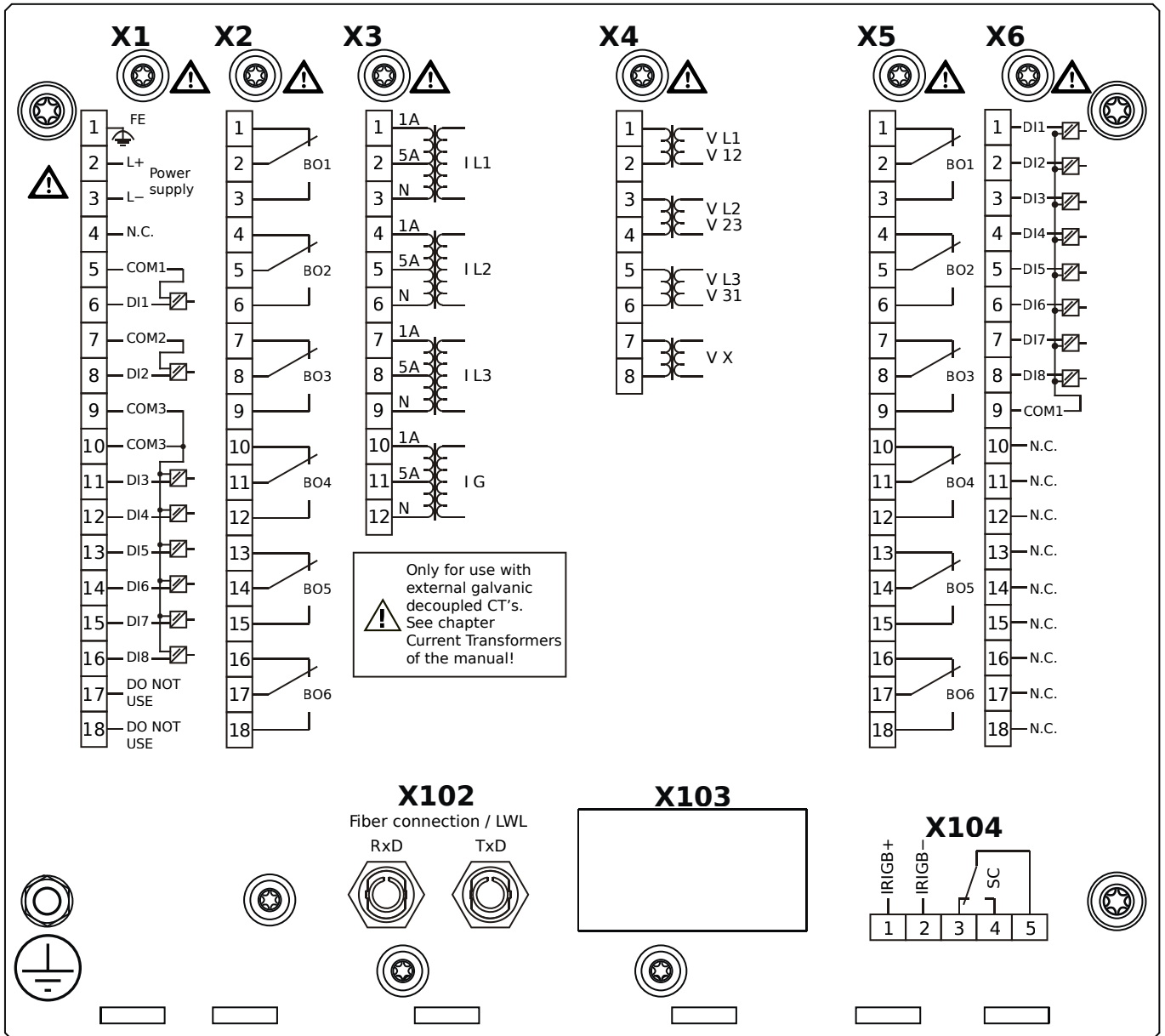
- X1** – DI8-X1: Wide-range power supply unit, incl. 2 non-grouped digital inputs and 6 grouped digital inputs
- X2** – OR-6: Assembly Group with 6 Relay Outputs
- X3** – TI-4: Standard current measuring card
- X4** – TU: Card with 4 voltage transformer measuring inputs
- X5** – OR-6: Assembly Group with 6 Relay Outputs
- X6** – DI8: Assembly Group with 8 Digital Inputs
- X100** – IEC 61850 / Modbus TCP / DNP3.0 TCP/UDP, Ethernet interface, 100 Mbit/s, RJ45 (BASE100-FX)
- X102** – Long-distance Protection Communication, Fiber optics interface, LC Connector
- X103** – IEC 60870-5-103 / Modbus RTU / DNP3.0 RTU, RS485, Terminals
- X104** – IRIG-B00X, incl. System Contact (Supervision Contact)

MCDLV4-2D0A0TB



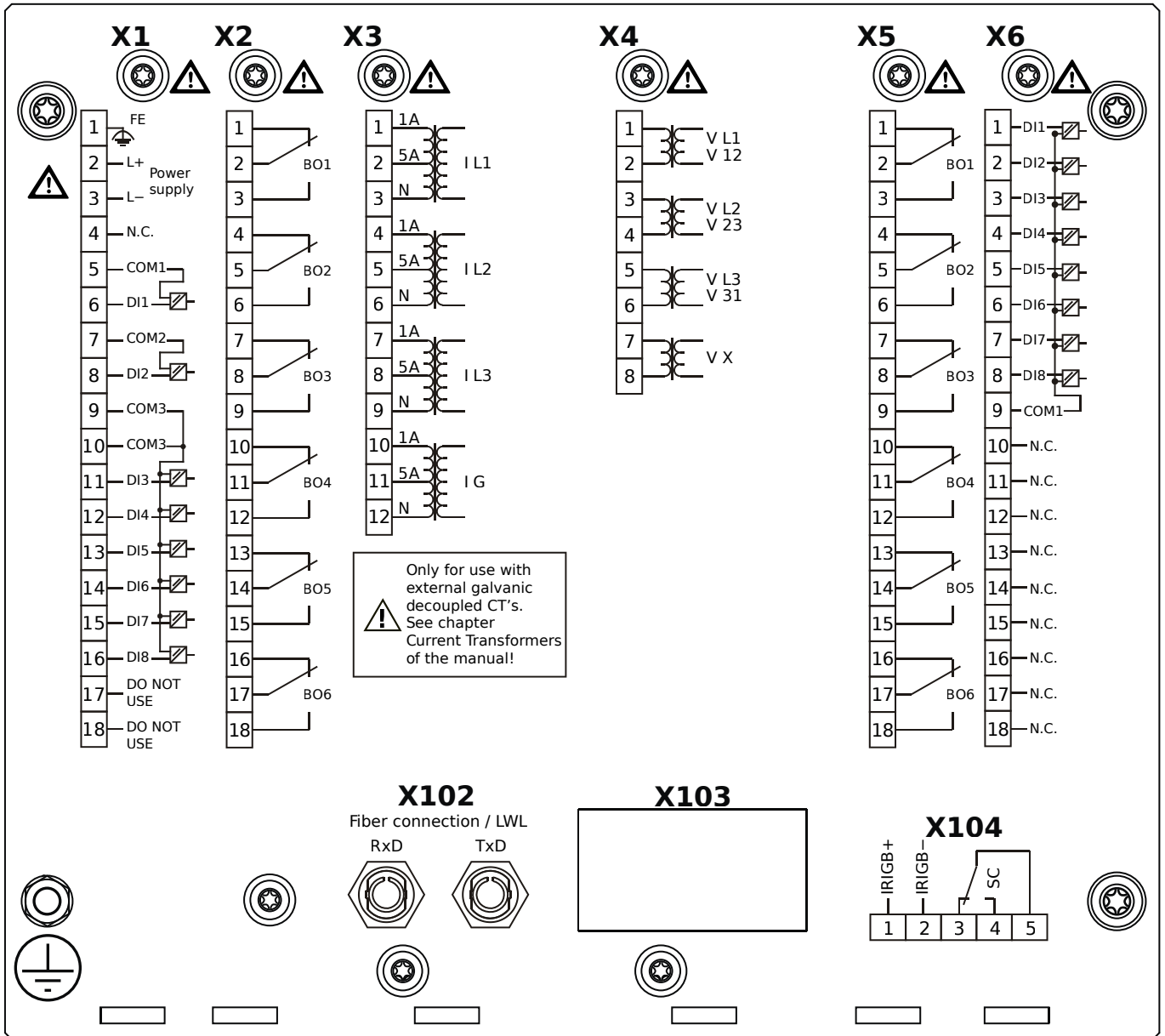
- X1** – DI8-X1: Wide-range power supply unit, incl. 2 non-grouped digital inputs and 6 grouped digital inputs
- X2** – OR-6: Assembly Group with 6 Relay Outputs
- X3** – TI-4: Standard current measuring card
- X4** – TU: Card with 4 voltage transformer measuring inputs
- X5** – OR-6: Assembly Group with 6 Relay Outputs
- X6** – DI8: Assembly Group with 8 Digital Inputs
- X100** – IEC 61850 / Modbus TCP / DNP3.0 TCP/UDP, Ethernet interface, 100 Mbit/s, RJ45 (BASE100-FX)
- X102** – Long-distance Protection Communication, Fiber optics interface, LC Connector
- X103** – IEC 60870-5-103 / Modbus RTU / DNP3.0 RTU, RS485, Terminals
- X104** – IRIG-B00X, incl. System Contact (Supervision Contact)

MCDLV4-2D0A1AA



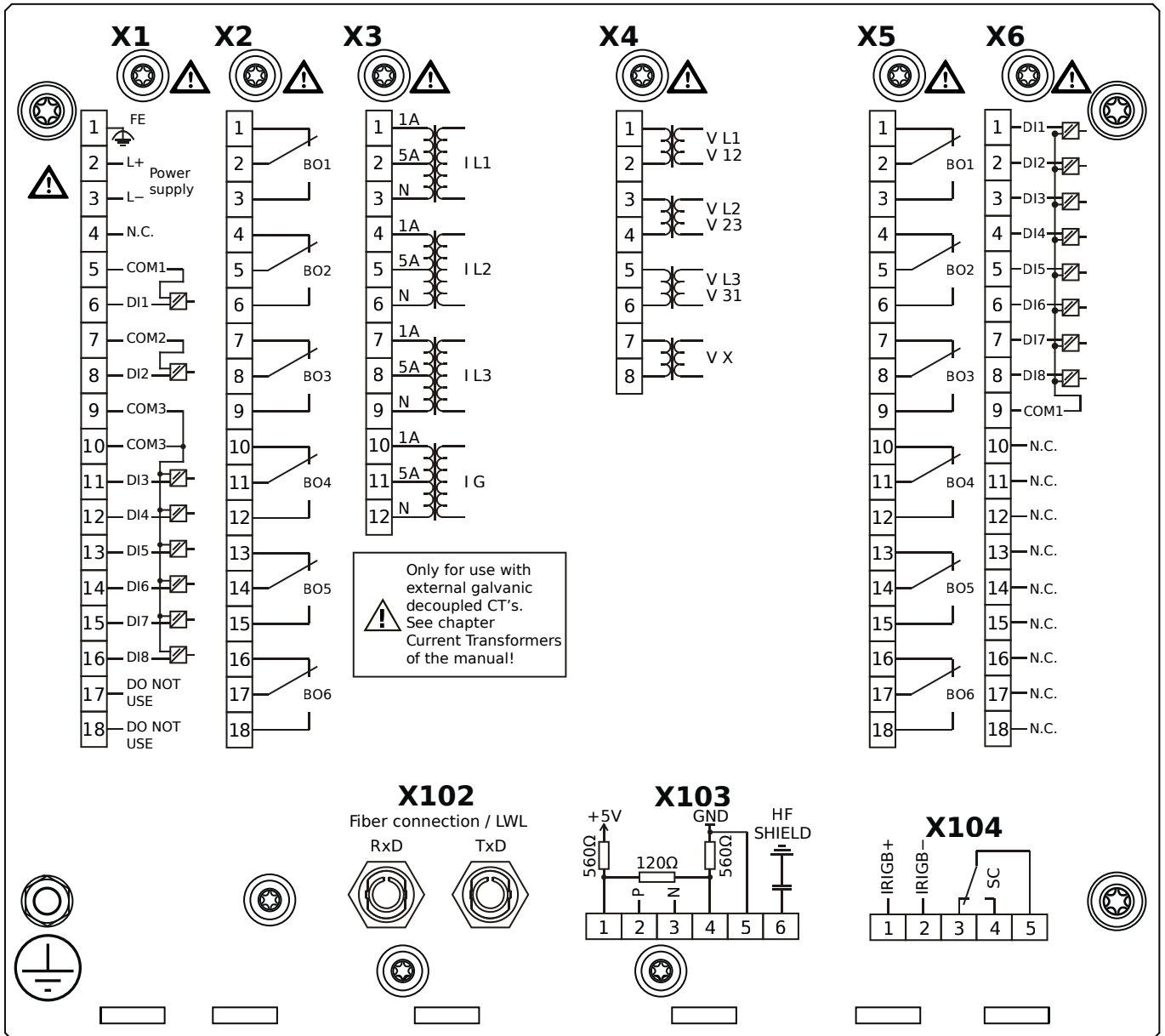
- X1** – DI8-X1: Wide-range power supply unit, incl. 2 non-grouped digital inputs and 6 grouped digital inputs
- X2** – OR-6: Assembly Group with 6 Relay Outputs
- X3** – TI-4: Standard current measuring card
- X4** – TU: Card with 4 voltage transformer measuring inputs
- X5** – OR-6: Assembly Group with 6 Relay Outputs
- X6** – DI8: Assembly Group with 8 Digital Inputs
- X102** – Protection Communication, Fiber optics interface, ST Connector
- X104** – IRIG-B00X, incl. System Contact (Supervision Contact)

MCDLV4-2D0A1AB



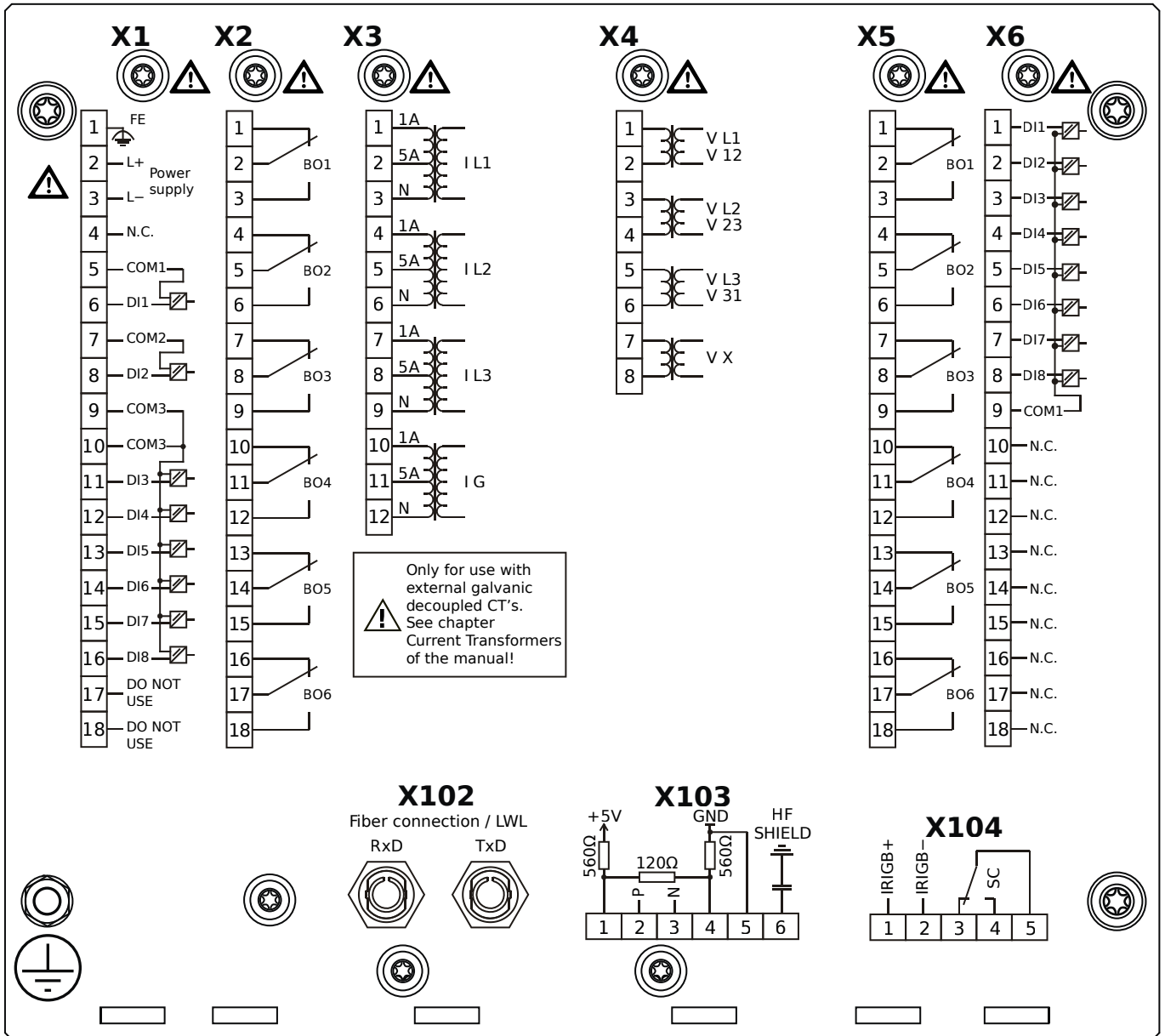
- X1** – DI8-X1: Wide-range power supply unit, incl. 2 non-grouped digital inputs and 6 grouped digital inputs
- X2** – OR-6: Assembly Group with 6 Relay Outputs
- X3** – TI-4: Standard current measuring card
- X4** – TU: Card with 4 voltage transformer measuring inputs
- X5** – OR-6: Assembly Group with 6 Relay Outputs
- X6** – DI8: Assembly Group with 8 Digital Inputs
- X102** – Protection Communication, Fiber optics interface, ST Connector
- X104** – IRIG-B00X, incl. System Contact (Supervision Contact)

MCDLV4-2D0A1BA



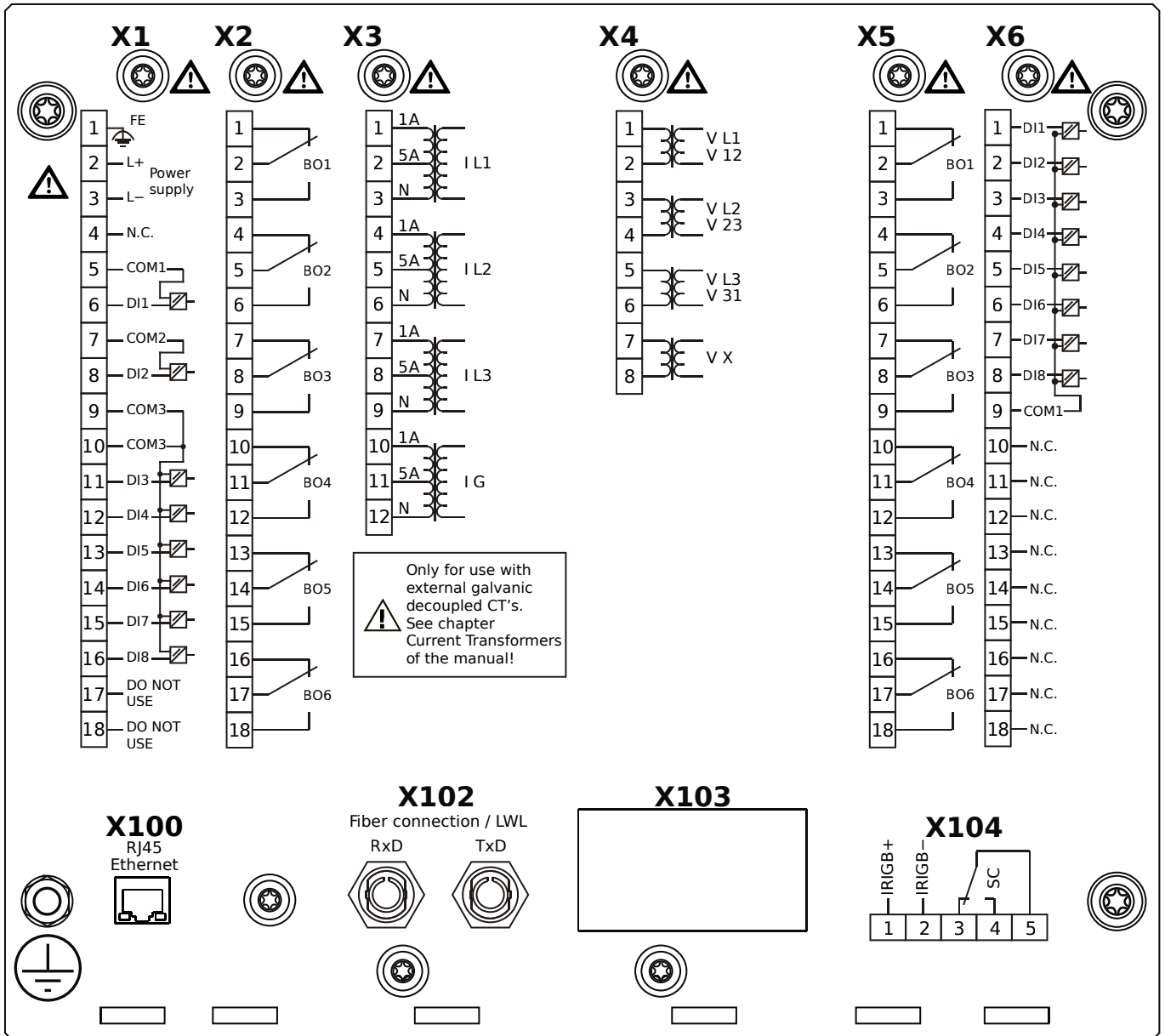
- X1** – DI8-X1: Wide-range power supply unit, incl. 2 non-grouped digital inputs and 6 grouped digital inputs
- X2** – OR-6: Assembly Group with 6 Relay Outputs
- X3** – TI-4: Standard current measuring card
- X4** – TU: Card with 4 voltage transformer measuring inputs
- X5** – OR-6: Assembly Group with 6 Relay Outputs
- X6** – DI8: Assembly Group with 8 Digital Inputs
- X102** – Protection Communication, Fiber optics interface, ST Connector
- X103** – Modbus RTU / IEC 60870-5-103 / DNP3.0 RTU, RS485, Terminals
- X104** – IRIG-B00X, incl. System Contact (Supervision Contact)

MCDLV4-2D0A1BB



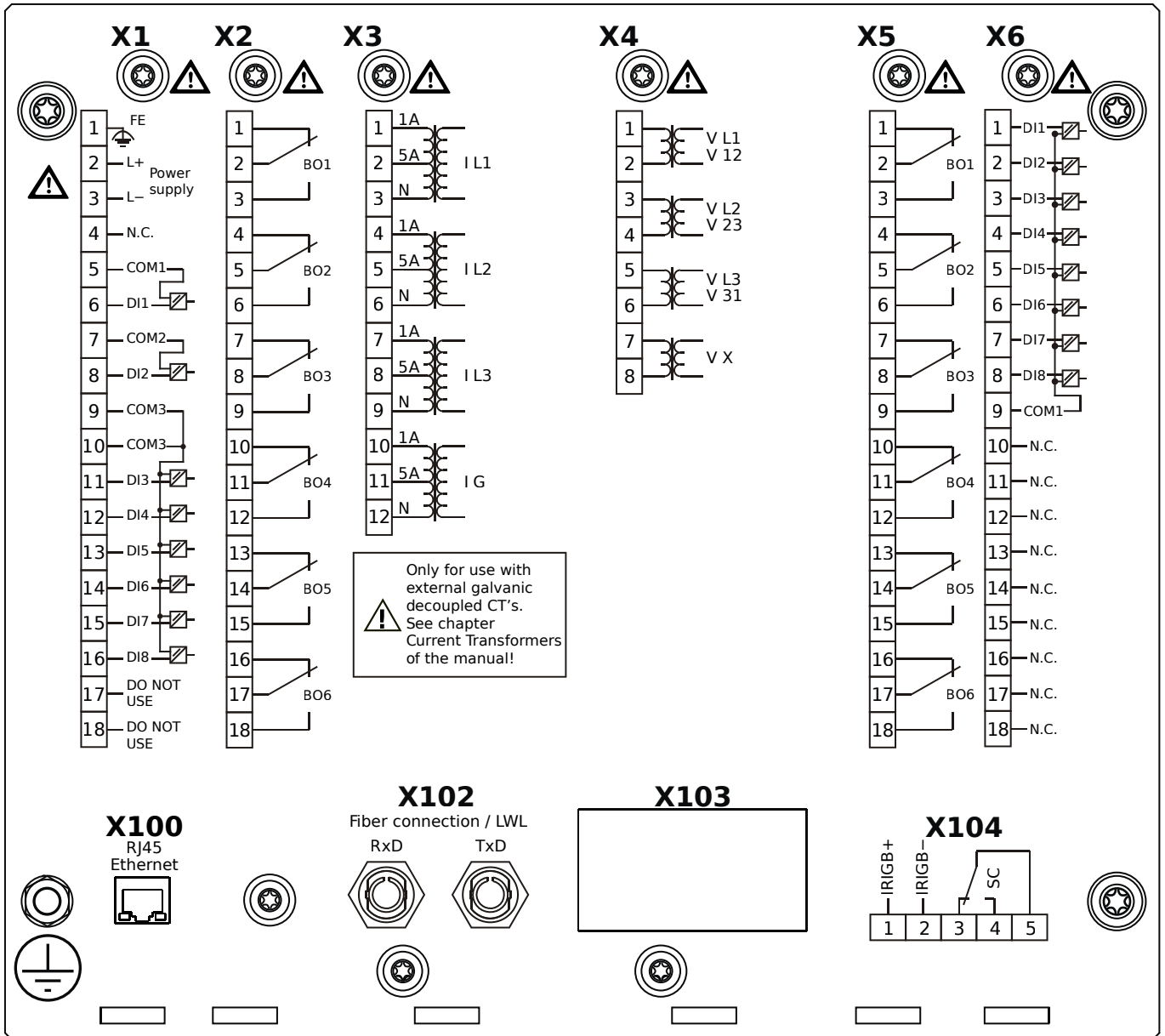
- X1** – DI8-X1: Wide-range power supply unit, incl. 2 non-grouped digital inputs and 6 grouped digital inputs
- X2** – OR-6: Assembly Group with 6 Relay Outputs
- X3** – TI-4: Standard current measuring card
- X4** – TU: Card with 4 voltage transformer measuring inputs
- X5** – OR-6: Assembly Group with 6 Relay Outputs
- X6** – DI8: Assembly Group with 8 Digital Inputs
- X102** – Protection Communication, Fiber optics interface, ST Connector
- X103** – Modbus RTU / IEC 60870-5-103 / DNP3.0 RTU, RS485, Terminals
- X104** – IRIG-B00X, incl. System Contact (Supervision Contact)

MCDLV4-2D0A1CA



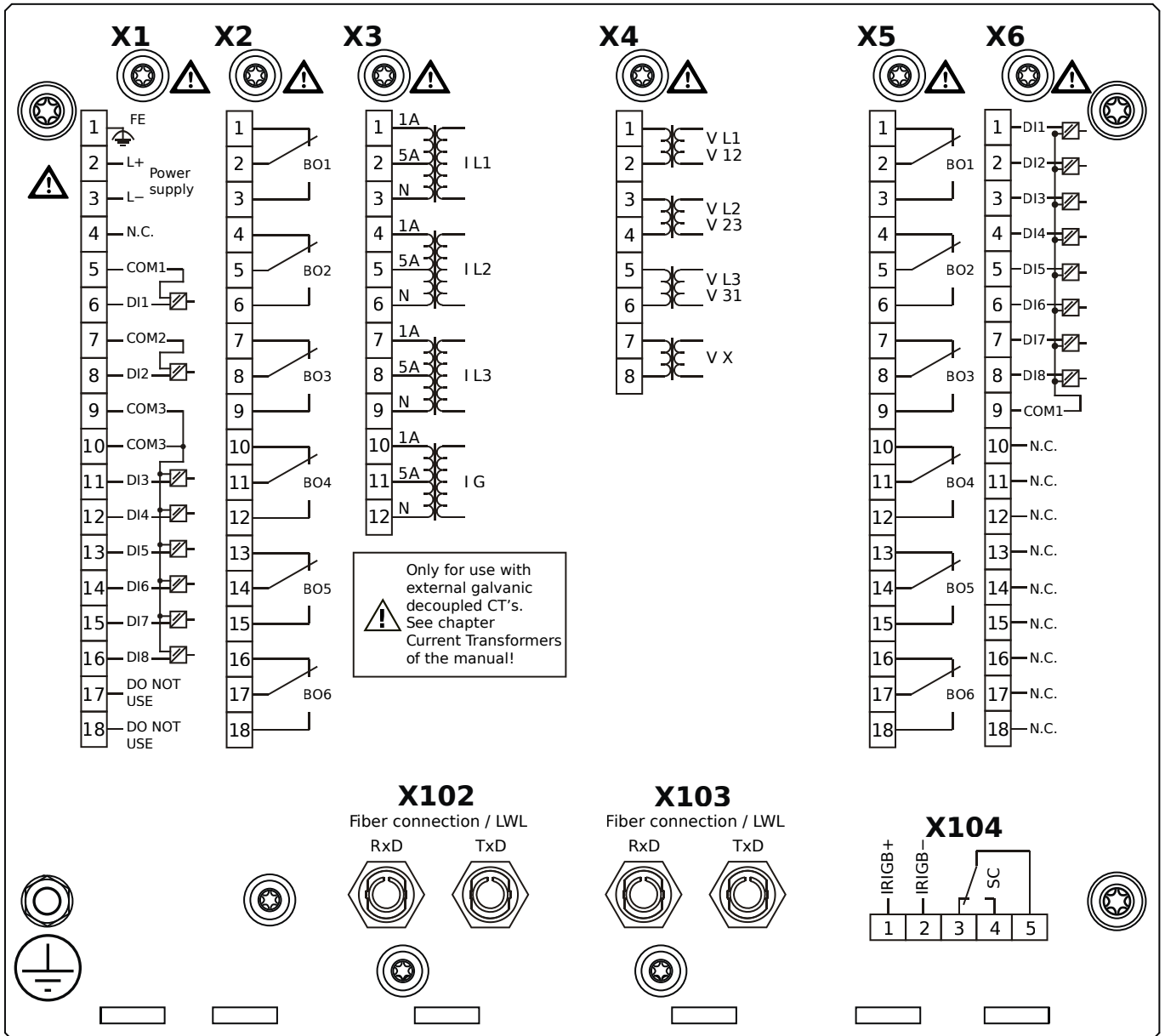
- X1** – DI8-X1: Wide-range power supply unit, incl. 2 non-grouped digital inputs and 6 grouped digital inputs
- X2** – OR-6: Assembly Group with 6 Relay Outputs
- X3** – TI-4: Standard current measuring card
- X4** – TU: Card with 4 voltage transformer measuring inputs
- X5** – OR-6: Assembly Group with 6 Relay Outputs
- X6** – DI8: Assembly Group with 8 Digital Inputs
- X100** – Modbus TCP / DNP3.0 TCP/UDP, Ethernet interface, 100 Mbit/s, RJ45 (BASE100-FX)
- X102** – Protection Communication, Fiber optics interface, ST Connector
- X104** – IRIG-B00X, incl. System Contact (Supervision Contact)

MCDLV4-2D0A1CB



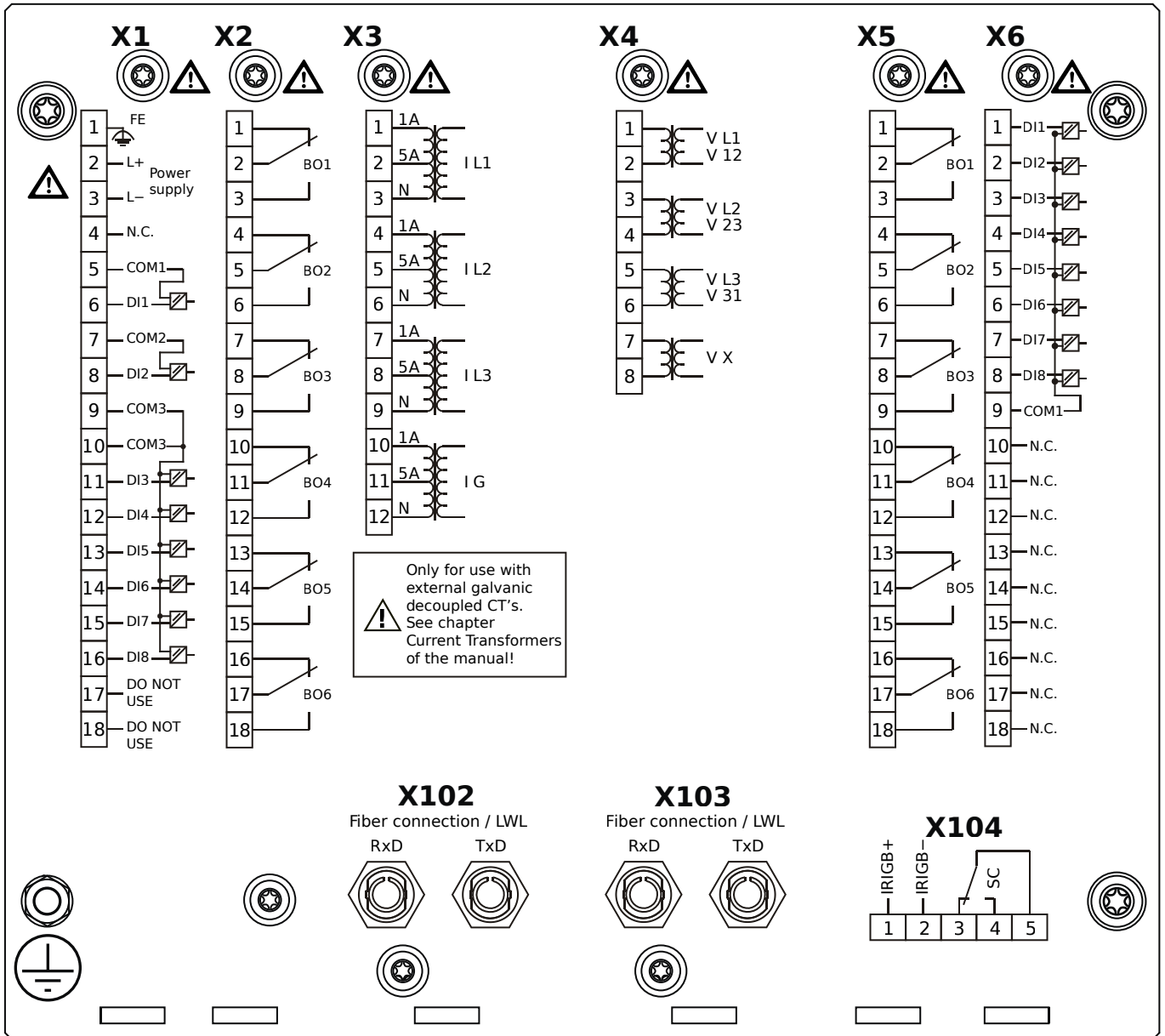
- X1** – DI8-X1: Wide-range power supply unit, incl. 2 non-grouped digital inputs and 6 grouped digital inputs
- X2** – OR-6: Assembly Group with 6 Relay Outputs
- X3** – TI-4: Standard current measuring card
- X4** – TU: Card with 4 voltage transformer measuring inputs
- X5** – OR-6: Assembly Group with 6 Relay Outputs
- X6** – DI8: Assembly Group with 8 Digital Inputs
- X100** – Modbus TCP / DNP3.0 TCP/UDP, Ethernet interface, 100 Mbit/s, RJ45 (BASE100-FX)
- X102** – Protection Communication, Fiber optics interface, ST Connector
- X104** – IRIG-B00X, incl. System Contact (Supervision Contact)

MCDLV4-2D0A1DA



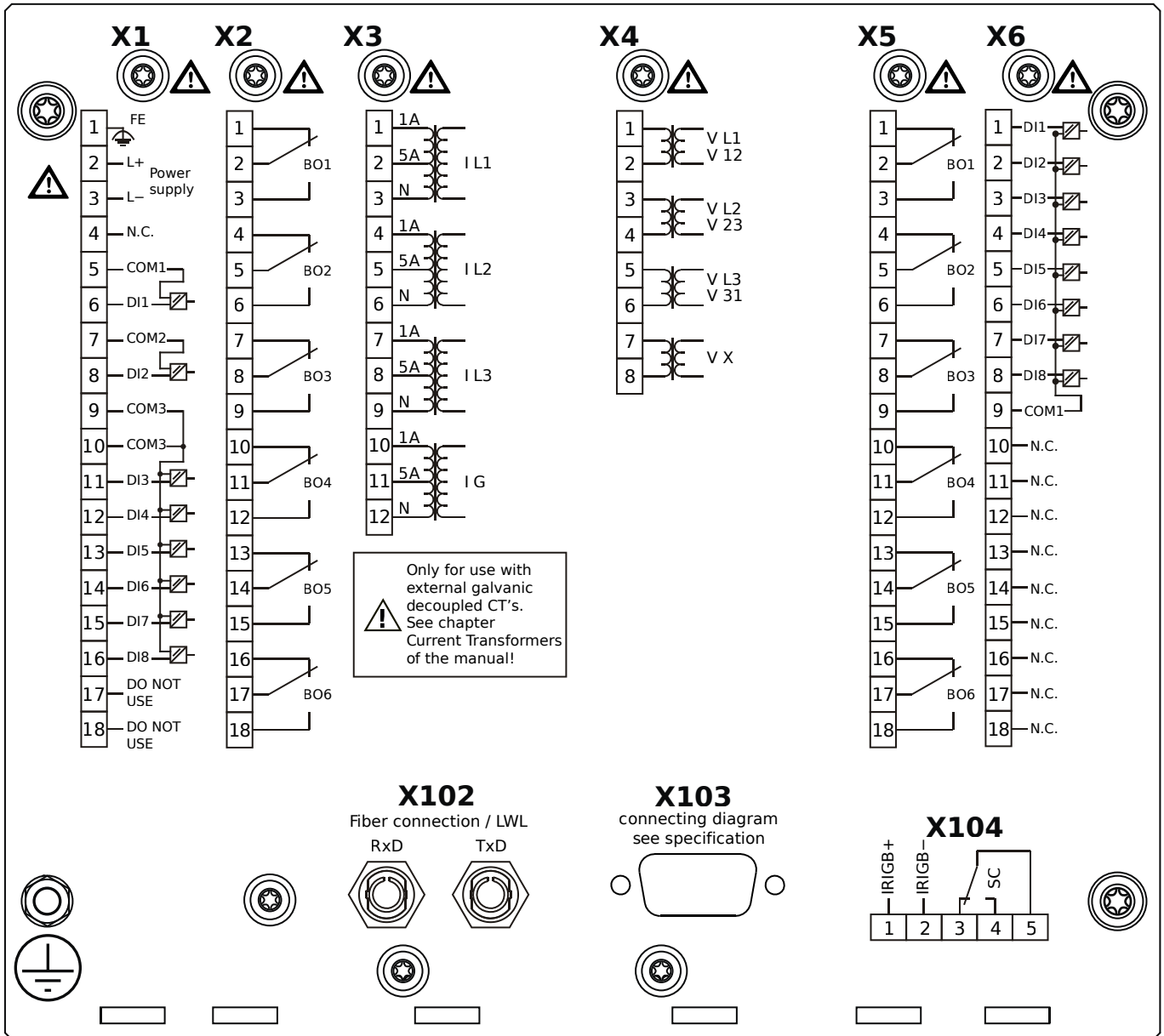
- X1** – DI8-X1: Wide-range power supply unit, incl. 2 non-grouped digital inputs and 6 grouped digital inputs
- X2** – OR-6: Assembly Group with 6 Relay Outputs
- X3** – TI-4: Standard current measuring card
- X4** – TU: Card with 4 voltage transformer measuring inputs
- X5** – OR-6: Assembly Group with 6 Relay Outputs
- X6** – DI8: Assembly Group with 8 Digital Inputs
- X102** – Protection Communication, Fiber optics interface, ST Connector
- X103** – Profibus-DP, Fiber optics interface, ST Connector
- X104** – IRIG-B00X, incl. System Contact (Supervision Contact)

MCDLV4-2D0A1DB



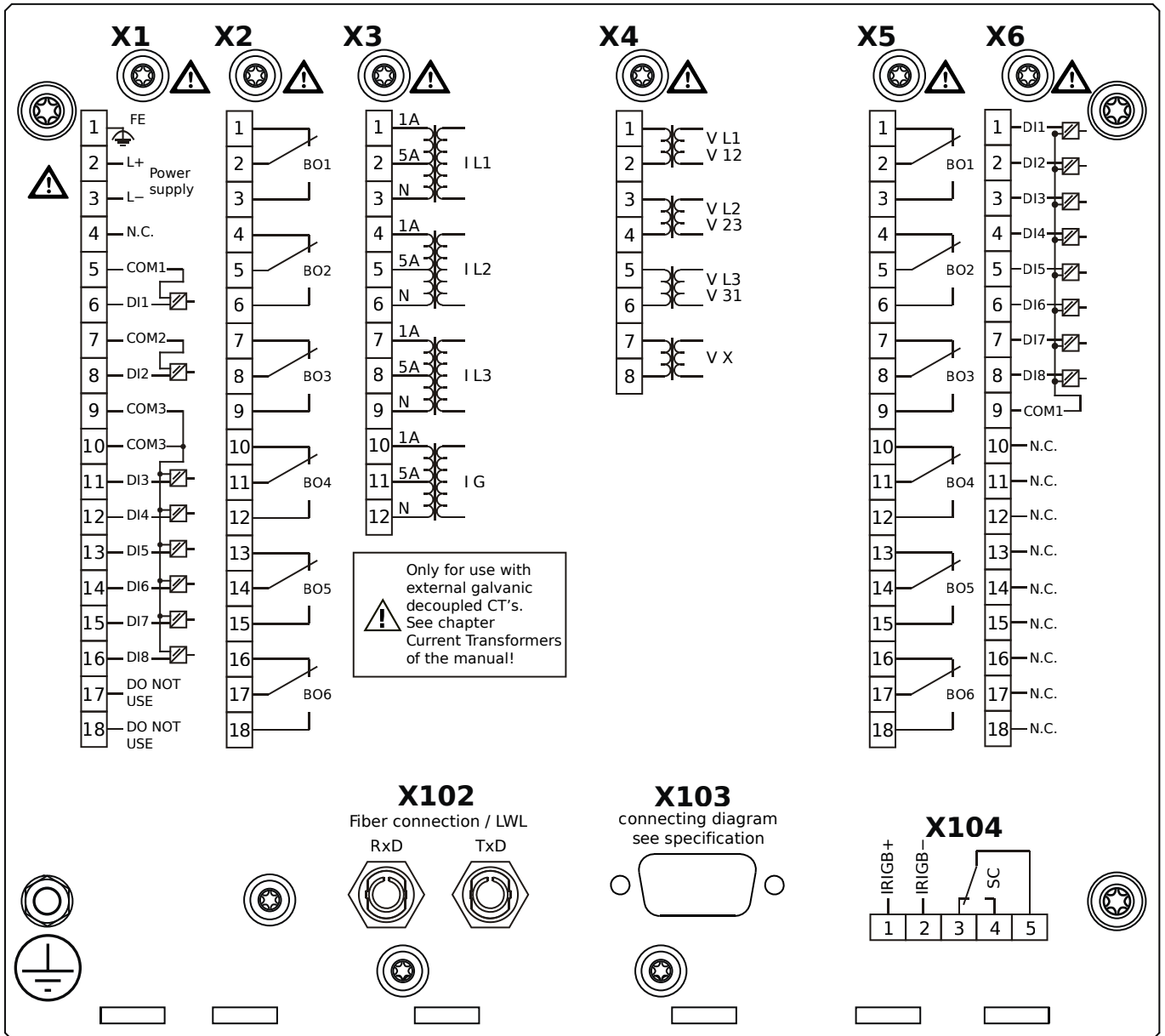
- X1** – DI8-X1: Wide-range power supply unit, incl. 2 non-grouped digital inputs and 6 grouped digital inputs
- X2** – OR-6: Assembly Group with 6 Relay Outputs
- X3** – TI-4: Standard current measuring card
- X4** – TU: Card with 4 voltage transformer measuring inputs
- X5** – OR-6: Assembly Group with 6 Relay Outputs
- X6** – DI8: Assembly Group with 8 Digital Inputs
- X102** – Protection Communication, Fiber optics interface, ST Connector
- X103** – Profibus-DP, Fiber optics interface, ST Connector
- X104** – IRIG-B00X, incl. System Contact (Supervision Contact)

MCDLV4-2D0A1EA



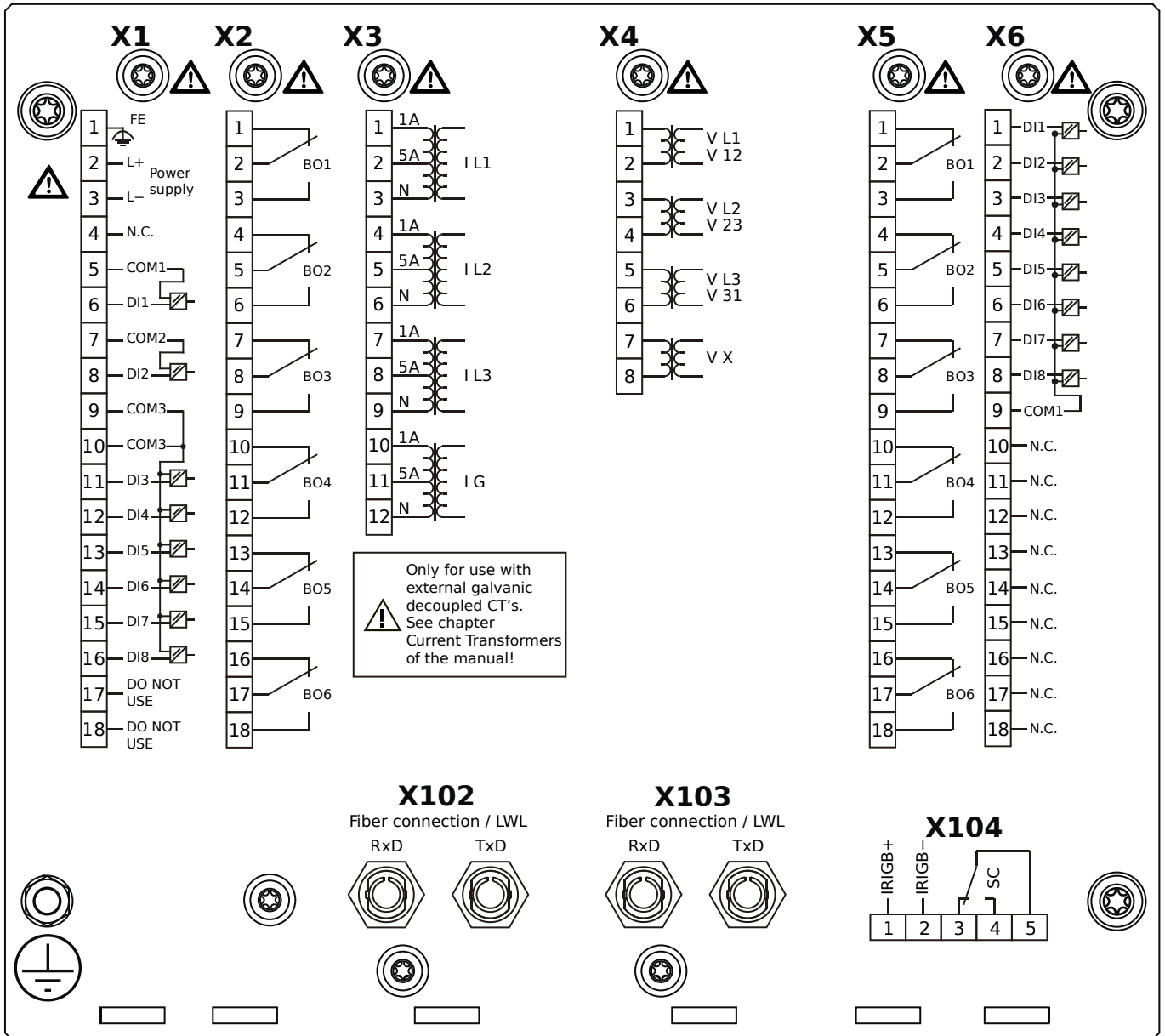
- X1** – DI8-X1: Wide-range power supply unit, incl. 2 non-grouped digital inputs and 6 grouped digital inputs
- X2** – OR-6: Assembly Group with 6 Relay Outputs
- X3** – TI-4: Standard current measuring card
- X4** – TU: Card with 4 voltage transformer measuring inputs
- X5** – OR-6: Assembly Group with 6 Relay Outputs
- X6** – DI8: Assembly Group with 8 Digital Inputs
- X102** – Protection Communication, Fiber optics interface, ST Connector
- X103** – Profibus-DP, RS485, D-SUB
- X104** – IRIG-B00X, incl. System Contact (Supervision Contact)

MCDLV4-2D0A1EB



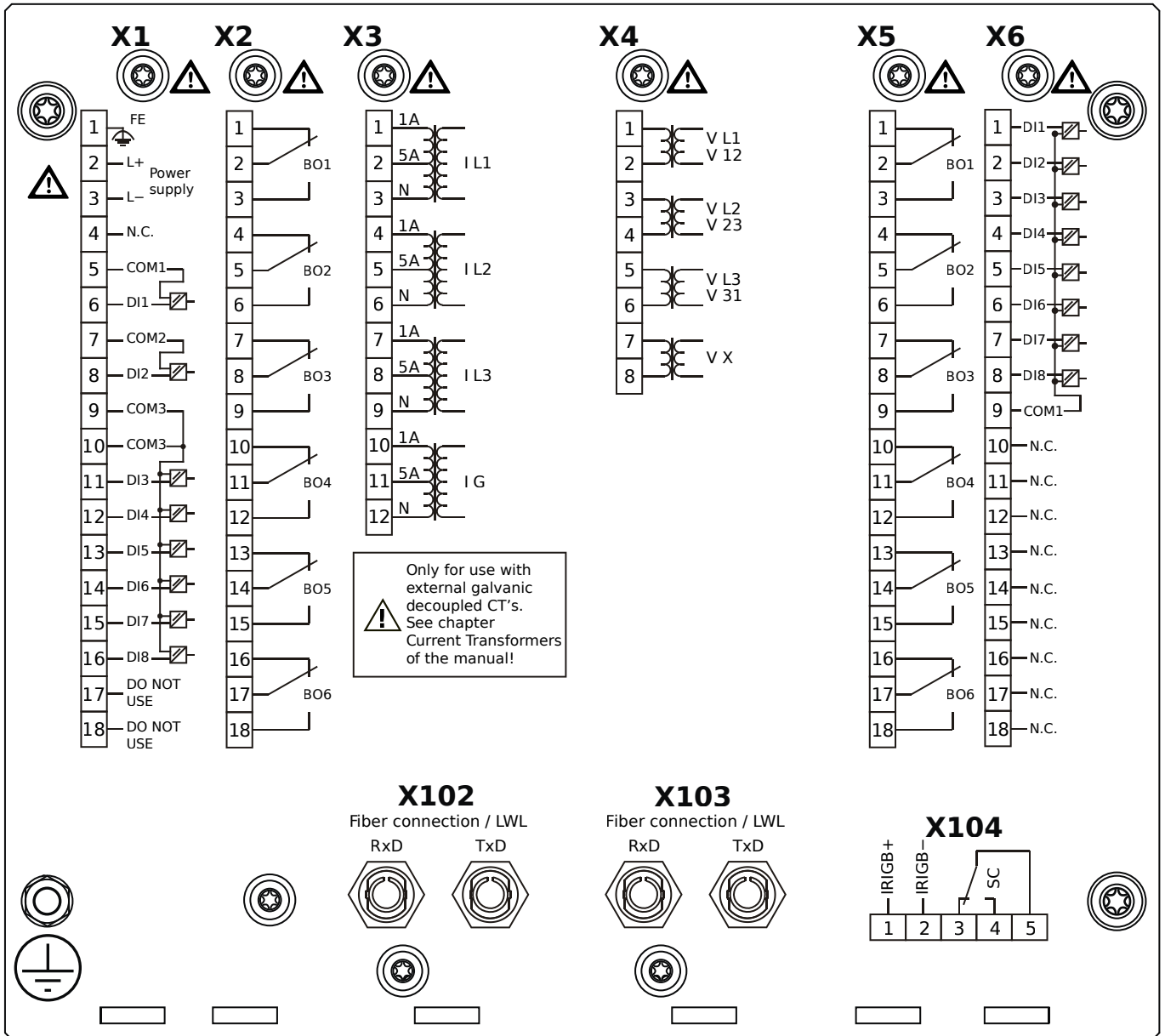
- X1** – DI8-X1: Wide-range power supply unit, incl. 2 non-grouped digital inputs and 6 grouped digital inputs
- X2** – OR-6: Assembly Group with 6 Relay Outputs
- X3** – TI-4: Standard current measuring card
- X4** – TU: Card with 4 voltage transformer measuring inputs
- X5** – OR-6: Assembly Group with 6 Relay Outputs
- X6** – DI8: Assembly Group with 8 Digital Inputs
- X102** – Protection Communication, Fiber optics interface, ST Connector
- X103** – Profibus-DP, RS485, D-SUB
- X104** – IRIG-B00X, incl. System Contact (Supervision Contact)

MCDLV4-2D0A1FA



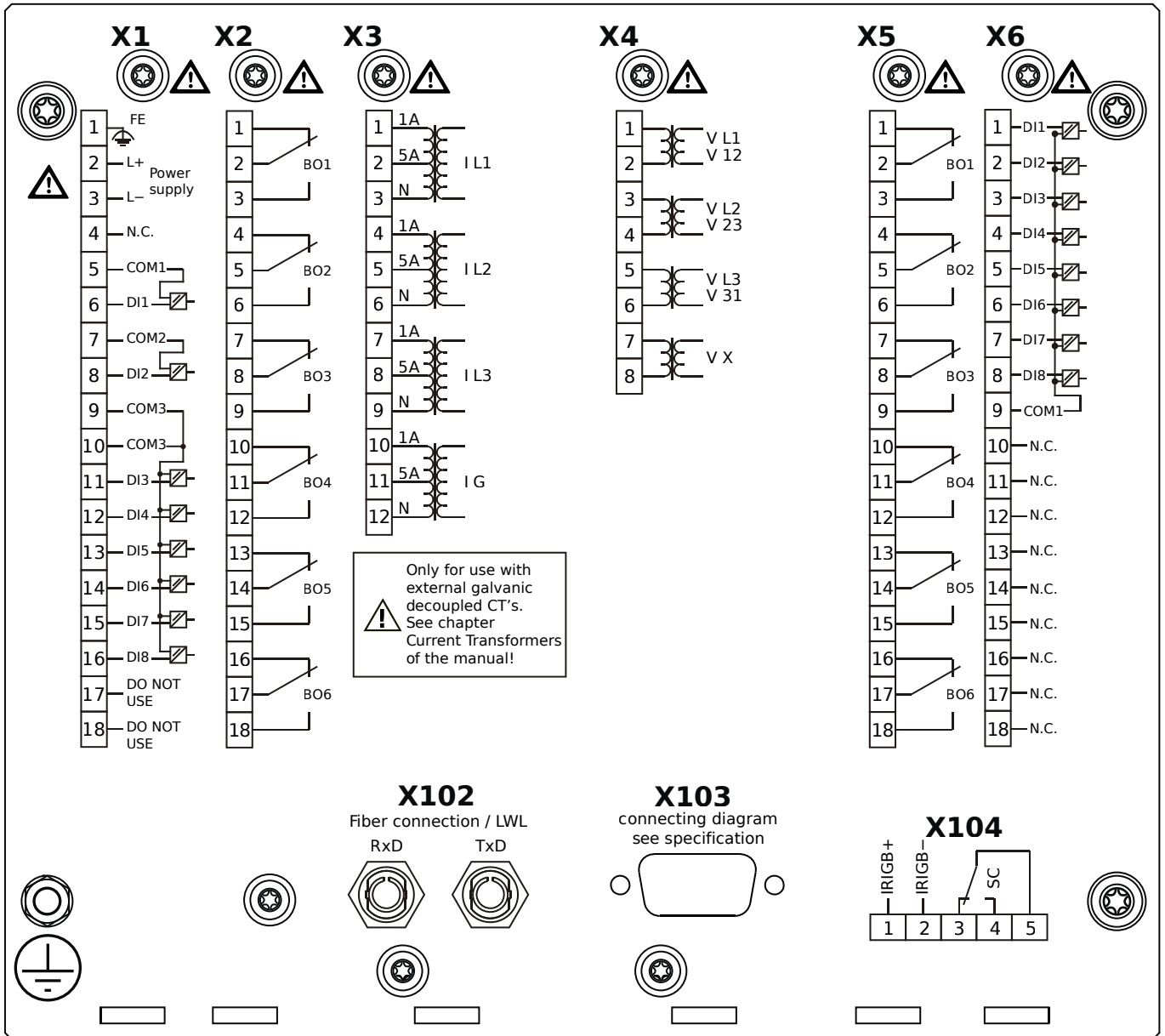
- X1** – DI8-X1: Wide-range power supply unit, incl. 2 non-grouped digital inputs and 6 grouped digital inputs
- X2** – OR-6: Assembly Group with 6 Relay Outputs
- X3** – TI-4: Standard current measuring card
- X4** – TU: Card with 4 voltage transformer measuring inputs
- X5** – OR-6: Assembly Group with 6 Relay Outputs
- X6** – DI8: Assembly Group with 8 Digital Inputs
- X102** – Protection Communication, Fiber optics interface, ST Connector
- X103** – Modbus RTU / IEC 60870-5-103 / DNP3.0 RTU, Fiber optics interface, ST Connector
- X104** – IRIG-B00X, incl. System Contact (Supervision Contact)

MCDLV4-2D0A1FB



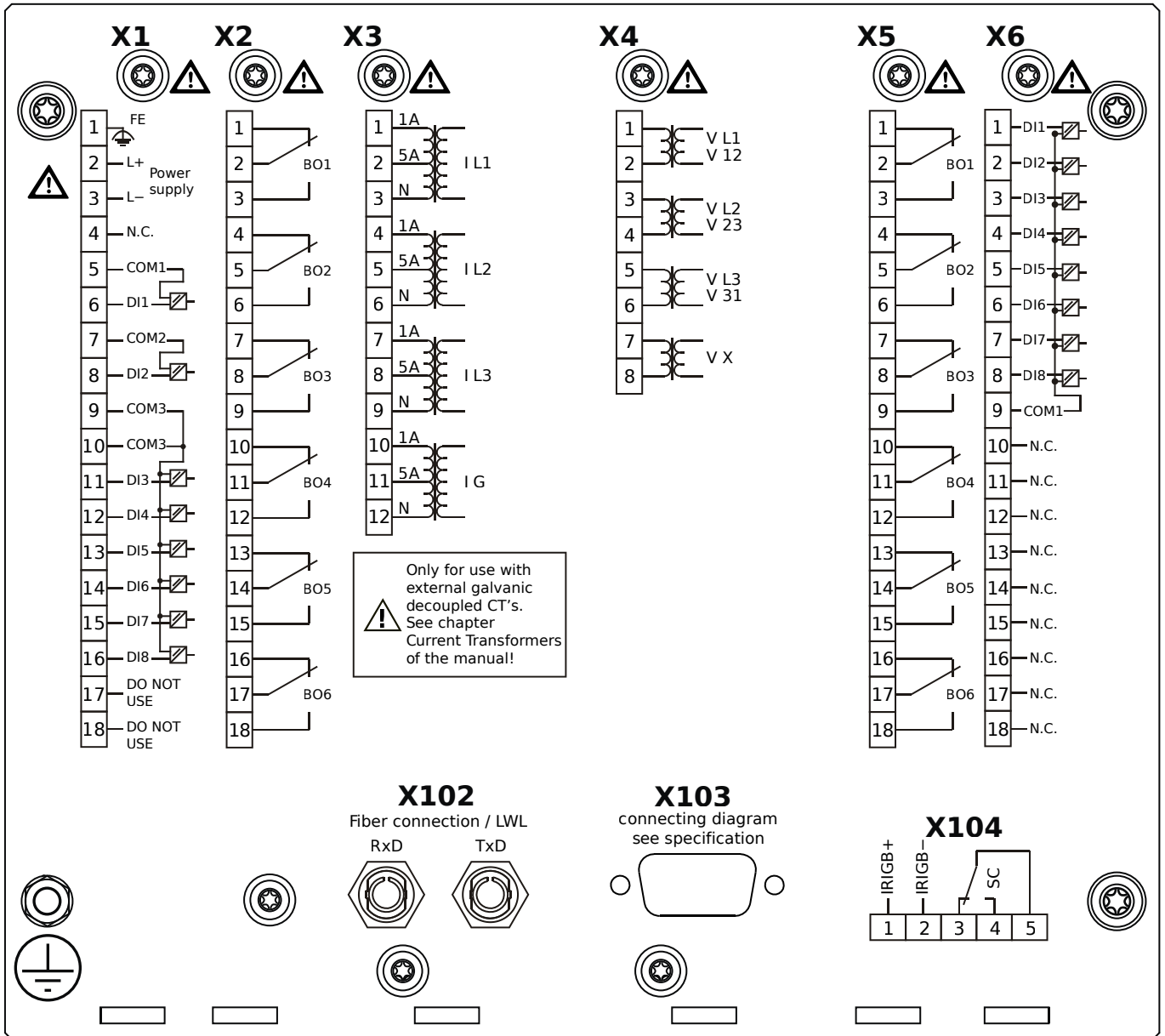
- X1** – DI8-X1: Wide-range power supply unit, incl. 2 non-grouped digital inputs and 6 grouped digital inputs
- X2** – OR-6: Assembly Group with 6 Relay Outputs
- X3** – TI-4: Standard current measuring card
- X4** – TU: Card with 4 voltage transformer measuring inputs
- X5** – OR-6: Assembly Group with 6 Relay Outputs
- X6** – DI8: Assembly Group with 8 Digital Inputs
- X102** – Protection Communication, Fiber optics interface, ST Connector
- X103** – Modbus RTU / IEC 60870-5-103 / DNP3.0 RTU, Fiber optics interface, ST Connector
- X104** – IRIG-B00X, incl. System Contact (Supervision Contact)

MCDLV4-2D0A1GA



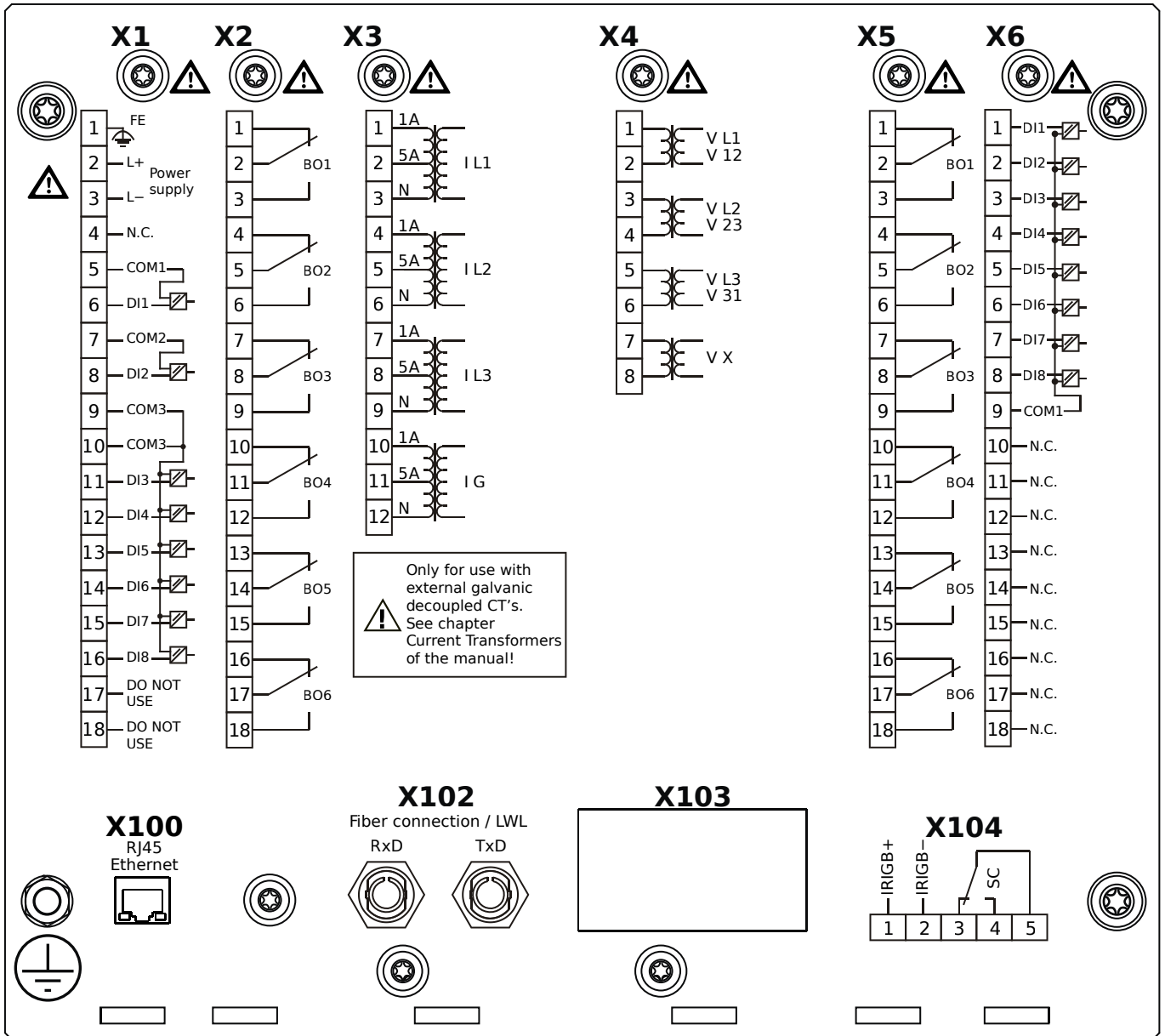
- X1** – DI8-X1: Wide-range power supply unit, incl. 2 non-grouped digital inputs and 6 grouped digital inputs
- X2** – OR-6: Assembly Group with 6 Relay Outputs
- X3** – TI-4: Standard current measuring card
- X4** – TU: Card with 4 voltage transformer measuring inputs
- X5** – OR-6: Assembly Group with 6 Relay Outputs
- X6** – DI8: Assembly Group with 8 Digital Inputs
- X102** – Protection Communication, Fiber optics interface, ST Connector
- X103** – Modbus RTU / IEC 60870-5-103 / DNP3.0 RTU, RS485, D-SUB
- X104** – IRIG-B00X, incl. System Contact (Supervision Contact)

MCDLV4-2D0A1GB



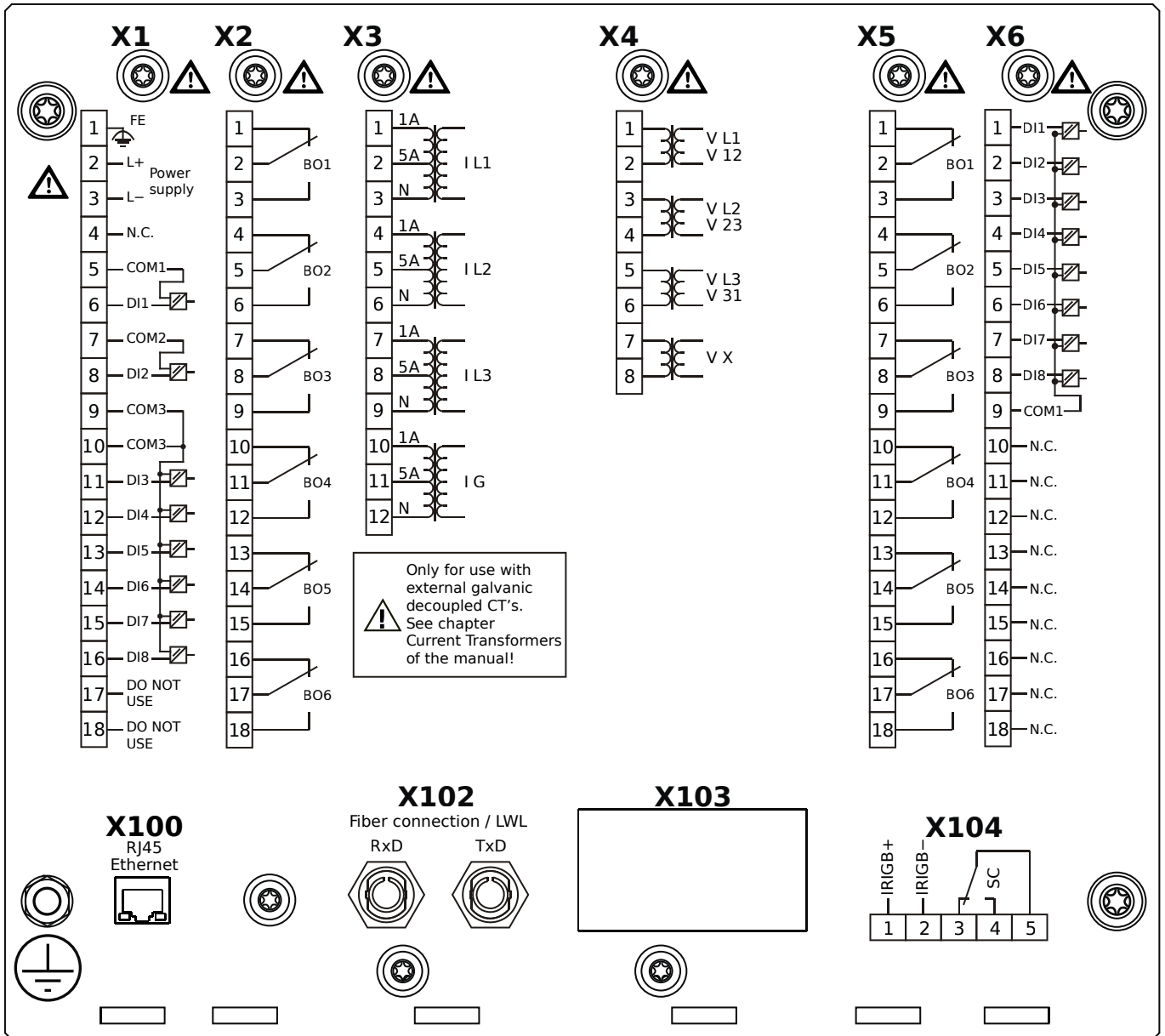
- X1** – DI8-X1: Wide-range power supply unit, incl. 2 non-grouped digital inputs and 6 grouped digital inputs
- X2** – OR-6: Assembly Group with 6 Relay Outputs
- X3** – TI-4: Standard current measuring card
- X4** – TU: Card with 4 voltage transformer measuring inputs
- X5** – OR-6: Assembly Group with 6 Relay Outputs
- X6** – DI8: Assembly Group with 8 Digital Inputs
- X102** – Protection Communication, Fiber optics interface, ST Connector
- X103** – Modbus RTU / IEC 60870-5-103 / DNP3.0 RTU, RS485, D-SUB
- X104** – IRIG-B00X, incl. System Contact (Supervision Contact)

MCDLV4-2D0A1HA



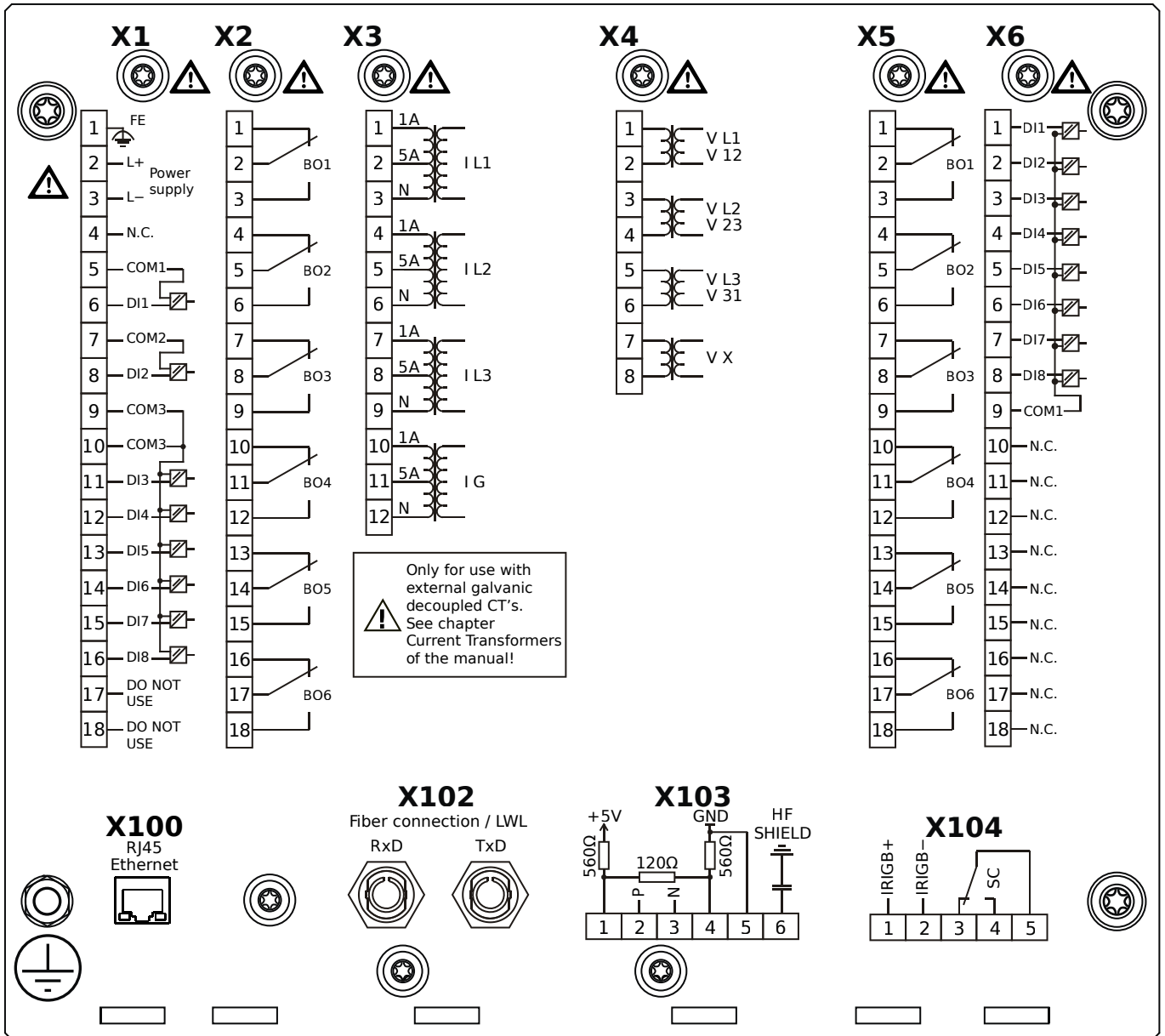
- X1** – DI8-X1: Wide-range power supply unit, incl. 2 non-grouped digital inputs and 6 grouped digital inputs
- X2** – OR-6: Assembly Group with 6 Relay Outputs
- X3** – TI-4: Standard current measuring card
- X4** – TU: Card with 4 voltage transformer measuring inputs
- X5** – OR-6: Assembly Group with 6 Relay Outputs
- X6** – DI8: Assembly Group with 8 Digital Inputs
- X100** – IEC 61850 / Modbus TCP / DNP3.0 TCP/UDP, Ethernet interface, 100 Mbit/s, RJ45 (BASE100-FX)
- X102** – Protection Communication, Fiber optics interface, ST Connector
- X104** – IRIG-B00X, incl. System Contact (Supervision Contact)

MCDLV4-2D0A1HB



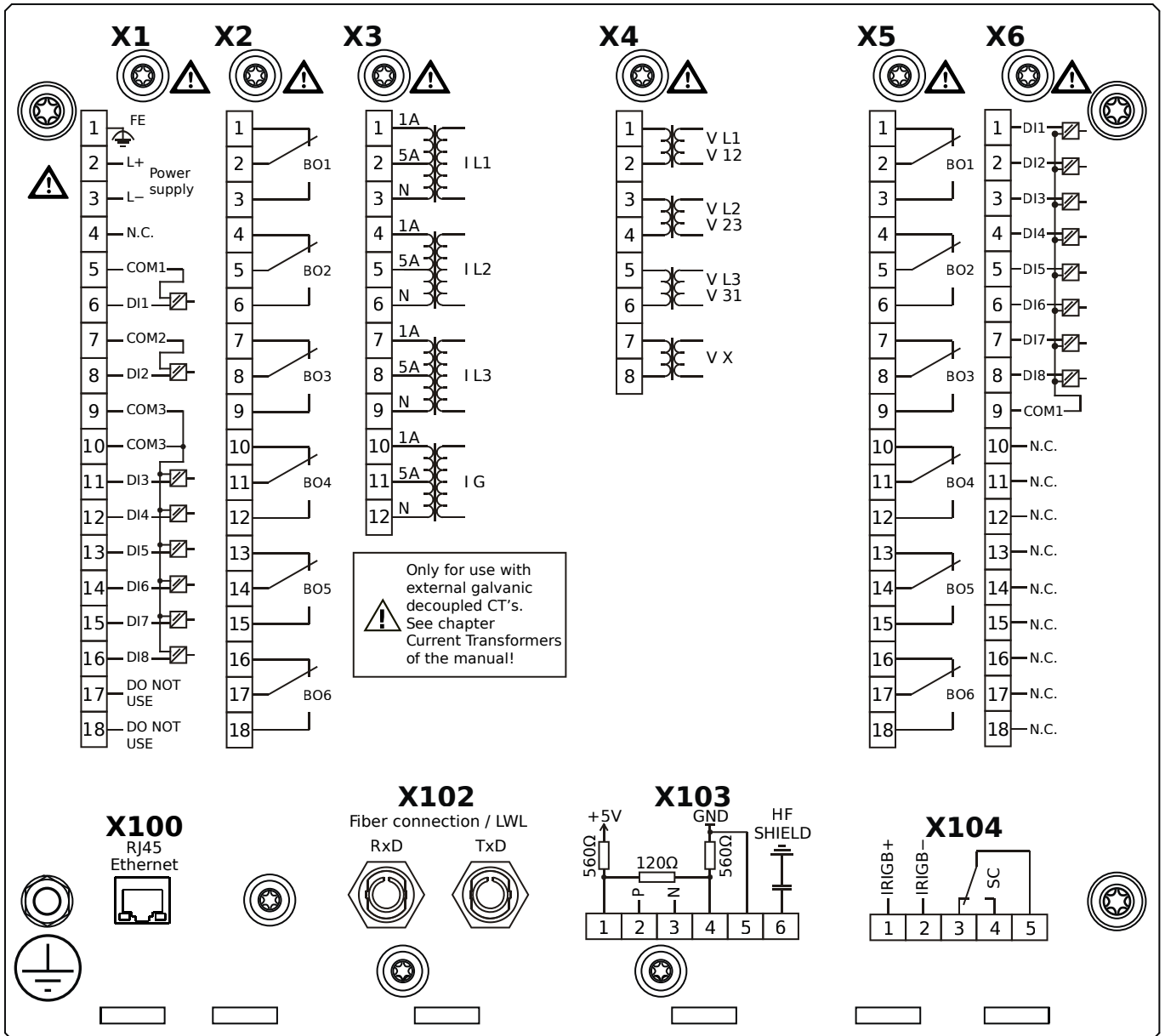
- X1** – DI8-X1: Wide-range power supply unit, incl. 2 non-grouped digital inputs and 6 grouped digital inputs
- X2** – OR-6: Assembly Group with 6 Relay Outputs
- X3** – TI-4: Standard current measuring card
- X4** – TU: Card with 4 voltage transformer measuring inputs
- X5** – OR-6: Assembly Group with 6 Relay Outputs
- X6** – DI8: Assembly Group with 8 Digital Inputs
- X100** – IEC 61850 / Modbus TCP / DNP3.0 TCP/UDP, Ethernet interface, 100 Mbit/s, RJ45 (BASE100-FX)
- X102** – Protection Communication, Fiber optics interface, ST Connector
- X104** – IRIG-B00X, incl. System Contact (Supervision Contact)

MCDLV4-2D0A1IA



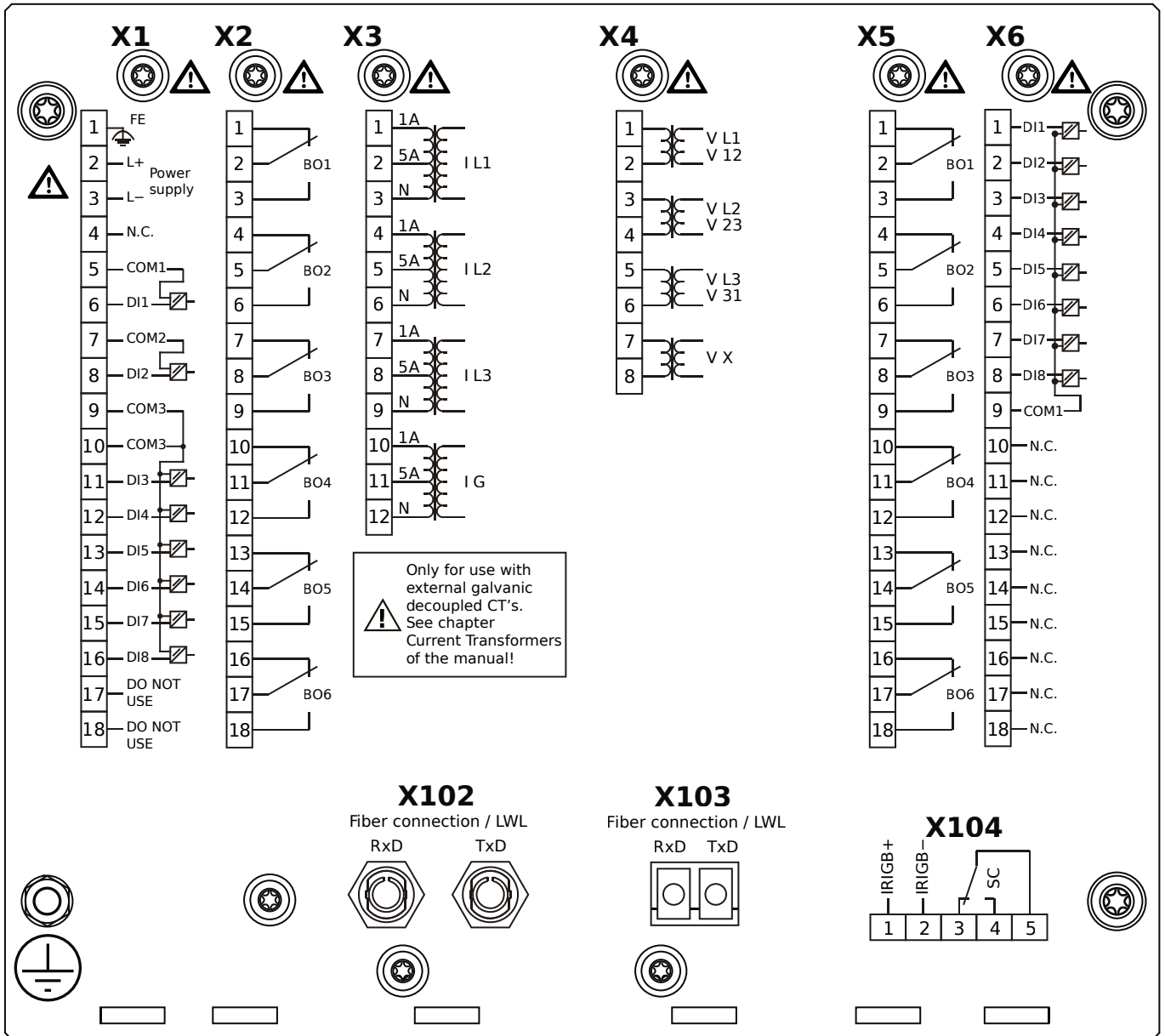
- X1** – DI8-X1: Wide-range power supply unit, incl. 2 non-grouped digital inputs and 6 grouped digital inputs
- X2** – OR-6: Assembly Group with 6 Relay Outputs
- X3** – TI-4: Standard current measuring card
- X4** – TU: Card with 4 voltage transformer measuring inputs
- X5** – OR-6: Assembly Group with 6 Relay Outputs
- X6** – DI8: Assembly Group with 8 Digital Inputs
- X100** – Modbus TCP / DNP3.0 TCP/UDP, Ethernet interface, 100 Mbit/s, RJ45 (BASE100-FX)
- X102** – Protection Communication, Fiber optics interface, ST Connector
- X103** – IEC 60870-5-103 / Modbus RTU / DNP3.0 RTU, RS485, Terminals
- X104** – IRIG-B00X, incl. System Contact (Supervision Contact)

MCDLV4-2D0A1IB



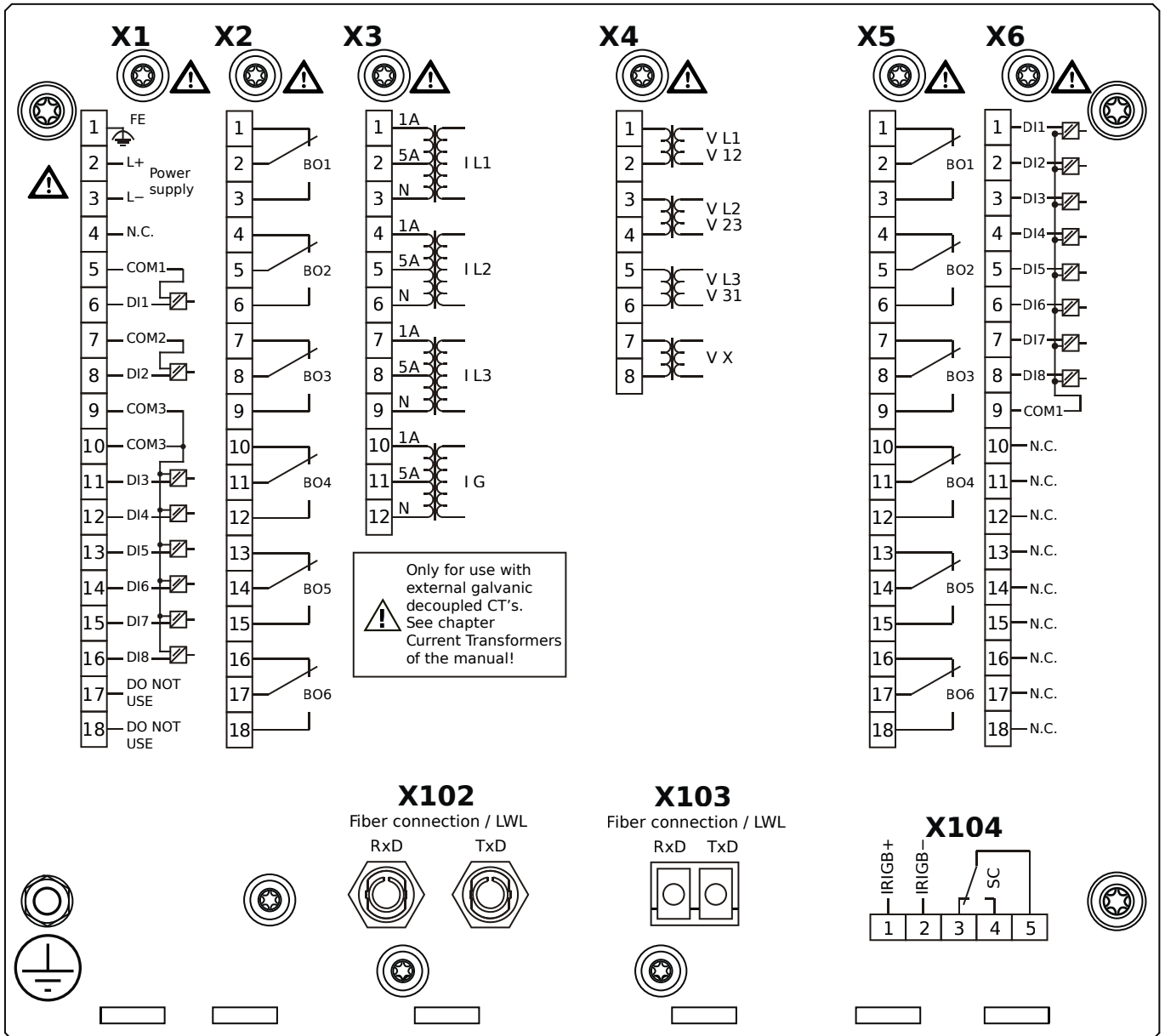
- X1** – DI8-X1: Wide-range power supply unit, incl. 2 non-grouped digital inputs and 6 grouped digital inputs
- X2** – OR-6: Assembly Group with 6 Relay Outputs
- X3** – TI-4: Standard current measuring card
- X4** – TU: Card with 4 voltage transformer measuring inputs
- X5** – OR-6: Assembly Group with 6 Relay Outputs
- X6** – DI8: Assembly Group with 8 Digital Inputs
- X100** – Modbus TCP / DNP3.0 TCP/UDP, Ethernet interface, 100 Mbit/s, RJ45 (BASE100-FX)
- X102** – Protection Communication, Fiber optics interface, ST Connector
- X103** – IEC 60870-5-103 / Modbus RTU / DNP3.0 RTU, RS485, Terminals
- X104** – IRIG-B00X, incl. System Contact (Supervision Contact)

MCDLV4-2D0A1KA



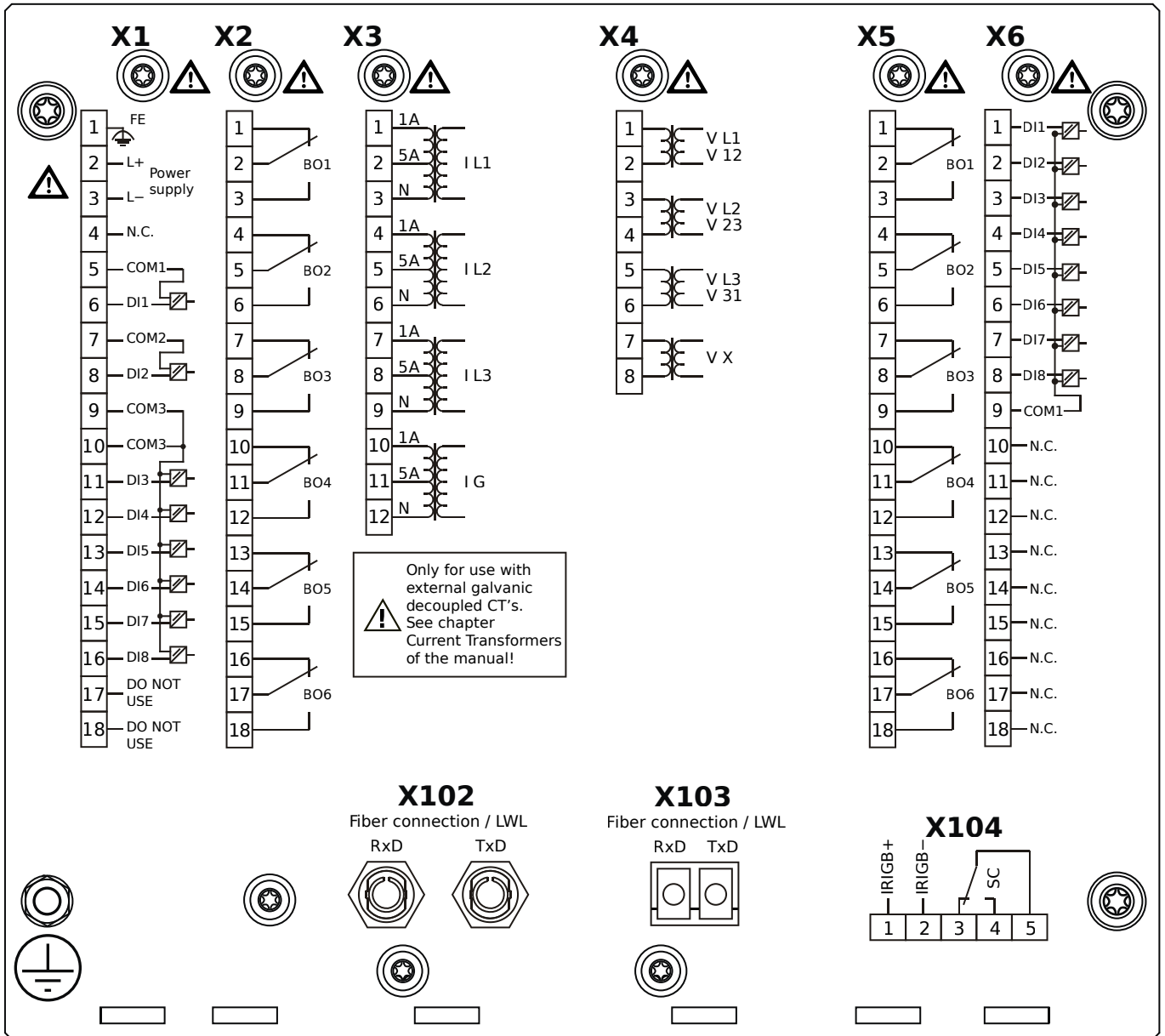
- X1** – DI8-X1: Wide-range power supply unit, incl. 2 non-grouped digital inputs and 6 grouped digital inputs
- X2** – OR-6: Assembly Group with 6 Relay Outputs
- X3** – TI-4: Standard current measuring card
- X4** – TU: Card with 4 voltage transformer measuring inputs
- X5** – OR-6: Assembly Group with 6 Relay Outputs
- X6** – DI8: Assembly Group with 8 Digital Inputs
- X102** – Protection Communication, Fiber optics interface, ST Connector
- X103** – IEC 61850 / Modbus TCP / DNP3.0 TCP/UDP, Fiber optics interface, LC Connector
- X104** – IRIG-B00X, incl. System Contact (Supervision Contact)

MCDLV4-2D0A1KB



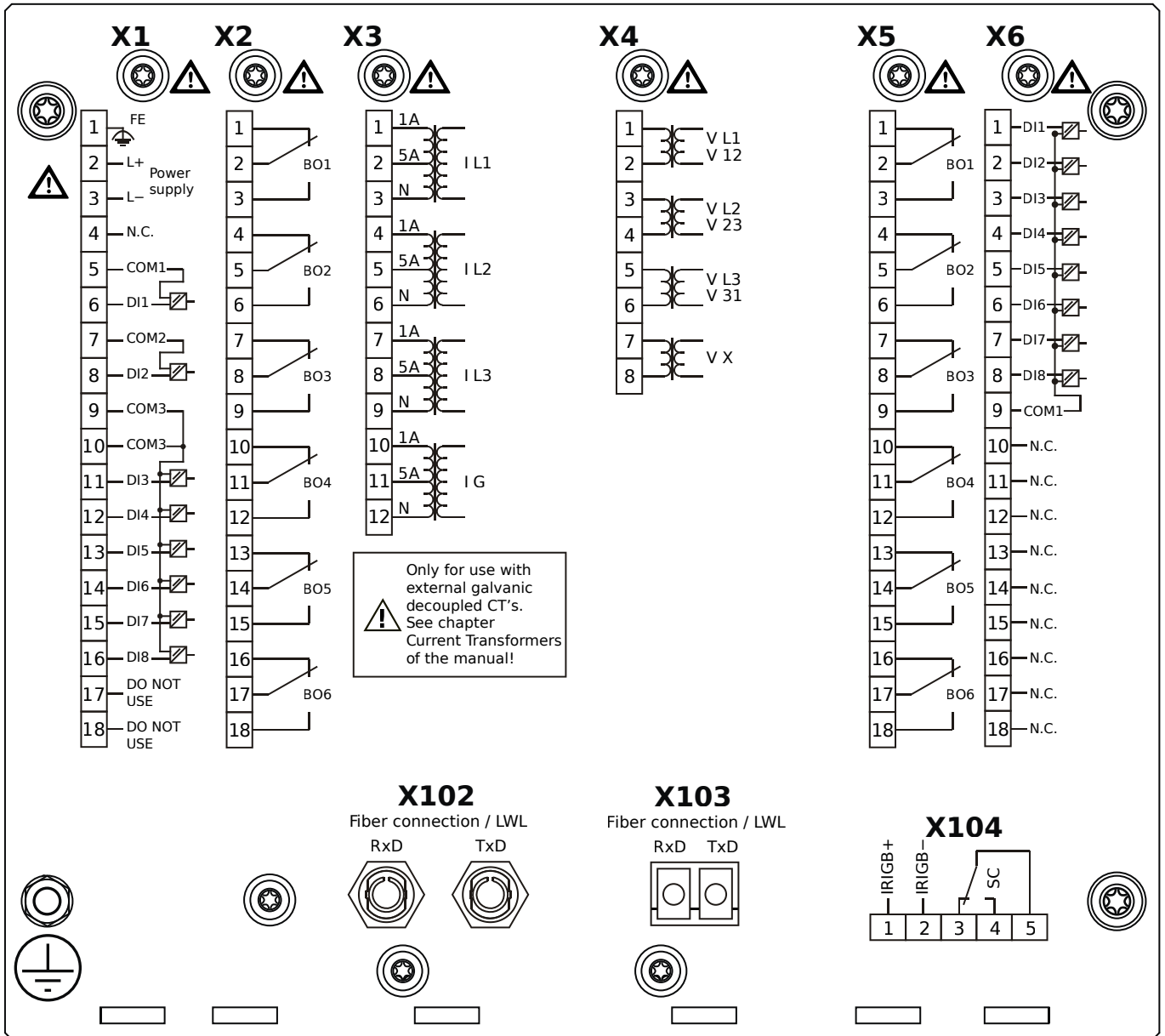
- X1** – DI8-X1: Wide-range power supply unit, incl. 2 non-grouped digital inputs and 6 grouped digital inputs
- X2** – OR-6: Assembly Group with 6 Relay Outputs
- X3** – TI-4: Standard current measuring card
- X4** – TU: Card with 4 voltage transformer measuring inputs
- X5** – OR-6: Assembly Group with 6 Relay Outputs
- X6** – DI8: Assembly Group with 8 Digital Inputs
- X102** – Protection Communication, Fiber optics interface, ST Connector
- X103** – IEC 61850 / Modbus TCP / DNP3.0 TCP/UDP, Fiber optics interface, LC Connector
- X104** – IRIG-B00X, incl. System Contact (Supervision Contact)

MCDLV4-2D0A1LA



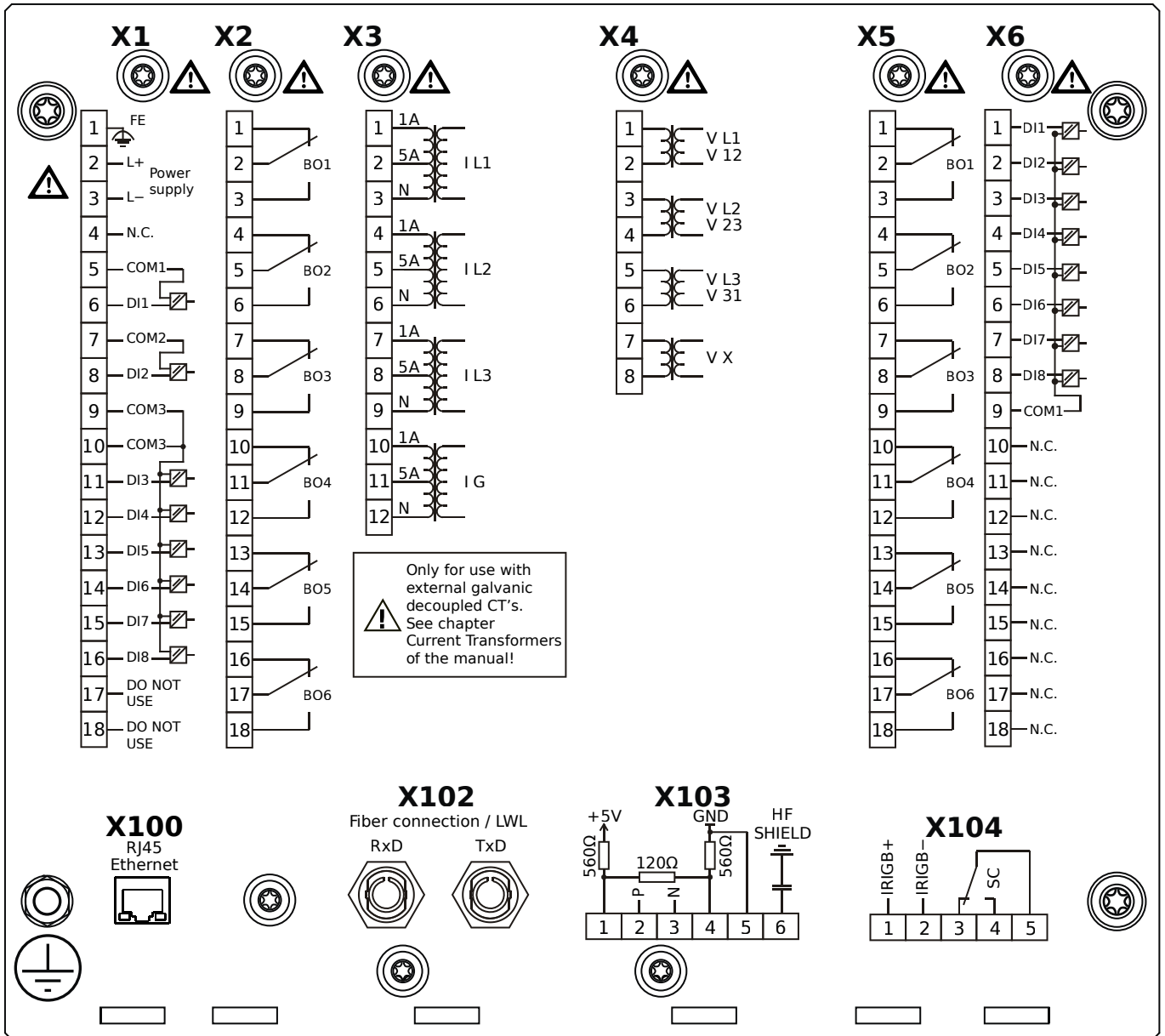
- X1** – DI8-X1: Wide-range power supply unit, incl. 2 non-grouped digital inputs and 6 grouped digital inputs
- X2** – OR-6: Assembly Group with 6 Relay Outputs
- X3** – TI-4: Standard current measuring card
- X4** – TU: Card with 4 voltage transformer measuring inputs
- X5** – OR-6: Assembly Group with 6 Relay Outputs
- X6** – DI8: Assembly Group with 8 Digital Inputs
- X102** – Protection Communication, Fiber optics interface, ST Connector
- X103** – Modbus TCP / DNP3.0 TCP/UDP, Fiber optics interface, LC Connector
- X104** – IRIG-B00X, incl. System Contact (Supervision Contact)

MCDLV4-2D0A1LB



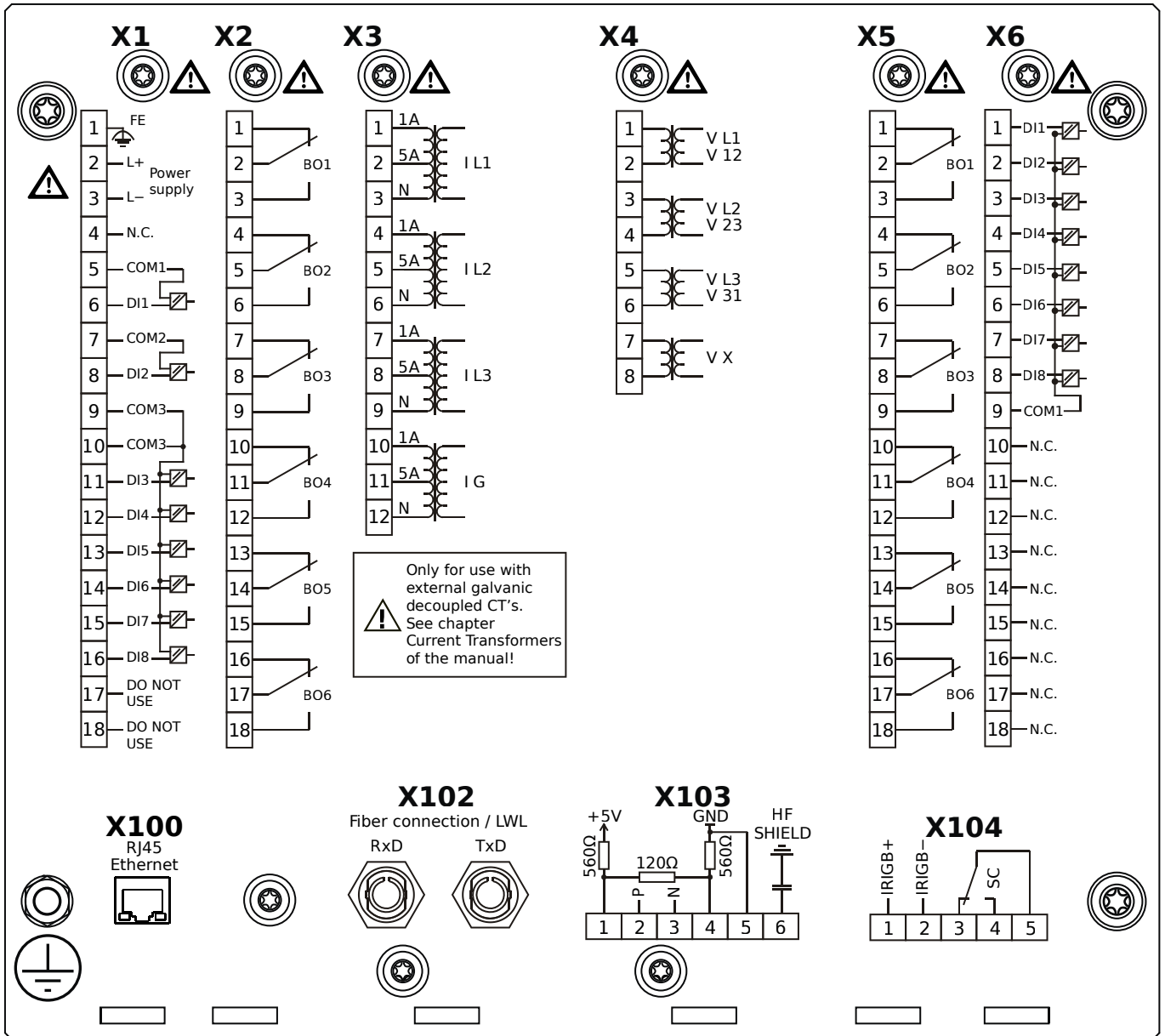
- X1** – DI8-X1: Wide-range power supply unit, incl. 2 non-grouped digital inputs and 6 grouped digital inputs
- X2** – OR-6: Assembly Group with 6 Relay Outputs
- X3** – TI-4: Standard current measuring card
- X4** – TU: Card with 4 voltage transformer measuring inputs
- X5** – OR-6: Assembly Group with 6 Relay Outputs
- X6** – DI8: Assembly Group with 8 Digital Inputs
- X102** – Protection Communication, Fiber optics interface, ST Connector
- X103** – Modbus TCP / DNP3.0 TCP/UDP, Fiber optics interface, LC Connector
- X104** – IRIG-B00X, incl. System Contact (Supervision Contact)

MCDLV4-2D0A1TA



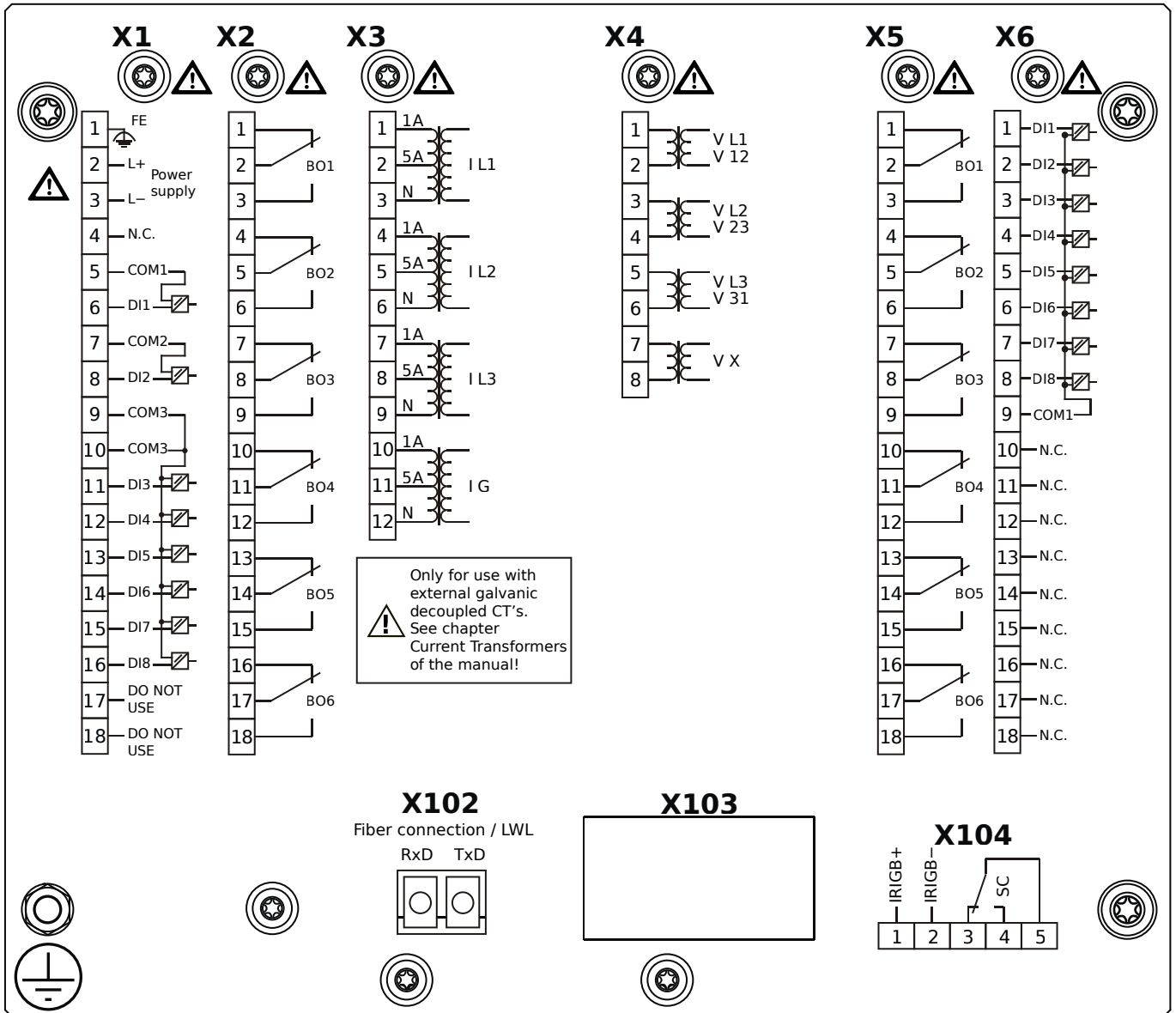
- X1** – DI8-X1: Wide-range power supply unit, incl. 2 non-grouped digital inputs and 6 grouped digital inputs
- X2** – OR-6: Assembly Group with 6 Relay Outputs
- X3** – TI-4: Standard current measuring card
- X4** – TU: Card with 4 voltage transformer measuring inputs
- X5** – OR-6: Assembly Group with 6 Relay Outputs
- X6** – DI8: Assembly Group with 8 Digital Inputs
- X100** – IEC 61850 / Modbus TCP / DNP3.0 TCP/UDP, Ethernet interface, 100 Mbit/s, RJ45 (BASE100-FX)
- X102** – Protection Communication, Fiber optics interface, ST Connector
- X103** – IEC 60870-5-103 / Modbus RTU / DNP3.0 RTU, RS485, Terminals
- X104** – IRIG-B00X, incl. System Contact (Supervision Contact)

MCDLV4-2D0A1TB



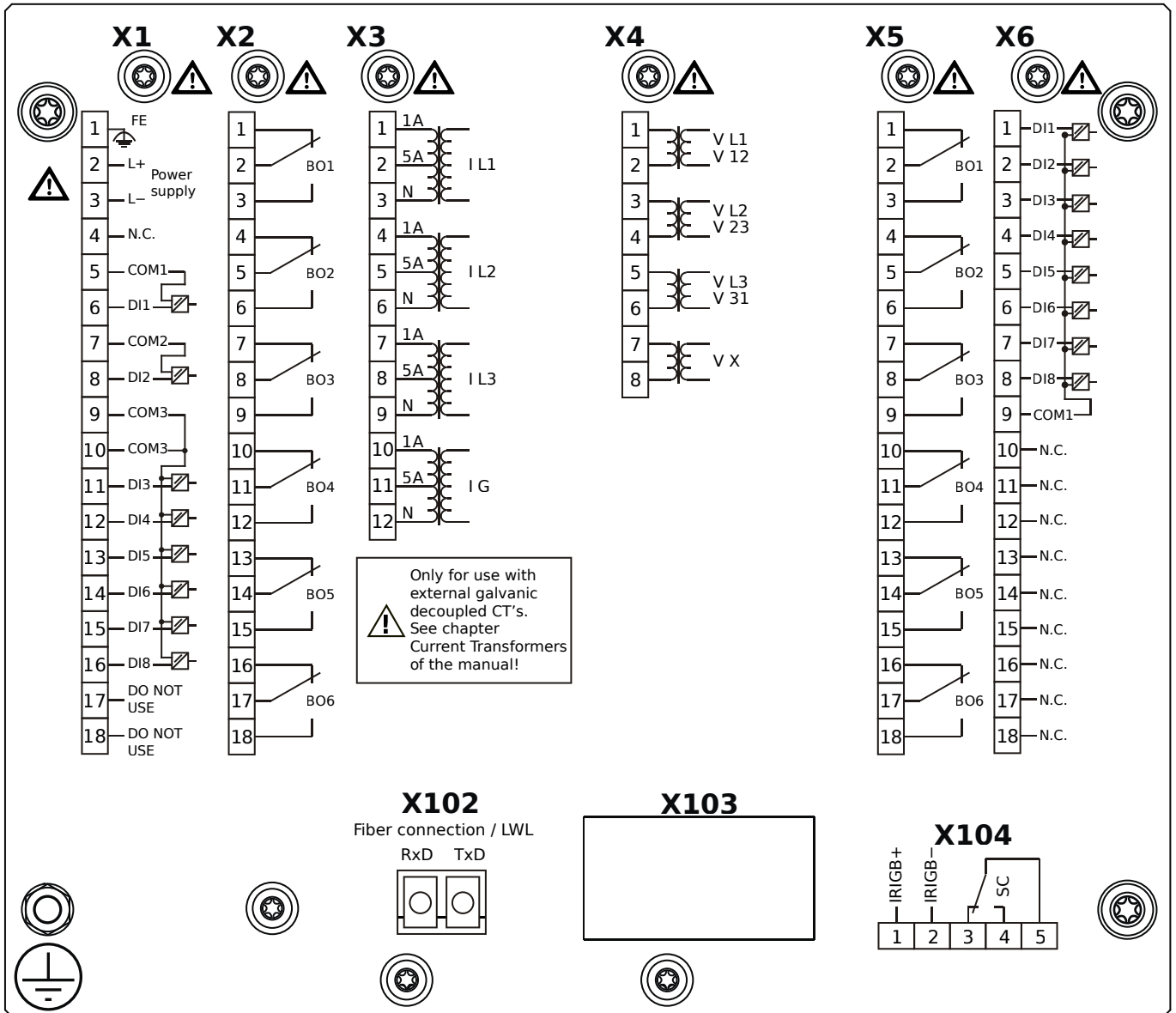
- X1** – DI8-X1: Wide-range power supply unit, incl. 2 non-grouped digital inputs and 6 grouped digital inputs
- X2** – OR-6: Assembly Group with 6 Relay Outputs
- X3** – TI-4: Standard current measuring card
- X4** – TU: Card with 4 voltage transformer measuring inputs
- X5** – OR-6: Assembly Group with 6 Relay Outputs
- X6** – DI8: Assembly Group with 8 Digital Inputs
- X100** – IEC 61850 / Modbus TCP / DNP3.0 TCP/UDP, Ethernet interface, 100 Mbit/s, RJ45 (BASE100-FX)
- X102** – Protection Communication, Fiber optics interface, ST Connector
- X103** – IEC 60870-5-103 / Modbus RTU / DNP3.0 RTU, RS485, Terminals
- X104** – IRIG-B00X, incl. System Contact (Supervision Contact)

MCDLV4-2D0B0AA



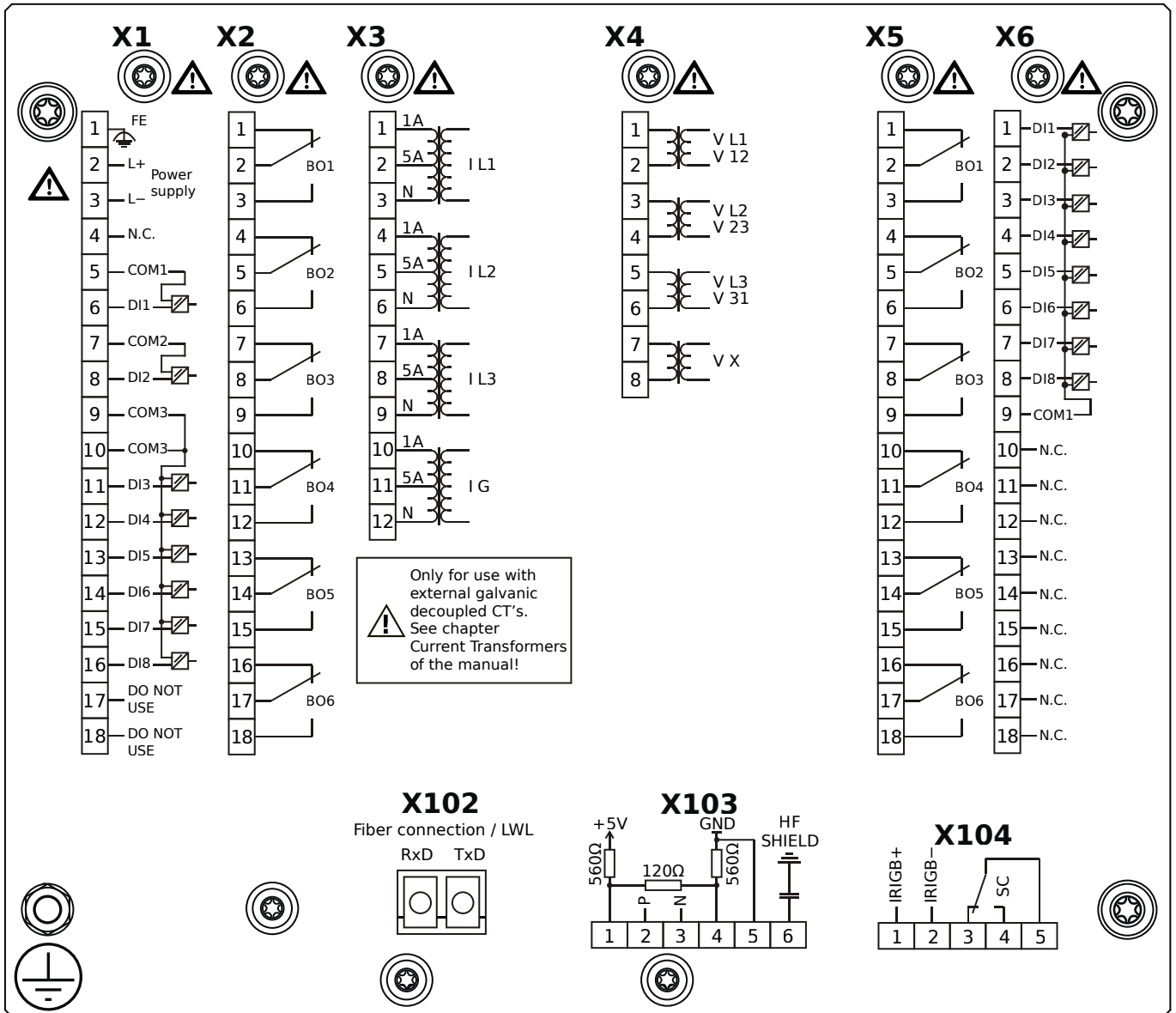
- X1** – DI8-X1: Wide-range power supply unit, incl. 2 non-grouped digital inputs and 6 grouped digital inputs
- X2** – OR-6: Assembly Group with 6 Relay Outputs
- X3** – TI-4: Standard current measuring card
- X4** – TU: Card with 4 voltage transformer measuring inputs
- X5** – OR-6: Assembly Group with 6 Relay Outputs
- X6** – DI8: Assembly Group with 8 Digital Inputs
- X102** – Long-distance Protection Communication, Fiber optics interface, LC Connector
- X104** – IRIG-B00X, incl. System Contact (Supervision Contact)

MCDLV4-2D0B0AB



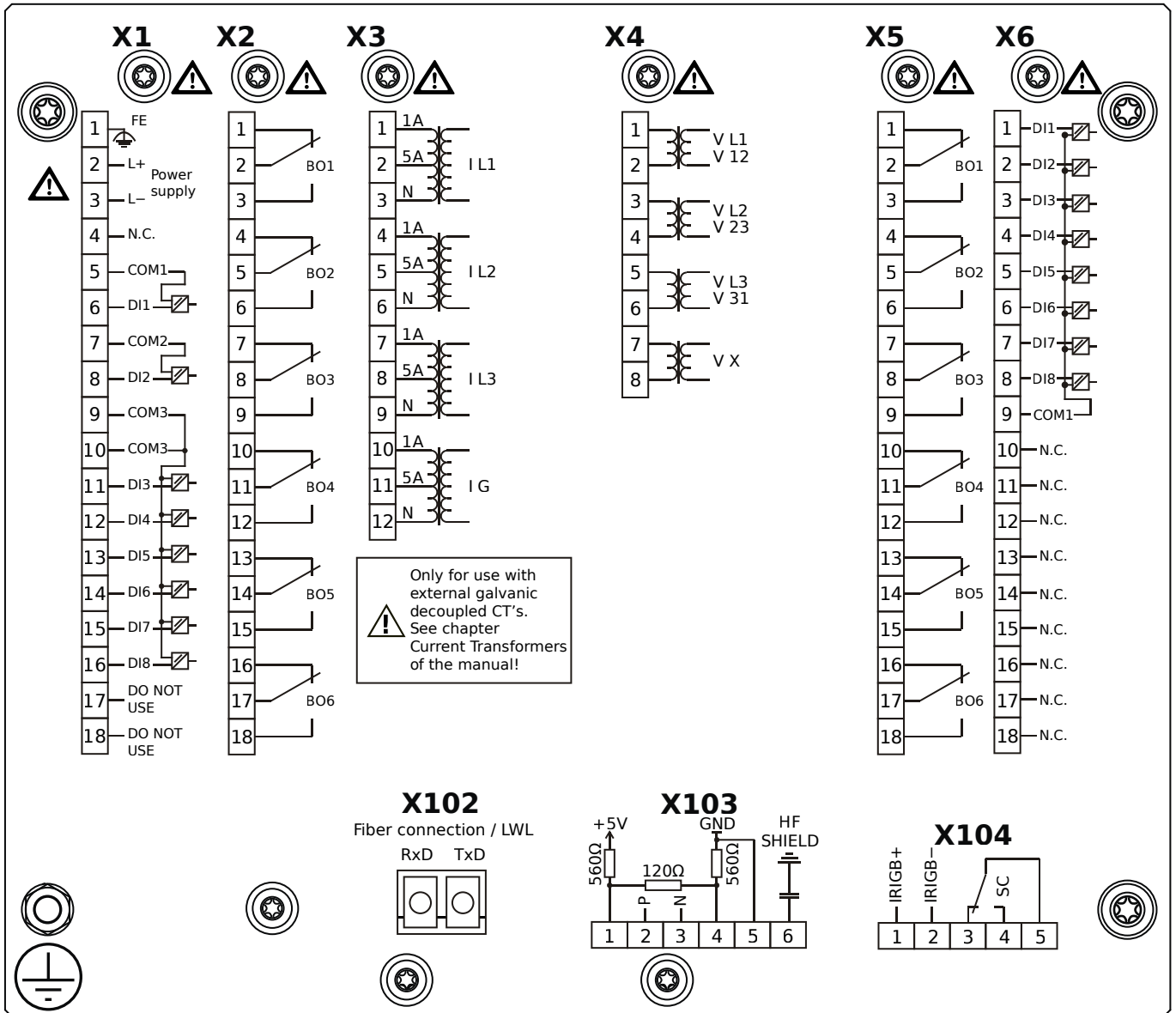
- X1** – DI8-X1: Wide-range power supply unit, incl. 2 non-grouped digital inputs and 6 grouped digital inputs
- X2** – OR-6: Assembly Group with 6 Relay Outputs
- X3** – TI-4: Standard current measuring card
- X4** – TU: Card with 4 voltage transformer measuring inputs
- X5** – OR-6: Assembly Group with 6 Relay Outputs
- X6** – DI8: Assembly Group with 8 Digital Inputs
- X102** – Long-distance Protection Communication, Fiber optics interface, LC Connector
- X104** – IRIG-B00X, incl. System Contact (Supervision Contact)

MCDLV4-2D0B0BA



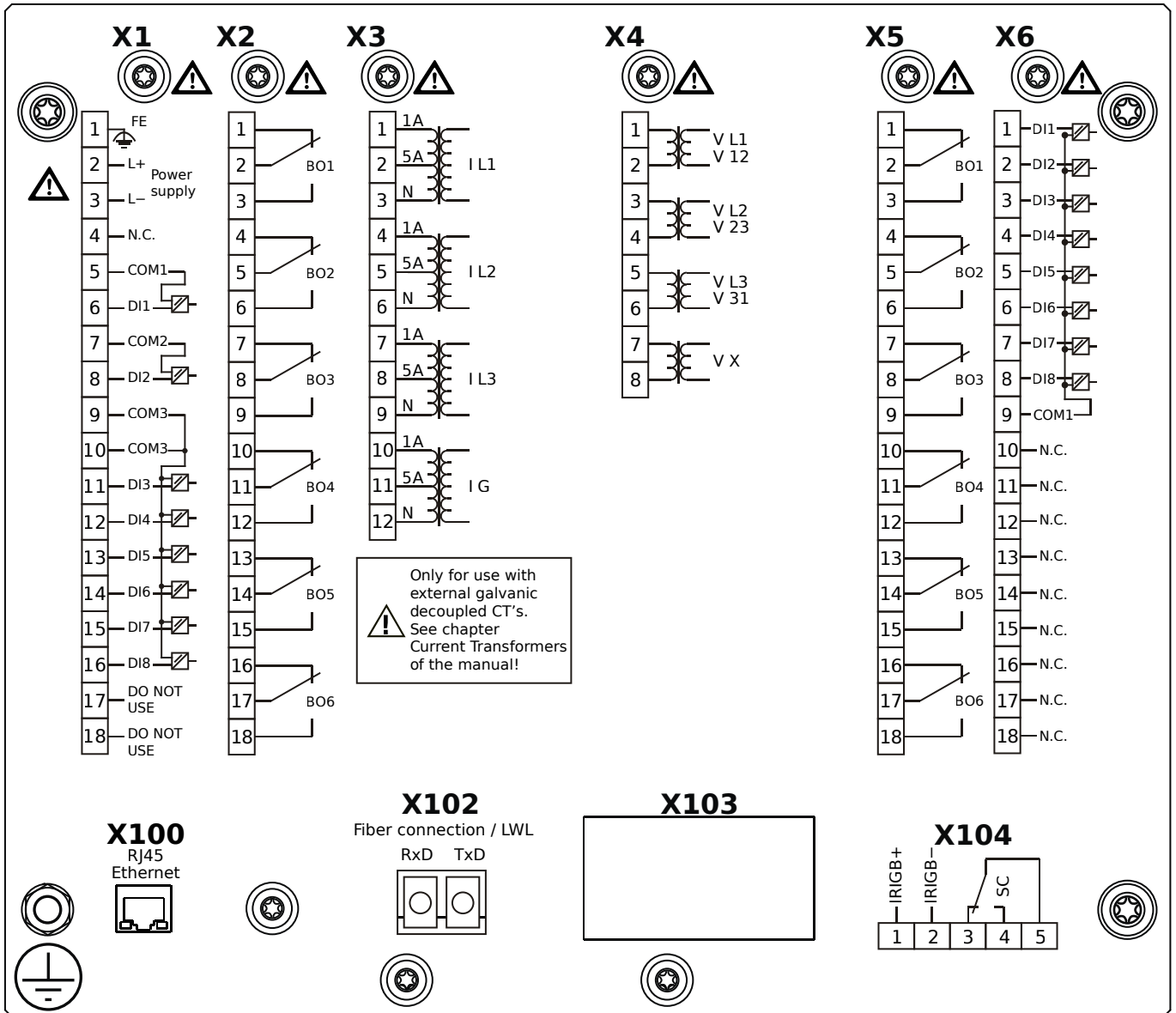
- X1** – DI8-X1: Wide-range power supply unit, incl. 2 non-grouped digital inputs and 6 grouped digital inputs
- X2** – OR-6: Assembly Group with 6 Relay Outputs
- X3** – TI-4: Standard current measuring card
- X4** – TU: Card with 4 voltage transformer measuring inputs
- X5** – OR-6: Assembly Group with 6 Relay Outputs
- X6** – DI8: Assembly Group with 8 Digital Inputs
- X102** – Long-distance Protection Communication, Fiber optics interface, LC Connector
- X103** – Modbus RTU / IEC 60870-5-103 / DNP3.0 RTU, RS485, Terminals
- X104** – IRIG-B00X, incl. System Contact (Supervision Contact)

MCDLV4-2D0B0BB



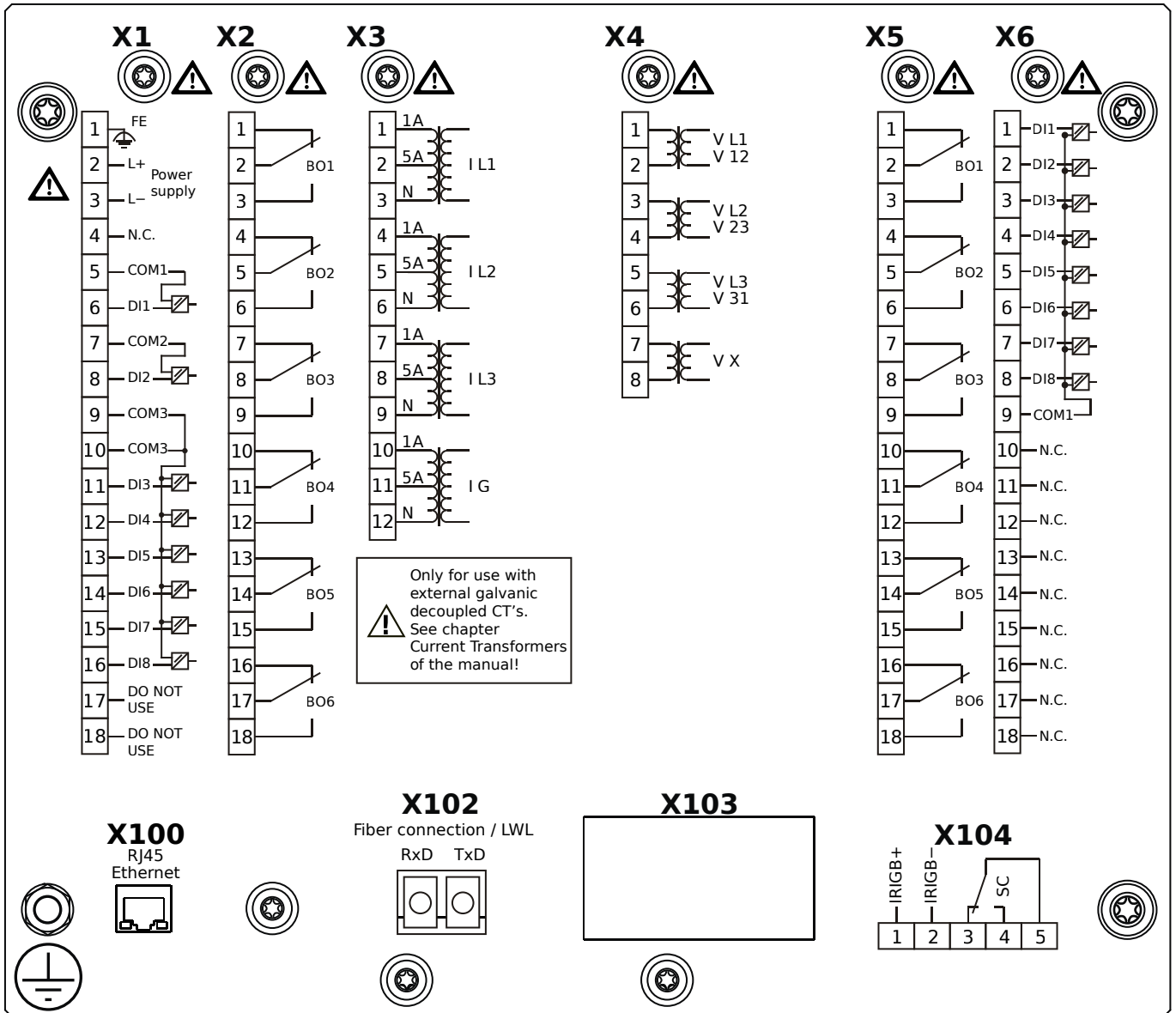
- X1** – DI8-X1: Wide-range power supply unit, incl. 2 non-grouped digital inputs and 6 grouped digital inputs
- X2** – OR-6: Assembly Group with 6 Relay Outputs
- X3** – TI-4: Standard current measuring card
- X4** – TU: Card with 4 voltage transformer measuring inputs
- X5** – OR-6: Assembly Group with 6 Relay Outputs
- X6** – DI8: Assembly Group with 8 Digital Inputs
- X102** – Long-distance Protection Communication, Fiber optics interface, LC Connector
- X103** – Modbus RTU / IEC 60870-5-103 / DNP3.0 RTU, RS485, Terminals
- X104** – IRIG-B00X, incl. System Contact (Supervision Contact)

MCDLV4-2D0B0CA



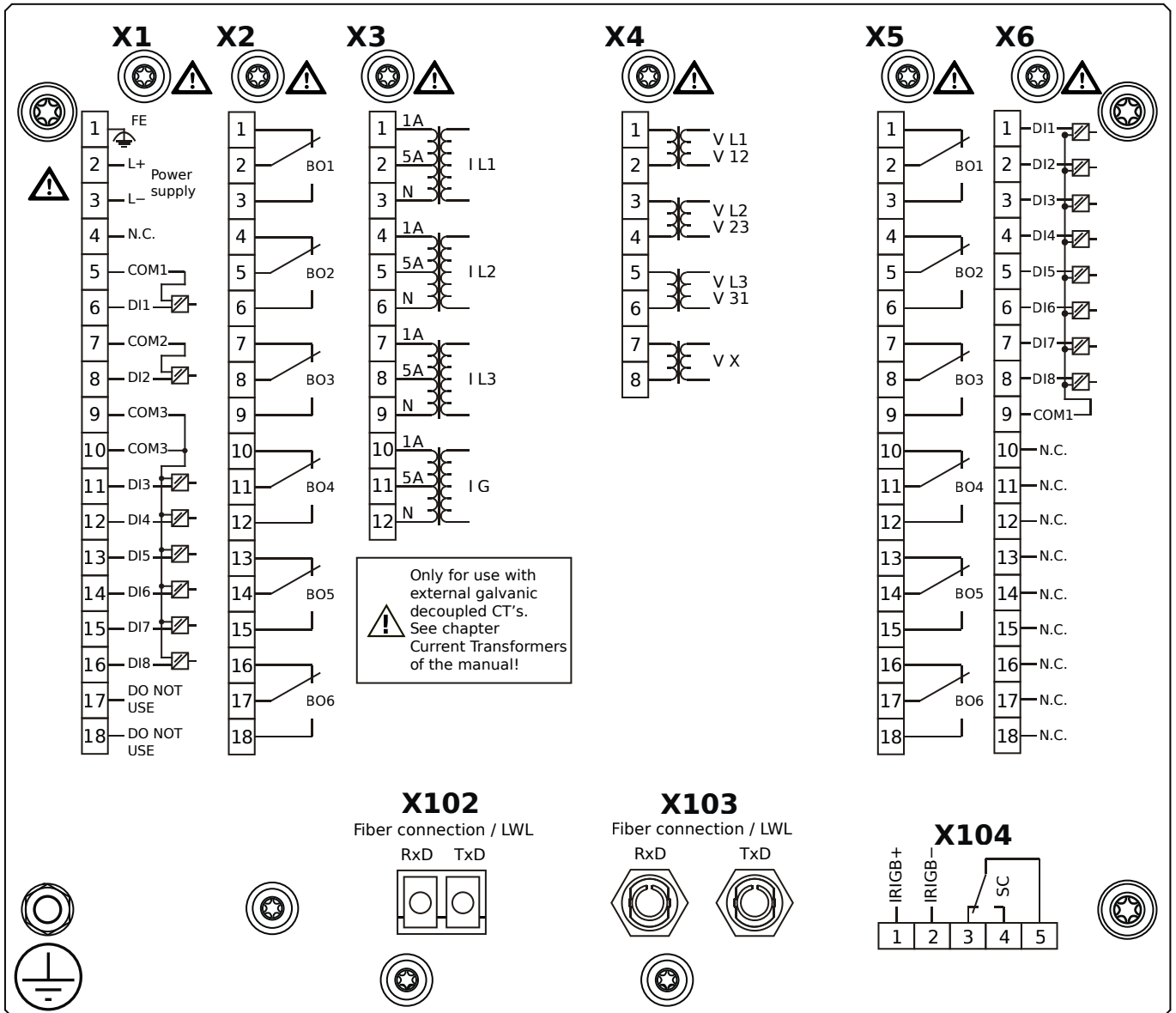
- X1** – DI8-X1: Wide-range power supply unit, incl. 2 non-grouped digital inputs and 6 grouped digital inputs
- X2** – OR-6: Assembly Group with 6 Relay Outputs
- X3** – TI-4: Standard current measuring card
- X4** – TU: Card with 4 voltage transformer measuring inputs
- X5** – OR-6: Assembly Group with 6 Relay Outputs
- X6** – DI8: Assembly Group with 8 Digital Inputs
- X100** – Modbus TCP / DNP3.0 TCP/UDP, Ethernet interface, 100 Mbit/s, RJ45 (BASE100-FX)
- X102** – Long-distance Protection Communication, Fiber optics interface, LC Connector
- X104** – IRIG-B00X, incl. System Contact (Supervision Contact)

MCDLV4-2D0B0CB



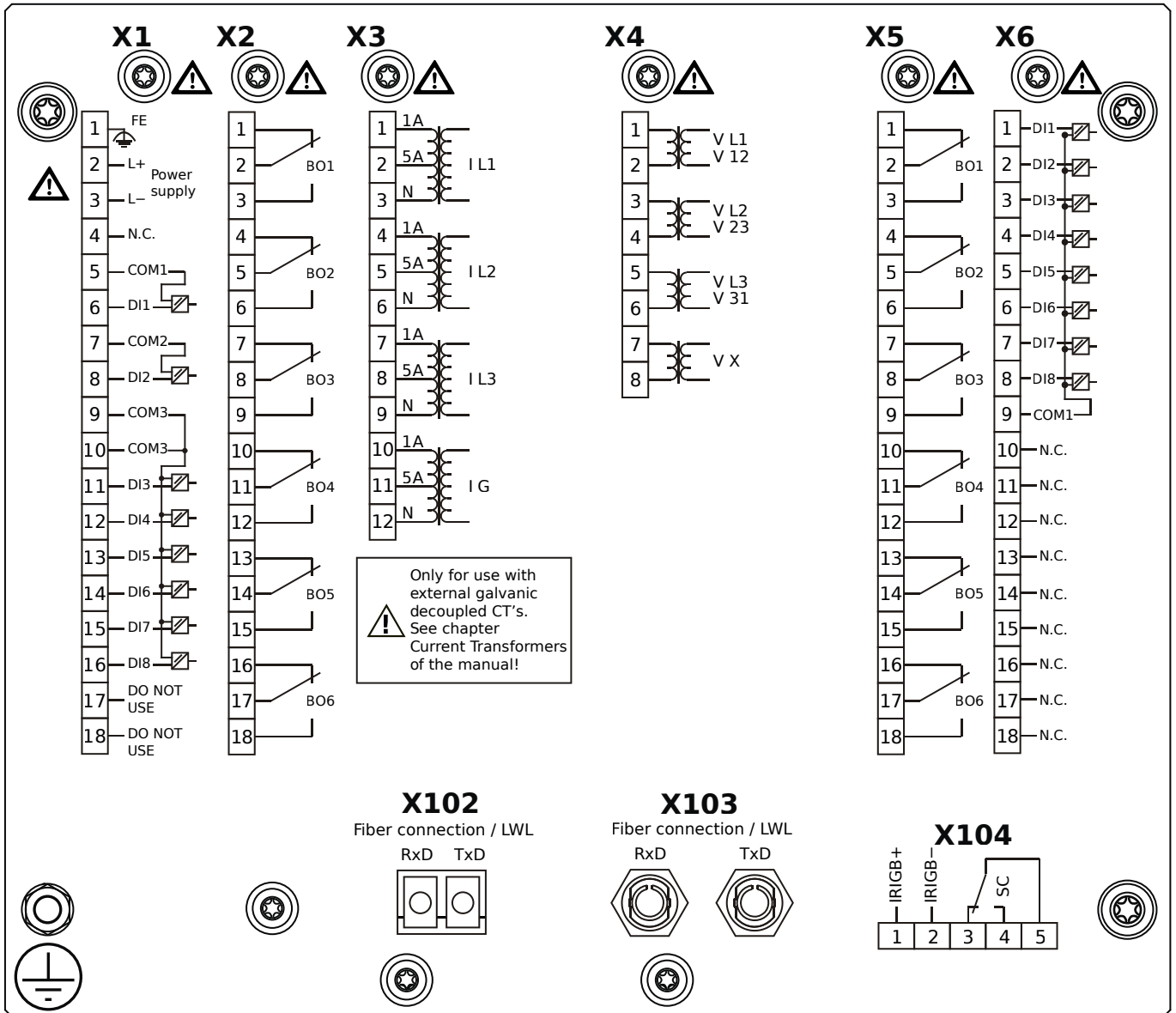
- X1** – DI8-X1: Wide-range power supply unit, incl. 2 non-grouped digital inputs and 6 grouped digital inputs
- X2** – OR-6: Assembly Group with 6 Relay Outputs
- X3** – TI-4: Standard current measuring card
- X4** – TU: Card with 4 voltage transformer measuring inputs
- X5** – OR-6: Assembly Group with 6 Relay Outputs
- X6** – DI8: Assembly Group with 8 Digital Inputs
- X100** – Modbus TCP / DNP3.0 TCP/UDP, Ethernet interface, 100 Mbit/s, RJ45 (BASE100-FX)
- X102** – Long-distance Protection Communication, Fiber optics interface, LC Connector
- X104** – IRIG-B00X, incl. System Contact (Supervision Contact)

MCDLV4-2D0B0DA



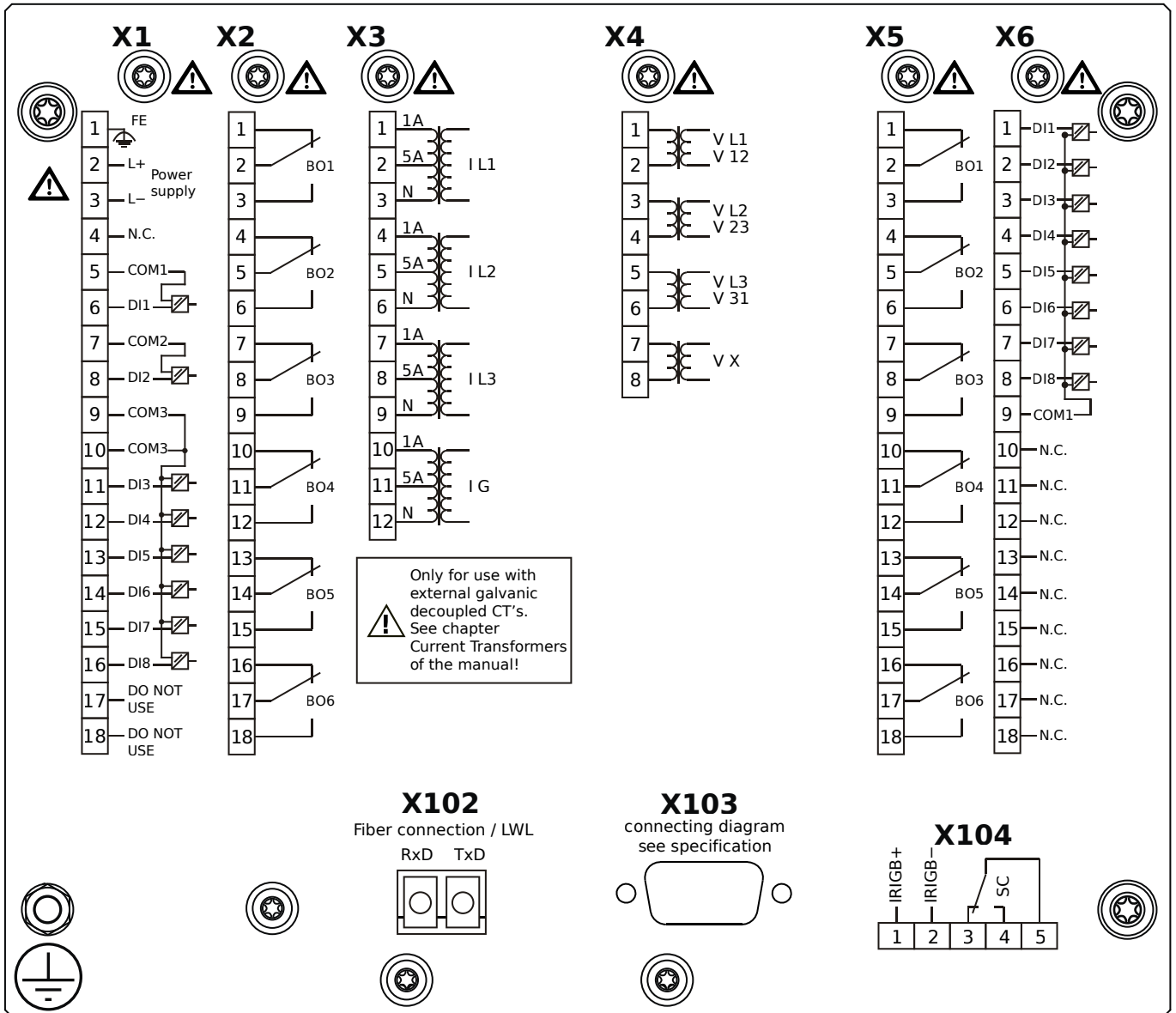
- X1** – DI8-X1: Wide-range power supply unit, incl. 2 non-grouped digital inputs and 6 grouped digital inputs
- X2** – OR-6: Assembly Group with 6 Relay Outputs
- X3** – TI-4: Standard current measuring card
- X4** – TU: Card with 4 voltage transformer measuring inputs
- X5** – OR-6: Assembly Group with 6 Relay Outputs
- X6** – DI8: Assembly Group with 8 Digital Inputs
- X102** – Long-distance Protection Communication, Fiber optics interface, LC Connector
- X103** – Profibus-DP, Fiber optics interface, ST Connector
- X104** – IRIG-B00X, incl. System Contact (Supervision Contact)

MCDLV4-2D0B0DB



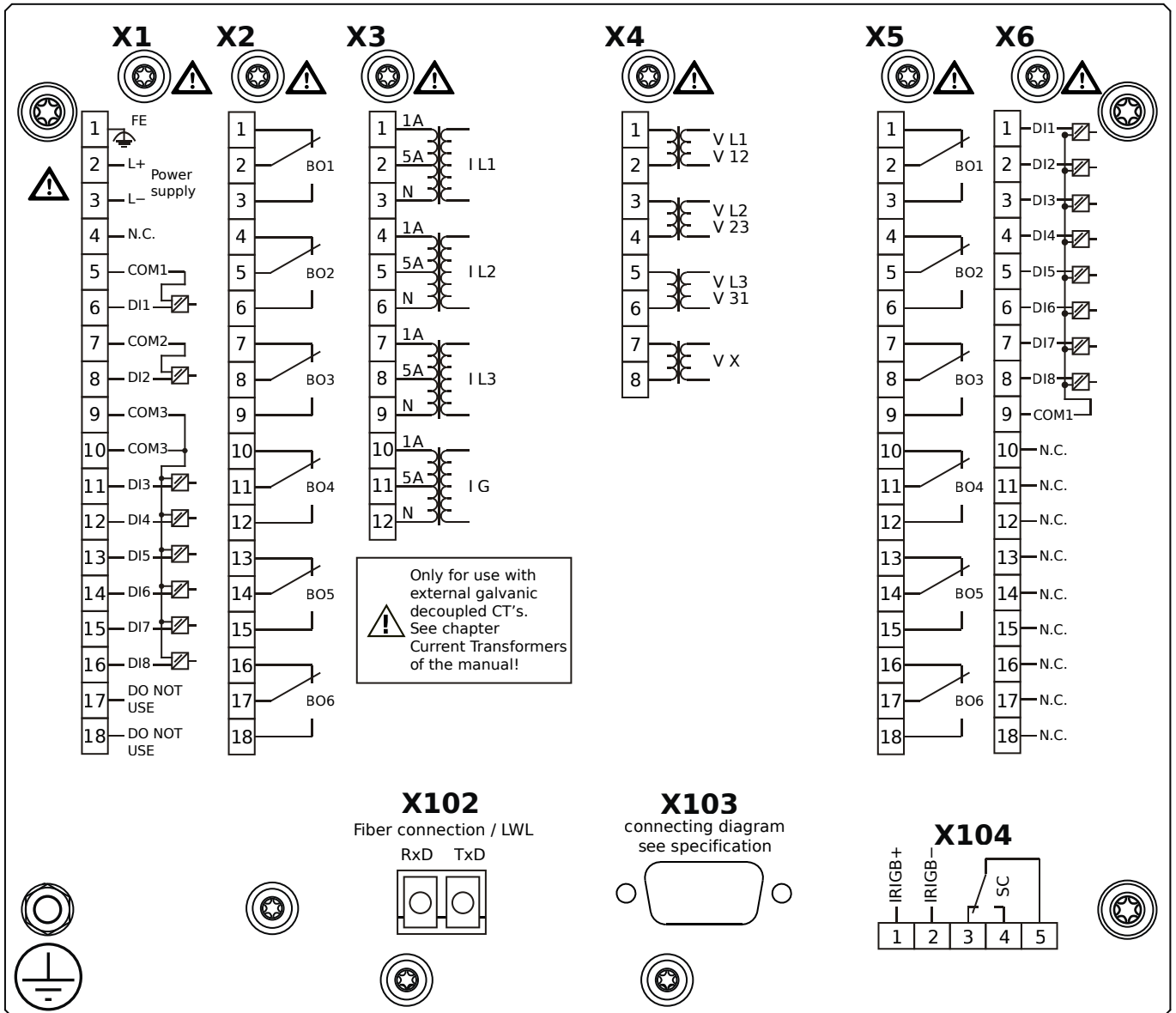
- X1** – DI8-X1: Wide-range power supply unit, incl. 2 non-grouped digital inputs and 6 grouped digital inputs
- X2** – OR-6: Assembly Group with 6 Relay Outputs
- X3** – TI-4: Standard current measuring card
- X4** – TU: Card with 4 voltage transformer measuring inputs
- X5** – OR-6: Assembly Group with 6 Relay Outputs
- X6** – DI8: Assembly Group with 8 Digital Inputs
- X102** – Long-distance Protection Communication, Fiber optics interface, LC Connector
- X103** – Profibus-DP, Fiber optics interface, ST Connector
- X104** – IRIG-B00X, incl. System Contact (Supervision Contact)

MCDLV4-2D0B0EA



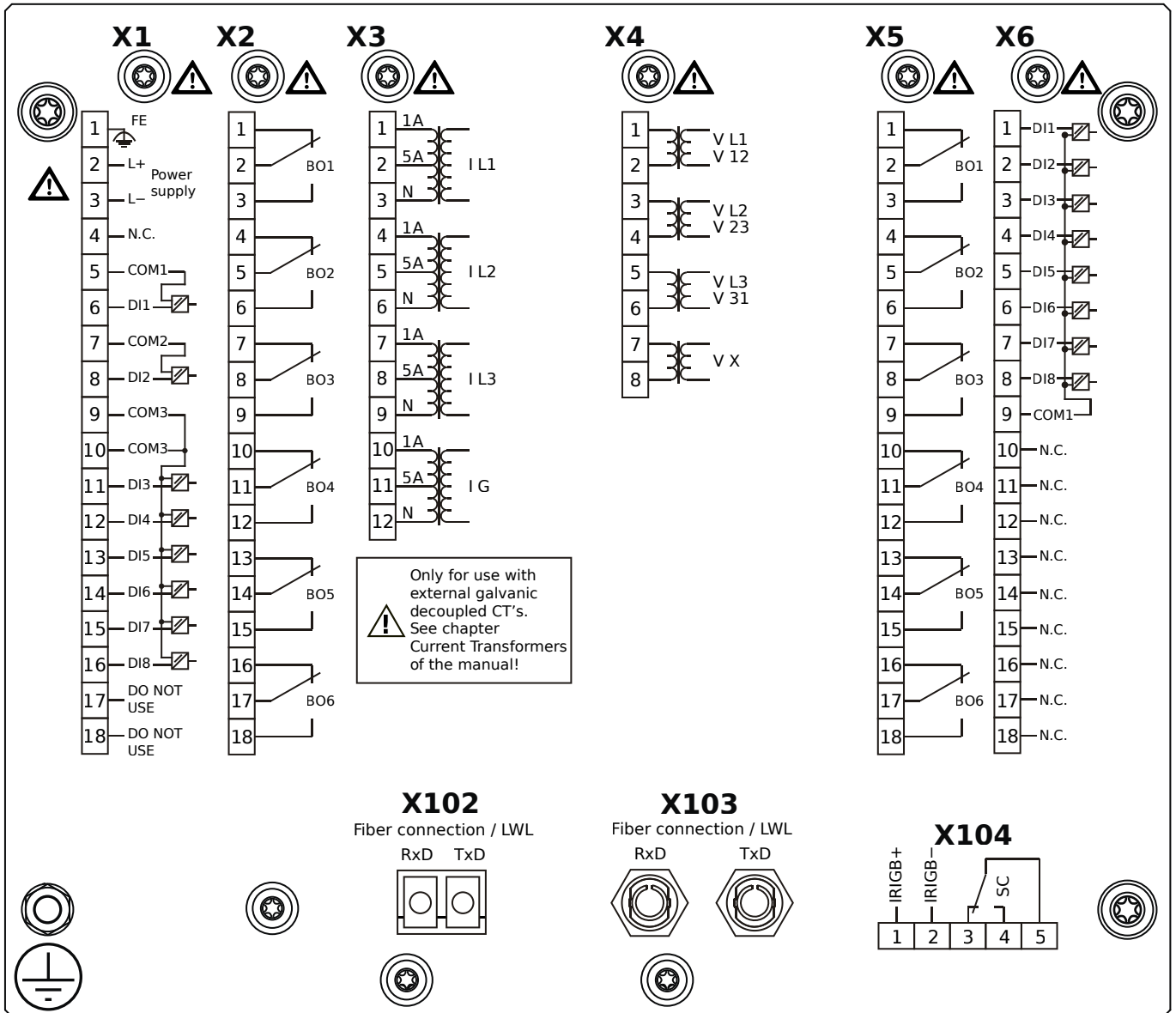
- X1** – DI8-X1: Wide-range power supply unit, incl. 2 non-grouped digital inputs and 6 grouped digital inputs
- X2** – OR-6: Assembly Group with 6 Relay Outputs
- X3** – TI-4: Standard current measuring card
- X4** – TU: Card with 4 voltage transformer measuring inputs
- X5** – OR-6: Assembly Group with 6 Relay Outputs
- X6** – DI8: Assembly Group with 8 Digital Inputs
- X102** – Long-distance Protection Communication, Fiber optics interface, LC Connector
- X103** – Profibus-DP, RS485, D-SUB
- X104** – IRIG-B00X, incl. System Contact (Supervision Contact)

MCDLV4-2D0B0EB



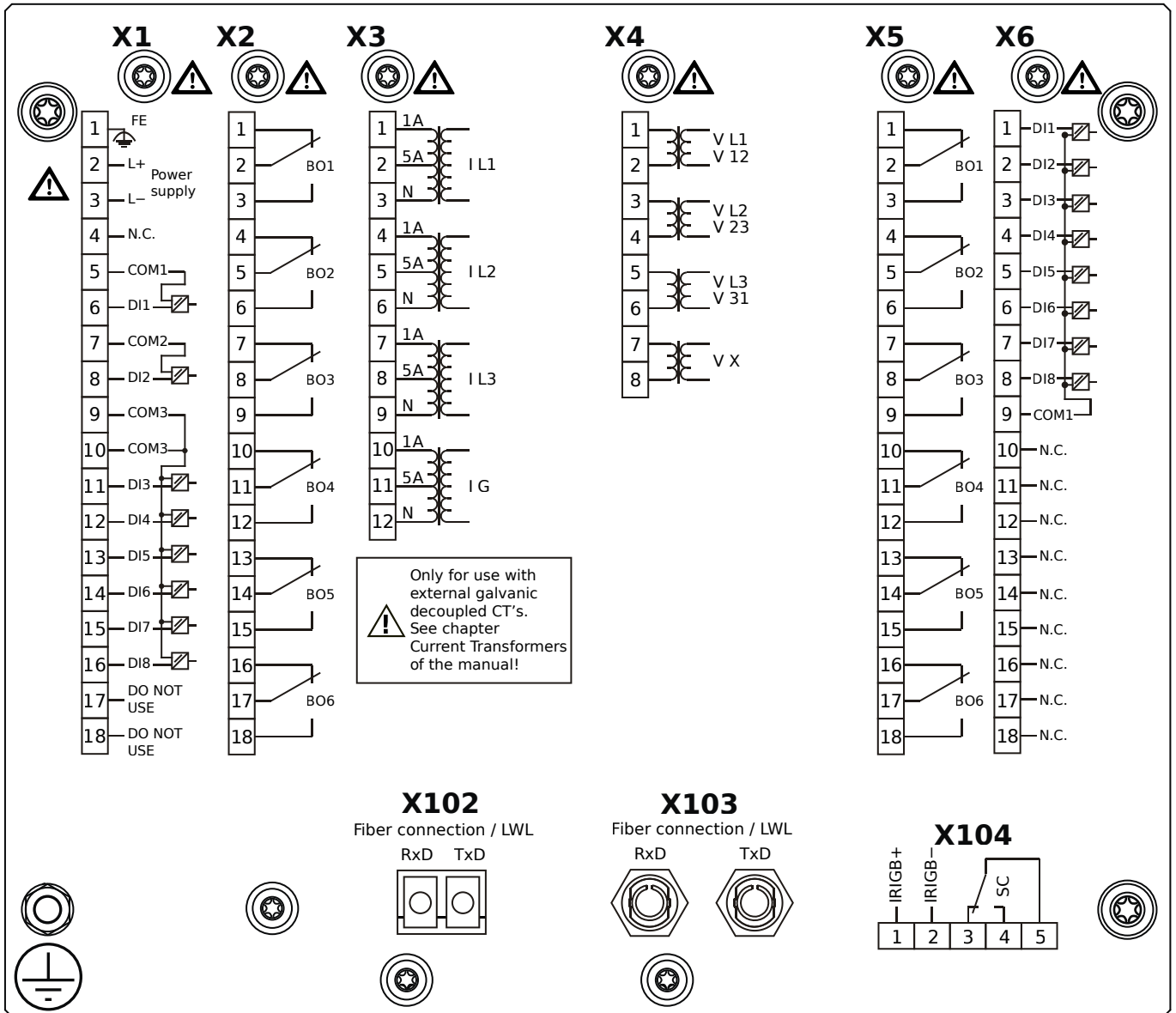
- X1** – DI8-X1: Wide-range power supply unit, incl. 2 non-grouped digital inputs and 6 grouped digital inputs
- X2** – OR-6: Assembly Group with 6 Relay Outputs
- X3** – TI-4: Standard current measuring card
- X4** – TU: Card with 4 voltage transformer measuring inputs
- X5** – OR-6: Assembly Group with 6 Relay Outputs
- X6** – DI8: Assembly Group with 8 Digital Inputs
- X102** – Long-distance Protection Communication, Fiber optics interface, LC Connector
- X103** – Profibus-DP, RS485, D-SUB
- X104** – IRIG-B00X, incl. System Contact (Supervision Contact)

MCDLV4-2D0B0FA



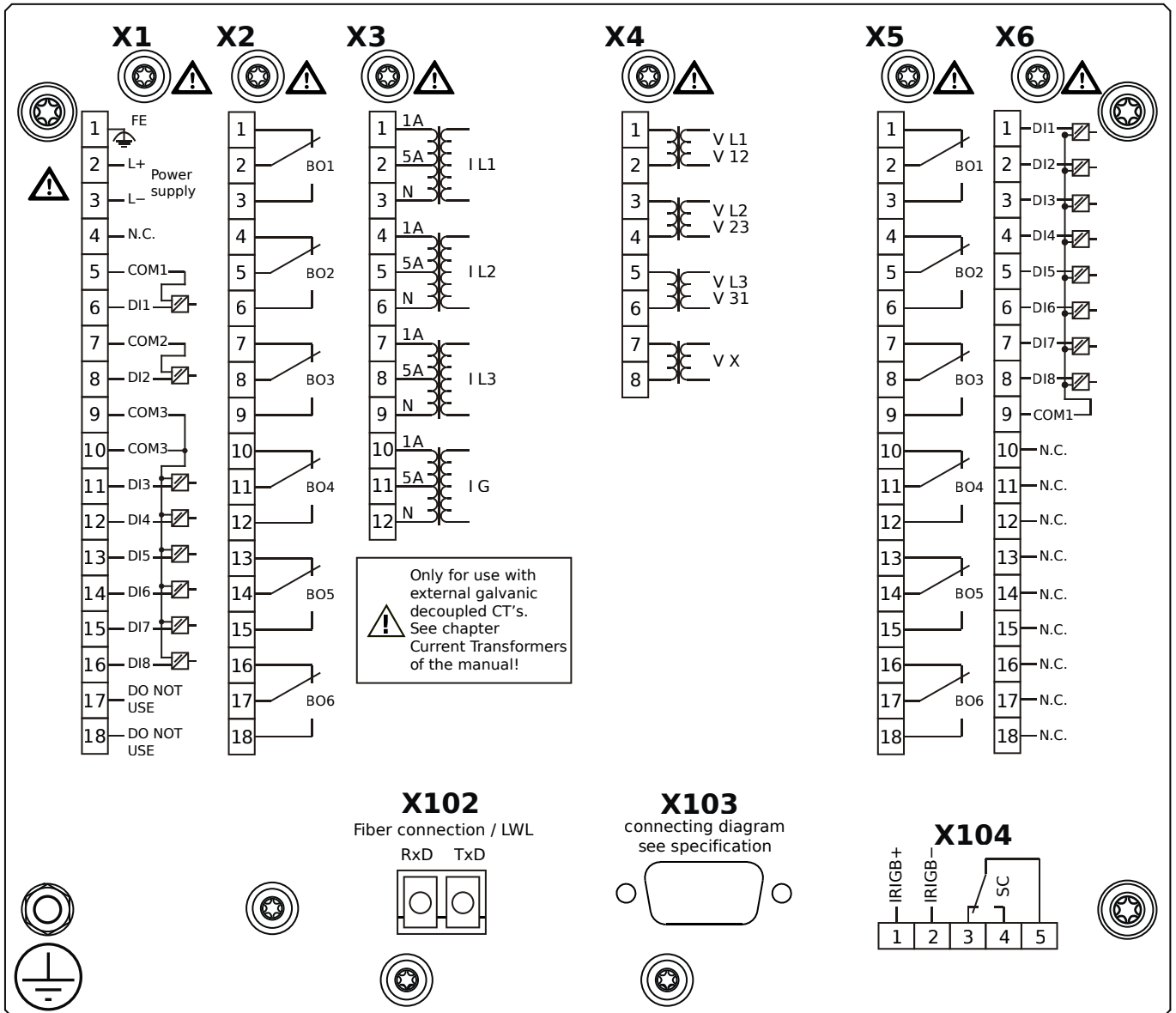
- X1** – DI8-X1: Wide-range power supply unit, incl. 2 non-grouped digital inputs and 6 grouped digital inputs
- X2** – OR-6: Assembly Group with 6 Relay Outputs
- X3** – TI-4: Standard current measuring card
- X4** – TU: Card with 4 voltage transformer measuring inputs
- X5** – OR-6: Assembly Group with 6 Relay Outputs
- X6** – DI8: Assembly Group with 8 Digital Inputs
- X102** – Long-distance Protection Communication, Fiber optics interface, LC Connector
- X103** – Modbus RTU / IEC 60870-5-103 / DNP3.0 RTU, Fiber optics interface, ST Connector
- X104** – IRIG-B00X, incl. System Contact (Supervision Contact)

MCDLV4-2D0B0FB



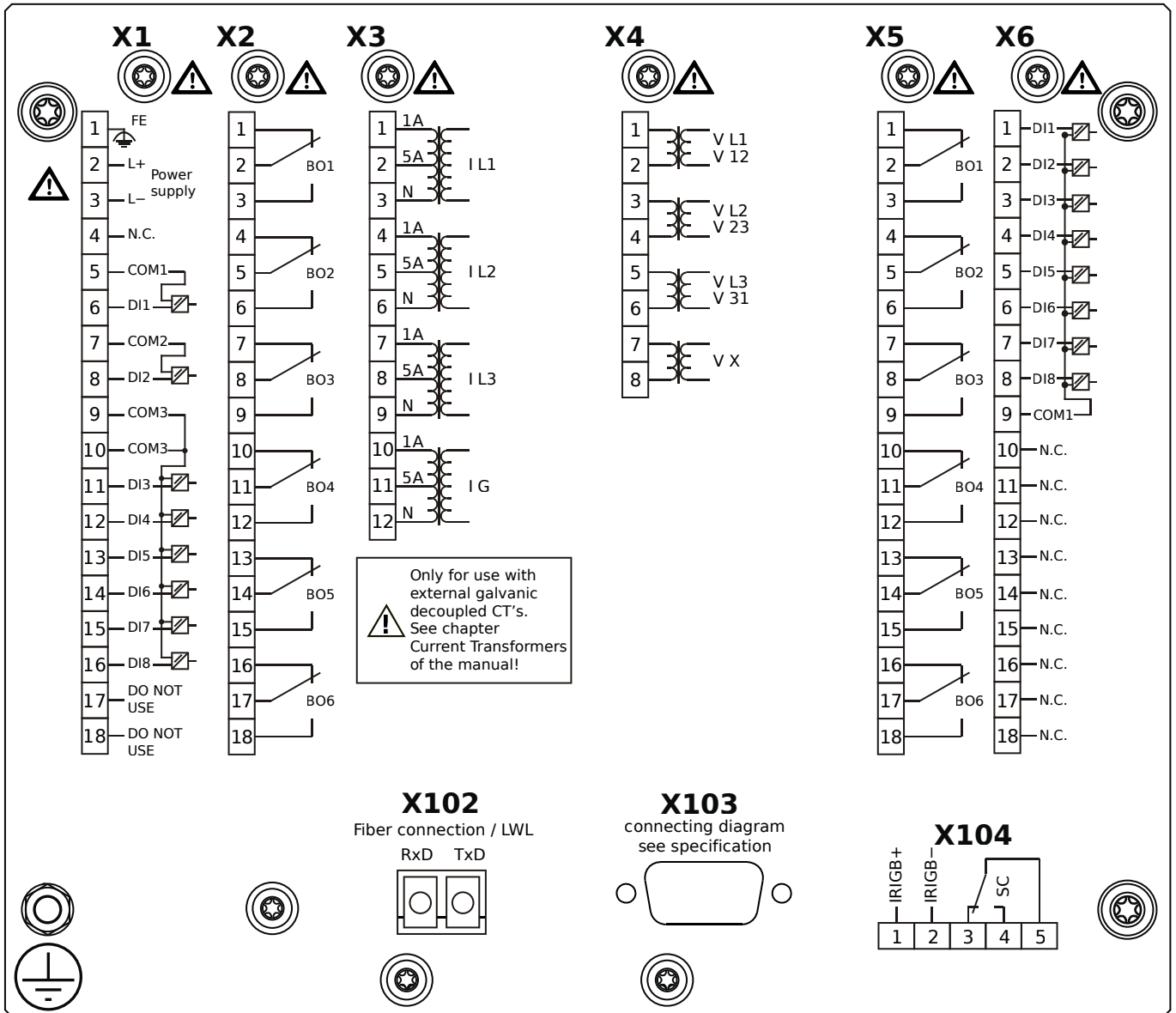
- X1** – DI8-X1: Wide-range power supply unit, incl. 2 non-grouped digital inputs and 6 grouped digital inputs
- X2** – OR-6: Assembly Group with 6 Relay Outputs
- X3** – TI-4: Standard current measuring card
- X4** – TU: Card with 4 voltage transformer measuring inputs
- X5** – OR-6: Assembly Group with 6 Relay Outputs
- X6** – DI8: Assembly Group with 8 Digital Inputs
- X102** – Long-distance Protection Communication, Fiber optics interface, LC Connector
- X103** – Modbus RTU / IEC 60870-5-103 / DNP3.0 RTU, Fiber optics interface, ST Connector
- X104** – IRIG-B00X, incl. System Contact (Supervision Contact)

MCDLV4-2D0B0GA



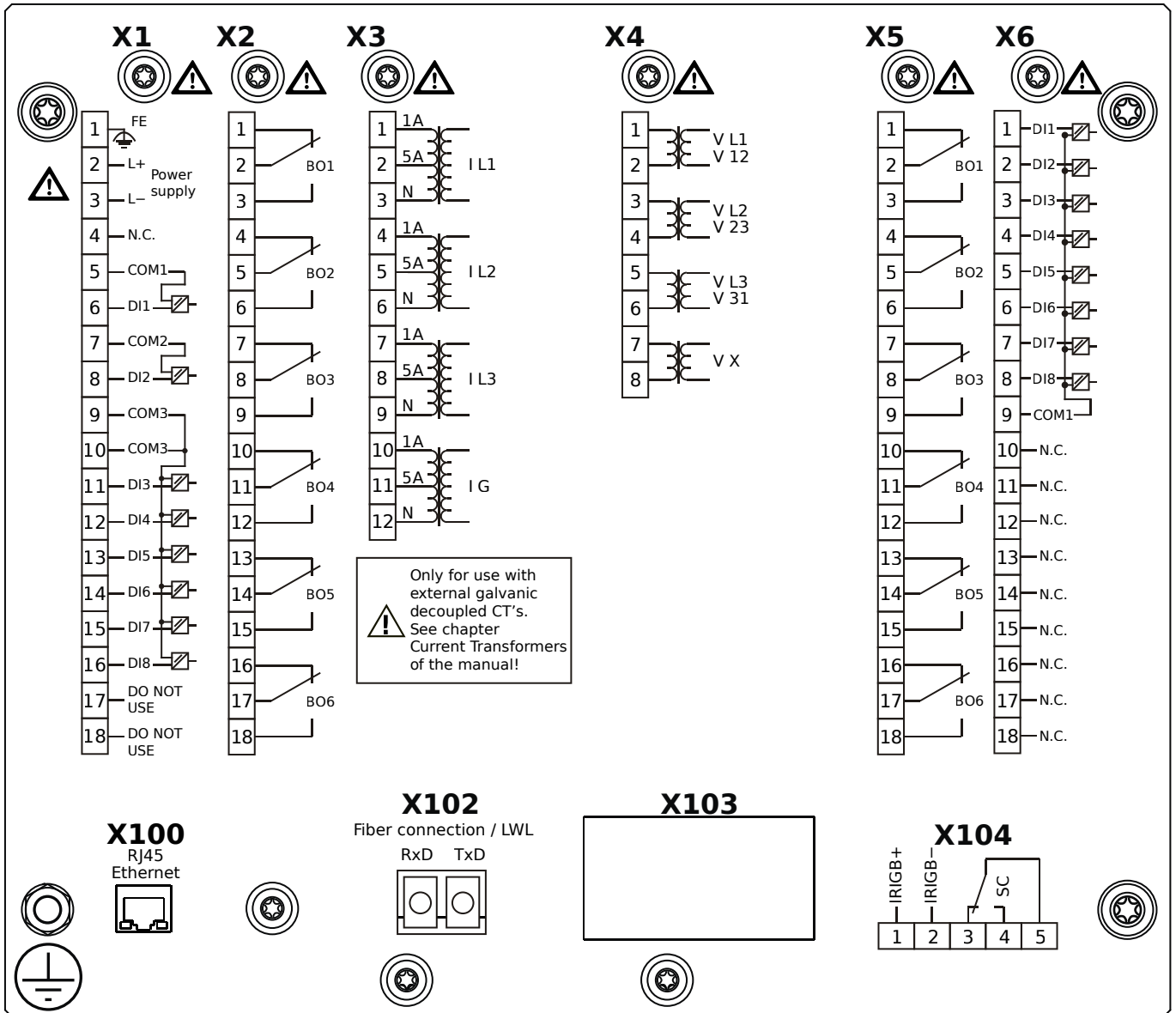
- X1** – DI8-X1: Wide-range power supply unit, incl. 2 non-grouped digital inputs and 6 grouped digital inputs
- X2** – OR-6: Assembly Group with 6 Relay Outputs
- X3** – TI-4: Standard current measuring card
- X4** – TU: Card with 4 voltage transformer measuring inputs
- X5** – OR-6: Assembly Group with 6 Relay Outputs
- X6** – DI8: Assembly Group with 8 Digital Inputs
- X102** – Long-distance Protection Communication, Fiber optics interface, LC Connector
- X103** – Modbus RTU / IEC 60870-5-103 / DNP3.0 RTU, RS485, D-SUB
- X104** – IRIG-B00X, incl. System Contact (Supervision Contact)

MCDLV4-2D0B0GB



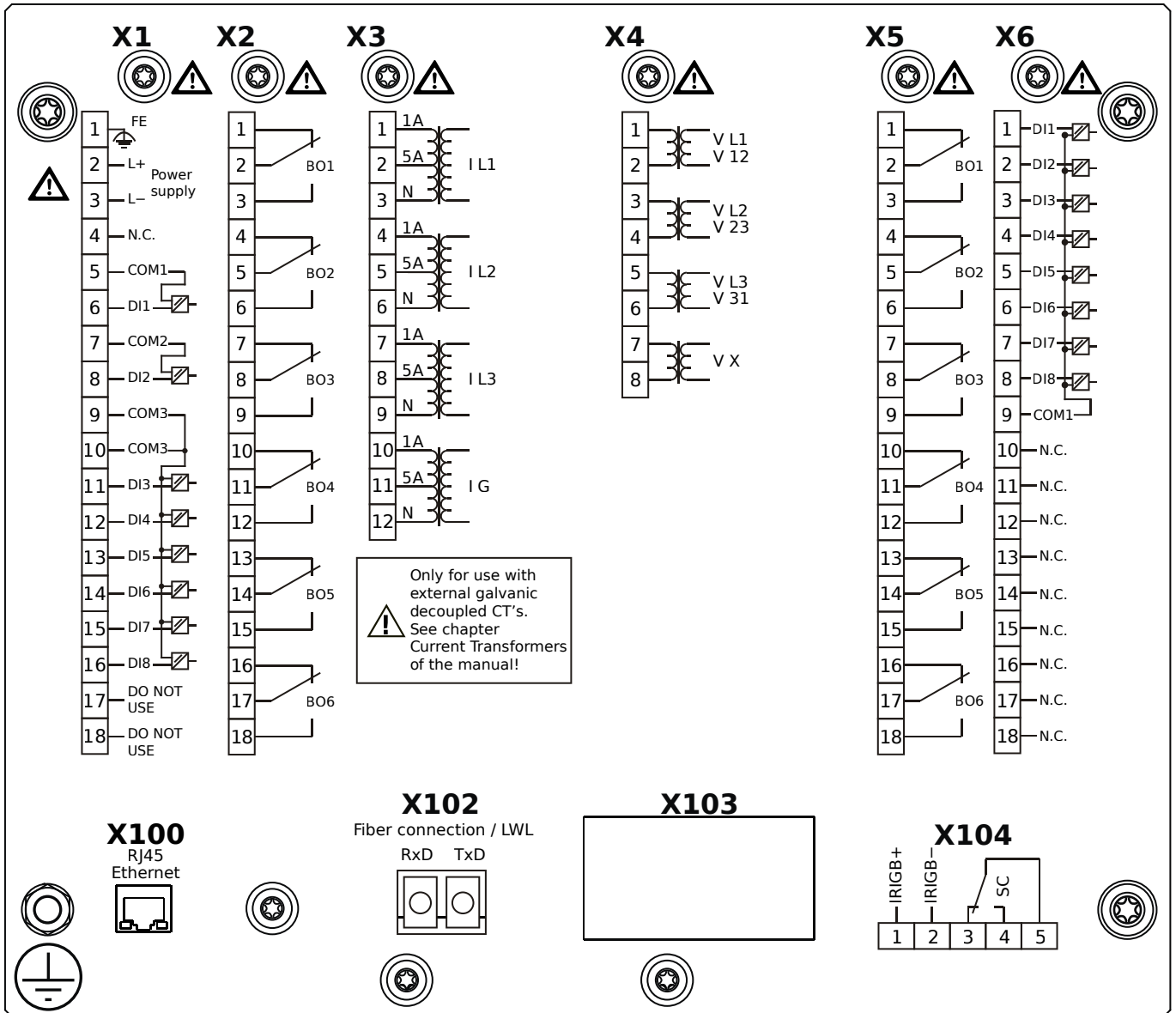
- X1** – DI8-X1: Wide-range power supply unit, incl. 2 non-grouped digital inputs and 6 grouped digital inputs
- X2** – OR-6: Assembly Group with 6 Relay Outputs
- X3** – TI-4: Standard current measuring card
- X4** – TU: Card with 4 voltage transformer measuring inputs
- X5** – OR-6: Assembly Group with 6 Relay Outputs
- X6** – DI8: Assembly Group with 8 Digital Inputs
- X102** – Long-distance Protection Communication, Fiber optics interface, LC Connector
- X103** – Modbus RTU / IEC 60870-5-103 / DNP3.0 RTU, RS485, D-SUB
- X104** – IRIG-B00X, incl. System Contact (Supervision Contact)

MCDLV4-2D0B0HA



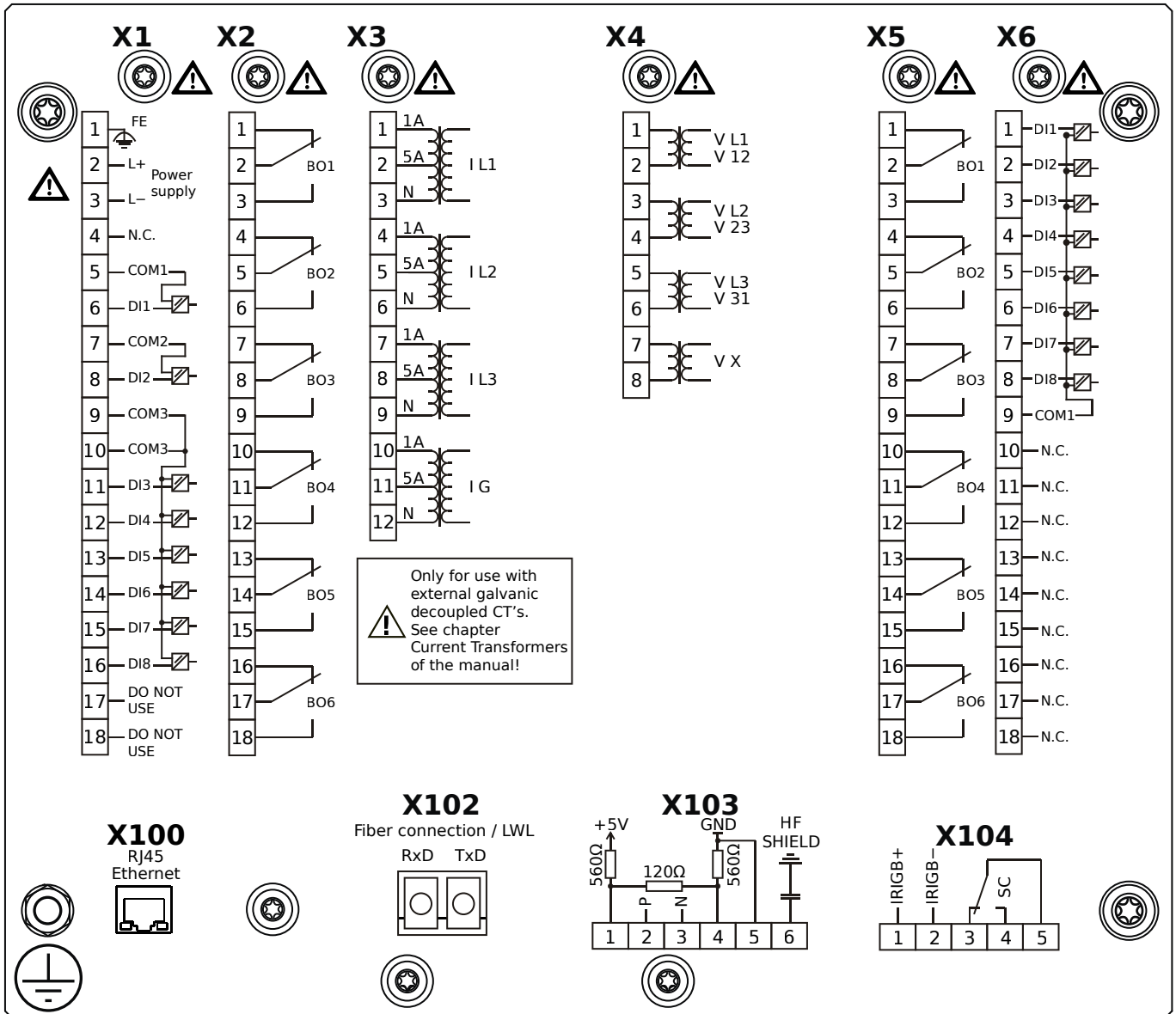
- X1** – DI8-X1: Wide-range power supply unit, incl. 2 non-grouped digital inputs and 6 grouped digital inputs
- X2** – OR-6: Assembly Group with 6 Relay Outputs
- X3** – TI-4: Standard current measuring card
- X4** – TU: Card with 4 voltage transformer measuring inputs
- X5** – OR-6: Assembly Group with 6 Relay Outputs
- X6** – DI8: Assembly Group with 8 Digital Inputs
- X100** – IEC 61850 / Modbus TCP / DNP3.0 TCP/UDP, Ethernet interface, 100 Mbit/s, RJ45 (BASE100-FX)
- X102** – Long-distance Protection Communication, Fiber optics interface, LC Connector
- X104** – IRIG-B00X, incl. System Contact (Supervision Contact)

MCDLV4-2D0B0HB



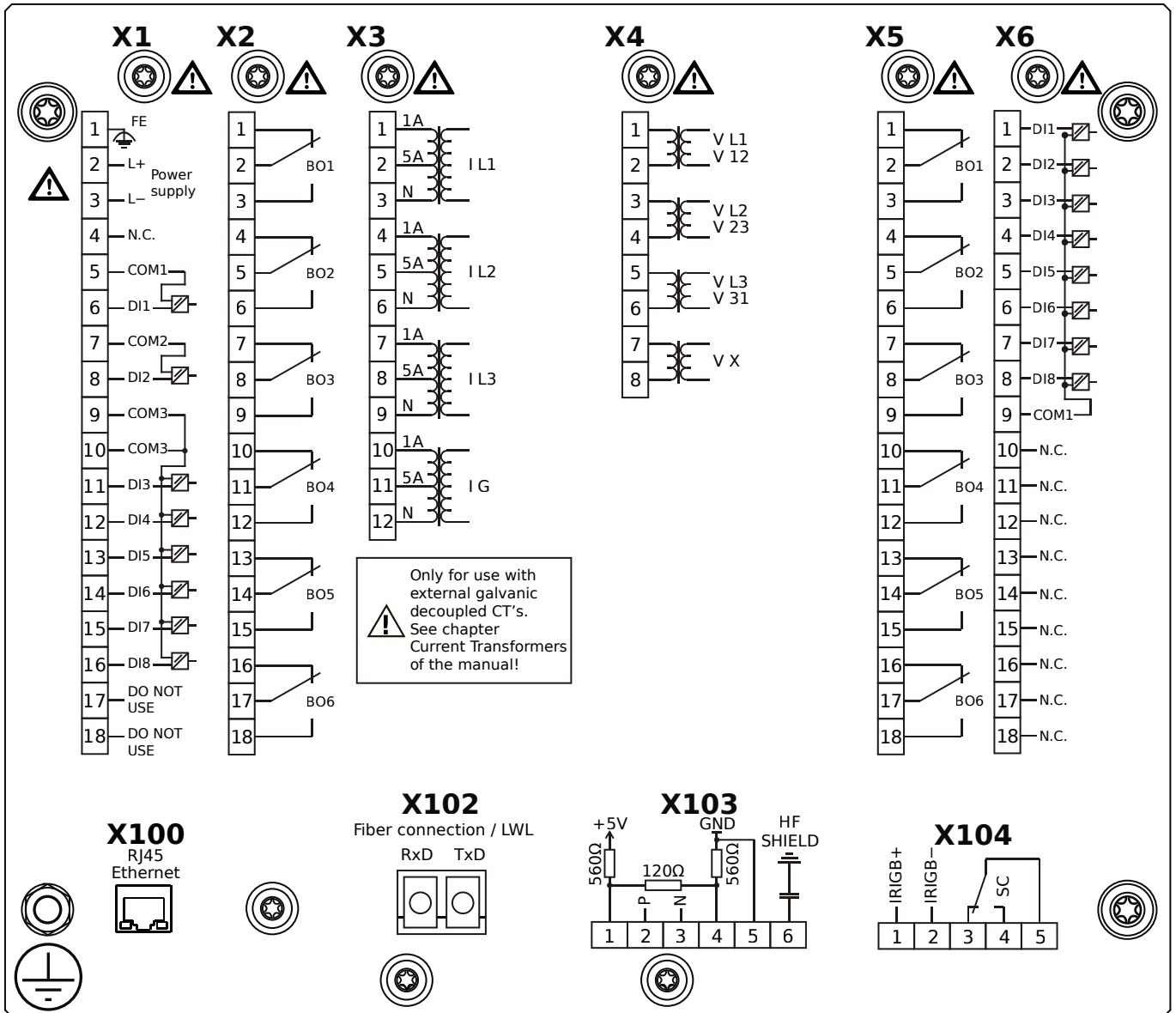
- X1** – DI8-X1: Wide-range power supply unit, incl. 2 non-grouped digital inputs and 6 grouped digital inputs
- X2** – OR-6: Assembly Group with 6 Relay Outputs
- X3** – TI-4: Standard current measuring card
- X4** – TU: Card with 4 voltage transformer measuring inputs
- X5** – OR-6: Assembly Group with 6 Relay Outputs
- X6** – DI8: Assembly Group with 8 Digital Inputs
- X100** – IEC 61850 / Modbus TCP / DNP3.0 TCP/UDP, Ethernet interface, 100 Mbit/s, RJ45 (BASE100-FX)
- X102** – Long-distance Protection Communication, Fiber optics interface, LC Connector
- X104** – IRIG-B00X, incl. System Contact (Supervision Contact)

MCDLV4-2D0B01A



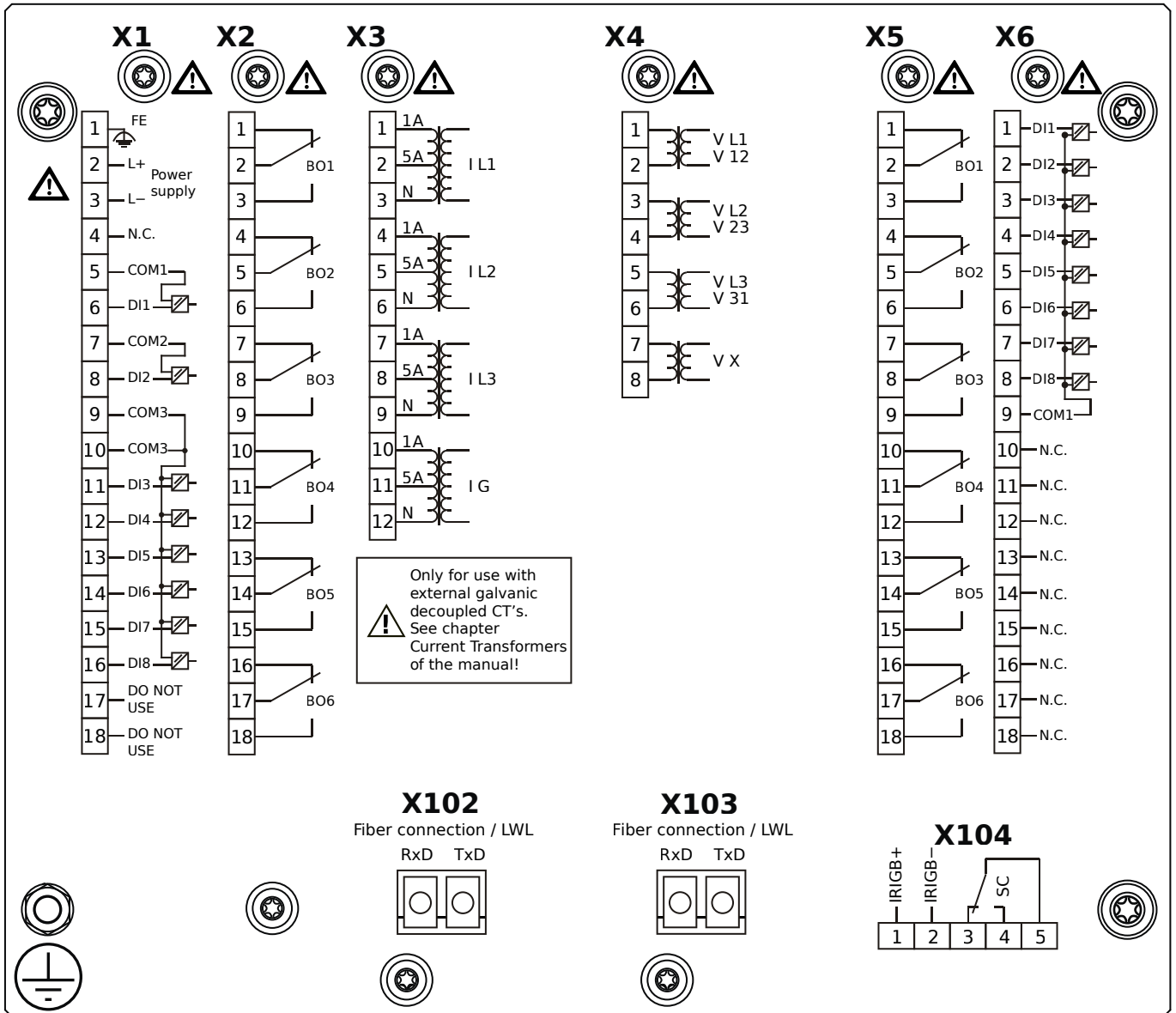
- X1** – DI8-X1: Wide-range power supply unit, incl. 2 non-grouped digital inputs and 6 grouped digital inputs
- X2** – OR-6: Assembly Group with 6 Relay Outputs
- X3** – TI-4: Standard current measuring card
- X4** – TU: Card with 4 voltage transformer measuring inputs
- X5** – OR-6: Assembly Group with 6 Relay Outputs
- X6** – DI8: Assembly Group with 8 Digital Inputs
- X100** – Modbus TCP / DNP3.0 TCP/UDP, Ethernet interface, 100 Mbit/s, RJ45 (BASE100-FX)
- X102** – Long-distance Protection Communication, Fiber optics interface, LC Connector
- X103** – IEC 60870-5-103 / Modbus RTU / DNP3.0 RTU, RS485, Terminals
- X104** – IRIG-B00X, incl. System Contact (Supervision Contact)

MCDLV4-2D0B0IB



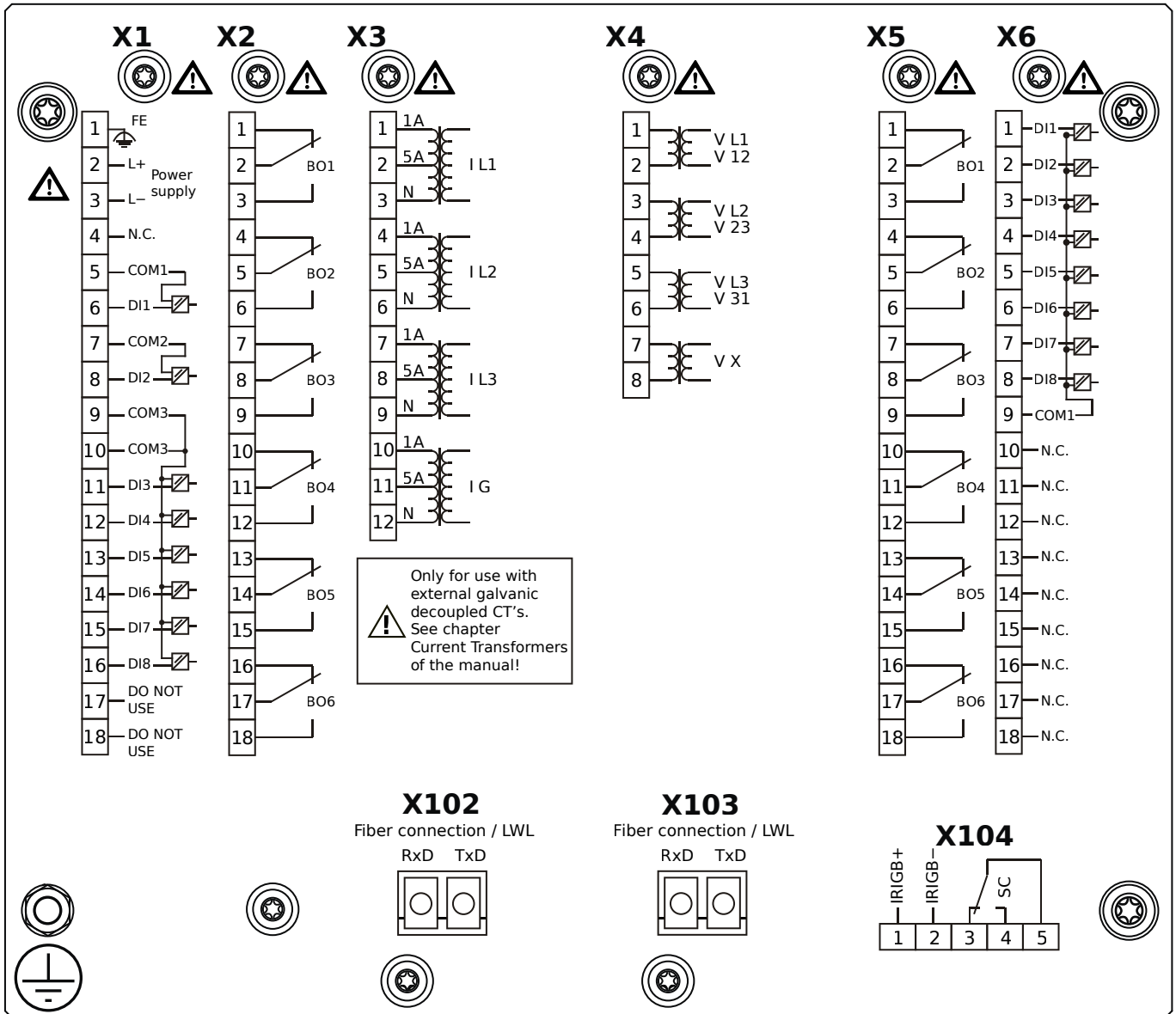
- X1** – DI8-X1: Wide-range power supply unit, incl. 2 non-grouped digital inputs and 6 grouped digital inputs
- X2** – OR-6: Assembly Group with 6 Relay Outputs
- X3** – TI-4: Standard current measuring card
- X4** – TU: Card with 4 voltage transformer measuring inputs
- X5** – OR-6: Assembly Group with 6 Relay Outputs
- X6** – DI8: Assembly Group with 8 Digital Inputs
- X100** – Modbus TCP / DNP3.0 TCP/UDP, Ethernet interface, 100 Mbit/s, RJ45 (BASE100-FX)
- X102** – Long-distance Protection Communication, Fiber optics interface, LC Connector
- X103** – IEC 60870-5-103 / Modbus RTU / DNP3.0 RTU, RS485, Terminals
- X104** – IRIG-B00X, incl. System Contact (Supervision Contact)

MCDLV4-2D0B0KA



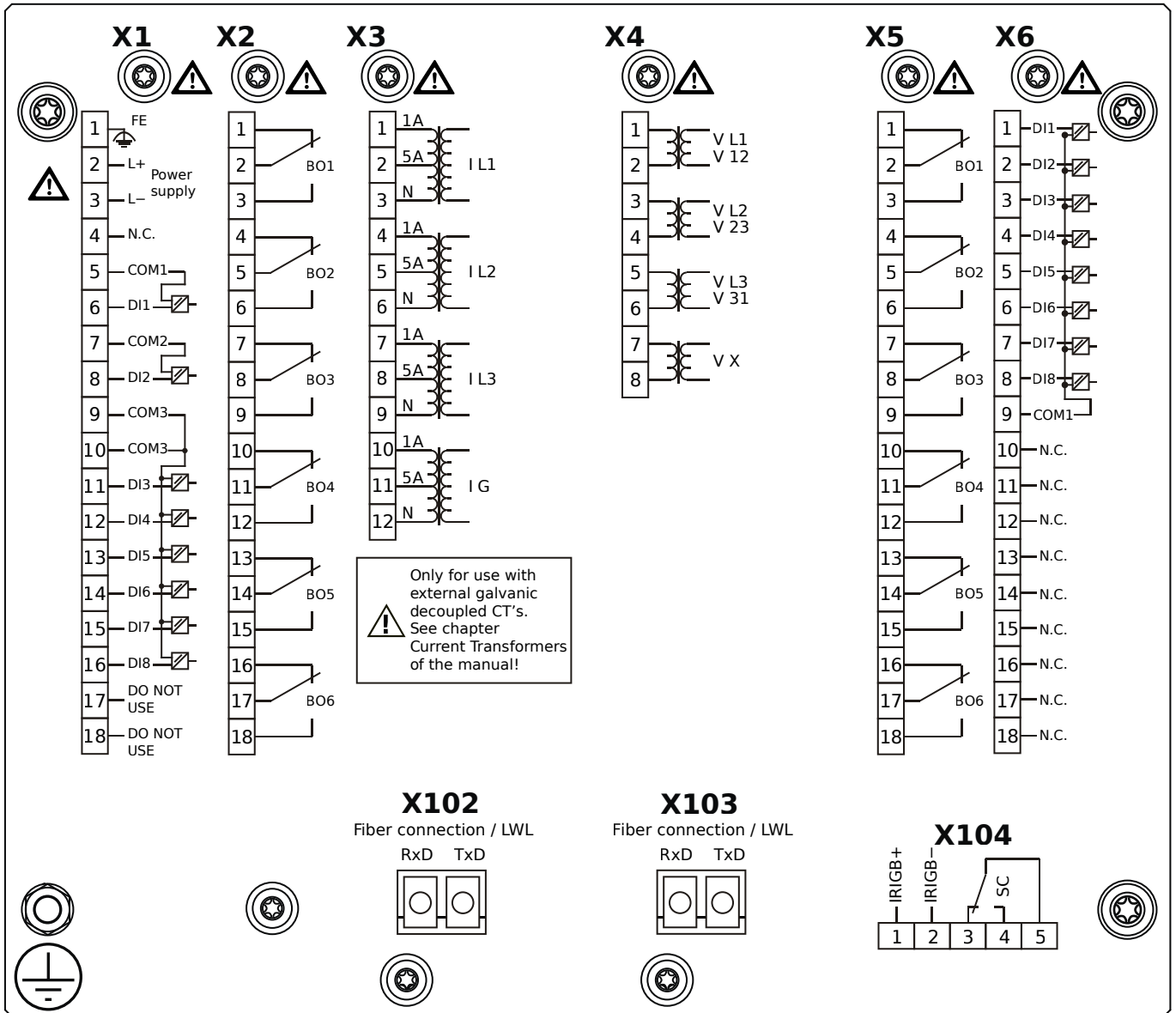
- X1** – DI8-X1: Wide-range power supply unit, incl. 2 non-grouped digital inputs and 6 grouped digital inputs
- X2** – OR-6: Assembly Group with 6 Relay Outputs
- X3** – TI-4: Standard current measuring card
- X4** – TU: Card with 4 voltage transformer measuring inputs
- X5** – OR-6: Assembly Group with 6 Relay Outputs
- X6** – DI8: Assembly Group with 8 Digital Inputs
- X102** – Long-distance Protection Communication, Fiber optics interface, LC Connector
- X103** – IEC 61850 / Modbus TCP / DNP3.0 TCP/UDP, Fiber optics interface, LC Connector
- X104** – IRIG-B00X, incl. System Contact (Supervision Contact)

MCDLV4-2D0B0KB



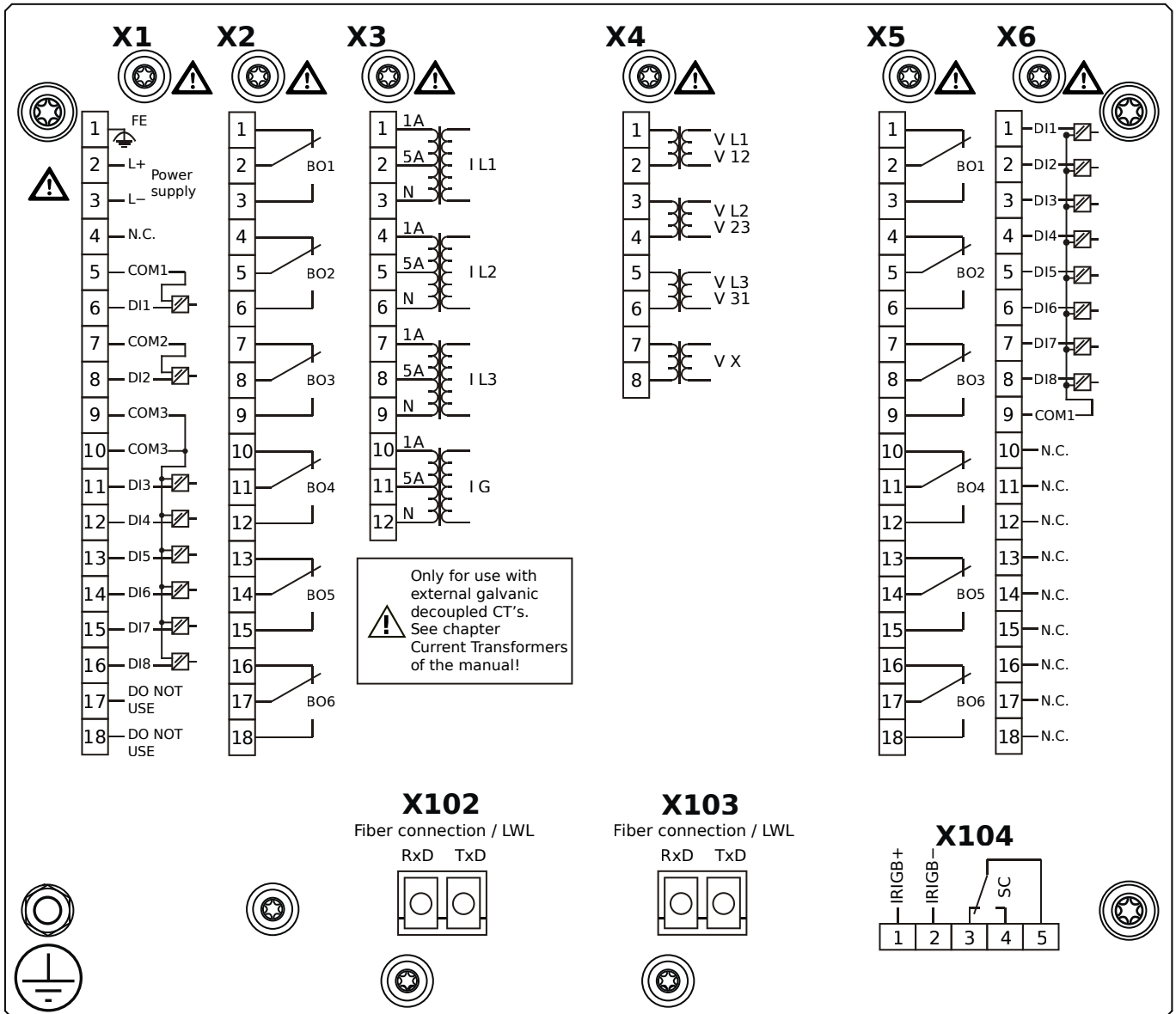
- X1** – DI8-X1: Wide-range power supply unit, incl. 2 non-grouped digital inputs and 6 grouped digital inputs
- X2** – OR-6: Assembly Group with 6 Relay Outputs
- X3** – TI-4: Standard current measuring card
- X4** – TU: Card with 4 voltage transformer measuring inputs
- X5** – OR-6: Assembly Group with 6 Relay Outputs
- X6** – DI8: Assembly Group with 8 Digital Inputs
- X102** – Long-distance Protection Communication, Fiber optics interface, LC Connector
- X103** – IEC 61850 / Modbus TCP / DNP3.0 TCP/UDP, Fiber optics interface, LC Connector
- X104** – IRIG-B00X, incl. System Contact (Supervision Contact)

MCDLV4-2D0B0LA



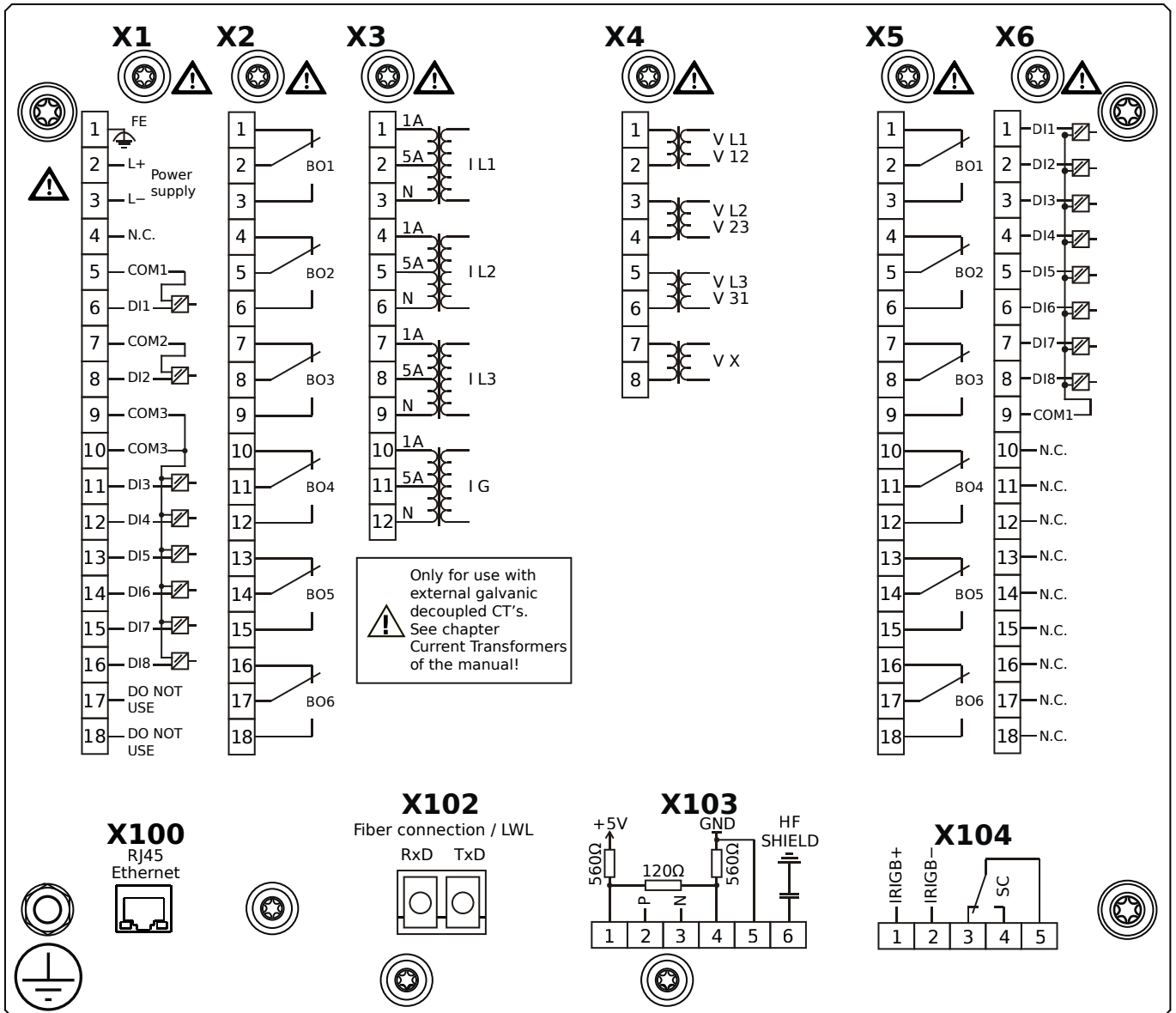
- X1** – DI8-X1: Wide-range power supply unit, incl. 2 non-grouped digital inputs and 6 grouped digital inputs
- X2** – OR-6: Assembly Group with 6 Relay Outputs
- X3** – TI-4: Standard current measuring card
- X4** – TU: Card with 4 voltage transformer measuring inputs
- X5** – OR-6: Assembly Group with 6 Relay Outputs
- X6** – DI8: Assembly Group with 8 Digital Inputs
- X102** – Long-distance Protection Communication, Fiber optics interface, LC Connector
- X103** – Modbus TCP / DNP3.0 TCP/UDP, Fiber optics interface, LC Connector
- X104** – IRIG-B00X, incl. System Contact (Supervision Contact)

MCDLV4-2D0B0LB



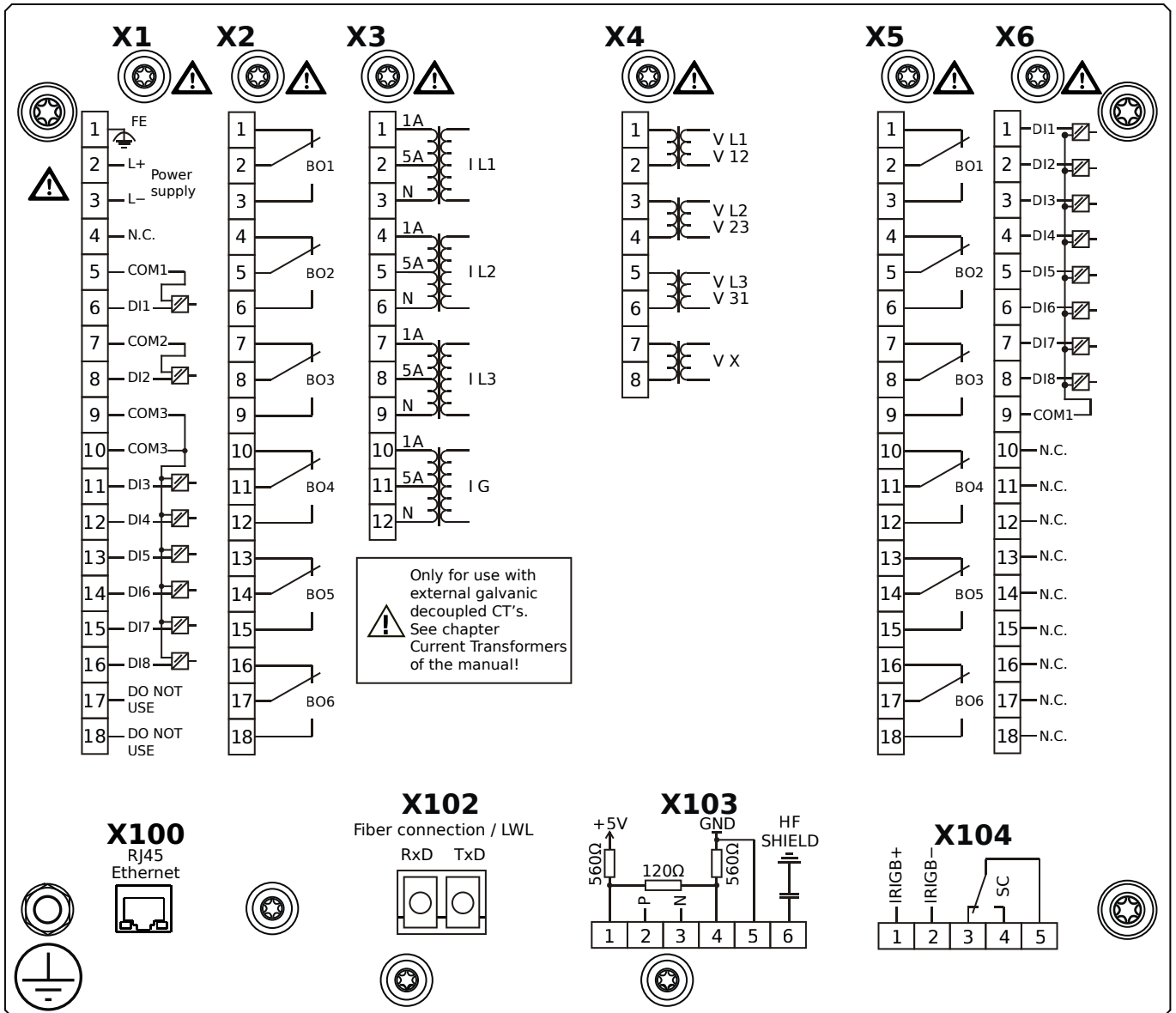
- X1** – DI8-X1: Wide-range power supply unit, incl. 2 non-grouped digital inputs and 6 grouped digital inputs
- X2** – OR-6: Assembly Group with 6 Relay Outputs
- X3** – TI-4: Standard current measuring card
- X4** – TU: Card with 4 voltage transformer measuring inputs
- X5** – OR-6: Assembly Group with 6 Relay Outputs
- X6** – DI8: Assembly Group with 8 Digital Inputs
- X102** – Long-distance Protection Communication, Fiber optics interface, LC Connector
- X103** – Modbus TCP / DNP3.0 TCP/UDP, Fiber optics interface, LC Connector
- X104** – IRIG-B00X, incl. System Contact (Supervision Contact)

MCDLV4-2D0B0TA



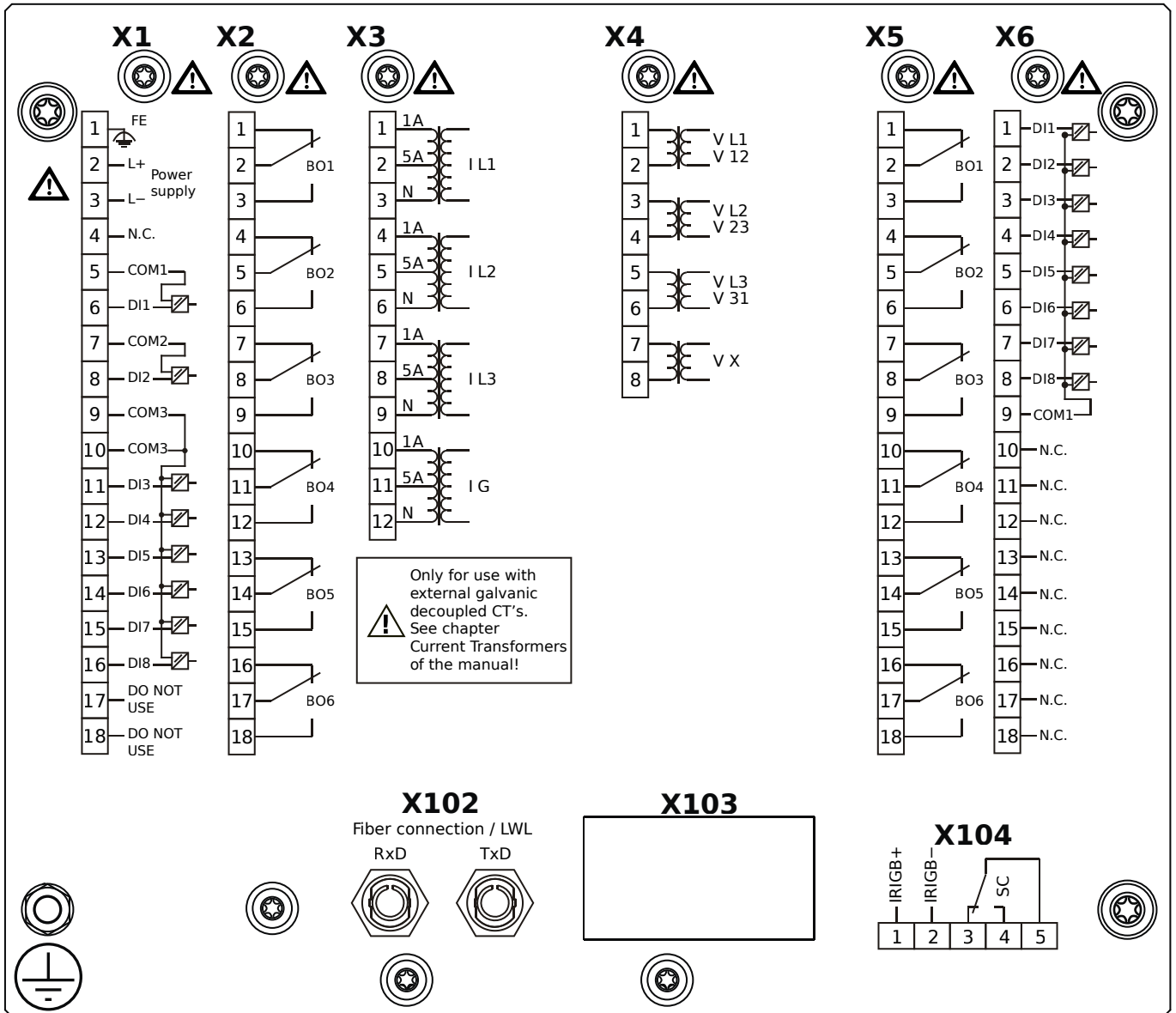
- X1** – DI8-X1: Wide-range power supply unit, incl. 2 non-grouped digital inputs and 6 grouped digital inputs
- X2** – OR-6: Assembly Group with 6 Relay Outputs
- X3** – TI-4: Standard current measuring card
- X4** – TU: Card with 4 voltage transformer measuring inputs
- X5** – OR-6: Assembly Group with 6 Relay Outputs
- X6** – DI8: Assembly Group with 8 Digital Inputs
- X100** – IEC 61850 / Modbus TCP / DNP3.0 TCP/UDP, Ethernet interface, 100 Mbit/s, RJ45 (BASE100-FX)
- X102** – Long-distance Protection Communication, Fiber optics interface, LC Connector
- X103** – IEC 60870-5-103 / Modbus RTU / DNP3.0 RTU, RS485, Terminals
- X104** – IRIG-B00X, incl. System Contact (Supervision Contact)

MCDLV4-2D0B0TB



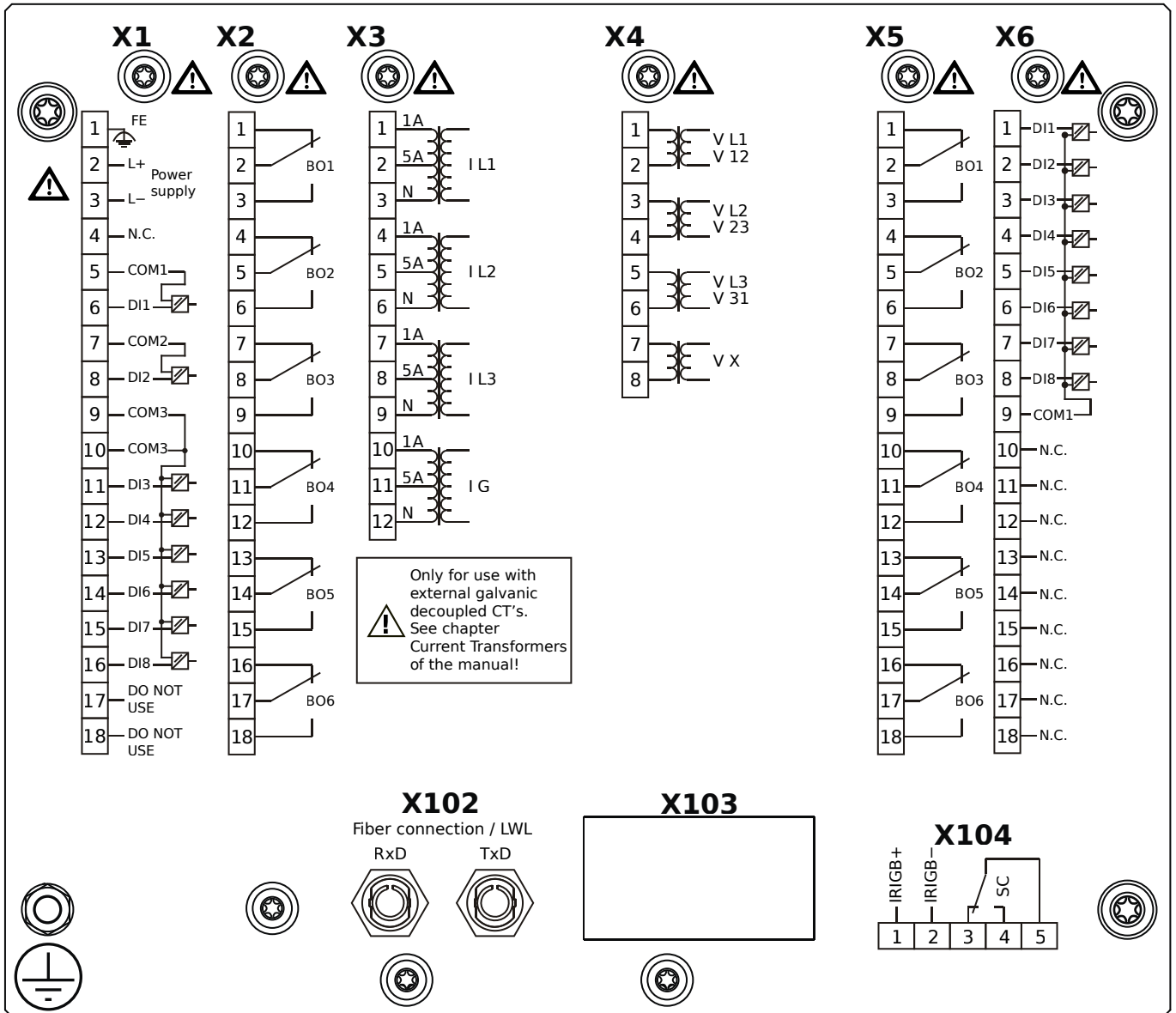
- X1** – DI8-X1: Wide-range power supply unit, incl. 2 non-grouped digital inputs and 6 grouped digital inputs
- X2** – OR-6: Assembly Group with 6 Relay Outputs
- X3** – TI-4: Standard current measuring card
- X4** – TU: Card with 4 voltage transformer measuring inputs
- X5** – OR-6: Assembly Group with 6 Relay Outputs
- X6** – DI8: Assembly Group with 8 Digital Inputs
- X100** – IEC 61850 / Modbus TCP / DNP3.0 TCP/UDP, Ethernet interface, 100 Mbit/s, RJ45 (BASE100-FX)
- X102** – Long-distance Protection Communication, Fiber optics interface, LC Connector
- X103** – IEC 60870-5-103 / Modbus RTU / DNP3.0 RTU, RS485, Terminals
- X104** – IRIG-B00X, incl. System Contact (Supervision Contact)

MCDLV4-2D0B1AA



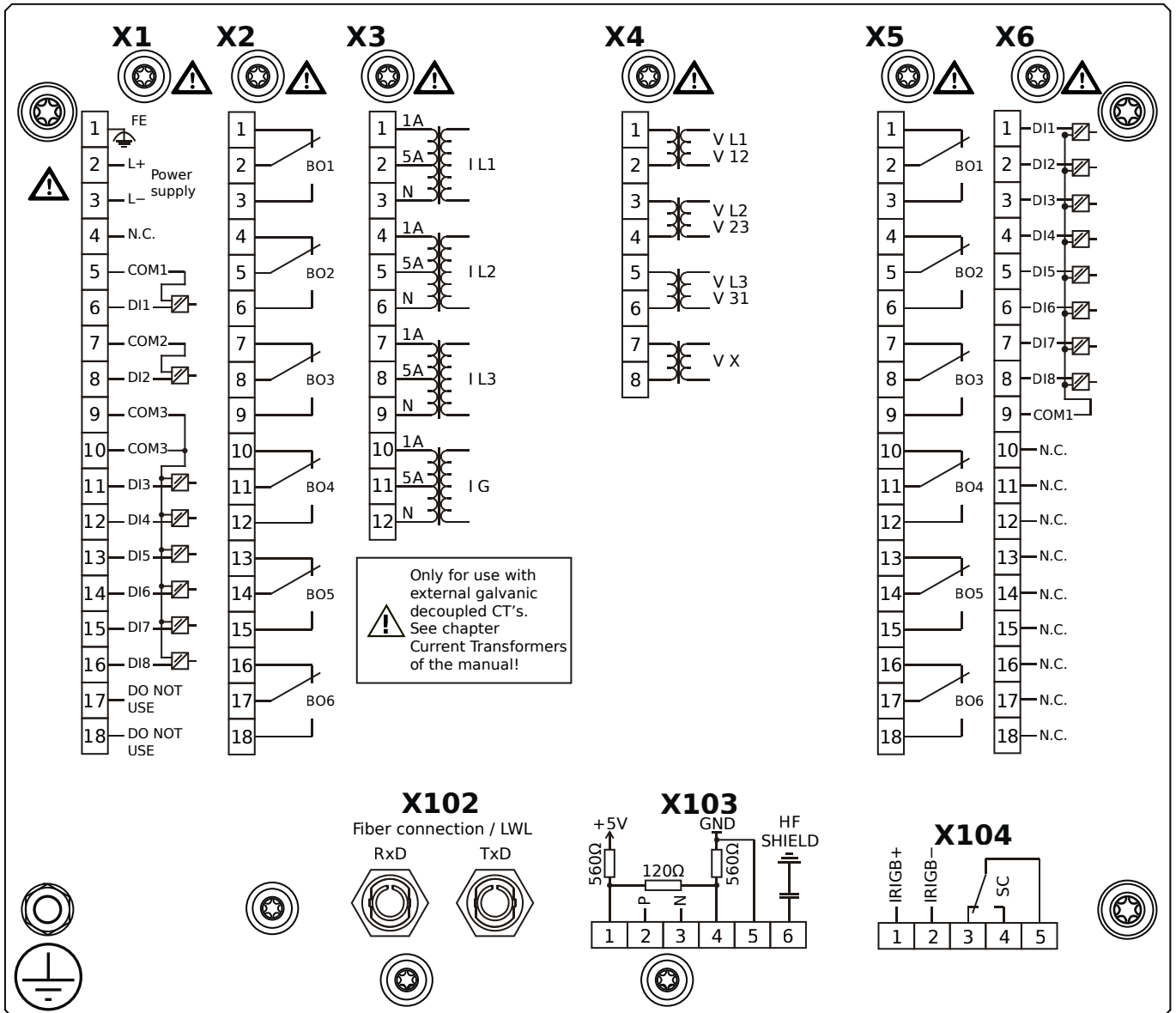
- X1** – DI8-X1: Wide-range power supply unit, incl. 2 non-grouped digital inputs and 6 grouped digital inputs
- X2** – OR-6: Assembly Group with 6 Relay Outputs
- X3** – TI-4: Standard current measuring card
- X4** – TU: Card with 4 voltage transformer measuring inputs
- X5** – OR-6: Assembly Group with 6 Relay Outputs
- X6** – DI8: Assembly Group with 8 Digital Inputs
- X102** – Protection Communication, Fiber optics interface, ST Connector
- X104** – IRIG-B00X, incl. System Contact (Supervision Contact)

MCDLV4-2D0B1AB



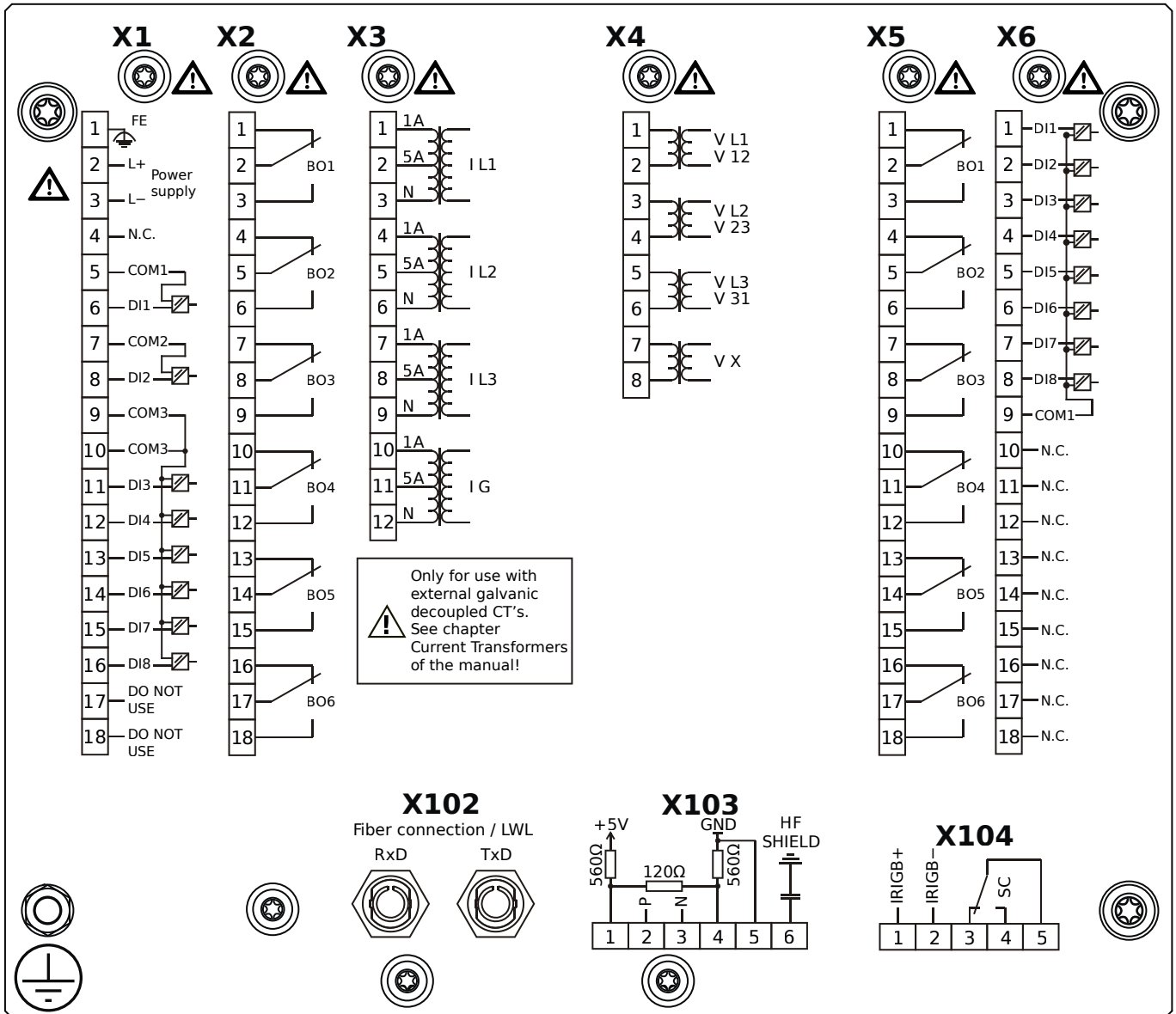
- X1** – DI8-X1: Wide-range power supply unit, incl. 2 non-grouped digital inputs and 6 grouped digital inputs
- X2** – OR-6: Assembly Group with 6 Relay Outputs
- X3** – TI-4: Standard current measuring card
- X4** – TU: Card with 4 voltage transformer measuring inputs
- X5** – OR-6: Assembly Group with 6 Relay Outputs
- X6** – DI8: Assembly Group with 8 Digital Inputs
- X102** – Protection Communication, Fiber optics interface, ST Connector
- X104** – IRIG-B00X, incl. System Contact (Supervision Contact)

MCDLV4-2D0B1BA



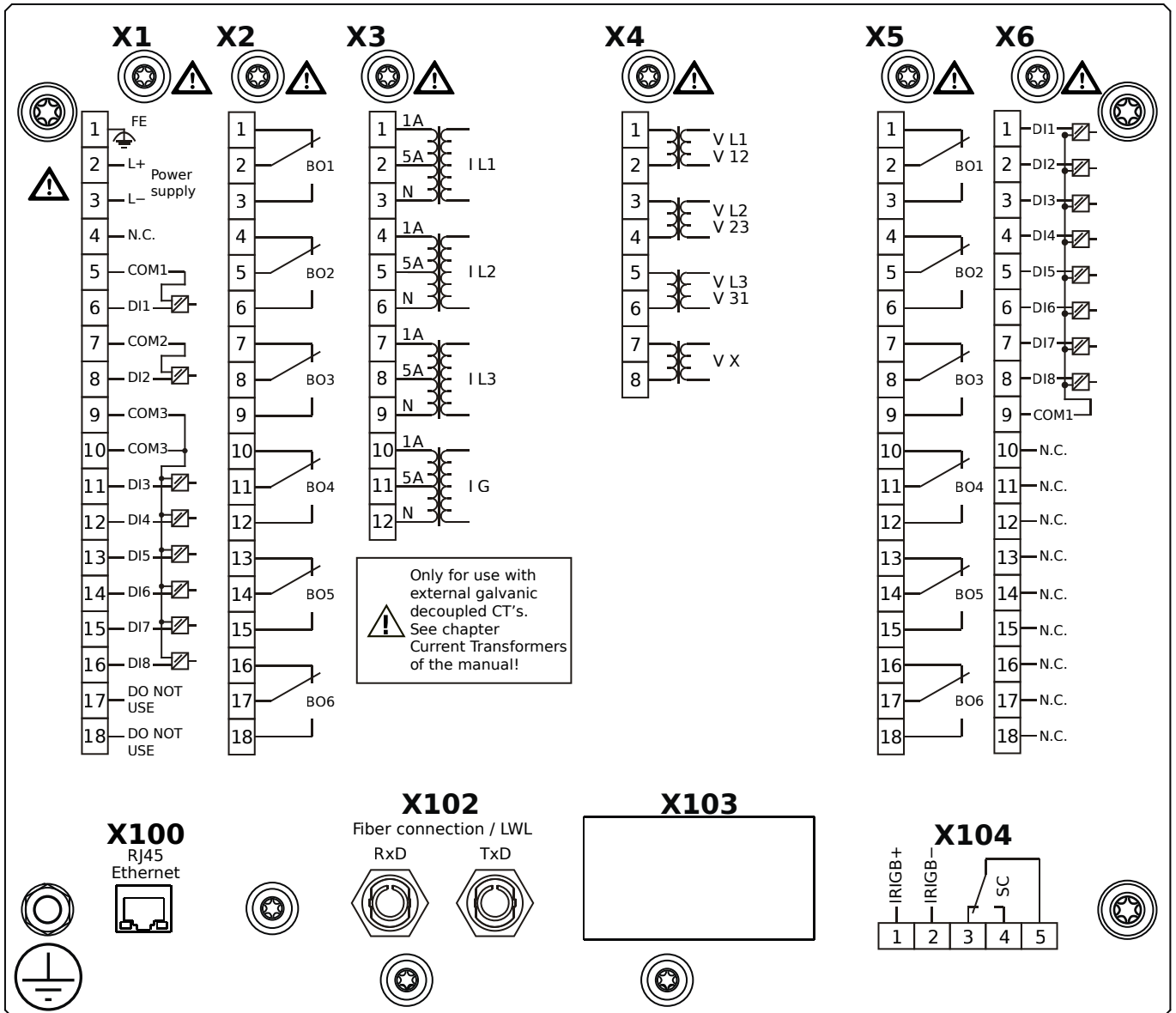
- X1** – DI8-X1: Wide-range power supply unit, incl. 2 non-grouped digital inputs and 6 grouped digital inputs
- X2** – OR-6: Assembly Group with 6 Relay Outputs
- X3** – TI-4: Standard current measuring card
- X4** – TU: Card with 4 voltage transformer measuring inputs
- X5** – OR-6: Assembly Group with 6 Relay Outputs
- X6** – DI8: Assembly Group with 8 Digital Inputs
- X102** – Protection Communication, Fiber optics interface, ST Connector
- X103** – Modbus RTU / IEC 60870-5-103 / DNP3.0 RTU, RS485, Terminals
- X104** – IRIG-B00X, incl. System Contact (Supervision Contact)

MCDLV4-2D0B1BB



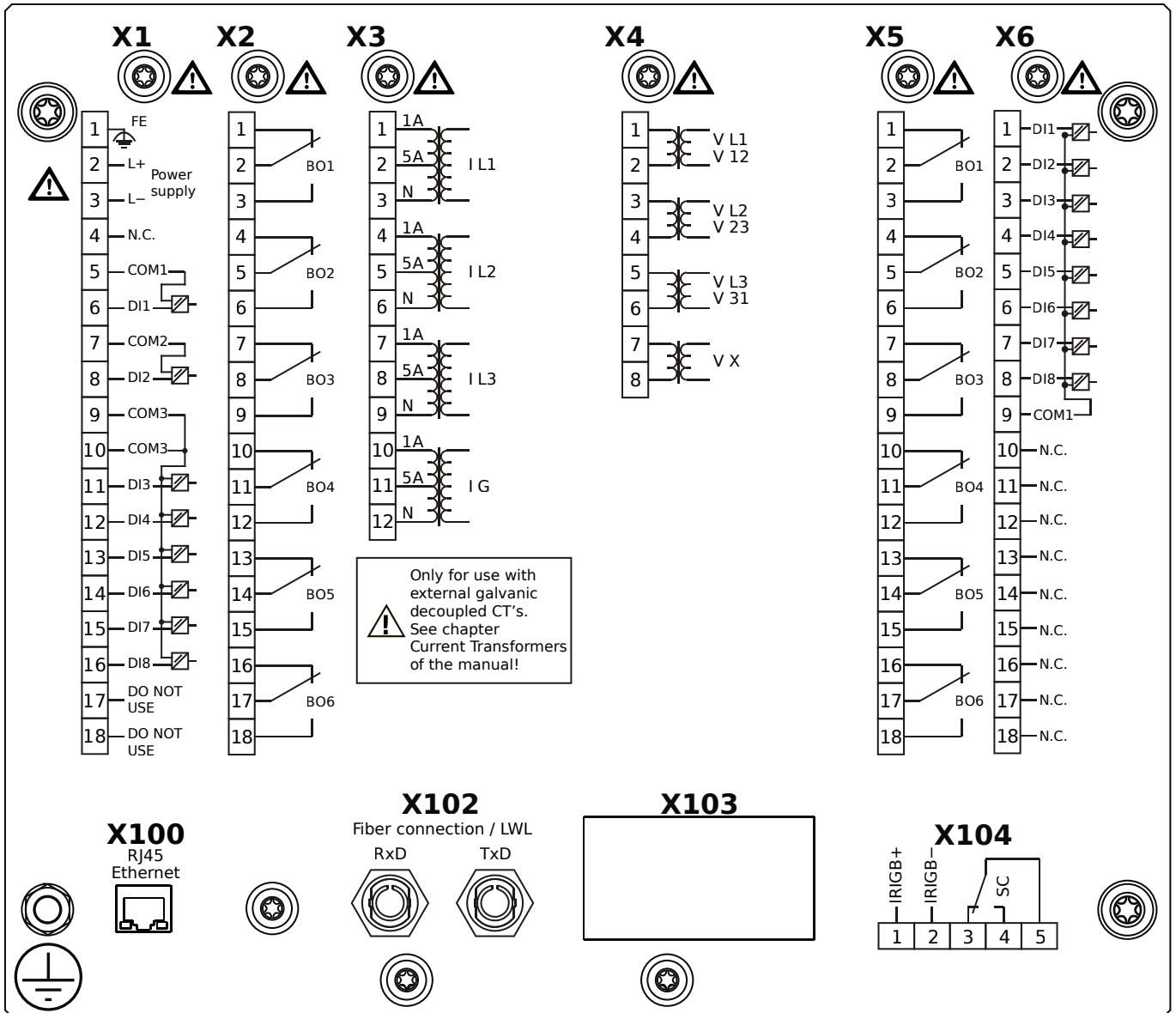
- X1** – DI8-X1: Wide-range power supply unit, incl. 2 non-grouped digital inputs and 6 grouped digital inputs
- X2** – OR-6: Assembly Group with 6 Relay Outputs
- X3** – TI-4: Standard current measuring card
- X4** – TU: Card with 4 voltage transformer measuring inputs
- X5** – OR-6: Assembly Group with 6 Relay Outputs
- X6** – DI8: Assembly Group with 8 Digital Inputs
- X102** – Protection Communication, Fiber optics interface, ST Connector
- X103** – Modbus RTU / IEC 60870-5-103 / DNP3.0 RTU, RS485, Terminals
- X104** – IRIG-B00X, incl. System Contact (Supervision Contact)

MCDLV4-2D0B1CA



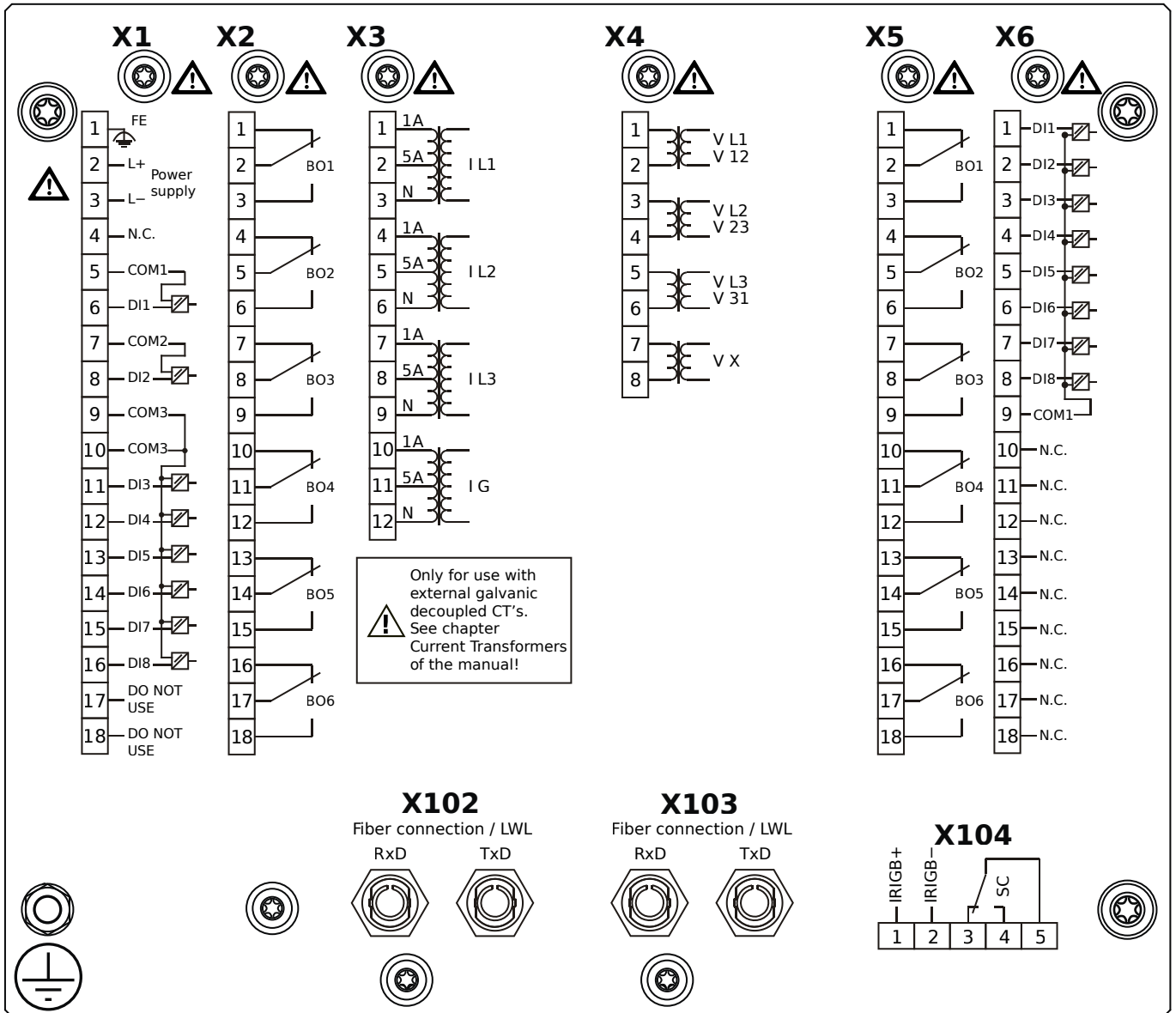
- X1** – DI8-X1: Wide-range power supply unit, incl. 2 non-grouped digital inputs and 6 grouped digital inputs
- X2** – OR-6: Assembly Group with 6 Relay Outputs
- X3** – TI-4: Standard current measuring card
- X4** – TU: Card with 4 voltage transformer measuring inputs
- X5** – OR-6: Assembly Group with 6 Relay Outputs
- X6** – DI8: Assembly Group with 8 Digital Inputs
- X100** – Modbus TCP / DNP3.0 TCP/UDP, Ethernet interface, 100 Mbit/s, RJ45 (BASE100-FX)
- X102** – Protection Communication, Fiber optics interface, ST Connector
- X104** – IRIG-B00X, incl. System Contact (Supervision Contact)

MCDLV4-2D0B1CB



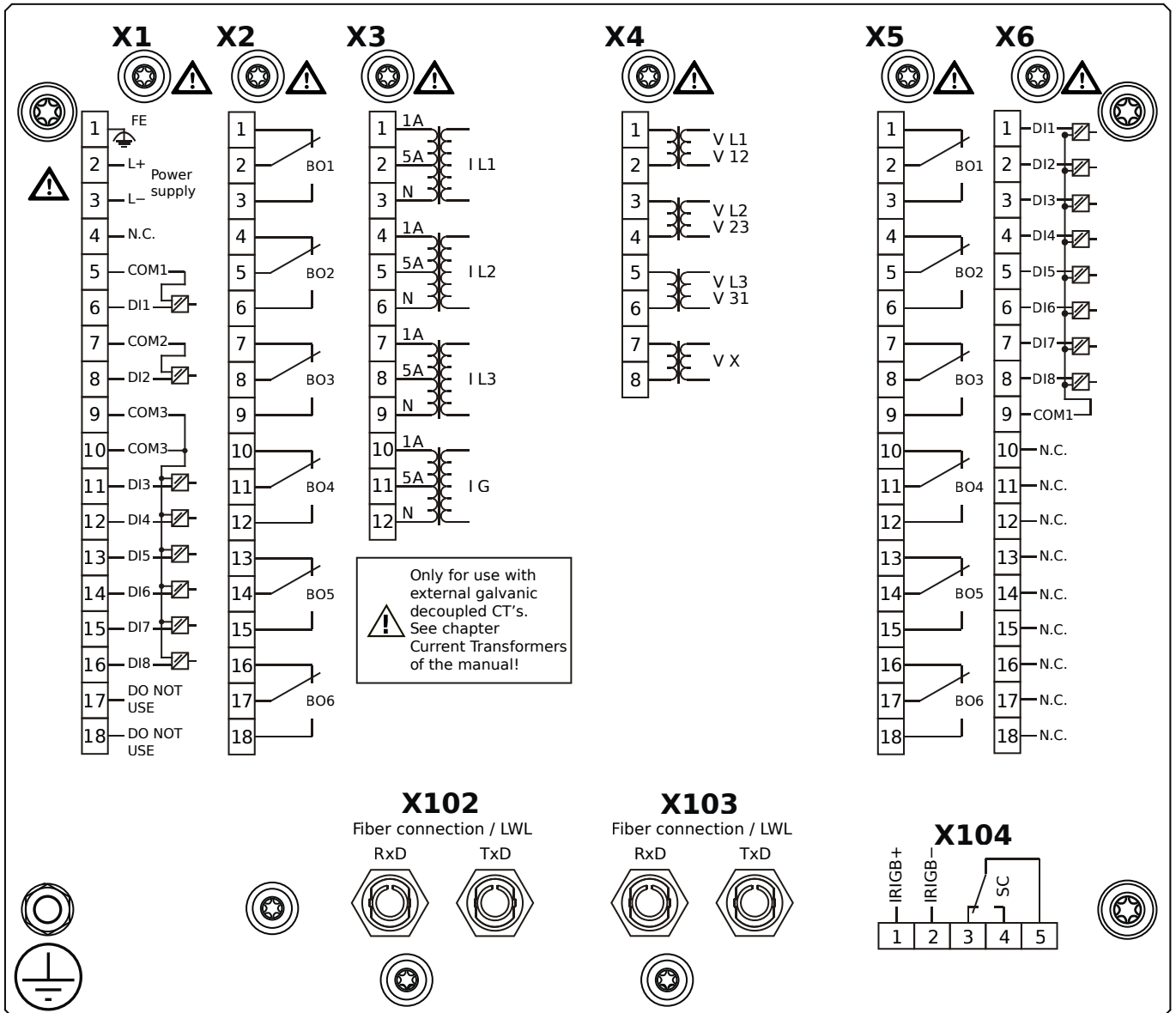
- X1** – DI8-X1: Wide-range power supply unit, incl. 2 non-grouped digital inputs and 6 grouped digital inputs
- X2** – OR-6: Assembly Group with 6 Relay Outputs
- X3** – TI-4: Standard current measuring card
- X4** – TU: Card with 4 voltage transformer measuring inputs
- X5** – OR-6: Assembly Group with 6 Relay Outputs
- X6** – DI8: Assembly Group with 8 Digital Inputs
- X100** – Modbus TCP / DNP3.0 TCP/UDP, Ethernet interface, 100 Mbit/s, RJ45 (BASE100-FX)
- X102** – Protection Communication, Fiber optics interface, ST Connector
- X104** – IRIG-B00X, incl. System Contact (Supervision Contact)

MCDLV4-2D0B1DA



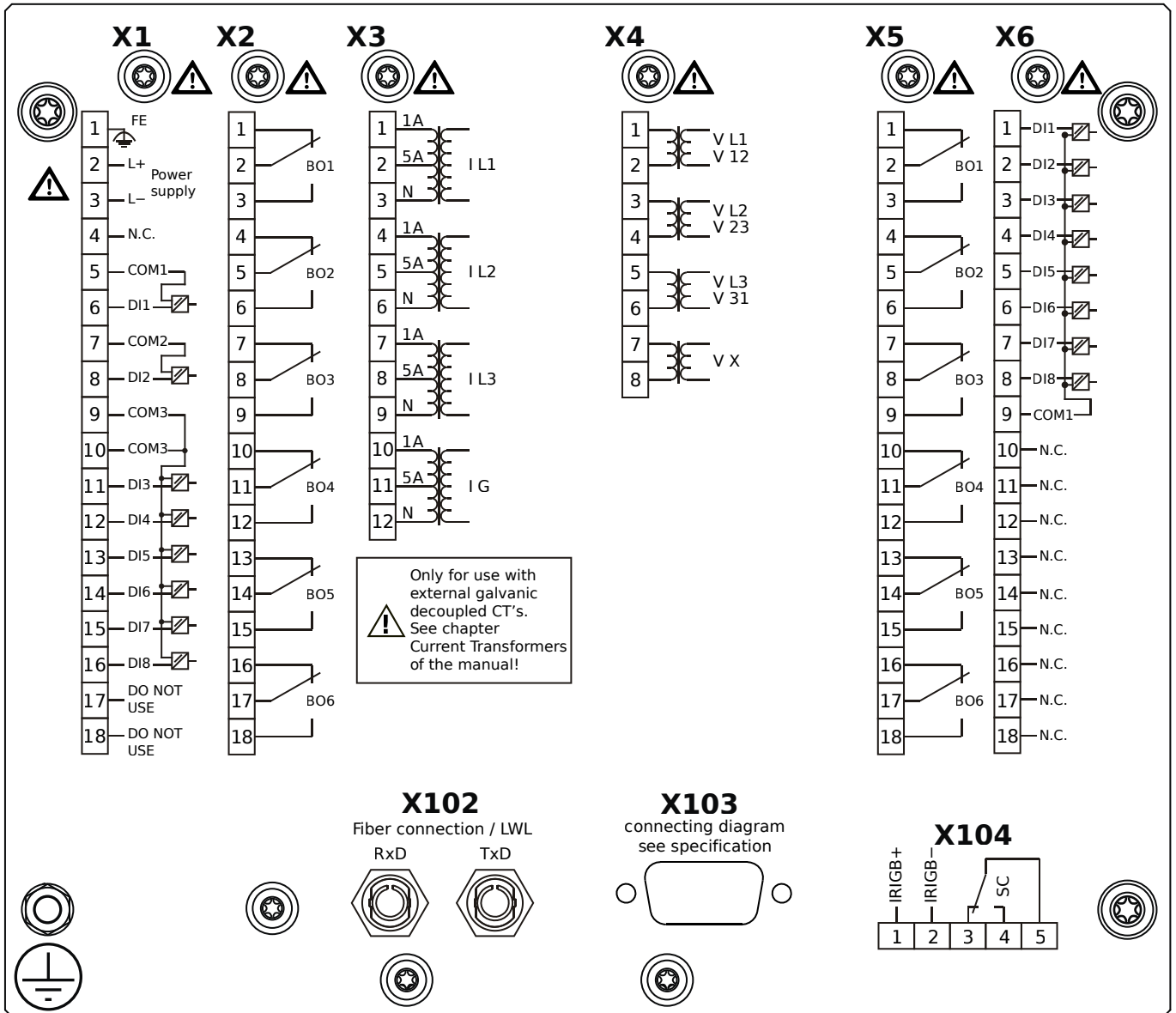
- X1** – DI8-X1: Wide-range power supply unit, incl. 2 non-grouped digital inputs and 6 grouped digital inputs
- X2** – OR-6: Assembly Group with 6 Relay Outputs
- X3** – TI-4: Standard current measuring card
- X4** – TU: Card with 4 voltage transformer measuring inputs
- X5** – OR-6: Assembly Group with 6 Relay Outputs
- X6** – DI8: Assembly Group with 8 Digital Inputs
- X102** – Protection Communication, Fiber optics interface, ST Connector
- X103** – Profibus-DP, Fiber optics interface, ST Connector
- X104** – IRIG-B00X, incl. System Contact (Supervision Contact)

MCDLV4-2D0B1DB



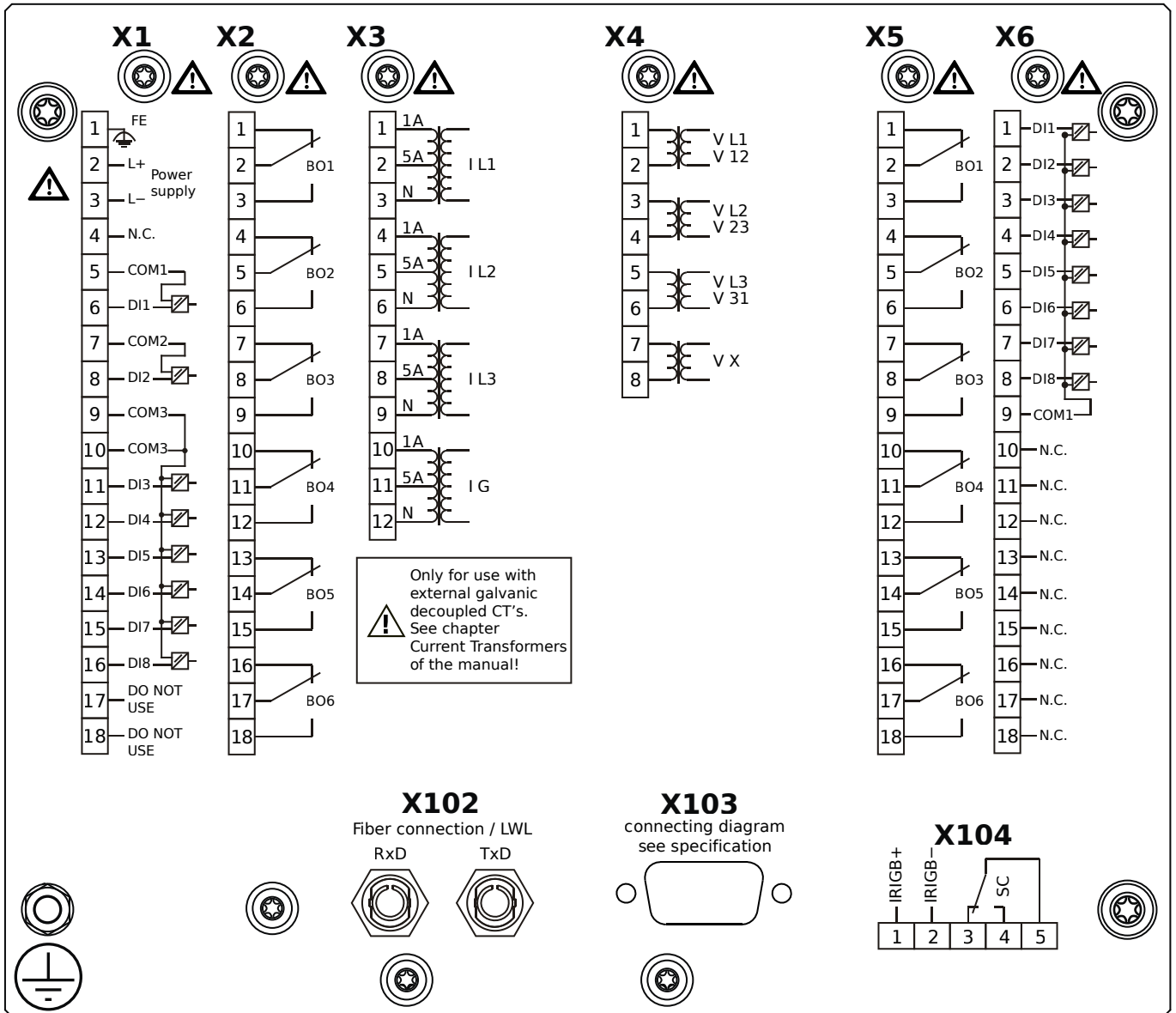
- X1** – DI8-X1: Wide-range power supply unit, incl. 2 non-grouped digital inputs and 6 grouped digital inputs
- X2** – OR-6: Assembly Group with 6 Relay Outputs
- X3** – TI-4: Standard current measuring card
- X4** – TU: Card with 4 voltage transformer measuring inputs
- X5** – OR-6: Assembly Group with 6 Relay Outputs
- X6** – DI8: Assembly Group with 8 Digital Inputs
- X102** – Protection Communication, Fiber optics interface, ST Connector
- X103** – Profibus-DP, Fiber optics interface, ST Connector
- X104** – IRIG-B00X, incl. System Contact (Supervision Contact)

MCDLV4-2D0B1EA



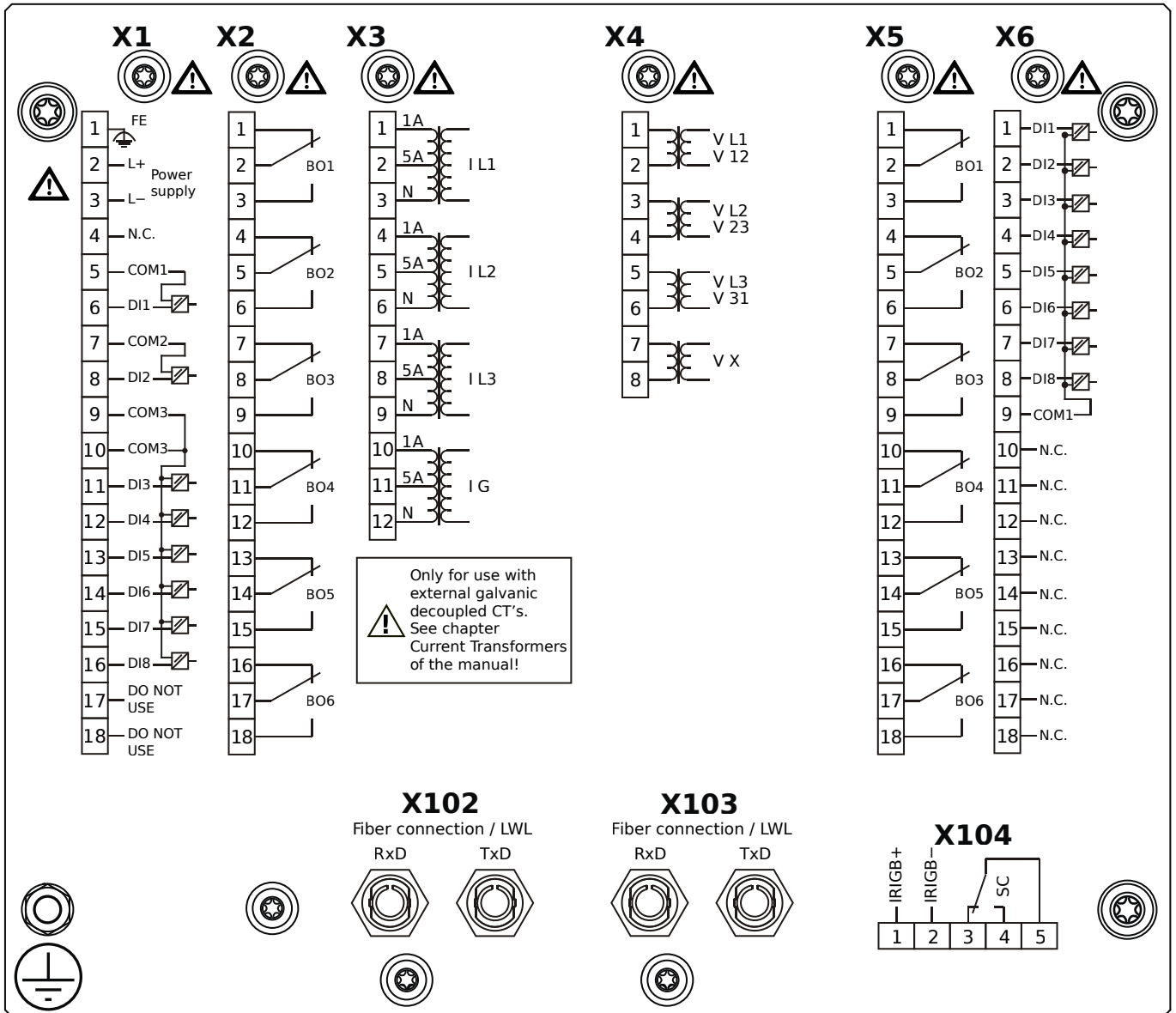
- X1** – DI8-X1: Wide-range power supply unit, incl. 2 non-grouped digital inputs and 6 grouped digital inputs
- X2** – OR-6: Assembly Group with 6 Relay Outputs
- X3** – TI-4: Standard current measuring card
- X4** – TU: Card with 4 voltage transformer measuring inputs
- X5** – OR-6: Assembly Group with 6 Relay Outputs
- X6** – DI8: Assembly Group with 8 Digital Inputs
- X102** – Protection Communication, Fiber optics interface, ST Connector
- X103** – Profibus-DP, RS485, D-SUB
- X104** – IRIG-B00X, incl. System Contact (Supervision Contact)

MCDLV4-2D0B1EB



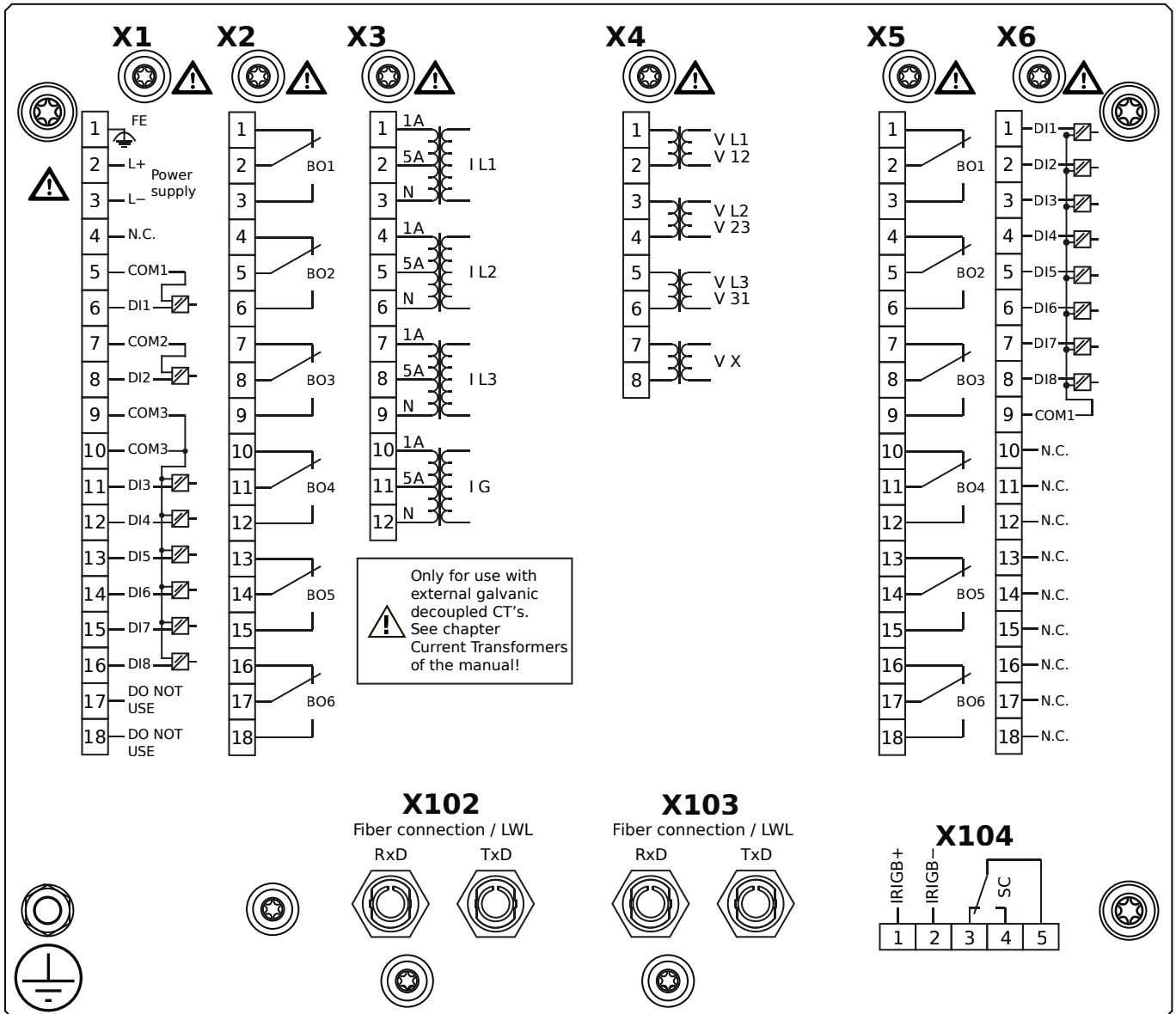
- X1** – DI8-X1: Wide-range power supply unit, incl. 2 non-grouped digital inputs and 6 grouped digital inputs
- X2** – OR-6: Assembly Group with 6 Relay Outputs
- X3** – TI-4: Standard current measuring card
- X4** – TU: Card with 4 voltage transformer measuring inputs
- X5** – OR-6: Assembly Group with 6 Relay Outputs
- X6** – DI8: Assembly Group with 8 Digital Inputs
- X102** – Protection Communication, Fiber optics interface, ST Connector
- X103** – Profibus-DP, RS485, D-SUB
- X104** – IRIG-B00X, incl. System Contact (Supervision Contact)

MCDLV4-2D0B1FA



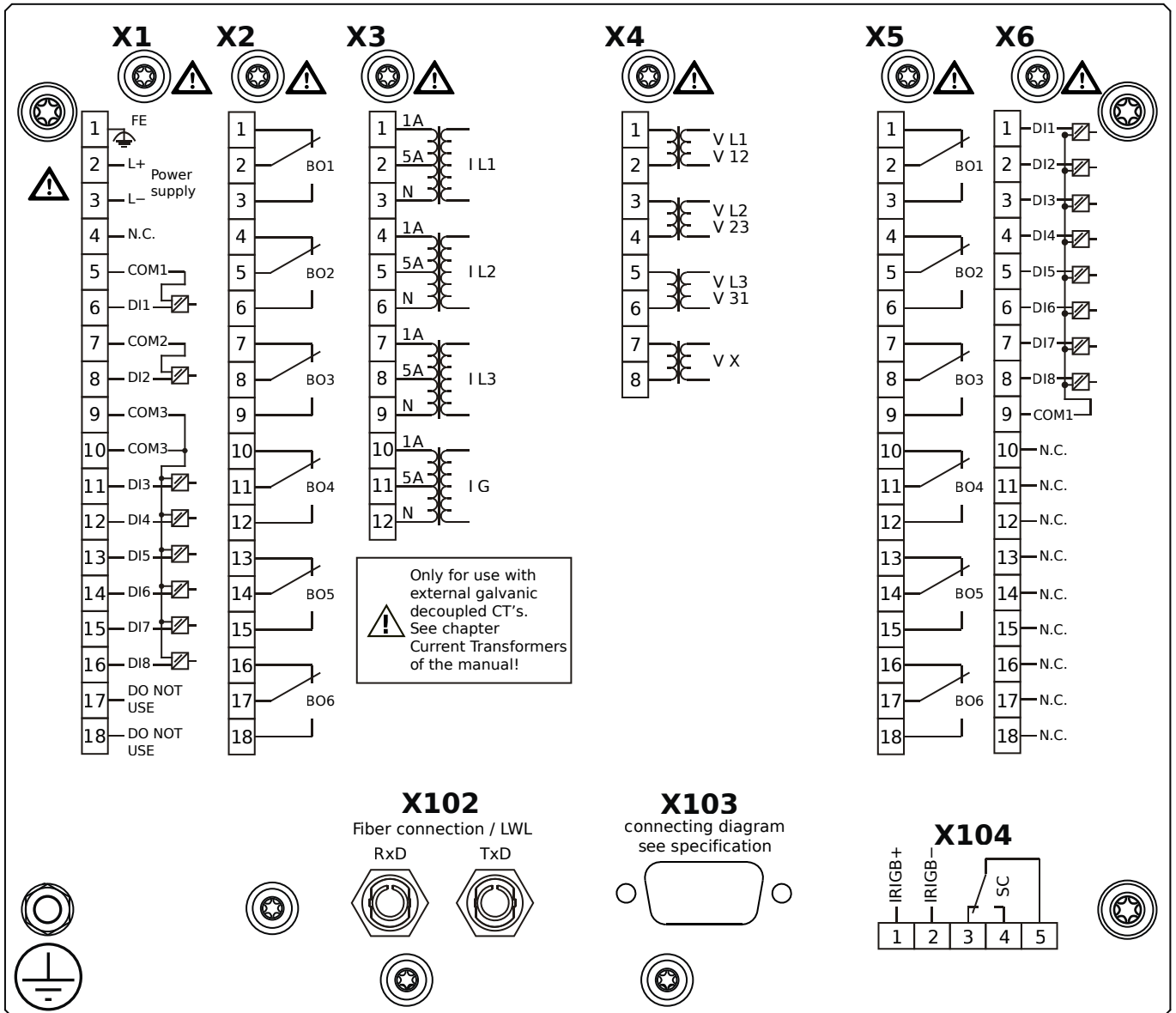
- X1** – DI8-X1: Wide-range power supply unit, incl. 2 non-grouped digital inputs and 6 grouped digital inputs
- X2** – OR-6: Assembly Group with 6 Relay Outputs
- X3** – TI-4: Standard current measuring card
- X4** – TU: Card with 4 voltage transformer measuring inputs
- X5** – OR-6: Assembly Group with 6 Relay Outputs
- X6** – DI8: Assembly Group with 8 Digital Inputs
- X102** – Protection Communication, Fiber optics interface, ST Connector
- X103** – Modbus RTU / IEC 60870-5-103 / DNP3.0 RTU, Fiber optics interface, ST Connector
- X104** – IRIG-B00X, incl. System Contact (Supervision Contact)

MCDLV4-2D0B1FB



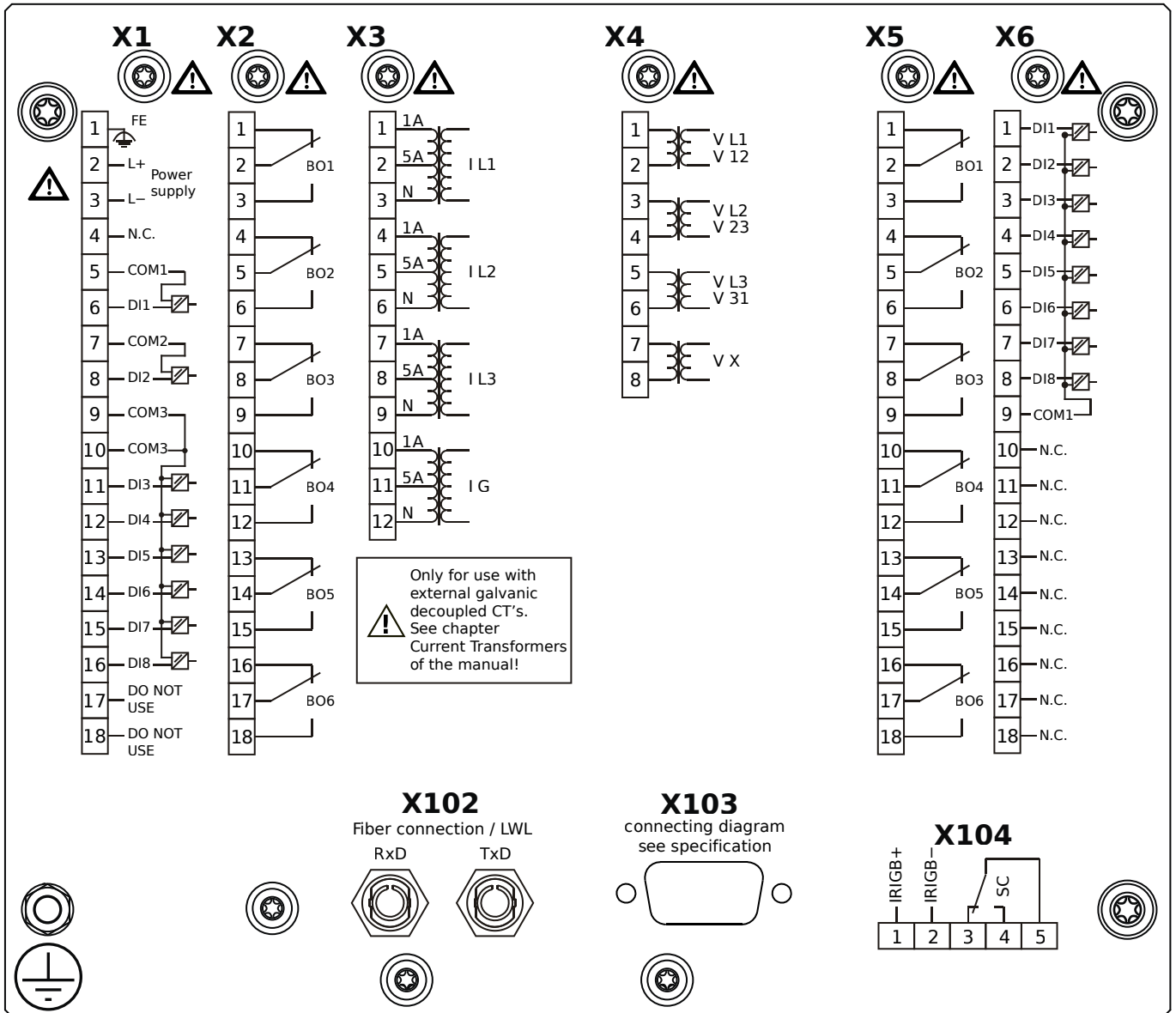
- X1** – DI8-X1: Wide-range power supply unit, incl. 2 non-grouped digital inputs and 6 grouped digital inputs
- X2** – OR-6: Assembly Group with 6 Relay Outputs
- X3** – TI-4: Standard current measuring card
- X4** – TU: Card with 4 voltage transformer measuring inputs
- X5** – OR-6: Assembly Group with 6 Relay Outputs
- X6** – DI8: Assembly Group with 8 Digital Inputs
- X102** – Protection Communication, Fiber optics interface, ST Connector
- X103** – Modbus RTU / IEC 60870-5-103 / DNP3.0 RTU, Fiber optics interface, ST Connector
- X104** – IRIG-B00X, incl. System Contact (Supervision Contact)

MCDLV4-2D0B1GA



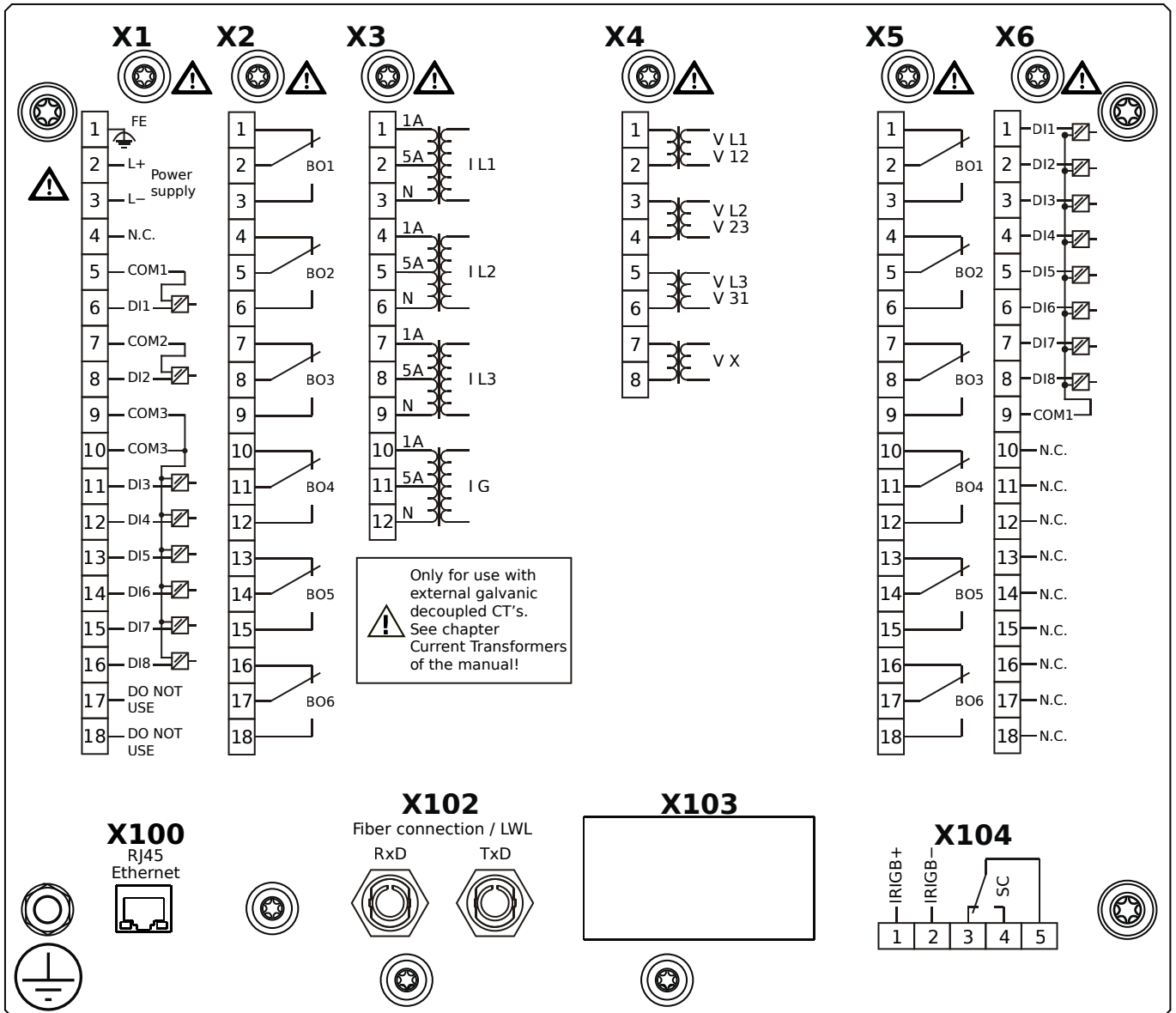
- X1** – DI8-X1: Wide-range power supply unit, incl. 2 non-grouped digital inputs and 6 grouped digital inputs
- X2** – OR-6: Assembly Group with 6 Relay Outputs
- X3** – TI-4: Standard current measuring card
- X4** – TU: Card with 4 voltage transformer measuring inputs
- X5** – OR-6: Assembly Group with 6 Relay Outputs
- X6** – DI8: Assembly Group with 8 Digital Inputs
- X102** – Protection Communication, Fiber optics interface, ST Connector
- X103** – Modbus RTU / IEC 60870-5-103 / DNP3.0 RTU, RS485, D-SUB
- X104** – IRIG-B00X, incl. System Contact (Supervision Contact)

MCDLV4-2D0B1GB



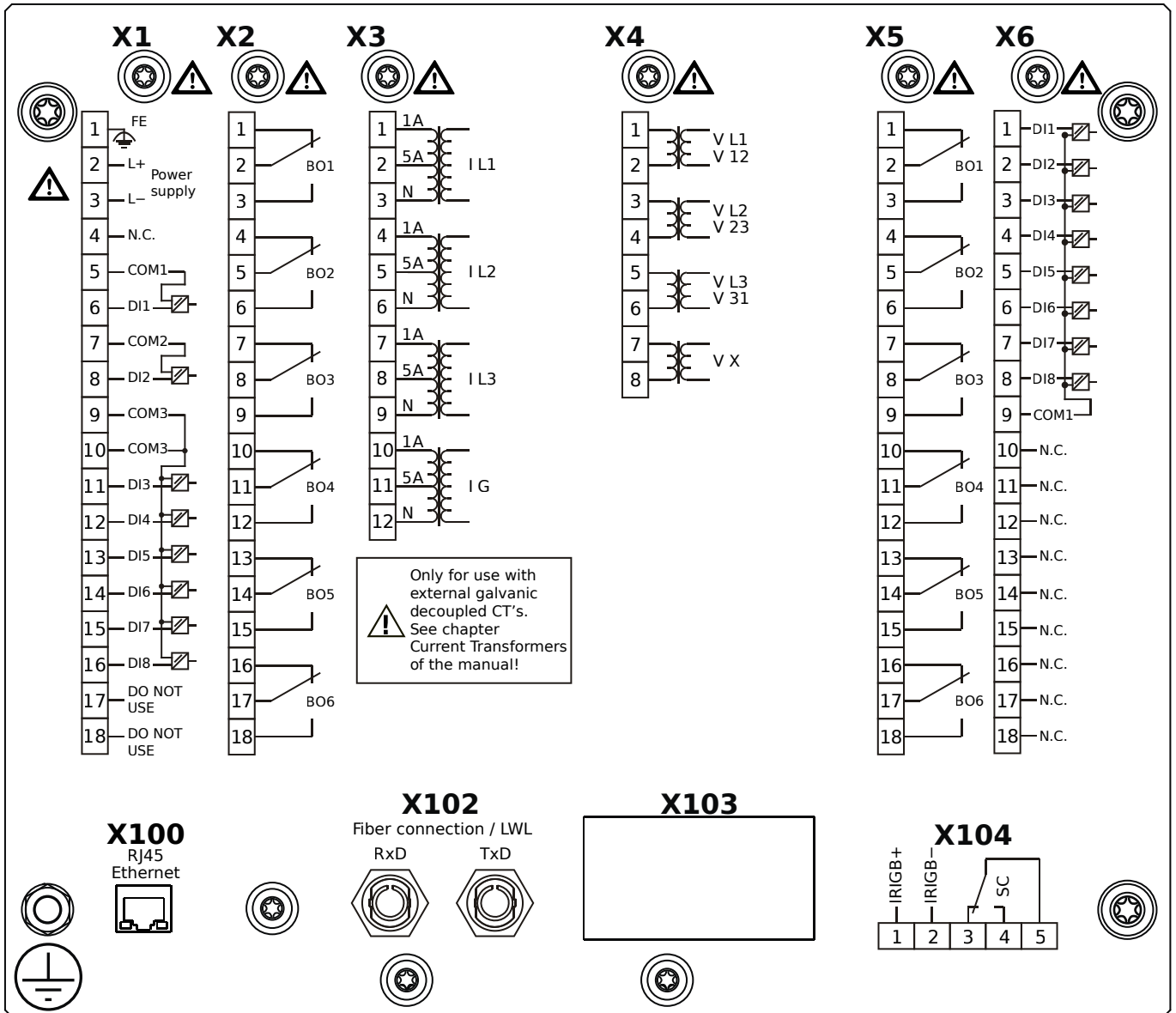
- X1** – DI8-X1: Wide-range power supply unit, incl. 2 non-grouped digital inputs and 6 grouped digital inputs
- X2** – OR-6: Assembly Group with 6 Relay Outputs
- X3** – TI-4: Standard current measuring card
- X4** – TU: Card with 4 voltage transformer measuring inputs
- X5** – OR-6: Assembly Group with 6 Relay Outputs
- X6** – DI8: Assembly Group with 8 Digital Inputs
- X102** – Protection Communication, Fiber optics interface, ST Connector
- X103** – Modbus RTU / IEC 60870-5-103 / DNP3.0 RTU, RS485, D-SUB
- X104** – IRIG-B00X, incl. System Contact (Supervision Contact)

MCDLV4-2D0B1HA



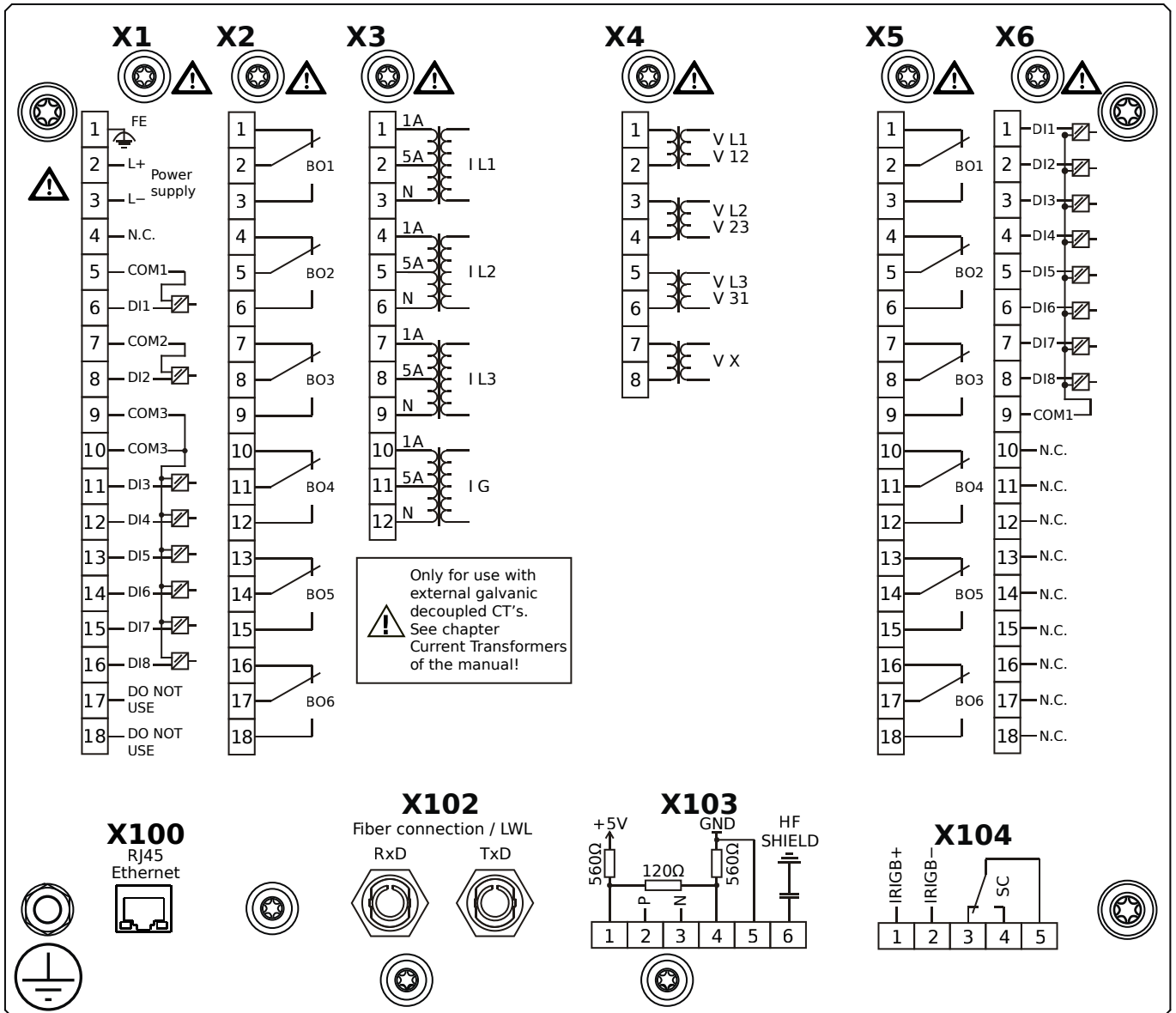
- X1** – DI8-X1: Wide-range power supply unit, incl. 2 non-grouped digital inputs and 6 grouped digital inputs
- X2** – OR-6: Assembly Group with 6 Relay Outputs
- X3** – TI-4: Standard current measuring card
- X4** – TU: Card with 4 voltage transformer measuring inputs
- X5** – OR-6: Assembly Group with 6 Relay Outputs
- X6** – DI8: Assembly Group with 8 Digital Inputs
- X100** – IEC 61850 / Modbus TCP / DNP3.0 TCP/UDP, Ethernet interface, 100 Mbit/s, RJ45 (BASE100-FX)
- X102** – Protection Communication, Fiber optics interface, ST Connector
- X104** – IRIG-B00X, incl. System Contact (Supervision Contact)

MCDLV4-2D0B1HB



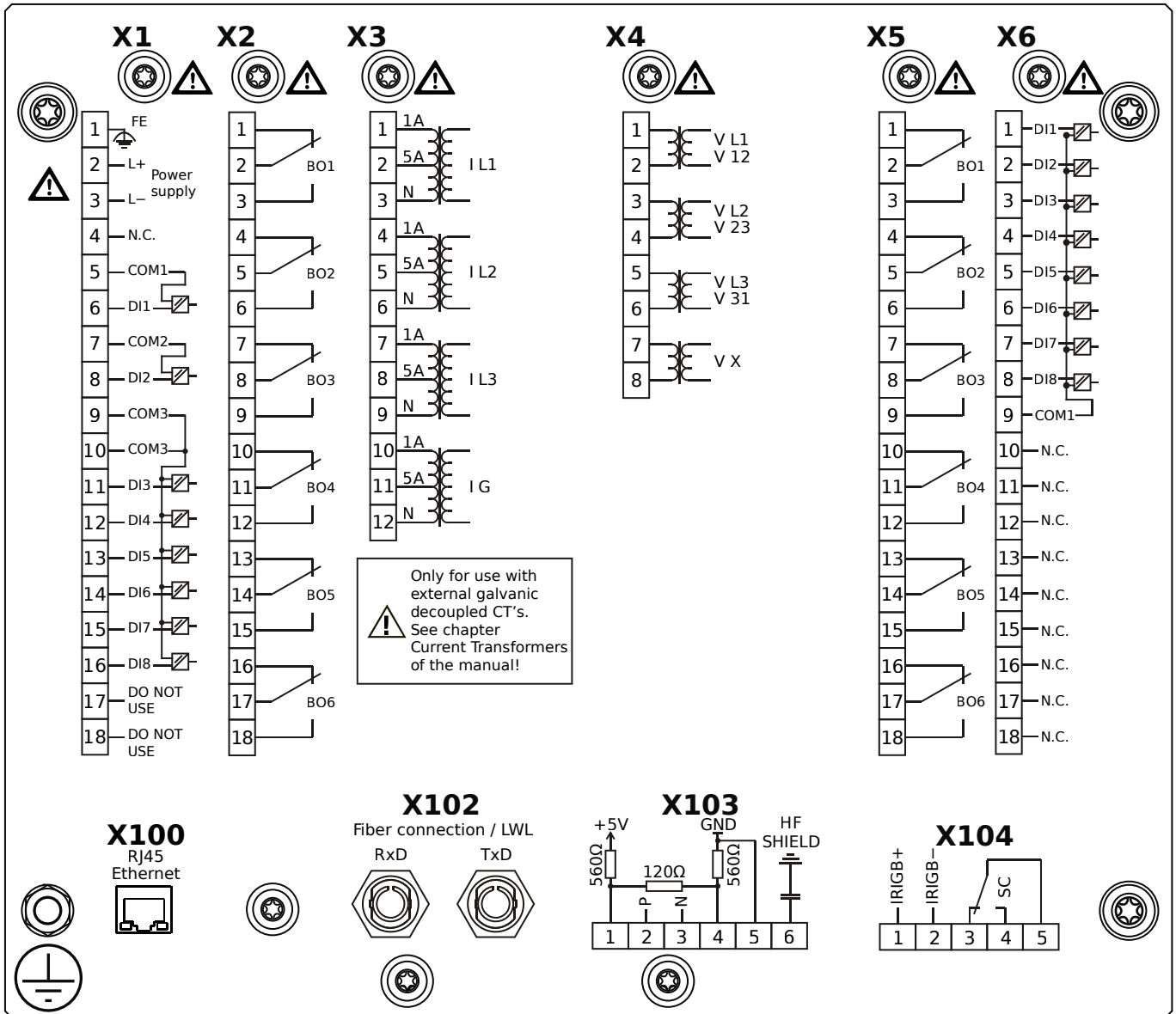
- X1** – DI8-X1: Wide-range power supply unit, incl. 2 non-grouped digital inputs and 6 grouped digital inputs
- X2** – OR-6: Assembly Group with 6 Relay Outputs
- X3** – TI-4: Standard current measuring card
- X4** – TU: Card with 4 voltage transformer measuring inputs
- X5** – OR-6: Assembly Group with 6 Relay Outputs
- X6** – DI8: Assembly Group with 8 Digital Inputs
- X100** – IEC 61850 / Modbus TCP / DNP3.0 TCP/UDP, Ethernet interface, 100 Mbit/s, RJ45 (BASE100-FX)
- X102** – Protection Communication, Fiber optics interface, ST Connector
- X104** – IRIG-B00X, incl. System Contact (Supervision Contact)

MCDLV4-2D0B11A



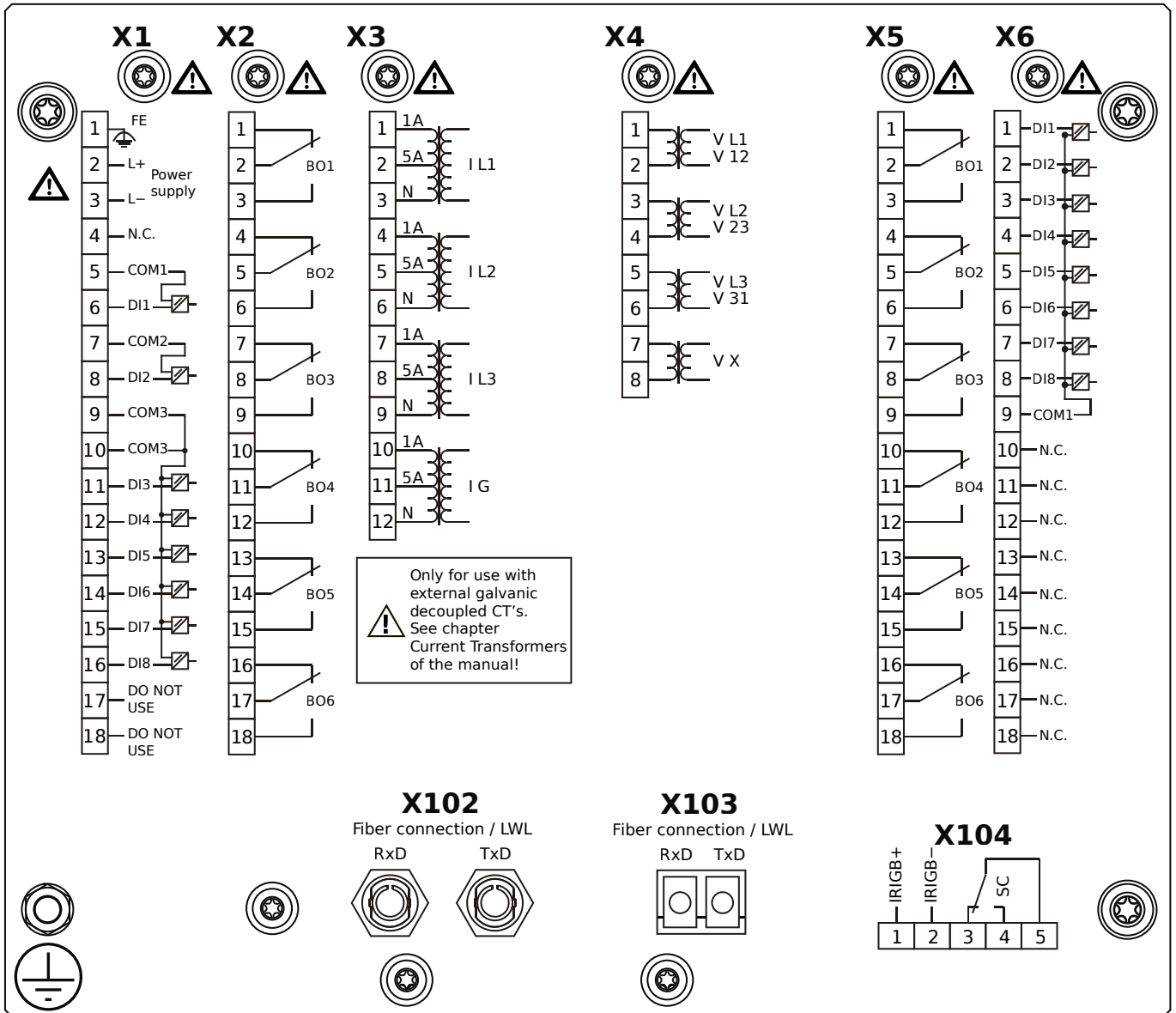
- X1** – DI8-X1: Wide-range power supply unit, incl. 2 non-grouped digital inputs and 6 grouped digital inputs
- X2** – OR-6: Assembly Group with 6 Relay Outputs
- X3** – TI-4: Standard current measuring card
- X4** – TU: Card with 4 voltage transformer measuring inputs
- X5** – OR-6: Assembly Group with 6 Relay Outputs
- X6** – DI8: Assembly Group with 8 Digital Inputs
- X100** – Modbus TCP / DNP3.0 TCP/UDP, Ethernet interface, 100 Mbit/s, RJ45 (BASE100-FX)
- X102** – Protection Communication, Fiber optics interface, ST Connector
- X103** – IEC 60870-5-103 / Modbus RTU / DNP3.0 RTU, RS485, Terminals
- X104** – IRIG-B00X, incl. System Contact (Supervision Contact)

MCDLV4-2D0B1IB



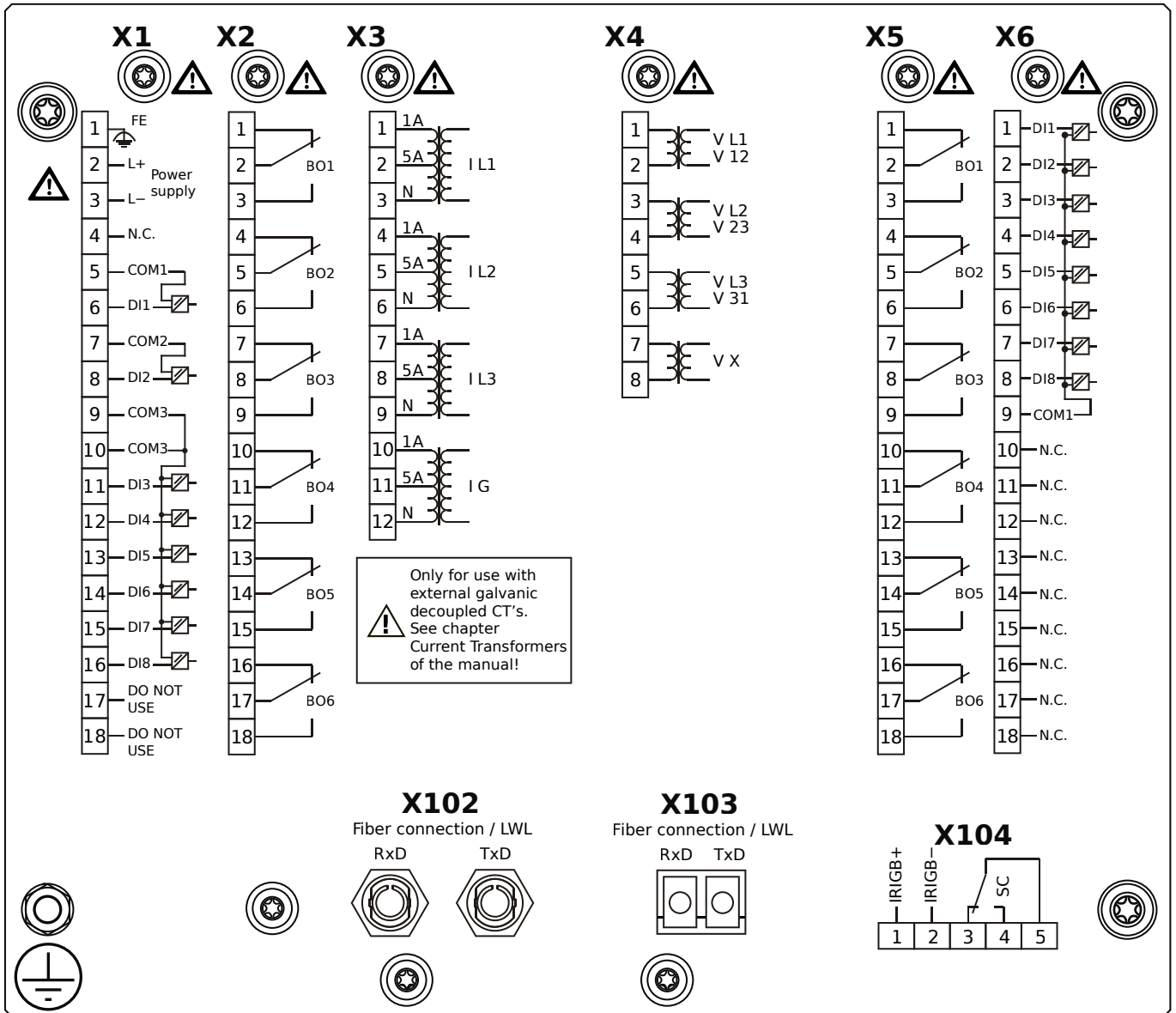
- X1** – DI8-X1: Wide-range power supply unit, incl. 2 non-grouped digital inputs and 6 grouped digital inputs
- X2** – OR-6: Assembly Group with 6 Relay Outputs
- X3** – TI-4: Standard current measuring card
- X4** – TU: Card with 4 voltage transformer measuring inputs
- X5** – OR-6: Assembly Group with 6 Relay Outputs
- X6** – DI8: Assembly Group with 8 Digital Inputs
- X100** – Modbus TCP / DNP3.0 TCP/UDP, Ethernet interface, 100 Mbit/s, RJ45 (BASE100-FX)
- X102** – Protection Communication, Fiber optics interface, ST Connector
- X103** – IEC 60870-5-103 / Modbus RTU / DNP3.0 RTU, RS485, Terminals
- X104** – IRIG-B00X, incl. System Contact (Supervision Contact)

MCDLV4-2D0B1KA



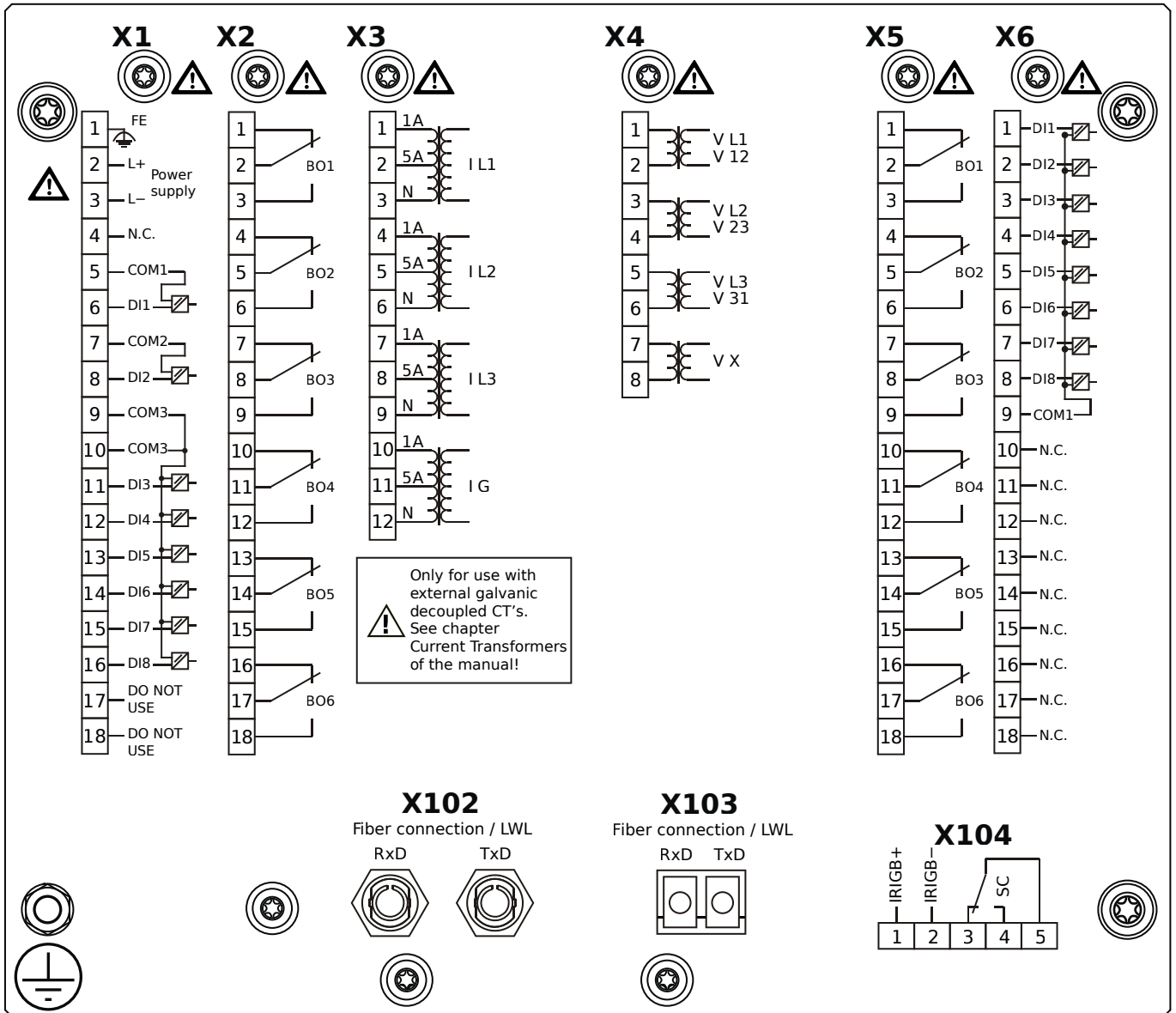
- X1** – DI8-X1: Wide-range power supply unit, incl. 2 non-grouped digital inputs and 6 grouped digital inputs
- X2** – OR-6: Assembly Group with 6 Relay Outputs
- X3** – TI-4: Standard current measuring card
- X4** – TU: Card with 4 voltage transformer measuring inputs
- X5** – OR-6: Assembly Group with 6 Relay Outputs
- X6** – DI8: Assembly Group with 8 Digital Inputs
- X102** – Protection Communication, Fiber optics interface, ST Connector
- X103** – IEC 61850 / Modbus TCP / DNP3.0 TCP/UDP, Fiber optics interface, LC Connector
- X104** – IRIG-B00X, incl. System Contact (Supervision Contact)

MCDLV4-2D0B1KB



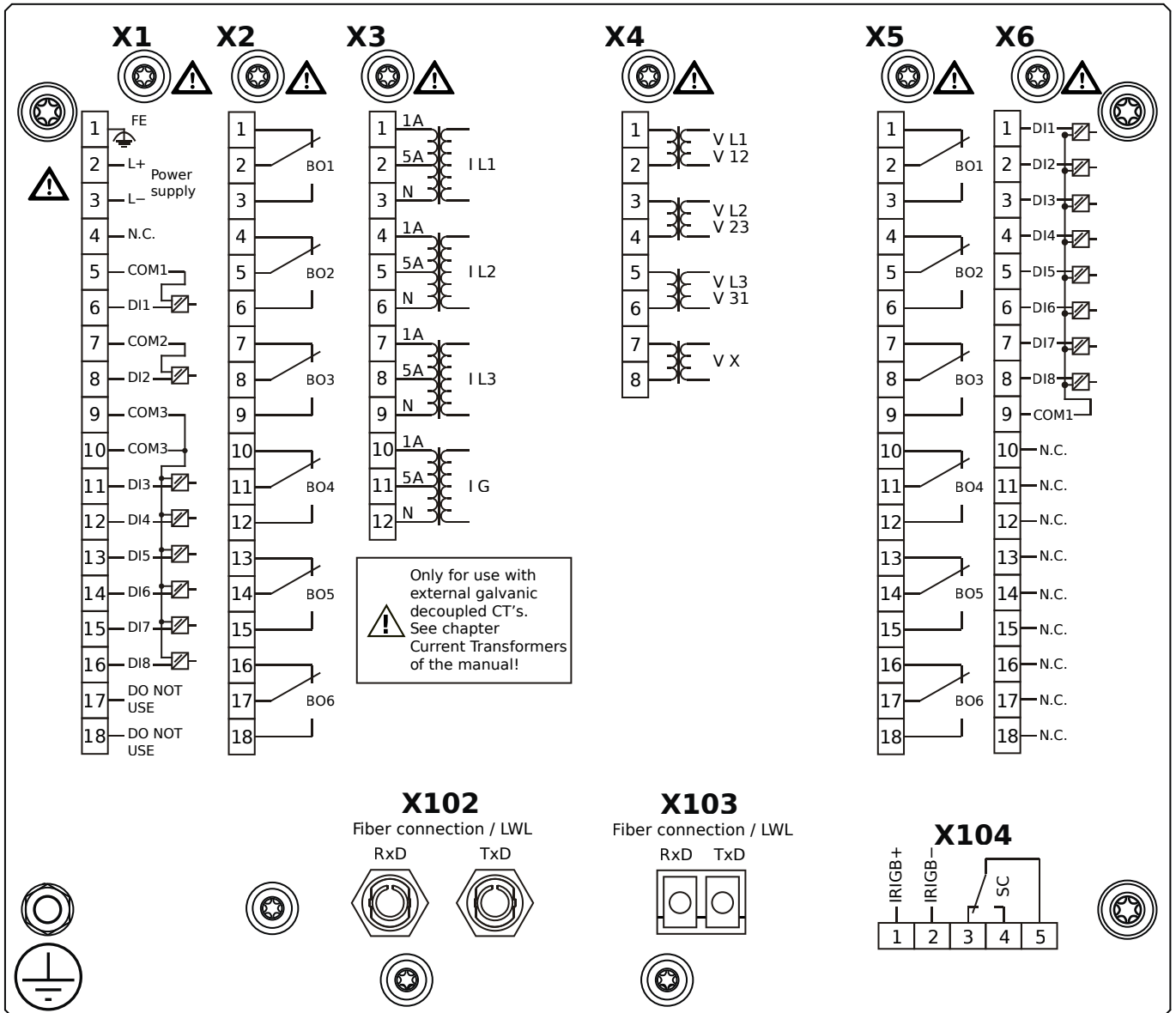
- X1** – DI8-X1: Wide-range power supply unit, incl. 2 non-grouped digital inputs and 6 grouped digital inputs
- X2** – OR-6: Assembly Group with 6 Relay Outputs
- X3** – TI-4: Standard current measuring card
- X4** – TU: Card with 4 voltage transformer measuring inputs
- X5** – OR-6: Assembly Group with 6 Relay Outputs
- X6** – DI8: Assembly Group with 8 Digital Inputs
- X102** – Protection Communication, Fiber optics interface, ST Connector
- X103** – IEC 61850 / Modbus TCP / DNP3.0 TCP/UDP, Fiber optics interface, LC Connector
- X104** – IRIG-B00X, incl. System Contact (Supervision Contact)

MCDLV4-2D0B1LA



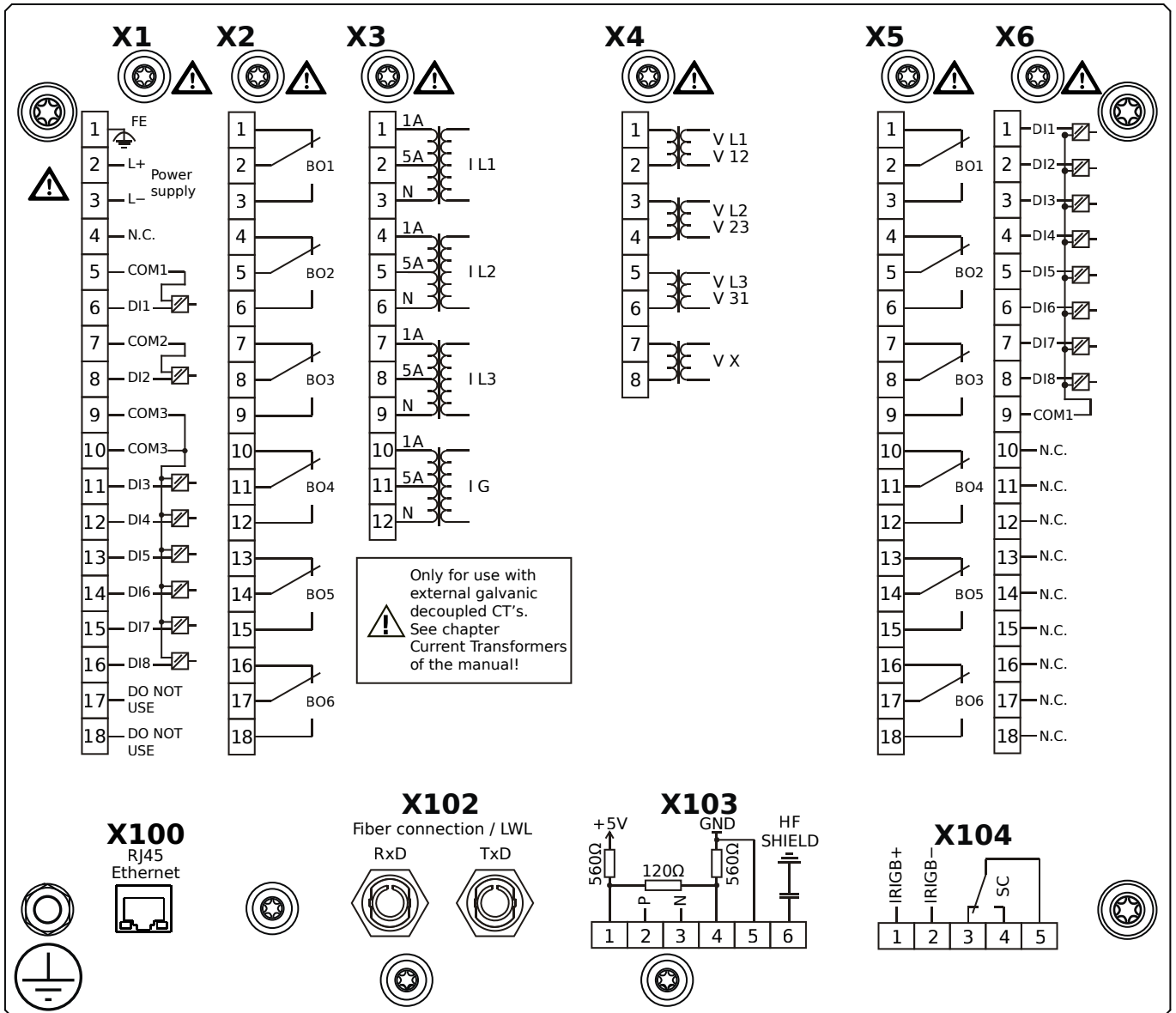
- X1** – DI8-X1: Wide-range power supply unit, incl. 2 non-grouped digital inputs and 6 grouped digital inputs
- X2** – OR-6: Assembly Group with 6 Relay Outputs
- X3** – TI-4: Standard current measuring card
- X4** – TU: Card with 4 voltage transformer measuring inputs
- X5** – OR-6: Assembly Group with 6 Relay Outputs
- X6** – DI8: Assembly Group with 8 Digital Inputs
- X102** – Protection Communication, Fiber optics interface, ST Connector
- X103** – Modbus TCP / DNP3.0 TCP/UDP, Fiber optics interface, LC Connector
- X104** – IRIG-B00X, incl. System Contact (Supervision Contact)

MCDLV4-2D0B1LB



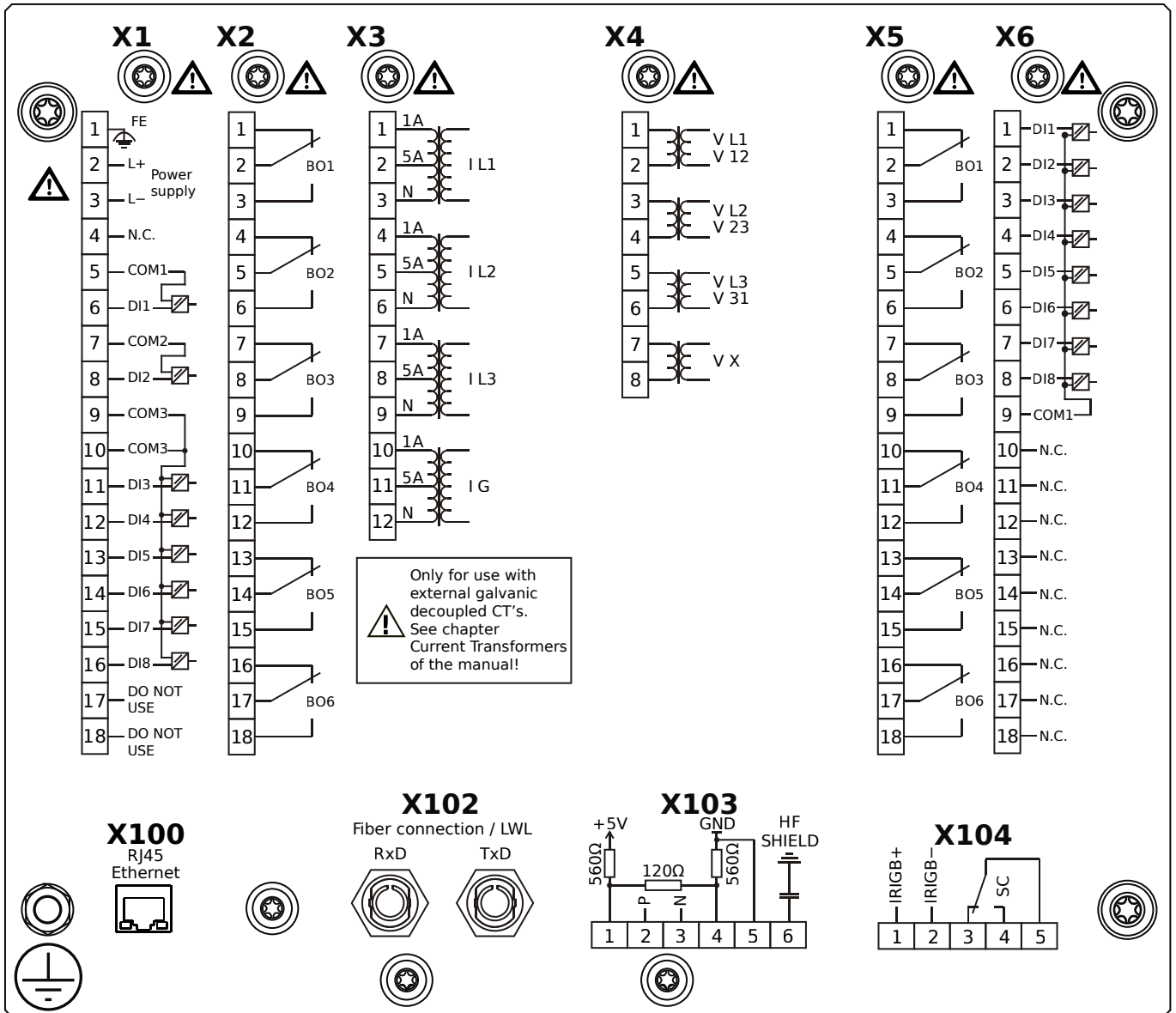
- X1** – DI8-X1: Wide-range power supply unit, incl. 2 non-grouped digital inputs and 6 grouped digital inputs
- X2** – OR-6: Assembly Group with 6 Relay Outputs
- X3** – TI-4: Standard current measuring card
- X4** – TU: Card with 4 voltage transformer measuring inputs
- X5** – OR-6: Assembly Group with 6 Relay Outputs
- X6** – DI8: Assembly Group with 8 Digital Inputs
- X102** – Protection Communication, Fiber optics interface, ST Connector
- X103** – Modbus TCP / DNP3.0 TCP/UDP, Fiber optics interface, LC Connector
- X104** – IRIG-B00X, incl. System Contact (Supervision Contact)

MCDLV4-2D0B1TA



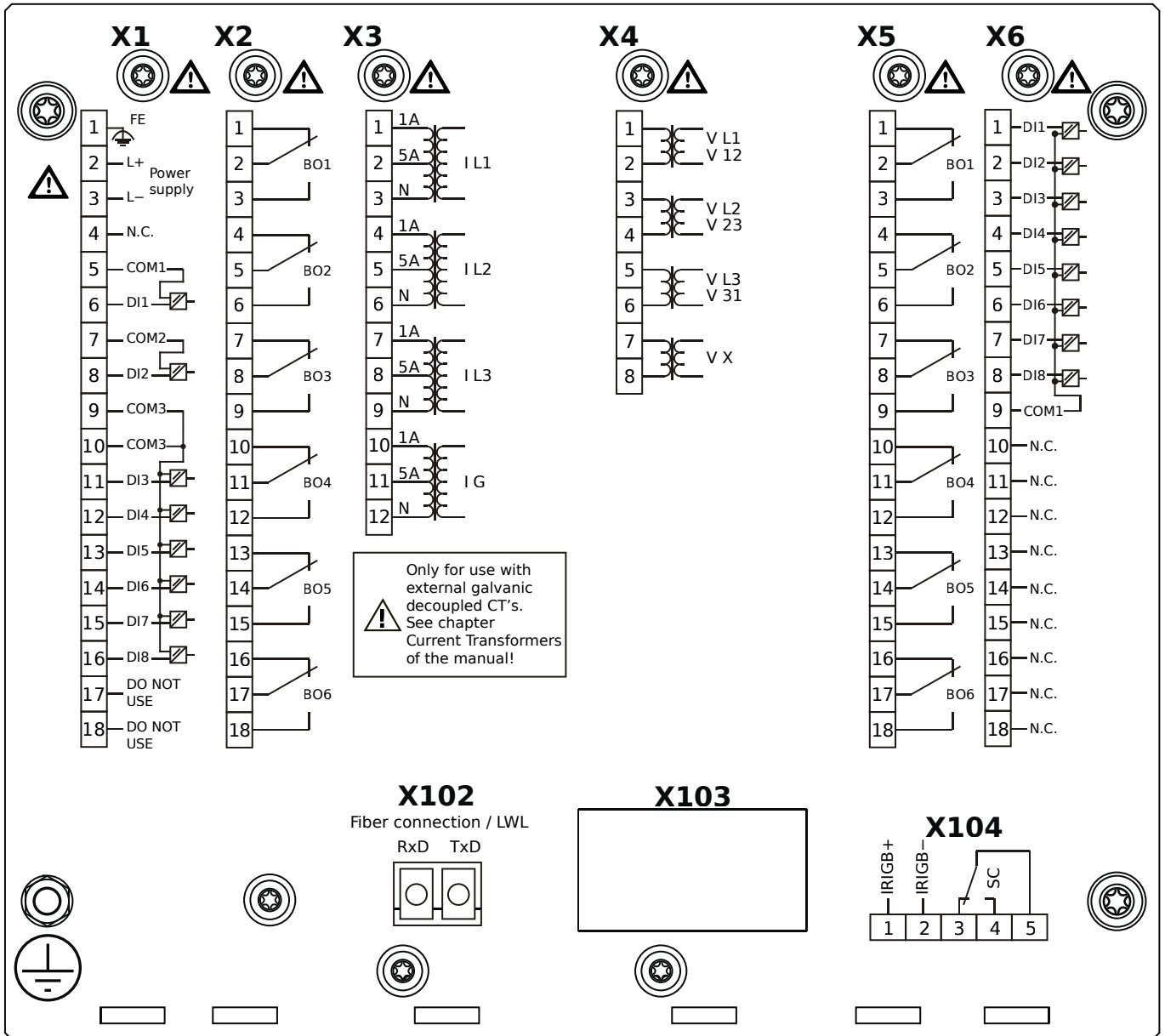
- X1** – DI8-X1: Wide-range power supply unit, incl. 2 non-grouped digital inputs and 6 grouped digital inputs
- X2** – OR-6: Assembly Group with 6 Relay Outputs
- X3** – TI-4: Standard current measuring card
- X4** – TU: Card with 4 voltage transformer measuring inputs
- X5** – OR-6: Assembly Group with 6 Relay Outputs
- X6** – DI8: Assembly Group with 8 Digital Inputs
- X100** – IEC 61850 / Modbus TCP / DNP3.0 TCP/UDP, Ethernet interface, 100 Mbit/s, RJ45 (BASE100-FX)
- X102** – Protection Communication, Fiber optics interface, ST Connector
- X103** – IEC 60870-5-103 / Modbus RTU / DNP3.0 RTU, RS485, Terminals
- X104** – IRIG-B00X, incl. System Contact (Supervision Contact)

MCDLV4-2D0B1TB



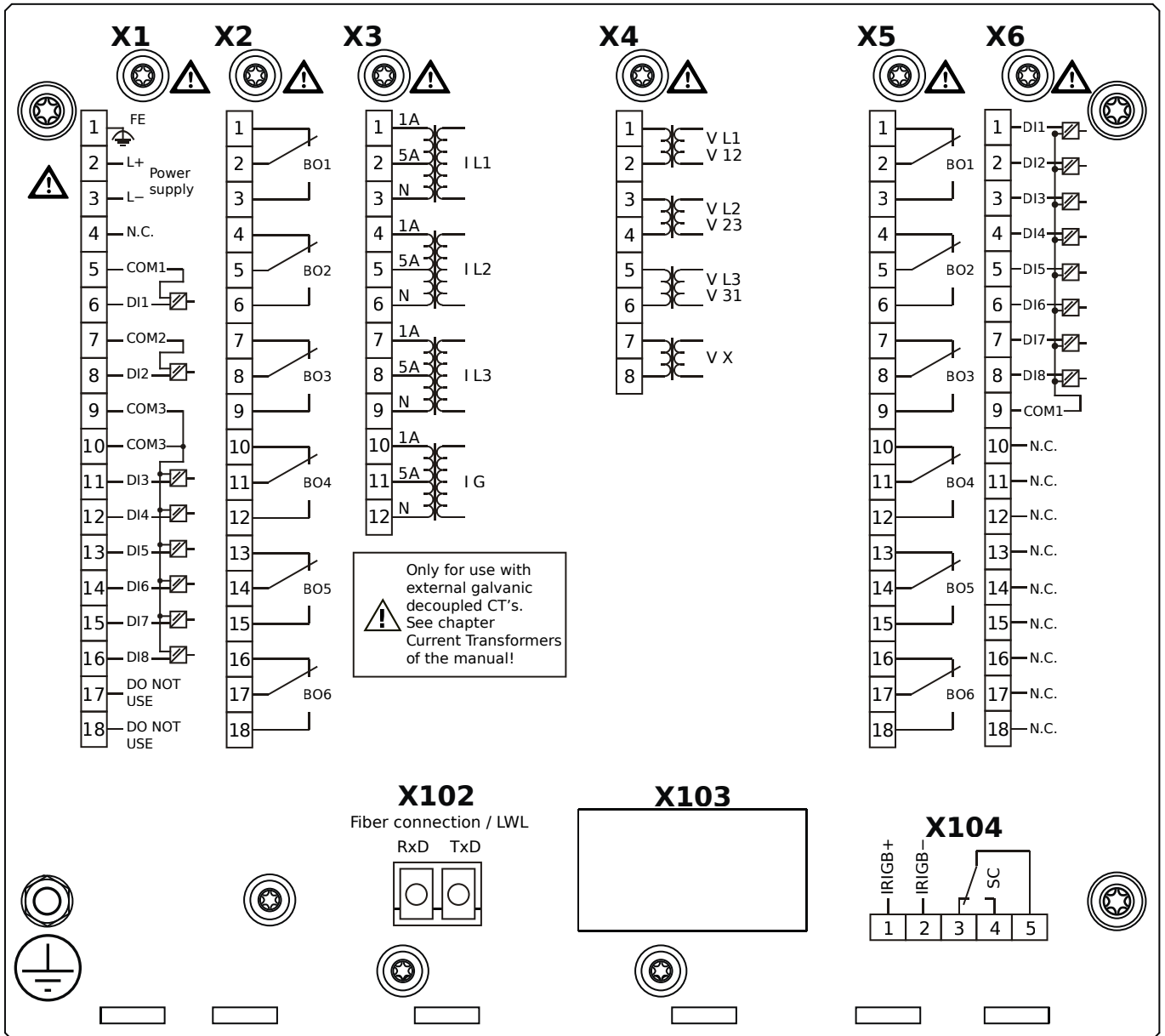
- X1** – DI8-X1: Wide-range power supply unit, incl. 2 non-grouped digital inputs and 6 grouped digital inputs
- X2** – OR-6: Assembly Group with 6 Relay Outputs
- X3** – TI-4: Standard current measuring card
- X4** – TU: Card with 4 voltage transformer measuring inputs
- X5** – OR-6: Assembly Group with 6 Relay Outputs
- X6** – DI8: Assembly Group with 8 Digital Inputs
- X100** – IEC 61850 / Modbus TCP / DNP3.0 TCP/UDP, Ethernet interface, 100 Mbit/s, RJ45 (BASE100-FX)
- X102** – Protection Communication, Fiber optics interface, ST Connector
- X103** – IEC 60870-5-103 / Modbus RTU / DNP3.0 RTU, RS485, Terminals
- X104** – IRIG-B00X, incl. System Contact (Supervision Contact)

MCDLV4-2D0H0AA



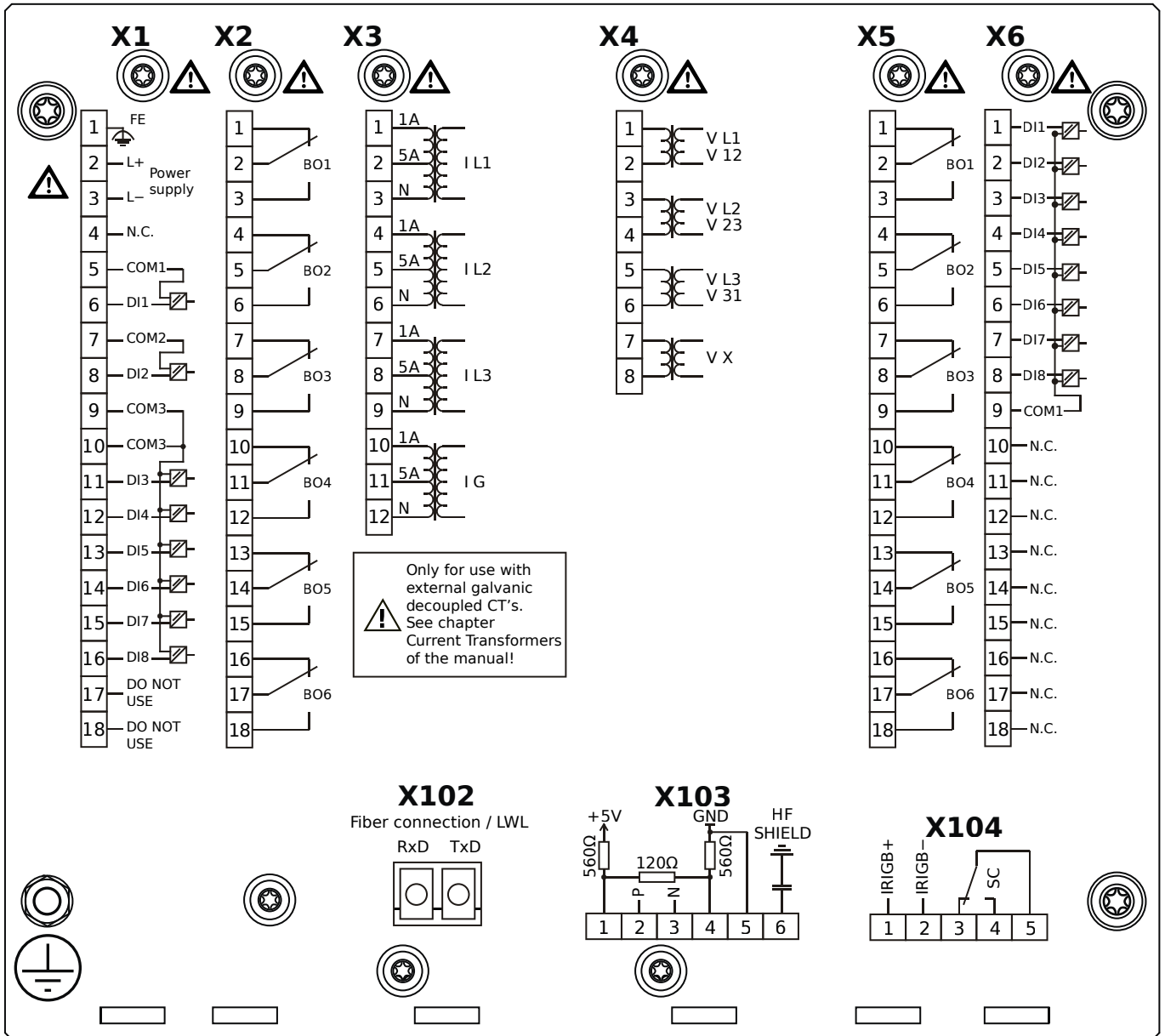
- X1** – DI8-X1: Wide-range power supply unit, incl. 2 non-grouped digital inputs and 6 grouped digital inputs
- X2** – OR-6: Assembly Group with 6 Relay Outputs
- X3** – TI-4: Standard current measuring card
- X4** – TU: Card with 4 voltage transformer measuring inputs
- X5** – OR-6: Assembly Group with 6 Relay Outputs
- X6** – DI8: Assembly Group with 8 Digital Inputs
- X102** – Long-distance Protection Communication, Fiber optics interface, LC Connector
- X104** – IRIG-B00X, incl. System Contact (Supervision Contact)

MCDLV4-2D0H0AB



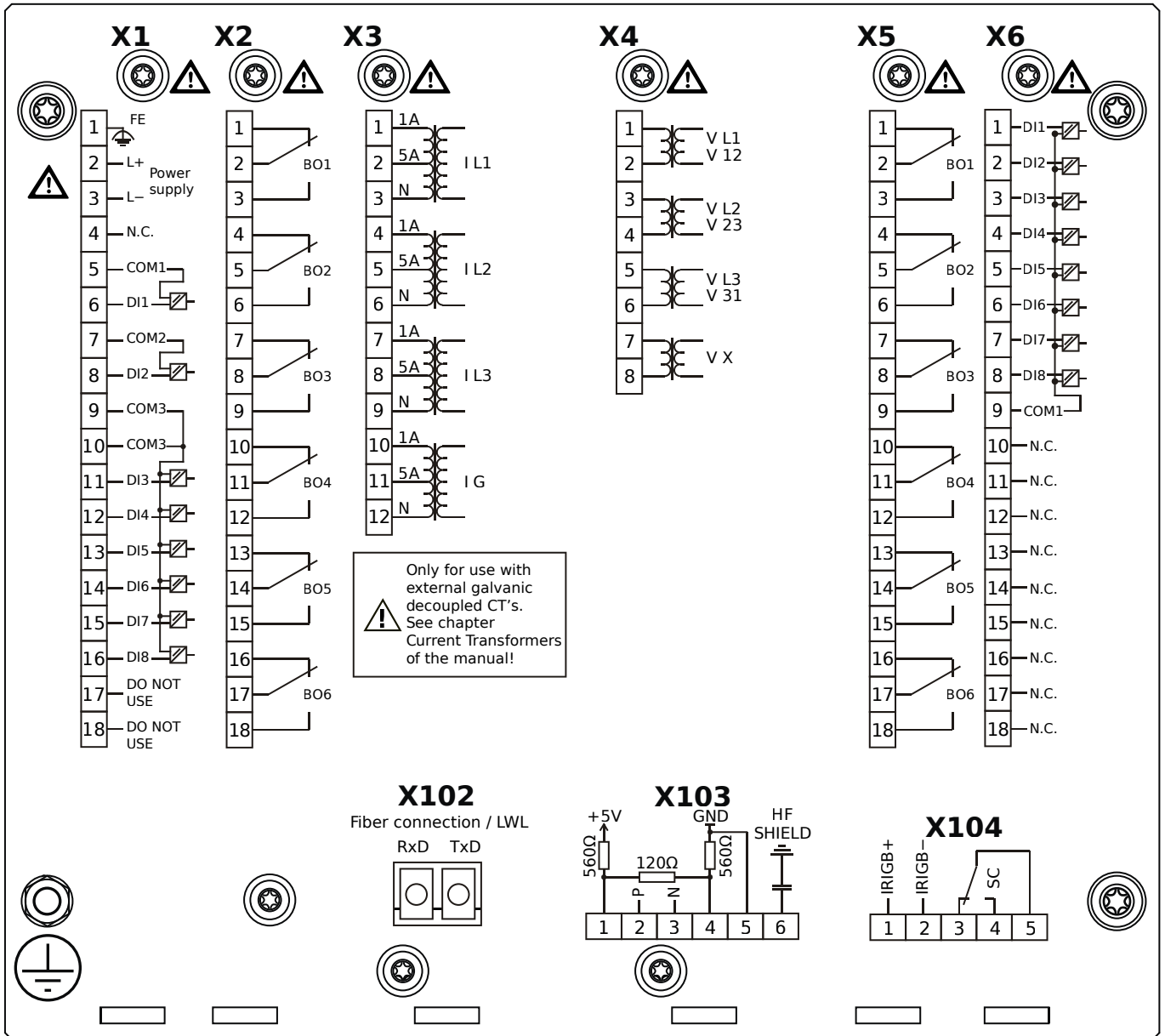
- X1** – DI8-X1: Wide-range power supply unit, incl. 2 non-grouped digital inputs and 6 grouped digital inputs
- X2** – OR-6: Assembly Group with 6 Relay Outputs
- X3** – TI-4: Standard current measuring card
- X4** – TU: Card with 4 voltage transformer measuring inputs
- X5** – OR-6: Assembly Group with 6 Relay Outputs
- X6** – DI8: Assembly Group with 8 Digital Inputs
- X102** – Long-distance Protection Communication, Fiber optics interface, LC Connector
- X104** – IRIG-B00X, incl. System Contact (Supervision Contact)

MCDLV4-2D0H0BA



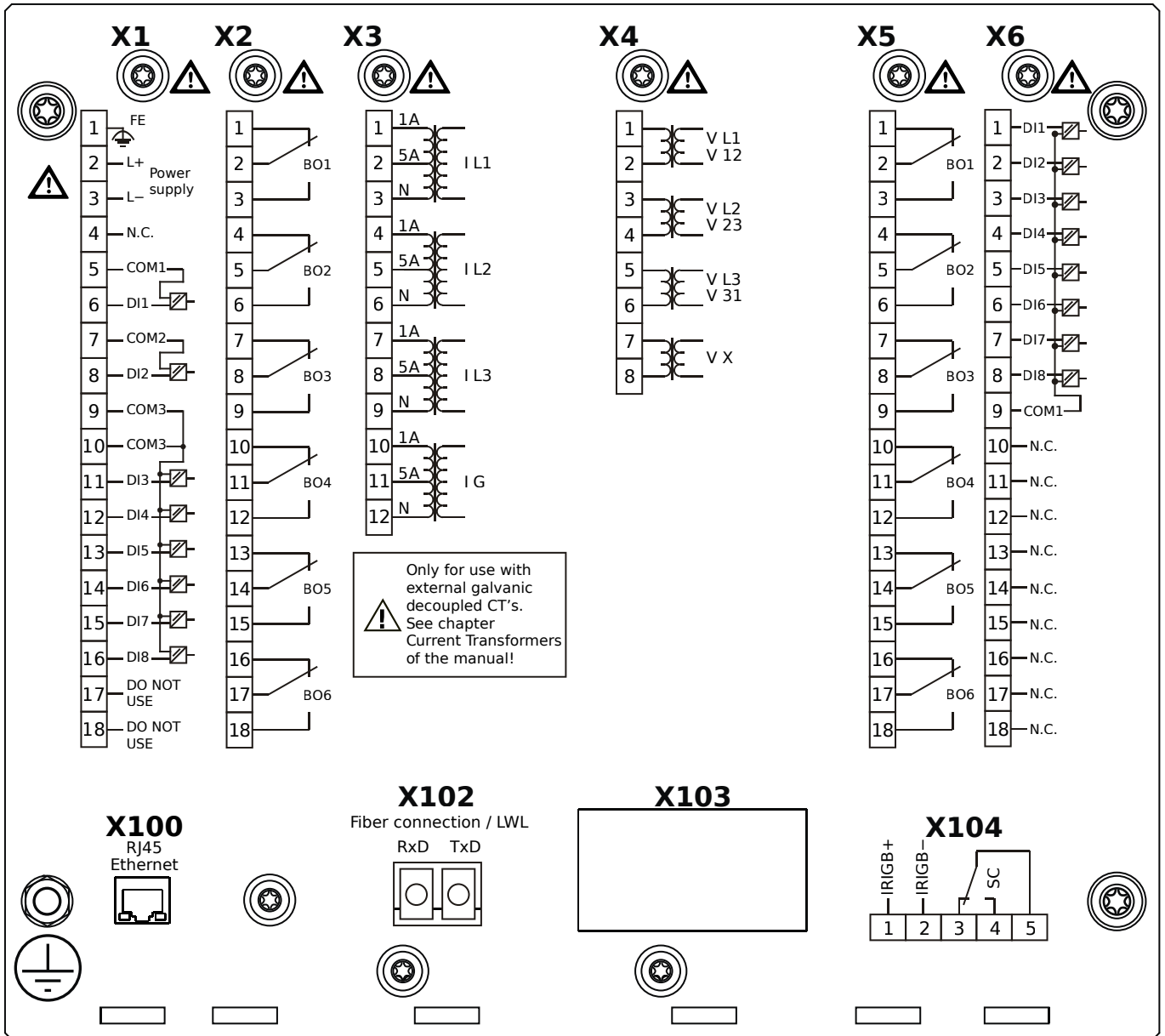
- X1** – DI8-X1: Wide-range power supply unit, incl. 2 non-grouped digital inputs and 6 grouped digital inputs
- X2** – OR-6: Assembly Group with 6 Relay Outputs
- X3** – TI-4: Standard current measuring card
- X4** – TU: Card with 4 voltage transformer measuring inputs
- X5** – OR-6: Assembly Group with 6 Relay Outputs
- X6** – DI8: Assembly Group with 8 Digital Inputs
- X102** – Long-distance Protection Communication, Fiber optics interface, LC Connector
- X103** – Modbus RTU / IEC 60870-5-103 / DNP3.0 RTU, RS485, Terminals
- X104** – IRIG-B00X, incl. System Contact (Supervision Contact)

MCDLV4-2D0H0BB



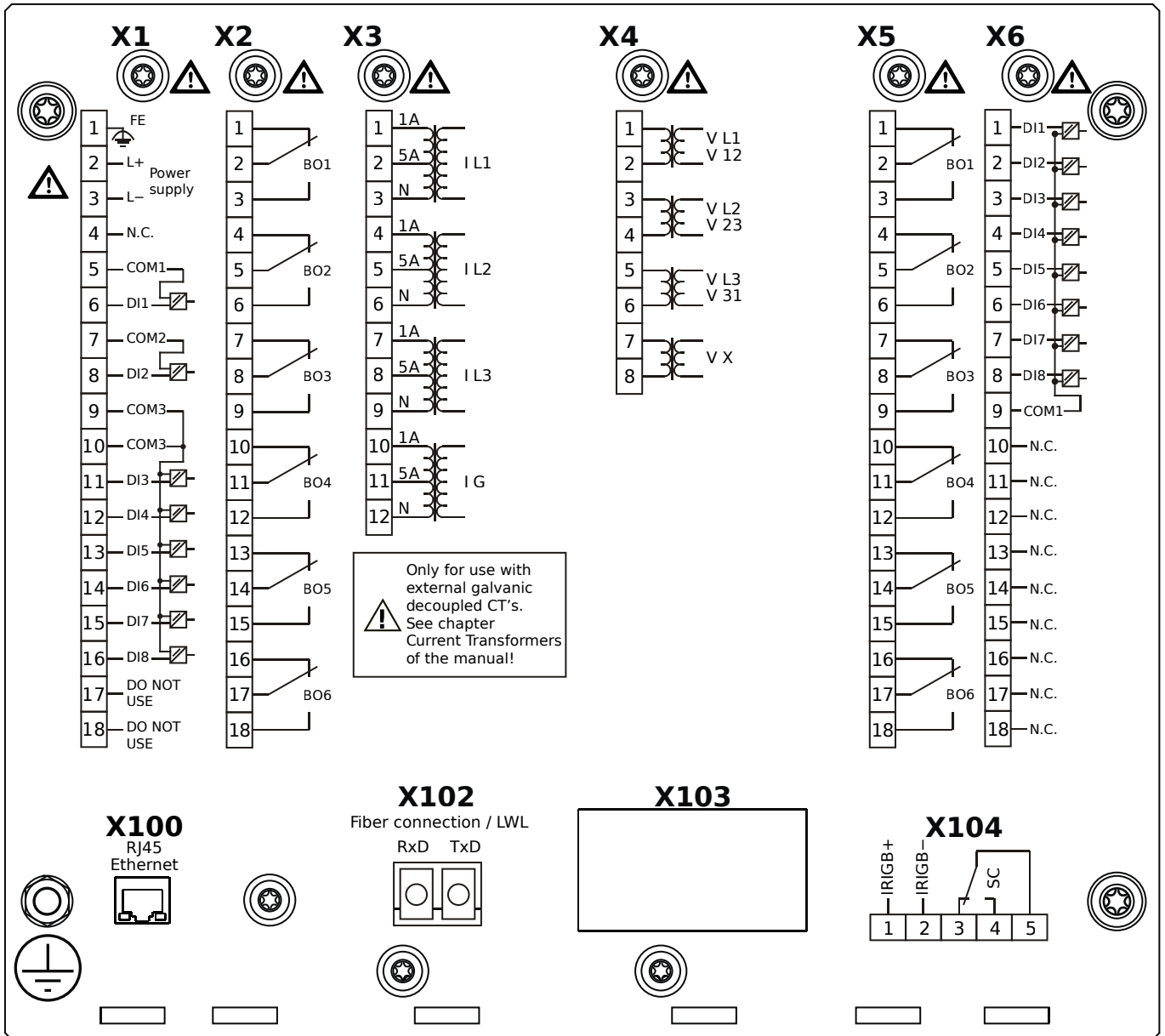
- X1** – DI8-X1: Wide-range power supply unit, incl. 2 non-grouped digital inputs and 6 grouped digital inputs
- X2** – OR-6: Assembly Group with 6 Relay Outputs
- X3** – TI-4: Standard current measuring card
- X4** – TU: Card with 4 voltage transformer measuring inputs
- X5** – OR-6: Assembly Group with 6 Relay Outputs
- X6** – DI8: Assembly Group with 8 Digital Inputs
- X102** – Long-distance Protection Communication, Fiber optics interface, LC Connector
- X103** – Modbus RTU / IEC 60870-5-103 / DNP3.0 RTU, RS485, Terminals
- X104** – IRIG-B00X, incl. System Contact (Supervision Contact)

MCDLV4-2D0H0CA



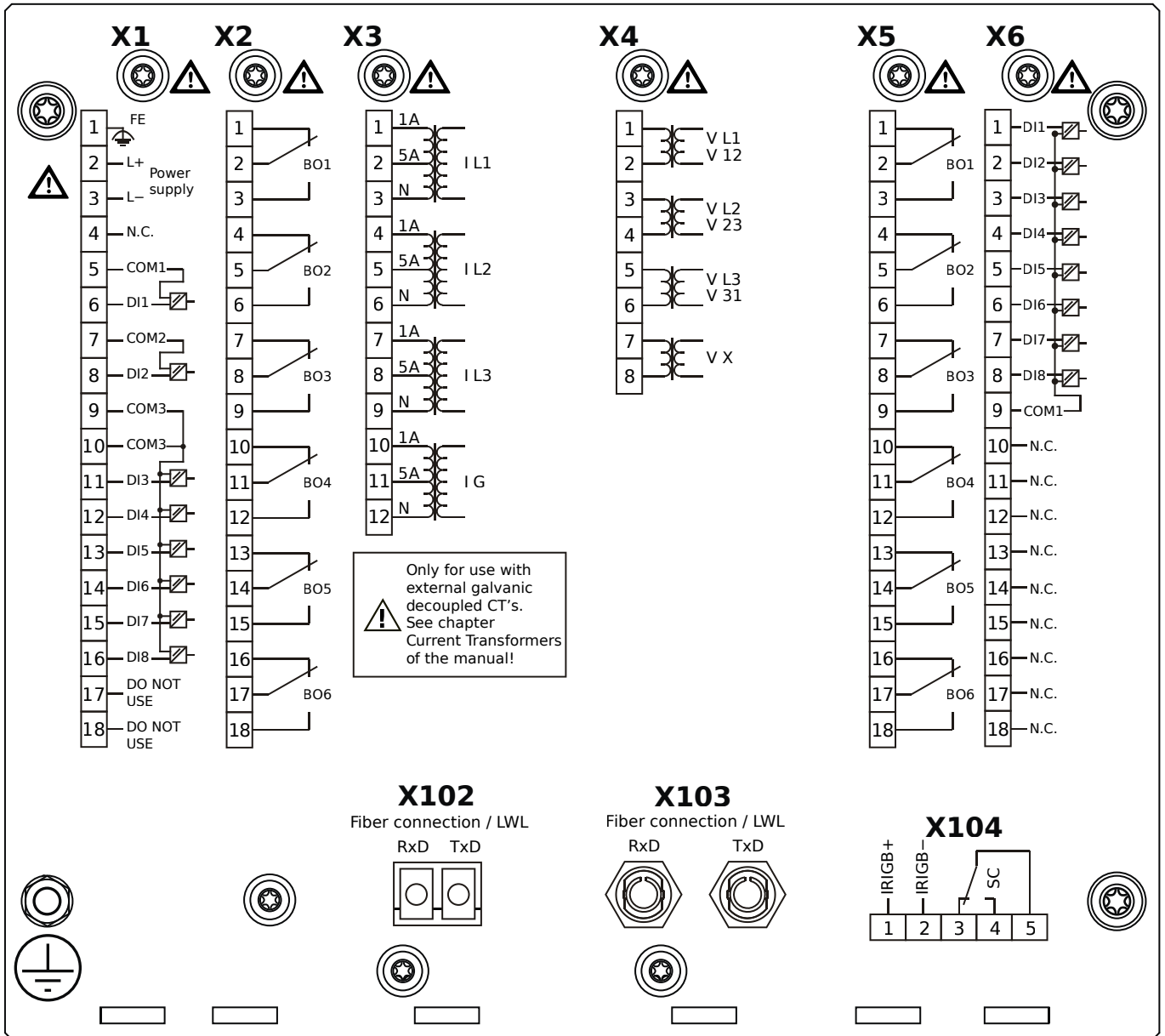
- X1** – DI8-X1: Wide-range power supply unit, incl. 2 non-grouped digital inputs and 6 grouped digital inputs
- X2** – OR-6: Assembly Group with 6 Relay Outputs
- X3** – TI-4: Standard current measuring card
- X4** – TU: Card with 4 voltage transformer measuring inputs
- X5** – OR-6: Assembly Group with 6 Relay Outputs
- X6** – DI8: Assembly Group with 8 Digital Inputs
- X100** – Modbus TCP / DNP3.0 TCP/UDP, Ethernet interface, 100 Mbit/s, RJ45 (BASE100-FX)
- X102** – Long-distance Protection Communication, Fiber optics interface, LC Connector
- X104** – IRIG-B00X, incl. System Contact (Supervision Contact)

MCDLV4-2D0H0CB



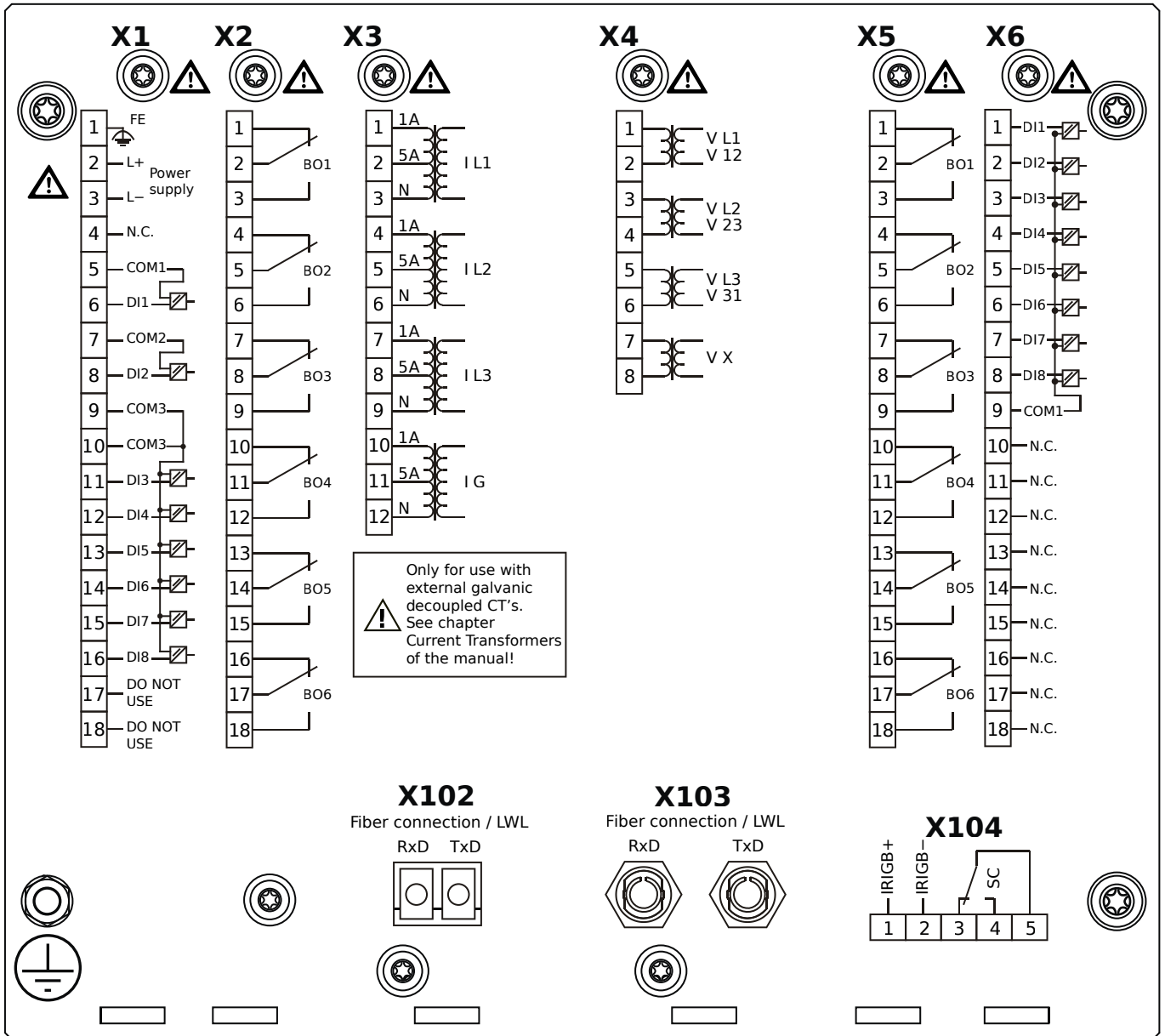
- X1** – DI8-X1: Wide-range power supply unit, incl. 2 non-grouped digital inputs and 6 grouped digital inputs
- X2** – OR-6: Assembly Group with 6 Relay Outputs
- X3** – TI-4: Standard current measuring card
- X4** – TU: Card with 4 voltage transformer measuring inputs
- X5** – OR-6: Assembly Group with 6 Relay Outputs
- X6** – DI8: Assembly Group with 8 Digital Inputs
- X100** – Modbus TCP / DNP3.0 TCP/UDP, Ethernet interface, 100 Mbit/s, RJ45 (BASE100-FX)
- X102** – Long-distance Protection Communication, Fiber optics interface, LC Connector
- X104** – IRIG-B00X, incl. System Contact (Supervision Contact)

MCDLV4-2D0H0DA



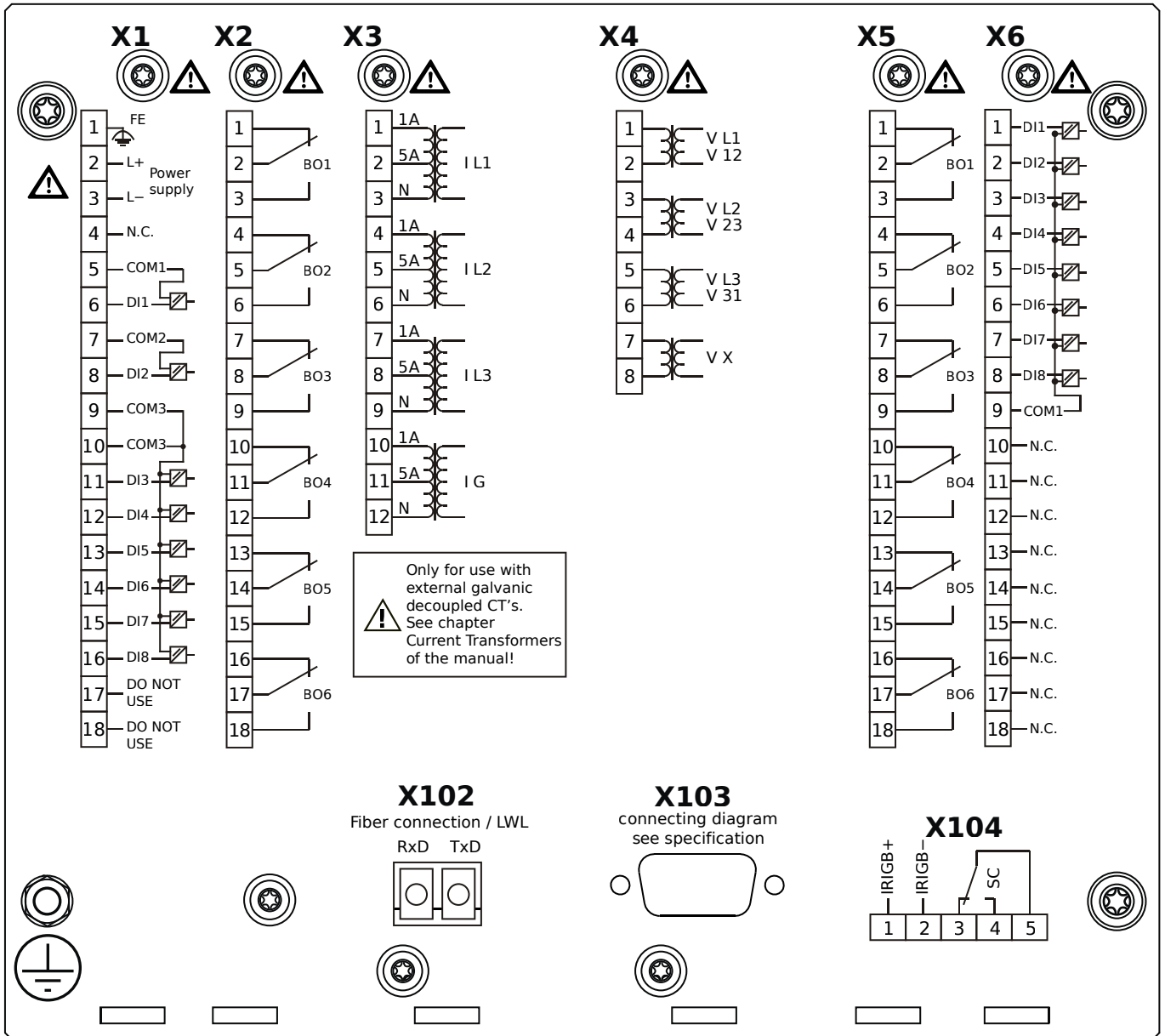
- X1** – DI8-X1: Wide-range power supply unit, incl. 2 non-grouped digital inputs and 6 grouped digital inputs
- X2** – OR-6: Assembly Group with 6 Relay Outputs
- X3** – TI-4: Standard current measuring card
- X4** – TU: Card with 4 voltage transformer measuring inputs
- X5** – OR-6: Assembly Group with 6 Relay Outputs
- X6** – DI8: Assembly Group with 8 Digital Inputs
- X102** – Long-distance Protection Communication, Fiber optics interface, LC Connector
- X103** – Profibus-DP, Fiber optics interface, ST Connector
- X104** – IRIG-B00X, incl. System Contact (Supervision Contact)

MCDLV4-2D0H0DB



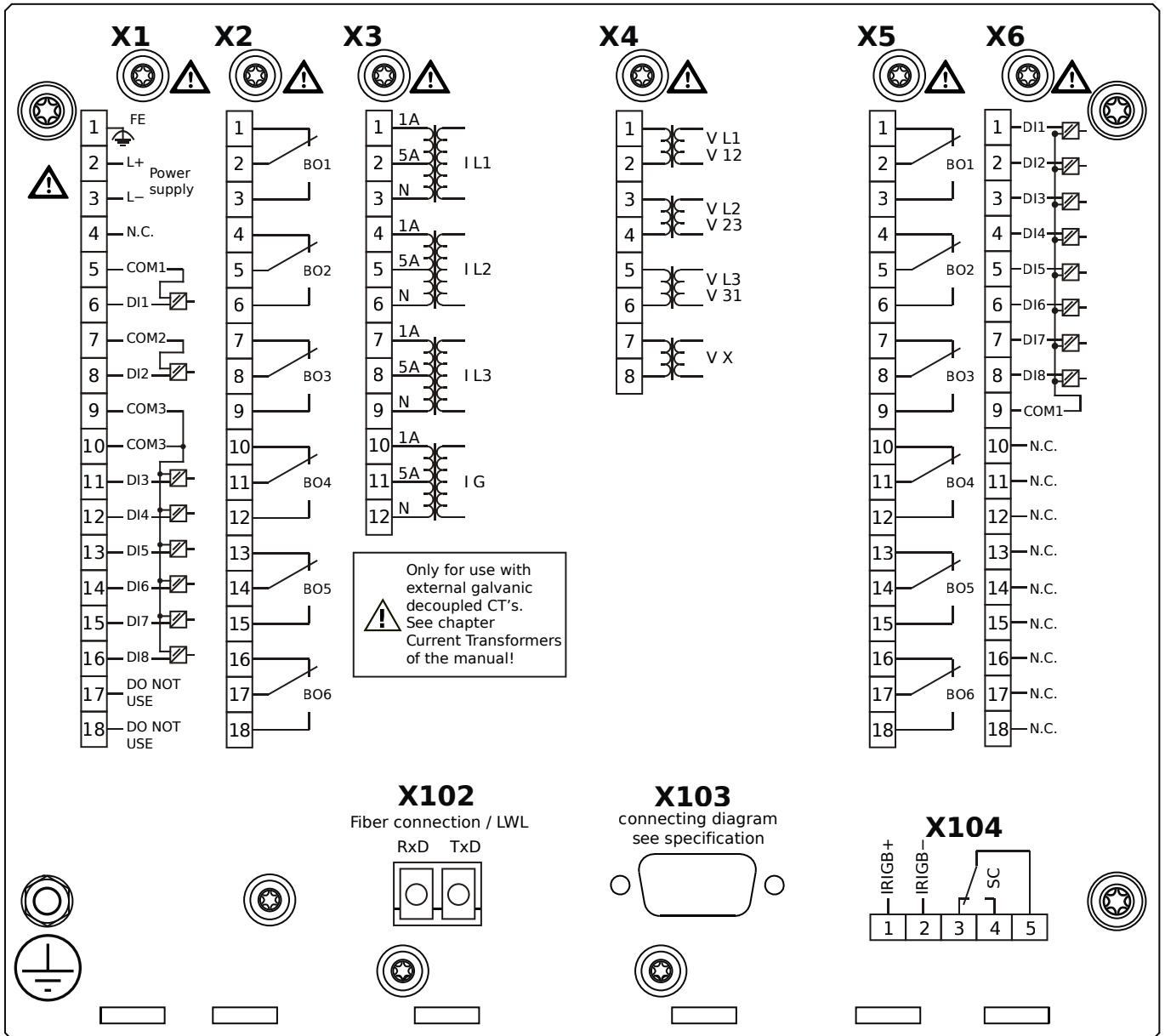
- X1** – DI8-X1: Wide-range power supply unit, incl. 2 non-grouped digital inputs and 6 grouped digital inputs
- X2** – OR-6: Assembly Group with 6 Relay Outputs
- X3** – TI-4: Standard current measuring card
- X4** – TU: Card with 4 voltage transformer measuring inputs
- X5** – OR-6: Assembly Group with 6 Relay Outputs
- X6** – DI8: Assembly Group with 8 Digital Inputs
- X102** – Long-distance Protection Communication, Fiber optics interface, LC Connector
- X103** – Profibus-DP, Fiber optics interface, ST Connector
- X104** – IRIG-B00X, incl. System Contact (Supervision Contact)

MCDLV4-2D0H0EA



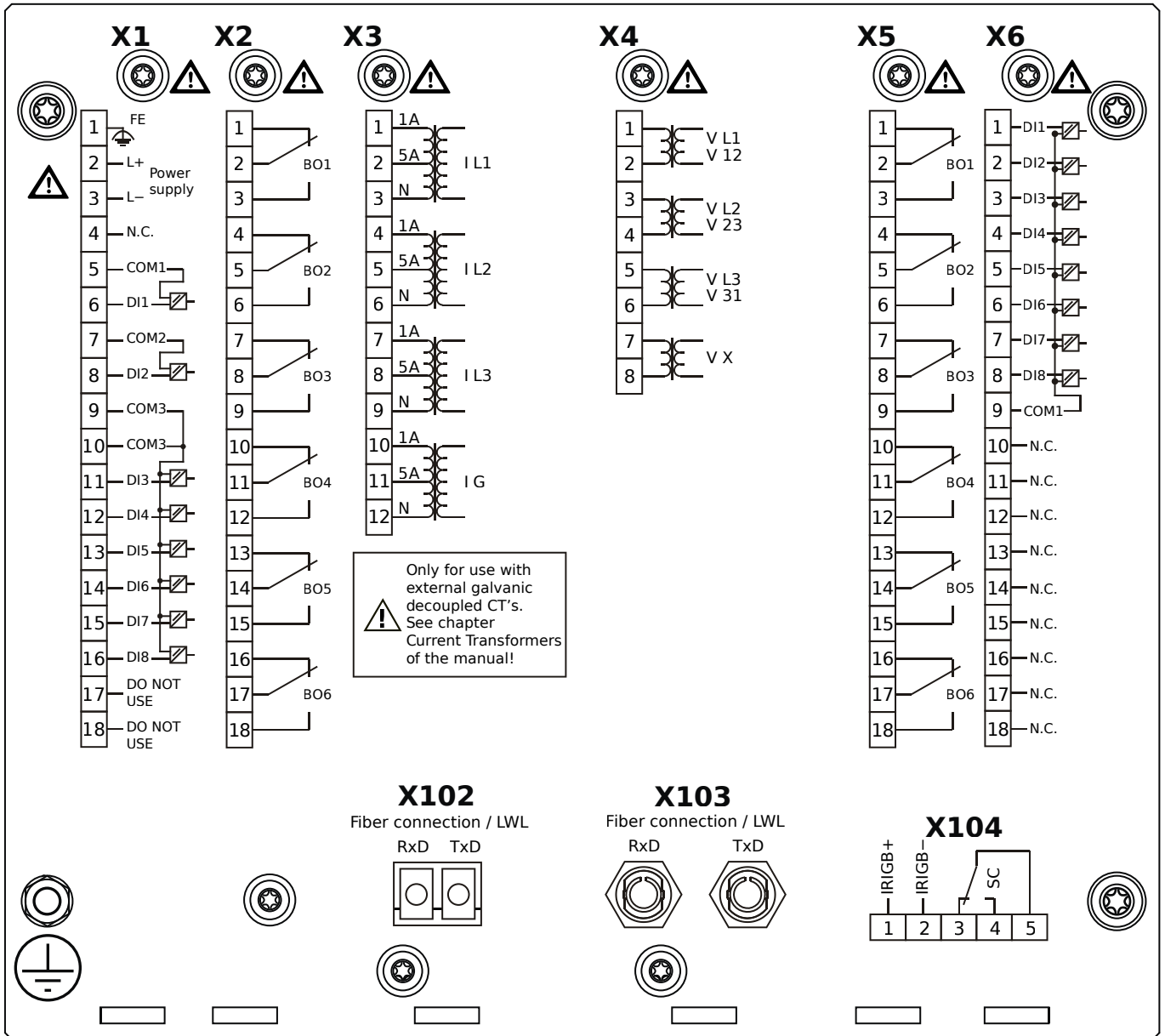
- X1** – DI8-X1: Wide-range power supply unit, incl. 2 non-grouped digital inputs and 6 grouped digital inputs
- X2** – OR-6: Assembly Group with 6 Relay Outputs
- X3** – TI-4: Standard current measuring card
- X4** – TU: Card with 4 voltage transformer measuring inputs
- X5** – OR-6: Assembly Group with 6 Relay Outputs
- X6** – DI8: Assembly Group with 8 Digital Inputs
- X102** – Long-distance Protection Communication, Fiber optics interface, LC Connector
- X103** – Profibus-DP, RS485, D-SUB
- X104** – IRIG-B00X, incl. System Contact (Supervision Contact)

MCDLV4-2D0H0EB



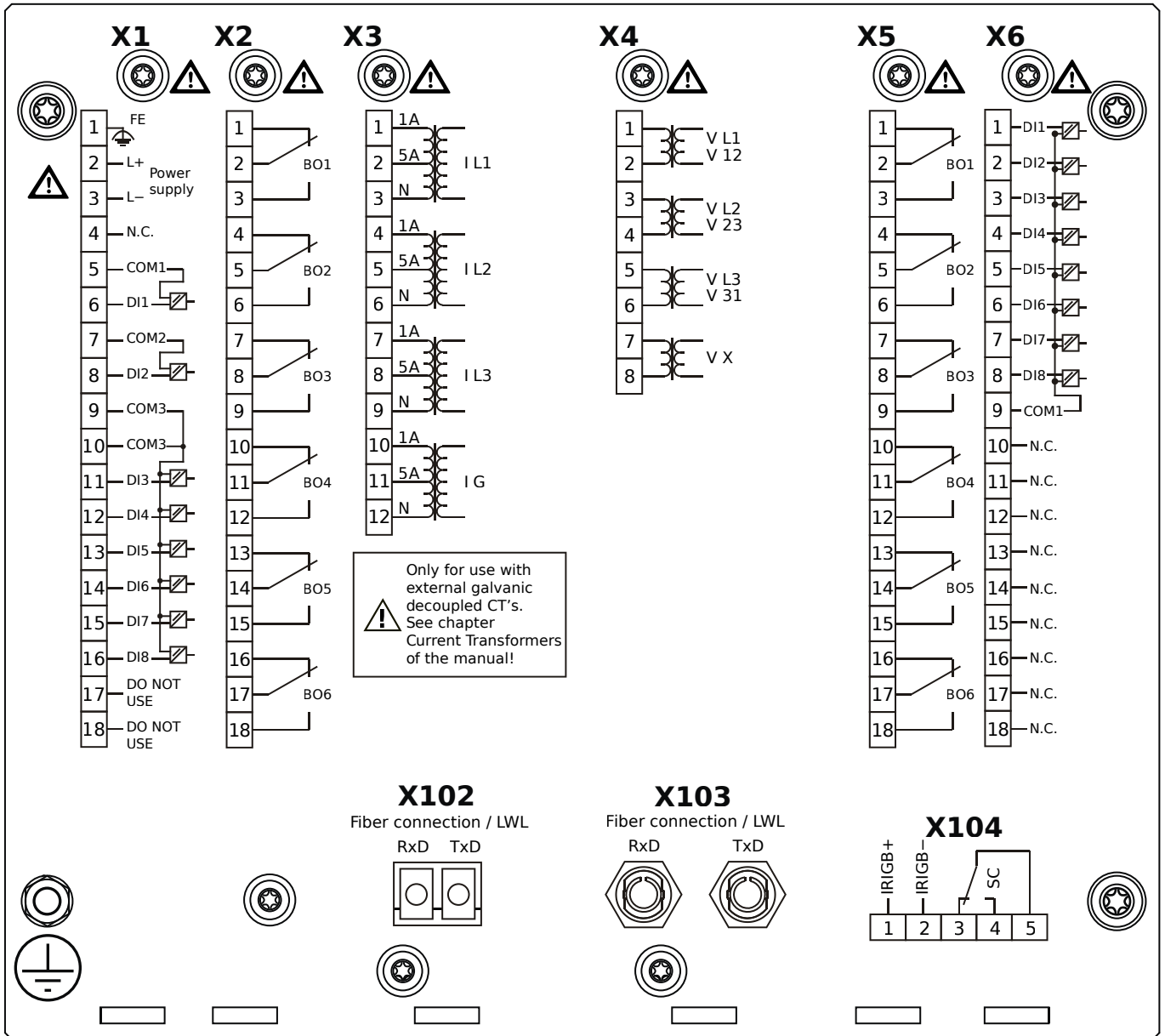
- X1** – DI8-X1: Wide-range power supply unit, incl. 2 non-grouped digital inputs and 6 grouped digital inputs
- X2** – OR-6: Assembly Group with 6 Relay Outputs
- X3** – TI-4: Standard current measuring card
- X4** – TU: Card with 4 voltage transformer measuring inputs
- X5** – OR-6: Assembly Group with 6 Relay Outputs
- X6** – DI8: Assembly Group with 8 Digital Inputs
- X102** – Long-distance Protection Communication, Fiber optics interface, LC Connector
- X103** – Profibus-DP, RS485, D-SUB
- X104** – IRIG-B00X, incl. System Contact (Supervision Contact)

MCDLV4-2D0H0FA



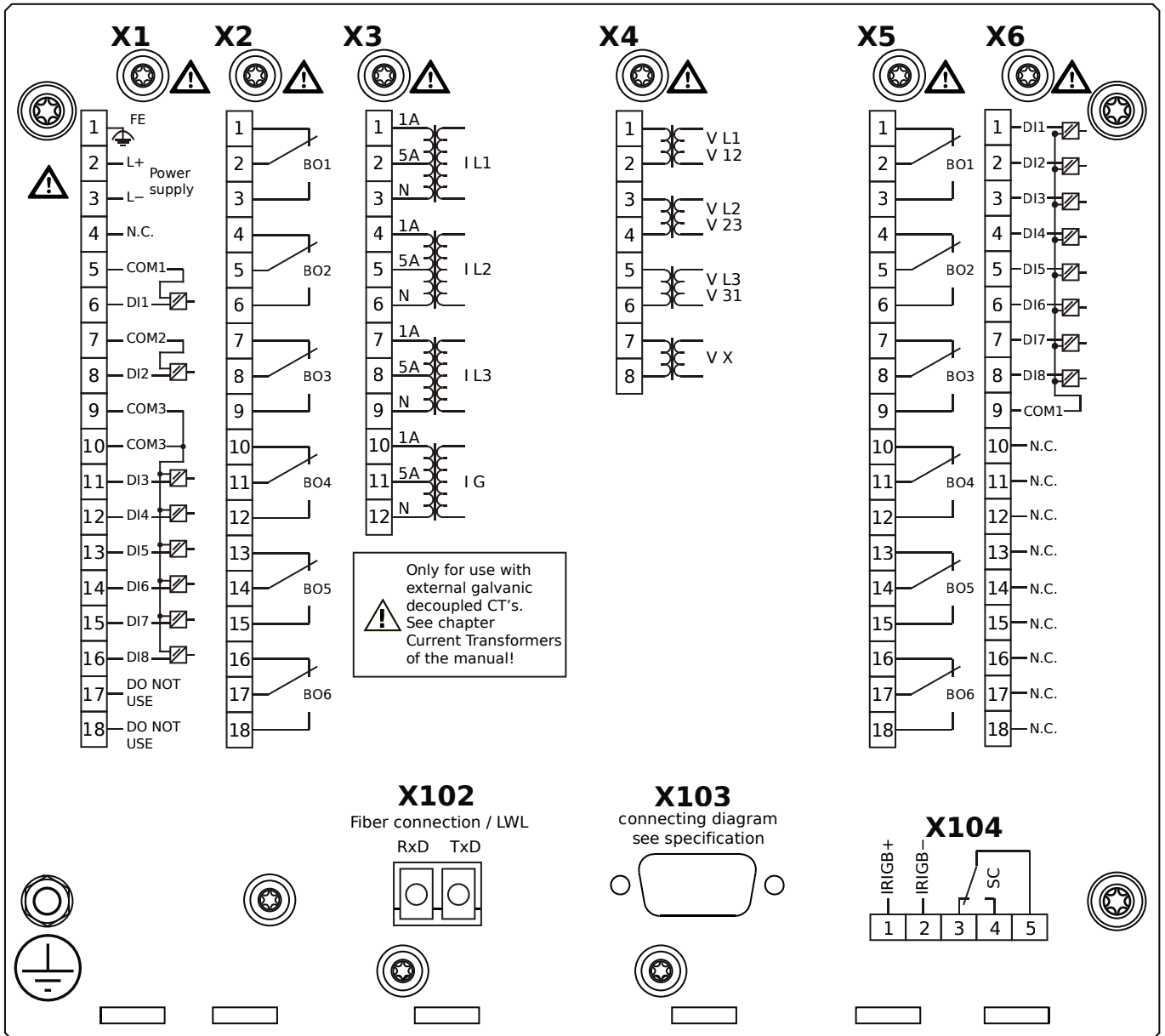
- X1** – DI8-X1: Wide-range power supply unit, incl. 2 non-grouped digital inputs and 6 grouped digital inputs
- X2** – OR-6: Assembly Group with 6 Relay Outputs
- X3** – TI-4: Standard current measuring card
- X4** – TU: Card with 4 voltage transformer measuring inputs
- X5** – OR-6: Assembly Group with 6 Relay Outputs
- X6** – DI8: Assembly Group with 8 Digital Inputs
- X102** – Long-distance Protection Communication, Fiber optics interface, LC Connector
- X103** – Modbus RTU / IEC 60870-5-103 / DNP3.0 RTU, Fiber optics interface, ST Connector
- X104** – IRIG-B00X, incl. System Contact (Supervision Contact)

MCDLV4-2D0H0FB



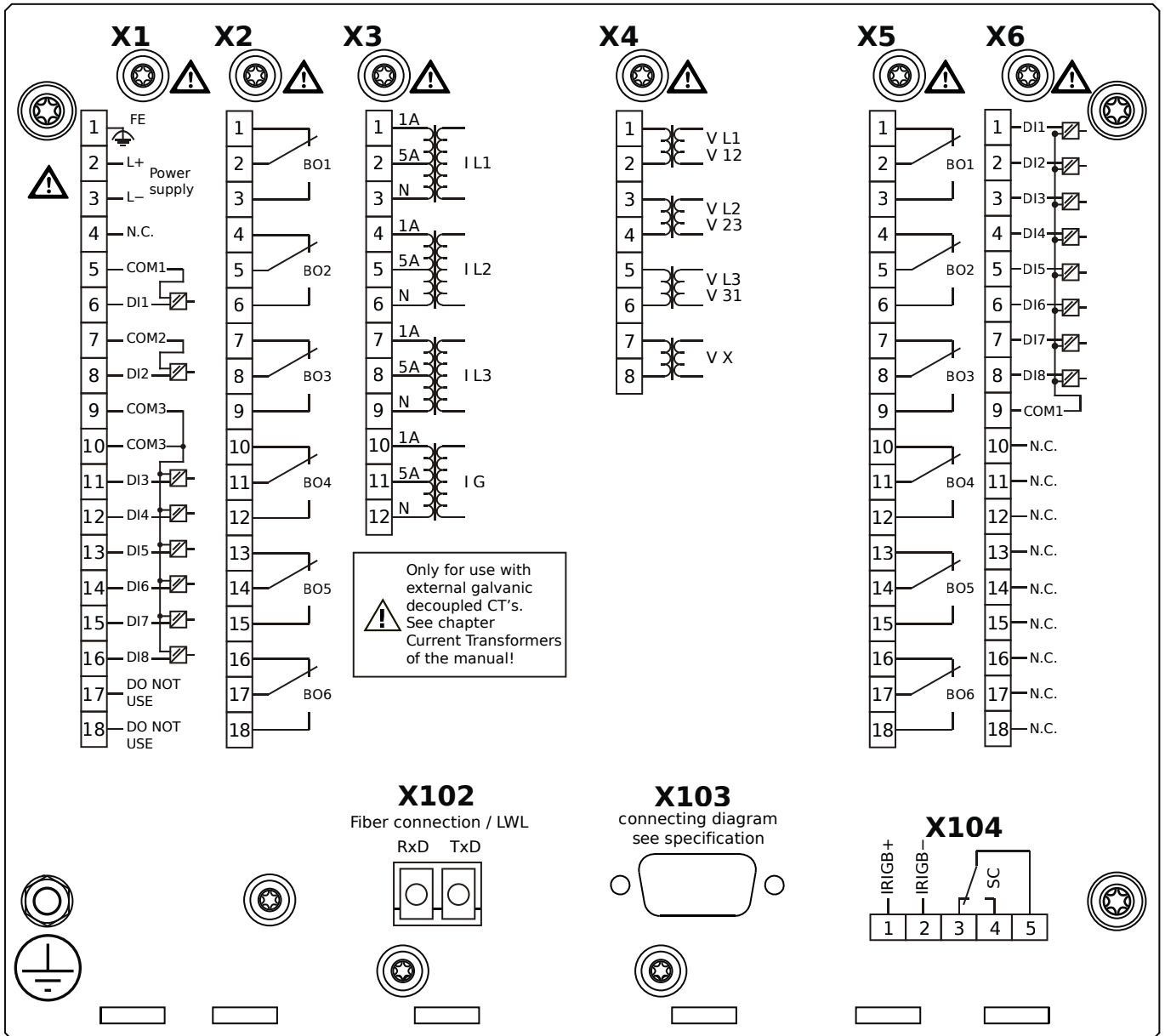
- X1** – DI8-X1: Wide-range power supply unit, incl. 2 non-grouped digital inputs and 6 grouped digital inputs
- X2** – OR-6: Assembly Group with 6 Relay Outputs
- X3** – TI-4: Standard current measuring card
- X4** – TU: Card with 4 voltage transformer measuring inputs
- X5** – OR-6: Assembly Group with 6 Relay Outputs
- X6** – DI8: Assembly Group with 8 Digital Inputs
- X102** – Long-distance Protection Communication, Fiber optics interface, LC Connector
- X103** – Modbus RTU / IEC 60870-5-103 / DNP3.0 RTU, Fiber optics interface, ST Connector
- X104** – IRIG-B00X, incl. System Contact (Supervision Contact)

MCDLV4-2D0H0GA



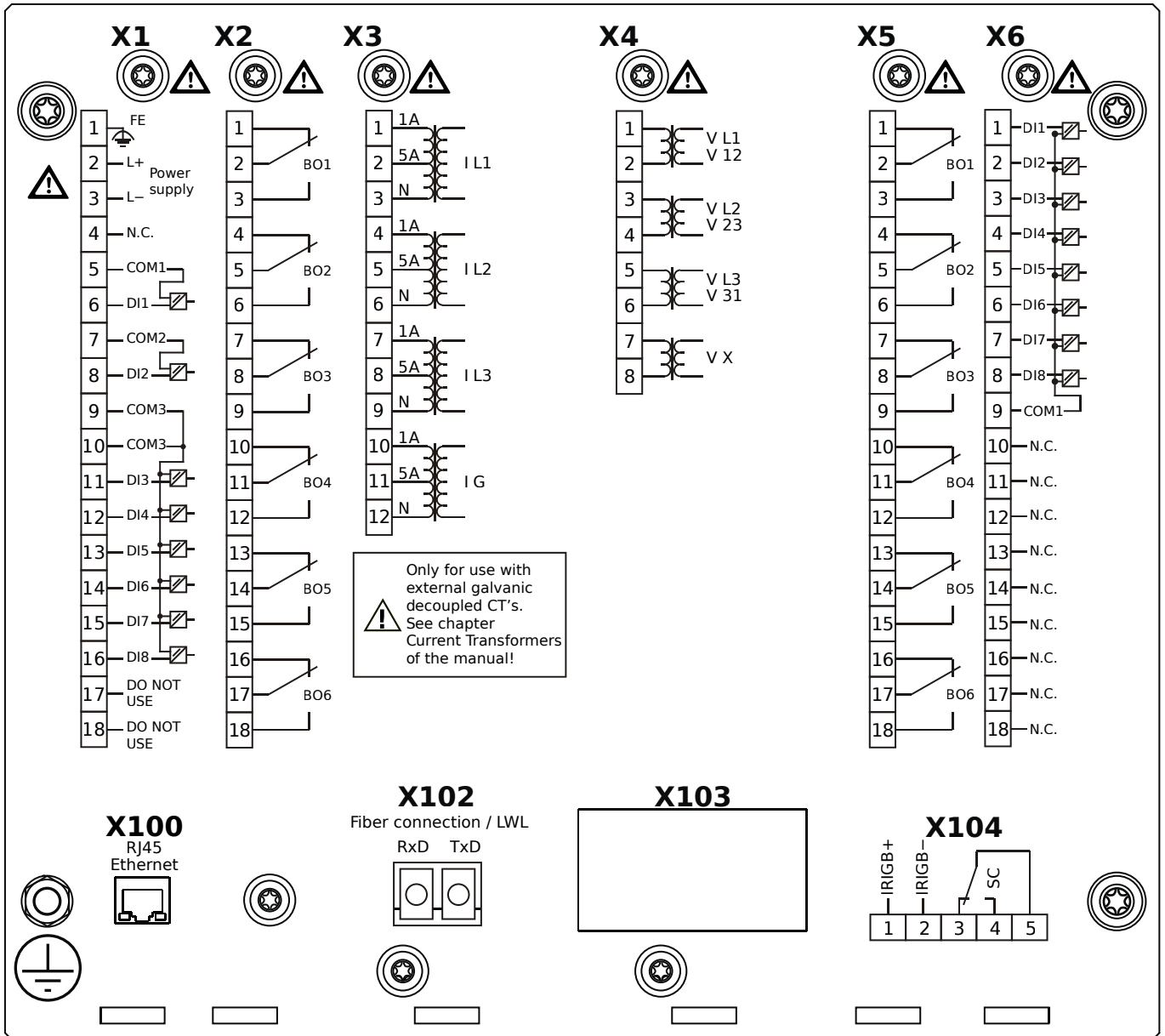
- X1** – DI8-X1: Wide-range power supply unit, incl. 2 non-grouped digital inputs and 6 grouped digital inputs
- X2** – OR-6: Assembly Group with 6 Relay Outputs
- X3** – TI-4: Standard current measuring card
- X4** – TU: Card with 4 voltage transformer measuring inputs
- X5** – OR-6: Assembly Group with 6 Relay Outputs
- X6** – DI8: Assembly Group with 8 Digital Inputs
- X102** – Long-distance Protection Communication, Fiber optics interface, LC Connector
- X103** – Modbus RTU / IEC 60870-5-103 / DNP3.0 RTU, RS485, D-SUB
- X104** – IRIG-B00X, incl. System Contact (Supervision Contact)

MCDLV4-2D0H0GB



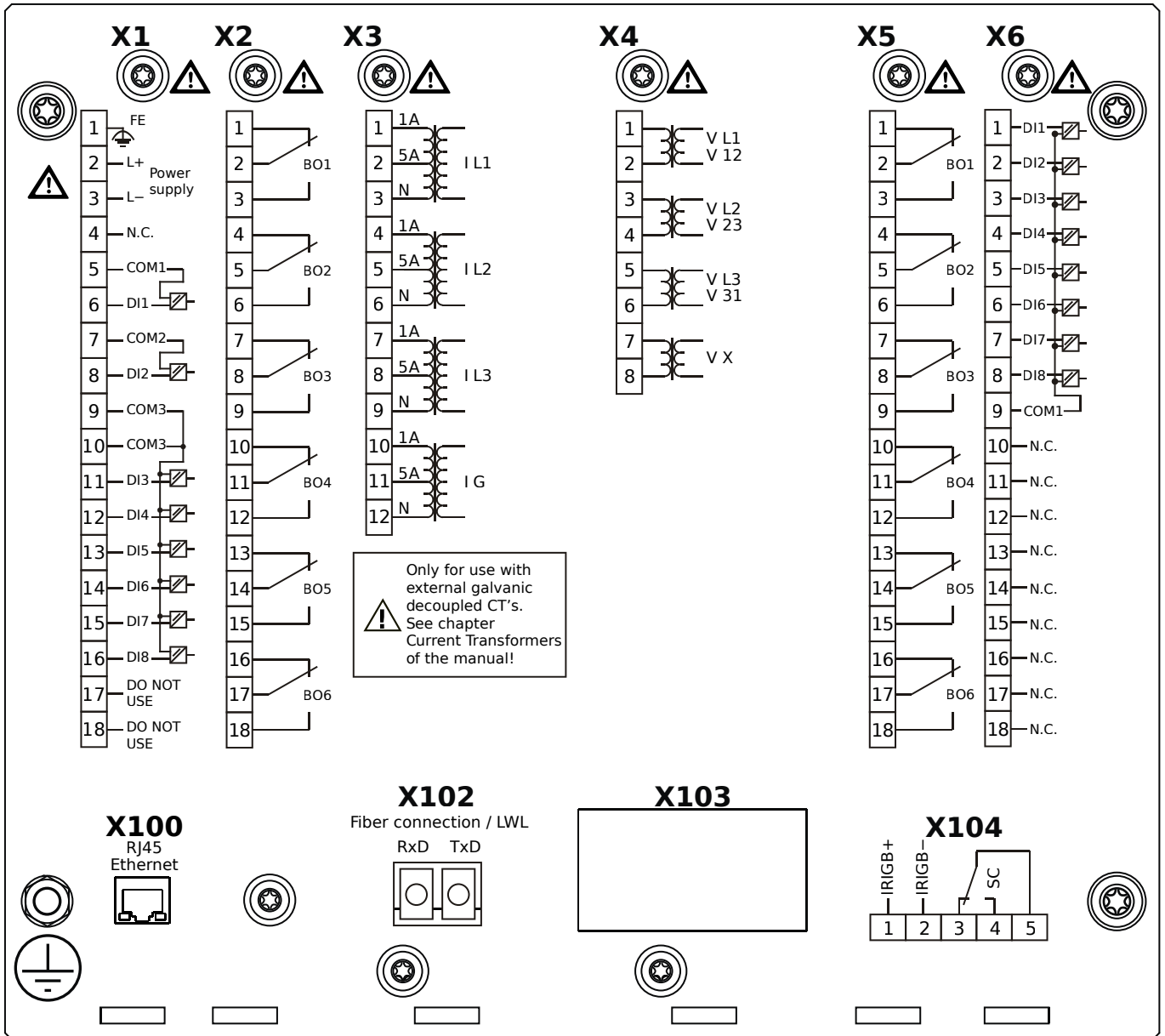
- X1** – DI8-X1: Wide-range power supply unit, incl. 2 non-grouped digital inputs and 6 grouped digital inputs
- X2** – OR-6: Assembly Group with 6 Relay Outputs
- X3** – TI-4: Standard current measuring card
- X4** – TU: Card with 4 voltage transformer measuring inputs
- X5** – OR-6: Assembly Group with 6 Relay Outputs
- X6** – DI8: Assembly Group with 8 Digital Inputs
- X102** – Long-distance Protection Communication, Fiber optics interface, LC Connector
- X103** – Modbus RTU / IEC 60870-5-103 / DNP3.0 RTU, RS485, D-SUB
- X104** – IRIG-B00X, incl. System Contact (Supervision Contact)

MCDLV4-2D0H0HA



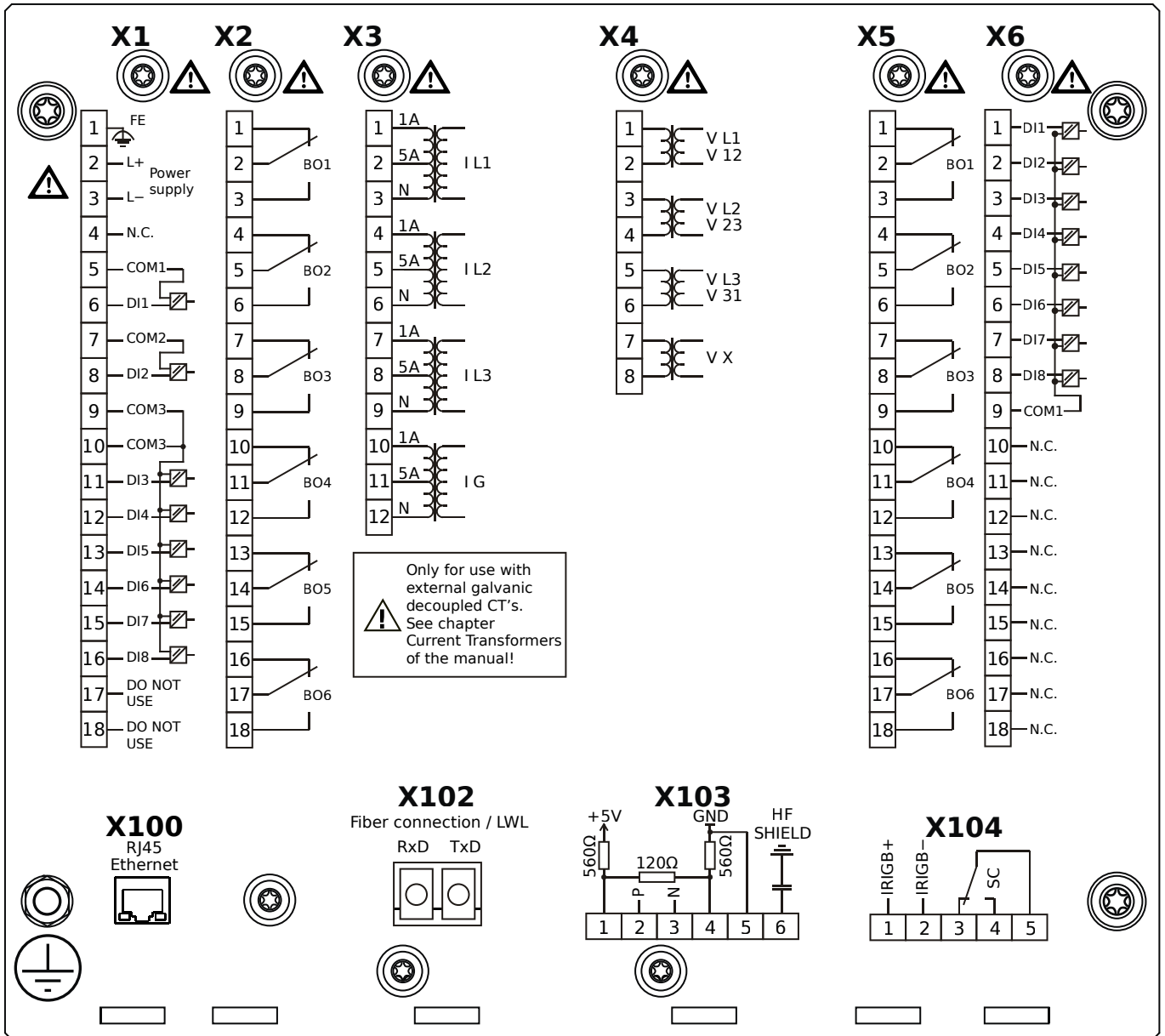
- X1** – DI8-X1: Wide-range power supply unit, incl. 2 non-grouped digital inputs and 6 grouped digital inputs
- X2** – OR-6: Assembly Group with 6 Relay Outputs
- X3** – TI-4: Standard current measuring card
- X4** – TU: Card with 4 voltage transformer measuring inputs
- X5** – OR-6: Assembly Group with 6 Relay Outputs
- X6** – DI8: Assembly Group with 8 Digital Inputs
- X100** – IEC 61850 / Modbus TCP / DNP3.0 TCP/UDP, Ethernet interface, 100 Mbit/s, RJ45 (BASE100-FX)
- X102** – Long-distance Protection Communication, Fiber optics interface, LC Connector
- X104** – IRIG-B00X, incl. System Contact (Supervision Contact)

MCDLV4-2D0H0HB



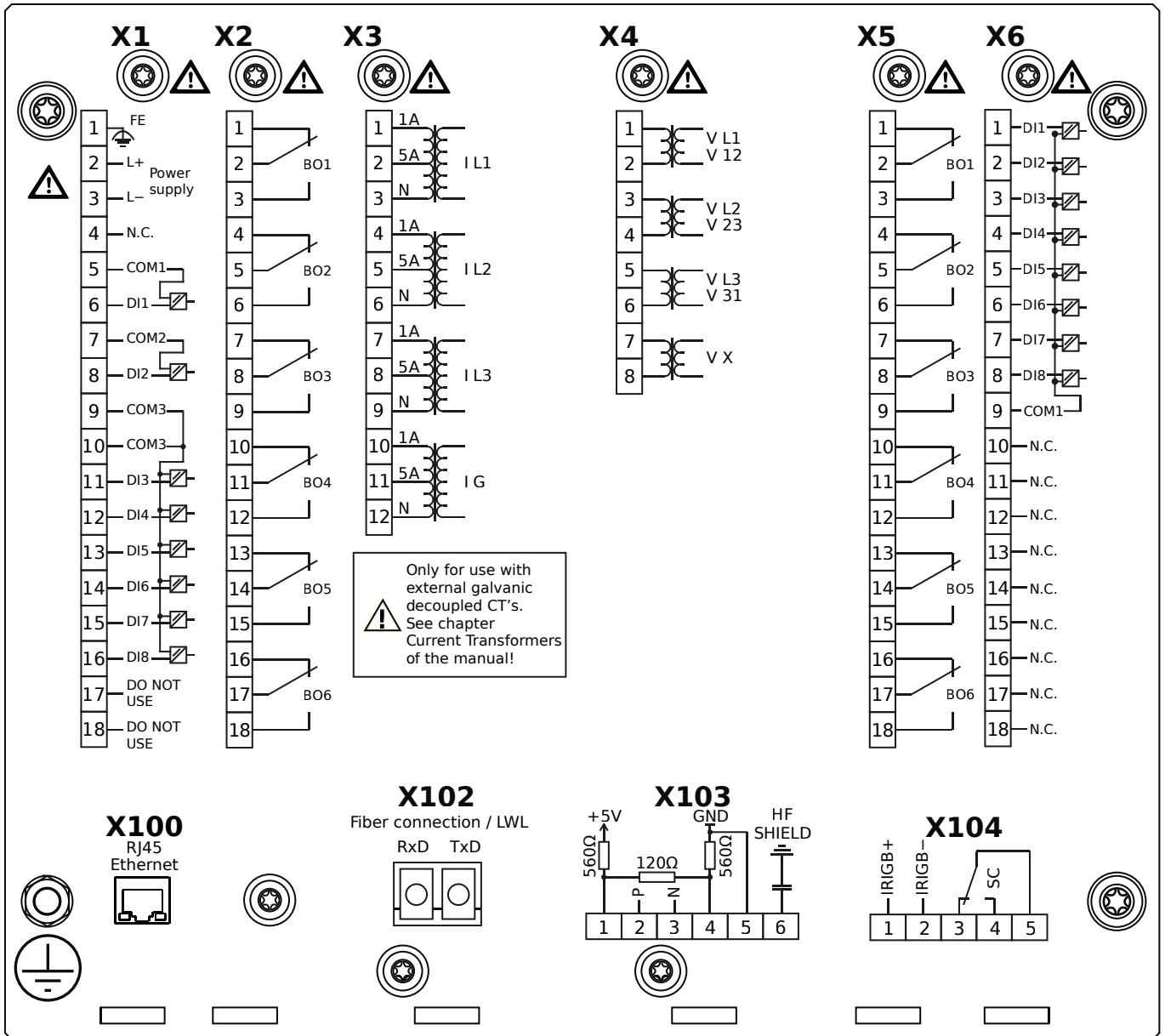
- X1** – DI8-X1: Wide-range power supply unit, incl. 2 non-grouped digital inputs and 6 grouped digital inputs
- X2** – OR-6: Assembly Group with 6 Relay Outputs
- X3** – TI-4: Standard current measuring card
- X4** – TU: Card with 4 voltage transformer measuring inputs
- X5** – OR-6: Assembly Group with 6 Relay Outputs
- X6** – DI8: Assembly Group with 8 Digital Inputs
- X100** – IEC 61850 / Modbus TCP / DNP3.0 TCP/UDP, Ethernet interface, 100 Mbit/s, RJ45 (BASE100-FX)
- X102** – Long-distance Protection Communication, Fiber optics interface, LC Connector
- X104** – IRIG-B00X, incl. System Contact (Supervision Contact)

MCDLV4-2D0H0IA



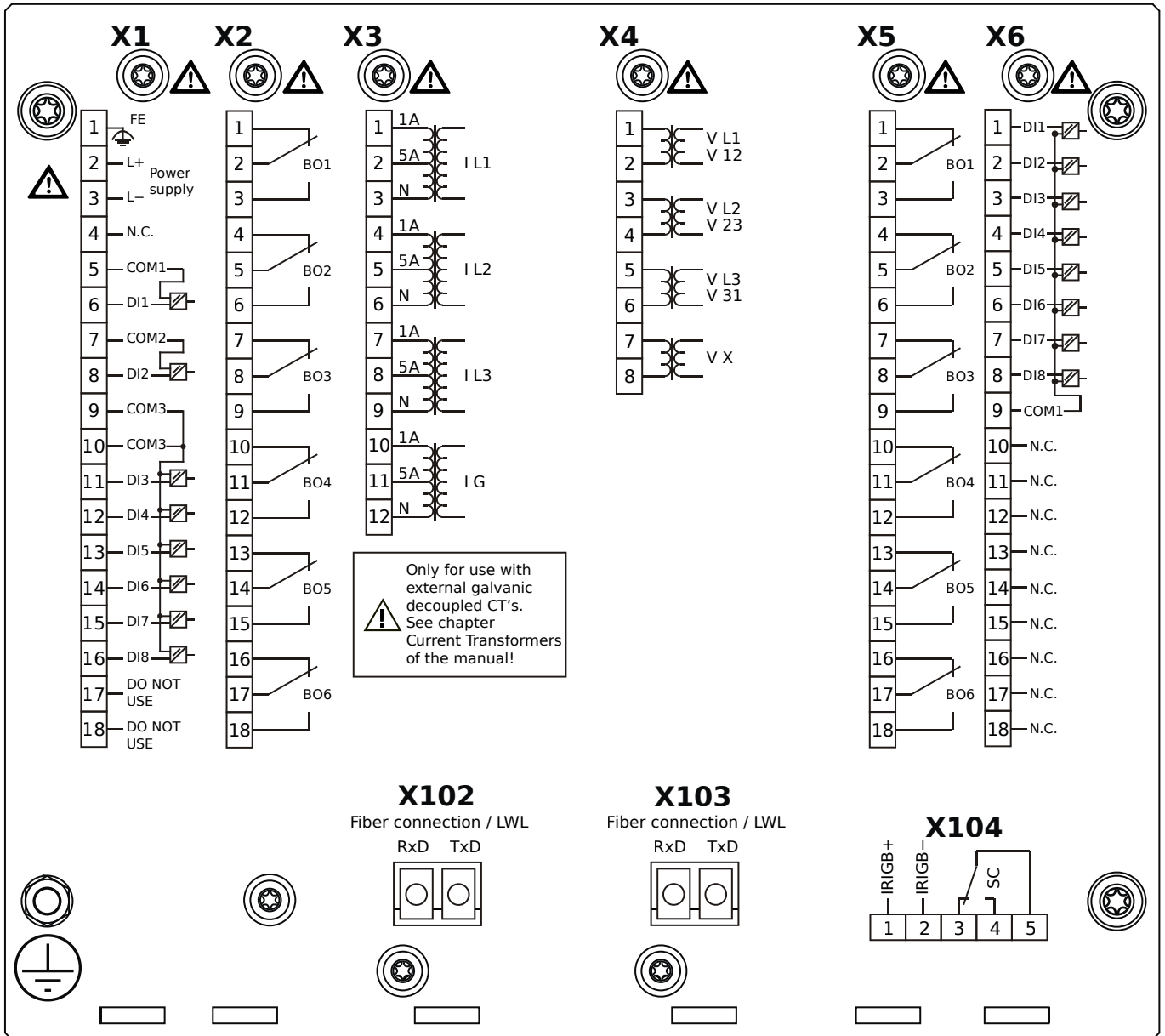
- X1** – DI8-X1: Wide-range power supply unit, incl. 2 non-grouped digital inputs and 6 grouped digital inputs
- X2** – OR-6: Assembly Group with 6 Relay Outputs
- X3** – TI-4: Standard current measuring card
- X4** – TU: Card with 4 voltage transformer measuring inputs
- X5** – OR-6: Assembly Group with 6 Relay Outputs
- X6** – DI8: Assembly Group with 8 Digital Inputs
- X100** – Modbus TCP / DNP3.0 TCP/UDP, Ethernet interface, 100 Mbit/s, RJ45 (BASE100-FX)
- X102** – Long-distance Protection Communication, Fiber optics interface, LC Connector
- X103** – IEC 60870-5-103 / Modbus RTU / DNP3.0 RTU, RS485, Terminals
- X104** – IRIG-B00X, incl. System Contact (Supervision Contact)

MCDLV4-2D0H0IB



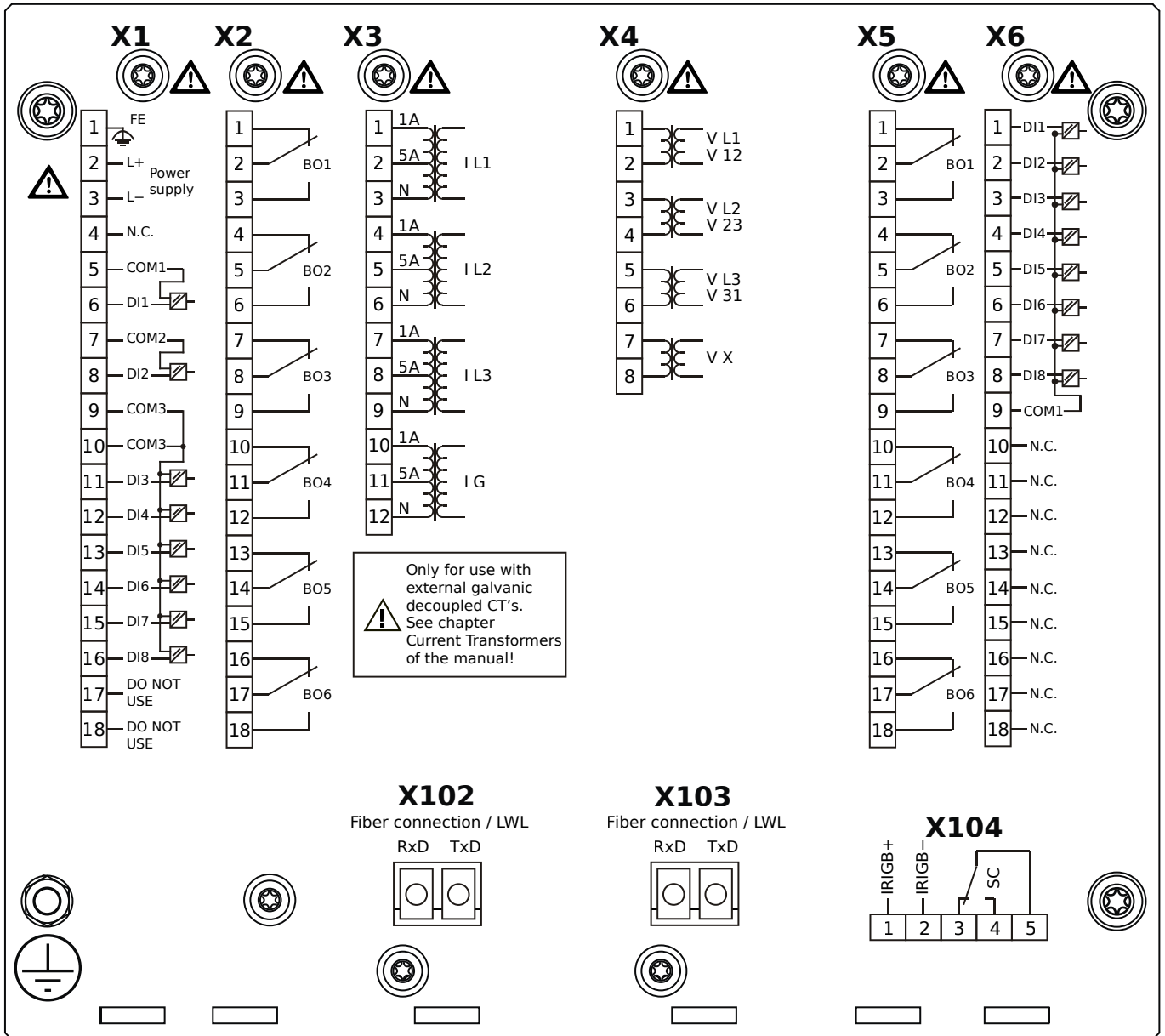
- X1** – DI8-X1: Wide-range power supply unit, incl. 2 non-grouped digital inputs and 6 grouped digital inputs
- X2** – OR-6: Assembly Group with 6 Relay Outputs
- X3** – TI-4: Standard current measuring card
- X4** – TU: Card with 4 voltage transformer measuring inputs
- X5** – OR-6: Assembly Group with 6 Relay Outputs
- X6** – DI8: Assembly Group with 8 Digital Inputs
- X100** – Modbus TCP / DNP3.0 TCP/UDP, Ethernet interface, 100 Mbit/s, RJ45 (BASE100-FX)
- X102** – Long-distance Protection Communication, Fiber optics interface, LC Connector
- X103** – IEC 60870-5-103 / Modbus RTU / DNP3.0 RTU, RS485, Terminals
- X104** – IRIG-B00X, incl. System Contact (Supervision Contact)

MCDLV4-2D0H0KA



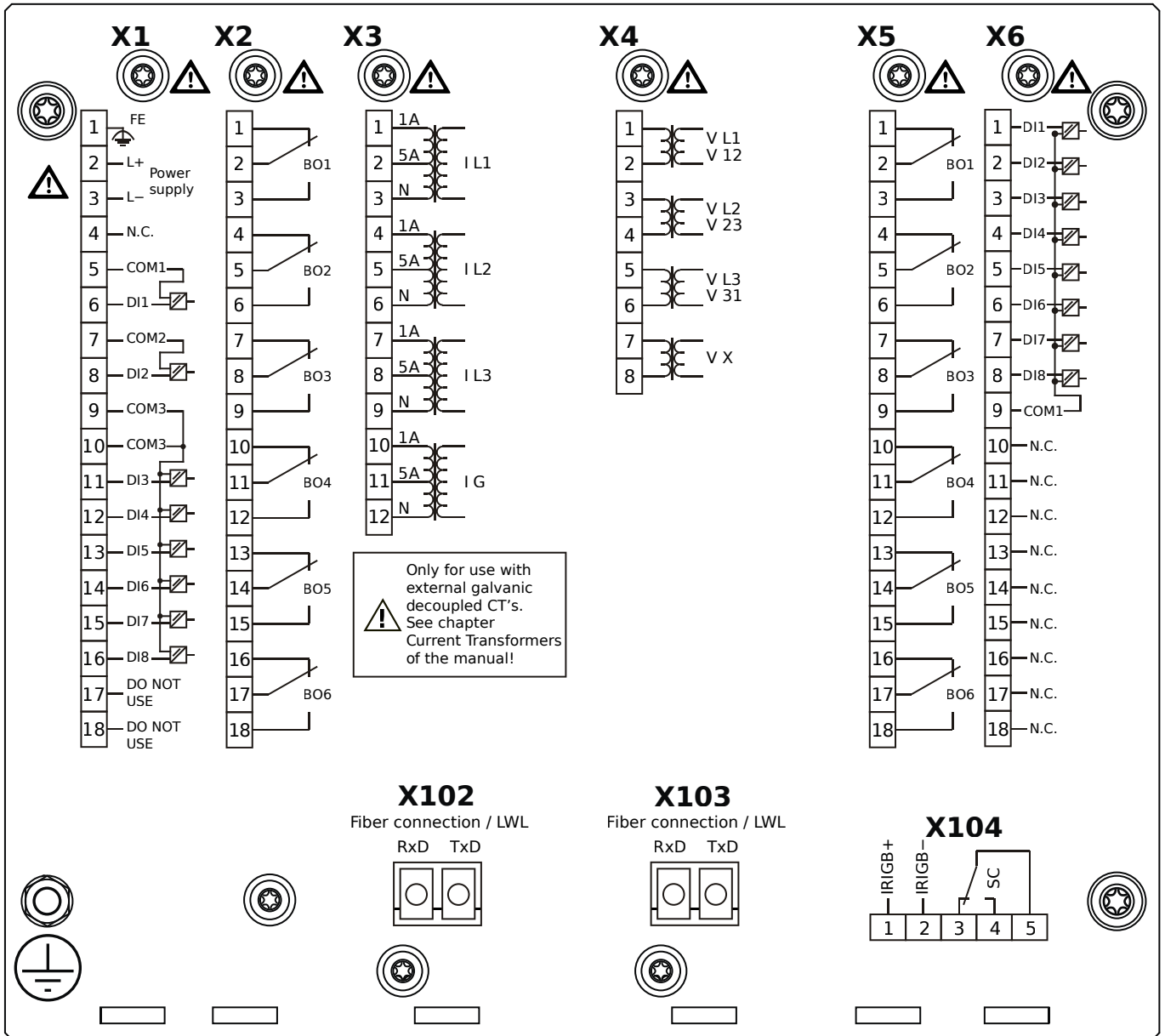
- X1** – DI8-X1: Wide-range power supply unit, incl. 2 non-grouped digital inputs and 6 grouped digital inputs
- X2** – OR-6: Assembly Group with 6 Relay Outputs
- X3** – TI-4: Standard current measuring card
- X4** – TU: Card with 4 voltage transformer measuring inputs
- X5** – OR-6: Assembly Group with 6 Relay Outputs
- X6** – DI8: Assembly Group with 8 Digital Inputs
- X102** – Long-distance Protection Communication, Fiber optics interface, LC Connector
- X103** – IEC 61850 / Modbus TCP / DNP3.0 TCP/UDP, Fiber optics interface, LC Connector
- X104** – IRIG-B00X, incl. System Contact (Supervision Contact)

MCDLV4-2D0H0KB



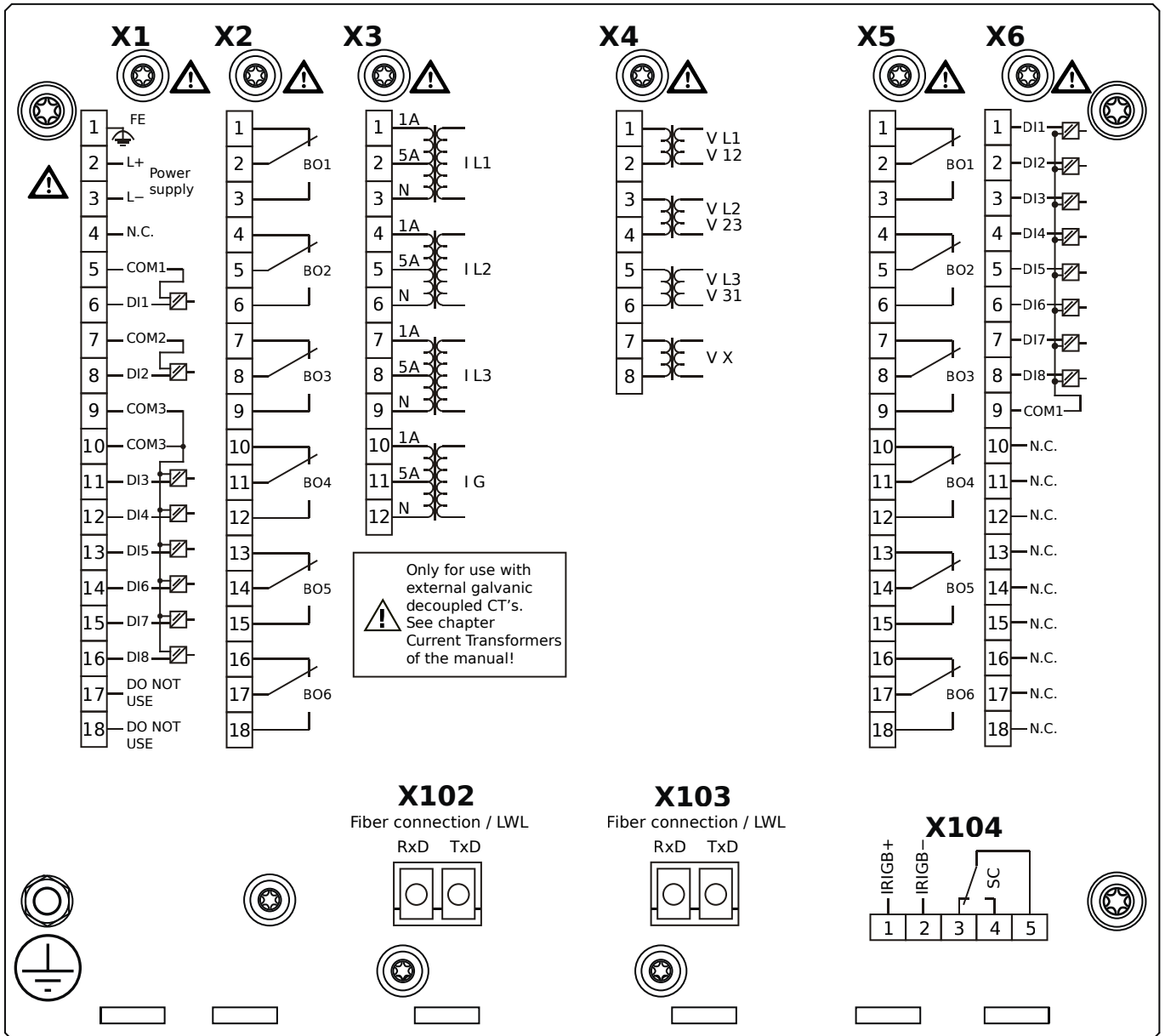
- X1** – DI8-X1: Wide-range power supply unit, incl. 2 non-grouped digital inputs and 6 grouped digital inputs
- X2** – OR-6: Assembly Group with 6 Relay Outputs
- X3** – TI-4: Standard current measuring card
- X4** – TU: Card with 4 voltage transformer measuring inputs
- X5** – OR-6: Assembly Group with 6 Relay Outputs
- X6** – DI8: Assembly Group with 8 Digital Inputs
- X102** – Long-distance Protection Communication, Fiber optics interface, LC Connector
- X103** – IEC 61850 / Modbus TCP / DNP3.0 TCP/UDP, Fiber optics interface, LC Connector
- X104** – IRIG-B00X, incl. System Contact (Supervision Contact)

MCDLV4-2D0H0LA



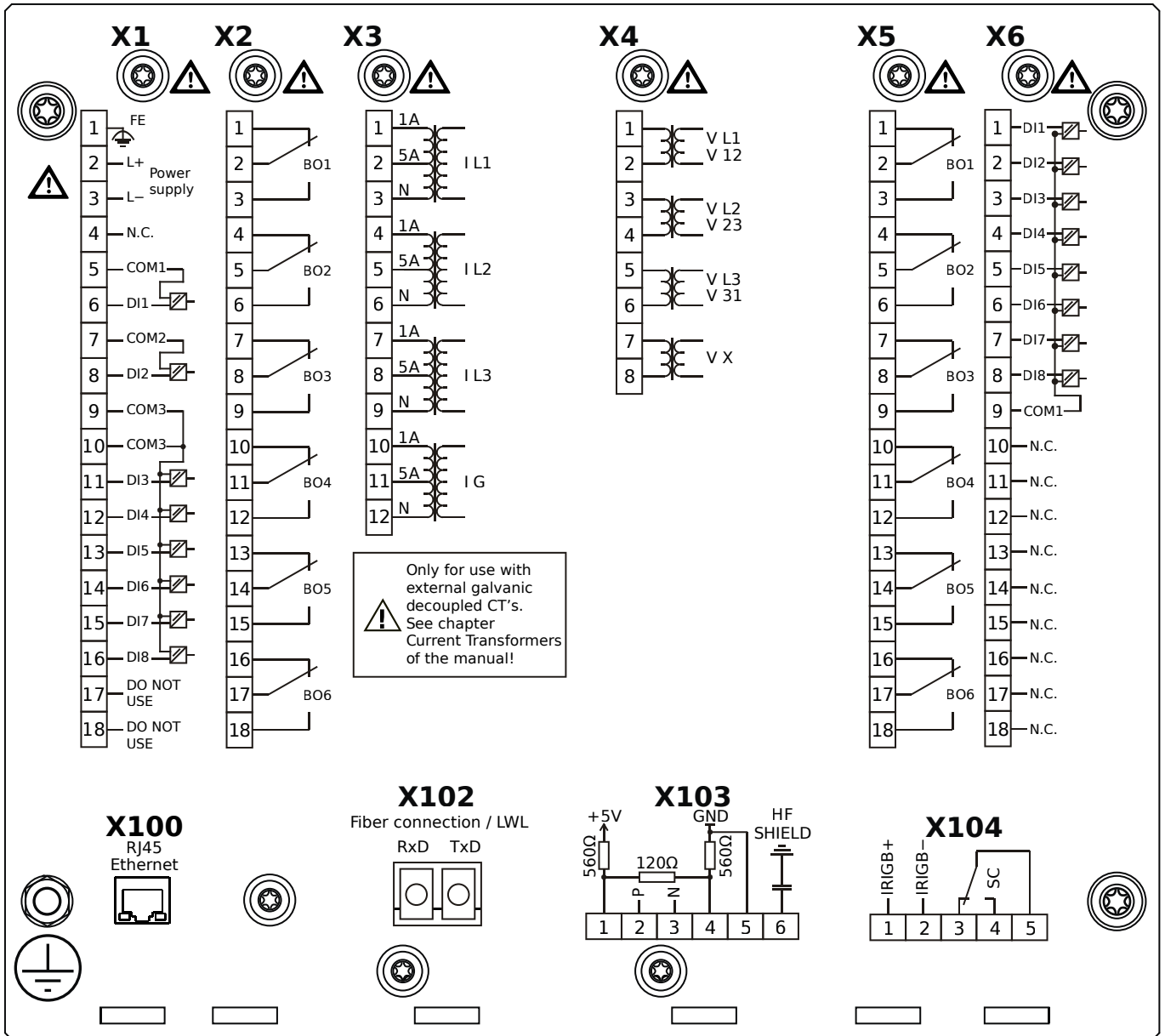
- X1** – DI8-X1: Wide-range power supply unit, incl. 2 non-grouped digital inputs and 6 grouped digital inputs
- X2** – OR-6: Assembly Group with 6 Relay Outputs
- X3** – TI-4: Standard current measuring card
- X4** – TU: Card with 4 voltage transformer measuring inputs
- X5** – OR-6: Assembly Group with 6 Relay Outputs
- X6** – DI8: Assembly Group with 8 Digital Inputs
- X102** – Long-distance Protection Communication, Fiber optics interface, LC Connector
- X103** – Modbus TCP / DNP3.0 TCP/UDP, Fiber optics interface, LC Connector
- X104** – IRIG-B00X, incl. System Contact (Supervision Contact)

MCDLV4-2D0H0LB



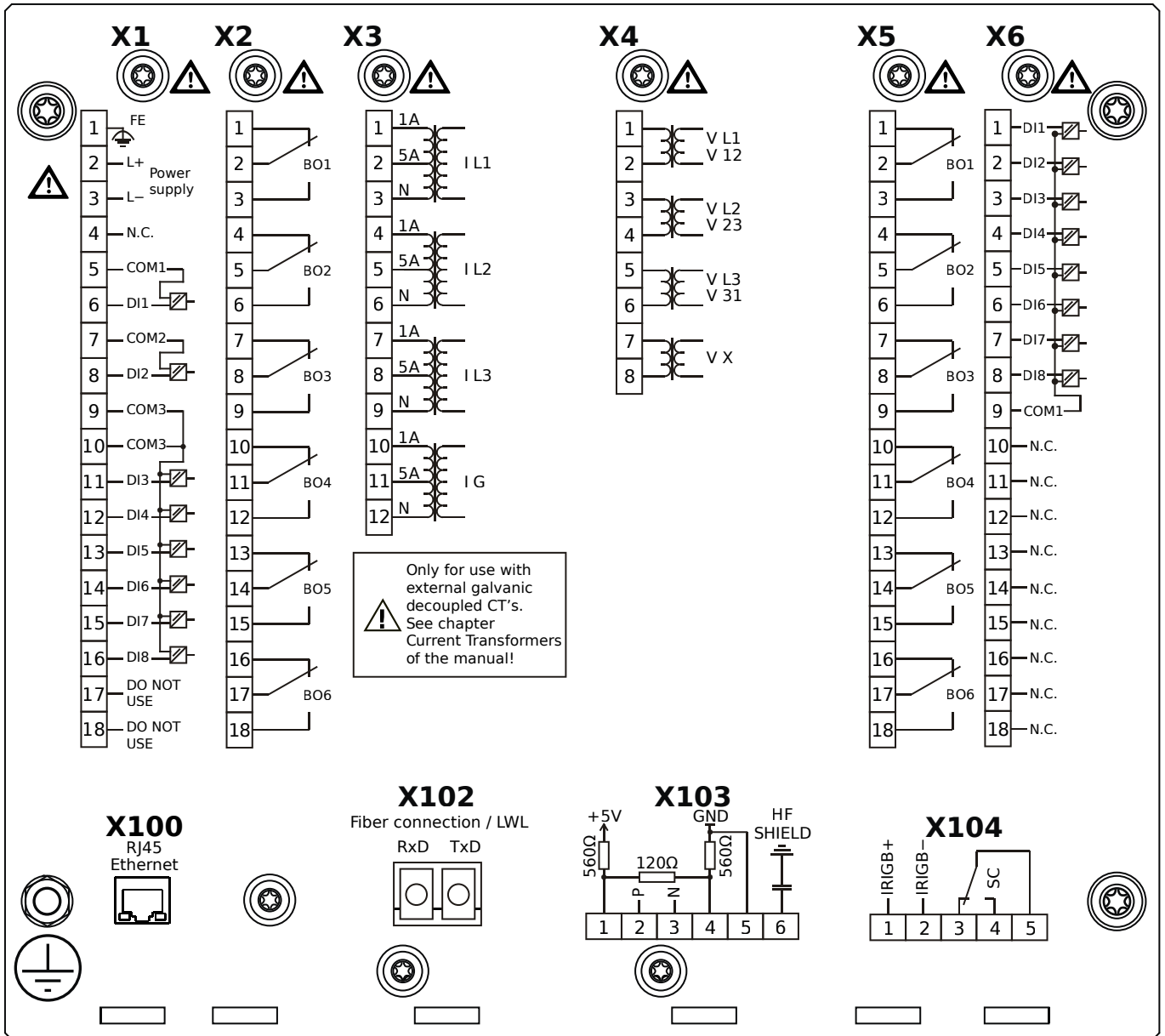
- X1** – DI8-X1: Wide-range power supply unit, incl. 2 non-grouped digital inputs and 6 grouped digital inputs
- X2** – OR-6: Assembly Group with 6 Relay Outputs
- X3** – TI-4: Standard current measuring card
- X4** – TU: Card with 4 voltage transformer measuring inputs
- X5** – OR-6: Assembly Group with 6 Relay Outputs
- X6** – DI8: Assembly Group with 8 Digital Inputs
- X102** – Long-distance Protection Communication, Fiber optics interface, LC Connector
- X103** – Modbus TCP / DNP3.0 TCP/UDP, Fiber optics interface, LC Connector
- X104** – IRIG-B00X, incl. System Contact (Supervision Contact)

MCDLV4-2D0H0TA



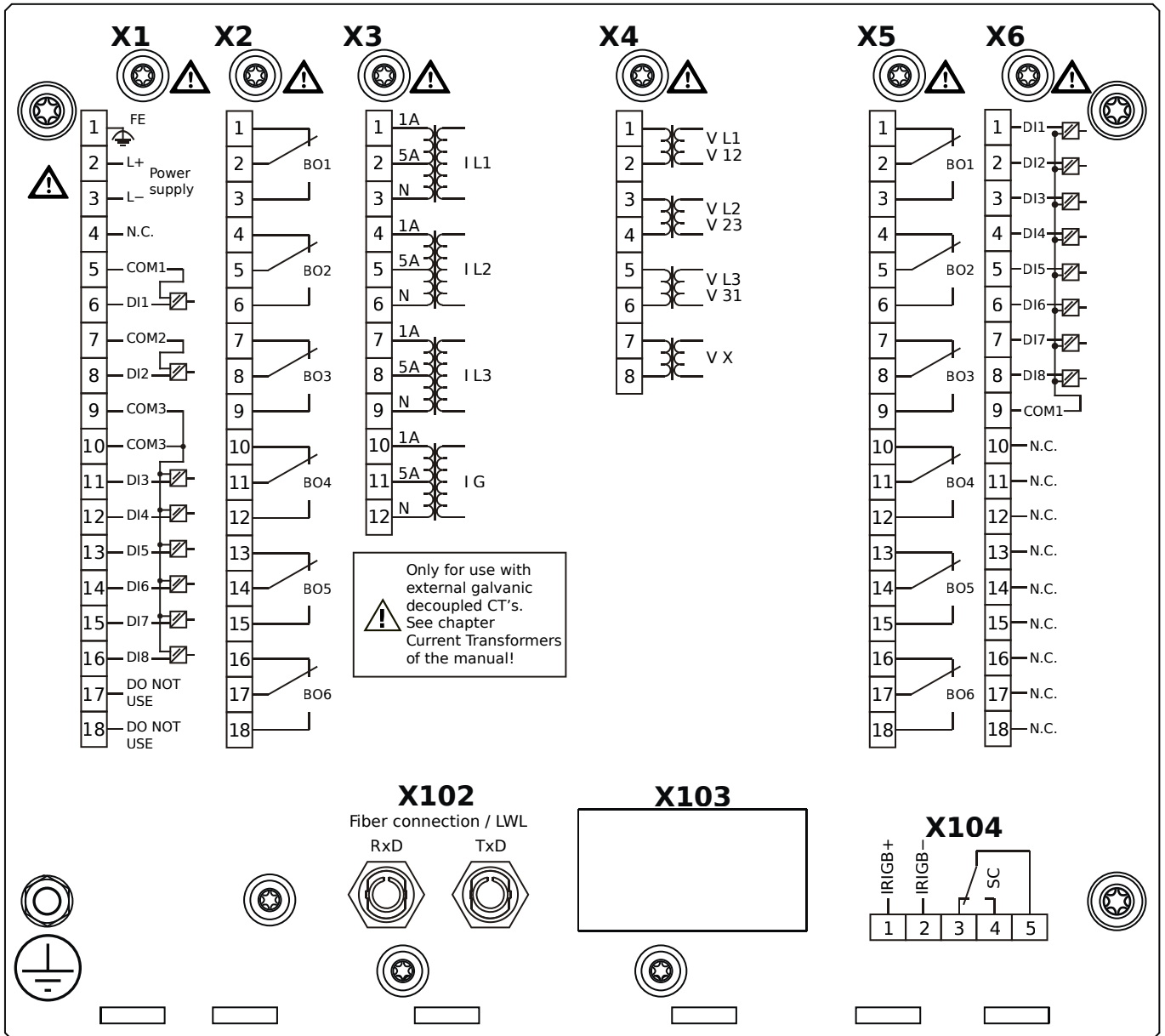
- X1** – DI8-X1: Wide-range power supply unit, incl. 2 non-grouped digital inputs and 6 grouped digital inputs
- X2** – OR-6: Assembly Group with 6 Relay Outputs
- X3** – TI-4: Standard current measuring card
- X4** – TU: Card with 4 voltage transformer measuring inputs
- X5** – OR-6: Assembly Group with 6 Relay Outputs
- X6** – DI8: Assembly Group with 8 Digital Inputs
- X100** – IEC 61850 / Modbus TCP / DNP3.0 TCP/UDP, Ethernet interface, 100 Mbit/s, RJ45 (BASE100-FX)
- X102** – Long-distance Protection Communication, Fiber optics interface, LC Connector
- X103** – IEC 60870-5-103 / Modbus RTU / DNP3.0 RTU, RS485, Terminals
- X104** – IRIG-B00X, incl. System Contact (Supervision Contact)

MCDLV4-2D0H0TB



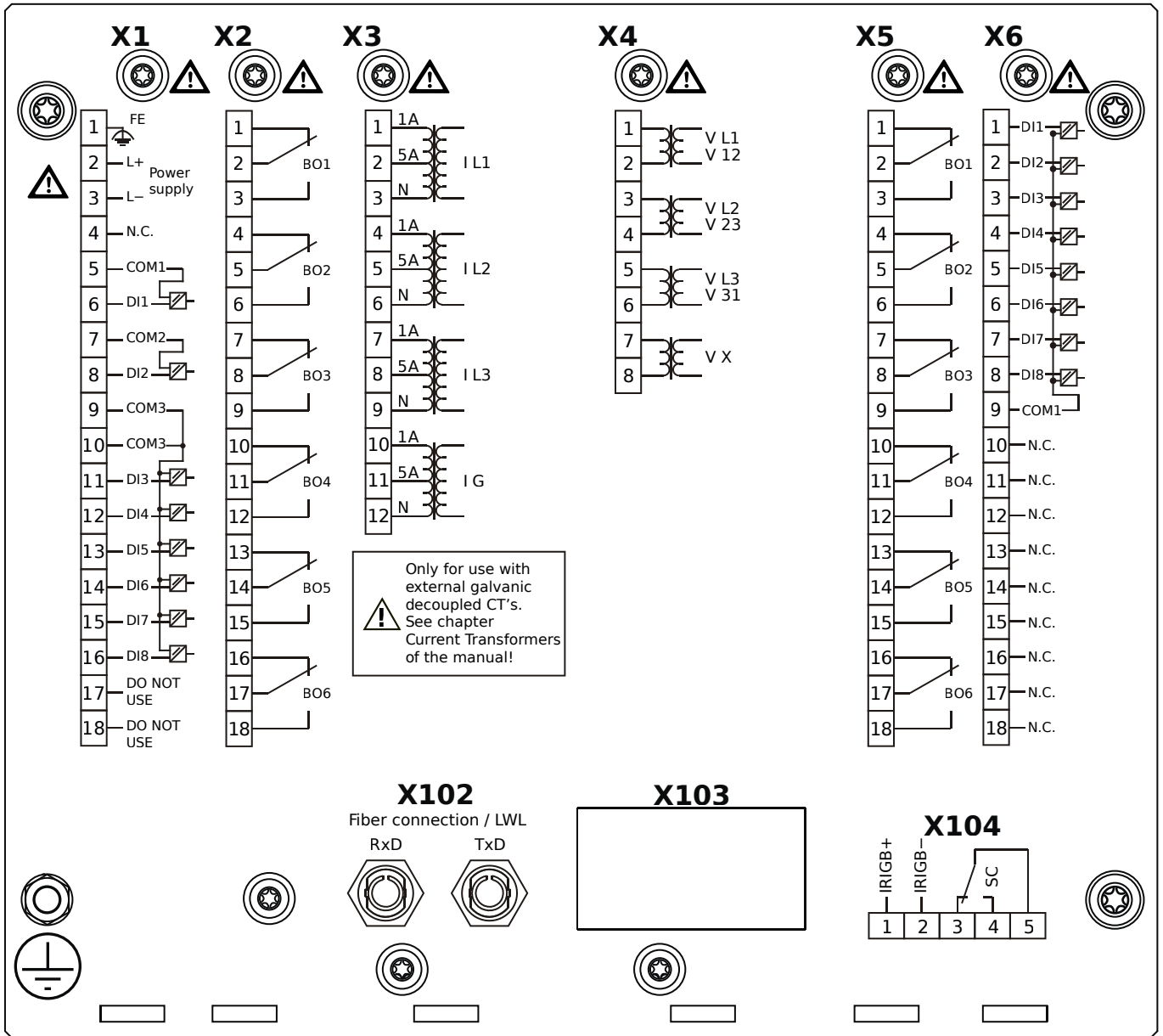
- X1** – DI8-X1: Wide-range power supply unit, incl. 2 non-grouped digital inputs and 6 grouped digital inputs
- X2** – OR-6: Assembly Group with 6 Relay Outputs
- X3** – TI-4: Standard current measuring card
- X4** – TU: Card with 4 voltage transformer measuring inputs
- X5** – OR-6: Assembly Group with 6 Relay Outputs
- X6** – DI8: Assembly Group with 8 Digital Inputs
- X100** – IEC 61850 / Modbus TCP / DNP3.0 TCP/UDP, Ethernet interface, 100 Mbit/s, RJ45 (BASE100-FX)
- X102** – Long-distance Protection Communication, Fiber optics interface, LC Connector
- X103** – IEC 60870-5-103 / Modbus RTU / DNP3.0 RTU, RS485, Terminals
- X104** – IRIG-B00X, incl. System Contact (Supervision Contact)

MCDLV4-2D0H1AA



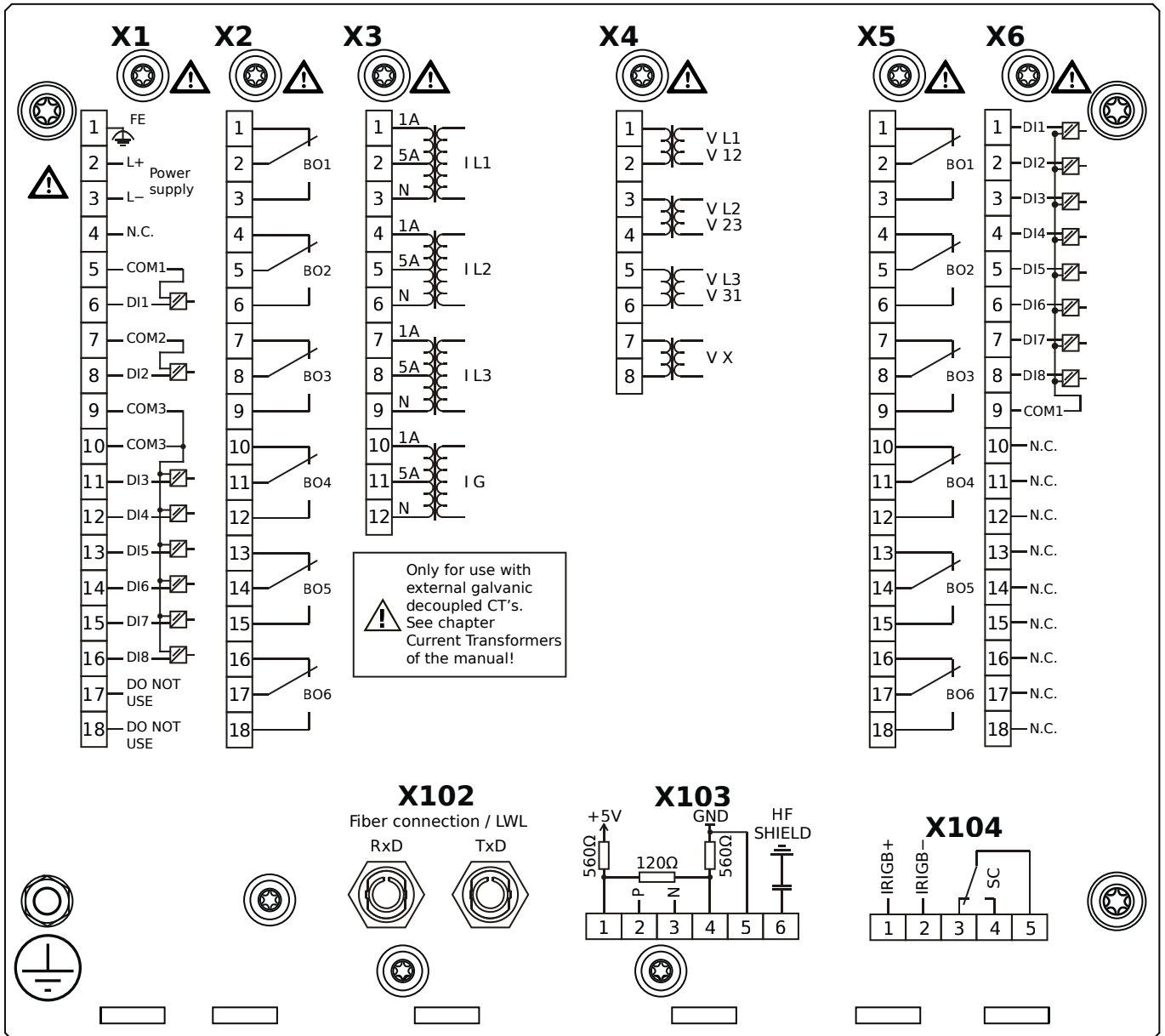
- X1** – DI8-X1: Wide-range power supply unit, incl. 2 non-grouped digital inputs and 6 grouped digital inputs
- X2** – OR-6: Assembly Group with 6 Relay Outputs
- X3** – TI-4: Standard current measuring card
- X4** – TU: Card with 4 voltage transformer measuring inputs
- X5** – OR-6: Assembly Group with 6 Relay Outputs
- X6** – DI8: Assembly Group with 8 Digital Inputs
- X102** – Protection Communication, Fiber optics interface, ST Connector
- X104** – IRIG-B00X, incl. System Contact (Supervision Contact)

MCDLV4-2D0H1AB



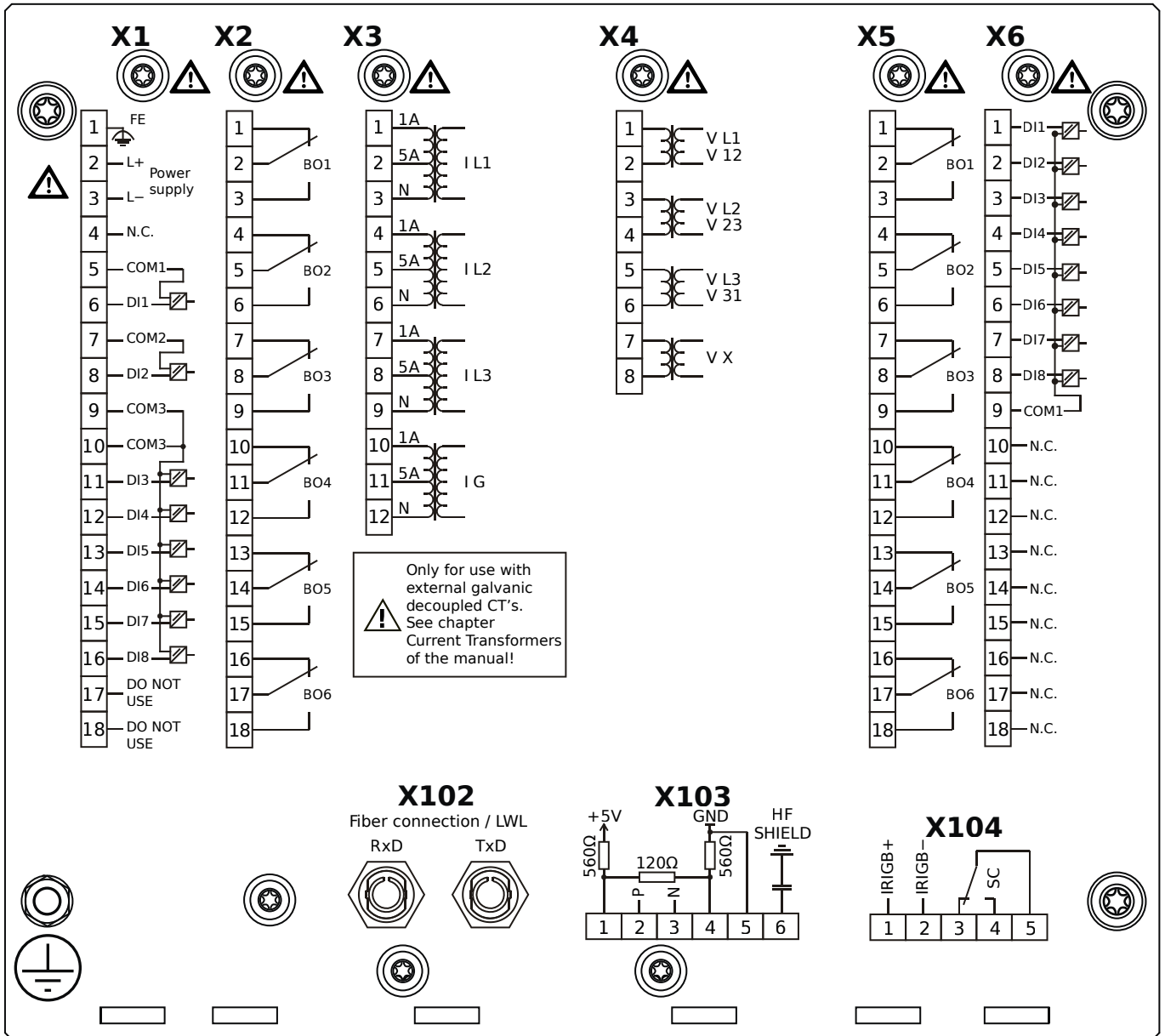
- X1** – DI8-X1: Wide-range power supply unit, incl. 2 non-grouped digital inputs and 6 grouped digital inputs
- X2** – OR-6: Assembly Group with 6 Relay Outputs
- X3** – TI-4: Standard current measuring card
- X4** – TU: Card with 4 voltage transformer measuring inputs
- X5** – OR-6: Assembly Group with 6 Relay Outputs
- X6** – DI8: Assembly Group with 8 Digital Inputs
- X102** – Protection Communication, Fiber optics interface, ST Connector
- X104** – IRIG-B00X, incl. System Contact (Supervision Contact)

MCDLV4-2D0H1BA



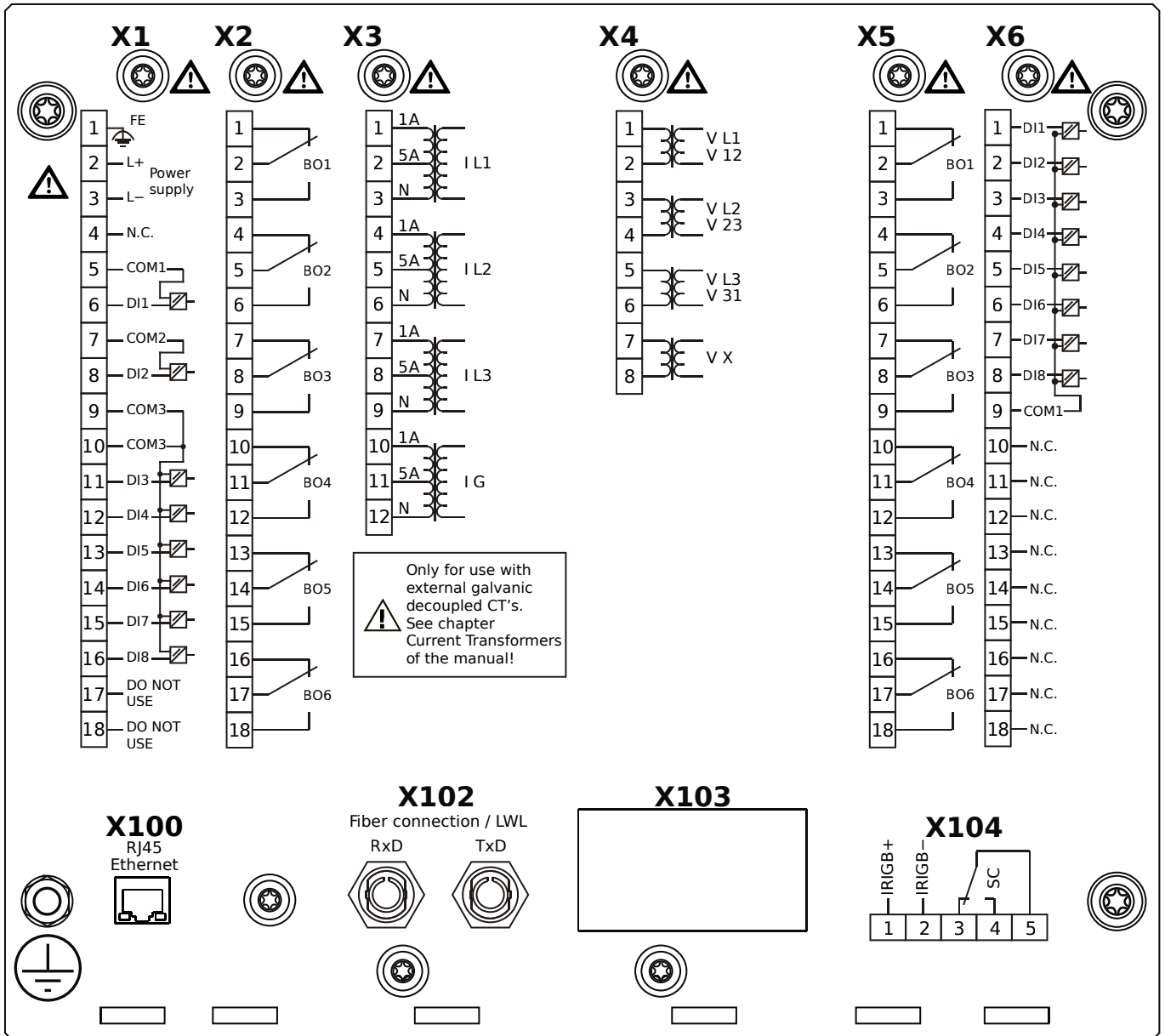
- X1** – DI8-X1: Wide-range power supply unit, incl. 2 non-grouped digital inputs and 6 grouped digital inputs
- X2** – OR-6: Assembly Group with 6 Relay Outputs
- X3** – TI-4: Standard current measuring card
- X4** – TU: Card with 4 voltage transformer measuring inputs
- X5** – OR-6: Assembly Group with 6 Relay Outputs
- X6** – DI8: Assembly Group with 8 Digital Inputs
- X102** – Protection Communication, Fiber optics interface, ST Connector
- X103** – Modbus RTU / IEC 60870-5-103 / DNP3.0 RTU, RS485, Terminals
- X104** – IRIG-B00X, incl. System Contact (Supervision Contact)

MCDLV4-2D0H1BB



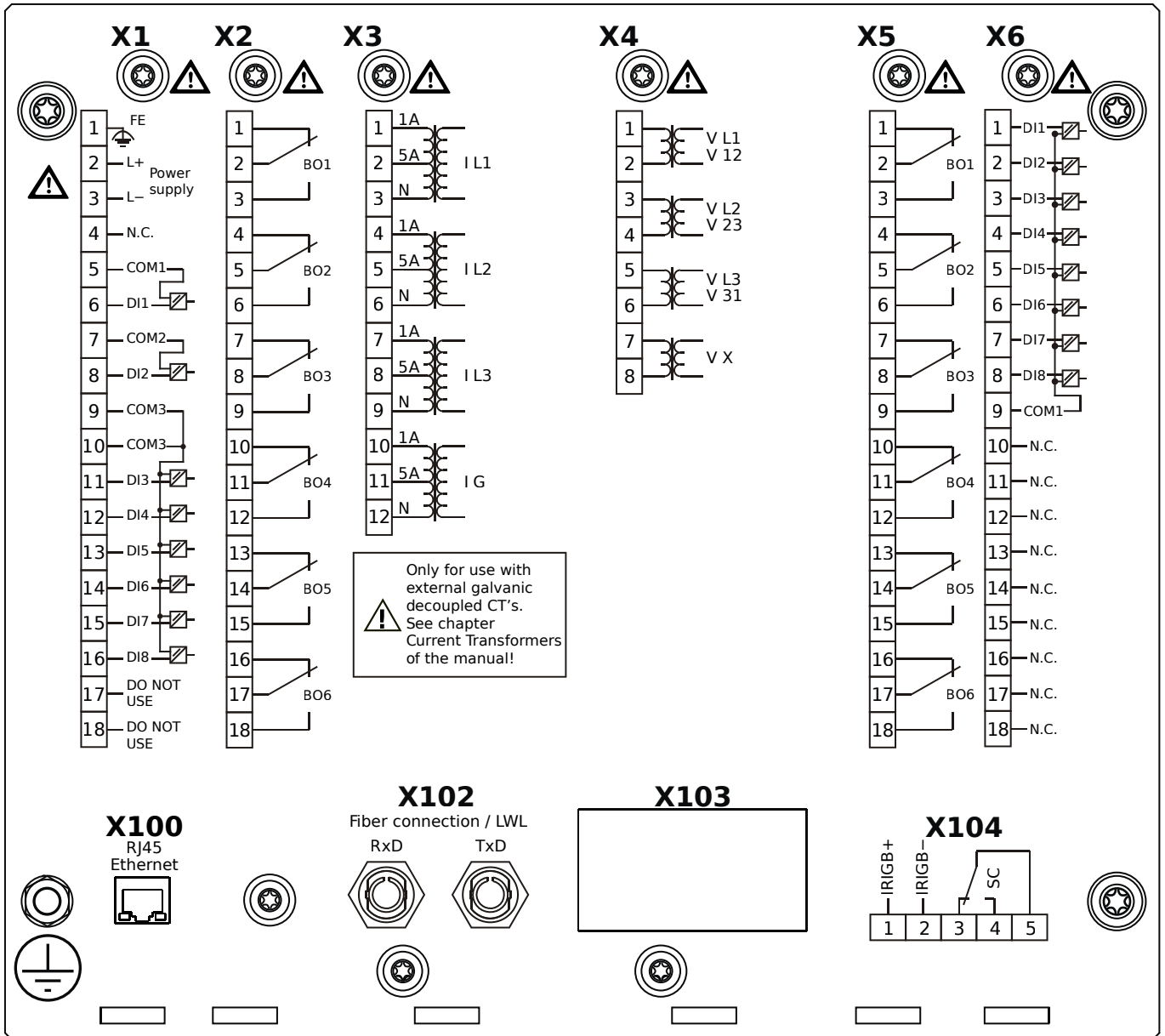
- X1** – DI8-X1: Wide-range power supply unit, incl. 2 non-grouped digital inputs and 6 grouped digital inputs
- X2** – OR-6: Assembly Group with 6 Relay Outputs
- X3** – TI-4: Standard current measuring card
- X4** – TU: Card with 4 voltage transformer measuring inputs
- X5** – OR-6: Assembly Group with 6 Relay Outputs
- X6** – DI8: Assembly Group with 8 Digital Inputs
- X102** – Protection Communication, Fiber optics interface, ST Connector
- X103** – Modbus RTU / IEC 60870-5-103 / DNP3.0 RTU, RS485, Terminals
- X104** – IRIG-B00X, incl. System Contact (Supervision Contact)

MCDLV4-2D0H1CA



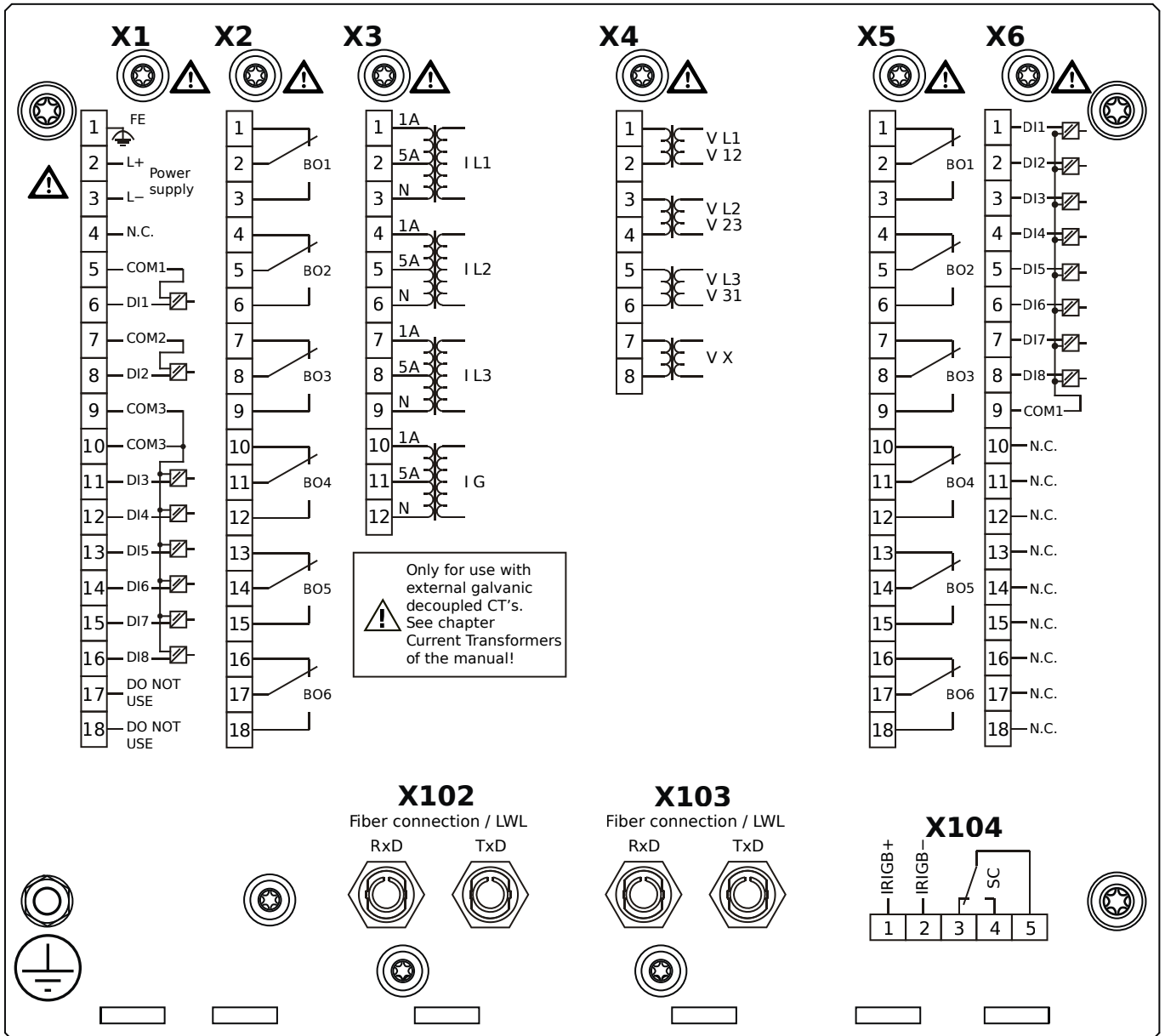
- X1** – DI8-X1: Wide-range power supply unit, incl. 2 non-grouped digital inputs and 6 grouped digital inputs
- X2** – OR-6: Assembly Group with 6 Relay Outputs
- X3** – TI-4: Standard current measuring card
- X4** – TU: Card with 4 voltage transformer measuring inputs
- X5** – OR-6: Assembly Group with 6 Relay Outputs
- X6** – DI8: Assembly Group with 8 Digital Inputs
- X100** – Modbus TCP / DNP3.0 TCP/UDP, Ethernet interface, 100 Mbit/s, RJ45 (BASE100-FX)
- X102** – Protection Communication, Fiber optics interface, ST Connector
- X104** – IRIG-B00X, incl. System Contact (Supervision Contact)

MCDLV4-2D0H1CB



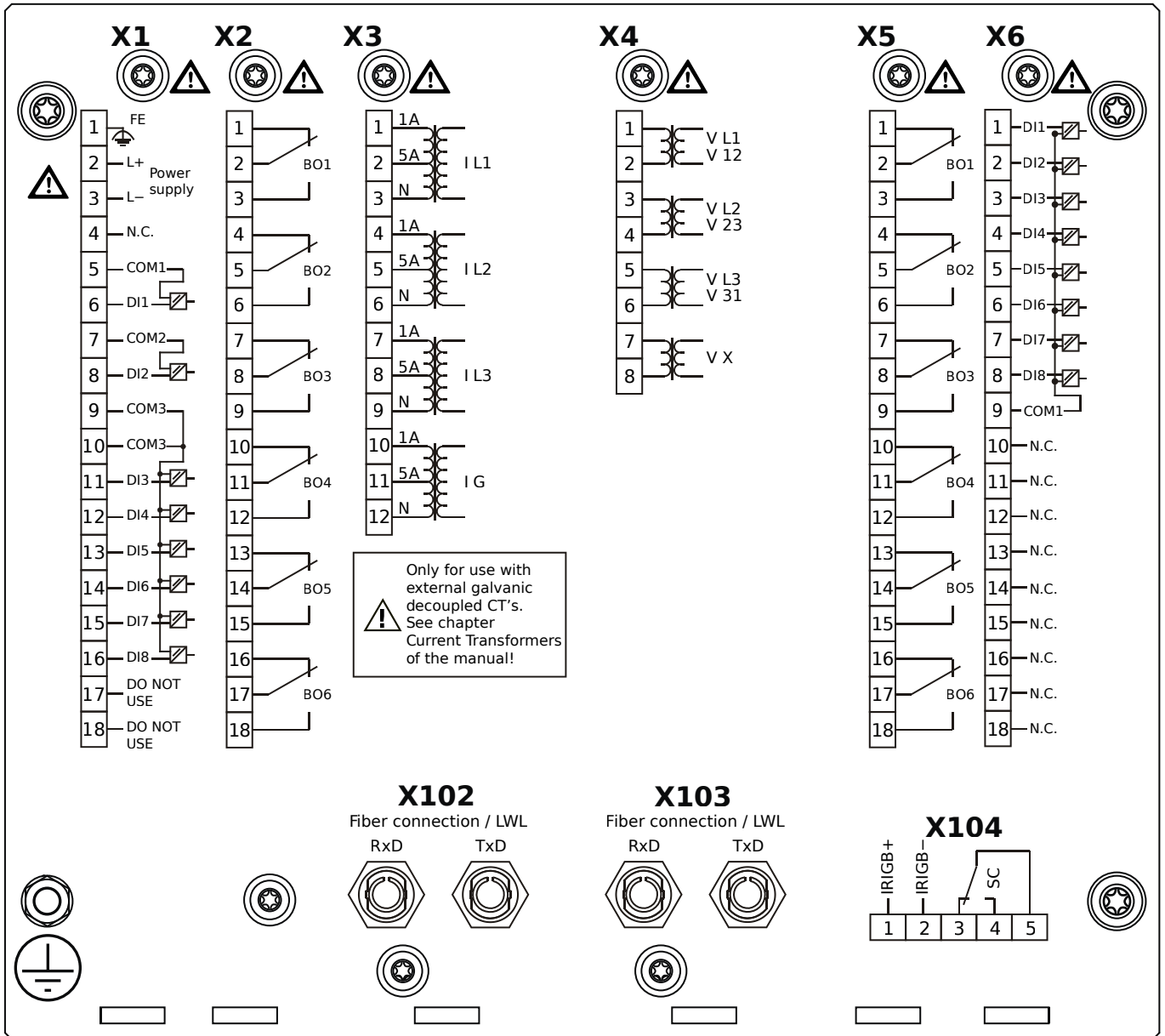
- X1** – DI8-X1: Wide-range power supply unit, incl. 2 non-grouped digital inputs and 6 grouped digital inputs
- X2** – OR-6: Assembly Group with 6 Relay Outputs
- X3** – TI-4: Standard current measuring card
- X4** – TU: Card with 4 voltage transformer measuring inputs
- X5** – OR-6: Assembly Group with 6 Relay Outputs
- X6** – DI8: Assembly Group with 8 Digital Inputs
- X100** – Modbus TCP / DNP3.0 TCP/UDP, Ethernet interface, 100 Mbit/s, RJ45 (BASE100-FX)
- X102** – Protection Communication, Fiber optics interface, ST Connector
- X104** – IRIG-B00X, incl. System Contact (Supervision Contact)

MCDLV4-2D0H1DA



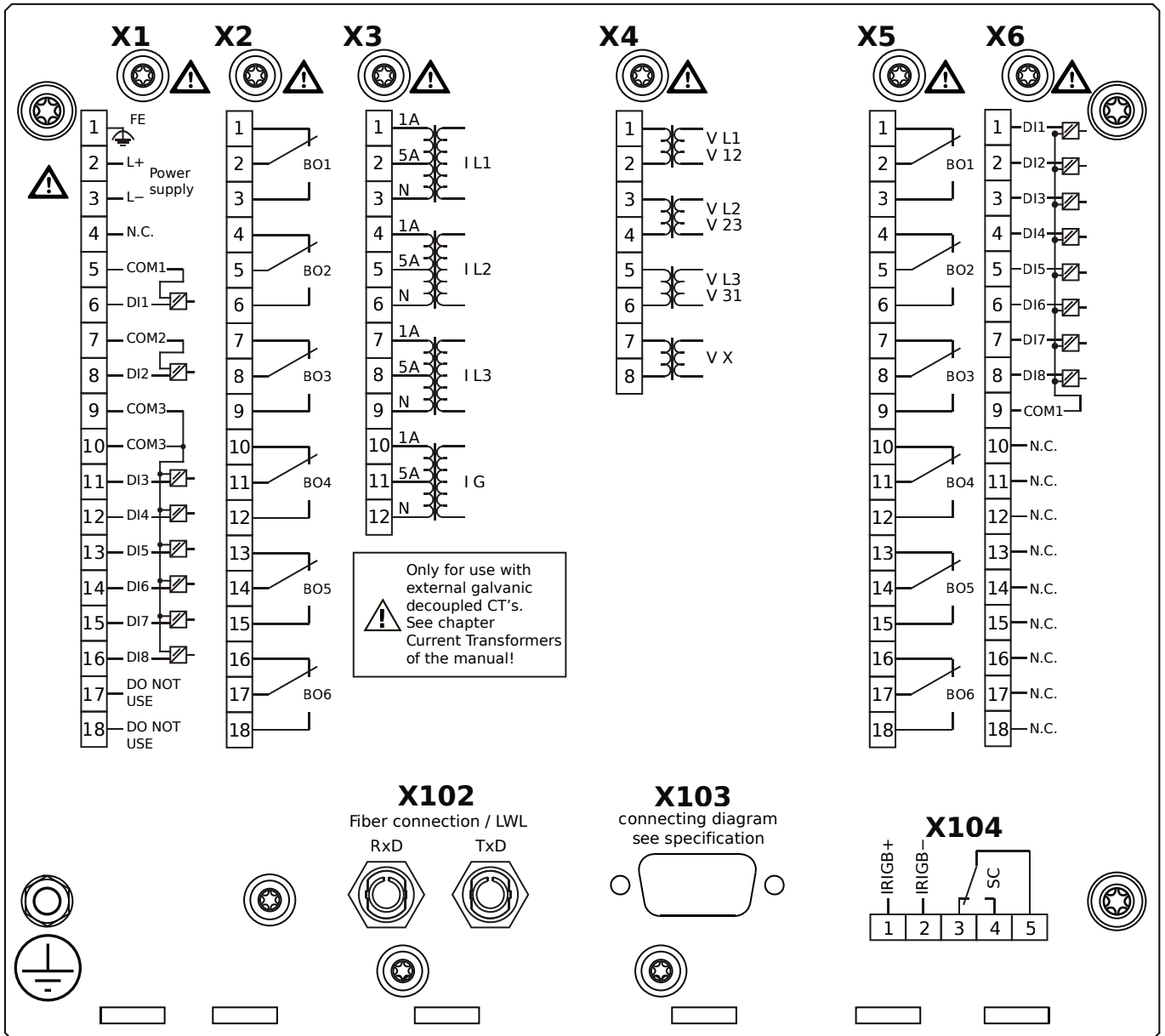
- X1** – DI8-X1: Wide-range power supply unit, incl. 2 non-grouped digital inputs and 6 grouped digital inputs
- X2** – OR-6: Assembly Group with 6 Relay Outputs
- X3** – TI-4: Standard current measuring card
- X4** – TU: Card with 4 voltage transformer measuring inputs
- X5** – OR-6: Assembly Group with 6 Relay Outputs
- X6** – DI8: Assembly Group with 8 Digital Inputs
- X102** – Protection Communication, Fiber optics interface, ST Connector
- X103** – Profibus-DP, Fiber optics interface, ST Connector
- X104** – IRIG-B00X, incl. System Contact (Supervision Contact)

MCDLV4-2D0H1DB



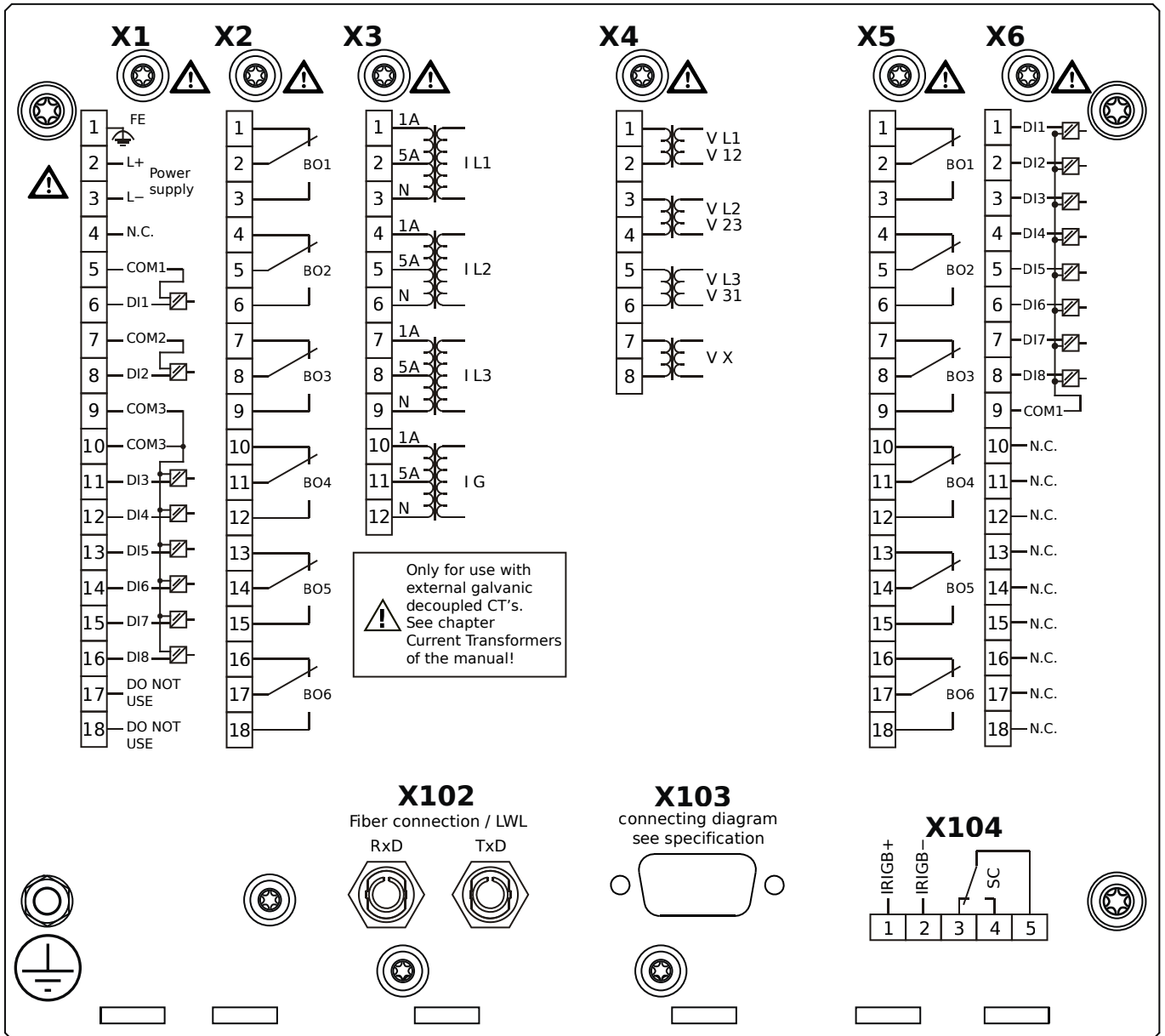
- X1** – DI8-X1: Wide-range power supply unit, incl. 2 non-grouped digital inputs and 6 grouped digital inputs
- X2** – OR-6: Assembly Group with 6 Relay Outputs
- X3** – TI-4: Standard current measuring card
- X4** – TU: Card with 4 voltage transformer measuring inputs
- X5** – OR-6: Assembly Group with 6 Relay Outputs
- X6** – DI8: Assembly Group with 8 Digital Inputs
- X102** – Protection Communication, Fiber optics interface, ST Connector
- X103** – Profibus-DP, Fiber optics interface, ST Connector
- X104** – IRIG-B00X, incl. System Contact (Supervision Contact)

MCDLV4-2D0H1EA



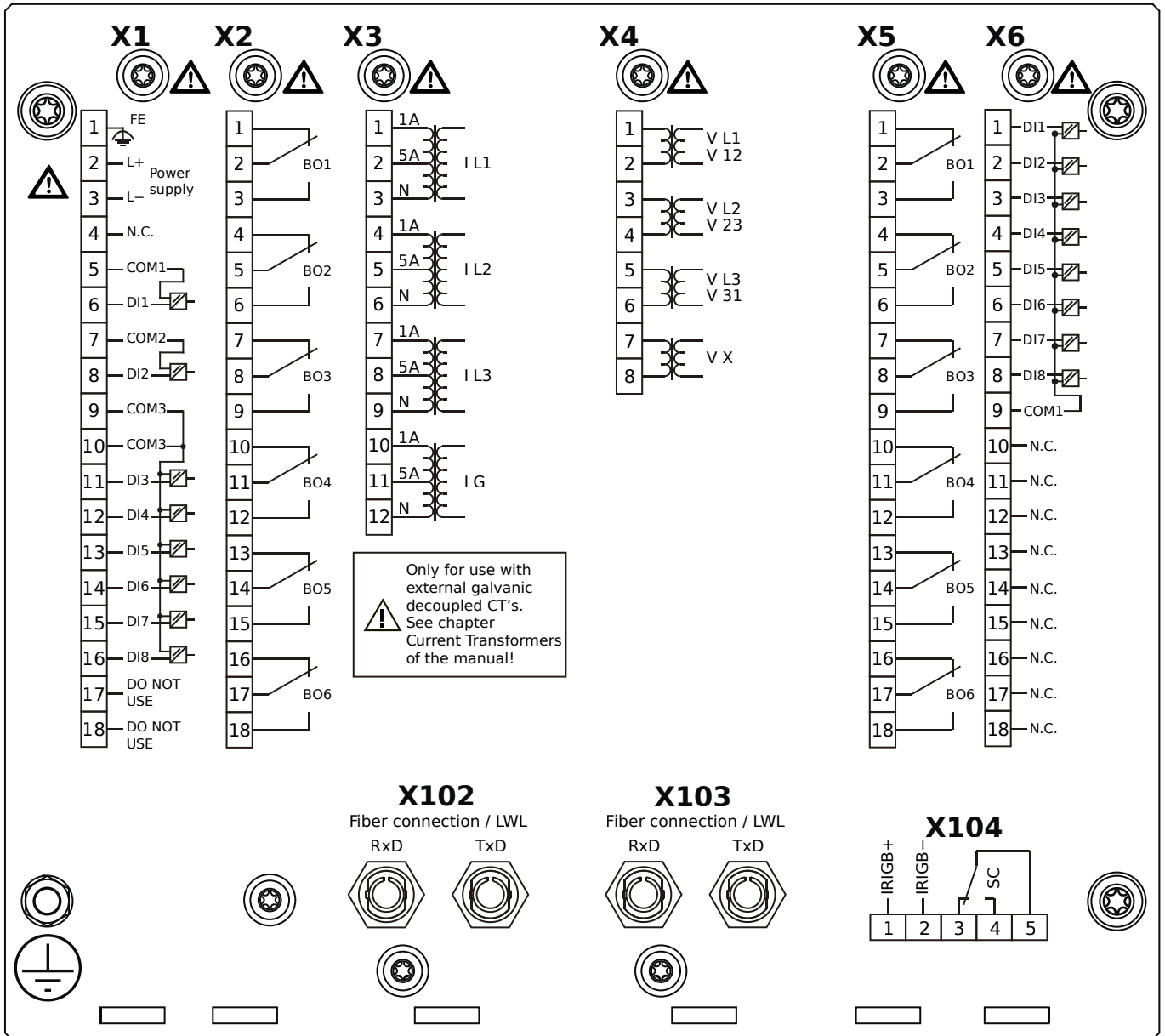
- X1** – DI8-X1: Wide-range power supply unit, incl. 2 non-grouped digital inputs and 6 grouped digital inputs
- X2** – OR-6: Assembly Group with 6 Relay Outputs
- X3** – TI-4: Standard current measuring card
- X4** – TU: Card with 4 voltage transformer measuring inputs
- X5** – OR-6: Assembly Group with 6 Relay Outputs
- X6** – DI8: Assembly Group with 8 Digital Inputs
- X102** – Protection Communication, Fiber optics interface, ST Connector
- X103** – Profibus-DP, RS485, D-SUB
- X104** – IRIG-B00X, incl. System Contact (Supervision Contact)

MCDLV4-2D0H1EB



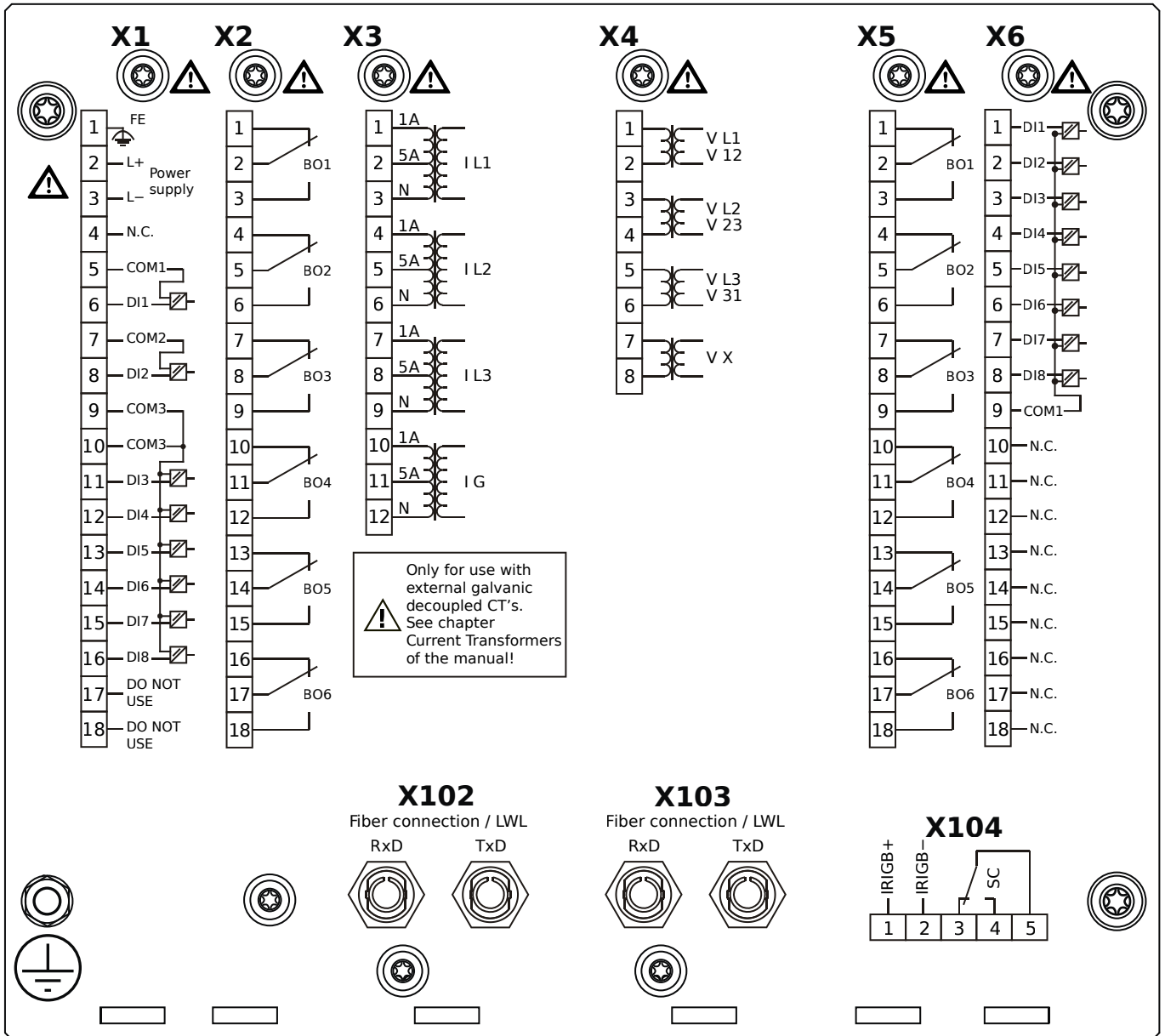
- X1** – DI8-X1: Wide-range power supply unit, incl. 2 non-grouped digital inputs and 6 grouped digital inputs
- X2** – OR-6: Assembly Group with 6 Relay Outputs
- X3** – TI-4: Standard current measuring card
- X4** – TU: Card with 4 voltage transformer measuring inputs
- X5** – OR-6: Assembly Group with 6 Relay Outputs
- X6** – DI8: Assembly Group with 8 Digital Inputs
- X102** – Protection Communication, Fiber optics interface, ST Connector
- X103** – Profibus-DP, RS485, D-SUB
- X104** – IRIG-B00X, incl. System Contact (Supervision Contact)

MCDLV4-2D0H1FA



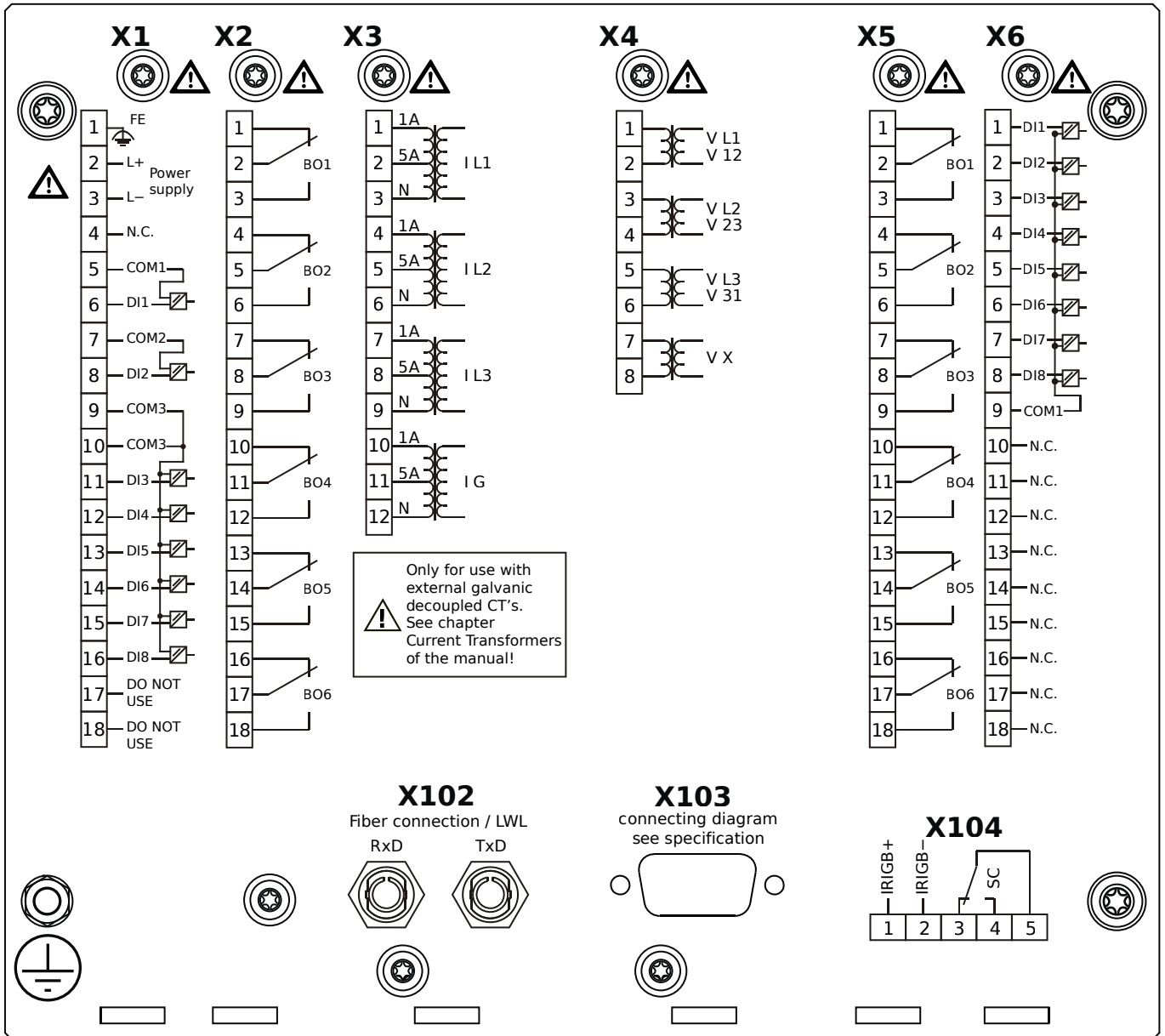
- X1** – DI8-X1: Wide-range power supply unit, incl. 2 non-grouped digital inputs and 6 grouped digital inputs
- X2** – OR-6: Assembly Group with 6 Relay Outputs
- X3** – TI-4: Standard current measuring card
- X4** – TU: Card with 4 voltage transformer measuring inputs
- X5** – OR-6: Assembly Group with 6 Relay Outputs
- X6** – DI8: Assembly Group with 8 Digital Inputs
- X102** – Protection Communication, Fiber optics interface, ST Connector
- X103** – Modbus RTU / IEC 60870-5-103 / DNP3.0 RTU, Fiber optics interface, ST Connector
- X104** – IRIG-B00X, incl. System Contact (Supervision Contact)

MCDLV4-2D0H1FB



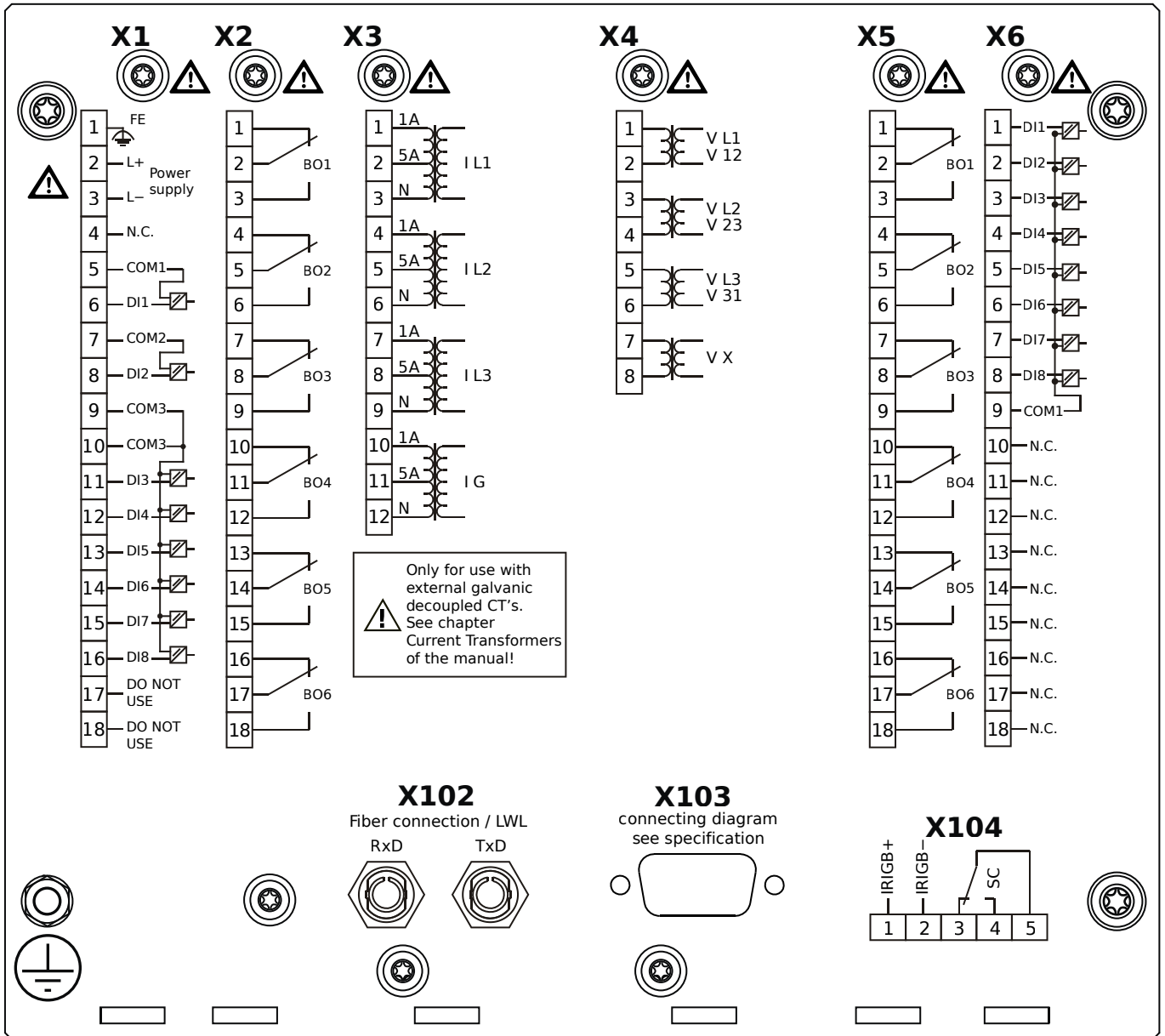
- X1** – DI8-X1: Wide-range power supply unit, incl. 2 non-grouped digital inputs and 6 grouped digital inputs
- X2** – OR-6: Assembly Group with 6 Relay Outputs
- X3** – TI-4: Standard current measuring card
- X4** – TU: Card with 4 voltage transformer measuring inputs
- X5** – OR-6: Assembly Group with 6 Relay Outputs
- X6** – DI8: Assembly Group with 8 Digital Inputs
- X102** – Protection Communication, Fiber optics interface, ST Connector
- X103** – Modbus RTU / IEC 60870-5-103 / DNP3.0 RTU, Fiber optics interface, ST Connector
- X104** – IRIG-B00X, incl. System Contact (Supervision Contact)

MCDLV4-2D0H1GA



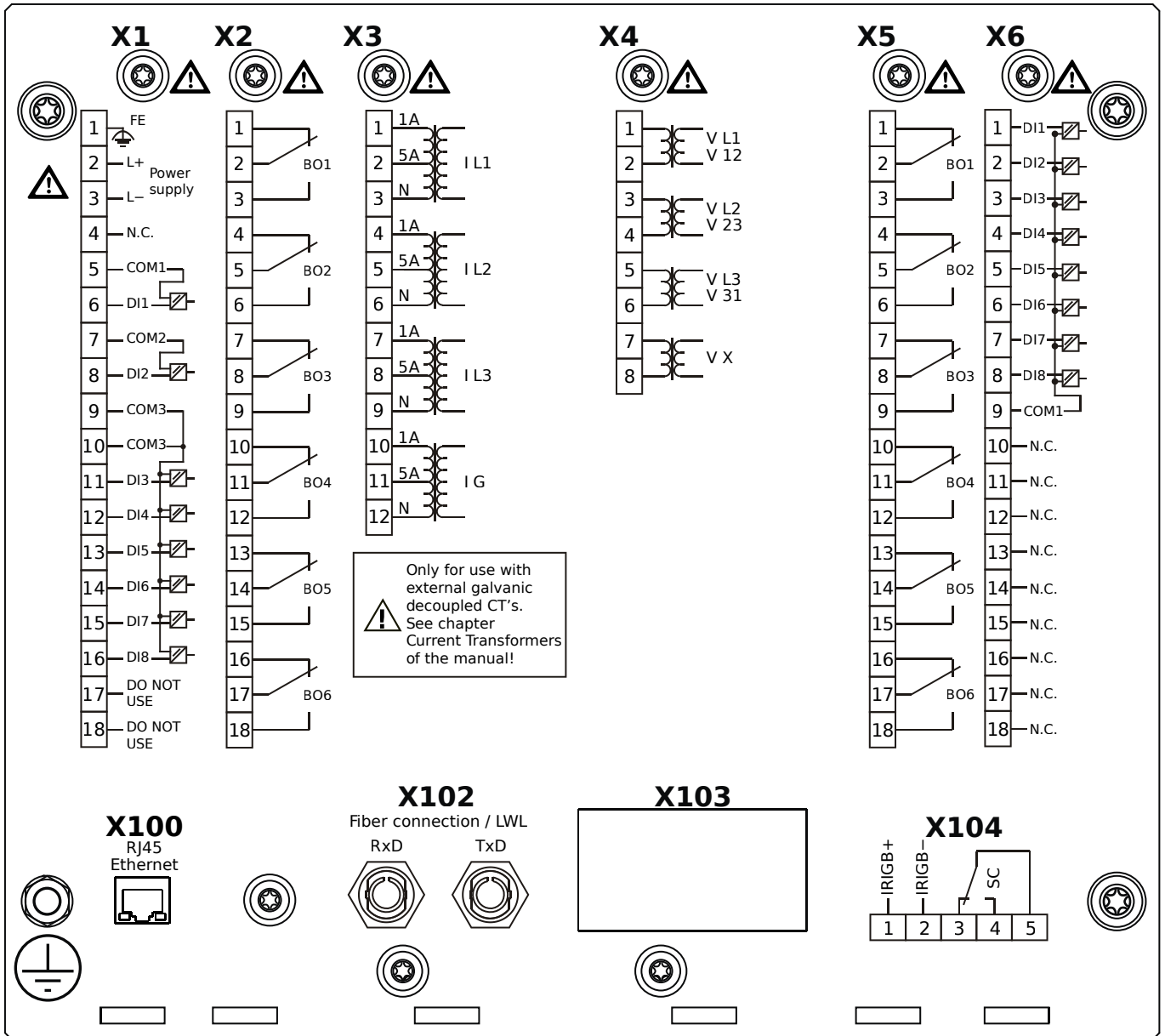
- X1** – DI8-X1: Wide-range power supply unit, incl. 2 non-grouped digital inputs and 6 grouped digital inputs
- X2** – OR-6: Assembly Group with 6 Relay Outputs
- X3** – TI-4: Standard current measuring card
- X4** – TU: Card with 4 voltage transformer measuring inputs
- X5** – OR-6: Assembly Group with 6 Relay Outputs
- X6** – DI8: Assembly Group with 8 Digital Inputs
- X102** – Protection Communication, Fiber optics interface, ST Connector
- X103** – Modbus RTU / IEC 60870-5-103 / DNP3.0 RTU, RS485, D-SUB
- X104** – IRIG-B00X, incl. System Contact (Supervision Contact)

MCDLV4-2D0H1GB



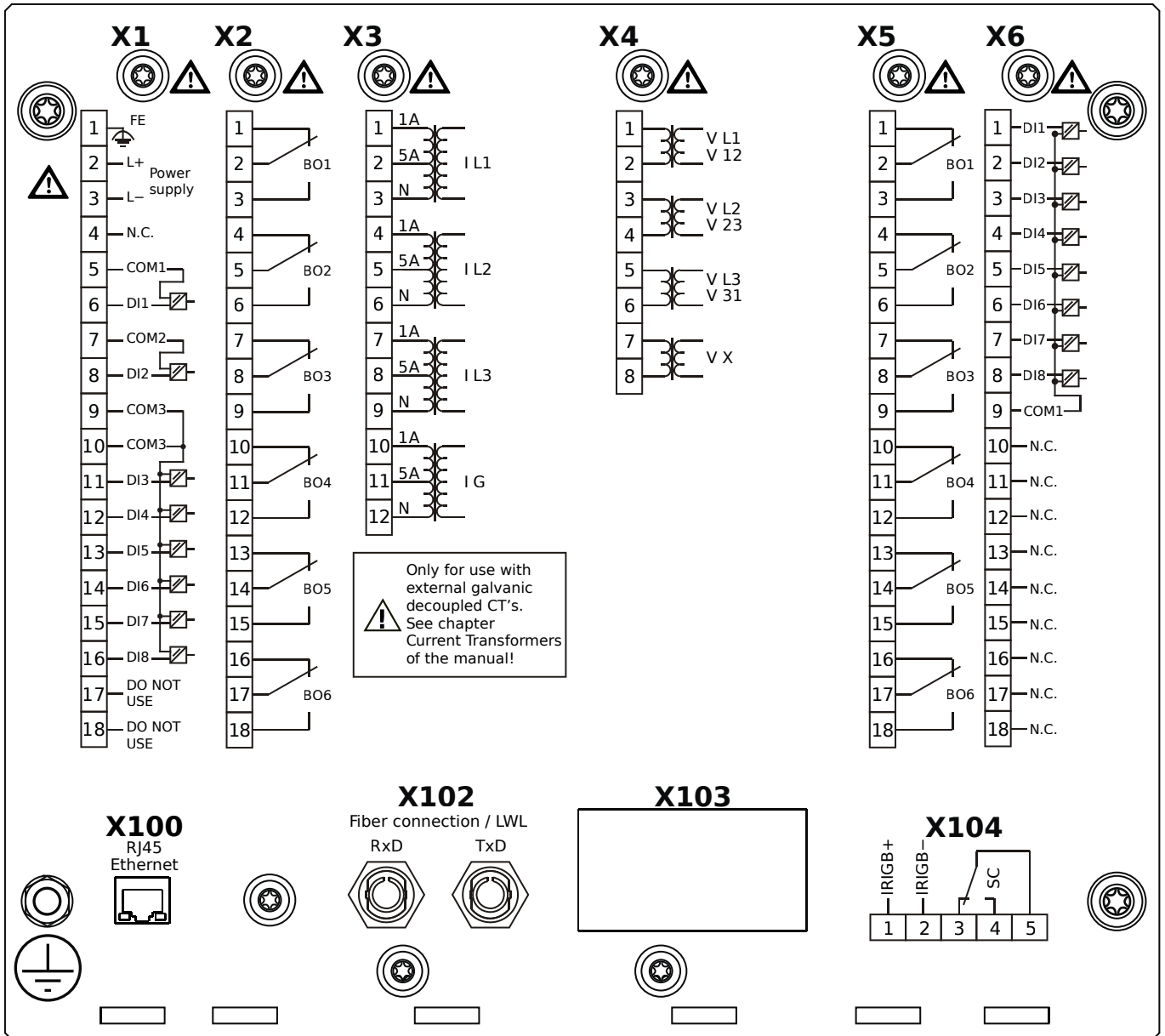
- X1** – DI8-X1: Wide-range power supply unit, incl. 2 non-grouped digital inputs and 6 grouped digital inputs
- X2** – OR-6: Assembly Group with 6 Relay Outputs
- X3** – TI-4: Standard current measuring card
- X4** – TU: Card with 4 voltage transformer measuring inputs
- X5** – OR-6: Assembly Group with 6 Relay Outputs
- X6** – DI8: Assembly Group with 8 Digital Inputs
- X102** – Protection Communication, Fiber optics interface, ST Connector
- X103** – Modbus RTU / IEC 60870-5-103 / DNP3.0 RTU, RS485, D-SUB
- X104** – IRIG-B00X, incl. System Contact (Supervision Contact)

MCDLV4-2D0H1HA



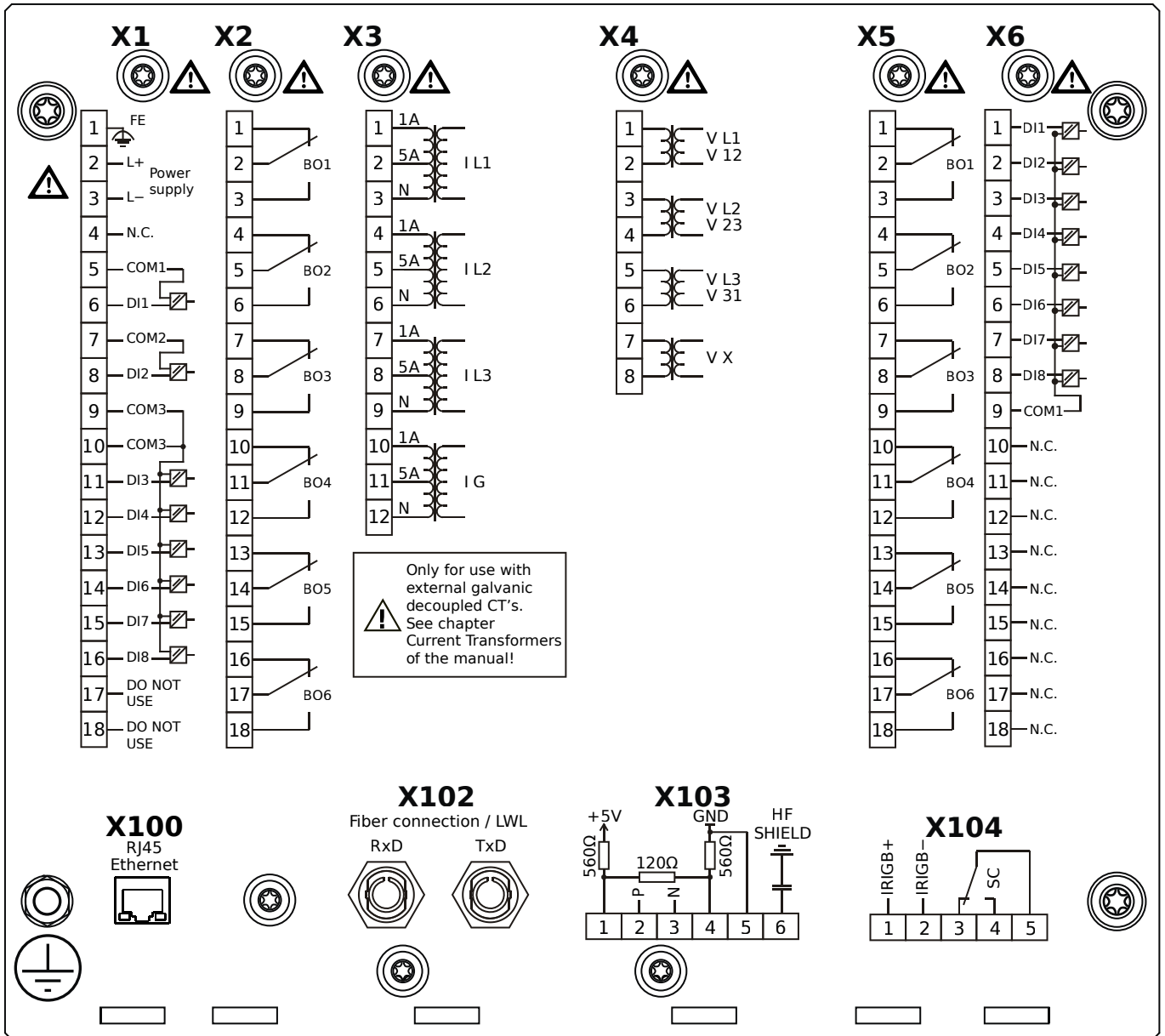
- X1** – DI8-X1: Wide-range power supply unit, incl. 2 non-grouped digital inputs and 6 grouped digital inputs
- X2** – OR-6: Assembly Group with 6 Relay Outputs
- X3** – TI-4: Standard current measuring card
- X4** – TU: Card with 4 voltage transformer measuring inputs
- X5** – OR-6: Assembly Group with 6 Relay Outputs
- X6** – DI8: Assembly Group with 8 Digital Inputs
- X100** – IEC 61850 / Modbus TCP / DNP3.0 TCP/UDP, Ethernet interface, 100 Mbit/s, RJ45 (BASE100-FX)
- X102** – Protection Communication, Fiber optics interface, ST Connector
- X104** – IRIG-B00X, incl. System Contact (Supervision Contact)

MCDLV4-2D0H1HB



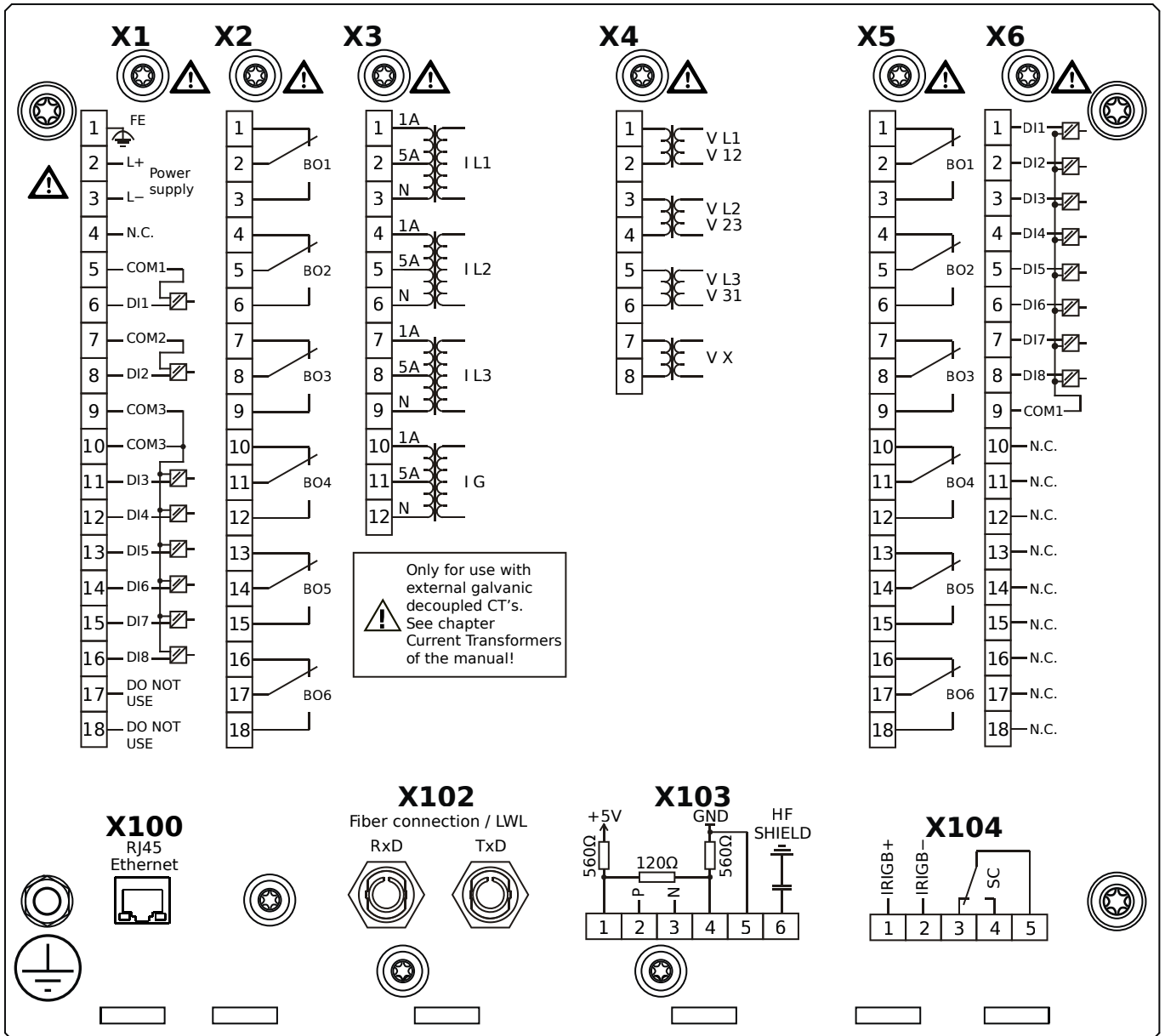
- X1** – DI8-X1: Wide-range power supply unit, incl. 2 non-grouped digital inputs and 6 grouped digital inputs
- X2** – OR-6: Assembly Group with 6 Relay Outputs
- X3** – TI-4: Standard current measuring card
- X4** – TU: Card with 4 voltage transformer measuring inputs
- X5** – OR-6: Assembly Group with 6 Relay Outputs
- X6** – DI8: Assembly Group with 8 Digital Inputs
- X100** – IEC 61850 / Modbus TCP / DNP3.0 TCP/UDP, Ethernet interface, 100 Mbit/s, RJ45 (BASE100-FX)
- X102** – Protection Communication, Fiber optics interface, ST Connector
- X104** – IRIG-B00X, incl. System Contact (Supervision Contact)

MCDLV4-2D0H1IA



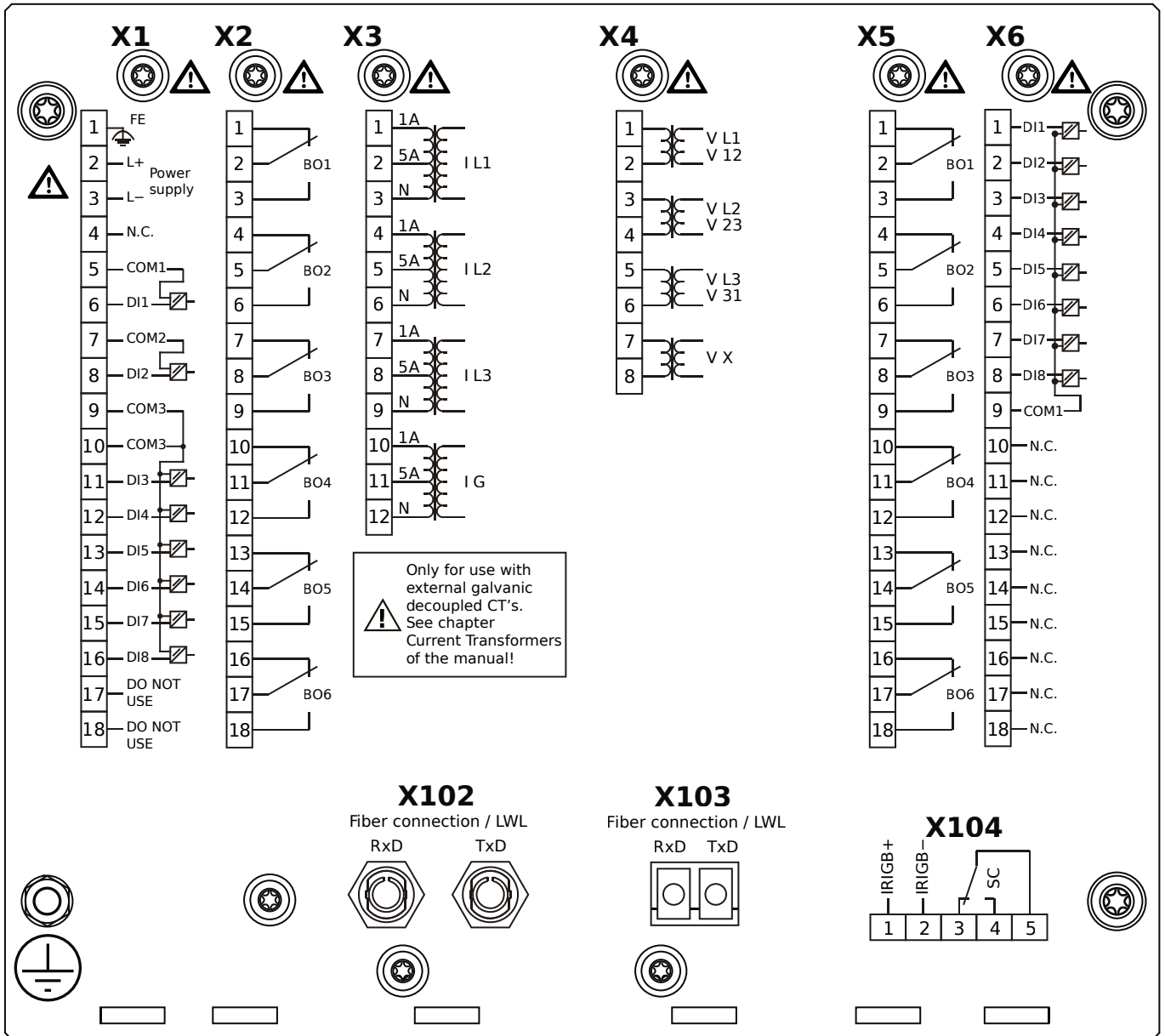
- X1** – DI8-X1: Wide-range power supply unit, incl. 2 non-grouped digital inputs and 6 grouped digital inputs
- X2** – OR-6: Assembly Group with 6 Relay Outputs
- X3** – TI-4: Standard current measuring card
- X4** – TU: Card with 4 voltage transformer measuring inputs
- X5** – OR-6: Assembly Group with 6 Relay Outputs
- X6** – DI8: Assembly Group with 8 Digital Inputs
- X100** – Modbus TCP / DNP3.0 TCP/UDP, Ethernet interface, 100 Mbit/s, RJ45 (BASE100-FX)
- X102** – Protection Communication, Fiber optics interface, ST Connector
- X103** – IEC 60870-5-103 / Modbus RTU / DNP3.0 RTU, RS485, Terminals
- X104** – IRIG-B00X, incl. System Contact (Supervision Contact)

MCDLV4-2D0H1IB



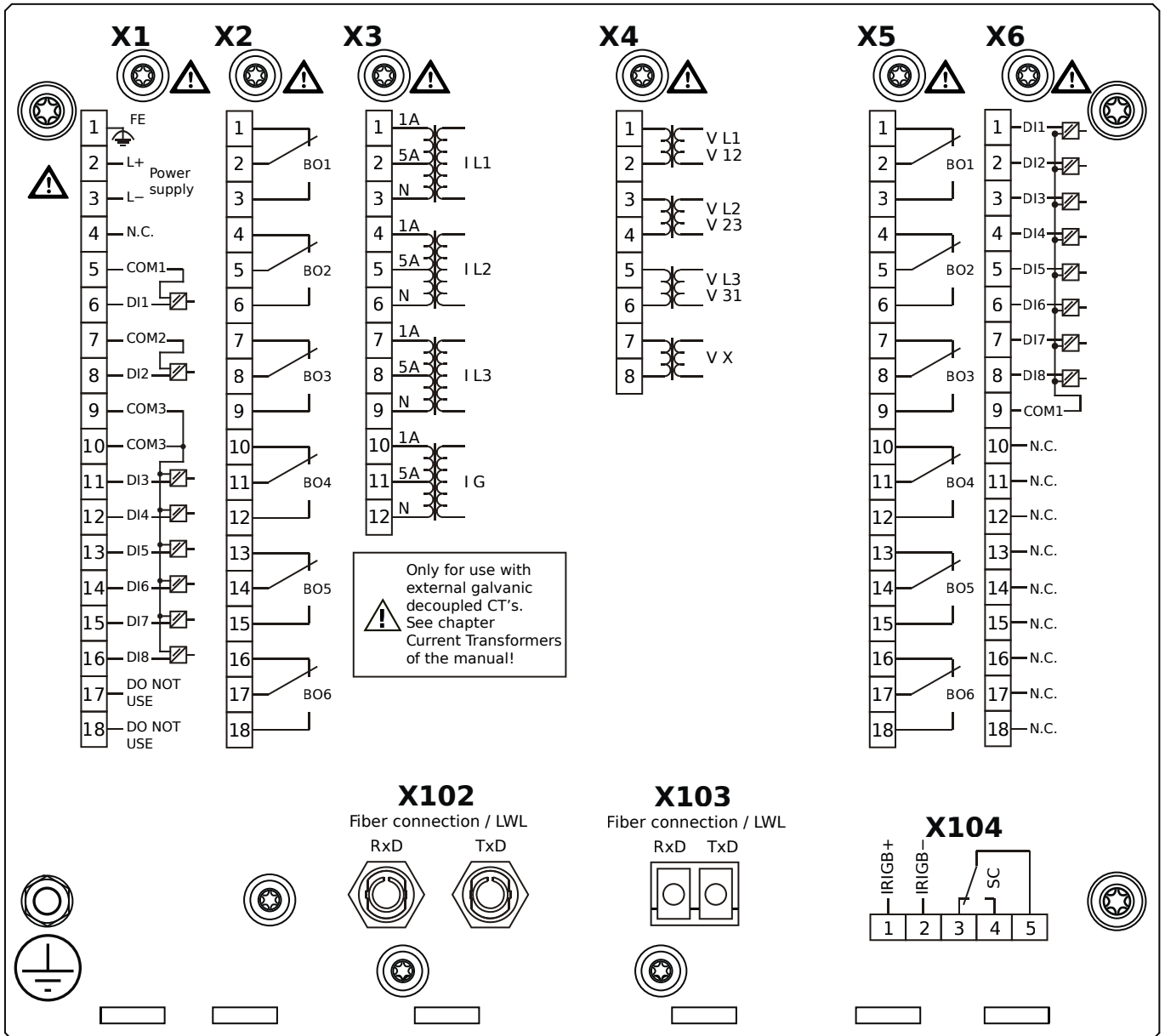
- X1** – DI8-X1: Wide-range power supply unit, incl. 2 non-grouped digital inputs and 6 grouped digital inputs
- X2** – OR-6: Assembly Group with 6 Relay Outputs
- X3** – TI-4: Standard current measuring card
- X4** – TU: Card with 4 voltage transformer measuring inputs
- X5** – OR-6: Assembly Group with 6 Relay Outputs
- X6** – DI8: Assembly Group with 8 Digital Inputs
- X100** – Modbus TCP / DNP3.0 TCP/UDP, Ethernet interface, 100 Mbit/s, RJ45 (BASE100-FX)
- X102** – Protection Communication, Fiber optics interface, ST Connector
- X103** – IEC 60870-5-103 / Modbus RTU / DNP3.0 RTU, RS485, Terminals
- X104** – IRIG-B00X, incl. System Contact (Supervision Contact)

MCDLV4-2D0H1KA



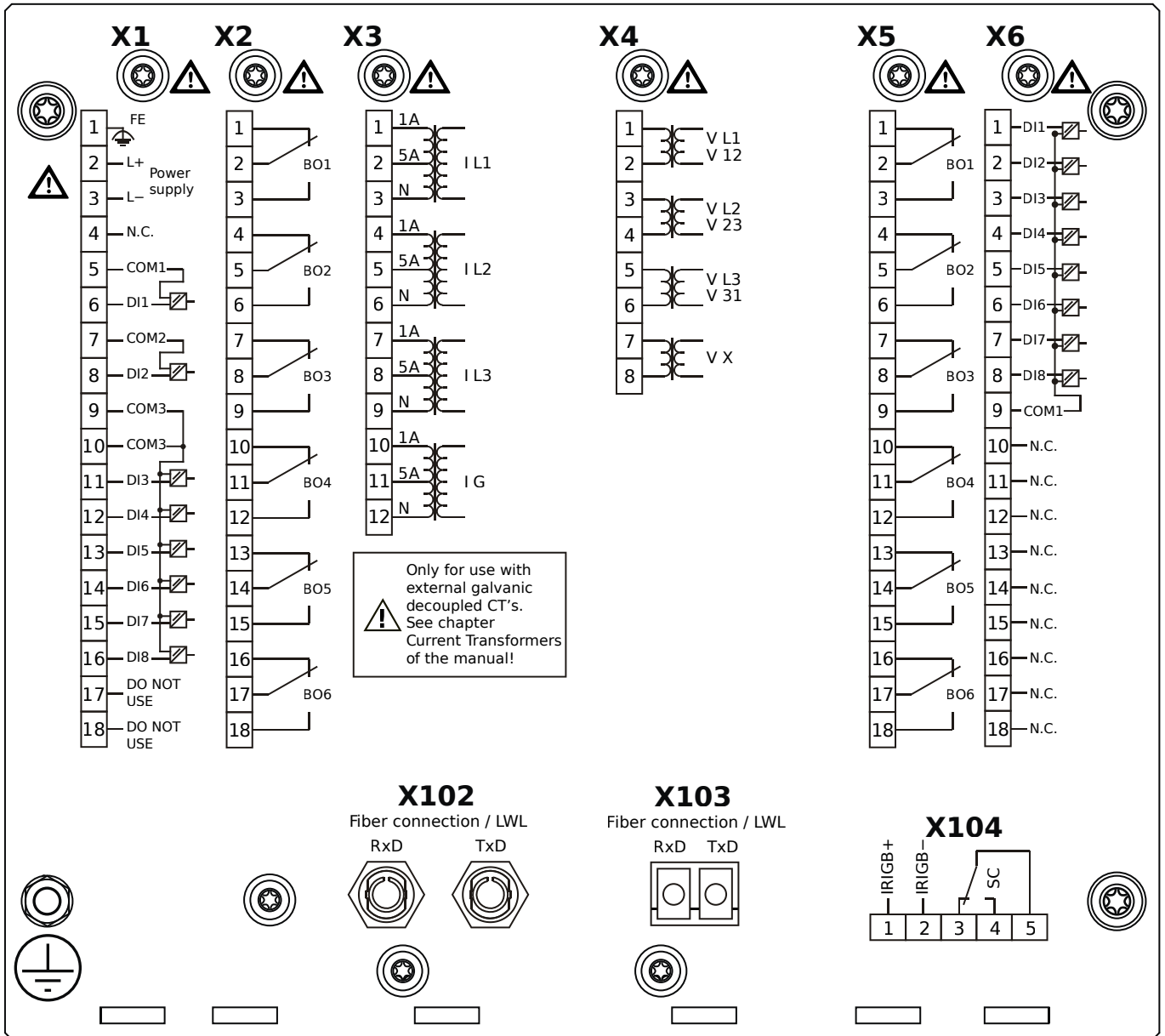
- X1** – DI8-X1: Wide-range power supply unit, incl. 2 non-grouped digital inputs and 6 grouped digital inputs
- X2** – OR-6: Assembly Group with 6 Relay Outputs
- X3** – TI-4: Standard current measuring card
- X4** – TU: Card with 4 voltage transformer measuring inputs
- X5** – OR-6: Assembly Group with 6 Relay Outputs
- X6** – DI8: Assembly Group with 8 Digital Inputs
- X102** – Protection Communication, Fiber optics interface, ST Connector
- X103** – IEC 61850 / Modbus TCP / DNP3.0 TCP/UDP, Fiber optics interface, LC Connector
- X104** – IRIG-B00X, incl. System Contact (Supervision Contact)

MCDLV4-2D0H1KB



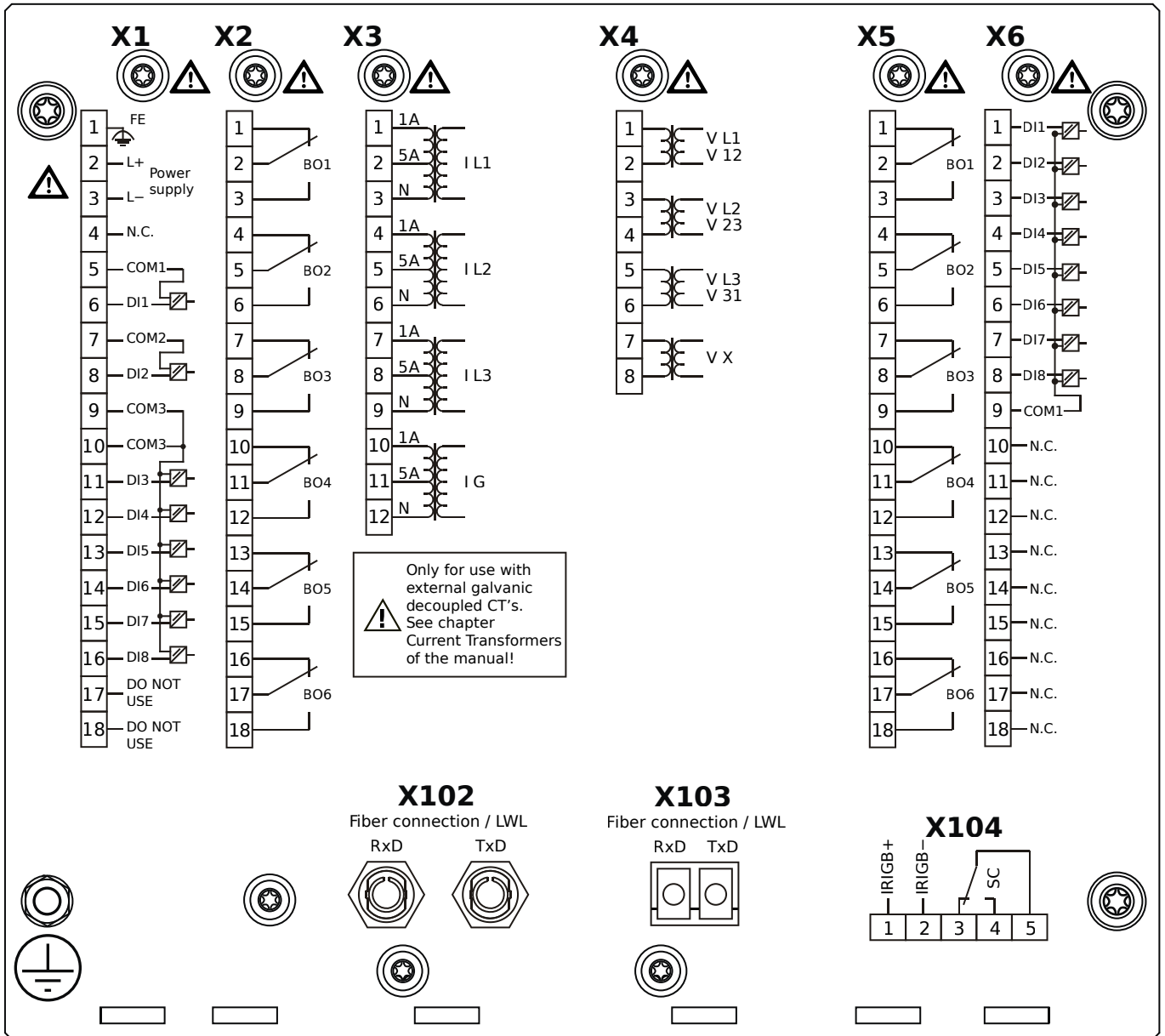
- X1** – DI8-X1: Wide-range power supply unit, incl. 2 non-grouped digital inputs and 6 grouped digital inputs
- X2** – OR-6: Assembly Group with 6 Relay Outputs
- X3** – TI-4: Standard current measuring card
- X4** – TU: Card with 4 voltage transformer measuring inputs
- X5** – OR-6: Assembly Group with 6 Relay Outputs
- X6** – DI8: Assembly Group with 8 Digital Inputs
- X102** – Protection Communication, Fiber optics interface, ST Connector
- X103** – IEC 61850 / Modbus TCP / DNP3.0 TCP/UDP, Fiber optics interface, LC Connector
- X104** – IRIG-B00X, incl. System Contact (Supervision Contact)

MCDLV4-2D0H1LA



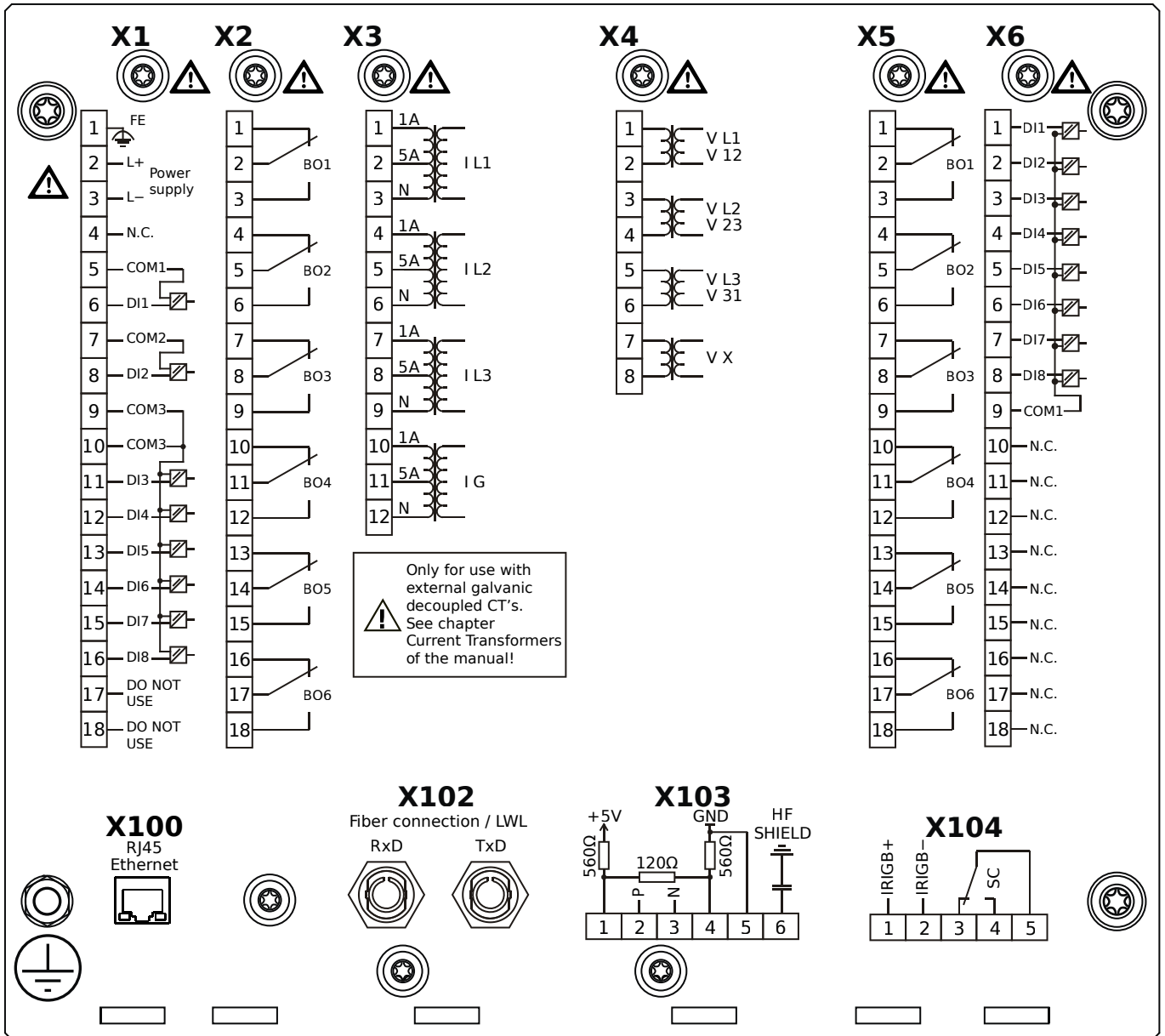
- X1** – DI8-X1: Wide-range power supply unit, incl. 2 non-grouped digital inputs and 6 grouped digital inputs
- X2** – OR-6: Assembly Group with 6 Relay Outputs
- X3** – TI-4: Standard current measuring card
- X4** – TU: Card with 4 voltage transformer measuring inputs
- X5** – OR-6: Assembly Group with 6 Relay Outputs
- X6** – DI8: Assembly Group with 8 Digital Inputs
- X102** – Protection Communication, Fiber optics interface, ST Connector
- X103** – Modbus TCP / DNP3.0 TCP/UDP, Fiber optics interface, LC Connector
- X104** – IRIG-B00X, incl. System Contact (Supervision Contact)

MCDLV4-2D0H1LB



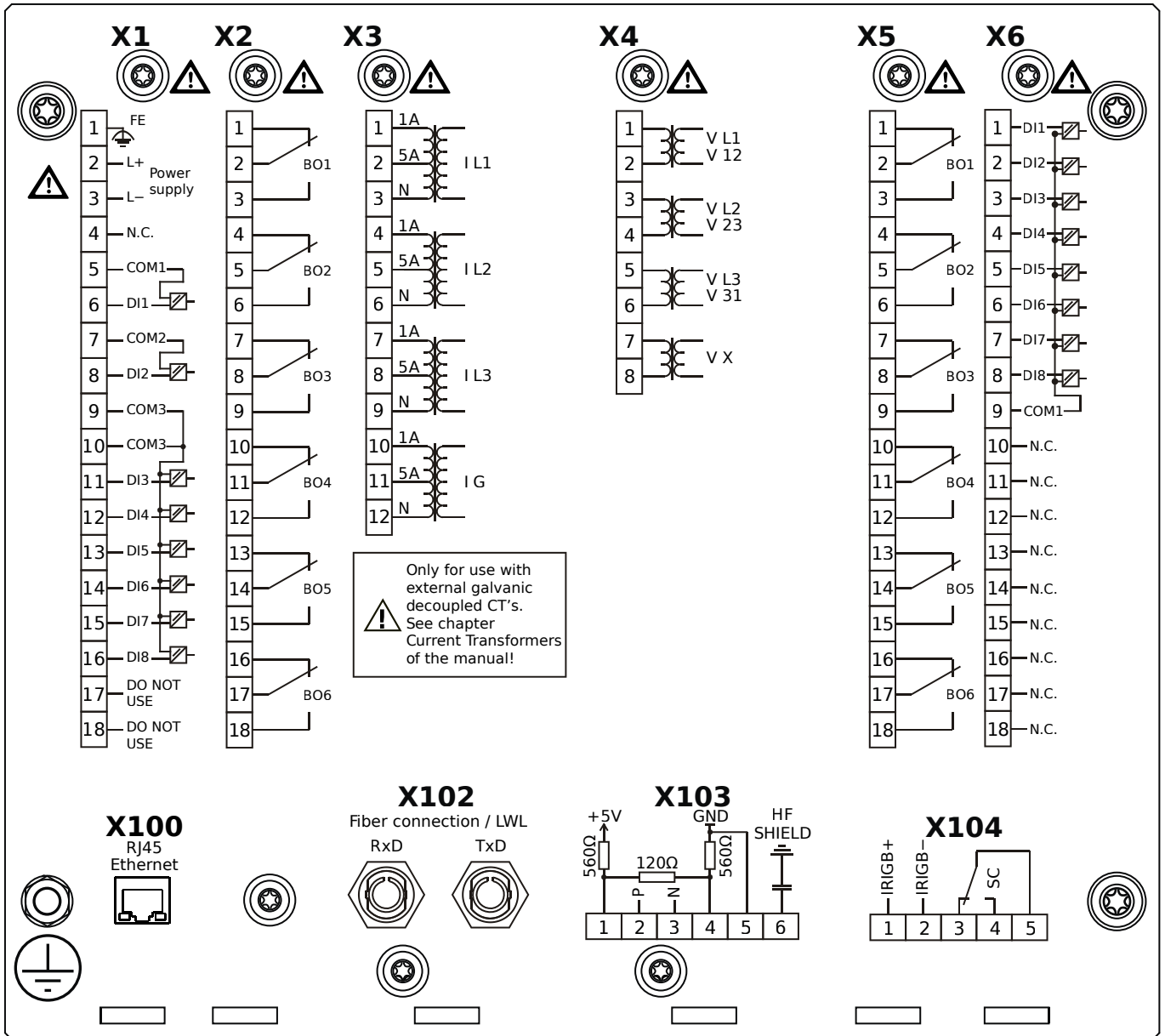
- X1** – DI8-X1: Wide-range power supply unit, incl. 2 non-grouped digital inputs and 6 grouped digital inputs
- X2** – OR-6: Assembly Group with 6 Relay Outputs
- X3** – TI-4: Standard current measuring card
- X4** – TU: Card with 4 voltage transformer measuring inputs
- X5** – OR-6: Assembly Group with 6 Relay Outputs
- X6** – DI8: Assembly Group with 8 Digital Inputs
- X102** – Protection Communication, Fiber optics interface, ST Connector
- X103** – Modbus TCP / DNP3.0 TCP/UDP, Fiber optics interface, LC Connector
- X104** – IRIG-B00X, incl. System Contact (Supervision Contact)

MCDLV4-2D0H1TA



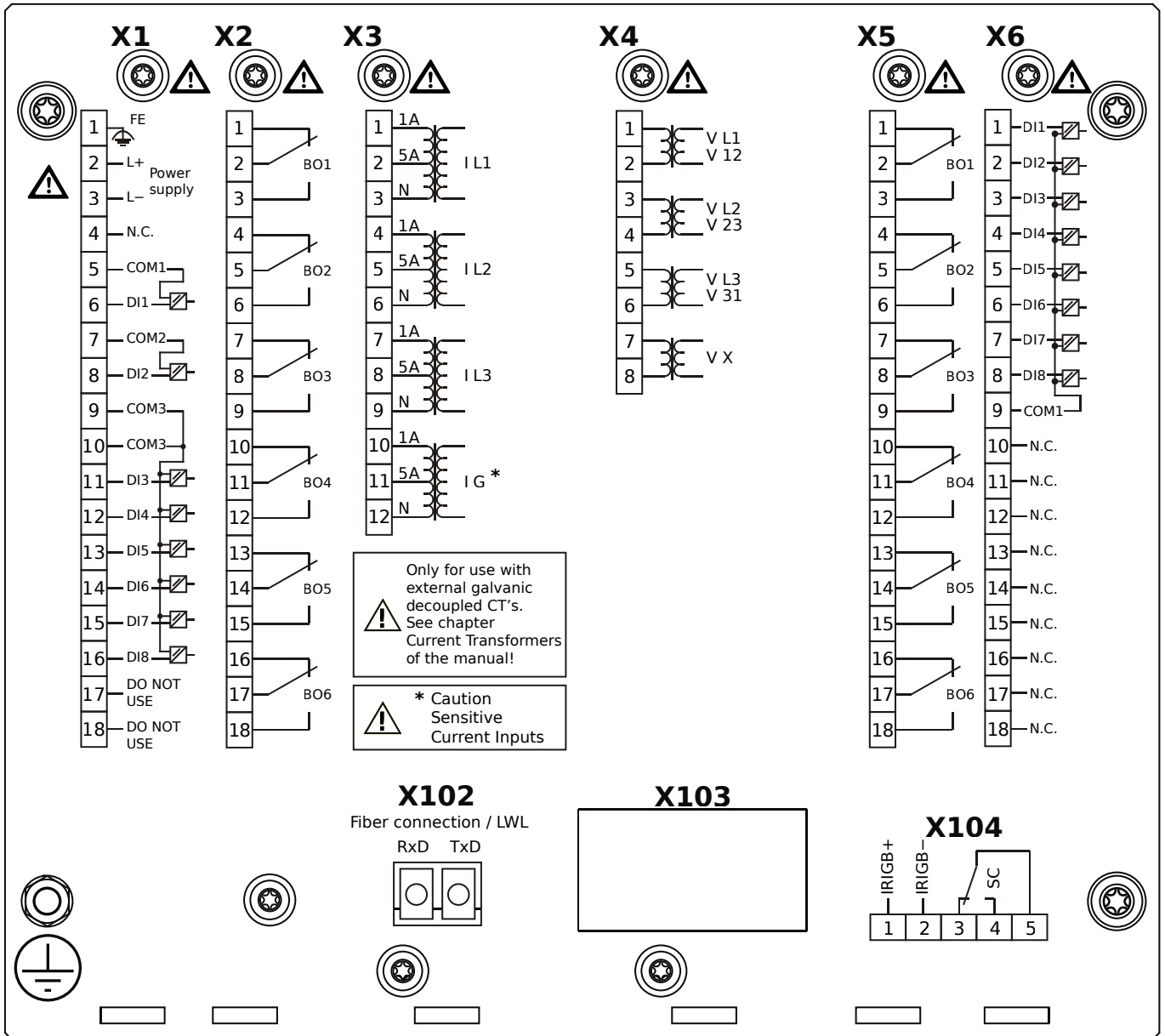
- X1** – DI8-X1: Wide-range power supply unit, incl. 2 non-grouped digital inputs and 6 grouped digital inputs
- X2** – OR-6: Assembly Group with 6 Relay Outputs
- X3** – TI-4: Standard current measuring card
- X4** – TU: Card with 4 voltage transformer measuring inputs
- X5** – OR-6: Assembly Group with 6 Relay Outputs
- X6** – DI8: Assembly Group with 8 Digital Inputs
- X100** – IEC 61850 / Modbus TCP / DNP3.0 TCP/UDP, Ethernet interface, 100 Mbit/s, RJ45 (BASE100-FX)
- X102** – Protection Communication, Fiber optics interface, ST Connector
- X103** – IEC 60870-5-103 / Modbus RTU / DNP3.0 RTU, RS485, Terminals
- X104** – IRIG-B00X, incl. System Contact (Supervision Contact)

MCDLV4-2D0H1TB



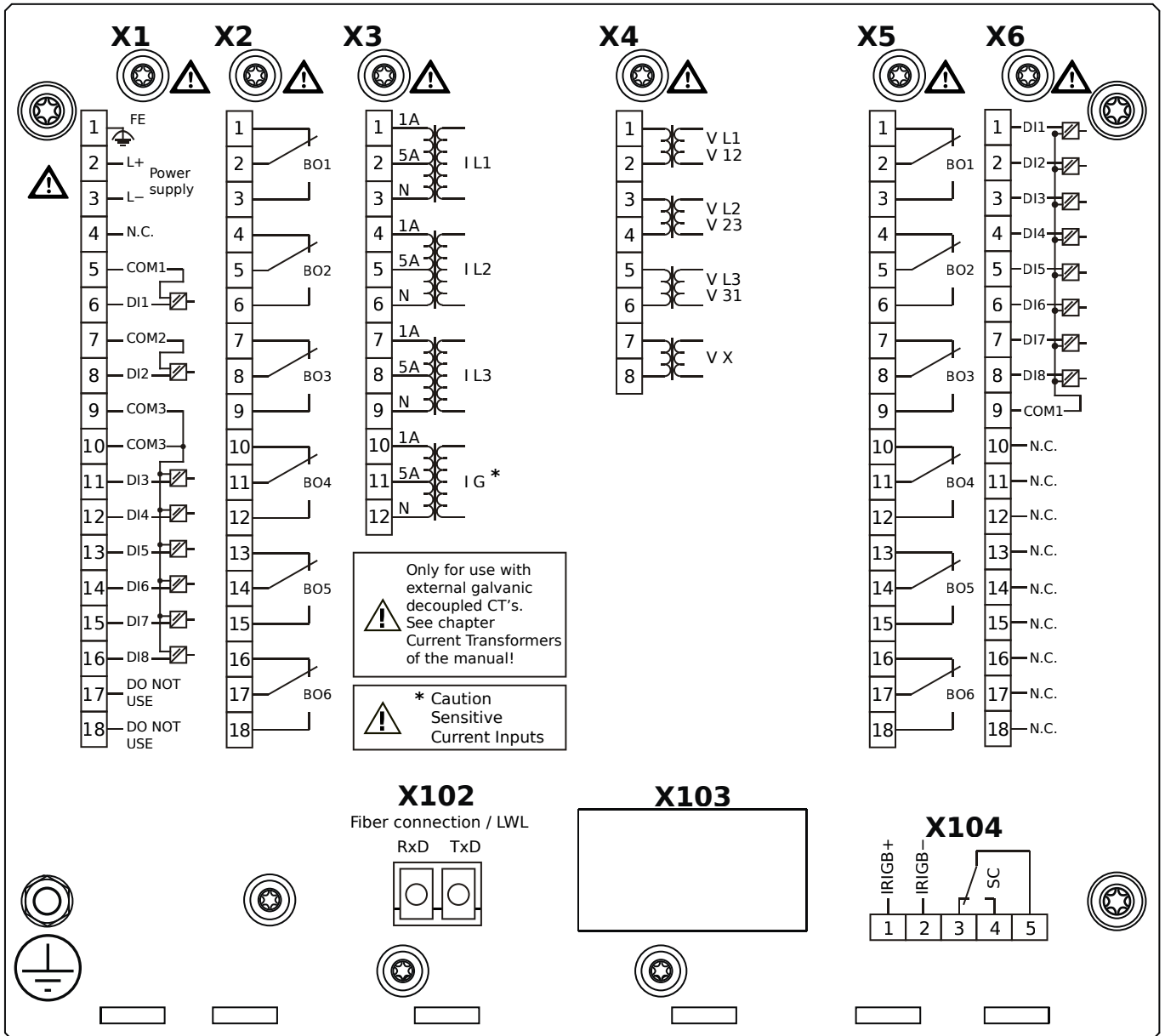
- X1** – DI8-X1: Wide-range power supply unit, incl. 2 non-grouped digital inputs and 6 grouped digital inputs
- X2** – OR-6: Assembly Group with 6 Relay Outputs
- X3** – TI-4: Standard current measuring card
- X4** – TU: Card with 4 voltage transformer measuring inputs
- X5** – OR-6: Assembly Group with 6 Relay Outputs
- X6** – DI8: Assembly Group with 8 Digital Inputs
- X100** – IEC 61850 / Modbus TCP / DNP3.0 TCP/UDP, Ethernet interface, 100 Mbit/s, RJ45 (BASE100-FX)
- X102** – Protection Communication, Fiber optics interface, ST Connector
- X103** – IEC 60870-5-103 / Modbus RTU / DNP3.0 RTU, RS485, Terminals
- X104** – IRIG-B00X, incl. System Contact (Supervision Contact)

MCDLV4-2D1A0AA



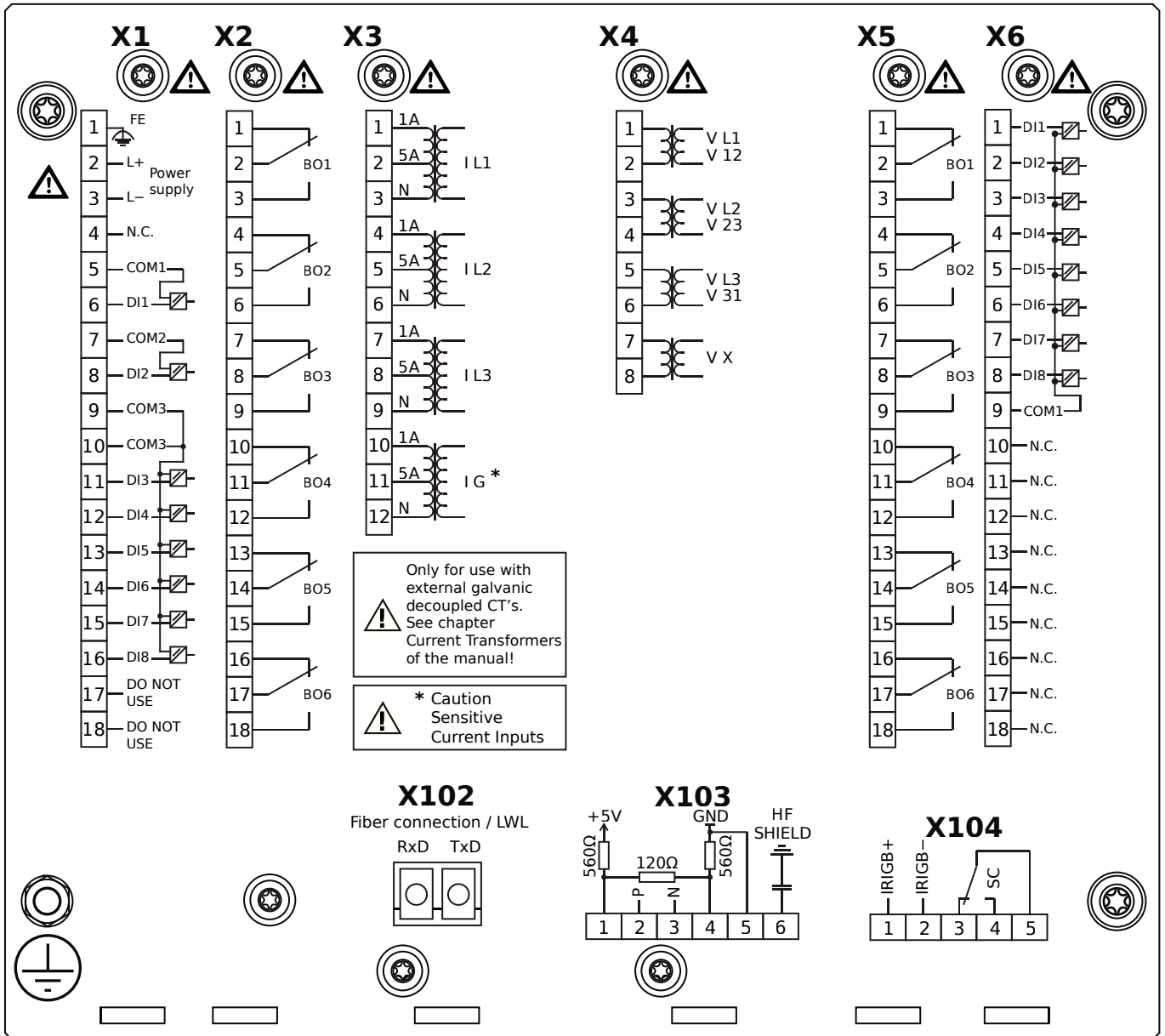
- X1** – DI8-X1: Wide-range power supply unit, incl. 2 non-grouped digital inputs and 6 grouped digital inputs
- X2** – OR-6: Assembly Group with 6 Relay Outputs
- X3** – TIs-4: Standard phase current measuring card and sensitive ground current measuring
- X4** – TU: Card with 4 voltage transformer measuring inputs
- X5** – OR-6: Assembly Group with 6 Relay Outputs
- X6** – DI8: Assembly Group with 8 Digital Inputs
- X102** – Long-distance Protection Communication, Fiber optics interface, LC Connector
- X104** – IRIG-B00X, incl. System Contact (Supervision Contact)

MCDLV4-2D1A0AB



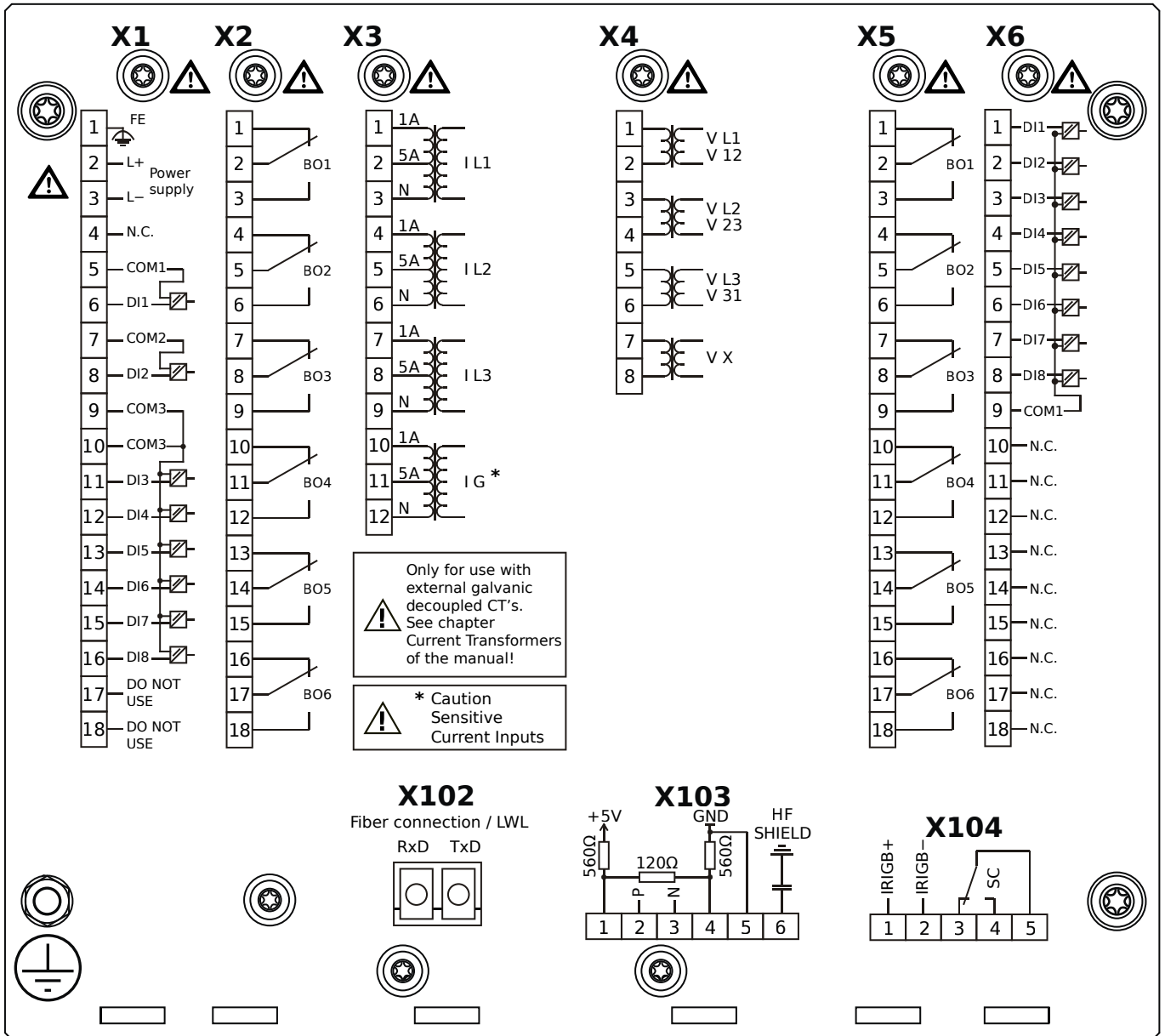
- X1** – DI8-X1: Wide-range power supply unit, incl. 2 non-grouped digital inputs and 6 grouped digital inputs
- X2** – OR-6: Assembly Group with 6 Relay Outputs
- X3** – TIs-4: Standard phase current measuring card and sensitive ground current measuring
- X4** – TU: Card with 4 voltage transformer measuring inputs
- X5** – OR-6: Assembly Group with 6 Relay Outputs
- X6** – DI8: Assembly Group with 8 Digital Inputs
- X102** – Long-distance Protection Communication, Fiber optics interface, LC Connector
- X104** – IRIG-B00X, incl. System Contact (Supervision Contact)

MCDLV4-2D1A0BA



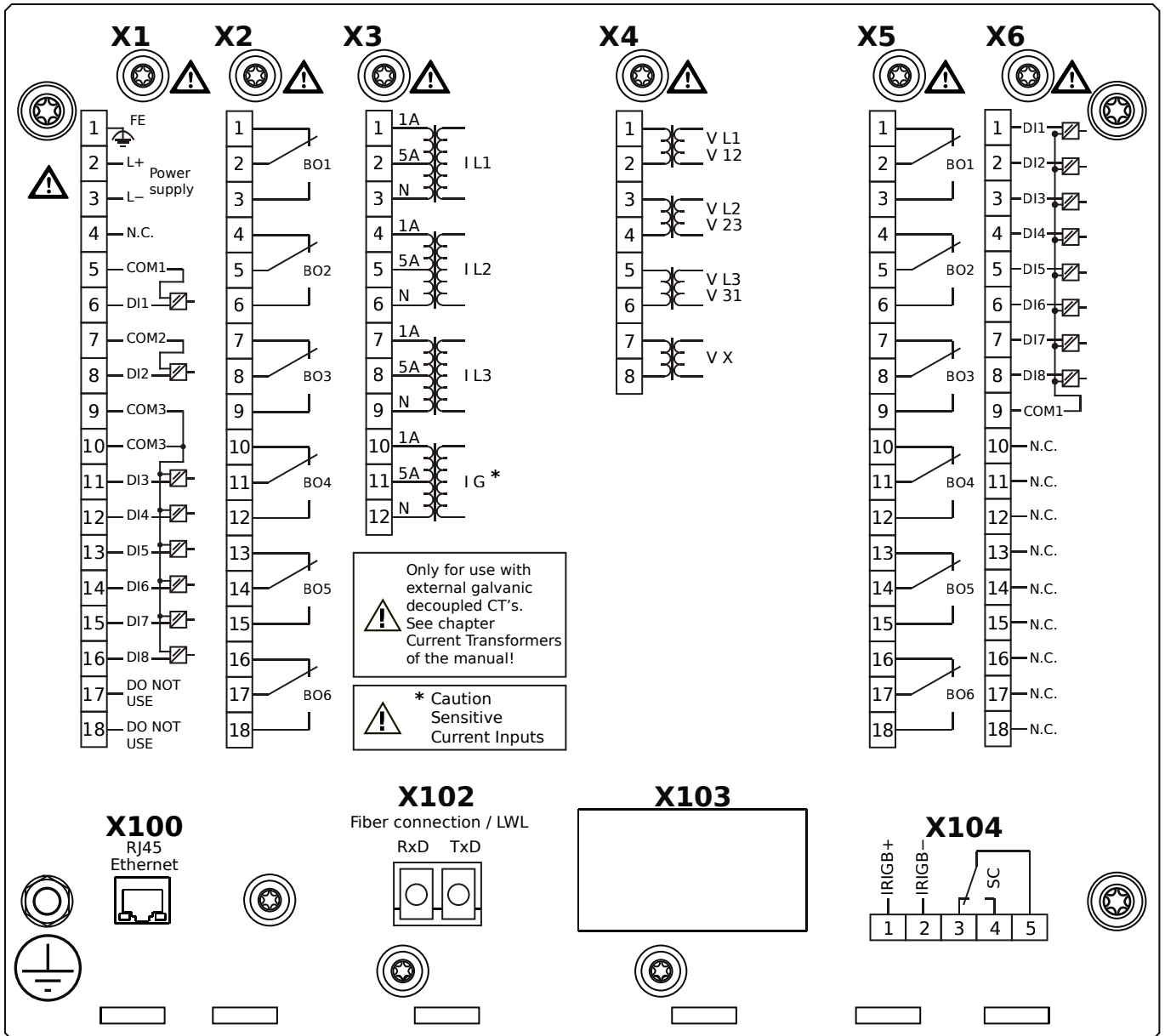
- X1** – DI8-X1: Wide-range power supply unit, incl. 2 non-grouped digital inputs and 6 grouped digital inputs
- X2** – OR-6: Assembly Group with 6 Relay Outputs
- X3** – TIs-4: Standard phase current measuring card and sensitive ground current measuring
- X4** – TU: Card with 4 voltage transformer measuring inputs
- X5** – OR-6: Assembly Group with 6 Relay Outputs
- X6** – DI8: Assembly Group with 8 Digital Inputs
- X102** – Long-distance Protection Communication, Fiber optics interface, LC Connector
- X103** – Modbus RTU / IEC 60870-5-103 / DNP3.0 RTU, RS485, Terminals
- X104** – IRIG-B00X, incl. System Contact (Supervision Contact)

MCDLV4-2D1A0BB



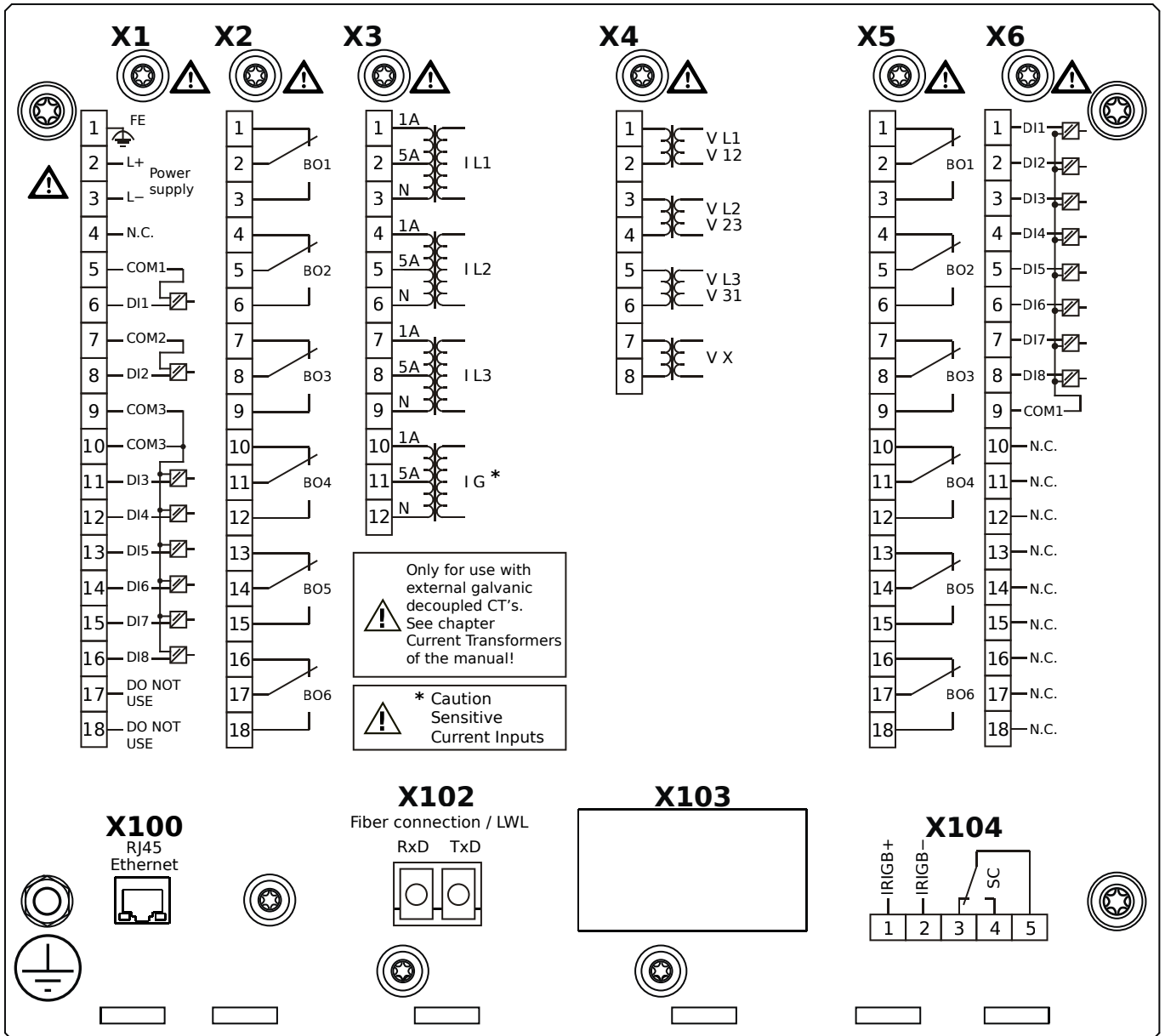
- X1** – DI8-X1: Wide-range power supply unit, incl. 2 non-grouped digital inputs and 6 grouped digital inputs
- X2** – OR-6: Assembly Group with 6 Relay Outputs
- X3** – TIs-4: Standard phase current measuring card and sensitive ground current measuring
- X4** – TU: Card with 4 voltage transformer measuring inputs
- X5** – OR-6: Assembly Group with 6 Relay Outputs
- X6** – DI8: Assembly Group with 8 Digital Inputs
- X102** – Long-distance Protection Communication, Fiber optics interface, LC Connector
- X103** – Modbus RTU / IEC 60870-5-103 / DNP3.0 RTU, RS485, Terminals
- X104** – IRIG-B00X, incl. System Contact (Supervision Contact)

MCDLV4-2D1A0CA



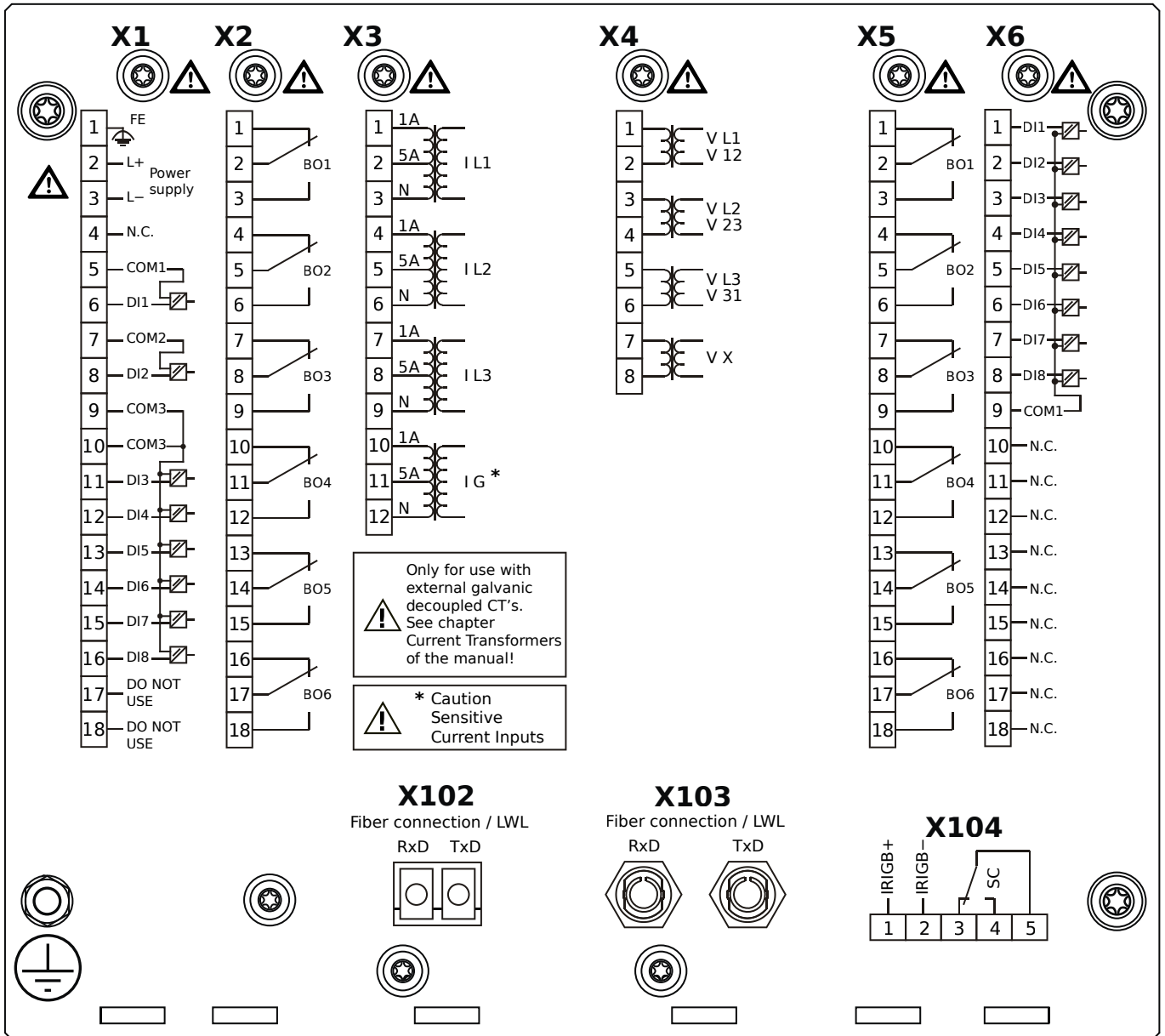
- X1** – DI8-X1: Wide-range power supply unit, incl. 2 non-grouped digital inputs and 6 grouped digital inputs
- X2** – OR-6: Assembly Group with 6 Relay Outputs
- X3** – TIs-4: Standard phase current measuring card and sensitive ground current measuring
- X4** – TU: Card with 4 voltage transformer measuring inputs
- X5** – OR-6: Assembly Group with 6 Relay Outputs
- X6** – DI8: Assembly Group with 8 Digital Inputs
- X100** – Modbus TCP / DNP3.0 TCP/UDP, Ethernet interface, 100 Mbit/s, RJ45 (BASE100-FX)
- X102** – Long-distance Protection Communication, Fiber optics interface, LC Connector
- X104** – IRIG-B00X, incl. System Contact (Supervision Contact)

MCDLV4-2D1A0CB



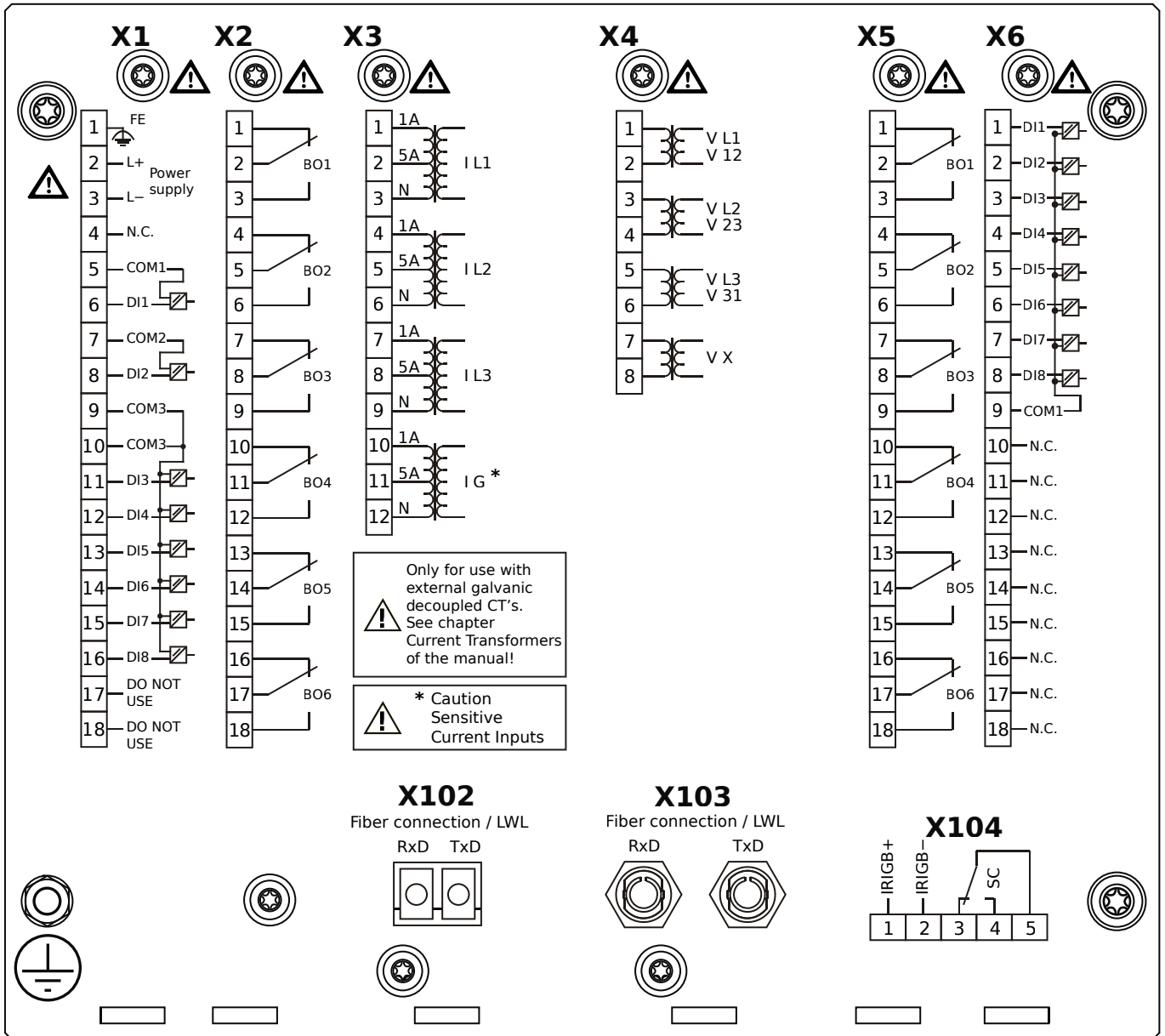
- X1** – DI8-X1: Wide-range power supply unit, incl. 2 non-grouped digital inputs and 6 grouped digital inputs
- X2** – OR-6: Assembly Group with 6 Relay Outputs
- X3** – TIs-4: Standard phase current measuring card and sensitive ground current measuring
- X4** – TU: Card with 4 voltage transformer measuring inputs
- X5** – OR-6: Assembly Group with 6 Relay Outputs
- X6** – DI8: Assembly Group with 8 Digital Inputs
- X100** – Modbus TCP / DNP3.0 TCP/UDP, Ethernet interface, 100 Mbit/s, RJ45 (BASE100-FX)
- X102** – Long-distance Protection Communication, Fiber optics interface, LC Connector
- X104** – IRIG-B00X, incl. System Contact (Supervision Contact)

MCDLV4-2D1A0DA



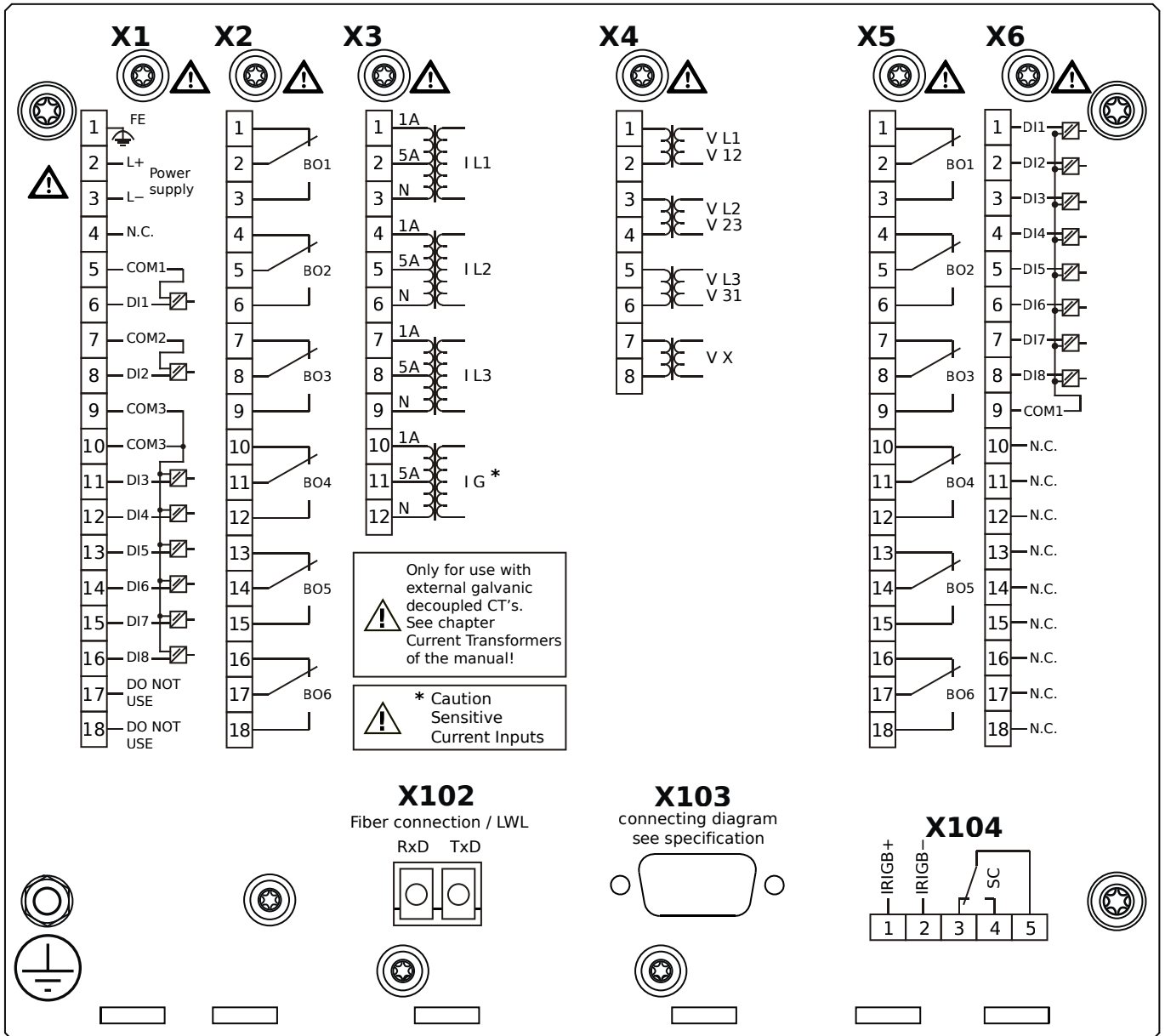
- X1** – DI8-X1: Wide-range power supply unit, incl. 2 non-grouped digital inputs and 6 grouped digital inputs
- X2** – OR-6: Assembly Group with 6 Relay Outputs
- X3** – TIs-4: Standard phase current measuring card and sensitive ground current measuring
- X4** – TU: Card with 4 voltage transformer measuring inputs
- X5** – OR-6: Assembly Group with 6 Relay Outputs
- X6** – DI8: Assembly Group with 8 Digital Inputs
- X102** – Long-distance Protection Communication, Fiber optics interface, LC Connector
- X103** – Profibus-DP, Fiber optics interface, ST Connector
- X104** – IRIG-B00X, incl. System Contact (Supervision Contact)

MCDLV4-2D1A0DB



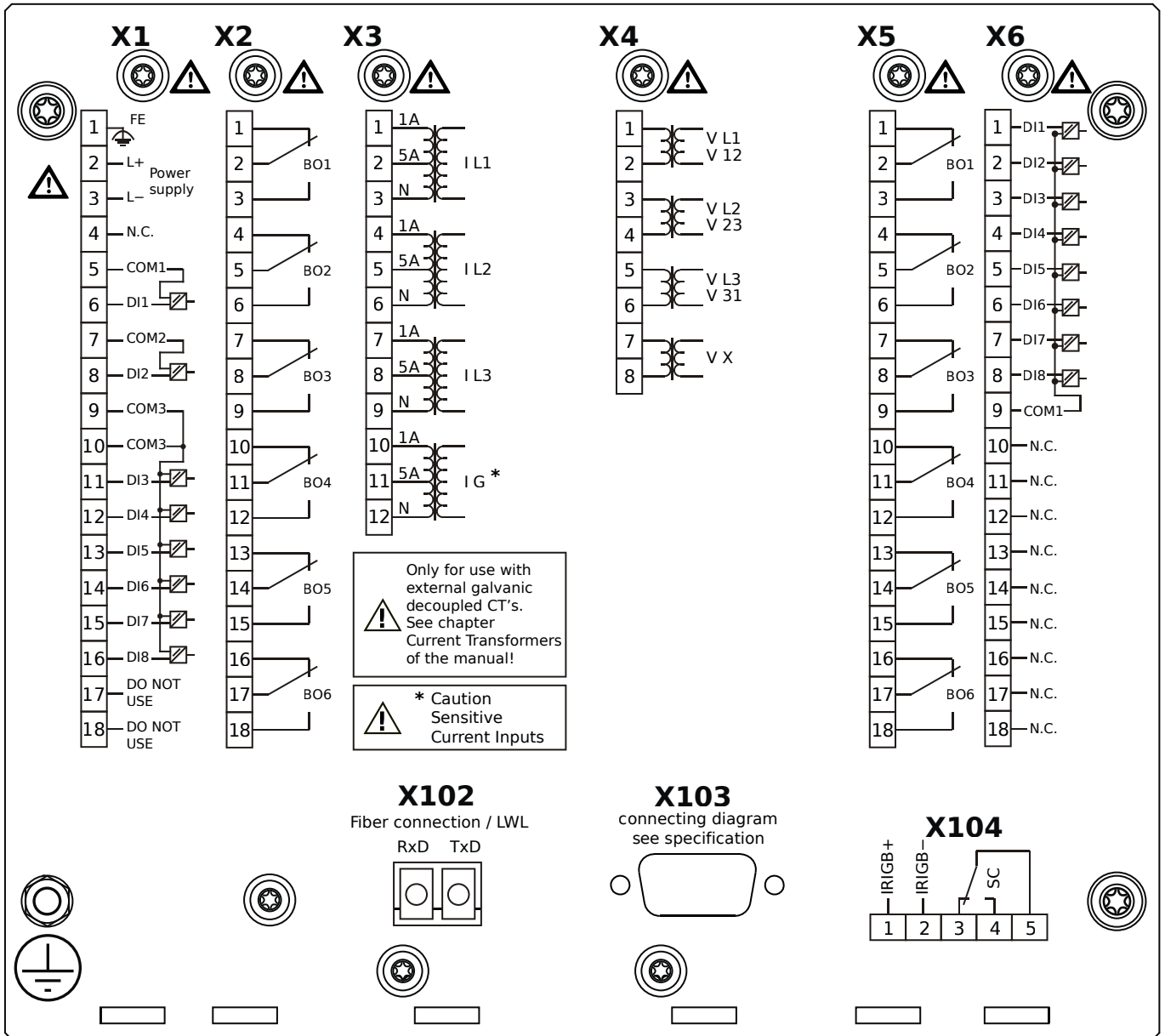
- X1** – DI8-X1: Wide-range power supply unit, incl. 2 non-grouped digital inputs and 6 grouped digital inputs
- X2** – OR-6: Assembly Group with 6 Relay Outputs
- X3** – TIs-4: Standard phase current measuring card and sensitive ground current measuring
- X4** – TU: Card with 4 voltage transformer measuring inputs
- X5** – OR-6: Assembly Group with 6 Relay Outputs
- X6** – DI8: Assembly Group with 8 Digital Inputs
- X102** – Long-distance Protection Communication, Fiber optics interface, LC Connector
- X103** – Profibus-DP, Fiber optics interface, ST Connector
- X104** – IRIG-B00X, incl. System Contact (Supervision Contact)

MCDLV4-2D1A0EA



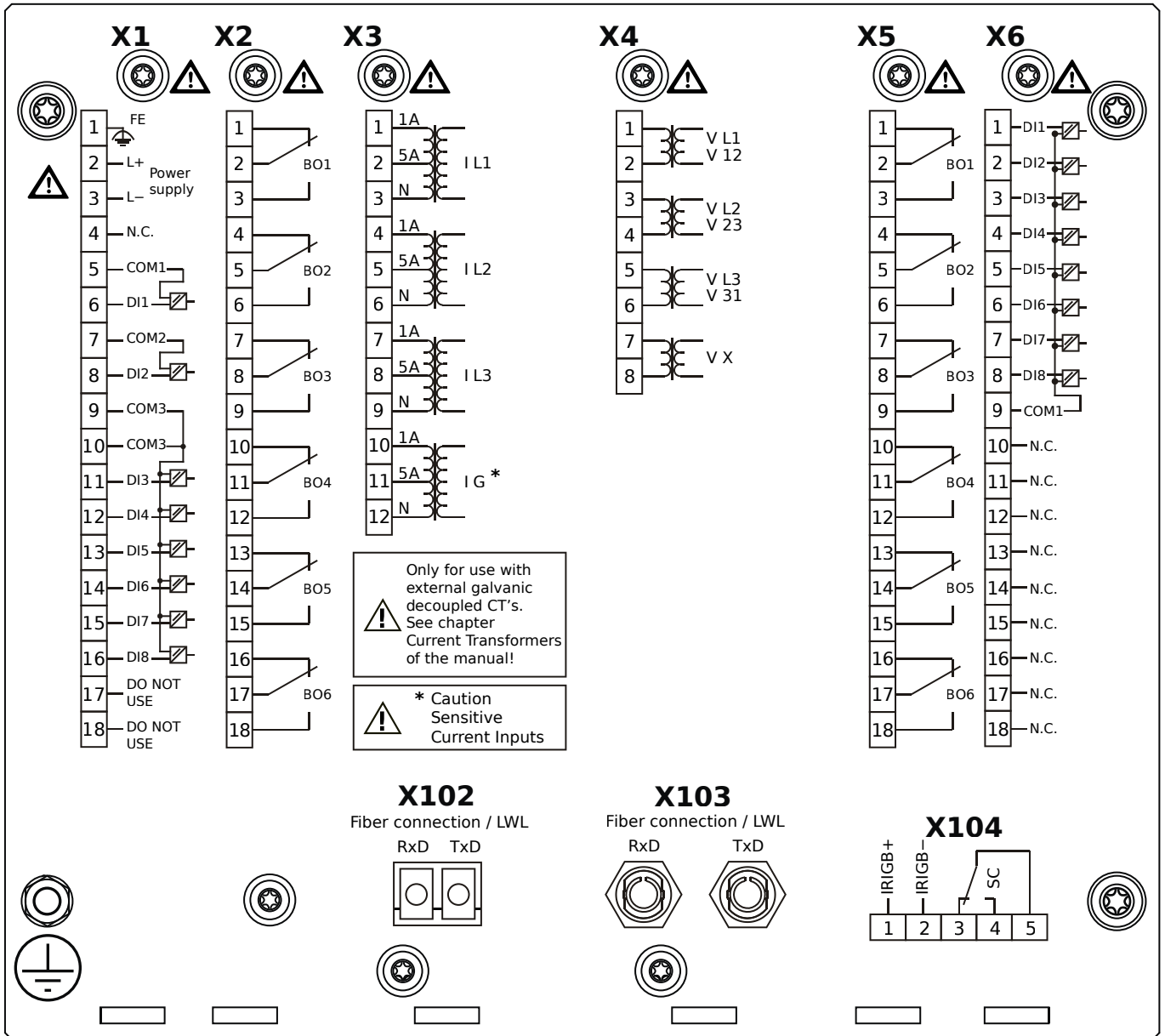
- X1** – DI8-X1: Wide-range power supply unit, incl. 2 non-grouped digital inputs and 6 grouped digital inputs
- X2** – OR-6: Assembly Group with 6 Relay Outputs
- X3** – TIs-4: Standard phase current measuring card and sensitive ground current measuring
- X4** – TU: Card with 4 voltage transformer measuring inputs
- X5** – OR-6: Assembly Group with 6 Relay Outputs
- X6** – DI8: Assembly Group with 8 Digital Inputs
- X102** – Long-distance Protection Communication, Fiber optics interface, LC Connector
- X103** – Profibus-DP, RS485, D-SUB
- X104** – IRIG-B00X, incl. System Contact (Supervision Contact)

MCDLV4-2D1A0EB



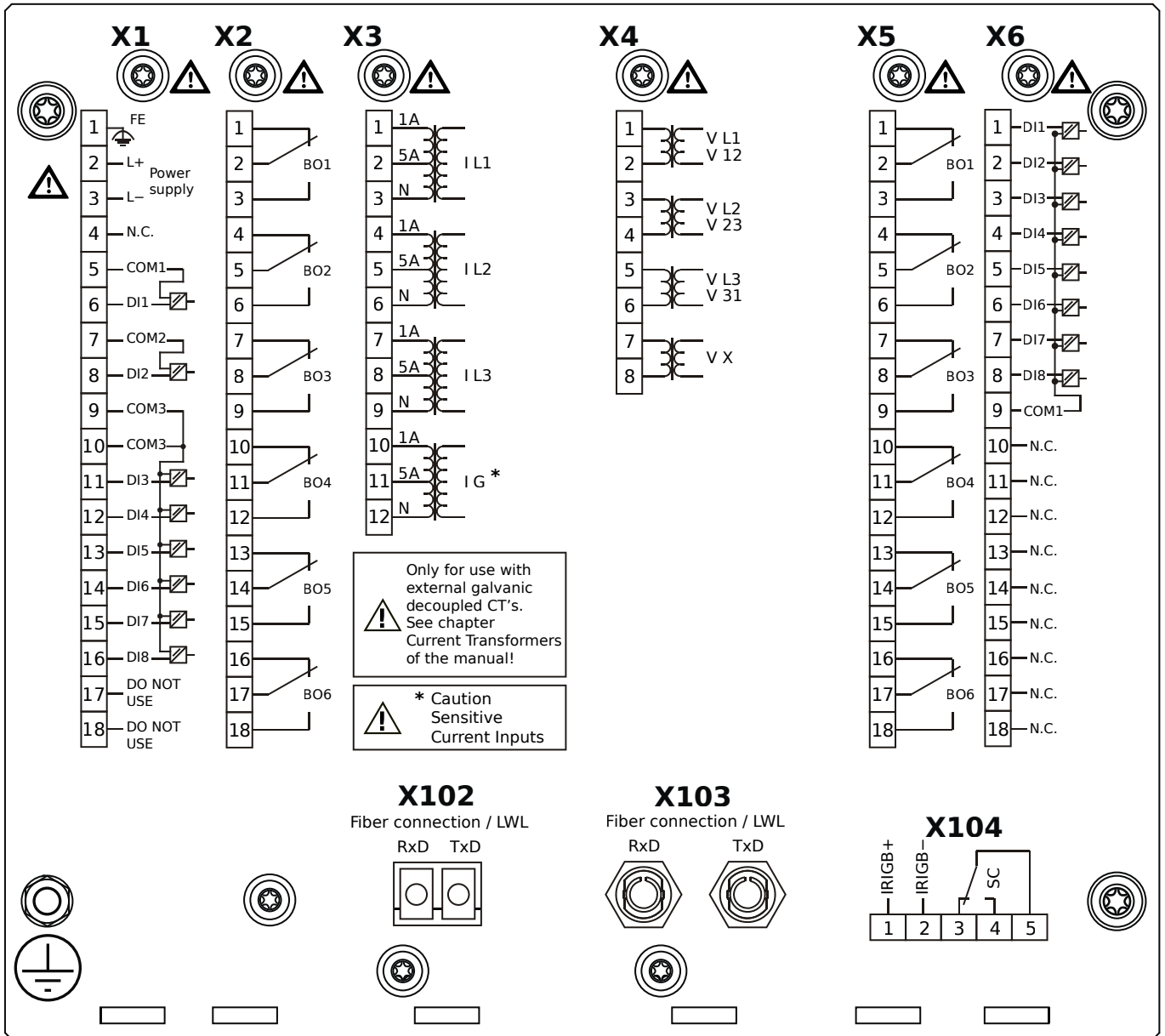
- X1** – DI8-X1: Wide-range power supply unit, incl. 2 non-grouped digital inputs and 6 grouped digital inputs
- X2** – OR-6: Assembly Group with 6 Relay Outputs
- X3** – TIs-4: Standard phase current measuring card and sensitive ground current measuring
- X4** – TU: Card with 4 voltage transformer measuring inputs
- X5** – OR-6: Assembly Group with 6 Relay Outputs
- X6** – DI8: Assembly Group with 8 Digital Inputs
- X102** – Long-distance Protection Communication, Fiber optics interface, LC Connector
- X103** – Profibus-DP, RS485, D-SUB
- X104** – IRIG-B00X, incl. System Contact (Supervision Contact)

MCDLV4-2D1A0FA



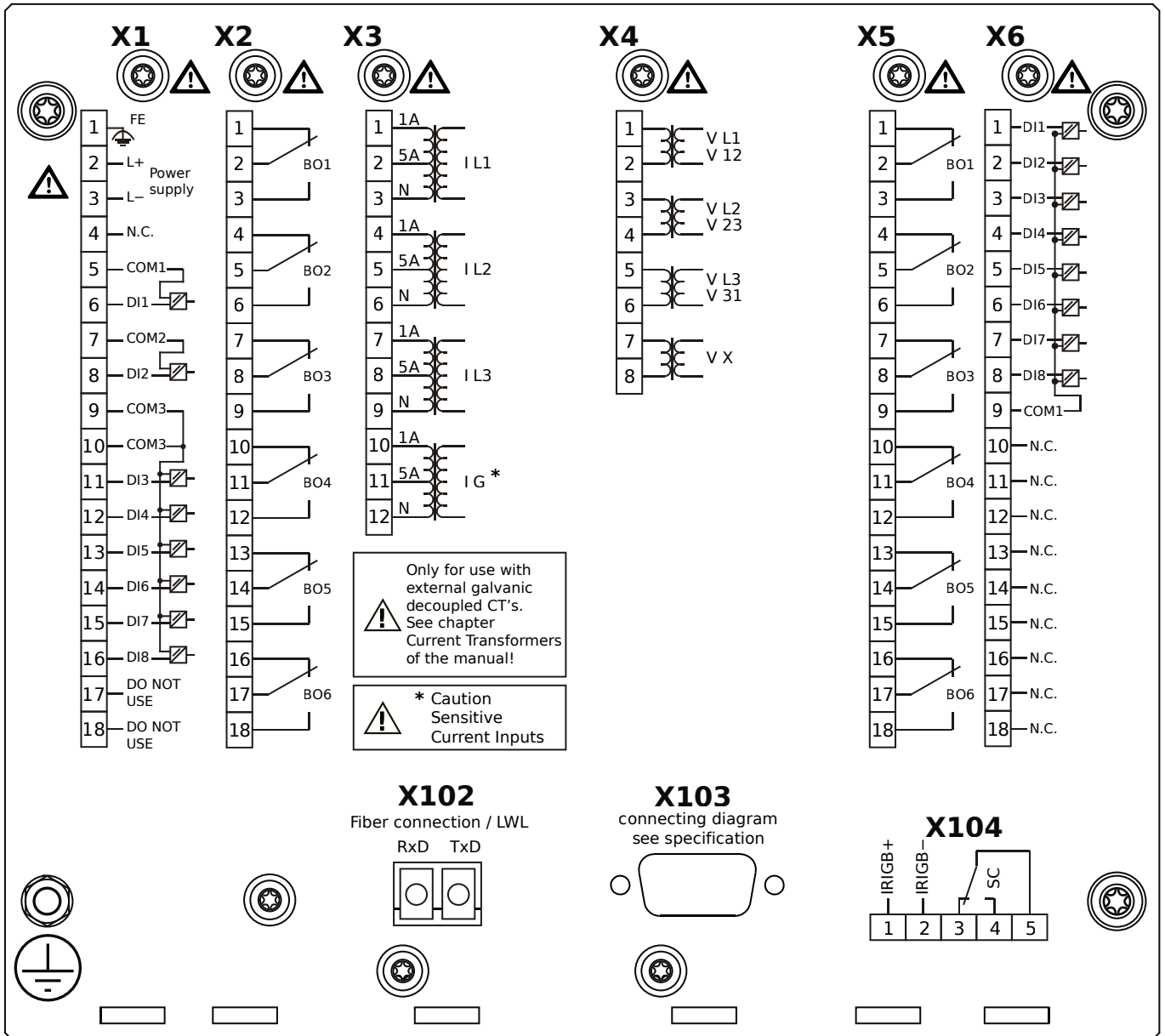
- X1** – DI8-X1: Wide-range power supply unit, incl. 2 non-grouped digital inputs and 6 grouped digital inputs
- X2** – OR-6: Assembly Group with 6 Relay Outputs
- X3** – TIs-4: Standard phase current measuring card and sensitive ground current measuring
- X4** – TU: Card with 4 voltage transformer measuring inputs
- X5** – OR-6: Assembly Group with 6 Relay Outputs
- X6** – DI8: Assembly Group with 8 Digital Inputs
- X102** – Long-distance Protection Communication, Fiber optics interface, LC Connector
- X103** – Modbus RTU / IEC 60870-5-103 / DNP3.0 RTU, Fiber optics interface, ST Connector
- X104** – IRIG-B00X, incl. System Contact (Supervision Contact)

MCDLV4-2D1A0FB



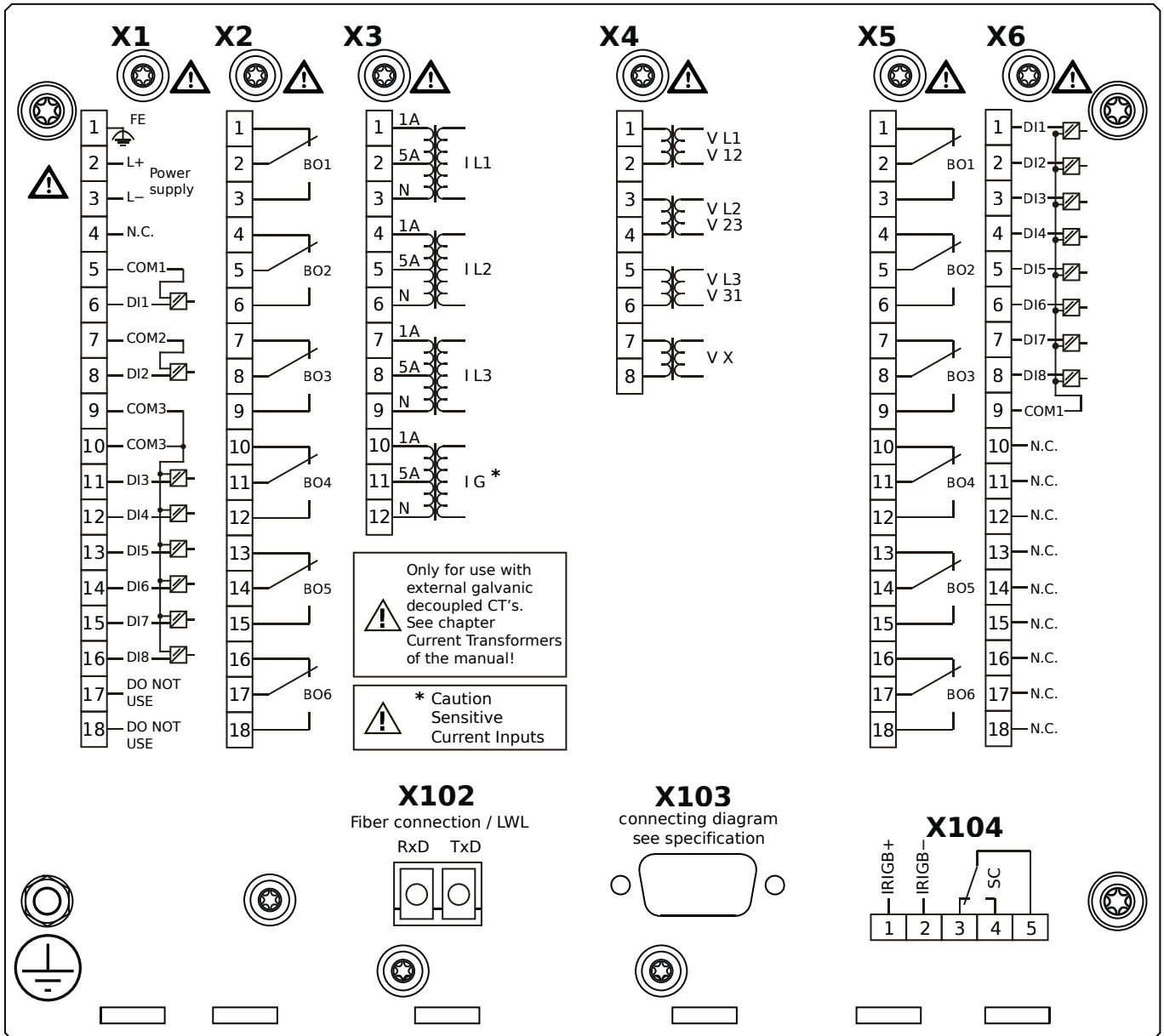
- X1** – DI8-X1: Wide-range power supply unit, incl. 2 non-grouped digital inputs and 6 grouped digital inputs
- X2** – OR-6: Assembly Group with 6 Relay Outputs
- X3** – TIs-4: Standard phase current measuring card and sensitive ground current measuring
- X4** – TU: Card with 4 voltage transformer measuring inputs
- X5** – OR-6: Assembly Group with 6 Relay Outputs
- X6** – DI8: Assembly Group with 8 Digital Inputs
- X102** – Long-distance Protection Communication, Fiber optics interface, LC Connector
- X103** – Modbus RTU / IEC 60870-5-103 / DNP3.0 RTU, Fiber optics interface, ST Connector
- X104** – IRIG-B00X, incl. System Contact (Supervision Contact)

MCDLV4-2D1A0GA



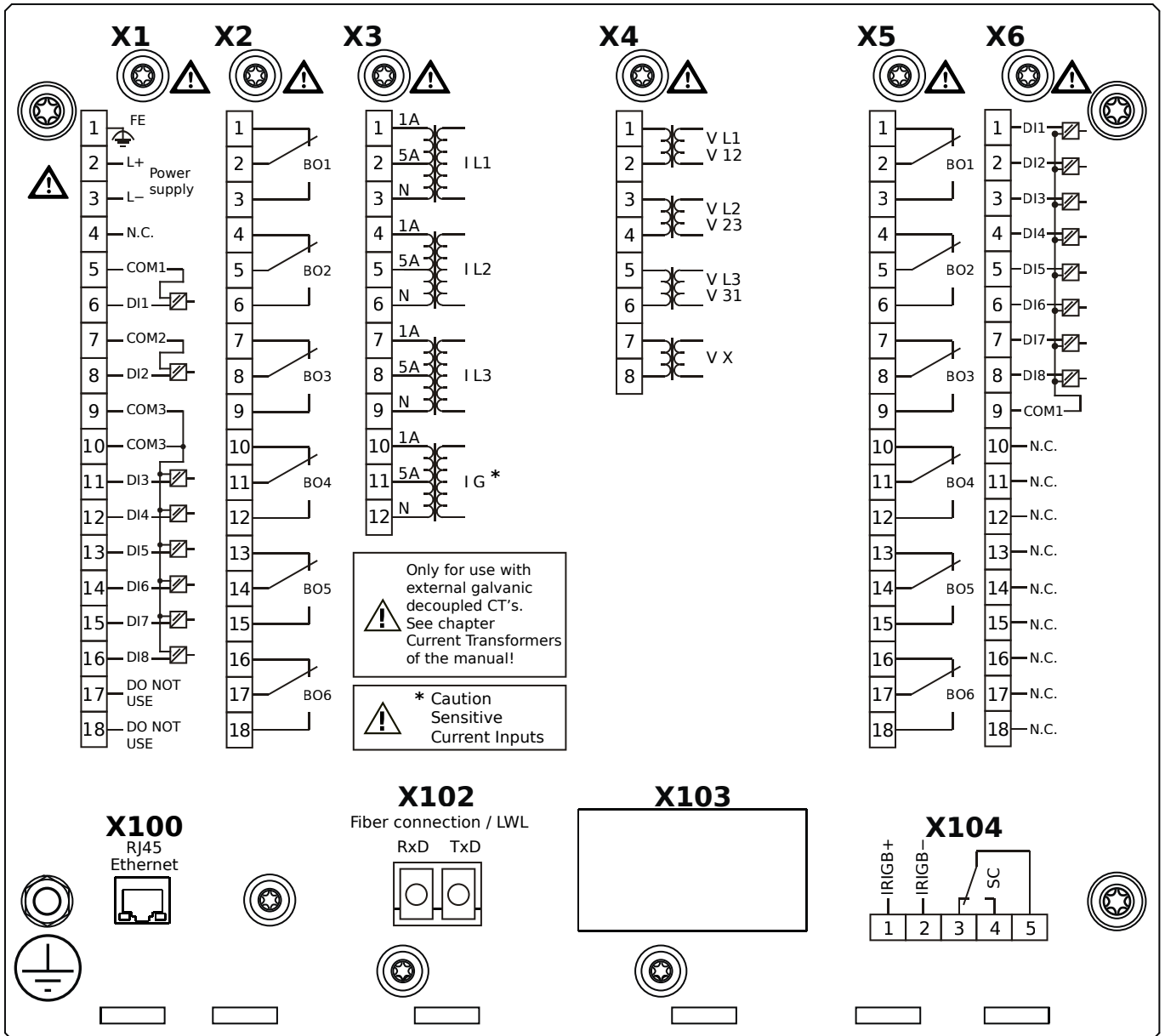
- X1** – DI8-X1: Wide-range power supply unit, incl. 2 non-grouped digital inputs and 6 grouped digital inputs
- X2** – OR-6: Assembly Group with 6 Relay Outputs
- X3** – TIs-4: Standard phase current measuring card and sensitive ground current measuring
- X4** – TU: Card with 4 voltage transformer measuring inputs
- X5** – OR-6: Assembly Group with 6 Relay Outputs
- X6** – DI8: Assembly Group with 8 Digital Inputs
- X102** – Long-distance Protection Communication, Fiber optics interface, LC Connector
- X103** – Modbus RTU / IEC 60870-5-103 / DNP3.0 RTU, RS485, D-SUB
- X104** – IRIG-B00X, incl. System Contact (Supervision Contact)

MCDLV4-2D1A0GB



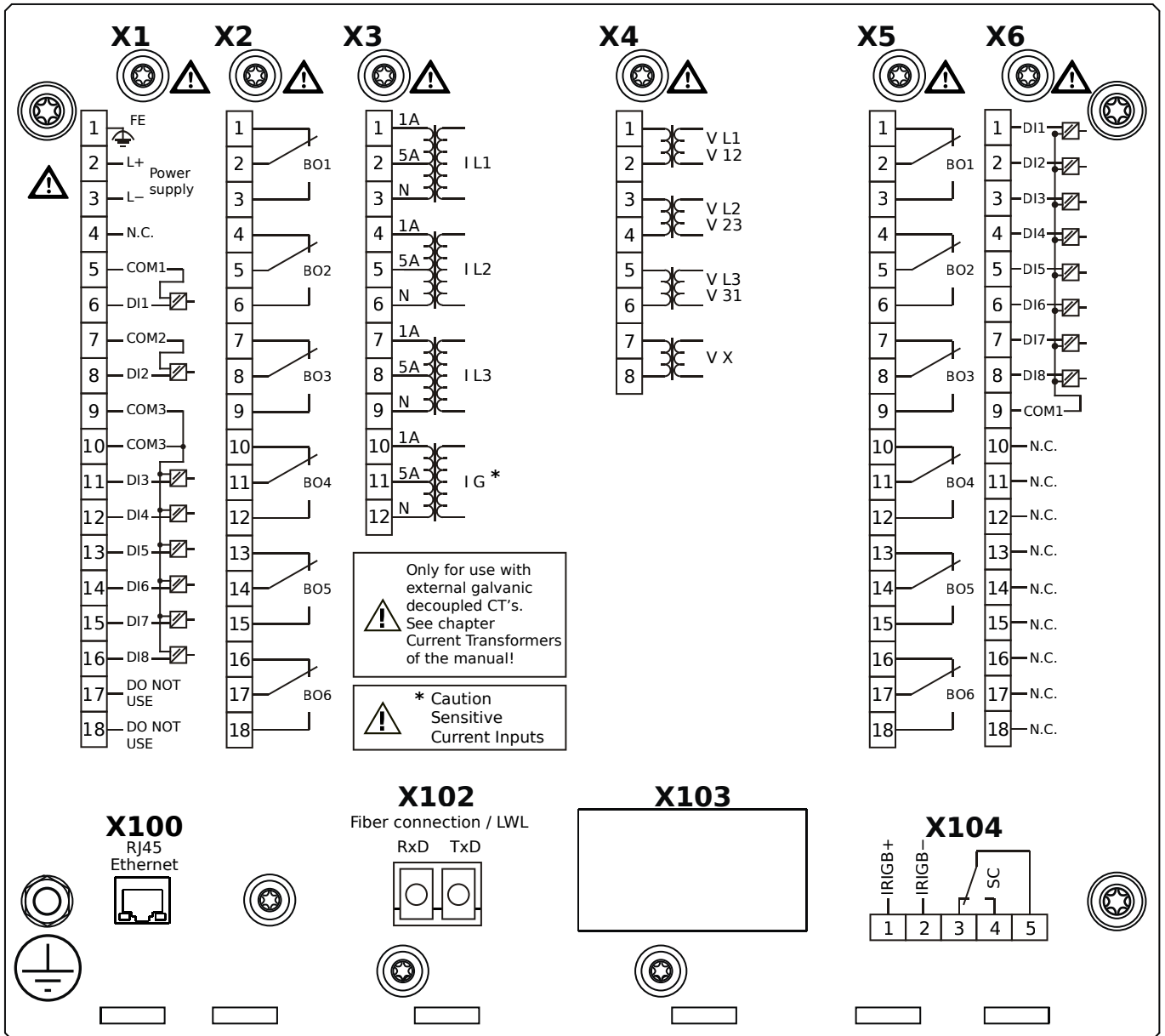
- X1** – DI8-X1: Wide-range power supply unit, incl. 2 non-grouped digital inputs and 6 grouped digital inputs
- X2** – OR-6: Assembly Group with 6 Relay Outputs
- X3** – TIs-4: Standard phase current measuring card and sensitive ground current measuring
- X4** – TU: Card with 4 voltage transformer measuring inputs
- X5** – OR-6: Assembly Group with 6 Relay Outputs
- X6** – DI8: Assembly Group with 8 Digital Inputs
- X102** – Long-distance Protection Communication, Fiber optics interface, LC Connector
- X103** – Modbus RTU / IEC 60870-5-103 / DNP3.0 RTU, RS485, D-SUB
- X104** – IRIG-B00X, incl. System Contact (Supervision Contact)

MCDLV4-2D1A0HA



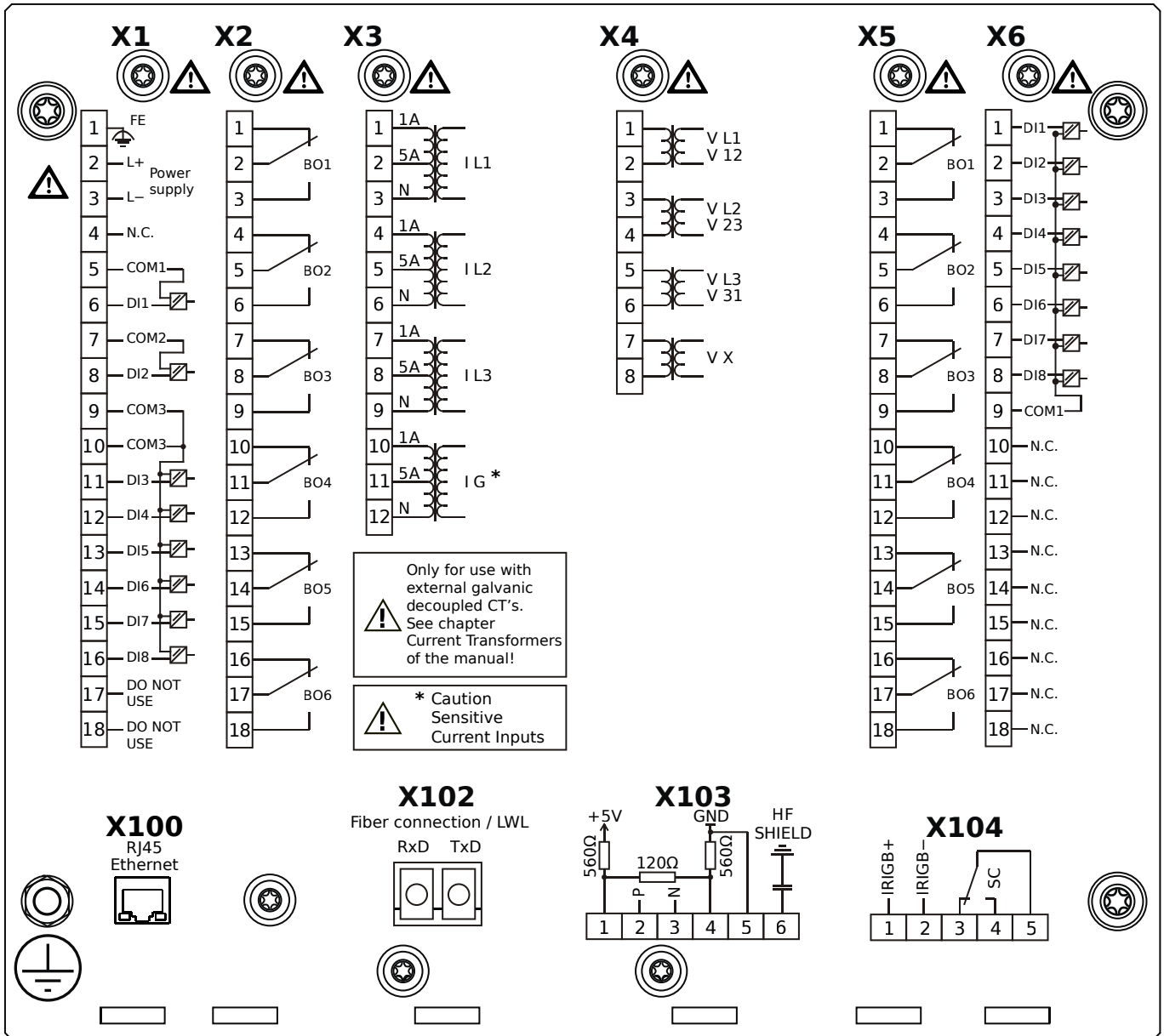
- X1** – DI8-X1: Wide-range power supply unit, incl. 2 non-grouped digital inputs and 6 grouped digital inputs
- X2** – OR-6: Assembly Group with 6 Relay Outputs
- X3** – TIs-4: Standard phase current measuring card and sensitive ground current measuring
- X4** – TU: Card with 4 voltage transformer measuring inputs
- X5** – OR-6: Assembly Group with 6 Relay Outputs
- X6** – DI8: Assembly Group with 8 Digital Inputs
- X100** – IEC 61850 / Modbus TCP / DNP3.0 TCP/UDP, Ethernet interface, 100 Mbit/s, RJ45 (BASE100-FX)
- X102** – Long-distance Protection Communication, Fiber optics interface, LC Connector
- X104** – IRIG-B00X, incl. System Contact (Supervision Contact)

MCDLV4-2D1A0HB



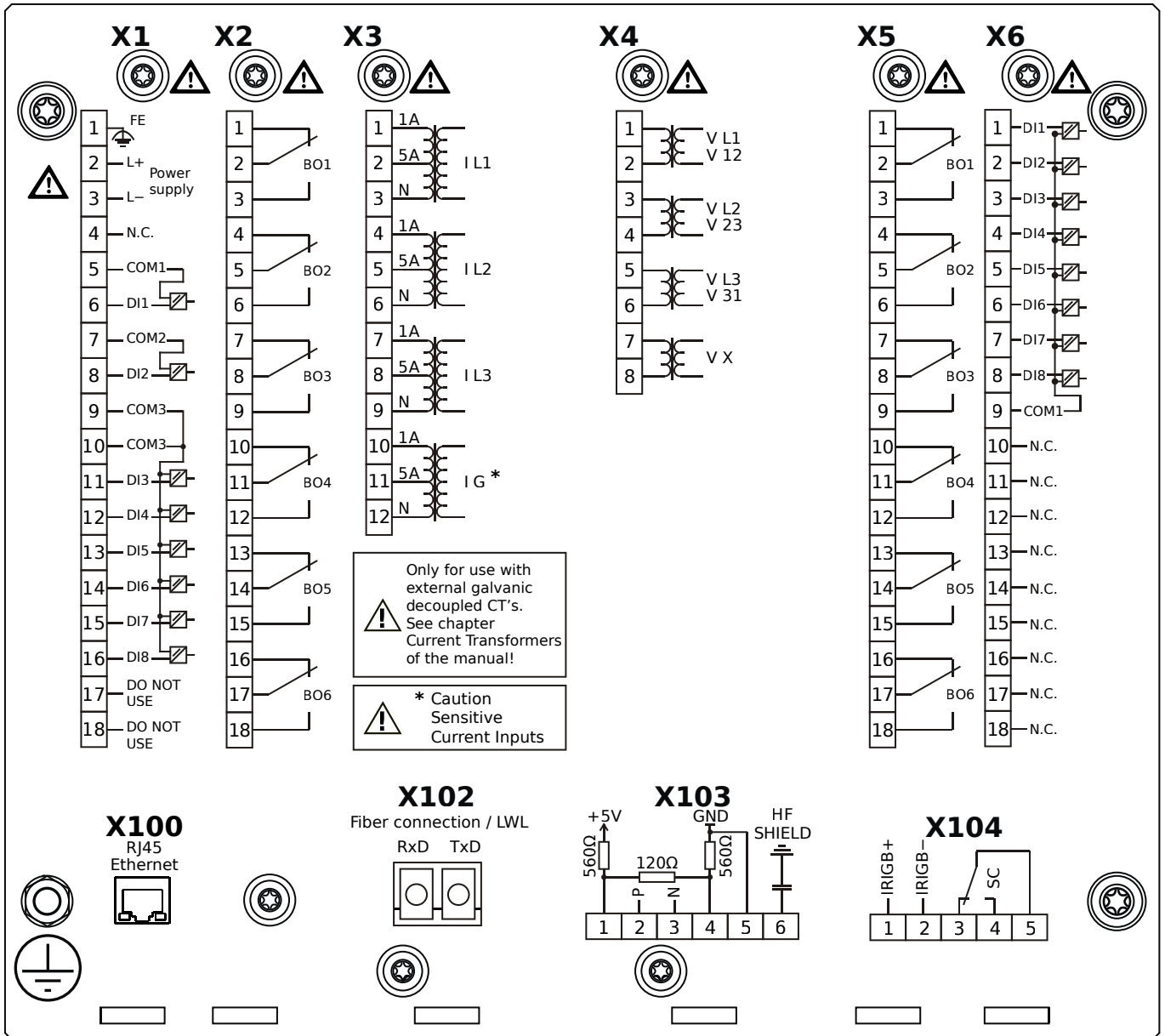
- X1** – DI8-X1: Wide-range power supply unit, incl. 2 non-grouped digital inputs and 6 grouped digital inputs
- X2** – OR-6: Assembly Group with 6 Relay Outputs
- X3** – TIs-4: Standard phase current measuring card and sensitive ground current measuring
- X4** – TU: Card with 4 voltage transformer measuring inputs
- X5** – OR-6: Assembly Group with 6 Relay Outputs
- X6** – DI8: Assembly Group with 8 Digital Inputs
- X100** – IEC 61850 / Modbus TCP / DNP3.0 TCP/UDP, Ethernet interface, 100 Mbit/s, RJ45 (BASE100-FX)
- X102** – Long-distance Protection Communication, Fiber optics interface, LC Connector
- X104** – IRIG-B00X, incl. System Contact (Supervision Contact)

MCDLV4-2D1A0IA



- X1** – DI8-X1: Wide-range power supply unit, incl. 2 non-grouped digital inputs and 6 grouped digital inputs
- X2** – OR-6: Assembly Group with 6 Relay Outputs
- X3** – TI-4: Standard phase current measuring card and sensitive ground current measuring
- X4** – TU: Card with 4 voltage transformer measuring inputs
- X5** – OR-6: Assembly Group with 6 Relay Outputs
- X6** – DI8: Assembly Group with 8 Digital Inputs
- X100** – Modbus TCP / DNP3.0 TCP/UDP, Ethernet interface, 100 Mbit/s, RJ45 (BASE100-FX)
- X102** – Long-distance Protection Communication, Fiber optics interface, LC Connector
- X103** – IEC 60870-5-103 / Modbus RTU / DNP3.0 RTU, RS485, Terminals
- X104** – IRIG-B00X, incl. System Contact (Supervision Contact)

MCDLV4-2D1A0IB



X1 – DI8-X1: Wide-range power supply unit, incl. 2 non-grouped digital inputs and 6 grouped digital inputs

X2 – OR-6: Assembly Group with 6 Relay Outputs

X3 – TIs-4: Standard phase current measuring card and sensitive ground current measuring

X4 – TU: Card with 4 voltage transformer measuring inputs

X5 – OR-6: Assembly Group with 6 Relay Outputs

X6 – DI8: Assembly Group with 8 Digital Inputs

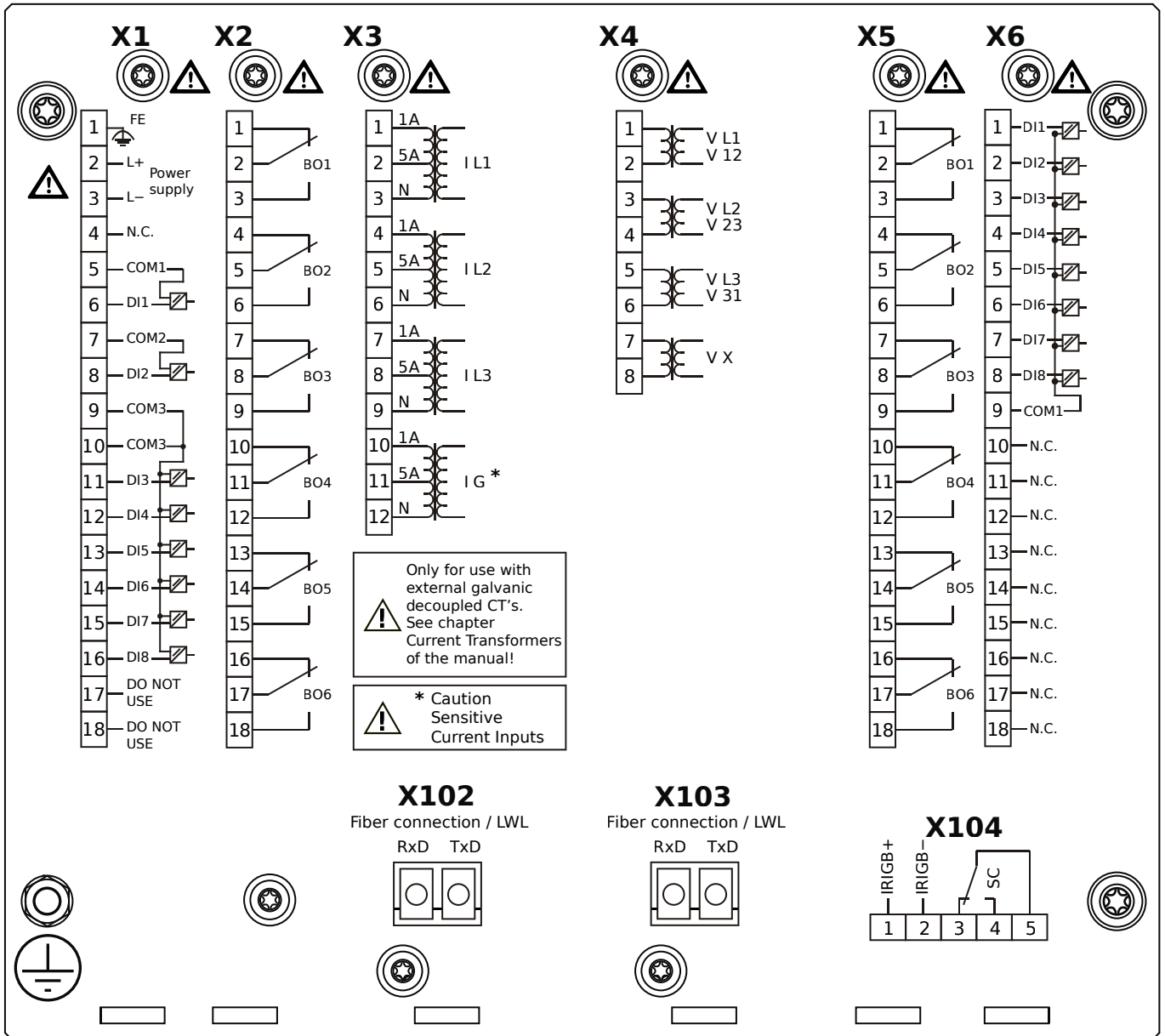
X100 – Modbus TCP / DNP3.0 TCP/UDP, Ethernet interface, 100 Mbit/s, RJ45 (BASE100-FX)

X102 – Long-distance Protection Communication, Fiber optics interface, LC Connector

X103 – IEC 60870-5-103 / Modbus RTU / DNP3.0 RTU, RS485, Terminals

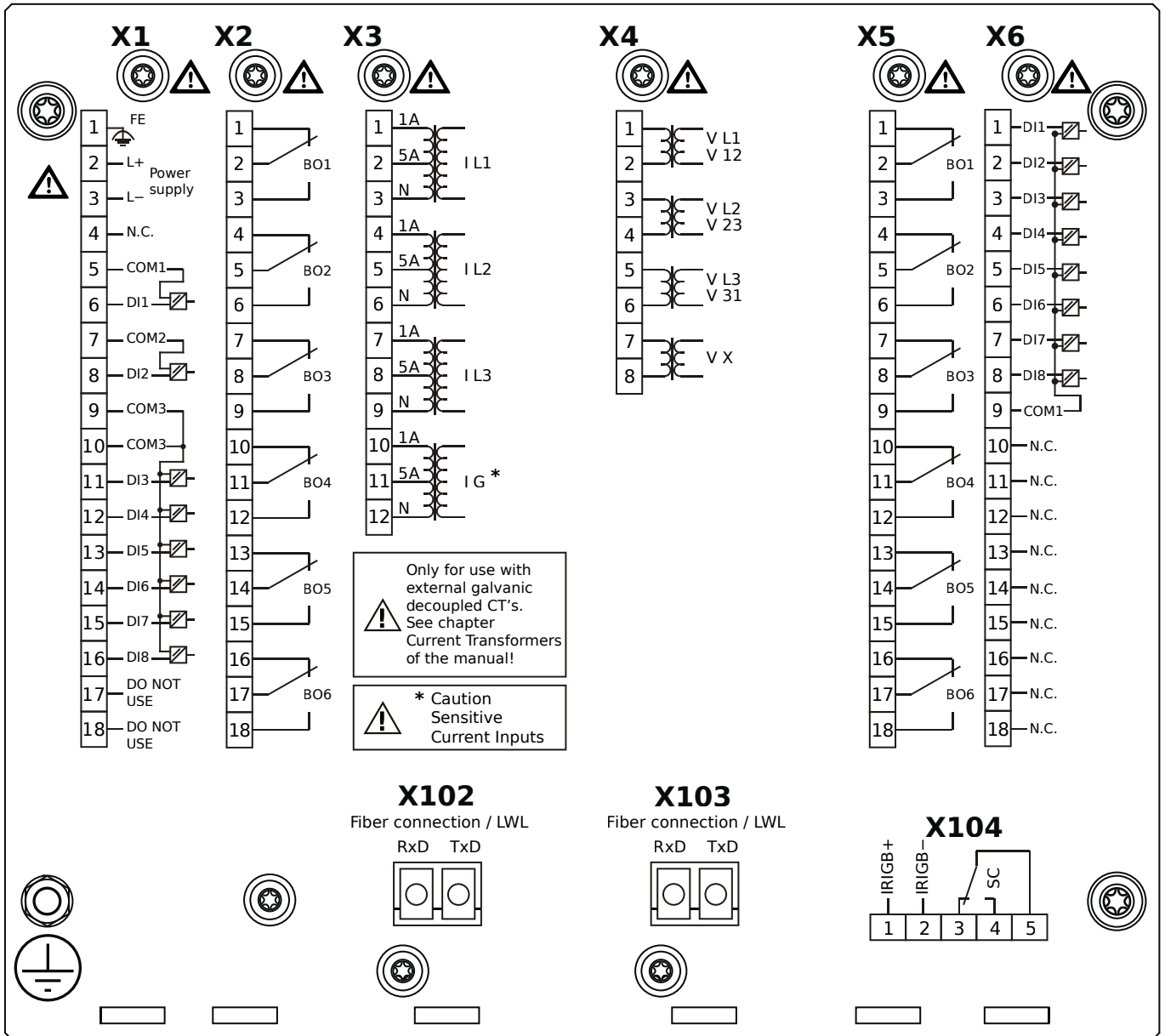
X104 – IRIG-B00X, incl. System Contact (Supervision Contact)

MCDLV4-2D1A0KA



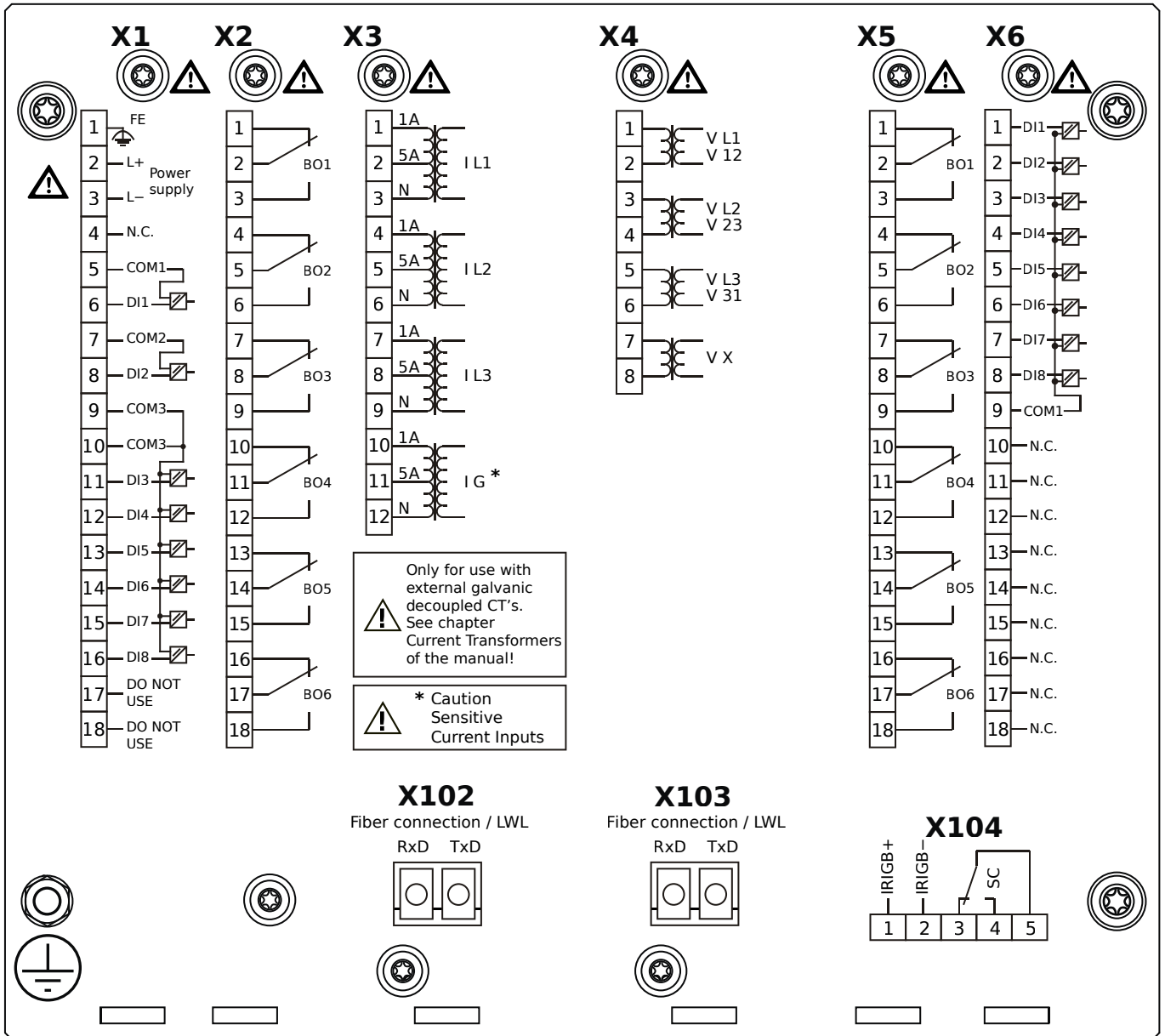
- X1** – DI8-X1: Wide-range power supply unit, incl. 2 non-grouped digital inputs and 6 grouped digital inputs
- X2** – OR-6: Assembly Group with 6 Relay Outputs
- X3** – TIs-4: Standard phase current measuring card and sensitive ground current measuring
- X4** – TU: Card with 4 voltage transformer measuring inputs
- X5** – OR-6: Assembly Group with 6 Relay Outputs
- X6** – DI8: Assembly Group with 8 Digital Inputs
- X102** – Long-distance Protection Communication, Fiber optics interface, LC Connector
- X103** – IEC 61850 / Modbus TCP / DNP3.0 TCP/UDP, Fiber optics interface, LC Connector
- X104** – IRIG-B00X, incl. System Contact (Supervision Contact)

MCDLV4-2D1A0KB



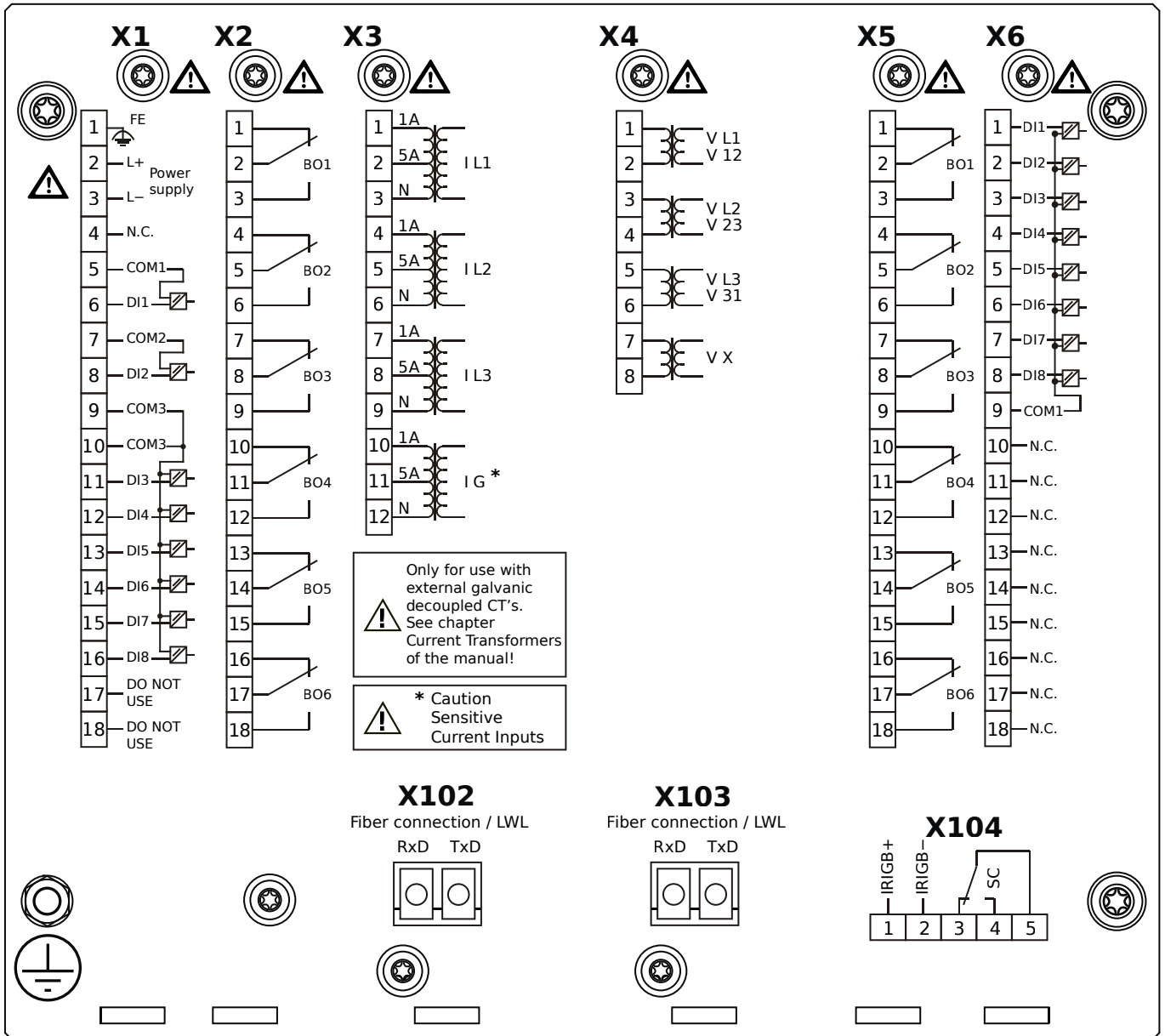
- X1** – DI8-X1: Wide-range power supply unit, incl. 2 non-grouped digital inputs and 6 grouped digital inputs
- X2** – OR-6: Assembly Group with 6 Relay Outputs
- X3** – TIs-4: Standard phase current measuring card and sensitive ground current measuring
- X4** – TU: Card with 4 voltage transformer measuring inputs
- X5** – OR-6: Assembly Group with 6 Relay Outputs
- X6** – DI8: Assembly Group with 8 Digital Inputs
- X102** – Long-distance Protection Communication, Fiber optics interface, LC Connector
- X103** – IEC 61850 / Modbus TCP / DNP3.0 TCP/UDP, Fiber optics interface, LC Connector
- X104** – IRIG-B00X, incl. System Contact (Supervision Contact)

MCDLV4-2D1A0LA



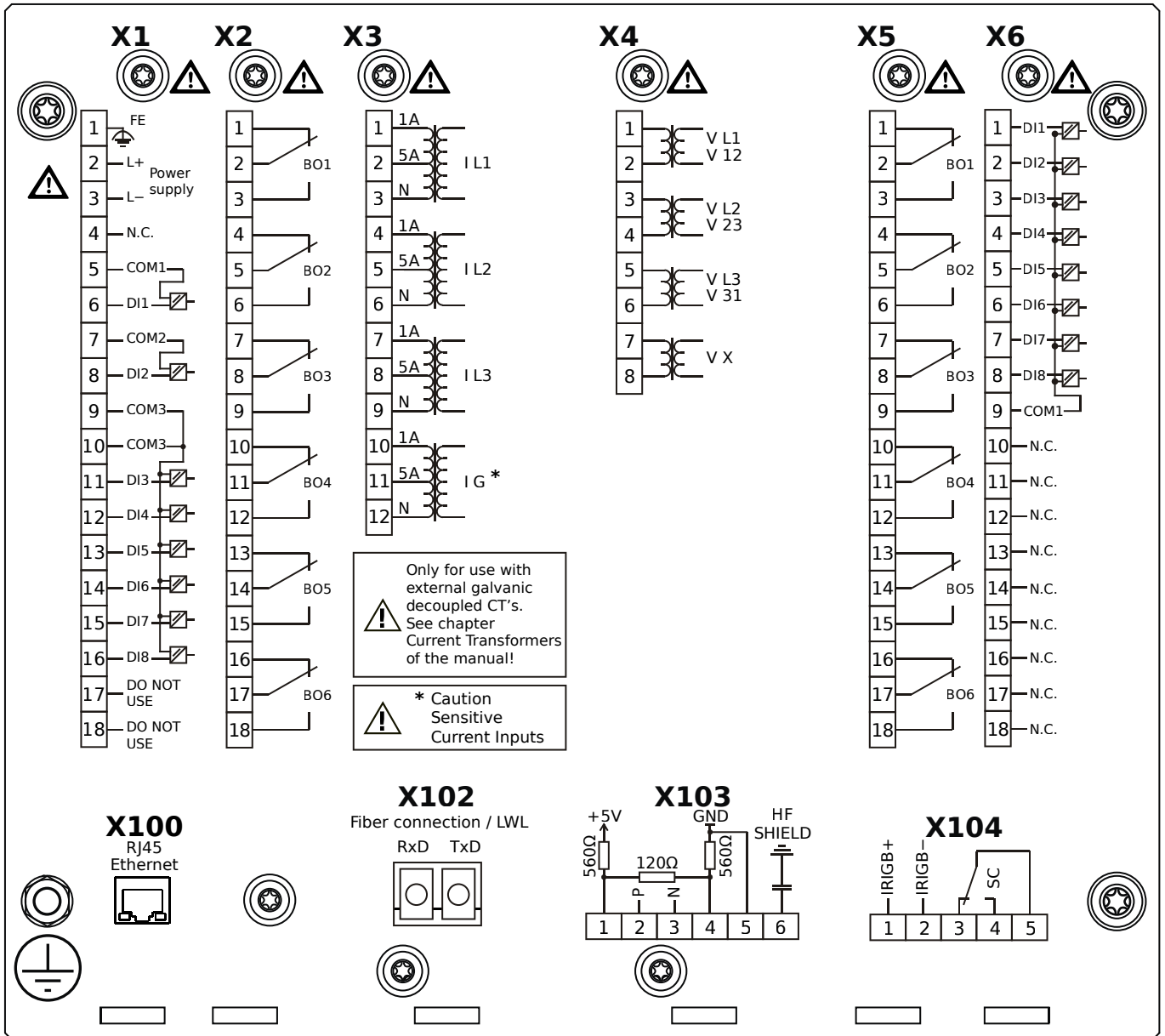
- X1** – DI8-X1: Wide-range power supply unit, incl. 2 non-grouped digital inputs and 6 grouped digital inputs
- X2** – OR-6: Assembly Group with 6 Relay Outputs
- X3** – TIs-4: Standard phase current measuring card and sensitive ground current measuring
- X4** – TU: Card with 4 voltage transformer measuring inputs
- X5** – OR-6: Assembly Group with 6 Relay Outputs
- X6** – DI8: Assembly Group with 8 Digital Inputs
- X102** – Long-distance Protection Communication, Fiber optics interface, LC Connector
- X103** – Modbus TCP / DNP3.0 TCP/UDP, Fiber optics interface, LC Connector
- X104** – IRIG-B00X, incl. System Contact (Supervision Contact)

MCDLV4-2D1A0LB



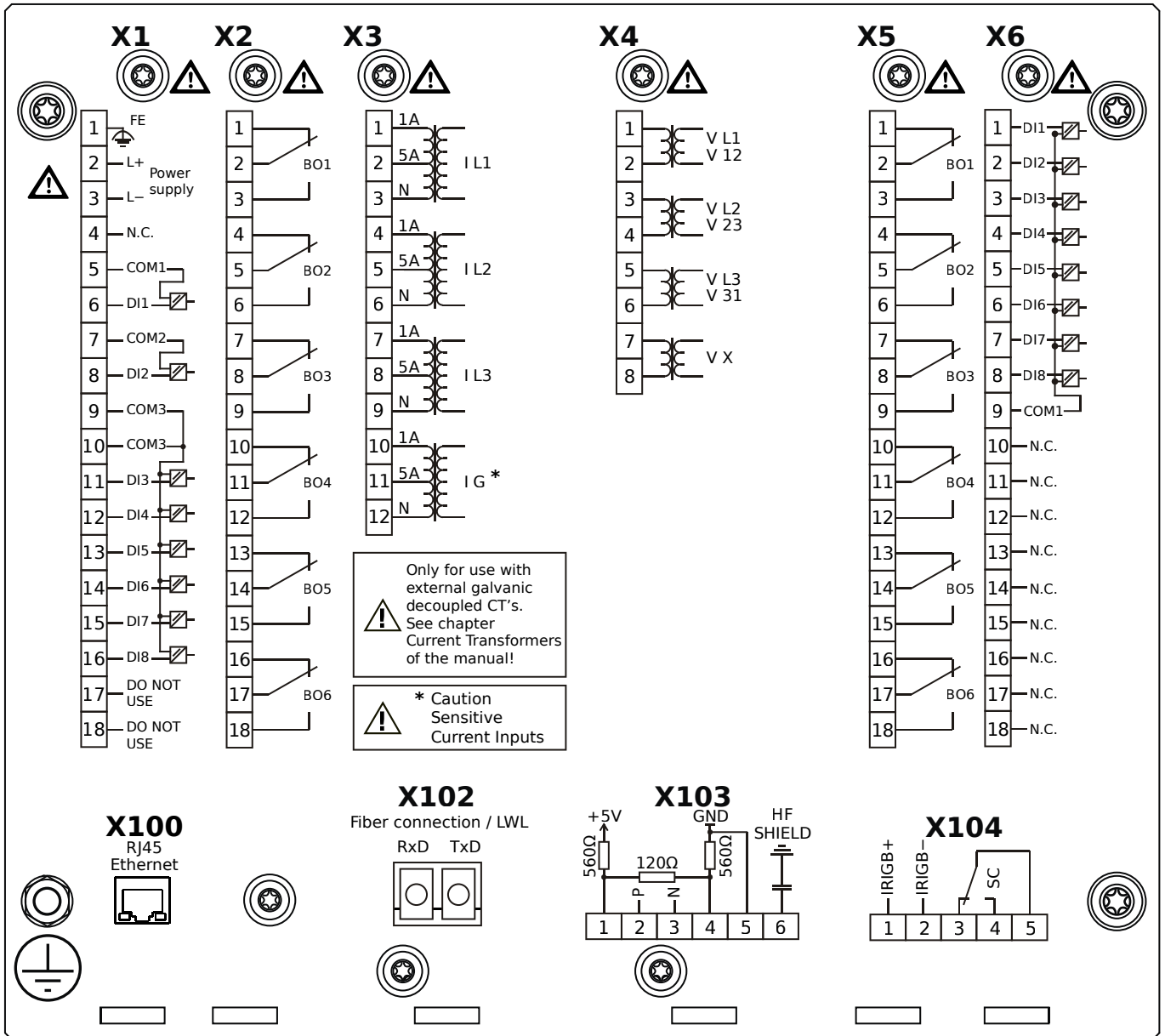
- X1** – DI8-X1: Wide-range power supply unit, incl. 2 non-grouped digital inputs and 6 grouped digital inputs
- X2** – OR-6: Assembly Group with 6 Relay Outputs
- X3** – TIs-4: Standard phase current measuring card and sensitive ground current measuring
- X4** – TU: Card with 4 voltage transformer measuring inputs
- X5** – OR-6: Assembly Group with 6 Relay Outputs
- X6** – DI8: Assembly Group with 8 Digital Inputs
- X102** – Long-distance Protection Communication, Fiber optics interface, LC Connector
- X103** – Modbus TCP / DNP3.0 TCP/UDP, Fiber optics interface, LC Connector
- X104** – IRIG-B00X, incl. System Contact (Supervision Contact)

MCDLV4-2D1A0TA



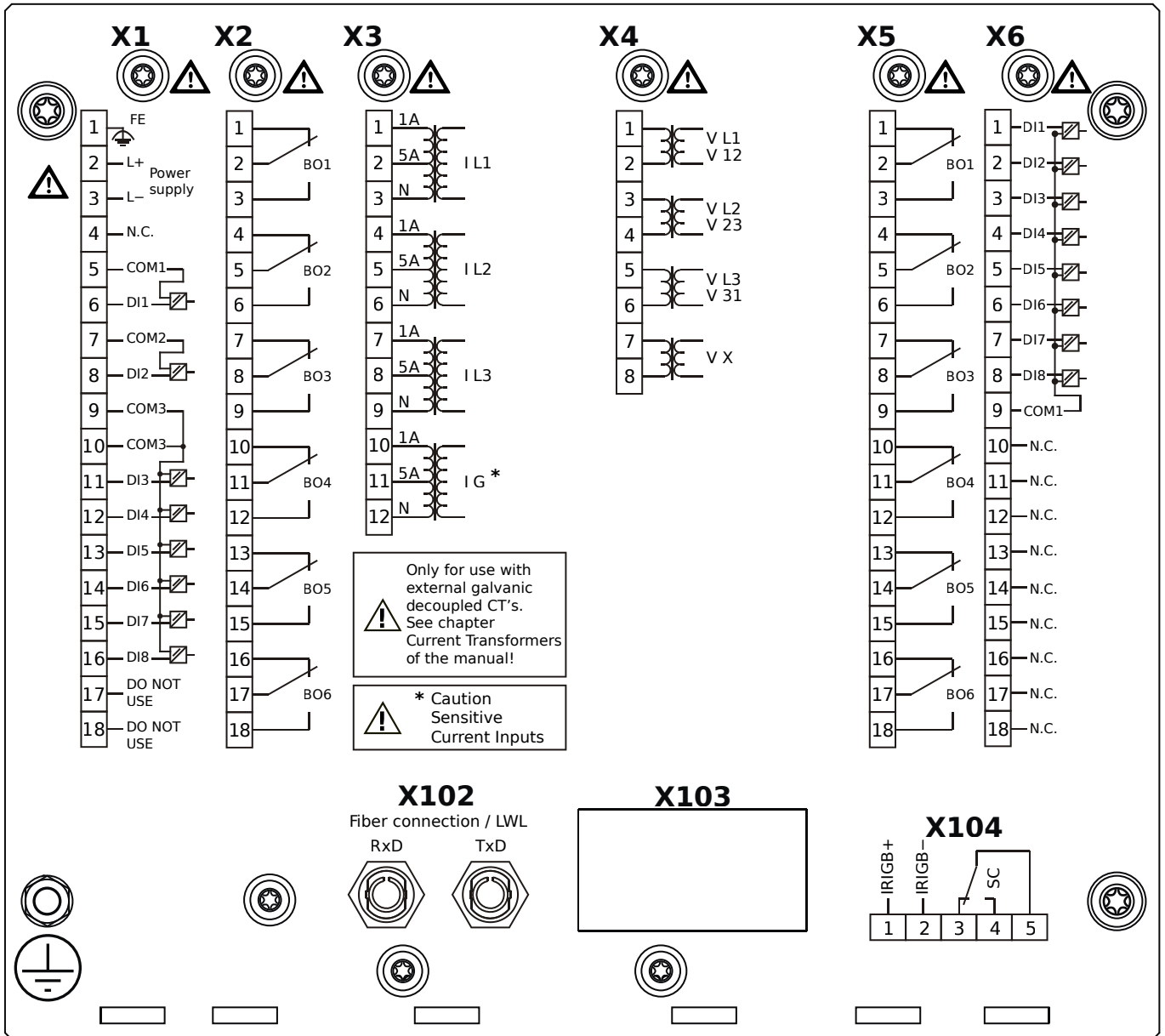
- X1** – DI8-X1: Wide-range power supply unit, incl. 2 non-grouped digital inputs and 6 grouped digital inputs
- X2** – OR-6: Assembly Group with 6 Relay Outputs
- X3** – TIs-4: Standard phase current measuring card and sensitive ground current measuring
- X4** – TU: Card with 4 voltage transformer measuring inputs
- X5** – OR-6: Assembly Group with 6 Relay Outputs
- X6** – DI8: Assembly Group with 8 Digital Inputs
- X100** – IEC 61850 / Modbus TCP / DNP3.0 TCP/UDP, Ethernet interface, 100 Mbit/s, RJ45 (BASE100-FX)
- X102** – Long-distance Protection Communication, Fiber optics interface, LC Connector
- X103** – IEC 60870-5-103 / Modbus RTU / DNP3.0 RTU, RS485, Terminals
- X104** – IRIG-B00X, incl. System Contact (Supervision Contact)

MCDLV4-2D1A0TB



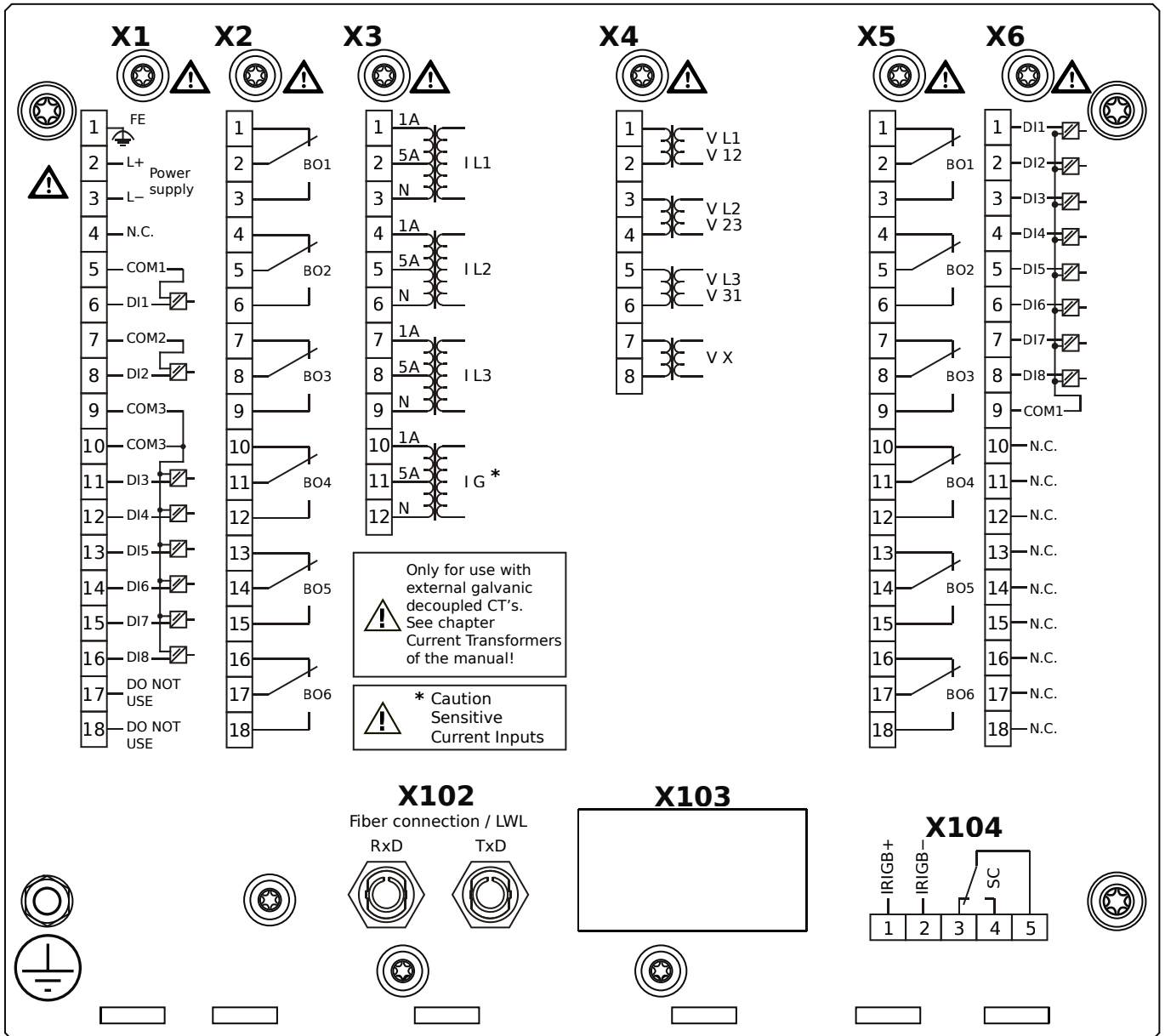
- X1** – DI8-X1: Wide-range power supply unit, incl. 2 non-grouped digital inputs and 6 grouped digital inputs
- X2** – OR-6: Assembly Group with 6 Relay Outputs
- X3** – TIs-4: Standard phase current measuring card and sensitive ground current measuring
- X4** – TU: Card with 4 voltage transformer measuring inputs
- X5** – OR-6: Assembly Group with 6 Relay Outputs
- X6** – DI8: Assembly Group with 8 Digital Inputs
- X100** – IEC 61850 / Modbus TCP / DNP3.0 TCP/UDP, Ethernet interface, 100 Mbit/s, RJ45 (BASE100-FX)
- X102** – Long-distance Protection Communication, Fiber optics interface, LC Connector
- X103** – IEC 60870-5-103 / Modbus RTU / DNP3.0 RTU, RS485, Terminals
- X104** – IRIG-B00X, incl. System Contact (Supervision Contact)

MCDLV4-2D1A1AA



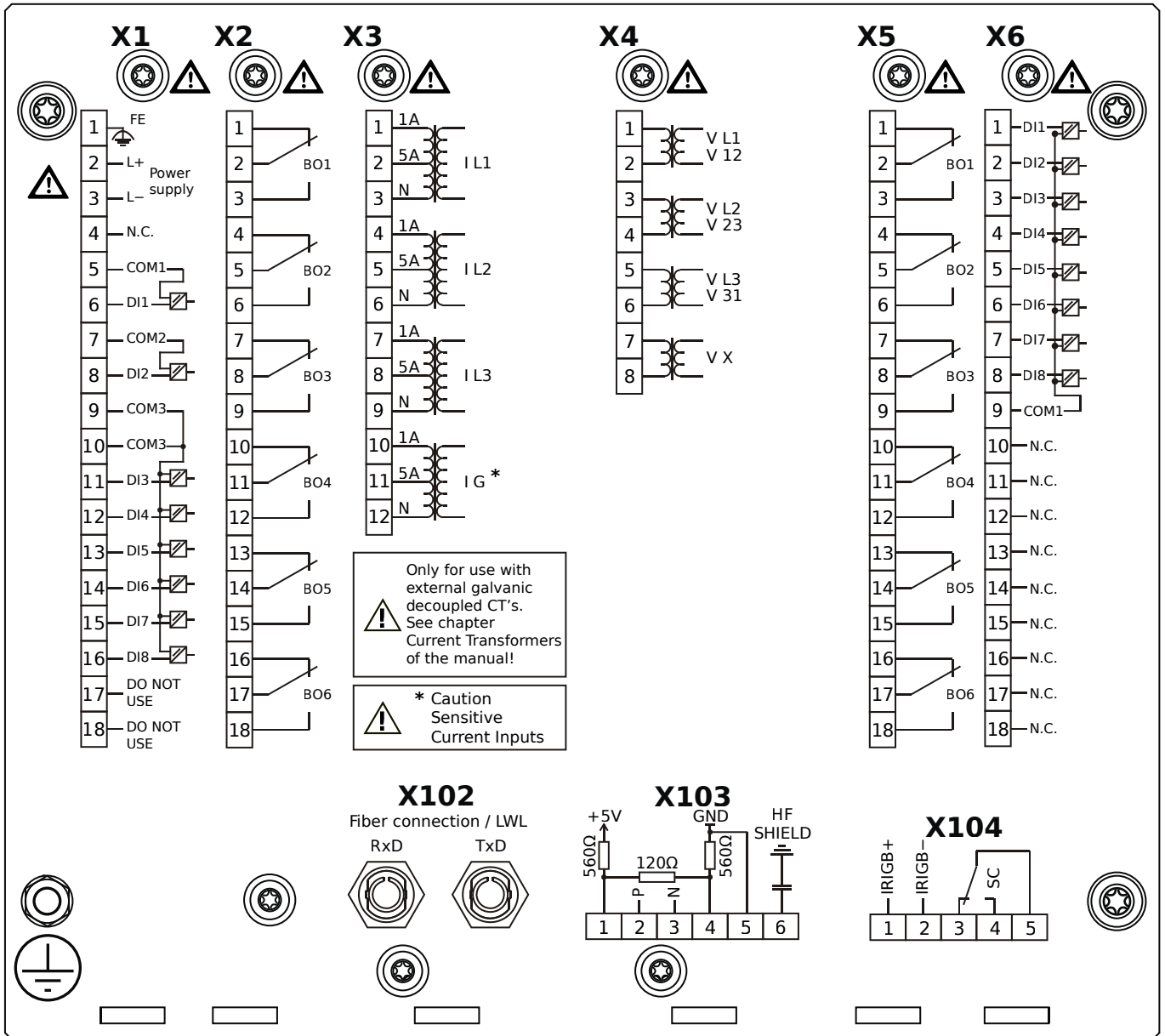
- X1** – DI8-X1: Wide-range power supply unit, incl. 2 non-grouped digital inputs and 6 grouped digital inputs
- X2** – OR-6: Assembly Group with 6 Relay Outputs
- X3** – TIs-4: Standard phase current measuring card and sensitive ground current measuring
- X4** – TU: Card with 4 voltage transformer measuring inputs
- X5** – OR-6: Assembly Group with 6 Relay Outputs
- X6** – DI8: Assembly Group with 8 Digital Inputs
- X102** – Protection Communication, Fiber optics interface, ST Connector
- X104** – IRIG-B00X, incl. System Contact (Supervision Contact)

MCDLV4-2D1A1AB



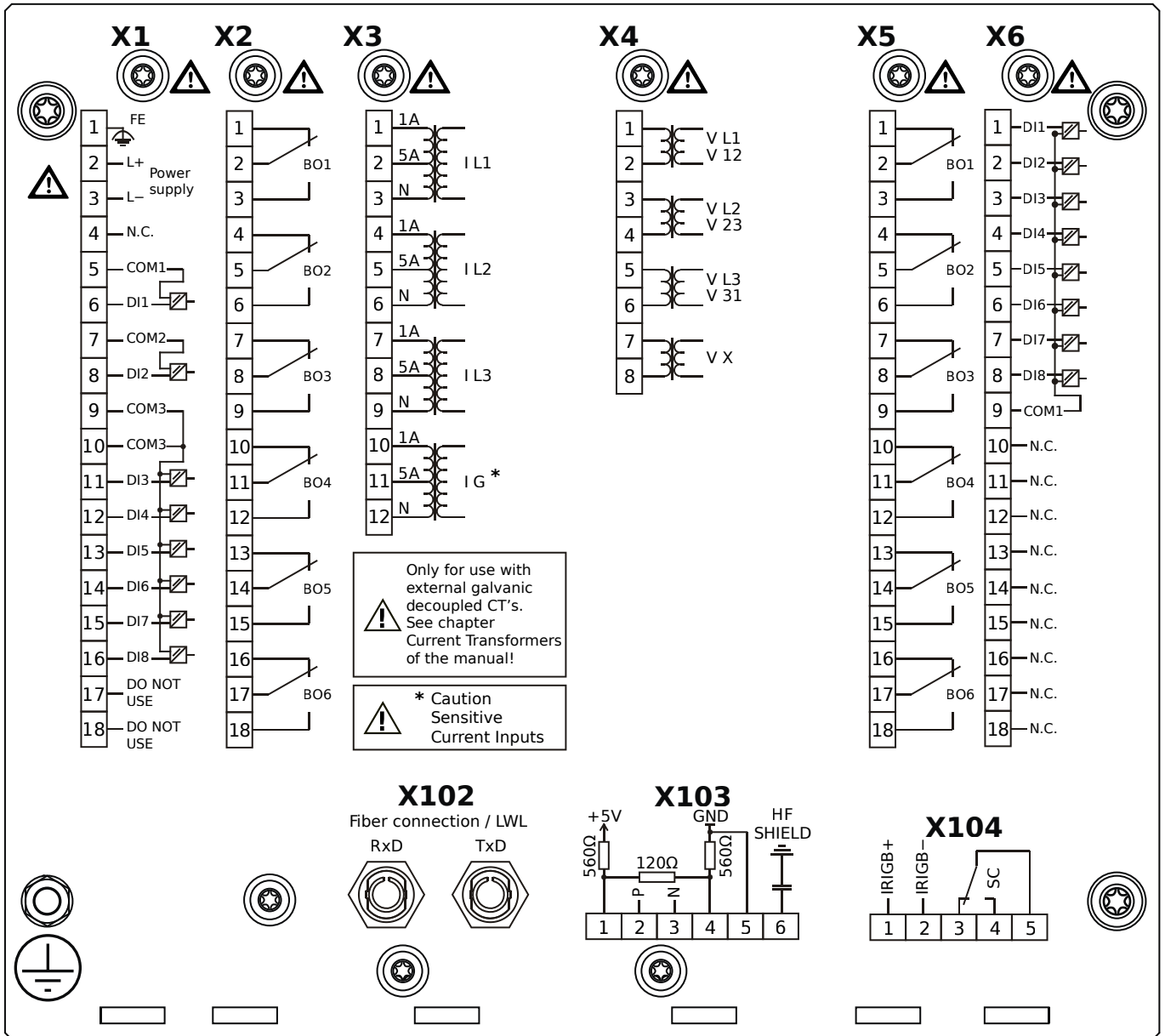
- X1** – DI8-X1: Wide-range power supply unit, incl. 2 non-grouped digital inputs and 6 grouped digital inputs
- X2** – OR-6: Assembly Group with 6 Relay Outputs
- X3** – TIs-4: Standard phase current measuring card and sensitive ground current measuring
- X4** – TU: Card with 4 voltage transformer measuring inputs
- X5** – OR-6: Assembly Group with 6 Relay Outputs
- X6** – DI8: Assembly Group with 8 Digital Inputs
- X102** – Protection Communication, Fiber optics interface, ST Connector
- X104** – IRIG-B00X, incl. System Contact (Supervision Contact)

MCDLV4-2D1A1BA



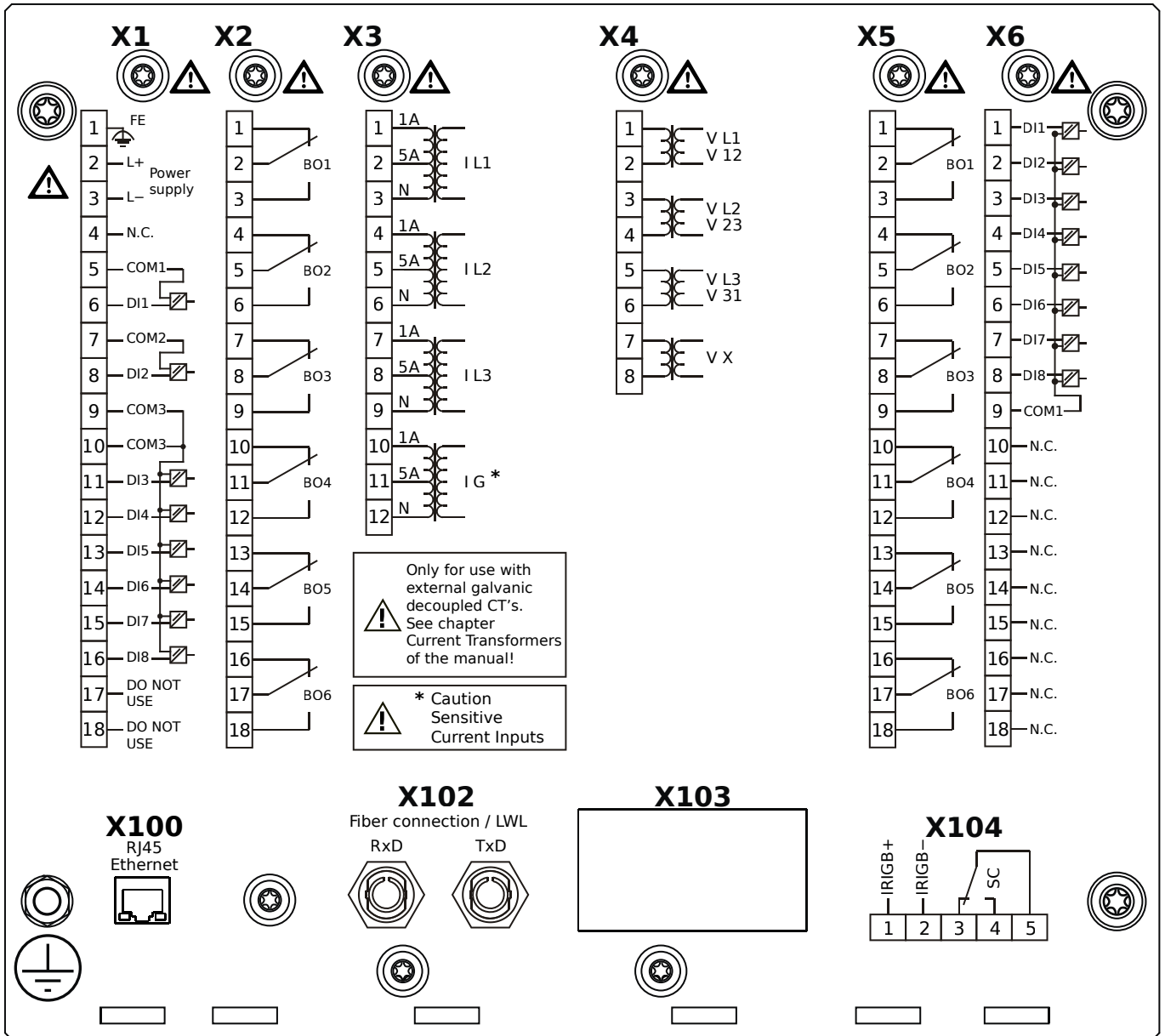
- X1** – DI8-X1: Wide-range power supply unit, incl. 2 non-grouped digital inputs and 6 grouped digital inputs
- X2** – OR-6: Assembly Group with 6 Relay Outputs
- X3** – TIs-4: Standard phase current measuring card and sensitive ground current measuring
- X4** – TU: Card with 4 voltage transformer measuring inputs
- X5** – OR-6: Assembly Group with 6 Relay Outputs
- X6** – DI8: Assembly Group with 8 Digital Inputs
- X102** – Protection Communication, Fiber optics interface, ST Connector
- X103** – Modbus RTU / IEC 60870-5-103 / DNP3.0 RTU, RS485, Terminals
- X104** – IRIG-B00X, incl. System Contact (Supervision Contact)

MCDLV4-2D1A1BB



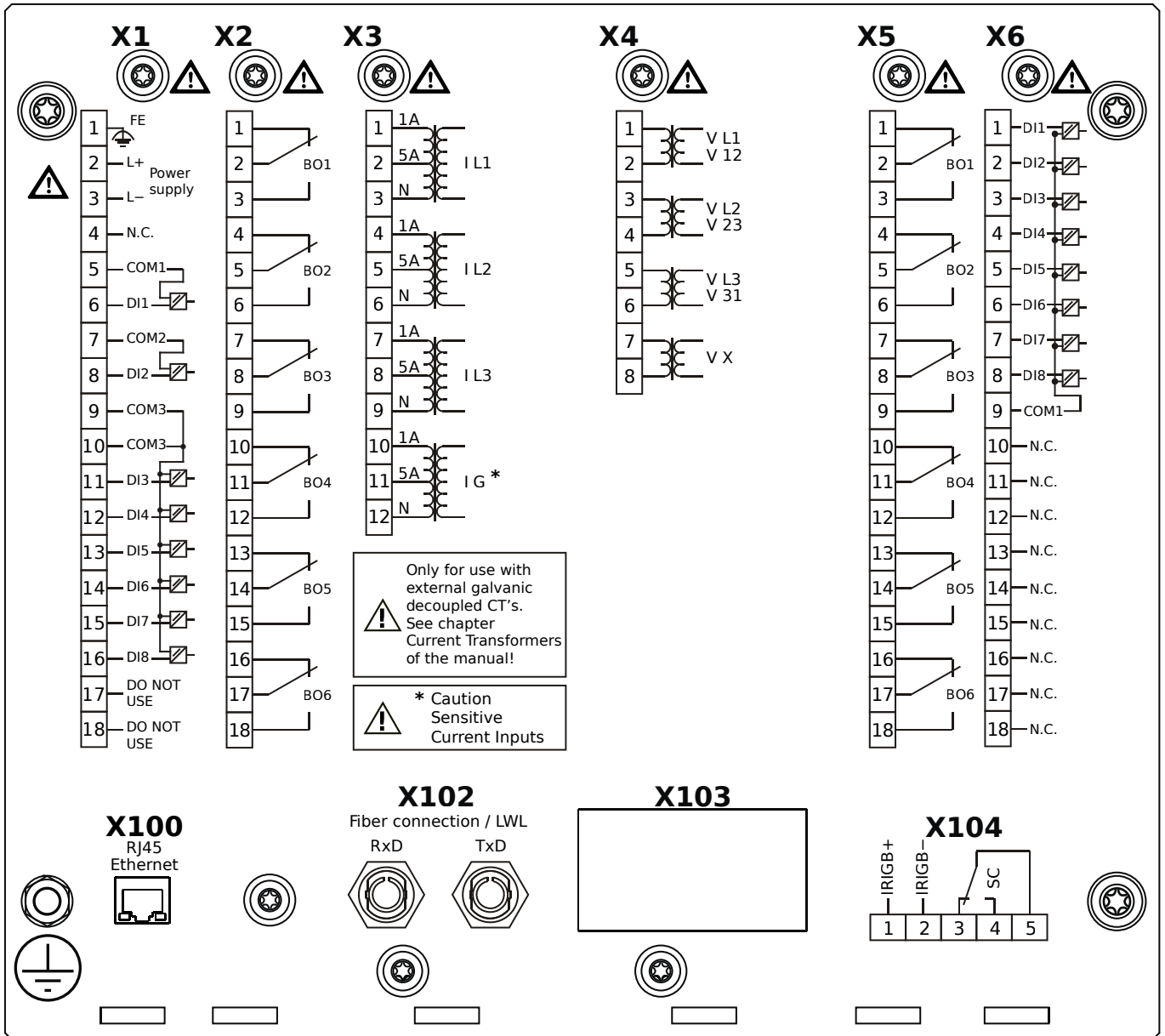
- X1** – DI8-X1: Wide-range power supply unit, incl. 2 non-grouped digital inputs and 6 grouped digital inputs
- X2** – OR-6: Assembly Group with 6 Relay Outputs
- X3** – TIs-4: Standard phase current measuring card and sensitive ground current measuring
- X4** – TU: Card with 4 voltage transformer measuring inputs
- X5** – OR-6: Assembly Group with 6 Relay Outputs
- X6** – DI8: Assembly Group with 8 Digital Inputs
- X102** – Protection Communication, Fiber optics interface, ST Connector
- X103** – Modbus RTU / IEC 60870-5-103 / DNP3.0 RTU, RS485, Terminals
- X104** – IRIG-B00X, incl. System Contact (Supervision Contact)

MCDLV4-2D1A1CA



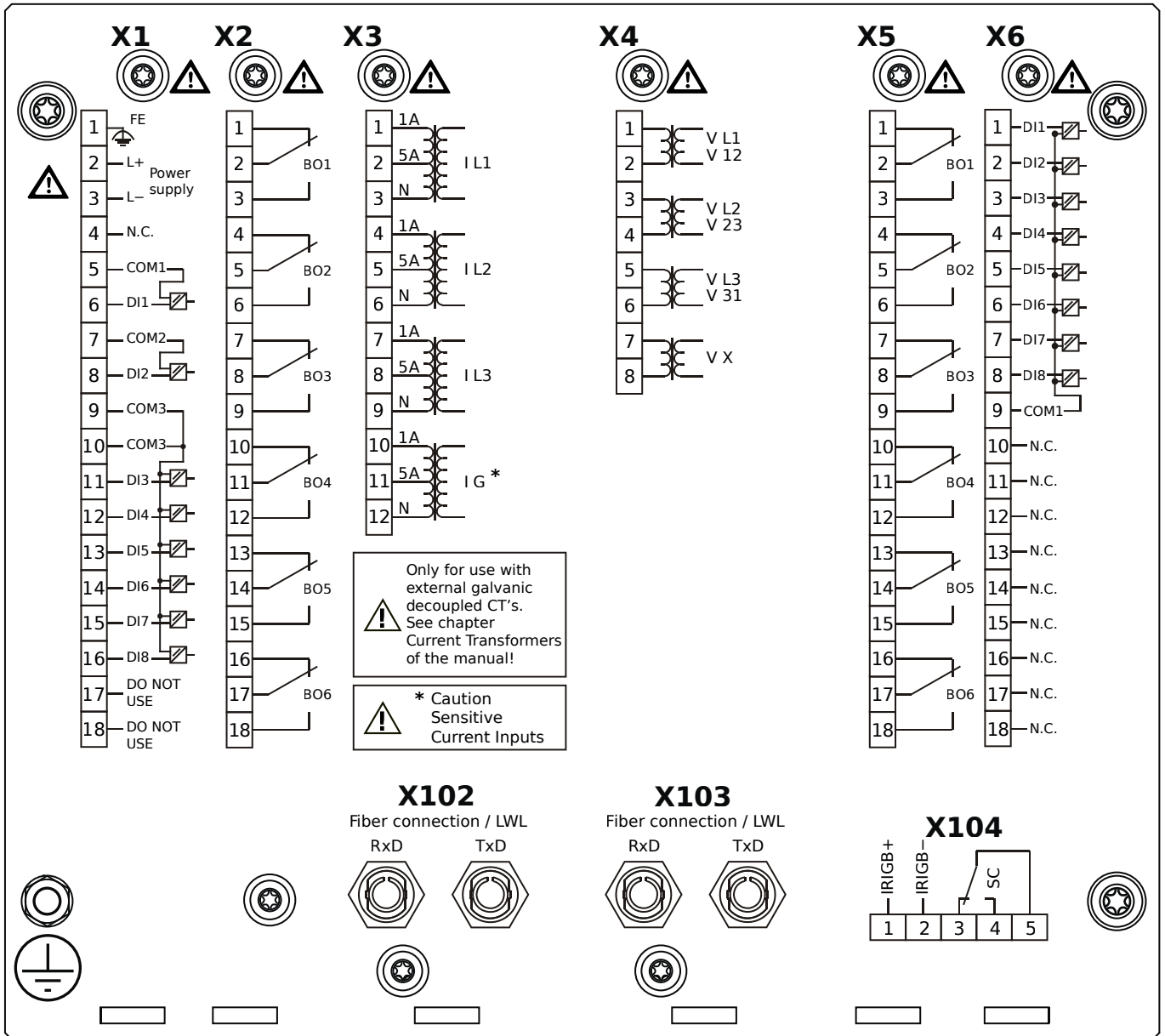
- X1** – DI8-X1: Wide-range power supply unit, incl. 2 non-grouped digital inputs and 6 grouped digital inputs
- X2** – OR-6: Assembly Group with 6 Relay Outputs
- X3** – TIs-4: Standard phase current measuring card and sensitive ground current measuring
- X4** – TU: Card with 4 voltage transformer measuring inputs
- X5** – OR-6: Assembly Group with 6 Relay Outputs
- X6** – DI8: Assembly Group with 8 Digital Inputs
- X100** – Modbus TCP / DNP3.0 TCP/UDP, Ethernet interface, 100 Mbit/s, RJ45 (BASE100-FX)
- X102** – Protection Communication, Fiber optics interface, ST Connector
- X104** – IRIG-B00X, incl. System Contact (Supervision Contact)

MCDLV4-2D1A1CB



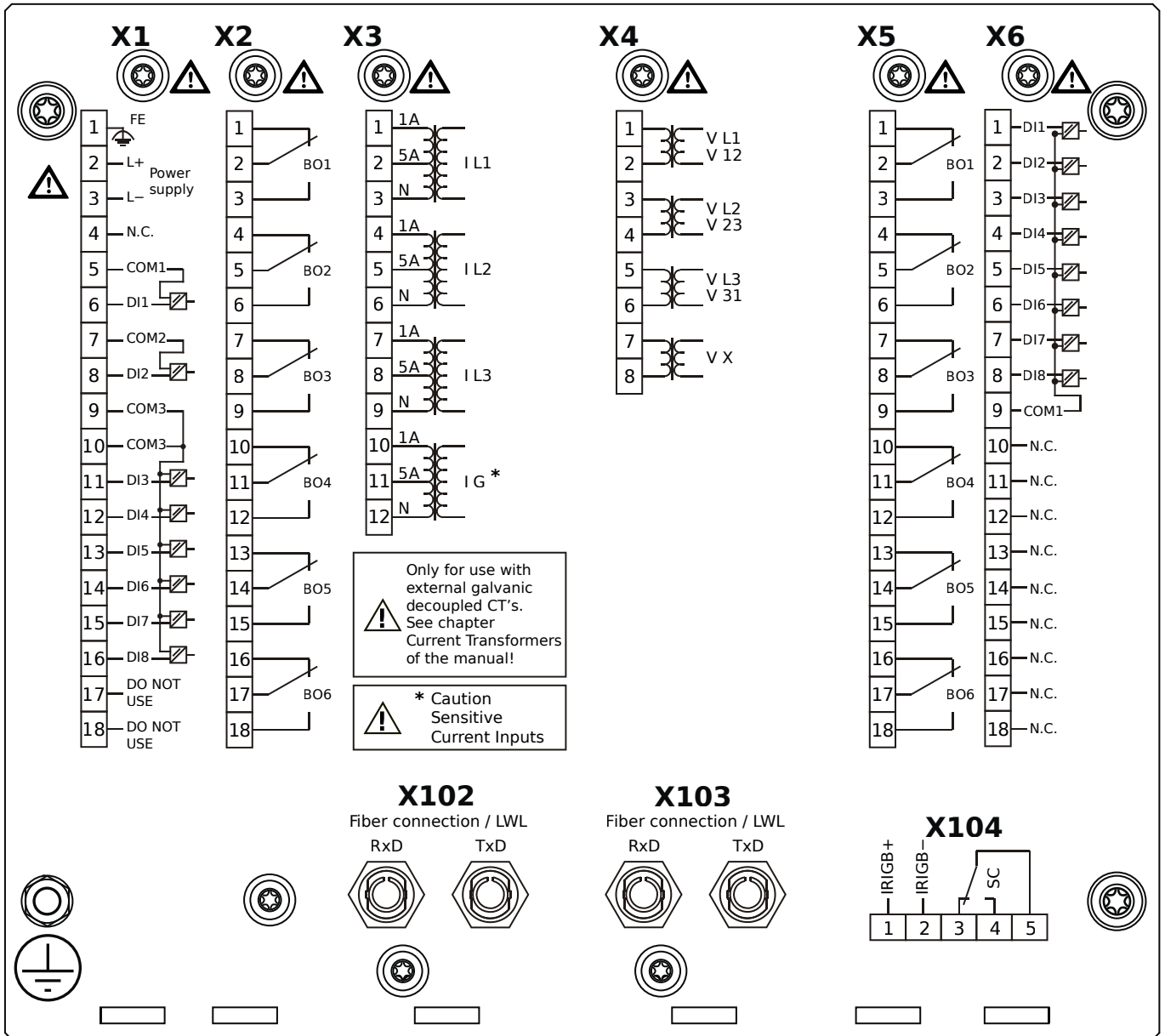
- X1** – DI8-X1: Wide-range power supply unit, incl. 2 non-grouped digital inputs and 6 grouped digital inputs
- X2** – OR-6: Assembly Group with 6 Relay Outputs
- X3** – TIs-4: Standard phase current measuring card and sensitive ground current measuring
- X4** – TU: Card with 4 voltage transformer measuring inputs
- X5** – OR-6: Assembly Group with 6 Relay Outputs
- X6** – DI8: Assembly Group with 8 Digital Inputs
- X100** – Modbus TCP / DNP3.0 TCP/UDP, Ethernet interface, 100 Mbit/s, RJ45 (BASE100-FX)
- X102** – Protection Communication, Fiber optics interface, ST Connector
- X104** – IRIG-B00X, incl. System Contact (Supervision Contact)

MCDLV4-2D1A1DA



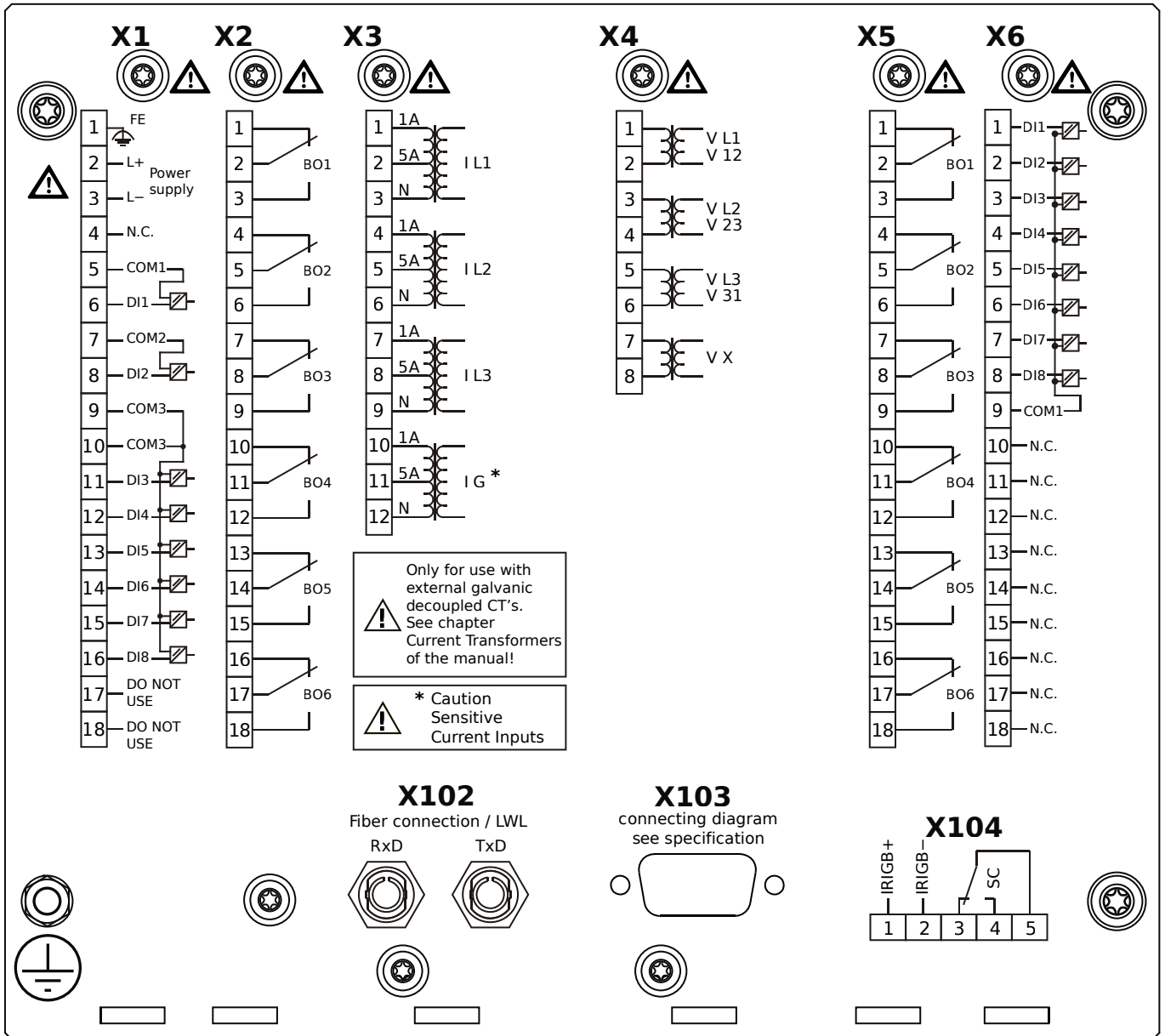
- X1** – DI8-X1: Wide-range power supply unit, incl. 2 non-grouped digital inputs and 6 grouped digital inputs
- X2** – OR-6: Assembly Group with 6 Relay Outputs
- X3** – TIs-4: Standard phase current measuring card and sensitive ground current measuring
- X4** – TU: Card with 4 voltage transformer measuring inputs
- X5** – OR-6: Assembly Group with 6 Relay Outputs
- X6** – DI8: Assembly Group with 8 Digital Inputs
- X102** – Protection Communication, Fiber optics interface, ST Connector
- X103** – Profibus-DP, Fiber optics interface, ST Connector
- X104** – IRIG-B00X, incl. System Contact (Supervision Contact)

MCDLV4-2D1A1DB



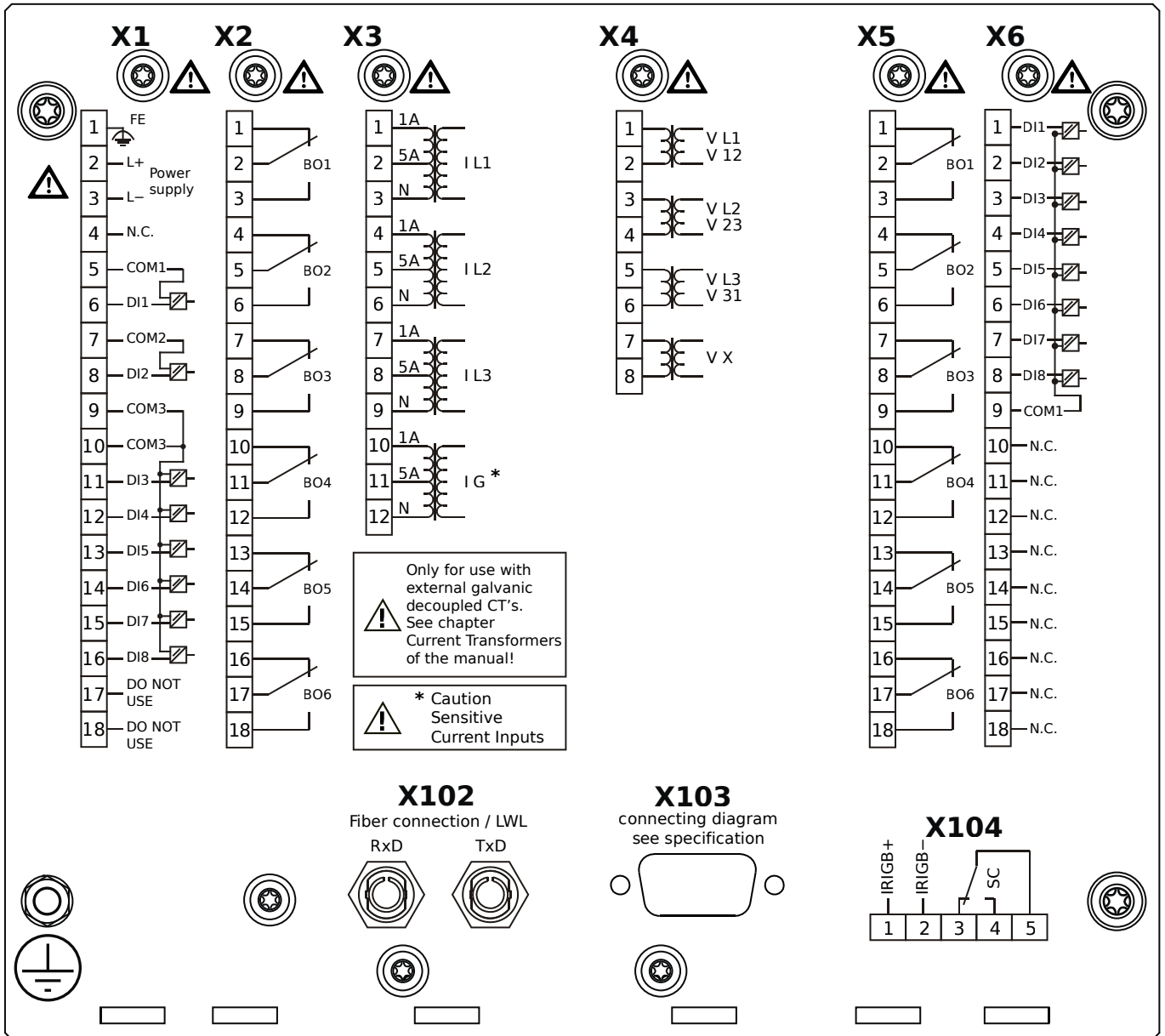
- X1** – DI8-X1: Wide-range power supply unit, incl. 2 non-grouped digital inputs and 6 grouped digital inputs
- X2** – OR-6: Assembly Group with 6 Relay Outputs
- X3** – TIs-4: Standard phase current measuring card and sensitive ground current measuring
- X4** – TU: Card with 4 voltage transformer measuring inputs
- X5** – OR-6: Assembly Group with 6 Relay Outputs
- X6** – DI8: Assembly Group with 8 Digital Inputs
- X102** – Protection Communication, Fiber optics interface, ST Connector
- X103** – Profibus-DP, Fiber optics interface, ST Connector
- X104** – IRIG-B00X, incl. System Contact (Supervision Contact)

MCDLV4-2D1A1EA



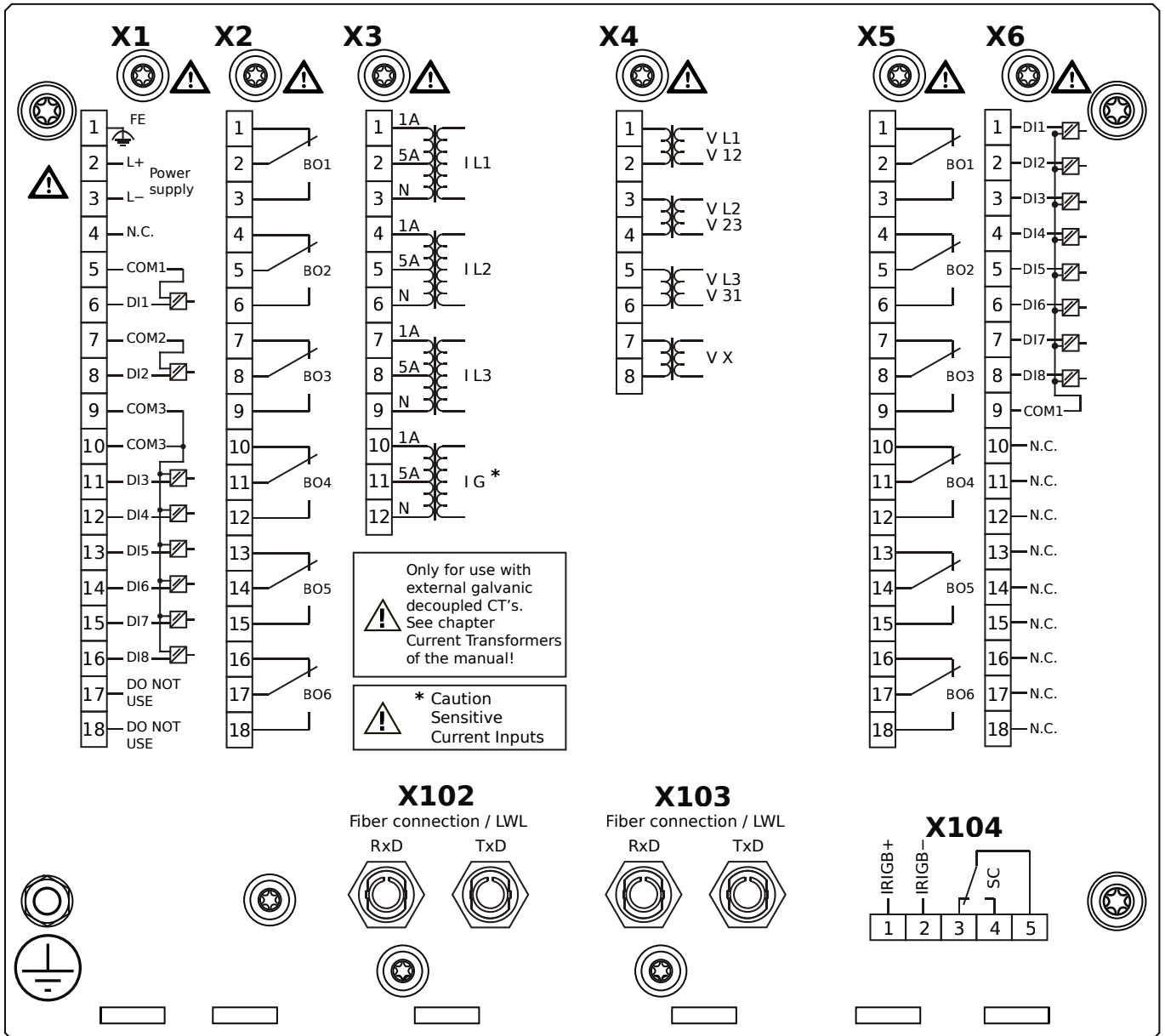
- X1** – DI8-X1: Wide-range power supply unit, incl. 2 non-grouped digital inputs and 6 grouped digital inputs
- X2** – OR-6: Assembly Group with 6 Relay Outputs
- X3** – TIs-4: Standard phase current measuring card and sensitive ground current measuring
- X4** – TU: Card with 4 voltage transformer measuring inputs
- X5** – OR-6: Assembly Group with 6 Relay Outputs
- X6** – DI8: Assembly Group with 8 Digital Inputs
- X102** – Protection Communication, Fiber optics interface, ST Connector
- X103** – Profibus-DP, RS485, D-SUB
- X104** – IRIG-B00X, incl. System Contact (Supervision Contact)

MCDLV4-2D1A1EB



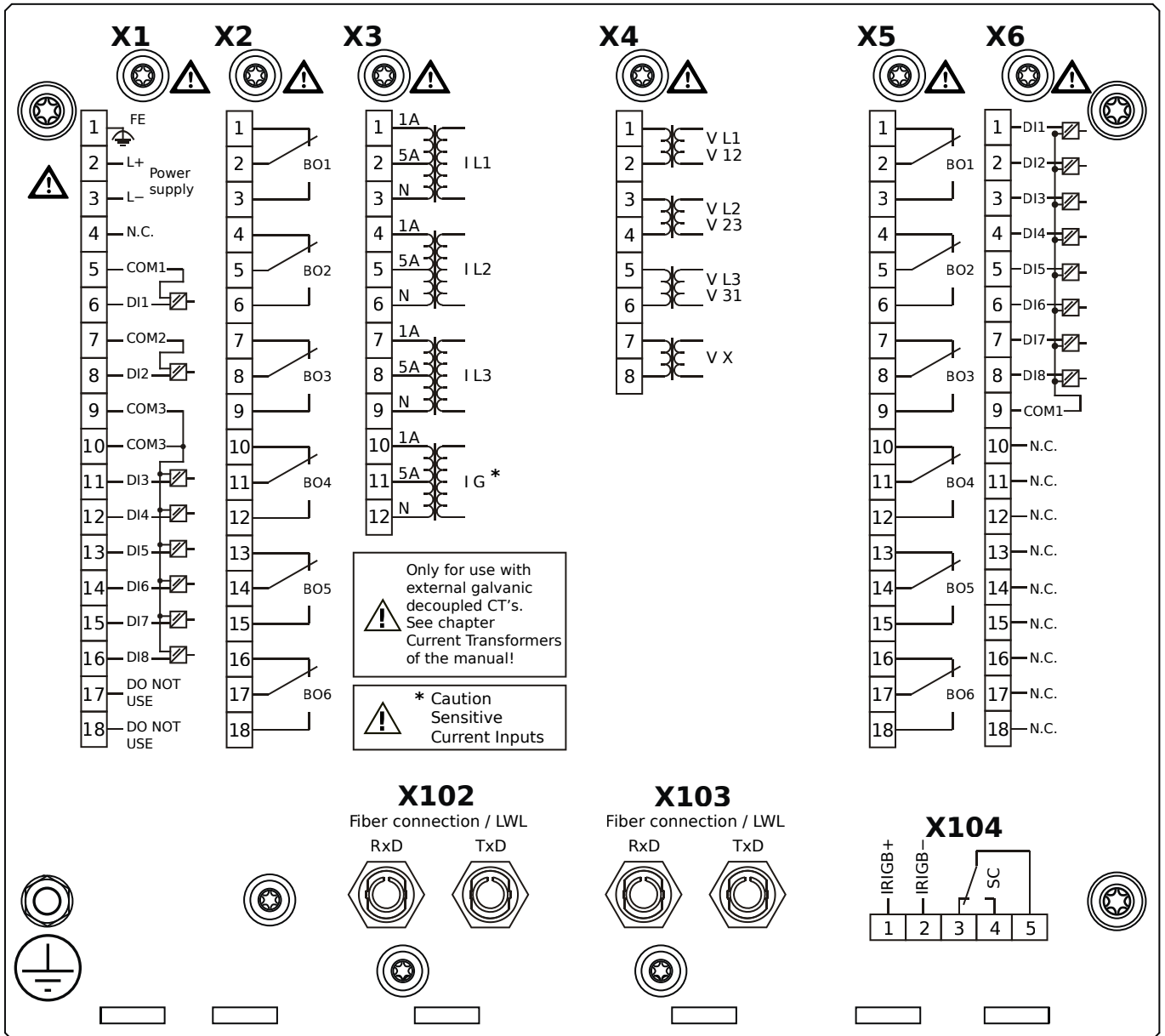
- X1** – DI8-X1: Wide-range power supply unit, incl. 2 non-grouped digital inputs and 6 grouped digital inputs
- X2** – OR-6: Assembly Group with 6 Relay Outputs
- X3** – TIs-4: Standard phase current measuring card and sensitive ground current measuring
- X4** – TU: Card with 4 voltage transformer measuring inputs
- X5** – OR-6: Assembly Group with 6 Relay Outputs
- X6** – DI8: Assembly Group with 8 Digital Inputs
- X102** – Protection Communication, Fiber optics interface, ST Connector
- X103** – Profibus-DP, RS485, D-SUB
- X104** – IRIG-B00X, incl. System Contact (Supervision Contact)

MCDLV4-2D1A1FA



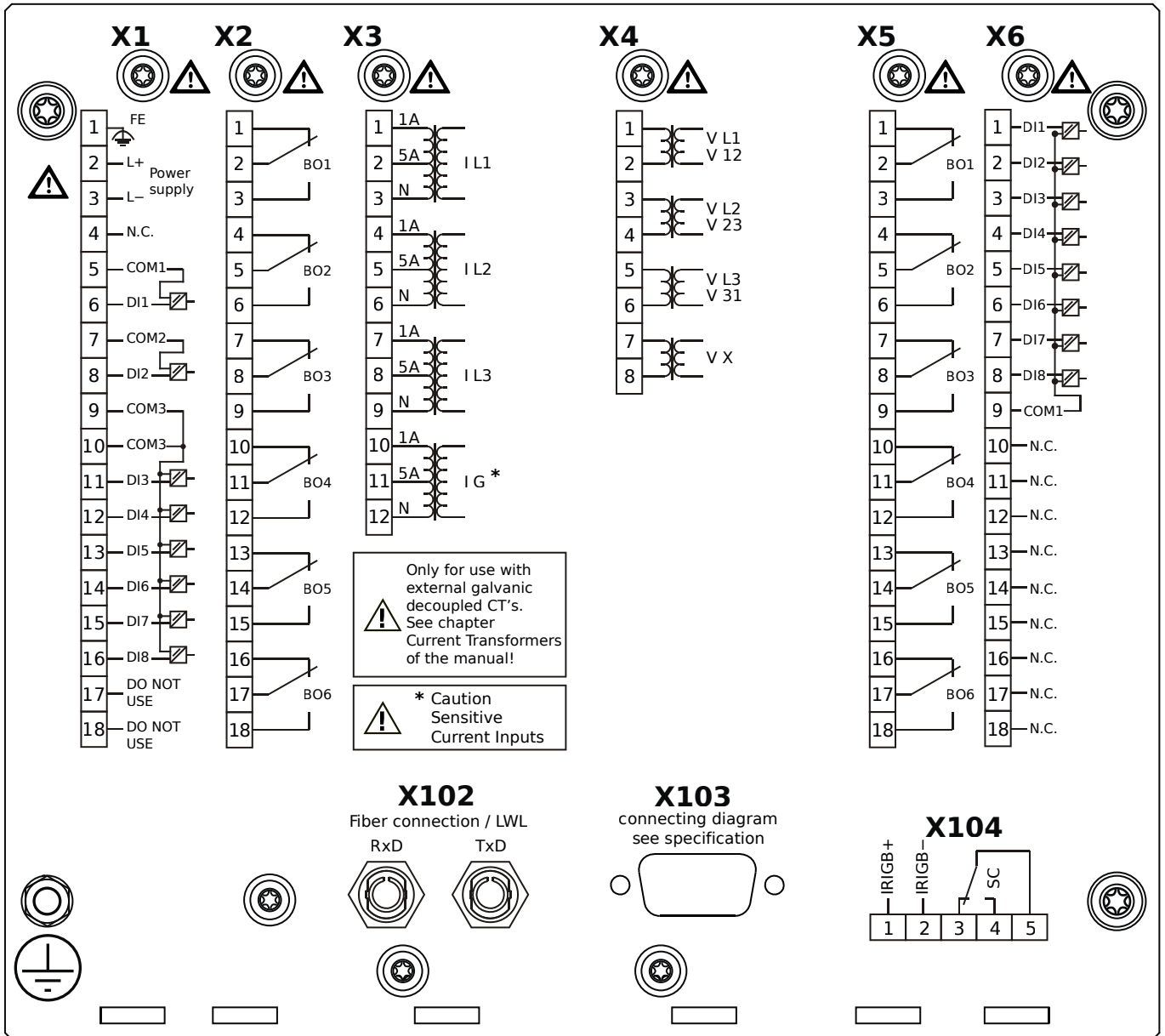
- X1** – DI8-X1: Wide-range power supply unit, incl. 2 non-grouped digital inputs and 6 grouped digital inputs
- X2** – OR-6: Assembly Group with 6 Relay Outputs
- X3** – TIs-4: Standard phase current measuring card and sensitive ground current measuring
- X4** – TU: Card with 4 voltage transformer measuring inputs
- X5** – OR-6: Assembly Group with 6 Relay Outputs
- X6** – DI8: Assembly Group with 8 Digital Inputs
- X102** – Protection Communication, Fiber optics interface, ST Connector
- X103** – Modbus RTU / IEC 60870-5-103 / DNP3.0 RTU, Fiber optics interface, ST Connector
- X104** – IRIG-B00X, incl. System Contact (Supervision Contact)

MCDLV4-2D1A1FB



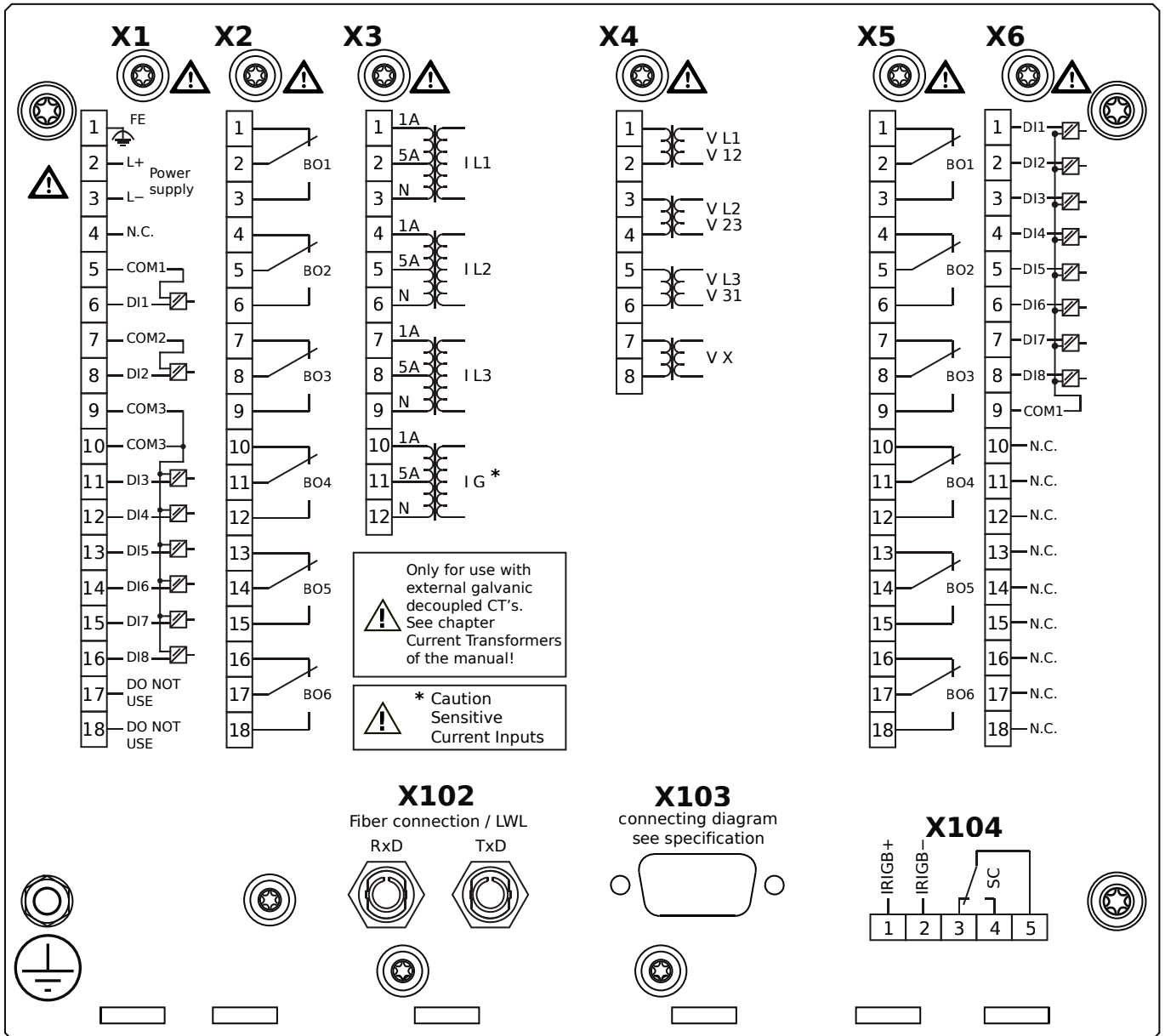
- X1** – DI8-X1: Wide-range power supply unit, incl. 2 non-grouped digital inputs and 6 grouped digital inputs
- X2** – OR-6: Assembly Group with 6 Relay Outputs
- X3** – TIs-4: Standard phase current measuring card and sensitive ground current measuring
- X4** – TU: Card with 4 voltage transformer measuring inputs
- X5** – OR-6: Assembly Group with 6 Relay Outputs
- X6** – DI8: Assembly Group with 8 Digital Inputs
- X102** – Protection Communication, Fiber optics interface, ST Connector
- X103** – Modbus RTU / IEC 60870-5-103 / DNP3.0 RTU, Fiber optics interface, ST Connector
- X104** – IRIG-B00X, incl. System Contact (Supervision Contact)

MCDLV4-2D1A1GA



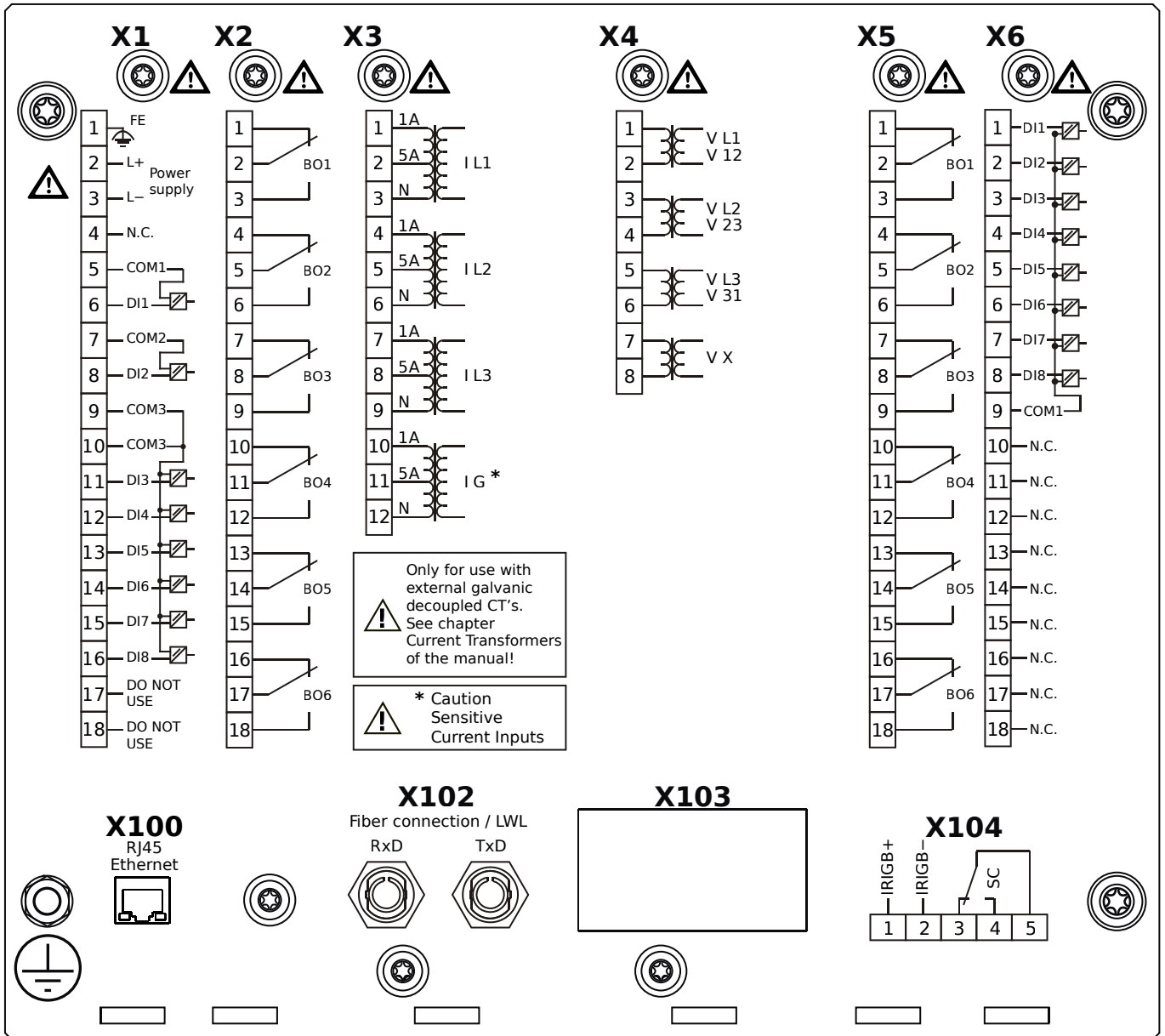
- X1** – DI8-X1: Wide-range power supply unit, incl. 2 non-grouped digital inputs and 6 grouped digital inputs
- X2** – OR-6: Assembly Group with 6 Relay Outputs
- X3** – TIs-4: Standard phase current measuring card and sensitive ground current measuring
- X4** – TU: Card with 4 voltage transformer measuring inputs
- X5** – OR-6: Assembly Group with 6 Relay Outputs
- X6** – DI8: Assembly Group with 8 Digital Inputs
- X102** – Protection Communication, Fiber optics interface, ST Connector
- X103** – Modbus RTU / IEC 60870-5-103 / DNP3.0 RTU, RS485, D-SUB
- X104** – IRIG-B00X, incl. System Contact (Supervision Contact)

MCDLV4-2D1A1GB



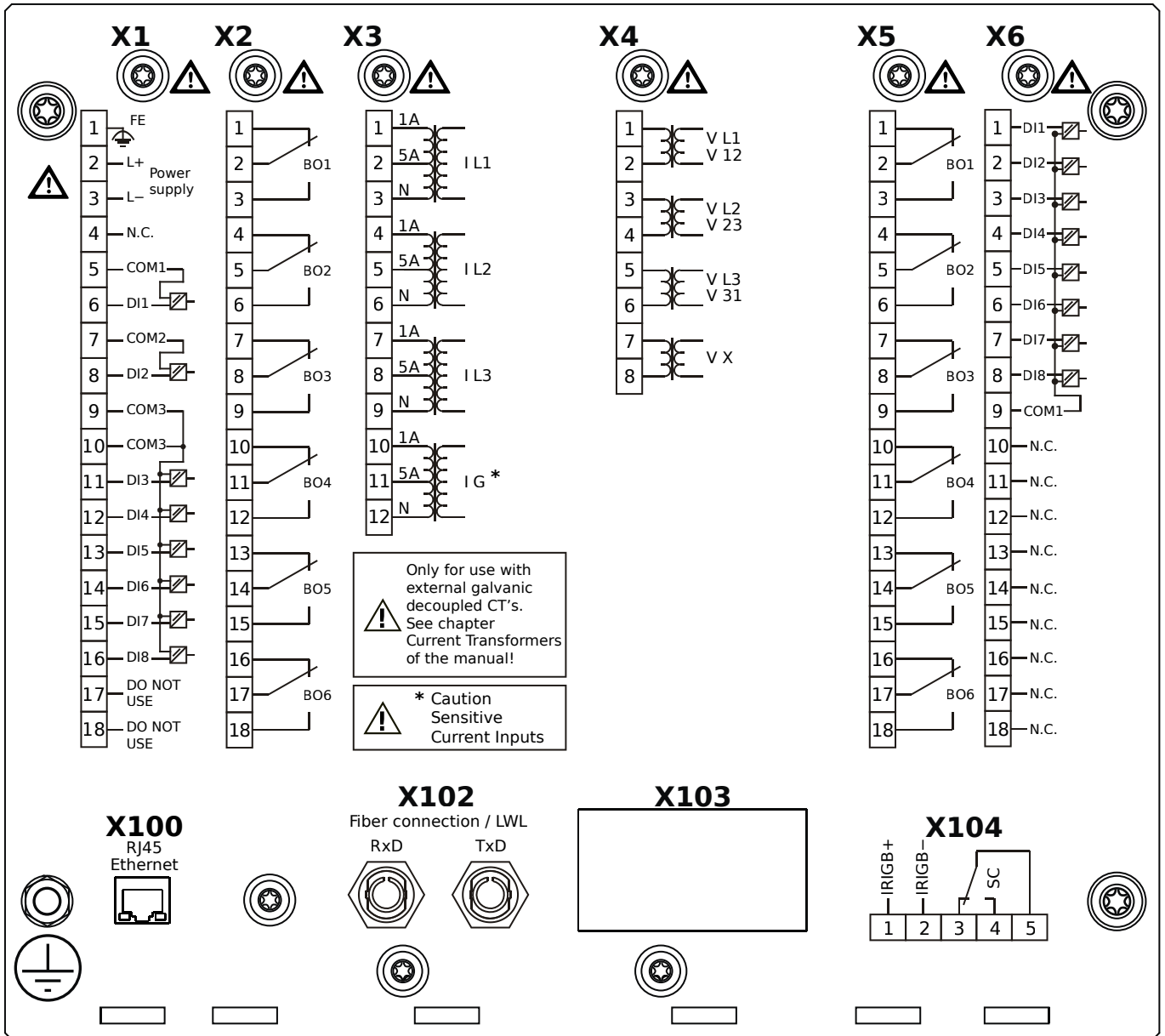
- X1** – DI8-X1: Wide-range power supply unit, incl. 2 non-grouped digital inputs and 6 grouped digital inputs
- X2** – OR-6: Assembly Group with 6 Relay Outputs
- X3** – TIs-4: Standard phase current measuring card and sensitive ground current measuring
- X4** – TU: Card with 4 voltage transformer measuring inputs
- X5** – OR-6: Assembly Group with 6 Relay Outputs
- X6** – DI8: Assembly Group with 8 Digital Inputs
- X102** – Protection Communication, Fiber optics interface, ST Connector
- X103** – Modbus RTU / IEC 60870-5-103 / DNP3.0 RTU, RS485, D-SUB
- X104** – IRIG-B00X, incl. System Contact (Supervision Contact)

MCDLV4-2D1A1HA



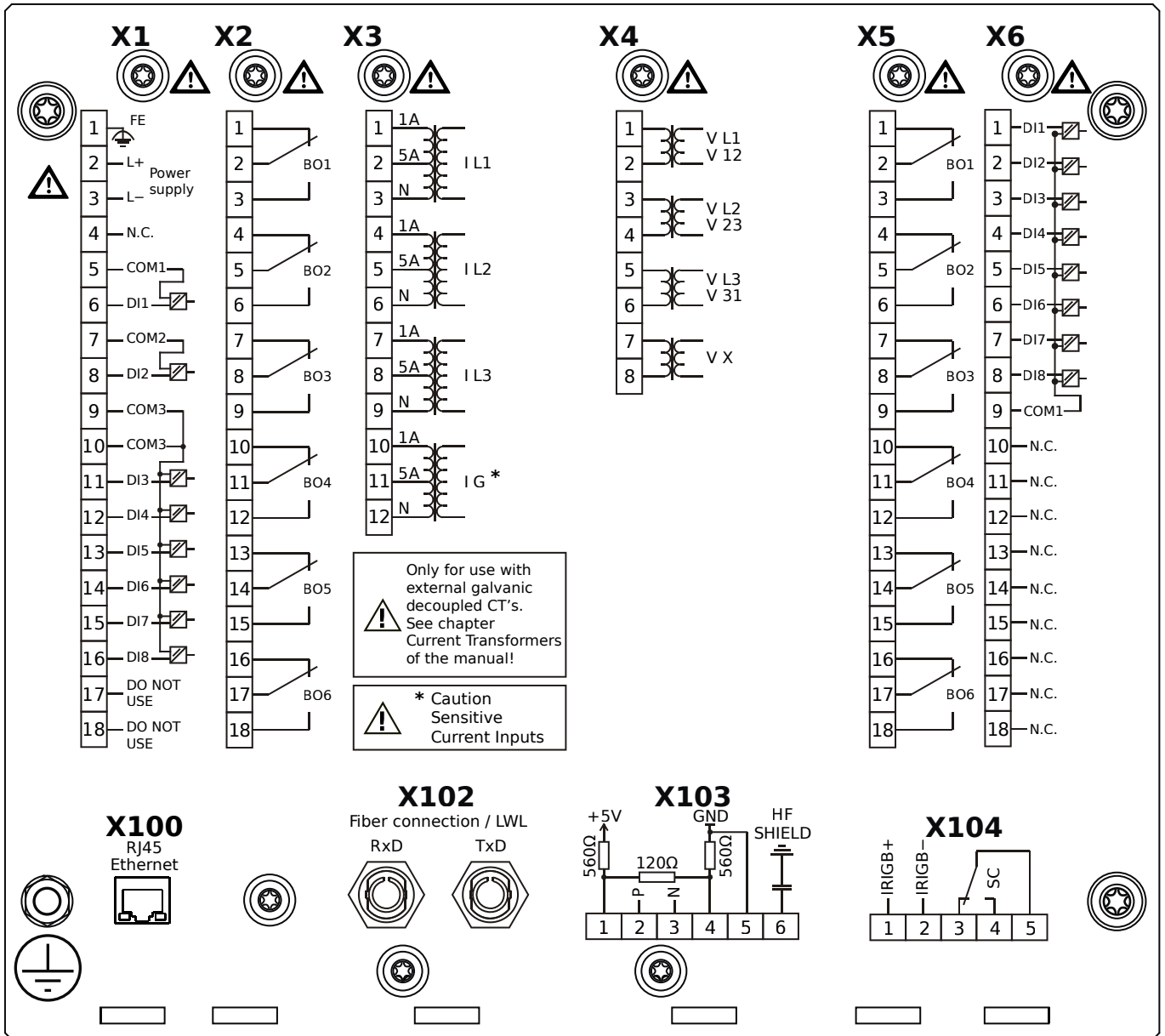
- X1** – DI8-X1: Wide-range power supply unit, incl. 2 non-grouped digital inputs and 6 grouped digital inputs
- X2** – OR-6: Assembly Group with 6 Relay Outputs
- X3** – TIs-4: Standard phase current measuring card and sensitive ground current measuring
- X4** – TU: Card with 4 voltage transformer measuring inputs
- X5** – OR-6: Assembly Group with 6 Relay Outputs
- X6** – DI8: Assembly Group with 8 Digital Inputs
- X100** – IEC 61850 / Modbus TCP / DNP3.0 TCP/UDP, Ethernet interface, 100 Mbit/s, RJ45 (BASE100-FX)
- X102** – Protection Communication, Fiber optics interface, ST Connector
- X104** – IRIG-B00X, incl. System Contact (Supervision Contact)

MCDLV4-2D1A1HB



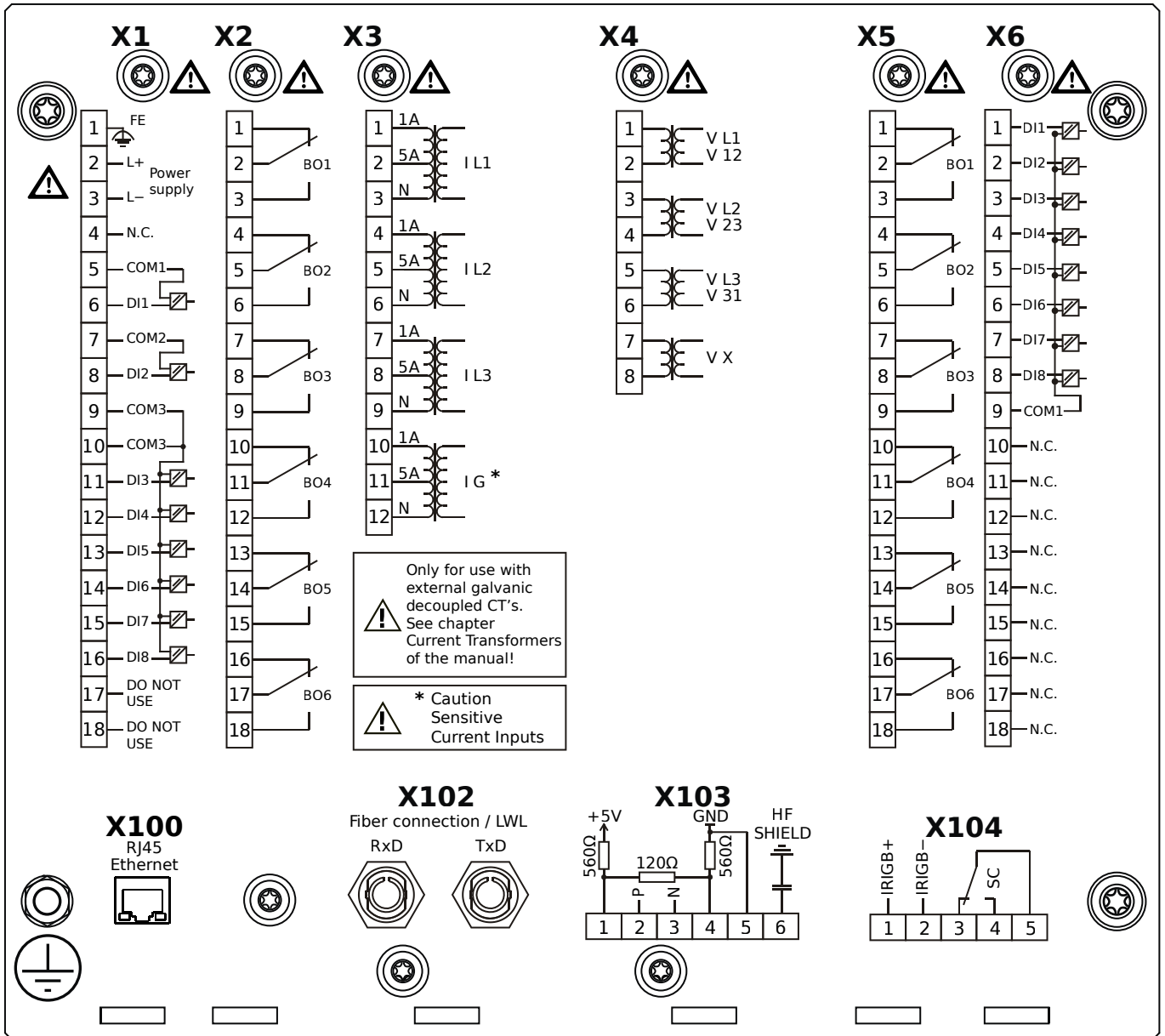
- X1** – DI8-X1: Wide-range power supply unit, incl. 2 non-grouped digital inputs and 6 grouped digital inputs
- X2** – OR-6: Assembly Group with 6 Relay Outputs
- X3** – TIs-4: Standard phase current measuring card and sensitive ground current measuring
- X4** – TU: Card with 4 voltage transformer measuring inputs
- X5** – OR-6: Assembly Group with 6 Relay Outputs
- X6** – DI8: Assembly Group with 8 Digital Inputs
- X100** – IEC 61850 / Modbus TCP / DNP3.0 TCP/UDP, Ethernet interface, 100 Mbit/s, RJ45 (BASE100-FX)
- X102** – Protection Communication, Fiber optics interface, ST Connector
- X104** – IRIG-B00X, incl. System Contact (Supervision Contact)

MCDLV4-2D1A1IA



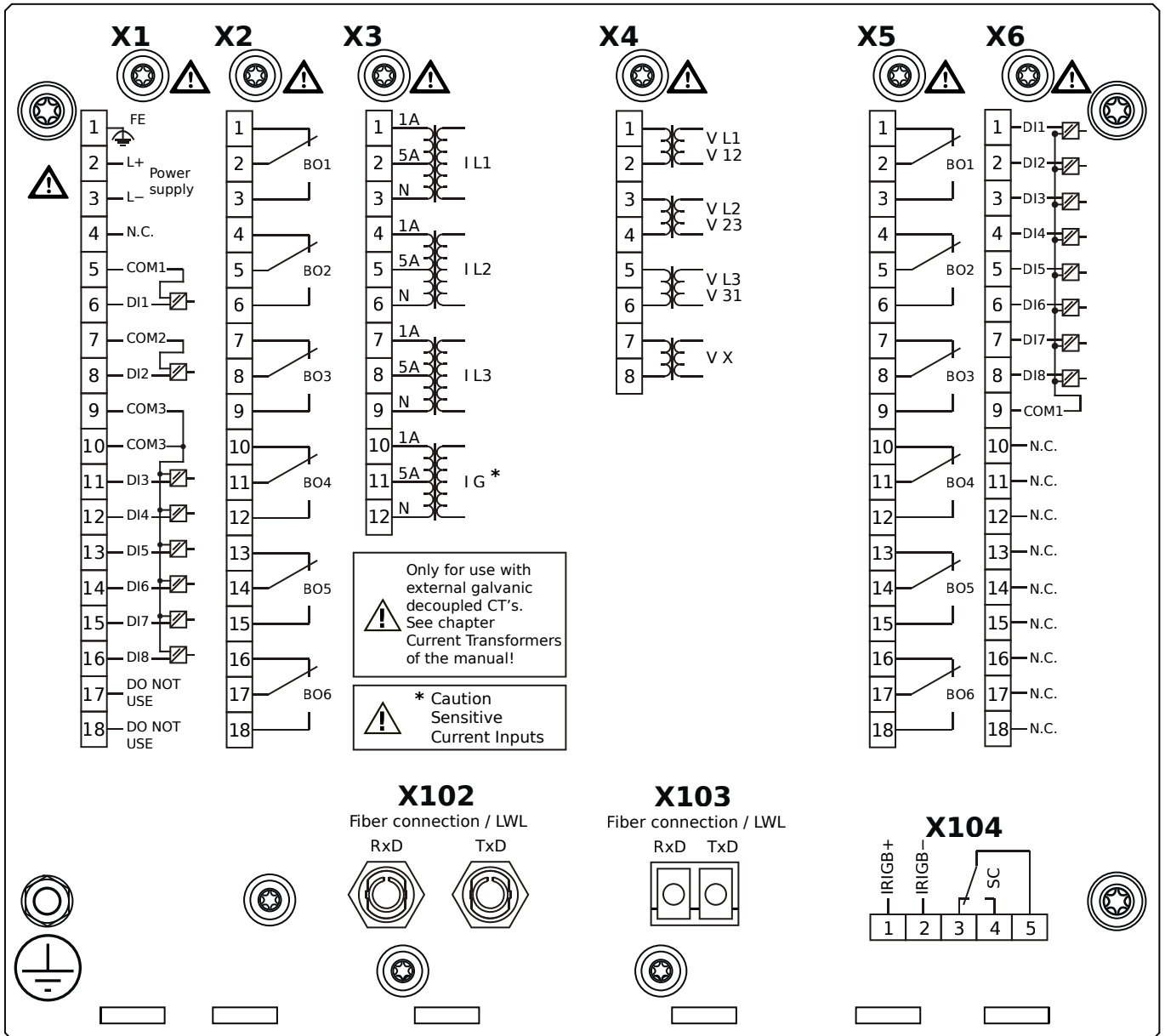
- X1** – DI8-X1: Wide-range power supply unit, incl. 2 non-grouped digital inputs and 6 grouped digital inputs
- X2** – OR-6: Assembly Group with 6 Relay Outputs
- X3** – TIs-4: Standard phase current measuring card and sensitive ground current measuring
- X4** – TU: Card with 4 voltage transformer measuring inputs
- X5** – OR-6: Assembly Group with 6 Relay Outputs
- X6** – DI8: Assembly Group with 8 Digital Inputs
- X100** – Modbus TCP / DNP3.0 TCP/UDP, Ethernet interface, 100 Mbit/s, RJ45 (BASE100-FX)
- X102** – Protection Communication, Fiber optics interface, ST Connector
- X103** – IEC 60870-5-103 / Modbus RTU / DNP3.0 RTU, RS485, Terminals
- X104** – IRIG-B00X, incl. System Contact (Supervision Contact)

MCDLV4-2D1A1IB



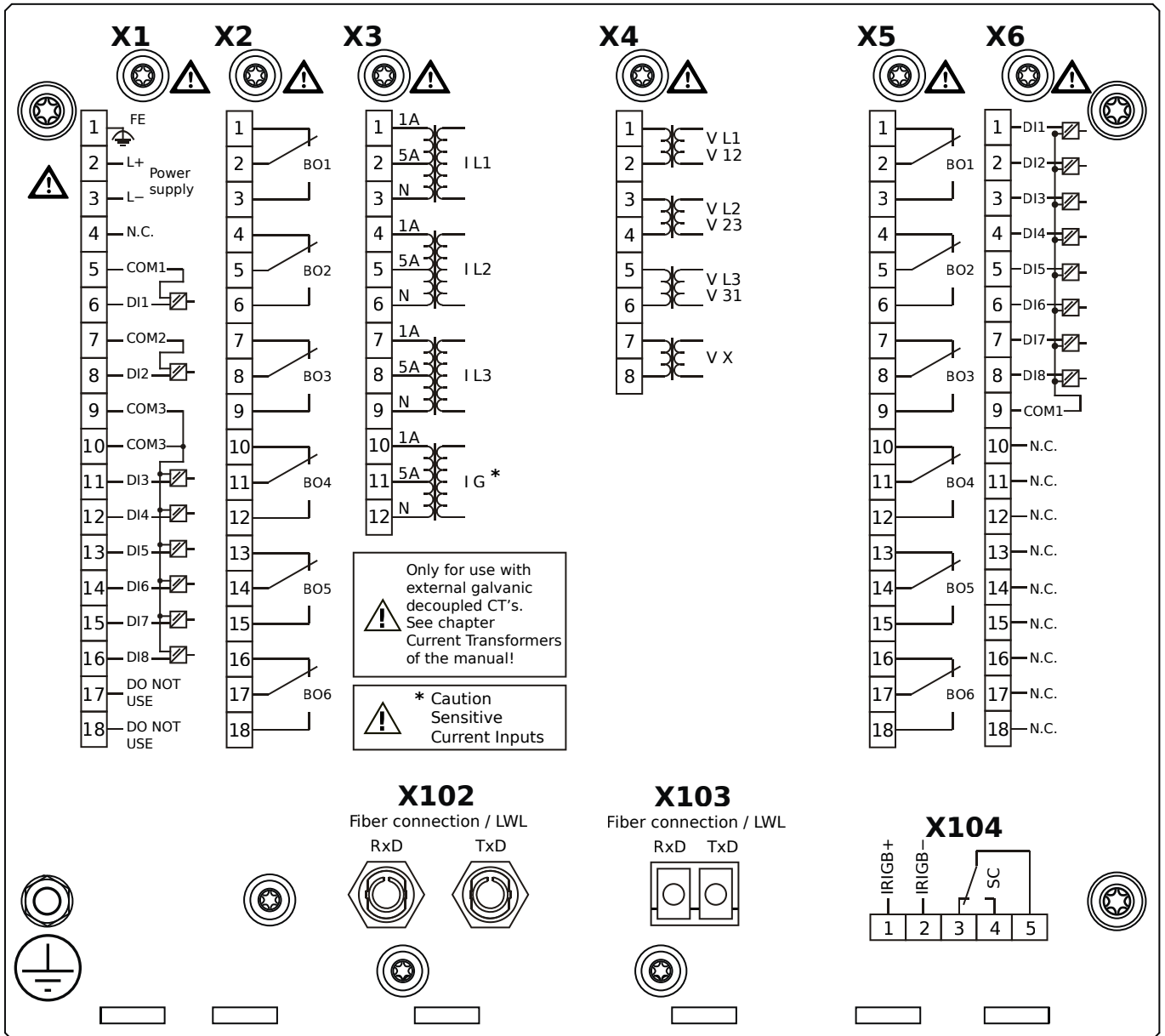
- X1** – DI8-X1: Wide-range power supply unit, incl. 2 non-grouped digital inputs and 6 grouped digital inputs
- X2** – OR-6: Assembly Group with 6 Relay Outputs
- X3** – TIs-4: Standard phase current measuring card and sensitive ground current measuring
- X4** – TU: Card with 4 voltage transformer measuring inputs
- X5** – OR-6: Assembly Group with 6 Relay Outputs
- X6** – DI8: Assembly Group with 8 Digital Inputs
- X100** – Modbus TCP / DNP3.0 TCP/UDP, Ethernet interface, 100 Mbit/s, RJ45 (BASE100-FX)
- X102** – Protection Communication, Fiber optics interface, ST Connector
- X103** – IEC 60870-5-103 / Modbus RTU / DNP3.0 RTU, RS485, Terminals
- X104** – IRIG-B00X, incl. System Contact (Supervision Contact)

MCDLV4-2D1A1KA



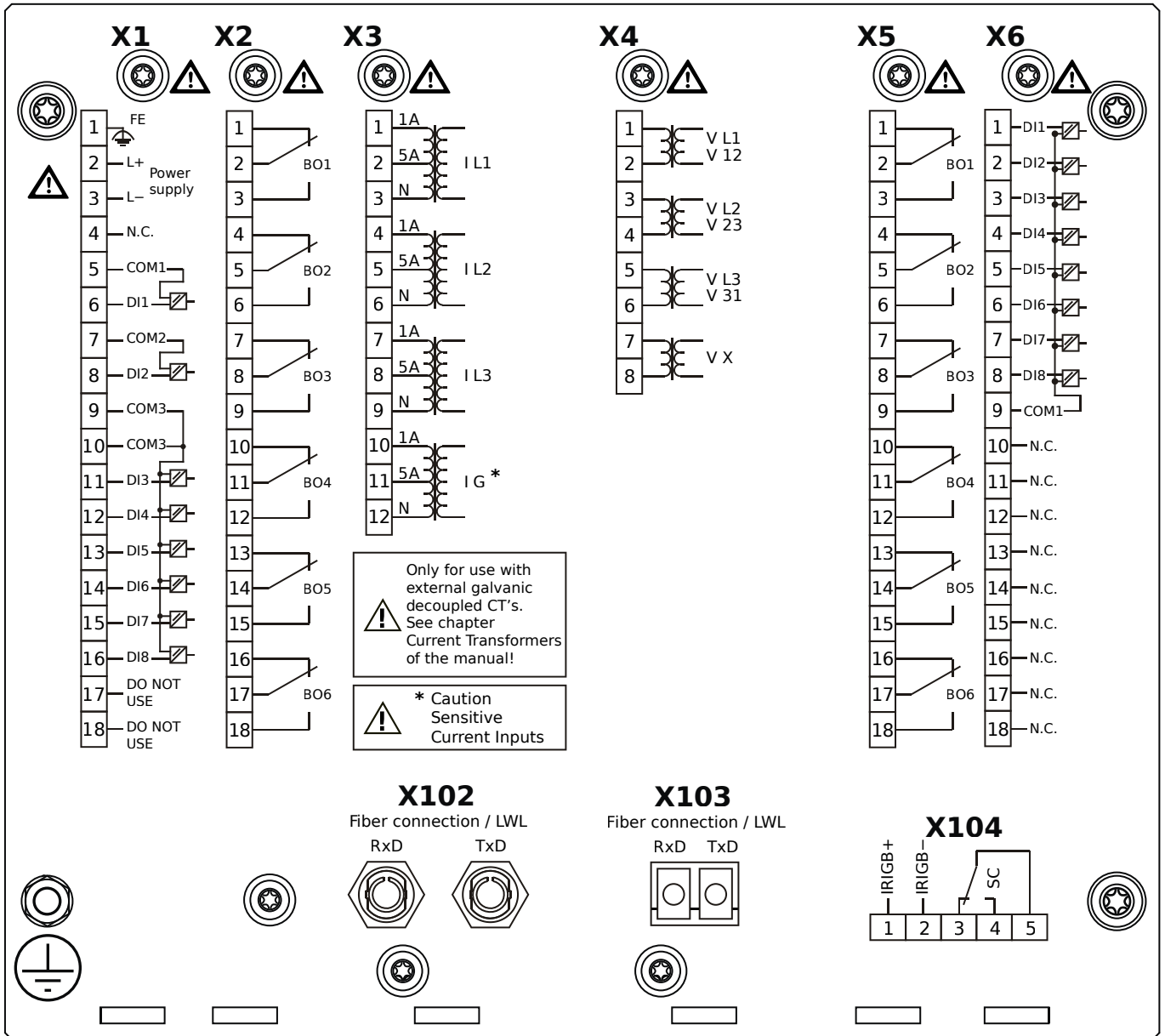
- X1** – DI8-X1: Wide-range power supply unit, incl. 2 non-grouped digital inputs and 6 grouped digital inputs
- X2** – OR-6: Assembly Group with 6 Relay Outputs
- X3** – TIs-4: Standard phase current measuring card and sensitive ground current measuring
- X4** – TU: Card with 4 voltage transformer measuring inputs
- X5** – OR-6: Assembly Group with 6 Relay Outputs
- X6** – DI8: Assembly Group with 8 Digital Inputs
- X102** – Protection Communication, Fiber optics interface, ST Connector
- X103** – IEC 61850 / Modbus TCP / DNP3.0 TCP/UDP, Fiber optics interface, LC Connector
- X104** – IRIG-B00X, incl. System Contact (Supervision Contact)

MCDLV4-2D1A1KB



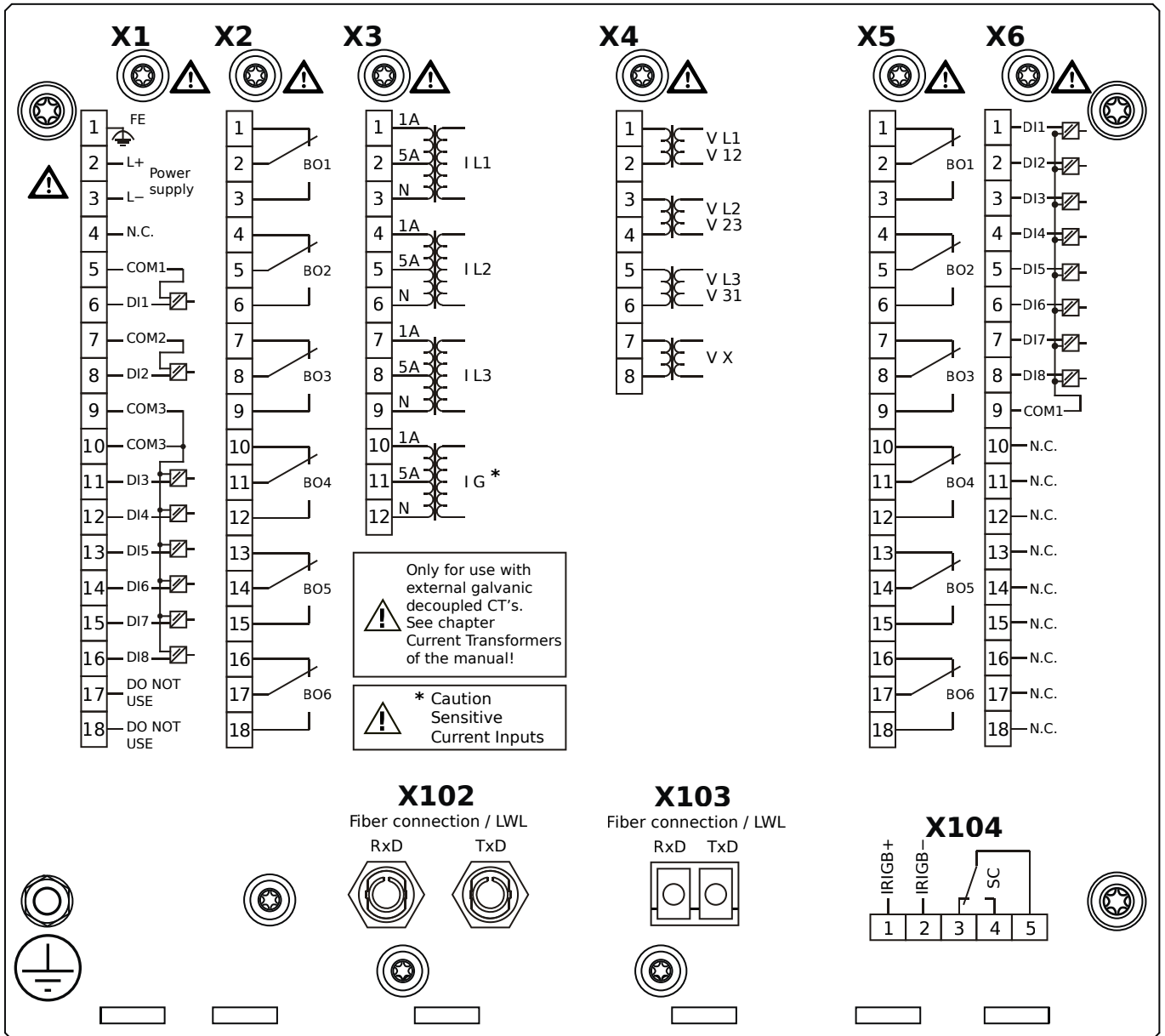
- X1** – DI8-X1: Wide-range power supply unit, incl. 2 non-grouped digital inputs and 6 grouped digital inputs
- X2** – OR-6: Assembly Group with 6 Relay Outputs
- X3** – TIs-4: Standard phase current measuring card and sensitive ground current measuring
- X4** – TU: Card with 4 voltage transformer measuring inputs
- X5** – OR-6: Assembly Group with 6 Relay Outputs
- X6** – DI8: Assembly Group with 8 Digital Inputs
- X102** – Protection Communication, Fiber optics interface, ST Connector
- X103** – IEC 61850 / Modbus TCP / DNP3.0 TCP/UDP, Fiber optics interface, LC Connector
- X104** – IRIG-B00X, incl. System Contact (Supervision Contact)

MCDLV4-2D1A1LA



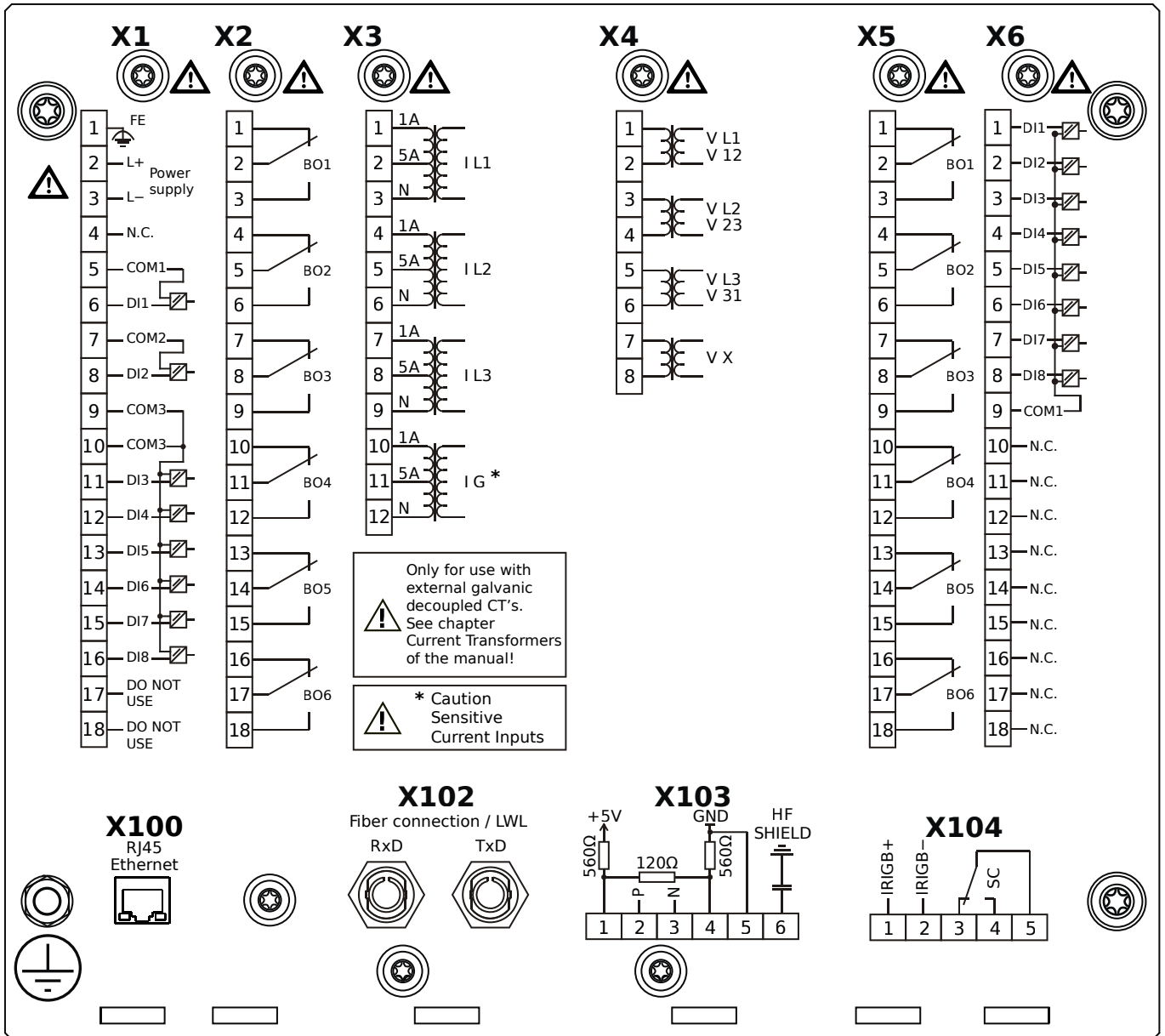
- X1** – DI8-X1: Wide-range power supply unit, incl. 2 non-grouped digital inputs and 6 grouped digital inputs
- X2** – OR-6: Assembly Group with 6 Relay Outputs
- X3** – TIs-4: Standard phase current measuring card and sensitive ground current measuring
- X4** – TU: Card with 4 voltage transformer measuring inputs
- X5** – OR-6: Assembly Group with 6 Relay Outputs
- X6** – DI8: Assembly Group with 8 Digital Inputs
- X102** – Protection Communication, Fiber optics interface, ST Connector
- X103** – Modbus TCP / DNP3.0 TCP/UDP, Fiber optics interface, LC Connector
- X104** – IRIG-B00X, incl. System Contact (Supervision Contact)

MCDLV4-2D1A1LB



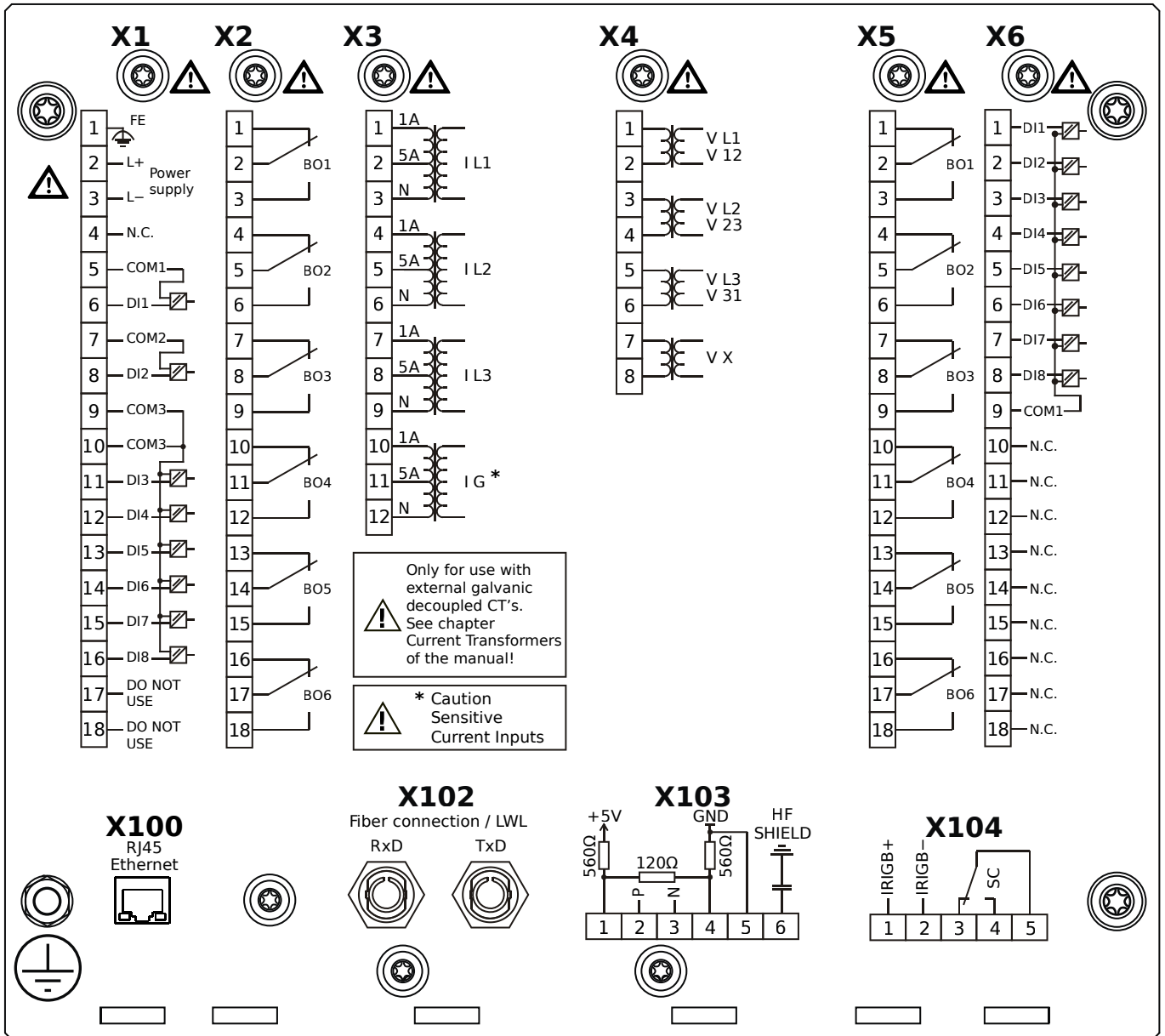
- X1** – DI8-X1: Wide-range power supply unit, incl. 2 non-grouped digital inputs and 6 grouped digital inputs
- X2** – OR-6: Assembly Group with 6 Relay Outputs
- X3** – TIs-4: Standard phase current measuring card and sensitive ground current measuring
- X4** – TU: Card with 4 voltage transformer measuring inputs
- X5** – OR-6: Assembly Group with 6 Relay Outputs
- X6** – DI8: Assembly Group with 8 Digital Inputs
- X102** – Protection Communication, Fiber optics interface, ST Connector
- X103** – Modbus TCP / DNP3.0 TCP/UDP, Fiber optics interface, LC Connector
- X104** – IRIG-B00X, incl. System Contact (Supervision Contact)

MCDLV4-2D1A1TA



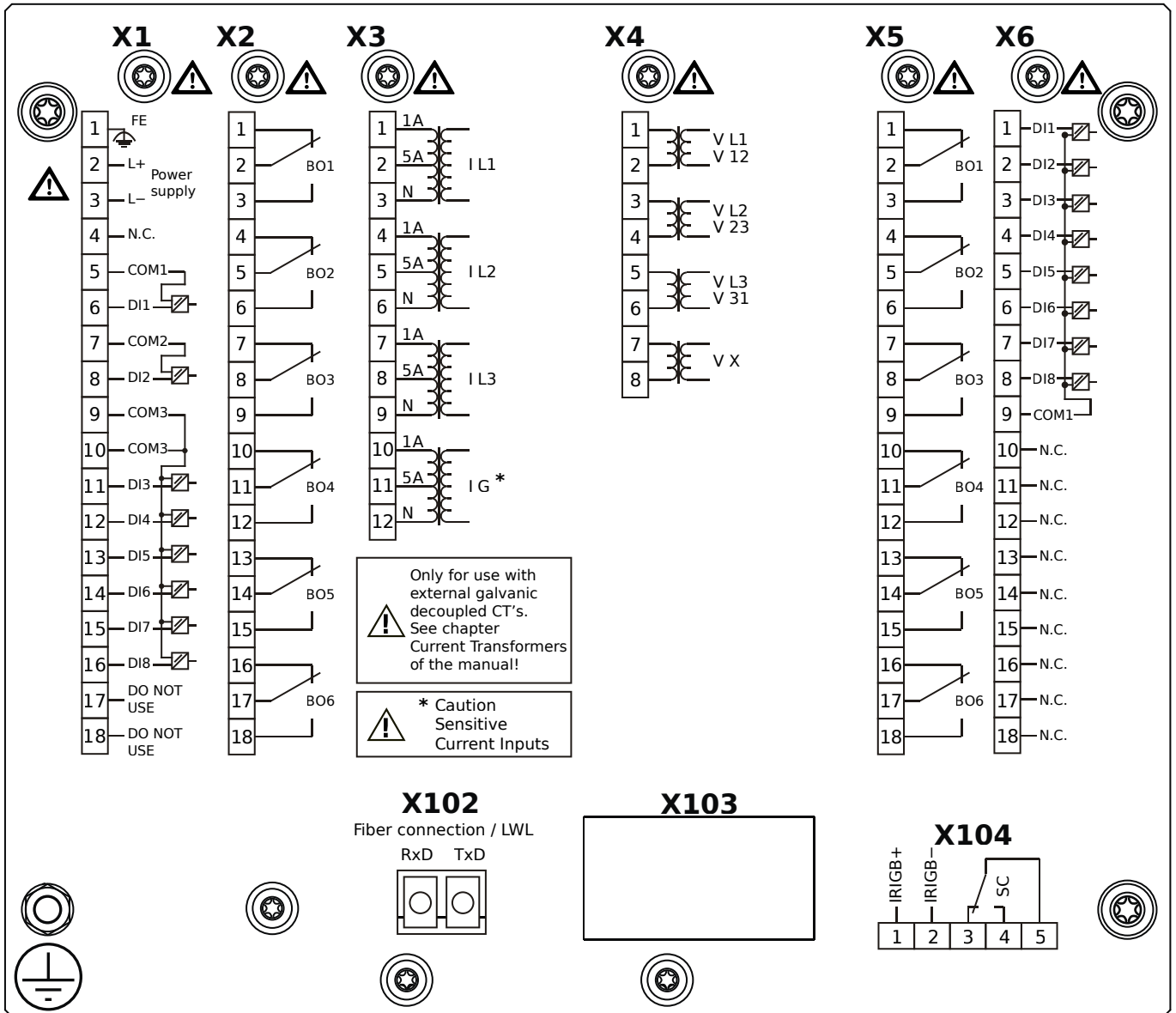
- X1** – DI8-X1: Wide-range power supply unit, incl. 2 non-grouped digital inputs and 6 grouped digital inputs
- X2** – OR-6: Assembly Group with 6 Relay Outputs
- X3** – TIs-4: Standard phase current measuring card and sensitive ground current measuring
- X4** – TU: Card with 4 voltage transformer measuring inputs
- X5** – OR-6: Assembly Group with 6 Relay Outputs
- X6** – DI8: Assembly Group with 8 Digital Inputs
- X100** – IEC 61850 / Modbus TCP / DNP3.0 TCP/UDP, Ethernet interface, 100 Mbit/s, RJ45 (BASE100-FX)
- X102** – Protection Communication, Fiber optics interface, ST Connector
- X103** – IEC 60870-5-103 / Modbus RTU / DNP3.0 RTU, RS485, Terminals
- X104** – IRIG-B00X, incl. System Contact (Supervision Contact)

MCDLV4-2D1A1TB



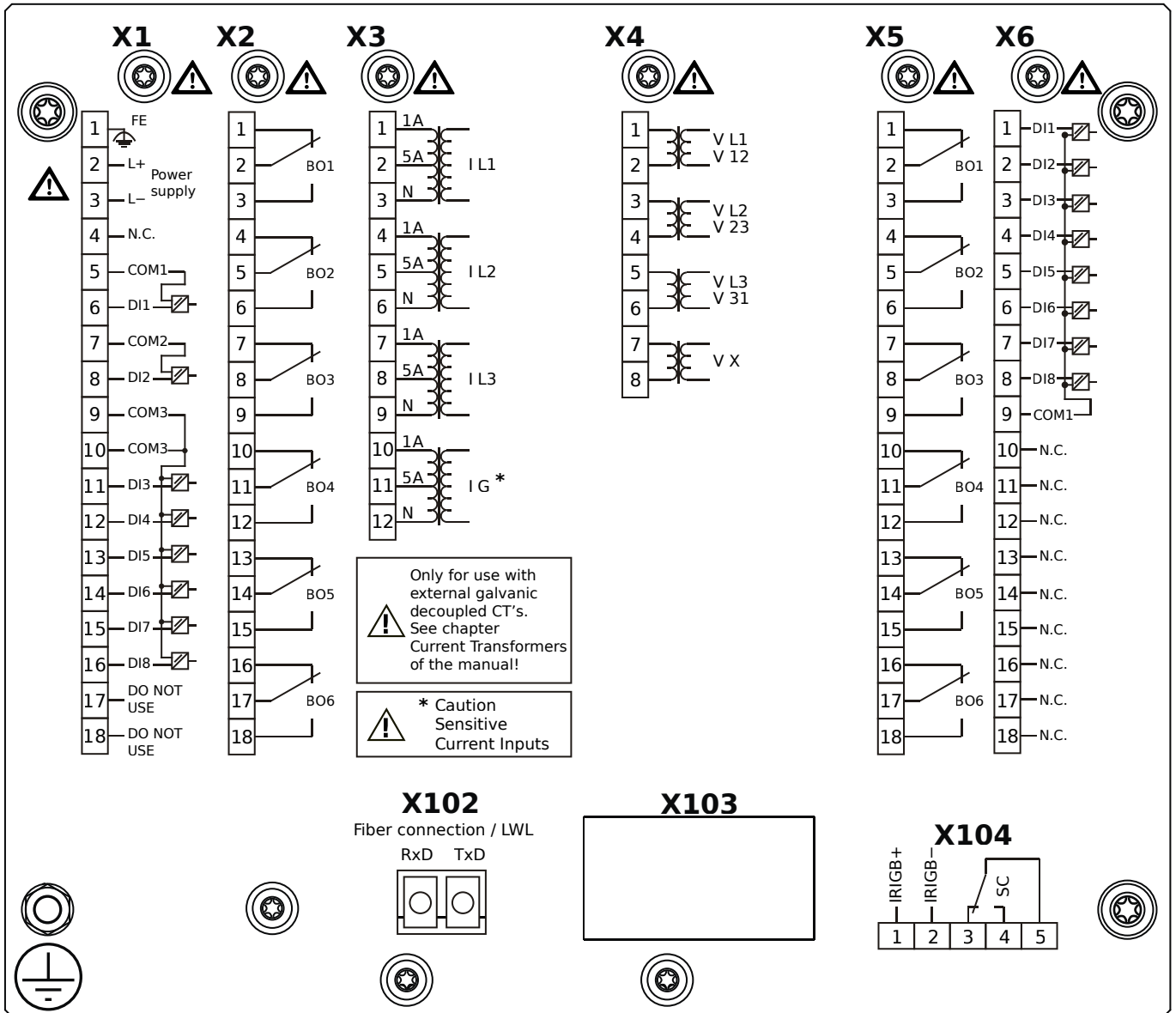
- X1** – DI8-X1: Wide-range power supply unit, incl. 2 non-grouped digital inputs and 6 grouped digital inputs
- X2** – OR-6: Assembly Group with 6 Relay Outputs
- X3** – TIs-4: Standard phase current measuring card and sensitive ground current measuring
- X4** – TU: Card with 4 voltage transformer measuring inputs
- X5** – OR-6: Assembly Group with 6 Relay Outputs
- X6** – DI8: Assembly Group with 8 Digital Inputs
- X100** – IEC 61850 / Modbus TCP / DNP3.0 TCP/UDP, Ethernet interface, 100 Mbit/s, RJ45 (BASE100-FX)
- X102** – Protection Communication, Fiber optics interface, ST Connector
- X103** – IEC 60870-5-103 / Modbus RTU / DNP3.0 RTU, RS485, Terminals
- X104** – IRIG-B00X, incl. System Contact (Supervision Contact)

MCDLV4-2D1B0AA



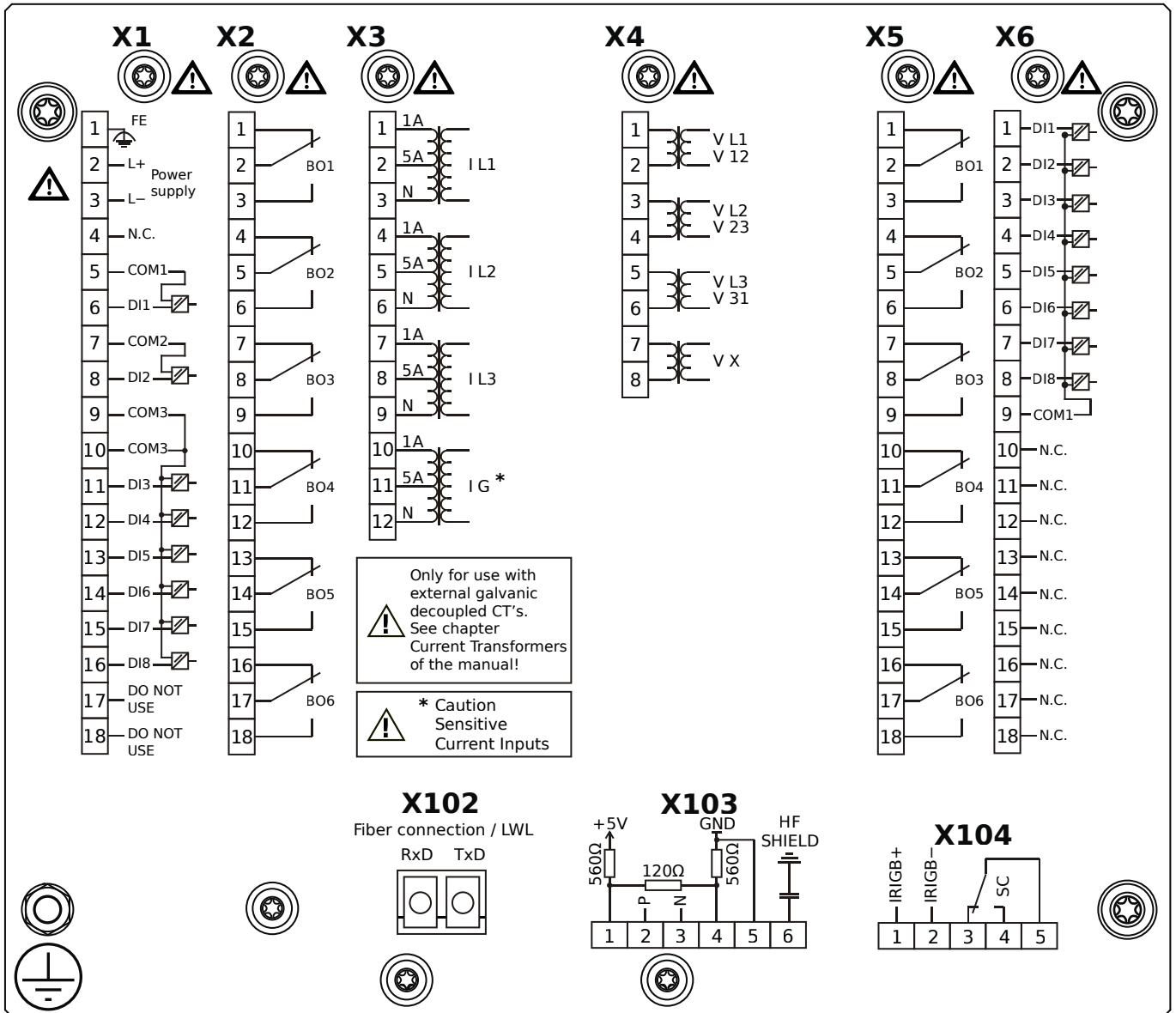
- X1** – DI8-X1: Wide-range power supply unit, incl. 2 non-grouped digital inputs and 6 grouped digital inputs
- X2** – OR-6: Assembly Group with 6 Relay Outputs
- X3** – TIs-4: Standard phase current measuring card and sensitive ground current measuring
- X4** – TU: Card with 4 voltage transformer measuring inputs
- X5** – OR-6: Assembly Group with 6 Relay Outputs
- X6** – DI8: Assembly Group with 8 Digital Inputs
- X102** – Long-distance Protection Communication, Fiber optics interface, LC Connector
- X104** – IRIG-B00X, incl. System Contact (Supervision Contact)

MCDLV4-2D1B0AB



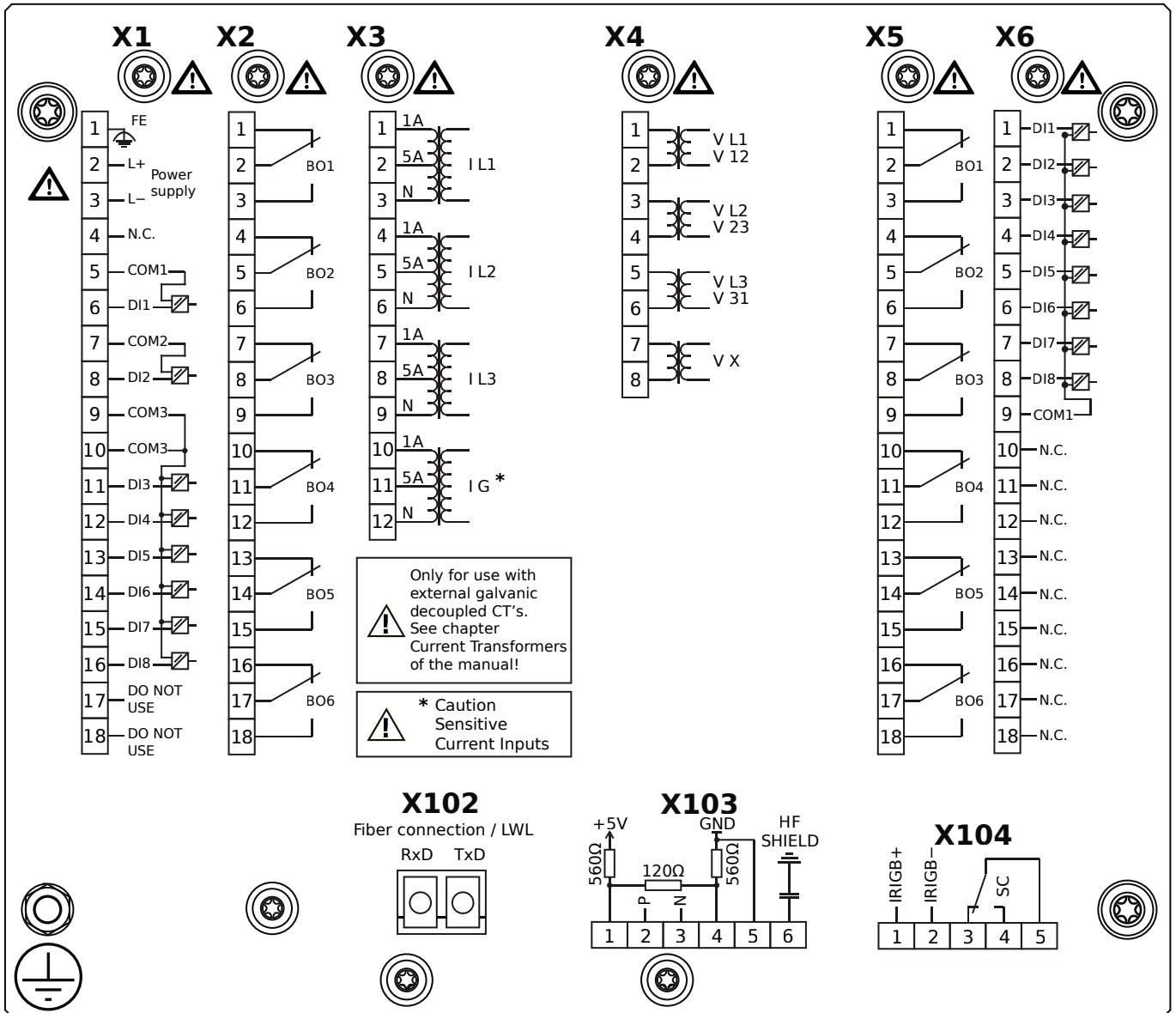
- X1** – DI8-X1: Wide-range power supply unit, incl. 2 non-grouped digital inputs and 6 grouped digital inputs
- X2** – OR-6: Assembly Group with 6 Relay Outputs
- X3** – TIs-4: Standard phase current measuring card and sensitive ground current measuring
- X4** – TU: Card with 4 voltage transformer measuring inputs
- X5** – OR-6: Assembly Group with 6 Relay Outputs
- X6** – DI8: Assembly Group with 8 Digital Inputs
- X102** – Long-distance Protection Communication, Fiber optics interface, LC Connector
- X104** – IRIG-B00X, incl. System Contact (Supervision Contact)

MCDLV4-2D1B0BA



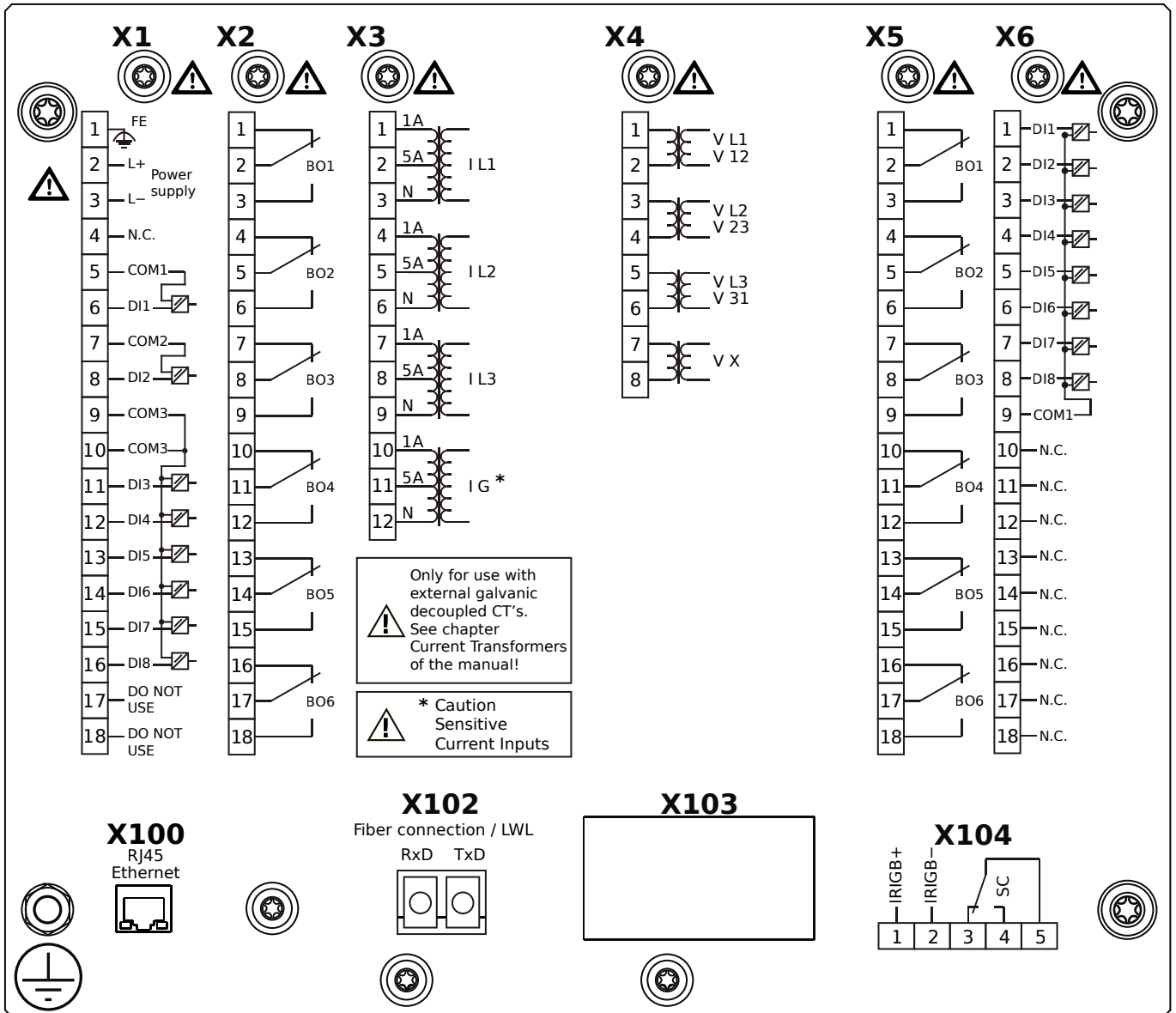
- X1** – DI8-X1: Wide-range power supply unit, incl. 2 non-grouped digital inputs and 6 grouped digital inputs
- X2** – OR-6: Assembly Group with 6 Relay Outputs
- X3** – TIs-4: Standard phase current measuring card and sensitive ground current measuring
- X4** – TU: Card with 4 voltage transformer measuring inputs
- X5** – OR-6: Assembly Group with 6 Relay Outputs
- X6** – DI8: Assembly Group with 8 Digital Inputs
- X102** – Long-distance Protection Communication, Fiber optics interface, LC Connector
- X103** – Modbus RTU / IEC 60870-5-103 / DNP3.0 RTU, RS485, Terminals
- X104** – IRIG-B00X, incl. System Contact (Supervision Contact)

MCDLV4-2D1B0BB



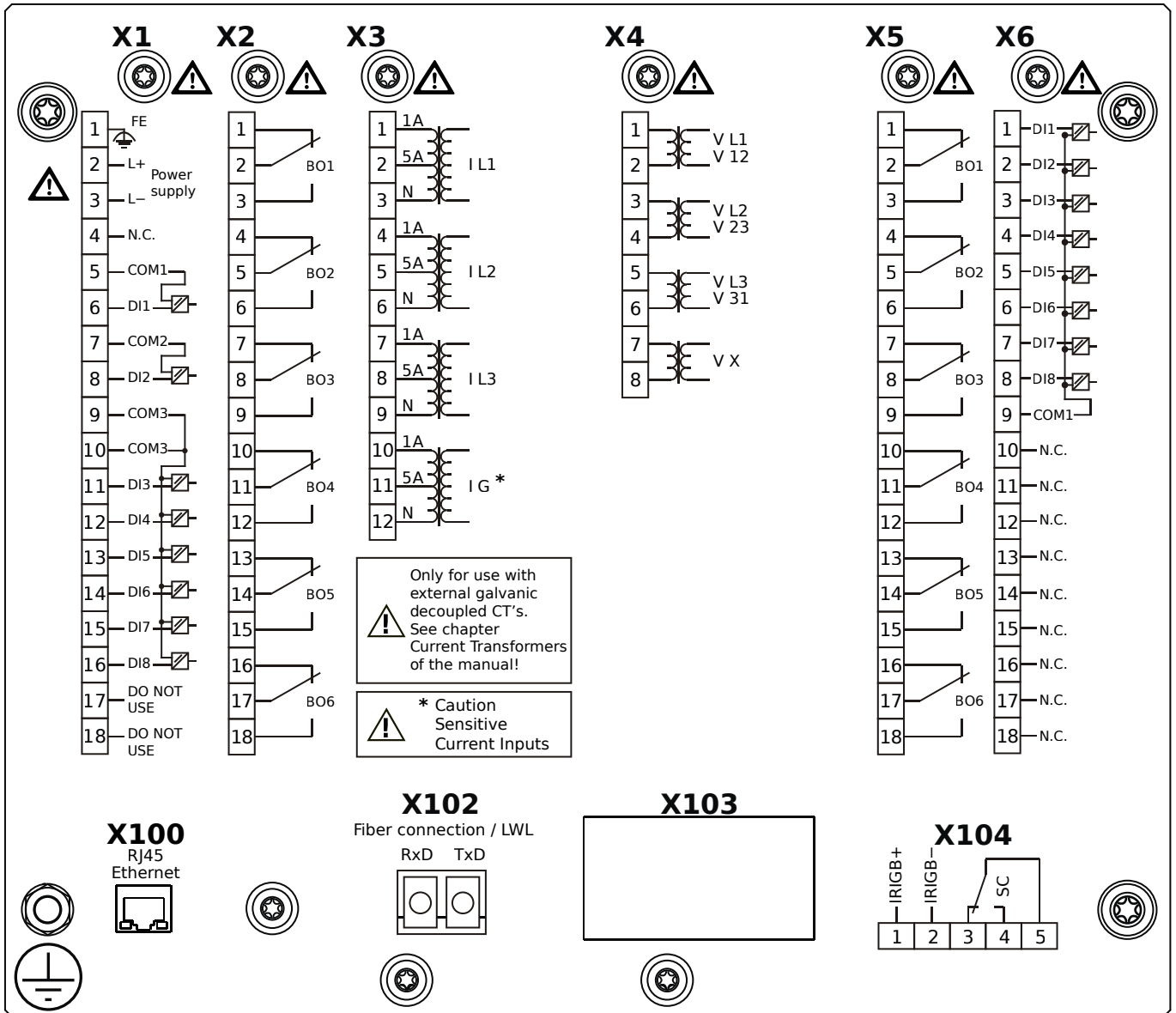
- X1** – DI8-X1: Wide-range power supply unit, incl. 2 non-grouped digital inputs and 6 grouped digital inputs
- X2** – OR-6: Assembly Group with 6 Relay Outputs
- X3** – TIs-4: Standard phase current measuring card and sensitive ground current measuring
- X4** – TU: Card with 4 voltage transformer measuring inputs
- X5** – OR-6: Assembly Group with 6 Relay Outputs
- X6** – DI8: Assembly Group with 8 Digital Inputs
- X102** – Long-distance Protection Communication, Fiber optics interface, LC Connector
- X103** – Modbus RTU / IEC 60870-5-103 / DNP3.0 RTU, RS485, Terminals
- X104** – IRIG-B00X, incl. System Contact (Supervision Contact)

MCDLV4-2D1B0CA



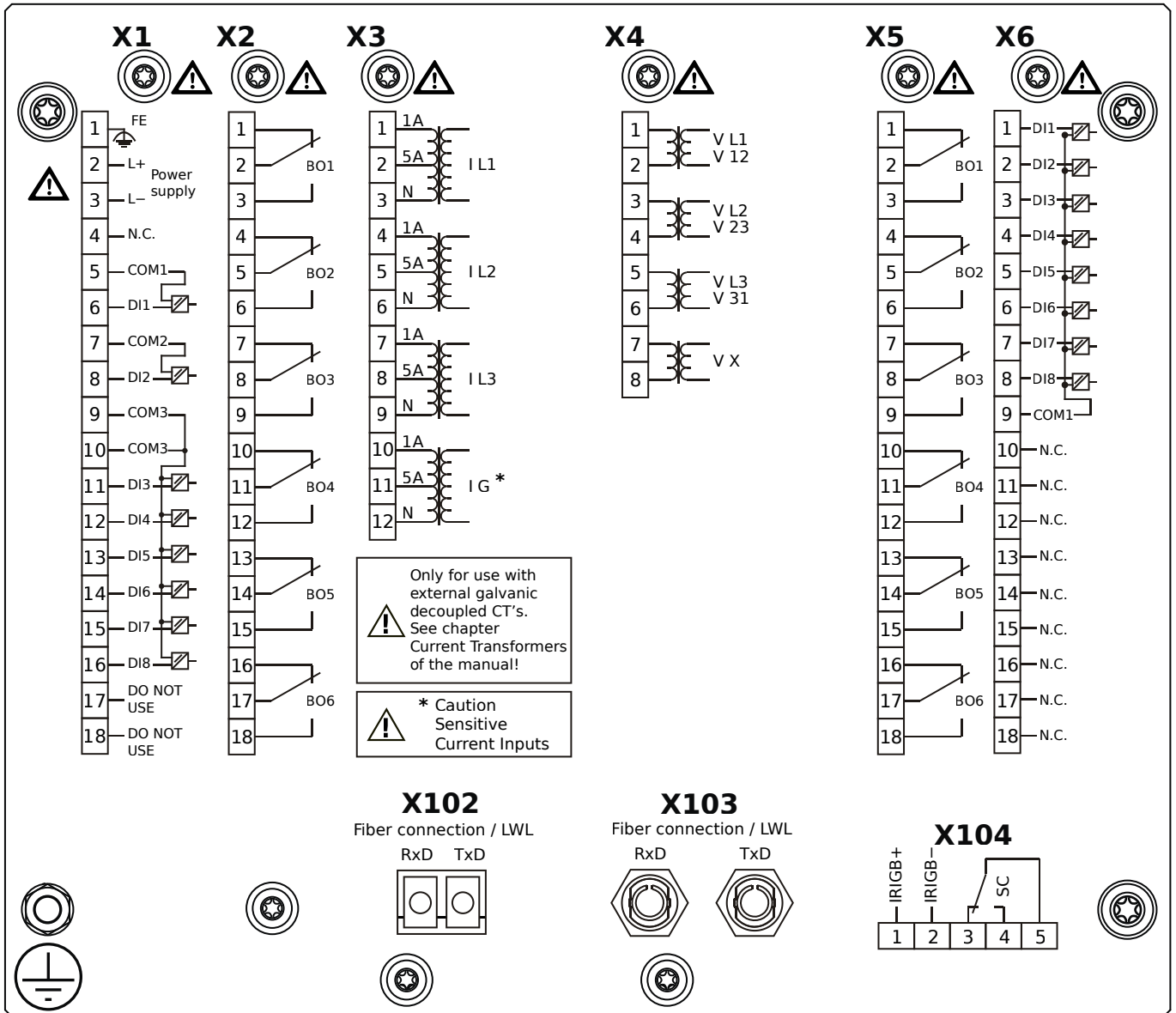
- X1** – DI8-X1: Wide-range power supply unit, incl. 2 non-grouped digital inputs and 6 grouped digital inputs
- X2** – OR-6: Assembly Group with 6 Relay Outputs
- X3** – TIs-4: Standard phase current measuring card and sensitive ground current measuring
- X4** – TU: Card with 4 voltage transformer measuring inputs
- X5** – OR-6: Assembly Group with 6 Relay Outputs
- X6** – DI8: Assembly Group with 8 Digital Inputs
- X100** – Modbus TCP / DNP3.0 TCP/UDP, Ethernet interface, 100 Mbit/s, RJ45 (BASE100-FX)
- X102** – Long-distance Protection Communication, Fiber optics interface, LC Connector
- X104** – IRIG-B00X, incl. System Contact (Supervision Contact)

MCDLV4-2D1B0CB



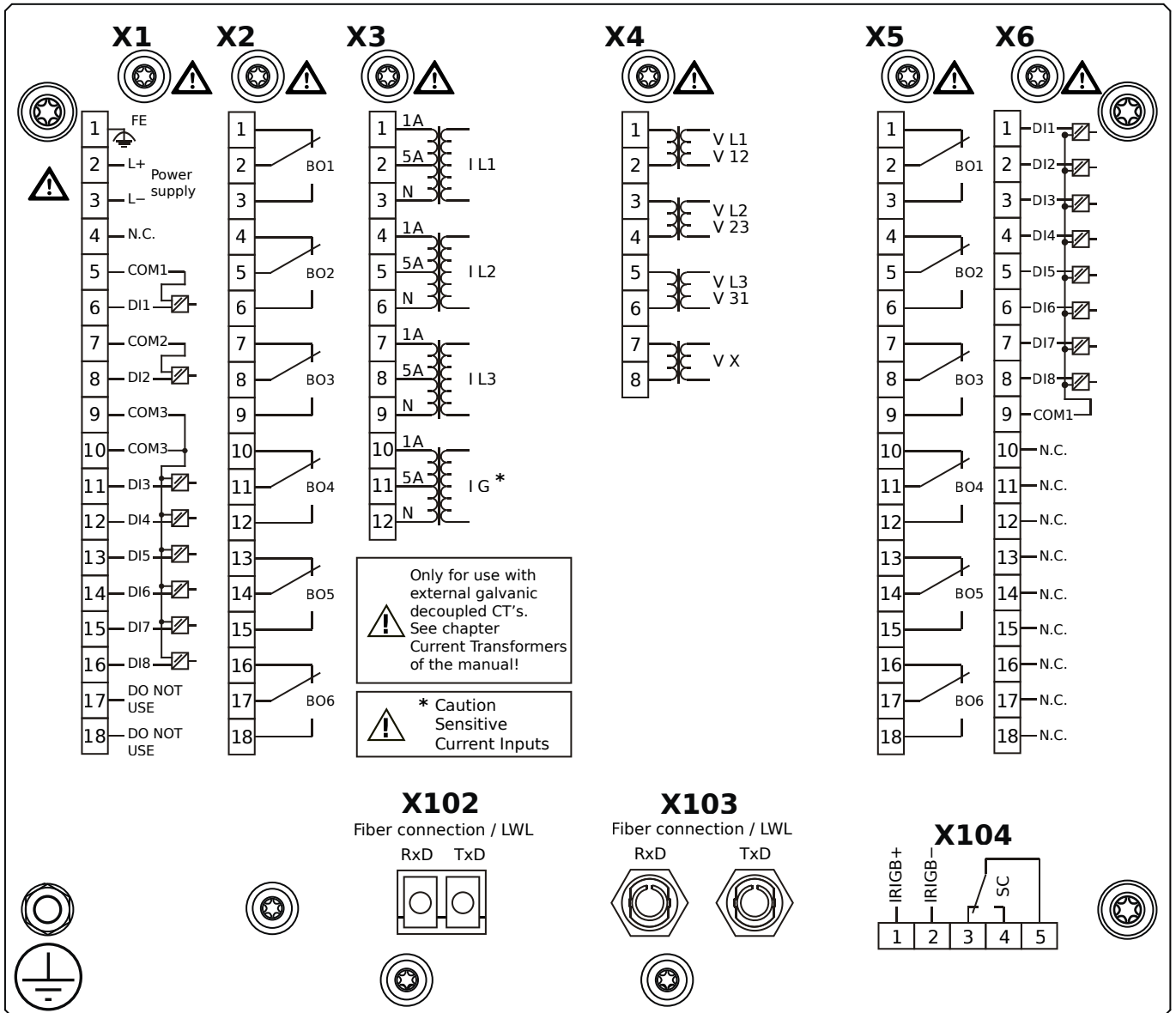
- X1** – DI8-X1: Wide-range power supply unit, incl. 2 non-grouped digital inputs and 6 grouped digital inputs
- X2** – OR-6: Assembly Group with 6 Relay Outputs
- X3** – TIs-4: Standard phase current measuring card and sensitive ground current measuring
- X4** – TU: Card with 4 voltage transformer measuring inputs
- X5** – OR-6: Assembly Group with 6 Relay Outputs
- X6** – DI8: Assembly Group with 8 Digital Inputs
- X100** – Modbus TCP / DNP3.0 TCP/UDP, Ethernet interface, 100 Mbit/s, RJ45 (BASE100-FX)
- X102** – Long-distance Protection Communication, Fiber optics interface, LC Connector
- X104** – IRIG-B00X, incl. System Contact (Supervision Contact)

MCDLV4-2D1B0DA



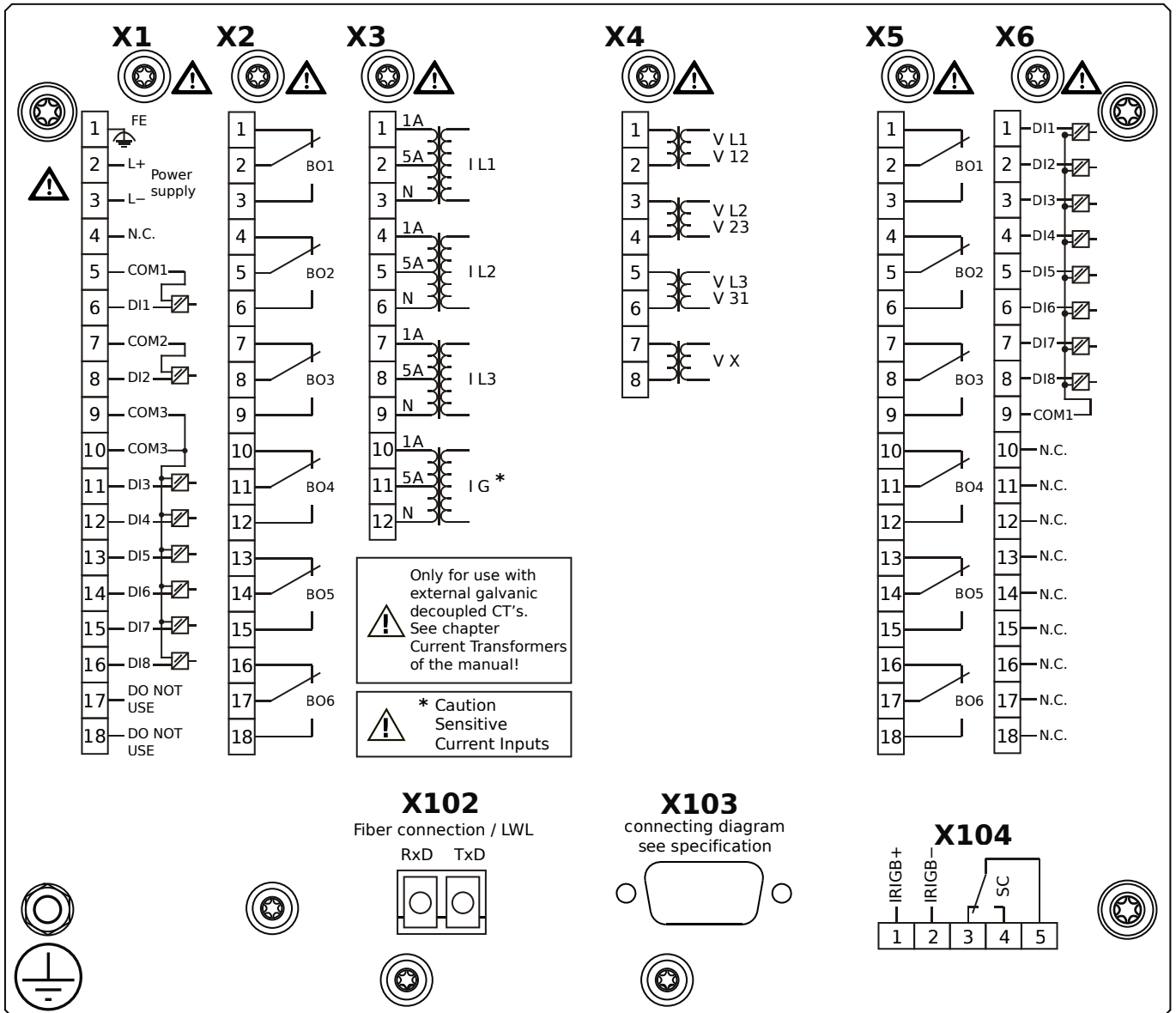
- X1** – DI8-X1: Wide-range power supply unit, incl. 2 non-grouped digital inputs and 6 grouped digital inputs
- X2** – OR-6: Assembly Group with 6 Relay Outputs
- X3** – TIs-4: Standard phase current measuring card and sensitive ground current measuring
- X4** – TU: Card with 4 voltage transformer measuring inputs
- X5** – OR-6: Assembly Group with 6 Relay Outputs
- X6** – DI8: Assembly Group with 8 Digital Inputs
- X102** – Long-distance Protection Communication, Fiber optics interface, LC Connector
- X103** – Profibus-DP, Fiber optics interface, ST Connector
- X104** – IRIG-B00X, incl. System Contact (Supervision Contact)

MCDLV4-2D1B0DB



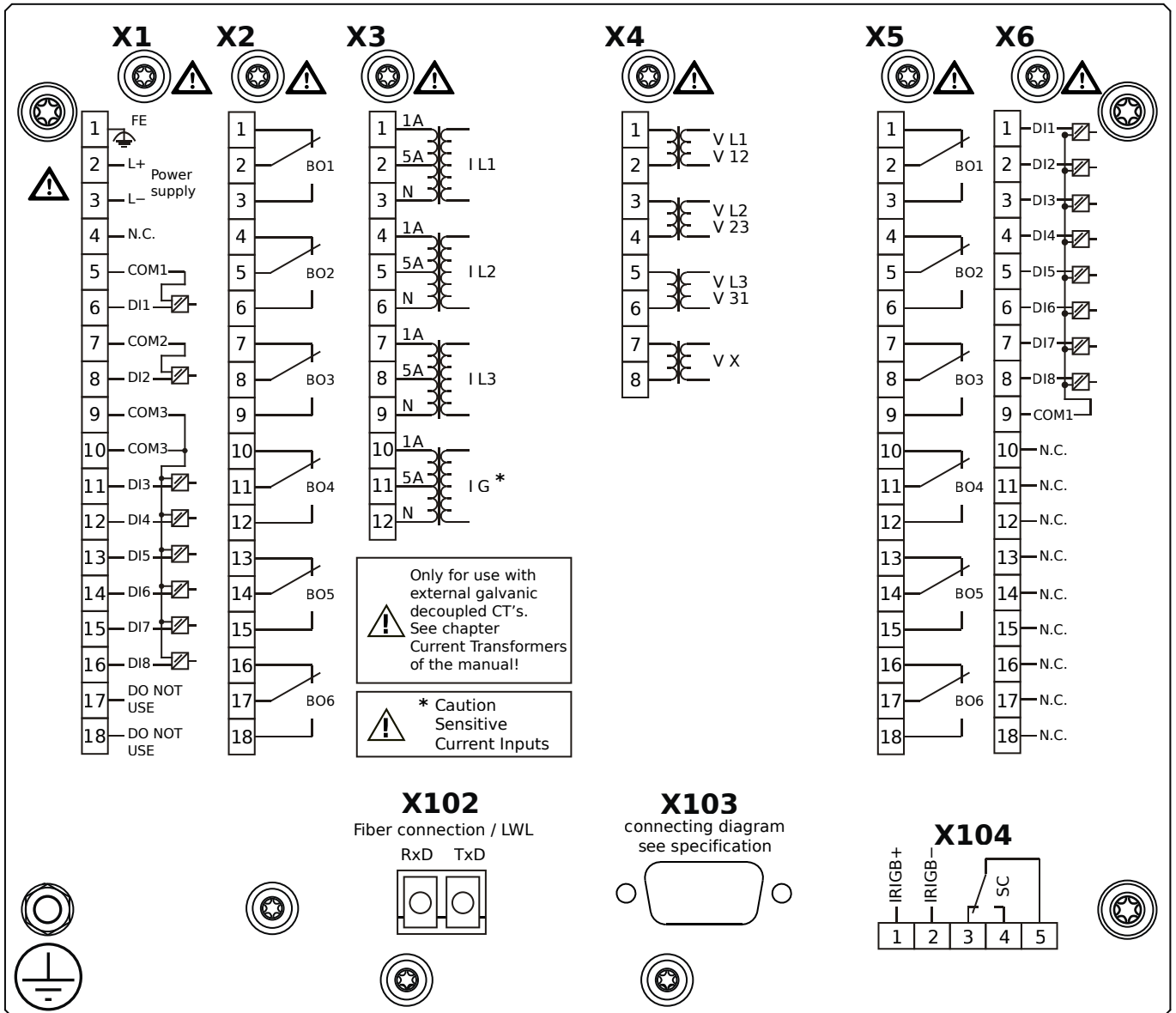
- X1** – DI8-X1: Wide-range power supply unit, incl. 2 non-grouped digital inputs and 6 grouped digital inputs
- X2** – OR-6: Assembly Group with 6 Relay Outputs
- X3** – TIs-4: Standard phase current measuring card and sensitive ground current measuring
- X4** – TU: Card with 4 voltage transformer measuring inputs
- X5** – OR-6: Assembly Group with 6 Relay Outputs
- X6** – DI8: Assembly Group with 8 Digital Inputs
- X102** – Long-distance Protection Communication, Fiber optics interface, LC Connector
- X103** – Profibus-DP, Fiber optics interface, ST Connector
- X104** – IRIG-B00X, incl. System Contact (Supervision Contact)

MCDLV4-2D1B0EA



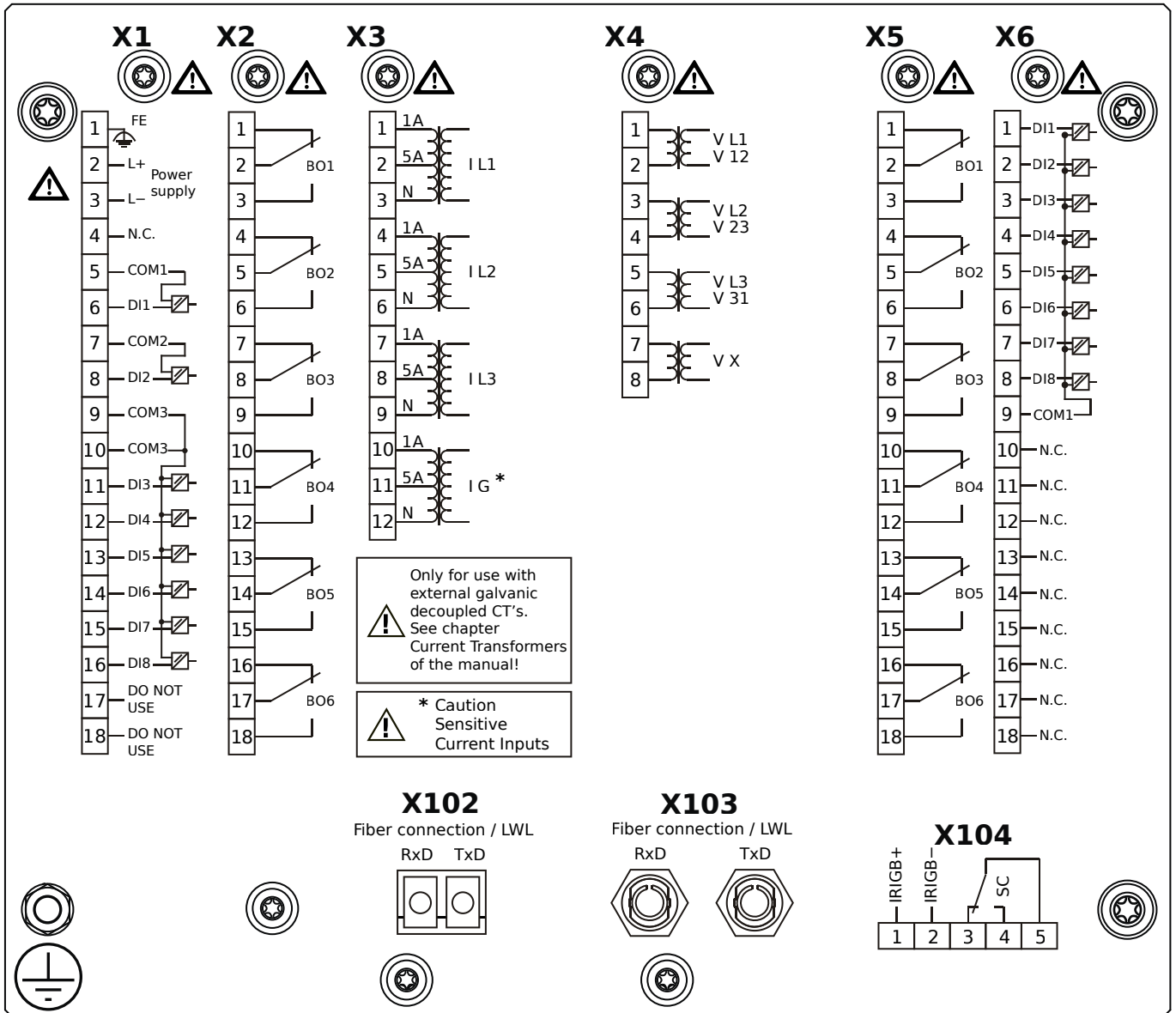
- X1** – DI8-X1: Wide-range power supply unit, incl. 2 non-grouped digital inputs and 6 grouped digital inputs
- X2** – OR-6: Assembly Group with 6 Relay Outputs
- X3** – TIs-4: Standard phase current measuring card and sensitive ground current measuring
- X4** – TU: Card with 4 voltage transformer measuring inputs
- X5** – OR-6: Assembly Group with 6 Relay Outputs
- X6** – DI8: Assembly Group with 8 Digital Inputs
- X102** – Long-distance Protection Communication, Fiber optics interface, LC Connector
- X103** – Profibus-DP, RS485, D-SUB
- X104** – IRIG-B00X, incl. System Contact (Supervision Contact)

MCDLV4-2D1B0EB



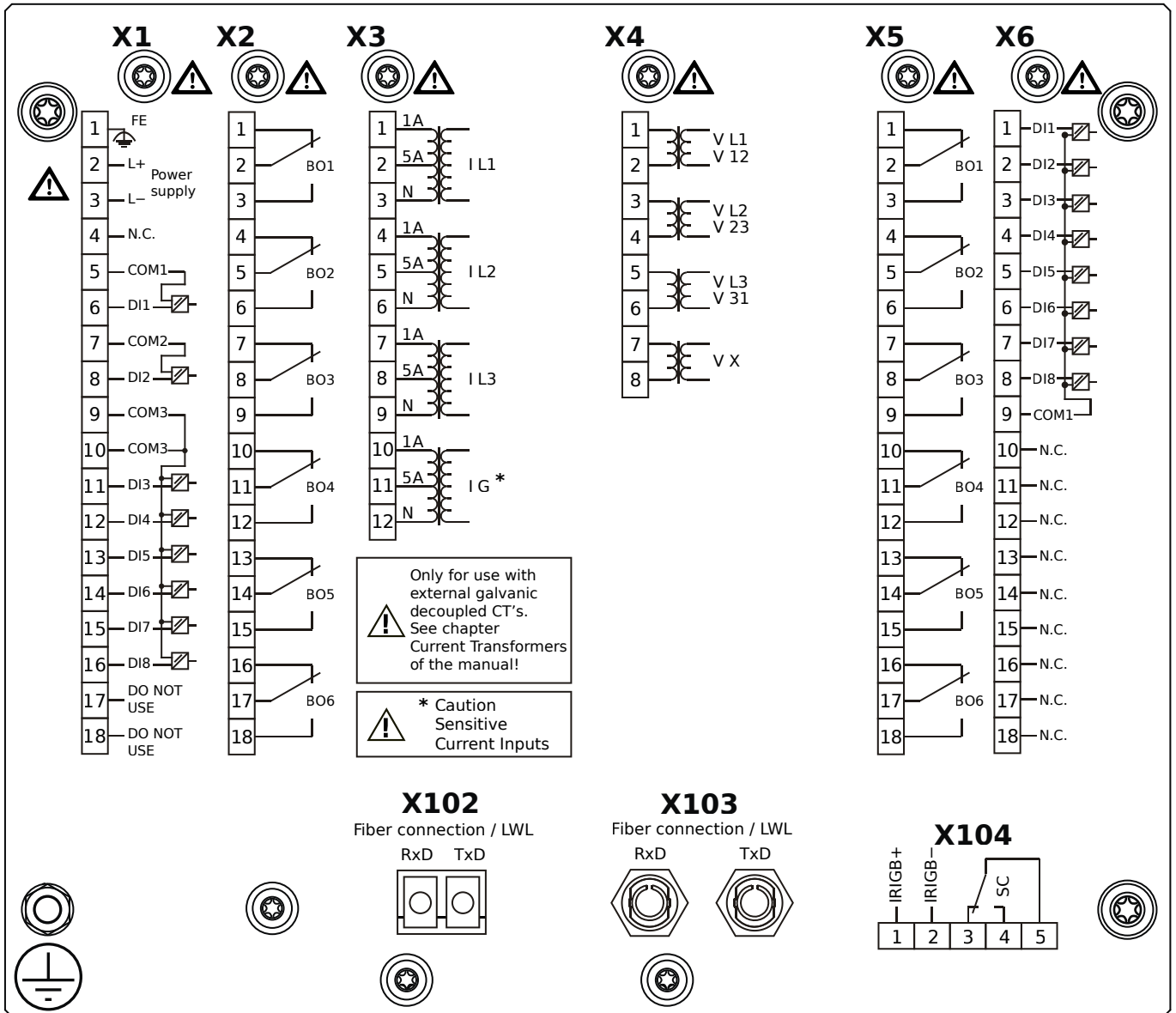
- X1** – DI8-X1: Wide-range power supply unit, incl. 2 non-grouped digital inputs and 6 grouped digital inputs
- X2** – OR-6: Assembly Group with 6 Relay Outputs
- X3** – TIs-4: Standard phase current measuring card and sensitive ground current measuring
- X4** – TU: Card with 4 voltage transformer measuring inputs
- X5** – OR-6: Assembly Group with 6 Relay Outputs
- X6** – DI8: Assembly Group with 8 Digital Inputs
- X102** – Long-distance Protection Communication, Fiber optics interface, LC Connector
- X103** – Profibus-DP, RS485, D-SUB
- X104** – IRIG-B00X, incl. System Contact (Supervision Contact)

MCDLV4-2D1B0FA



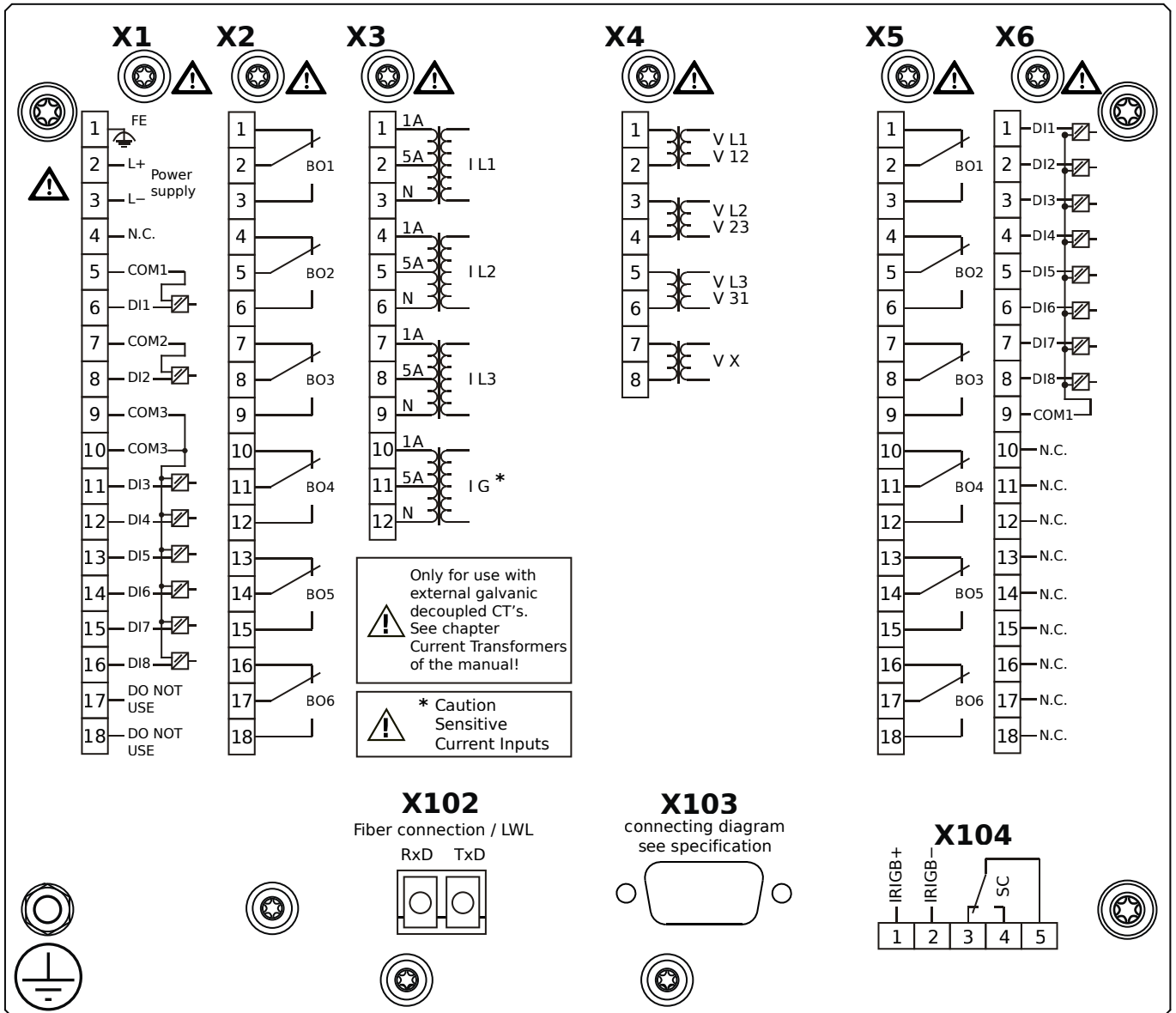
- X1** – DI8-X1: Wide-range power supply unit, incl. 2 non-grouped digital inputs and 6 grouped digital inputs
- X2** – OR-6: Assembly Group with 6 Relay Outputs
- X3** – TIs-4: Standard phase current measuring card and sensitive ground current measuring
- X4** – TU: Card with 4 voltage transformer measuring inputs
- X5** – OR-6: Assembly Group with 6 Relay Outputs
- X6** – DI8: Assembly Group with 8 Digital Inputs
- X102** – Long-distance Protection Communication, Fiber optics interface, LC Connector
- X103** – Modbus RTU / IEC 60870-5-103 / DNP3.0 RTU, Fiber optics interface, ST Connector
- X104** – IRIG-B00X, incl. System Contact (Supervision Contact)

MCDLV4-2D1B0FB



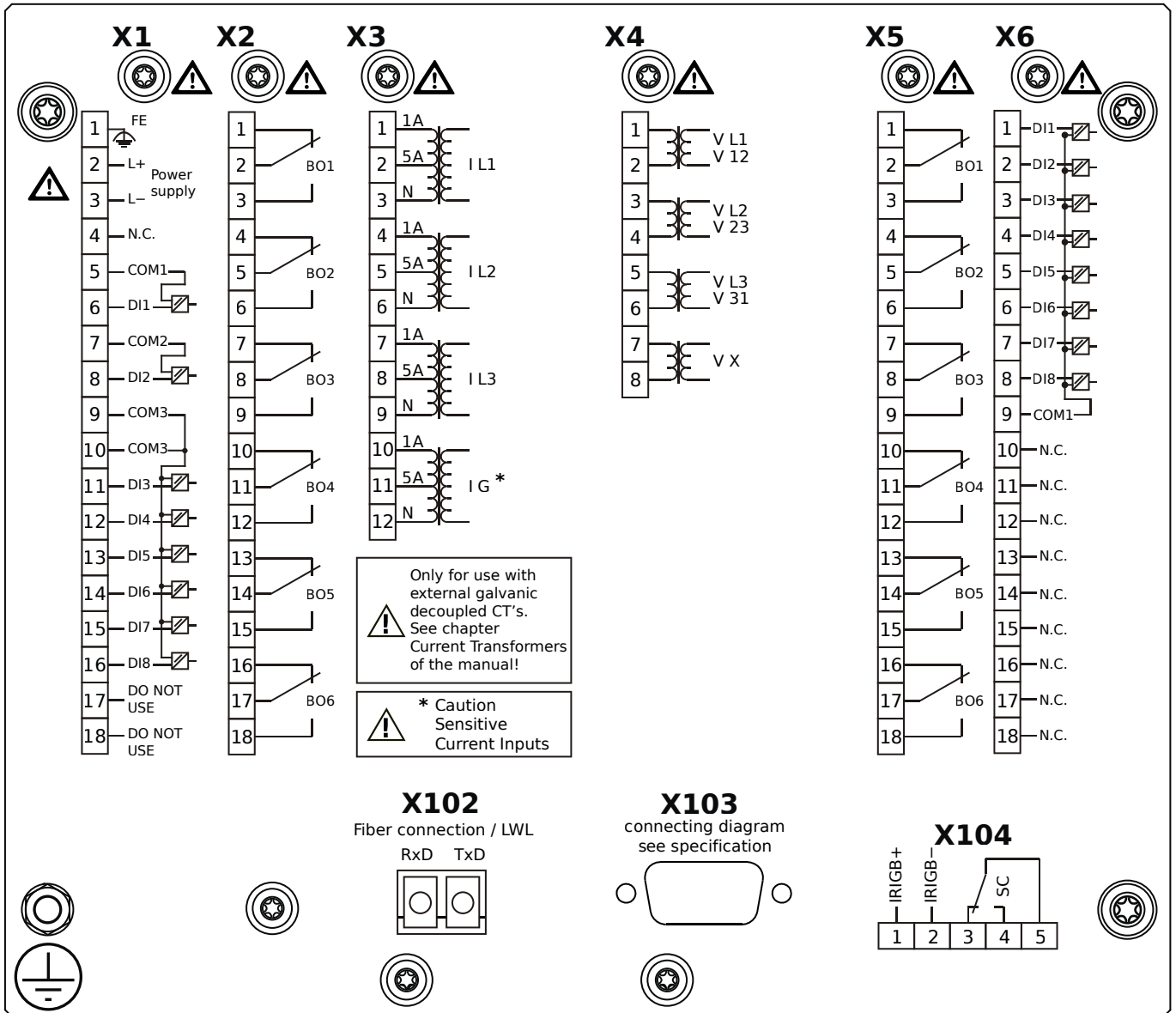
- X1** – DI8-X1: Wide-range power supply unit, incl. 2 non-grouped digital inputs and 6 grouped digital inputs
- X2** – OR-6: Assembly Group with 6 Relay Outputs
- X3** – TIs-4: Standard phase current measuring card and sensitive ground current measuring
- X4** – TU: Card with 4 voltage transformer measuring inputs
- X5** – OR-6: Assembly Group with 6 Relay Outputs
- X6** – DI8: Assembly Group with 8 Digital Inputs
- X102** – Long-distance Protection Communication, Fiber optics interface, LC Connector
- X103** – Modbus RTU / IEC 60870-5-103 / DNP3.0 RTU, Fiber optics interface, ST Connector
- X104** – IRIG-B00X, incl. System Contact (Supervision Contact)

MCDLV4-2D1B0GA



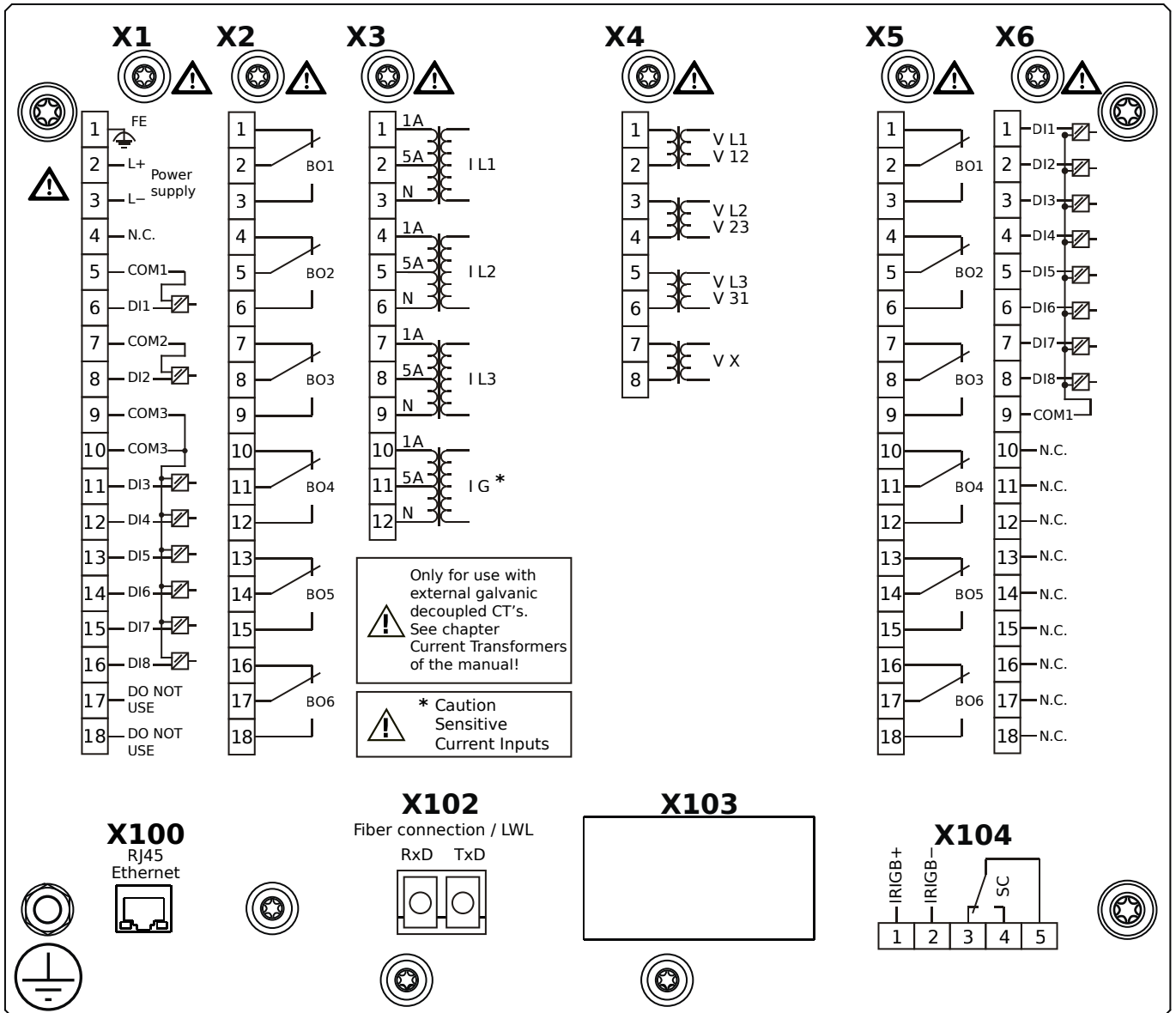
- X1** – DI8-X1: Wide-range power supply unit, incl. 2 non-grouped digital inputs and 6 grouped digital inputs
- X2** – OR-6: Assembly Group with 6 Relay Outputs
- X3** – TIs-4: Standard phase current measuring card and sensitive ground current measuring
- X4** – TU: Card with 4 voltage transformer measuring inputs
- X5** – OR-6: Assembly Group with 6 Relay Outputs
- X6** – DI8: Assembly Group with 8 Digital Inputs
- X102** – Long-distance Protection Communication, Fiber optics interface, LC Connector
- X103** – Modbus RTU / IEC 60870-5-103 / DNP3.0 RTU, RS485, D-SUB
- X104** – IRIG-B00X, incl. System Contact (Supervision Contact)

MCDLV4-2D1B0GB



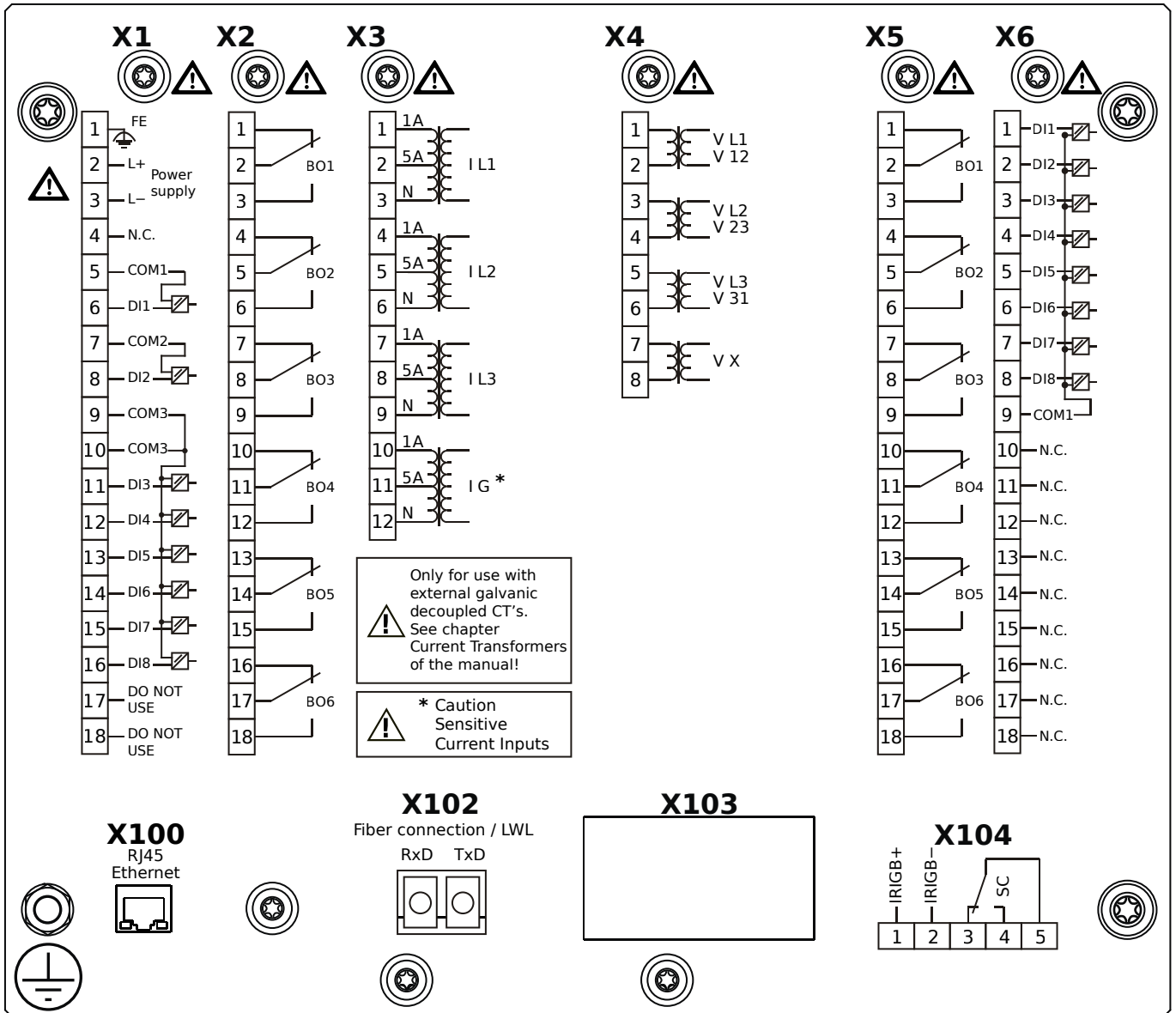
- X1** – DI8-X1: Wide-range power supply unit, incl. 2 non-grouped digital inputs and 6 grouped digital inputs
- X2** – OR-6: Assembly Group with 6 Relay Outputs
- X3** – TIs-4: Standard phase current measuring card and sensitive ground current measuring
- X4** – TU: Card with 4 voltage transformer measuring inputs
- X5** – OR-6: Assembly Group with 6 Relay Outputs
- X6** – DI8: Assembly Group with 8 Digital Inputs
- X102** – Long-distance Protection Communication, Fiber optics interface, LC Connector
- X103** – Modbus RTU / IEC 60870-5-103 / DNP3.0 RTU, RS485, D-SUB
- X104** – IRIG-B00X, incl. System Contact (Supervision Contact)

MCDLV4-2D1B0HA



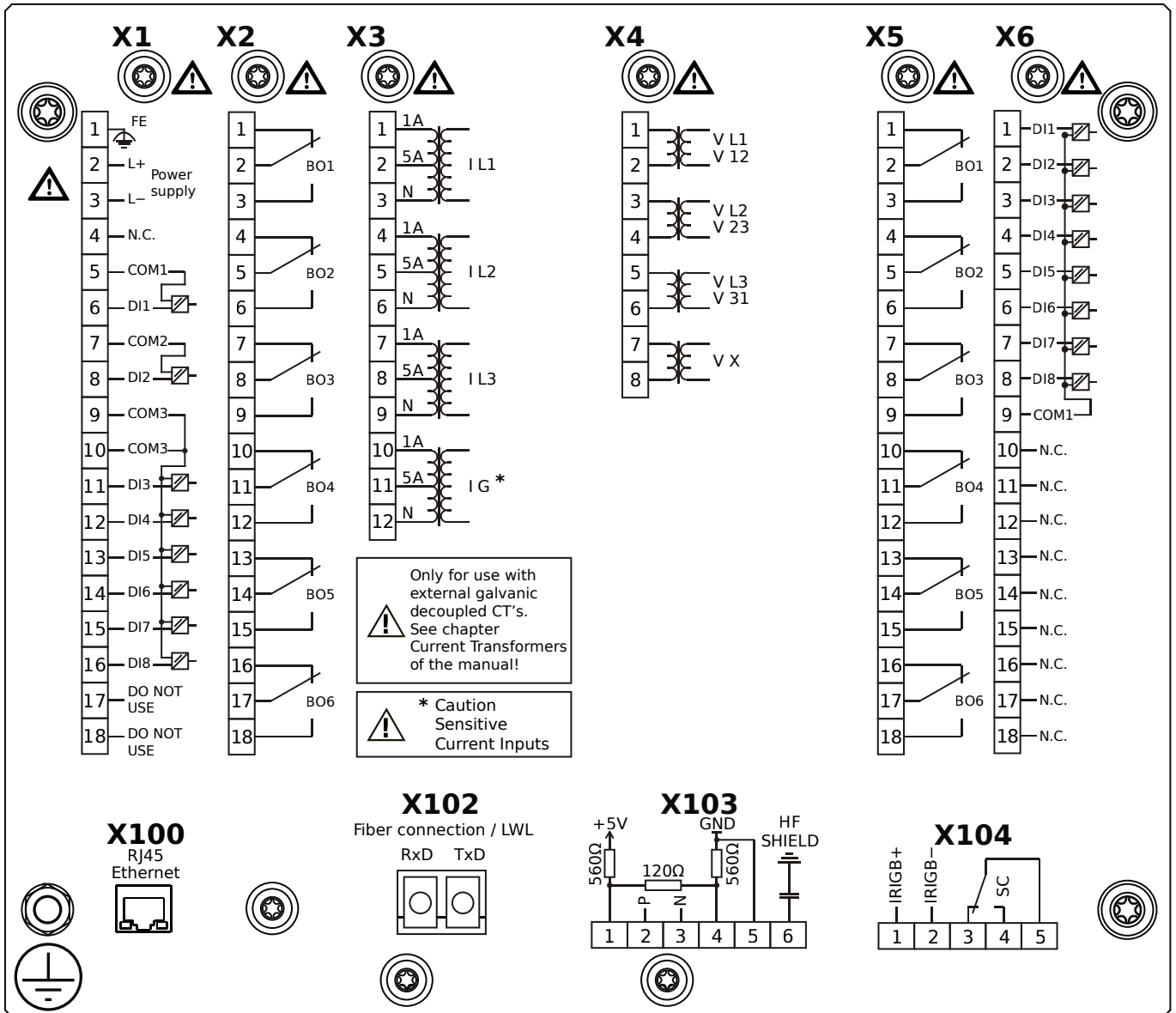
- X1** – DI8-X1: Wide-range power supply unit, incl. 2 non-grouped digital inputs and 6 grouped digital inputs
- X2** – OR-6: Assembly Group with 6 Relay Outputs
- X3** – TIs-4: Standard phase current measuring card and sensitive ground current measuring
- X4** – TU: Card with 4 voltage transformer measuring inputs
- X5** – OR-6: Assembly Group with 6 Relay Outputs
- X6** – DI8: Assembly Group with 8 Digital Inputs
- X100** – IEC 61850 / Modbus TCP / DNP3.0 TCP/UDP, Ethernet interface, 100 Mbit/s, RJ45 (BASE100-FX)
- X102** – Long-distance Protection Communication, Fiber optics interface, LC Connector
- X104** – IRIG-B00X, incl. System Contact (Supervision Contact)

MCDLV4-2D1B0HB



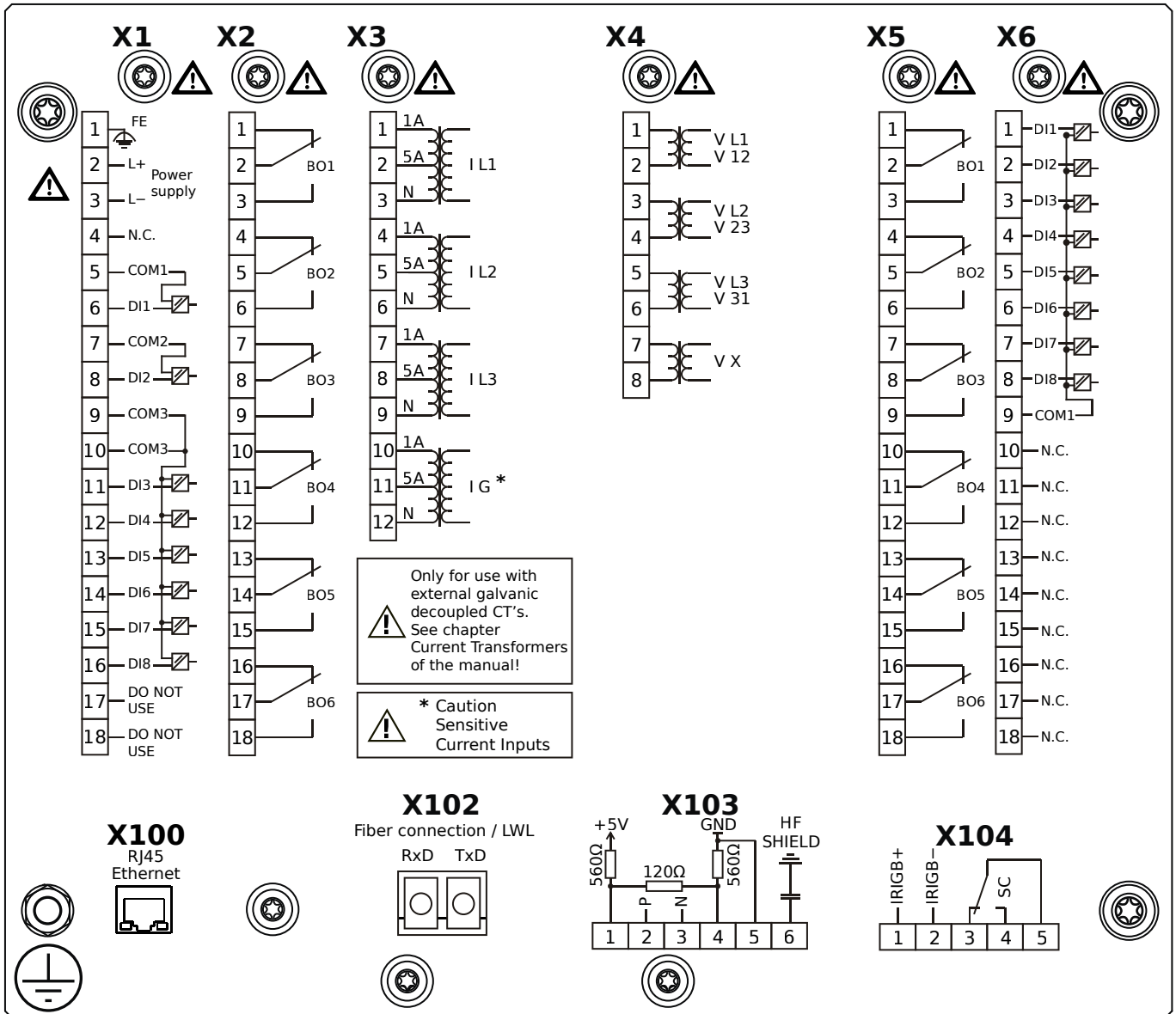
- X1** – DI8-X1: Wide-range power supply unit, incl. 2 non-grouped digital inputs and 6 grouped digital inputs
- X2** – OR-6: Assembly Group with 6 Relay Outputs
- X3** – TIs-4: Standard phase current measuring card and sensitive ground current measuring
- X4** – TU: Card with 4 voltage transformer measuring inputs
- X5** – OR-6: Assembly Group with 6 Relay Outputs
- X6** – DI8: Assembly Group with 8 Digital Inputs
- X100** – IEC 61850 / Modbus TCP / DNP3.0 TCP/UDP, Ethernet interface, 100 Mbit/s, RJ45 (BASE100-FX)
- X102** – Long-distance Protection Communication, Fiber optics interface, LC Connector
- X104** – IRIG-B00X, incl. System Contact (Supervision Contact)

MCDLV4-2D1B01A



- X1** – DI8-X1: Wide-range power supply unit, incl. 2 non-grouped digital inputs and 6 grouped digital inputs
- X2** – OR-6: Assembly Group with 6 Relay Outputs
- X3** – TIs-4: Standard phase current measuring card and sensitive ground current measuring
- X4** – TU: Card with 4 voltage transformer measuring inputs
- X5** – OR-6: Assembly Group with 6 Relay Outputs
- X6** – DI8: Assembly Group with 8 Digital Inputs
- X100** – Modbus TCP / DNP3.0 TCP/UDP, Ethernet interface, 100 Mbit/s, RJ45 (BASE100-FX)
- X102** – Long-distance Protection Communication, Fiber optics interface, LC Connector
- X103** – IEC 60870-5-103 / Modbus RTU / DNP3.0 RTU, RS485, Terminals
- X104** – IRIG-B00X, incl. System Contact (Supervision Contact)

MCDLV4-2D1B0IB



X1 – DI8-X1: Wide-range power supply unit, incl. 2 non-grouped digital inputs and 6 grouped digital inputs

X2 – OR-6: Assembly Group with 6 Relay Outputs

X3 – TIs-4: Standard phase current measuring card and sensitive ground current measuring

X4 – TU: Card with 4 voltage transformer measuring inputs

X5 – OR-6: Assembly Group with 6 Relay Outputs

X6 – DI8: Assembly Group with 8 Digital Inputs

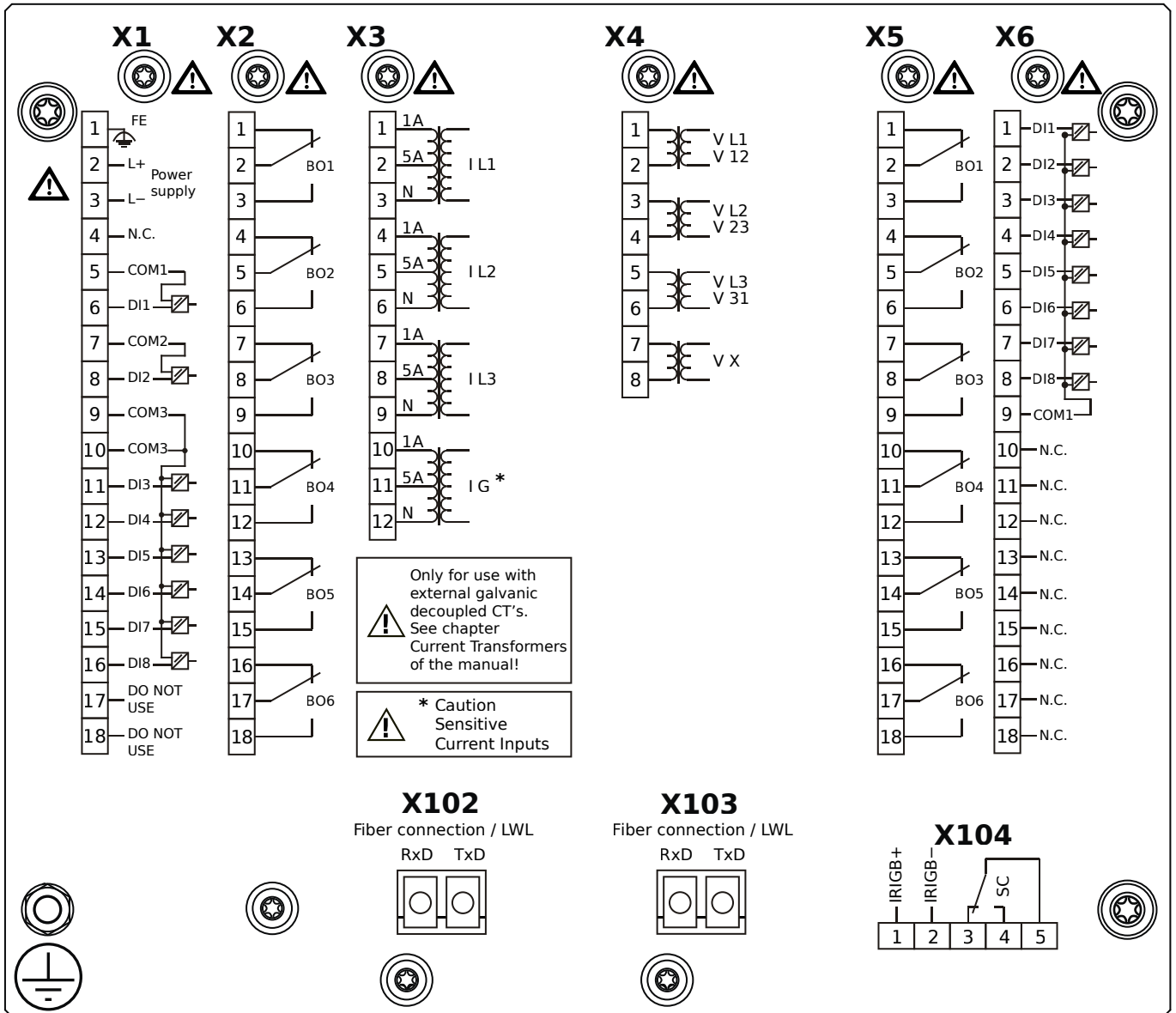
X100 – Modbus TCP / DNP3.0 TCP/UDP, Ethernet interface, 100 Mbit/s, RJ45 (BASE100-FX)

X102 – Long-distance Protection Communication, Fiber optics interface, LC Connector

X103 – IEC 60870-5-103 / Modbus RTU / DNP3.0 RTU, RS485, Terminals

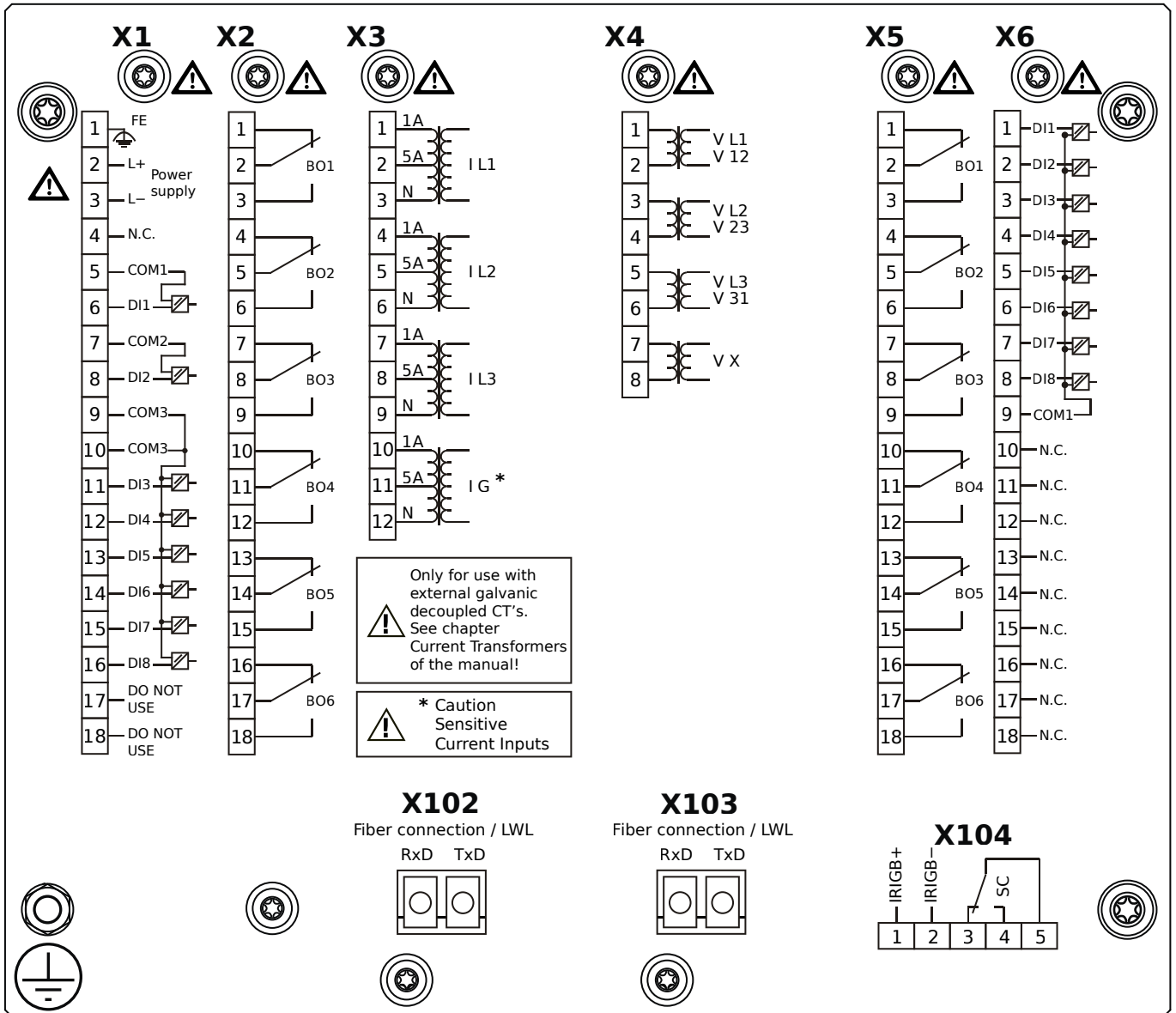
X104 – IRIG-B00X, incl. System Contact (Supervision Contact)

MCDLV4-2D1B0KA



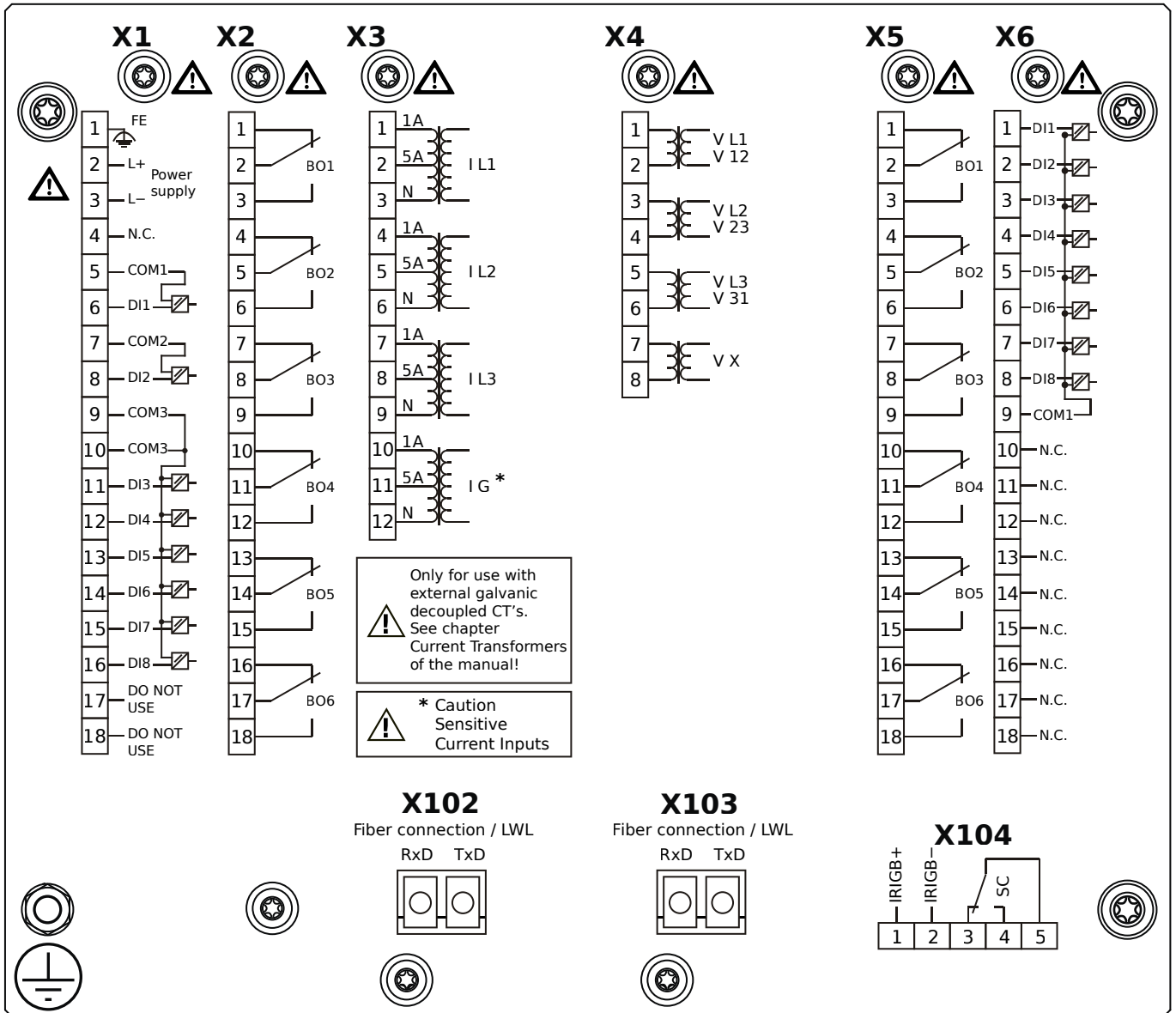
- X1** – DI8-X1: Wide-range power supply unit, incl. 2 non-grouped digital inputs and 6 grouped digital inputs
- X2** – OR-6: Assembly Group with 6 Relay Outputs
- X3** – TIs-4: Standard phase current measuring card and sensitive ground current measuring
- X4** – TU: Card with 4 voltage transformer measuring inputs
- X5** – OR-6: Assembly Group with 6 Relay Outputs
- X6** – DI8: Assembly Group with 8 Digital Inputs
- X102** – Long-distance Protection Communication, Fiber optics interface, LC Connector
- X103** – IEC 61850 / Modbus TCP / DNP3.0 TCP/UDP, Fiber optics interface, LC Connector
- X104** – IRIG-B00X, incl. System Contact (Supervision Contact)

MCDLV4-2D1B0KB



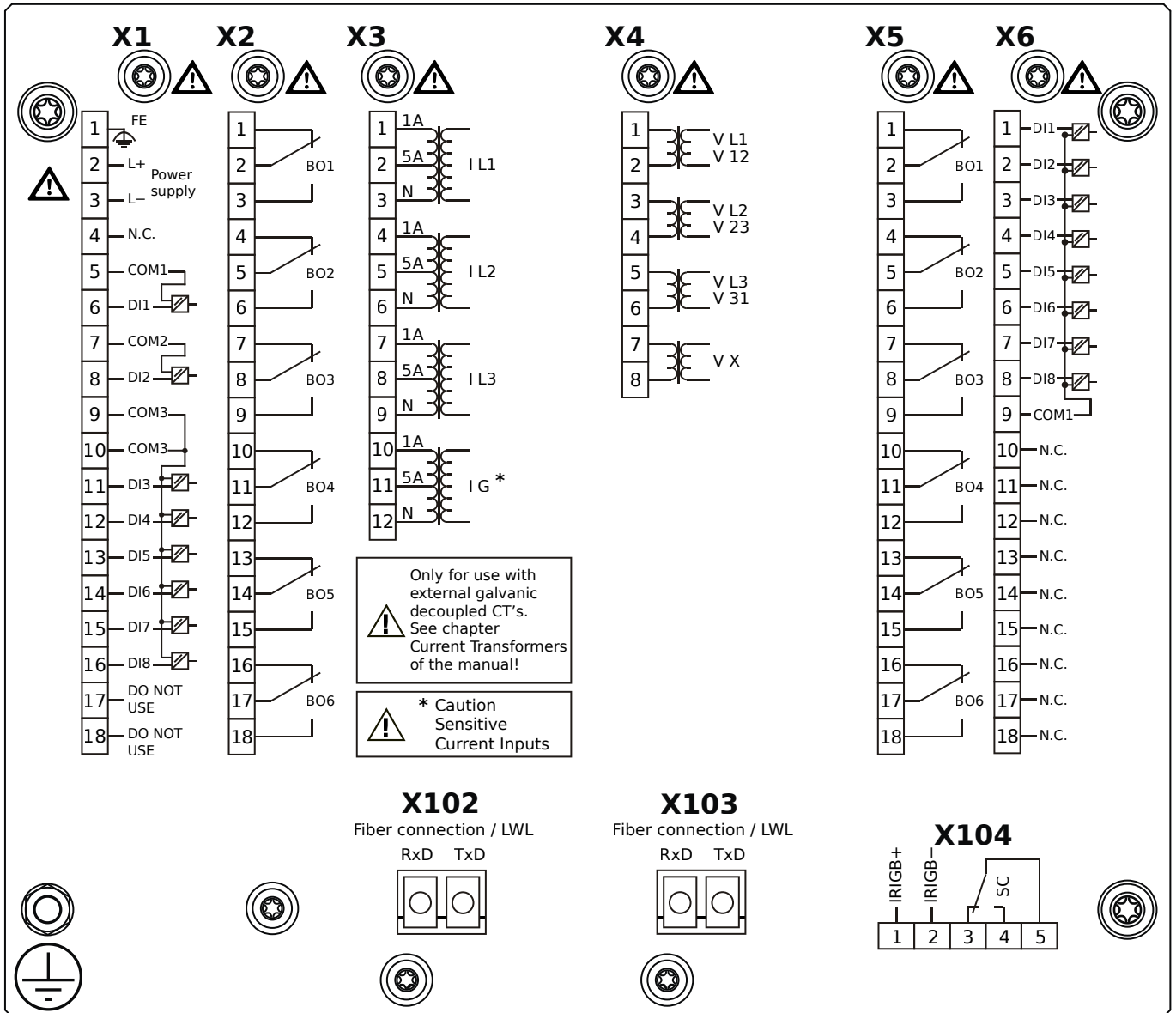
- X1** – DI8-X1: Wide-range power supply unit, incl. 2 non-grouped digital inputs and 6 grouped digital inputs
- X2** – OR-6: Assembly Group with 6 Relay Outputs
- X3** – TIs-4: Standard phase current measuring card and sensitive ground current measuring
- X4** – TU: Card with 4 voltage transformer measuring inputs
- X5** – OR-6: Assembly Group with 6 Relay Outputs
- X6** – DI8: Assembly Group with 8 Digital Inputs
- X102** – Long-distance Protection Communication, Fiber optics interface, LC Connector
- X103** – IEC 61850 / Modbus TCP / DNP3.0 TCP/UDP, Fiber optics interface, LC Connector
- X104** – IRIG-B00X, incl. System Contact (Supervision Contact)

MCDLV4-2D1B0LA



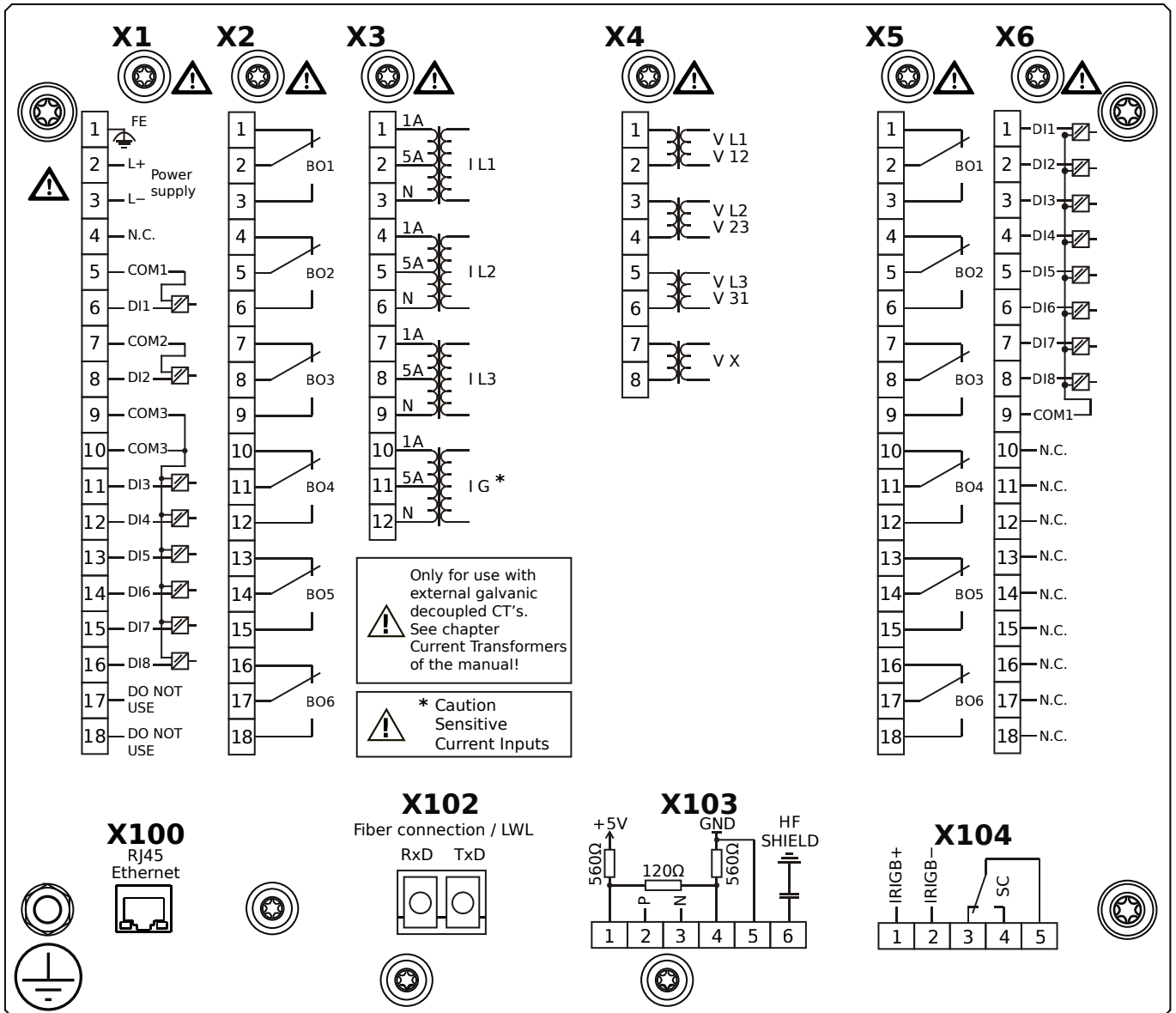
- X1** – DI8-X1: Wide-range power supply unit, incl. 2 non-grouped digital inputs and 6 grouped digital inputs
- X2** – OR-6: Assembly Group with 6 Relay Outputs
- X3** – TIs-4: Standard phase current measuring card and sensitive ground current measuring
- X4** – TU: Card with 4 voltage transformer measuring inputs
- X5** – OR-6: Assembly Group with 6 Relay Outputs
- X6** – DI8: Assembly Group with 8 Digital Inputs
- X102** – Long-distance Protection Communication, Fiber optics interface, LC Connector
- X103** – Modbus TCP / DNP3.0 TCP/UDP, Fiber optics interface, LC Connector
- X104** – IRIG-B00X, incl. System Contact (Supervision Contact)

MCDLV4-2D1B0LB



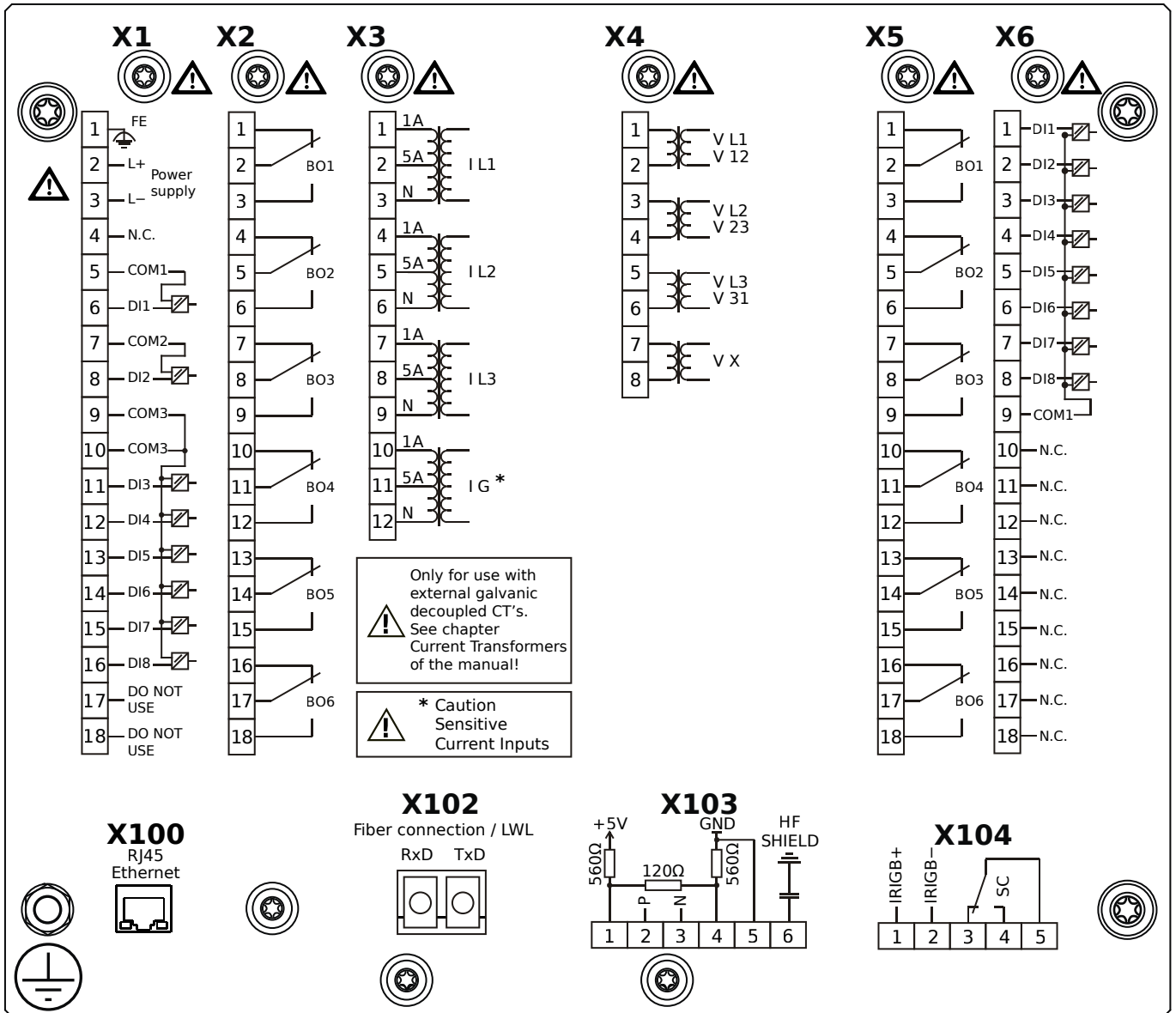
- X1** – DI8-X1: Wide-range power supply unit, incl. 2 non-grouped digital inputs and 6 grouped digital inputs
- X2** – OR-6: Assembly Group with 6 Relay Outputs
- X3** – TIs-4: Standard phase current measuring card and sensitive ground current measuring
- X4** – TU: Card with 4 voltage transformer measuring inputs
- X5** – OR-6: Assembly Group with 6 Relay Outputs
- X6** – DI8: Assembly Group with 8 Digital Inputs
- X102** – Long-distance Protection Communication, Fiber optics interface, LC Connector
- X103** – Modbus TCP / DNP3.0 TCP/UDP, Fiber optics interface, LC Connector
- X104** – IRIG-B00X, incl. System Contact (Supervision Contact)

MCDLV4-2D1B0TA



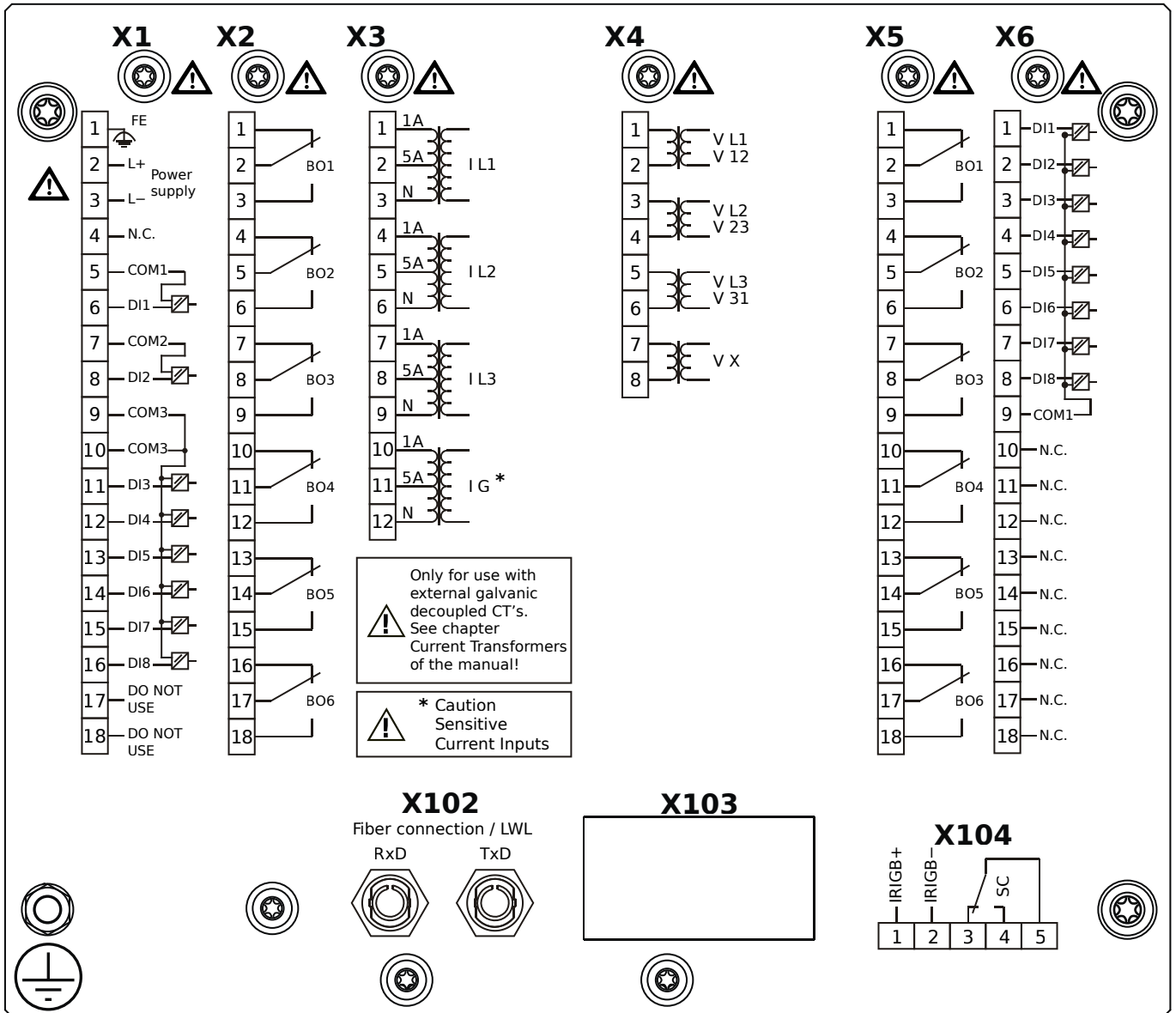
- X1** – DI8-X1: Wide-range power supply unit, incl. 2 non-grouped digital inputs and 6 grouped digital inputs
- X2** – OR-6: Assembly Group with 6 Relay Outputs
- X3** – TIs-4: Standard phase current measuring card and sensitive ground current measuring
- X4** – TU: Card with 4 voltage transformer measuring inputs
- X5** – OR-6: Assembly Group with 6 Relay Outputs
- X6** – DI8: Assembly Group with 8 Digital Inputs
- X100** – IEC 61850 / Modbus TCP / DNP3.0 TCP/UDP, Ethernet interface, 100 Mbit/s, RJ45 (BASE100-FX)
- X102** – Long-distance Protection Communication, Fiber optics interface, LC Connector
- X103** – IEC 60870-5-103 / Modbus RTU / DNP3.0 RTU, RS485, Terminals
- X104** – IRIG-B00X, incl. System Contact (Supervision Contact)

MCDLV4-2D1B0TB



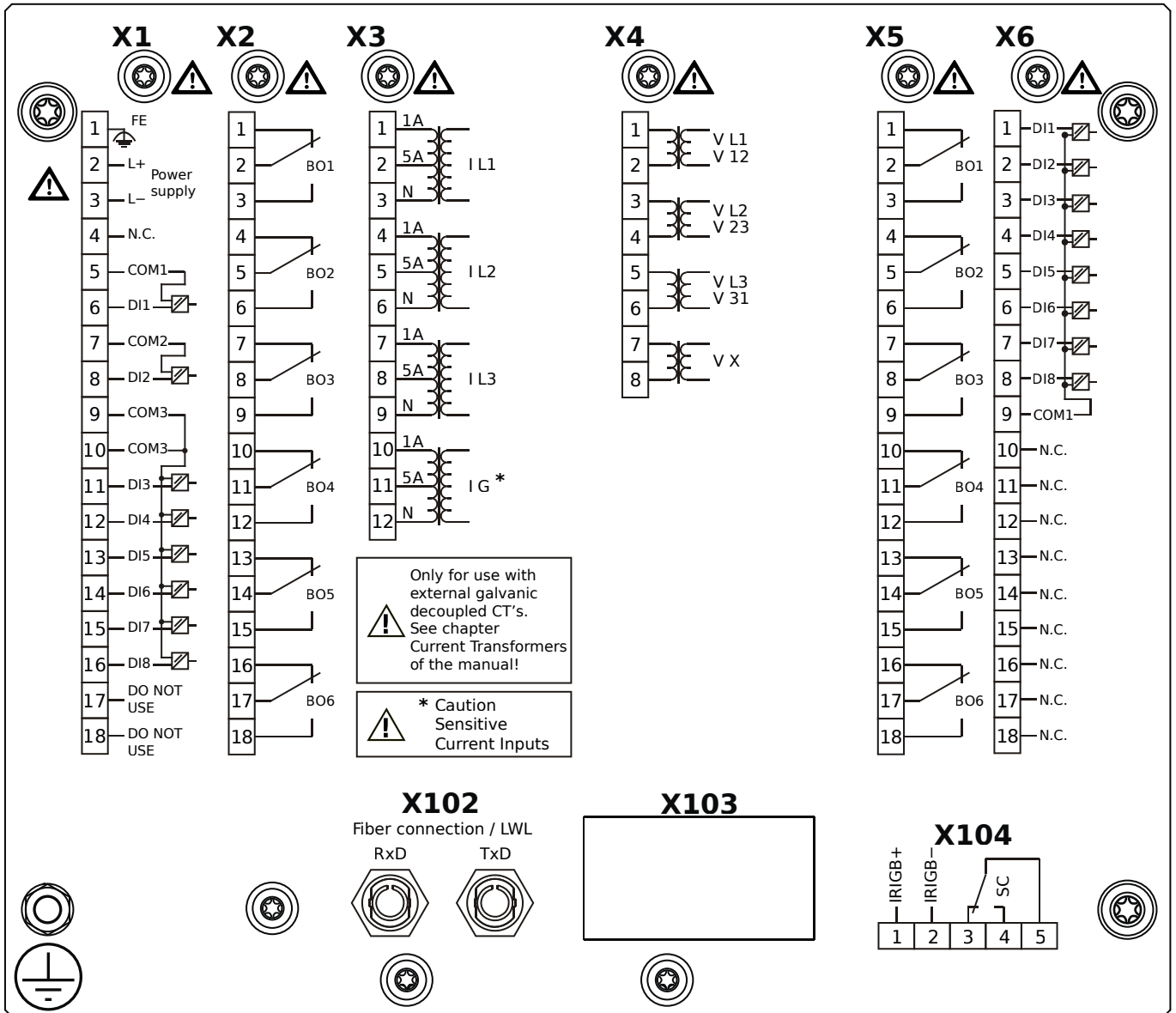
- X1** – DI8-X1: Wide-range power supply unit, incl. 2 non-grouped digital inputs and 6 grouped digital inputs
- X2** – OR-6: Assembly Group with 6 Relay Outputs
- X3** – TIs-4: Standard phase current measuring card and sensitive ground current measuring
- X4** – TU: Card with 4 voltage transformer measuring inputs
- X5** – OR-6: Assembly Group with 6 Relay Outputs
- X6** – DI8: Assembly Group with 8 Digital Inputs
- X100** – IEC 61850 / Modbus TCP / DNP3.0 TCP/UDP, Ethernet interface, 100 Mbit/s, RJ45 (BASE100-FX)
- X102** – Long-distance Protection Communication, Fiber optics interface, LC Connector
- X103** – IEC 60870-5-103 / Modbus RTU / DNP3.0 RTU, RS485, Terminals
- X104** – IRIG-B00X, incl. System Contact (Supervision Contact)

MCDLV4-2D1B1AA



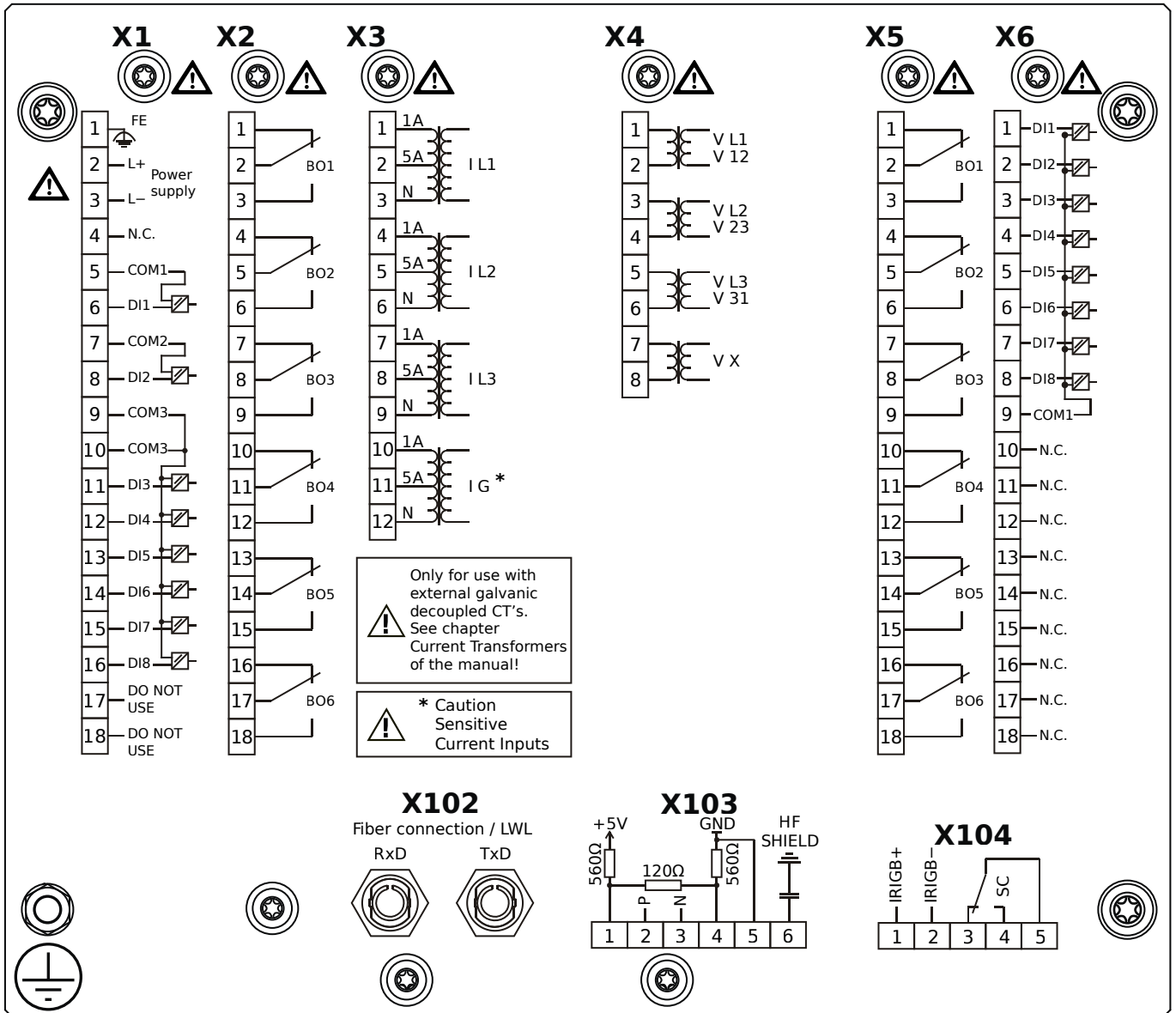
- X1** – DI8-X1: Wide-range power supply unit, incl. 2 non-grouped digital inputs and 6 grouped digital inputs
- X2** – OR-6: Assembly Group with 6 Relay Outputs
- X3** – TIs-4: Standard phase current measuring card and sensitive ground current measuring
- X4** – TU: Card with 4 voltage transformer measuring inputs
- X5** – OR-6: Assembly Group with 6 Relay Outputs
- X6** – DI8: Assembly Group with 8 Digital Inputs
- X102** – Protection Communication, Fiber optics interface, ST Connector
- X104** – IRIG-B00X, incl. System Contact (Supervision Contact)

MCDLV4-2D1B1AB



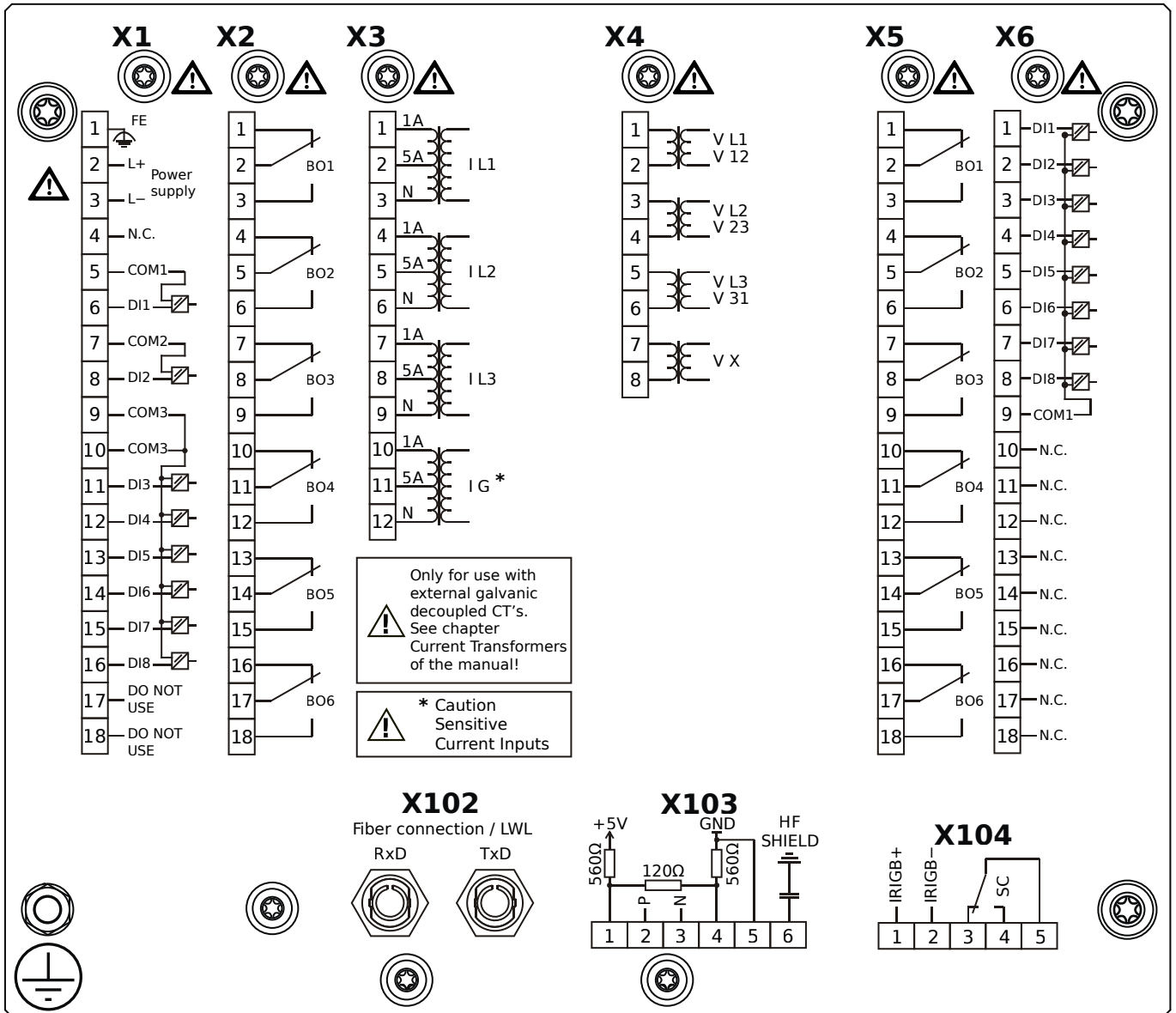
- X1** – DI8-X1: Wide-range power supply unit, incl. 2 non-grouped digital inputs and 6 grouped digital inputs
- X2** – OR-6: Assembly Group with 6 Relay Outputs
- X3** – TIs-4: Standard phase current measuring card and sensitive ground current measuring
- X4** – TU: Card with 4 voltage transformer measuring inputs
- X5** – OR-6: Assembly Group with 6 Relay Outputs
- X6** – DI8: Assembly Group with 8 Digital Inputs
- X102** – Protection Communication, Fiber optics interface, ST Connector
- X104** – IRIG-B00X, incl. System Contact (Supervision Contact)

MCDLV4-2D1B1BA



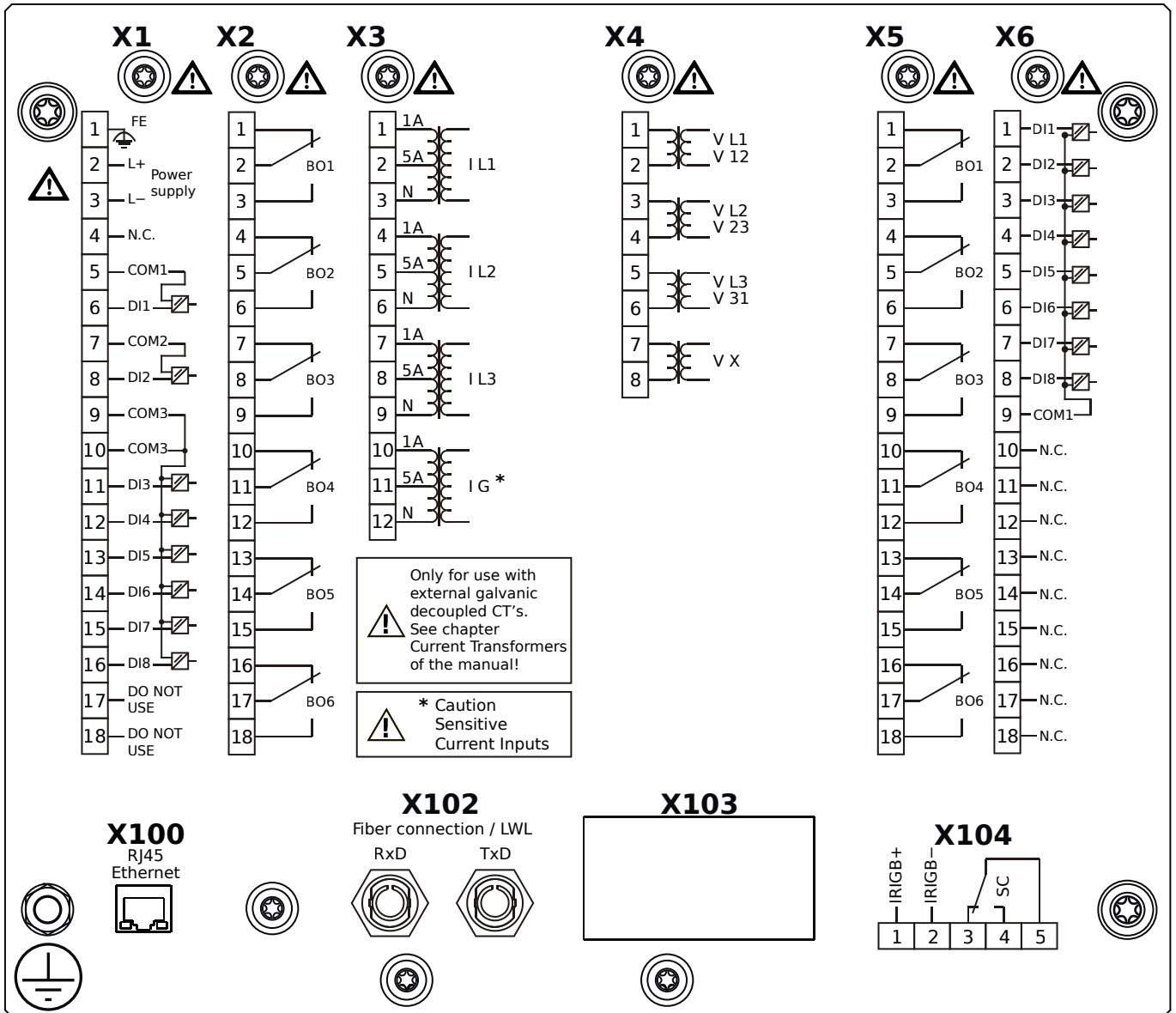
- X1** – DI8-X1: Wide-range power supply unit, incl. 2 non-grouped digital inputs and 6 grouped digital inputs
- X2** – OR-6: Assembly Group with 6 Relay Outputs
- X3** – TIs-4: Standard phase current measuring card and sensitive ground current measuring
- X4** – TU: Card with 4 voltage transformer measuring inputs
- X5** – OR-6: Assembly Group with 6 Relay Outputs
- X6** – DI8: Assembly Group with 8 Digital Inputs
- X102** – Protection Communication, Fiber optics interface, ST Connector
- X103** – Modbus RTU / IEC 60870-5-103 / DNP3.0 RTU, RS485, Terminals
- X104** – IRIG-B00X, incl. System Contact (Supervision Contact)

MCDLV4-2D1B1BB



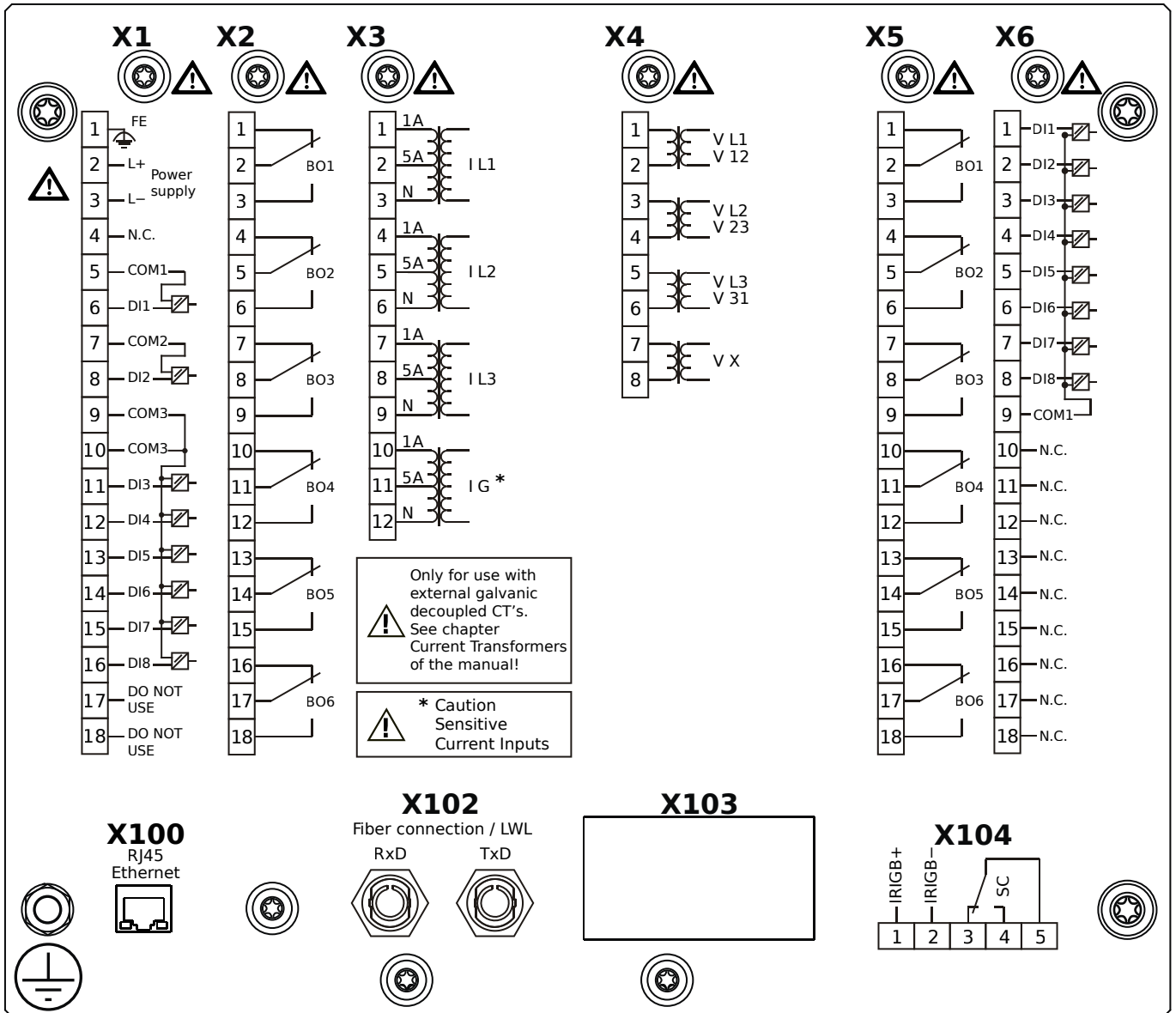
- X1** – DI8-X1: Wide-range power supply unit, incl. 2 non-grouped digital inputs and 6 grouped digital inputs
- X2** – OR-6: Assembly Group with 6 Relay Outputs
- X3** – TIs-4: Standard phase current measuring card and sensitive ground current measuring
- X4** – TU: Card with 4 voltage transformer measuring inputs
- X5** – OR-6: Assembly Group with 6 Relay Outputs
- X6** – DI8: Assembly Group with 8 Digital Inputs
- X102** – Protection Communication, Fiber optics interface, ST Connector
- X103** – Modbus RTU / IEC 60870-5-103 / DNP3.0 RTU, RS485, Terminals
- X104** – IRIG-B00X, incl. System Contact (Supervision Contact)

MCDLV4-2D1B1CA



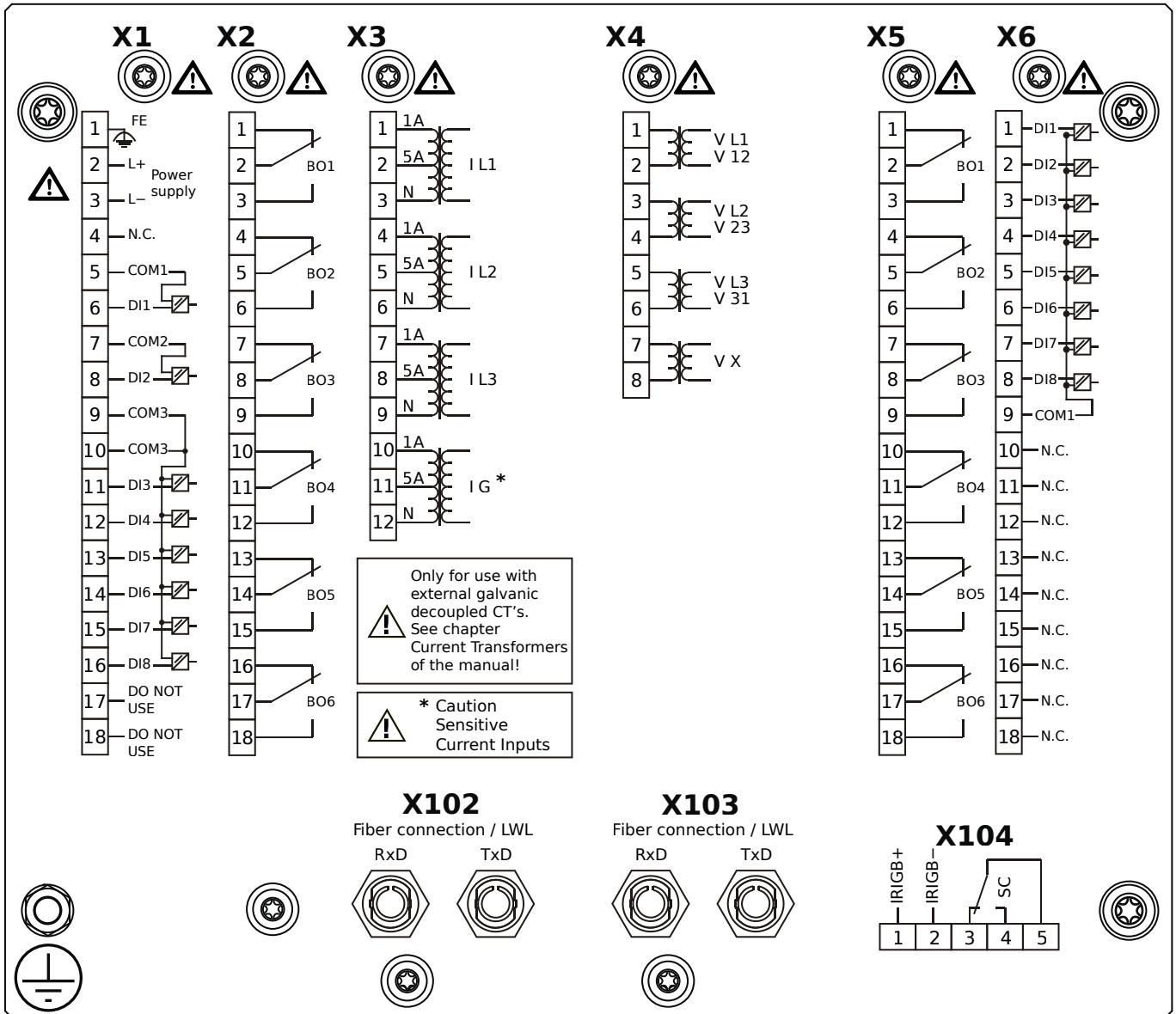
- X1** – DI8-X1: Wide-range power supply unit, incl. 2 non-grouped digital inputs and 6 grouped digital inputs
- X2** – OR-6: Assembly Group with 6 Relay Outputs
- X3** – TIs-4: Standard phase current measuring card and sensitive ground current measuring
- X4** – TU: Card with 4 voltage transformer measuring inputs
- X5** – OR-6: Assembly Group with 6 Relay Outputs
- X6** – DI8: Assembly Group with 8 Digital Inputs
- X100** – Modbus TCP / DNP3.0 TCP/UDP, Ethernet interface, 100 Mbit/s, RJ45 (BASE100-FX)
- X102** – Protection Communication, Fiber optics interface, ST Connector
- X104** – IRIG-B00X, incl. System Contact (Supervision Contact)

MCDLV4-2D1B1CB



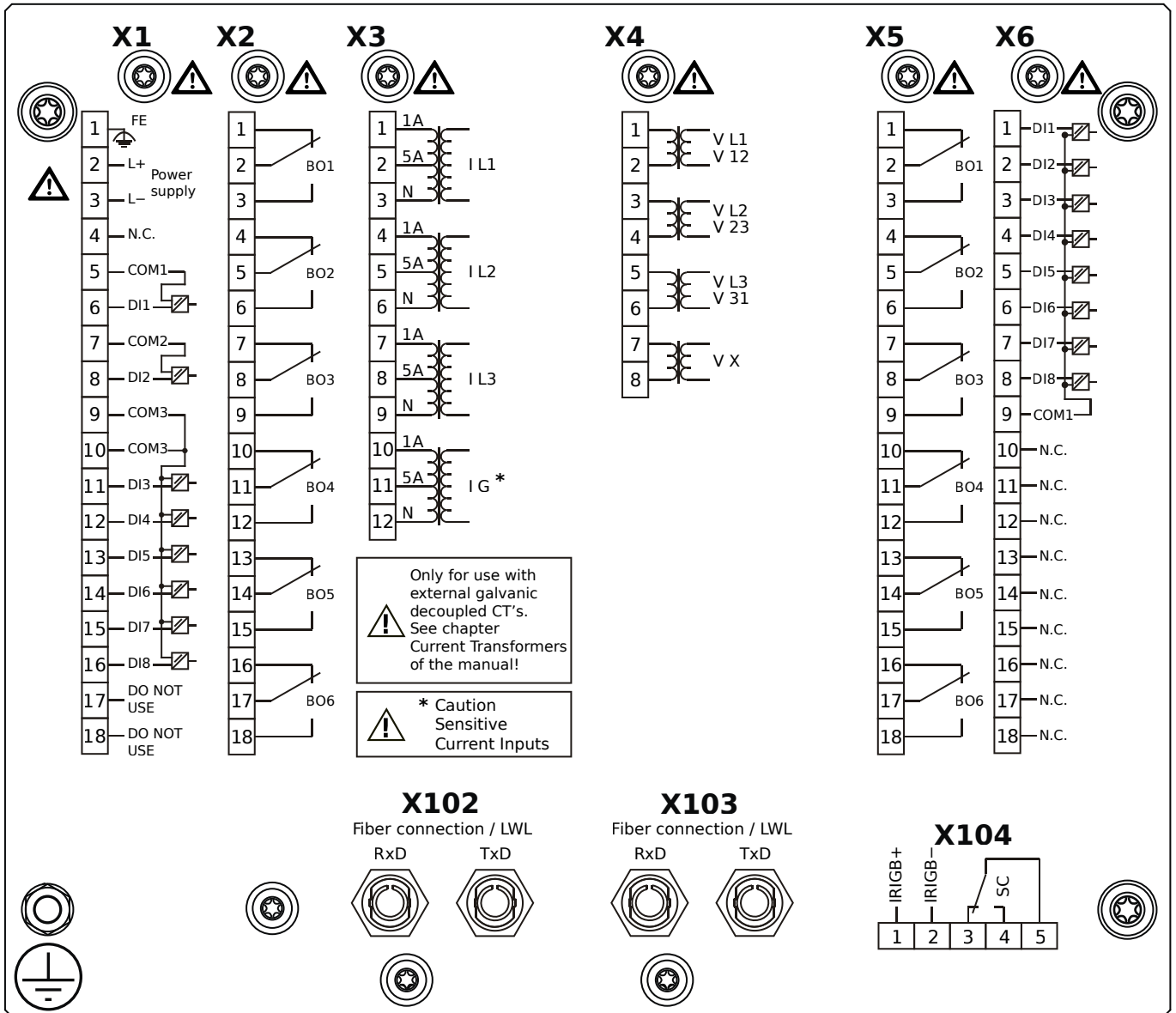
- X1** – DI8-X1: Wide-range power supply unit, incl. 2 non-grouped digital inputs and 6 grouped digital inputs
- X2** – OR-6: Assembly Group with 6 Relay Outputs
- X3** – TIs-4: Standard phase current measuring card and sensitive ground current measuring
- X4** – TU: Card with 4 voltage transformer measuring inputs
- X5** – OR-6: Assembly Group with 6 Relay Outputs
- X6** – DI8: Assembly Group with 8 Digital Inputs
- X100** – Modbus TCP / DNP3.0 TCP/UDP, Ethernet interface, 100 Mbit/s, RJ45 (BASE100-FX)
- X102** – Protection Communication, Fiber optics interface, ST Connector
- X104** – IRIG-B00X, incl. System Contact (Supervision Contact)

MCDLV4-2D1B1DA



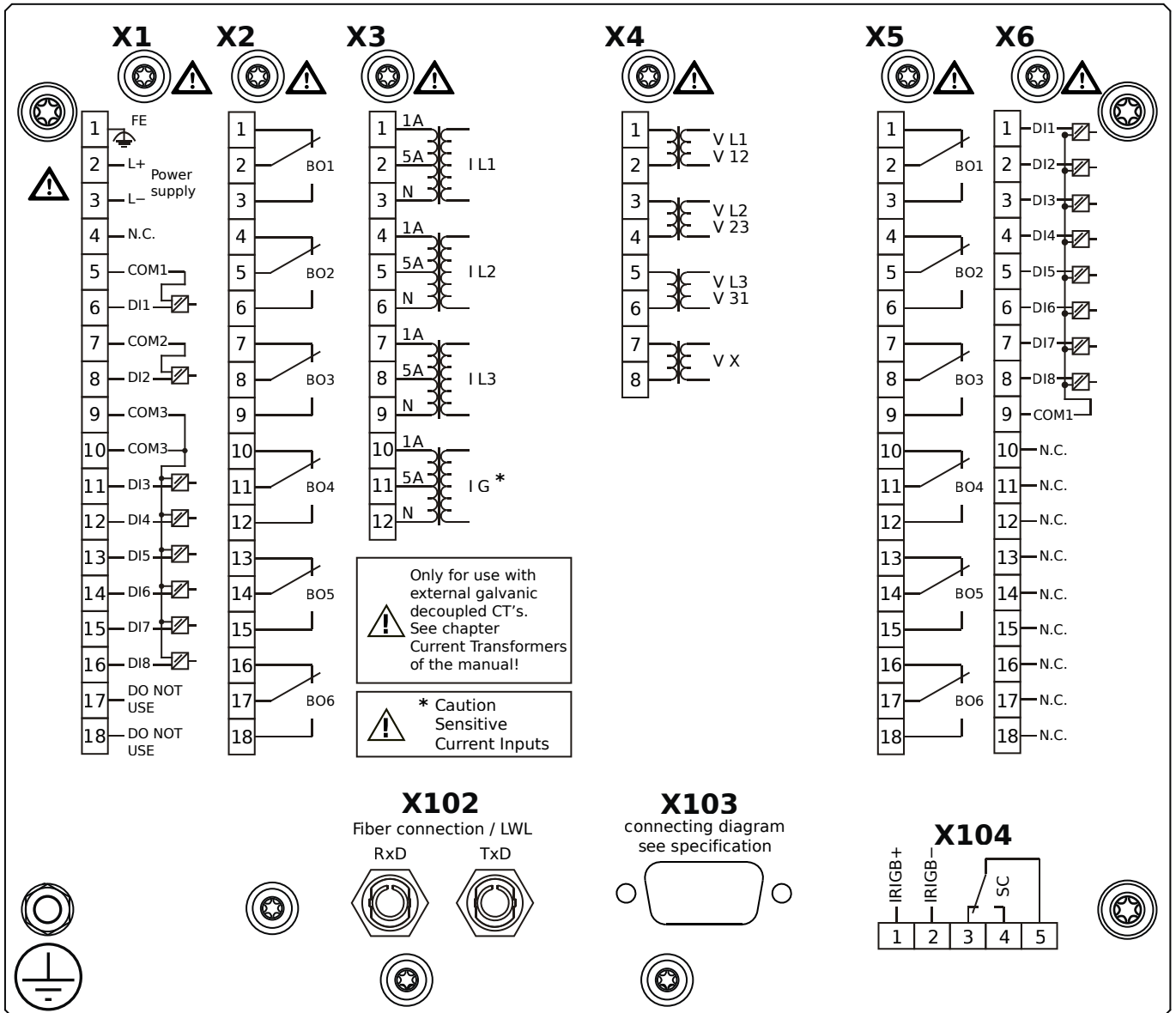
- X1** – DI8-X1: Wide-range power supply unit, incl. 2 non-grouped digital inputs and 6 grouped digital inputs
- X2** – OR-6: Assembly Group with 6 Relay Outputs
- X3** – TIs-4: Standard phase current measuring card and sensitive ground current measuring
- X4** – TU: Card with 4 voltage transformer measuring inputs
- X5** – OR-6: Assembly Group with 6 Relay Outputs
- X6** – DI8: Assembly Group with 8 Digital Inputs
- X102** – Protection Communication, Fiber optics interface, ST Connector
- X103** – Profibus-DP, Fiber optics interface, ST Connector
- X104** – IRIG-B00X, incl. System Contact (Supervision Contact)

MCDLV4-2D1B1DB



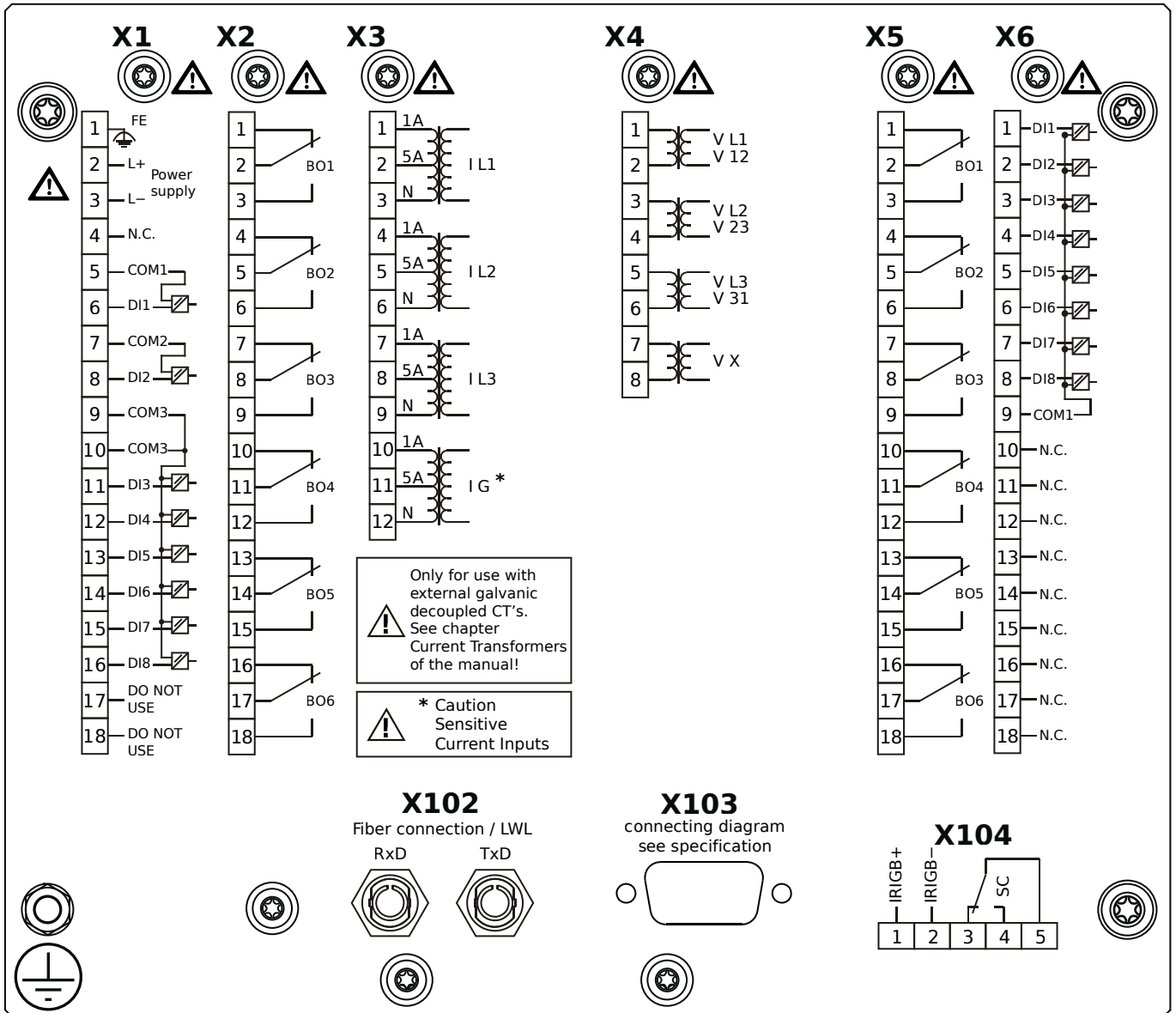
- X1** – DI8-X1: Wide-range power supply unit, incl. 2 non-grouped digital inputs and 6 grouped digital inputs
- X2** – OR-6: Assembly Group with 6 Relay Outputs
- X3** – TIs-4: Standard phase current measuring card and sensitive ground current measuring
- X4** – TU: Card with 4 voltage transformer measuring inputs
- X5** – OR-6: Assembly Group with 6 Relay Outputs
- X6** – DI8: Assembly Group with 8 Digital Inputs
- X102** – Protection Communication, Fiber optics interface, ST Connector
- X103** – Profibus-DP, Fiber optics interface, ST Connector
- X104** – IRIG-B00X, incl. System Contact (Supervision Contact)

MCDLV4-2D1B1EA



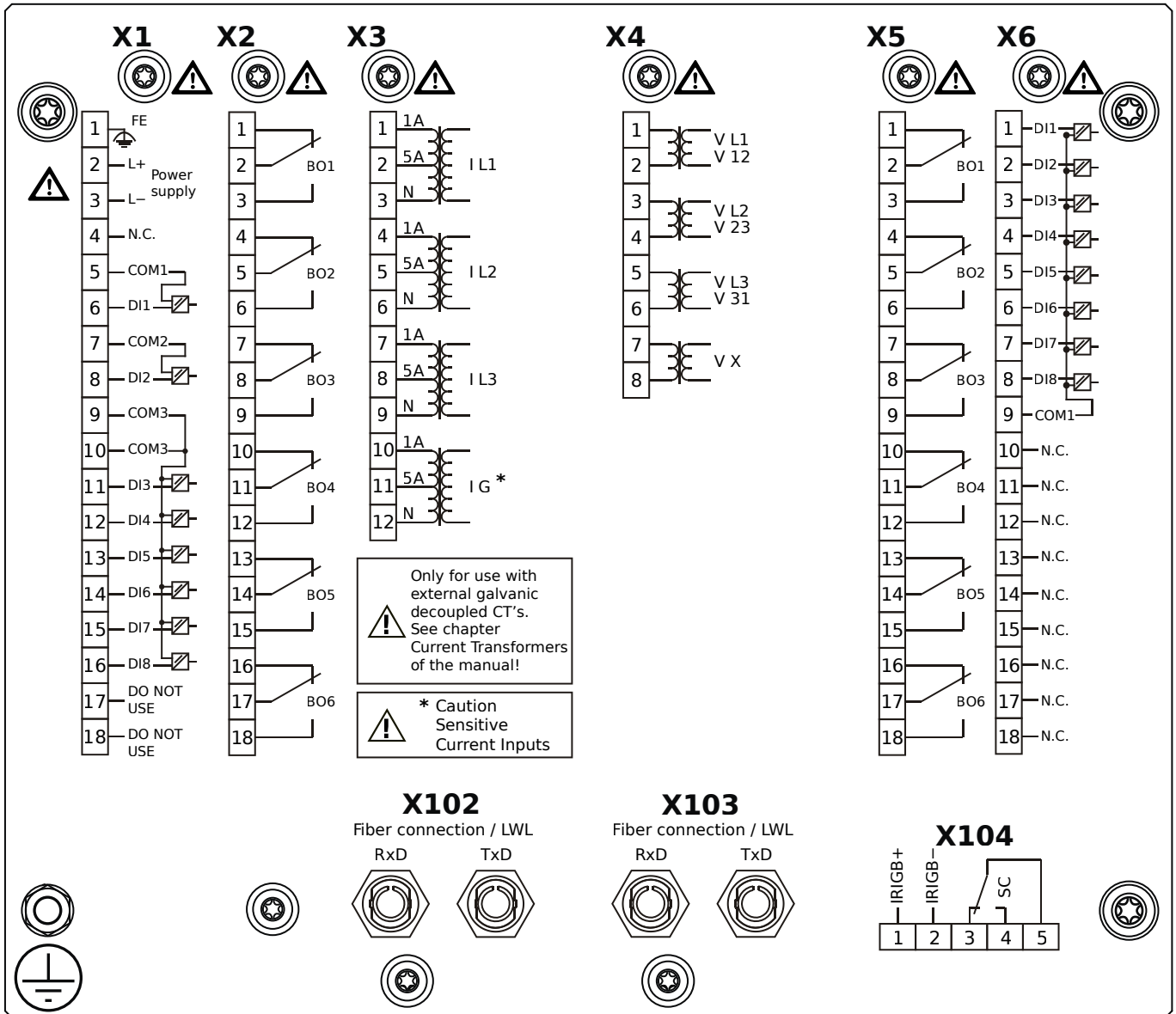
- X1** – DI8-X1: Wide-range power supply unit, incl. 2 non-grouped digital inputs and 6 grouped digital inputs
- X2** – OR-6: Assembly Group with 6 Relay Outputs
- X3** – TIs-4: Standard phase current measuring card and sensitive ground current measuring
- X4** – TU: Card with 4 voltage transformer measuring inputs
- X5** – OR-6: Assembly Group with 6 Relay Outputs
- X6** – DI8: Assembly Group with 8 Digital Inputs
- X102** – Protection Communication, Fiber optics interface, ST Connector
- X103** – Profibus-DP, RS485, D-SUB
- X104** – IRIG-B00X, incl. System Contact (Supervision Contact)

MCDLV4-2D1B1EB



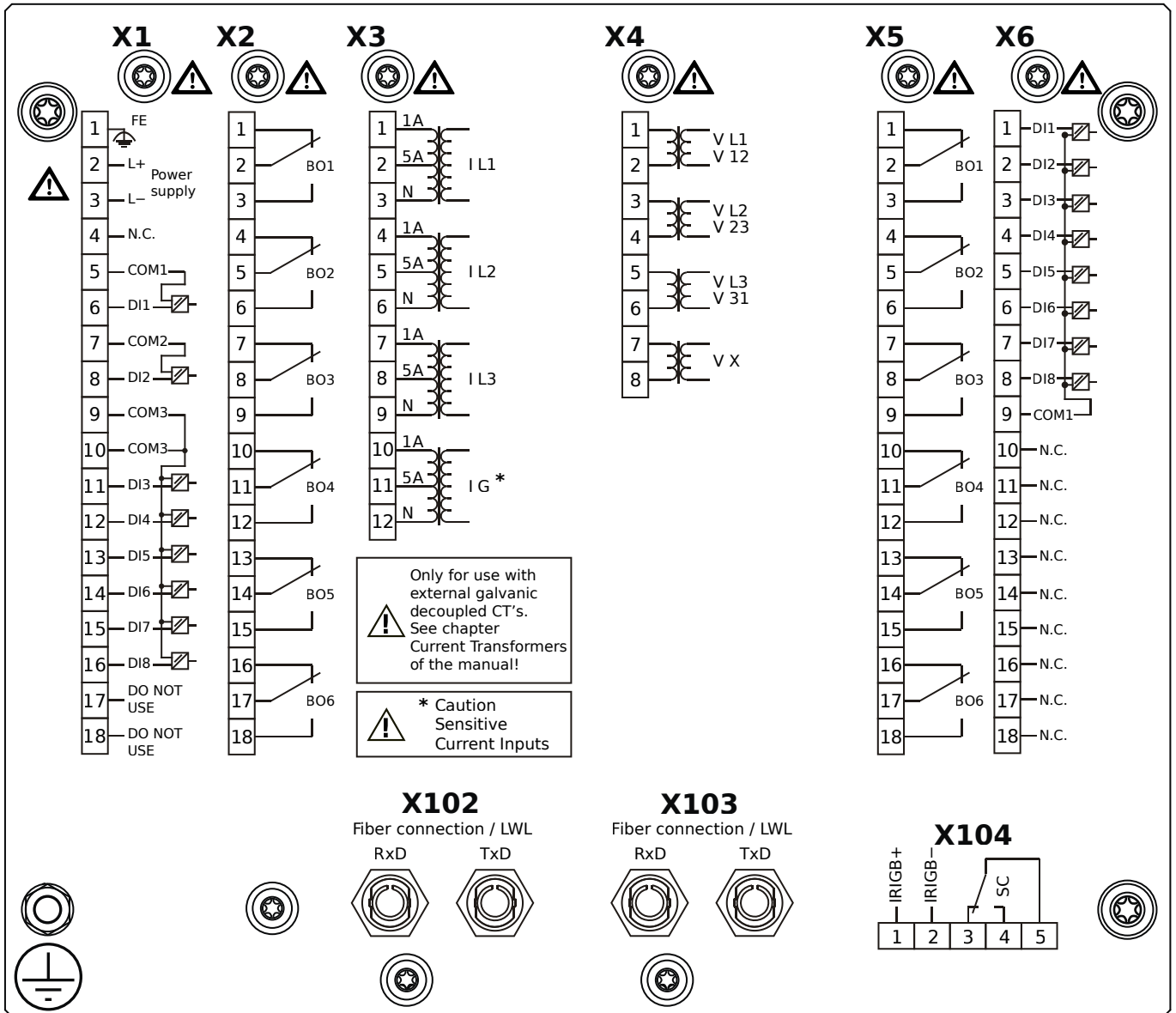
- X1** – DI8-X1: Wide-range power supply unit, incl. 2 non-grouped digital inputs and 6 grouped digital inputs
- X2** – OR-6: Assembly Group with 6 Relay Outputs
- X3** – TIs-4: Standard phase current measuring card and sensitive ground current measuring
- X4** – TU: Card with 4 voltage transformer measuring inputs
- X5** – OR-6: Assembly Group with 6 Relay Outputs
- X6** – DI8: Assembly Group with 8 Digital Inputs
- X102** – Protection Communication, Fiber optics interface, ST Connector
- X103** – Profibus-DP, RS485, D-SUB
- X104** – IRIG-B00X, incl. System Contact (Supervision Contact)

MCDLV4-2D1B1FA



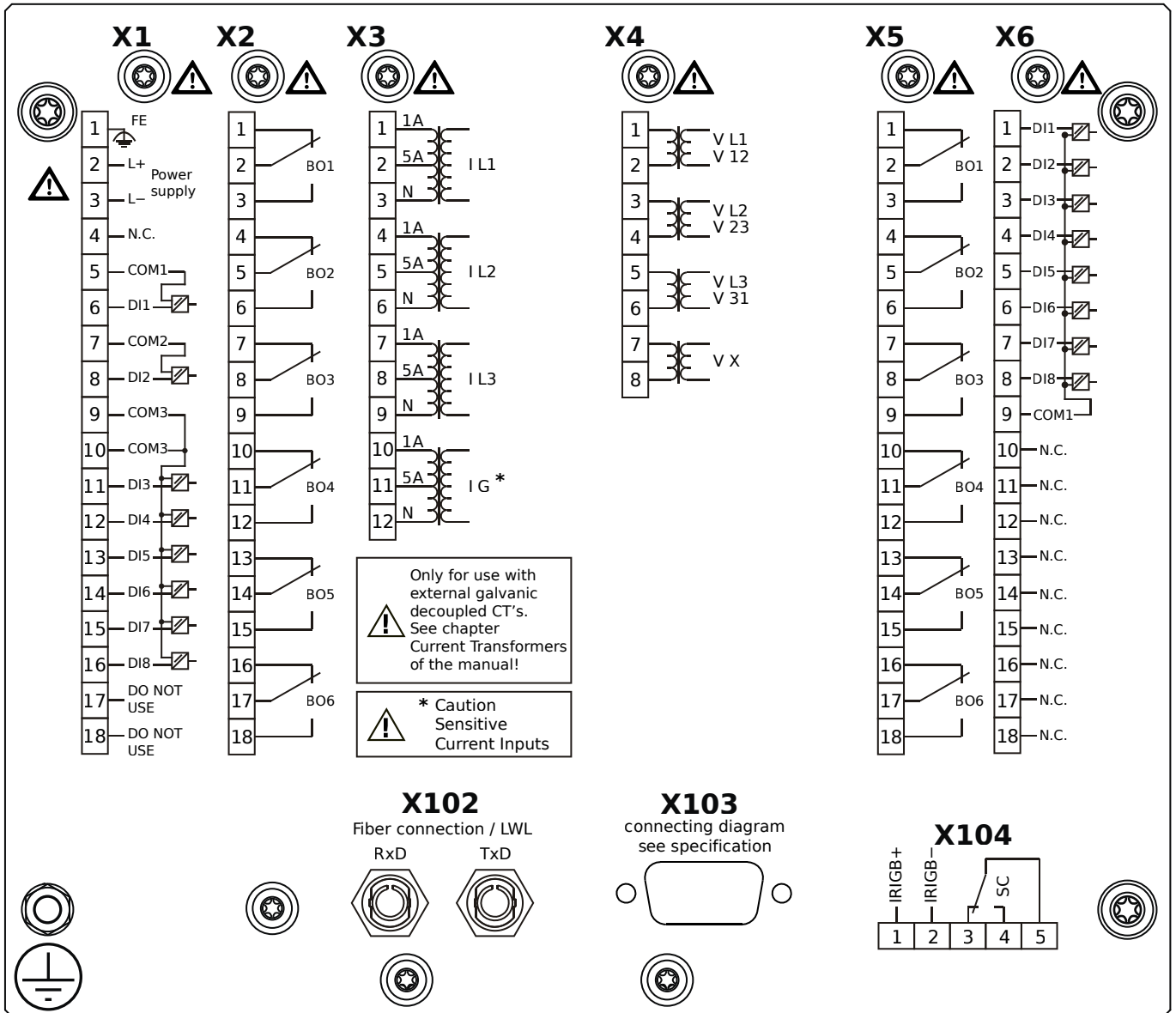
- X1** – DI8-X1: Wide-range power supply unit, incl. 2 non-grouped digital inputs and 6 grouped digital inputs
- X2** – OR-6: Assembly Group with 6 Relay Outputs
- X3** – TIs-4: Standard phase current measuring card and sensitive ground current measuring
- X4** – TU: Card with 4 voltage transformer measuring inputs
- X5** – OR-6: Assembly Group with 6 Relay Outputs
- X6** – DI8: Assembly Group with 8 Digital Inputs
- X102** – Protection Communication, Fiber optics interface, ST Connector
- X103** – Modbus RTU / IEC 60870-5-103 / DNP3.0 RTU, Fiber optics interface, ST Connector
- X104** – IRIG-B00X, incl. System Contact (Supervision Contact)

MCDLV4-2D1B1FB



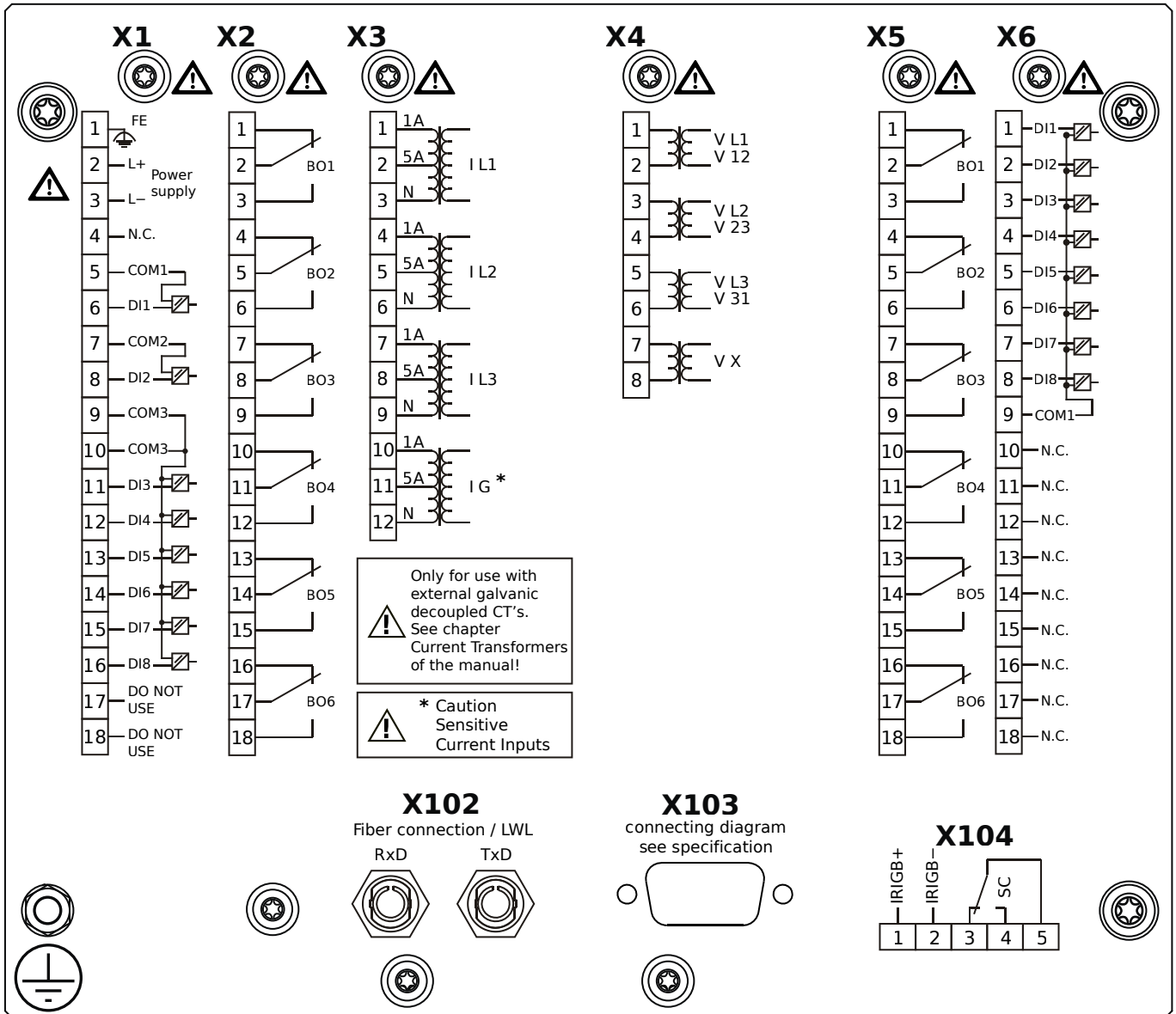
- X1** – DI8-X1: Wide-range power supply unit, incl. 2 non-grouped digital inputs and 6 grouped digital inputs
- X2** – OR-6: Assembly Group with 6 Relay Outputs
- X3** – TIs-4: Standard phase current measuring card and sensitive ground current measuring
- X4** – TU: Card with 4 voltage transformer measuring inputs
- X5** – OR-6: Assembly Group with 6 Relay Outputs
- X6** – DI8: Assembly Group with 8 Digital Inputs
- X102** – Protection Communication, Fiber optics interface, ST Connector
- X103** – Modbus RTU / IEC 60870-5-103 / DNP3.0 RTU, Fiber optics interface, ST Connector
- X104** – IRIG-B00X, incl. System Contact (Supervision Contact)

MCDLV4-2D1B1GA



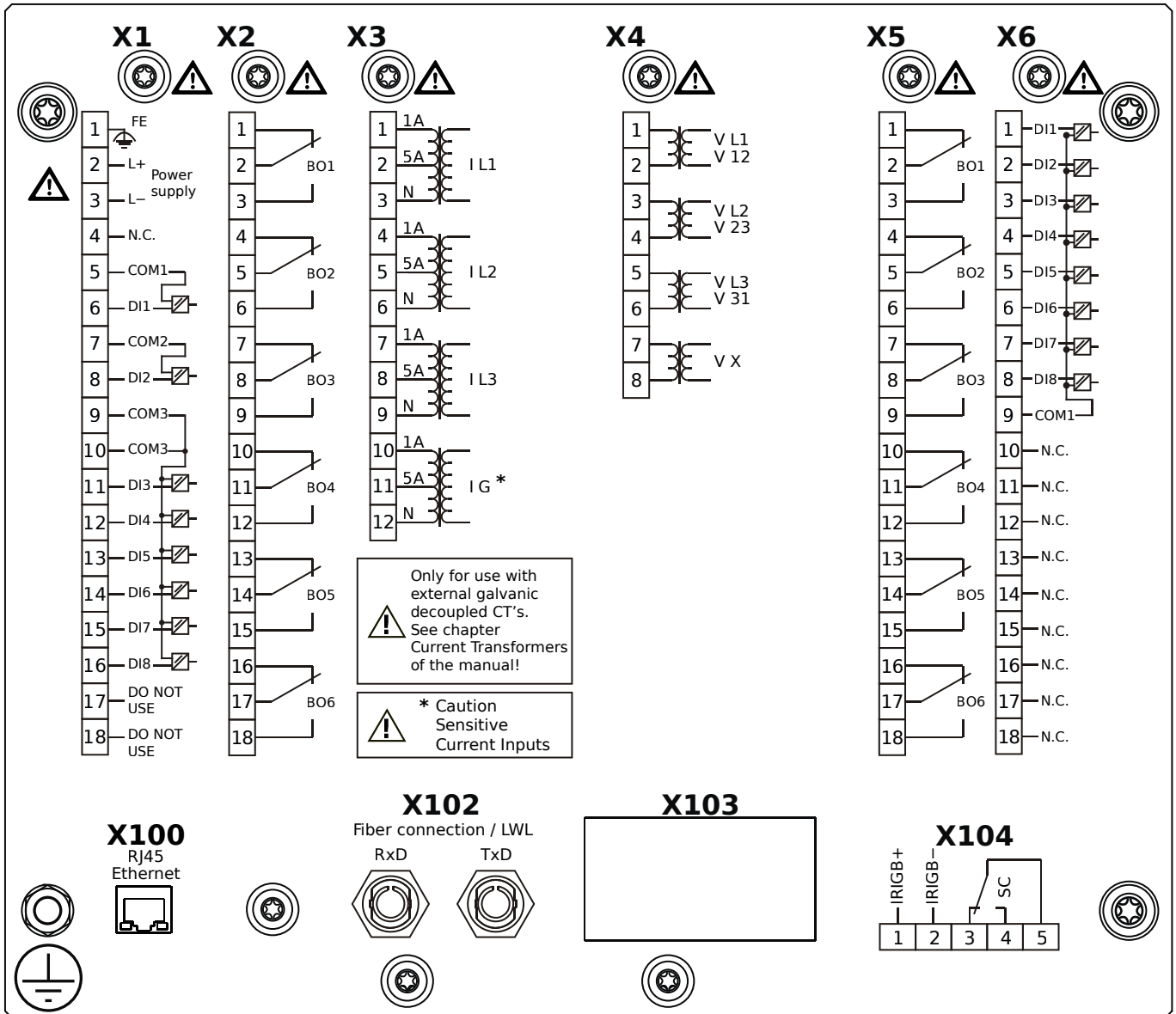
- X1** – DI8-X1: Wide-range power supply unit, incl. 2 non-grouped digital inputs and 6 grouped digital inputs
- X2** – OR-6: Assembly Group with 6 Relay Outputs
- X3** – TIs-4: Standard phase current measuring card and sensitive ground current measuring
- X4** – TU: Card with 4 voltage transformer measuring inputs
- X5** – OR-6: Assembly Group with 6 Relay Outputs
- X6** – DI8: Assembly Group with 8 Digital Inputs
- X102** – Protection Communication, Fiber optics interface, ST Connector
- X103** – Modbus RTU / IEC 60870-5-103 / DNP3.0 RTU, RS485, D-SUB
- X104** – IRIG-B00X, incl. System Contact (Supervision Contact)

MCDLV4-2D1B1GB



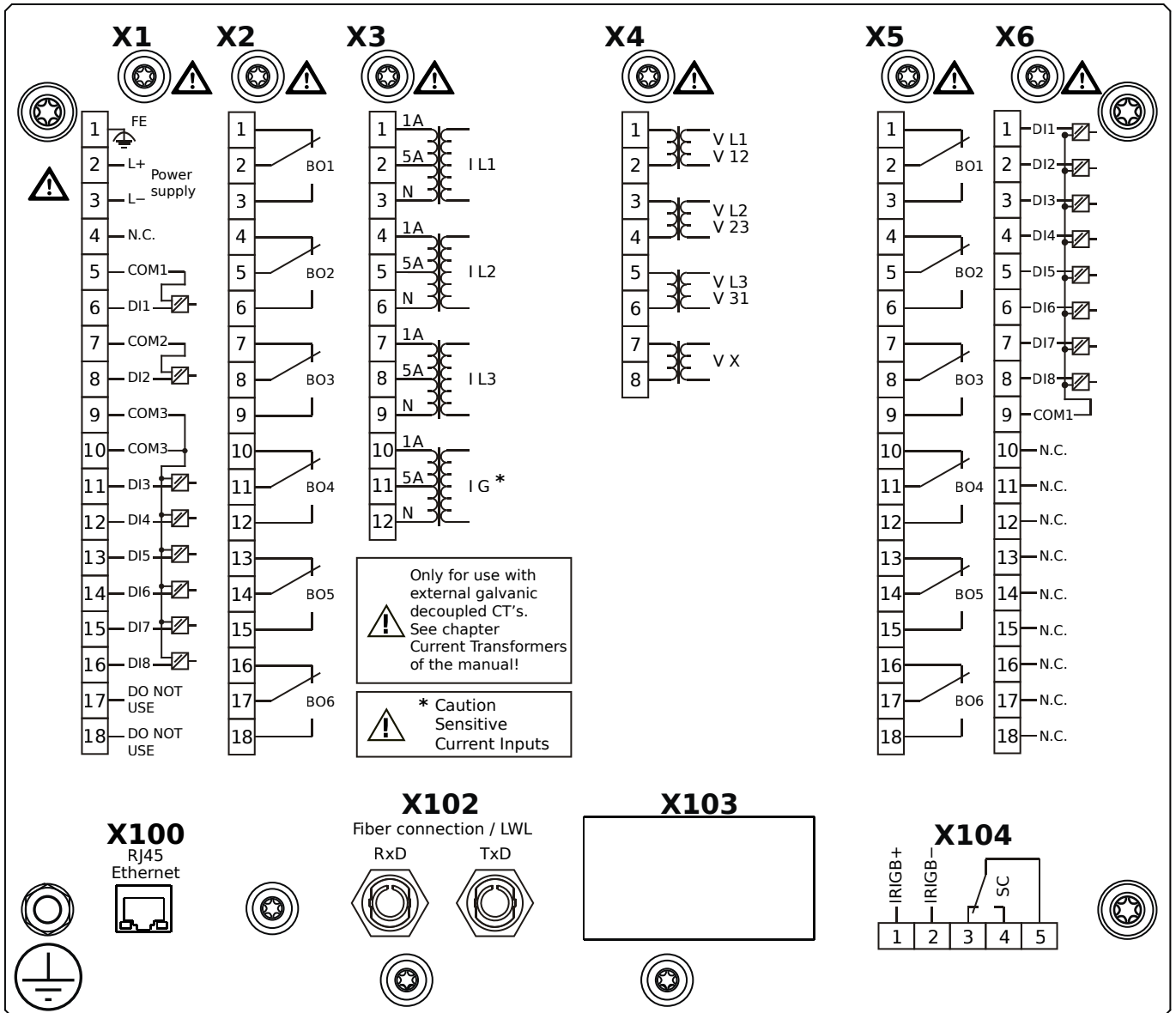
- X1** – DI8-X1: Wide-range power supply unit, incl. 2 non-grouped digital inputs and 6 grouped digital inputs
- X2** – OR-6: Assembly Group with 6 Relay Outputs
- X3** – TIs-4: Standard phase current measuring card and sensitive ground current measuring
- X4** – TU: Card with 4 voltage transformer measuring inputs
- X5** – OR-6: Assembly Group with 6 Relay Outputs
- X6** – DI8: Assembly Group with 8 Digital Inputs
- X102** – Protection Communication, Fiber optics interface, ST Connector
- X103** – Modbus RTU / IEC 60870-5-103 / DNP3.0 RTU, RS485, D-SUB
- X104** – IRIG-B00X, incl. System Contact (Supervision Contact)

MCDLV4-2D1B1HA



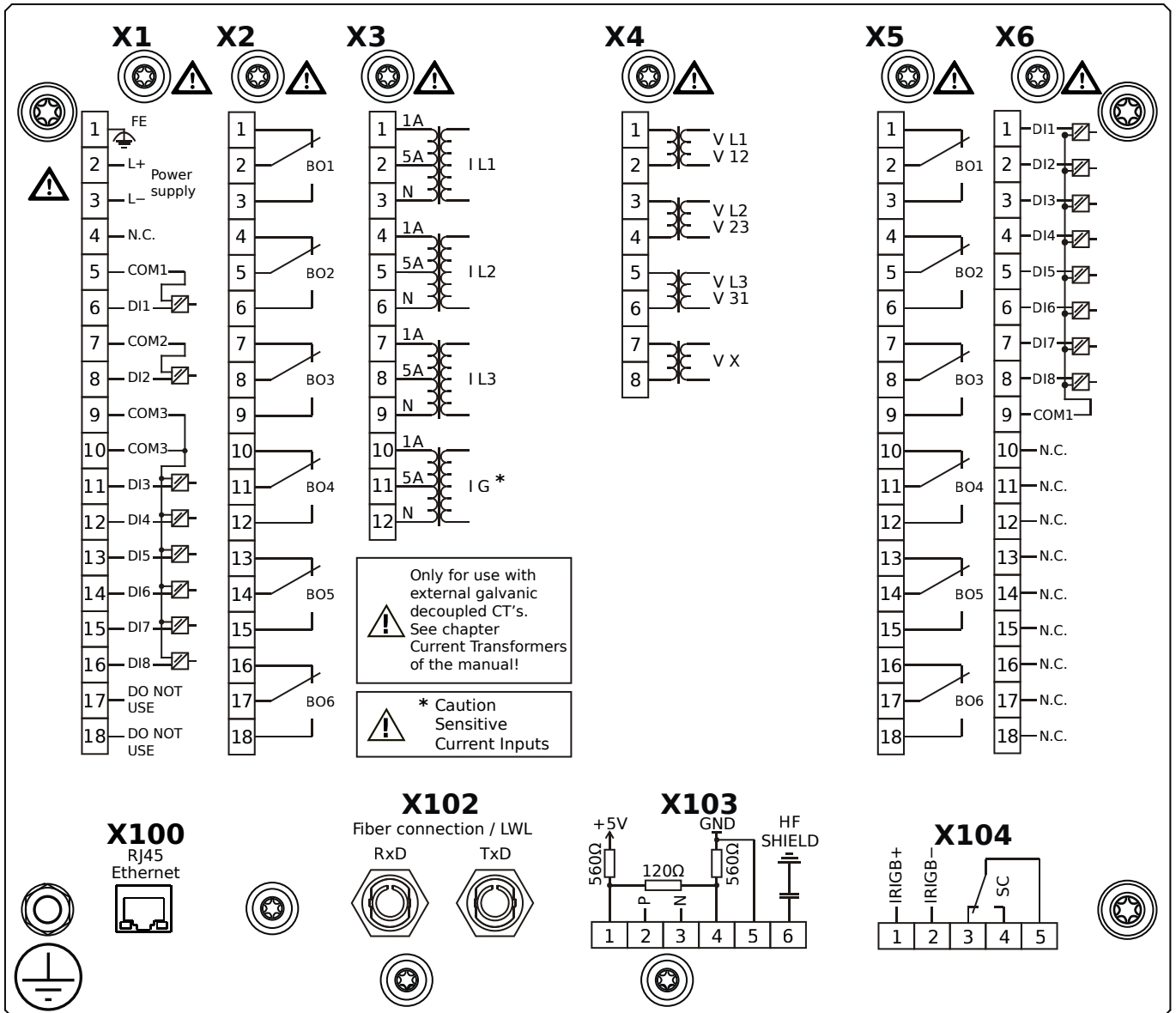
- X1** – DI8-X1: Wide-range power supply unit, incl. 2 non-grouped digital inputs and 6 grouped digital inputs
- X2** – OR-6: Assembly Group with 6 Relay Outputs
- X3** – TIs-4: Standard phase current measuring card and sensitive ground current measuring
- X4** – TU: Card with 4 voltage transformer measuring inputs
- X5** – OR-6: Assembly Group with 6 Relay Outputs
- X6** – DI8: Assembly Group with 8 Digital Inputs
- X100** – IEC 61850 / Modbus TCP / DNP3.0 TCP/UDP, Ethernet interface, 100 Mbit/s, RJ45 (BASE100-FX)
- X102** – Protection Communication, Fiber optics interface, ST Connector
- X104** – IRIG-B00X, incl. System Contact (Supervision Contact)

MCDLV4-2D1B1HB



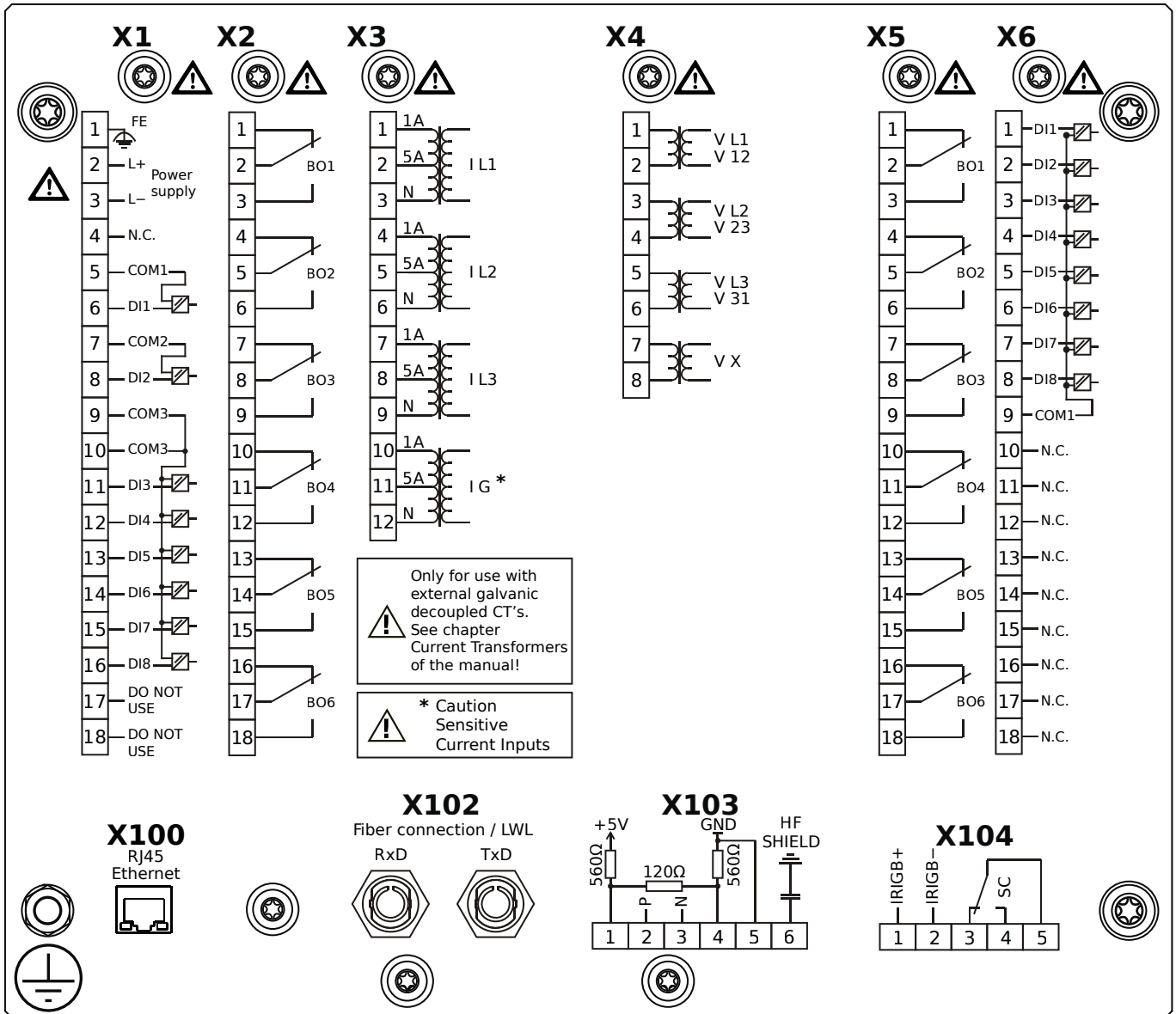
- X1** – DI8-X1: Wide-range power supply unit, incl. 2 non-grouped digital inputs and 6 grouped digital inputs
- X2** – OR-6: Assembly Group with 6 Relay Outputs
- X3** – TIs-4: Standard phase current measuring card and sensitive ground current measuring
- X4** – TU: Card with 4 voltage transformer measuring inputs
- X5** – OR-6: Assembly Group with 6 Relay Outputs
- X6** – DI8: Assembly Group with 8 Digital Inputs
- X100** – IEC 61850 / Modbus TCP / DNP3.0 TCP/UDP, Ethernet interface, 100 Mbit/s, RJ45 (BASE100-FX)
- X102** – Protection Communication, Fiber optics interface, ST Connector
- X104** – IRIG-B00X, incl. System Contact (Supervision Contact)

MCDLV4-2D1B1IA



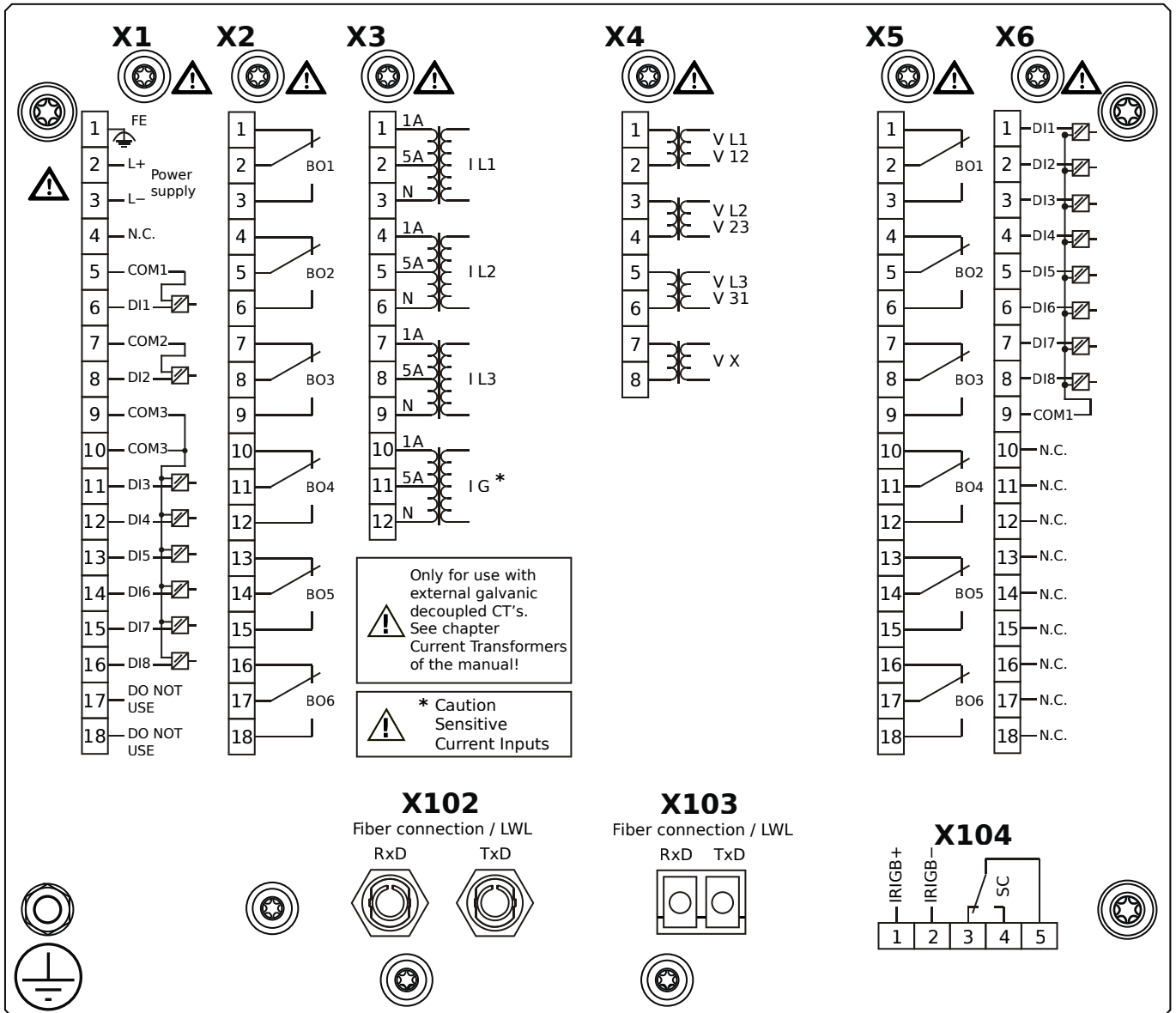
- X1** – DI8-X1: Wide-range power supply unit, incl. 2 non-grouped digital inputs and 6 grouped digital inputs
- X2** – OR-6: Assembly Group with 6 Relay Outputs
- X3** – TIs-4: Standard phase current measuring card and sensitive ground current measuring
- X4** – TU: Card with 4 voltage transformer measuring inputs
- X5** – OR-6: Assembly Group with 6 Relay Outputs
- X6** – DI8: Assembly Group with 8 Digital Inputs
- X100** – Modbus TCP / DNP3.0 TCP/UDP, Ethernet interface, 100 Mbit/s, RJ45 (BASE100-FX)
- X102** – Protection Communication, Fiber optics interface, ST Connector
- X103** – IEC 60870-5-103 / Modbus RTU / DNP3.0 RTU, RS485, Terminals
- X104** – IRIG-B00X, incl. System Contact (Supervision Contact)

MCDLV4-2D1B1IB



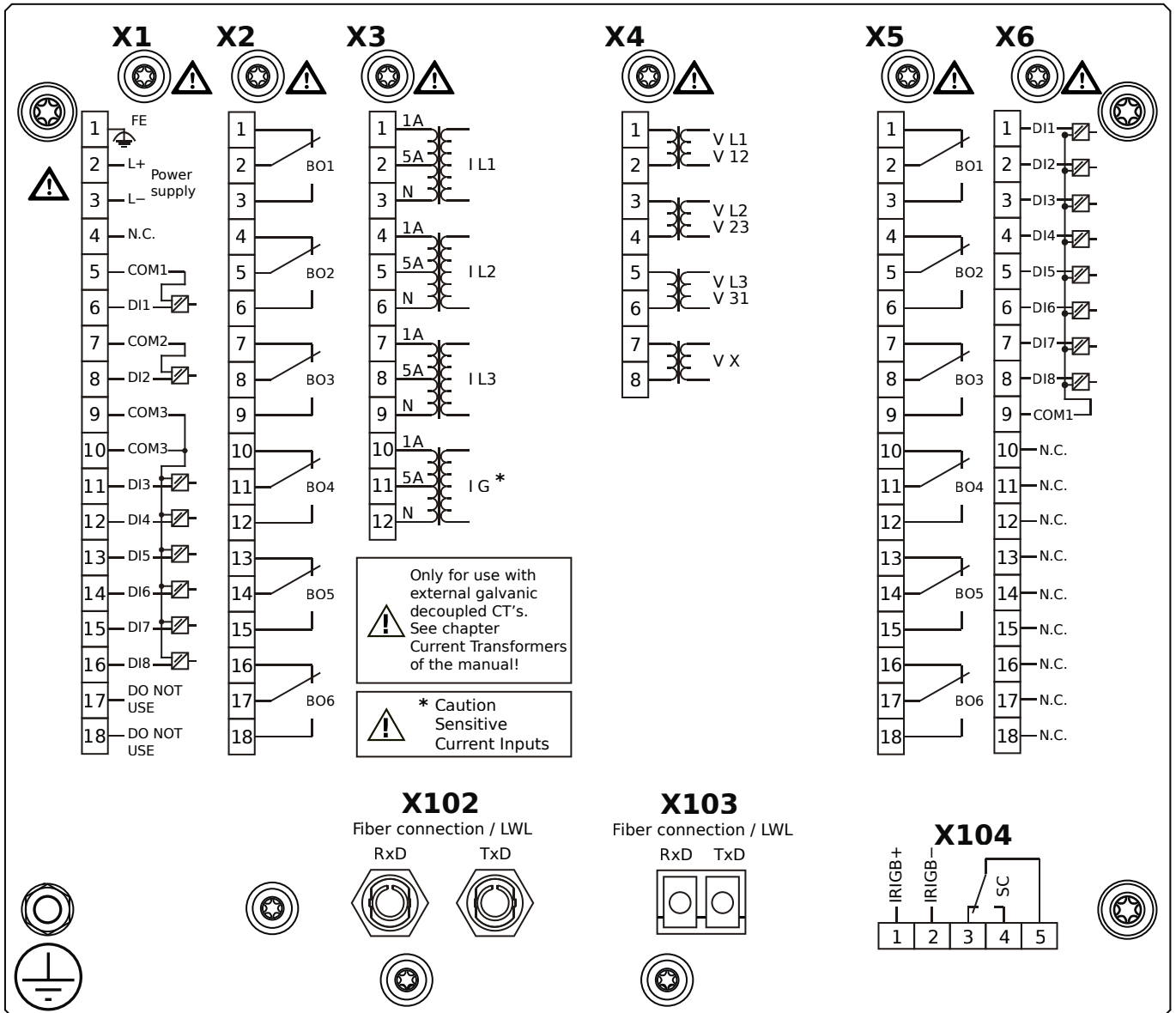
- X1** – DI8-X1: Wide-range power supply unit, incl. 2 non-grouped digital inputs and 6 grouped digital inputs
- X2** – OR-6: Assembly Group with 6 Relay Outputs
- X3** – TIs-4: Standard phase current measuring card and sensitive ground current measuring
- X4** – TU: Card with 4 voltage transformer measuring inputs
- X5** – OR-6: Assembly Group with 6 Relay Outputs
- X6** – DI8: Assembly Group with 8 Digital Inputs
- X100** – Modbus TCP / DNP3.0 TCP/UDP, Ethernet interface, 100 Mbit/s, RJ45 (BASE100-FX)
- X102** – Protection Communication, Fiber optics interface, ST Connector
- X103** – IEC 60870-5-103 / Modbus RTU / DNP3.0 RTU, RS485, Terminals
- X104** – IRIG-B00X, incl. System Contact (Supervision Contact)

MCDLV4-2D1B1KA



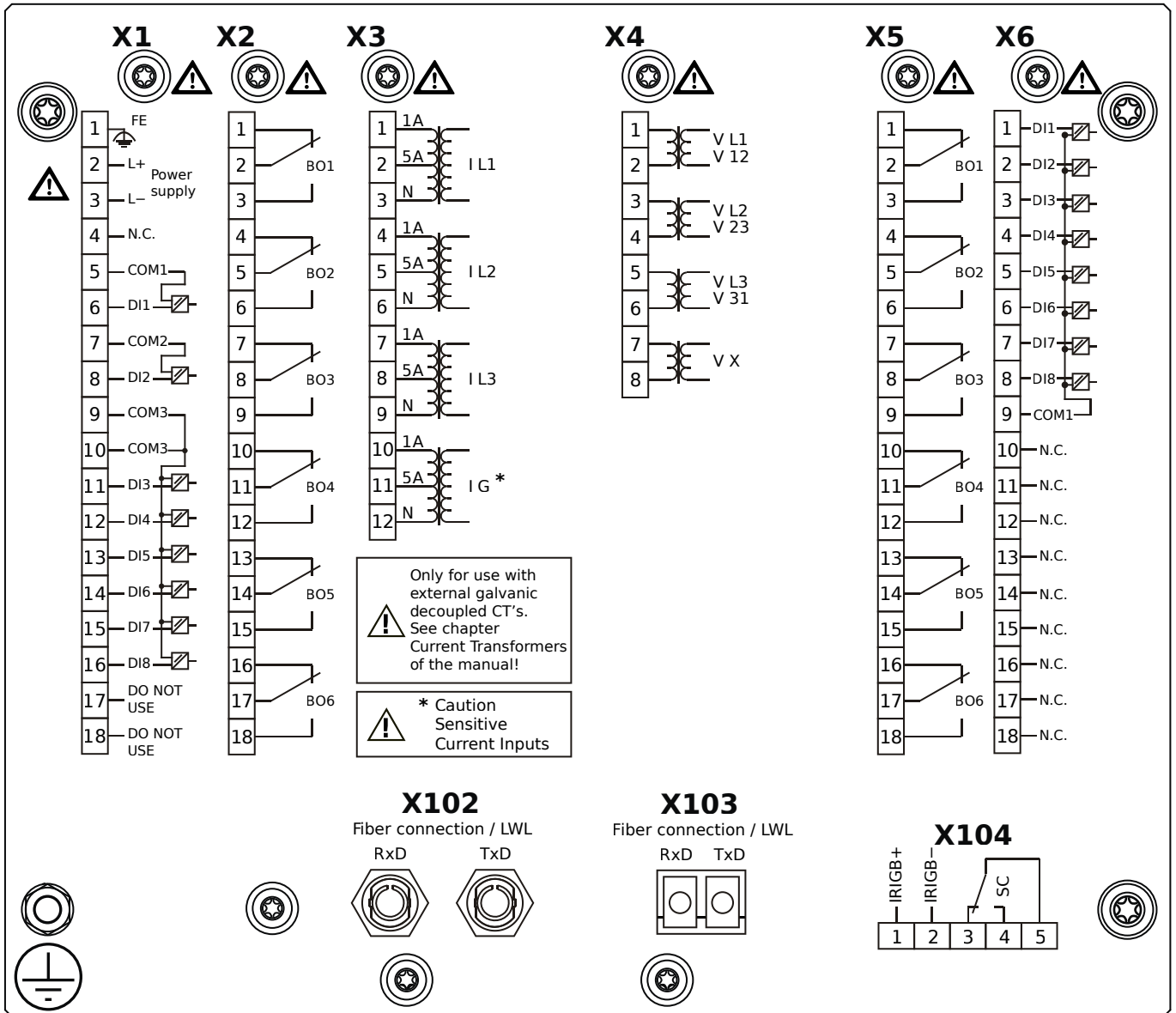
- X1** – DI8-X1: Wide-range power supply unit, incl. 2 non-grouped digital inputs and 6 grouped digital inputs
- X2** – OR-6: Assembly Group with 6 Relay Outputs
- X3** – TIs-4: Standard phase current measuring card and sensitive ground current measuring
- X4** – TU: Card with 4 voltage transformer measuring inputs
- X5** – OR-6: Assembly Group with 6 Relay Outputs
- X6** – DI8: Assembly Group with 8 Digital Inputs
- X102** – Protection Communication, Fiber optics interface, ST Connector
- X103** – IEC 61850 / Modbus TCP / DNP3.0 TCP/UDP, Fiber optics interface, LC Connector
- X104** – IRIG-B00X, incl. System Contact (Supervision Contact)

MCDLV4-2D1B1KB



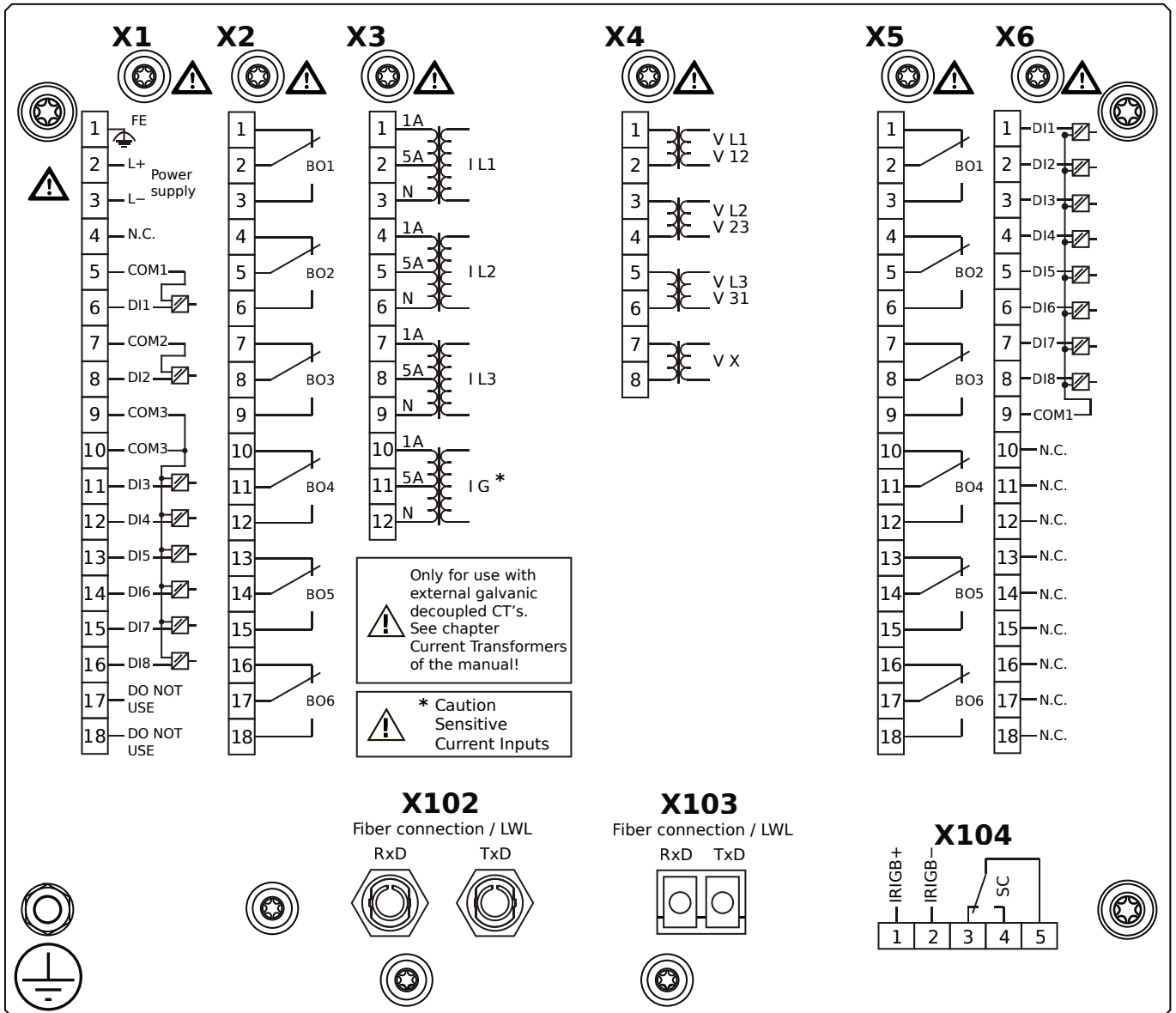
- X1** – DI8-X1: Wide-range power supply unit, incl. 2 non-grouped digital inputs and 6 grouped digital inputs
- X2** – OR-6: Assembly Group with 6 Relay Outputs
- X3** – TIs-4: Standard phase current measuring card and sensitive ground current measuring
- X4** – TU: Card with 4 voltage transformer measuring inputs
- X5** – OR-6: Assembly Group with 6 Relay Outputs
- X6** – DI8: Assembly Group with 8 Digital Inputs
- X102** – Protection Communication, Fiber optics interface, ST Connector
- X103** – IEC 61850 / Modbus TCP / DNP3.0 TCP/UDP, Fiber optics interface, LC Connector
- X104** – IRIG-B00X, incl. System Contact (Supervision Contact)

MCDLV4-2D1B1LA



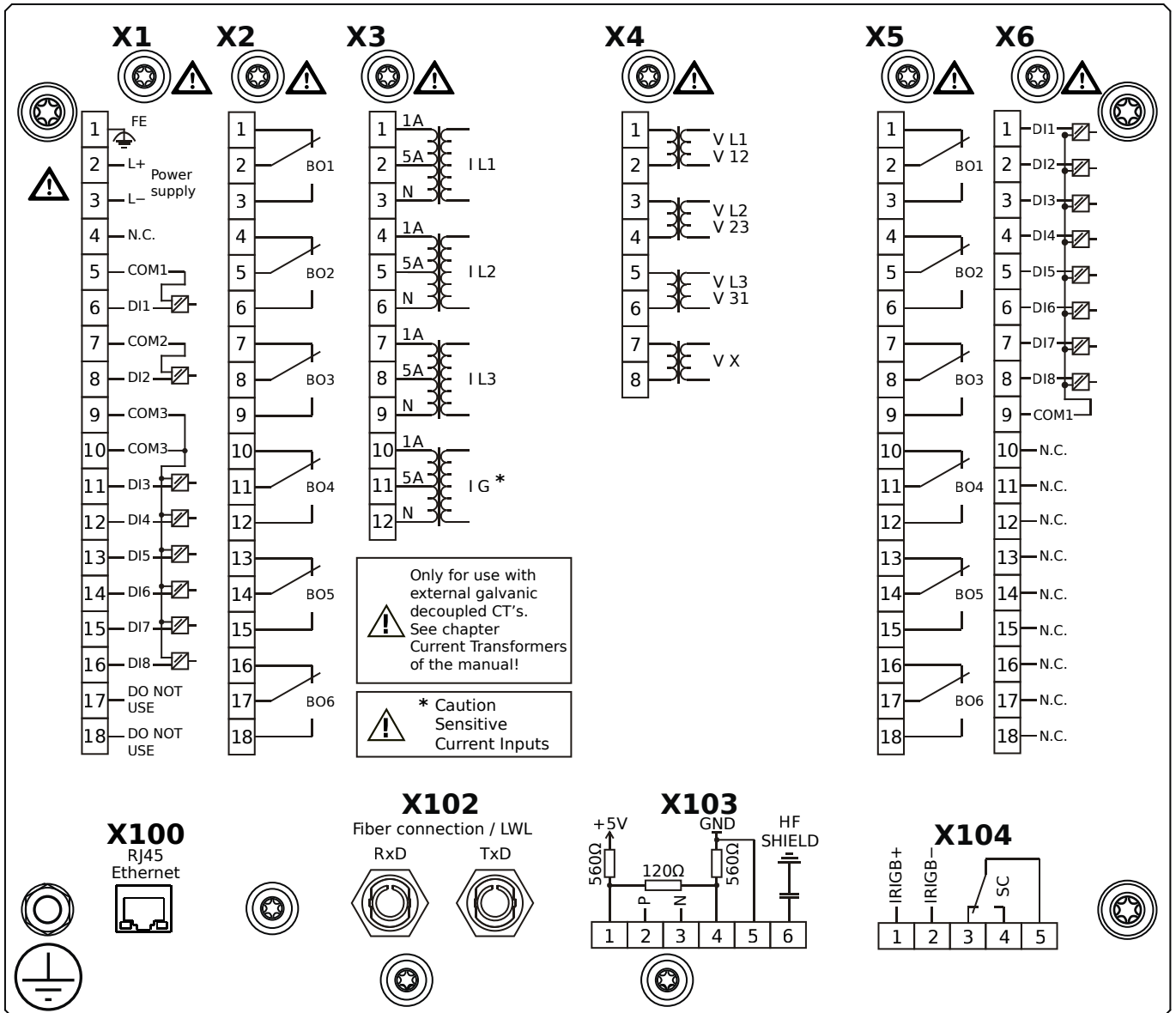
- X1** – DI8-X1: Wide-range power supply unit, incl. 2 non-grouped digital inputs and 6 grouped digital inputs
- X2** – OR-6: Assembly Group with 6 Relay Outputs
- X3** – TIs-4: Standard phase current measuring card and sensitive ground current measuring
- X4** – TU: Card with 4 voltage transformer measuring inputs
- X5** – OR-6: Assembly Group with 6 Relay Outputs
- X6** – DI8: Assembly Group with 8 Digital Inputs
- X102** – Protection Communication, Fiber optics interface, ST Connector
- X103** – Modbus TCP / DNP3.0 TCP/UDP, Fiber optics interface, LC Connector
- X104** – IRIG-B00X, incl. System Contact (Supervision Contact)

MCDLV4-2D1B1LB



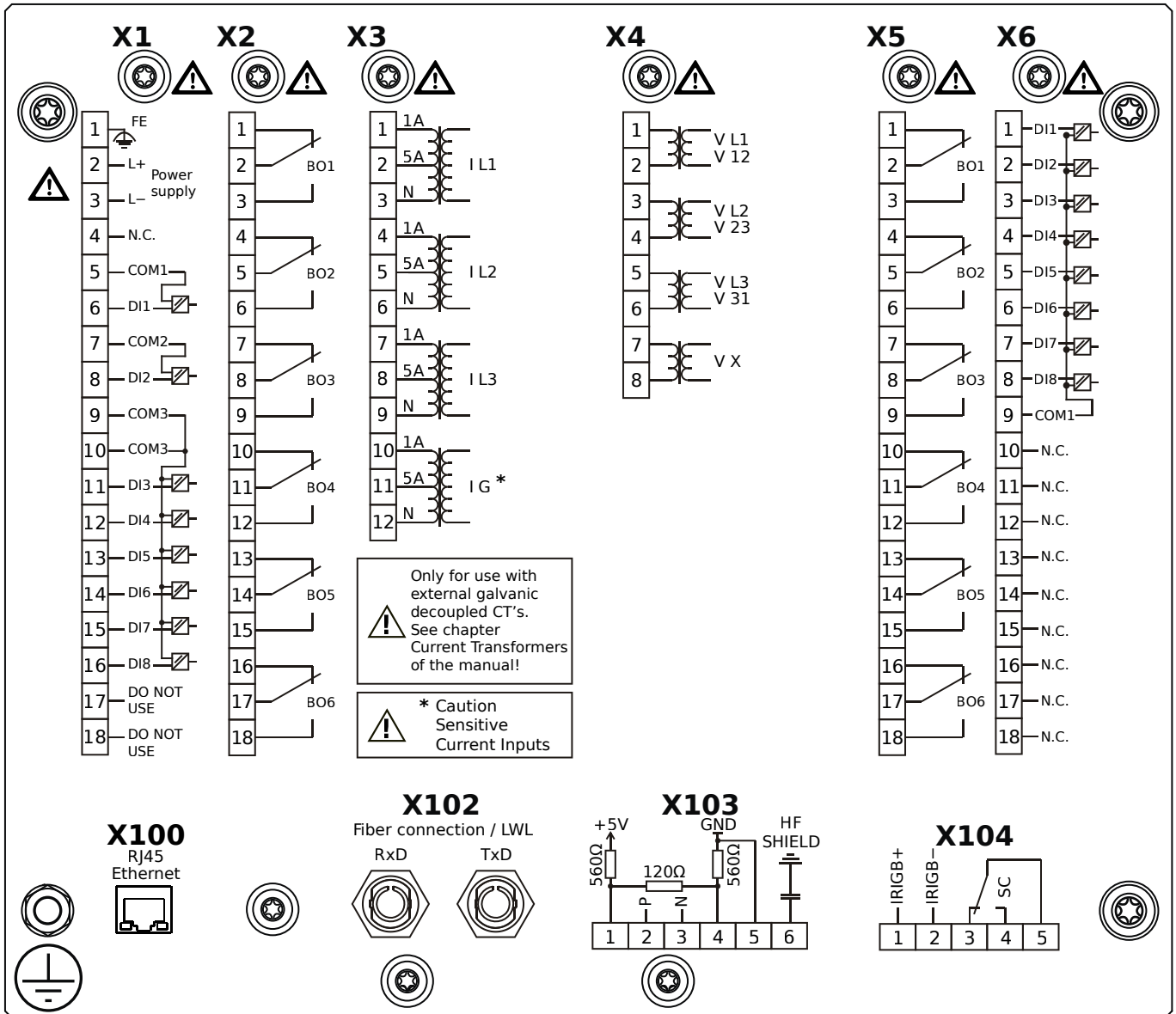
- X1** – DI8-X1: Wide-range power supply unit, incl. 2 non-grouped digital inputs and 6 grouped digital inputs
- X2** – OR-6: Assembly Group with 6 Relay Outputs
- X3** – TIs-4: Standard phase current measuring card and sensitive ground current measuring
- X4** – TU: Card with 4 voltage transformer measuring inputs
- X5** – OR-6: Assembly Group with 6 Relay Outputs
- X6** – DI8: Assembly Group with 8 Digital Inputs
- X102** – Protection Communication, Fiber optics interface, ST Connector
- X103** – Modbus TCP / DNP3.0 TCP/UDP, Fiber optics interface, LC Connector
- X104** – IRIG-B00X, incl. System Contact (Supervision Contact)

MCDLV4-2D1B1TA



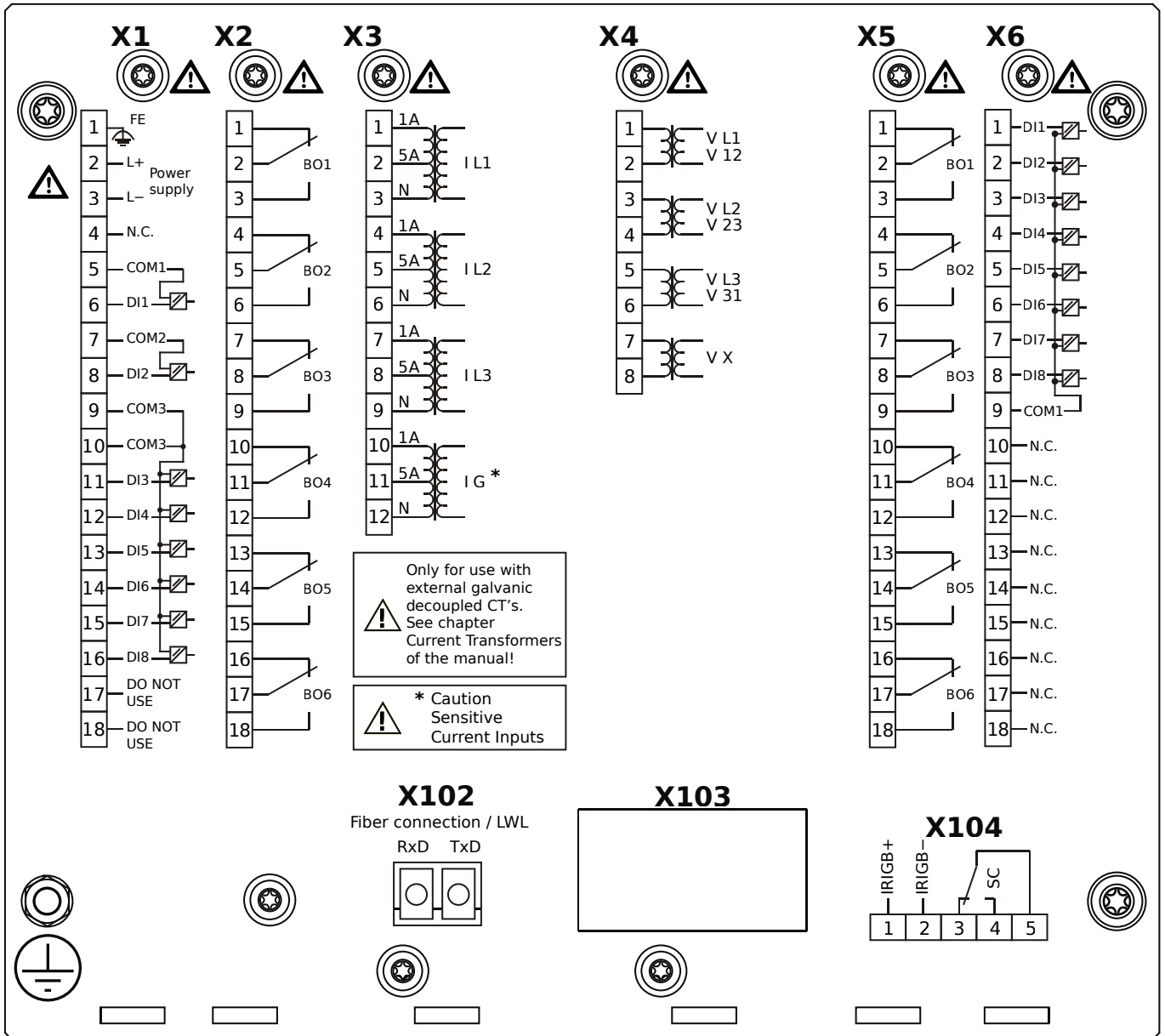
- X1** – DI8-X1: Wide-range power supply unit, incl. 2 non-grouped digital inputs and 6 grouped digital inputs
- X2** – OR-6: Assembly Group with 6 Relay Outputs
- X3** – TIs-4: Standard phase current measuring card and sensitive ground current measuring
- X4** – TU: Card with 4 voltage transformer measuring inputs
- X5** – OR-6: Assembly Group with 6 Relay Outputs
- X6** – DI8: Assembly Group with 8 Digital Inputs
- X100** – IEC 61850 / Modbus TCP / DNP3.0 TCP/UDP, Ethernet interface, 100 Mbit/s, RJ45 (BASE100-FX)
- X102** – Protection Communication, Fiber optics interface, ST Connector
- X103** – IEC 60870-5-103 / Modbus RTU / DNP3.0 RTU, RS485, Terminals
- X104** – IRIG-B00X, incl. System Contact (Supervision Contact)

MCDLV4-2D1B1TB



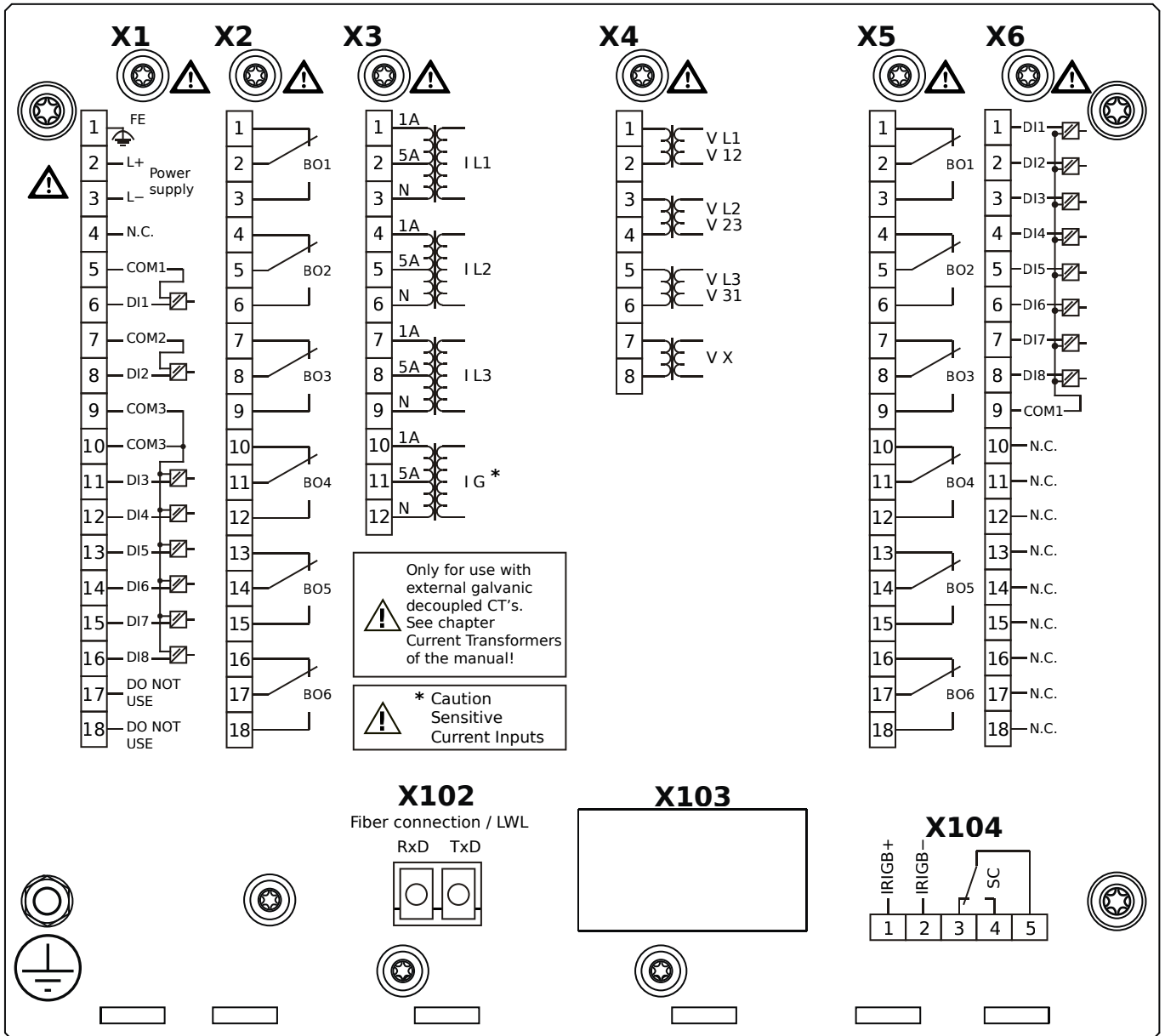
- X1** – DI8-X1: Wide-range power supply unit, incl. 2 non-grouped digital inputs and 6 grouped digital inputs
- X2** – OR-6: Assembly Group with 6 Relay Outputs
- X3** – TIs-4: Standard phase current measuring card and sensitive ground current measuring
- X4** – TU: Card with 4 voltage transformer measuring inputs
- X5** – OR-6: Assembly Group with 6 Relay Outputs
- X6** – DI8: Assembly Group with 8 Digital Inputs
- X100** – IEC 61850 / Modbus TCP / DNP3.0 TCP/UDP, Ethernet interface, 100 Mbit/s, RJ45 (BASE100-FX)
- X102** – Protection Communication, Fiber optics interface, ST Connector
- X103** – IEC 60870-5-103 / Modbus RTU / DNP3.0 RTU, RS485, Terminals
- X104** – IRIG-B00X, incl. System Contact (Supervision Contact)

MCDLV4-2D1H0AA



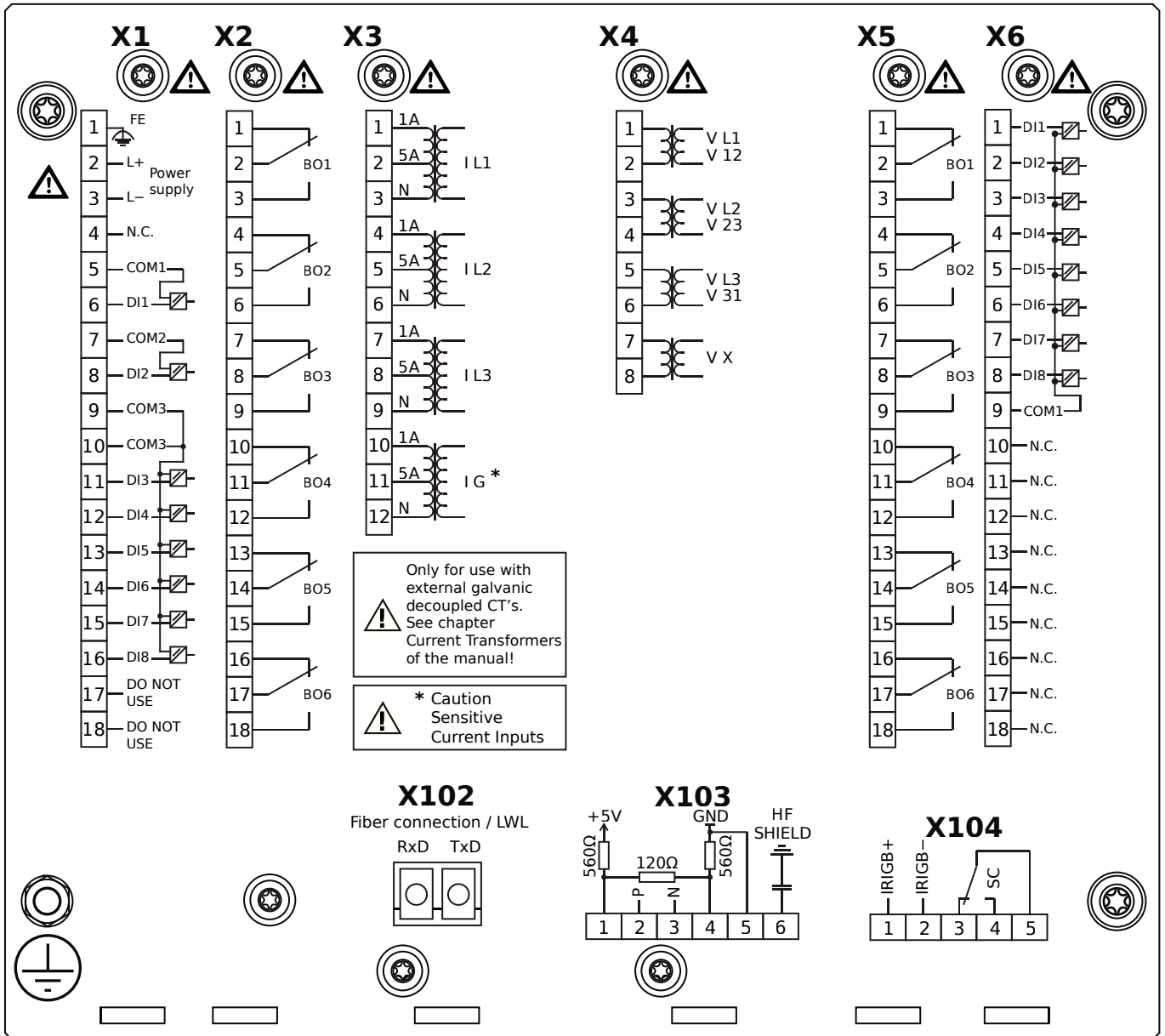
- X1** – DI8-X1: Wide-range power supply unit, incl. 2 non-grouped digital inputs and 6 grouped digital inputs
- X2** – OR-6: Assembly Group with 6 Relay Outputs
- X3** – TIs-4: Standard phase current measuring card and sensitive ground current measuring
- X4** – TU: Card with 4 voltage transformer measuring inputs
- X5** – OR-6: Assembly Group with 6 Relay Outputs
- X6** – DI8: Assembly Group with 8 Digital Inputs
- X102** – Long-distance Protection Communication, Fiber optics interface, LC Connector
- X104** – IRIG-B00X, incl. System Contact (Supervision Contact)

MCDLV4-2D1H0AB



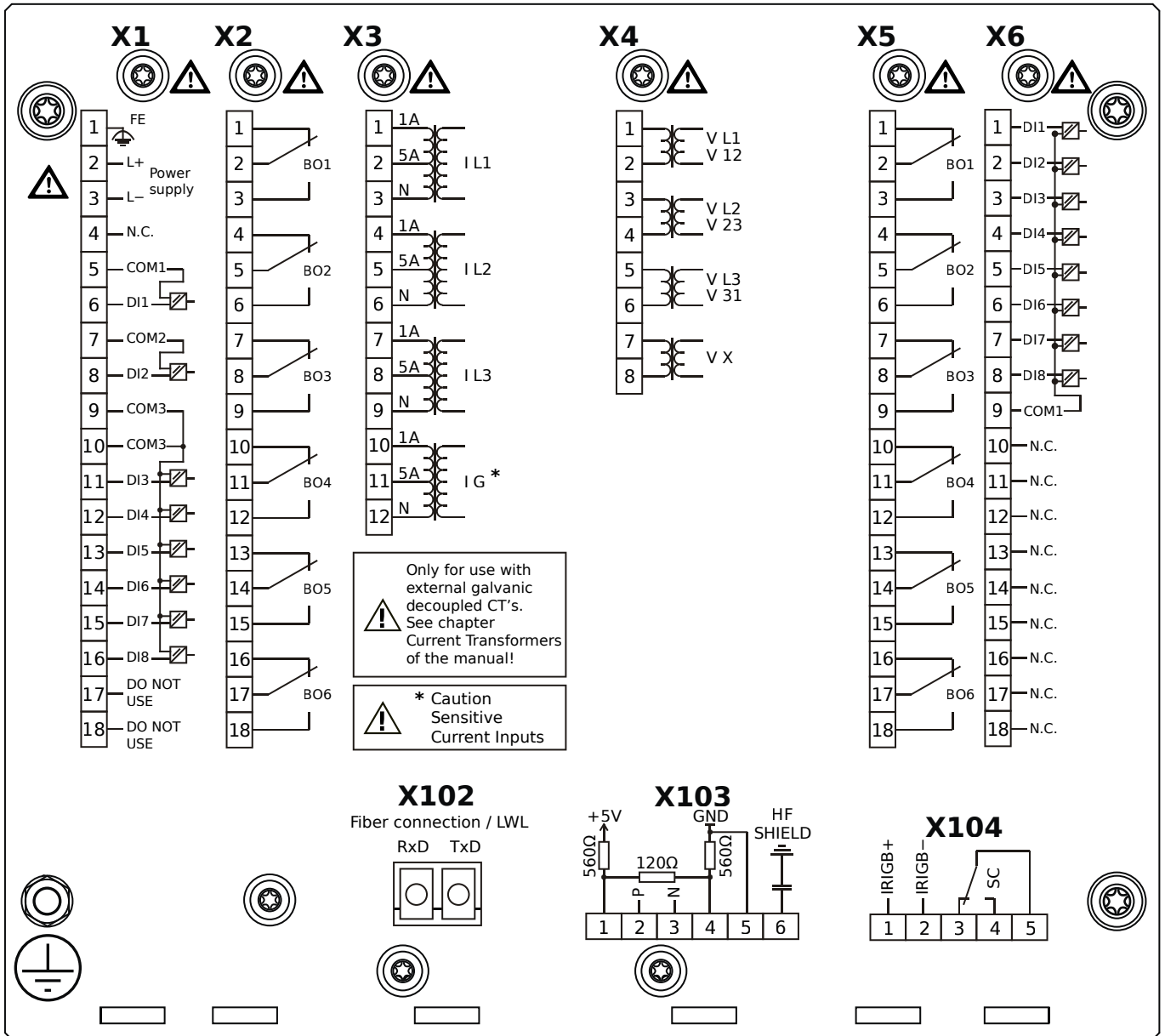
- X1** – DI8-X1: Wide-range power supply unit, incl. 2 non-grouped digital inputs and 6 grouped digital inputs
- X2** – OR-6: Assembly Group with 6 Relay Outputs
- X3** – TIs-4: Standard phase current measuring card and sensitive ground current measuring
- X4** – TU: Card with 4 voltage transformer measuring inputs
- X5** – OR-6: Assembly Group with 6 Relay Outputs
- X6** – DI8: Assembly Group with 8 Digital Inputs
- X102** – Long-distance Protection Communication, Fiber optics interface, LC Connector
- X104** – IRIG-B00X, incl. System Contact (Supervision Contact)

MCDLV4-2D1H0BA



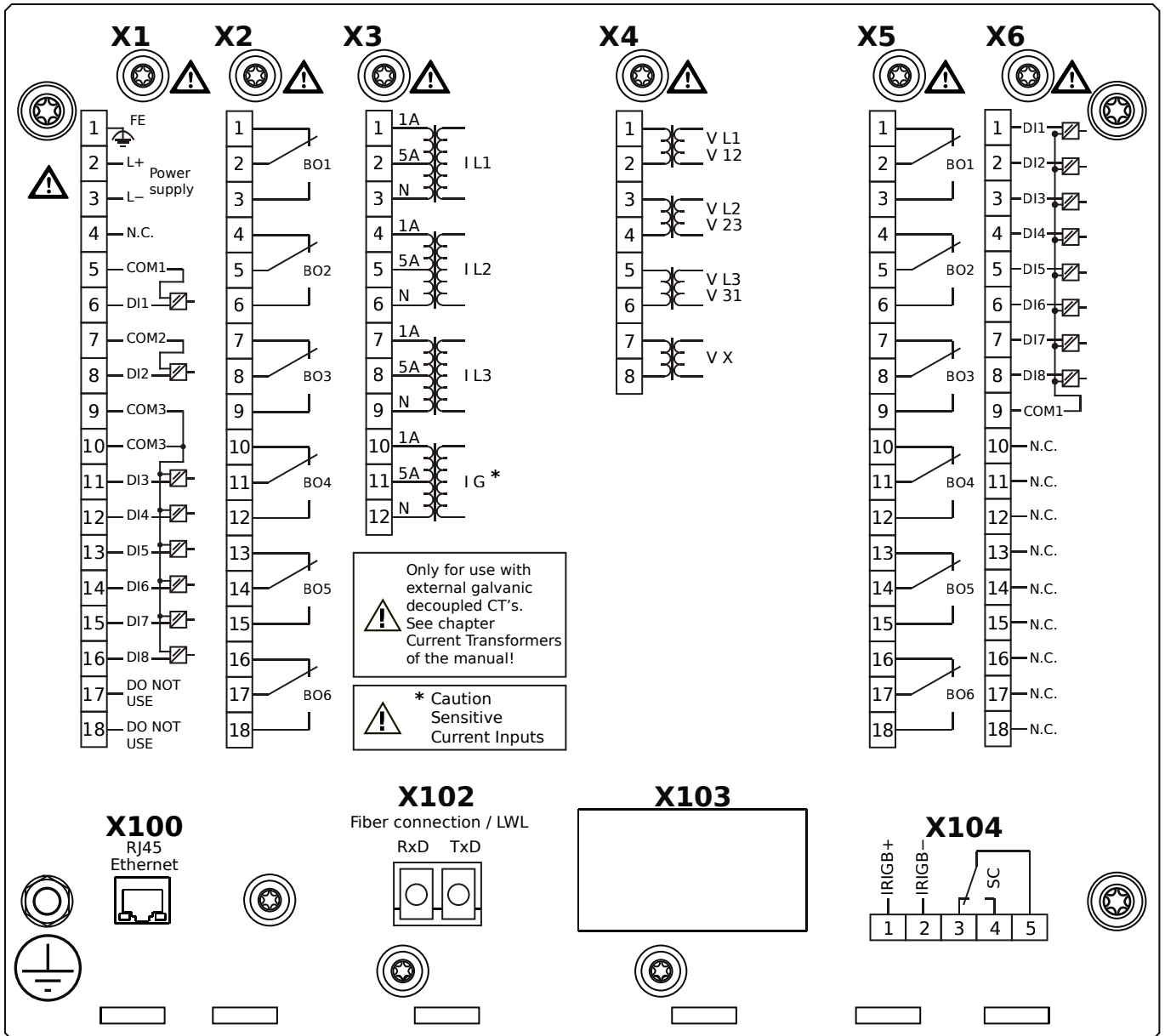
- X1** – DI8-X1: Wide-range power supply unit, incl. 2 non-grouped digital inputs and 6 grouped digital inputs
- X2** – OR-6: Assembly Group with 6 Relay Outputs
- X3** – TIs-4: Standard phase current measuring card and sensitive ground current measuring
- X4** – TU: Card with 4 voltage transformer measuring inputs
- X5** – OR-6: Assembly Group with 6 Relay Outputs
- X6** – DI8: Assembly Group with 8 Digital Inputs
- X102** – Long-distance Protection Communication, Fiber optics interface, LC Connector
- X103** – Modbus RTU / IEC 60870-5-103 / DNP3.0 RTU, RS485, Terminals
- X104** – IRIG-B00X, incl. System Contact (Supervision Contact)

MCDLV4-2D1H0BB



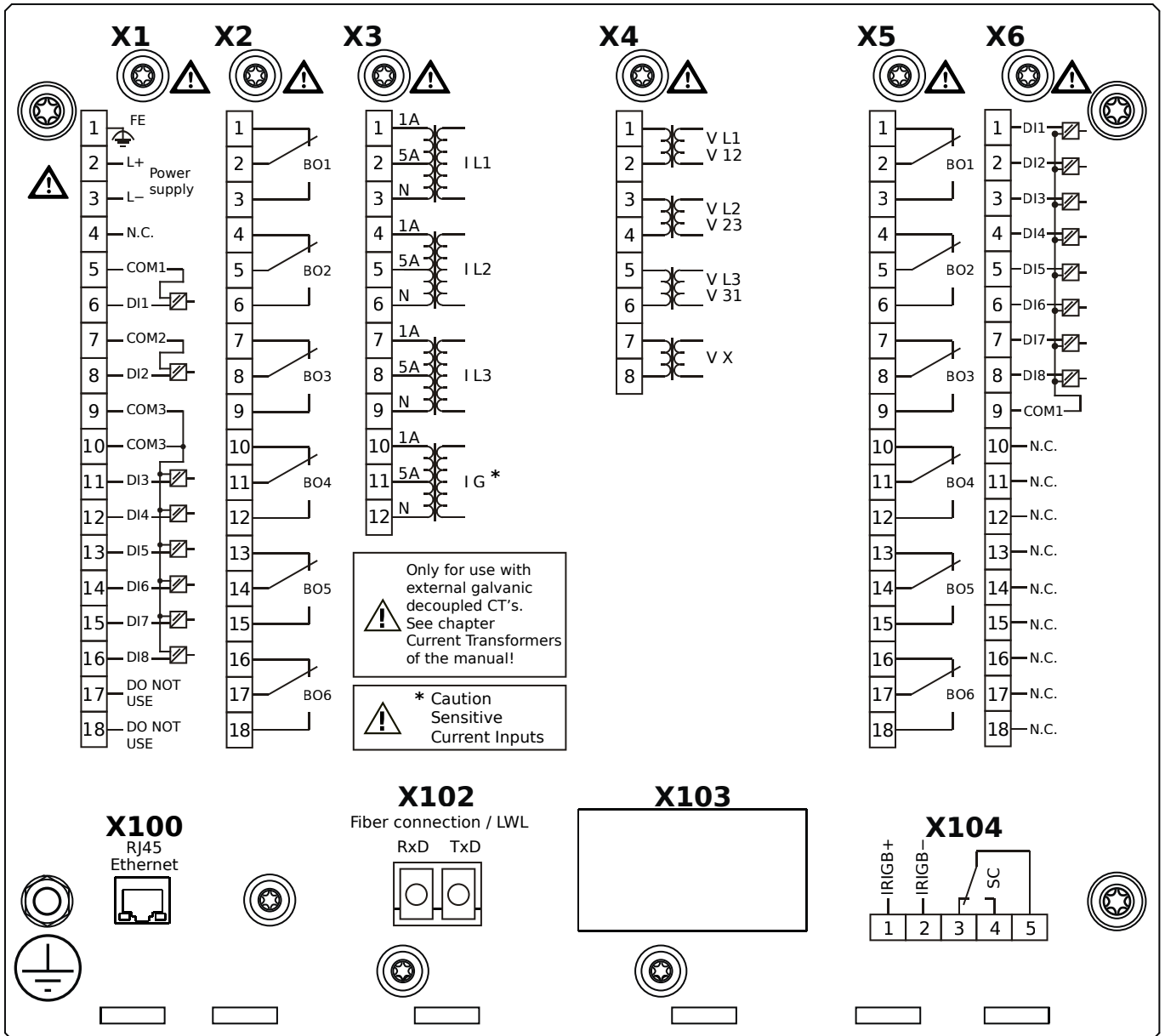
- X1** – DI8-X1: Wide-range power supply unit, incl. 2 non-grouped digital inputs and 6 grouped digital inputs
- X2** – OR-6: Assembly Group with 6 Relay Outputs
- X3** – TIs-4: Standard phase current measuring card and sensitive ground current measuring
- X4** – TU: Card with 4 voltage transformer measuring inputs
- X5** – OR-6: Assembly Group with 6 Relay Outputs
- X6** – DI8: Assembly Group with 8 Digital Inputs
- X102** – Long-distance Protection Communication, Fiber optics interface, LC Connector
- X103** – Modbus RTU / IEC 60870-5-103 / DNP3.0 RTU, RS485, Terminals
- X104** – IRIG-B00X, incl. System Contact (Supervision Contact)

MCDLV4-2D1H0CA



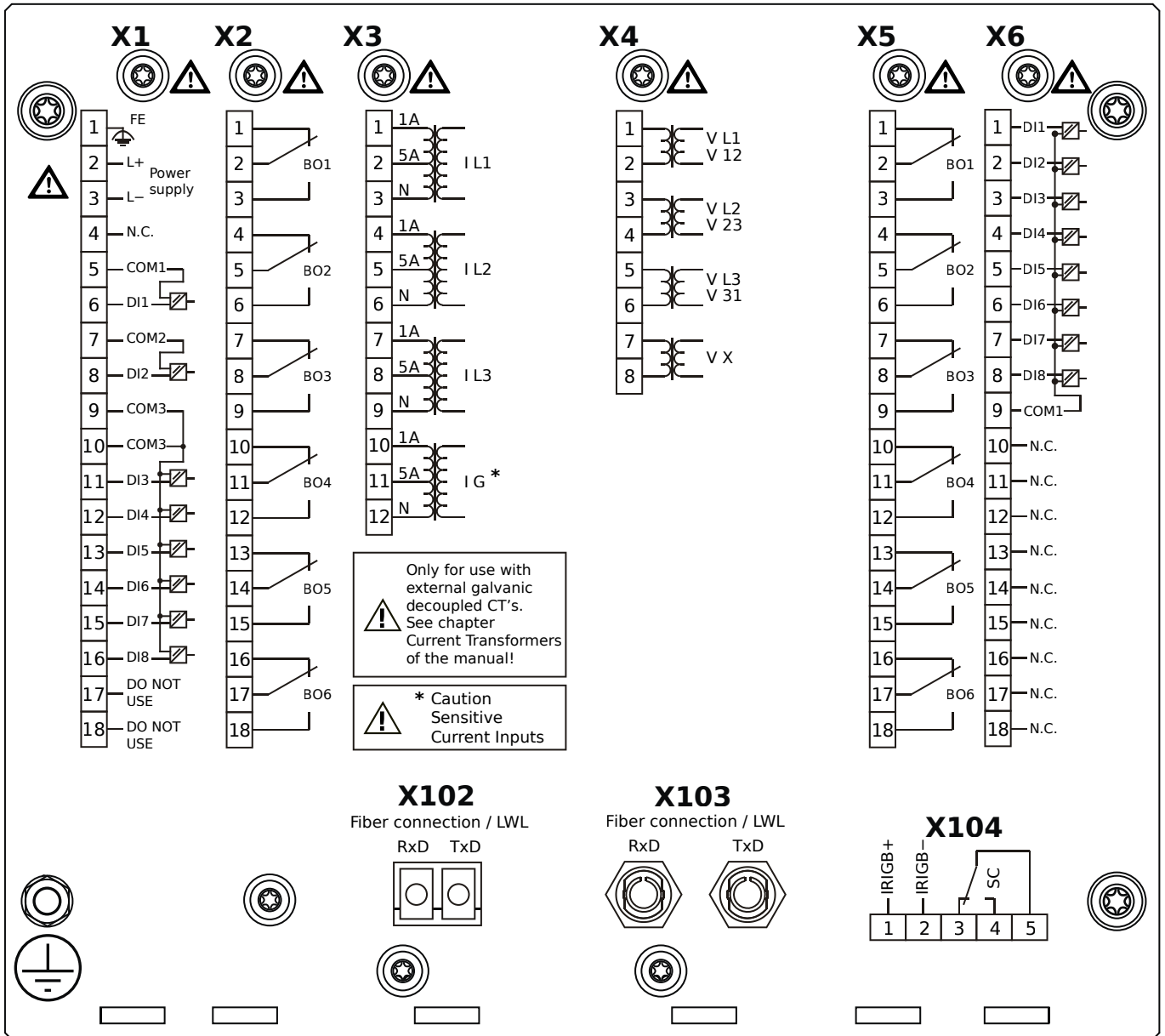
- X1** – DI8-X1: Wide-range power supply unit, incl. 2 non-grouped digital inputs and 6 grouped digital inputs
- X2** – OR-6: Assembly Group with 6 Relay Outputs
- X3** – TIs-4: Standard phase current measuring card and sensitive ground current measuring
- X4** – TU: Card with 4 voltage transformer measuring inputs
- X5** – OR-6: Assembly Group with 6 Relay Outputs
- X6** – DI8: Assembly Group with 8 Digital Inputs
- X100** – Modbus TCP / DNP3.0 TCP/UDP, Ethernet interface, 100 Mbit/s, RJ45 (BASE100-FX)
- X102** – Long-distance Protection Communication, Fiber optics interface, LC Connector
- X104** – IRIG-B00X, incl. System Contact (Supervision Contact)

MCDLV4-2D1H0CB



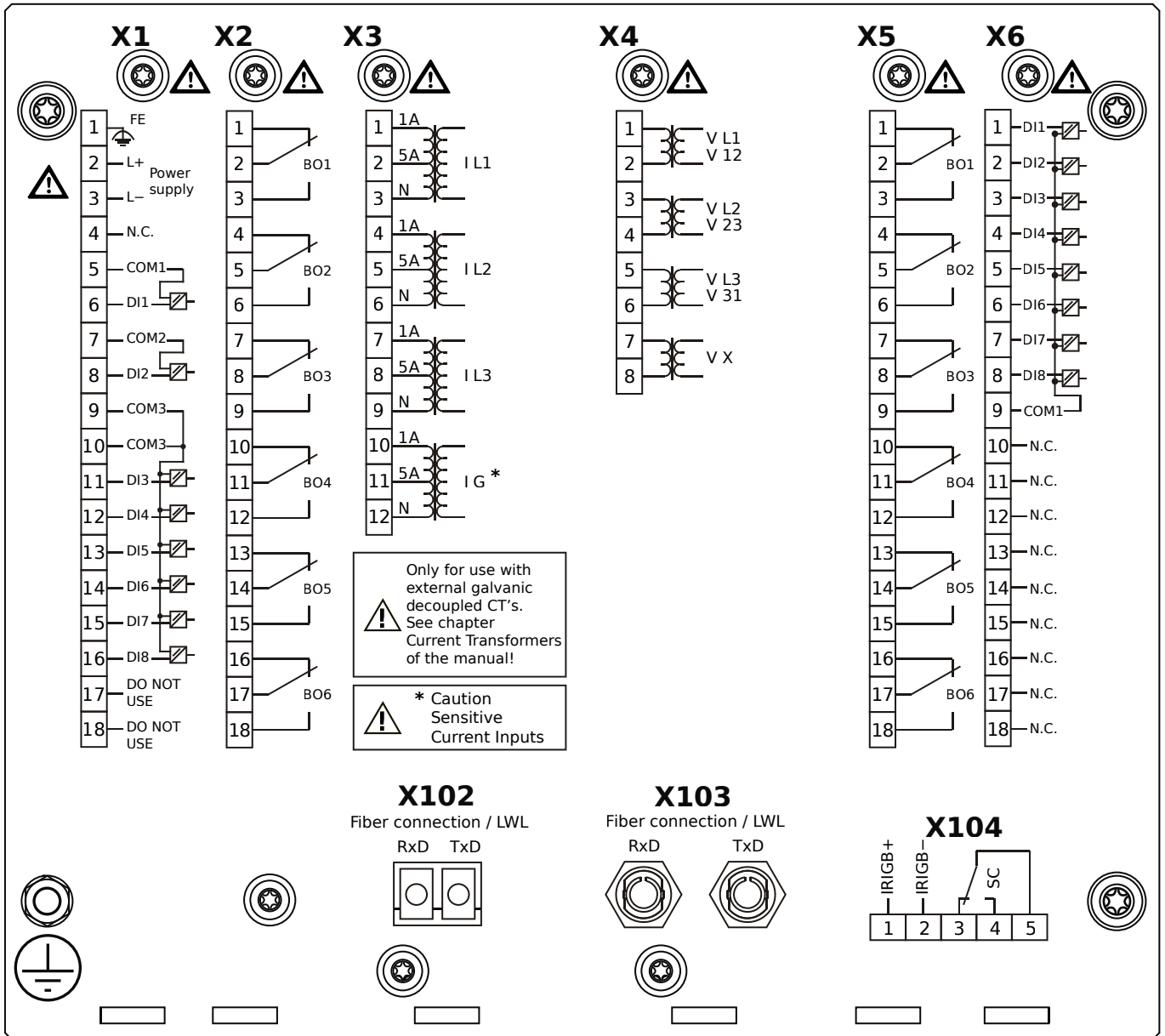
- X1** – DI8-X1: Wide-range power supply unit, incl. 2 non-grouped digital inputs and 6 grouped digital inputs
- X2** – OR-6: Assembly Group with 6 Relay Outputs
- X3** – TIs-4: Standard phase current measuring card and sensitive ground current measuring
- X4** – TU: Card with 4 voltage transformer measuring inputs
- X5** – OR-6: Assembly Group with 6 Relay Outputs
- X6** – DI8: Assembly Group with 8 Digital Inputs
- X100** – Modbus TCP / DNP3.0 TCP/UDP, Ethernet interface, 100 Mbit/s, RJ45 (BASE100-FX)
- X102** – Long-distance Protection Communication, Fiber optics interface, LC Connector
- X104** – IRIG-B00X, incl. System Contact (Supervision Contact)

MCDLV4-2D1H0DA



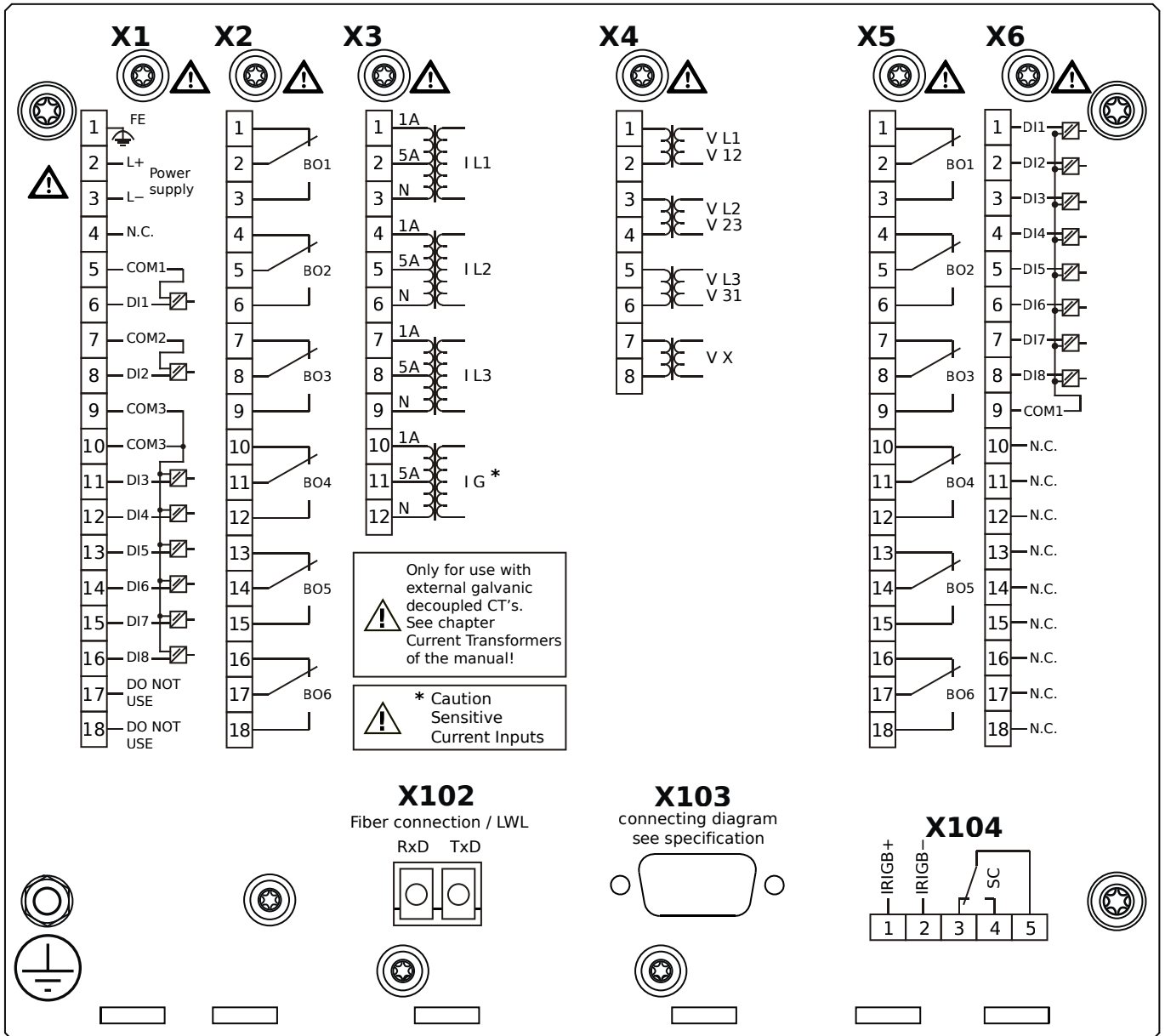
- X1** – DI8-X1: Wide-range power supply unit, incl. 2 non-grouped digital inputs and 6 grouped digital inputs
- X2** – OR-6: Assembly Group with 6 Relay Outputs
- X3** – TIs-4: Standard phase current measuring card and sensitive ground current measuring
- X4** – TU: Card with 4 voltage transformer measuring inputs
- X5** – OR-6: Assembly Group with 6 Relay Outputs
- X6** – DI8: Assembly Group with 8 Digital Inputs
- X102** – Long-distance Protection Communication, Fiber optics interface, LC Connector
- X103** – Profibus-DP, Fiber optics interface, ST Connector
- X104** – IRIG-B00X, incl. System Contact (Supervision Contact)

MCDLV4-2D1H0DB



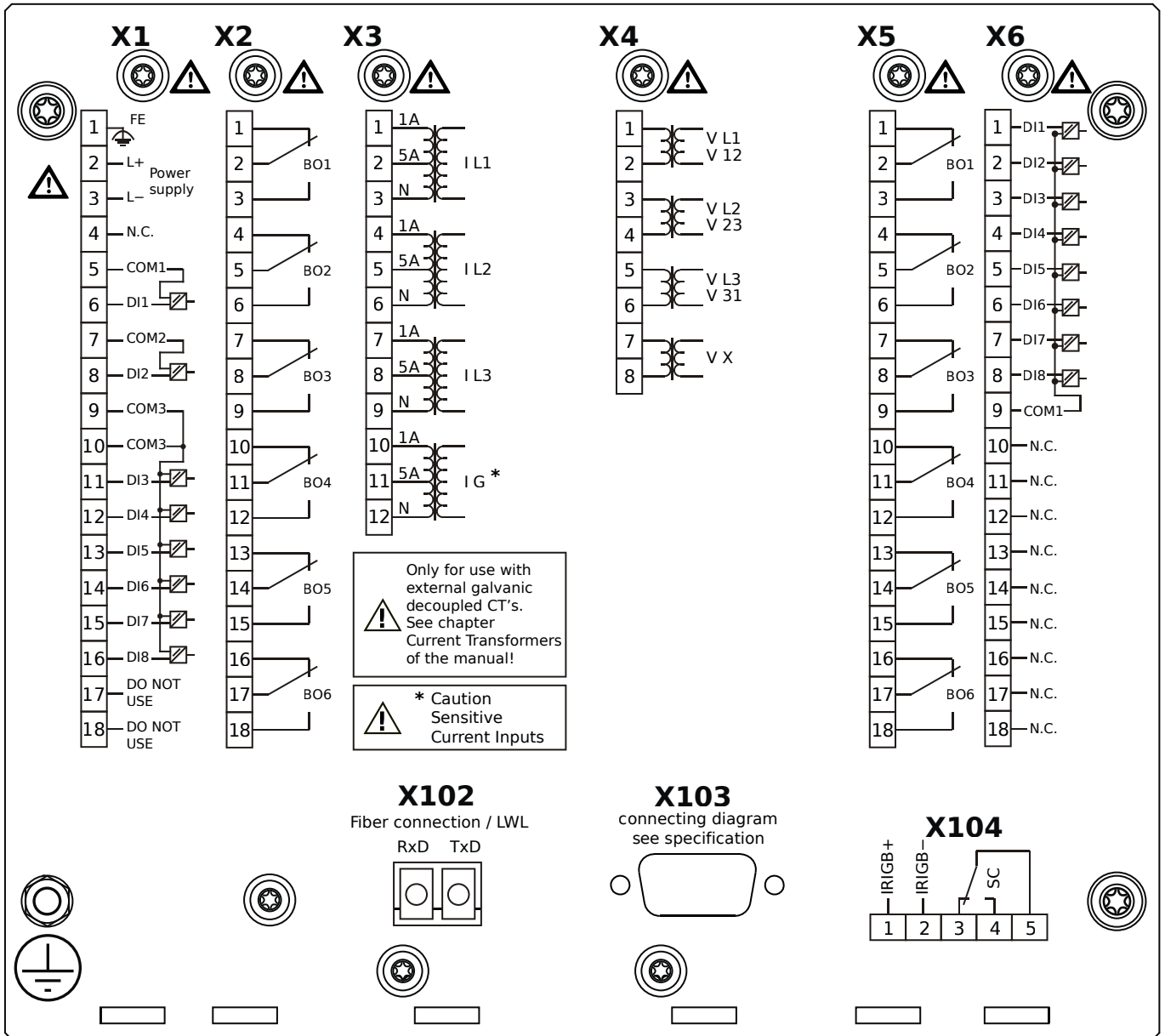
- X1** – DI8-X1: Wide-range power supply unit, incl. 2 non-grouped digital inputs and 6 grouped digital inputs
- X2** – OR-6: Assembly Group with 6 Relay Outputs
- X3** – TIs-4: Standard phase current measuring card and sensitive ground current measuring
- X4** – TU: Card with 4 voltage transformer measuring inputs
- X5** – OR-6: Assembly Group with 6 Relay Outputs
- X6** – DI8: Assembly Group with 8 Digital Inputs
- X102** – Long-distance Protection Communication, Fiber optics interface, LC Connector
- X103** – Profibus-DP, Fiber optics interface, ST Connector
- X104** – IRIG-B00X, incl. System Contact (Supervision Contact)

MCDLV4-2D1H0EA



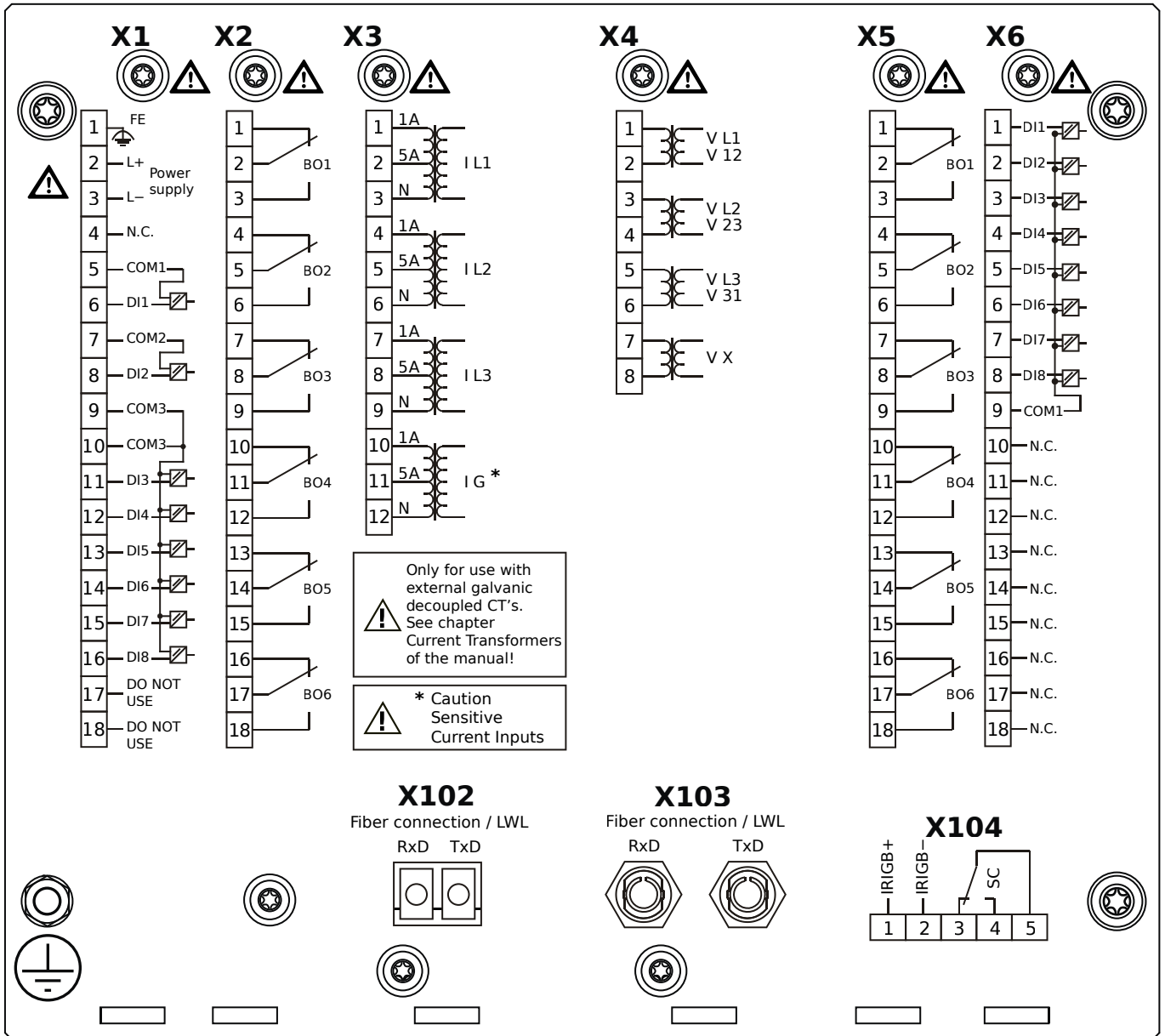
- X1** – DI8-X1: Wide-range power supply unit, incl. 2 non-grouped digital inputs and 6 grouped digital inputs
- X2** – OR-6: Assembly Group with 6 Relay Outputs
- X3** – TIs-4: Standard phase current measuring card and sensitive ground current measuring
- X4** – TU: Card with 4 voltage transformer measuring inputs
- X5** – OR-6: Assembly Group with 6 Relay Outputs
- X6** – DI8: Assembly Group with 8 Digital Inputs
- X102** – Long-distance Protection Communication, Fiber optics interface, LC Connector
- X103** – Profibus-DP, RS485, D-SUB
- X104** – IRIG-B00X, incl. System Contact (Supervision Contact)

MCDLV4-2D1H0EB



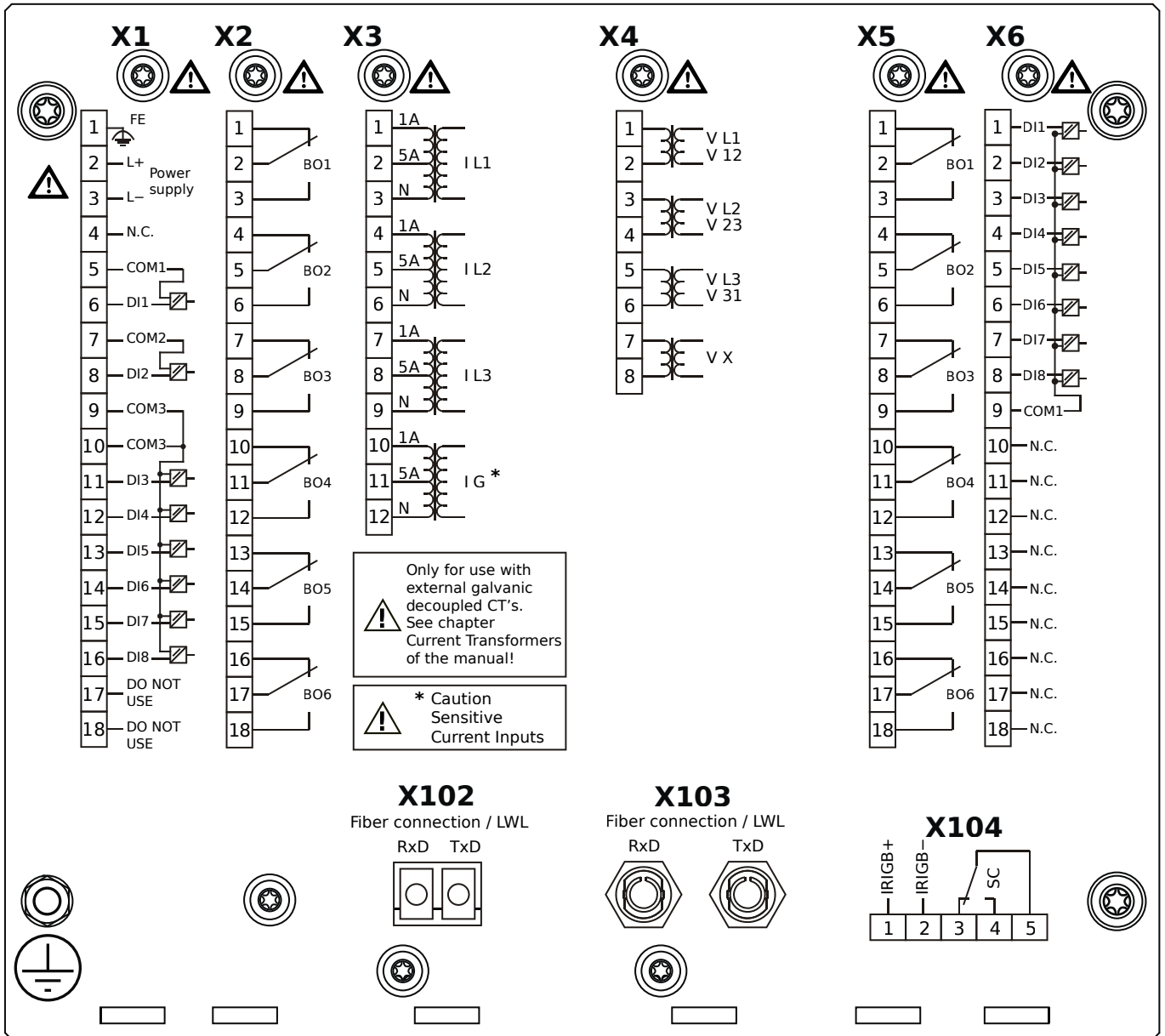
- X1** – DI8-X1: Wide-range power supply unit, incl. 2 non-grouped digital inputs and 6 grouped digital inputs
- X2** – OR-6: Assembly Group with 6 Relay Outputs
- X3** – TIs-4: Standard phase current measuring card and sensitive ground current measuring
- X4** – TU: Card with 4 voltage transformer measuring inputs
- X5** – OR-6: Assembly Group with 6 Relay Outputs
- X6** – DI8: Assembly Group with 8 Digital Inputs
- X102** – Long-distance Protection Communication, Fiber optics interface, LC Connector
- X103** – Profibus-DP, RS485, D-SUB
- X104** – IRIG-B00X, incl. System Contact (Supervision Contact)

MCDLV4-2D1H0FA



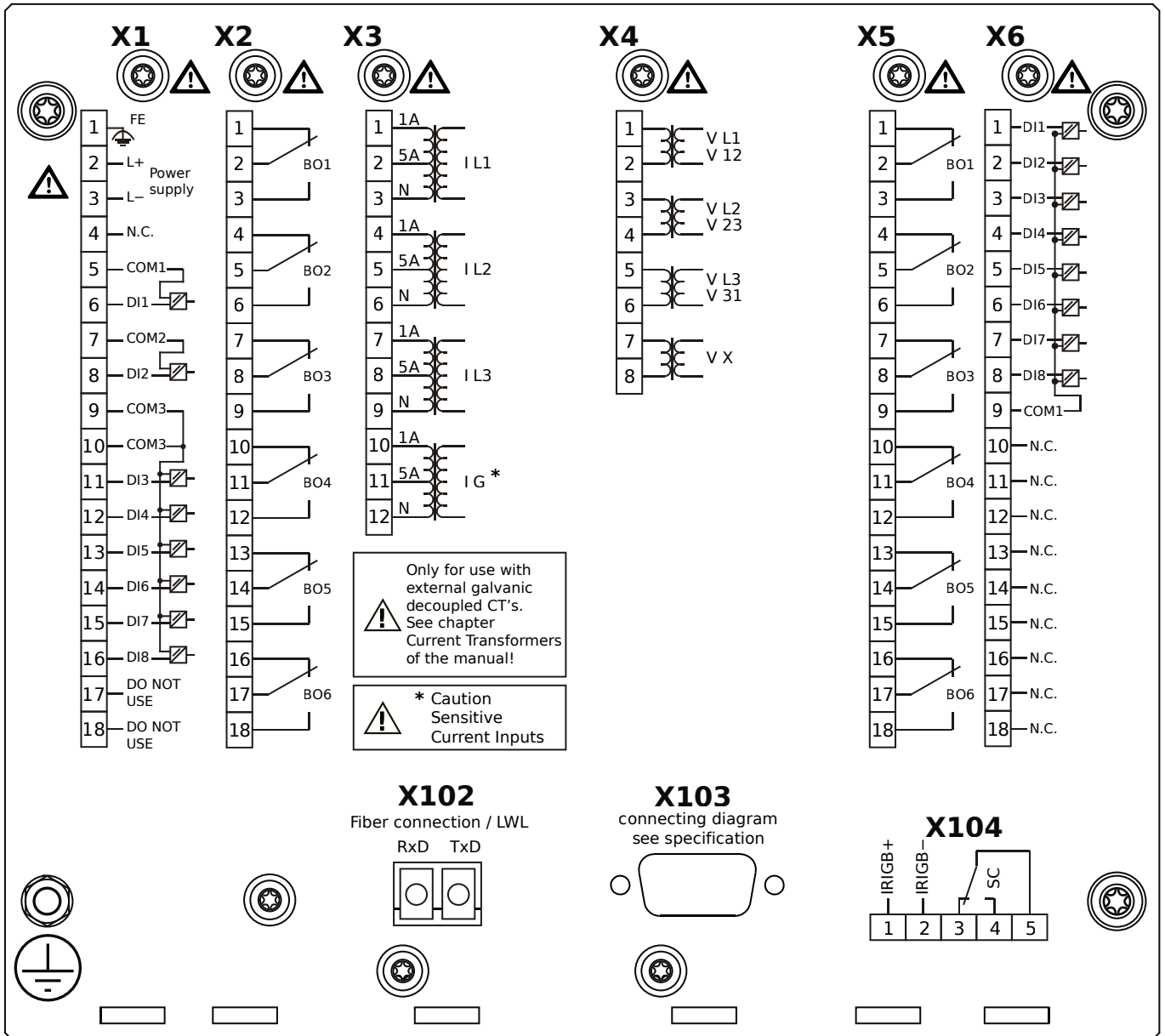
- X1** – DI8-X1: Wide-range power supply unit, incl. 2 non-grouped digital inputs and 6 grouped digital inputs
- X2** – OR-6: Assembly Group with 6 Relay Outputs
- X3** – TIs-4: Standard phase current measuring card and sensitive ground current measuring
- X4** – TU: Card with 4 voltage transformer measuring inputs
- X5** – OR-6: Assembly Group with 6 Relay Outputs
- X6** – DI8: Assembly Group with 8 Digital Inputs
- X102** – Long-distance Protection Communication, Fiber optics interface, LC Connector
- X103** – Modbus RTU / IEC 60870-5-103 / DNP3.0 RTU, Fiber optics interface, ST Connector
- X104** – IRIG-B00X, incl. System Contact (Supervision Contact)

MCDLV4-2D1H0FB



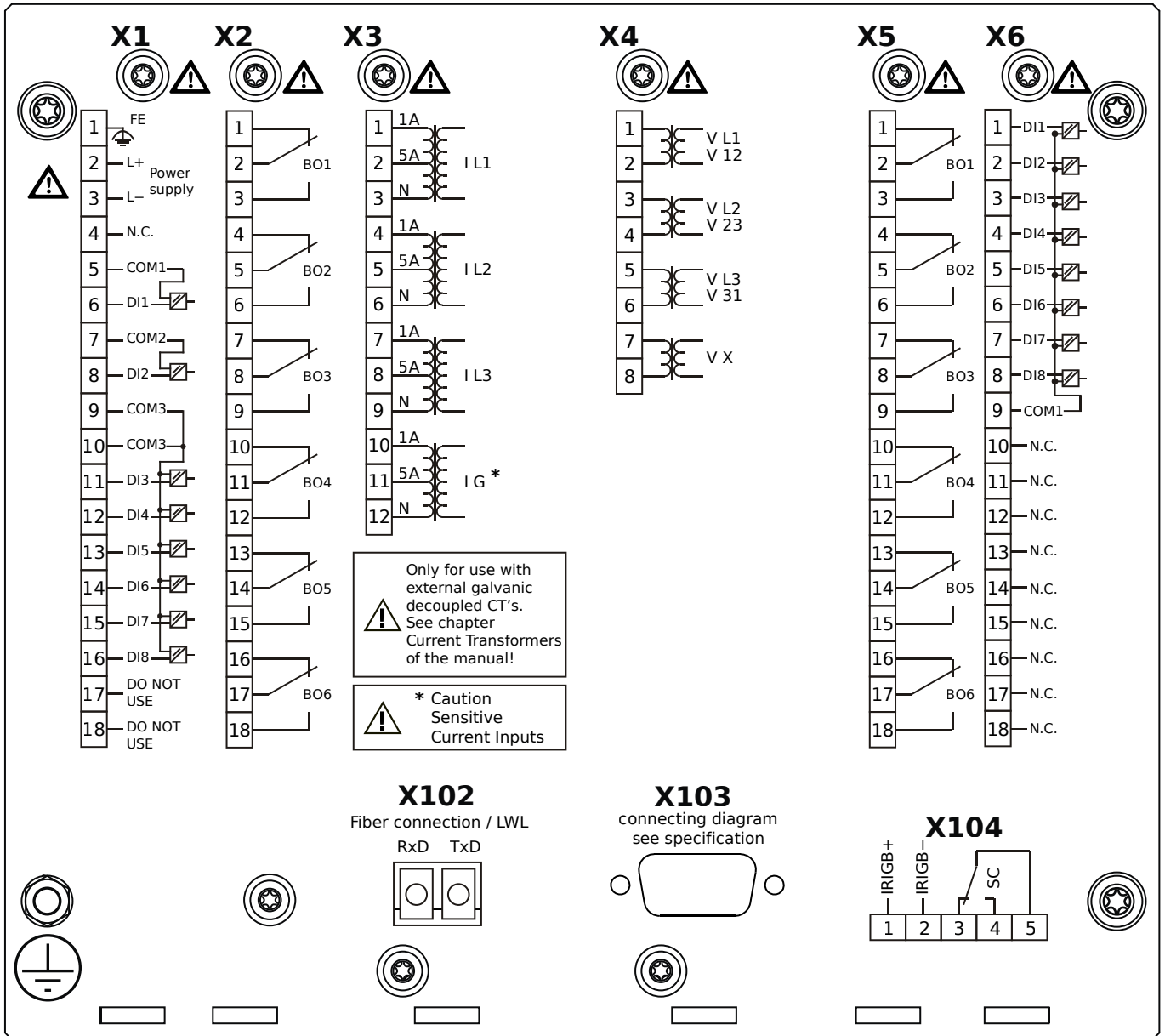
- X1** – DI8-X1: Wide-range power supply unit, incl. 2 non-grouped digital inputs and 6 grouped digital inputs
- X2** – OR-6: Assembly Group with 6 Relay Outputs
- X3** – TIs-4: Standard phase current measuring card and sensitive ground current measuring
- X4** – TU: Card with 4 voltage transformer measuring inputs
- X5** – OR-6: Assembly Group with 6 Relay Outputs
- X6** – DI8: Assembly Group with 8 Digital Inputs
- X102** – Long-distance Protection Communication, Fiber optics interface, LC Connector
- X103** – Modbus RTU / IEC 60870-5-103 / DNP3.0 RTU, Fiber optics interface, ST Connector
- X104** – IRIG-B00X, incl. System Contact (Supervision Contact)

MCDLV4-2D1H0GA



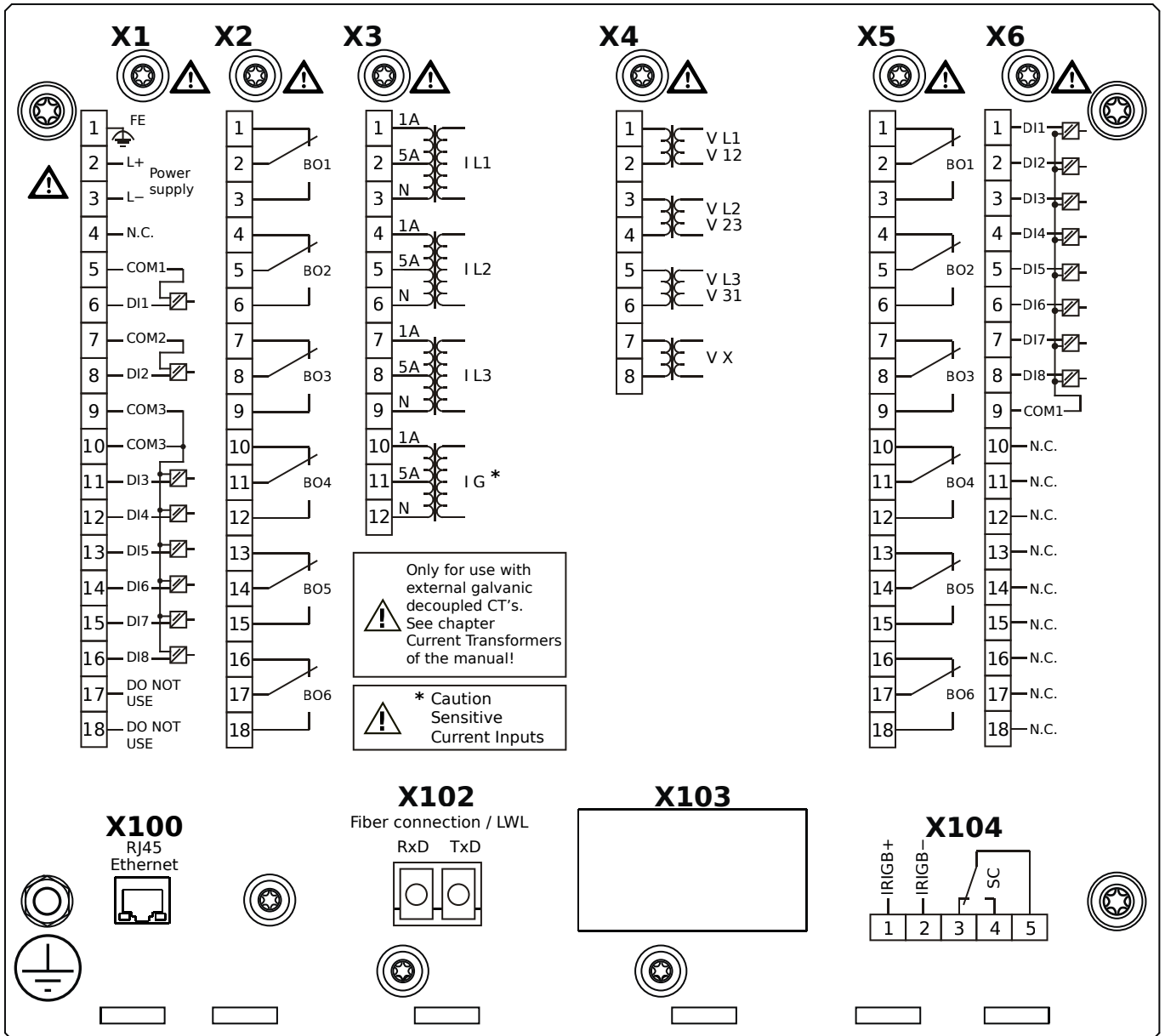
- X1** – DI8-X1: Wide-range power supply unit, incl. 2 non-grouped digital inputs and 6 grouped digital inputs
- X2** – OR-6: Assembly Group with 6 Relay Outputs
- X3** – TIs-4: Standard phase current measuring card and sensitive ground current measuring
- X4** – TU: Card with 4 voltage transformer measuring inputs
- X5** – OR-6: Assembly Group with 6 Relay Outputs
- X6** – DI8: Assembly Group with 8 Digital Inputs
- X102** – Long-distance Protection Communication, Fiber optics interface, LC Connector
- X103** – Modbus RTU / IEC 60870-5-103 / DNP3.0 RTU, RS485, D-SUB
- X104** – IRIG-B00X, incl. System Contact (Supervision Contact)

MCDLV4-2D1H0GB



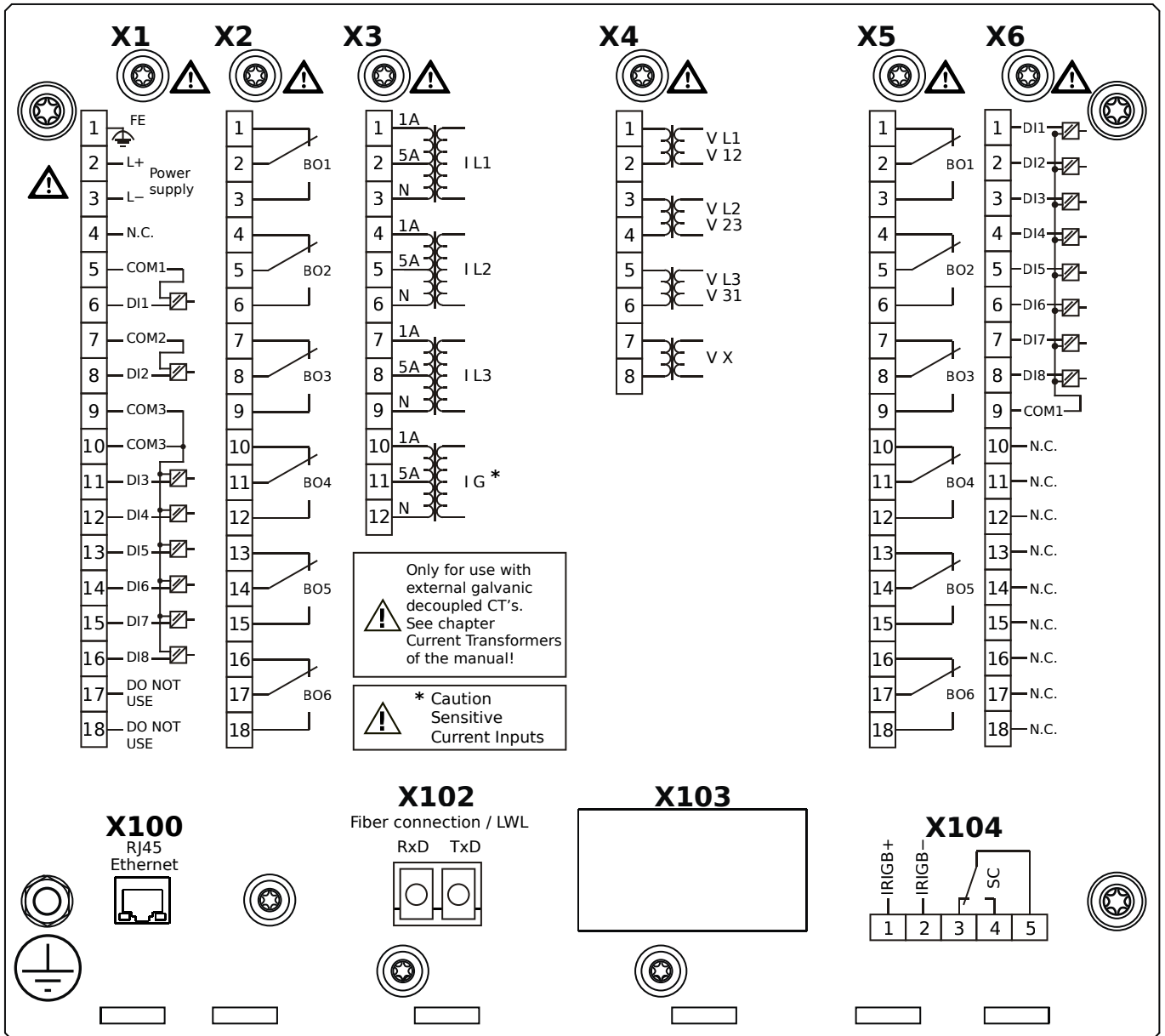
- X1** – DI8-X1: Wide-range power supply unit, incl. 2 non-grouped digital inputs and 6 grouped digital inputs
- X2** – OR-6: Assembly Group with 6 Relay Outputs
- X3** – TIs-4: Standard phase current measuring card and sensitive ground current measuring
- X4** – TU: Card with 4 voltage transformer measuring inputs
- X5** – OR-6: Assembly Group with 6 Relay Outputs
- X6** – DI8: Assembly Group with 8 Digital Inputs
- X102** – Long-distance Protection Communication, Fiber optics interface, LC Connector
- X103** – Modbus RTU / IEC 60870-5-103 / DNP3.0 RTU, RS485, D-SUB
- X104** – IRIG-B00X, incl. System Contact (Supervision Contact)

MCDLV4-2D1H0HA



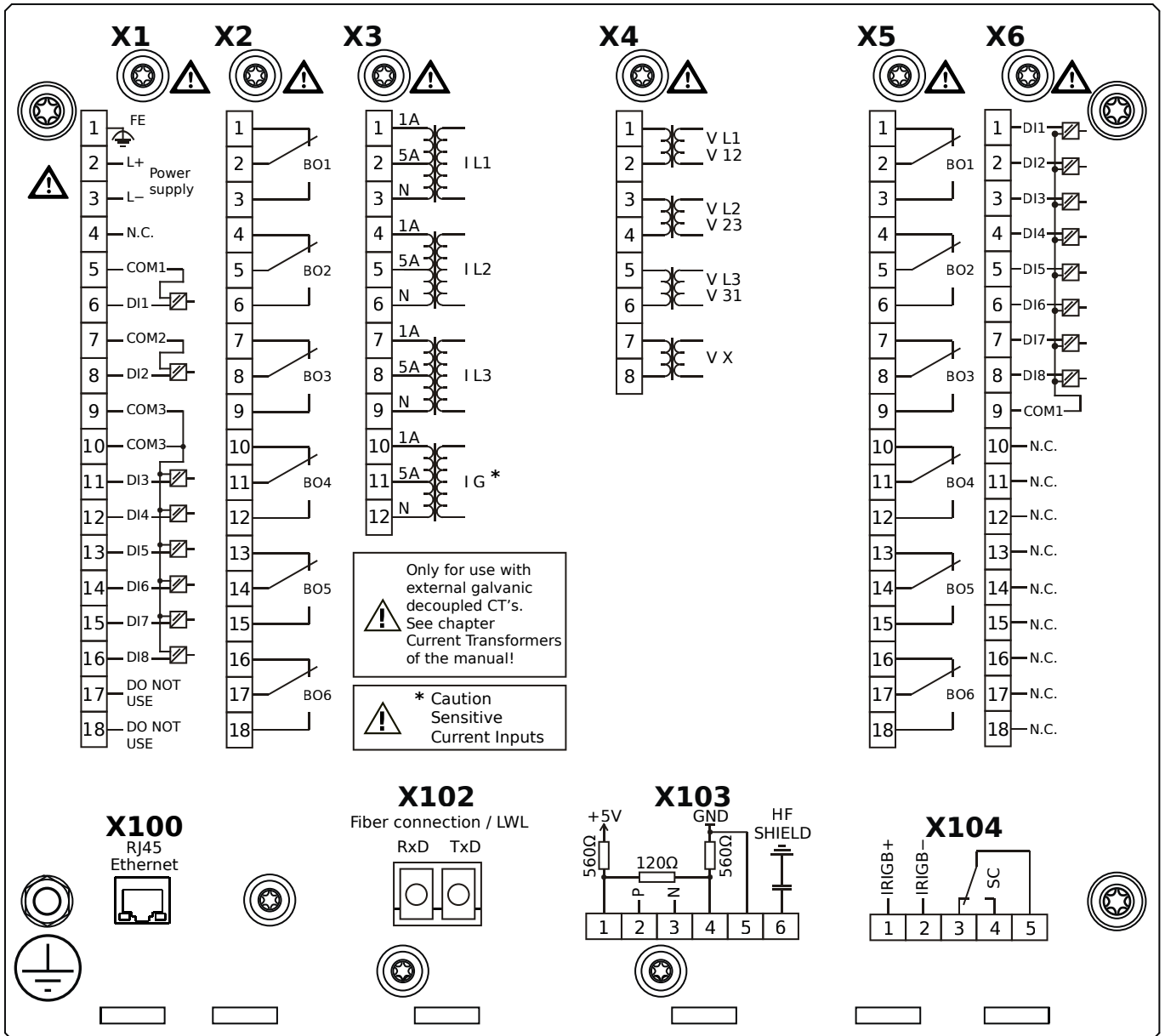
- X1** – DI8-X1: Wide-range power supply unit, incl. 2 non-grouped digital inputs and 6 grouped digital inputs
- X2** – OR-6: Assembly Group with 6 Relay Outputs
- X3** – TIs-4: Standard phase current measuring card and sensitive ground current measuring
- X4** – TU: Card with 4 voltage transformer measuring inputs
- X5** – OR-6: Assembly Group with 6 Relay Outputs
- X6** – DI8: Assembly Group with 8 Digital Inputs
- X100** – IEC 61850 / Modbus TCP / DNP3.0 TCP/UDP, Ethernet interface, 100 Mbit/s, RJ45 (BASE100-FX)
- X102** – Long-distance Protection Communication, Fiber optics interface, LC Connector
- X104** – IRIG-B00X, incl. System Contact (Supervision Contact)

MCDLV4-2D1H0HB



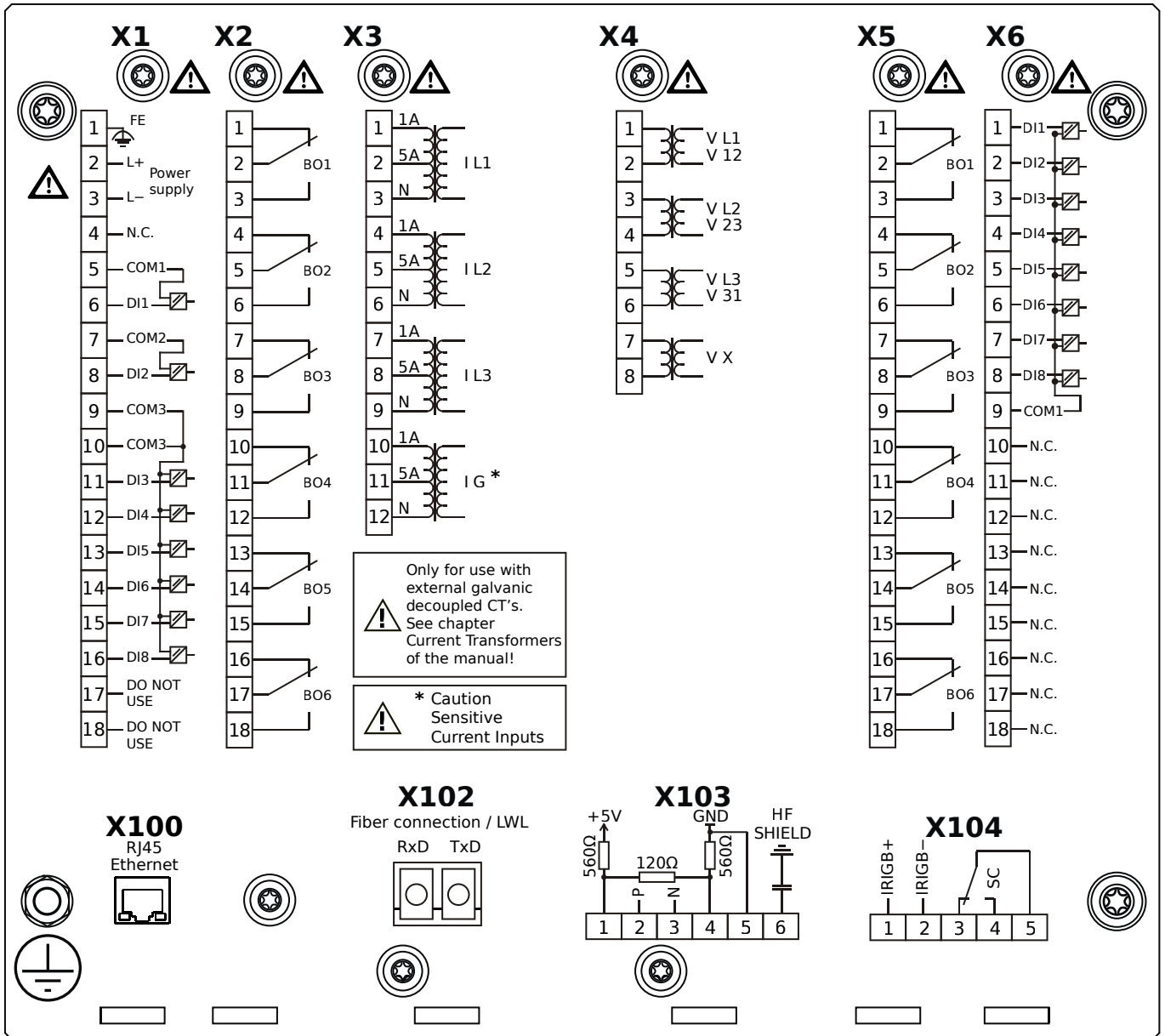
- X1** – DI8-X1: Wide-range power supply unit, incl. 2 non-grouped digital inputs and 6 grouped digital inputs
- X2** – OR-6: Assembly Group with 6 Relay Outputs
- X3** – TIs-4: Standard phase current measuring card and sensitive ground current measuring
- X4** – TU: Card with 4 voltage transformer measuring inputs
- X5** – OR-6: Assembly Group with 6 Relay Outputs
- X6** – DI8: Assembly Group with 8 Digital Inputs
- X100** – IEC 61850 / Modbus TCP / DNP3.0 TCP/UDP, Ethernet interface, 100 Mbit/s, RJ45 (BASE100-FX)
- X102** – Long-distance Protection Communication, Fiber optics interface, LC Connector
- X104** – IRIG-B00X, incl. System Contact (Supervision Contact)

MCDLV4-2D1H0IA



- X1** – DI8-X1: Wide-range power supply unit, incl. 2 non-grouped digital inputs and 6 grouped digital inputs
- X2** – OR-6: Assembly Group with 6 Relay Outputs
- X3** – TIs-4: Standard phase current measuring card and sensitive ground current measuring
- X4** – TU: Card with 4 voltage transformer measuring inputs
- X5** – OR-6: Assembly Group with 6 Relay Outputs
- X6** – DI8: Assembly Group with 8 Digital Inputs
- X100** – Modbus TCP / DNP3.0 TCP/UDP, Ethernet interface, 100 Mbit/s, RJ45 (BASE100-FX)
- X102** – Long-distance Protection Communication, Fiber optics interface, LC Connector
- X103** – IEC 60870-5-103 / Modbus RTU / DNP3.0 RTU, RS485, Terminals
- X104** – IRIG-B00X, incl. System Contact (Supervision Contact)

MCDLV4-2D1H0IB



X1 – DI8-X1: Wide-range power supply unit, incl. 2 non-grouped digital inputs and 6 grouped digital inputs

X2 – OR-6: Assembly Group with 6 Relay Outputs

X3 – TIs-4: Standard phase current measuring card and sensitive ground current measuring

X4 – TU: Card with 4 voltage transformer measuring inputs

X5 – OR-6: Assembly Group with 6 Relay Outputs

X6 – DI8: Assembly Group with 8 Digital Inputs

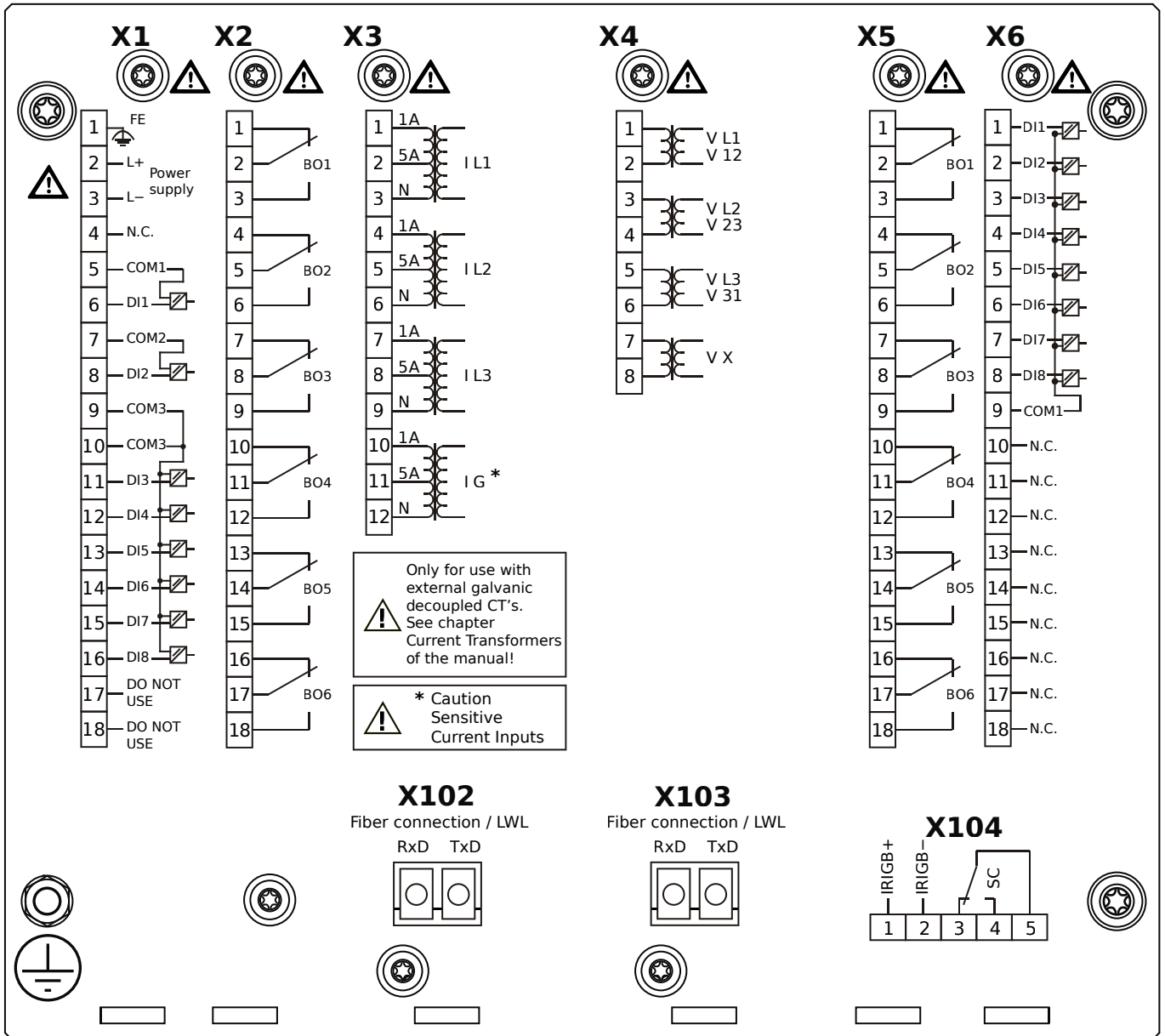
X100 – Modbus TCP / DNP3.0 TCP/UDP, Ethernet interface, 100 Mbit/s, RJ45 (BASE100-FX)

X102 – Long-distance Protection Communication, Fiber optics interface, LC Connector

X103 – IEC 60870-5-103 / Modbus RTU / DNP3.0 RTU, RS485, Terminals

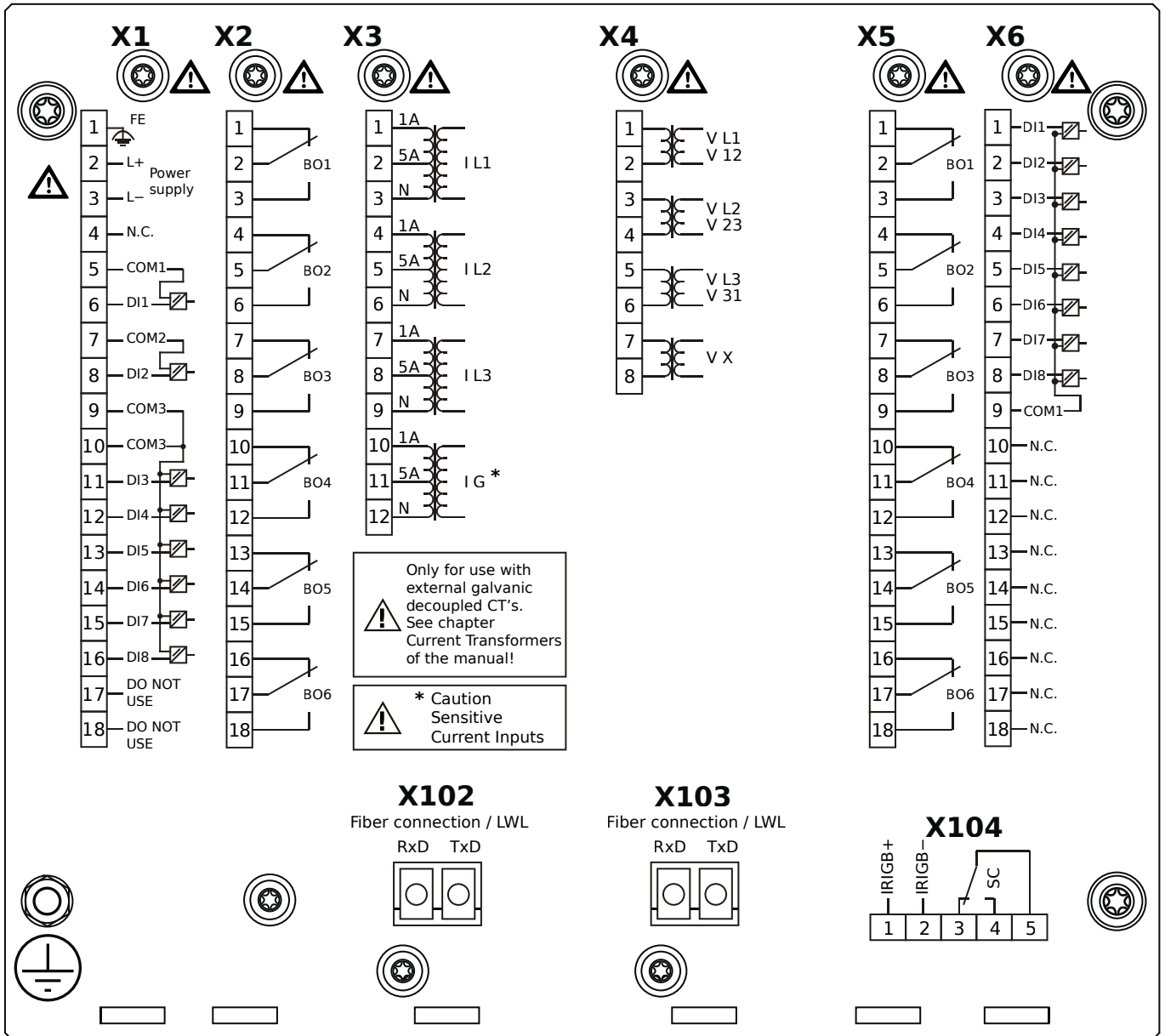
X104 – IRIG-B00X, incl. System Contact (Supervision Contact)

MCDLV4-2D1H0KA



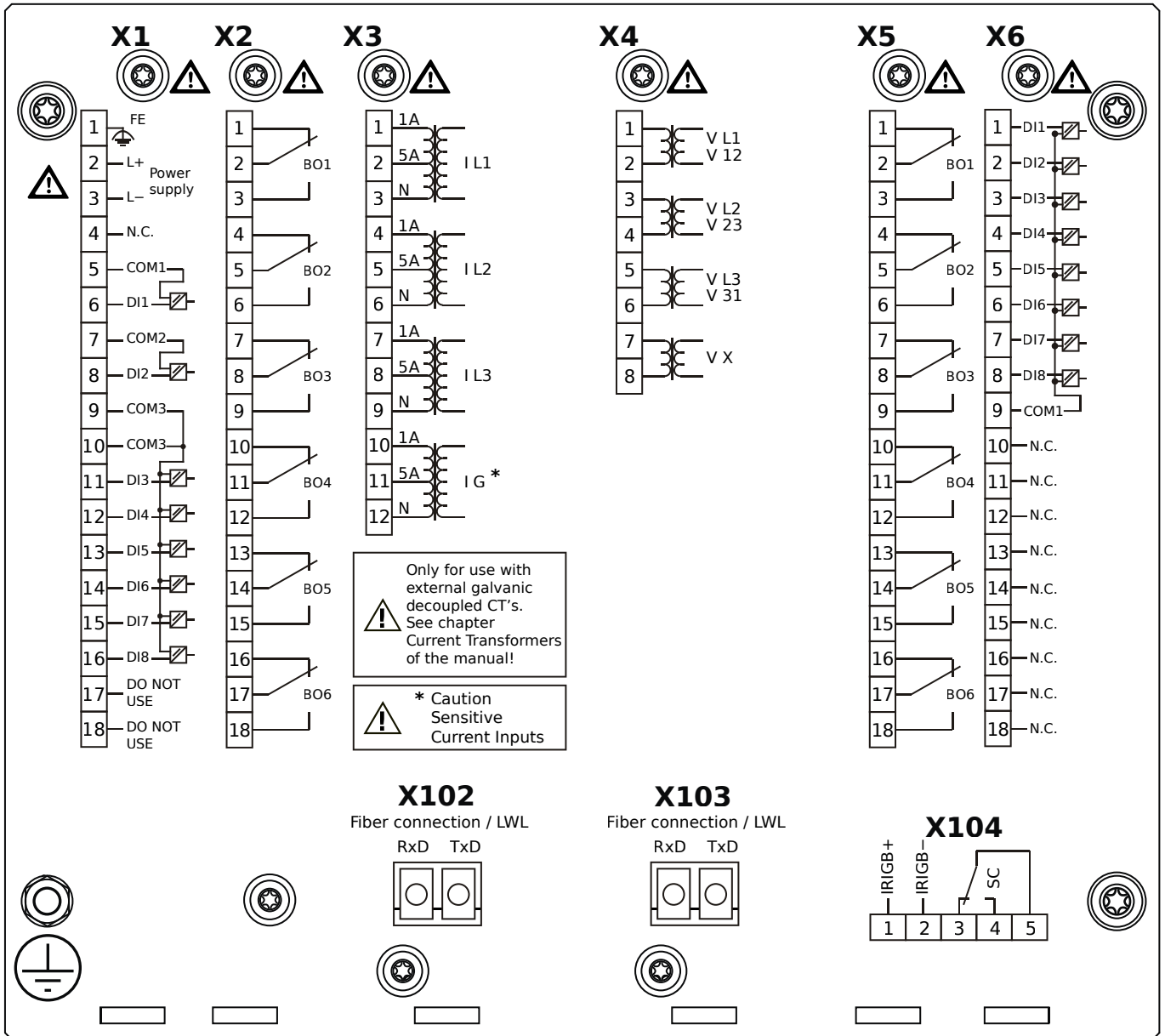
- X1** – DI8-X1: Wide-range power supply unit, incl. 2 non-grouped digital inputs and 6 grouped digital inputs
- X2** – OR-6: Assembly Group with 6 Relay Outputs
- X3** – TIs-4: Standard phase current measuring card and sensitive ground current measuring
- X4** – TU: Card with 4 voltage transformer measuring inputs
- X5** – OR-6: Assembly Group with 6 Relay Outputs
- X6** – DI8: Assembly Group with 8 Digital Inputs
- X102** – Long-distance Protection Communication, Fiber optics interface, LC Connector
- X103** – IEC 61850 / Modbus TCP / DNP3.0 TCP/UDP, Fiber optics interface, LC Connector
- X104** – IRIG-B00X, incl. System Contact (Supervision Contact)

MCDLV4-2D1H0KB



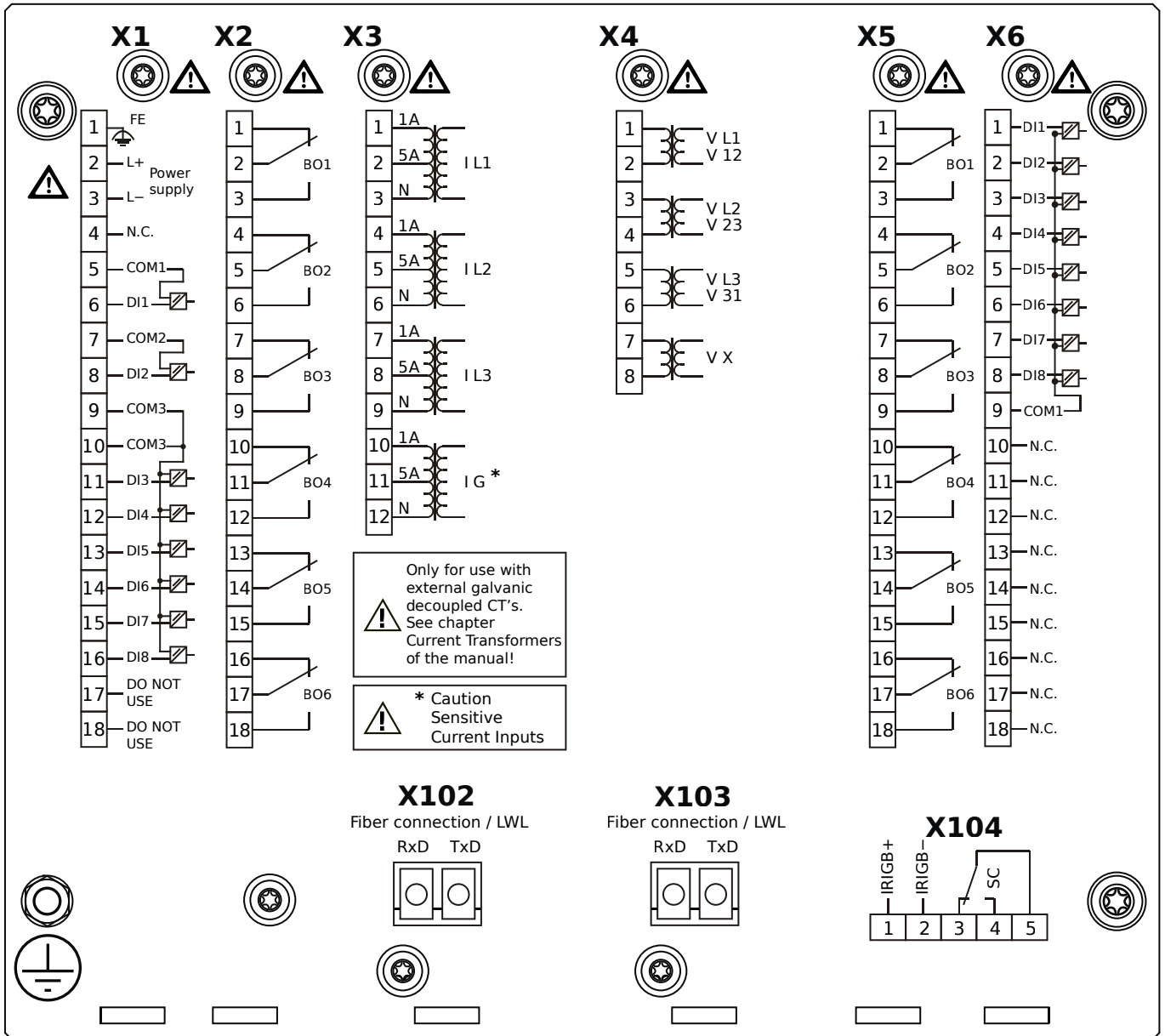
- X1** – DI8-X1: Wide-range power supply unit, incl. 2 non-grouped digital inputs and 6 grouped digital inputs
- X2** – OR-6: Assembly Group with 6 Relay Outputs
- X3** – TIs-4: Standard phase current measuring card and sensitive ground current measuring
- X4** – TU: Card with 4 voltage transformer measuring inputs
- X5** – OR-6: Assembly Group with 6 Relay Outputs
- X6** – DI8: Assembly Group with 8 Digital Inputs
- X102** – Long-distance Protection Communication, Fiber optics interface, LC Connector
- X103** – IEC 61850 / Modbus TCP / DNP3.0 TCP/UDP, Fiber optics interface, LC Connector
- X104** – IRIG-B00X, incl. System Contact (Supervision Contact)

MCDLV4-2D1H0LA



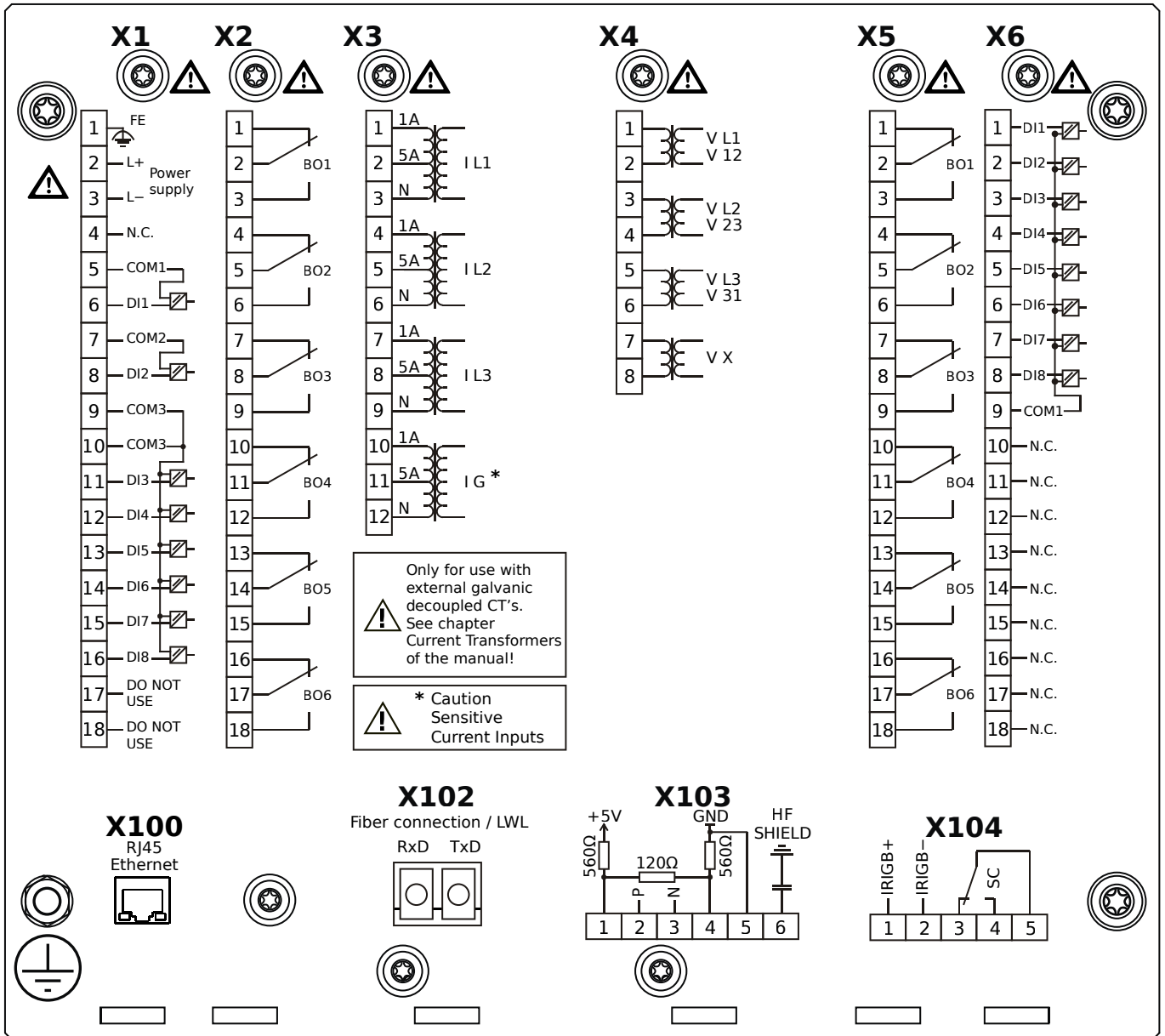
- X1** – DI8-X1: Wide-range power supply unit, incl. 2 non-grouped digital inputs and 6 grouped digital inputs
- X2** – OR-6: Assembly Group with 6 Relay Outputs
- X3** – TIs-4: Standard phase current measuring card and sensitive ground current measuring
- X4** – TU: Card with 4 voltage transformer measuring inputs
- X5** – OR-6: Assembly Group with 6 Relay Outputs
- X6** – DI8: Assembly Group with 8 Digital Inputs
- X102** – Long-distance Protection Communication, Fiber optics interface, LC Connector
- X103** – Modbus TCP / DNP3.0 TCP/UDP, Fiber optics interface, LC Connector
- X104** – IRIG-B00X, incl. System Contact (Supervision Contact)

MCDLV4-2D1H0LB



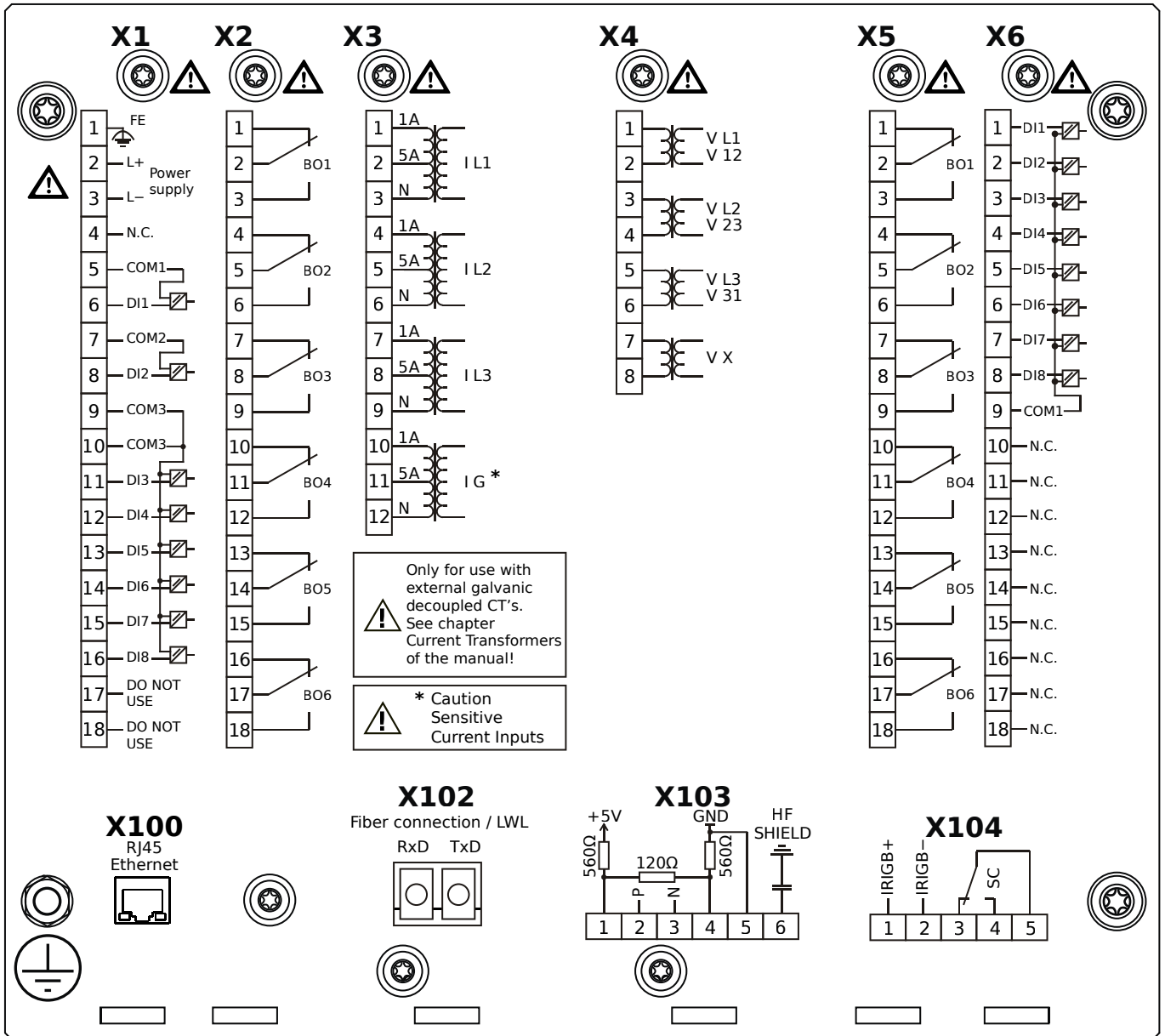
- X1** – DI8-X1: Wide-range power supply unit, incl. 2 non-grouped digital inputs and 6 grouped digital inputs
- X2** – OR-6: Assembly Group with 6 Relay Outputs
- X3** – TIs-4: Standard phase current measuring card and sensitive ground current measuring
- X4** – TU: Card with 4 voltage transformer measuring inputs
- X5** – OR-6: Assembly Group with 6 Relay Outputs
- X6** – DI8: Assembly Group with 8 Digital Inputs
- X102** – Long-distance Protection Communication, Fiber optics interface, LC Connector
- X103** – Modbus TCP / DNP3.0 TCP/UDP, Fiber optics interface, LC Connector
- X104** – IRIG-B00X, incl. System Contact (Supervision Contact)

MCDLV4-2D1H0TA



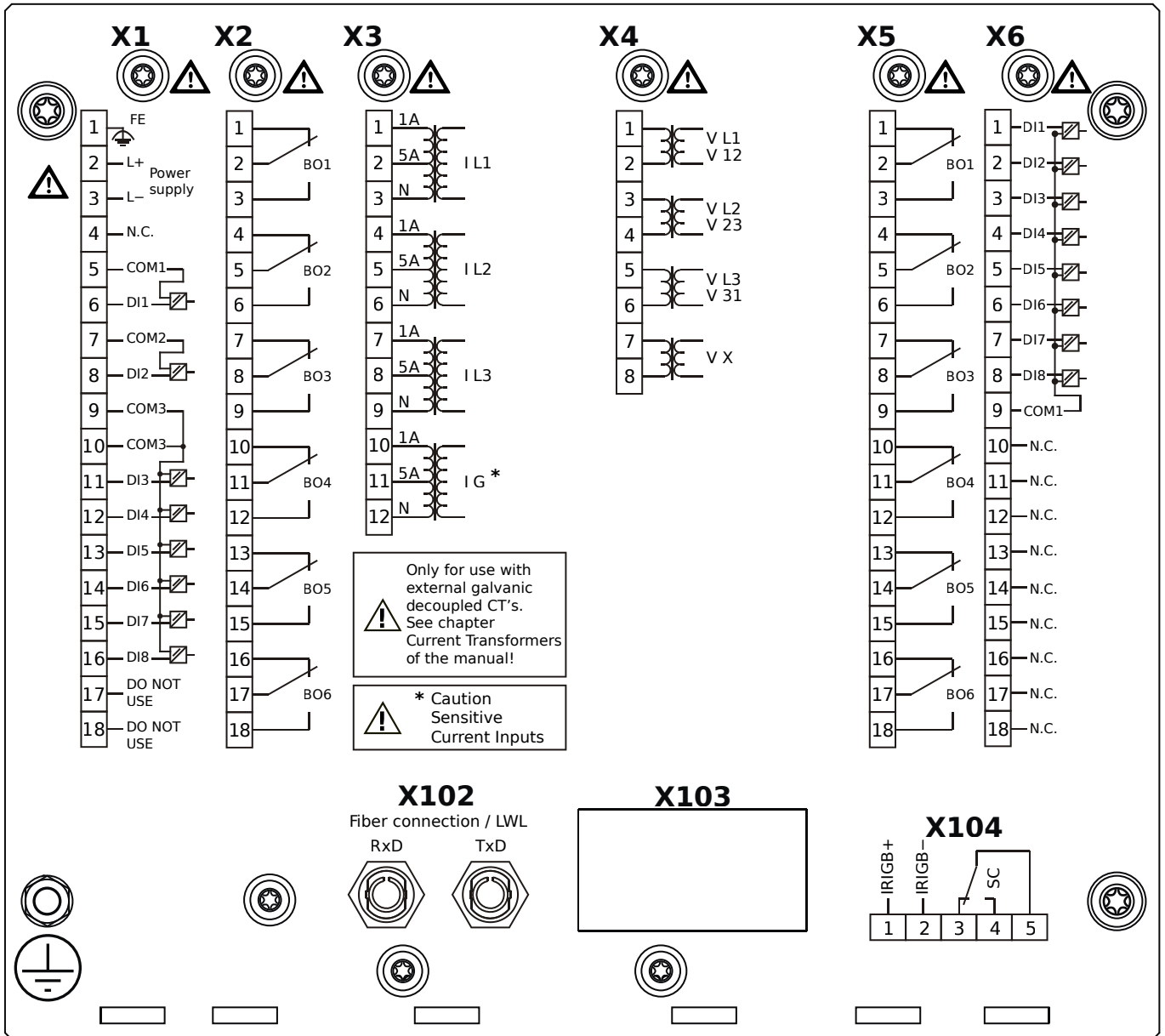
- X1** – DI8-X1: Wide-range power supply unit, incl. 2 non-grouped digital inputs and 6 grouped digital inputs
- X2** – OR-6: Assembly Group with 6 Relay Outputs
- X3** – TIs-4: Standard phase current measuring card and sensitive ground current measuring
- X4** – TU: Card with 4 voltage transformer measuring inputs
- X5** – OR-6: Assembly Group with 6 Relay Outputs
- X6** – DI8: Assembly Group with 8 Digital Inputs
- X100** – IEC 61850 / Modbus TCP / DNP3.0 TCP/UDP, Ethernet interface, 100 Mbit/s, RJ45 (BASE100-FX)
- X102** – Long-distance Protection Communication, Fiber optics interface, LC Connector
- X103** – IEC 60870-5-103 / Modbus RTU / DNP3.0 RTU, RS485, Terminals
- X104** – IRIG-B00X, incl. System Contact (Supervision Contact)

MCDLV4-2D1H0TB



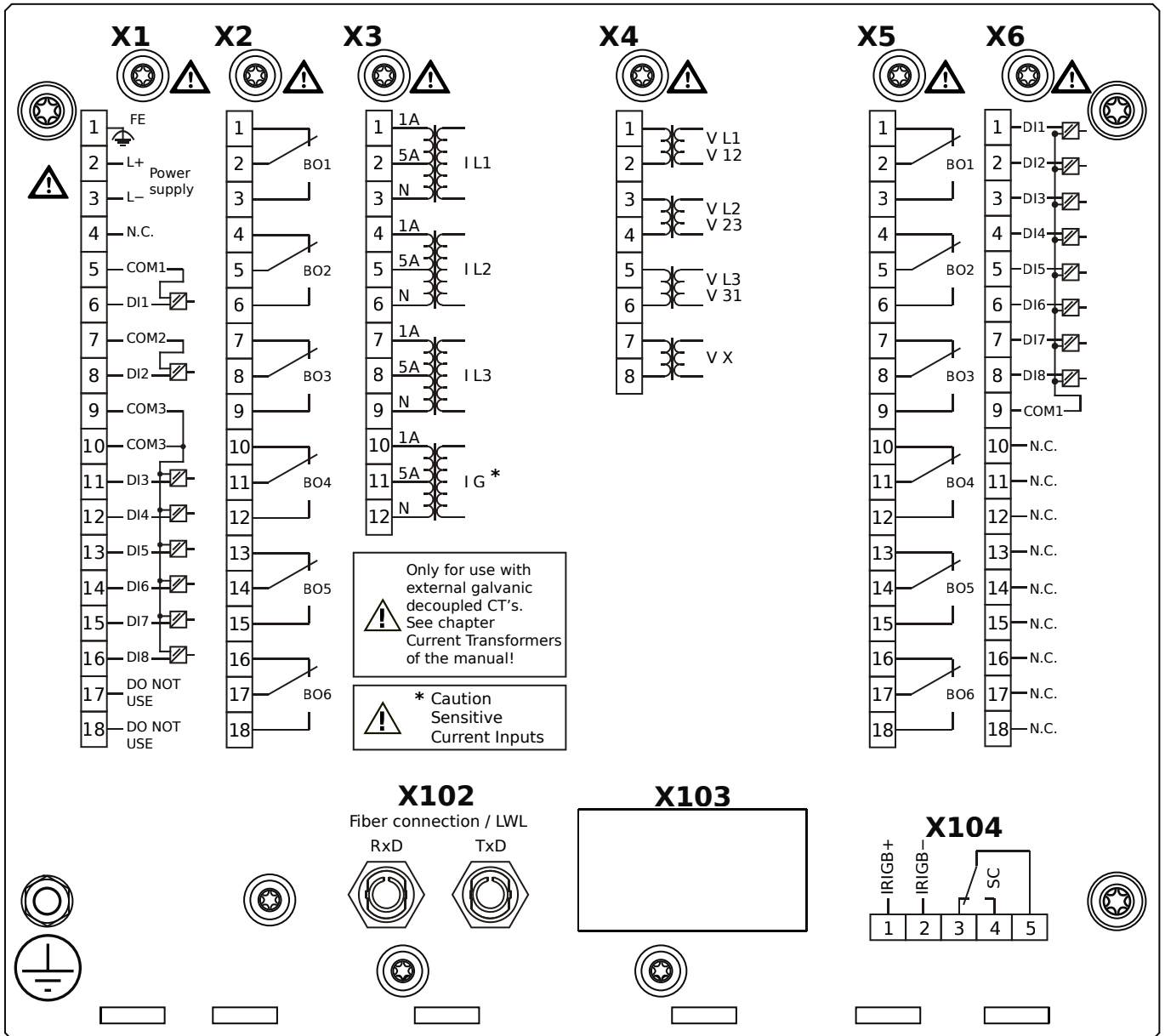
- X1** – DI8-X1: Wide-range power supply unit, incl. 2 non-grouped digital inputs and 6 grouped digital inputs
- X2** – OR-6: Assembly Group with 6 Relay Outputs
- X3** – TIs-4: Standard phase current measuring card and sensitive ground current measuring
- X4** – TU: Card with 4 voltage transformer measuring inputs
- X5** – OR-6: Assembly Group with 6 Relay Outputs
- X6** – DI8: Assembly Group with 8 Digital Inputs
- X100** – IEC 61850 / Modbus TCP / DNP3.0 TCP/UDP, Ethernet interface, 100 Mbit/s, RJ45 (BASE100-FX)
- X102** – Long-distance Protection Communication, Fiber optics interface, LC Connector
- X103** – IEC 60870-5-103 / Modbus RTU / DNP3.0 RTU, RS485, Terminals
- X104** – IRIG-B00X, incl. System Contact (Supervision Contact)

MCDLV4-2D1H1AA



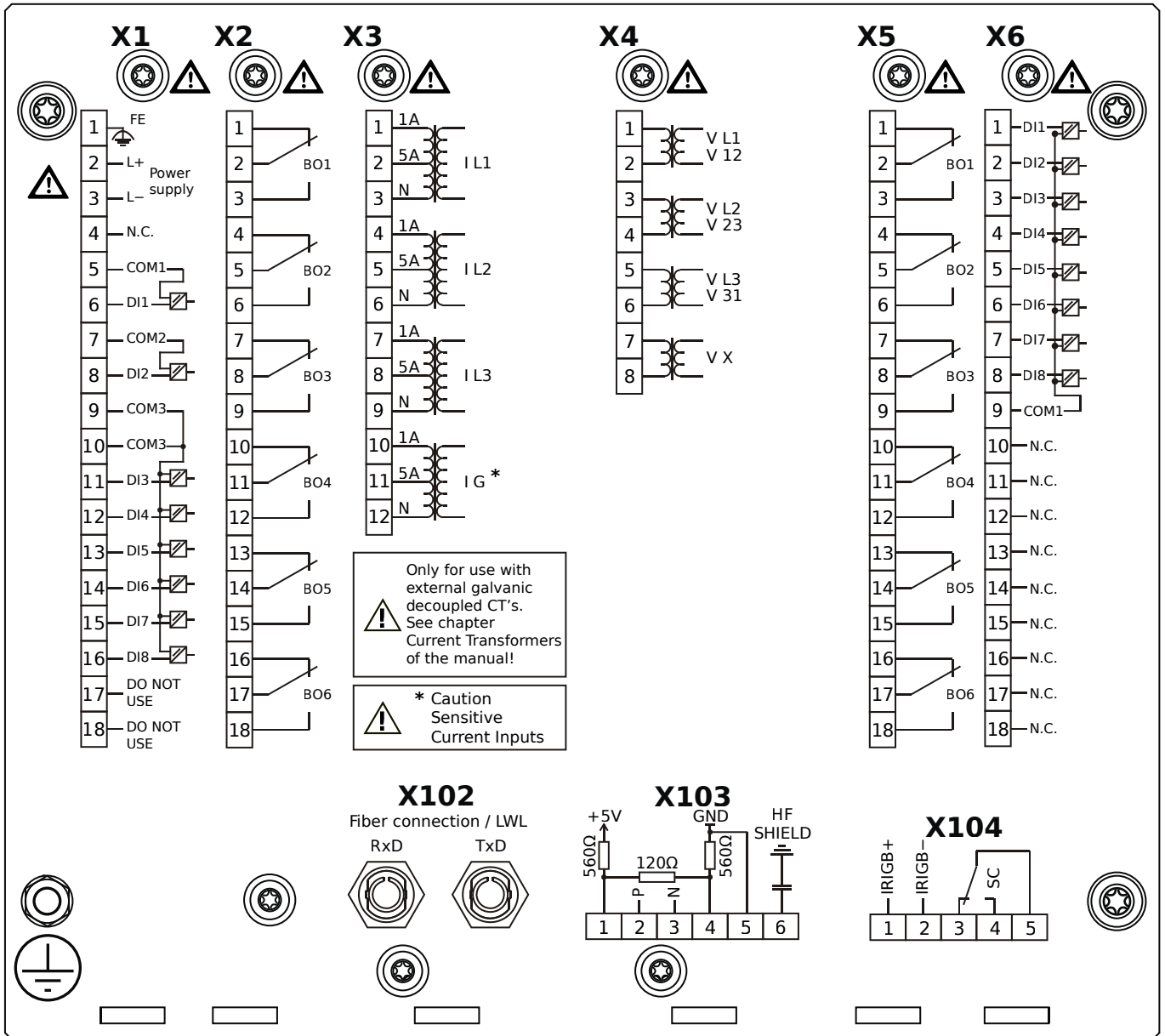
- X1** – DI8-X1: Wide-range power supply unit, incl. 2 non-grouped digital inputs and 6 grouped digital inputs
- X2** – OR-6: Assembly Group with 6 Relay Outputs
- X3** – TIs-4: Standard phase current measuring card and sensitive ground current measuring
- X4** – TU: Card with 4 voltage transformer measuring inputs
- X5** – OR-6: Assembly Group with 6 Relay Outputs
- X6** – DI8: Assembly Group with 8 Digital Inputs
- X102** – Protection Communication, Fiber optics interface, ST Connector
- X104** – IRIG-B00X, incl. System Contact (Supervision Contact)

MCDLV4-2D1H1AB



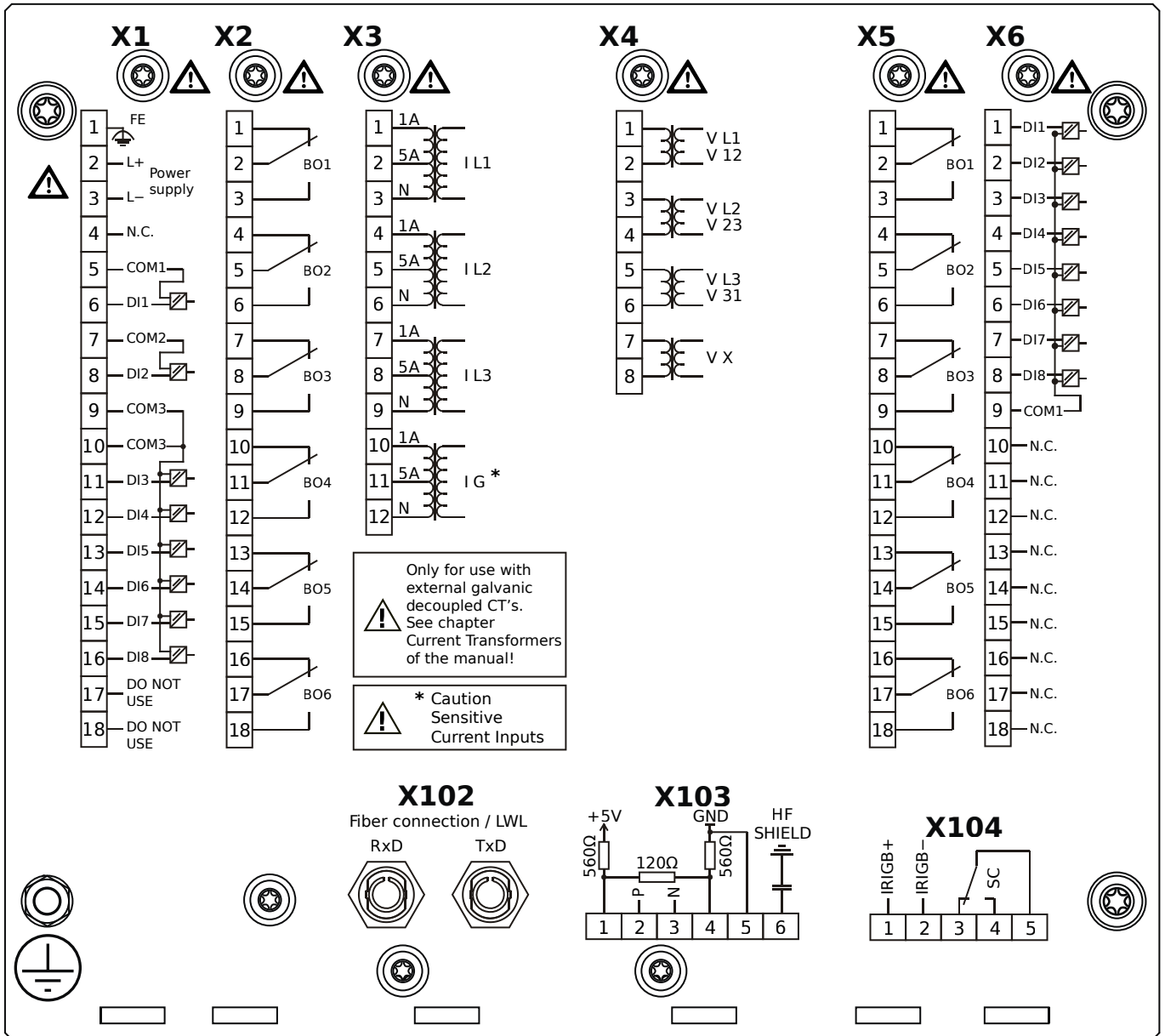
- X1** – DI8-X1: Wide-range power supply unit, incl. 2 non-grouped digital inputs and 6 grouped digital inputs
- X2** – OR-6: Assembly Group with 6 Relay Outputs
- X3** – TIs-4: Standard phase current measuring card and sensitive ground current measuring
- X4** – TU: Card with 4 voltage transformer measuring inputs
- X5** – OR-6: Assembly Group with 6 Relay Outputs
- X6** – DI8: Assembly Group with 8 Digital Inputs
- X102** – Protection Communication, Fiber optics interface, ST Connector
- X104** – IRIG-B00X, incl. System Contact (Supervision Contact)

MCDLV4-2D1H1BA



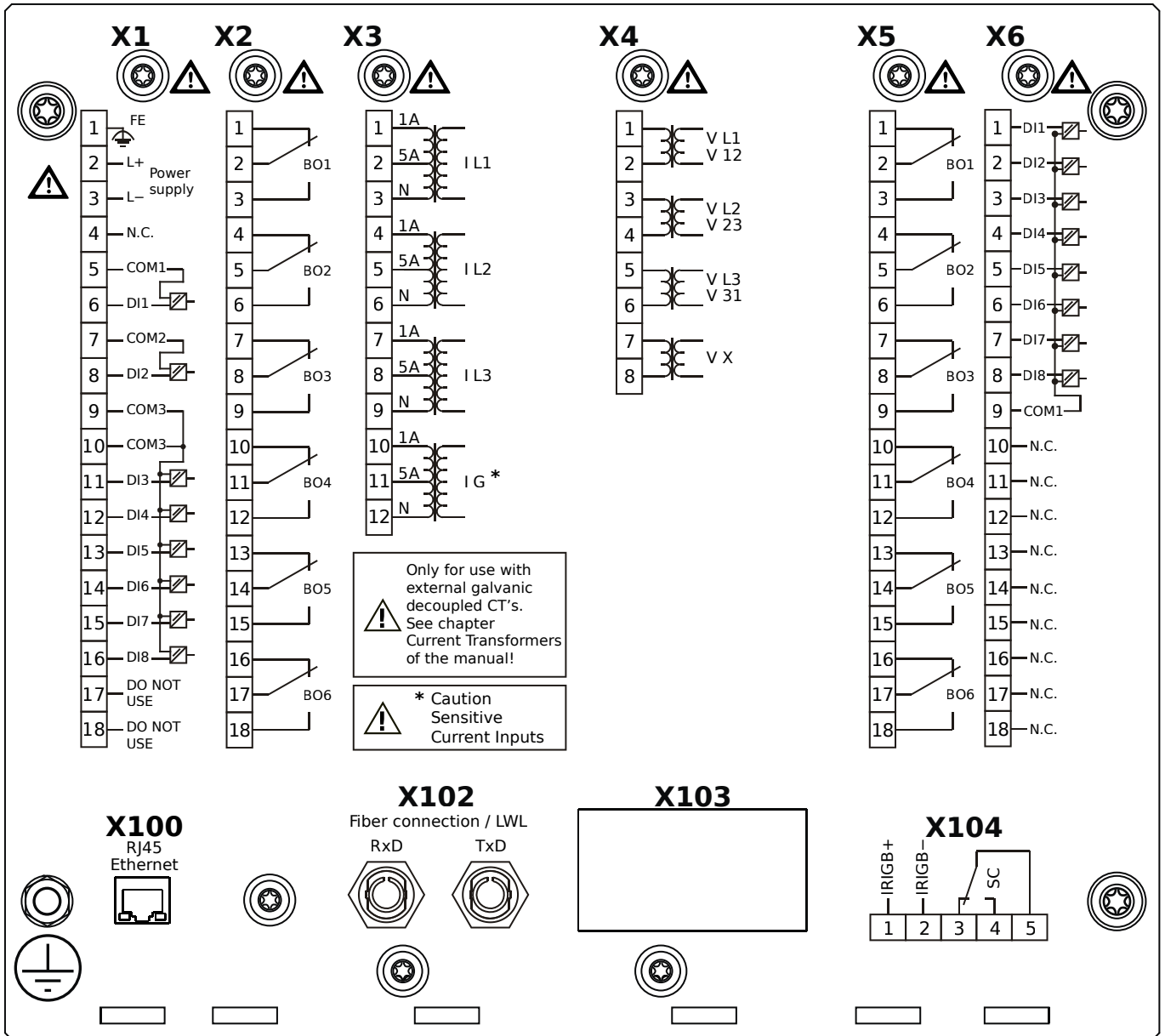
- X1** – DI8-X1: Wide-range power supply unit, incl. 2 non-grouped digital inputs and 6 grouped digital inputs
- X2** – OR-6: Assembly Group with 6 Relay Outputs
- X3** – TIs-4: Standard phase current measuring card and sensitive ground current measuring
- X4** – TU: Card with 4 voltage transformer measuring inputs
- X5** – OR-6: Assembly Group with 6 Relay Outputs
- X6** – DI8: Assembly Group with 8 Digital Inputs
- X102** – Protection Communication, Fiber optics interface, ST Connector
- X103** – Modbus RTU / IEC 60870-5-103 / DNP3.0 RTU, RS485, Terminals
- X104** – IRIG-B00X, incl. System Contact (Supervision Contact)

MCDLV4-2D1H1BB



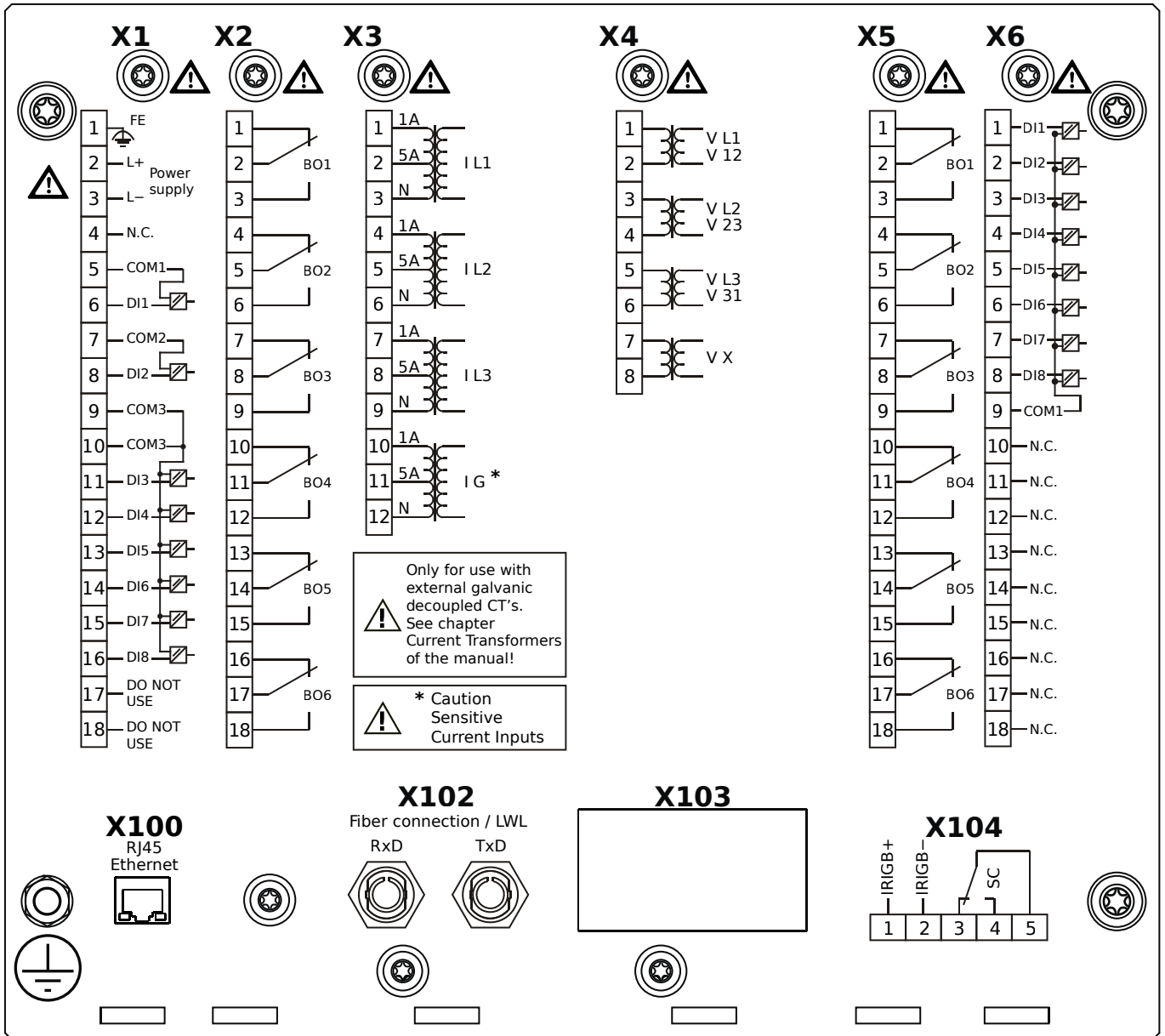
- X1** – DI8-X1: Wide-range power supply unit, incl. 2 non-grouped digital inputs and 6 grouped digital inputs
- X2** – OR-6: Assembly Group with 6 Relay Outputs
- X3** – TIs-4: Standard phase current measuring card and sensitive ground current measuring
- X4** – TU: Card with 4 voltage transformer measuring inputs
- X5** – OR-6: Assembly Group with 6 Relay Outputs
- X6** – DI8: Assembly Group with 8 Digital Inputs
- X102** – Protection Communication, Fiber optics interface, ST Connector
- X103** – Modbus RTU / IEC 60870-5-103 / DNP3.0 RTU, RS485, Terminals
- X104** – IRIG-B00X, incl. System Contact (Supervision Contact)

MCDLV4-2D1H1CA



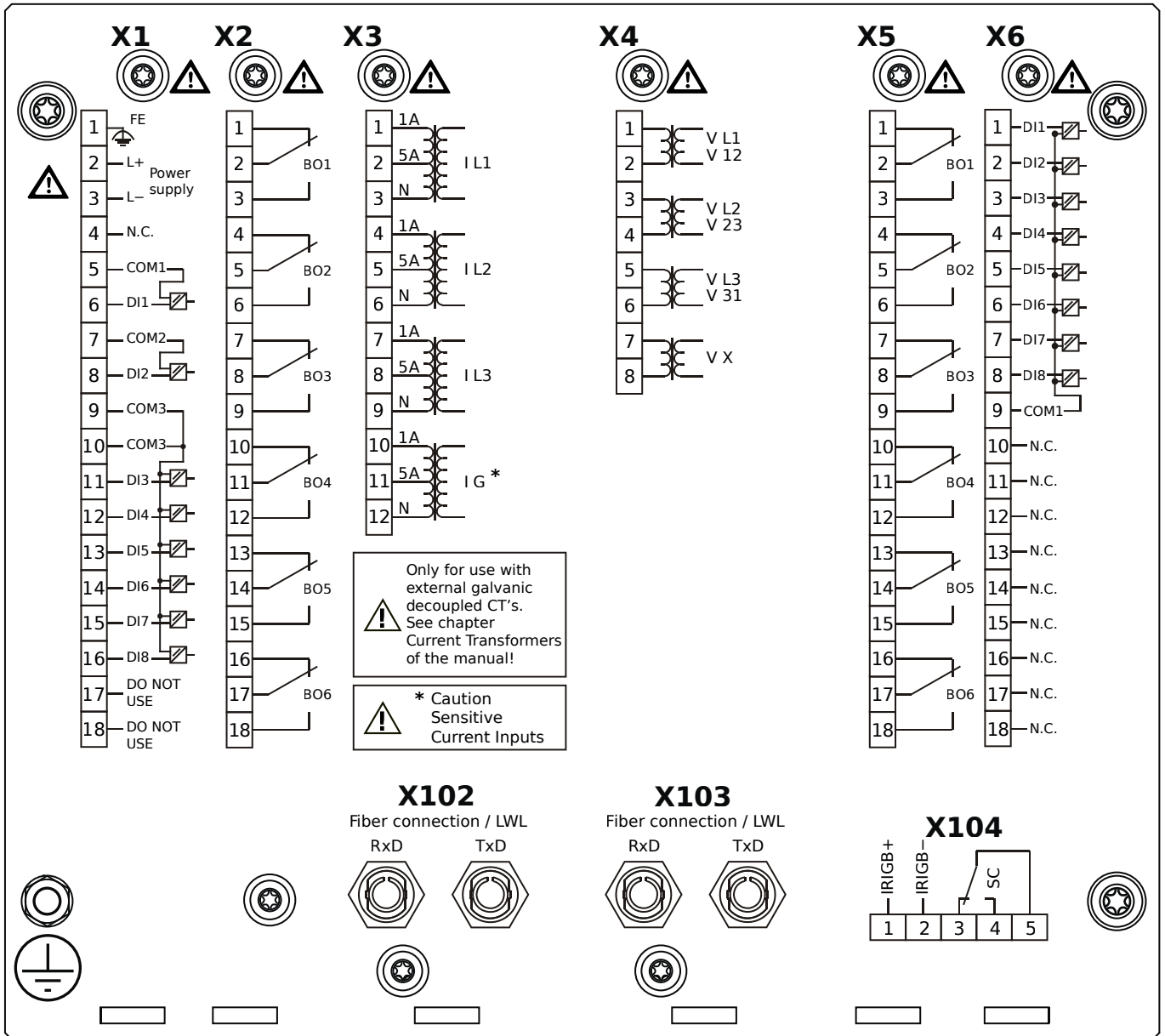
- X1** – DI8-X1: Wide-range power supply unit, incl. 2 non-grouped digital inputs and 6 grouped digital inputs
- X2** – OR-6: Assembly Group with 6 Relay Outputs
- X3** – TIs-4: Standard phase current measuring card and sensitive ground current measuring
- X4** – TU: Card with 4 voltage transformer measuring inputs
- X5** – OR-6: Assembly Group with 6 Relay Outputs
- X6** – DI8: Assembly Group with 8 Digital Inputs
- X100** – Modbus TCP / DNP3.0 TCP/UDP, Ethernet interface, 100 Mbit/s, RJ45 (BASE100-FX)
- X102** – Protection Communication, Fiber optics interface, ST Connector
- X104** – IRIG-B00X, incl. System Contact (Supervision Contact)

MCDLV4-2D1H1CB



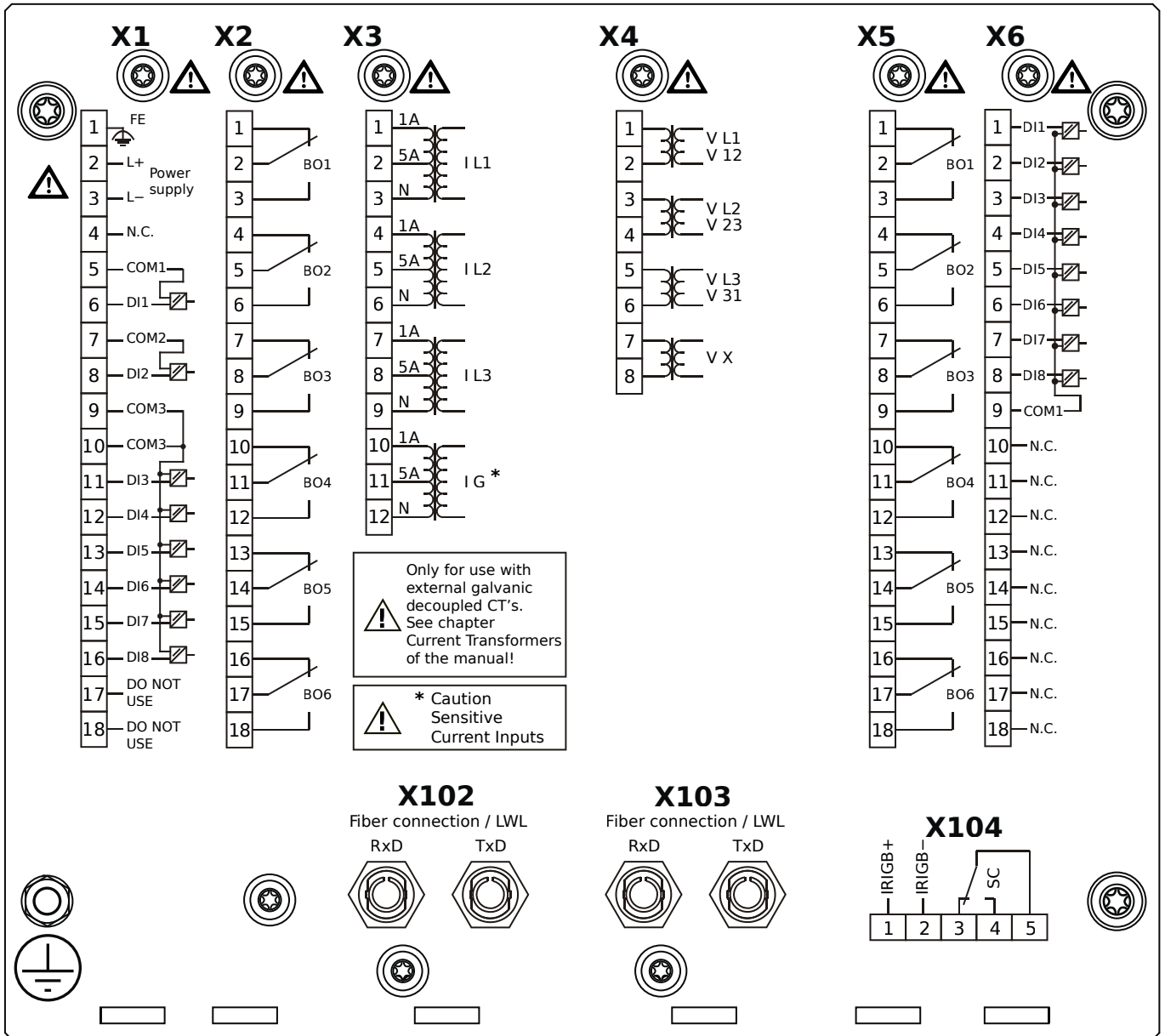
- X1** – DI8-X1: Wide-range power supply unit, incl. 2 non-grouped digital inputs and 6 grouped digital inputs
- X2** – OR-6: Assembly Group with 6 Relay Outputs
- X3** – TIs-4: Standard phase current measuring card and sensitive ground current measuring
- X4** – TU: Card with 4 voltage transformer measuring inputs
- X5** – OR-6: Assembly Group with 6 Relay Outputs
- X6** – DI8: Assembly Group with 8 Digital Inputs
- X100** – Modbus TCP / DNP3.0 TCP/UDP, Ethernet interface, 100 Mbit/s, RJ45 (BASE100-FX)
- X102** – Protection Communication, Fiber optics interface, ST Connector
- X104** – IRIG-B00X, incl. System Contact (Supervision Contact)

MCDLV4-2D1H1DA



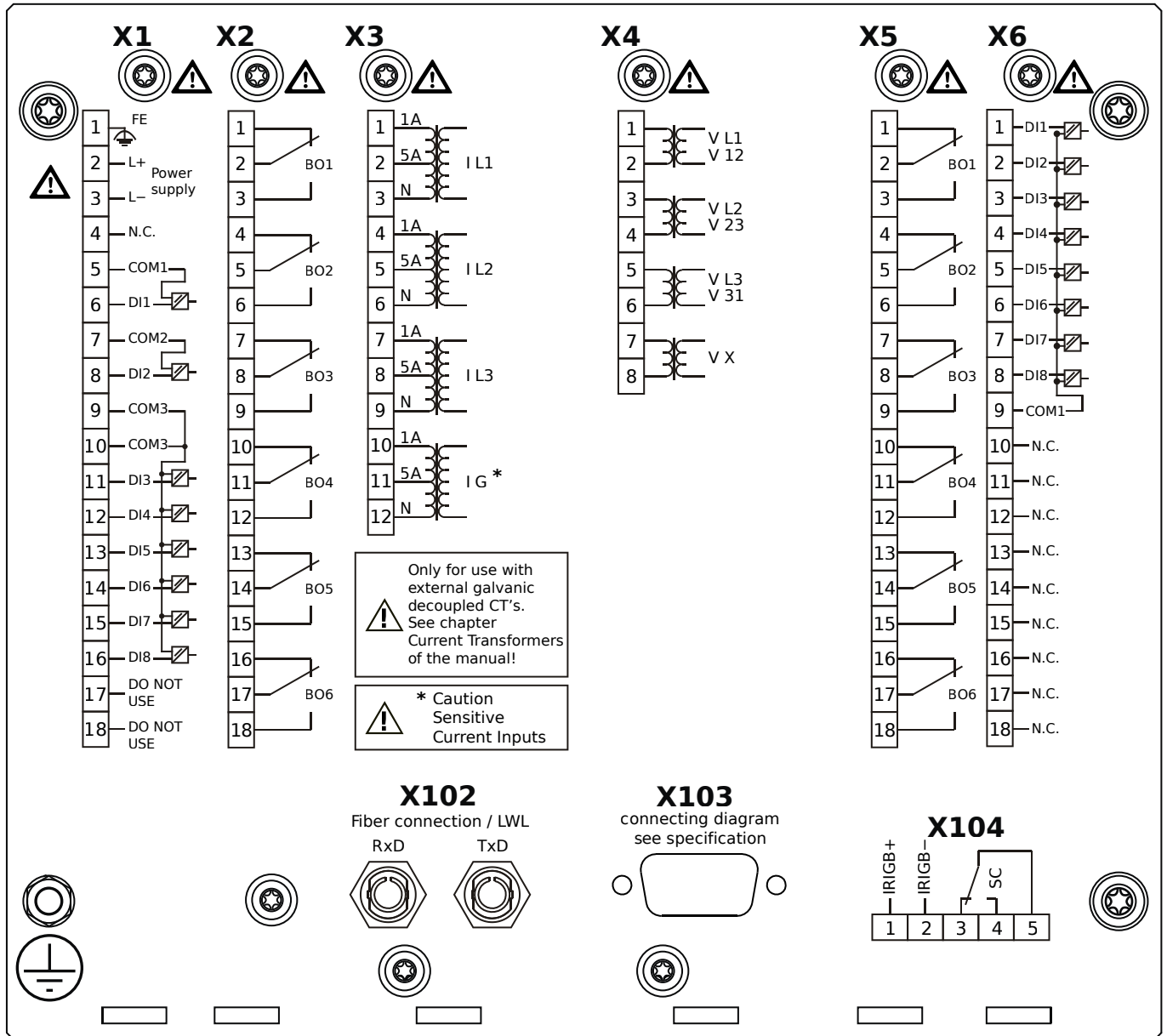
- X1** – DI8-X1: Wide-range power supply unit, incl. 2 non-grouped digital inputs and 6 grouped digital inputs
- X2** – OR-6: Assembly Group with 6 Relay Outputs
- X3** – TIs-4: Standard phase current measuring card and sensitive ground current measuring
- X4** – TU: Card with 4 voltage transformer measuring inputs
- X5** – OR-6: Assembly Group with 6 Relay Outputs
- X6** – DI8: Assembly Group with 8 Digital Inputs
- X102** – Protection Communication, Fiber optics interface, ST Connector
- X103** – Profibus-DP, Fiber optics interface, ST Connector
- X104** – IRIG-B00X, incl. System Contact (Supervision Contact)

MCDLV4-2D1H1DB



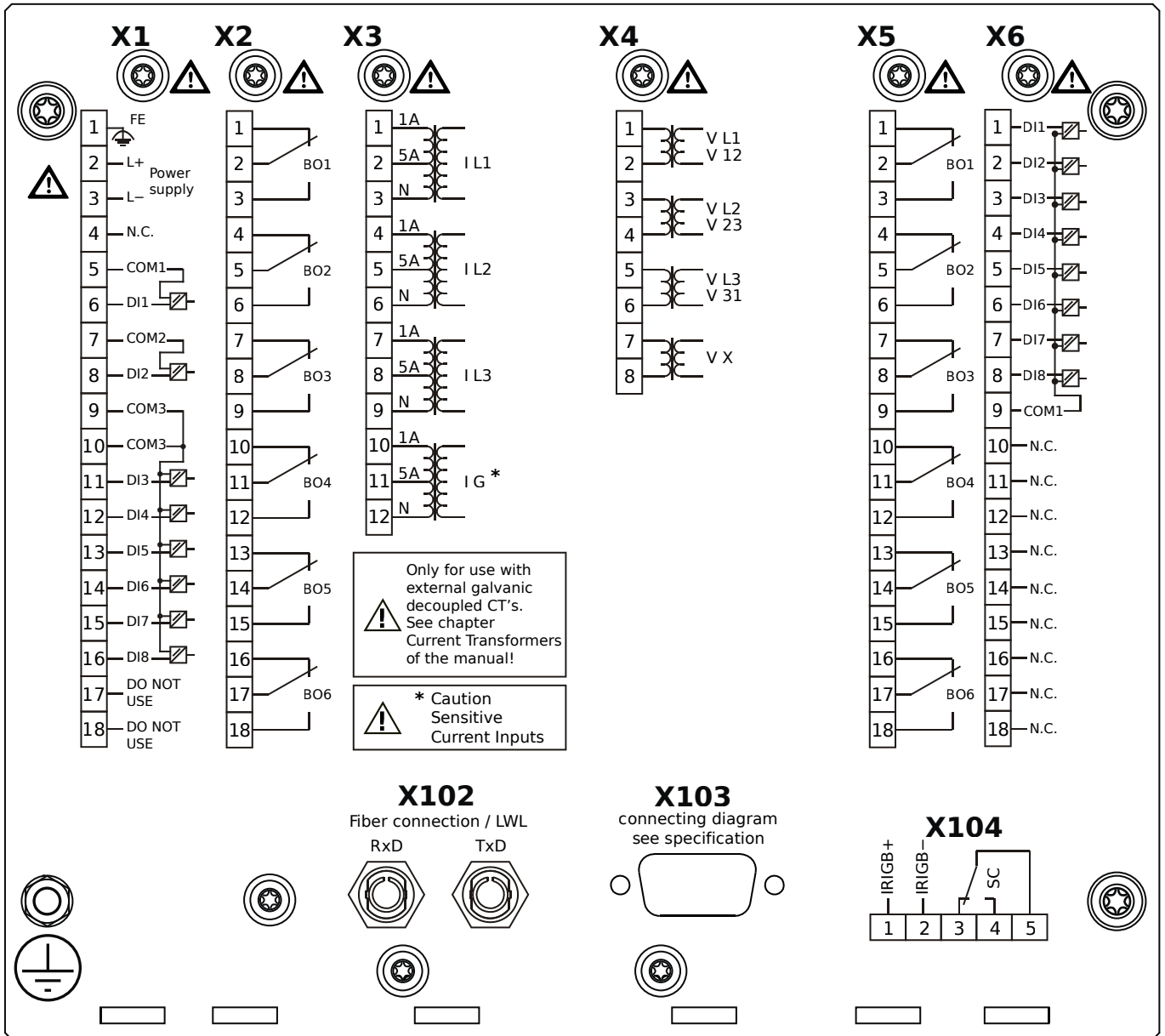
- X1** – DI8-X1: Wide-range power supply unit, incl. 2 non-grouped digital inputs and 6 grouped digital inputs
- X2** – OR-6: Assembly Group with 6 Relay Outputs
- X3** – TIs-4: Standard phase current measuring card and sensitive ground current measuring
- X4** – TU: Card with 4 voltage transformer measuring inputs
- X5** – OR-6: Assembly Group with 6 Relay Outputs
- X6** – DI8: Assembly Group with 8 Digital Inputs
- X102** – Protection Communication, Fiber optics interface, ST Connector
- X103** – Profibus-DP, Fiber optics interface, ST Connector
- X104** – IRIG-B00X, incl. System Contact (Supervision Contact)

MCDLV4-2D1H1EA



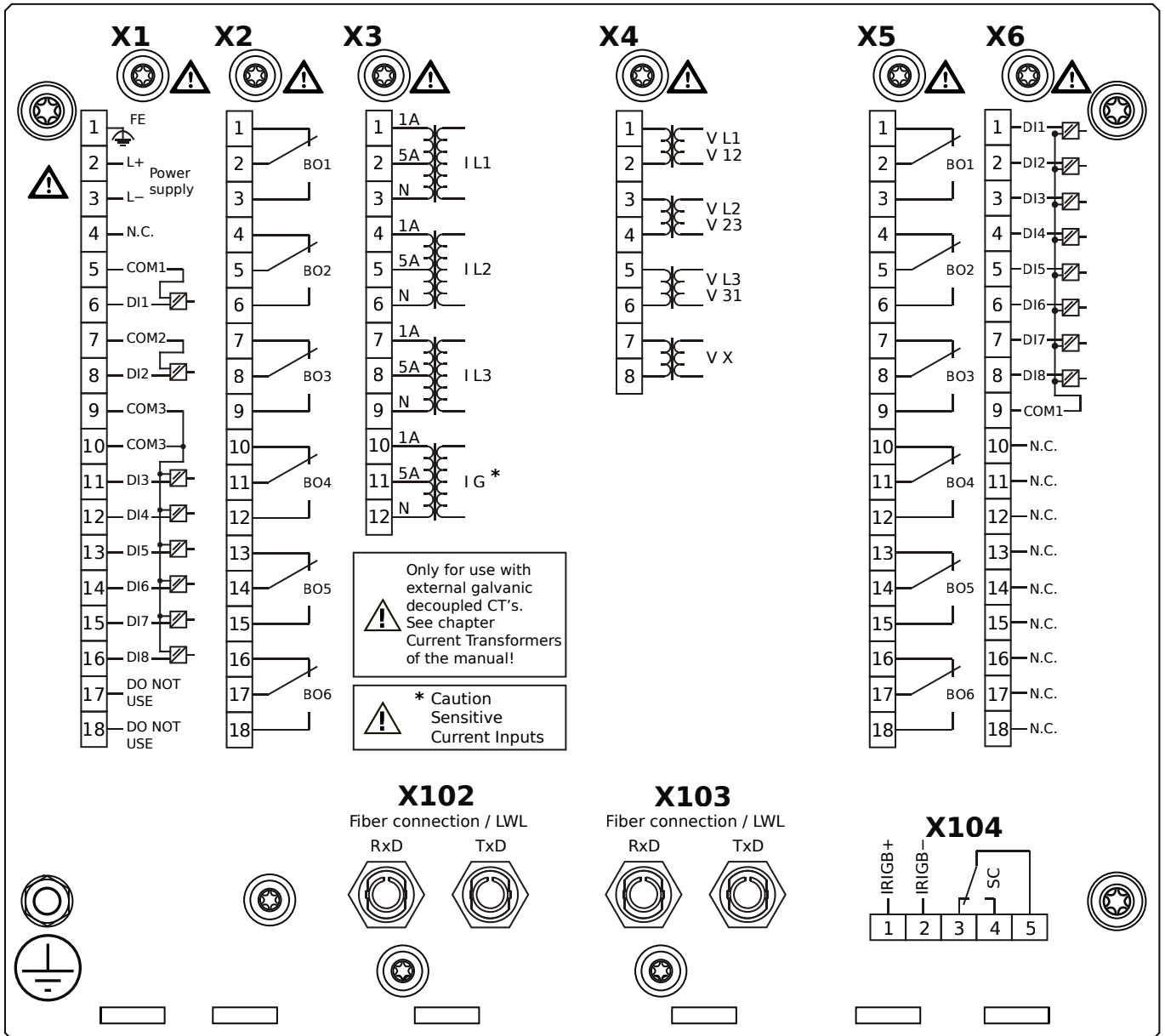
- X1** – DI8-X1: Wide-range power supply unit, incl. 2 non-grouped digital inputs and 6 grouped digital inputs
- X2** – OR-6: Assembly Group with 6 Relay Outputs
- X3** – TIs-4: Standard phase current measuring card and sensitive ground current measuring
- X4** – TU: Card with 4 voltage transformer measuring inputs
- X5** – OR-6: Assembly Group with 6 Relay Outputs
- X6** – DI8: Assembly Group with 8 Digital Inputs
- X102** – Protection Communication, Fiber optics interface, ST Connector
- X103** – Profibus-DP, RS485, D-SUB
- X104** – IRIG-B00X, incl. System Contact (Supervision Contact)

MCDLV4-2D1H1EB



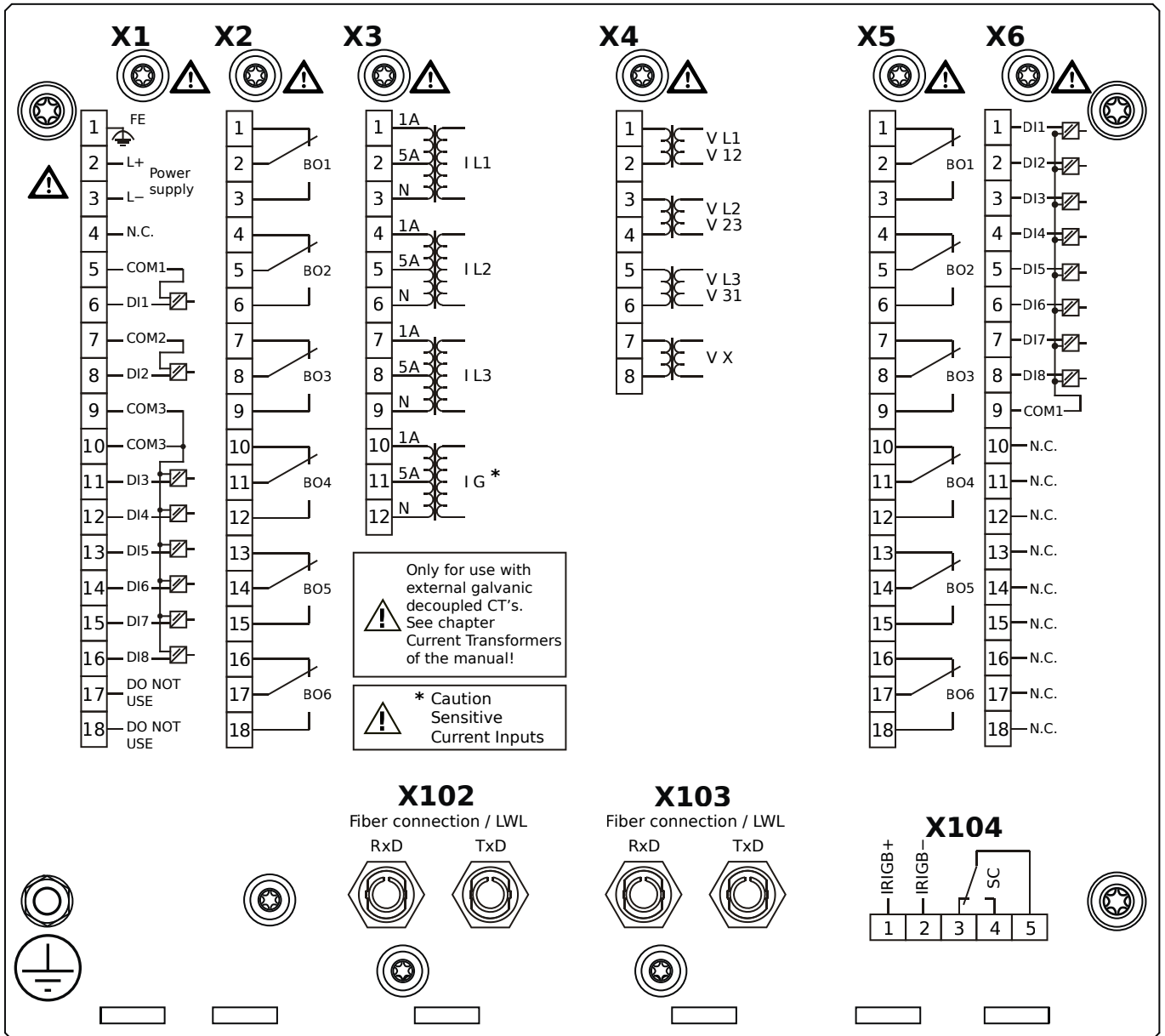
- X1** – DI8-X1: Wide-range power supply unit, incl. 2 non-grouped digital inputs and 6 grouped digital inputs
- X2** – OR-6: Assembly Group with 6 Relay Outputs
- X3** – TIs-4: Standard phase current measuring card and sensitive ground current measuring
- X4** – TU: Card with 4 voltage transformer measuring inputs
- X5** – OR-6: Assembly Group with 6 Relay Outputs
- X6** – DI8: Assembly Group with 8 Digital Inputs
- X102** – Protection Communication, Fiber optics interface, ST Connector
- X103** – Profibus-DP, RS485, D-SUB
- X104** – IRIG-B00X, incl. System Contact (Supervision Contact)

MCDLV4-2D1H1FA



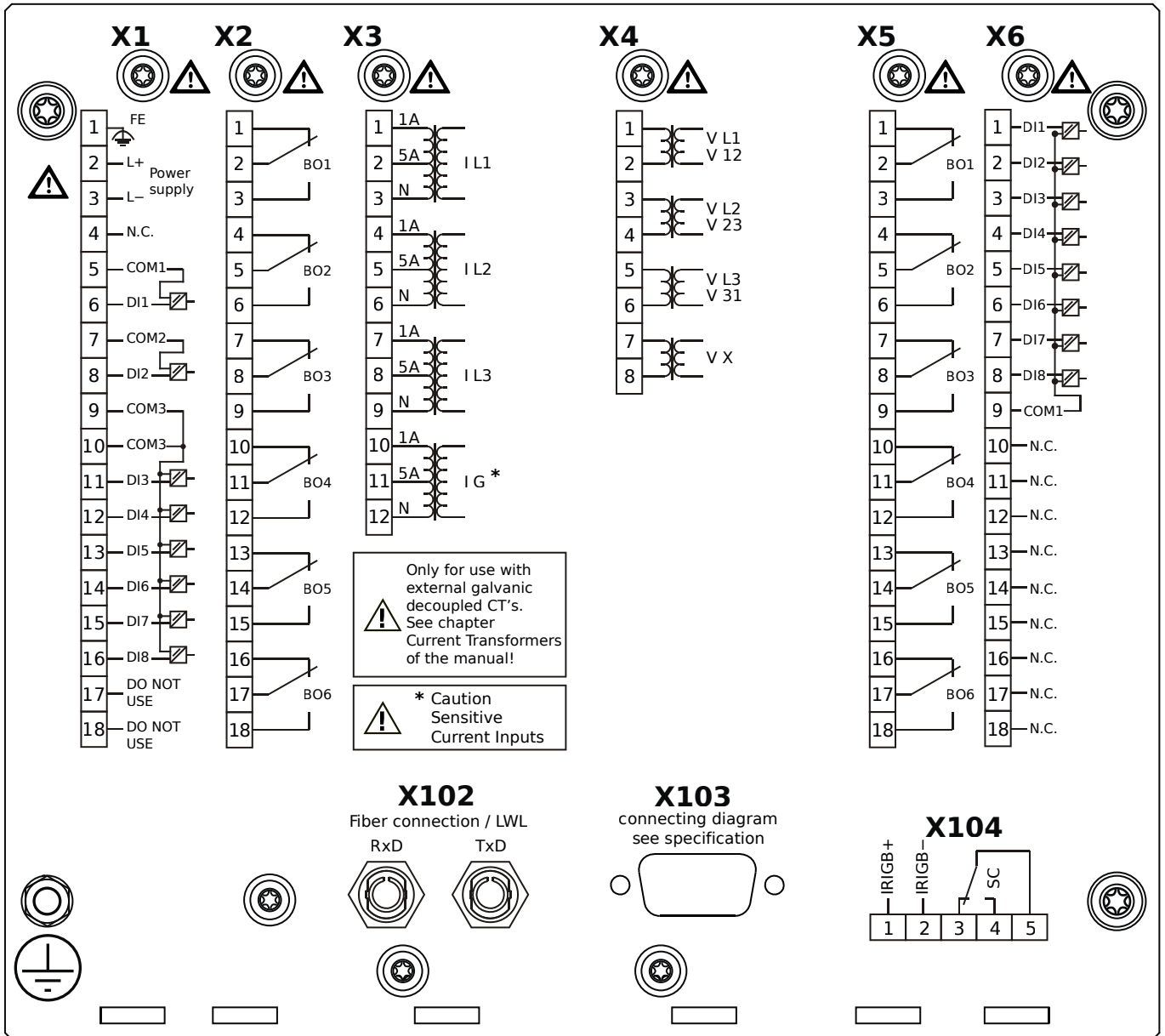
- X1** – DI8-X1: Wide-range power supply unit, incl. 2 non-grouped digital inputs and 6 grouped digital inputs
- X2** – OR-6: Assembly Group with 6 Relay Outputs
- X3** – TIs-4: Standard phase current measuring card and sensitive ground current measuring
- X4** – TU: Card with 4 voltage transformer measuring inputs
- X5** – OR-6: Assembly Group with 6 Relay Outputs
- X6** – DI8: Assembly Group with 8 Digital Inputs
- X102** – Protection Communication, Fiber optics interface, ST Connector
- X103** – Modbus RTU / IEC 60870-5-103 / DNP3.0 RTU, Fiber optics interface, ST Connector
- X104** – IRIG-B00X, incl. System Contact (Supervision Contact)

MCDLV4-2D1H1FB



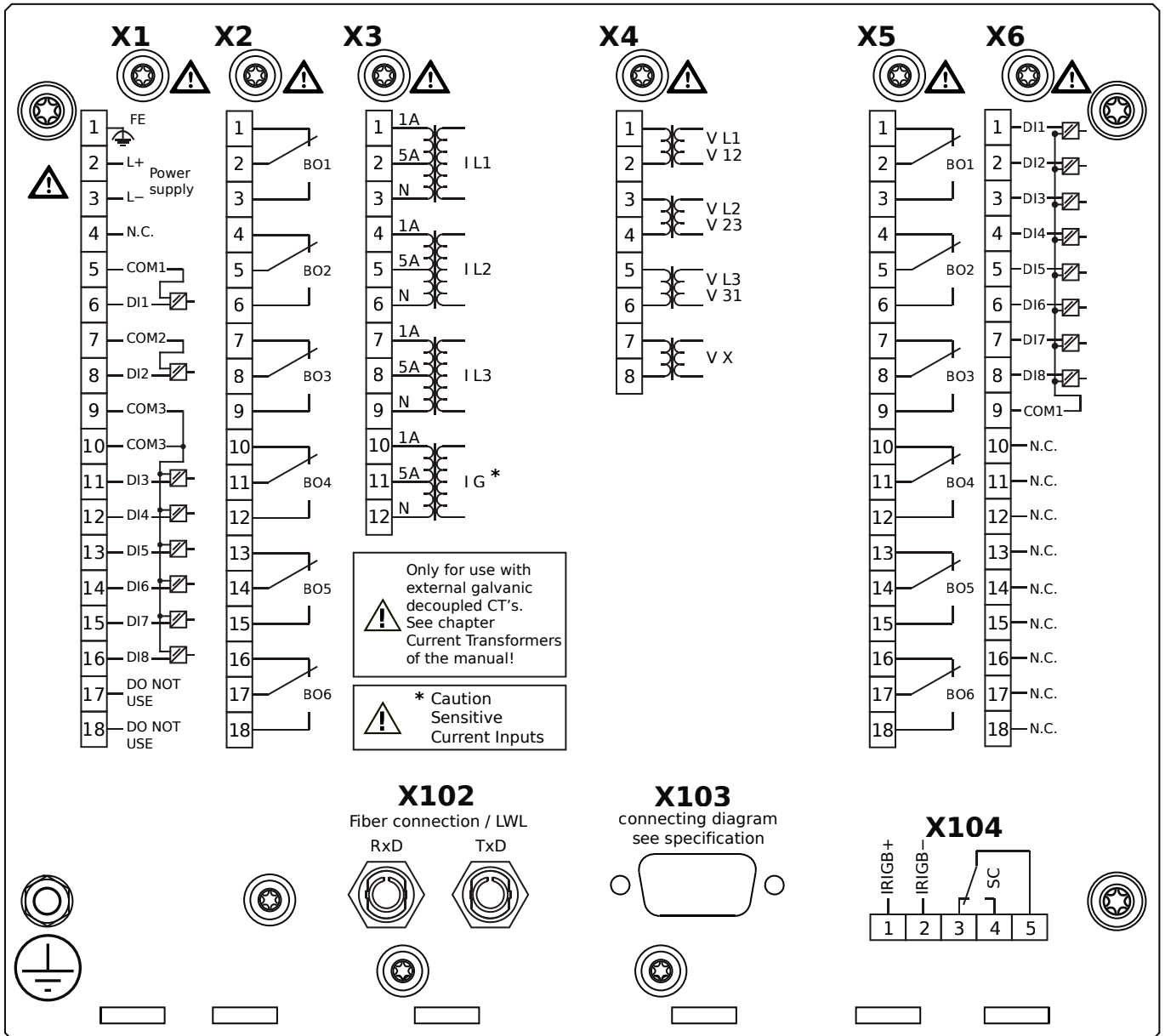
- X1** – DI8-X1: Wide-range power supply unit, incl. 2 non-grouped digital inputs and 6 grouped digital inputs
- X2** – OR-6: Assembly Group with 6 Relay Outputs
- X3** – TIs-4: Standard phase current measuring card and sensitive ground current measuring
- X4** – TU: Card with 4 voltage transformer measuring inputs
- X5** – OR-6: Assembly Group with 6 Relay Outputs
- X6** – DI8: Assembly Group with 8 Digital Inputs
- X102** – Protection Communication, Fiber optics interface, ST Connector
- X103** – Modbus RTU / IEC 60870-5-103 / DNP3.0 RTU, Fiber optics interface, ST Connector
- X104** – IRIG-B00X, incl. System Contact (Supervision Contact)

MCDLV4-2D1H1GA



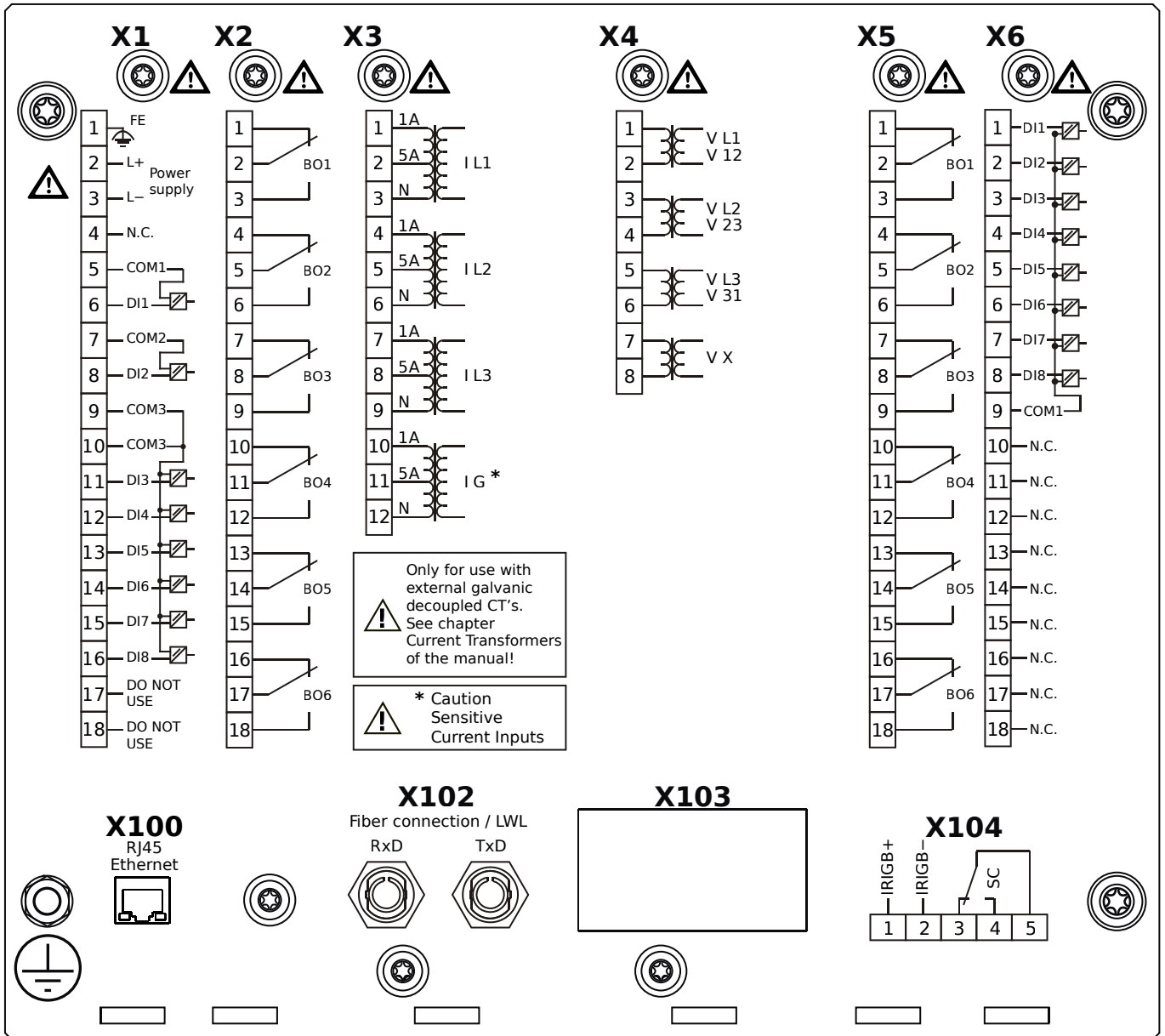
- X1** – DI8-X1: Wide-range power supply unit, incl. 2 non-grouped digital inputs and 6 grouped digital inputs
- X2** – OR-6: Assembly Group with 6 Relay Outputs
- X3** – TIs-4: Standard phase current measuring card and sensitive ground current measuring
- X4** – TU: Card with 4 voltage transformer measuring inputs
- X5** – OR-6: Assembly Group with 6 Relay Outputs
- X6** – DI8: Assembly Group with 8 Digital Inputs
- X102** – Protection Communication, Fiber optics interface, ST Connector
- X103** – Modbus RTU / IEC 60870-5-103 / DNP3.0 RTU, RS485, D-SUB
- X104** – IRIG-B00X, incl. System Contact (Supervision Contact)

MCDLV4-2D1H1GB



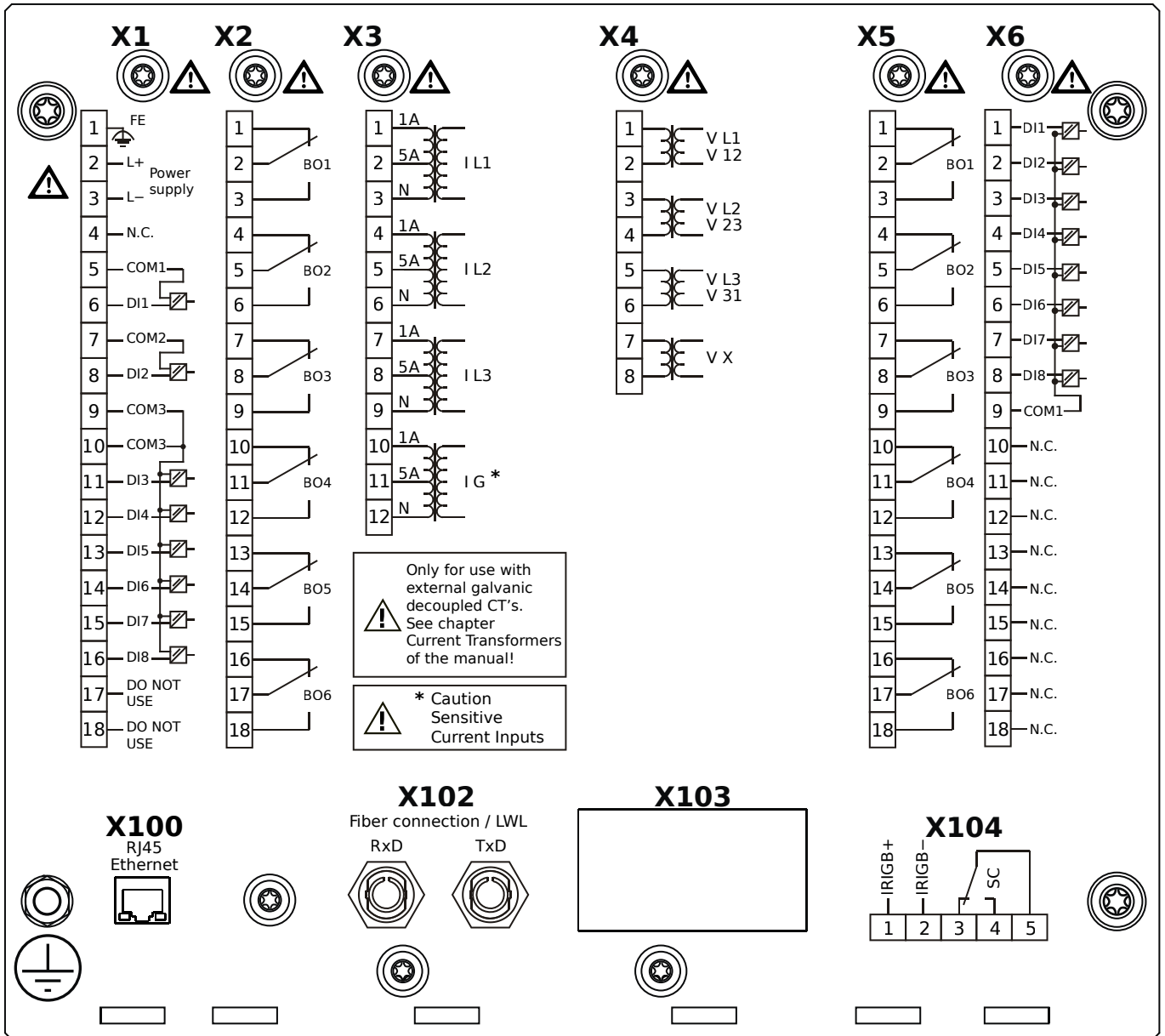
- X1** – DI8-X1: Wide-range power supply unit, incl. 2 non-grouped digital inputs and 6 grouped digital inputs
- X2** – OR-6: Assembly Group with 6 Relay Outputs
- X3** – TIs-4: Standard phase current measuring card and sensitive ground current measuring
- X4** – TU: Card with 4 voltage transformer measuring inputs
- X5** – OR-6: Assembly Group with 6 Relay Outputs
- X6** – DI8: Assembly Group with 8 Digital Inputs
- X102** – Protection Communication, Fiber optics interface, ST Connector
- X103** – Modbus RTU / IEC 60870-5-103 / DNP3.0 RTU, RS485, D-SUB
- X104** – IRIG-B00X, incl. System Contact (Supervision Contact)

MCDLV4-2D1H1HA



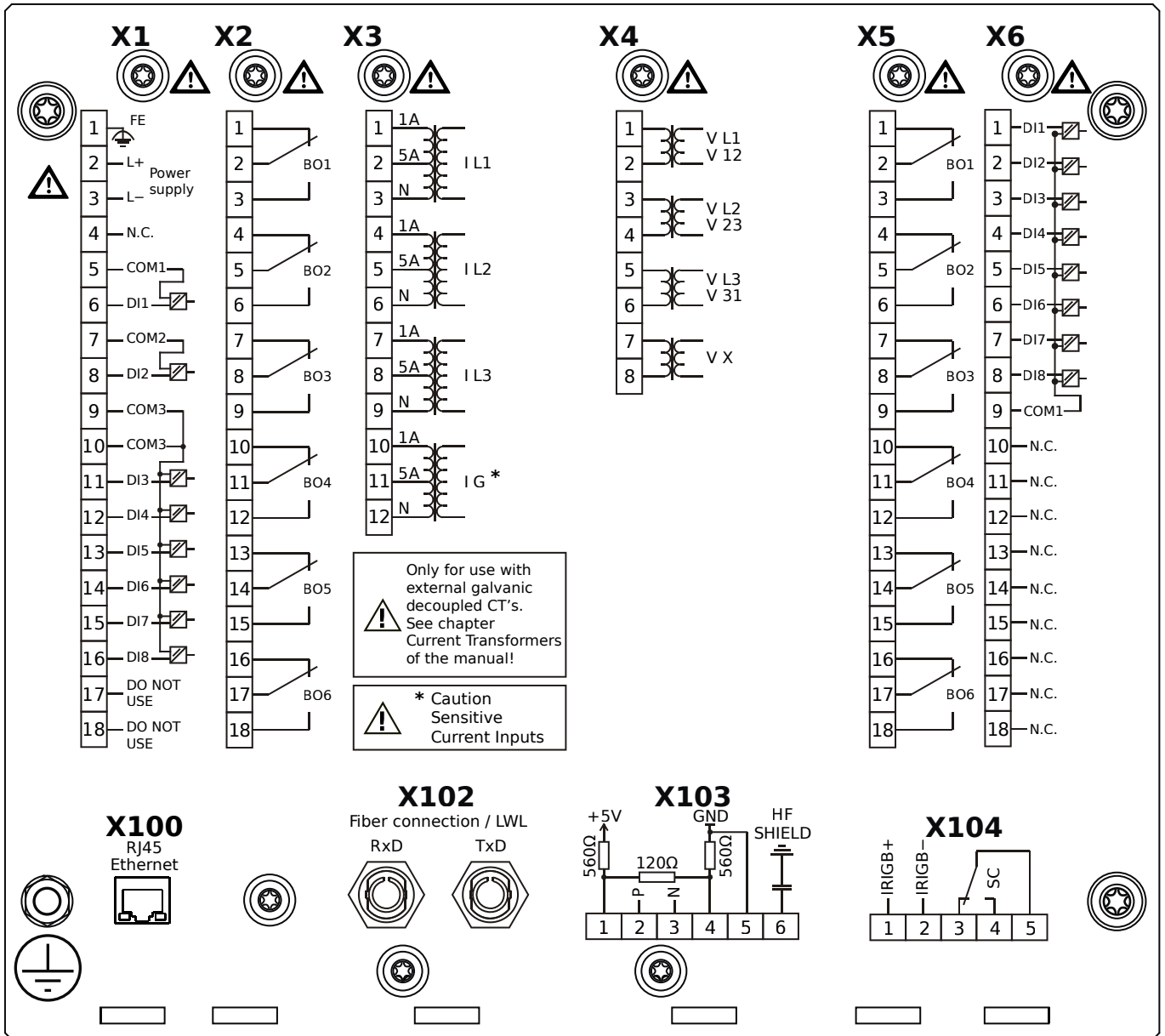
- X1** – DI8-X1: Wide-range power supply unit, incl. 2 non-grouped digital inputs and 6 grouped digital inputs
- X2** – OR-6: Assembly Group with 6 Relay Outputs
- X3** – TIs-4: Standard phase current measuring card and sensitive ground current measuring
- X4** – TU: Card with 4 voltage transformer measuring inputs
- X5** – OR-6: Assembly Group with 6 Relay Outputs
- X6** – DI8: Assembly Group with 8 Digital Inputs
- X100** – IEC 61850 / Modbus TCP / DNP3.0 TCP/UDP, Ethernet interface, 100 Mbit/s, RJ45 (BASE100-FX)
- X102** – Protection Communication, Fiber optics interface, ST Connector
- X104** – IRIG-B00X, incl. System Contact (Supervision Contact)

MCDLV4-2D1H1HB



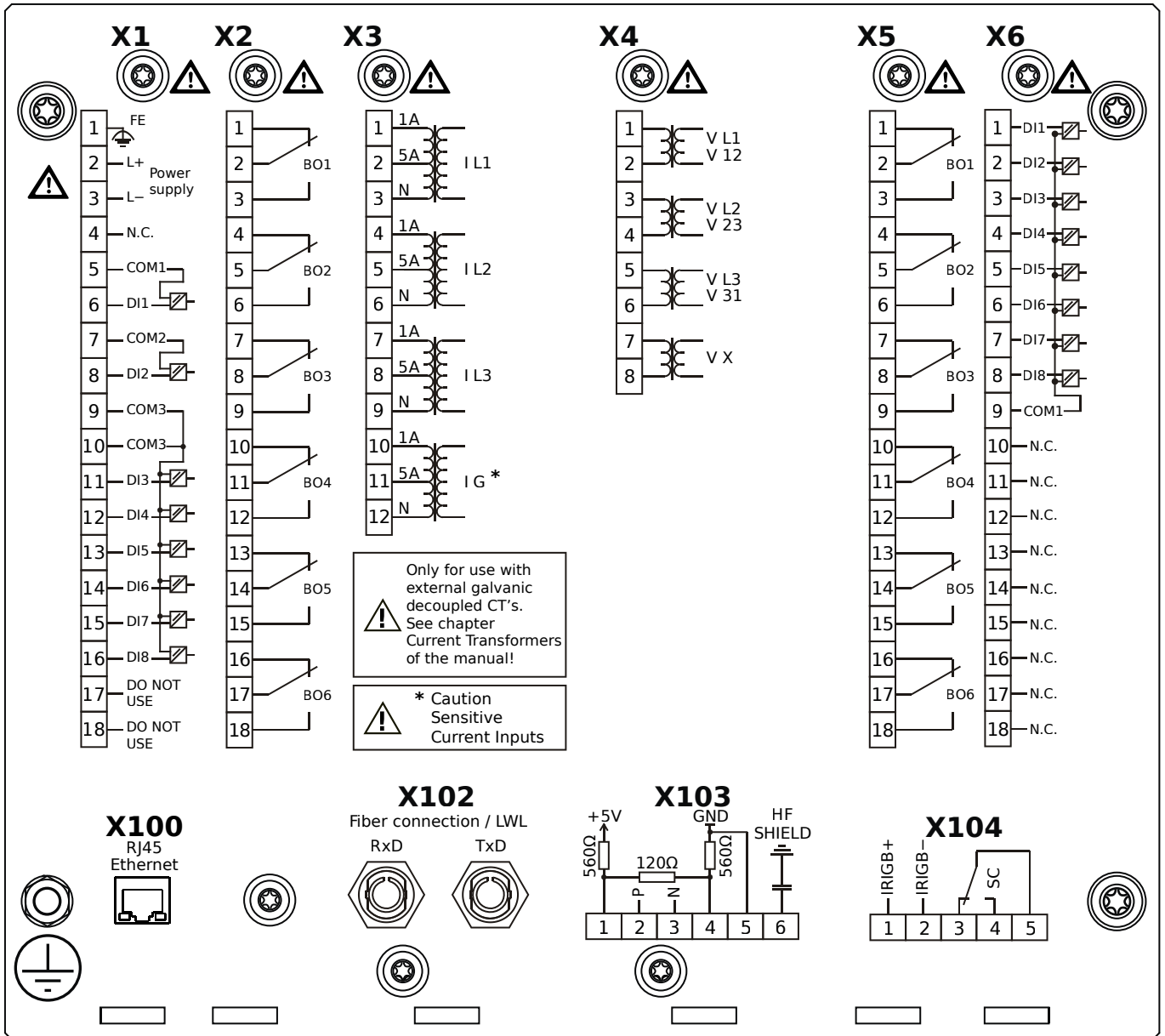
- X1** – DI8-X1: Wide-range power supply unit, incl. 2 non-grouped digital inputs and 6 grouped digital inputs
- X2** – OR-6: Assembly Group with 6 Relay Outputs
- X3** – TIs-4: Standard phase current measuring card and sensitive ground current measuring
- X4** – TU: Card with 4 voltage transformer measuring inputs
- X5** – OR-6: Assembly Group with 6 Relay Outputs
- X6** – DI8: Assembly Group with 8 Digital Inputs
- X100** – IEC 61850 / Modbus TCP / DNP3.0 TCP/UDP, Ethernet interface, 100 Mbit/s, RJ45 (BASE100-FX)
- X102** – Protection Communication, Fiber optics interface, ST Connector
- X104** – IRIG-B00X, incl. System Contact (Supervision Contact)

MCDLV4-2D1H1IA



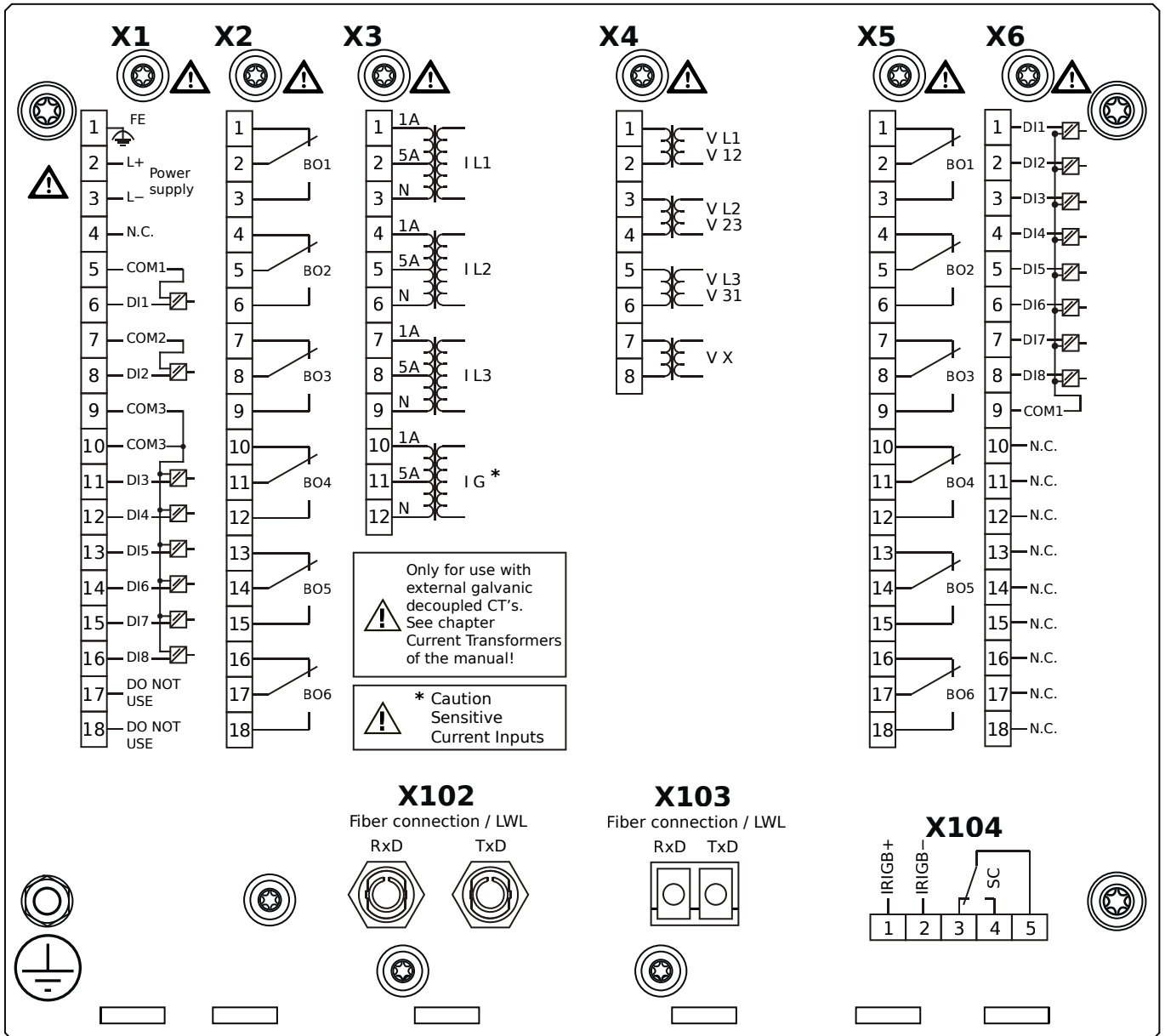
- X1** – DI8-X1: Wide-range power supply unit, incl. 2 non-grouped digital inputs and 6 grouped digital inputs
- X2** – OR-6: Assembly Group with 6 Relay Outputs
- X3** – TIs-4: Standard phase current measuring card and sensitive ground current measuring
- X4** – TU: Card with 4 voltage transformer measuring inputs
- X5** – OR-6: Assembly Group with 6 Relay Outputs
- X6** – DI8: Assembly Group with 8 Digital Inputs
- X100** – Modbus TCP / DNP3.0 TCP/UDP, Ethernet interface, 100 Mbit/s, RJ45 (BASE100-FX)
- X102** – Protection Communication, Fiber optics interface, ST Connector
- X103** – IEC 60870-5-103 / Modbus RTU / DNP3.0 RTU, RS485, Terminals
- X104** – IRIG-B00X, incl. System Contact (Supervision Contact)

MCDLV4-2D1H1IB



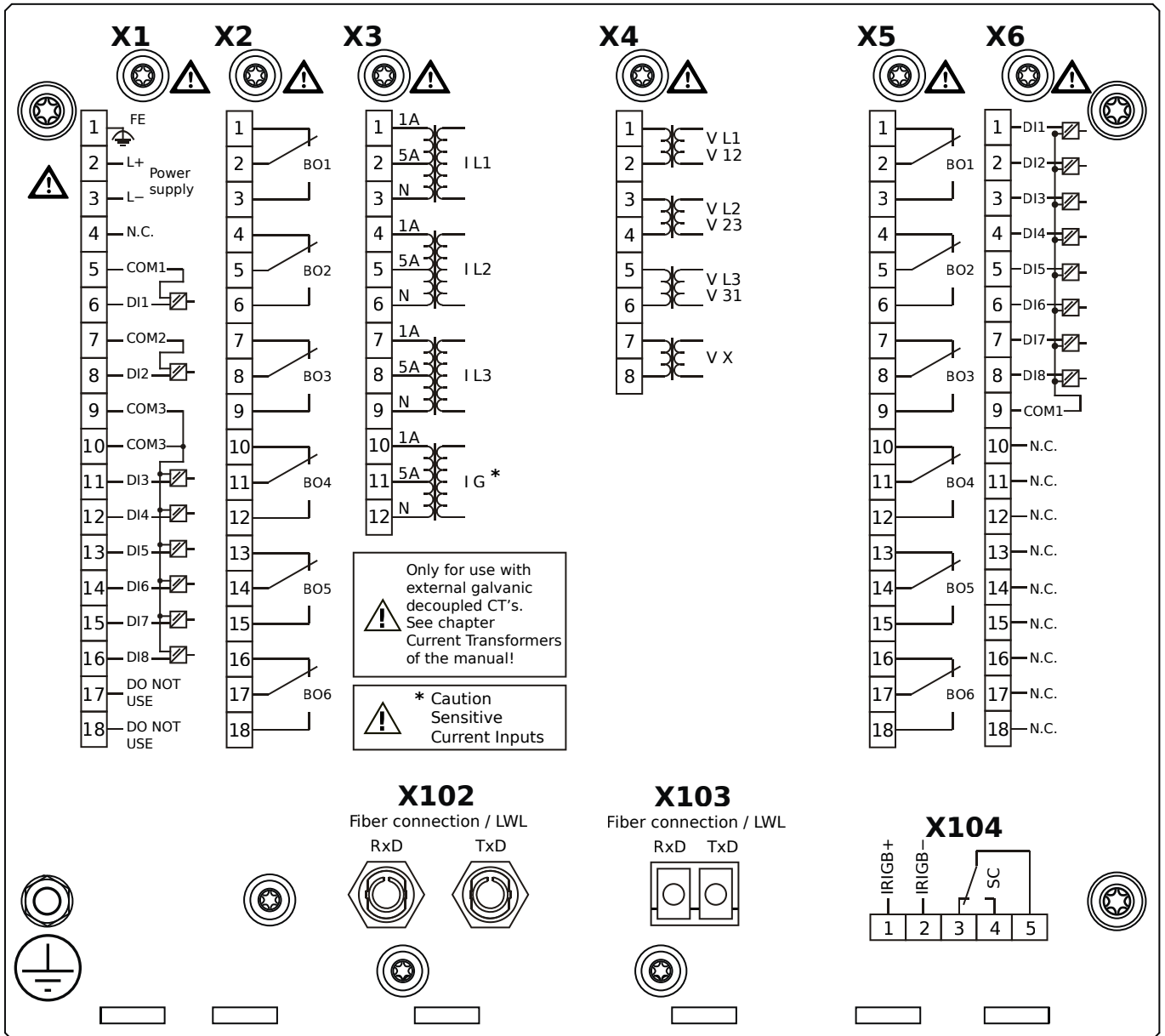
- X1** – DI8-X1: Wide-range power supply unit, incl. 2 non-grouped digital inputs and 6 grouped digital inputs
- X2** – OR-6: Assembly Group with 6 Relay Outputs
- X3** – TIs-4: Standard phase current measuring card and sensitive ground current measuring
- X4** – TU: Card with 4 voltage transformer measuring inputs
- X5** – OR-6: Assembly Group with 6 Relay Outputs
- X6** – DI8: Assembly Group with 8 Digital Inputs
- X100** – Modbus TCP / DNP3.0 TCP/UDP, Ethernet interface, 100 Mbit/s, RJ45 (BASE100-FX)
- X102** – Protection Communication, Fiber optics interface, ST Connector
- X103** – IEC 60870-5-103 / Modbus RTU / DNP3.0 RTU, RS485, Terminals
- X104** – IRIG-B00X, incl. System Contact (Supervision Contact)

MCDLV4-2D1H1KA



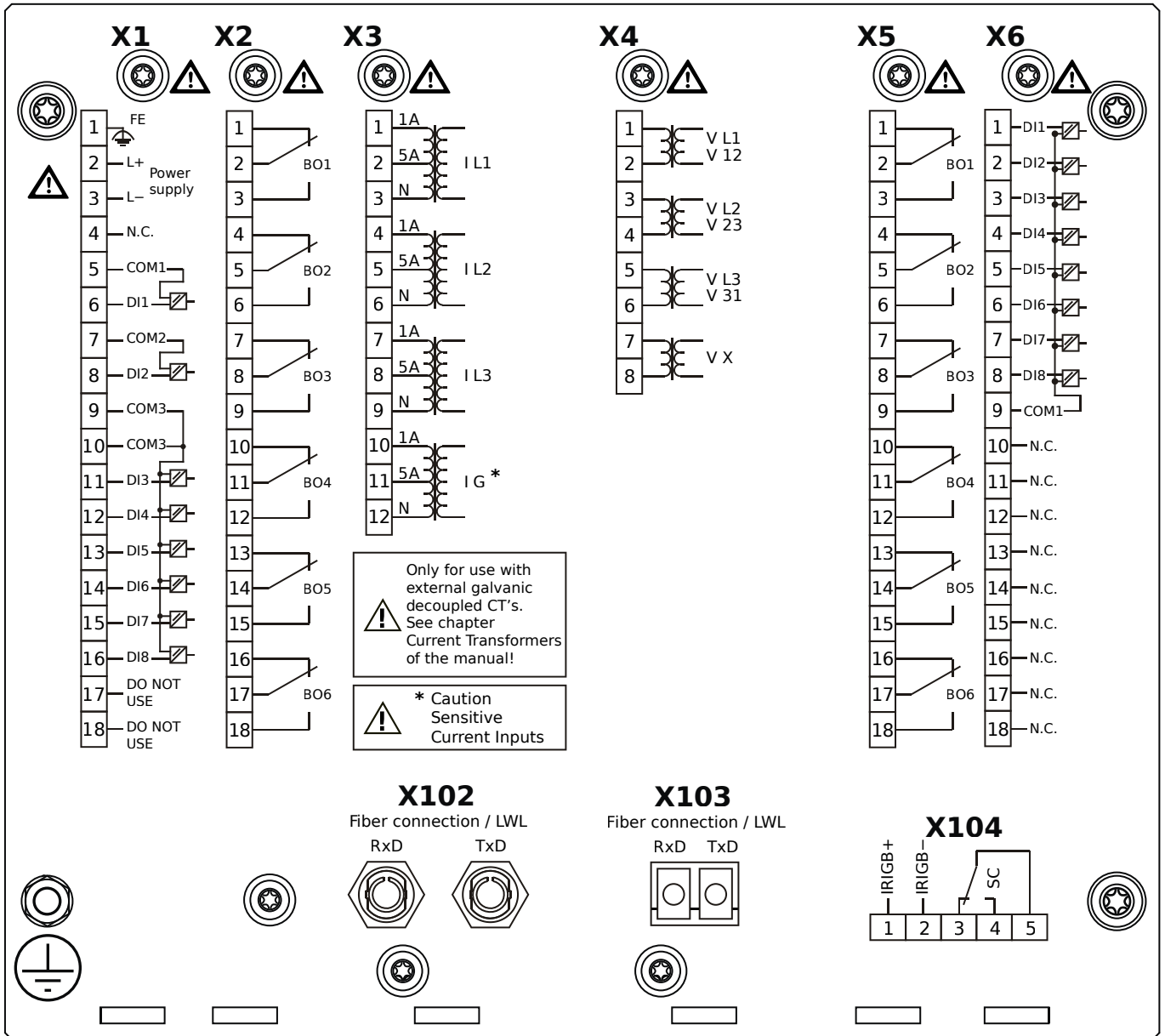
- X1** – DI8-X1: Wide-range power supply unit, incl. 2 non-grouped digital inputs and 6 grouped digital inputs
- X2** – OR-6: Assembly Group with 6 Relay Outputs
- X3** – TIs-4: Standard phase current measuring card and sensitive ground current measuring
- X4** – TU: Card with 4 voltage transformer measuring inputs
- X5** – OR-6: Assembly Group with 6 Relay Outputs
- X6** – DI8: Assembly Group with 8 Digital Inputs
- X102** – Protection Communication, Fiber optics interface, ST Connector
- X103** – IEC 61850 / Modbus TCP / DNP3.0 TCP/UDP, Fiber optics interface, LC Connector
- X104** – IRIG-B00X, incl. System Contact (Supervision Contact)

MCDLV4-2D1H1KB



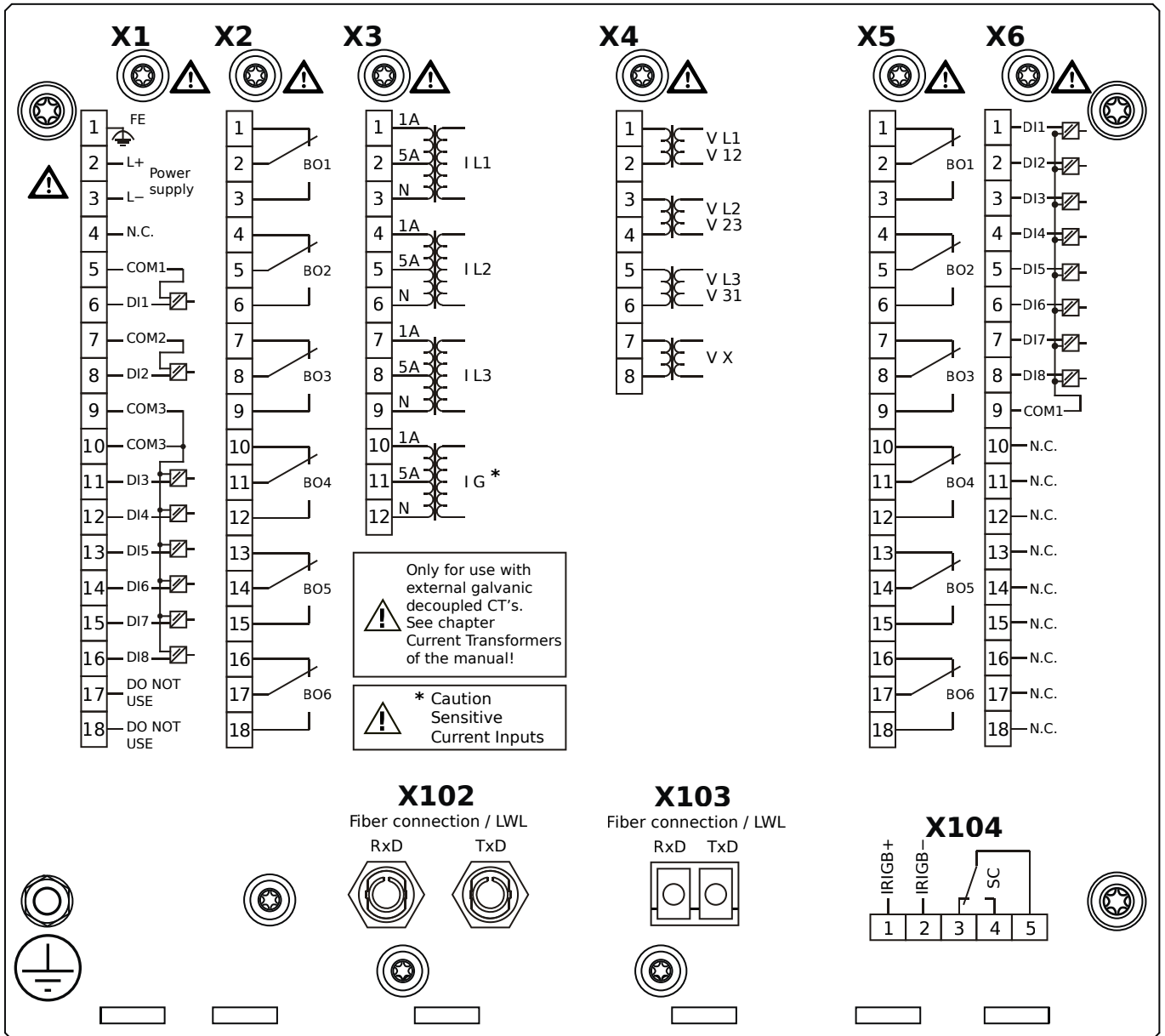
- X1** – DI8-X1: Wide-range power supply unit, incl. 2 non-grouped digital inputs and 6 grouped digital inputs
- X2** – OR-6: Assembly Group with 6 Relay Outputs
- X3** – TIs-4: Standard phase current measuring card and sensitive ground current measuring
- X4** – TU: Card with 4 voltage transformer measuring inputs
- X5** – OR-6: Assembly Group with 6 Relay Outputs
- X6** – DI8: Assembly Group with 8 Digital Inputs
- X102** – Protection Communication, Fiber optics interface, ST Connector
- X103** – IEC 61850 / Modbus TCP / DNP3.0 TCP/UDP, Fiber optics interface, LC Connector
- X104** – IRIG-B00X, incl. System Contact (Supervision Contact)

MCDLV4-2D1H1LA



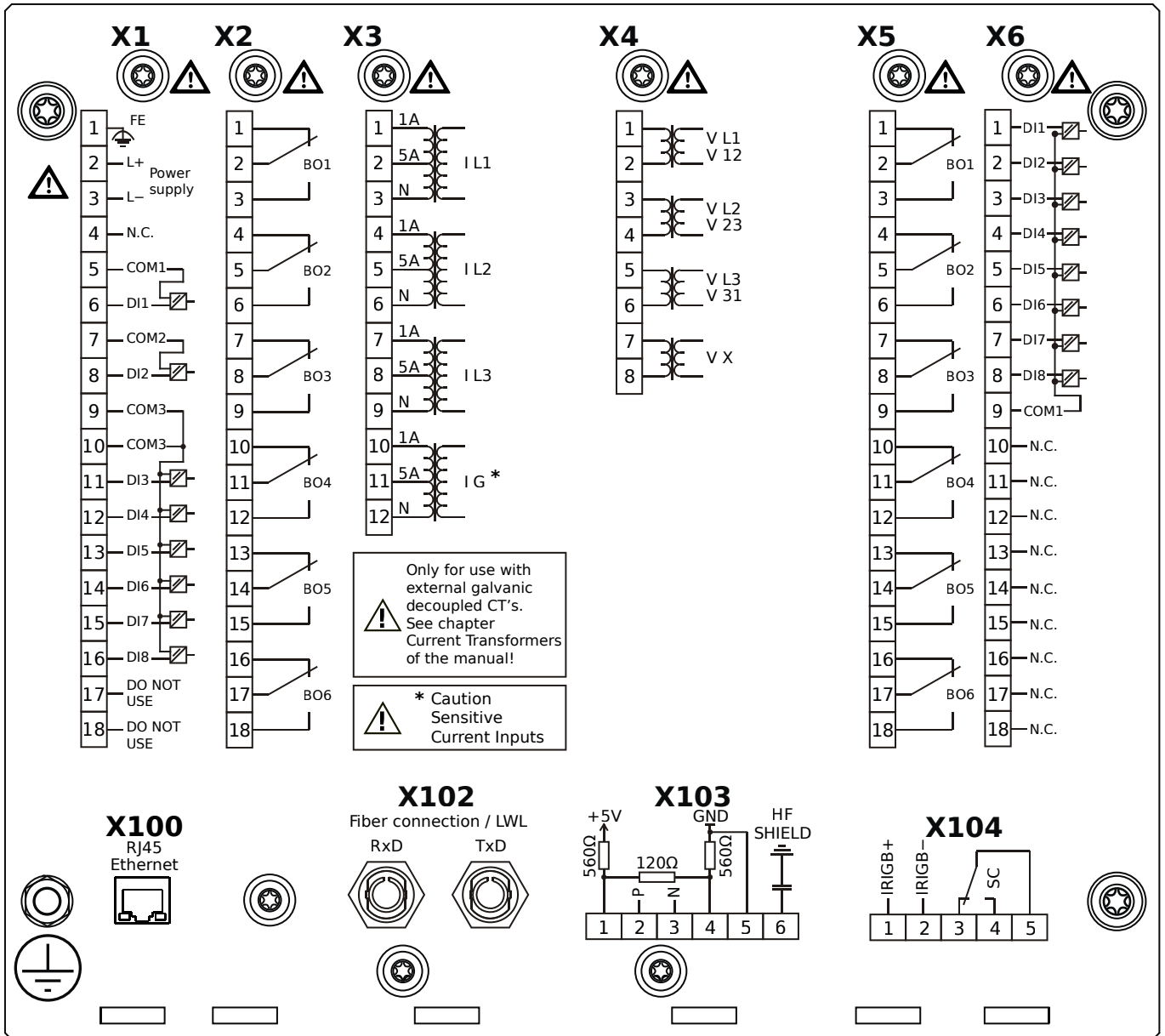
- X1** – DI8-X1: Wide-range power supply unit, incl. 2 non-grouped digital inputs and 6 grouped digital inputs
- X2** – OR-6: Assembly Group with 6 Relay Outputs
- X3** – TIs-4: Standard phase current measuring card and sensitive ground current measuring
- X4** – TU: Card with 4 voltage transformer measuring inputs
- X5** – OR-6: Assembly Group with 6 Relay Outputs
- X6** – DI8: Assembly Group with 8 Digital Inputs
- X102** – Protection Communication, Fiber optics interface, ST Connector
- X103** – Modbus TCP / DNP3.0 TCP/UDP, Fiber optics interface, LC Connector
- X104** – IRIG-B00X, incl. System Contact (Supervision Contact)

MCDLV4-2D1H1LB



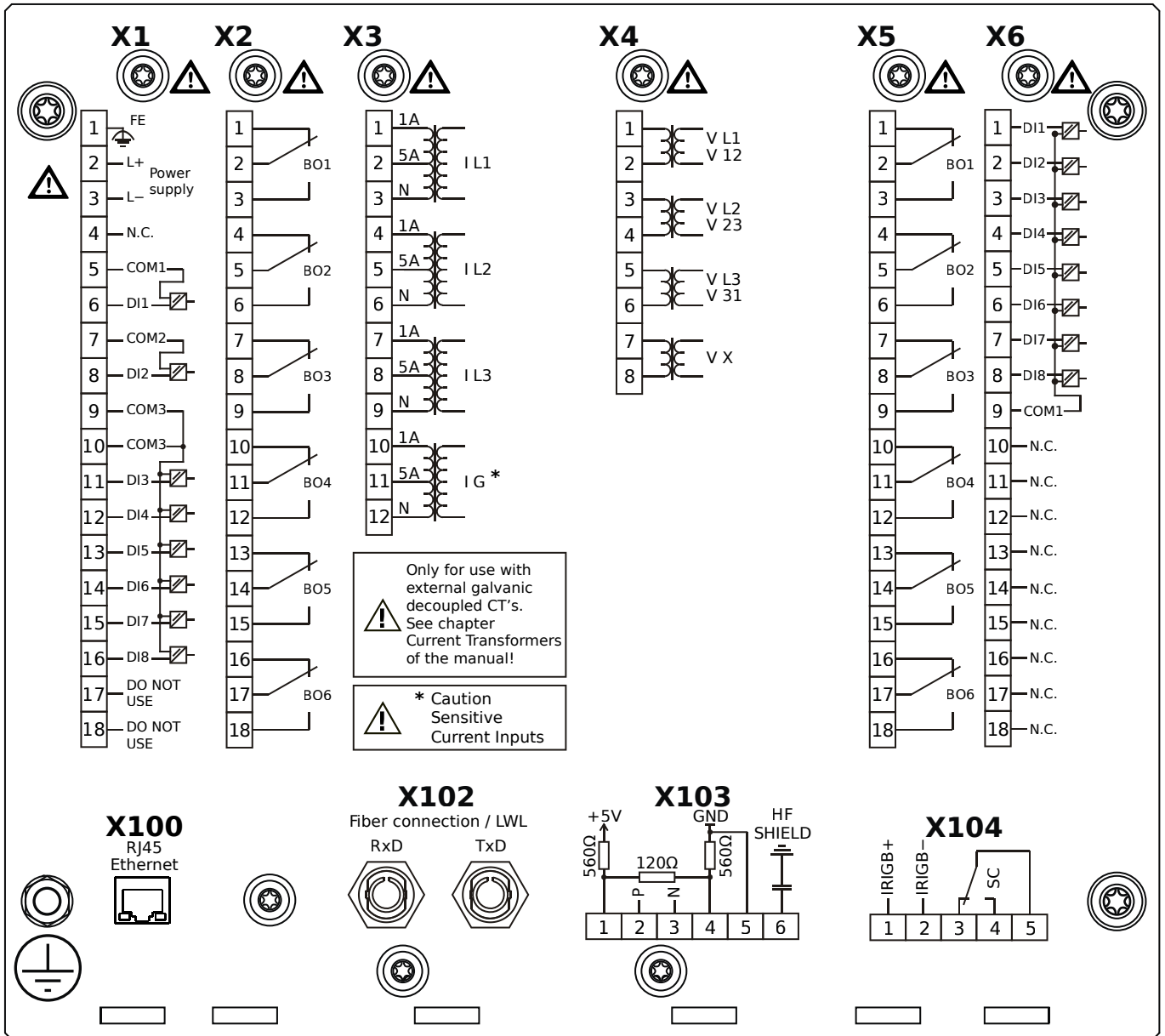
- X1** – DI8-X1: Wide-range power supply unit, incl. 2 non-grouped digital inputs and 6 grouped digital inputs
- X2** – OR-6: Assembly Group with 6 Relay Outputs
- X3** – TIs-4: Standard phase current measuring card and sensitive ground current measuring
- X4** – TU: Card with 4 voltage transformer measuring inputs
- X5** – OR-6: Assembly Group with 6 Relay Outputs
- X6** – DI8: Assembly Group with 8 Digital Inputs
- X102** – Protection Communication, Fiber optics interface, ST Connector
- X103** – Modbus TCP / DNP3.0 TCP/UDP, Fiber optics interface, LC Connector
- X104** – IRIG-B00X, incl. System Contact (Supervision Contact)

MCDLV4-2D1H1TA



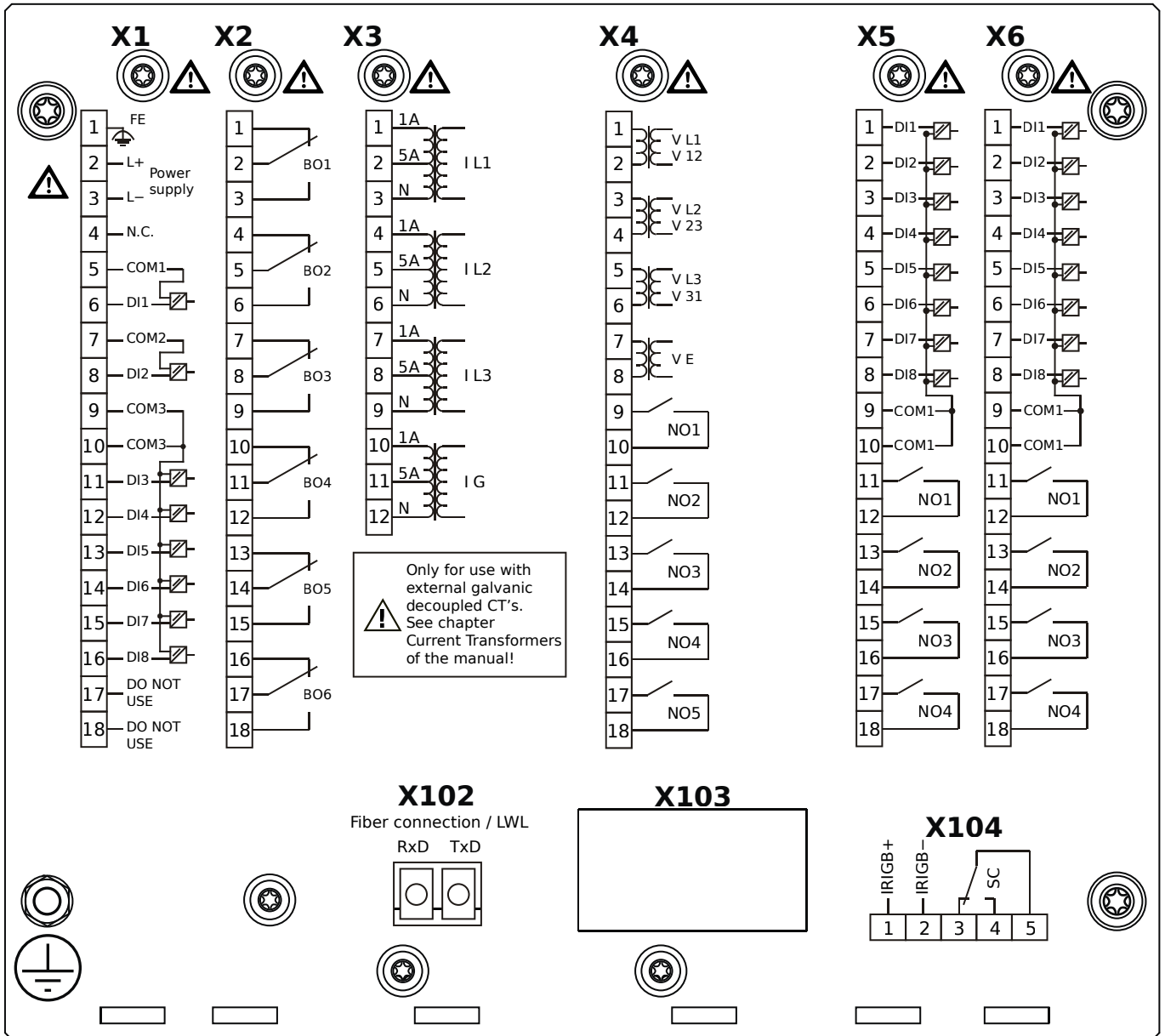
- X1** – DI8-X1: Wide-range power supply unit, incl. 2 non-grouped digital inputs and 6 grouped digital inputs
- X2** – OR-6: Assembly Group with 6 Relay Outputs
- X3** – TIs-4: Standard phase current measuring card and sensitive ground current measuring
- X4** – TU: Card with 4 voltage transformer measuring inputs
- X5** – OR-6: Assembly Group with 6 Relay Outputs
- X6** – DI8: Assembly Group with 8 Digital Inputs
- X100** – IEC 61850 / Modbus TCP / DNP3.0 TCP/UDP, Ethernet interface, 100 Mbit/s, RJ45 (BASE100-FX)
- X102** – Protection Communication, Fiber optics interface, ST Connector
- X103** – IEC 60870-5-103 / Modbus RTU / DNP3.0 RTU, RS485, Terminals
- X104** – IRIG-B00X, incl. System Contact (Supervision Contact)

MCDLV4-2D1H1TB



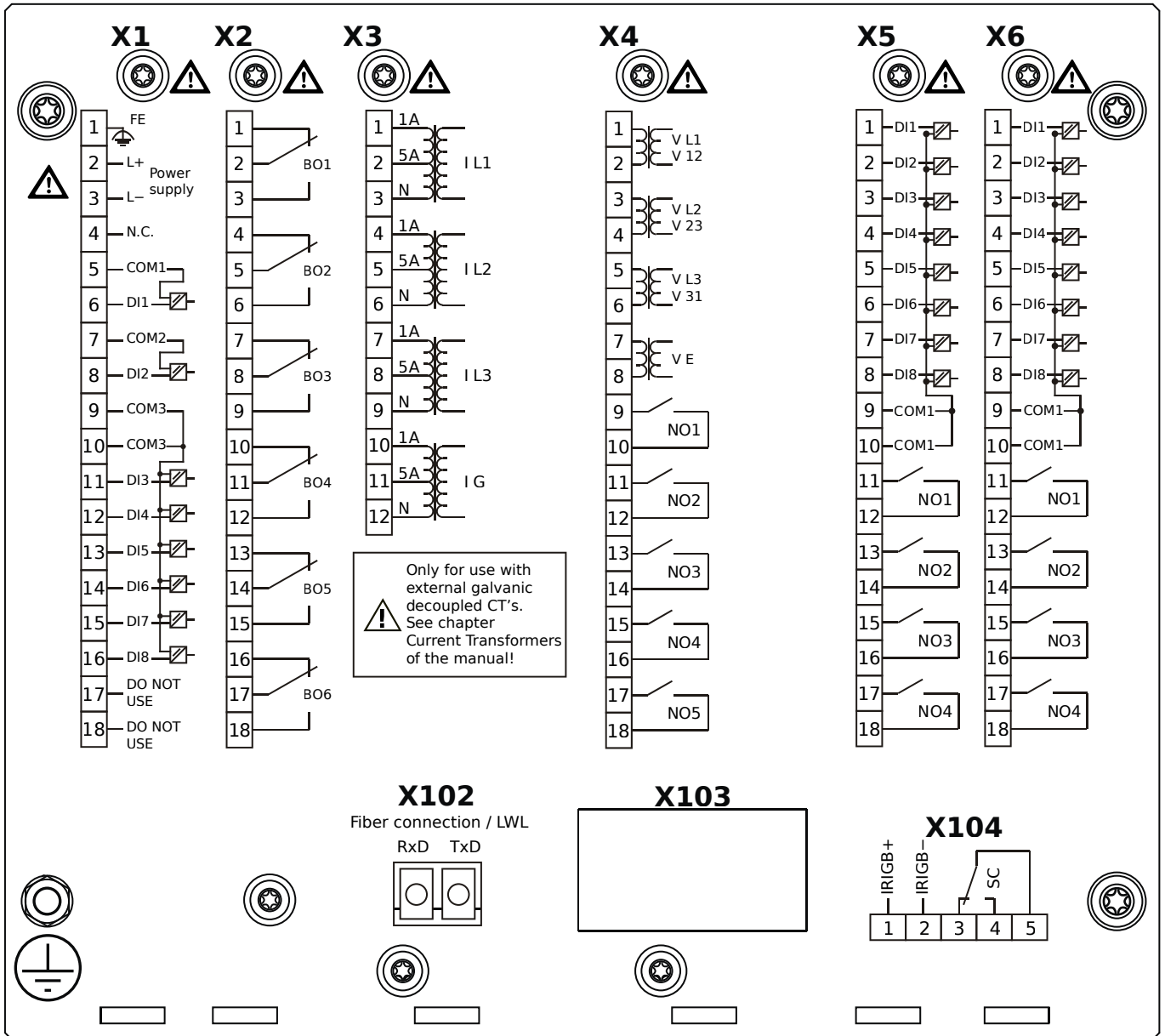
- X1** – DI8-X1: Wide-range power supply unit, incl. 2 non-grouped digital inputs and 6 grouped digital inputs
- X2** – OR-6: Assembly Group with 6 Relay Outputs
- X3** – TIs-4: Standard phase current measuring card and sensitive ground current measuring
- X4** – TU: Card with 4 voltage transformer measuring inputs
- X5** – OR-6: Assembly Group with 6 Relay Outputs
- X6** – DI8: Assembly Group with 8 Digital Inputs
- X100** – IEC 61850 / Modbus TCP / DNP3.0 TCP/UDP, Ethernet interface, 100 Mbit/s, RJ45 (BASE100-FX)
- X102** – Protection Communication, Fiber optics interface, ST Connector
- X103** – IEC 60870-5-103 / Modbus RTU / DNP3.0 RTU, RS485, Terminals
- X104** – IRIG-B00X, incl. System Contact (Supervision Contact)

MCDLV4-2E0A0AA



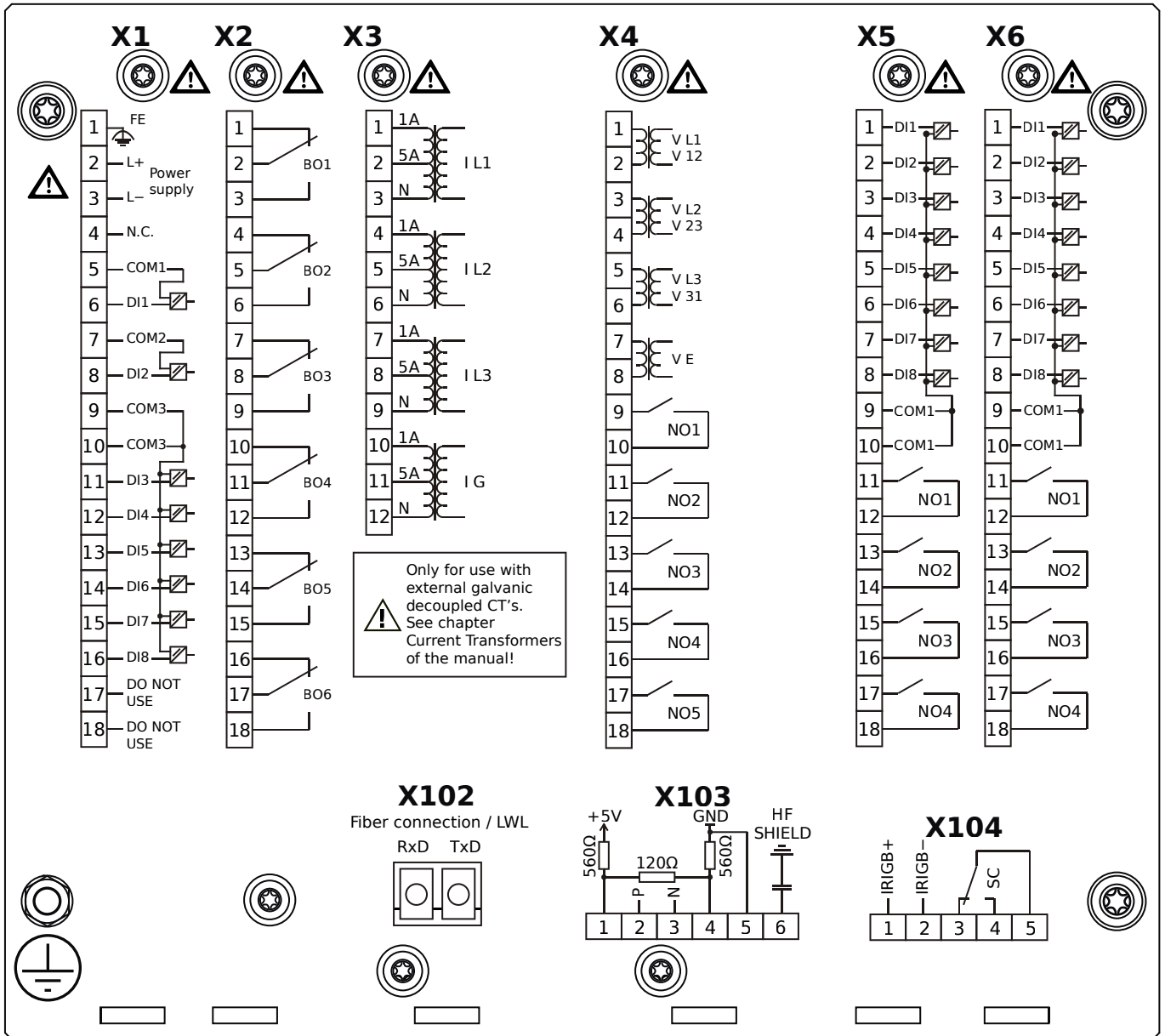
- X1** – DI8-X1: Wide-range power supply unit, incl. 2 non-grouped digital inputs and 6 grouped digital inputs
- X2** – OR-6: Assembly Group with 6 Relay Outputs
- X3** – TI-4: Standard current measuring card
- X4** – TU: Card with 4 voltage transformer measuring inputs and 5 output relays
- X5** – DI8-OR4: Assembly Group with 8 Digital Inputs and 4 Output Relays
- X6** – DI8-OR4: Assembly Group with 8 Digital Inputs and 4 Output Relays
- X102** – Long-distance Protection Communication, Fiber optics interface, LC Connector
- X104** – IRIG-B00X, incl. System Contact (Supervision Contact)

MCDLV4-2E0A0AB



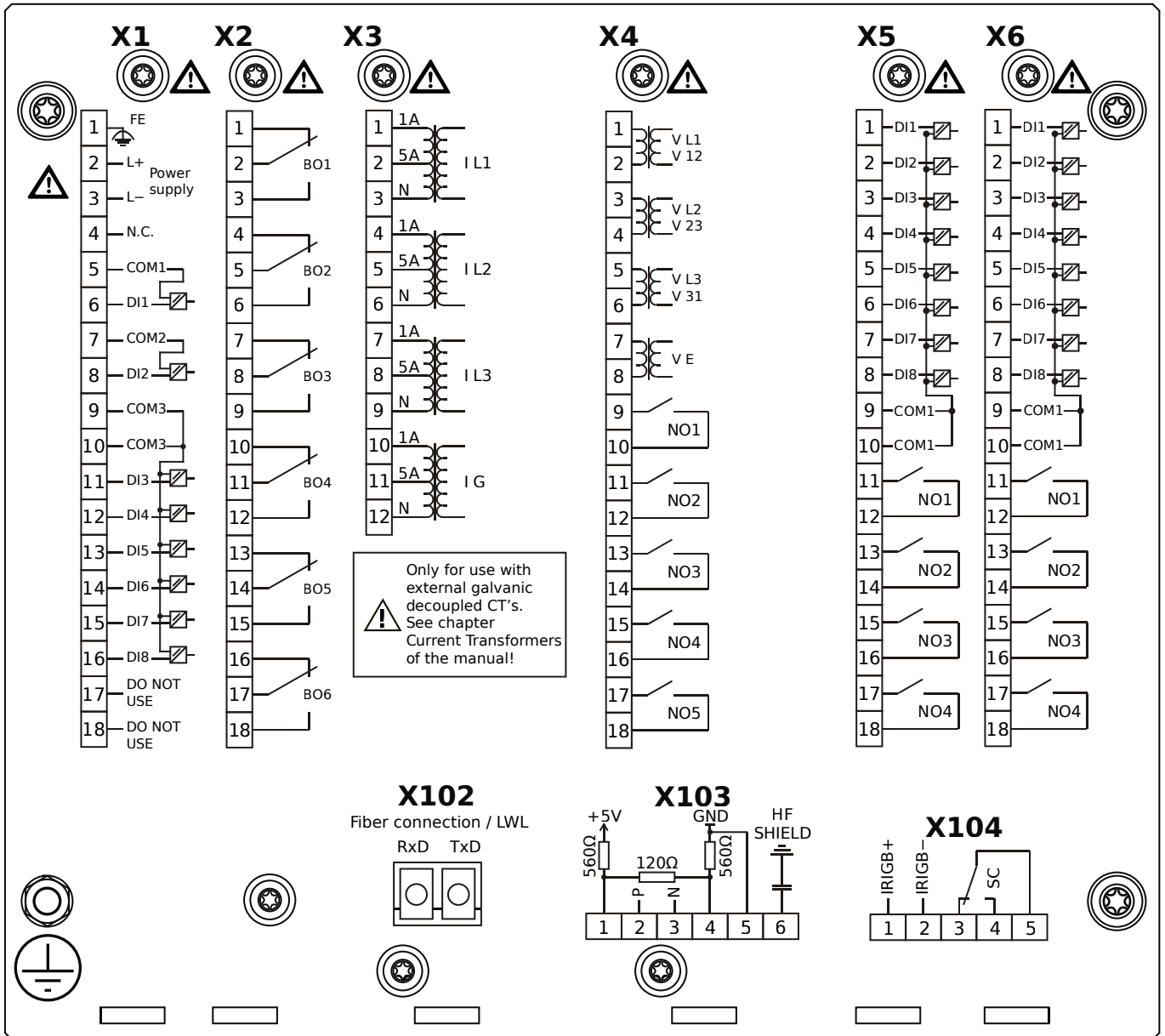
- X1** – DI8-X1: Wide-range power supply unit, incl. 2 non-grouped digital inputs and 6 grouped digital inputs
- X2** – OR-6: Assembly Group with 6 Relay Outputs
- X3** – TI-4: Standard current measuring card
- X4** – TU: Card with 4 voltage transformer measuring inputs and 5 output relays
- X5** – DI8-OR4: Assembly Group with 8 Digital Inputs and 4 Output Relays
- X6** – DI8-OR4: Assembly Group with 8 Digital Inputs and 4 Output Relays
- X102** – Long-distance Protection Communication, Fiber optics interface, LC Connector
- X104** – IRIG-B00X, incl. System Contact (Supervision Contact)

MCDLV4-2E0A0BA



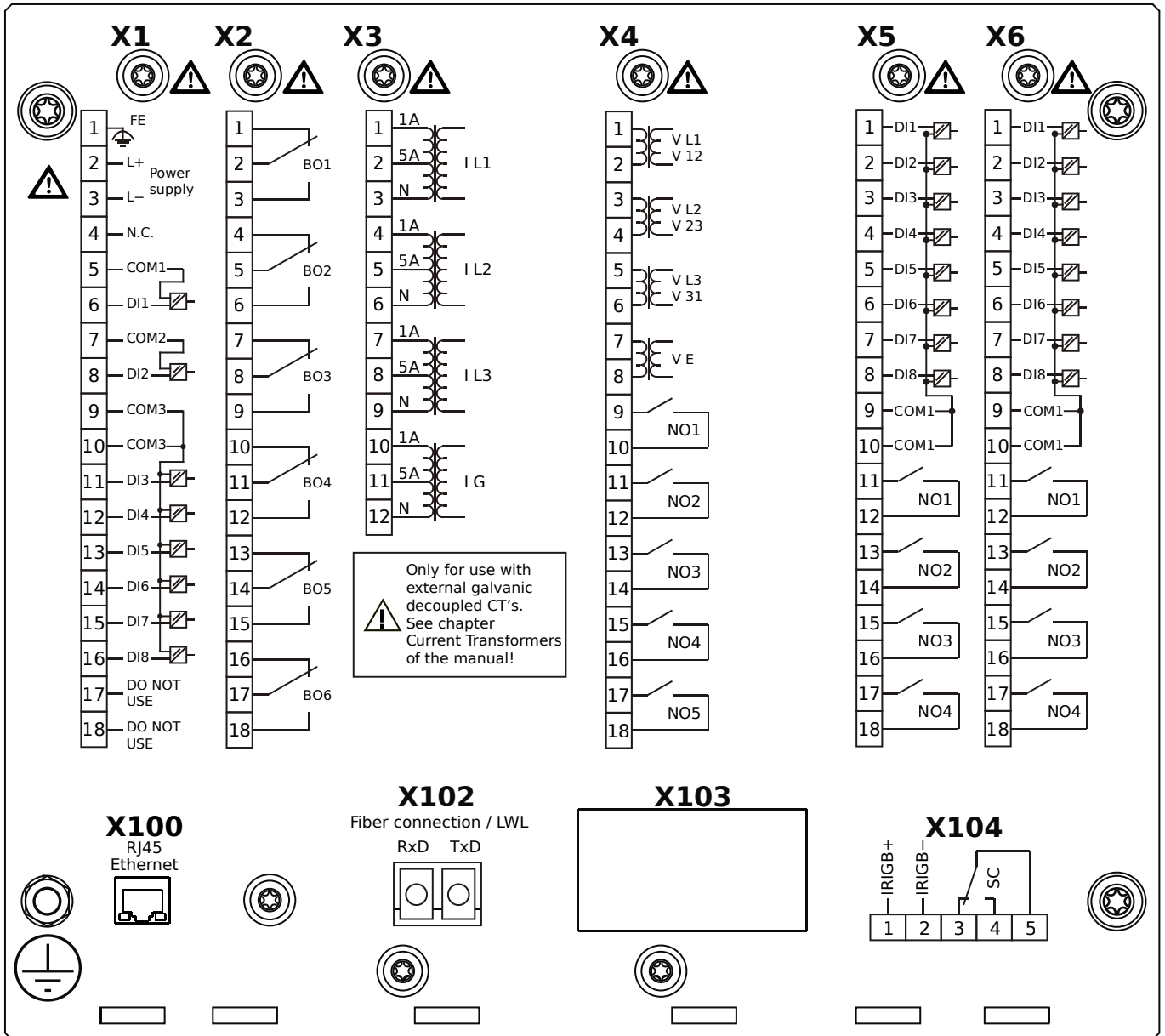
- X1** – DI8-X1: Wide-range power supply unit, incl. 2 non-grouped digital inputs and 6 grouped digital inputs
- X2** – OR-6: Assembly Group with 6 Relay Outputs
- X3** – TI-4: Standard current measuring card
- X4** – TU: Card with 4 voltage transformer measuring inputs and 5 output relays
- X5** – DI8-OR4: Assembly Group with 8 Digital Inputs and 4 Output Relays
- X6** – DI8-OR4: Assembly Group with 8 Digital Inputs and 4 Output Relays
- X102** – Long-distance Protection Communication, Fiber optics interface, LC Connector
- X103** – Modbus RTU / IEC 60870-5-103 / DNP3.0 RTU, RS485, Terminals
- X104** – IRIG-B00X, incl. System Contact (Supervision Contact)

MCDLV4-2E0A0BB



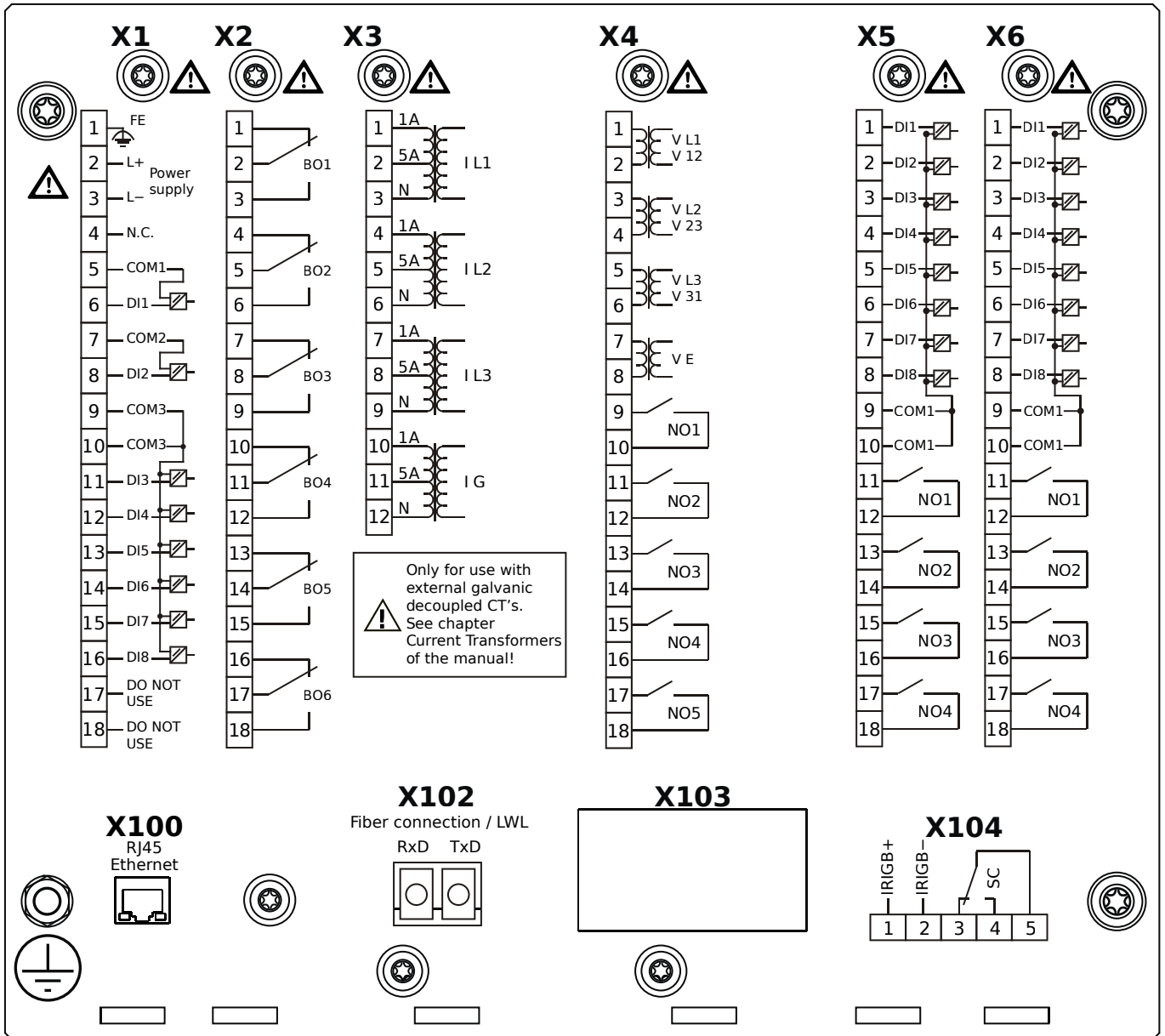
- X1** – DI8-X1: Wide-range power supply unit, incl. 2 non-grouped digital inputs and 6 grouped digital inputs
- X2** – OR-6: Assembly Group with 6 Relay Outputs
- X3** – TI-4: Standard current measuring card
- X4** – TU: Card with 4 voltage transformer measuring inputs and 5 output relays
- X5** – DI8-OR4: Assembly Group with 8 Digital Inputs and 4 Output Relays
- X6** – DI8-OR4: Assembly Group with 8 Digital Inputs and 4 Output Relays
- X102** – Long-distance Protection Communication, Fiber optics interface, LC Connector
- X103** – Modbus RTU / IEC 60870-5-103 / DNP3.0 RTU, RS485, Terminals
- X104** – IRIG-B00X, incl. System Contact (Supervision Contact)

MCDLV4-2E0A0CA



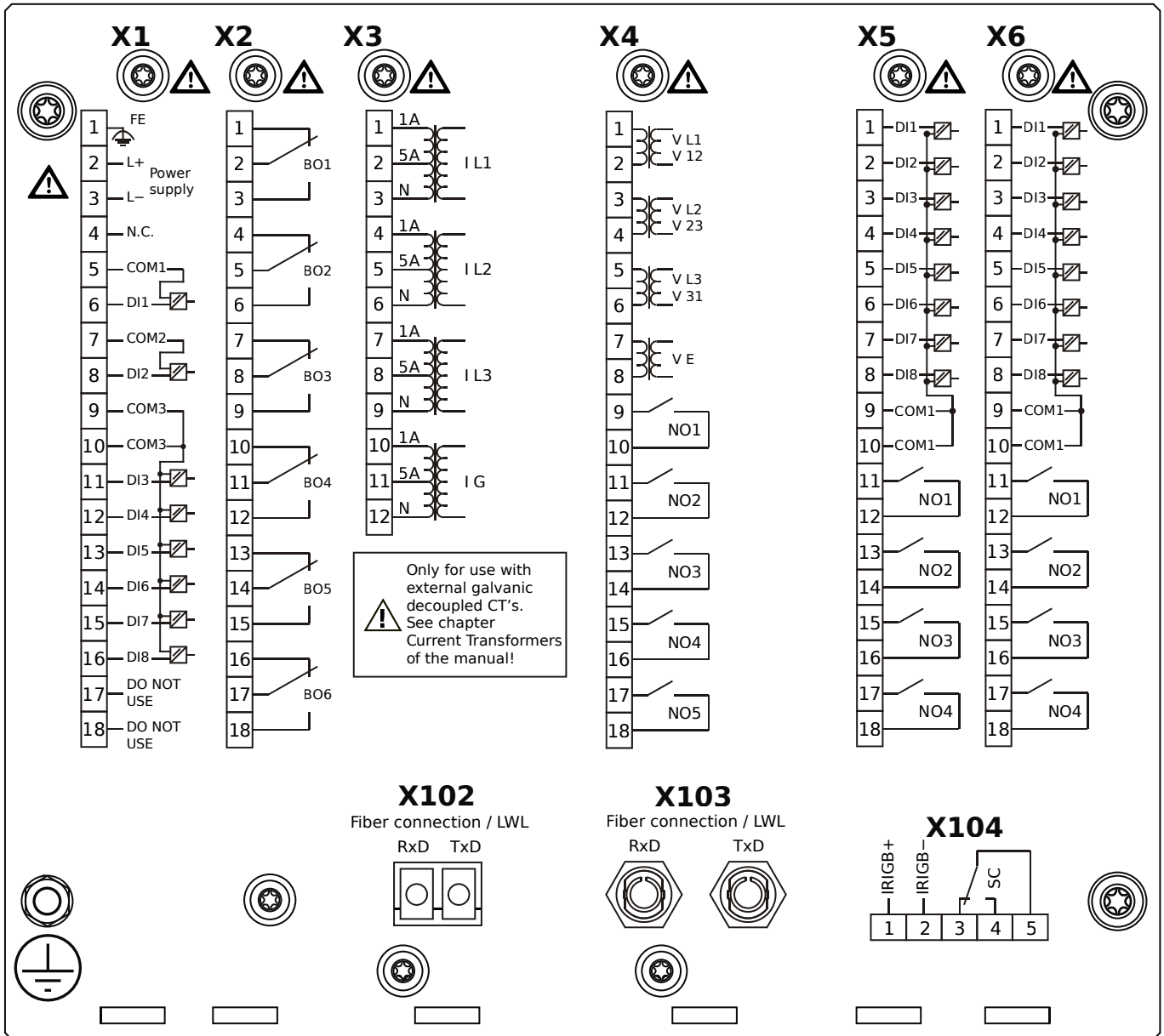
- X1** – DI8-X1: Wide-range power supply unit, incl. 2 non-grouped digital inputs and 6 grouped digital inputs
- X2** – OR-6: Assembly Group with 6 Relay Outputs
- X3** – TI-4: Standard current measuring card
- X4** – TU: Card with 4 voltage transformer measuring inputs and 5 output relays
- X5** – DI8-OR4: Assembly Group with 8 Digital Inputs and 4 Output Relays
- X6** – DI8-OR4: Assembly Group with 8 Digital Inputs and 4 Output Relays
- X100** – Modbus TCP / DNP3.0 TCP/UDP, Ethernet interface, 100 Mbit/s, RJ45 (BASE100-FX)
- X102** – Long-distance Protection Communication, Fiber optics interface, LC Connector
- X104** – IRIG-B00X, incl. System Contact (Supervision Contact)

MCDLV4-2E0A0CB



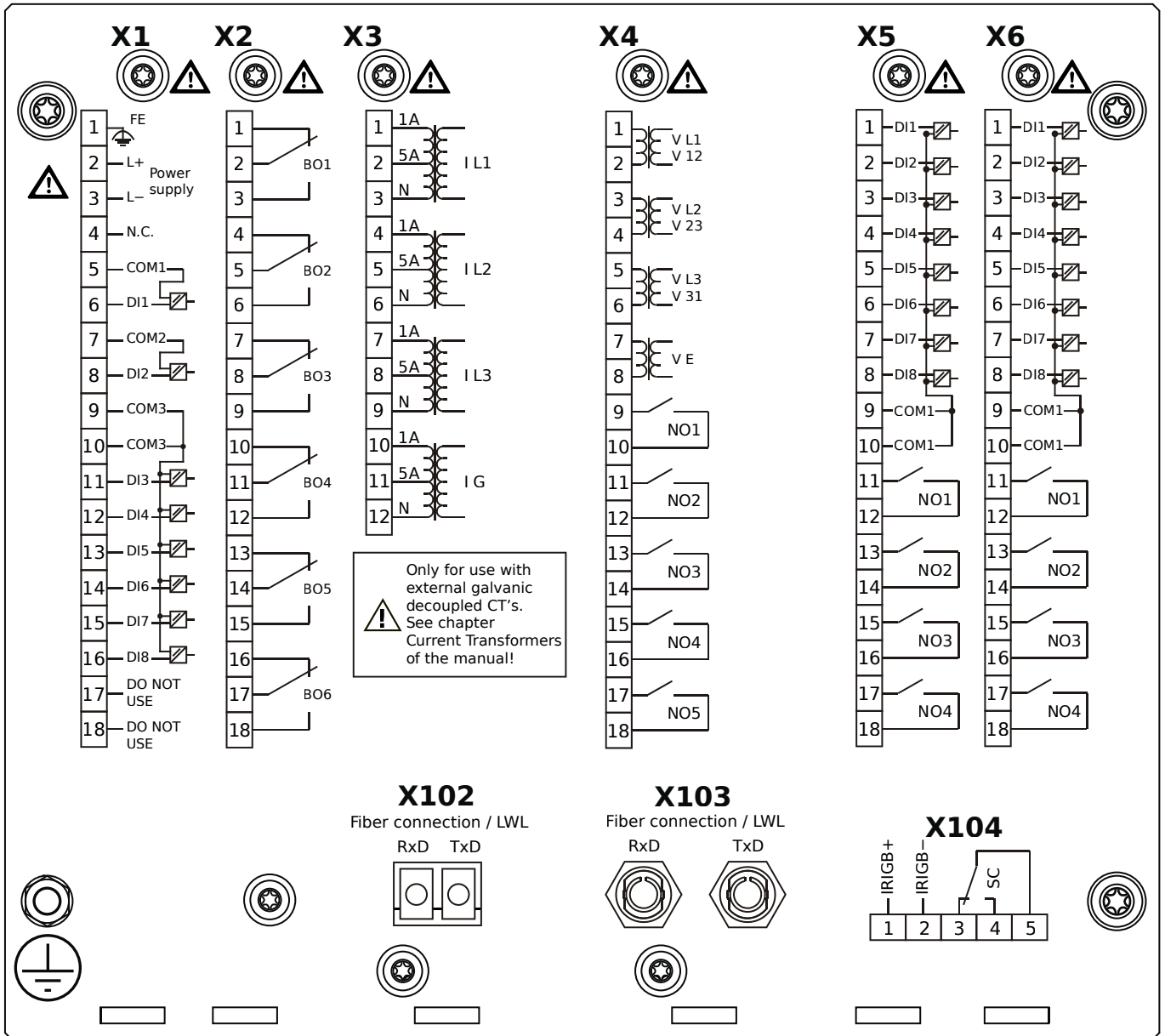
- X1** – DI8-X1: Wide-range power supply unit, incl. 2 non-grouped digital inputs and 6 grouped digital inputs
- X2** – OR-6: Assembly Group with 6 Relay Outputs
- X3** – TI-4: Standard current measuring card
- X4** – TU: Card with 4 voltage transformer measuring inputs and 5 output relays
- X5** – DI8-OR4: Assembly Group with 8 Digital Inputs and 4 Output Relays
- X6** – DI8-OR4: Assembly Group with 8 Digital Inputs and 4 Output Relays
- X100** – Modbus TCP / DNP3.0 TCP/UDP, Ethernet interface, 100 Mbit/s, RJ45 (BASE100-FX)
- X102** – Long-distance Protection Communication, Fiber optics interface, LC Connector
- X104** – IRIG-B00X, incl. System Contact (Supervision Contact)

MCDLV4-2E0A0DA



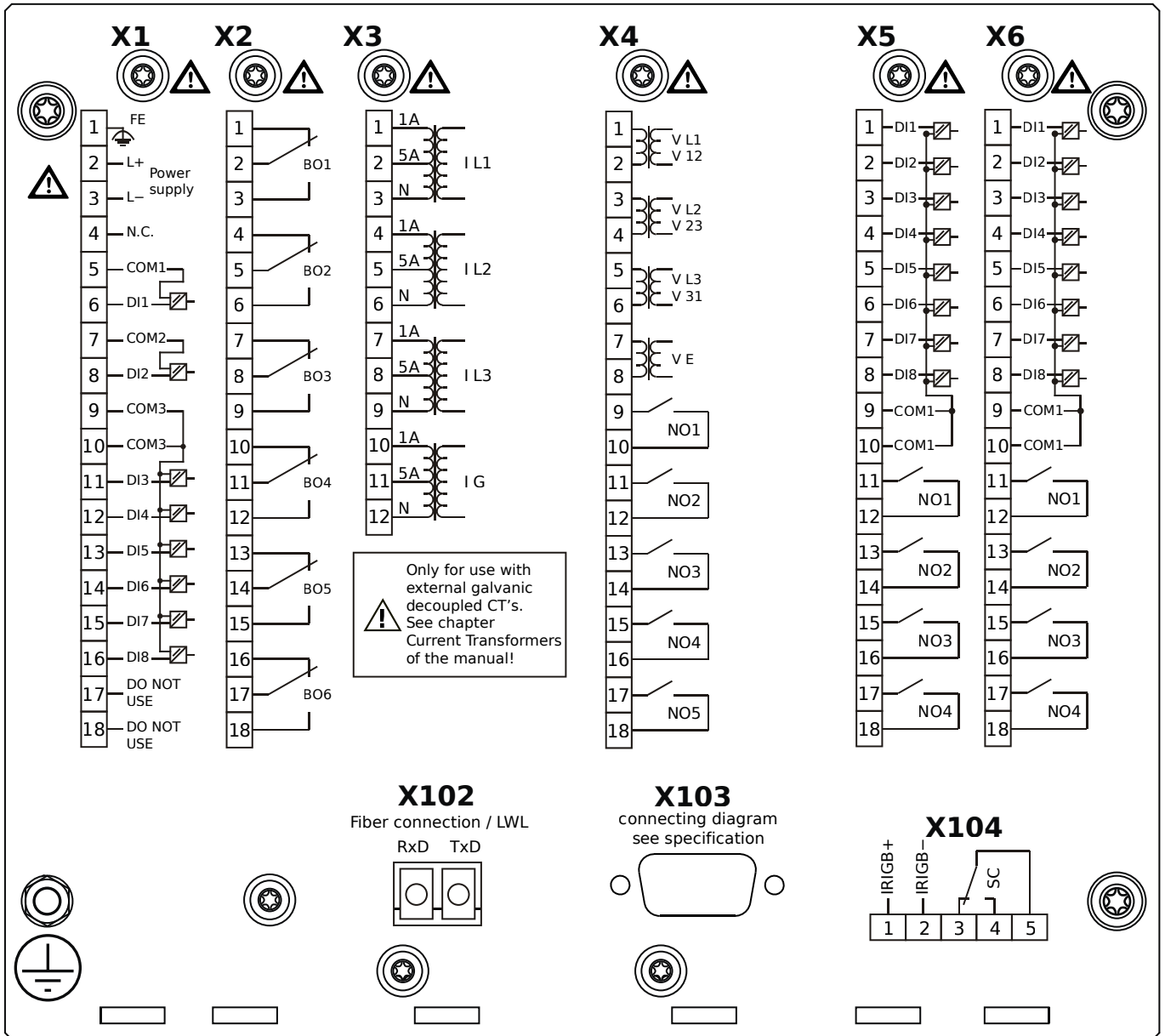
- X1** – DI8-X1: Wide-range power supply unit, incl. 2 non-grouped digital inputs and 6 grouped digital inputs
- X2** – OR-6: Assembly Group with 6 Relay Outputs
- X3** – TI-4: Standard current measuring card
- X4** – TU: Card with 4 voltage transformer measuring inputs and 5 output relays
- X5** – DI8-OR4: Assembly Group with 8 Digital Inputs and 4 Output Relays
- X6** – DI8-OR4: Assembly Group with 8 Digital Inputs and 4 Output Relays
- X102** – Long-distance Protection Communication, Fiber optics interface, LC Connector
- X103** – Profibus-DP, Fiber optics interface, ST Connector
- X104** – IRIG-B00X, incl. System Contact (Supervision Contact)

MCDLV4-2E0A0DB



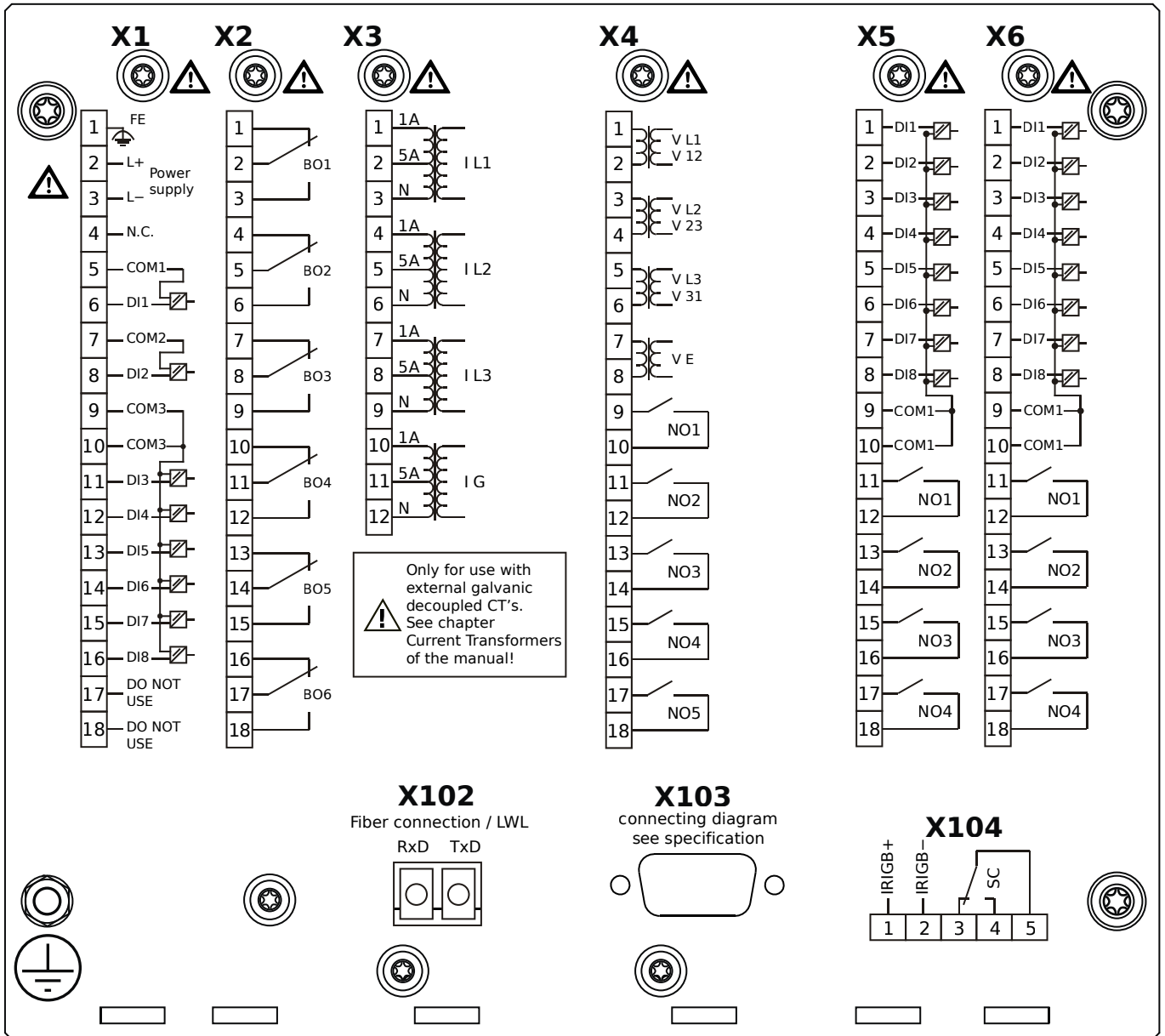
- X1** – DI8-X1: Wide-range power supply unit, incl. 2 non-grouped digital inputs and 6 grouped digital inputs
- X2** – OR-6: Assembly Group with 6 Relay Outputs
- X3** – TI-4: Standard current measuring card
- X4** – TU: Card with 4 voltage transformer measuring inputs and 5 output relays
- X5** – DI8-OR4: Assembly Group with 8 Digital Inputs and 4 Output Relays
- X6** – DI8-OR4: Assembly Group with 8 Digital Inputs and 4 Output Relays
- X102** – Long-distance Protection Communication, Fiber optics interface, LC Connector
- X103** – Profibus-DP, Fiber optics interface, ST Connector
- X104** – IRIG-B00X, incl. System Contact (Supervision Contact)

MCDLV4-2E0A0EA



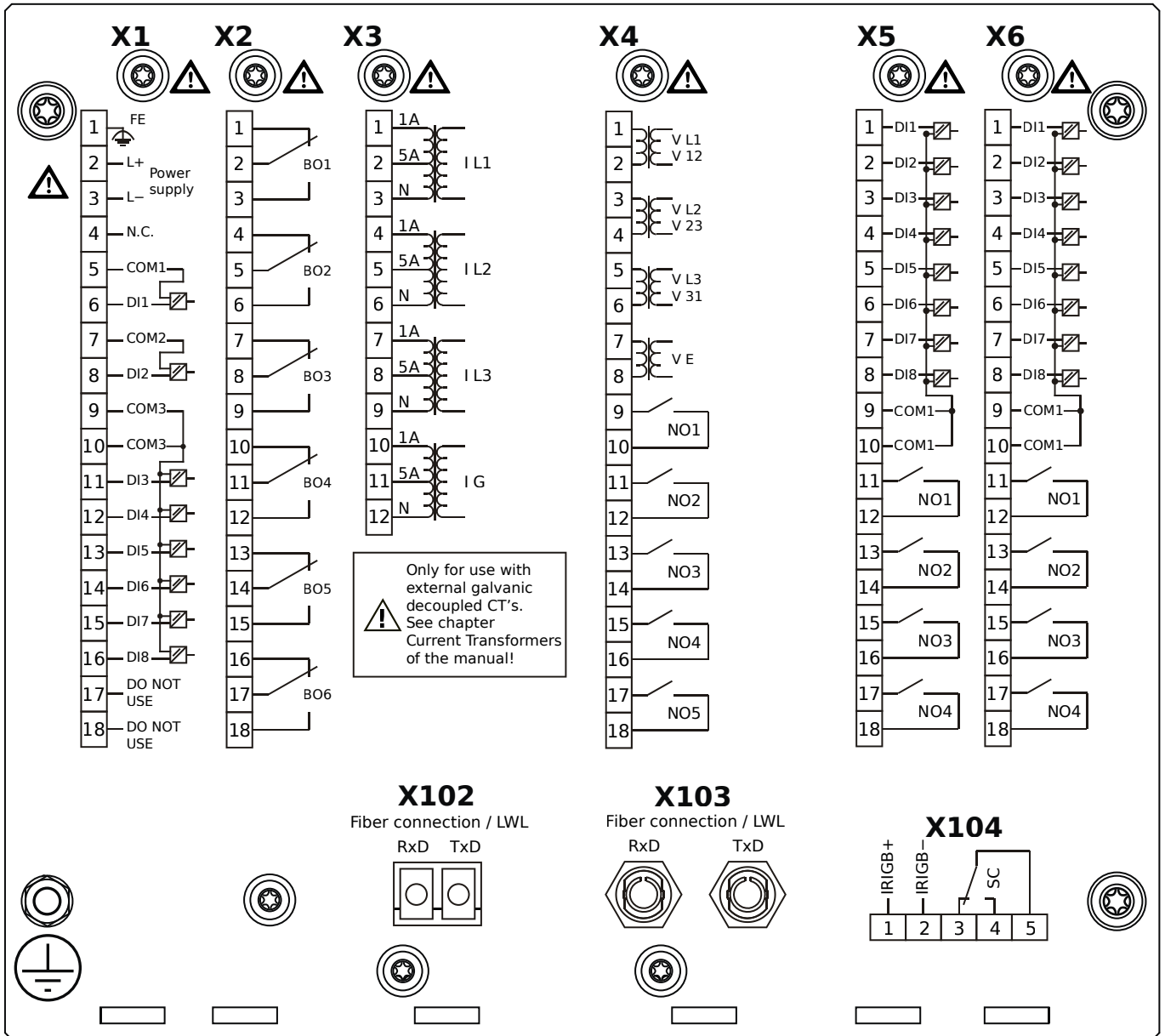
- X1** – DI8-X1: Wide-range power supply unit, incl. 2 non-grouped digital inputs and 6 grouped digital inputs
- X2** – OR-6: Assembly Group with 6 Relay Outputs
- X3** – TI-4: Standard current measuring card
- X4** – TU: Card with 4 voltage transformer measuring inputs and 5 output relays
- X5** – DI8-OR4: Assembly Group with 8 Digital Inputs and 4 Output Relays
- X6** – DI8-OR4: Assembly Group with 8 Digital Inputs and 4 Output Relays
- X102** – Long-distance Protection Communication, Fiber optics interface, LC Connector
- X103** – Profibus-DP, RS485, D-SUB
- X104** – IRIG-B00X, incl. System Contact (Supervision Contact)

MCDLV4-2E0A0EB



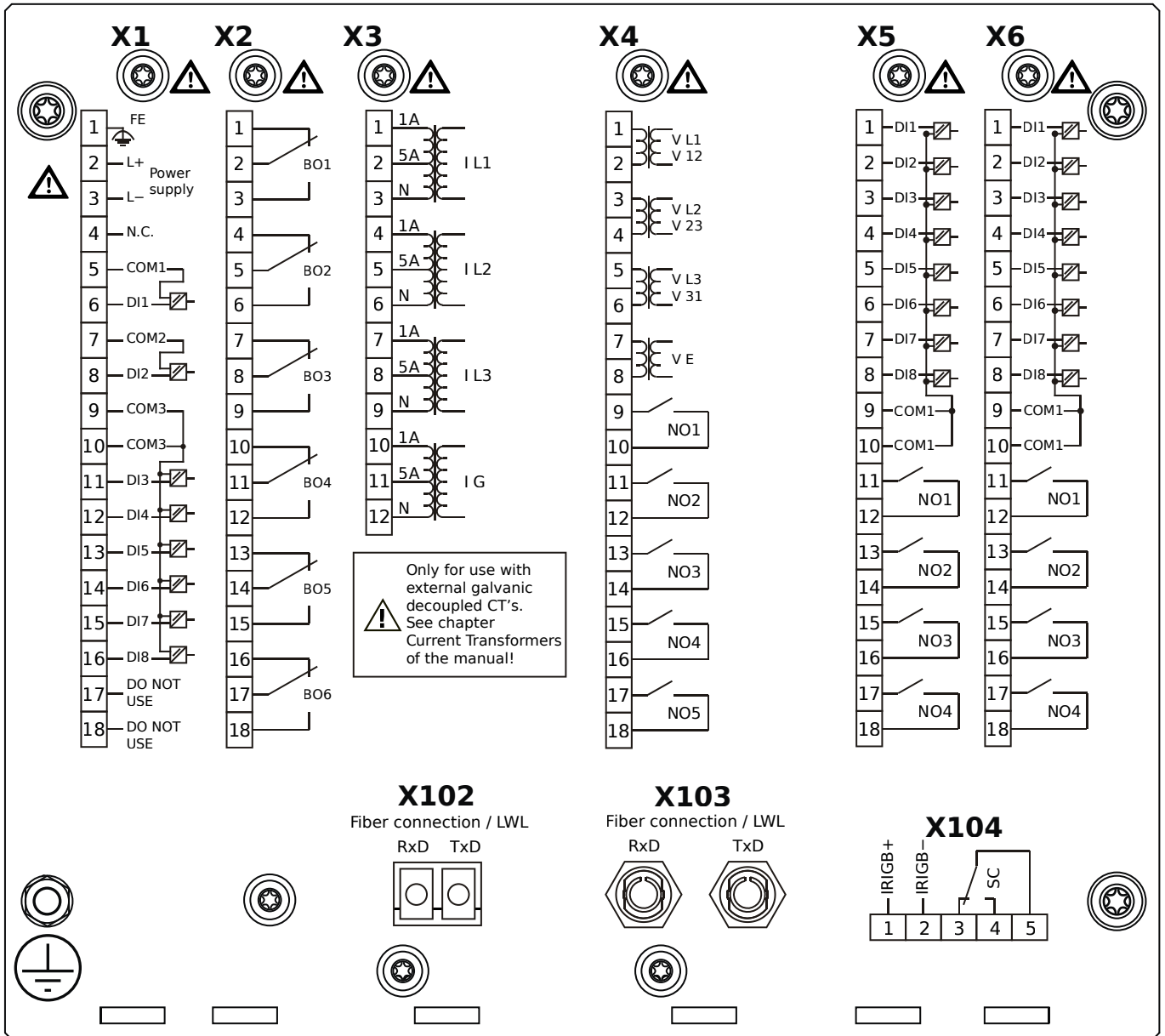
- X1** – DI8-X1: Wide-range power supply unit, incl. 2 non-grouped digital inputs and 6 grouped digital inputs
- X2** – OR-6: Assembly Group with 6 Relay Outputs
- X3** – TI-4: Standard current measuring card
- X4** – TU: Card with 4 voltage transformer measuring inputs and 5 output relays
- X5** – DI8-OR4: Assembly Group with 8 Digital Inputs and 4 Output Relays
- X6** – DI8-OR4: Assembly Group with 8 Digital Inputs and 4 Output Relays
- X102** – Long-distance Protection Communication, Fiber optics interface, LC Connector
- X103** – Profibus-DP, RS485, D-SUB
- X104** – IRIG-B00X, incl. System Contact (Supervision Contact)

MCDLV4-2E0A0FA



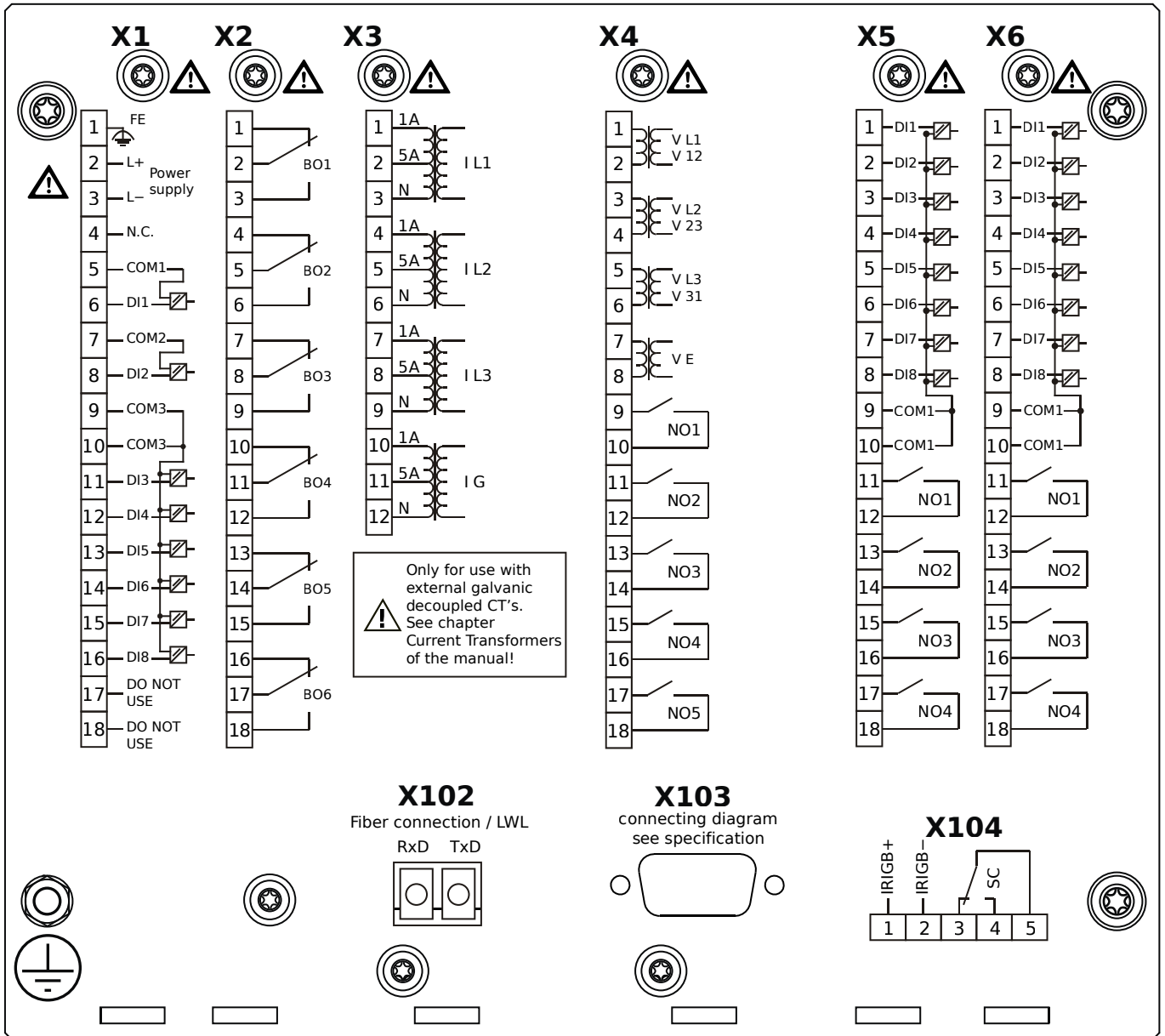
- X1** – DI8-X1: Wide-range power supply unit, incl. 2 non-grouped digital inputs and 6 grouped digital inputs
- X2** – OR-6: Assembly Group with 6 Relay Outputs
- X3** – TI-4: Standard current measuring card
- X4** – TU: Card with 4 voltage transformer measuring inputs and 5 output relays
- X5** – DI8-OR4: Assembly Group with 8 Digital Inputs and 4 Output Relays
- X6** – DI8-OR4: Assembly Group with 8 Digital Inputs and 4 Output Relays
- X102** – Long-distance Protection Communication, Fiber optics interface, LC Connector
- X103** – Modbus RTU / IEC 60870-5-103 / DNP3.0 RTU, Fiber optics interface, ST Connector
- X104** – IRIG-B00X, incl. System Contact (Supervision Contact)

MCDLV4-2E0A0FB



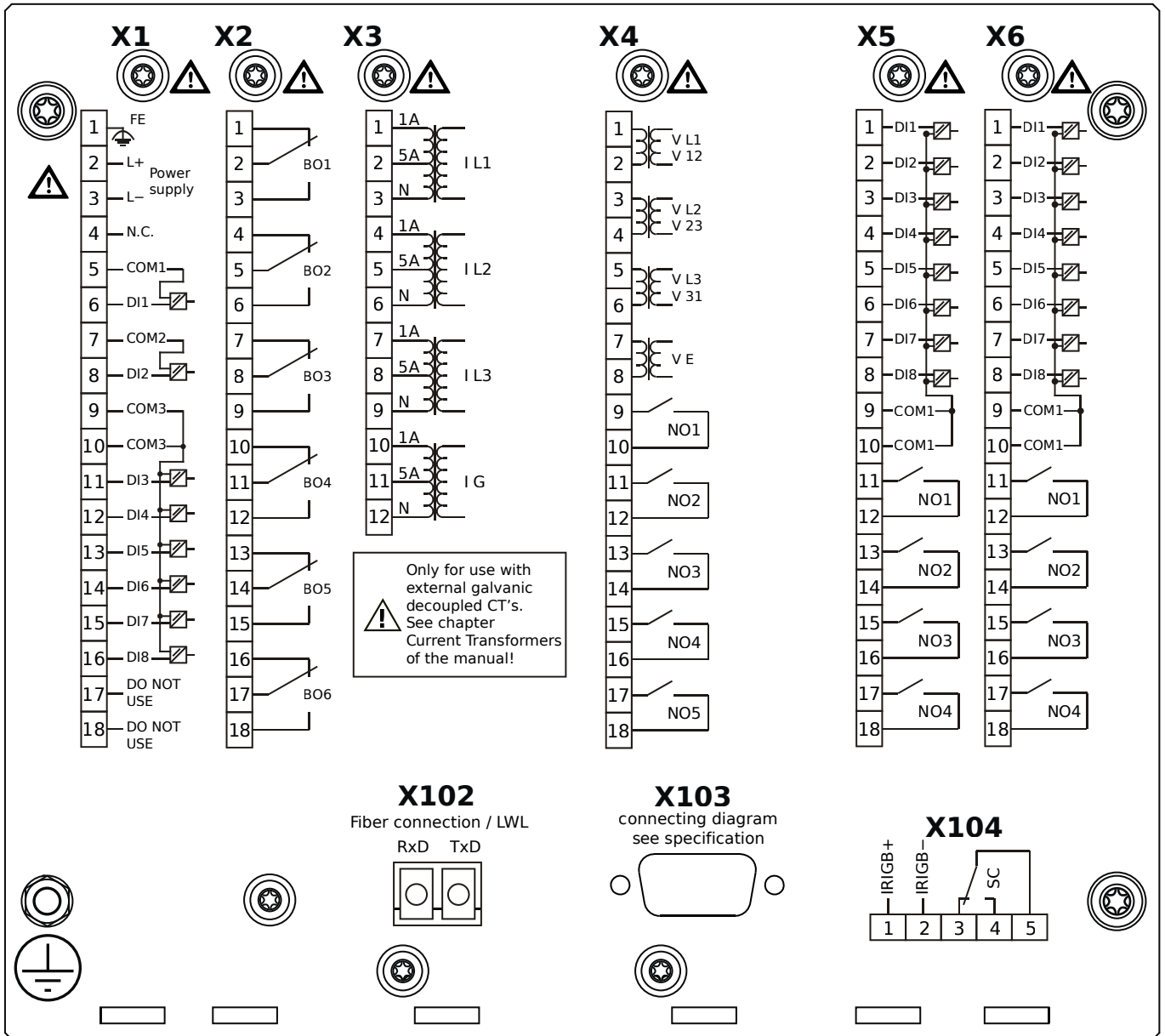
- X1** – DI8-X1: Wide-range power supply unit, incl. 2 non-grouped digital inputs and 6 grouped digital inputs
- X2** – OR-6: Assembly Group with 6 Relay Outputs
- X3** – TI-4: Standard current measuring card
- X4** – TU: Card with 4 voltage transformer measuring inputs and 5 output relays
- X5** – DI8-OR4: Assembly Group with 8 Digital Inputs and 4 Output Relays
- X6** – DI8-OR4: Assembly Group with 8 Digital Inputs and 4 Output Relays
- X102** – Long-distance Protection Communication, Fiber optics interface, LC Connector
- X103** – Modbus RTU / IEC 60870-5-103 / DNP3.0 RTU, Fiber optics interface, ST Connector
- X104** – IRIG-B00X, incl. System Contact (Supervision Contact)

MCDLV4-2E0A0GA



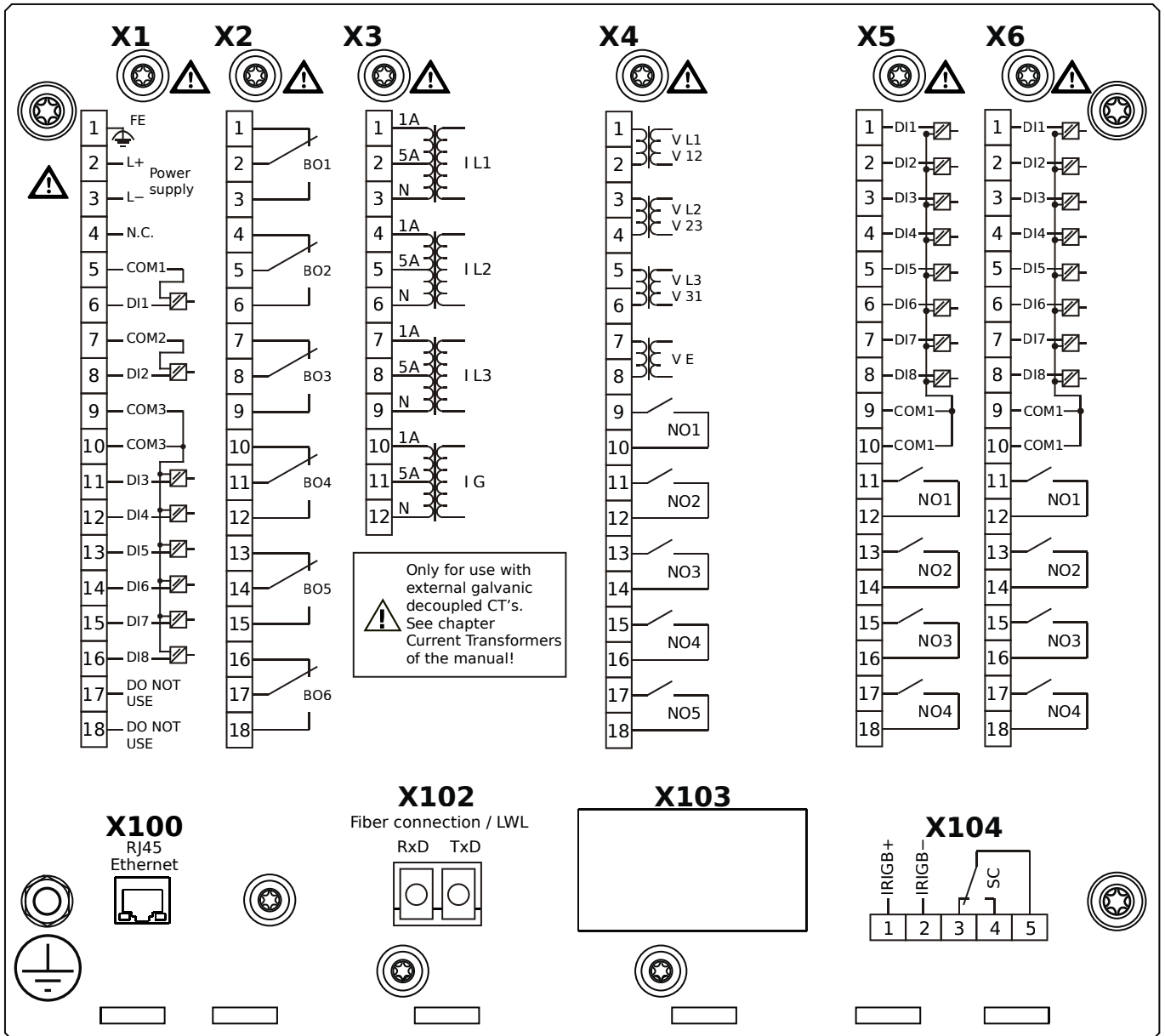
- X1** – DI8-X1: Wide-range power supply unit, incl. 2 non-grouped digital inputs and 6 grouped digital inputs
- X2** – OR-6: Assembly Group with 6 Relay Outputs
- X3** – TI-4: Standard current measuring card
- X4** – TU: Card with 4 voltage transformer measuring inputs and 5 output relays
- X5** – DI8-OR4: Assembly Group with 8 Digital Inputs and 4 Output Relays
- X6** – DI8-OR4: Assembly Group with 8 Digital Inputs and 4 Output Relays
- X102** – Long-distance Protection Communication, Fiber optics interface, LC Connector
- X103** – Modbus RTU / IEC 60870-5-103 / DNP3.0 RTU, RS485, D-SUB
- X104** – IRIG-B00X, incl. System Contact (Supervision Contact)

MCDLV4-2E0A0GB



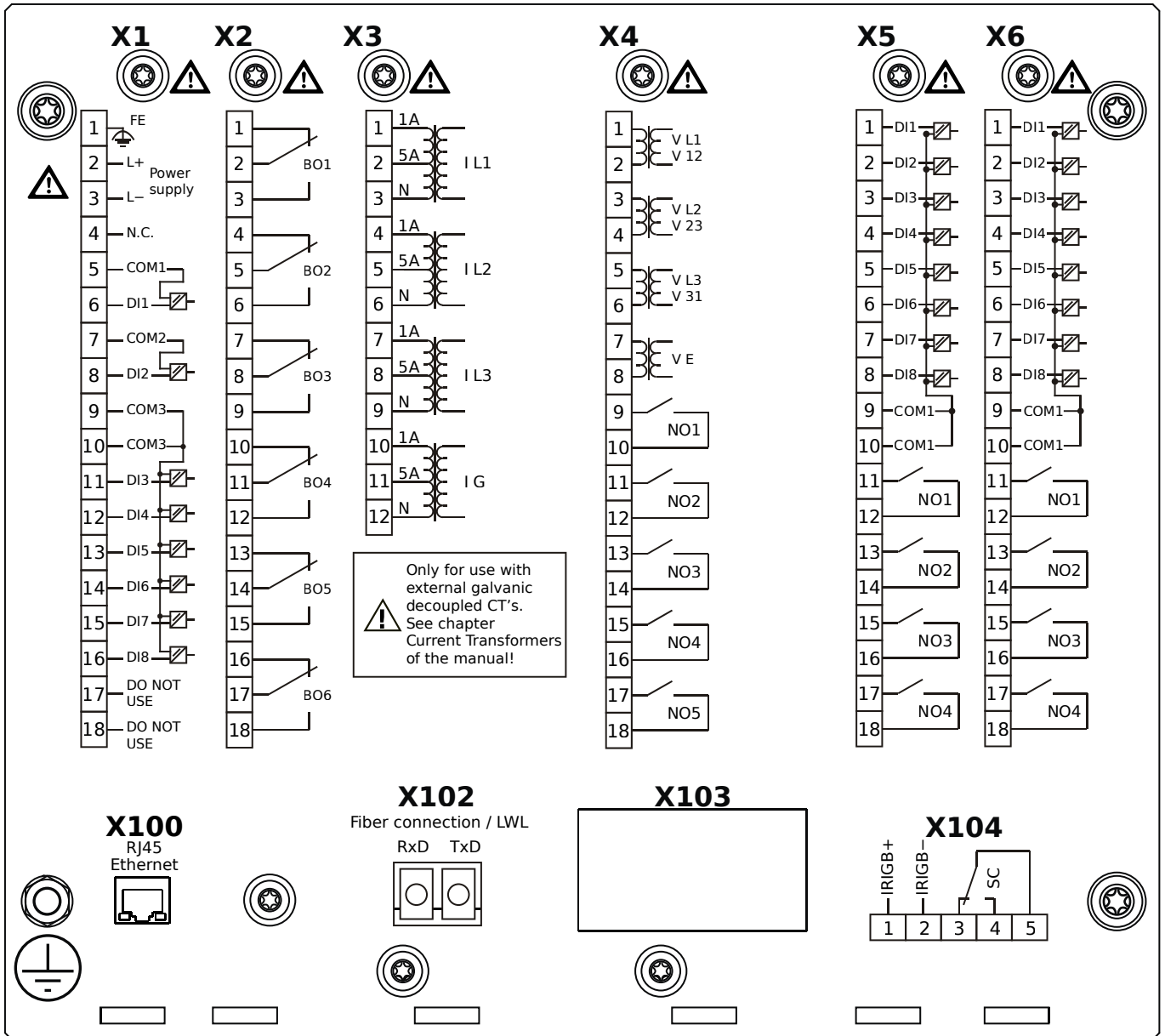
- X1** – DI8-X1: Wide-range power supply unit, incl. 2 non-grouped digital inputs and 6 grouped digital inputs
- X2** – OR-6: Assembly Group with 6 Relay Outputs
- X3** – TI-4: Standard current measuring card
- X4** – TU: Card with 4 voltage transformer measuring inputs and 5 output relays
- X5** – DI8-OR4: Assembly Group with 8 Digital Inputs and 4 Output Relays
- X6** – DI8-OR4: Assembly Group with 8 Digital Inputs and 4 Output Relays
- X102** – Long-distance Protection Communication, Fiber optics interface, LC Connector
- X103** – Modbus RTU / IEC 60870-5-103 / DNP3.0 RTU, RS485, D-SUB
- X104** – IRIG-B00X, incl. System Contact (Supervision Contact)

MCDLV4-2E0A0HA



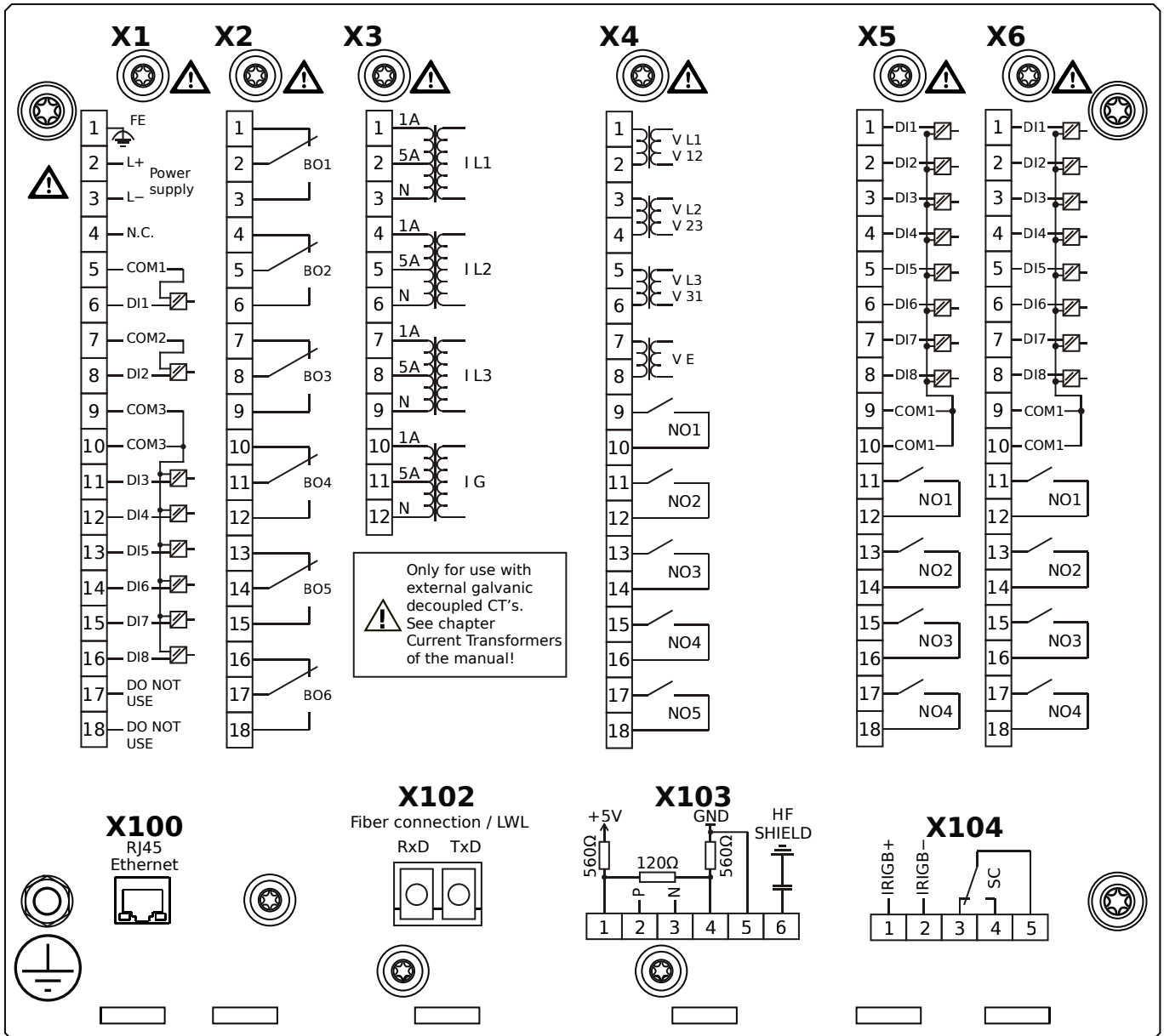
- X1** – DI8-X1: Wide-range power supply unit, incl. 2 non-grouped digital inputs and 6 grouped digital inputs
- X2** – OR-6: Assembly Group with 6 Relay Outputs
- X3** – TI-4: Standard current measuring card
- X4** – TU: Card with 4 voltage transformer measuring inputs and 5 output relays
- X5** – DI8-OR4: Assembly Group with 8 Digital Inputs and 4 Output Relays
- X6** – DI8-OR4: Assembly Group with 8 Digital Inputs and 4 Output Relays
- X100** – IEC 61850 / Modbus TCP / DNP3.0 TCP/UDP, Ethernet interface, 100 Mbit/s, RJ45 (BASE100-FX)
- X102** – Long-distance Protection Communication, Fiber optics interface, LC Connector
- X104** – IRIG-B00X, incl. System Contact (Supervision Contact)

MCDLV4-2E0A0HB



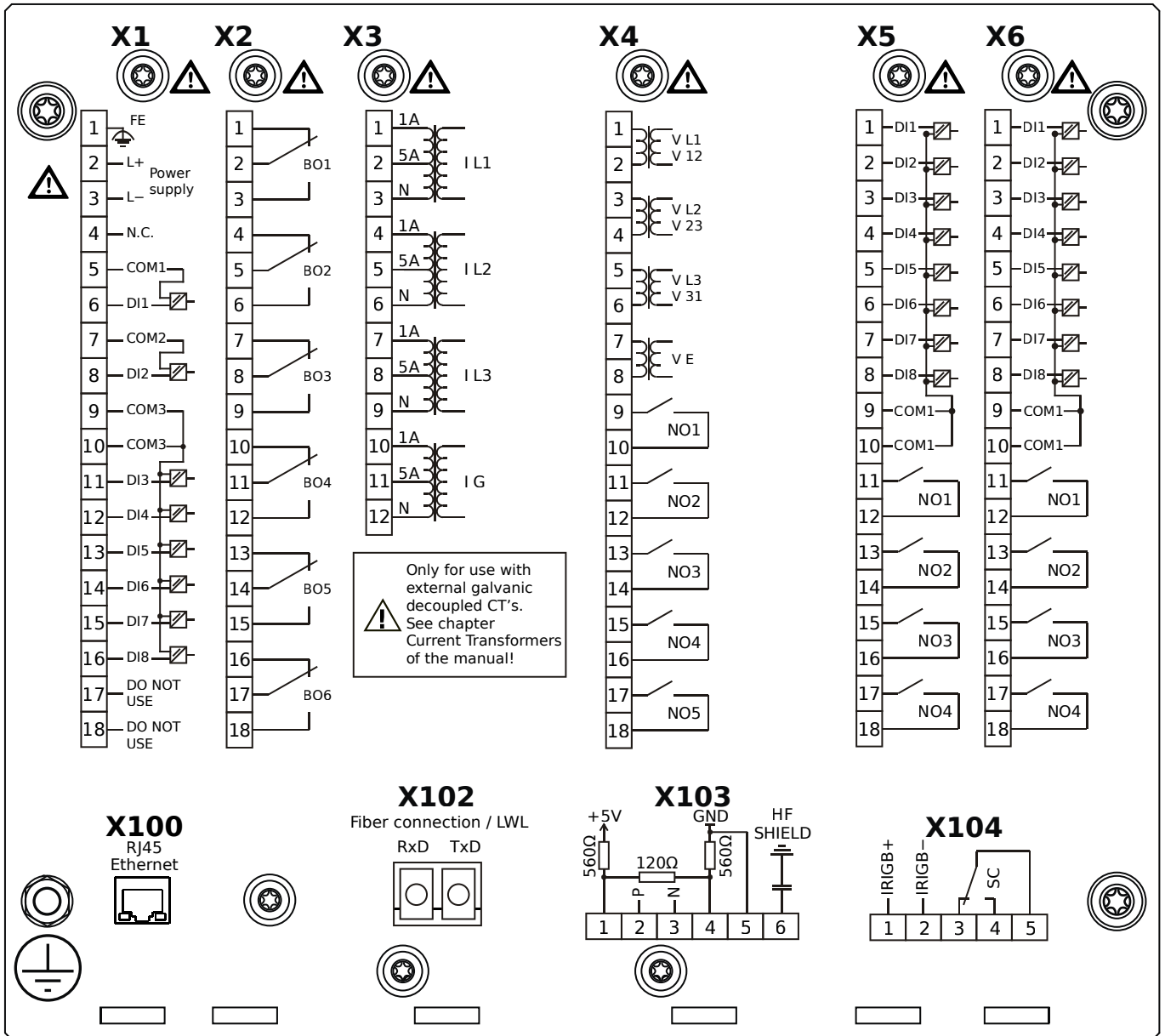
- X1** – DI8-X1: Wide-range power supply unit, incl. 2 non-grouped digital inputs and 6 grouped digital inputs
- X2** – OR-6: Assembly Group with 6 Relay Outputs
- X3** – TI-4: Standard current measuring card
- X4** – TU: Card with 4 voltage transformer measuring inputs and 5 output relays
- X5** – DI8-OR4: Assembly Group with 8 Digital Inputs and 4 Output Relays
- X6** – DI8-OR4: Assembly Group with 8 Digital Inputs and 4 Output Relays
- X100** – IEC 61850 / Modbus TCP / DNP3.0 TCP/UDP, Ethernet interface, 100 Mbit/s, RJ45 (BASE100-FX)
- X102** – Long-distance Protection Communication, Fiber optics interface, LC Connector
- X104** – IRIG-B00X, incl. System Contact (Supervision Contact)

MCDLV4-2E0A01A



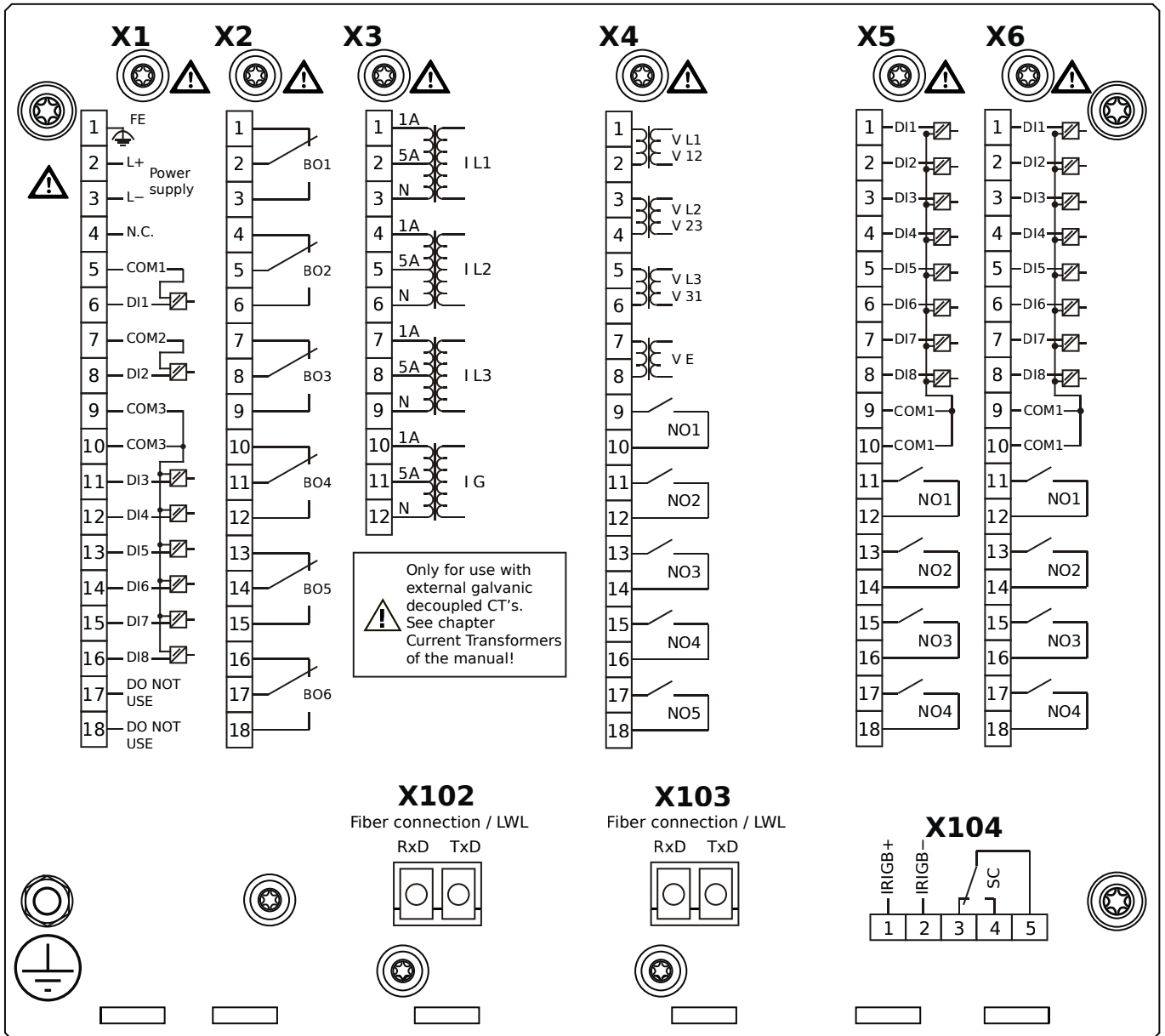
- X1** – DI8-X1: Wide-range power supply unit, incl. 2 non-grouped digital inputs and 6 grouped digital inputs
- X2** – OR-6: Assembly Group with 6 Relay Outputs
- X3** – TI-4: Standard current measuring card
- X4** – TU: Card with 4 voltage transformer measuring inputs and 5 output relays
- X5** – DI8-OR4: Assembly Group with 8 Digital Inputs and 4 Output Relays
- X6** – DI8-OR4: Assembly Group with 8 Digital Inputs and 4 Output Relays
- X100** – Modbus TCP / DNP3.0 TCP/UDP, Ethernet interface, 100 Mbit/s, RJ45 (BASE100-FX)
- X102** – Long-distance Protection Communication, Fiber optics interface, LC Connector
- X103** – IEC 60870-5-103 / Modbus RTU / DNP3.0 RTU, RS485, Terminals
- X104** – IRIG-B00X, incl. System Contact (Supervision Contact)

MCDLV4-2E0A0IB



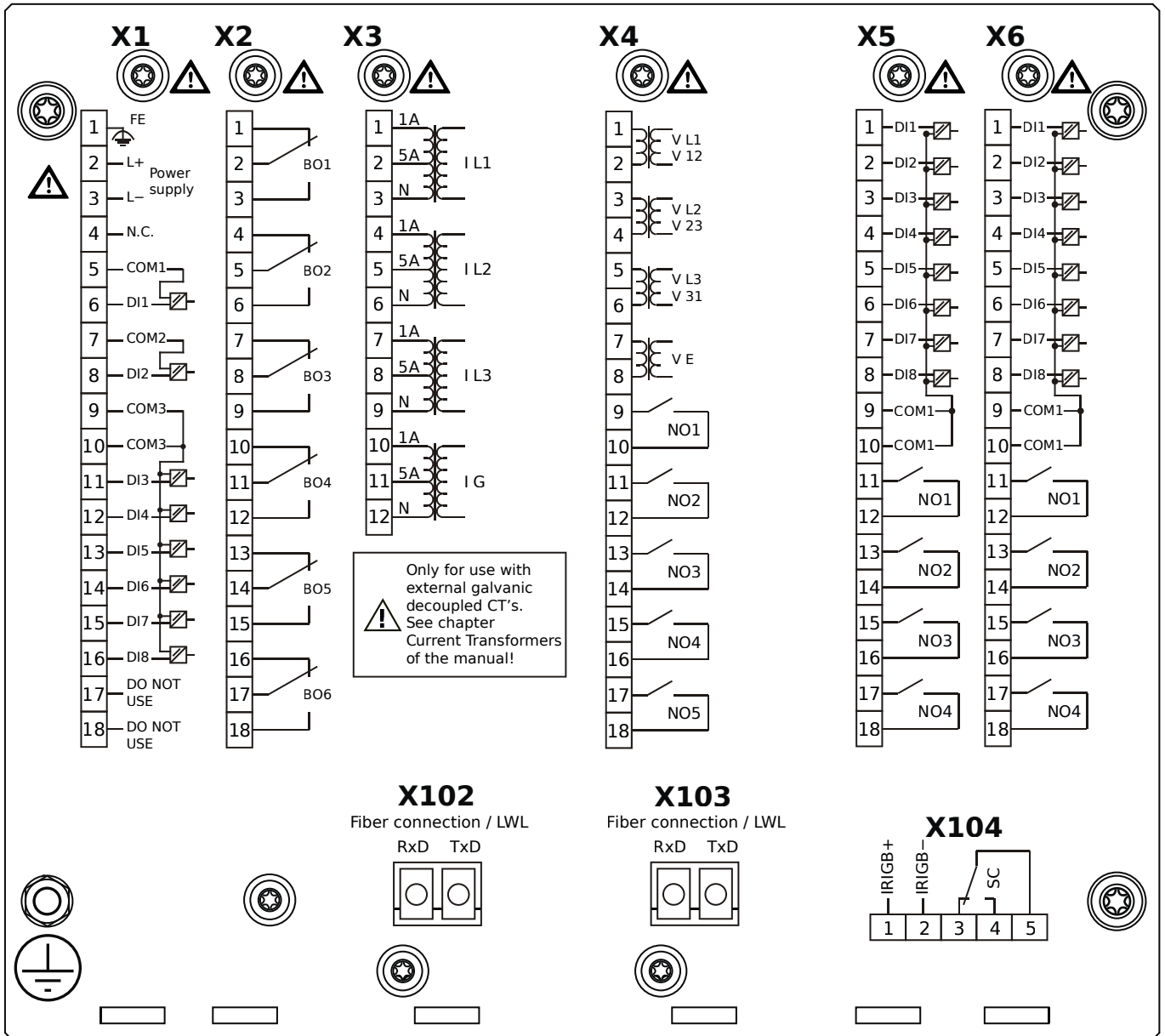
- X1** – DI8-X1: Wide-range power supply unit, incl. 2 non-grouped digital inputs and 6 grouped digital inputs
- X2** – OR-6: Assembly Group with 6 Relay Outputs
- X3** – TI-4: Standard current measuring card
- X4** – TU: Card with 4 voltage transformer measuring inputs and 5 output relays
- X5** – DI8-OR4: Assembly Group with 8 Digital Inputs and 4 Output Relays
- X6** – DI8-OR4: Assembly Group with 8 Digital Inputs and 4 Output Relays
- X100** – Modbus TCP / DNP3.0 TCP/UDP, Ethernet interface, 100 Mbit/s, RJ45 (BASE100-FX)
- X102** – Long-distance Protection Communication, Fiber optics interface, LC Connector
- X103** – IEC 60870-5-103 / Modbus RTU / DNP3.0 RTU, RS485, Terminals
- X104** – IRIG-B00X, incl. System Contact (Supervision Contact)

MCDLV4-2E0A0KA



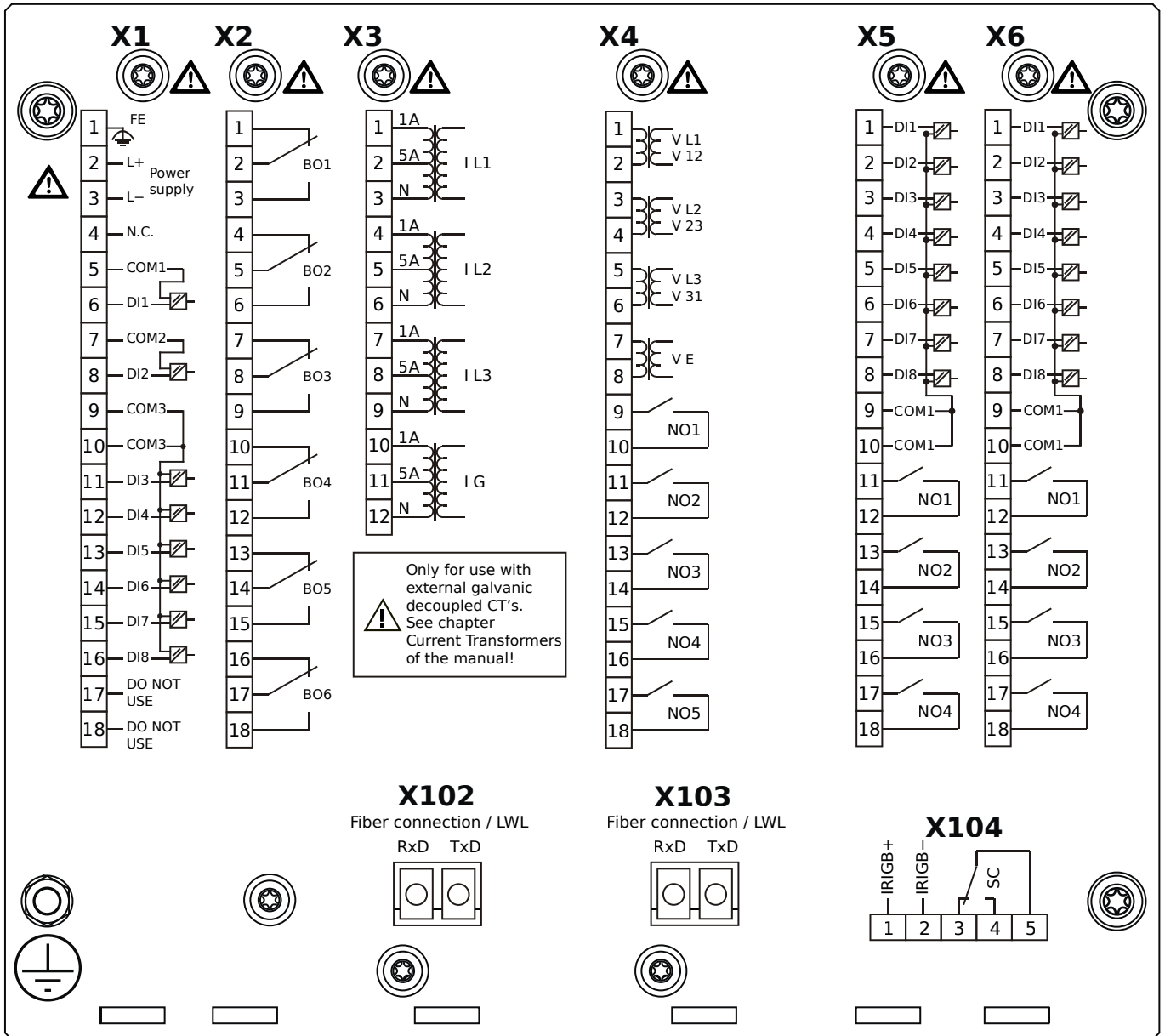
- X1** – DI8-X1: Wide-range power supply unit, incl. 2 non-grouped digital inputs and 6 grouped digital inputs
- X2** – OR-6: Assembly Group with 6 Relay Outputs
- X3** – TI-4: Standard current measuring card
- X4** – TU: Card with 4 voltage transformer measuring inputs and 5 output relays
- X5** – DI8-OR4: Assembly Group with 8 Digital Inputs and 4 Output Relays
- X6** – DI8-OR4: Assembly Group with 8 Digital Inputs and 4 Output Relays
- X102** – Long-distance Protection Communication, Fiber optics interface, LC Connector
- X103** – IEC 61850 / Modbus TCP / DNP3.0 TCP/UDP, Fiber optics interface, LC Connector
- X104** – IRIG-B00X, incl. System Contact (Supervision Contact)

MCDLV4-2E0A0KB



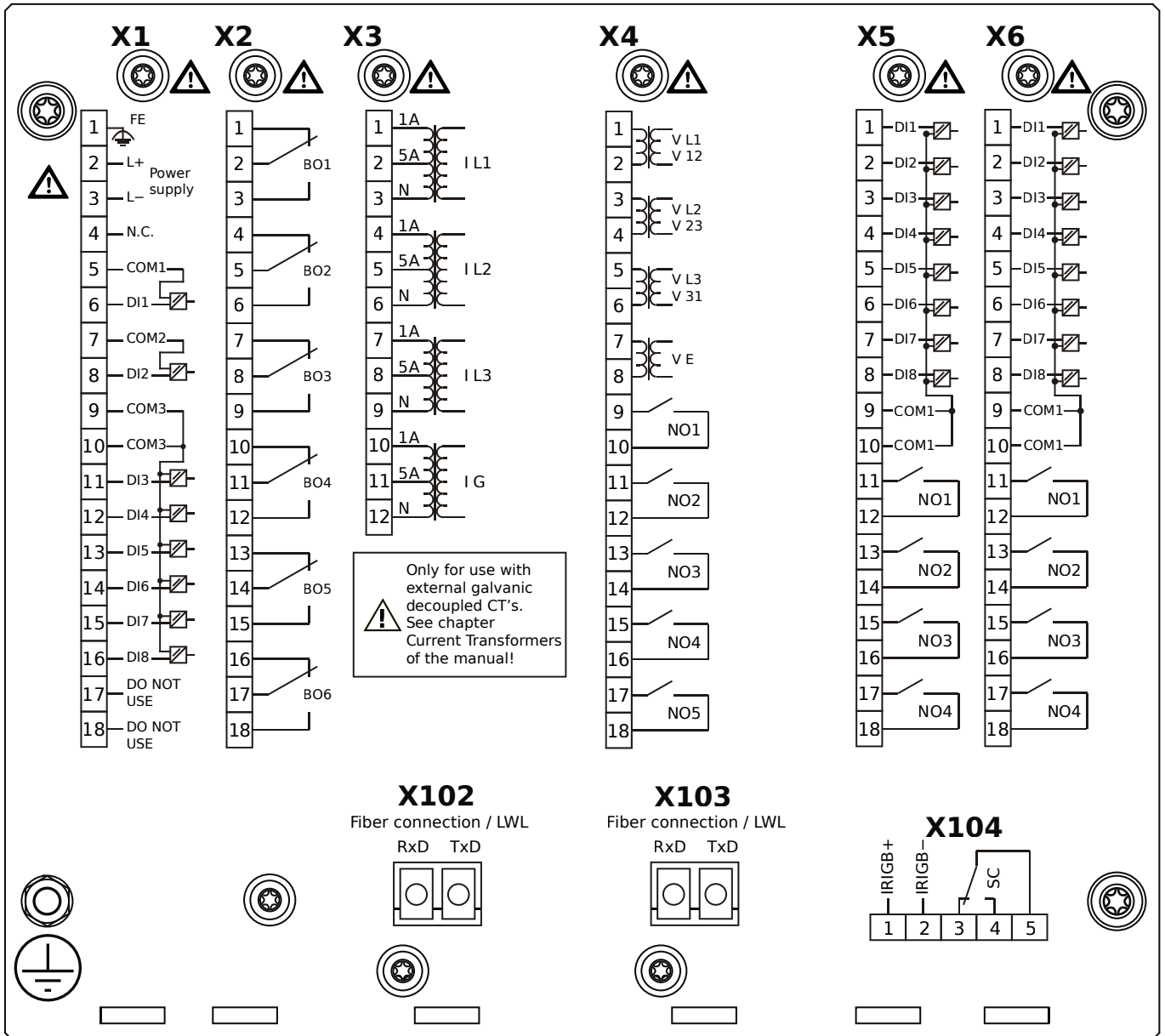
- X1** – DI8-X1: Wide-range power supply unit, incl. 2 non-grouped digital inputs and 6 grouped digital inputs
- X2** – OR-6: Assembly Group with 6 Relay Outputs
- X3** – TI-4: Standard current measuring card
- X4** – TU: Card with 4 voltage transformer measuring inputs and 5 output relays
- X5** – DI8-OR4: Assembly Group with 8 Digital Inputs and 4 Output Relays
- X6** – DI8-OR4: Assembly Group with 8 Digital Inputs and 4 Output Relays
- X102** – Long-distance Protection Communication, Fiber optics interface, LC Connector
- X103** – IEC 61850 / Modbus TCP / DNP3.0 TCP/UDP, Fiber optics interface, LC Connector
- X104** – IRIG-B00X, incl. System Contact (Supervision Contact)

MCDLV4-2E0A0LA



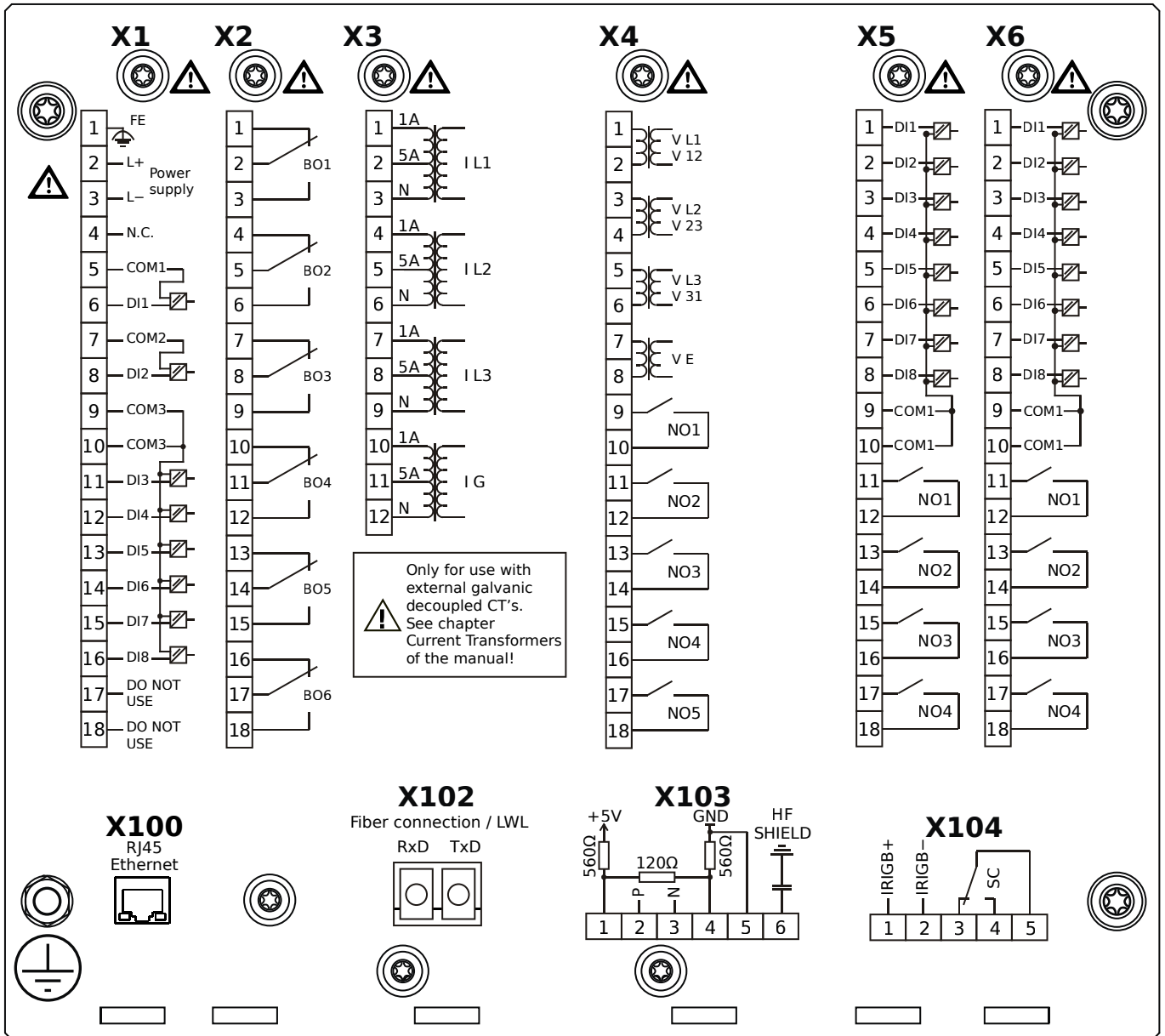
- X1** – DI8-X1: Wide-range power supply unit, incl. 2 non-grouped digital inputs and 6 grouped digital inputs
- X2** – OR-6: Assembly Group with 6 Relay Outputs
- X3** – TI-4: Standard current measuring card
- X4** – TU: Card with 4 voltage transformer measuring inputs and 5 output relays
- X5** – DI8-OR4: Assembly Group with 8 Digital Inputs and 4 Output Relays
- X6** – DI8-OR4: Assembly Group with 8 Digital Inputs and 4 Output Relays
- X102** – Long-distance Protection Communication, Fiber optics interface, LC Connector
- X103** – Modbus TCP / DNP3.0 TCP/UDP, Fiber optics interface, LC Connector
- X104** – IRIG-B00X, incl. System Contact (Supervision Contact)

MCDLV4-2E0A0LB



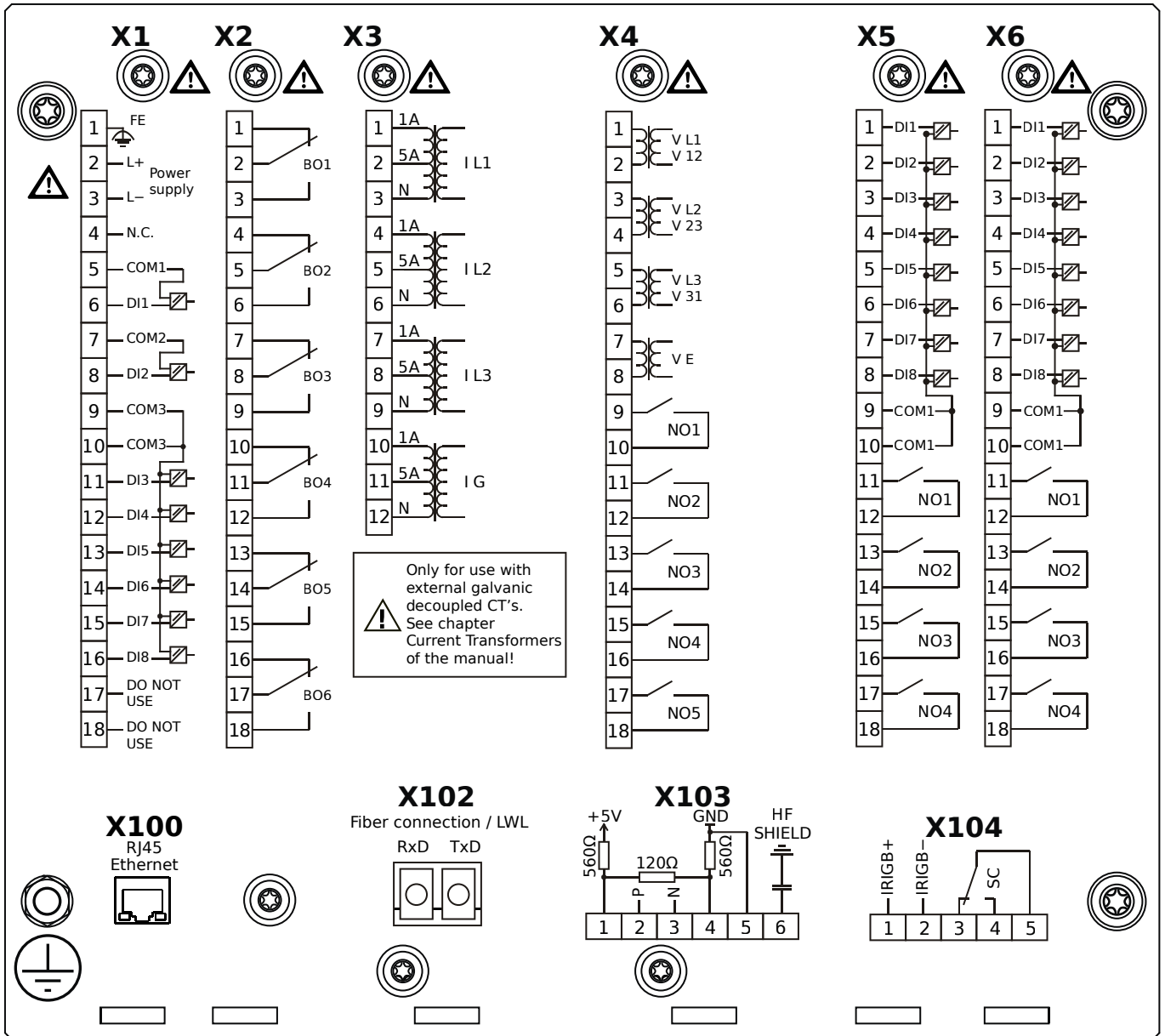
- X1** – DI8-X1: Wide-range power supply unit, incl. 2 non-grouped digital inputs and 6 grouped digital inputs
- X2** – OR-6: Assembly Group with 6 Relay Outputs
- X3** – TI-4: Standard current measuring card
- X4** – TU: Card with 4 voltage transformer measuring inputs and 5 output relays
- X5** – DI8-OR4: Assembly Group with 8 Digital Inputs and 4 Output Relays
- X6** – DI8-OR4: Assembly Group with 8 Digital Inputs and 4 Output Relays
- X102** – Long-distance Protection Communication, Fiber optics interface, LC Connector
- X103** – Modbus TCP / DNP3.0 TCP/UDP, Fiber optics interface, LC Connector
- X104** – IRIG-B00X, incl. System Contact (Supervision Contact)

MCDLV4-2E0A0TA



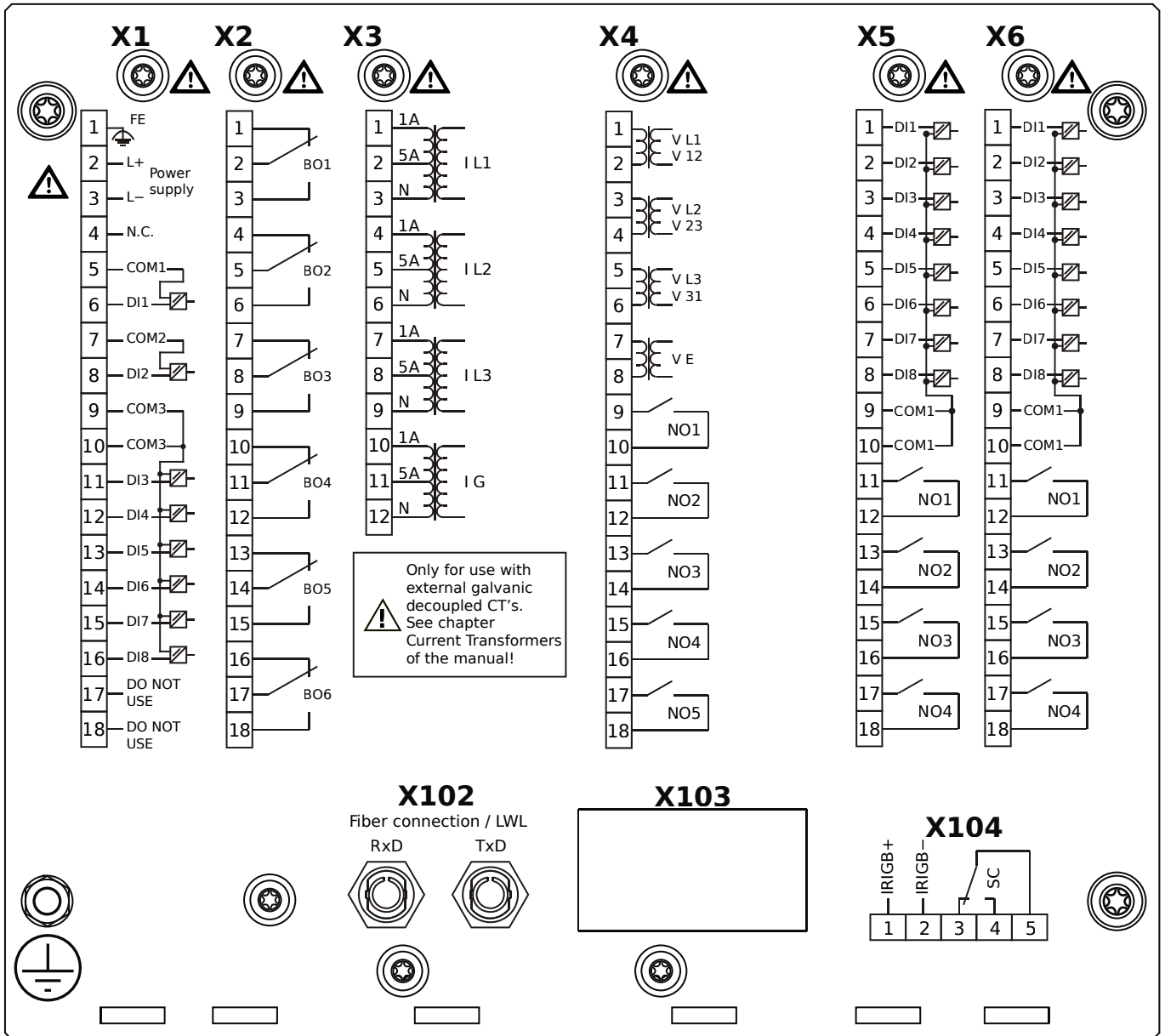
- X1** – DI8-X1: Wide-range power supply unit, incl. 2 non-grouped digital inputs and 6 grouped digital inputs
- X2** – OR-6: Assembly Group with 6 Relay Outputs
- X3** – TI-4: Standard current measuring card
- X4** – TU: Card with 4 voltage transformer measuring inputs and 5 output relays
- X5** – DI8-OR4: Assembly Group with 8 Digital Inputs and 4 Output Relays
- X6** – DI8-OR4: Assembly Group with 8 Digital Inputs and 4 Output Relays
- X100** – IEC 61850 / Modbus TCP / DNP3.0 TCP/UDP, Ethernet interface, 100 Mbit/s, RJ45 (BASE100-FX)
- X102** – Long-distance Protection Communication, Fiber optics interface, LC Connector
- X103** – IEC 60870-5-103 / Modbus RTU / DNP3.0 RTU, RS485, Terminals
- X104** – IRIG-B00X, incl. System Contact (Supervision Contact)

MCDLV4-2E0A0TB



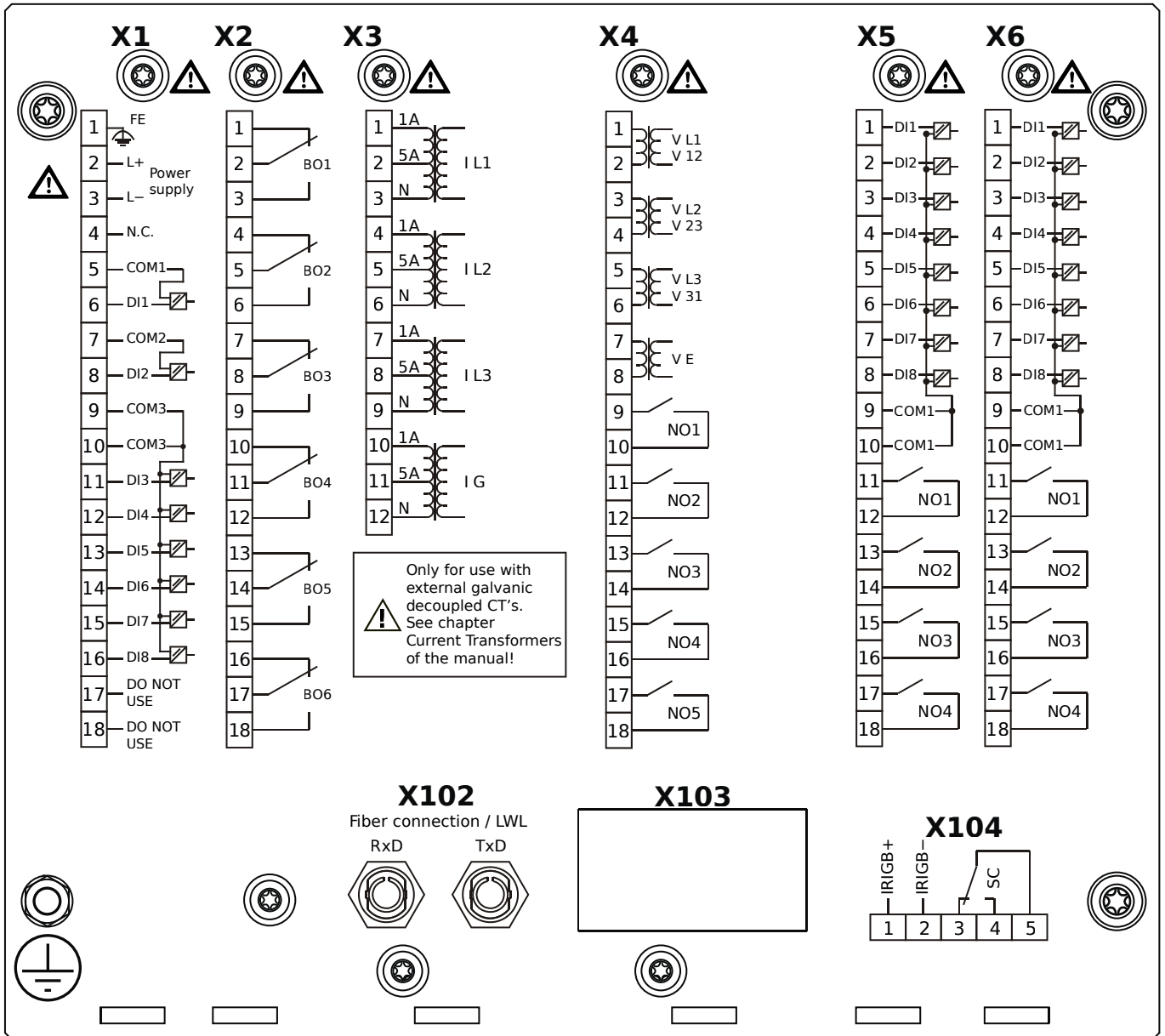
- X1** – DI8-X1: Wide-range power supply unit, incl. 2 non-grouped digital inputs and 6 grouped digital inputs
- X2** – OR-6: Assembly Group with 6 Relay Outputs
- X3** – TI-4: Standard current measuring card
- X4** – TU: Card with 4 voltage transformer measuring inputs and 5 output relays
- X5** – DI8-OR4: Assembly Group with 8 Digital Inputs and 4 Output Relays
- X6** – DI8-OR4: Assembly Group with 8 Digital Inputs and 4 Output Relays
- X100** – IEC 61850 / Modbus TCP / DNP3.0 TCP/UDP, Ethernet interface, 100 Mbit/s, RJ45 (BASE100-FX)
- X102** – Long-distance Protection Communication, Fiber optics interface, LC Connector
- X103** – IEC 60870-5-103 / Modbus RTU / DNP3.0 RTU, RS485, Terminals
- X104** – IRIG-B00X, incl. System Contact (Supervision Contact)

MCDLV4-2E0A1AA



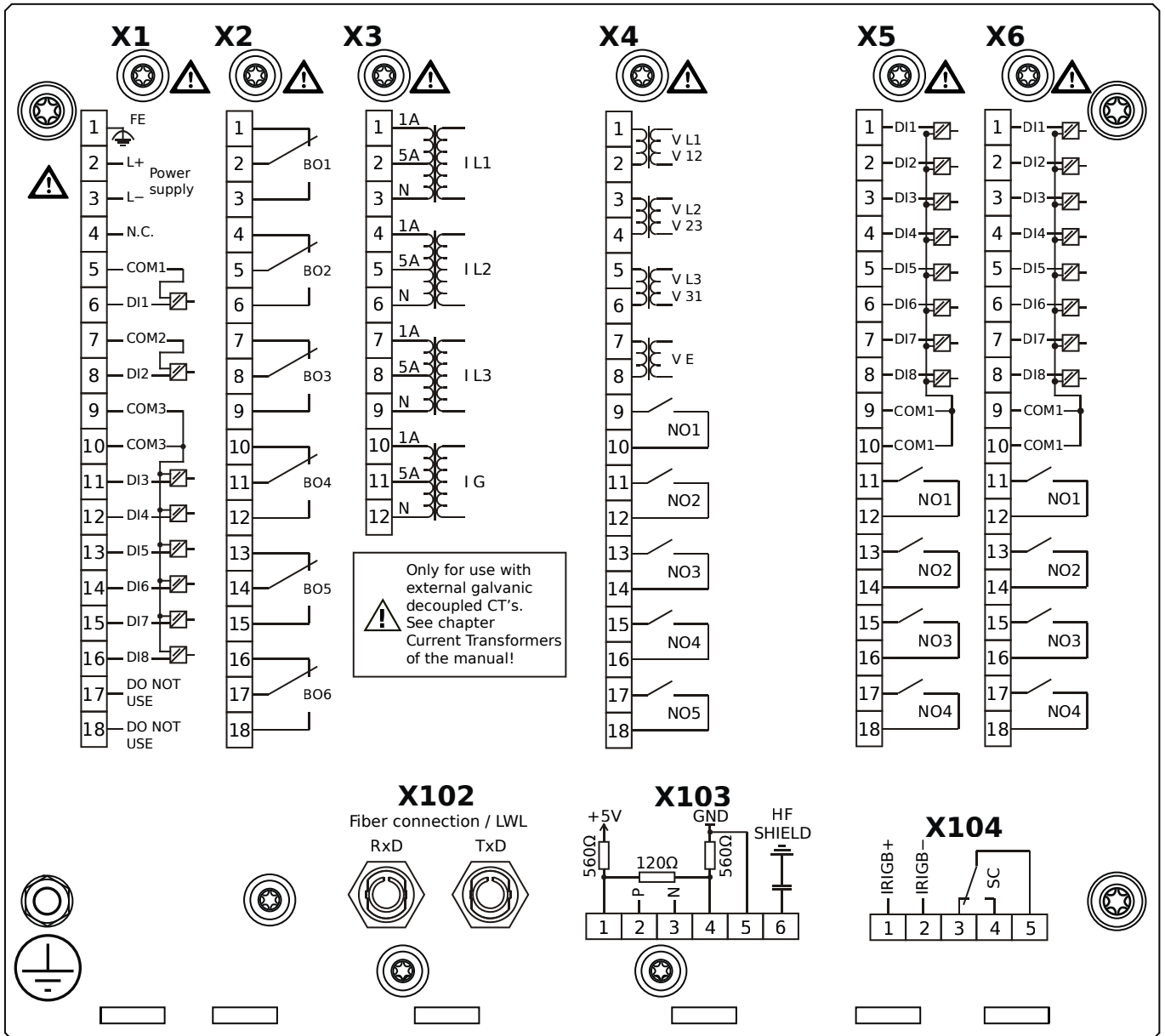
- X1** – DI8-X1: Wide-range power supply unit, incl. 2 non-grouped digital inputs and 6 grouped digital inputs
- X2** – OR-6: Assembly Group with 6 Relay Outputs
- X3** – TI-4: Standard current measuring card
- X4** – TU: Card with 4 voltage transformer measuring inputs and 5 output relays
- X5** – DI8-OR4: Assembly Group with 8 Digital Inputs and 4 Output Relays
- X6** – DI8-OR4: Assembly Group with 8 Digital Inputs and 4 Output Relays
- X102** – Protection Communication, Fiber optics interface, ST Connector
- X104** – IRIG-B00X, incl. System Contact (Supervision Contact)

MCDLV4-2E0A1AB



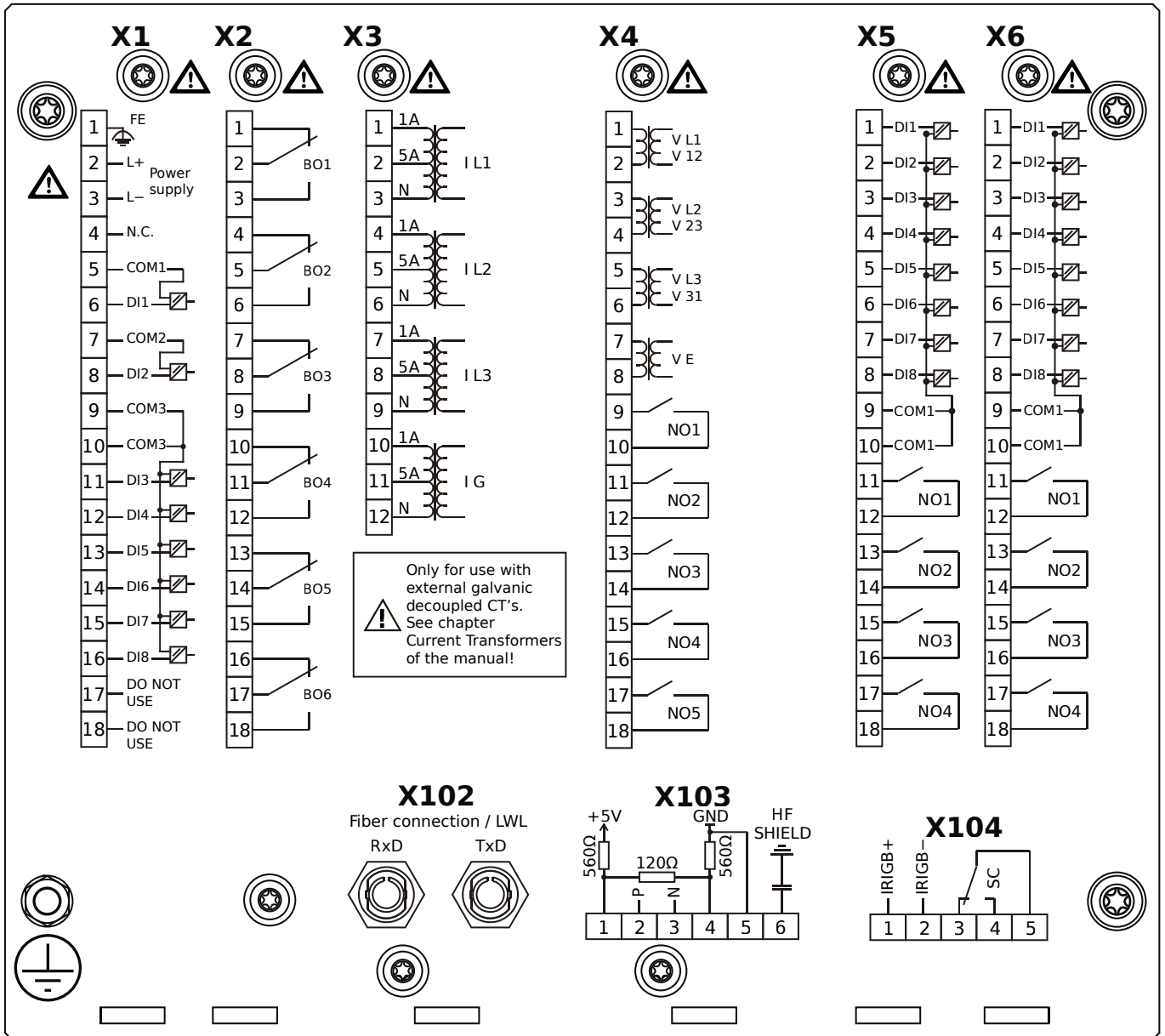
- X1** – DI8-X1: Wide-range power supply unit, incl. 2 non-grouped digital inputs and 6 grouped digital inputs
- X2** – OR-6: Assembly Group with 6 Relay Outputs
- X3** – TI-4: Standard current measuring card
- X4** – TU: Card with 4 voltage transformer measuring inputs and 5 output relays
- X5** – DI8-OR4: Assembly Group with 8 Digital Inputs and 4 Output Relays
- X6** – DI8-OR4: Assembly Group with 8 Digital Inputs and 4 Output Relays
- X102** – Protection Communication, Fiber optics interface, ST Connector
- X104** – IRIG-B00X, incl. System Contact (Supervision Contact)

MCDLV4-2E0A1BA



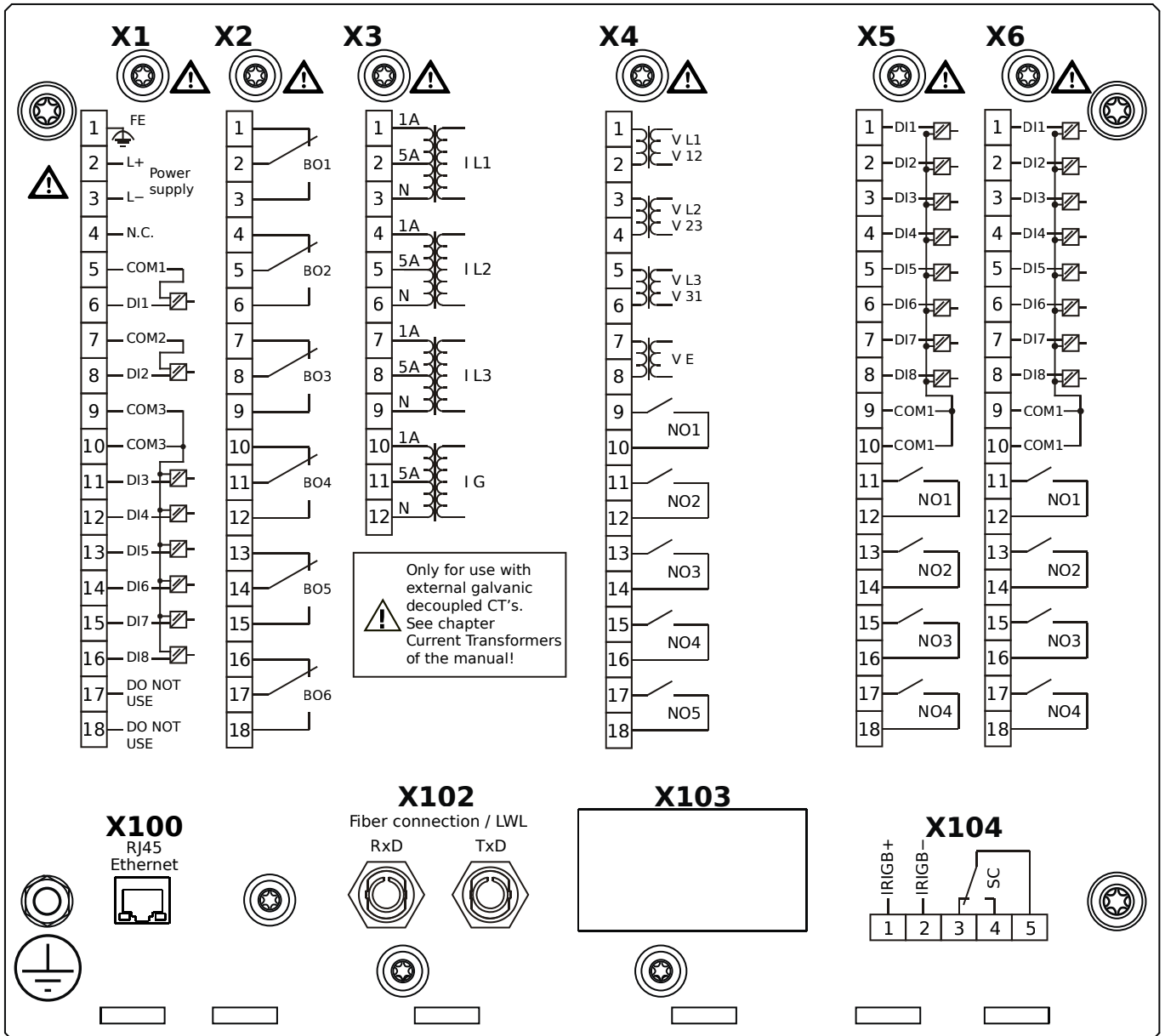
- X1** – DI8-X1: Wide-range power supply unit, incl. 2 non-grouped digital inputs and 6 grouped digital inputs
- X2** – OR-6: Assembly Group with 6 Relay Outputs
- X3** – TI-4: Standard current measuring card
- X4** – TU: Card with 4 voltage transformer measuring inputs and 5 output relays
- X5** – DI8-OR4: Assembly Group with 8 Digital Inputs and 4 Output Relays
- X6** – DI8-OR4: Assembly Group with 8 Digital Inputs and 4 Output Relays
- X102** – Protection Communication, Fiber optics interface, ST Connector
- X103** – Modbus RTU / IEC 60870-5-103 / DNP3.0 RTU, RS485, Terminals
- X104** – IRIG-B00X, incl. System Contact (Supervision Contact)

MCDLV4-2E0A1BB



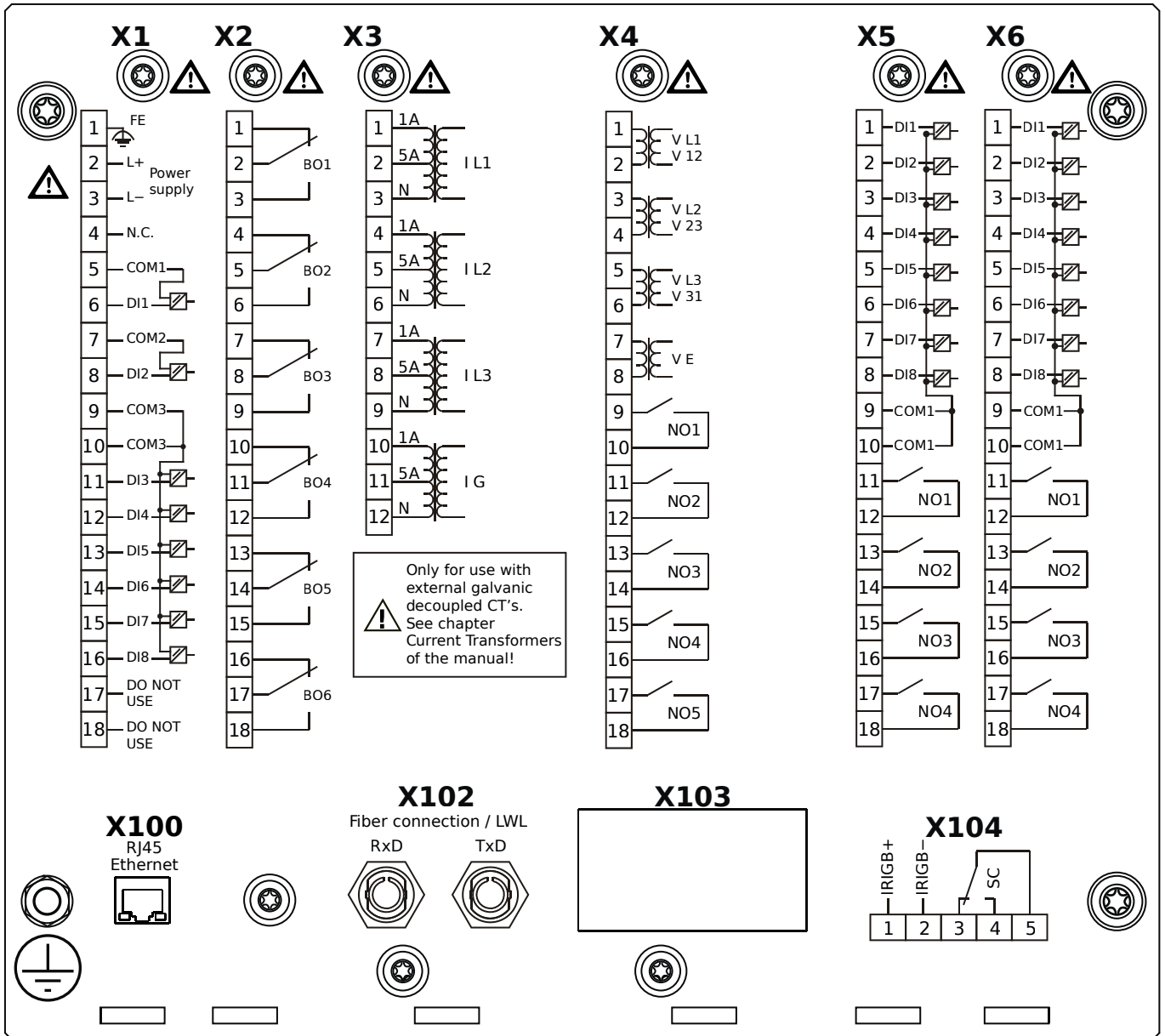
- X1** – DI8-X1: Wide-range power supply unit, incl. 2 non-grouped digital inputs and 6 grouped digital inputs
- X2** – OR-6: Assembly Group with 6 Relay Outputs
- X3** – TI-4: Standard current measuring card
- X4** – TU: Card with 4 voltage transformer measuring inputs and 5 output relays
- X5** – DI8-OR4: Assembly Group with 8 Digital Inputs and 4 Output Relays
- X6** – DI8-OR4: Assembly Group with 8 Digital Inputs and 4 Output Relays
- X102** – Protection Communication, Fiber optics interface, ST Connector
- X103** – Modbus RTU / IEC 60870-5-103 / DNP3.0 RTU, RS485, Terminals
- X104** – IRIG-B00X, incl. System Contact (Supervision Contact)

MCDLV4-2E0A1CA



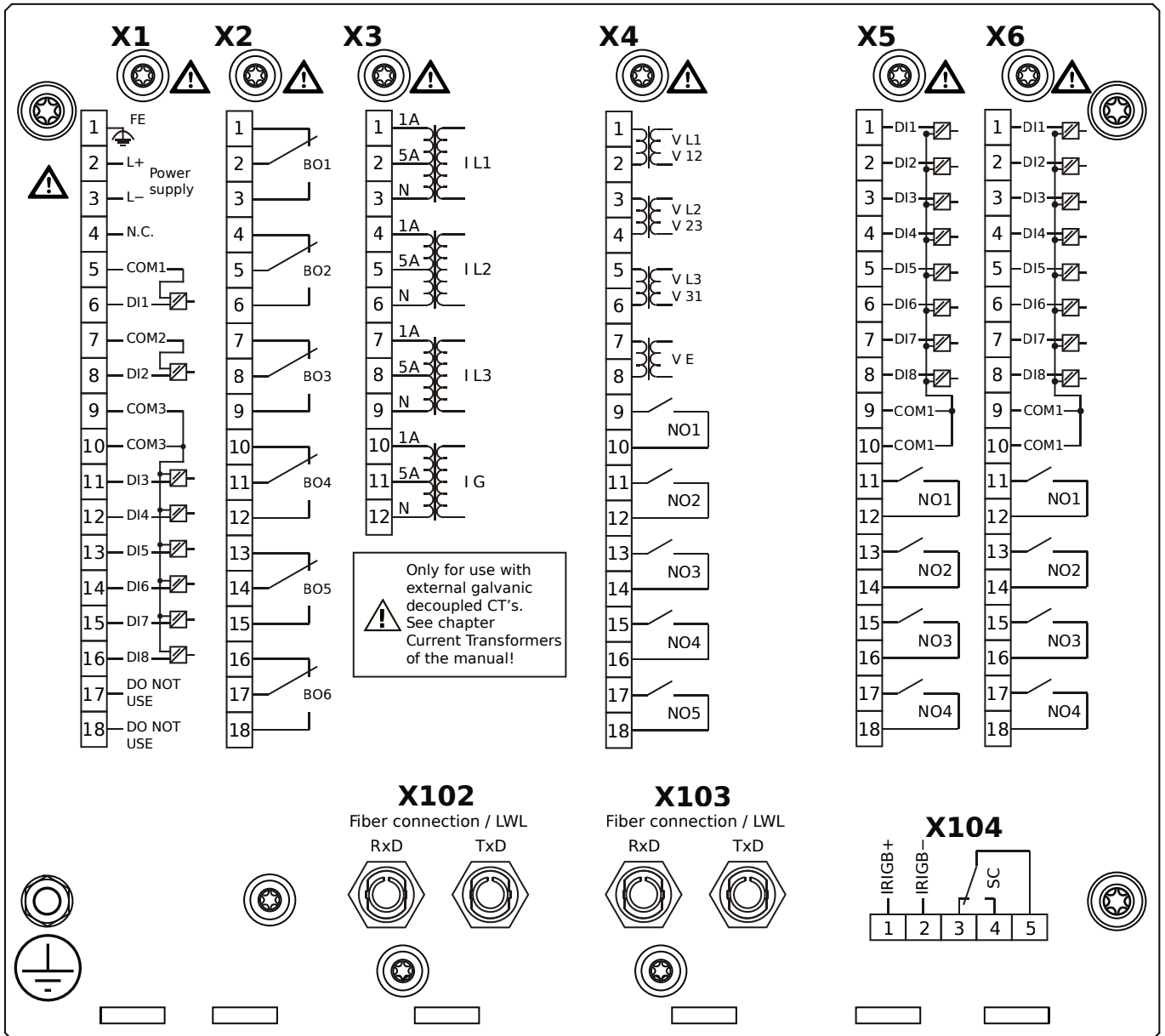
- X1** – DI8-X1: Wide-range power supply unit, incl. 2 non-grouped digital inputs and 6 grouped digital inputs
- X2** – OR-6: Assembly Group with 6 Relay Outputs
- X3** – TI-4: Standard current measuring card
- X4** – TU: Card with 4 voltage transformer measuring inputs and 5 output relays
- X5** – DI8-OR4: Assembly Group with 8 Digital Inputs and 4 Output Relays
- X6** – DI8-OR4: Assembly Group with 8 Digital Inputs and 4 Output Relays
- X100** – Modbus TCP / DNP3.0 TCP/UDP, Ethernet interface, 100 Mbit/s, RJ45 (BASE100-FX)
- X102** – Protection Communication, Fiber optics interface, ST Connector
- X104** – IRIG-B00X, incl. System Contact (Supervision Contact)

MCDLV4-2E0A1CB



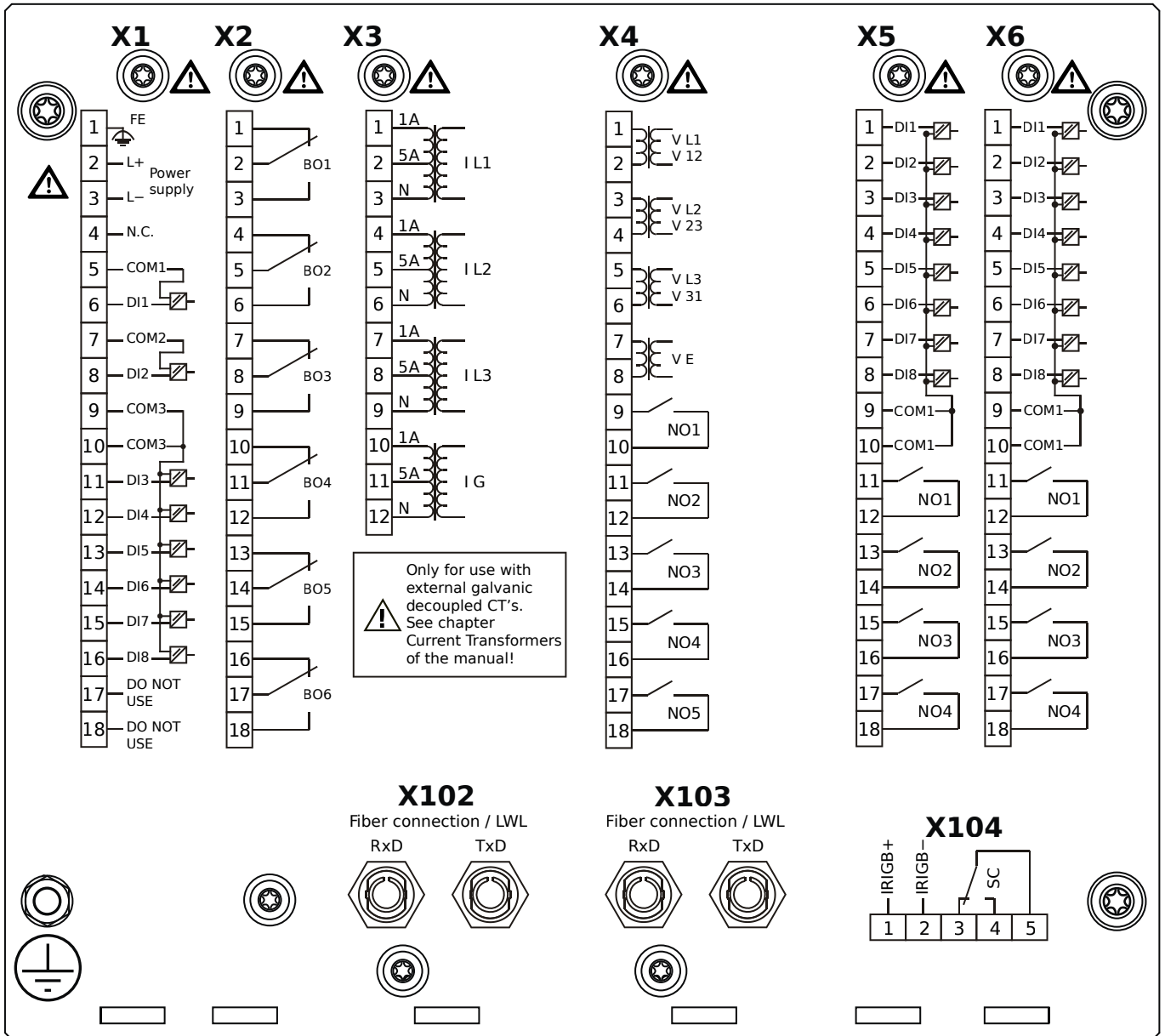
- X1** – DI8-X1: Wide-range power supply unit, incl. 2 non-grouped digital inputs and 6 grouped digital inputs
- X2** – OR-6: Assembly Group with 6 Relay Outputs
- X3** – TI-4: Standard current measuring card
- X4** – TU: Card with 4 voltage transformer measuring inputs and 5 output relays
- X5** – DI8-OR4: Assembly Group with 8 Digital Inputs and 4 Output Relays
- X6** – DI8-OR4: Assembly Group with 8 Digital Inputs and 4 Output Relays
- X100** – Modbus TCP / DNP3.0 TCP/UDP, Ethernet interface, 100 Mbit/s, RJ45 (BASE100-FX)
- X102** – Protection Communication, Fiber optics interface, ST Connector
- X104** – IRIG-B00X, incl. System Contact (Supervision Contact)

MCDLV4-2E0A1DA



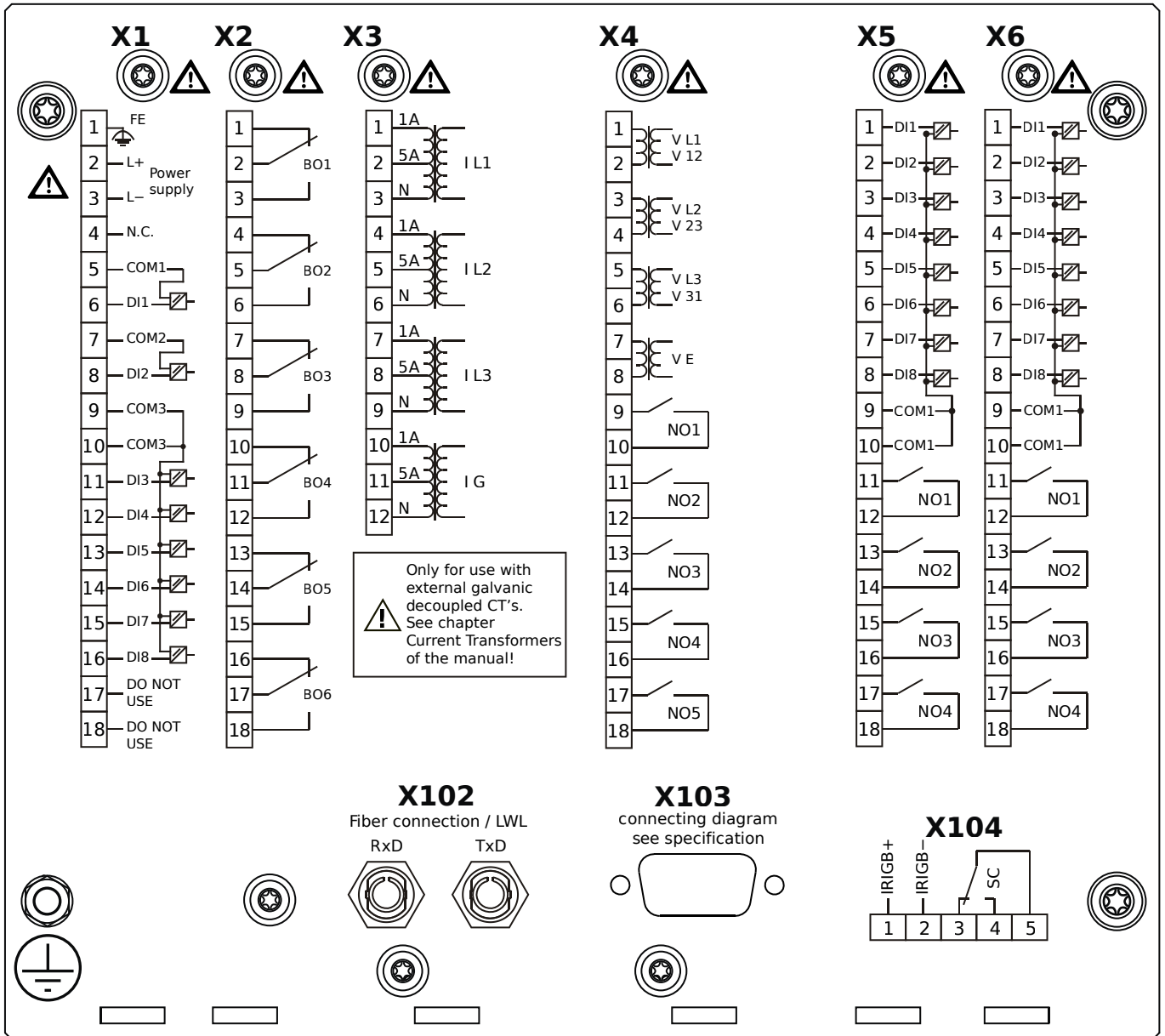
- X1** – DI8-X1: Wide-range power supply unit, incl. 2 non-grouped digital inputs and 6 grouped digital inputs
- X2** – OR-6: Assembly Group with 6 Relay Outputs
- X3** – TI-4: Standard current measuring card
- X4** – TU: Card with 4 voltage transformer measuring inputs and 5 output relays
- X5** – DI8-OR4: Assembly Group with 8 Digital Inputs and 4 Output Relays
- X6** – DI8-OR4: Assembly Group with 8 Digital Inputs and 4 Output Relays
- X102** – Protection Communication, Fiber optics interface, ST Connector
- X103** – Profibus-DP, Fiber optics interface, ST Connector
- X104** – IRIG-B00X, incl. System Contact (Supervision Contact)

MCDLV4-2E0A1DB



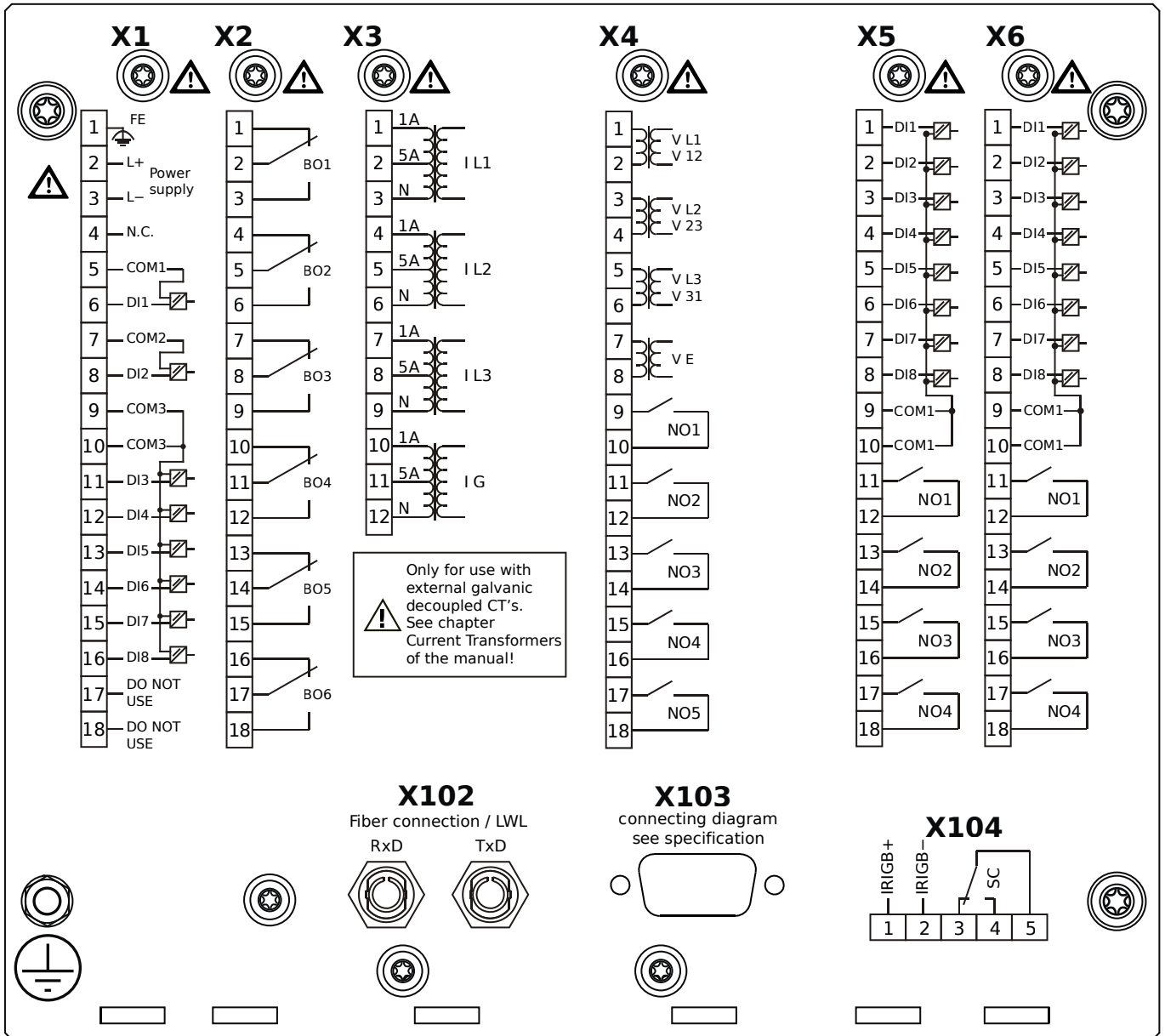
- X1** – DI8-X1: Wide-range power supply unit, incl. 2 non-grouped digital inputs and 6 grouped digital inputs
- X2** – OR-6: Assembly Group with 6 Relay Outputs
- X3** – TI-4: Standard current measuring card
- X4** – TU: Card with 4 voltage transformer measuring inputs and 5 output relays
- X5** – DI8-OR4: Assembly Group with 8 Digital Inputs and 4 Output Relays
- X6** – DI8-OR4: Assembly Group with 8 Digital Inputs and 4 Output Relays
- X102** – Protection Communication, Fiber optics interface, ST Connector
- X103** – Profibus-DP, Fiber optics interface, ST Connector
- X104** – IRIG-B00X, incl. System Contact (Supervision Contact)

MCDLV4-2E0A1EA



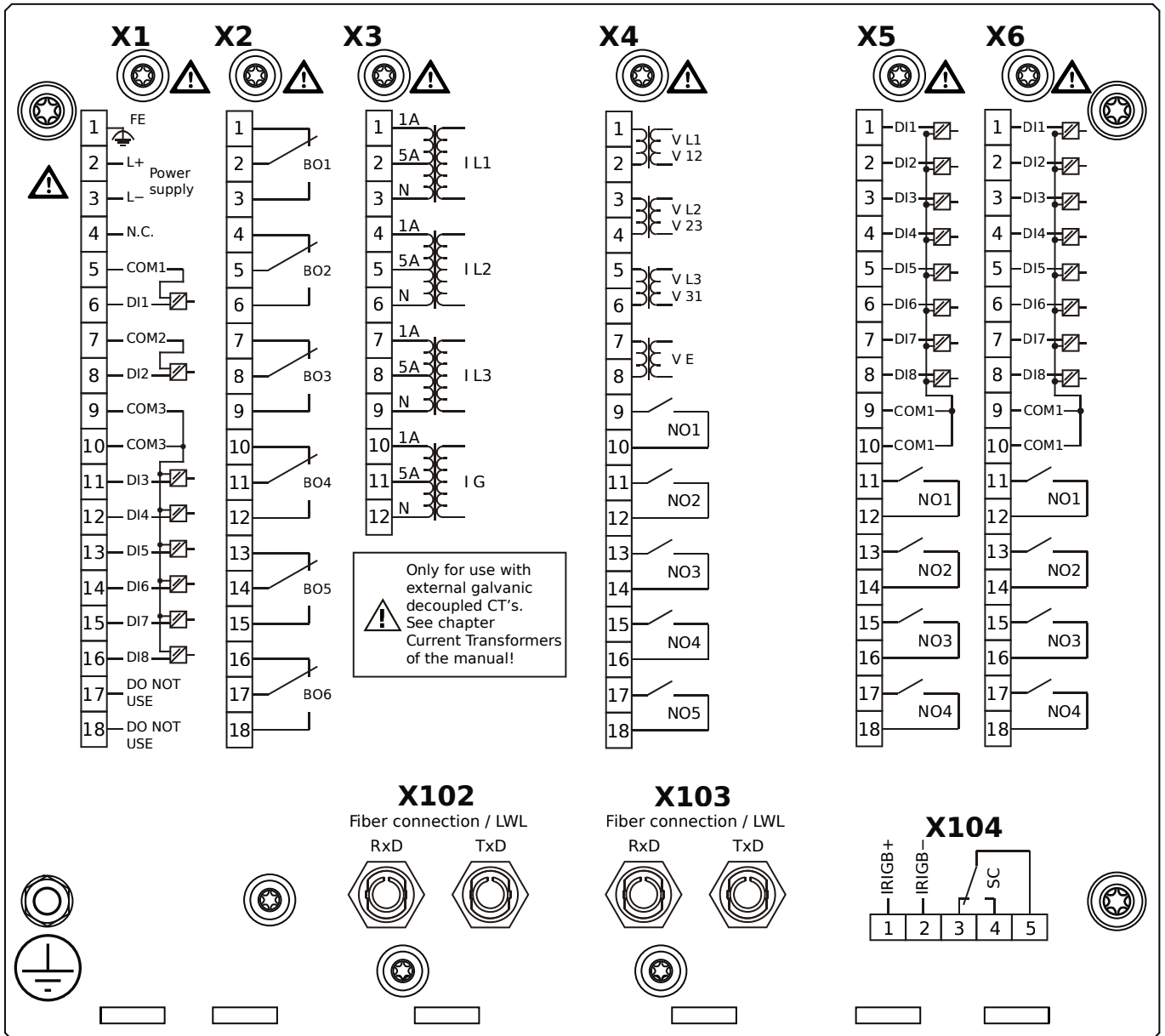
- X1** – DI8-X1: Wide-range power supply unit, incl. 2 non-grouped digital inputs and 6 grouped digital inputs
- X2** – OR-6: Assembly Group with 6 Relay Outputs
- X3** – TI-4: Standard current measuring card
- X4** – TU: Card with 4 voltage transformer measuring inputs and 5 output relays
- X5** – DI8-OR4: Assembly Group with 8 Digital Inputs and 4 Output Relays
- X6** – DI8-OR4: Assembly Group with 8 Digital Inputs and 4 Output Relays
- X102** – Protection Communication, Fiber optics interface, ST Connector
- X103** – Profibus-DP, RS485, D-SUB
- X104** – IRIG-B00X, incl. System Contact (Supervision Contact)

MCDLV4-2E0A1EB



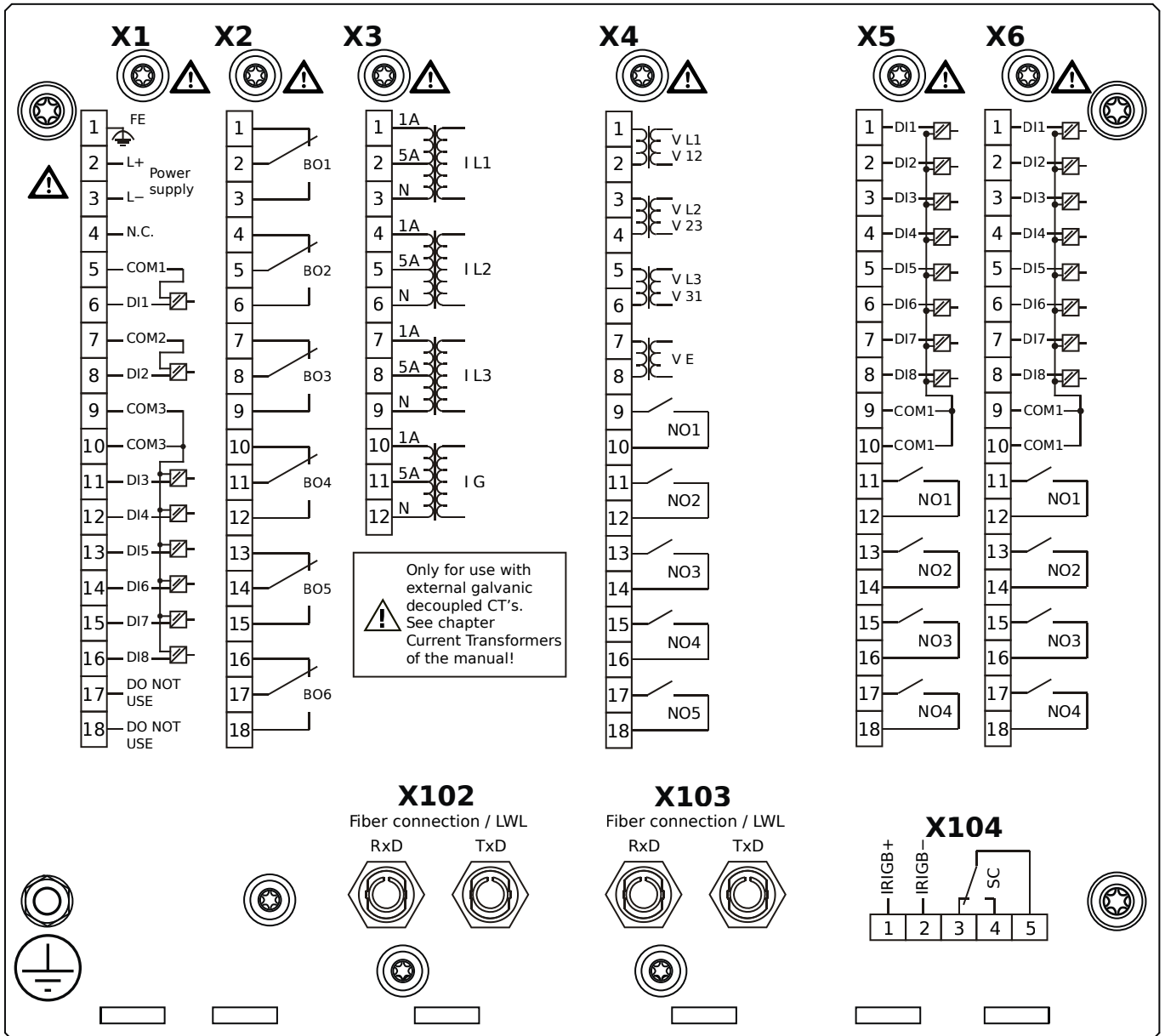
- X1** – DI8-X1: Wide-range power supply unit, incl. 2 non-grouped digital inputs and 6 grouped digital inputs
- X2** – OR-6: Assembly Group with 6 Relay Outputs
- X3** – TI-4: Standard current measuring card
- X4** – TU: Card with 4 voltage transformer measuring inputs and 5 output relays
- X5** – DI8-OR4: Assembly Group with 8 Digital Inputs and 4 Output Relays
- X6** – DI8-OR4: Assembly Group with 8 Digital Inputs and 4 Output Relays
- X102** – Protection Communication, Fiber optics interface, ST Connector
- X103** – Profibus-DP, RS485, D-SUB
- X104** – IRIG-B00X, incl. System Contact (Supervision Contact)

MCDLV4-2E0A1FA



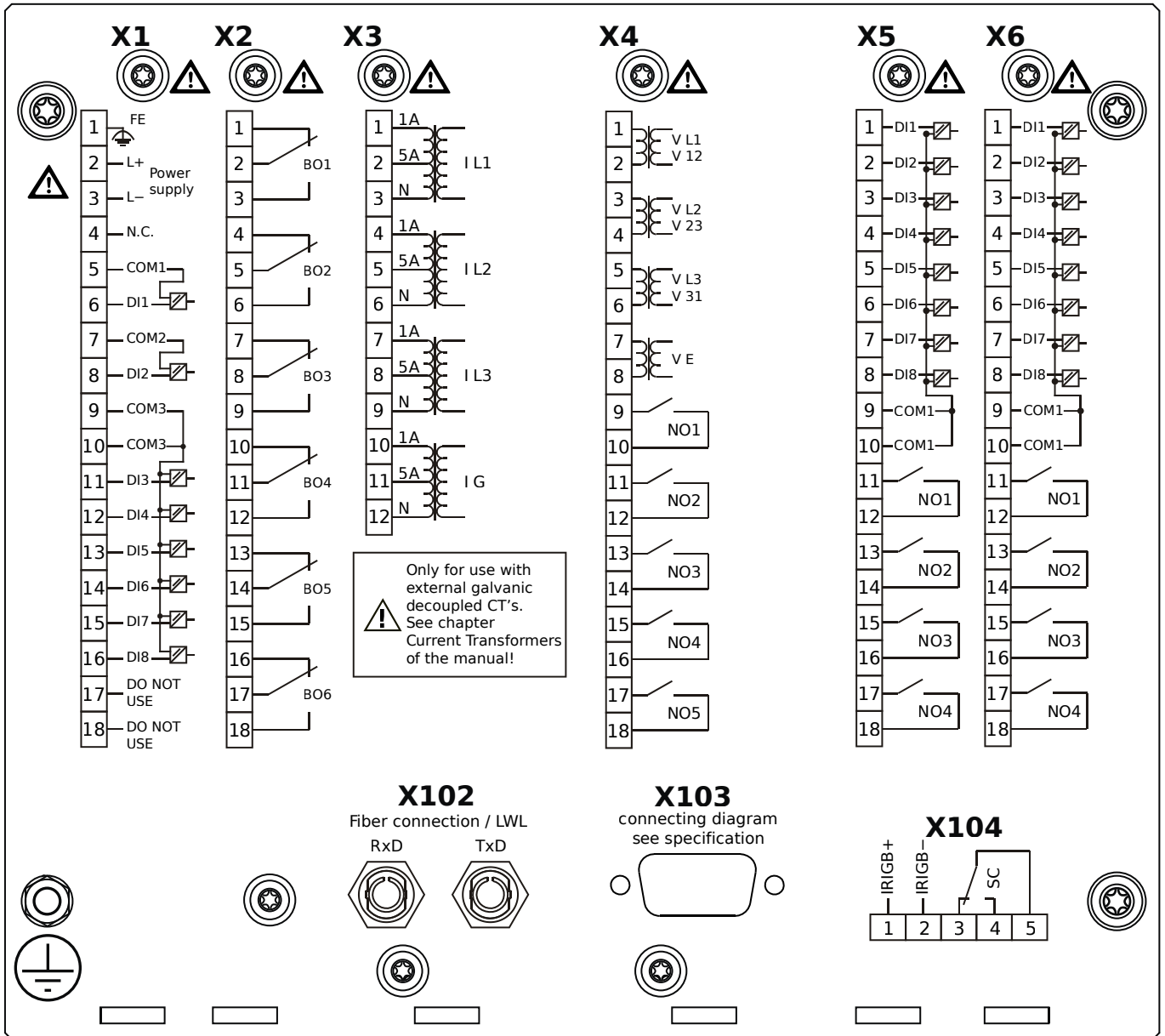
- X1** – DI8-X1: Wide-range power supply unit, incl. 2 non-grouped digital inputs and 6 grouped digital inputs
- X2** – OR-6: Assembly Group with 6 Relay Outputs
- X3** – TI-4: Standard current measuring card
- X4** – TU: Card with 4 voltage transformer measuring inputs and 5 output relays
- X5** – DI8-OR4: Assembly Group with 8 Digital Inputs and 4 Output Relays
- X6** – DI8-OR4: Assembly Group with 8 Digital Inputs and 4 Output Relays
- X102** – Protection Communication, Fiber optics interface, ST Connector
- X103** – Modbus RTU / IEC 60870-5-103 / DNP3.0 RTU, Fiber optics interface, ST Connector
- X104** – IRIG-B00X, incl. System Contact (Supervision Contact)

MCDLV4-2E0A1FB



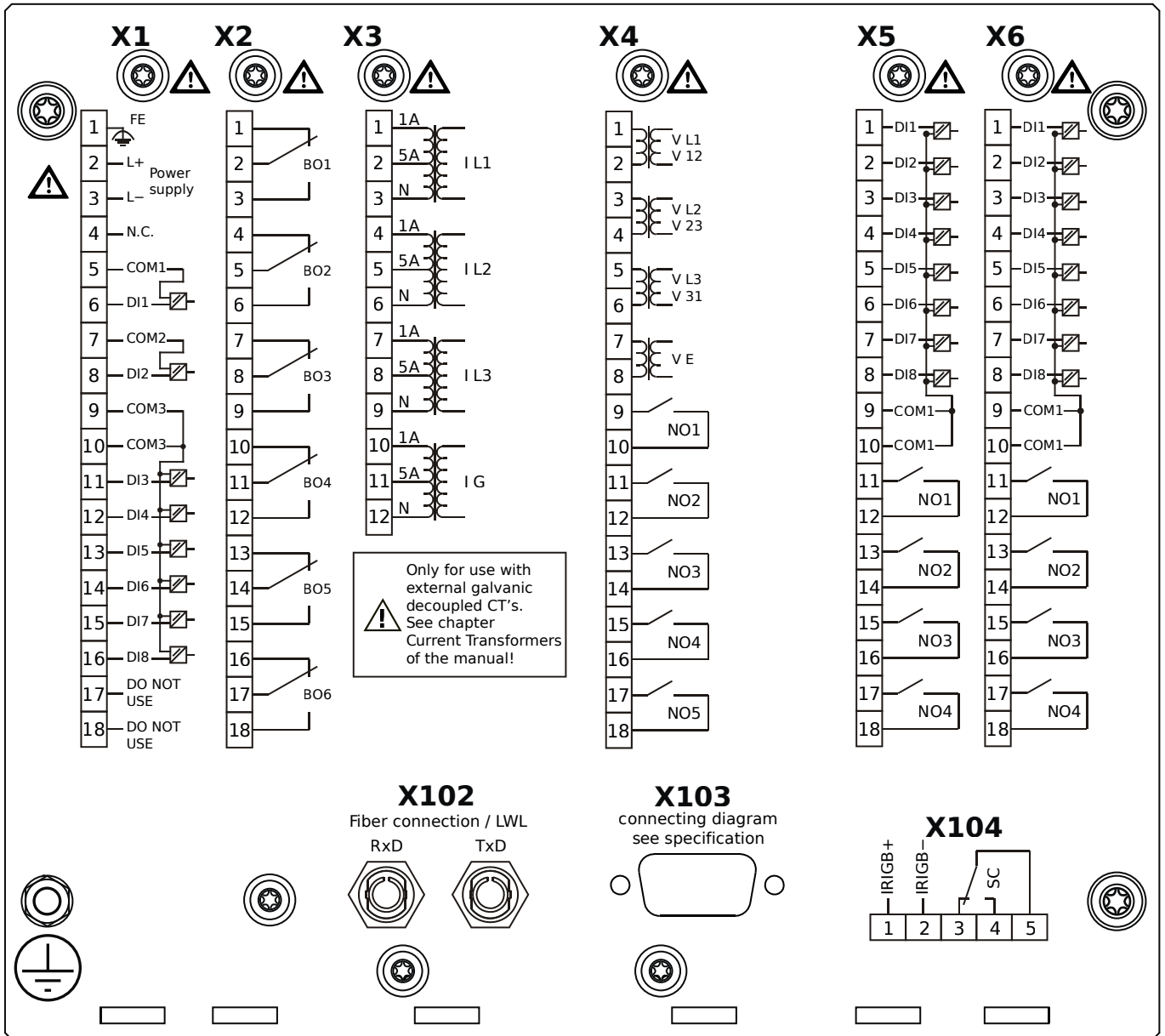
- X1** – DI8-X1: Wide-range power supply unit, incl. 2 non-grouped digital inputs and 6 grouped digital inputs
- X2** – OR-6: Assembly Group with 6 Relay Outputs
- X3** – TI-4: Standard current measuring card
- X4** – TU: Card with 4 voltage transformer measuring inputs and 5 output relays
- X5** – DI8-OR4: Assembly Group with 8 Digital Inputs and 4 Output Relays
- X6** – DI8-OR4: Assembly Group with 8 Digital Inputs and 4 Output Relays
- X102** – Protection Communication, Fiber optics interface, ST Connector
- X103** – Modbus RTU / IEC 60870-5-103 / DNP3.0 RTU, Fiber optics interface, ST Connector
- X104** – IRIG-B00X, incl. System Contact (Supervision Contact)

MCDLV4-2E0A1GA



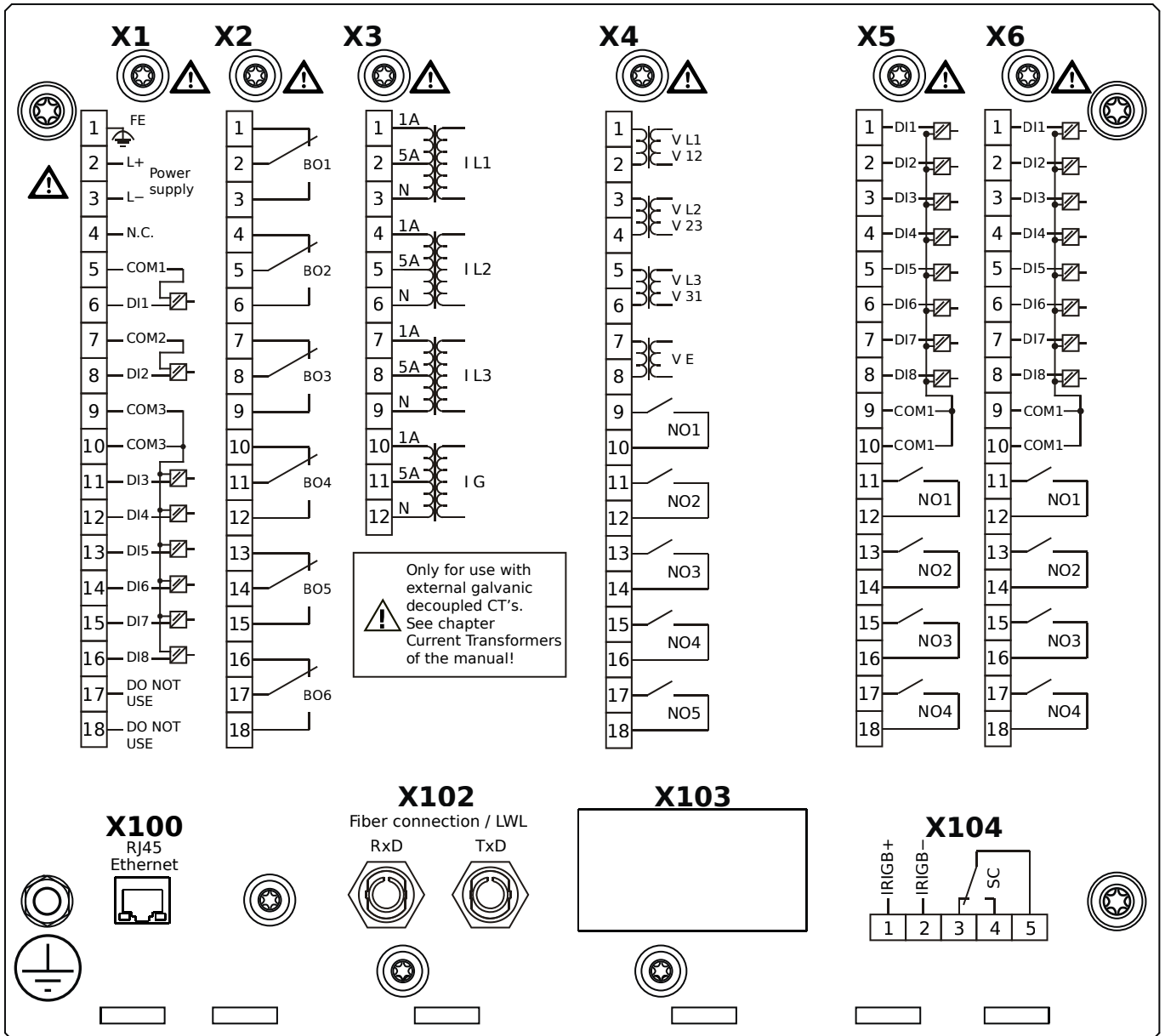
- X1** – DI8-X1: Wide-range power supply unit, incl. 2 non-grouped digital inputs and 6 grouped digital inputs
- X2** – OR-6: Assembly Group with 6 Relay Outputs
- X3** – TI-4: Standard current measuring card
- X4** – TU: Card with 4 voltage transformer measuring inputs and 5 output relays
- X5** – DI8-OR4: Assembly Group with 8 Digital Inputs and 4 Output Relays
- X6** – DI8-OR4: Assembly Group with 8 Digital Inputs and 4 Output Relays
- X102** – Protection Communication, Fiber optics interface, ST Connector
- X103** – Modbus RTU / IEC 60870-5-103 / DNP3.0 RTU, RS485, D-SUB
- X104** – IRIG-B00X, incl. System Contact (Supervision Contact)

MCDLV4-2E0A1GB



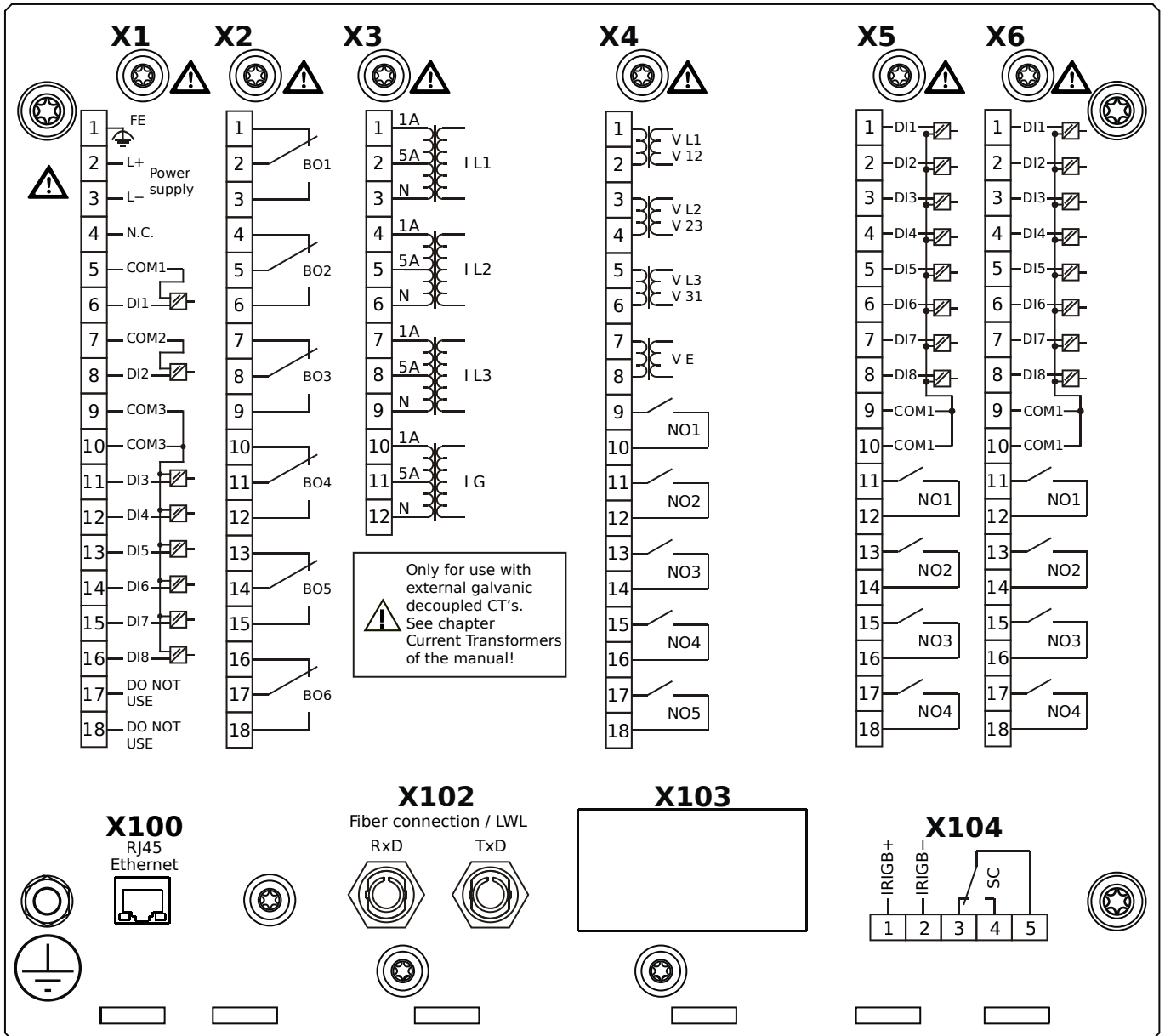
- X1** – DI8-X1: Wide-range power supply unit, incl. 2 non-grouped digital inputs and 6 grouped digital inputs
- X2** – OR-6: Assembly Group with 6 Relay Outputs
- X3** – TI-4: Standard current measuring card
- X4** – TU: Card with 4 voltage transformer measuring inputs and 5 output relays
- X5** – DI8-OR4: Assembly Group with 8 Digital Inputs and 4 Output Relays
- X6** – DI8-OR4: Assembly Group with 8 Digital Inputs and 4 Output Relays
- X102** – Protection Communication, Fiber optics interface, ST Connector
- X103** – Modbus RTU / IEC 60870-5-103 / DNP3.0 RTU, RS485, D-SUB
- X104** – IRIG-B00X, incl. System Contact (Supervision Contact)

MCDLV4-2E0A1HA



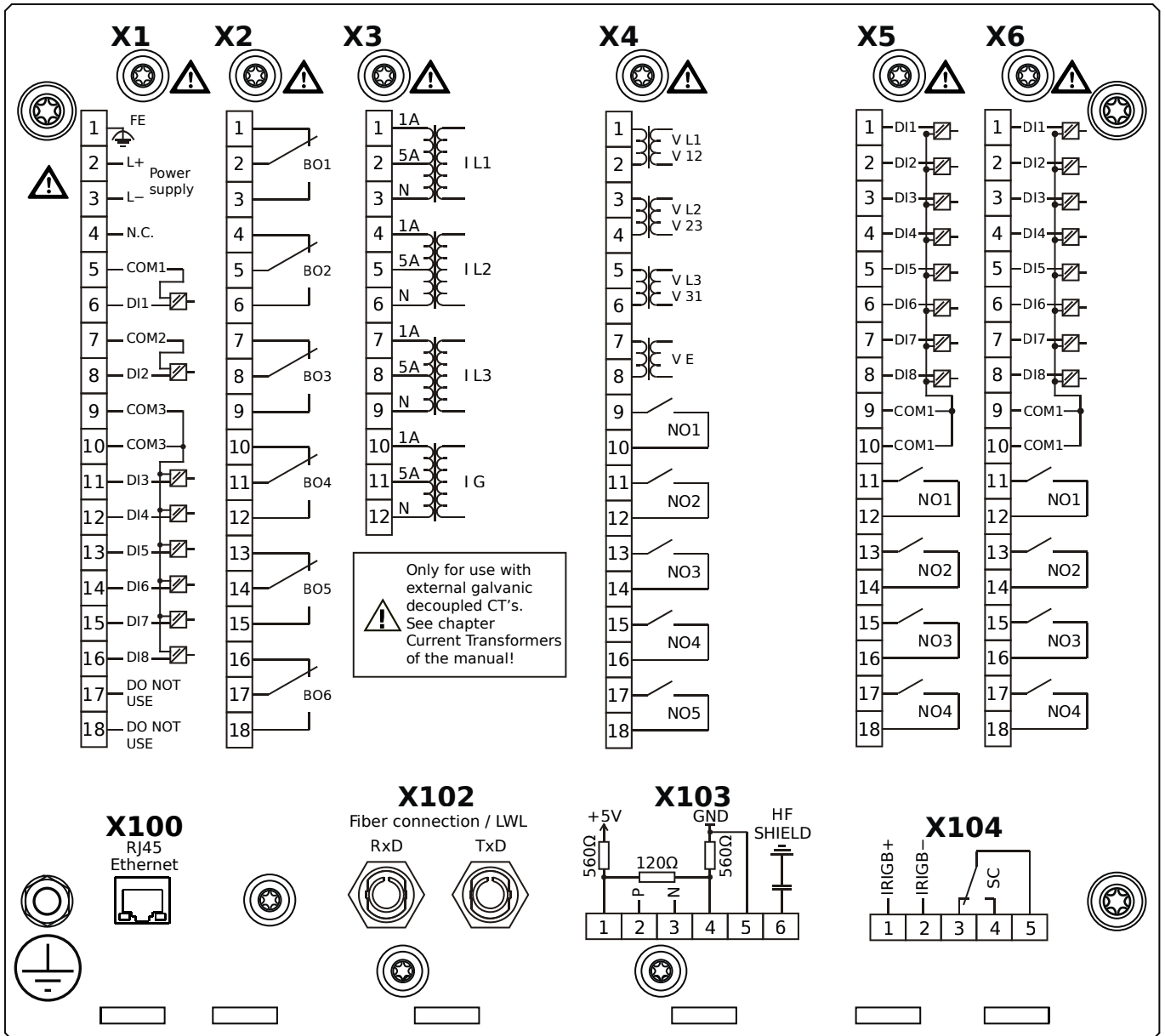
- X1** – DI8-X1: Wide-range power supply unit, incl. 2 non-grouped digital inputs and 6 grouped digital inputs
- X2** – OR-6: Assembly Group with 6 Relay Outputs
- X3** – TI-4: Standard current measuring card
- X4** – TU: Card with 4 voltage transformer measuring inputs and 5 output relays
- X5** – DI8-OR4: Assembly Group with 8 Digital Inputs and 4 Output Relays
- X6** – DI8-OR4: Assembly Group with 8 Digital Inputs and 4 Output Relays
- X100** – IEC 61850 / Modbus TCP / DNP3.0 TCP/UDP, Ethernet interface, 100 Mbit/s, RJ45 (BASE100-FX)
- X102** – Protection Communication, Fiber optics interface, ST Connector
- X104** – IRIG-B00X, incl. System Contact (Supervision Contact)

MCDLV4-2E0A1HB



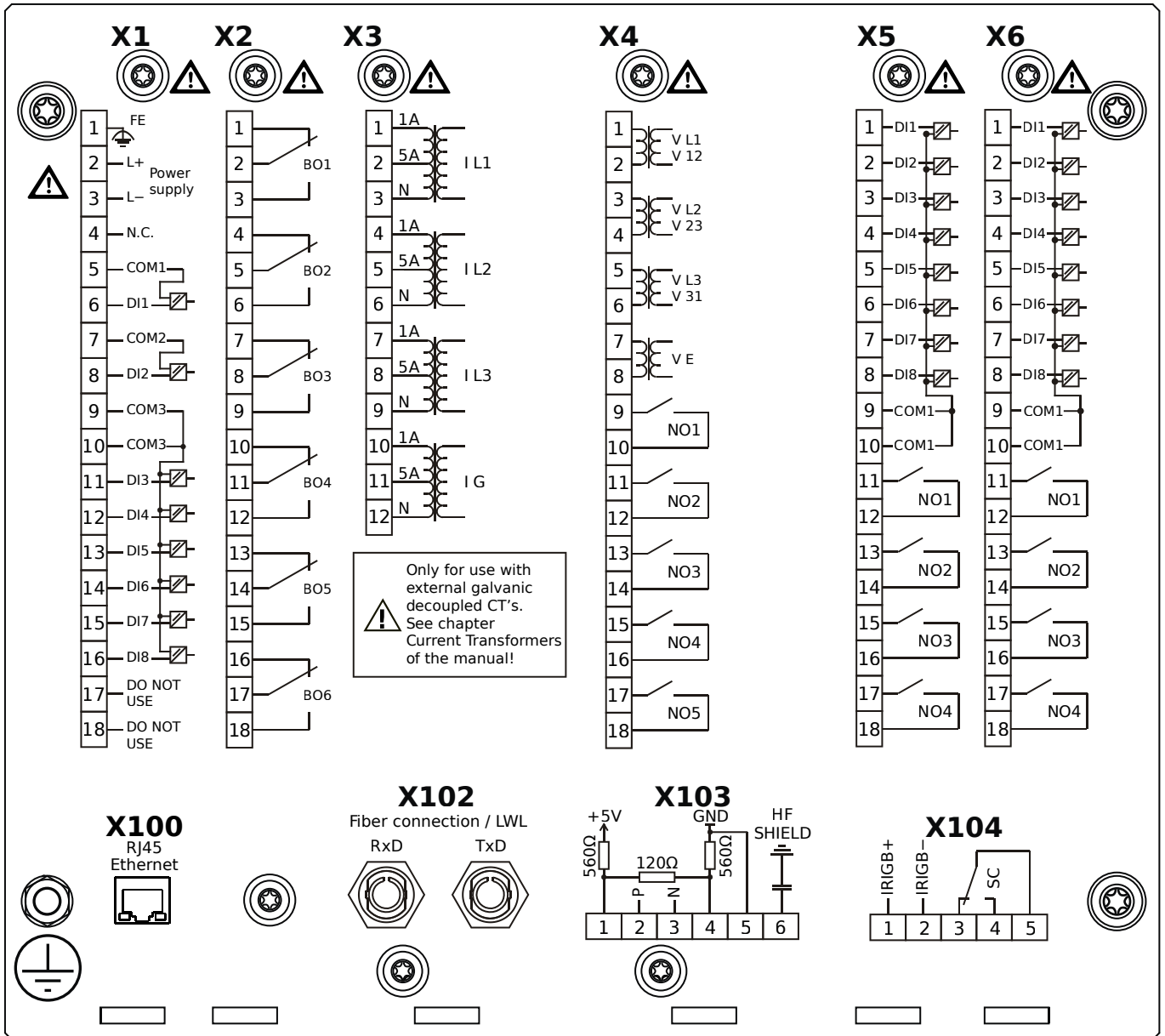
- X1** – DI8-X1: Wide-range power supply unit, incl. 2 non-grouped digital inputs and 6 grouped digital inputs
- X2** – OR-6: Assembly Group with 6 Relay Outputs
- X3** – TI-4: Standard current measuring card
- X4** – TU: Card with 4 voltage transformer measuring inputs and 5 output relays
- X5** – DI8-OR4: Assembly Group with 8 Digital Inputs and 4 Output Relays
- X6** – DI8-OR4: Assembly Group with 8 Digital Inputs and 4 Output Relays
- X100** – IEC 61850 / Modbus TCP / DNP3.0 TCP/UDP, Ethernet interface, 100 Mbit/s, RJ45 (BASE100-FX)
- X102** – Protection Communication, Fiber optics interface, ST Connector
- X104** – IRIG-B00X, incl. System Contact (Supervision Contact)

MCDLV4-2E0A1IA



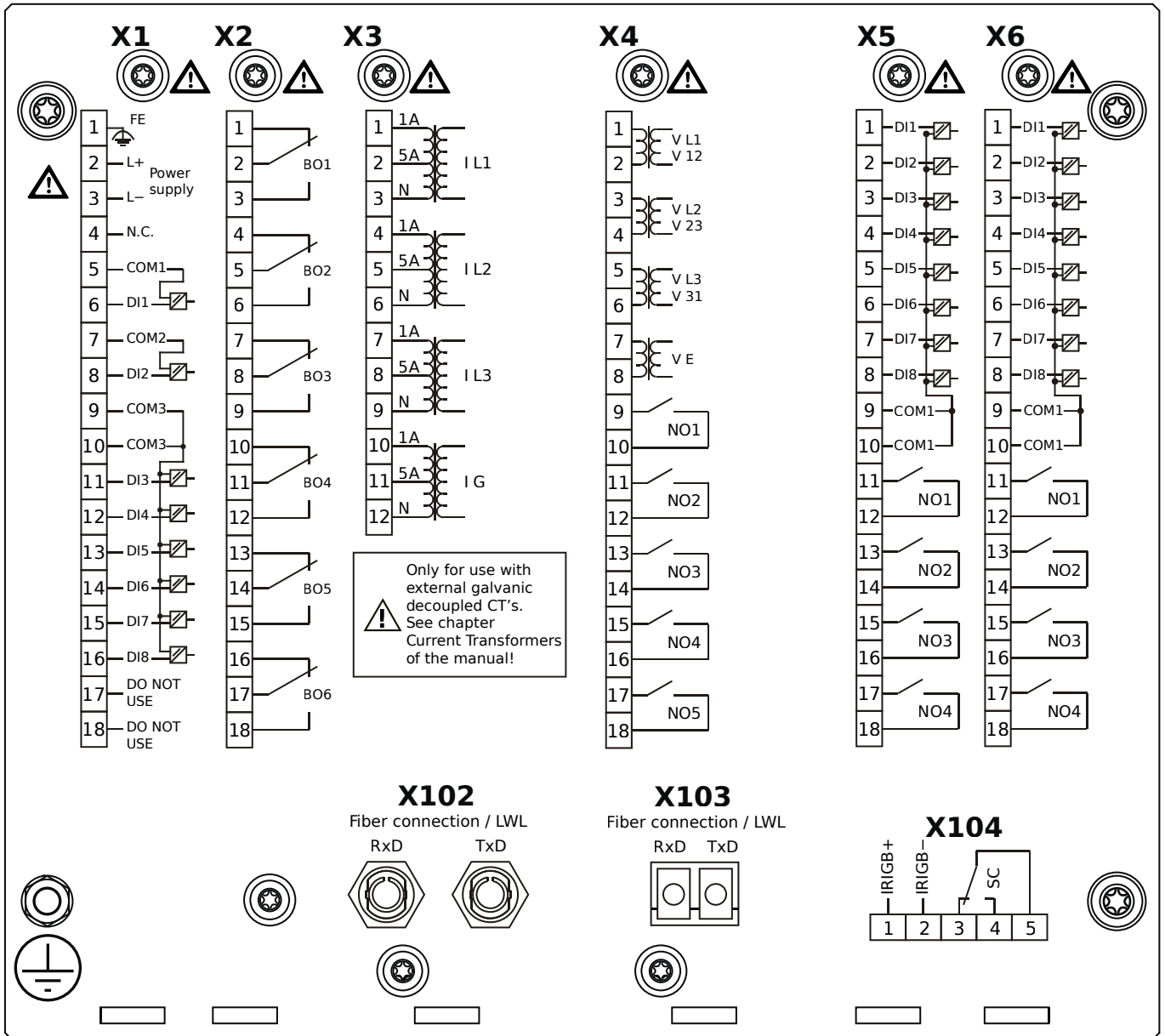
- X1** – DI8-X1: Wide-range power supply unit, incl. 2 non-grouped digital inputs and 6 grouped digital inputs
- X2** – OR-6: Assembly Group with 6 Relay Outputs
- X3** – TI-4: Standard current measuring card
- X4** – TU: Card with 4 voltage transformer measuring inputs and 5 output relays
- X5** – DI8-OR4: Assembly Group with 8 Digital Inputs and 4 Output Relays
- X6** – DI8-OR4: Assembly Group with 8 Digital Inputs and 4 Output Relays
- X100** – Modbus TCP / DNP3.0 TCP/UDP, Ethernet interface, 100 Mbit/s, RJ45 (BASE100-FX)
- X102** – Protection Communication, Fiber optics interface, ST Connector
- X103** – IEC 60870-5-103 / Modbus RTU / DNP3.0 RTU, RS485, Terminals
- X104** – IRIG-B00X, incl. System Contact (Supervision Contact)

MCDLV4-2E0A1IB



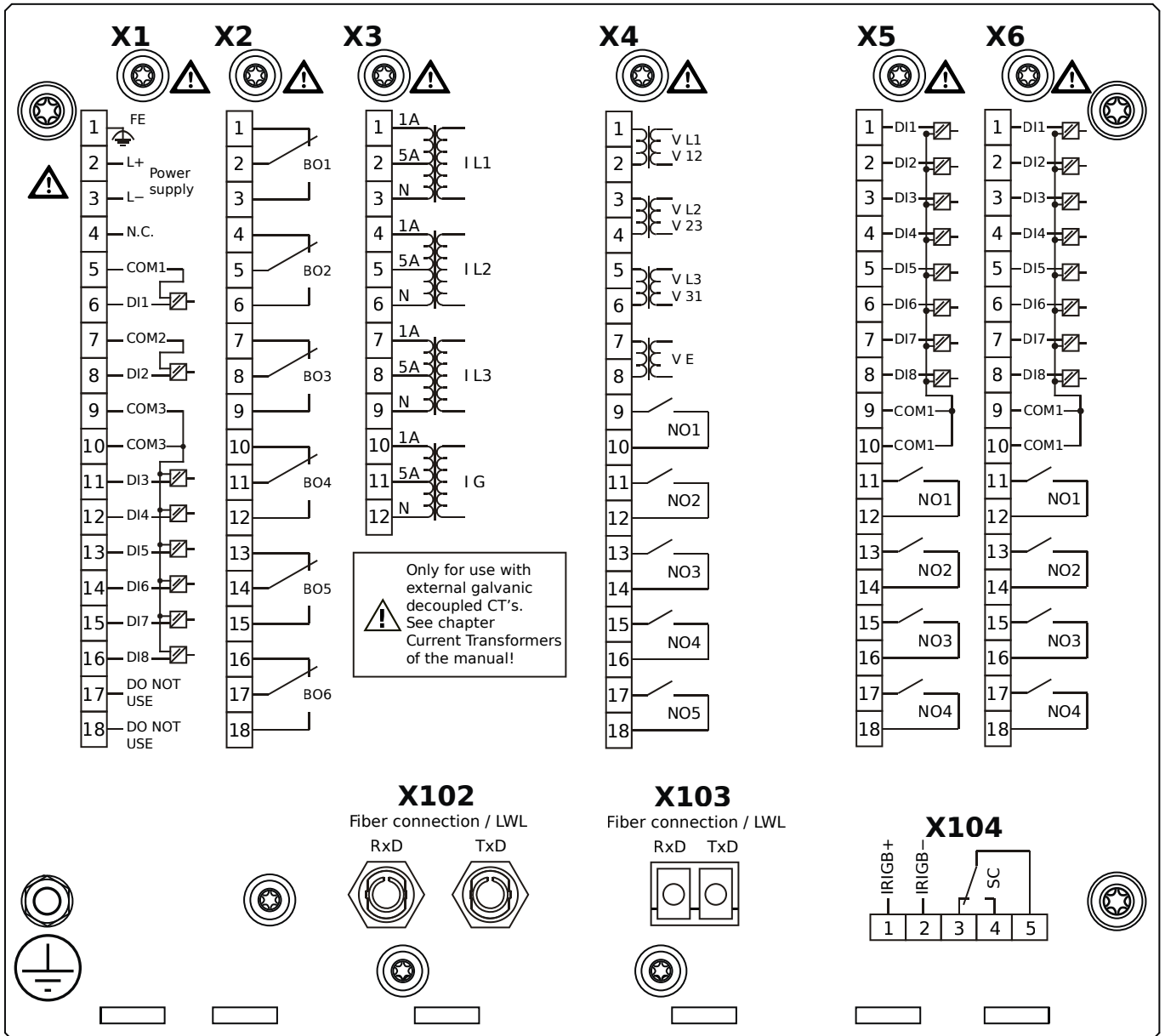
- X1** – DI8-X1: Wide-range power supply unit, incl. 2 non-grouped digital inputs and 6 grouped digital inputs
- X2** – OR-6: Assembly Group with 6 Relay Outputs
- X3** – TI-4: Standard current measuring card
- X4** – TU: Card with 4 voltage transformer measuring inputs and 5 output relays
- X5** – DI8-OR4: Assembly Group with 8 Digital Inputs and 4 Output Relays
- X6** – DI8-OR4: Assembly Group with 8 Digital Inputs and 4 Output Relays
- X100** – Modbus TCP / DNP3.0 TCP/UDP, Ethernet interface, 100 Mbit/s, RJ45 (BASE100-FX)
- X102** – Protection Communication, Fiber optics interface, ST Connector
- X103** – IEC 60870-5-103 / Modbus RTU / DNP3.0 RTU, RS485, Terminals
- X104** – IRIG-B00X, incl. System Contact (Supervision Contact)

MCDLV4-2E0A1KA



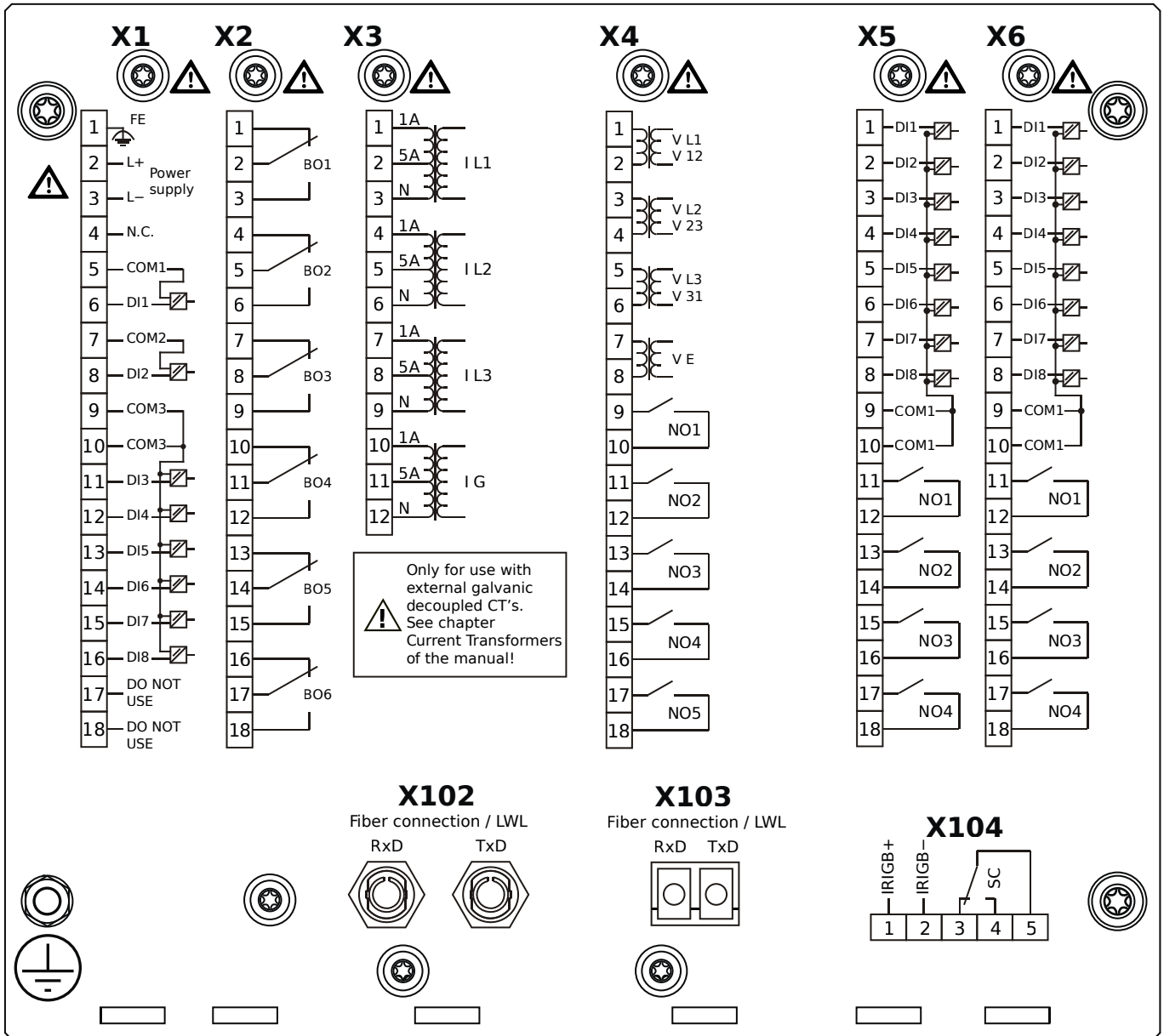
- X1** – DI8-X1: Wide-range power supply unit, incl. 2 non-grouped digital inputs and 6 grouped digital inputs
- X2** – OR-6: Assembly Group with 6 Relay Outputs
- X3** – TI-4: Standard current measuring card
- X4** – TU: Card with 4 voltage transformer measuring inputs and 5 output relays
- X5** – DI8-OR4: Assembly Group with 8 Digital Inputs and 4 Output Relays
- X6** – DI8-OR4: Assembly Group with 8 Digital Inputs and 4 Output Relays
- X102** – Protection Communication, Fiber optics interface, ST Connector
- X103** – IEC 61850 / Modbus TCP / DNP3.0 TCP/UDP, Fiber optics interface, LC Connector
- X104** – IRIG-B00X, incl. System Contact (Supervision Contact)

MCDLV4-2E0A1KB



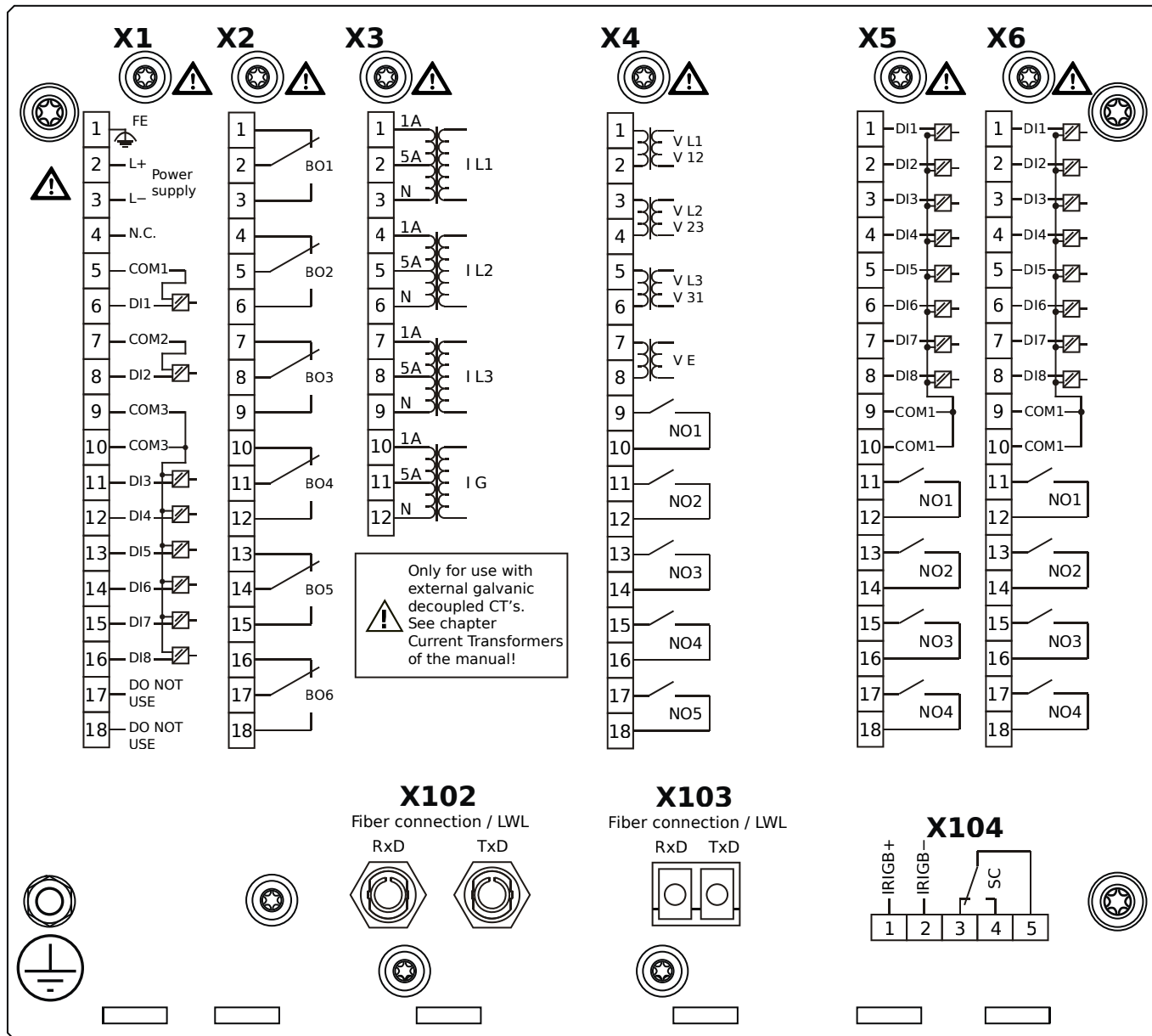
- X1** – DI8-X1: Wide-range power supply unit, incl. 2 non-grouped digital inputs and 6 grouped digital inputs
- X2** – OR-6: Assembly Group with 6 Relay Outputs
- X3** – TI-4: Standard current measuring card
- X4** – TU: Card with 4 voltage transformer measuring inputs and 5 output relays
- X5** – DI8-OR4: Assembly Group with 8 Digital Inputs and 4 Output Relays
- X6** – DI8-OR4: Assembly Group with 8 Digital Inputs and 4 Output Relays
- X102** – Protection Communication, Fiber optics interface, ST Connector
- X103** – IEC 61850 / Modbus TCP / DNP3.0 TCP/UDP, Fiber optics interface, LC Connector
- X104** – IRIG-B00X, incl. System Contact (Supervision Contact)

MCDLV4-2E0A1LA



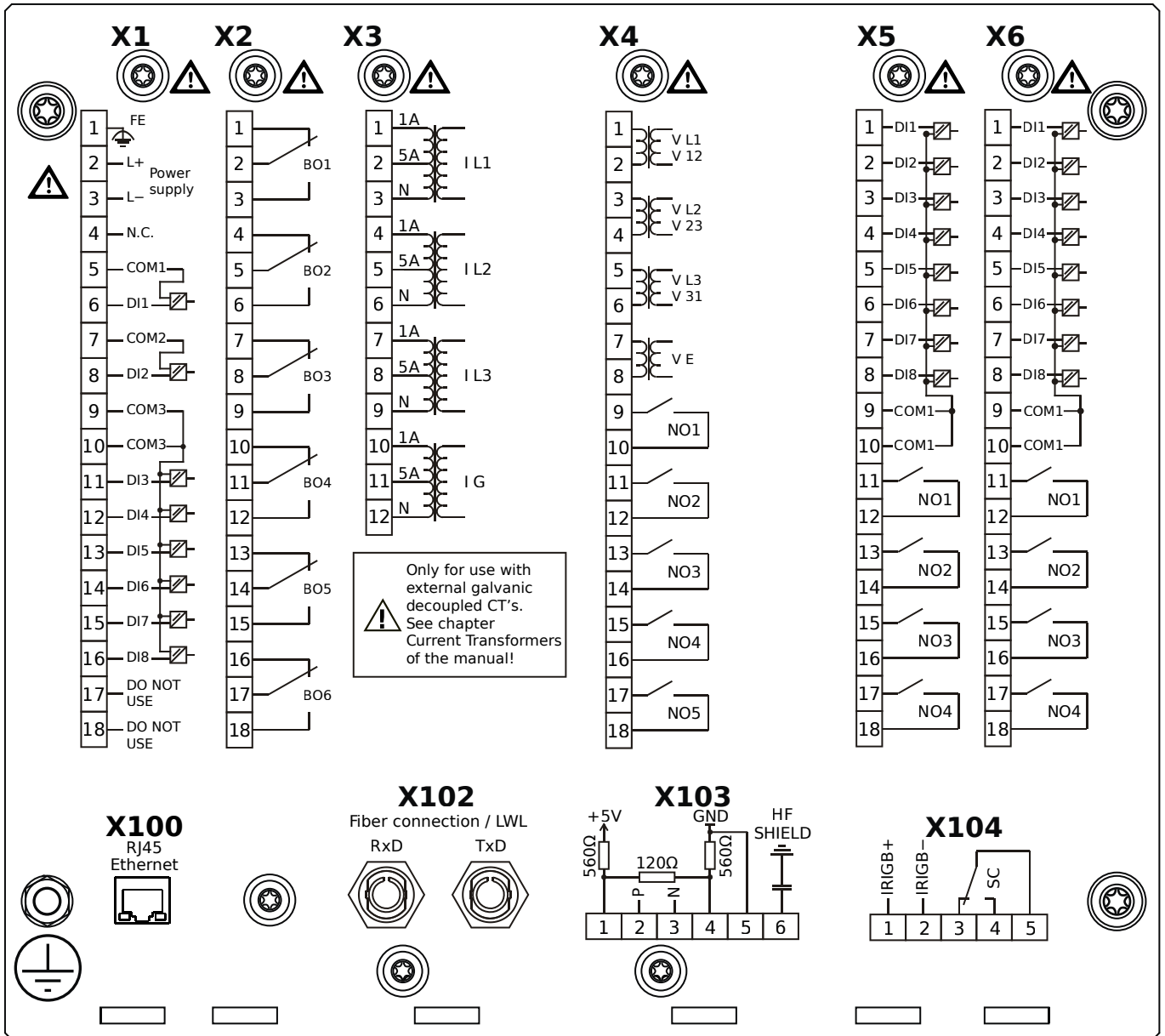
- X1** – DI8-X1: Wide-range power supply unit, incl. 2 non-grouped digital inputs and 6 grouped digital inputs
- X2** – OR-6: Assembly Group with 6 Relay Outputs
- X3** – TI-4: Standard current measuring card
- X4** – TU: Card with 4 voltage transformer measuring inputs and 5 output relays
- X5** – DI8-OR4: Assembly Group with 8 Digital Inputs and 4 Output Relays
- X6** – DI8-OR4: Assembly Group with 8 Digital Inputs and 4 Output Relays
- X102** – Protection Communication, Fiber optics interface, ST Connector
- X103** – Modbus TCP / DNP3.0 TCP/UDP, Fiber optics interface, LC Connector
- X104** – IRIG-B00X, incl. System Contact (Supervision Contact)

MCDLV4-2E0A1LB



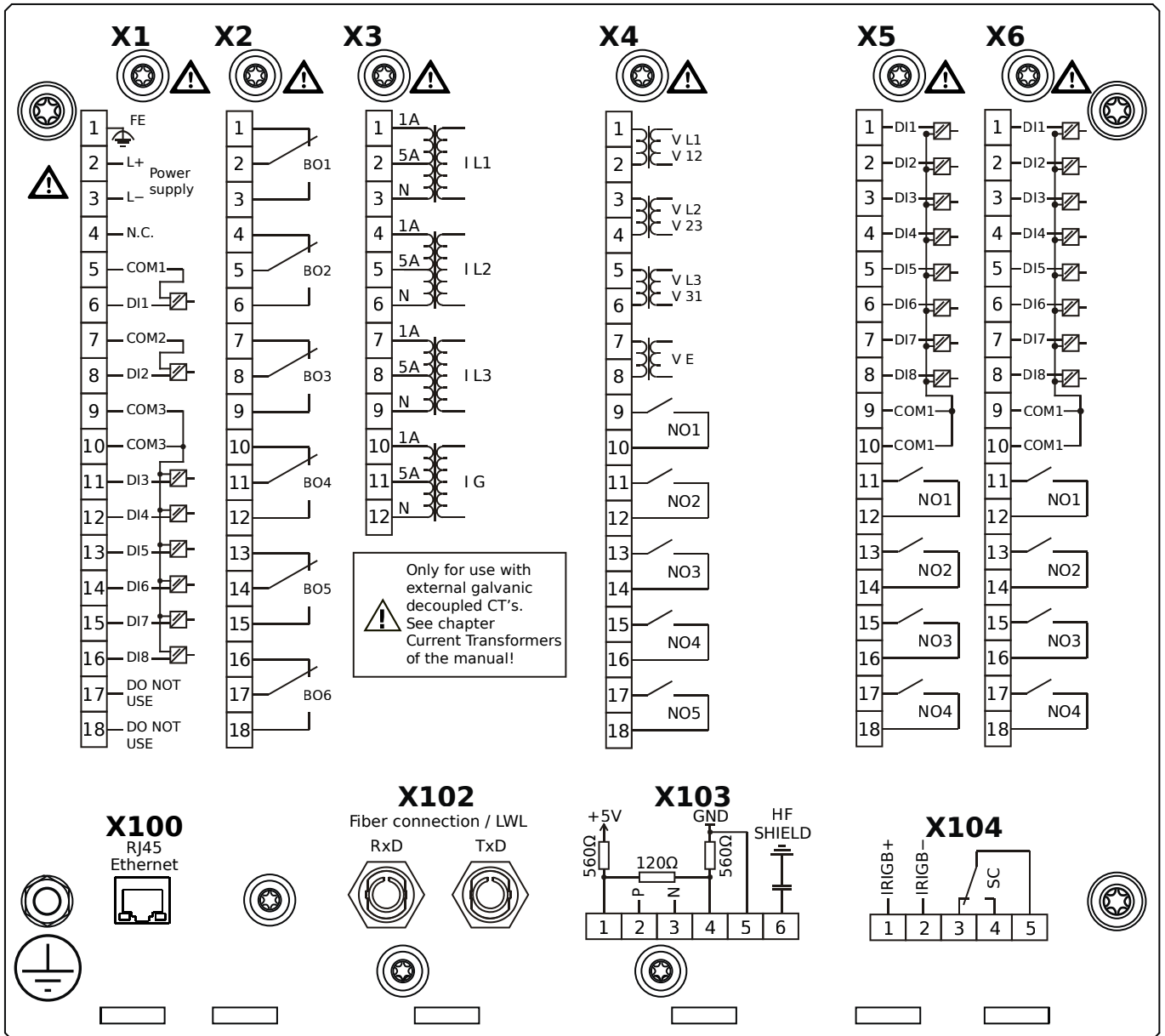
- X1** – DI8-X1: Wide-range power supply unit, incl. 2 non-grouped digital inputs and 6 grouped digital inputs
- X2** – OR-6: Assembly Group with 6 Relay Outputs
- X3** – TI-4: Standard current measuring card
- X4** – TU: Card with 4 voltage transformer measuring inputs and 5 output relays
- X5** – DI8-OR4: Assembly Group with 8 Digital Inputs and 4 Output Relays
- X6** – DI8-OR4: Assembly Group with 8 Digital Inputs and 4 Output Relays
- X102** – Protection Communication, Fiber optics interface, ST Connector
- X103** – Modbus TCP / DNP3.0 TCP/UDP, Fiber optics interface, LC Connector
- X104** – IRIG-B00X, incl. System Contact (Supervision Contact)

MCDLV4-2E0A1TA



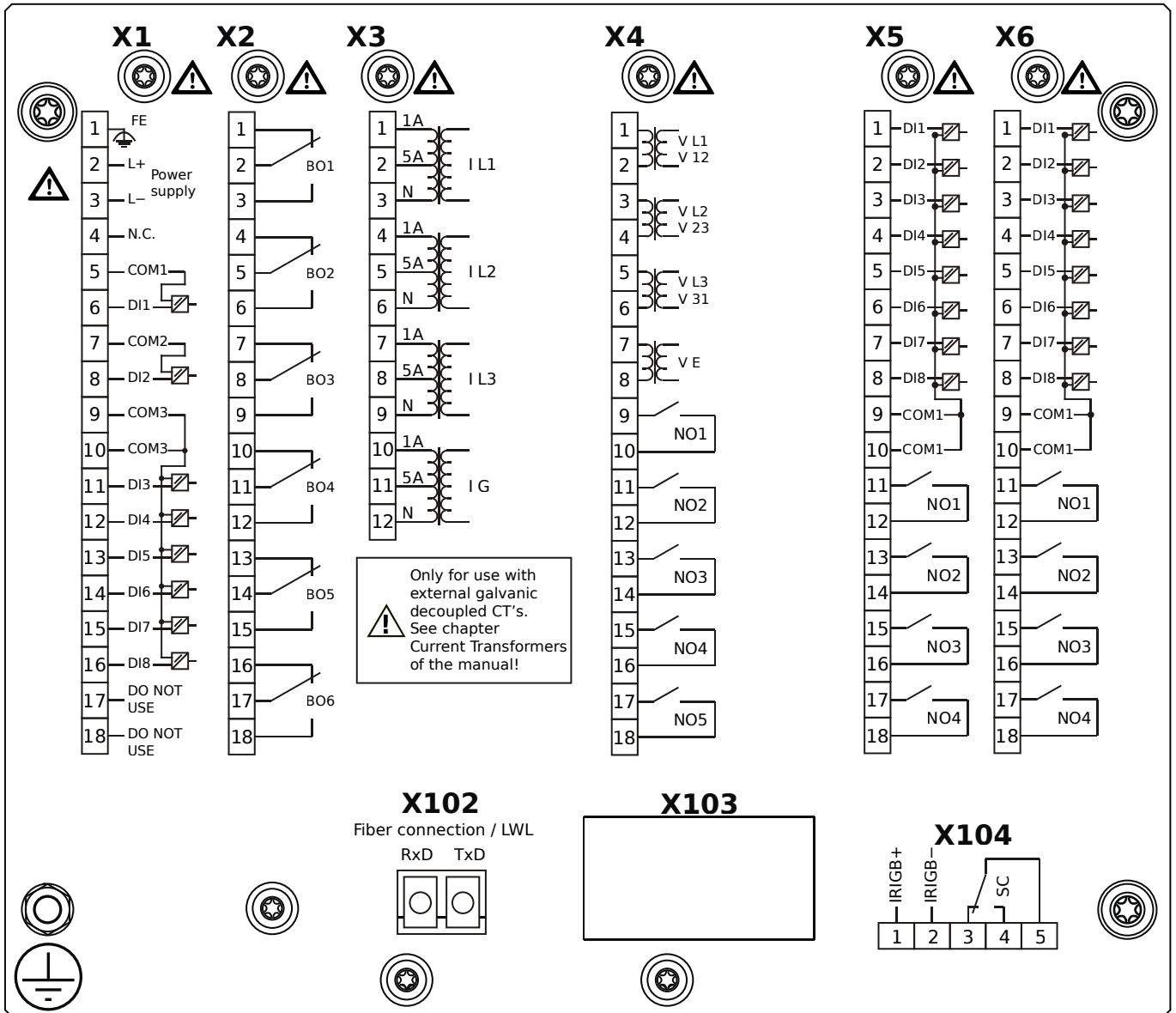
- X1** – DI8-X1: Wide-range power supply unit, incl. 2 non-grouped digital inputs and 6 grouped digital inputs
- X2** – OR-6: Assembly Group with 6 Relay Outputs
- X3** – TI-4: Standard current measuring card
- X4** – TU: Card with 4 voltage transformer measuring inputs and 5 output relays
- X5** – DI8-OR4: Assembly Group with 8 Digital Inputs and 4 Output Relays
- X6** – DI8-OR4: Assembly Group with 8 Digital Inputs and 4 Output Relays
- X100** – IEC 61850 / Modbus TCP / DNP3.0 TCP/UDP, Ethernet interface, 100 Mbit/s, RJ45 (BASE100-FX)
- X102** – Protection Communication, Fiber optics interface, ST Connector
- X103** – IEC 60870-5-103 / Modbus RTU / DNP3.0 RTU, RS485, Terminals
- X104** – IRIG-B00X, incl. System Contact (Supervision Contact)

MCDLV4-2E0A1TB



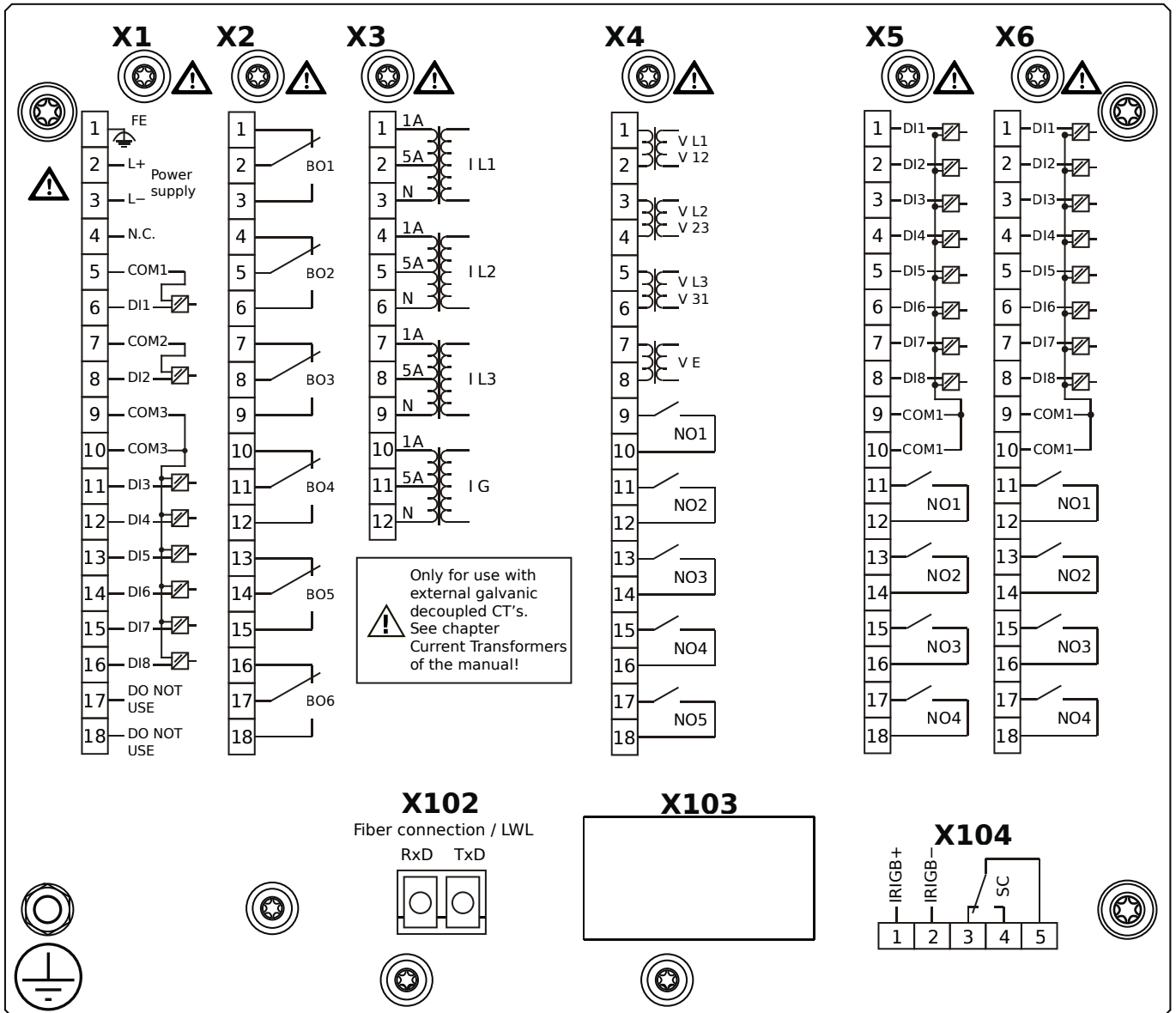
- X1** – DI8-X1: Wide-range power supply unit, incl. 2 non-grouped digital inputs and 6 grouped digital inputs
- X2** – OR-6: Assembly Group with 6 Relay Outputs
- X3** – TI-4: Standard current measuring card
- X4** – TU: Card with 4 voltage transformer measuring inputs and 5 output relays
- X5** – DI8-OR4: Assembly Group with 8 Digital Inputs and 4 Output Relays
- X6** – DI8-OR4: Assembly Group with 8 Digital Inputs and 4 Output Relays
- X100** – IEC 61850 / Modbus TCP / DNP3.0 TCP/UDP, Ethernet interface, 100 Mbit/s, RJ45 (BASE100-FX)
- X102** – Protection Communication, Fiber optics interface, ST Connector
- X103** – IEC 60870-5-103 / Modbus RTU / DNP3.0 RTU, RS485, Terminals
- X104** – IRIG-B00X, incl. System Contact (Supervision Contact)

MCDLV4-2E0B0AA



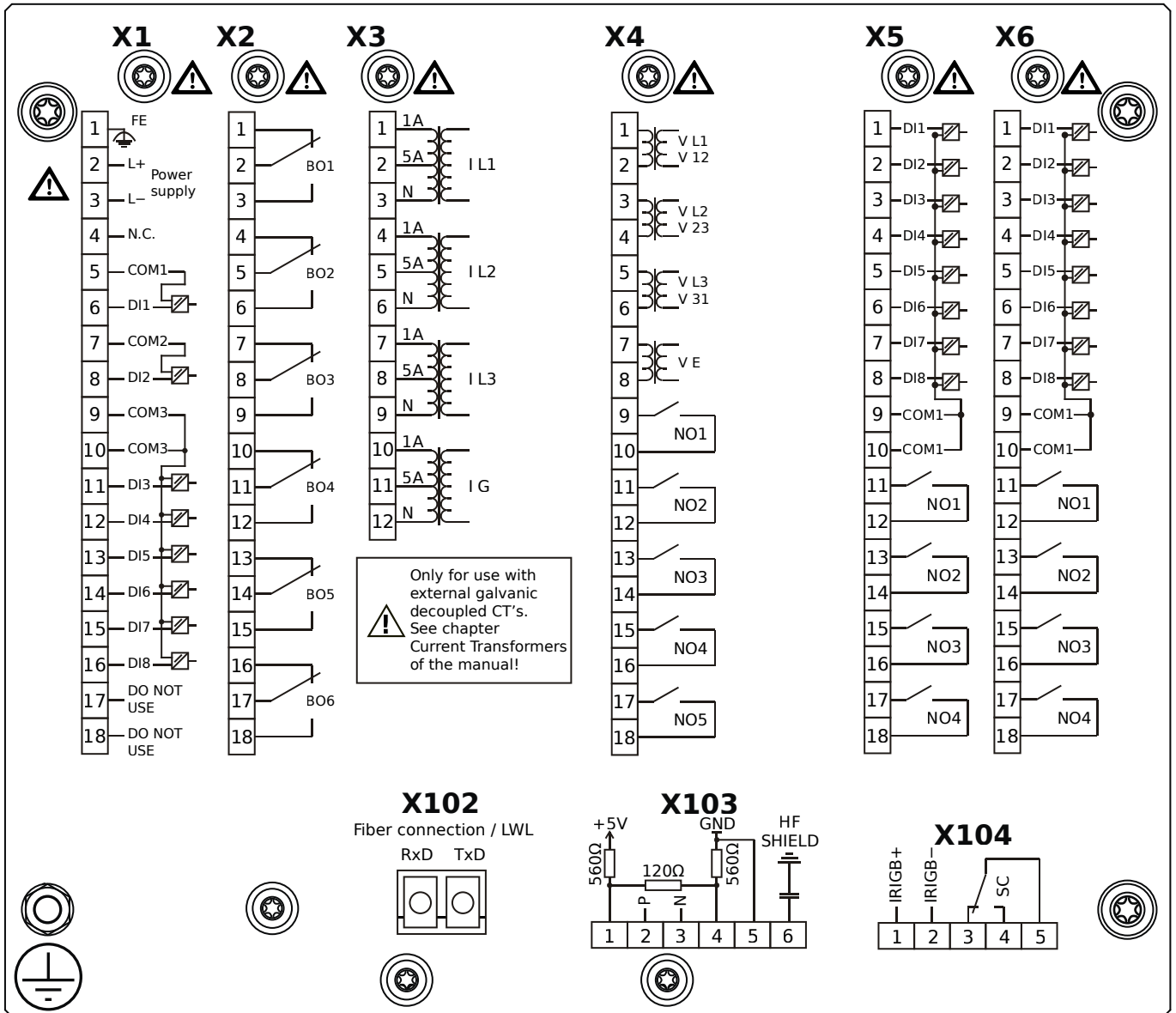
- X1** – DI8-X1: Wide-range power supply unit, incl. 2 non-grouped digital inputs and 6 grouped digital inputs
- X2** – OR-6: Assembly Group with 6 Relay Outputs
- X3** – TI-4: Standard current measuring card
- X4** – TU: Card with 4 voltage transformer measuring inputs and 5 output relays
- X5** – DI8-OR4: Assembly Group with 8 Digital Inputs and 4 Output Relays
- X6** – DI8-OR4: Assembly Group with 8 Digital Inputs and 4 Output Relays
- X102** – Long-distance Protection Communication, Fiber optics interface, LC Connector
- X104** – IRIG-B00X, incl. System Contact (Supervision Contact)

MCDLV4-2E0B0AB



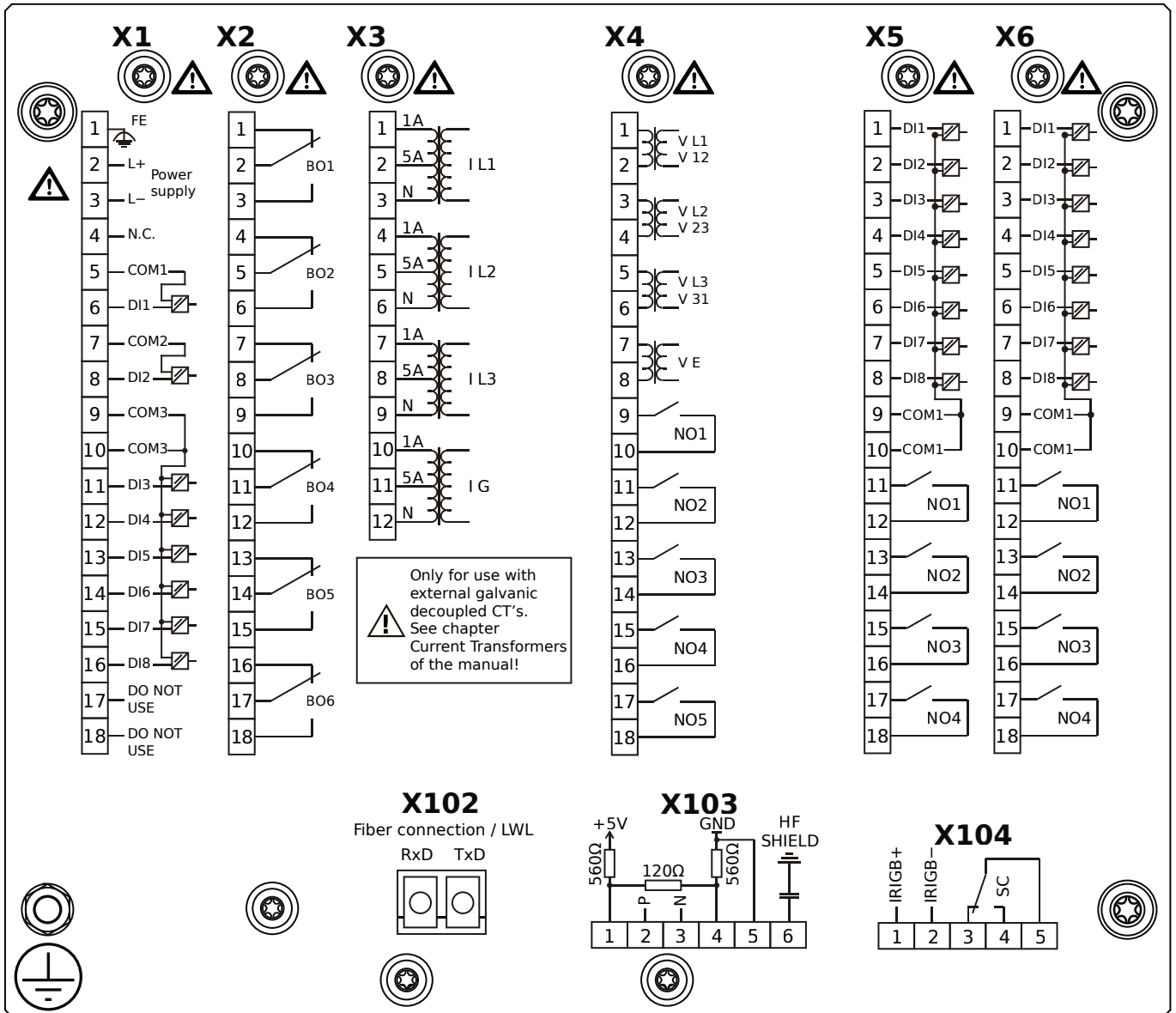
- X1** – DI8-X1: Wide-range power supply unit, incl. 2 non-grouped digital inputs and 6 grouped digital inputs
- X2** – OR-6: Assembly Group with 6 Relay Outputs
- X3** – TI-4: Standard current measuring card
- X4** – TU: Card with 4 voltage transformer measuring inputs and 5 output relays
- X5** – DI8-OR4: Assembly Group with 8 Digital Inputs and 4 Output Relays
- X6** – DI8-OR4: Assembly Group with 8 Digital Inputs and 4 Output Relays
- X102** – Long-distance Protection Communication, Fiber optics interface, LC Connector
- X104** – IRIG-B00X, incl. System Contact (Supervision Contact)

MCDLV4-2E0B0BA



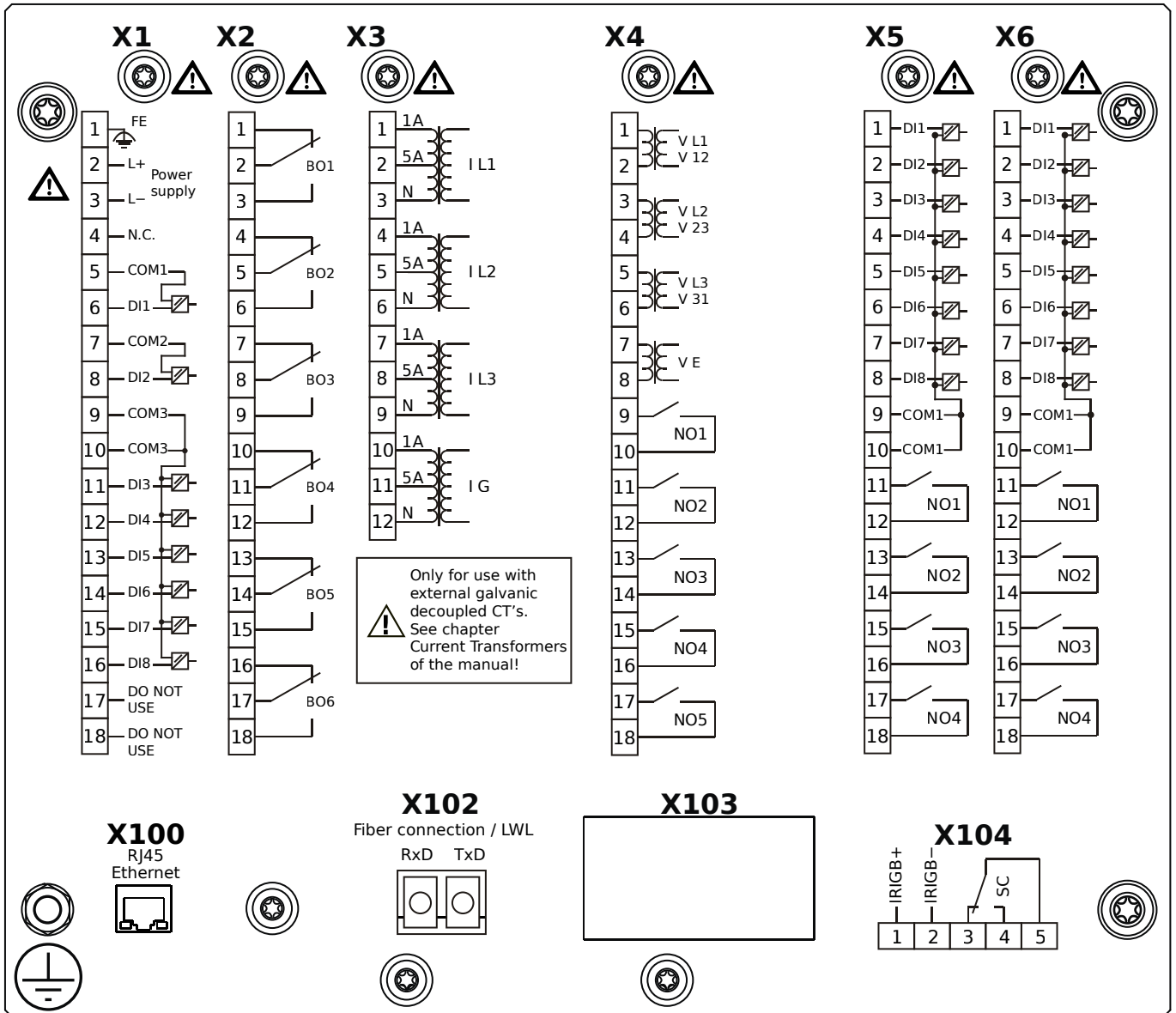
- X1** – DI8-X1: Wide-range power supply unit, incl. 2 non-grouped digital inputs and 6 grouped digital inputs
- X2** – OR-6: Assembly Group with 6 Relay Outputs
- X3** – TI-4: Standard current measuring card
- X4** – TU: Card with 4 voltage transformer measuring inputs and 5 output relays
- X5** – DI8-OR4: Assembly Group with 8 Digital Inputs and 4 Output Relays
- X6** – DI8-OR4: Assembly Group with 8 Digital Inputs and 4 Output Relays
- X102** – Long-distance Protection Communication, Fiber optics interface, LC Connector
- X103** – Modbus RTU / IEC 60870-5-103 / DNP3.0 RTU, RS485, Terminals
- X104** – IRIG-B00X, incl. System Contact (Supervision Contact)

MCDLV4-2E0B0BB



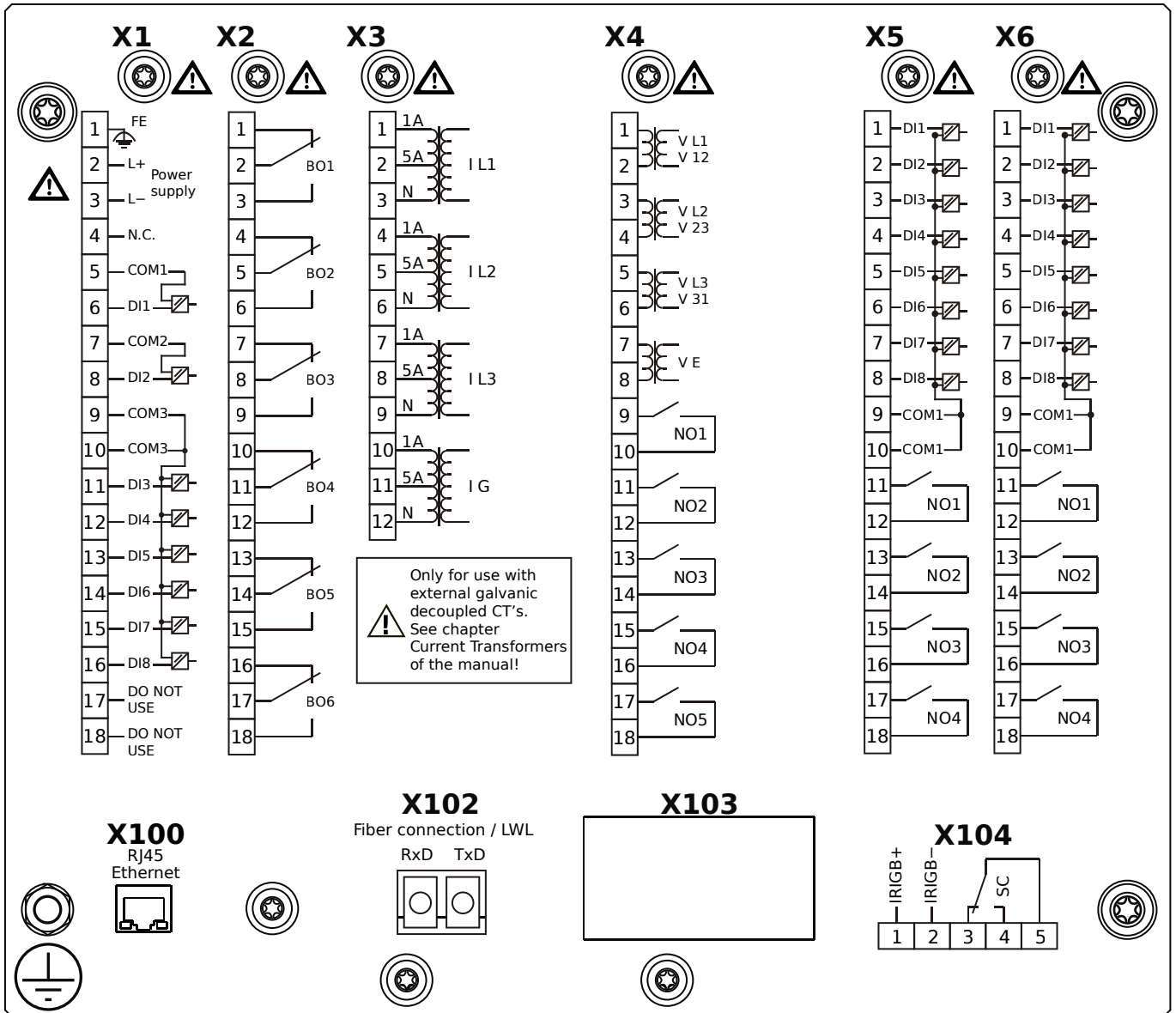
- X1** – DI8-X1: Wide-range power supply unit, incl. 2 non-grouped digital inputs and 6 grouped digital inputs
- X2** – OR-6: Assembly Group with 6 Relay Outputs
- X3** – TI-4: Standard current measuring card
- X4** – TU: Card with 4 voltage transformer measuring inputs and 5 output relays
- X5** – DI8-OR4: Assembly Group with 8 Digital Inputs and 4 Output Relays
- X6** – DI8-OR4: Assembly Group with 8 Digital Inputs and 4 Output Relays
- X102** – Long-distance Protection Communication, Fiber optics interface, LC Connector
- X103** – Modbus RTU / IEC 60870-5-103 / DNP3.0 RTU, RS485, Terminals
- X104** – IRIG-B00X, incl. System Contact (Supervision Contact)

MCDLV4-2E0B0CA



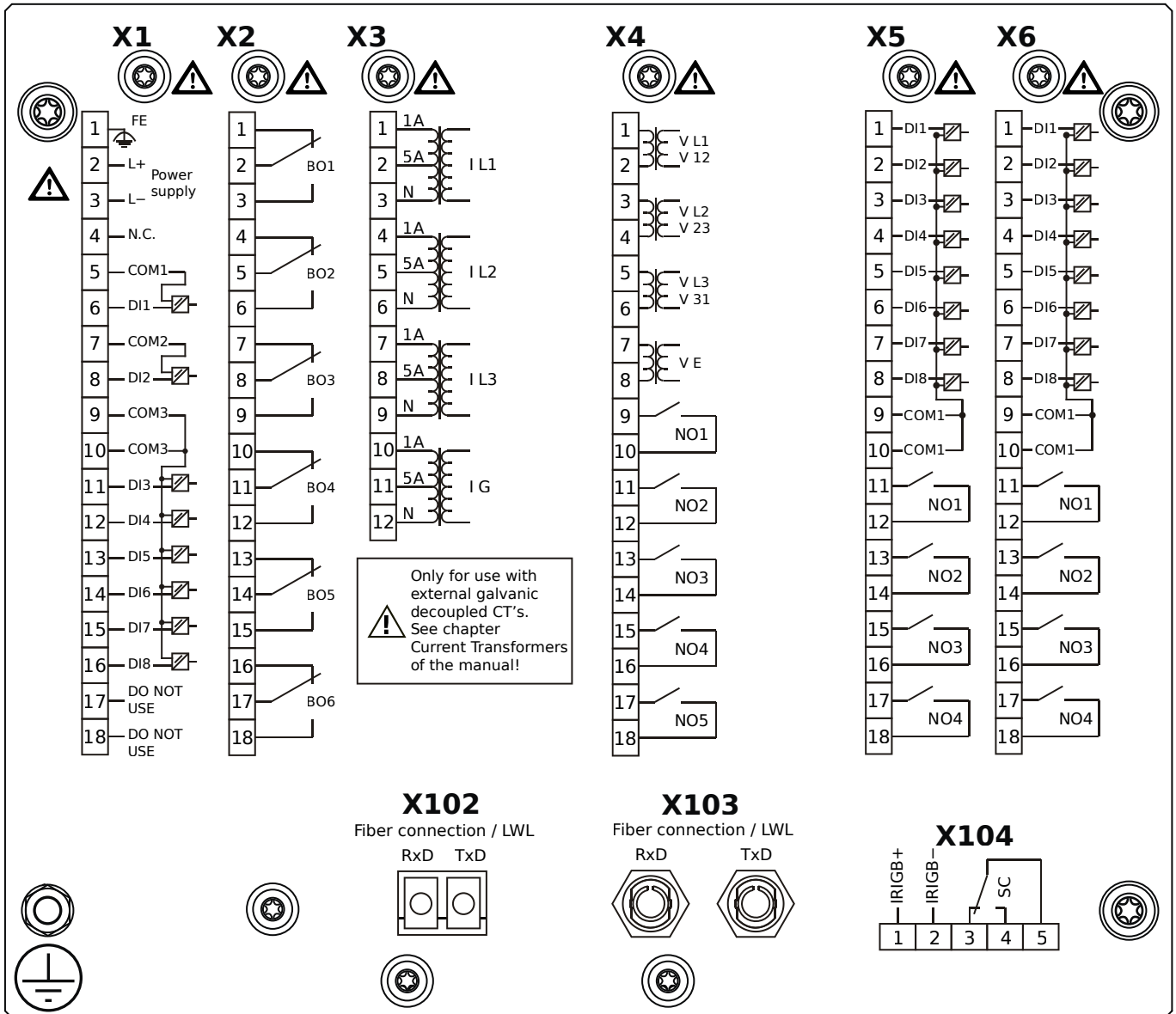
- X1** – DI8-X1: Wide-range power supply unit, incl. 2 non-grouped digital inputs and 6 grouped digital inputs
- X2** – OR-6: Assembly Group with 6 Relay Outputs
- X3** – TI-4: Standard current measuring card
- X4** – TU: Card with 4 voltage transformer measuring inputs and 5 output relays
- X5** – DI8-OR4: Assembly Group with 8 Digital Inputs and 4 Output Relays
- X6** – DI8-OR4: Assembly Group with 8 Digital Inputs and 4 Output Relays
- X100** – Modbus TCP / DNP3.0 TCP/UDP, Ethernet interface, 100 Mbit/s, RJ45 (BASE100-FX)
- X102** – Long-distance Protection Communication, Fiber optics interface, LC Connector
- X104** – IRIG-B00X, incl. System Contact (Supervision Contact)

MCDLV4-2E0B0CB



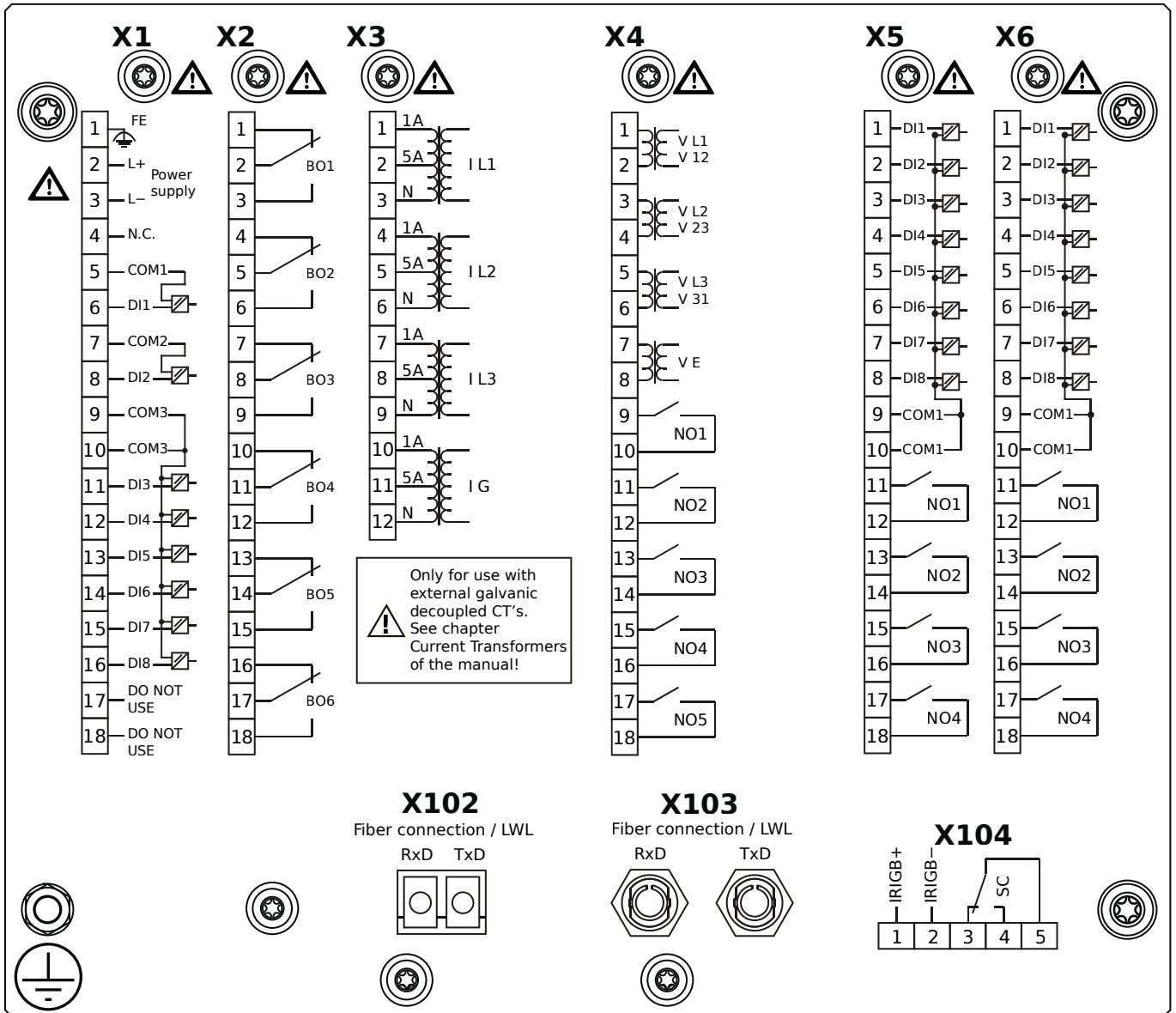
- X1** – DI8-X1: Wide-range power supply unit, incl. 2 non-grouped digital inputs and 6 grouped digital inputs
- X2** – OR-6: Assembly Group with 6 Relay Outputs
- X3** – TI-4: Standard current measuring card
- X4** – TU: Card with 4 voltage transformer measuring inputs and 5 output relays
- X5** – DI8-OR4: Assembly Group with 8 Digital Inputs and 4 Output Relays
- X6** – DI8-OR4: Assembly Group with 8 Digital Inputs and 4 Output Relays
- X100** – Modbus TCP / DNP3.0 TCP/UDP, Ethernet interface, 100 Mbit/s, RJ45 (BASE100-FX)
- X102** – Long-distance Protection Communication, Fiber optics interface, LC Connector
- X104** – IRIG-B00X, incl. System Contact (Supervision Contact)

MCDLV4-2E0B0DA



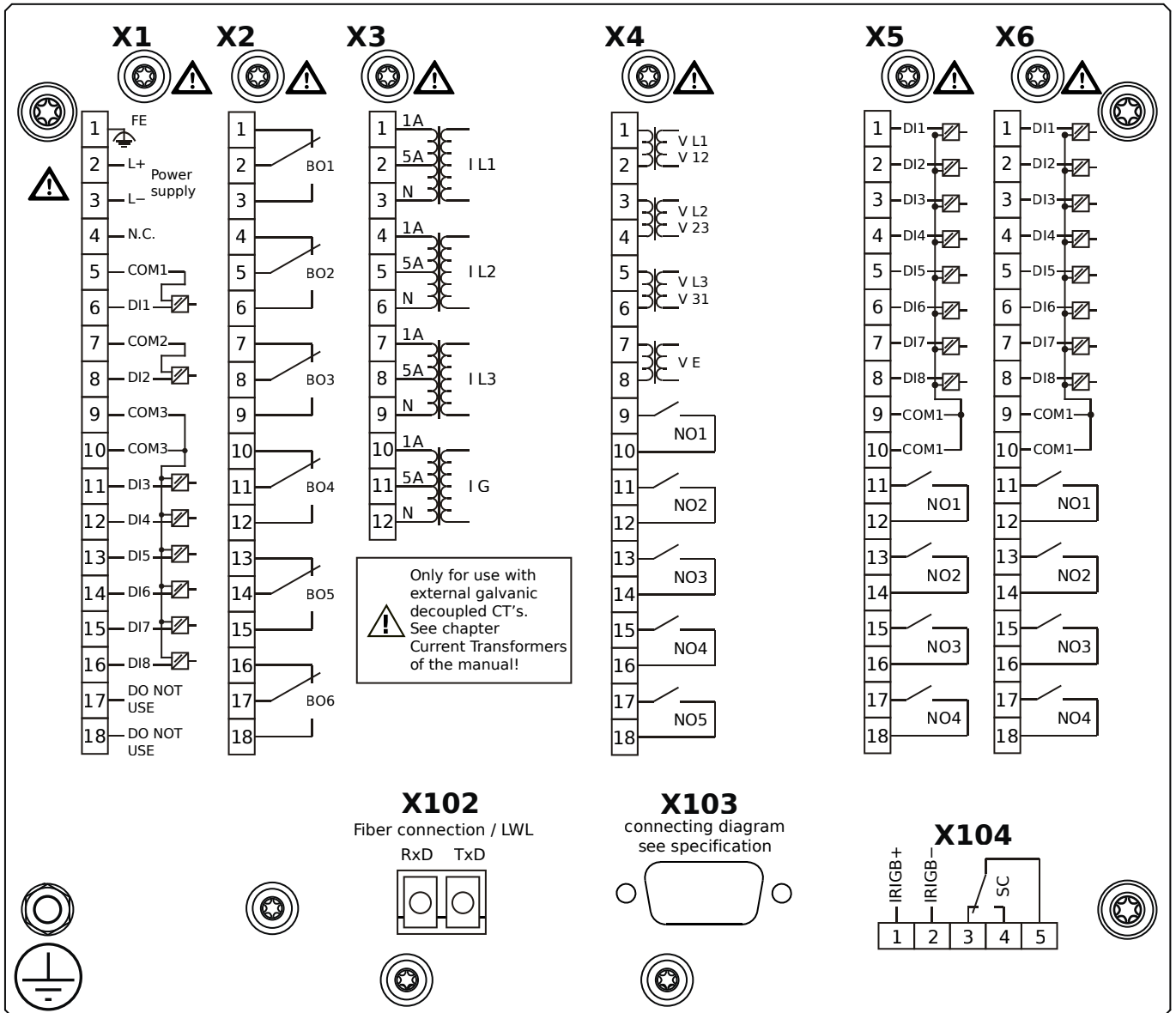
- X1** – DI8-X1: Wide-range power supply unit, incl. 2 non-grouped digital inputs and 6 grouped digital inputs
- X2** – OR-6: Assembly Group with 6 Relay Outputs
- X3** – TI-4: Standard current measuring card
- X4** – TU: Card with 4 voltage transformer measuring inputs and 5 output relays
- X5** – DI8-OR4: Assembly Group with 8 Digital Inputs and 4 Output Relays
- X6** – DI8-OR4: Assembly Group with 8 Digital Inputs and 4 Output Relays
- X102** – Long-distance Protection Communication, Fiber optics interface, LC Connector
- X103** – Profibus-DP, Fiber optics interface, ST Connector
- X104** – IRIG-B00X, incl. System Contact (Supervision Contact)

MCDLV4-2E0B0DB



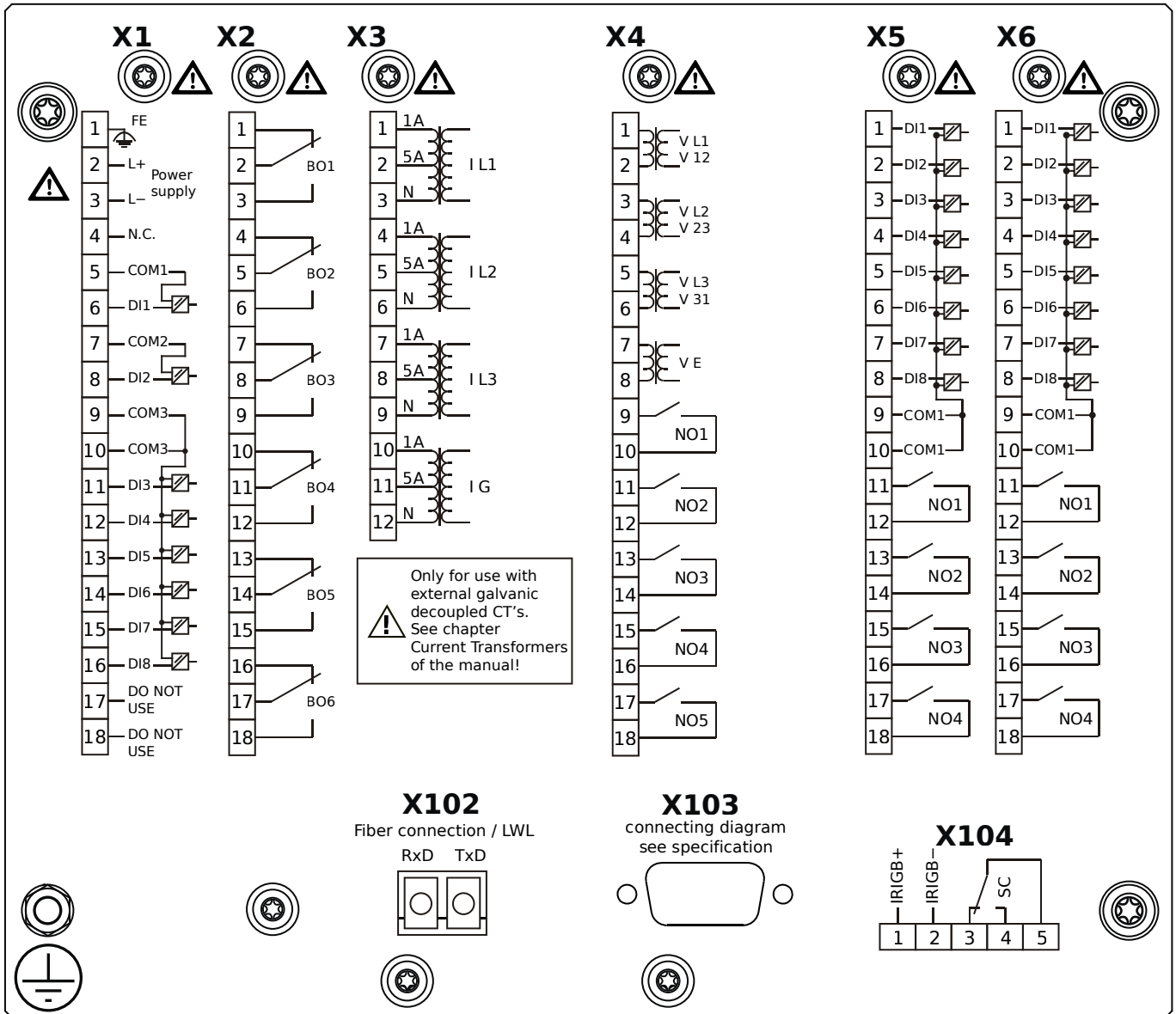
- X1** – DI8-X1: Wide-range power supply unit, incl. 2 non-grouped digital inputs and 6 grouped digital inputs
- X2** – OR-6: Assembly Group with 6 Relay Outputs
- X3** – TI-4: Standard current measuring card
- X4** – TU: Card with 4 voltage transformer measuring inputs and 5 output relays
- X5** – DI8-OR4: Assembly Group with 8 Digital Inputs and 4 Output Relays
- X6** – DI8-OR4: Assembly Group with 8 Digital Inputs and 4 Output Relays
- X102** – Long-distance Protection Communication, Fiber optics interface, LC Connector
- X103** – Profibus-DP, Fiber optics interface, ST Connector
- X104** – IRIG-B00X, incl. System Contact (Supervision Contact)

MCDLV4-2E0B0EA



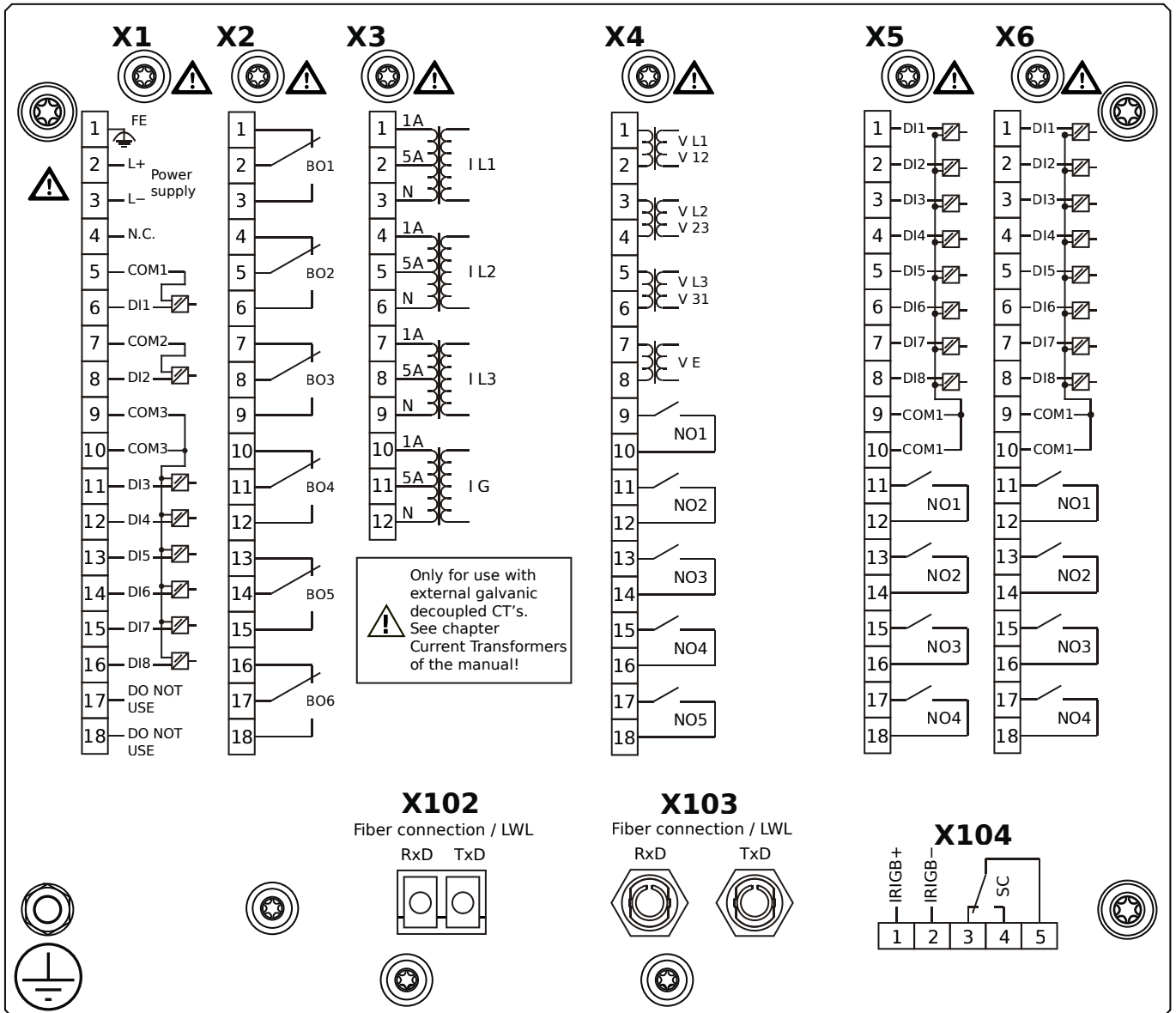
- X1** – DI8-X1: Wide-range power supply unit, incl. 2 non-grouped digital inputs and 6 grouped digital inputs
- X2** – OR-6: Assembly Group with 6 Relay Outputs
- X3** – TI-4: Standard current measuring card
- X4** – TU: Card with 4 voltage transformer measuring inputs and 5 output relays
- X5** – DI8-OR4: Assembly Group with 8 Digital Inputs and 4 Output Relays
- X6** – DI8-OR4: Assembly Group with 8 Digital Inputs and 4 Output Relays
- X102** – Long-distance Protection Communication, Fiber optics interface, LC Connector
- X103** – Profibus-DP, RS485, D-SUB
- X104** – IRIG-B00X, incl. System Contact (Supervision Contact)

MCDLV4-2E0B0EB



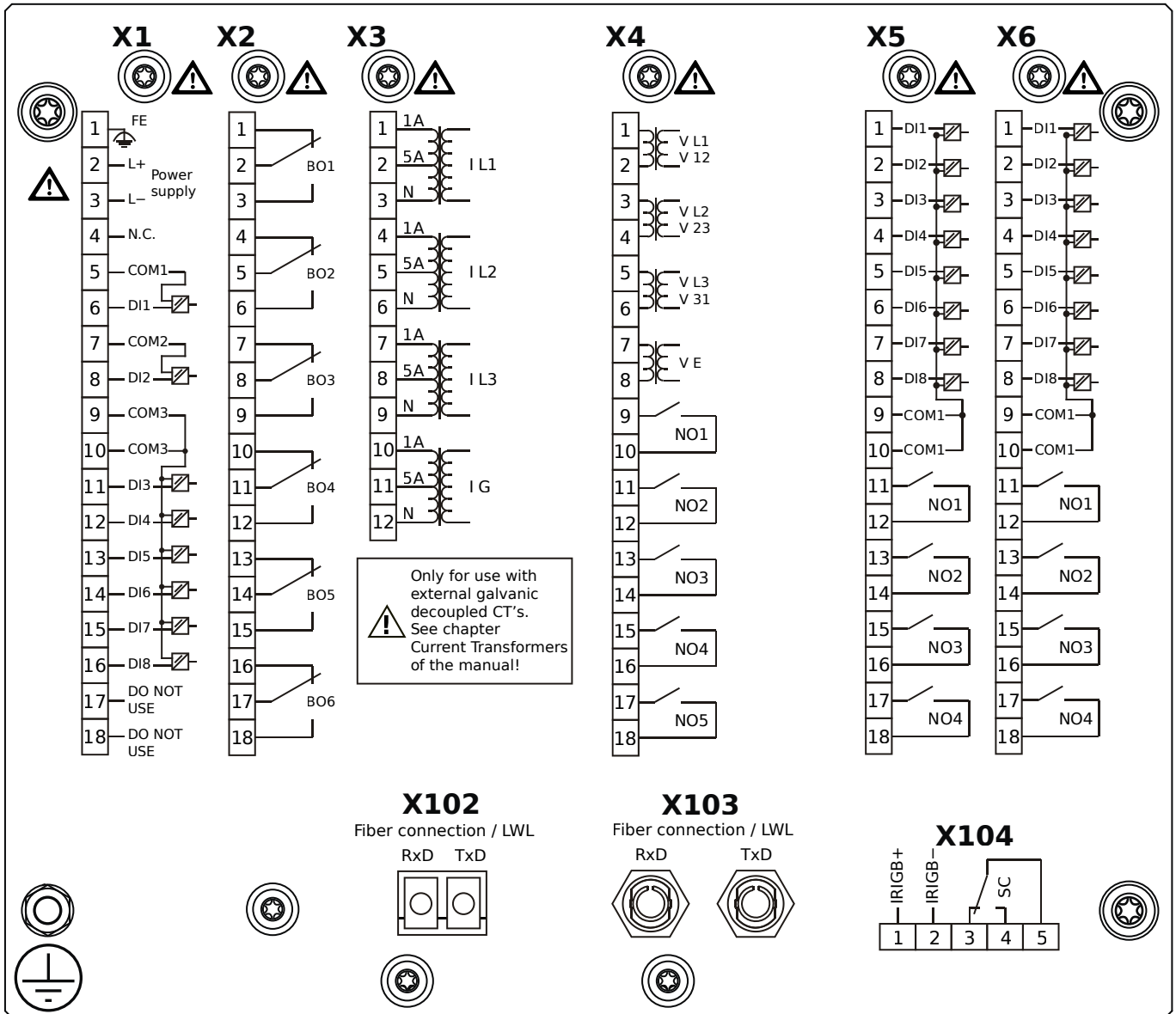
- X1** – DI8-X1: Wide-range power supply unit, incl. 2 non-grouped digital inputs and 6 grouped digital inputs
- X2** – OR-6: Assembly Group with 6 Relay Outputs
- X3** – TI-4: Standard current measuring card
- X4** – TU: Card with 4 voltage transformer measuring inputs and 5 output relays
- X5** – DI8-OR4: Assembly Group with 8 Digital Inputs and 4 Output Relays
- X6** – DI8-OR4: Assembly Group with 8 Digital Inputs and 4 Output Relays
- X102** – Long-distance Protection Communication, Fiber optics interface, LC Connector
- X103** – Profibus-DP, RS485, D-SUB
- X104** – IRIG-B00X, incl. System Contact (Supervision Contact)

MCDLV4-2E0B0FA



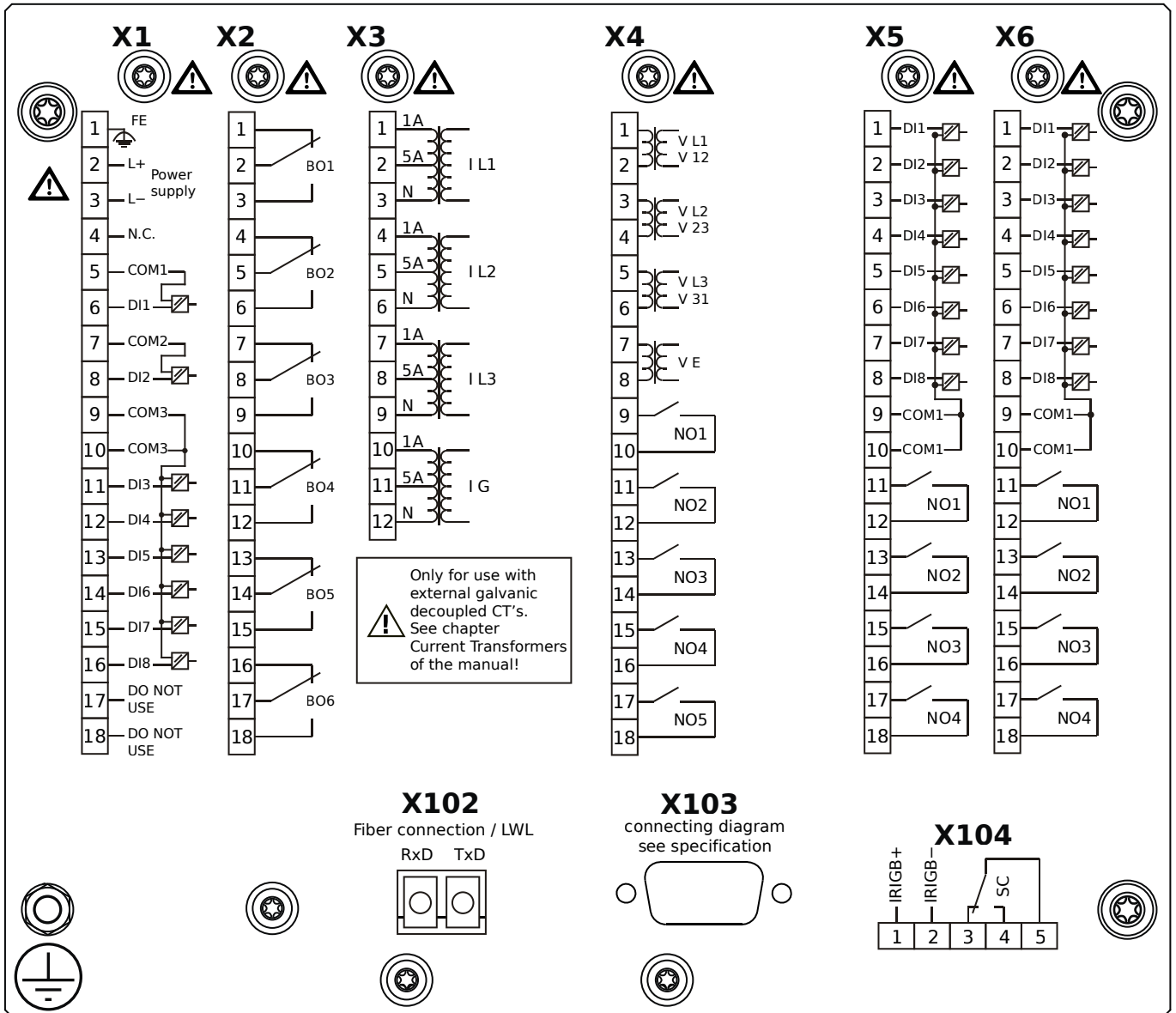
- X1** – DI8-X1: Wide-range power supply unit, incl. 2 non-grouped digital inputs and 6 grouped digital inputs
- X2** – OR-6: Assembly Group with 6 Relay Outputs
- X3** – TI-4: Standard current measuring card
- X4** – TU: Card with 4 voltage transformer measuring inputs and 5 output relays
- X5** – DI8-OR4: Assembly Group with 8 Digital Inputs and 4 Output Relays
- X6** – DI8-OR4: Assembly Group with 8 Digital Inputs and 4 Output Relays
- X102** – Long-distance Protection Communication, Fiber optics interface, LC Connector
- X103** – Modbus RTU / IEC 60870-5-103 / DNP3.0 RTU, Fiber optics interface, ST Connector
- X104** – IRIG-B00X, incl. System Contact (Supervision Contact)

MCDLV4-2E0B0FB



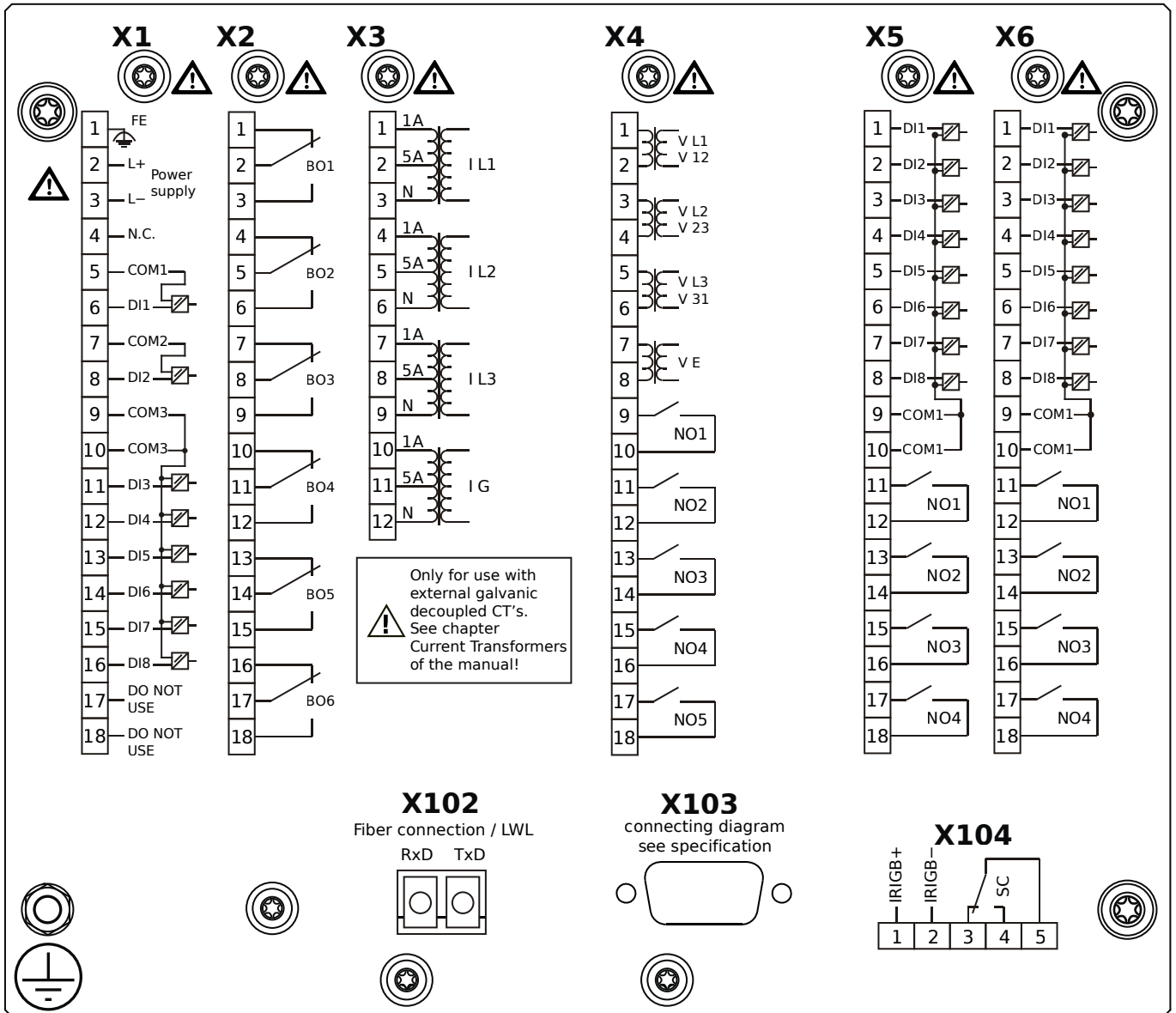
- X1** – DI8-X1: Wide-range power supply unit, incl. 2 non-grouped digital inputs and 6 grouped digital inputs
- X2** – OR-6: Assembly Group with 6 Relay Outputs
- X3** – TI-4: Standard current measuring card
- X4** – TU: Card with 4 voltage transformer measuring inputs and 5 output relays
- X5** – DI8-OR4: Assembly Group with 8 Digital Inputs and 4 Output Relays
- X6** – DI8-OR4: Assembly Group with 8 Digital Inputs and 4 Output Relays
- X102** – Long-distance Protection Communication, Fiber optics interface, LC Connector
- X103** – Modbus RTU / IEC 60870-5-103 / DNP3.0 RTU, Fiber optics interface, ST Connector
- X104** – IRIG-B00X, incl. System Contact (Supervision Contact)

MCDLV4-2E0B0GA



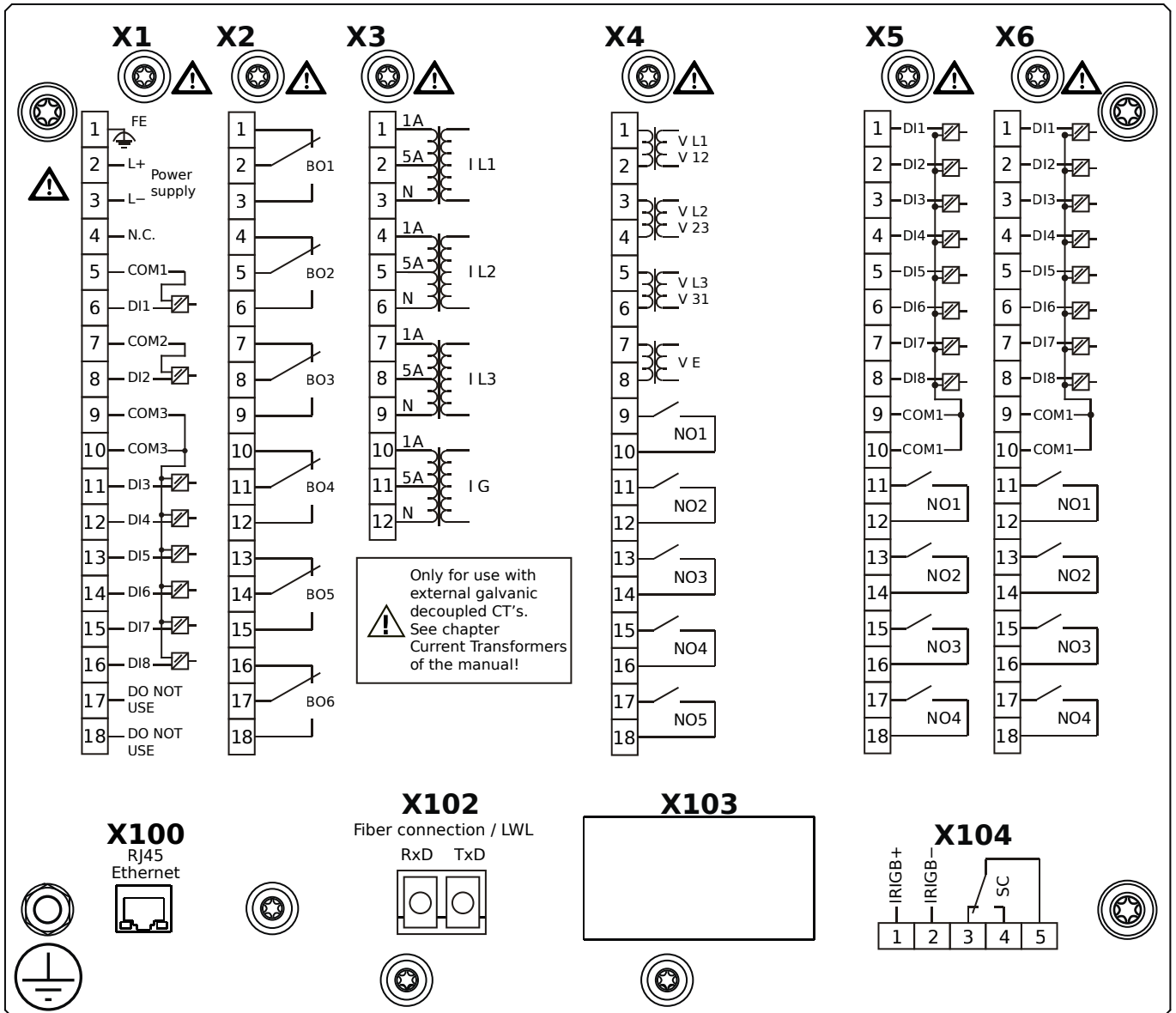
- X1** – DI8-X1: Wide-range power supply unit, incl. 2 non-grouped digital inputs and 6 grouped digital inputs
- X2** – OR-6: Assembly Group with 6 Relay Outputs
- X3** – TI-4: Standard current measuring card
- X4** – TU: Card with 4 voltage transformer measuring inputs and 5 output relays
- X5** – DI8-OR4: Assembly Group with 8 Digital Inputs and 4 Output Relays
- X6** – DI8-OR4: Assembly Group with 8 Digital Inputs and 4 Output Relays
- X102** – Long-distance Protection Communication, Fiber optics interface, LC Connector
- X103** – Modbus RTU / IEC 60870-5-103 / DNP3.0 RTU, RS485, D-SUB
- X104** – IRIG-B00X, incl. System Contact (Supervision Contact)

MCDLV4-2E0B0GB



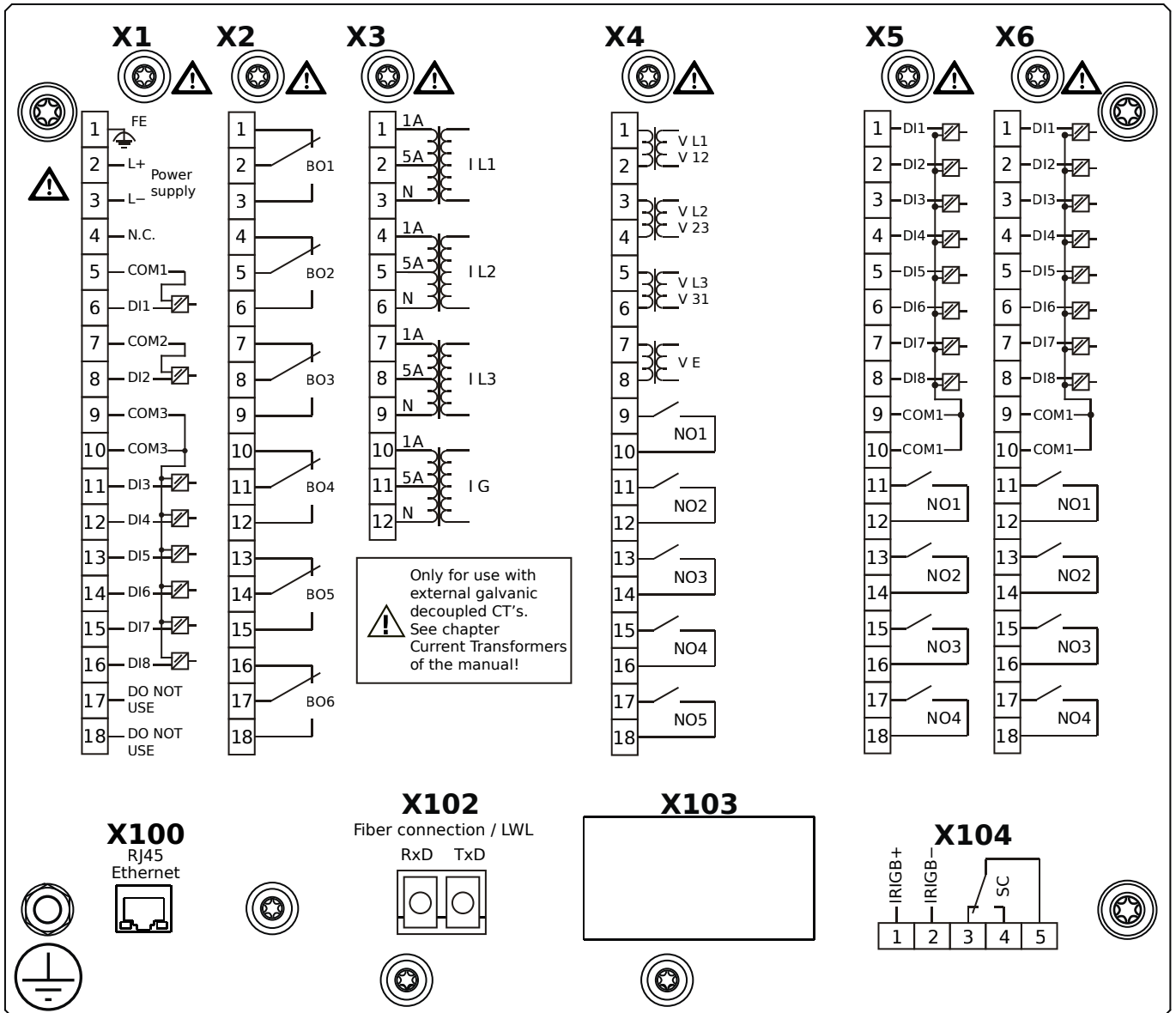
- X1** – DI8-X1: Wide-range power supply unit, incl. 2 non-grouped digital inputs and 6 grouped digital inputs
- X2** – OR-6: Assembly Group with 6 Relay Outputs
- X3** – TI-4: Standard current measuring card
- X4** – TU: Card with 4 voltage transformer measuring inputs and 5 output relays
- X5** – DI8-OR4: Assembly Group with 8 Digital Inputs and 4 Output Relays
- X6** – DI8-OR4: Assembly Group with 8 Digital Inputs and 4 Output Relays
- X102** – Long-distance Protection Communication, Fiber optics interface, LC Connector
- X103** – Modbus RTU / IEC 60870-5-103 / DNP3.0 RTU, RS485, D-SUB
- X104** – IRIG-B00X, incl. System Contact (Supervision Contact)

MCDLV4-2E0B0HA



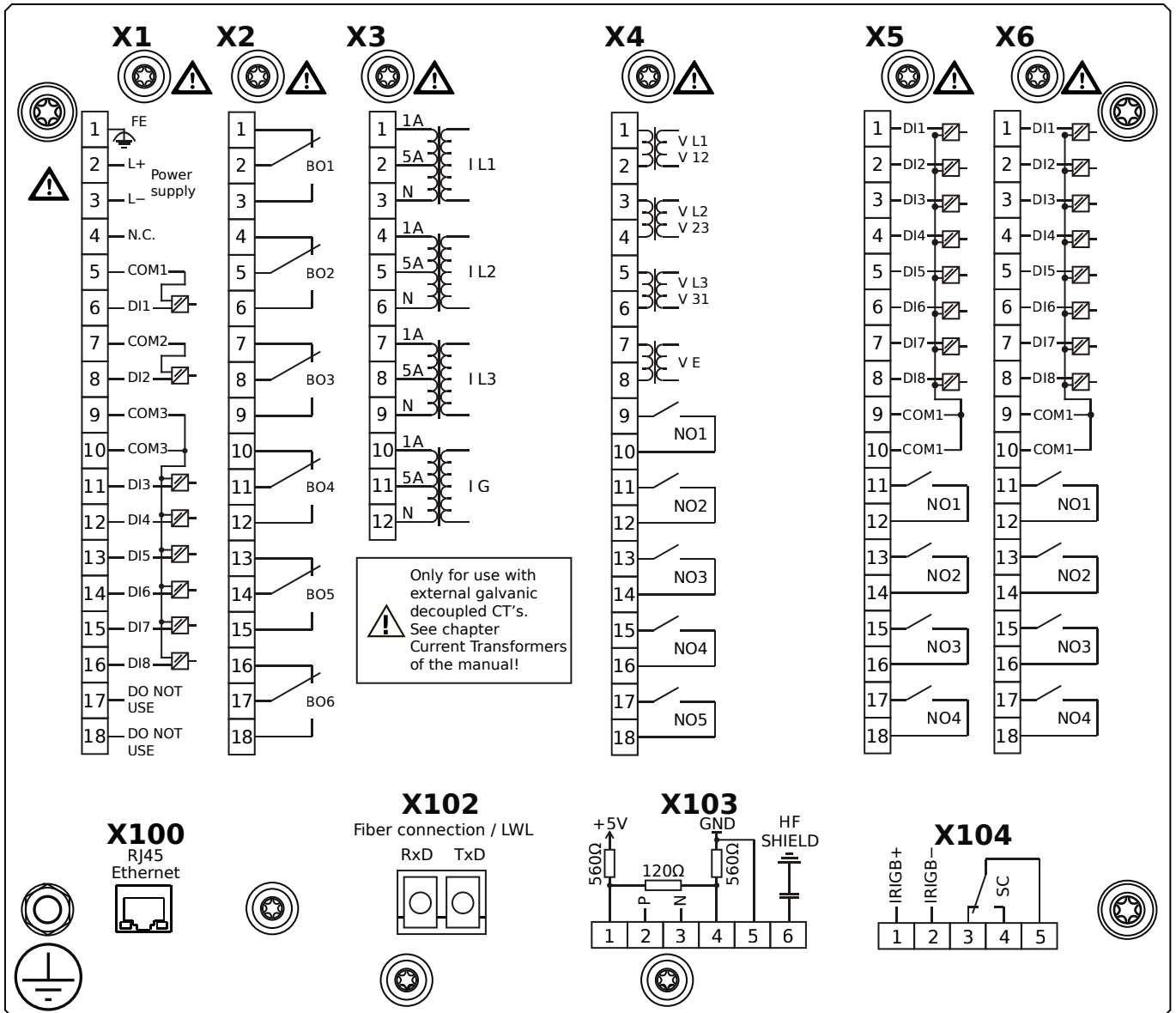
- X1** – DI8-X1: Wide-range power supply unit, incl. 2 non-grouped digital inputs and 6 grouped digital inputs
- X2** – OR-6: Assembly Group with 6 Relay Outputs
- X3** – TI-4: Standard current measuring card
- X4** – TU: Card with 4 voltage transformer measuring inputs and 5 output relays
- X5** – DI8-OR4: Assembly Group with 8 Digital Inputs and 4 Output Relays
- X6** – DI8-OR4: Assembly Group with 8 Digital Inputs and 4 Output Relays
- X100** – IEC 61850 / Modbus TCP / DNP3.0 TCP/UDP, Ethernet interface, 100 Mbit/s, RJ45 (BASE100-FX)
- X102** – Long-distance Protection Communication, Fiber optics interface, LC Connector
- X104** – IRIG-B00X, incl. System Contact (Supervision Contact)

MCDLV4-2E0B0HB



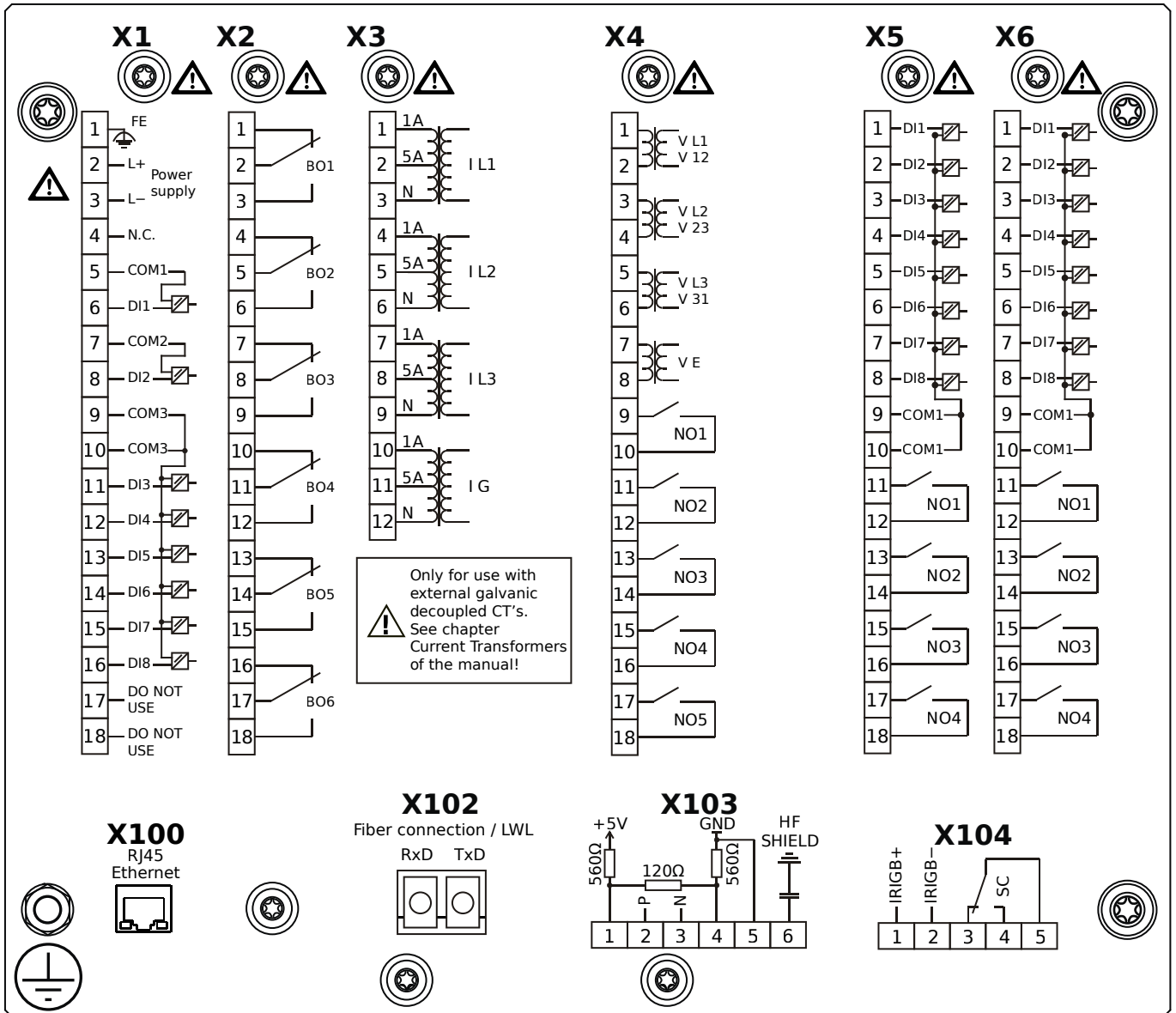
- X1** – DI8-X1: Wide-range power supply unit, incl. 2 non-grouped digital inputs and 6 grouped digital inputs
- X2** – OR-6: Assembly Group with 6 Relay Outputs
- X3** – TI-4: Standard current measuring card
- X4** – TU: Card with 4 voltage transformer measuring inputs and 5 output relays
- X5** – DI8-OR4: Assembly Group with 8 Digital Inputs and 4 Output Relays
- X6** – DI8-OR4: Assembly Group with 8 Digital Inputs and 4 Output Relays
- X100** – IEC 61850 / Modbus TCP / DNP3.0 TCP/UDP, Ethernet interface, 100 Mbit/s, RJ45 (BASE100-FX)
- X102** – Long-distance Protection Communication, Fiber optics interface, LC Connector
- X104** – IRIG-B00X, incl. System Contact (Supervision Contact)

MCDLV4-2E0B01A



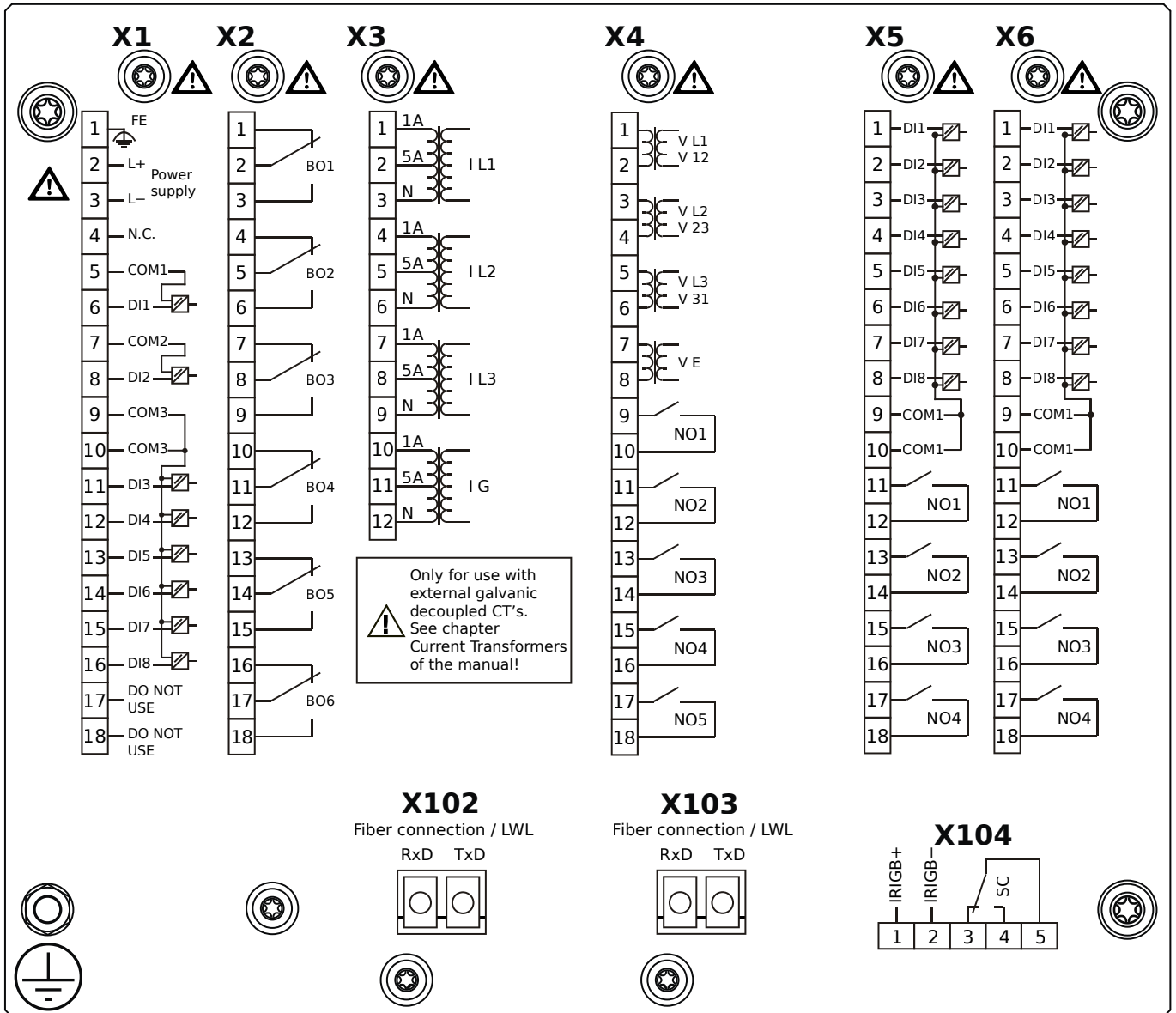
- X1** – DI8-X1: Wide-range power supply unit, incl. 2 non-grouped digital inputs and 6 grouped digital inputs
- X2** – OR-6: Assembly Group with 6 Relay Outputs
- X3** – TI-4: Standard current measuring card
- X4** – TU: Card with 4 voltage transformer measuring inputs and 5 output relays
- X5** – DI8-OR4: Assembly Group with 8 Digital Inputs and 4 Output Relays
- X6** – DI8-OR4: Assembly Group with 8 Digital Inputs and 4 Output Relays
- X100** – Modbus TCP / DNP3.0 TCP/UDP, Ethernet interface, 100 Mbit/s, RJ45 (BASE100-FX)
- X102** – Long-distance Protection Communication, Fiber optics interface, LC Connector
- X103** – IEC 60870-5-103 / Modbus RTU / DNP3.0 RTU, RS485, Terminals
- X104** – IRIG-B00X, incl. System Contact (Supervision Contact)

MCDLV4-2E0B0IB



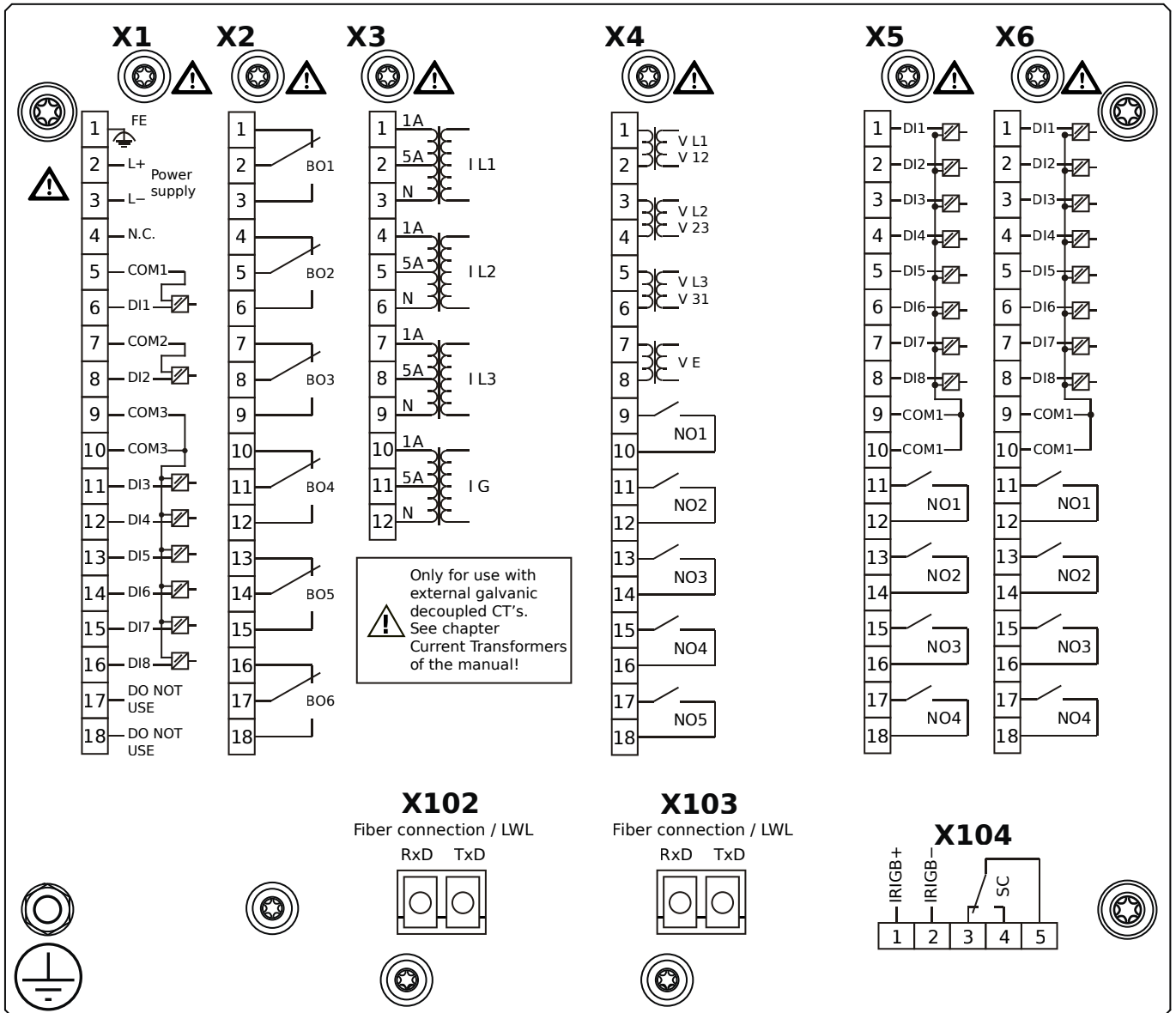
- X1** – DI8-X1: Wide-range power supply unit, incl. 2 non-grouped digital inputs and 6 grouped digital inputs
- X2** – OR-6: Assembly Group with 6 Relay Outputs
- X3** – TI-4: Standard current measuring card
- X4** – TU: Card with 4 voltage transformer measuring inputs and 5 output relays
- X5** – DI8-OR4: Assembly Group with 8 Digital Inputs and 4 Output Relays
- X6** – DI8-OR4: Assembly Group with 8 Digital Inputs and 4 Output Relays
- X100** – Modbus TCP / DNP3.0 TCP/UDP, Ethernet interface, 100 Mbit/s, RJ45 (BASE100-FX)
- X102** – Long-distance Protection Communication, Fiber optics interface, LC Connector
- X103** – IEC 60870-5-103 / Modbus RTU / DNP3.0 RTU, RS485, Terminals
- X104** – IRIG-B00X, incl. System Contact (Supervision Contact)

MCDLV4-2E0B0KA



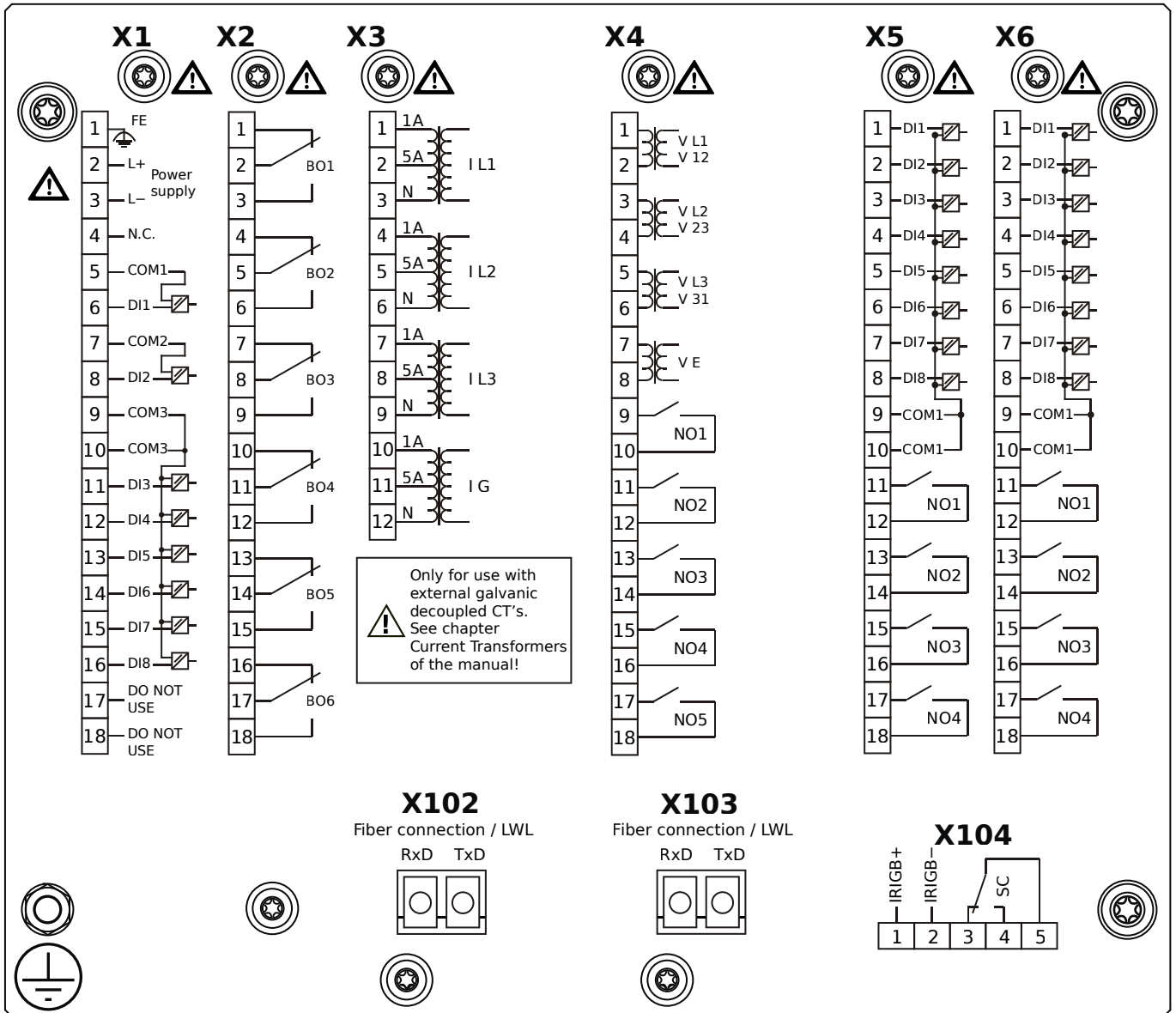
- X1** – DI8-X1: Wide-range power supply unit, incl. 2 non-grouped digital inputs and 6 grouped digital inputs
- X2** – OR-6: Assembly Group with 6 Relay Outputs
- X3** – TI-4: Standard current measuring card
- X4** – TU: Card with 4 voltage transformer measuring inputs and 5 output relays
- X5** – DI8-OR4: Assembly Group with 8 Digital Inputs and 4 Output Relays
- X6** – DI8-OR4: Assembly Group with 8 Digital Inputs and 4 Output Relays
- X102** – Long-distance Protection Communication, Fiber optics interface, LC Connector
- X103** – IEC 61850 / Modbus TCP / DNP3.0 TCP/UDP, Fiber optics interface, LC Connector
- X104** – IRIG-B00X, incl. System Contact (Supervision Contact)

MCDLV4-2E0B0KB



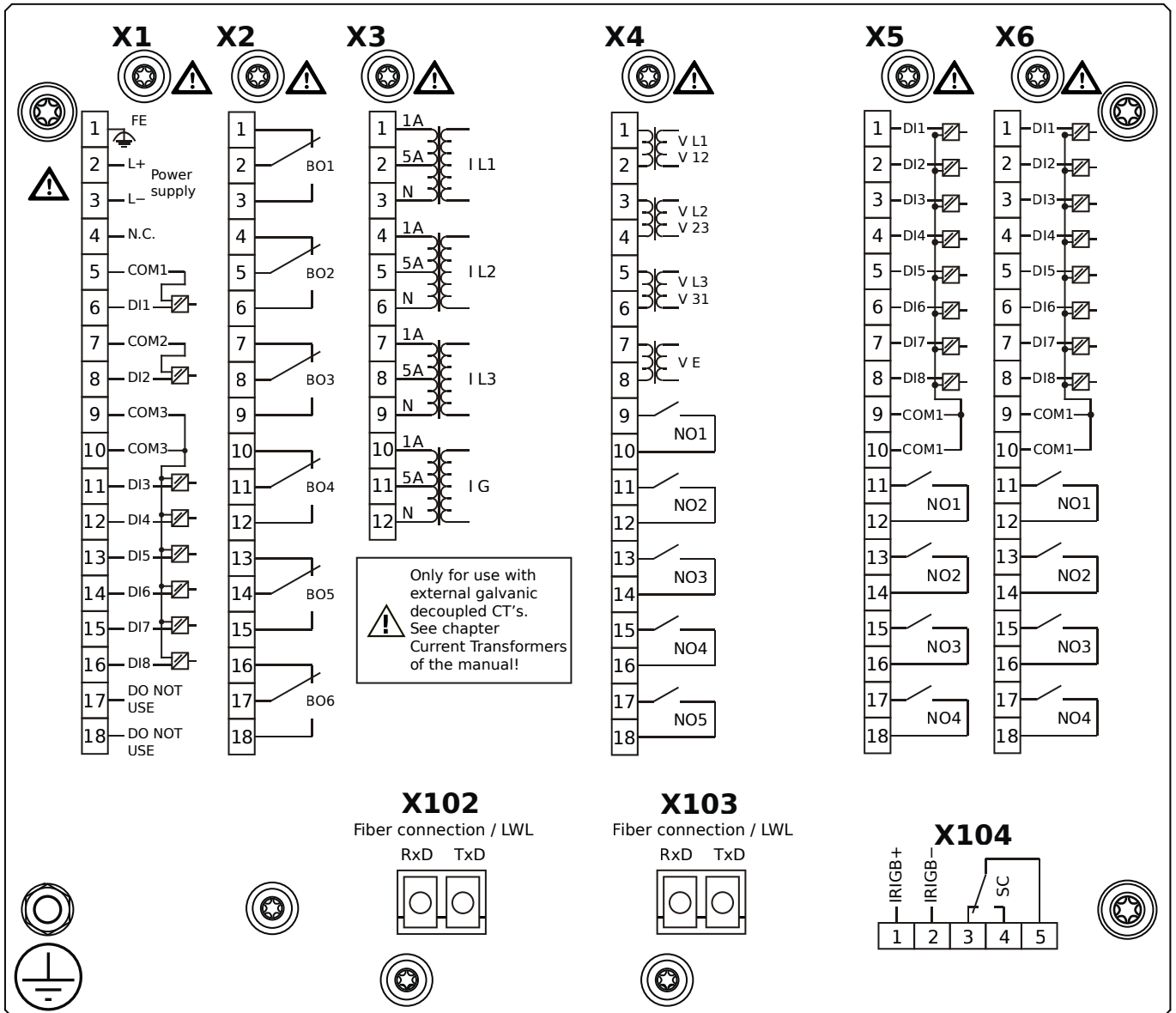
- X1** – DI8-X1: Wide-range power supply unit, incl. 2 non-grouped digital inputs and 6 grouped digital inputs
- X2** – OR-6: Assembly Group with 6 Relay Outputs
- X3** – TI-4: Standard current measuring card
- X4** – TU: Card with 4 voltage transformer measuring inputs and 5 output relays
- X5** – DI8-OR4: Assembly Group with 8 Digital Inputs and 4 Output Relays
- X6** – DI8-OR4: Assembly Group with 8 Digital Inputs and 4 Output Relays
- X102** – Long-distance Protection Communication, Fiber optics interface, LC Connector
- X103** – IEC 61850 / Modbus TCP / DNP3.0 TCP/UDP, Fiber optics interface, LC Connector
- X104** – IRIG-B00X, incl. System Contact (Supervision Contact)

MCDLV4-2E0B0LA



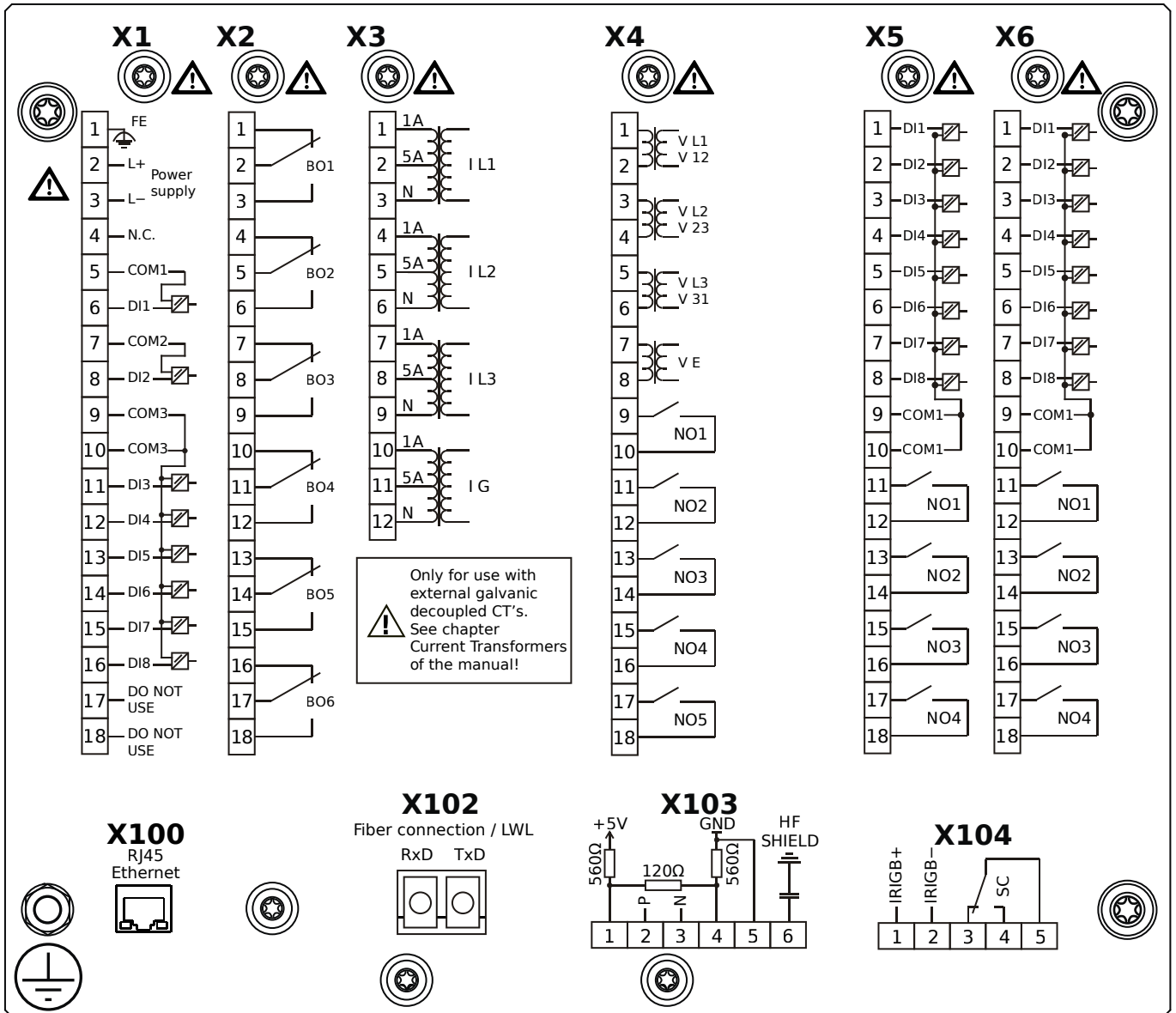
- X1** – DI8-X1: Wide-range power supply unit, incl. 2 non-grouped digital inputs and 6 grouped digital inputs
- X2** – OR-6: Assembly Group with 6 Relay Outputs
- X3** – TI-4: Standard current measuring card
- X4** – TU: Card with 4 voltage transformer measuring inputs and 5 output relays
- X5** – DI8-OR4: Assembly Group with 8 Digital Inputs and 4 Output Relays
- X6** – DI8-OR4: Assembly Group with 8 Digital Inputs and 4 Output Relays
- X102** – Long-distance Protection Communication, Fiber optics interface, LC Connector
- X103** – Modbus TCP / DNP3.0 TCP/UDP, Fiber optics interface, LC Connector
- X104** – IRIG-B00X, incl. System Contact (Supervision Contact)

MCDLV4-2E0B0LB



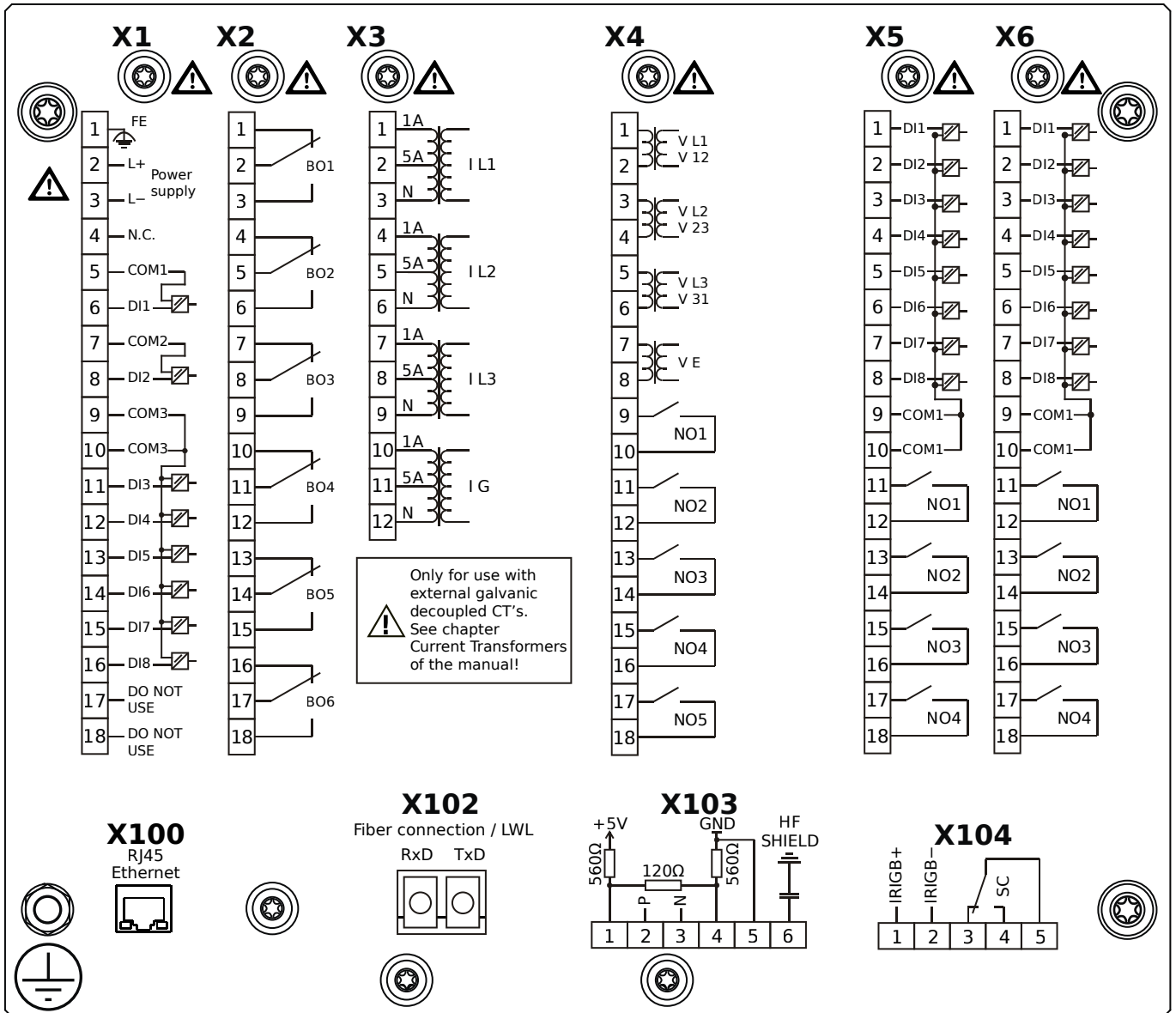
- X1** – DI8-X1: Wide-range power supply unit, incl. 2 non-grouped digital inputs and 6 grouped digital inputs
- X2** – OR-6: Assembly Group with 6 Relay Outputs
- X3** – TI-4: Standard current measuring card
- X4** – TU: Card with 4 voltage transformer measuring inputs and 5 output relays
- X5** – DI8-OR4: Assembly Group with 8 Digital Inputs and 4 Output Relays
- X6** – DI8-OR4: Assembly Group with 8 Digital Inputs and 4 Output Relays
- X102** – Long-distance Protection Communication, Fiber optics interface, LC Connector
- X103** – Modbus TCP / DNP3.0 TCP/UDP, Fiber optics interface, LC Connector
- X104** – IRIG-B00X, incl. System Contact (Supervision Contact)

MCDLV4-2E0B0TA



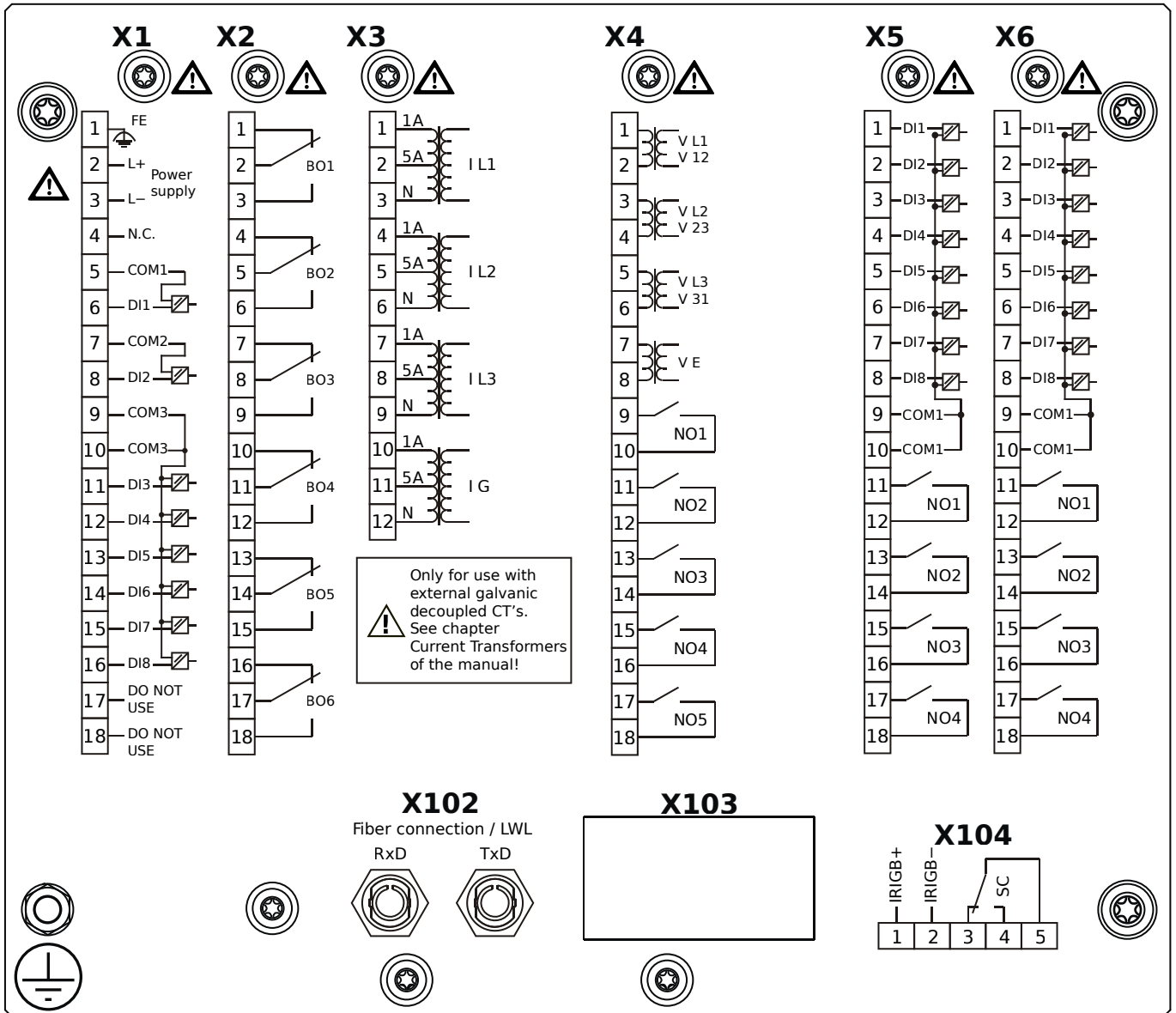
- X1** – DI8-X1: Wide-range power supply unit, incl. 2 non-grouped digital inputs and 6 grouped digital inputs
- X2** – OR-6: Assembly Group with 6 Relay Outputs
- X3** – TI-4: Standard current measuring card
- X4** – TU: Card with 4 voltage transformer measuring inputs and 5 output relays
- X5** – DI8-OR4: Assembly Group with 8 Digital Inputs and 4 Output Relays
- X6** – DI8-OR4: Assembly Group with 8 Digital Inputs and 4 Output Relays
- X100** – IEC 61850 / Modbus TCP / DNP3.0 TCP/UDP, Ethernet interface, 100 Mbit/s, RJ45 (BASE100-FX)
- X102** – Long-distance Protection Communication, Fiber optics interface, LC Connector
- X103** – IEC 60870-5-103 / Modbus RTU / DNP3.0 RTU, RS485, Terminals
- X104** – IRIG-B00X, incl. System Contact (Supervision Contact)

MCDLV4-2E0B0TB



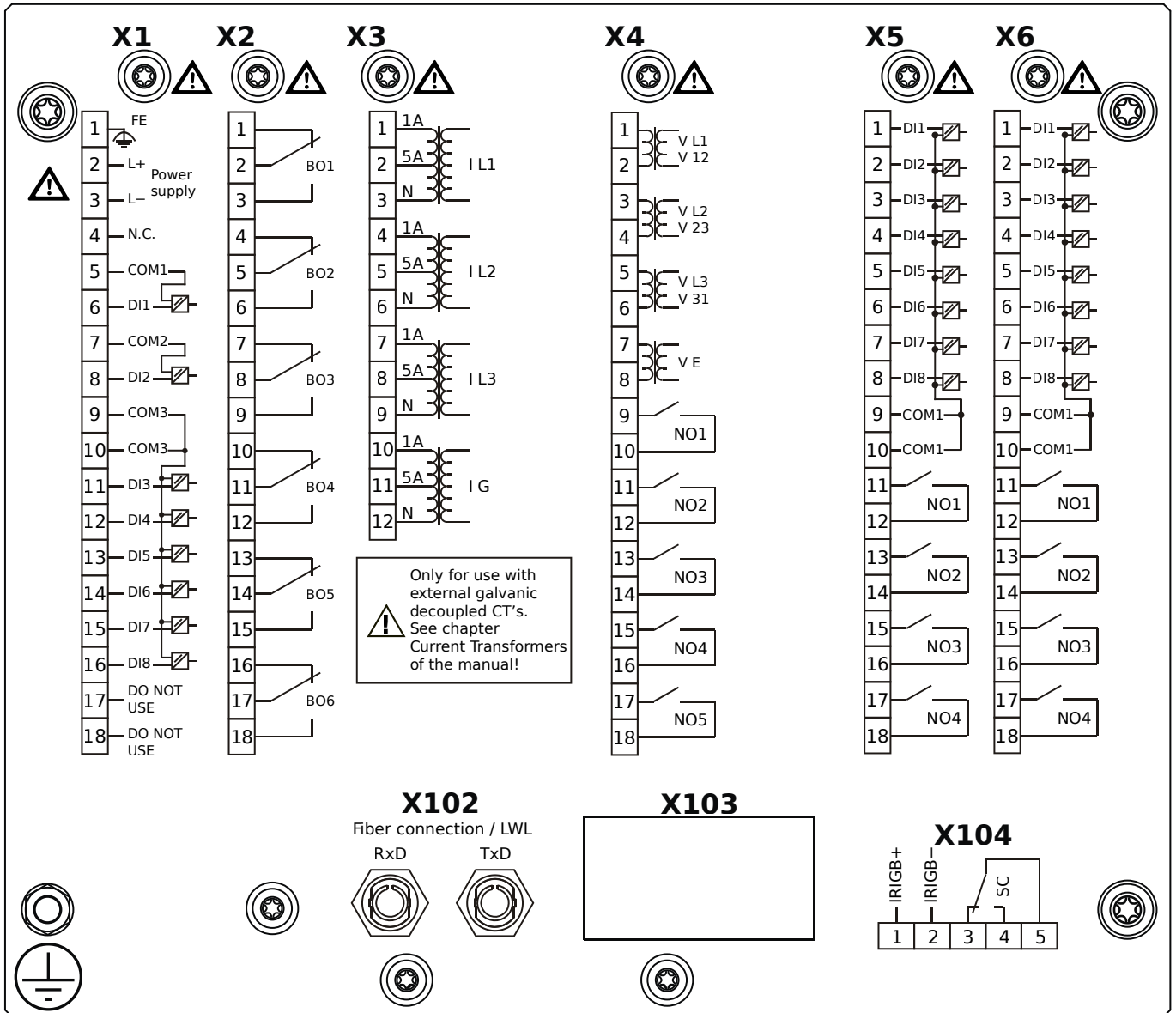
- X1** – DI8-X1: Wide-range power supply unit, incl. 2 non-grouped digital inputs and 6 grouped digital inputs
- X2** – OR-6: Assembly Group with 6 Relay Outputs
- X3** – TI-4: Standard current measuring card
- X4** – TU: Card with 4 voltage transformer measuring inputs and 5 output relays
- X5** – DI8-OR4: Assembly Group with 8 Digital Inputs and 4 Output Relays
- X6** – DI8-OR4: Assembly Group with 8 Digital Inputs and 4 Output Relays
- X100** – IEC 61850 / Modbus TCP / DNP3.0 TCP/UDP, Ethernet interface, 100 Mbit/s, RJ45 (BASE100-FX)
- X102** – Long-distance Protection Communication, Fiber optics interface, LC Connector
- X103** – IEC 60870-5-103 / Modbus RTU / DNP3.0 RTU, RS485, Terminals
- X104** – IRIG-B00X, incl. System Contact (Supervision Contact)

MCDLV4-2E0B1AA



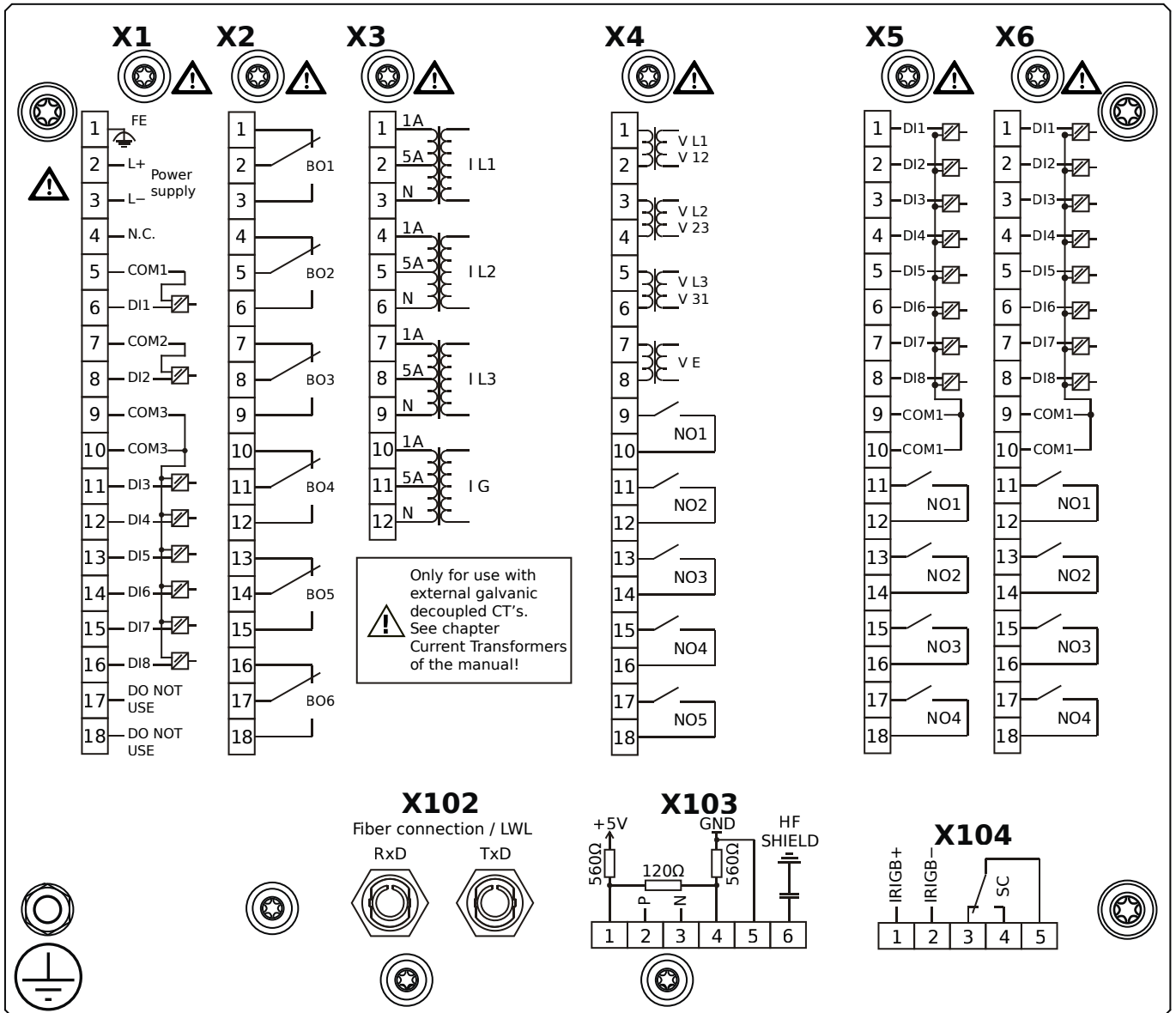
- X1** – DI8-X1: Wide-range power supply unit, incl. 2 non-grouped digital inputs and 6 grouped digital inputs
- X2** – OR-6: Assembly Group with 6 Relay Outputs
- X3** – TI-4: Standard current measuring card
- X4** – TU: Card with 4 voltage transformer measuring inputs and 5 output relays
- X5** – DI8-OR4: Assembly Group with 8 Digital Inputs and 4 Output Relays
- X6** – DI8-OR4: Assembly Group with 8 Digital Inputs and 4 Output Relays
- X102** – Protection Communication, Fiber optics interface, ST Connector
- X104** – IRIG-B00X, incl. System Contact (Supervision Contact)

MCDLV4-2E0B1AB



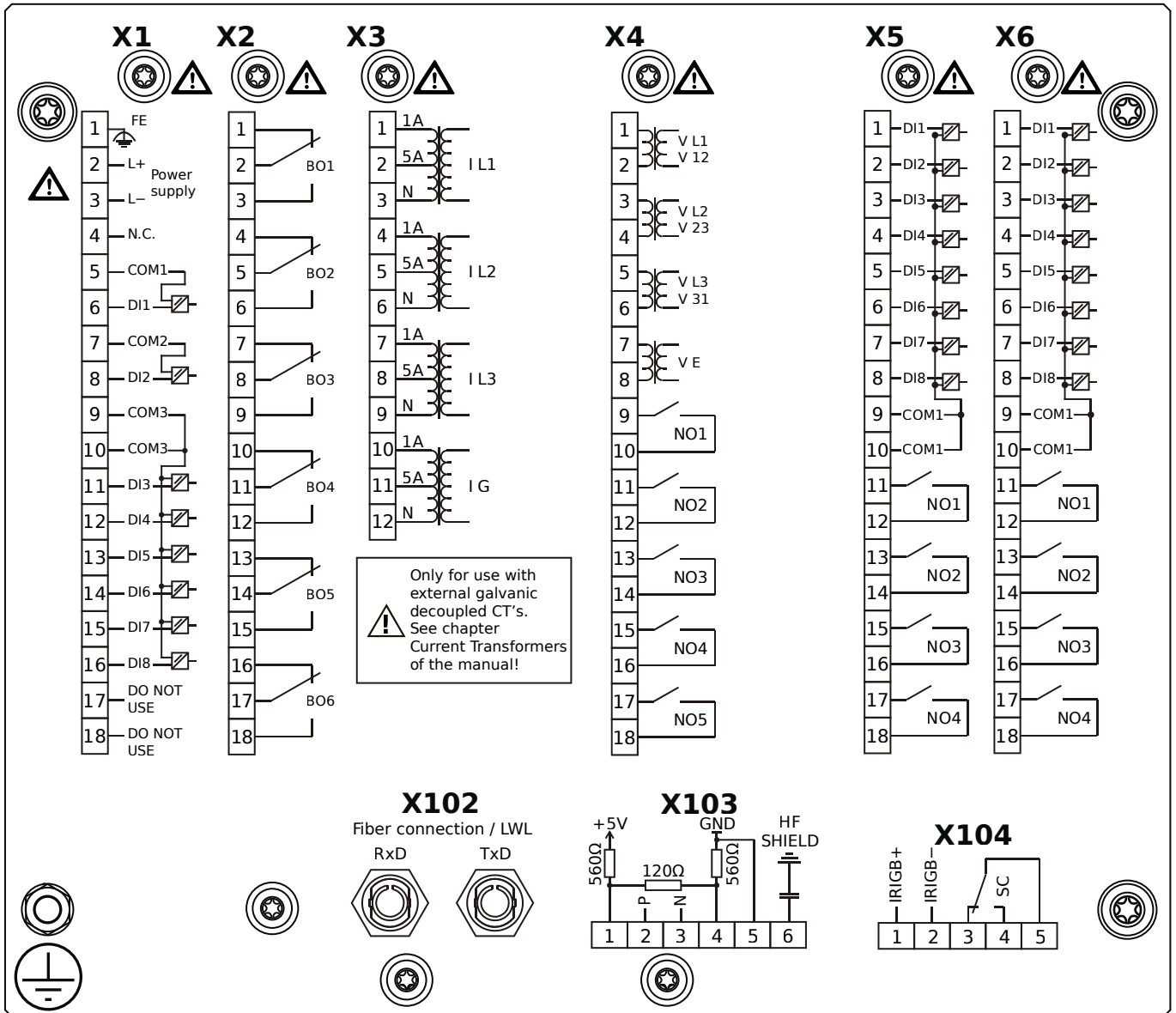
- X1** – DI8-X1: Wide-range power supply unit, incl. 2 non-grouped digital inputs and 6 grouped digital inputs
- X2** – OR-6: Assembly Group with 6 Relay Outputs
- X3** – TI-4: Standard current measuring card
- X4** – TU: Card with 4 voltage transformer measuring inputs and 5 output relays
- X5** – DI8-OR4: Assembly Group with 8 Digital Inputs and 4 Output Relays
- X6** – DI8-OR4: Assembly Group with 8 Digital Inputs and 4 Output Relays
- X102** – Protection Communication, Fiber optics interface, ST Connector
- X104** – IRIG-B00X, incl. System Contact (Supervision Contact)

MCDLV4-2E0B1BA



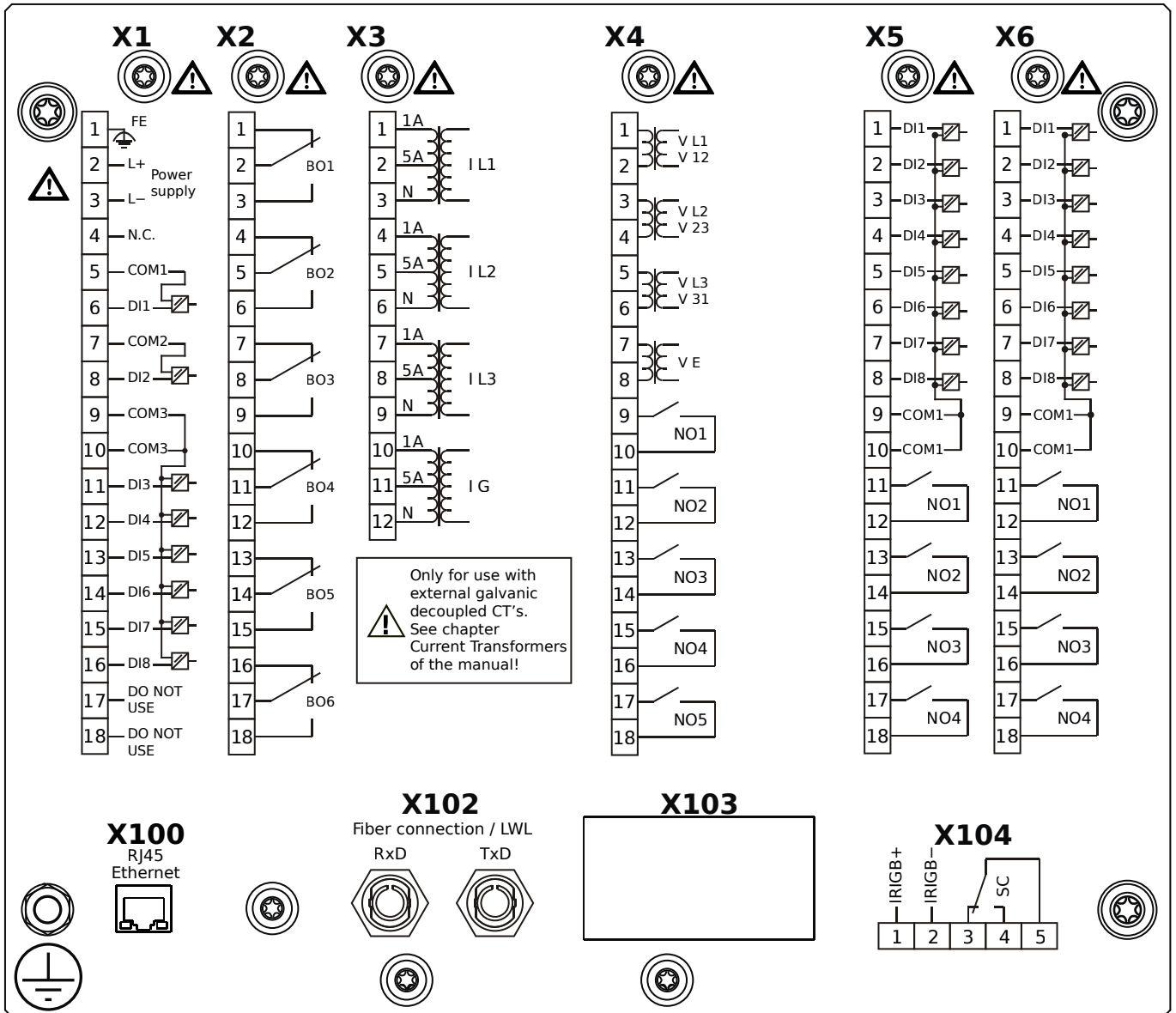
- X1** – DI8-X1: Wide-range power supply unit, incl. 2 non-grouped digital inputs and 6 grouped digital inputs
- X2** – OR-6: Assembly Group with 6 Relay Outputs
- X3** – TI-4: Standard current measuring card
- X4** – TU: Card with 4 voltage transformer measuring inputs and 5 output relays
- X5** – DI8-OR4: Assembly Group with 8 Digital Inputs and 4 Output Relays
- X6** – DI8-OR4: Assembly Group with 8 Digital Inputs and 4 Output Relays
- X102** – Protection Communication, Fiber optics interface, ST Connector
- X103** – Modbus RTU / IEC 60870-5-103 / DNP3.0 RTU, RS485, Terminals
- X104** – IRIG-B00X, incl. System Contact (Supervision Contact)

MCDLV4-2E0B1BB



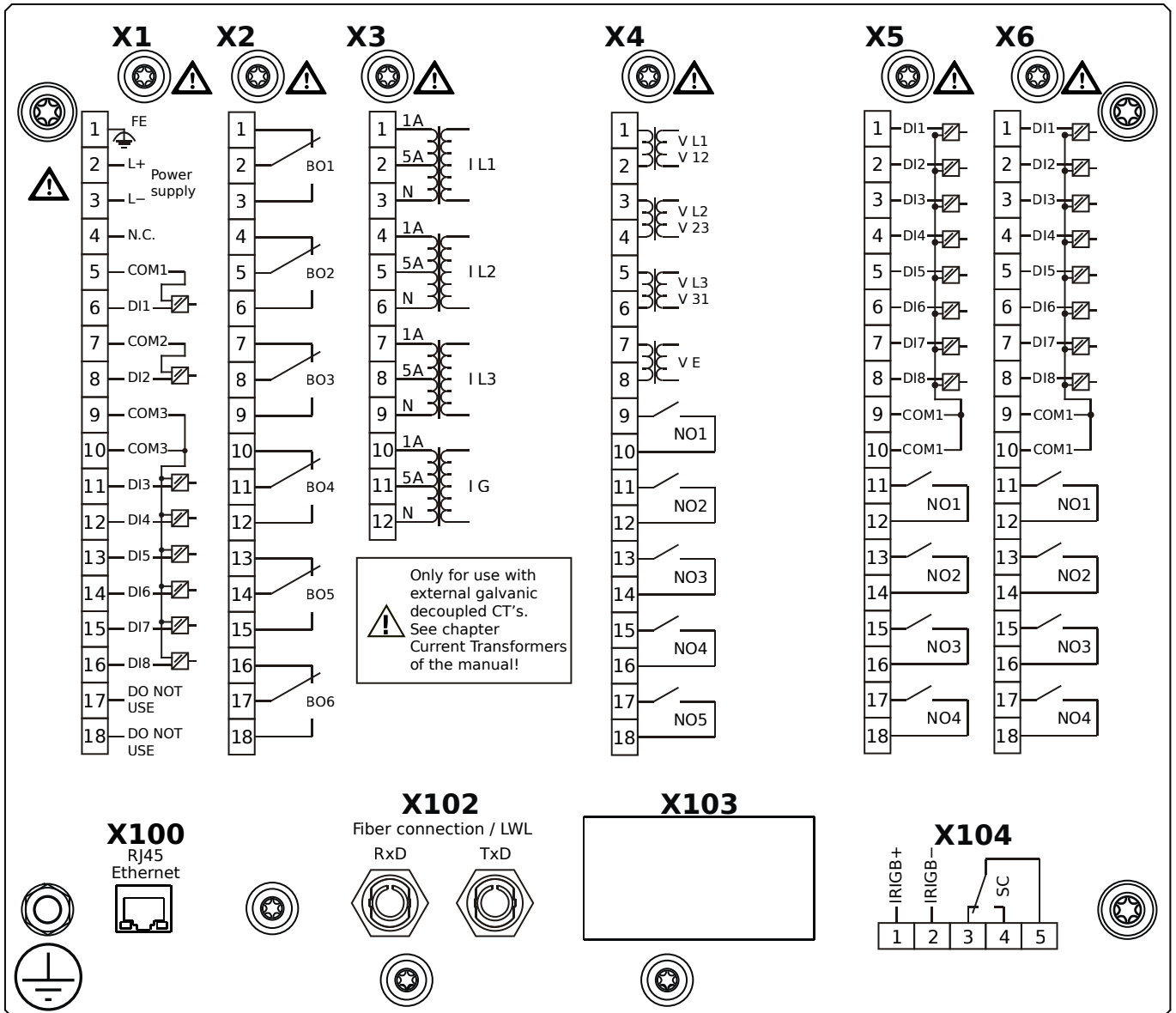
- X1** – DI8-X1: Wide-range power supply unit, incl. 2 non-grouped digital inputs and 6 grouped digital inputs
- X2** – OR-6: Assembly Group with 6 Relay Outputs
- X3** – TI-4: Standard current measuring card
- X4** – TU: Card with 4 voltage transformer measuring inputs and 5 output relays
- X5** – DI8-OR4: Assembly Group with 8 Digital Inputs and 4 Output Relays
- X6** – DI8-OR4: Assembly Group with 8 Digital Inputs and 4 Output Relays
- X102** – Protection Communication, Fiber optics interface, ST Connector
- X103** – Modbus RTU / IEC 60870-5-103 / DNP3.0 RTU, RS485, Terminals
- X104** – IRIG-B00X, incl. System Contact (Supervision Contact)

MCDLV4-2E0B1CA



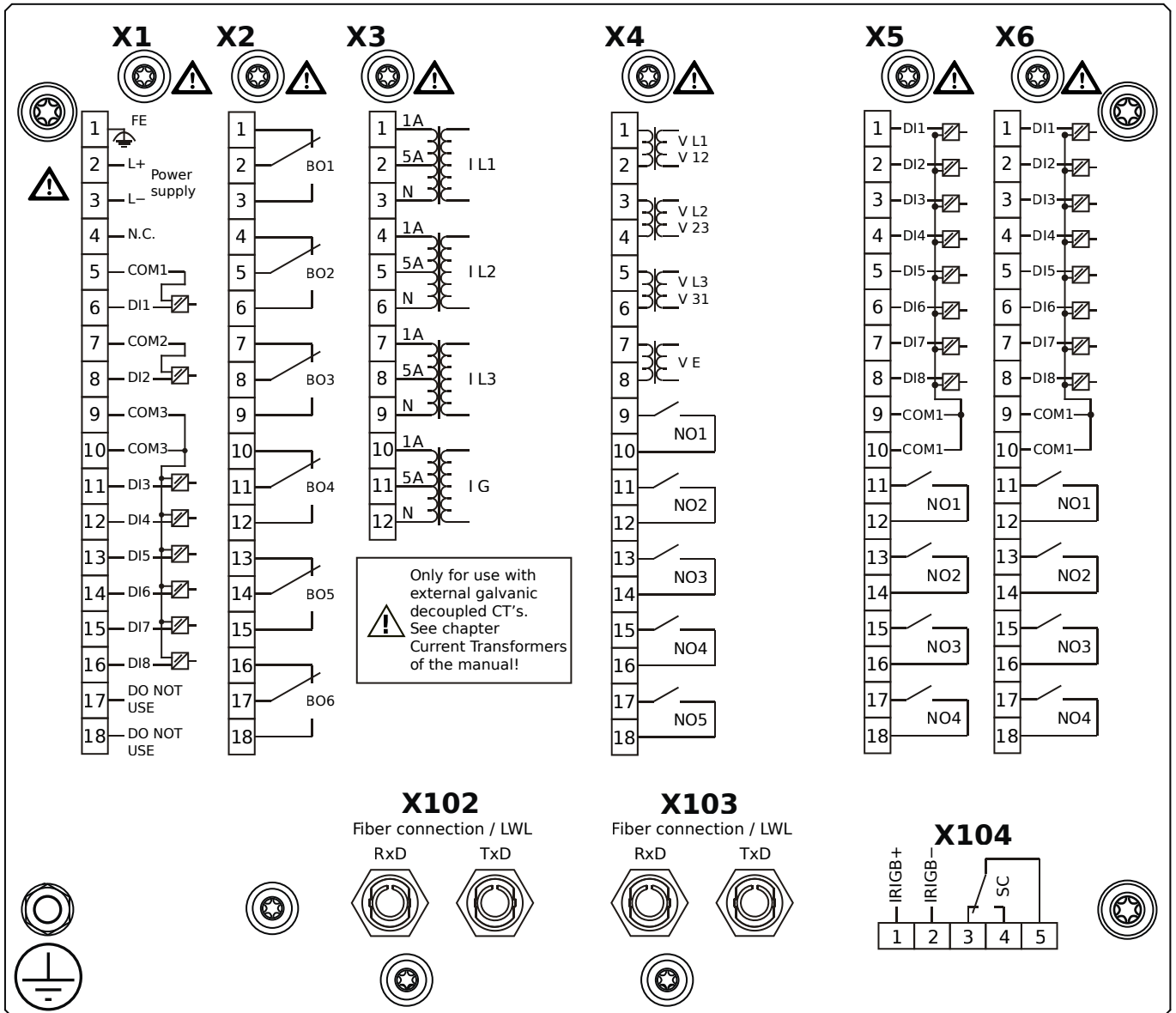
- X1** – DI8-X1: Wide-range power supply unit, incl. 2 non-grouped digital inputs and 6 grouped digital inputs
- X2** – OR-6: Assembly Group with 6 Relay Outputs
- X3** – TI-4: Standard current measuring card
- X4** – TU: Card with 4 voltage transformer measuring inputs and 5 output relays
- X5** – DI8-OR4: Assembly Group with 8 Digital Inputs and 4 Output Relays
- X6** – DI8-OR4: Assembly Group with 8 Digital Inputs and 4 Output Relays
- X100** – Modbus TCP / DNP3.0 TCP/UDP, Ethernet interface, 100 Mbit/s, RJ45 (BASE100-FX)
- X102** – Protection Communication, Fiber optics interface, ST Connector
- X104** – IRIG-B00X, incl. System Contact (Supervision Contact)

MCDLV4-2E0B1CB



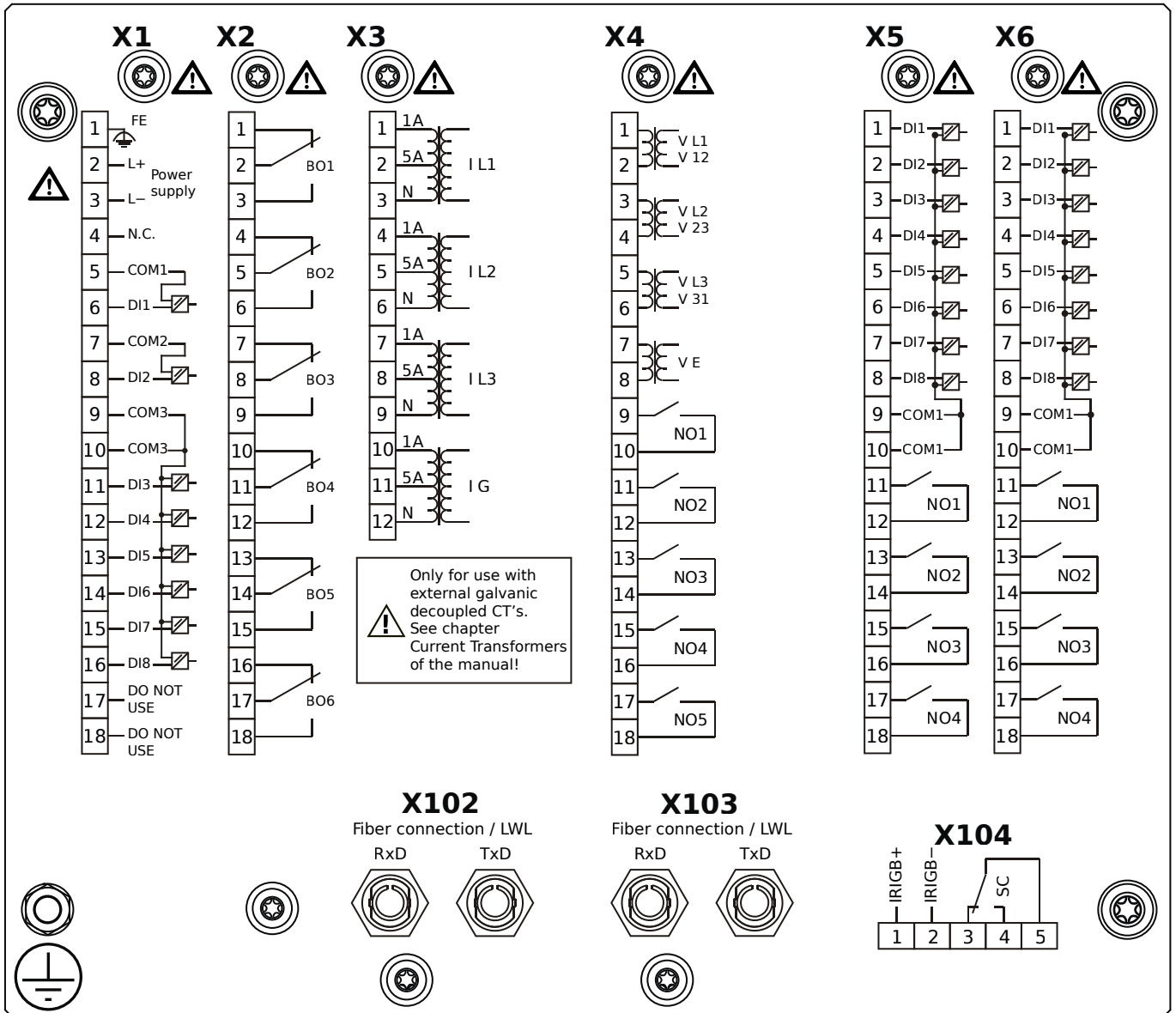
- X1** – DI8-X1: Wide-range power supply unit, incl. 2 non-grouped digital inputs and 6 grouped digital inputs
- X2** – OR-6: Assembly Group with 6 Relay Outputs
- X3** – TI-4: Standard current measuring card
- X4** – TU: Card with 4 voltage transformer measuring inputs and 5 output relays
- X5** – DI8-OR4: Assembly Group with 8 Digital Inputs and 4 Output Relays
- X6** – DI8-OR4: Assembly Group with 8 Digital Inputs and 4 Output Relays
- X100** – Modbus TCP / DNP3.0 TCP/UDP, Ethernet interface, 100 Mbit/s, RJ45 (BASE100-FX)
- X102** – Protection Communication, Fiber optics interface, ST Connector
- X104** – IRIG-B00X, incl. System Contact (Supervision Contact)

MCDLV4-2E0B1DA



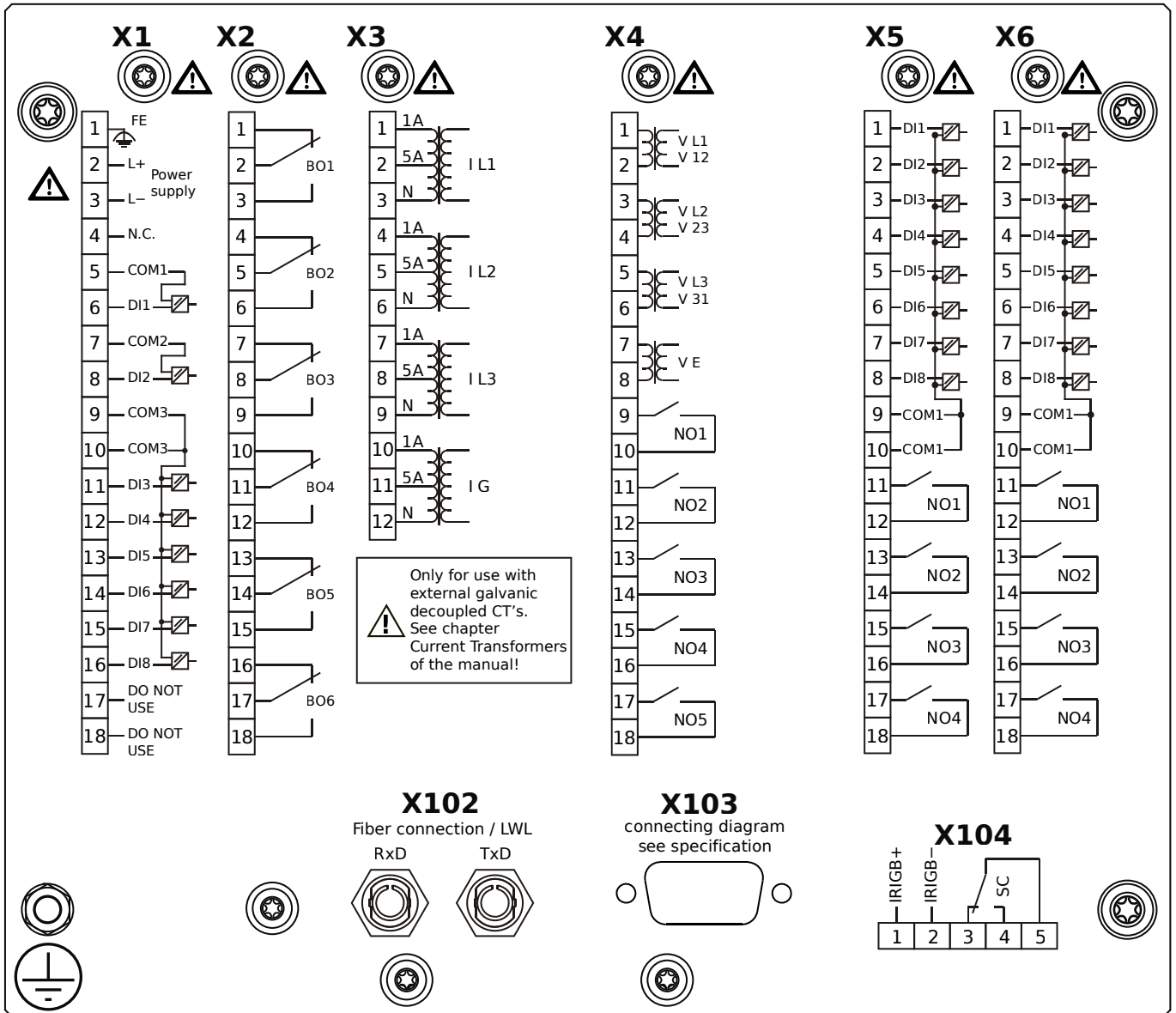
- X1** – DI8-X1: Wide-range power supply unit, incl. 2 non-grouped digital inputs and 6 grouped digital inputs
- X2** – OR-6: Assembly Group with 6 Relay Outputs
- X3** – TI-4: Standard current measuring card
- X4** – TU: Card with 4 voltage transformer measuring inputs and 5 output relays
- X5** – DI8-OR4: Assembly Group with 8 Digital Inputs and 4 Output Relays
- X6** – DI8-OR4: Assembly Group with 8 Digital Inputs and 4 Output Relays
- X102** – Protection Communication, Fiber optics interface, ST Connector
- X103** – Profibus-DP, Fiber optics interface, ST Connector
- X104** – IRIG-B00X, incl. System Contact (Supervision Contact)

MCDLV4-2E0B1DB



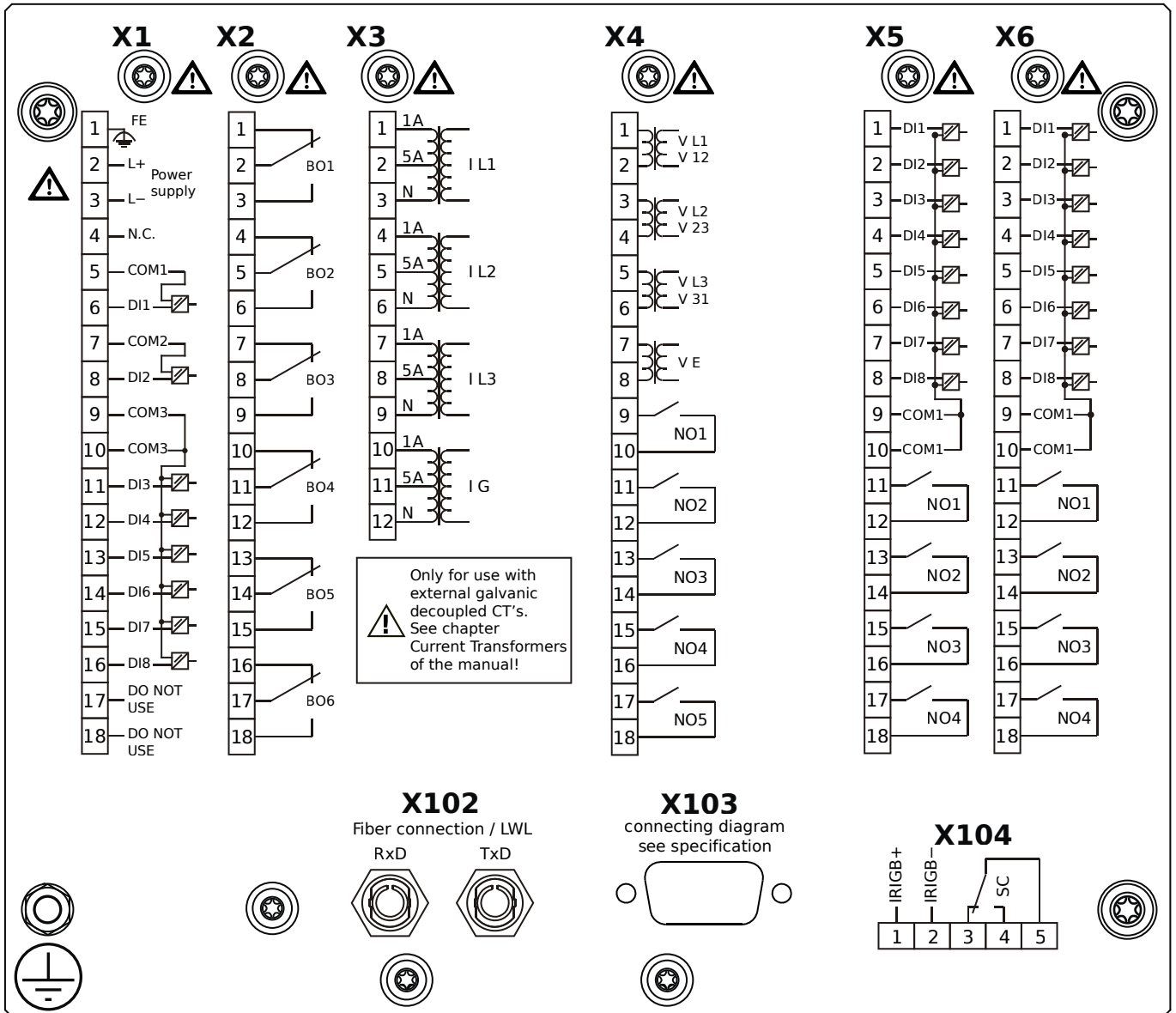
- X1** – DI8-X1: Wide-range power supply unit, incl. 2 non-grouped digital inputs and 6 grouped digital inputs
- X2** – OR-6: Assembly Group with 6 Relay Outputs
- X3** – TI-4: Standard current measuring card
- X4** – TU: Card with 4 voltage transformer measuring inputs and 5 output relays
- X5** – DI8-OR4: Assembly Group with 8 Digital Inputs and 4 Output Relays
- X6** – DI8-OR4: Assembly Group with 8 Digital Inputs and 4 Output Relays
- X102** – Protection Communication, Fiber optics interface, ST Connector
- X103** – Profibus-DP, Fiber optics interface, ST Connector
- X104** – IRIG-B00X, incl. System Contact (Supervision Contact)

MCDLV4-2E0B1EA



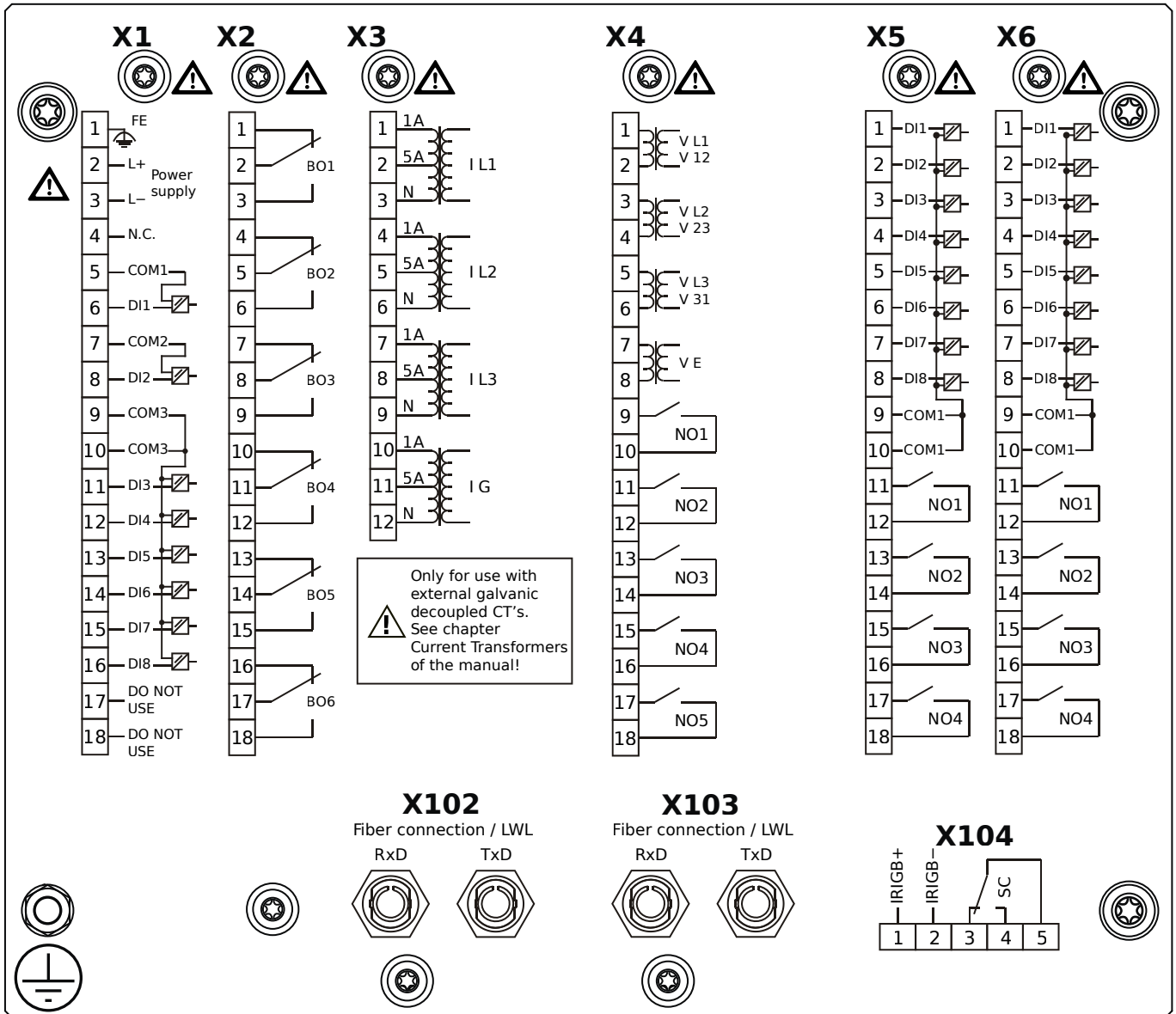
- X1** – DI8-X1: Wide-range power supply unit, incl. 2 non-grouped digital inputs and 6 grouped digital inputs
- X2** – OR-6: Assembly Group with 6 Relay Outputs
- X3** – TI-4: Standard current measuring card
- X4** – TU: Card with 4 voltage transformer measuring inputs and 5 output relays
- X5** – DI8-OR4: Assembly Group with 8 Digital Inputs and 4 Output Relays
- X6** – DI8-OR4: Assembly Group with 8 Digital Inputs and 4 Output Relays
- X102** – Protection Communication, Fiber optics interface, ST Connector
- X103** – Profibus-DP, RS485, D-SUB
- X104** – IRIG-B00X, incl. System Contact (Supervision Contact)

MCDLV4-2E0B1EB



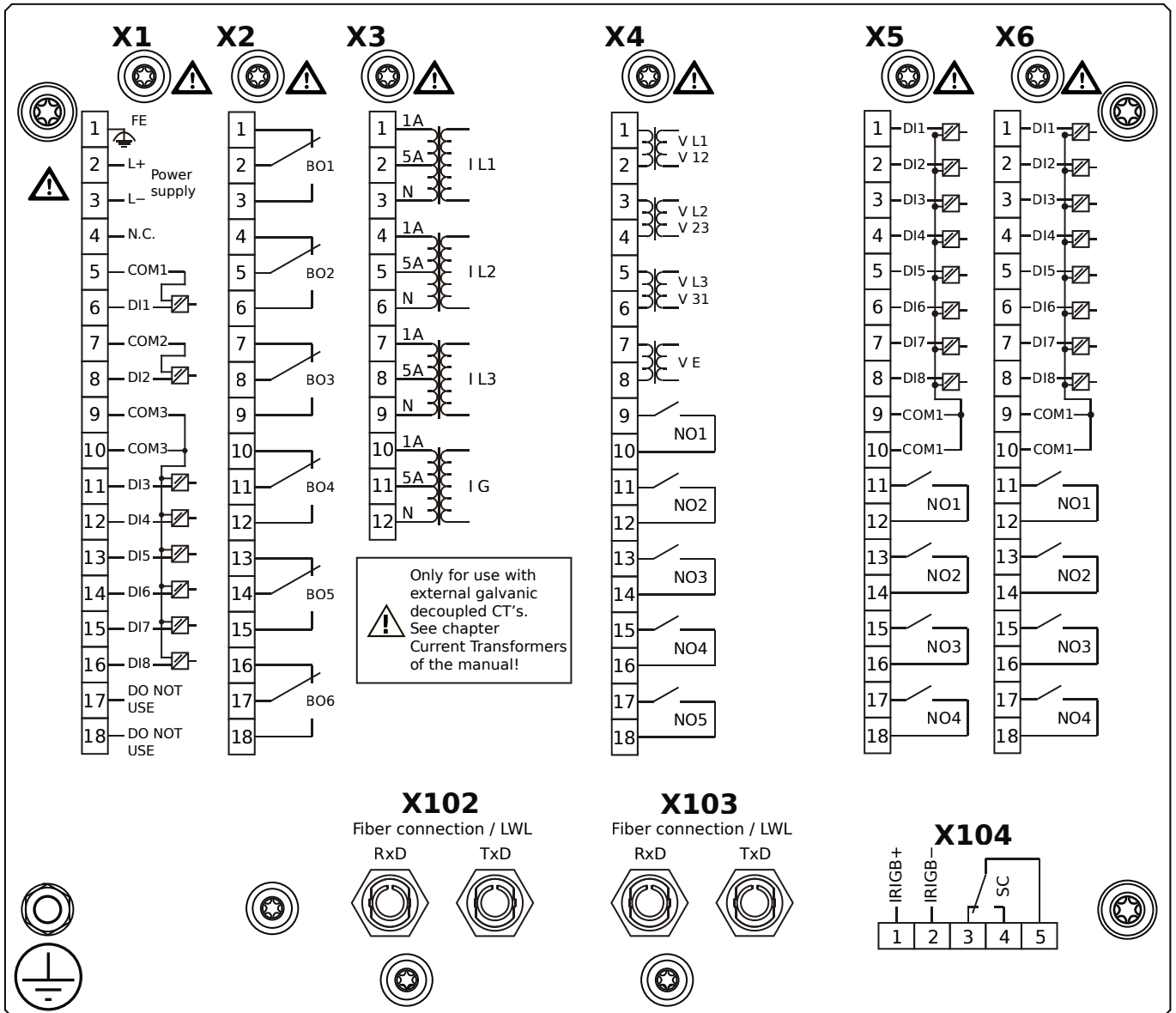
- X1** – DI8-X1: Wide-range power supply unit, incl. 2 non-grouped digital inputs and 6 grouped digital inputs
- X2** – OR-6: Assembly Group with 6 Relay Outputs
- X3** – TI-4: Standard current measuring card
- X4** – TU: Card with 4 voltage transformer measuring inputs and 5 output relays
- X5** – DI8-OR4: Assembly Group with 8 Digital Inputs and 4 Output Relays
- X6** – DI8-OR4: Assembly Group with 8 Digital Inputs and 4 Output Relays
- X102** – Protection Communication, Fiber optics interface, ST Connector
- X103** – Profibus-DP, RS485, D-SUB
- X104** – IRIG-B00X, incl. System Contact (Supervision Contact)

MCDLV4-2E0B1FA



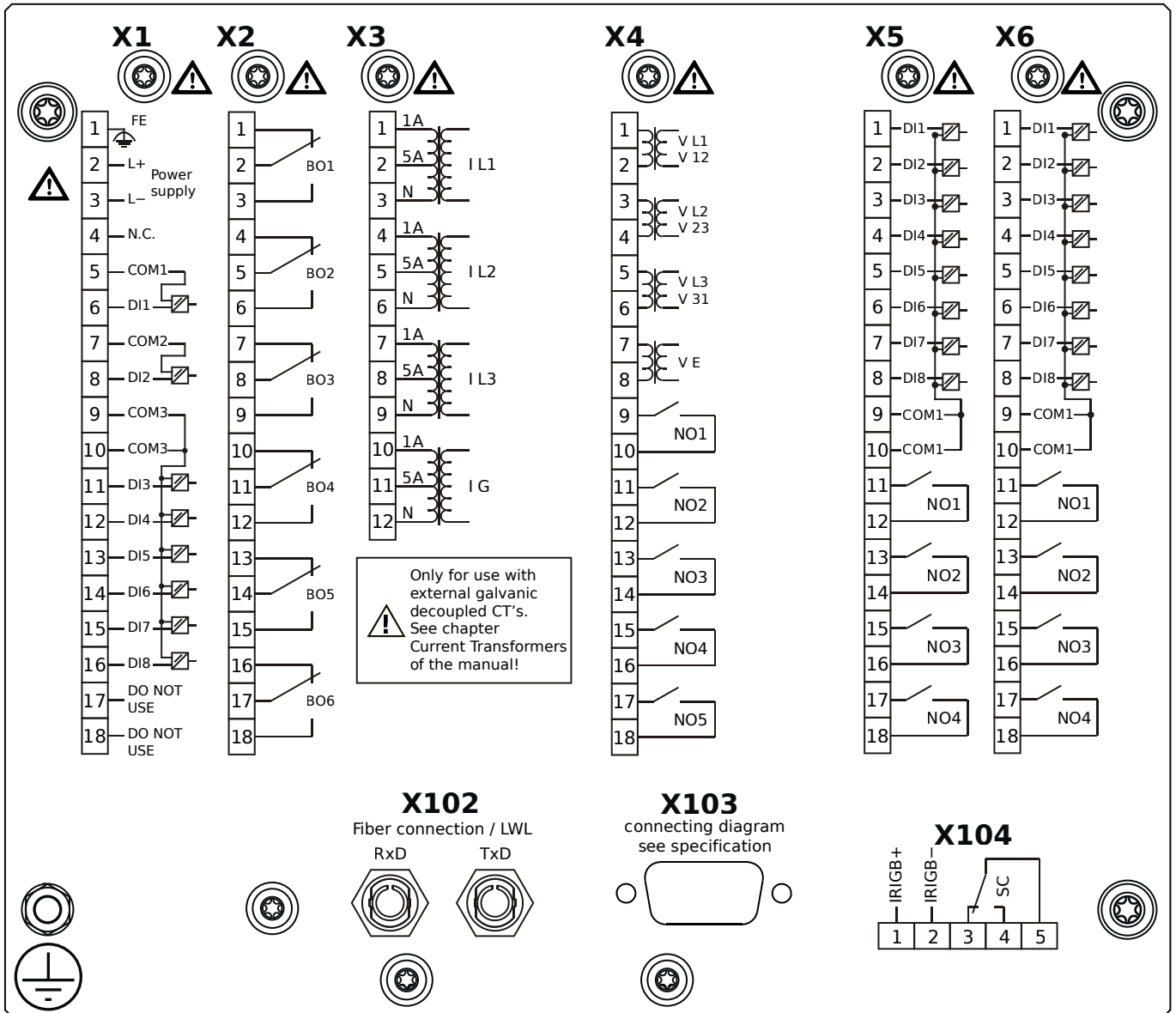
- X1** – DI8-X1: Wide-range power supply unit, incl. 2 non-grouped digital inputs and 6 grouped digital inputs
- X2** – OR-6: Assembly Group with 6 Relay Outputs
- X3** – TI-4: Standard current measuring card
- X4** – TU: Card with 4 voltage transformer measuring inputs and 5 output relays
- X5** – DI8-OR4: Assembly Group with 8 Digital Inputs and 4 Output Relays
- X6** – DI8-OR4: Assembly Group with 8 Digital Inputs and 4 Output Relays
- X102** – Protection Communication, Fiber optics interface, ST Connector
- X103** – Modbus RTU / IEC 60870-5-103 / DNP3.0 RTU, Fiber optics interface, ST Connector
- X104** – IRIG-B00X, incl. System Contact (Supervision Contact)

MCDLV4-2E0B1FB



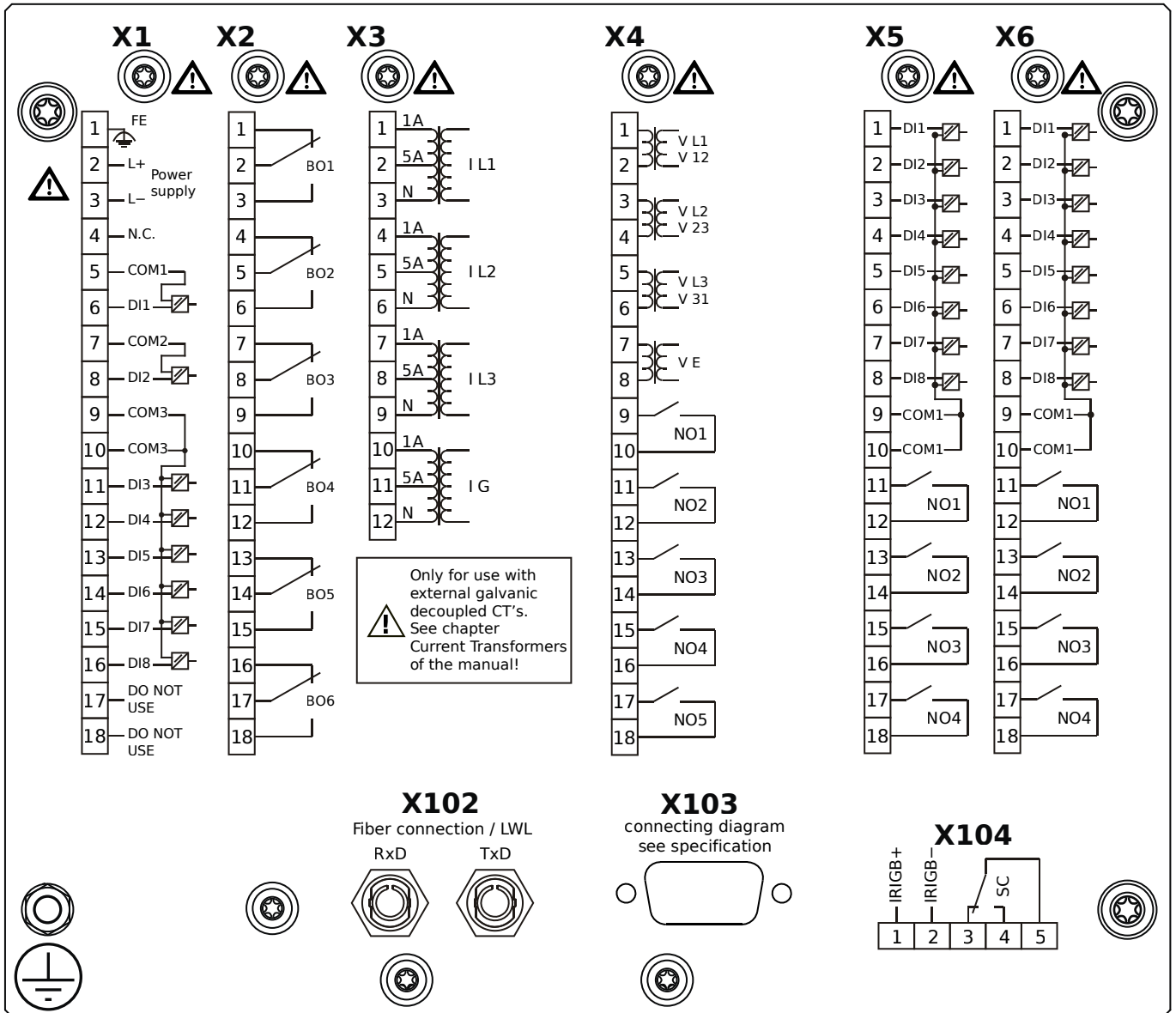
- X1** – DI8-X1: Wide-range power supply unit, incl. 2 non-grouped digital inputs and 6 grouped digital inputs
- X2** – OR-6: Assembly Group with 6 Relay Outputs
- X3** – TI-4: Standard current measuring card
- X4** – TU: Card with 4 voltage transformer measuring inputs and 5 output relays
- X5** – DI8-OR4: Assembly Group with 8 Digital Inputs and 4 Output Relays
- X6** – DI8-OR4: Assembly Group with 8 Digital Inputs and 4 Output Relays
- X102** – Protection Communication, Fiber optics interface, ST Connector
- X103** – Modbus RTU / IEC 60870-5-103 / DNP3.0 RTU, Fiber optics interface, ST Connector
- X104** – IRIG-B00X, incl. System Contact (Supervision Contact)

MCDLV4-2E0B1GA



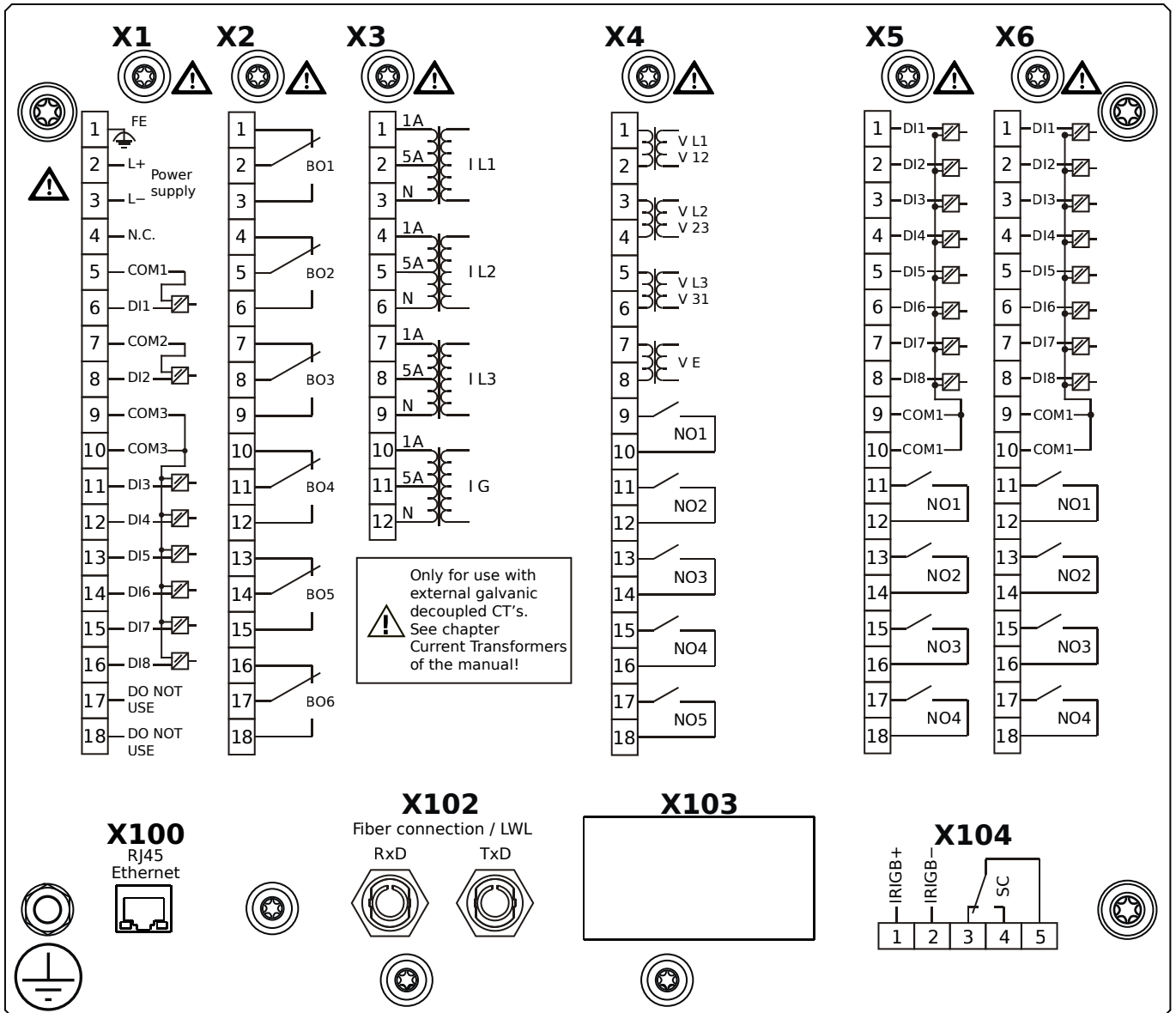
- X1** – DI8-X1: Wide-range power supply unit, incl. 2 non-grouped digital inputs and 6 grouped digital inputs
- X2** – OR-6: Assembly Group with 6 Relay Outputs
- X3** – TI-4: Standard current measuring card
- X4** – TU: Card with 4 voltage transformer measuring inputs and 5 output relays
- X5** – DI8-OR4: Assembly Group with 8 Digital Inputs and 4 Output Relays
- X6** – DI8-OR4: Assembly Group with 8 Digital Inputs and 4 Output Relays
- X102** – Protection Communication, Fiber optics interface, ST Connector
- X103** – Modbus RTU / IEC 60870-5-103 / DNP3.0 RTU, RS485, D-SUB
- X104** – IRIG-B00X, incl. System Contact (Supervision Contact)

MCDLV4-2E0B1GB



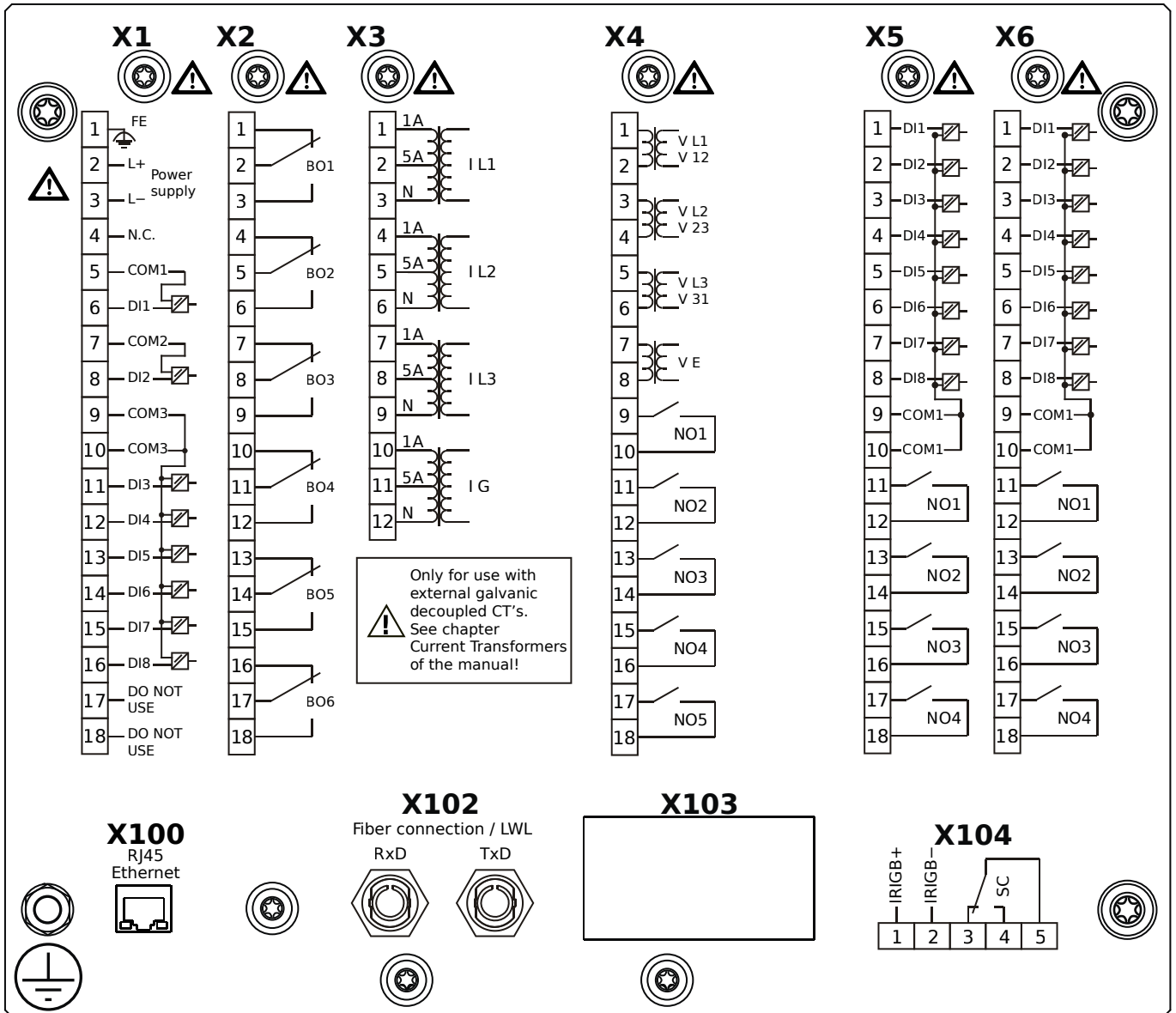
- X1** – DI8-X1: Wide-range power supply unit, incl. 2 non-grouped digital inputs and 6 grouped digital inputs
- X2** – OR-6: Assembly Group with 6 Relay Outputs
- X3** – TI-4: Standard current measuring card
- X4** – TU: Card with 4 voltage transformer measuring inputs and 5 output relays
- X5** – DI8-OR4: Assembly Group with 8 Digital Inputs and 4 Output Relays
- X6** – DI8-OR4: Assembly Group with 8 Digital Inputs and 4 Output Relays
- X102** – Protection Communication, Fiber optics interface, ST Connector
- X103** – Modbus RTU / IEC 60870-5-103 / DNP3.0 RTU, RS485, D-SUB
- X104** – IRIG-B00X, incl. System Contact (Supervision Contact)

MCDLV4-2E0B1HA



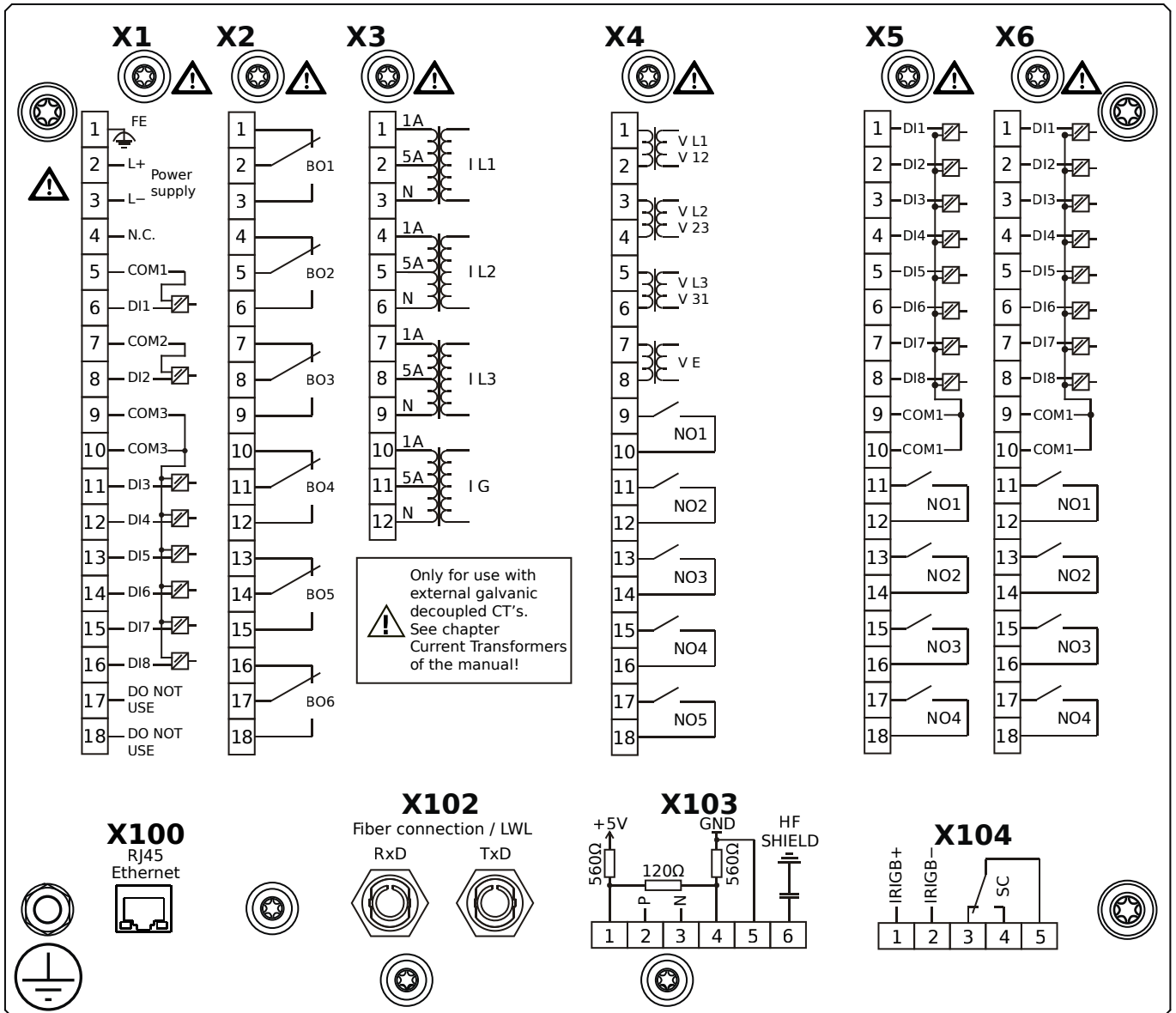
- X1** – DI8-X1: Wide-range power supply unit, incl. 2 non-grouped digital inputs and 6 grouped digital inputs
- X2** – OR-6: Assembly Group with 6 Relay Outputs
- X3** – TI-4: Standard current measuring card
- X4** – TU: Card with 4 voltage transformer measuring inputs and 5 output relays
- X5** – DI8-OR4: Assembly Group with 8 Digital Inputs and 4 Output Relays
- X6** – DI8-OR4: Assembly Group with 8 Digital Inputs and 4 Output Relays
- X100** – IEC 61850 / Modbus TCP / DNP3.0 TCP/UDP, Ethernet interface, 100 Mbit/s, RJ45 (BASE100-FX)
- X102** – Protection Communication, Fiber optics interface, ST Connector
- X104** – IRIG-B00X, incl. System Contact (Supervision Contact)

MCDLV4-2E0B1HB



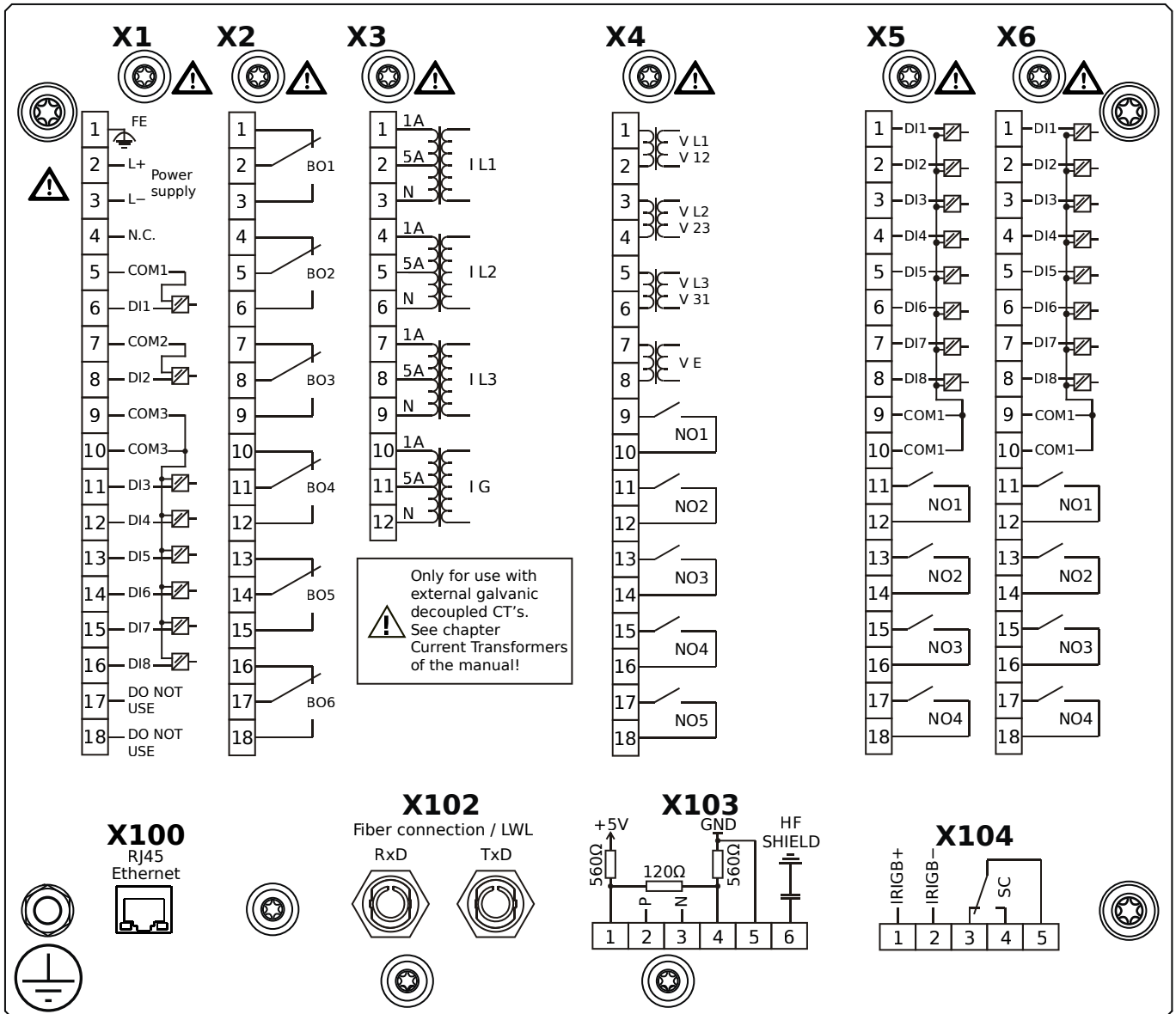
- X1** – DI8-X1: Wide-range power supply unit, incl. 2 non-grouped digital inputs and 6 grouped digital inputs
- X2** – OR-6: Assembly Group with 6 Relay Outputs
- X3** – TI-4: Standard current measuring card
- X4** – TU: Card with 4 voltage transformer measuring inputs and 5 output relays
- X5** – DI8-OR4: Assembly Group with 8 Digital Inputs and 4 Output Relays
- X6** – DI8-OR4: Assembly Group with 8 Digital Inputs and 4 Output Relays
- X100** – IEC 61850 / Modbus TCP / DNP3.0 TCP/UDP, Ethernet interface, 100 Mbit/s, RJ45 (BASE100-FX)
- X102** – Protection Communication, Fiber optics interface, ST Connector
- X104** – IRIG-B00X, incl. System Contact (Supervision Contact)

MCDLV4-2E0B1IA



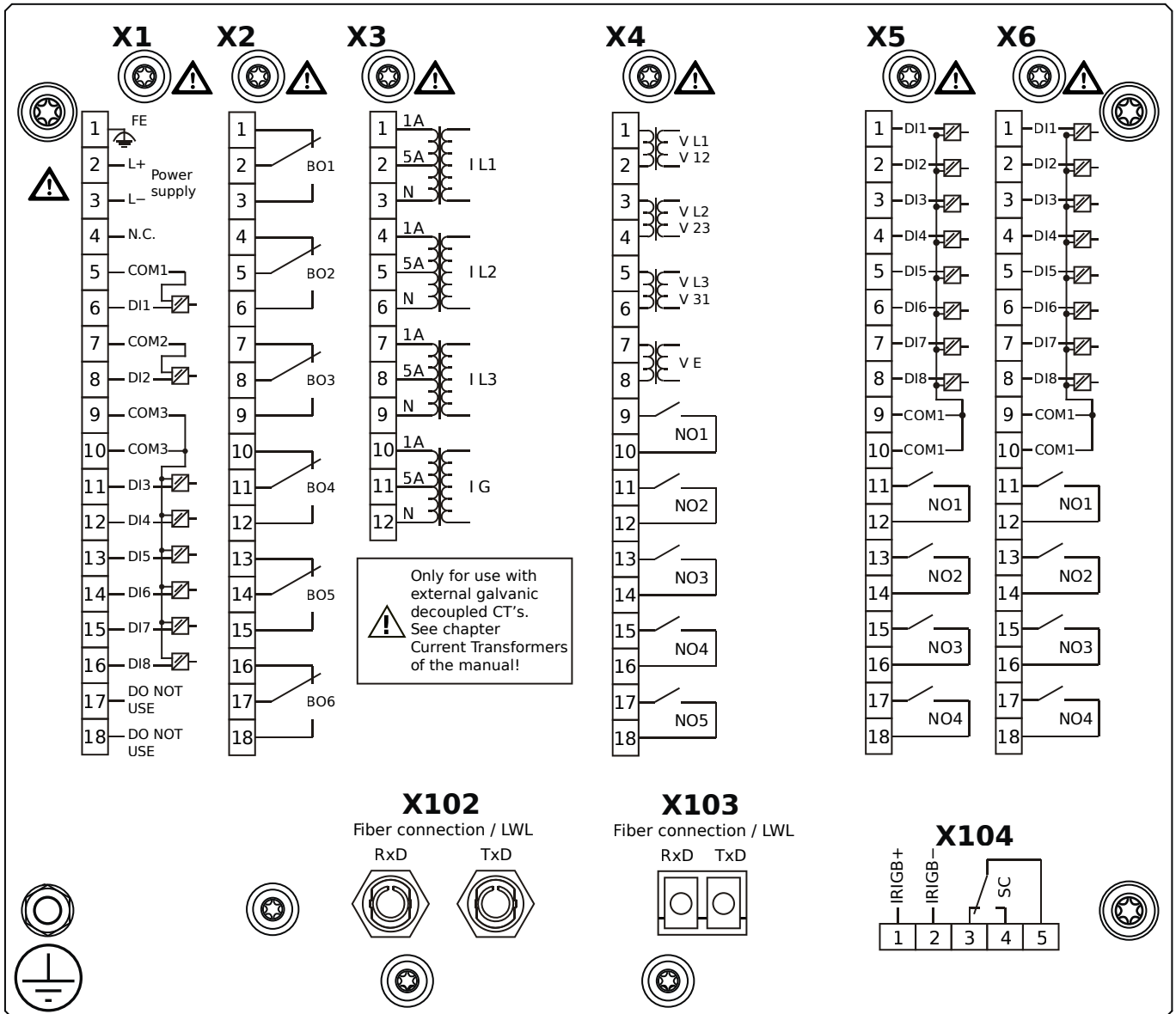
- X1** – DI8-X1: Wide-range power supply unit, incl. 2 non-grouped digital inputs and 6 grouped digital inputs
- X2** – OR-6: Assembly Group with 6 Relay Outputs
- X3** – TI-4: Standard current measuring card
- X4** – TU: Card with 4 voltage transformer measuring inputs and 5 output relays
- X5** – DI8-OR4: Assembly Group with 8 Digital Inputs and 4 Output Relays
- X6** – DI8-OR4: Assembly Group with 8 Digital Inputs and 4 Output Relays
- X100** – Modbus TCP / DNP3.0 TCP/UDP, Ethernet interface, 100 Mbit/s, RJ45 (BASE100-FX)
- X102** – Protection Communication, Fiber optics interface, ST Connector
- X103** – IEC 60870-5-103 / Modbus RTU / DNP3.0 RTU, RS485, Terminals
- X104** – IRIG-B00X, incl. System Contact (Supervision Contact)

MCDLV4-2E0B1IB



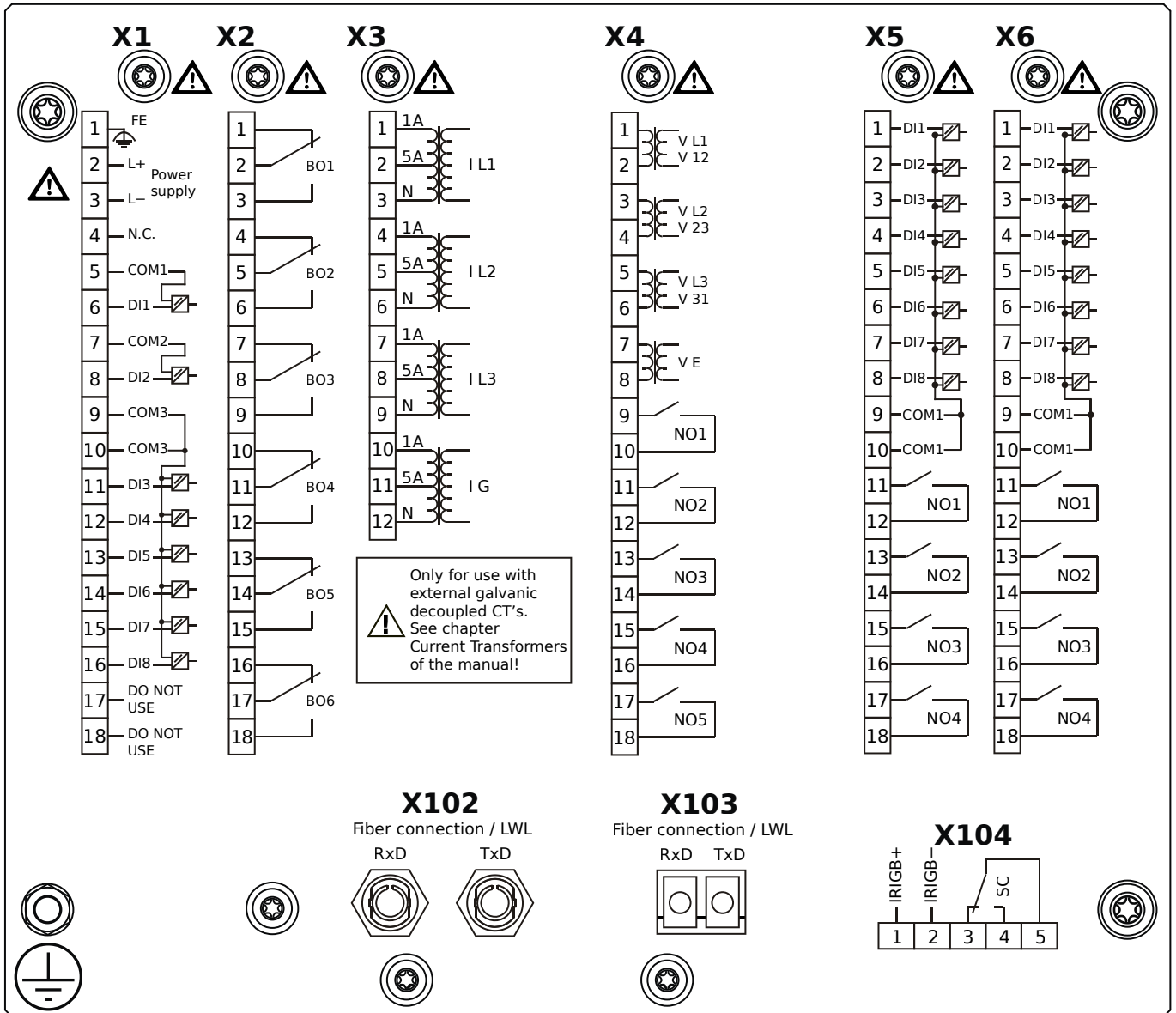
- X1** – DI8-X1: Wide-range power supply unit, incl. 2 non-grouped digital inputs and 6 grouped digital inputs
- X2** – OR-6: Assembly Group with 6 Relay Outputs
- X3** – TI-4: Standard current measuring card
- X4** – TU: Card with 4 voltage transformer measuring inputs and 5 output relays
- X5** – DI8-OR4: Assembly Group with 8 Digital Inputs and 4 Output Relays
- X6** – DI8-OR4: Assembly Group with 8 Digital Inputs and 4 Output Relays
- X100** – Modbus TCP / DNP3.0 TCP/UDP, Ethernet interface, 100 Mbit/s, RJ45 (BASE100-FX)
- X102** – Protection Communication, Fiber optics interface, ST Connector
- X103** – IEC 60870-5-103 / Modbus RTU / DNP3.0 RTU, RS485, Terminals
- X104** – IRIG-B00X, incl. System Contact (Supervision Contact)

MCDLV4-2E0B1KA



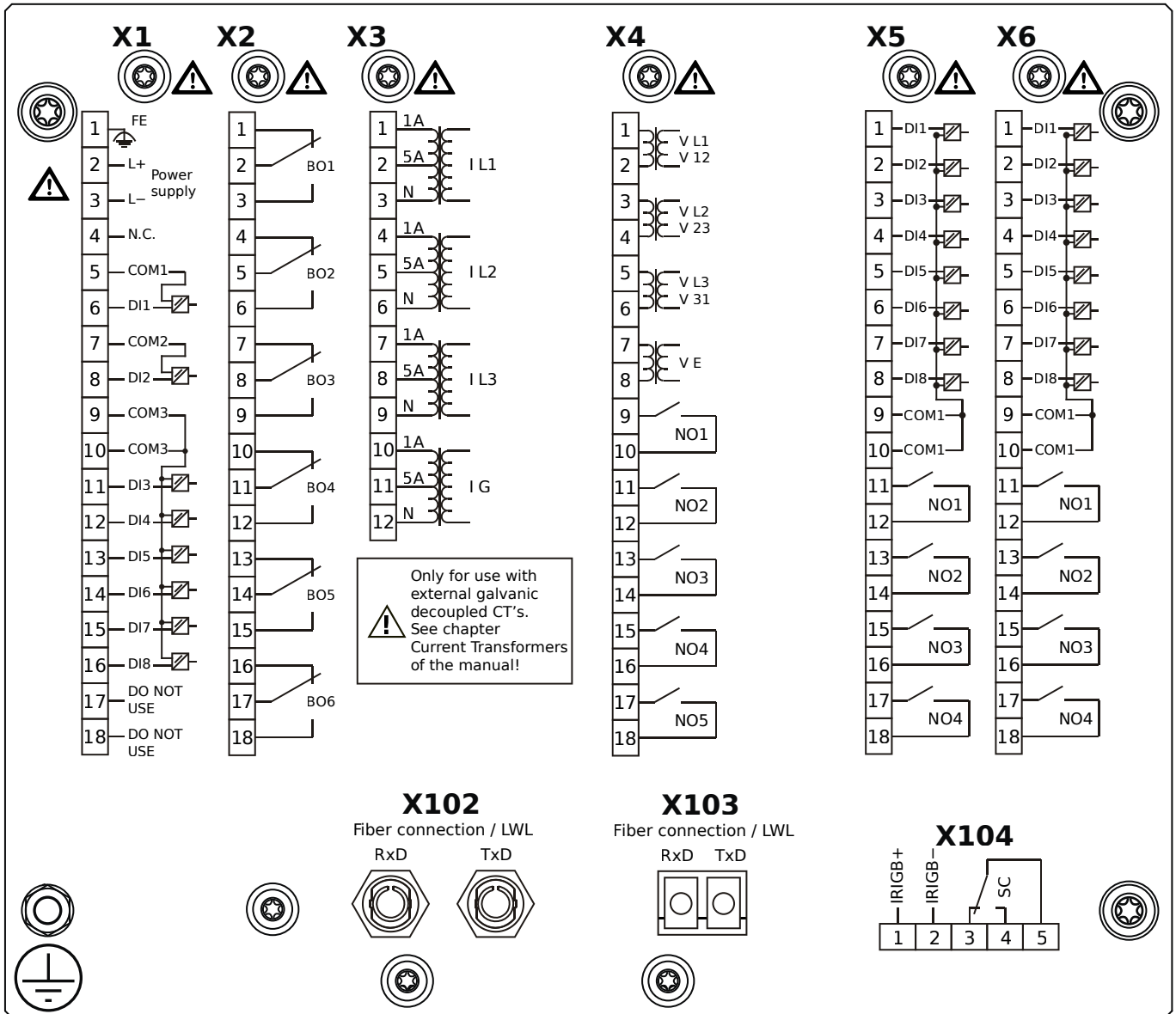
- X1** – DI8-X1: Wide-range power supply unit, incl. 2 non-grouped digital inputs and 6 grouped digital inputs
- X2** – OR-6: Assembly Group with 6 Relay Outputs
- X3** – TI-4: Standard current measuring card
- X4** – TU: Card with 4 voltage transformer measuring inputs and 5 output relays
- X5** – DI8-OR4: Assembly Group with 8 Digital Inputs and 4 Output Relays
- X6** – DI8-OR4: Assembly Group with 8 Digital Inputs and 4 Output Relays
- X102** – Protection Communication, Fiber optics interface, ST Connector
- X103** – IEC 61850 / Modbus TCP / DNP3.0 TCP/UDP, Fiber optics interface, LC Connector
- X104** – IRIG-B00X, incl. System Contact (Supervision Contact)

MCDLV4-2E0B1KB



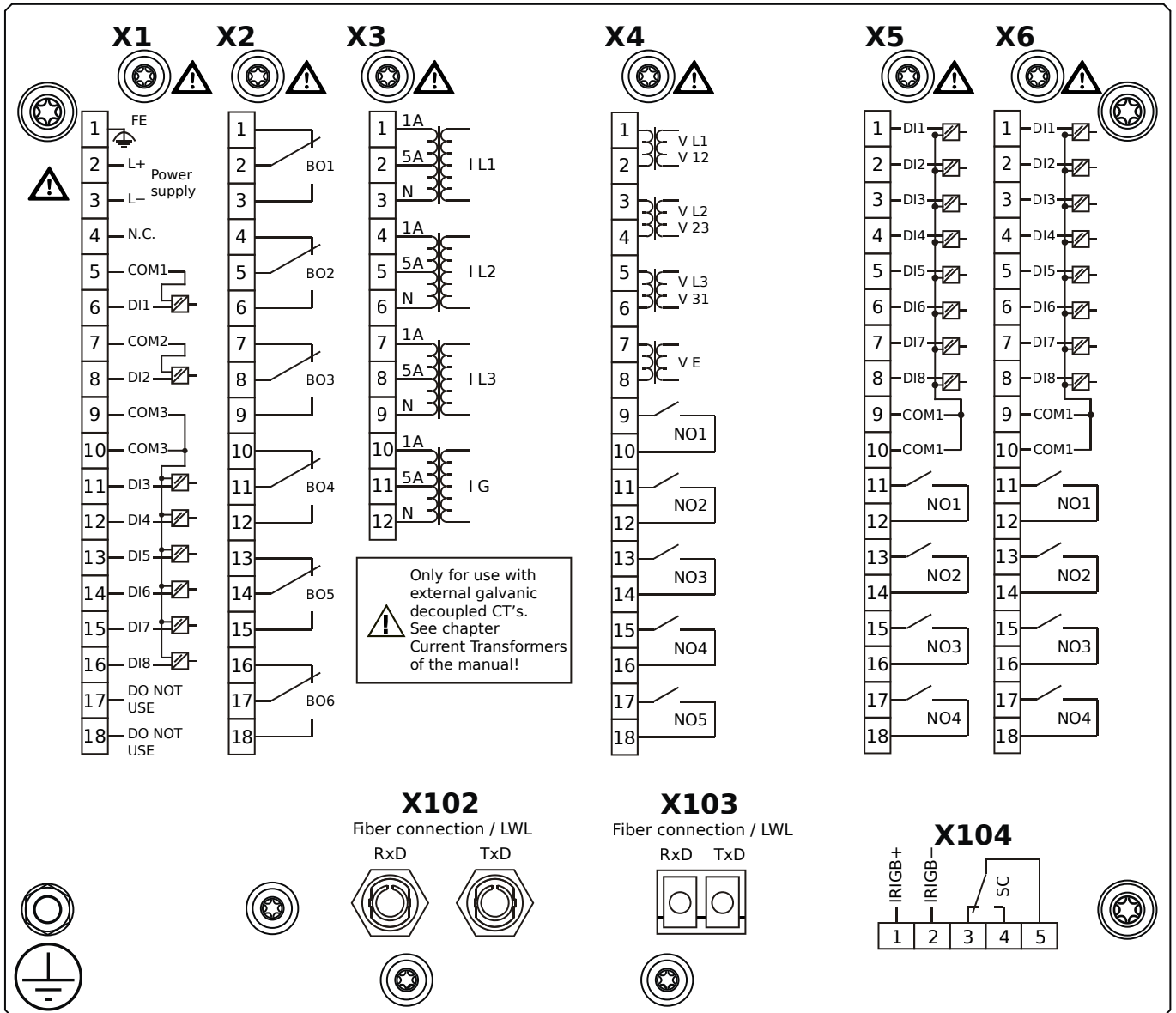
- X1** – DI8-X1: Wide-range power supply unit, incl. 2 non-grouped digital inputs and 6 grouped digital inputs
- X2** – OR-6: Assembly Group with 6 Relay Outputs
- X3** – TI-4: Standard current measuring card
- X4** – TU: Card with 4 voltage transformer measuring inputs and 5 output relays
- X5** – DI8-OR4: Assembly Group with 8 Digital Inputs and 4 Output Relays
- X6** – DI8-OR4: Assembly Group with 8 Digital Inputs and 4 Output Relays
- X102** – Protection Communication, Fiber optics interface, ST Connector
- X103** – IEC 61850 / Modbus TCP / DNP3.0 TCP/UDP, Fiber optics interface, LC Connector
- X104** – IRIG-B00X, incl. System Contact (Supervision Contact)

MCDLV4-2E0B1LA



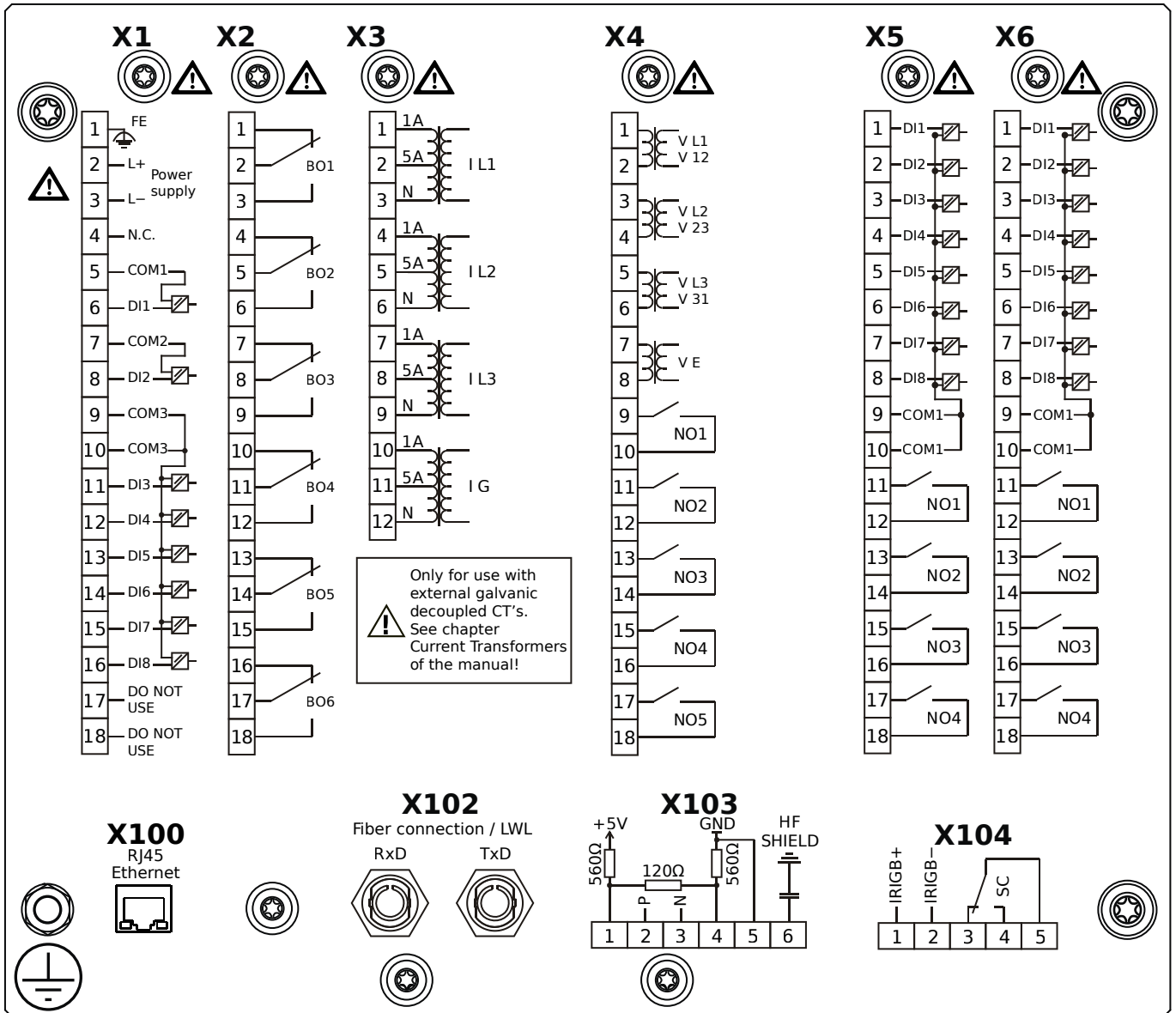
- X1** – DI8-X1: Wide-range power supply unit, incl. 2 non-grouped digital inputs and 6 grouped digital inputs
- X2** – OR-6: Assembly Group with 6 Relay Outputs
- X3** – TI-4: Standard current measuring card
- X4** – TU: Card with 4 voltage transformer measuring inputs and 5 output relays
- X5** – DI8-OR4: Assembly Group with 8 Digital Inputs and 4 Output Relays
- X6** – DI8-OR4: Assembly Group with 8 Digital Inputs and 4 Output Relays
- X102** – Protection Communication, Fiber optics interface, ST Connector
- X103** – Modbus TCP / DNP3.0 TCP/UDP, Fiber optics interface, LC Connector
- X104** – IRIG-B00X, incl. System Contact (Supervision Contact)

MCDLV4-2E0B1LB



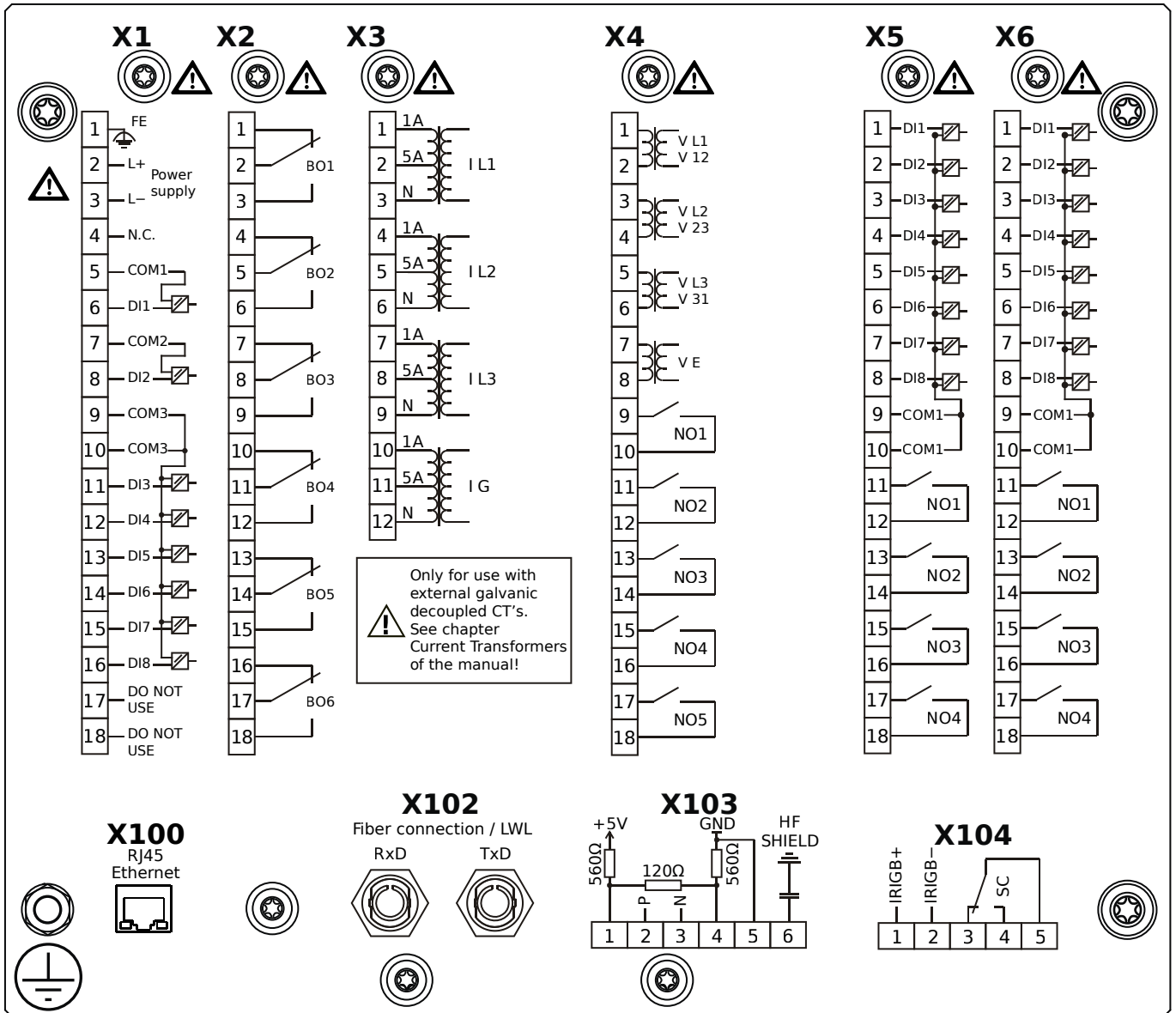
- X1** – DI8-X1: Wide-range power supply unit, incl. 2 non-grouped digital inputs and 6 grouped digital inputs
- X2** – OR-6: Assembly Group with 6 Relay Outputs
- X3** – TI-4: Standard current measuring card
- X4** – TU: Card with 4 voltage transformer measuring inputs and 5 output relays
- X5** – DI8-OR4: Assembly Group with 8 Digital Inputs and 4 Output Relays
- X6** – DI8-OR4: Assembly Group with 8 Digital Inputs and 4 Output Relays
- X102** – Protection Communication, Fiber optics interface, ST Connector
- X103** – Modbus TCP / DNP3.0 TCP/UDP, Fiber optics interface, LC Connector
- X104** – IRIG-B00X, incl. System Contact (Supervision Contact)

MCDLV4-2E0B1TA



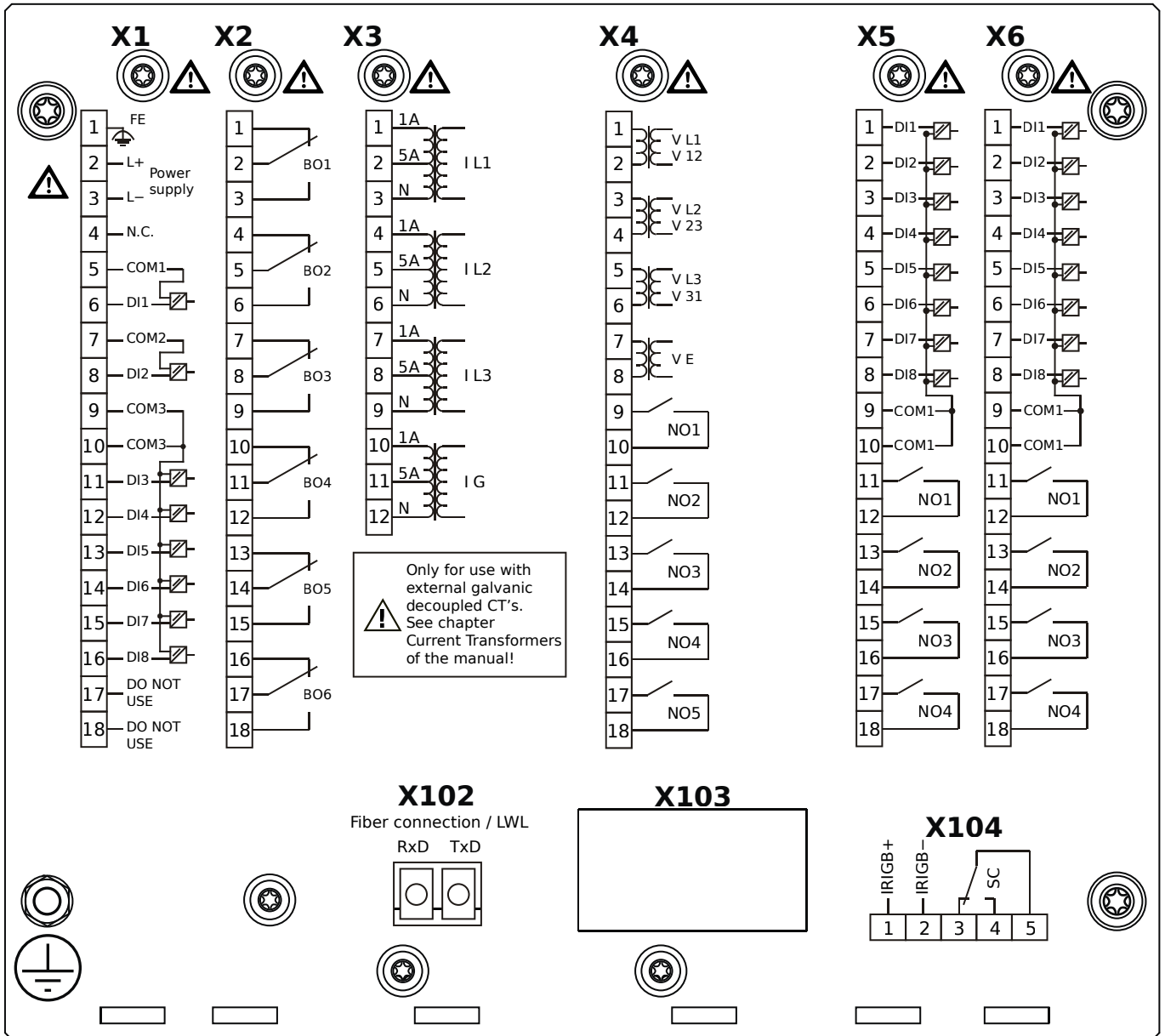
- X1** – DI8-X1: Wide-range power supply unit, incl. 2 non-grouped digital inputs and 6 grouped digital inputs
- X2** – OR-6: Assembly Group with 6 Relay Outputs
- X3** – TI-4: Standard current measuring card
- X4** – TU: Card with 4 voltage transformer measuring inputs and 5 output relays
- X5** – DI8-OR4: Assembly Group with 8 Digital Inputs and 4 Output Relays
- X6** – DI8-OR4: Assembly Group with 8 Digital Inputs and 4 Output Relays
- X100** – IEC 61850 / Modbus TCP / DNP3.0 TCP/UDP, Ethernet interface, 100 Mbit/s, RJ45 (BASE100-FX)
- X102** – Protection Communication, Fiber optics interface, ST Connector
- X103** – IEC 60870-5-103 / Modbus RTU / DNP3.0 RTU, RS485, Terminals
- X104** – IRIG-B00X, incl. System Contact (Supervision Contact)

MCDLV4-2E0B1TB



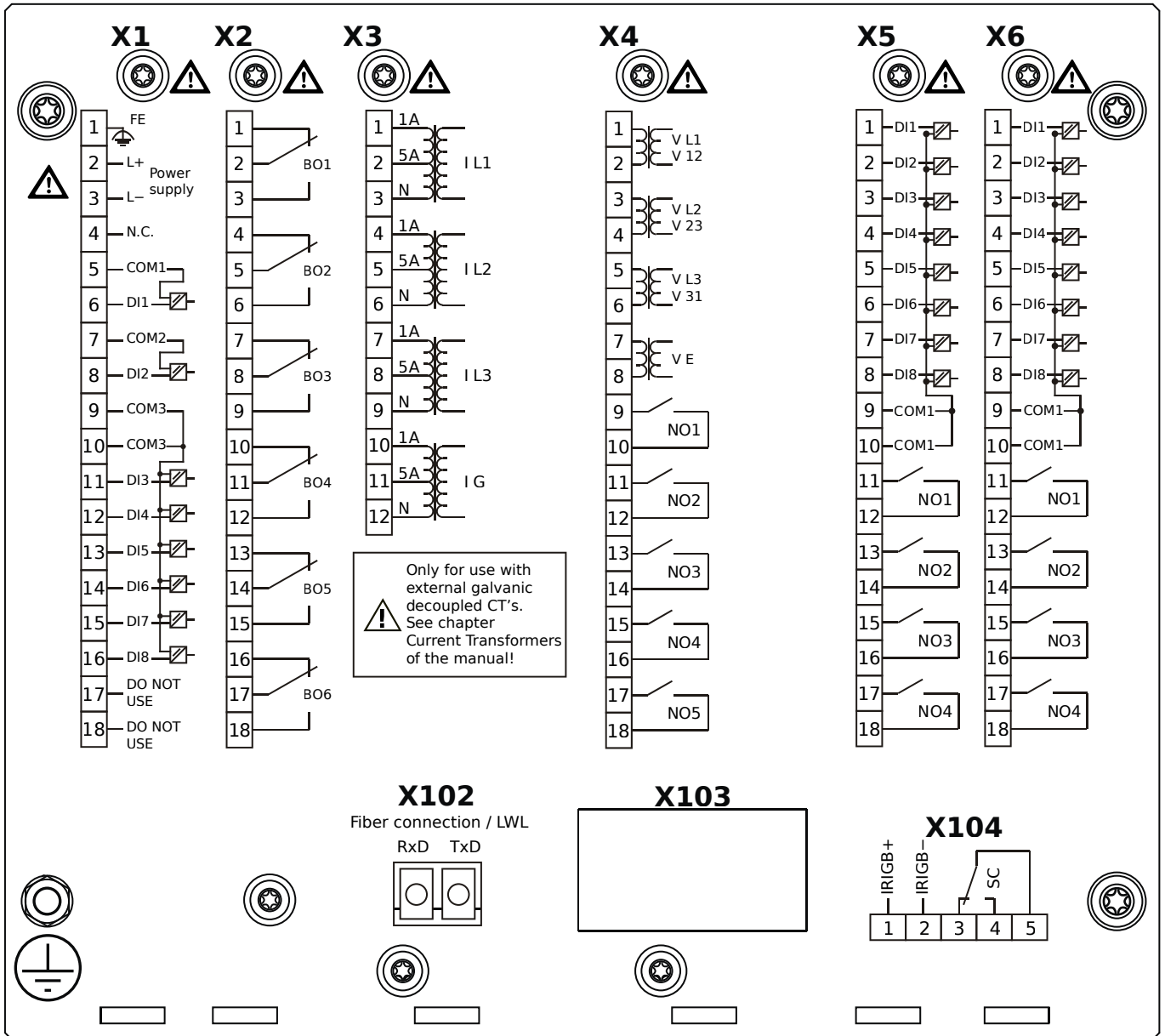
- X1** – DI8-X1: Wide-range power supply unit, incl. 2 non-grouped digital inputs and 6 grouped digital inputs
- X2** – OR-6: Assembly Group with 6 Relay Outputs
- X3** – TI-4: Standard current measuring card
- X4** – TU: Card with 4 voltage transformer measuring inputs and 5 output relays
- X5** – DI8-OR4: Assembly Group with 8 Digital Inputs and 4 Output Relays
- X6** – DI8-OR4: Assembly Group with 8 Digital Inputs and 4 Output Relays
- X100** – IEC 61850 / Modbus TCP / DNP3.0 TCP/UDP, Ethernet interface, 100 Mbit/s, RJ45 (BASE100-FX)
- X102** – Protection Communication, Fiber optics interface, ST Connector
- X103** – IEC 60870-5-103 / Modbus RTU / DNP3.0 RTU, RS485, Terminals
- X104** – IRIG-B00X, incl. System Contact (Supervision Contact)

MCDLV4-2E0H0AA



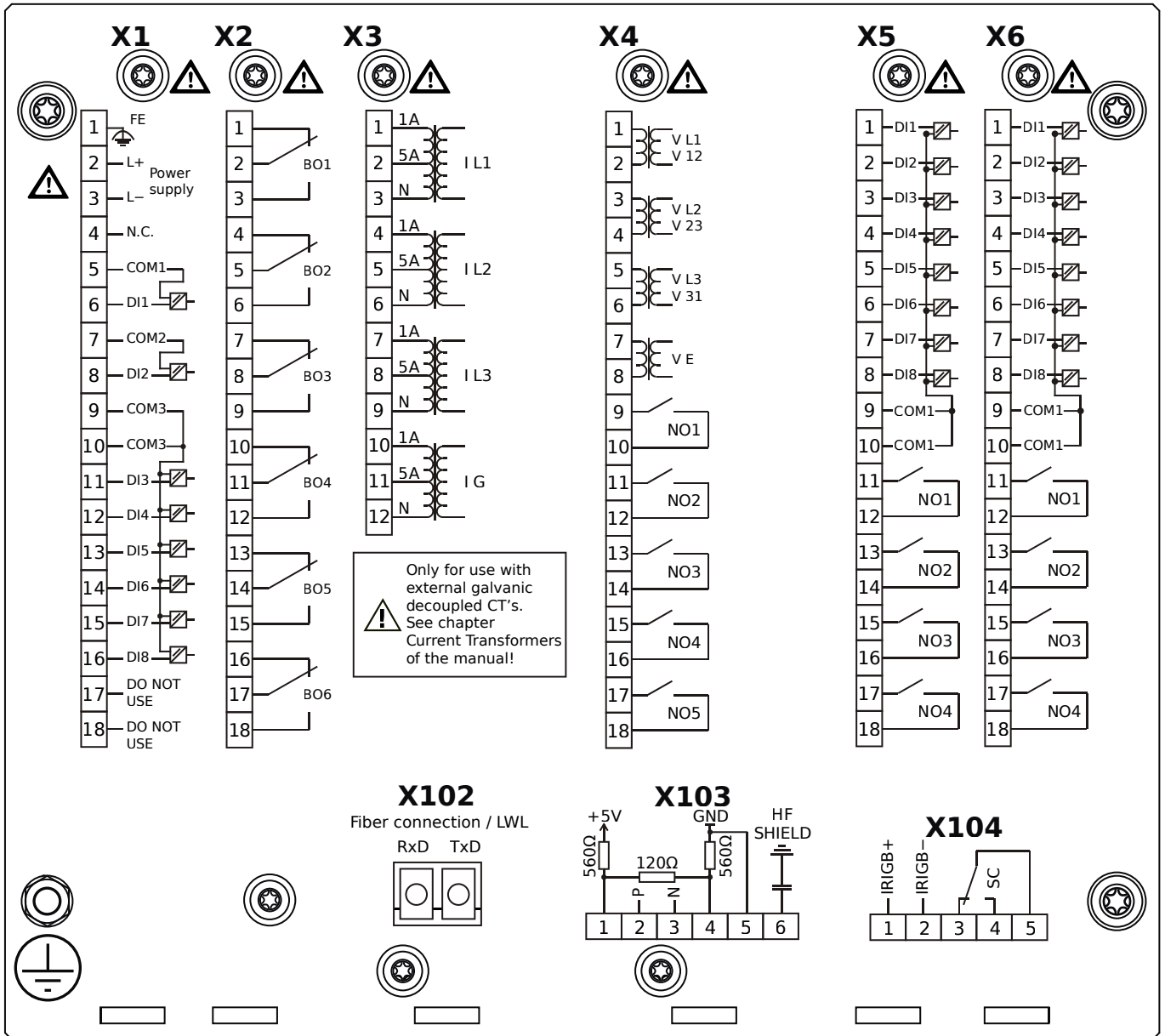
- X1** – DI8-X1: Wide-range power supply unit, incl. 2 non-grouped digital inputs and 6 grouped digital inputs
- X2** – OR-6: Assembly Group with 6 Relay Outputs
- X3** – TI-4: Standard current measuring card
- X4** – TU: Card with 4 voltage transformer measuring inputs and 5 output relays
- X5** – DI8-OR4: Assembly Group with 8 Digital Inputs and 4 Output Relays
- X6** – DI8-OR4: Assembly Group with 8 Digital Inputs and 4 Output Relays
- X102** – Long-distance Protection Communication, Fiber optics interface, LC Connector
- X104** – IRIG-B00X, incl. System Contact (Supervision Contact)

MCDLV4-2E0H0AB



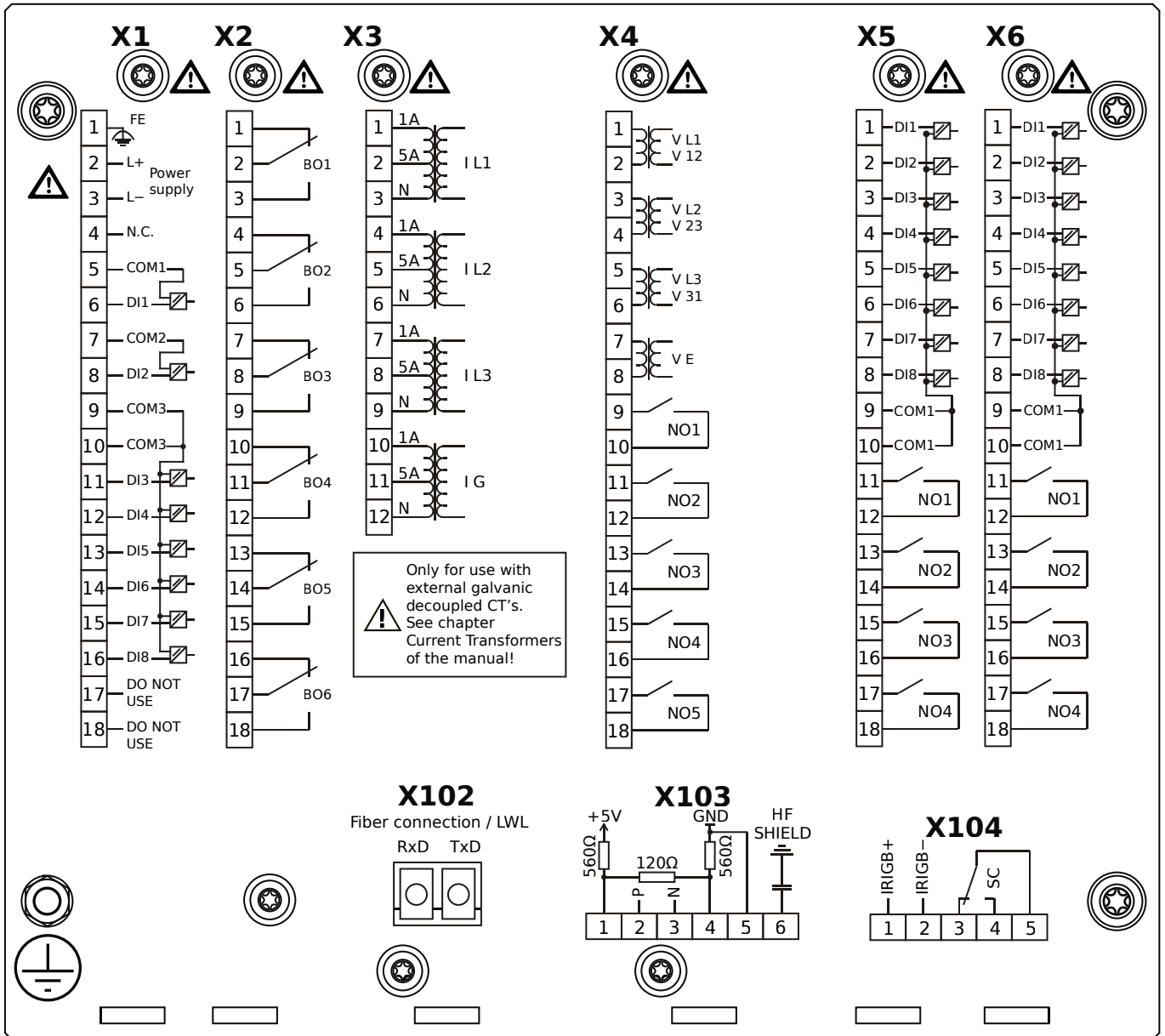
- X1** – DI8-X1: Wide-range power supply unit, incl. 2 non-grouped digital inputs and 6 grouped digital inputs
- X2** – OR-6: Assembly Group with 6 Relay Outputs
- X3** – TI-4: Standard current measuring card
- X4** – TU: Card with 4 voltage transformer measuring inputs and 5 output relays
- X5** – DI8-OR4: Assembly Group with 8 Digital Inputs and 4 Output Relays
- X6** – DI8-OR4: Assembly Group with 8 Digital Inputs and 4 Output Relays
- X102** – Long-distance Protection Communication, Fiber optics interface, LC Connector
- X104** – IRIG-B00X, incl. System Contact (Supervision Contact)

MCDLV4-2E0H0BA



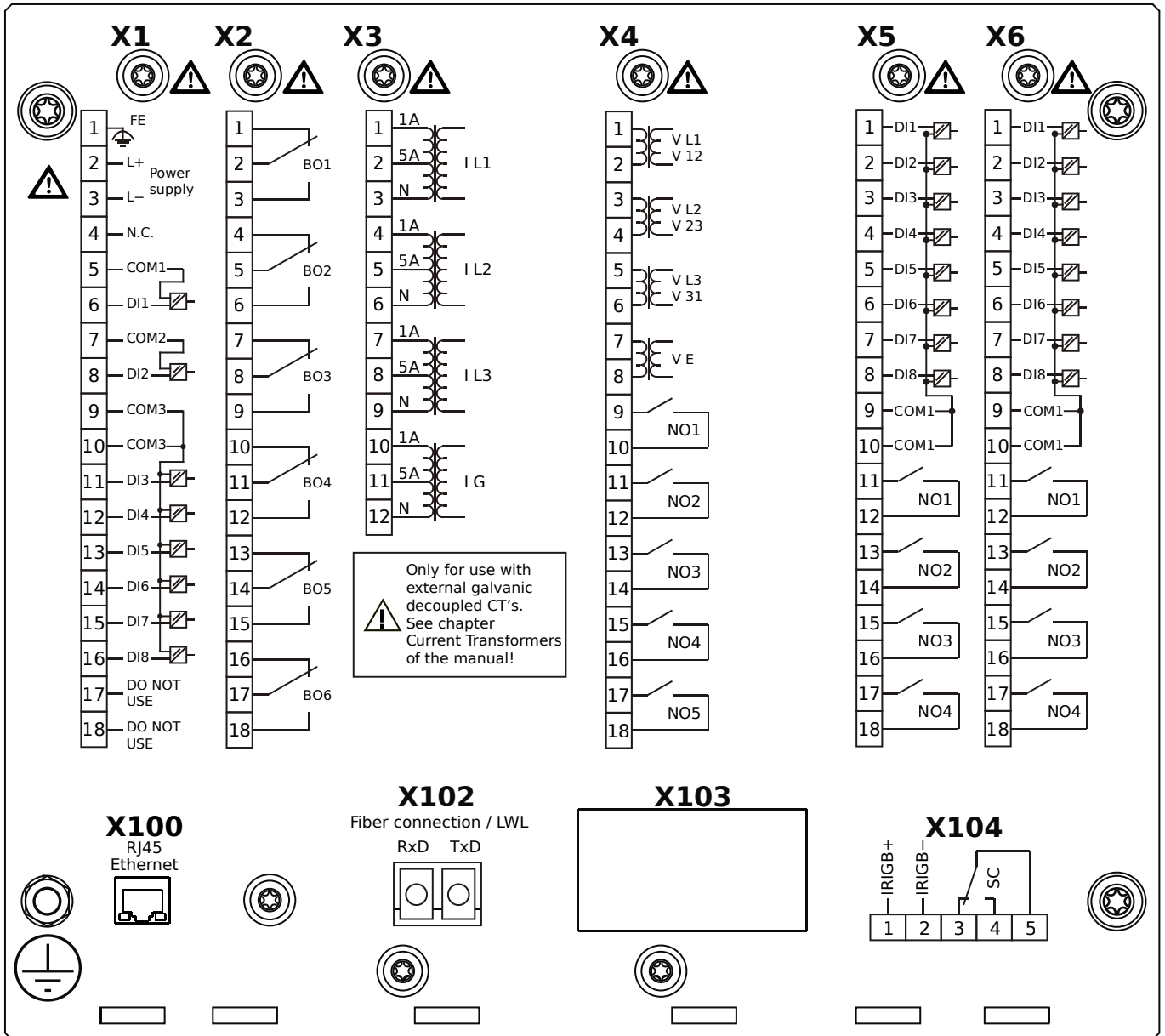
- X1** – DI8-X1: Wide-range power supply unit, incl. 2 non-grouped digital inputs and 6 grouped digital inputs
- X2** – OR-6: Assembly Group with 6 Relay Outputs
- X3** – TI-4: Standard current measuring card
- X4** – TU: Card with 4 voltage transformer measuring inputs and 5 output relays
- X5** – DI8-OR4: Assembly Group with 8 Digital Inputs and 4 Output Relays
- X6** – DI8-OR4: Assembly Group with 8 Digital Inputs and 4 Output Relays
- X102** – Long-distance Protection Communication, Fiber optics interface, LC Connector
- X103** – Modbus RTU / IEC 60870-5-103 / DNP3.0 RTU, RS485, Terminals
- X104** – IRIG-B00X, incl. System Contact (Supervision Contact)

MCDLV4-2E0H0BB



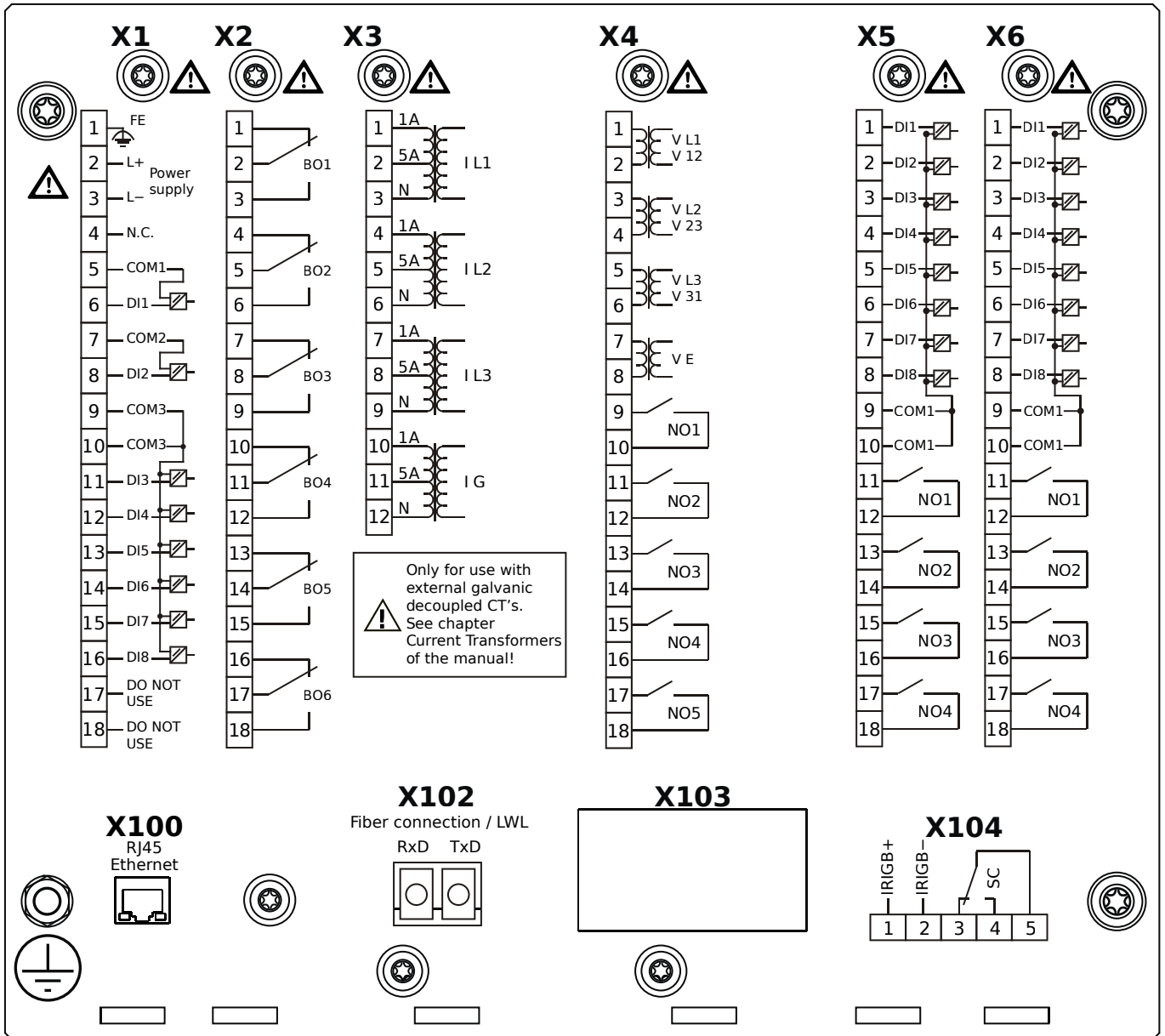
- X1** – DI8-X1: Wide-range power supply unit, incl. 2 non-grouped digital inputs and 6 grouped digital inputs
- X2** – OR-6: Assembly Group with 6 Relay Outputs
- X3** – TI-4: Standard current measuring card
- X4** – TU: Card with 4 voltage transformer measuring inputs and 5 output relays
- X5** – DI8-OR4: Assembly Group with 8 Digital Inputs and 4 Output Relays
- X6** – DI8-OR4: Assembly Group with 8 Digital Inputs and 4 Output Relays
- X102** – Long-distance Protection Communication, Fiber optics interface, LC Connector
- X103** – Modbus RTU / IEC 60870-5-103 / DNP3.0 RTU, RS485, Terminals
- X104** – IRIG-B00X, incl. System Contact (Supervision Contact)

MCDLV4-2E0H0CA



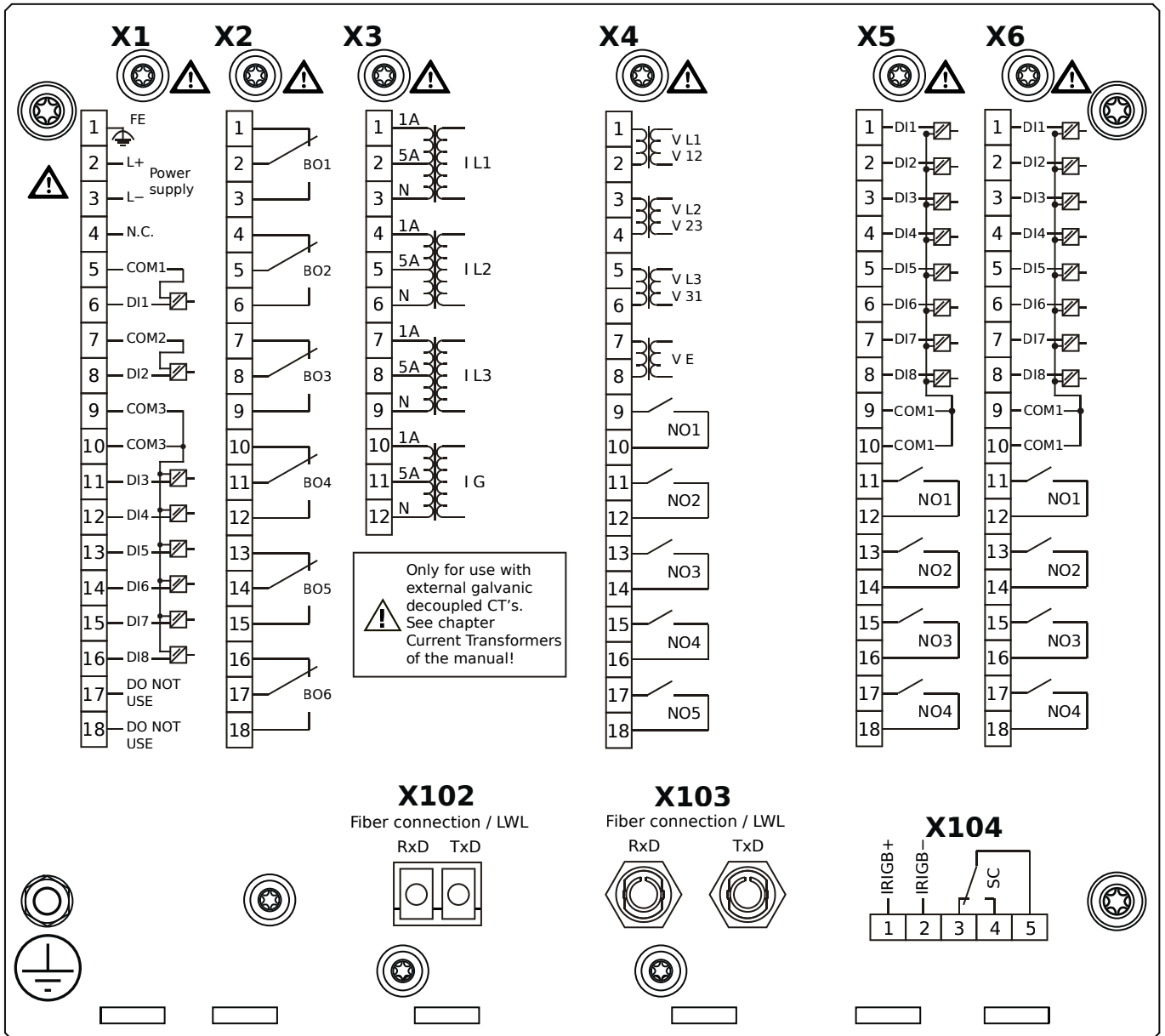
- X1** – DI8-X1: Wide-range power supply unit, incl. 2 non-grouped digital inputs and 6 grouped digital inputs
- X2** – OR-6: Assembly Group with 6 Relay Outputs
- X3** – TI-4: Standard current measuring card
- X4** – TU: Card with 4 voltage transformer measuring inputs and 5 output relays
- X5** – DI8-OR4: Assembly Group with 8 Digital Inputs and 4 Output Relays
- X6** – DI8-OR4: Assembly Group with 8 Digital Inputs and 4 Output Relays
- X100** – Modbus TCP / DNP3.0 TCP/UDP, Ethernet interface, 100 Mbit/s, RJ45 (BASE100-FX)
- X102** – Long-distance Protection Communication, Fiber optics interface, LC Connector
- X104** – IRIG-B00X, incl. System Contact (Supervision Contact)

MCDLV4-2E0H0CB



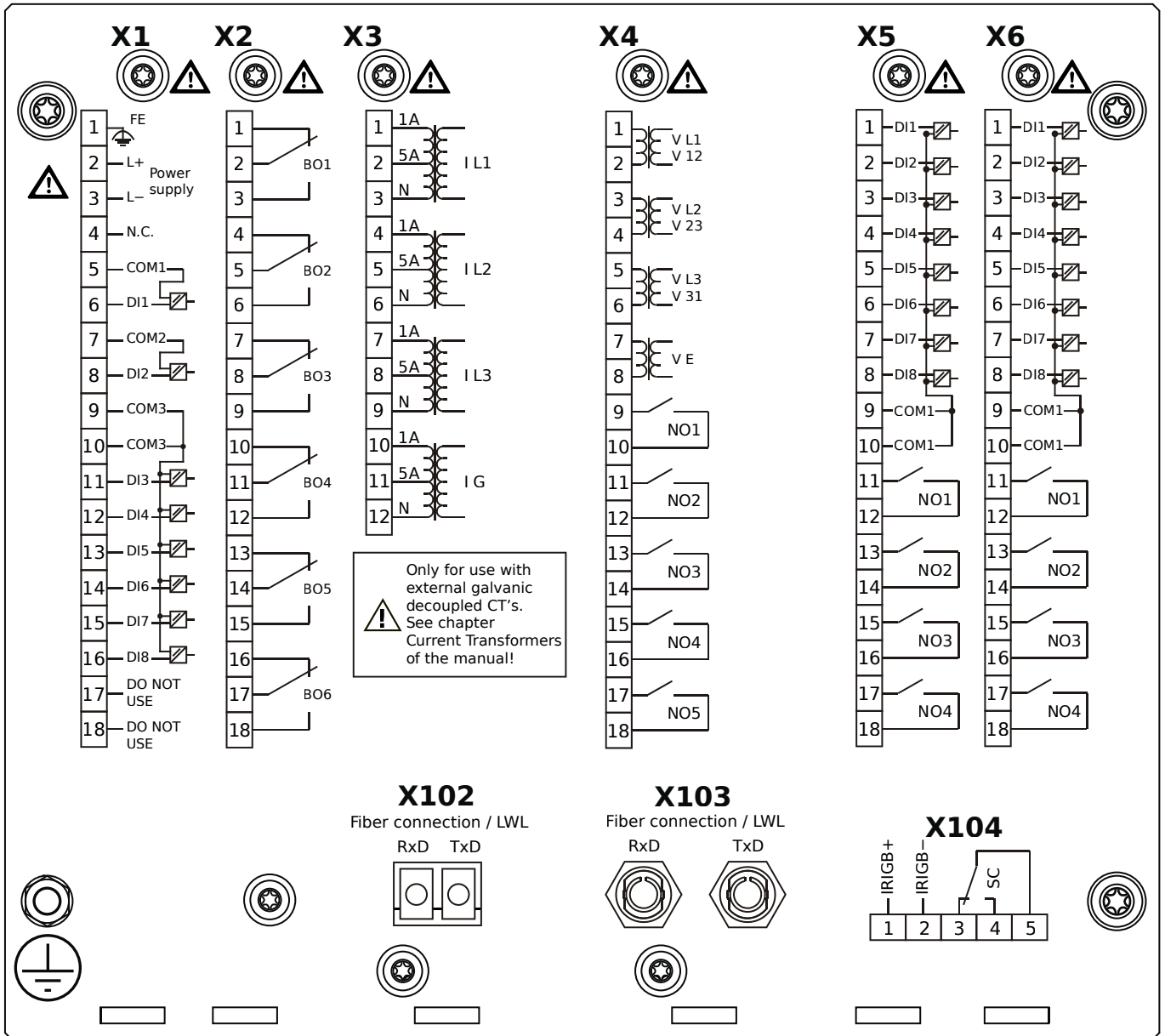
- X1** – DI8-X1: Wide-range power supply unit, incl. 2 non-grouped digital inputs and 6 grouped digital inputs
- X2** – OR-6: Assembly Group with 6 Relay Outputs
- X3** – TI-4: Standard current measuring card
- X4** – TU: Card with 4 voltage transformer measuring inputs and 5 output relays
- X5** – DI8-OR4: Assembly Group with 8 Digital Inputs and 4 Output Relays
- X6** – DI8-OR4: Assembly Group with 8 Digital Inputs and 4 Output Relays
- X100** – Modbus TCP / DNP3.0 TCP/UDP, Ethernet interface, 100 Mbit/s, RJ45 (BASE100-FX)
- X102** – Long-distance Protection Communication, Fiber optics interface, LC Connector
- X104** – IRIG-B00X, incl. System Contact (Supervision Contact)

MCDLV4-2E0H0DA



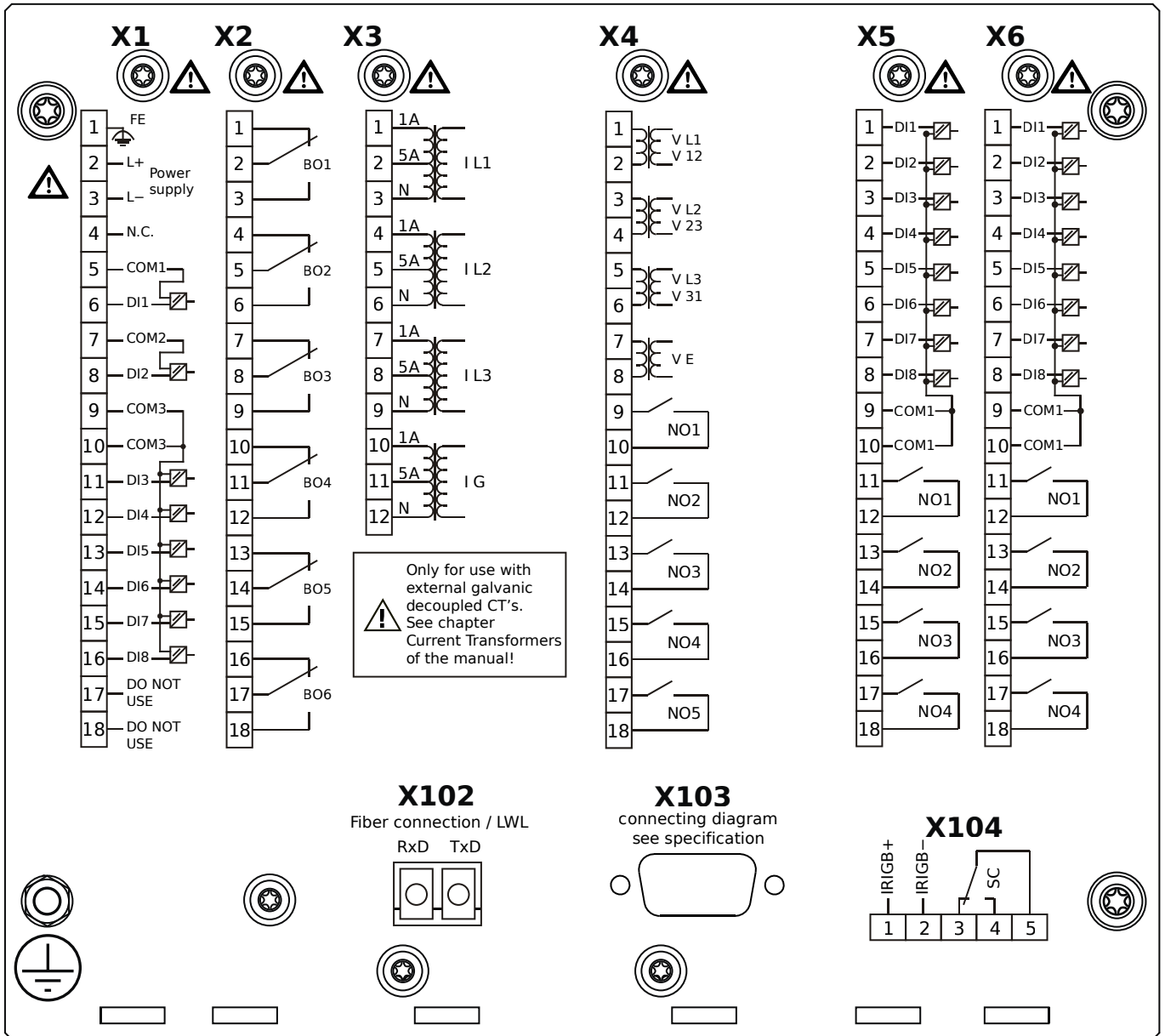
- X1** – DI8-X1: Wide-range power supply unit, incl. 2 non-grouped digital inputs and 6 grouped digital inputs
- X2** – OR-6: Assembly Group with 6 Relay Outputs
- X3** – TI-4: Standard current measuring card
- X4** – TU: Card with 4 voltage transformer measuring inputs and 5 output relays
- X5** – DI8-OR4: Assembly Group with 8 Digital Inputs and 4 Output Relays
- X6** – DI8-OR4: Assembly Group with 8 Digital Inputs and 4 Output Relays
- X102** – Long-distance Protection Communication, Fiber optics interface, LC Connector
- X103** – Profibus-DP, Fiber optics interface, ST Connector
- X104** – IRIG-B00X, incl. System Contact (Supervision Contact)

MCDLV4-2E0H0DB



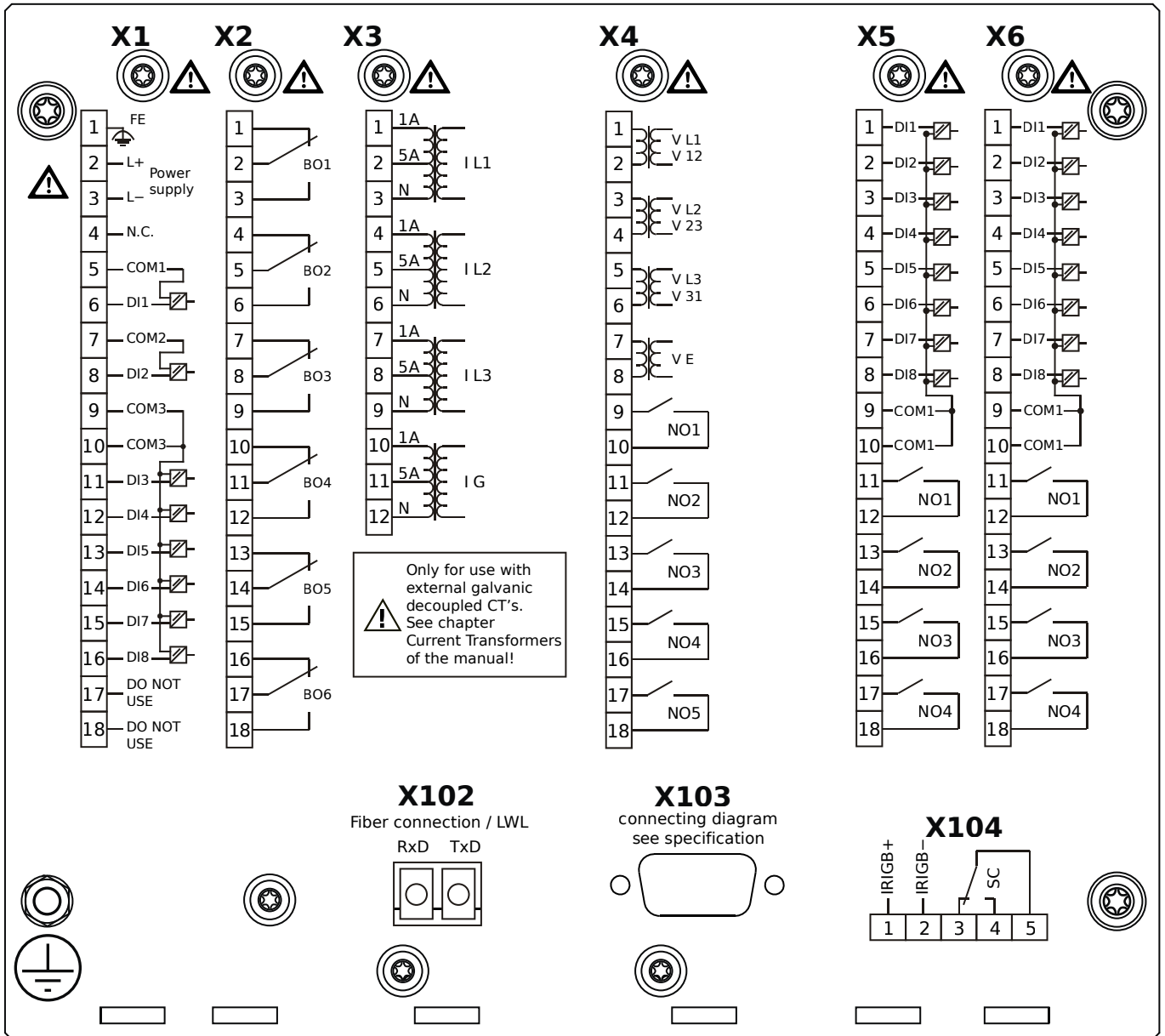
- X1** – DI8-X1: Wide-range power supply unit, incl. 2 non-grouped digital inputs and 6 grouped digital inputs
- X2** – OR-6: Assembly Group with 6 Relay Outputs
- X3** – TI-4: Standard current measuring card
- X4** – TU: Card with 4 voltage transformer measuring inputs and 5 output relays
- X5** – DI8-OR4: Assembly Group with 8 Digital Inputs and 4 Output Relays
- X6** – DI8-OR4: Assembly Group with 8 Digital Inputs and 4 Output Relays
- X102** – Long-distance Protection Communication, Fiber optics interface, LC Connector
- X103** – Profibus-DP, Fiber optics interface, ST Connector
- X104** – IRIG-B00X, incl. System Contact (Supervision Contact)

MCDLV4-2E0H0EA



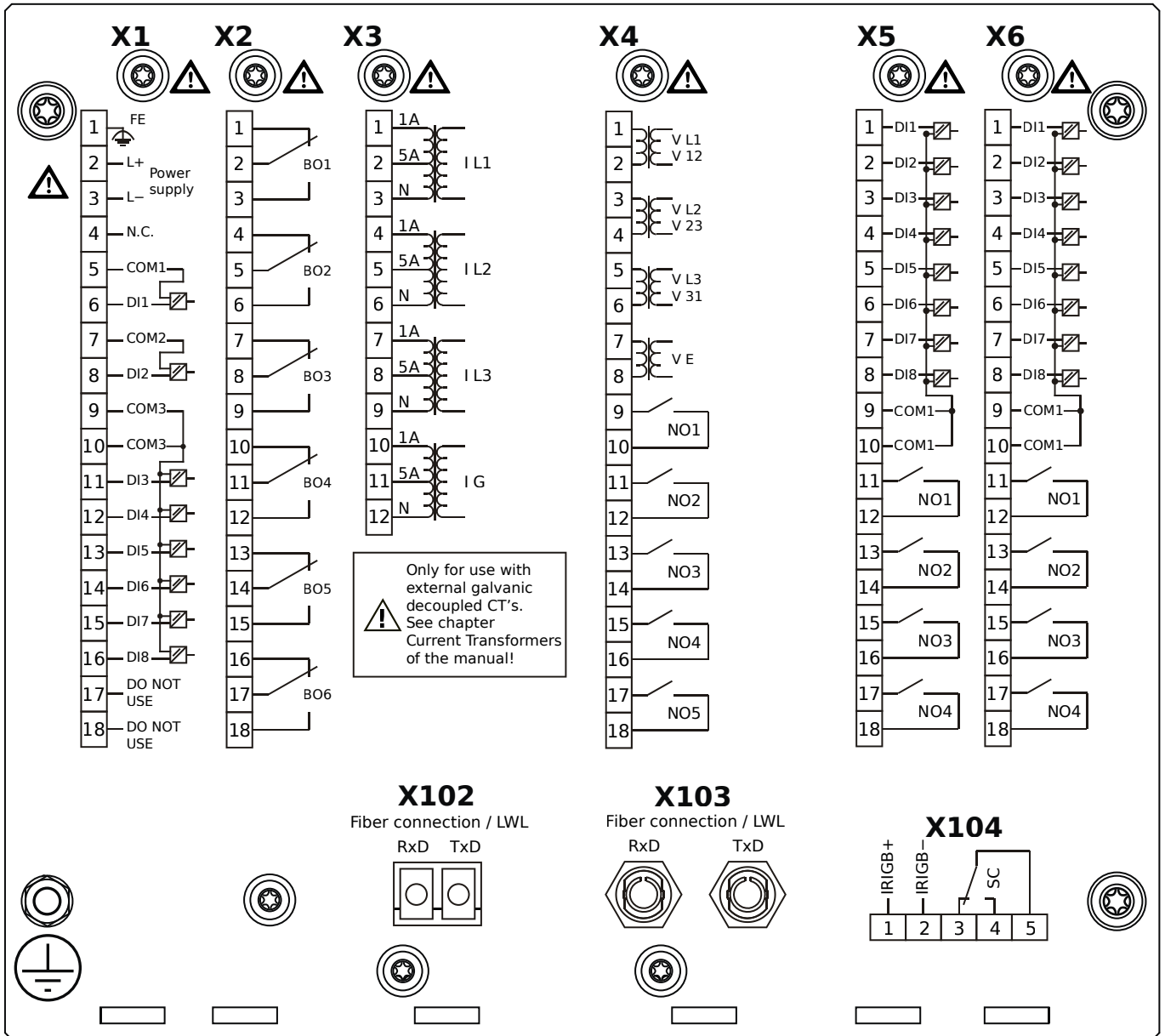
- X1** – DI8-X1: Wide-range power supply unit, incl. 2 non-grouped digital inputs and 6 grouped digital inputs
- X2** – OR-6: Assembly Group with 6 Relay Outputs
- X3** – TI-4: Standard current measuring card
- X4** – TU: Card with 4 voltage transformer measuring inputs and 5 output relays
- X5** – DI8-OR4: Assembly Group with 8 Digital Inputs and 4 Output Relays
- X6** – DI8-OR4: Assembly Group with 8 Digital Inputs and 4 Output Relays
- X102** – Long-distance Protection Communication, Fiber optics interface, LC Connector
- X103** – Profibus-DP, RS485, D-SUB
- X104** – IRIG-B00X, incl. System Contact (Supervision Contact)

MCDLV4-2E0H0EB



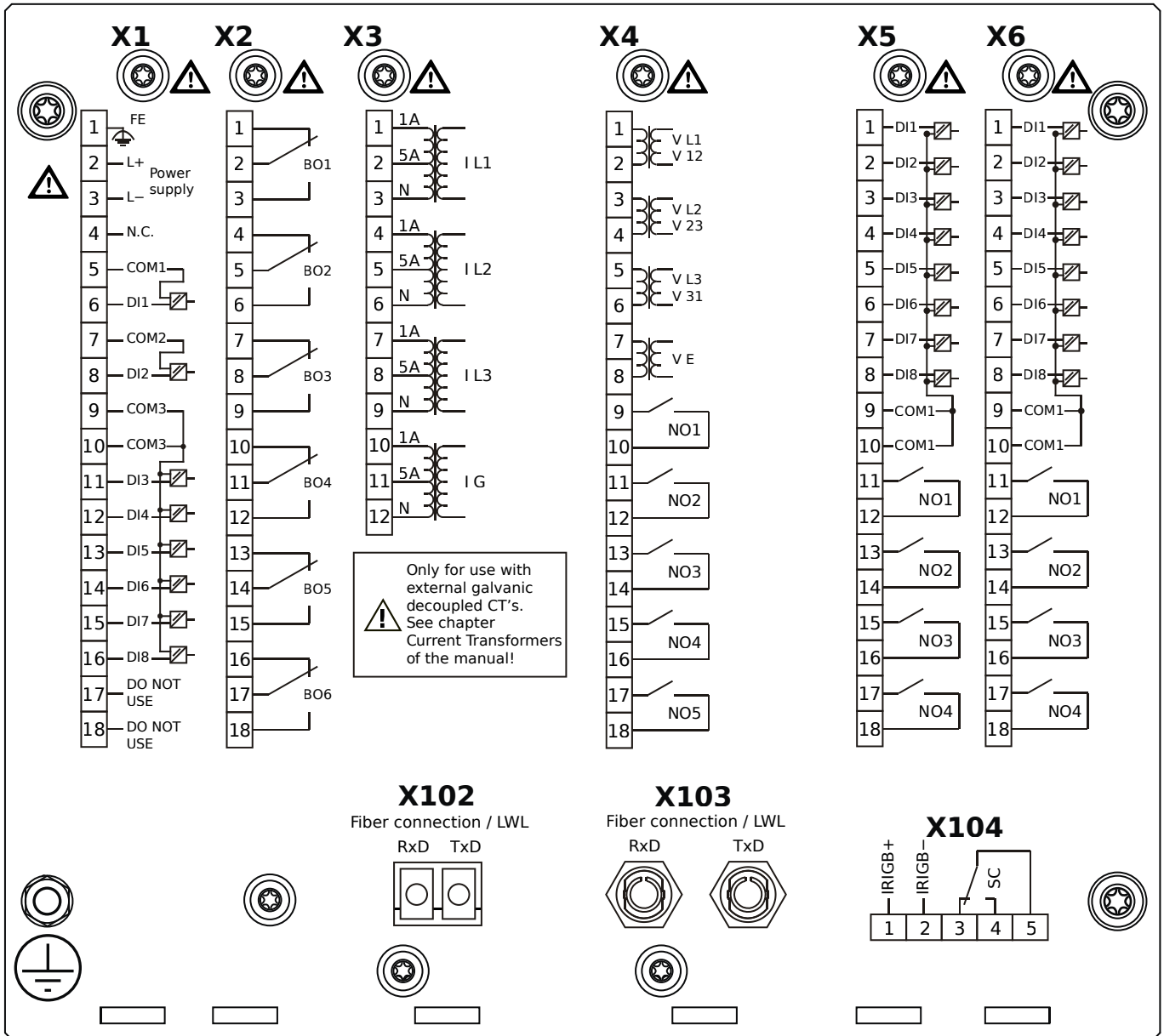
- X1** – DI8-X1: Wide-range power supply unit, incl. 2 non-grouped digital inputs and 6 grouped digital inputs
- X2** – OR-6: Assembly Group with 6 Relay Outputs
- X3** – TI-4: Standard current measuring card
- X4** – TU: Card with 4 voltage transformer measuring inputs and 5 output relays
- X5** – DI8-OR4: Assembly Group with 8 Digital Inputs and 4 Output Relays
- X6** – DI8-OR4: Assembly Group with 8 Digital Inputs and 4 Output Relays
- X102** – Long-distance Protection Communication, Fiber optics interface, LC Connector
- X103** – Profibus-DP, RS485, D-SUB
- X104** – IRIG-B00X, incl. System Contact (Supervision Contact)

MCDLV4-2E0H0FA



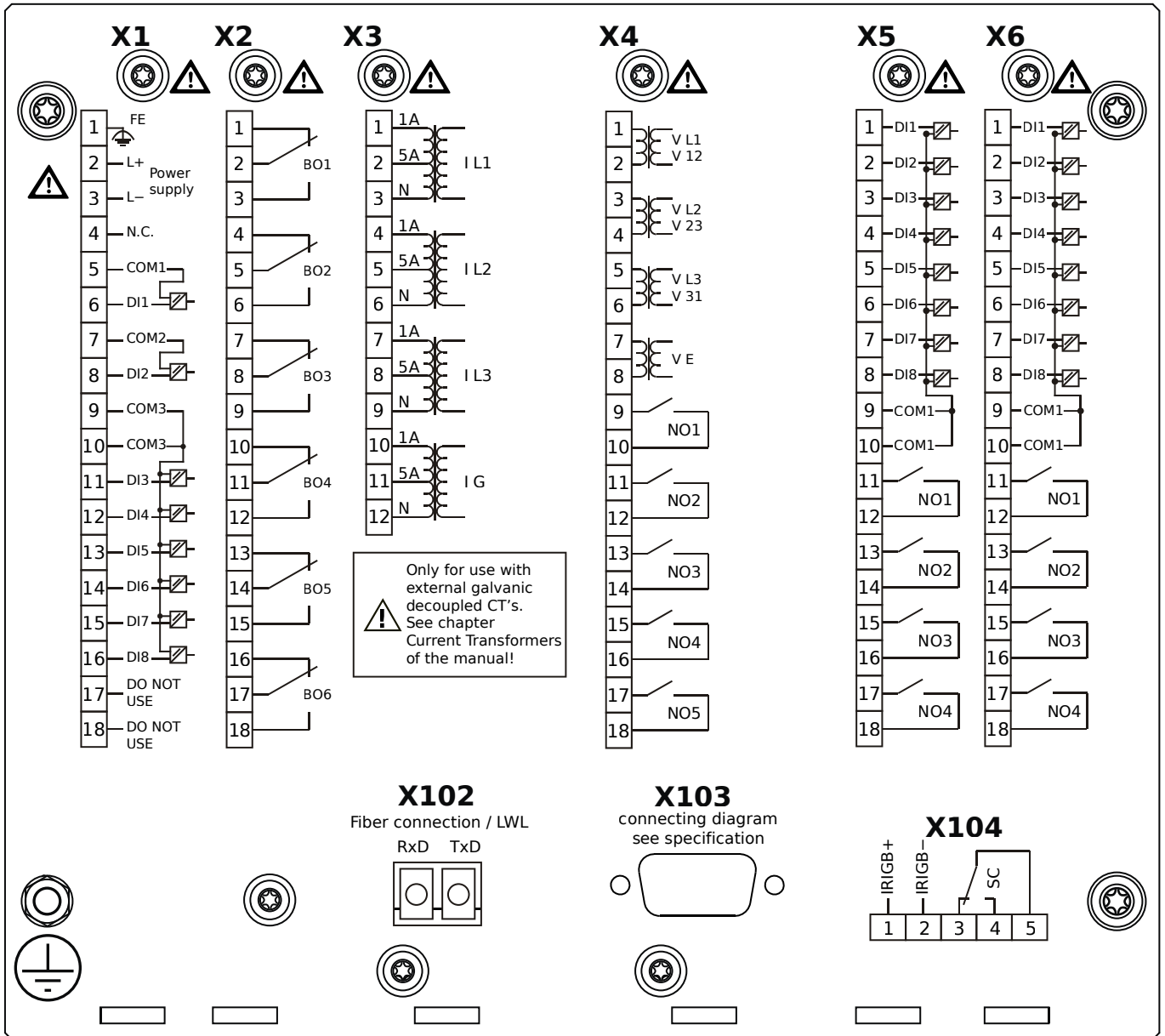
- X1** – DI8-X1: Wide-range power supply unit, incl. 2 non-grouped digital inputs and 6 grouped digital inputs
- X2** – OR-6: Assembly Group with 6 Relay Outputs
- X3** – TI-4: Standard current measuring card
- X4** – TU: Card with 4 voltage transformer measuring inputs and 5 output relays
- X5** – DI8-OR4: Assembly Group with 8 Digital Inputs and 4 Output Relays
- X6** – DI8-OR4: Assembly Group with 8 Digital Inputs and 4 Output Relays
- X102** – Long-distance Protection Communication, Fiber optics interface, LC Connector
- X103** – Modbus RTU / IEC 60870-5-103 / DNP3.0 RTU, Fiber optics interface, ST Connector
- X104** – IRIG-B00X, incl. System Contact (Supervision Contact)

MCDLV4-2E0H0FB



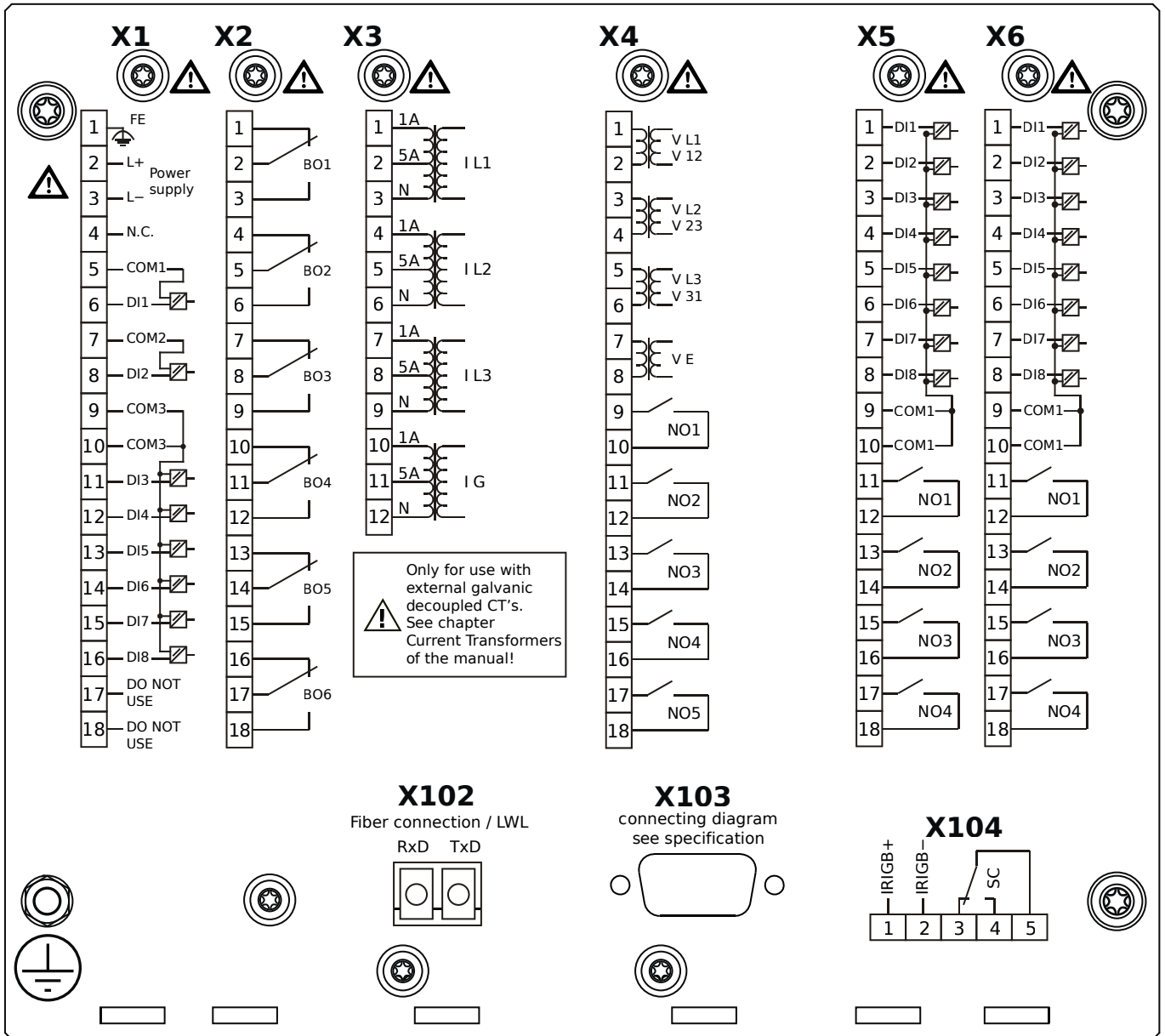
- X1** – DI8-X1: Wide-range power supply unit, incl. 2 non-grouped digital inputs and 6 grouped digital inputs
- X2** – OR-6: Assembly Group with 6 Relay Outputs
- X3** – TI-4: Standard current measuring card
- X4** – TU: Card with 4 voltage transformer measuring inputs and 5 output relays
- X5** – DI8-OR4: Assembly Group with 8 Digital Inputs and 4 Output Relays
- X6** – DI8-OR4: Assembly Group with 8 Digital Inputs and 4 Output Relays
- X102** – Long-distance Protection Communication, Fiber optics interface, LC Connector
- X103** – Modbus RTU / IEC 60870-5-103 / DNP3.0 RTU, Fiber optics interface, ST Connector
- X104** – IRIG-B00X, incl. System Contact (Supervision Contact)

MCDLV4-2E0H0GA



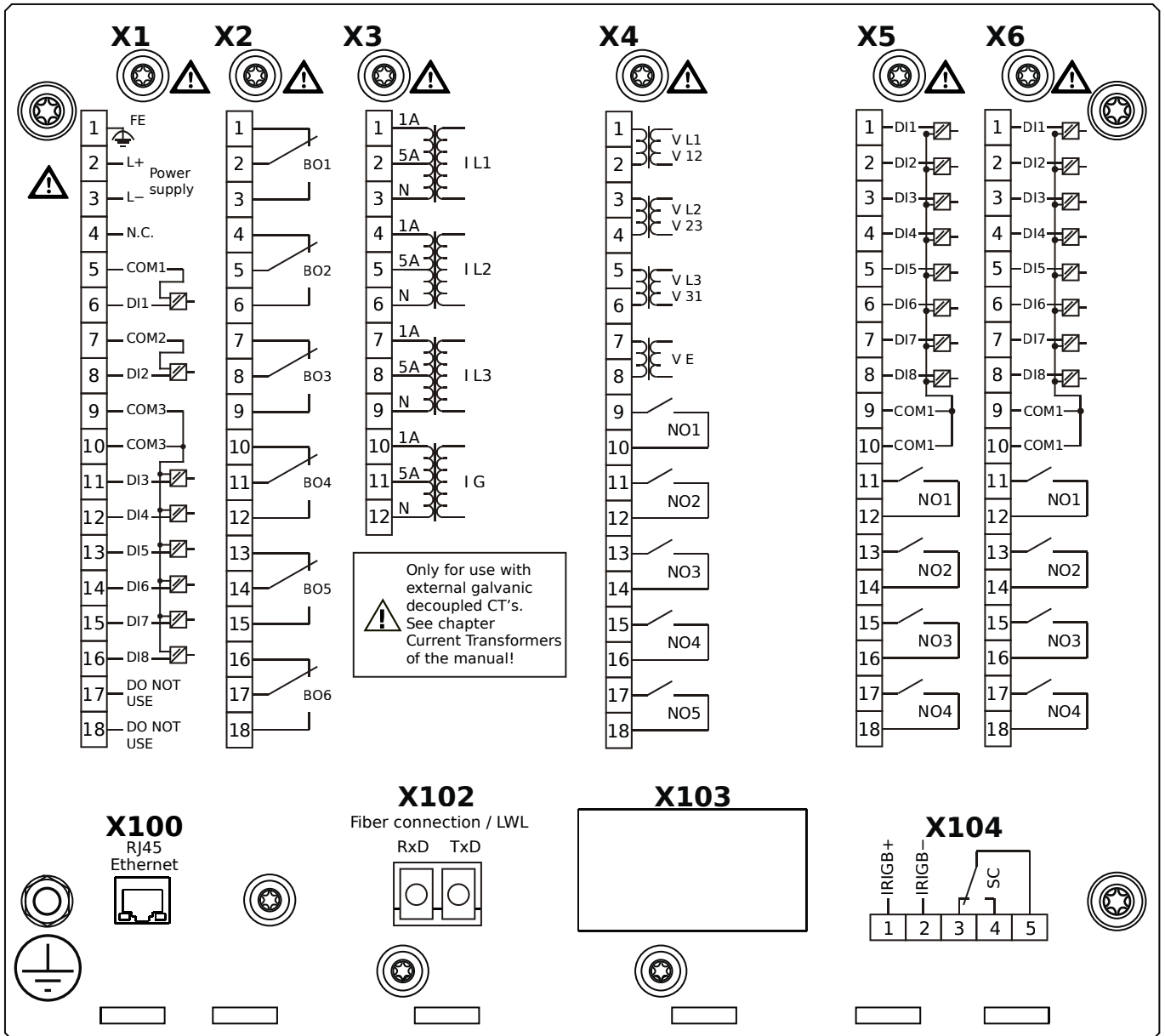
- X1** – DI8-X1: Wide-range power supply unit, incl. 2 non-grouped digital inputs and 6 grouped digital inputs
- X2** – OR-6: Assembly Group with 6 Relay Outputs
- X3** – TI-4: Standard current measuring card
- X4** – TU: Card with 4 voltage transformer measuring inputs and 5 output relays
- X5** – DI8-OR4: Assembly Group with 8 Digital Inputs and 4 Output Relays
- X6** – DI8-OR4: Assembly Group with 8 Digital Inputs and 4 Output Relays
- X102** – Long-distance Protection Communication, Fiber optics interface, LC Connector
- X103** – Modbus RTU / IEC 60870-5-103 / DNP3.0 RTU, RS485, D-SUB
- X104** – IRIG-B00X, incl. System Contact (Supervision Contact)

MCDLV4-2E0H0GB



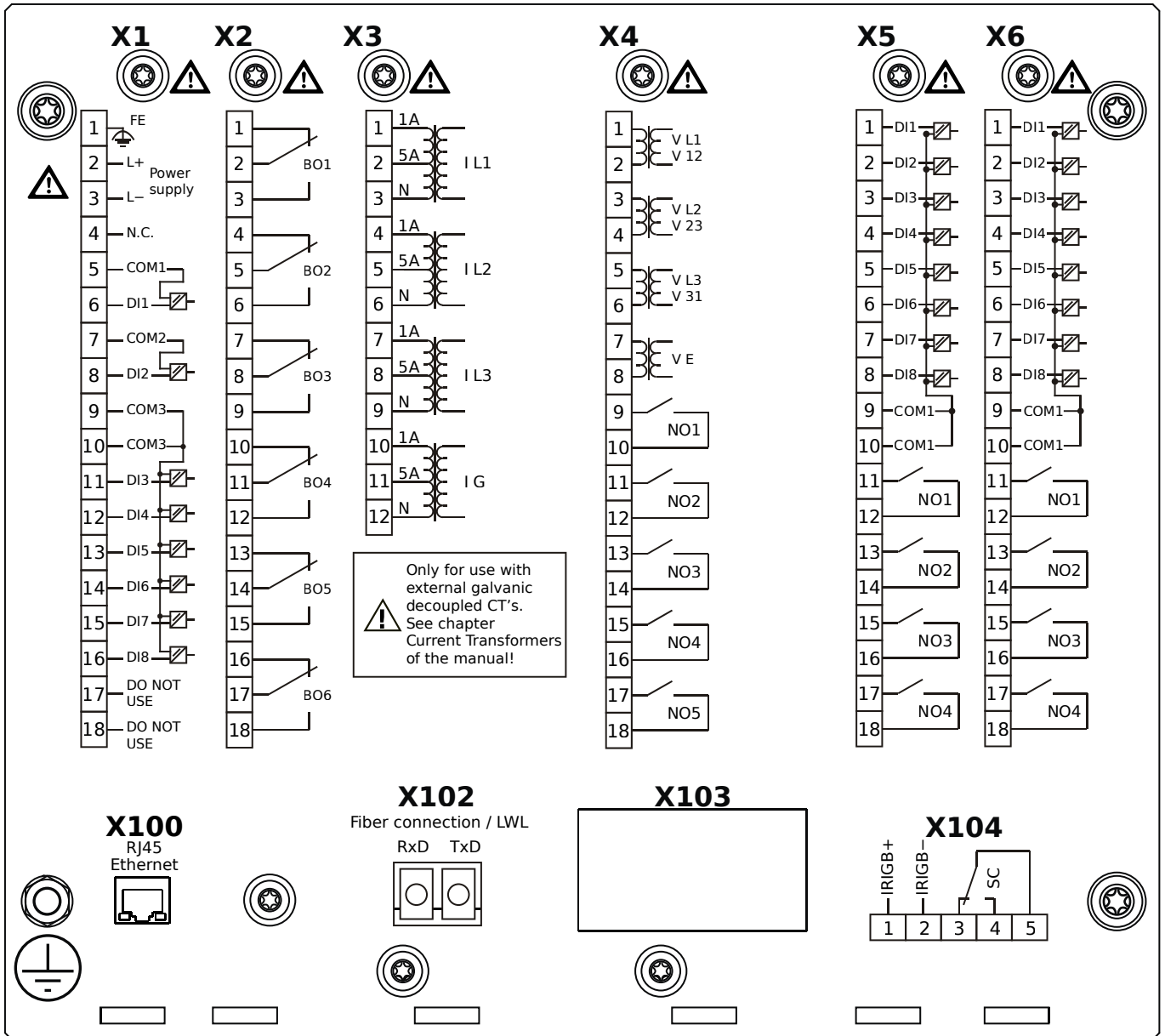
- X1** – DI8-X1: Wide-range power supply unit, incl. 2 non-grouped digital inputs and 6 grouped digital inputs
- X2** – OR-6: Assembly Group with 6 Relay Outputs
- X3** – TI-4: Standard current measuring card
- X4** – TU: Card with 4 voltage transformer measuring inputs and 5 output relays
- X5** – DI8-OR4: Assembly Group with 8 Digital Inputs and 4 Output Relays
- X6** – DI8-OR4: Assembly Group with 8 Digital Inputs and 4 Output Relays
- X102** – Long-distance Protection Communication, Fiber optics interface, LC Connector
- X103** – Modbus RTU / IEC 60870-5-103 / DNP3.0 RTU, RS485, D-SUB
- X104** – IRIG-B00X, incl. System Contact (Supervision Contact)

MCDLV4-2E0H0HA



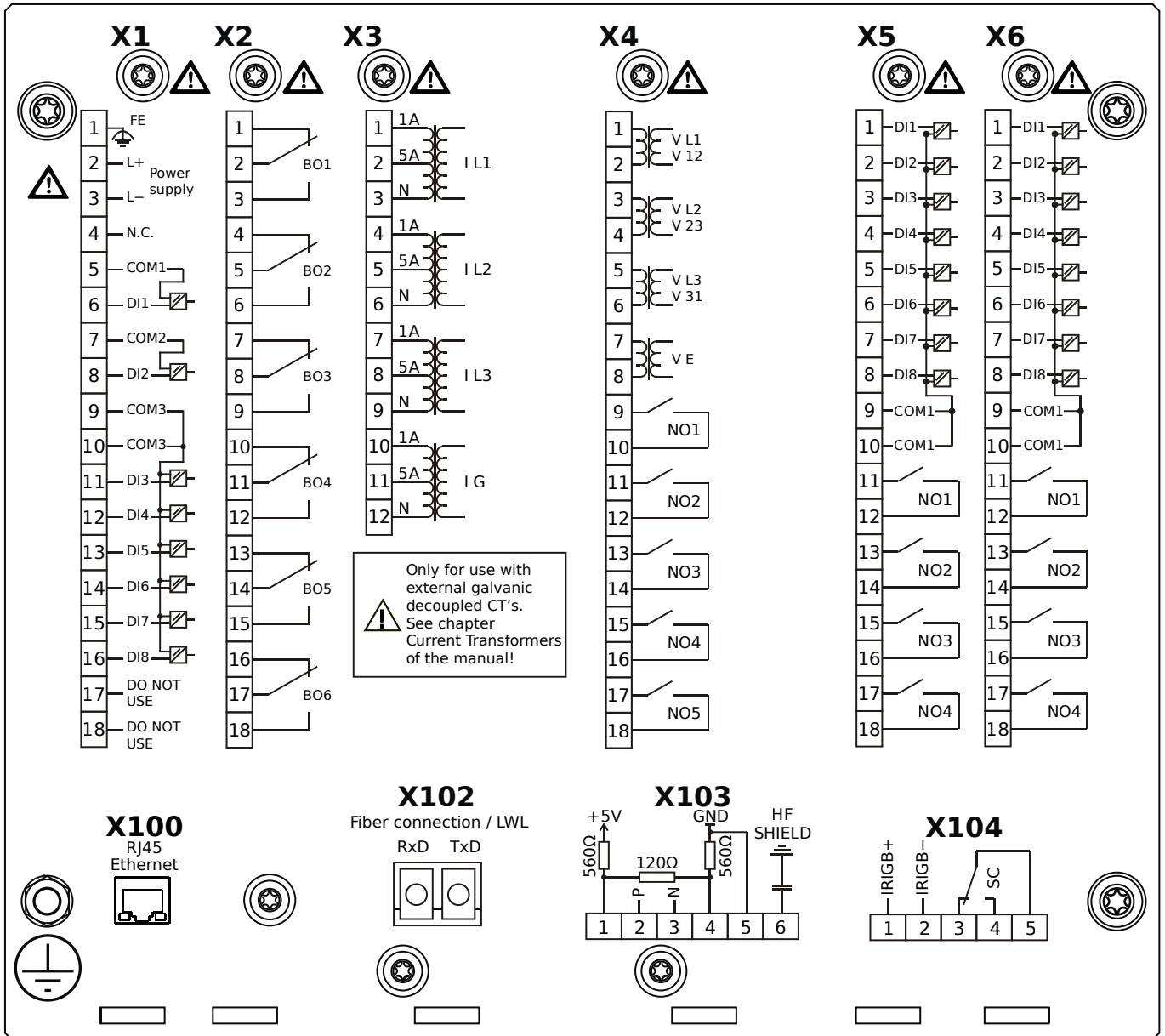
- X1** – DI8-X1: Wide-range power supply unit, incl. 2 non-grouped digital inputs and 6 grouped digital inputs
- X2** – OR-6: Assembly Group with 6 Relay Outputs
- X3** – TI-4: Standard current measuring card
- X4** – TU: Card with 4 voltage transformer measuring inputs and 5 output relays
- X5** – DI8-OR4: Assembly Group with 8 Digital Inputs and 4 Output Relays
- X6** – DI8-OR4: Assembly Group with 8 Digital Inputs and 4 Output Relays
- X100** – IEC 61850 / Modbus TCP / DNP3.0 TCP/UDP, Ethernet interface, 100 Mbit/s, RJ45 (BASE100-FX)
- X102** – Long-distance Protection Communication, Fiber optics interface, LC Connector
- X104** – IRIG-B00X, incl. System Contact (Supervision Contact)

MCDLV4-2E0H0HB



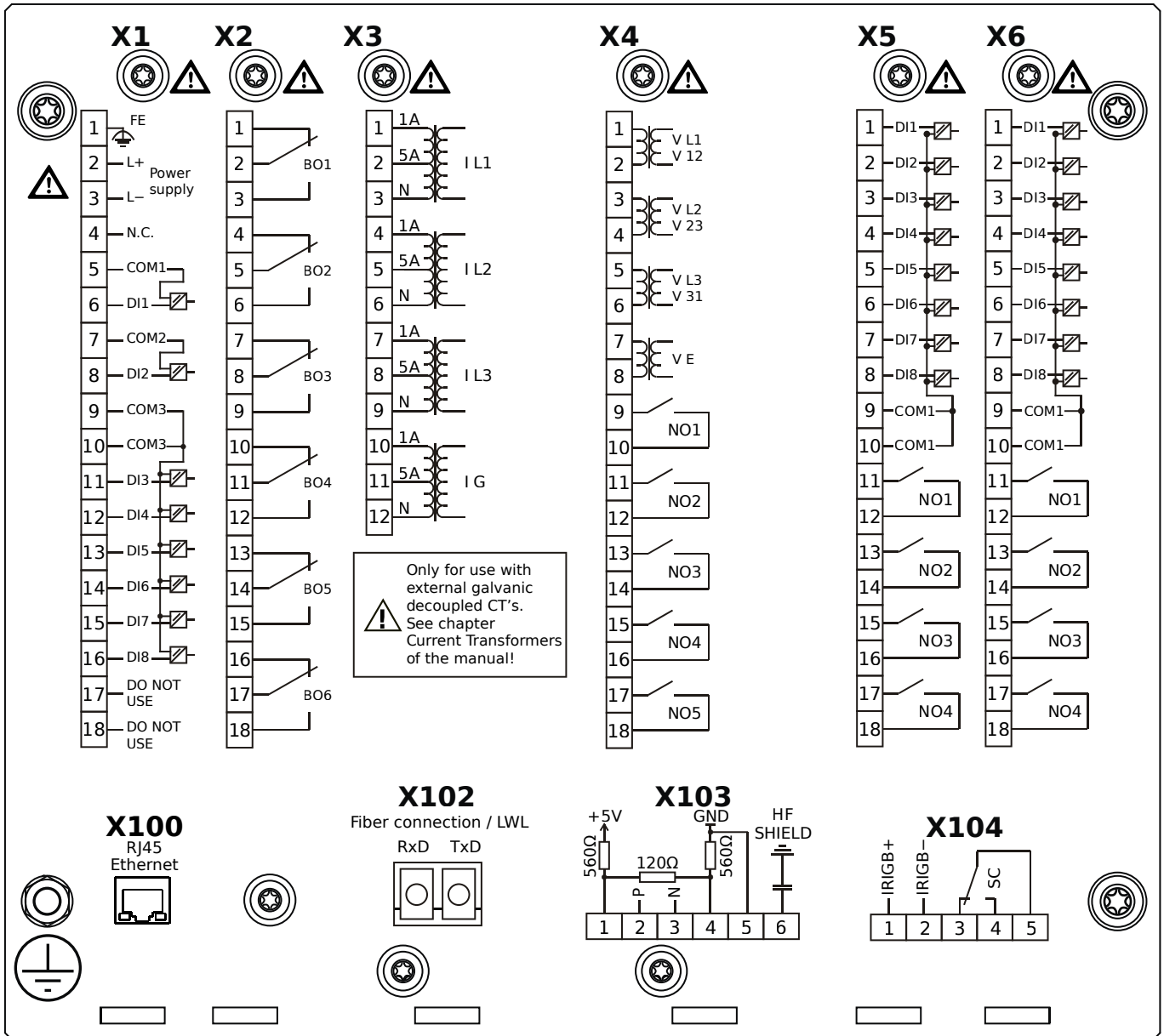
- X1** – DI8-X1: Wide-range power supply unit, incl. 2 non-grouped digital inputs and 6 grouped digital inputs
- X2** – OR-6: Assembly Group with 6 Relay Outputs
- X3** – TI-4: Standard current measuring card
- X4** – TU: Card with 4 voltage transformer measuring inputs and 5 output relays
- X5** – DI8-OR4: Assembly Group with 8 Digital Inputs and 4 Output Relays
- X6** – DI8-OR4: Assembly Group with 8 Digital Inputs and 4 Output Relays
- X100** – IEC 61850 / Modbus TCP / DNP3.0 TCP/UDP, Ethernet interface, 100 Mbit/s, RJ45 (BASE100-FX)
- X102** – Long-distance Protection Communication, Fiber optics interface, LC Connector
- X104** – IRIG-B00X, incl. System Contact (Supervision Contact)

MCDLV4-2E0H0IA



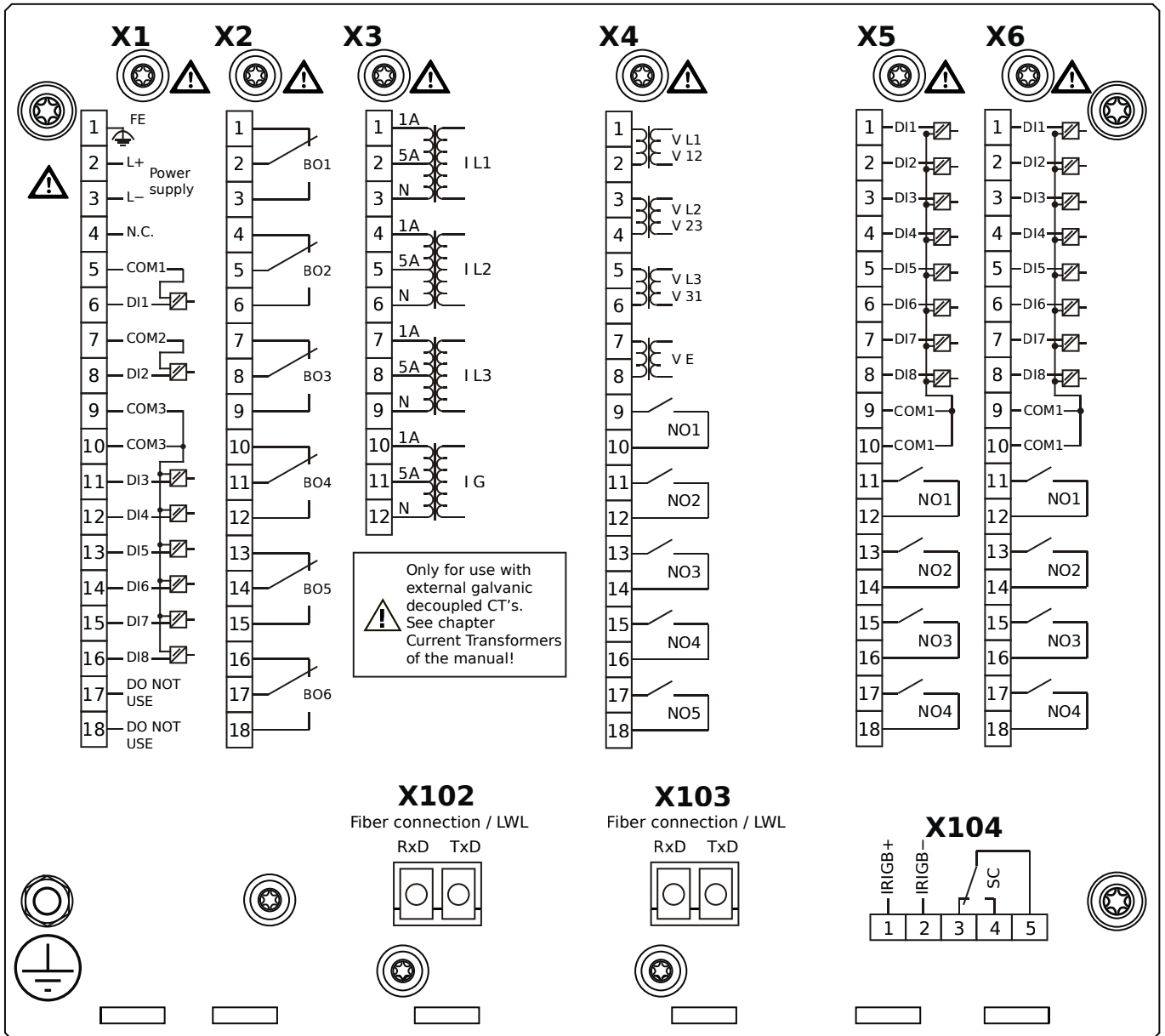
- X1** – DI8-X1: Wide-range power supply unit, incl. 2 non-grouped digital inputs and 6 grouped digital inputs
- X2** – OR-6: Assembly Group with 6 Relay Outputs
- X3** – TI-4: Standard current measuring card
- X4** – TU: Card with 4 voltage transformer measuring inputs and 5 output relays
- X5** – DI8-OR4: Assembly Group with 8 Digital Inputs and 4 Output Relays
- X6** – DI8-OR4: Assembly Group with 8 Digital Inputs and 4 Output Relays
- X100** – Modbus TCP / DNP3.0 TCP/UDP, Ethernet interface, 100 Mbit/s, RJ45 (BASE100-FX)
- X102** – Long-distance Protection Communication, Fiber optics interface, LC Connector
- X103** – IEC 60870-5-103 / Modbus RTU / DNP3.0 RTU, RS485, Terminals
- X104** – IRIG-B00X, incl. System Contact (Supervision Contact)

MCDLV4-2E0H0IB



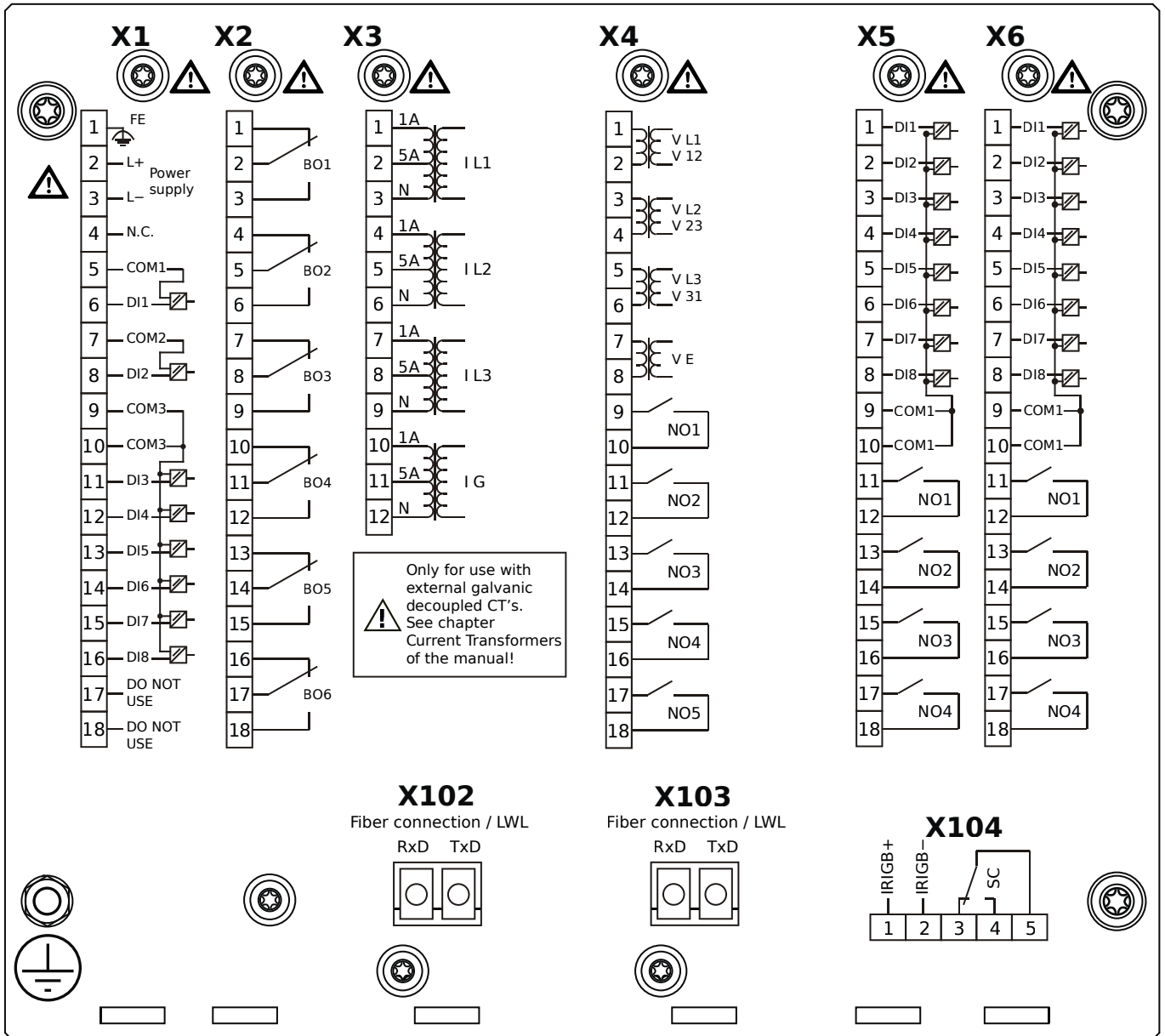
- X1** – DI8-X1: Wide-range power supply unit, incl. 2 non-grouped digital inputs and 6 grouped digital inputs
- X2** – OR-6: Assembly Group with 6 Relay Outputs
- X3** – TI-4: Standard current measuring card
- X4** – TU: Card with 4 voltage transformer measuring inputs and 5 output relays
- X5** – DI8-OR4: Assembly Group with 8 Digital Inputs and 4 Output Relays
- X6** – DI8-OR4: Assembly Group with 8 Digital Inputs and 4 Output Relays
- X100** – Modbus TCP / DNP3.0 TCP/UDP, Ethernet interface, 100 Mbit/s, RJ45 (BASE100-FX)
- X102** – Long-distance Protection Communication, Fiber optics interface, LC Connector
- X103** – IEC 60870-5-103 / Modbus RTU / DNP3.0 RTU, RS485, Terminals
- X104** – IRIG-B00X, incl. System Contact (Supervision Contact)

MCDLV4-2E0H0KA



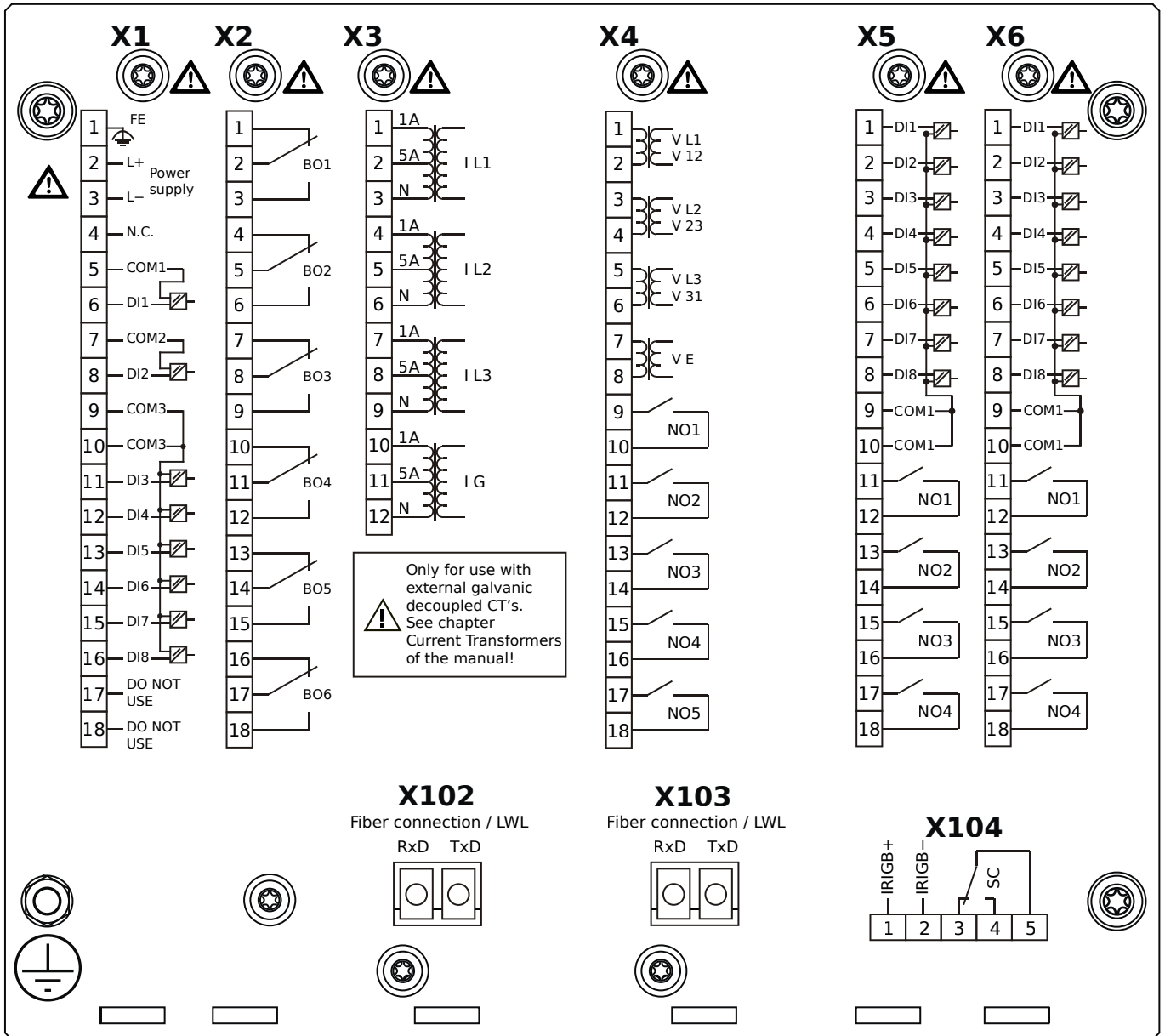
- X1** – DI8-X1: Wide-range power supply unit, incl. 2 non-grouped digital inputs and 6 grouped digital inputs
- X2** – OR-6: Assembly Group with 6 Relay Outputs
- X3** – TI-4: Standard current measuring card
- X4** – TU: Card with 4 voltage transformer measuring inputs and 5 output relays
- X5** – DI8-OR4: Assembly Group with 8 Digital Inputs and 4 Output Relays
- X6** – DI8-OR4: Assembly Group with 8 Digital Inputs and 4 Output Relays
- X102** – Long-distance Protection Communication, Fiber optics interface, LC Connector
- X103** – IEC 61850 / Modbus TCP / DNP3.0 TCP/UDP, Fiber optics interface, LC Connector
- X104** – IRIG-B00X, incl. System Contact (Supervision Contact)

MCDLV4-2E0H0KB



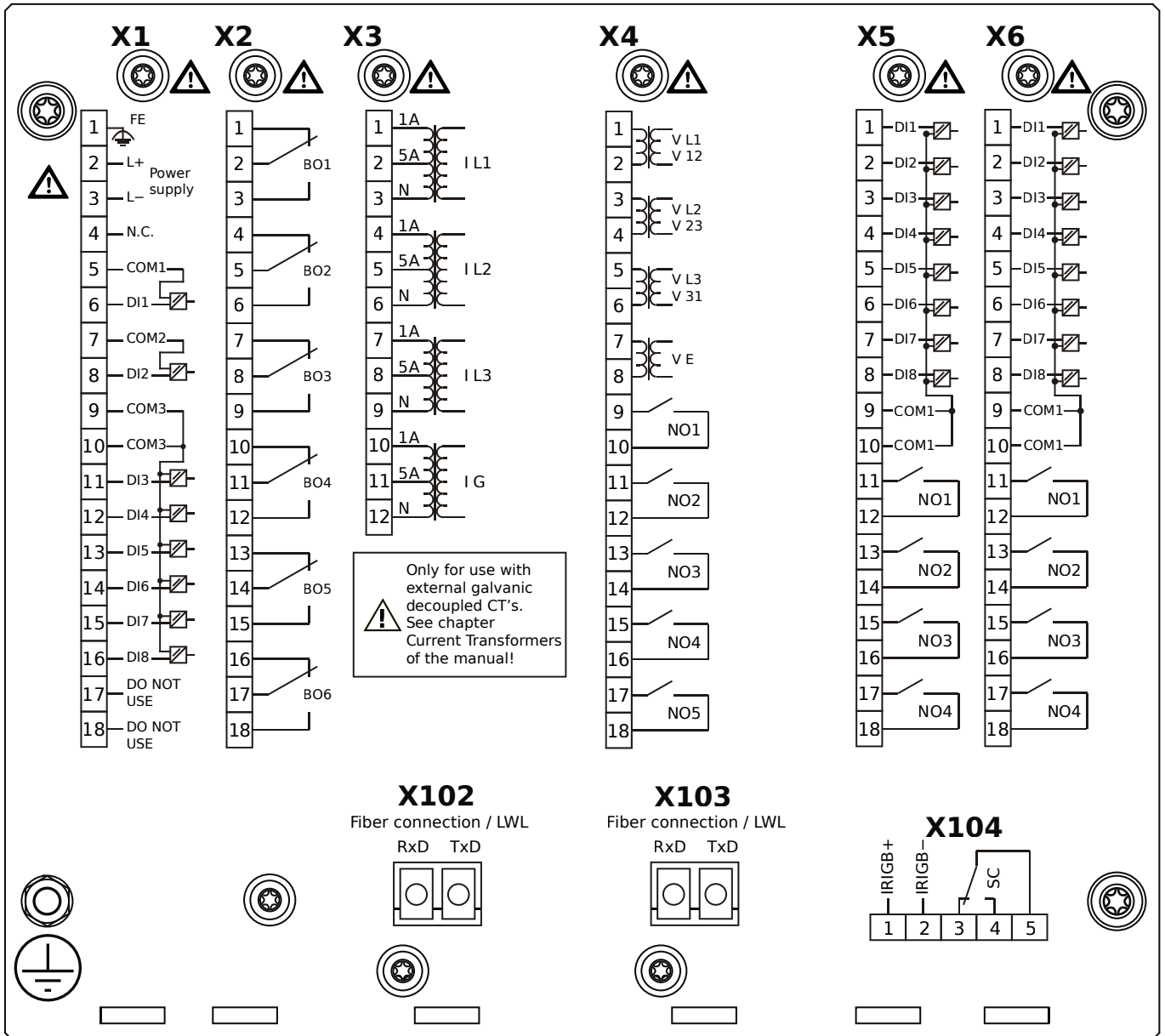
- X1** – DI8-X1: Wide-range power supply unit, incl. 2 non-grouped digital inputs and 6 grouped digital inputs
- X2** – OR-6: Assembly Group with 6 Relay Outputs
- X3** – TI-4: Standard current measuring card
- X4** – TU: Card with 4 voltage transformer measuring inputs and 5 output relays
- X5** – DI8-OR4: Assembly Group with 8 Digital Inputs and 4 Output Relays
- X6** – DI8-OR4: Assembly Group with 8 Digital Inputs and 4 Output Relays
- X102** – Long-distance Protection Communication, Fiber optics interface, LC Connector
- X103** – IEC 61850 / Modbus TCP / DNP3.0 TCP/UDP, Fiber optics interface, LC Connector
- X104** – IRIG-B00X, incl. System Contact (Supervision Contact)

MCDLV4-2E0H0LA



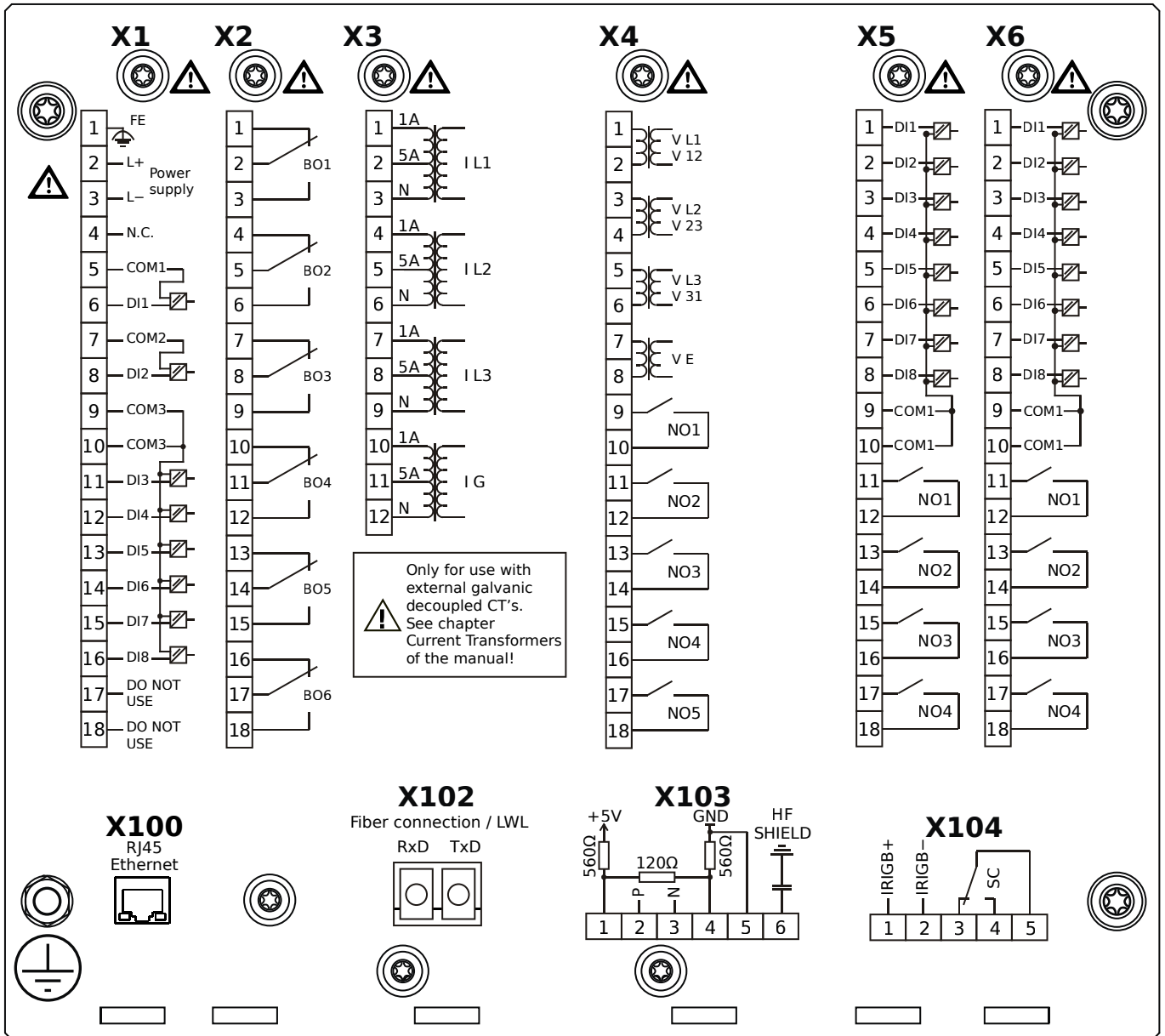
- X1** – DI8-X1: Wide-range power supply unit, incl. 2 non-grouped digital inputs and 6 grouped digital inputs
- X2** – OR-6: Assembly Group with 6 Relay Outputs
- X3** – TI-4: Standard current measuring card
- X4** – TU: Card with 4 voltage transformer measuring inputs and 5 output relays
- X5** – DI8-OR4: Assembly Group with 8 Digital Inputs and 4 Output Relays
- X6** – DI8-OR4: Assembly Group with 8 Digital Inputs and 4 Output Relays
- X102** – Long-distance Protection Communication, Fiber optics interface, LC Connector
- X103** – Modbus TCP / DNP3.0 TCP/UDP, Fiber optics interface, LC Connector
- X104** – IRIG-B00X, incl. System Contact (Supervision Contact)

MCDLV4-2E0H0LB



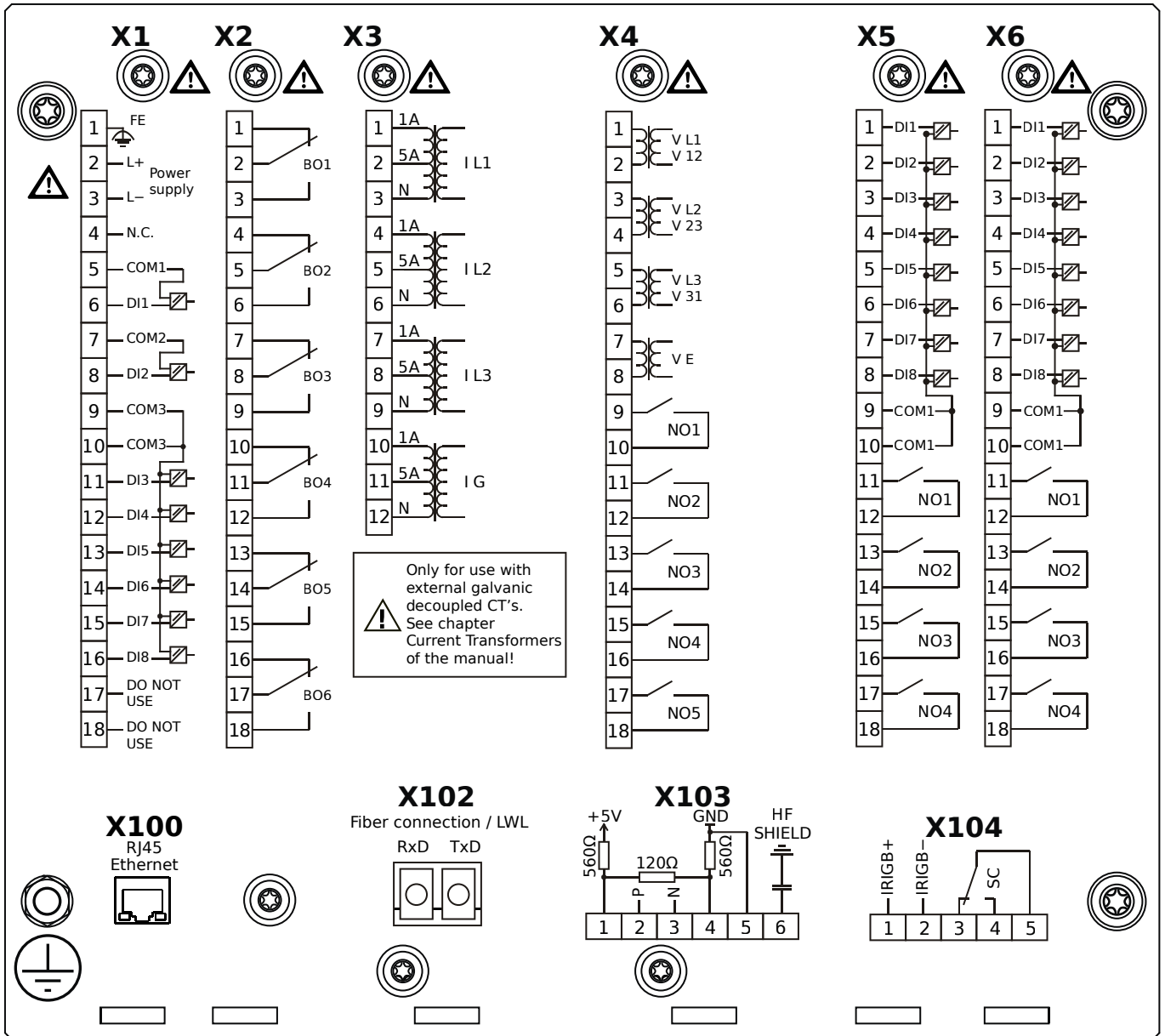
- X1** – DI8-X1: Wide-range power supply unit, incl. 2 non-grouped digital inputs and 6 grouped digital inputs
- X2** – OR-6: Assembly Group with 6 Relay Outputs
- X3** – TI-4: Standard current measuring card
- X4** – TU: Card with 4 voltage transformer measuring inputs and 5 output relays
- X5** – DI8-OR4: Assembly Group with 8 Digital Inputs and 4 Output Relays
- X6** – DI8-OR4: Assembly Group with 8 Digital Inputs and 4 Output Relays
- X102** – Long-distance Protection Communication, Fiber optics interface, LC Connector
- X103** – Modbus TCP / DNP3.0 TCP/UDP, Fiber optics interface, LC Connector
- X104** – IRIG-B00X, incl. System Contact (Supervision Contact)

MCDLV4-2E0H0TA



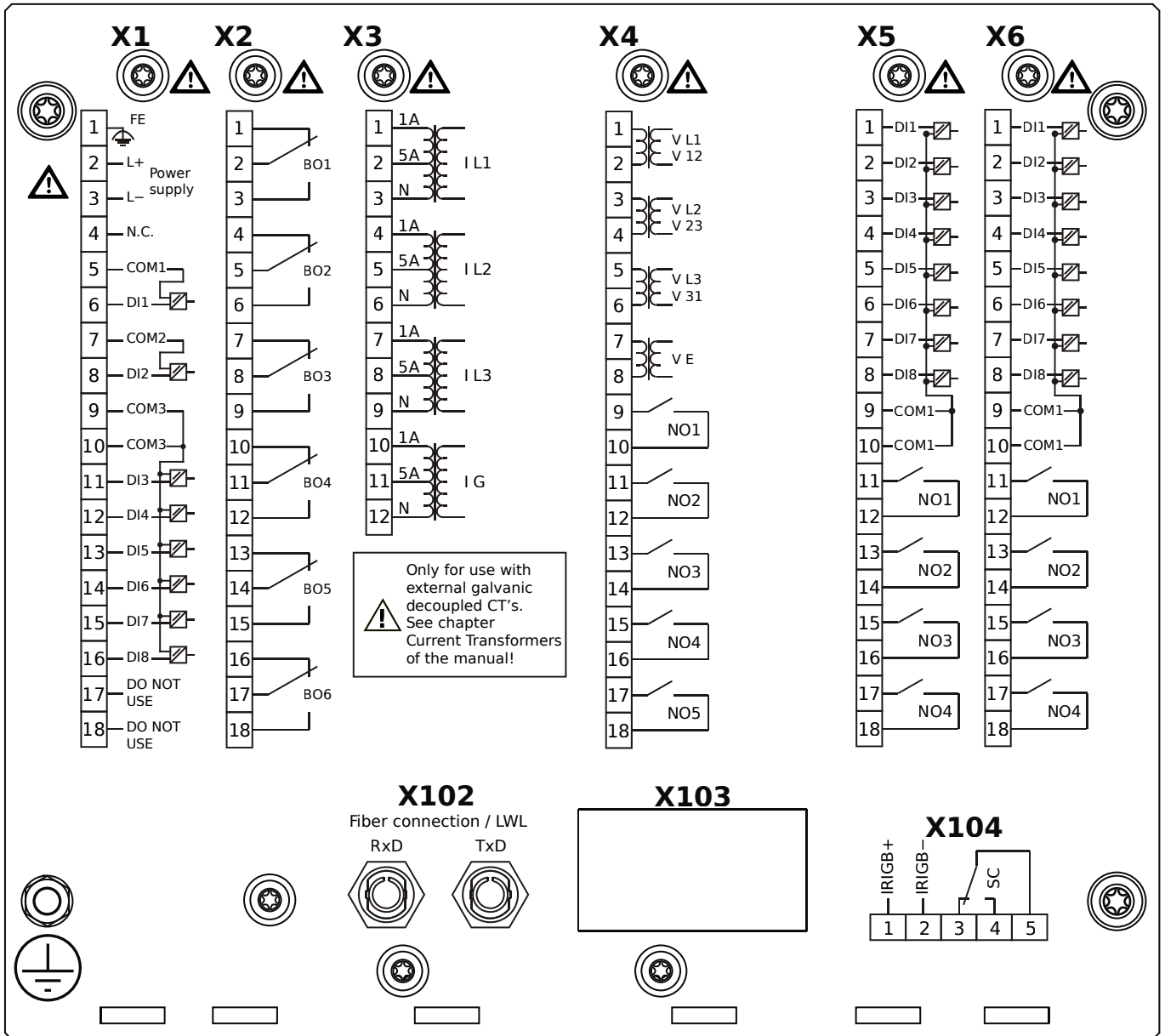
- X1** – DI8-X1: Wide-range power supply unit, incl. 2 non-grouped digital inputs and 6 grouped digital inputs
- X2** – OR-6: Assembly Group with 6 Relay Outputs
- X3** – TI-4: Standard current measuring card
- X4** – TU: Card with 4 voltage transformer measuring inputs and 5 output relays
- X5** – DI8-OR4: Assembly Group with 8 Digital Inputs and 4 Output Relays
- X6** – DI8-OR4: Assembly Group with 8 Digital Inputs and 4 Output Relays
- X100** – IEC 61850 / Modbus TCP / DNP3.0 TCP/UDP, Ethernet interface, 100 Mbit/s, RJ45 (BASE100-FX)
- X102** – Long-distance Protection Communication, Fiber optics interface, LC Connector
- X103** – IEC 60870-5-103 / Modbus RTU / DNP3.0 RTU, RS485, Terminals
- X104** – IRIG-B00X, incl. System Contact (Supervision Contact)

MCDLV4-2E0H0TB



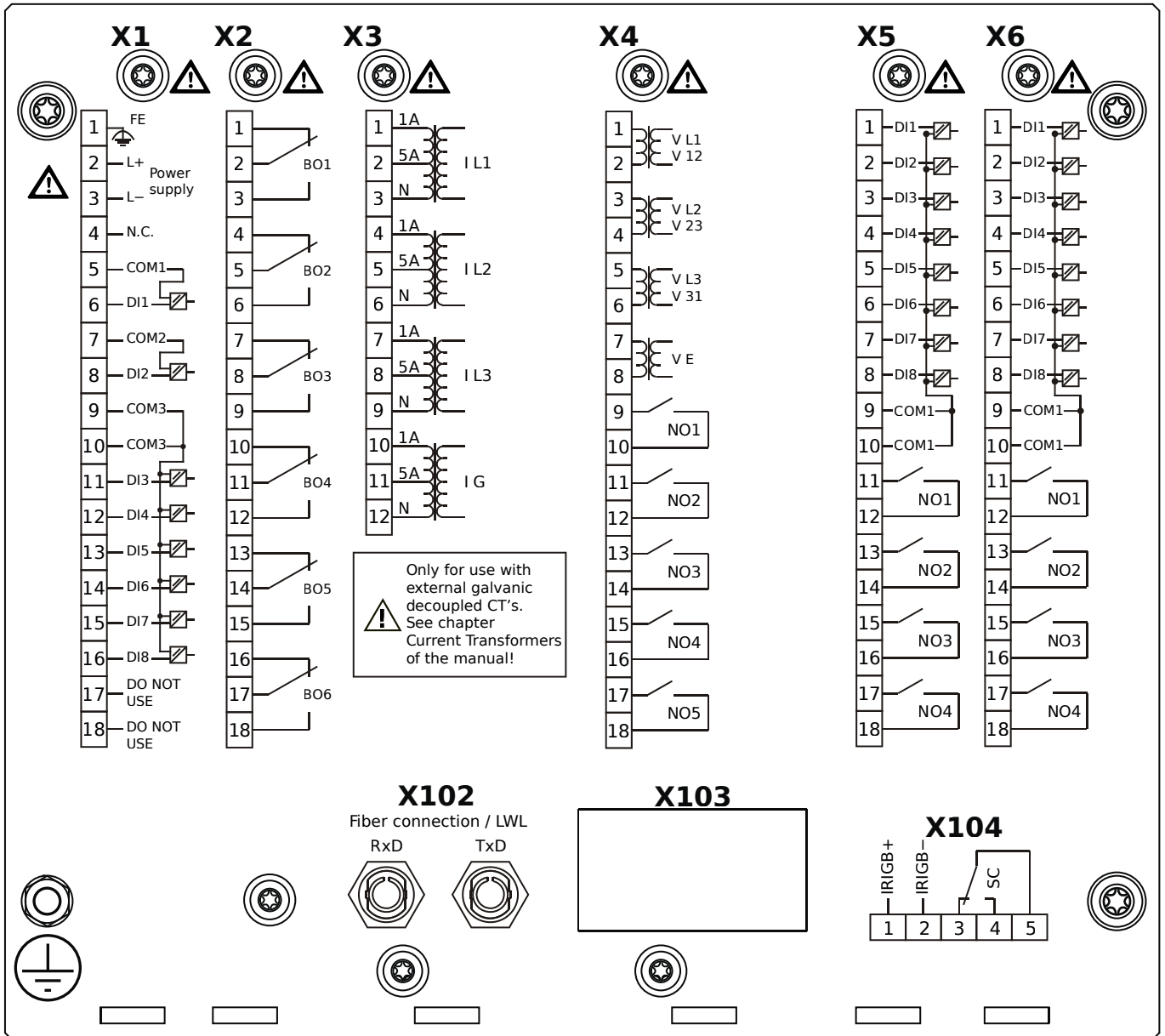
- X1** – DI8-X1: Wide-range power supply unit, incl. 2 non-grouped digital inputs and 6 grouped digital inputs
- X2** – OR-6: Assembly Group with 6 Relay Outputs
- X3** – TI-4: Standard current measuring card
- X4** – TU: Card with 4 voltage transformer measuring inputs and 5 output relays
- X5** – DI8-OR4: Assembly Group with 8 Digital Inputs and 4 Output Relays
- X6** – DI8-OR4: Assembly Group with 8 Digital Inputs and 4 Output Relays
- X100** – IEC 61850 / Modbus TCP / DNP3.0 TCP/UDP, Ethernet interface, 100 Mbit/s, RJ45 (BASE100-FX)
- X102** – Long-distance Protection Communication, Fiber optics interface, LC Connector
- X103** – IEC 60870-5-103 / Modbus RTU / DNP3.0 RTU, RS485, Terminals
- X104** – IRIG-B00X, incl. System Contact (Supervision Contact)

MCDLV4-2E0H1AA



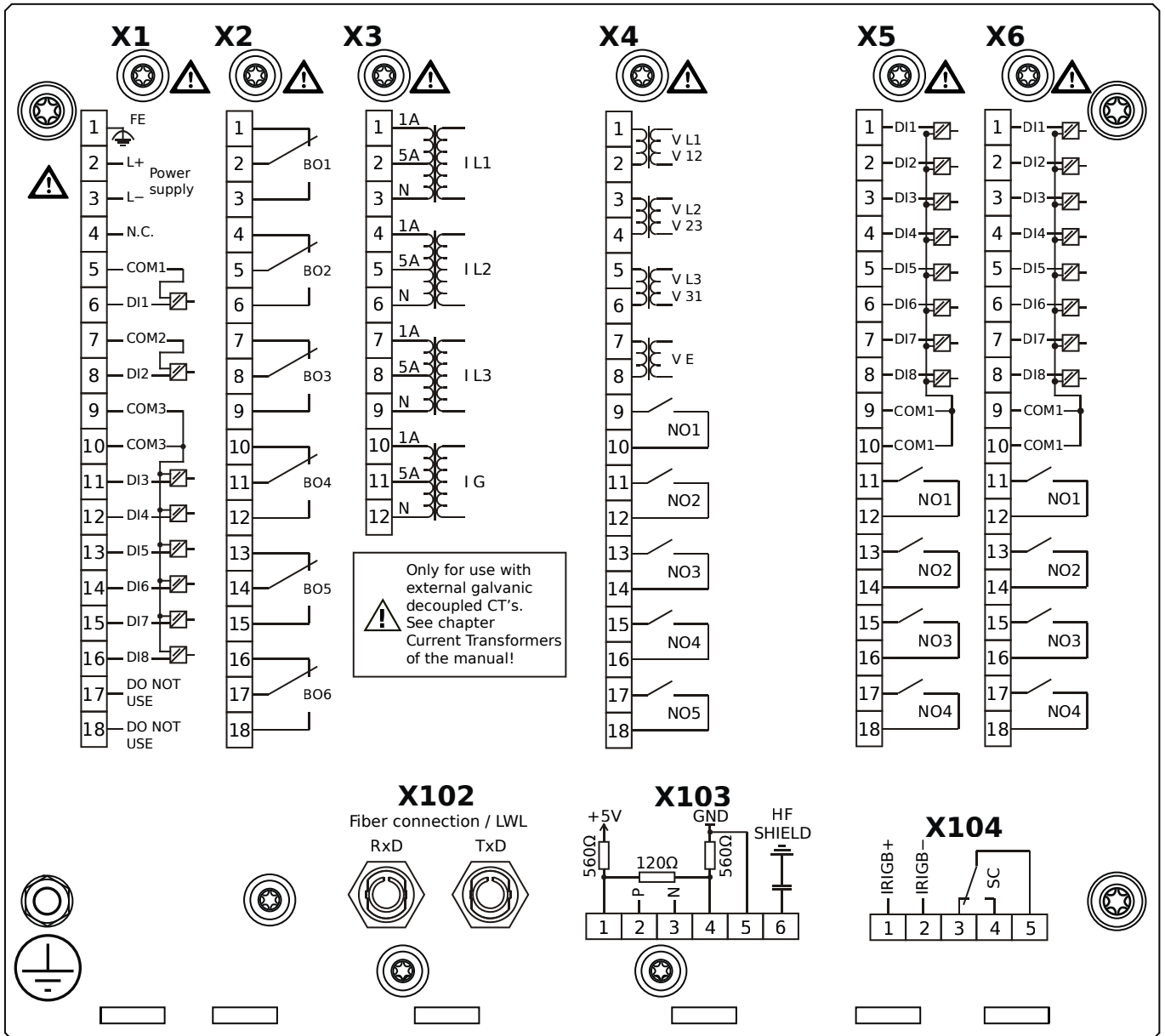
- X1** – DI8-X1: Wide-range power supply unit, incl. 2 non-grouped digital inputs and 6 grouped digital inputs
- X2** – OR-6: Assembly Group with 6 Relay Outputs
- X3** – TI-4: Standard current measuring card
- X4** – TU: Card with 4 voltage transformer measuring inputs and 5 output relays
- X5** – DI8-OR4: Assembly Group with 8 Digital Inputs and 4 Output Relays
- X6** – DI8-OR4: Assembly Group with 8 Digital Inputs and 4 Output Relays
- X102** – Protection Communication, Fiber optics interface, ST Connector
- X104** – IRIG-B00X, incl. System Contact (Supervision Contact)

MCDLV4-2E0H1AB



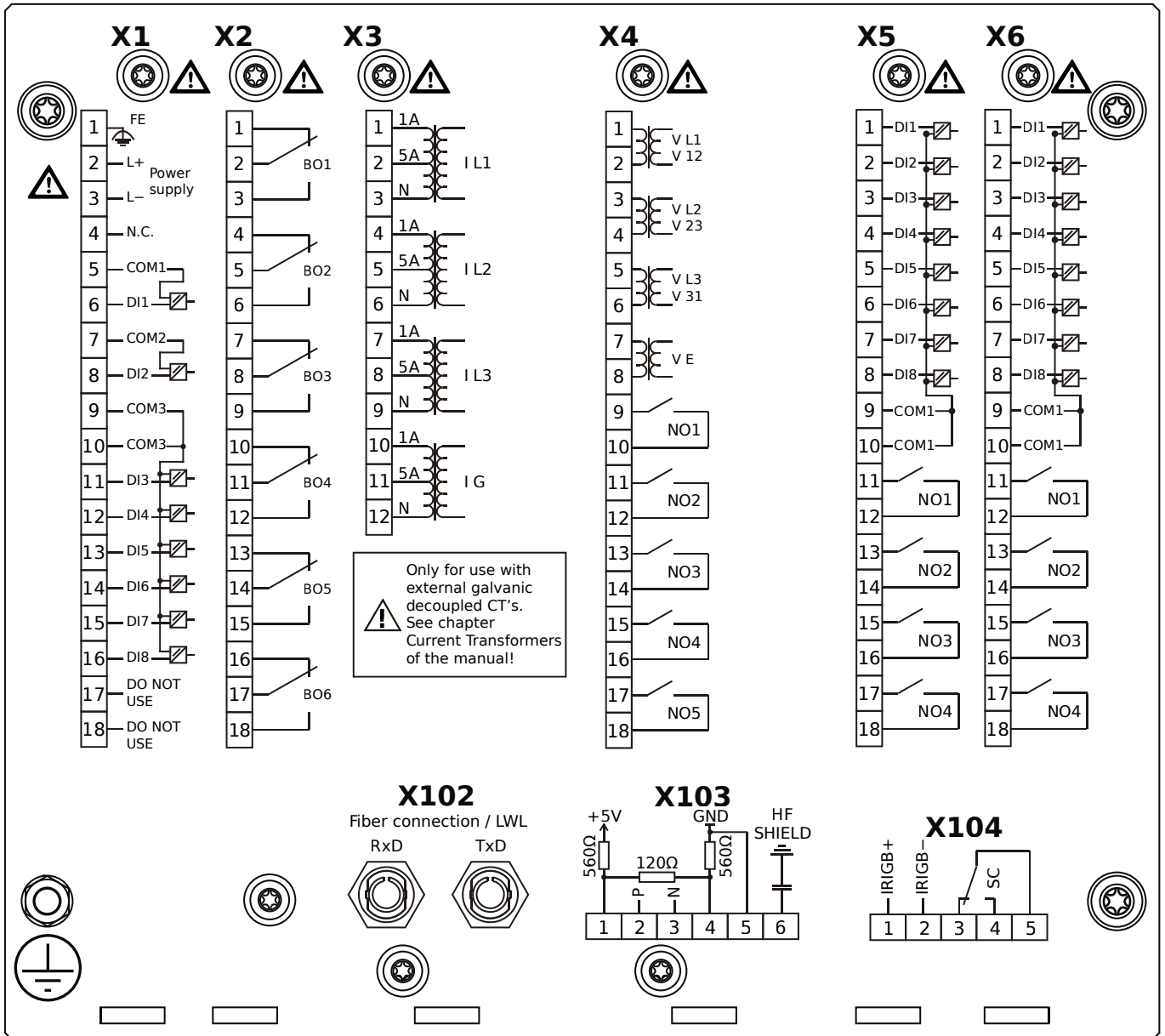
- X1** – DI8-X1: Wide-range power supply unit, incl. 2 non-grouped digital inputs and 6 grouped digital inputs
- X2** – OR-6: Assembly Group with 6 Relay Outputs
- X3** – TI-4: Standard current measuring card
- X4** – TU: Card with 4 voltage transformer measuring inputs and 5 output relays
- X5** – DI8-OR4: Assembly Group with 8 Digital Inputs and 4 Output Relays
- X6** – DI8-OR4: Assembly Group with 8 Digital Inputs and 4 Output Relays
- X102** – Protection Communication, Fiber optics interface, ST Connector
- X104** – IRIG-B00X, incl. System Contact (Supervision Contact)

MCDLV4-2E0H1BA



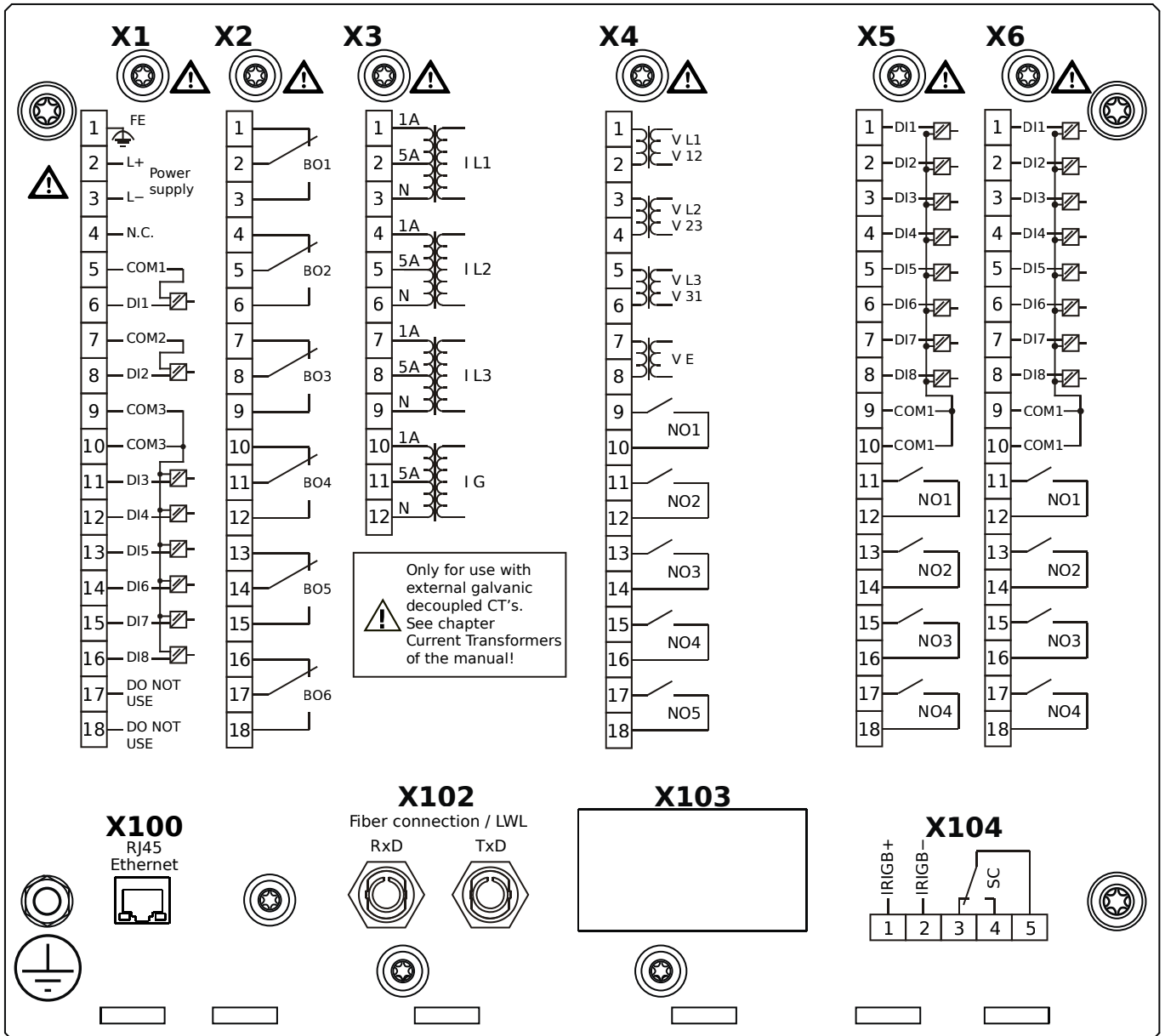
- X1** – DI8-X1: Wide-range power supply unit, incl. 2 non-grouped digital inputs and 6 grouped digital inputs
- X2** – OR-6: Assembly Group with 6 Relay Outputs
- X3** – TI-4: Standard current measuring card
- X4** – TU: Card with 4 voltage transformer measuring inputs and 5 output relays
- X5** – DI8-OR4: Assembly Group with 8 Digital Inputs and 4 Output Relays
- X6** – DI8-OR4: Assembly Group with 8 Digital Inputs and 4 Output Relays
- X102** – Protection Communication, Fiber optics interface, ST Connector
- X103** – Modbus RTU / IEC 60870-5-103 / DNP3.0 RTU, RS485, Terminals
- X104** – IRIG-B00X, incl. System Contact (Supervision Contact)

MCDLV4-2E0H1BB



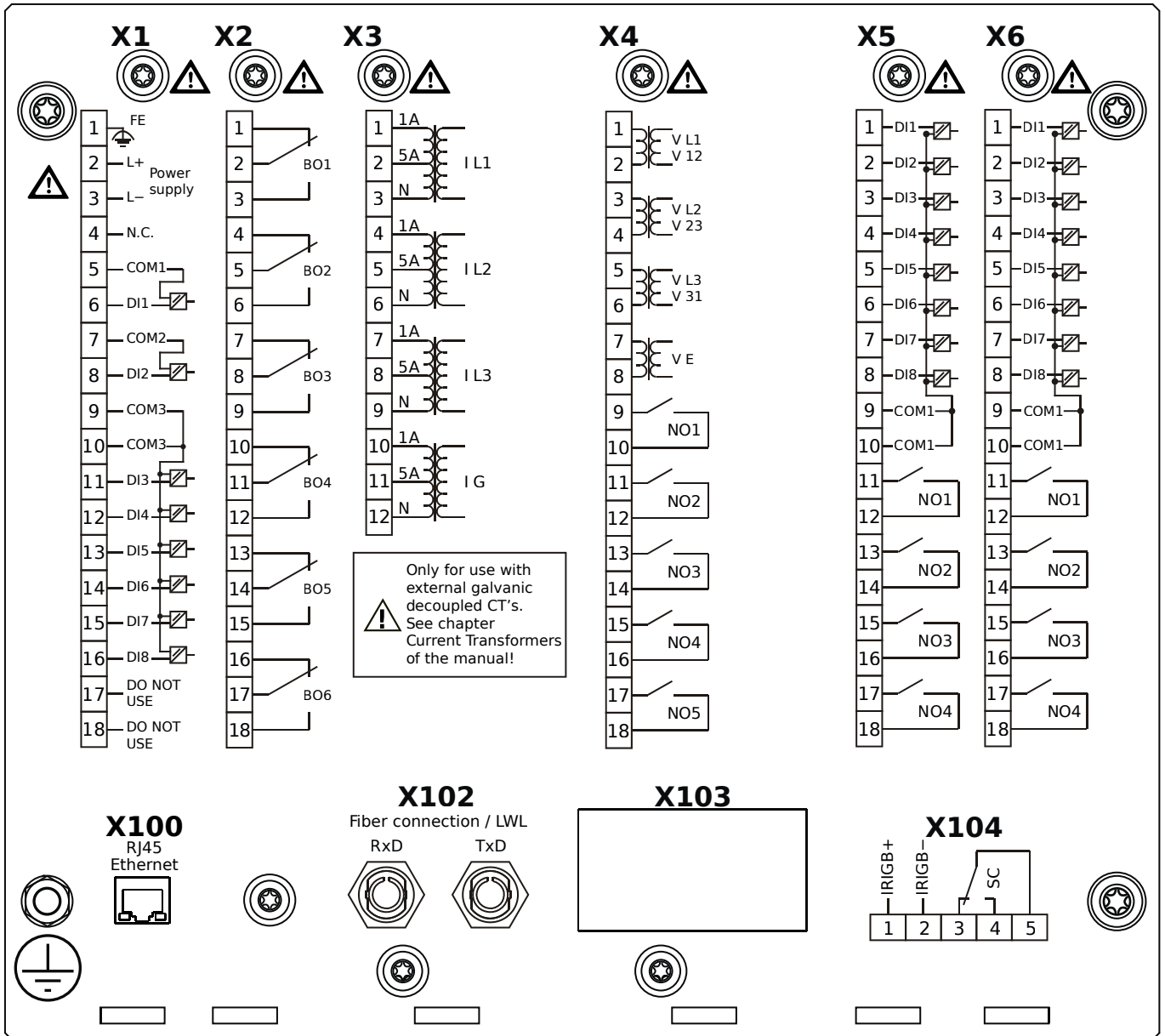
- X1** – DI8-X1: Wide-range power supply unit, incl. 2 non-grouped digital inputs and 6 grouped digital inputs
- X2** – OR-6: Assembly Group with 6 Relay Outputs
- X3** – TI-4: Standard current measuring card
- X4** – TU: Card with 4 voltage transformer measuring inputs and 5 output relays
- X5** – DI8-OR4: Assembly Group with 8 Digital Inputs and 4 Output Relays
- X6** – DI8-OR4: Assembly Group with 8 Digital Inputs and 4 Output Relays
- X102** – Protection Communication, Fiber optics interface, ST Connector
- X103** – Modbus RTU / IEC 60870-5-103 / DNP3.0 RTU, RS485, Terminals
- X104** – IRIG-B00X, incl. System Contact (Supervision Contact)

MCDLV4-2E0H1CA



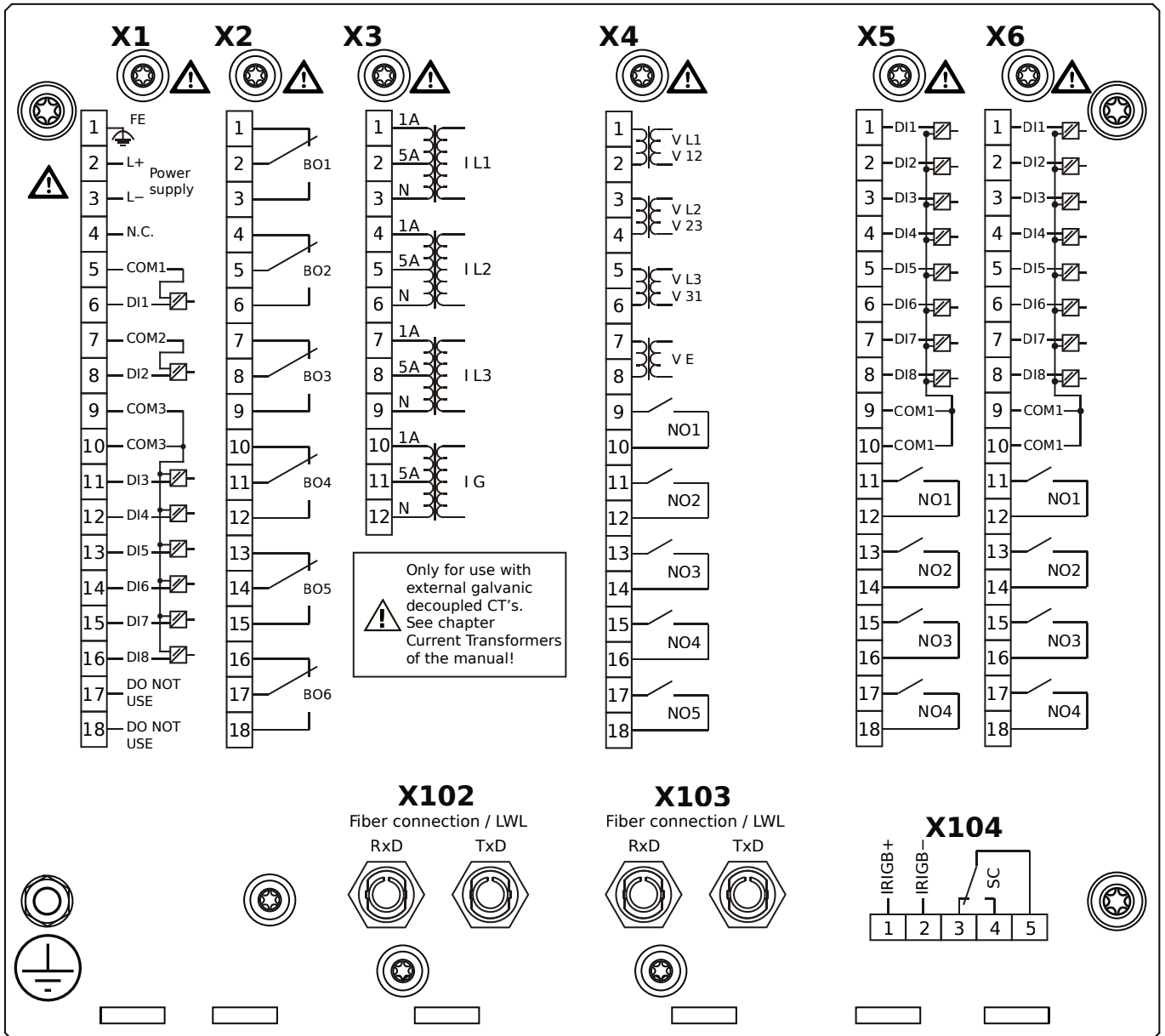
- X1** – DI8-X1: Wide-range power supply unit, incl. 2 non-grouped digital inputs and 6 grouped digital inputs
- X2** – OR-6: Assembly Group with 6 Relay Outputs
- X3** – TI-4: Standard current measuring card
- X4** – TU: Card with 4 voltage transformer measuring inputs and 5 output relays
- X5** – DI8-OR4: Assembly Group with 8 Digital Inputs and 4 Output Relays
- X6** – DI8-OR4: Assembly Group with 8 Digital Inputs and 4 Output Relays
- X100** – Modbus TCP / DNP3.0 TCP/UDP, Ethernet interface, 100 Mbit/s, RJ45 (BASE100-FX)
- X102** – Protection Communication, Fiber optics interface, ST Connector
- X104** – IRIG-B00X, incl. System Contact (Supervision Contact)

MCDLV4-2E0H1CB



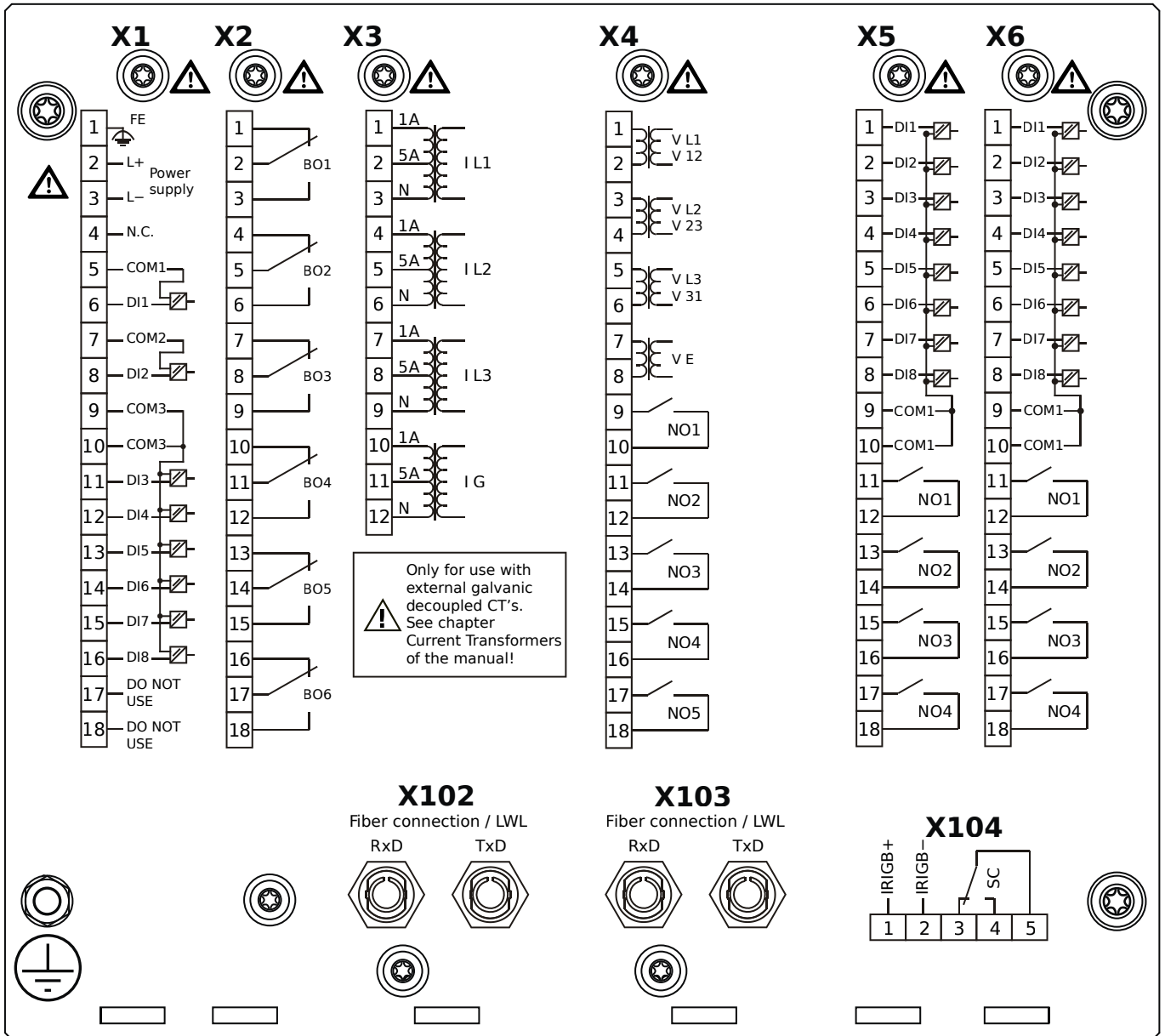
- X1** – DI8-X1: Wide-range power supply unit, incl. 2 non-grouped digital inputs and 6 grouped digital inputs
- X2** – OR-6: Assembly Group with 6 Relay Outputs
- X3** – TI-4: Standard current measuring card
- X4** – TU: Card with 4 voltage transformer measuring inputs and 5 output relays
- X5** – DI8-OR4: Assembly Group with 8 Digital Inputs and 4 Output Relays
- X6** – DI8-OR4: Assembly Group with 8 Digital Inputs and 4 Output Relays
- X100** – Modbus TCP / DNP3.0 TCP/UDP, Ethernet interface, 100 Mbit/s, RJ45 (BASE100-FX)
- X102** – Protection Communication, Fiber optics interface, ST Connector
- X104** – IRIG-B00X, incl. System Contact (Supervision Contact)

MCDLV4-2E0H1DA



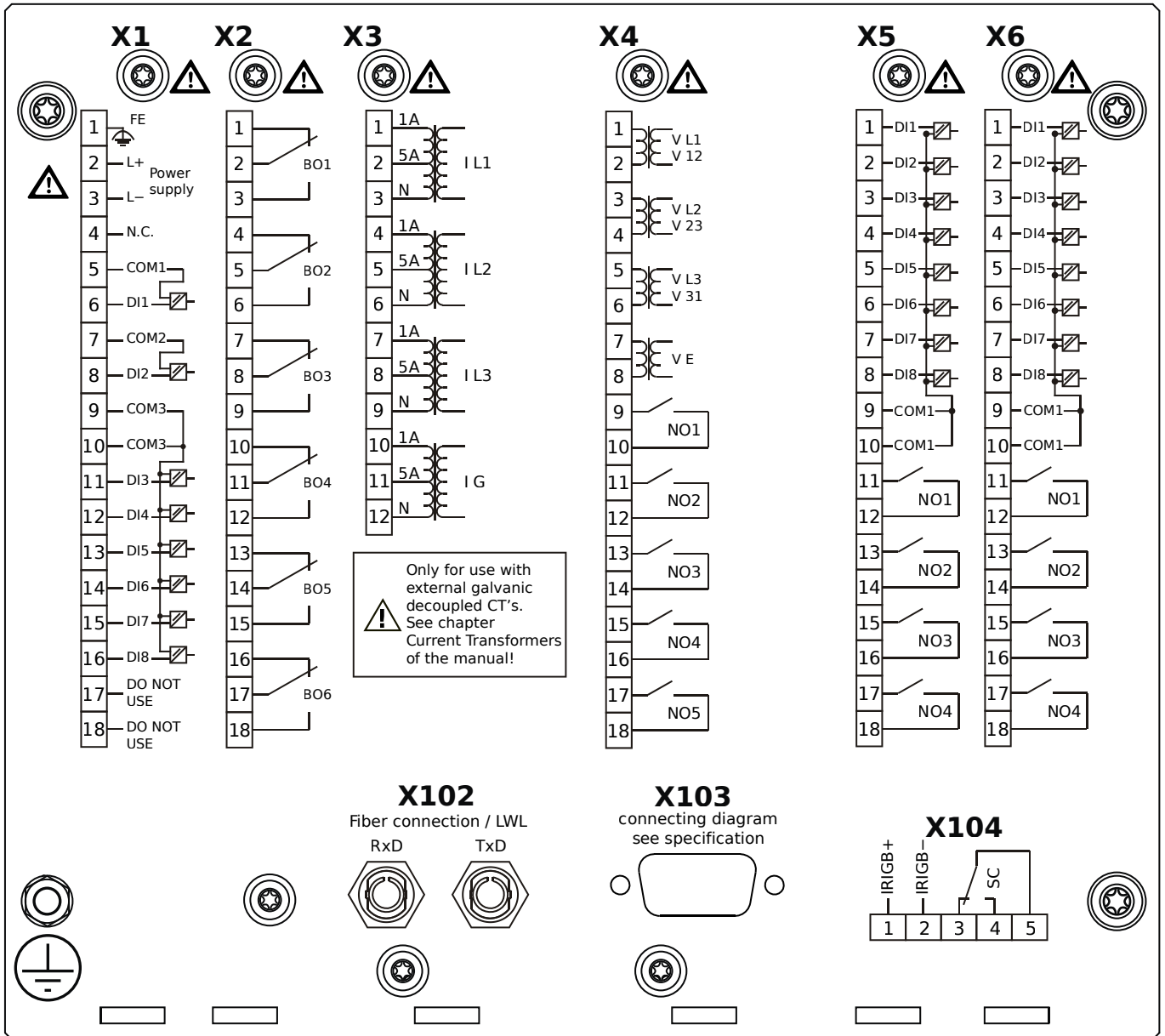
- X1** – DI8-X1: Wide-range power supply unit, incl. 2 non-grouped digital inputs and 6 grouped digital inputs
- X2** – OR-6: Assembly Group with 6 Relay Outputs
- X3** – TI-4: Standard current measuring card
- X4** – TU: Card with 4 voltage transformer measuring inputs and 5 output relays
- X5** – DI8-OR4: Assembly Group with 8 Digital Inputs and 4 Output Relays
- X6** – DI8-OR4: Assembly Group with 8 Digital Inputs and 4 Output Relays
- X102** – Protection Communication, Fiber optics interface, ST Connector
- X103** – Profibus-DP, Fiber optics interface, ST Connector
- X104** – IRIG-B00X, incl. System Contact (Supervision Contact)

MCDLV4-2E0H1DB



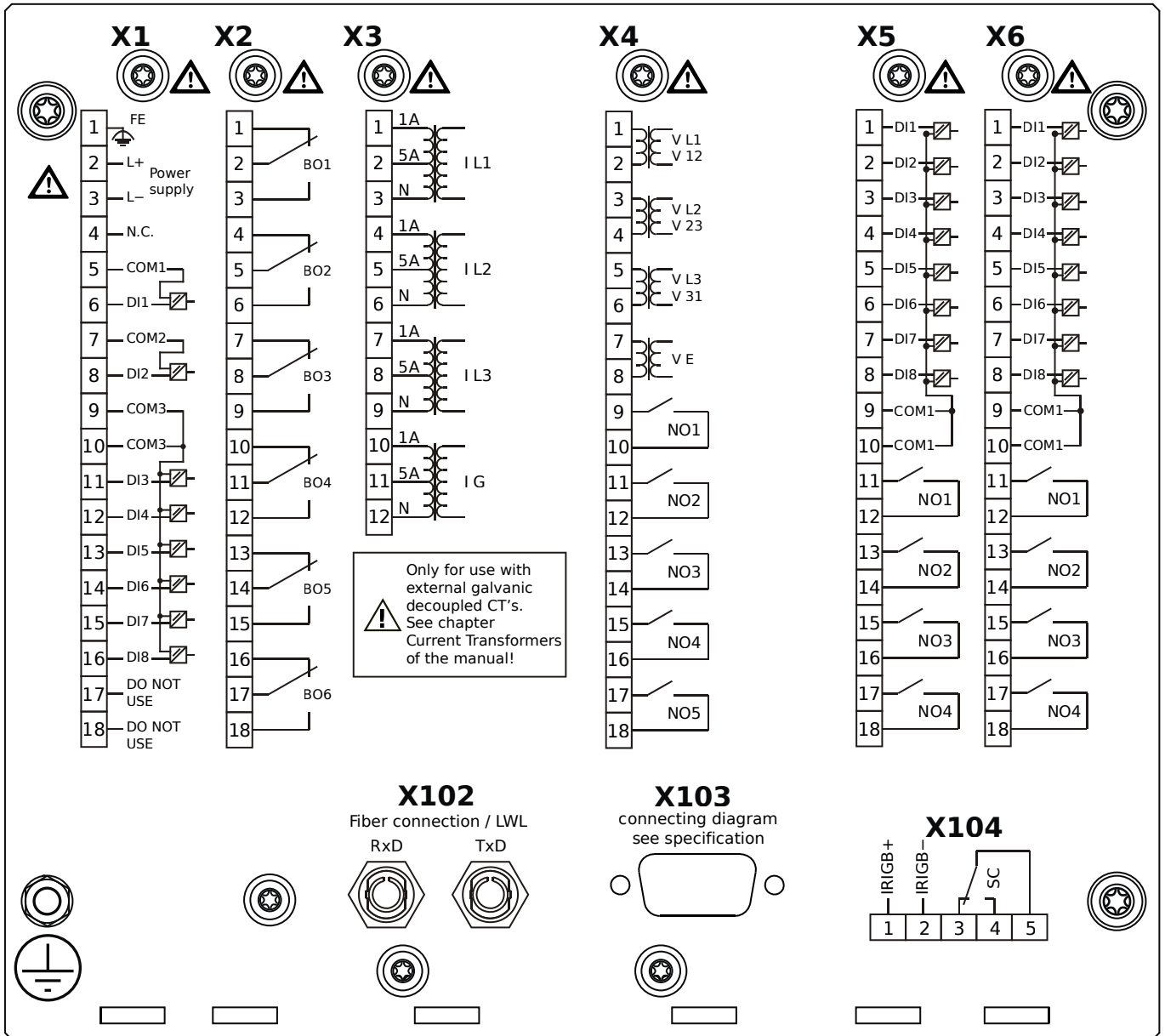
- X1** – DI8-X1: Wide-range power supply unit, incl. 2 non-grouped digital inputs and 6 grouped digital inputs
- X2** – OR-6: Assembly Group with 6 Relay Outputs
- X3** – TI-4: Standard current measuring card
- X4** – TU: Card with 4 voltage transformer measuring inputs and 5 output relays
- X5** – DI8-OR4: Assembly Group with 8 Digital Inputs and 4 Output Relays
- X6** – DI8-OR4: Assembly Group with 8 Digital Inputs and 4 Output Relays
- X102** – Protection Communication, Fiber optics interface, ST Connector
- X103** – Profibus-DP, Fiber optics interface, ST Connector
- X104** – IRIG-B00X, incl. System Contact (Supervision Contact)

MCDLV4-2E0H1EA



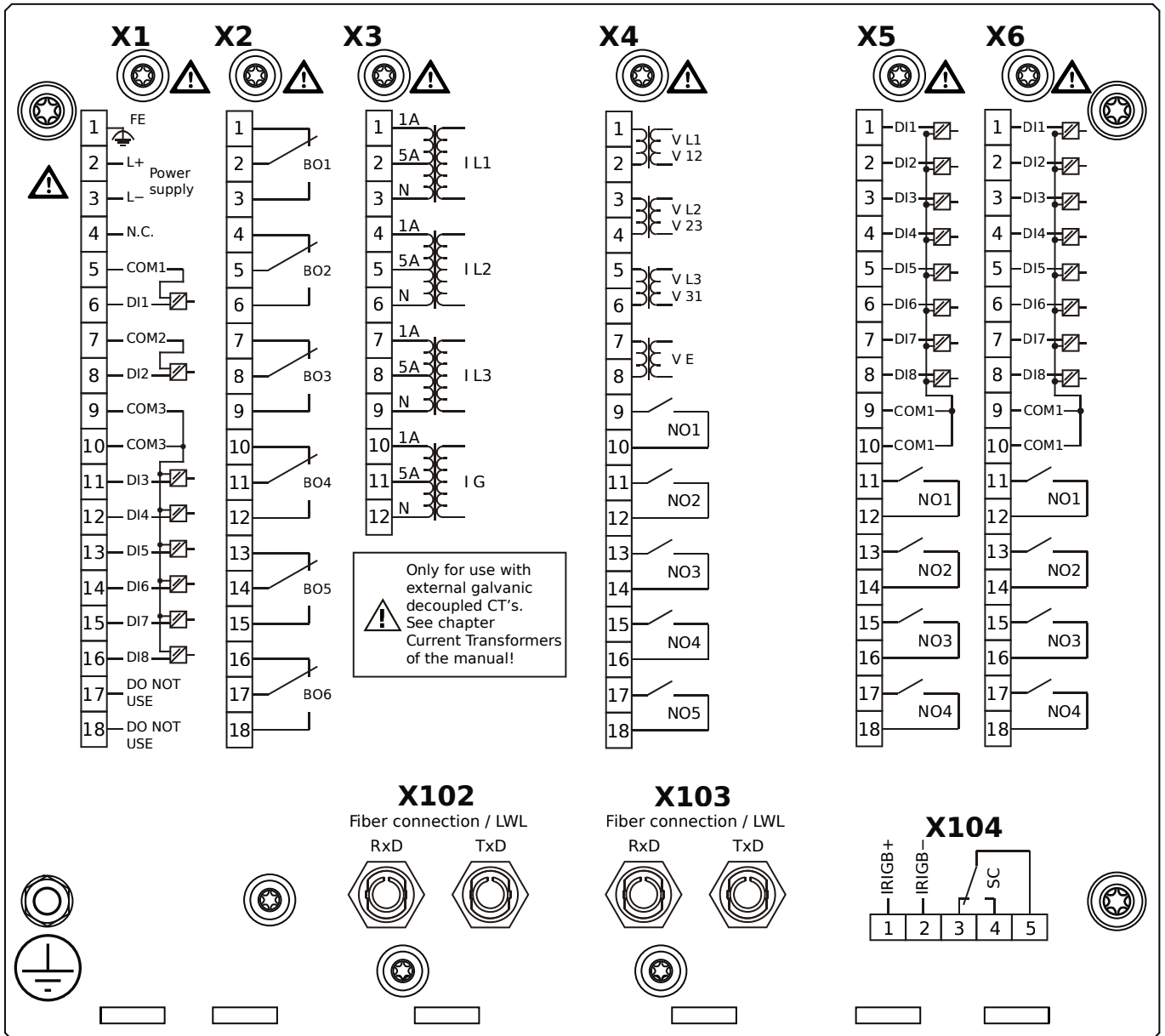
- X1** – DI8-X1: Wide-range power supply unit, incl. 2 non-grouped digital inputs and 6 grouped digital inputs
- X2** – OR-6: Assembly Group with 6 Relay Outputs
- X3** – TI-4: Standard current measuring card
- X4** – TU: Card with 4 voltage transformer measuring inputs and 5 output relays
- X5** – DI8-OR4: Assembly Group with 8 Digital Inputs and 4 Output Relays
- X6** – DI8-OR4: Assembly Group with 8 Digital Inputs and 4 Output Relays
- X102** – Protection Communication, Fiber optics interface, ST Connector
- X103** – Profibus-DP, RS485, D-SUB
- X104** – IRIG-B00X, incl. System Contact (Supervision Contact)

MCDLV4-2E0H1EB



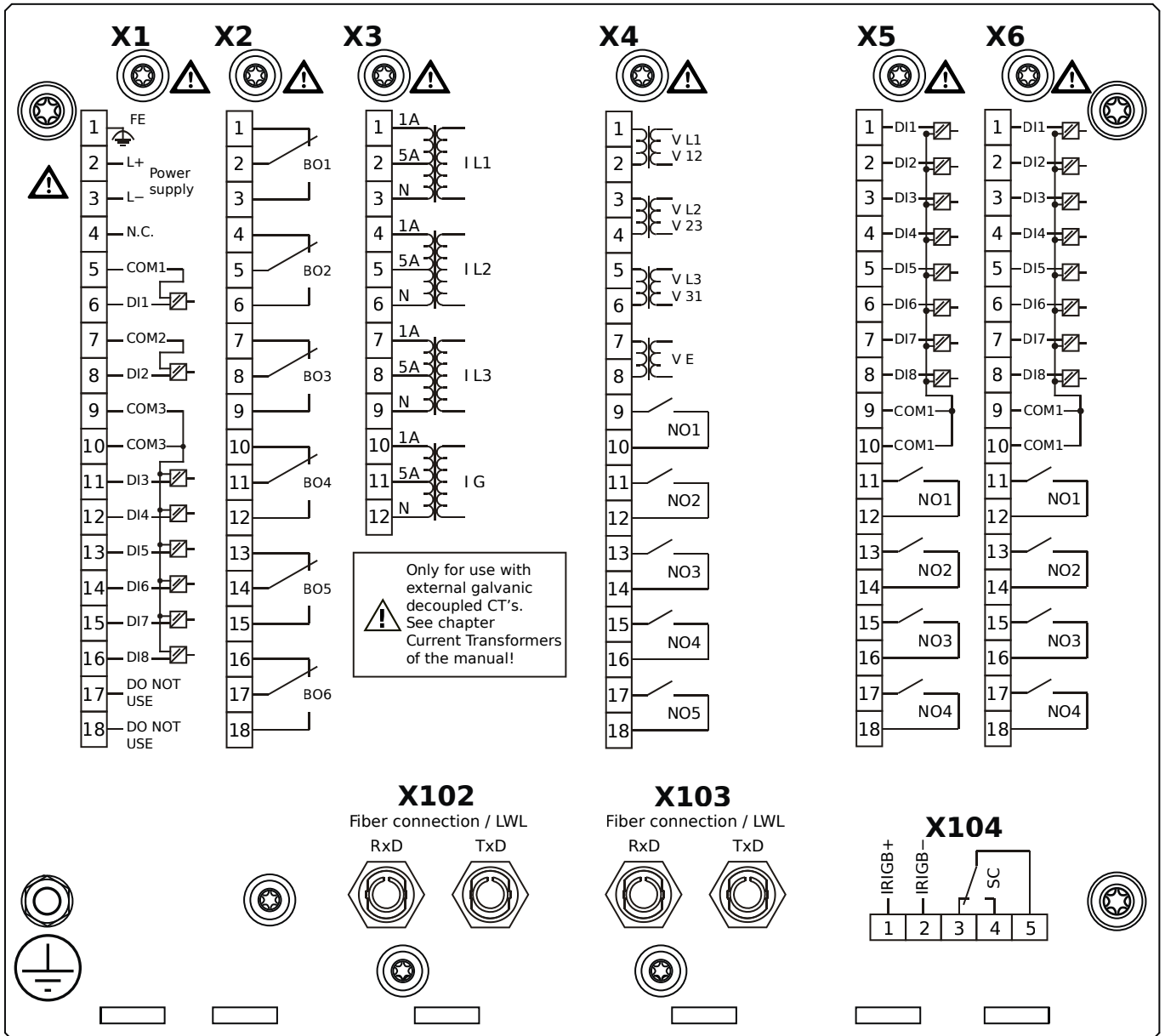
- X1** – DI8-X1: Wide-range power supply unit, incl. 2 non-grouped digital inputs and 6 grouped digital inputs
- X2** – OR-6: Assembly Group with 6 Relay Outputs
- X3** – TI-4: Standard current measuring card
- X4** – TU: Card with 4 voltage transformer measuring inputs and 5 output relays
- X5** – DI8-OR4: Assembly Group with 8 Digital Inputs and 4 Output Relays
- X6** – DI8-OR4: Assembly Group with 8 Digital Inputs and 4 Output Relays
- X102** – Protection Communication, Fiber optics interface, ST Connector
- X103** – Profibus-DP, RS485, D-SUB
- X104** – IRIG-B00X, incl. System Contact (Supervision Contact)

MCDLV4-2E0H1FA



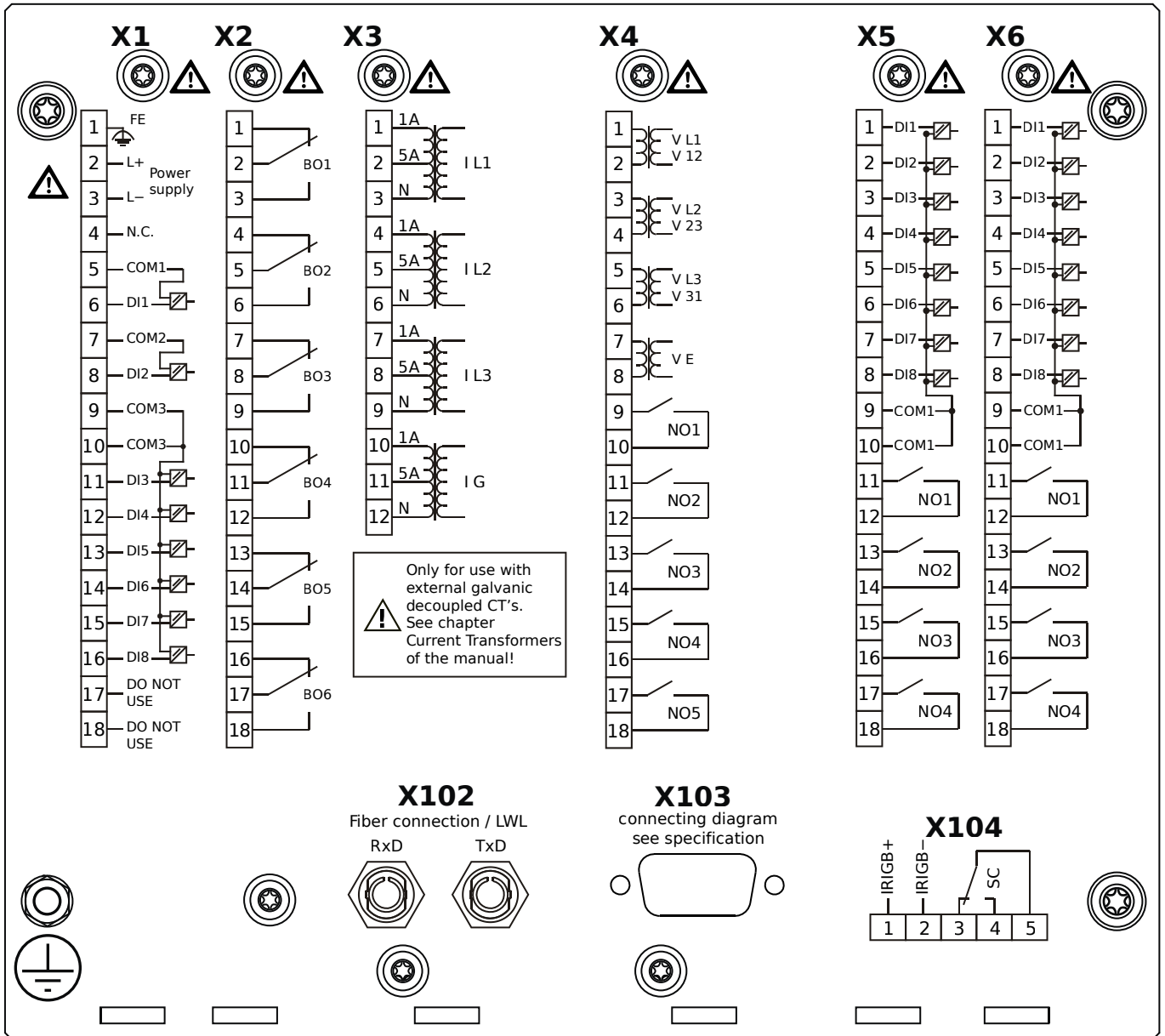
- X1** – DI8-X1: Wide-range power supply unit, incl. 2 non-grouped digital inputs and 6 grouped digital inputs
- X2** – OR-6: Assembly Group with 6 Relay Outputs
- X3** – TI-4: Standard current measuring card
- X4** – TU: Card with 4 voltage transformer measuring inputs and 5 output relays
- X5** – DI8-OR4: Assembly Group with 8 Digital Inputs and 4 Output Relays
- X6** – DI8-OR4: Assembly Group with 8 Digital Inputs and 4 Output Relays
- X102** – Protection Communication, Fiber optics interface, ST Connector
- X103** – Modbus RTU / IEC 60870-5-103 / DNP3.0 RTU, Fiber optics interface, ST Connector
- X104** – IRIG-B00X, incl. System Contact (Supervision Contact)

MCDLV4-2E0H1FB



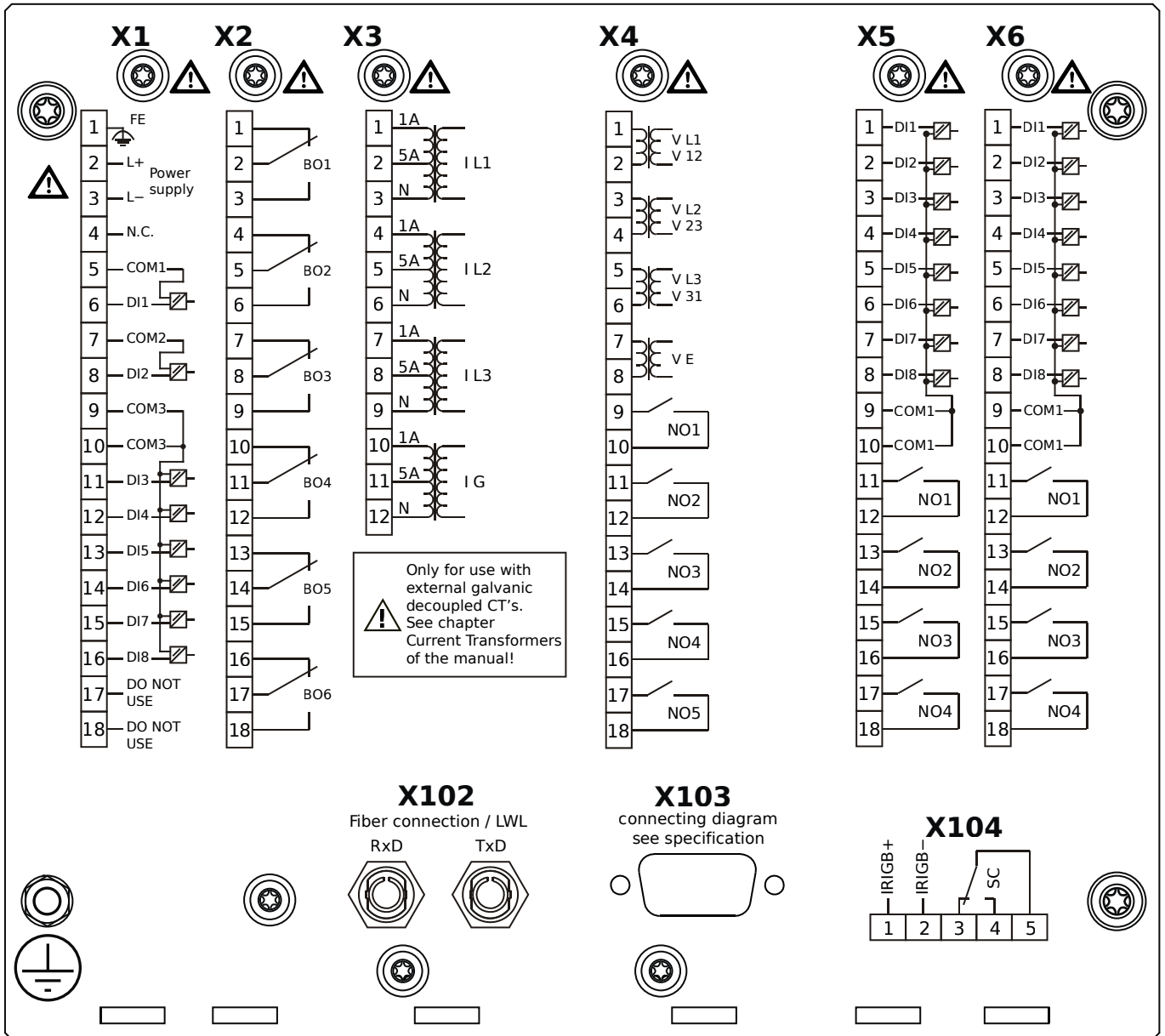
- X1** – DI8-X1: Wide-range power supply unit, incl. 2 non-grouped digital inputs and 6 grouped digital inputs
- X2** – OR-6: Assembly Group with 6 Relay Outputs
- X3** – TI-4: Standard current measuring card
- X4** – TU: Card with 4 voltage transformer measuring inputs and 5 output relays
- X5** – DI8-OR4: Assembly Group with 8 Digital Inputs and 4 Output Relays
- X6** – DI8-OR4: Assembly Group with 8 Digital Inputs and 4 Output Relays
- X102** – Protection Communication, Fiber optics interface, ST Connector
- X103** – Modbus RTU / IEC 60870-5-103 / DNP3.0 RTU, Fiber optics interface, ST Connector
- X104** – IRIG-B00X, incl. System Contact (Supervision Contact)

MCDLV4-2E0H1GA



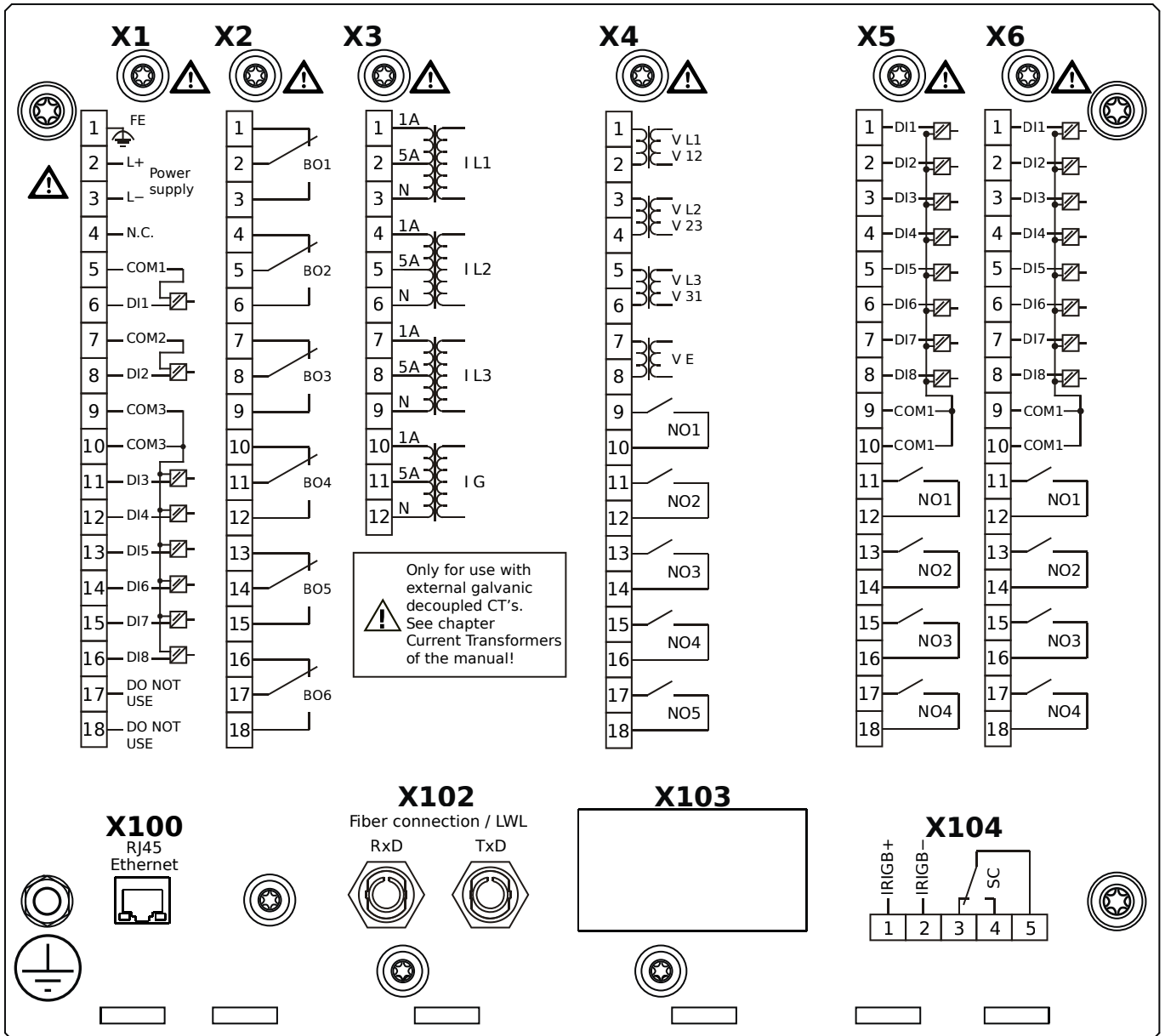
- X1** – DI8-X1: Wide-range power supply unit, incl. 2 non-grouped digital inputs and 6 grouped digital inputs
- X2** – OR-6: Assembly Group with 6 Relay Outputs
- X3** – TI-4: Standard current measuring card
- X4** – TU: Card with 4 voltage transformer measuring inputs and 5 output relays
- X5** – DI8-OR4: Assembly Group with 8 Digital Inputs and 4 Output Relays
- X6** – DI8-OR4: Assembly Group with 8 Digital Inputs and 4 Output Relays
- X102** – Protection Communication, Fiber optics interface, ST Connector
- X103** – Modbus RTU / IEC 60870-5-103 / DNP3.0 RTU, RS485, D-SUB
- X104** – IRIG-B00X, incl. System Contact (Supervision Contact)

MCDLV4-2E0H1GB



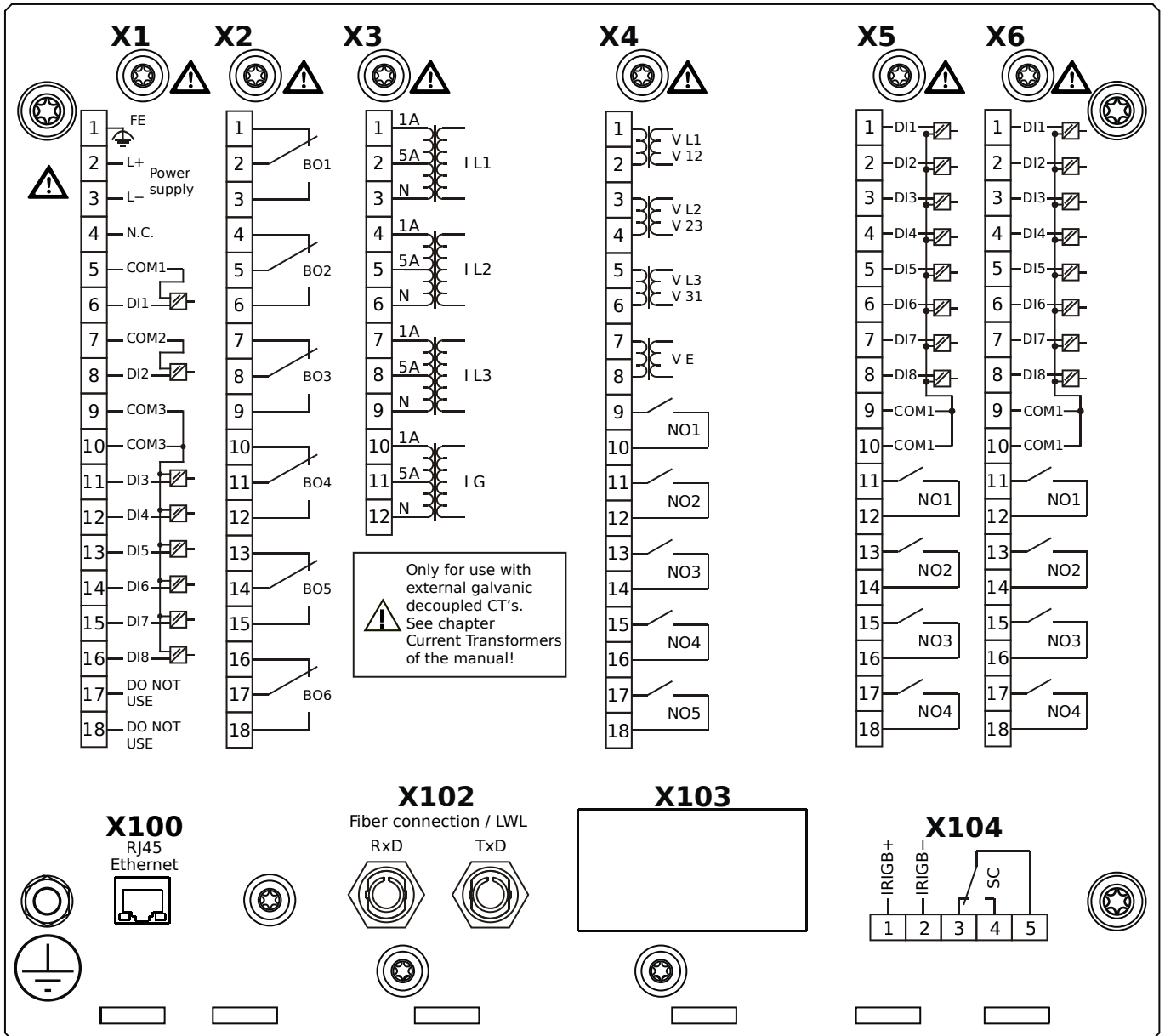
- X1** – DI8-X1: Wide-range power supply unit, incl. 2 non-grouped digital inputs and 6 grouped digital inputs
- X2** – OR-6: Assembly Group with 6 Relay Outputs
- X3** – TI-4: Standard current measuring card
- X4** – TU: Card with 4 voltage transformer measuring inputs and 5 output relays
- X5** – DI8-OR4: Assembly Group with 8 Digital Inputs and 4 Output Relays
- X6** – DI8-OR4: Assembly Group with 8 Digital Inputs and 4 Output Relays
- X102** – Protection Communication, Fiber optics interface, ST Connector
- X103** – Modbus RTU / IEC 60870-5-103 / DNP3.0 RTU, RS485, D-SUB
- X104** – IRIG-B00X, incl. System Contact (Supervision Contact)

MCDLV4-2E0H1HA



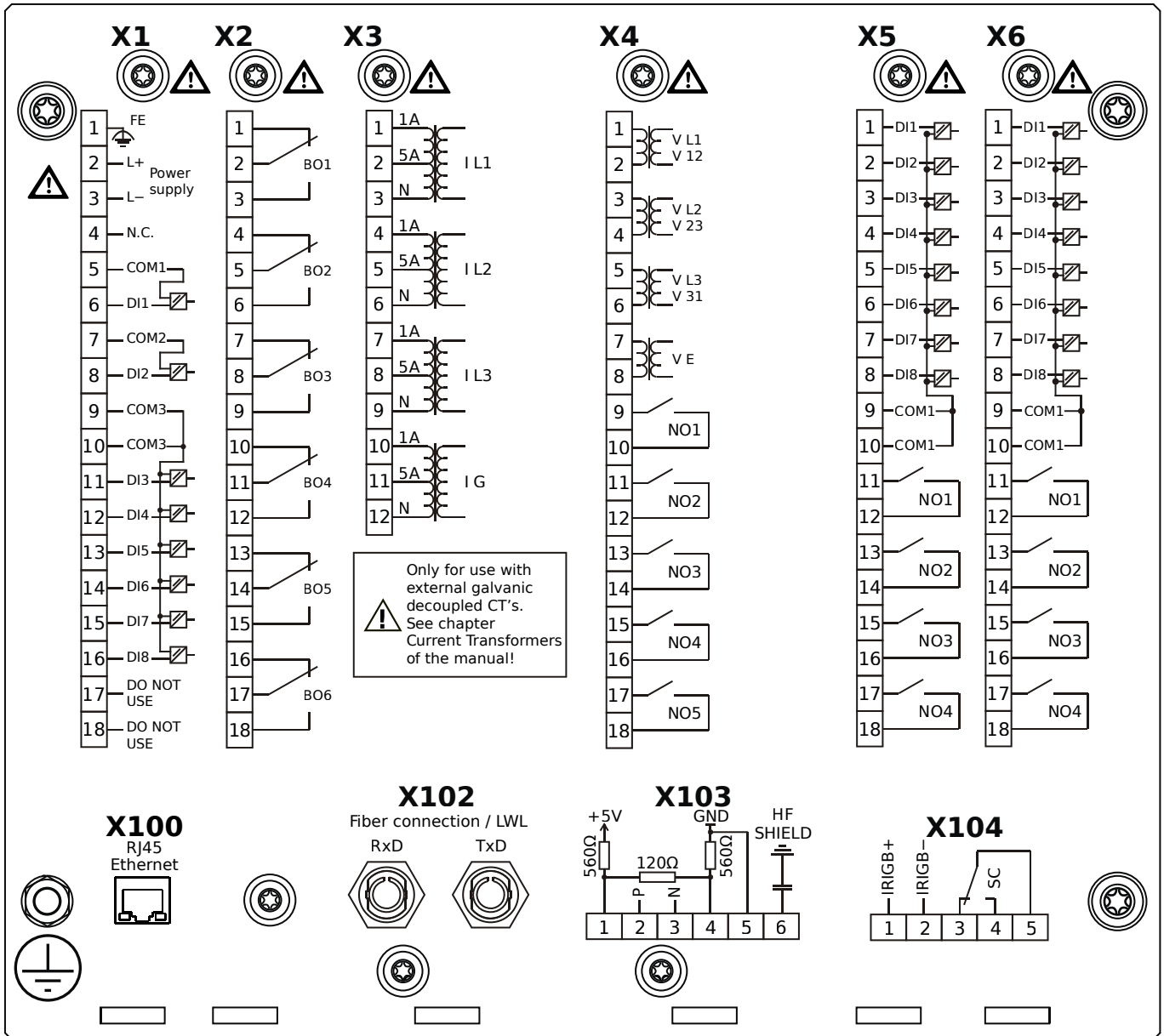
- X1** – DI8-X1: Wide-range power supply unit, incl. 2 non-grouped digital inputs and 6 grouped digital inputs
- X2** – OR-6: Assembly Group with 6 Relay Outputs
- X3** – TI-4: Standard current measuring card
- X4** – TU: Card with 4 voltage transformer measuring inputs and 5 output relays
- X5** – DI8-OR4: Assembly Group with 8 Digital Inputs and 4 Output Relays
- X6** – DI8-OR4: Assembly Group with 8 Digital Inputs and 4 Output Relays
- X100** – IEC 61850 / Modbus TCP / DNP3.0 TCP/UDP, Ethernet interface, 100 Mbit/s, RJ45 (BASE100-FX)
- X102** – Protection Communication, Fiber optics interface, ST Connector
- X104** – IRIG-B00X, incl. System Contact (Supervision Contact)

MCDLV4-2E0H1HB



- X1** – DI8-X1: Wide-range power supply unit, incl. 2 non-grouped digital inputs and 6 grouped digital inputs
- X2** – OR-6: Assembly Group with 6 Relay Outputs
- X3** – TI-4: Standard current measuring card
- X4** – TU: Card with 4 voltage transformer measuring inputs and 5 output relays
- X5** – DI8-OR4: Assembly Group with 8 Digital Inputs and 4 Output Relays
- X6** – DI8-OR4: Assembly Group with 8 Digital Inputs and 4 Output Relays
- X100** – IEC 61850 / Modbus TCP / DNP3.0 TCP/UDP, Ethernet interface, 100 Mbit/s, RJ45 (BASE100-FX)
- X102** – Protection Communication, Fiber optics interface, ST Connector
- X104** – IRIG-B00X, incl. System Contact (Supervision Contact)

MCDLV4-2E0H1IA



X1 – DI8-X1: Wide-range power supply unit, incl. 2 non-grouped digital inputs and 6 grouped digital inputs

X2 – OR-6: Assembly Group with 6 Relay Outputs

X3 – TI-4: Standard current measuring card

X4 – TU: Card with 4 voltage transformer measuring inputs and 5 output relays

X5 – DI8-OR4: Assembly Group with 8 Digital Inputs and 4 Output Relays

X6 – DI8-OR4: Assembly Group with 8 Digital Inputs and 4 Output Relays

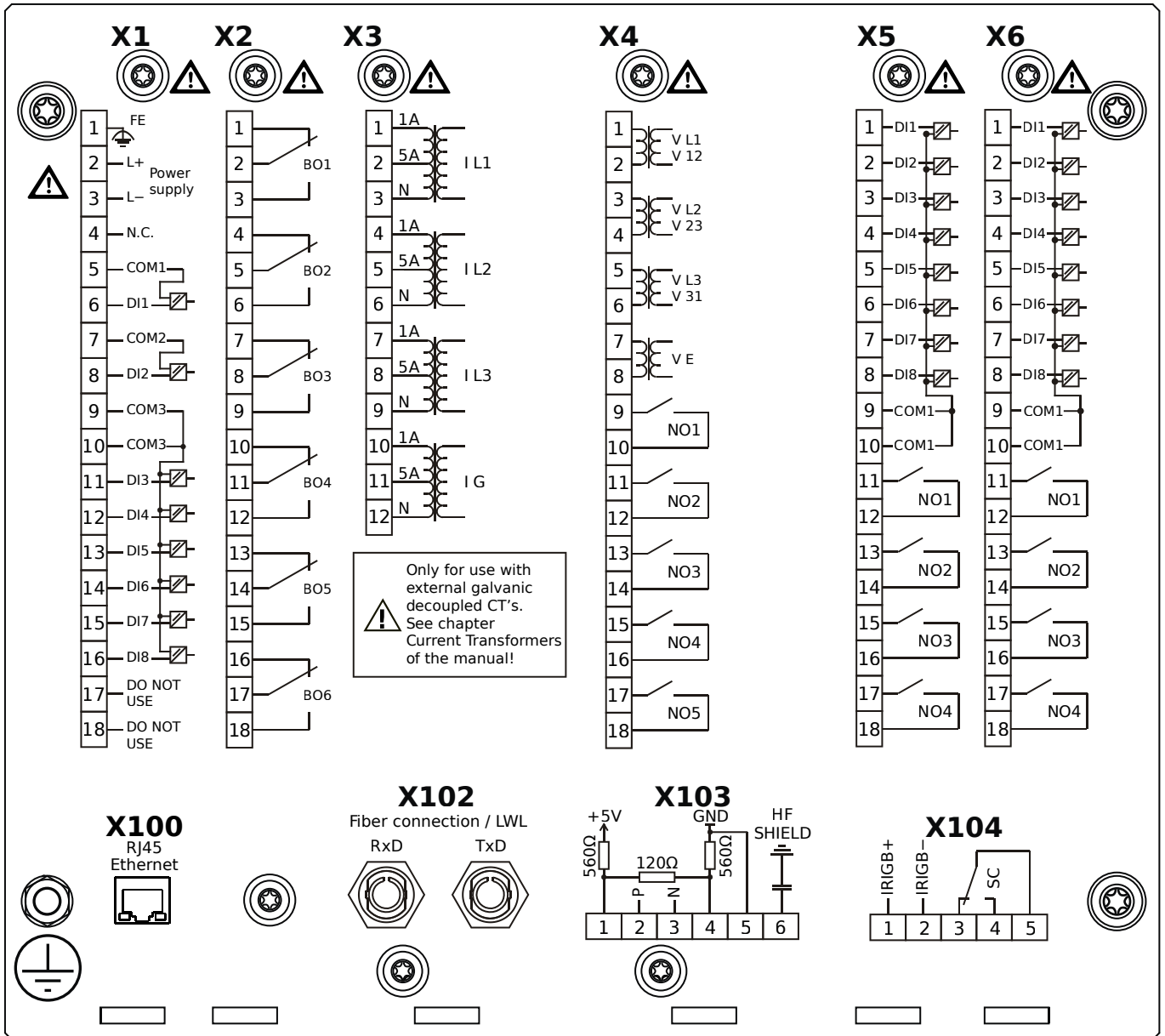
X100 – Modbus TCP / DNP3.0 TCP/UDP, Ethernet interface, 100 Mbit/s, RJ45 (BASE100-FX)

X102 – Protection Communication, Fiber optics interface, ST Connector

X103 – IEC 60870-5-103 / Modbus RTU / DNP3.0 RTU, RS485, Terminals

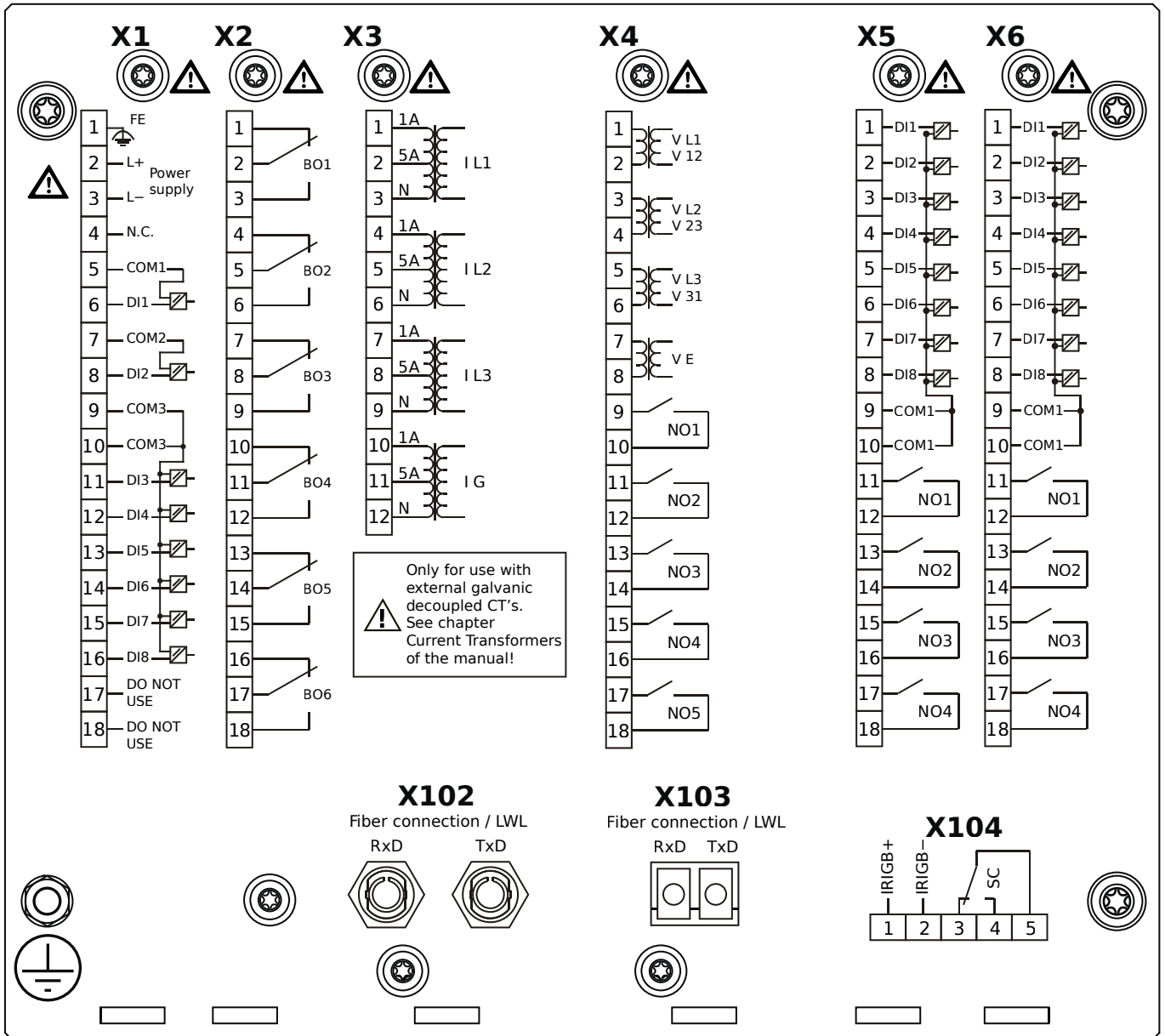
X104 – IRIG-B00X, incl. System Contact (Supervision Contact)

MCDLV4-2E0H1IB



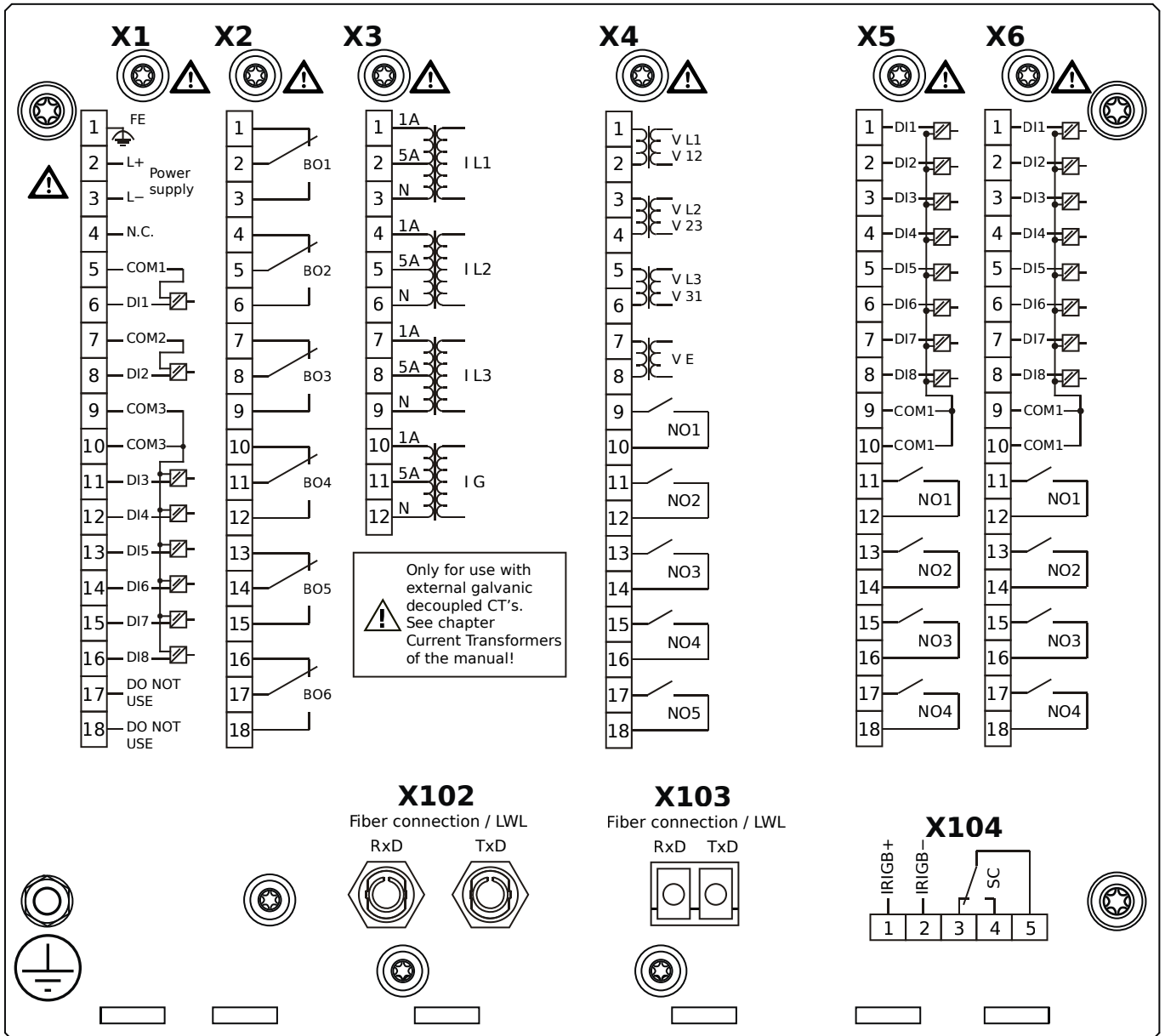
- X1** – DI8-X1: Wide-range power supply unit, incl. 2 non-grouped digital inputs and 6 grouped digital inputs
- X2** – OR-6: Assembly Group with 6 Relay Outputs
- X3** – TI-4: Standard current measuring card
- X4** – TU: Card with 4 voltage transformer measuring inputs and 5 output relays
- X5** – DI8-OR4: Assembly Group with 8 Digital Inputs and 4 Output Relays
- X6** – DI8-OR4: Assembly Group with 8 Digital Inputs and 4 Output Relays
- X100** – Modbus TCP / DNP3.0 TCP/UDP, Ethernet interface, 100 Mbit/s, RJ45 (BASE100-FX)
- X102** – Protection Communication, Fiber optics interface, ST Connector
- X103** – IEC 60870-5-103 / Modbus RTU / DNP3.0 RTU, RS485, Terminals
- X104** – IRIG-B00X, incl. System Contact (Supervision Contact)

MCDLV4-2E0H1KA



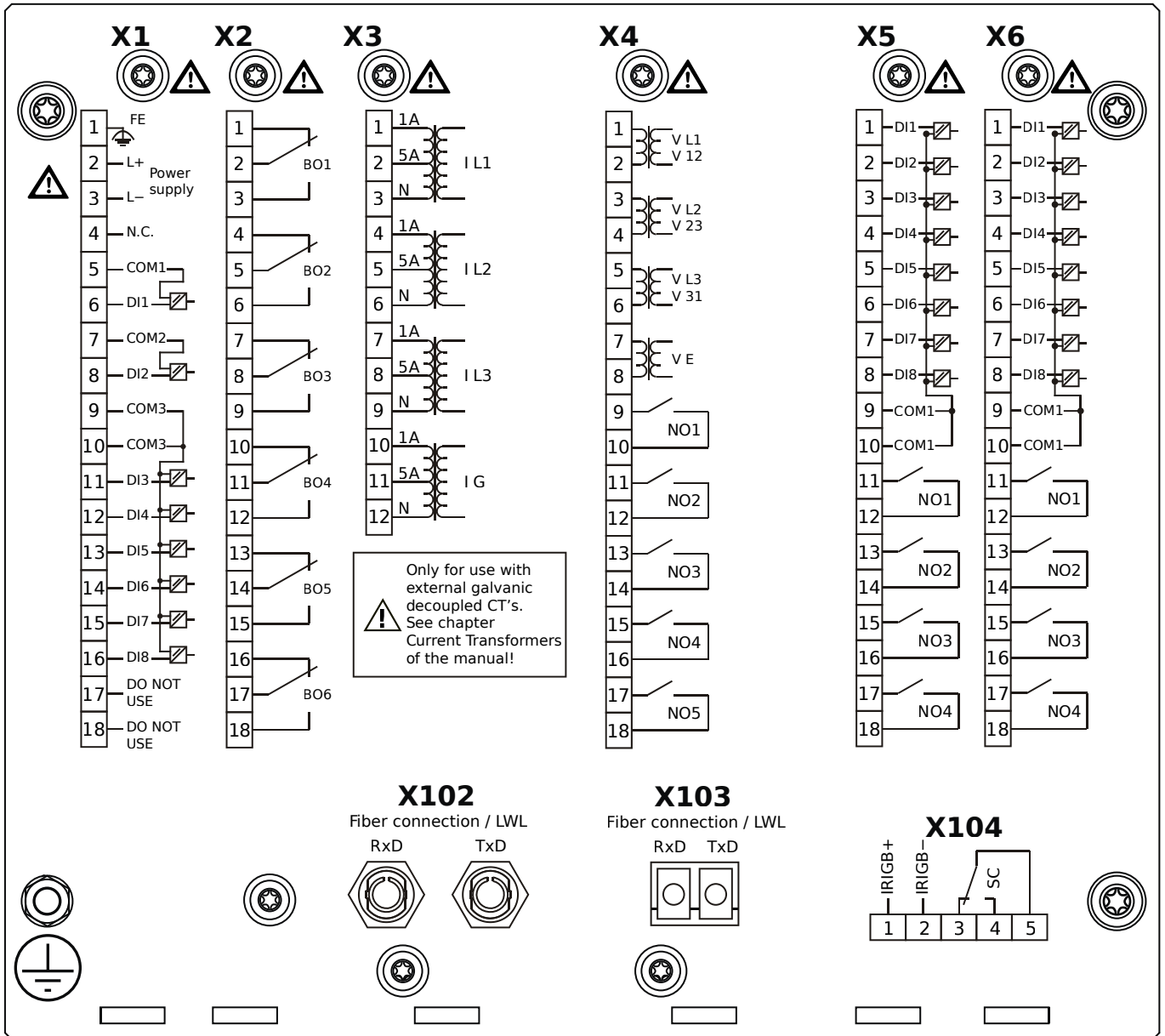
- X1** – DI8-X1: Wide-range power supply unit, incl. 2 non-grouped digital inputs and 6 grouped digital inputs
- X2** – OR-6: Assembly Group with 6 Relay Outputs
- X3** – TI-4: Standard current measuring card
- X4** – TU: Card with 4 voltage transformer measuring inputs and 5 output relays
- X5** – DI8-OR4: Assembly Group with 8 Digital Inputs and 4 Output Relays
- X6** – DI8-OR4: Assembly Group with 8 Digital Inputs and 4 Output Relays
- X102** – Protection Communication, Fiber optics interface, ST Connector
- X103** – IEC 61850 / Modbus TCP / DNP3.0 TCP/UDP, Fiber optics interface, LC Connector
- X104** – IRIG-B00X, incl. System Contact (Supervision Contact)

MCDLV4-2E0H1KB



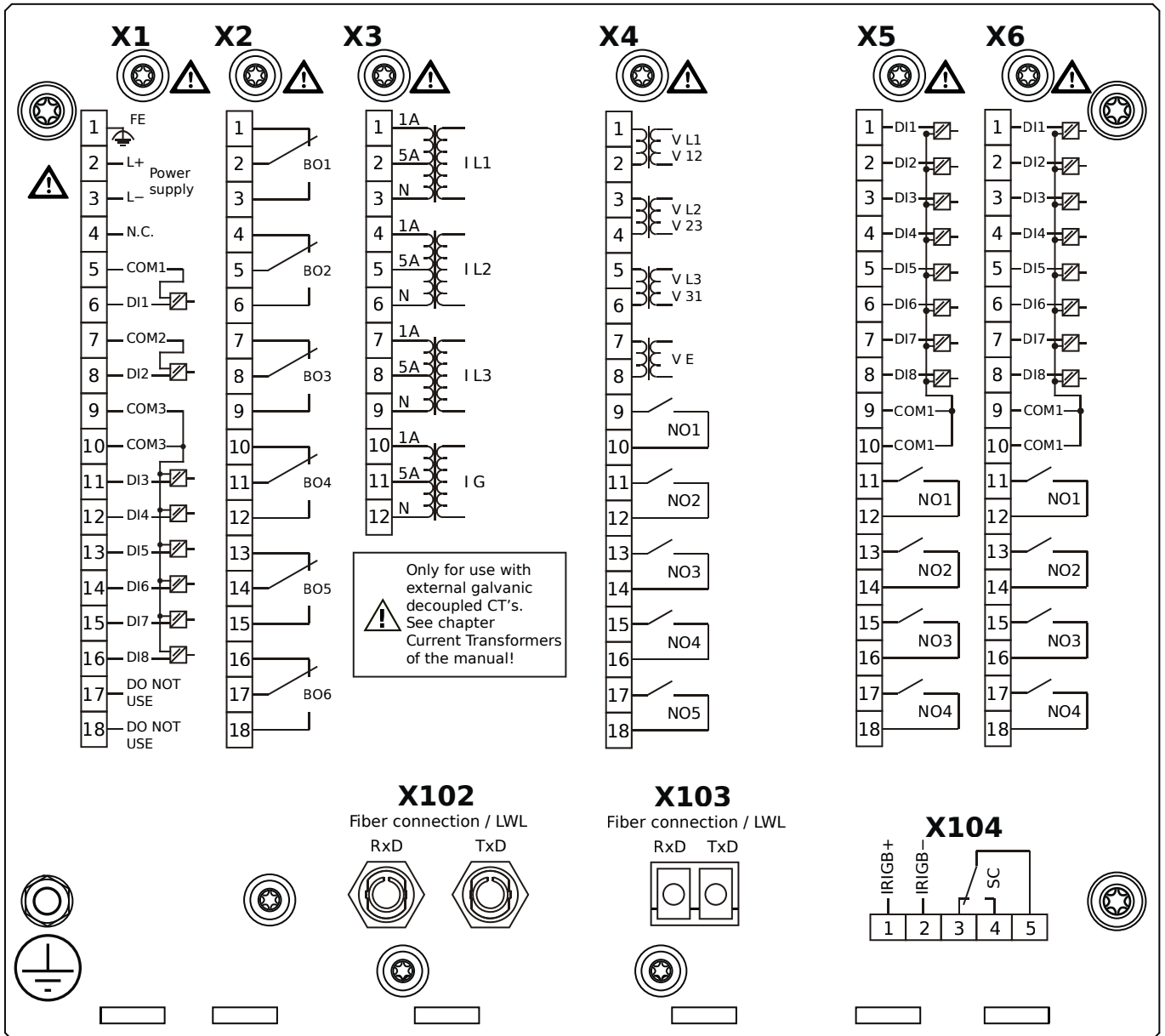
- X1** – DI8-X1: Wide-range power supply unit, incl. 2 non-grouped digital inputs and 6 grouped digital inputs
- X2** – OR-6: Assembly Group with 6 Relay Outputs
- X3** – TI-4: Standard current measuring card
- X4** – TU: Card with 4 voltage transformer measuring inputs and 5 output relays
- X5** – DI8-OR4: Assembly Group with 8 Digital Inputs and 4 Output Relays
- X6** – DI8-OR4: Assembly Group with 8 Digital Inputs and 4 Output Relays
- X102** – Protection Communication, Fiber optics interface, ST Connector
- X103** – IEC 61850 / Modbus TCP / DNP3.0 TCP/UDP, Fiber optics interface, LC Connector
- X104** – IRIG-B00X, incl. System Contact (Supervision Contact)

MCDLV4-2E0H1LA



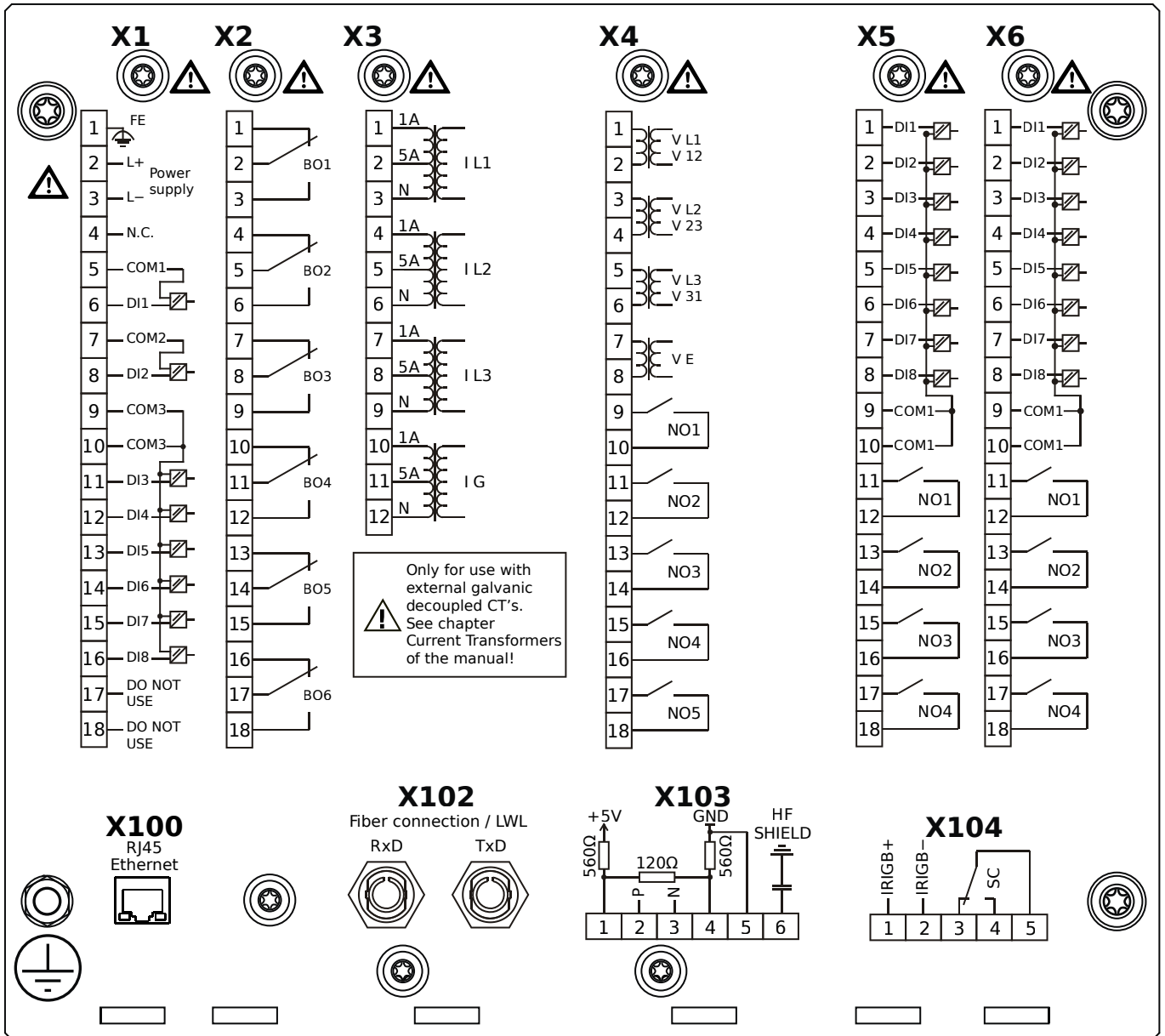
- X1** – DI8-X1: Wide-range power supply unit, incl. 2 non-grouped digital inputs and 6 grouped digital inputs
- X2** – OR-6: Assembly Group with 6 Relay Outputs
- X3** – TI-4: Standard current measuring card
- X4** – TU: Card with 4 voltage transformer measuring inputs and 5 output relays
- X5** – DI8-OR4: Assembly Group with 8 Digital Inputs and 4 Output Relays
- X6** – DI8-OR4: Assembly Group with 8 Digital Inputs and 4 Output Relays
- X102** – Protection Communication, Fiber optics interface, ST Connector
- X103** – Modbus TCP / DNP3.0 TCP/UDP, Fiber optics interface, LC Connector
- X104** – IRIG-B00X, incl. System Contact (Supervision Contact)

MCDLV4-2E0H1LB



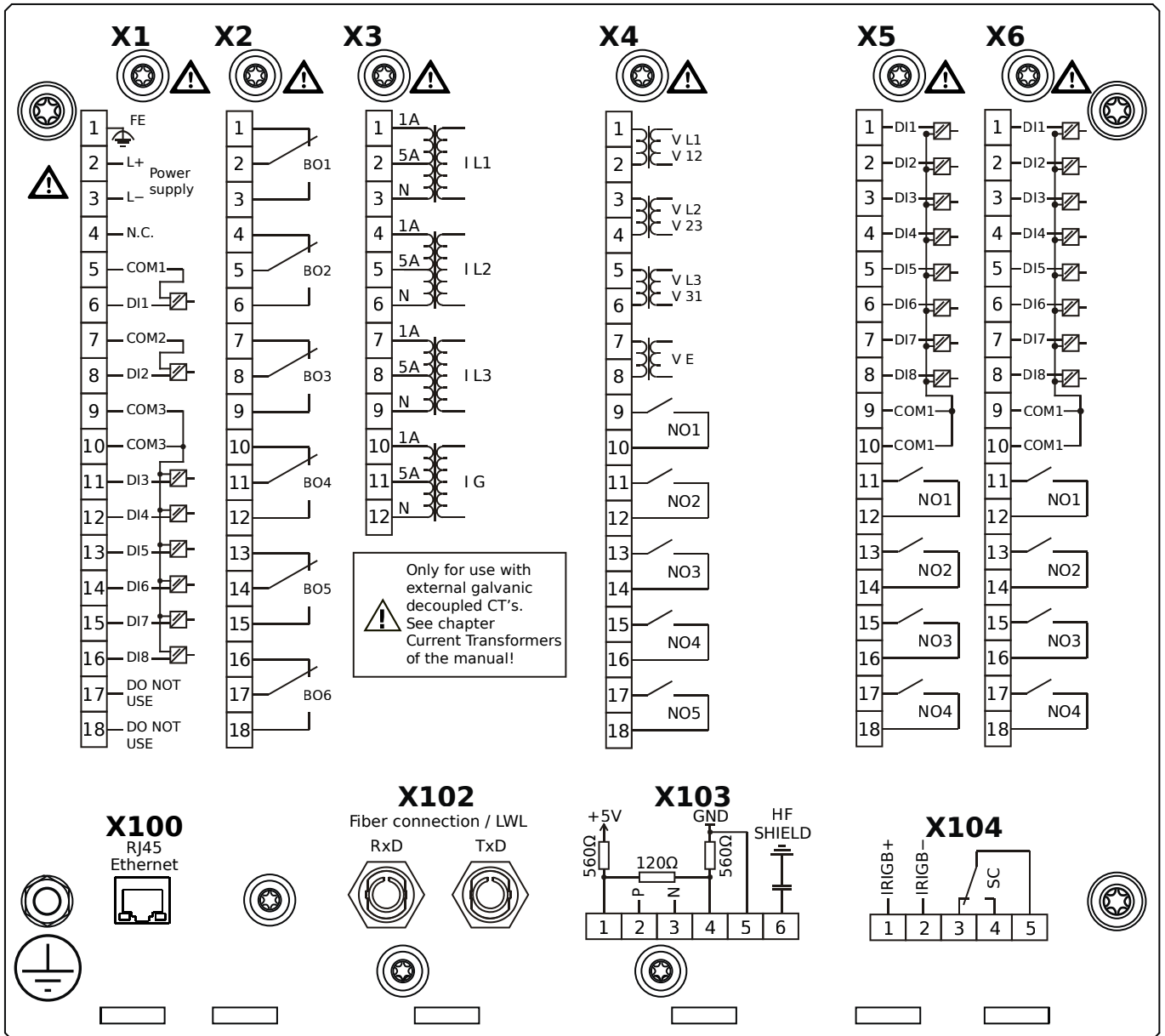
- X1** – DI8-X1: Wide-range power supply unit, incl. 2 non-grouped digital inputs and 6 grouped digital inputs
- X2** – OR-6: Assembly Group with 6 Relay Outputs
- X3** – TI-4: Standard current measuring card
- X4** – TU: Card with 4 voltage transformer measuring inputs and 5 output relays
- X5** – DI8-OR4: Assembly Group with 8 Digital Inputs and 4 Output Relays
- X6** – DI8-OR4: Assembly Group with 8 Digital Inputs and 4 Output Relays
- X102** – Protection Communication, Fiber optics interface, ST Connector
- X103** – Modbus TCP / DNP3.0 TCP/UDP, Fiber optics interface, LC Connector
- X104** – IRIG-B00X, incl. System Contact (Supervision Contact)

MCDLV4-2E0H1TA



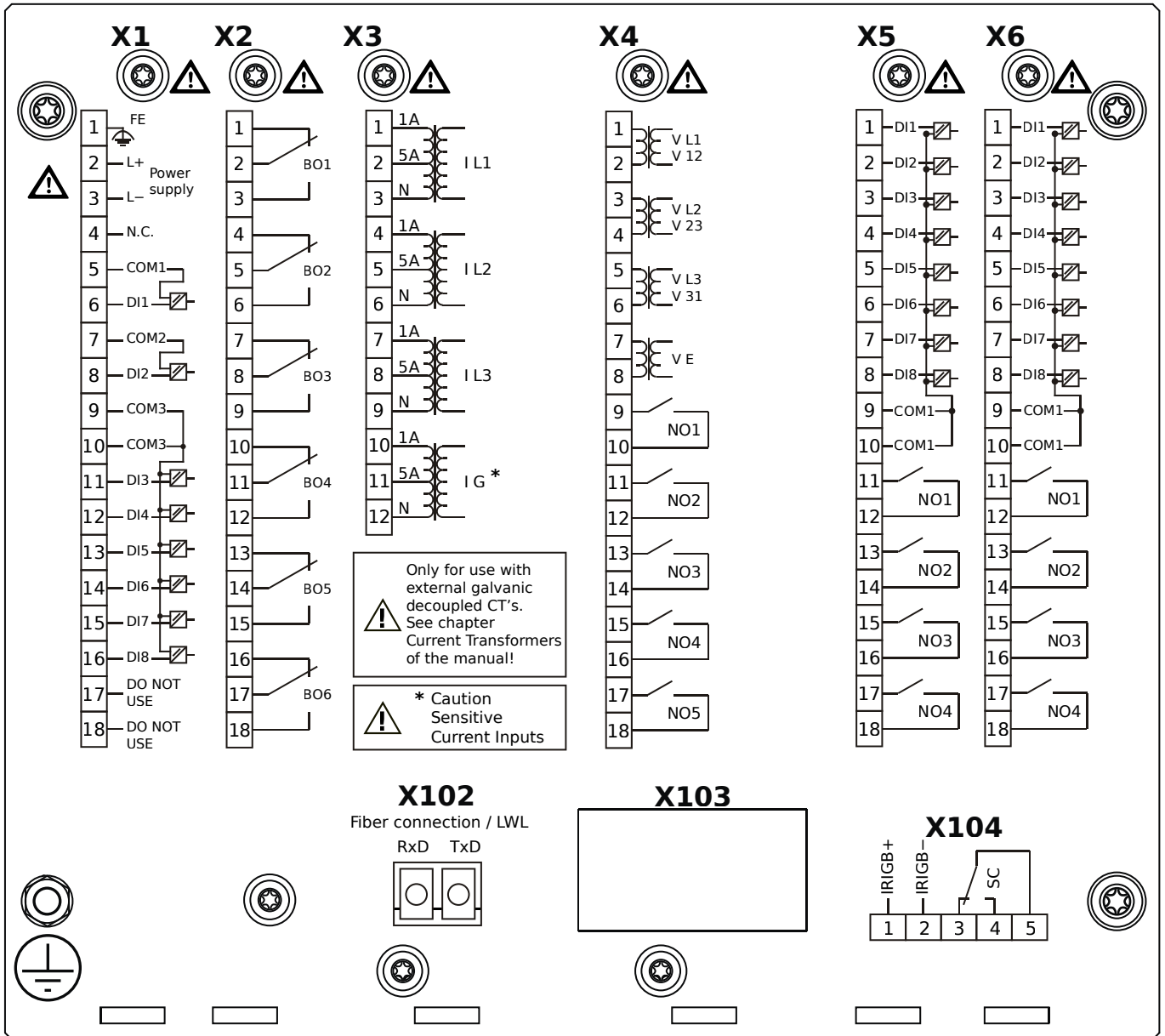
- X1** – DI8-X1: Wide-range power supply unit, incl. 2 non-grouped digital inputs and 6 grouped digital inputs
- X2** – OR-6: Assembly Group with 6 Relay Outputs
- X3** – TI-4: Standard current measuring card
- X4** – TU: Card with 4 voltage transformer measuring inputs and 5 output relays
- X5** – DI8-OR4: Assembly Group with 8 Digital Inputs and 4 Output Relays
- X6** – DI8-OR4: Assembly Group with 8 Digital Inputs and 4 Output Relays
- X100** – IEC 61850 / Modbus TCP / DNP3.0 TCP/UDP, Ethernet interface, 100 Mbit/s, RJ45 (BASE100-FX)
- X102** – Protection Communication, Fiber optics interface, ST Connector
- X103** – IEC 60870-5-103 / Modbus RTU / DNP3.0 RTU, RS485, Terminals
- X104** – IRIG-B00X, incl. System Contact (Supervision Contact)

MCDLV4-2E0H1TB



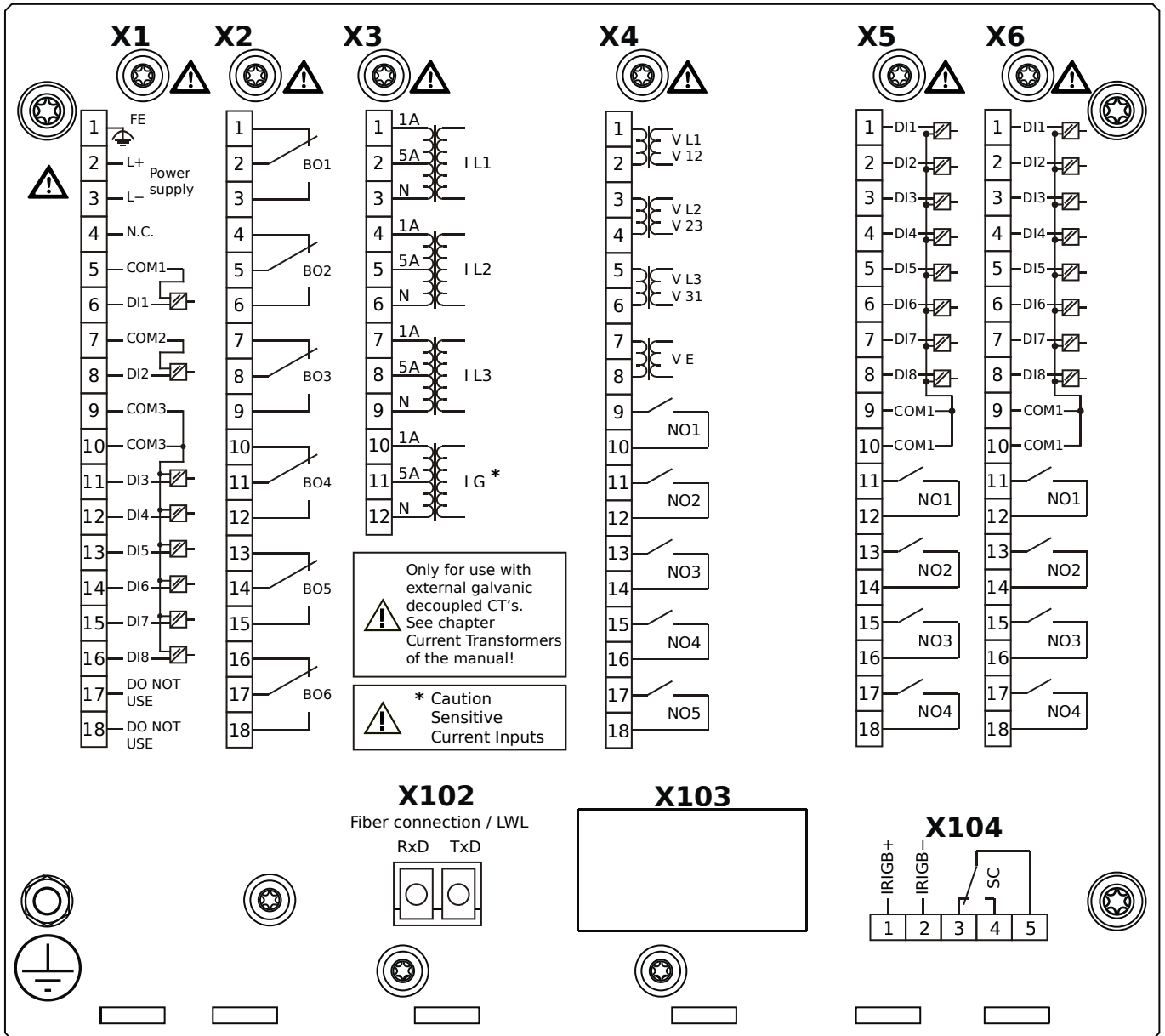
- X1** – DI8-X1: Wide-range power supply unit, incl. 2 non-grouped digital inputs and 6 grouped digital inputs
- X2** – OR-6: Assembly Group with 6 Relay Outputs
- X3** – TI-4: Standard current measuring card
- X4** – TU: Card with 4 voltage transformer measuring inputs and 5 output relays
- X5** – DI8-OR4: Assembly Group with 8 Digital Inputs and 4 Output Relays
- X6** – DI8-OR4: Assembly Group with 8 Digital Inputs and 4 Output Relays
- X100** – IEC 61850 / Modbus TCP / DNP3.0 TCP/UDP, Ethernet interface, 100 Mbit/s, RJ45 (BASE100-FX)
- X102** – Protection Communication, Fiber optics interface, ST Connector
- X103** – IEC 60870-5-103 / Modbus RTU / DNP3.0 RTU, RS485, Terminals
- X104** – IRIG-B00X, incl. System Contact (Supervision Contact)

MCDLV4-2E1A0AA



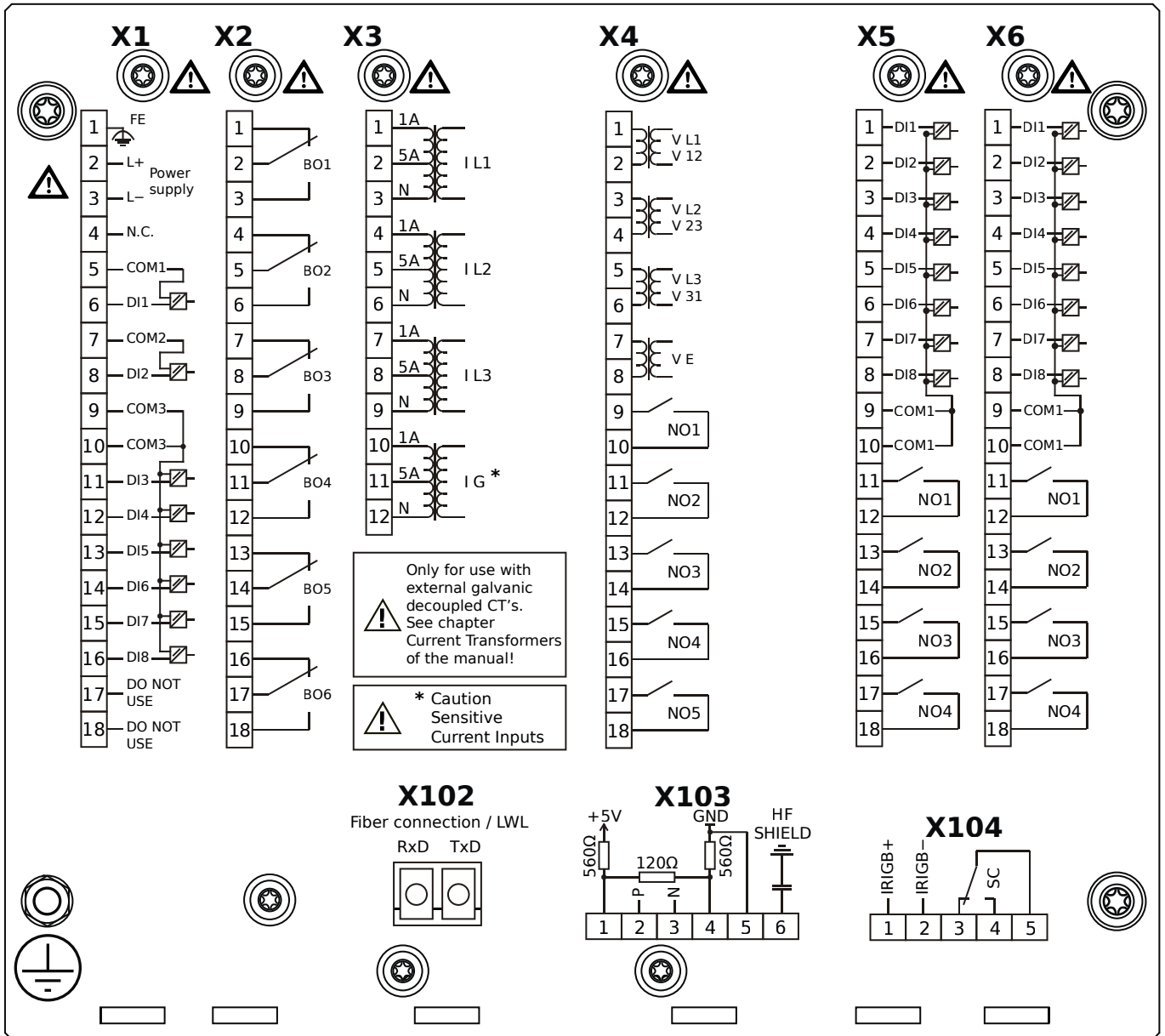
- X1** – DI8-X1: Wide-range power supply unit, incl. 2 non-grouped digital inputs and 6 grouped digital inputs
- X2** – OR-6: Assembly Group with 6 Relay Outputs
- X3** – TIs-4: Standard phase current measuring card and sensitive ground current measuring
- X4** – TU: Card with 4 voltage transformer measuring inputs and 5 output relays
- X5** – DI8-OR4: Assembly Group with 8 Digital Inputs and 4 Output Relays
- X6** – DI8-OR4: Assembly Group with 8 Digital Inputs and 4 Output Relays
- X102** – Long-distance Protection Communication, Fiber optics interface, LC Connector
- X104** – IRIG-B00X, incl. System Contact (Supervision Contact)

MCDLV4-2E1A0AB



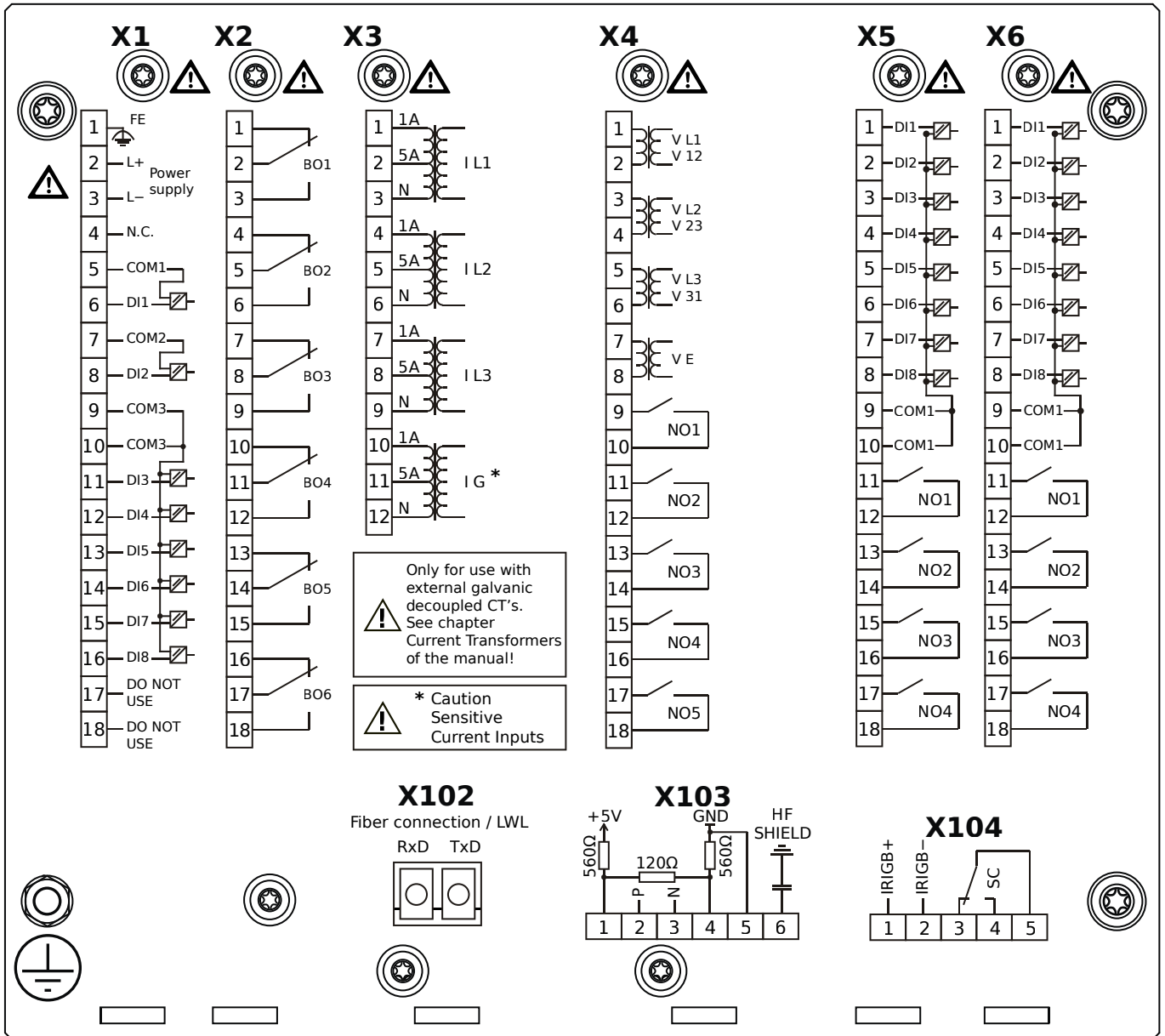
- X1** – DI8-X1: Wide-range power supply unit, incl. 2 non-grouped digital inputs and 6 grouped digital inputs
- X2** – OR-6: Assembly Group with 6 Relay Outputs
- X3** – TIs-4: Standard phase current measuring card and sensitive ground current measuring
- X4** – TU: Card with 4 voltage transformer measuring inputs and 5 output relays
- X5** – DI8-OR4: Assembly Group with 8 Digital Inputs and 4 Output Relays
- X6** – DI8-OR4: Assembly Group with 8 Digital Inputs and 4 Output Relays
- X102** – Long-distance Protection Communication, Fiber optics interface, LC Connector
- X104** – IRIG-B00X, incl. System Contact (Supervision Contact)

MCDLV4-2E1A0BA



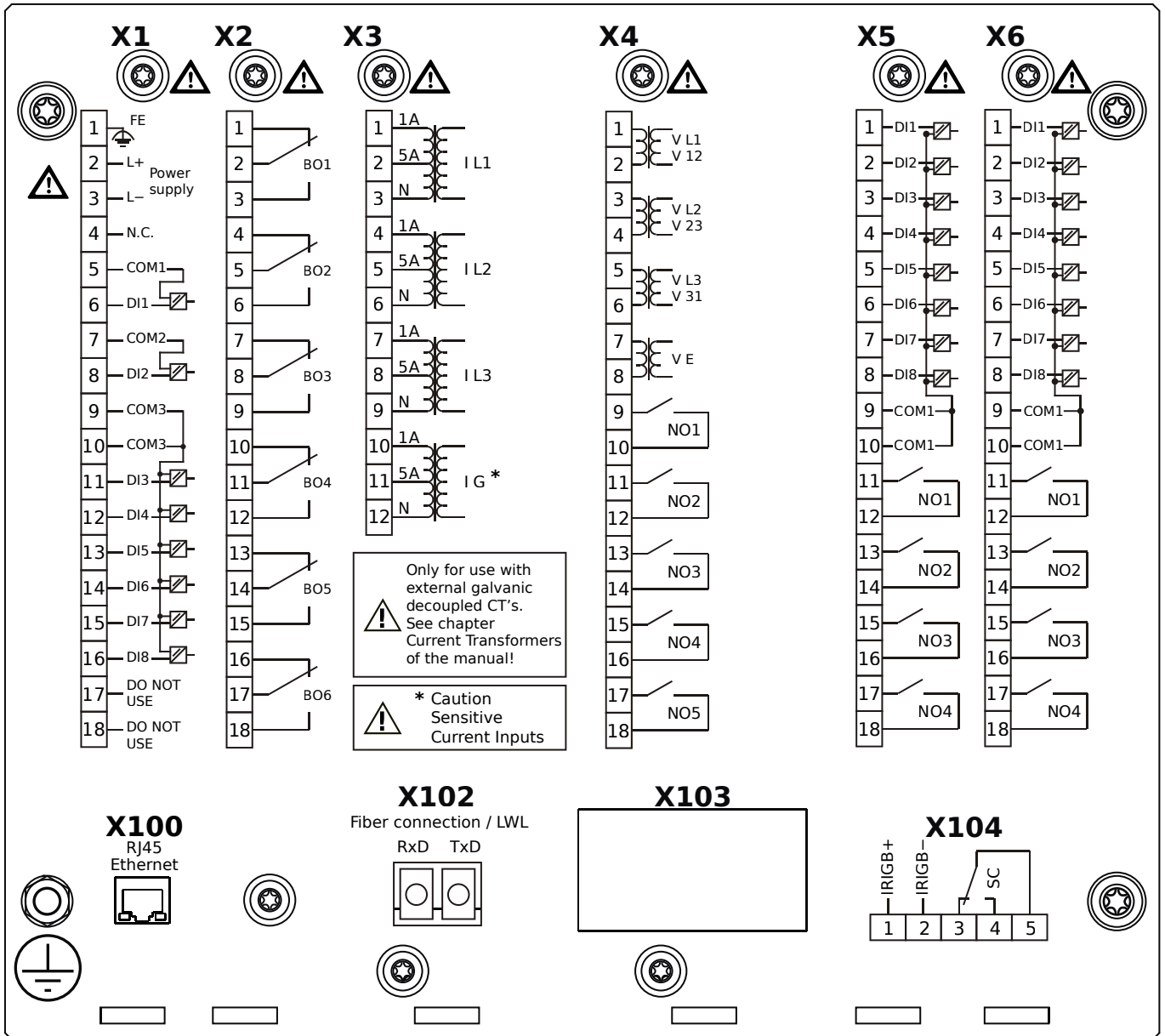
- X1** – DI8-X1: Wide-range power supply unit, incl. 2 non-grouped digital inputs and 6 grouped digital inputs
- X2** – OR-6: Assembly Group with 6 Relay Outputs
- X3** – TI-4: Standard phase current measuring card and sensitive ground current measuring
- X4** – TU: Card with 4 voltage transformer measuring inputs and 5 output relays
- X5** – DI8-OR4: Assembly Group with 8 Digital Inputs and 4 Output Relays
- X6** – DI8-OR4: Assembly Group with 8 Digital Inputs and 4 Output Relays
- X102** – Long-distance Protection Communication, Fiber optics interface, LC Connector
- X103** – Modbus RTU / IEC 60870-5-103 / DNP3.0 RTU, RS485, Terminals
- X104** – IRIG-B00X, incl. System Contact (Supervision Contact)

MCDLV4-2E1A0BB



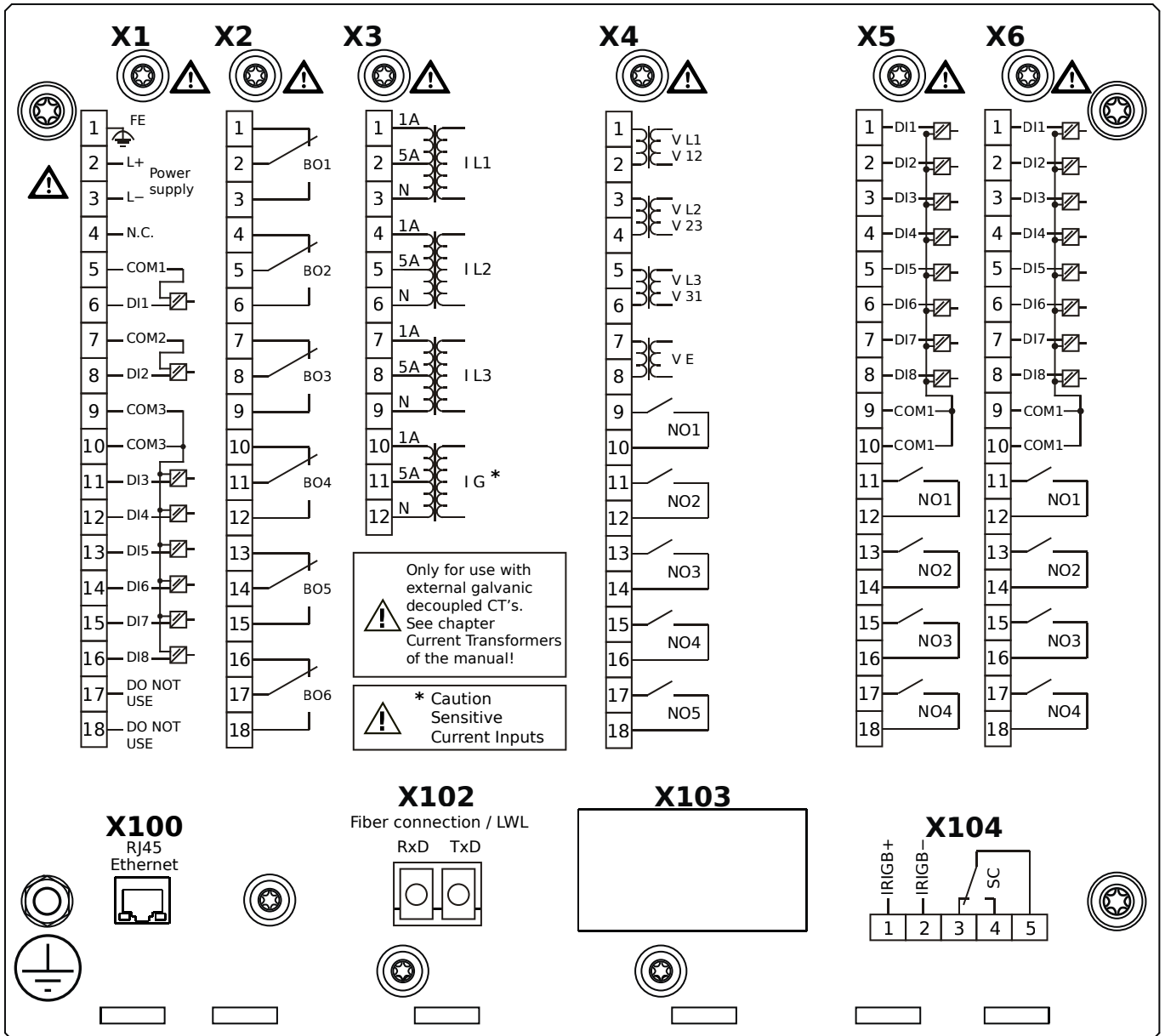
- X1** – DI8-X1: Wide-range power supply unit, incl. 2 non-grouped digital inputs and 6 grouped digital inputs
- X2** – OR-6: Assembly Group with 6 Relay Outputs
- X3** – TIs-4: Standard phase current measuring card and sensitive ground current measuring
- X4** – TU: Card with 4 voltage transformer measuring inputs and 5 output relays
- X5** – DI8-OR4: Assembly Group with 8 Digital Inputs and 4 Output Relays
- X6** – DI8-OR4: Assembly Group with 8 Digital Inputs and 4 Output Relays
- X102** – Long-distance Protection Communication, Fiber optics interface, LC Connector
- X103** – Modbus RTU / IEC 60870-5-103 / DNP3.0 RTU, RS485, Terminals
- X104** – IRIG-B00X, incl. System Contact (Supervision Contact)

MCDLV4-2E1A0CA



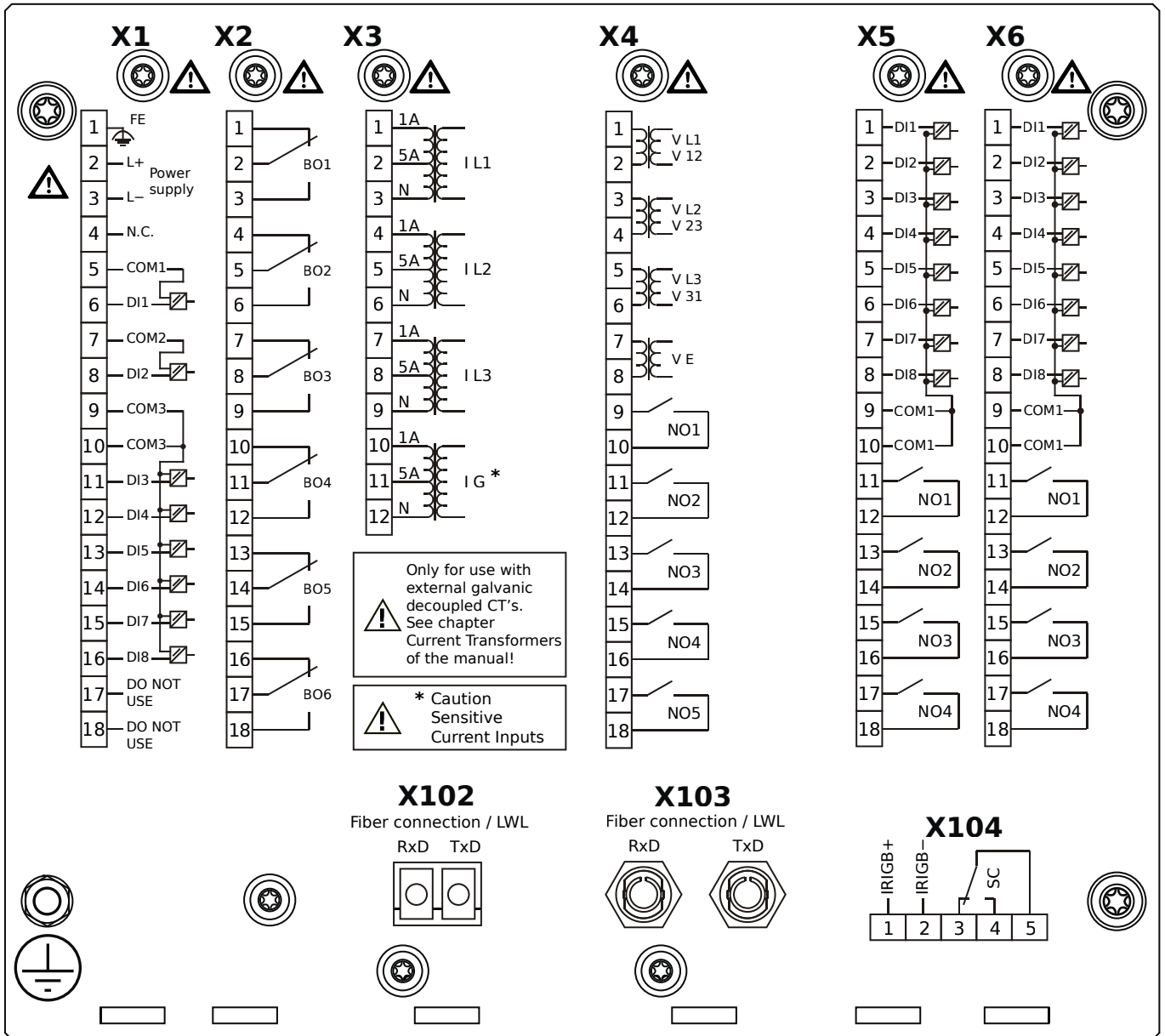
- X1** – DI8-X1: Wide-range power supply unit, incl. 2 non-grouped digital inputs and 6 grouped digital inputs
- X2** – OR-6: Assembly Group with 6 Relay Outputs
- X3** – TIs-4: Standard phase current measuring card and sensitive ground current measuring
- X4** – TU: Card with 4 voltage transformer measuring inputs and 5 output relays
- X5** – DI8-OR4: Assembly Group with 8 Digital Inputs and 4 Output Relays
- X6** – DI8-OR4: Assembly Group with 8 Digital Inputs and 4 Output Relays
- X100** – Modbus TCP / DNP3.0 TCP/UDP, Ethernet interface, 100 Mbit/s, RJ45 (BASE100-FX)
- X102** – Long-distance Protection Communication, Fiber optics interface, LC Connector
- X104** – IRIG-B00X, incl. System Contact (Supervision Contact)

MCDLV4-2E1A0CB



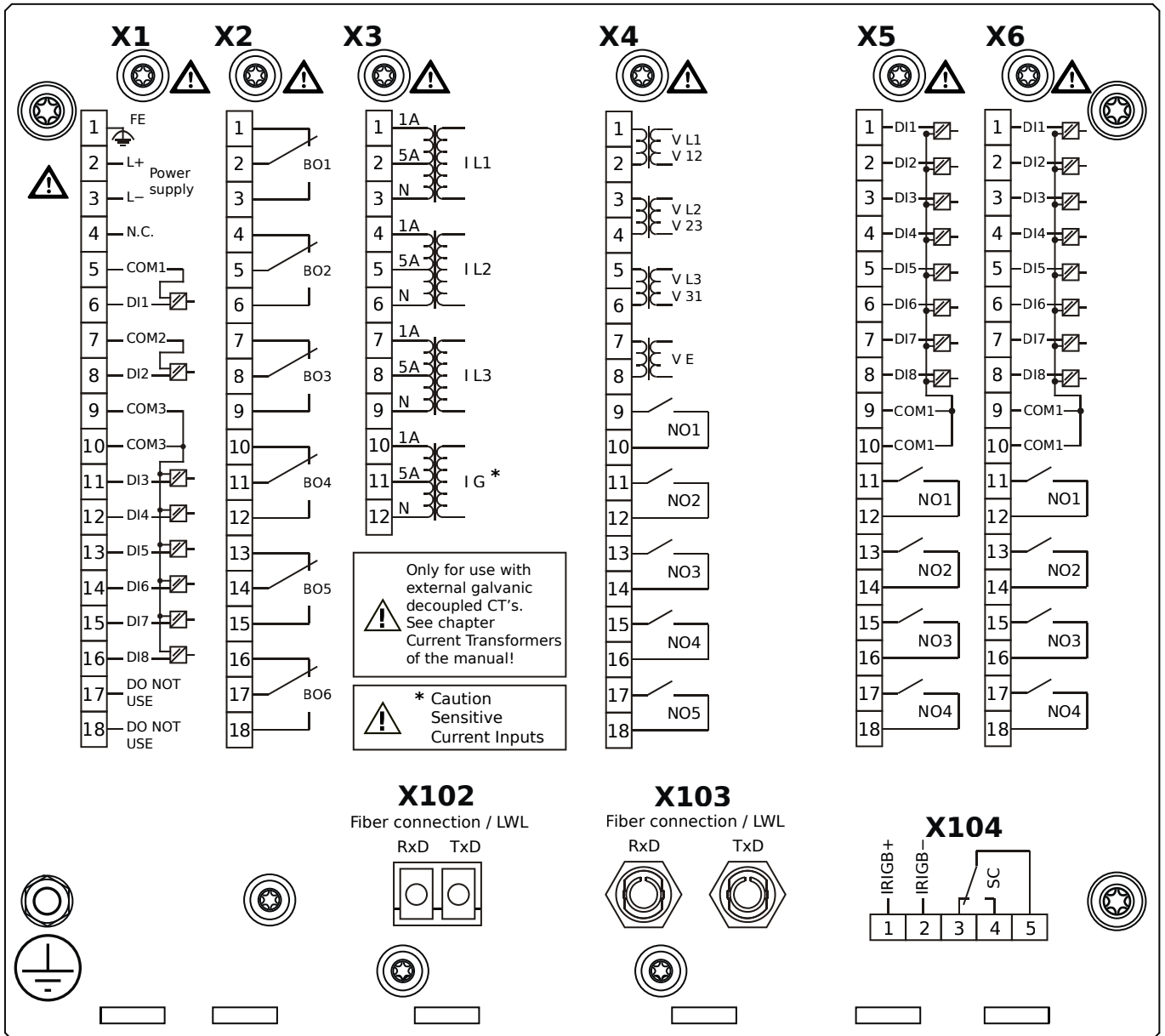
- X1** – DI8-X1: Wide-range power supply unit, incl. 2 non-grouped digital inputs and 6 grouped digital inputs
- X2** – OR-6: Assembly Group with 6 Relay Outputs
- X3** – TIs-4: Standard phase current measuring card and sensitive ground current measuring
- X4** – TU: Card with 4 voltage transformer measuring inputs and 5 output relays
- X5** – DI8-OR4: Assembly Group with 8 Digital Inputs and 4 Output Relays
- X6** – DI8-OR4: Assembly Group with 8 Digital Inputs and 4 Output Relays
- X100** – Modbus TCP / DNP3.0 TCP/UDP, Ethernet interface, 100 Mbit/s, RJ45 (BASE100-FX)
- X102** – Long-distance Protection Communication, Fiber optics interface, LC Connector
- X104** – IRIG-B00X, incl. System Contact (Supervision Contact)

MCDLV4-2E1A0DA



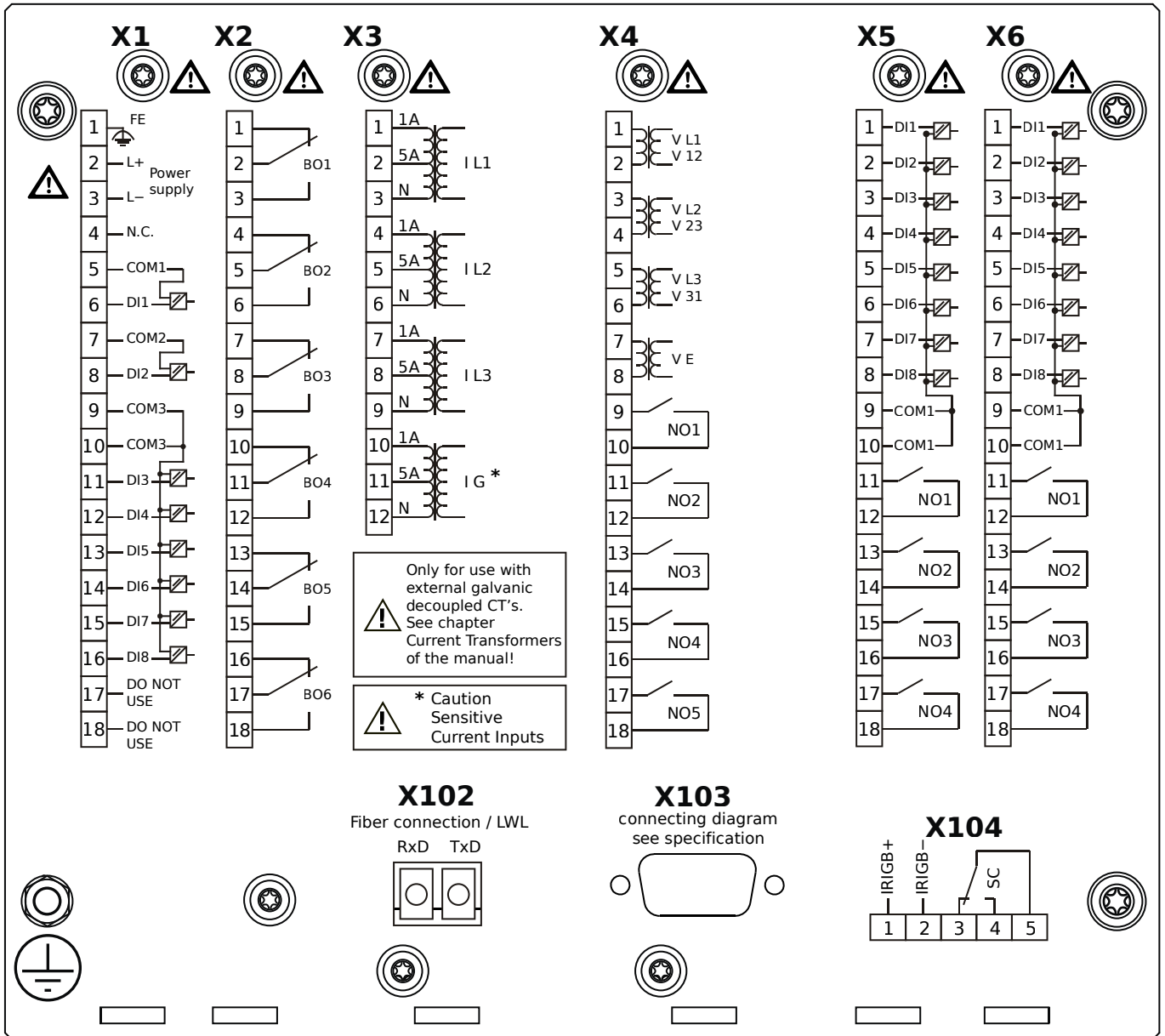
- X1** – DI8-X1: Wide-range power supply unit, incl. 2 non-grouped digital inputs and 6 grouped digital inputs
- X2** – OR-6: Assembly Group with 6 Relay Outputs
- X3** – TIs-4: Standard phase current measuring card and sensitive ground current measuring
- X4** – TU: Card with 4 voltage transformer measuring inputs and 5 output relays
- X5** – DI8-OR4: Assembly Group with 8 Digital Inputs and 4 Output Relays
- X6** – DI8-OR4: Assembly Group with 8 Digital Inputs and 4 Output Relays
- X102** – Long-distance Protection Communication, Fiber optics interface, LC Connector
- X103** – Profibus-DP, Fiber optics interface, ST Connector
- X104** – IRIG-B00X, incl. System Contact (Supervision Contact)

MCDLV4-2E1A0DB



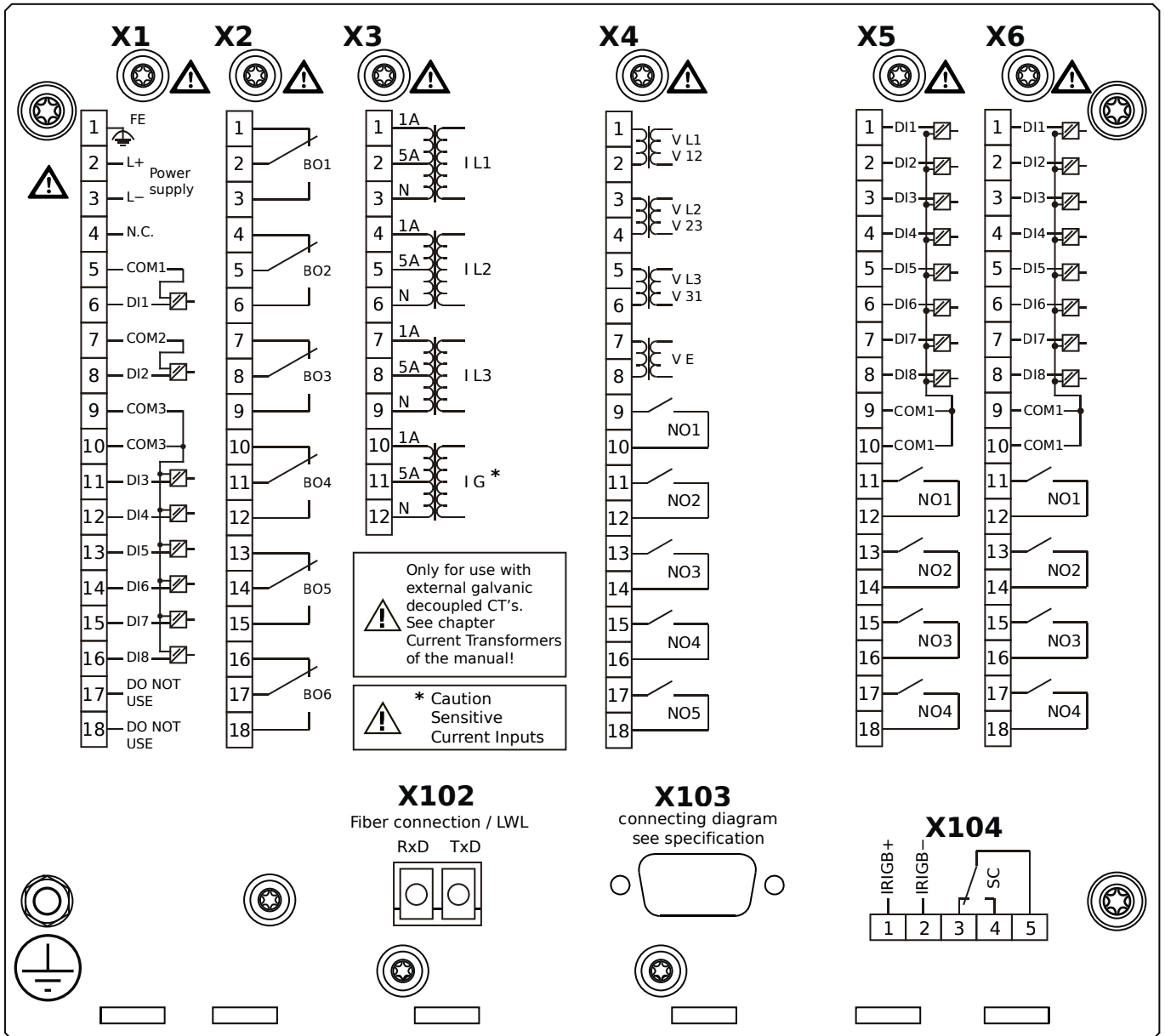
- X1** – DI8-X1: Wide-range power supply unit, incl. 2 non-grouped digital inputs and 6 grouped digital inputs
- X2** – OR-6: Assembly Group with 6 Relay Outputs
- X3** – TIs-4: Standard phase current measuring card and sensitive ground current measuring
- X4** – TU: Card with 4 voltage transformer measuring inputs and 5 output relays
- X5** – DI8-OR4: Assembly Group with 8 Digital Inputs and 4 Output Relays
- X6** – DI8-OR4: Assembly Group with 8 Digital Inputs and 4 Output Relays
- X102** – Long-distance Protection Communication, Fiber optics interface, LC Connector
- X103** – Profibus-DP, Fiber optics interface, ST Connector
- X104** – IRIG-B00X, incl. System Contact (Supervision Contact)

MCDLV4-2E1A0EA



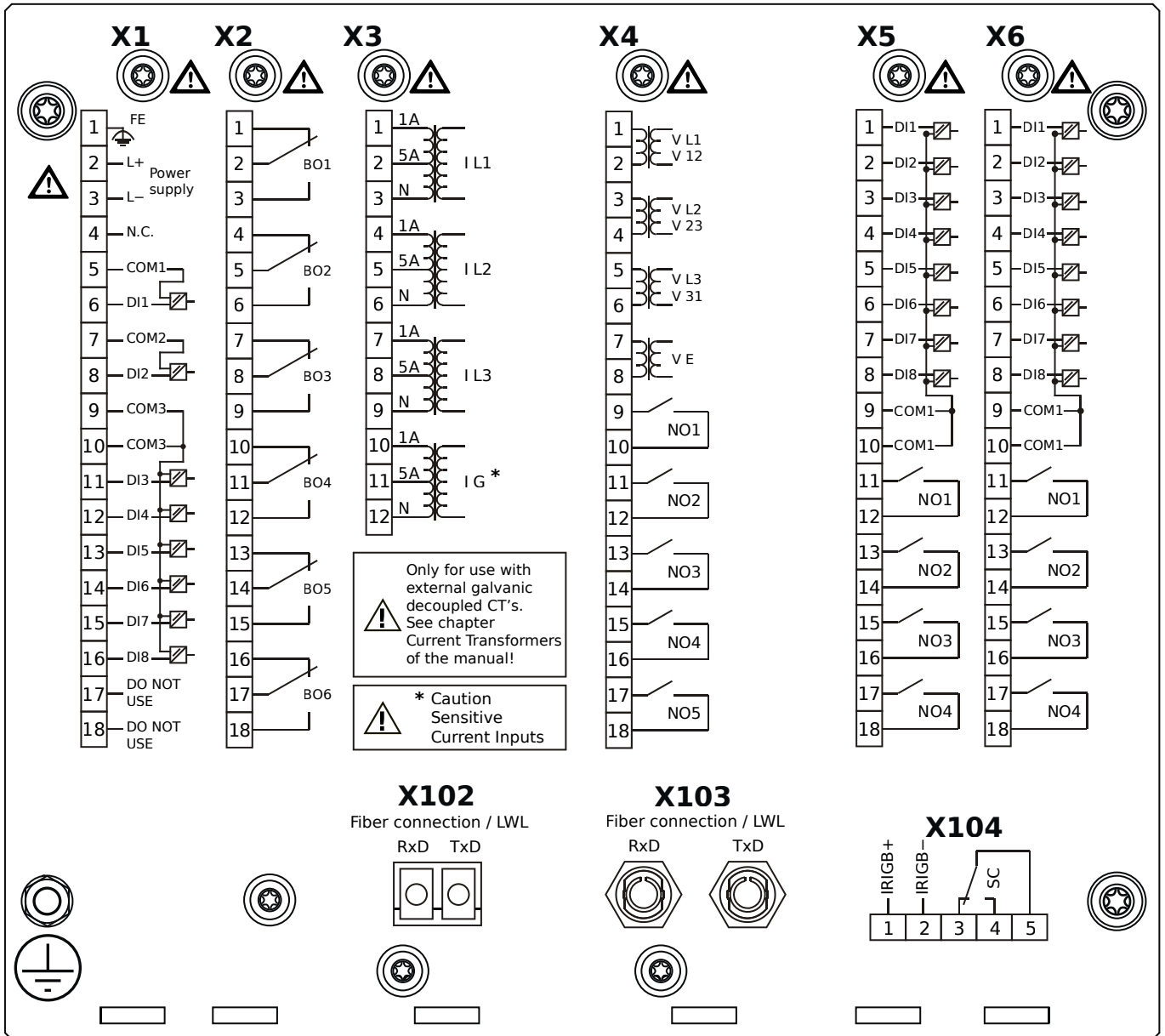
- X1** – DI8-X1: Wide-range power supply unit, incl. 2 non-grouped digital inputs and 6 grouped digital inputs
- X2** – OR-6: Assembly Group with 6 Relay Outputs
- X3** – TIs-4: Standard phase current measuring card and sensitive ground current measuring
- X4** – TU: Card with 4 voltage transformer measuring inputs and 5 output relays
- X5** – DI8-OR4: Assembly Group with 8 Digital Inputs and 4 Output Relays
- X6** – DI8-OR4: Assembly Group with 8 Digital Inputs and 4 Output Relays
- X102** – Long-distance Protection Communication, Fiber optics interface, LC Connector
- X103** – Profibus-DP, RS485, D-SUB
- X104** – IRIG-B00X, incl. System Contact (Supervision Contact)

MCDLV4-2E1A0EB



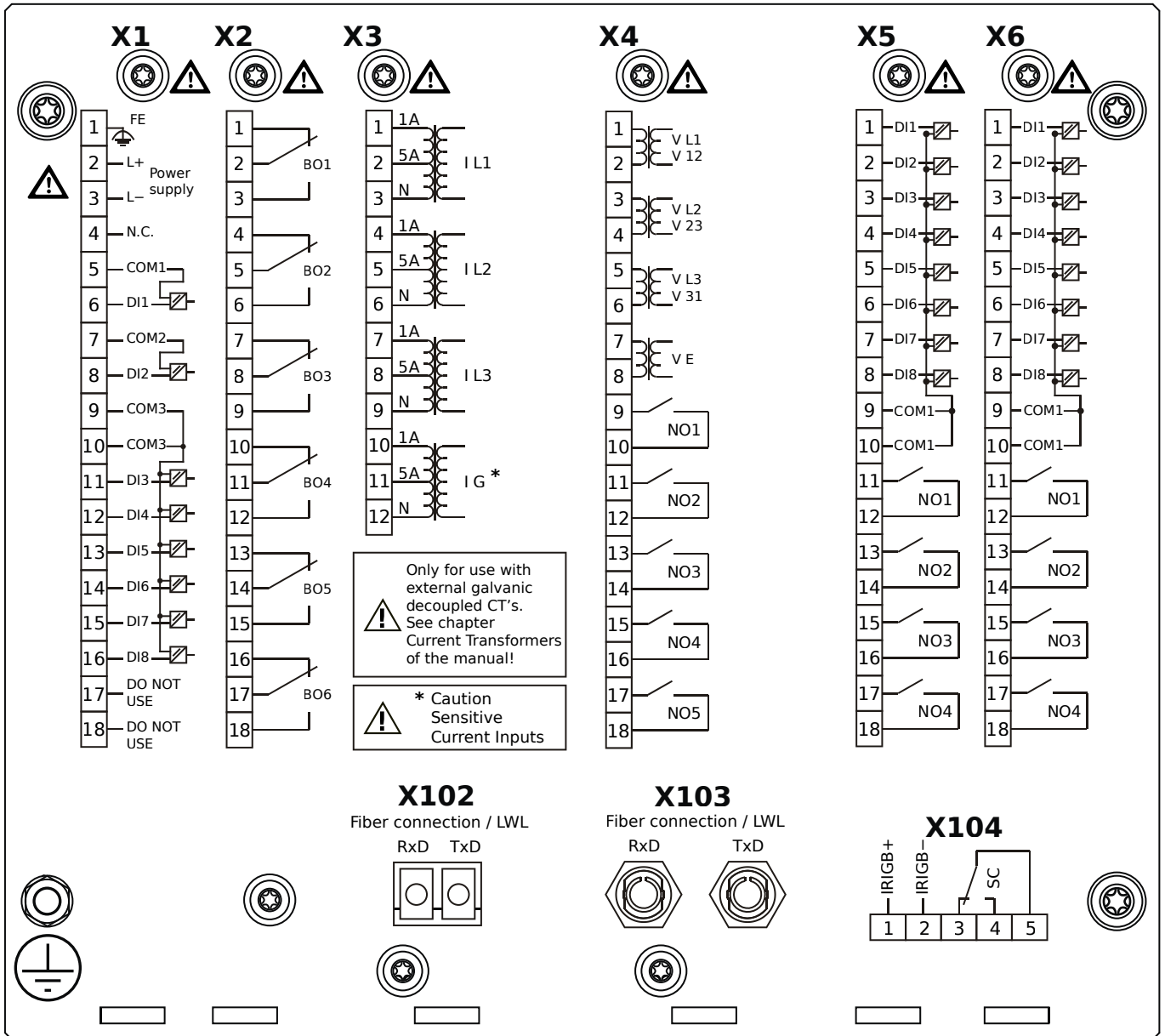
- X1** – DI8-X1: Wide-range power supply unit, incl. 2 non-grouped digital inputs and 6 grouped digital inputs
- X2** – OR-6: Assembly Group with 6 Relay Outputs
- X3** – TIs-4: Standard phase current measuring card and sensitive ground current measuring
- X4** – TU: Card with 4 voltage transformer measuring inputs and 5 output relays
- X5** – DI8-OR4: Assembly Group with 8 Digital Inputs and 4 Output Relays
- X6** – DI8-OR4: Assembly Group with 8 Digital Inputs and 4 Output Relays
- X102** – Long-distance Protection Communication, Fiber optics interface, LC Connector
- X103** – Profibus-DP, RS485, D-SUB
- X104** – IRIG-B00X, incl. System Contact (Supervision Contact)

MCDLV4-2E1A0FA



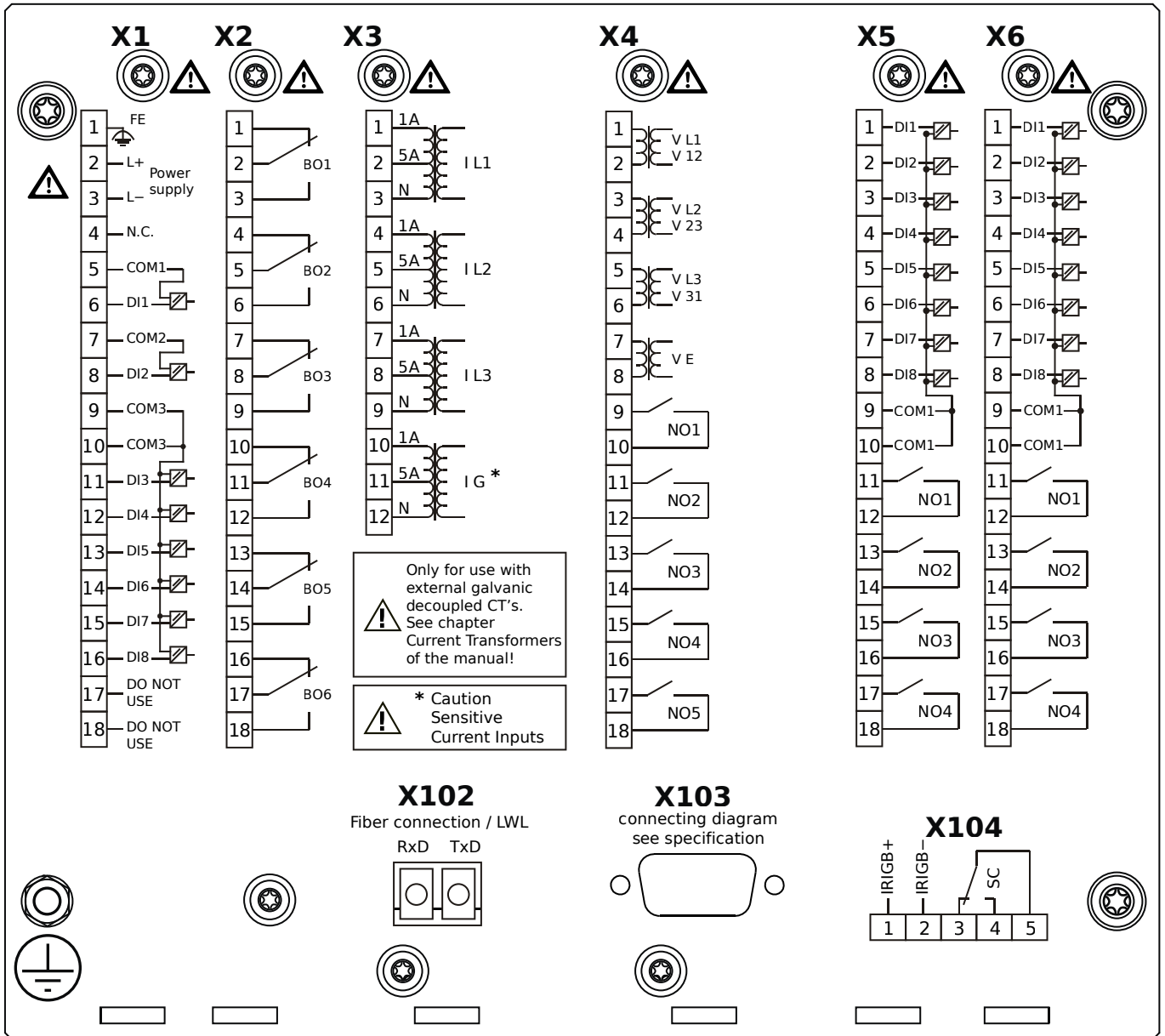
- X1** – DI8-X1: Wide-range power supply unit, incl. 2 non-grouped digital inputs and 6 grouped digital inputs
- X2** – OR-6: Assembly Group with 6 Relay Outputs
- X3** – TIs-4: Standard phase current measuring card and sensitive ground current measuring
- X4** – TU: Card with 4 voltage transformer measuring inputs and 5 output relays
- X5** – DI8-OR4: Assembly Group with 8 Digital Inputs and 4 Output Relays
- X6** – DI8-OR4: Assembly Group with 8 Digital Inputs and 4 Output Relays
- X102** – Long-distance Protection Communication, Fiber optics interface, LC Connector
- X103** – Modbus RTU / IEC 60870-5-103 / DNP3.0 RTU, Fiber optics interface, ST Connector
- X104** – IRIG-B00X, incl. System Contact (Supervision Contact)

MCDLV4-2E1A0FB



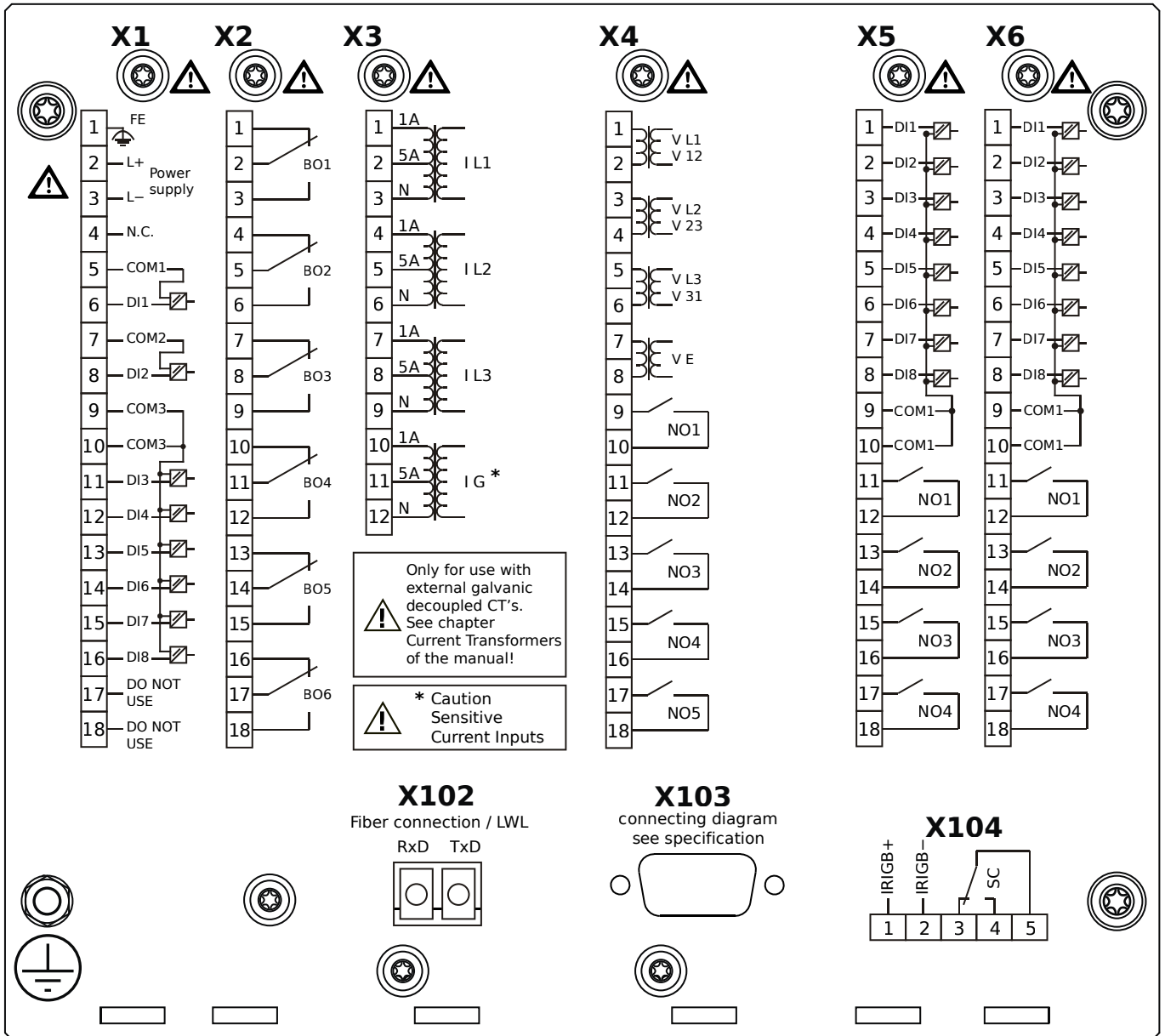
- X1** – DI8-X1: Wide-range power supply unit, incl. 2 non-grouped digital inputs and 6 grouped digital inputs
- X2** – OR-6: Assembly Group with 6 Relay Outputs
- X3** – TIs-4: Standard phase current measuring card and sensitive ground current measuring
- X4** – TU: Card with 4 voltage transformer measuring inputs and 5 output relays
- X5** – DI8-OR4: Assembly Group with 8 Digital Inputs and 4 Output Relays
- X6** – DI8-OR4: Assembly Group with 8 Digital Inputs and 4 Output Relays
- X102** – Long-distance Protection Communication, Fiber optics interface, LC Connector
- X103** – Modbus RTU / IEC 60870-5-103 / DNP3.0 RTU, Fiber optics interface, ST Connector
- X104** – IRIG-B00X, incl. System Contact (Supervision Contact)

MCDLV4-2E1A0GA



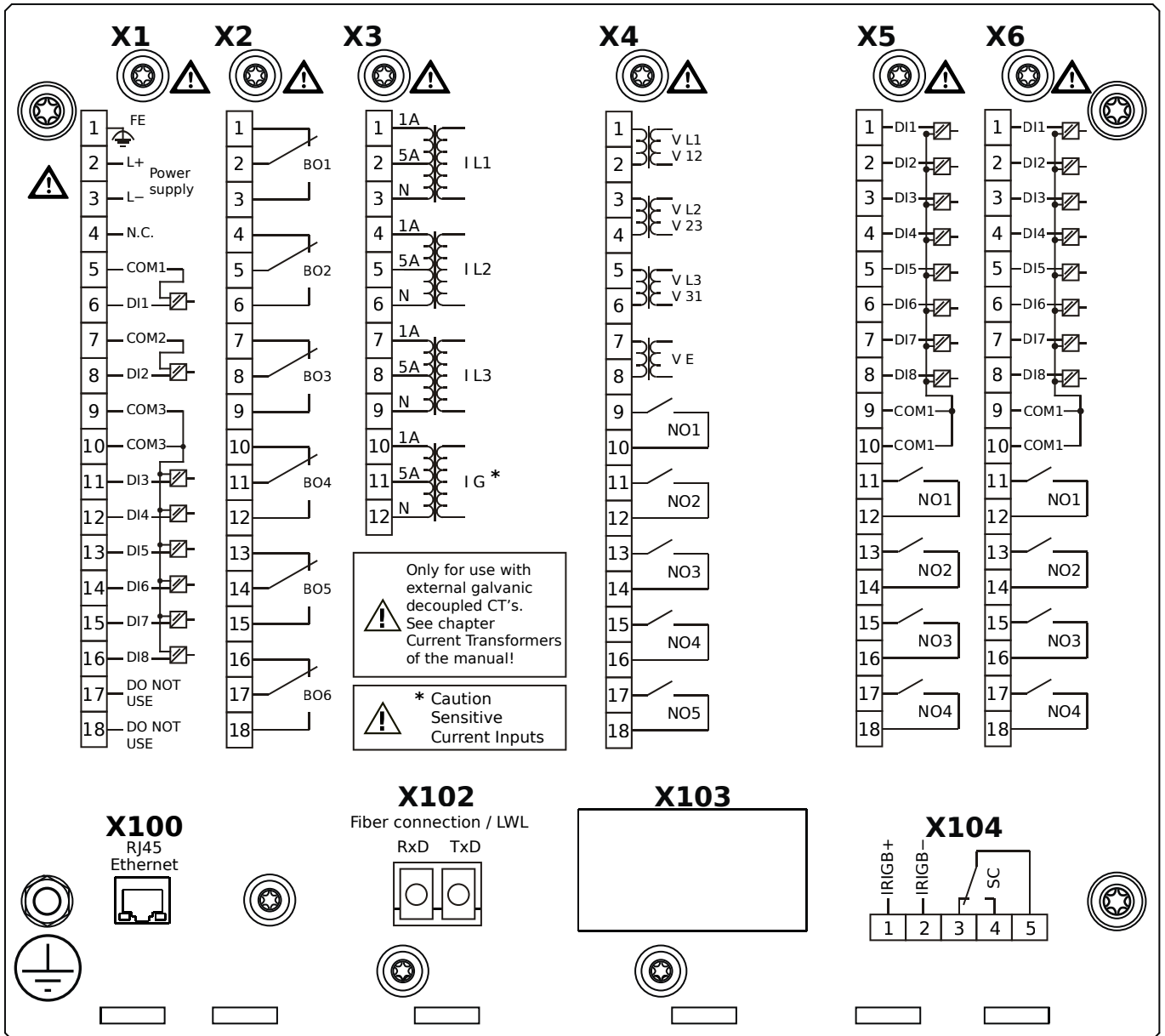
- X1** – DI8-X1: Wide-range power supply unit, incl. 2 non-grouped digital inputs and 6 grouped digital inputs
- X2** – OR-6: Assembly Group with 6 Relay Outputs
- X3** – TIs-4: Standard phase current measuring card and sensitive ground current measuring
- X4** – TU: Card with 4 voltage transformer measuring inputs and 5 output relays
- X5** – DI8-OR4: Assembly Group with 8 Digital Inputs and 4 Output Relays
- X6** – DI8-OR4: Assembly Group with 8 Digital Inputs and 4 Output Relays
- X102** – Long-distance Protection Communication, Fiber optics interface, LC Connector
- X103** – Modbus RTU / IEC 60870-5-103 / DNP3.0 RTU, RS485, D-SUB
- X104** – IRIG-B00X, incl. System Contact (Supervision Contact)

MCDLV4-2E1A0GB



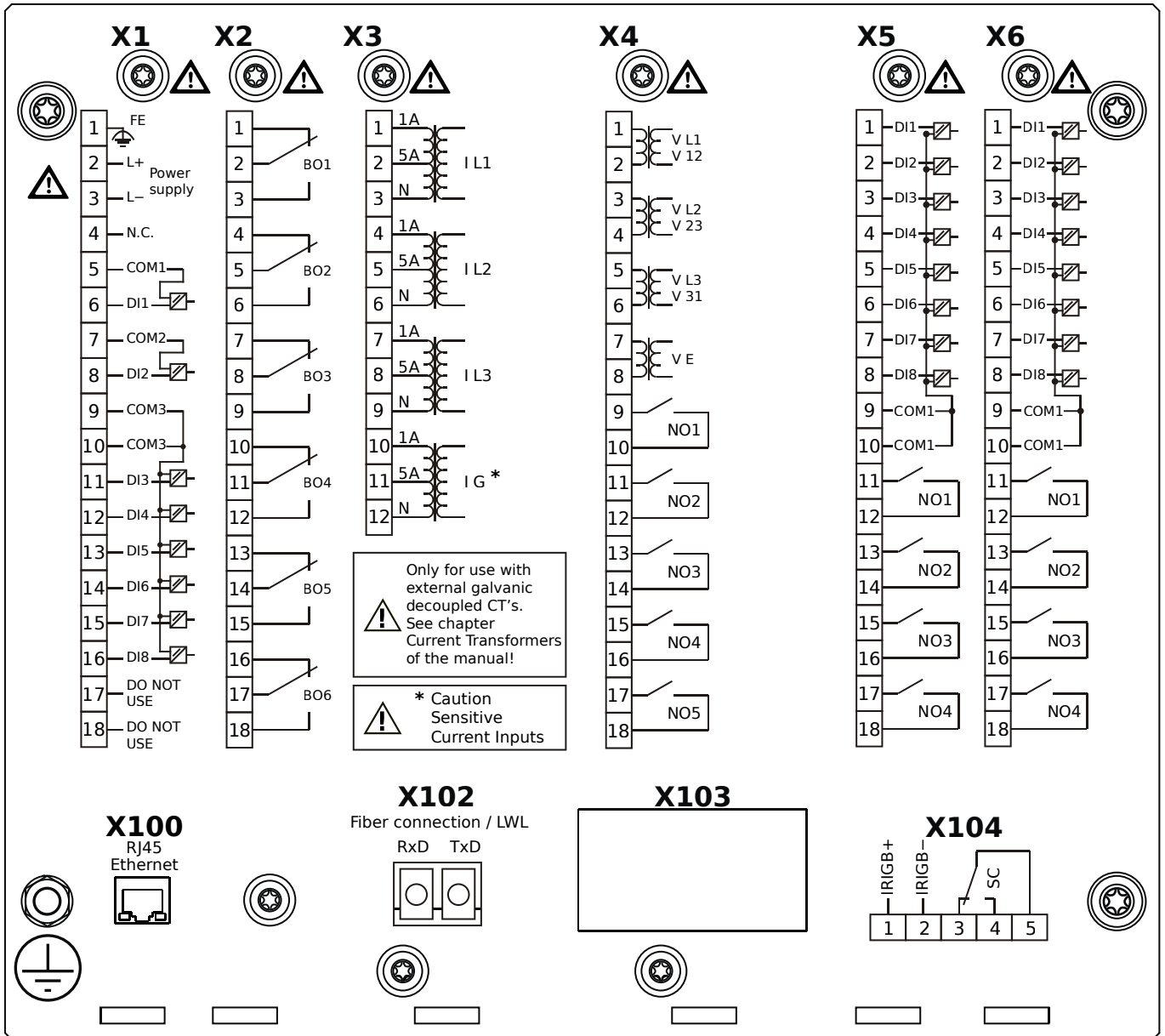
- X1** – DI8-X1: Wide-range power supply unit, incl. 2 non-grouped digital inputs and 6 grouped digital inputs
- X2** – OR-6: Assembly Group with 6 Relay Outputs
- X3** – TIs-4: Standard phase current measuring card and sensitive ground current measuring
- X4** – TU: Card with 4 voltage transformer measuring inputs and 5 output relays
- X5** – DI8-OR4: Assembly Group with 8 Digital Inputs and 4 Output Relays
- X6** – DI8-OR4: Assembly Group with 8 Digital Inputs and 4 Output Relays
- X102** – Long-distance Protection Communication, Fiber optics interface, LC Connector
- X103** – Modbus RTU / IEC 60870-5-103 / DNP3.0 RTU, RS485, D-SUB
- X104** – IRIG-B00X, incl. System Contact (Supervision Contact)

MCDLV4-2E1A0HA



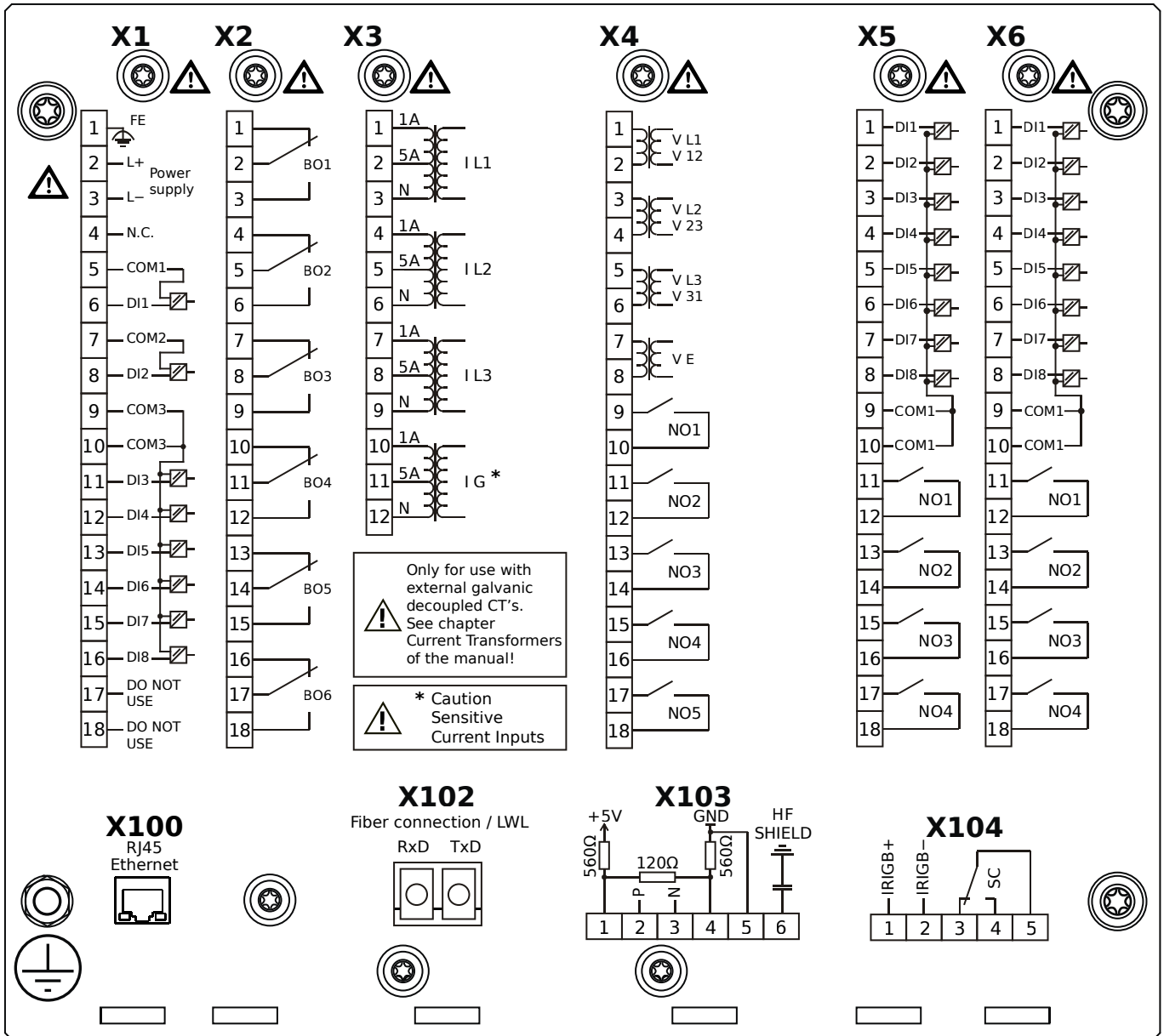
- X1** – DI8-X1: Wide-range power supply unit, incl. 2 non-grouped digital inputs and 6 grouped digital inputs
- X2** – OR-6: Assembly Group with 6 Relay Outputs
- X3** – TIs-4: Standard phase current measuring card and sensitive ground current measuring
- X4** – TU: Card with 4 voltage transformer measuring inputs and 5 output relays
- X5** – DI8-OR4: Assembly Group with 8 Digital Inputs and 4 Output Relays
- X6** – DI8-OR4: Assembly Group with 8 Digital Inputs and 4 Output Relays
- X100** – IEC 61850 / Modbus TCP / DNP3.0 TCP/UDP, Ethernet interface, 100 Mbit/s, RJ45 (BASE100-FX)
- X102** – Long-distance Protection Communication, Fiber optics interface, LC Connector
- X104** – IRIG-B00X, incl. System Contact (Supervision Contact)

MCDLV4-2E1A0HB



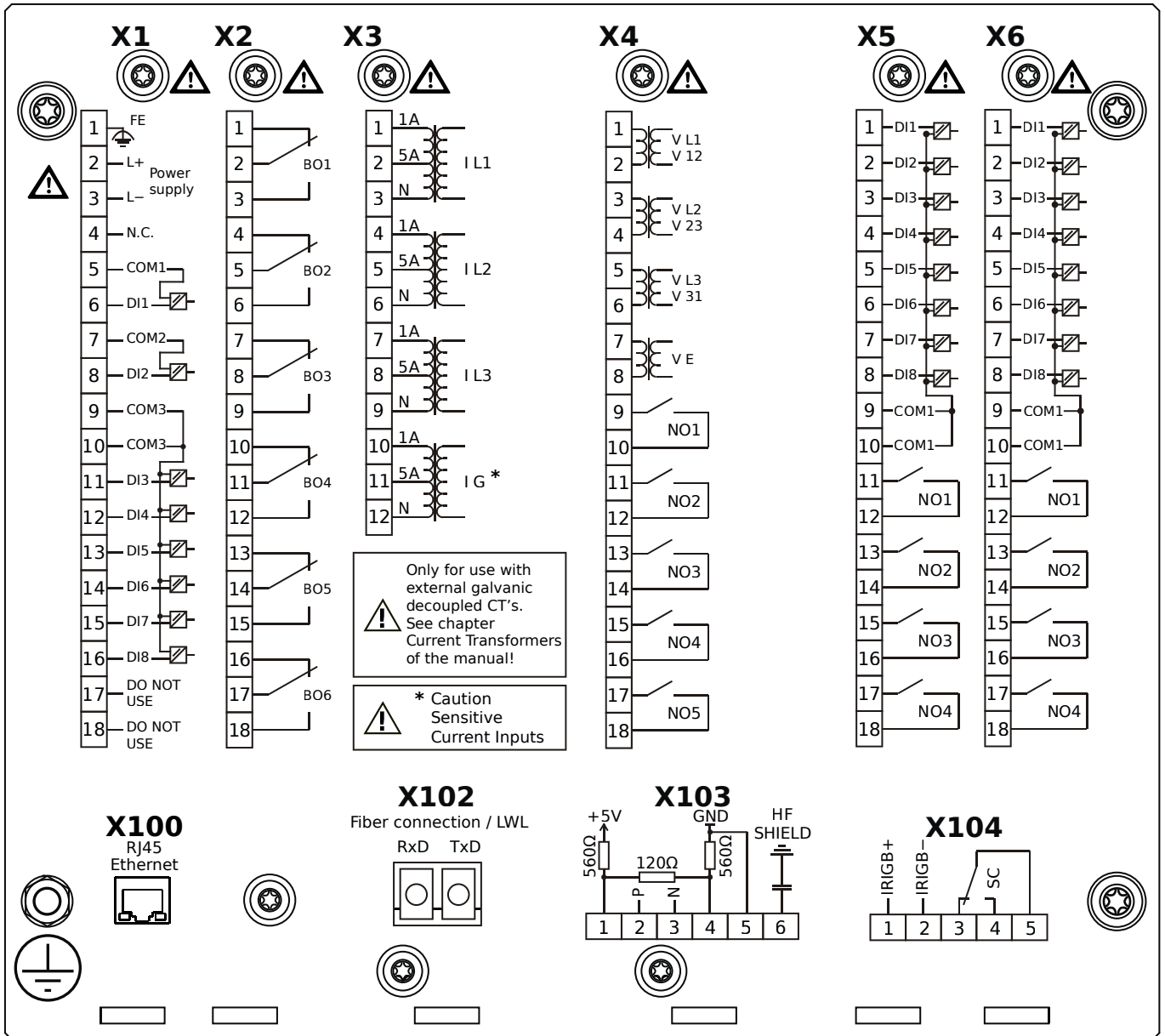
- X1** – DI8-X1: Wide-range power supply unit, incl. 2 non-grouped digital inputs and 6 grouped digital inputs
- X2** – OR-6: Assembly Group with 6 Relay Outputs
- X3** – TIs-4: Standard phase current measuring card and sensitive ground current measuring
- X4** – TU: Card with 4 voltage transformer measuring inputs and 5 output relays
- X5** – DI8-OR4: Assembly Group with 8 Digital Inputs and 4 Output Relays
- X6** – DI8-OR4: Assembly Group with 8 Digital Inputs and 4 Output Relays
- X100** – IEC 61850 / Modbus TCP / DNP3.0 TCP/UDP, Ethernet interface, 100 Mbit/s, RJ45 (BASE100-FX)
- X102** – Long-distance Protection Communication, Fiber optics interface, LC Connector
- X104** – IRIG-B00X, incl. System Contact (Supervision Contact)

MCDLV4-2E1A0IA



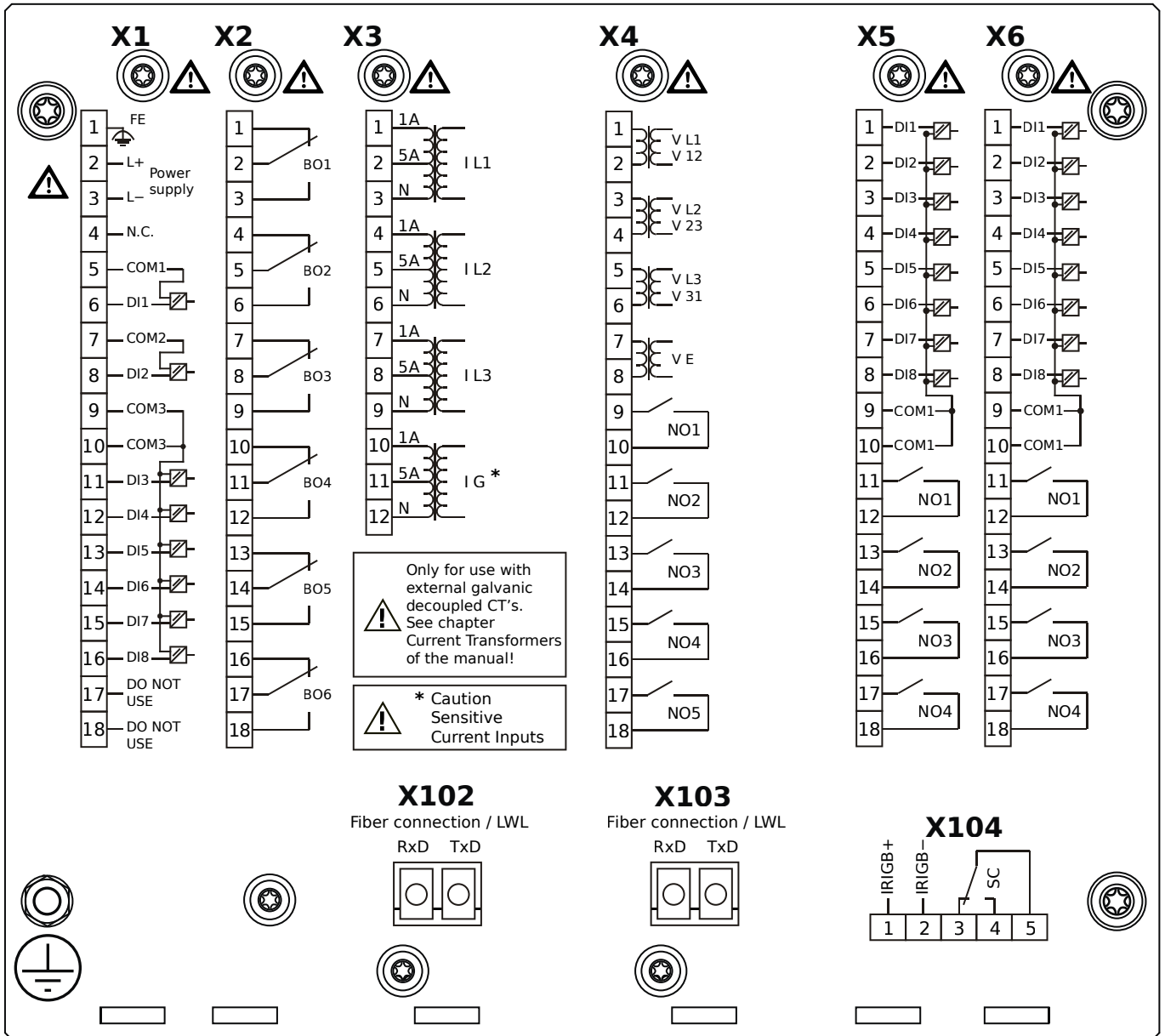
- X1** – DI8-X1: Wide-range power supply unit, incl. 2 non-grouped digital inputs and 6 grouped digital inputs
- X2** – OR-6: Assembly Group with 6 Relay Outputs
- X3** – TIs-4: Standard phase current measuring card and sensitive ground current measuring
- X4** – TU: Card with 4 voltage transformer measuring inputs and 5 output relays
- X5** – DI8-OR4: Assembly Group with 8 Digital Inputs and 4 Output Relays
- X6** – DI8-OR4: Assembly Group with 8 Digital Inputs and 4 Output Relays
- X100** – Modbus TCP / DNP3.0 TCP/UDP, Ethernet interface, 100 Mbit/s, RJ45 (BASE100-FX)
- X102** – Long-distance Protection Communication, Fiber optics interface, LC Connector
- X103** – IEC 60870-5-103 / Modbus RTU / DNP3.0 RTU, RS485, Terminals
- X104** – IRIG-B00X, incl. System Contact (Supervision Contact)

MCDLV4-2E1A0IB



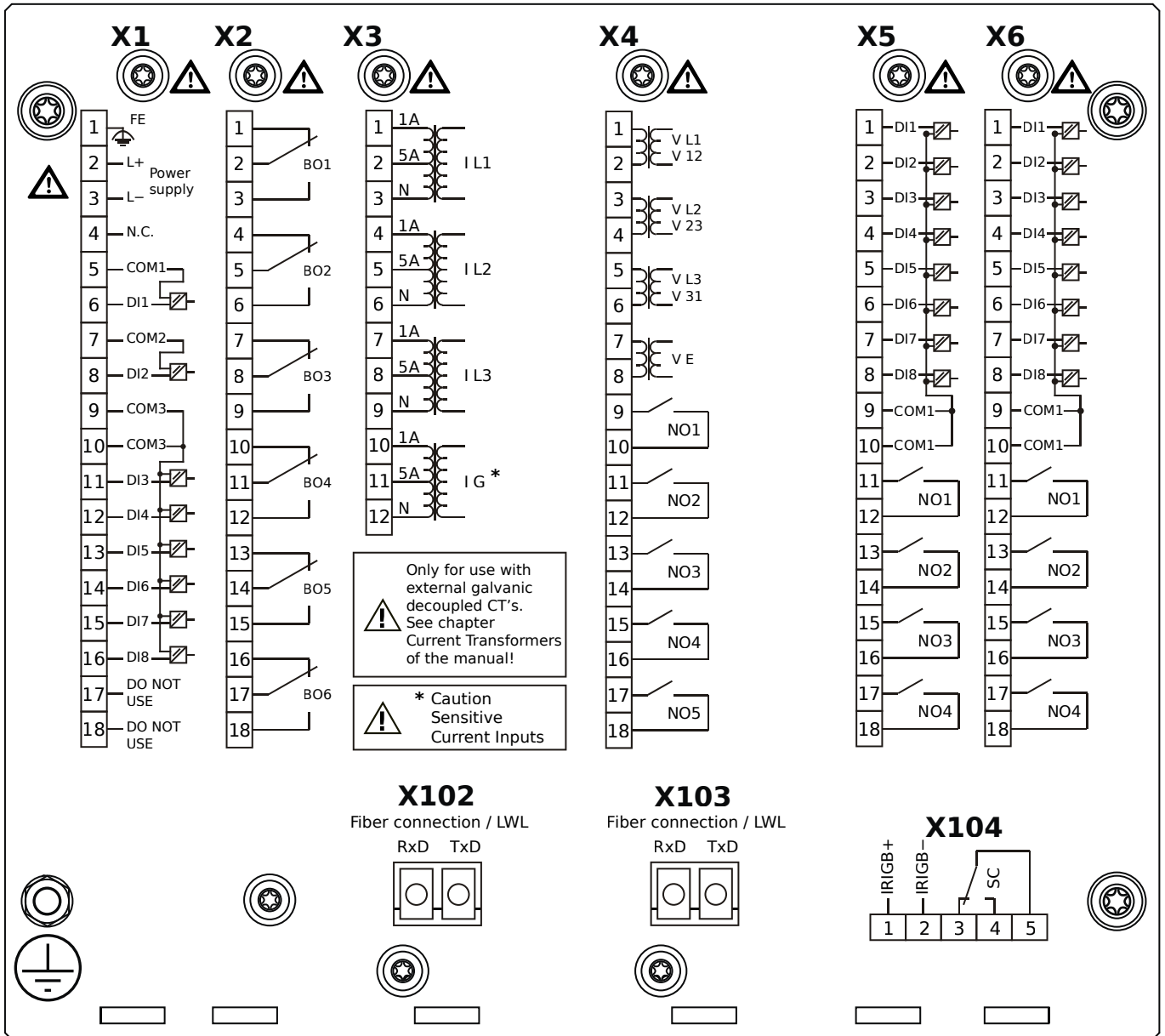
- X1** – DI8-X1: Wide-range power supply unit, incl. 2 non-grouped digital inputs and 6 grouped digital inputs
- X2** – OR-6: Assembly Group with 6 Relay Outputs
- X3** – TIs-4: Standard phase current measuring card and sensitive ground current measuring
- X4** – TU: Card with 4 voltage transformer measuring inputs and 5 output relays
- X5** – DI8-OR4: Assembly Group with 8 Digital Inputs and 4 Output Relays
- X6** – DI8-OR4: Assembly Group with 8 Digital Inputs and 4 Output Relays
- X100** – Modbus TCP / DNP3.0 TCP/UDP, Ethernet interface, 100 Mbit/s, RJ45 (BASE100-FX)
- X102** – Long-distance Protection Communication, Fiber optics interface, LC Connector
- X103** – IEC 60870-5-103 / Modbus RTU / DNP3.0 RTU, RS485, Terminals
- X104** – IRIG-B00X, incl. System Contact (Supervision Contact)

MCDLV4-2E1A0KA



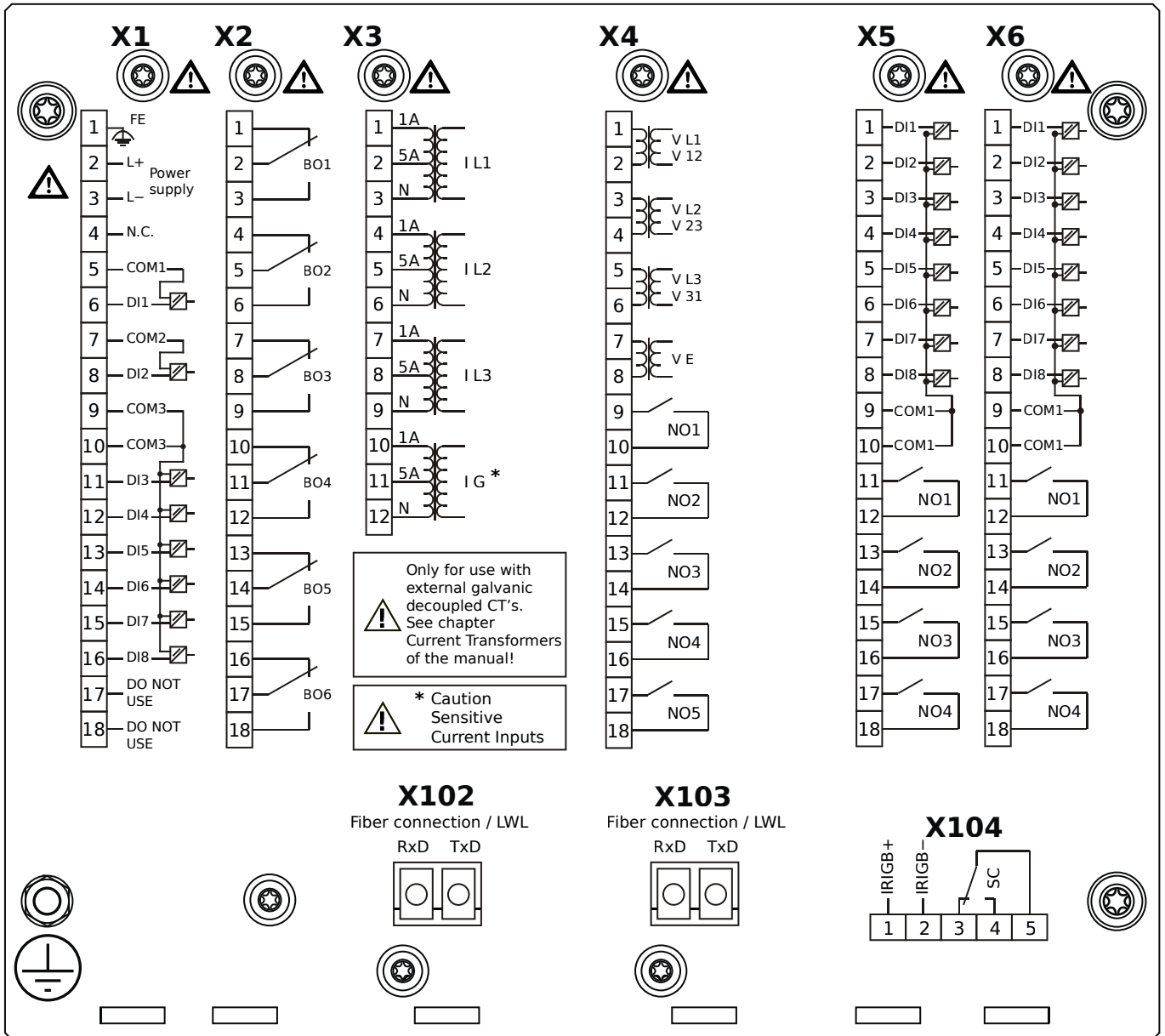
- X1** – DI8-X1: Wide-range power supply unit, incl. 2 non-grouped digital inputs and 6 grouped digital inputs
- X2** – OR-6: Assembly Group with 6 Relay Outputs
- X3** – TIs-4: Standard phase current measuring card and sensitive ground current measuring
- X4** – TU: Card with 4 voltage transformer measuring inputs and 5 output relays
- X5** – DI8-OR4: Assembly Group with 8 Digital Inputs and 4 Output Relays
- X6** – DI8-OR4: Assembly Group with 8 Digital Inputs and 4 Output Relays
- X102** – Long-distance Protection Communication, Fiber optics interface, LC Connector
- X103** – IEC 61850 / Modbus TCP / DNP3.0 TCP/UDP, Fiber optics interface, LC Connector
- X104** – IRIG-B00X, incl. System Contact (Supervision Contact)

MCDLV4-2E1A0KB



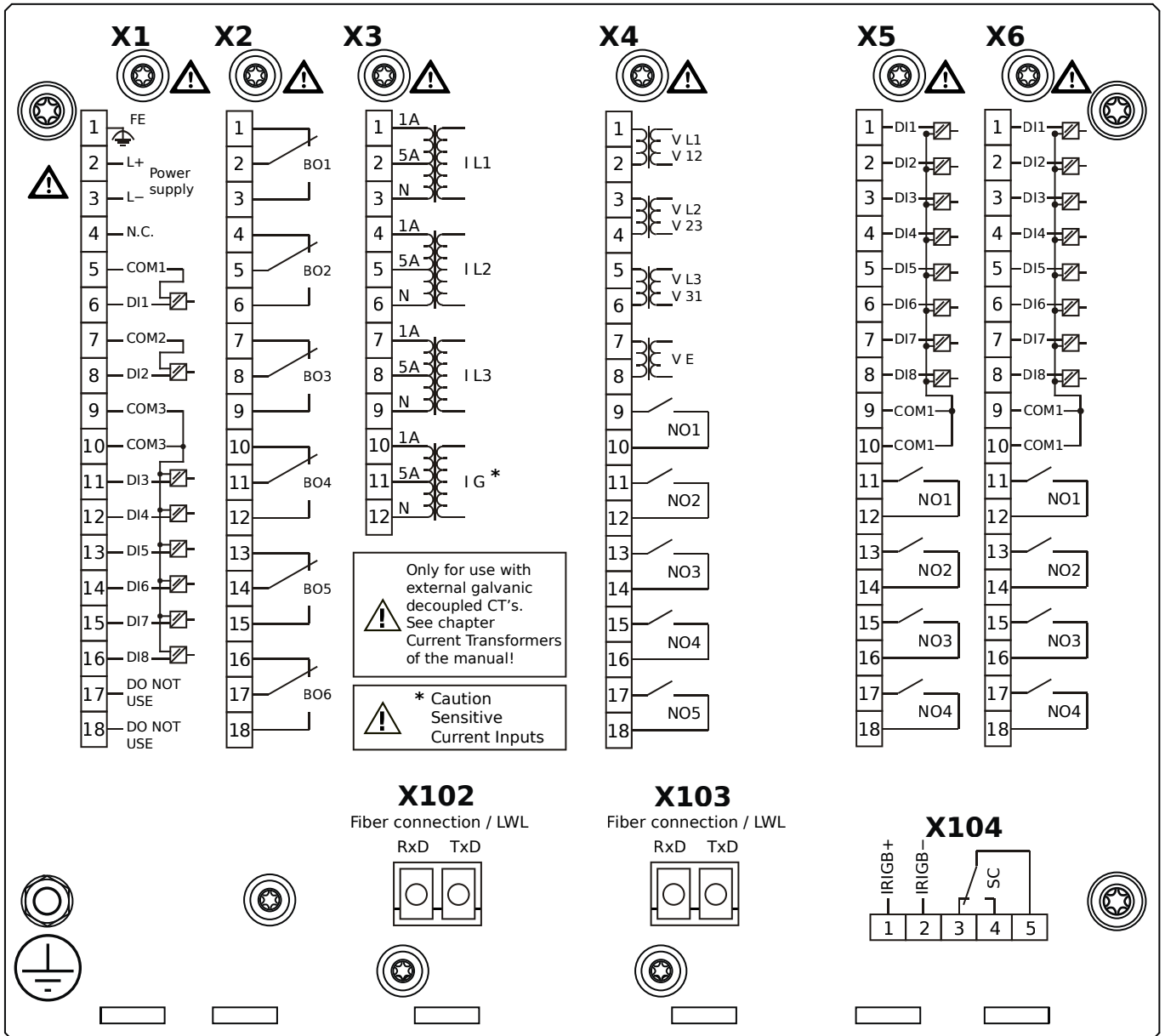
- X1** – DI8-X1: Wide-range power supply unit, incl. 2 non-grouped digital inputs and 6 grouped digital inputs
- X2** – OR-6: Assembly Group with 6 Relay Outputs
- X3** – TIs-4: Standard phase current measuring card and sensitive ground current measuring
- X4** – TU: Card with 4 voltage transformer measuring inputs and 5 output relays
- X5** – DI8-OR4: Assembly Group with 8 Digital Inputs and 4 Output Relays
- X6** – DI8-OR4: Assembly Group with 8 Digital Inputs and 4 Output Relays
- X102** – Long-distance Protection Communication, Fiber optics interface, LC Connector
- X103** – IEC 61850 / Modbus TCP / DNP3.0 TCP/UDP, Fiber optics interface, LC Connector
- X104** – IRIG-B00X, incl. System Contact (Supervision Contact)

MCDLV4-2E1A0LA



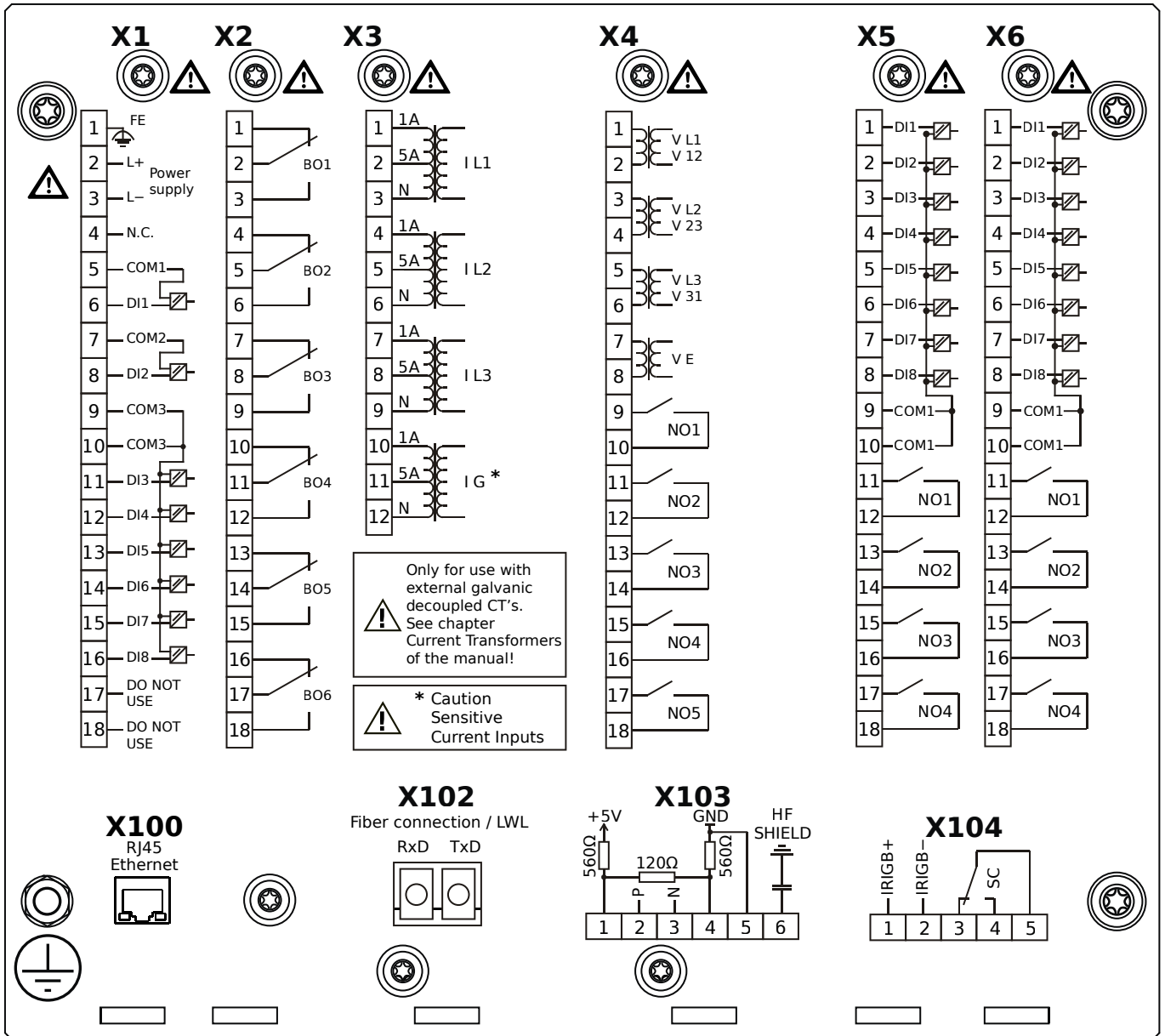
- X1** – DI8-X1: Wide-range power supply unit, incl. 2 non-grouped digital inputs and 6 grouped digital inputs
- X2** – OR-6: Assembly Group with 6 Relay Outputs
- X3** – TIs-4: Standard phase current measuring card and sensitive ground current measuring
- X4** – TU: Card with 4 voltage transformer measuring inputs and 5 output relays
- X5** – DI8-OR4: Assembly Group with 8 Digital Inputs and 4 Output Relays
- X6** – DI8-OR4: Assembly Group with 8 Digital Inputs and 4 Output Relays
- X102** – Long-distance Protection Communication, Fiber optics interface, LC Connector
- X103** – Modbus TCP / DNP3.0 TCP/UDP, Fiber optics interface, LC Connector
- X104** – IRIG-B00X, incl. System Contact (Supervision Contact)

MCDLV4-2E1A0LB



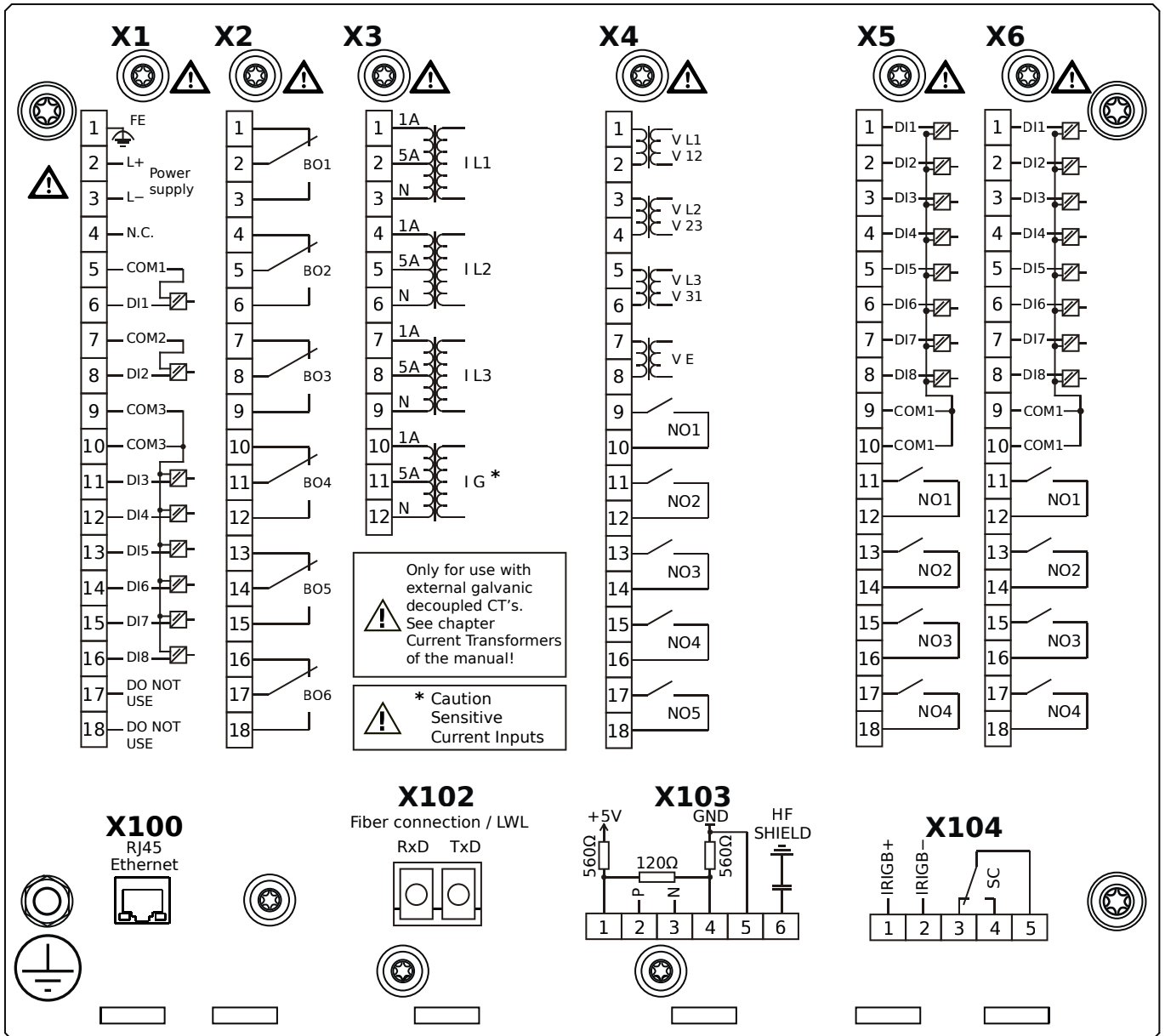
- X1** – DI8-X1: Wide-range power supply unit, incl. 2 non-grouped digital inputs and 6 grouped digital inputs
- X2** – OR-6: Assembly Group with 6 Relay Outputs
- X3** – TIs-4: Standard phase current measuring card and sensitive ground current measuring
- X4** – TU: Card with 4 voltage transformer measuring inputs and 5 output relays
- X5** – DI8-OR4: Assembly Group with 8 Digital Inputs and 4 Output Relays
- X6** – DI8-OR4: Assembly Group with 8 Digital Inputs and 4 Output Relays
- X102** – Long-distance Protection Communication, Fiber optics interface, LC Connector
- X103** – Modbus TCP / DNP3.0 TCP/UDP, Fiber optics interface, LC Connector
- X104** – IRIG-B00X, incl. System Contact (Supervision Contact)

MCDLV4-2E1A0TA



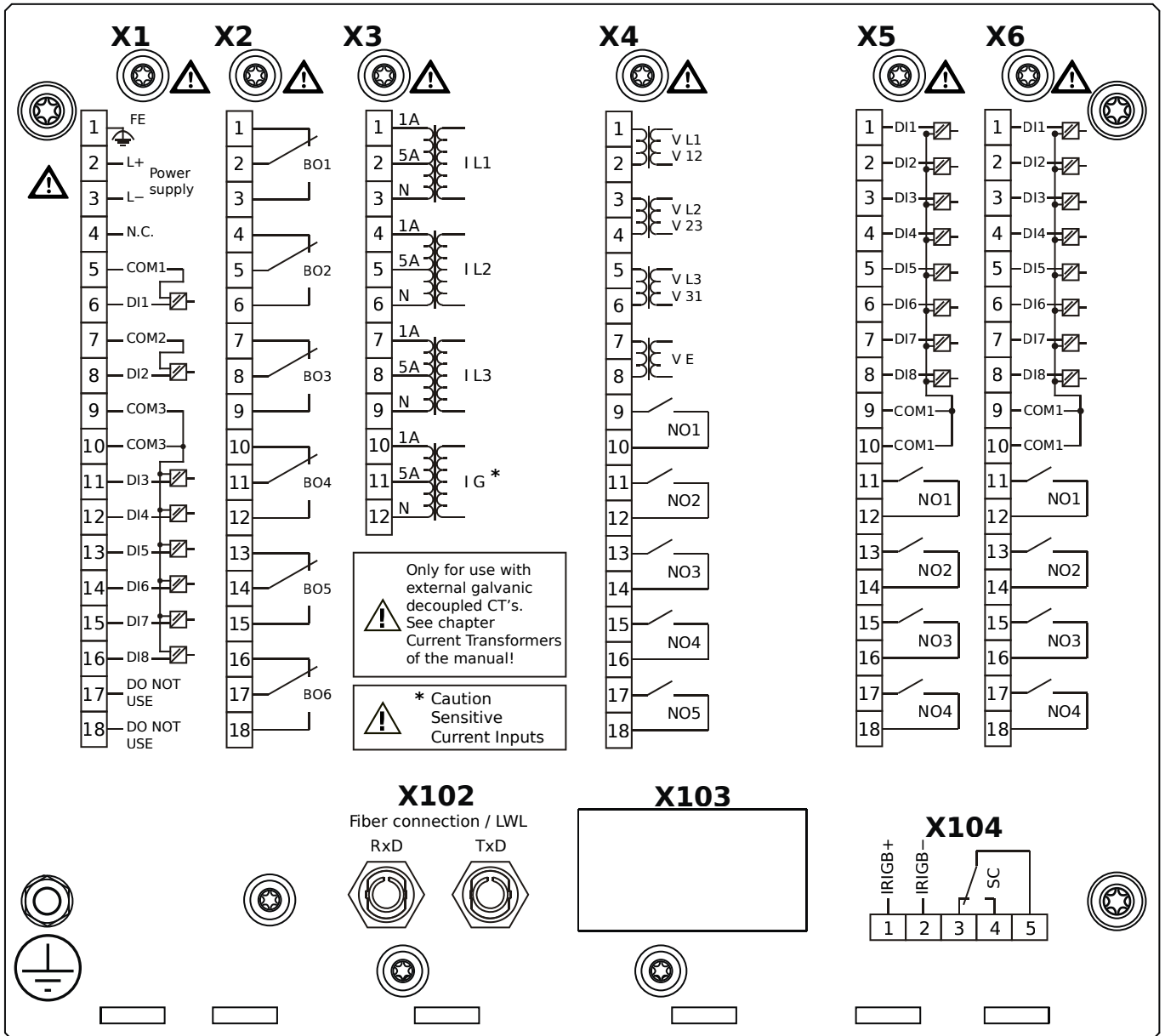
- X1** – DI8-X1: Wide-range power supply unit, incl. 2 non-grouped digital inputs and 6 grouped digital inputs
- X2** – OR-6: Assembly Group with 6 Relay Outputs
- X3** – TIs-4: Standard phase current measuring card and sensitive ground current measuring
- X4** – TU: Card with 4 voltage transformer measuring inputs and 5 output relays
- X5** – DI8-OR4: Assembly Group with 8 Digital Inputs and 4 Output Relays
- X6** – DI8-OR4: Assembly Group with 8 Digital Inputs and 4 Output Relays
- X100** – IEC 61850 / Modbus TCP / DNP3.0 TCP/UDP, Ethernet interface, 100 Mbit/s, RJ45 (BASE100-FX)
- X102** – Long-distance Protection Communication, Fiber optics interface, LC Connector
- X103** – IEC 60870-5-103 / Modbus RTU / DNP3.0 RTU, RS485, Terminals
- X104** – IRIG-B00X, incl. System Contact (Supervision Contact)

MCDLV4-2E1A0TB



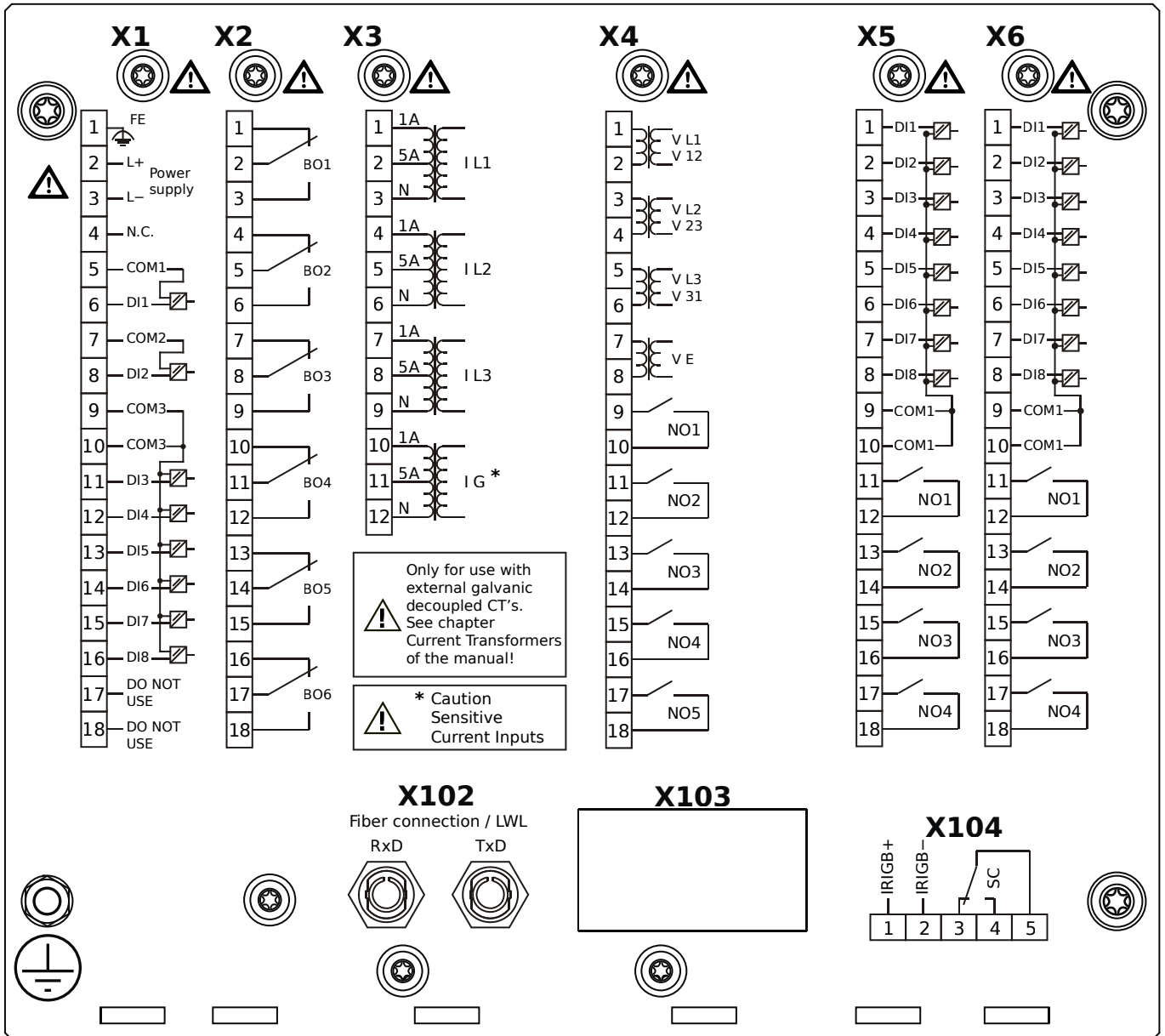
- X1** – DI8-X1: Wide-range power supply unit, incl. 2 non-grouped digital inputs and 6 grouped digital inputs
- X2** – OR-6: Assembly Group with 6 Relay Outputs
- X3** – TIs-4: Standard phase current measuring card and sensitive ground current measuring
- X4** – TU: Card with 4 voltage transformer measuring inputs and 5 output relays
- X5** – DI8-OR4: Assembly Group with 8 Digital Inputs and 4 Output Relays
- X6** – DI8-OR4: Assembly Group with 8 Digital Inputs and 4 Output Relays
- X100** – IEC 61850 / Modbus TCP / DNP3.0 TCP/UDP, Ethernet interface, 100 Mbit/s, RJ45 (BASE100-FX)
- X102** – Long-distance Protection Communication, Fiber optics interface, LC Connector
- X103** – IEC 60870-5-103 / Modbus RTU / DNP3.0 RTU, RS485, Terminals
- X104** – IRIG-B00X, incl. System Contact (Supervision Contact)

MCDLV4-2E1A1AA



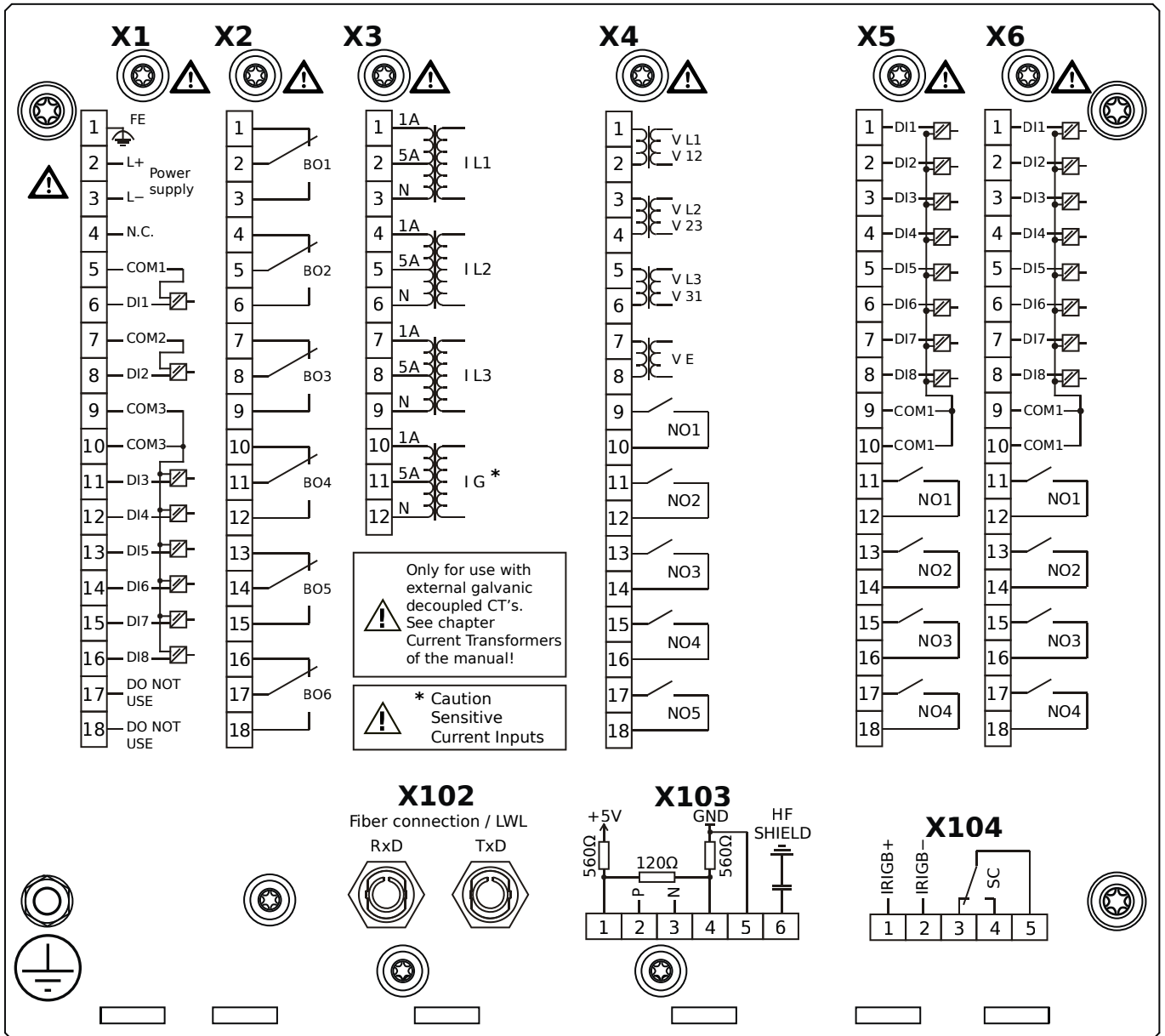
- X1** – DI8-X1: Wide-range power supply unit, incl. 2 non-grouped digital inputs and 6 grouped digital inputs
- X2** – OR-6: Assembly Group with 6 Relay Outputs
- X3** – TIs-4: Standard phase current measuring card and sensitive ground current measuring
- X4** – TU: Card with 4 voltage transformer measuring inputs and 5 output relays
- X5** – DI8-OR4: Assembly Group with 8 Digital Inputs and 4 Output Relays
- X6** – DI8-OR4: Assembly Group with 8 Digital Inputs and 4 Output Relays
- X102** – Protection Communication, Fiber optics interface, ST Connector
- X104** – IRIG-B00X, incl. System Contact (Supervision Contact)

MCDLV4-2E1A1AB



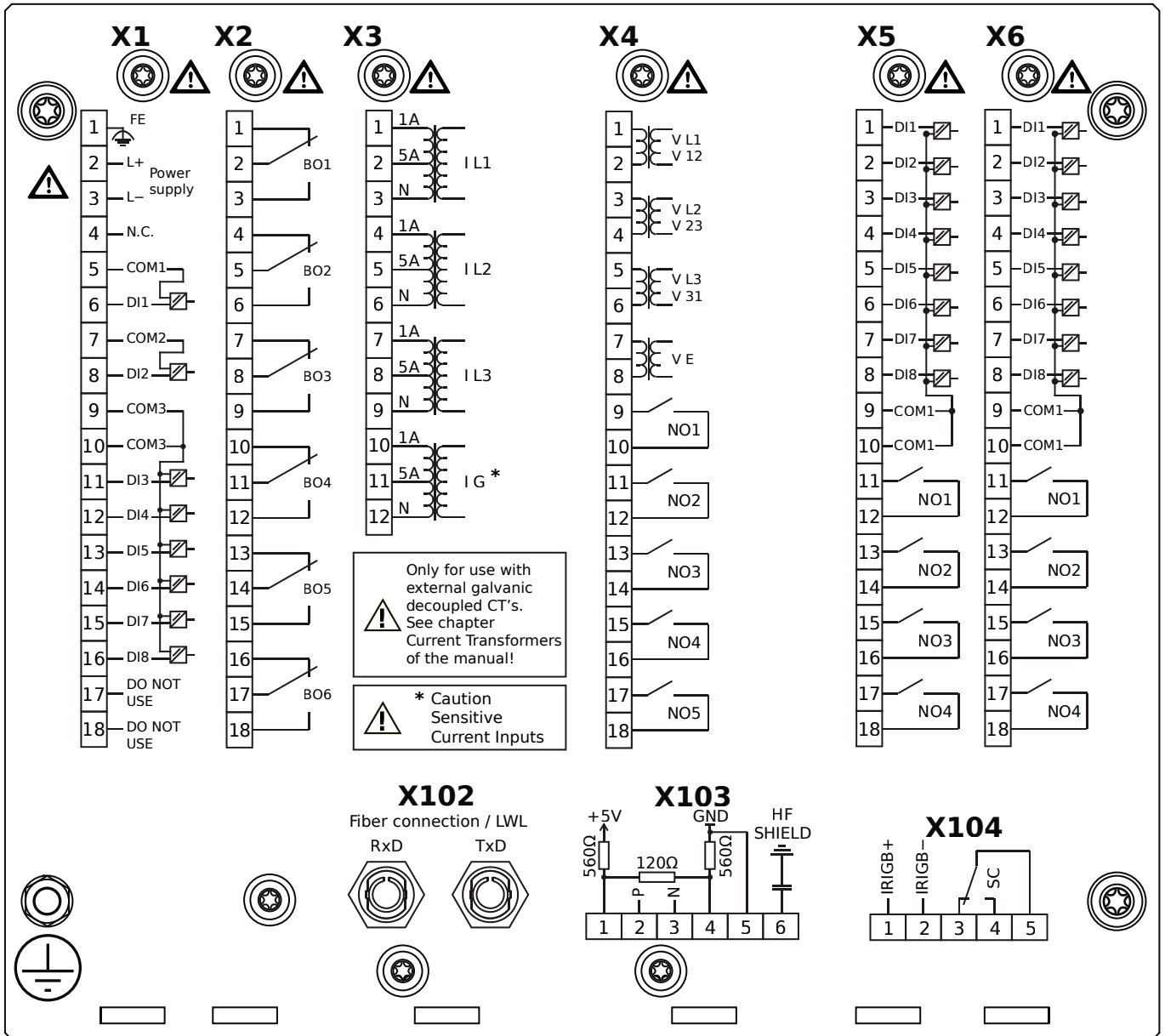
- X1** – DI8-X1: Wide-range power supply unit, incl. 2 non-grouped digital inputs and 6 grouped digital inputs
- X2** – OR-6: Assembly Group with 6 Relay Outputs
- X3** – TIs-4: Standard phase current measuring card and sensitive ground current measuring
- X4** – TU: Card with 4 voltage transformer measuring inputs and 5 output relays
- X5** – DI8-OR4: Assembly Group with 8 Digital Inputs and 4 Output Relays
- X6** – DI8-OR4: Assembly Group with 8 Digital Inputs and 4 Output Relays
- X102** – Protection Communication, Fiber optics interface, ST Connector
- X104** – IRIG-B00X, incl. System Contact (Supervision Contact)

MCDLV4-2E1A1BA



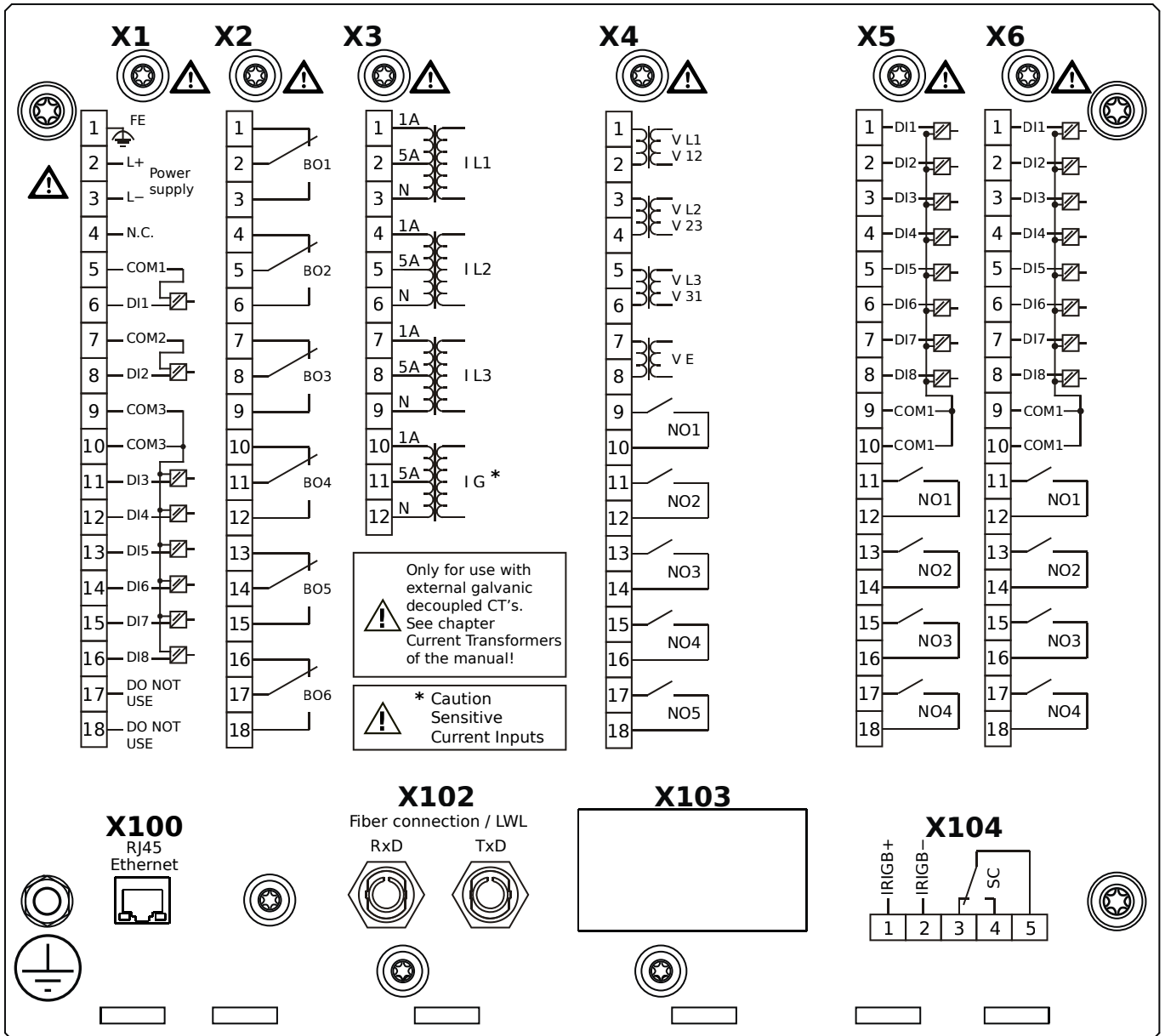
- X1** – DI8-X1: Wide-range power supply unit, incl. 2 non-grouped digital inputs and 6 grouped digital inputs
- X2** – OR-6: Assembly Group with 6 Relay Outputs
- X3** – TIs-4: Standard phase current measuring card and sensitive ground current measuring
- X4** – TU: Card with 4 voltage transformer measuring inputs and 5 output relays
- X5** – DI8-OR4: Assembly Group with 8 Digital Inputs and 4 Output Relays
- X6** – DI8-OR4: Assembly Group with 8 Digital Inputs and 4 Output Relays
- X102** – Protection Communication, Fiber optics interface, ST Connector
- X103** – Modbus RTU / IEC 60870-5-103 / DNP3.0 RTU, RS485, Terminals
- X104** – IRIG-B00X, incl. System Contact (Supervision Contact)

MCDLV4-2E1A1BB



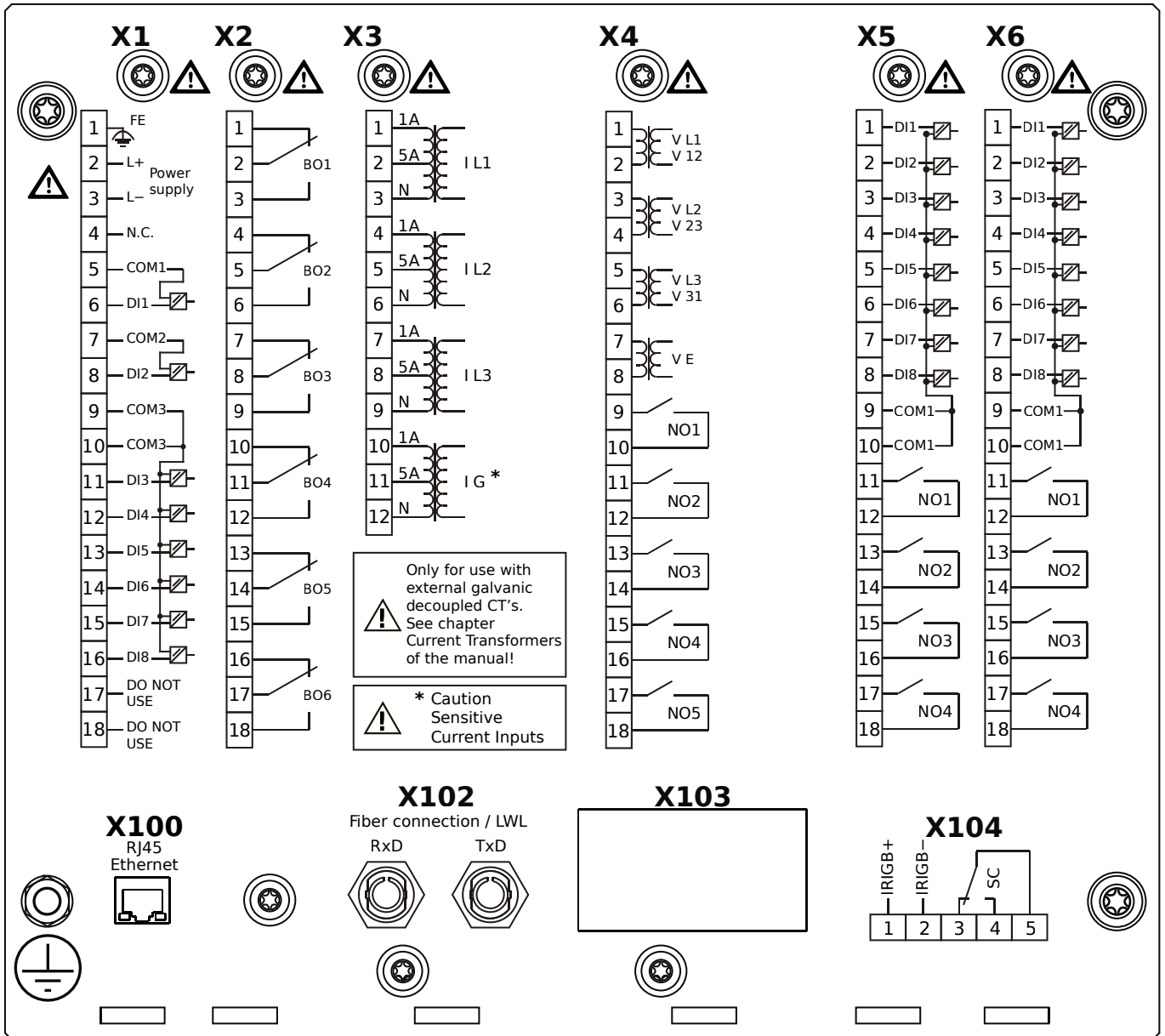
- X1** – DI8-X1: Wide-range power supply unit, incl. 2 non-grouped digital inputs and 6 grouped digital inputs
- X2** – OR-6: Assembly Group with 6 Relay Outputs
- X3** – TIs-4: Standard phase current measuring card and sensitive ground current measuring
- X4** – TU: Card with 4 voltage transformer measuring inputs and 5 output relays
- X5** – DI8-OR4: Assembly Group with 8 Digital Inputs and 4 Output Relays
- X6** – DI8-OR4: Assembly Group with 8 Digital Inputs and 4 Output Relays
- X102** – Protection Communication, Fiber optics interface, ST Connector
- X103** – Modbus RTU / IEC 60870-5-103 / DNP3.0 RTU, RS485, Terminals
- X104** – IRIG-B00X, incl. System Contact (Supervision Contact)

MCDLV4-2E1A1CA



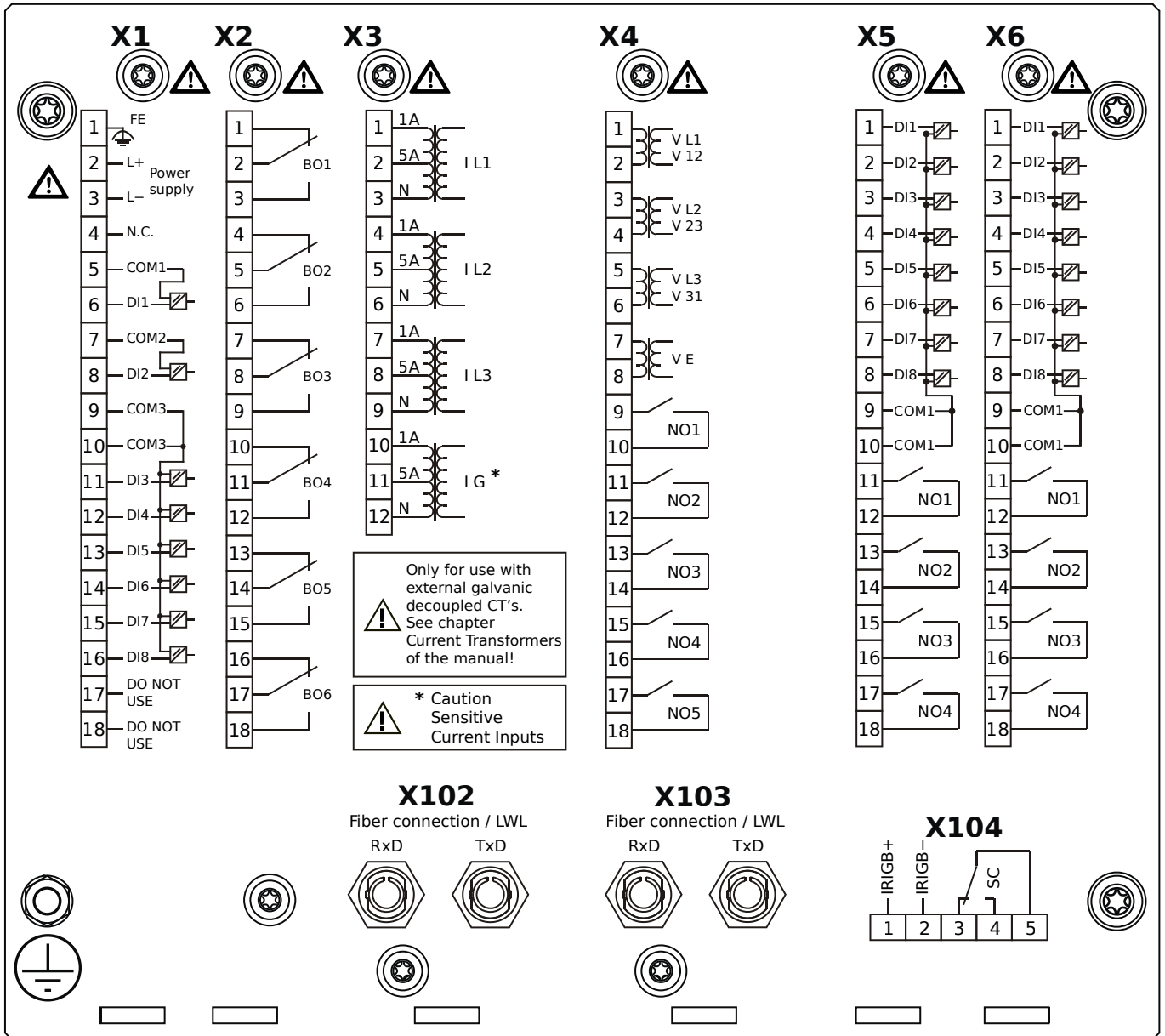
- X1** – DI8-X1: Wide-range power supply unit, incl. 2 non-grouped digital inputs and 6 grouped digital inputs
- X2** – OR-6: Assembly Group with 6 Relay Outputs
- X3** – TIs-4: Standard phase current measuring card and sensitive ground current measuring
- X4** – TU: Card with 4 voltage transformer measuring inputs and 5 output relays
- X5** – DI8-OR4: Assembly Group with 8 Digital Inputs and 4 Output Relays
- X6** – DI8-OR4: Assembly Group with 8 Digital Inputs and 4 Output Relays
- X100** – Modbus TCP / DNP3.0 TCP/UDP, Ethernet interface, 100 Mbit/s, RJ45 (BASE100-FX)
- X102** – Protection Communication, Fiber optics interface, ST Connector
- X104** – IRIG-B00X, incl. System Contact (Supervision Contact)

MCDLV4-2E1A1CB



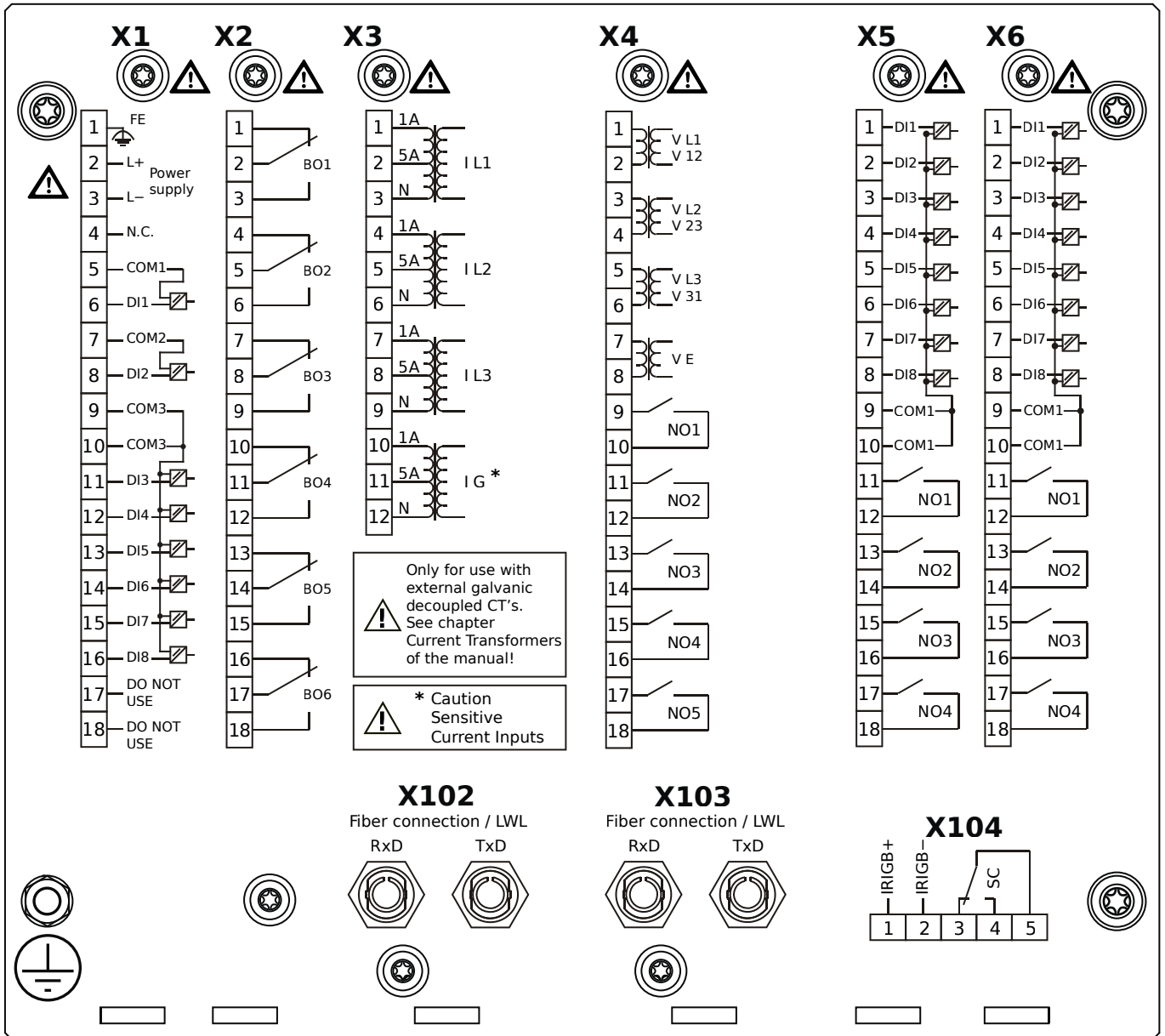
- X1** – DI8-X1: Wide-range power supply unit, incl. 2 non-grouped digital inputs and 6 grouped digital inputs
- X2** – OR-6: Assembly Group with 6 Relay Outputs
- X3** – TIs-4: Standard phase current measuring card and sensitive ground current measuring
- X4** – TU: Card with 4 voltage transformer measuring inputs and 5 output relays
- X5** – DI8-OR4: Assembly Group with 8 Digital Inputs and 4 Output Relays
- X6** – DI8-OR4: Assembly Group with 8 Digital Inputs and 4 Output Relays
- X100** – Modbus TCP / DNP3.0 TCP/UDP, Ethernet interface, 100 Mbit/s, RJ45 (BASE100-FX)
- X102** – Protection Communication, Fiber optics interface, ST Connector
- X104** – IRIG-B00X, incl. System Contact (Supervision Contact)

MCDLV4-2E1A1DA



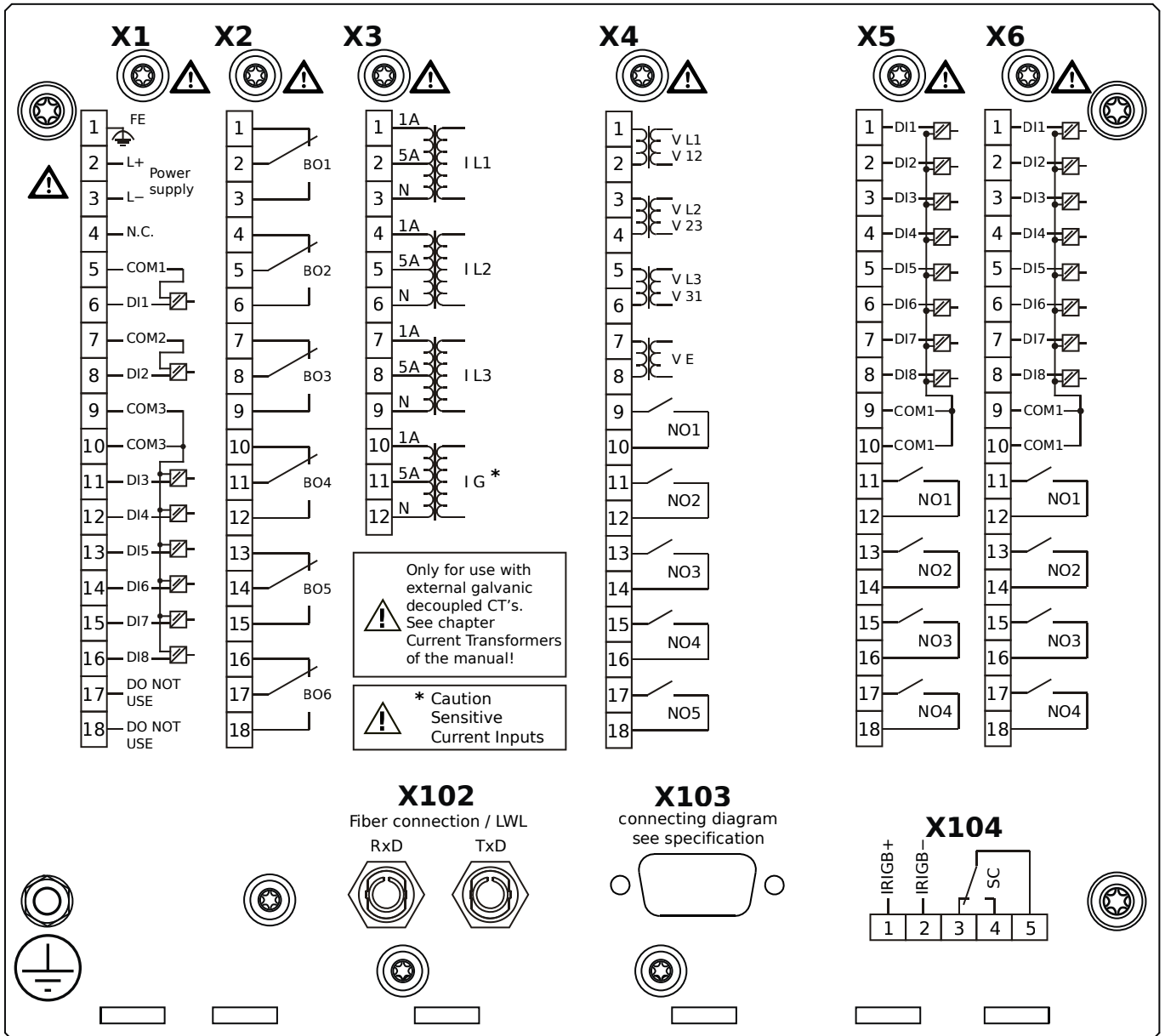
- X1** – DI8-X1: Wide-range power supply unit, incl. 2 non-grouped digital inputs and 6 grouped digital inputs
- X2** – OR-6: Assembly Group with 6 Relay Outputs
- X3** – TIs-4: Standard phase current measuring card and sensitive ground current measuring
- X4** – TU: Card with 4 voltage transformer measuring inputs and 5 output relays
- X5** – DI8-OR4: Assembly Group with 8 Digital Inputs and 4 Output Relays
- X6** – DI8-OR4: Assembly Group with 8 Digital Inputs and 4 Output Relays
- X102** – Protection Communication, Fiber optics interface, ST Connector
- X103** – Profibus-DP, Fiber optics interface, ST Connector
- X104** – IRIG-B00X, incl. System Contact (Supervision Contact)

MCDLV4-2E1A1DB



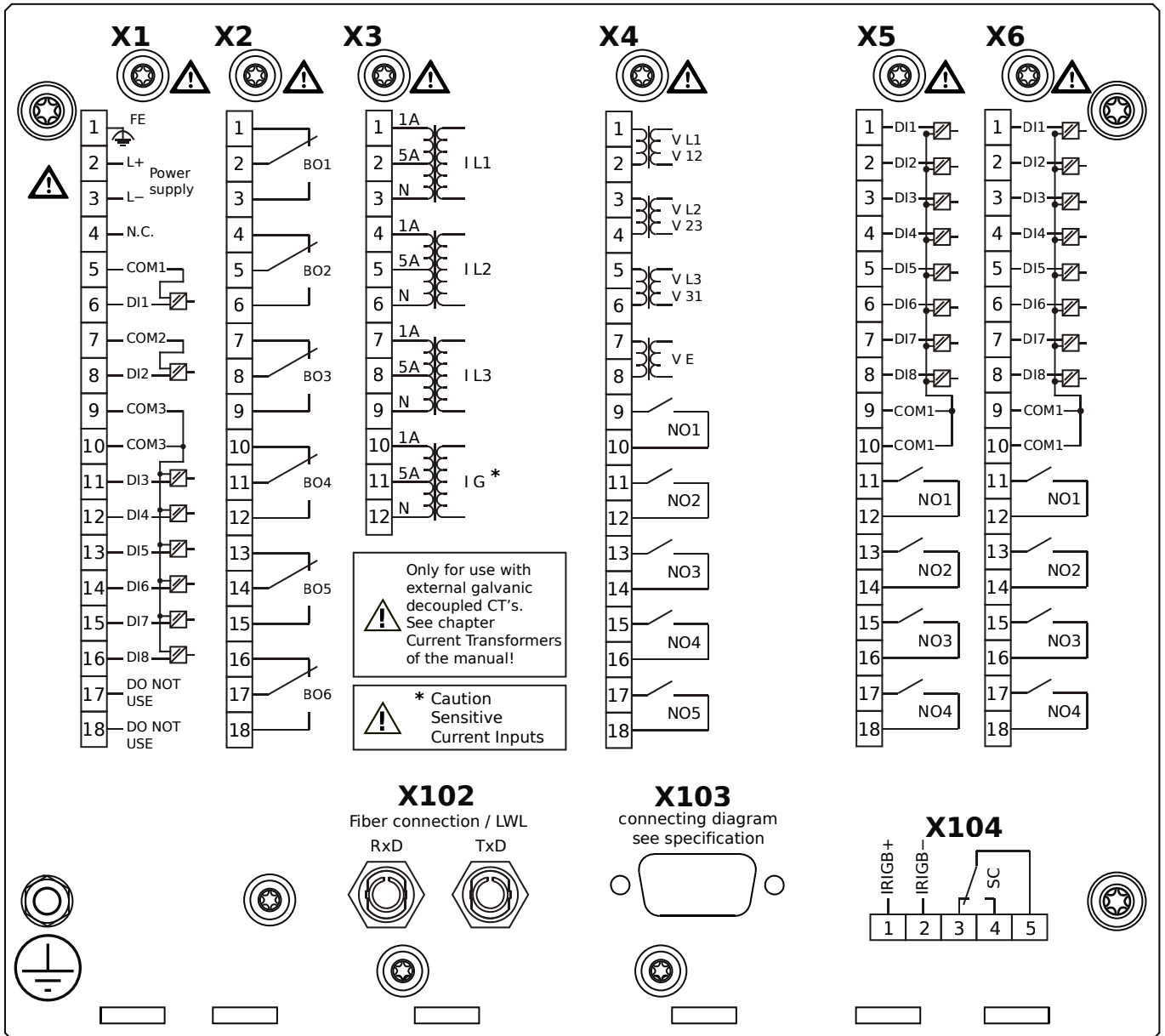
- X1** – DI8-X1: Wide-range power supply unit, incl. 2 non-grouped digital inputs and 6 grouped digital inputs
- X2** – OR-6: Assembly Group with 6 Relay Outputs
- X3** – TIs-4: Standard phase current measuring card and sensitive ground current measuring
- X4** – TU: Card with 4 voltage transformer measuring inputs and 5 output relays
- X5** – DI8-OR4: Assembly Group with 8 Digital Inputs and 4 Output Relays
- X6** – DI8-OR4: Assembly Group with 8 Digital Inputs and 4 Output Relays
- X102** – Protection Communication, Fiber optics interface, ST Connector
- X103** – Profibus-DP, Fiber optics interface, ST Connector
- X104** – IRIG-B00X, incl. System Contact (Supervision Contact)

MCDLV4-2E1A1EA



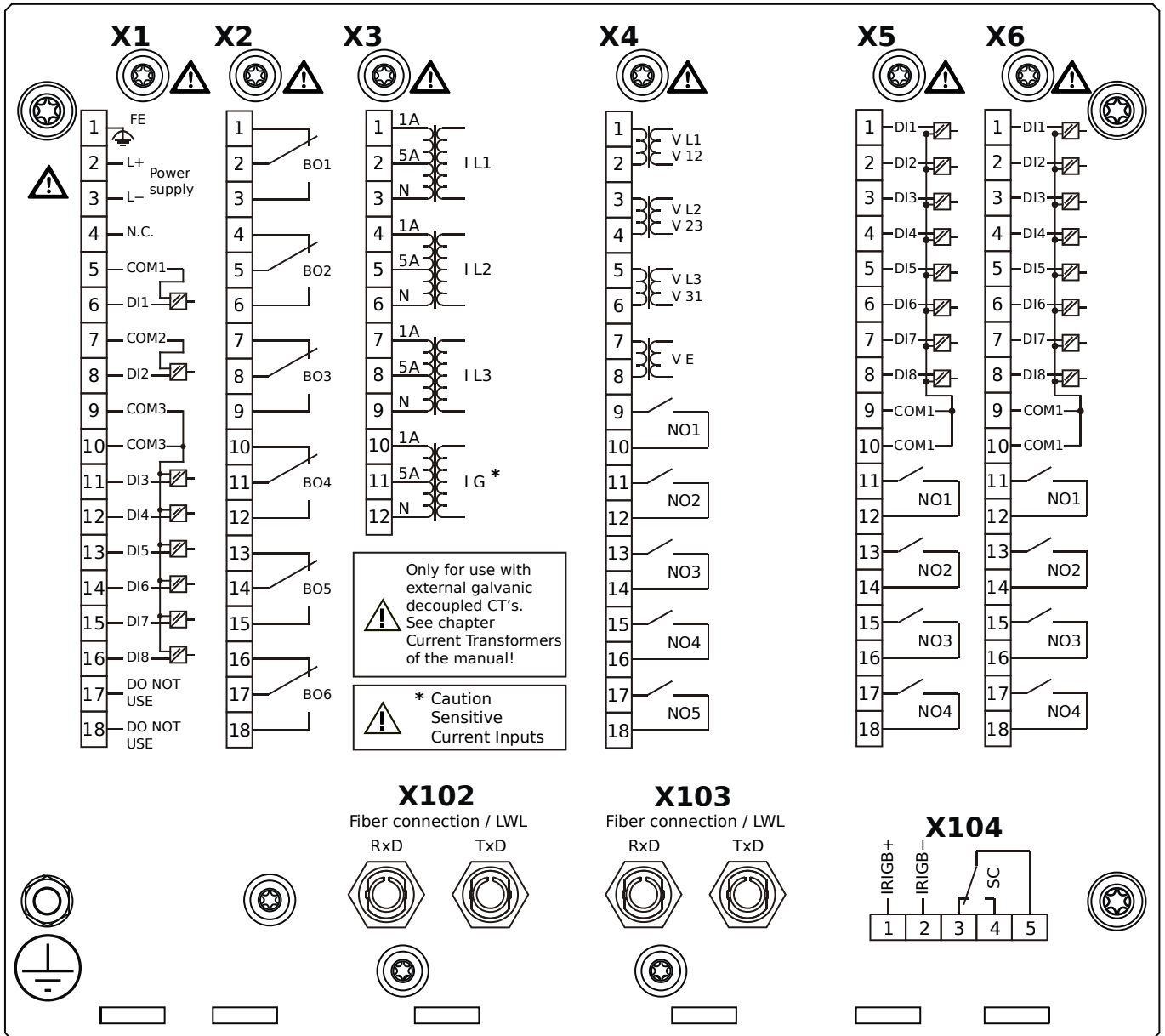
- X1** – DI8-X1: Wide-range power supply unit, incl. 2 non-grouped digital inputs and 6 grouped digital inputs
- X2** – OR-6: Assembly Group with 6 Relay Outputs
- X3** – TIs-4: Standard phase current measuring card and sensitive ground current measuring
- X4** – TU: Card with 4 voltage transformer measuring inputs and 5 output relays
- X5** – DI8-OR4: Assembly Group with 8 Digital Inputs and 4 Output Relays
- X6** – DI8-OR4: Assembly Group with 8 Digital Inputs and 4 Output Relays
- X102** – Protection Communication, Fiber optics interface, ST Connector
- X103** – Profibus-DP, RS485, D-SUB
- X104** – IRIG-B00X, incl. System Contact (Supervision Contact)

MCDLV4-2E1A1EB



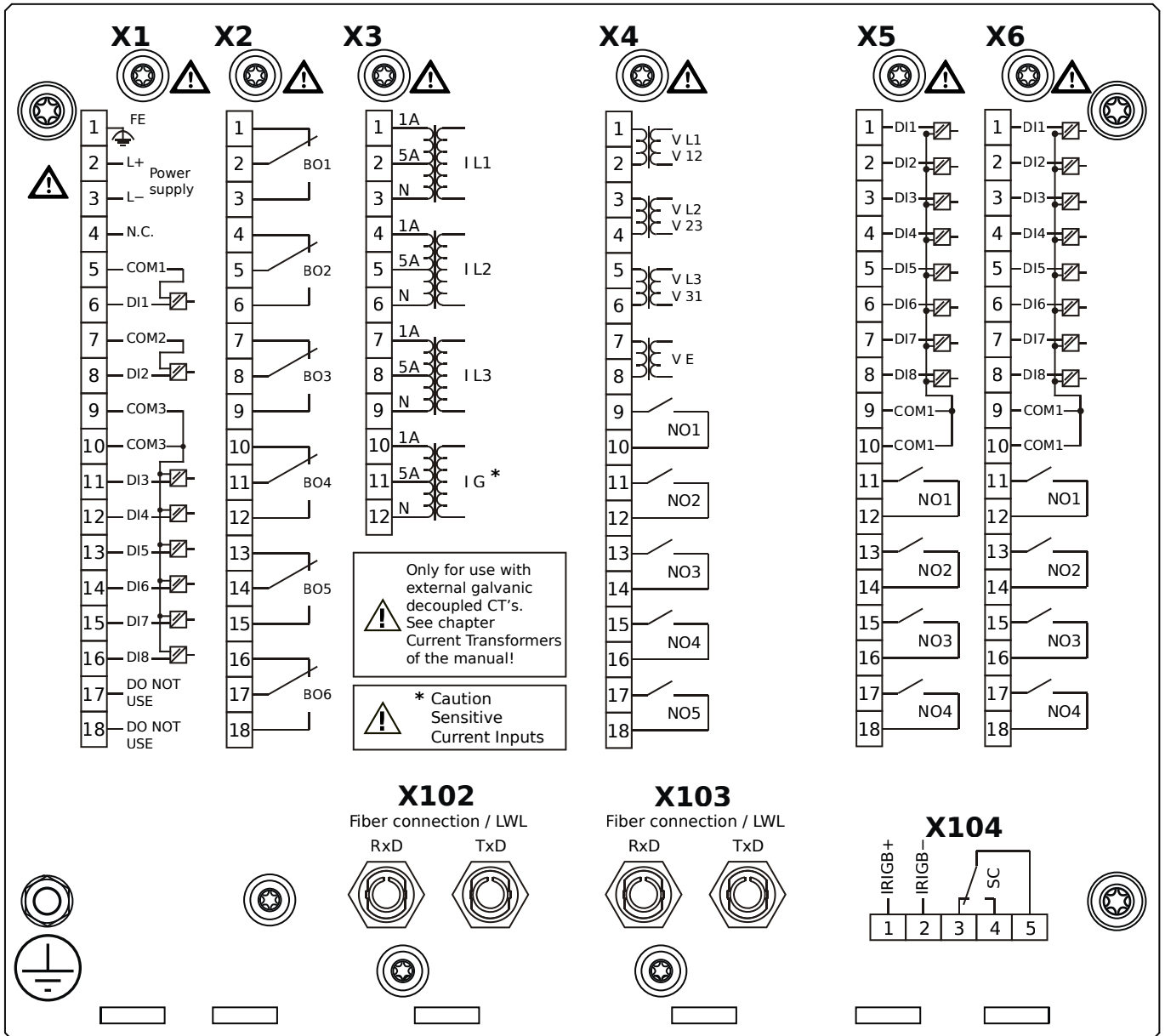
- X1** – DI8-X1: Wide-range power supply unit, incl. 2 non-grouped digital inputs and 6 grouped digital inputs
- X2** – OR-6: Assembly Group with 6 Relay Outputs
- X3** – TIs-4: Standard phase current measuring card and sensitive ground current measuring
- X4** – TU: Card with 4 voltage transformer measuring inputs and 5 output relays
- X5** – DI8-OR4: Assembly Group with 8 Digital Inputs and 4 Output Relays
- X6** – DI8-OR4: Assembly Group with 8 Digital Inputs and 4 Output Relays
- X102** – Protection Communication, Fiber optics interface, ST Connector
- X103** – Profibus-DP, RS485, D-SUB
- X104** – IRIG-B00X, incl. System Contact (Supervision Contact)

MCDLV4-2E1A1FA



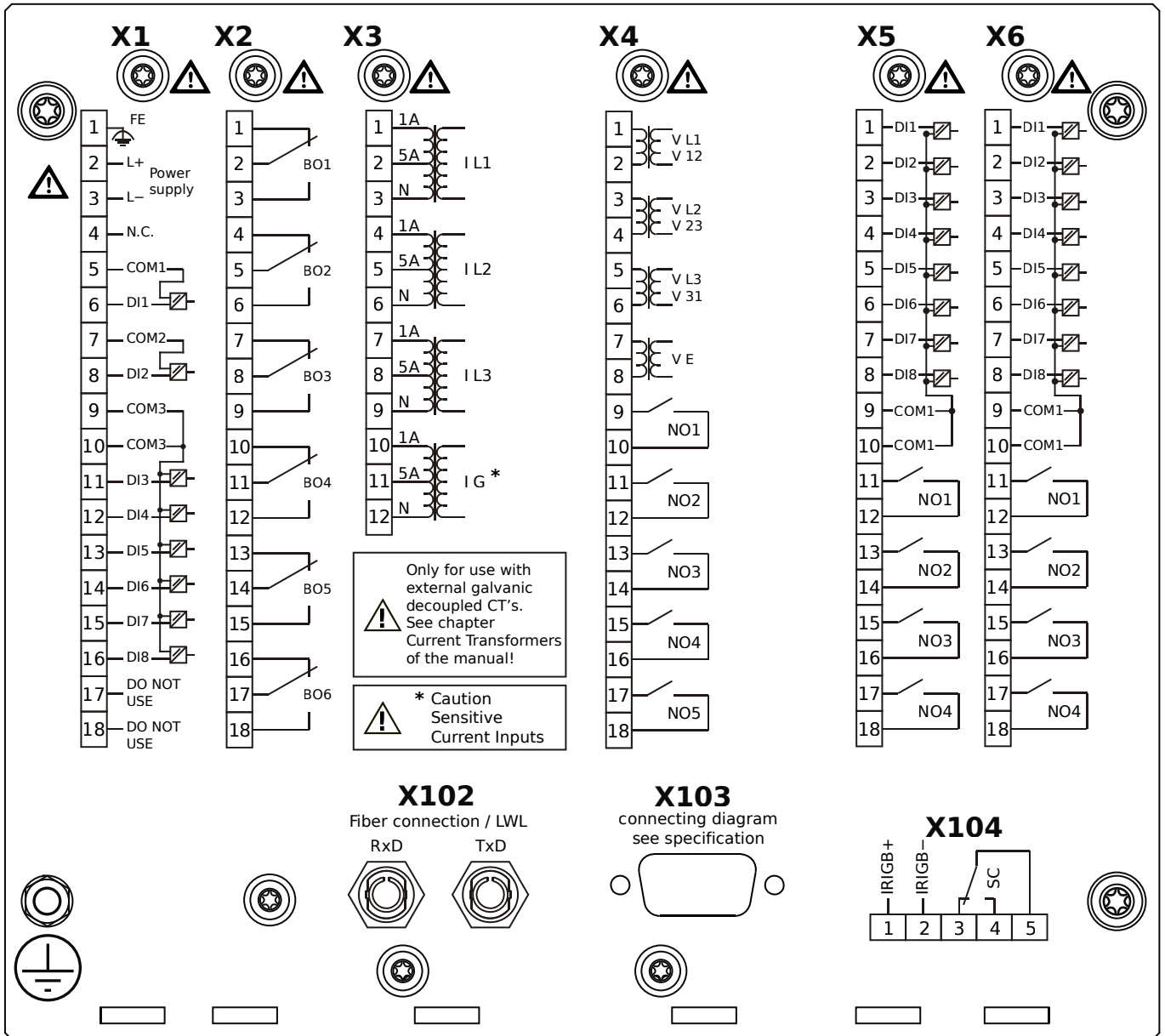
- X1** – DI8-X1: Wide-range power supply unit, incl. 2 non-grouped digital inputs and 6 grouped digital inputs
- X2** – OR-6: Assembly Group with 6 Relay Outputs
- X3** – TIs-4: Standard phase current measuring card and sensitive ground current measuring
- X4** – TU: Card with 4 voltage transformer measuring inputs and 5 output relays
- X5** – DI8-OR4: Assembly Group with 8 Digital Inputs and 4 Output Relays
- X6** – DI8-OR4: Assembly Group with 8 Digital Inputs and 4 Output Relays
- X102** – Protection Communication, Fiber optics interface, ST Connector
- X103** – Modbus RTU / IEC 60870-5-103 / DNP3.0 RTU, Fiber optics interface, ST Connector
- X104** – IRIG-B00X, incl. System Contact (Supervision Contact)

MCDLV4-2E1A1FB



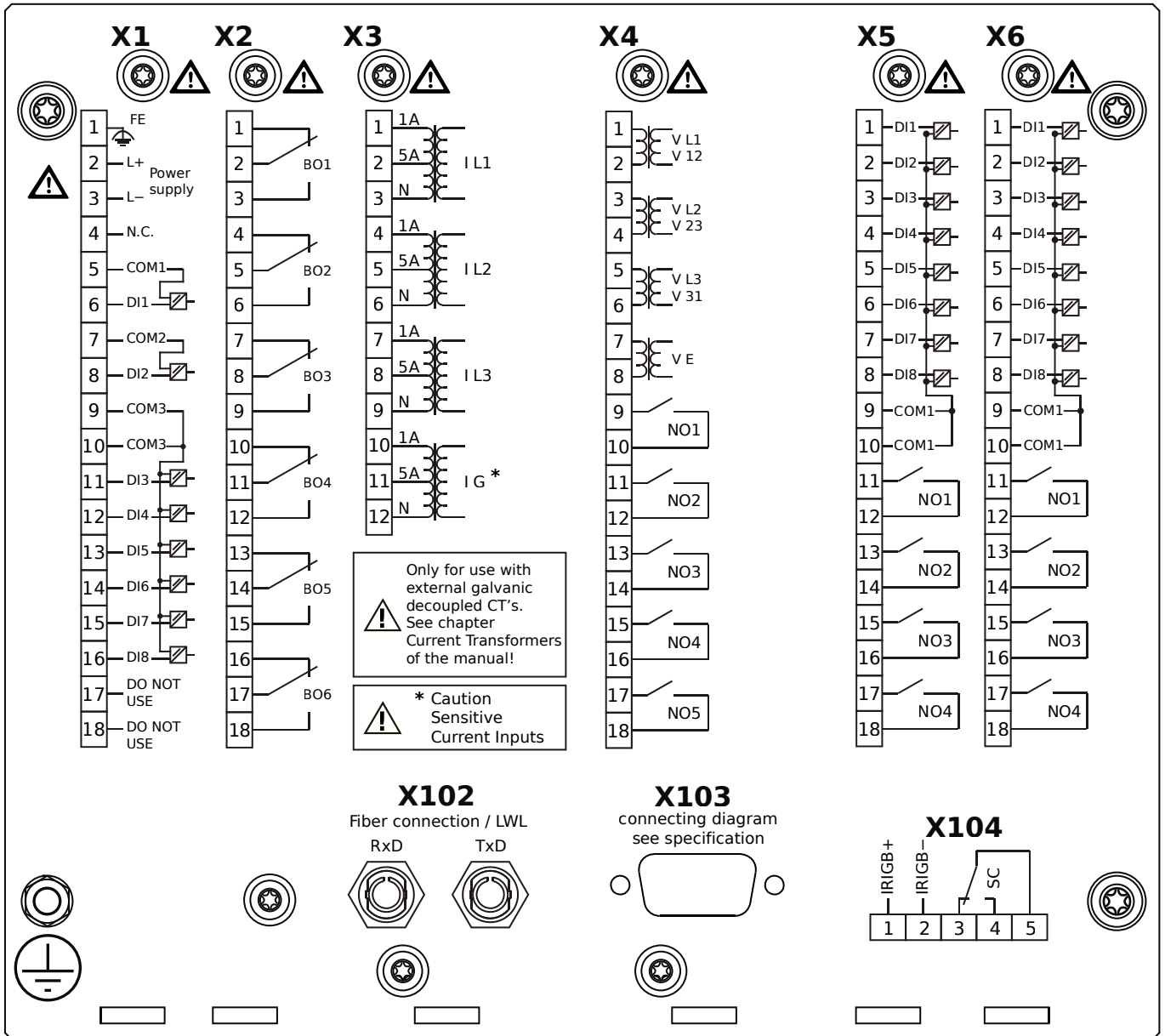
- X1** – DI8-X1: Wide-range power supply unit, incl. 2 non-grouped digital inputs and 6 grouped digital inputs
- X2** – OR-6: Assembly Group with 6 Relay Outputs
- X3** – TIs-4: Standard phase current measuring card and sensitive ground current measuring
- X4** – TU: Card with 4 voltage transformer measuring inputs and 5 output relays
- X5** – DI8-OR4: Assembly Group with 8 Digital Inputs and 4 Output Relays
- X6** – DI8-OR4: Assembly Group with 8 Digital Inputs and 4 Output Relays
- X102** – Protection Communication, Fiber optics interface, ST Connector
- X103** – Modbus RTU / IEC 60870-5-103 / DNP3.0 RTU, Fiber optics interface, ST Connector
- X104** – IRIG-B00X, incl. System Contact (Supervision Contact)

MCDLV4-2E1A1GA



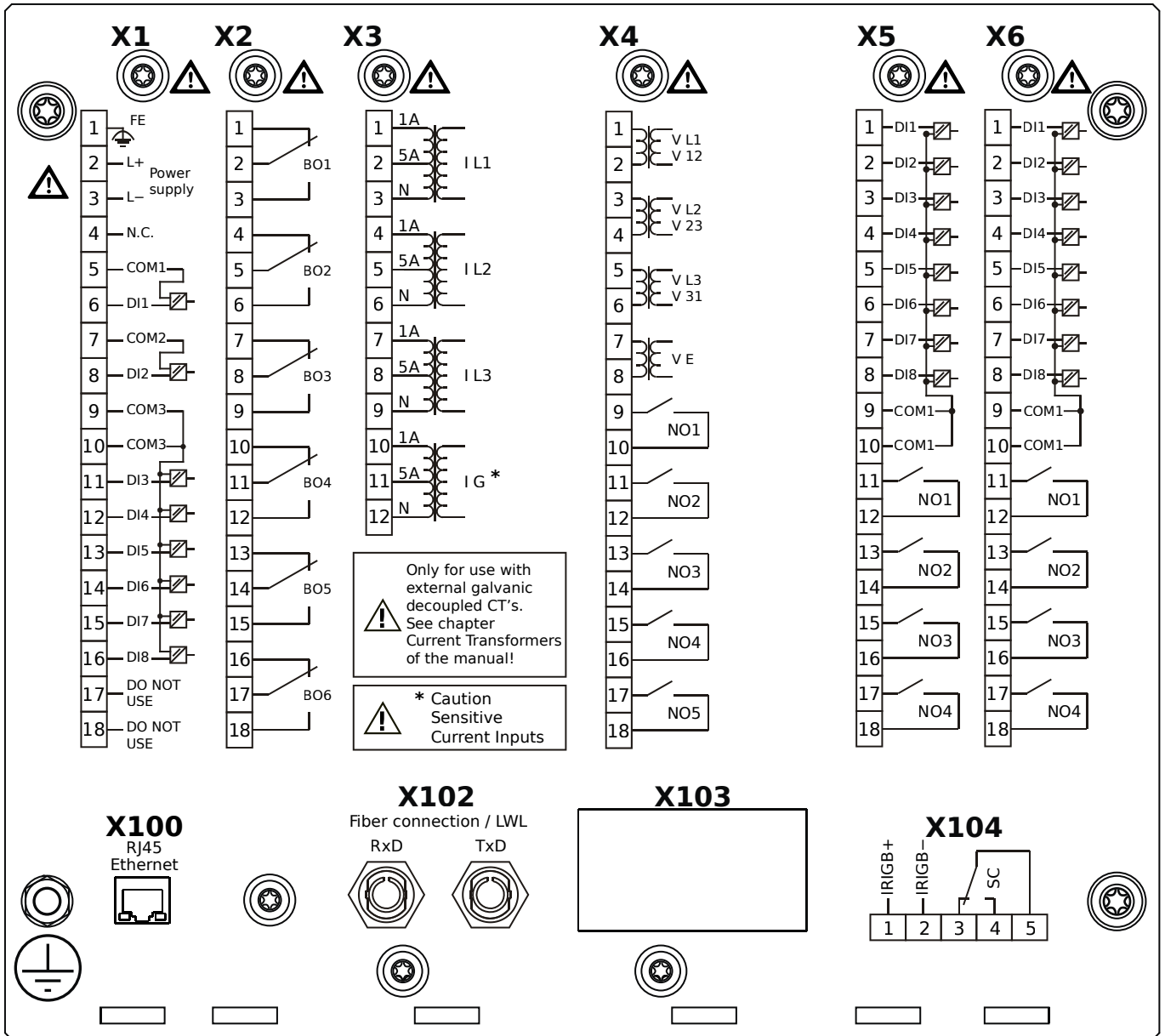
- X1** – DI8-X1: Wide-range power supply unit, incl. 2 non-grouped digital inputs and 6 grouped digital inputs
- X2** – OR-6: Assembly Group with 6 Relay Outputs
- X3** – TIs-4: Standard phase current measuring card and sensitive ground current measuring
- X4** – TU: Card with 4 voltage transformer measuring inputs and 5 output relays
- X5** – DI8-OR4: Assembly Group with 8 Digital Inputs and 4 Output Relays
- X6** – DI8-OR4: Assembly Group with 8 Digital Inputs and 4 Output Relays
- X102** – Protection Communication, Fiber optics interface, ST Connector
- X103** – Modbus RTU / IEC 60870-5-103 / DNP3.0 RTU, RS485, D-SUB
- X104** – IRIG-B00X, incl. System Contact (Supervision Contact)

MCDLV4-2E1A1GB



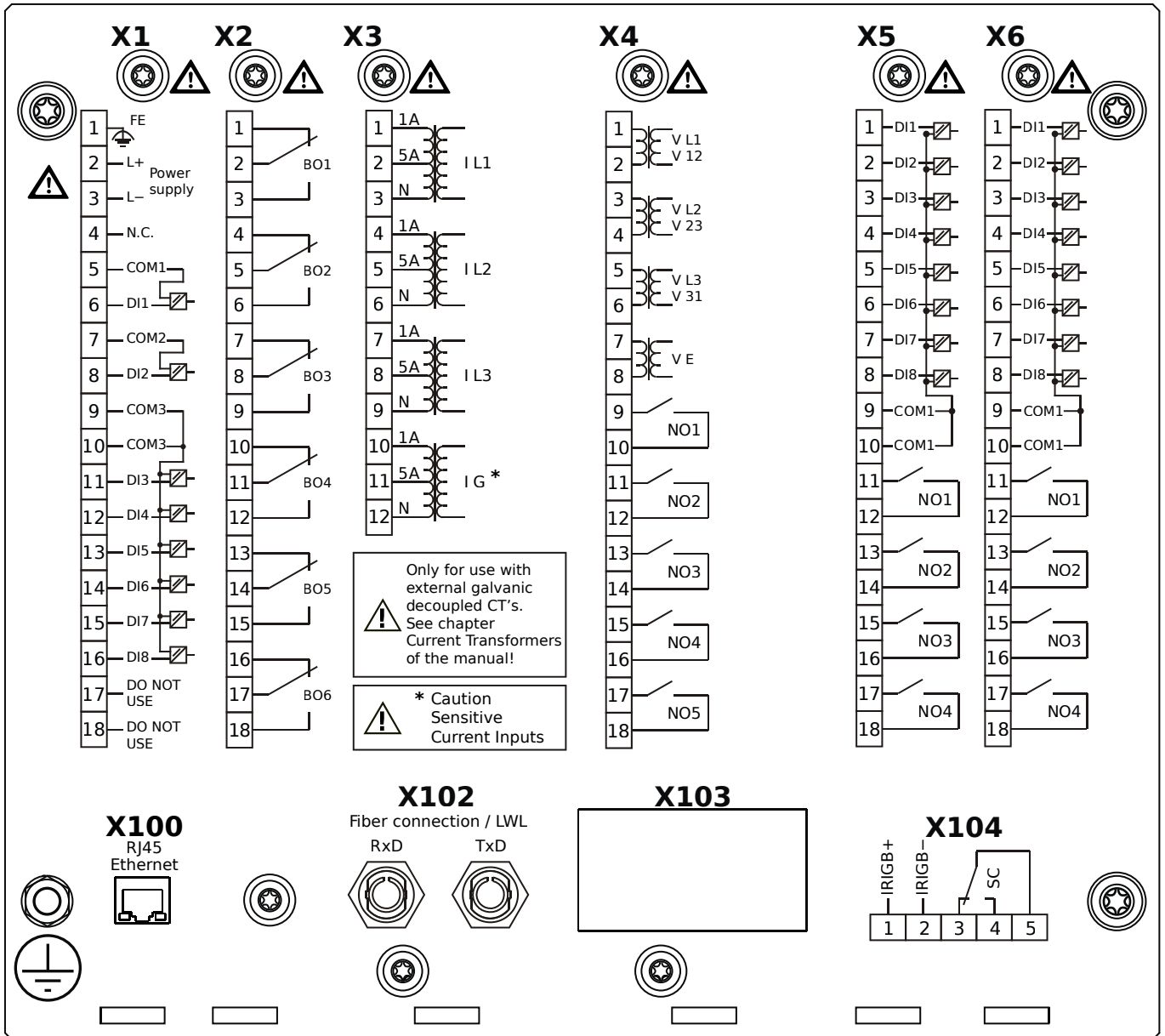
- X1** – DI8-X1: Wide-range power supply unit, incl. 2 non-grouped digital inputs and 6 grouped digital inputs
- X2** – OR-6: Assembly Group with 6 Relay Outputs
- X3** – TIs-4: Standard phase current measuring card and sensitive ground current measuring
- X4** – TU: Card with 4 voltage transformer measuring inputs and 5 output relays
- X5** – DI8-OR4: Assembly Group with 8 Digital Inputs and 4 Output Relays
- X6** – DI8-OR4: Assembly Group with 8 Digital Inputs and 4 Output Relays
- X102** – Protection Communication, Fiber optics interface, ST Connector
- X103** – Modbus RTU / IEC 60870-5-103 / DNP3.0 RTU, RS485, D-SUB
- X104** – IRIG-B00X, incl. System Contact (Supervision Contact)

MCDLV4-2E1A1HA



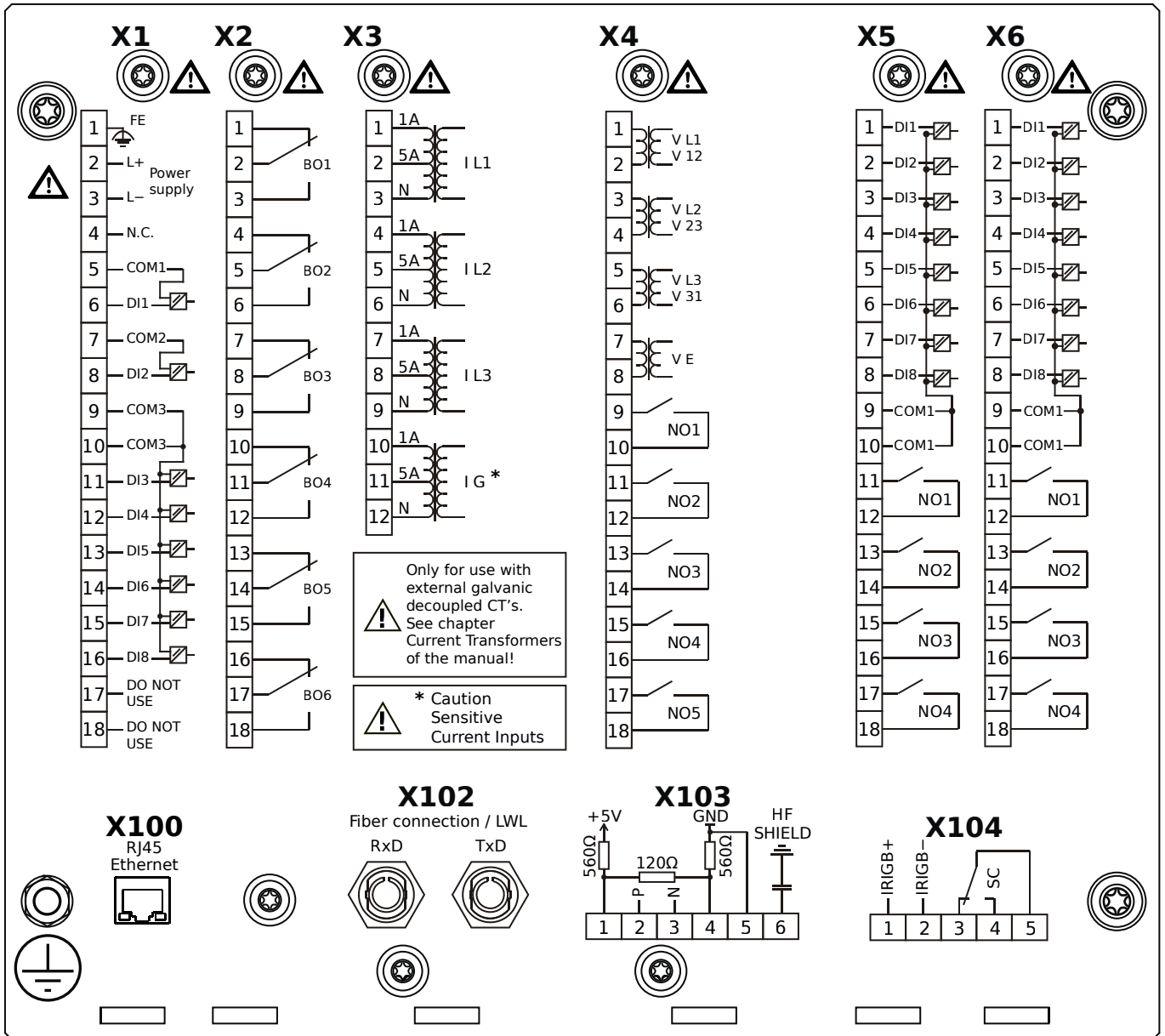
- X1** – DI8-X1: Wide-range power supply unit, incl. 2 non-grouped digital inputs and 6 grouped digital inputs
- X2** – OR-6: Assembly Group with 6 Relay Outputs
- X3** – TIs-4: Standard phase current measuring card and sensitive ground current measuring
- X4** – TU: Card with 4 voltage transformer measuring inputs and 5 output relays
- X5** – DI8-OR4: Assembly Group with 8 Digital Inputs and 4 Output Relays
- X6** – DI8-OR4: Assembly Group with 8 Digital Inputs and 4 Output Relays
- X100** – IEC 61850 / Modbus TCP / DNP3.0 TCP/UDP, Ethernet interface, 100 Mbit/s, RJ45 (BASE100-FX)
- X102** – Protection Communication, Fiber optics interface, ST Connector
- X104** – IRIG-B00X, incl. System Contact (Supervision Contact)

MCDLV4-2E1A1HB



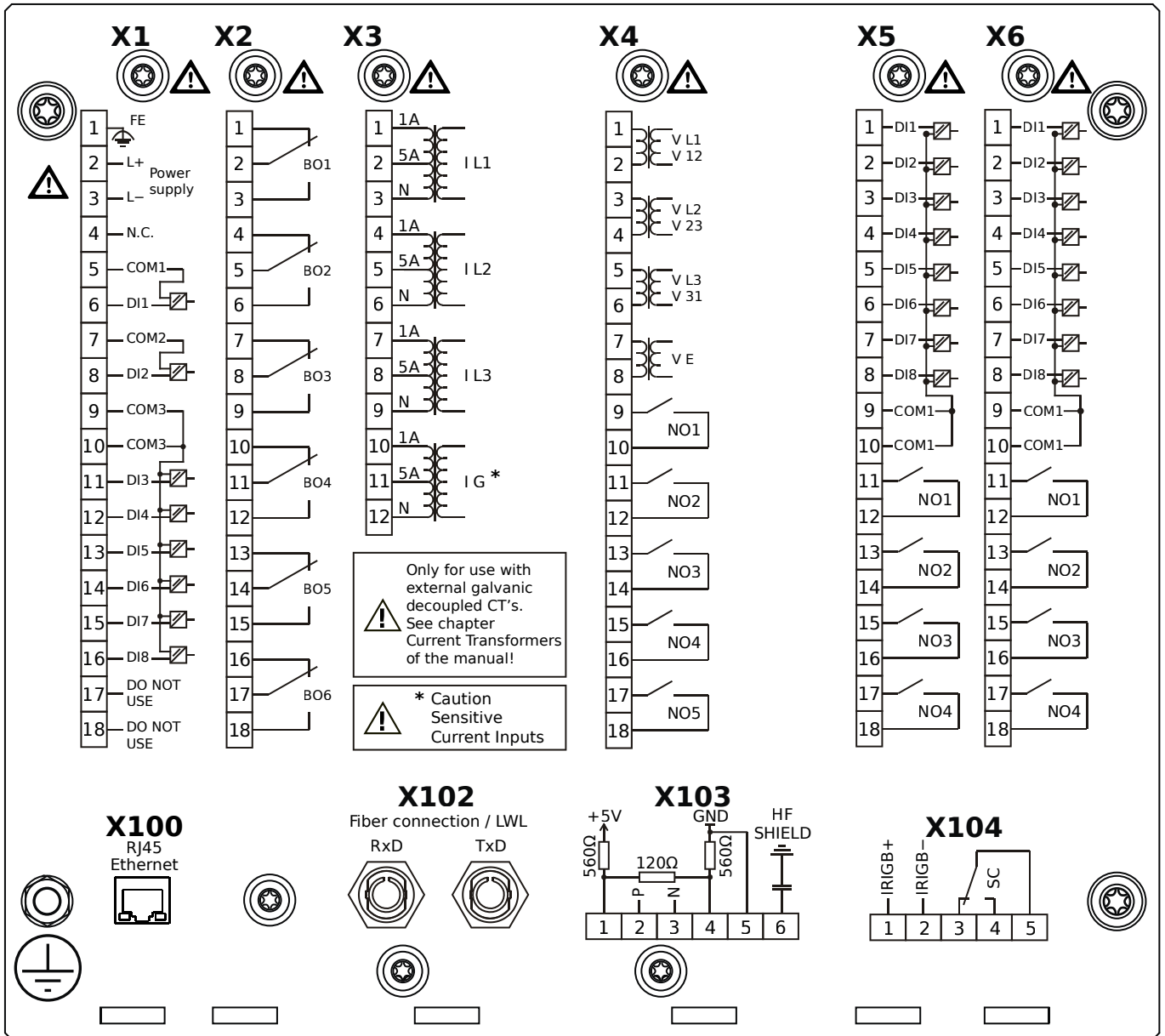
- X1** – DI8-X1: Wide-range power supply unit, incl. 2 non-grouped digital inputs and 6 grouped digital inputs
- X2** – OR-6: Assembly Group with 6 Relay Outputs
- X3** – TIs-4: Standard phase current measuring card and sensitive ground current measuring
- X4** – TU: Card with 4 voltage transformer measuring inputs and 5 output relays
- X5** – DI8-OR4: Assembly Group with 8 Digital Inputs and 4 Output Relays
- X6** – DI8-OR4: Assembly Group with 8 Digital Inputs and 4 Output Relays
- X100** – IEC 61850 / Modbus TCP / DNP3.0 TCP/UDP, Ethernet interface, 100 Mbit/s, RJ45 (BASE100-FX)
- X102** – Protection Communication, Fiber optics interface, ST Connector
- X104** – IRIG-B00X, incl. System Contact (Supervision Contact)

MCDLV4-2E1A1IA



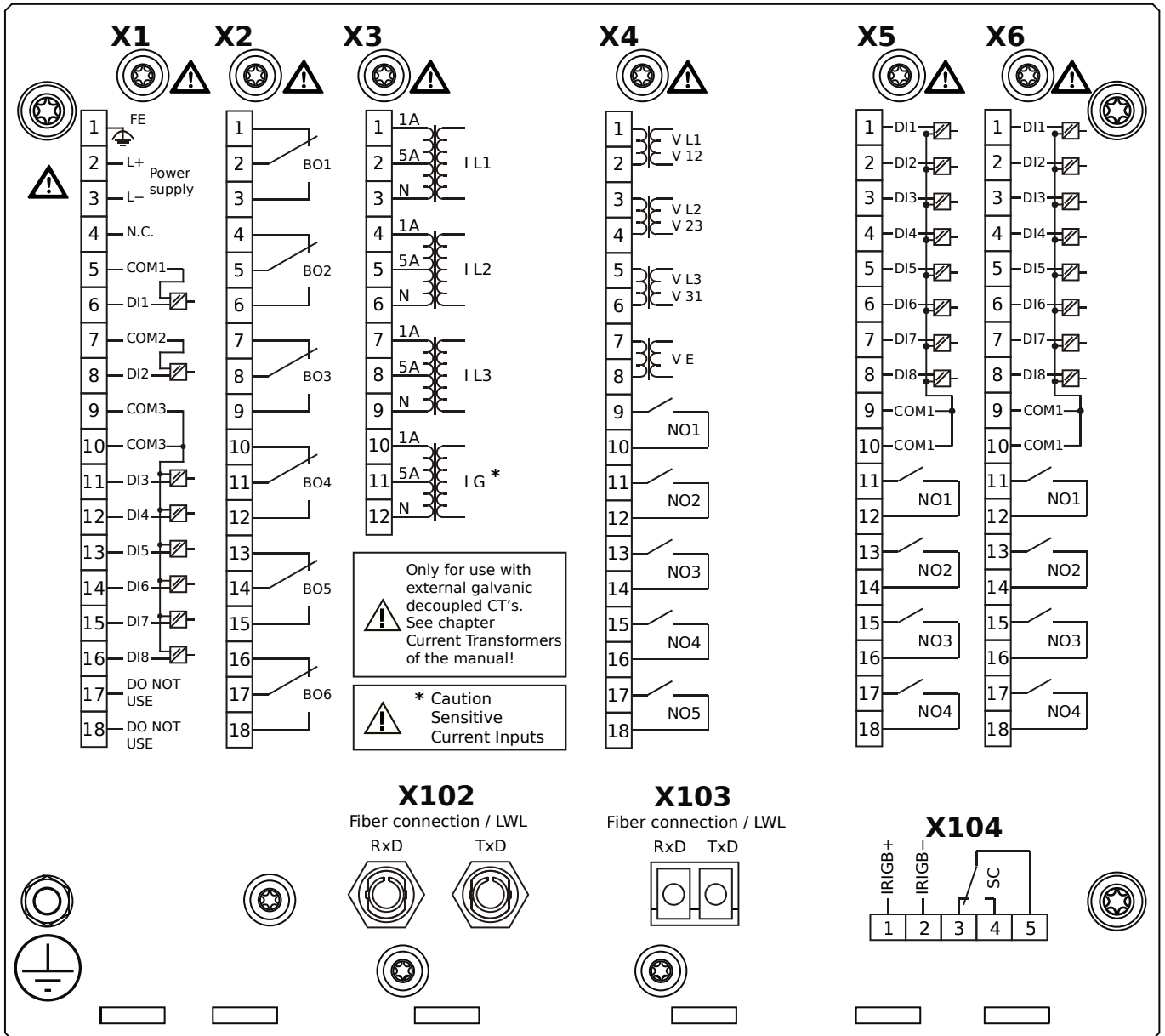
- X1** – DI8-X1: Wide-range power supply unit, incl. 2 non-grouped digital inputs and 6 grouped digital inputs
- X2** – OR-6: Assembly Group with 6 Relay Outputs
- X3** – TIs-4: Standard phase current measuring card and sensitive ground current measuring
- X4** – TU: Card with 4 voltage transformer measuring inputs and 5 output relays
- X5** – DI8-OR4: Assembly Group with 8 Digital Inputs and 4 Output Relays
- X6** – DI8-OR4: Assembly Group with 8 Digital Inputs and 4 Output Relays
- X100** – Modbus TCP / DNP3.0 TCP/UDP, Ethernet interface, 100 Mbit/s, RJ45 (BASE100-FX)
- X102** – Protection Communication, Fiber optics interface, ST Connector
- X103** – IEC 60870-5-103 / Modbus RTU / DNP3.0 RTU, RS485, Terminals
- X104** – IRIG-B00X, incl. System Contact (Supervision Contact)

MCDLV4-2E1A1IB



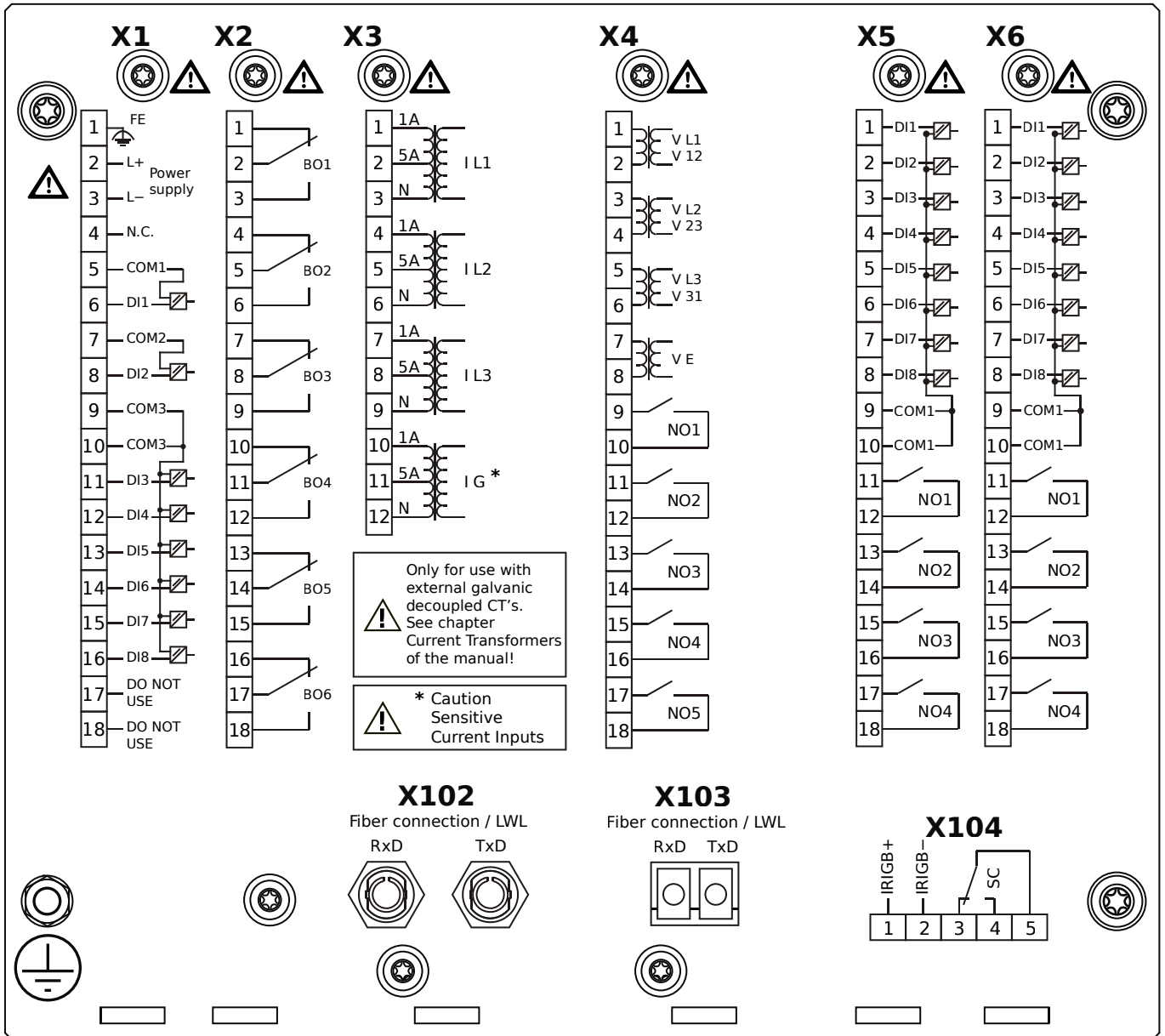
- X1** – DI8-X1: Wide-range power supply unit, incl. 2 non-grouped digital inputs and 6 grouped digital inputs
- X2** – OR-6: Assembly Group with 6 Relay Outputs
- X3** – TIs-4: Standard phase current measuring card and sensitive ground current measuring
- X4** – TU: Card with 4 voltage transformer measuring inputs and 5 output relays
- X5** – DI8-OR4: Assembly Group with 8 Digital Inputs and 4 Output Relays
- X6** – DI8-OR4: Assembly Group with 8 Digital Inputs and 4 Output Relays
- X100** – Modbus TCP / DNP3.0 TCP/UDP, Ethernet interface, 100 Mbit/s, RJ45 (BASE100-FX)
- X102** – Protection Communication, Fiber optics interface, ST Connector
- X103** – IEC 60870-5-103 / Modbus RTU / DNP3.0 RTU, RS485, Terminals
- X104** – IRIG-B00X, incl. System Contact (Supervision Contact)

MCDLV4-2E1A1KA



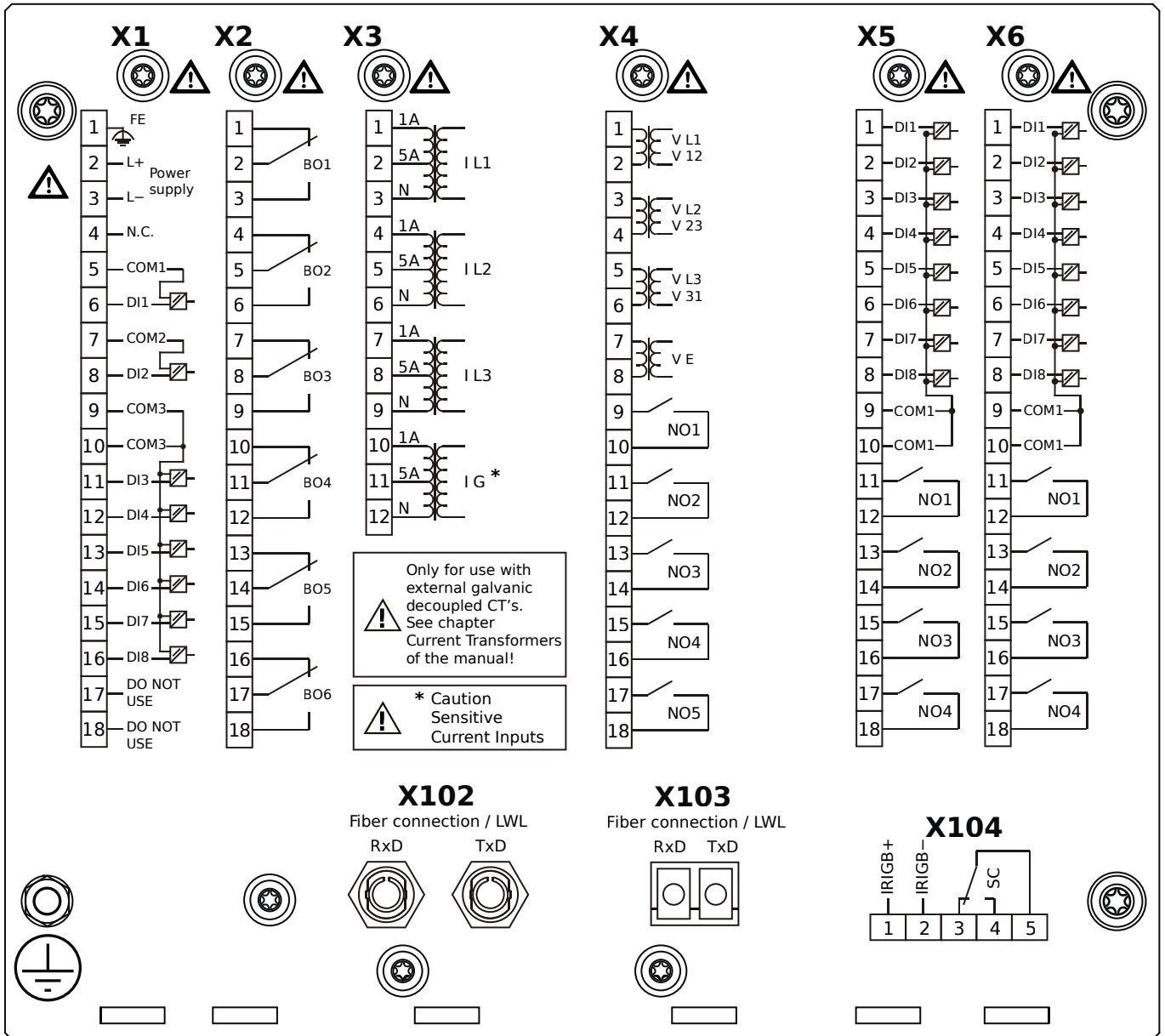
- X1** – DI8-X1: Wide-range power supply unit, incl. 2 non-grouped digital inputs and 6 grouped digital inputs
- X2** – OR-6: Assembly Group with 6 Relay Outputs
- X3** – TIs-4: Standard phase current measuring card and sensitive ground current measuring
- X4** – TU: Card with 4 voltage transformer measuring inputs and 5 output relays
- X5** – DI8-OR4: Assembly Group with 8 Digital Inputs and 4 Output Relays
- X6** – DI8-OR4: Assembly Group with 8 Digital Inputs and 4 Output Relays
- X102** – Protection Communication, Fiber optics interface, ST Connector
- X103** – IEC 61850 / Modbus TCP / DNP3.0 TCP/UDP, Fiber optics interface, LC Connector
- X104** – IRIG-B00X, incl. System Contact (Supervision Contact)

MCDLV4-2E1A1KB



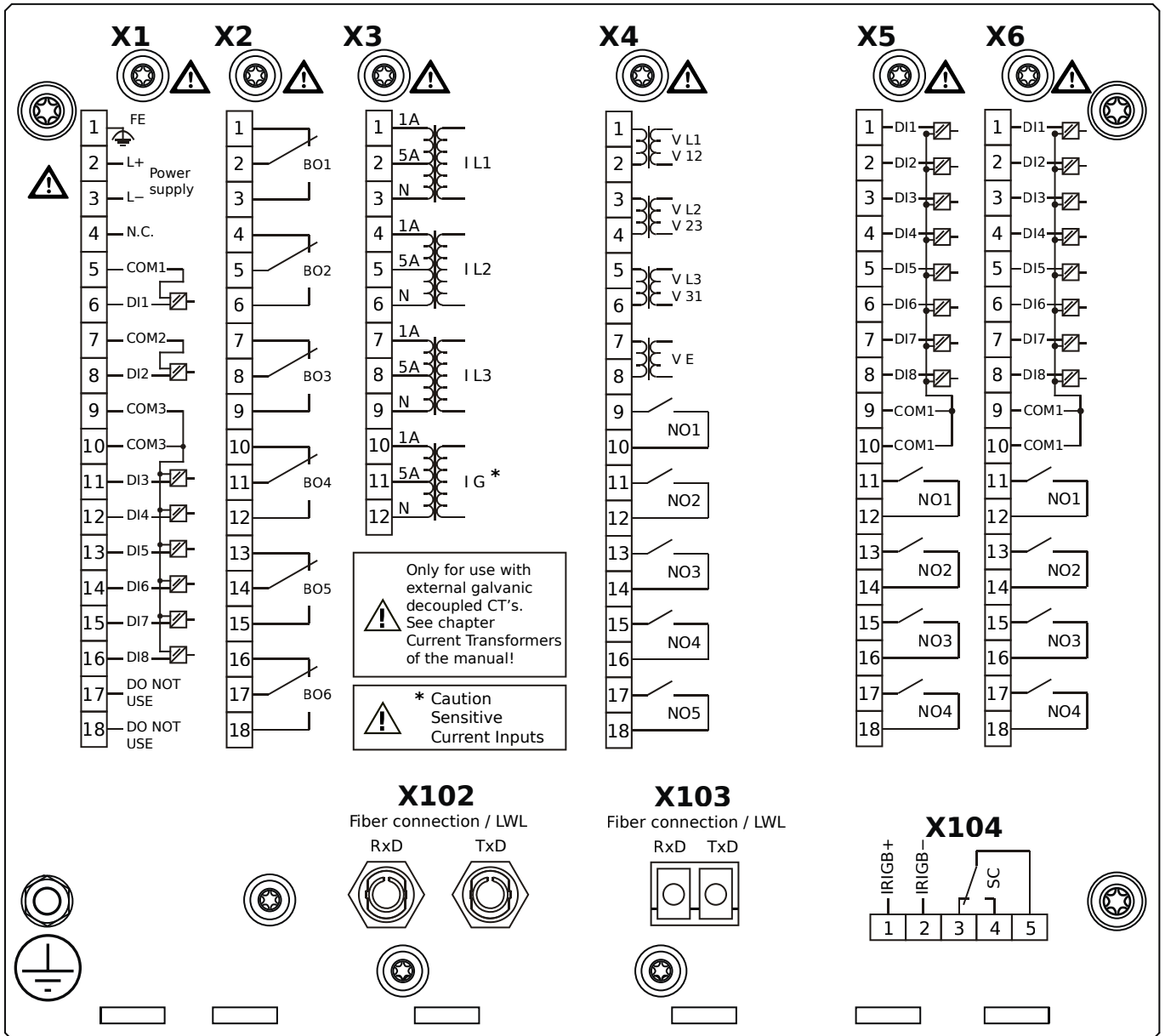
- X1** – DI8-X1: Wide-range power supply unit, incl. 2 non-grouped digital inputs and 6 grouped digital inputs
- X2** – OR-6: Assembly Group with 6 Relay Outputs
- X3** – TIs-4: Standard phase current measuring card and sensitive ground current measuring
- X4** – TU: Card with 4 voltage transformer measuring inputs and 5 output relays
- X5** – DI8-OR4: Assembly Group with 8 Digital Inputs and 4 Output Relays
- X6** – DI8-OR4: Assembly Group with 8 Digital Inputs and 4 Output Relays
- X102** – Protection Communication, Fiber optics interface, ST Connector
- X103** – IEC 61850 / Modbus TCP / DNP3.0 TCP/UDP, Fiber optics interface, LC Connector
- X104** – IRIG-B00X, incl. System Contact (Supervision Contact)

MCDLV4-2E1A1LA



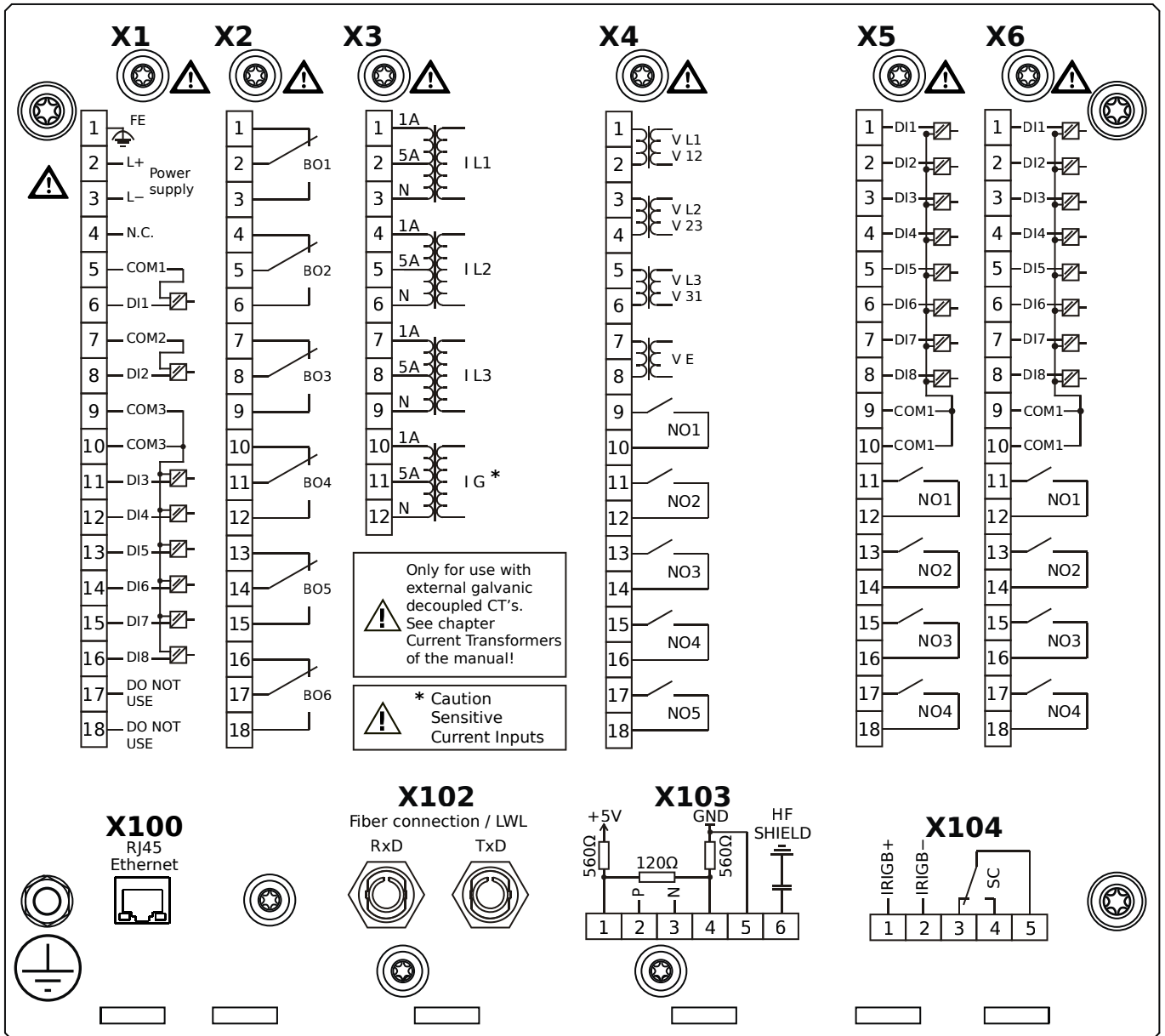
- X1** – DI8-X1: Wide-range power supply unit, incl. 2 non-grouped digital inputs and 6 grouped digital inputs
- X2** – OR-6: Assembly Group with 6 Relay Outputs
- X3** – TIs-4: Standard phase current measuring card and sensitive ground current measuring
- X4** – TU: Card with 4 voltage transformer measuring inputs and 5 output relays
- X5** – DI8-OR4: Assembly Group with 8 Digital Inputs and 4 Output Relays
- X6** – DI8-OR4: Assembly Group with 8 Digital Inputs and 4 Output Relays
- X102** – Protection Communication, Fiber optics interface, ST Connector
- X103** – Modbus TCP / DNP3.0 TCP/UDP, Fiber optics interface, LC Connector
- X104** – IRIG-B00X, incl. System Contact (Supervision Contact)

MCDLV4-2E1A1LB



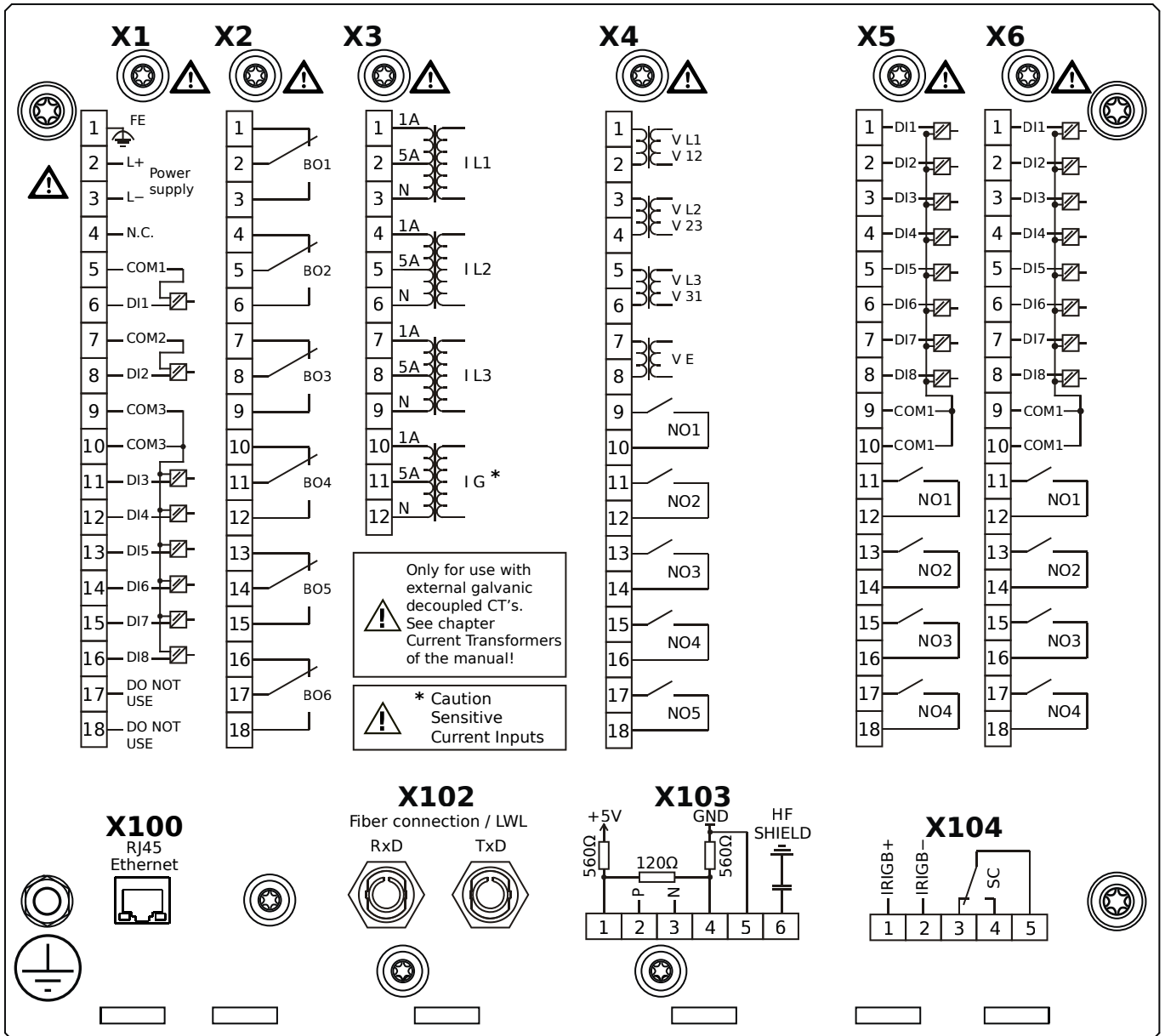
- X1** – DI8-X1: Wide-range power supply unit, incl. 2 non-grouped digital inputs and 6 grouped digital inputs
- X2** – OR-6: Assembly Group with 6 Relay Outputs
- X3** – TIs-4: Standard phase current measuring card and sensitive ground current measuring
- X4** – TU: Card with 4 voltage transformer measuring inputs and 5 output relays
- X5** – DI8-OR4: Assembly Group with 8 Digital Inputs and 4 Output Relays
- X6** – DI8-OR4: Assembly Group with 8 Digital Inputs and 4 Output Relays
- X102** – Protection Communication, Fiber optics interface, ST Connector
- X103** – Modbus TCP / DNP3.0 TCP/UDP, Fiber optics interface, LC Connector
- X104** – IRIG-B00X, incl. System Contact (Supervision Contact)

MCDLV4-2E1A1TA



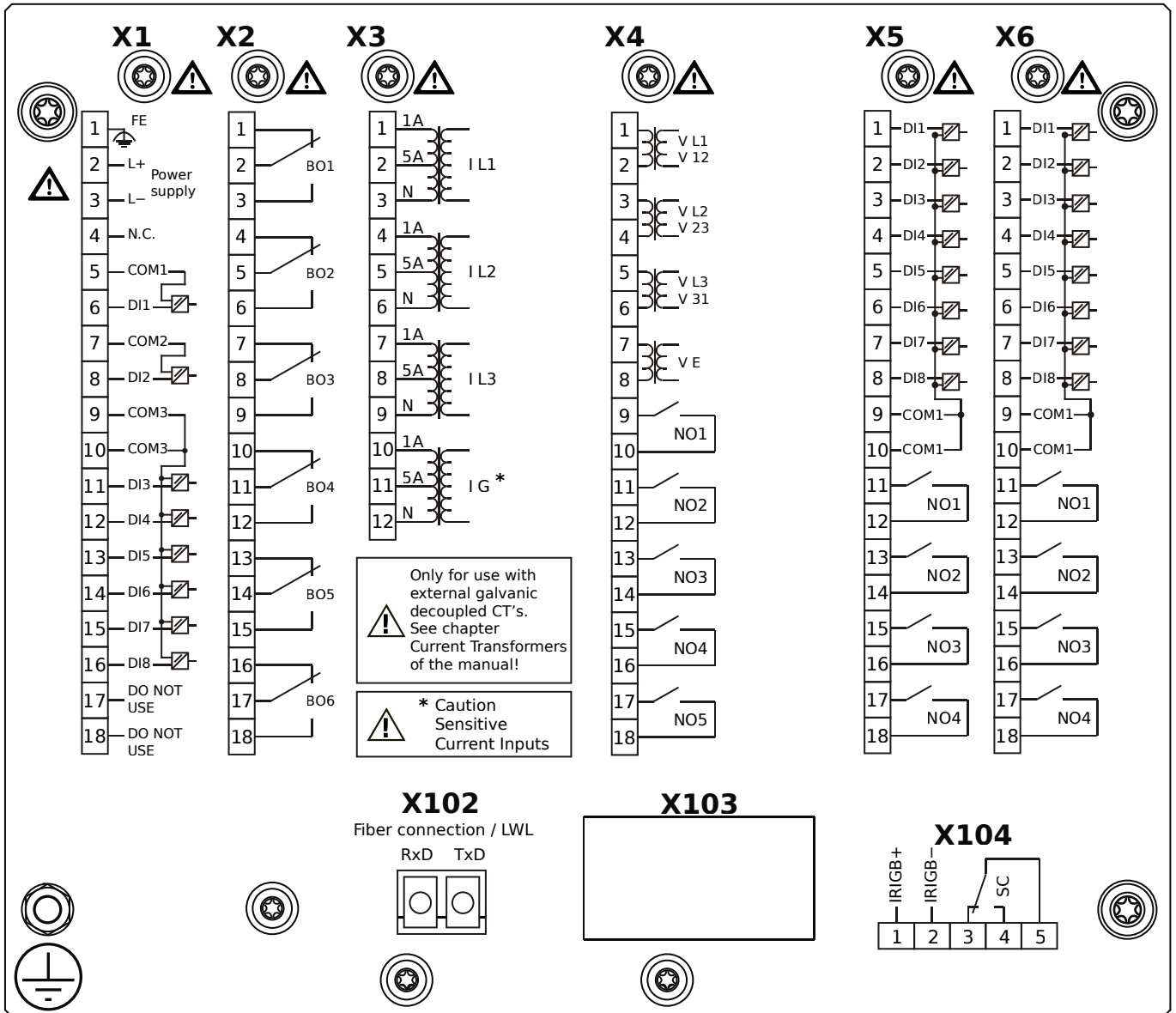
- X1** – DI8-X1: Wide-range power supply unit, incl. 2 non-grouped digital inputs and 6 grouped digital inputs
- X2** – OR-6: Assembly Group with 6 Relay Outputs
- X3** – TIs-4: Standard phase current measuring card and sensitive ground current measuring
- X4** – TU: Card with 4 voltage transformer measuring inputs and 5 output relays
- X5** – DI8-OR4: Assembly Group with 8 Digital Inputs and 4 Output Relays
- X6** – DI8-OR4: Assembly Group with 8 Digital Inputs and 4 Output Relays
- X100** – IEC 61850 / Modbus TCP / DNP3.0 TCP/UDP, Ethernet interface, 100 Mbit/s, RJ45 (BASE100-FX)
- X102** – Protection Communication, Fiber optics interface, ST Connector
- X103** – IEC 60870-5-103 / Modbus RTU / DNP3.0 RTU, RS485, Terminals
- X104** – IRIG-B00X, incl. System Contact (Supervision Contact)

MCDLV4-2E1A1TB



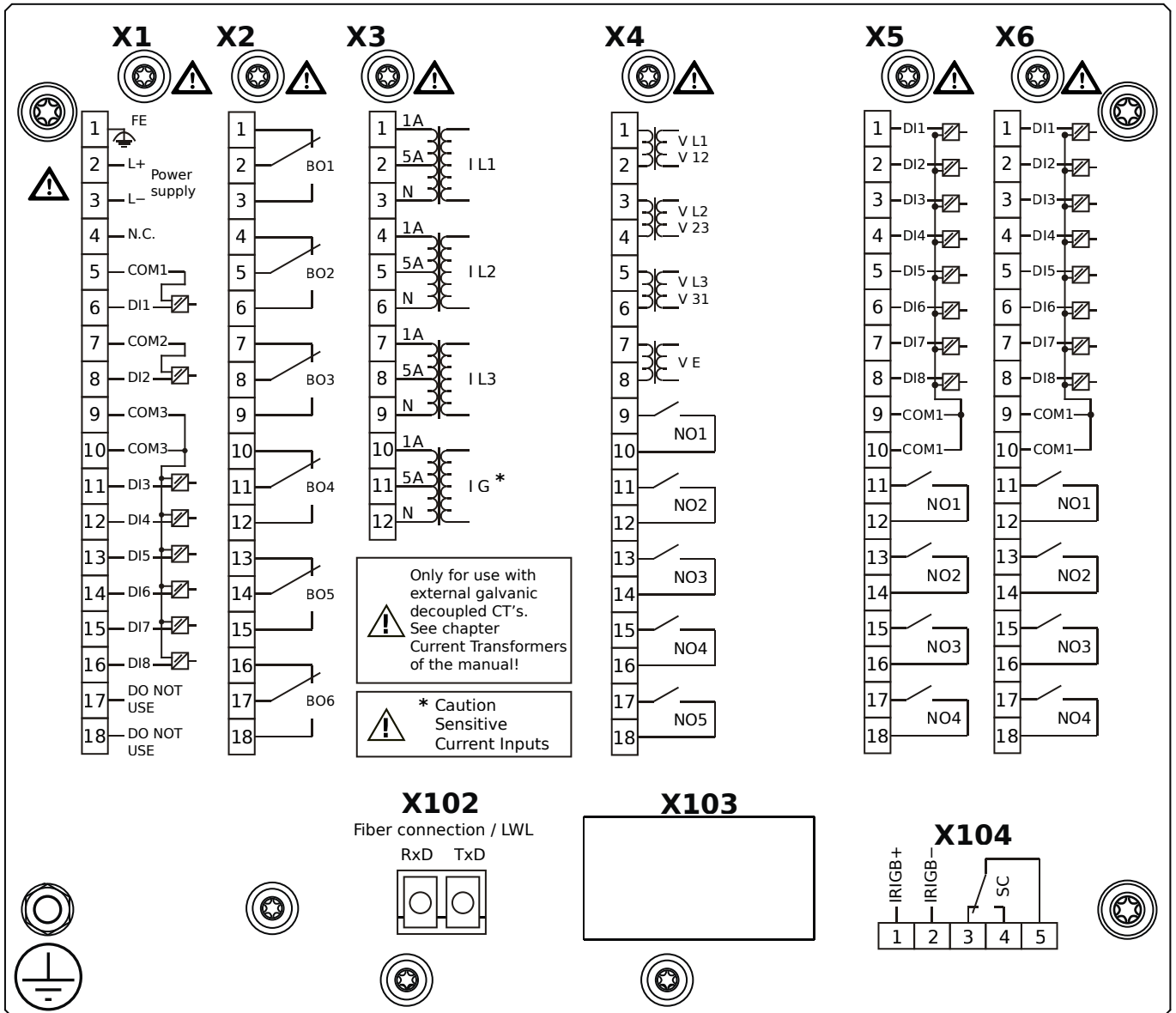
- X1** – DI8-X1: Wide-range power supply unit, incl. 2 non-grouped digital inputs and 6 grouped digital inputs
- X2** – OR-6: Assembly Group with 6 Relay Outputs
- X3** – TIs-4: Standard phase current measuring card and sensitive ground current measuring
- X4** – TU: Card with 4 voltage transformer measuring inputs and 5 output relays
- X5** – DI8-OR4: Assembly Group with 8 Digital Inputs and 4 Output Relays
- X6** – DI8-OR4: Assembly Group with 8 Digital Inputs and 4 Output Relays
- X100** – IEC 61850 / Modbus TCP / DNP3.0 TCP/UDP, Ethernet interface, 100 Mbit/s, RJ45 (BASE100-FX)
- X102** – Protection Communication, Fiber optics interface, ST Connector
- X103** – IEC 60870-5-103 / Modbus RTU / DNP3.0 RTU, RS485, Terminals
- X104** – IRIG-B00X, incl. System Contact (Supervision Contact)

MCDLV4-2E1B0AA



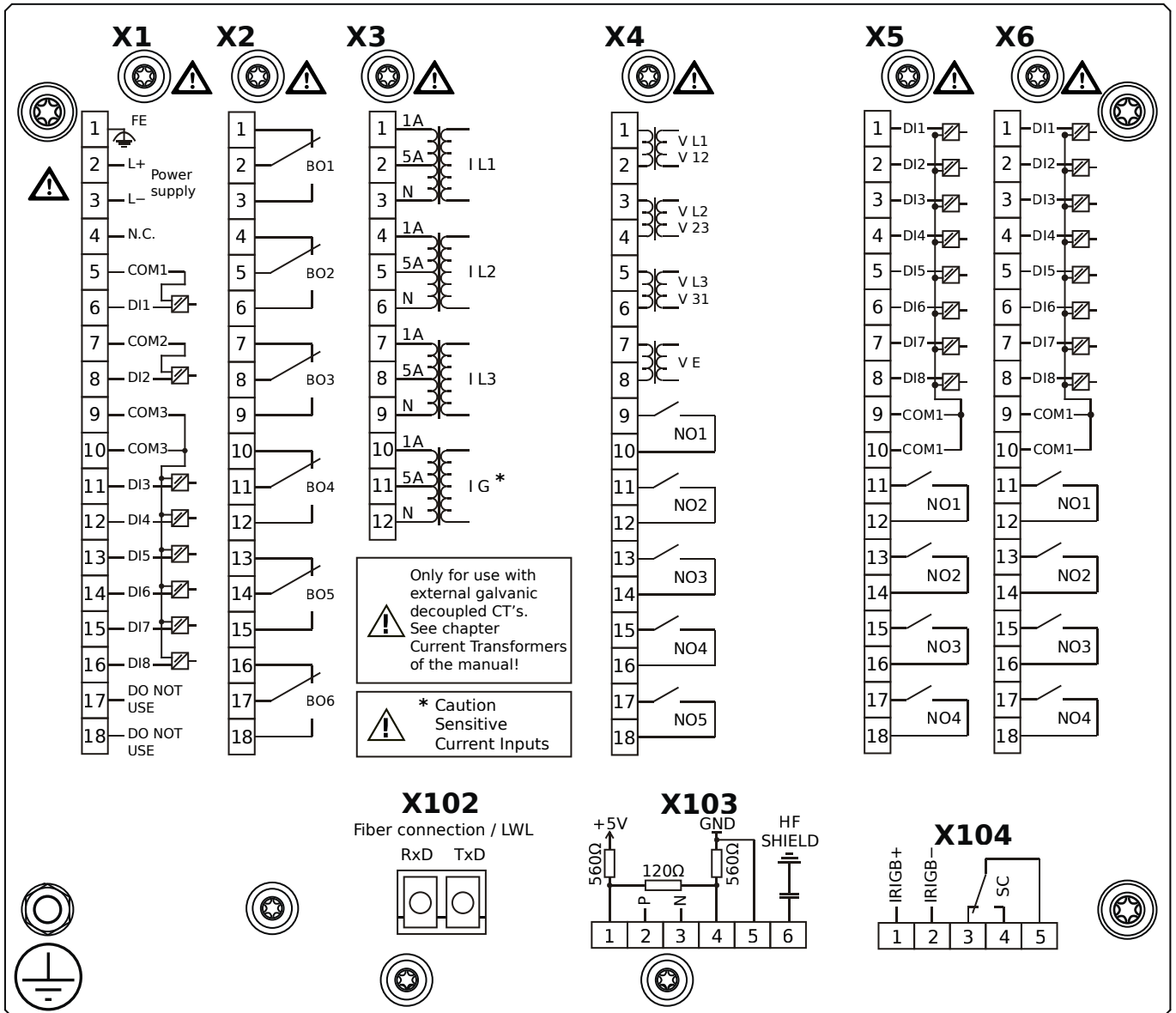
- X1** – DI8-X1: Wide-range power supply unit, incl. 2 non-grouped digital inputs and 6 grouped digital inputs
- X2** – OR-6: Assembly Group with 6 Relay Outputs
- X3** – TIs-4: Standard phase current measuring card and sensitive ground current measuring
- X4** – TU: Card with 4 voltage transformer measuring inputs and 5 output relays
- X5** – DI8-OR4: Assembly Group with 8 Digital Inputs and 4 Output Relays
- X6** – DI8-OR4: Assembly Group with 8 Digital Inputs and 4 Output Relays
- X102** – Long-distance Protection Communication, Fiber optics interface, LC Connector
- X104** – IRIG-B00X, incl. System Contact (Supervision Contact)

MCDLV4-2E1B0AB



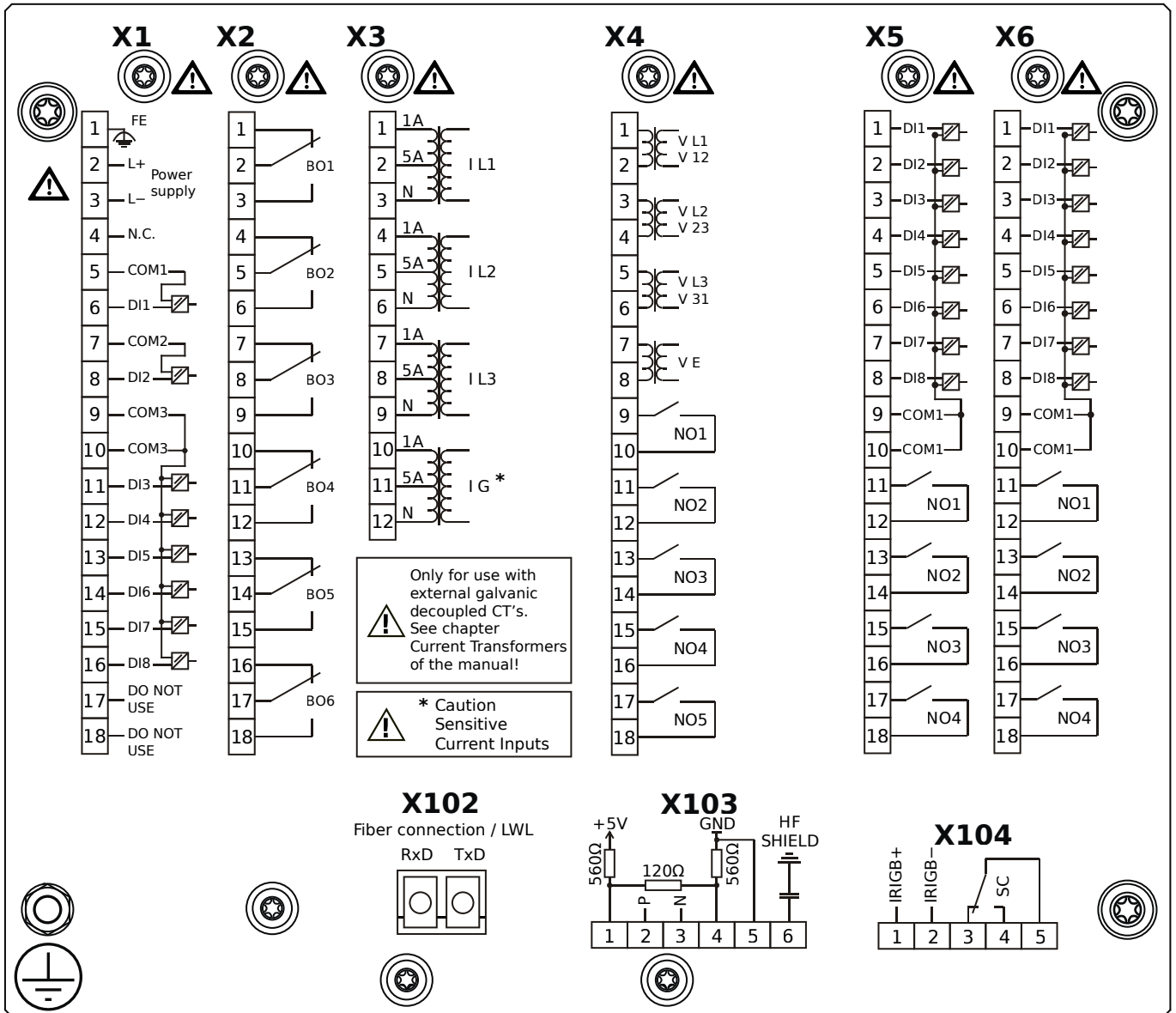
- X1** – DI8-X1: Wide-range power supply unit, incl. 2 non-grouped digital inputs and 6 grouped digital inputs
- X2** – OR-6: Assembly Group with 6 Relay Outputs
- X3** – TIs-4: Standard phase current measuring card and sensitive ground current measuring
- X4** – TU: Card with 4 voltage transformer measuring inputs and 5 output relays
- X5** – DI8-OR4: Assembly Group with 8 Digital Inputs and 4 Output Relays
- X6** – DI8-OR4: Assembly Group with 8 Digital Inputs and 4 Output Relays
- X102** – Long-distance Protection Communication, Fiber optics interface, LC Connector
- X104** – IRIG-B00X, incl. System Contact (Supervision Contact)

MCDLV4-2E1B0BA



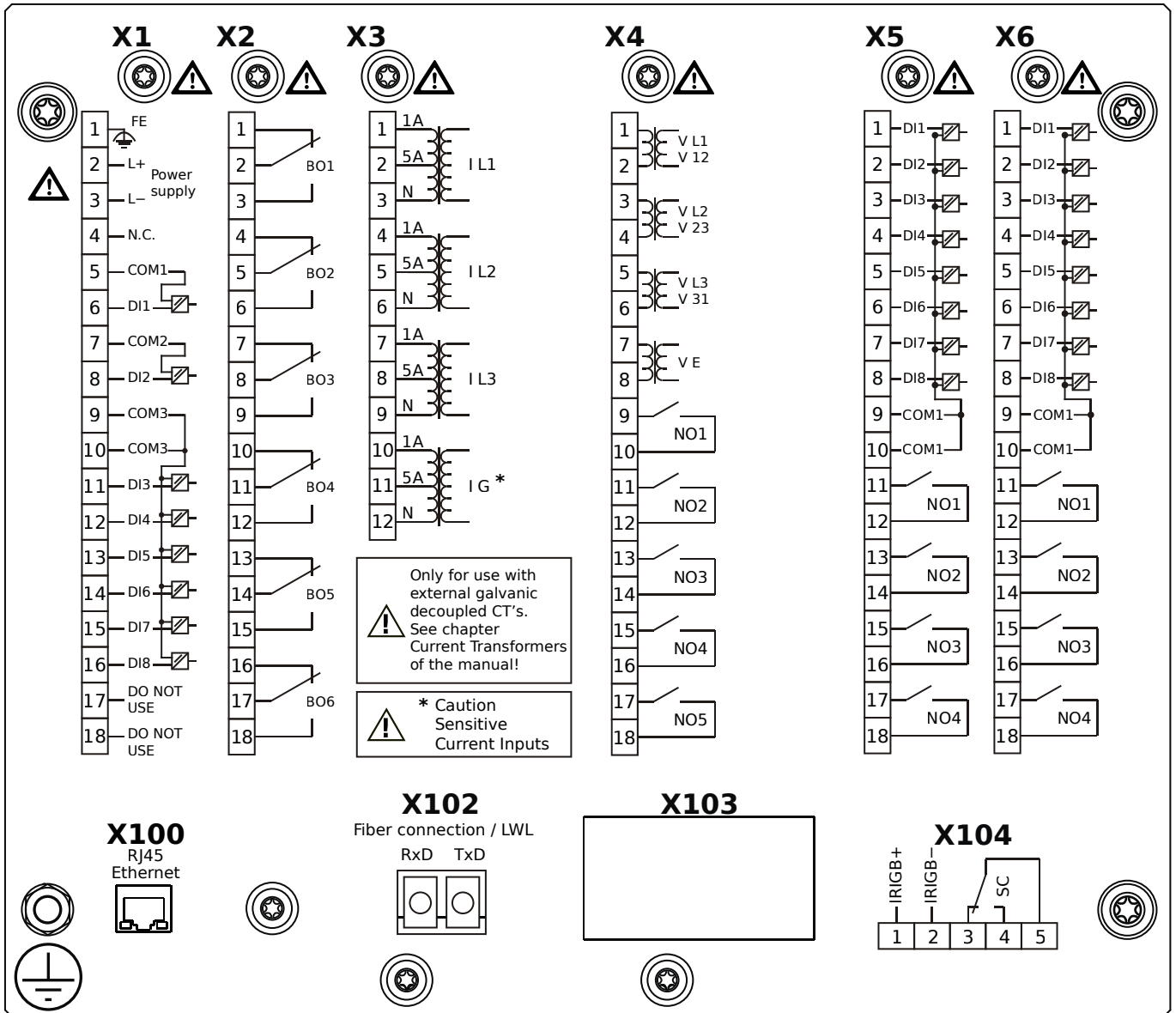
- X1** – DI8-X1: Wide-range power supply unit, incl. 2 non-grouped digital inputs and 6 grouped digital inputs
- X2** – OR-6: Assembly Group with 6 Relay Outputs
- X3** – TIs-4: Standard phase current measuring card and sensitive ground current measuring
- X4** – TU: Card with 4 voltage transformer measuring inputs and 5 output relays
- X5** – DI8-OR4: Assembly Group with 8 Digital Inputs and 4 Output Relays
- X6** – DI8-OR4: Assembly Group with 8 Digital Inputs and 4 Output Relays
- X102** – Long-distance Protection Communication, Fiber optics interface, LC Connector
- X103** – Modbus RTU / IEC 60870-5-103 / DNP3.0 RTU, RS485, Terminals
- X104** – IRIG-B00X, incl. System Contact (Supervision Contact)

MCDLV4-2E1B0BB



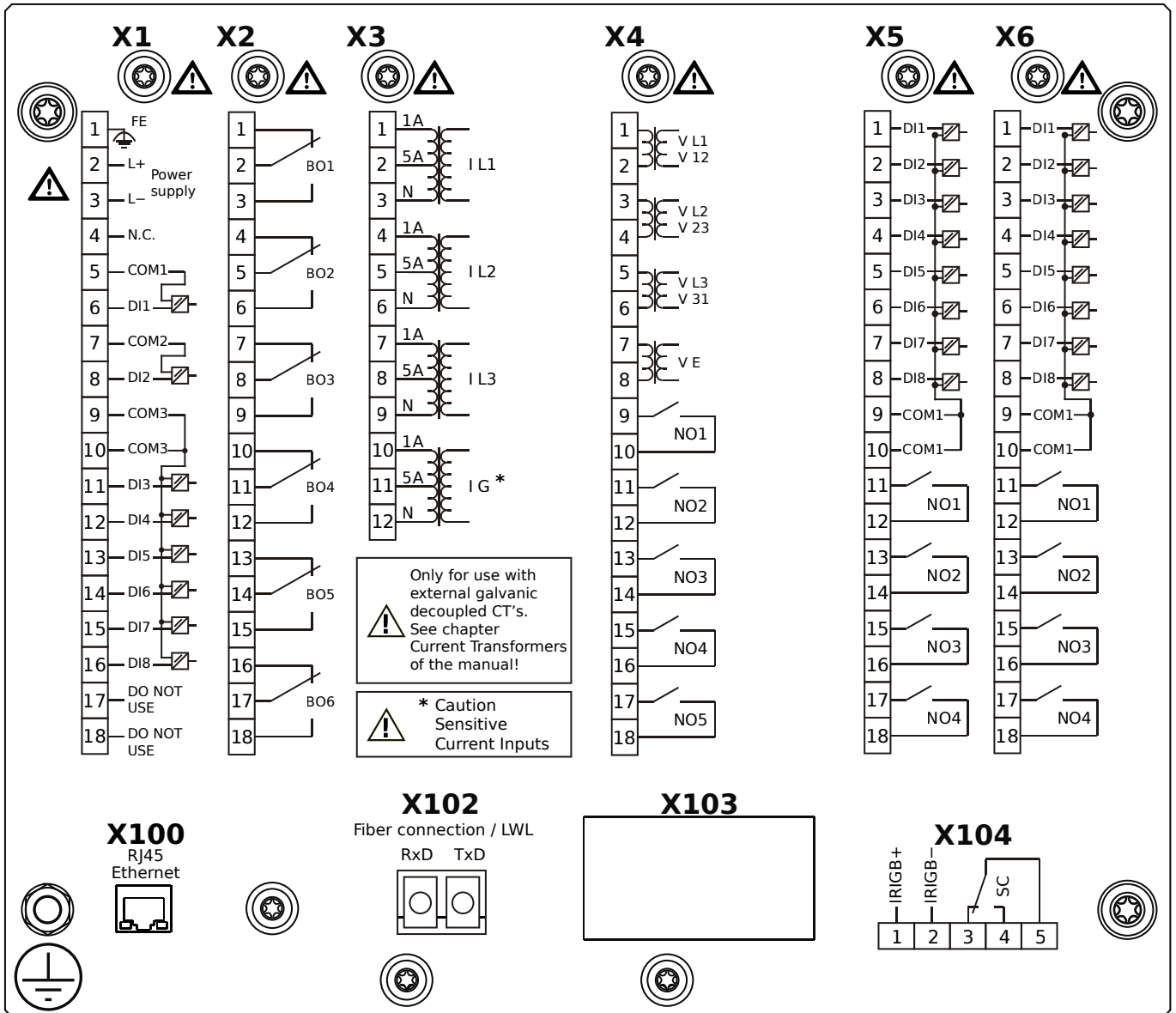
- X1** – DI8-X1: Wide-range power supply unit, incl. 2 non-grouped digital inputs and 6 grouped digital inputs
- X2** – OR-6: Assembly Group with 6 Relay Outputs
- X3** – TIs-4: Standard phase current measuring card and sensitive ground current measuring
- X4** – TU: Card with 4 voltage transformer measuring inputs and 5 output relays
- X5** – DI8-OR4: Assembly Group with 8 Digital Inputs and 4 Output Relays
- X6** – DI8-OR4: Assembly Group with 8 Digital Inputs and 4 Output Relays
- X102** – Long-distance Protection Communication, Fiber optics interface, LC Connector
- X103** – Modbus RTU / IEC 60870-5-103 / DNP3.0 RTU, RS485, Terminals
- X104** – IRIG-B00X, incl. System Contact (Supervision Contact)

MCDLV4-2E1B0CA



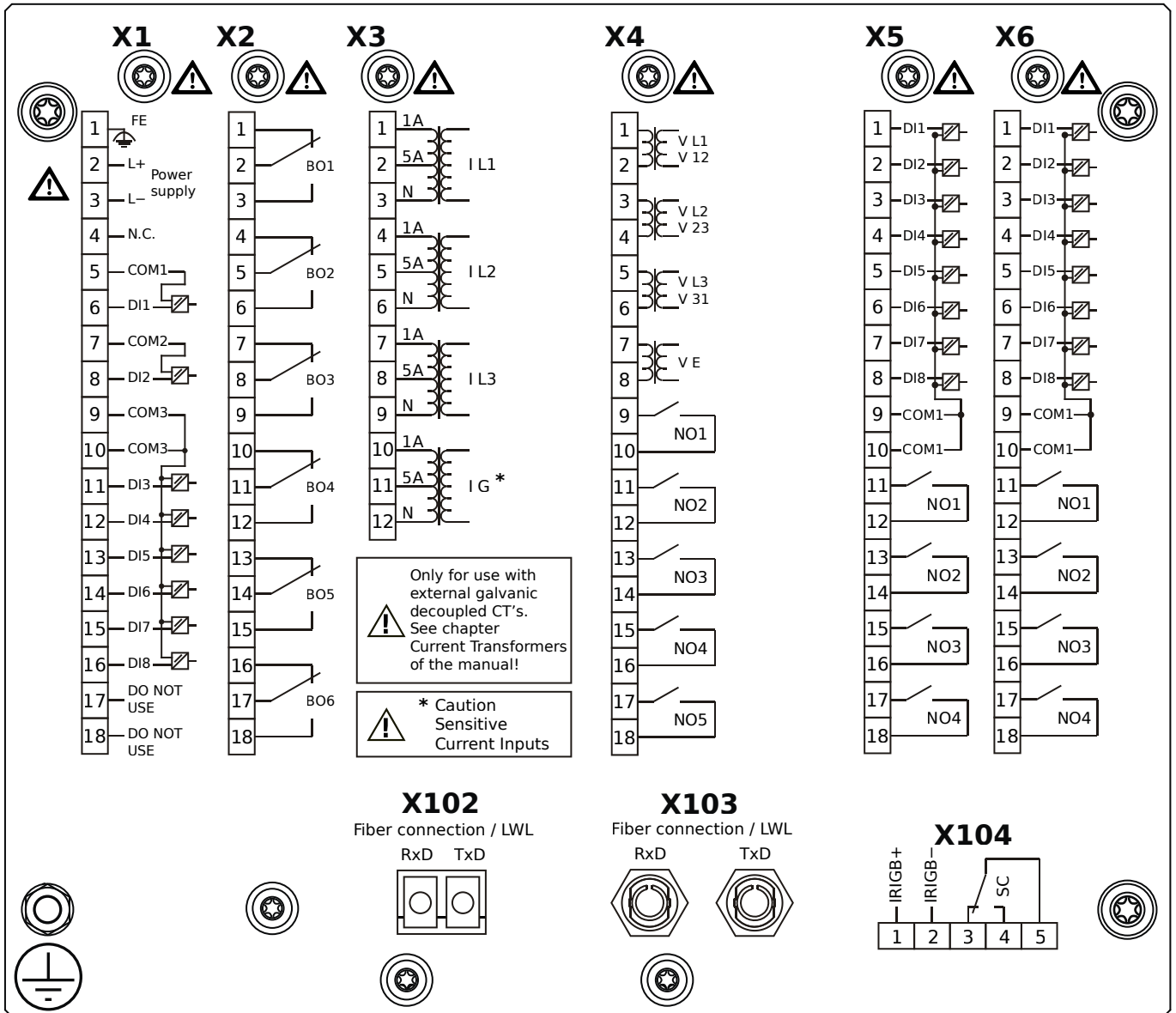
- X1** – DI8-X1: Wide-range power supply unit, incl. 2 non-grouped digital inputs and 6 grouped digital inputs
- X2** – OR-6: Assembly Group with 6 Relay Outputs
- X3** – TIs-4: Standard phase current measuring card and sensitive ground current measuring
- X4** – TU: Card with 4 voltage transformer measuring inputs and 5 output relays
- X5** – DI8-OR4: Assembly Group with 8 Digital Inputs and 4 Output Relays
- X6** – DI8-OR4: Assembly Group with 8 Digital Inputs and 4 Output Relays
- X100** – Modbus TCP / DNP3.0 TCP/UDP, Ethernet interface, 100 Mbit/s, RJ45 (BASE100-FX)
- X102** – Long-distance Protection Communication, Fiber optics interface, LC Connector
- X104** – IRIG-B00X, incl. System Contact (Supervision Contact)

MCDLV4-2E1B0CB



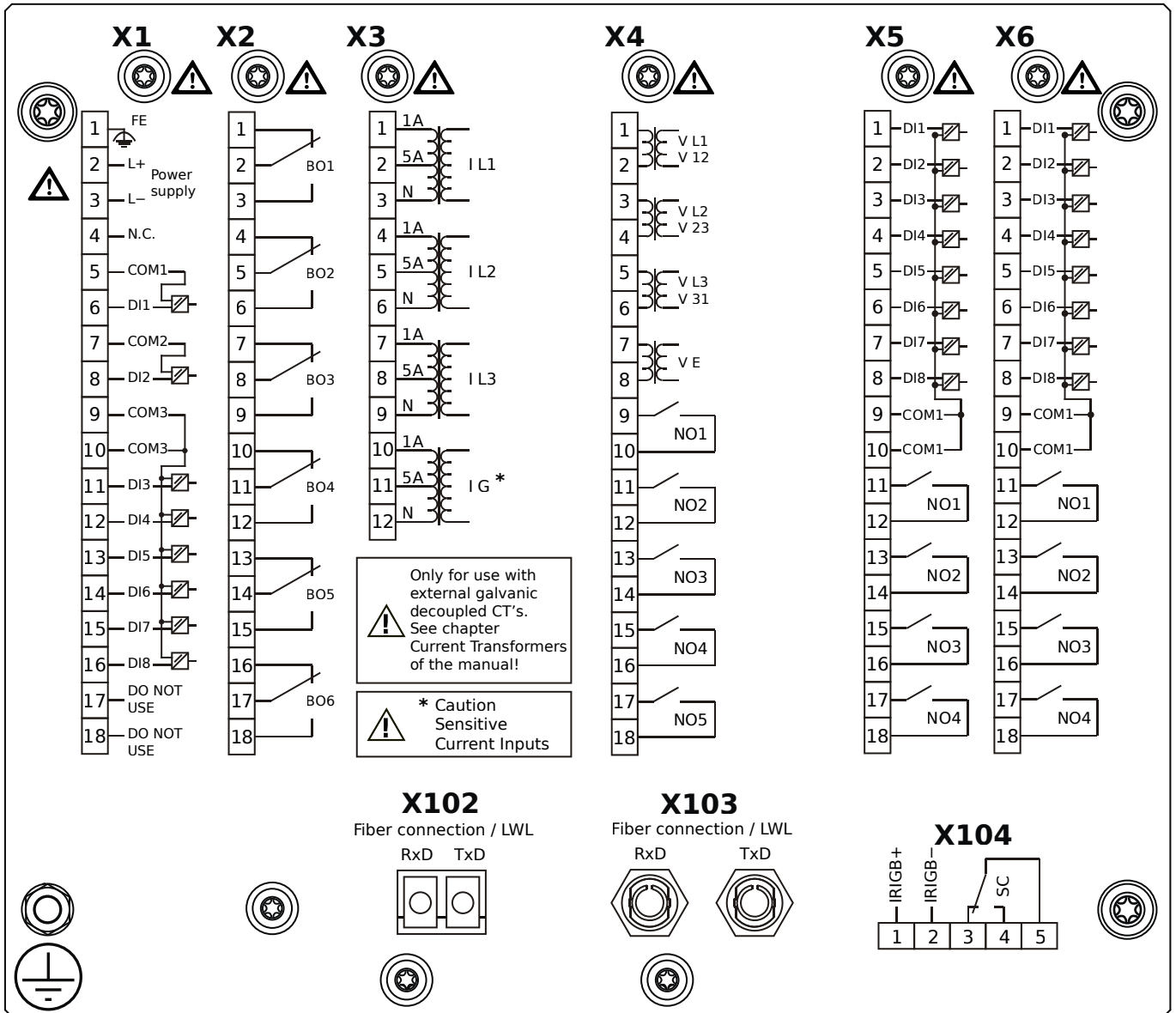
- X1** – DI8-X1: Wide-range power supply unit, incl. 2 non-grouped digital inputs and 6 grouped digital inputs
- X2** – OR-6: Assembly Group with 6 Relay Outputs
- X3** – TIs-4: Standard phase current measuring card and sensitive ground current measuring
- X4** – TU: Card with 4 voltage transformer measuring inputs and 5 output relays
- X5** – DI8-OR4: Assembly Group with 8 Digital Inputs and 4 Output Relays
- X6** – DI8-OR4: Assembly Group with 8 Digital Inputs and 4 Output Relays
- X100** – Modbus TCP / DNP3.0 TCP/UDP, Ethernet interface, 100 Mbit/s, RJ45 (BASE100-FX)
- X102** – Long-distance Protection Communication, Fiber optics interface, LC Connector
- X104** – IRIG-B00X, incl. System Contact (Supervision Contact)

MCDLV4-2E1B0DA



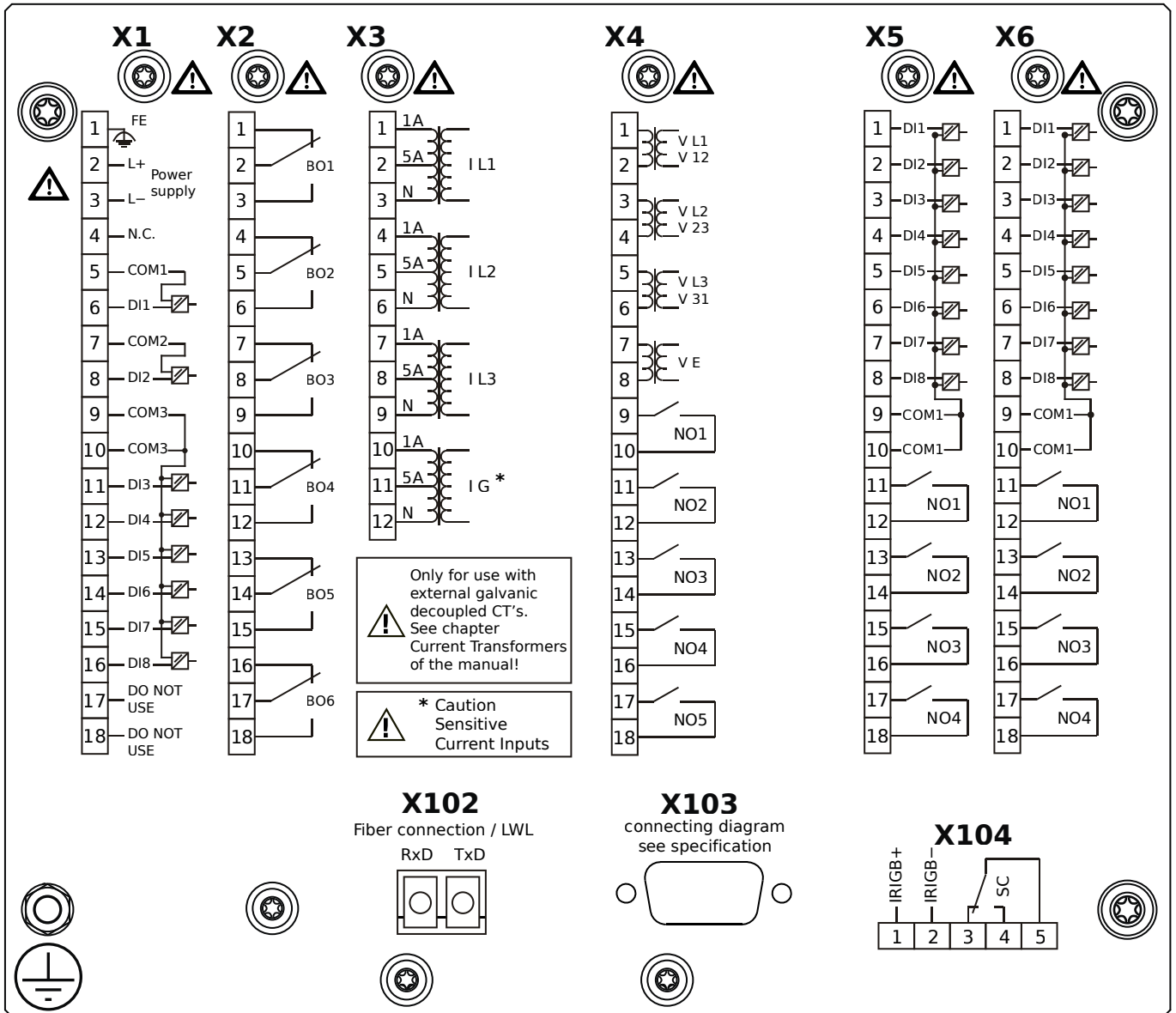
- X1** – DI8-X1: Wide-range power supply unit, incl. 2 non-grouped digital inputs and 6 grouped digital inputs
- X2** – OR-6: Assembly Group with 6 Relay Outputs
- X3** – TIs-4: Standard phase current measuring card and sensitive ground current measuring
- X4** – TU: Card with 4 voltage transformer measuring inputs and 5 output relays
- X5** – DI8-OR4: Assembly Group with 8 Digital Inputs and 4 Output Relays
- X6** – DI8-OR4: Assembly Group with 8 Digital Inputs and 4 Output Relays
- X102** – Long-distance Protection Communication, Fiber optics interface, LC Connector
- X103** – Profibus-DP, Fiber optics interface, ST Connector
- X104** – IRIG-B00X, incl. System Contact (Supervision Contact)

MCDLV4-2E1B0DB



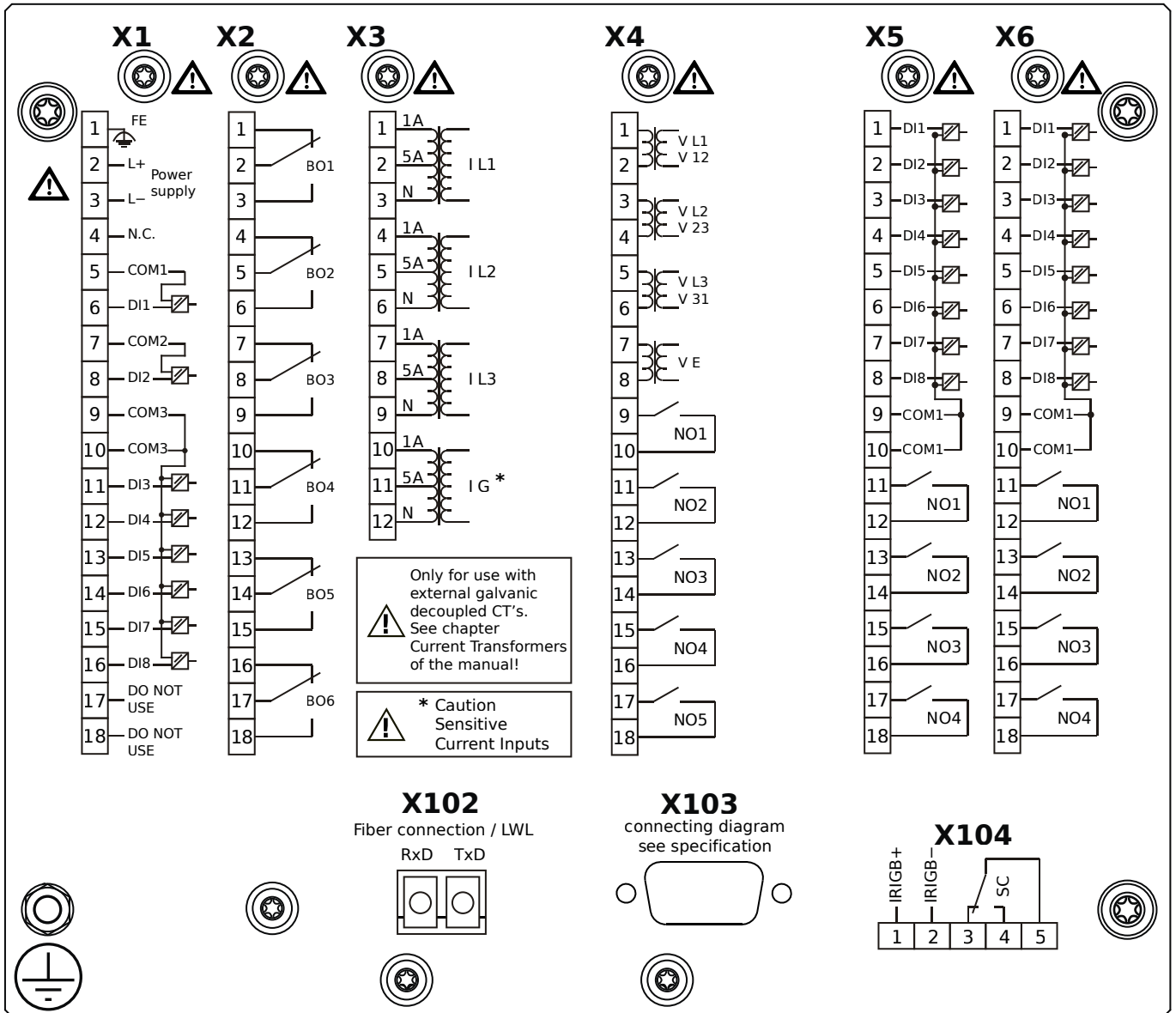
- X1** – DI8-X1: Wide-range power supply unit, incl. 2 non-grouped digital inputs and 6 grouped digital inputs
- X2** – OR-6: Assembly Group with 6 Relay Outputs
- X3** – TIs-4: Standard phase current measuring card and sensitive ground current measuring
- X4** – TU: Card with 4 voltage transformer measuring inputs and 5 output relays
- X5** – DI8-OR4: Assembly Group with 8 Digital Inputs and 4 Output Relays
- X6** – DI8-OR4: Assembly Group with 8 Digital Inputs and 4 Output Relays
- X102** – Long-distance Protection Communication, Fiber optics interface, LC Connector
- X103** – Profibus-DP, Fiber optics interface, ST Connector
- X104** – IRIG-B00X, incl. System Contact (Supervision Contact)

MCDLV4-2E1B0EA



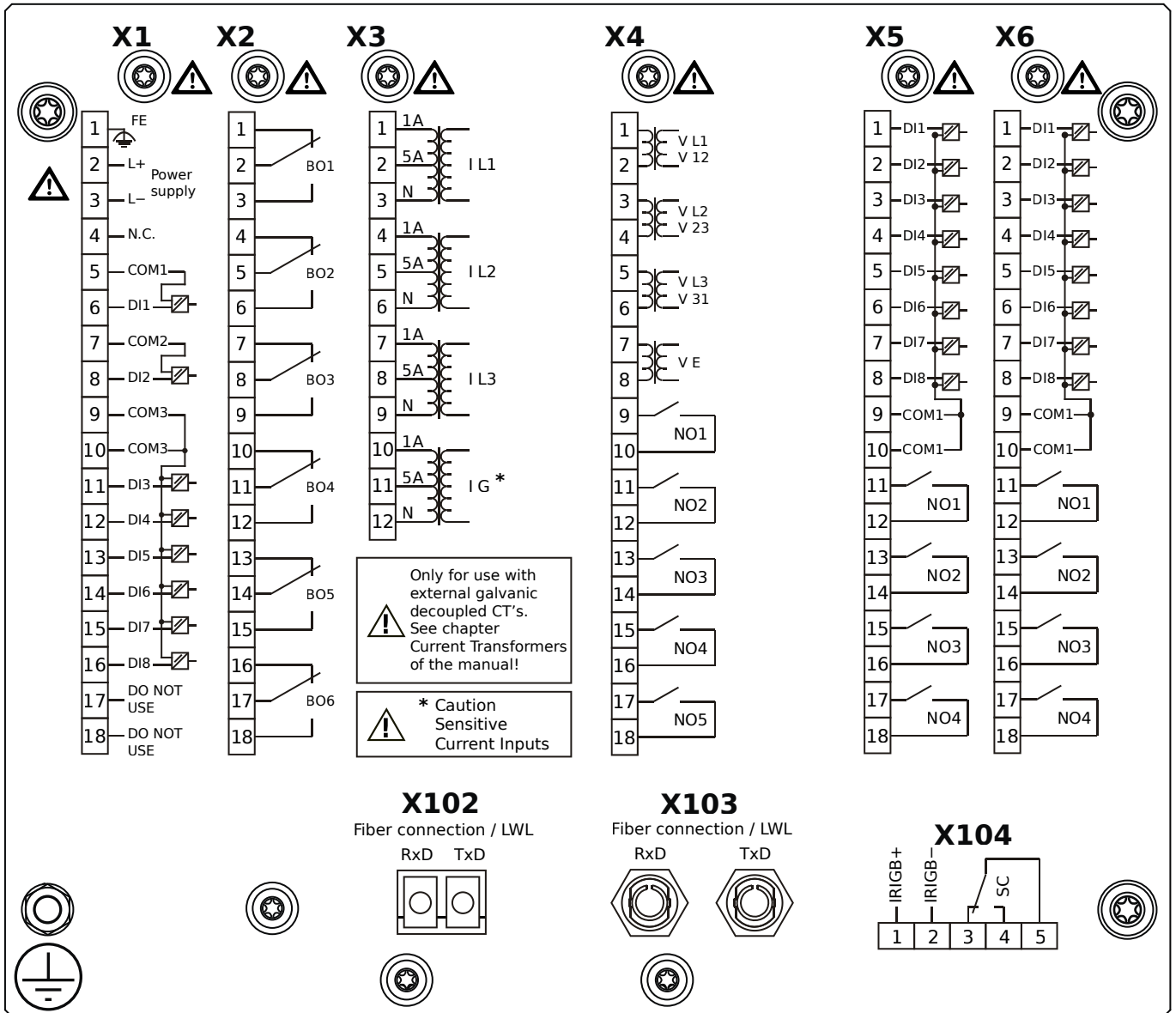
- X1** – DI8-X1: Wide-range power supply unit, incl. 2 non-grouped digital inputs and 6 grouped digital inputs
- X2** – OR-6: Assembly Group with 6 Relay Outputs
- X3** – TIs-4: Standard phase current measuring card and sensitive ground current measuring
- X4** – TU: Card with 4 voltage transformer measuring inputs and 5 output relays
- X5** – DI8-OR4: Assembly Group with 8 Digital Inputs and 4 Output Relays
- X6** – DI8-OR4: Assembly Group with 8 Digital Inputs and 4 Output Relays
- X102** – Long-distance Protection Communication, Fiber optics interface, LC Connector
- X103** – Profibus-DP, RS485, D-SUB
- X104** – IRIG-B00X, incl. System Contact (Supervision Contact)

MCDLV4-2E1B0EB



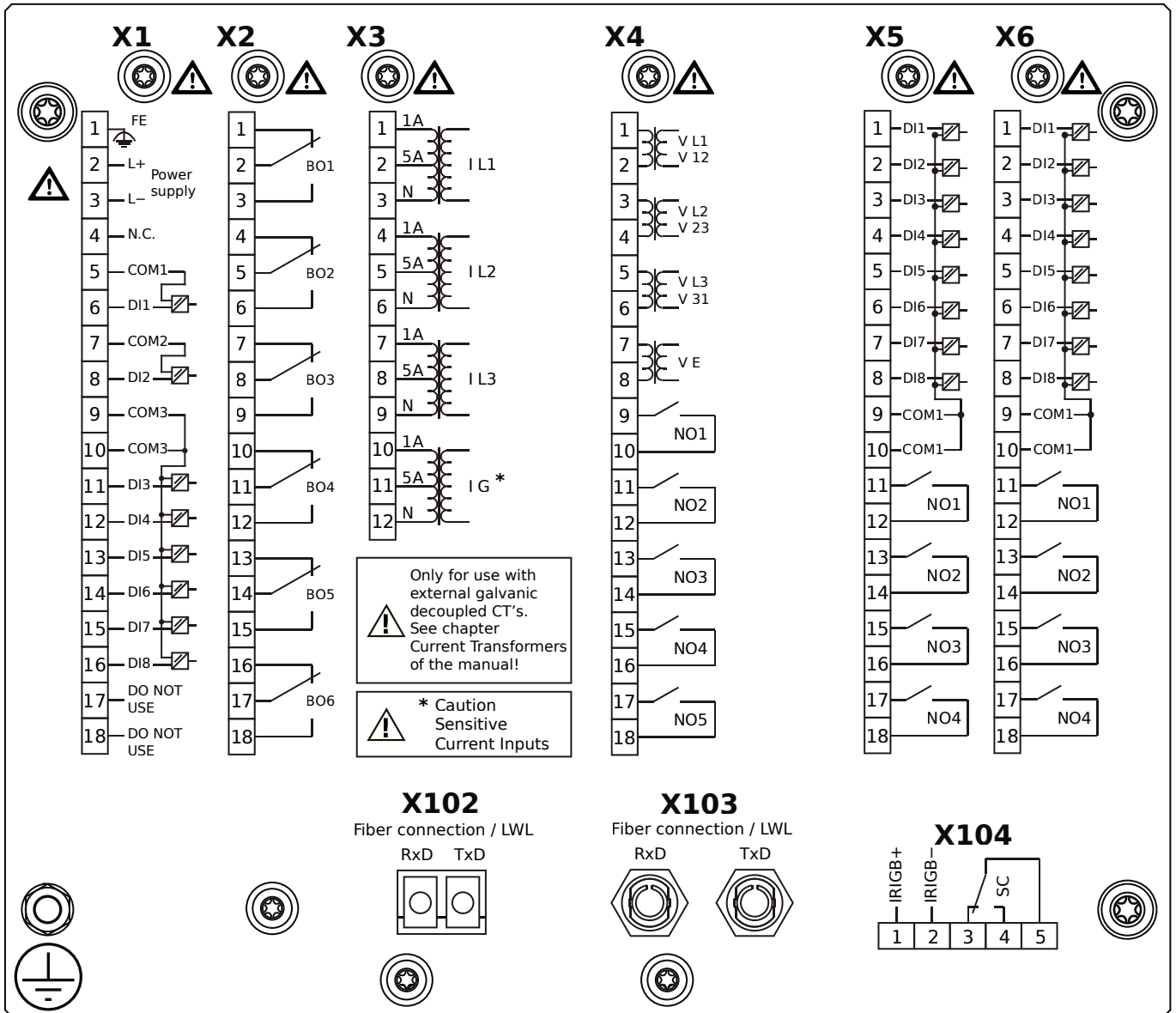
- X1** – DI8-X1: Wide-range power supply unit, incl. 2 non-grouped digital inputs and 6 grouped digital inputs
- X2** – OR-6: Assembly Group with 6 Relay Outputs
- X3** – TIs-4: Standard phase current measuring card and sensitive ground current measuring
- X4** – TU: Card with 4 voltage transformer measuring inputs and 5 output relays
- X5** – DI8-OR4: Assembly Group with 8 Digital Inputs and 4 Output Relays
- X6** – DI8-OR4: Assembly Group with 8 Digital Inputs and 4 Output Relays
- X102** – Long-distance Protection Communication, Fiber optics interface, LC Connector
- X103** – Profibus-DP, RS485, D-SUB
- X104** – IRIG-B00X, incl. System Contact (Supervision Contact)

MCDLV4-2E1B0FA



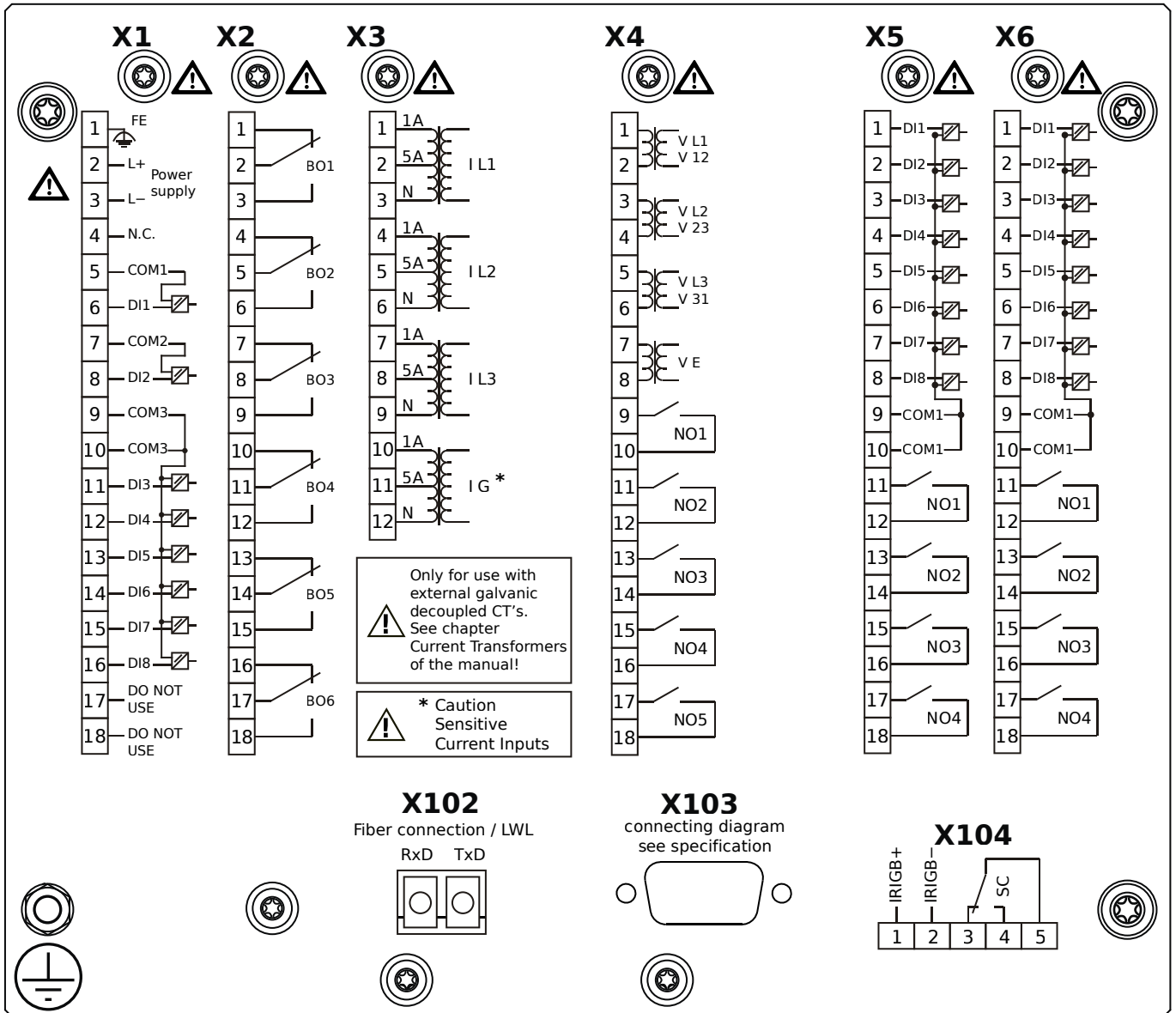
- X1** – DI8-X1: Wide-range power supply unit, incl. 2 non-grouped digital inputs and 6 grouped digital inputs
- X2** – OR-6: Assembly Group with 6 Relay Outputs
- X3** – TIs-4: Standard phase current measuring card and sensitive ground current measuring
- X4** – TU: Card with 4 voltage transformer measuring inputs and 5 output relays
- X5** – DI8-OR4: Assembly Group with 8 Digital Inputs and 4 Output Relays
- X6** – DI8-OR4: Assembly Group with 8 Digital Inputs and 4 Output Relays
- X102** – Long-distance Protection Communication, Fiber optics interface, LC Connector
- X103** – Modbus RTU / IEC 60870-5-103 / DNP3.0 RTU, Fiber optics interface, ST Connector
- X104** – IRIG-B00X, incl. System Contact (Supervision Contact)

MCDLV4-2E1B0FB



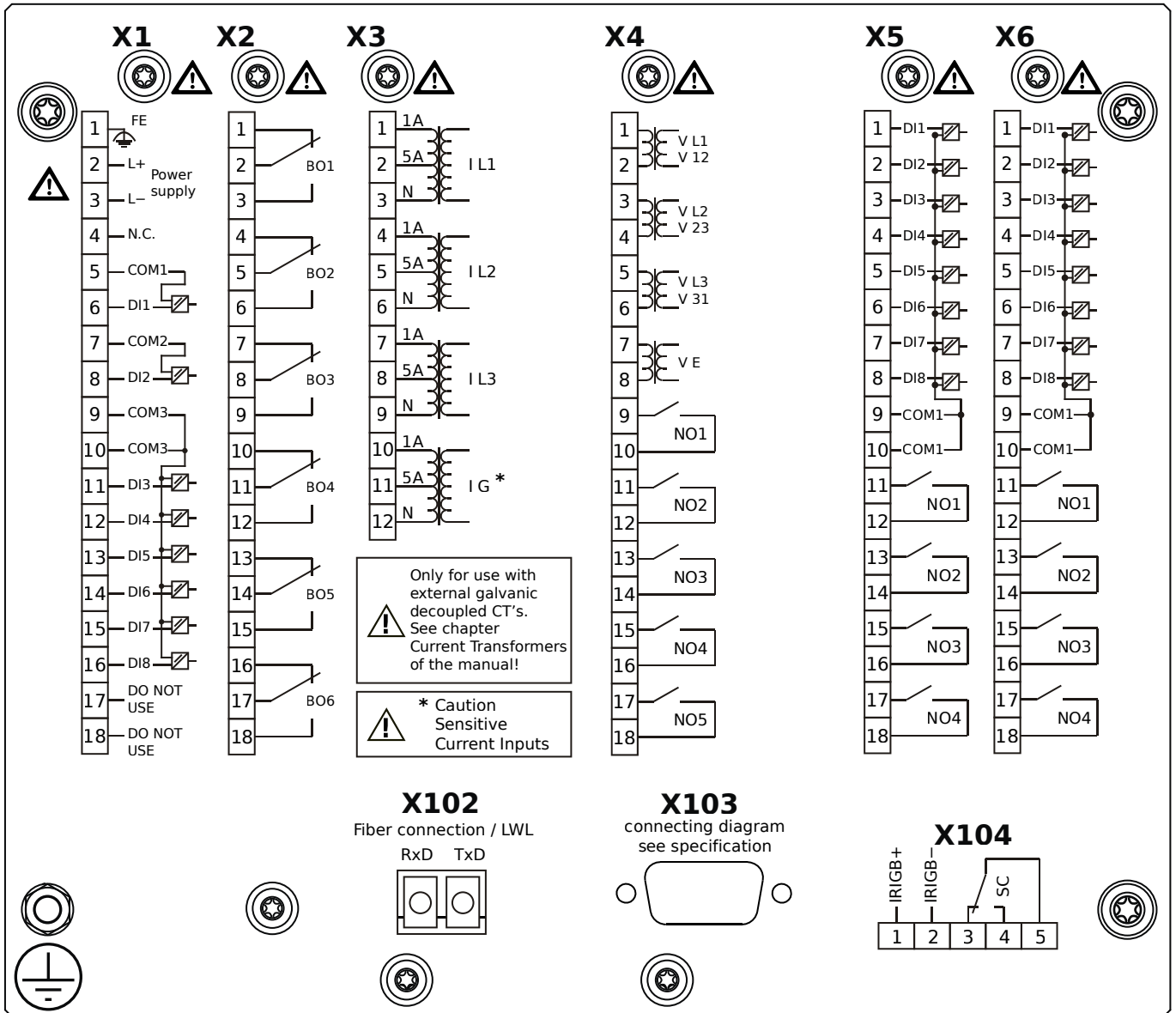
- X1** – DI8-X1: Wide-range power supply unit, incl. 2 non-grouped digital inputs and 6 grouped digital inputs
- X2** – OR-6: Assembly Group with 6 Relay Outputs
- X3** – TIs-4: Standard phase current measuring card and sensitive ground current measuring
- X4** – TU: Card with 4 voltage transformer measuring inputs and 5 output relays
- X5** – DI8-OR4: Assembly Group with 8 Digital Inputs and 4 Output Relays
- X6** – DI8-OR4: Assembly Group with 8 Digital Inputs and 4 Output Relays
- X102** – Long-distance Protection Communication, Fiber optics interface, LC Connector
- X103** – Modbus RTU / IEC 60870-5-103 / DNP3.0 RTU, Fiber optics interface, ST Connector
- X104** – IRIG-B00X, incl. System Contact (Supervision Contact)

MCDLV4-2E1B0GA



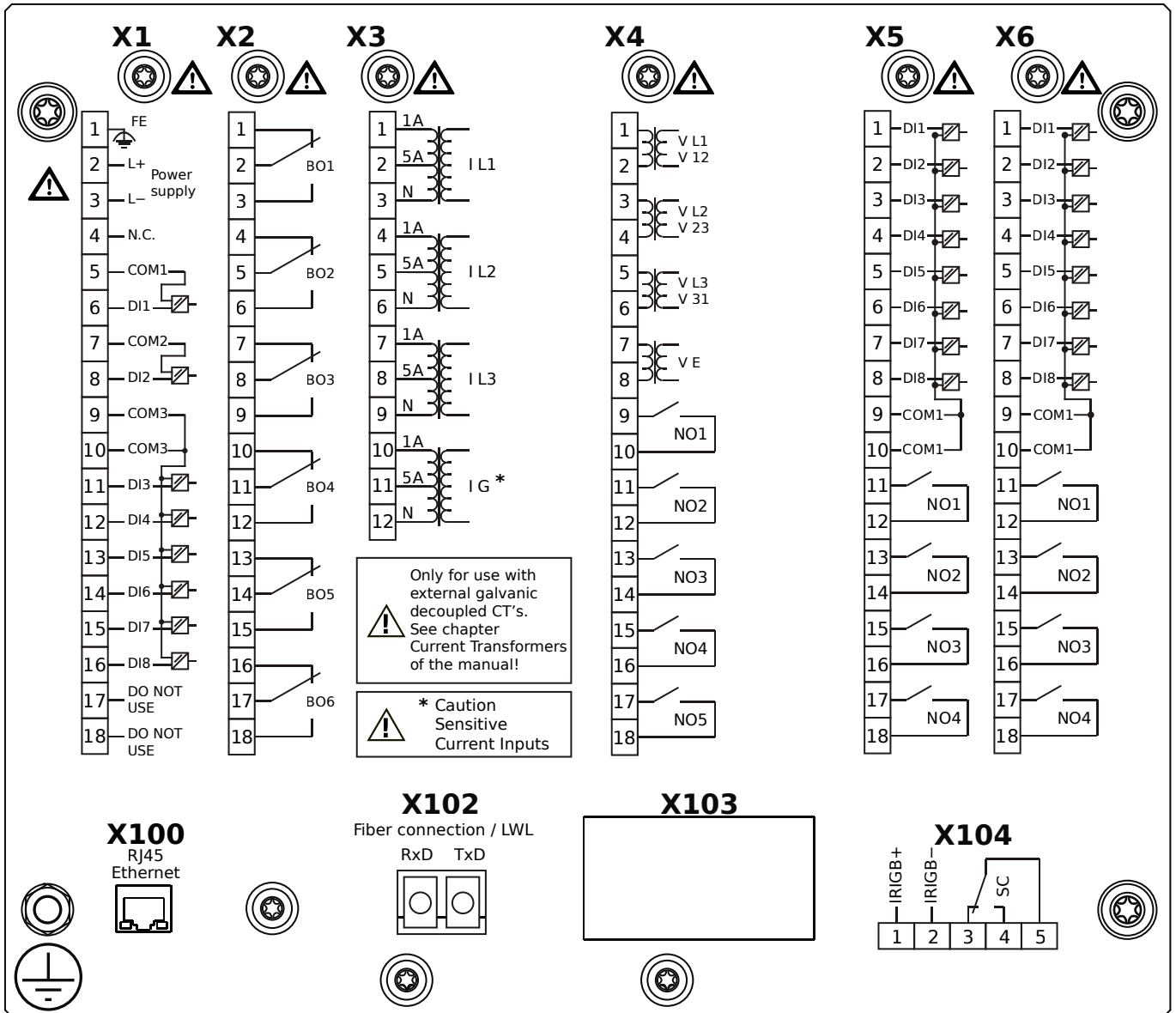
- X1** – DI8-X1: Wide-range power supply unit, incl. 2 non-grouped digital inputs and 6 grouped digital inputs
- X2** – OR-6: Assembly Group with 6 Relay Outputs
- X3** – TIs-4: Standard phase current measuring card and sensitive ground current measuring
- X4** – TU: Card with 4 voltage transformer measuring inputs and 5 output relays
- X5** – DI8-OR4: Assembly Group with 8 Digital Inputs and 4 Output Relays
- X6** – DI8-OR4: Assembly Group with 8 Digital Inputs and 4 Output Relays
- X102** – Long-distance Protection Communication, Fiber optics interface, LC Connector
- X103** – Modbus RTU / IEC 60870-5-103 / DNP3.0 RTU, RS485, D-SUB
- X104** – IRIG-B00X, incl. System Contact (Supervision Contact)

MCDLV4-2E1B0GB



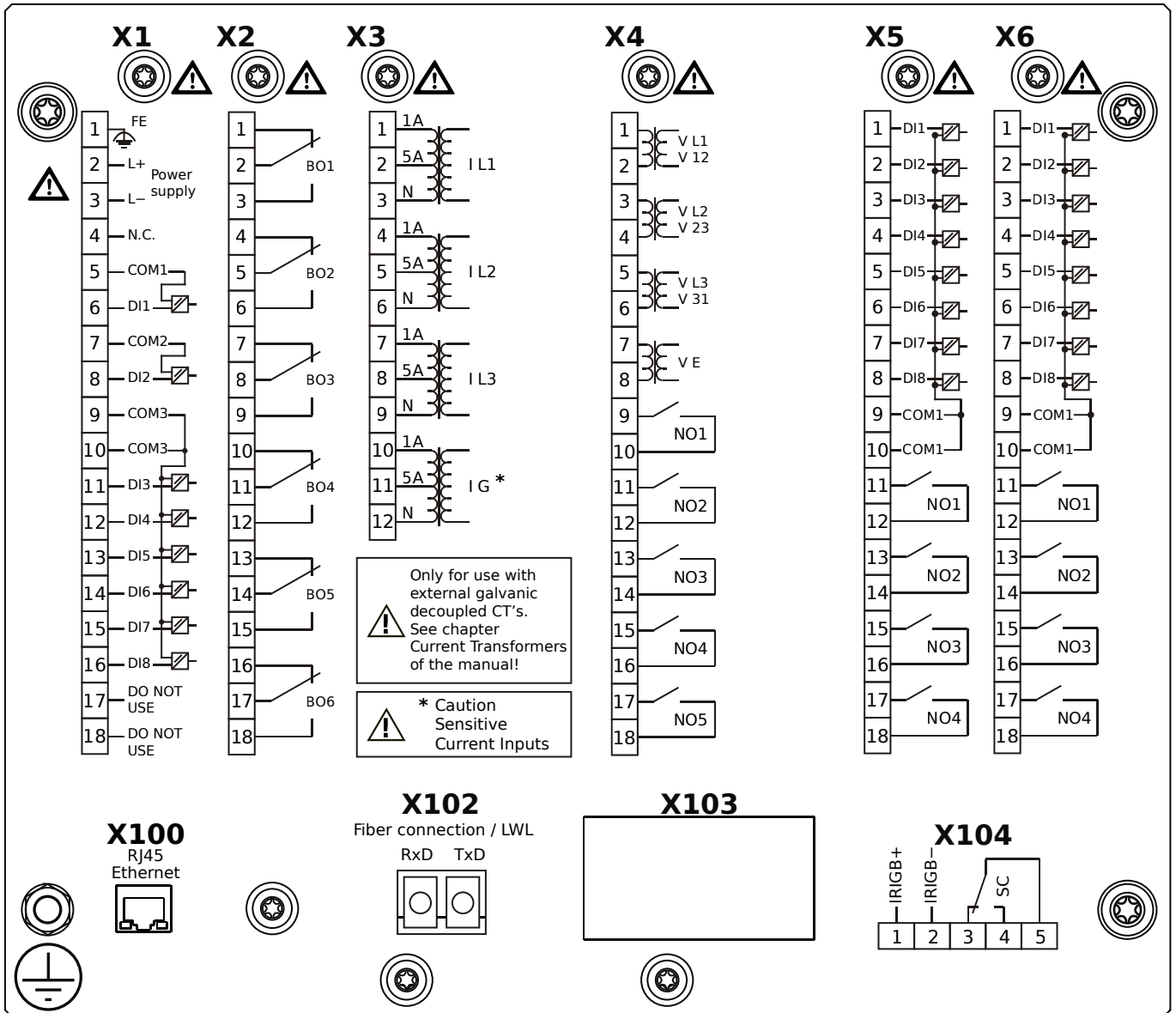
- X1** – DI8-X1: Wide-range power supply unit, incl. 2 non-grouped digital inputs and 6 grouped digital inputs
- X2** – OR-6: Assembly Group with 6 Relay Outputs
- X3** – TIs-4: Standard phase current measuring card and sensitive ground current measuring
- X4** – TU: Card with 4 voltage transformer measuring inputs and 5 output relays
- X5** – DI8-OR4: Assembly Group with 8 Digital Inputs and 4 Output Relays
- X6** – DI8-OR4: Assembly Group with 8 Digital Inputs and 4 Output Relays
- X102** – Long-distance Protection Communication, Fiber optics interface, LC Connector
- X103** – Modbus RTU / IEC 60870-5-103 / DNP3.0 RTU, RS485, D-SUB
- X104** – IRIG-B00X, incl. System Contact (Supervision Contact)

MCDLV4-2E1B0HA



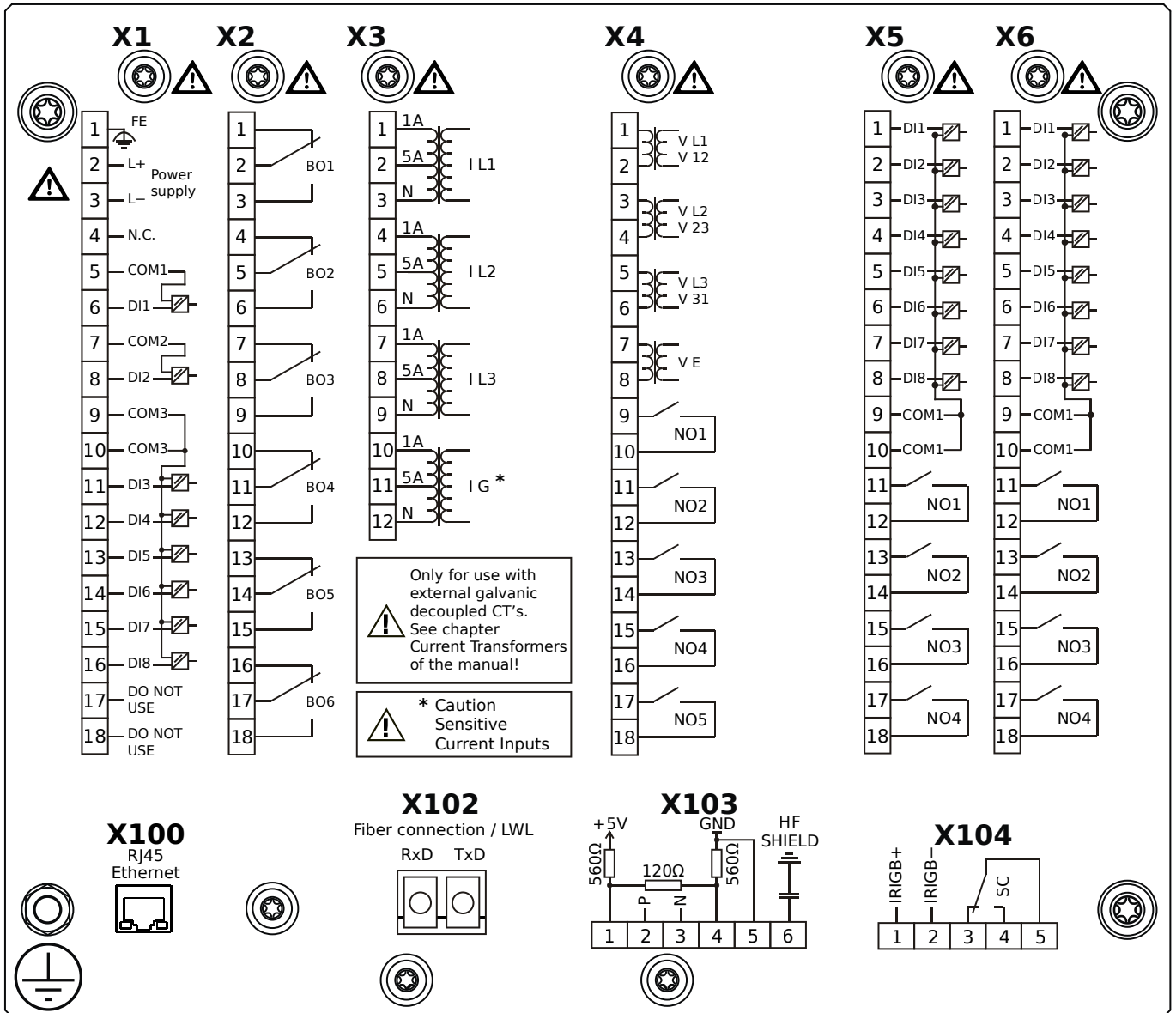
- X1** – DI8-X1: Wide-range power supply unit, incl. 2 non-grouped digital inputs and 6 grouped digital inputs
- X2** – OR-6: Assembly Group with 6 Relay Outputs
- X3** – TIs-4: Standard phase current measuring card and sensitive ground current measuring
- X4** – TU: Card with 4 voltage transformer measuring inputs and 5 output relays
- X5** – DI8-OR4: Assembly Group with 8 Digital Inputs and 4 Output Relays
- X6** – DI8-OR4: Assembly Group with 8 Digital Inputs and 4 Output Relays
- X100** – IEC 61850 / Modbus TCP / DNP3.0 TCP/UDP, Ethernet interface, 100 Mbit/s, RJ45 (BASE100-FX)
- X102** – Long-distance Protection Communication, Fiber optics interface, LC Connector
- X104** – IRIG-B00X, incl. System Contact (Supervision Contact)

MCDLV4-2E1B0HB



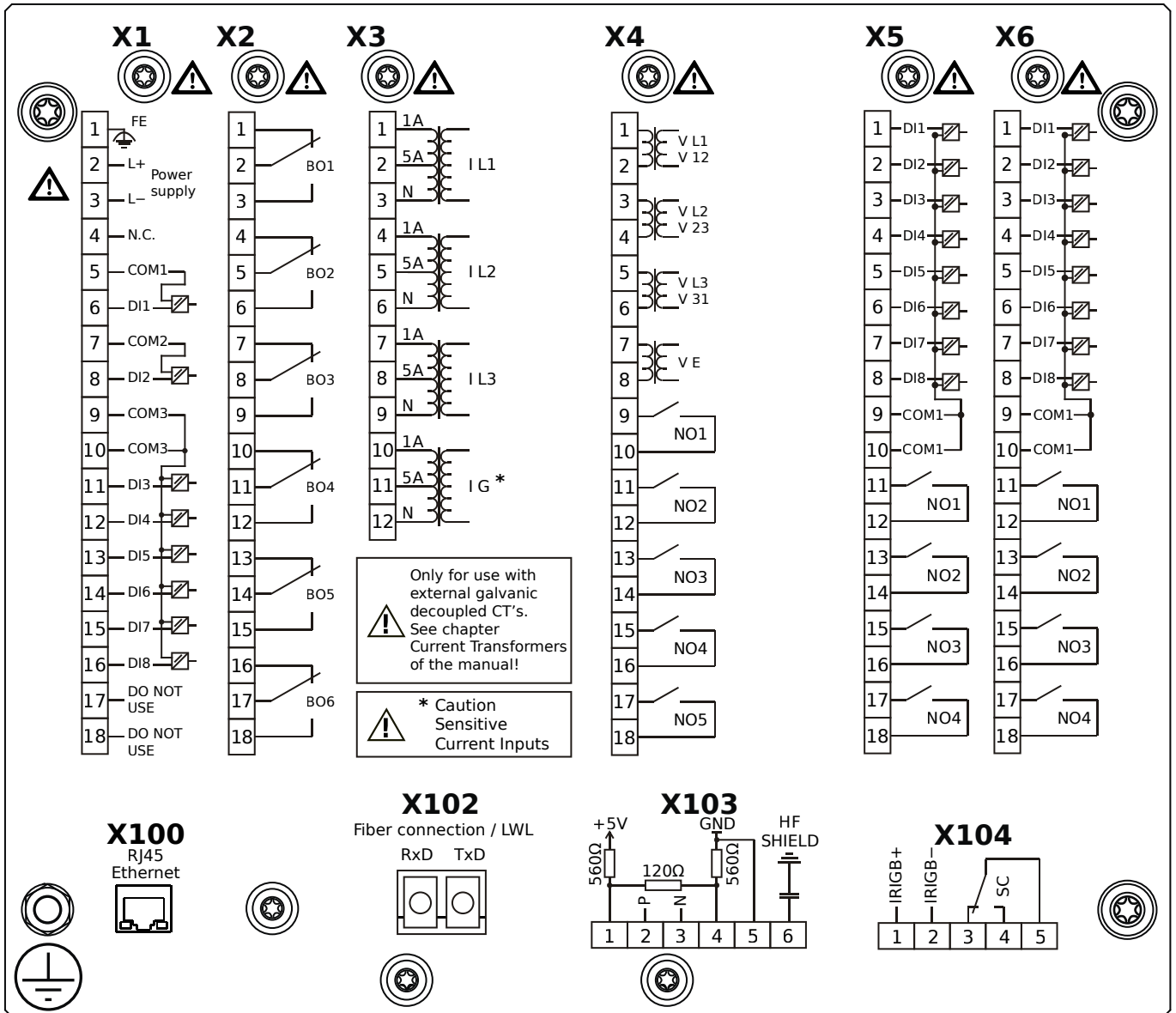
- X1** – DI8-X1: Wide-range power supply unit, incl. 2 non-grouped digital inputs and 6 grouped digital inputs
- X2** – OR-6: Assembly Group with 6 Relay Outputs
- X3** – TIs-4: Standard phase current measuring card and sensitive ground current measuring
- X4** – TU: Card with 4 voltage transformer measuring inputs and 5 output relays
- X5** – DI8-OR4: Assembly Group with 8 Digital Inputs and 4 Output Relays
- X6** – DI8-OR4: Assembly Group with 8 Digital Inputs and 4 Output Relays
- X100** – IEC 61850 / Modbus TCP / DNP3.0 TCP/UDP, Ethernet interface, 100 Mbit/s, RJ45 (BASE100-FX)
- X102** – Long-distance Protection Communication, Fiber optics interface, LC Connector
- X104** – IRIG-B00X, incl. System Contact (Supervision Contact)

MCDLV4-2E1B0IA



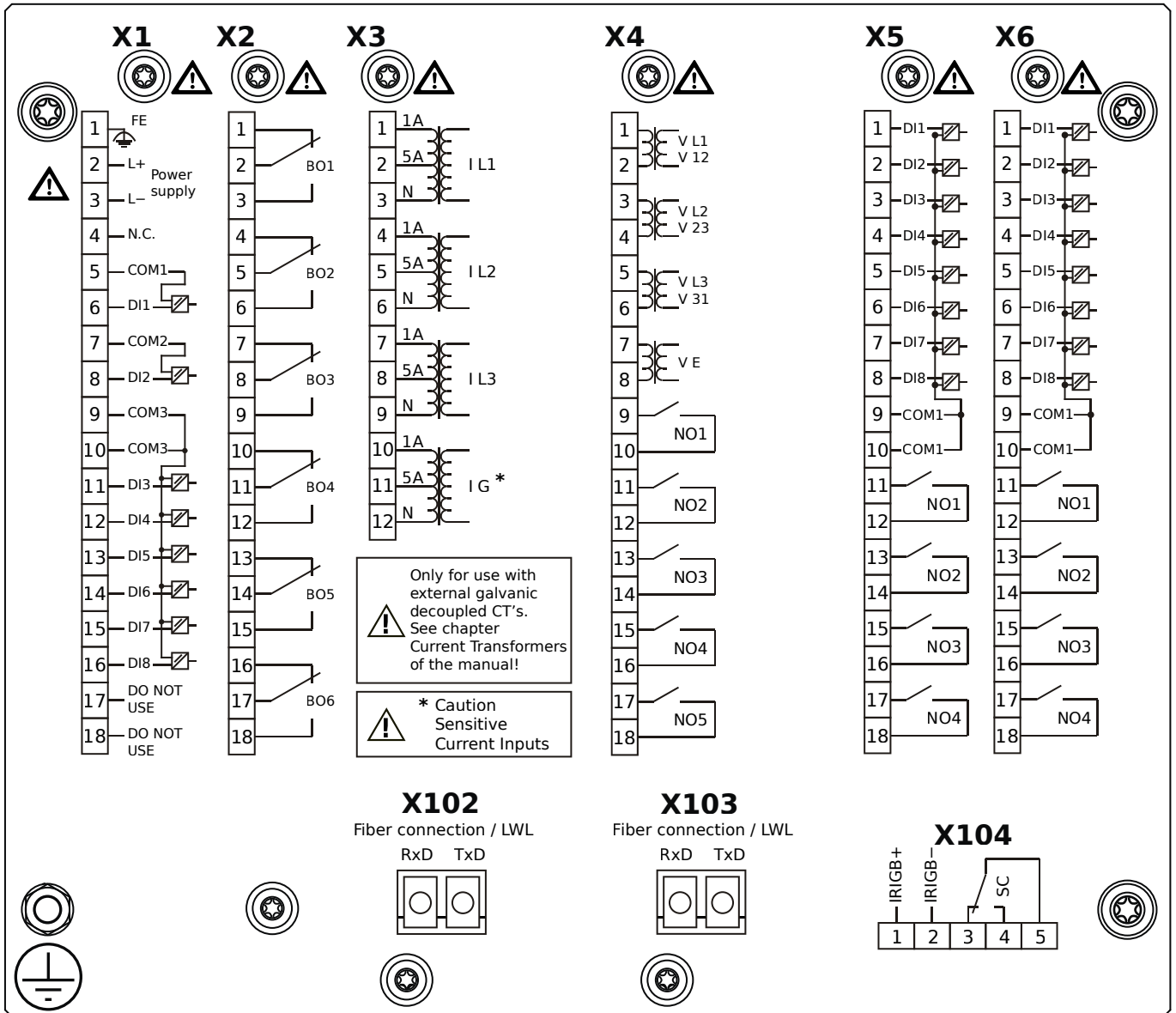
- X1** – DI8-X1: Wide-range power supply unit, incl. 2 non-grouped digital inputs and 6 grouped digital inputs
- X2** – OR-6: Assembly Group with 6 Relay Outputs
- X3** – TIs-4: Standard phase current measuring card and sensitive ground current measuring
- X4** – TU: Card with 4 voltage transformer measuring inputs and 5 output relays
- X5** – DI8-OR4: Assembly Group with 8 Digital Inputs and 4 Output Relays
- X6** – DI8-OR4: Assembly Group with 8 Digital Inputs and 4 Output Relays
- X100** – Modbus TCP / DNP3.0 TCP/UDP, Ethernet interface, 100 Mbit/s, RJ45 (BASE100-FX)
- X102** – Long-distance Protection Communication, Fiber optics interface, LC Connector
- X103** – IEC 60870-5-103 / Modbus RTU / DNP3.0 RTU, RS485, Terminals
- X104** – IRIG-B00X, incl. System Contact (Supervision Contact)

MCDLV4-2E1B0IB



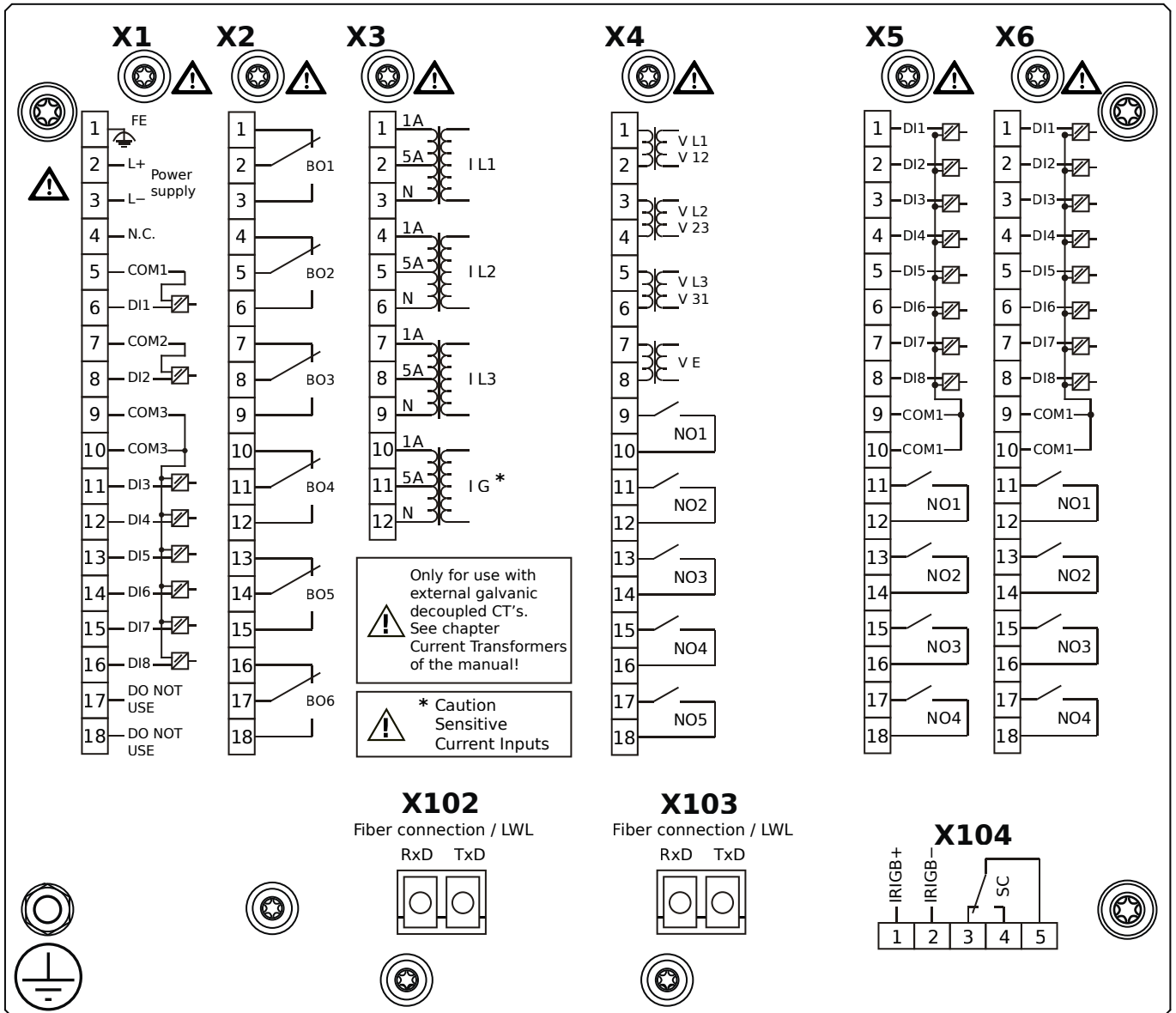
- X1** – DI8-X1: Wide-range power supply unit, incl. 2 non-grouped digital inputs and 6 grouped digital inputs
- X2** – OR-6: Assembly Group with 6 Relay Outputs
- X3** – TIs-4: Standard phase current measuring card and sensitive ground current measuring
- X4** – TU: Card with 4 voltage transformer measuring inputs and 5 output relays
- X5** – DI8-OR4: Assembly Group with 8 Digital Inputs and 4 Output Relays
- X6** – DI8-OR4: Assembly Group with 8 Digital Inputs and 4 Output Relays
- X100** – Modbus TCP / DNP3.0 TCP/UDP, Ethernet interface, 100 Mbit/s, RJ45 (BASE100-FX)
- X102** – Long-distance Protection Communication, Fiber optics interface, LC Connector
- X103** – IEC 60870-5-103 / Modbus RTU / DNP3.0 RTU, RS485, Terminals
- X104** – IRIG-B00X, incl. System Contact (Supervision Contact)

MCDLV4-2E1B0KA



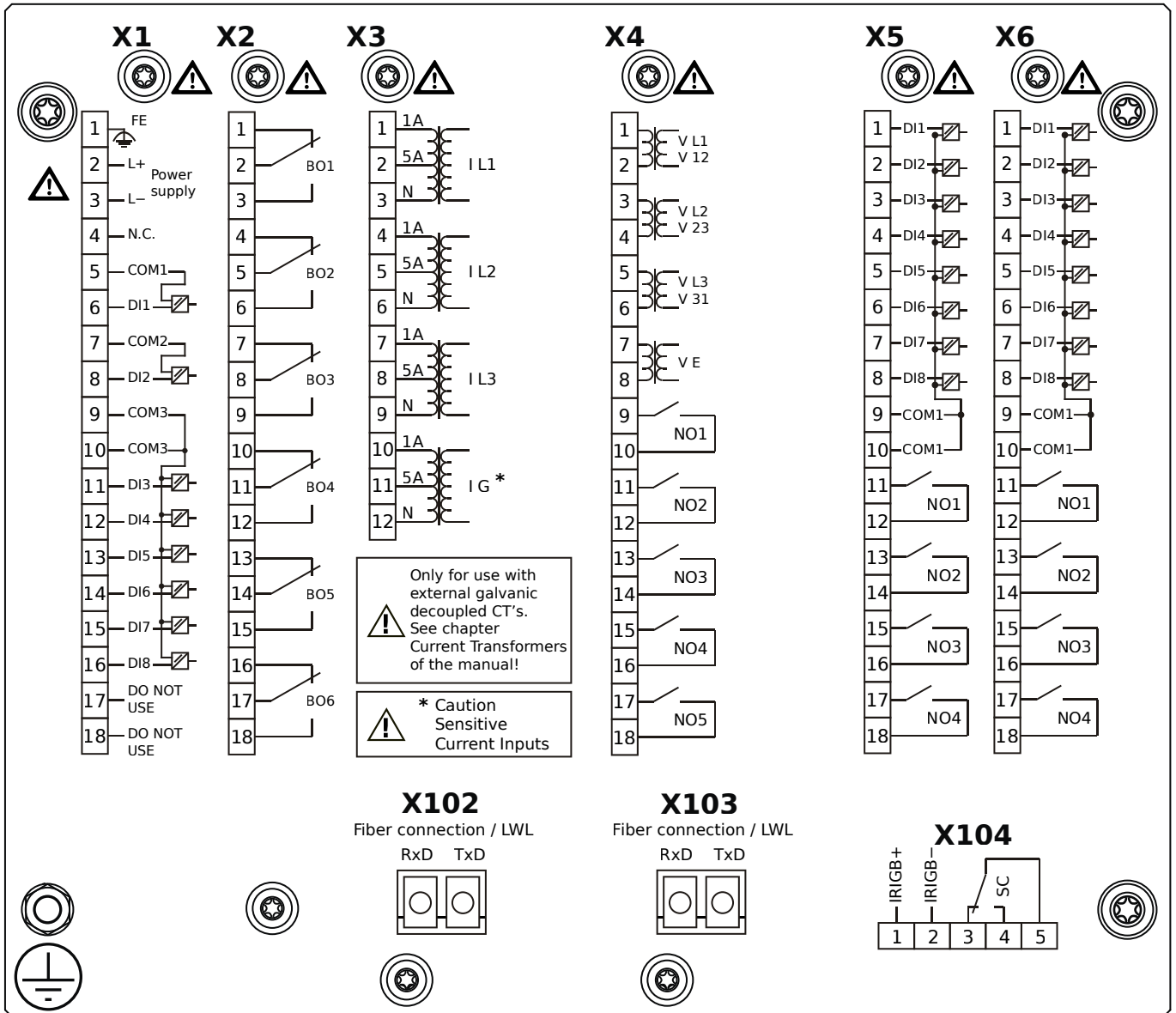
- X1** – DI8-X1: Wide-range power supply unit, incl. 2 non-grouped digital inputs and 6 grouped digital inputs
- X2** – OR-6: Assembly Group with 6 Relay Outputs
- X3** – TIs-4: Standard phase current measuring card and sensitive ground current measuring
- X4** – TU: Card with 4 voltage transformer measuring inputs and 5 output relays
- X5** – DI8-OR4: Assembly Group with 8 Digital Inputs and 4 Output Relays
- X6** – DI8-OR4: Assembly Group with 8 Digital Inputs and 4 Output Relays
- X102** – Long-distance Protection Communication, Fiber optics interface, LC Connector
- X103** – IEC 61850 / Modbus TCP / DNP3.0 TCP/UDP, Fiber optics interface, LC Connector
- X104** – IRIG-B00X, incl. System Contact (Supervision Contact)

MCDLV4-2E1B0KB



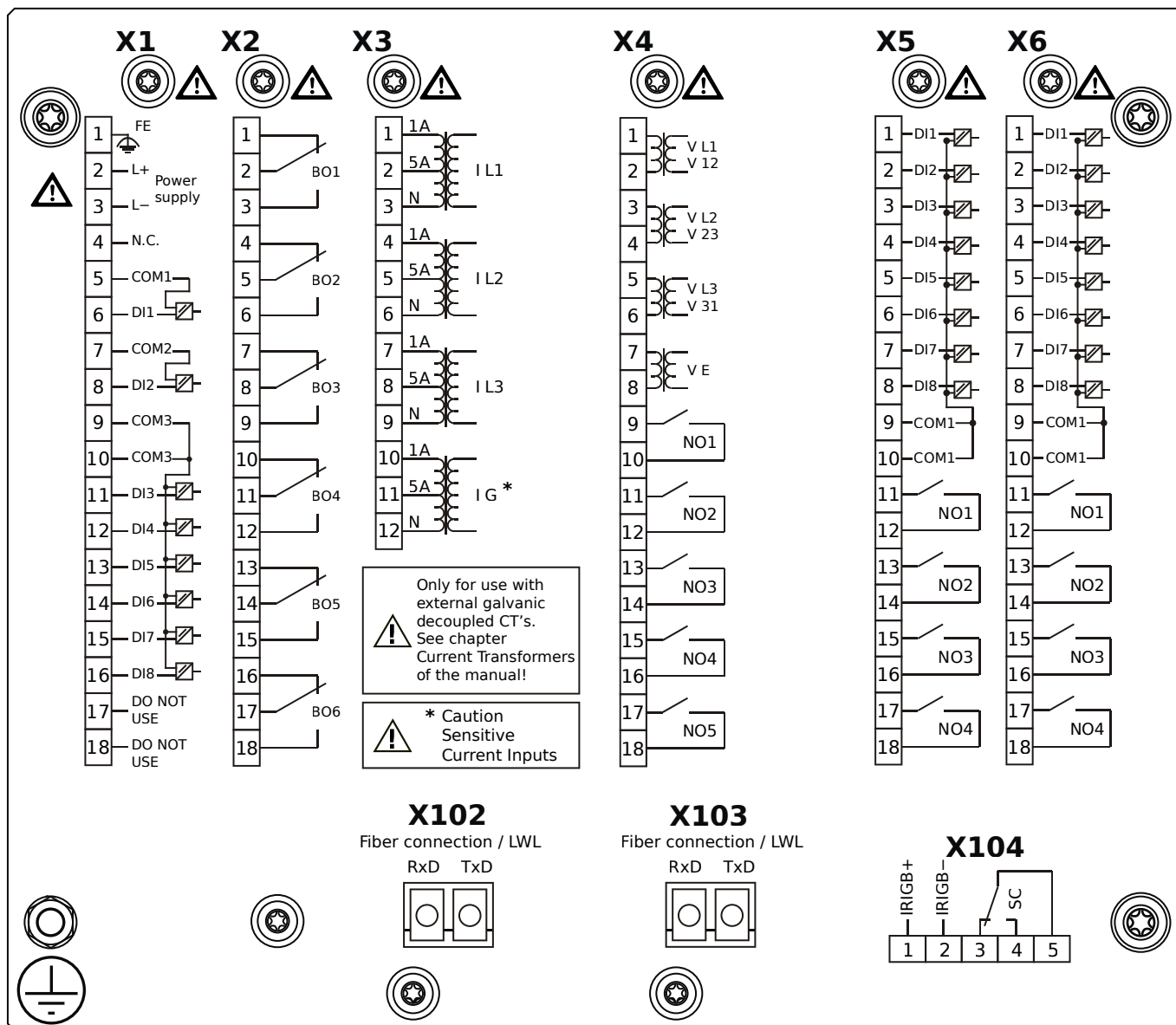
- X1** – DI8-X1: Wide-range power supply unit, incl. 2 non-grouped digital inputs and 6 grouped digital inputs
- X2** – OR-6: Assembly Group with 6 Relay Outputs
- X3** – TIs-4: Standard phase current measuring card and sensitive ground current measuring
- X4** – TU: Card with 4 voltage transformer measuring inputs and 5 output relays
- X5** – DI8-OR4: Assembly Group with 8 Digital Inputs and 4 Output Relays
- X6** – DI8-OR4: Assembly Group with 8 Digital Inputs and 4 Output Relays
- X102** – Long-distance Protection Communication, Fiber optics interface, LC Connector
- X103** – IEC 61850 / Modbus TCP / DNP3.0 TCP/UDP, Fiber optics interface, LC Connector
- X104** – IRIG-B00X, incl. System Contact (Supervision Contact)

MCDLV4-2E1B0LA



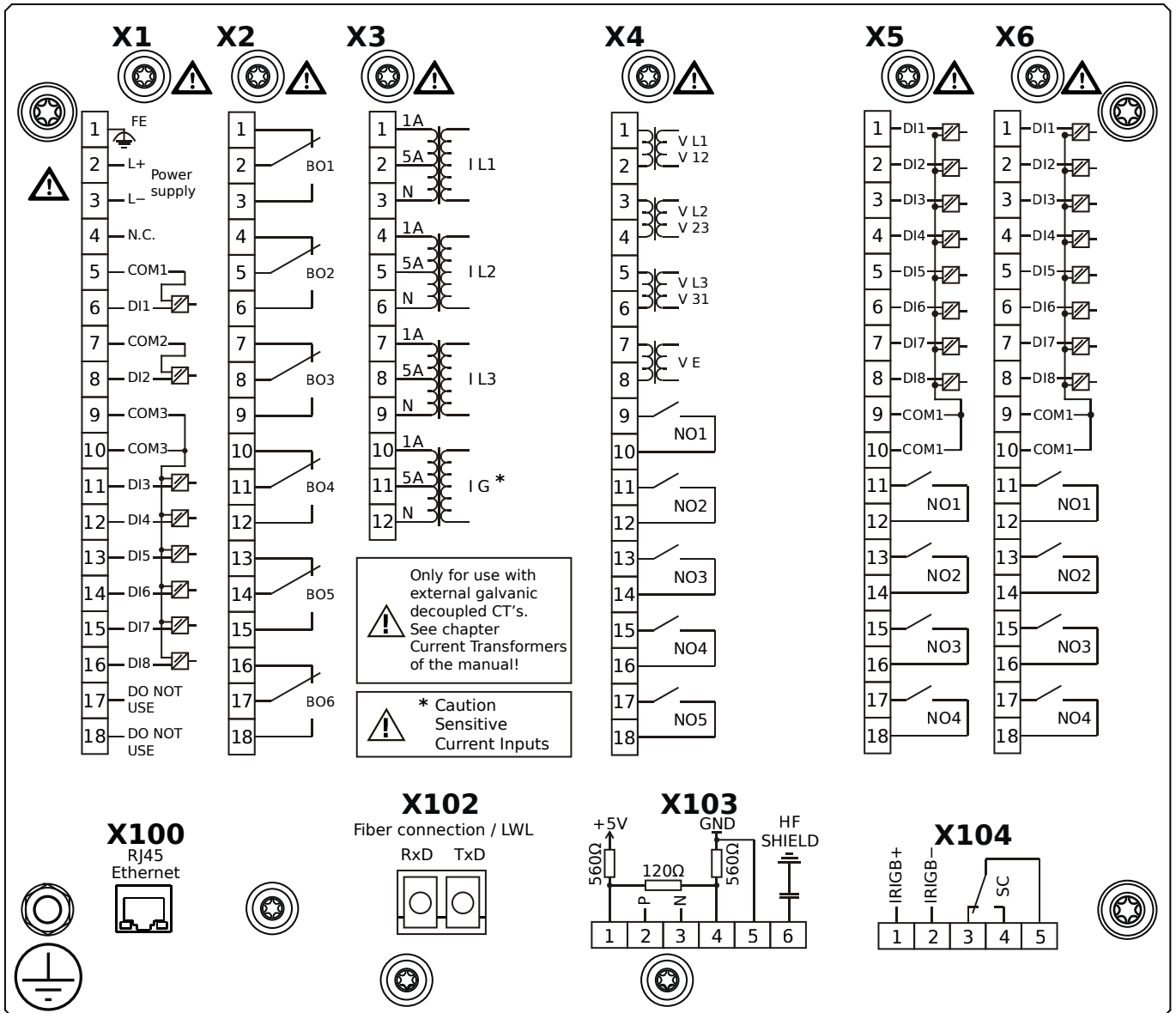
- X1** – DI8-X1: Wide-range power supply unit, incl. 2 non-grouped digital inputs and 6 grouped digital inputs
- X2** – OR-6: Assembly Group with 6 Relay Outputs
- X3** – TIs-4: Standard phase current measuring card and sensitive ground current measuring
- X4** – TU: Card with 4 voltage transformer measuring inputs and 5 output relays
- X5** – DI8-OR4: Assembly Group with 8 Digital Inputs and 4 Output Relays
- X6** – DI8-OR4: Assembly Group with 8 Digital Inputs and 4 Output Relays
- X102** – Long-distance Protection Communication, Fiber optics interface, LC Connector
- X103** – Modbus TCP / DNP3.0 TCP/UDP, Fiber optics interface, LC Connector
- X104** – IRIG-B00X, incl. System Contact (Supervision Contact)

MCDLV4-2E1B0LB



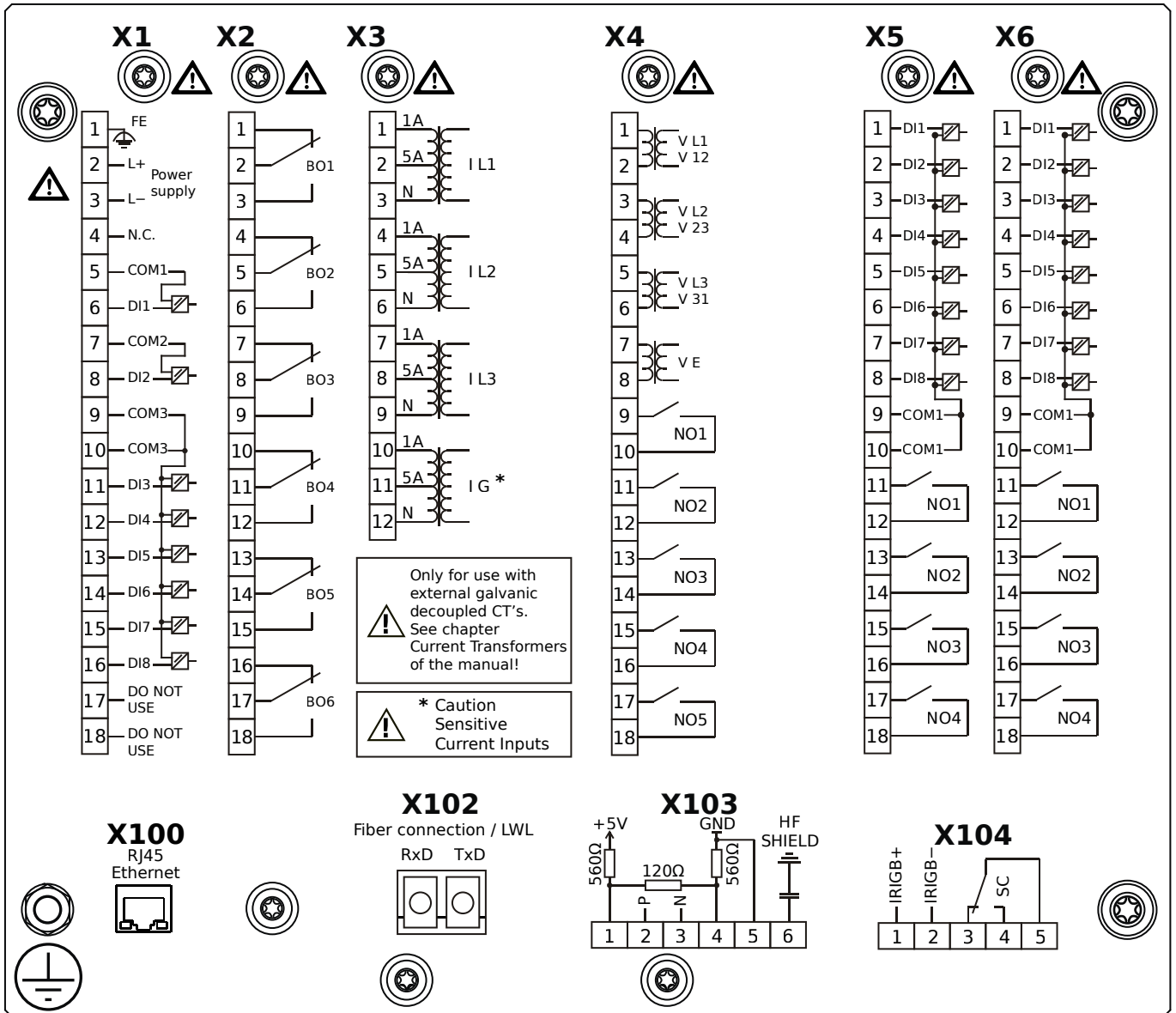
- X1** – DI8-X1: Wide-range power supply unit, incl. 2 non-grouped digital inputs and 6 grouped digital inputs
- X2** – OR-6: Assembly Group with 6 Relay Outputs
- X3** – TIs-4: Standard phase current measuring card and sensitive ground current measuring
- X4** – TU: Card with 4 voltage transformer measuring inputs and 5 output relays
- X5** – DI8-OR4: Assembly Group with 8 Digital Inputs and 4 Output Relays
- X6** – DI8-OR4: Assembly Group with 8 Digital Inputs and 4 Output Relays
- X102** – Long-distance Protection Communication, Fiber optics interface, LC Connector
- X103** – Modbus TCP / DNP3.0 TCP/UDP, Fiber optics interface, LC Connector
- X104** – IRIG-B00X, incl. System Contact (Supervision Contact)

MCDLV4-2E1B0TA



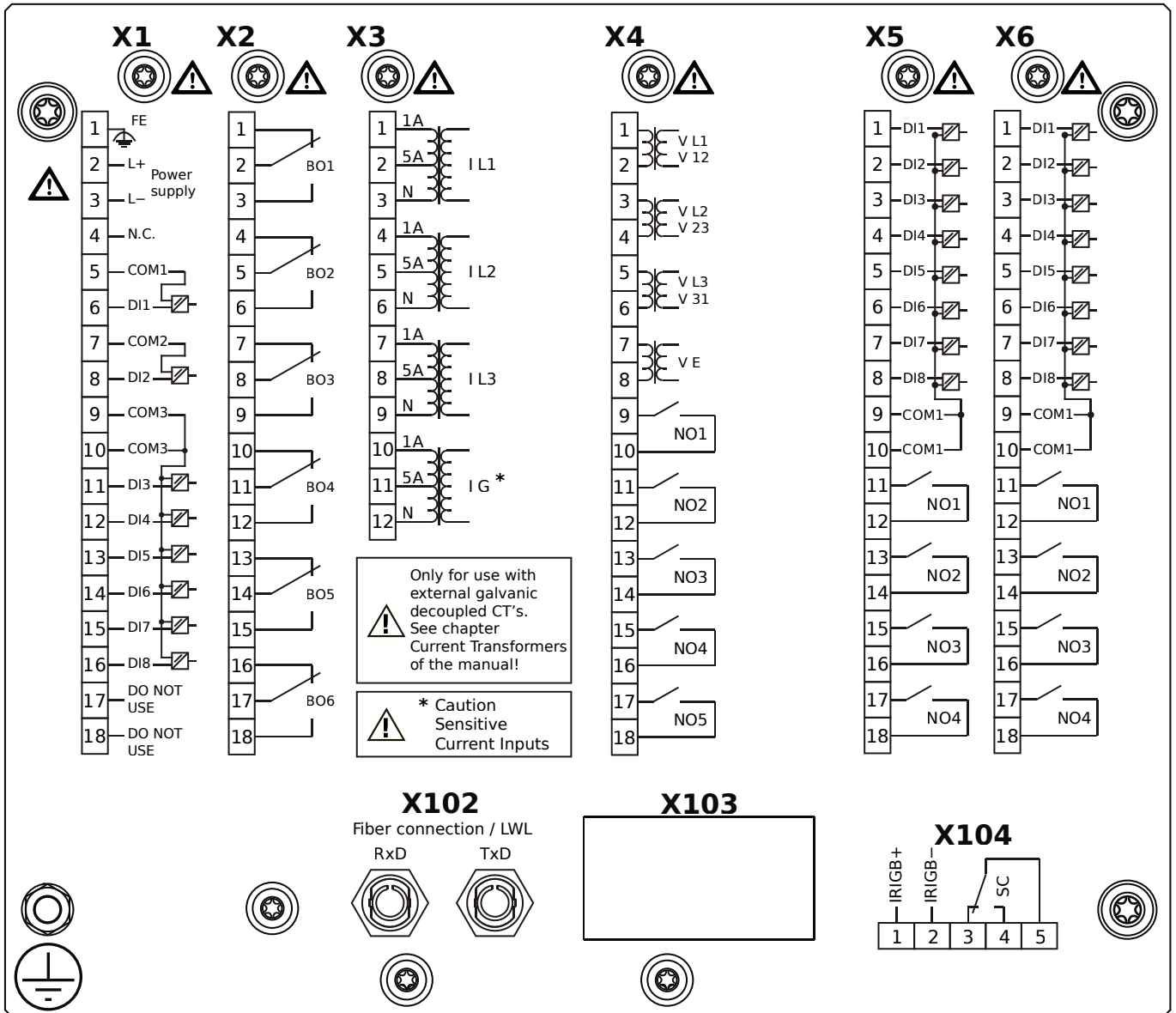
- X1** – DI8-X1: Wide-range power supply unit, incl. 2 non-grouped digital inputs and 6 grouped digital inputs
- X2** – OR-6: Assembly Group with 6 Relay Outputs
- X3** – TIs-4: Standard phase current measuring card and sensitive ground current measuring
- X4** – TU: Card with 4 voltage transformer measuring inputs and 5 output relays
- X5** – DI8-OR4: Assembly Group with 8 Digital Inputs and 4 Output Relays
- X6** – DI8-OR4: Assembly Group with 8 Digital Inputs and 4 Output Relays
- X100** – IEC 61850 / Modbus TCP / DNP3.0 TCP/UDP, Ethernet interface, 100 Mbit/s, RJ45 (BASE100-FX)
- X102** – Long-distance Protection Communication, Fiber optics interface, LC Connector
- X103** – IEC 60870-5-103 / Modbus RTU / DNP3.0 RTU, RS485, Terminals
- X104** – IRIG-B00X, incl. System Contact (Supervision Contact)

MCDLV4-2E1B0TB



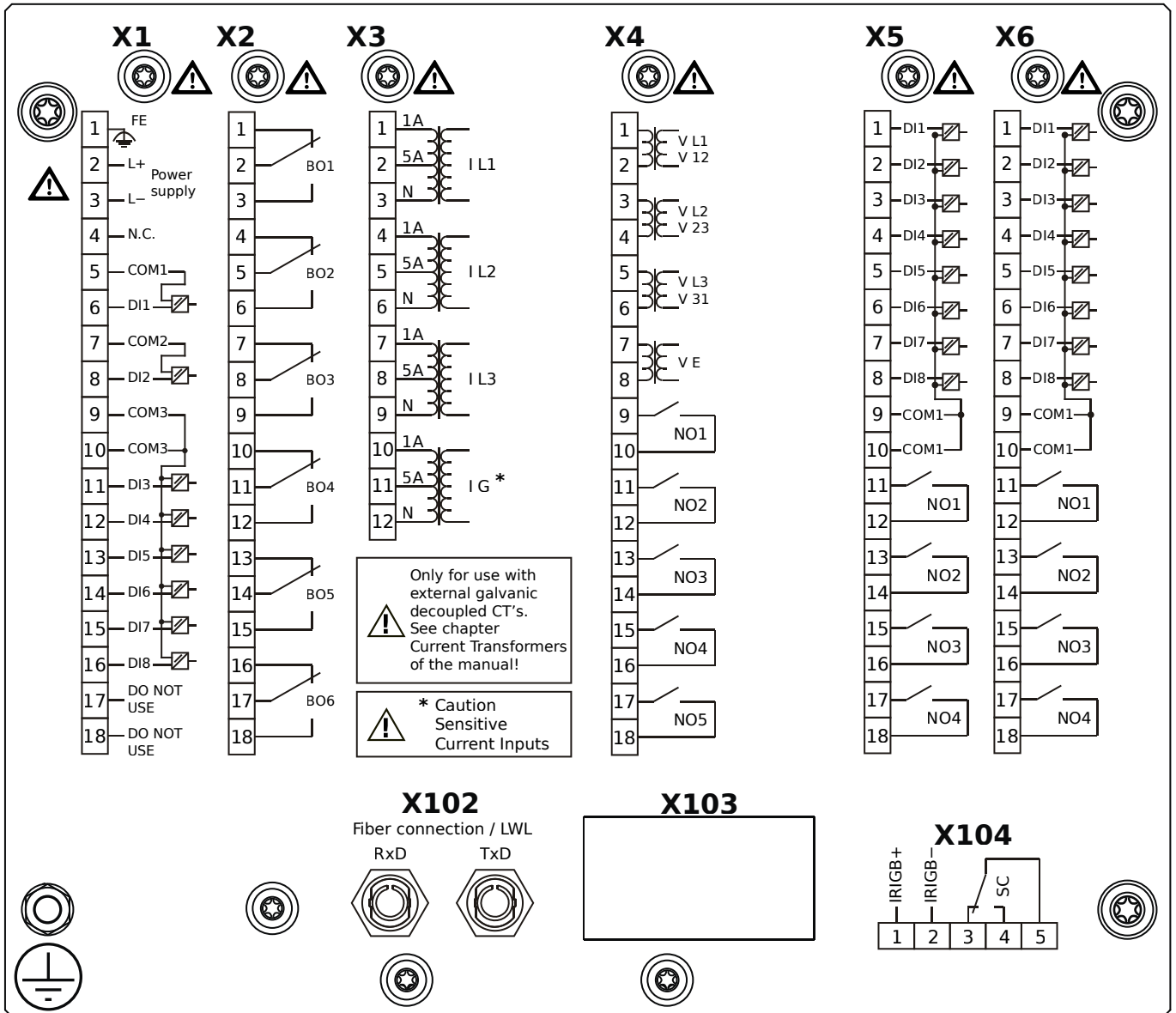
- X1** – DI8-X1: Wide-range power supply unit, incl. 2 non-grouped digital inputs and 6 grouped digital inputs
- X2** – OR-6: Assembly Group with 6 Relay Outputs
- X3** – TIs-4: Standard phase current measuring card and sensitive ground current measuring
- X4** – TU: Card with 4 voltage transformer measuring inputs and 5 output relays
- X5** – DI8-OR4: Assembly Group with 8 Digital Inputs and 4 Output Relays
- X6** – DI8-OR4: Assembly Group with 8 Digital Inputs and 4 Output Relays
- X100** – IEC 61850 / Modbus TCP / DNP3.0 TCP/UDP, Ethernet interface, 100 Mbit/s, RJ45 (BASE100-FX)
- X102** – Long-distance Protection Communication, Fiber optics interface, LC Connector
- X103** – IEC 60870-5-103 / Modbus RTU / DNP3.0 RTU, RS485, Terminals
- X104** – IRIG-B00X, incl. System Contact (Supervision Contact)

MCDLV4-2E1B1AA



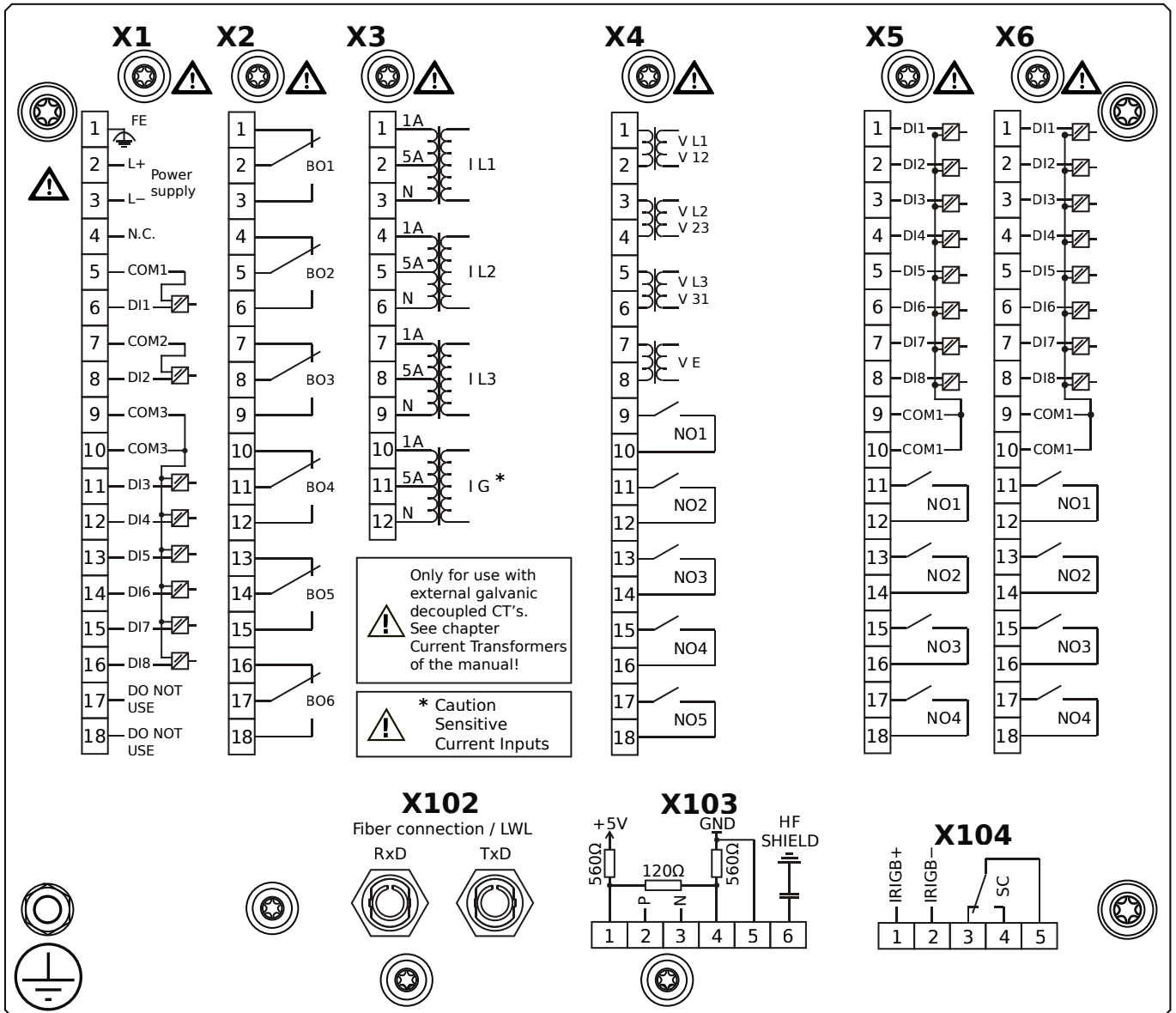
- X1** – DI8-X1: Wide-range power supply unit, incl. 2 non-grouped digital inputs and 6 grouped digital inputs
- X2** – OR-6: Assembly Group with 6 Relay Outputs
- X3** – TIs-4: Standard phase current measuring card and sensitive ground current measuring
- X4** – TU: Card with 4 voltage transformer measuring inputs and 5 output relays
- X5** – DI8-OR4: Assembly Group with 8 Digital Inputs and 4 Output Relays
- X6** – DI8-OR4: Assembly Group with 8 Digital Inputs and 4 Output Relays
- X102** – Protection Communication, Fiber optics interface, ST Connector
- X104** – IRIG-B00X, incl. System Contact (Supervision Contact)

MCDLV4-2E1B1AB



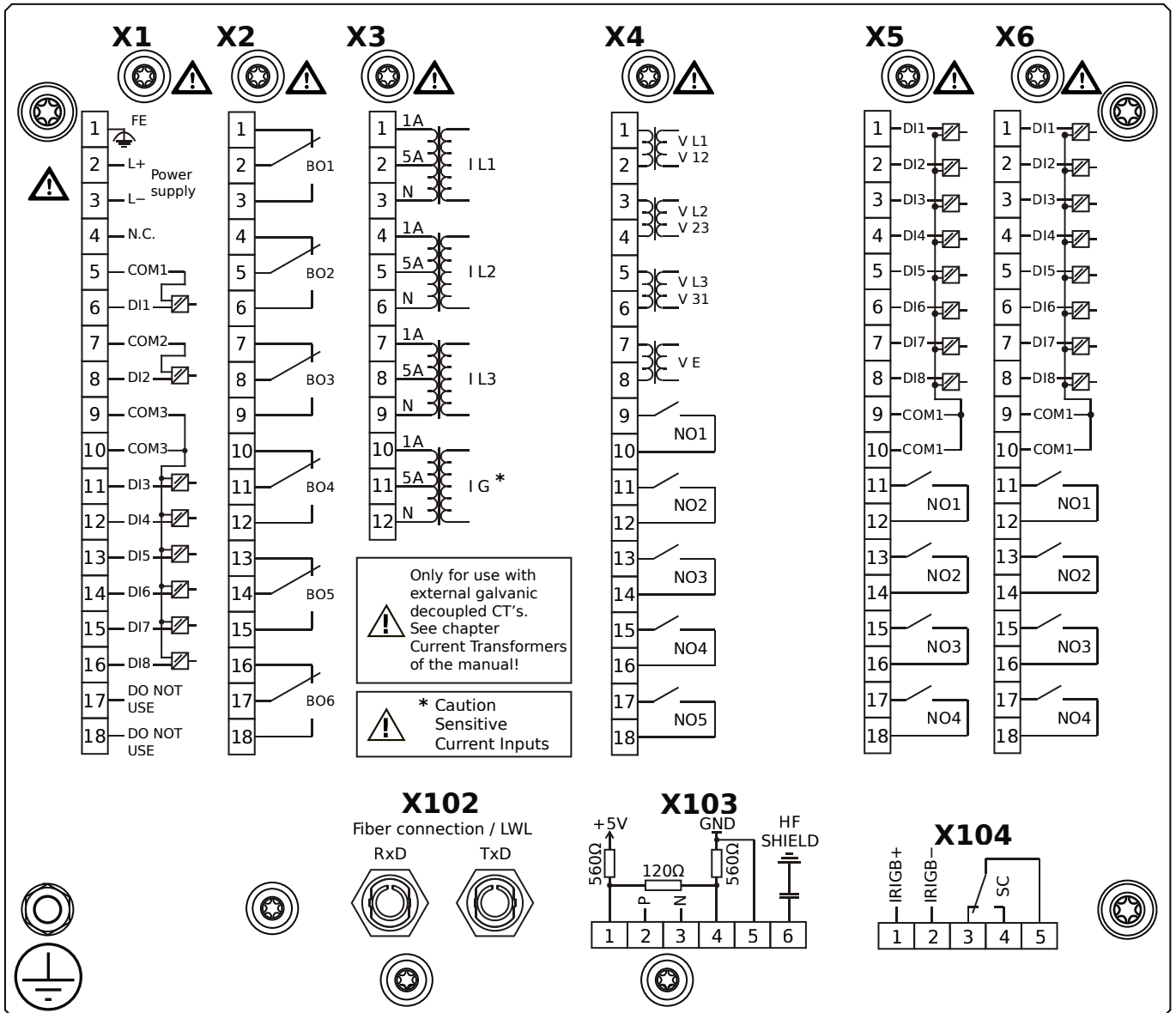
- X1** – DI8-X1: Wide-range power supply unit, incl. 2 non-grouped digital inputs and 6 grouped digital inputs
- X2** – OR-6: Assembly Group with 6 Relay Outputs
- X3** – TIs-4: Standard phase current measuring card and sensitive ground current measuring
- X4** – TU: Card with 4 voltage transformer measuring inputs and 5 output relays
- X5** – DI8-OR4: Assembly Group with 8 Digital Inputs and 4 Output Relays
- X6** – DI8-OR4: Assembly Group with 8 Digital Inputs and 4 Output Relays
- X102** – Protection Communication, Fiber optics interface, ST Connector
- X104** – IRIG-B00X, incl. System Contact (Supervision Contact)

MCDLV4-2E1B1BA



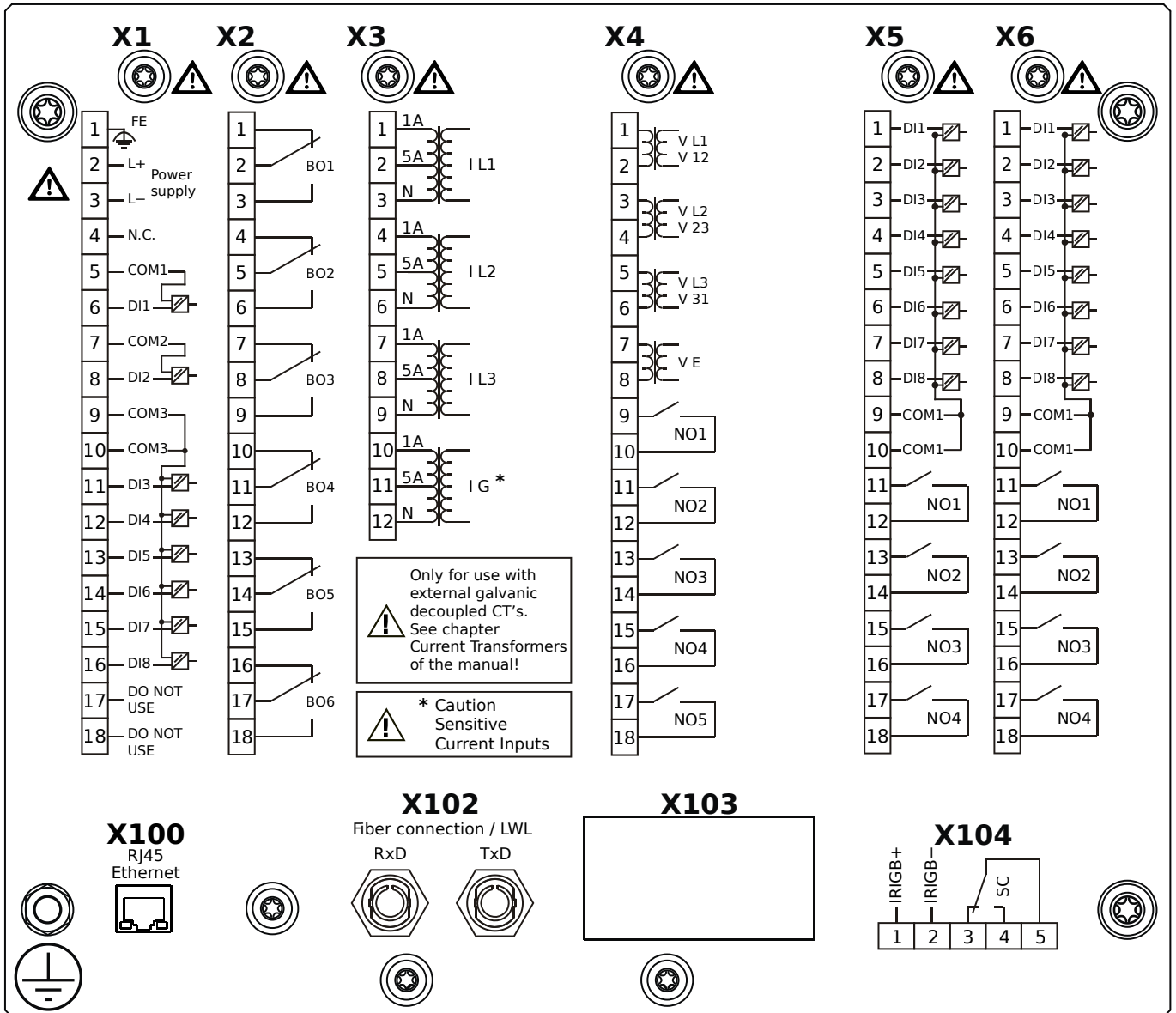
- X1** – DI8-X1: Wide-range power supply unit, incl. 2 non-grouped digital inputs and 6 grouped digital inputs
- X2** – OR-6: Assembly Group with 6 Relay Outputs
- X3** – TIs-4: Standard phase current measuring card and sensitive ground current measuring
- X4** – TU: Card with 4 voltage transformer measuring inputs and 5 output relays
- X5** – DI8-OR4: Assembly Group with 8 Digital Inputs and 4 Output Relays
- X6** – DI8-OR4: Assembly Group with 8 Digital Inputs and 4 Output Relays
- X102** – Protection Communication, Fiber optics interface, ST Connector
- X103** – Modbus RTU / IEC 60870-5-103 / DNP3.0 RTU, RS485, Terminals
- X104** – IRIG-B00X, incl. System Contact (Supervision Contact)

MCDLV4-2E1B1BB



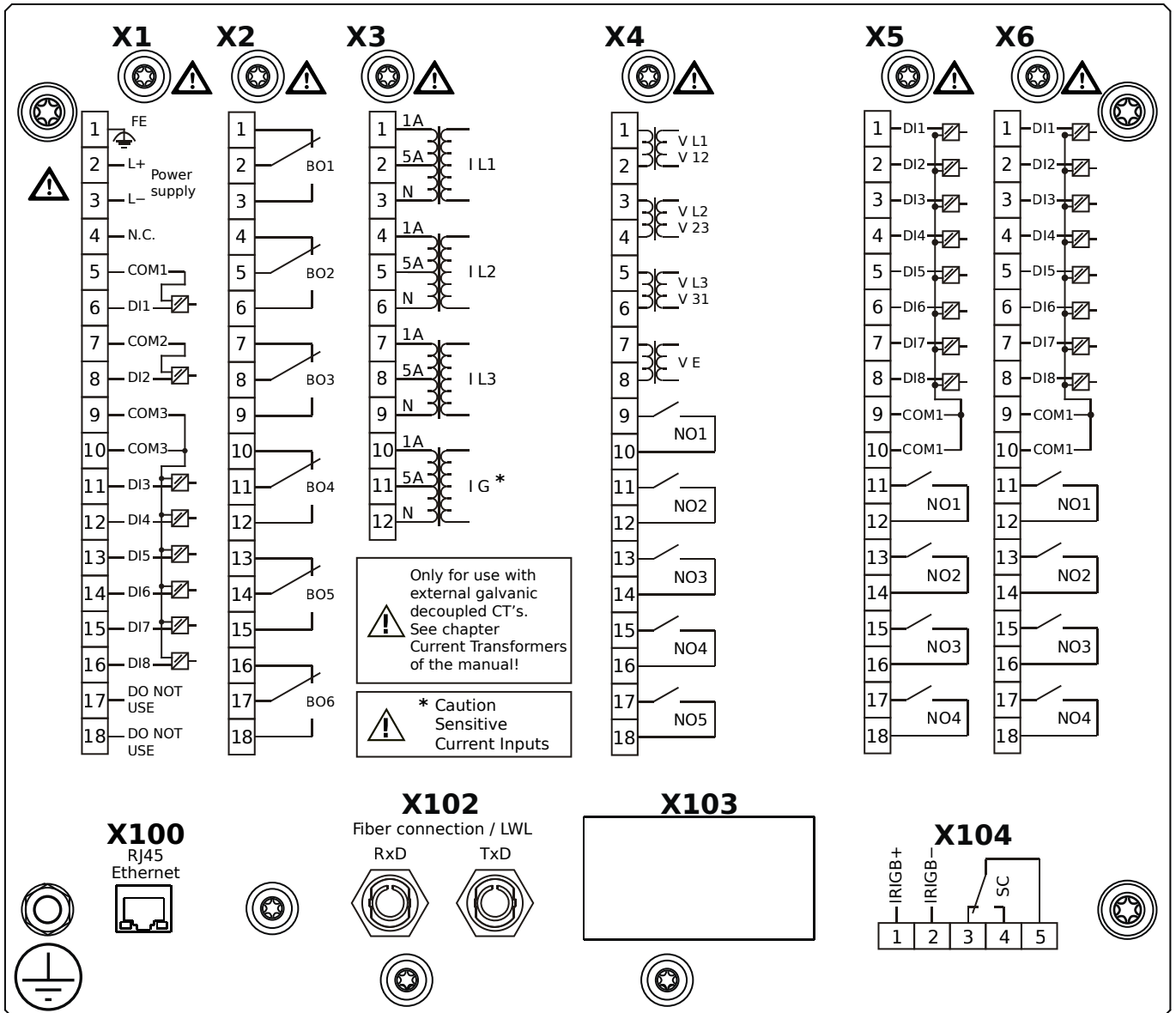
- X1** – DI8-X1: Wide-range power supply unit, incl. 2 non-grouped digital inputs and 6 grouped digital inputs
- X2** – OR-6: Assembly Group with 6 Relay Outputs
- X3** – TIs-4: Standard phase current measuring card and sensitive ground current measuring
- X4** – TU: Card with 4 voltage transformer measuring inputs and 5 output relays
- X5** – DI8-OR4: Assembly Group with 8 Digital Inputs and 4 Output Relays
- X6** – DI8-OR4: Assembly Group with 8 Digital Inputs and 4 Output Relays
- X102** – Protection Communication, Fiber optics interface, ST Connector
- X103** – Modbus RTU / IEC 60870-5-103 / DNP3.0 RTU, RS485, Terminals
- X104** – IRIG-B00X, incl. System Contact (Supervision Contact)

MCDLV4-2E1B1CA



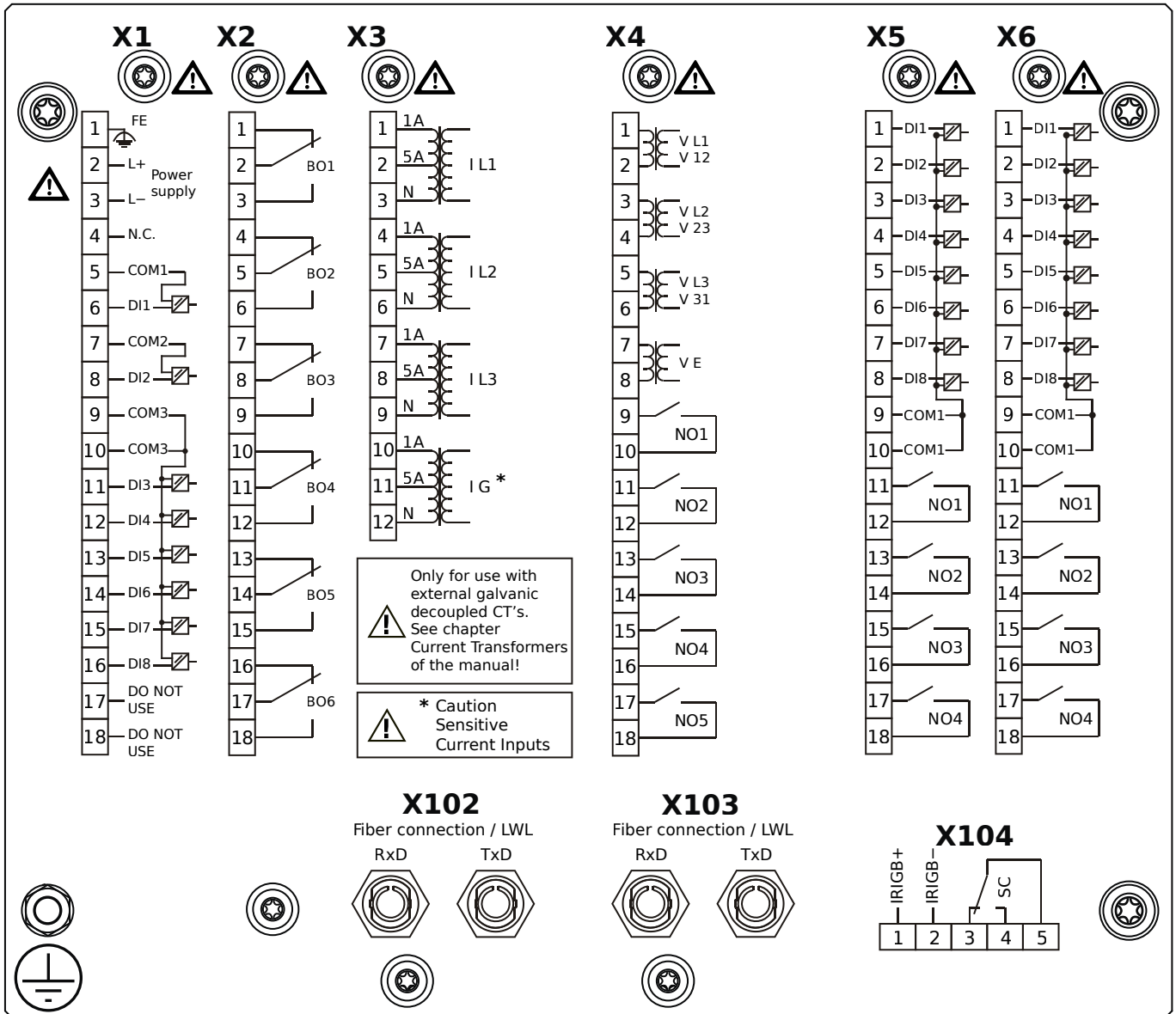
- X1** – DI8-X1: Wide-range power supply unit, incl. 2 non-grouped digital inputs and 6 grouped digital inputs
- X2** – OR-6: Assembly Group with 6 Relay Outputs
- X3** – TIs-4: Standard phase current measuring card and sensitive ground current measuring
- X4** – TU: Card with 4 voltage transformer measuring inputs and 5 output relays
- X5** – DI8-OR4: Assembly Group with 8 Digital Inputs and 4 Output Relays
- X6** – DI8-OR4: Assembly Group with 8 Digital Inputs and 4 Output Relays
- X100** – Modbus TCP / DNP3.0 TCP/UDP, Ethernet interface, 100 Mbit/s, RJ45 (BASE100-FX)
- X102** – Protection Communication, Fiber optics interface, ST Connector
- X104** – IRIG-B00X, incl. System Contact (Supervision Contact)

MCDLV4-2E1B1CB



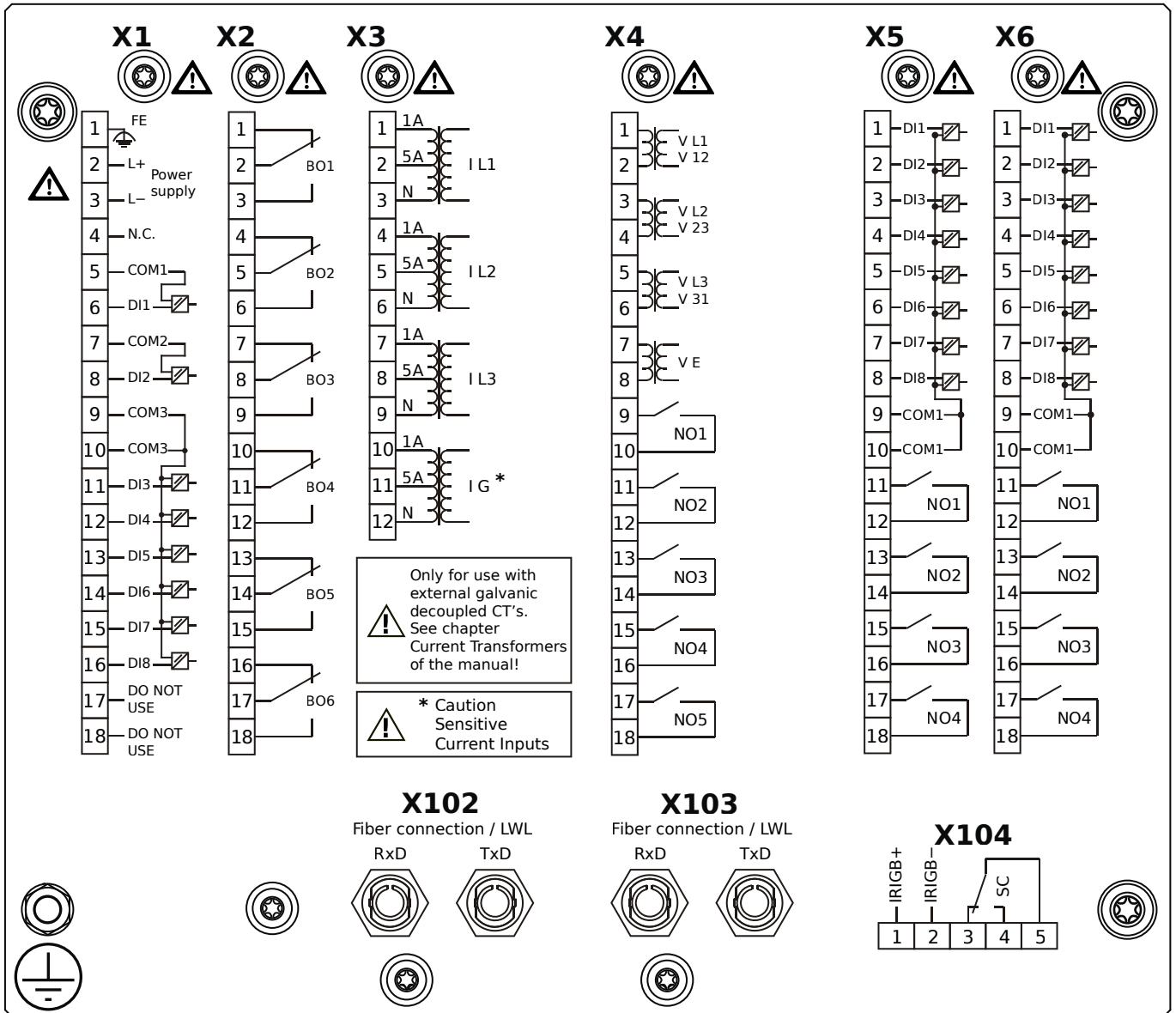
- X1** – DI8-X1: Wide-range power supply unit, incl. 2 non-grouped digital inputs and 6 grouped digital inputs
- X2** – OR-6: Assembly Group with 6 Relay Outputs
- X3** – TIs-4: Standard phase current measuring card and sensitive ground current measuring
- X4** – TU: Card with 4 voltage transformer measuring inputs and 5 output relays
- X5** – DI8-OR4: Assembly Group with 8 Digital Inputs and 4 Output Relays
- X6** – DI8-OR4: Assembly Group with 8 Digital Inputs and 4 Output Relays
- X100** – Modbus TCP / DNP3.0 TCP/UDP, Ethernet interface, 100 Mbit/s, RJ45 (BASE100-FX)
- X102** – Protection Communication, Fiber optics interface, ST Connector
- X104** – IRIG-B00X, incl. System Contact (Supervision Contact)

MCDLV4-2E1B1DA



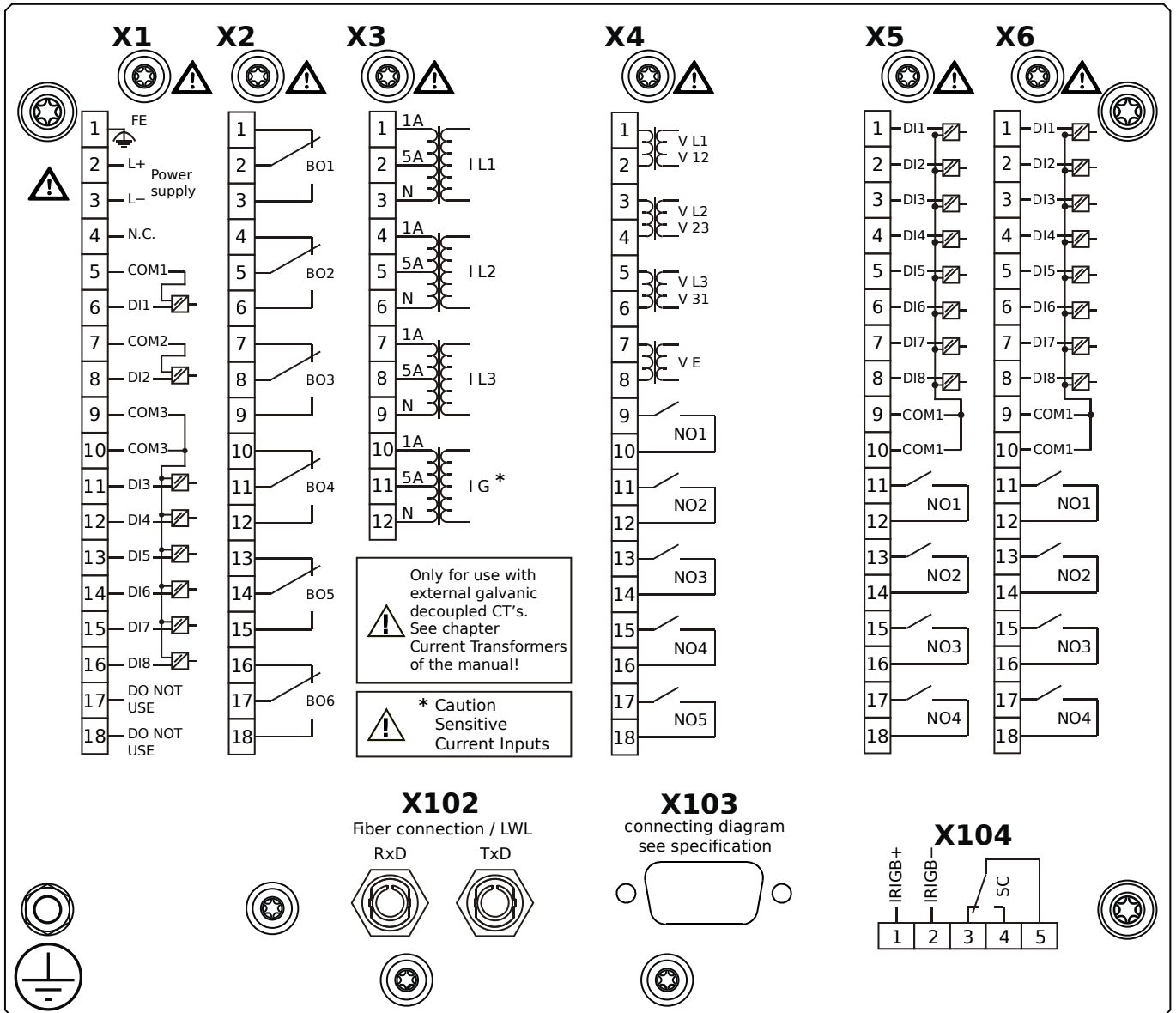
- X1** – DI8-X1: Wide-range power supply unit, incl. 2 non-grouped digital inputs and 6 grouped digital inputs
- X2** – OR-6: Assembly Group with 6 Relay Outputs
- X3** – TIs-4: Standard phase current measuring card and sensitive ground current measuring
- X4** – TU: Card with 4 voltage transformer measuring inputs and 5 output relays
- X5** – DI8-OR4: Assembly Group with 8 Digital Inputs and 4 Output Relays
- X6** – DI8-OR4: Assembly Group with 8 Digital Inputs and 4 Output Relays
- X102** – Protection Communication, Fiber optics interface, ST Connector
- X103** – Profibus-DP, Fiber optics interface, ST Connector
- X104** – IRIG-B00X, incl. System Contact (Supervision Contact)

MCDLV4-2E1B1DB



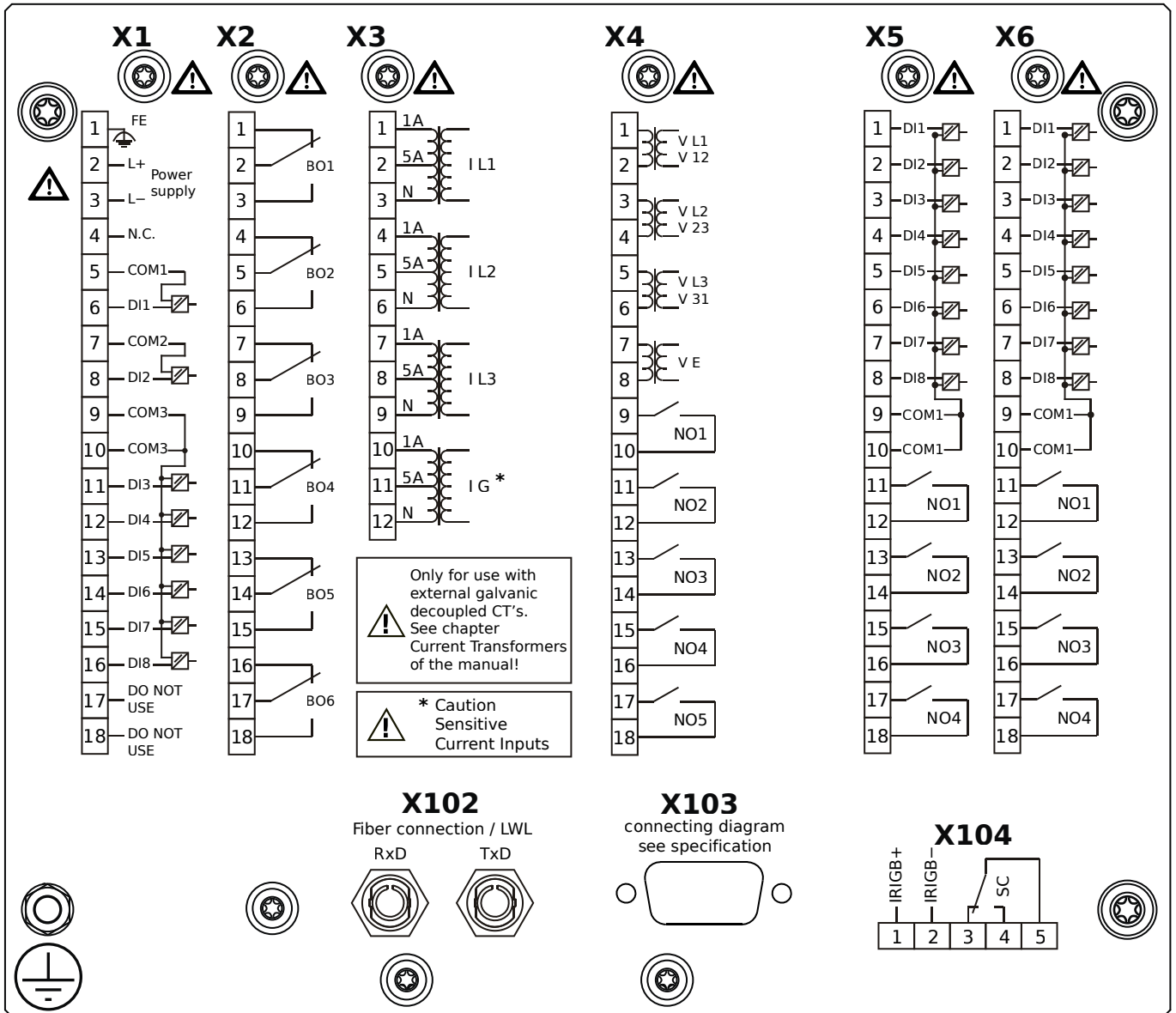
- X1** – DI8-X1: Wide-range power supply unit, incl. 2 non-grouped digital inputs and 6 grouped digital inputs
- X2** – OR-6: Assembly Group with 6 Relay Outputs
- X3** – TIs-4: Standard phase current measuring card and sensitive ground current measuring
- X4** – TU: Card with 4 voltage transformer measuring inputs and 5 output relays
- X5** – DI8-OR4: Assembly Group with 8 Digital Inputs and 4 Output Relays
- X6** – DI8-OR4: Assembly Group with 8 Digital Inputs and 4 Output Relays
- X102** – Protection Communication, Fiber optics interface, ST Connector
- X103** – Profibus-DP, Fiber optics interface, ST Connector
- X104** – IRIG-B00X, incl. System Contact (Supervision Contact)

MCDLV4-2E1B1EA



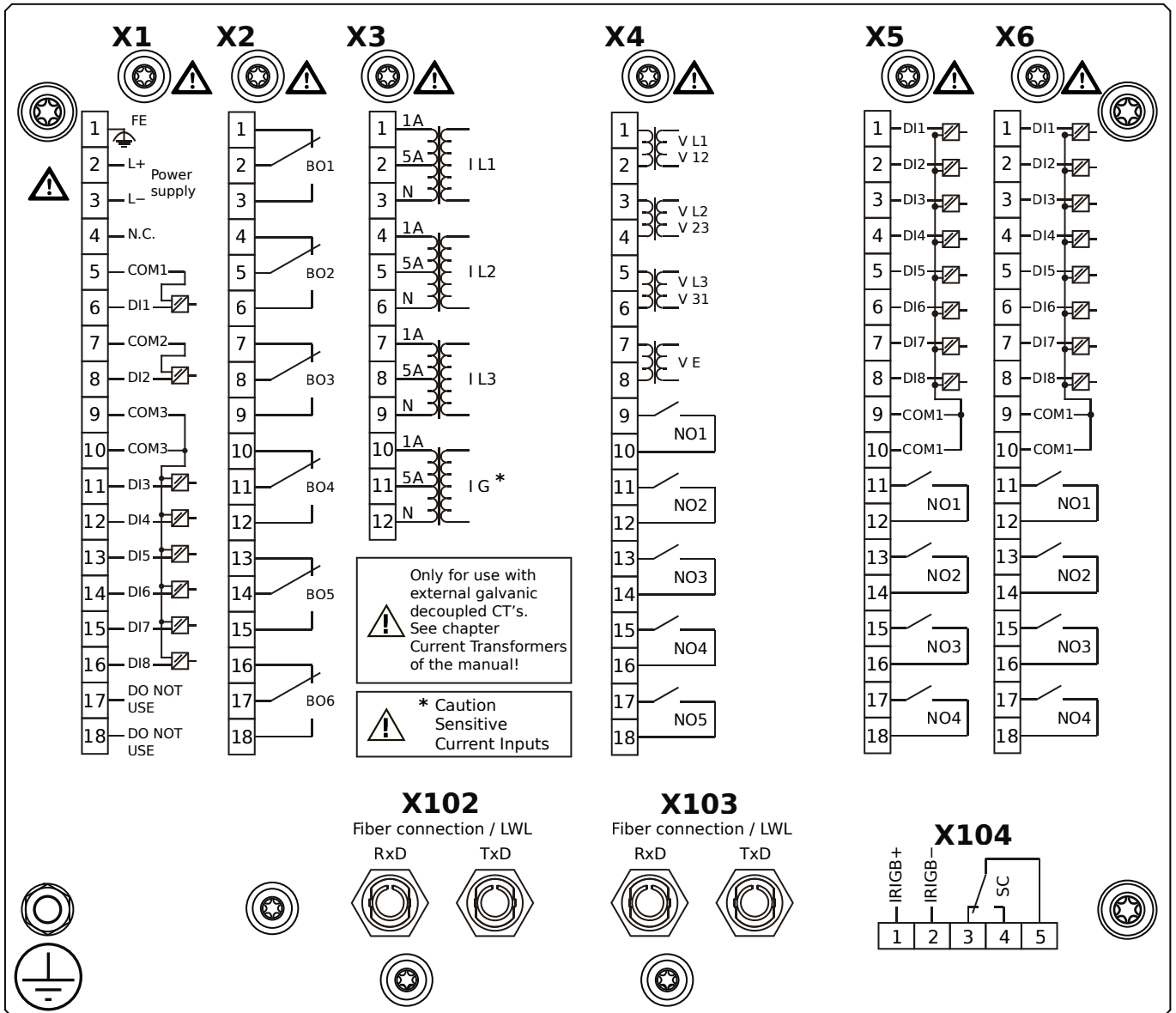
- X1** – DI8-X1: Wide-range power supply unit, incl. 2 non-grouped digital inputs and 6 grouped digital inputs
- X2** – OR-6: Assembly Group with 6 Relay Outputs
- X3** – TIs-4: Standard phase current measuring card and sensitive ground current measuring
- X4** – TU: Card with 4 voltage transformer measuring inputs and 5 output relays
- X5** – DI8-OR4: Assembly Group with 8 Digital Inputs and 4 Output Relays
- X6** – DI8-OR4: Assembly Group with 8 Digital Inputs and 4 Output Relays
- X102** – Protection Communication, Fiber optics interface, ST Connector
- X103** – Profibus-DP, RS485, D-SUB
- X104** – IRIG-B00X, incl. System Contact (Supervision Contact)

MCDLV4-2E1B1EB



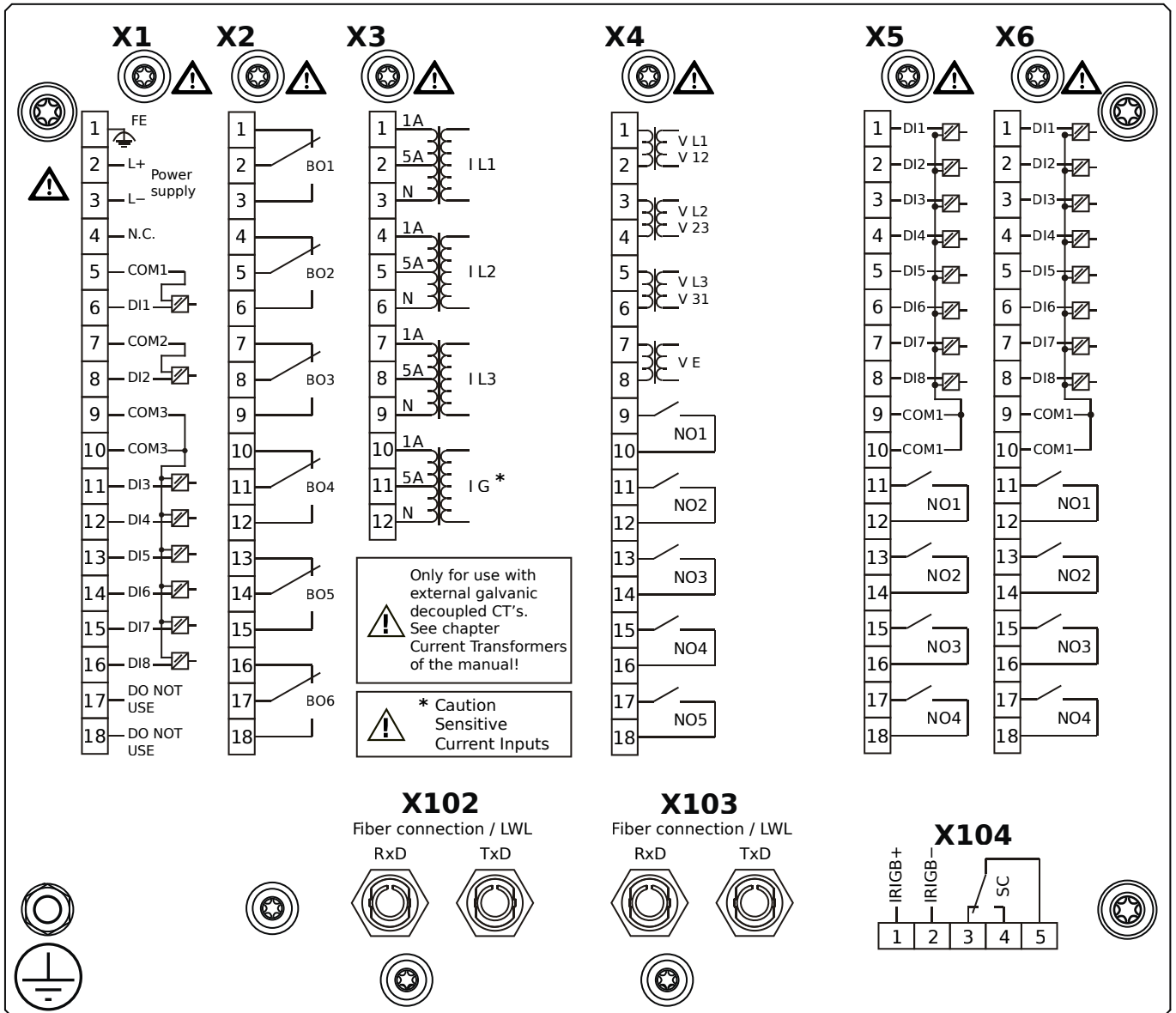
- X1** – DI8-X1: Wide-range power supply unit, incl. 2 non-grouped digital inputs and 6 grouped digital inputs
- X2** – OR-6: Assembly Group with 6 Relay Outputs
- X3** – TIs-4: Standard phase current measuring card and sensitive ground current measuring
- X4** – TU: Card with 4 voltage transformer measuring inputs and 5 output relays
- X5** – DI8-OR4: Assembly Group with 8 Digital Inputs and 4 Output Relays
- X6** – DI8-OR4: Assembly Group with 8 Digital Inputs and 4 Output Relays
- X102** – Protection Communication, Fiber optics interface, ST Connector
- X103** – Profibus-DP, RS485, D-SUB
- X104** – IRIG-B00X, incl. System Contact (Supervision Contact)

MCDLV4-2E1B1FA



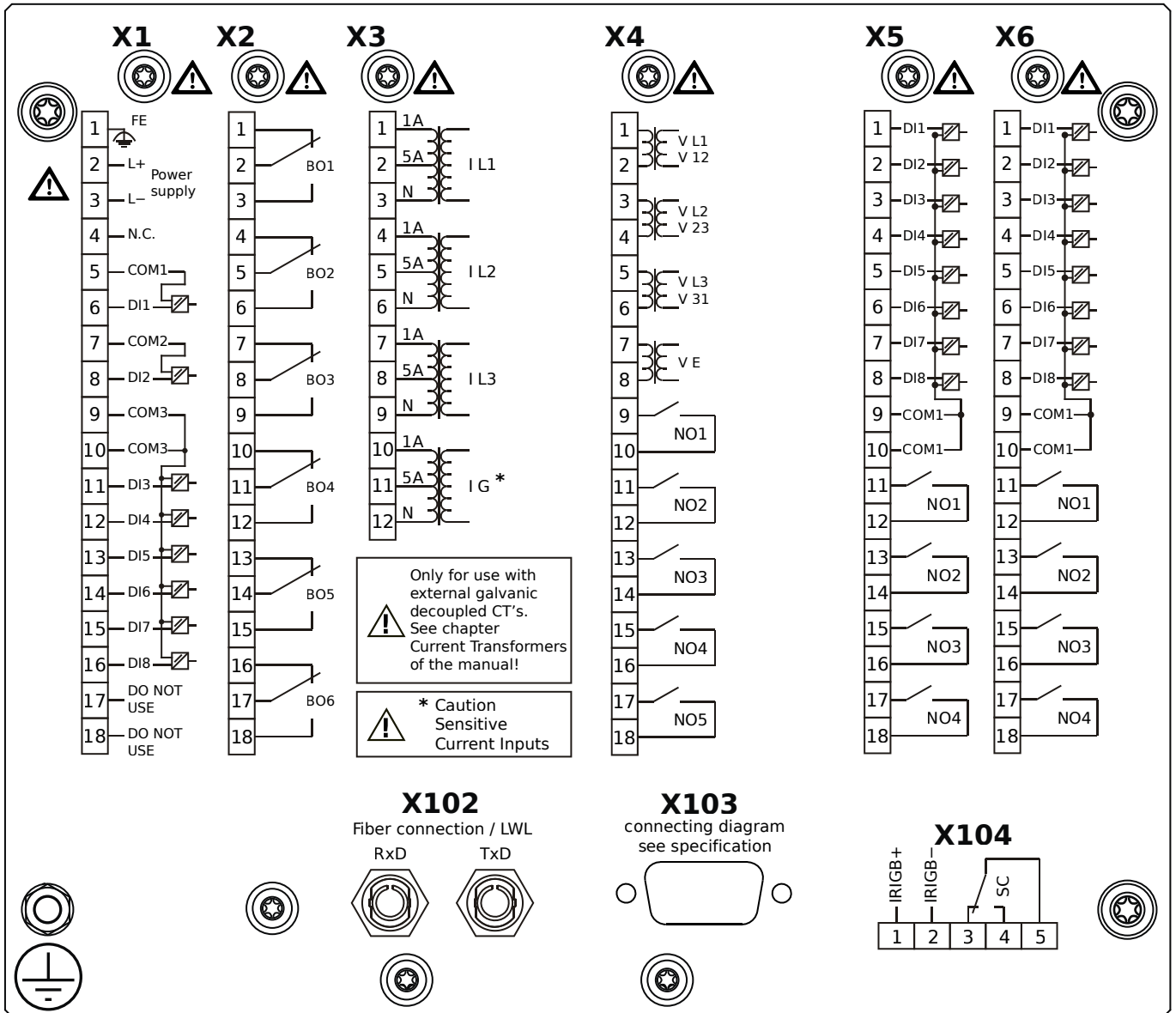
- X1** – DI8-X1: Wide-range power supply unit, incl. 2 non-grouped digital inputs and 6 grouped digital inputs
- X2** – OR-6: Assembly Group with 6 Relay Outputs
- X3** – TIs-4: Standard phase current measuring card and sensitive ground current measuring
- X4** – TU: Card with 4 voltage transformer measuring inputs and 5 output relays
- X5** – DI8-OR4: Assembly Group with 8 Digital Inputs and 4 Output Relays
- X6** – DI8-OR4: Assembly Group with 8 Digital Inputs and 4 Output Relays
- X102** – Protection Communication, Fiber optics interface, ST Connector
- X103** – Modbus RTU / IEC 60870-5-103 / DNP3.0 RTU, Fiber optics interface, ST Connector
- X104** – IRIG-B00X, incl. System Contact (Supervision Contact)

MCDLV4-2E1B1FB



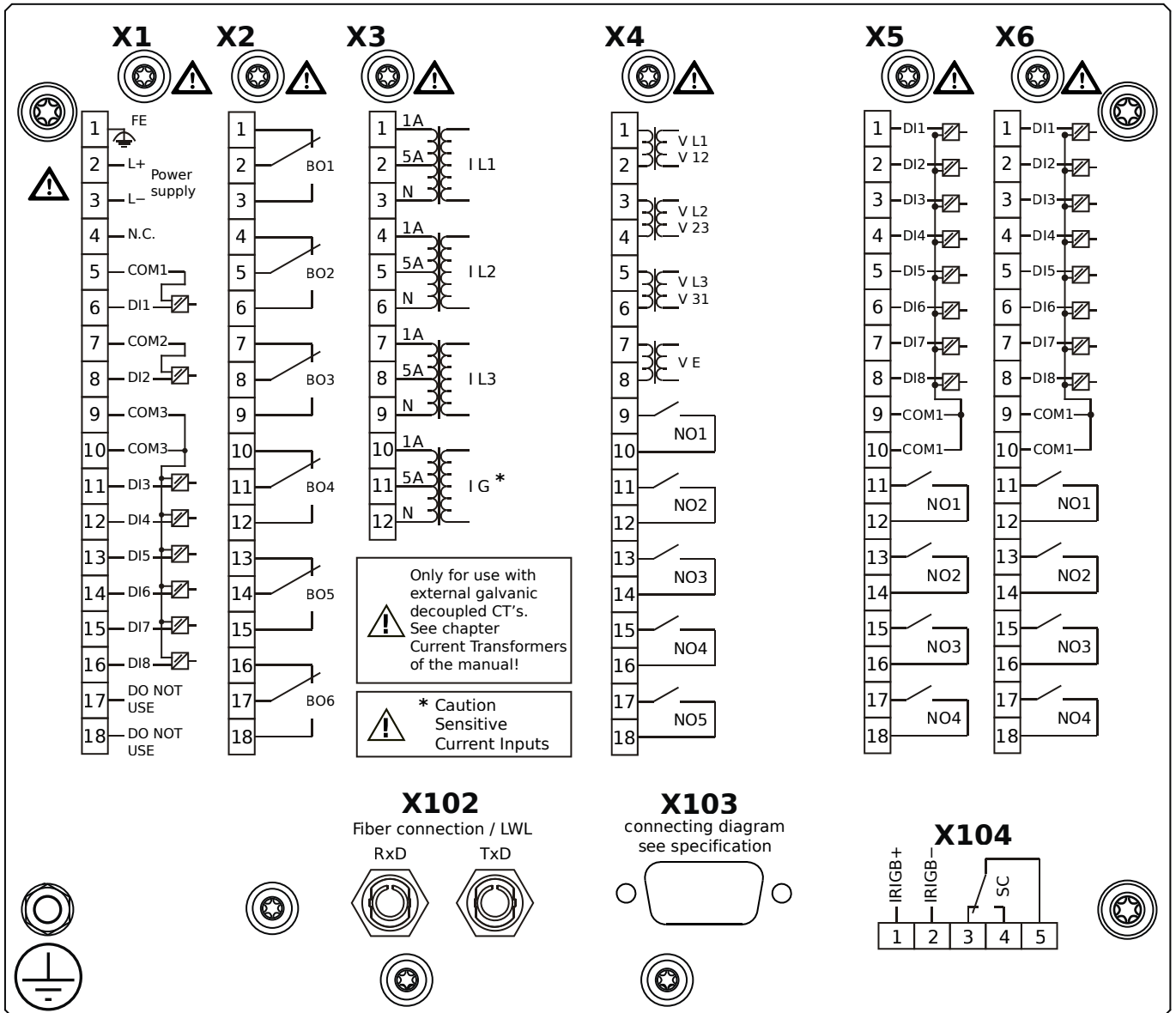
- X1** – DI8-X1: Wide-range power supply unit, incl. 2 non-grouped digital inputs and 6 grouped digital inputs
- X2** – OR-6: Assembly Group with 6 Relay Outputs
- X3** – TIs-4: Standard phase current measuring card and sensitive ground current measuring
- X4** – TU: Card with 4 voltage transformer measuring inputs and 5 output relays
- X5** – DI8-OR4: Assembly Group with 8 Digital Inputs and 4 Output Relays
- X6** – DI8-OR4: Assembly Group with 8 Digital Inputs and 4 Output Relays
- X102** – Protection Communication, Fiber optics interface, ST Connector
- X103** – Modbus RTU / IEC 60870-5-103 / DNP3.0 RTU, Fiber optics interface, ST Connector
- X104** – IRIG-B00X, incl. System Contact (Supervision Contact)

MCDLV4-2E1B1GA



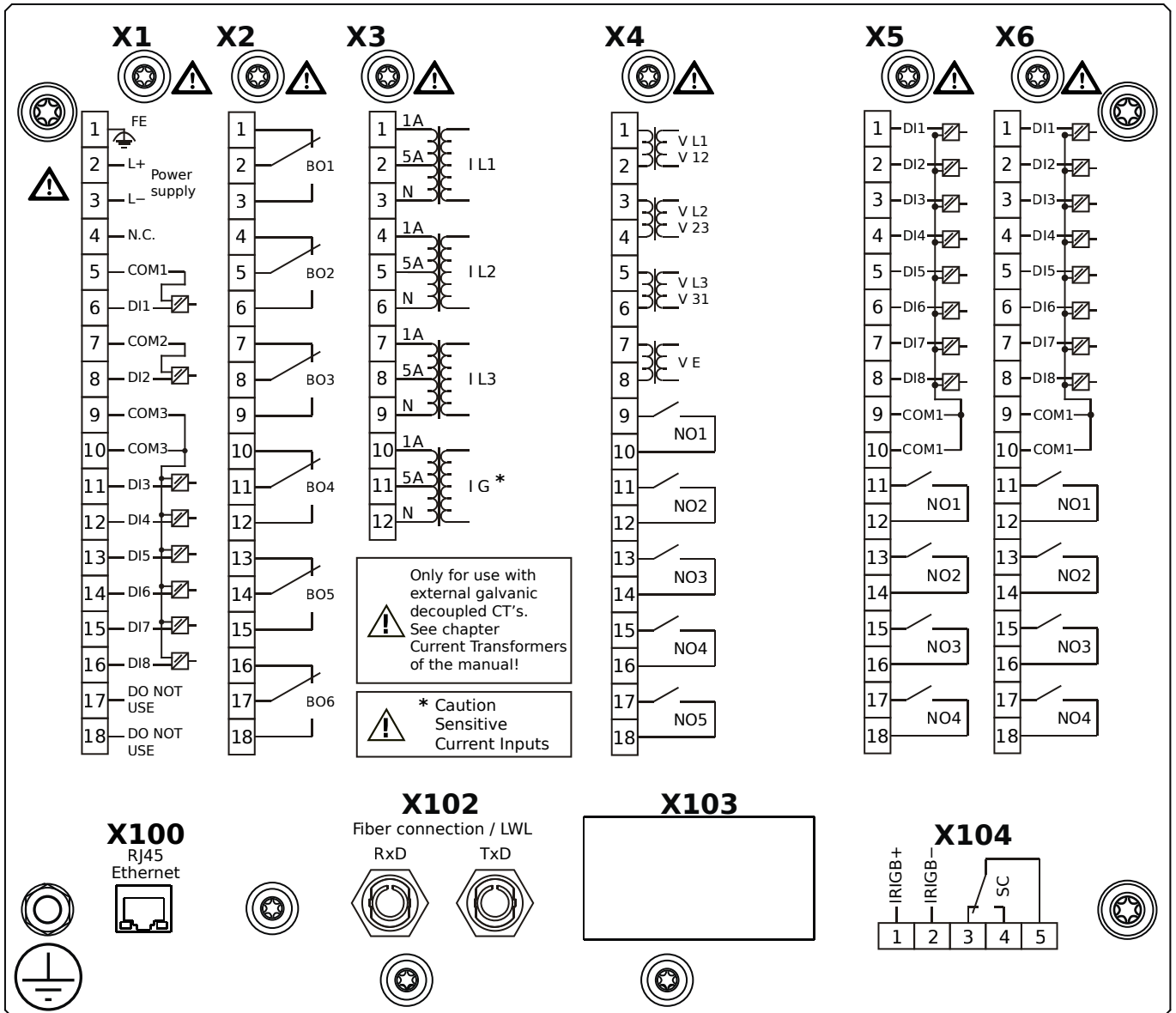
- X1** – DI8-X1: Wide-range power supply unit, incl. 2 non-grouped digital inputs and 6 grouped digital inputs
- X2** – OR-6: Assembly Group with 6 Relay Outputs
- X3** – TIs-4: Standard phase current measuring card and sensitive ground current measuring
- X4** – TU: Card with 4 voltage transformer measuring inputs and 5 output relays
- X5** – DI8-OR4: Assembly Group with 8 Digital Inputs and 4 Output Relays
- X6** – DI8-OR4: Assembly Group with 8 Digital Inputs and 4 Output Relays
- X102** – Protection Communication, Fiber optics interface, ST Connector
- X103** – Modbus RTU / IEC 60870-5-103 / DNP3.0 RTU, RS485, D-SUB
- X104** – IRIG-B00X, incl. System Contact (Supervision Contact)

MCDLV4-2E1B1GB



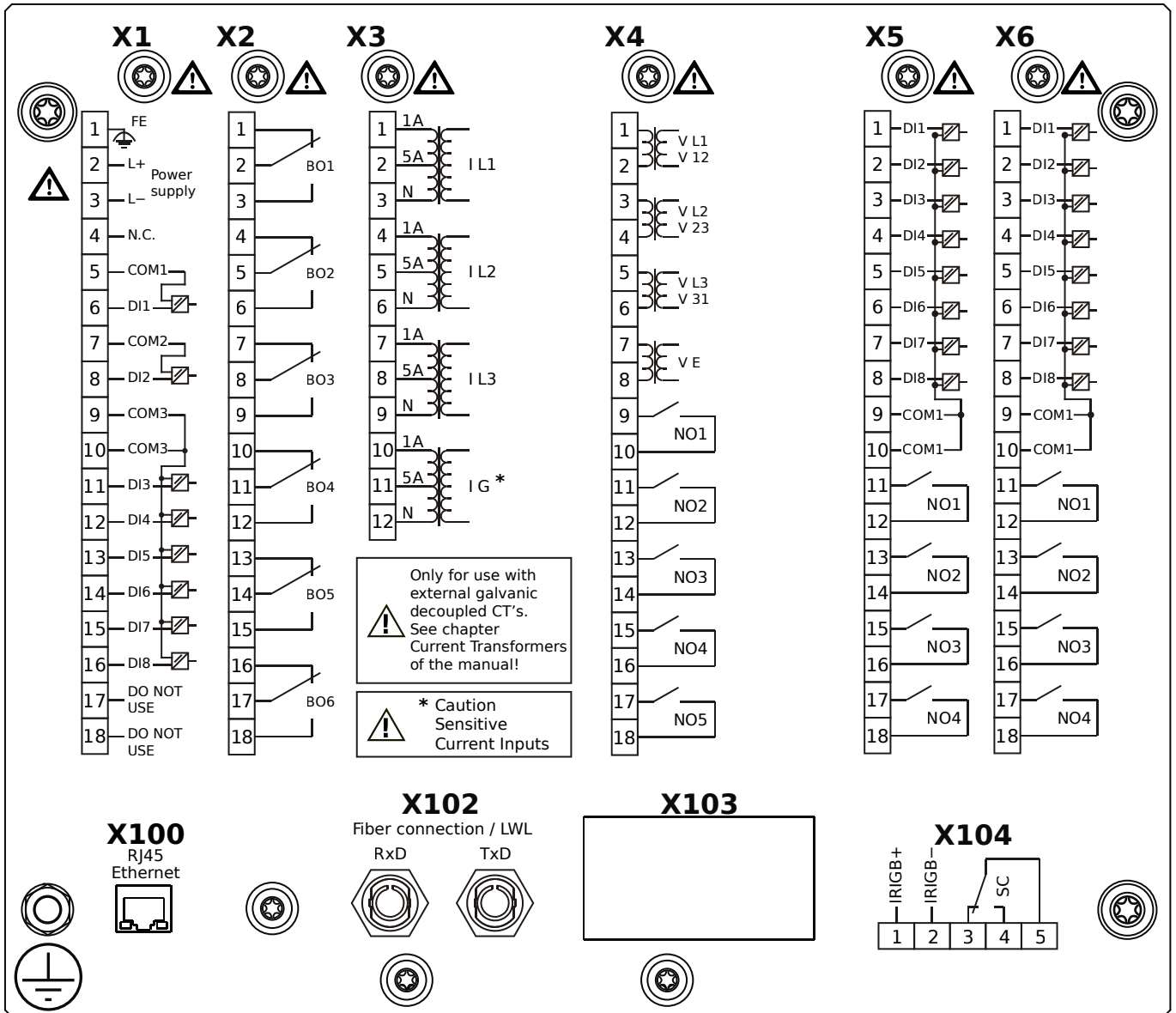
- X1** – DI8-X1: Wide-range power supply unit, incl. 2 non-grouped digital inputs and 6 grouped digital inputs
- X2** – OR-6: Assembly Group with 6 Relay Outputs
- X3** – TIs-4: Standard phase current measuring card and sensitive ground current measuring
- X4** – TU: Card with 4 voltage transformer measuring inputs and 5 output relays
- X5** – DI8-OR4: Assembly Group with 8 Digital Inputs and 4 Output Relays
- X6** – DI8-OR4: Assembly Group with 8 Digital Inputs and 4 Output Relays
- X102** – Protection Communication, Fiber optics interface, ST Connector
- X103** – Modbus RTU / IEC 60870-5-103 / DNP3.0 RTU, RS485, D-SUB
- X104** – IRIG-B00X, incl. System Contact (Supervision Contact)

MCDLV4-2E1B1HA



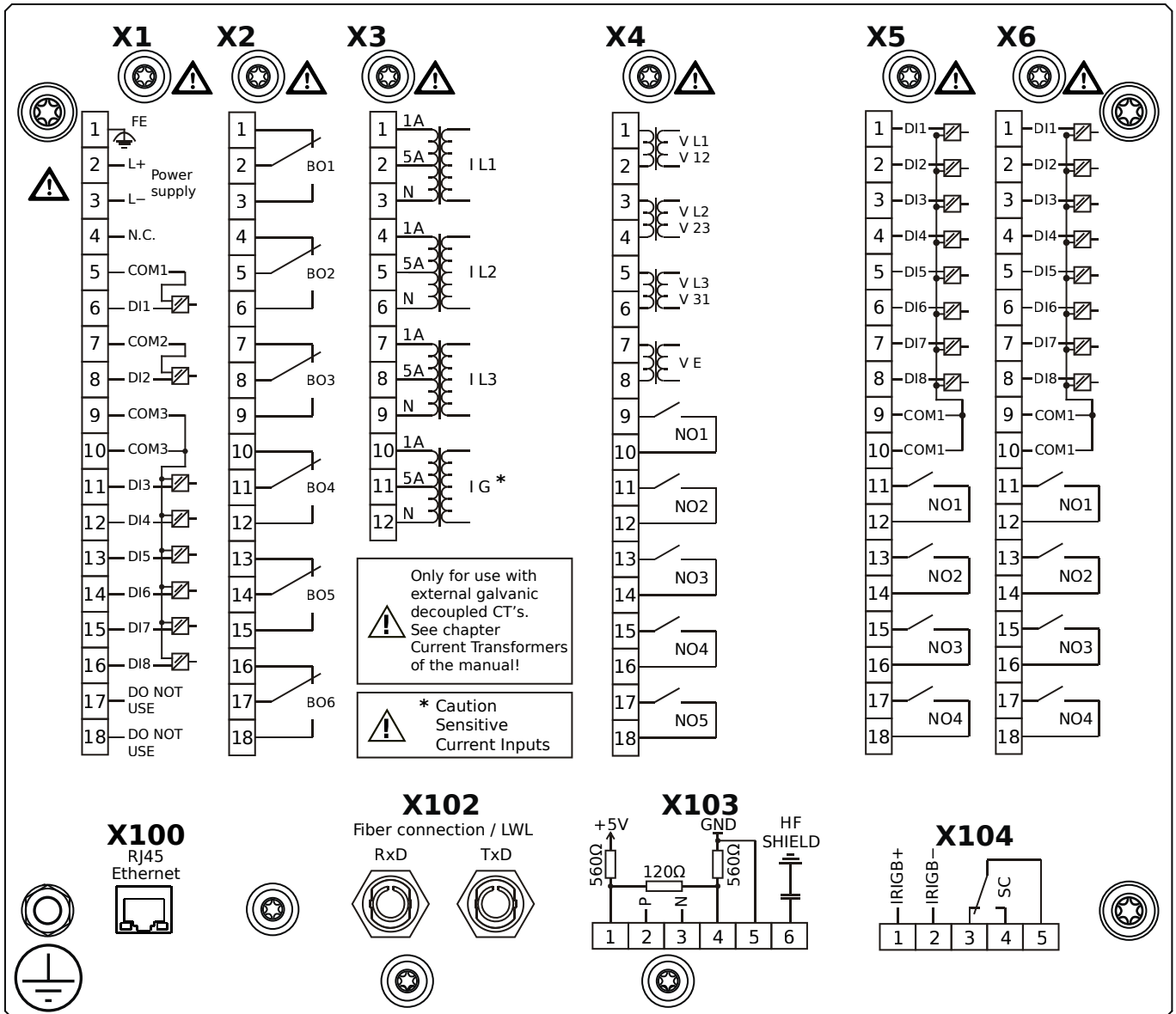
- X1** – DI8-X1: Wide-range power supply unit, incl. 2 non-grouped digital inputs and 6 grouped digital inputs
- X2** – OR-6: Assembly Group with 6 Relay Outputs
- X3** – TIs-4: Standard phase current measuring card and sensitive ground current measuring
- X4** – TU: Card with 4 voltage transformer measuring inputs and 5 output relays
- X5** – DI8-OR4: Assembly Group with 8 Digital Inputs and 4 Output Relays
- X6** – DI8-OR4: Assembly Group with 8 Digital Inputs and 4 Output Relays
- X100** – IEC 61850 / Modbus TCP / DNP3.0 TCP/UDP, Ethernet interface, 100 Mbit/s, RJ45 (BASE100-FX)
- X102** – Protection Communication, Fiber optics interface, ST Connector
- X104** – IRIG-B00X, incl. System Contact (Supervision Contact)

MCDLV4-2E1B1HB



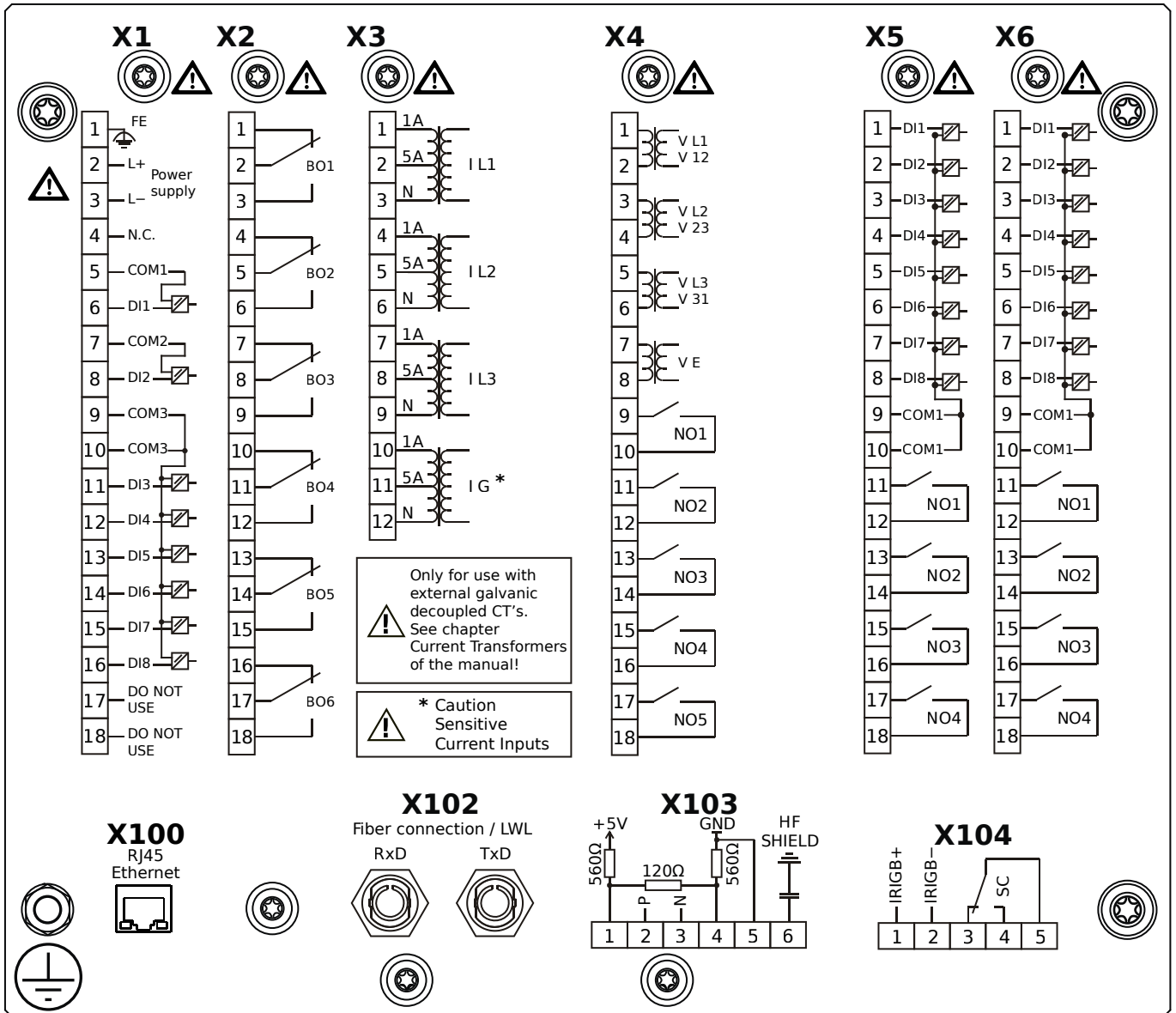
- X1** – DI8-X1: Wide-range power supply unit, incl. 2 non-grouped digital inputs and 6 grouped digital inputs
- X2** – OR-6: Assembly Group with 6 Relay Outputs
- X3** – TIs-4: Standard phase current measuring card and sensitive ground current measuring
- X4** – TU: Card with 4 voltage transformer measuring inputs and 5 output relays
- X5** – DI8-OR4: Assembly Group with 8 Digital Inputs and 4 Output Relays
- X6** – DI8-OR4: Assembly Group with 8 Digital Inputs and 4 Output Relays
- X100** – IEC 61850 / Modbus TCP / DNP3.0 TCP/UDP, Ethernet interface, 100 Mbit/s, RJ45 (BASE100-FX)
- X102** – Protection Communication, Fiber optics interface, ST Connector
- X104** – IRIG-B00X, incl. System Contact (Supervision Contact)

MCDLV4-2E1B1IA



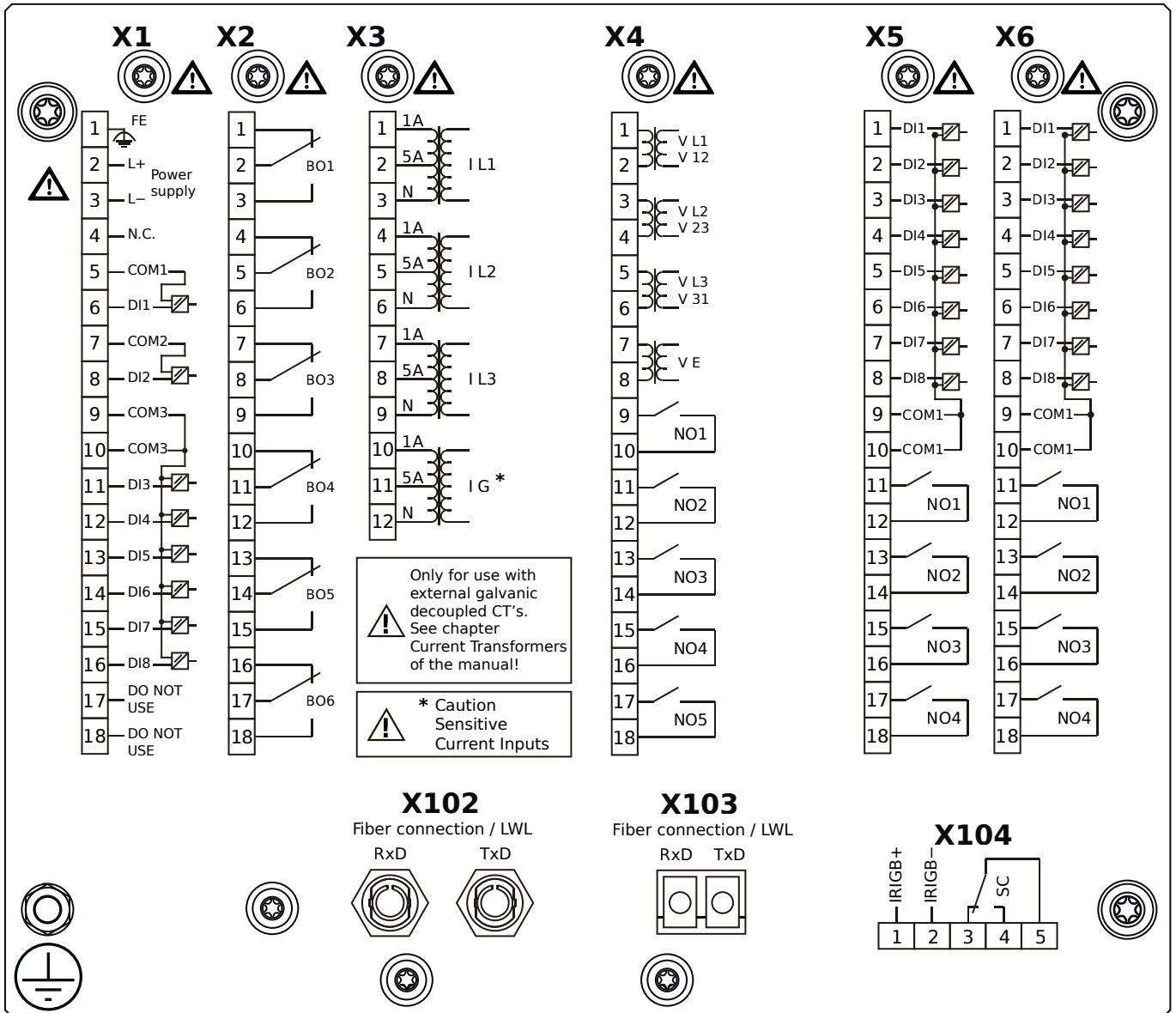
- X1** – DI8-X1: Wide-range power supply unit, incl. 2 non-grouped digital inputs and 6 grouped digital inputs
- X2** – OR-6: Assembly Group with 6 Relay Outputs
- X3** – TIs-4: Standard phase current measuring card and sensitive ground current measuring
- X4** – TU: Card with 4 voltage transformer measuring inputs and 5 output relays
- X5** – DI8-OR4: Assembly Group with 8 Digital Inputs and 4 Output Relays
- X6** – DI8-OR4: Assembly Group with 8 Digital Inputs and 4 Output Relays
- X100** – Modbus TCP / DNP3.0 TCP/UDP, Ethernet interface, 100 Mbit/s, RJ45 (BASE100-FX)
- X102** – Protection Communication, Fiber optics interface, ST Connector
- X103** – IEC 60870-5-103 / Modbus RTU / DNP3.0 RTU, RS485, Terminals
- X104** – IRIG-B00X, incl. System Contact (Supervision Contact)

MCDLV4-2E1B1IB



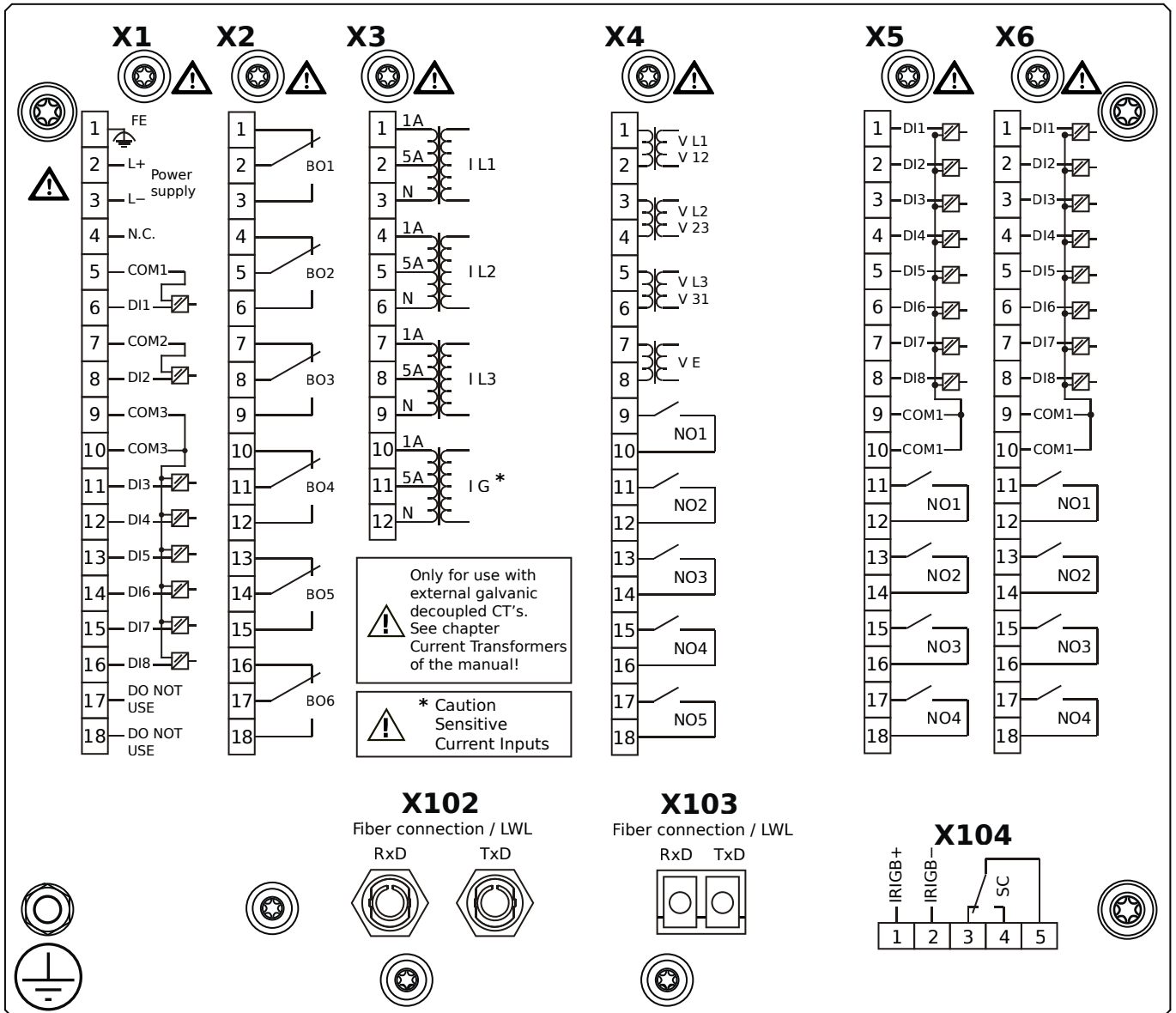
- X1** – DI8-X1: Wide-range power supply unit, incl. 2 non-grouped digital inputs and 6 grouped digital inputs
- X2** – OR-6: Assembly Group with 6 Relay Outputs
- X3** – TIs-4: Standard phase current measuring card and sensitive ground current measuring
- X4** – TU: Card with 4 voltage transformer measuring inputs and 5 output relays
- X5** – DI8-OR4: Assembly Group with 8 Digital Inputs and 4 Output Relays
- X6** – DI8-OR4: Assembly Group with 8 Digital Inputs and 4 Output Relays
- X100** – Modbus TCP / DNP3.0 TCP/UDP, Ethernet interface, 100 Mbit/s, RJ45 (BASE100-FX)
- X102** – Protection Communication, Fiber optics interface, ST Connector
- X103** – IEC 60870-5-103 / Modbus RTU / DNP3.0 RTU, RS485, Terminals
- X104** – IRIG-B00X, incl. System Contact (Supervision Contact)

MCDLV4-2E1B1KA



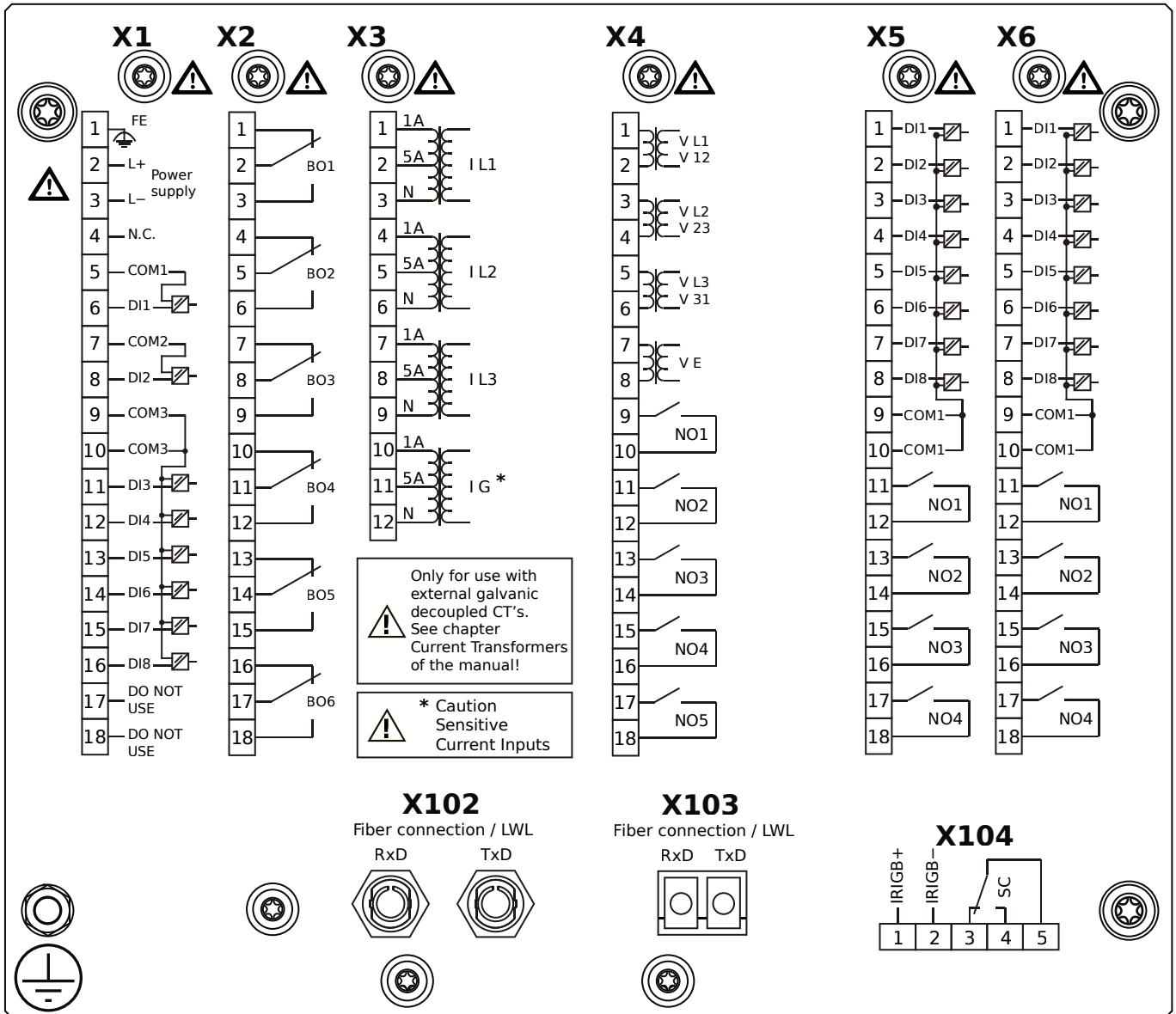
- X1** – DI8-X1: Wide-range power supply unit, incl. 2 non-grouped digital inputs and 6 grouped digital inputs
- X2** – OR-6: Assembly Group with 6 Relay Outputs
- X3** – TIs-4: Standard phase current measuring card and sensitive ground current measuring
- X4** – TU: Card with 4 voltage transformer measuring inputs and 5 output relays
- X5** – DI8-OR4: Assembly Group with 8 Digital Inputs and 4 Output Relays
- X6** – DI8-OR4: Assembly Group with 8 Digital Inputs and 4 Output Relays
- X102** – Protection Communication, Fiber optics interface, ST Connector
- X103** – IEC 61850 / Modbus TCP / DNP3.0 TCP/UDP, Fiber optics interface, LC Connector
- X104** – IRIG-B00X, incl. System Contact (Supervision Contact)

MCDLV4-2E1B1KB



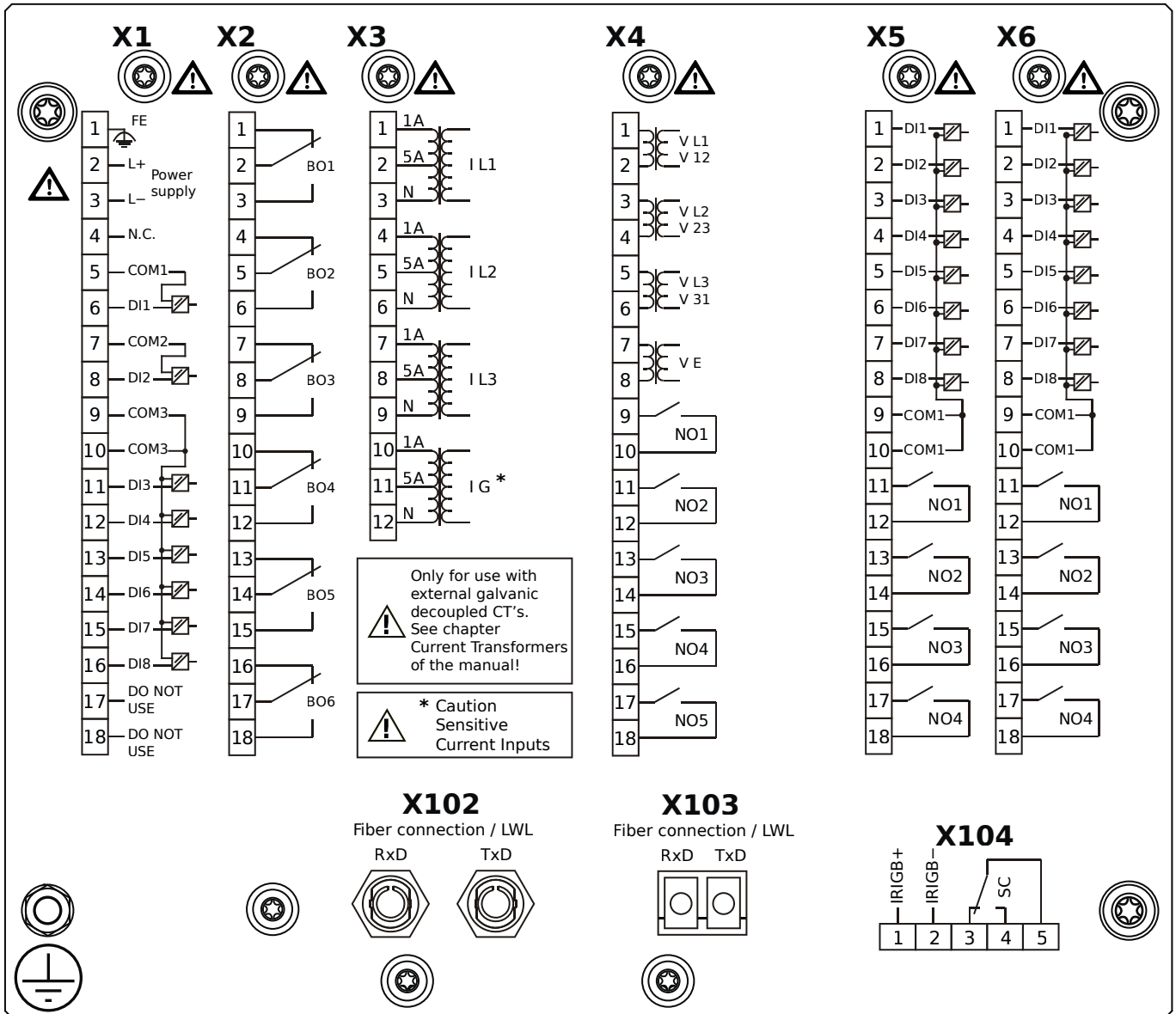
- X1** – DI8-X1: Wide-range power supply unit, incl. 2 non-grouped digital inputs and 6 grouped digital inputs
- X2** – OR-6: Assembly Group with 6 Relay Outputs
- X3** – TIs-4: Standard phase current measuring card and sensitive ground current measuring
- X4** – TU: Card with 4 voltage transformer measuring inputs and 5 output relays
- X5** – DI8-OR4: Assembly Group with 8 Digital Inputs and 4 Output Relays
- X6** – DI8-OR4: Assembly Group with 8 Digital Inputs and 4 Output Relays
- X102** – Protection Communication, Fiber optics interface, ST Connector
- X103** – IEC 61850 / Modbus TCP / DNP3.0 TCP/UDP, Fiber optics interface, LC Connector
- X104** – IRIG-B00X, incl. System Contact (Supervision Contact)

MCDLV4-2E1B1LA



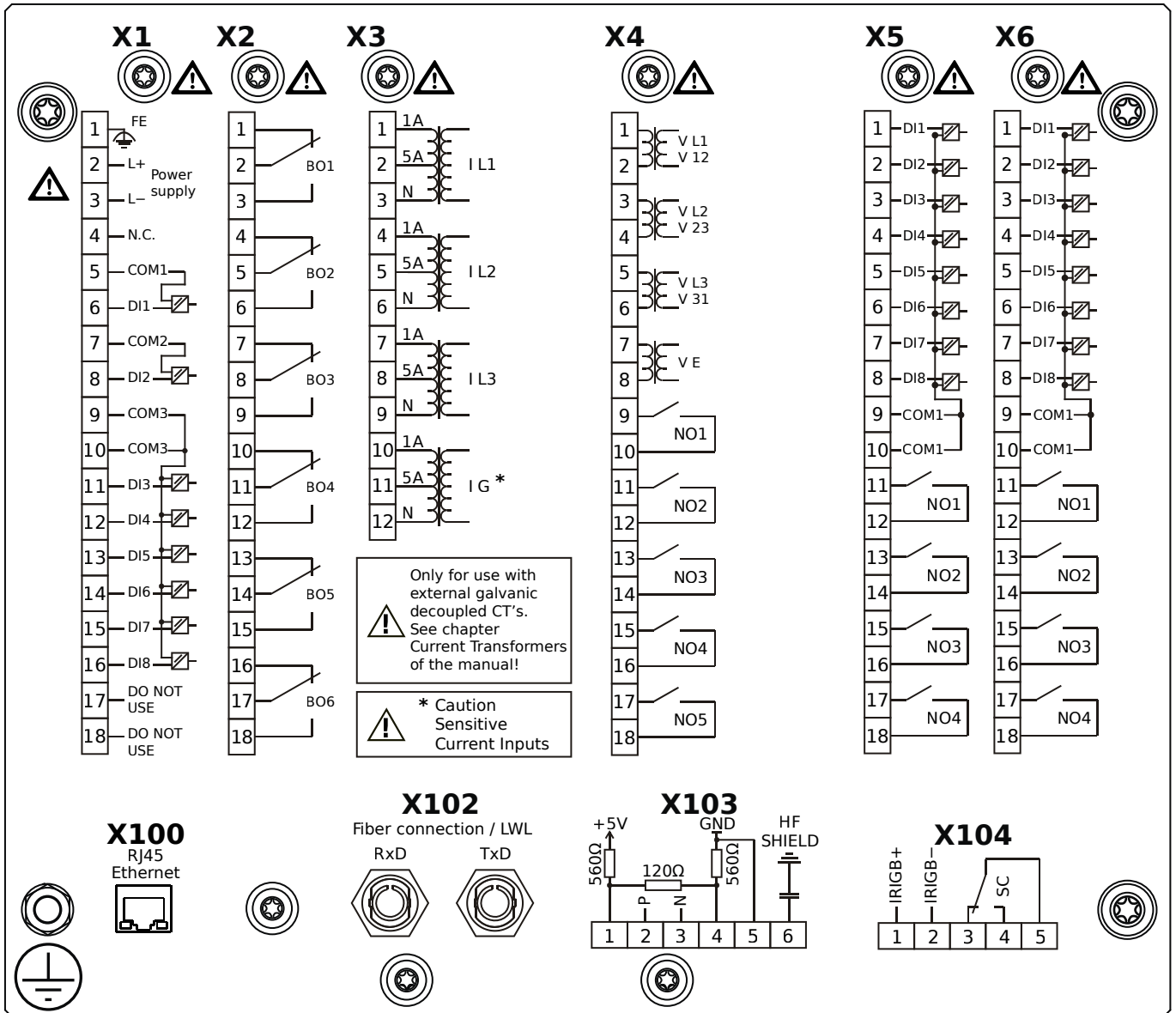
- X1** – DI8-X1: Wide-range power supply unit, incl. 2 non-grouped digital inputs and 6 grouped digital inputs
- X2** – OR-6: Assembly Group with 6 Relay Outputs
- X3** – TIs-4: Standard phase current measuring card and sensitive ground current measuring
- X4** – TU: Card with 4 voltage transformer measuring inputs and 5 output relays
- X5** – DI8-OR4: Assembly Group with 8 Digital Inputs and 4 Output Relays
- X6** – DI8-OR4: Assembly Group with 8 Digital Inputs and 4 Output Relays
- X102** – Protection Communication, Fiber optics interface, ST Connector
- X103** – Modbus TCP / DNP3.0 TCP/UDP, Fiber optics interface, LC Connector
- X104** – IRIG-B00X, incl. System Contact (Supervision Contact)

MCDLV4-2E1B1LB



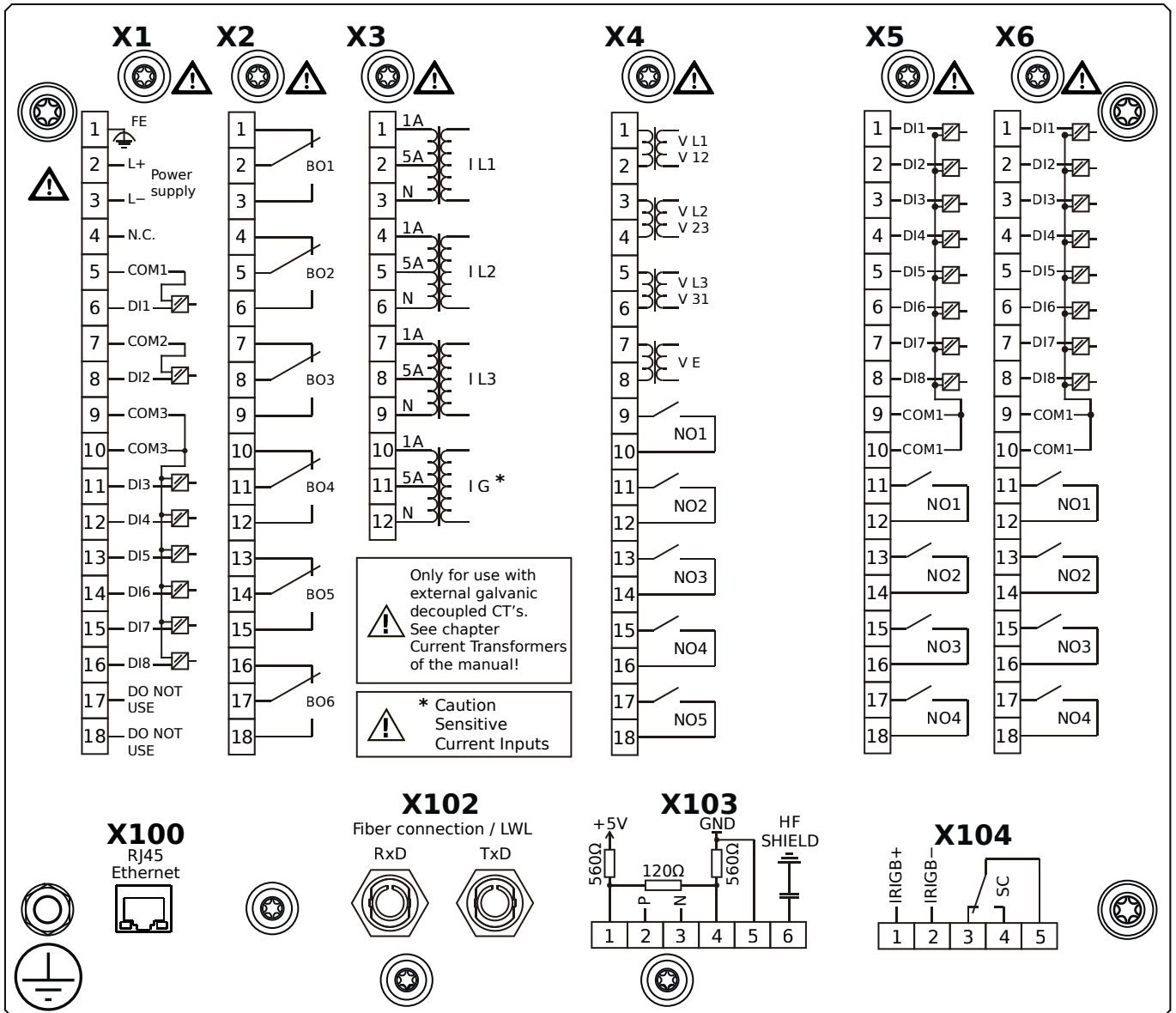
- X1** – DI8-X1: Wide-range power supply unit, incl. 2 non-grouped digital inputs and 6 grouped digital inputs
- X2** – OR-6: Assembly Group with 6 Relay Outputs
- X3** – TIs-4: Standard phase current measuring card and sensitive ground current measuring
- X4** – TU: Card with 4 voltage transformer measuring inputs and 5 output relays
- X5** – DI8-OR4: Assembly Group with 8 Digital Inputs and 4 Output Relays
- X6** – DI8-OR4: Assembly Group with 8 Digital Inputs and 4 Output Relays
- X102** – Protection Communication, Fiber optics interface, ST Connector
- X103** – Modbus TCP / DNP3.0 TCP/UDP, Fiber optics interface, LC Connector
- X104** – IRIG-B00X, incl. System Contact (Supervision Contact)

MCDLV4-2E1B1TA



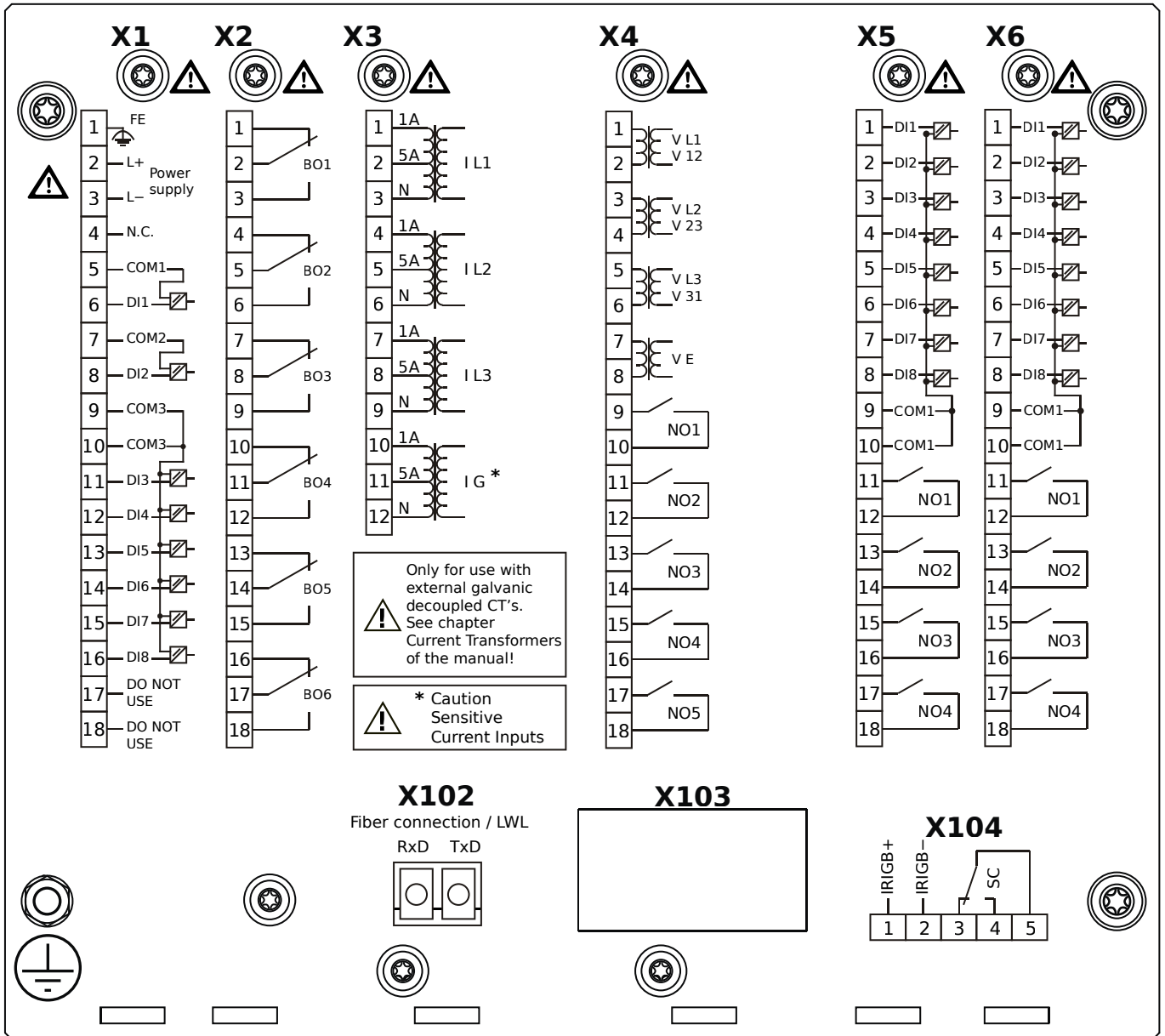
- X1** – DI8-X1: Wide-range power supply unit, incl. 2 non-grouped digital inputs and 6 grouped digital inputs
- X2** – OR-6: Assembly Group with 6 Relay Outputs
- X3** – TIs-4: Standard phase current measuring card and sensitive ground current measuring
- X4** – TU: Card with 4 voltage transformer measuring inputs and 5 output relays
- X5** – DI8-OR4: Assembly Group with 8 Digital Inputs and 4 Output Relays
- X6** – DI8-OR4: Assembly Group with 8 Digital Inputs and 4 Output Relays
- X100** – IEC 61850 / Modbus TCP / DNP3.0 TCP/UDP, Ethernet interface, 100 Mbit/s, RJ45 (BASE100-FX)
- X102** – Protection Communication, Fiber optics interface, ST Connector
- X103** – IEC 60870-5-103 / Modbus RTU / DNP3.0 RTU, RS485, Terminals
- X104** – IRIG-B00X, incl. System Contact (Supervision Contact)

MCDLV4-2E1B1TB



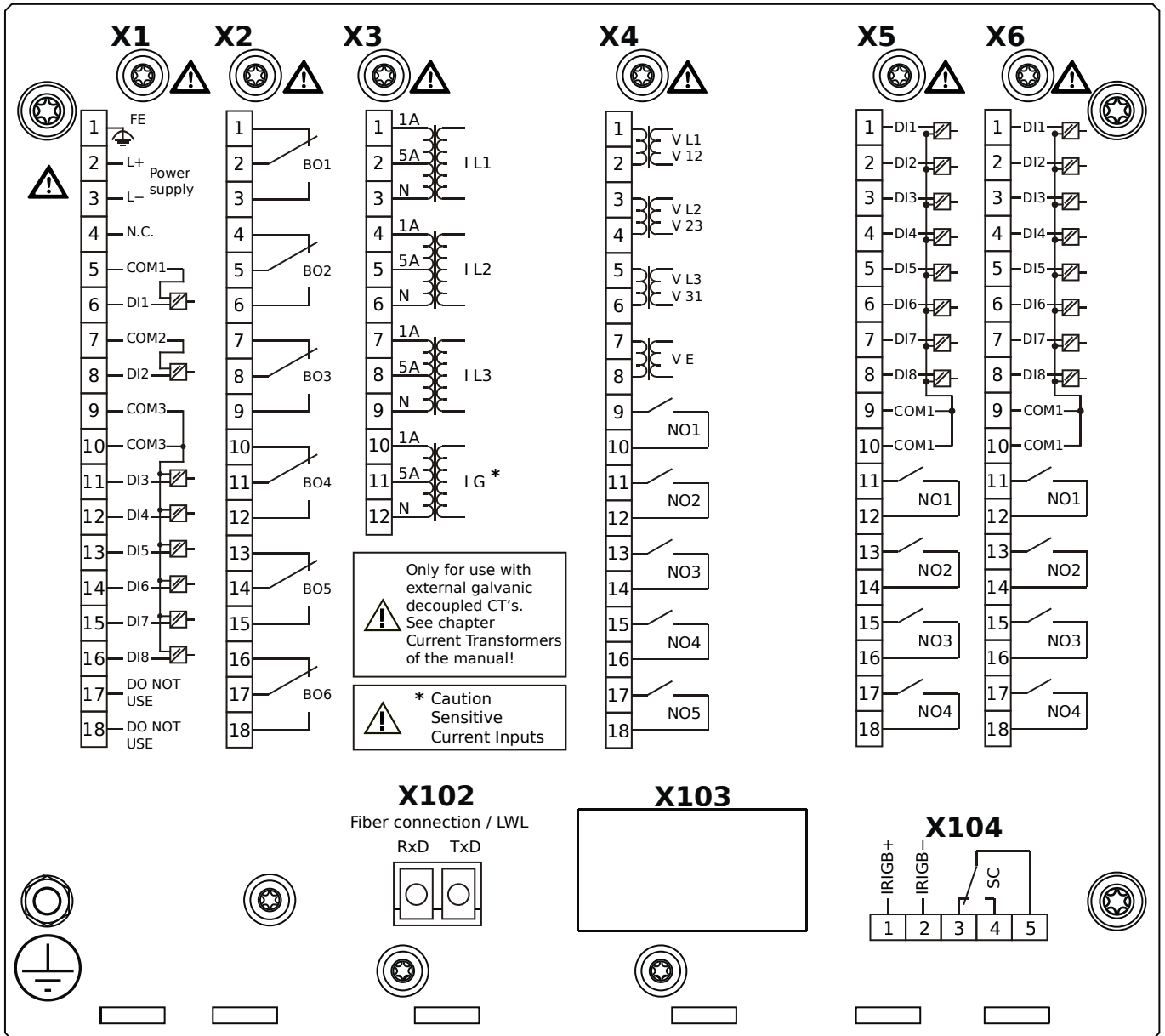
- X1** – DI8-X1: Wide-range power supply unit, incl. 2 non-grouped digital inputs and 6 grouped digital inputs
- X2** – OR-6: Assembly Group with 6 Relay Outputs
- X3** – TIs-4: Standard phase current measuring card and sensitive ground current measuring
- X4** – TU: Card with 4 voltage transformer measuring inputs and 5 output relays
- X5** – DI8-OR4: Assembly Group with 8 Digital Inputs and 4 Output Relays
- X6** – DI8-OR4: Assembly Group with 8 Digital Inputs and 4 Output Relays
- X100** – IEC 61850 / Modbus TCP / DNP3.0 TCP/UDP, Ethernet interface, 100 Mbit/s, RJ45 (BASE100-FX)
- X102** – Protection Communication, Fiber optics interface, ST Connector
- X103** – IEC 60870-5-103 / Modbus RTU / DNP3.0 RTU, RS485, Terminals
- X104** – IRIG-B00X, incl. System Contact (Supervision Contact)

MCDLV4-2E1H0AA



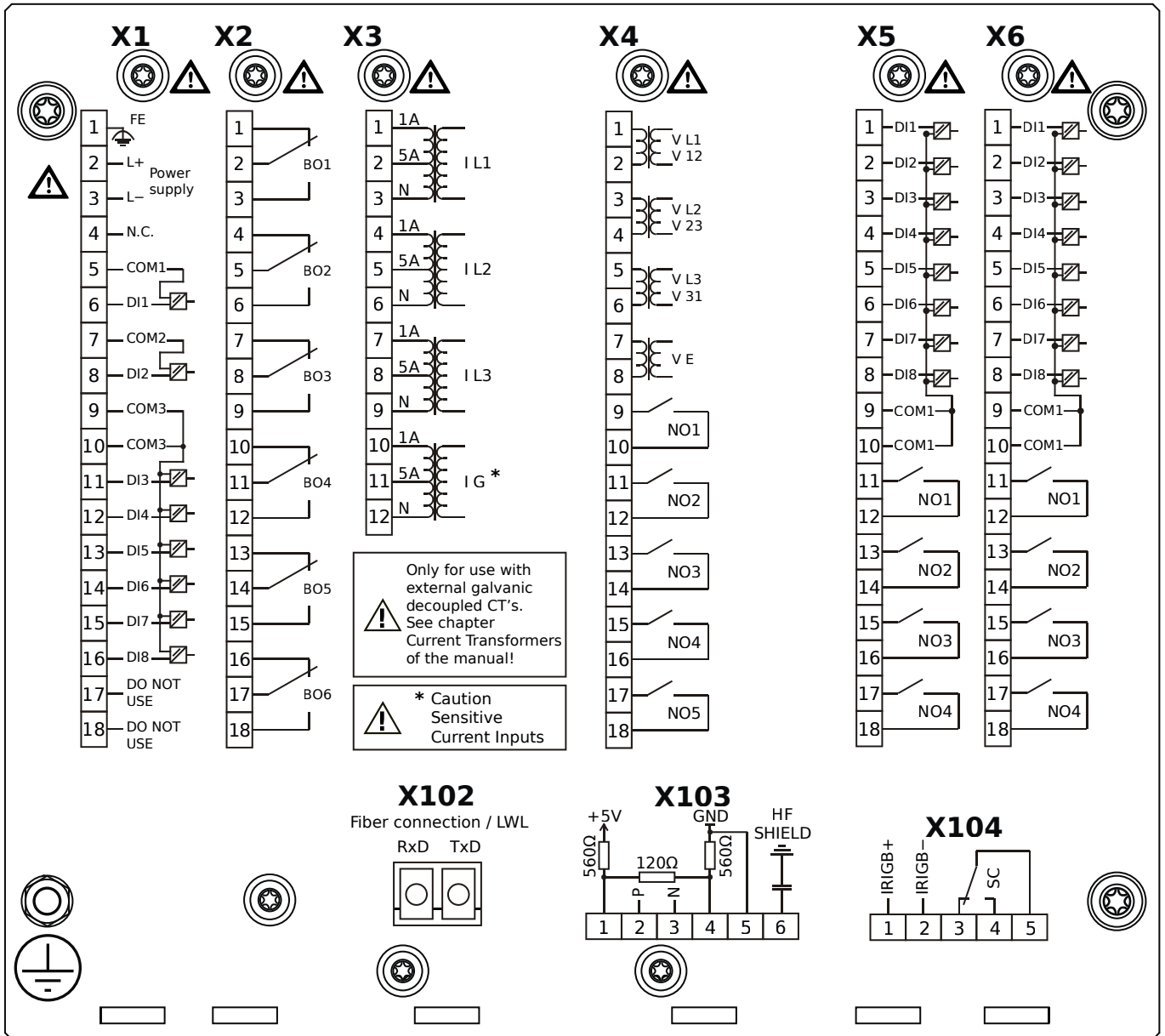
- X1** – DI8-X1: Wide-range power supply unit, incl. 2 non-grouped digital inputs and 6 grouped digital inputs
- X2** – OR-6: Assembly Group with 6 Relay Outputs
- X3** – TIs-4: Standard phase current measuring card and sensitive ground current measuring
- X4** – TU: Card with 4 voltage transformer measuring inputs and 5 output relays
- X5** – DI8-OR4: Assembly Group with 8 Digital Inputs and 4 Output Relays
- X6** – DI8-OR4: Assembly Group with 8 Digital Inputs and 4 Output Relays
- X102** – Long-distance Protection Communication, Fiber optics interface, LC Connector
- X104** – IRIG-B00X, incl. System Contact (Supervision Contact)

MCDLV4-2E1H0AB



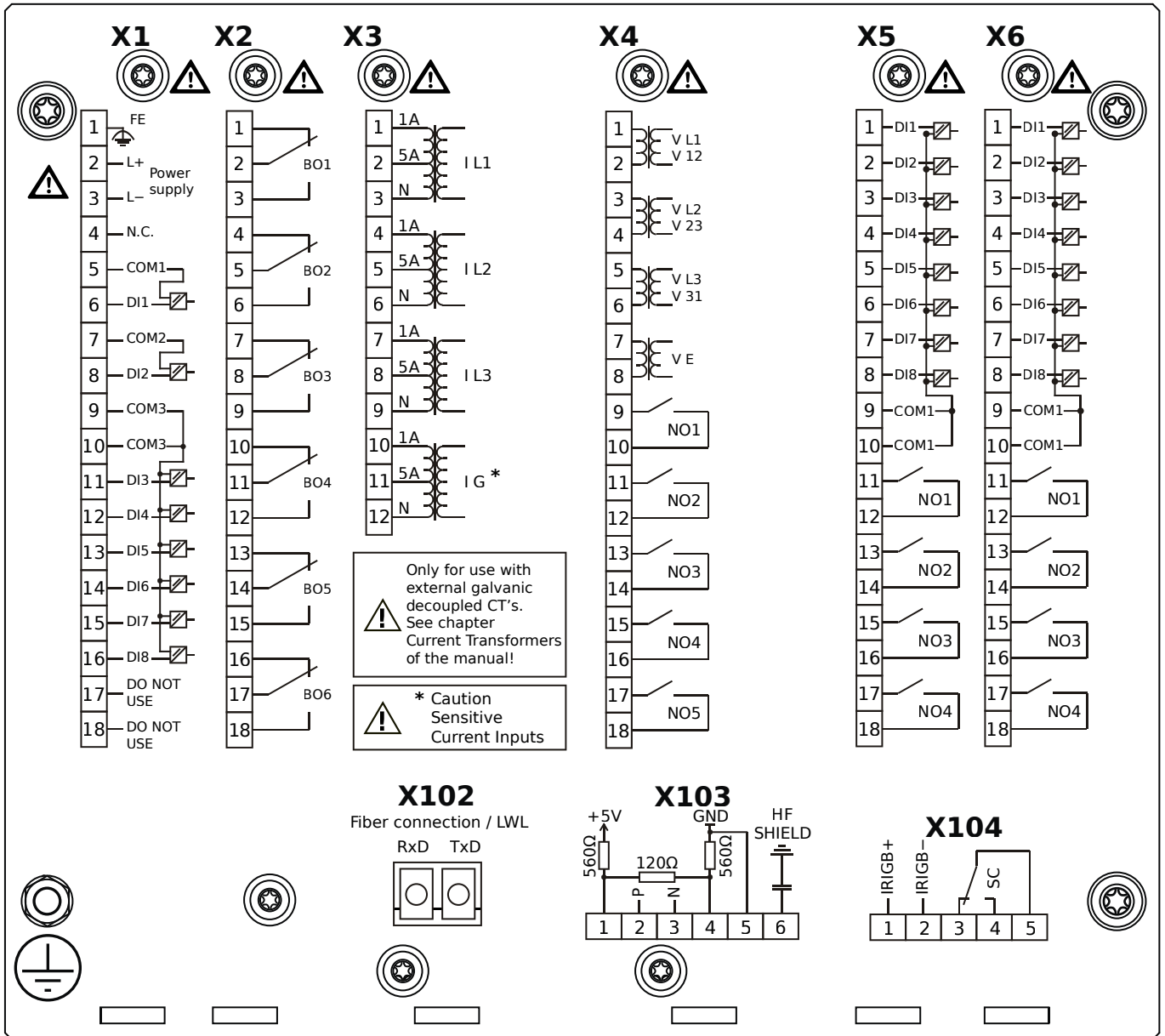
- X1** – DI8-X1: Wide-range power supply unit, incl. 2 non-grouped digital inputs and 6 grouped digital inputs
- X2** – OR-6: Assembly Group with 6 Relay Outputs
- X3** – TIs-4: Standard phase current measuring card and sensitive ground current measuring
- X4** – TU: Card with 4 voltage transformer measuring inputs and 5 output relays
- X5** – DI8-OR4: Assembly Group with 8 Digital Inputs and 4 Output Relays
- X6** – DI8-OR4: Assembly Group with 8 Digital Inputs and 4 Output Relays
- X102** – Long-distance Protection Communication, Fiber optics interface, LC Connector
- X104** – IRIG-B00X, incl. System Contact (Supervision Contact)

MCDLV4-2E1H0BA



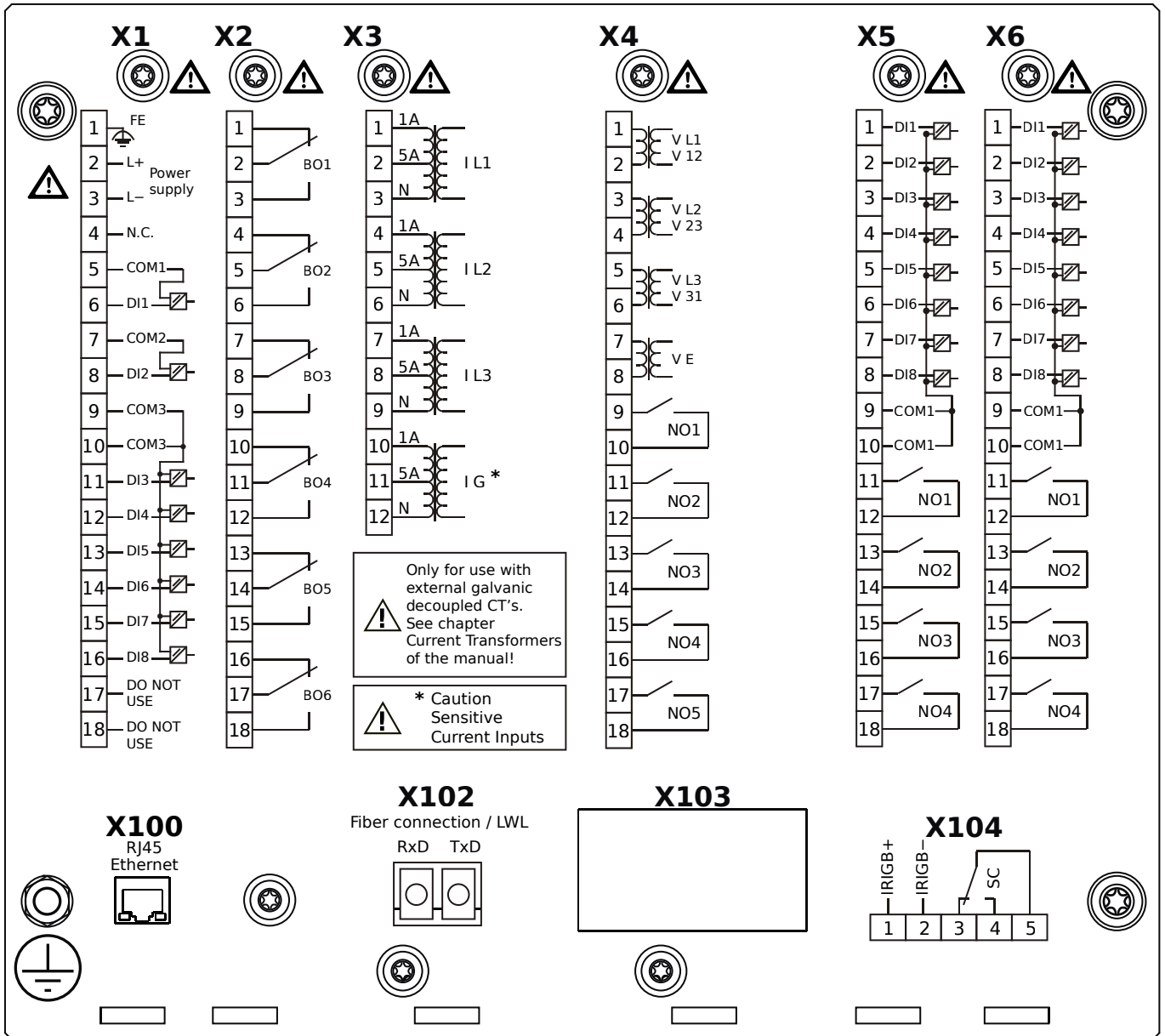
- X1** – DI8-X1: Wide-range power supply unit, incl. 2 non-grouped digital inputs and 6 grouped digital inputs
- X2** – OR-6: Assembly Group with 6 Relay Outputs
- X3** – TIs-4: Standard phase current measuring card and sensitive ground current measuring
- X4** – TU: Card with 4 voltage transformer measuring inputs and 5 output relays
- X5** – DI8-OR4: Assembly Group with 8 Digital Inputs and 4 Output Relays
- X6** – DI8-OR4: Assembly Group with 8 Digital Inputs and 4 Output Relays
- X102** – Long-distance Protection Communication, Fiber optics interface, LC Connector
- X103** – Modbus RTU / IEC 60870-5-103 / DNP3.0 RTU, RS485, Terminals
- X104** – IRIG-B00X, incl. System Contact (Supervision Contact)

MCDLV4-2E1H0BB



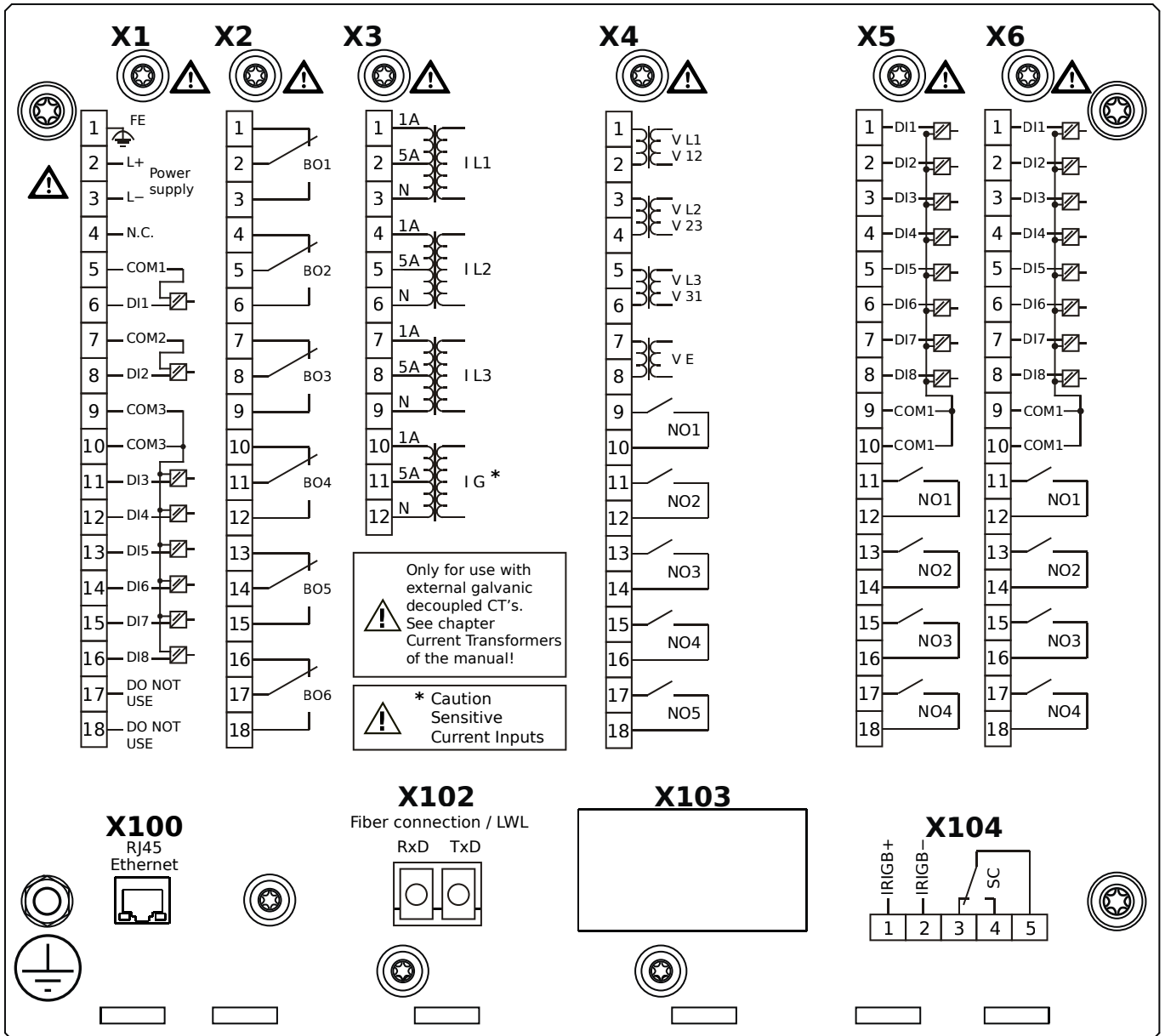
- X1** – DI8-X1: Wide-range power supply unit, incl. 2 non-grouped digital inputs and 6 grouped digital inputs
- X2** – OR-6: Assembly Group with 6 Relay Outputs
- X3** – TIs-4: Standard phase current measuring card and sensitive ground current measuring
- X4** – TU: Card with 4 voltage transformer measuring inputs and 5 output relays
- X5** – DI8-OR4: Assembly Group with 8 Digital Inputs and 4 Output Relays
- X6** – DI8-OR4: Assembly Group with 8 Digital Inputs and 4 Output Relays
- X102** – Long-distance Protection Communication, Fiber optics interface, LC Connector
- X103** – Modbus RTU / IEC 60870-5-103 / DNP3.0 RTU, RS485, Terminals
- X104** – IRIG-B00X, incl. System Contact (Supervision Contact)

MCDLV4-2E1H0CA



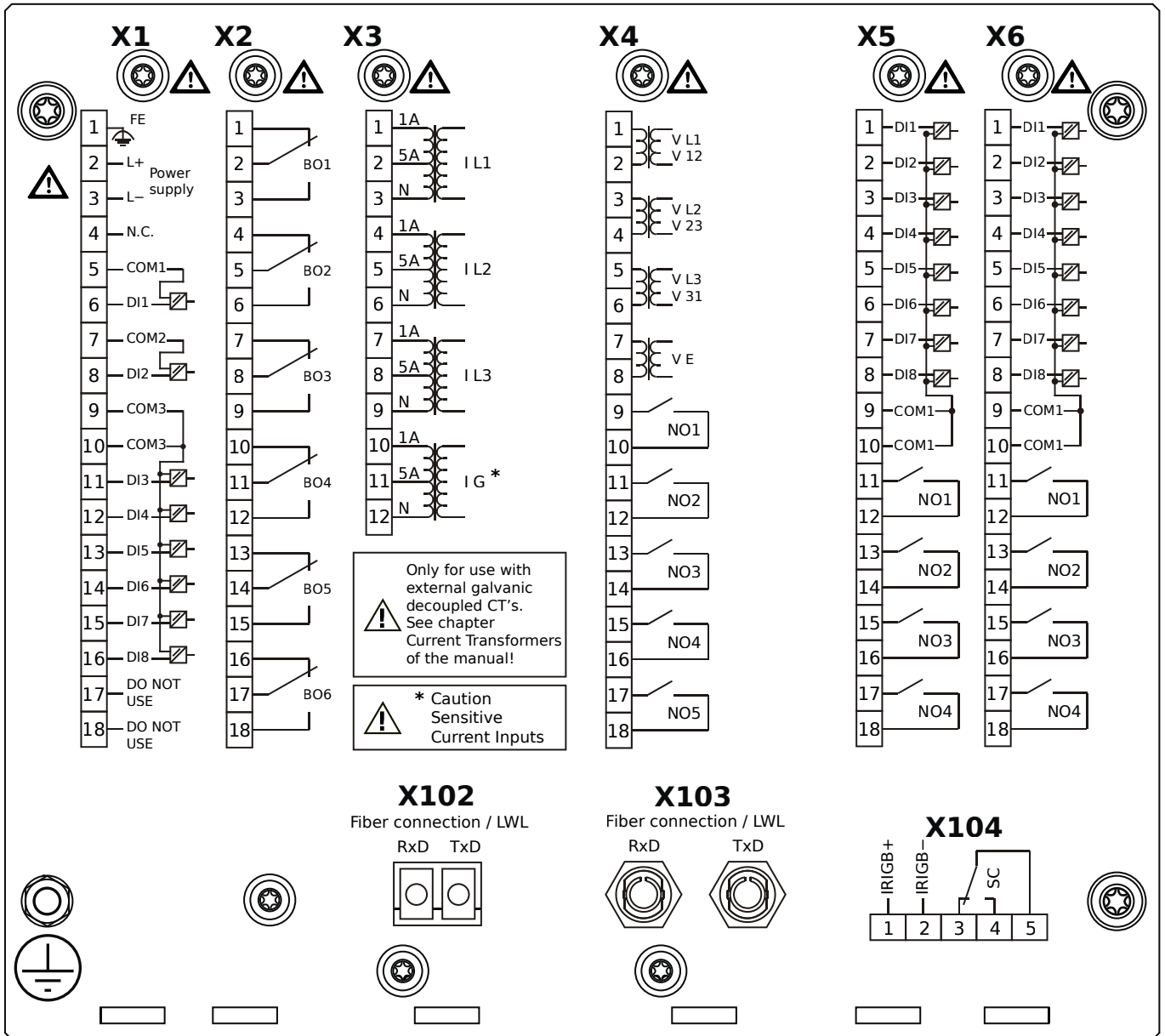
- X1** – DI8-X1: Wide-range power supply unit, incl. 2 non-grouped digital inputs and 6 grouped digital inputs
- X2** – OR-6: Assembly Group with 6 Relay Outputs
- X3** – TIs-4: Standard phase current measuring card and sensitive ground current measuring
- X4** – TU: Card with 4 voltage transformer measuring inputs and 5 output relays
- X5** – DI8-OR4: Assembly Group with 8 Digital Inputs and 4 Output Relays
- X6** – DI8-OR4: Assembly Group with 8 Digital Inputs and 4 Output Relays
- X100** – Modbus TCP / DNP3.0 TCP/UDP, Ethernet interface, 100 Mbit/s, RJ45 (BASE100-FX)
- X102** – Long-distance Protection Communication, Fiber optics interface, LC Connector
- X104** – IRIG-B00X, incl. System Contact (Supervision Contact)

MCDLV4-2E1H0CB



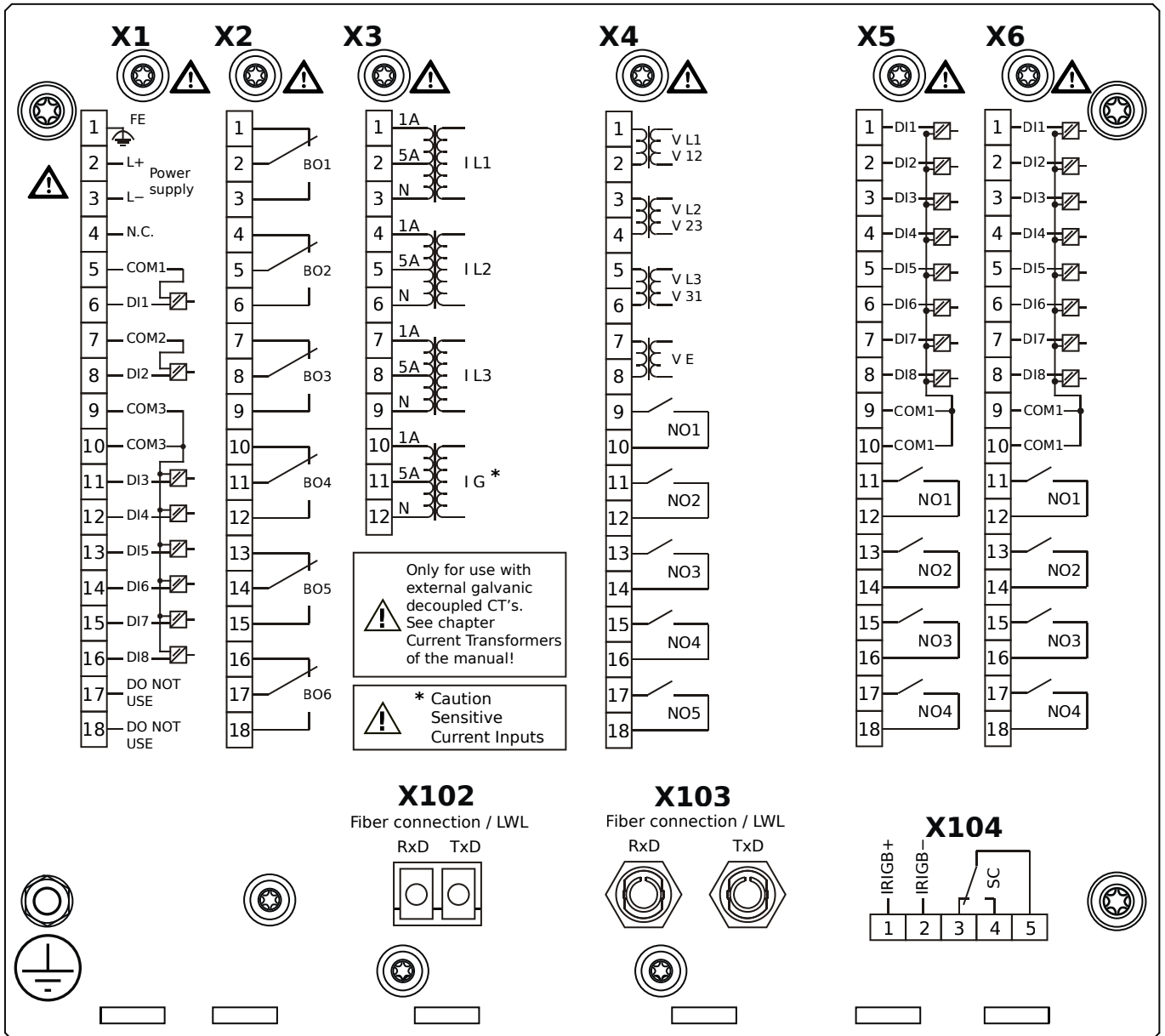
- X1** – DI8-X1: Wide-range power supply unit, incl. 2 non-grouped digital inputs and 6 grouped digital inputs
- X2** – OR-6: Assembly Group with 6 Relay Outputs
- X3** – TIs-4: Standard phase current measuring card and sensitive ground current measuring
- X4** – TU: Card with 4 voltage transformer measuring inputs and 5 output relays
- X5** – DI8-OR4: Assembly Group with 8 Digital Inputs and 4 Output Relays
- X6** – DI8-OR4: Assembly Group with 8 Digital Inputs and 4 Output Relays
- X100** – Modbus TCP / DNP3.0 TCP/UDP, Ethernet interface, 100 Mbit/s, RJ45 (BASE100-FX)
- X102** – Long-distance Protection Communication, Fiber optics interface, LC Connector
- X104** – IRIG-B00X, incl. System Contact (Supervision Contact)

MCDLV4-2E1H0DA



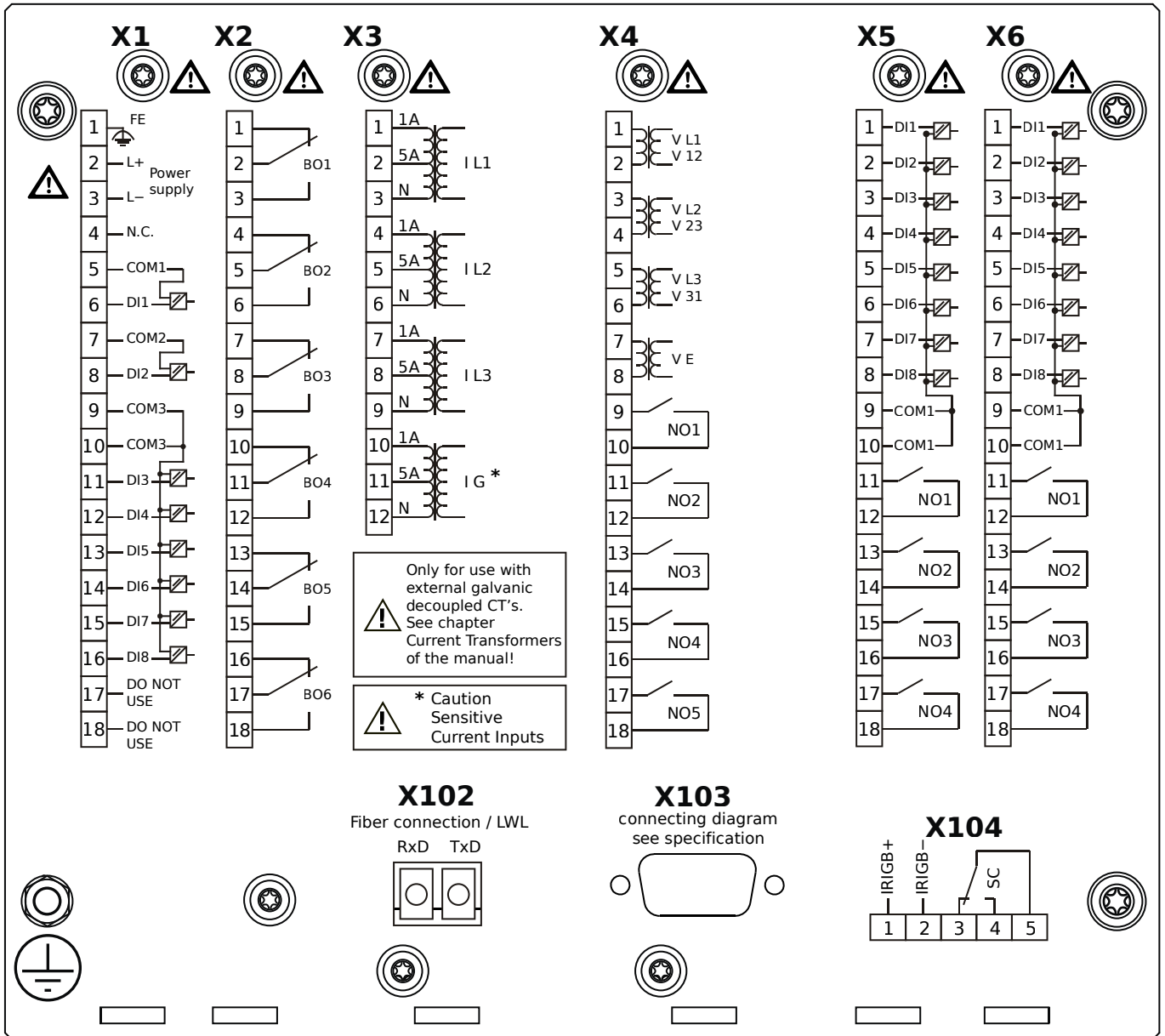
- X1** – DI8-X1: Wide-range power supply unit, incl. 2 non-grouped digital inputs and 6 grouped digital inputs
- X2** – OR-6: Assembly Group with 6 Relay Outputs
- X3** – TIs-4: Standard phase current measuring card and sensitive ground current measuring
- X4** – TU: Card with 4 voltage transformer measuring inputs and 5 output relays
- X5** – DI8-OR4: Assembly Group with 8 Digital Inputs and 4 Output Relays
- X6** – DI8-OR4: Assembly Group with 8 Digital Inputs and 4 Output Relays
- X102** – Long-distance Protection Communication, Fiber optics interface, LC Connector
- X103** – Profibus-DP, Fiber optics interface, ST Connector
- X104** – IRIG-B00X, incl. System Contact (Supervision Contact)

MCDLV4-2E1H0DB



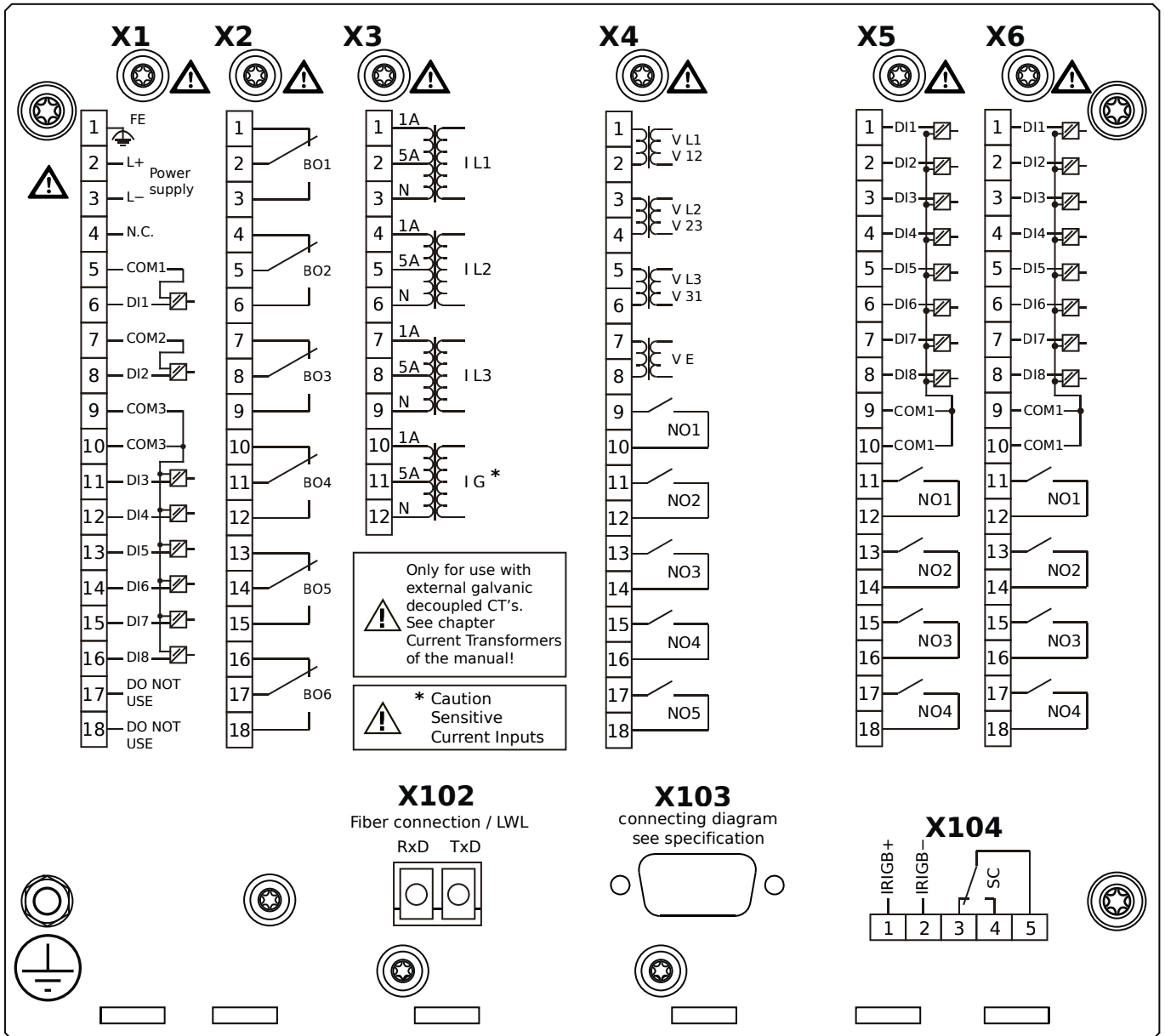
- X1** – DI8-X1: Wide-range power supply unit, incl. 2 non-grouped digital inputs and 6 grouped digital inputs
- X2** – OR-6: Assembly Group with 6 Relay Outputs
- X3** – TIs-4: Standard phase current measuring card and sensitive ground current measuring
- X4** – TU: Card with 4 voltage transformer measuring inputs and 5 output relays
- X5** – DI8-OR4: Assembly Group with 8 Digital Inputs and 4 Output Relays
- X6** – DI8-OR4: Assembly Group with 8 Digital Inputs and 4 Output Relays
- X102** – Long-distance Protection Communication, Fiber optics interface, LC Connector
- X103** – Profibus-DP, Fiber optics interface, ST Connector
- X104** – IRIG-B00X, incl. System Contact (Supervision Contact)

MCDLV4-2E1H0EA



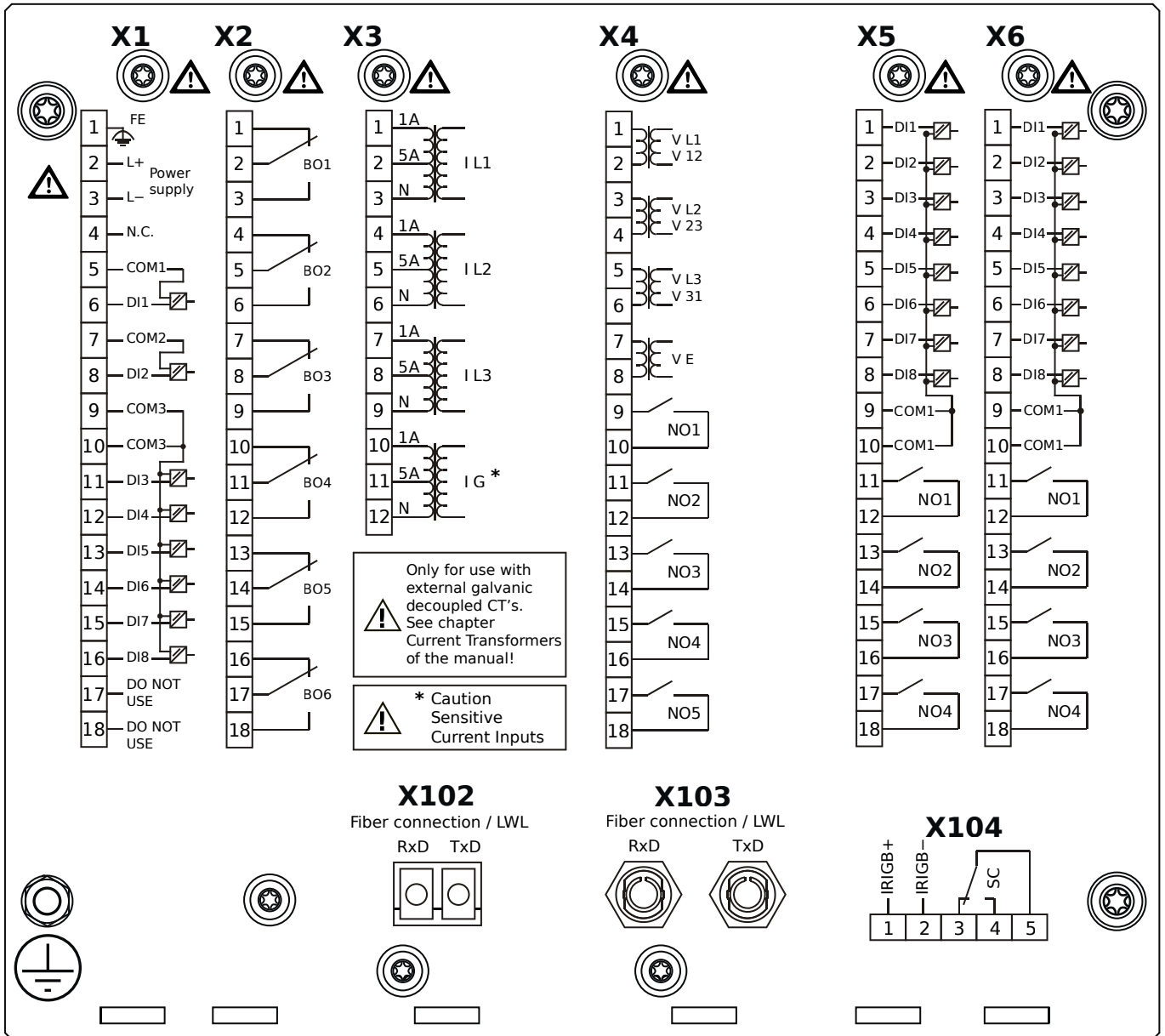
- X1** – DI8-X1: Wide-range power supply unit, incl. 2 non-grouped digital inputs and 6 grouped digital inputs
- X2** – OR-6: Assembly Group with 6 Relay Outputs
- X3** – TIs-4: Standard phase current measuring card and sensitive ground current measuring
- X4** – TU: Card with 4 voltage transformer measuring inputs and 5 output relays
- X5** – DI8-OR4: Assembly Group with 8 Digital Inputs and 4 Output Relays
- X6** – DI8-OR4: Assembly Group with 8 Digital Inputs and 4 Output Relays
- X102** – Long-distance Protection Communication, Fiber optics interface, LC Connector
- X103** – Profibus-DP, RS485, D-SUB
- X104** – IRIG-B00X, incl. System Contact (Supervision Contact)

MCDLV4-2E1H0EB



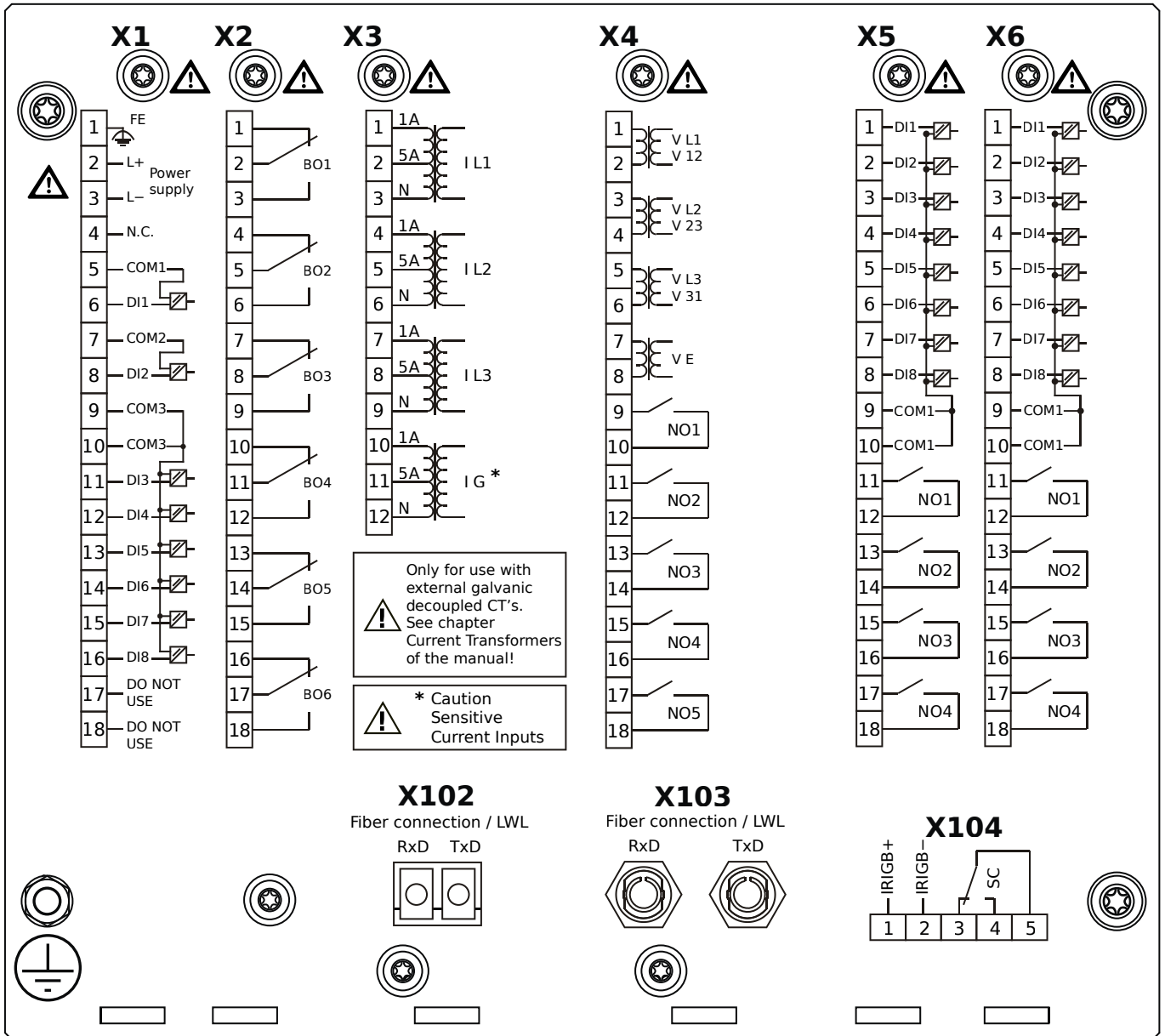
- X1** – DI8-X1: Wide-range power supply unit, incl. 2 non-grouped digital inputs and 6 grouped digital inputs
- X2** – OR-6: Assembly Group with 6 Relay Outputs
- X3** – TIs-4: Standard phase current measuring card and sensitive ground current measuring
- X4** – TU: Card with 4 voltage transformer measuring inputs and 5 output relays
- X5** – DI8-OR4: Assembly Group with 8 Digital Inputs and 4 Output Relays
- X6** – DI8-OR4: Assembly Group with 8 Digital Inputs and 4 Output Relays
- X102** – Long-distance Protection Communication, Fiber optics interface, LC Connector
- X103** – Profibus-DP, RS485, D-SUB
- X104** – IRIG-B00X, incl. System Contact (Supervision Contact)

MCDLV4-2E1H0FA



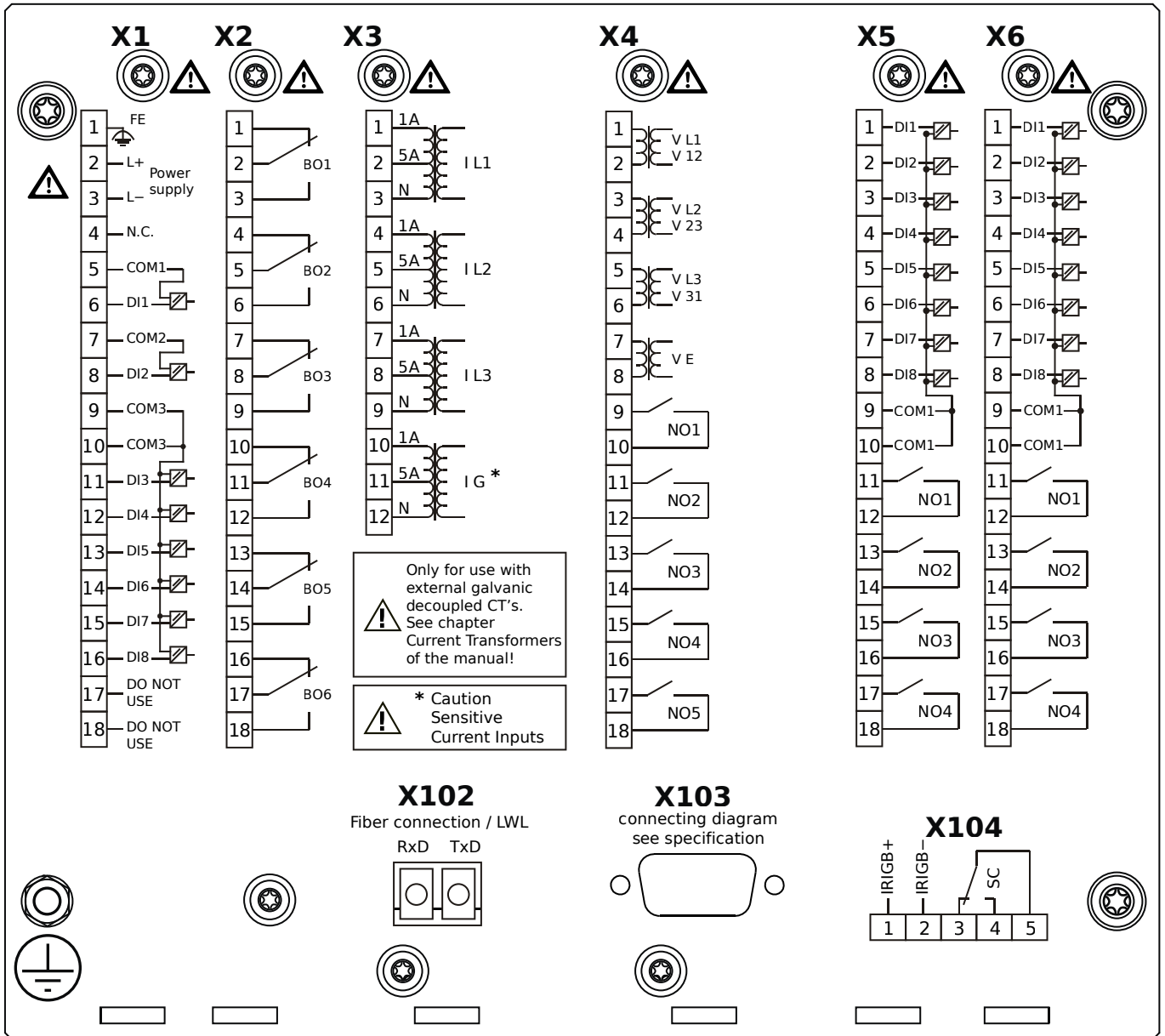
- X1** – DI8-X1: Wide-range power supply unit, incl. 2 non-grouped digital inputs and 6 grouped digital inputs
- X2** – OR-6: Assembly Group with 6 Relay Outputs
- X3** – TIs-4: Standard phase current measuring card and sensitive ground current measuring
- X4** – TU: Card with 4 voltage transformer measuring inputs and 5 output relays
- X5** – DI8-OR4: Assembly Group with 8 Digital Inputs and 4 Output Relays
- X6** – DI8-OR4: Assembly Group with 8 Digital Inputs and 4 Output Relays
- X102** – Long-distance Protection Communication, Fiber optics interface, LC Connector
- X103** – Modbus RTU / IEC 60870-5-103 / DNP3.0 RTU, Fiber optics interface, ST Connector
- X104** – IRIG-B00X, incl. System Contact (Supervision Contact)

MCDLV4-2E1H0FB



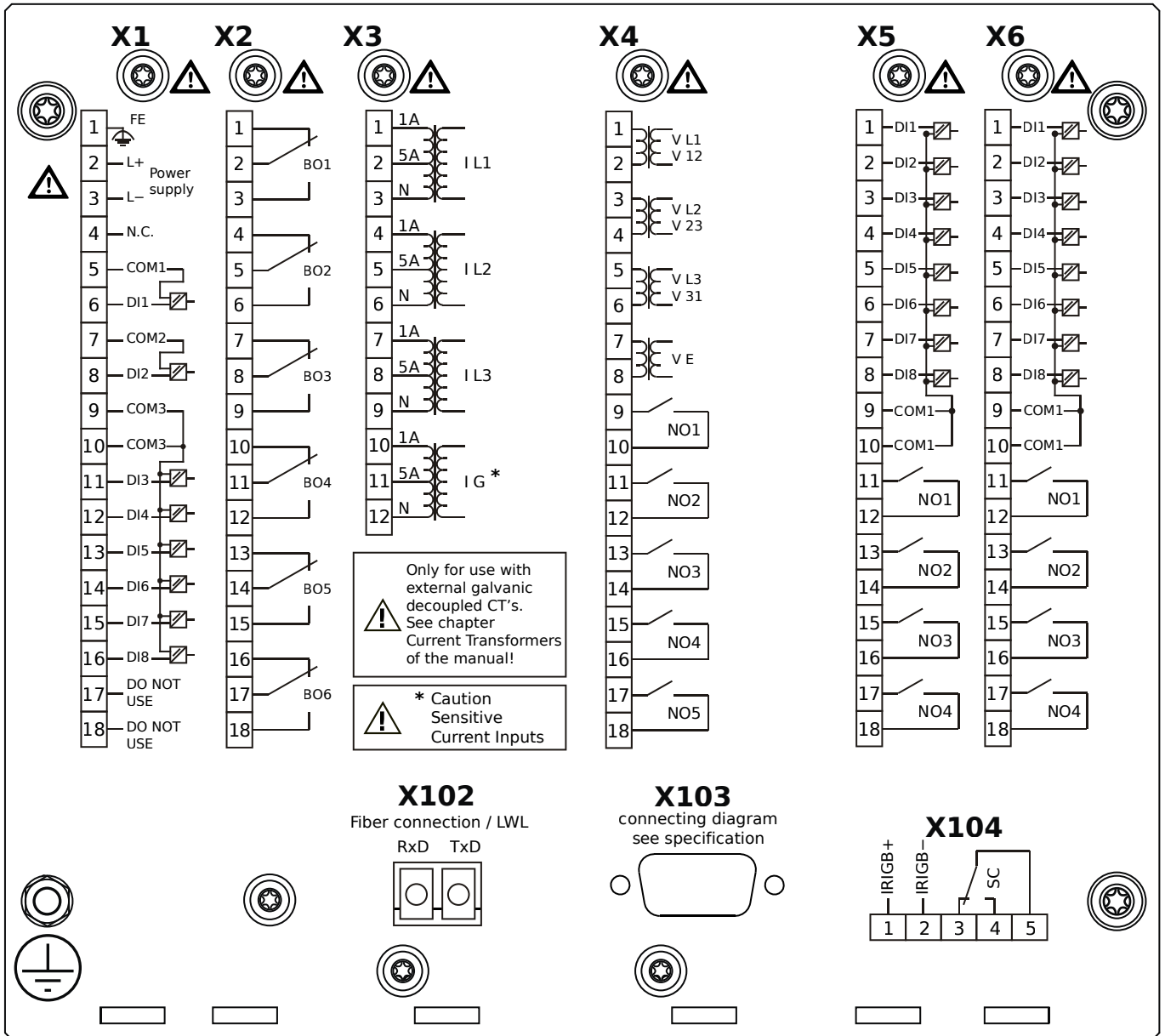
- X1** – DI8-X1: Wide-range power supply unit, incl. 2 non-grouped digital inputs and 6 grouped digital inputs
- X2** – OR-6: Assembly Group with 6 Relay Outputs
- X3** – TIs-4: Standard phase current measuring card and sensitive ground current measuring
- X4** – TU: Card with 4 voltage transformer measuring inputs and 5 output relays
- X5** – DI8-OR4: Assembly Group with 8 Digital Inputs and 4 Output Relays
- X6** – DI8-OR4: Assembly Group with 8 Digital Inputs and 4 Output Relays
- X102** – Long-distance Protection Communication, Fiber optics interface, LC Connector
- X103** – Modbus RTU / IEC 60870-5-103 / DNP3.0 RTU, Fiber optics interface, ST Connector
- X104** – IRIG-B00X, incl. System Contact (Supervision Contact)

MCDLV4-2E1H0GA



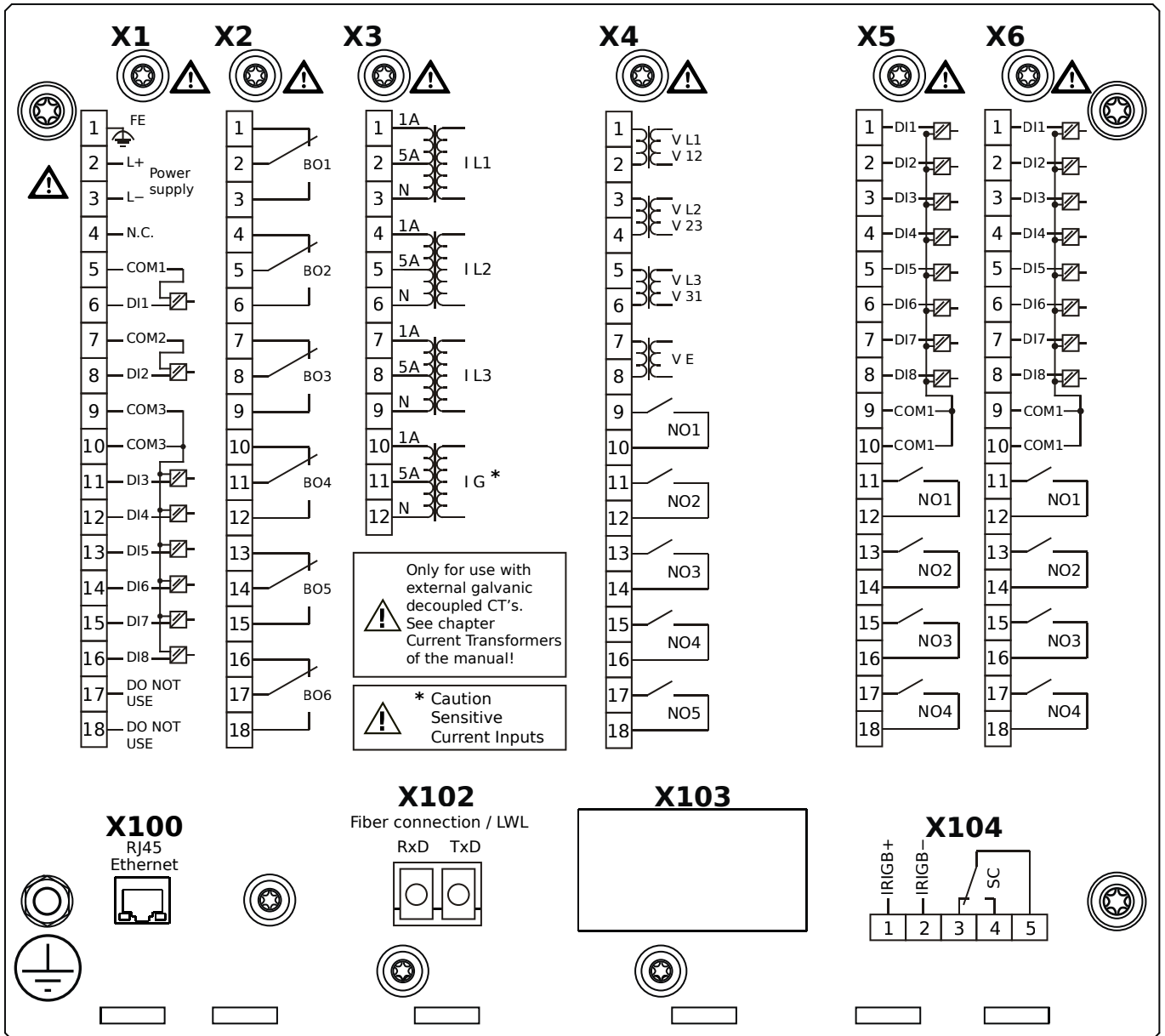
- X1** – DI8-X1: Wide-range power supply unit, incl. 2 non-grouped digital inputs and 6 grouped digital inputs
- X2** – OR-6: Assembly Group with 6 Relay Outputs
- X3** – TIs-4: Standard phase current measuring card and sensitive ground current measuring
- X4** – TU: Card with 4 voltage transformer measuring inputs and 5 output relays
- X5** – DI8-OR4: Assembly Group with 8 Digital Inputs and 4 Output Relays
- X6** – DI8-OR4: Assembly Group with 8 Digital Inputs and 4 Output Relays
- X102** – Long-distance Protection Communication, Fiber optics interface, LC Connector
- X103** – Modbus RTU / IEC 60870-5-103 / DNP3.0 RTU, RS485, D-SUB
- X104** – IRIG-B00X, incl. System Contact (Supervision Contact)

MCDLV4-2E1H0GB



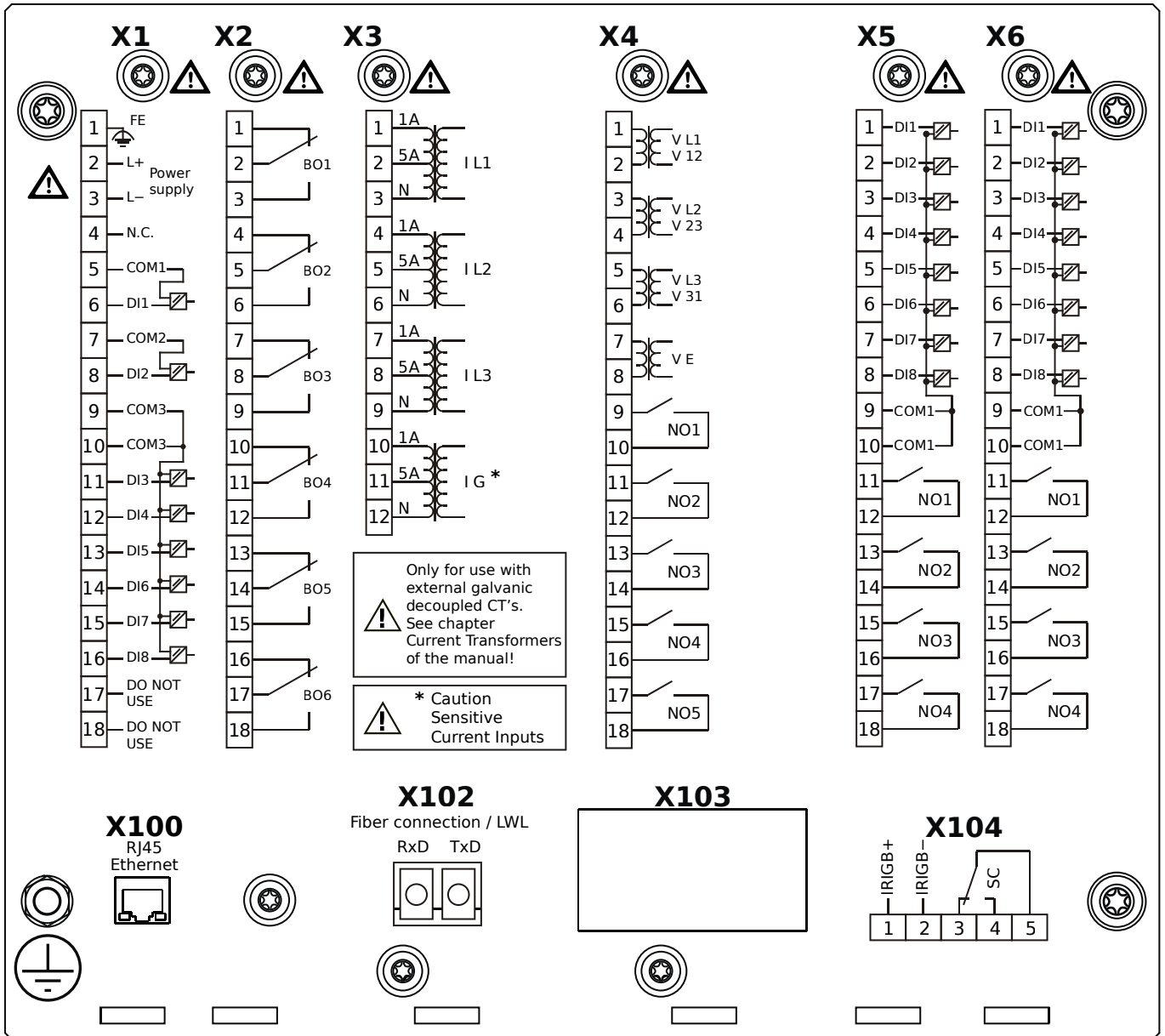
- X1** – DI8-X1: Wide-range power supply unit, incl. 2 non-grouped digital inputs and 6 grouped digital inputs
- X2** – OR-6: Assembly Group with 6 Relay Outputs
- X3** – TIs-4: Standard phase current measuring card and sensitive ground current measuring
- X4** – TU: Card with 4 voltage transformer measuring inputs and 5 output relays
- X5** – DI8-OR4: Assembly Group with 8 Digital Inputs and 4 Output Relays
- X6** – DI8-OR4: Assembly Group with 8 Digital Inputs and 4 Output Relays
- X102** – Long-distance Protection Communication, Fiber optics interface, LC Connector
- X103** – Modbus RTU / IEC 60870-5-103 / DNP3.0 RTU, RS485, D-SUB
- X104** – IRIG-B00X, incl. System Contact (Supervision Contact)

MCDLV4-2E1H0HA



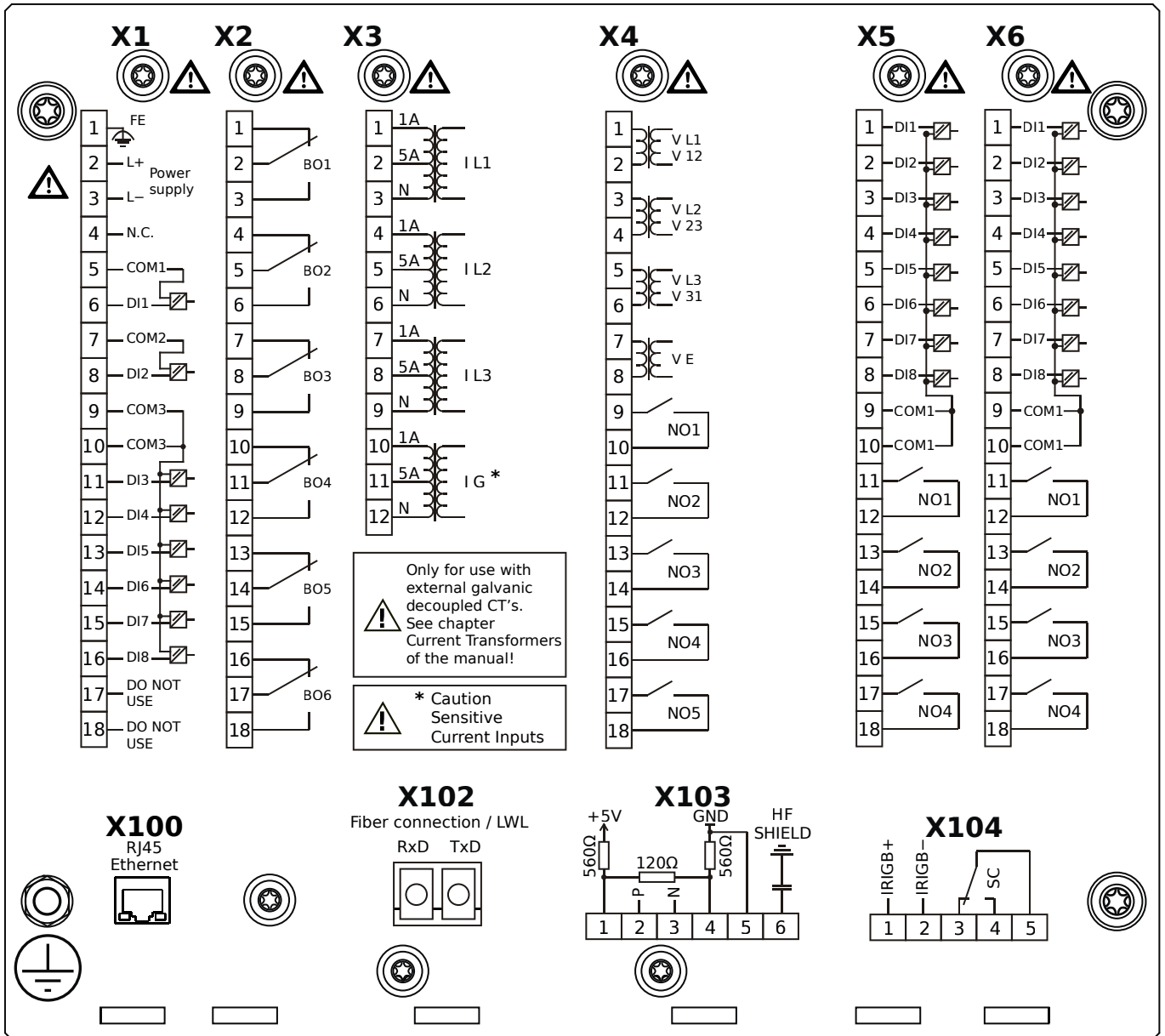
- X1** – DI8-X1: Wide-range power supply unit, incl. 2 non-grouped digital inputs and 6 grouped digital inputs
- X2** – OR-6: Assembly Group with 6 Relay Outputs
- X3** – TIs-4: Standard phase current measuring card and sensitive ground current measuring
- X4** – TU: Card with 4 voltage transformer measuring inputs and 5 output relays
- X5** – DI8-OR4: Assembly Group with 8 Digital Inputs and 4 Output Relays
- X6** – DI8-OR4: Assembly Group with 8 Digital Inputs and 4 Output Relays
- X100** – IEC 61850 / Modbus TCP / DNP3.0 TCP/UDP, Ethernet interface, 100 Mbit/s, RJ45 (BASE100-FX)
- X102** – Long-distance Protection Communication, Fiber optics interface, LC Connector
- X104** – IRIG-B00X, incl. System Contact (Supervision Contact)

MCDLV4-2E1H0HB



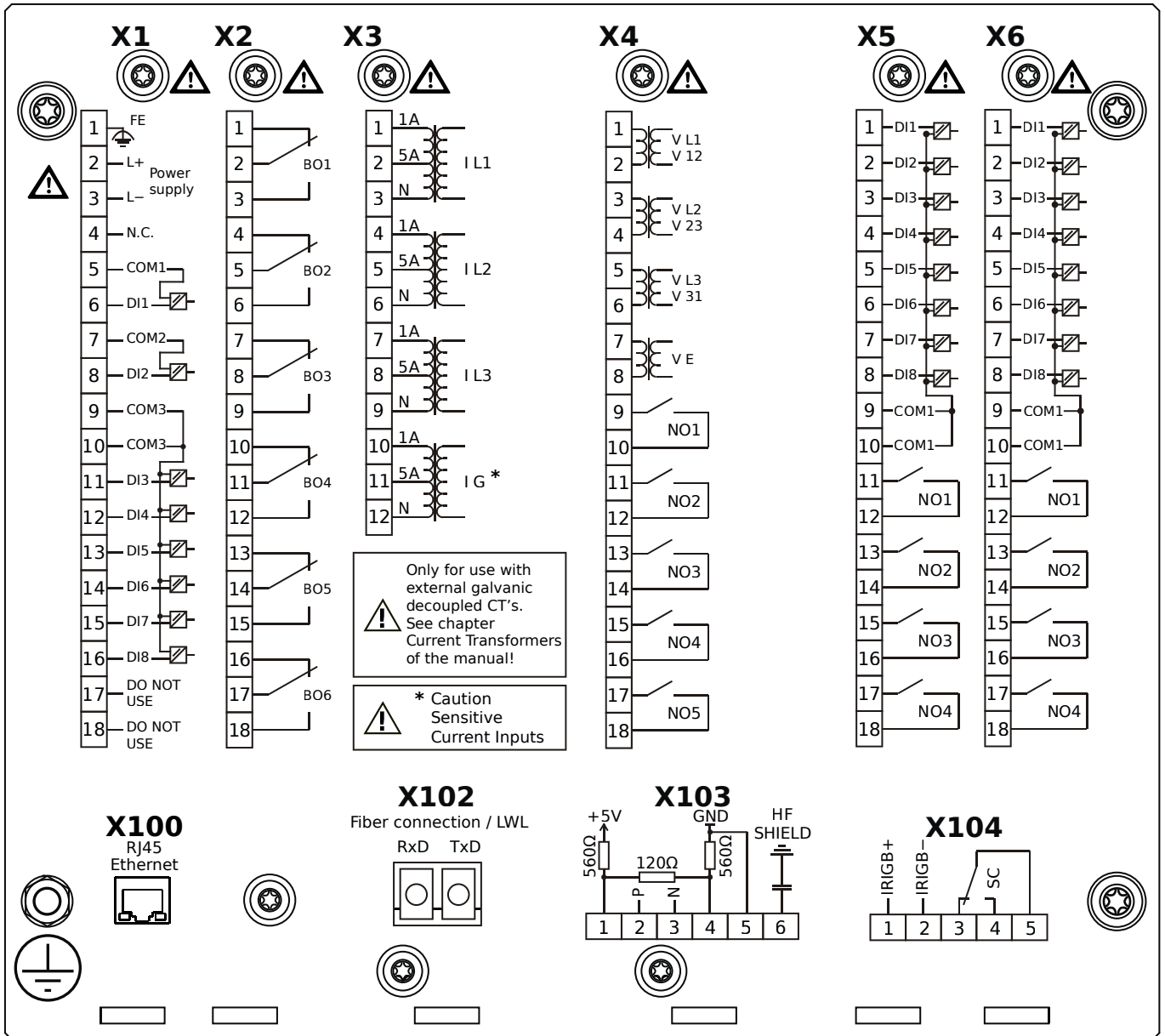
- X1** – DI8-X1: Wide-range power supply unit, incl. 2 non-grouped digital inputs and 6 grouped digital inputs
- X2** – OR-6: Assembly Group with 6 Relay Outputs
- X3** – TIs-4: Standard phase current measuring card and sensitive ground current measuring
- X4** – TU: Card with 4 voltage transformer measuring inputs and 5 output relays
- X5** – DI8-OR4: Assembly Group with 8 Digital Inputs and 4 Output Relays
- X6** – DI8-OR4: Assembly Group with 8 Digital Inputs and 4 Output Relays
- X100** – IEC 61850 / Modbus TCP / DNP3.0 TCP/UDP, Ethernet interface, 100 Mbit/s, RJ45 (BASE100-FX)
- X102** – Long-distance Protection Communication, Fiber optics interface, LC Connector
- X104** – IRIG-B00X, incl. System Contact (Supervision Contact)

MCDLV4-2E1H0IA



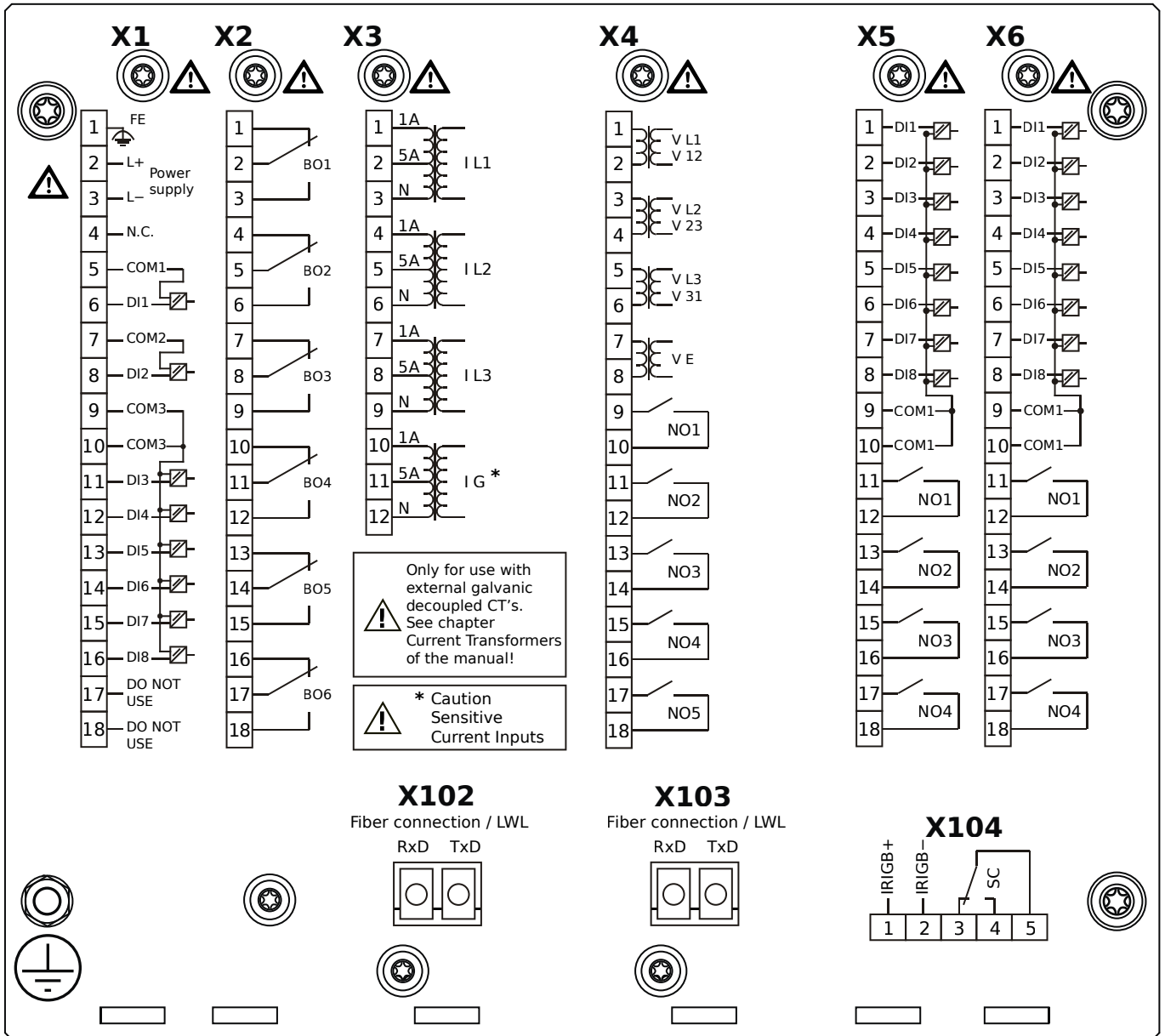
- X1** – DI8-X1: Wide-range power supply unit, incl. 2 non-grouped digital inputs and 6 grouped digital inputs
- X2** – OR-6: Assembly Group with 6 Relay Outputs
- X3** – TIs-4: Standard phase current measuring card and sensitive ground current measuring
- X4** – TU: Card with 4 voltage transformer measuring inputs and 5 output relays
- X5** – DI8-OR4: Assembly Group with 8 Digital Inputs and 4 Output Relays
- X6** – DI8-OR4: Assembly Group with 8 Digital Inputs and 4 Output Relays
- X100** – Modbus TCP / DNP3.0 TCP/UDP, Ethernet interface, 100 Mbit/s, RJ45 (BASE100-FX)
- X102** – Long-distance Protection Communication, Fiber optics interface, LC Connector
- X103** – IEC 60870-5-103 / Modbus RTU / DNP3.0 RTU, RS485, Terminals
- X104** – IRIG-B00X, incl. System Contact (Supervision Contact)

MCDLV4-2E1H0IB



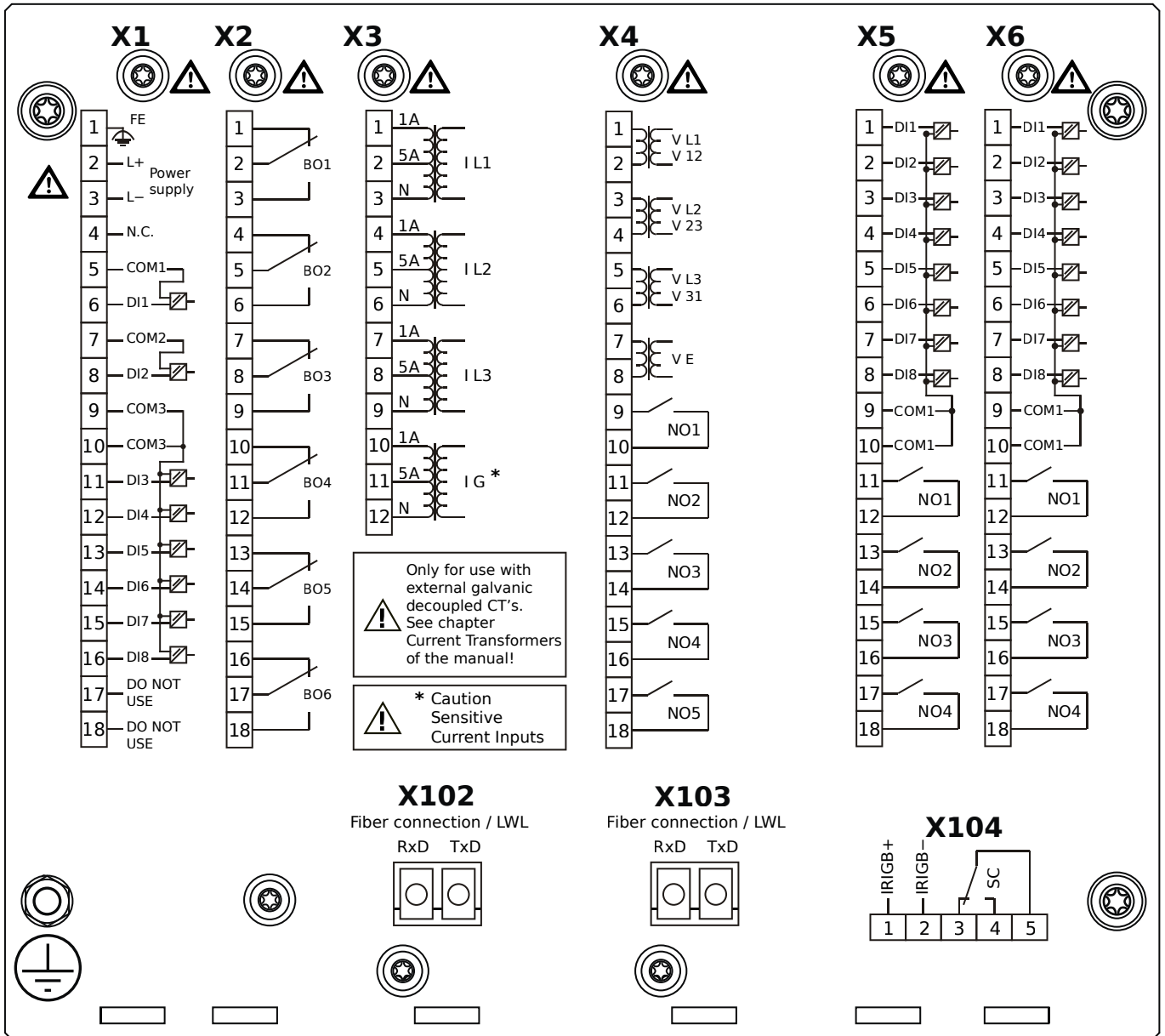
- X1** – DI8-X1: Wide-range power supply unit, incl. 2 non-grouped digital inputs and 6 grouped digital inputs
- X2** – OR-6: Assembly Group with 6 Relay Outputs
- X3** – TIs-4: Standard phase current measuring card and sensitive ground current measuring
- X4** – TU: Card with 4 voltage transformer measuring inputs and 5 output relays
- X5** – DI8-OR4: Assembly Group with 8 Digital Inputs and 4 Output Relays
- X6** – DI8-OR4: Assembly Group with 8 Digital Inputs and 4 Output Relays
- X100** – Modbus TCP / DNP3.0 TCP/UDP, Ethernet interface, 100 Mbit/s, RJ45 (BASE100-FX)
- X102** – Long-distance Protection Communication, Fiber optics interface, LC Connector
- X103** – IEC 60870-5-103 / Modbus RTU / DNP3.0 RTU, RS485, Terminals
- X104** – IRIG-B00X, incl. System Contact (Supervision Contact)

MCDLV4-2E1H0KA



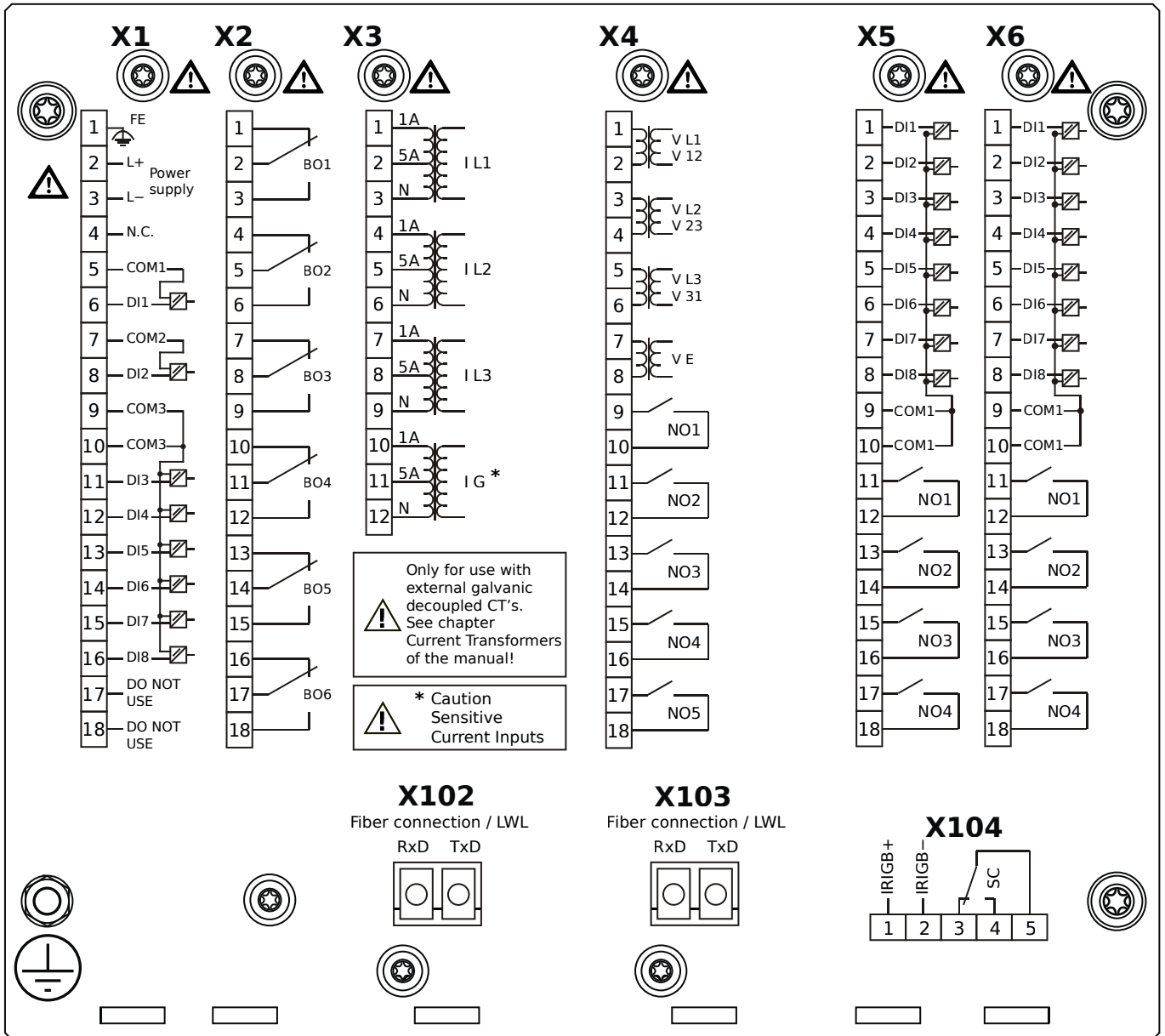
- X1** – DI8-X1: Wide-range power supply unit, incl. 2 non-grouped digital inputs and 6 grouped digital inputs
- X2** – OR-6: Assembly Group with 6 Relay Outputs
- X3** – TIs-4: Standard phase current measuring card and sensitive ground current measuring
- X4** – TU: Card with 4 voltage transformer measuring inputs and 5 output relays
- X5** – DI8-OR4: Assembly Group with 8 Digital Inputs and 4 Output Relays
- X6** – DI8-OR4: Assembly Group with 8 Digital Inputs and 4 Output Relays
- X102** – Long-distance Protection Communication, Fiber optics interface, LC Connector
- X103** – IEC 61850 / Modbus TCP / DNP3.0 TCP/UDP, Fiber optics interface, LC Connector
- X104** – IRIG-B00X, incl. System Contact (Supervision Contact)

MCDLV4-2E1H0KB



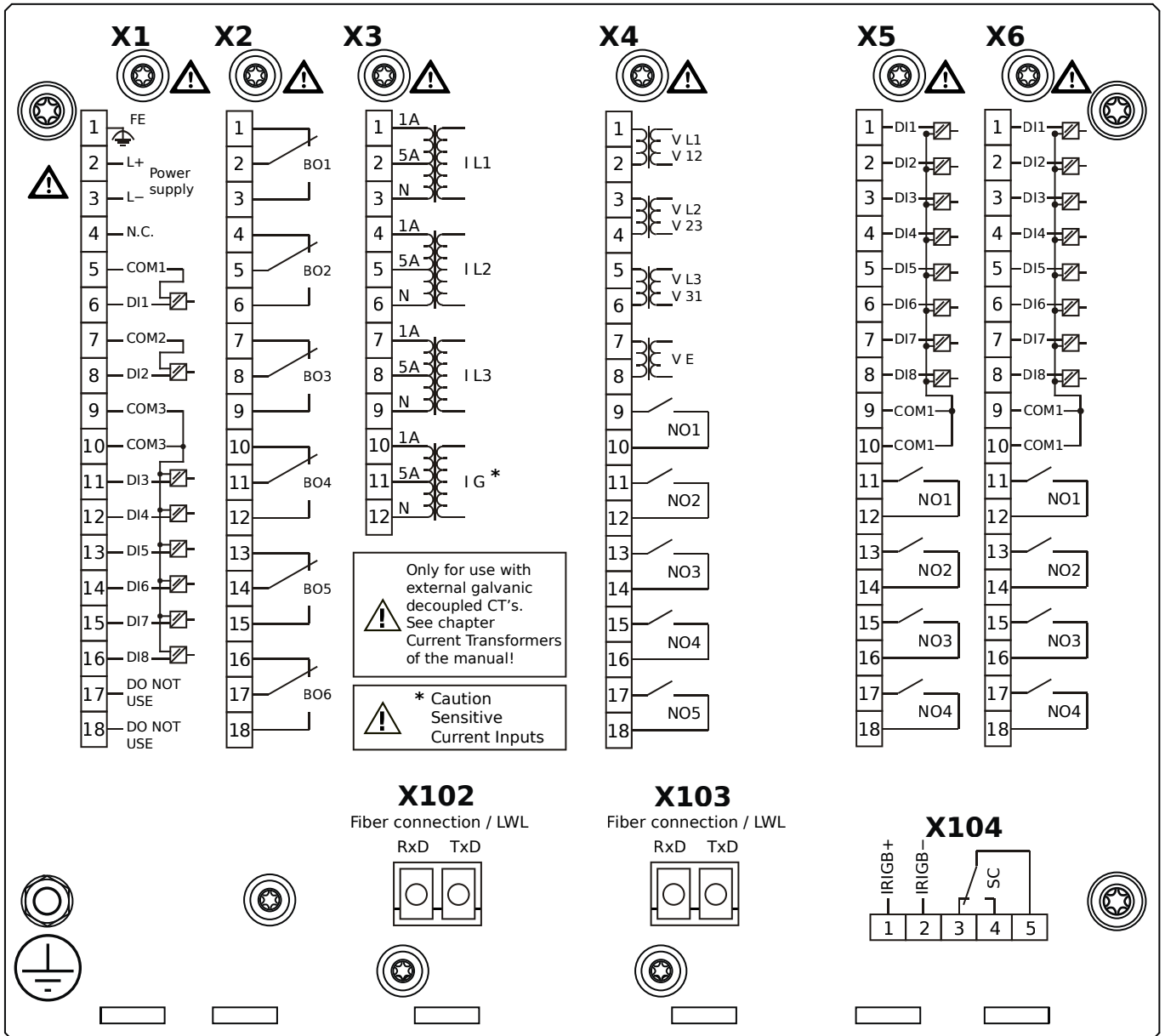
- X1** – DI8-X1: Wide-range power supply unit, incl. 2 non-grouped digital inputs and 6 grouped digital inputs
- X2** – OR-6: Assembly Group with 6 Relay Outputs
- X3** – TIs-4: Standard phase current measuring card and sensitive ground current measuring
- X4** – TU: Card with 4 voltage transformer measuring inputs and 5 output relays
- X5** – DI8-OR4: Assembly Group with 8 Digital Inputs and 4 Output Relays
- X6** – DI8-OR4: Assembly Group with 8 Digital Inputs and 4 Output Relays
- X102** – Long-distance Protection Communication, Fiber optics interface, LC Connector
- X103** – IEC 61850 / Modbus TCP / DNP3.0 TCP/UDP, Fiber optics interface, LC Connector
- X104** – IRIG-B00X, incl. System Contact (Supervision Contact)

MCDLV4-2E1H0LA



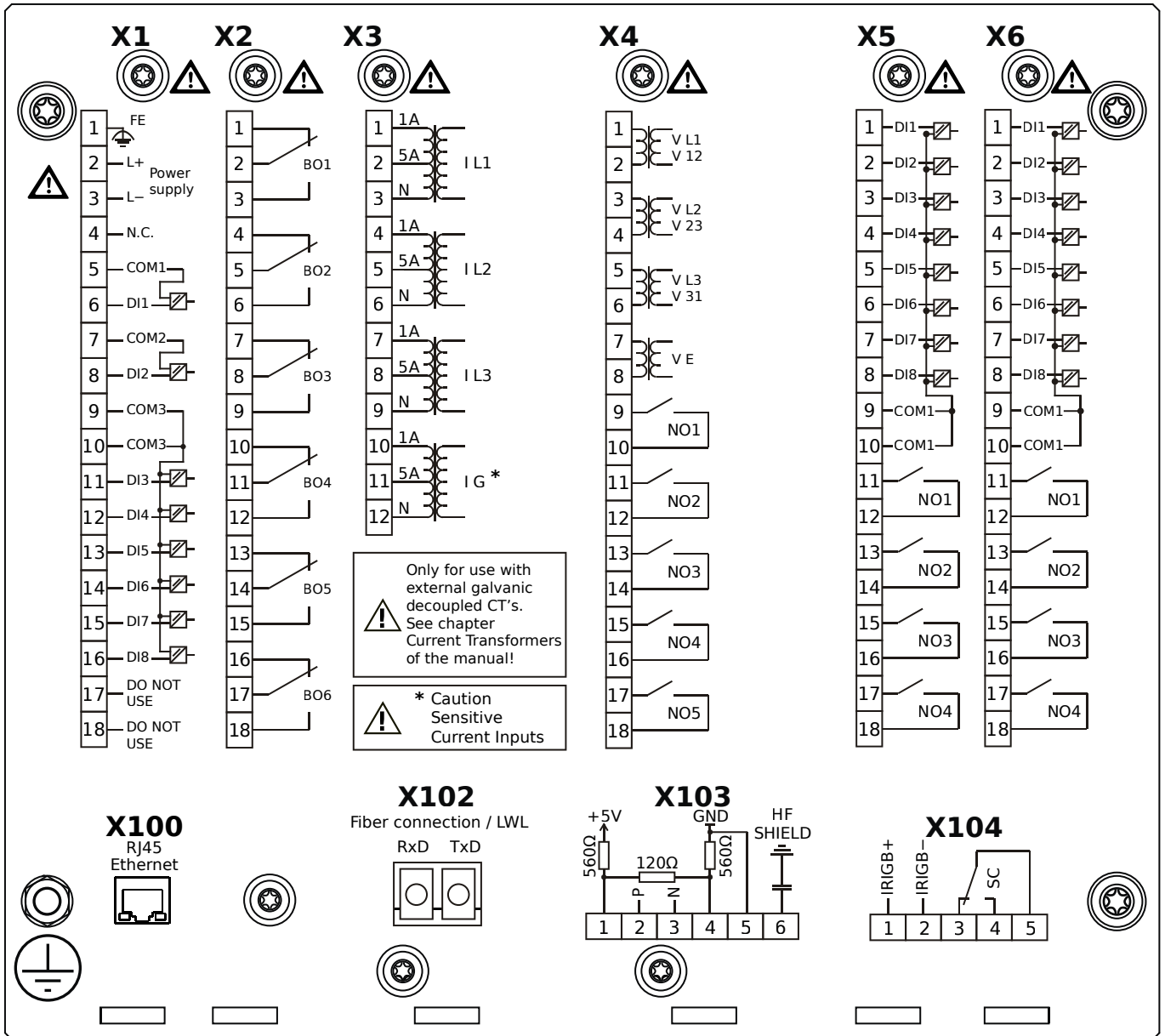
- X1** – DI8-X1: Wide-range power supply unit, incl. 2 non-grouped digital inputs and 6 grouped digital inputs
- X2** – OR-6: Assembly Group with 6 Relay Outputs
- X3** – TIs-4: Standard phase current measuring card and sensitive ground current measuring
- X4** – TU: Card with 4 voltage transformer measuring inputs and 5 output relays
- X5** – DI8-OR4: Assembly Group with 8 Digital Inputs and 4 Output Relays
- X6** – DI8-OR4: Assembly Group with 8 Digital Inputs and 4 Output Relays
- X102** – Long-distance Protection Communication, Fiber optics interface, LC Connector
- X103** – Modbus TCP / DNP3.0 TCP/UDP, Fiber optics interface, LC Connector
- X104** – IRIG-B00X, incl. System Contact (Supervision Contact)

MCDLV4-2E1H0LB



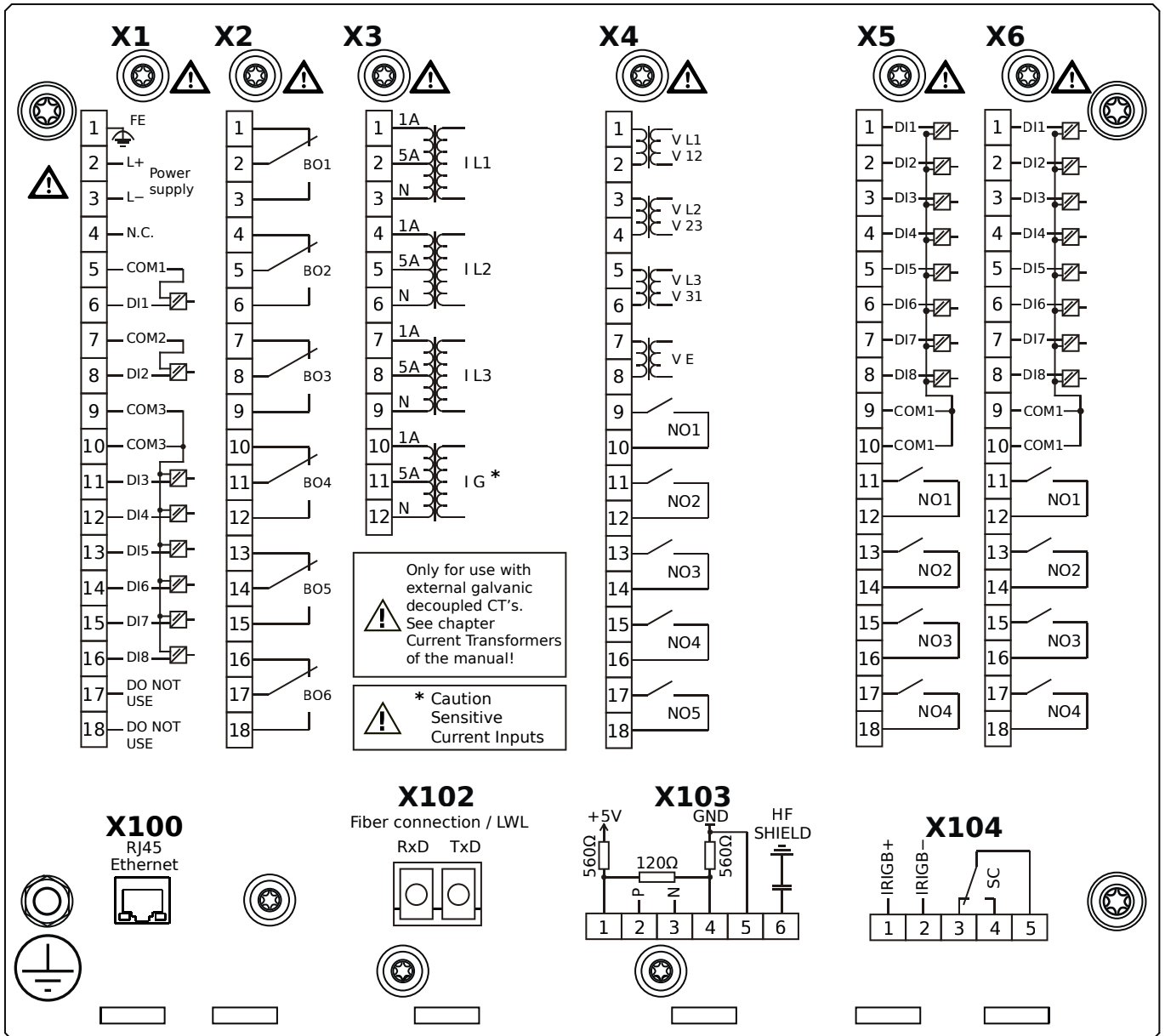
- X1** – DI8-X1: Wide-range power supply unit, incl. 2 non-grouped digital inputs and 6 grouped digital inputs
- X2** – OR-6: Assembly Group with 6 Relay Outputs
- X3** – TIs-4: Standard phase current measuring card and sensitive ground current measuring
- X4** – TU: Card with 4 voltage transformer measuring inputs and 5 output relays
- X5** – DI8-OR4: Assembly Group with 8 Digital Inputs and 4 Output Relays
- X6** – DI8-OR4: Assembly Group with 8 Digital Inputs and 4 Output Relays
- X102** – Long-distance Protection Communication, Fiber optics interface, LC Connector
- X103** – Modbus TCP / DNP3.0 TCP/UDP, Fiber optics interface, LC Connector
- X104** – IRIG-B00X, incl. System Contact (Supervision Contact)

MCDLV4-2E1H0TA



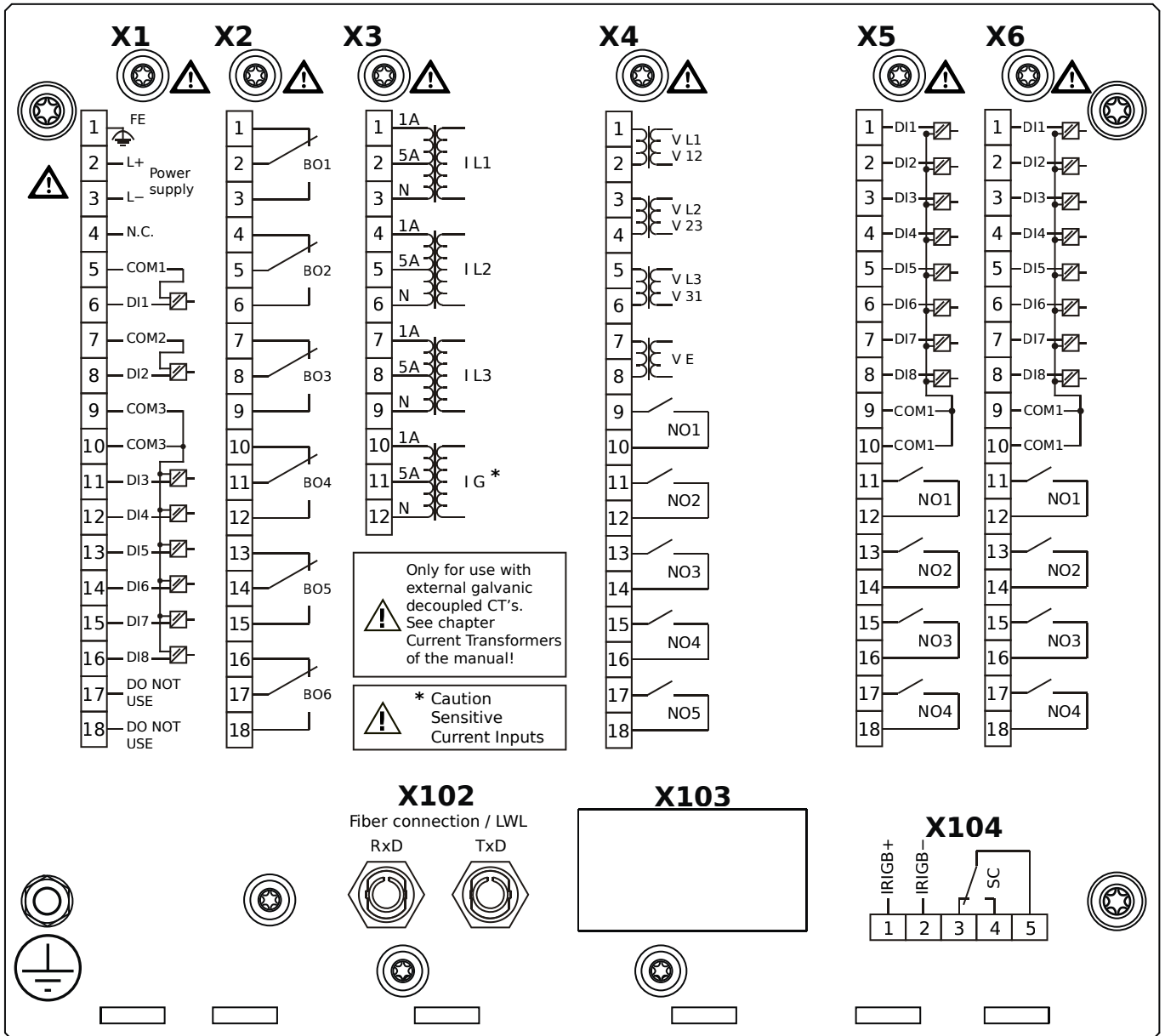
- X1** – DI8-X1: Wide-range power supply unit, incl. 2 non-grouped digital inputs and 6 grouped digital inputs
- X2** – OR-6: Assembly Group with 6 Relay Outputs
- X3** – TIs-4: Standard phase current measuring card and sensitive ground current measuring
- X4** – TU: Card with 4 voltage transformer measuring inputs and 5 output relays
- X5** – DI8-OR4: Assembly Group with 8 Digital Inputs and 4 Output Relays
- X6** – DI8-OR4: Assembly Group with 8 Digital Inputs and 4 Output Relays
- X100** – IEC 61850 / Modbus TCP / DNP3.0 TCP/UDP, Ethernet interface, 100 Mbit/s, RJ45 (BASE100-FX)
- X102** – Long-distance Protection Communication, Fiber optics interface, LC Connector
- X103** – IEC 60870-5-103 / Modbus RTU / DNP3.0 RTU, RS485, Terminals
- X104** – IRIG-B00X, incl. System Contact (Supervision Contact)

MCDLV4-2E1H0TB



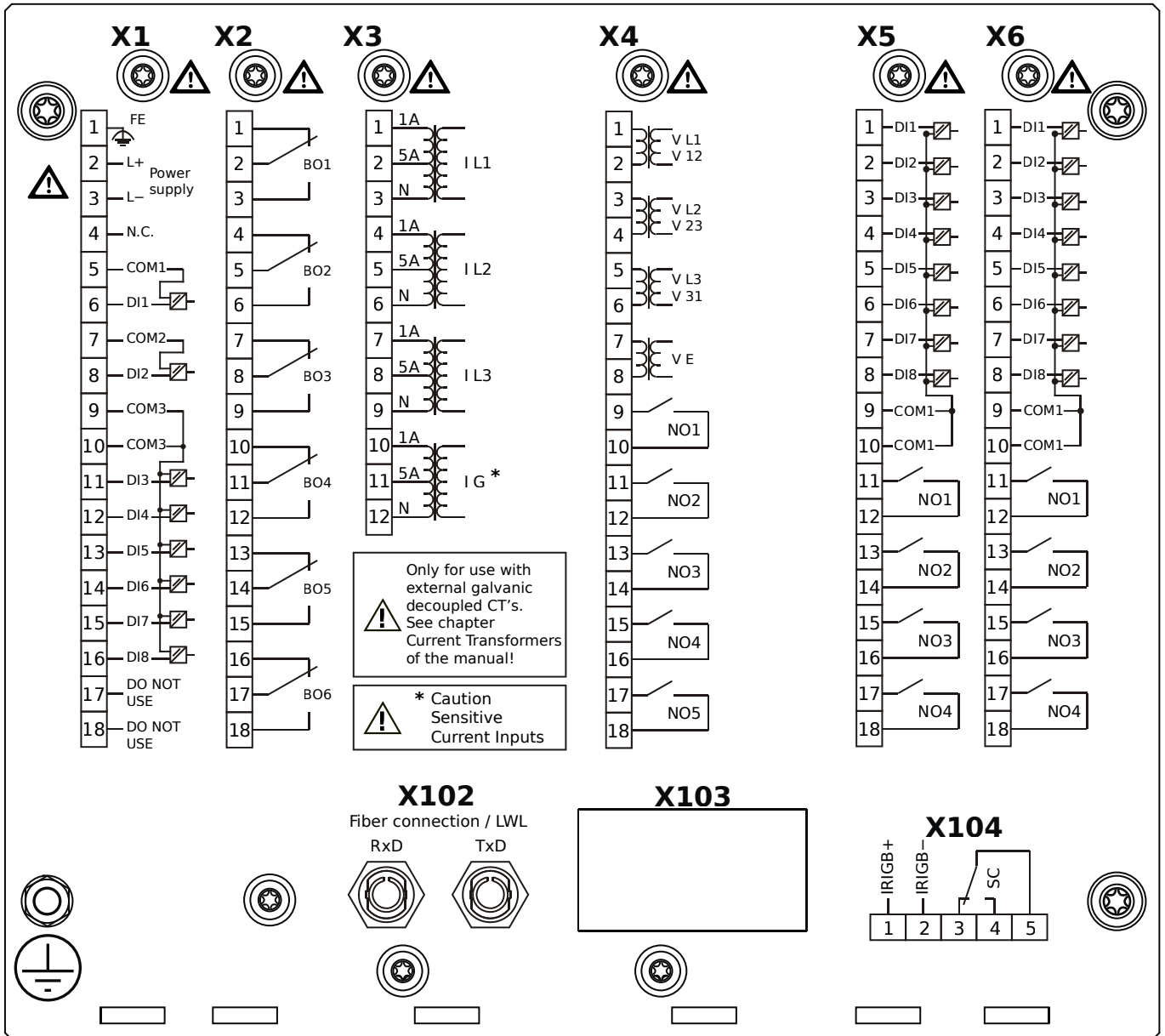
- X1** – DI8-X1: Wide-range power supply unit, incl. 2 non-grouped digital inputs and 6 grouped digital inputs
- X2** – OR-6: Assembly Group with 6 Relay Outputs
- X3** – TIs-4: Standard phase current measuring card and sensitive ground current measuring
- X4** – TU: Card with 4 voltage transformer measuring inputs and 5 output relays
- X5** – DI8-OR4: Assembly Group with 8 Digital Inputs and 4 Output Relays
- X6** – DI8-OR4: Assembly Group with 8 Digital Inputs and 4 Output Relays
- X100** – IEC 61850 / Modbus TCP / DNP3.0 TCP/UDP, Ethernet interface, 100 Mbit/s, RJ45 (BASE100-FX)
- X102** – Long-distance Protection Communication, Fiber optics interface, LC Connector
- X103** – IEC 60870-5-103 / Modbus RTU / DNP3.0 RTU, RS485, Terminals
- X104** – IRIG-B00X, incl. System Contact (Supervision Contact)

MCDLV4-2E1H1AA



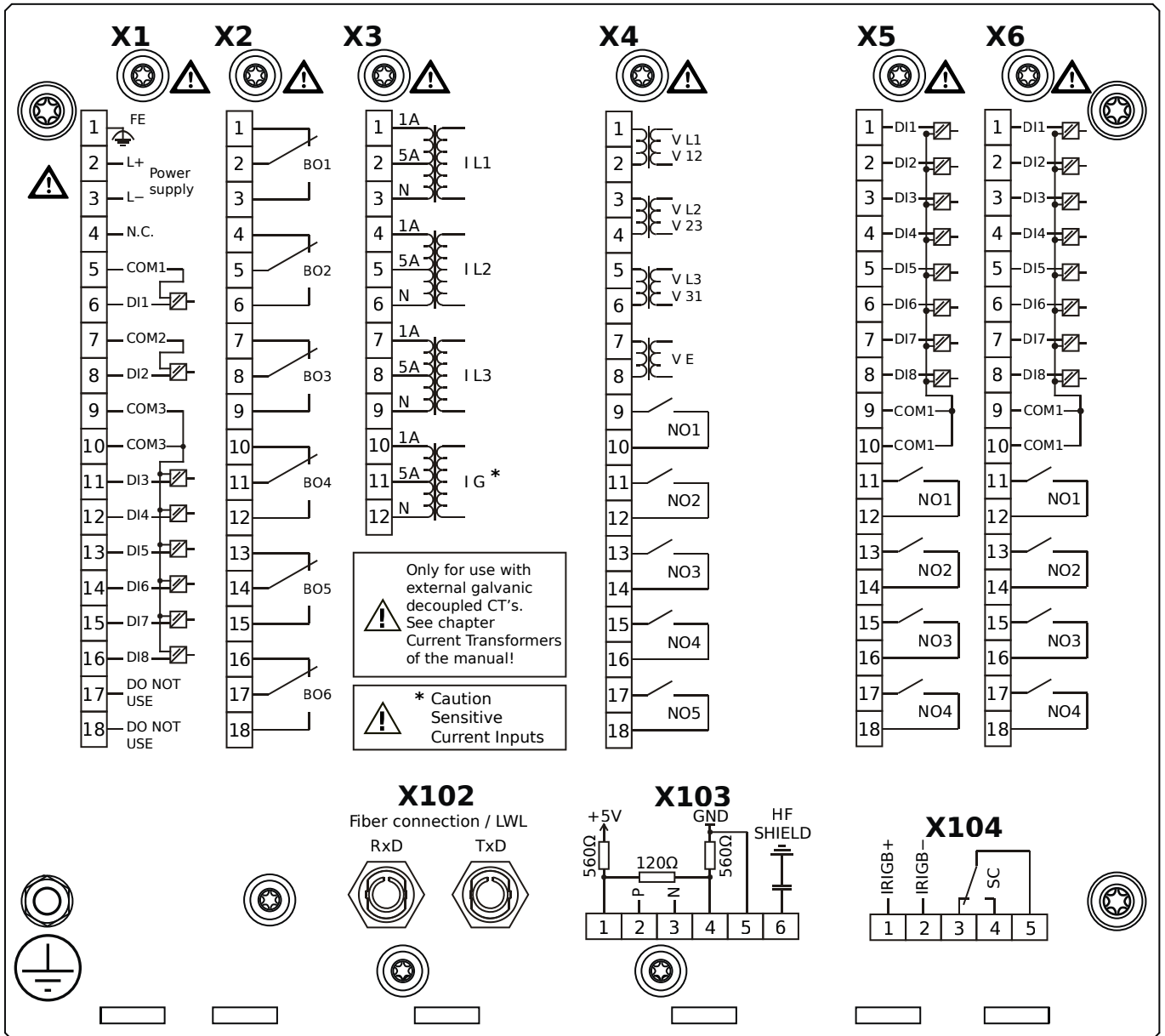
- X1** – DI8-X1: Wide-range power supply unit, incl. 2 non-grouped digital inputs and 6 grouped digital inputs
- X2** – OR-6: Assembly Group with 6 Relay Outputs
- X3** – TIs-4: Standard phase current measuring card and sensitive ground current measuring
- X4** – TU: Card with 4 voltage transformer measuring inputs and 5 output relays
- X5** – DI8-OR4: Assembly Group with 8 Digital Inputs and 4 Output Relays
- X6** – DI8-OR4: Assembly Group with 8 Digital Inputs and 4 Output Relays
- X102** – Protection Communication, Fiber optics interface, ST Connector
- X104** – IRIG-B00X, incl. System Contact (Supervision Contact)

MCDLV4-2E1H1AB



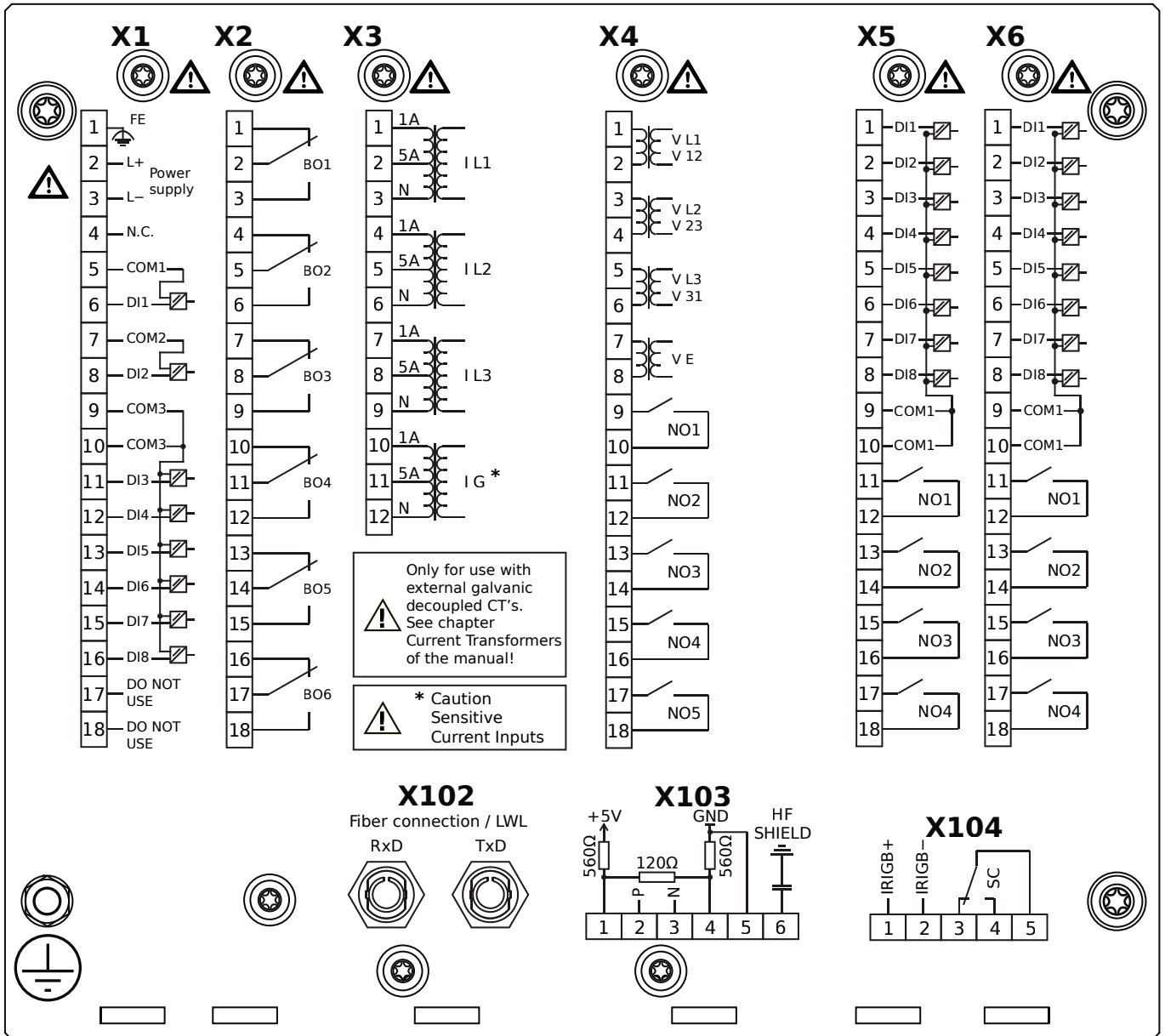
- X1** – DI8-X1: Wide-range power supply unit, incl. 2 non-grouped digital inputs and 6 grouped digital inputs
- X2** – OR-6: Assembly Group with 6 Relay Outputs
- X3** – TIs-4: Standard phase current measuring card and sensitive ground current measuring
- X4** – TU: Card with 4 voltage transformer measuring inputs and 5 output relays
- X5** – DI8-OR4: Assembly Group with 8 Digital Inputs and 4 Output Relays
- X6** – DI8-OR4: Assembly Group with 8 Digital Inputs and 4 Output Relays
- X102** – Protection Communication, Fiber optics interface, ST Connector
- X104** – IRIG-B00X, incl. System Contact (Supervision Contact)

MCDLV4-2E1H1BA



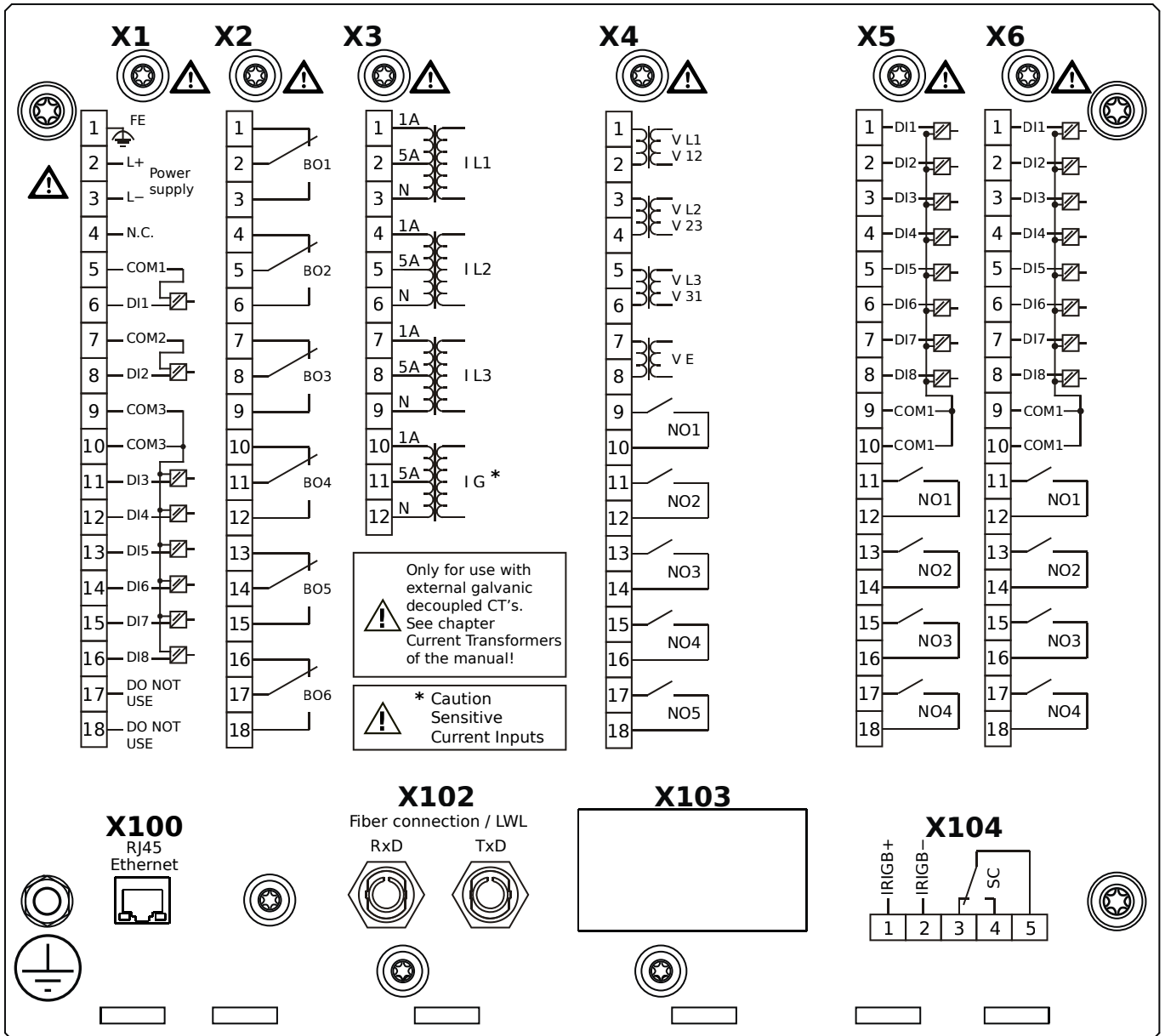
- X1** – DI8-X1: Wide-range power supply unit, incl. 2 non-grouped digital inputs and 6 grouped digital inputs
- X2** – OR-6: Assembly Group with 6 Relay Outputs
- X3** – TIs-4: Standard phase current measuring card and sensitive ground current measuring
- X4** – TU: Card with 4 voltage transformer measuring inputs and 5 output relays
- X5** – DI8-OR4: Assembly Group with 8 Digital Inputs and 4 Output Relays
- X6** – DI8-OR4: Assembly Group with 8 Digital Inputs and 4 Output Relays
- X102** – Protection Communication, Fiber optics interface, ST Connector
- X103** – Modbus RTU / IEC 60870-5-103 / DNP3.0 RTU, RS485, Terminals
- X104** – IRIG-B00X, incl. System Contact (Supervision Contact)

MCDLV4-2E1H1BB



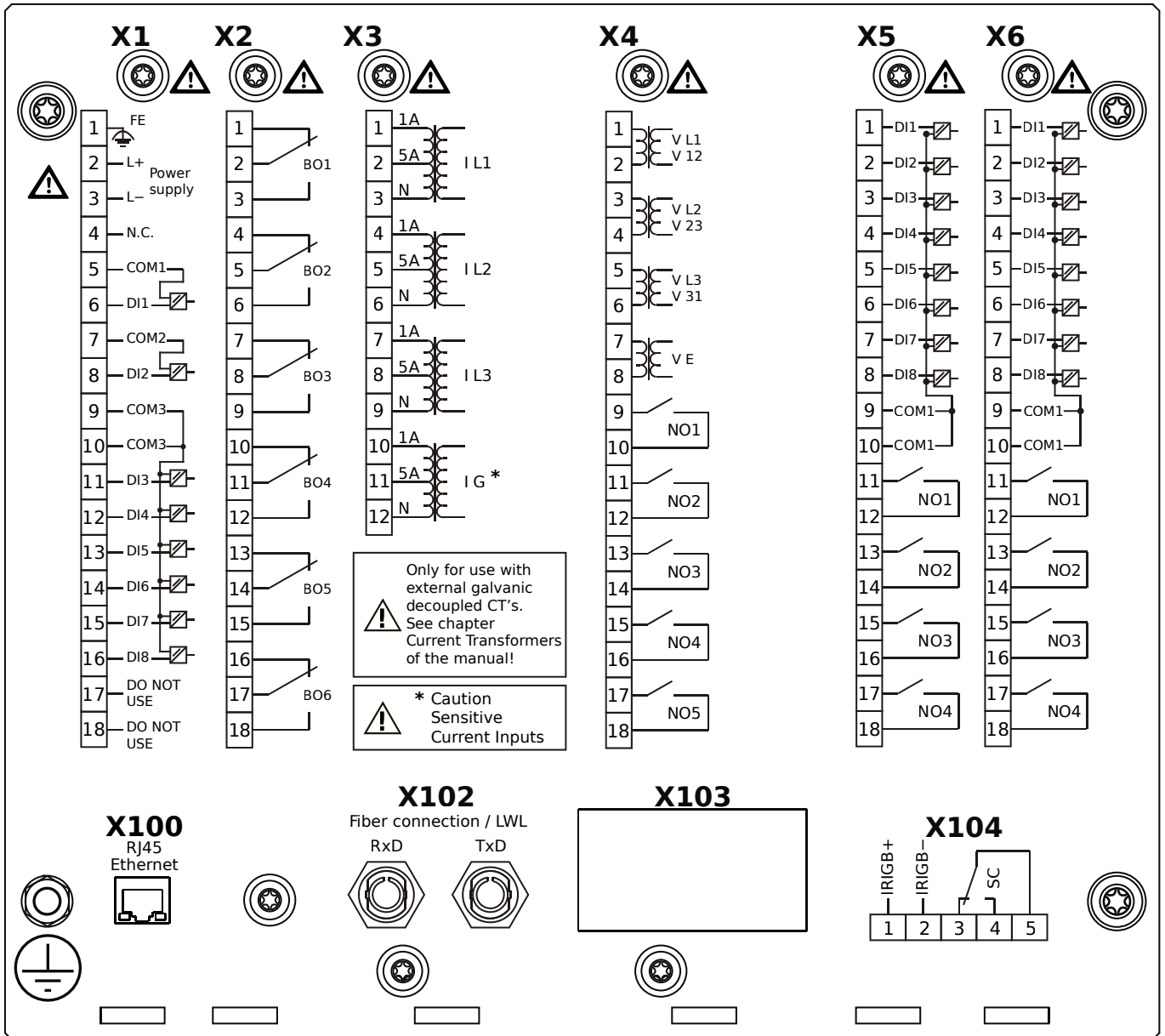
- X1** – DI8-X1: Wide-range power supply unit, incl. 2 non-grouped digital inputs and 6 grouped digital inputs
- X2** – OR-6: Assembly Group with 6 Relay Outputs
- X3** – TIs-4: Standard phase current measuring card and sensitive ground current measuring
- X4** – TU: Card with 4 voltage transformer measuring inputs and 5 output relays
- X5** – DI8-OR4: Assembly Group with 8 Digital Inputs and 4 Output Relays
- X6** – DI8-OR4: Assembly Group with 8 Digital Inputs and 4 Output Relays
- X102** – Protection Communication, Fiber optics interface, ST Connector
- X103** – Modbus RTU / IEC 60870-5-103 / DNP3.0 RTU, RS485, Terminals
- X104** – IRIG-B00X, incl. System Contact (Supervision Contact)

MCDLV4-2E1H1CA



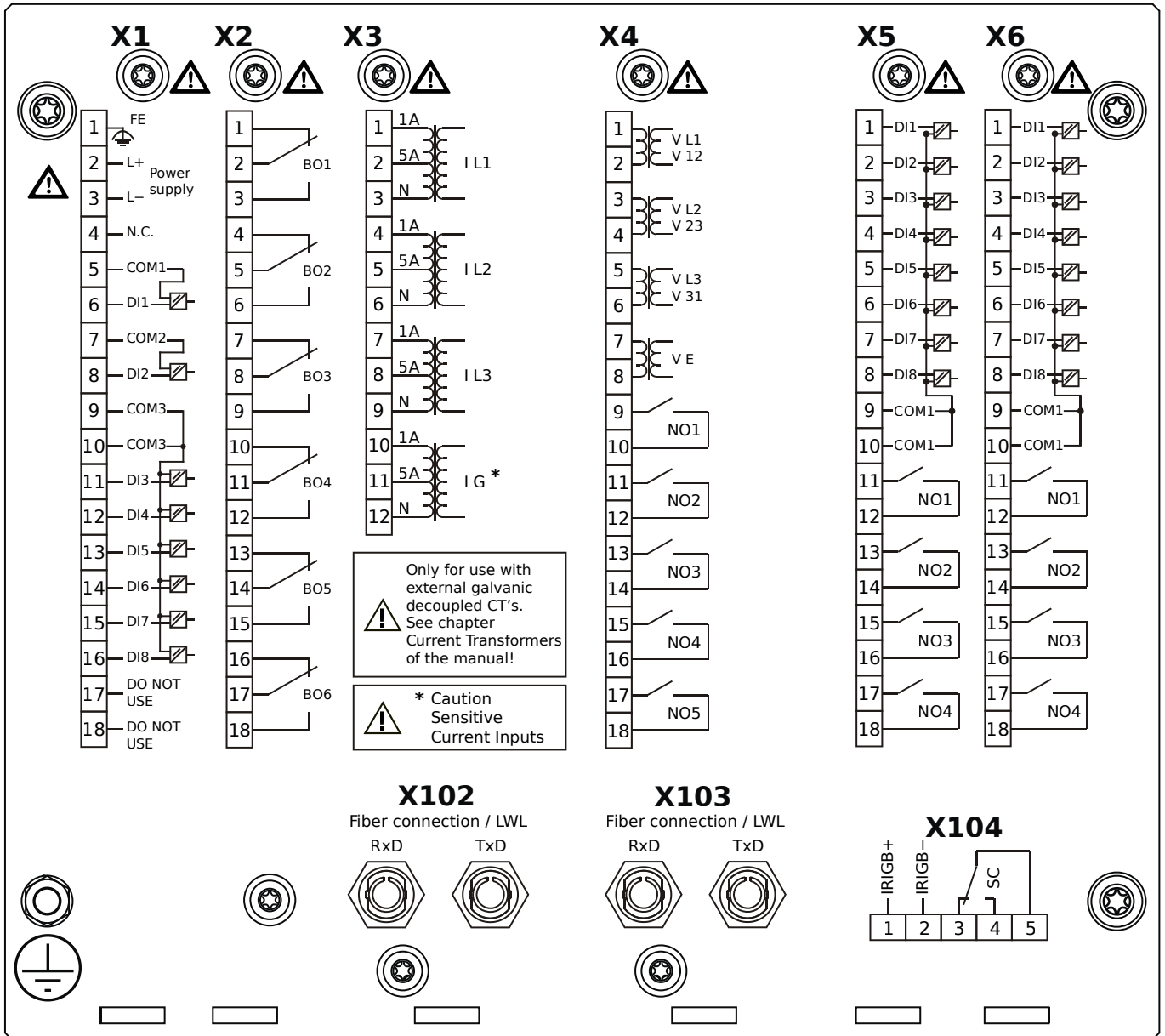
- X1** – DI8-X1: Wide-range power supply unit, incl. 2 non-grouped digital inputs and 6 grouped digital inputs
- X2** – OR-6: Assembly Group with 6 Relay Outputs
- X3** – TIs-4: Standard phase current measuring card and sensitive ground current measuring
- X4** – TU: Card with 4 voltage transformer measuring inputs and 5 output relays
- X5** – DI8-OR4: Assembly Group with 8 Digital Inputs and 4 Output Relays
- X6** – DI8-OR4: Assembly Group with 8 Digital Inputs and 4 Output Relays
- X100** – Modbus TCP / DNP3.0 TCP/UDP, Ethernet interface, 100 Mbit/s, RJ45 (BASE100-FX)
- X102** – Protection Communication, Fiber optics interface, ST Connector
- X104** – IRIG-B00X, incl. System Contact (Supervision Contact)

MCDLV4-2E1H1CB



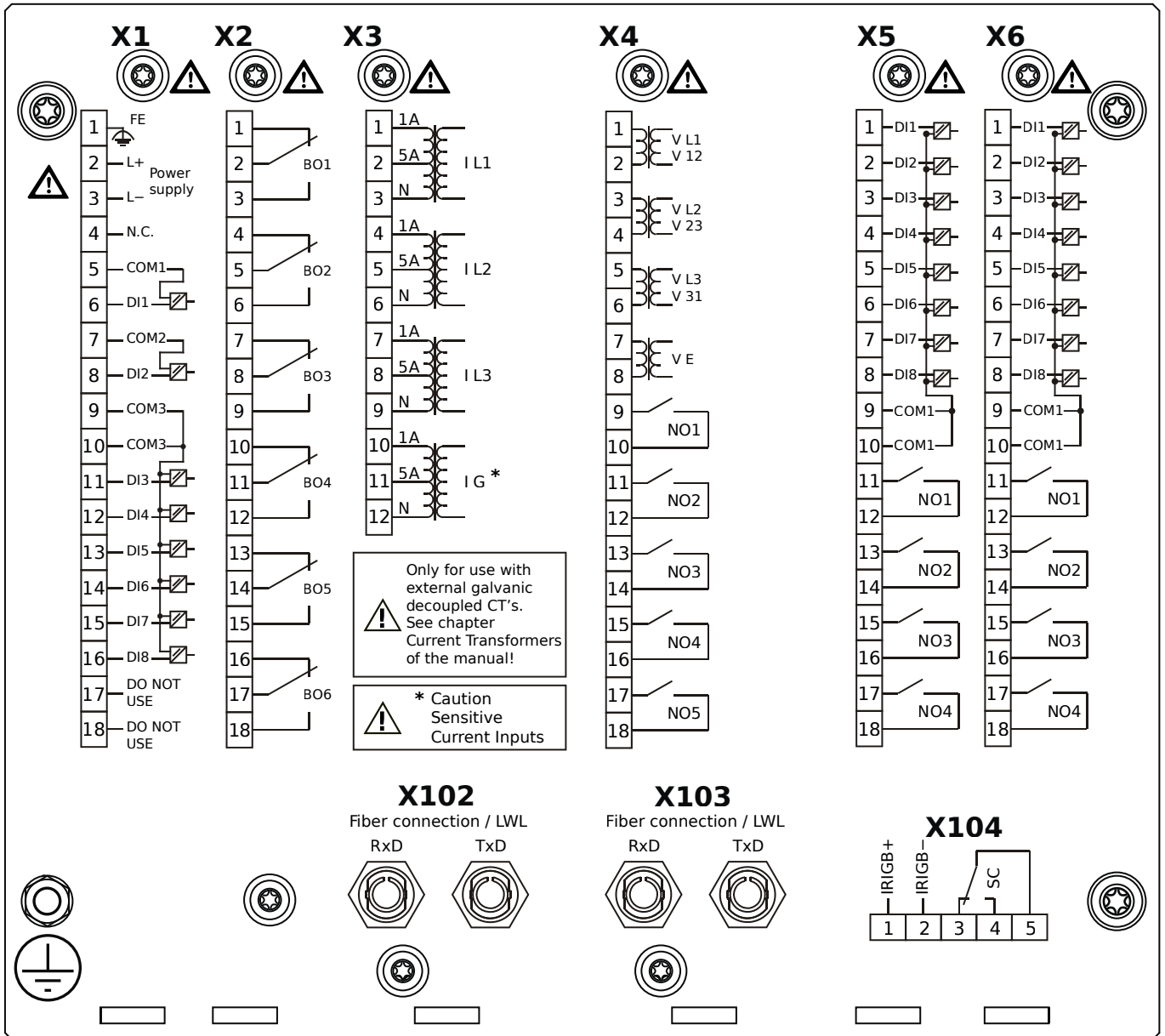
- X1** – DI8-X1: Wide-range power supply unit, incl. 2 non-grouped digital inputs and 6 grouped digital inputs
- X2** – OR-6: Assembly Group with 6 Relay Outputs
- X3** – TIs-4: Standard phase current measuring card and sensitive ground current measuring
- X4** – TU: Card with 4 voltage transformer measuring inputs and 5 output relays
- X5** – DI8-OR4: Assembly Group with 8 Digital Inputs and 4 Output Relays
- X6** – DI8-OR4: Assembly Group with 8 Digital Inputs and 4 Output Relays
- X100** – Modbus TCP / DNP3.0 TCP/UDP, Ethernet interface, 100 Mbit/s, RJ45 (BASE100-FX)
- X102** – Protection Communication, Fiber optics interface, ST Connector
- X104** – IRIG-B00X, incl. System Contact (Supervision Contact)

MCDLV4-2E1H1DA



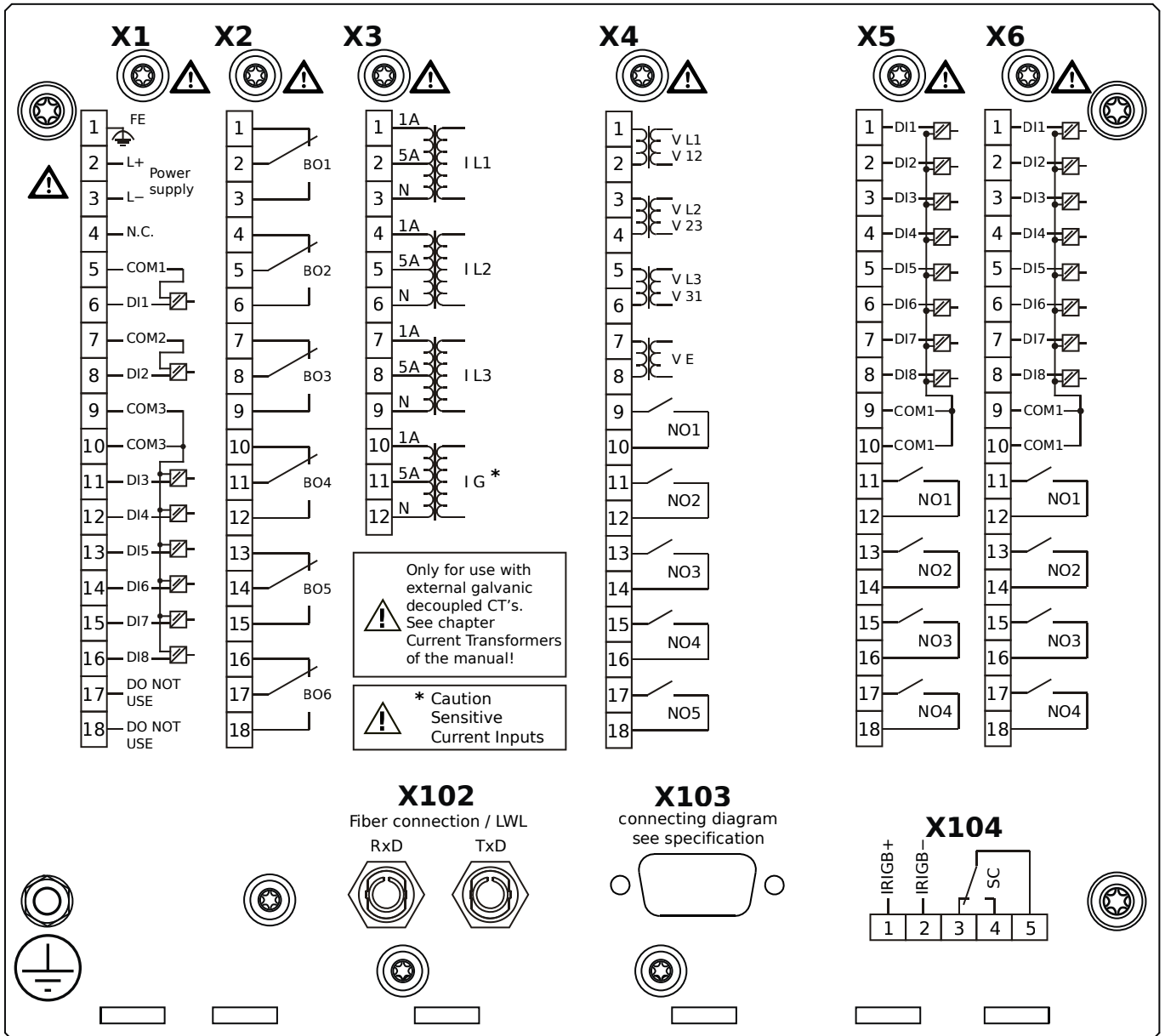
- X1** – DI8-X1: Wide-range power supply unit, incl. 2 non-grouped digital inputs and 6 grouped digital inputs
- X2** – OR-6: Assembly Group with 6 Relay Outputs
- X3** – TIs-4: Standard phase current measuring card and sensitive ground current measuring
- X4** – TU: Card with 4 voltage transformer measuring inputs and 5 output relays
- X5** – DI8-OR4: Assembly Group with 8 Digital Inputs and 4 Output Relays
- X6** – DI8-OR4: Assembly Group with 8 Digital Inputs and 4 Output Relays
- X102** – Protection Communication, Fiber optics interface, ST Connector
- X103** – Profibus-DP, Fiber optics interface, ST Connector
- X104** – IRIG-B00X, incl. System Contact (Supervision Contact)

MCDLV4-2E1H1DB



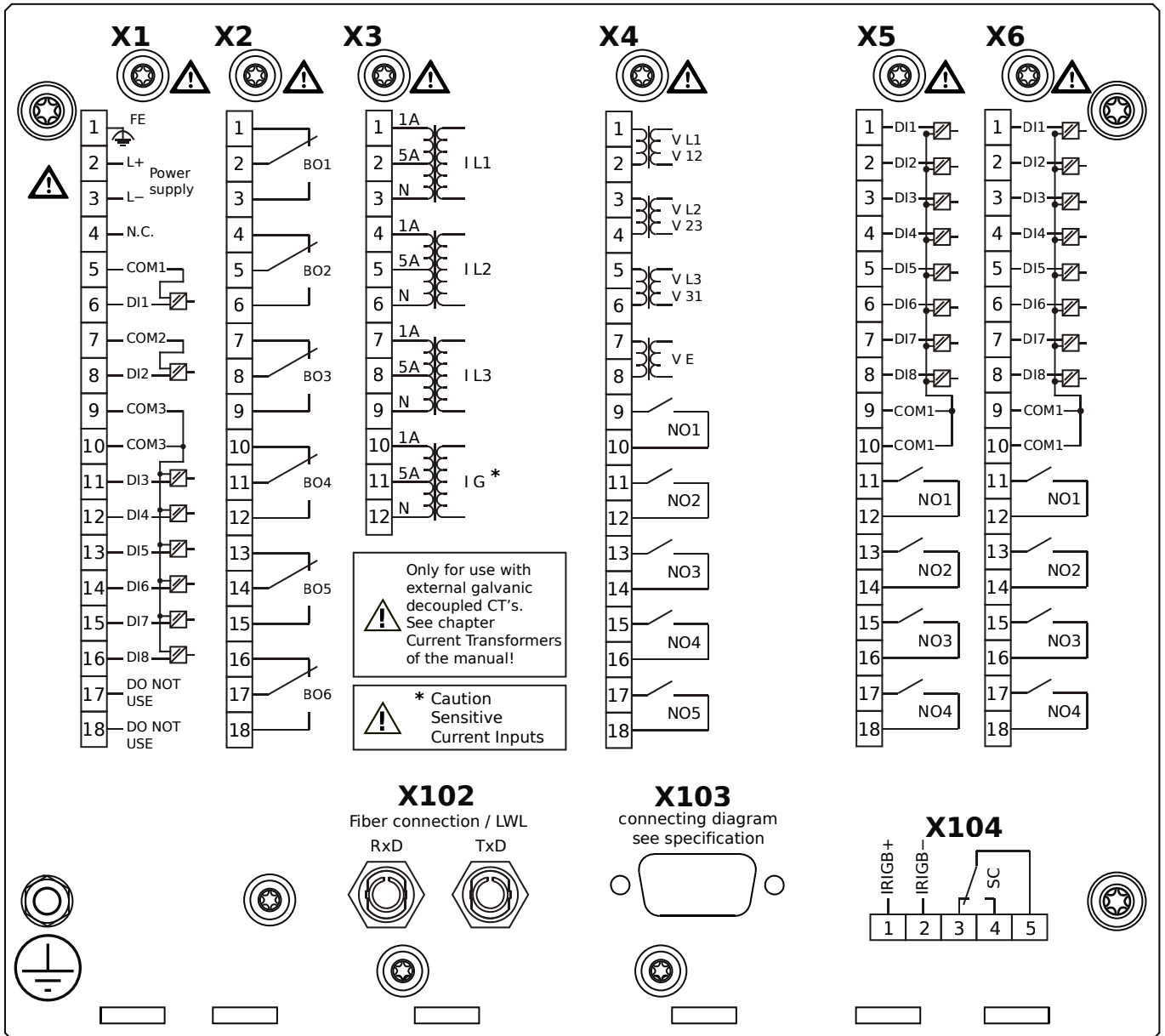
- X1** – DI8-X1: Wide-range power supply unit, incl. 2 non-grouped digital inputs and 6 grouped digital inputs
- X2** – OR-6: Assembly Group with 6 Relay Outputs
- X3** – TIs-4: Standard phase current measuring card and sensitive ground current measuring
- X4** – TU: Card with 4 voltage transformer measuring inputs and 5 output relays
- X5** – DI8-OR4: Assembly Group with 8 Digital Inputs and 4 Output Relays
- X6** – DI8-OR4: Assembly Group with 8 Digital Inputs and 4 Output Relays
- X102** – Protection Communication, Fiber optics interface, ST Connector
- X103** – Profibus-DP, Fiber optics interface, ST Connector
- X104** – IRIG-B00X, incl. System Contact (Supervision Contact)

MCDLV4-2E1H1EA



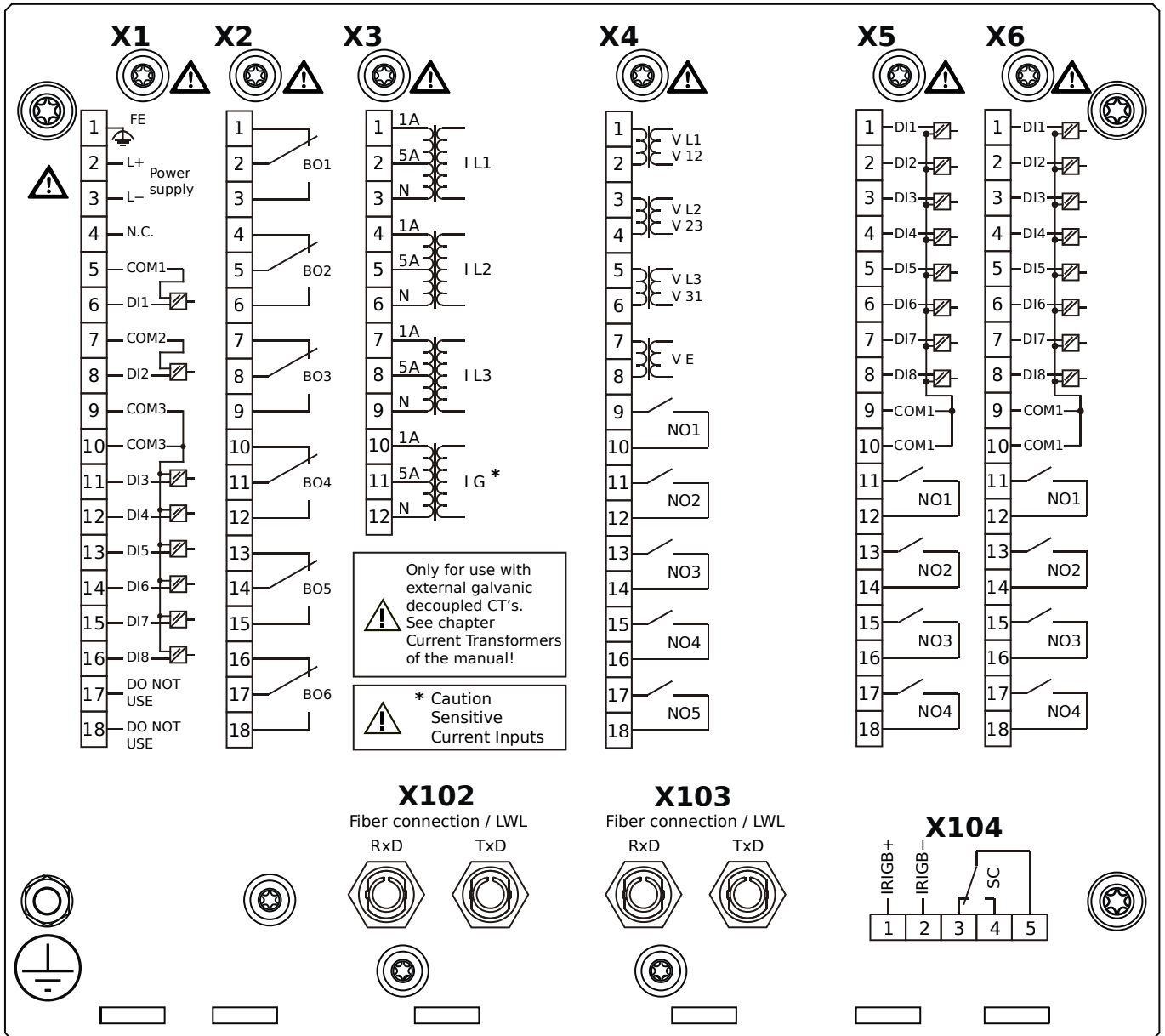
- X1** – DI8-X1: Wide-range power supply unit, incl. 2 non-grouped digital inputs and 6 grouped digital inputs
- X2** – OR-6: Assembly Group with 6 Relay Outputs
- X3** – TIs-4: Standard phase current measuring card and sensitive ground current measuring
- X4** – TU: Card with 4 voltage transformer measuring inputs and 5 output relays
- X5** – DI8-OR4: Assembly Group with 8 Digital Inputs and 4 Output Relays
- X6** – DI8-OR4: Assembly Group with 8 Digital Inputs and 4 Output Relays
- X102** – Protection Communication, Fiber optics interface, ST Connector
- X103** – Profibus-DP, RS485, D-SUB
- X104** – IRIG-B00X, incl. System Contact (Supervision Contact)

MCDLV4-2E1H1EB



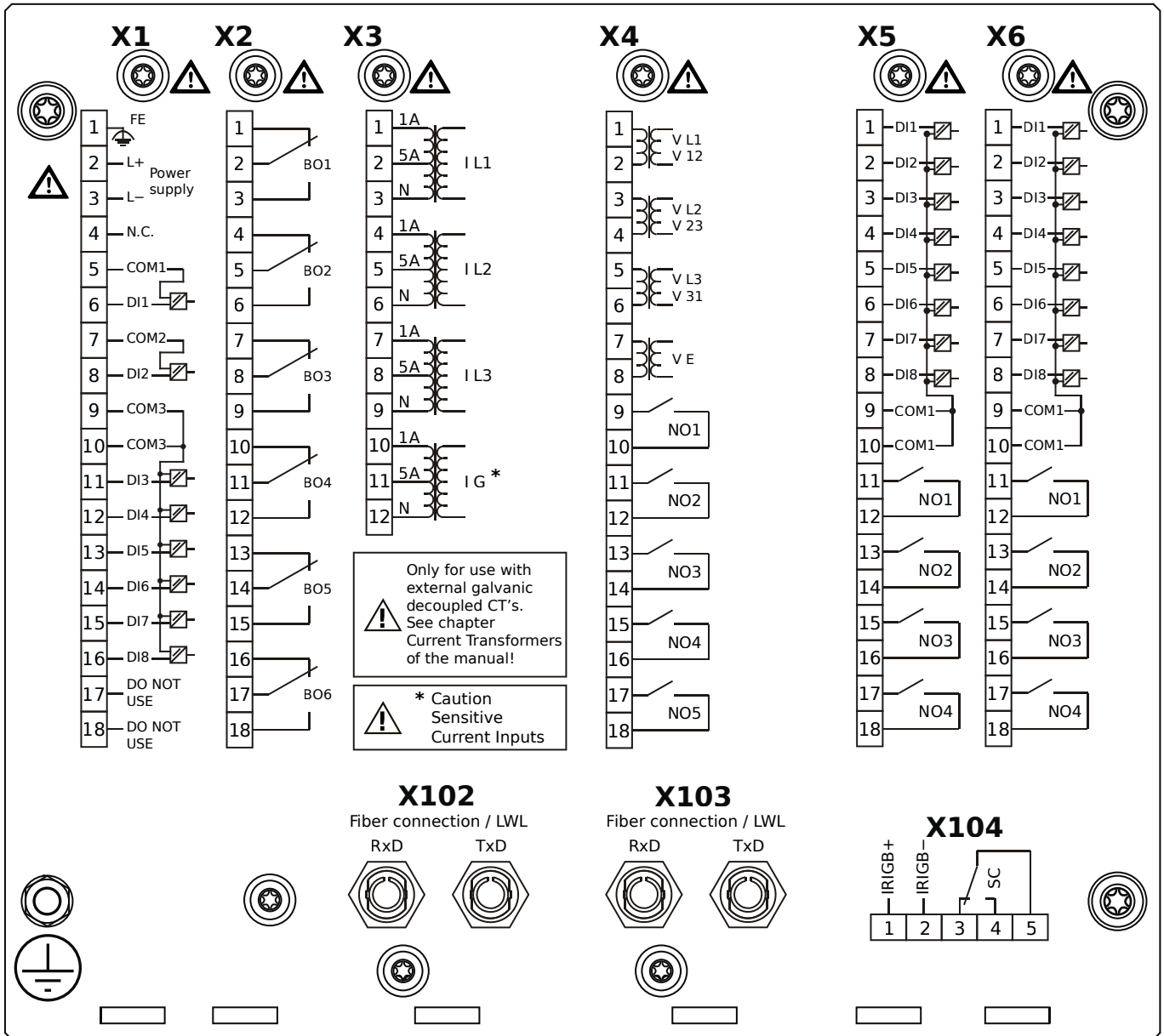
- X1** – DI8-X1: Wide-range power supply unit, incl. 2 non-grouped digital inputs and 6 grouped digital inputs
- X2** – OR-6: Assembly Group with 6 Relay Outputs
- X3** – TIs-4: Standard phase current measuring card and sensitive ground current measuring
- X4** – TU: Card with 4 voltage transformer measuring inputs and 5 output relays
- X5** – DI8-OR4: Assembly Group with 8 Digital Inputs and 4 Output Relays
- X6** – DI8-OR4: Assembly Group with 8 Digital Inputs and 4 Output Relays
- X102** – Protection Communication, Fiber optics interface, ST Connector
- X103** – Profibus-DP, RS485, D-SUB
- X104** – IRIG-B00X, incl. System Contact (Supervision Contact)

MCDLV4-2E1H1FA



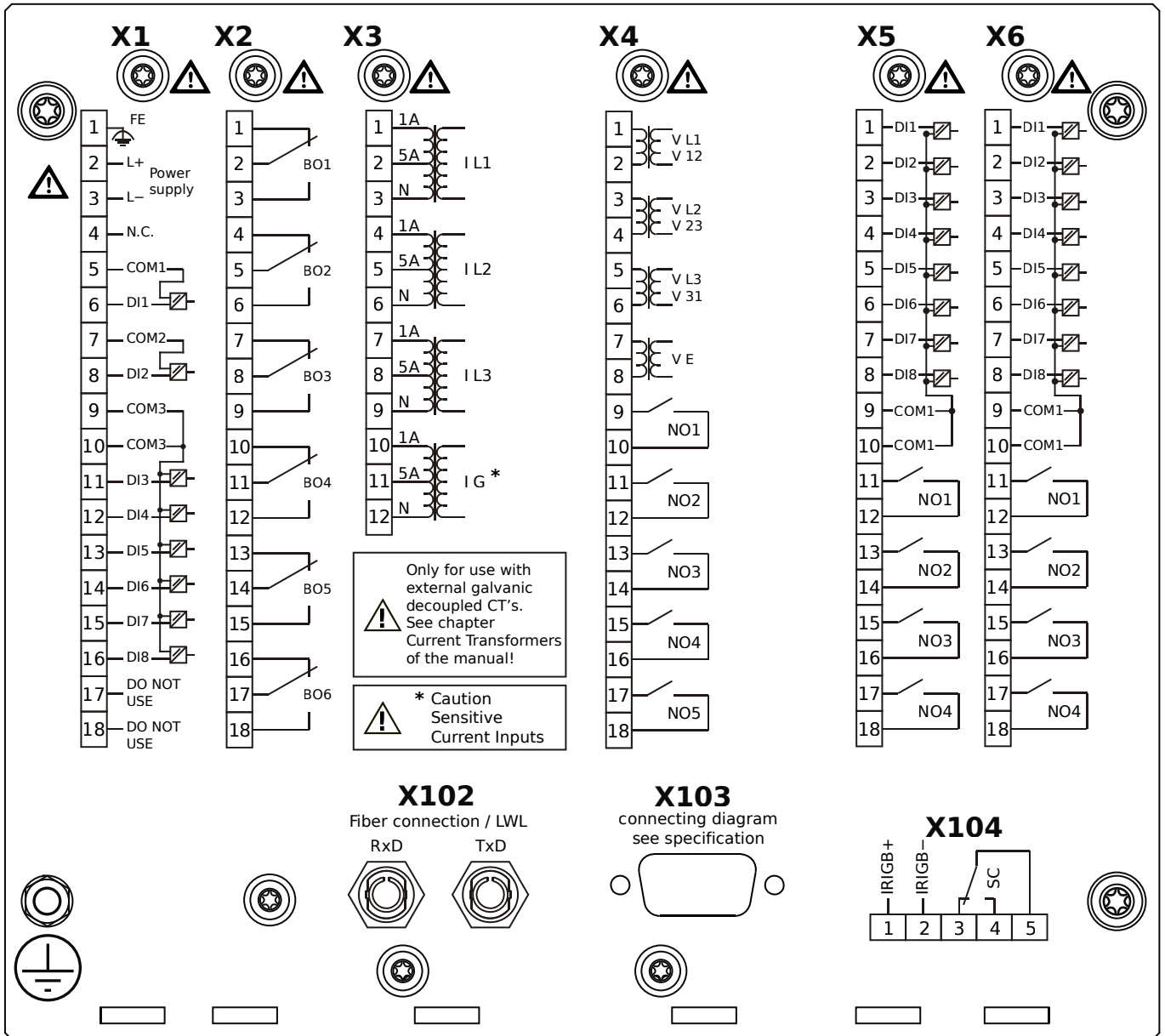
- X1** – DI8-X1: Wide-range power supply unit, incl. 2 non-grouped digital inputs and 6 grouped digital inputs
- X2** – OR-6: Assembly Group with 6 Relay Outputs
- X3** – TIs-4: Standard phase current measuring card and sensitive ground current measuring
- X4** – TU: Card with 4 voltage transformer measuring inputs and 5 output relays
- X5** – DI8-OR4: Assembly Group with 8 Digital Inputs and 4 Output Relays
- X6** – DI8-OR4: Assembly Group with 8 Digital Inputs and 4 Output Relays
- X102** – Protection Communication, Fiber optics interface, ST Connector
- X103** – Modbus RTU / IEC 60870-5-103 / DNP3.0 RTU, Fiber optics interface, ST Connector
- X104** – IRIG-B00X, incl. System Contact (Supervision Contact)

MCDLV4-2E1H1FB



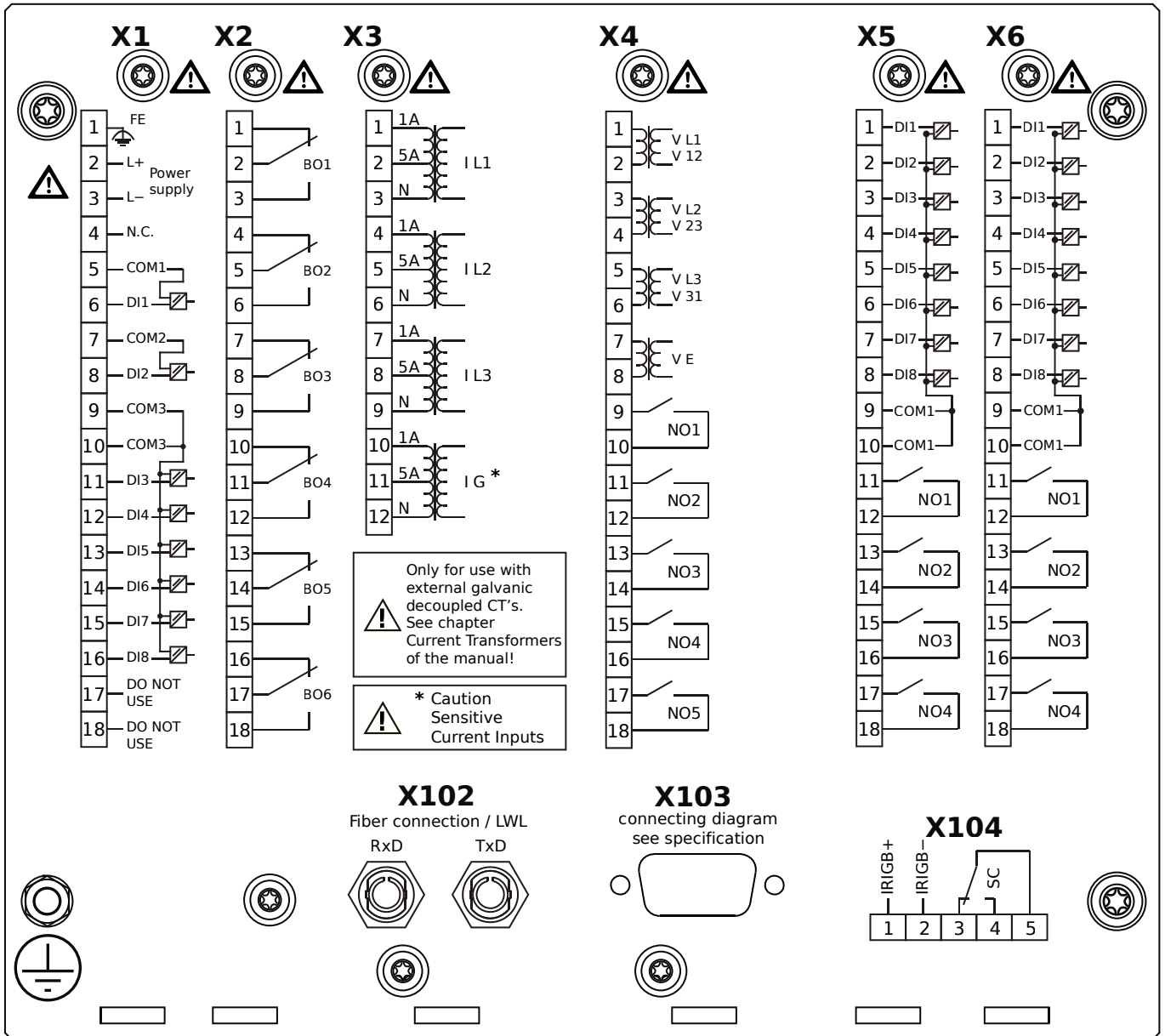
- X1** – DI8-X1: Wide-range power supply unit, incl. 2 non-grouped digital inputs and 6 grouped digital inputs
- X2** – OR-6: Assembly Group with 6 Relay Outputs
- X3** – TIs-4: Standard phase current measuring card and sensitive ground current measuring
- X4** – TU: Card with 4 voltage transformer measuring inputs and 5 output relays
- X5** – DI8-OR4: Assembly Group with 8 Digital Inputs and 4 Output Relays
- X6** – DI8-OR4: Assembly Group with 8 Digital Inputs and 4 Output Relays
- X102** – Protection Communication, Fiber optics interface, ST Connector
- X103** – Modbus RTU / IEC 60870-5-103 / DNP3.0 RTU, Fiber optics interface, ST Connector
- X104** – IRIG-B00X, incl. System Contact (Supervision Contact)

MCDLV4-2E1H1GA



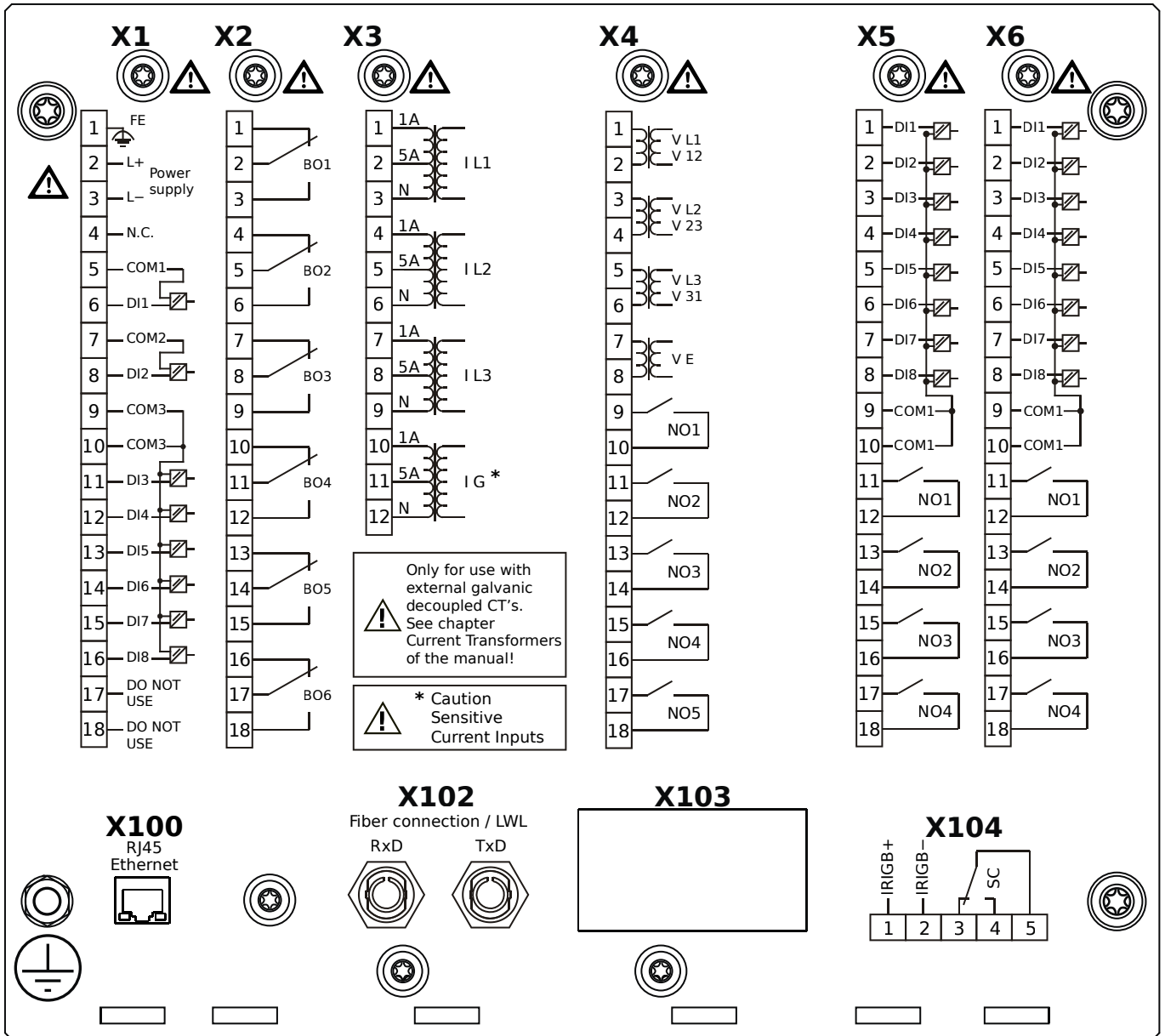
- X1** – DI8-X1: Wide-range power supply unit, incl. 2 non-grouped digital inputs and 6 grouped digital inputs
- X2** – OR-6: Assembly Group with 6 Relay Outputs
- X3** – TIs-4: Standard phase current measuring card and sensitive ground current measuring
- X4** – TU: Card with 4 voltage transformer measuring inputs and 5 output relays
- X5** – DI8-OR4: Assembly Group with 8 Digital Inputs and 4 Output Relays
- X6** – DI8-OR4: Assembly Group with 8 Digital Inputs and 4 Output Relays
- X102** – Protection Communication, Fiber optics interface, ST Connector
- X103** – Modbus RTU / IEC 60870-5-103 / DNP3.0 RTU, RS485, D-SUB
- X104** – IRIG-B00X, incl. System Contact (Supervision Contact)

MCDLV4-2E1H1GB



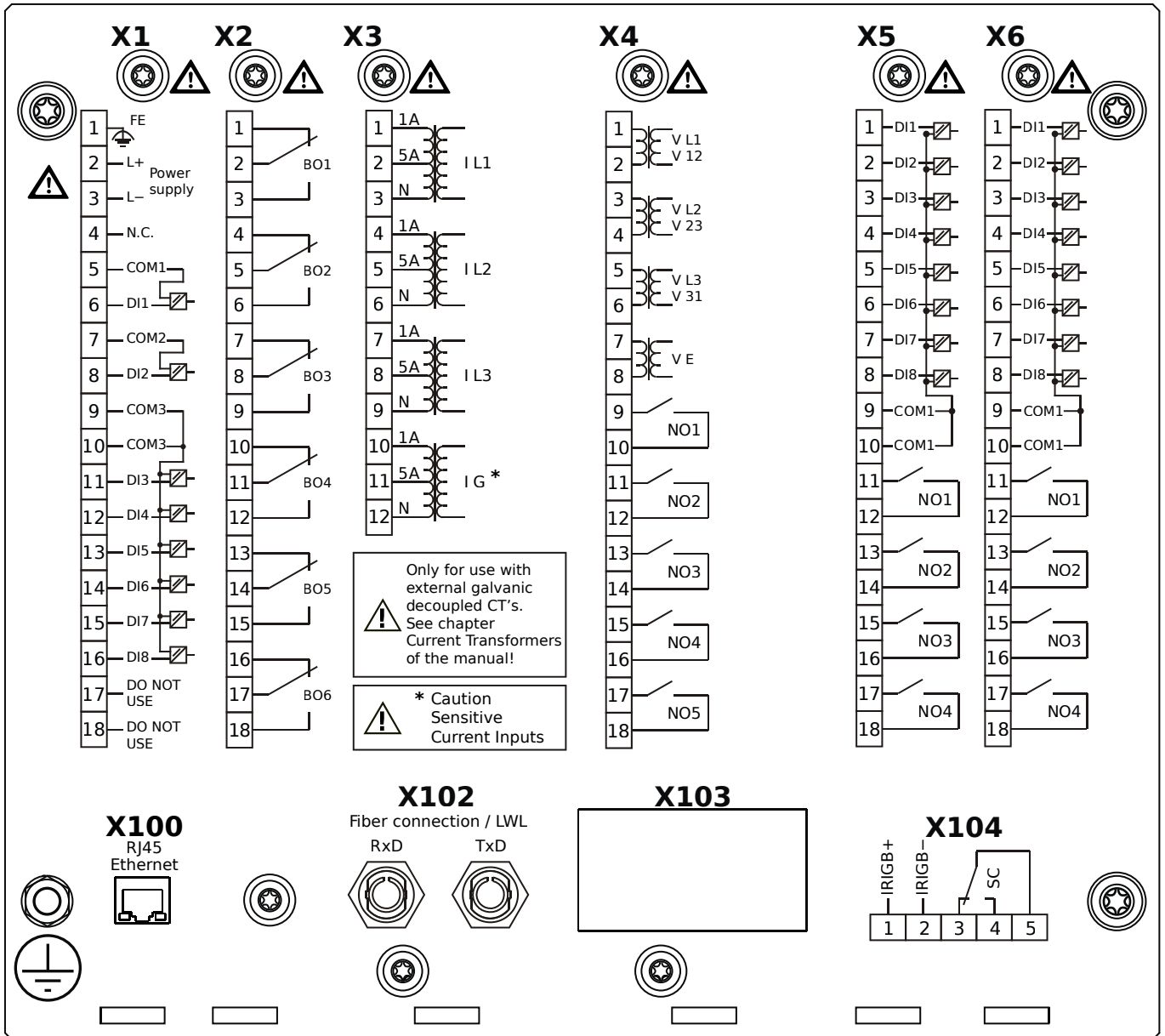
- X1** – DI8-X1: Wide-range power supply unit, incl. 2 non-grouped digital inputs and 6 grouped digital inputs
- X2** – OR-6: Assembly Group with 6 Relay Outputs
- X3** – TIs-4: Standard phase current measuring card and sensitive ground current measuring
- X4** – TU: Card with 4 voltage transformer measuring inputs and 5 output relays
- X5** – DI8-OR4: Assembly Group with 8 Digital Inputs and 4 Output Relays
- X6** – DI8-OR4: Assembly Group with 8 Digital Inputs and 4 Output Relays
- X102** – Protection Communication, Fiber optics interface, ST Connector
- X103** – Modbus RTU / IEC 60870-5-103 / DNP3.0 RTU, RS485, D-SUB
- X104** – IRIG-B00X, incl. System Contact (Supervision Contact)

MCDLV4-2E1H1HA



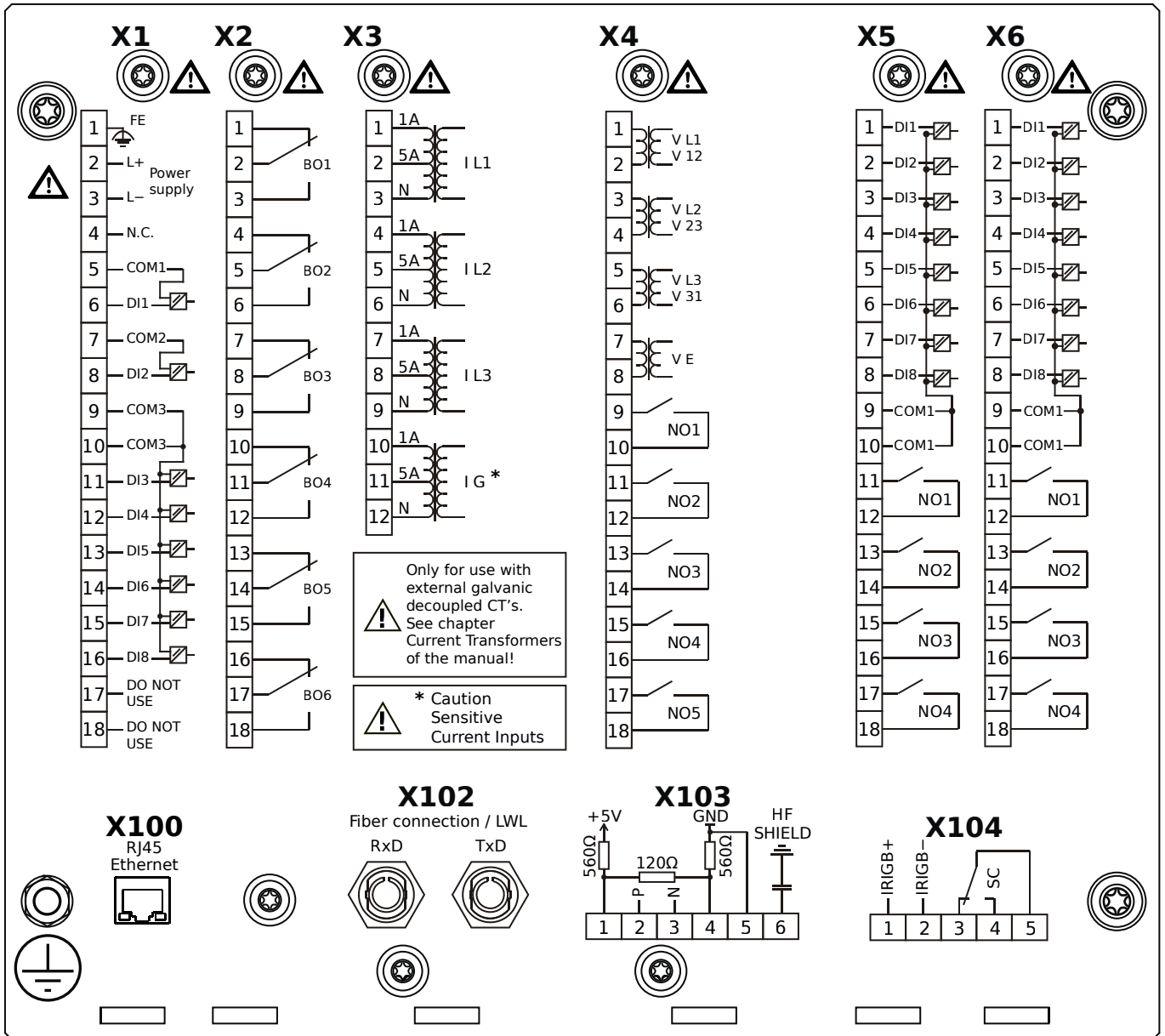
- X1** – DI8-X1: Wide-range power supply unit, incl. 2 non-grouped digital inputs and 6 grouped digital inputs
- X2** – OR-6: Assembly Group with 6 Relay Outputs
- X3** – TIs-4: Standard phase current measuring card and sensitive ground current measuring
- X4** – TU: Card with 4 voltage transformer measuring inputs and 5 output relays
- X5** – DI8-OR4: Assembly Group with 8 Digital Inputs and 4 Output Relays
- X6** – DI8-OR4: Assembly Group with 8 Digital Inputs and 4 Output Relays
- X100** – IEC 61850 / Modbus TCP / DNP3.0 TCP/UDP, Ethernet interface, 100 Mbit/s, RJ45 (BASE100-FX)
- X102** – Protection Communication, Fiber optics interface, ST Connector
- X104** – IRIG-B00X, incl. System Contact (Supervision Contact)

MCDLV4-2E1H1HB



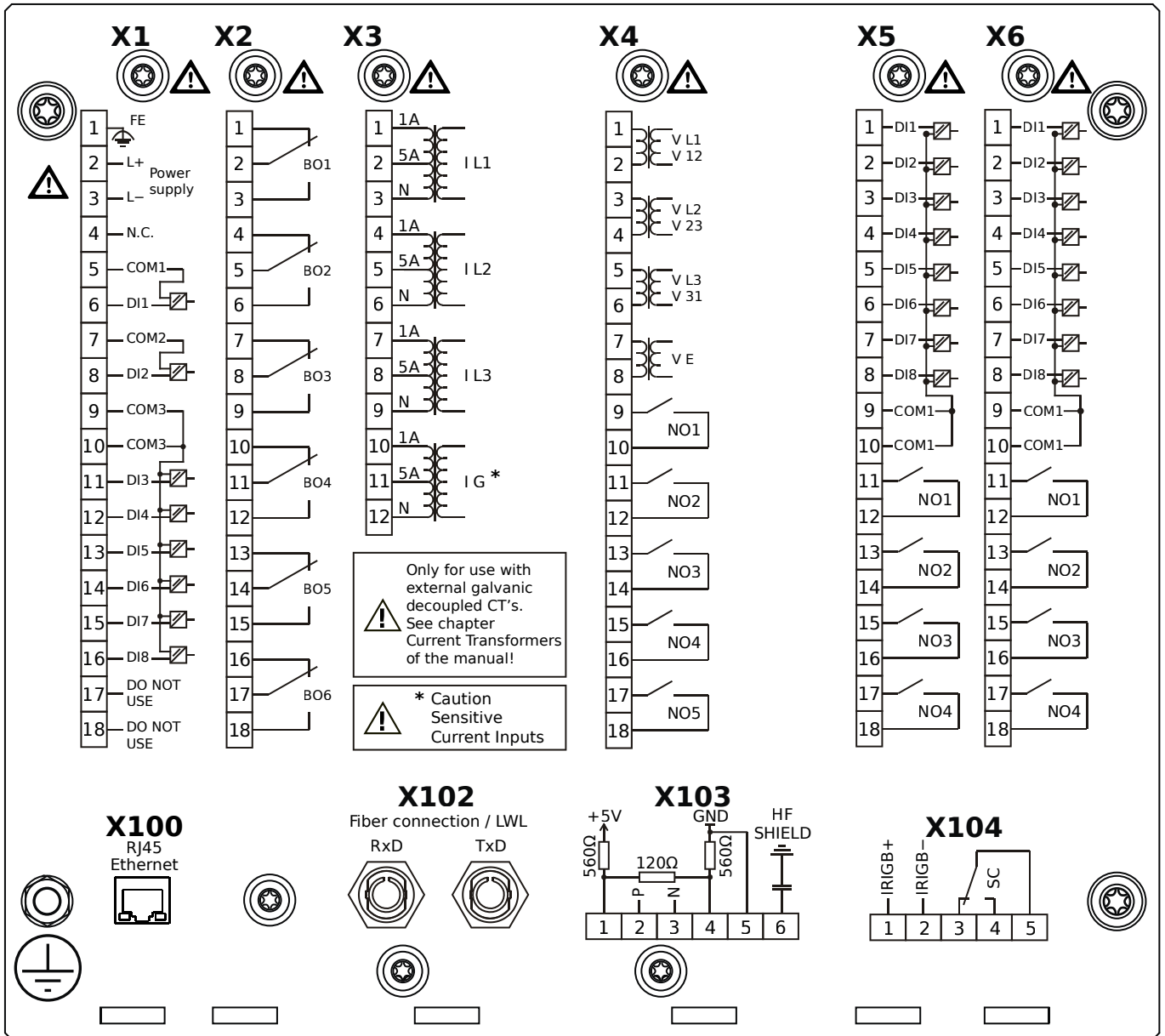
- X1** – DI8-X1: Wide-range power supply unit, incl. 2 non-grouped digital inputs and 6 grouped digital inputs
- X2** – OR-6: Assembly Group with 6 Relay Outputs
- X3** – TIs-4: Standard phase current measuring card and sensitive ground current measuring
- X4** – TU: Card with 4 voltage transformer measuring inputs and 5 output relays
- X5** – DI8-OR4: Assembly Group with 8 Digital Inputs and 4 Output Relays
- X6** – DI8-OR4: Assembly Group with 8 Digital Inputs and 4 Output Relays
- X100** – IEC 61850 / Modbus TCP / DNP3.0 TCP/UDP, Ethernet interface, 100 Mbit/s, RJ45 (BASE100-FX)
- X102** – Protection Communication, Fiber optics interface, ST Connector
- X104** – IRIG-B00X, incl. System Contact (Supervision Contact)

MCDLV4-2E1H1IA



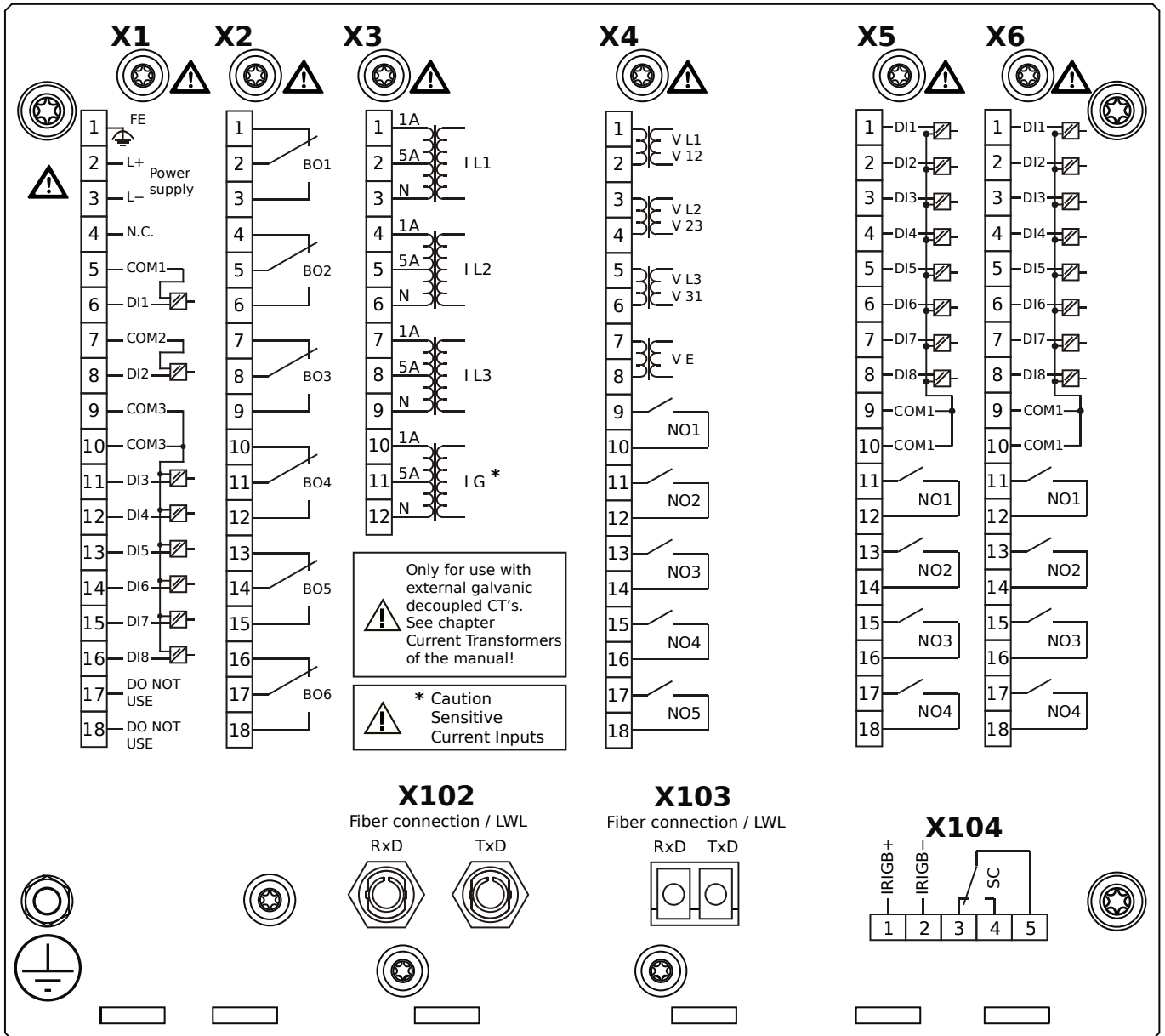
- X1** – DI8-X1: Wide-range power supply unit, incl. 2 non-grouped digital inputs and 6 grouped digital inputs
- X2** – OR-6: Assembly Group with 6 Relay Outputs
- X3** – TIs-4: Standard phase current measuring card and sensitive ground current measuring
- X4** – TU: Card with 4 voltage transformer measuring inputs and 5 output relays
- X5** – DI8-OR4: Assembly Group with 8 Digital Inputs and 4 Output Relays
- X6** – DI8-OR4: Assembly Group with 8 Digital Inputs and 4 Output Relays
- X100** – Modbus TCP / DNP3.0 TCP/UDP, Ethernet interface, 100 Mbit/s, RJ45 (BASE100-FX)
- X102** – Protection Communication, Fiber optics interface, ST Connector
- X103** – IEC 60870-5-103 / Modbus RTU / DNP3.0 RTU, RS485, Terminals
- X104** – IRIG-B00X, incl. System Contact (Supervision Contact)

MCDLV4-2E1H1IB



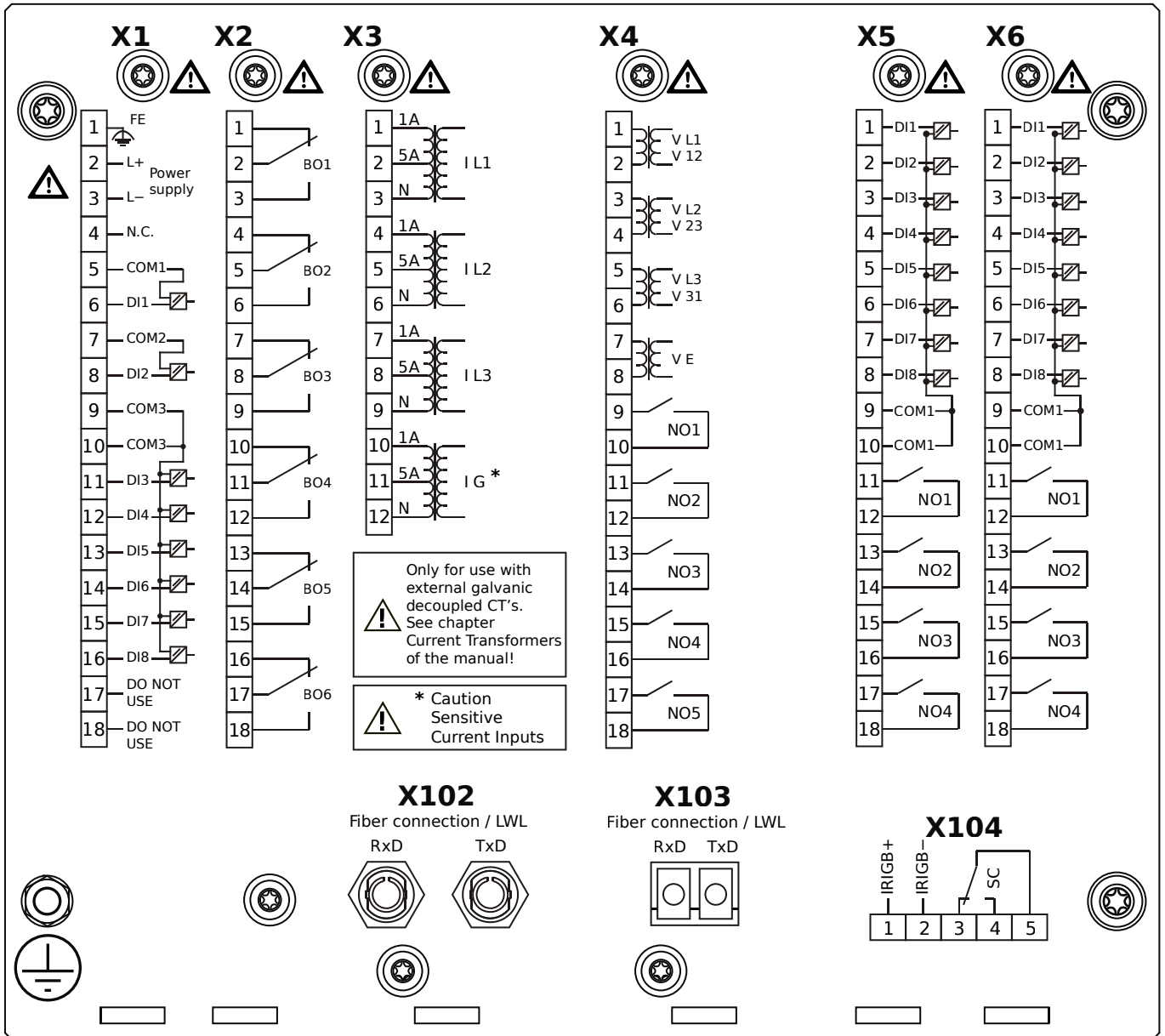
- X1** – DI8-X1: Wide-range power supply unit, incl. 2 non-grouped digital inputs and 6 grouped digital inputs
- X2** – OR-6: Assembly Group with 6 Relay Outputs
- X3** – TIs-4: Standard phase current measuring card and sensitive ground current measuring
- X4** – TU: Card with 4 voltage transformer measuring inputs and 5 output relays
- X5** – DI8-OR4: Assembly Group with 8 Digital Inputs and 4 Output Relays
- X6** – DI8-OR4: Assembly Group with 8 Digital Inputs and 4 Output Relays
- X100** – Modbus TCP / DNP3.0 TCP/UDP, Ethernet interface, 100 Mbit/s, RJ45 (BASE100-FX)
- X102** – Protection Communication, Fiber optics interface, ST Connector
- X103** – IEC 60870-5-103 / Modbus RTU / DNP3.0 RTU, RS485, Terminals
- X104** – IRIG-B00X, incl. System Contact (Supervision Contact)

MCDLV4-2E1H1KA



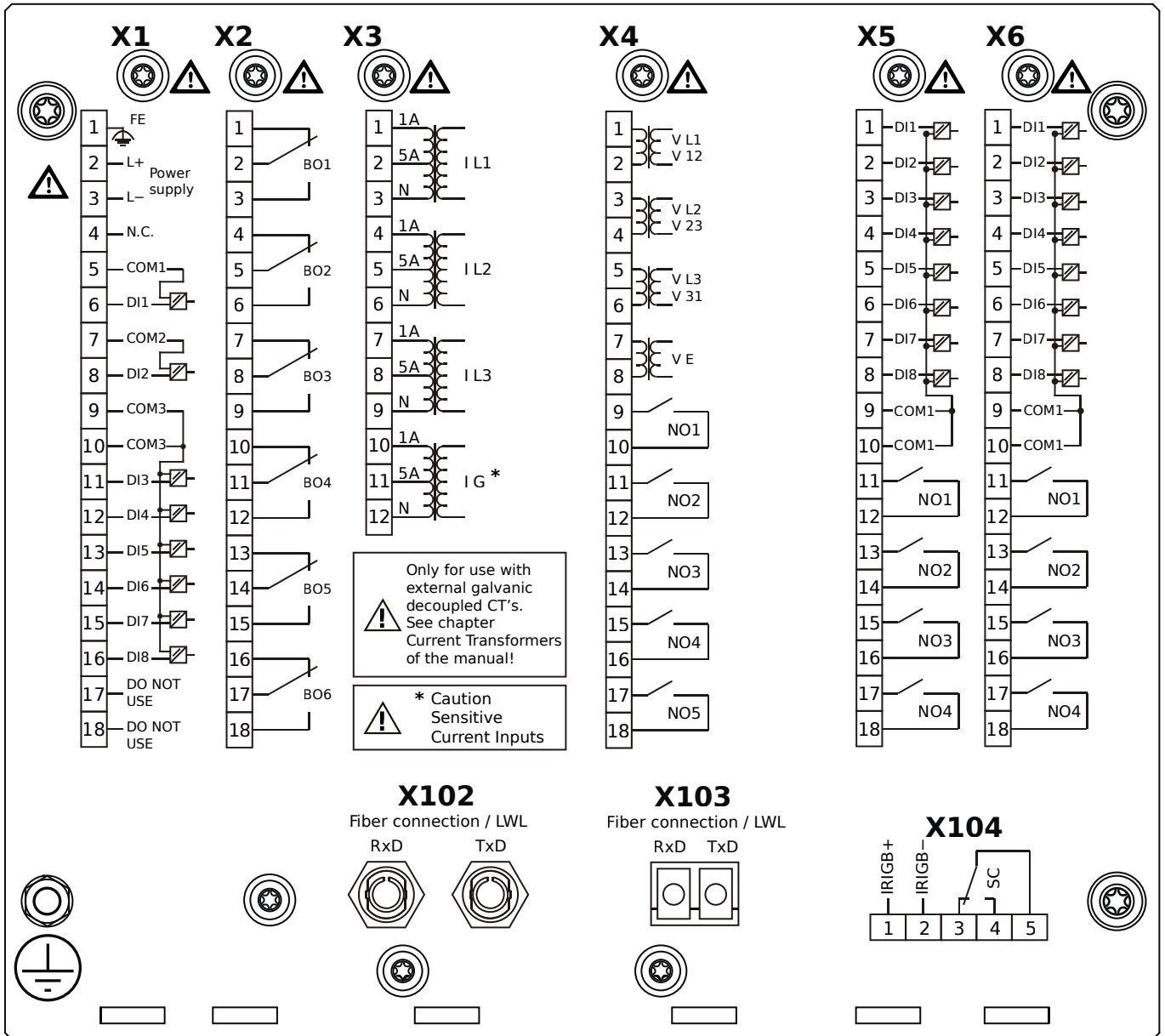
- X1** – DI8-X1: Wide-range power supply unit, incl. 2 non-grouped digital inputs and 6 grouped digital inputs
- X2** – OR-6: Assembly Group with 6 Relay Outputs
- X3** – TIs-4: Standard phase current measuring card and sensitive ground current measuring
- X4** – TU: Card with 4 voltage transformer measuring inputs and 5 output relays
- X5** – DI8-OR4: Assembly Group with 8 Digital Inputs and 4 Output Relays
- X6** – DI8-OR4: Assembly Group with 8 Digital Inputs and 4 Output Relays
- X102** – Protection Communication, Fiber optics interface, ST Connector
- X103** – IEC 61850 / Modbus TCP / DNP3.0 TCP/UDP, Fiber optics interface, LC Connector
- X104** – IRIG-B00X, incl. System Contact (Supervision Contact)

MCDLV4-2E1H1KB



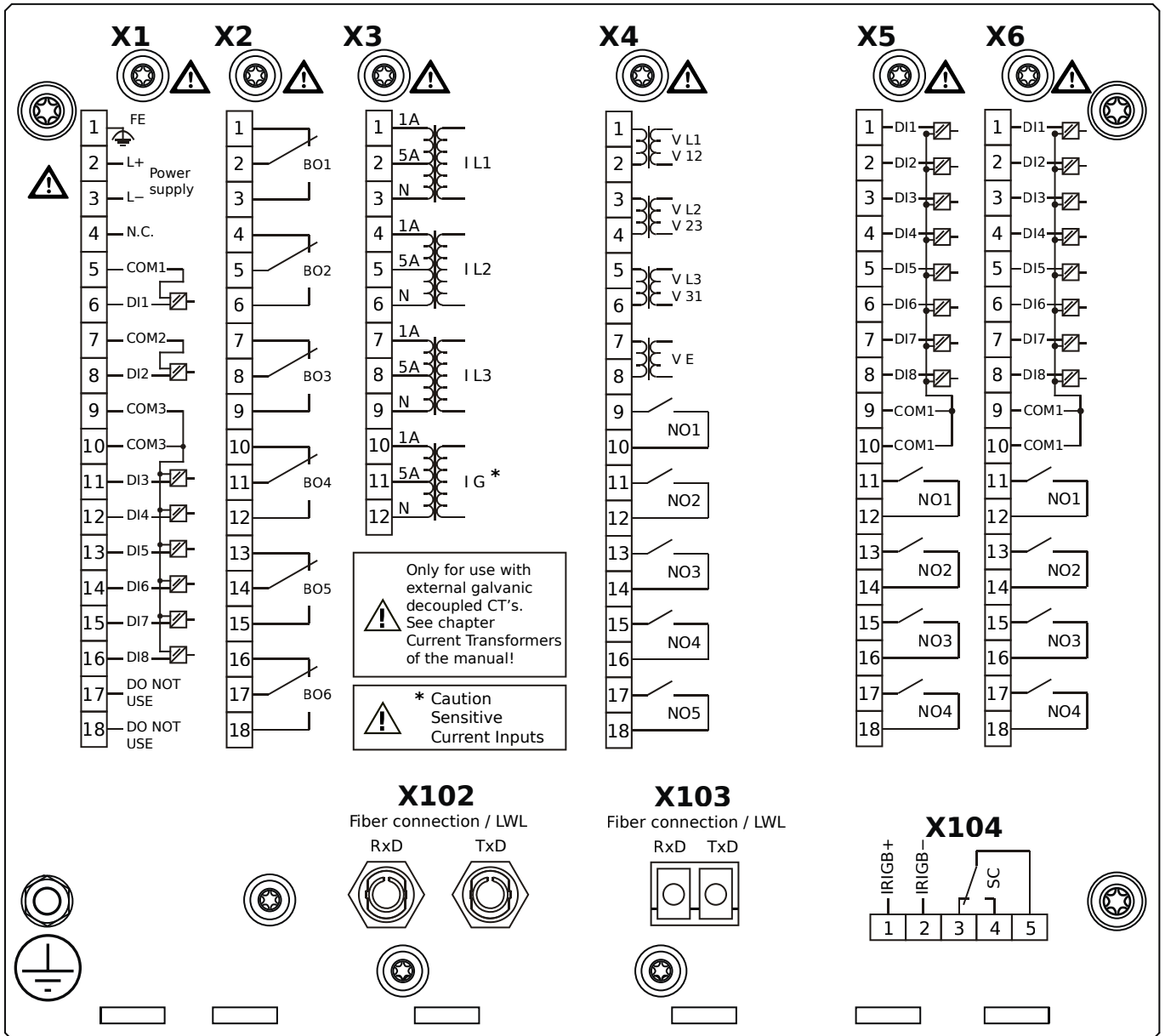
- X1** – DI8-X1: Wide-range power supply unit, incl. 2 non-grouped digital inputs and 6 grouped digital inputs
- X2** – OR-6: Assembly Group with 6 Relay Outputs
- X3** – TIs-4: Standard phase current measuring card and sensitive ground current measuring
- X4** – TU: Card with 4 voltage transformer measuring inputs and 5 output relays
- X5** – DI8-OR4: Assembly Group with 8 Digital Inputs and 4 Output Relays
- X6** – DI8-OR4: Assembly Group with 8 Digital Inputs and 4 Output Relays
- X102** – Protection Communication, Fiber optics interface, ST Connector
- X103** – IEC 61850 / Modbus TCP / DNP3.0 TCP/UDP, Fiber optics interface, LC Connector
- X104** – IRIG-B00X, incl. System Contact (Supervision Contact)

MCDLV4-2E1H1LA



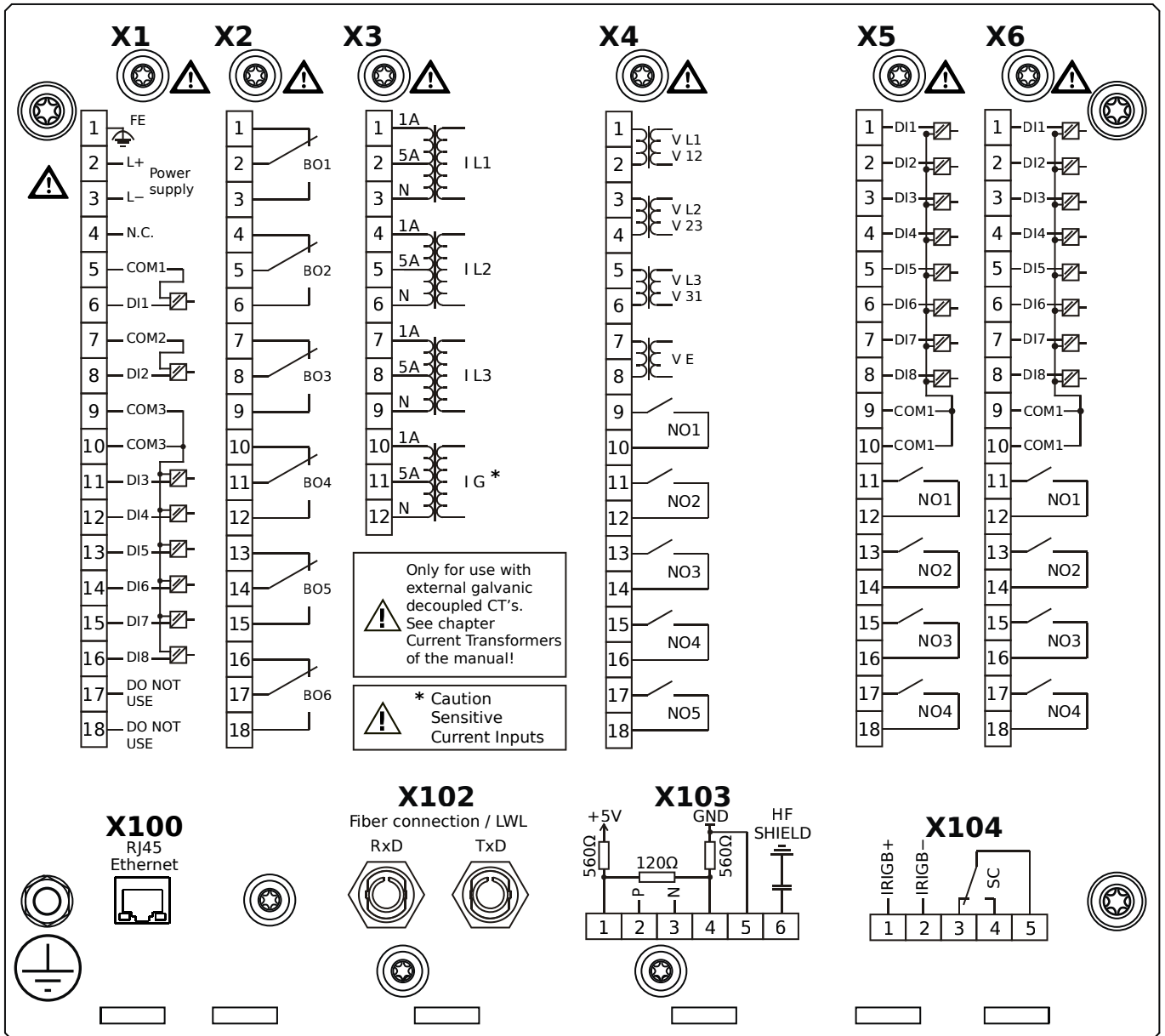
- X1** – DI8-X1: Wide-range power supply unit, incl. 2 non-grouped digital inputs and 6 grouped digital inputs
- X2** – OR-6: Assembly Group with 6 Relay Outputs
- X3** – TIs-4: Standard phase current measuring card and sensitive ground current measuring
- X4** – TU: Card with 4 voltage transformer measuring inputs and 5 output relays
- X5** – DI8-OR4: Assembly Group with 8 Digital Inputs and 4 Output Relays
- X6** – DI8-OR4: Assembly Group with 8 Digital Inputs and 4 Output Relays
- X102** – Protection Communication, Fiber optics interface, ST Connector
- X103** – Modbus TCP / DNP3.0 TCP/UDP, Fiber optics interface, LC Connector
- X104** – IRIG-B00X, incl. System Contact (Supervision Contact)

MCDLV4-2E1H1LB



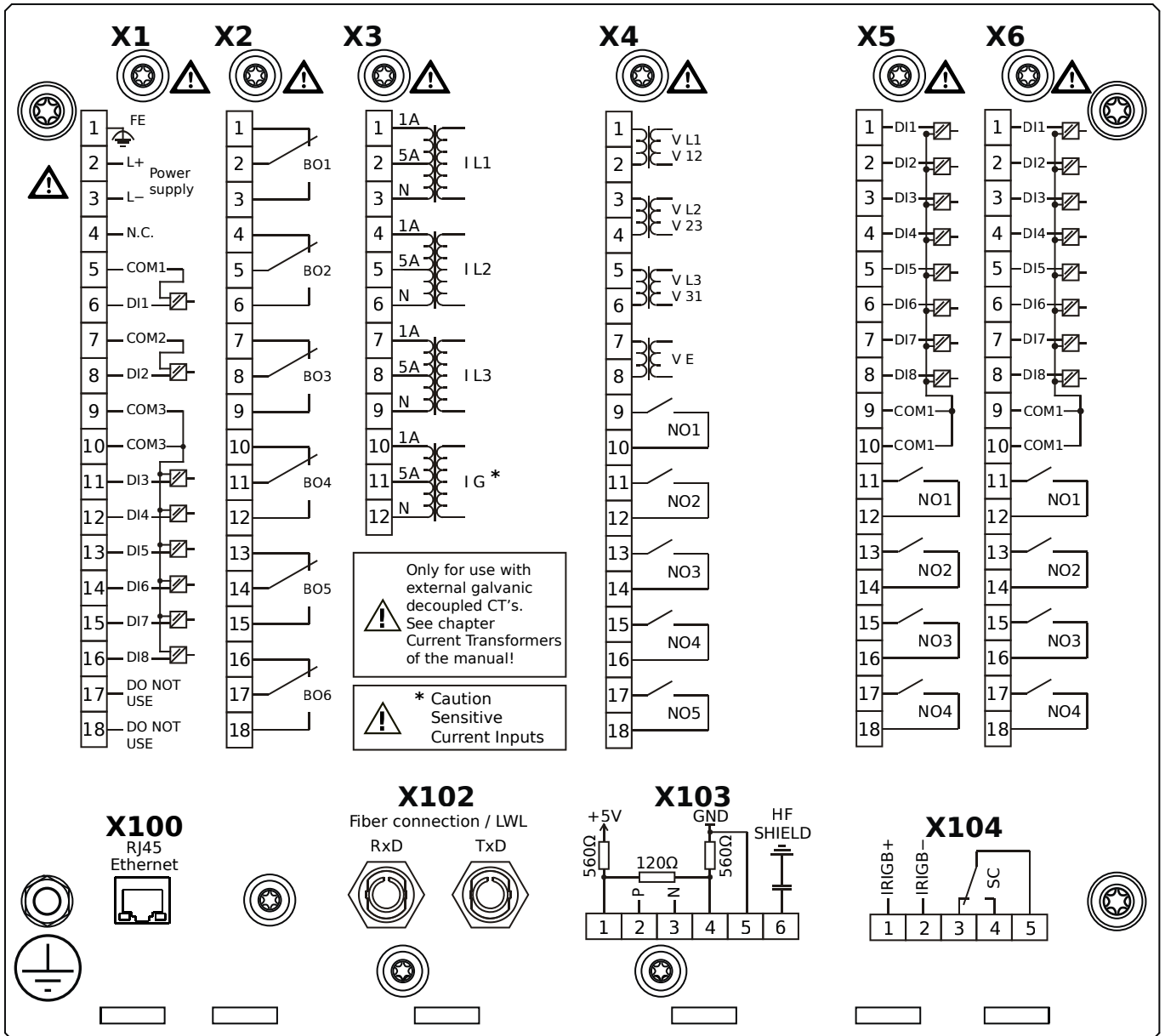
- X1** – DI8-X1: Wide-range power supply unit, incl. 2 non-grouped digital inputs and 6 grouped digital inputs
- X2** – OR-6: Assembly Group with 6 Relay Outputs
- X3** – TIs-4: Standard phase current measuring card and sensitive ground current measuring
- X4** – TU: Card with 4 voltage transformer measuring inputs and 5 output relays
- X5** – DI8-OR4: Assembly Group with 8 Digital Inputs and 4 Output Relays
- X6** – DI8-OR4: Assembly Group with 8 Digital Inputs and 4 Output Relays
- X102** – Protection Communication, Fiber optics interface, ST Connector
- X103** – Modbus TCP / DNP3.0 TCP/UDP, Fiber optics interface, LC Connector
- X104** – IRIG-B00X, incl. System Contact (Supervision Contact)

MCDLV4-2E1H1TA



- X1** – DI8-X1: Wide-range power supply unit, incl. 2 non-grouped digital inputs and 6 grouped digital inputs
- X2** – OR-6: Assembly Group with 6 Relay Outputs
- X3** – TIs-4: Standard phase current measuring card and sensitive ground current measuring
- X4** – TU: Card with 4 voltage transformer measuring inputs and 5 output relays
- X5** – DI8-OR4: Assembly Group with 8 Digital Inputs and 4 Output Relays
- X6** – DI8-OR4: Assembly Group with 8 Digital Inputs and 4 Output Relays
- X100** – IEC 61850 / Modbus TCP / DNP3.0 TCP/UDP, Ethernet interface, 100 Mbit/s, RJ45 (BASE100-FX)
- X102** – Protection Communication, Fiber optics interface, ST Connector
- X103** – IEC 60870-5-103 / Modbus RTU / DNP3.0 RTU, RS485, Terminals
- X104** – IRIG-B00X, incl. System Contact (Supervision Contact)

MCDLV4-2E1H1TB



- X1** – DI8-X1: Wide-range power supply unit, incl. 2 non-grouped digital inputs and 6 grouped digital inputs
- X2** – OR-6: Assembly Group with 6 Relay Outputs
- X3** – TIs-4: Standard phase current measuring card and sensitive ground current measuring
- X4** – TU: Card with 4 voltage transformer measuring inputs and 5 output relays
- X5** – DI8-OR4: Assembly Group with 8 Digital Inputs and 4 Output Relays
- X6** – DI8-OR4: Assembly Group with 8 Digital Inputs and 4 Output Relays
- X100** – IEC 61850 / Modbus TCP / DNP3.0 TCP/UDP, Ethernet interface, 100 Mbit/s, RJ45 (BASE100-FX)
- X102** – Protection Communication, Fiber optics interface, ST Connector
- X103** – IEC 60870-5-103 / Modbus RTU / DNP3.0 RTU, RS485, Terminals
- X104** – IRIG-B00X, incl. System Contact (Supervision Contact)