

WIRING DIAGRAMS

High **PROTEC** | PROTECTION TECHNOLOGY
MADE SIMPLE

MCDLV4 | Line Differential Protection

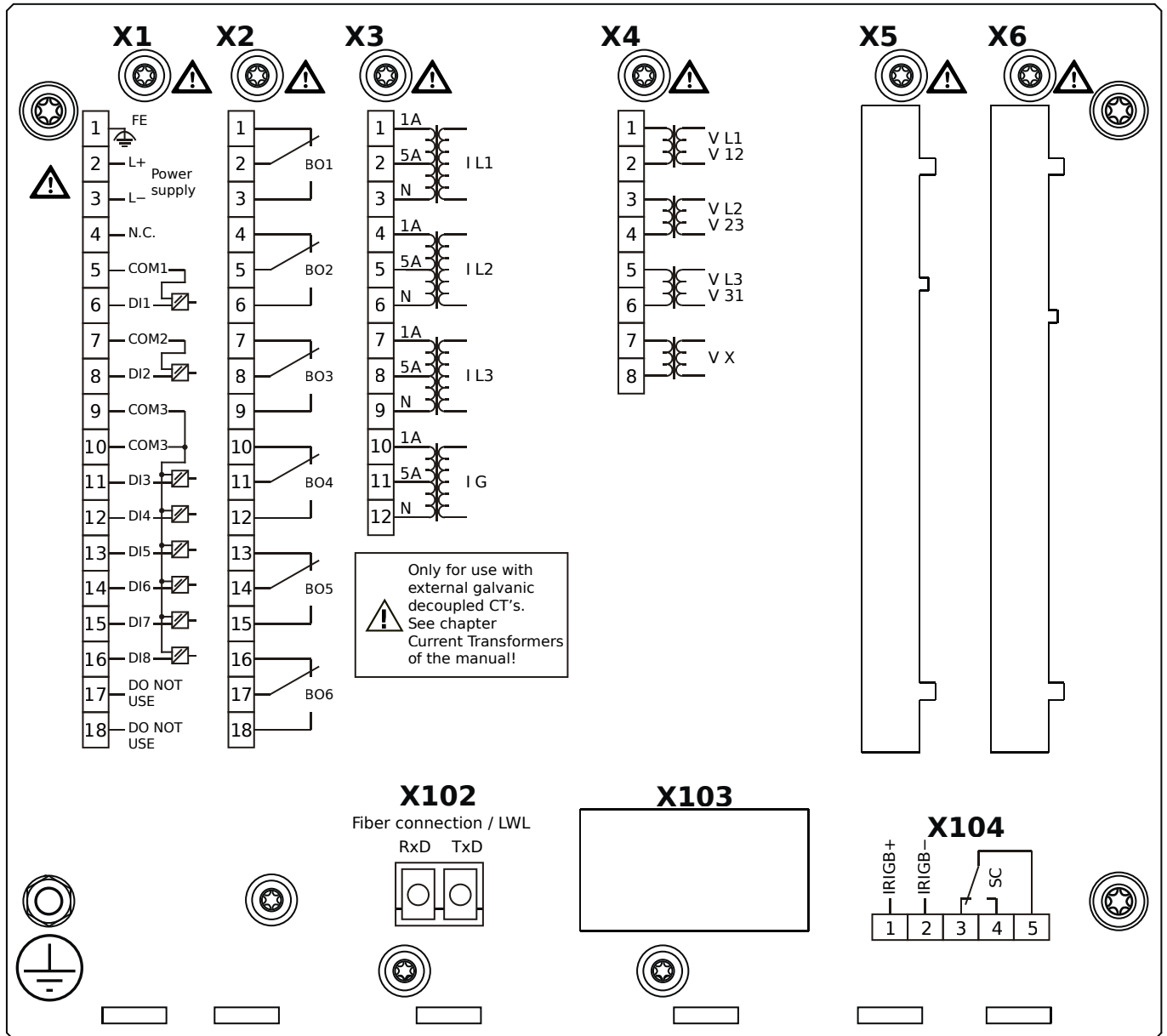
Version: 3.11

Original document

English

This document does not replace the Technical Manual.

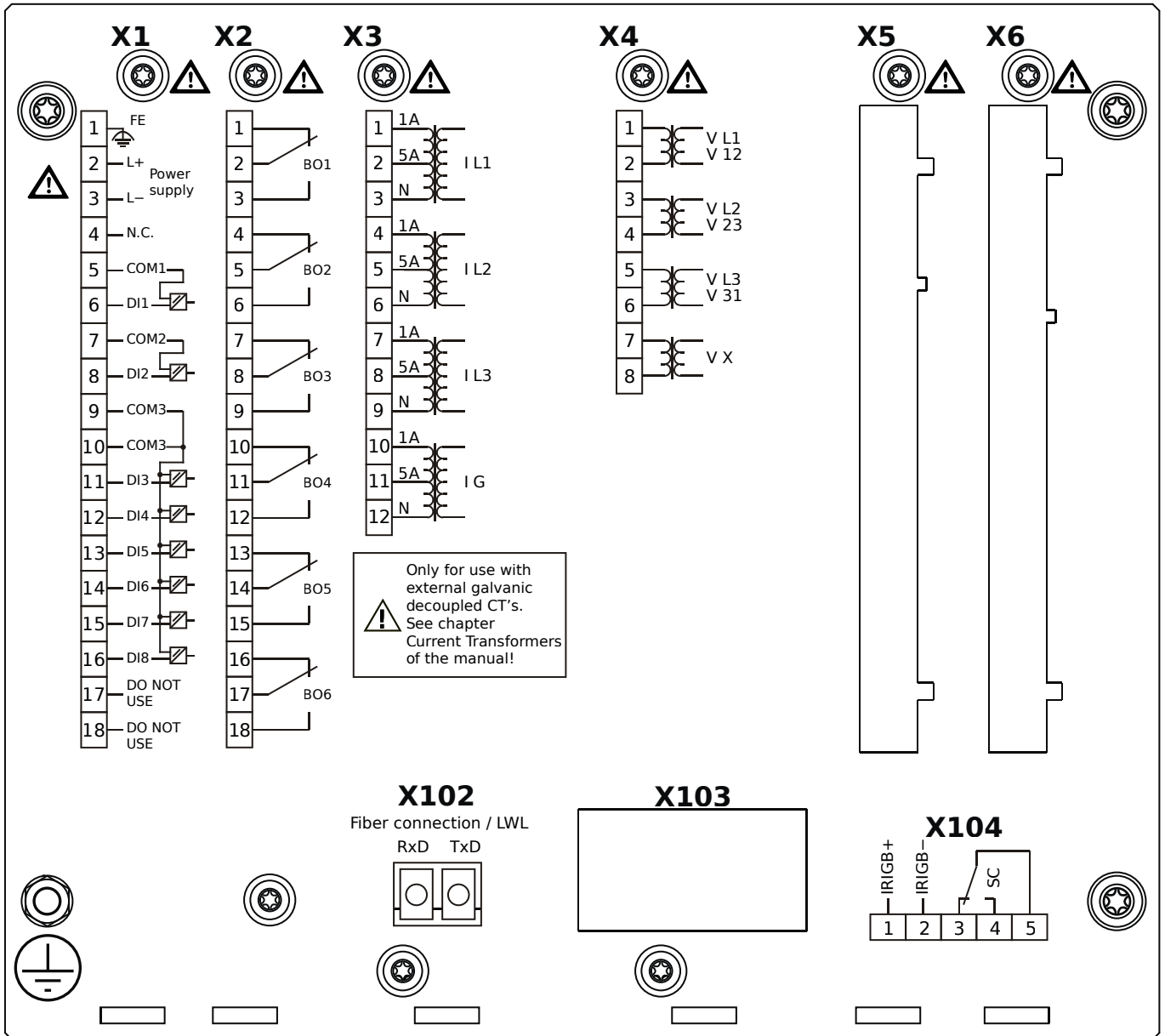
MCDLV4-2A0A0AA



Housing B2, large display, door mounting

- X1** – DI8-X1: Wide-range power supply unit, incl. 2 non-grouped digital inputs and 6 grouped digital inputs
- X2** – OR6: Assembly Group with 6 Output Relays (Changeover / Form C)
- X3** – TI: Standard current measuring card
- X4** – TU: Card with 4 voltage transformer measuring inputs (0 ... 800 VAC, under UL: 0 ... 600 VAC)
- X102** – Long-distance Protection Communication, Fiber optics interface, LC Connector
- X104** – IRIG-B00X, incl. System Contact (Supervision Contact)

MCDLV4-2A0A0AB

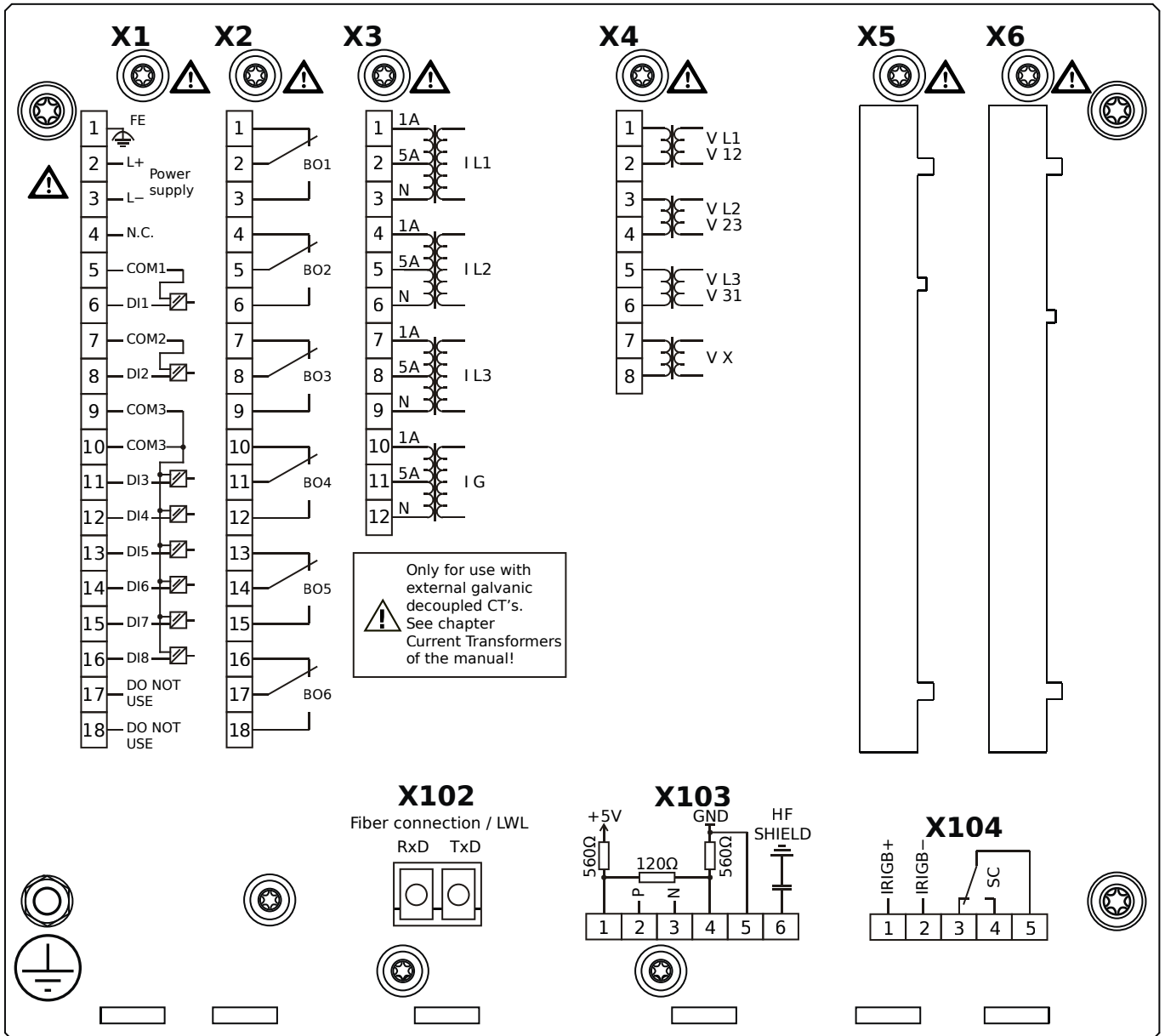


Housing B2, large display, door mounting

+ Conformal Coating (for installations in harsh environment)

- X1** – DI8-X1: Wide-range power supply unit, incl. 2 non-grouped digital inputs and 6 grouped digital inputs
- X2** – OR6: Assembly Group with 6 Output Relays (Changeover / Form C)
- X3** – TI: Standard current measuring card
- X4** – TU: Card with 4 voltage transformer measuring inputs (0 ... 800 VAC, under UL: 0 ... 600 VAC)
- X102** – Long-distance Protection Communication, Fiber optics interface, LC Connector
- X104** – IRIG-B00X, incl. System Contact (Supervision Contact)

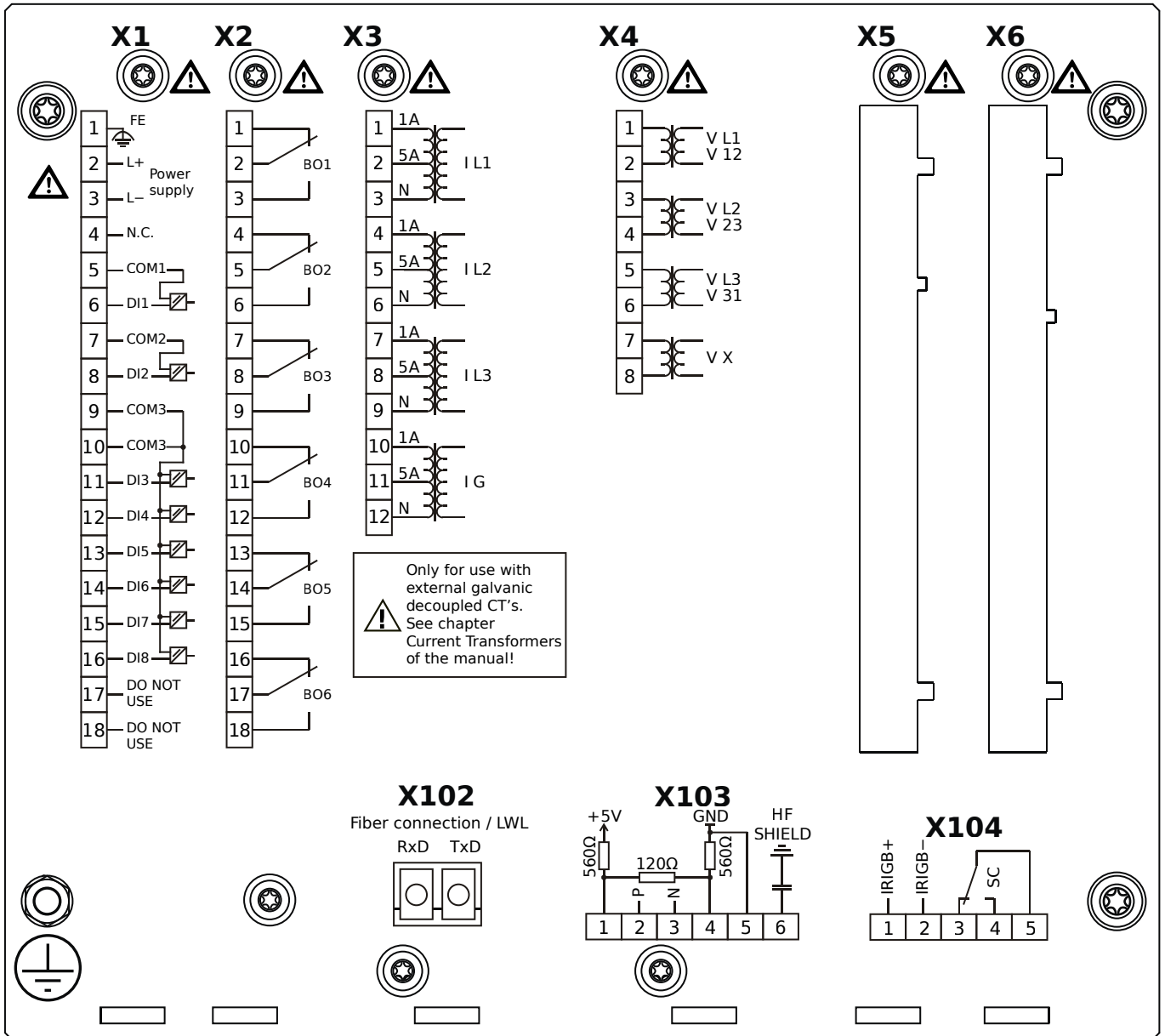
MCDLV4-2A0A0BA



Housing B2, large display, door mounting

- X1** – DI8-X1: Wide-range power supply unit, incl. 2 non-grouped digital inputs and 6 grouped digital inputs
- X2** – OR6: Assembly Group with 6 Output Relays (Changeover / Form C)
- X3** – TI: Standard current measuring card
- X4** – TU: Card with 4 voltage transformer measuring inputs (0 ... 800 VAC, under UL: 0 ... 600 VAC)
- X102** – Long-distance Protection Communication, Fiber optics interface, LC Connector
- X103** – Modbus RTU / IEC 60870-5-103 / DNP3.0 RTU, RS485, Terminals
- X104** – IRIG-B00X, incl. System Contact (Supervision Contact)

MCDLV4-2A0A0BB

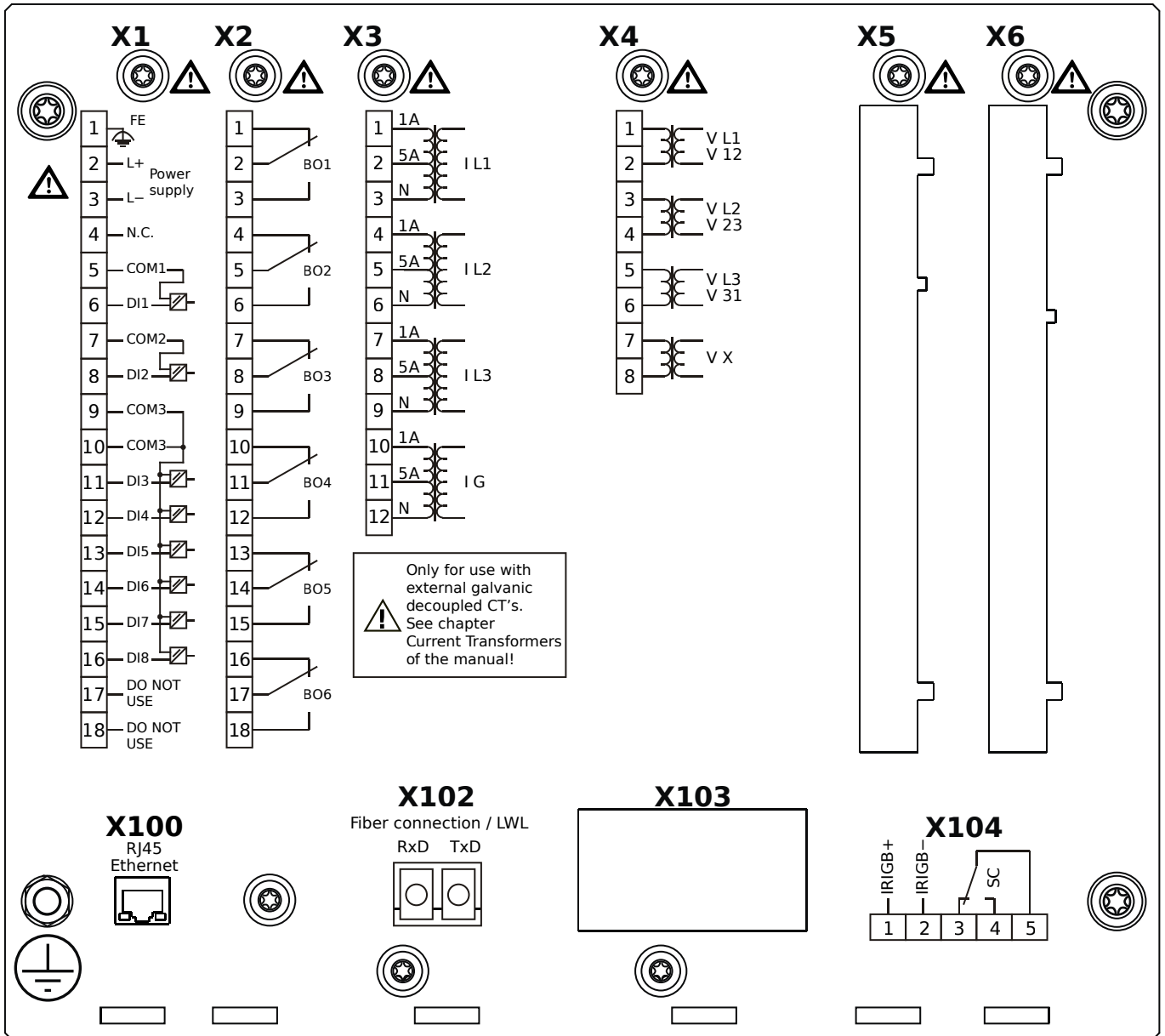


Housing B2, large display, door mounting

- + Conformal Coating (for installations in harsh environment)

- X1** – DI8-X1: Wide-range power supply unit, incl. 2 non-grouped digital inputs and 6 grouped digital inputs
- X2** – OR6: Assembly Group with 6 Output Relays (Changeover / Form C)
- X3** – TI: Standard current measuring card
- X4** – TU: Card with 4 voltage transformer measuring inputs (0 ... 800 VAC, under UL: 0 ... 600 VAC)
- X102** – Long-distance Protection Communication, Fiber optics interface, LC Connector
- X103** – Modbus RTU / IEC 60870-5-103 / DNP3.0 RTU, RS485, Terminals
- X104** – IRIG-B00X, incl. System Contact (Supervision Contact)

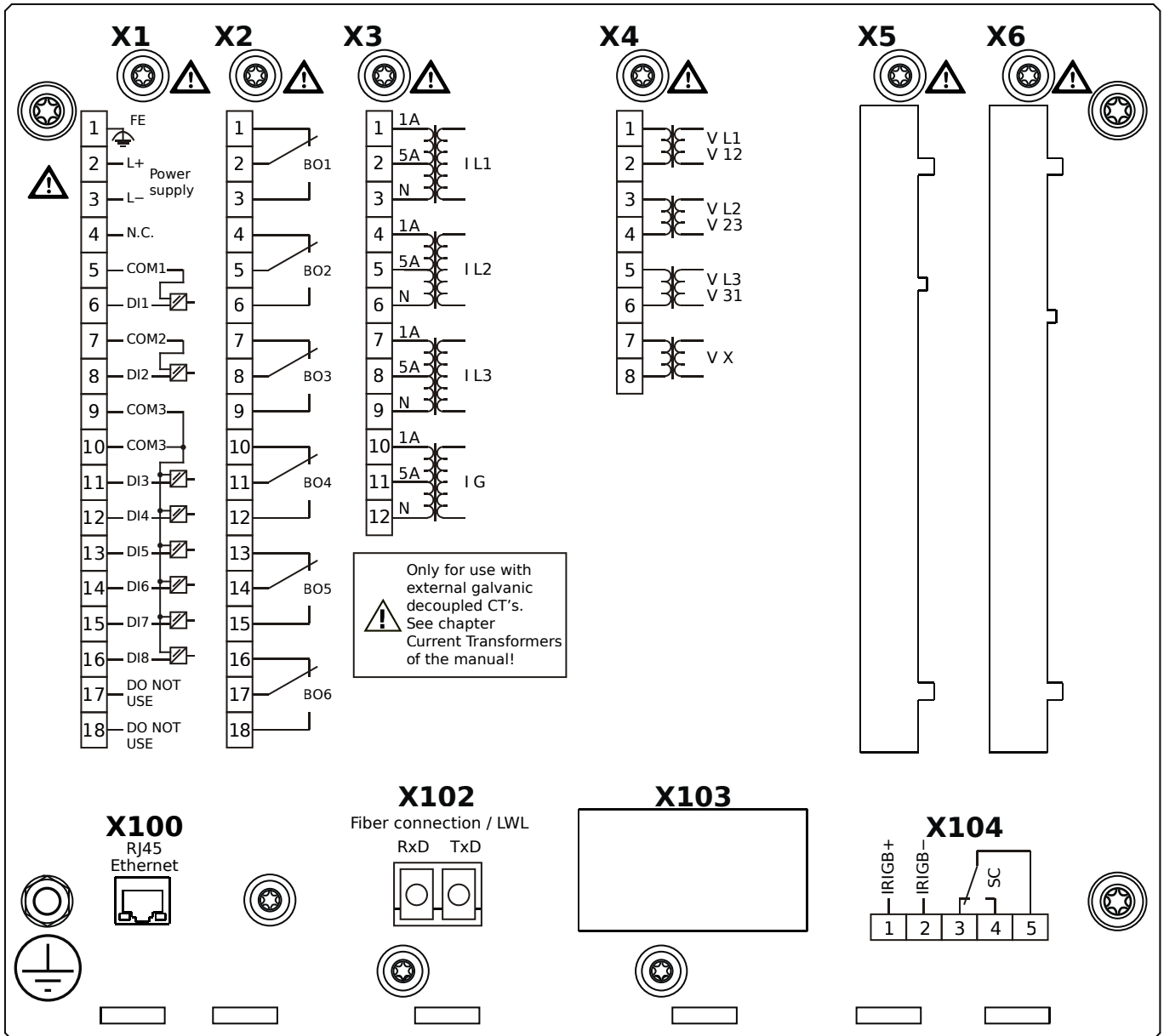
MCDLV4-2A0A0CA



Housing B2, large display, door mounting

- X1** – DI8-X1: Wide-range power supply unit, incl. 2 non-grouped digital inputs and 6 grouped digital inputs
- X2** – OR6: Assembly Group with 6 Output Relays (Changeover / Form C)
- X3** – TI: Standard current measuring card
- X4** – TU: Card with 4 voltage transformer measuring inputs (0 ... 800 VAC, under UL: 0 ... 600 VAC)
- X100** – Modbus TCP / IEC 60870-5-104 / DNP3.0 TCP/UDP, Ethernet interface, 100 Mbit/s, RJ45 (BASE100-FX)
- X102** – Long-distance Protection Communication, Fiber optics interface, LC Connector
- X104** – IRIG-B00X, incl. System Contact (Supervision Contact)

MCDLV4-2A0A0CB

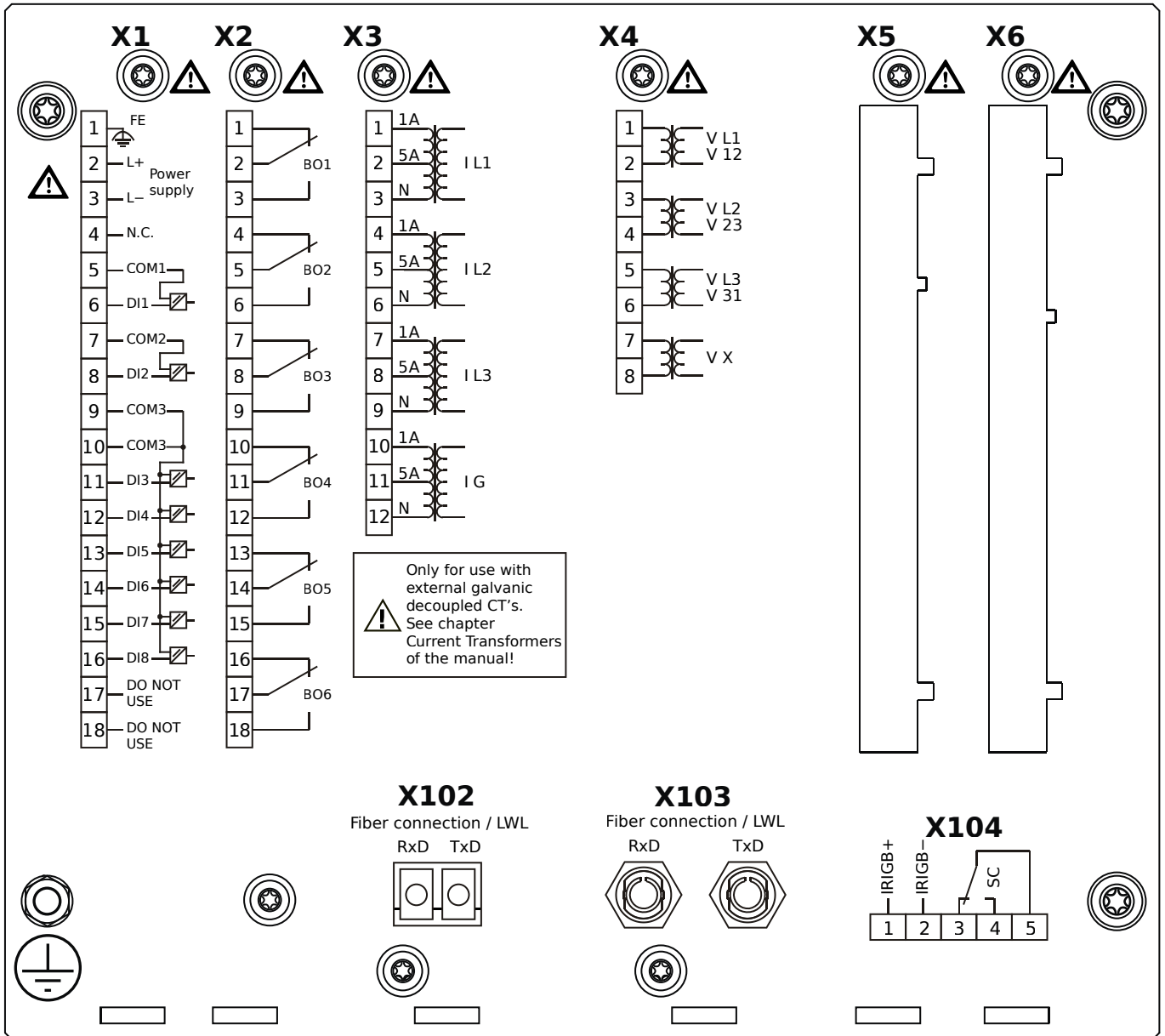


Housing B2, large display, door mounting

- + Conformal Coating (for installations in harsh environment)

- X1** – DI8-X1: Wide-range power supply unit, incl. 2 non-grouped digital inputs and 6 grouped digital inputs
- X2** – OR6: Assembly Group with 6 Output Relays (Changeover / Form C)
- X3** – TI: Standard current measuring card
- X4** – TU: Card with 4 voltage transformer measuring inputs (0 ... 800 VAC, under UL: 0 ... 600 VAC)
- X100** – Modbus TCP / IEC 60870-5-104 / DNP3.0 TCP/UDP, Ethernet interface, 100 Mbit/s, RJ45 (BASE100-FX)
- X102** – Long-distance Protection Communication, Fiber optics interface, LC Connector
- X104** – IRIG-B00X, incl. System Contact (Supervision Contact)

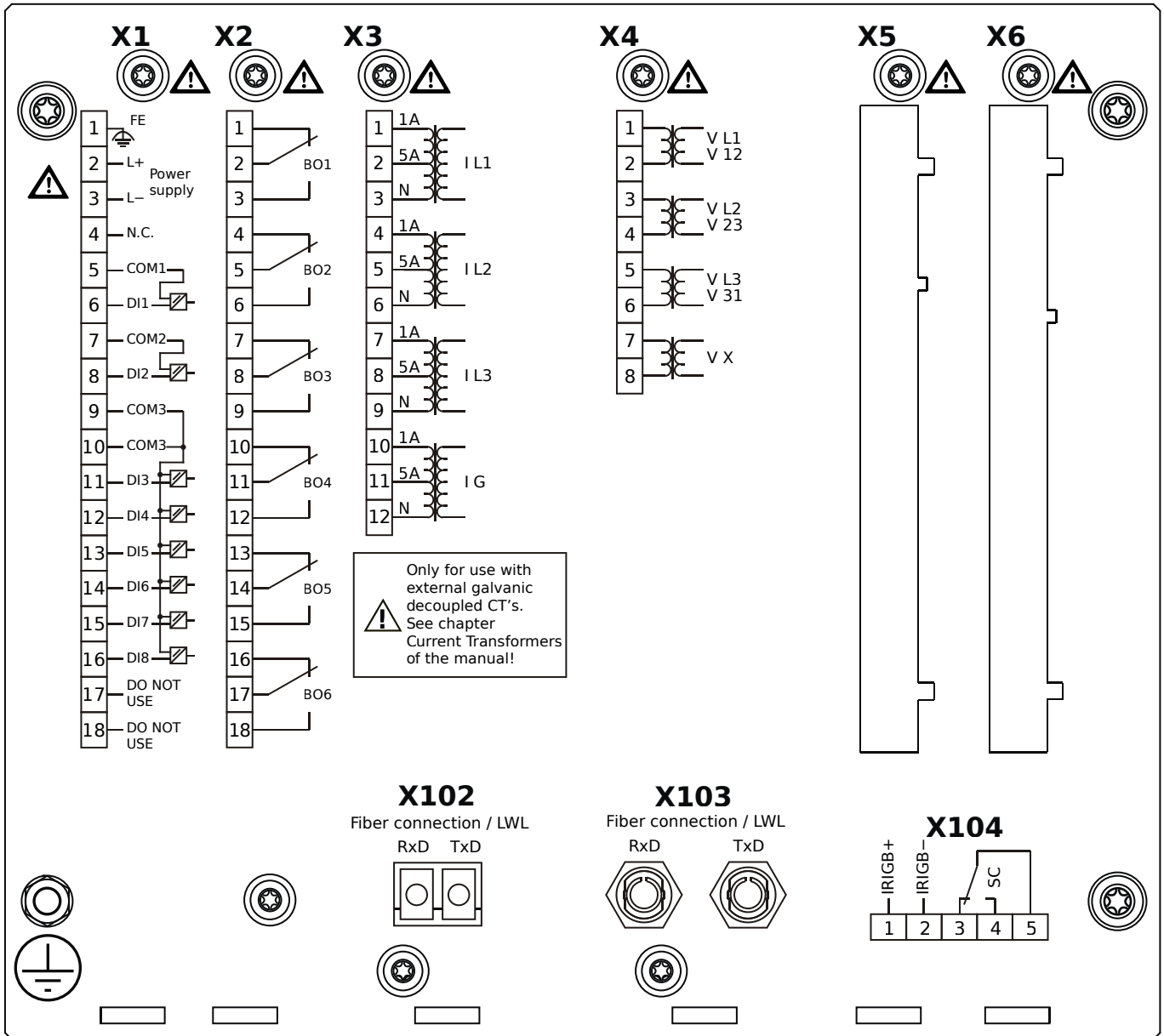
MCDLV4-2A0A0DA



Housing B2, large display, door mounting

- X1** – DI8-X1: Wide-range power supply unit, incl. 2 non-grouped digital inputs and 6 grouped digital inputs
- X2** – OR6: Assembly Group with 6 Output Relays (Changeover / Form C)
- X3** – TI: Standard current measuring card
- X4** – TU: Card with 4 voltage transformer measuring inputs (0 ... 800 VAC, under UL: 0 ... 600 VAC)
- X102** – Long-distance Protection Communication, Fiber optics interface, LC Connector
- X103** – Profibus-DP, Fiber optics interface, ST Connector
- X104** – IRIG-B00X, incl. System Contact (Supervision Contact)

MCDLV4-2A0A0DB

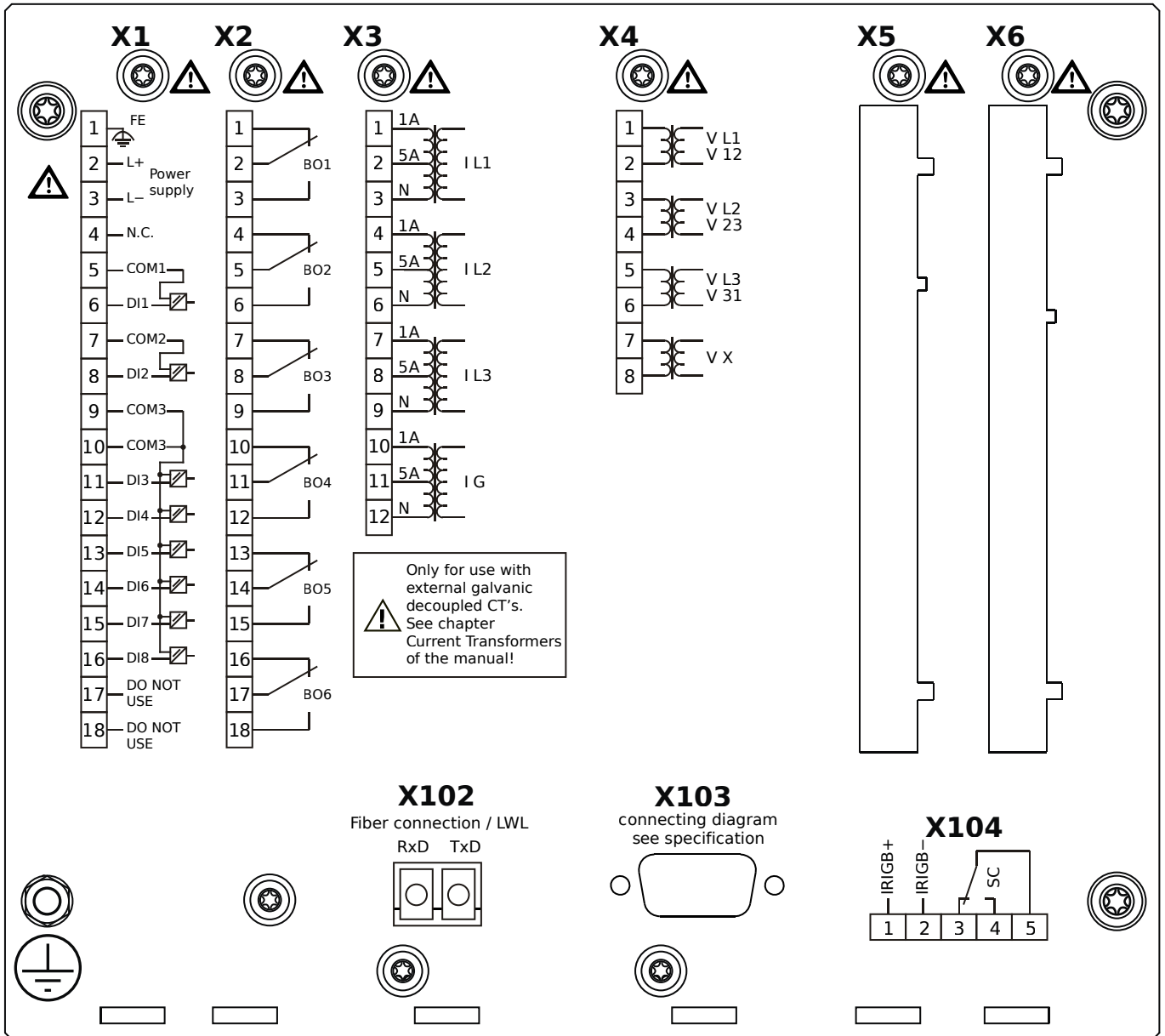


Housing B2, large display, door mounting

+ Conformal Coating (for installations in harsh environment)

- X1** – DI8-X1: Wide-range power supply unit, incl. 2 non-grouped digital inputs and 6 grouped digital inputs
- X2** – OR6: Assembly Group with 6 Output Relays (Changeover / Form C)
- X3** – TI: Standard current measuring card
- X4** – TU: Card with 4 voltage transformer measuring inputs (0 ... 800 VAC, under UL: 0 ... 600 VAC)
- X102** – Long-distance Protection Communication, Fiber optics interface, LC Connector
- X103** – Profibus-DP, Fiber optics interface, ST Connector
- X104** – IRIG-B00X, incl. System Contact (Supervision Contact)

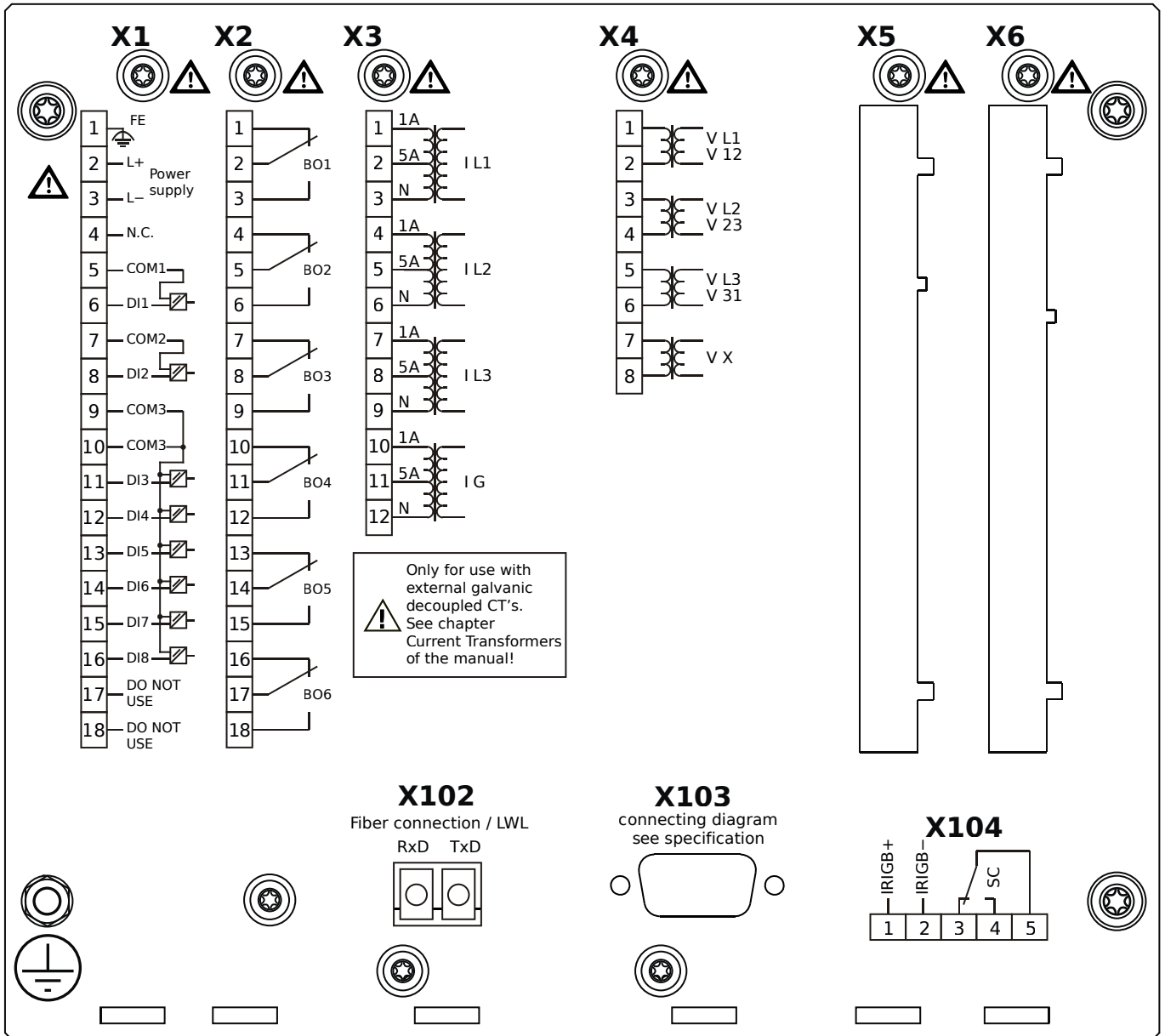
MCDLV4-2A0A0EA



Housing B2, large display, door mounting

- X1** – DI8-X1: Wide-range power supply unit, incl. 2 non-grouped digital inputs and 6 grouped digital inputs
- X2** – OR6: Assembly Group with 6 Output Relays (Changeover / Form C)
- X3** – TI: Standard current measuring card
- X4** – TU: Card with 4 voltage transformer measuring inputs (0 ... 800 VAC, under UL: 0 ... 600 VAC)
- X102** – Long-distance Protection Communication, Fiber optics interface, LC Connector
- X103** – Profibus-DP, RS485, D-SUB
- X104** – IRIG-B00X, incl. System Contact (Supervision Contact)

MCDLV4-2A0A0EB

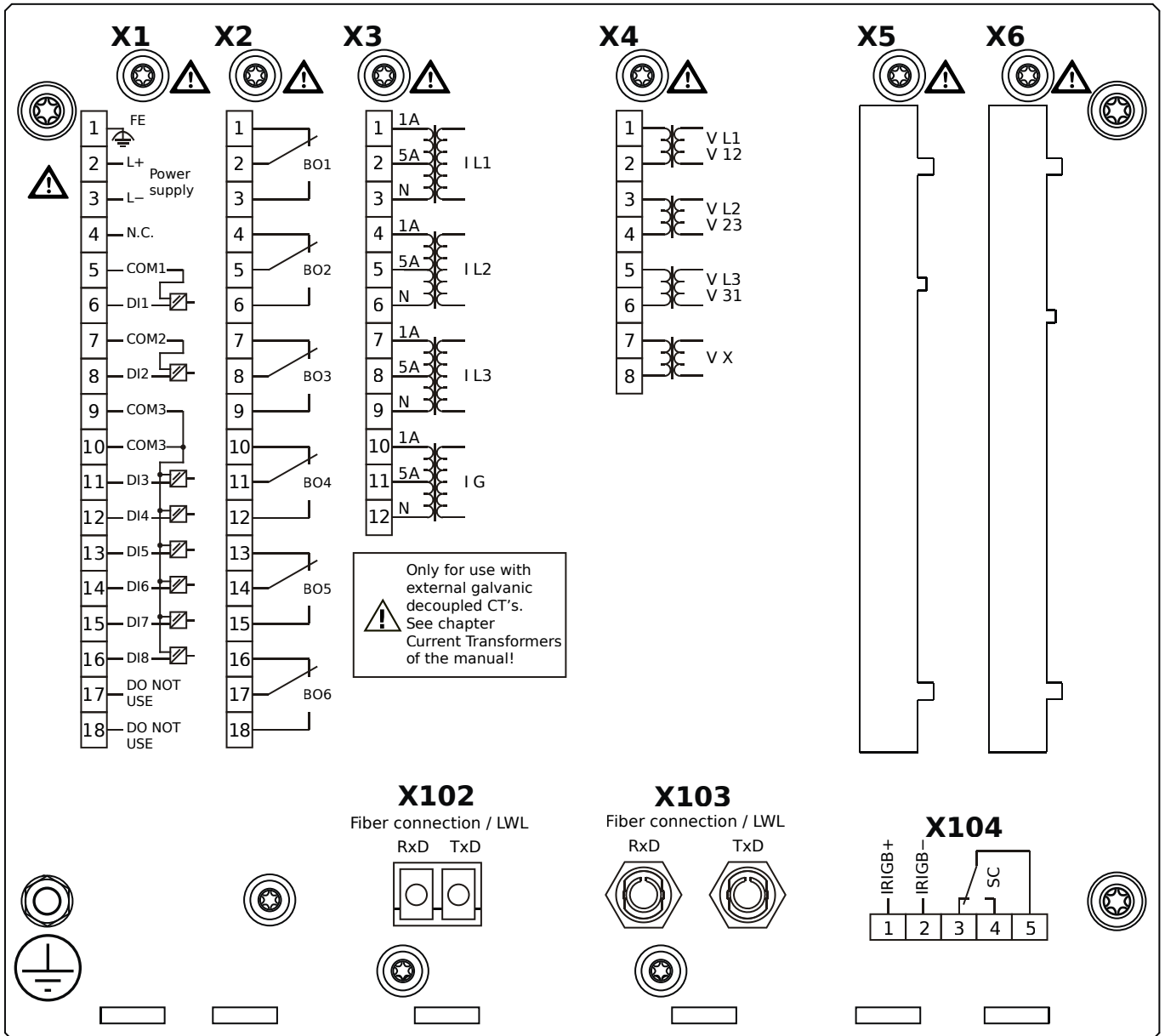


Housing B2, large display, door mounting

- + Conformal Coating (for installations in harsh environment)

- X1** – DI8-X1: Wide-range power supply unit, incl. 2 non-grouped digital inputs and 6 grouped digital inputs
- X2** – OR6: Assembly Group with 6 Output Relays (Changeover / Form C)
- X3** – TI: Standard current measuring card
- X4** – TU: Card with 4 voltage transformer measuring inputs (0 ... 800 VAC, under UL: 0 ... 600 VAC)
- X102** – Long-distance Protection Communication, Fiber optics interface, LC Connector
- X103** – Profibus-DP, RS485, D-SUB
- X104** – IRIG-B00X, incl. System Contact (Supervision Contact)

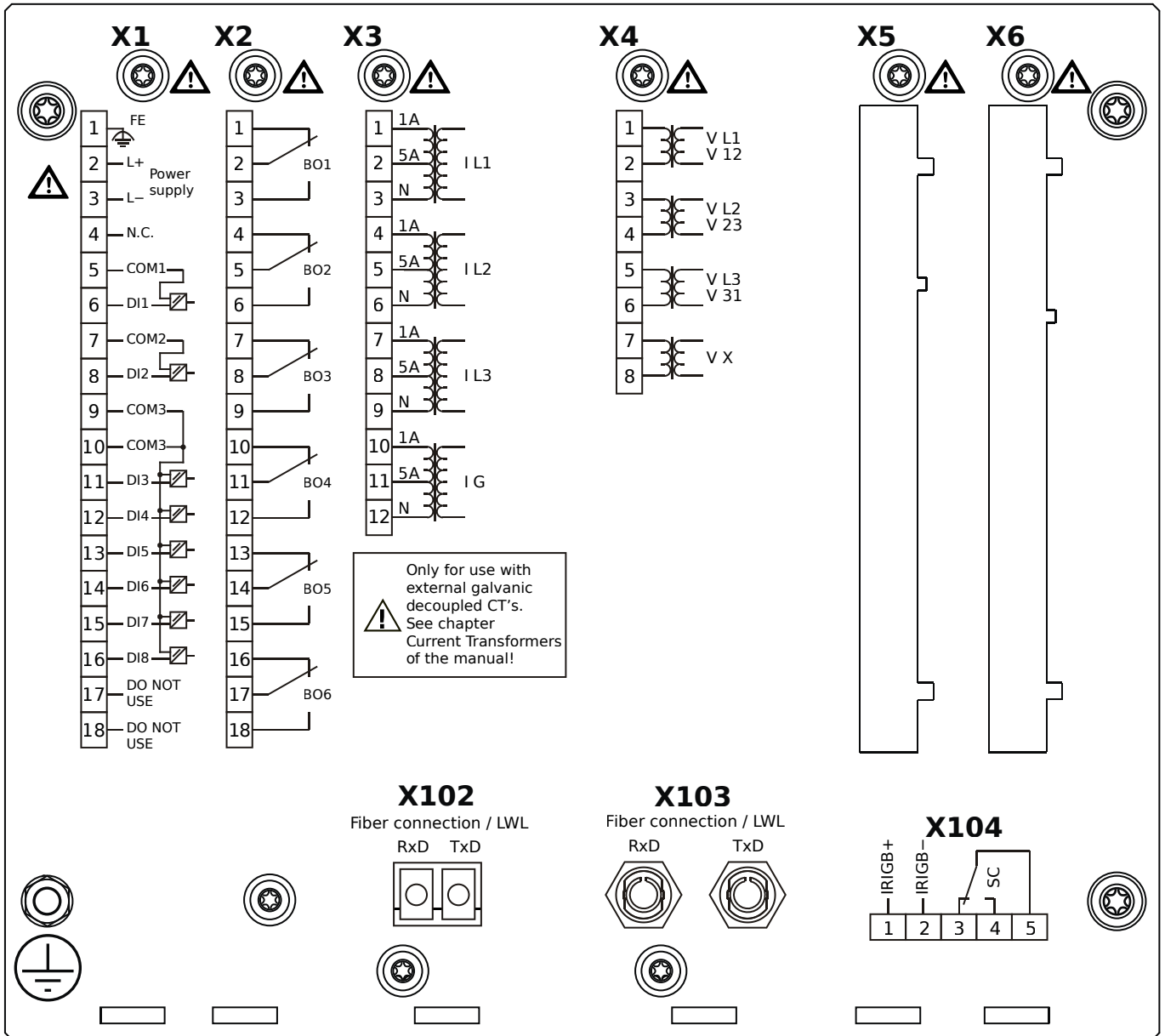
MCDLV4-2A0A0FA



Housing B2, large display, door mounting

- X1** – DI8-X1: Wide-range power supply unit, incl. 2 non-grouped digital inputs and 6 grouped digital inputs
- X2** – OR6: Assembly Group with 6 Output Relays (Changeover / Form C)
- X3** – TI: Standard current measuring card
- X4** – TU: Card with 4 voltage transformer measuring inputs (0 ... 800 VAC, under UL: 0 ... 600 VAC)
- X102** – Long-distance Protection Communication, Fiber optics interface, LC Connector
- X103** – Modbus RTU / IEC 60870-5-103 / DNP3.0 RTU, Fiber optics interface, ST Connector
- X104** – IRIG-B00X, incl. System Contact (Supervision Contact)

MCDLV4-2A0A0FB

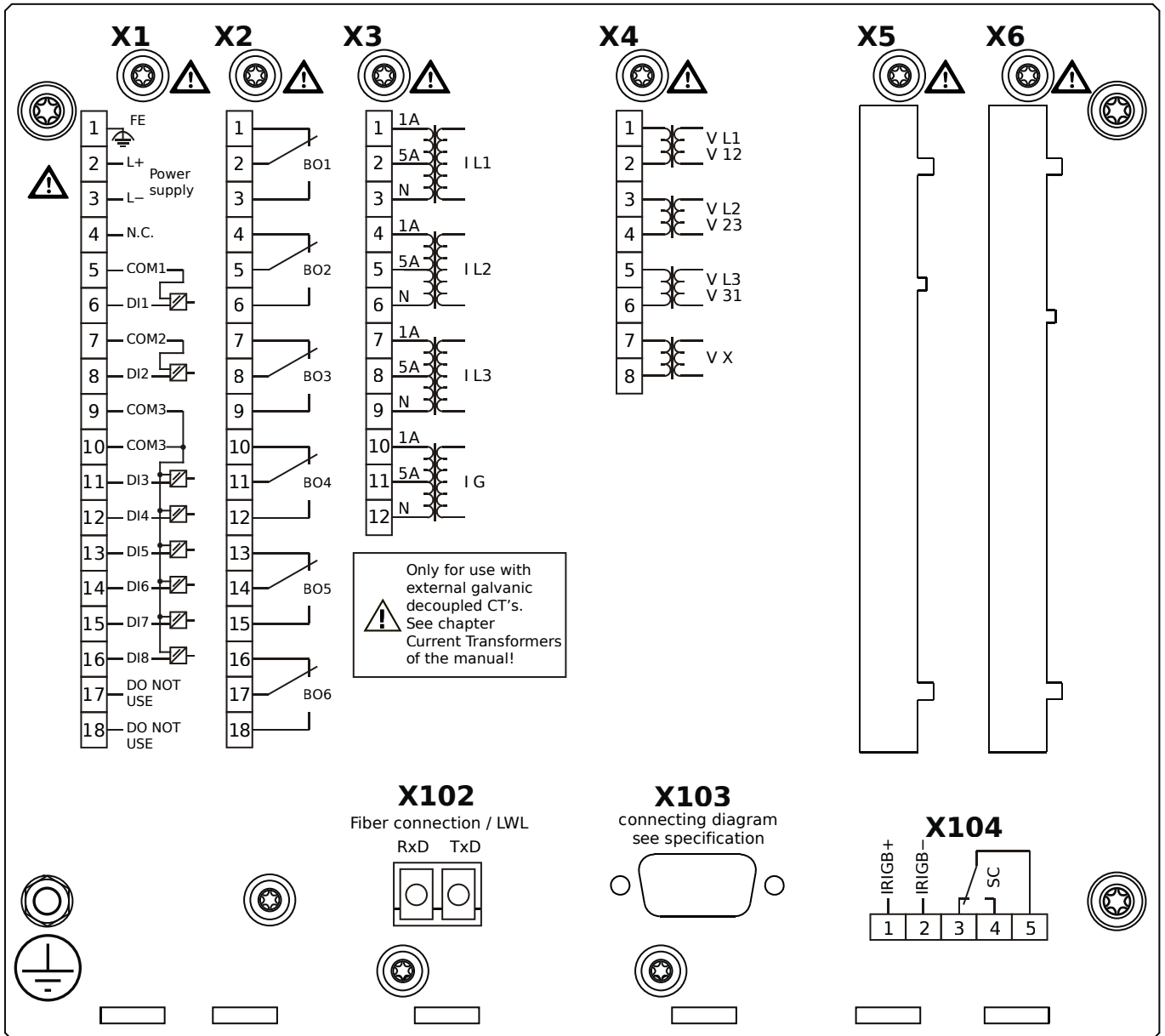


Housing B2, large display, door mounting

+ Conformal Coating (for installations in harsh environment)

- X1** – DI8-X1: Wide-range power supply unit, incl. 2 non-grouped digital inputs and 6 grouped digital inputs
- X2** – OR6: Assembly Group with 6 Output Relays (Changeover / Form C)
- X3** – TI: Standard current measuring card
- X4** – TU: Card with 4 voltage transformer measuring inputs (0 ... 800 VAC, under UL: 0 ... 600 VAC)
- X102** – Long-distance Protection Communication, Fiber optics interface, LC Connector
- X103** – Modbus RTU / IEC 60870-5-103 / DNP3.0 RTU, Fiber optics interface, ST Connector
- X104** – IRIG-B00X, incl. System Contact (Supervision Contact)

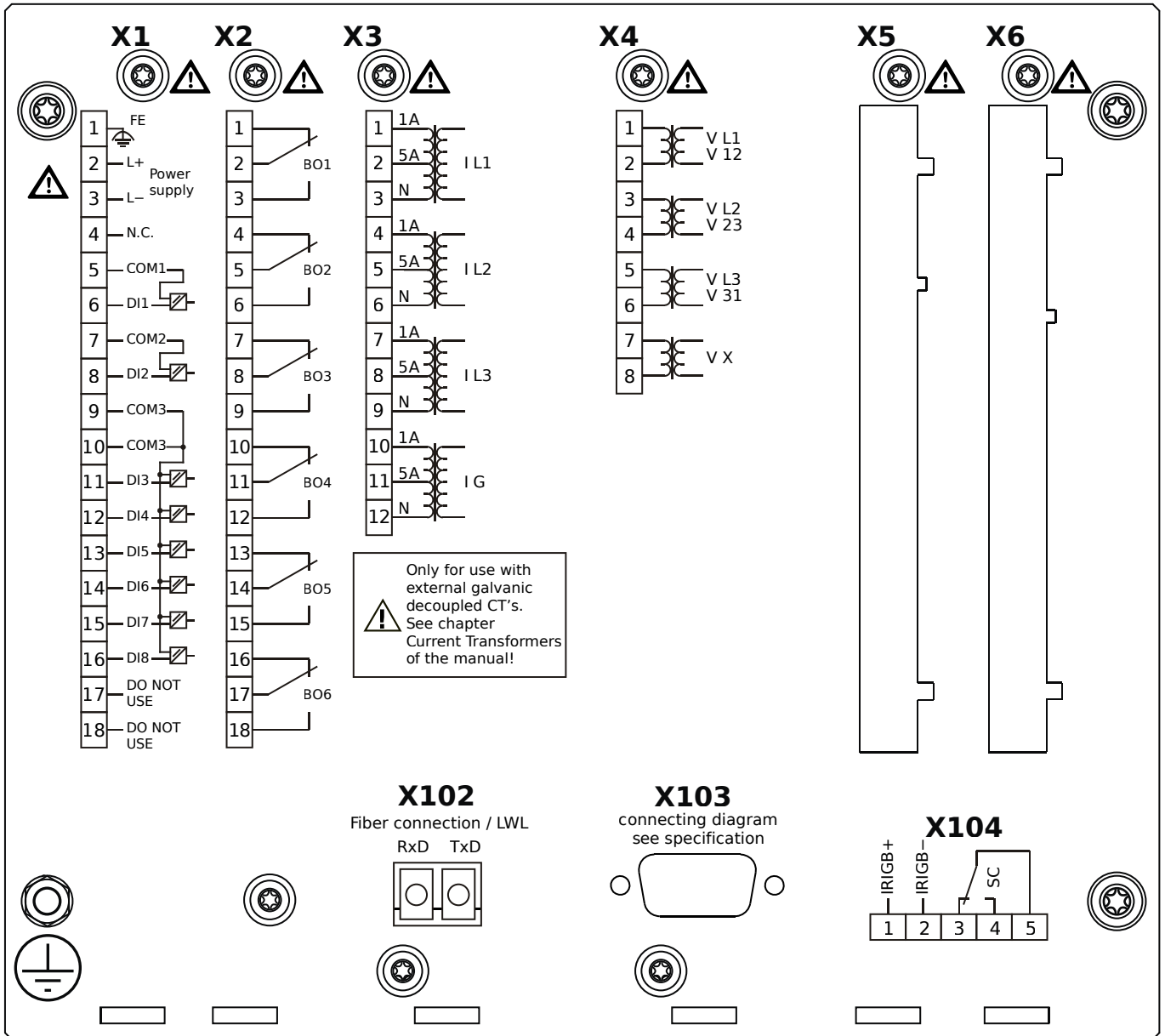
MCDLV4-2A0A0GA



Housing B2, large display, door mounting

- X1** – DI8-X1: Wide-range power supply unit, incl. 2 non-grouped digital inputs and 6 grouped digital inputs
- X2** – OR6: Assembly Group with 6 Output Relays (Changeover / Form C)
- X3** – TI: Standard current measuring card
- X4** – TU: Card with 4 voltage transformer measuring inputs (0 ... 800 VAC, under UL: 0 ... 600 VAC)
- X102** – Long-distance Protection Communication, Fiber optics interface, LC Connector
- X103** – Modbus RTU / IEC 60870-5-103 / DNP3.0 RTU, RS485, D-SUB
- X104** – IRIG-B00X, incl. System Contact (Supervision Contact)

MCDLV4-2A0A0GB

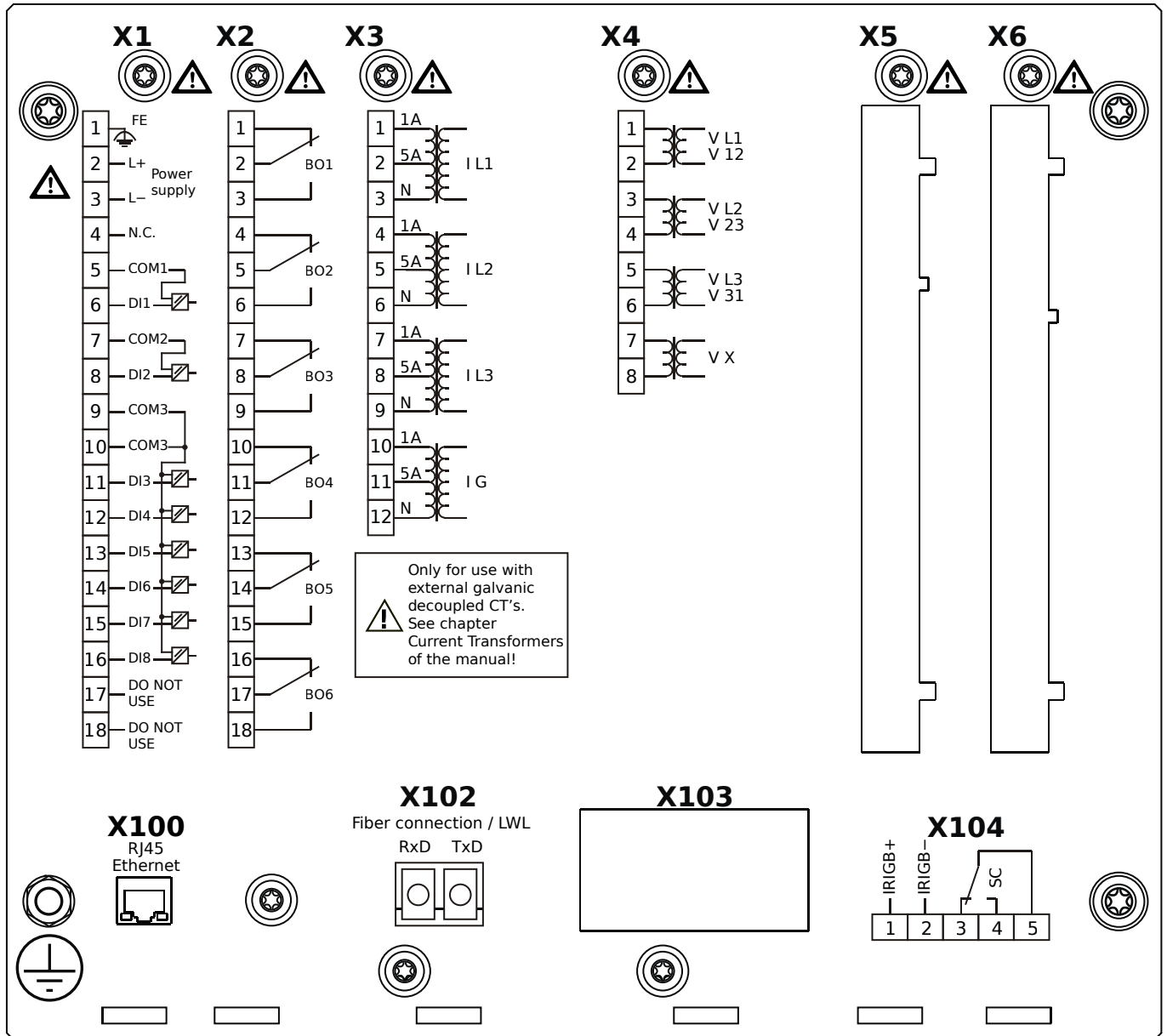


Housing B2, large display, door mounting

+ Conformal Coating (for installations in harsh environment)

- X1** – DI8-X1: Wide-range power supply unit, incl. 2 non-grouped digital inputs and 6 grouped digital inputs
- X2** – OR6: Assembly Group with 6 Output Relays (Changeover / Form C)
- X3** – TI: Standard current measuring card
- X4** – TU: Card with 4 voltage transformer measuring inputs (0 ... 800 VAC, under UL: 0 ... 600 VAC)
- X102** – Long-distance Protection Communication, Fiber optics interface, LC Connector
- X103** – Modbus RTU / IEC 60870-5-103 / DNP3.0 RTU, RS485, D-SUB
- X104** – IRIG-B00X, incl. System Contact (Supervision Contact)

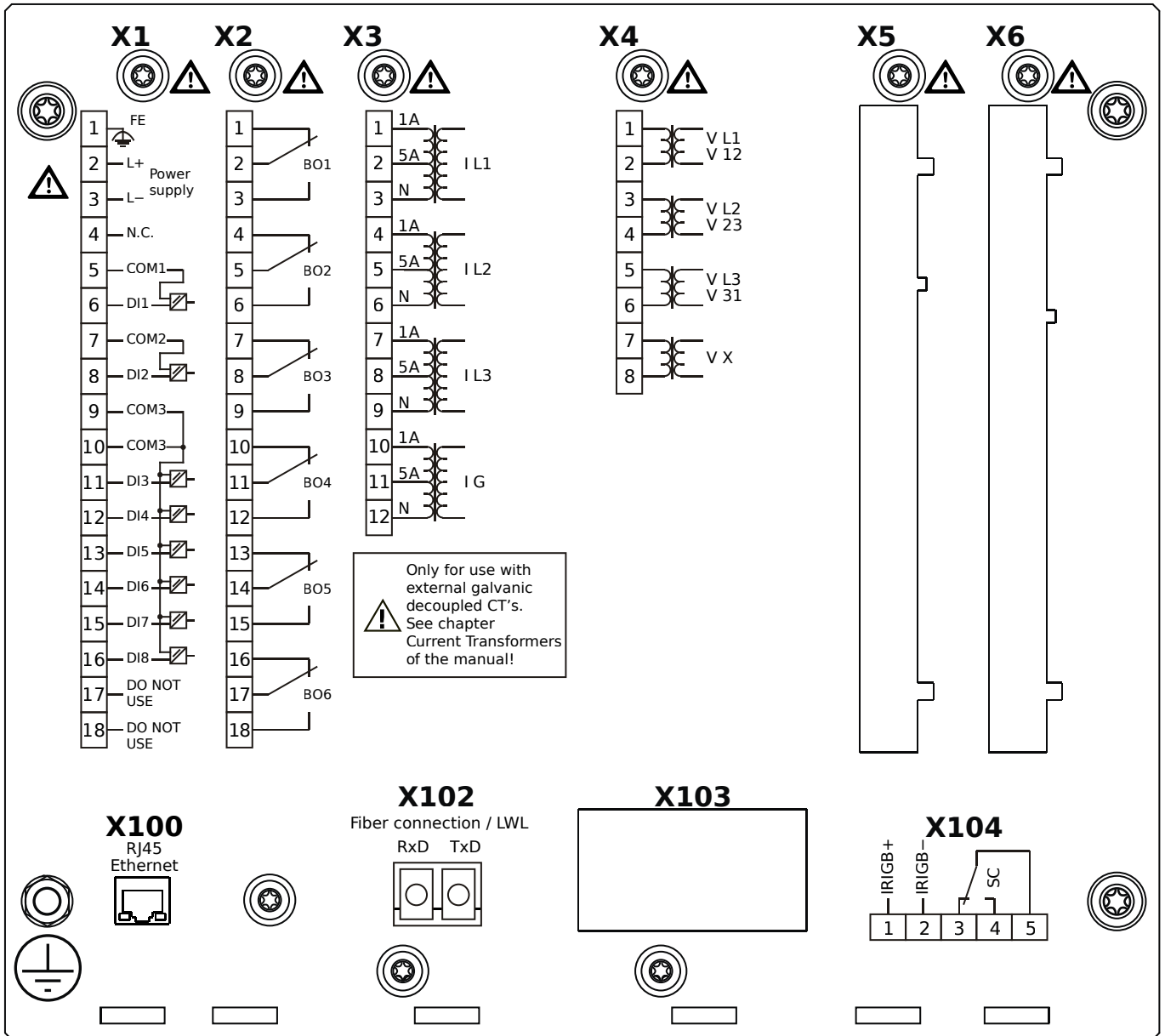
MCDLV4-2A0A0HA



Housing B2, large display, door mounting

- X1** – DI8-X1: Wide-range power supply unit, incl. 2 non-grouped digital inputs and 6 grouped digital inputs
- X2** – OR6: Assembly Group with 6 Output Relays (Changeover / Form C)
- X3** – TI: Standard current measuring card
- X4** – TU: Card with 4 voltage transformer measuring inputs (0 ... 800 VAC, under UL: 0 ... 600 VAC)
- X100** – IEC 61850 / Modbus TCP / IEC 60870-5-104 / DNP3.0 TCP/UDP, Ethernet interface, 100 Mbit/s, RJ45 (BASE100-FX)
- X102** – Long-distance Protection Communication, Fiber optics interface, LC Connector
- X104** – IRIG-B00X, incl. System Contact (Supervision Contact)

MCDLV4-2A0A0HB



Housing B2, large display, door mounting

+ Conformal Coating (for installations in harsh environment)

X1 – DI8-X1: Wide-range power supply unit, incl. 2 non-grouped digital inputs and 6 grouped digital inputs

X2 – OR6: Assembly Group with 6 Output Relays (Changeover / Form C)

X3 – TI: Standard current measuring card

X4 – TU: Card with 4 voltage transformer measuring inputs (0 ... 800 VAC, under UL: 0 ... 600 VAC)

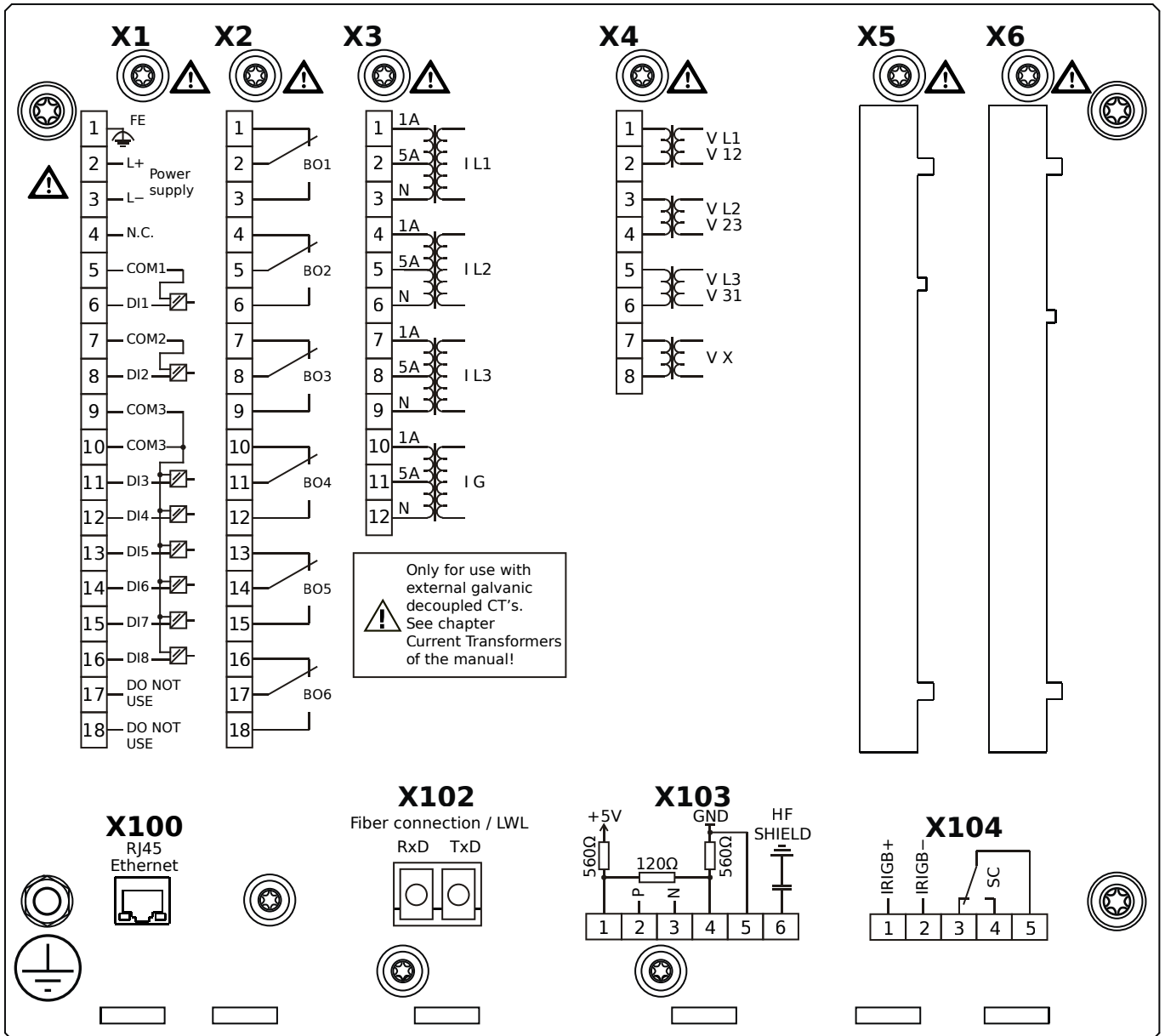
X100 – IEC 61850 / Modbus TCP / IEC 60870-5-104 / DNP3.0 TCP/UDP, Ethernet interface, 100 Mbit/s, RJ45 (BASE100-

X102 – Long-distance Protection Communication, Fiber optics interface, LC Connector

X104 – IRIG-B00X, incl. System Contact (Supervision Contact)

FX)

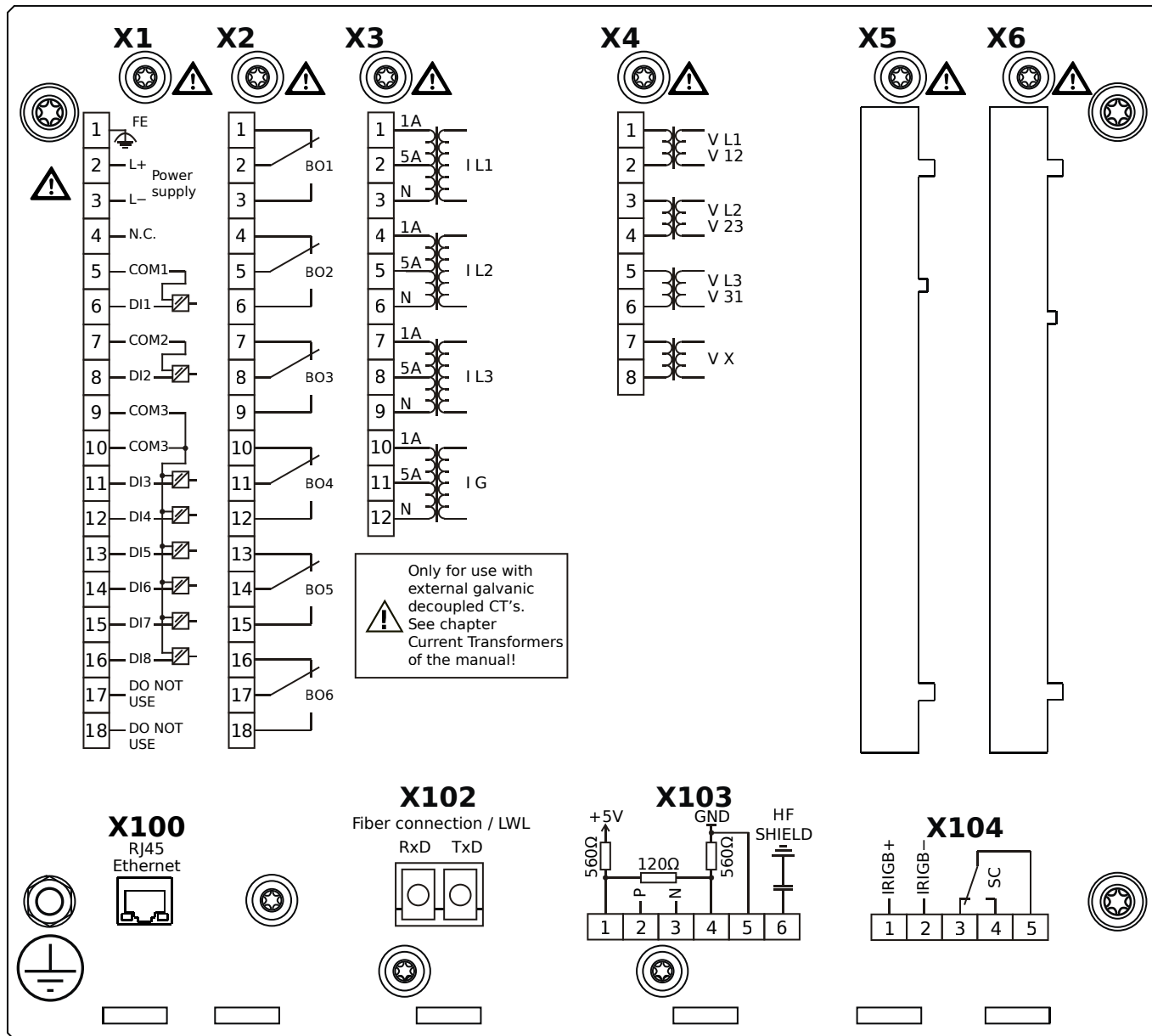
MCDLV4-2A0A01A



Housing B2, large display, door mounting

- X1** – DI8-X1: Wide-range power supply unit, incl. 2 non-grouped digital inputs and 6 grouped digital inputs
- X2** – OR6: Assembly Group with 6 Output Relays (Changeover / Form C)
- X3** – TI: Standard current measuring card
- X4** – TU: Card with 4 voltage transformer measuring inputs (0 ... 800 VAC, under UL: 0 ... 600 VAC)
- X100** – Modbus TCP / IEC 60870-5-104 / DNP3.0 TCP/UDP, Ethernet interface, 100 Mbit/s, RJ45 (BASE100-FX)
- X102** – Long-distance Protection Communication, Fiber optics interface, LC Connector
- X103** – IEC 60870-5-103 / Modbus RTU / DNP3.0 RTU, RS485, Terminals
- X104** – IRIG-B00X, incl. System Contact (Supervision Contact)

MCDLV4-2A0A0IB

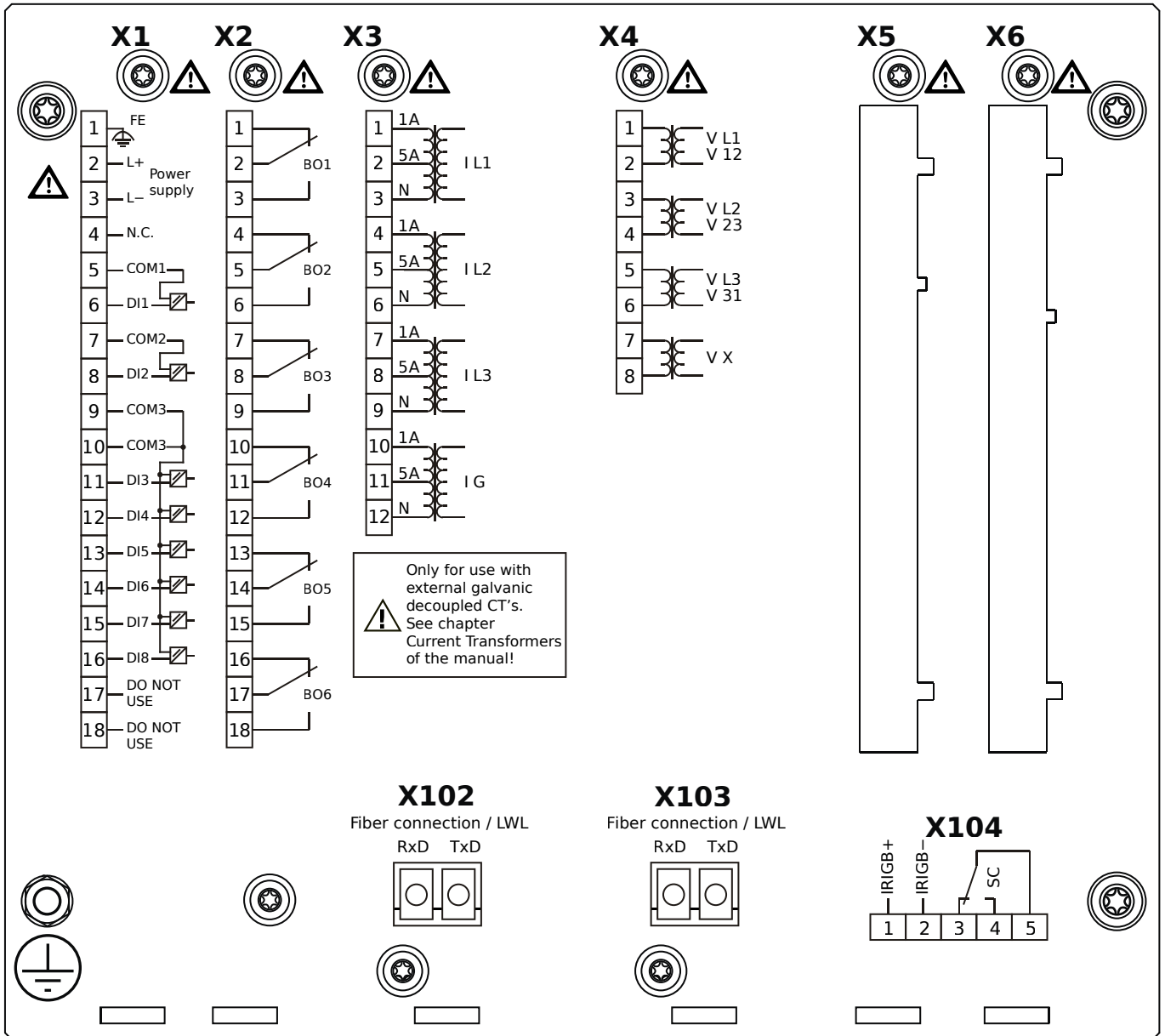


Housing B2, large display, door mounting

- + Conformal Coating (for installations in harsh environment)

- X1** – DI8-X1: Wide-range power supply unit, incl. 2 non-grouped digital inputs and 6 grouped digital inputs
- X2** – OR6: Assembly Group with 6 Output Relays (Changeover / Form C)
- X3** – TI: Standard current measuring card
- X4** – TU: Card with 4 voltage transformer measuring inputs (0 ... 800 VAC, under UL: 0 ... 600 VAC)
- X100** – Modbus TCP / IEC 60870-5-104 / DNP3.0 TCP/UDP, Ethernet interface, 100 Mbit/s, RJ45 (BASE100-FX)
- X102** – Long-distance Protection Communication, Fiber optics interface, LC Connector
- X103** – IEC 60870-5-103 / Modbus RTU / DNP3.0 RTU, RS485, Terminals
- X104** – IRIG-B00X, incl. System Contact (Supervision Contact)

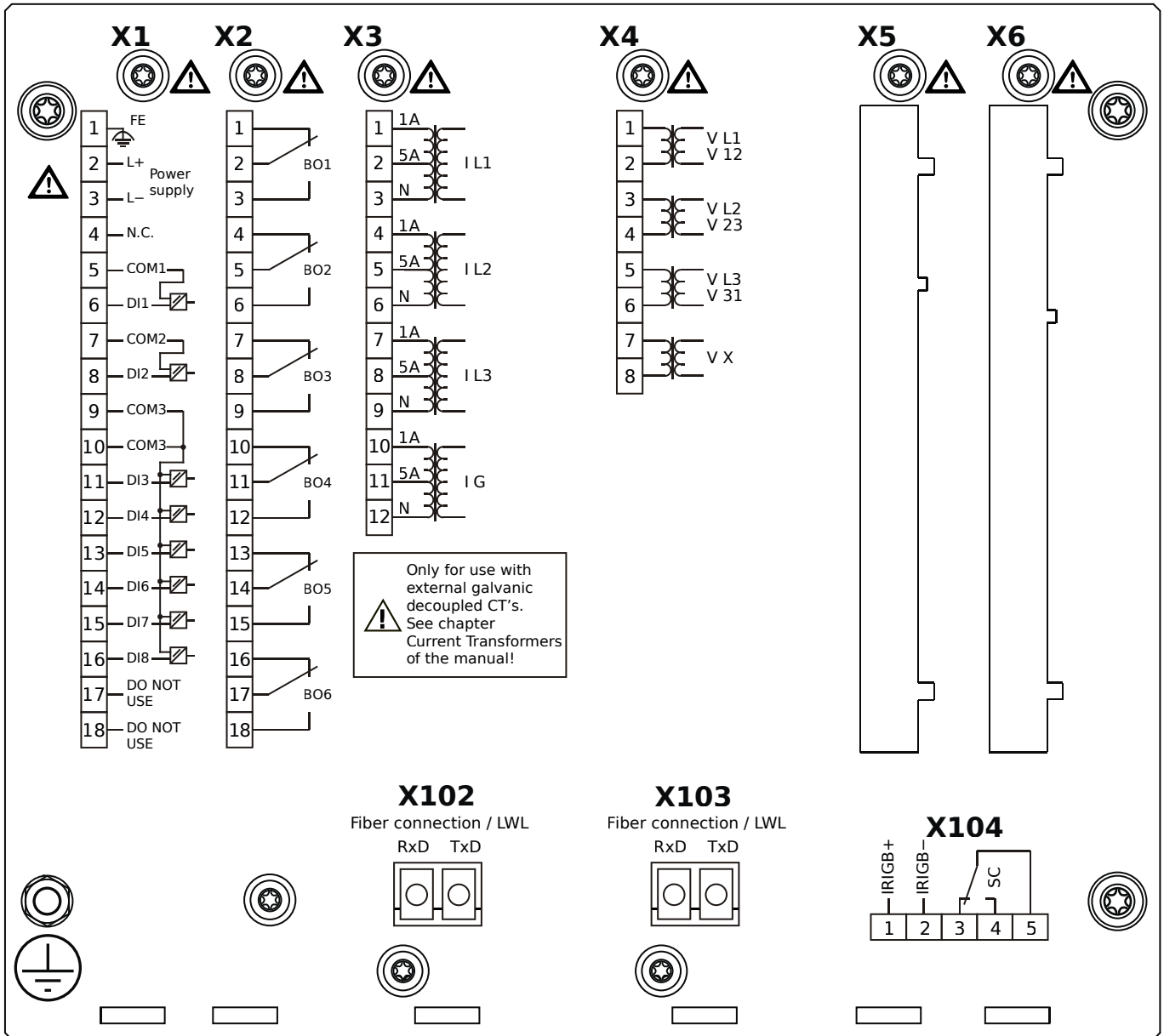
MCDLV4-2A0A0KA



Housing B2, large display, door mounting

- X1** – DI8-X1: Wide-range power supply unit, incl. 2 non-grouped digital inputs and 6 grouped digital inputs
- X2** – OR6: Assembly Group with 6 Output Relays (Changeover / Form C)
- X3** – TI: Standard current measuring card
- X4** – TU: Card with 4 voltage transformer measuring inputs (0 ... 800 VAC, under UL: 0 ... 600 VAC)
- X102** – Long-distance Protection Communication, Fiber optics interface, LC Connector
- X103** – IEC 61850 / Modbus TCP / IEC 60870-5-104 / DNP3.0 TCP/UDP, Fiber optics interface, LC Connector
- X104** – IRIG-B00X, incl. System Contact (Supervision Contact)

MCDLV4-2A0A0KB

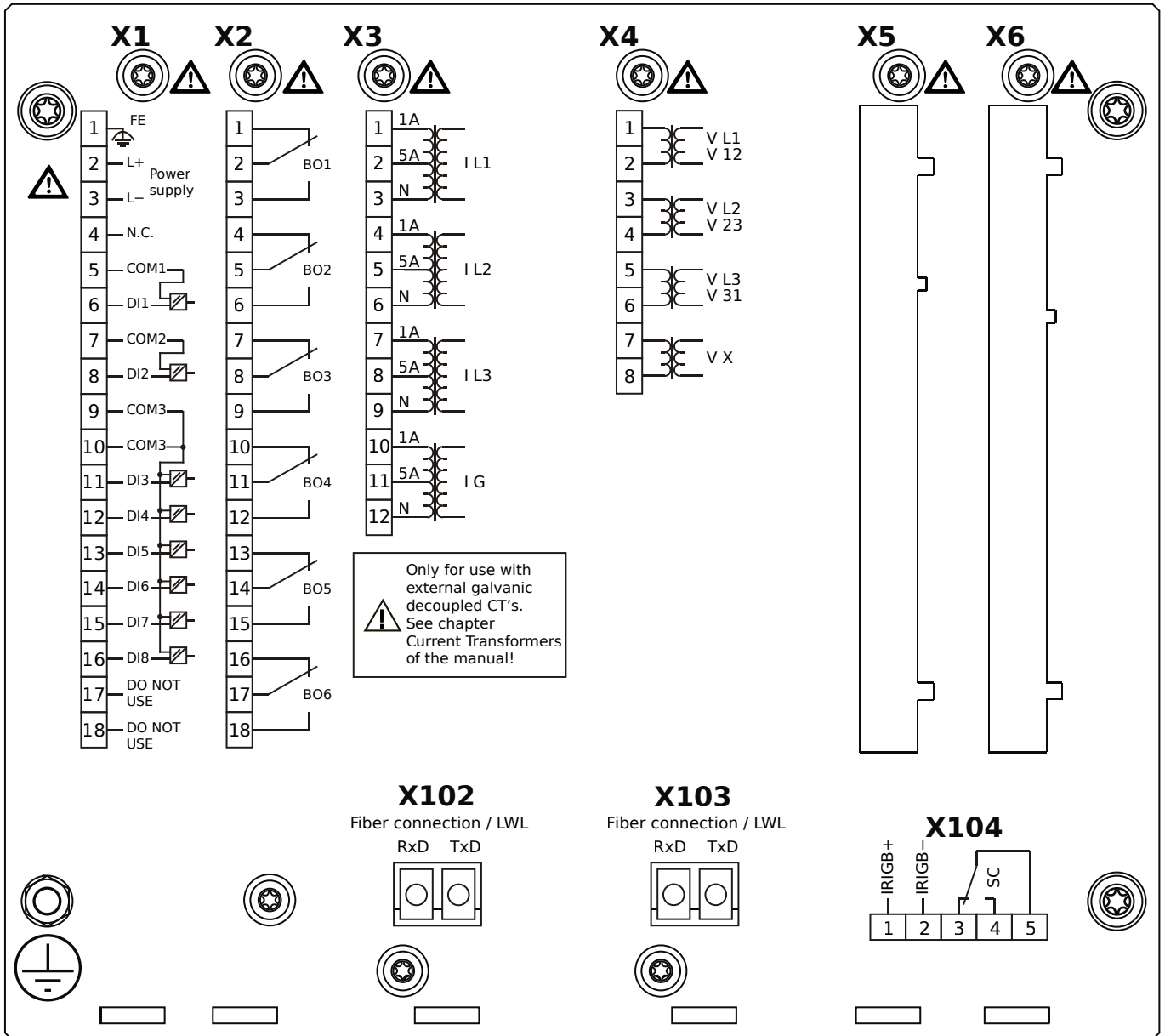


Housing B2, large display, door mounting

- + Conformal Coating (for installations in harsh environment)

- X1** – DI8-X1: Wide-range power supply unit, incl. 2 non-grouped digital inputs and 6 grouped digital inputs
- X2** – OR6: Assembly Group with 6 Output Relays (Changeover / Form C)
- X3** – TI: Standard current measuring card
- X4** – TU: Card with 4 voltage transformer measuring inputs (0 ... 800 VAC, under UL: 0 ... 600 VAC)
- X102** – Long-distance Protection Communication, Fiber optics interface, LC Connector
- X103** – IEC 61850 / Modbus TCP / IEC 60870-5-104 / DNP3.0 TCP/UDP, Fiber optics interface, LC Connector
- X104** – IRIG-B00X, incl. System Contact (Supervision Contact)

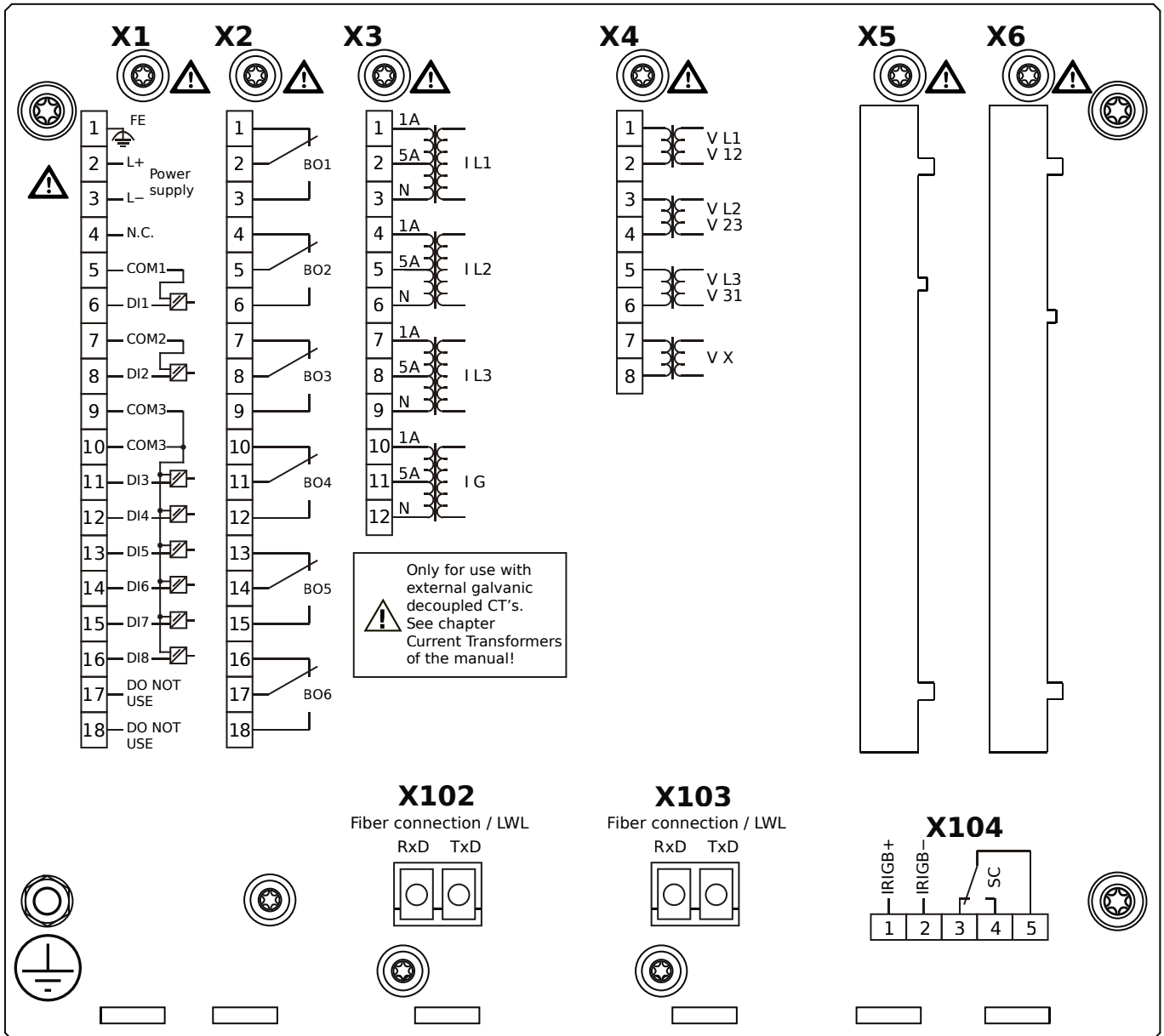
MCDLV4-2A0A0LA



Housing B2, large display, door mounting

- X1** – DI8-X1: Wide-range power supply unit, incl. 2 non-grouped digital inputs and 6 grouped digital inputs
- X2** – OR6: Assembly Group with 6 Output Relays (Changeover / Form C)
- X3** – TI: Standard current measuring card
- X4** – TU: Card with 4 voltage transformer measuring inputs (0 ... 800 VAC, under UL: 0 ... 600 VAC)
- X102** – Long-distance Protection Communication, Fiber optics interface, LC Connector
- X103** – Modbus TCP / IEC 60870-5-104 / DNP3.0 TCP/UDP, Fiber optics interface, LC Connector
- X104** – IRIG-B00X, incl. System Contact (Supervision Contact)

MCDLV4-2A0A0LB

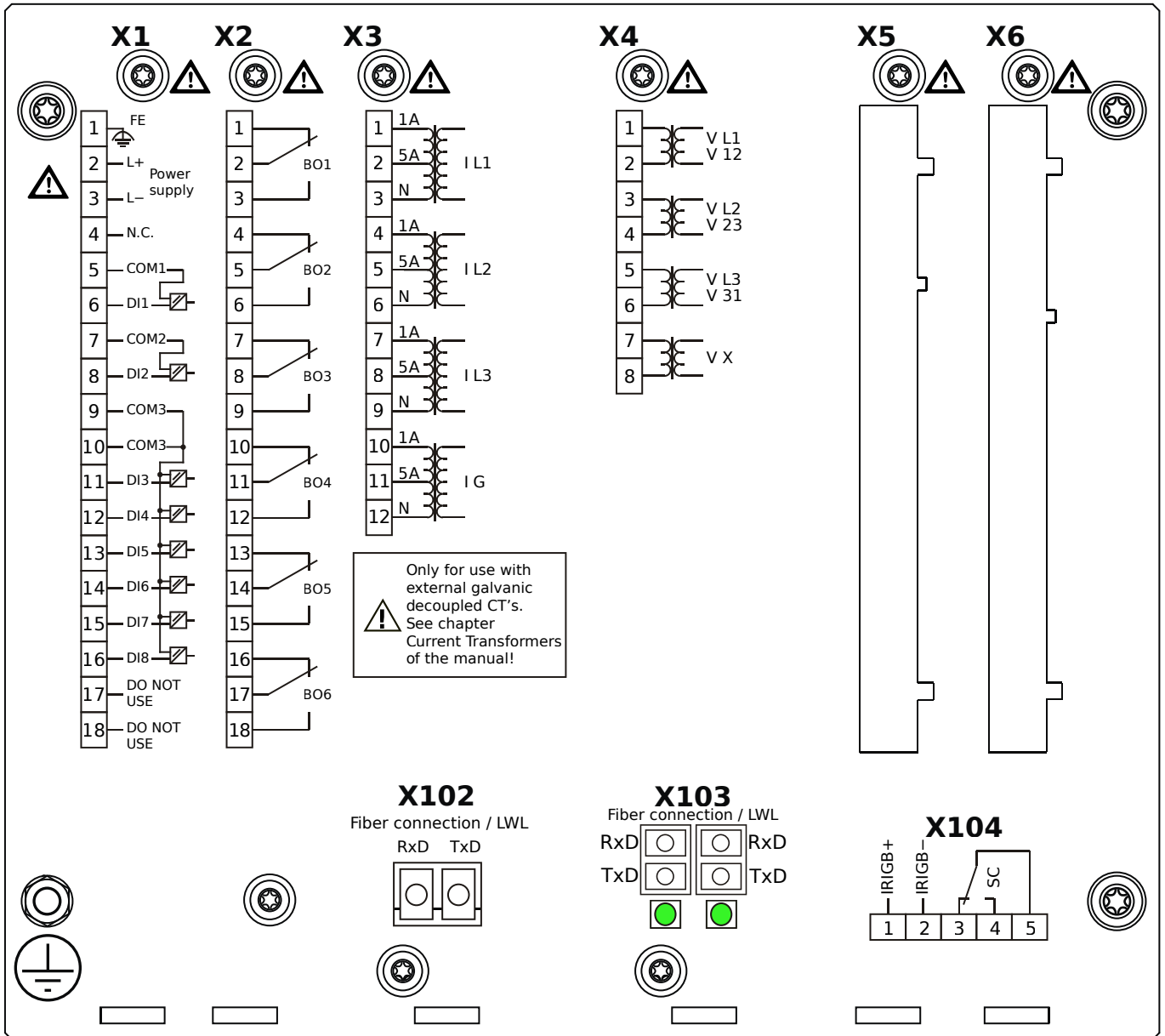


Housing B2, large display, door mounting

- + Conformal Coating (for installations in harsh environment)

- X1** – DI8-X1: Wide-range power supply unit, incl. 2 non-grouped digital inputs and 6 grouped digital inputs
- X2** – OR6: Assembly Group with 6 Output Relays (Changeover / Form C)
- X3** – TI: Standard current measuring card
- X4** – TU: Card with 4 voltage transformer measuring inputs (0 ... 800 VAC, under UL: 0 ... 600 VAC)
- X102** – Long-distance Protection Communication, Fiber optics interface, LC Connector
- X103** – Modbus TCP / IEC 60870-5-104 / DNP3.0 TCP/UDP, Fiber optics interface, LC Connector
- X104** – IRIG-B00X, incl. System Contact (Supervision Contact)

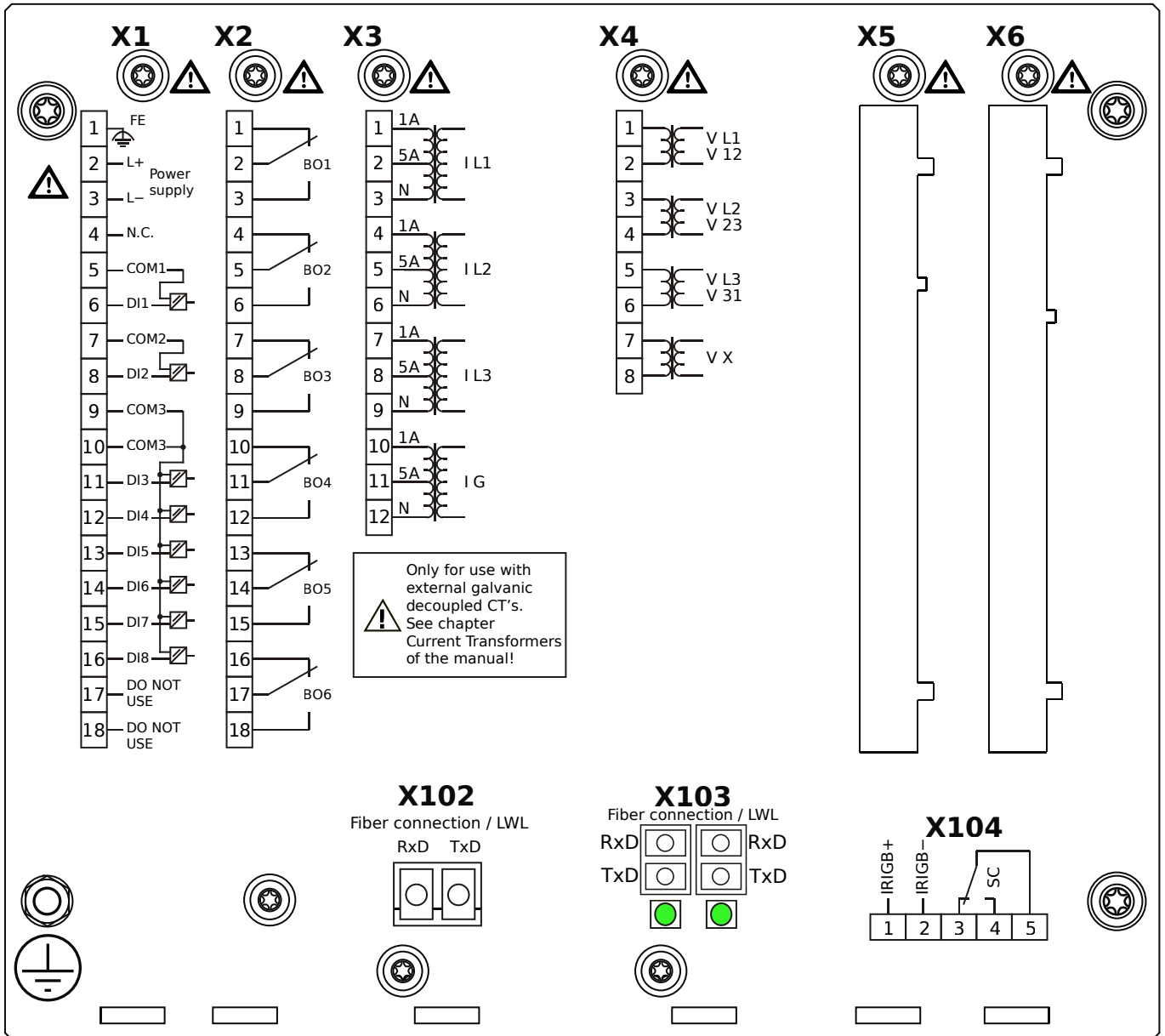
MCDLV4-2A0A00A



Housing B2, large display, door mounting

- X1** – DI8-X1: Wide-range power supply unit, incl. 2 non-grouped digital inputs and 6 grouped digital inputs
- X2** – OR6: Assembly Group with 6 Output Relays (Changeover / Form C)
- X3** – TI: Standard current measuring card
- X4** – TU: Card with 4 voltage transformer measuring inputs (0 ... 800 VAC, under UL: 0 ... 600 VAC)
- X102** – Long-distance Protection Communication, Fiber optics interface, LC Connector
- X103** – Modbus TCP / IEC 60870-5-104 / DNP3.0 TCP/UDP, Redundant Fiber optics interface, LC Connector
- X104** – IRIG-B00X, incl. System Contact (Supervision Contact)

MCDLV4-2A0A00B

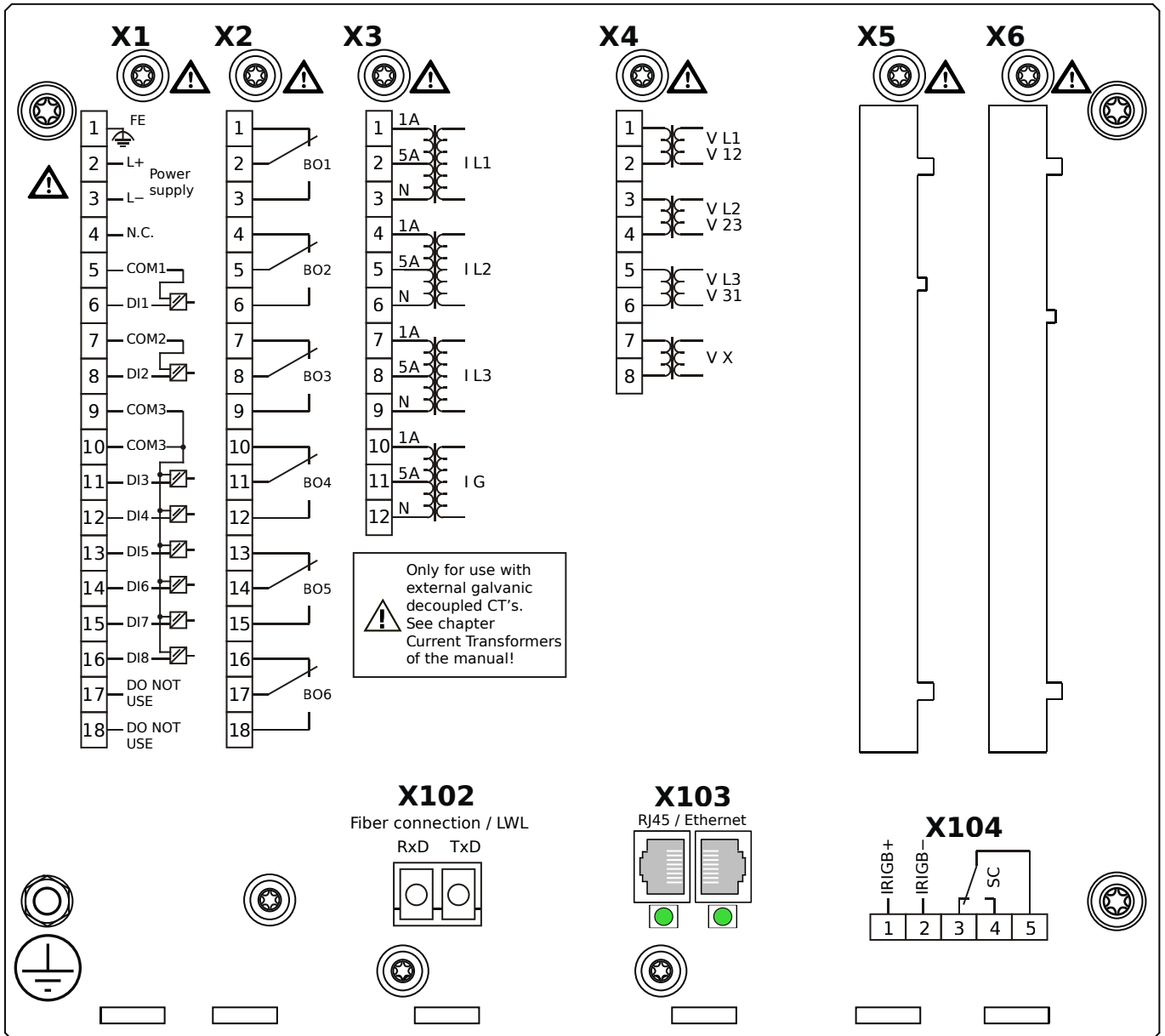


Housing B2, large display, door mounting

- + Conformal Coating (for installations in harsh environment)

- X1** – DI8-X1: Wide-range power supply unit, incl. 2 non-grouped digital inputs and 6 grouped digital inputs
- X2** – OR6: Assembly Group with 6 Output Relays (Changeover / Form C)
- X3** – TI: Standard current measuring card
- X4** – TU: Card with 4 voltage transformer measuring inputs (0 ... 800 VAC, under UL: 0 ... 600 VAC)
- X102** – Long-distance Protection Communication, Fiber optics interface, LC Connector
- X103** – Modbus TCP / IEC 60870-5-104 / DNP3.0 TCP/UDP, Redundant Fiber optics interface, LC Connector
- X104** – IRIG-B00X, incl. System Contact (Supervision Contact)

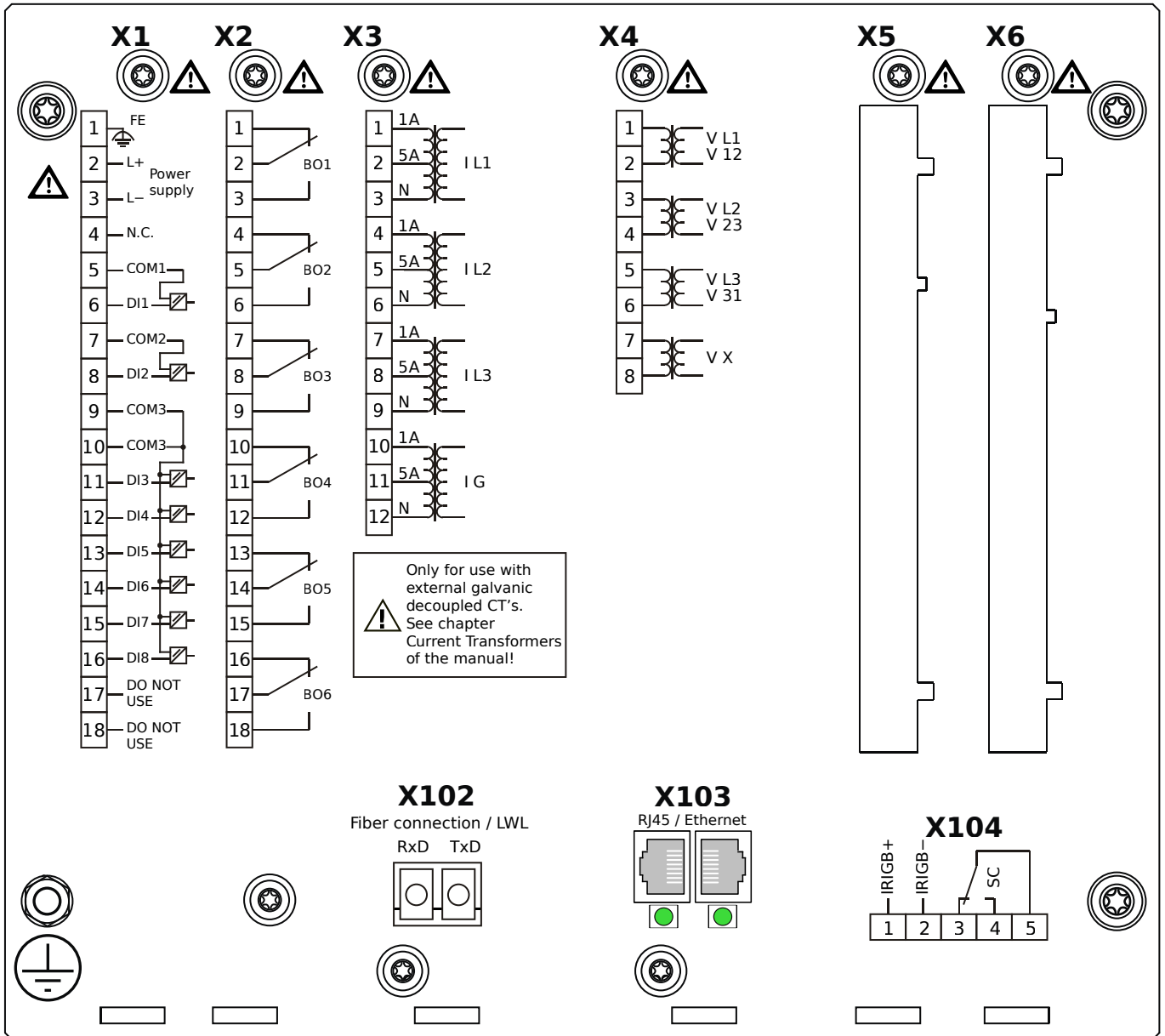
MCDLV4-2A0A0PA



Housing B2, large display, door mounting

- X1** – DI8-X1: Wide-range power supply unit, incl. 2 non-grouped digital inputs and 6 grouped digital inputs
- X2** – OR6: Assembly Group with 6 Output Relays (Changeover / Form C)
- X3** – TI: Standard current measuring card
- X4** – TU: Card with 4 voltage transformer measuring inputs (0 ... 800 VAC, under UL: 0 ... 600 VAC)
- X102** – Long-distance Protection Communication, Fiber optics interface, LC Connector
- X103** – Modbus TCP / IEC 60870-5-104 / DNP3.0 TCP/UDP, Redundant Ethernet interface, 100 Mbit/s, RJ45 (BASE100-FX)
- X104** – IRIG-B00X, incl. System Contact (Supervision Contact)

MCDLV4-2A0A0PB

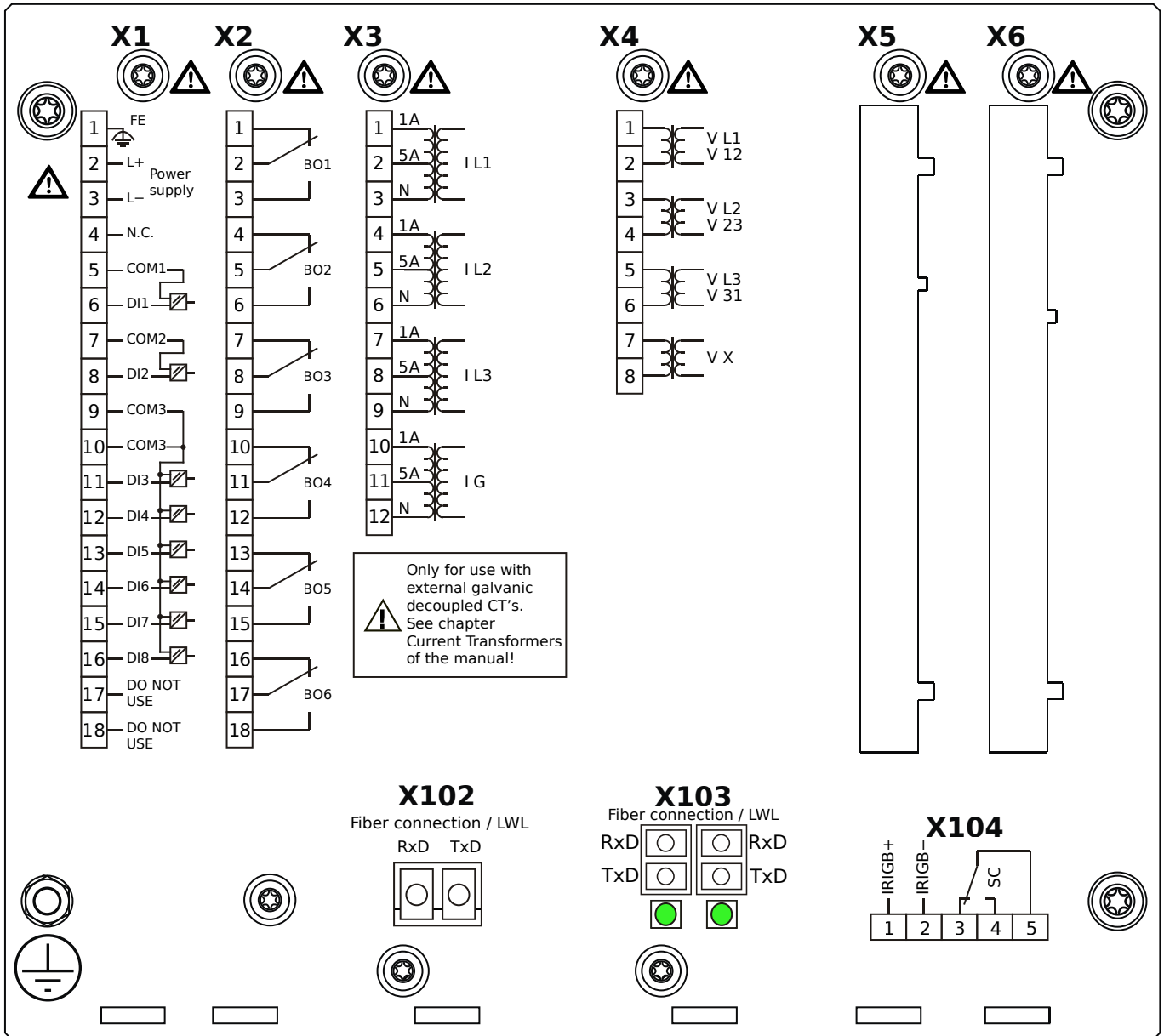


Housing B2, large display, door mounting

- + Conformal Coating (for installations in harsh environment)

- X1** – DI8-X1: Wide-range power supply unit, incl. 2 non-grouped digital inputs and 6 grouped digital inputs
- X2** – OR6: Assembly Group with 6 Output Relays (Changeover / Form C)
- X3** – TI: Standard current measuring card
- X4** – TU: Card with 4 voltage transformer measuring inputs (0 ... 800 VAC, under UL: 0 ... 600 VAC)
- X102** – Long-distance Protection Communication, Fiber optics interface, LC Connector
- X103** – Modbus TCP / IEC 60870-5-104 / DNP3.0 TCP/UDP, Redundant Ethernet interface, 100 Mbit/s, RJ45 (BASE100-FX)
- X104** – IRIG-B00X, incl. System Contact (Supervision Contact)

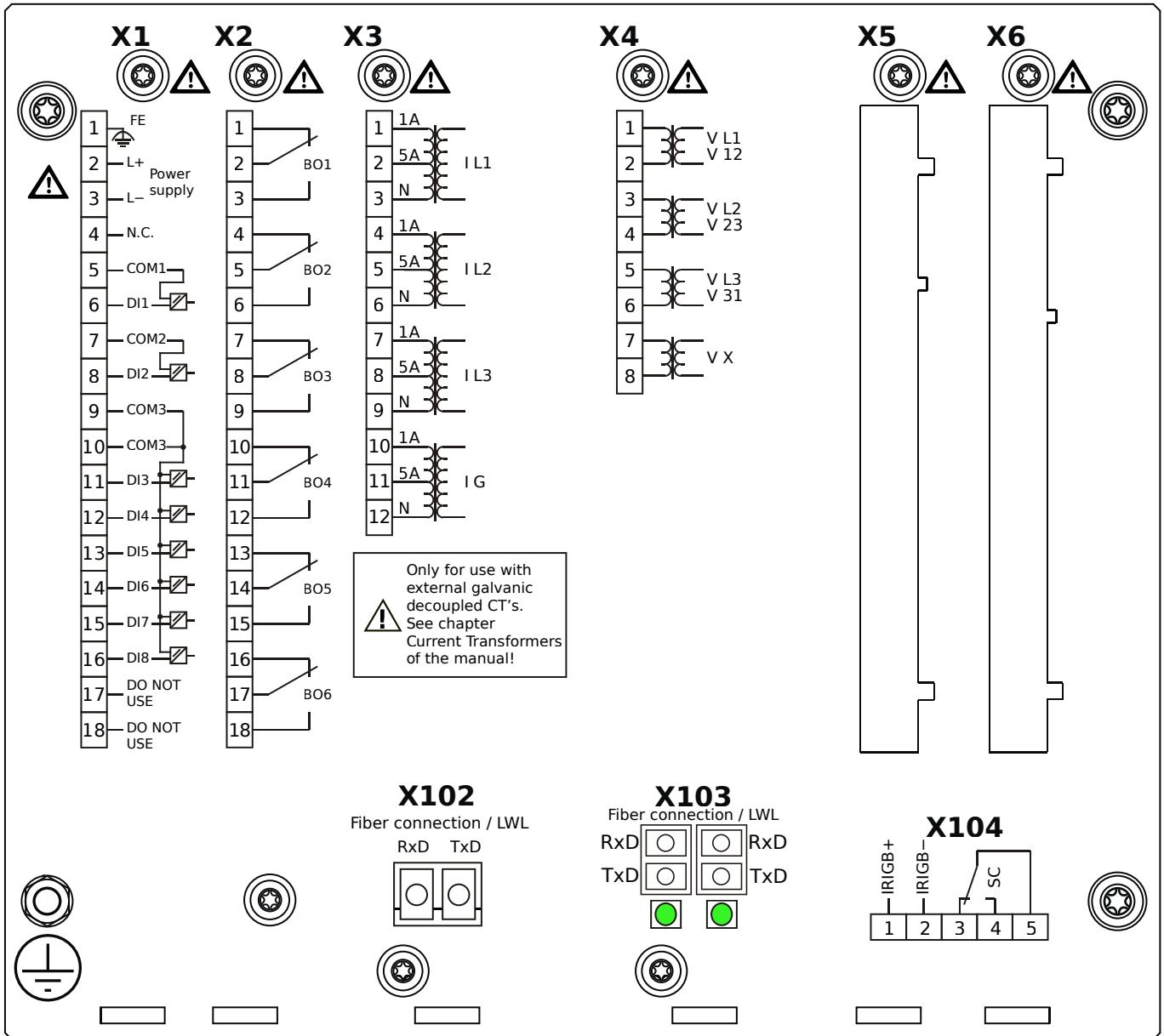
MCDLV4-2A0A0QA



Housing B2, large display, door mounting

- X1** – DI8-X1: Wide-range power supply unit, incl. 2 non-grouped digital inputs and 6 grouped digital inputs
- X2** – OR6: Assembly Group with 6 Output Relays (Changeover / Form C)
- X3** – TI: Standard current measuring card
- X4** – TU: Card with 4 voltage transformer measuring inputs (0 ... 800 VAC, under UL: 0 ... 600 VAC)
- X102** – Long-distance Protection Communication, Fiber optics interface, LC Connector
- X103** – IEC 61850 / Modbus TCP / IEC 60870-5-104 / DNP3.0 TCP/UDP, Redundant Fiber optics interface, LC Connector
- X104** – IRIG-B00X, incl. System Contact (Supervision Contact)

MCDLV4-2A0A0QB



Housing B2, large display, door mounting

- + Conformal Coating (for installations in harsh environment)

X1 – DI8-X1: Wide-range power supply unit, incl. 2 non-grouped digital inputs and 6 grouped digital inputs

X2 – OR6: Assembly Group with 6 Output Relays (Changeover / Form C)

X3 – TI: Standard current measuring card

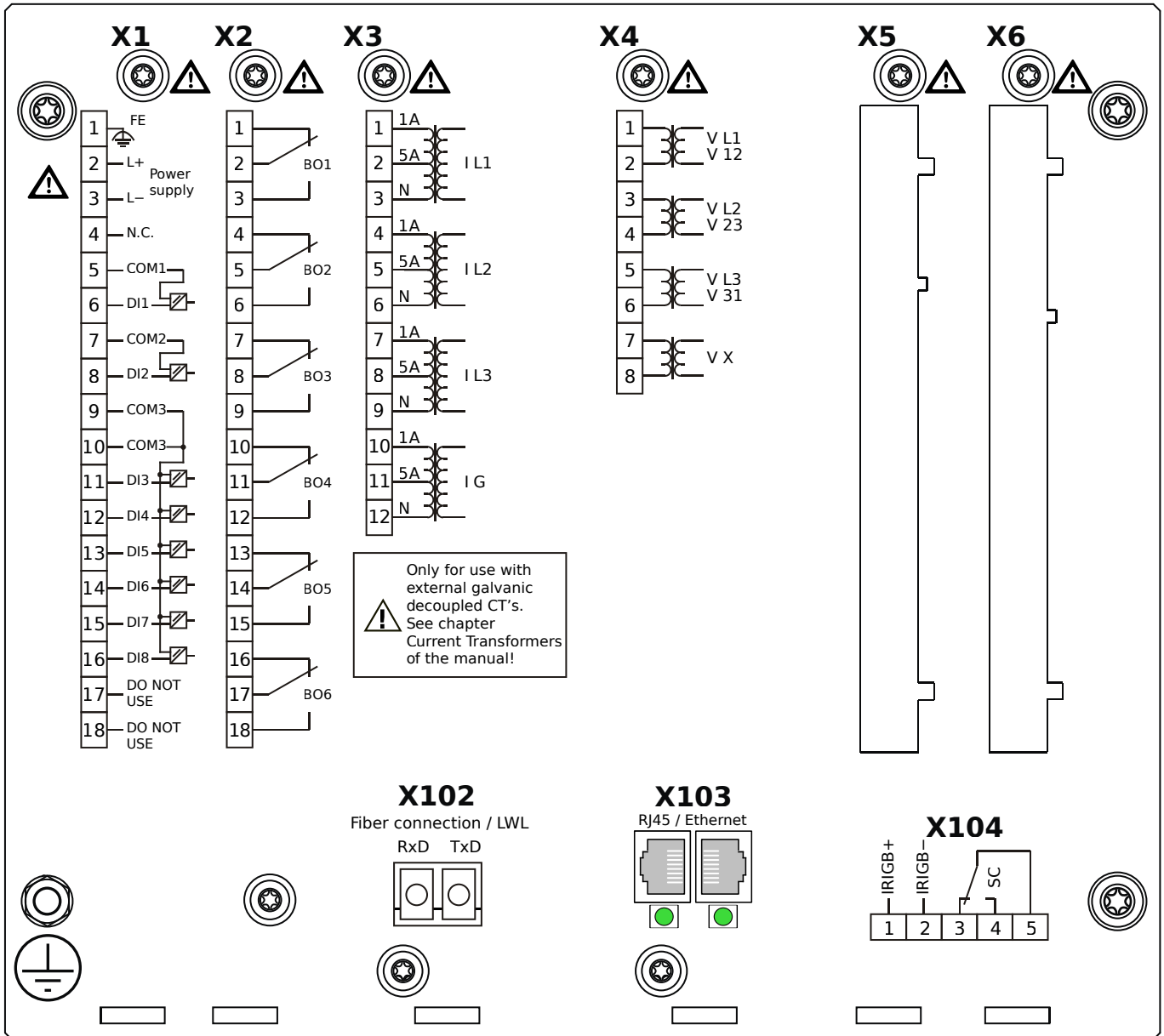
X4 – TU: Card with 4 voltage transformer measuring inputs (0 ... 800 VAC, under UL: 0 ... 600 VAC)

X102 – Long-distance Protection Communication, Fiber optics interface, LC Connector

X103 – IEC 61850 / Modbus TCP / IEC 60870-5-104 / DNP3.0 TCP/UDP, Redundant Fiber optics interface, LC Connector

X104 – IRIG-B00X, incl. System Contact (Supervision Contact)

MCDLV4-2A0A0RA



Housing B2, large display, door mounting

X1 – DI8-X1: Wide-range power supply unit, incl. 2 non-grouped digital inputs and 6 grouped digital inputs

X2 – OR6: Assembly Group with 6 Output Relays (Changeover / Form C)

X3 – TI: Standard current measuring card

X4 – TU: Card with 4 voltage transformer measuring inputs (0 ... 800 VAC, under UL: 0 ... 600 VAC)

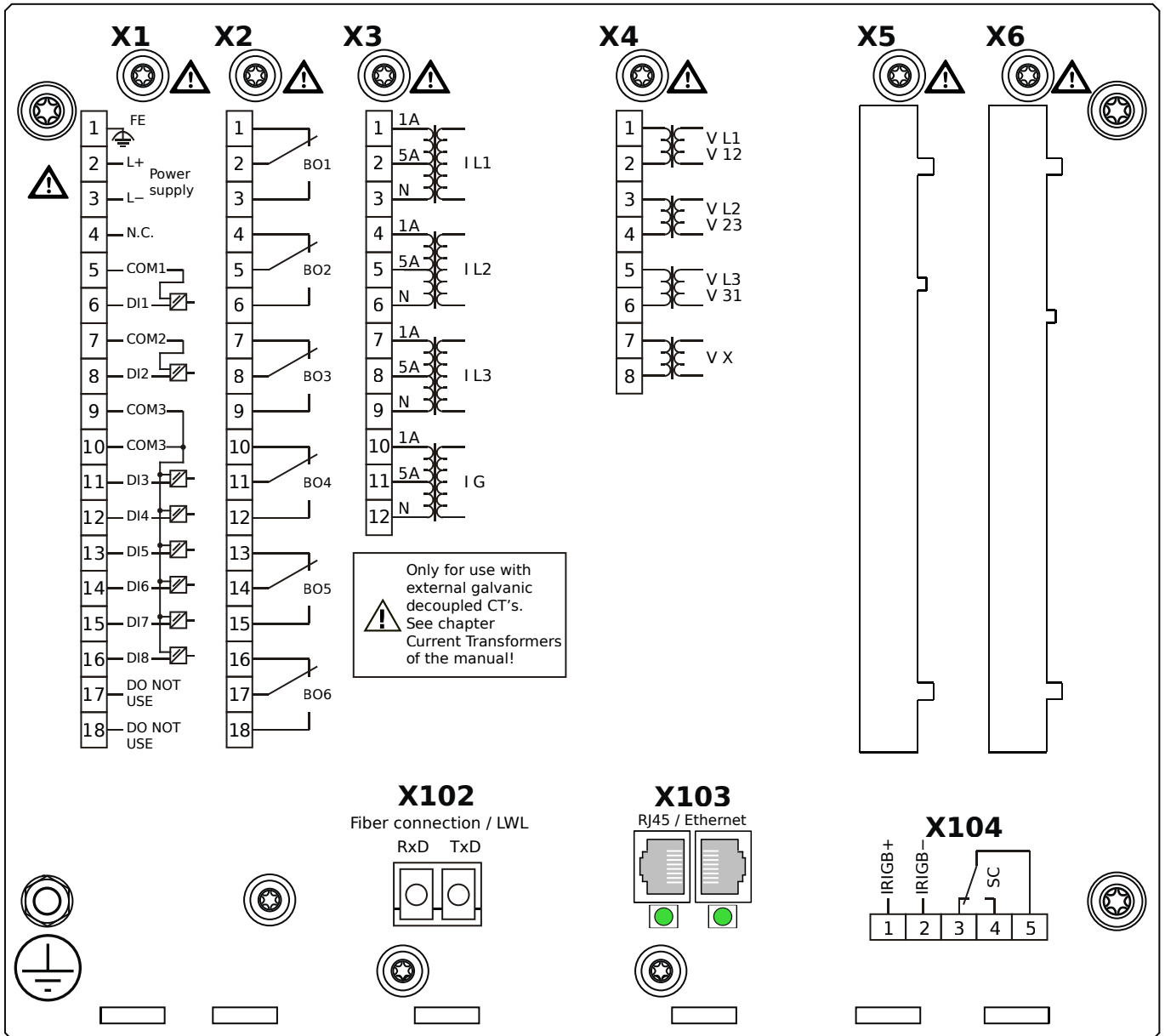
X102 – Long-distance Protection Communication, Fiber optics interface, LC Connector

X103 – IEC 61850 / Modbus TCP / IEC 60870-5-104 / DNP3.0 TCP/UDP, Redundant Ethernet interface, 100 Mbit/s, RJ45

(BASE100-FX)

X104 – IRIG-B00X, incl. System Contact (Supervision Contact)

MCDLV4-2A0A0RB



Housing B2, large display, door mounting

- + Conformal Coating (for installations in harsh environment)

X1 – DI8-X1: Wide-range power supply unit, incl. 2 non-grouped digital inputs and 6 grouped digital inputs

X2 – OR6: Assembly Group with 6 Output Relays (Changeover / Form C)

X3 – TI: Standard current measuring card

X4 – TU: Card with 4 voltage transformer measuring inputs (0 ... 800 VAC, under UL: 0 ... 600 VAC)

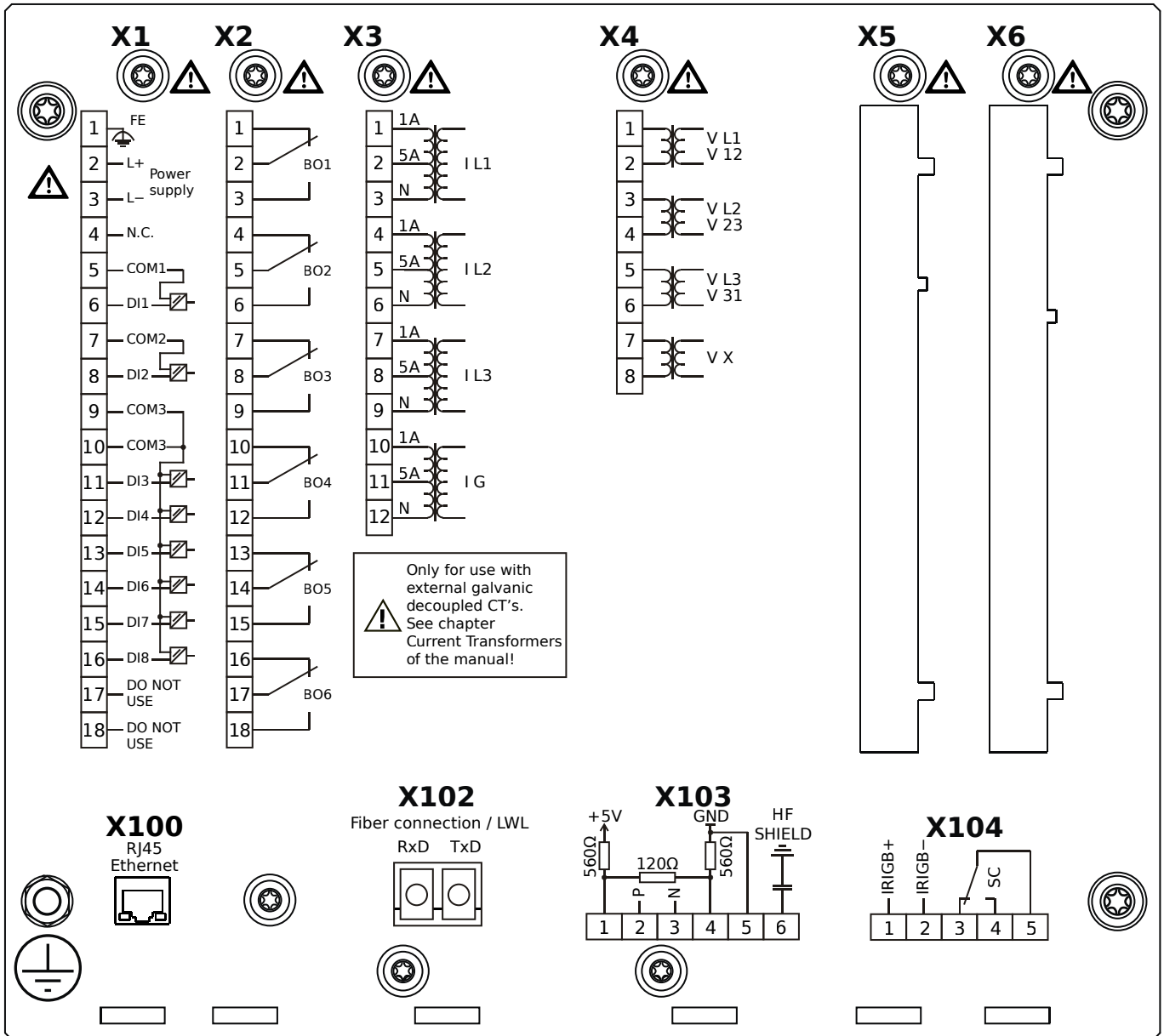
X102 – Long-distance Protection Communication, Fiber optics interface, LC Connector

X103 – IEC 61850 / Modbus TCP / IEC 60870-5-104 / DNP3.0 TCP/UDP, Redundant Ethernet interface, 100 Mbit/s, RJ45

(BASE100-FX)

X104 – IRIG-B00X, incl. System Contact (Supervision Contact)

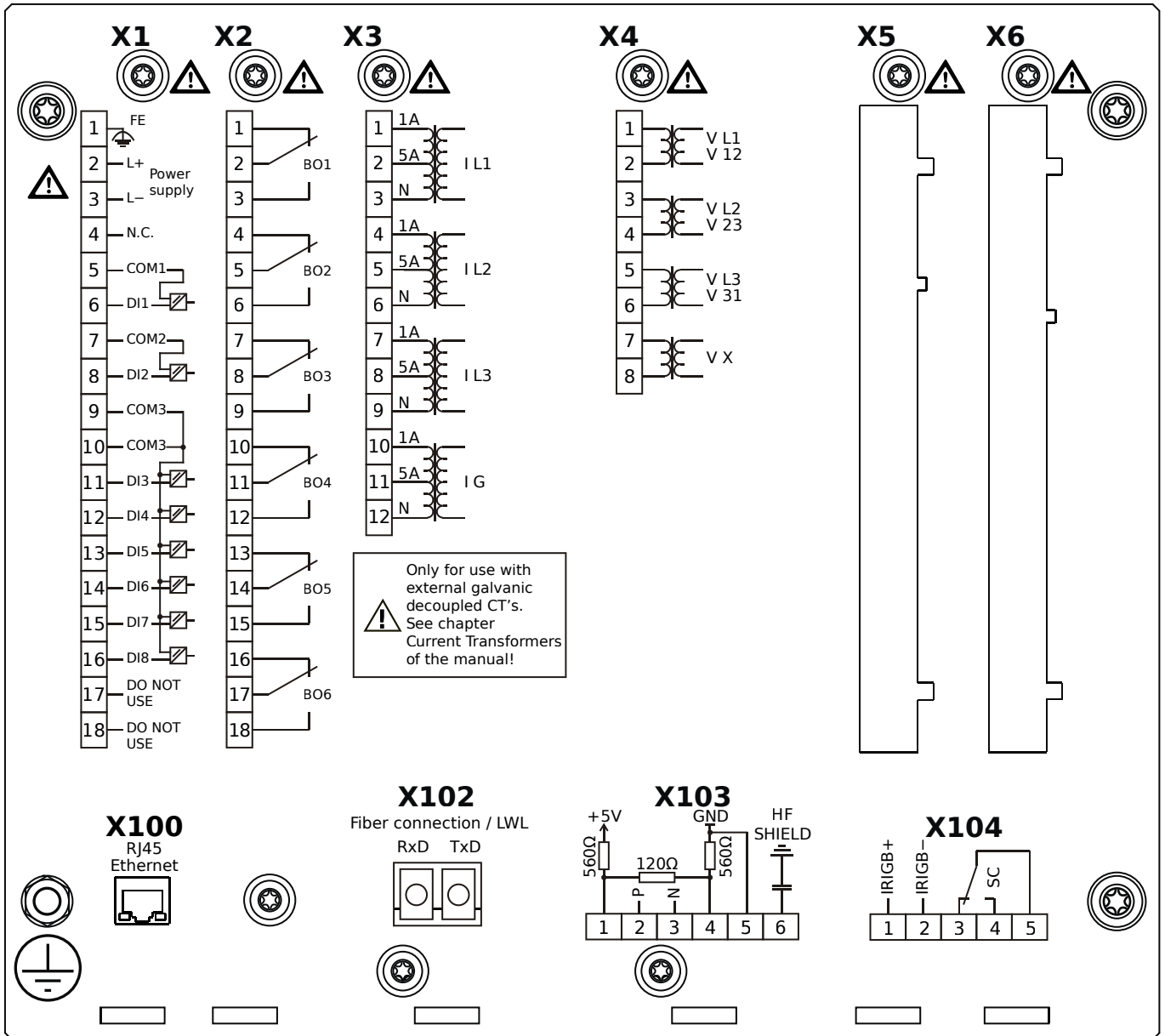
MCDLV4-2A0A0TA



Housing B2, large display, door mounting

- X1** – DI8-X1: Wide-range power supply unit, incl. 2 non-grouped digital inputs and 6 grouped digital inputs
- X2** – OR6: Assembly Group with 6 Output Relays (Changeover / Form C)
- X3** – TI: Standard current measuring card
- X4** – TU: Card with 4 voltage transformer measuring inputs (0 ... 800 VAC, under UL: 0 ... 600 VAC)
- X100** – IEC 61850 / Modbus TCP / IEC 60870-5-104 / DNP3.0 TCP/UDP, Ethernet interface, 100 Mbit/s, RJ45 (BASE100-FX)
- X102** – Long-distance Protection Communication, Fiber optics interface, LC Connector
- X103** – IEC 60870-5-103 / Modbus RTU / DNP3.0 RTU, RS485, Terminals
- X104** – IRIG-B00X, incl. System Contact (Supervision Contact)

MCDLV4-2A0A0TB



Housing B2, large display, door mounting

+ Conformal Coating (for installations in harsh environment)

X1 – DI8-X1: Wide-range power supply unit, incl. 2 non-grouped digital inputs and 6 grouped digital inputs

X2 – OR6: Assembly Group with 6 Output Relays (Changeover / Form C)

X3 – TI: Standard current measuring card

X4 – TU: Card with 4 voltage transformer measuring inputs (0 ... 800 VAC, under UL: 0 ... 600 VAC)

X100 – IEC 61850 / Modbus TCP / IEC 60870-5-104 / DNP3.0 TCP/UDP, Ethernet interface, 100 Mbit/s, RJ45 (BASE100-

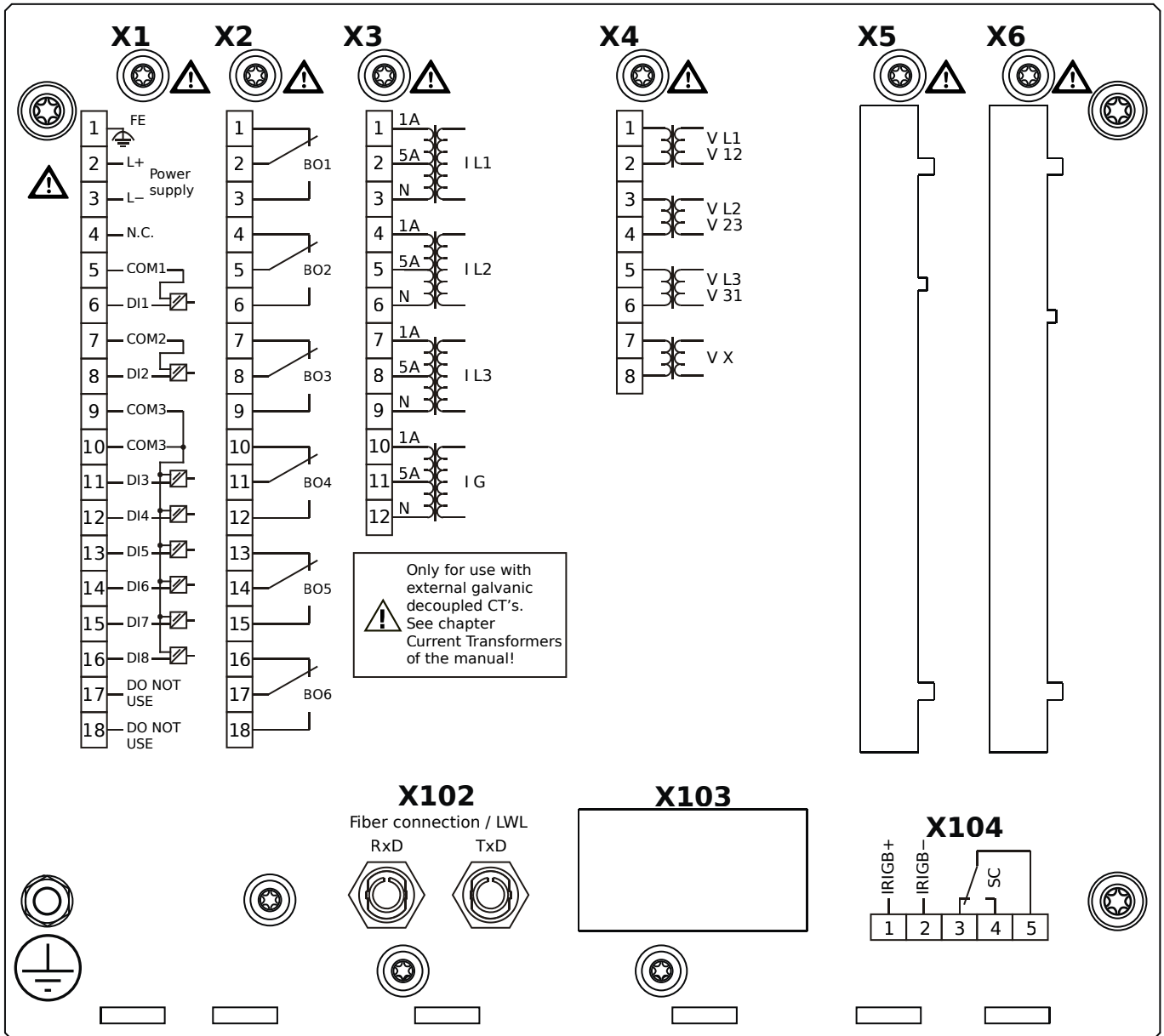
X102 – Long-distance Protection Communication, Fiber optics interface, LC Connector

X103 – IEC 60870-5-103 / Modbus RTU / DNP3.0 RTU, RS485, Terminals

X104 – IRIG-B00X, incl. System Contact (Supervision Contact)

FX)

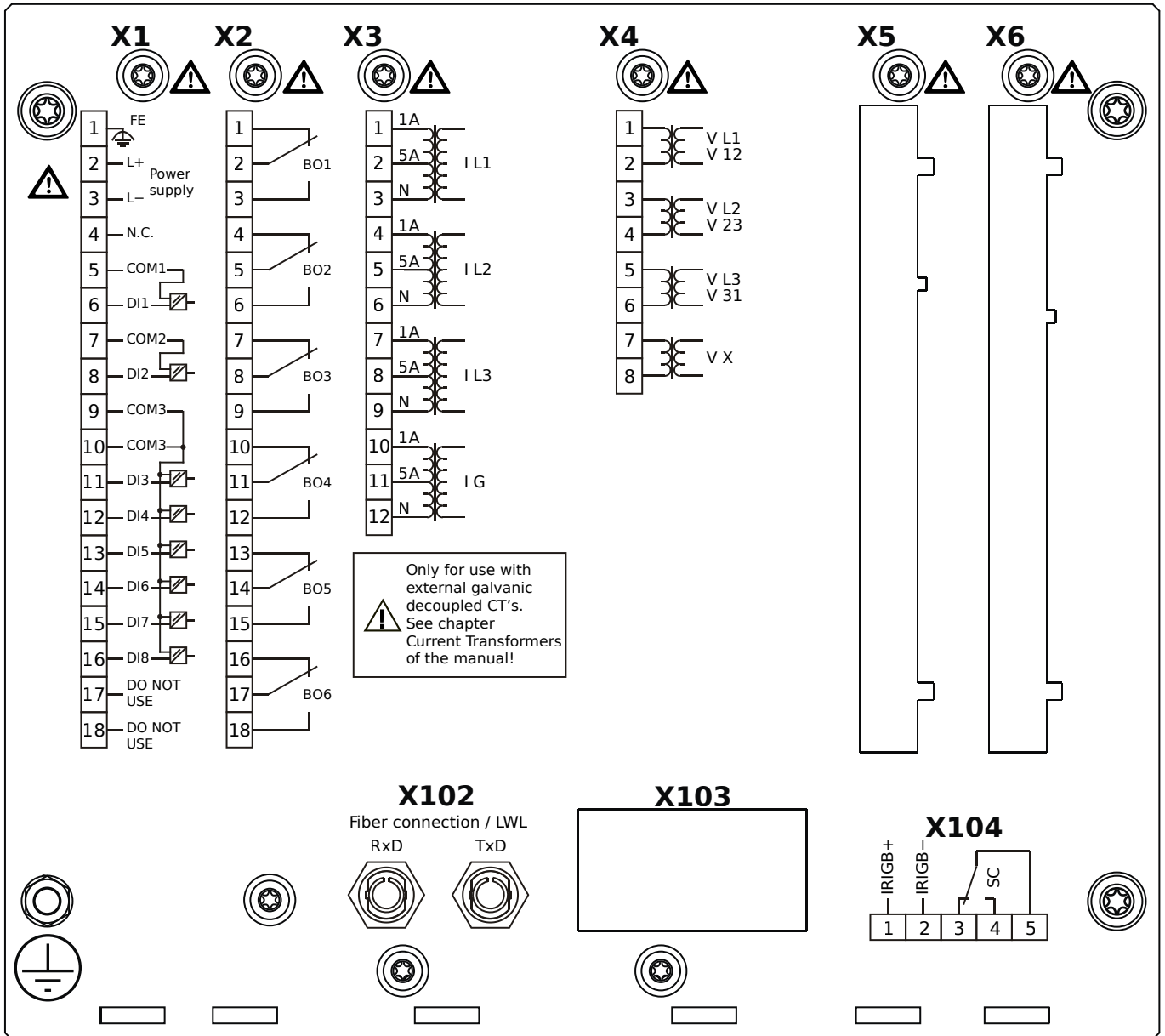
MCDLV4-2A0A1AA



Housing B2, large display, door mounting

- X1** – DI8-X1: Wide-range power supply unit, incl. 2 non-grouped digital inputs and 6 grouped digital inputs
- X2** – OR6: Assembly Group with 6 Output Relays (Changeover / Form C)
- X3** – TI: Standard current measuring card
- X4** – TU: Card with 4 voltage transformer measuring inputs (0 ... 800 VAC, under UL: 0 ... 600 VAC)
- X102** – Protection Communication, Fiber optics interface, ST Connector
- X104** – IRIG-B00X, incl. System Contact (Supervision Contact)

MCDLV4-2A0A1AB

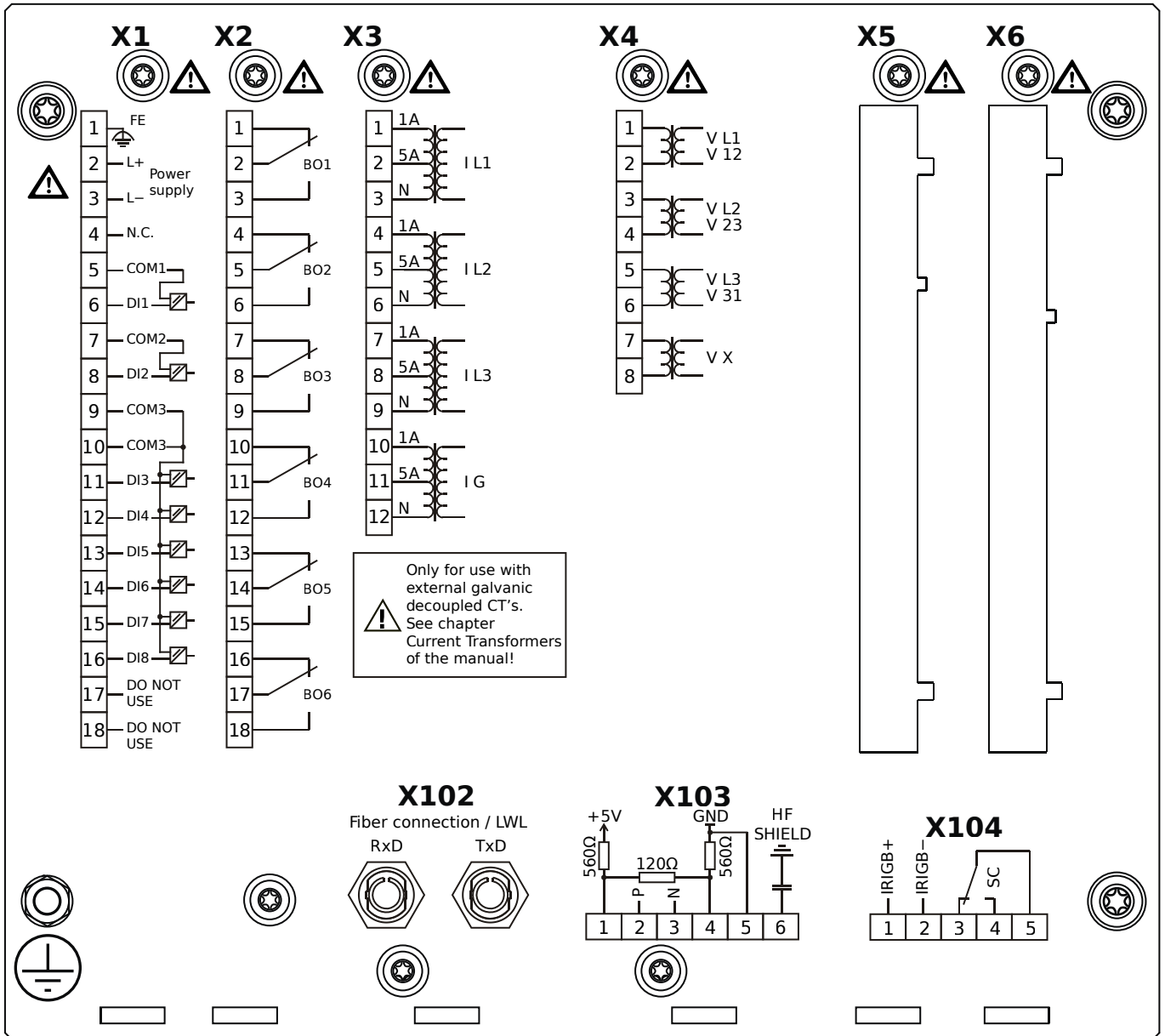


Housing B2, large display, door mounting

- + Conformal Coating (for installations in harsh environment)

- X1** – DI8-X1: Wide-range power supply unit, incl. 2 non-grouped digital inputs and 6 grouped digital inputs
- X2** – OR6: Assembly Group with 6 Output Relays (Changeover / Form C)
- X3** – TI: Standard current measuring card
- X4** – TU: Card with 4 voltage transformer measuring inputs (0 ... 800 VAC, under UL: 0 ... 600 VAC)
- X102** – Protection Communication, Fiber optics interface, ST Connector
- X104** – IRIG-B00X, incl. System Contact (Supervision Contact)

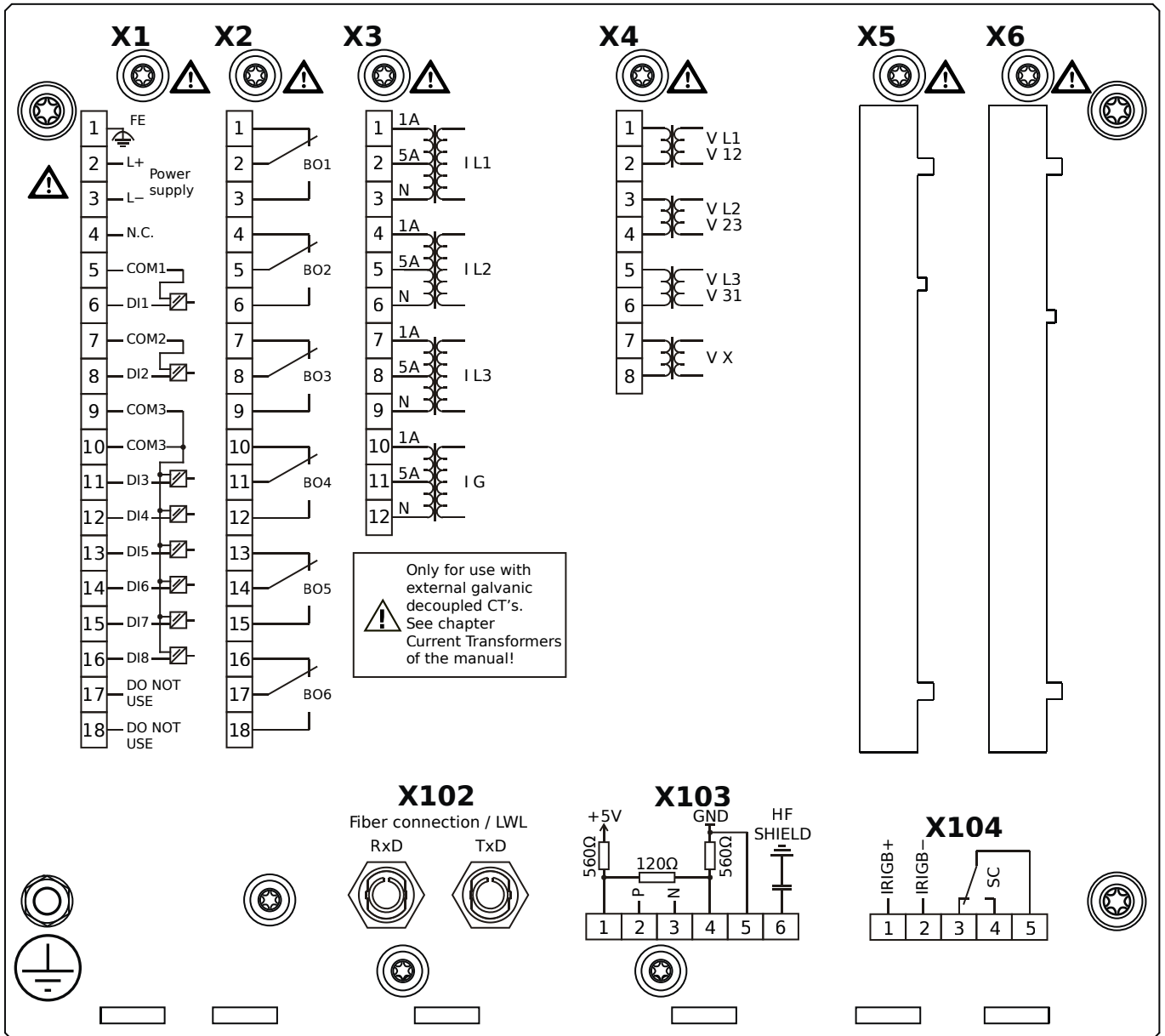
MCDLV4-2A0A1BA



Housing B2, large display, door mounting

- X1** – DI8-X1: Wide-range power supply unit, incl. 2 non-grouped digital inputs and 6 grouped digital inputs
- X2** – OR6: Assembly Group with 6 Output Relays (Changeover / Form C)
- X3** – TI: Standard current measuring card
- X4** – TU: Card with 4 voltage transformer measuring inputs (0 ... 800 VAC, under UL: 0 ... 600 VAC)
- X102** – Protection Communication, Fiber optics interface, ST Connector
- X103** – Modbus RTU / IEC 60870-5-103 / DNP3.0 RTU, RS485, Terminals
- X104** – IRIG-B00X, incl. System Contact (Supervision Contact)

MCDLV4-2A0A1BB

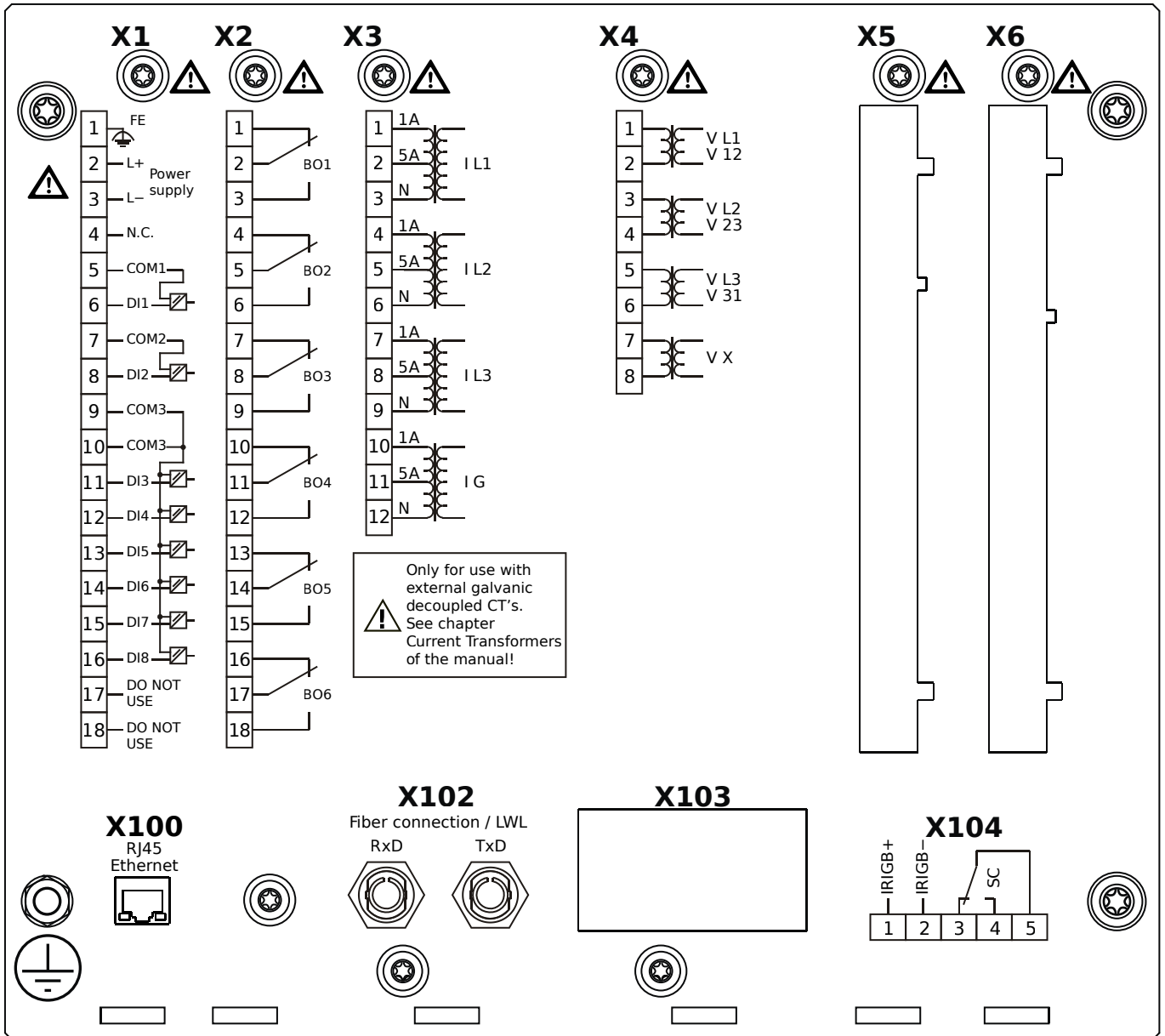


Housing B2, large display, door mounting

- + Conformal Coating (for installations in harsh environment)

- X1** – DI8-X1: Wide-range power supply unit, incl. 2 non-grouped digital inputs and 6 grouped digital inputs
- X2** – OR6: Assembly Group with 6 Output Relays (Changeover / Form C)
- X3** – TI: Standard current measuring card
- X4** – TU: Card with 4 voltage transformer measuring inputs (0 ... 800 VAC, under UL: 0 ... 600 VAC)
- X102** – Protection Communication, Fiber optics interface, ST Connector
- X103** – Modbus RTU / IEC 60870-5-103 / DNP3.0 RTU, RS485, Terminals
- X104** – IRIG-B00X, incl. System Contact (Supervision Contact)

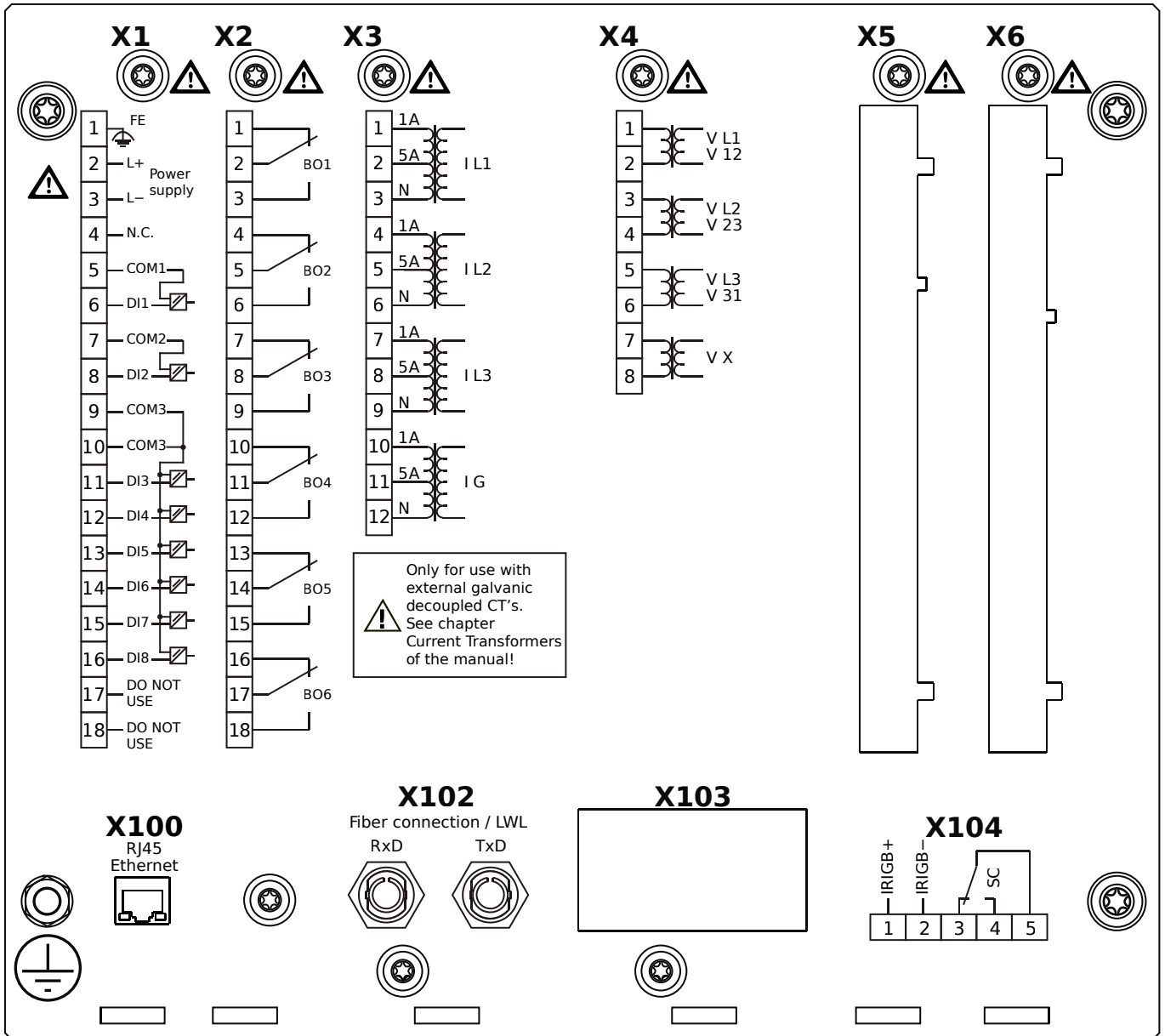
MCDLV4-2A0A1CA



Housing B2, large display, door mounting

- X1** – DI8-X1: Wide-range power supply unit, incl. 2 non-grouped digital inputs and 6 grouped digital inputs
- X2** – OR6: Assembly Group with 6 Output Relays (Changeover / Form C)
- X3** – TI: Standard current measuring card
- X4** – TU: Card with 4 voltage transformer measuring inputs (0 ... 800 VAC, under UL: 0 ... 600 VAC)
- X100** – Modbus TCP / IEC 60870-5-104 / DNP3.0 TCP/UDP, Ethernet interface, 100 Mbit/s, RJ45 (BASE100-FX)
- X102** – Protection Communication, Fiber optics interface, ST Connector
- X104** – IRIG-B00X, incl. System Contact (Supervision Contact)

MCDLV4-2A0A1CB

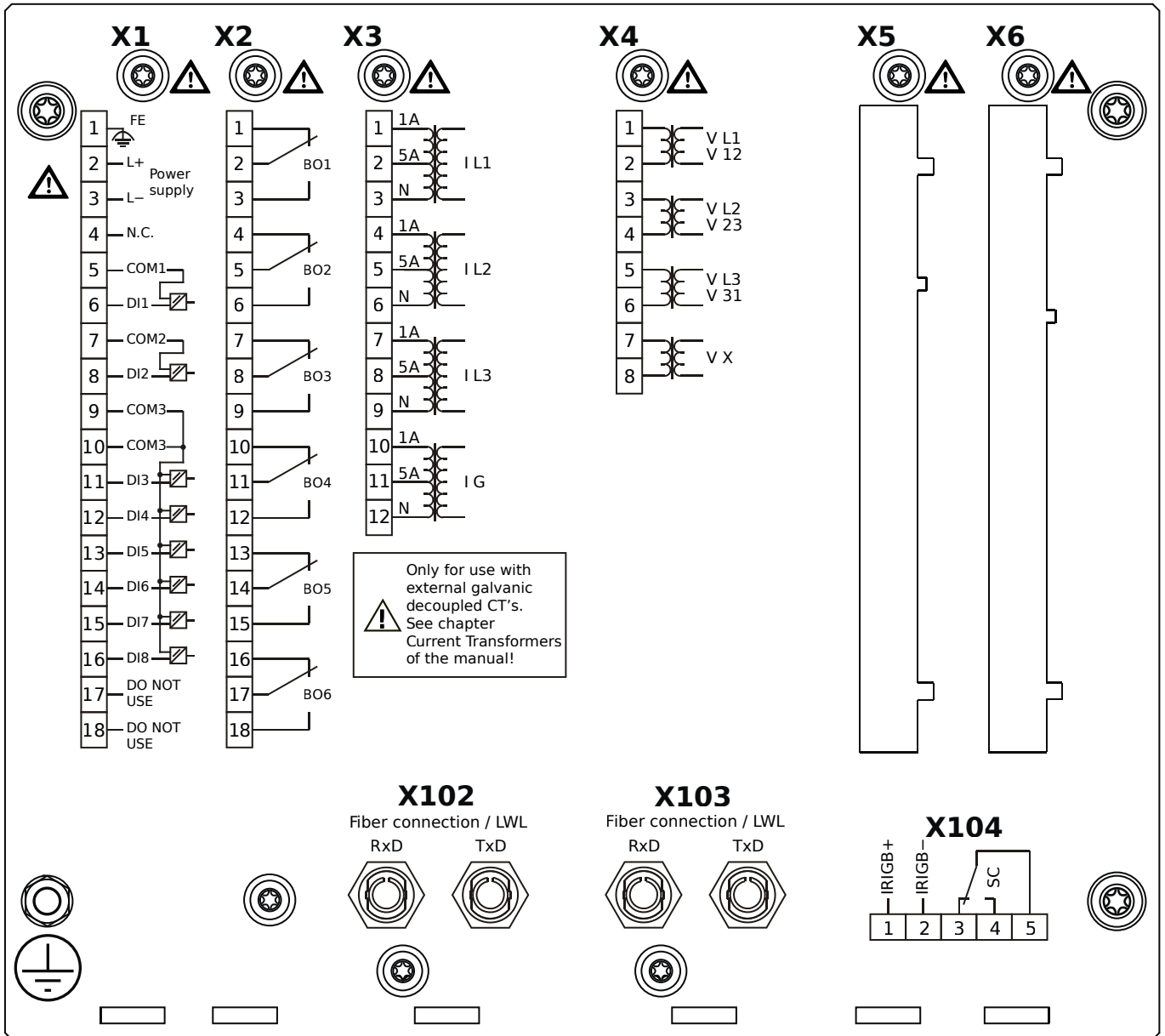


Housing B2, large display, door mounting

- + Conformal Coating (for installations in harsh environment)

- X1** – DI8-X1: Wide-range power supply unit, incl. 2 non-grouped digital inputs and 6 grouped digital inputs
- X2** – OR6: Assembly Group with 6 Output Relays (Changeover / Form C)
- X3** – TI: Standard current measuring card
- X4** – TU: Card with 4 voltage transformer measuring inputs (0 ... 800 VAC, under UL: 0 ... 600 VAC)
- X100** – Modbus TCP / IEC 60870-5-104 / DNP3.0 TCP/UDP, Ethernet interface, 100 Mbit/s, RJ45 (BASE100-FX)
- X102** – Protection Communication, Fiber optics interface, ST Connector
- X104** – IRIG-B00X, incl. System Contact (Supervision Contact)

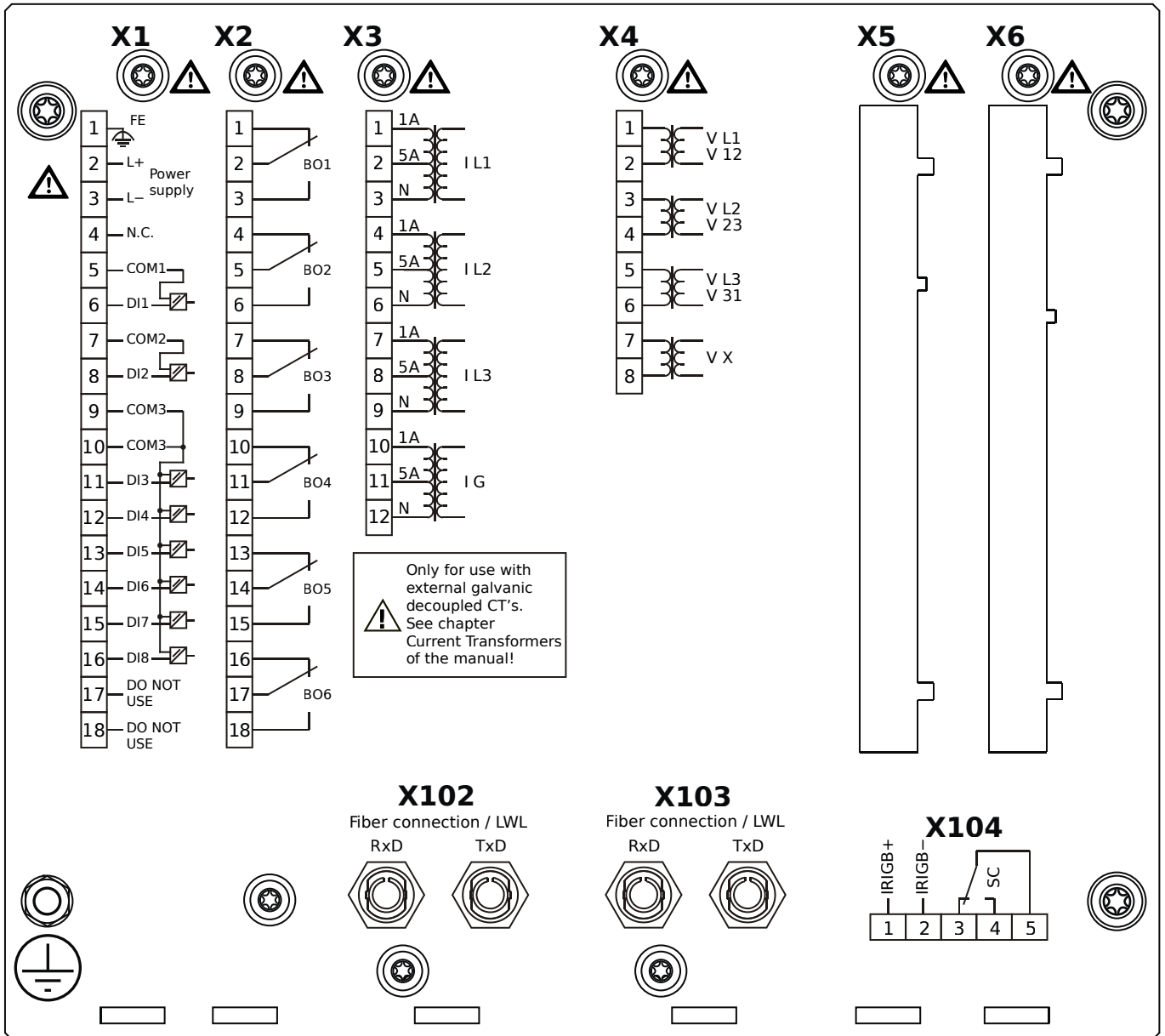
MCDLV4-2A0A1DA



Housing B2, large display, door mounting

- X1** – DI8-X1: Wide-range power supply unit, incl. 2 non-grouped digital inputs and 6 grouped digital inputs
- X2** – OR6: Assembly Group with 6 Output Relays (Changeover / Form C)
- X3** – TI: Standard current measuring card
- X4** – TU: Card with 4 voltage transformer measuring inputs (0 ... 800 VAC, under UL: 0 ... 600 VAC)
- X102** – Protection Communication, Fiber optics interface, ST Connector
- X103** – Profibus-DP, Fiber optics interface, ST Connector
- X104** – IRIG-B00X, incl. System Contact (Supervision Contact)

MCDLV4-2A0A1DB

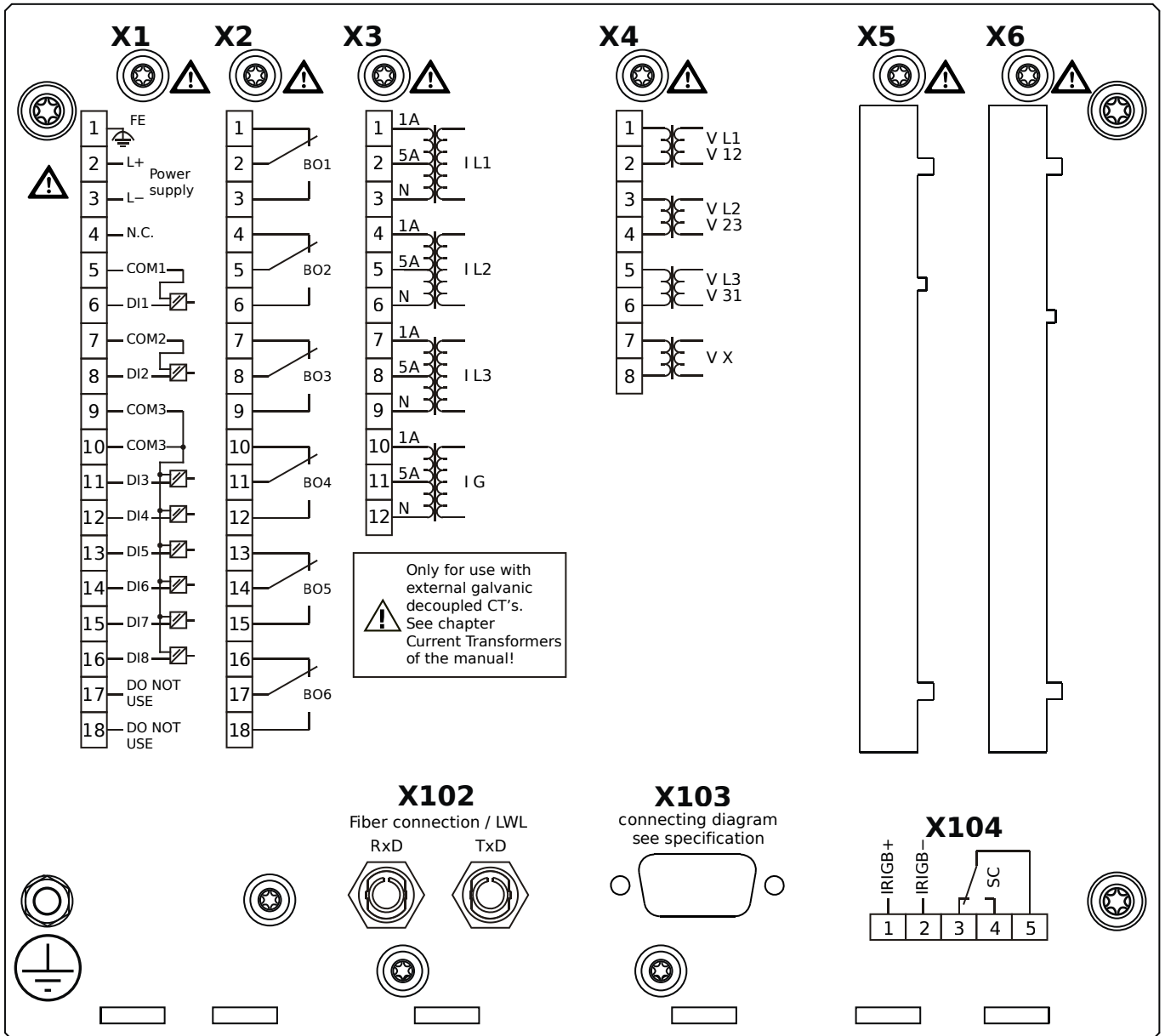


Housing B2, large display, door mounting

- + Conformal Coating (for installations in harsh environment)

- X1** – DI8-X1: Wide-range power supply unit, incl. 2 non-grouped digital inputs and 6 grouped digital inputs
- X2** – OR6: Assembly Group with 6 Output Relays (Changeover / Form C)
- X3** – TI: Standard current measuring card
- X4** – TU: Card with 4 voltage transformer measuring inputs (0 ... 800 VAC, under UL: 0 ... 600 VAC)
- X102** – Protection Communication, Fiber optics interface, ST Connector
- X103** – Profibus-DP, Fiber optics interface, ST Connector
- X104** – IRIG-B00X, incl. System Contact (Supervision Contact)

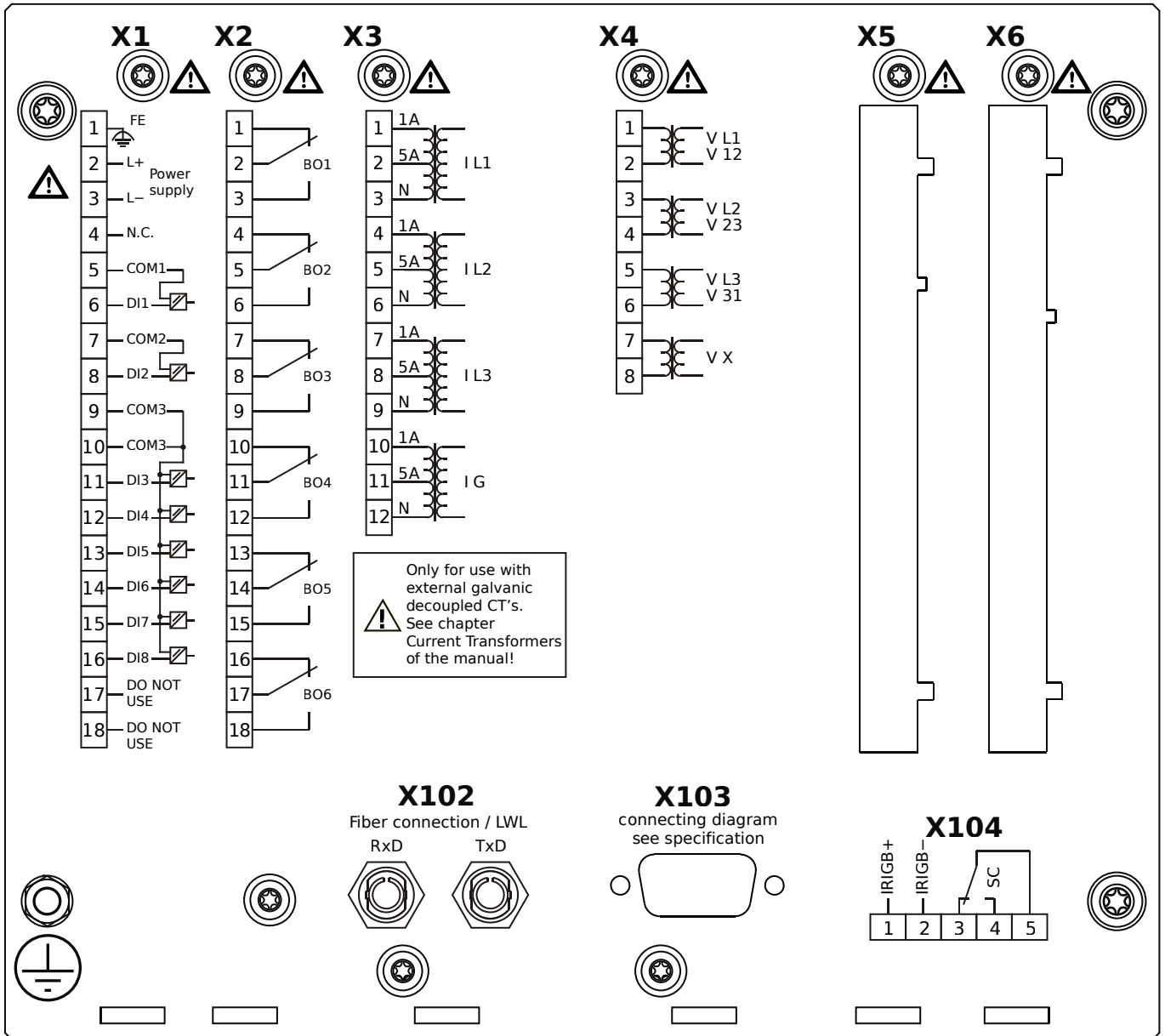
MCDLV4-2A0A1EA



Housing B2, large display, door mounting

- X1** – DI8-X1: Wide-range power supply unit, incl. 2 non-grouped digital inputs and 6 grouped digital inputs
- X2** – OR6: Assembly Group with 6 Output Relays (Changeover / Form C)
- X3** – TI: Standard current measuring card
- X4** – TU: Card with 4 voltage transformer measuring inputs (0 ... 800 VAC, under UL: 0 ... 600 VAC)
- X102** – Protection Communication, Fiber optics interface, ST Connector
- X103** – Profibus-DP, RS485, D-SUB
- X104** – IRIG-B00X, incl. System Contact (Supervision Contact)

MCDLV4-2A0A1EB

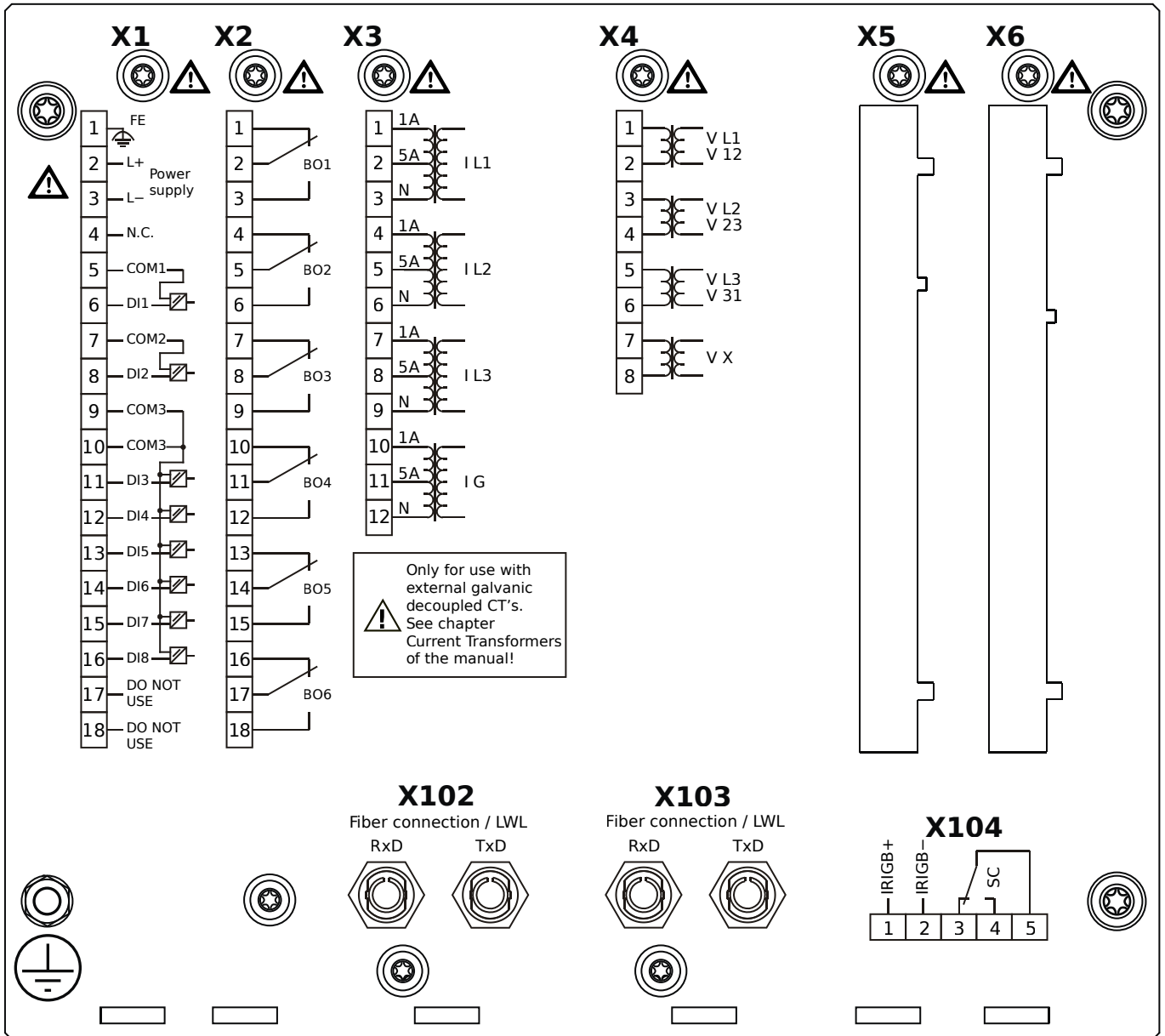


Housing B2, large display, door mounting

+ Conformal Coating (for installations in harsh environment)

- X1** – DI8-X1: Wide-range power supply unit, incl. 2 non-grouped digital inputs and 6 grouped digital inputs
- X2** – OR6: Assembly Group with 6 Output Relays (Changeover / Form C)
- X3** – TI: Standard current measuring card
- X4** – TU: Card with 4 voltage transformer measuring inputs (0 ... 800 VAC, under UL: 0 ... 600 VAC)
- X102** – Protection Communication, Fiber optics interface, ST Connector
- X103** – Profibus-DP, RS485, D-SUB
- X104** – IRIG-B00X, incl. System Contact (Supervision Contact)

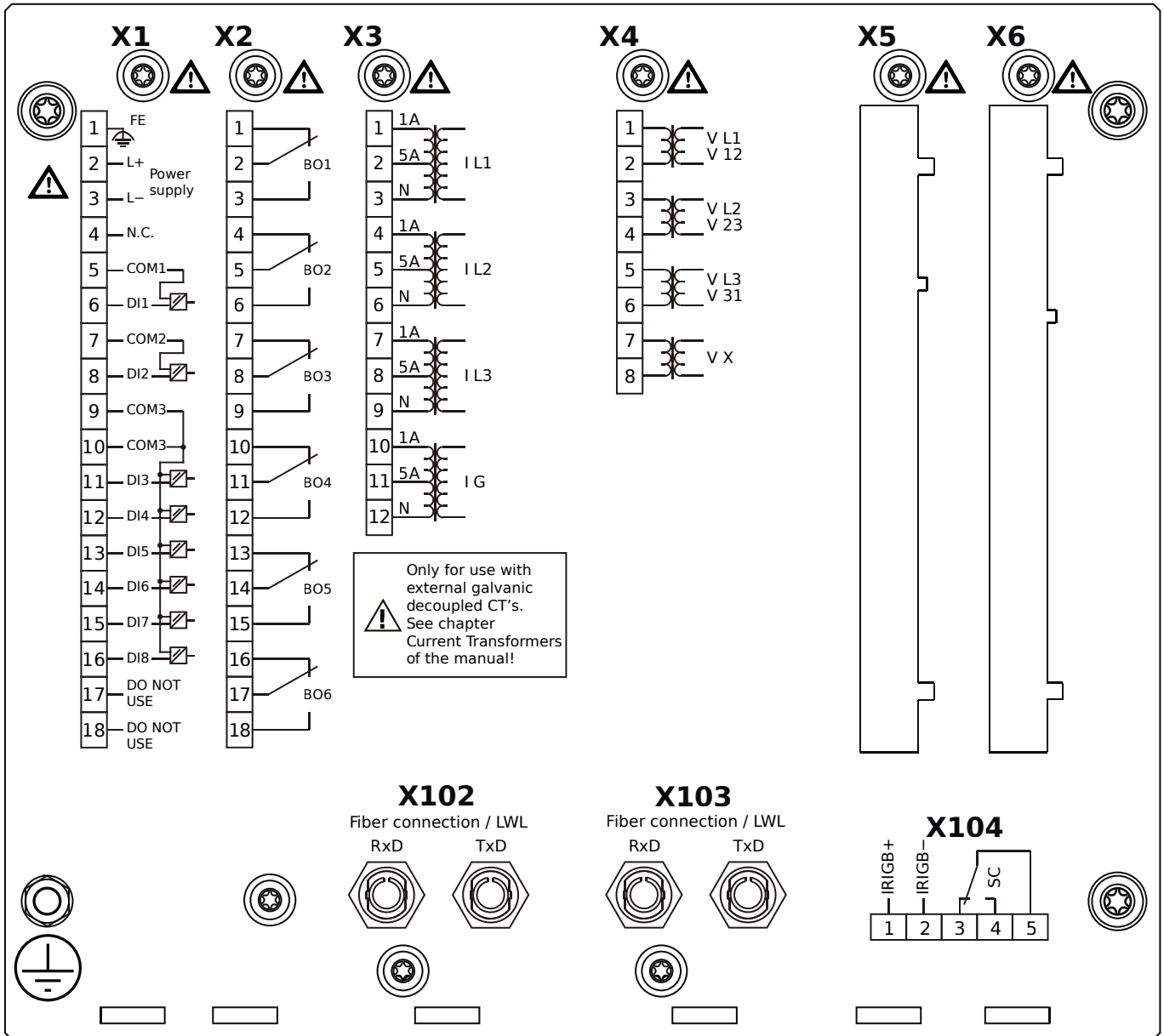
MCDLV4-2A0A1FA



Housing B2, large display, door mounting

- X1** – DI8-X1: Wide-range power supply unit, incl. 2 non-grouped digital inputs and 6 grouped digital inputs
- X2** – OR6: Assembly Group with 6 Output Relays (Changeover / Form C)
- X3** – TI: Standard current measuring card
- X4** – TU: Card with 4 voltage transformer measuring inputs (0 ... 800 VAC, under UL: 0 ... 600 VAC)
- X102** – Protection Communication, Fiber optics interface, ST Connector
- X103** – Modbus RTU / IEC 60870-5-103 / DNP3.0 RTU, Fiber optics interface, ST Connector
- X104** – IRIG-B00X, incl. System Contact (Supervision Contact)

MCDLV4-2A0A1FB

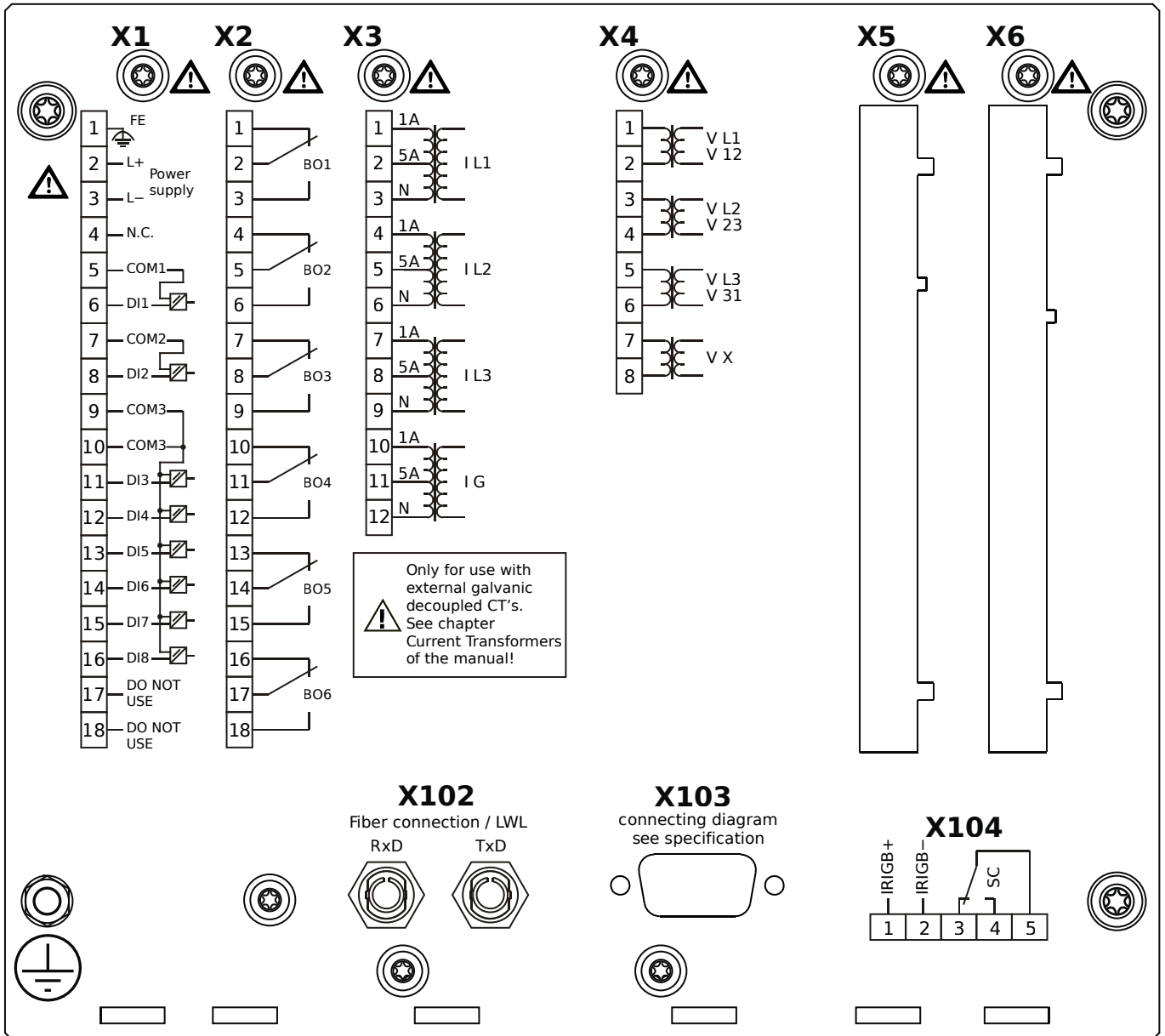


Housing B2, large display, door mounting

+ Conformal Coating (for installations in harsh environment)

- X1** – DI8-X1: Wide-range power supply unit, incl. 2 non-grouped digital inputs and 6 grouped digital inputs
- X2** – OR6: Assembly Group with 6 Output Relays (Changeover / Form C)
- X3** – TI: Standard current measuring card
- X4** – TU: Card with 4 voltage transformer measuring inputs (0 ... 800 VAC, under UL: 0 ... 600 VAC)
- X102** – Protection Communication, Fiber optics interface, ST Connector
- X103** – Modbus RTU / IEC 60870-5-103 / DNP3.0 RTU, Fiber optics interface, ST Connector
- X104** – IRIG-B00X, incl. System Contact (Supervision Contact)

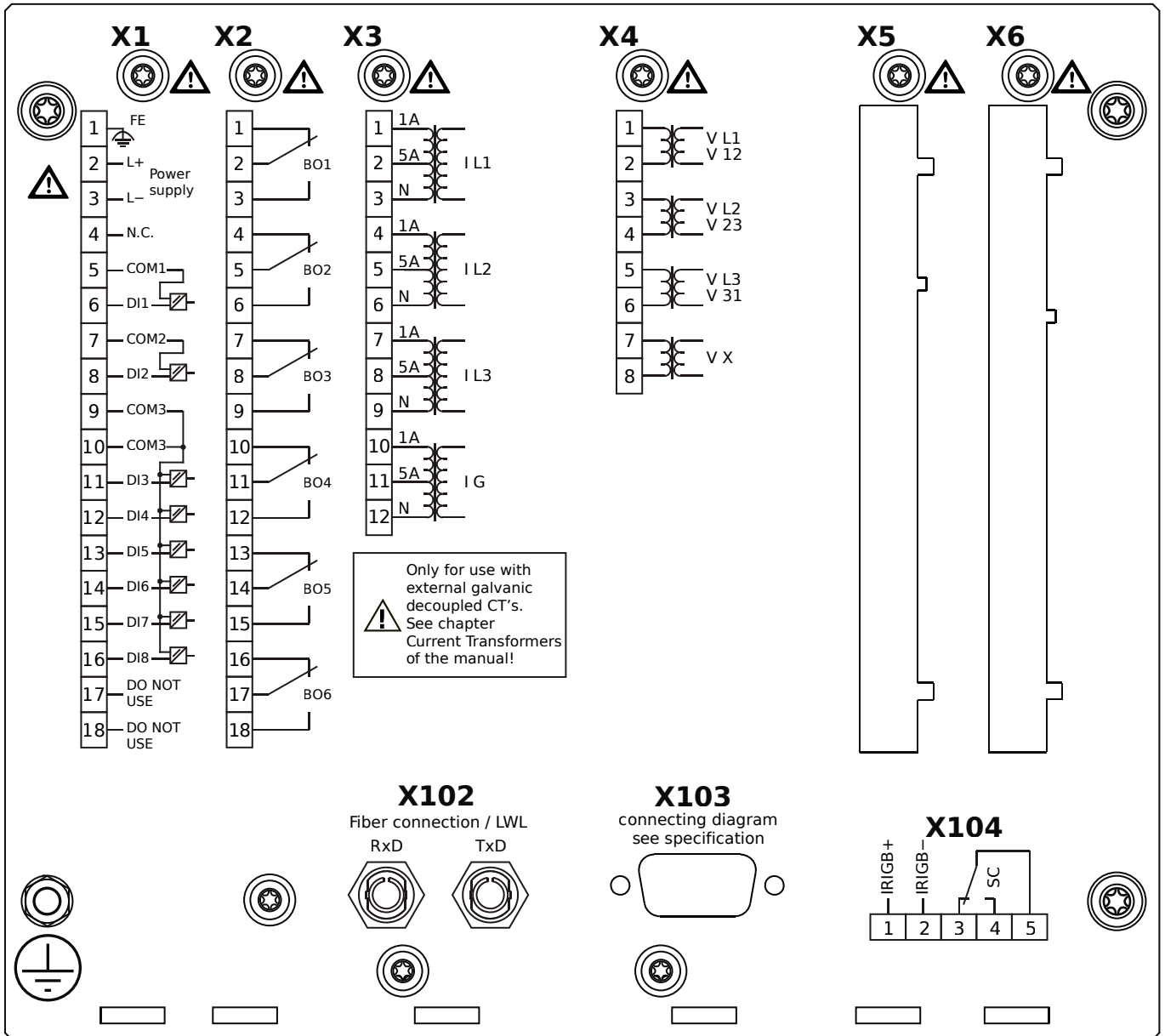
MCDLV4-2A0A1GA



Housing B2, large display, door mounting

- X1** – DI8-X1: Wide-range power supply unit, incl. 2 non-grouped digital inputs and 6 grouped digital inputs
- X2** – OR6: Assembly Group with 6 Output Relays (Changeover / Form C)
- X3** – TI: Standard current measuring card
- X4** – TU: Card with 4 voltage transformer measuring inputs (0 ... 800 VAC, under UL: 0 ... 600 VAC)
- X102** – Protection Communication, Fiber optics interface, ST Connector
- X103** – Modbus RTU / IEC 60870-5-103 / DNP3.0 RTU, RS485, D-SUB
- X104** – IRIG-B00X, incl. System Contact (Supervision Contact)

MCDLV4-2A0A1GB

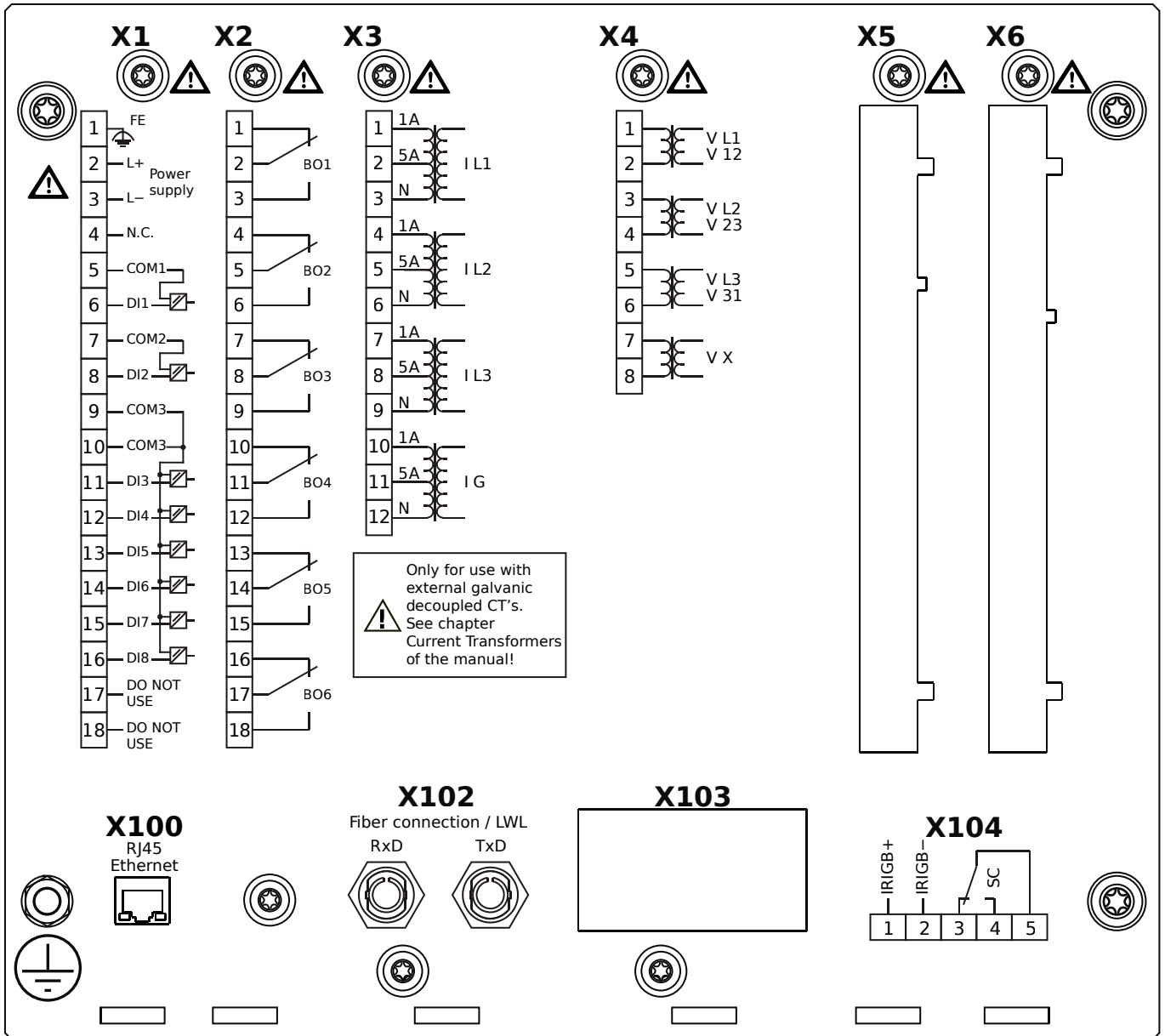


Housing B2, large display, door mounting

+ Conformal Coating (for installations in harsh environment)

- X1** – DI8-X1: Wide-range power supply unit, incl. 2 non-grouped digital inputs and 6 grouped digital inputs
- X2** – OR6: Assembly Group with 6 Output Relays (Changeover / Form C)
- X3** – TI: Standard current measuring card
- X4** – TU: Card with 4 voltage transformer measuring inputs (0 ... 800 VAC, under UL: 0 ... 600 VAC)
- X102** – Protection Communication, Fiber optics interface, ST Connector
- X103** – Modbus RTU / IEC 60870-5-103 / DNP3.0 RTU, RS485, D-SUB
- X104** – IRIG-B00X, incl. System Contact (Supervision Contact)

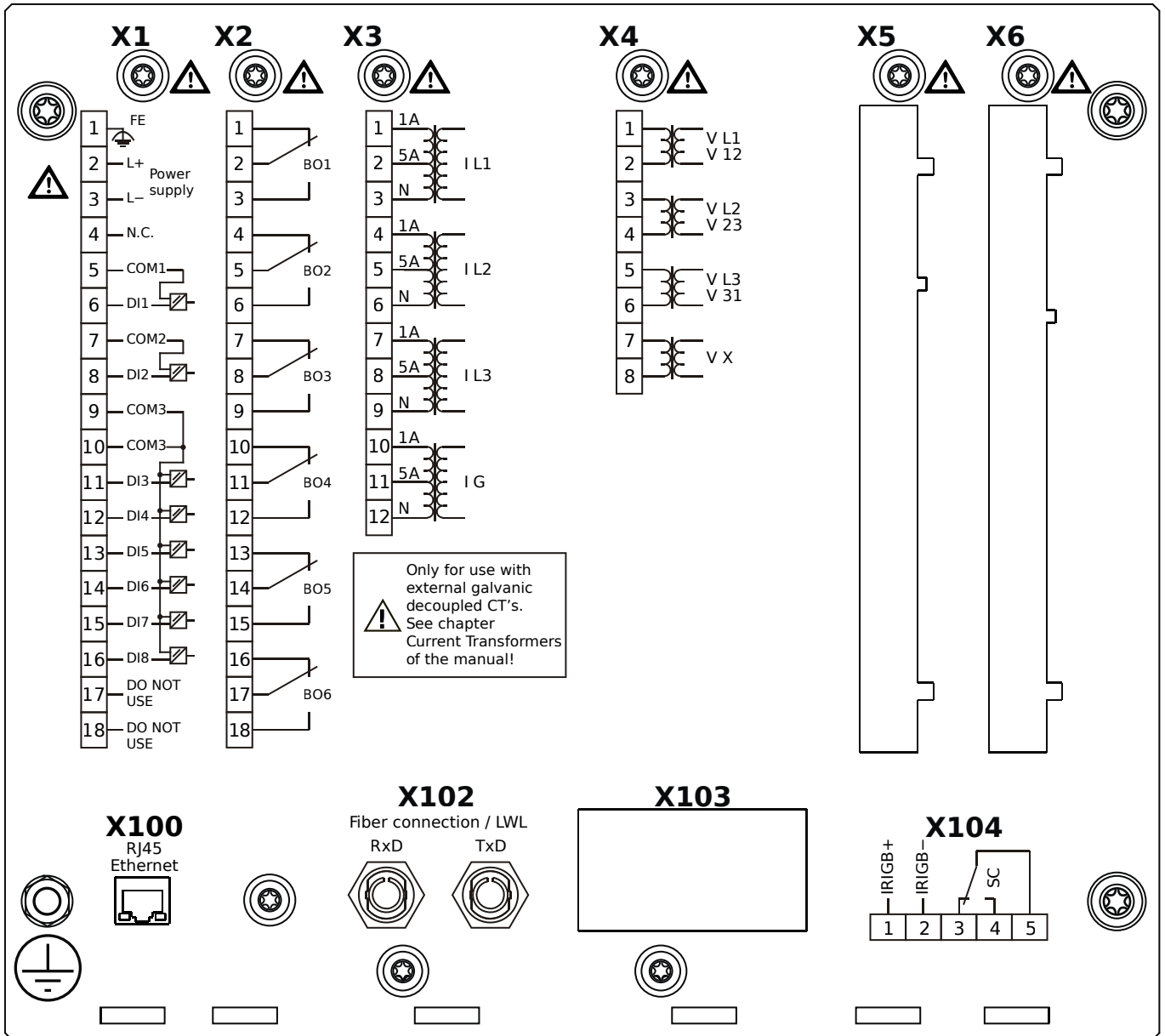
MCDLV4-2A0A1HA



Housing B2, large display, door mounting

- X1** – DI8-X1: Wide-range power supply unit, incl. 2 non-grouped digital inputs and 6 grouped digital inputs
- X2** – OR6: Assembly Group with 6 Output Relays (Changeover / Form C)
- X3** – TI: Standard current measuring card
- X4** – TU: Card with 4 voltage transformer measuring inputs (0 ... 800 VAC, under UL: 0 ... 600 VAC)
- X100** – IEC 61850 / Modbus TCP / IEC 60870-5-104 / DNP3.0 TCP/UDP, Ethernet interface, 100 Mbit/s, RJ45 (BASE100-FX)
- X102** – Protection Communication, Fiber optics interface, ST Connector
- X104** – IRIG-B00X, incl. System Contact (Supervision Contact)

MCDLV4-2A0A1HB



Housing B2, large display, door mounting

+ Conformal Coating (for installations in harsh environment)

X1 – DI8-X1: Wide-range power supply unit, incl. 2 non-grouped digital inputs and 6 grouped digital inputs

X2 – OR6: Assembly Group with 6 Output Relays (Changeover / Form C)

X3 – TI: Standard current measuring card

X4 – TU: Card with 4 voltage transformer measuring inputs (0 ... 800 VAC, under UL: 0 ... 600 VAC)

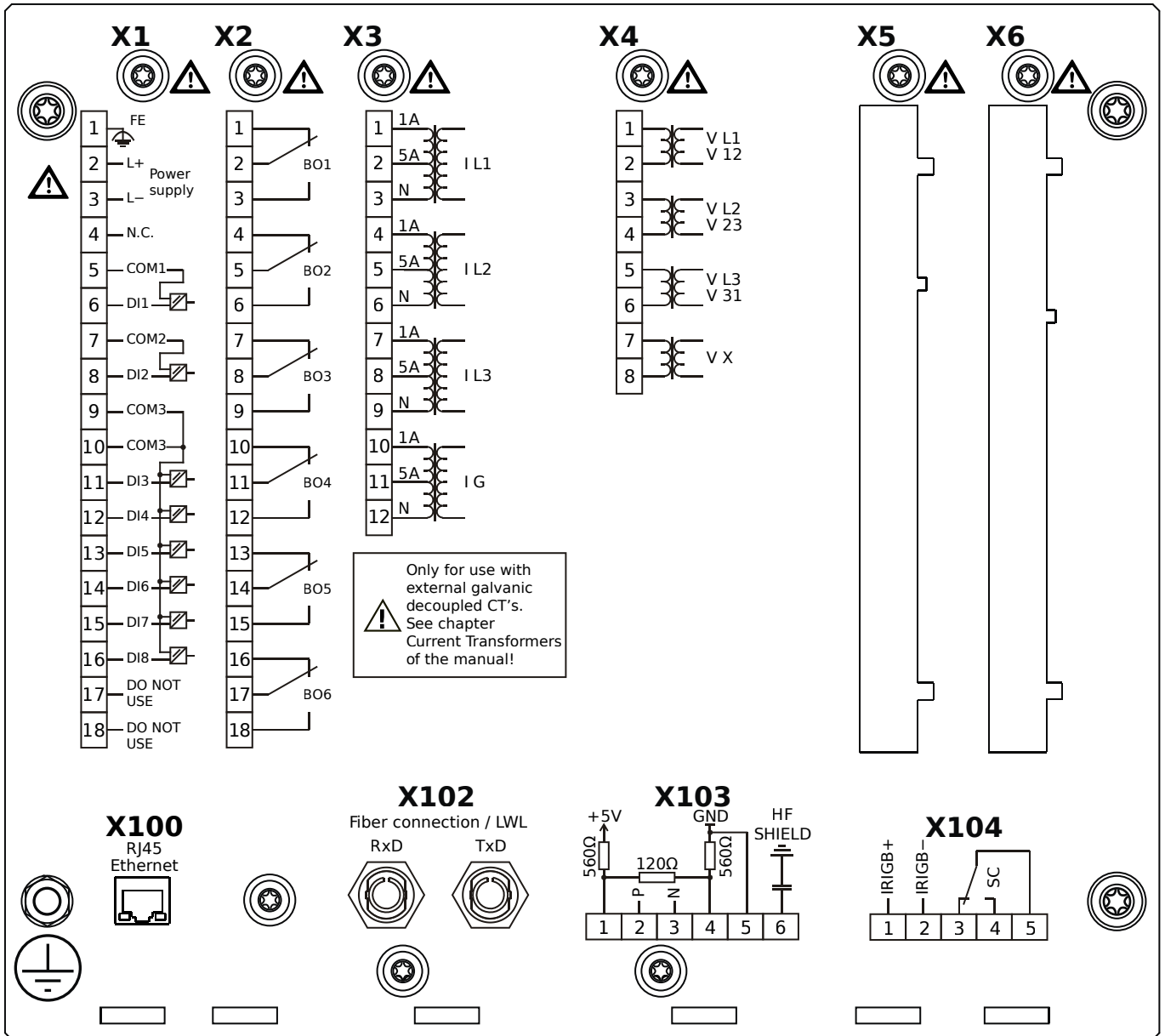
X100 – IEC 61850 / Modbus TCP / IEC 60870-5-104 / DNP3.0 TCP/UDP, Ethernet interface, 100 Mbit/s, RJ45 (BASE100-

FX)

X102 – Protection Communication, Fiber optics interface, ST Connector

X104 – IRIG-B00X, incl. System Contact (Supervision Contact)

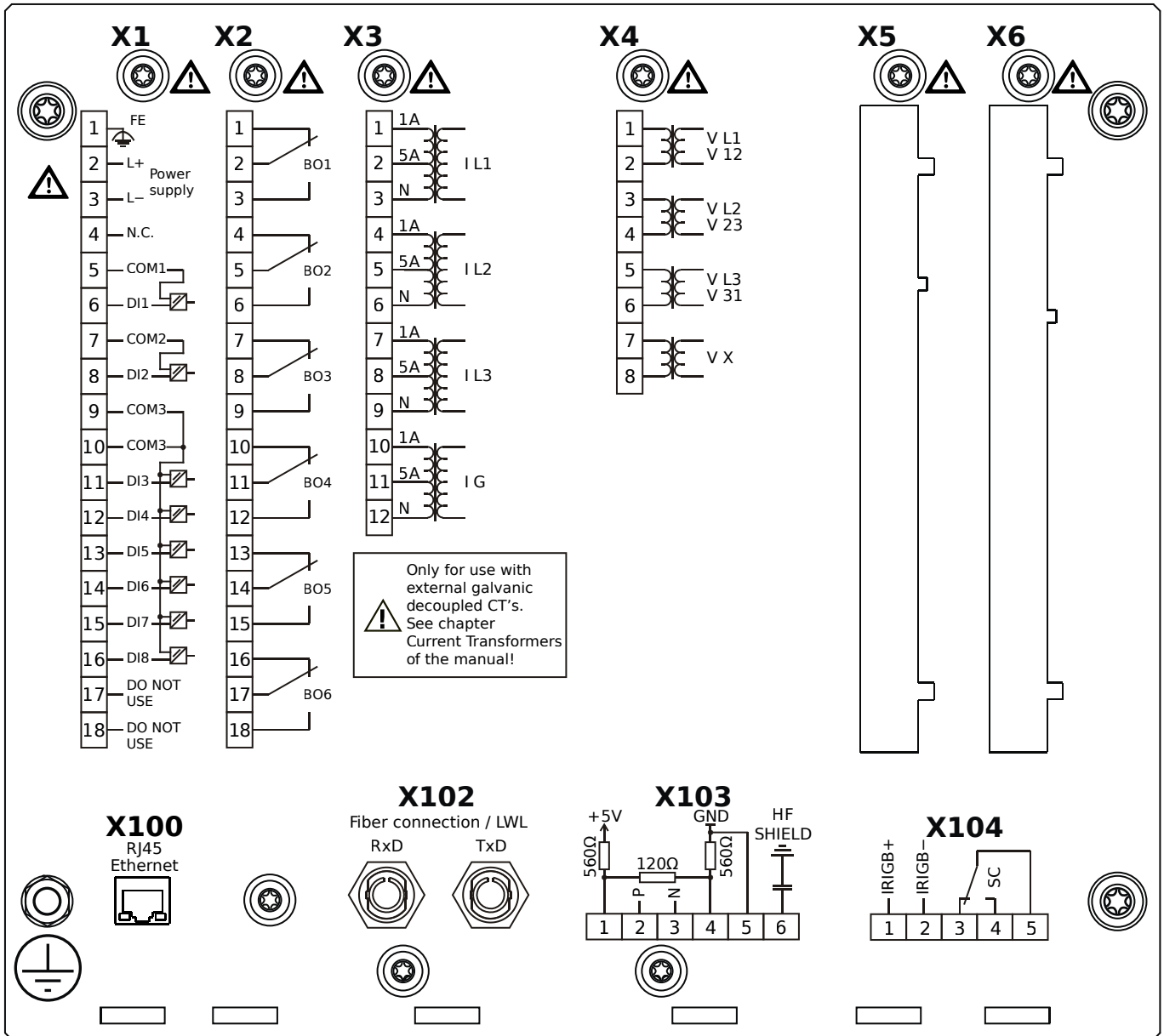
MCDLV4-2A0A1IA



Housing B2, large display, door mounting

- X1** – DI8-X1: Wide-range power supply unit, incl. 2 non-grouped digital inputs and 6 grouped digital inputs
- X2** – OR6: Assembly Group with 6 Output Relays (Changeover / Form C)
- X3** – TI: Standard current measuring card
- X4** – TU: Card with 4 voltage transformer measuring inputs (0 ... 800 VAC, under UL: 0 ... 600 VAC)
- X100** – Modbus TCP / IEC 60870-5-104 / DNP3.0 TCP/UDP, Ethernet interface, 100 Mbit/s, RJ45 (BASE100-FX)
- X102** – Protection Communication, Fiber optics interface, ST Connector
- X103** – IEC 60870-5-103 / Modbus RTU / DNP3.0 RTU, RS485, Terminals
- X104** – IRIG-B00X, incl. System Contact (Supervision Contact)

MCDLV4-2A0A1IB

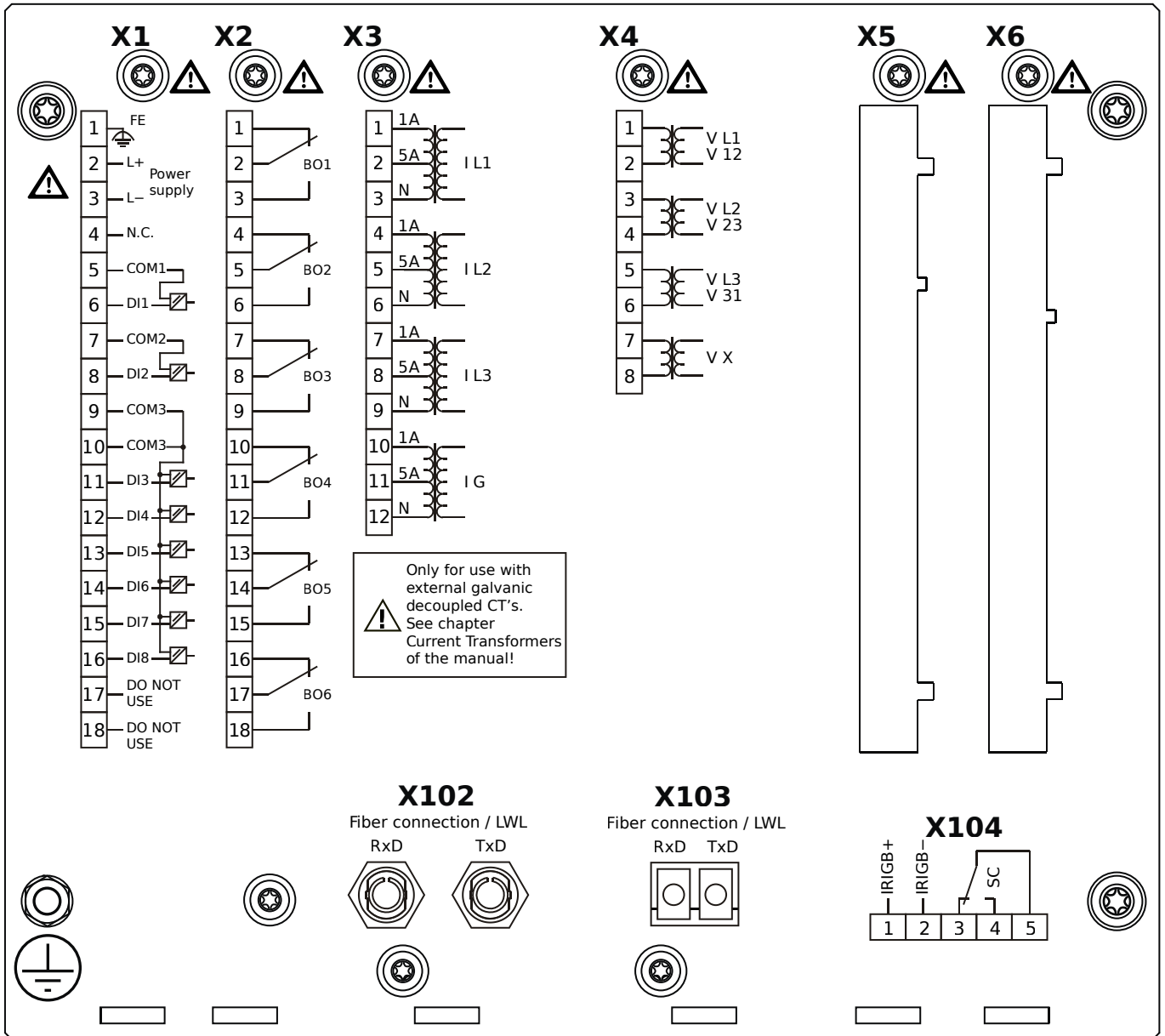


Housing B2, large display, door mounting

- + Conformal Coating (for installations in harsh environment)

- X1** – DI8-X1: Wide-range power supply unit, incl. 2 non-grouped digital inputs and 6 grouped digital inputs
- X2** – OR6: Assembly Group with 6 Output Relays (Changeover / Form C)
- X3** – TI: Standard current measuring card
- X4** – TU: Card with 4 voltage transformer measuring inputs (0 ... 800 VAC, under UL: 0 ... 600 VAC)
- X100** – Modbus TCP / IEC 60870-5-104 / DNP3.0 TCP/UDP, Ethernet interface, 100 Mbit/s, RJ45 (BASE100-FX)
- X102** – Protection Communication, Fiber optics interface, ST Connector
- X103** – IEC 60870-5-103 / Modbus RTU / DNP3.0 RTU, RS485, Terminals
- X104** – IRIG-B00X, incl. System Contact (Supervision Contact)

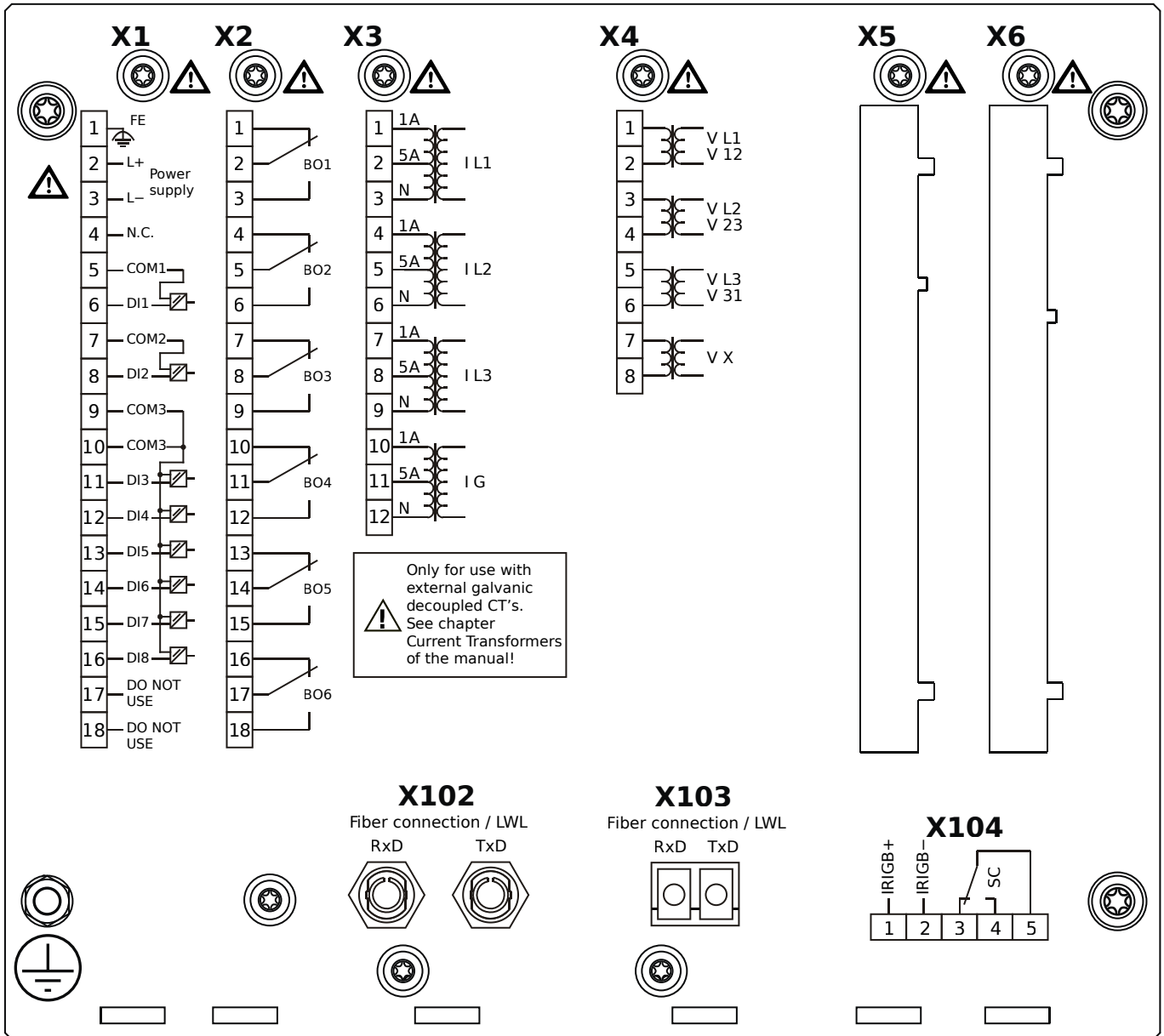
MCDLV4-2A0A1KA



Housing B2, large display, door mounting

- X1** – DI8-X1: Wide-range power supply unit, incl. 2 non-grouped digital inputs and 6 grouped digital inputs
- X2** – OR6: Assembly Group with 6 Output Relays (Changeover / Form C)
- X3** – TI: Standard current measuring card
- X4** – TU: Card with 4 voltage transformer measuring inputs (0 ... 800 VAC, under UL: 0 ... 600 VAC)
- X102** – Protection Communication, Fiber optics interface, ST Connector
- X103** – IEC 61850 / Modbus TCP / IEC 60870-5-104 / DNP3.0 TCP/UDP, Fiber optics interface, LC Connector
- X104** – IRIG-B00X, incl. System Contact (Supervision Contact)

MCDLV4-2A0A1KB

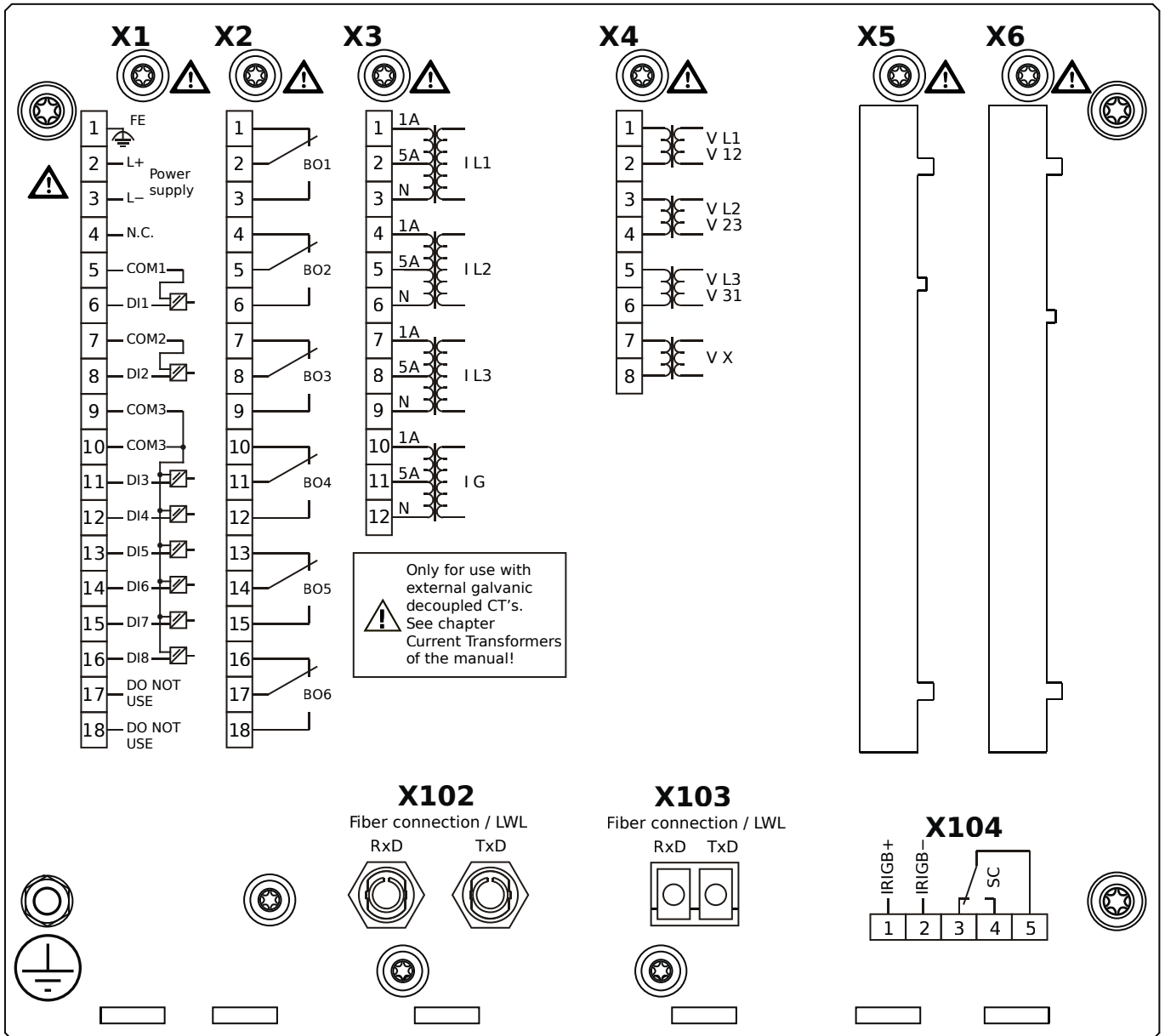


Housing B2, large display, door mounting

- + Conformal Coating (for installations in harsh environment)

- X1** – DI8-X1: Wide-range power supply unit, incl. 2 non-grouped digital inputs and 6 grouped digital inputs
- X2** – OR6: Assembly Group with 6 Output Relays (Changeover / Form C)
- X3** – TI: Standard current measuring card
- X4** – TU: Card with 4 voltage transformer measuring inputs (0 ... 800 VAC, under UL: 0 ... 600 VAC)
- X102** – Protection Communication, Fiber optics interface, ST Connector
- X103** – IEC 61850 / Modbus TCP / IEC 60870-5-104 / DNP3.0 TCP/UDP, Fiber optics interface, LC Connector
- X104** – IRIG-B00X, incl. System Contact (Supervision Contact)

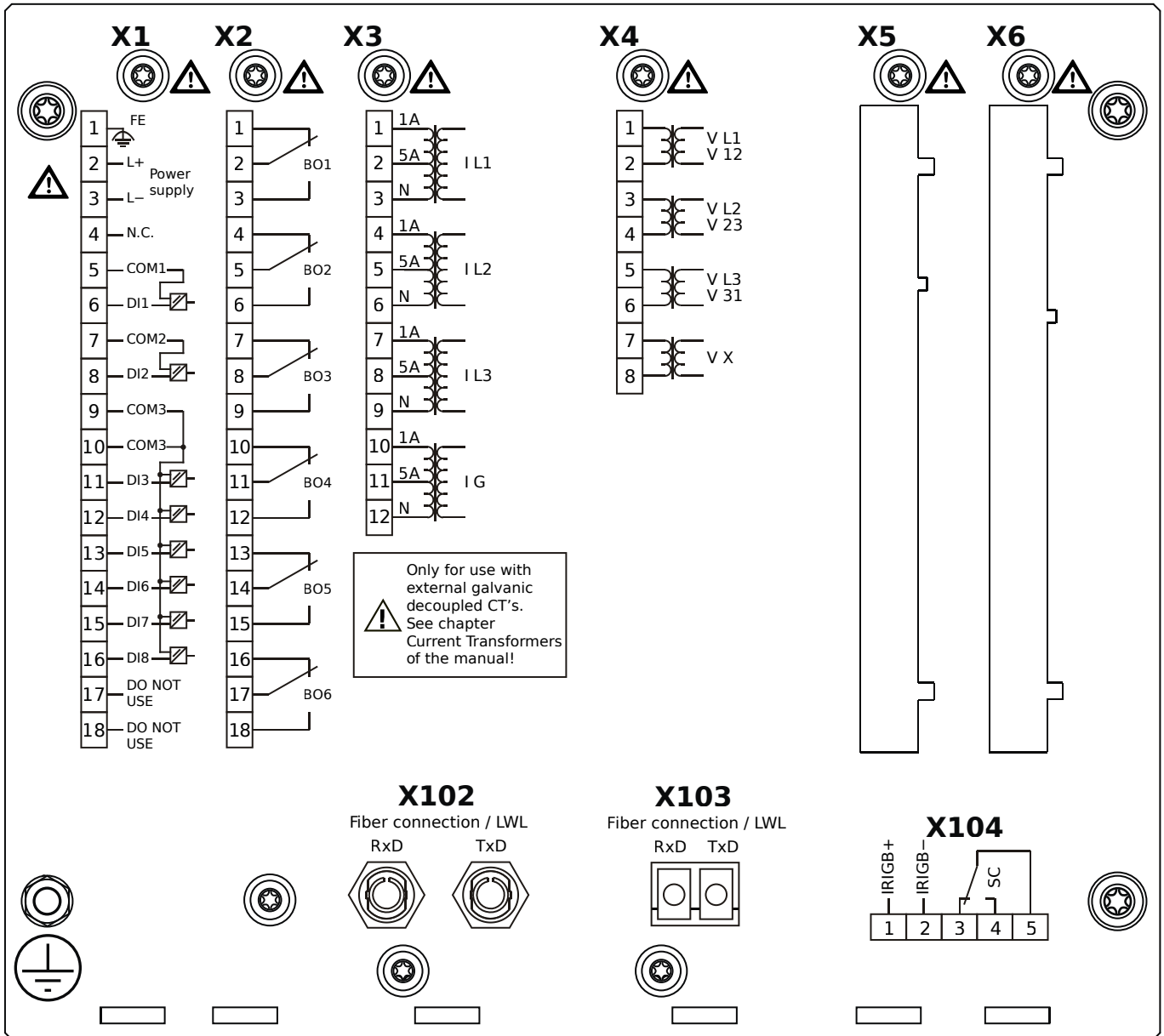
MCDLV4-2A0A1LA



Housing B2, large display, door mounting

- X1** – DI8-X1: Wide-range power supply unit, incl. 2 non-grouped digital inputs and 6 grouped digital inputs
- X2** – OR6: Assembly Group with 6 Output Relays (Changeover / Form C)
- X3** – TI: Standard current measuring card
- X4** – TU: Card with 4 voltage transformer measuring inputs (0 ... 800 VAC, under UL: 0 ... 600 VAC)
- X102** – Protection Communication, Fiber optics interface, ST Connector
- X103** – Modbus TCP / IEC 60870-5-104 / DNP3.0 TCP/UDP, Fiber optics interface, LC Connector
- X104** – IRIG-B00X, incl. System Contact (Supervision Contact)

MCDLV4-2A0A1LB

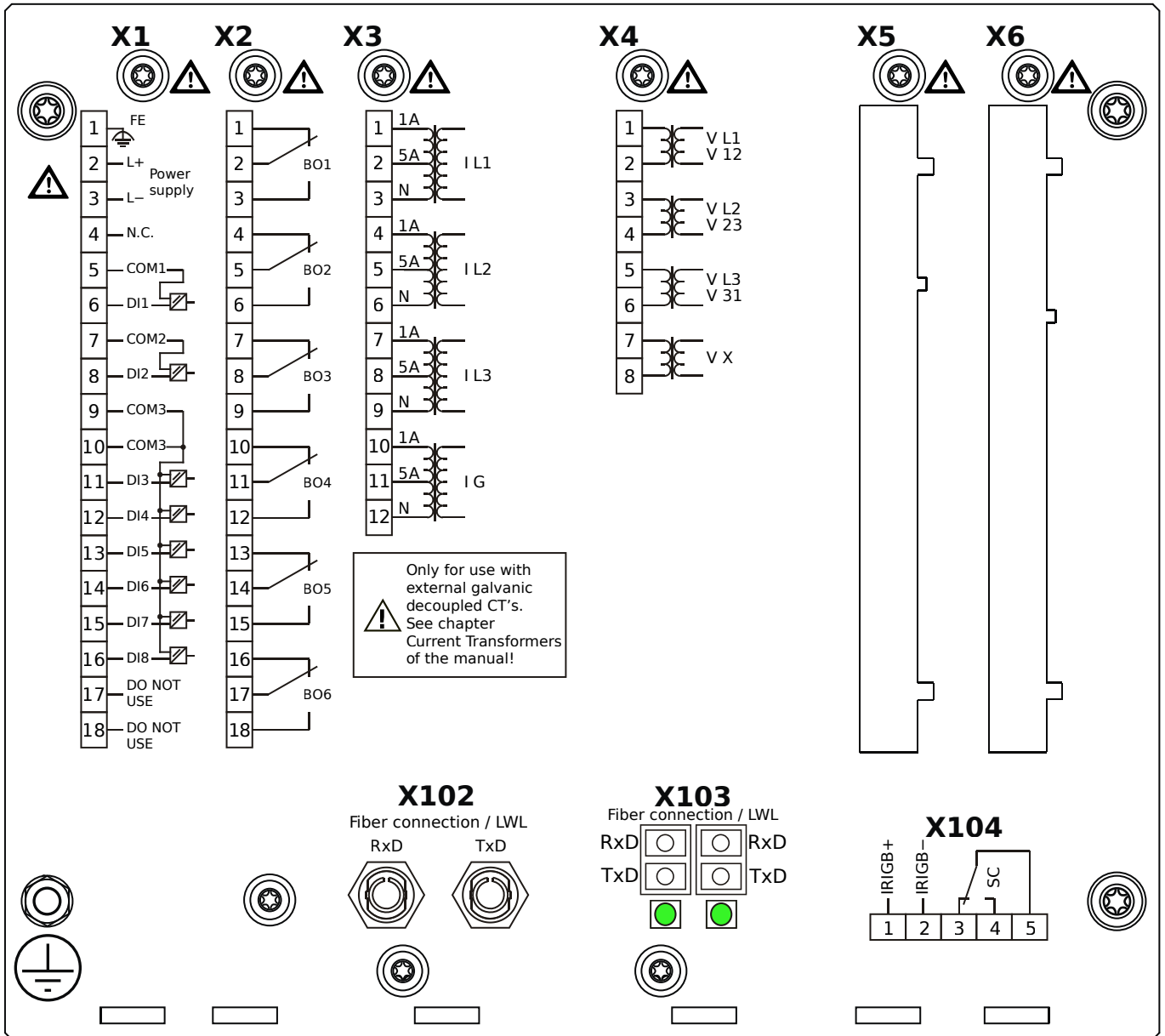


Housing B2, large display, door mounting

- + Conformal Coating (for installations in harsh environment)

- X1** – DI8-X1: Wide-range power supply unit, incl. 2 non-grouped digital inputs and 6 grouped digital inputs
- X2** – OR6: Assembly Group with 6 Output Relays (Changeover / Form C)
- X3** – TI: Standard current measuring card
- X4** – TU: Card with 4 voltage transformer measuring inputs (0 ... 800 VAC, under UL: 0 ... 600 VAC)
- X102** – Protection Communication, Fiber optics interface, ST Connector
- X103** – Modbus TCP / IEC 60870-5-104 / DNP3.0 TCP/UDP, Fiber optics interface, LC Connector
- X104** – IRIG-B00X, incl. System Contact (Supervision Contact)

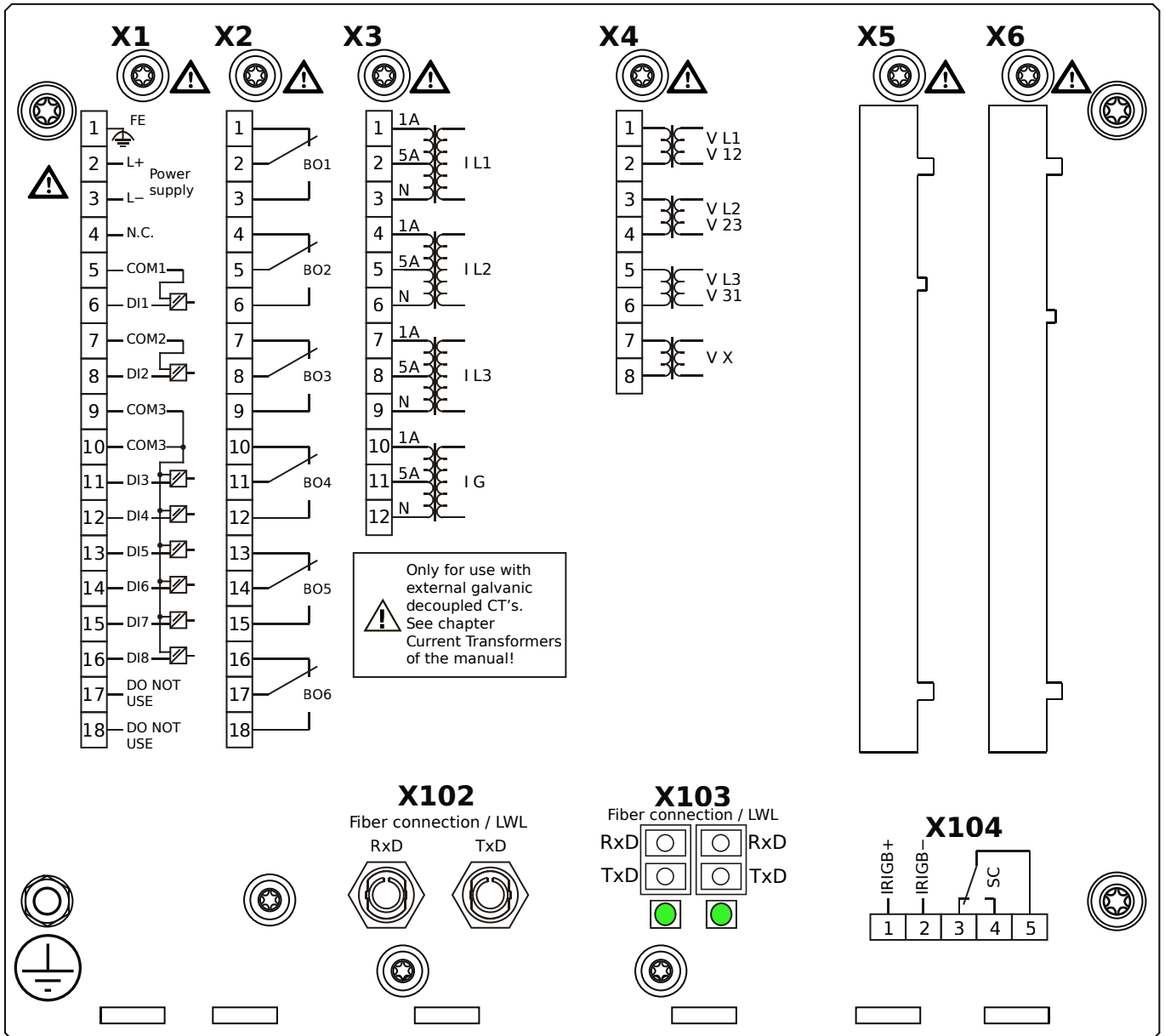
MCDLV4-2A0A10A



Housing B2, large display, door mounting

- X1** – DI8-X1: Wide-range power supply unit, incl. 2 non-grouped digital inputs and 6 grouped digital inputs
- X2** – OR6: Assembly Group with 6 Output Relays (Changeover / Form C)
- X3** – TI: Standard current measuring card
- X4** – TU: Card with 4 voltage transformer measuring inputs (0 ... 800 VAC, under UL: 0 ... 600 VAC)
- X102** – Protection Communication, Fiber optics interface, ST Connector
- X103** – Modbus TCP / IEC 60870-5-104 / DNP3.0 TCP/UDP, Redundant Fiber optics interface, LC Connector
- X104** – IRIG-B00X, incl. System Contact (Supervision Contact)

MCDLV4-2A0A10B

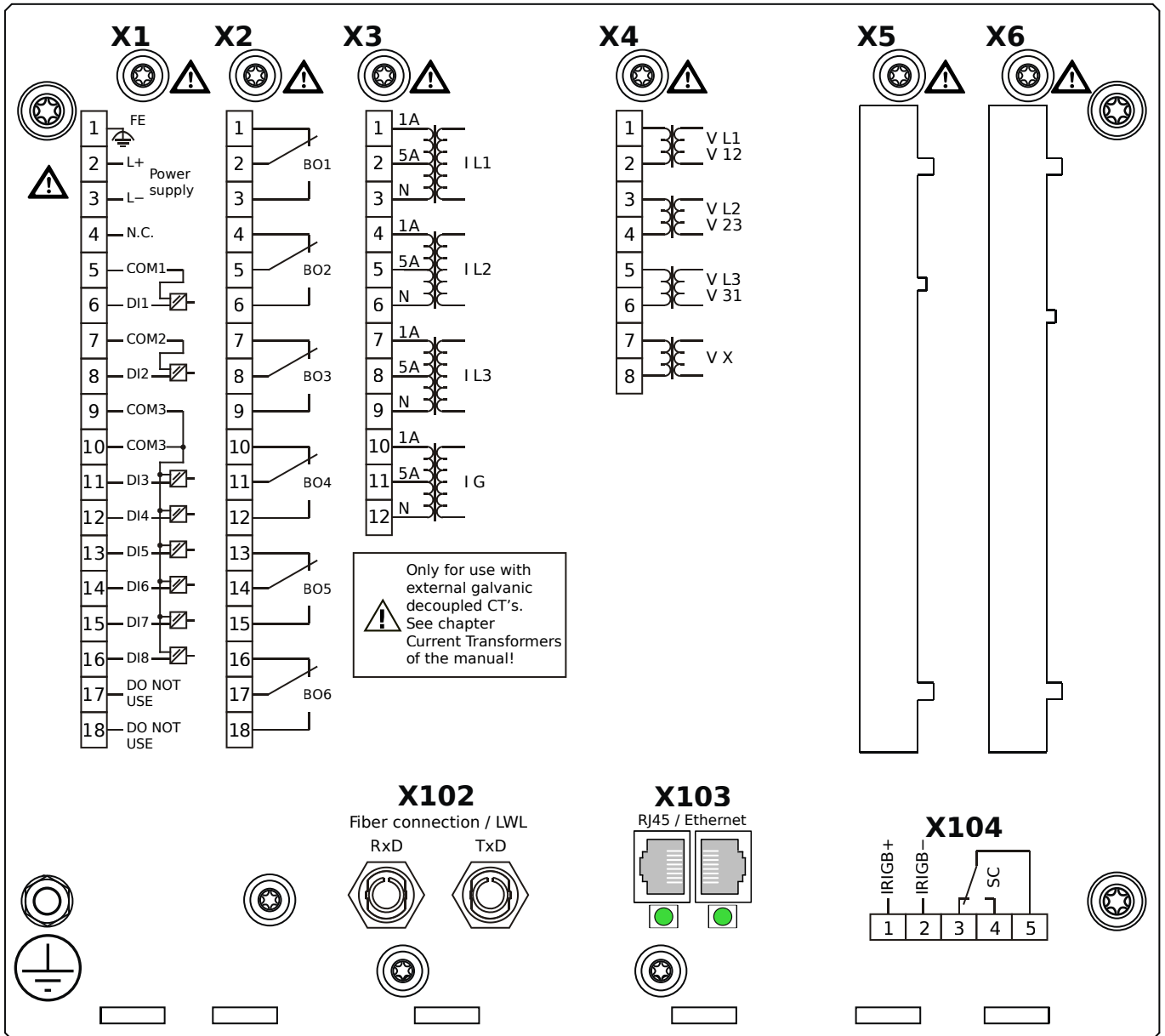


Housing B2, large display, door mounting

- + Conformal Coating (for installations in harsh environment)

- X1** – DI8-X1: Wide-range power supply unit, incl. 2 non-grouped digital inputs and 6 grouped digital inputs
- X2** – OR6: Assembly Group with 6 Output Relays (Changeover / Form C)
- X3** – TI: Standard current measuring card
- X4** – TU: Card with 4 voltage transformer measuring inputs (0 ... 800 VAC, under UL: 0 ... 600 VAC)
- X102** – Protection Communication, Fiber optics interface, ST Connector
- X103** – Modbus TCP / IEC 60870-5-104 / DNP3.0 TCP/UDP, Redundant Fiber optics interface, LC Connector
- X104** – IRIG-B00X, incl. System Contact (Supervision Contact)

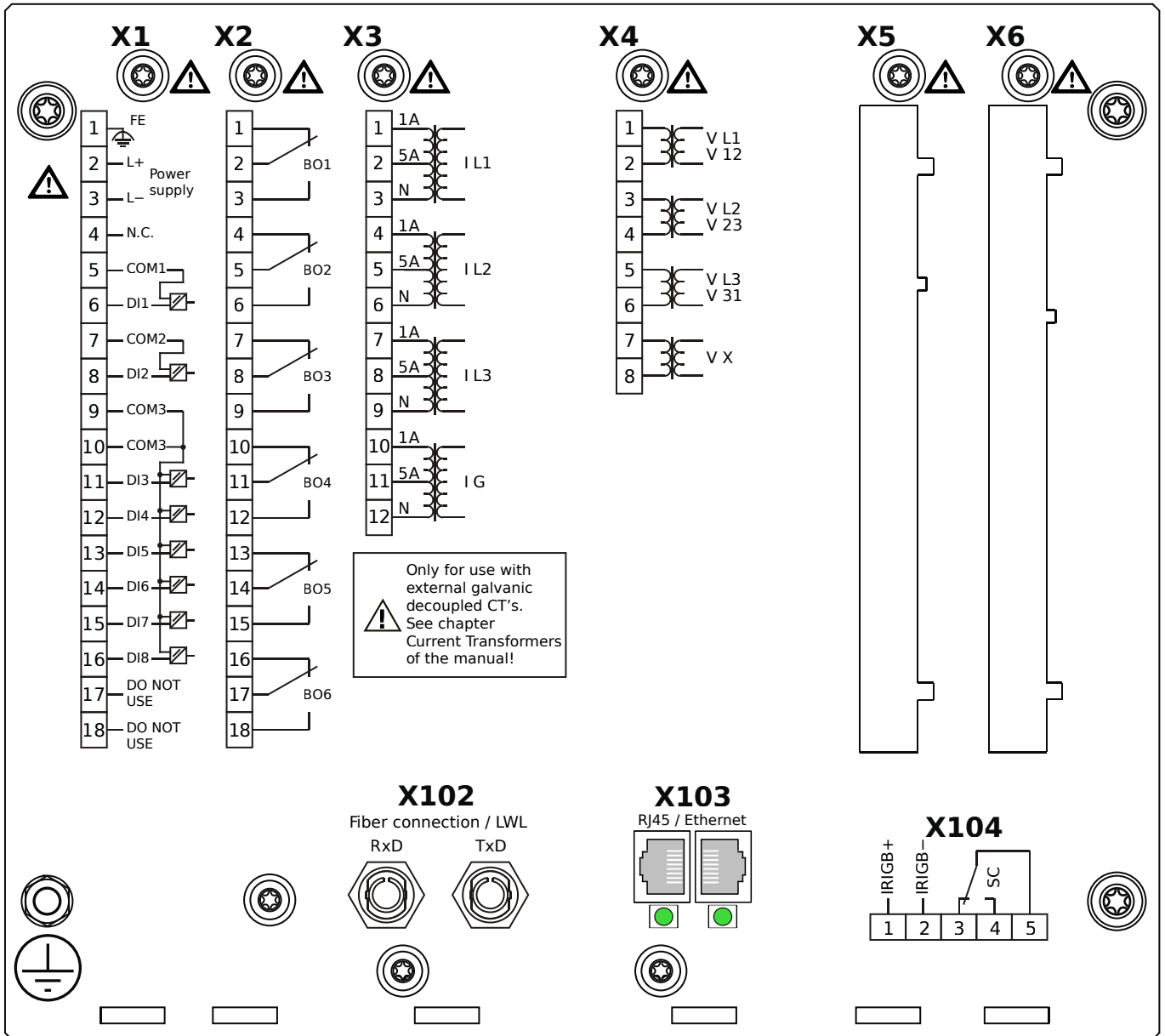
MCDLV4-2A0A1PA



Housing B2, large display, door mounting

- X1** – DI8-X1: Wide-range power supply unit, incl. 2 non-grouped digital inputs and 6 grouped digital inputs
- X2** – OR6: Assembly Group with 6 Output Relays (Changeover / Form C)
- X3** – TI: Standard current measuring card
- X4** – TU: Card with 4 voltage transformer measuring inputs (0 ... 800 VAC, under UL: 0 ... 600 VAC)
- X102** – Protection Communication, Fiber optics interface, ST Connector
- X103** – Modbus TCP / IEC 60870-5-104 / DNP3.0 TCP/UDP, Redundant Ethernet interface, 100 Mbit/s, RJ45 (BASE100-FX)
- X104** – IRIG-B00X, incl. System Contact (Supervision Contact)

MCDLV4-2A0A1PB

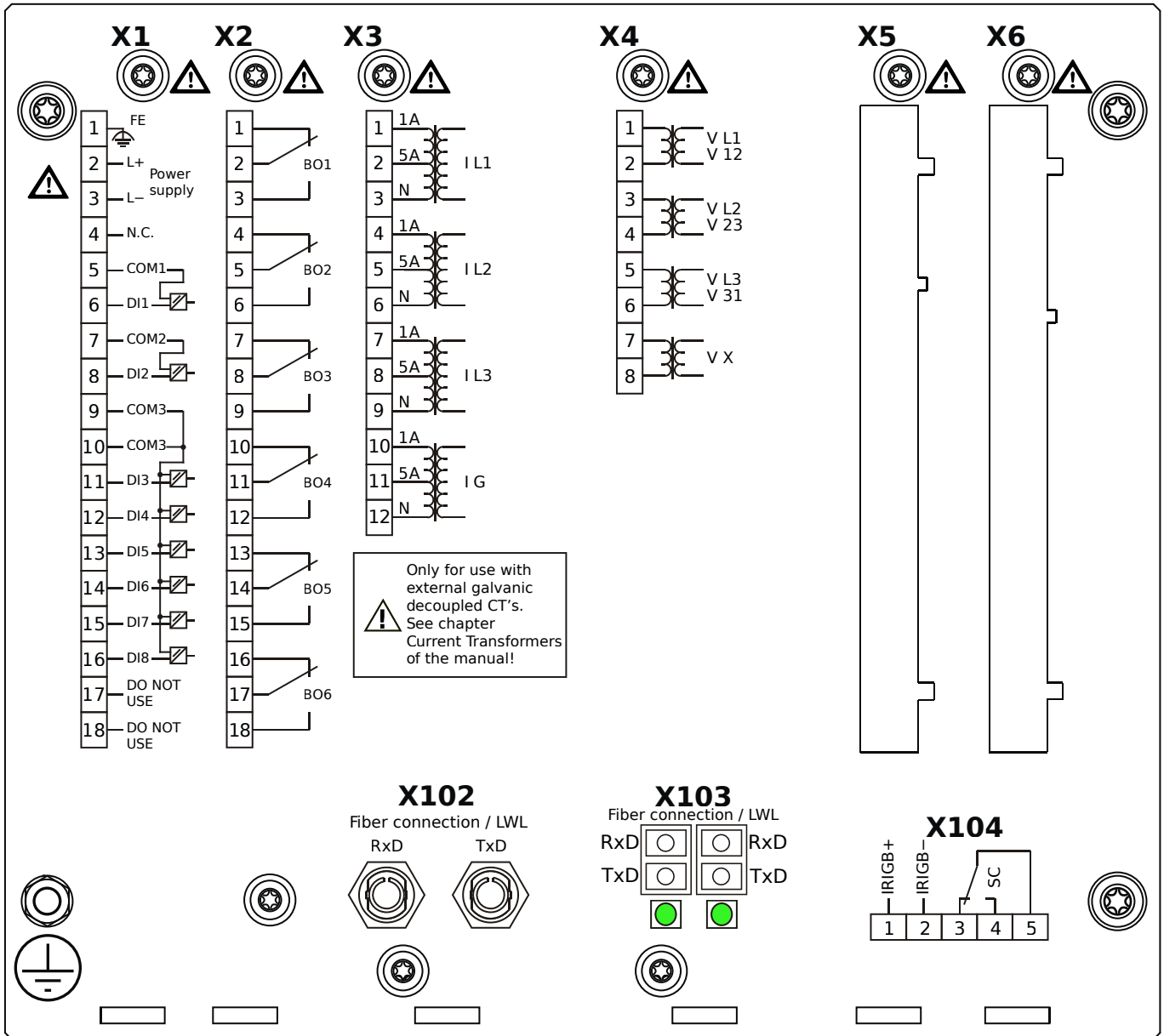


Housing B2, large display, door mounting

- + Conformal Coating (for installations in harsh environment)

- X1** – DI8-X1: Wide-range power supply unit, incl. 2 non-grouped digital inputs and 6 grouped digital inputs
- X2** – OR6: Assembly Group with 6 Output Relays (Changeover / Form C)
- X3** – TI: Standard current measuring card
- X4** – TU: Card with 4 voltage transformer measuring inputs (0 ... 800 VAC, under UL: 0 ... 600 VAC)
- X102** – Protection Communication, Fiber optics interface, ST Connector
- X103** – Modbus TCP / IEC 60870-5-104 / DNP3.0 TCP/UDP, Redundant Ethernet interface, 100 Mbit/s, RJ45 (BASE100-FX)
- X104** – IRIG-B00X, incl. System Contact (Supervision Contact)

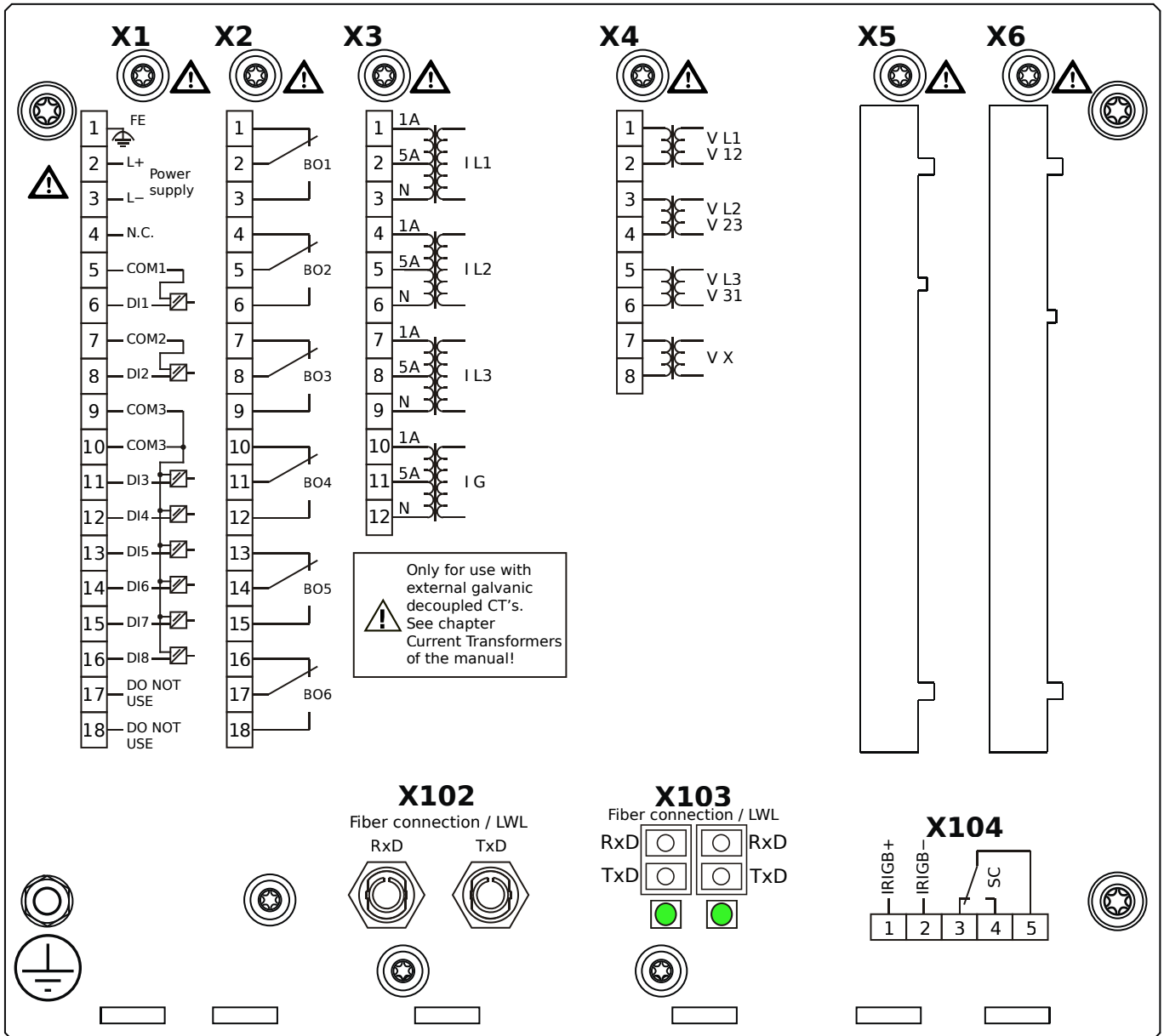
MCDLV4-2A0A1QA



Housing B2, large display, door mounting

- X1** – DI8-X1: Wide-range power supply unit, incl. 2 non-grouped digital inputs and 6 grouped digital inputs
- X2** – OR6: Assembly Group with 6 Output Relays (Changeover / Form C)
- X3** – TI: Standard current measuring card
- X4** – TU: Card with 4 voltage transformer measuring inputs (0 ... 800 VAC, under UL: 0 ... 600 VAC)
- X102** – Protection Communication, Fiber optics interface, ST Connector
- X103** – IEC 61850 / Modbus TCP / IEC 60870-5-104 / DNP3.0 TCP/UDP, Redundant Fiber optics interface, LC Connector
- X104** – IRIG-B00X, incl. System Contact (Supervision Contact)

MCDLV4-2A0A1QB



Housing B2, large display, door mounting

+ Conformal Coating (for installations in harsh environment)

X1 – DI8-X1: Wide-range power supply unit, incl. 2 non-grouped digital inputs and 6 grouped digital inputs

X2 – OR6: Assembly Group with 6 Output Relays (Changeover / Form C)

X3 – TI: Standard current measuring card

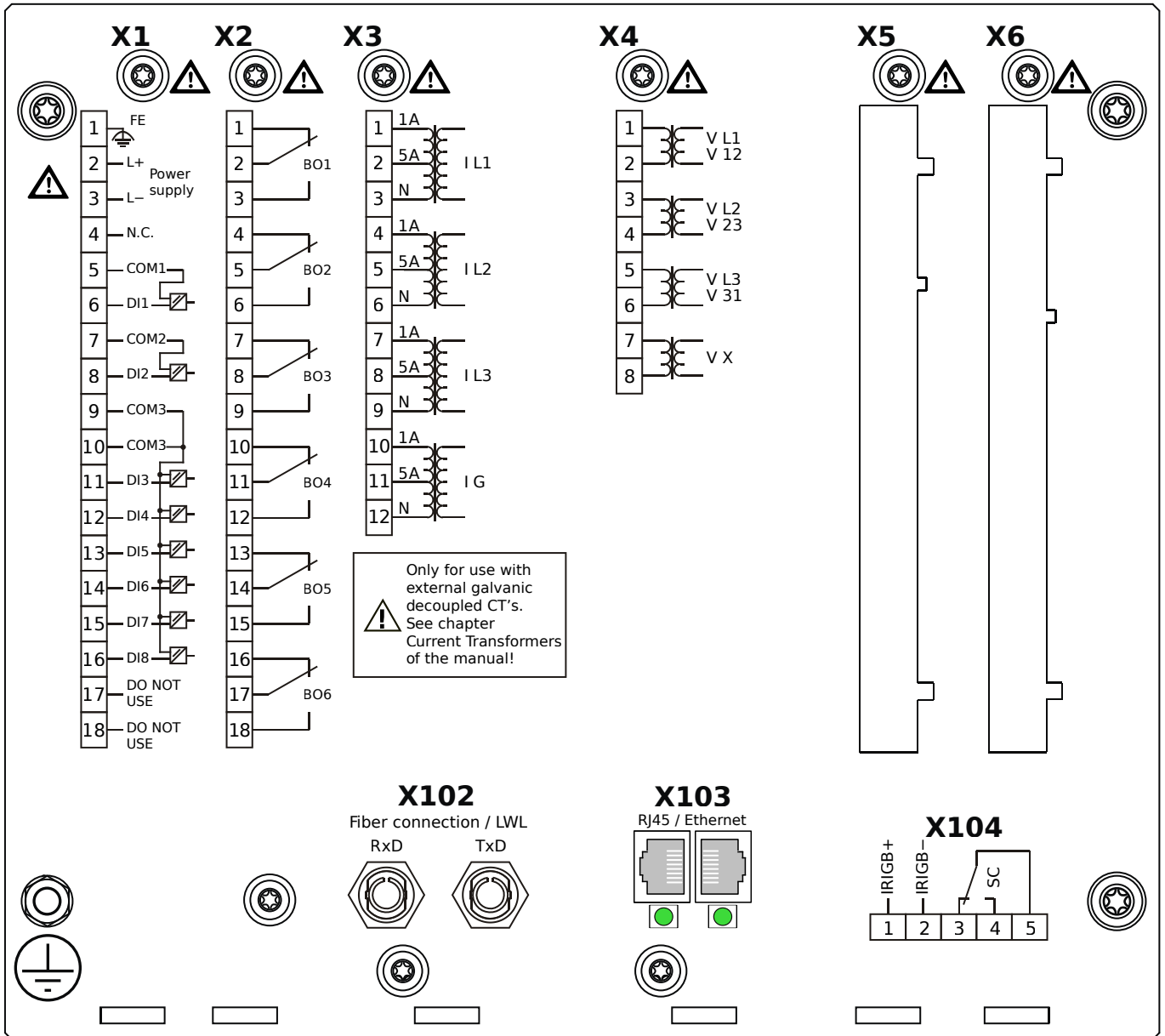
X4 – TU: Card with 4 voltage transformer measuring inputs (0 ... 800 VAC, under UL: 0 ... 600 VAC)

X102 – Protection Communication, Fiber optics interface, ST Connector

X103 – IEC 61850 / Modbus TCP / IEC 60870-5-104 / DNP3.0 TCP/UDP, Redundant Fiber optics interface, LC Connector

X104 – IRIG-B00X, incl. System Contact (Supervision Contact)

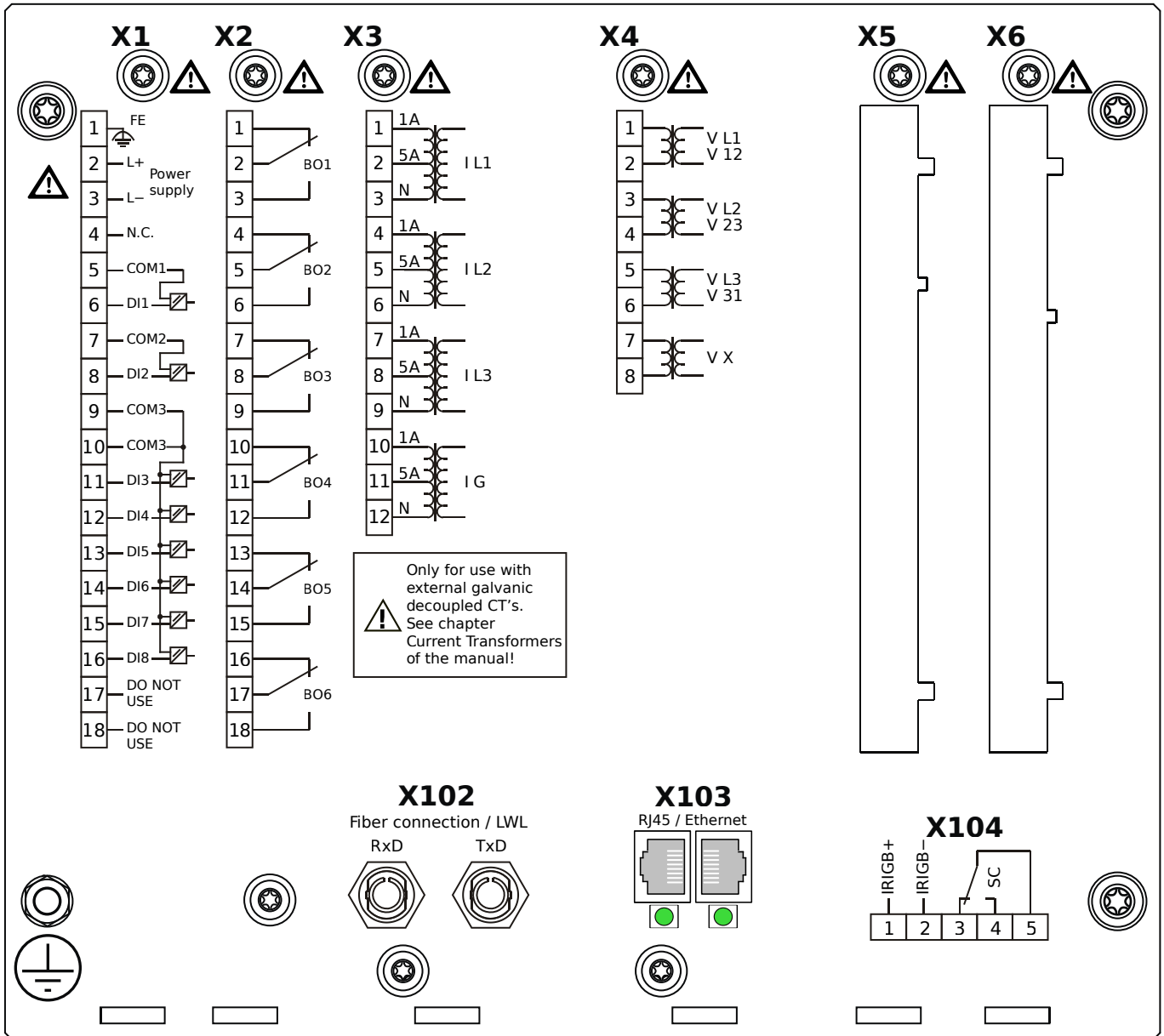
MCDLV4-2A0A1RA



Housing B2, large display, door mounting

- X1** – DI8-X1: Wide-range power supply unit, incl. 2 non-grouped digital inputs and 6 grouped digital inputs
- X2** – OR6: Assembly Group with 6 Output Relays (Changeover / Form C)
- X3** – TI: Standard current measuring card
- X4** – TU: Card with 4 voltage transformer measuring inputs (0 ... 800 VAC, under UL: 0 ... 600 VAC)
- X102** – Protection Communication, Fiber optics interface, ST Connector
- X103** – IEC 61850 / Modbus TCP / IEC 60870-5-104 / DNP3.0 TCP/UDP, Redundant Ethernet interface, 100 Mbit/s, RJ45 (BASE100-FX)
- X104** – IRIG-B00X, incl. System Contact (Supervision Contact)

MCDLV4-2A0A1RB



Housing B2, large display, door mounting

- + Conformal Coating (for installations in harsh environment)

X1 – DI8-X1: Wide-range power supply unit, incl. 2 non-grouped digital inputs and 6 grouped digital inputs

X2 – OR6: Assembly Group with 6 Output Relays (Changeover / Form C)

X3 – TI: Standard current measuring card

X4 – TU: Card with 4 voltage transformer measuring inputs (0 ... 800 VAC, under UL: 0 ... 600 VAC)

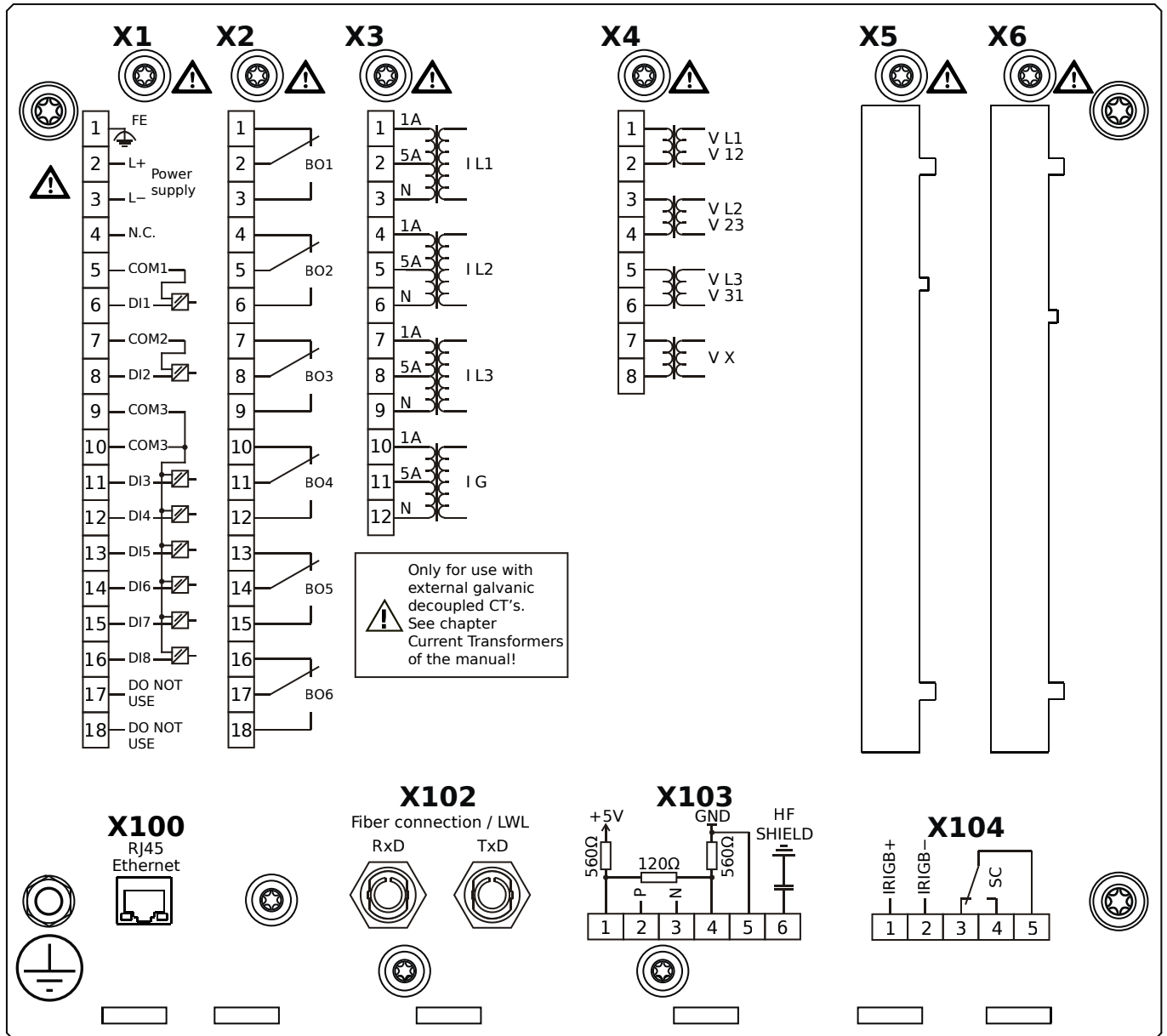
X102 – Protection Communication, Fiber optics interface, ST Connector

X103 – IEC 61850 / Modbus TCP / IEC 60870-5-104 / DNP3.0 TCP/UDP, Redundant Ethernet interface, 100 Mbit/s, RJ45

(BASE100-FX)

X104 – IRIG-B00X, incl. System Contact (Supervision Contact)

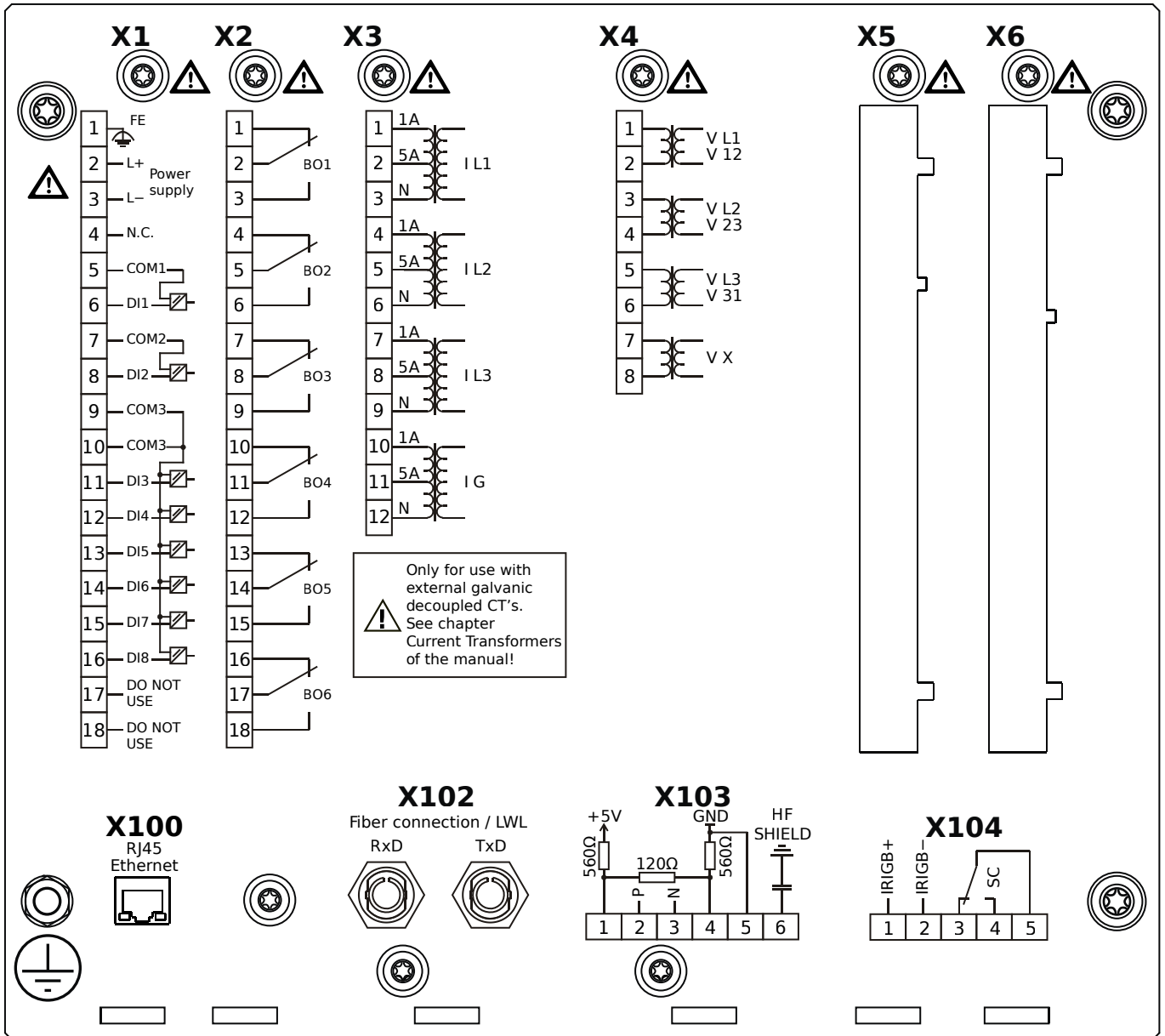
MCDLV4-2A0A1TA



Housing B2, large display, door mounting

- X1** – DI8-X1: Wide-range power supply unit, incl. 2 non-grouped digital inputs and 6 grouped digital inputs
- X2** – OR6: Assembly Group with 6 Output Relays (Changeover / Form C)
- X3** – TI: Standard current measuring card
- X4** – TU: Card with 4 voltage transformer measuring inputs (0 ... 800 VAC, under UL: 0 ... 600 VAC)
- X100** – IEC 61850 / Modbus TCP / IEC 60870-5-104 / DNP3.0 TCP/UDP, Ethernet interface, 100 Mbit/s, RJ45 (BASE100-FX)
- X102** – Protection Communication, Fiber optics interface, ST Connector
- X103** – IEC 60870-5-103 / Modbus RTU / DNP3.0 RTU, RS485, Terminals
- X104** – IRIG-B00X, incl. System Contact (Supervision Contact)

MCDLV4-2A0A1TB



Housing B2, large display, door mounting

+ Conformal Coating (for installations in harsh environment)

X1 – DI8-X1: Wide-range power supply unit, incl. 2 non-grouped digital inputs and 6 grouped digital inputs

X2 – OR6: Assembly Group with 6 Output Relays (Changeover / Form C)

X3 – TI: Standard current measuring card

X4 – TU: Card with 4 voltage transformer measuring inputs (0 ... 800 VAC, under UL: 0 ... 600 VAC)

X100 – IEC 61850 / Modbus TCP / IEC 60870-5-104 / DNP3.0 TCP/UDP, Ethernet interface, 100 Mbit/s, RJ45 (BASE100-

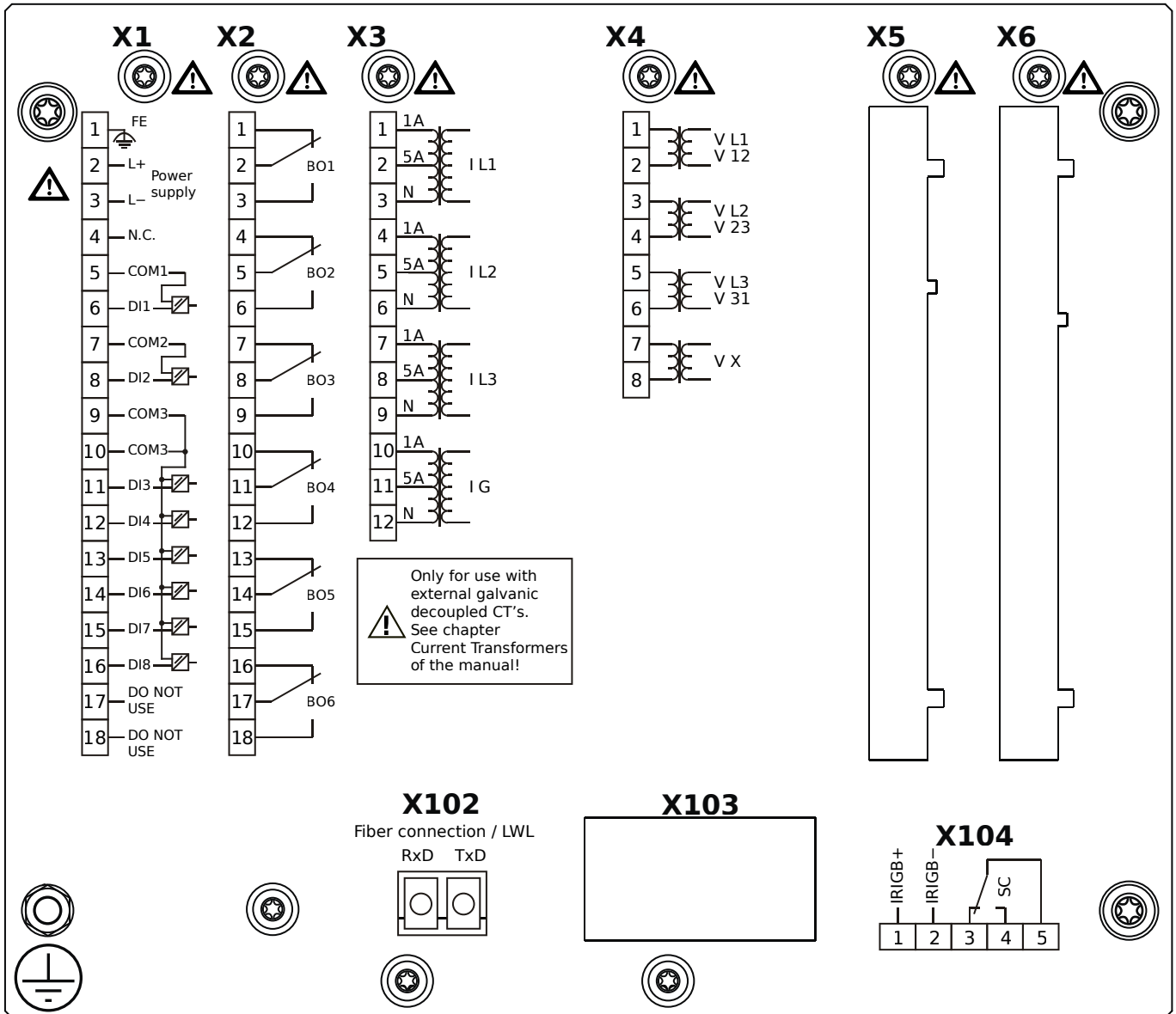
FX)

X102 – Protection Communication, Fiber optics interface, ST Connector

X103 – IEC 60870-5-103 / Modbus RTU / DNP3.0 RTU, RS485, Terminals

X104 – IRIG-B00X, incl. System Contact (Supervision Contact)

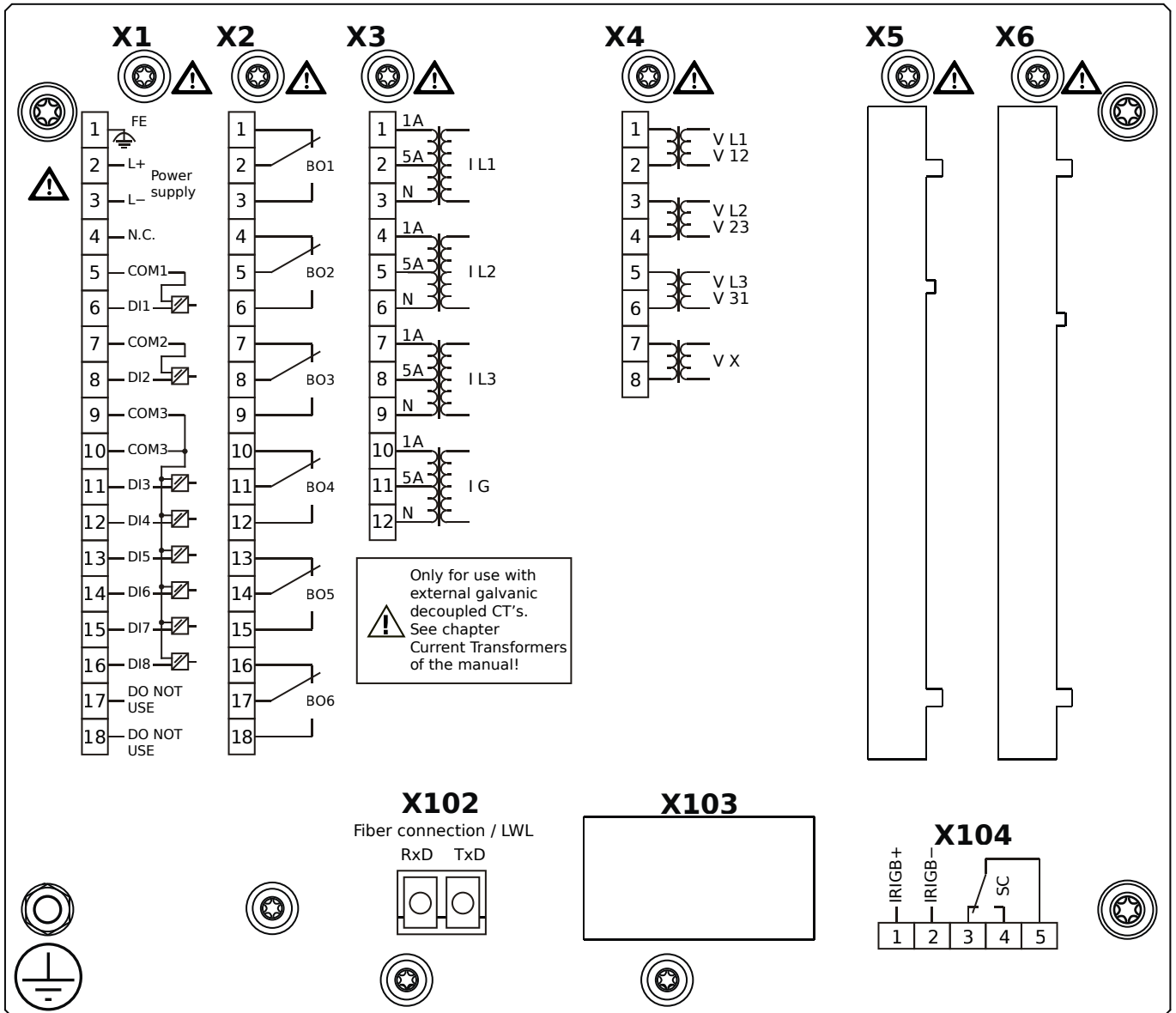
MCDLV4-2A0B0AA



Housing B2, large display, 19" rack mounting

- X1** – DI8-X1: Wide-range power supply unit, incl. 2 non-grouped digital inputs and 6 grouped digital inputs
- X2** – OR6: Assembly Group with 6 Output Relays (Changeover / Form C)
- X3** – TI: Standard current measuring card
- X4** – TU: Card with 4 voltage transformer measuring inputs (0 ... 800 VAC, under UL: 0 ... 600 VAC)
- X102** – Long-distance Protection Communication, Fiber optics interface, LC Connector
- X104** – IRIG-B00X, incl. System Contact (Supervision Contact)

MCDLV4-2A0B0AB

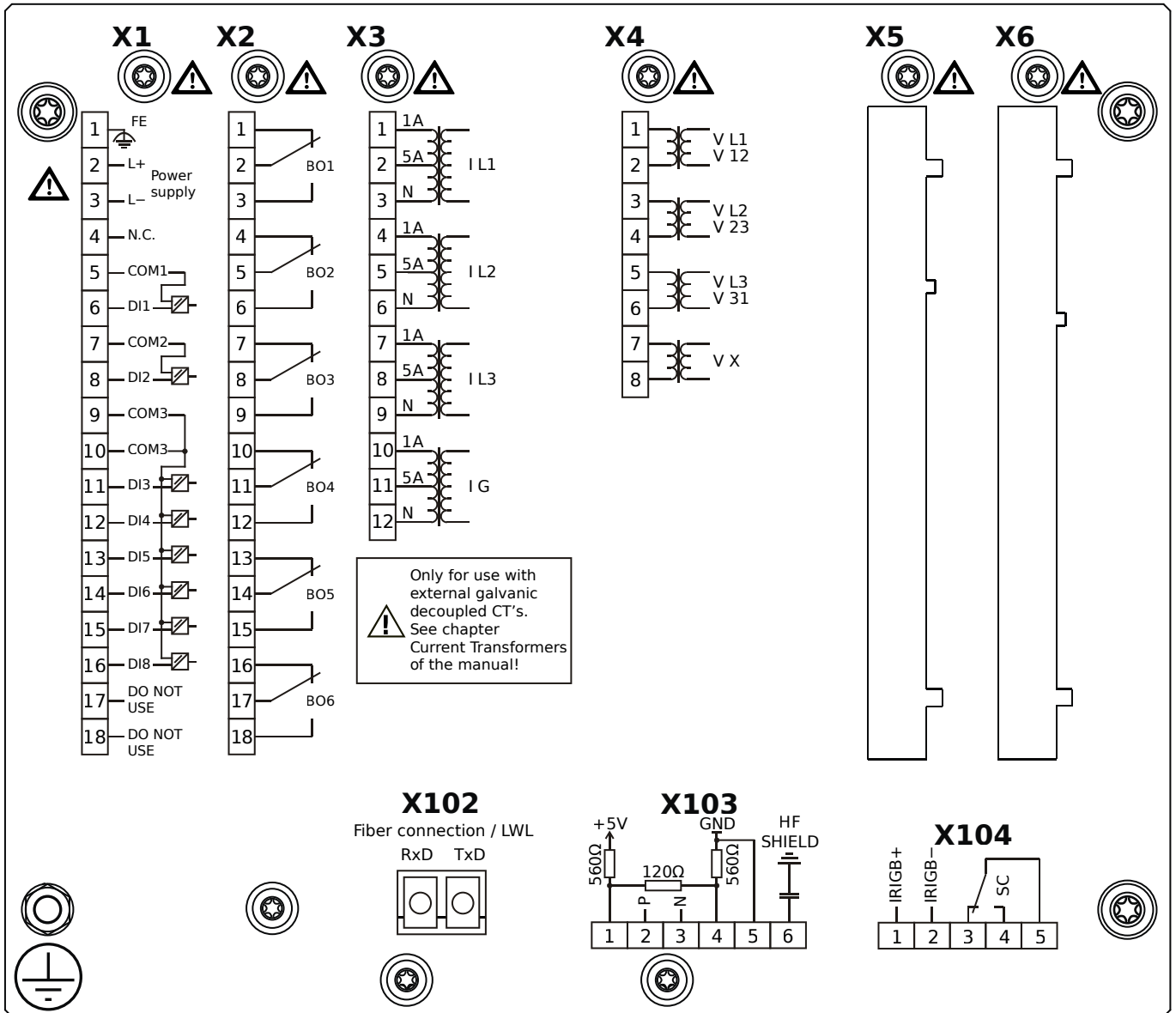


Housing B2, large display, 19" rack mounting

- + Conformal Coating (for installations in harsh environment)

- X1** – DI8-X1: Wide-range power supply unit, incl. 2 non-grouped digital inputs and 6 grouped digital inputs
- X2** – OR6: Assembly Group with 6 Output Relays (Changeover / Form C)
- X3** – TI: Standard current measuring card
- X4** – TU: Card with 4 voltage transformer measuring inputs (0 ... 800 VAC, under UL: 0 ... 600 VAC)
- X102** – Long-distance Protection Communication, Fiber optics interface, LC Connector
- X104** – IRIG-B00X, incl. System Contact (Supervision Contact)

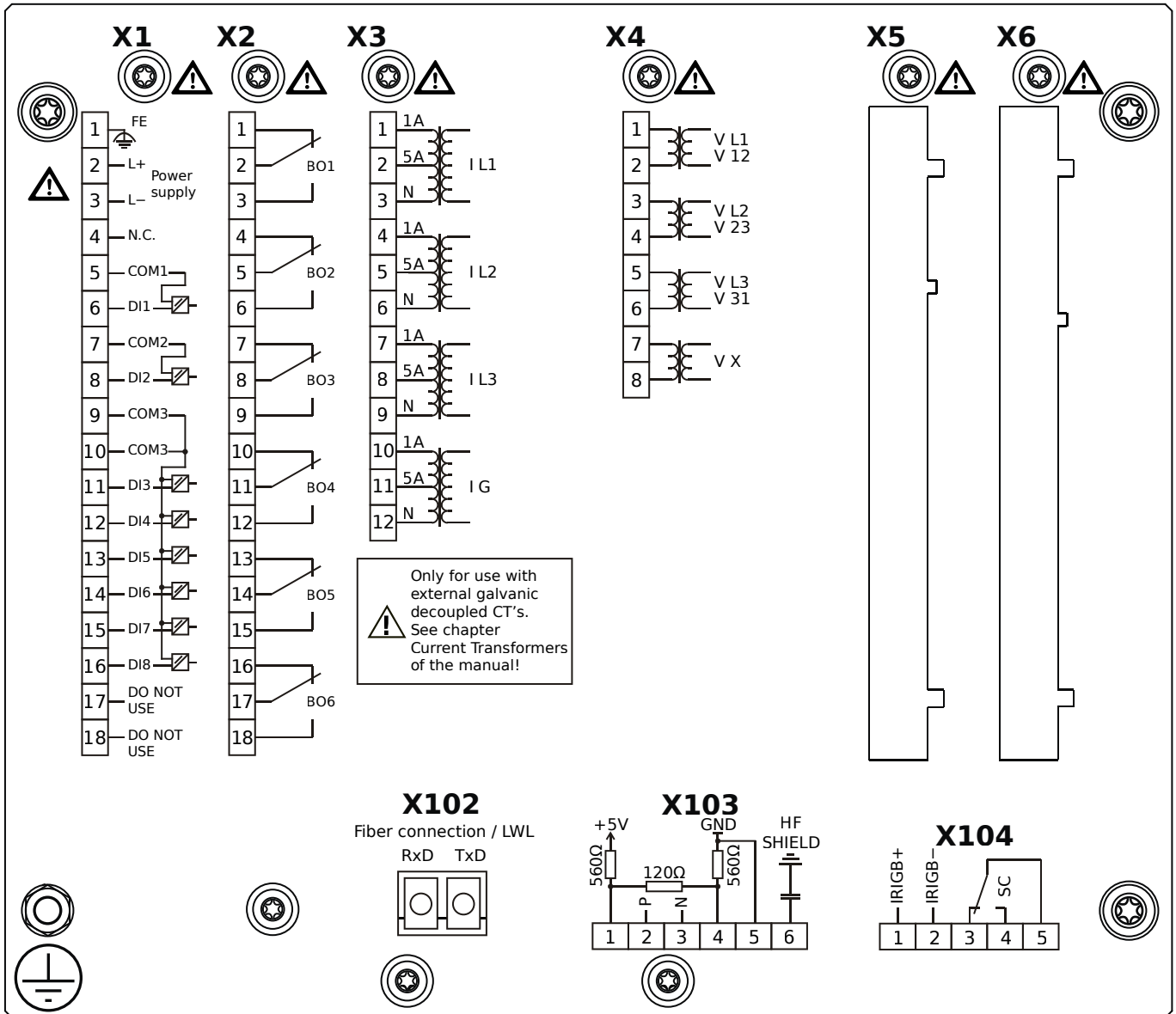
MCDLV4-2A0B0BA



Housing B2, large display, 19" rack mounting

- X1** – DI8-X1: Wide-range power supply unit, incl. 2 non-grouped digital inputs and 6 grouped digital inputs
- X2** – OR6: Assembly Group with 6 Output Relays (Changeover / Form C)
- X3** – TI: Standard current measuring card
- X4** – TU: Card with 4 voltage transformer measuring inputs (0 ... 800 VAC, under UL: 0 ... 600 VAC)
- X102** – Long-distance Protection Communication, Fiber optics interface, LC Connector
- X103** – Modbus RTU / IEC 60870-5-103 / DNP3.0 RTU, RS485, Terminals
- X104** – IRIG-B00X, incl. System Contact (Supervision Contact)

MCDLV4-2A0B0BB

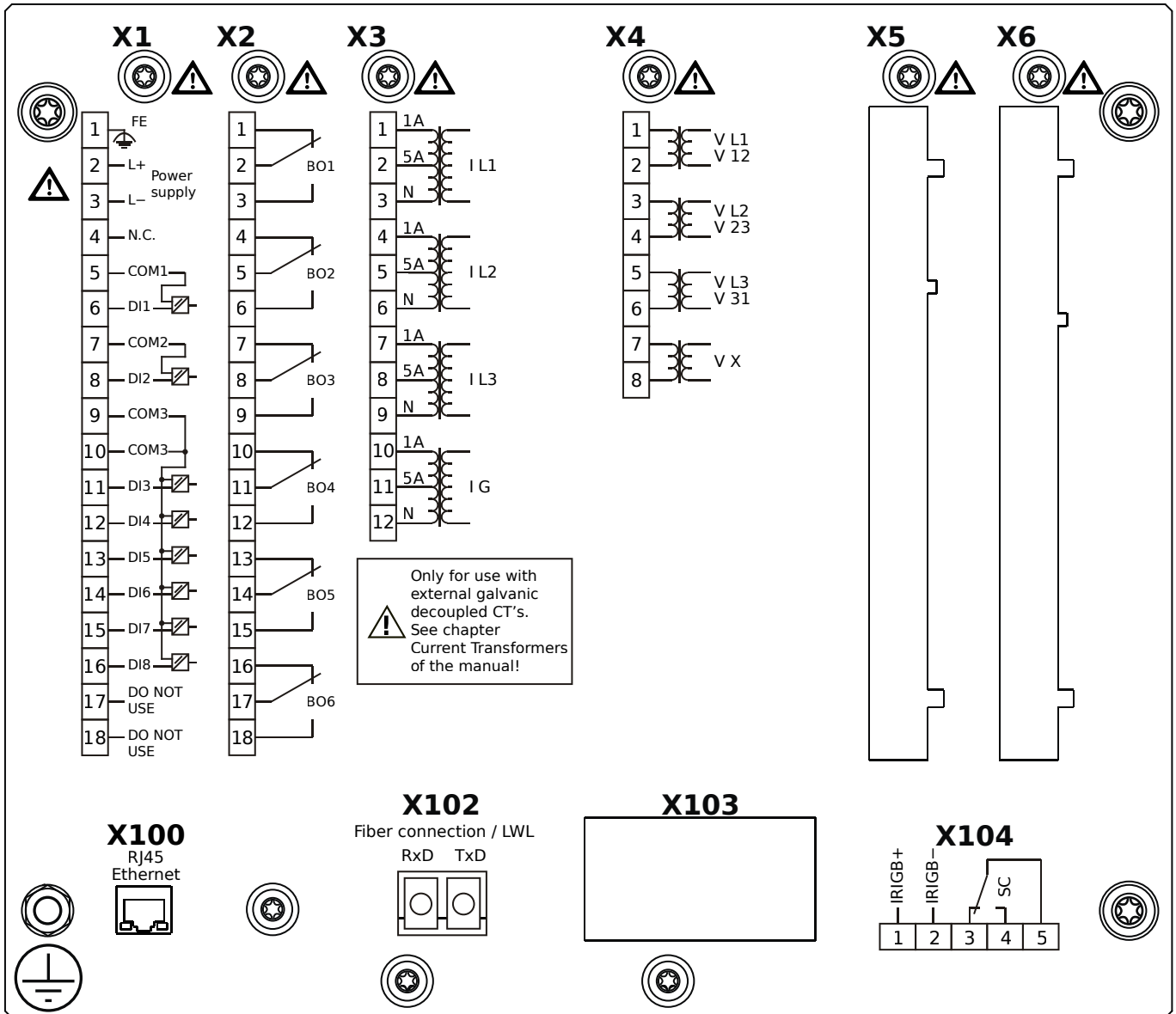


Housing B2, large display, 19" rack mounting

- + Conformal Coating (for installations in harsh environment)

- X1** – DI8-X1: Wide-range power supply unit, incl. 2 non-grouped digital inputs and 6 grouped digital inputs
- X2** – OR6: Assembly Group with 6 Output Relays (Changeover / Form C)
- X3** – TI: Standard current measuring card
- X4** – TU: Card with 4 voltage transformer measuring inputs (0 ... 800 VAC, under UL: 0 ... 600 VAC)
- X102** – Long-distance Protection Communication, Fiber optics interface, LC Connector
- X103** – Modbus RTU / IEC 60870-5-103 / DNP3.0 RTU, RS485, Terminals
- X104** – IRIG-B00X, incl. System Contact (Supervision Contact)

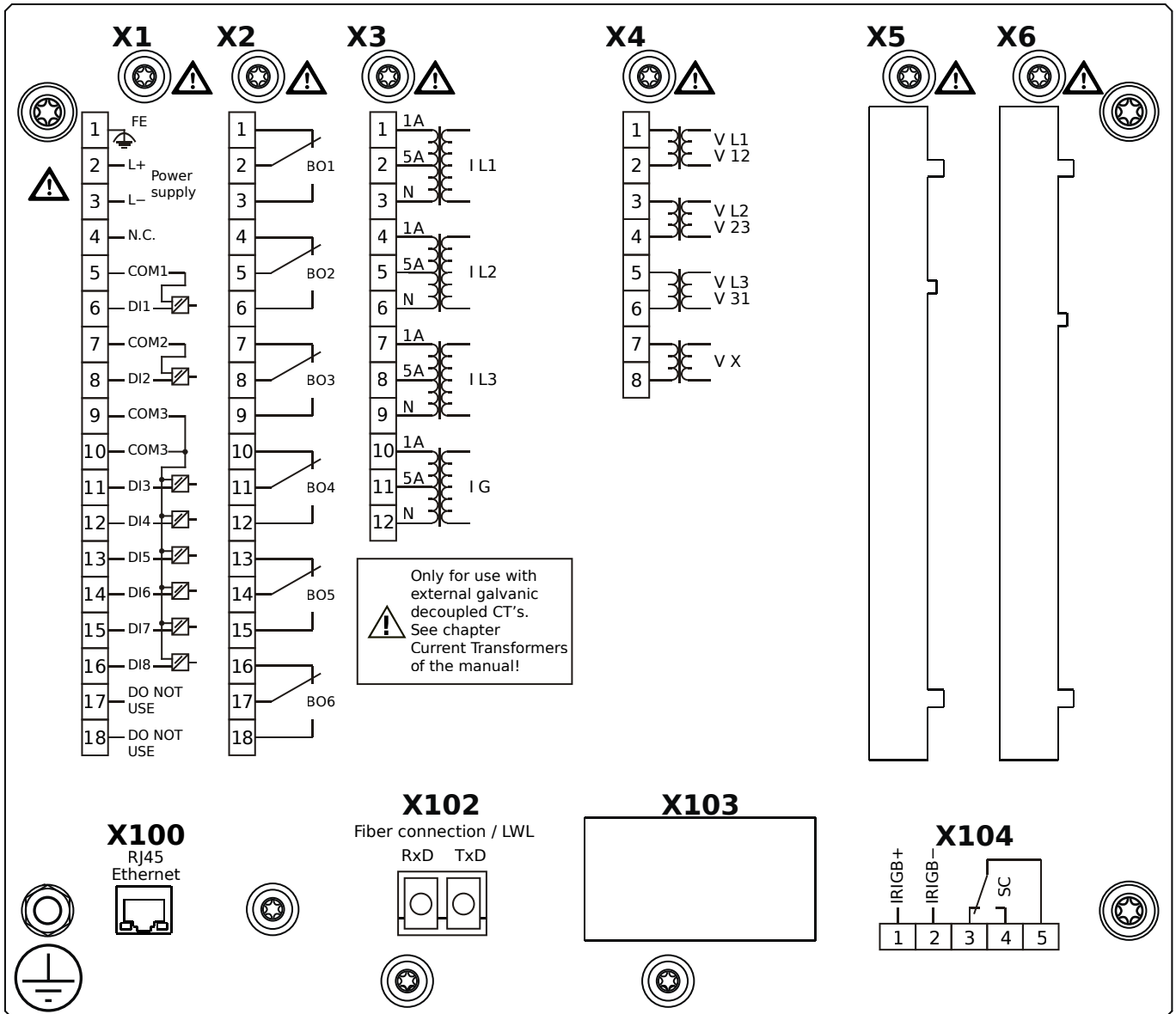
MCDLV4-2A0B0CA



Housing B2, large display, 19" rack mounting

- X1** – DI8-X1: Wide-range power supply unit, incl. 2 non-grouped digital inputs and 6 grouped digital inputs
- X2** – OR6: Assembly Group with 6 Output Relays (Changeover / Form C)
- X3** – TI: Standard current measuring card
- X4** – TU: Card with 4 voltage transformer measuring inputs (0 ... 800 VAC, under UL: 0 ... 600 VAC)
- X100** – Modbus TCP / IEC 60870-5-104 / DNP3.0 TCP/UDP, Ethernet interface, 100 Mbit/s, RJ45 (BASE100-FX)
- X102** – Long-distance Protection Communication, Fiber optics interface, LC Connector
- X104** – IRIG-B00X, incl. System Contact (Supervision Contact)

MCDLV4-2A0B0CB

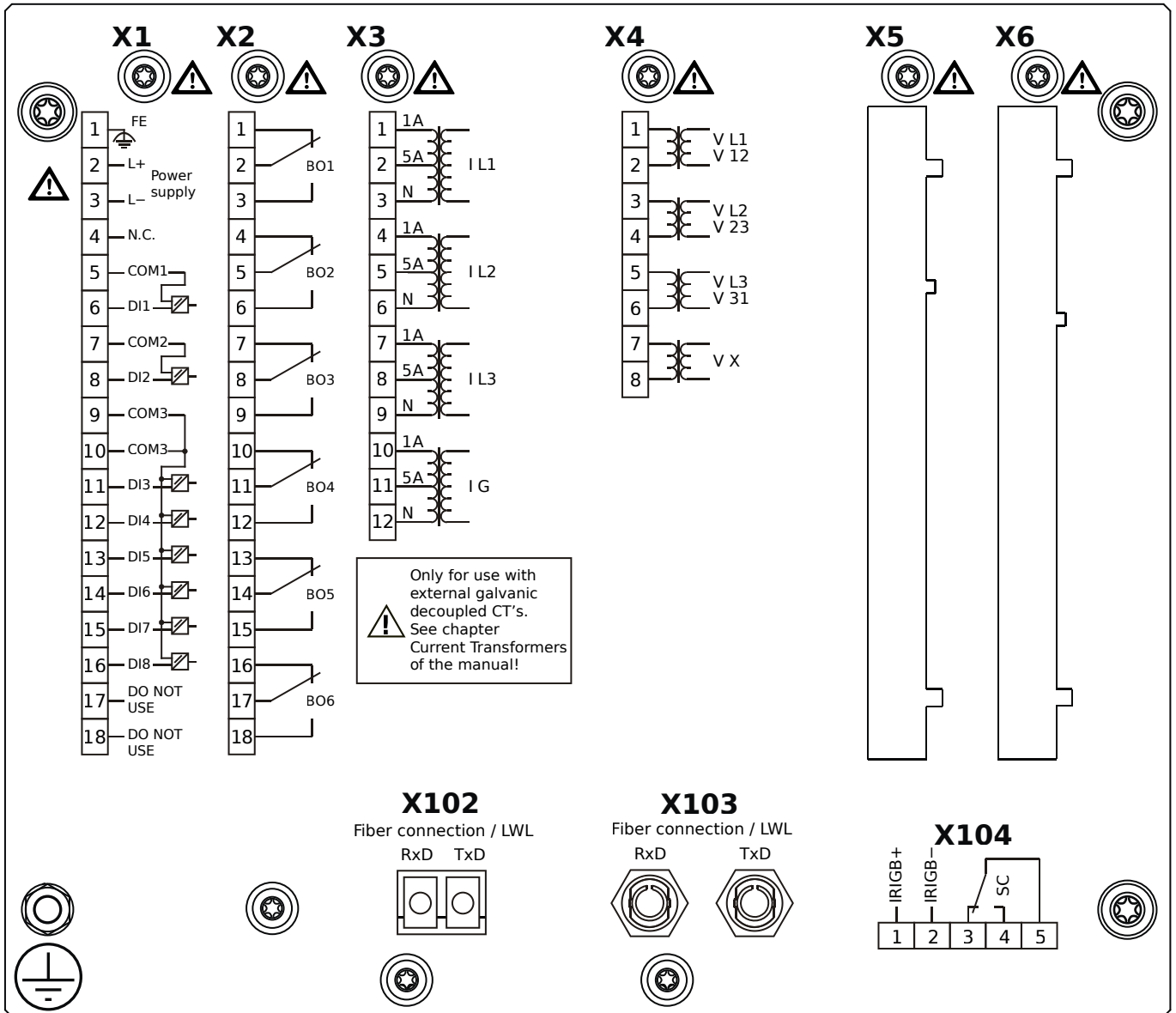


Housing B2, large display, 19" rack mounting

- + Conformal Coating (for installations in harsh environment)

- X1** – DI8-X1: Wide-range power supply unit, incl. 2 non-grouped digital inputs and 6 grouped digital inputs
- X2** – OR6: Assembly Group with 6 Output Relays (Changeover / Form C)
- X3** – TI: Standard current measuring card
- X4** – TU: Card with 4 voltage transformer measuring inputs (0 ... 800 VAC, under UL: 0 ... 600 VAC)
- X100** – Modbus TCP / IEC 60870-5-104 / DNP3.0 TCP/UDP, Ethernet interface, 100 Mbit/s, RJ45 (BASE100-FX)
- X102** – Long-distance Protection Communication, Fiber optics interface, LC Connector
- X104** – IRIG-B00X, incl. System Contact (Supervision Contact)

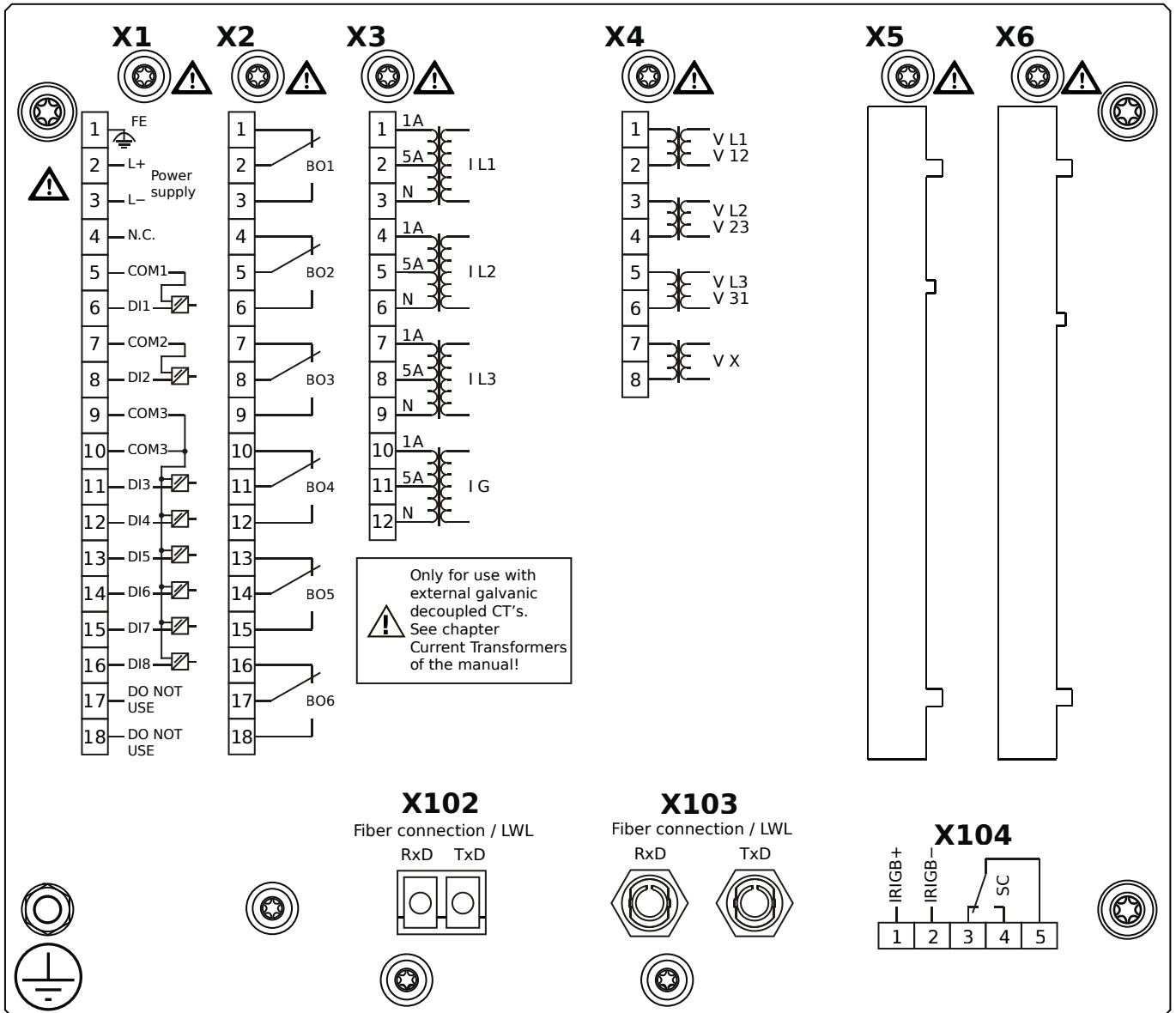
MCDLV4-2A0B0DA



Housing B2, large display, 19" rack mounting

- X1** – DI8-X1: Wide-range power supply unit, incl. 2 non-grouped digital inputs and 6 grouped digital inputs
- X2** – OR6: Assembly Group with 6 Output Relays (Changeover / Form C)
- X3** – TI: Standard current measuring card
- X4** – TU: Card with 4 voltage transformer measuring inputs (0 ... 800 VAC, under UL: 0 ... 600 VAC)
- X102** – Long-distance Protection Communication, Fiber optics interface, LC Connector
- X103** – Profibus-DP, Fiber optics interface, ST Connector
- X104** – IRIG-B00X, incl. System Contact (Supervision Contact)

MCDLV4-2A0B0DB

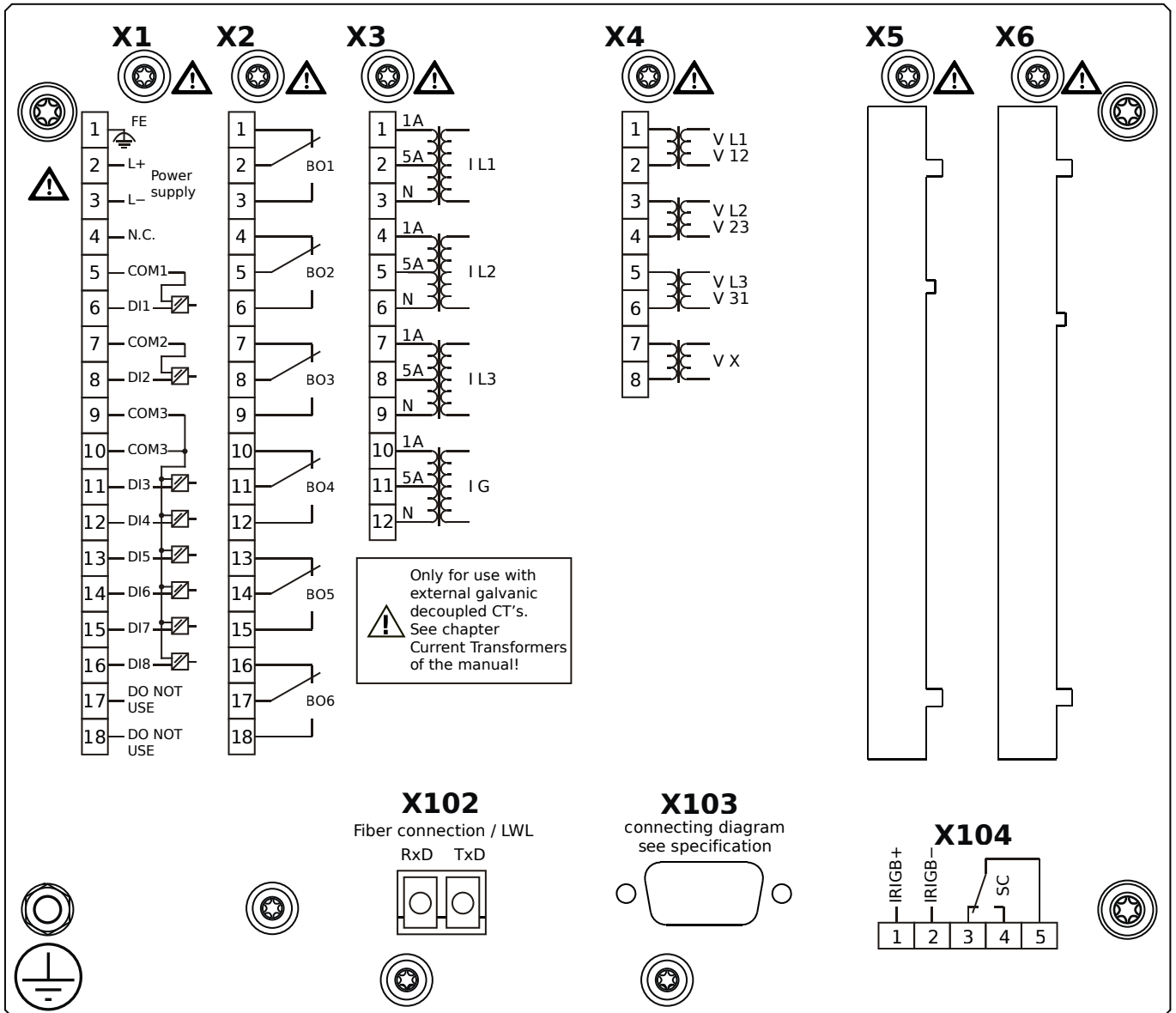


Housing B2, large display, 19" rack mounting

+ Conformal Coating (for installations in harsh environment)

- X1** – DI8-X1: Wide-range power supply unit, incl. 2 non-grouped digital inputs and 6 grouped digital inputs
- X2** – OR6: Assembly Group with 6 Output Relays (Changeover / Form C)
- X3** – TI: Standard current measuring card
- X4** – TU: Card with 4 voltage transformer measuring inputs (0 ... 800 VAC, under UL: 0 ... 600 VAC)
- X102** – Long-distance Protection Communication, Fiber optics interface, LC Connector
- X103** – Profibus-DP, Fiber optics interface, ST Connector
- X104** – IRIG-B00X, incl. System Contact (Supervision Contact)

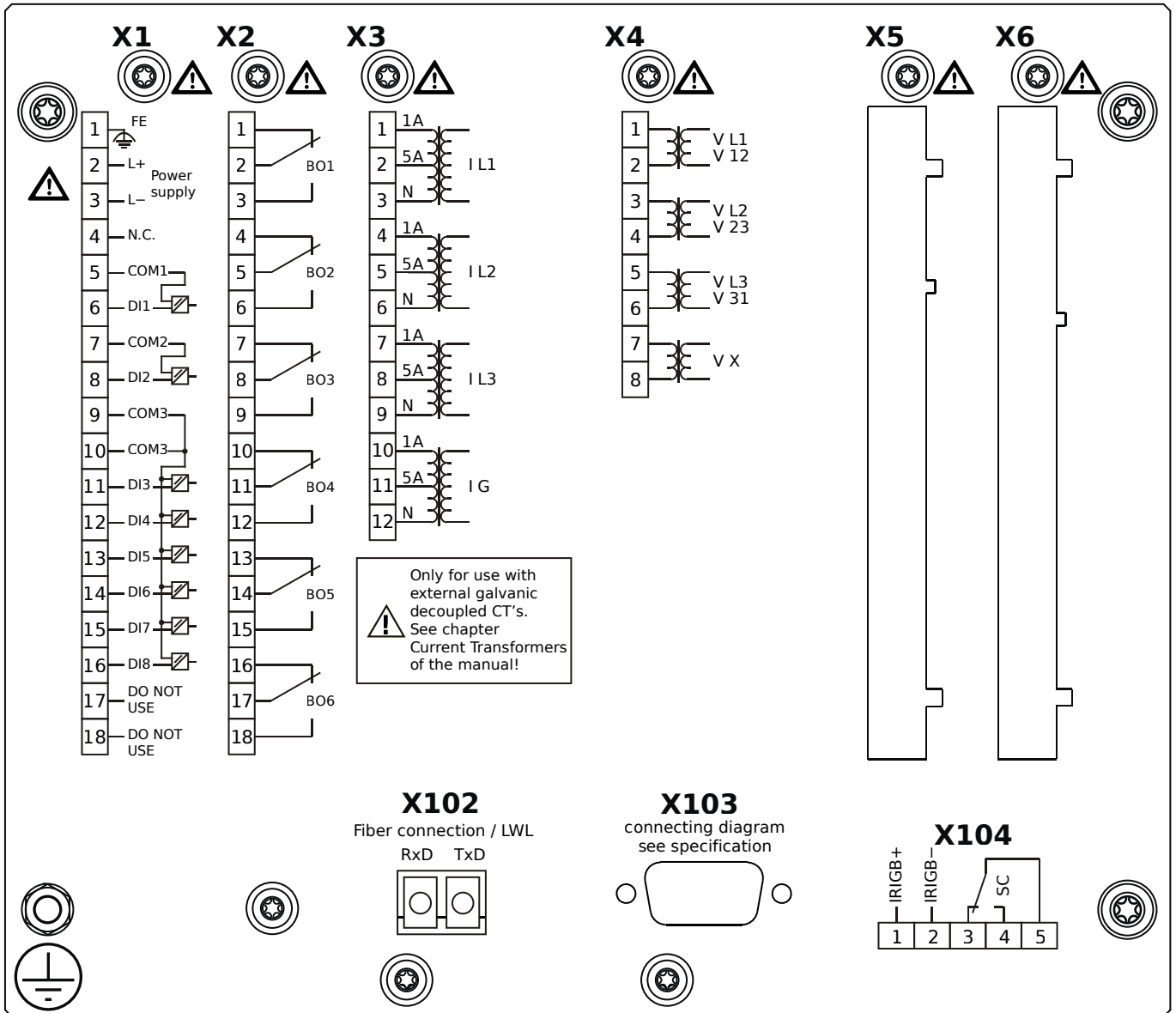
MCDLV4-2A0B0EA



Housing B2, large display, 19" rack mounting

- X1** – DI8-X1: Wide-range power supply unit, incl. 2 non-grouped digital inputs and 6 grouped digital inputs
- X2** – OR6: Assembly Group with 6 Output Relays (Changeover / Form C)
- X3** – TI: Standard current measuring card
- X4** – TU: Card with 4 voltage transformer measuring inputs (0 ... 800 VAC, under UL: 0 ... 600 VAC)
- X102** – Long-distance Protection Communication, Fiber optics interface, LC Connector
- X103** – Profibus-DP, RS485, D-SUB
- X104** – IRIG-B00X, incl. System Contact (Supervision Contact)

MCDLV4-2A0B0EB

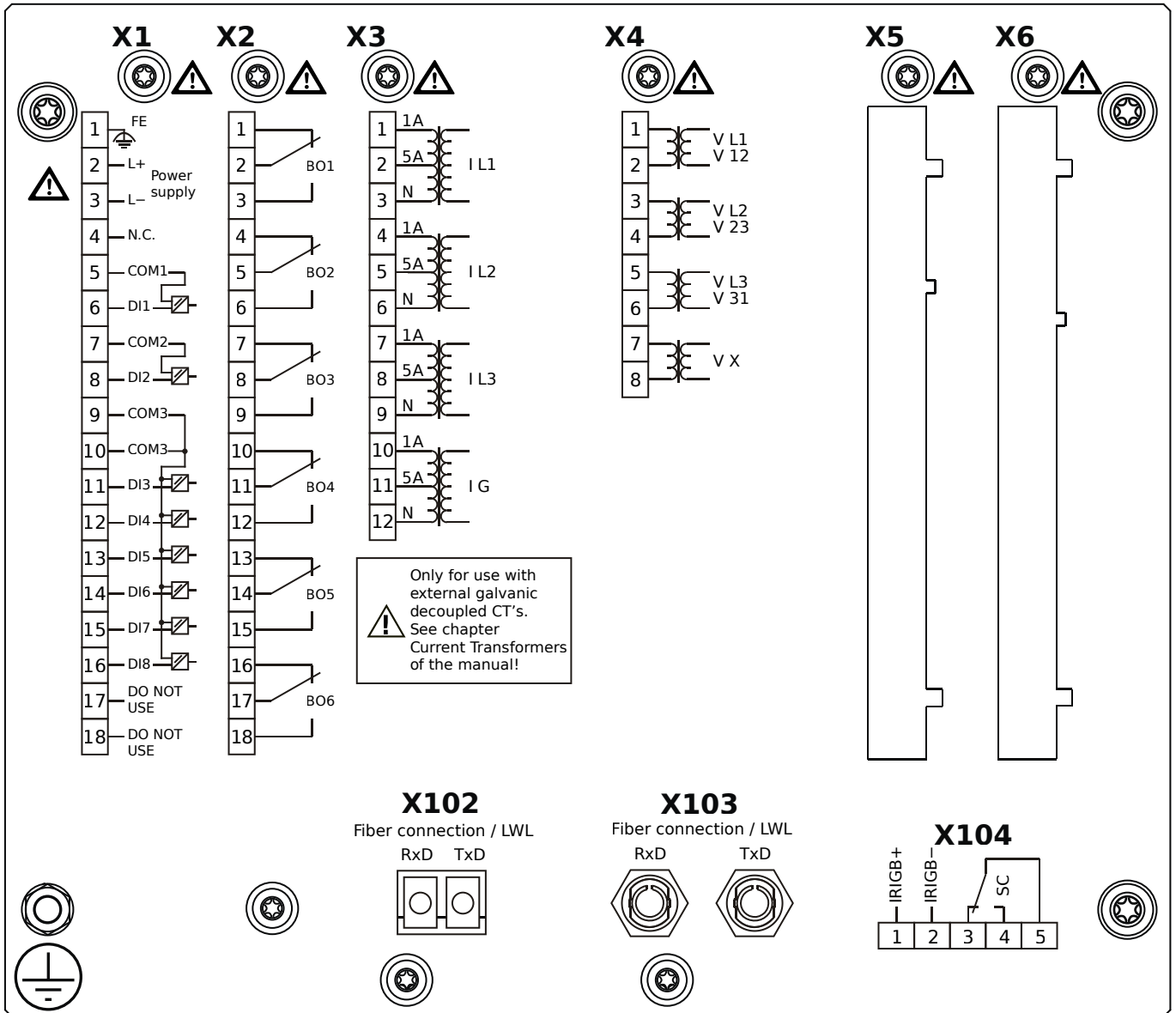


Housing B2, large display, 19" rack mounting

+ Conformal Coating (for installations in harsh environment)

- X1** – DI8-X1: Wide-range power supply unit, incl. 2 non-grouped digital inputs and 6 grouped digital inputs
- X2** – OR6: Assembly Group with 6 Output Relays (Changeover / Form C)
- X3** – TI: Standard current measuring card
- X4** – TU: Card with 4 voltage transformer measuring inputs (0 ... 800 VAC, under UL: 0 ... 600 VAC)
- X102** – Long-distance Protection Communication, Fiber optics interface, LC Connector
- X103** – Profibus-DP, RS485, D-SUB
- X104** – IRIG-B00X, incl. System Contact (Supervision Contact)

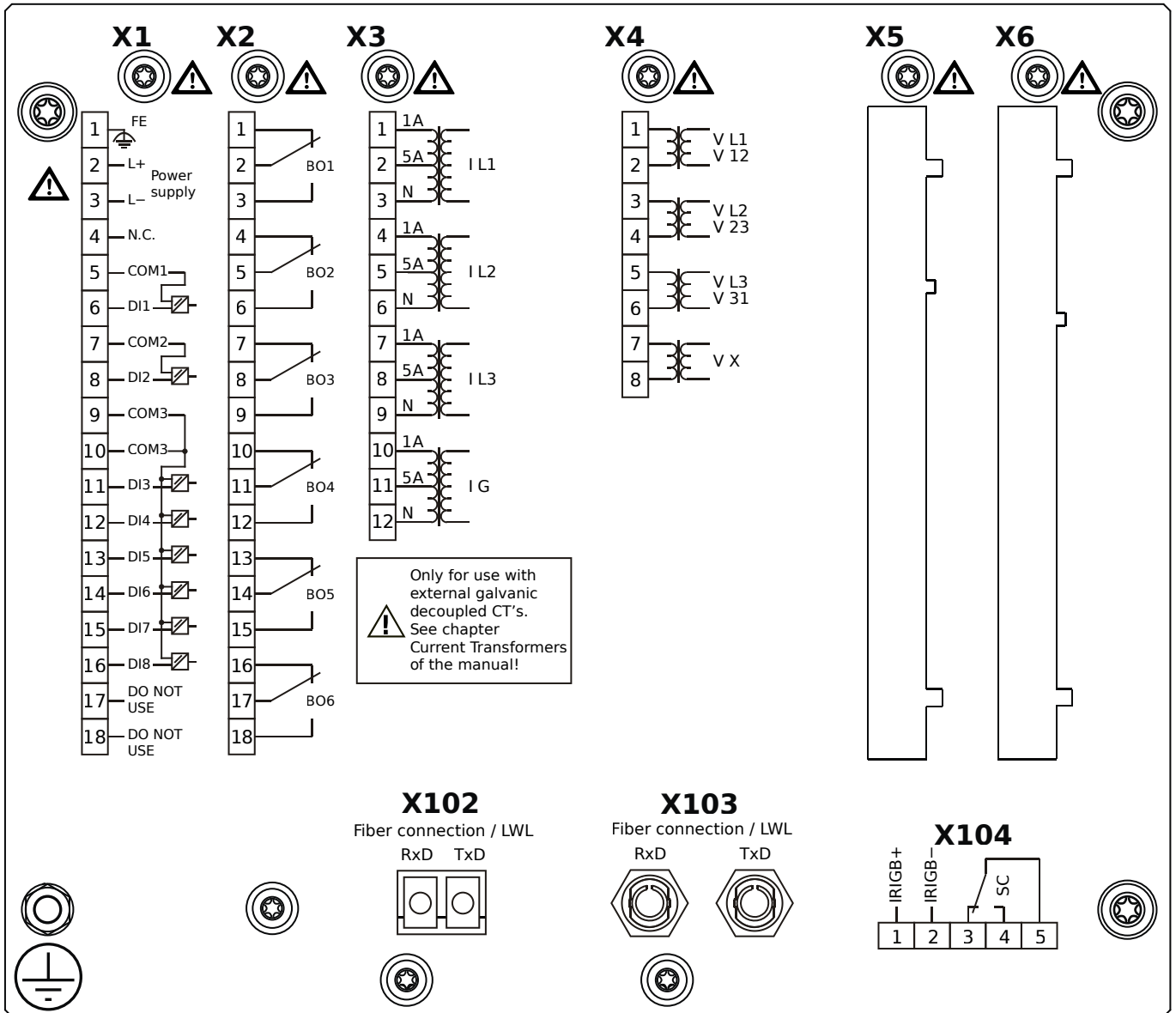
MCDLV4-2A0B0FA



Housing B2, large display, 19" rack mounting

- X1** – DI8-X1: Wide-range power supply unit, incl. 2 non-grouped digital inputs and 6 grouped digital inputs
- X2** – OR6: Assembly Group with 6 Output Relays (Changeover / Form C)
- X3** – TI: Standard current measuring card
- X4** – TU: Card with 4 voltage transformer measuring inputs (0 ... 800 VAC, under UL: 0 ... 600 VAC)
- X102** – Long-distance Protection Communication, Fiber optics interface, LC Connector
- X103** – Modbus RTU / IEC 60870-5-103 / DNP3.0 RTU, Fiber optics interface, ST Connector
- X104** – IRIG-B00X, incl. System Contact (Supervision Contact)

MCDLV4-2A0B0FB

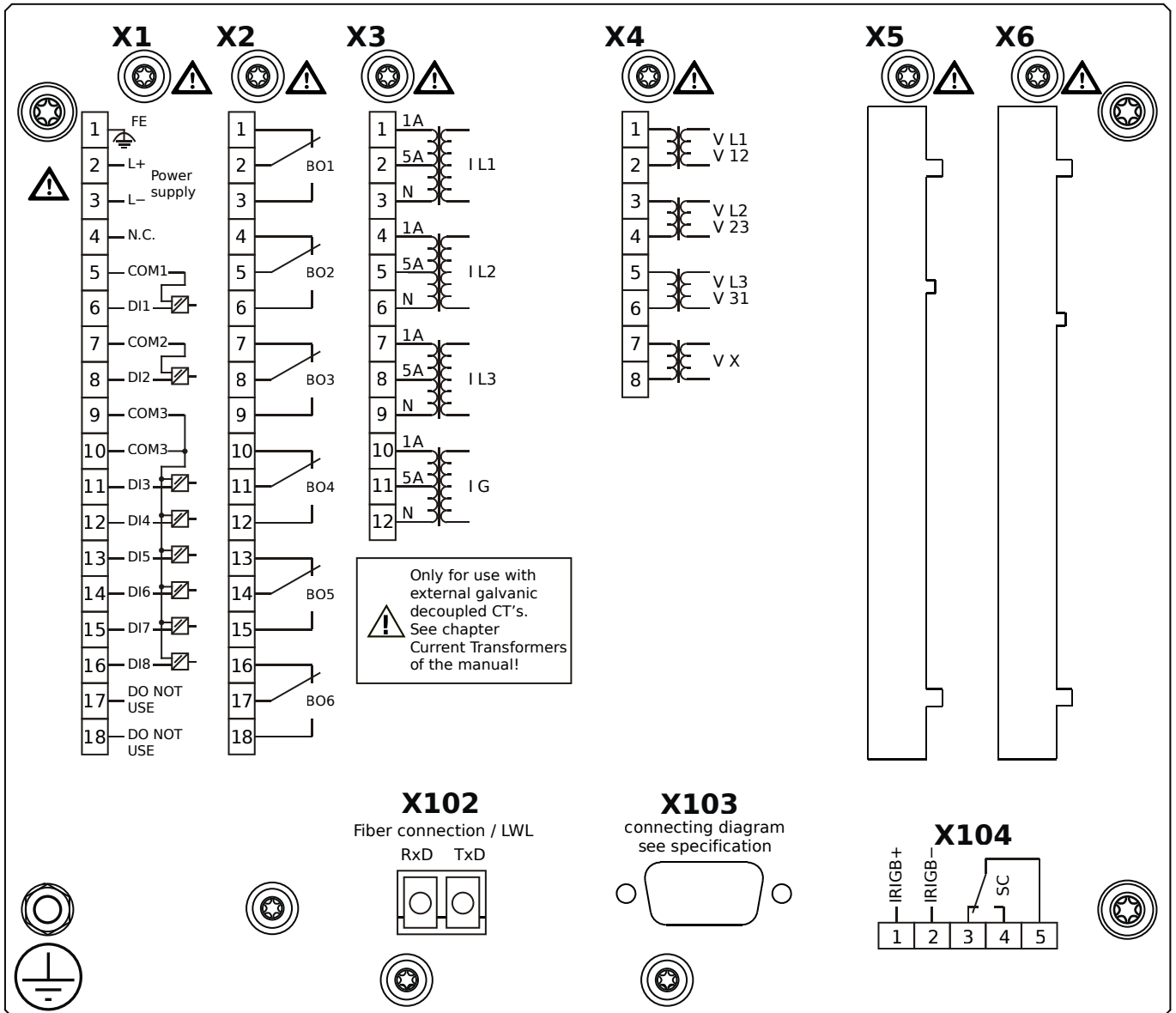


Housing B2, large display, 19" rack mounting

+ Conformal Coating (for installations in harsh environment)

- X1** – DI8-X1: Wide-range power supply unit, incl. 2 non-grouped digital inputs and 6 grouped digital inputs
- X2** – OR6: Assembly Group with 6 Output Relays (Changeover / Form C)
- X3** – TI: Standard current measuring card
- X4** – TU: Card with 4 voltage transformer measuring inputs (0 ... 800 VAC, under UL: 0 ... 600 VAC)
- X102** – Long-distance Protection Communication, Fiber optics interface, LC Connector
- X103** – Modbus RTU / IEC 60870-5-103 / DNP3.0 RTU, Fiber optics interface, ST Connector
- X104** – IRIG-B00X, incl. System Contact (Supervision Contact)

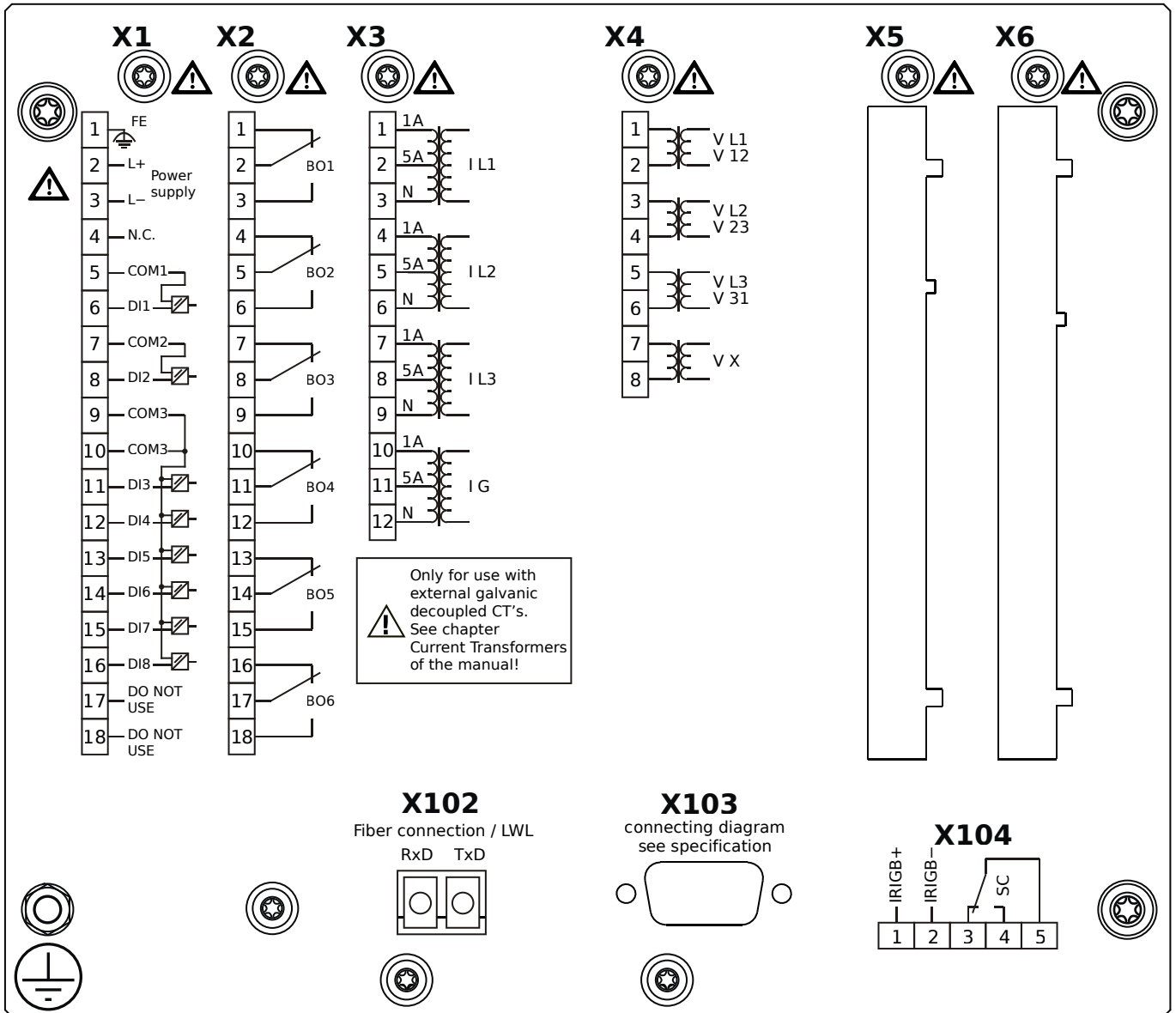
MCDLV4-2A0B0GA



Housing B2, large display, 19" rack mounting

- X1** – DI8-X1: Wide-range power supply unit, incl. 2 non-grouped digital inputs and 6 grouped digital inputs
- X2** – OR6: Assembly Group with 6 Output Relays (Changeover / Form C)
- X3** – TI: Standard current measuring card
- X4** – TU: Card with 4 voltage transformer measuring inputs (0 ... 800 VAC, under UL: 0 ... 600 VAC)
- X102** – Long-distance Protection Communication, Fiber optics interface, LC Connector
- X103** – Modbus RTU / IEC 60870-5-103 / DNP3.0 RTU, RS485, D-SUB
- X104** – IRIG-B00X, incl. System Contact (Supervision Contact)

MCDLV4-2A0B0GB

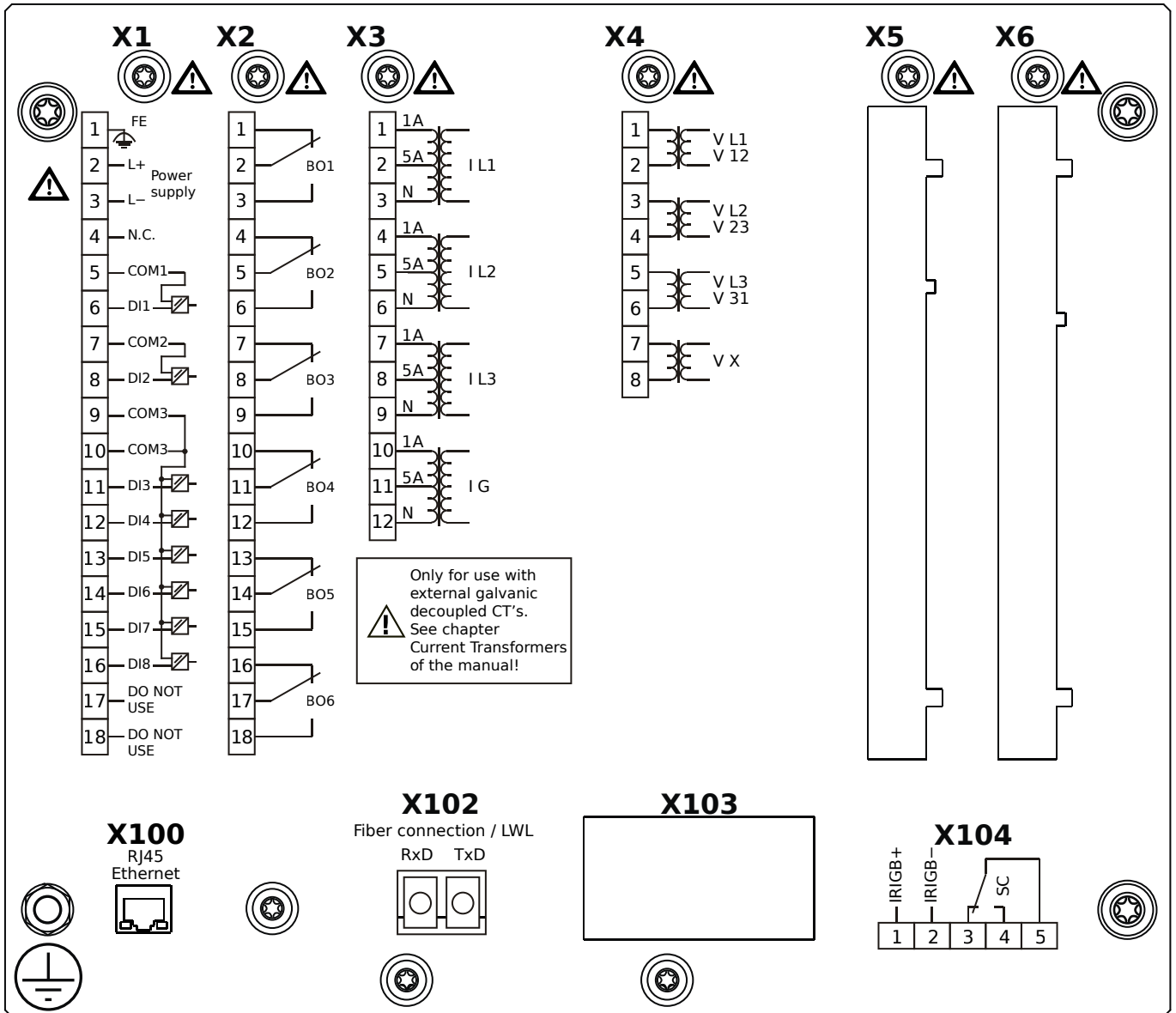


Housing B2, large display, 19" rack mounting

- + Conformal Coating (for installations in harsh environment)

- X1** – DI8-X1: Wide-range power supply unit, incl. 2 non-grouped digital inputs and 6 grouped digital inputs
- X2** – OR6: Assembly Group with 6 Output Relays (Changeover / Form C)
- X3** – TI: Standard current measuring card
- X4** – TU: Card with 4 voltage transformer measuring inputs (0 ... 800 VAC, under UL: 0 ... 600 VAC)
- X102** – Long-distance Protection Communication, Fiber optics interface, LC Connector
- X103** – Modbus RTU / IEC 60870-5-103 / DNP3.0 RTU, RS485, D-SUB
- X104** – IRIG-B00X, incl. System Contact (Supervision Contact)

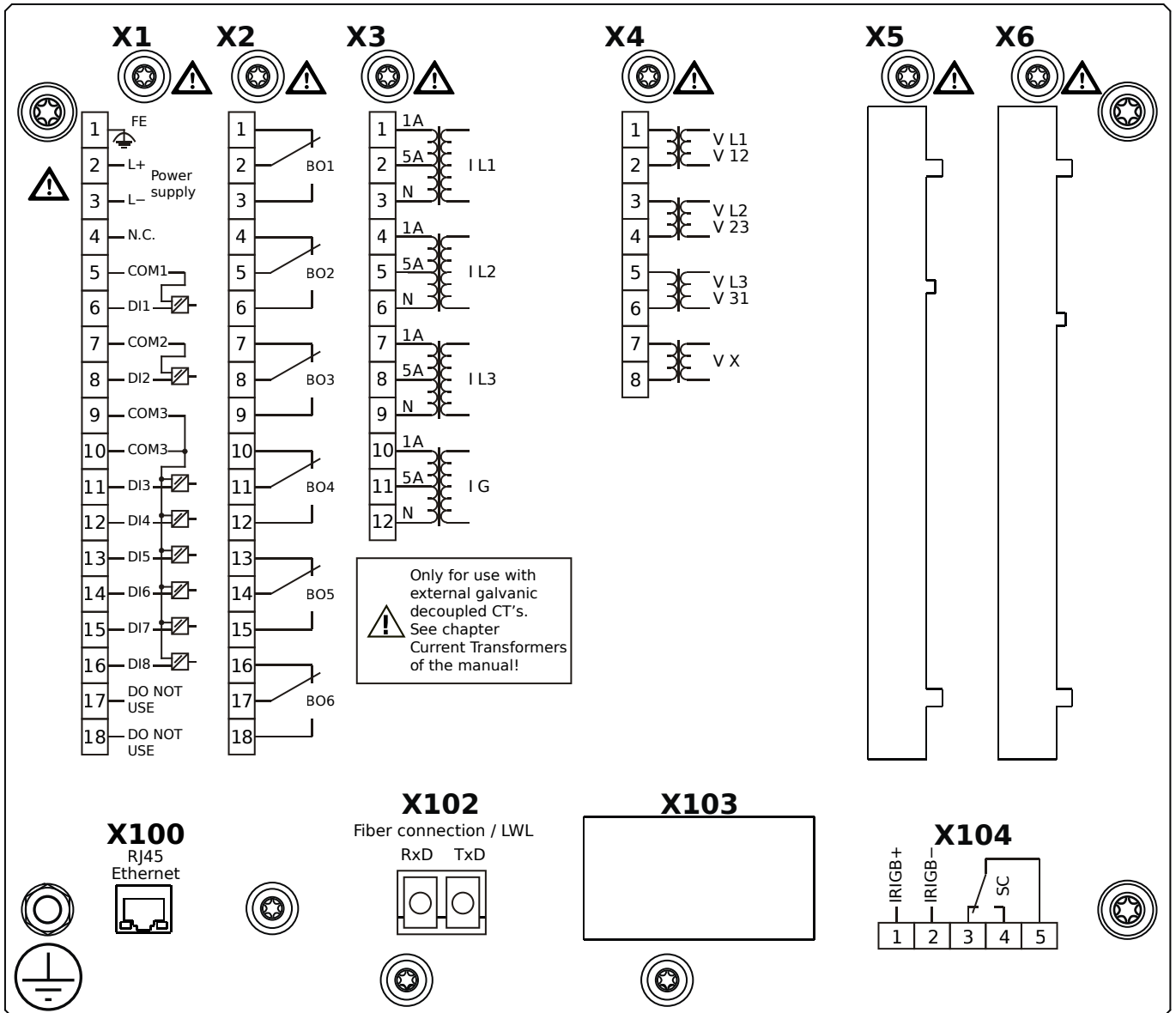
MCDLV4-2A0B0HA



Housing B2, large display, 19" rack mounting

- X1** – DI8-X1: Wide-range power supply unit, incl. 2 non-grouped digital inputs and 6 grouped digital inputs
- X2** – OR6: Assembly Group with 6 Output Relays (Changeover / Form C)
- X3** – TI: Standard current measuring card
- X4** – TU: Card with 4 voltage transformer measuring inputs (0 ... 800 VAC, under UL: 0 ... 600 VAC)
- X100** – IEC 61850 / Modbus TCP / IEC 60870-5-104 / DNP3.0 TCP/UDP, Ethernet interface, 100 Mbit/s, RJ45 (BASE100-FX)
- X102** – Long-distance Protection Communication, Fiber optics interface, LC Connector
- X104** – IRIG-B00X, incl. System Contact (Supervision Contact)

MCDLV4-2A0B0HB



Housing B2, large display, 19" rack mounting

+ Conformal Coating (for installations in harsh environment)

X1 – DI8-X1: Wide-range power supply unit, incl. 2 non-grouped digital inputs and 6 grouped digital inputs

X2 – OR6: Assembly Group with 6 Output Relays (Changeover / Form C)

X3 – TI: Standard current measuring card

X4 – TU: Card with 4 voltage transformer measuring inputs (0 ... 800 VAC, under UL: 0 ... 600 VAC)

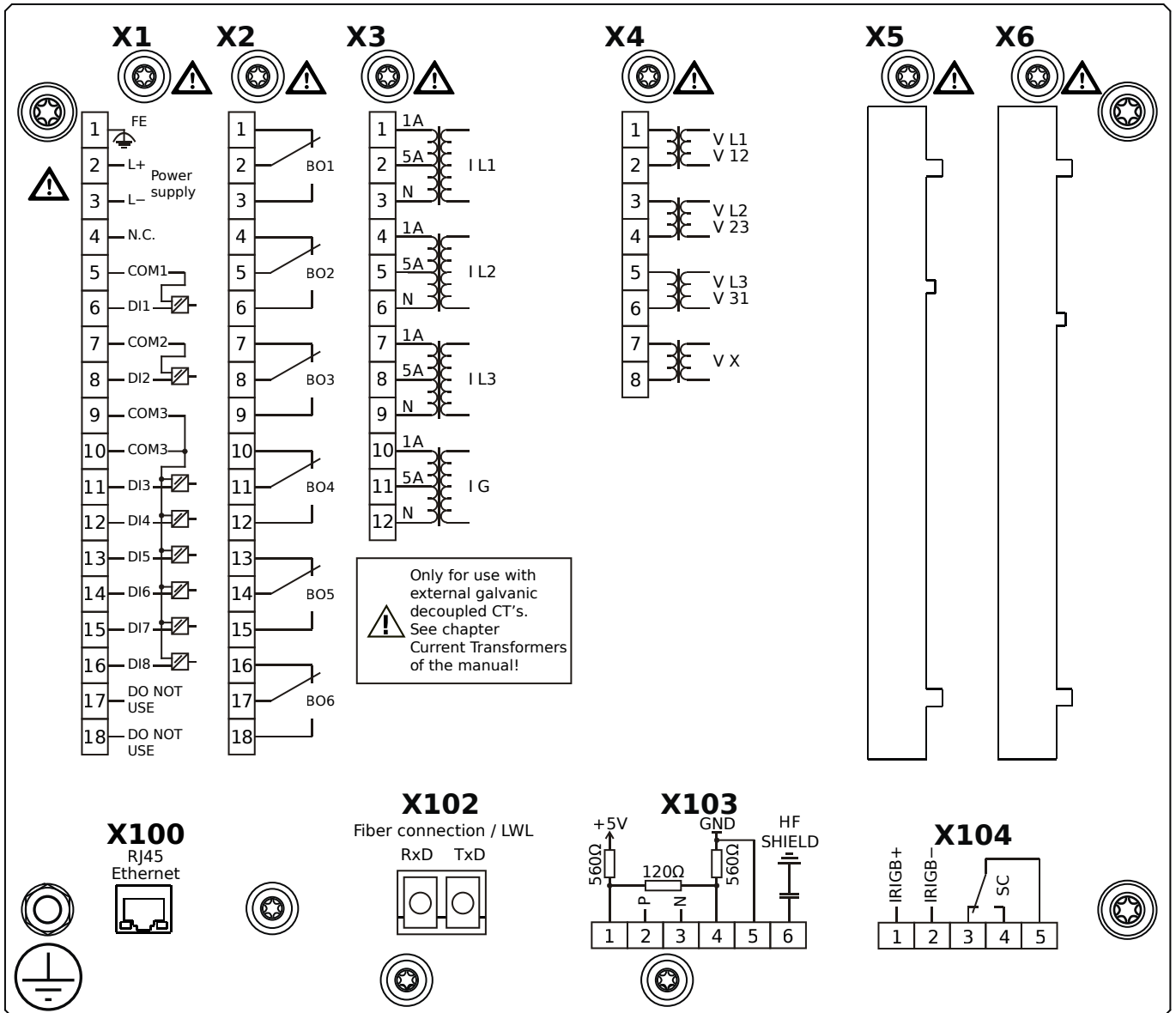
X100 – IEC 61850 / Modbus TCP / IEC 60870-5-104 / DNP3.0 TCP/UDP, Ethernet interface, 100 Mbit/s, RJ45 (BASE100-

FX)

X102 – Long-distance Protection Communication, Fiber optics interface, LC Connector

X104 – IRIG-B00X, incl. System Contact (Supervision Contact)

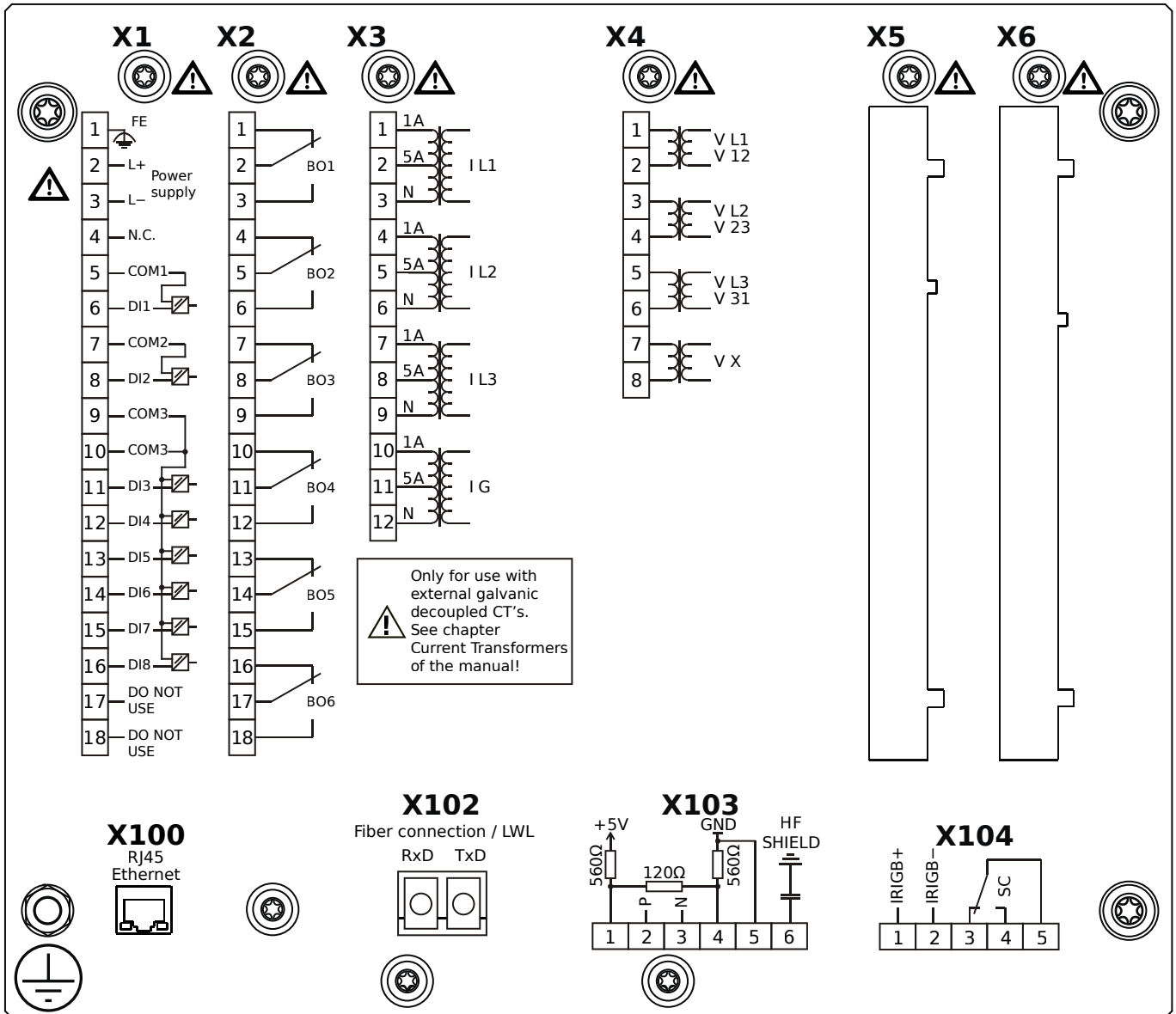
MCDLV4-2A0B01A



Housing B2, large display, 19" rack mounting

- X1** – DI8-X1: Wide-range power supply unit, incl. 2 non-grouped digital inputs and 6 grouped digital inputs
- X2** – OR6: Assembly Group with 6 Output Relays (Changeover / Form C)
- X3** – TI: Standard current measuring card
- X4** – TU: Card with 4 voltage transformer measuring inputs (0 ... 800 VAC, under UL: 0 ... 600 VAC)
- X100** – Modbus TCP / IEC 60870-5-104 / DNP3.0 TCP/UDP, Ethernet interface, 100 Mbit/s, RJ45 (BASE100-FX)
- X102** – Long-distance Protection Communication, Fiber optics interface, LC Connector
- X103** – IEC 60870-5-103 / Modbus RTU / DNP3.0 RTU, RS485, Terminals
- X104** – IRIG-B00X, incl. System Contact (Supervision Contact)

MCDLV4-2A0B0IB

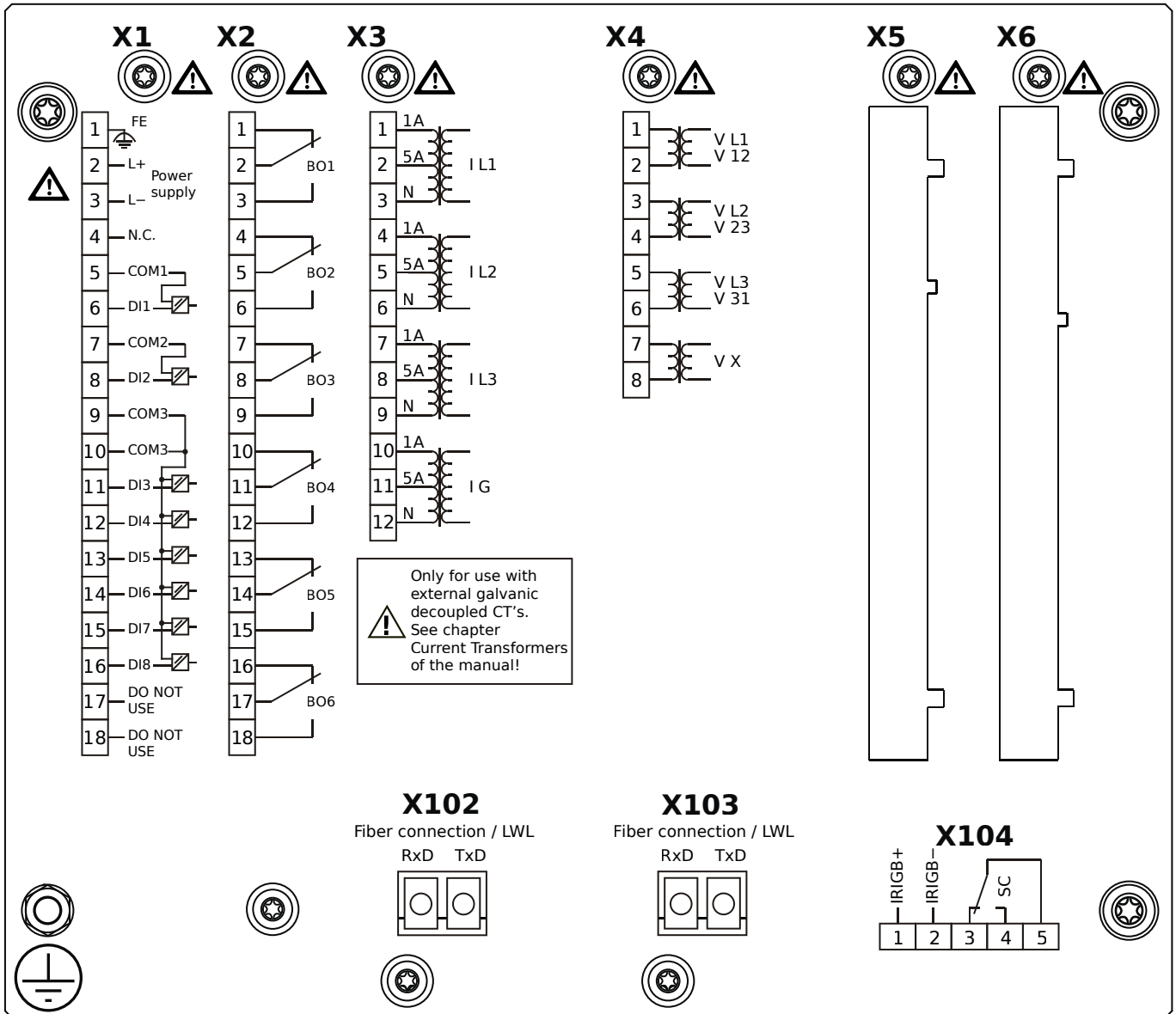


Housing B2, large display, 19" rack mounting

+ Conformal Coating (for installations in harsh environment)

- X1** – DI8-X1: Wide-range power supply unit, incl. 2 non-grouped digital inputs and 6 grouped digital inputs
- X2** – OR6: Assembly Group with 6 Output Relays (Changeover / Form C)
- X3** – TI: Standard current measuring card
- X4** – TU: Card with 4 voltage transformer measuring inputs (0 ... 800 VAC, under UL: 0 ... 600 VAC)
- X100** – Modbus TCP / IEC 60870-5-104 / DNP3.0 TCP/UDP, Ethernet interface, 100 Mbit/s, RJ45 (BASE100-FX)
- X102** – Long-distance Protection Communication, Fiber optics interface, LC Connector
- X103** – IEC 60870-5-103 / Modbus RTU / DNP3.0 RTU, RS485, Terminals
- X104** – IRIG-B00X, incl. System Contact (Supervision Contact)

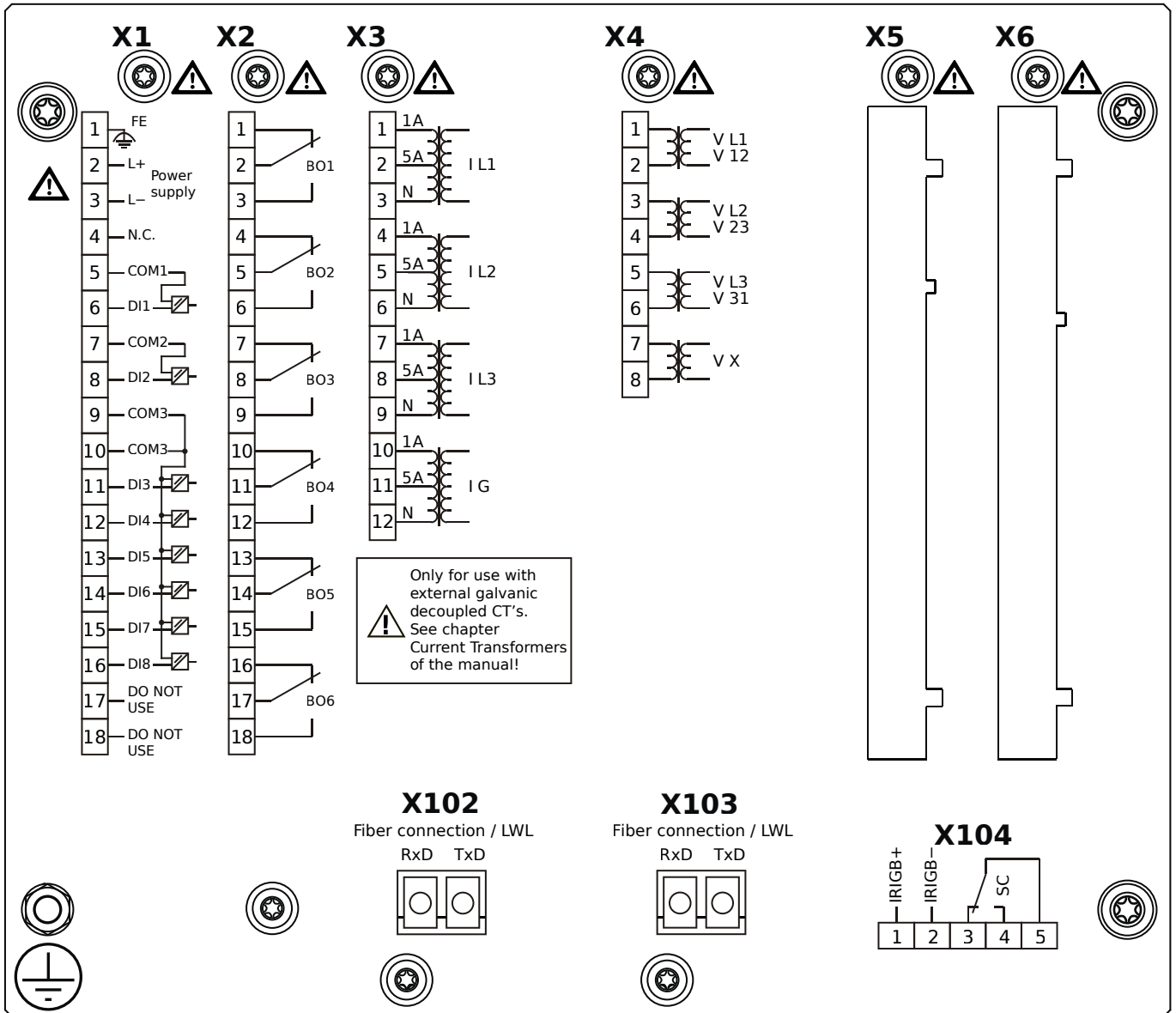
MCDLV4-2A0B0KA



Housing B2, large display, 19" rack mounting

- X1** – DI8-X1: Wide-range power supply unit, incl. 2 non-grouped digital inputs and 6 grouped digital inputs
- X2** – OR6: Assembly Group with 6 Output Relays (Changeover / Form C)
- X3** – TI: Standard current measuring card
- X4** – TU: Card with 4 voltage transformer measuring inputs (0 ... 800 VAC, under UL: 0 ... 600 VAC)
- X102** – Long-distance Protection Communication, Fiber optics interface, LC Connector
- X103** – IEC 61850 / Modbus TCP / IEC 60870-5-104 / DNP3.0 TCP/UDP, Fiber optics interface, LC Connector
- X104** – IRIG-B00X, incl. System Contact (Supervision Contact)

MCDLV4-2A0B0KB

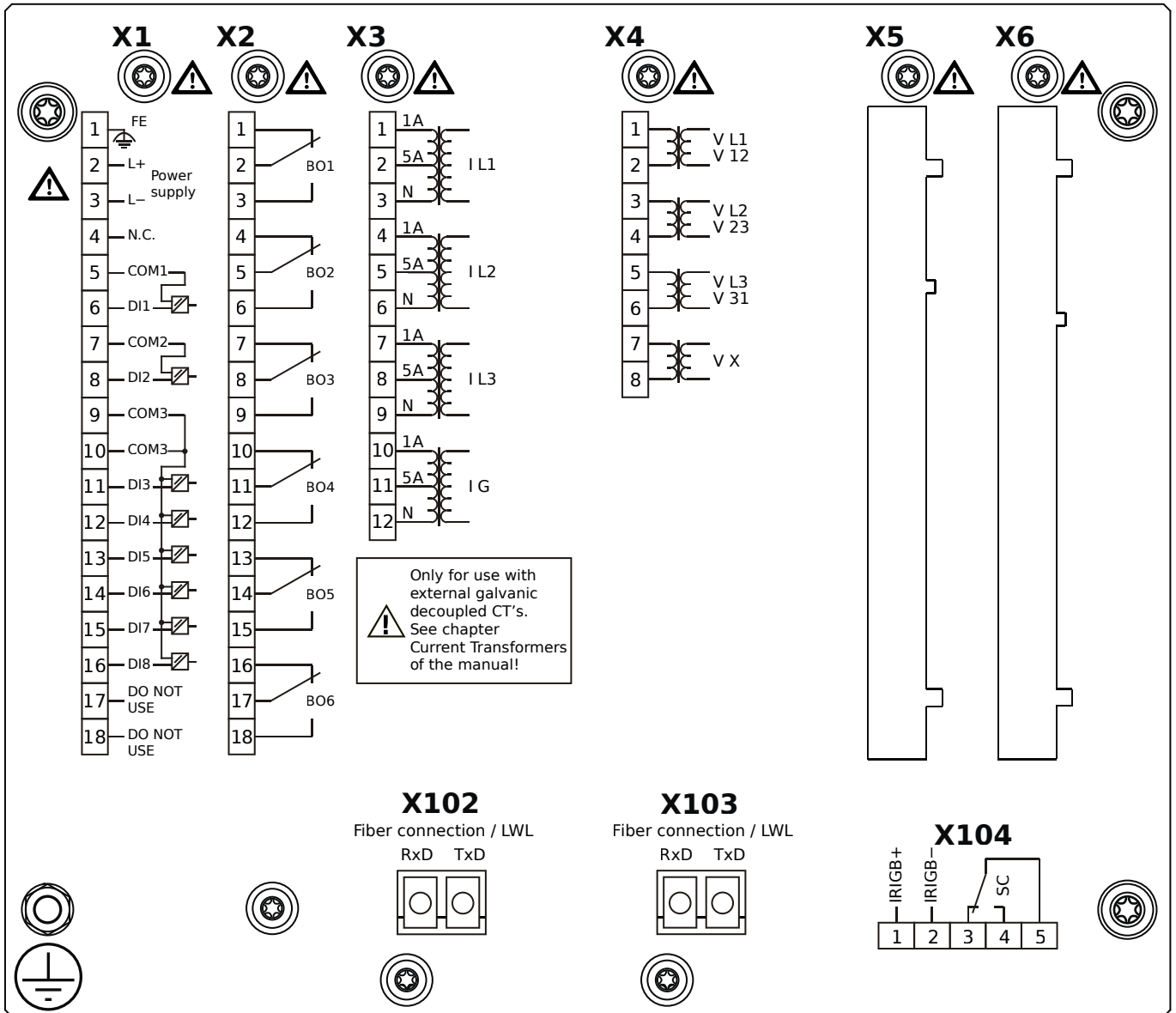


Housing B2, large display, 19" rack mounting

- + Conformal Coating (for installations in harsh environment)

- X1** – DI8-X1: Wide-range power supply unit, incl. 2 non-grouped digital inputs and 6 grouped digital inputs
- X2** – OR6: Assembly Group with 6 Output Relays (Changeover / Form C)
- X3** – TI: Standard current measuring card
- X4** – TU: Card with 4 voltage transformer measuring inputs (0 ... 800 VAC, under UL: 0 ... 600 VAC)
- X102** – Long-distance Protection Communication, Fiber optics interface, LC Connector
- X103** – IEC 61850 / Modbus TCP / IEC 60870-5-104 / DNP3.0 TCP/UDP, Fiber optics interface, LC Connector
- X104** – IRIG-B00X, incl. System Contact (Supervision Contact)

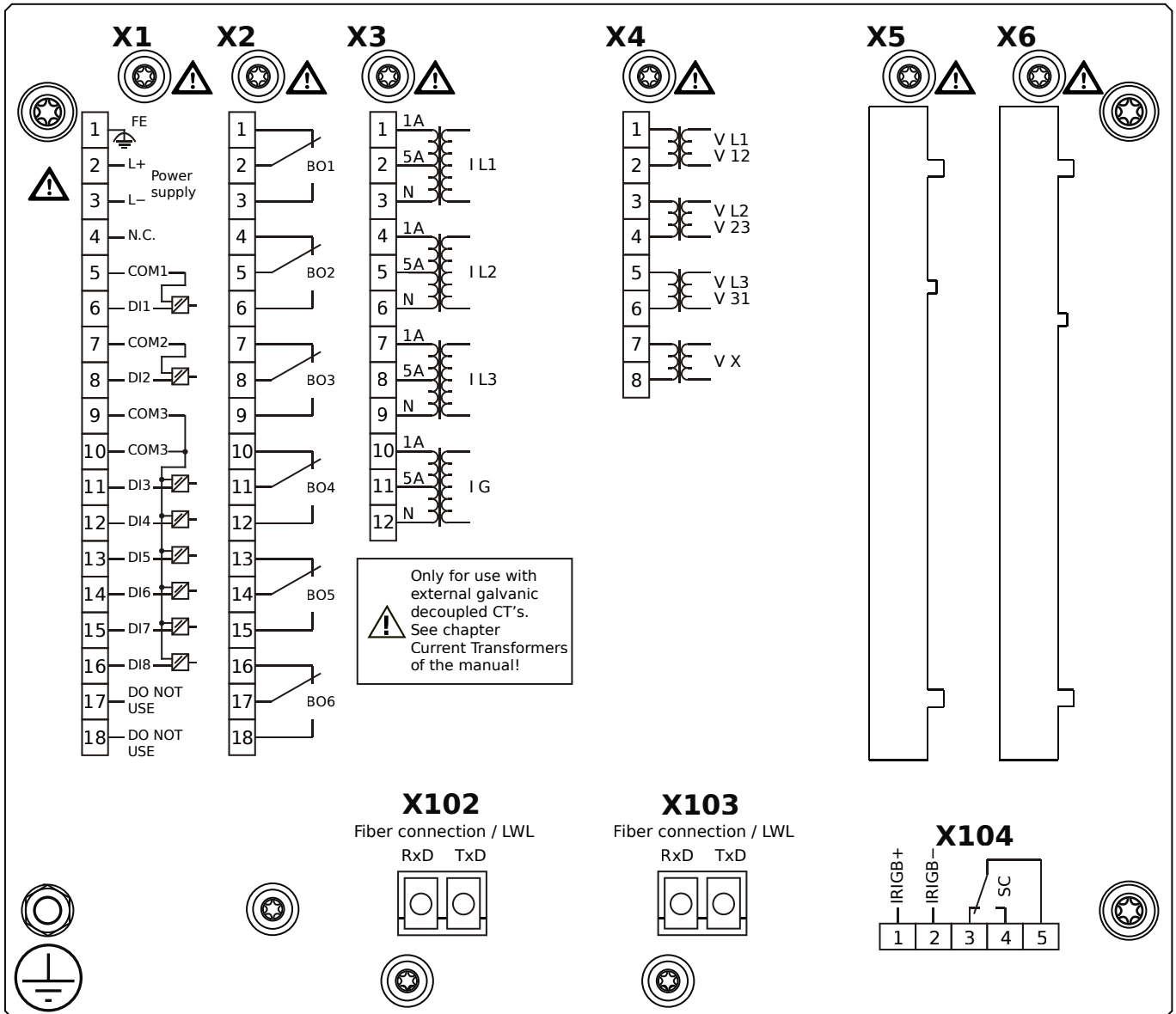
MCDLV4-2A0B0LA



Housing B2, large display, 19" rack mounting

- X1** – DI8-X1: Wide-range power supply unit, incl. 2 non-grouped digital inputs and 6 grouped digital inputs
- X2** – OR6: Assembly Group with 6 Output Relays (Changeover / Form C)
- X3** – TI: Standard current measuring card
- X4** – TU: Card with 4 voltage transformer measuring inputs (0 ... 800 VAC, under UL: 0 ... 600 VAC)
- X102** – Long-distance Protection Communication, Fiber optics interface, LC Connector
- X103** – Modbus TCP / IEC 60870-5-104 / DNP3.0 TCP/UDP, Fiber optics interface, LC Connector
- X104** – IRIG-B00X, incl. System Contact (Supervision Contact)

MCDLV4-2A0B0LB

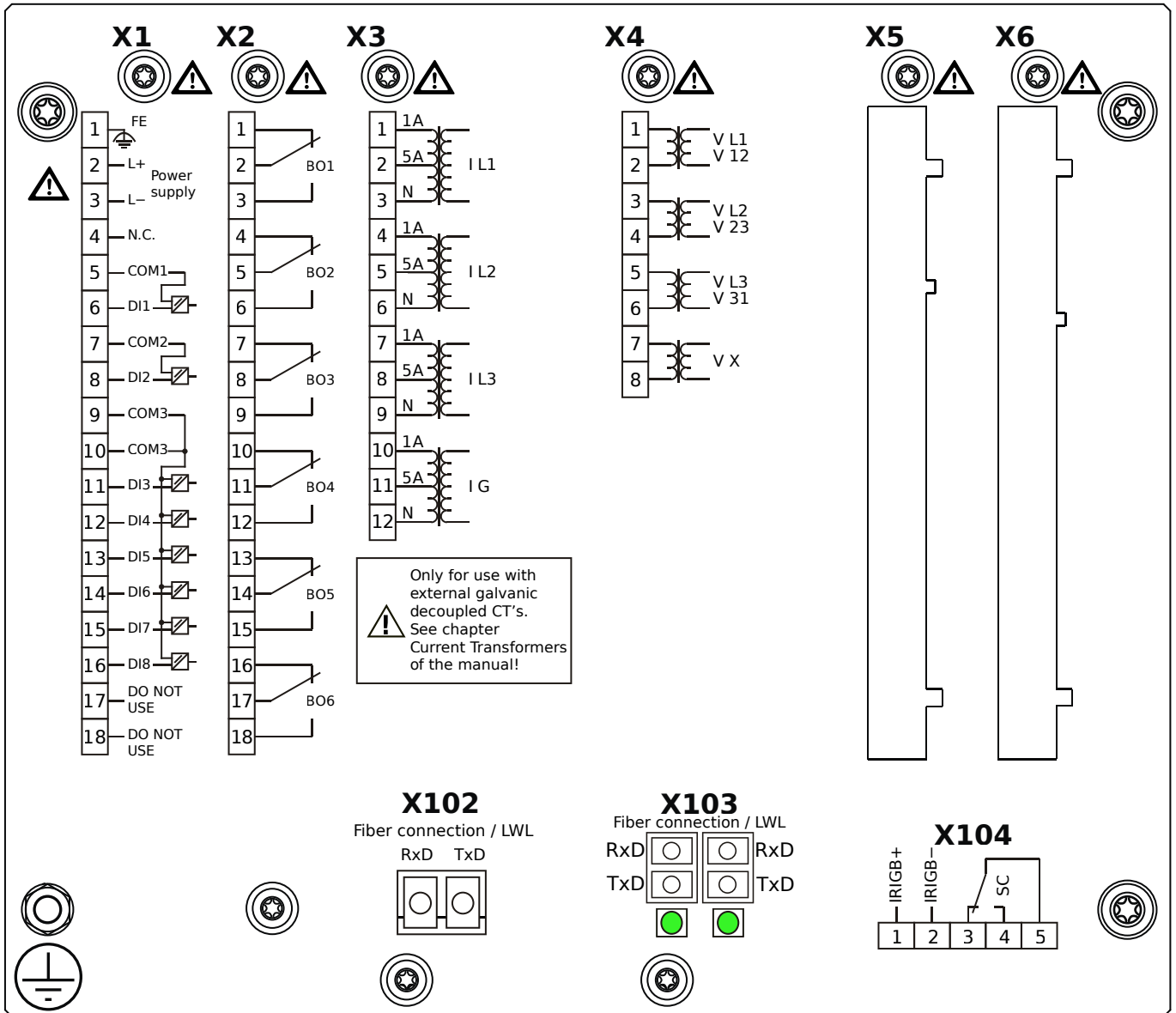


Housing B2, large display, 19" rack mounting

- + Conformal Coating (for installations in harsh environment)

- X1** – DI8-X1: Wide-range power supply unit, incl. 2 non-grouped digital inputs and 6 grouped digital inputs
- X2** – OR6: Assembly Group with 6 Output Relays (Changeover / Form C)
- X3** – TI: Standard current measuring card
- X4** – TU: Card with 4 voltage transformer measuring inputs (0 ... 800 VAC, under UL: 0 ... 600 VAC)
- X102** – Long-distance Protection Communication, Fiber optics interface, LC Connector
- X103** – Modbus TCP / IEC 60870-5-104 / DNP3.0 TCP/UDP, Fiber optics interface, LC Connector
- X104** – IRIG-B00X, incl. System Contact (Supervision Contact)

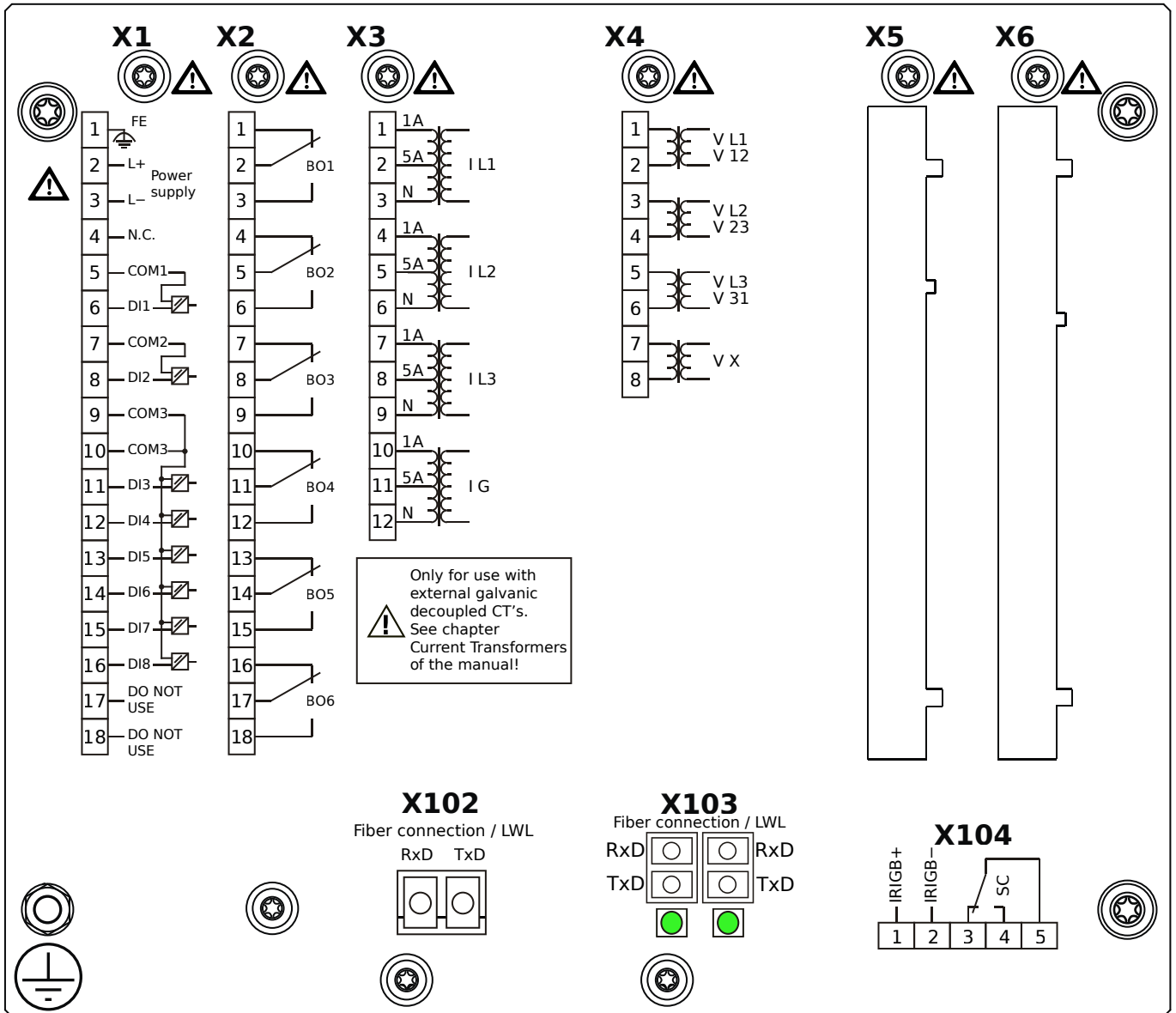
MCDLV4-2A0B00A



Housing B2, large display, 19" rack mounting

- X1** – DI8-X1: Wide-range power supply unit, incl. 2 non-grouped digital inputs and 6 grouped digital inputs
- X2** – OR6: Assembly Group with 6 Output Relays (Changeover / Form C)
- X3** – TI: Standard current measuring card
- X4** – TU: Card with 4 voltage transformer measuring inputs (0 ... 800 VAC, under UL: 0 ... 600 VAC)
- X102** – Long-distance Protection Communication, Fiber optics interface, LC Connector
- X103** – Modbus TCP / IEC 60870-5-104 / DNP3.0 TCP/UDP, Redundant Fiber optics interface, LC Connector
- X104** – IRIG-B00X, incl. System Contact (Supervision Contact)

MCDLV4-2A0B00B

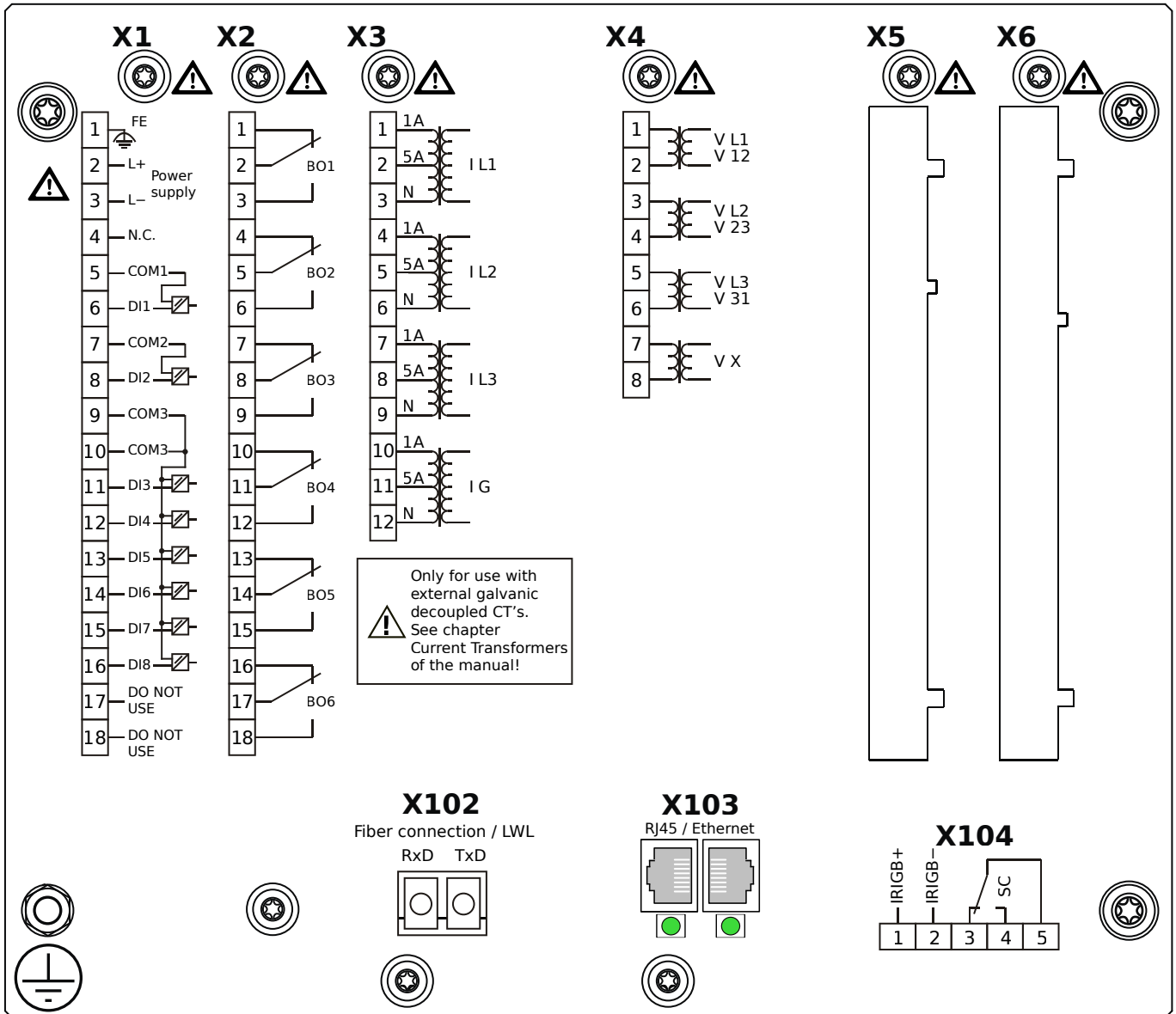


Housing B2, large display, 19" rack mounting

- + Conformal Coating (for installations in harsh environment)

- X1** – DI8-X1: Wide-range power supply unit, incl. 2 non-grouped digital inputs and 6 grouped digital inputs
- X2** – OR6: Assembly Group with 6 Output Relays (Changeover / Form C)
- X3** – TI: Standard current measuring card
- X4** – TU: Card with 4 voltage transformer measuring inputs (0 ... 800 VAC, under UL: 0 ... 600 VAC)
- X102** – Long-distance Protection Communication, Fiber optics interface, LC Connector
- X103** – Modbus TCP / IEC 60870-5-104 / DNP3.0 TCP/UDP, Redundant Fiber optics interface, LC Connector
- X104** – IRIG-B00X, incl. System Contact (Supervision Contact)

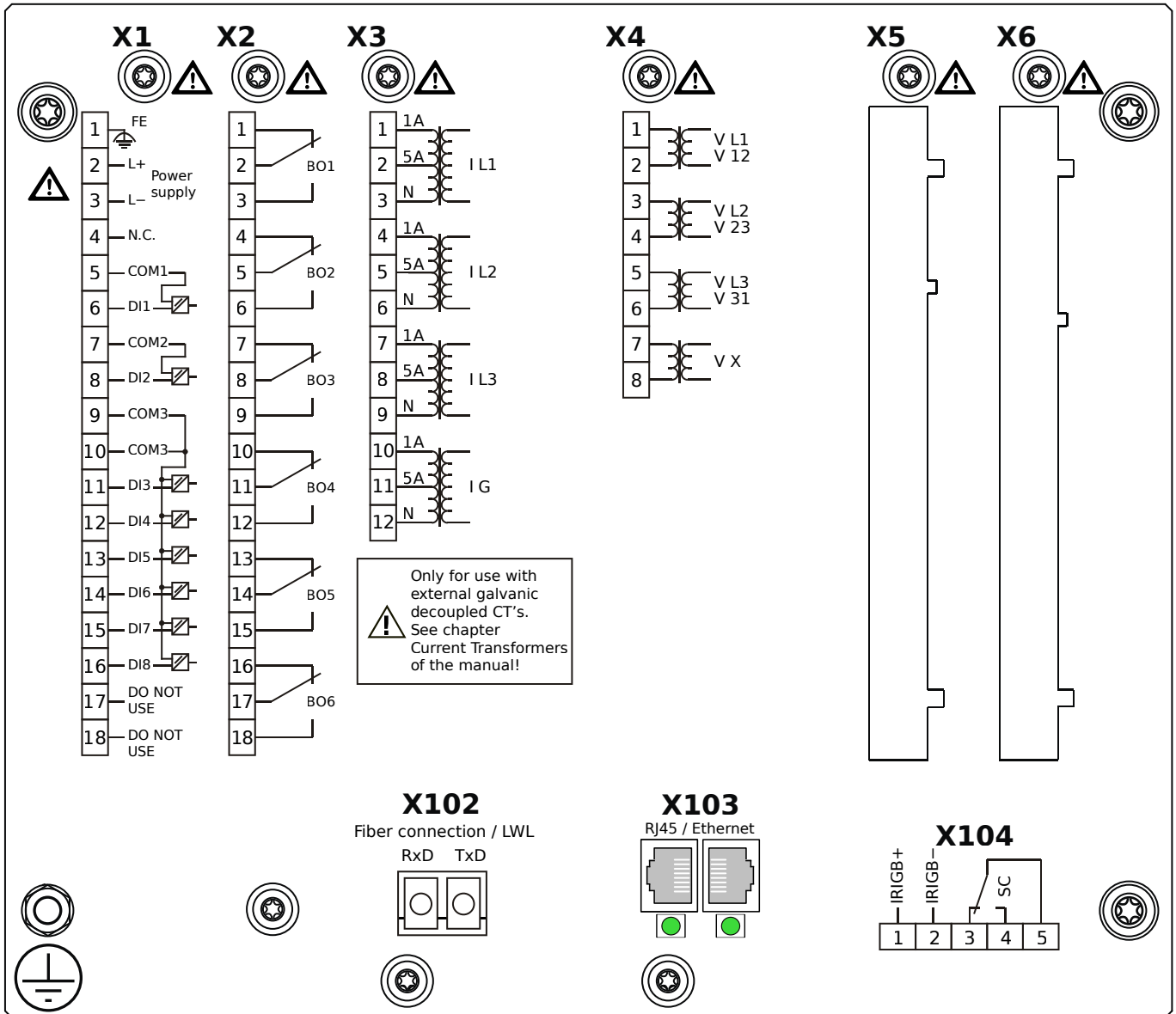
MCDLV4-2A0B0PA



Housing B2, large display, 19" rack mounting

- X1** – DI8-X1: Wide-range power supply unit, incl. 2 non-grouped digital inputs and 6 grouped digital inputs
- X2** – OR6: Assembly Group with 6 Output Relays (Changeover / Form C)
- X3** – TI: Standard current measuring card
- X4** – TU: Card with 4 voltage transformer measuring inputs (0 ... 800 VAC, under UL: 0 ... 600 VAC)
- X102** – Long-distance Protection Communication, Fiber optics interface, LC Connector
- X103** – Modbus TCP / IEC 60870-5-104 / DNP3.0 TCP/UDP, Redundant Ethernet interface, 100 Mbit/s, RJ45 (BASE100-FX)
- X104** – IRIG-B00X, incl. System Contact (Supervision Contact)

MCDLV4-2A0B0PB



Housing B2, large display, 19" rack mounting

- + Conformal Coating (for installations in harsh environment)

X1 – DI8-X1: Wide-range power supply unit, incl. 2 non-grouped digital inputs and 6 grouped digital inputs

X2 – OR6: Assembly Group with 6 Output Relays (Changeover / Form C)

X3 – TI: Standard current measuring card

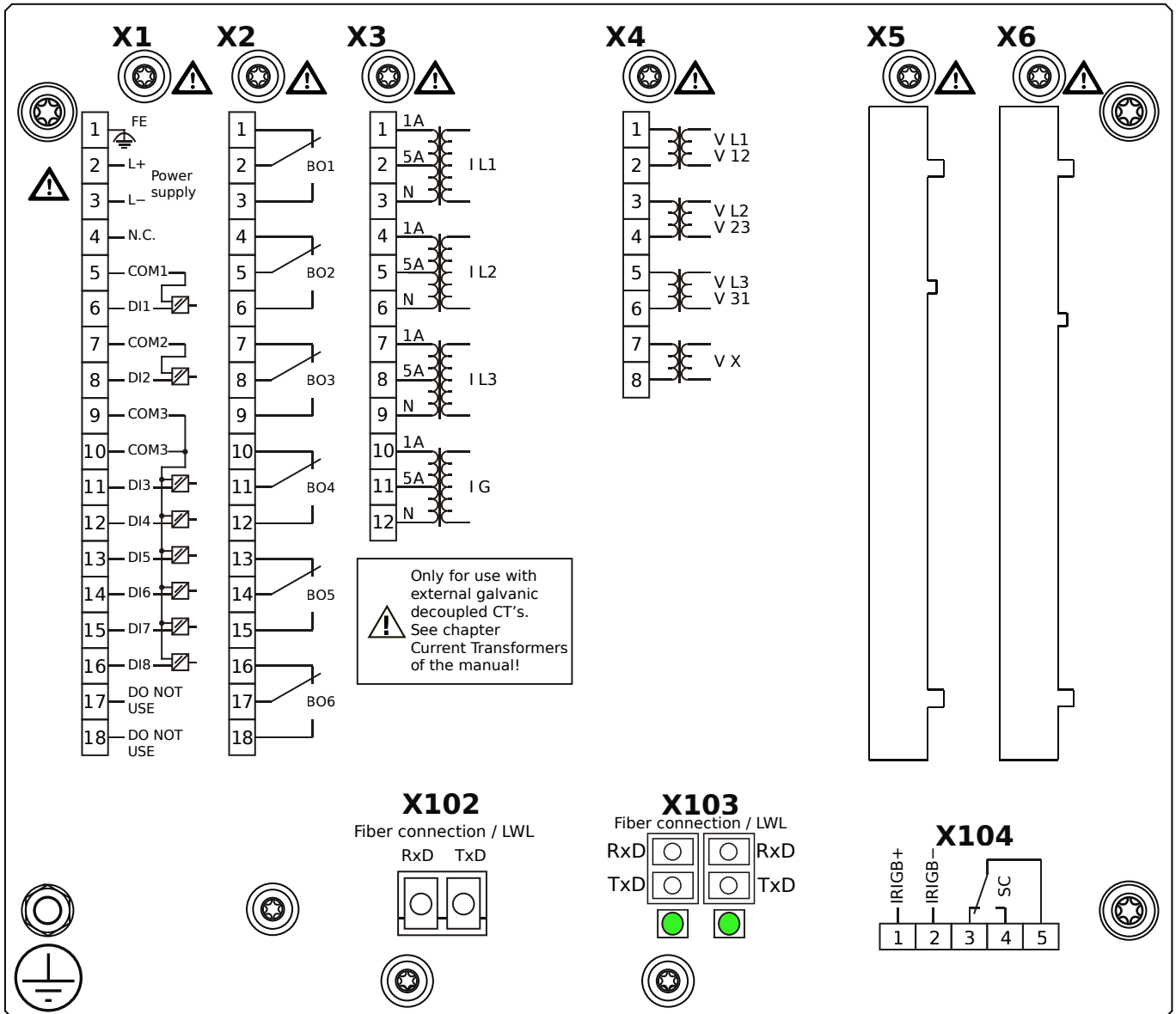
X4 – TU: Card with 4 voltage transformer measuring inputs (0 ... 800 VAC, under UL: 0 ... 600 VAC)

X102 – Long-distance Protection Communication, Fiber optics interface, LC Connector

X103 – Modbus TCP / IEC 60870-5-104 / DNP3.0 TCP/UDP, Redundant Ethernet interface, 100 Mbit/s, RJ45 (BASE100-FX)

X104 – IRIG-B00X, incl. System Contact (Supervision Contact)

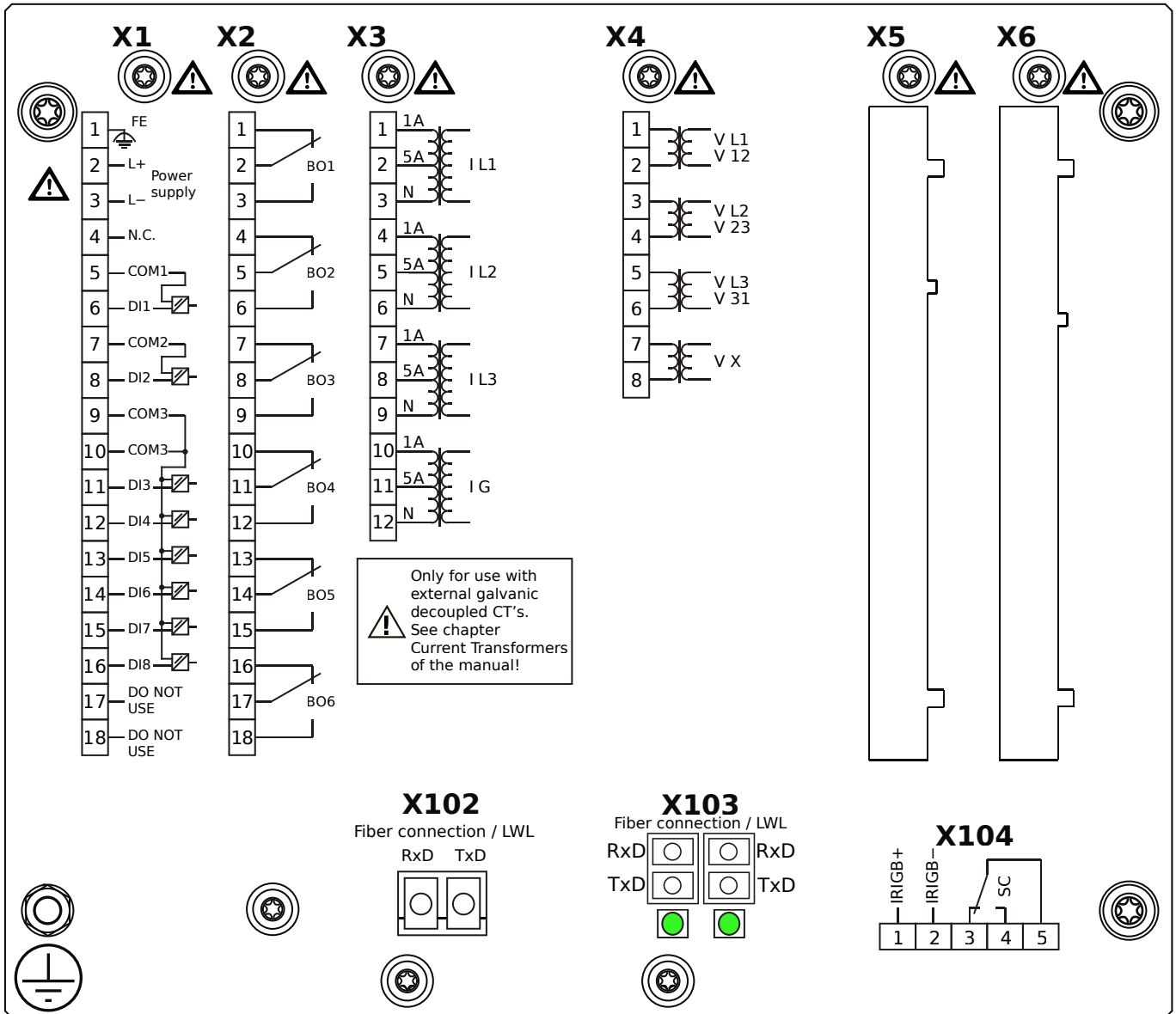
MCDLV4-2A0B0QA



Housing B2, large display, 19" rack mounting

- X1** – DI8-X1: Wide-range power supply unit, incl. 2 non-grouped digital inputs and 6 grouped digital inputs
- X2** – OR6: Assembly Group with 6 Output Relays (Changeover / Form C)
- X3** – TI: Standard current measuring card
- X4** – TU: Card with 4 voltage transformer measuring inputs (0 ... 800 VAC, under UL: 0 ... 600 VAC)
- X102** – Long-distance Protection Communication, Fiber optics interface, LC Connector
- X103** – IEC 61850 / Modbus TCP / IEC 60870-5-104 / DNP3.0 TCP/UDP, Redundant Fiber optics interface, LC Connector
- X104** – IRIG-B00X, incl. System Contact (Supervision Contact)

MCDLV4-2A0B0QB



Housing B2, large display, 19" rack mounting

- + Conformal Coating (for installations in harsh environment)

X1 – DI8-X1: Wide-range power supply unit, incl. 2 non-grouped digital inputs and 6 grouped digital inputs

X2 – OR6: Assembly Group with 6 Output Relays (Changeover / Form C)

X3 – TI: Standard current measuring card

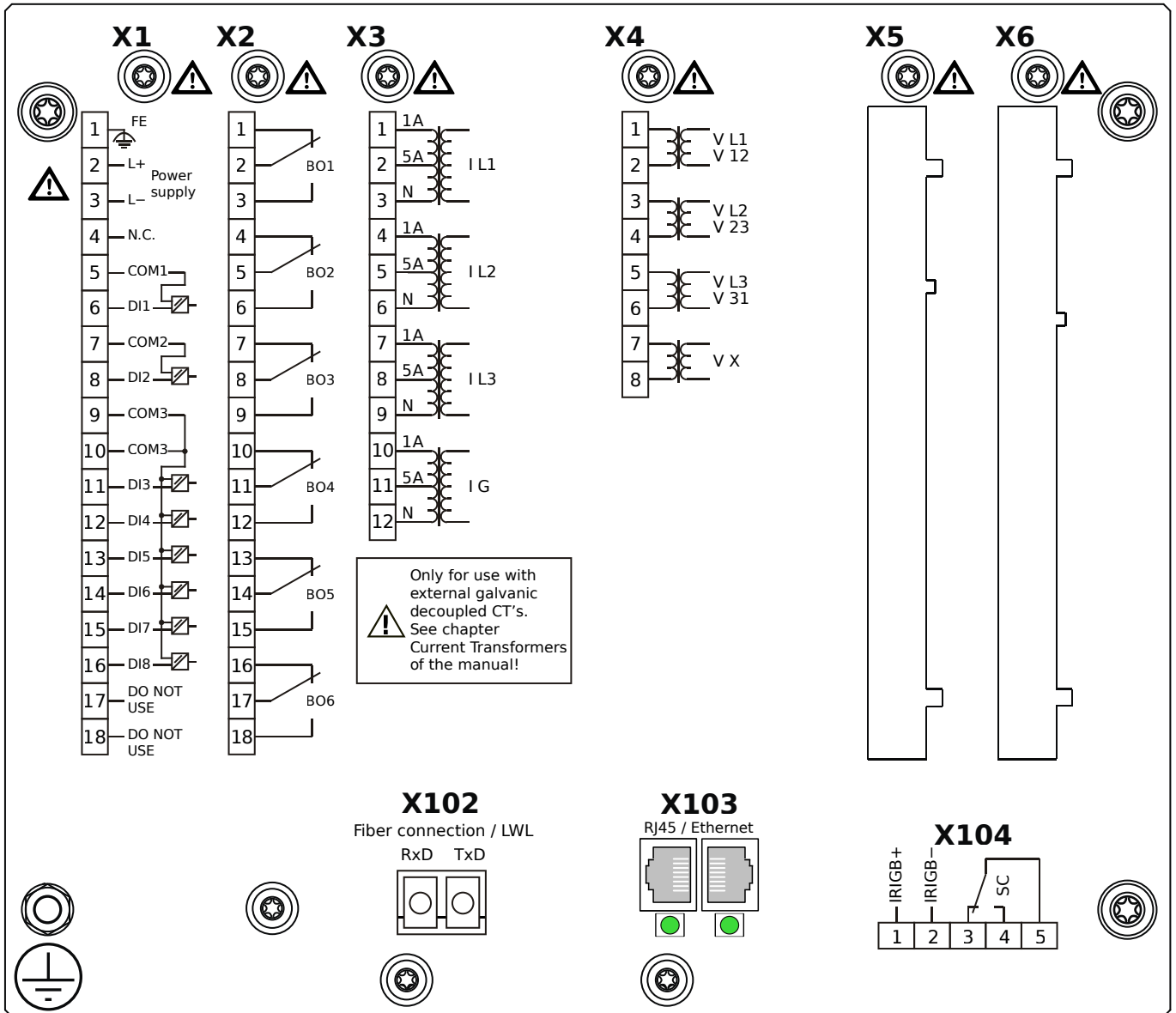
X4 – TU: Card with 4 voltage transformer measuring inputs (0 ... 800 VAC, under UL: 0 ... 600 VAC)

X102 – Long-distance Protection Communication, Fiber optics interface, LC Connector

X103 – IEC 61850 / Modbus TCP / IEC 60870-5-104 / DNP3.0 TCP/UDP, Redundant Fiber optics interface, LC Connector

X104 – IRIG-B00X, incl. System Contact (Supervision Contact)

MCDLV4-2A0B0RA



Housing B2, large display, 19" rack mounting

X1 – DI8-X1: Wide-range power supply unit, incl. 2 non-grouped digital inputs and 6 grouped digital inputs

X2 – OR6: Assembly Group with 6 Output Relays (Changeover / Form C)

X3 – TI: Standard current measuring card

X4 – TU: Card with 4 voltage transformer measuring inputs (0 ... 800 VAC, under UL: 0 ... 600 VAC)

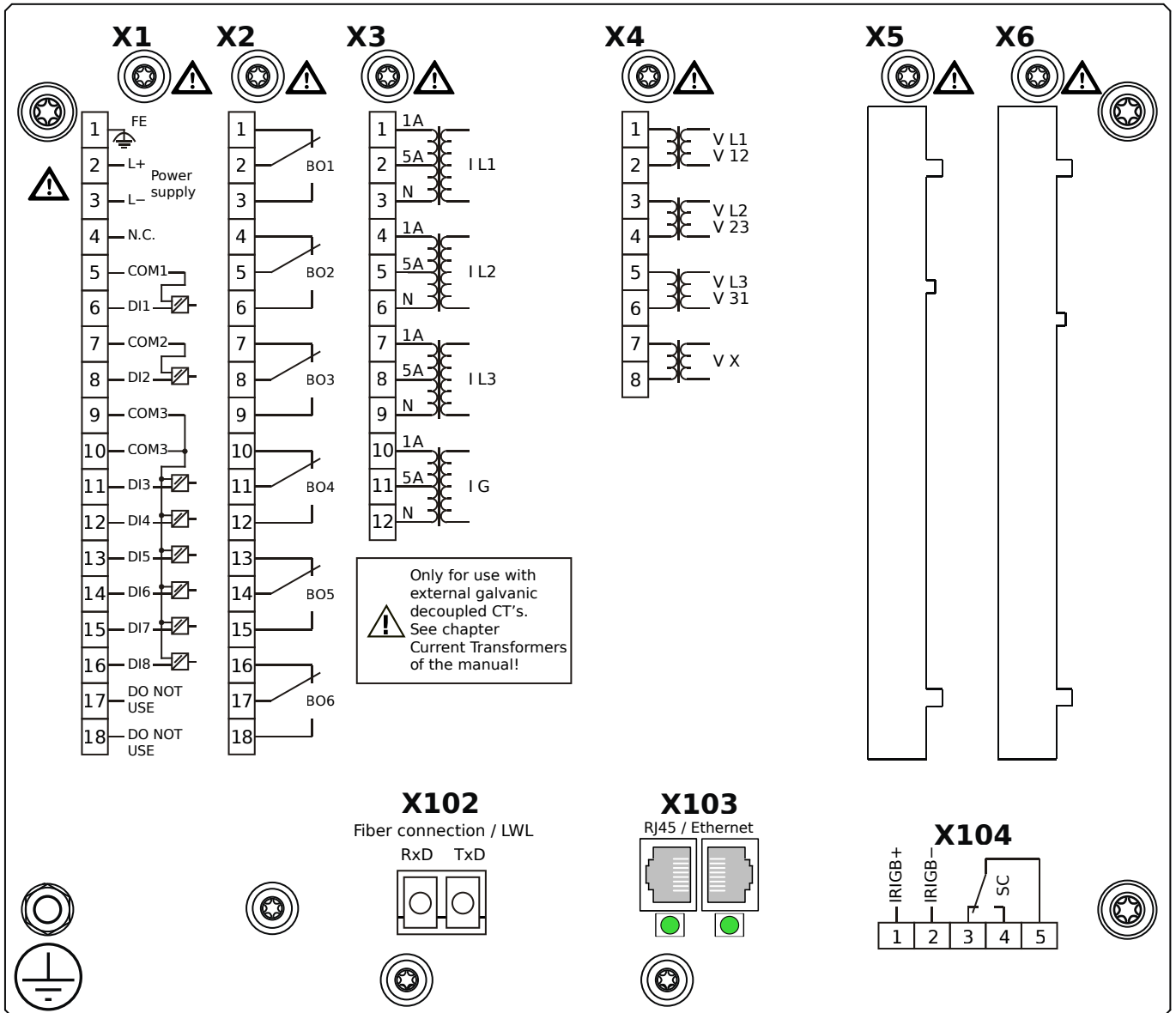
X102 – Long-distance Protection Communication, Fiber optics interface, LC Connector

X103 – IEC 61850 / Modbus TCP / IEC 60870-5-104 / DNP3.0 TCP/UDP, Redundant Ethernet interface, 100 Mbit/s, RJ45

(BASE100-FX)

X104 – IRIG-B00X, incl. System Contact (Supervision Contact)

MCDLV4-2A0B0RB



Housing B2, large display, 19" rack mounting

- + Conformal Coating (for installations in harsh environment)

X1 – DI8-X1: Wide-range power supply unit, incl. 2 non-grouped digital inputs and 6 grouped digital inputs

X2 – OR6: Assembly Group with 6 Output Relays (Changeover / Form C)

X3 – TI: Standard current measuring card

X4 – TU: Card with 4 voltage transformer measuring inputs (0 ... 800 VAC, under UL: 0 ... 600 VAC)

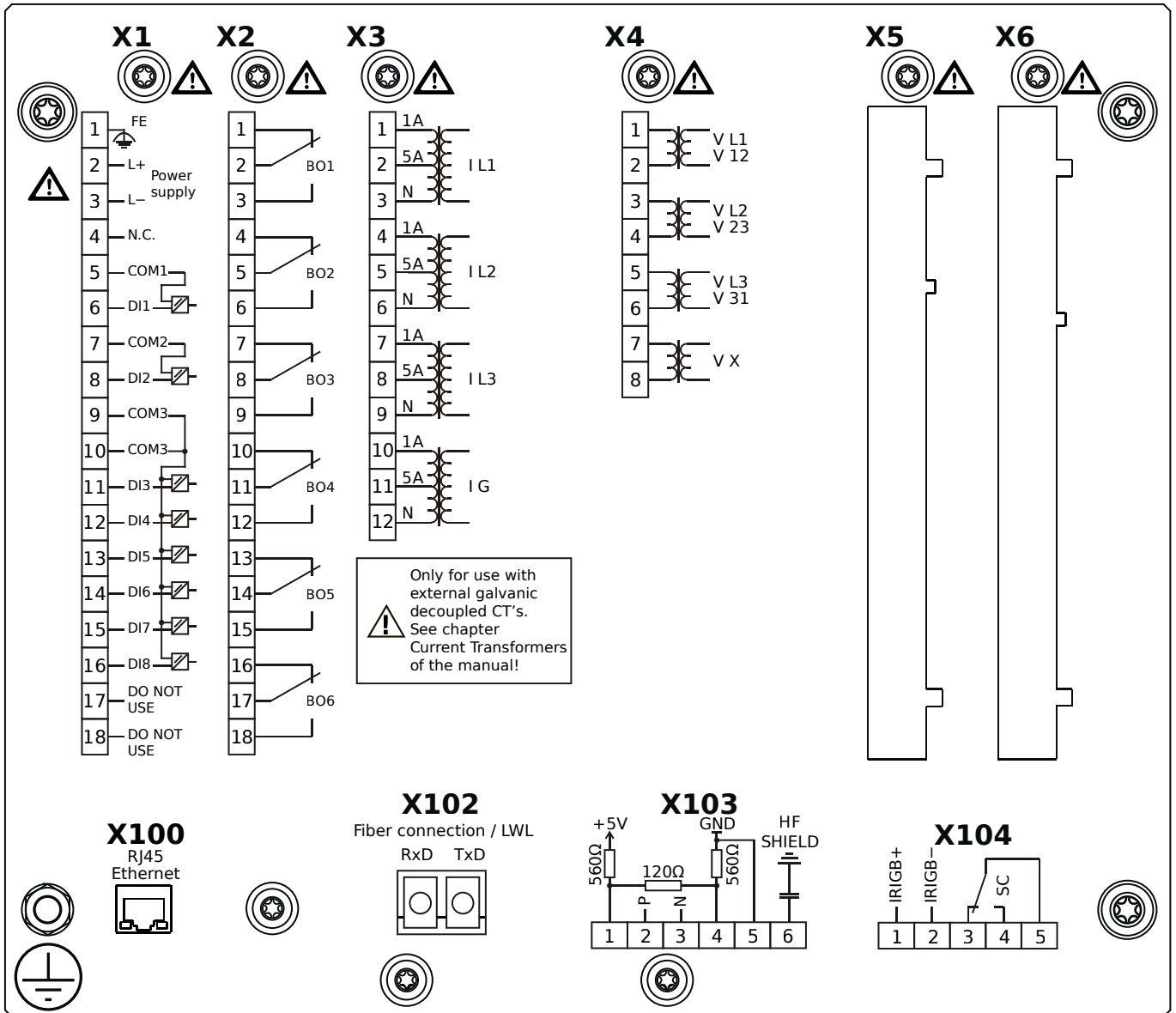
X102 – Long-distance Protection Communication, Fiber optics interface, LC Connector

X103 – IEC 61850 / Modbus TCP / IEC 60870-5-104 / DNP3.0 TCP/UDP, Redundant Ethernet interface, 100 Mbit/s, RJ45

(BASE100-FX)

X104 – IRIG-B00X, incl. System Contact (Supervision Contact)

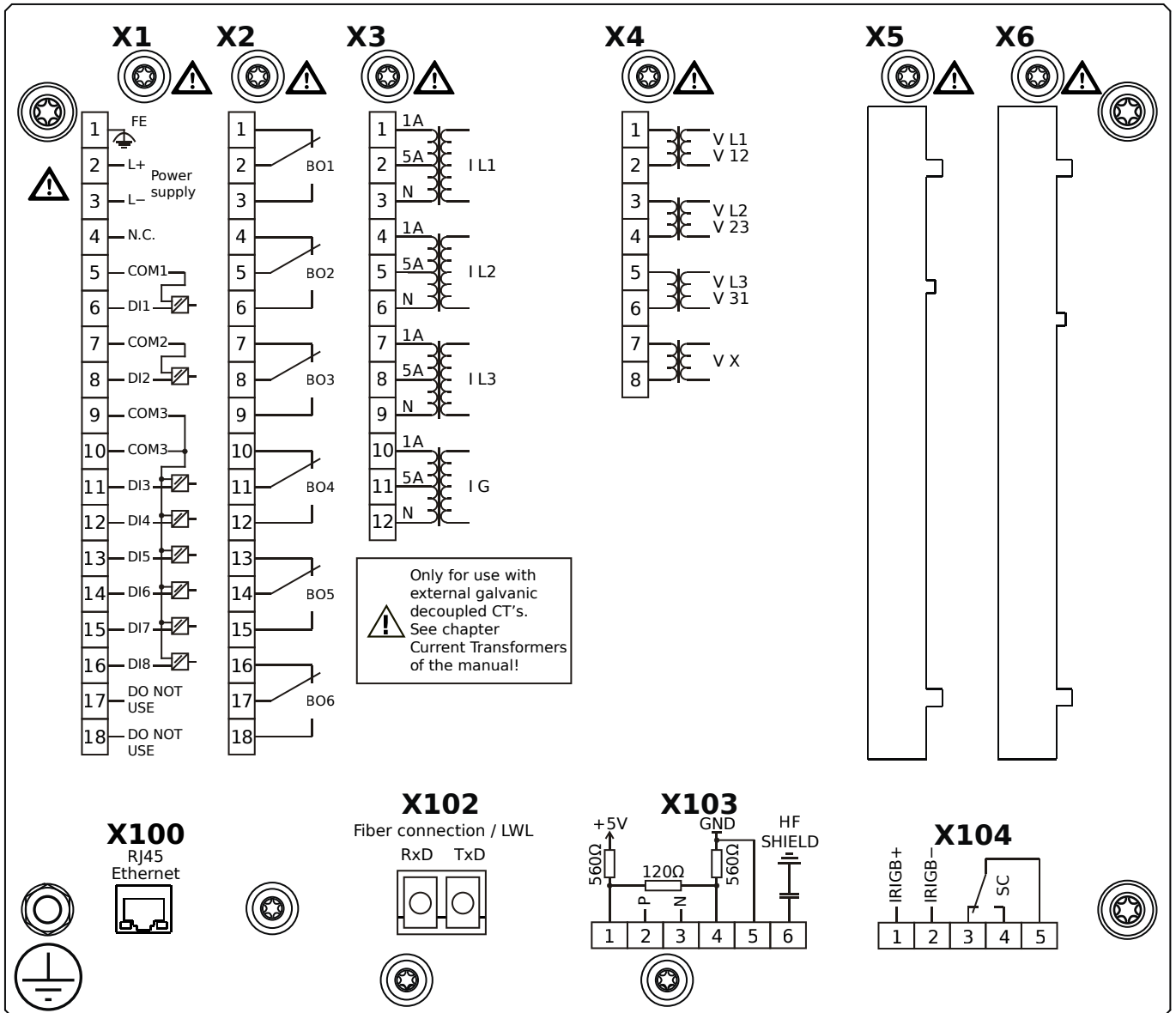
MCDLV4-2A0B0TA



Housing B2, large display, 19" rack mounting

- X1** – DI8-X1: Wide-range power supply unit, incl. 2 non-grouped digital inputs and 6 grouped digital inputs
- X2** – OR6: Assembly Group with 6 Output Relays (Changeover / Form C)
- X3** – TI: Standard current measuring card
- X4** – TU: Card with 4 voltage transformer measuring inputs (0 ... 800 VAC, under UL: 0 ... 600 VAC)
- X100** – IEC 61850 / Modbus TCP / IEC 60870-5-104 / DNP3.0 TCP/UDP, Ethernet interface, 100 Mbit/s, RJ45 (BASE100-FX)
- X102** – Long-distance Protection Communication, Fiber optics interface, LC Connector
- X103** – IEC 60870-5-103 / Modbus RTU / DNP3.0 RTU, RS485, Terminals
- X104** – IRIG-B00X, incl. System Contact (Supervision Contact)

MCDLV4-2A0B0TB



Housing B2, large display, 19" rack mounting

+ Conformal Coating (for installations in harsh environment)

X1 – DI8-X1: Wide-range power supply unit, incl. 2 non-grouped digital inputs and 6 grouped digital inputs

X2 – OR6: Assembly Group with 6 Output Relays (Changeover / Form C)

X3 – TI: Standard current measuring card

X4 – TU: Card with 4 voltage transformer measuring inputs (0 ... 800 VAC, under UL: 0 ... 600 VAC)

X100 – IEC 61850 / Modbus TCP / IEC 60870-5-104 / DNP3.0 TCP/UDP, Ethernet interface, 100 Mbit/s, RJ45 (BASE100-

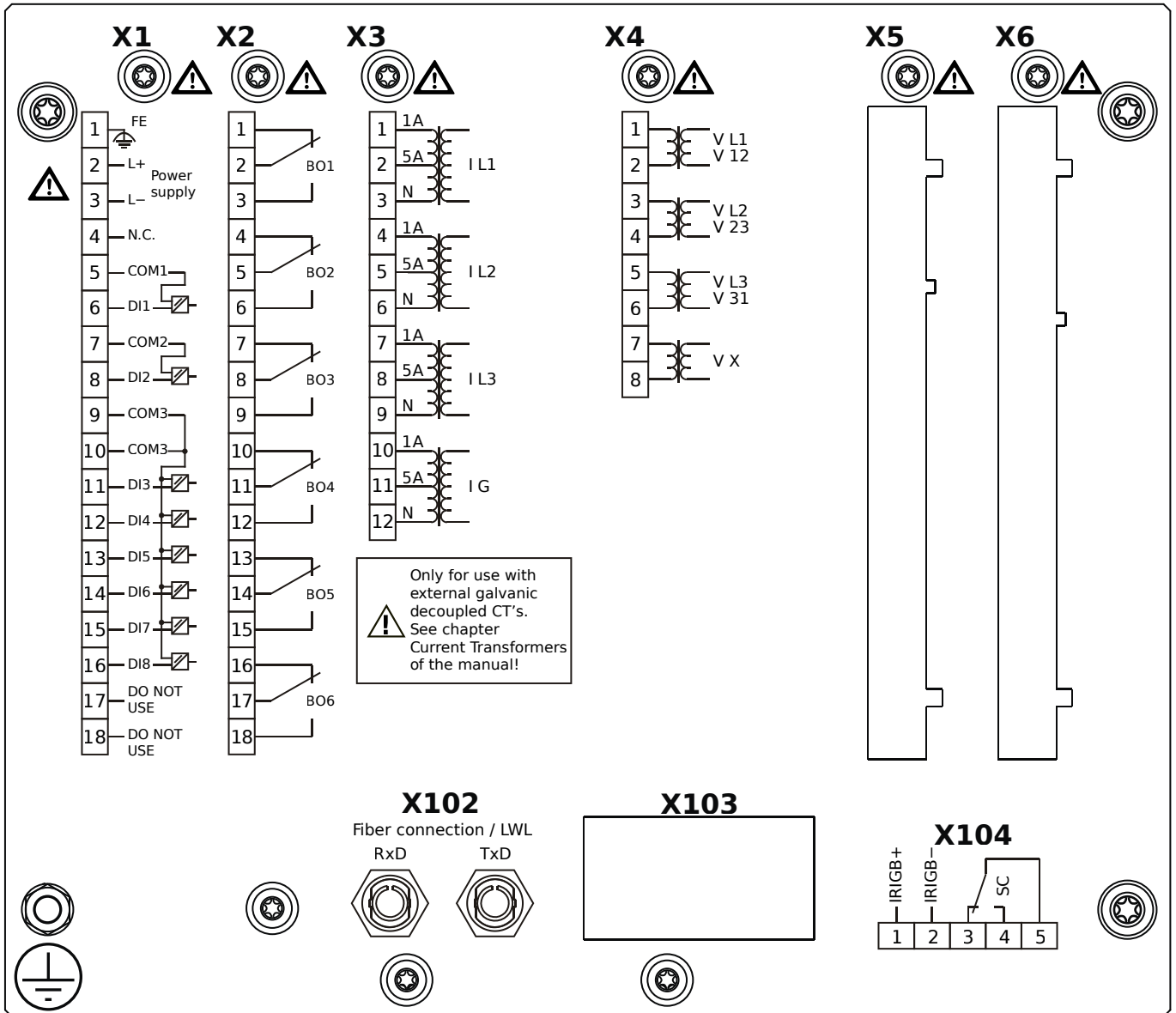
X102 – Long-distance Protection Communication, Fiber optics interface, LC Connector

X103 – IEC 60870-5-103 / Modbus RTU / DNP3.0 RTU, RS485, Terminals

X104 – IRIG-B00X, incl. System Contact (Supervision Contact)

FX)

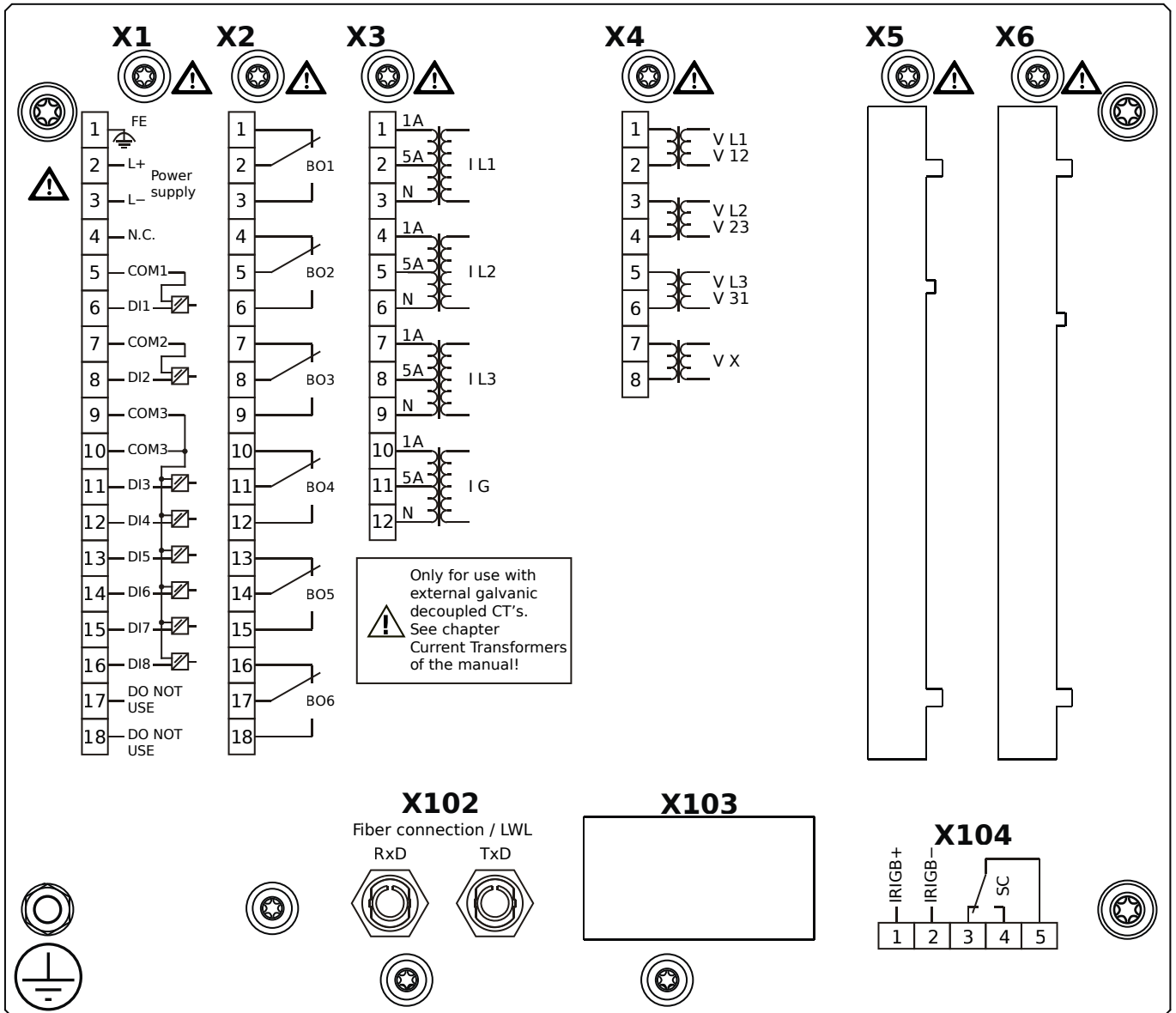
MCDLV4-2A0B1AA



Housing B2, large display, 19" rack mounting

- X1** – DI8-X1: Wide-range power supply unit, incl. 2 non-grouped digital inputs and 6 grouped digital inputs
- X2** – OR6: Assembly Group with 6 Output Relays (Changeover / Form C)
- X3** – TI: Standard current measuring card
- X4** – TU: Card with 4 voltage transformer measuring inputs (0 ... 800 VAC, under UL: 0 ... 600 VAC)
- X102** – Protection Communication, Fiber optics interface, ST Connector
- X104** – IRIG-B00X, incl. System Contact (Supervision Contact)

MCDLV4-2A0B1AB

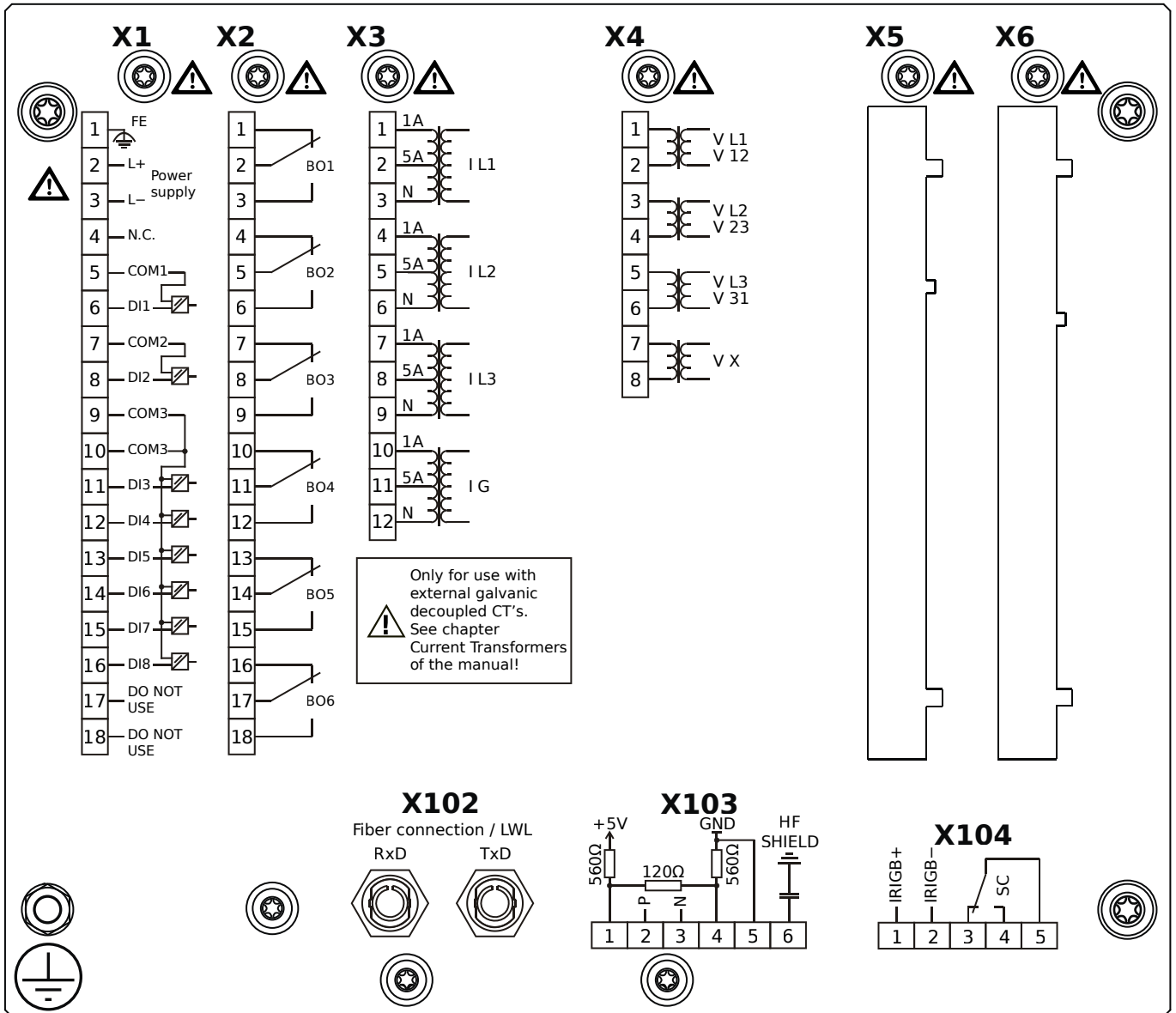


Housing B2, large display, 19" rack mounting

+ Conformal Coating (for installations in harsh environment)

- X1** – DI8-X1: Wide-range power supply unit, incl. 2 non-grouped digital inputs and 6 grouped digital inputs
- X2** – OR6: Assembly Group with 6 Output Relays (Changeover / Form C)
- X3** – TI: Standard current measuring card
- X4** – TU: Card with 4 voltage transformer measuring inputs (0 ... 800 VAC, under UL: 0 ... 600 VAC)
- X102** – Protection Communication, Fiber optics interface, ST Connector
- X104** – IRIG-B00X, incl. System Contact (Supervision Contact)

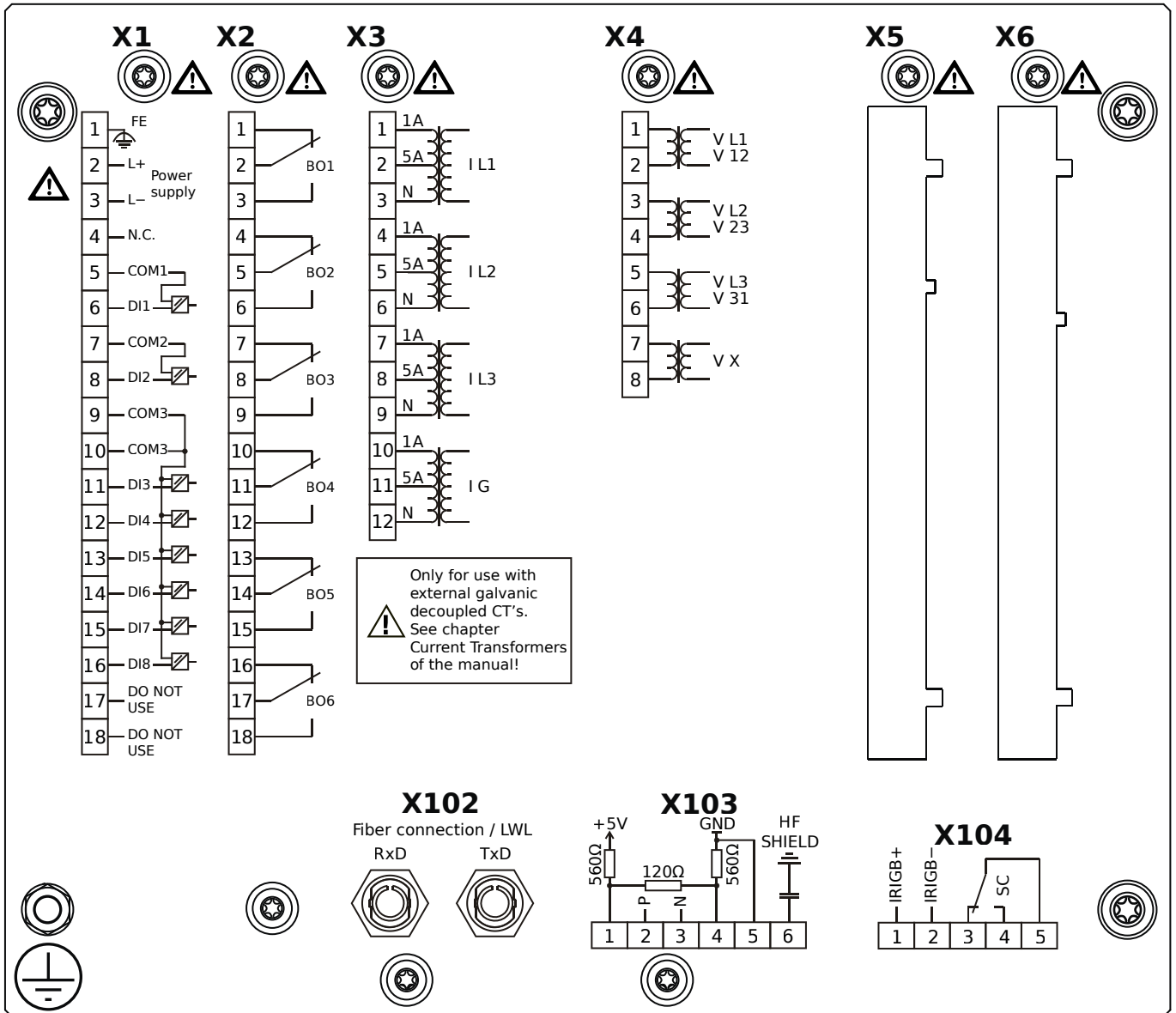
MCDLV4-2A0B1BA



Housing B2, large display, 19" rack mounting

- X1** – DI8-X1: Wide-range power supply unit, incl. 2 non-grouped digital inputs and 6 grouped digital inputs
- X2** – OR6: Assembly Group with 6 Output Relays (Changeover / Form C)
- X3** – TI: Standard current measuring card
- X4** – TU: Card with 4 voltage transformer measuring inputs (0 ... 800 VAC, under UL: 0 ... 600 VAC)
- X102** – Protection Communication, Fiber optics interface, ST Connector
- X103** – Modbus RTU / IEC 60870-5-103 / DNP3.0 RTU, RS485, Terminals
- X104** – IRIG-B00X, incl. System Contact (Supervision Contact)

MCDLV4-2A0B1BB

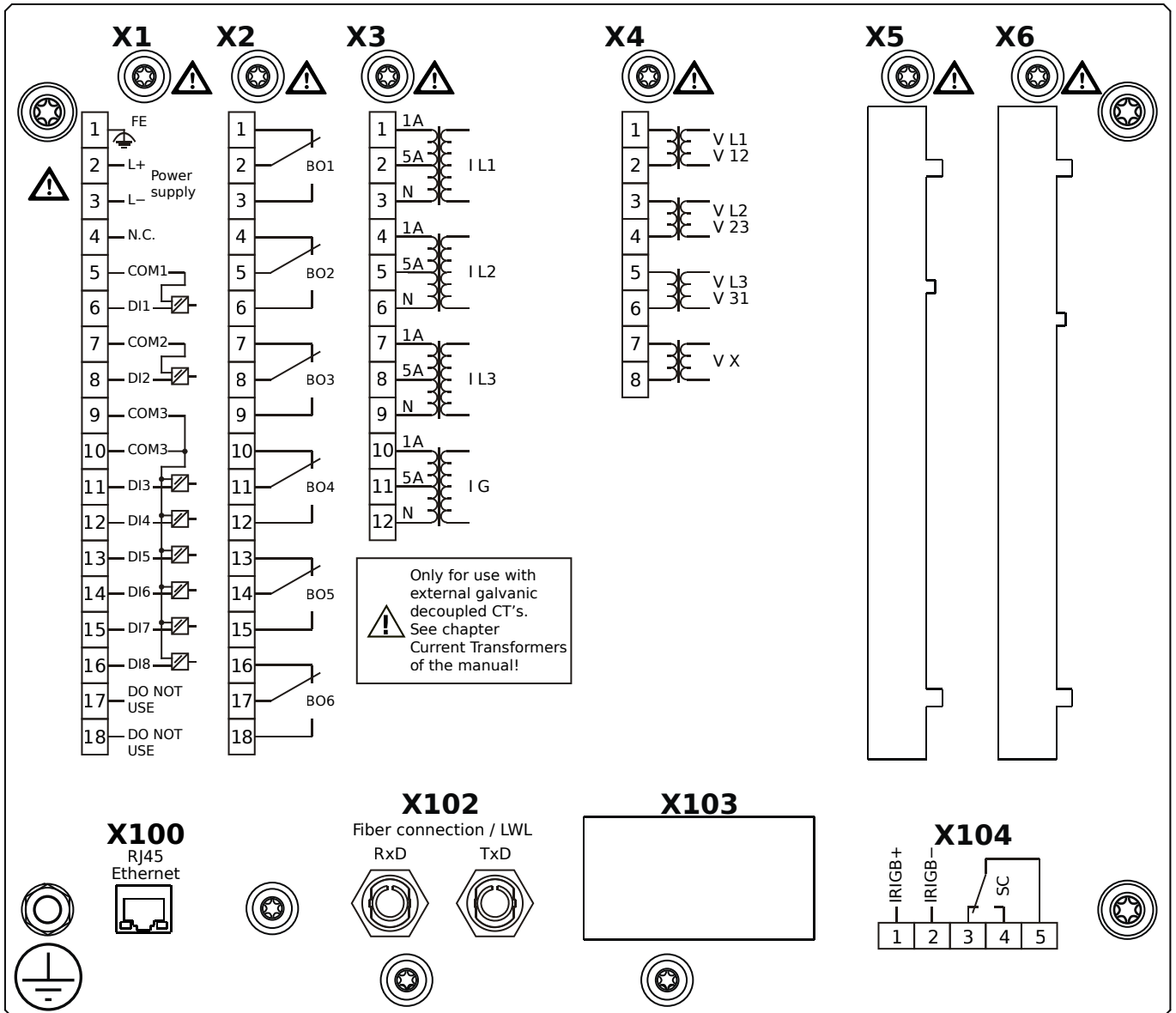


Housing B2, large display, 19" rack mounting

- + Conformal Coating (for installations in harsh environment)

- X1** – DI8-X1: Wide-range power supply unit, incl. 2 non-grouped digital inputs and 6 grouped digital inputs
- X2** – OR6: Assembly Group with 6 Output Relays (Changeover / Form C)
- X3** – TI: Standard current measuring card
- X4** – TU: Card with 4 voltage transformer measuring inputs (0 ... 800 VAC, under UL: 0 ... 600 VAC)
- X102** – Protection Communication, Fiber optics interface, ST Connector
- X103** – Modbus RTU / IEC 60870-5-103 / DNP3.0 RTU, RS485, Terminals
- X104** – IRIG-B00X, incl. System Contact (Supervision Contact)

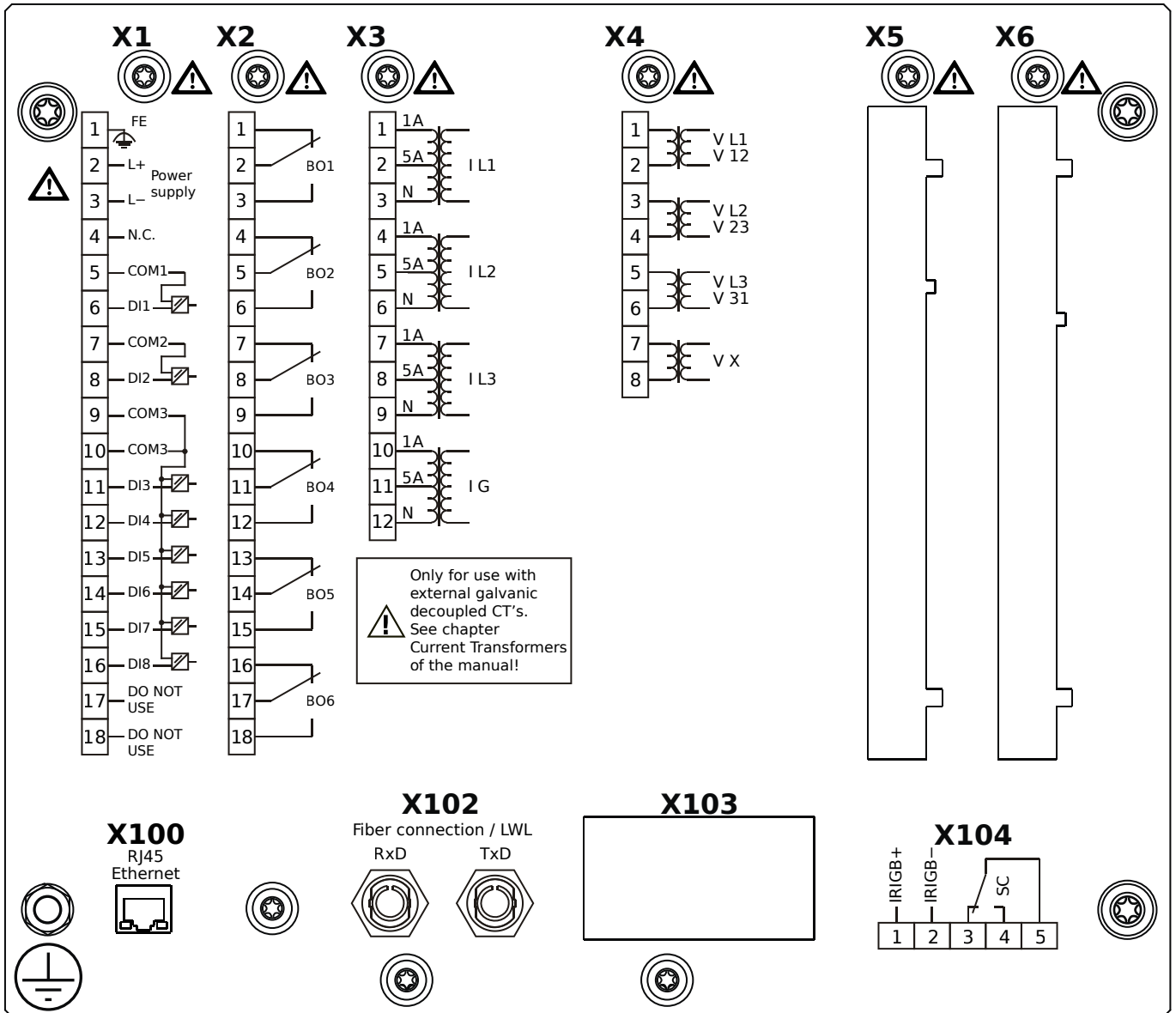
MCDLV4-2A0B1CA



Housing B2, large display, 19" rack mounting

- X1** – DI8-X1: Wide-range power supply unit, incl. 2 non-grouped digital inputs and 6 grouped digital inputs
- X2** – OR6: Assembly Group with 6 Output Relays (Changeover / Form C)
- X3** – TI: Standard current measuring card
- X4** – TU: Card with 4 voltage transformer measuring inputs (0 ... 800 VAC, under UL: 0 ... 600 VAC)
- X100** – Modbus TCP / IEC 60870-5-104 / DNP3.0 TCP/UDP, Ethernet interface, 100 Mbit/s, RJ45 (BASE100-FX)
- X102** – Protection Communication, Fiber optics interface, ST Connector
- X104** – IRIG-B00X, incl. System Contact (Supervision Contact)

MCDLV4-2A0B1CB

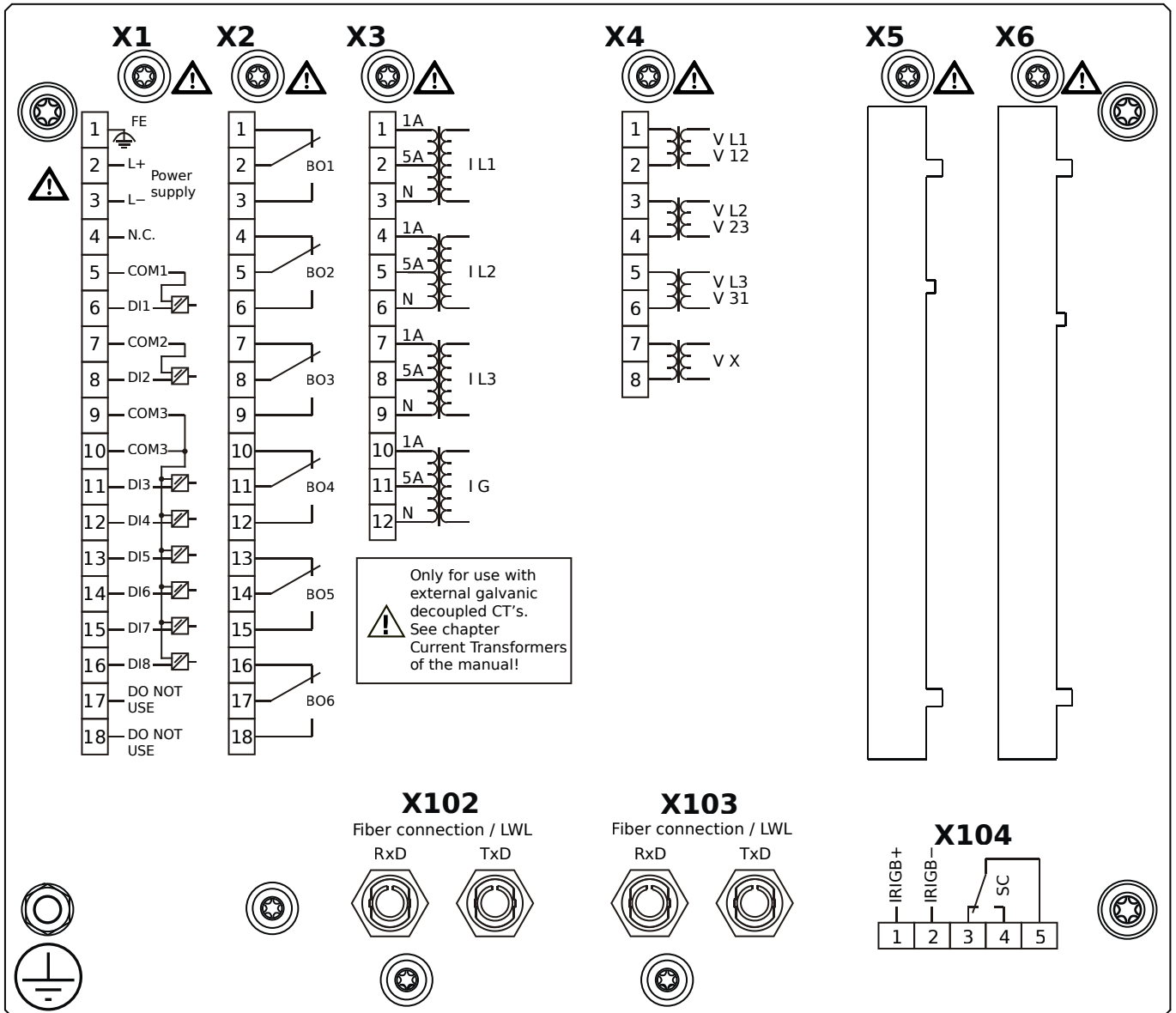


Housing B2, large display, 19" rack mounting

- + Conformal Coating (for installations in harsh environment)

- X1** – DI8-X1: Wide-range power supply unit, incl. 2 non-grouped digital inputs and 6 grouped digital inputs
- X2** – OR6: Assembly Group with 6 Output Relays (Changeover / Form C)
- X3** – TI: Standard current measuring card
- X4** – TU: Card with 4 voltage transformer measuring inputs (0 ... 800 VAC, under UL: 0 ... 600 VAC)
- X100** – Modbus TCP / IEC 60870-5-104 / DNP3.0 TCP/UDP, Ethernet interface, 100 Mbit/s, RJ45 (BASE100-FX)
- X102** – Protection Communication, Fiber optics interface, ST Connector
- X104** – IRIG-B00X, incl. System Contact (Supervision Contact)

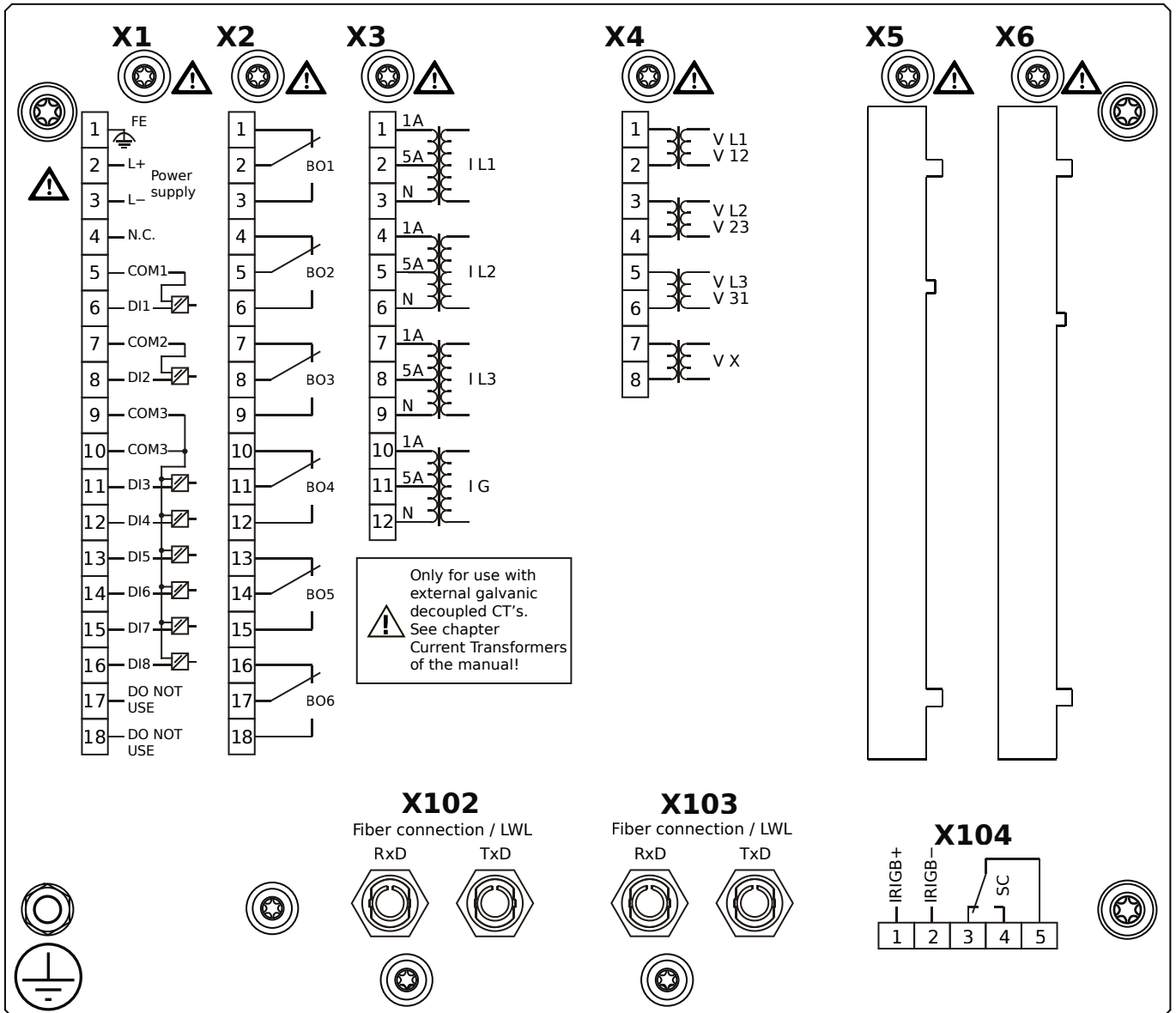
MCDLV4-2A0B1DA



Housing B2, large display, 19" rack mounting

- X1** – DI8-X1: Wide-range power supply unit, incl. 2 non-grouped digital inputs and 6 grouped digital inputs
- X2** – OR6: Assembly Group with 6 Output Relays (Changeover / Form C)
- X3** – TI: Standard current measuring card
- X4** – TU: Card with 4 voltage transformer measuring inputs (0 ... 800 VAC, under UL: 0 ... 600 VAC)
- X102** – Protection Communication, Fiber optics interface, ST Connector
- X103** – Profibus-DP, Fiber optics interface, ST Connector
- X104** – IRIG-B00X, incl. System Contact (Supervision Contact)

MCDLV4-2A0B1DB

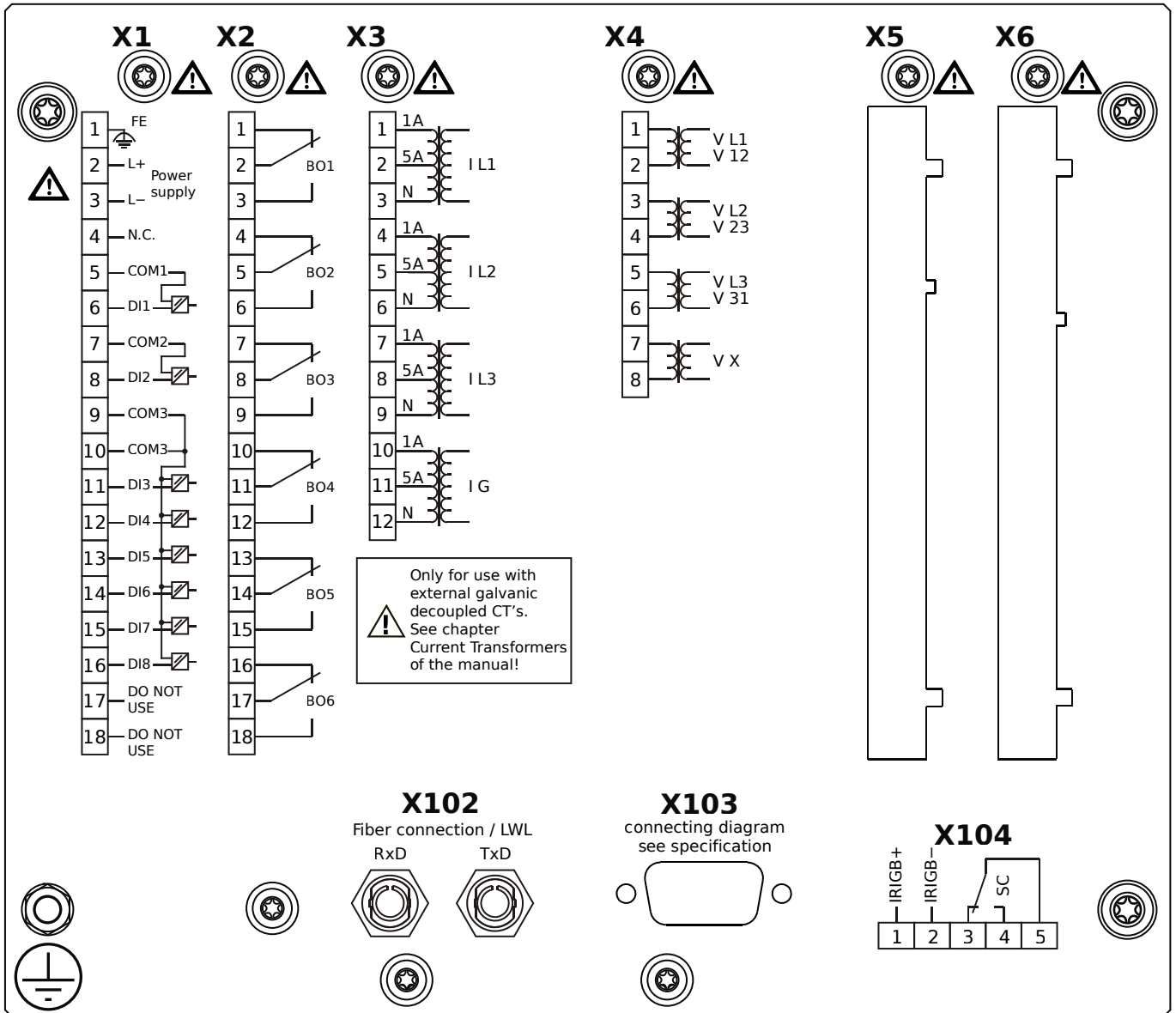


Housing B2, large display, 19" rack mounting

- + Conformal Coating (for installations in harsh environment)

- X1** – DI8-X1: Wide-range power supply unit, incl. 2 non-grouped digital inputs and 6 grouped digital inputs
- X2** – OR6: Assembly Group with 6 Output Relays (Changeover / Form C)
- X3** – TI: Standard current measuring card
- X4** – TU: Card with 4 voltage transformer measuring inputs (0 ... 800 VAC, under UL: 0 ... 600 VAC)
- X102** – Protection Communication, Fiber optics interface, ST Connector
- X103** – Profibus-DP, Fiber optics interface, ST Connector
- X104** – IRIG-B00X, incl. System Contact (Supervision Contact)

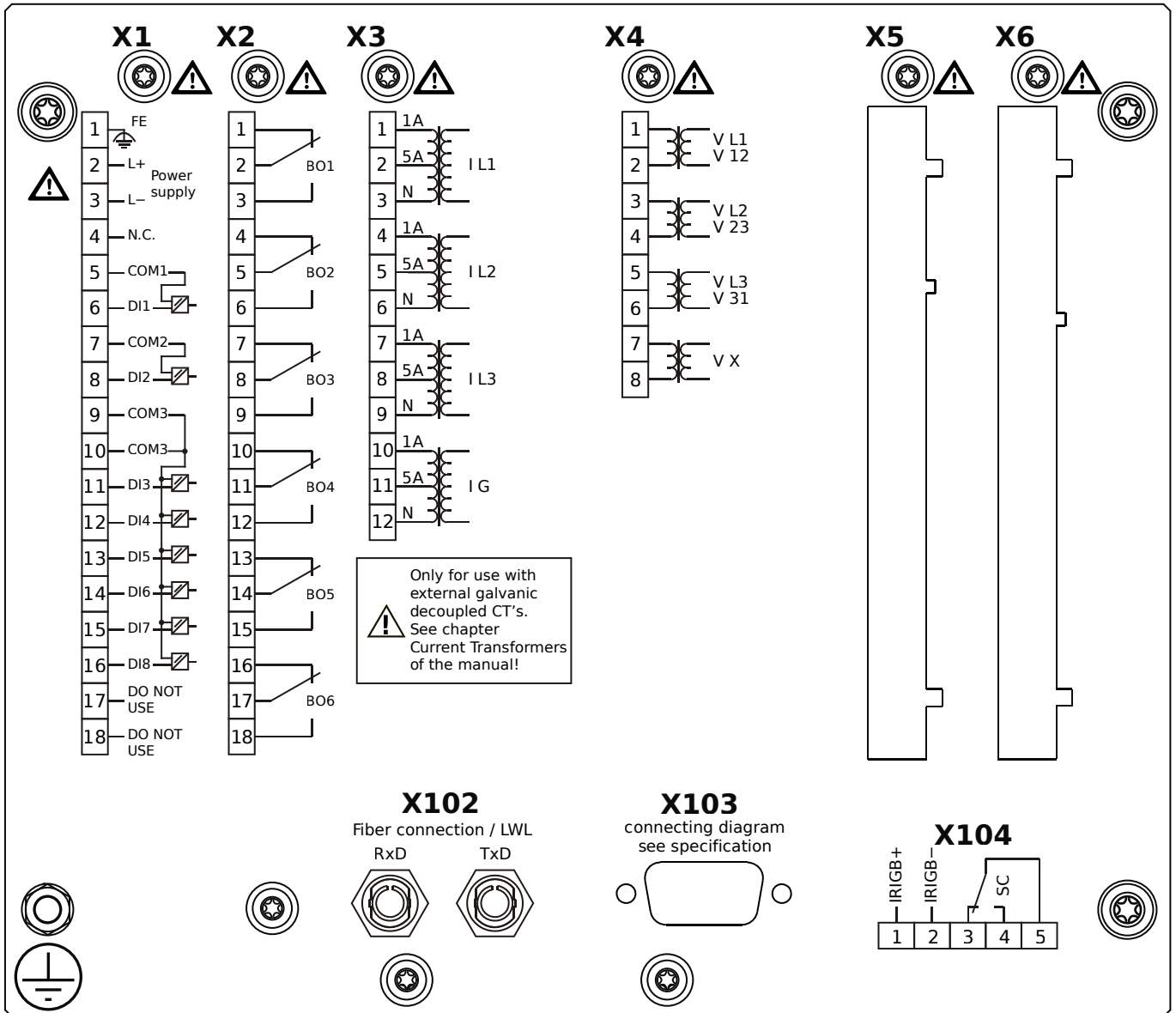
MCDLV4-2A0B1EA



Housing B2, large display, 19" rack mounting

- X1** – DI8-X1: Wide-range power supply unit, incl. 2 non-grouped digital inputs and 6 grouped digital inputs
- X2** – OR6: Assembly Group with 6 Output Relays (Changeover / Form C)
- X3** – TI: Standard current measuring card
- X4** – TU: Card with 4 voltage transformer measuring inputs (0 ... 800 VAC, under UL: 0 ... 600 VAC)
- X102** – Protection Communication, Fiber optics interface, ST Connector
- X103** – Profibus-DP, RS485, D-SUB
- X104** – IRIG-B00X, incl. System Contact (Supervision Contact)

MCDLV4-2A0B1EB

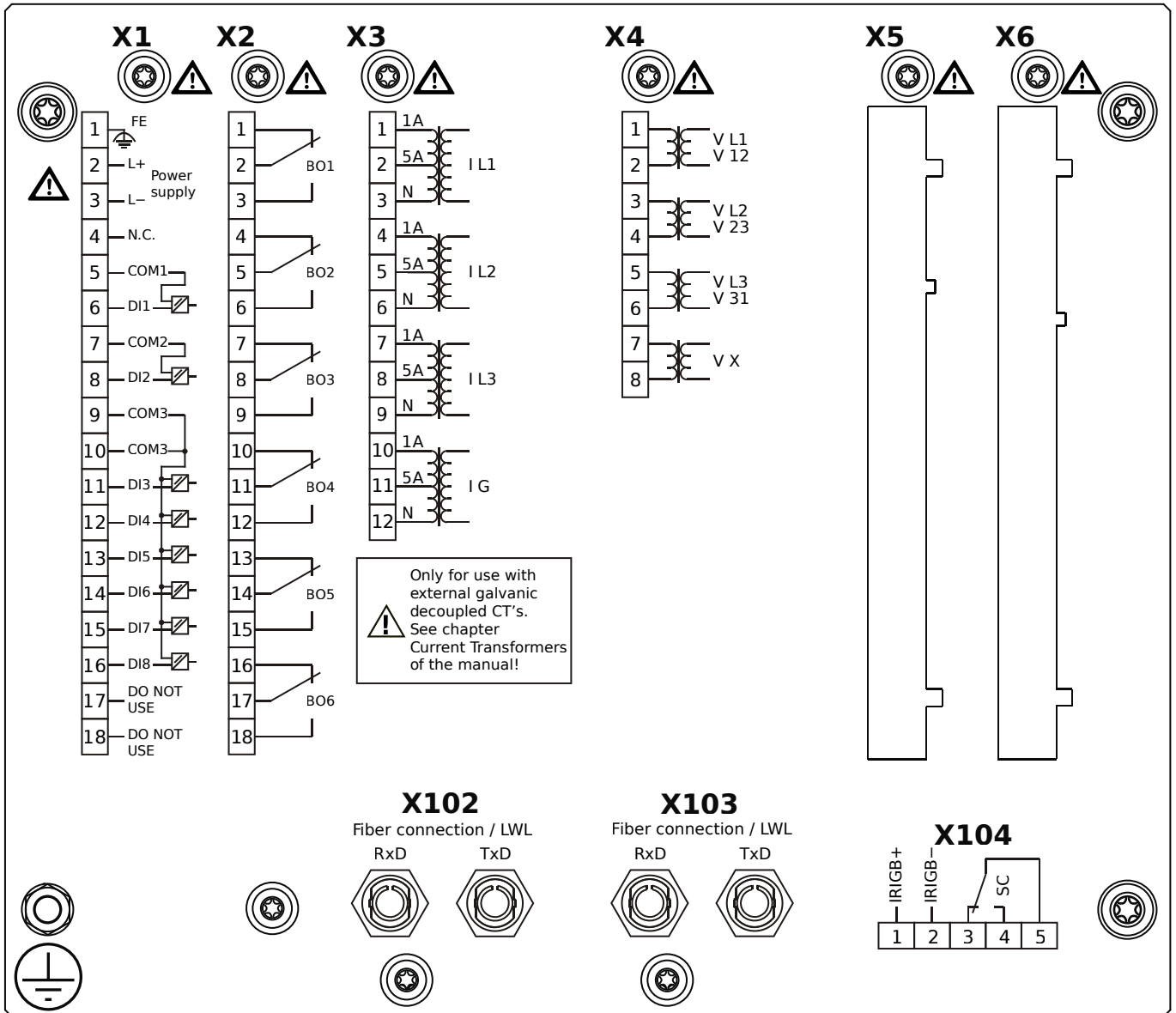


Housing B2, large display, 19" rack mounting

+ Conformal Coating (for installations in harsh environment)

- X1** – DI8-X1: Wide-range power supply unit, incl. 2 non-grouped digital inputs and 6 grouped digital inputs
- X2** – OR6: Assembly Group with 6 Output Relays (Changeover / Form C)
- X3** – TI: Standard current measuring card
- X4** – TU: Card with 4 voltage transformer measuring inputs (0 ... 800 VAC, under UL: 0 ... 600 VAC)
- X102** – Protection Communication, Fiber optics interface, ST Connector
- X103** – Profibus-DP, RS485, D-SUB
- X104** – IRIG-B00X, incl. System Contact (Supervision Contact)

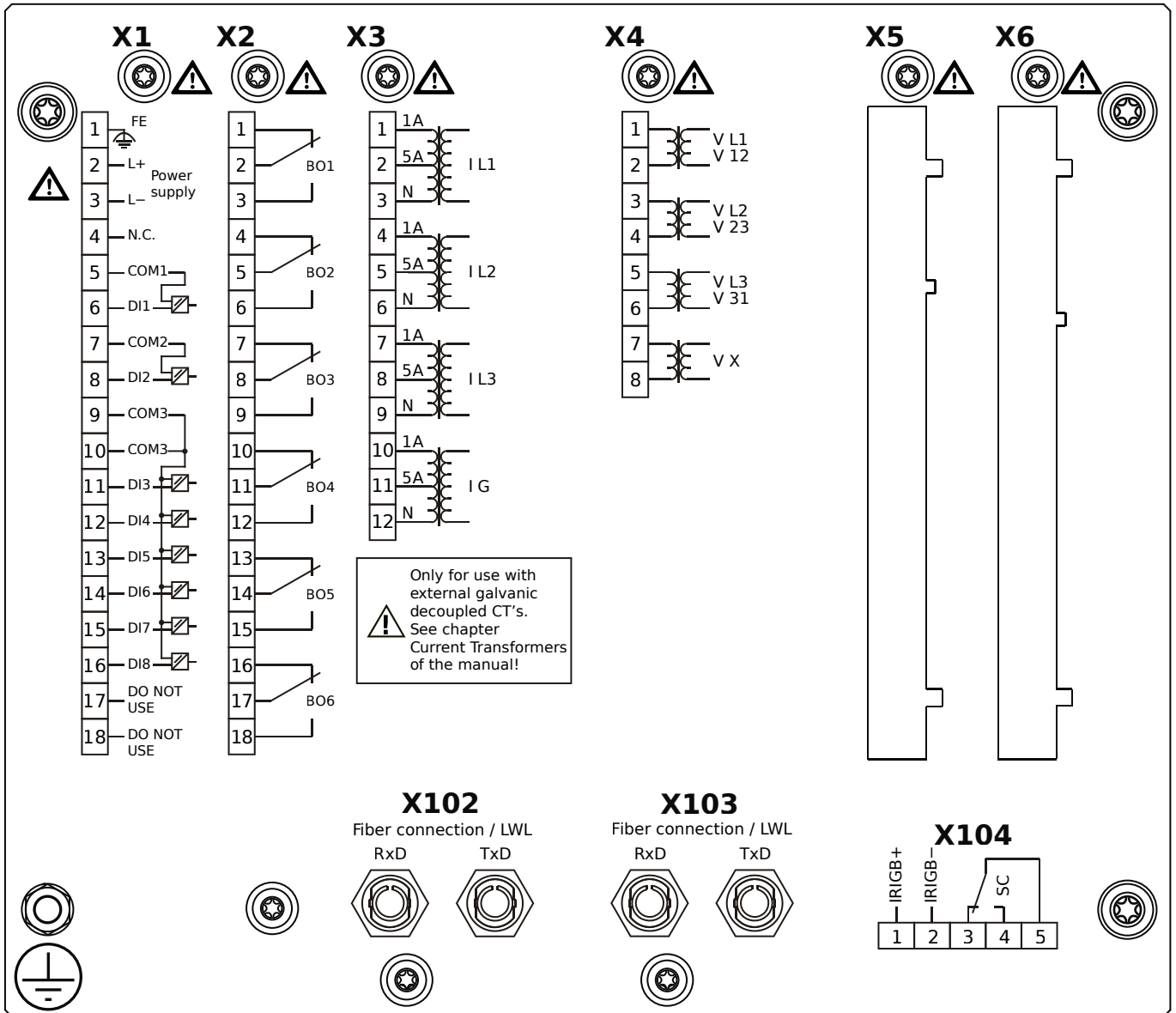
MCDLV4-2A0B1FA



Housing B2, large display, 19" rack mounting

- X1** – DI8-X1: Wide-range power supply unit, incl. 2 non-grouped digital inputs and 6 grouped digital inputs
- X2** – OR6: Assembly Group with 6 Output Relays (Changeover / Form C)
- X3** – TI: Standard current measuring card
- X4** – TU: Card with 4 voltage transformer measuring inputs (0 ... 800 VAC, under UL: 0 ... 600 VAC)
- X102** – Protection Communication, Fiber optics interface, ST Connector
- X103** – Modbus RTU / IEC 60870-5-103 / DNP3.0 RTU, Fiber optics interface, ST Connector
- X104** – IRIG-B00X, incl. System Contact (Supervision Contact)

MCDLV4-2A0B1FB

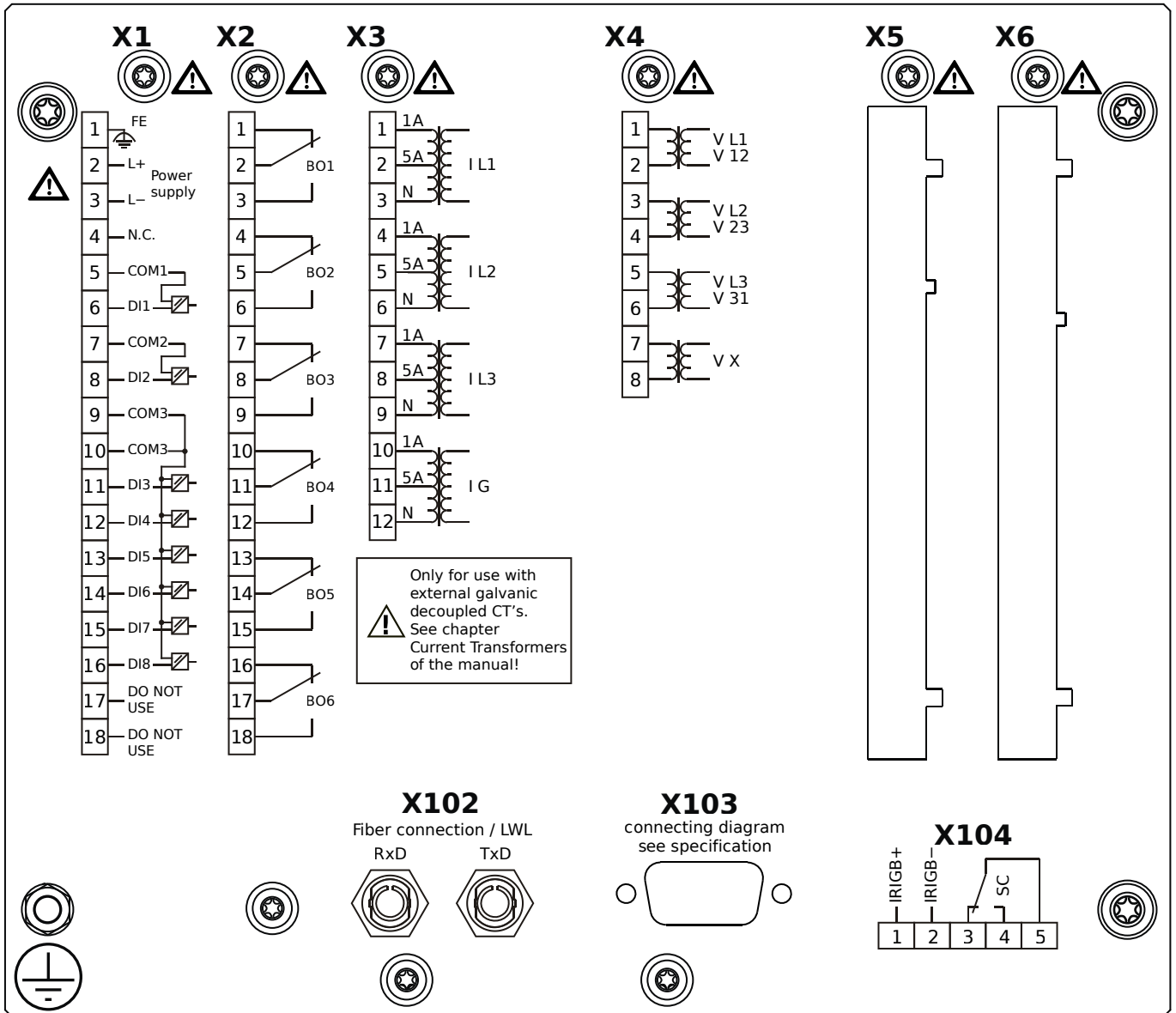


Housing B2, large display, 19" rack mounting

+ Conformal Coating (for installations in harsh environment)

- X1** – DI8-X1: Wide-range power supply unit, incl. 2 non-grouped digital inputs and 6 grouped digital inputs
- X2** – OR6: Assembly Group with 6 Output Relays (Changeover / Form C)
- X3** – TI: Standard current measuring card
- X4** – TU: Card with 4 voltage transformer measuring inputs (0 ... 800 VAC, under UL: 0 ... 600 VAC)
- X102** – Protection Communication, Fiber optics interface, ST Connector
- X103** – Modbus RTU / IEC 60870-5-103 / DNP3.0 RTU, Fiber optics interface, ST Connector
- X104** – IRIG-B00X, incl. System Contact (Supervision Contact)

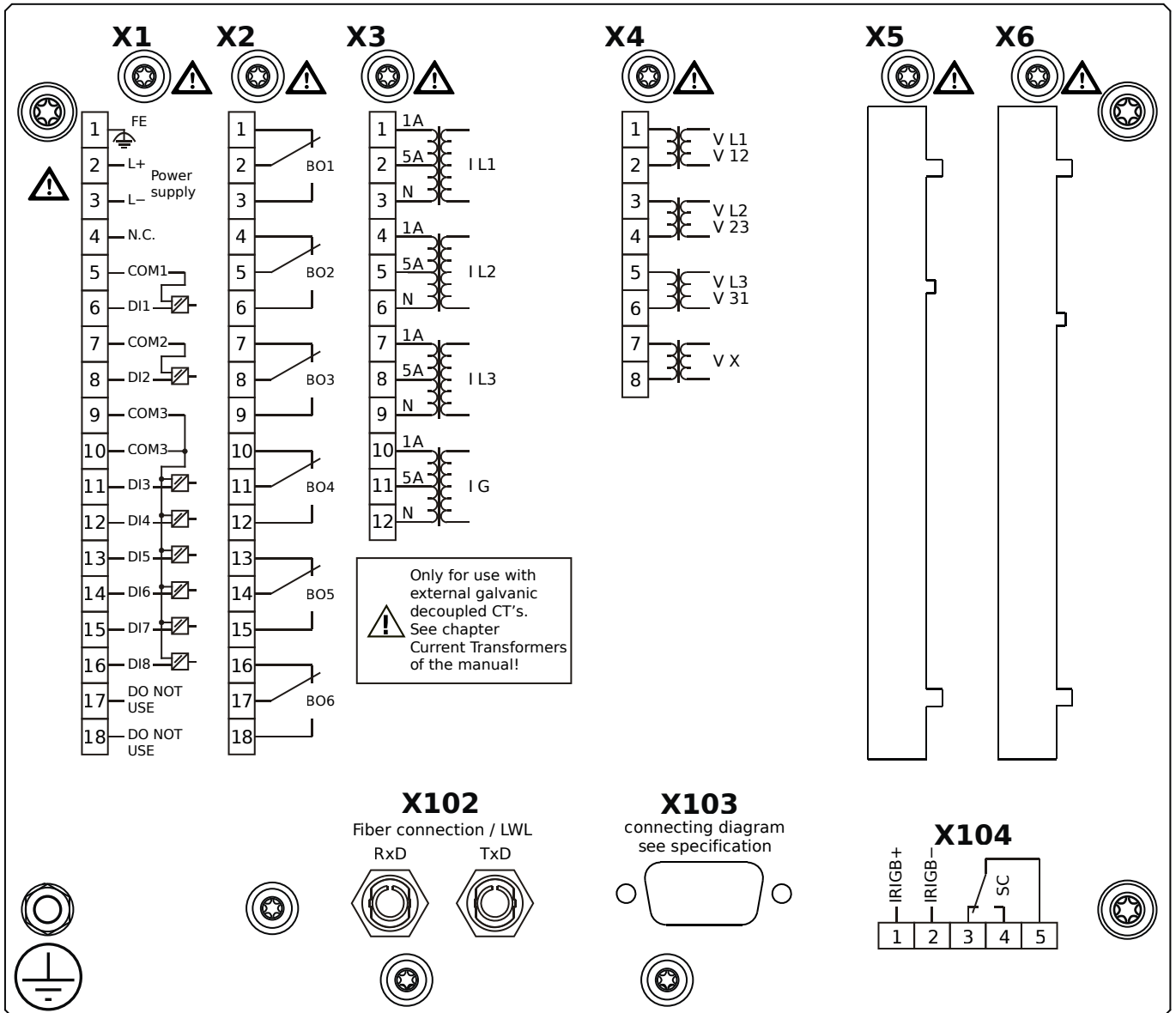
MCDLV4-2A0B1GA



Housing B2, large display, 19" rack mounting

- X1** – DI8-X1: Wide-range power supply unit, incl. 2 non-grouped digital inputs and 6 grouped digital inputs
- X2** – OR6: Assembly Group with 6 Output Relays (Changeover / Form C)
- X3** – TI: Standard current measuring card
- X4** – TU: Card with 4 voltage transformer measuring inputs (0 ... 800 VAC, under UL: 0 ... 600 VAC)
- X102** – Protection Communication, Fiber optics interface, ST Connector
- X103** – Modbus RTU / IEC 60870-5-103 / DNP3.0 RTU, RS485, D-SUB
- X104** – IRIG-B00X, incl. System Contact (Supervision Contact)

MCDLV4-2A0B1GB

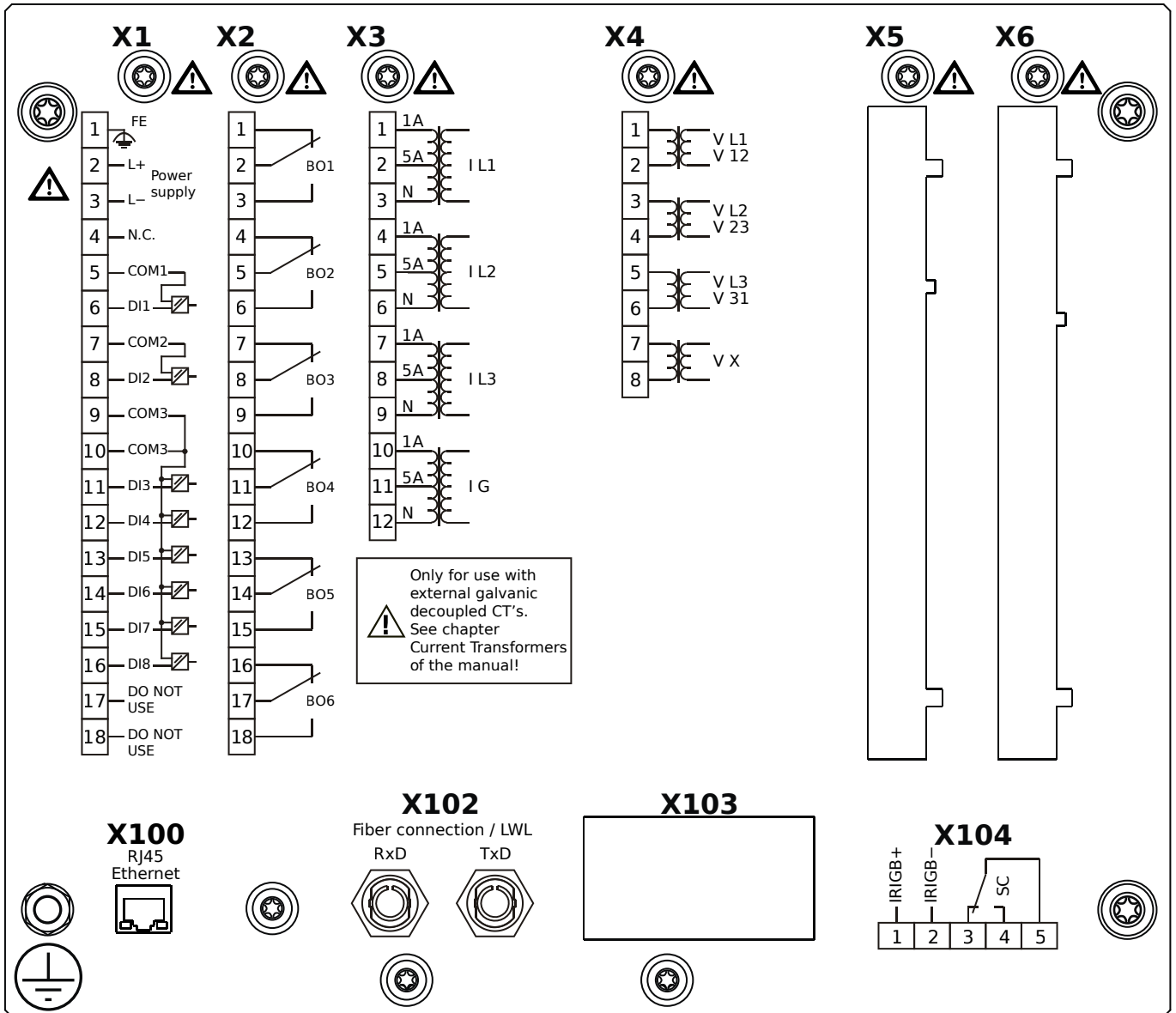


Housing B2, large display, 19" rack mounting

+ Conformal Coating (for installations in harsh environment)

- X1** – DI8-X1: Wide-range power supply unit, incl. 2 non-grouped digital inputs and 6 grouped digital inputs
- X2** – OR6: Assembly Group with 6 Output Relays (Changeover / Form C)
- X3** – TI: Standard current measuring card
- X4** – TU: Card with 4 voltage transformer measuring inputs (0 ... 800 VAC, under UL: 0 ... 600 VAC)
- X102** – Protection Communication, Fiber optics interface, ST Connector
- X103** – Modbus RTU / IEC 60870-5-103 / DNP3.0 RTU, RS485, D-SUB
- X104** – IRIG-B00X, incl. System Contact (Supervision Contact)

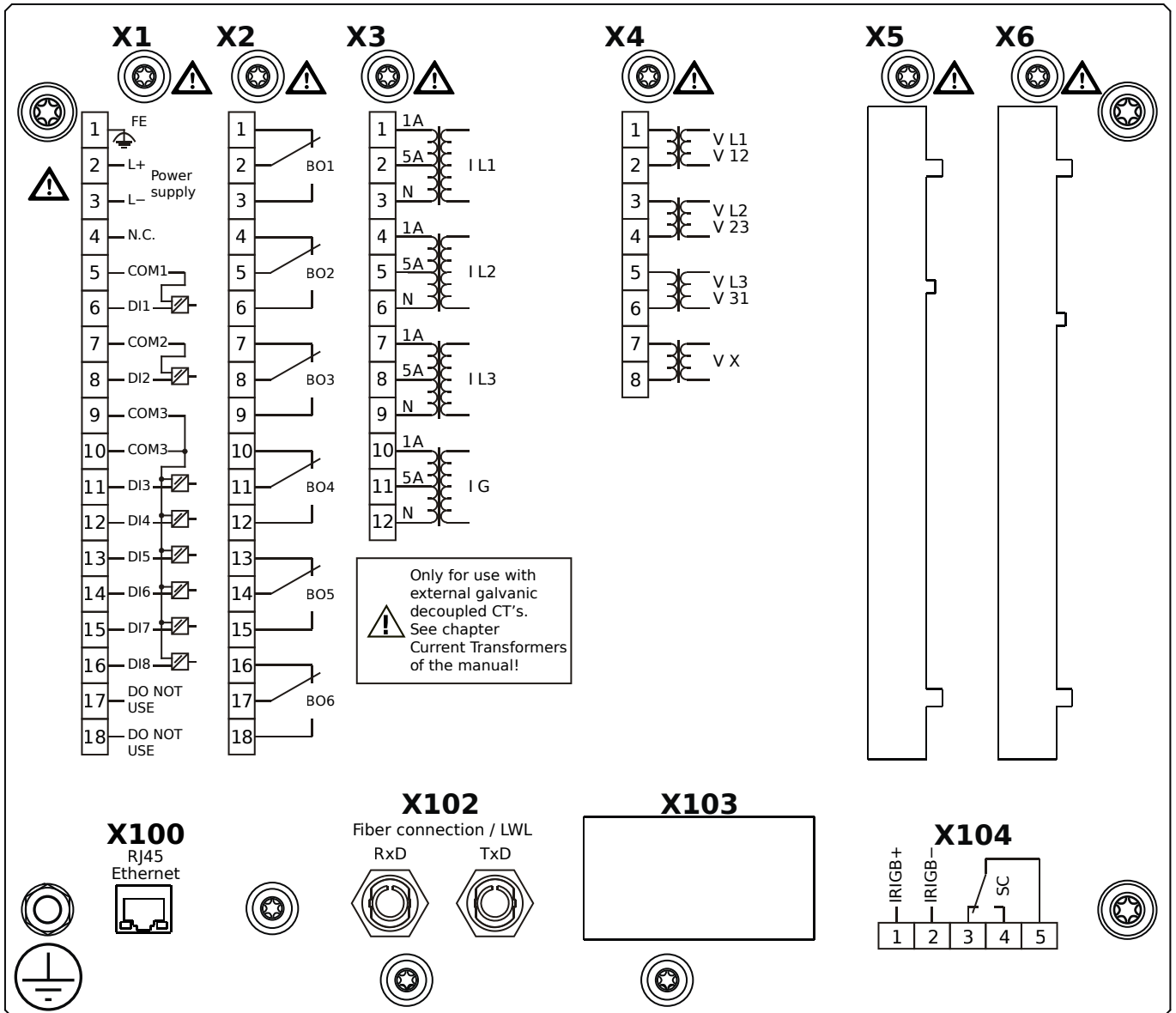
MCDLV4-2A0B1HA



Housing B2, large display, 19" rack mounting

- X1** – DI8-X1: Wide-range power supply unit, incl. 2 non-grouped digital inputs and 6 grouped digital inputs
- X2** – OR6: Assembly Group with 6 Output Relays (Changeover / Form C)
- X3** – TI: Standard current measuring card
- X4** – TU: Card with 4 voltage transformer measuring inputs (0 ... 800 VAC, under UL: 0 ... 600 VAC)
- X100** – IEC 61850 / Modbus TCP / IEC 60870-5-104 / DNP3.0 TCP/UDP, Ethernet interface, 100 Mbit/s, RJ45 (BASE100-FX)
- X102** – Protection Communication, Fiber optics interface, ST Connector
- X104** – IRIG-B00X, incl. System Contact (Supervision Contact)

MCDLV4-2A0B1HB



Housing B2, large display, 19" rack mounting

+ Conformal Coating (for installations in harsh environment)

X1 – DI8-X1: Wide-range power supply unit, incl. 2 non-grouped digital inputs and 6 grouped digital inputs

X2 – OR6: Assembly Group with 6 Output Relays (Changeover / Form C)

X3 – TI: Standard current measuring card

X4 – TU: Card with 4 voltage transformer measuring inputs (0 ... 800 VAC, under UL: 0 ... 600 VAC)

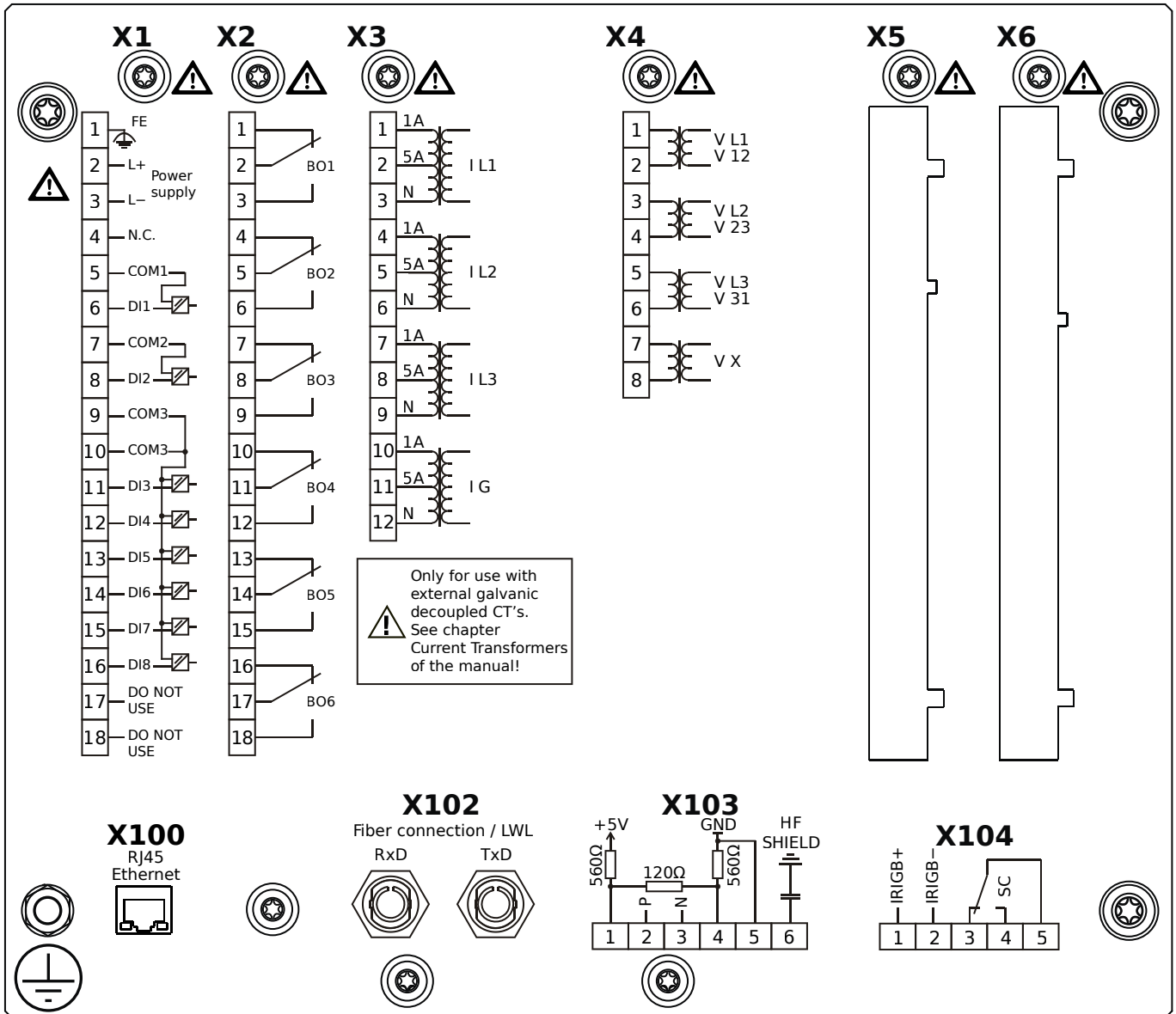
X100 – IEC 61850 / Modbus TCP / IEC 60870-5-104 / DNP3.0 TCP/UDP, Ethernet interface, 100 Mbit/s, RJ45 (BASE100-

FX)

X102 – Protection Communication, Fiber optics interface, ST Connector

X104 – IRIG-B00X, incl. System Contact (Supervision Contact)

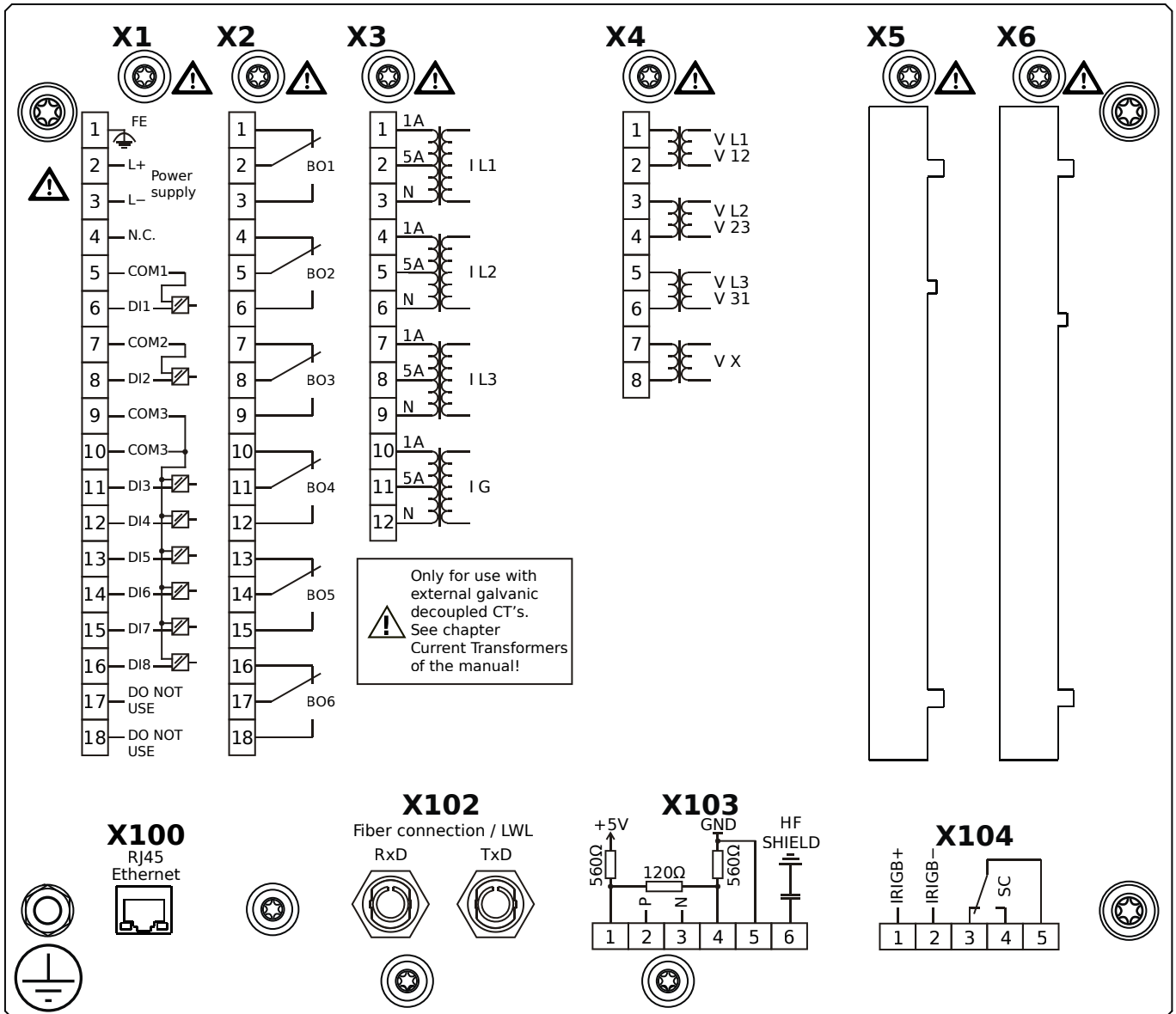
MCDLV4-2A0B1IA



Housing B2, large display, 19" rack mounting

- X1** – DI8-X1: Wide-range power supply unit, incl. 2 non-grouped digital inputs and 6 grouped digital inputs
- X2** – OR6: Assembly Group with 6 Output Relays (Changeover / Form C)
- X3** – TI: Standard current measuring card
- X4** – TU: Card with 4 voltage transformer measuring inputs (0 ... 800 VAC, under UL: 0 ... 600 VAC)
- X100** – Modbus TCP / IEC 60870-5-104 / DNP3.0 TCP/UDP, Ethernet interface, 100 Mbit/s, RJ45 (BASE100-FX)
- X102** – Protection Communication, Fiber optics interface, ST Connector
- X103** – IEC 60870-5-103 / Modbus RTU / DNP3.0 RTU, RS485, Terminals
- X104** – IRIG-B00X, incl. System Contact (Supervision Contact)

MCDLV4-2A0B1IB

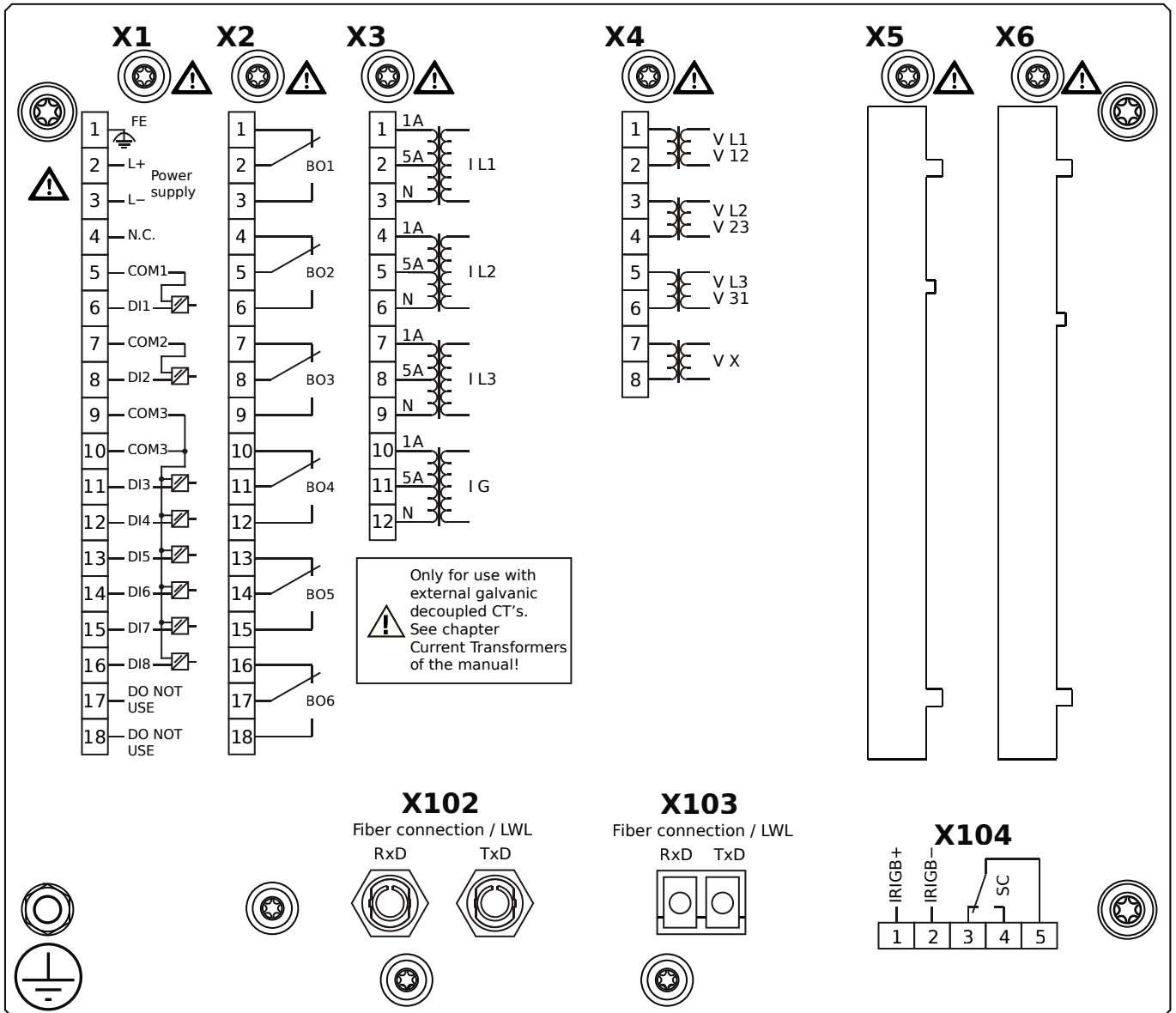


Housing B2, large display, 19" rack mounting

- + Conformal Coating (for installations in harsh environment)

- X1** – DI8-X1: Wide-range power supply unit, incl. 2 non-grouped digital inputs and 6 grouped digital inputs
- X2** – OR6: Assembly Group with 6 Output Relays (Changeover / Form C)
- X3** – TI: Standard current measuring card
- X4** – TU: Card with 4 voltage transformer measuring inputs (0 ... 800 VAC, under UL: 0 ... 600 VAC)
- X100** – Modbus TCP / IEC 60870-5-104 / DNP3.0 TCP/UDP, Ethernet interface, 100 Mbit/s, RJ45 (BASE100-FX)
- X102** – Protection Communication, Fiber optics interface, ST Connector
- X103** – IEC 60870-5-103 / Modbus RTU / DNP3.0 RTU, RS485, Terminals
- X104** – IRIG-B00X, incl. System Contact (Supervision Contact)

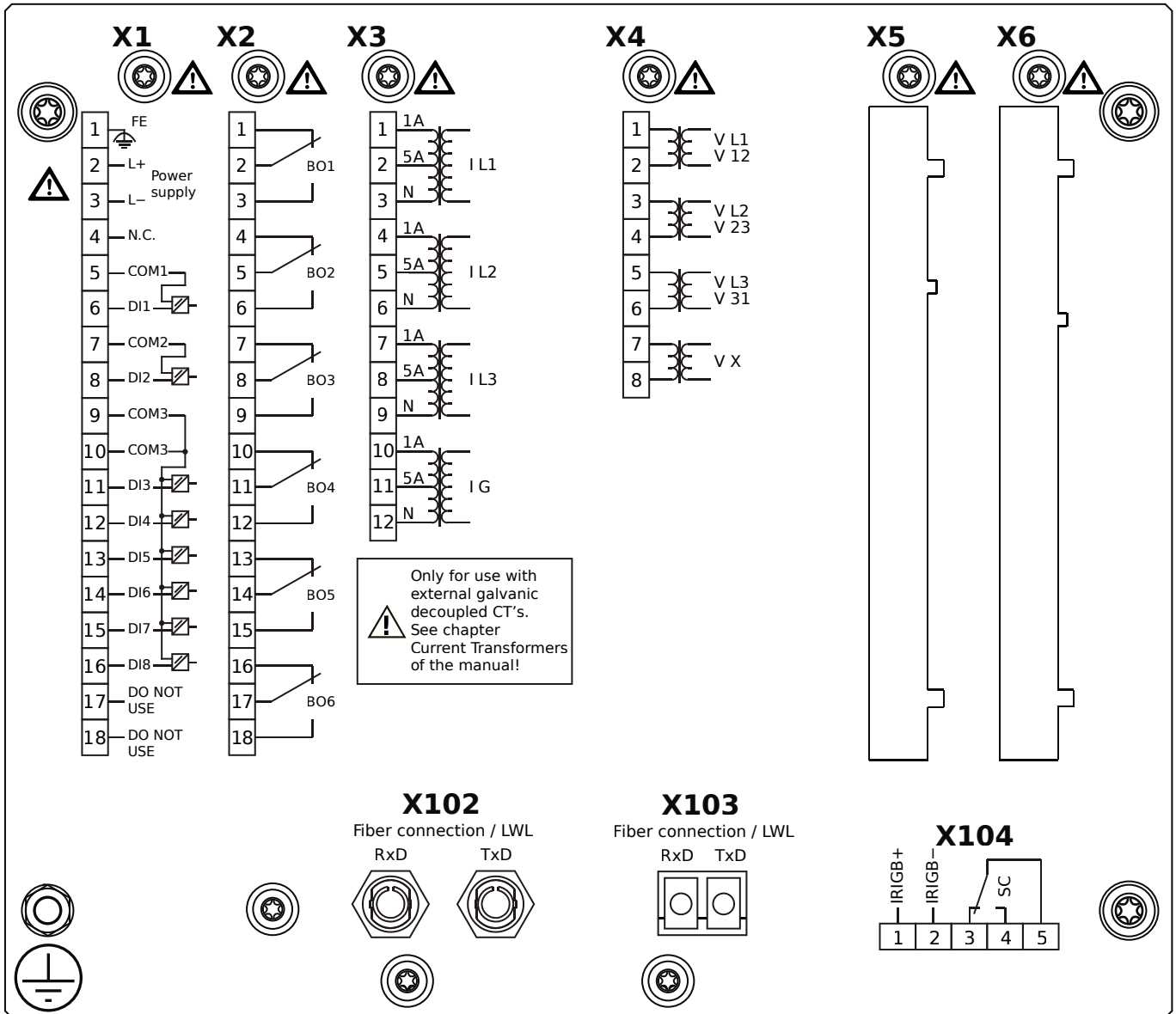
MCDLV4-2A0B1KA



Housing B2, large display, 19" rack mounting

- X1** – DI8-X1: Wide-range power supply unit, incl. 2 non-grouped digital inputs and 6 grouped digital inputs
- X2** – OR6: Assembly Group with 6 Output Relays (Changeover / Form C)
- X3** – TI: Standard current measuring card
- X4** – TU: Card with 4 voltage transformer measuring inputs (0 ... 800 VAC, under UL: 0 ... 600 VAC)
- X102** – Protection Communication, Fiber optics interface, ST Connector
- X103** – IEC 61850 / Modbus TCP / IEC 60870-5-104 / DNP3.0 TCP/UDP, Fiber optics interface, LC Connector
- X104** – IRIG-B00X, incl. System Contact (Supervision Contact)

MCDLV4-2A0B1KB

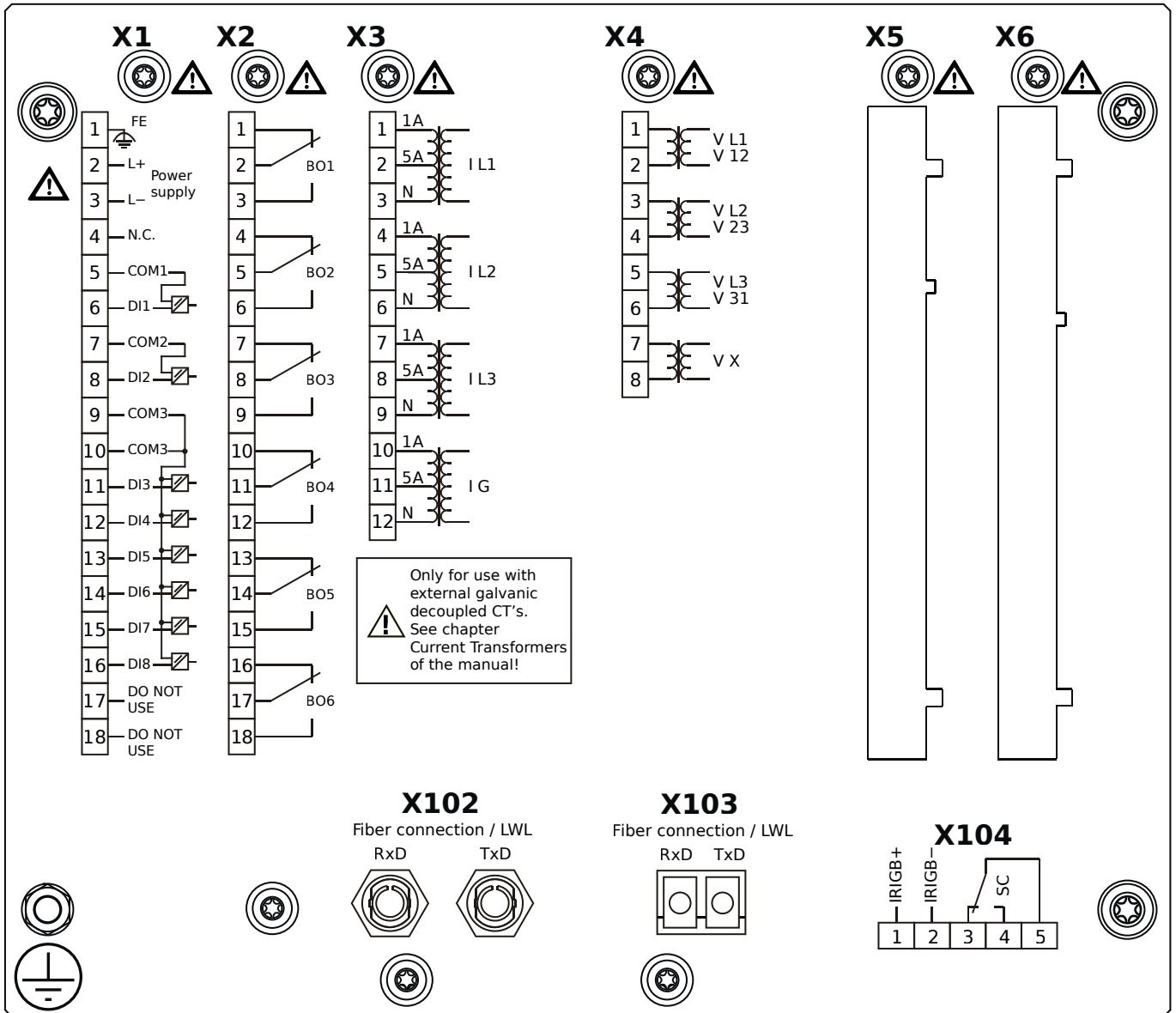


Housing B2, large display, 19" rack mounting

- + Conformal Coating (for installations in harsh environment)

- X1** – DI8-X1: Wide-range power supply unit, incl. 2 non-grouped digital inputs and 6 grouped digital inputs
- X2** – OR6: Assembly Group with 6 Output Relays (Changeover / Form C)
- X3** – TI: Standard current measuring card
- X4** – TU: Card with 4 voltage transformer measuring inputs (0 ... 800 VAC, under UL: 0 ... 600 VAC)
- X102** – Protection Communication, Fiber optics interface, ST Connector
- X103** – IEC 61850 / Modbus TCP / IEC 60870-5-104 / DNP3.0 TCP/UDP, Fiber optics interface, LC Connector
- X104** – IRIG-B00X, incl. System Contact (Supervision Contact)

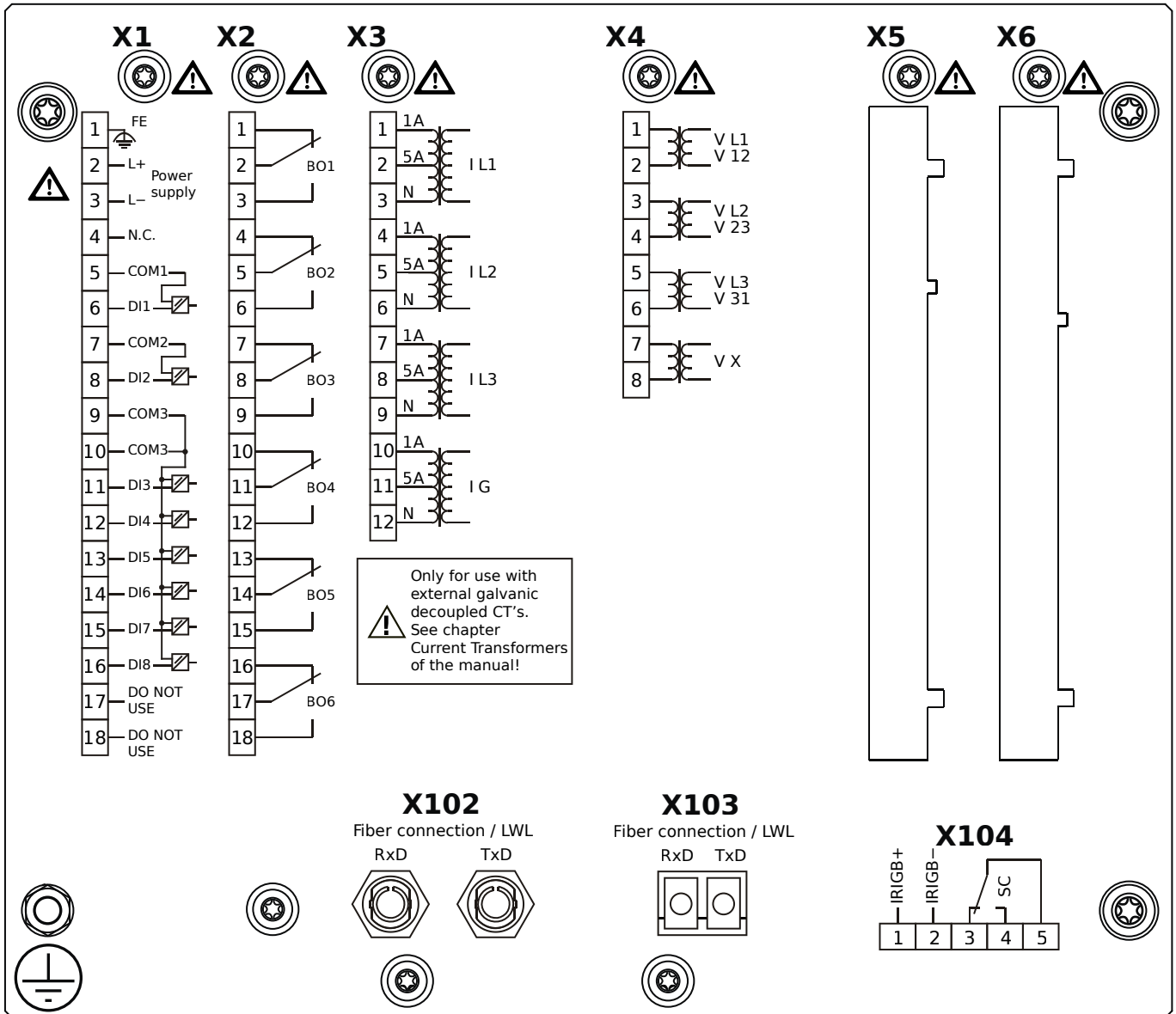
MCDLV4-2A0B1LA



Housing B2, large display, 19" rack mounting

- X1** – DI8-X1: Wide-range power supply unit, incl. 2 non-grouped digital inputs and 6 grouped digital inputs
- X2** – OR6: Assembly Group with 6 Output Relays (Changeover / Form C)
- X3** – TI: Standard current measuring card
- X4** – TU: Card with 4 voltage transformer measuring inputs (0 ... 800 VAC, under UL: 0 ... 600 VAC)
- X102** – Protection Communication, Fiber optics interface, ST Connector
- X103** – Modbus TCP / IEC 60870-5-104 / DNP3.0 TCP/UDP, Fiber optics interface, LC Connector
- X104** – IRIG-B00X, incl. System Contact (Supervision Contact)

MCDLV4-2A0B1LB

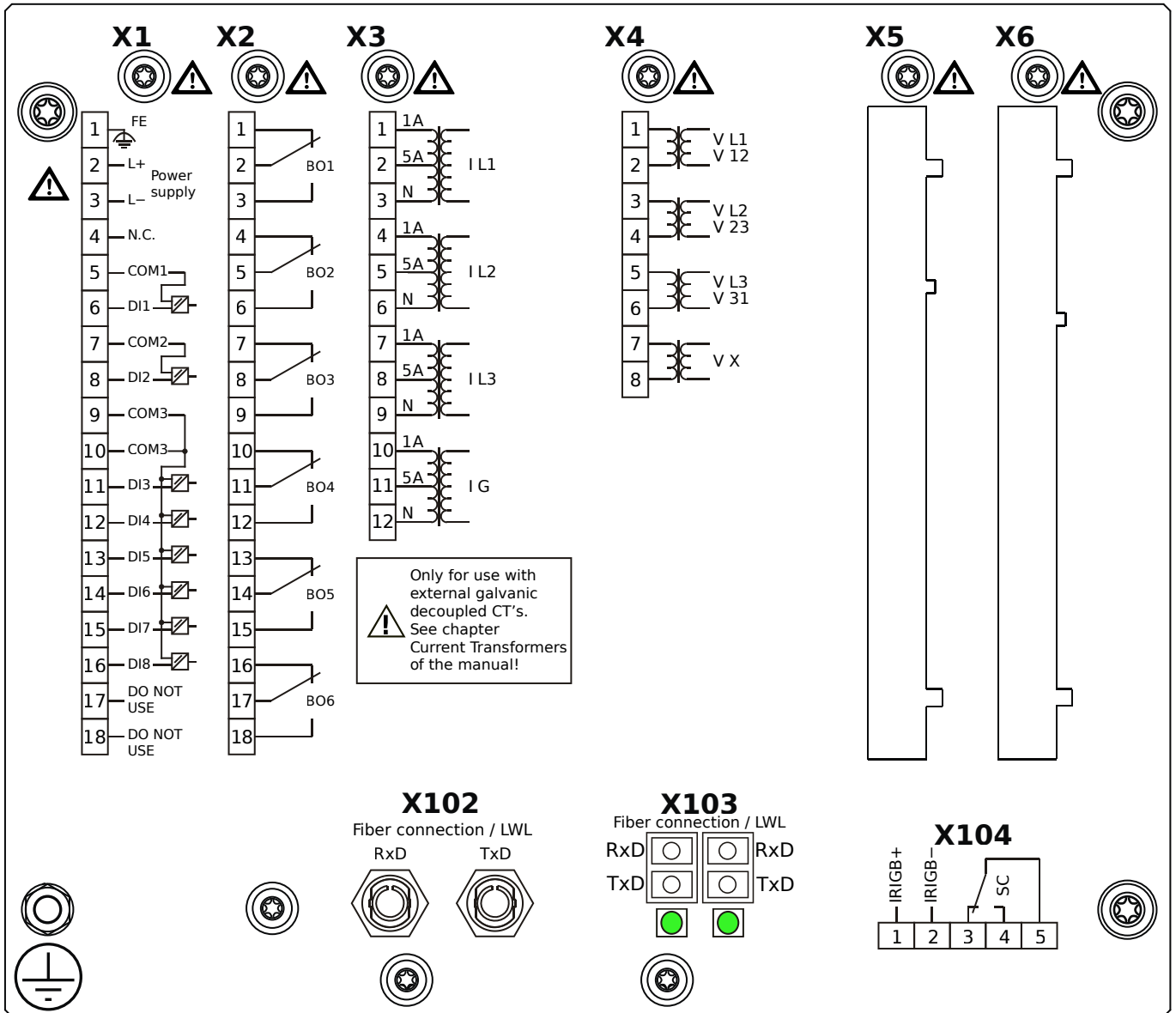


Housing B2, large display, 19" rack mounting

+ Conformal Coating (for installations in harsh environment)

- X1** – DI8-X1: Wide-range power supply unit, incl. 2 non-grouped digital inputs and 6 grouped digital inputs
- X2** – OR6: Assembly Group with 6 Output Relays (Changeover / Form C)
- X3** – TI: Standard current measuring card
- X4** – TU: Card with 4 voltage transformer measuring inputs (0 ... 800 VAC, under UL: 0 ... 600 VAC)
- X102** – Protection Communication, Fiber optics interface, ST Connector
- X103** – Modbus TCP / IEC 60870-5-104 / DNP3.0 TCP/UDP, Fiber optics interface, LC Connector
- X104** – IRIG-B00X, incl. System Contact (Supervision Contact)

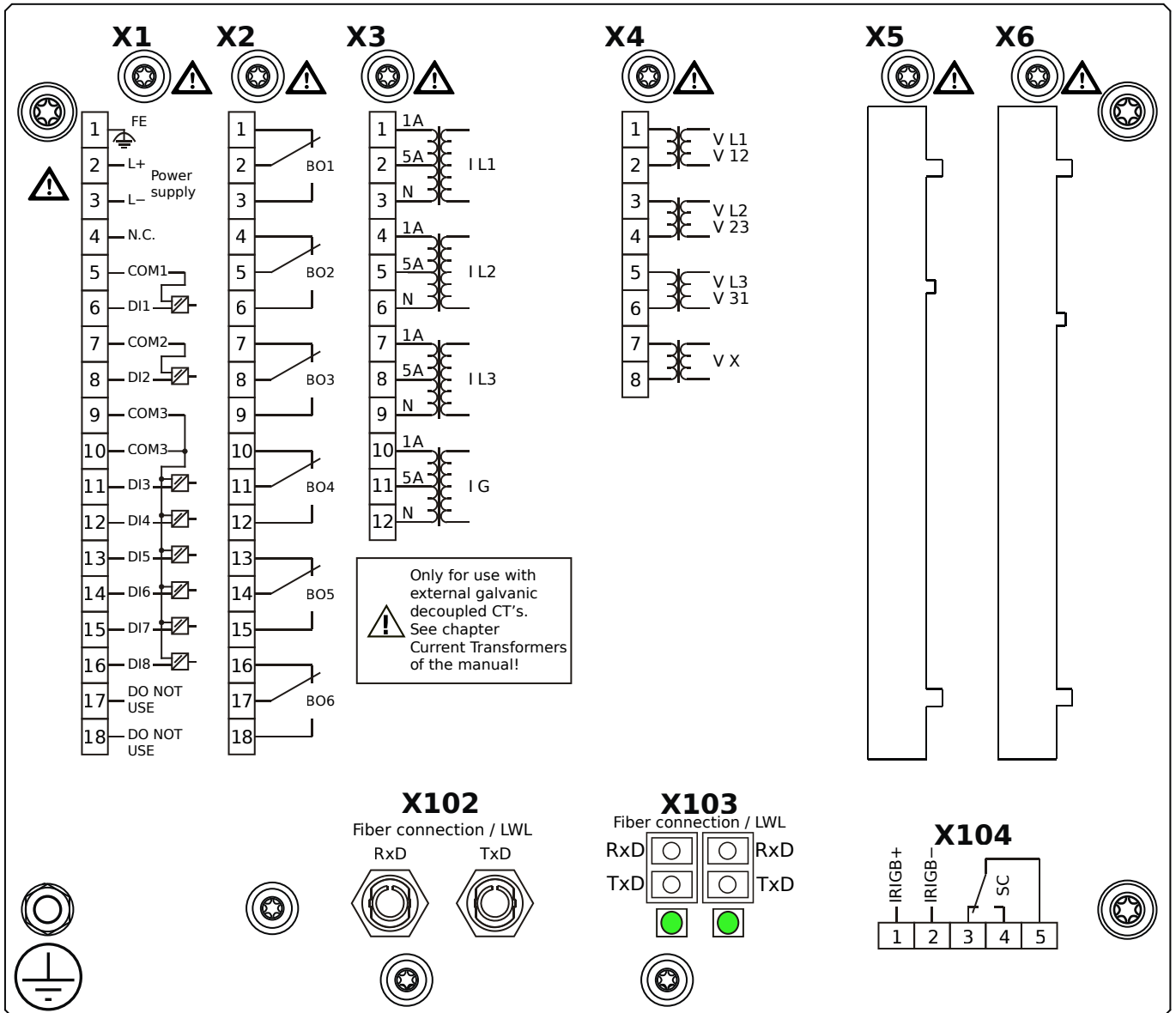
MCDLV4-2A0B10A



Housing B2, large display, 19" rack mounting

- X1** – DI8-X1: Wide-range power supply unit, incl. 2 non-grouped digital inputs and 6 grouped digital inputs
- X2** – OR6: Assembly Group with 6 Output Relays (Changeover / Form C)
- X3** – TI: Standard current measuring card
- X4** – TU: Card with 4 voltage transformer measuring inputs (0 ... 800 VAC, under UL: 0 ... 600 VAC)
- X102** – Protection Communication, Fiber optics interface, ST Connector
- X103** – Modbus TCP / IEC 60870-5-104 / DNP3.0 TCP/UDP, Redundant Fiber optics interface, LC Connector
- X104** – IRIG-B00X, incl. System Contact (Supervision Contact)

MCDLV4-2A0B10B

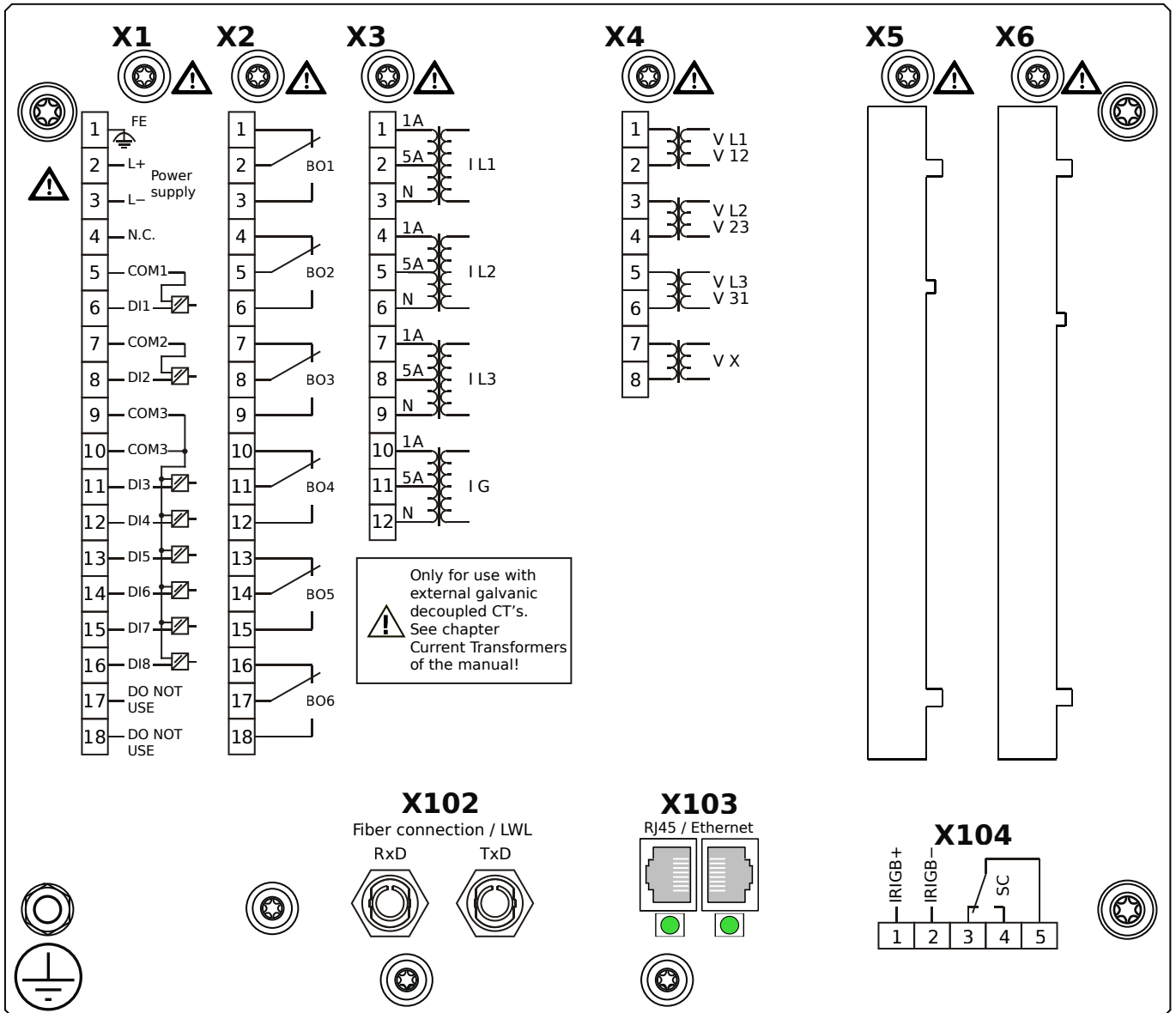


Housing B2, large display, 19" rack mounting

- + Conformal Coating (for installations in harsh environment)

- X1** – DI8-X1: Wide-range power supply unit, incl. 2 non-grouped digital inputs and 6 grouped digital inputs
- X2** – OR6: Assembly Group with 6 Output Relays (Changeover / Form C)
- X3** – TI: Standard current measuring card
- X4** – TU: Card with 4 voltage transformer measuring inputs (0 ... 800 VAC, under UL: 0 ... 600 VAC)
- X102** – Protection Communication, Fiber optics interface, ST Connector
- X103** – Modbus TCP / IEC 60870-5-104 / DNP3.0 TCP/UDP, Redundant Fiber optics interface, LC Connector
- X104** – IRIG-B00X, incl. System Contact (Supervision Contact)

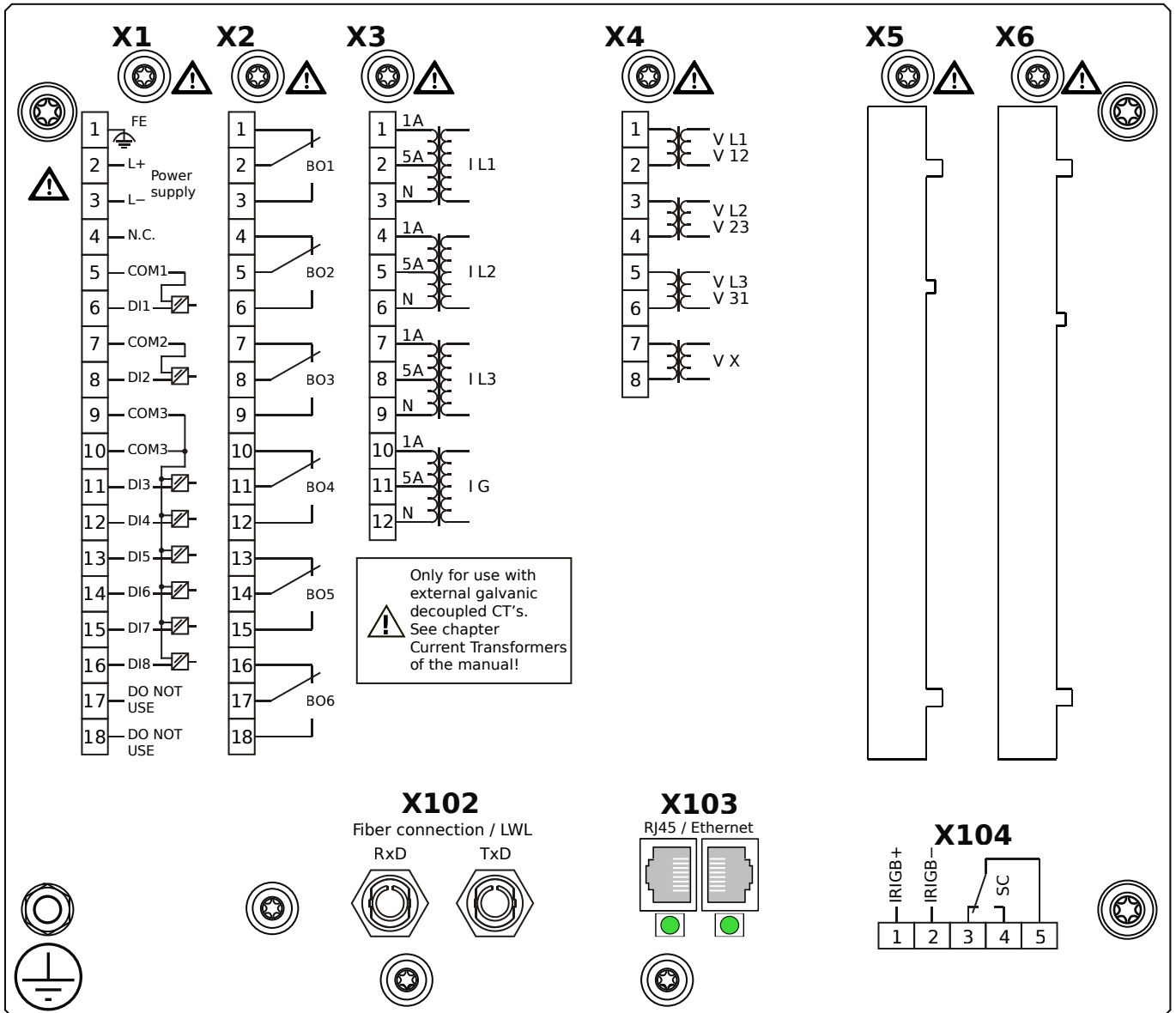
MCDLV4-2A0B1PA



Housing B2, large display, 19" rack mounting

- X1** – DI8-X1: Wide-range power supply unit, incl. 2 non-grouped digital inputs and 6 grouped digital inputs
- X2** – OR6: Assembly Group with 6 Output Relays (Changeover / Form C)
- X3** – TI: Standard current measuring card
- X4** – TU: Card with 4 voltage transformer measuring inputs (0 ... 800 VAC, under UL: 0 ... 600 VAC)
- X102** – Protection Communication, Fiber optics interface, ST Connector
- X103** – Modbus TCP / IEC 60870-5-104 / DNP3.0 TCP/UDP, Redundant Ethernet interface, 100 Mbit/s, RJ45 (BASE100-FX)
- X104** – IRIG-B00X, incl. System Contact (Supervision Contact)

MCDLV4-2A0B1PB



Housing B2, large display, 19" rack mounting

- + Conformal Coating (for installations in harsh environment)

X1 – DI8-X1: Wide-range power supply unit, incl. 2 non-grouped digital inputs and 6 grouped digital inputs

X2 – OR6: Assembly Group with 6 Output Relays (Changeover / Form C)

X3 – TI: Standard current measuring card

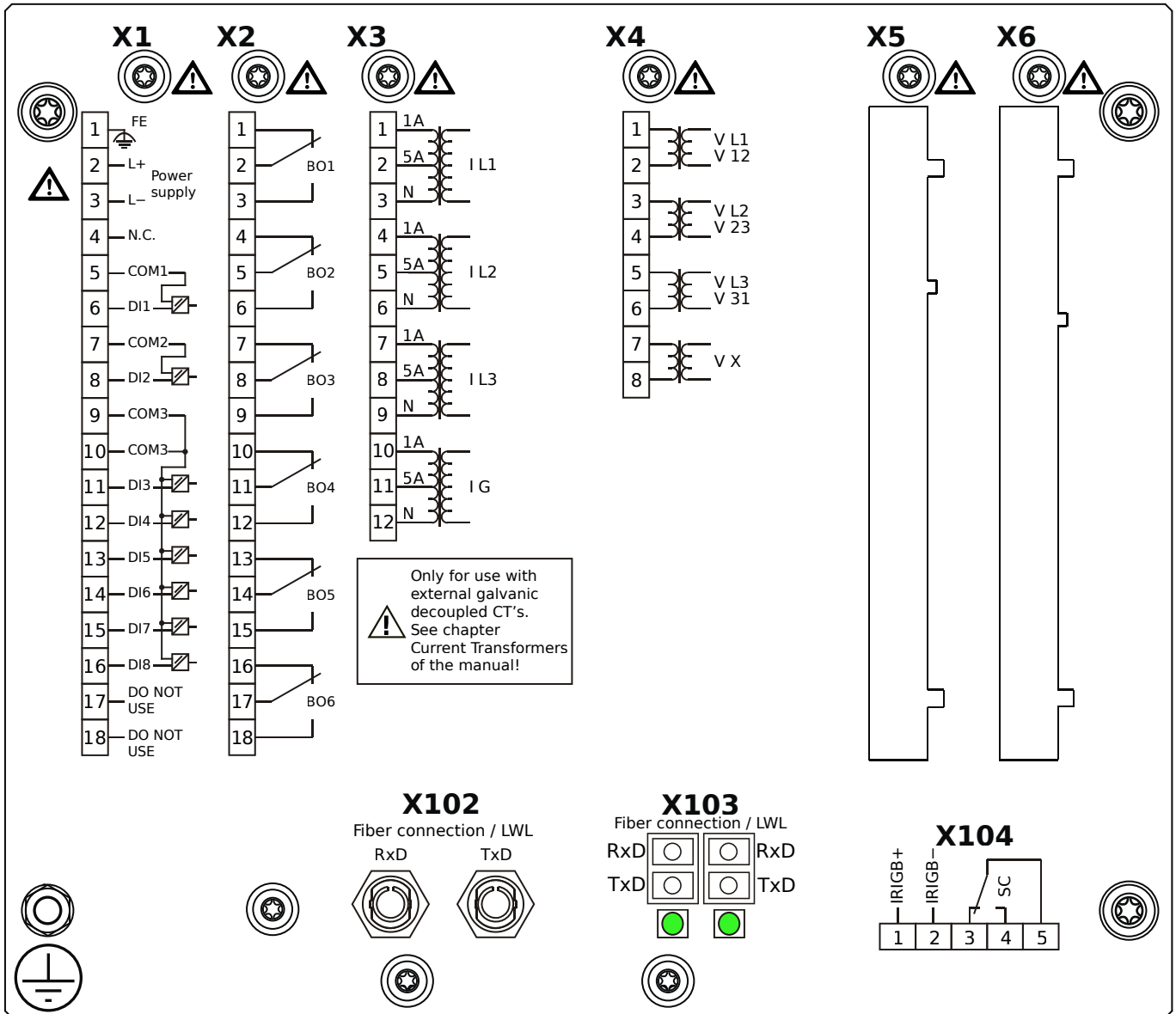
X4 – TU: Card with 4 voltage transformer measuring inputs (0 ... 800 VAC, under UL: 0 ... 600 VAC)

X102 – Protection Communication, Fiber optics interface, ST Connector

X103 – Modbus TCP / IEC 60870-5-104 / DNP3.0 TCP/UDP, Redundant Ethernet interface, 100 Mbit/s, RJ45 (BASE100-FX)

X104 – IRIG-B00X, incl. System Contact (Supervision Contact)

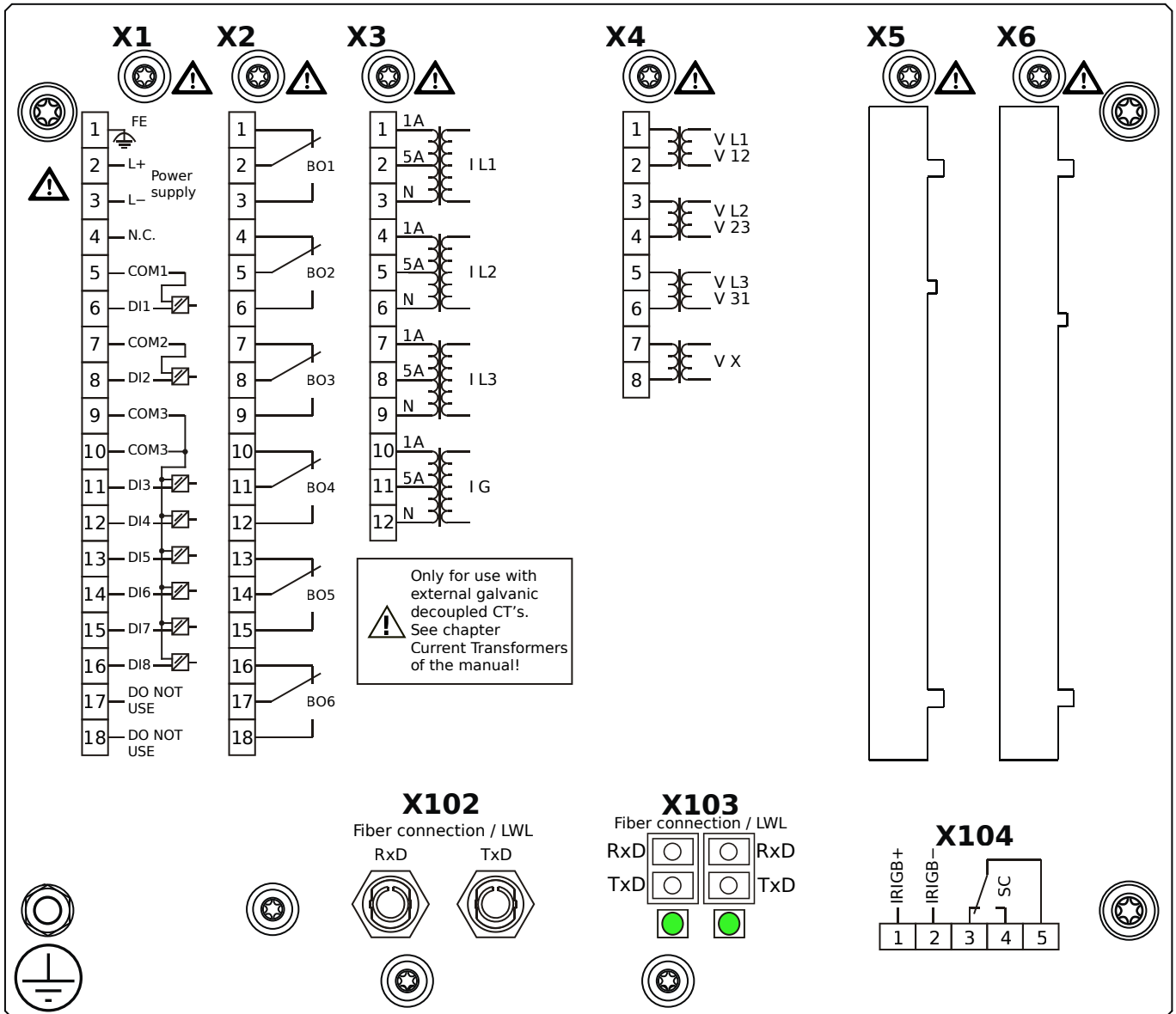
MCDLV4-2A0B1QA



Housing B2, large display, 19" rack mounting

- X1** – DI8-X1: Wide-range power supply unit, incl. 2 non-grouped digital inputs and 6 grouped digital inputs
- X2** – OR6: Assembly Group with 6 Output Relays (Changeover / Form C)
- X3** – TI: Standard current measuring card
- X4** – TU: Card with 4 voltage transformer measuring inputs (0 ... 800 VAC, under UL: 0 ... 600 VAC)
- X102** – Protection Communication, Fiber optics interface, ST Connector
- X103** – IEC 61850 / Modbus TCP / IEC 60870-5-104 / DNP3.0 TCP/UDP, Redundant Fiber optics interface, LC Connector
- X104** – IRIG-B00X, incl. System Contact (Supervision Contact)

MCDLV4-2A0B1QB



Housing B2, large display, 19" rack mounting

- + Conformal Coating (for installations in harsh environment)

X1 – DI8-X1: Wide-range power supply unit, incl. 2 non-grouped digital inputs and 6 grouped digital inputs

X2 – OR6: Assembly Group with 6 Output Relays (Changeover / Form C)

X3 – TI: Standard current measuring card

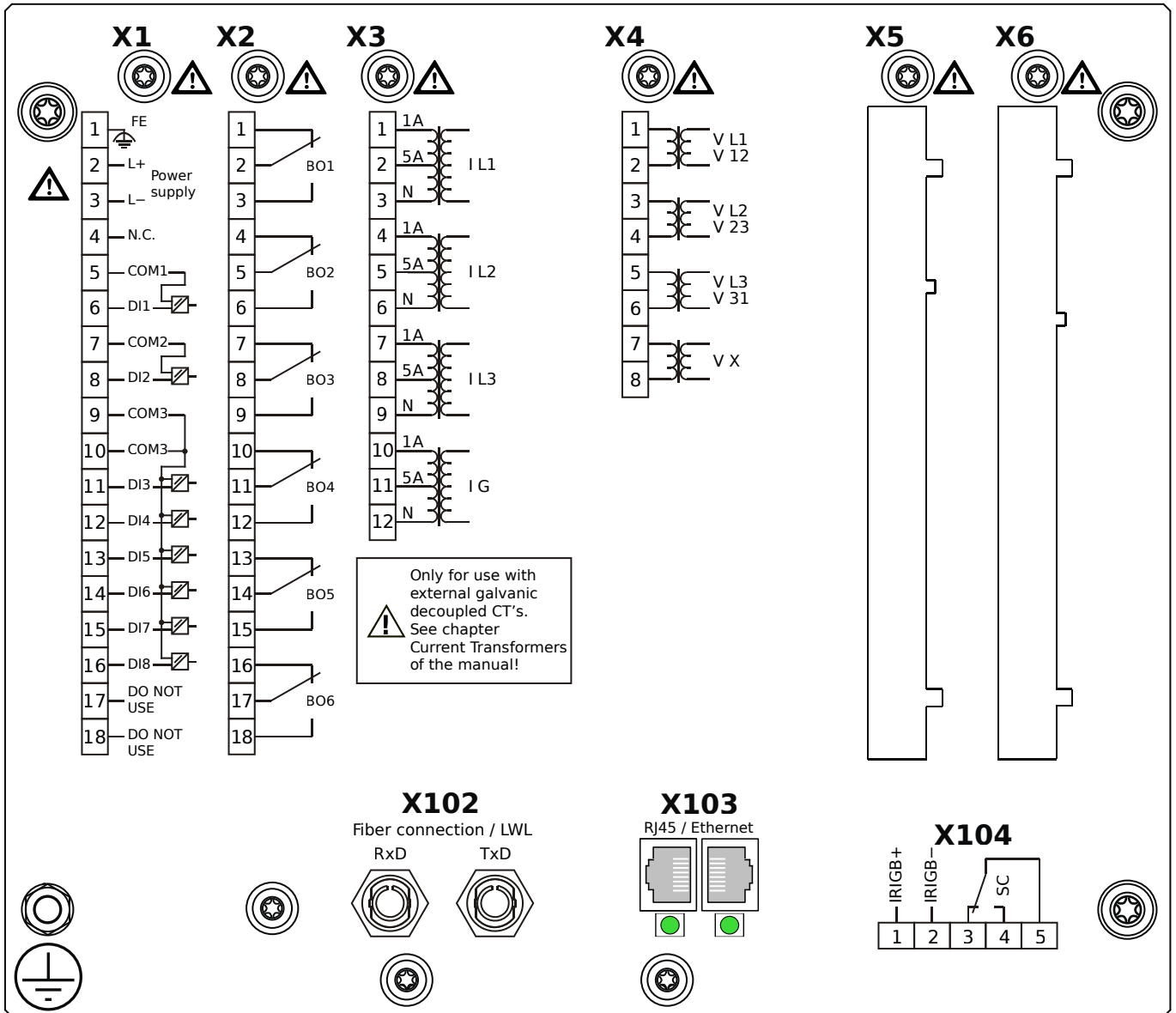
X4 – TU: Card with 4 voltage transformer measuring inputs (0 ... 800 VAC, under UL: 0 ... 600 VAC)

X102 – Protection Communication, Fiber optics interface, ST Connector

X103 – IEC 61850 / Modbus TCP / IEC 60870-5-104 / DNP3.0 TCP/UDP, Redundant Fiber optics interface, LC Connector

X104 – IRIG-B00X, incl. System Contact (Supervision Contact)

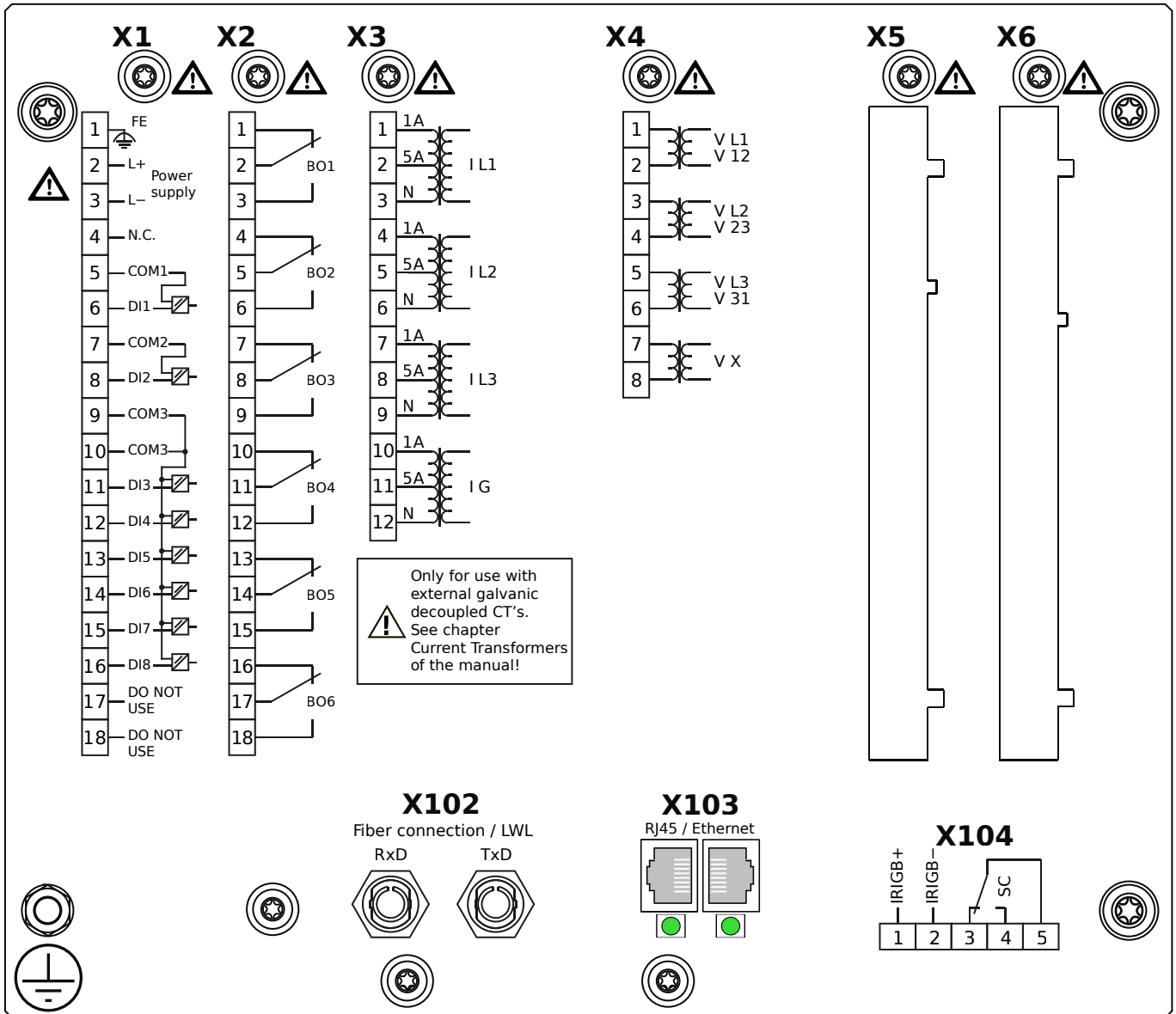
MCDLV4-2A0B1RA



Housing B2, large display, 19" rack mounting

- X1** – DI8-X1: Wide-range power supply unit, incl. 2 non-grouped digital inputs and 6 grouped digital inputs
- X2** – OR6: Assembly Group with 6 Output Relays (Changeover / Form C)
- X3** – TI: Standard current measuring card
- X4** – TU: Card with 4 voltage transformer measuring inputs (0 ... 800 VAC, under UL: 0 ... 600 VAC)
- X102** – Protection Communication, Fiber optics interface, ST Connector
- X103** – IEC 61850 / Modbus TCP / IEC 60870-5-104 / DNP3.0 TCP/UDP, Redundant Ethernet interface, 100 Mbit/s, RJ45 (BASE100-FX)
- X104** – IRIG-B00X, incl. System Contact (Supervision Contact)

MCDLV4-2A0B1RB



Housing B2, large display, 19" rack mounting

- + Conformal Coating (for installations in harsh environment)

X1 – DI8-X1: Wide-range power supply unit, incl. 2 non-grouped digital inputs and 6 grouped digital inputs

X2 – OR6: Assembly Group with 6 Output Relays (Changeover / Form C)

X3 – TI: Standard current measuring card

X4 – TU: Card with 4 voltage transformer measuring inputs (0 ... 800 VAC, under UL: 0 ... 600 VAC)

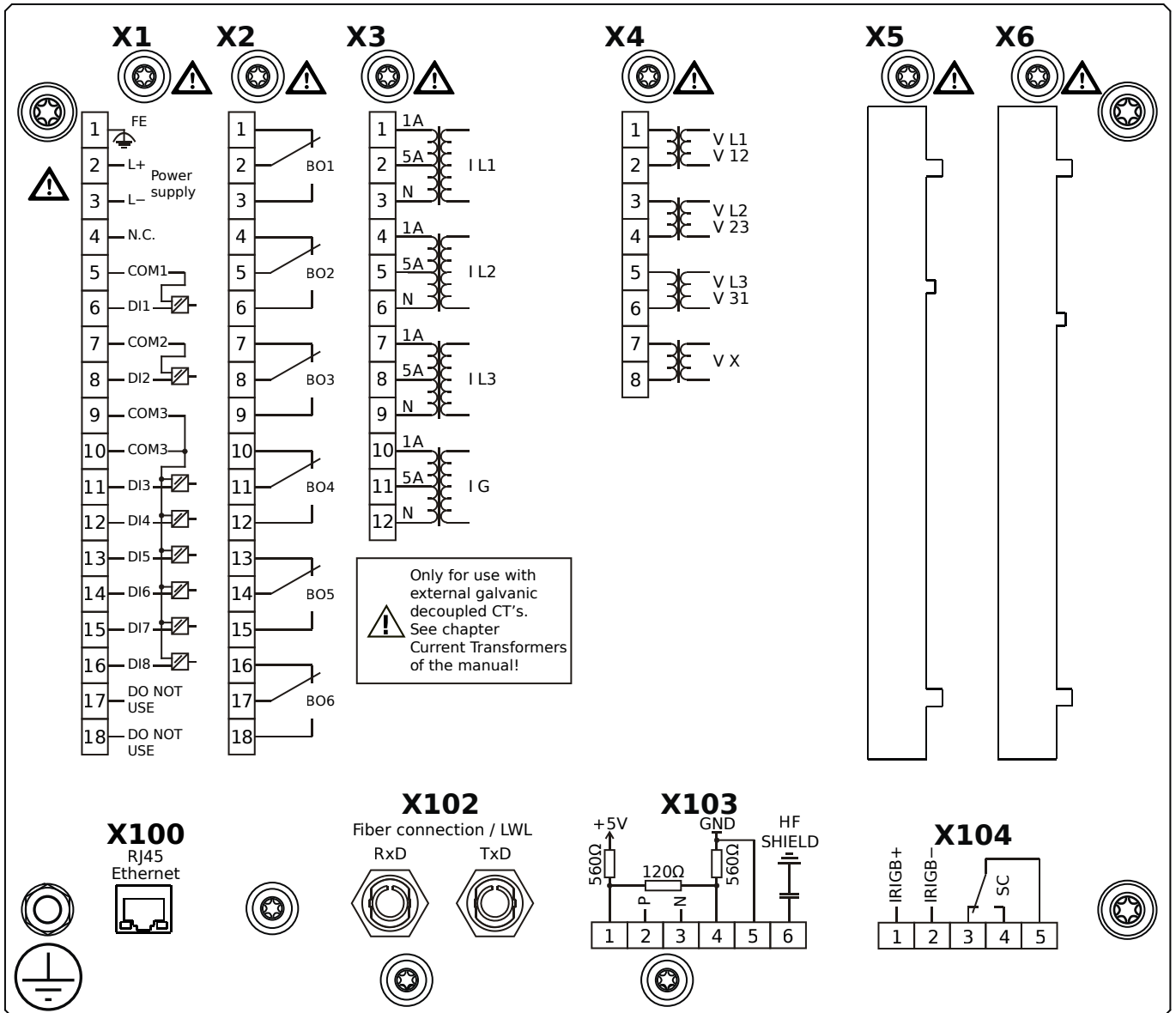
X102 – Protection Communication, Fiber optics interface, ST Connector

X103 – IEC 61850 / Modbus TCP / IEC 60870-5-104 / DNP3.0 TCP/UDP, Redundant Ethernet interface, 100 Mbit/s, RJ45

(BASE100-FX)

X104 – IRIG-B00X, incl. System Contact (Supervision Contact)

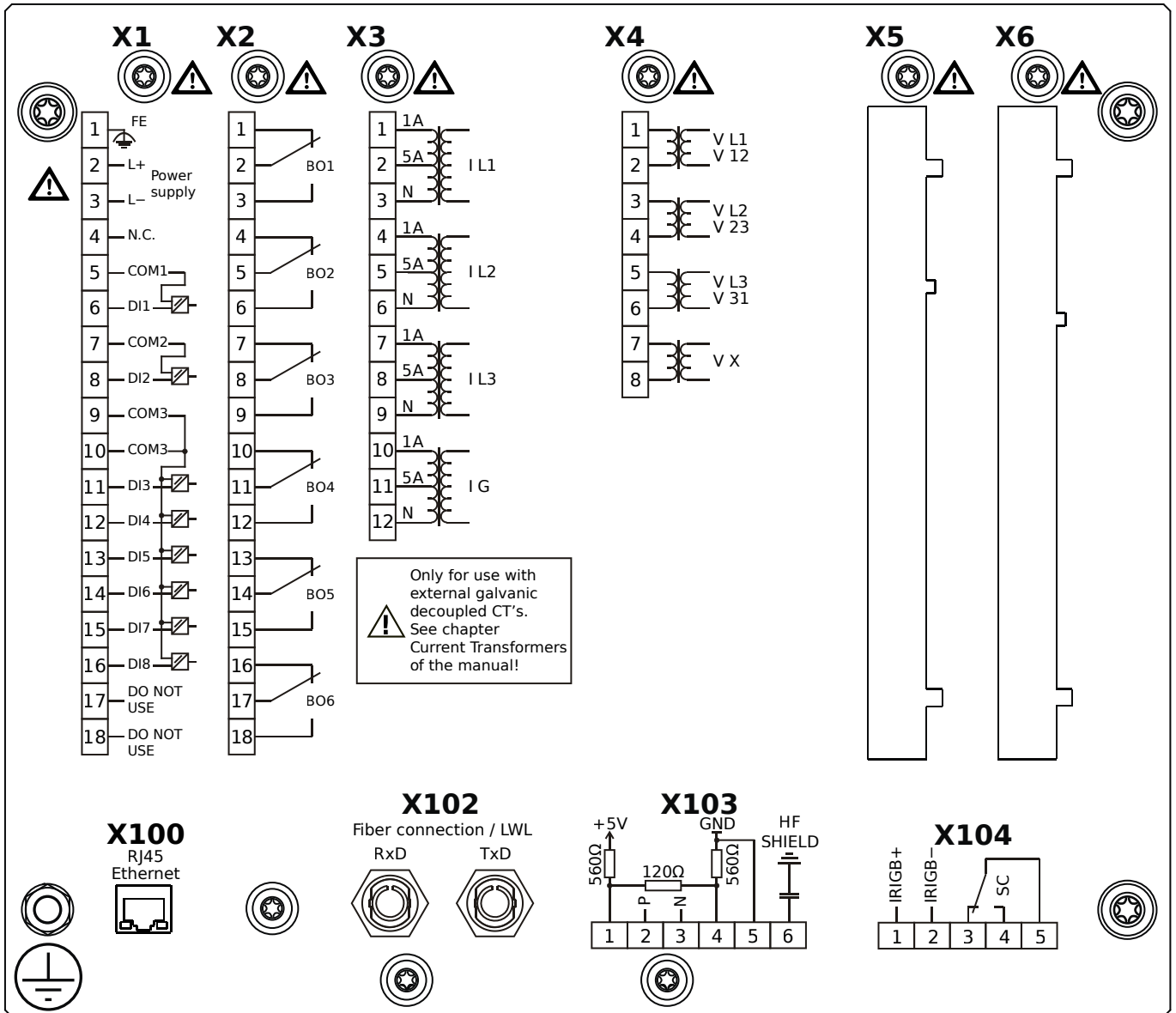
MCDLV4-2A0B1TA



Housing B2, large display, 19" rack mounting

- X1** – DI8-X1: Wide-range power supply unit, incl. 2 non-grouped digital inputs and 6 grouped digital inputs
- X2** – OR6: Assembly Group with 6 Output Relays (Changeover / Form C)
- X3** – TI: Standard current measuring card
- X4** – TU: Card with 4 voltage transformer measuring inputs (0 ... 800 VAC, under UL: 0 ... 600 VAC)
- X100** – IEC 61850 / Modbus TCP / IEC 60870-5-104 / DNP3.0 TCP/UDP, Ethernet interface, 100 Mbit/s, RJ45 (BASE100-FX)
- X102** – Protection Communication, Fiber optics interface, ST Connector
- X103** – IEC 60870-5-103 / Modbus RTU / DNP3.0 RTU, RS485, Terminals
- X104** – IRIG-B00X, incl. System Contact (Supervision Contact)

MCDLV4-2A0B1TB



Housing B2, large display, 19" rack mounting

+ Conformal Coating (for installations in harsh environment)

X1 – DI8-X1: Wide-range power supply unit, incl. 2 non-grouped digital inputs and 6 grouped digital inputs

X2 – OR6: Assembly Group with 6 Output Relays (Changeover / Form C)

X3 – TI: Standard current measuring card

X4 – TU: Card with 4 voltage transformer measuring inputs (0 ... 800 VAC, under UL: 0 ... 600 VAC)

X100 – IEC 61850 / Modbus TCP / IEC 60870-5-104 / DNP3.0 TCP/UDP, Ethernet interface, 100 Mbit/s, RJ45 (BASE100-

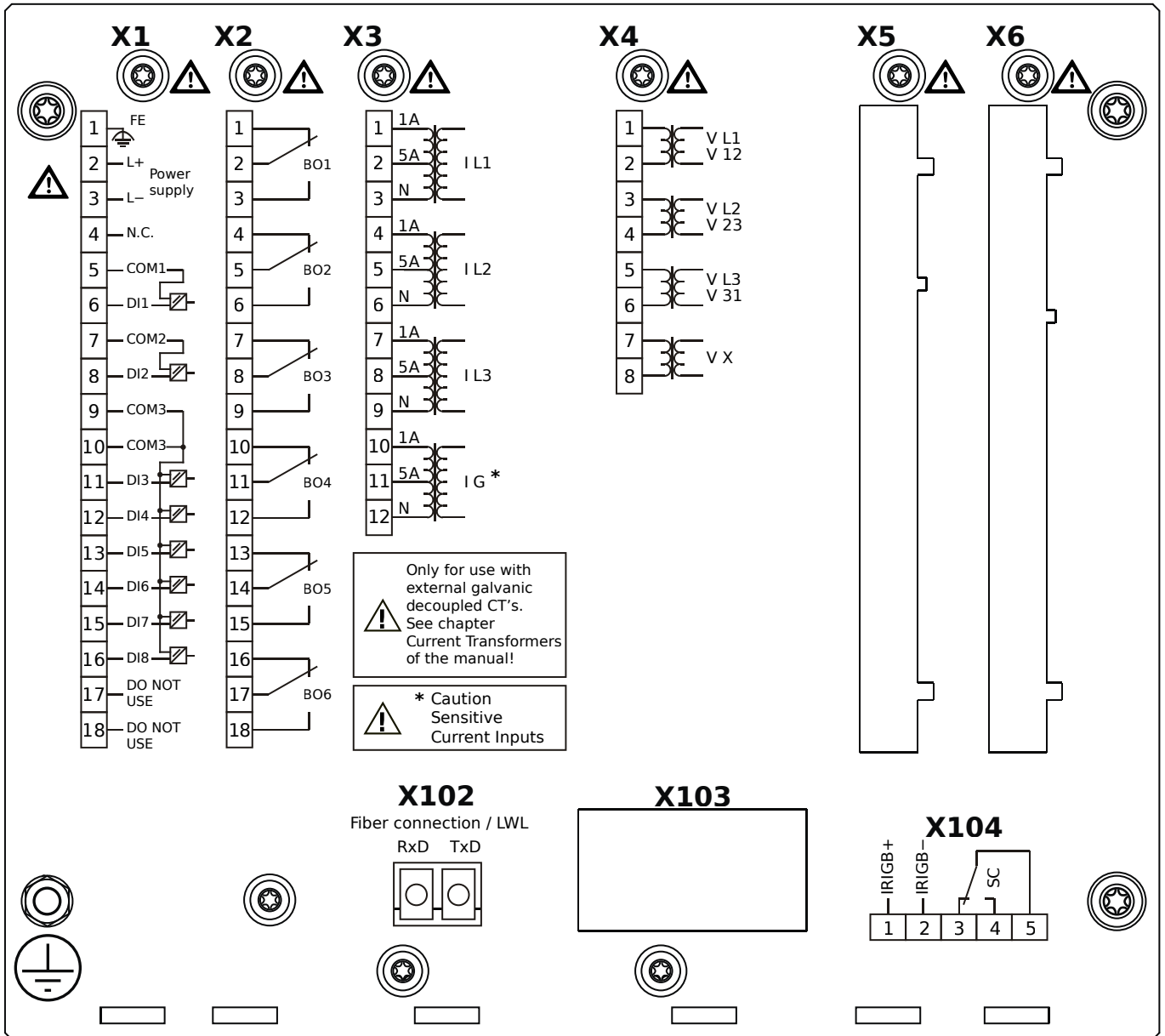
FX)

X102 – Protection Communication, Fiber optics interface, ST Connector

X103 – IEC 60870-5-103 / Modbus RTU / DNP3.0 RTU, RS485, Terminals

X104 – IRIG-B00X, incl. System Contact (Supervision Contact)

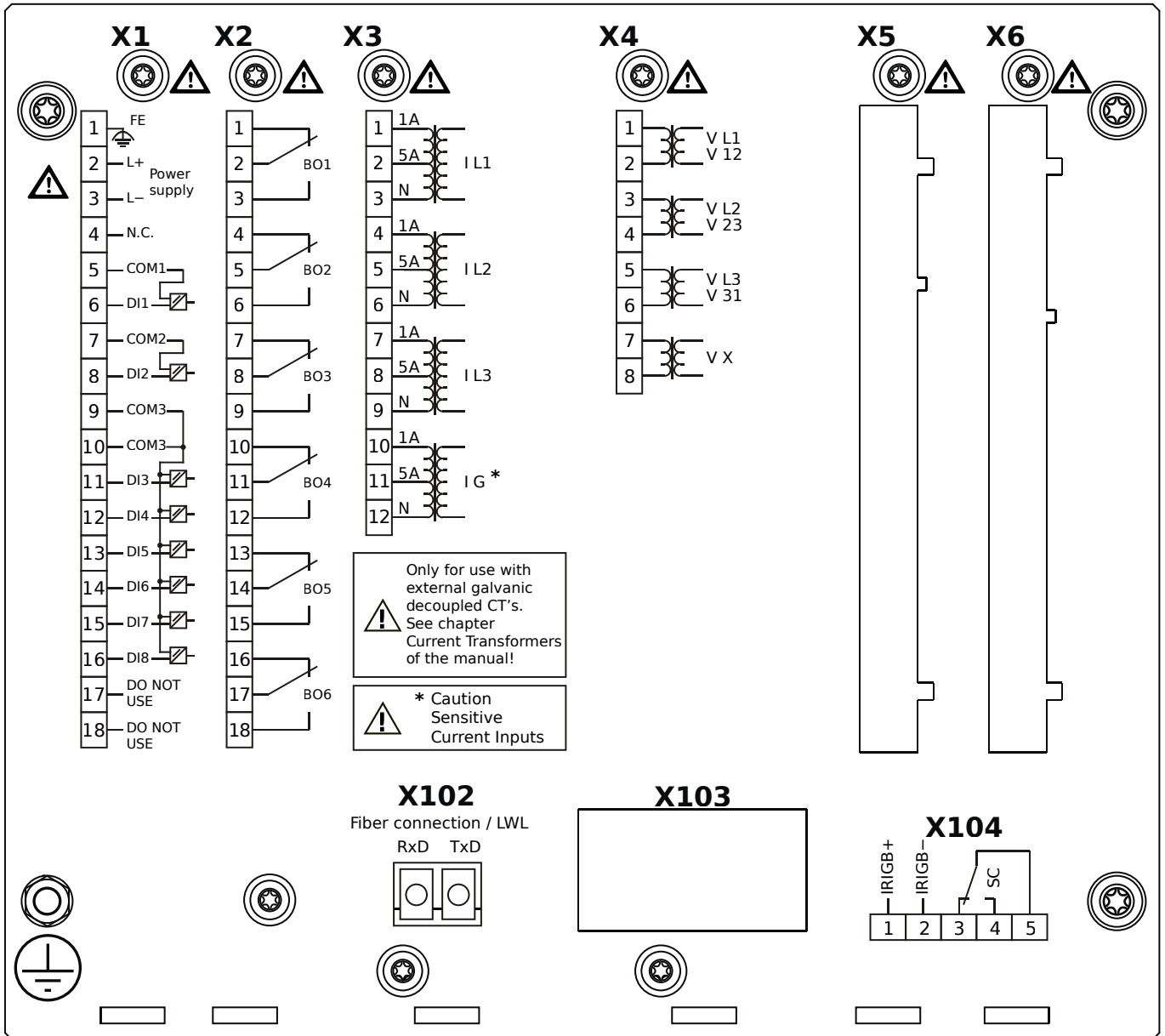
MCDLV4-2A1A0AA



Housing B2, large display, door mounting

- X1** – DI8-X1: Wide-range power supply unit, incl. 2 non-grouped digital inputs and 6 grouped digital inputs
- X2** – OR6: Assembly Group with 6 Output Relays (Changeover / Form C)
- X3** – TIs: Standard phase current measuring card and sensitive ground current measuring
- X4** – TU: Card with 4 voltage transformer measuring inputs (0 ... 800 VAC, under UL: 0 ... 600 VAC)
- X102** – Long-distance Protection Communication, Fiber optics interface, LC Connector
- X104** – IRIG-B00X, incl. System Contact (Supervision Contact)

MCDLV4-2A1A0AB

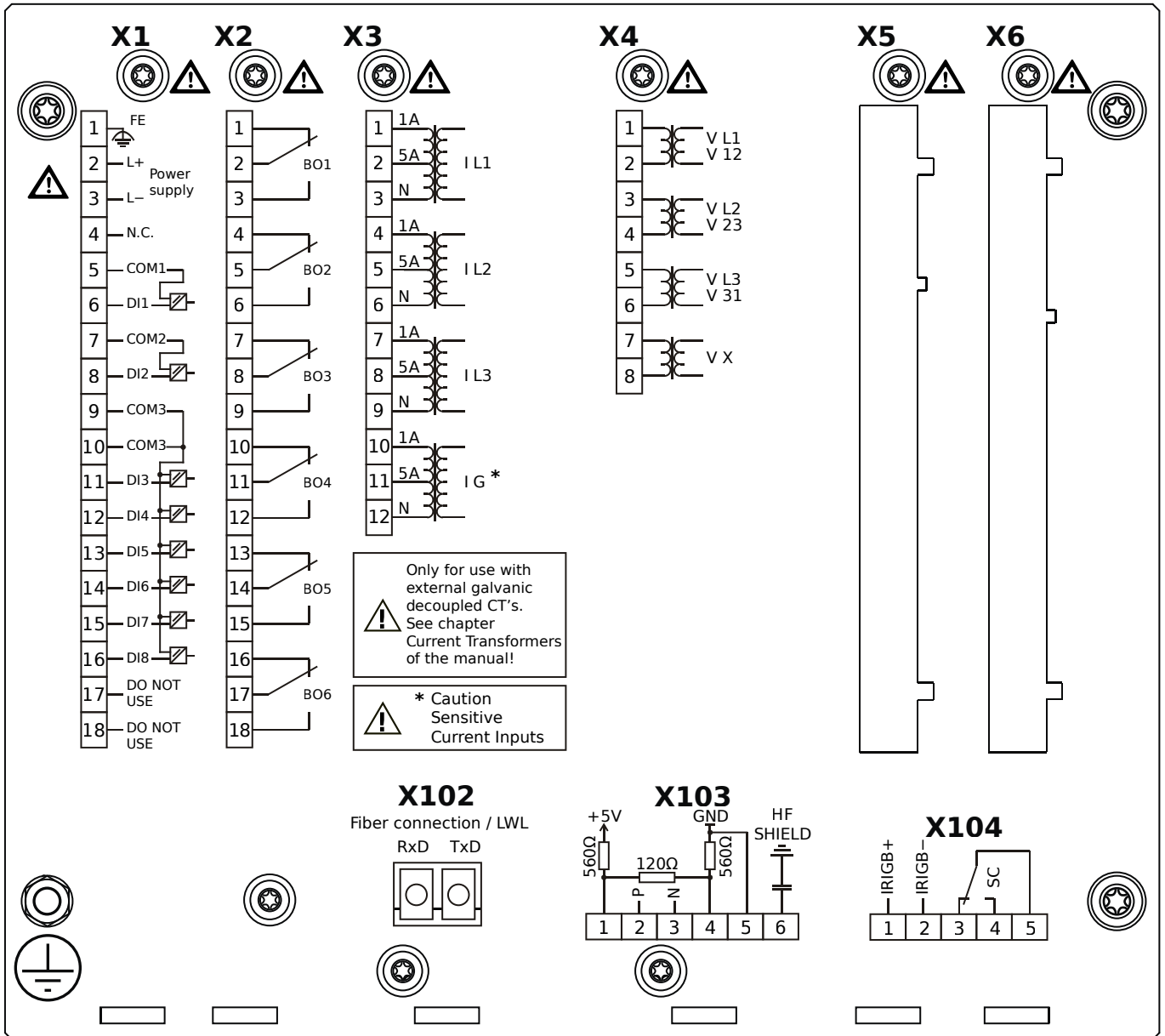


Housing B2, large display, door mounting

+ Conformal Coating (for installations in harsh environment)

- X1** – DI8-X1: Wide-range power supply unit, incl. 2 non-grouped digital inputs and 6 grouped digital inputs
- X2** – OR6: Assembly Group with 6 Output Relays (Changeover / Form C)
- X3** – TIs: Standard phase current measuring card and sensitive ground current measuring
- X4** – TU: Card with 4 voltage transformer measuring inputs (0 ... 800 VAC, under UL: 0 ... 600 VAC)
- X102** – Long-distance Protection Communication, Fiber optics interface, LC Connector
- X104** – IRIG-B00X, incl. System Contact (Supervision Contact)

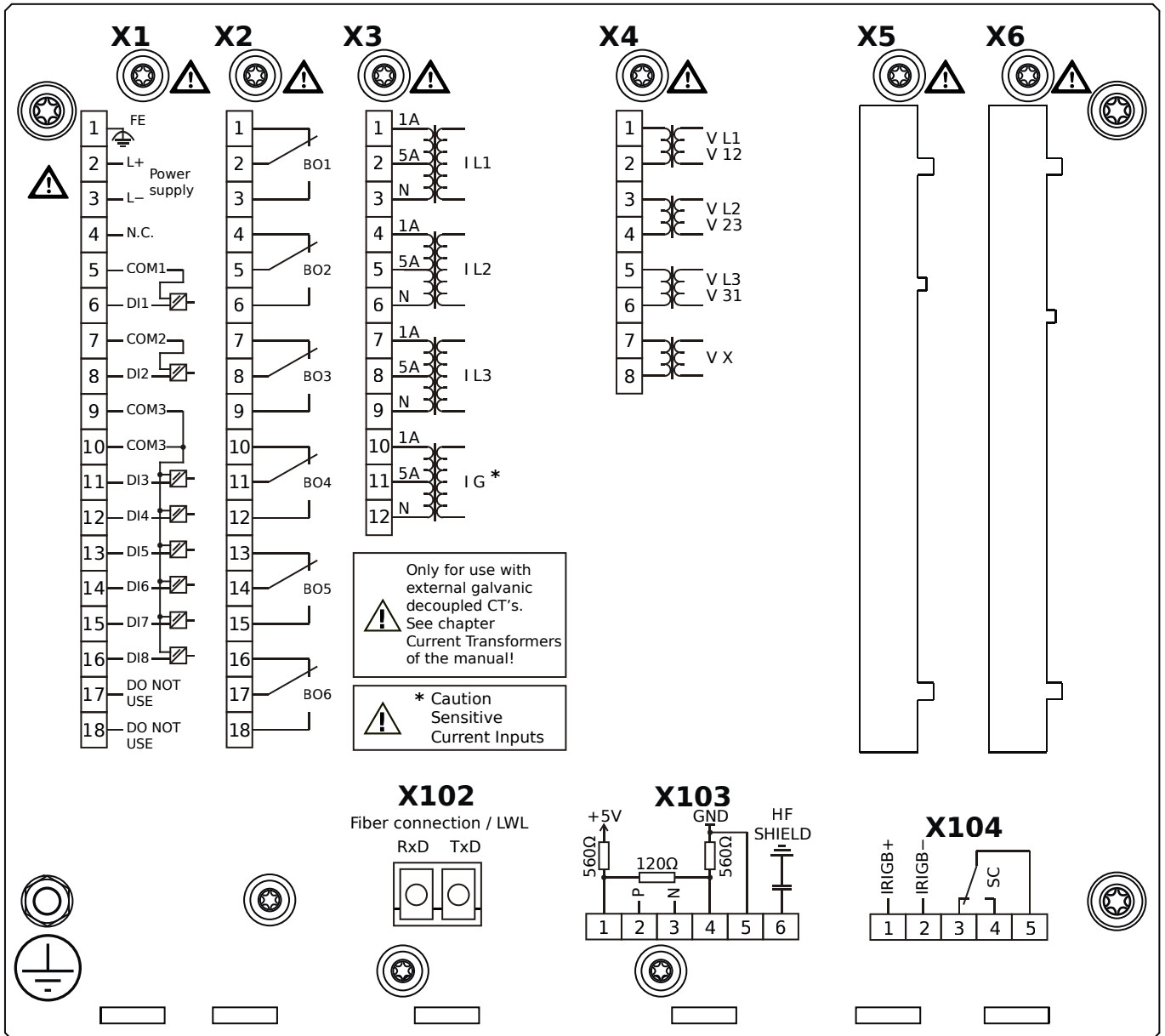
MCDLV4-2A1A0BA



Housing B2, large display, door mounting

- X1** – DI8-X1: Wide-range power supply unit, incl. 2 non-grouped digital inputs and 6 grouped digital inputs
- X2** – OR6: Assembly Group with 6 Output Relays (Changeover / Form C)
- X3** – TIs: Standard phase current measuring card and sensitive ground current measuring
- X4** – TU: Card with 4 voltage transformer measuring inputs (0 ... 800 VAC, under UL: 0 ... 600 VAC)
- X102** – Long-distance Protection Communication, Fiber optics interface, LC Connector
- X103** – Modbus RTU / IEC 60870-5-103 / DNP3.0 RTU, RS485, Terminals
- X104** – IRIG-B00X, incl. System Contact (Supervision Contact)

MCDLV4-2A1A0BB

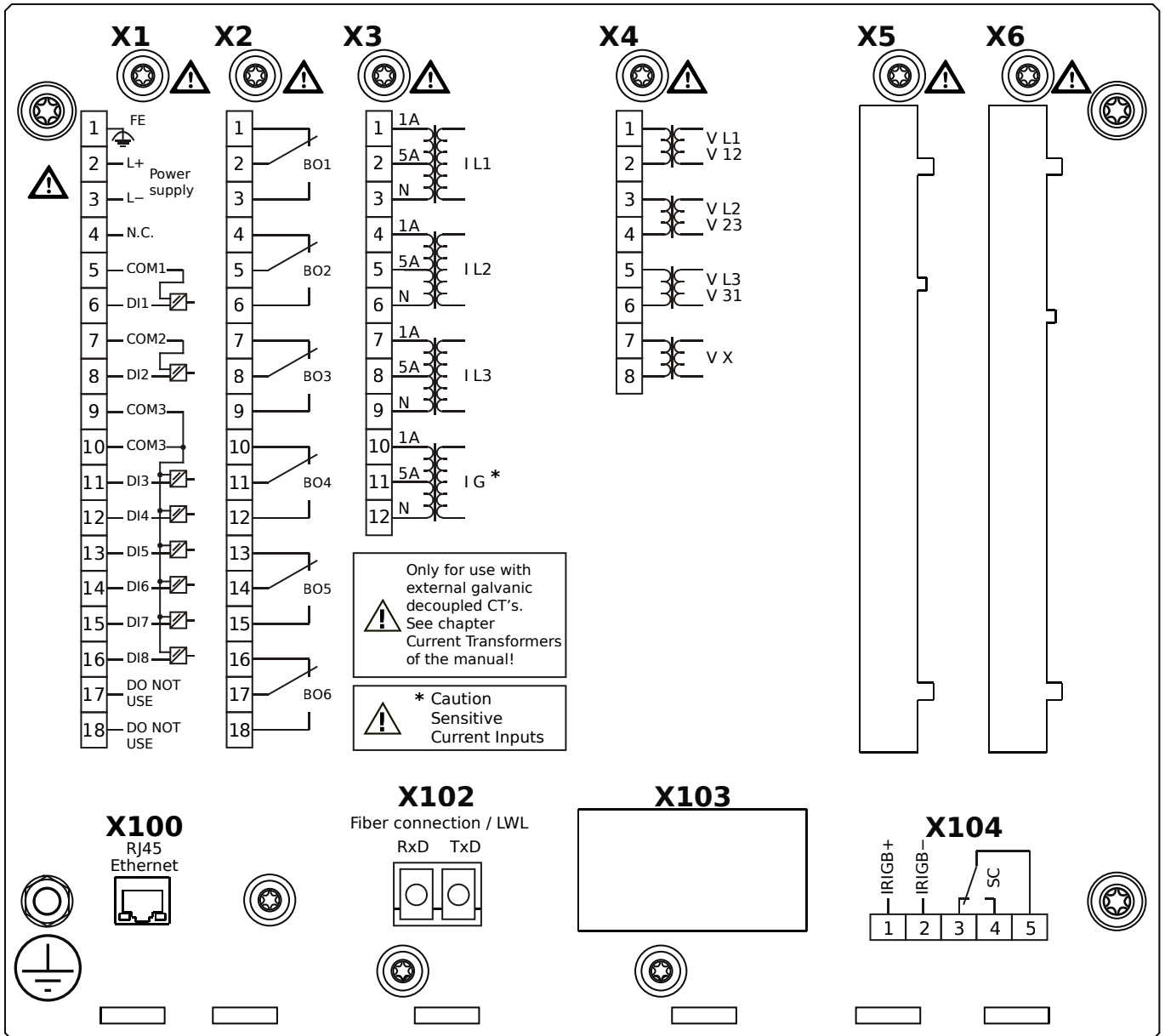


Housing B2, large display, door mounting

+ Conformal Coating (for installations in harsh environment)

- X1** – DI8-X1: Wide-range power supply unit, incl. 2 non-grouped digital inputs and 6 grouped digital inputs
- X2** – OR6: Assembly Group with 6 Output Relays (Changeover / Form C)
- X3** – TIs: Standard phase current measuring card and sensitive ground current measuring
- X4** – TU: Card with 4 voltage transformer measuring inputs (0 ... 800 VAC, under UL: 0 ... 600 VAC)
- X102** – Long-distance Protection Communication, Fiber optics interface, LC Connector
- X103** – Modbus RTU / IEC 60870-5-103 / DNP3.0 RTU, RS485, Terminals
- X104** – IRIG-B00X, incl. System Contact (Supervision Contact)

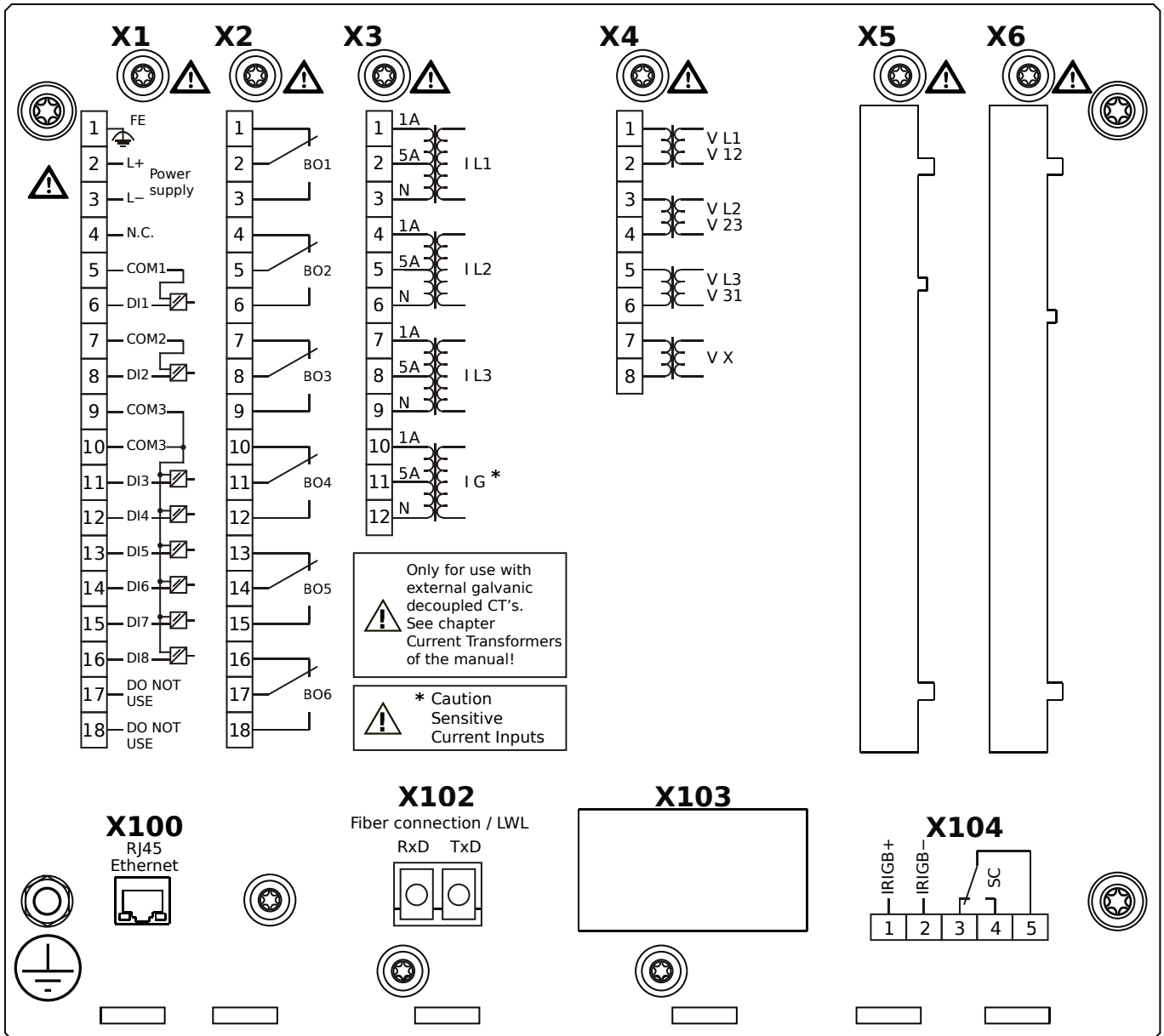
MCDLV4-2A1A0CA



Housing B2, large display, door mounting

- X1** – DI8-X1: Wide-range power supply unit, incl. 2 non-grouped digital inputs and 6 grouped digital inputs
- X2** – OR6: Assembly Group with 6 Output Relays (Changeover / Form C)
- X3** – TIs: Standard phase current measuring card and sensitive ground current measuring
- X4** – TU: Card with 4 voltage transformer measuring inputs (0 ... 800 VAC, under UL: 0 ... 600 VAC)
- X100** – Modbus TCP / IEC 60870-5-104 / DNP3.0 TCP/UDP, Ethernet interface, 100 Mbit/s, RJ45 (BASE100-FX)
- X102** – Long-distance Protection Communication, Fiber optics interface, LC Connector
- X104** – IRIG-B00X, incl. System Contact (Supervision Contact)

MCDLV4-2A1A0CB

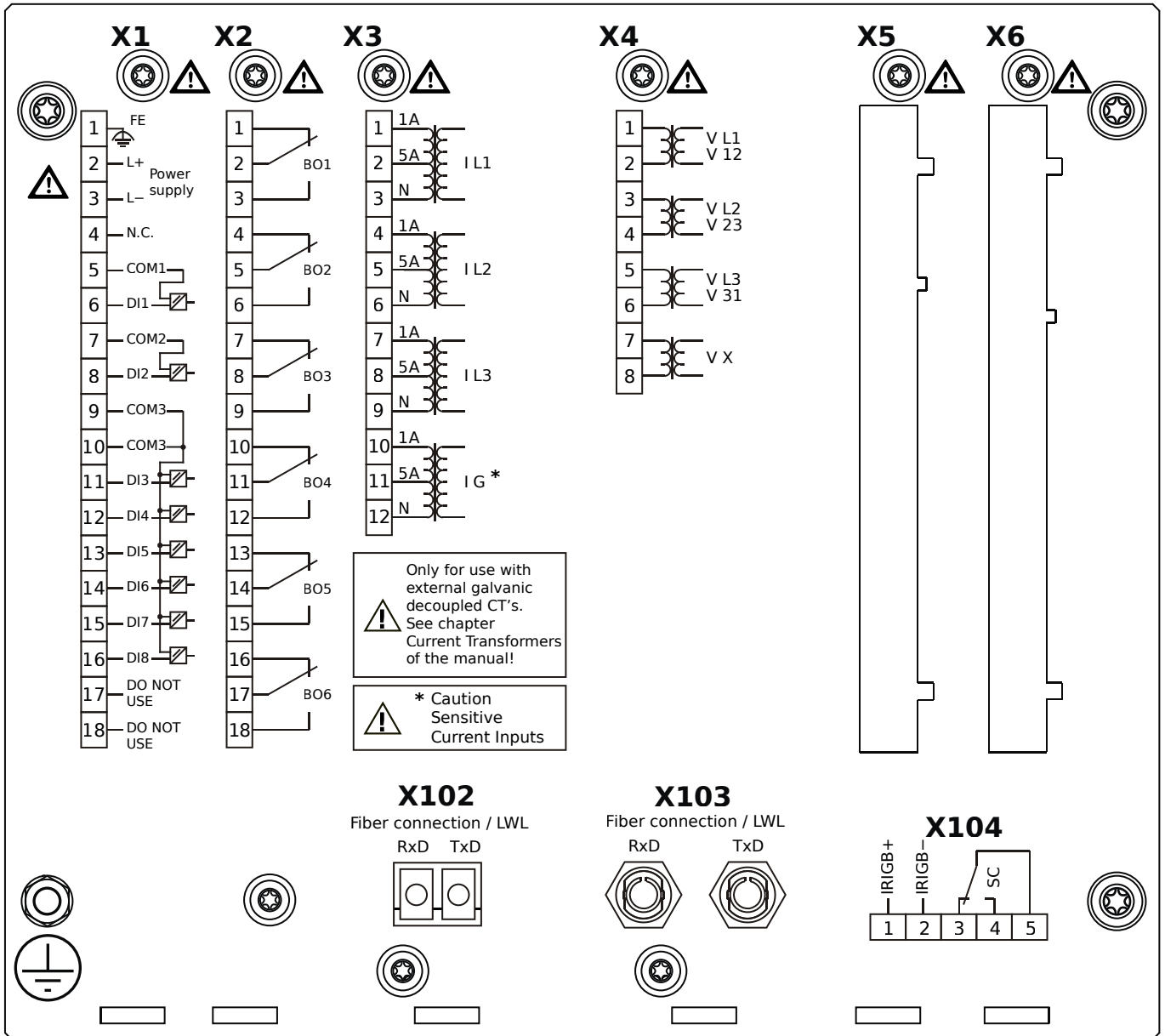


Housing B2, large display, door mounting

+ Conformal Coating (for installations in harsh environment)

- X1** – DI8-X1: Wide-range power supply unit, incl. 2 non-grouped digital inputs and 6 grouped digital inputs
- X2** – OR6: Assembly Group with 6 Output Relays (Changeover / Form C)
- X3** – TIs: Standard phase current measuring card and sensitive ground current measuring
- X4** – TU: Card with 4 voltage transformer measuring inputs (0 ... 800 VAC, under UL: 0 ... 600 VAC)
- X100** – Modbus TCP / IEC 60870-5-104 / DNP3.0 TCP/UDP, Ethernet interface, 100 Mbit/s, RJ45 (BASE100-FX)
- X102** – Long-distance Protection Communication, Fiber optics interface, LC Connector
- X104** – IRIG-B00X, incl. System Contact (Supervision Contact)

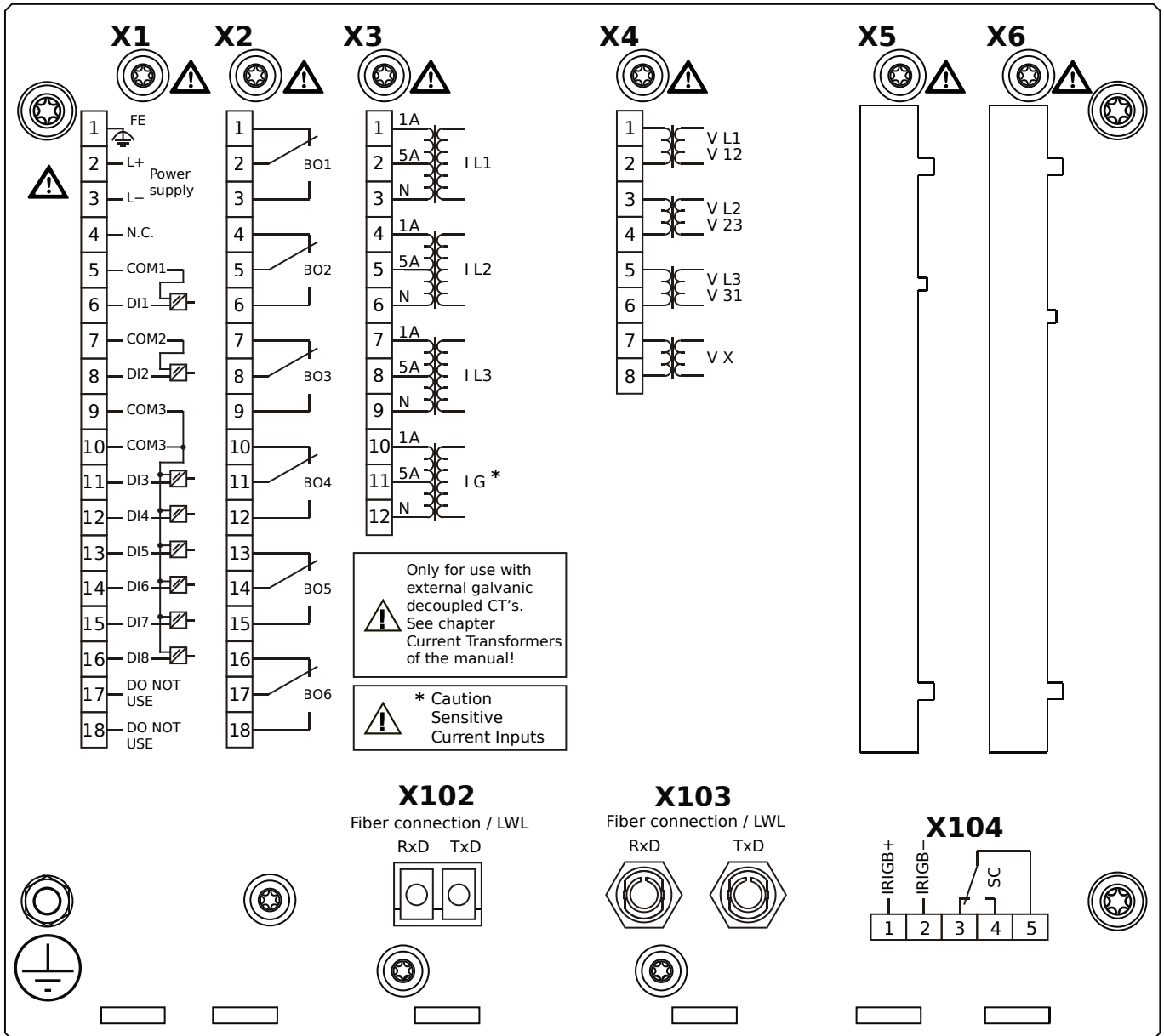
MCDLV4-2A1A0DA



Housing B2, large display, door mounting

- X1** – DI8-X1: Wide-range power supply unit, incl. 2 non-grouped digital inputs and 6 grouped digital inputs
- X2** – OR6: Assembly Group with 6 Output Relays (Changeover / Form C)
- X3** – TIs: Standard phase current measuring card and sensitive ground current measuring
- X4** – TU: Card with 4 voltage transformer measuring inputs (0 ... 800 VAC, under UL: 0 ... 600 VAC)
- X102** – Long-distance Protection Communication, Fiber optics interface, LC Connector
- X103** – Profibus-DP, Fiber optics interface, ST Connector
- X104** – IRIG-B00X, incl. System Contact (Supervision Contact)

MCDLV4-2A1A0DB

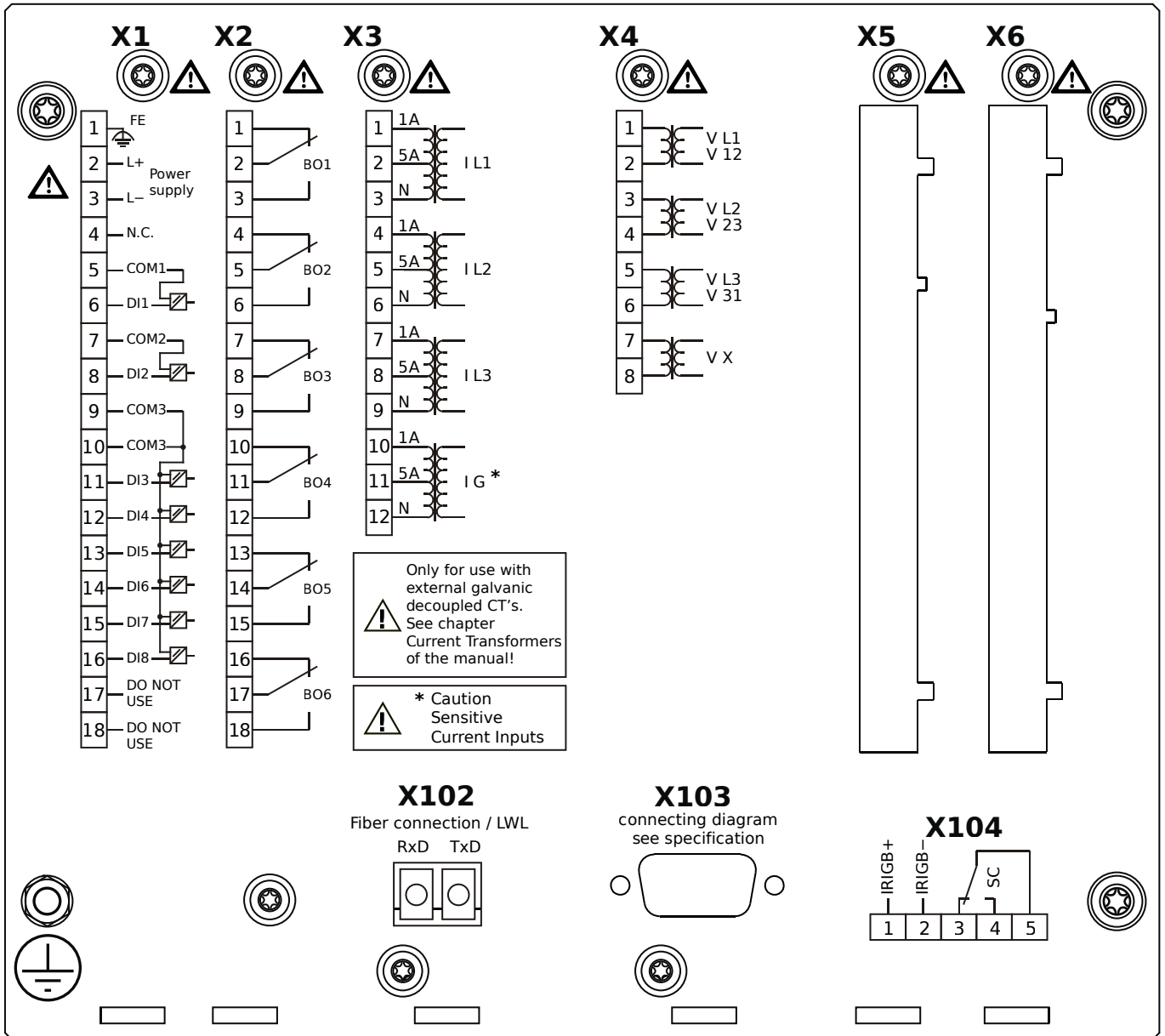


Housing B2, large display, door mounting

+ Conformal Coating (for installations in harsh environment)

- X1** – DI8-X1: Wide-range power supply unit, incl. 2 non-grouped digital inputs and 6 grouped digital inputs
- X2** – OR6: Assembly Group with 6 Output Relays (Changeover / Form C)
- X3** – TIs: Standard phase current measuring card and sensitive ground current measuring
- X4** – TU: Card with 4 voltage transformer measuring inputs (0 ... 800 VAC, under UL: 0 ... 600 VAC)
- X102** – Long-distance Protection Communication, Fiber optics interface, LC Connector
- X103** – Profibus-DP, Fiber optics interface, ST Connector
- X104** – IRIG-B00X, incl. System Contact (Supervision Contact)

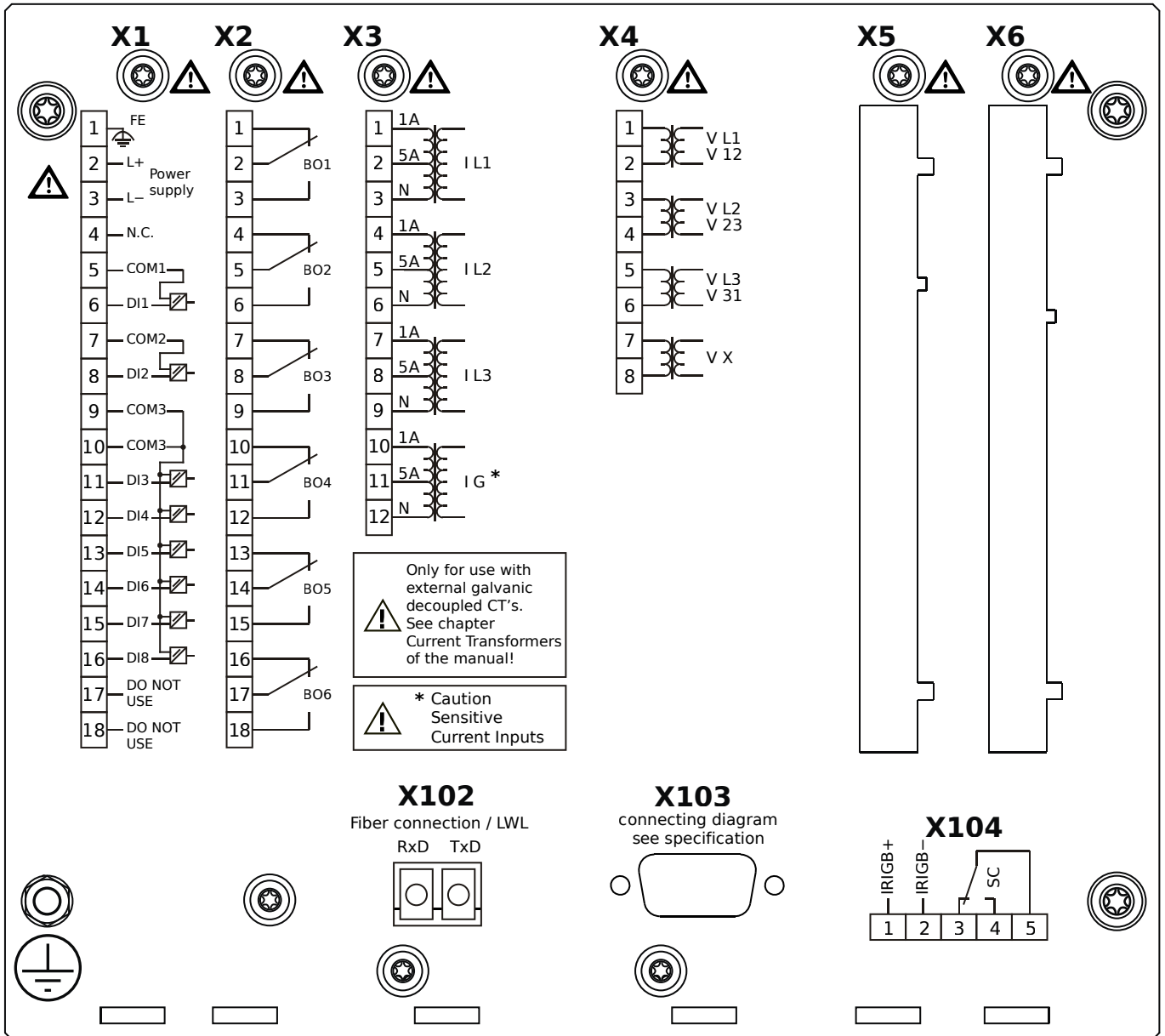
MCDLV4-2A1A0EA



Housing B2, large display, door mounting

- X1** – DI8-X1: Wide-range power supply unit, incl. 2 non-grouped digital inputs and 6 grouped digital inputs
- X2** – OR6: Assembly Group with 6 Output Relays (Changeover / Form C)
- X3** – TIs: Standard phase current measuring card and sensitive ground current measuring
- X4** – TU: Card with 4 voltage transformer measuring inputs (0 ... 800 VAC, under UL: 0 ... 600 VAC)
- X102** – Long-distance Protection Communication, Fiber optics interface, LC Connector
- X103** – Profibus-DP, RS485, D-SUB
- X104** – IRIG-B00X, incl. System Contact (Supervision Contact)

MCDLV4-2A1A0EB

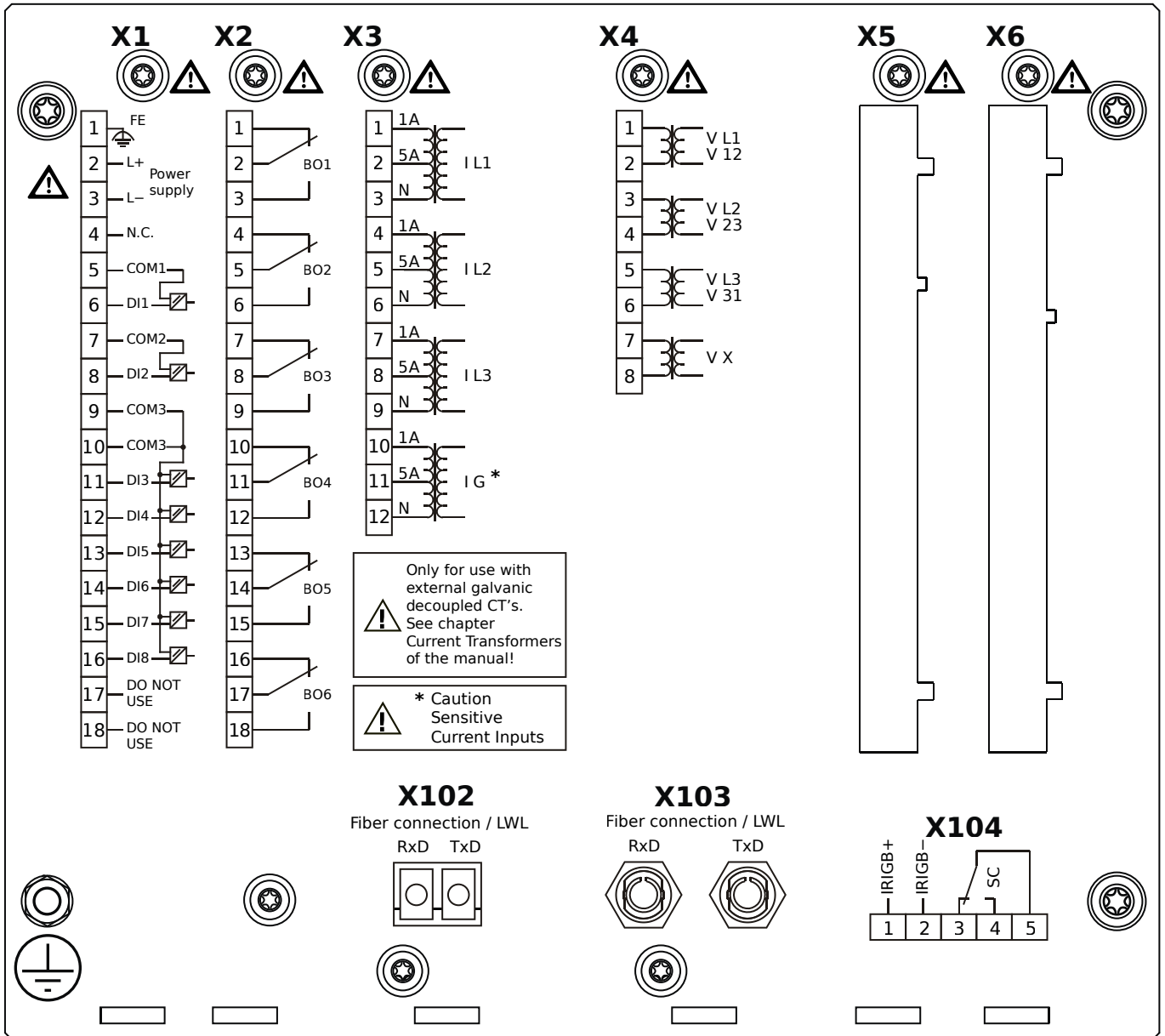


Housing B2, large display, door mounting

+ Conformal Coating (for installations in harsh environment)

- X1** – DI8-X1: Wide-range power supply unit, incl. 2 non-grouped digital inputs and 6 grouped digital inputs
- X2** – OR6: Assembly Group with 6 Output Relays (Changeover / Form C)
- X3** – TIs: Standard phase current measuring card and sensitive ground current measuring
- X4** – TU: Card with 4 voltage transformer measuring inputs (0 ... 800 VAC, under UL: 0 ... 600 VAC)
- X102** – Long-distance Protection Communication, Fiber optics interface, LC Connector
- X103** – Profibus-DP, RS485, D-SUB
- X104** – IRIG-B00X, incl. System Contact (Supervision Contact)

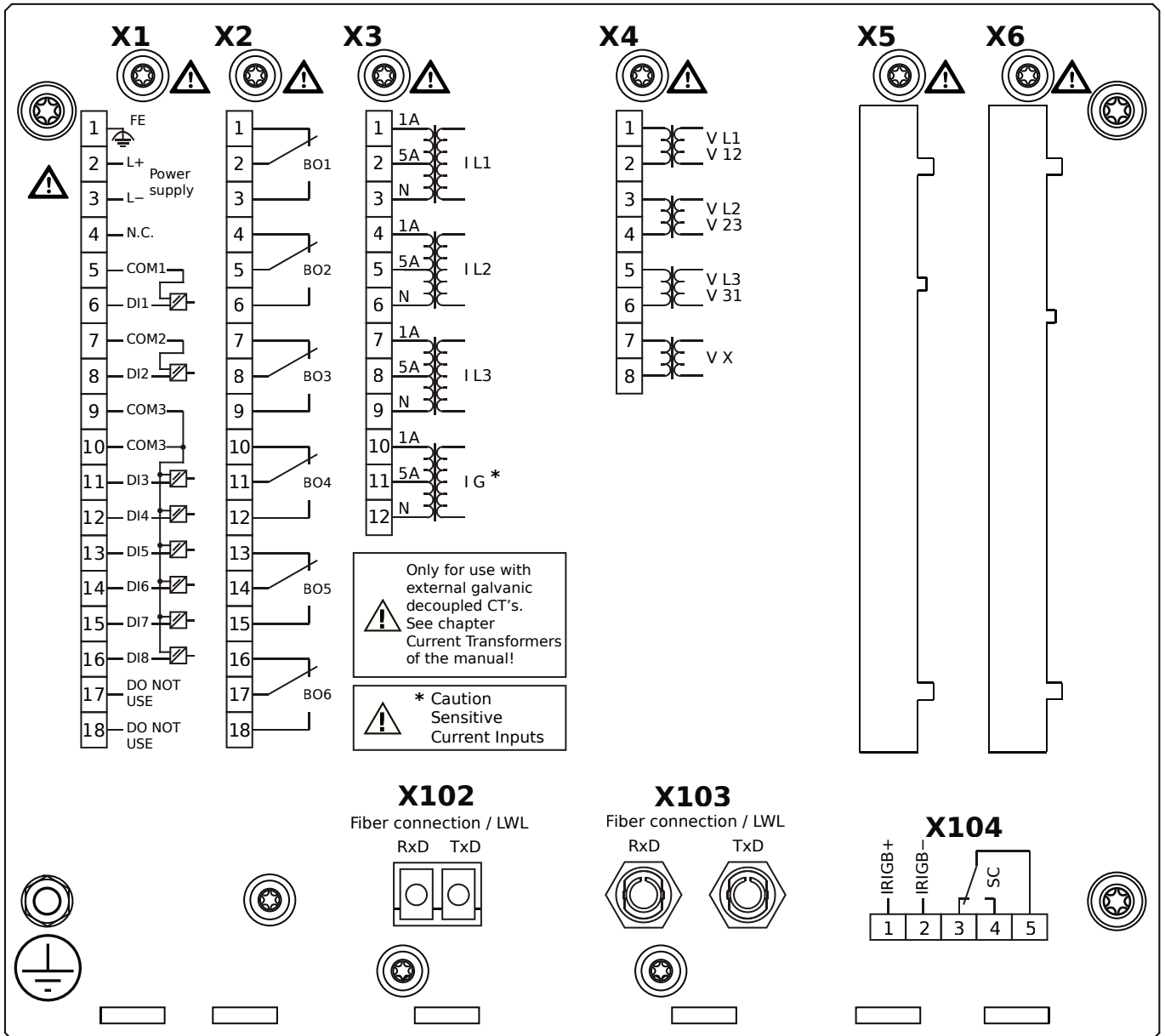
MCDLV4-2A1A0FA



Housing B2, large display, door mounting

- X1** – DI8-X1: Wide-range power supply unit, incl. 2 non-grouped digital inputs and 6 grouped digital inputs
- X2** – OR6: Assembly Group with 6 Output Relays (Changeover / Form C)
- X3** – TIs: Standard phase current measuring card and sensitive ground current measuring
- X4** – TU: Card with 4 voltage transformer measuring inputs (0 ... 800 VAC, under UL: 0 ... 600 VAC)
- X102** – Long-distance Protection Communication, Fiber optics interface, LC Connector
- X103** – Modbus RTU / IEC 60870-5-103 / DNP3.0 RTU, Fiber optics interface, ST Connector
- X104** – IRIG-B00X, incl. System Contact (Supervision Contact)

MCDLV4-2A1A0FB

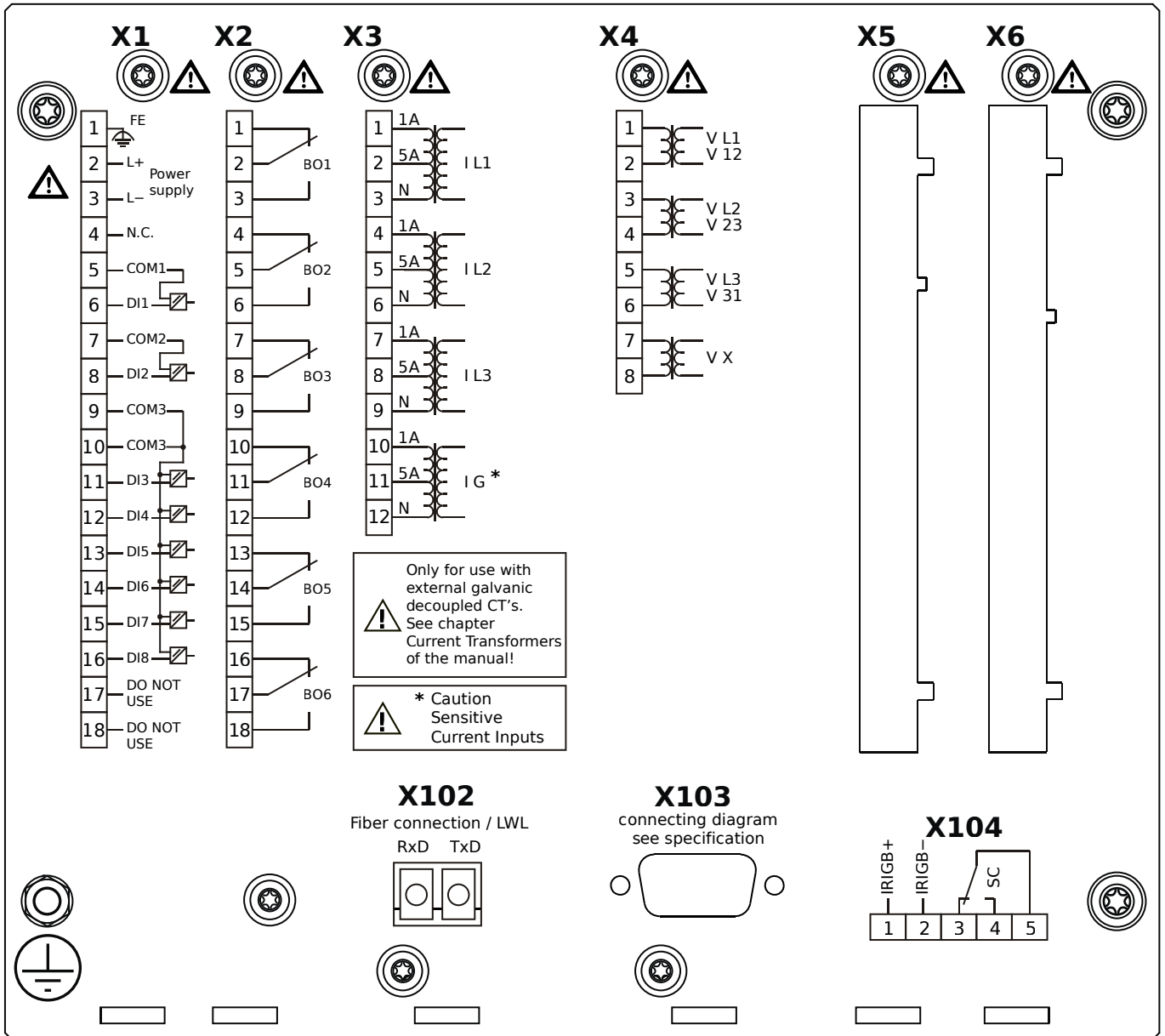


Housing B2, large display, door mounting

+ Conformal Coating (for installations in harsh environment)

- X1** – DI8-X1: Wide-range power supply unit, incl. 2 non-grouped digital inputs and 6 grouped digital inputs
- X2** – OR6: Assembly Group with 6 Output Relays (Changeover / Form C)
- X3** – TIs: Standard phase current measuring card and sensitive ground current measuring
- X4** – TU: Card with 4 voltage transformer measuring inputs (0 ... 800 VAC, under UL: 0 ... 600 VAC)
- X102** – Long-distance Protection Communication, Fiber optics interface, LC Connector
- X103** – Modbus RTU / IEC 60870-5-103 / DNP3.0 RTU, Fiber optics interface, ST Connector
- X104** – IRIG-B00X, incl. System Contact (Supervision Contact)

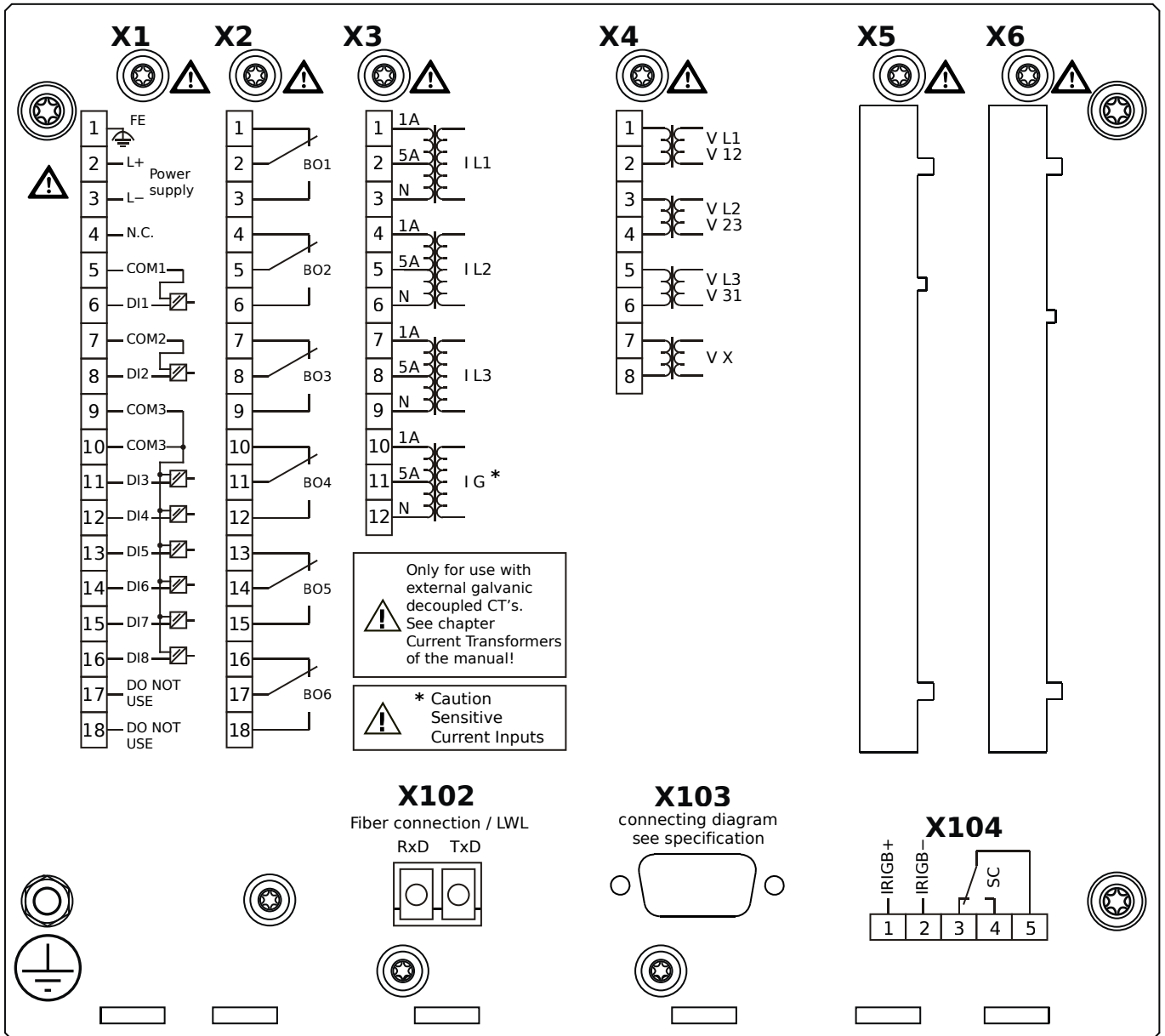
MCDLV4-2A1A0GA



Housing B2, large display, door mounting

- X1** – DI8-X1: Wide-range power supply unit, incl. 2 non-grouped digital inputs and 6 grouped digital inputs
- X2** – OR6: Assembly Group with 6 Output Relays (Changeover / Form C)
- X3** – TIs: Standard phase current measuring card and sensitive ground current measuring
- X4** – TU: Card with 4 voltage transformer measuring inputs (0 ... 800 VAC, under UL: 0 ... 600 VAC)
- X102** – Long-distance Protection Communication, Fiber optics interface, LC Connector
- X103** – Modbus RTU / IEC 60870-5-103 / DNP3.0 RTU, RS485, D-SUB
- X104** – IRIG-B00X, incl. System Contact (Supervision Contact)

MCDLV4-2A1A0GB

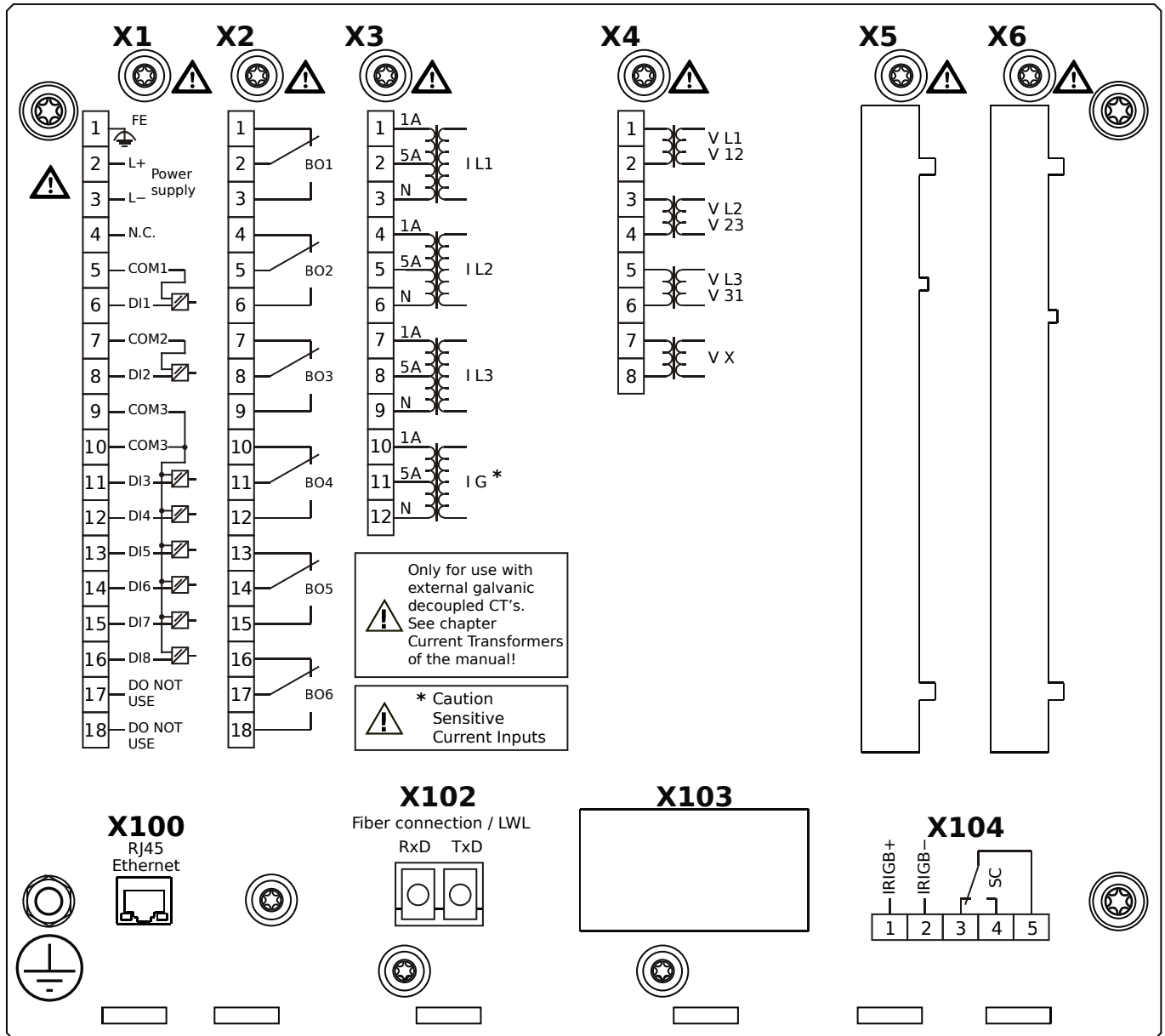


Housing B2, large display, door mounting

+ Conformal Coating (for installations in harsh environment)

- X1** – DI8-X1: Wide-range power supply unit, incl. 2 non-grouped digital inputs and 6 grouped digital inputs
- X2** – OR6: Assembly Group with 6 Output Relays (Changeover / Form C)
- X3** – TIs: Standard phase current measuring card and sensitive ground current measuring
- X4** – TU: Card with 4 voltage transformer measuring inputs (0 ... 800 VAC, under UL: 0 ... 600 VAC)
- X102** – Long-distance Protection Communication, Fiber optics interface, LC Connector
- X103** – Modbus RTU / IEC 60870-5-103 / DNP3.0 RTU, RS485, D-SUB
- X104** – IRIG-B00X, incl. System Contact (Supervision Contact)

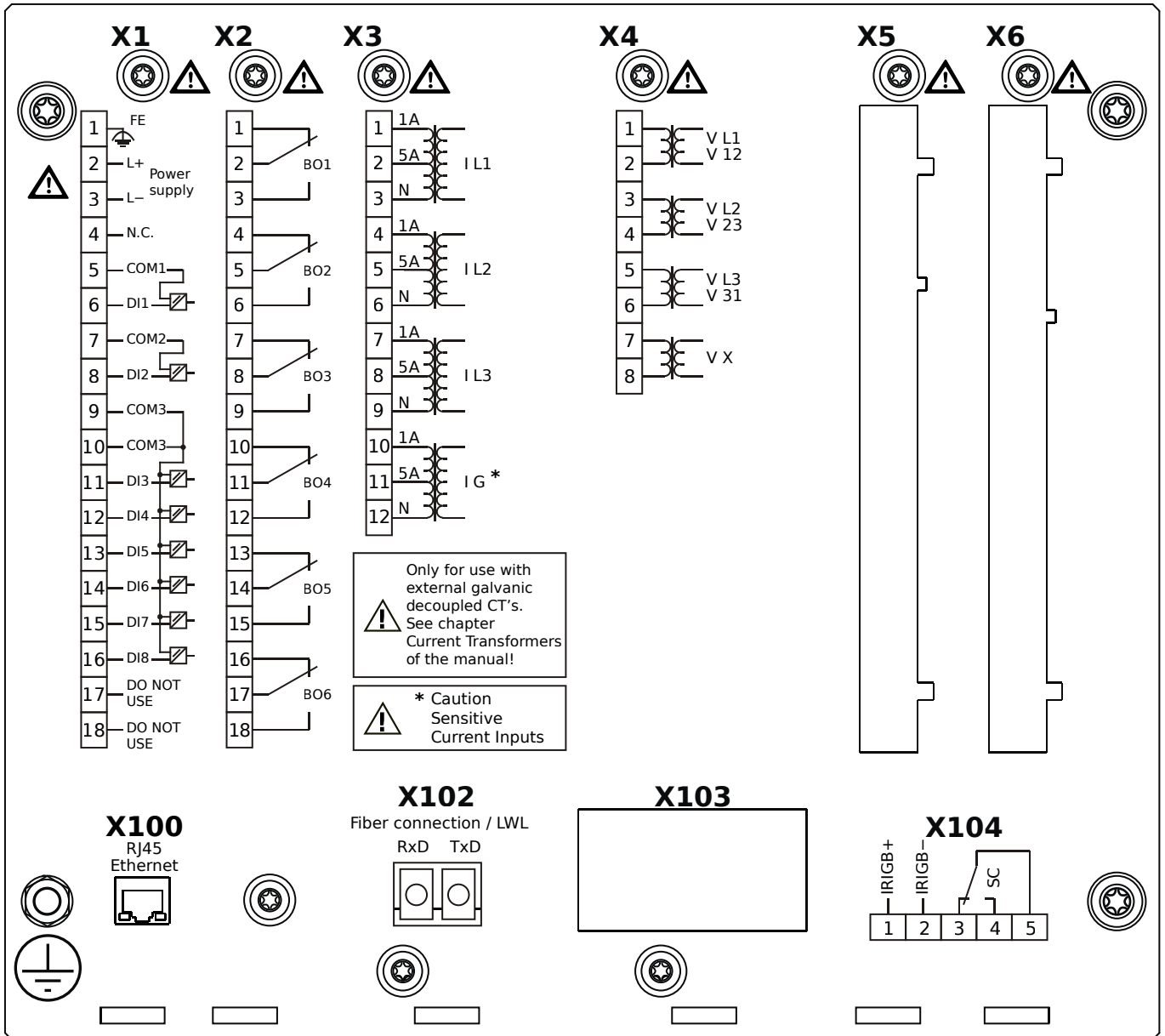
MCDLV4-2A1A0HA



Housing B2, large display, door mounting

- X1** – DI8-X1: Wide-range power supply unit, incl. 2 non-grouped digital inputs and 6 grouped digital inputs
- X2** – OR6: Assembly Group with 6 Output Relays (Changeover / Form C)
- X3** – TIs: Standard phase current measuring card and sensitive ground current measuring
- X4** – TU: Card with 4 voltage transformer measuring inputs (0 ... 800 VAC, under UL: 0 ... 600 VAC)
- X100** – IEC 61850 / Modbus TCP / IEC 60870-5-104 / DNP3.0 TCP/UDP, Ethernet interface, 100 Mbit/s, RJ45 (BASE100-FX)
- X102** – Long-distance Protection Communication, Fiber optics interface, LC Connector
- X104** – IRIG-B00X, incl. System Contact (Supervision Contact)

MCDLV4-2A1A0HB



Housing B2, large display, door mounting

+ Conformal Coating (for installations in harsh environment)

X1 – DI8-X1: Wide-range power supply unit, incl. 2 non-grouped digital inputs and 6 grouped digital inputs

X2 – OR6: Assembly Group with 6 Output Relays (Changeover / Form C)

X3 – TIs: Standard phase current measuring card and sensitive ground current measuring

X4 – TU: Card with 4 voltage transformer measuring inputs (0 ... 800 VAC, under UL: 0 ... 600 VAC)

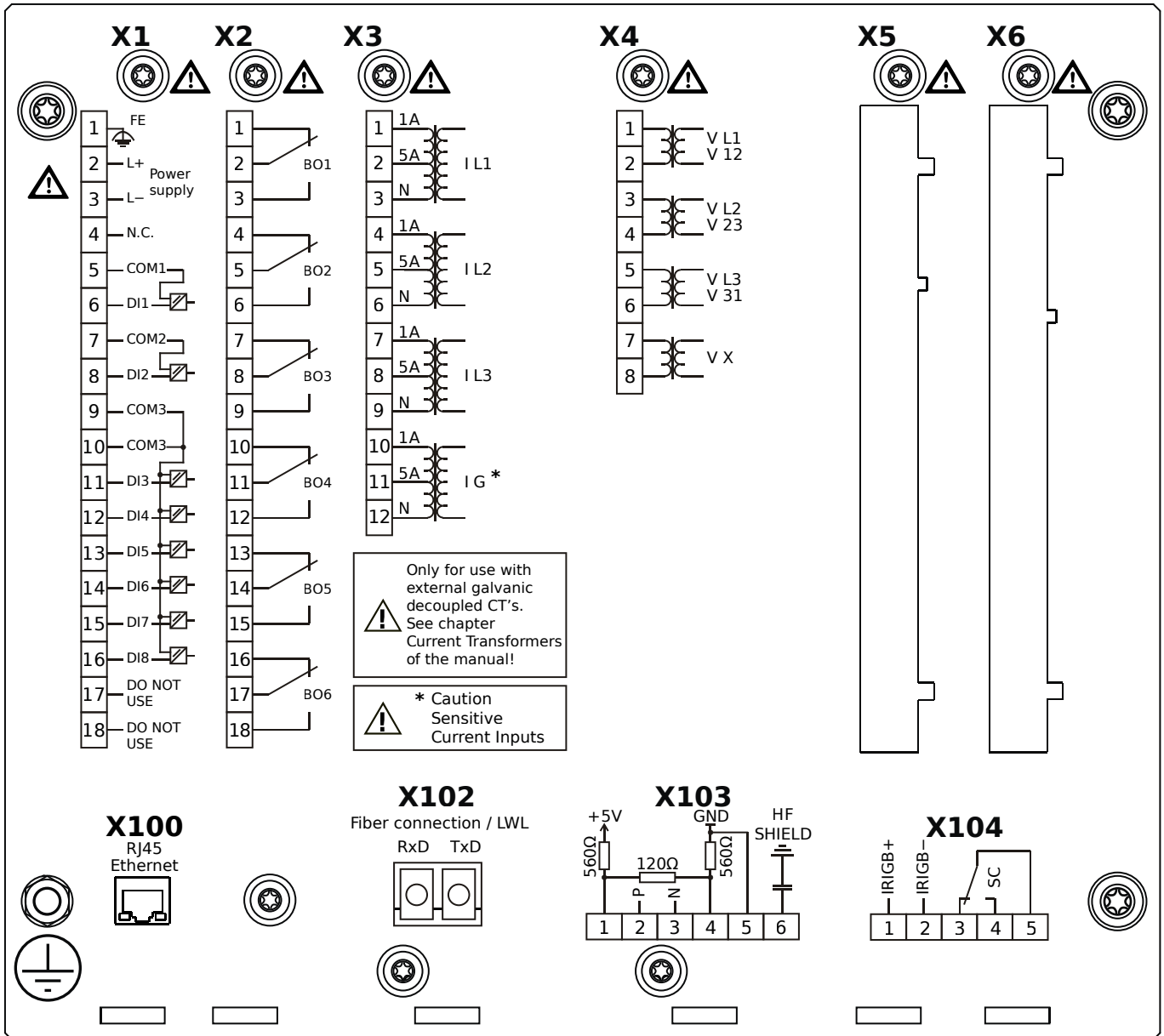
X100 – IEC 61850 / Modbus TCP / IEC 60870-5-104 / DNP3.0 TCP/UDP, Ethernet interface, 100 Mbit/s, RJ45 (BASE100-

X102 – Long-distance Protection Communication, Fiber optics interface, LC Connector

X104 – IRIG-B00X, incl. System Contact (Supervision Contact)

FX)

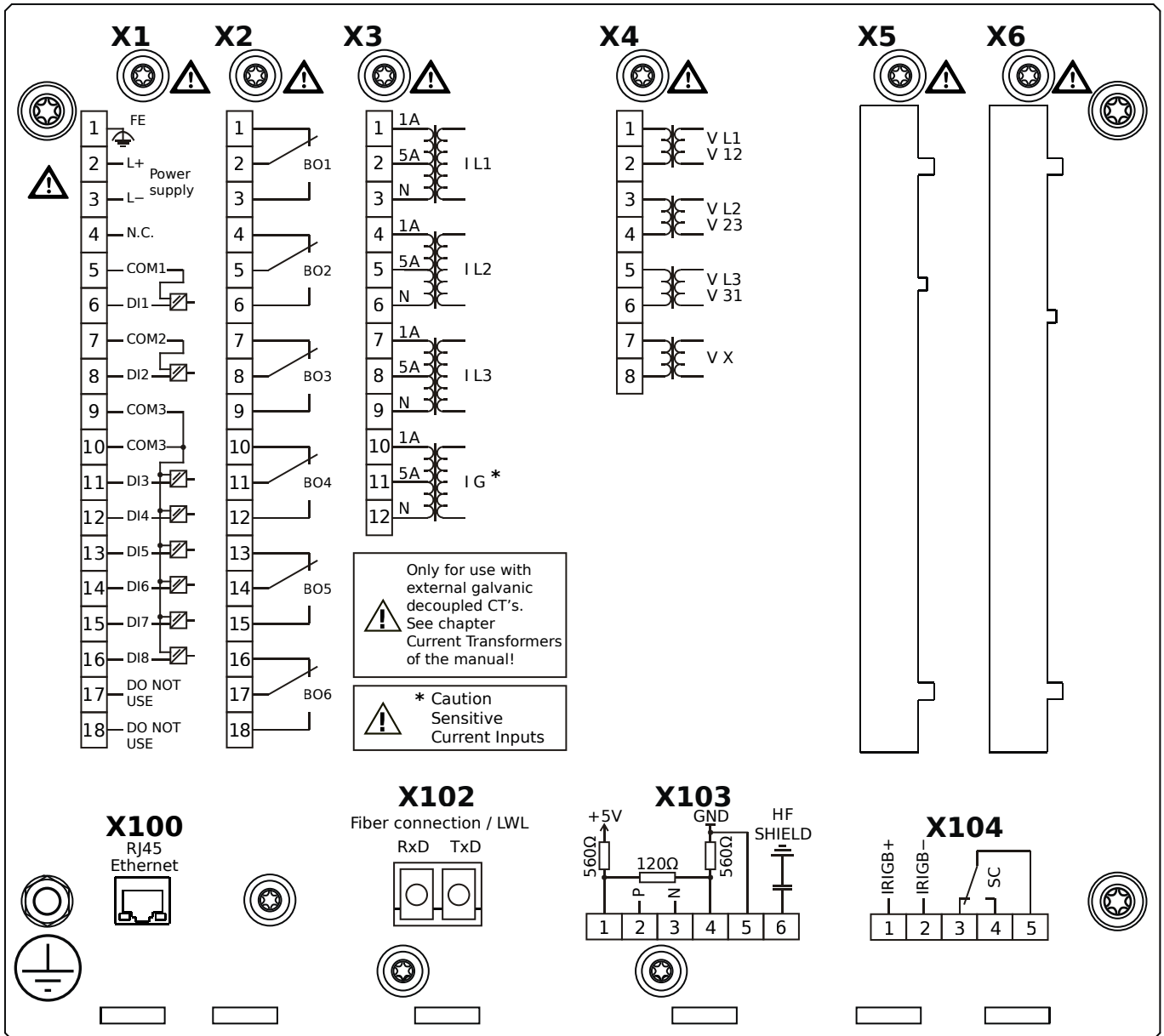
MCDLV4-2A1A0IA



Housing B2, large display, door mounting

- X1** – DI8-X1: Wide-range power supply unit, incl. 2 non-grouped digital inputs and 6 grouped digital inputs
- X2** – OR6: Assembly Group with 6 Output Relays (Changeover / Form C)
- X3** – TIs: Standard phase current measuring card and sensitive ground current measuring
- X4** – TU: Card with 4 voltage transformer measuring inputs (0 ... 800 VAC, under UL: 0 ... 600 VAC)
- X100** – Modbus TCP / IEC 60870-5-104 / DNP3.0 TCP/UDP, Ethernet interface, 100 Mbit/s, RJ45 (BASE100-FX)
- X102** – Long-distance Protection Communication, Fiber optics interface, LC Connector
- X103** – IEC 60870-5-103 / Modbus RTU / DNP3.0 RTU, RS485, Terminals
- X104** – IRIG-B00X, incl. System Contact (Supervision Contact)

MCDLV4-2A1A0IB

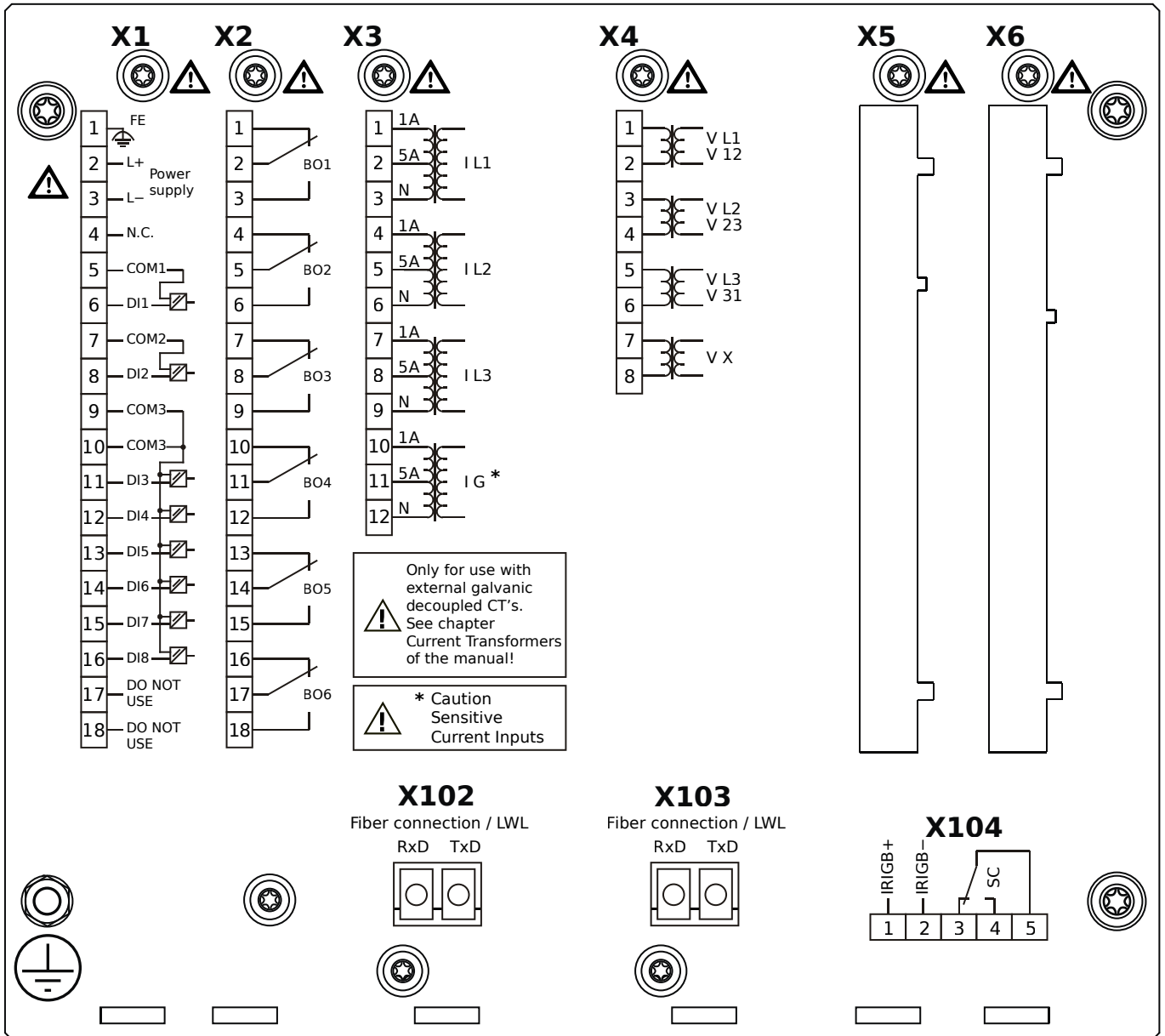


Housing B2, large display, door mounting

+ Conformal Coating (for installations in harsh environment)

- X1** – DI8-X1: Wide-range power supply unit, incl. 2 non-grouped digital inputs and 6 grouped digital inputs
- X2** – OR6: Assembly Group with 6 Output Relays (Changeover / Form C)
- X3** – TIs: Standard phase current measuring card and sensitive ground current measuring
- X4** – TU: Card with 4 voltage transformer measuring inputs (0 ... 800 VAC, under UL: 0 ... 600 VAC)
- X100** – Modbus TCP / IEC 60870-5-104 / DNP3.0 TCP/UDP, Ethernet interface, 100 Mbit/s, RJ45 (BASE100-FX)
- X102** – Long-distance Protection Communication, Fiber optics interface, LC Connector
- X103** – IEC 60870-5-103 / Modbus RTU / DNP3.0 RTU, RS485, Terminals
- X104** – IRIG-B00X, incl. System Contact (Supervision Contact)

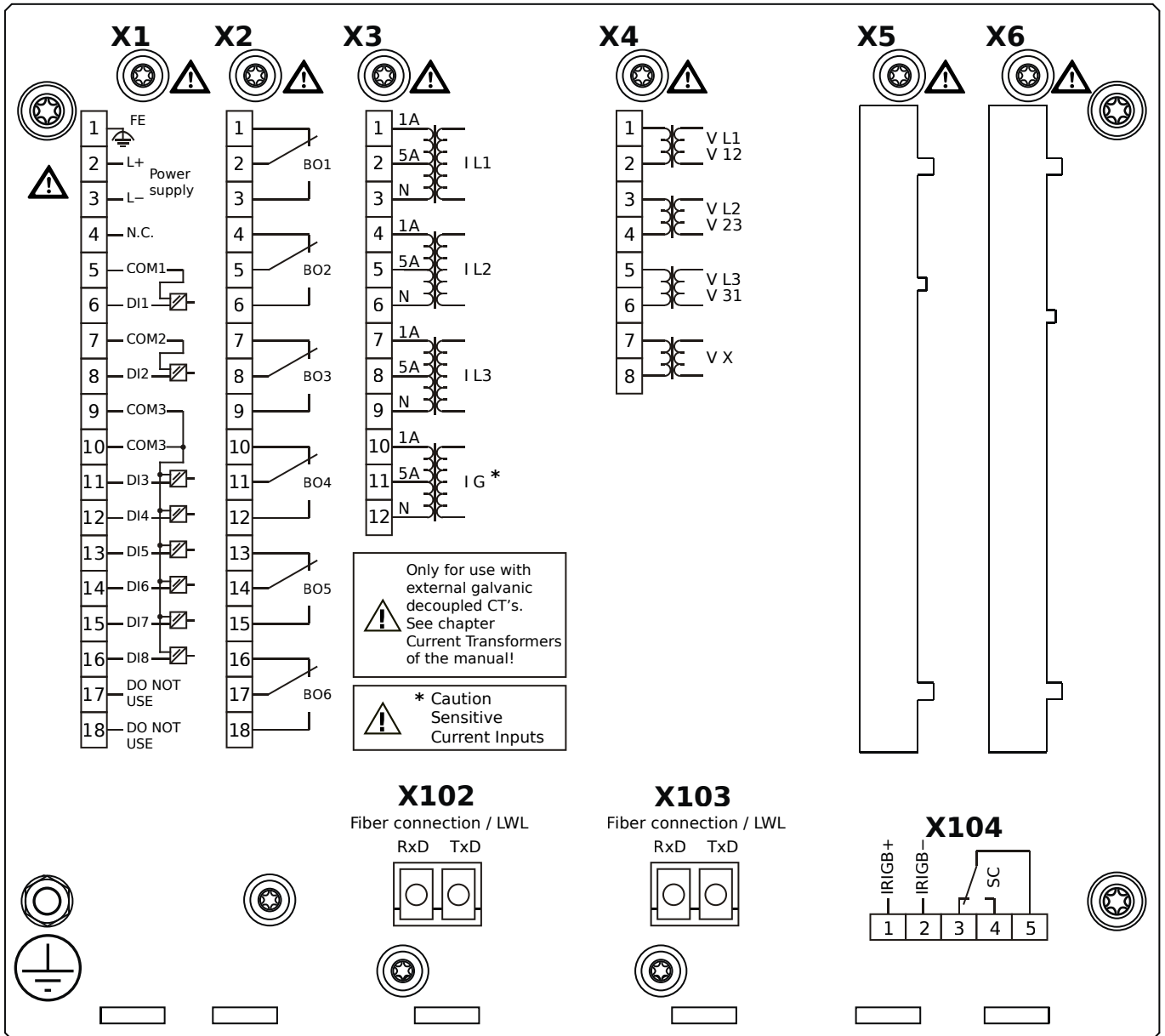
MCDLV4-2A1A0KA



Housing B2, large display, door mounting

- X1** – DI8-X1: Wide-range power supply unit, incl. 2 non-grouped digital inputs and 6 grouped digital inputs
- X2** – OR6: Assembly Group with 6 Output Relays (Changeover / Form C)
- X3** – TIs: Standard phase current measuring card and sensitive ground current measuring
- X4** – TU: Card with 4 voltage transformer measuring inputs (0 ... 800 VAC, under UL: 0 ... 600 VAC)
- X102** – Long-distance Protection Communication, Fiber optics interface, LC Connector
- X103** – IEC 61850 / Modbus TCP / IEC 60870-5-104 / DNP3.0 TCP/UDP, Fiber optics interface, LC Connector
- X104** – IRIG-B00X, incl. System Contact (Supervision Contact)

MCDLV4-2A1A0KB

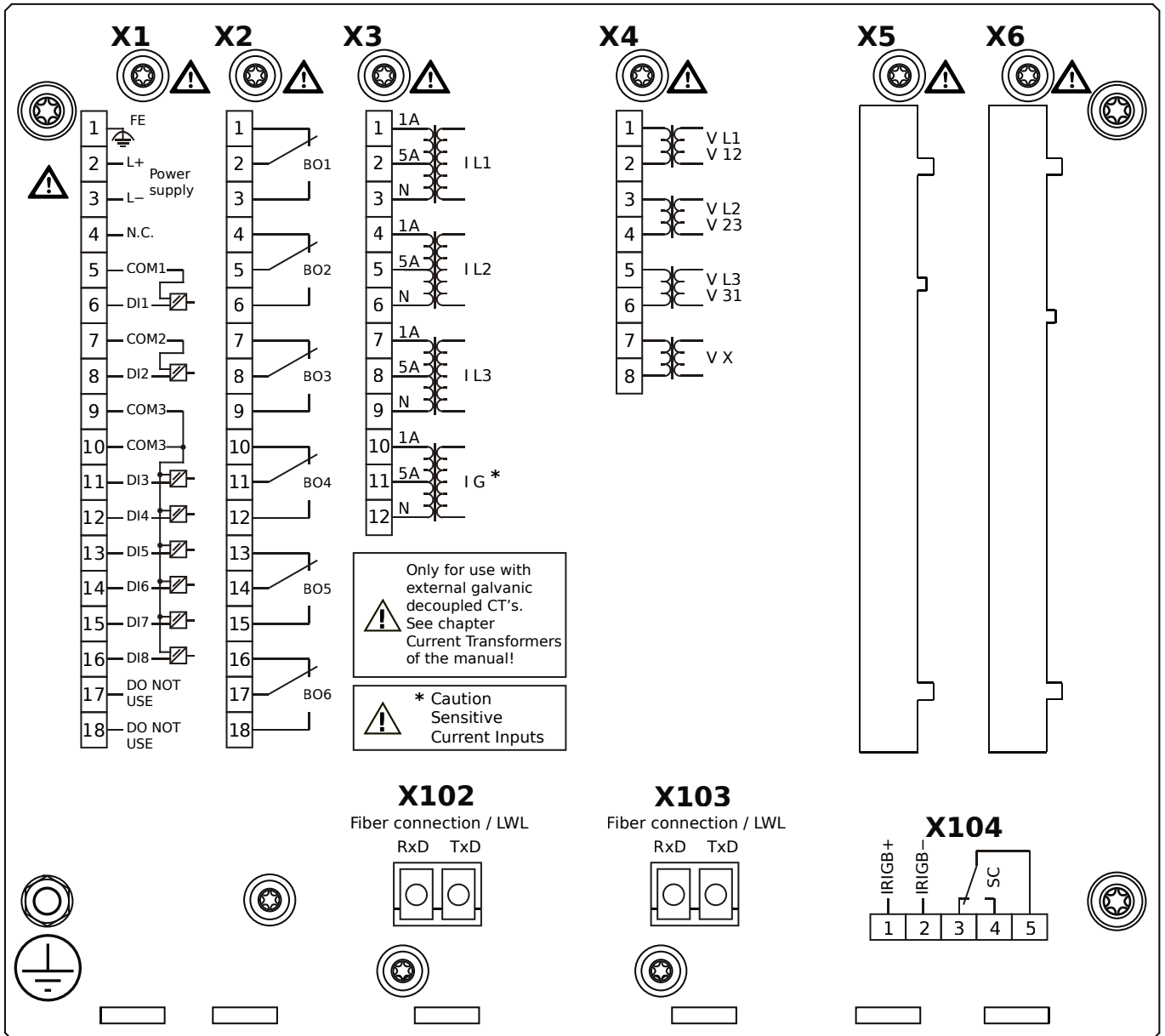


Housing B2, large display, door mounting

+ Conformal Coating (for installations in harsh environment)

- X1** – DI8-X1: Wide-range power supply unit, incl. 2 non-grouped digital inputs and 6 grouped digital inputs
- X2** – OR6: Assembly Group with 6 Output Relays (Changeover / Form C)
- X3** – TIs: Standard phase current measuring card and sensitive ground current measuring
- X4** – TU: Card with 4 voltage transformer measuring inputs (0 ... 800 VAC, under UL: 0 ... 600 VAC)
- X102** – Long-distance Protection Communication, Fiber optics interface, LC Connector
- X103** – IEC 61850 / Modbus TCP / IEC 60870-5-104 / DNP3.0 TCP/UDP, Fiber optics interface, LC Connector
- X104** – IRIG-B00X, incl. System Contact (Supervision Contact)

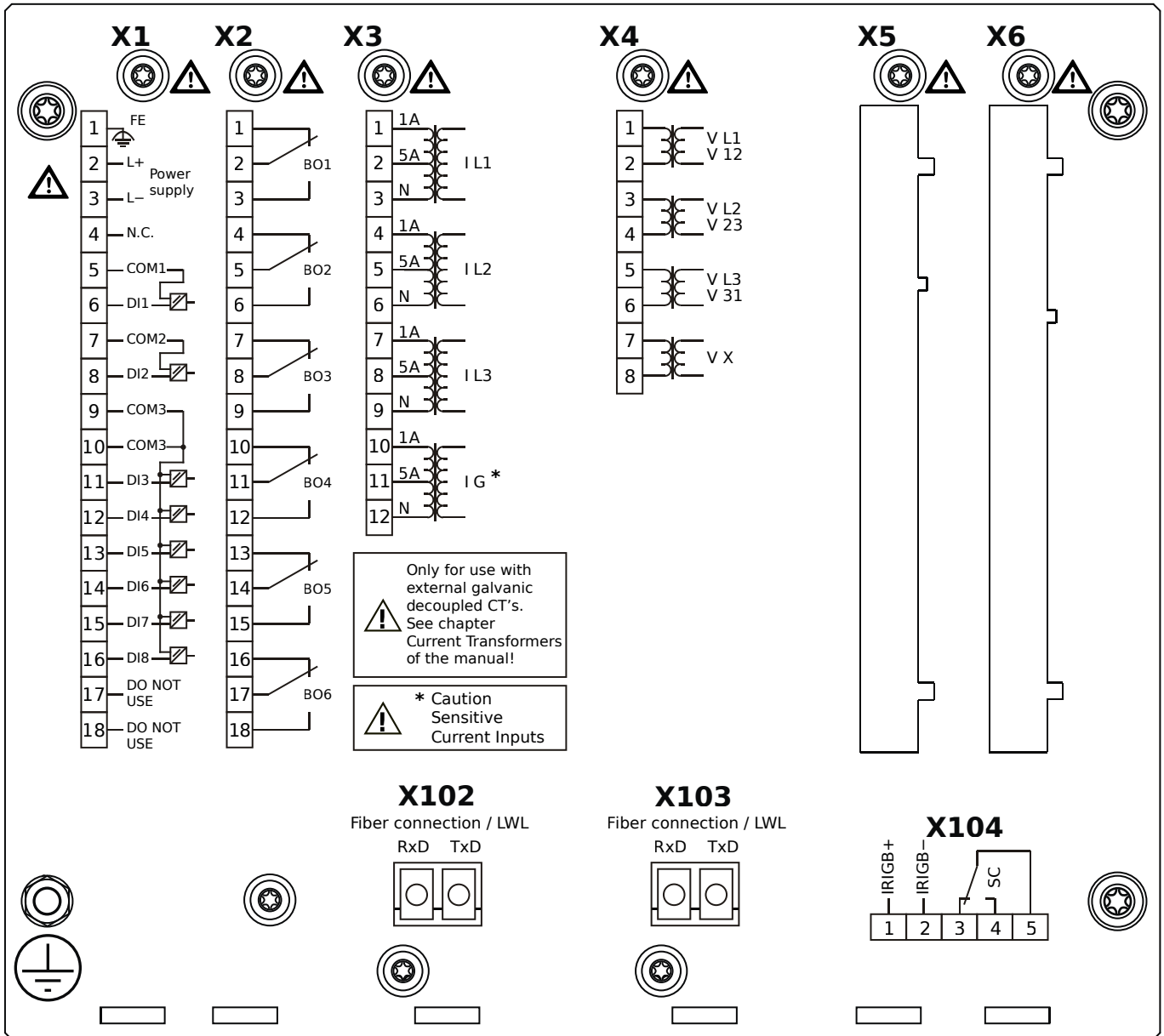
MCDLV4-2A1A0LA



Housing B2, large display, door mounting

- X1** – DI8-X1: Wide-range power supply unit, incl. 2 non-grouped digital inputs and 6 grouped digital inputs
- X2** – OR6: Assembly Group with 6 Output Relays (Changeover / Form C)
- X3** – TIs: Standard phase current measuring card and sensitive ground current measuring
- X4** – TU: Card with 4 voltage transformer measuring inputs (0 ... 800 VAC, under UL: 0 ... 600 VAC)
- X102** – Long-distance Protection Communication, Fiber optics interface, LC Connector
- X103** – Modbus TCP / IEC 60870-5-104 / DNP3.0 TCP/UDP, Fiber optics interface, LC Connector
- X104** – IRIG-B00X, incl. System Contact (Supervision Contact)

MCDLV4-2A1A0LB

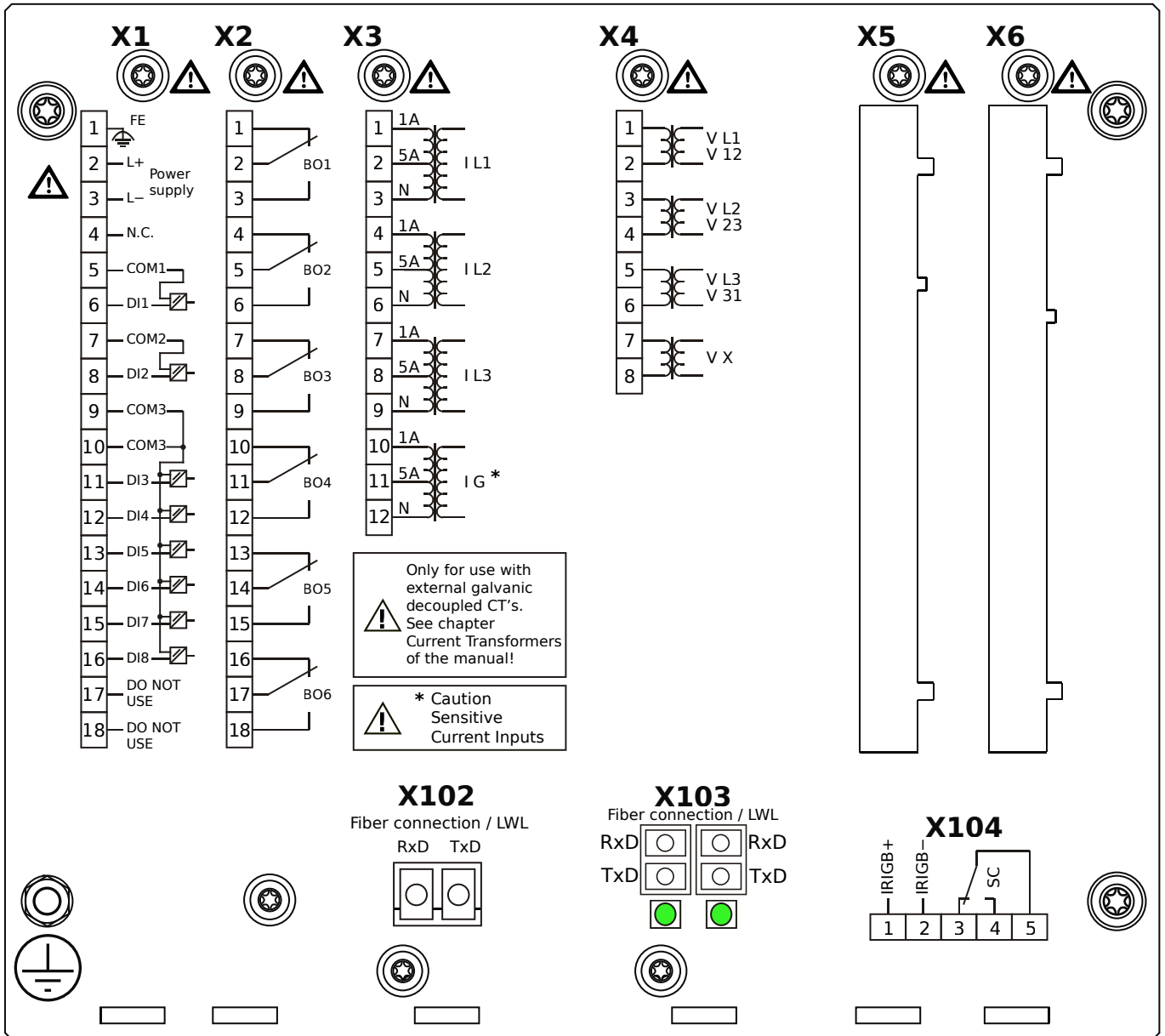


Housing B2, large display, door mounting

+ Conformal Coating (for installations in harsh environment)

- X1** – DI8-X1: Wide-range power supply unit, incl. 2 non-grouped digital inputs and 6 grouped digital inputs
- X2** – OR6: Assembly Group with 6 Output Relays (Changeover / Form C)
- X3** – TIs: Standard phase current measuring card and sensitive ground current measuring
- X4** – TU: Card with 4 voltage transformer measuring inputs (0 ... 800 VAC, under UL: 0 ... 600 VAC)
- X102** – Long-distance Protection Communication, Fiber optics interface, LC Connector
- X103** – Modbus TCP / IEC 60870-5-104 / DNP3.0 TCP/UDP, Fiber optics interface, LC Connector
- X104** – IRIG-B00X, incl. System Contact (Supervision Contact)

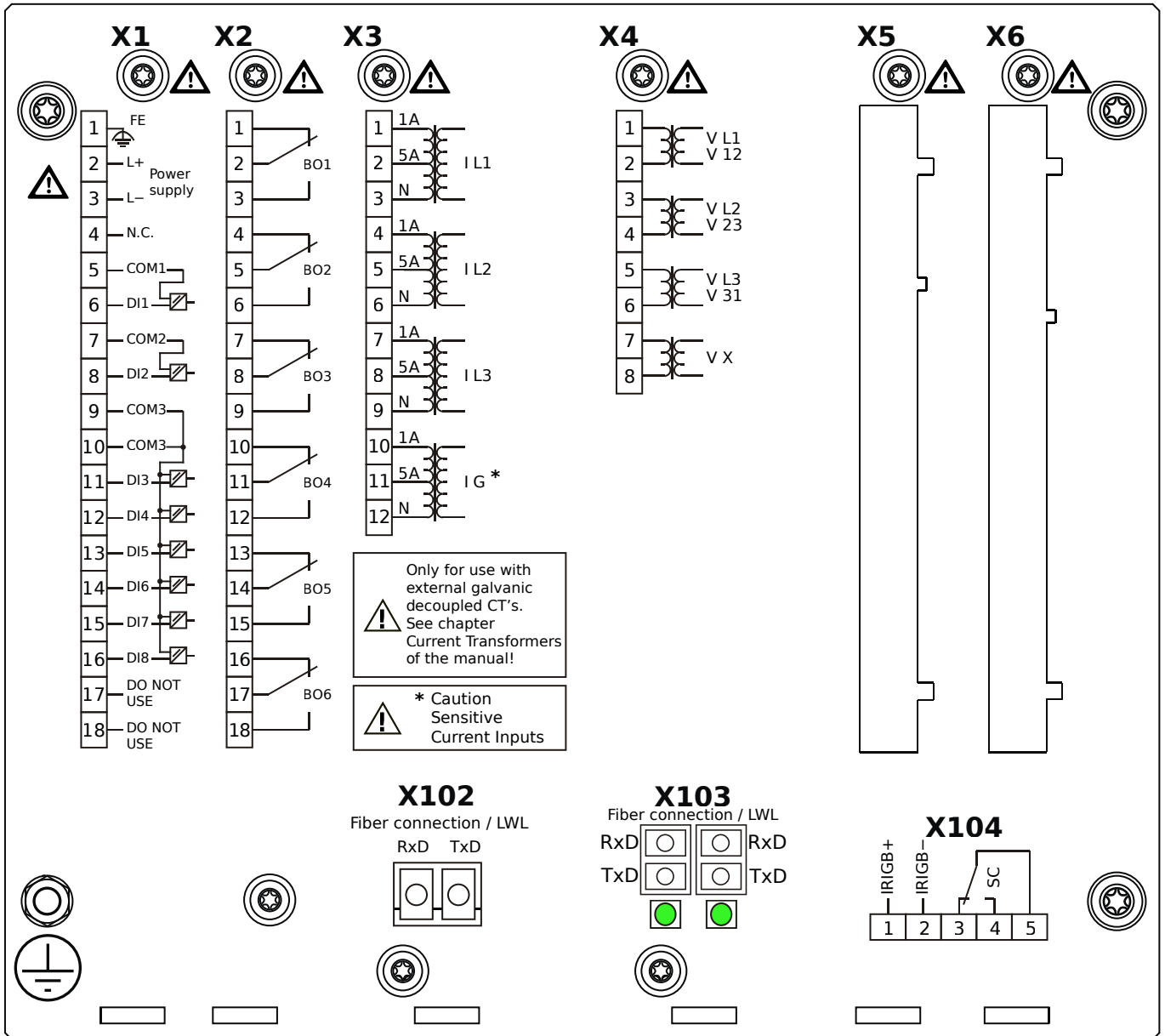
MCDLV4-2A1A00A



Housing B2, large display, door mounting

- X1** – DI8-X1: Wide-range power supply unit, incl. 2 non-grouped digital inputs and 6 grouped digital inputs
- X2** – OR6: Assembly Group with 6 Output Relays (Changeover / Form C)
- X3** – TIs: Standard phase current measuring card and sensitive ground current measuring
- X4** – TU: Card with 4 voltage transformer measuring inputs (0 ... 800 VAC, under UL: 0 ... 600 VAC)
- X102** – Long-distance Protection Communication, Fiber optics interface, LC Connector
- X103** – Modbus TCP / IEC 60870-5-104 / DNP3.0 TCP/UDP, Redundant Fiber optics interface, LC Connector
- X104** – IRIG-B00X, incl. System Contact (Supervision Contact)

MCDLV4-2A1A00B

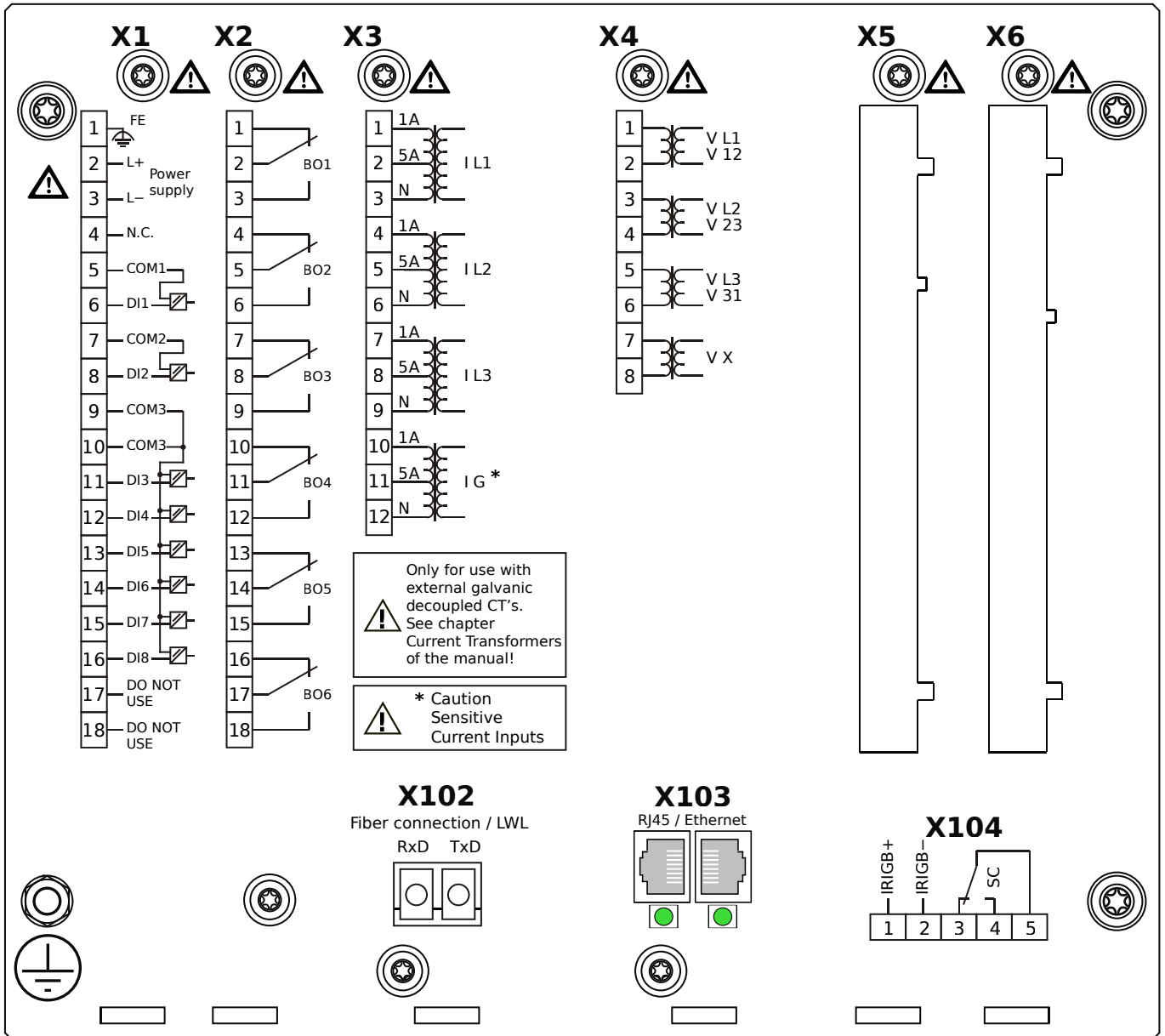


Housing B2, large display, door mounting

+ Conformal Coating (for installations in harsh environment)

- X1** – DI8-X1: Wide-range power supply unit, incl. 2 non-grouped digital inputs and 6 grouped digital inputs
- X2** – OR6: Assembly Group with 6 Output Relays (Changeover / Form C)
- X3** – TIs: Standard phase current measuring card and sensitive ground current measuring
- X4** – TU: Card with 4 voltage transformer measuring inputs (0 ... 800 VAC, under UL: 0 ... 600 VAC)
- X102** – Long-distance Protection Communication, Fiber optics interface, LC Connector
- X103** – Modbus TCP / IEC 60870-5-104 / DNP3.0 TCP/UDP, Redundant Fiber optics interface, LC Connector
- X104** – IRIG-B00X, incl. System Contact (Supervision Contact)

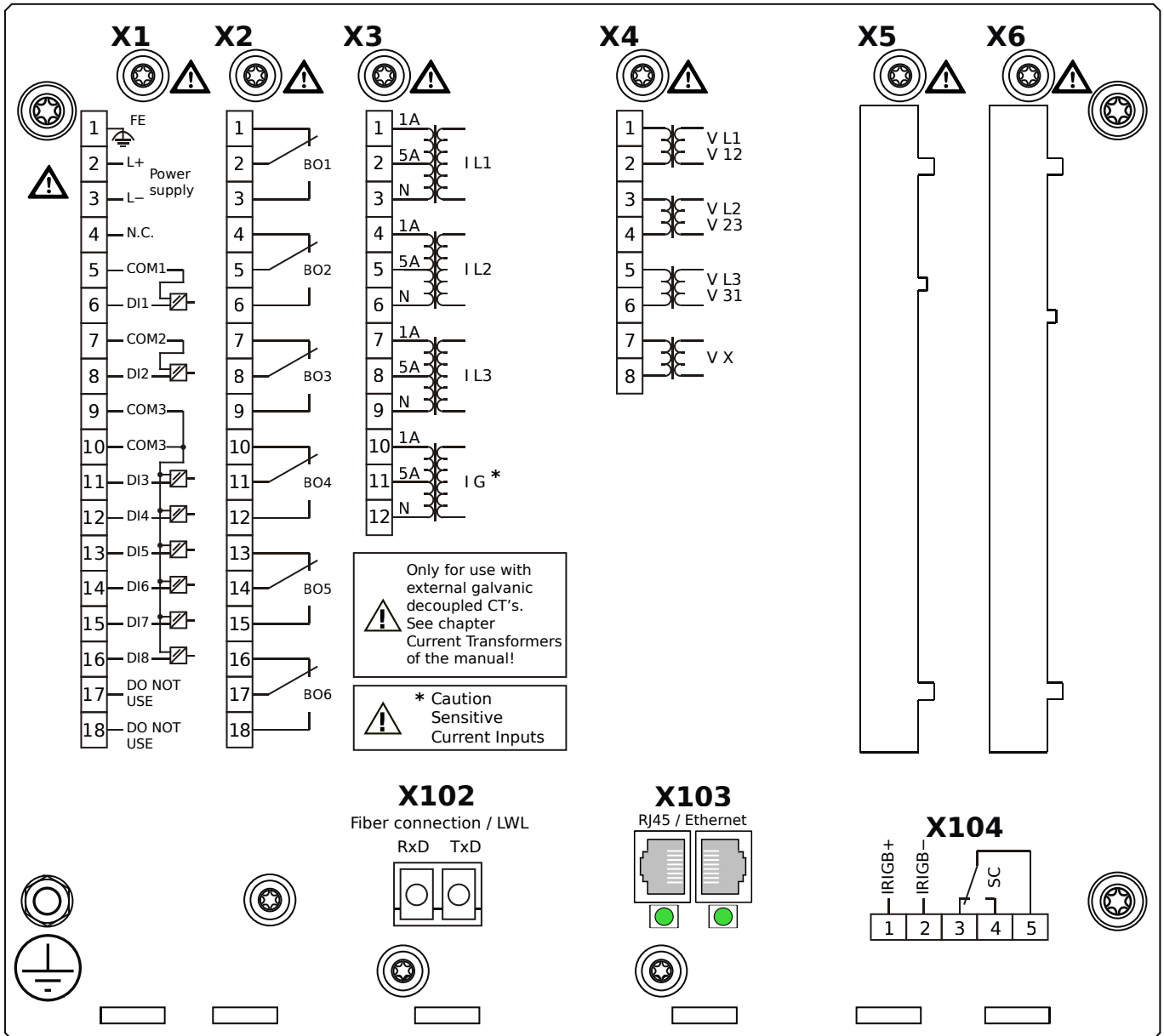
MCDLV4-2A1A0PA



Housing B2, large display, door mounting

- X1** – DI8-X1: Wide-range power supply unit, incl. 2 non-grouped digital inputs and 6 grouped digital inputs
- X2** – OR6: Assembly Group with 6 Output Relays (Changeover / Form C)
- X3** – TIs: Standard phase current measuring card and sensitive ground current measuring
- X4** – TU: Card with 4 voltage transformer measuring inputs (0 ... 800 VAC, under UL: 0 ... 600 VAC)
- X102** – Long-distance Protection Communication, Fiber optics interface, LC Connector
- X103** – Modbus TCP / IEC 60870-5-104 / DNP3.0 TCP/UDP, Redundant Ethernet interface, 100 Mbit/s, RJ45 (BASE100-FX)
- X104** – IRIG-B00X, incl. System Contact (Supervision Contact)

MCDLV4-2A1A0PB



Housing B2, large display, door mounting

+ Conformal Coating (for installations in harsh environment)

X1 – DI8-X1: Wide-range power supply unit, incl. 2 non-grouped digital inputs and 6 grouped digital inputs

X2 – OR6: Assembly Group with 6 Output Relays (Changeover / Form C)

X3 – TIs: Standard phase current measuring card and sensitive ground current measuring

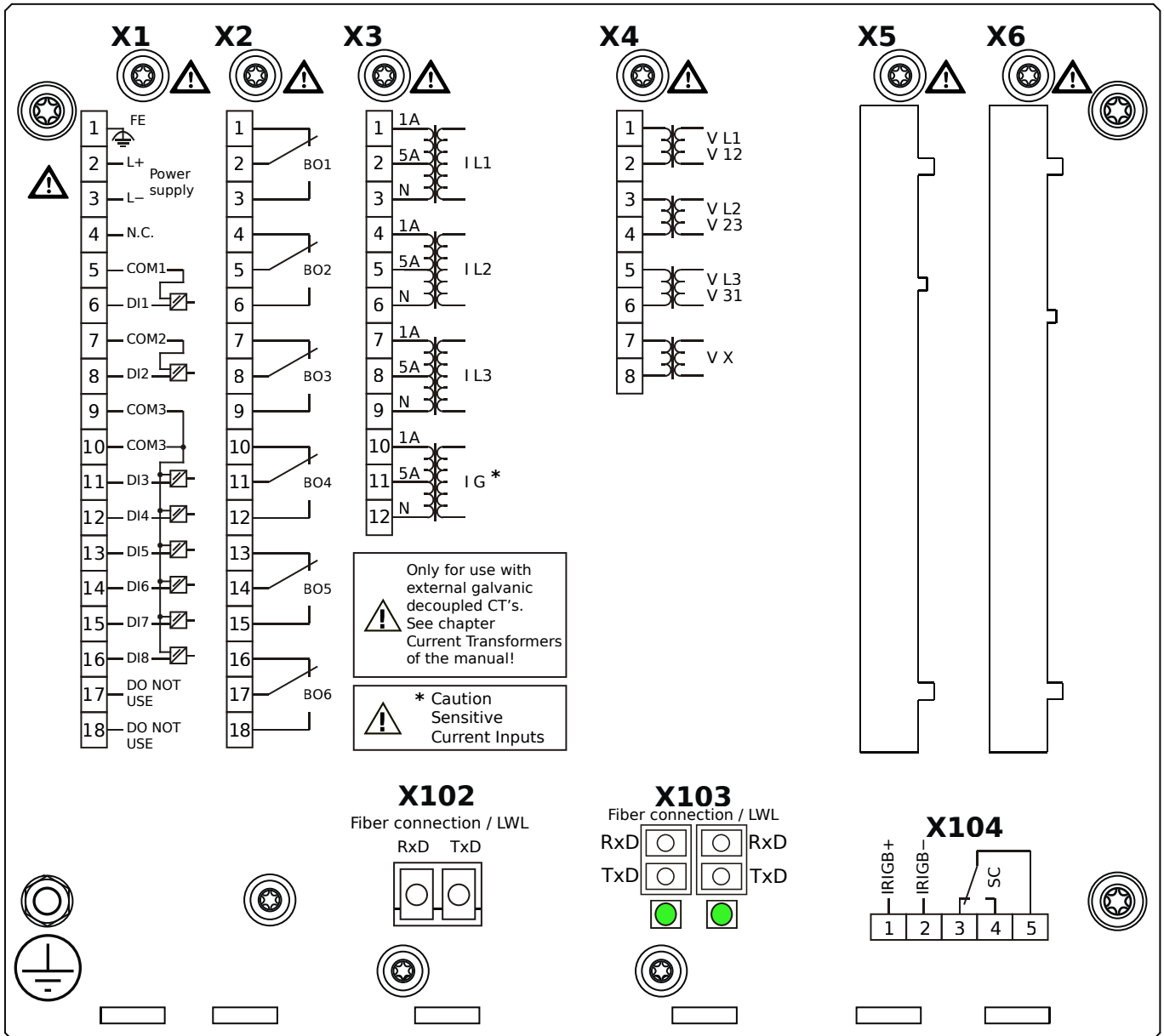
X4 – TU: Card with 4 voltage transformer measuring inputs (0 ... 800 VAC, under UL: 0 ... 600 VAC)

X102 – Long-distance Protection Communication, Fiber optics interface, LC Connector

X103 – Modbus TCP / IEC 60870-5-104 / DNP3.0 TCP/UDP, Redundant Ethernet interface, 100 Mbit/s, RJ45 (BASE100-FX)

X104 – IRIG-B00X, incl. System Contact (Supervision Contact)

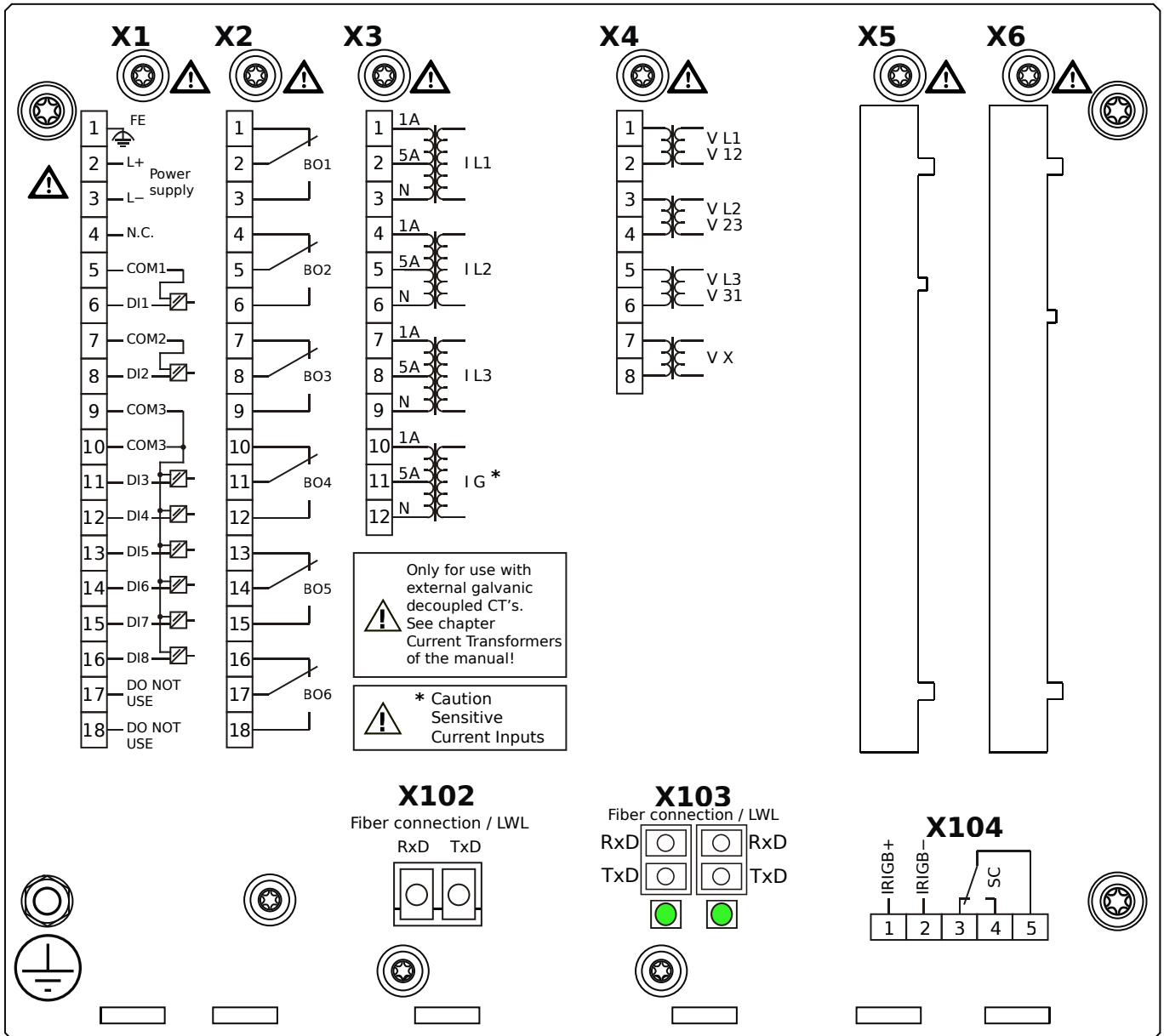
MCDLV4-2A1A0QA



Housing B2, large display, door mounting

- X1** – DI8-X1: Wide-range power supply unit, incl. 2 non-grouped digital inputs and 6 grouped digital inputs
- X2** – OR6: Assembly Group with 6 Output Relays (Changeover / Form C)
- X3** – TIs: Standard phase current measuring card and sensitive ground current measuring
- X4** – TU: Card with 4 voltage transformer measuring inputs (0 ... 800 VAC, under UL: 0 ... 600 VAC)
- X102** – Long-distance Protection Communication, Fiber optics interface, LC Connector
- X103** – IEC 61850 / Modbus TCP / IEC 60870-5-104 / DNP3.0 TCP/UDP, Redundant Fiber optics interface, LC Connector
- X104** – IRIG-B00X, incl. System Contact (Supervision Contact)

MCDLV4-2A1A0QB



Housing B2, large display, door mounting

+ Conformal Coating (for installations in harsh environment)

X1 – DI8-X1: Wide-range power supply unit, incl. 2 non-grouped digital inputs and 6 grouped digital inputs

X2 – OR6: Assembly Group with 6 Output Relays (Changeover / Form C)

X3 – TIs: Standard phase current measuring card and sensitive ground current measuring

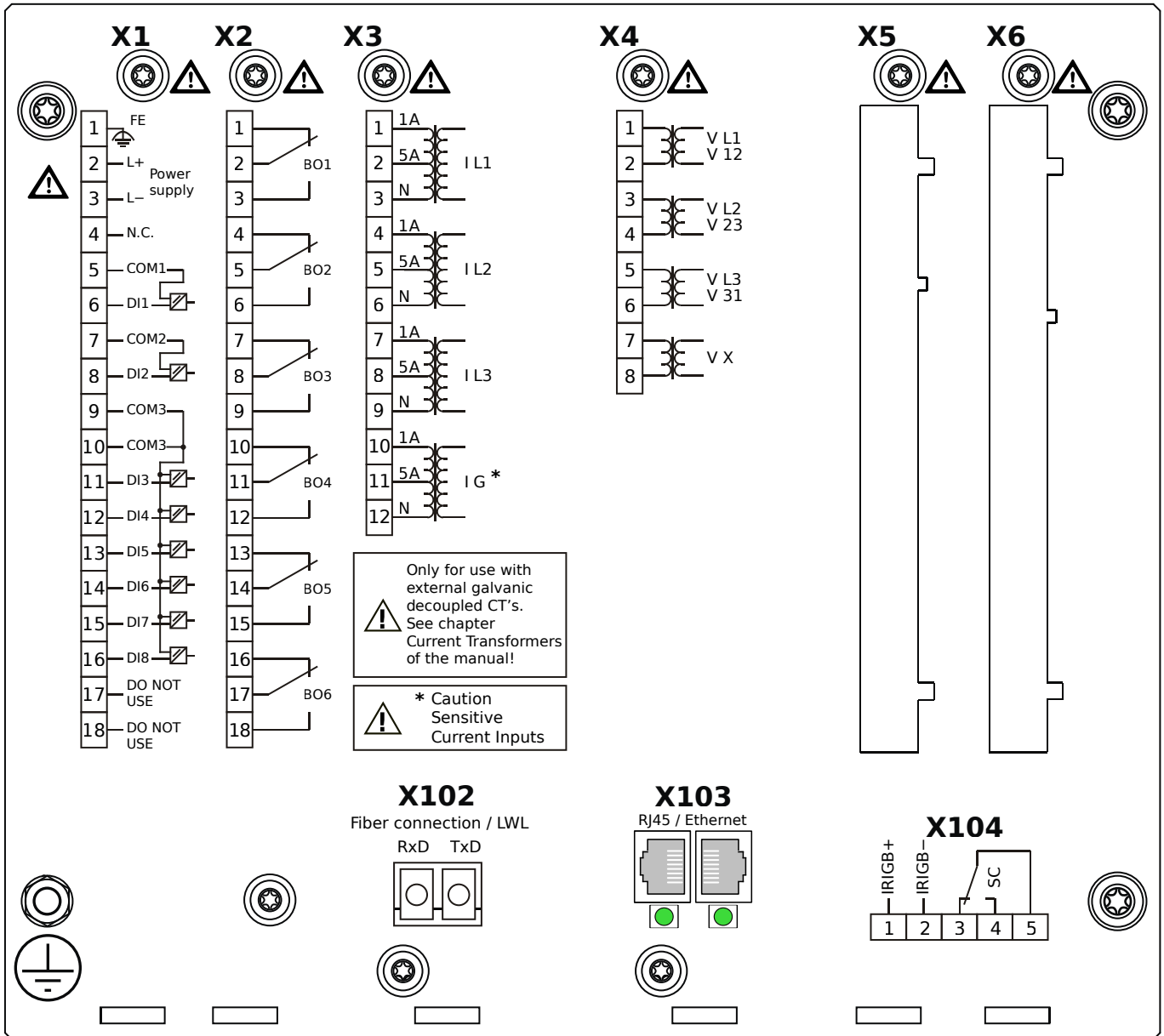
X4 – TU: Card with 4 voltage transformer measuring inputs (0 ... 800 VAC, under UL: 0 ... 600 VAC)

X102 – Long-distance Protection Communication, Fiber optics interface, LC Connector

X103 – IEC 61850 / Modbus TCP / IEC 60870-5-104 / DNP3.0 TCP/UDP, Redundant Fiber optics interface, LC Connector

X104 – IRIG-B00X, incl. System Contact (Supervision Contact)

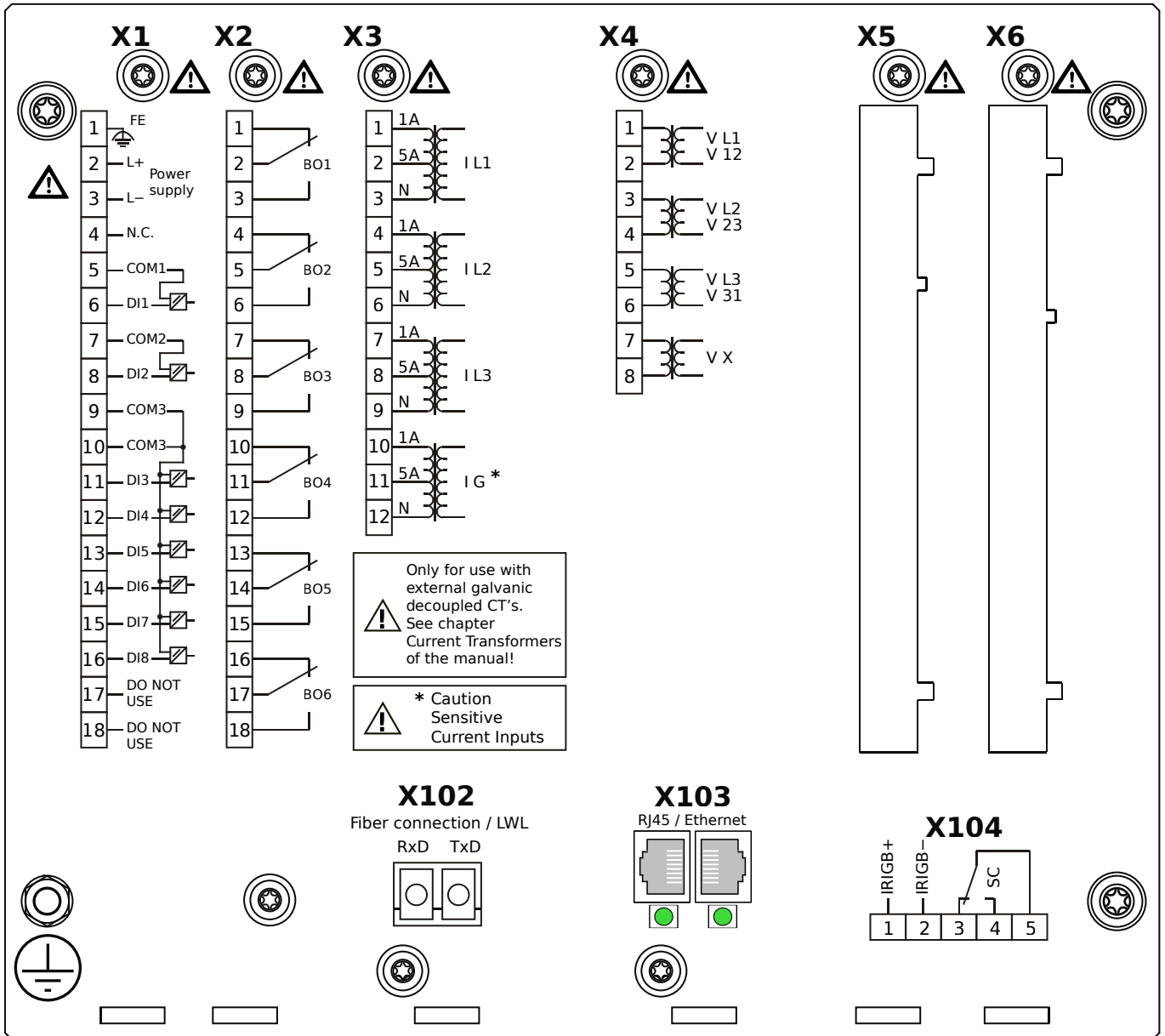
MCDLV4-2A1A0RA



Housing B2, large display, door mounting

- X1** – DI8-X1: Wide-range power supply unit, incl. 2 non-grouped digital inputs and 6 grouped digital inputs
- X2** – OR6: Assembly Group with 6 Output Relays (Changeover / Form C)
- X3** – TIs: Standard phase current measuring card and sensitive ground current measuring
- X4** – TU: Card with 4 voltage transformer measuring inputs (0 ... 800 VAC, under UL: 0 ... 600 VAC)
- X102** – Long-distance Protection Communication, Fiber optics interface, LC Connector
- X103** – IEC 61850 / Modbus TCP / IEC 60870-5-104 / DNP3.0 TCP/UDP, Redundant Ethernet interface, 100 Mbit/s, RJ45 (BASE100-FX)
- X104** – IRIG-B00X, incl. System Contact (Supervision Contact)

MCDLV4-2A1A0RB



Housing B2, large display, door mounting

+ Conformal Coating (for installations in harsh environment)

X1 – DI8-X1: Wide-range power supply unit, incl. 2 non-grouped digital inputs and 6 grouped digital inputs

X2 – OR6: Assembly Group with 6 Output Relays (Changeover / Form C)

X3 – TIs: Standard phase current measuring card and sensitive ground current measuring

X4 – TU: Card with 4 voltage transformer measuring inputs (0 ... 800 VAC, under UL: 0 ... 600 VAC)

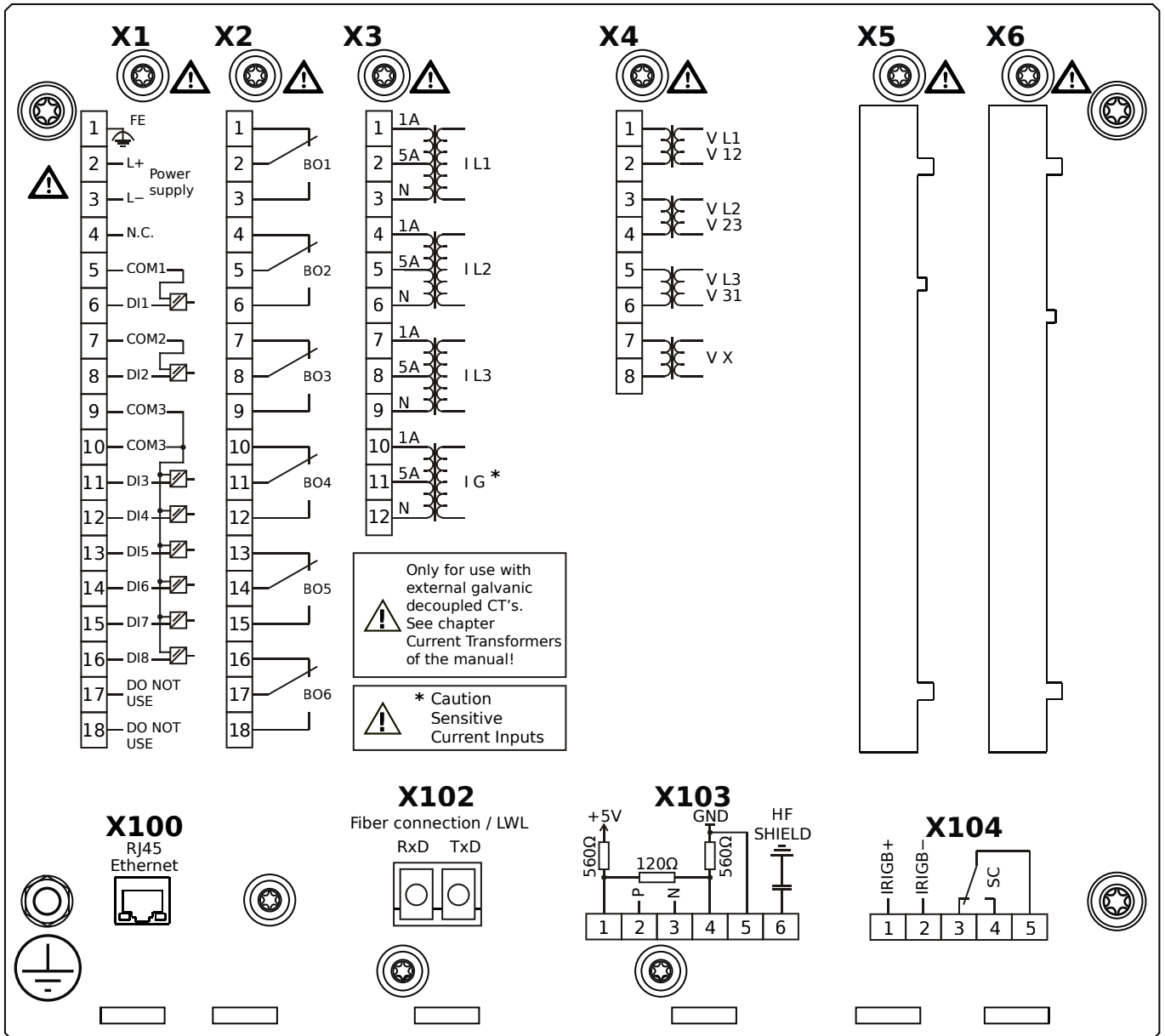
X102 – Long-distance Protection Communication, Fiber optics interface, LC Connector

X103 – IEC 61850 / Modbus TCP / IEC 60870-5-104 / DNP3.0 TCP/UDP, Redundant Ethernet interface, 100 Mbit/s, RJ45

(BASE100-FX)

X104 – IRIG-B00X, incl. System Contact (Supervision Contact)

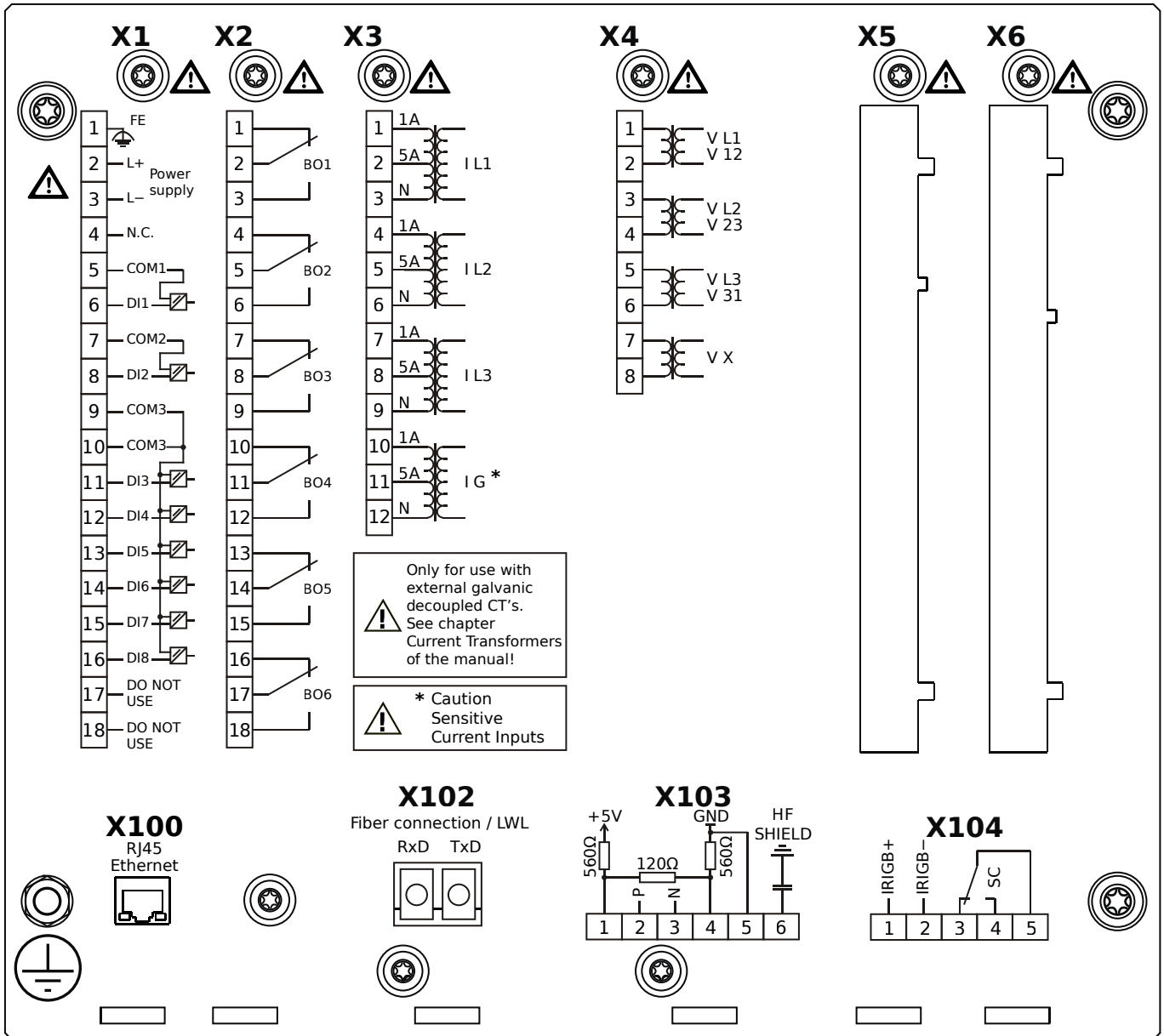
MCDLV4-2A1A0TA



Housing B2, large display, door mounting

- X1** – DI8-X1: Wide-range power supply unit, incl. 2 non-grouped digital inputs and 6 grouped digital inputs
- X2** – OR6: Assembly Group with 6 Output Relays (Changeover / Form C)
- X3** – TIs: Standard phase current measuring card and sensitive ground current measuring
- X4** – TU: Card with 4 voltage transformer measuring inputs (0 ... 800 VAC, under UL: 0 ... 600 VAC)
- X100** – IEC 61850 / Modbus TCP / IEC 60870-5-104 / DNP3.0 TCP/UDP, Ethernet interface, 100 Mbit/s, RJ45 (BASE100-FX)
- X102** – Long-distance Protection Communication, Fiber optics interface, LC Connector
- X103** – IEC 60870-5-103 / Modbus RTU / DNP3.0 RTU, RS485, Terminals
- X104** – IRIG-B00X, incl. System Contact (Supervision Contact)

MCDLV4-2A1A0TB



Housing B2, large display, door mounting

+ Conformal Coating (for installations in harsh environment)

X1 – DI8-X1: Wide-range power supply unit, incl. 2 non-grouped digital inputs and 6 grouped digital inputs

X2 – OR6: Assembly Group with 6 Output Relays (Changeover / Form C)

X3 – TIs: Standard phase current measuring card and sensitive ground current measuring

X4 – TU: Card with 4 voltage transformer measuring inputs (0 ... 800 VAC, under UL: 0 ... 600 VAC)

X100 – IEC 61850 / Modbus TCP / IEC 60870-5-104 / DNP3.0 TCP/UDP, Ethernet interface, 100 Mbit/s, RJ45 (BASE100-

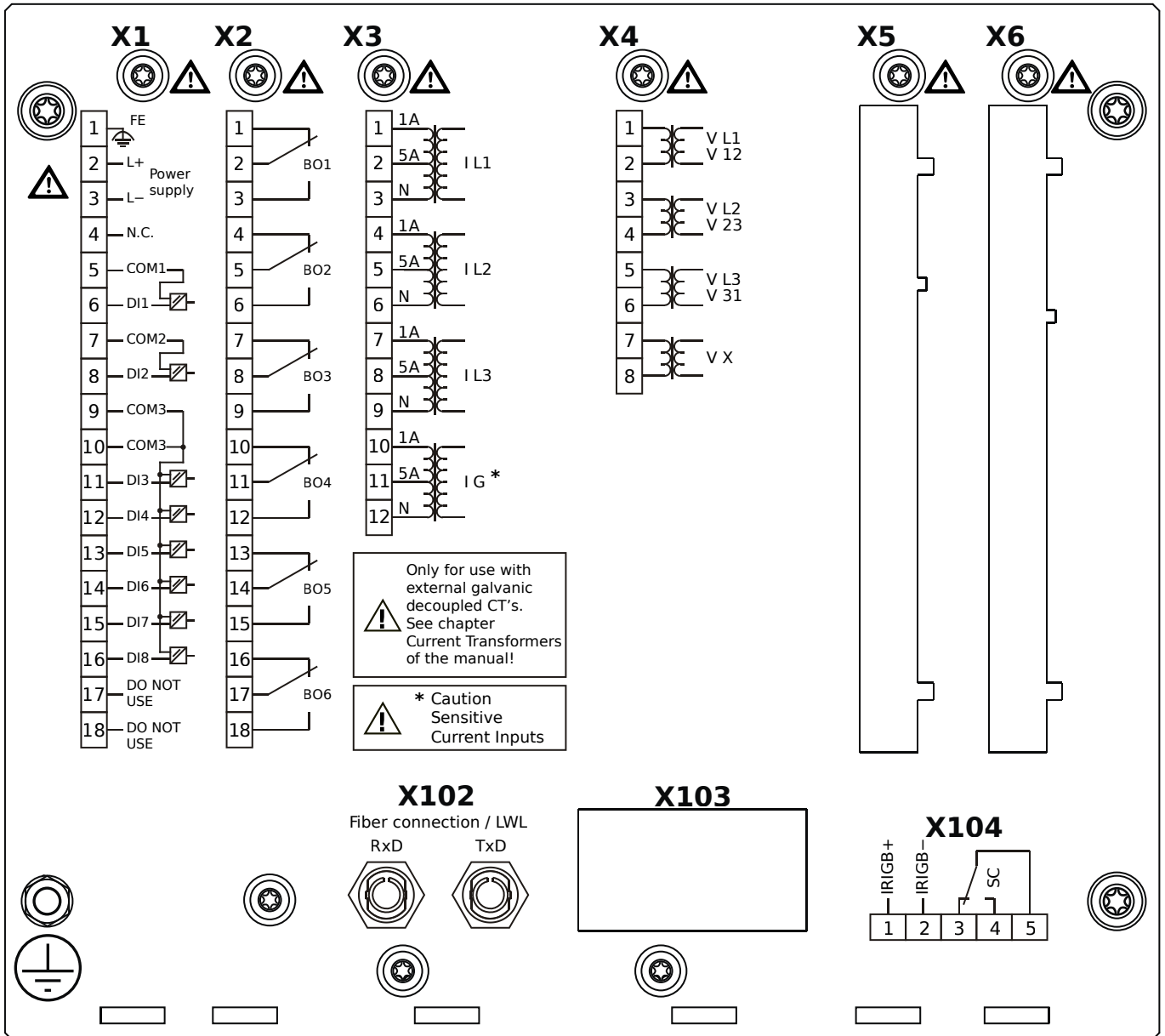
X102 – Long-distance Protection Communication, Fiber optics interface, LC Connector

X103 – IEC 60870-5-103 / Modbus RTU / DNP3.0 RTU, RS485, Terminals

X104 – IRIG-B00X, incl. System Contact (Supervision Contact)

FX)

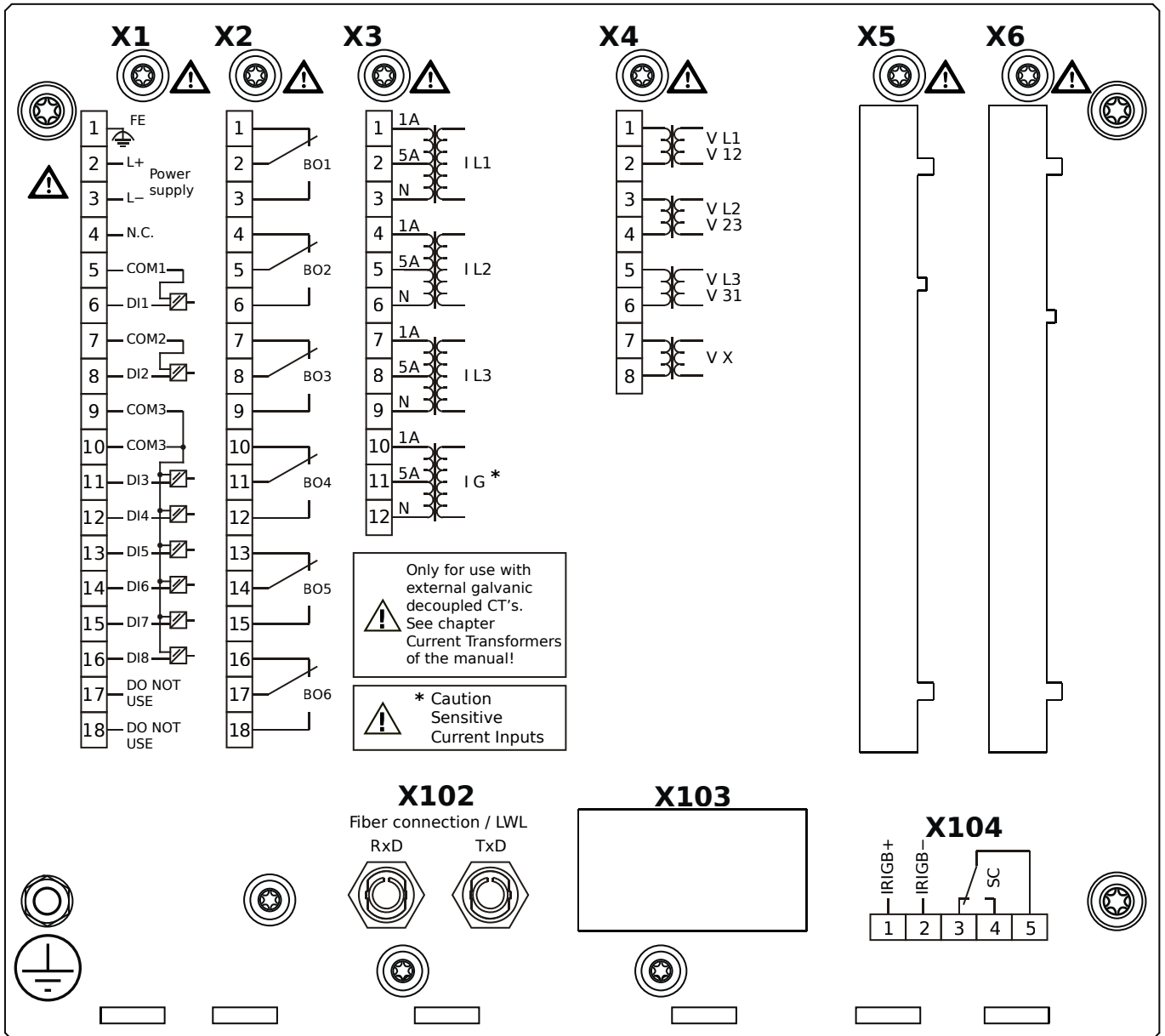
MCDLV4-2A1A1AA



Housing B2, large display, door mounting

- X1** – DI8-X1: Wide-range power supply unit, incl. 2 non-grouped digital inputs and 6 grouped digital inputs
- X2** – OR6: Assembly Group with 6 Output Relays (Changeover / Form C)
- X3** – TIs: Standard phase current measuring card and sensitive ground current measuring
- X4** – TU: Card with 4 voltage transformer measuring inputs (0 ... 800 VAC, under UL: 0 ... 600 VAC)
- X102** – Protection Communication, Fiber optics interface, ST Connector
- X104** – IRIG-B00X, incl. System Contact (Supervision Contact)

MCDLV4-2A1A1AB

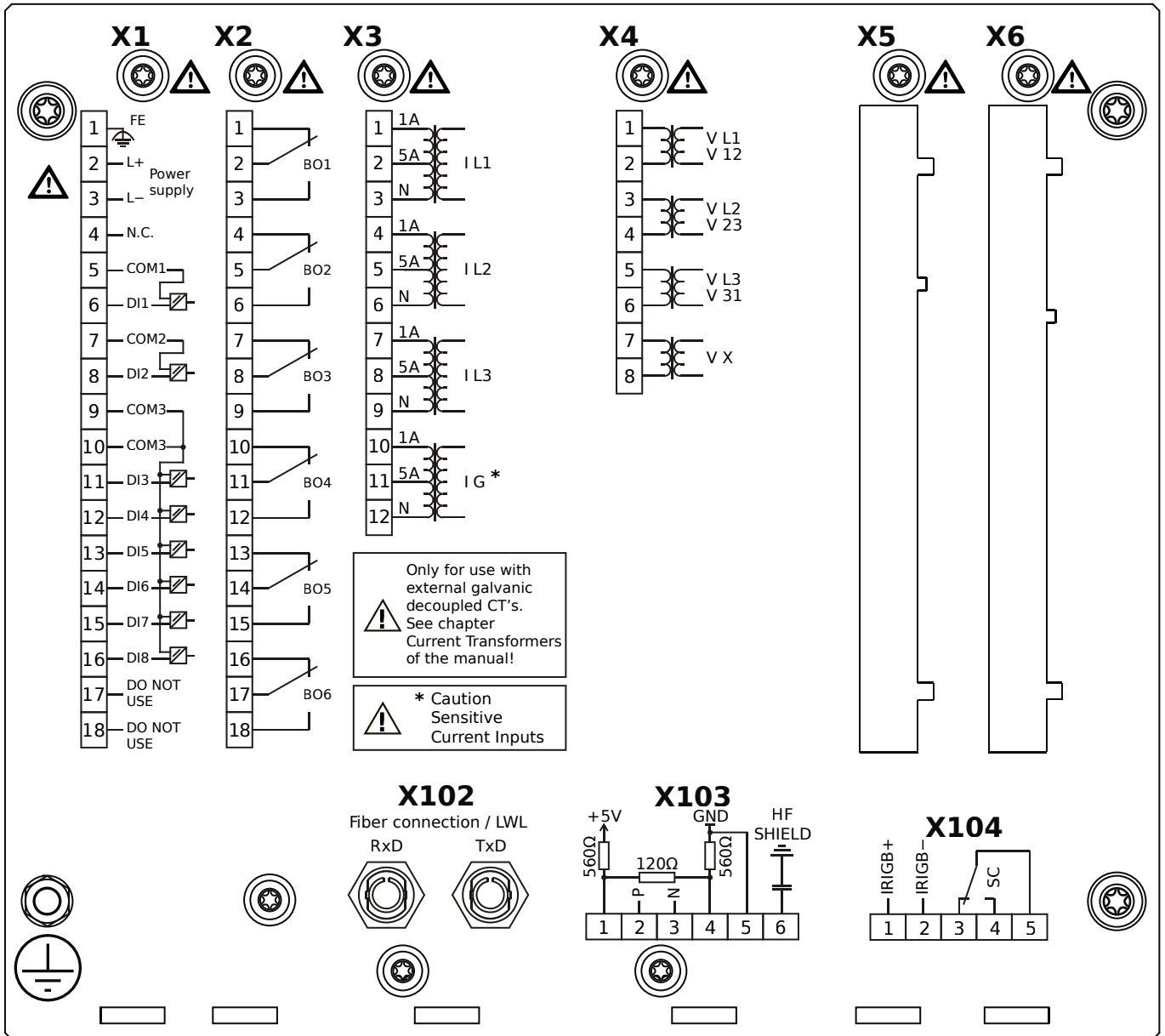


Housing B2, large display, door mounting

+ Conformal Coating (for installations in harsh environment)

- X1** – DI8-X1: Wide-range power supply unit, incl. 2 non-grouped digital inputs and 6 grouped digital inputs
- X2** – OR6: Assembly Group with 6 Output Relays (Changeover / Form C)
- X3** – TIs: Standard phase current measuring card and sensitive ground current measuring
- X4** – TU: Card with 4 voltage transformer measuring inputs (0 ... 800 VAC, under UL: 0 ... 600 VAC)
- X102** – Protection Communication, Fiber optics interface, ST Connector
- X104** – IRIG-B00X, incl. System Contact (Supervision Contact)

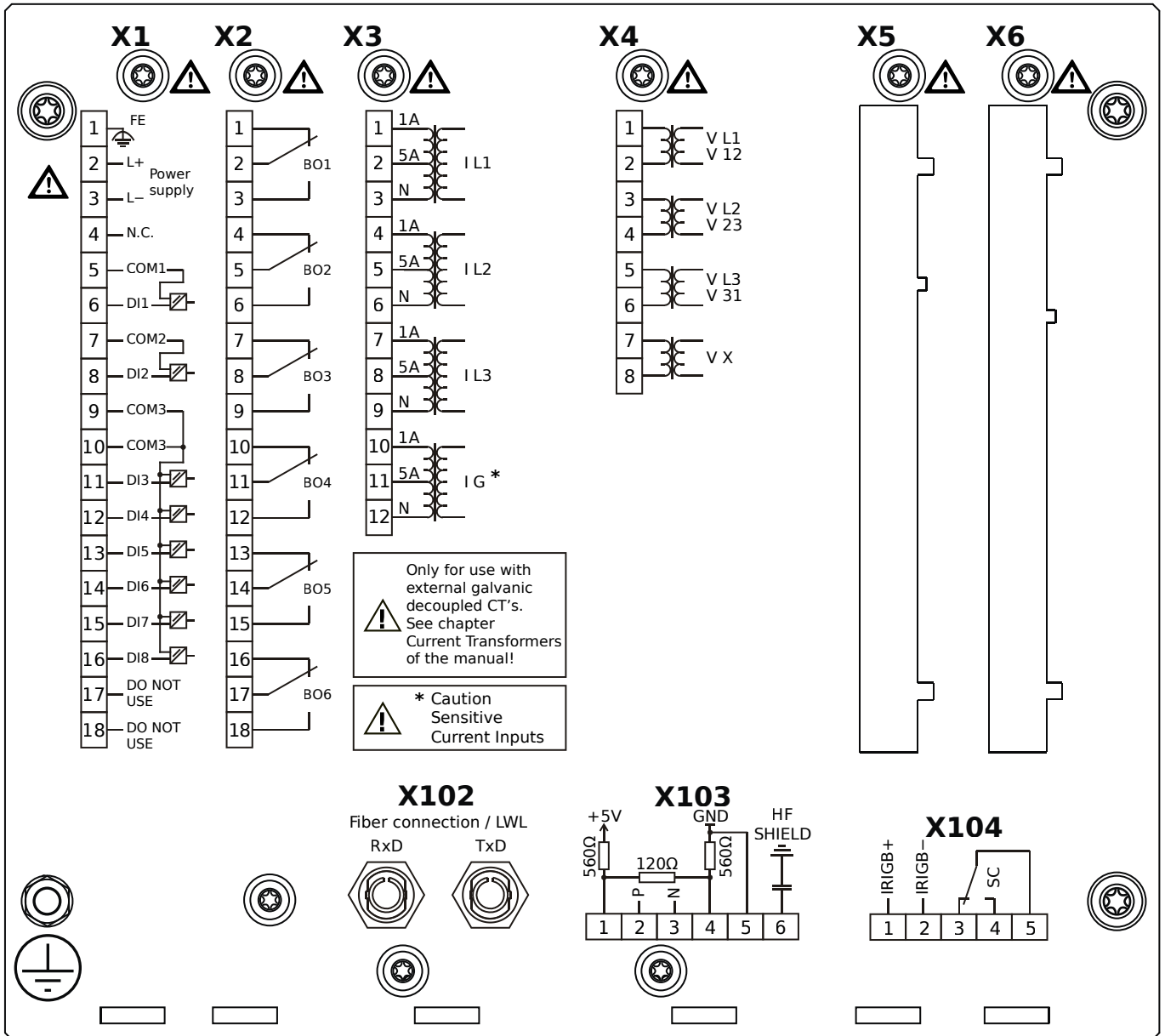
MCDLV4-2A1A1BA



Housing B2, large display, door mounting

- X1** – DI8-X1: Wide-range power supply unit, incl. 2 non-grouped digital inputs and 6 grouped digital inputs
- X2** – OR6: Assembly Group with 6 Output Relays (Changeover / Form C)
- X3** – TIs: Standard phase current measuring card and sensitive ground current measuring
- X4** – TU: Card with 4 voltage transformer measuring inputs (0 ... 800 VAC, under UL: 0 ... 600 VAC)
- X102** – Protection Communication, Fiber optics interface, ST Connector
- X103** – Modbus RTU / IEC 60870-5-103 / DNP3.0 RTU, RS485, Terminals
- X104** – IRIG-B00X, incl. System Contact (Supervision Contact)

MCDLV4-2A1A1BB

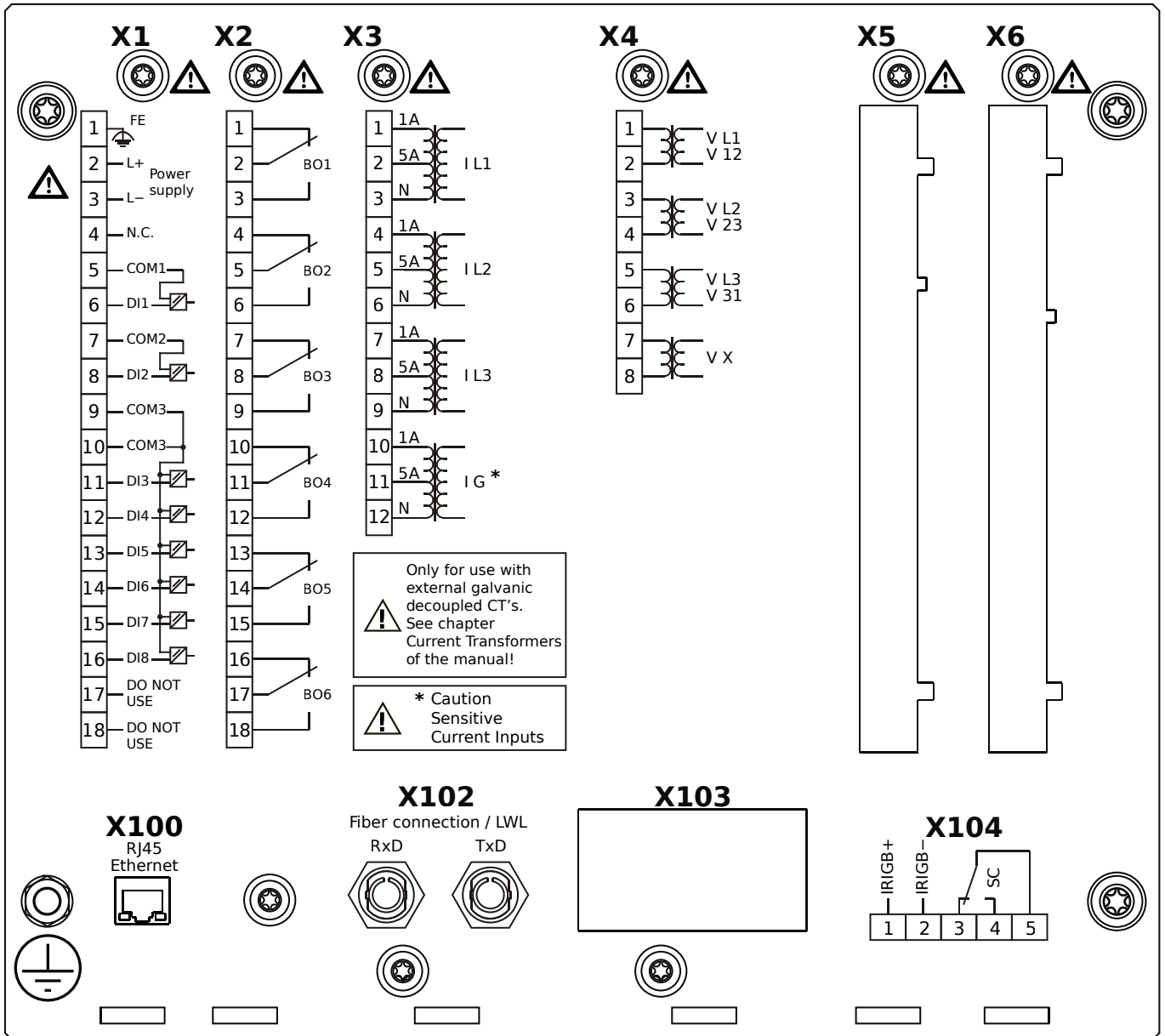


Housing B2, large display, door mounting

+ Conformal Coating (for installations in harsh environment)

- X1** – DI8-X1: Wide-range power supply unit, incl. 2 non-grouped digital inputs and 6 grouped digital inputs
- X2** – OR6: Assembly Group with 6 Output Relays (Changeover / Form C)
- X3** – TIs: Standard phase current measuring card and sensitive ground current measuring
- X4** – TU: Card with 4 voltage transformer measuring inputs (0 ... 800 VAC, under UL: 0 ... 600 VAC)
- X102** – Protection Communication, Fiber optics interface, ST Connector
- X103** – Modbus RTU / IEC 60870-5-103 / DNP3.0 RTU, RS485, Terminals
- X104** – IRIG-B00X, incl. System Contact (Supervision Contact)

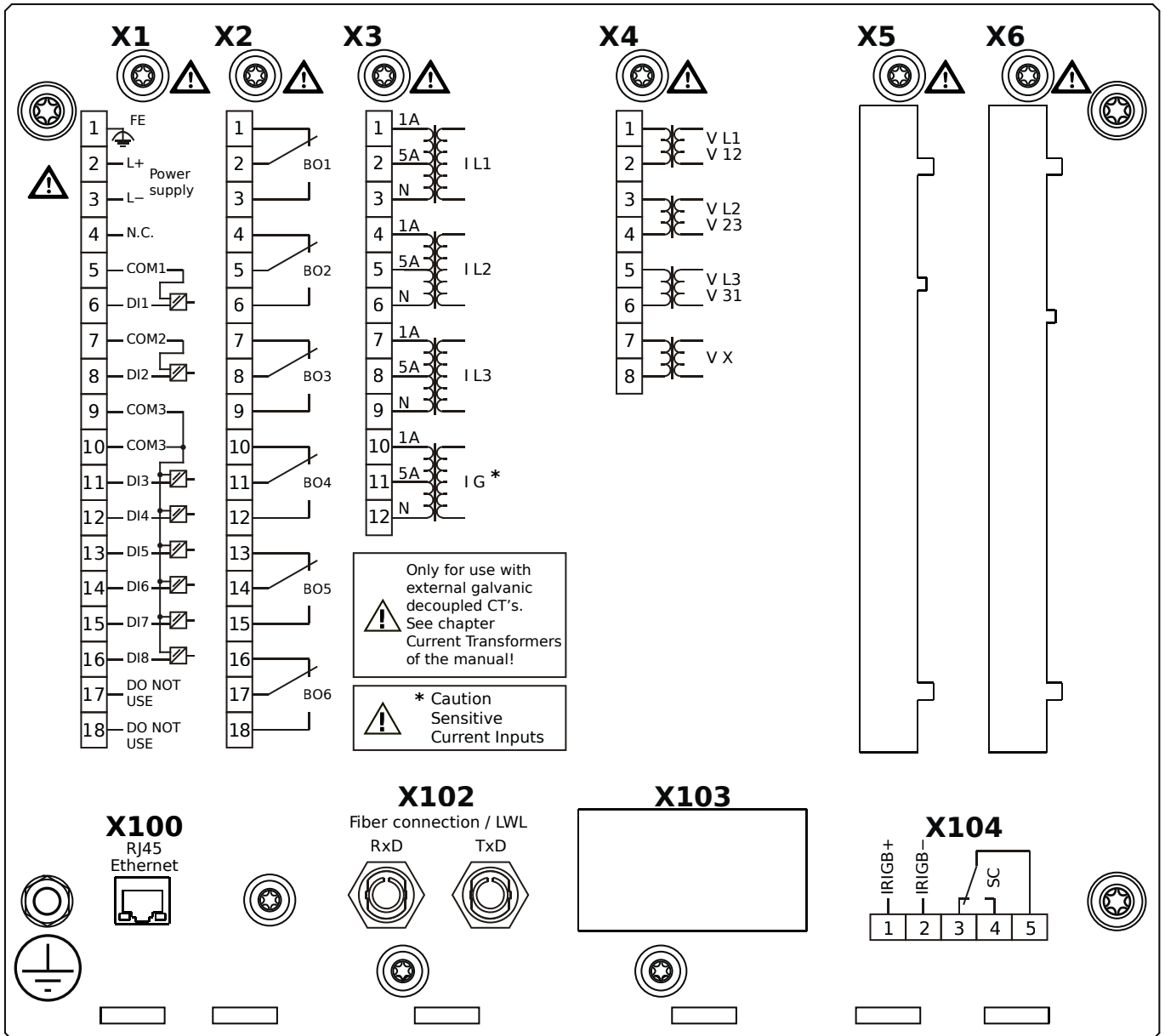
MCDLV4-2A1A1CA



Housing B2, large display, door mounting

- X1** – DI8-X1: Wide-range power supply unit, incl. 2 non-grouped digital inputs and 6 grouped digital inputs
- X2** – OR6: Assembly Group with 6 Output Relays (Changeover / Form C)
- X3** – TIs: Standard phase current measuring card and sensitive ground current measuring
- X4** – TU: Card with 4 voltage transformer measuring inputs (0 ... 800 VAC, under UL: 0 ... 600 VAC)
- X100** – Modbus TCP / IEC 60870-5-104 / DNP3.0 TCP/UDP, Ethernet interface, 100 Mbit/s, RJ45 (BASE100-FX)
- X102** – Protection Communication, Fiber optics interface, ST Connector
- X104** – IRIG-B00X, incl. System Contact (Supervision Contact)

MCDLV4-2A1A1CB

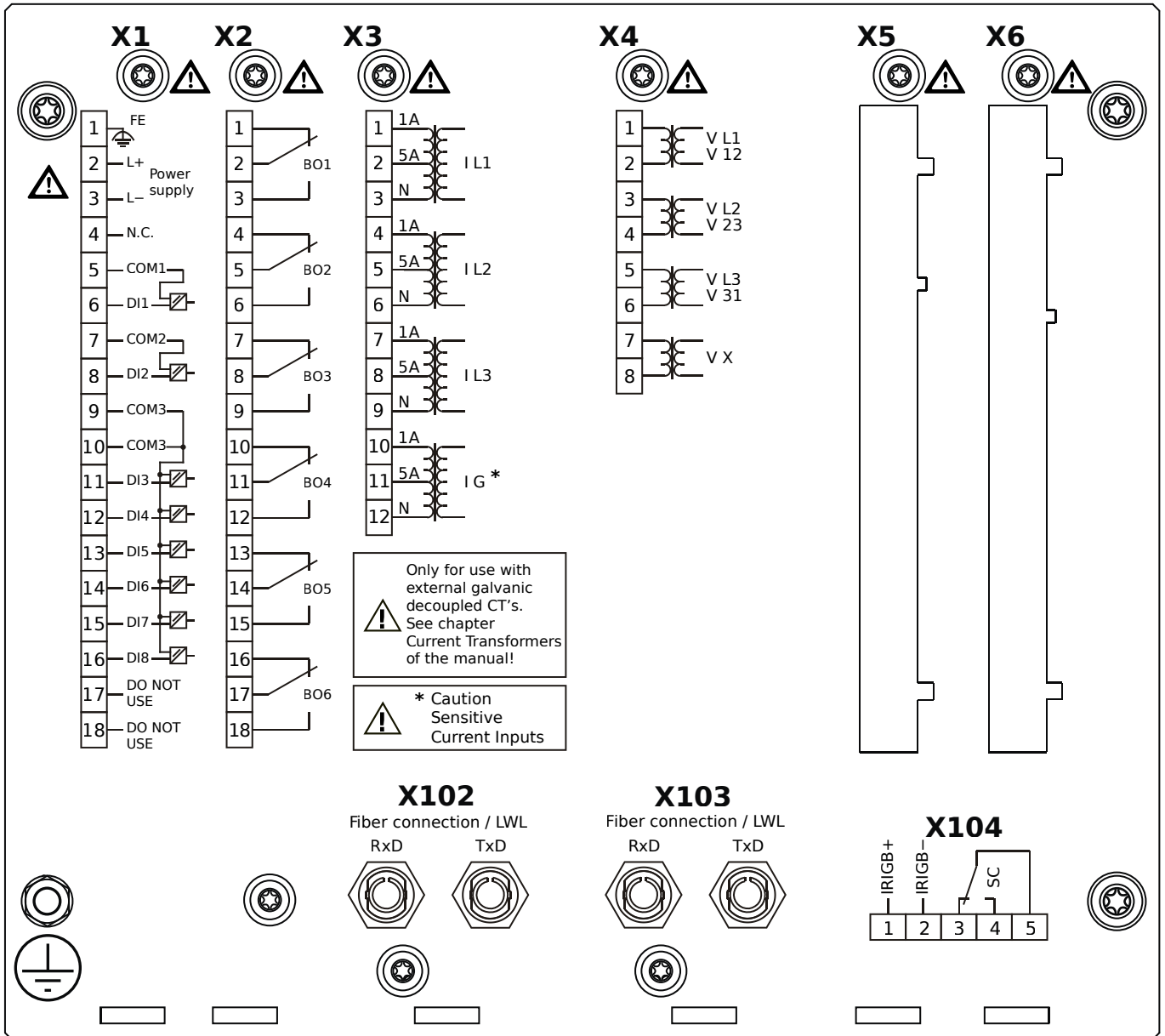


Housing B2, large display, door mounting

+ Conformal Coating (for installations in harsh environment)

- X1** – DI8-X1: Wide-range power supply unit, incl. 2 non-grouped digital inputs and 6 grouped digital inputs
- X2** – OR6: Assembly Group with 6 Output Relays (Changeover / Form C)
- X3** – TIs: Standard phase current measuring card and sensitive ground current measuring
- X4** – TU: Card with 4 voltage transformer measuring inputs (0 ... 800 VAC, under UL: 0 ... 600 VAC)
- X100** – Modbus TCP / IEC 60870-5-104 / DNP3.0 TCP/UDP, Ethernet interface, 100 Mbit/s, RJ45 (BASE100-FX)
- X102** – Protection Communication, Fiber optics interface, ST Connector
- X104** – IRIG-B00X, incl. System Contact (Supervision Contact)

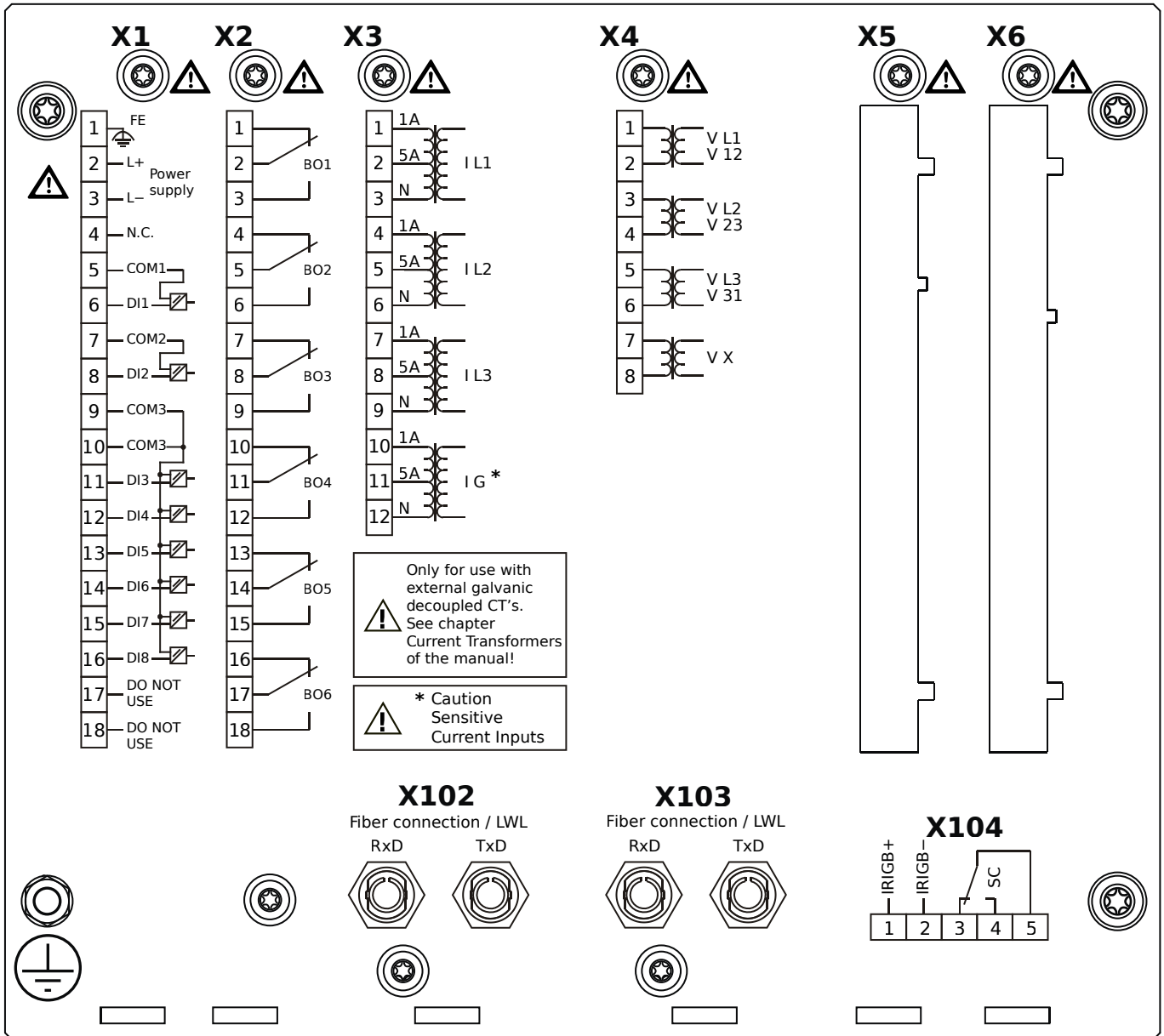
MCDLV4-2A1A1DA



Housing B2, large display, door mounting

- X1** – DI8-X1: Wide-range power supply unit, incl. 2 non-grouped digital inputs and 6 grouped digital inputs
- X2** – OR6: Assembly Group with 6 Output Relays (Changeover / Form C)
- X3** – TIs: Standard phase current measuring card and sensitive ground current measuring
- X4** – TU: Card with 4 voltage transformer measuring inputs (0 ... 800 VAC, under UL: 0 ... 600 VAC)
- X102** – Protection Communication, Fiber optics interface, ST Connector
- X103** – Profibus-DP, Fiber optics interface, ST Connector
- X104** – IRIG-B00X, incl. System Contact (Supervision Contact)

MCDLV4-2A1A1DB

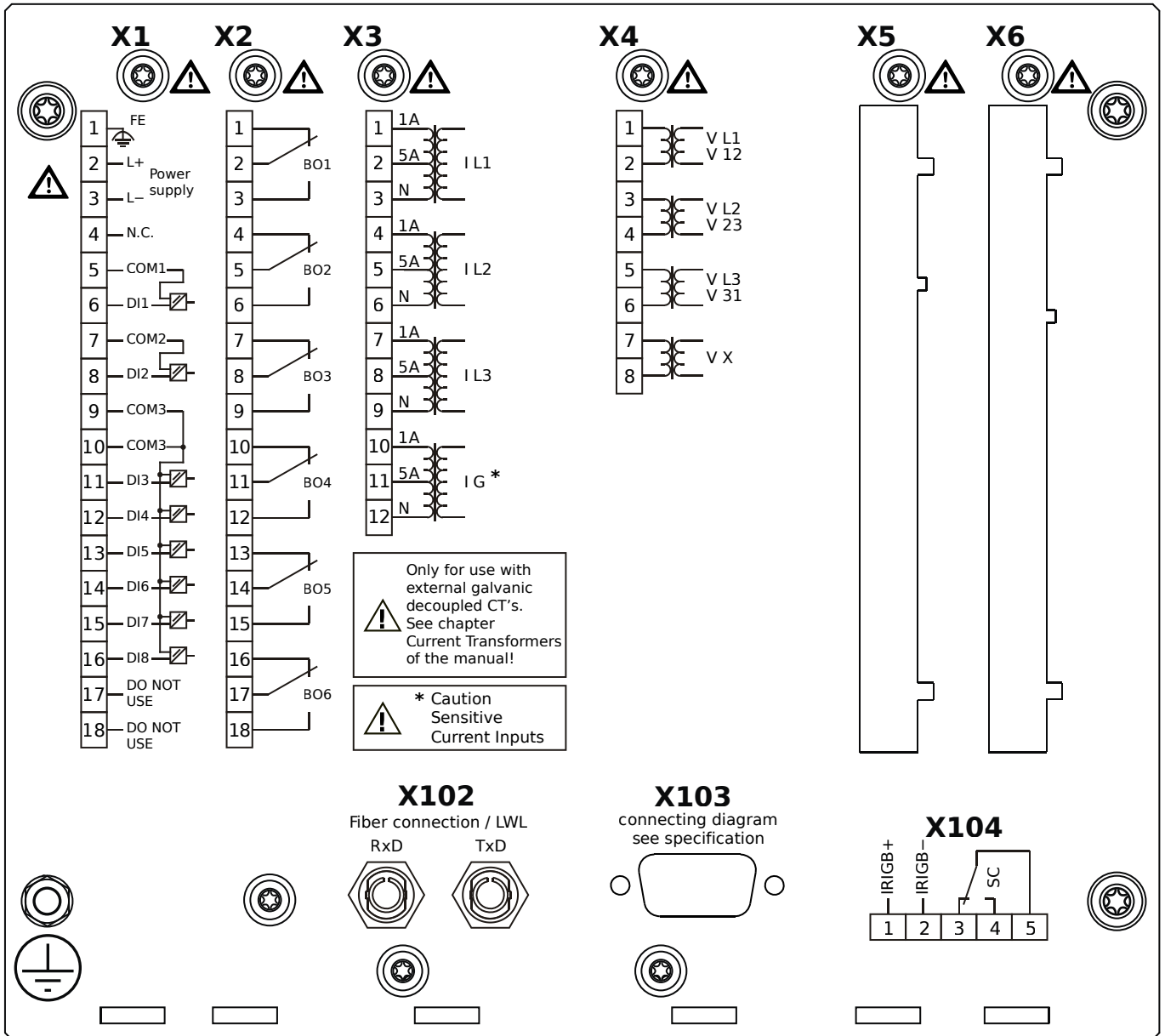


Housing B2, large display, door mounting

+ Conformal Coating (for installations in harsh environment)

- X1** – DI8-X1: Wide-range power supply unit, incl. 2 non-grouped digital inputs and 6 grouped digital inputs
- X2** – OR6: Assembly Group with 6 Output Relays (Changeover / Form C)
- X3** – TIs: Standard phase current measuring card and sensitive ground current measuring
- X4** – TU: Card with 4 voltage transformer measuring inputs (0 ... 800 VAC, under UL: 0 ... 600 VAC)
- X102** – Protection Communication, Fiber optics interface, ST Connector
- X103** – Profibus-DP, Fiber optics interface, ST Connector
- X104** – IRIG-B00X, incl. System Contact (Supervision Contact)

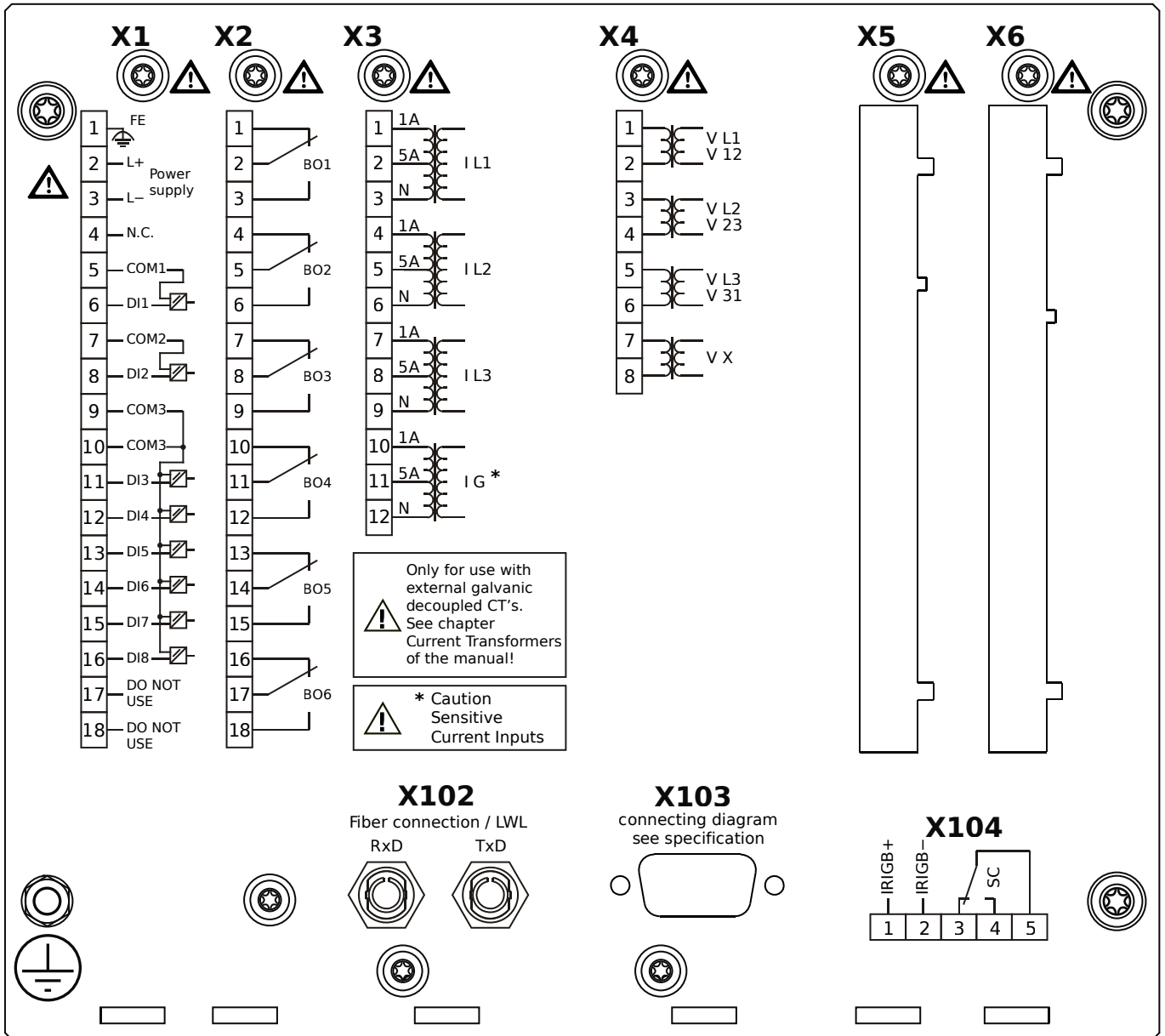
MCDLV4-2A1A1EA



Housing B2, large display, door mounting

- X1** – DI8-X1: Wide-range power supply unit, incl. 2 non-grouped digital inputs and 6 grouped digital inputs
- X2** – OR6: Assembly Group with 6 Output Relays (Changeover / Form C)
- X3** – TIs: Standard phase current measuring card and sensitive ground current measuring
- X4** – TU: Card with 4 voltage transformer measuring inputs (0 ... 800 VAC, under UL: 0 ... 600 VAC)
- X102** – Protection Communication, Fiber optics interface, ST Connector
- X103** – Profibus-DP, RS485, D-SUB
- X104** – IRIG-B00X, incl. System Contact (Supervision Contact)

MCDLV4-2A1A1EB

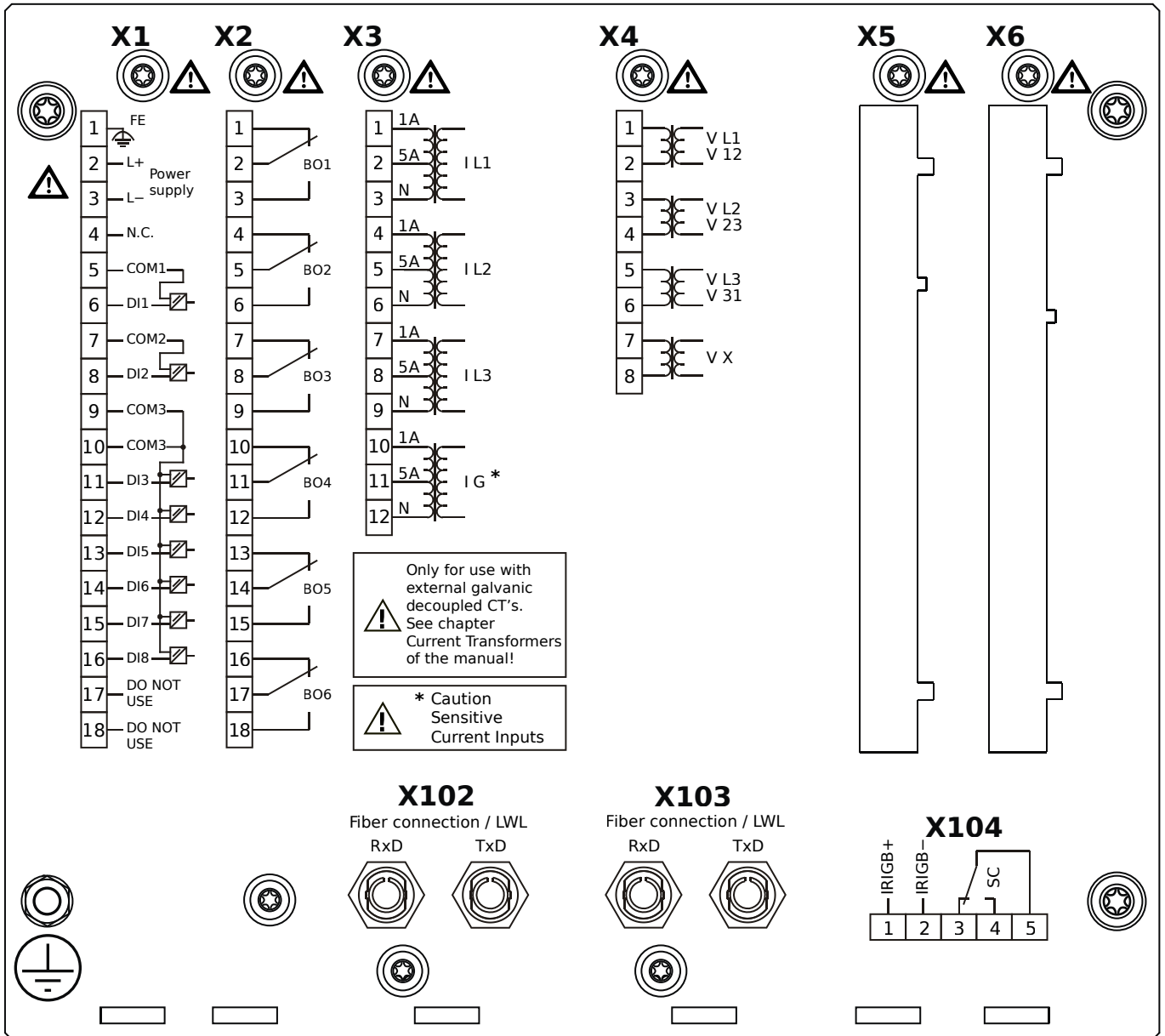


Housing B2, large display, door mounting

+ Conformal Coating (for installations in harsh environment)

- X1** – DI8-X1: Wide-range power supply unit, incl. 2 non-grouped digital inputs and 6 grouped digital inputs
- X2** – OR6: Assembly Group with 6 Output Relays (Changeover / Form C)
- X3** – TIs: Standard phase current measuring card and sensitive ground current measuring
- X4** – TU: Card with 4 voltage transformer measuring inputs (0 ... 800 VAC, under UL: 0 ... 600 VAC)
- X102** – Protection Communication, Fiber optics interface, ST Connector
- X103** – Profibus-DP, RS485, D-SUB
- X104** – IRIG-B00X, incl. System Contact (Supervision Contact)

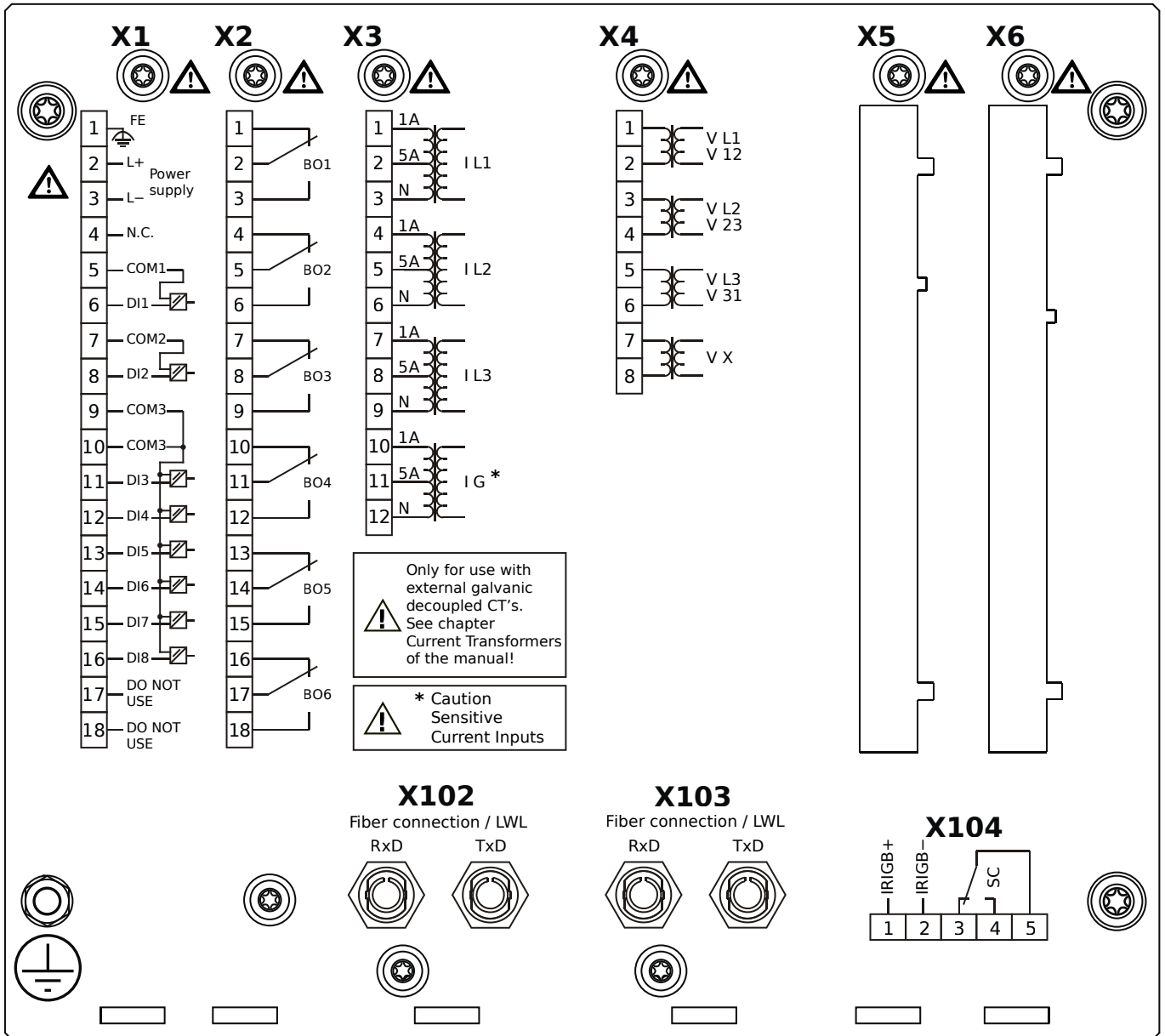
MCDLV4-2A1A1FA



Housing B2, large display, door mounting

- X1** – DI8-X1: Wide-range power supply unit, incl. 2 non-grouped digital inputs and 6 grouped digital inputs
- X2** – OR6: Assembly Group with 6 Output Relays (Changeover / Form C)
- X3** – TIs: Standard phase current measuring card and sensitive ground current measuring
- X4** – TU: Card with 4 voltage transformer measuring inputs (0 ... 800 VAC, under UL: 0 ... 600 VAC)
- X102** – Protection Communication, Fiber optics interface, ST Connector
- X103** – Modbus RTU / IEC 60870-5-103 / DNP3.0 RTU, Fiber optics interface, ST Connector
- X104** – IRIG-B00X, incl. System Contact (Supervision Contact)

MCDLV4-2A1A1FB

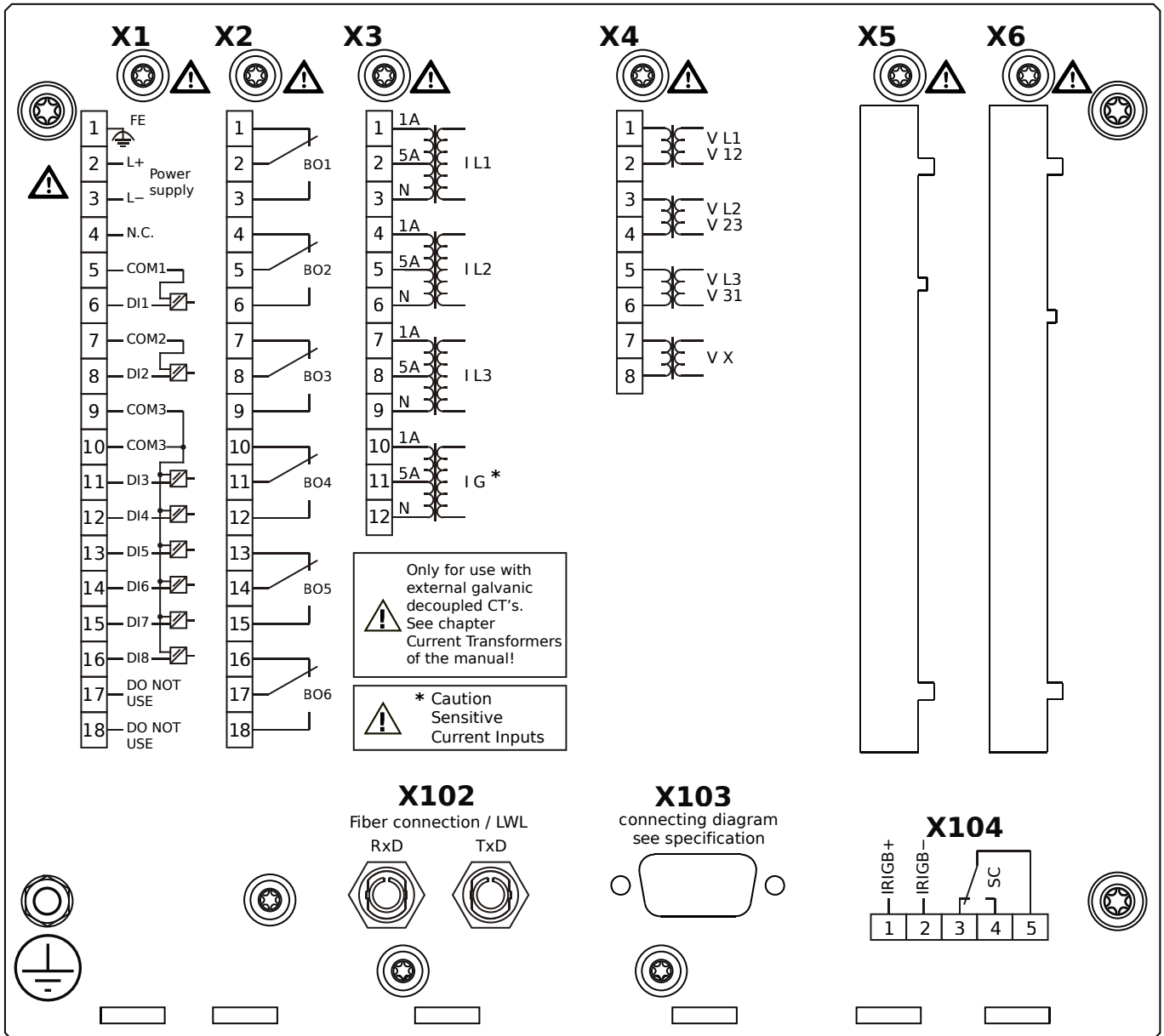


Housing B2, large display, door mounting

+ Conformal Coating (for installations in harsh environment)

- X1** – DI8-X1: Wide-range power supply unit, incl. 2 non-grouped digital inputs and 6 grouped digital inputs
- X2** – OR6: Assembly Group with 6 Output Relays (Changeover / Form C)
- X3** – TIs: Standard phase current measuring card and sensitive ground current measuring
- X4** – TU: Card with 4 voltage transformer measuring inputs (0 ... 800 VAC, under UL: 0 ... 600 VAC)
- X102** – Protection Communication, Fiber optics interface, ST Connector
- X103** – Modbus RTU / IEC 60870-5-103 / DNP3.0 RTU, Fiber optics interface, ST Connector
- X104** – IRIG-B00X, incl. System Contact (Supervision Contact)

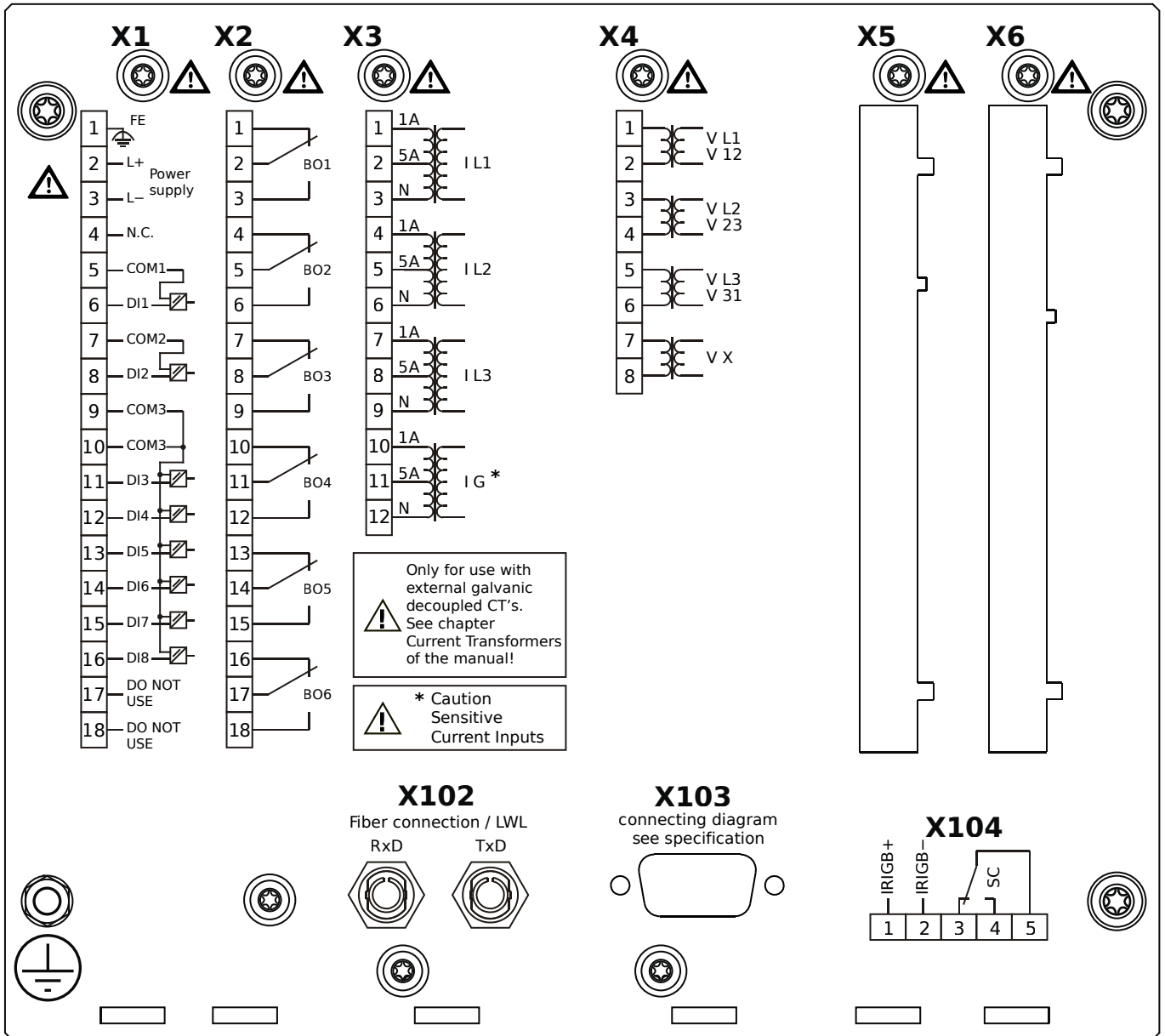
MCDLV4-2A1A1GA



Housing B2, large display, door mounting

- X1** – DI8-X1: Wide-range power supply unit, incl. 2 non-grouped digital inputs and 6 grouped digital inputs
- X2** – OR6: Assembly Group with 6 Output Relays (Changeover / Form C)
- X3** – TIs: Standard phase current measuring card and sensitive ground current measuring
- X4** – TU: Card with 4 voltage transformer measuring inputs (0 ... 800 VAC, under UL: 0 ... 600 VAC)
- X102** – Protection Communication, Fiber optics interface, ST Connector
- X103** – Modbus RTU / IEC 60870-5-103 / DNP3.0 RTU, RS485, D-SUB
- X104** – IRIG-B00X, incl. System Contact (Supervision Contact)

MCDLV4-2A1A1GB

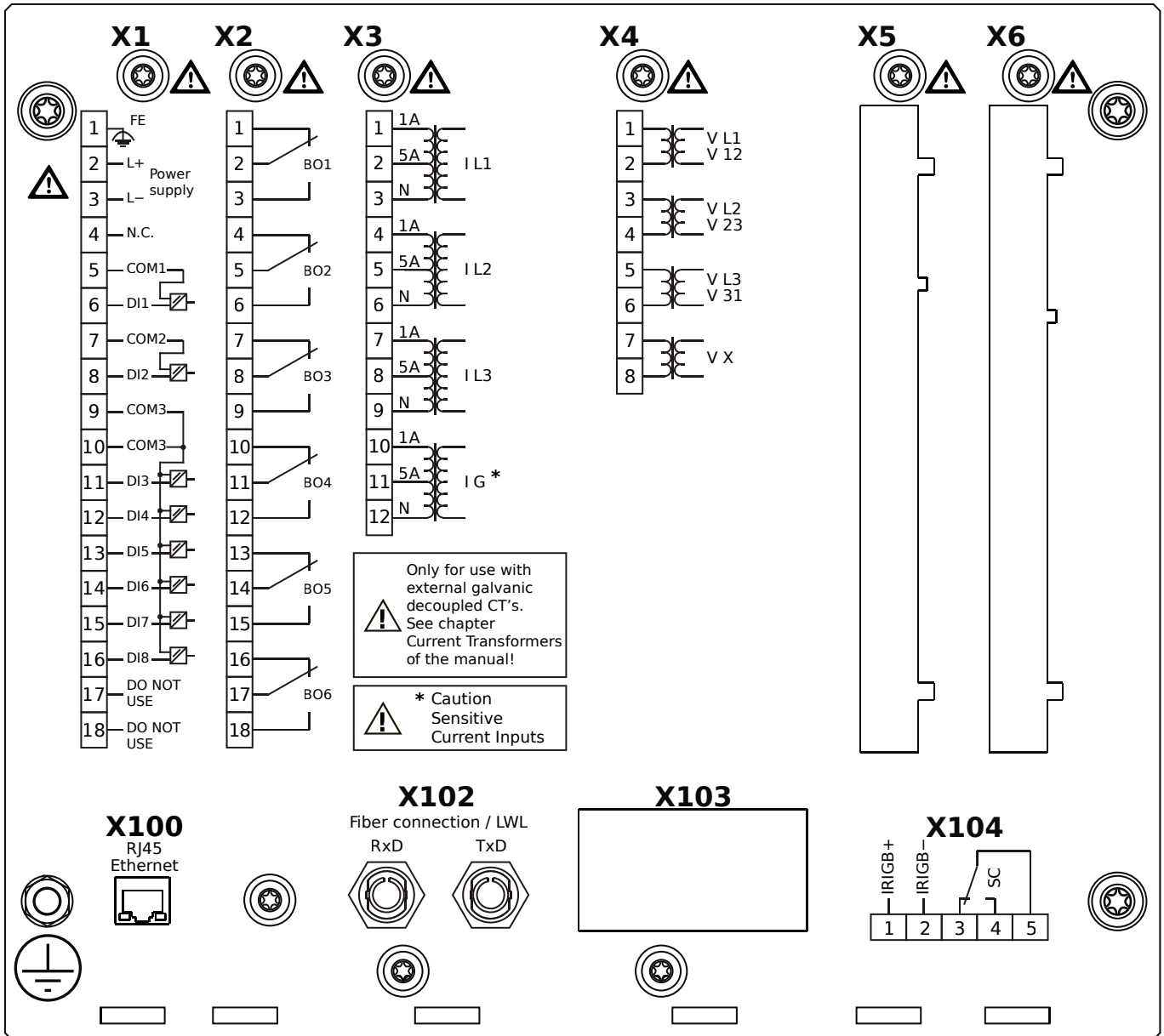


Housing B2, large display, door mounting

+ Conformal Coating (for installations in harsh environment)

- X1** – DI8-X1: Wide-range power supply unit, incl. 2 non-grouped digital inputs and 6 grouped digital inputs
- X2** – OR6: Assembly Group with 6 Output Relays (Changeover / Form C)
- X3** – TIs: Standard phase current measuring card and sensitive ground current measuring
- X4** – TU: Card with 4 voltage transformer measuring inputs (0 ... 800 VAC, under UL: 0 ... 600 VAC)
- X102** – Protection Communication, Fiber optics interface, ST Connector
- X103** – Modbus RTU / IEC 60870-5-103 / DNP3.0 RTU, RS485, D-SUB
- X104** – IRIG-B00X, incl. System Contact (Supervision Contact)

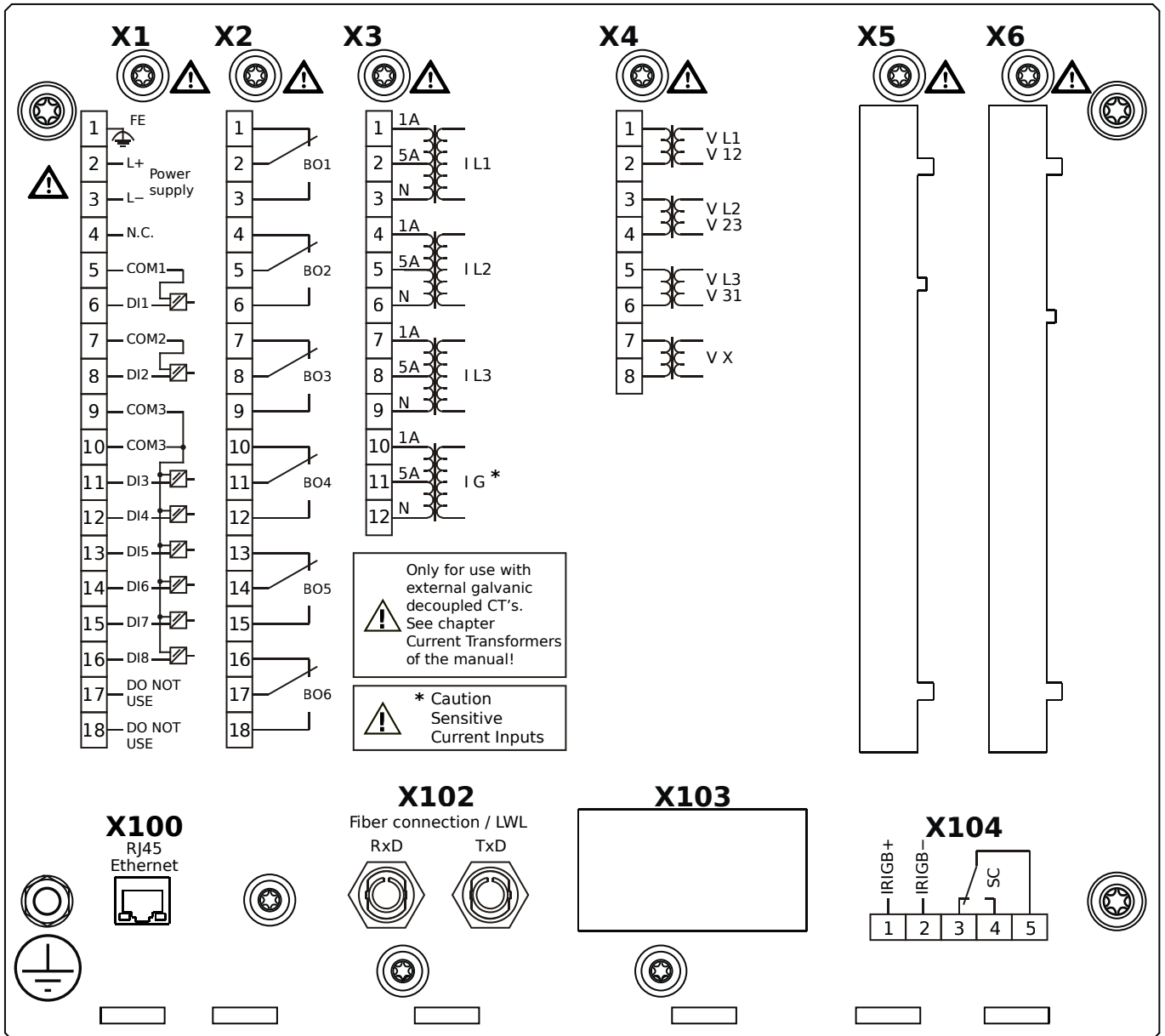
MCDLV4-2A1A1HA



Housing B2, large display, door mounting

- X1** – DI8-X1: Wide-range power supply unit, incl. 2 non-grouped digital inputs and 6 grouped digital inputs
- X2** – OR6: Assembly Group with 6 Output Relays (Changeover / Form C)
- X3** – TIs: Standard phase current measuring card and sensitive ground current measuring
- X4** – TU: Card with 4 voltage transformer measuring inputs (0 ... 800 VAC, under UL: 0 ... 600 VAC)
- X100** – IEC 61850 / Modbus TCP / IEC 60870-5-104 / DNP3.0 TCP/UDP, Ethernet interface, 100 Mbit/s, RJ45 (BASE100-FX)
- X102** – Protection Communication, Fiber optics interface, ST Connector
- X104** – IRIG-B00X, incl. System Contact (Supervision Contact)

MCDLV4-2A1A1HB



Housing B2, large display, door mounting

+ Conformal Coating (for installations in harsh environment)

X1 – DI8-X1: Wide-range power supply unit, incl. 2 non-grouped digital inputs and 6 grouped digital inputs

X2 – OR6: Assembly Group with 6 Output Relays (Changeover / Form C)

X3 – TIs: Standard phase current measuring card and sensitive ground current measuring

X4 – TU: Card with 4 voltage transformer measuring inputs (0 ... 800 VAC, under UL: 0 ... 600 VAC)

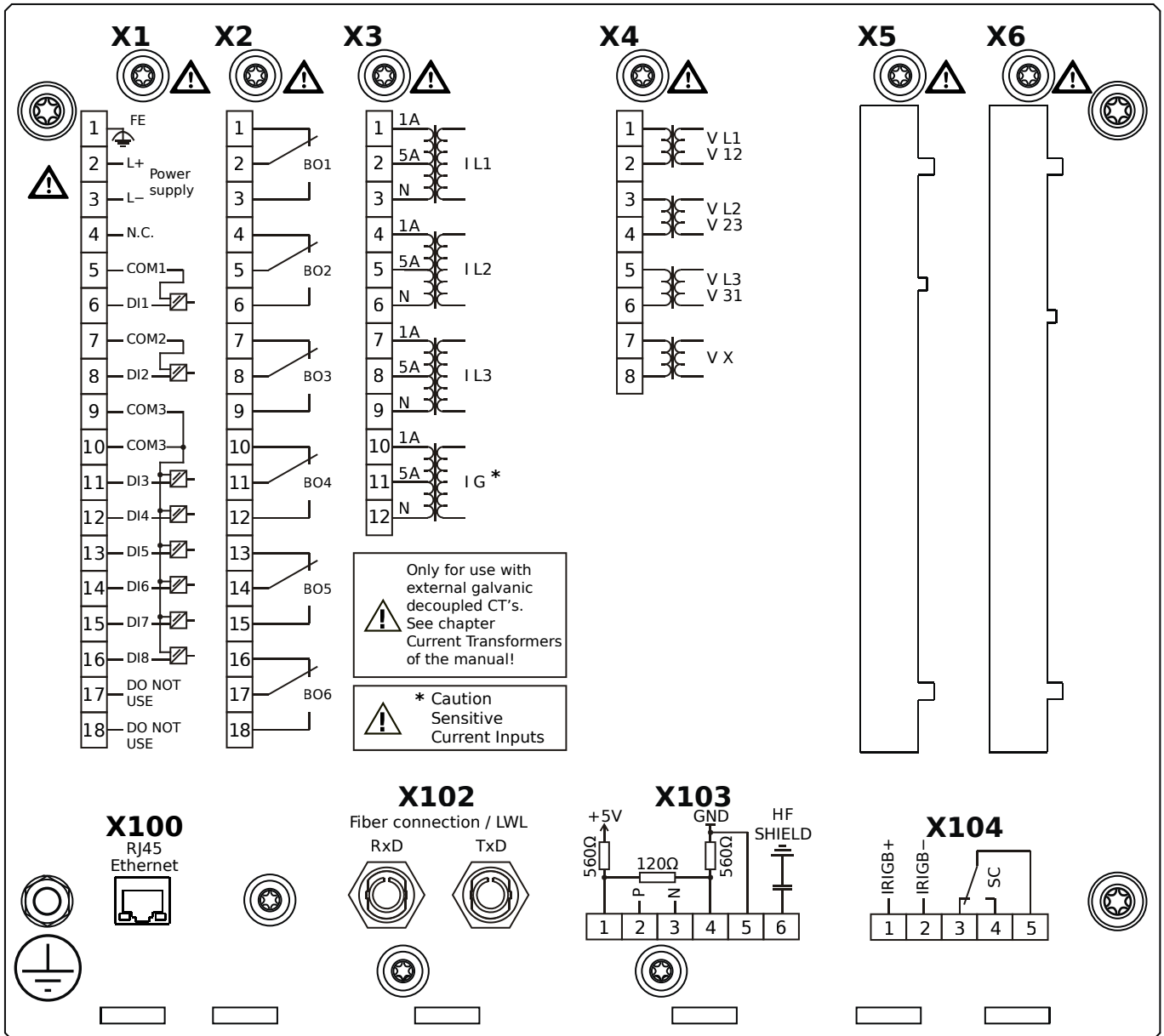
X100 – IEC 61850 / Modbus TCP / IEC 60870-5-104 / DNP3.0 TCP/UDP, Ethernet interface, 100 Mbit/s, RJ45 (BASE100-

FX)

X102 – Protection Communication, Fiber optics interface, ST Connector

X104 – IRIG-B00X, incl. System Contact (Supervision Contact)

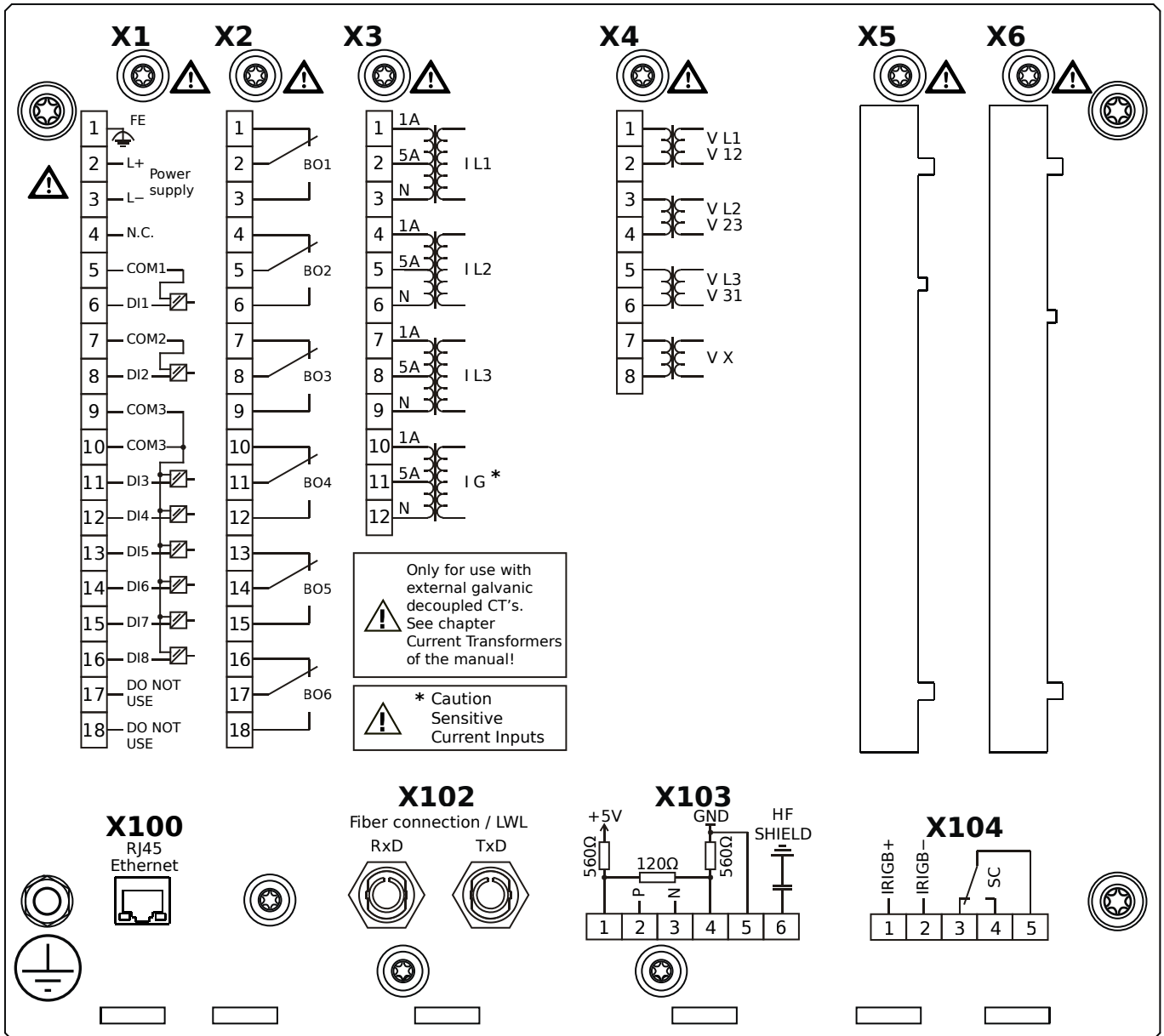
MCDLV4-2A1A1IA



Housing B2, large display, door mounting

- X1** – DI8-X1: Wide-range power supply unit, incl. 2 non-grouped digital inputs and 6 grouped digital inputs
- X2** – OR6: Assembly Group with 6 Output Relays (Changeover / Form C)
- X3** – TIs: Standard phase current measuring card and sensitive ground current measuring
- X4** – TU: Card with 4 voltage transformer measuring inputs (0 ... 800 VAC, under UL: 0 ... 600 VAC)
- X100** – Modbus TCP / IEC 60870-5-104 / DNP3.0 TCP/UDP, Ethernet interface, 100 Mbit/s, RJ45 (BASE100-FX)
- X102** – Protection Communication, Fiber optics interface, ST Connector
- X103** – IEC 60870-5-103 / Modbus RTU / DNP3.0 RTU, RS485, Terminals
- X104** – IRIG-B00X, incl. System Contact (Supervision Contact)

MCDLV4-2A1A1IB

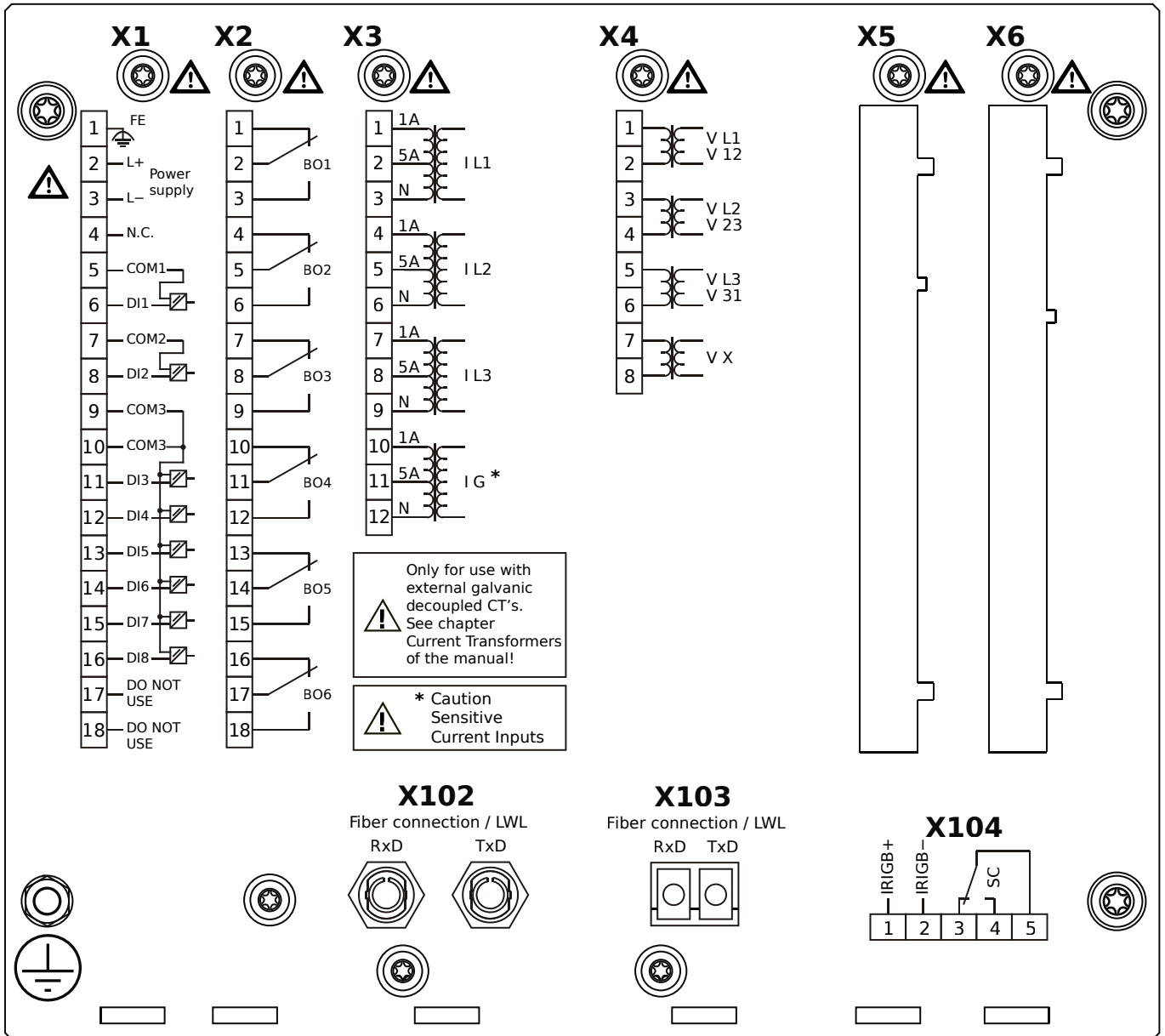


Housing B2, large display, door mounting

+ Conformal Coating (for installations in harsh environment)

- X1** – DI8-X1: Wide-range power supply unit, incl. 2 non-grouped digital inputs and 6 grouped digital inputs
- X2** – OR6: Assembly Group with 6 Output Relays (Changeover / Form C)
- X3** – TIs: Standard phase current measuring card and sensitive ground current measuring
- X4** – TU: Card with 4 voltage transformer measuring inputs (0 ... 800 VAC, under UL: 0 ... 600 VAC)
- X100** – Modbus TCP / IEC 60870-5-104 / DNP3.0 TCP/UDP, Ethernet interface, 100 Mbit/s, RJ45 (BASE100-FX)
- X102** – Protection Communication, Fiber optics interface, ST Connector
- X103** – IEC 60870-5-103 / Modbus RTU / DNP3.0 RTU, RS485, Terminals
- X104** – IRIG-B00X, incl. System Contact (Supervision Contact)

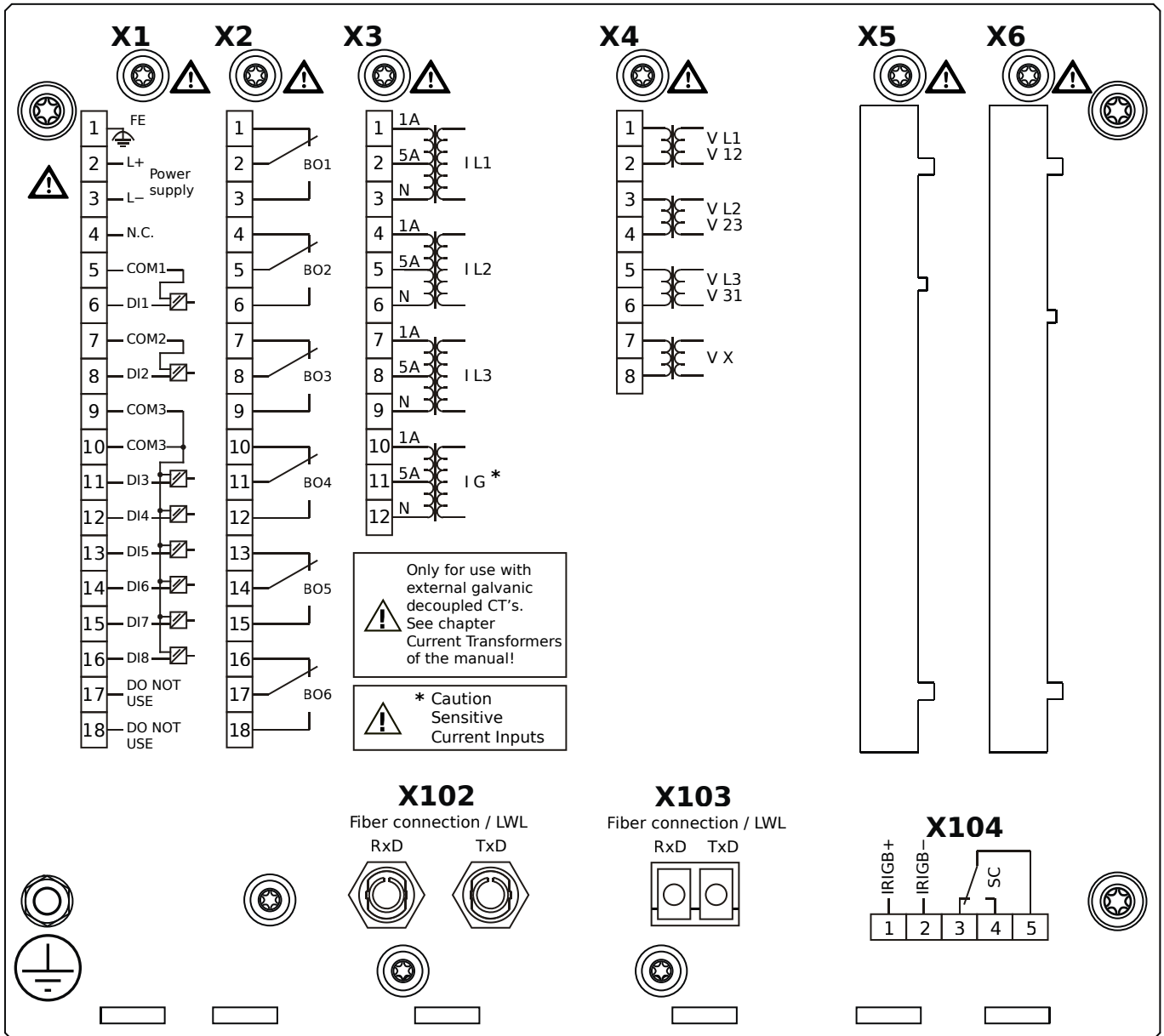
MCDLV4-2A1A1KA



Housing B2, large display, door mounting

- X1** – DI8-X1: Wide-range power supply unit, incl. 2 non-grouped digital inputs and 6 grouped digital inputs
- X2** – OR6: Assembly Group with 6 Output Relays (Changeover / Form C)
- X3** – TIs: Standard phase current measuring card and sensitive ground current measuring
- X4** – TU: Card with 4 voltage transformer measuring inputs (0 ... 800 VAC, under UL: 0 ... 600 VAC)
- X102** – Protection Communication, Fiber optics interface, ST Connector
- X103** – IEC 61850 / Modbus TCP / IEC 60870-5-104 / DNP3.0 TCP/UDP, Fiber optics interface, LC Connector
- X104** – IRIG-B00X, incl. System Contact (Supervision Contact)

MCDLV4-2A1A1KB

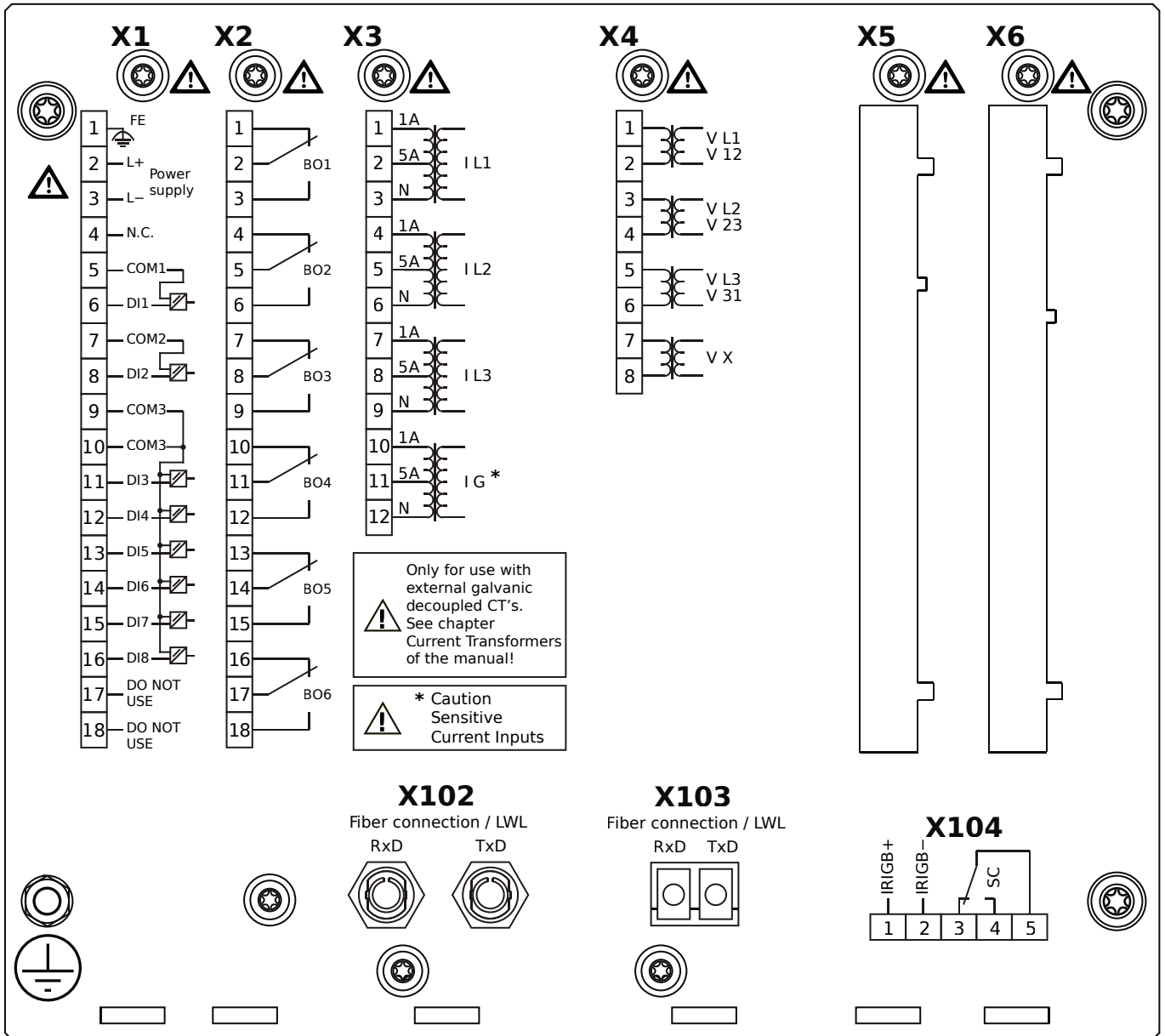


Housing B2, large display, door mounting

+ Conformal Coating (for installations in harsh environment)

- X1** – DI8-X1: Wide-range power supply unit, incl. 2 non-grouped digital inputs and 6 grouped digital inputs
- X2** – OR6: Assembly Group with 6 Output Relays (Changeover / Form C)
- X3** – TIs: Standard phase current measuring card and sensitive ground current measuring
- X4** – TU: Card with 4 voltage transformer measuring inputs (0 ... 800 VAC, under UL: 0 ... 600 VAC)
- X102** – Protection Communication, Fiber optics interface, ST Connector
- X103** – IEC 61850 / Modbus TCP / IEC 60870-5-104 / DNP3.0 TCP/UDP, Fiber optics interface, LC Connector
- X104** – IRIG-B00X, incl. System Contact (Supervision Contact)

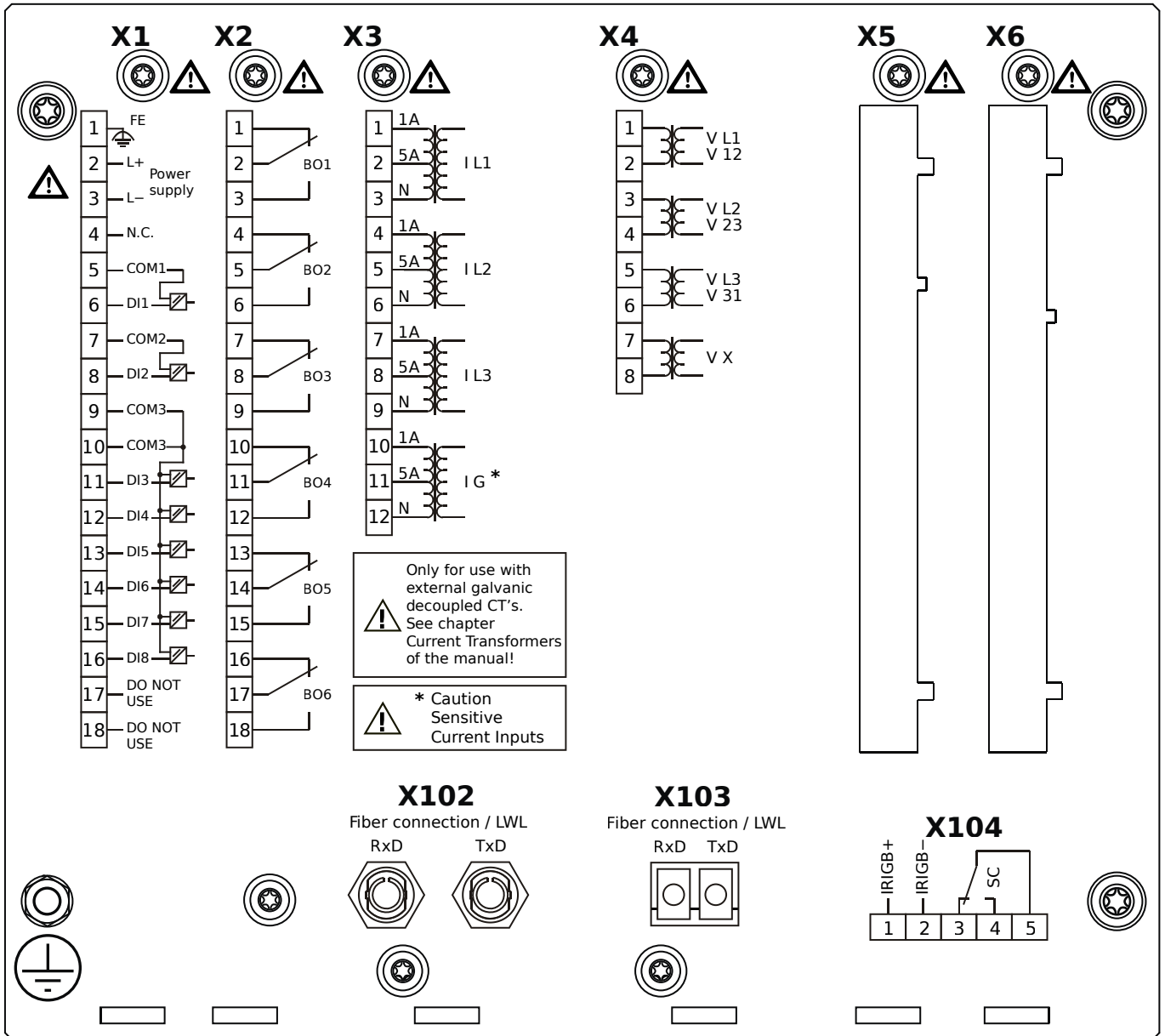
MCDLV4-2A1A1LA



Housing B2, large display, door mounting

- X1** – DI8-X1: Wide-range power supply unit, incl. 2 non-grouped digital inputs and 6 grouped digital inputs
- X2** – OR6: Assembly Group with 6 Output Relays (Changeover / Form C)
- X3** – TIs: Standard phase current measuring card and sensitive ground current measuring
- X4** – TU: Card with 4 voltage transformer measuring inputs (0 ... 800 VAC, under UL: 0 ... 600 VAC)
- X102** – Protection Communication, Fiber optics interface, ST Connector
- X103** – Modbus TCP / IEC 60870-5-104 / DNP3.0 TCP/UDP, Fiber optics interface, LC Connector
- X104** – IRIG-B00X, incl. System Contact (Supervision Contact)

MCDLV4-2A1A1LB

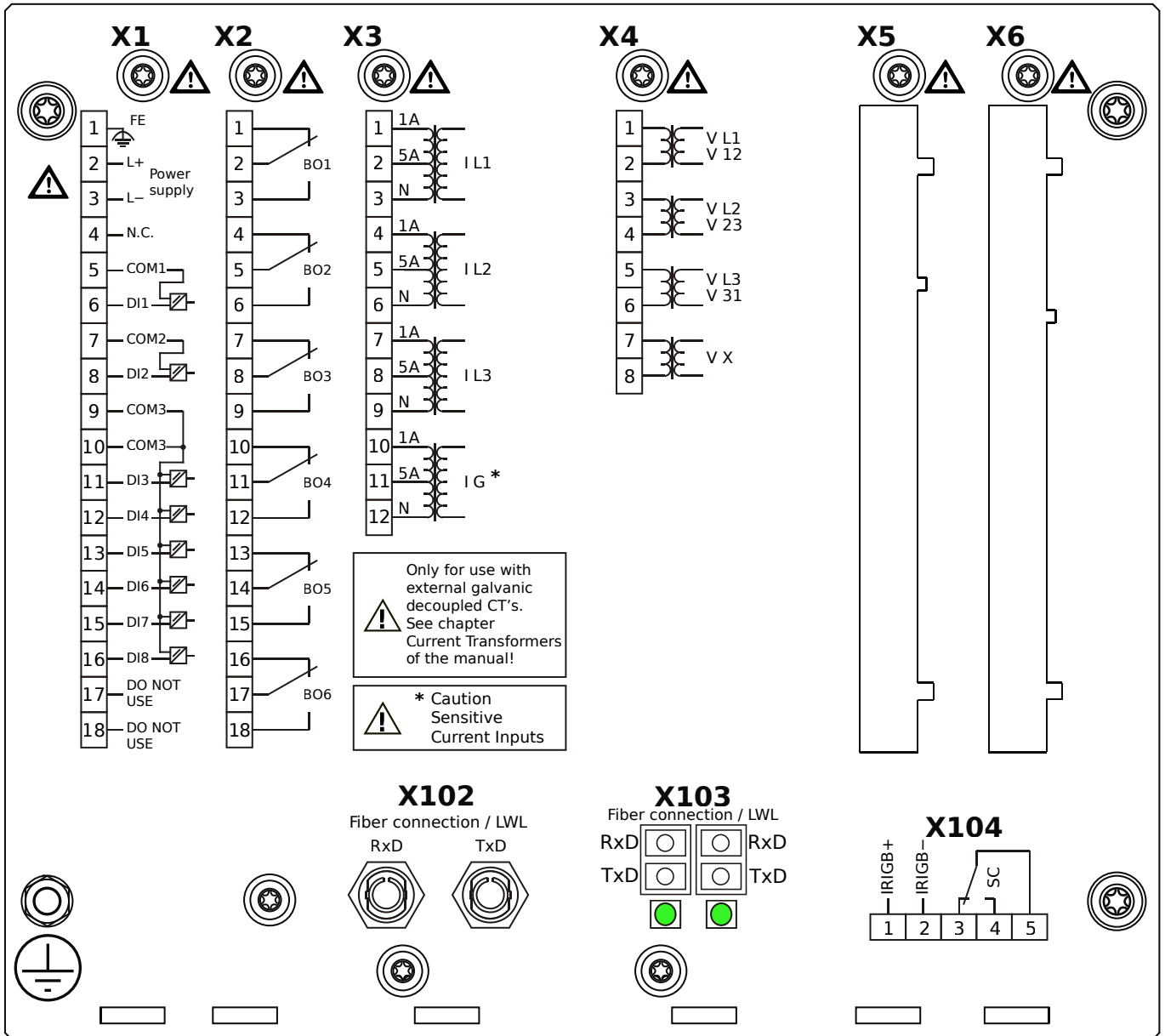


Housing B2, large display, door mounting

+ Conformal Coating (for installations in harsh environment)

- X1** – DI8-X1: Wide-range power supply unit, incl. 2 non-grouped digital inputs and 6 grouped digital inputs
- X2** – OR6: Assembly Group with 6 Output Relays (Changeover / Form C)
- X3** – TIs: Standard phase current measuring card and sensitive ground current measuring
- X4** – TU: Card with 4 voltage transformer measuring inputs (0 ... 800 VAC, under UL: 0 ... 600 VAC)
- X102** – Protection Communication, Fiber optics interface, ST Connector
- X103** – Modbus TCP / IEC 60870-5-104 / DNP3.0 TCP/UDP, Fiber optics interface, LC Connector
- X104** – IRIG-B00X, incl. System Contact (Supervision Contact)

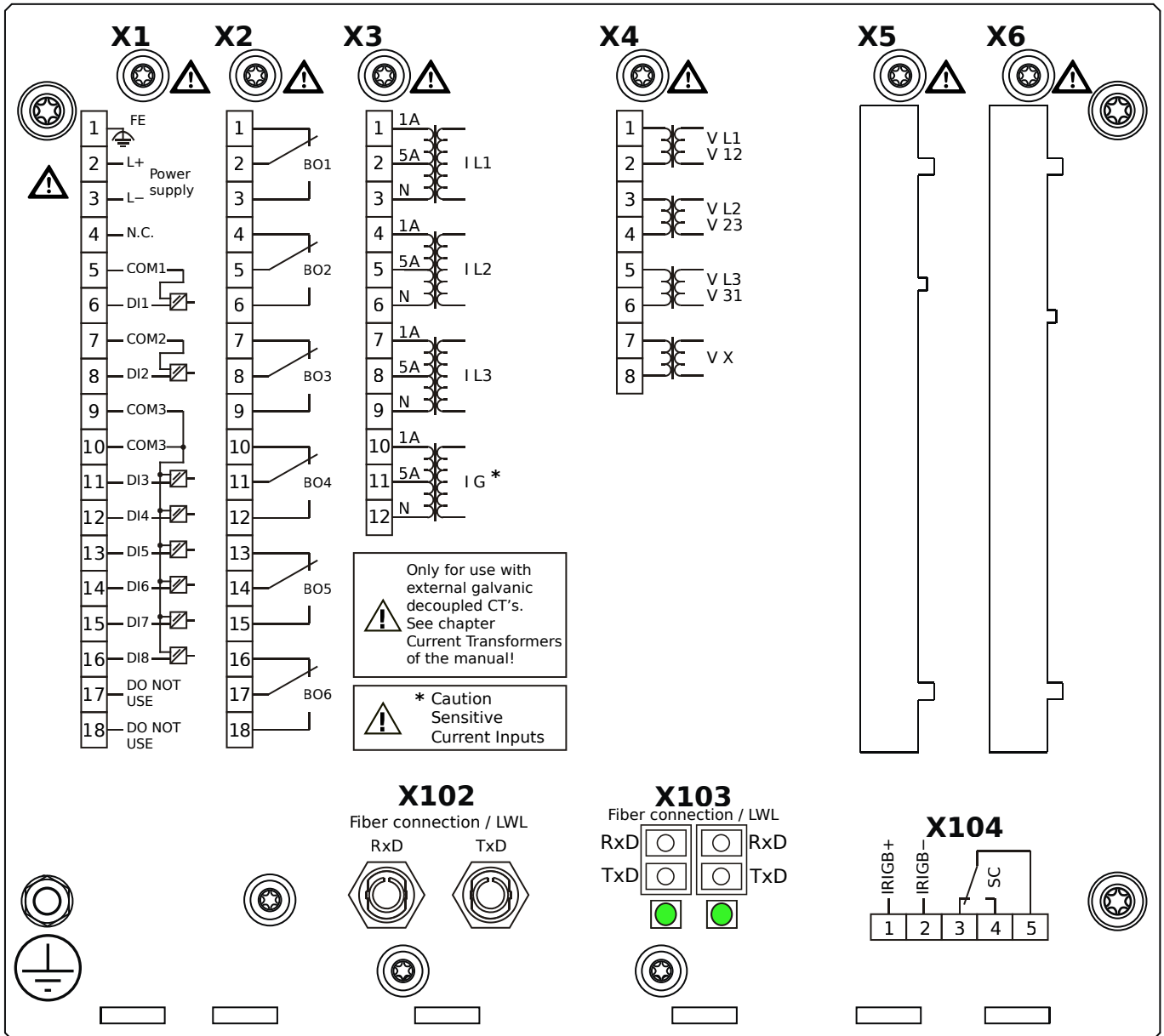
MCDLV4-2A1A10A



Housing B2, large display, door mounting

- X1** – DI8-X1: Wide-range power supply unit, incl. 2 non-grouped digital inputs and 6 grouped digital inputs
- X2** – OR6: Assembly Group with 6 Output Relays (Changeover / Form C)
- X3** – TIs: Standard phase current measuring card and sensitive ground current measuring
- X4** – TU: Card with 4 voltage transformer measuring inputs (0 ... 800 VAC, under UL: 0 ... 600 VAC)
- X102** – Protection Communication, Fiber optics interface, ST Connector
- X103** – Modbus TCP / IEC 60870-5-104 / DNP3.0 TCP/UDP, Redundant Fiber optics interface, LC Connector
- X104** – IRIG-B00X, incl. System Contact (Supervision Contact)

MCDLV4-2A1A10B

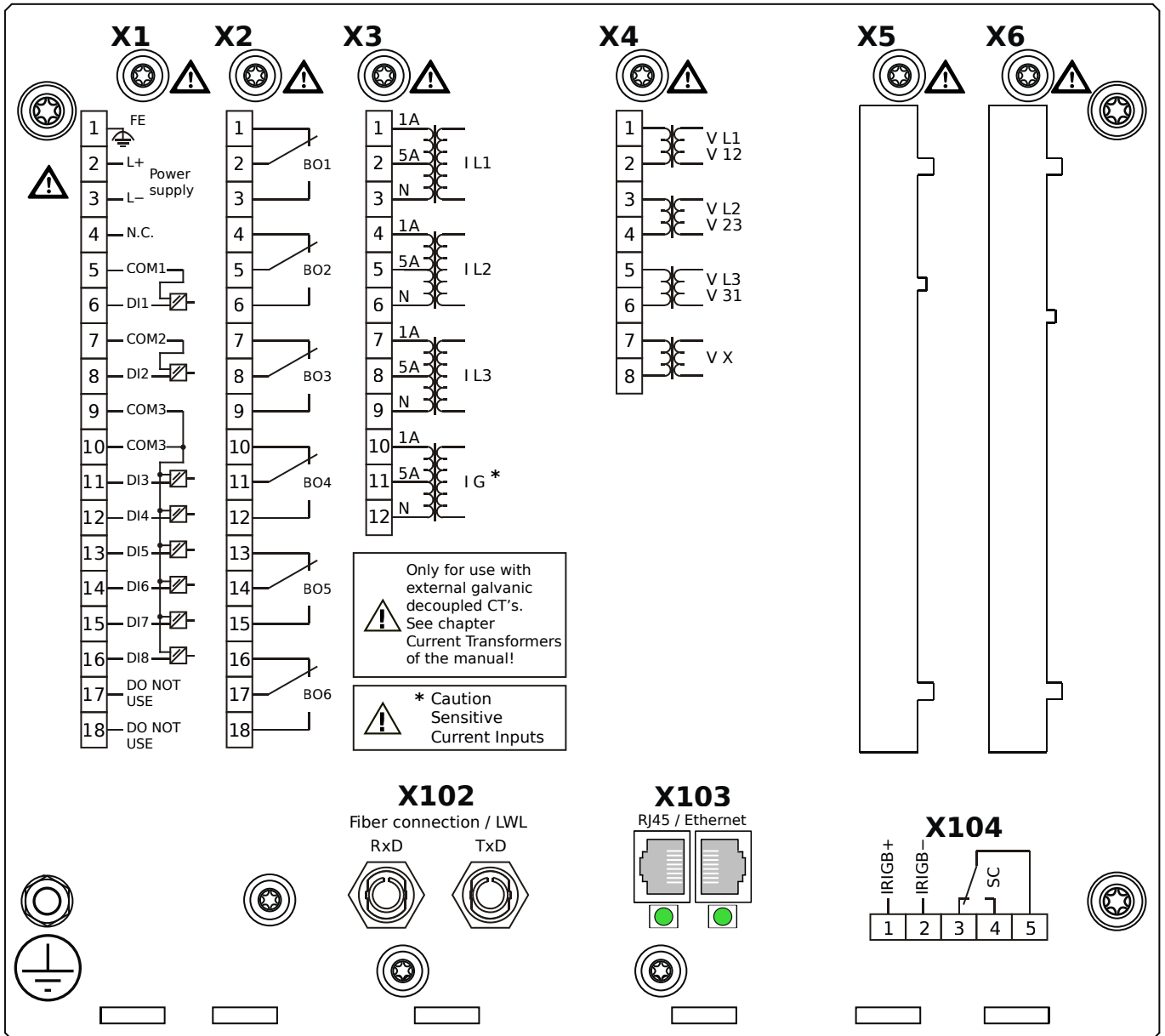


Housing B2, large display, door mounting

- + Conformal Coating (for installations in harsh environment)

- X1** – DI8-X1: Wide-range power supply unit, incl. 2 non-grouped digital inputs and 6 grouped digital inputs
- X2** – OR6: Assembly Group with 6 Output Relays (Changeover / Form C)
- X3** – TIs: Standard phase current measuring card and sensitive ground current measuring
- X4** – TU: Card with 4 voltage transformer measuring inputs (0 ... 800 VAC, under UL: 0 ... 600 VAC)
- X102** – Protection Communication, Fiber optics interface, ST Connector
- X103** – Modbus TCP / IEC 60870-5-104 / DNP3.0 TCP/UDP, Redundant Fiber optics interface, LC Connector
- X104** – IRIG-B00X, incl. System Contact (Supervision Contact)

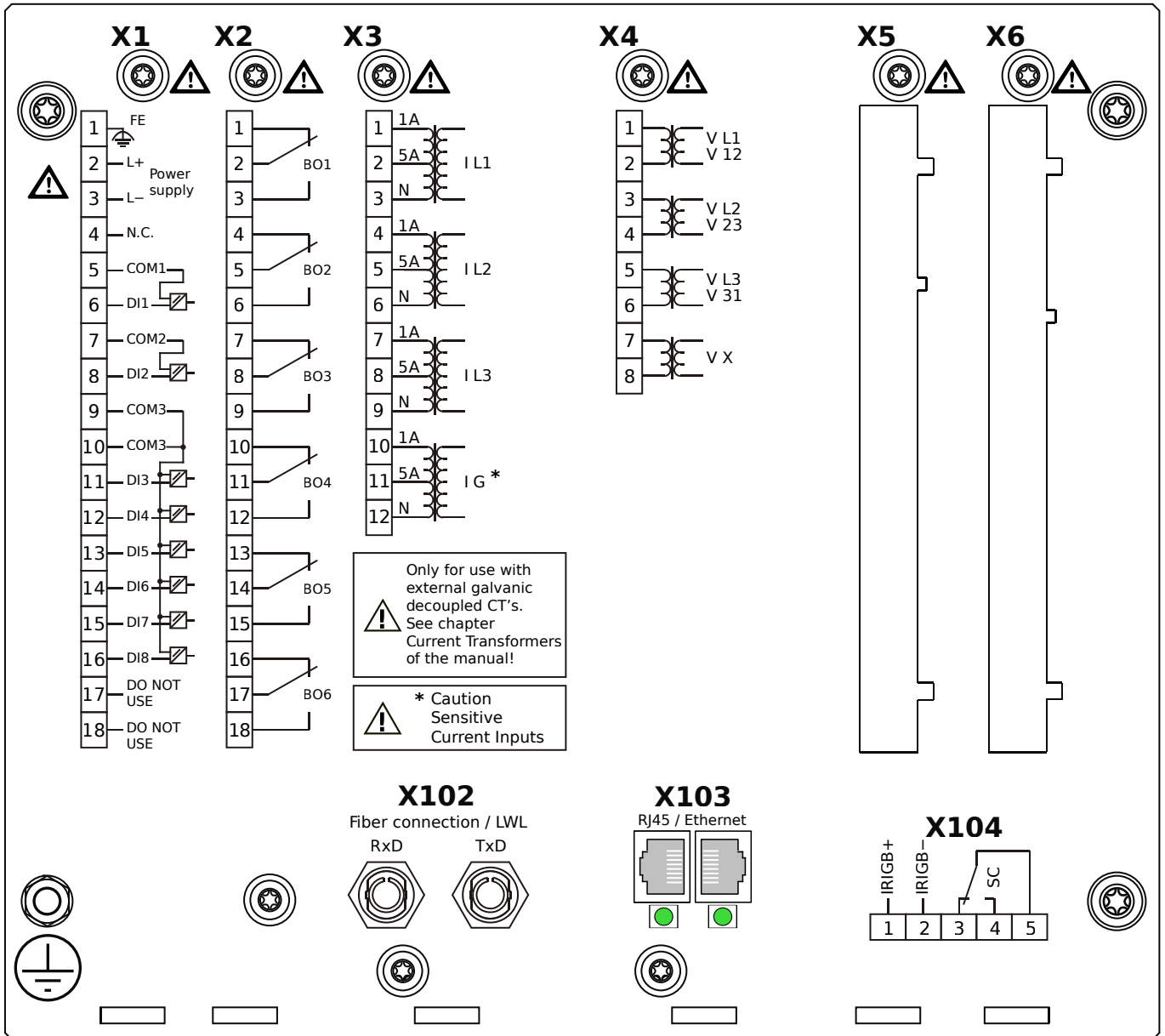
MCDLV4-2A1A1PA



Housing B2, large display, door mounting

- X1** – DI8-X1: Wide-range power supply unit, incl. 2 non-grouped digital inputs and 6 grouped digital inputs
- X2** – OR6: Assembly Group with 6 Output Relays (Changeover / Form C)
- X3** – TIs: Standard phase current measuring card and sensitive ground current measuring
- X4** – TU: Card with 4 voltage transformer measuring inputs (0 ... 800 VAC, under UL: 0 ... 600 VAC)
- X102** – Protection Communication, Fiber optics interface, ST Connector
- X103** – Modbus TCP / IEC 60870-5-104 / DNP3.0 TCP/UDP, Redundant Ethernet interface, 100 Mbit/s, RJ45 (BASE100-FX)
- X104** – IRIG-B00X, incl. System Contact (Supervision Contact)

MCDLV4-2A1A1PB

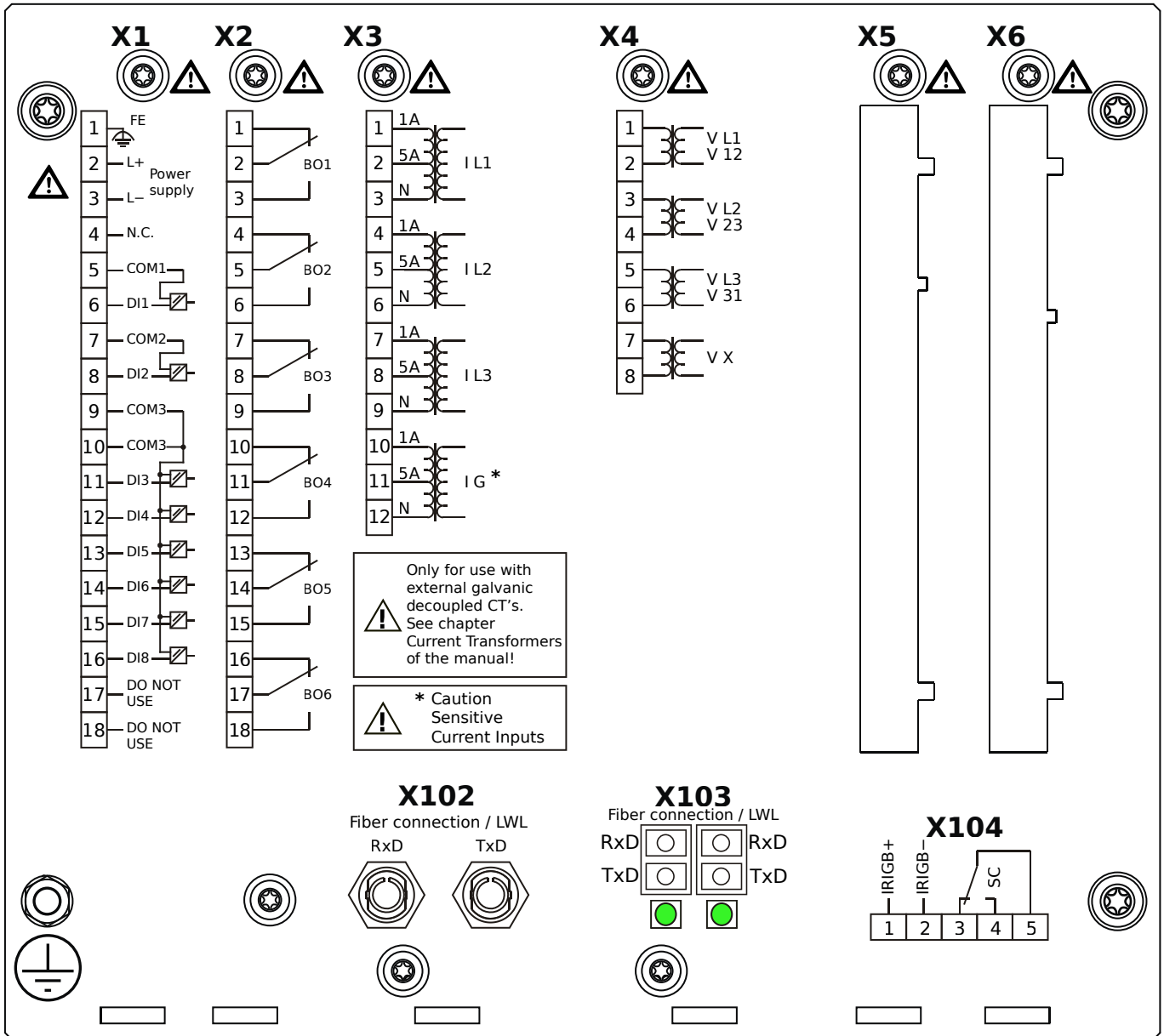


Housing B2, large display, door mounting

- + Conformal Coating (for installations in harsh environment)

- X1** – DI8-X1: Wide-range power supply unit, incl. 2 non-grouped digital inputs and 6 grouped digital inputs
- X2** – OR6: Assembly Group with 6 Output Relays (Changeover / Form C)
- X3** – TIs: Standard phase current measuring card and sensitive ground current measuring
- X4** – TU: Card with 4 voltage transformer measuring inputs (0 ... 800 VAC, under UL: 0 ... 600 VAC)
- X102** – Protection Communication, Fiber optics interface, ST Connector
- X103** – Modbus TCP / IEC 60870-5-104 / DNP3.0 TCP/UDP, Redundant Ethernet interface, 100 Mbit/s, RJ45 (BASE100-FX)
- X104** – IRIG-B00X, incl. System Contact (Supervision Contact)

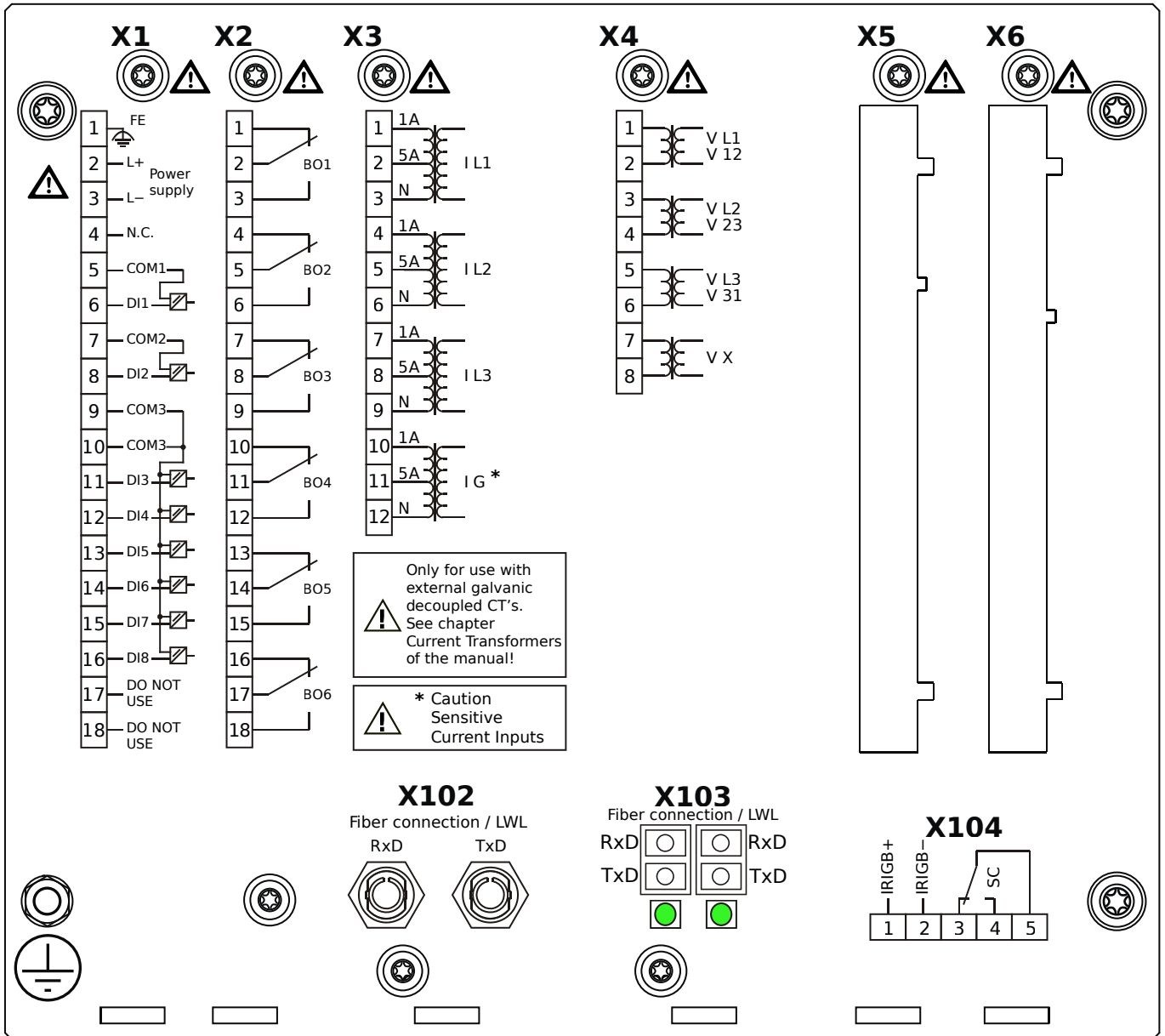
MCDLV4-2A1A1QA



Housing B2, large display, door mounting

- X1** – DI8-X1: Wide-range power supply unit, incl. 2 non-grouped digital inputs and 6 grouped digital inputs
- X2** – OR6: Assembly Group with 6 Output Relays (Changeover / Form C)
- X3** – TIs: Standard phase current measuring card and sensitive ground current measuring
- X4** – TU: Card with 4 voltage transformer measuring inputs (0 ... 800 VAC, under UL: 0 ... 600 VAC)
- X102** – Protection Communication, Fiber optics interface, ST Connector
- X103** – IEC 61850 / Modbus TCP / IEC 60870-5-104 / DNP3.0 TCP/UDP, Redundant Fiber optics interface, LC Connector
- X104** – IRIG-B00X, incl. System Contact (Supervision Contact)

MCDLV4-2A1A1QB



Housing B2, large display, door mounting

+ Conformal Coating (for installations in harsh environment)

X1 – DI8-X1: Wide-range power supply unit, incl. 2 non-grouped digital inputs and 6 grouped digital inputs

X2 – OR6: Assembly Group with 6 Output Relays (Changeover / Form C)

X3 – TIs: Standard phase current measuring card and sensitive ground current measuring

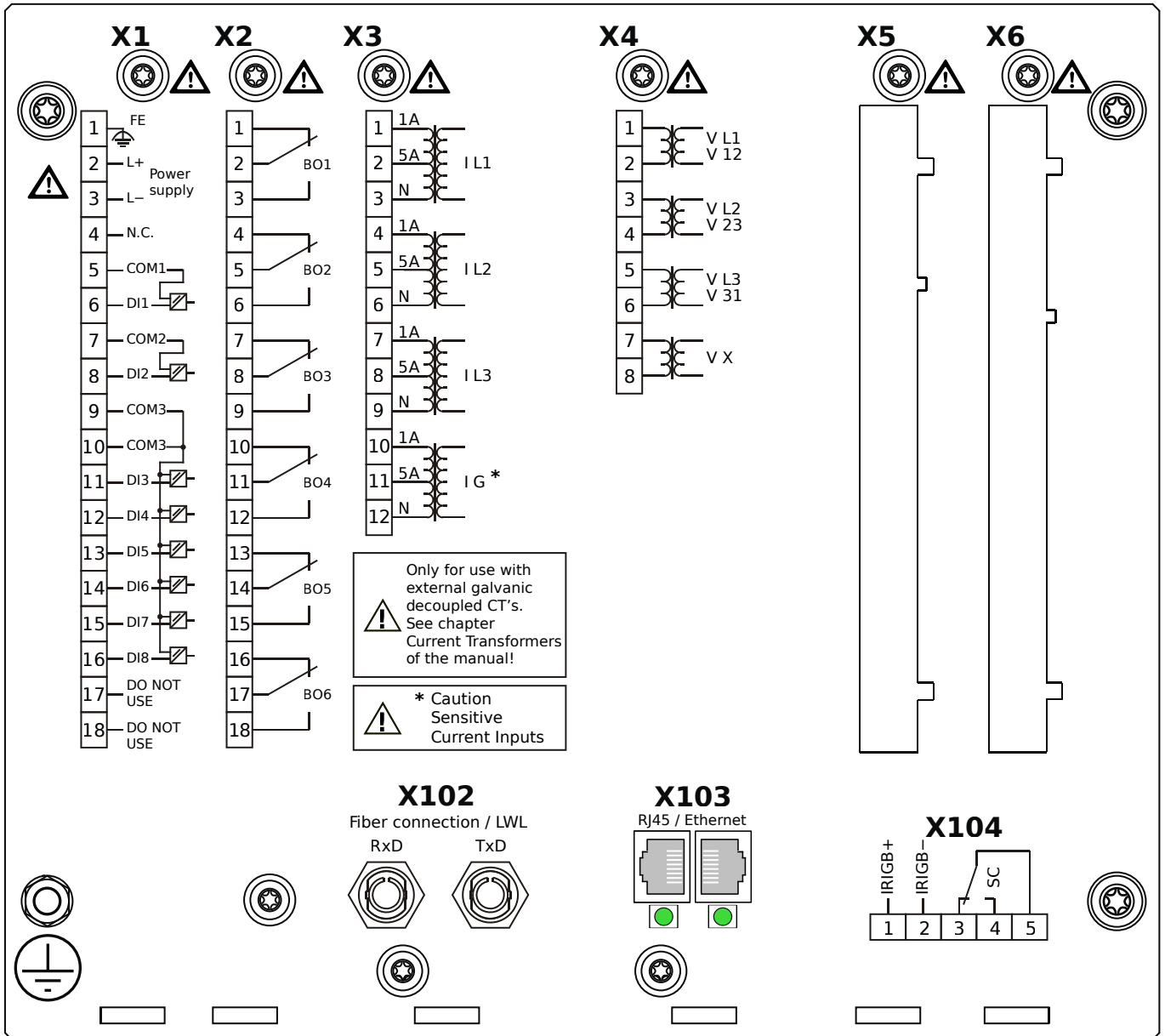
X4 – TU: Card with 4 voltage transformer measuring inputs (0 ... 800 VAC, under UL: 0 ... 600 VAC)

X102 – Protection Communication, Fiber optics interface, ST Connector

X103 – IEC 61850 / Modbus TCP / IEC 60870-5-104 / DNP3.0 TCP/UDP, Redundant Fiber optics interface, LC Connector

X104 – IRIG-B00X, incl. System Contact (Supervision Contact)

MCDLV4-2A1A1RA



Housing B2, large display, door mounting

X1 – DI8-X1: Wide-range power supply unit, incl. 2 non-grouped digital inputs and 6 grouped digital inputs

X2 – OR6: Assembly Group with 6 Output Relays (Changeover / Form C)

X3 – TIs: Standard phase current measuring card and sensitive ground current measuring

X4 – TU: Card with 4 voltage transformer measuring inputs (0 ... 800 VAC, under UL: 0 ... 600 VAC)

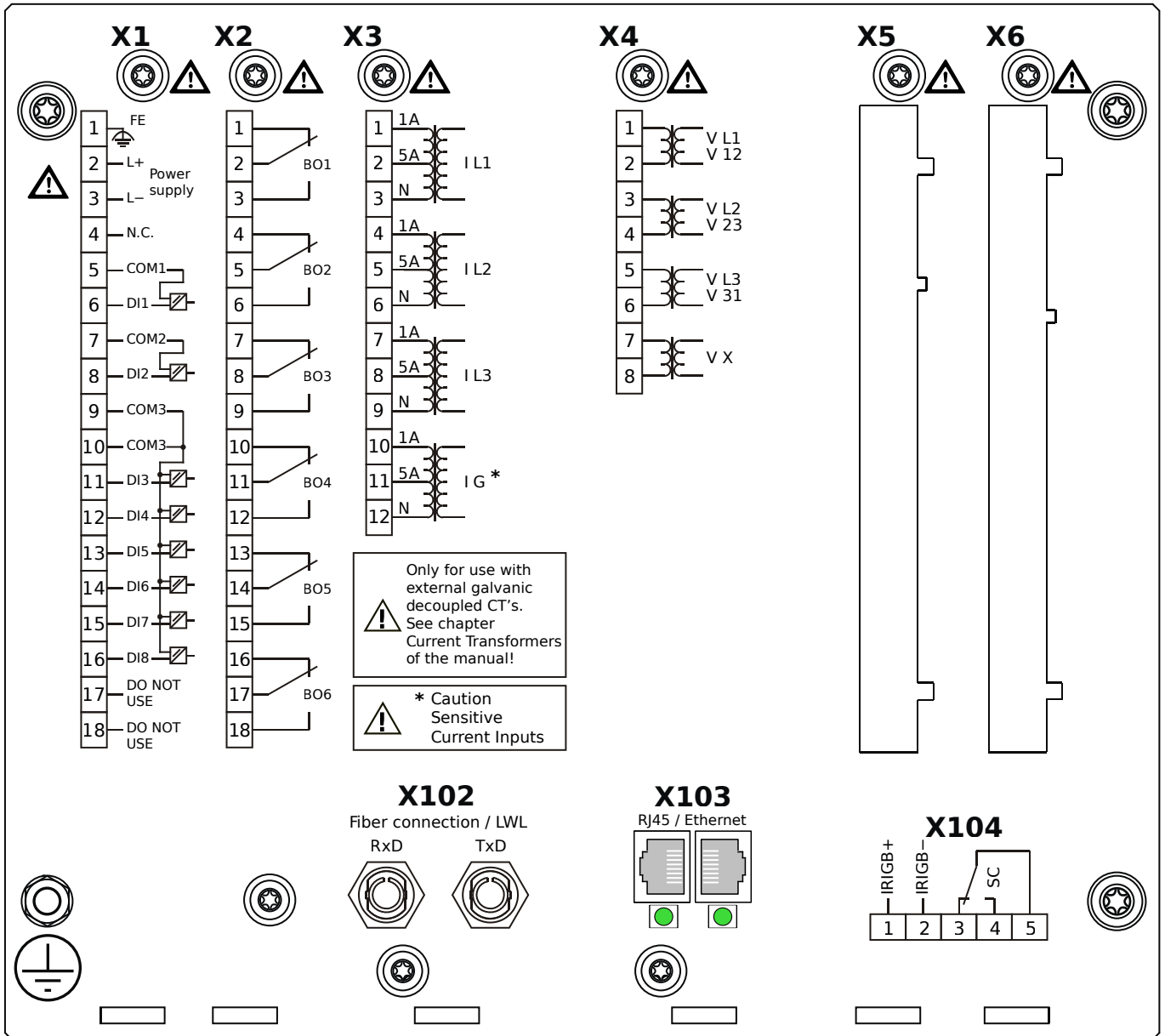
X102 – Protection Communication, Fiber optics interface, ST Connector

X103 – IEC 61850 / Modbus TCP / IEC 60870-5-104 / DNP3.0 TCP/UDP, Redundant Ethernet interface, 100 Mbit/s, RJ45

(BASE100-FX)

X104 – IRIG-B00X, incl. System Contact (Supervision Contact)

MCDLV4-2A1A1RB



Housing B2, large display, door mounting

+ Conformal Coating (for installations in harsh environment)

X1 – DI8-X1: Wide-range power supply unit, incl. 2 non-grouped digital inputs and 6 grouped digital inputs

X2 – OR6: Assembly Group with 6 Output Relays (Changeover / Form C)

X3 – TIs: Standard phase current measuring card and sensitive ground current measuring

X4 – TU: Card with 4 voltage transformer measuring inputs (0 ... 800 VAC, under UL: 0 ... 600 VAC)

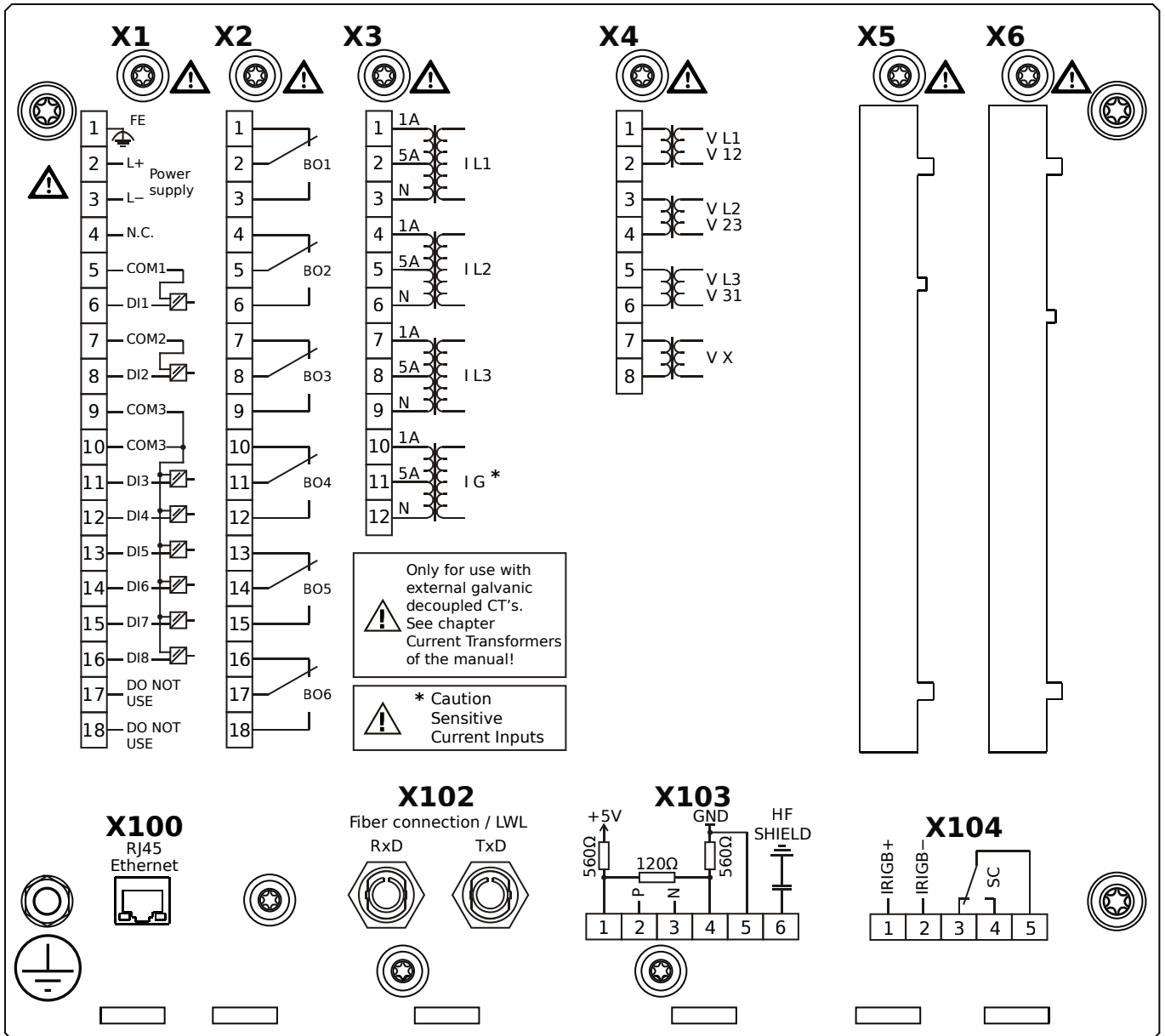
X102 – Protection Communication, Fiber optics interface, ST Connector

X103 – IEC 61850 / Modbus TCP / IEC 60870-5-104 / DNP3.0 TCP/UDP, Redundant Ethernet interface, 100 Mbit/s, RJ45

(BASE100-FX)

X104 – IRIG-B00X, incl. System Contact (Supervision Contact)

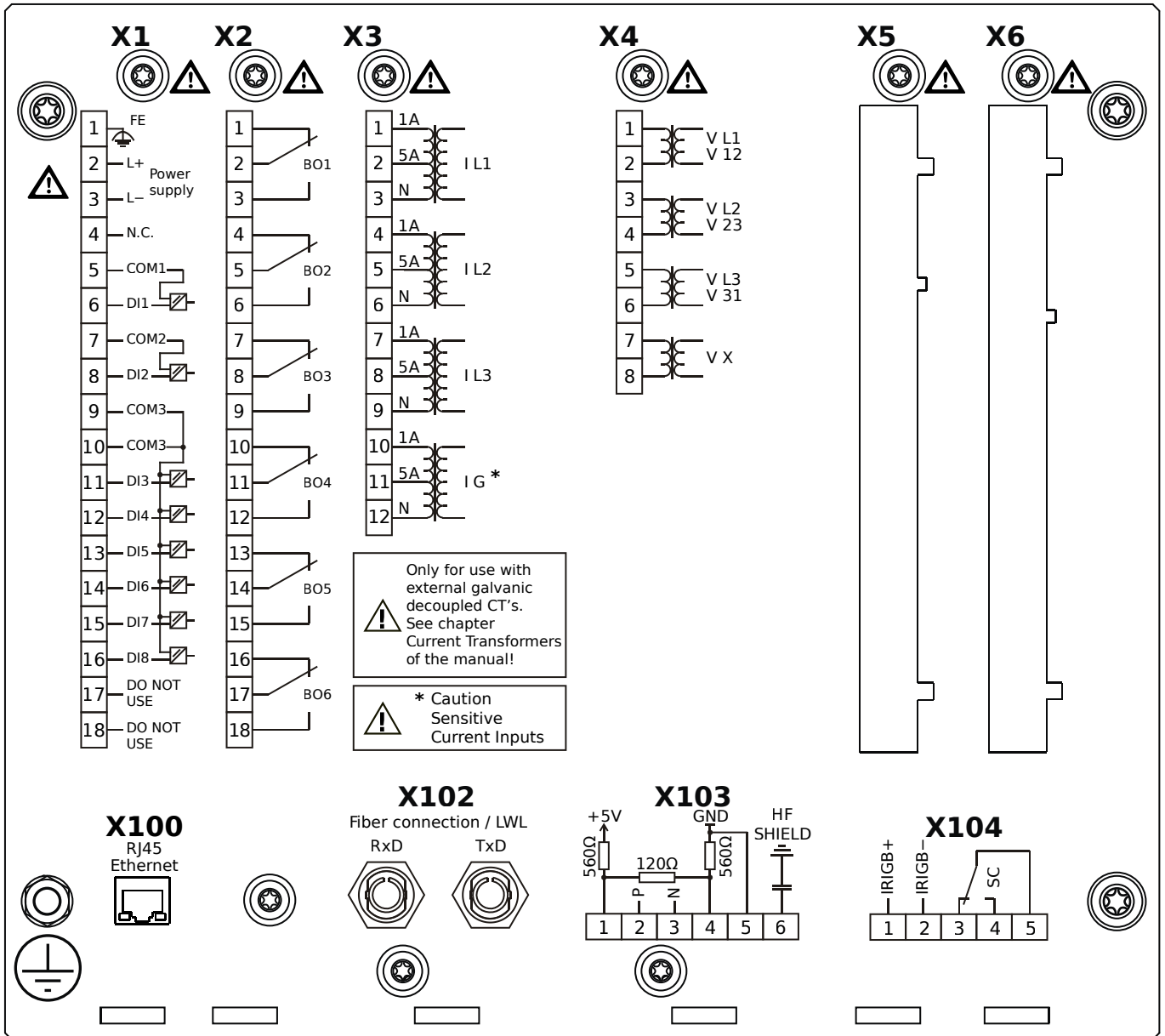
MCDLV4-2A1A1TA



Housing B2, large display, door mounting

- X1** – DI8-X1: Wide-range power supply unit, incl. 2 non-grouped digital inputs and 6 grouped digital inputs
- X2** – OR6: Assembly Group with 6 Output Relays (Changeover / Form C)
- X3** – TIs: Standard phase current measuring card and sensitive ground current measuring
- X4** – TU: Card with 4 voltage transformer measuring inputs (0 ... 800 VAC, under UL: 0 ... 600 VAC)
- X100** – IEC 61850 / Modbus TCP / IEC 60870-5-104 / DNP3.0 TCP/UDP, Ethernet interface, 100 Mbit/s, RJ45 (BASE100-FX)
- X102** – Protection Communication, Fiber optics interface, ST Connector
- X103** – IEC 60870-5-103 / Modbus RTU / DNP3.0 RTU, RS485, Terminals
- X104** – IRIG-B00X, incl. System Contact (Supervision Contact)

MCDLV4-2A1A1TB



Housing B2, large display, door mounting

+ Conformal Coating (for installations in harsh environment)

X1 – DI8-X1: Wide-range power supply unit, incl. 2 non-grouped digital inputs and 6 grouped digital inputs

X2 – OR6: Assembly Group with 6 Output Relays (Changeover / Form C)

X3 – TIs: Standard phase current measuring card and sensitive ground current measuring

X4 – TU: Card with 4 voltage transformer measuring inputs (0 ... 800 VAC, under UL: 0 ... 600 VAC)

X100 – IEC 61850 / Modbus TCP / IEC 60870-5-104 / DNP3.0 TCP/UDP, Ethernet interface, 100 Mbit/s, RJ45 (BASE100-

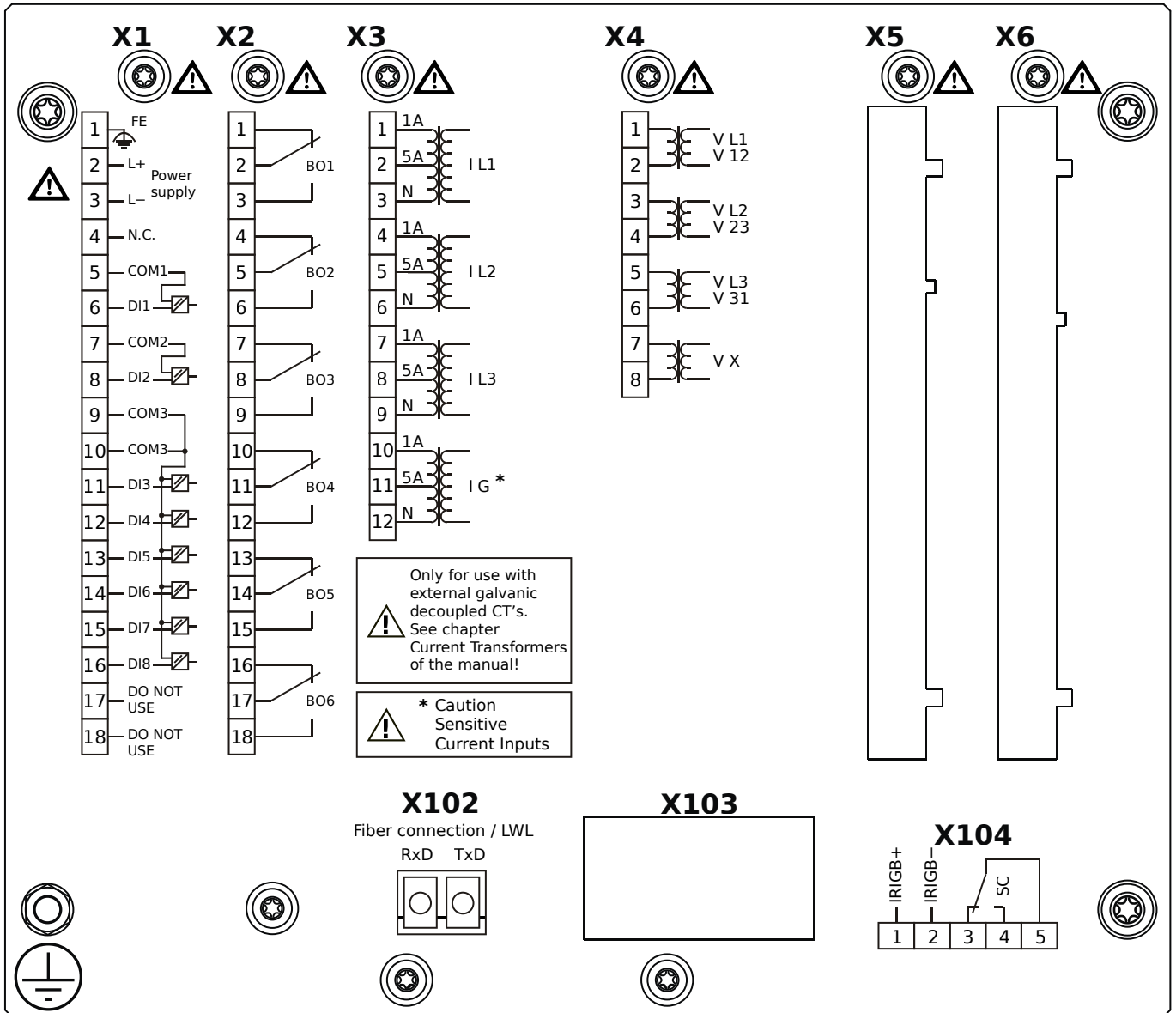
X102 – Protection Communication, Fiber optics interface, ST Connector

X103 – IEC 60870-5-103 / Modbus RTU / DNP3.0 RTU, RS485, Terminals

X104 – IRIG-B00X, incl. System Contact (Supervision Contact)

FX)

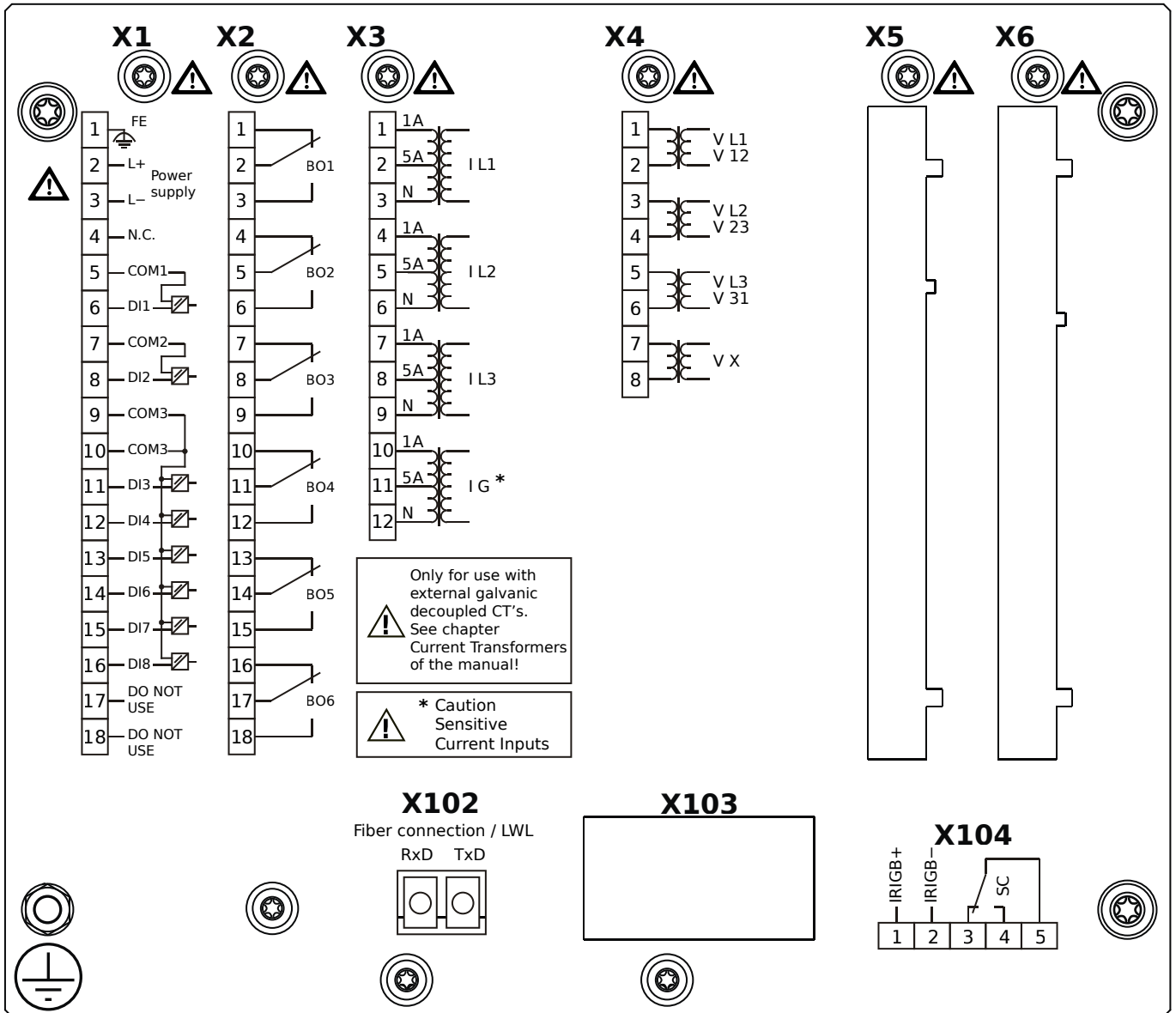
MCDLV4-2A1B0AA



Housing B2, large display, 19" rack mounting

- X1** – DI8-X1: Wide-range power supply unit, incl. 2 non-grouped digital inputs and 6 grouped digital inputs
- X2** – OR6: Assembly Group with 6 Output Relays (Changeover / Form C)
- X3** – TIs: Standard phase current measuring card and sensitive ground current measuring
- X4** – TU: Card with 4 voltage transformer measuring inputs (0 ... 800 VAC, under UL: 0 ... 600 VAC)
- X102** – Long-distance Protection Communication, Fiber optics interface, LC Connector
- X104** – IRIG-B00X, incl. System Contact (Supervision Contact)

MCDLV4-2A1B0AB

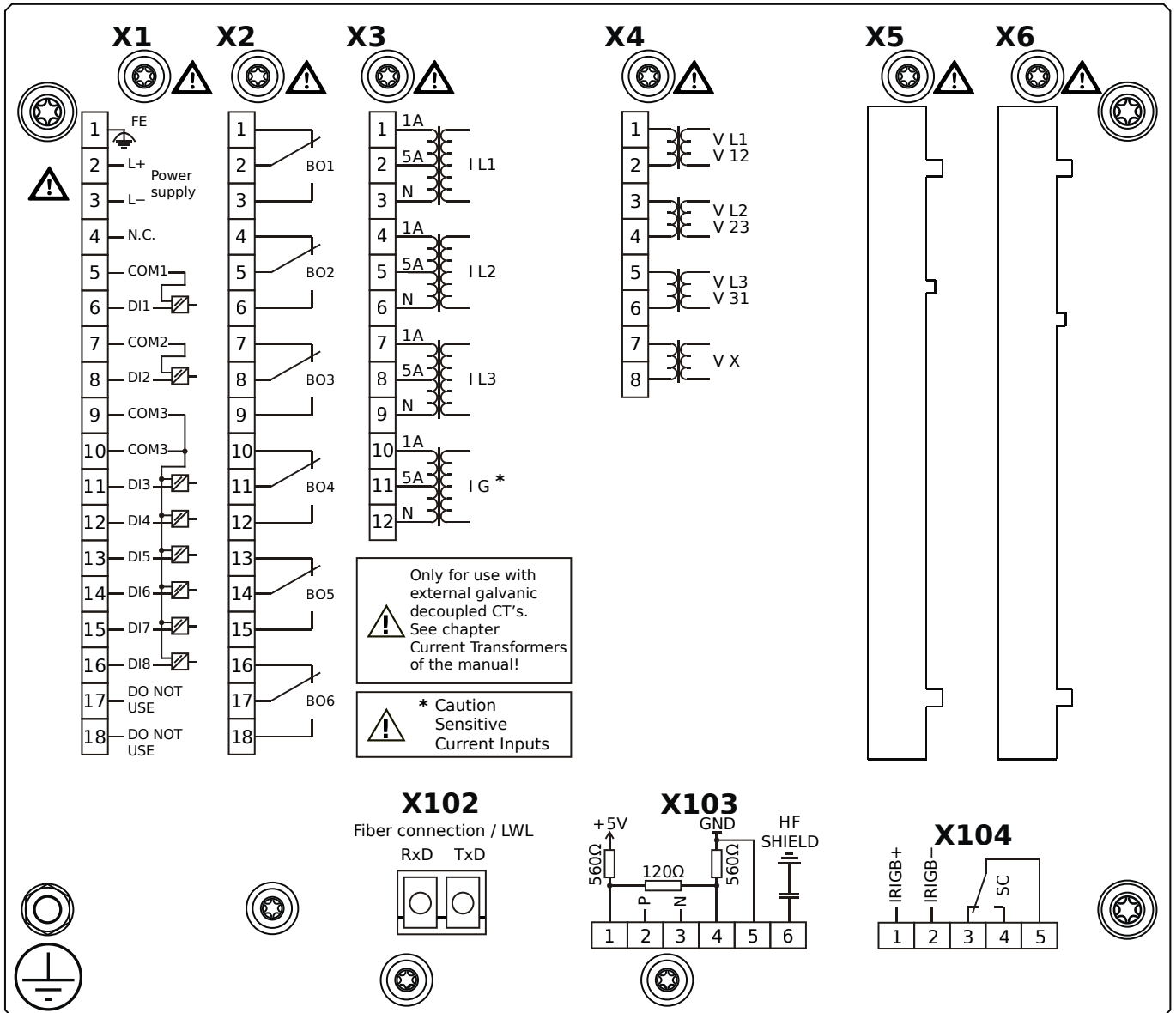


Housing B2, large display, 19" rack mounting

+ Conformal Coating (for installations in harsh environment)

- X1** – DI8-X1: Wide-range power supply unit, incl. 2 non-grouped digital inputs and 6 grouped digital inputs
- X2** – OR6: Assembly Group with 6 Output Relays (Changeover / Form C)
- X3** – TIs: Standard phase current measuring card and sensitive ground current measuring
- X4** – TU: Card with 4 voltage transformer measuring inputs (0 ... 800 VAC, under UL: 0 ... 600 VAC)
- X102** – Long-distance Protection Communication, Fiber optics interface, LC Connector
- X104** – IRIG-B00X, incl. System Contact (Supervision Contact)

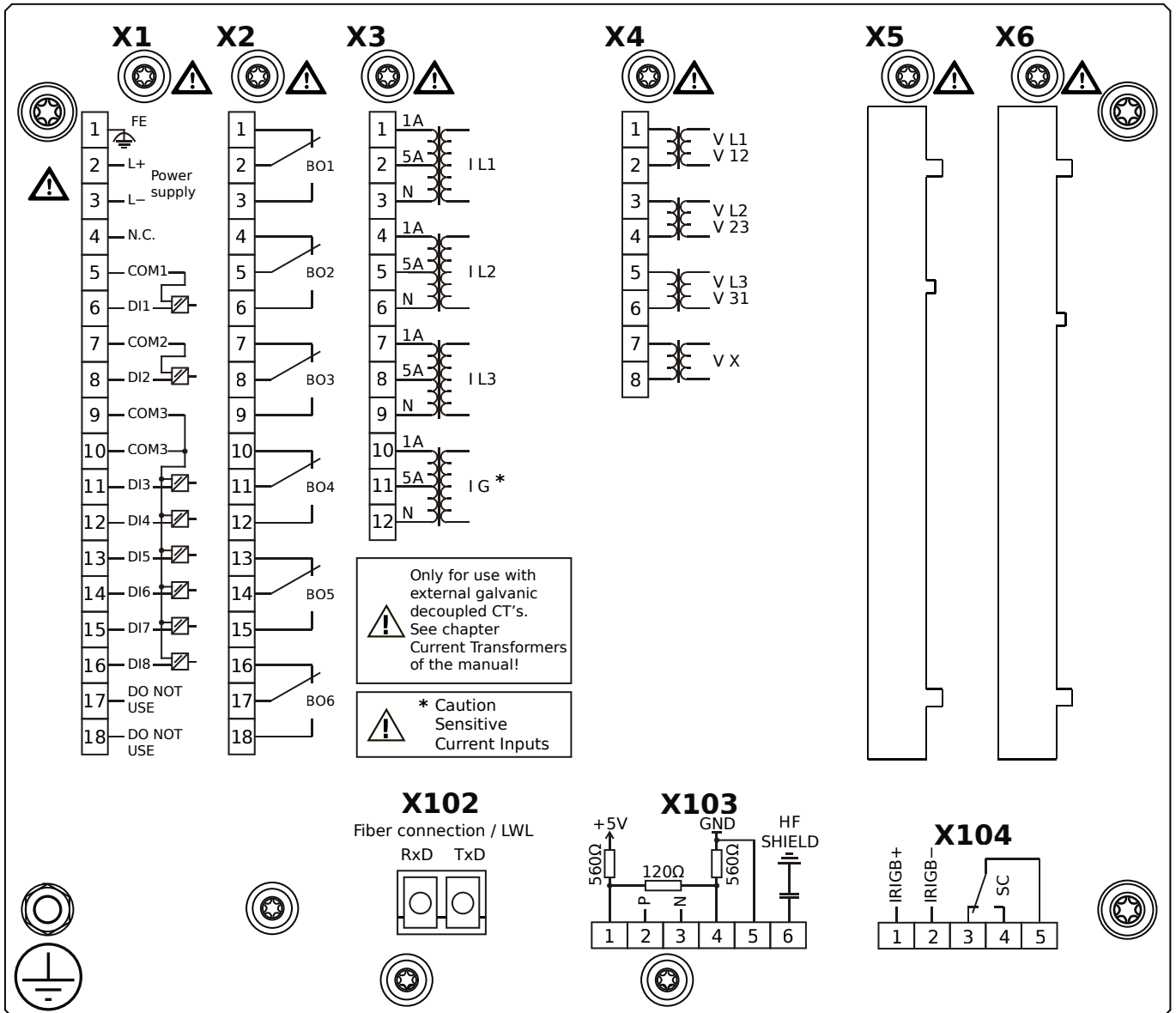
MCDLV4-2A1B0BA



Housing B2, large display, 19" rack mounting

- X1** – DI8-X1: Wide-range power supply unit, incl. 2 non-grouped digital inputs and 6 grouped digital inputs
- X2** – OR6: Assembly Group with 6 Output Relays (Changeover / Form C)
- X3** – TIs: Standard phase current measuring card and sensitive ground current measuring
- X4** – TU: Card with 4 voltage transformer measuring inputs (0 ... 800 VAC, under UL: 0 ... 600 VAC)
- X102** – Long-distance Protection Communication, Fiber optics interface, LC Connector
- X103** – Modbus RTU / IEC 60870-5-103 / DNP3.0 RTU, RS485, Terminals
- X104** – IRIG-B00X, incl. System Contact (Supervision Contact)

MCDLV4-2A1B0BB

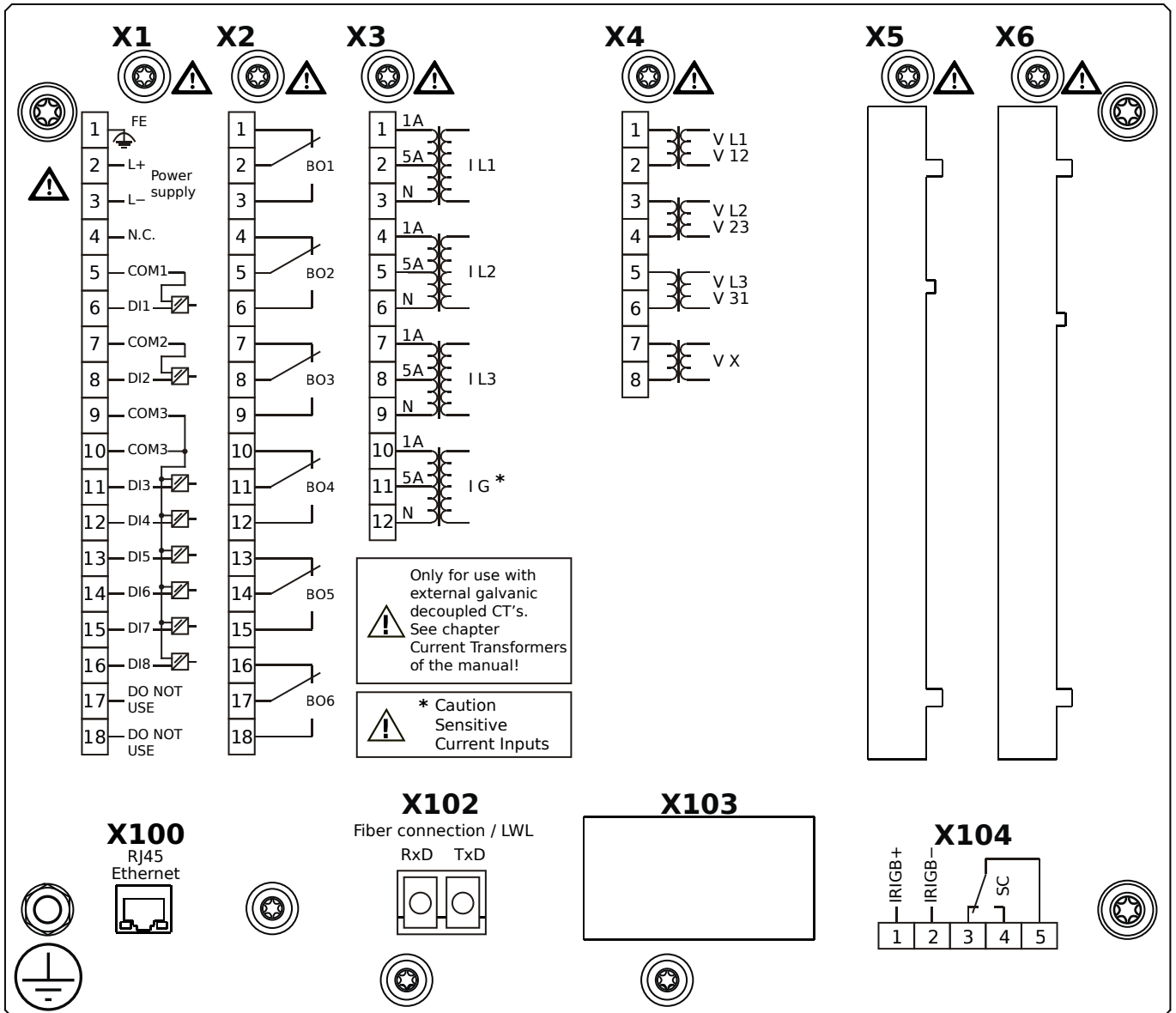


Housing B2, large display, 19" rack mounting

+ Conformal Coating (for installations in harsh environment)

- X1** – DI8-X1: Wide-range power supply unit, incl. 2 non-grouped digital inputs and 6 grouped digital inputs
- X2** – OR6: Assembly Group with 6 Output Relays (Changeover / Form C)
- X3** – TIs: Standard phase current measuring card and sensitive ground current measuring
- X4** – TU: Card with 4 voltage transformer measuring inputs (0 ... 800 VAC, under UL: 0 ... 600 VAC)
- X102** – Long-distance Protection Communication, Fiber optics interface, LC Connector
- X103** – Modbus RTU / IEC 60870-5-103 / DNP3.0 RTU, RS485, Terminals
- X104** – IRIG-B00X, incl. System Contact (Supervision Contact)

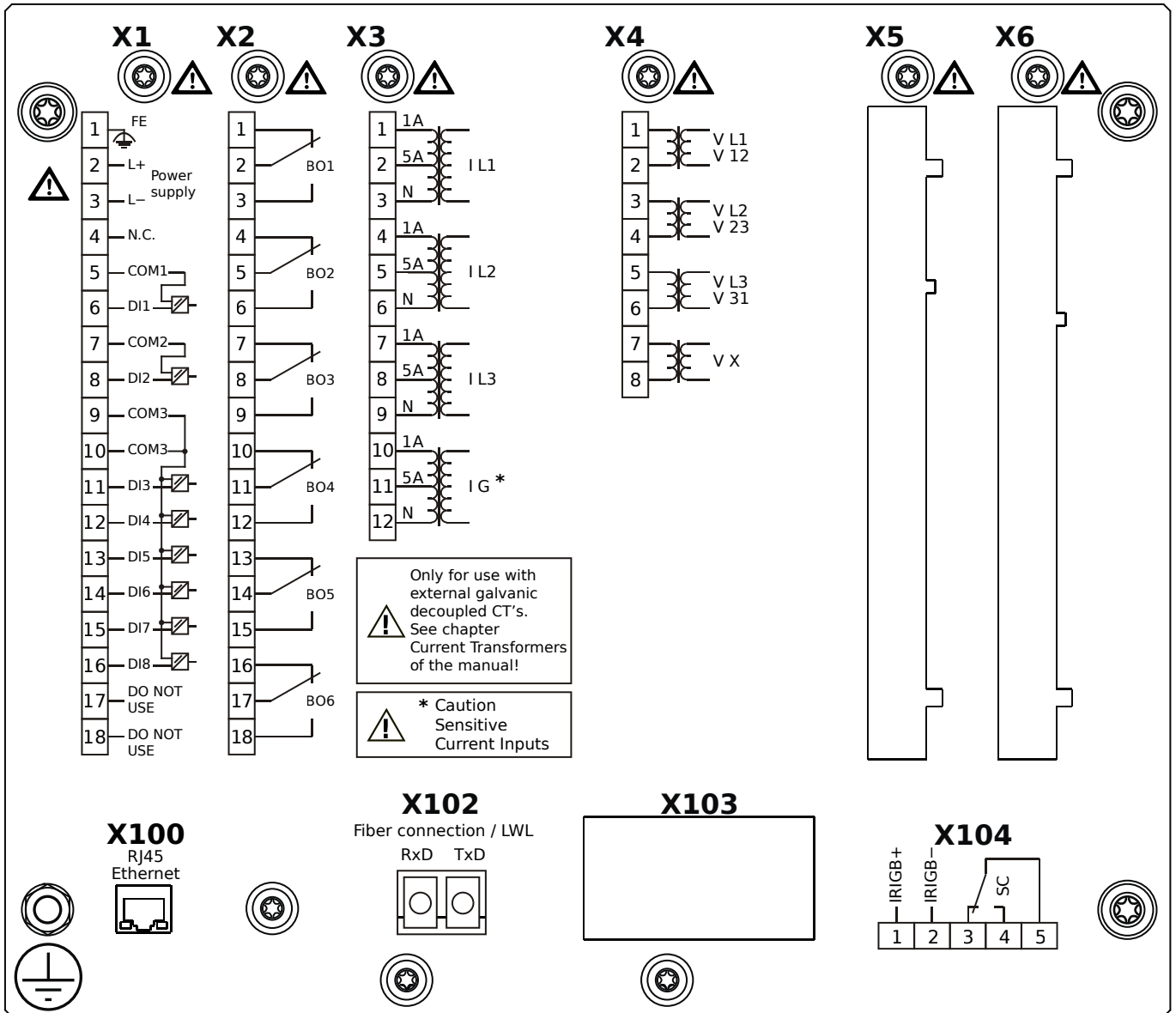
MCDLV4-2A1B0CA



Housing B2, large display, 19" rack mounting

- X1** – DI8-X1: Wide-range power supply unit, incl. 2 non-grouped digital inputs and 6 grouped digital inputs
- X2** – OR6: Assembly Group with 6 Output Relays (Changeover / Form C)
- X3** – TIs: Standard phase current measuring card and sensitive ground current measuring
- X4** – TU: Card with 4 voltage transformer measuring inputs (0 ... 800 VAC, under UL: 0 ... 600 VAC)
- X100** – Modbus TCP / IEC 60870-5-104 / DNP3.0 TCP/UDP, Ethernet interface, 100 Mbit/s, RJ45 (BASE100-FX)
- X102** – Long-distance Protection Communication, Fiber optics interface, LC Connector
- X104** – IRIG-B00X, incl. System Contact (Supervision Contact)

MCDLV4-2A1B0CB

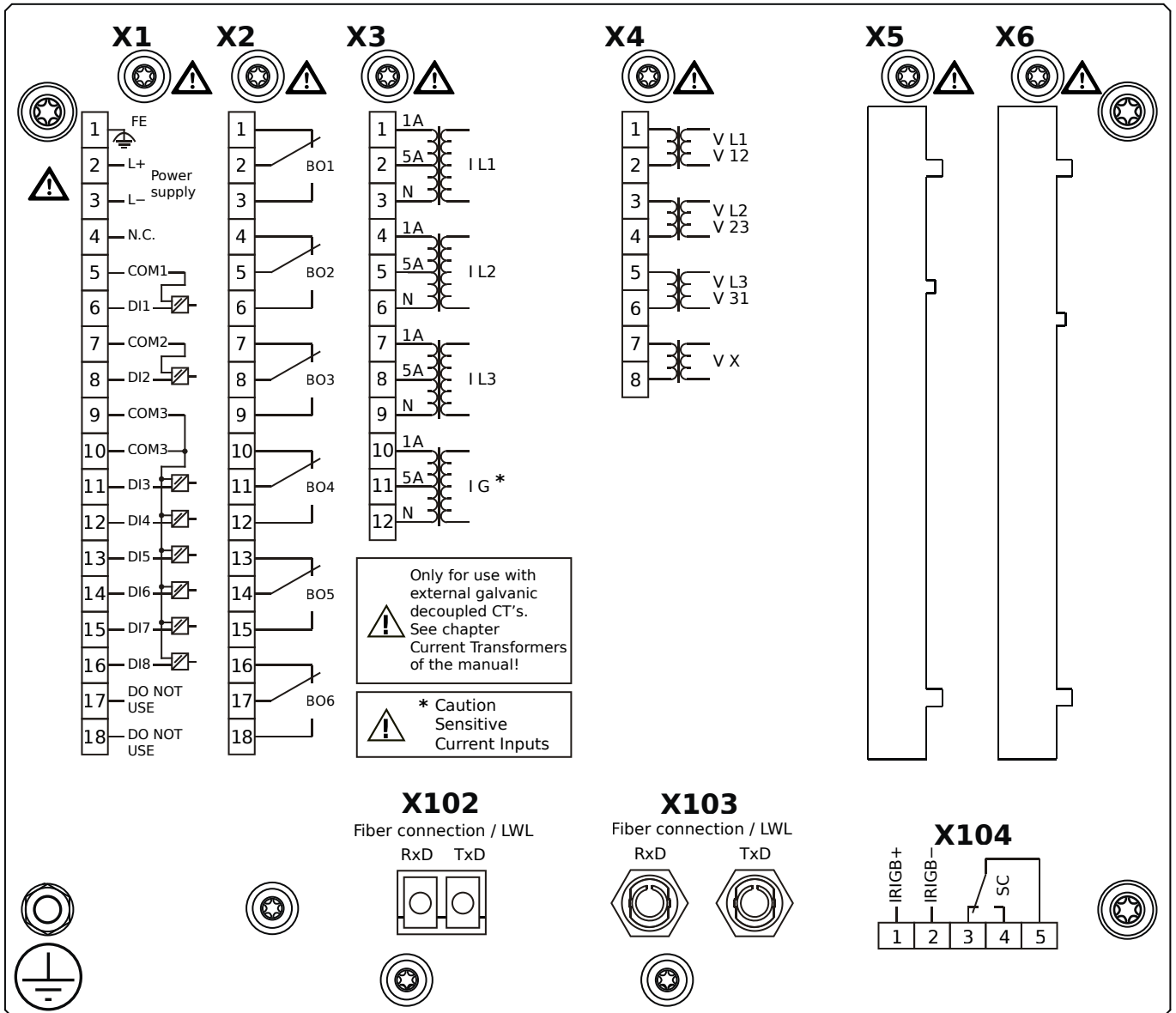


Housing B2, large display, 19" rack mounting

+ Conformal Coating (for installations in harsh environment)

- X1** – DI8-X1: Wide-range power supply unit, incl. 2 non-grouped digital inputs and 6 grouped digital inputs
- X2** – OR6: Assembly Group with 6 Output Relays (Changeover / Form C)
- X3** – TIs: Standard phase current measuring card and sensitive ground current measuring
- X4** – TU: Card with 4 voltage transformer measuring inputs (0 ... 800 VAC, under UL: 0 ... 600 VAC)
- X100** – Modbus TCP / IEC 60870-5-104 / DNP3.0 TCP/UDP, Ethernet interface, 100 Mbit/s, RJ45 (BASE100-FX)
- X102** – Long-distance Protection Communication, Fiber optics interface, LC Connector
- X104** – IRIG-B00X, incl. System Contact (Supervision Contact)

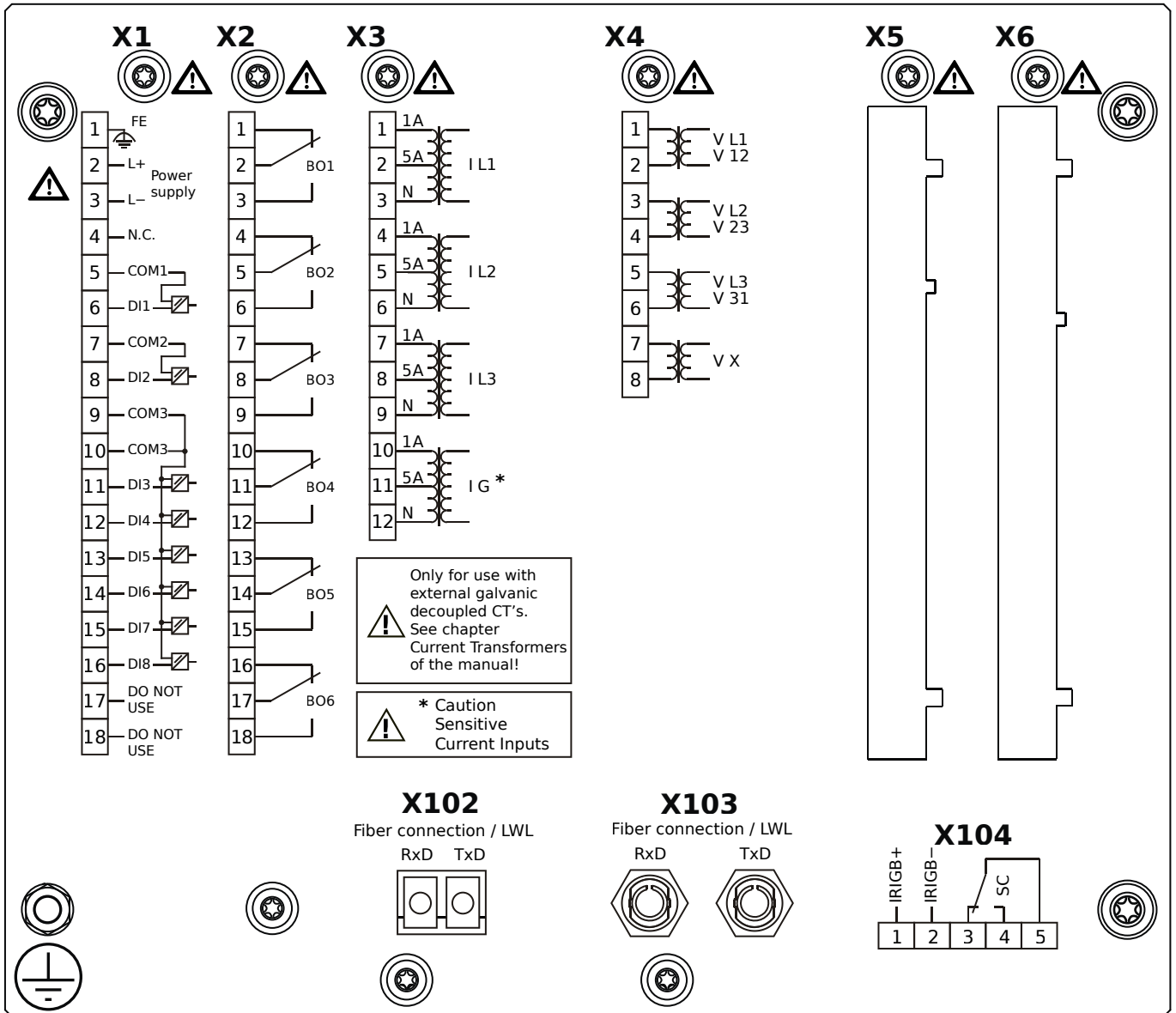
MCDLV4-2A1B0DA



Housing B2, large display, 19" rack mounting

- X1** – DI8-X1: Wide-range power supply unit, incl. 2 non-grouped digital inputs and 6 grouped digital inputs
- X2** – OR6: Assembly Group with 6 Output Relays (Changeover / Form C)
- X3** – TIs: Standard phase current measuring card and sensitive ground current measuring
- X4** – TU: Card with 4 voltage transformer measuring inputs (0 ... 800 VAC, under UL: 0 ... 600 VAC)
- X102** – Long-distance Protection Communication, Fiber optics interface, LC Connector
- X103** – Profibus-DP, Fiber optics interface, ST Connector
- X104** – IRIG-B00X, incl. System Contact (Supervision Contact)

MCDLV4-2A1B0DB

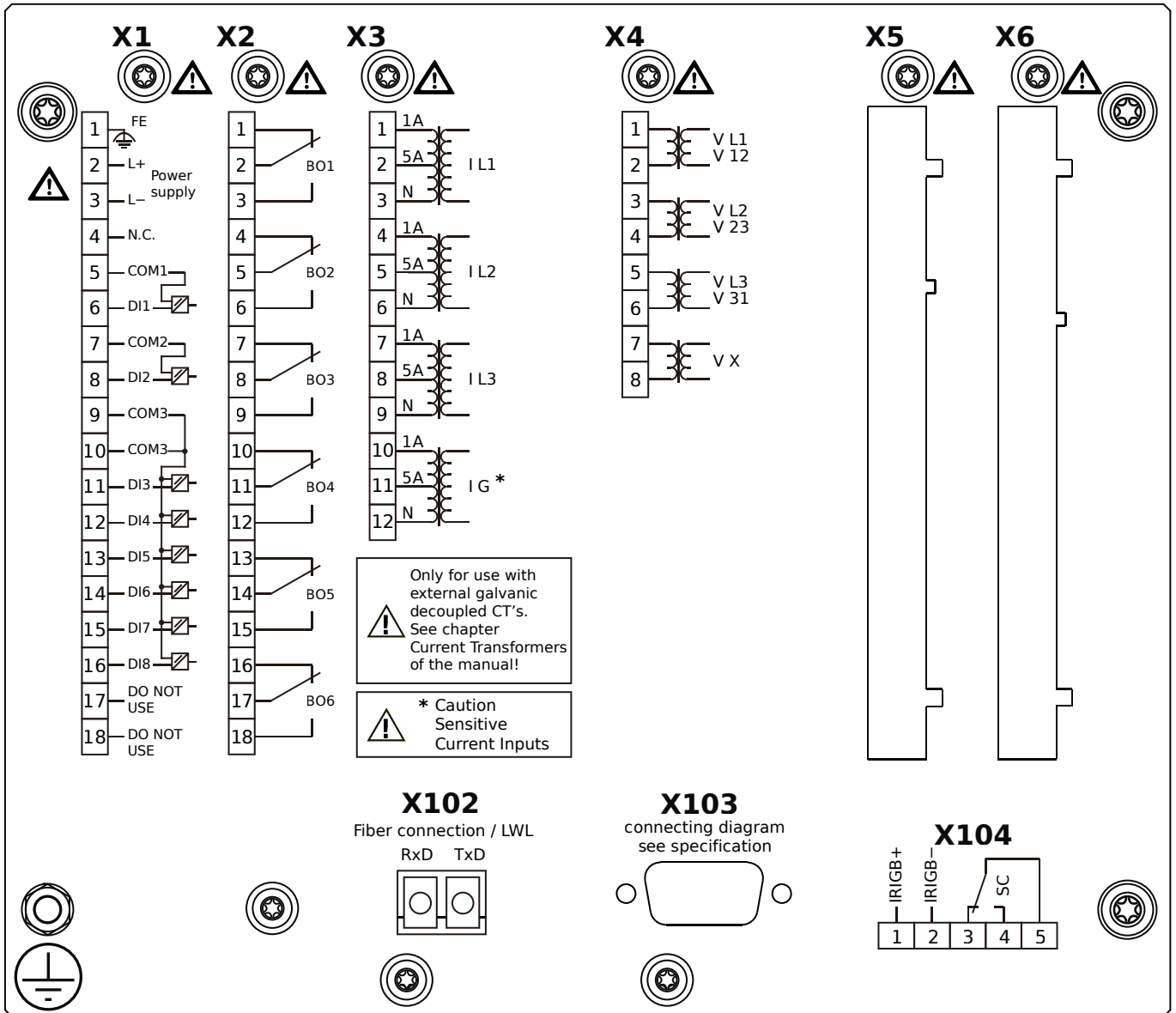


Housing B2, large display, 19" rack mounting

+ Conformal Coating (for installations in harsh environment)

- X1** – DI8-X1: Wide-range power supply unit, incl. 2 non-grouped digital inputs and 6 grouped digital inputs
- X2** – OR6: Assembly Group with 6 Output Relays (Changeover / Form C)
- X3** – TIs: Standard phase current measuring card and sensitive ground current measuring
- X4** – TU: Card with 4 voltage transformer measuring inputs (0 ... 800 VAC, under UL: 0 ... 600 VAC)
- X102** – Long-distance Protection Communication, Fiber optics interface, LC Connector
- X103** – Profibus-DP, Fiber optics interface, ST Connector
- X104** – IRIG-B00X, incl. System Contact (Supervision Contact)

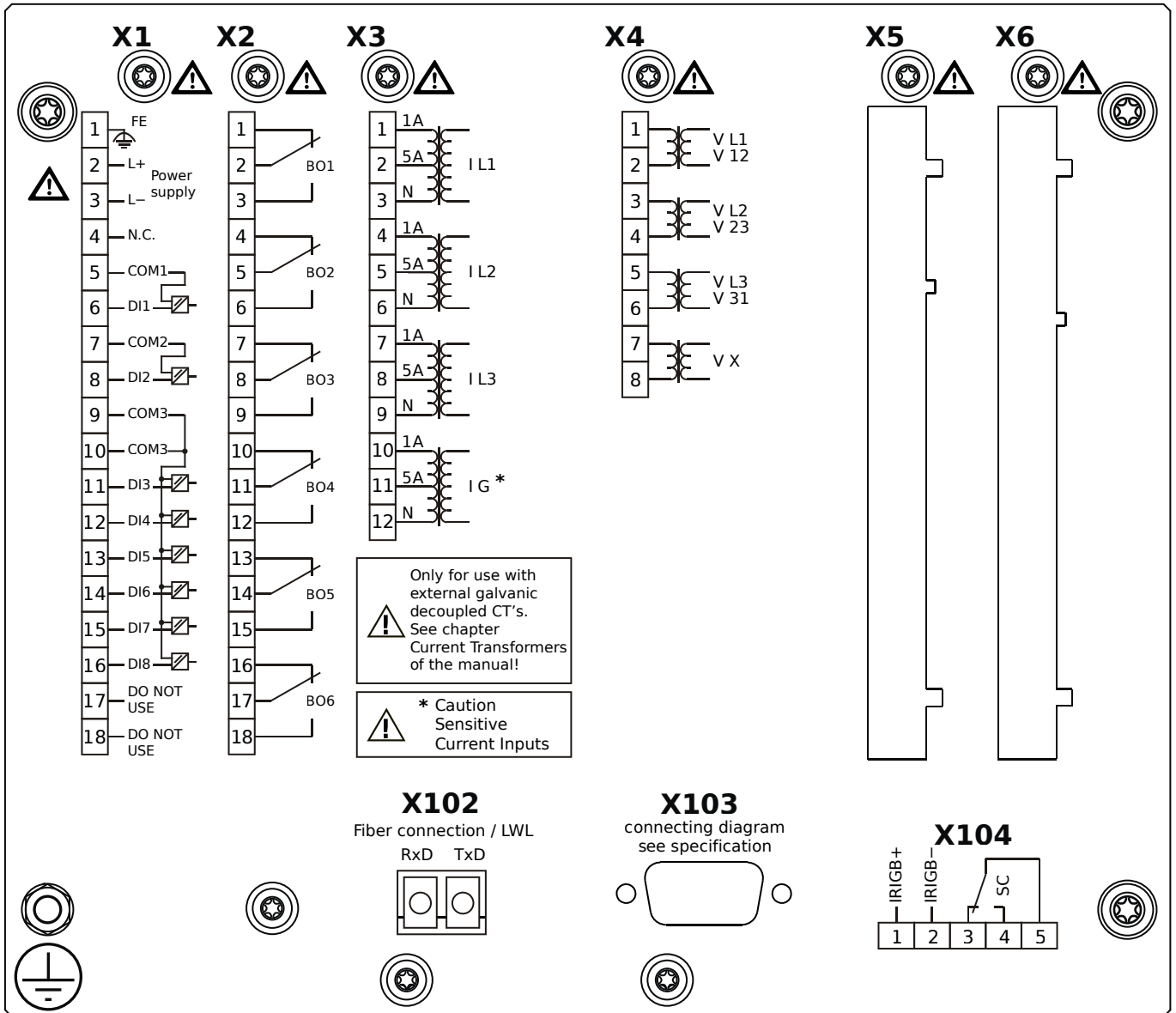
MCDLV4-2A1B0EA



Housing B2, large display, 19" rack mounting

- X1** – DI8-X1: Wide-range power supply unit, incl. 2 non-grouped digital inputs and 6 grouped digital inputs
- X2** – OR6: Assembly Group with 6 Output Relays (Changeover / Form C)
- X3** – TIs: Standard phase current measuring card and sensitive ground current measuring
- X4** – TU: Card with 4 voltage transformer measuring inputs (0 ... 800 VAC, under UL: 0 ... 600 VAC)
- X102** – Long-distance Protection Communication, Fiber optics interface, LC Connector
- X103** – Profibus-DP, RS485, D-SUB
- X104** – IRIG-B00X, incl. System Contact (Supervision Contact)

MCDLV4-2A1B0EB

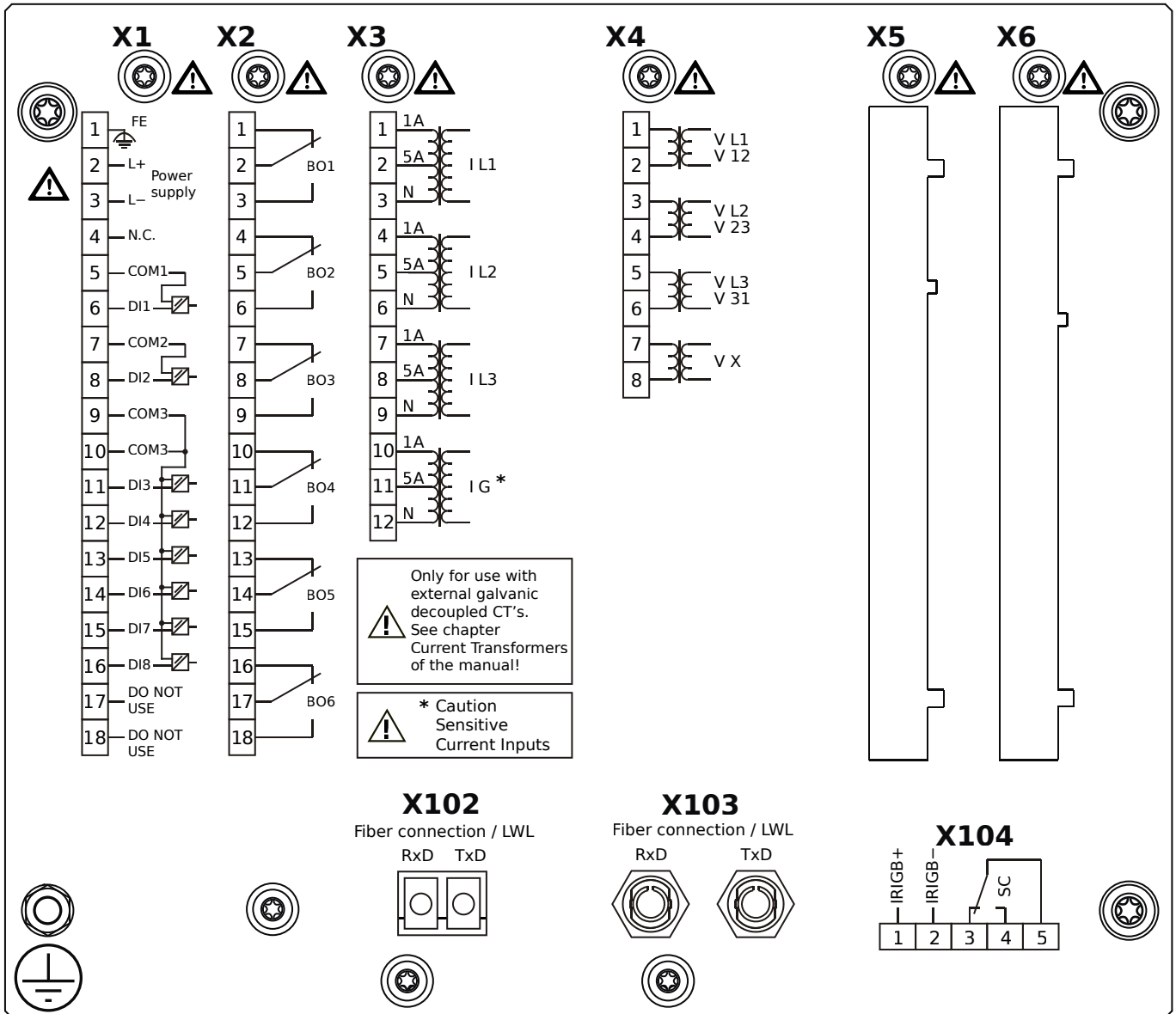


Housing B2, large display, 19" rack mounting

+ Conformal Coating (for installations in harsh environment)

- X1** – DI8-X1: Wide-range power supply unit, incl. 2 non-grouped digital inputs and 6 grouped digital inputs
- X2** – OR6: Assembly Group with 6 Output Relays (Changeover / Form C)
- X3** – TIs: Standard phase current measuring card and sensitive ground current measuring
- X4** – TU: Card with 4 voltage transformer measuring inputs (0 ... 800 VAC, under UL: 0 ... 600 VAC)
- X102** – Long-distance Protection Communication, Fiber optics interface, LC Connector
- X103** – Profibus-DP, RS485, D-SUB
- X104** – IRIG-B00X, incl. System Contact (Supervision Contact)

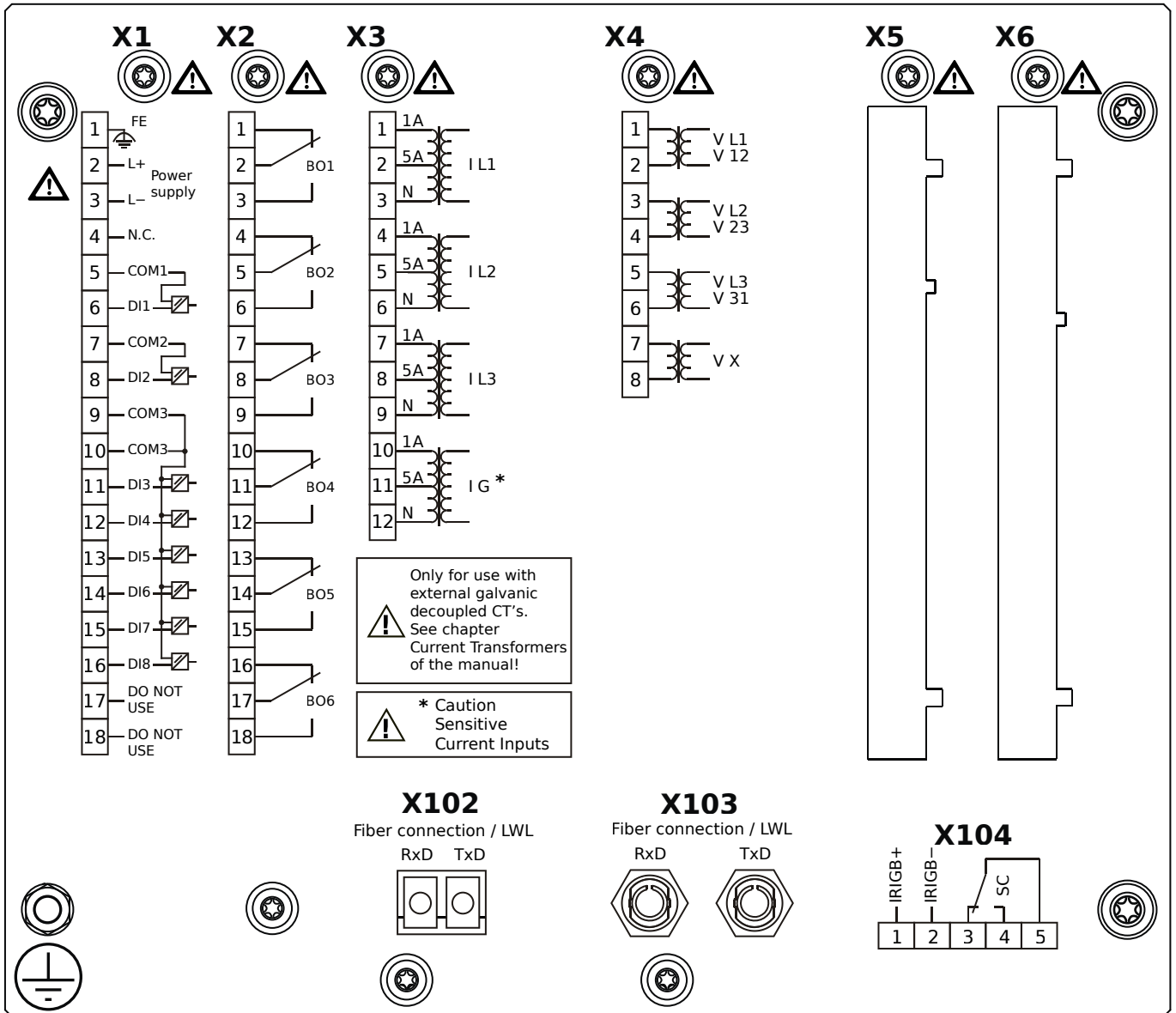
MCDLV4-2A1B0FA



Housing B2, large display, 19" rack mounting

- X1** – DI8-X1: Wide-range power supply unit, incl. 2 non-grouped digital inputs and 6 grouped digital inputs
- X2** – OR6: Assembly Group with 6 Output Relays (Changeover / Form C)
- X3** – TIs: Standard phase current measuring card and sensitive ground current measuring
- X4** – TU: Card with 4 voltage transformer measuring inputs (0 ... 800 VAC, under UL: 0 ... 600 VAC)
- X102** – Long-distance Protection Communication, Fiber optics interface, LC Connector
- X103** – Modbus RTU / IEC 60870-5-103 / DNP3.0 RTU, Fiber optics interface, ST Connector
- X104** – IRIG-B00X, incl. System Contact (Supervision Contact)

MCDLV4-2A1B0FB

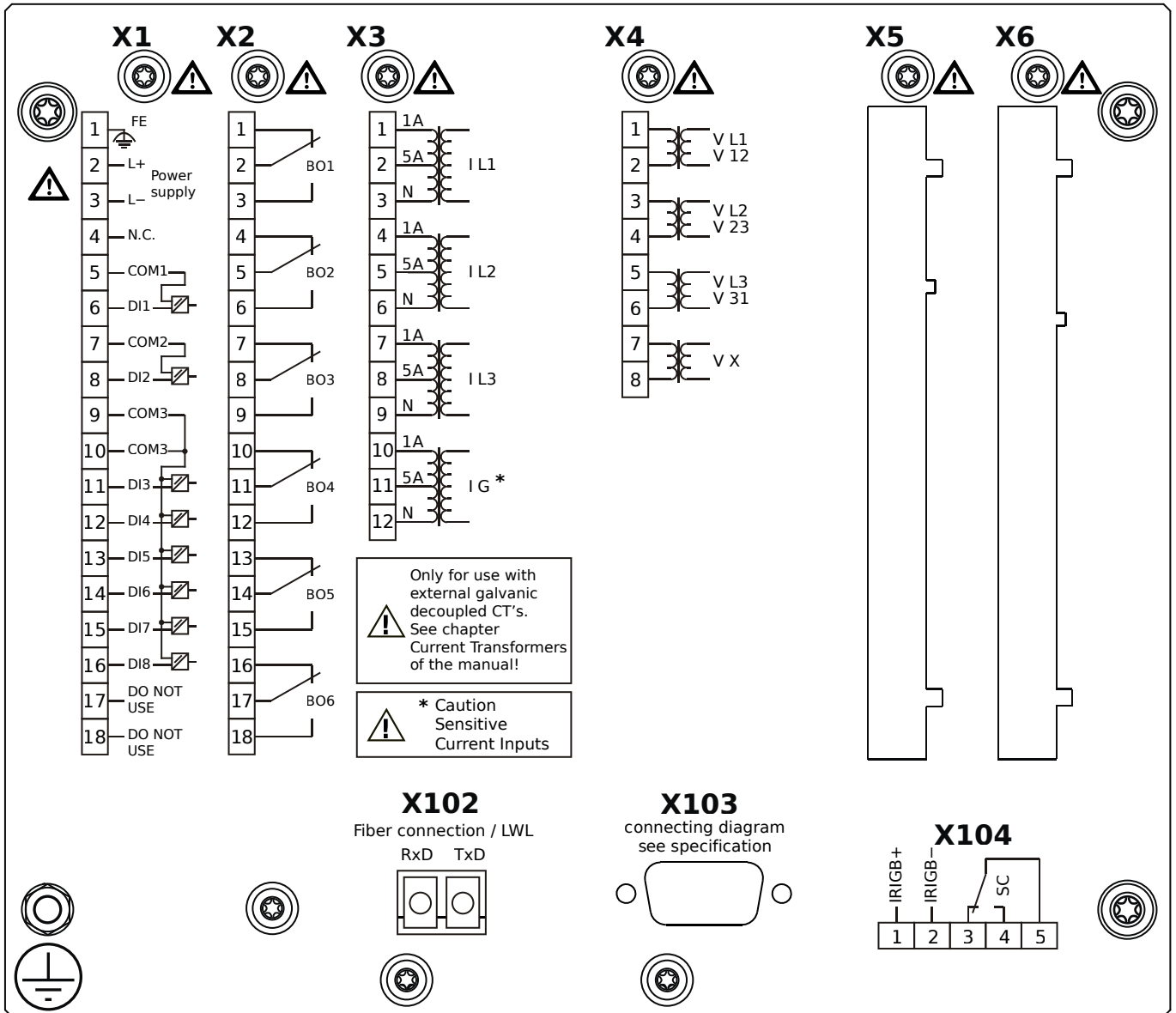


Housing B2, large display, 19" rack mounting

+ Conformal Coating (for installations in harsh environment)

- X1** – DI8-X1: Wide-range power supply unit, incl. 2 non-grouped digital inputs and 6 grouped digital inputs
- X2** – OR6: Assembly Group with 6 Output Relays (Changeover / Form C)
- X3** – TIs: Standard phase current measuring card and sensitive ground current measuring
- X4** – TU: Card with 4 voltage transformer measuring inputs (0 ... 800 VAC, under UL: 0 ... 600 VAC)
- X102** – Long-distance Protection Communication, Fiber optics interface, LC Connector
- X103** – Modbus RTU / IEC 60870-5-103 / DNP3.0 RTU, Fiber optics interface, ST Connector
- X104** – IRIG-B00X, incl. System Contact (Supervision Contact)

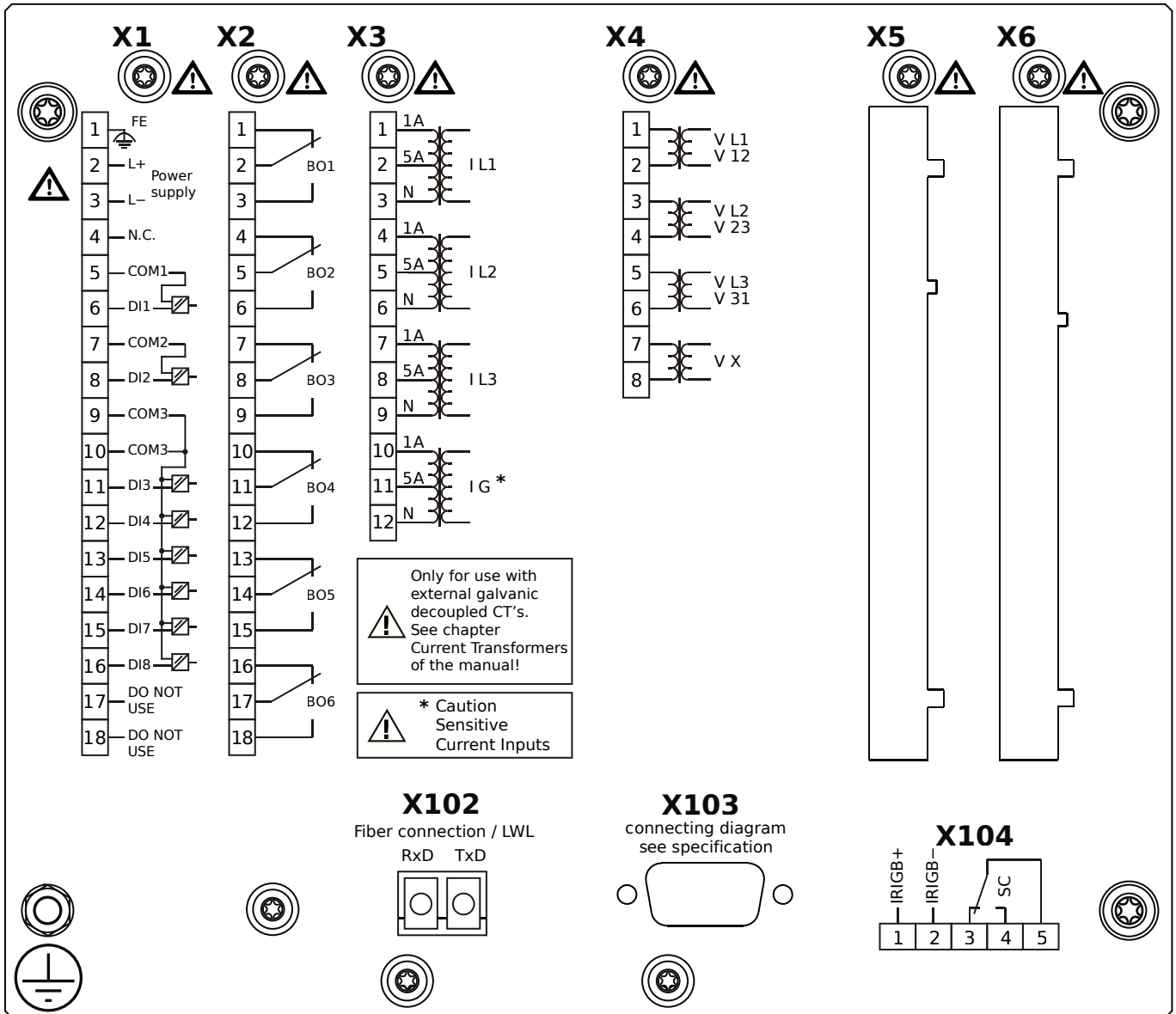
MCDLV4-2A1B0GA



Housing B2, large display, 19" rack mounting

- X1** – DI8-X1: Wide-range power supply unit, incl. 2 non-grouped digital inputs and 6 grouped digital inputs
- X2** – OR6: Assembly Group with 6 Output Relays (Changeover / Form C)
- X3** – TIs: Standard phase current measuring card and sensitive ground current measuring
- X4** – TU: Card with 4 voltage transformer measuring inputs (0 ... 800 VAC, under UL: 0 ... 600 VAC)
- X102** – Long-distance Protection Communication, Fiber optics interface, LC Connector
- X103** – Modbus RTU / IEC 60870-5-103 / DNP3.0 RTU, RS485, D-SUB
- X104** – IRIG-B00X, incl. System Contact (Supervision Contact)

MCDLV4-2A1B0GB

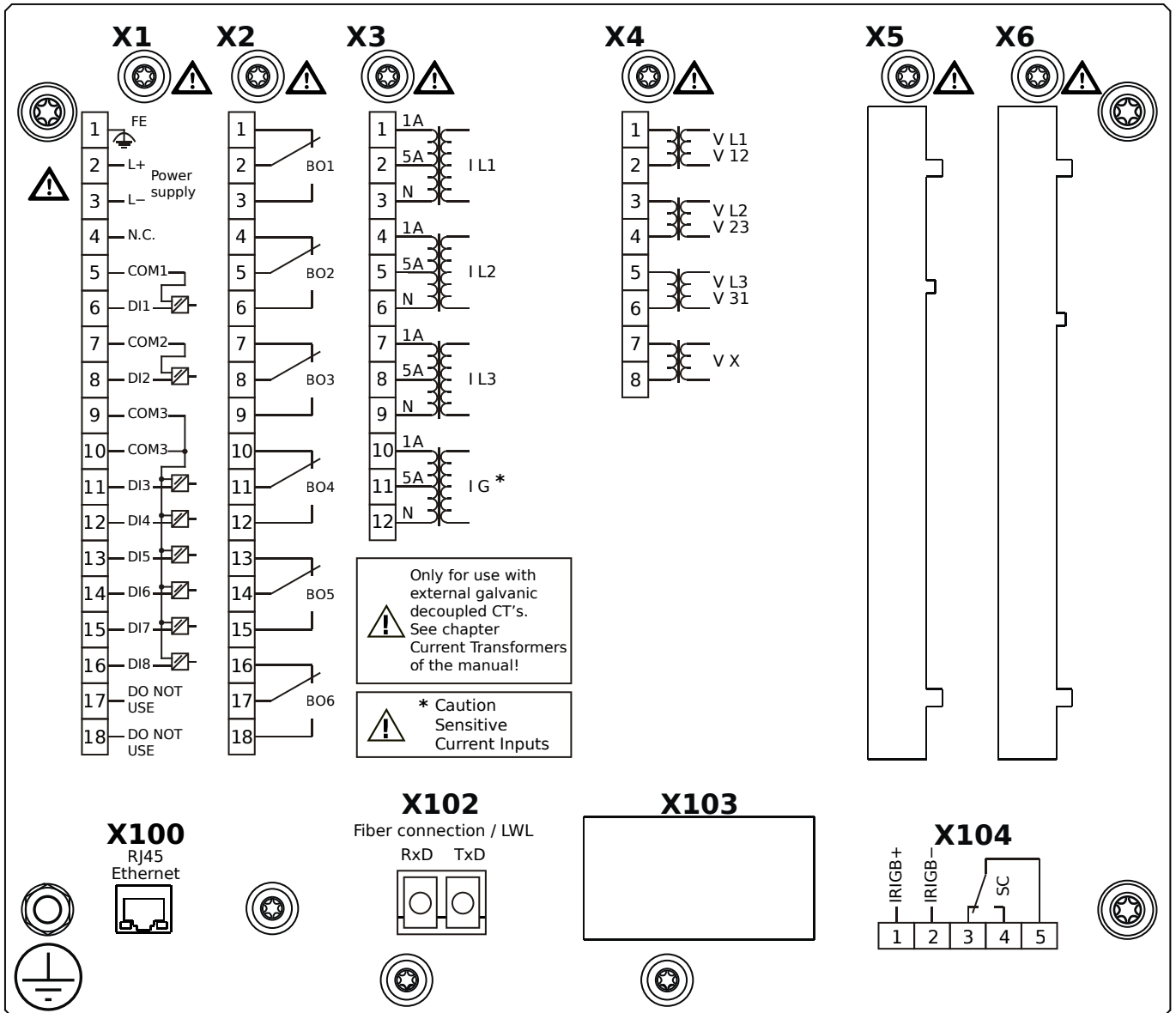


Housing B2, large display, 19" rack mounting

+ Conformal Coating (for installations in harsh environment)

- X1** – DI8-X1: Wide-range power supply unit, incl. 2 non-grouped digital inputs and 6 grouped digital inputs
- X2** – OR6: Assembly Group with 6 Output Relays (Changeover / Form C)
- X3** – TIs: Standard phase current measuring card and sensitive ground current measuring
- X4** – TU: Card with 4 voltage transformer measuring inputs (0 ... 800 VAC, under UL: 0 ... 600 VAC)
- X102** – Long-distance Protection Communication, Fiber optics interface, LC Connector
- X103** – Modbus RTU / IEC 60870-5-103 / DNP3.0 RTU, RS485, D-SUB
- X104** – IRIG-B00X, incl. System Contact (Supervision Contact)

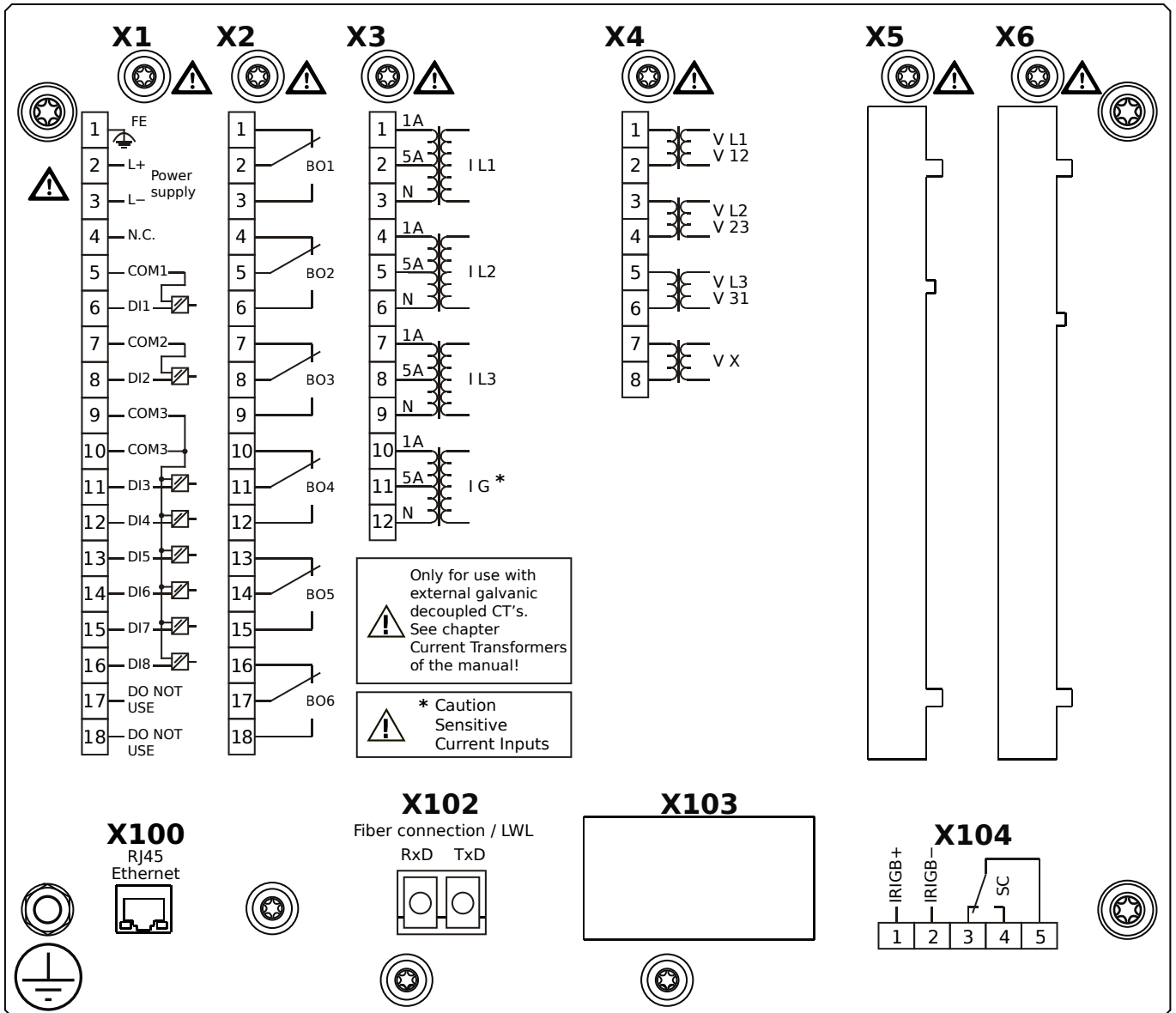
MCDLV4-2A1B0HA



Housing B2, large display, 19" rack mounting

- X1** – DI8-X1: Wide-range power supply unit, incl. 2 non-grouped digital inputs and 6 grouped digital inputs
- X2** – OR6: Assembly Group with 6 Output Relays (Changeover / Form C)
- X3** – TIs: Standard phase current measuring card and sensitive ground current measuring
- X4** – TU: Card with 4 voltage transformer measuring inputs (0 ... 800 VAC, under UL: 0 ... 600 VAC)
- X100** – IEC 61850 / Modbus TCP / IEC 60870-5-104 / DNP3.0 TCP/UDP, Ethernet interface, 100 Mbit/s, RJ45 (BASE100-FX)
- X102** – Long-distance Protection Communication, Fiber optics interface, LC Connector
- X104** – IRIG-B00X, incl. System Contact (Supervision Contact)

MCDLV4-2A1B0HB

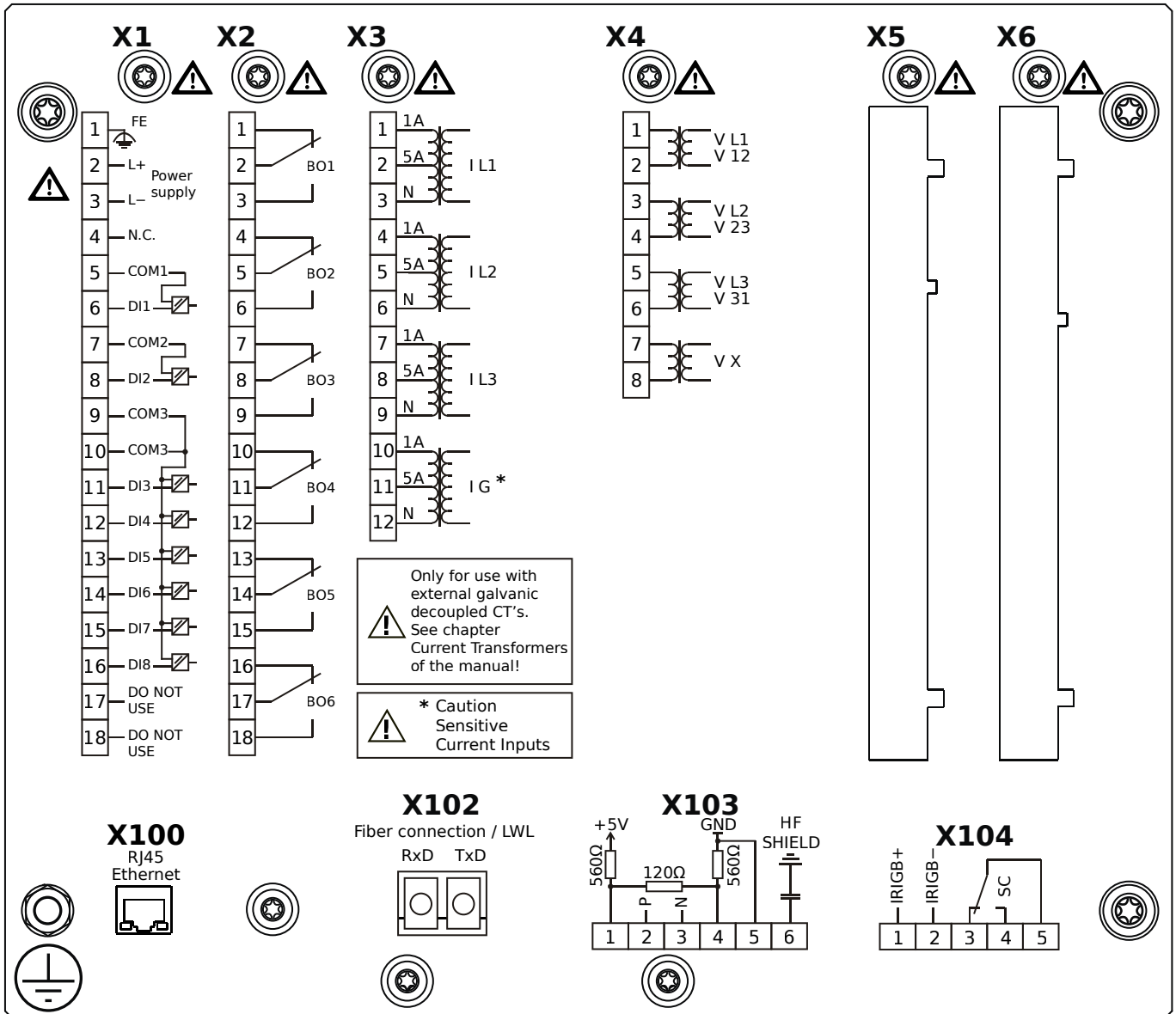


Housing B2, large display, 19" rack mounting

+ Conformal Coating (for installations in harsh environment)

- X1** – DI8-X1: Wide-range power supply unit, incl. 2 non-grouped digital inputs and 6 grouped digital inputs
- X2** – OR6: Assembly Group with 6 Output Relays (Changeover / Form C)
- X3** – TIs: Standard phase current measuring card and sensitive ground current measuring
- X4** – TU: Card with 4 voltage transformer measuring inputs (0 ... 800 VAC, under UL: 0 ... 600 VAC)
- X100** – IEC 61850 / Modbus TCP / IEC 60870-5-104 / DNP3.0 TCP/UDP, Ethernet interface, 100 Mbit/s, RJ45 (BASE100-FX)
- X102** – Long-distance Protection Communication, Fiber optics interface, LC Connector
- X104** – IRIG-B00X, incl. System Contact (Supervision Contact)

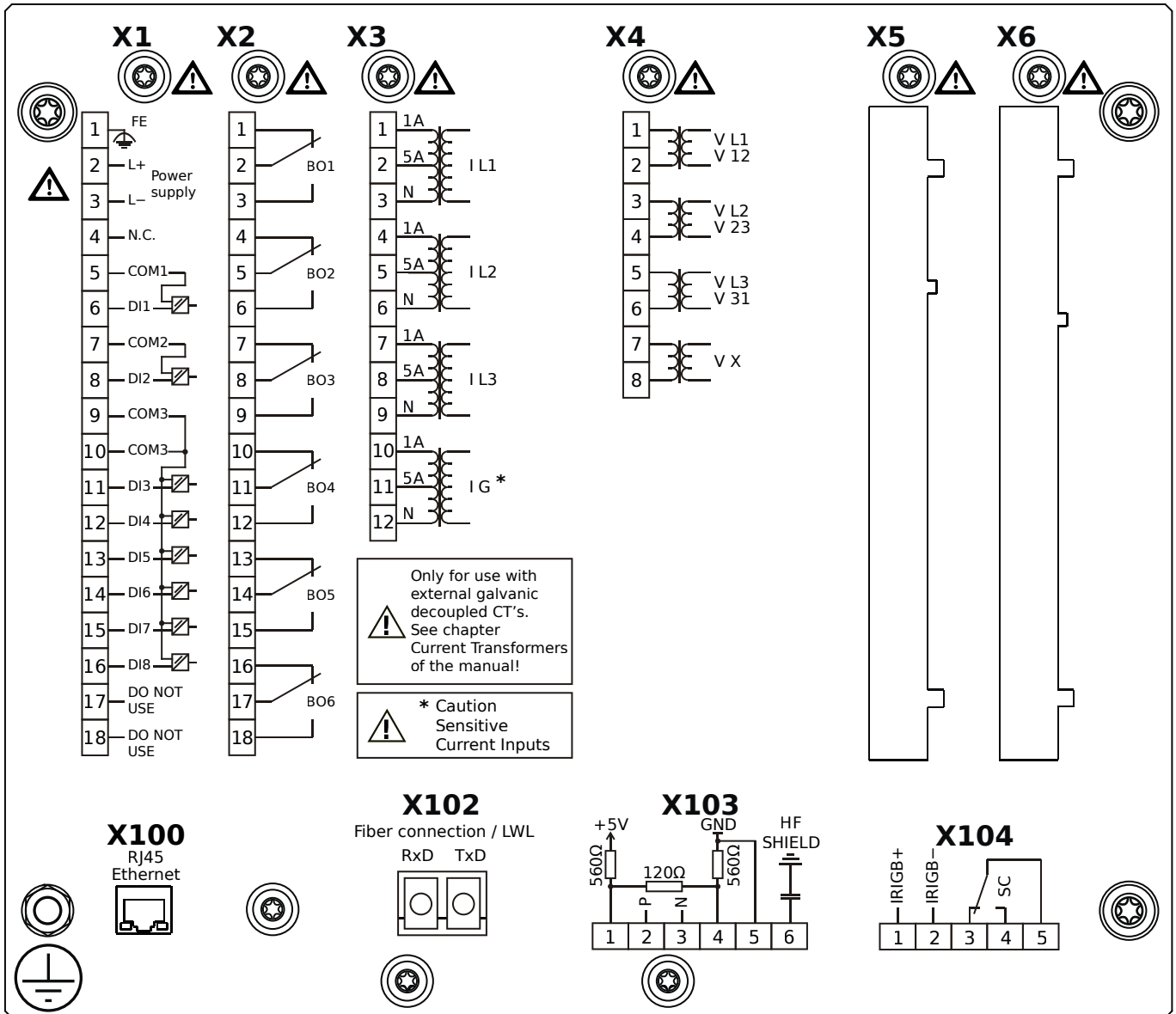
MCDLV4-2A1B0IA



Housing B2, large display, 19" rack mounting

- X1** – DI8-X1: Wide-range power supply unit, incl. 2 non-grouped digital inputs and 6 grouped digital inputs
- X2** – OR6: Assembly Group with 6 Output Relays (Changeover / Form C)
- X3** – TIs: Standard phase current measuring card and sensitive ground current measuring
- X4** – TU: Card with 4 voltage transformer measuring inputs (0 ... 800 VAC, under UL: 0 ... 600 VAC)
- X100** – Modbus TCP / IEC 60870-5-104 / DNP3.0 TCP/UDP, Ethernet interface, 100 Mbit/s, RJ45 (BASE100-FX)
- X102** – Long-distance Protection Communication, Fiber optics interface, LC Connector
- X103** – IEC 60870-5-103 / Modbus RTU / DNP3.0 RTU, RS485, Terminals
- X104** – IRIG-B00X, incl. System Contact (Supervision Contact)

MCDLV4-2A1B0IB

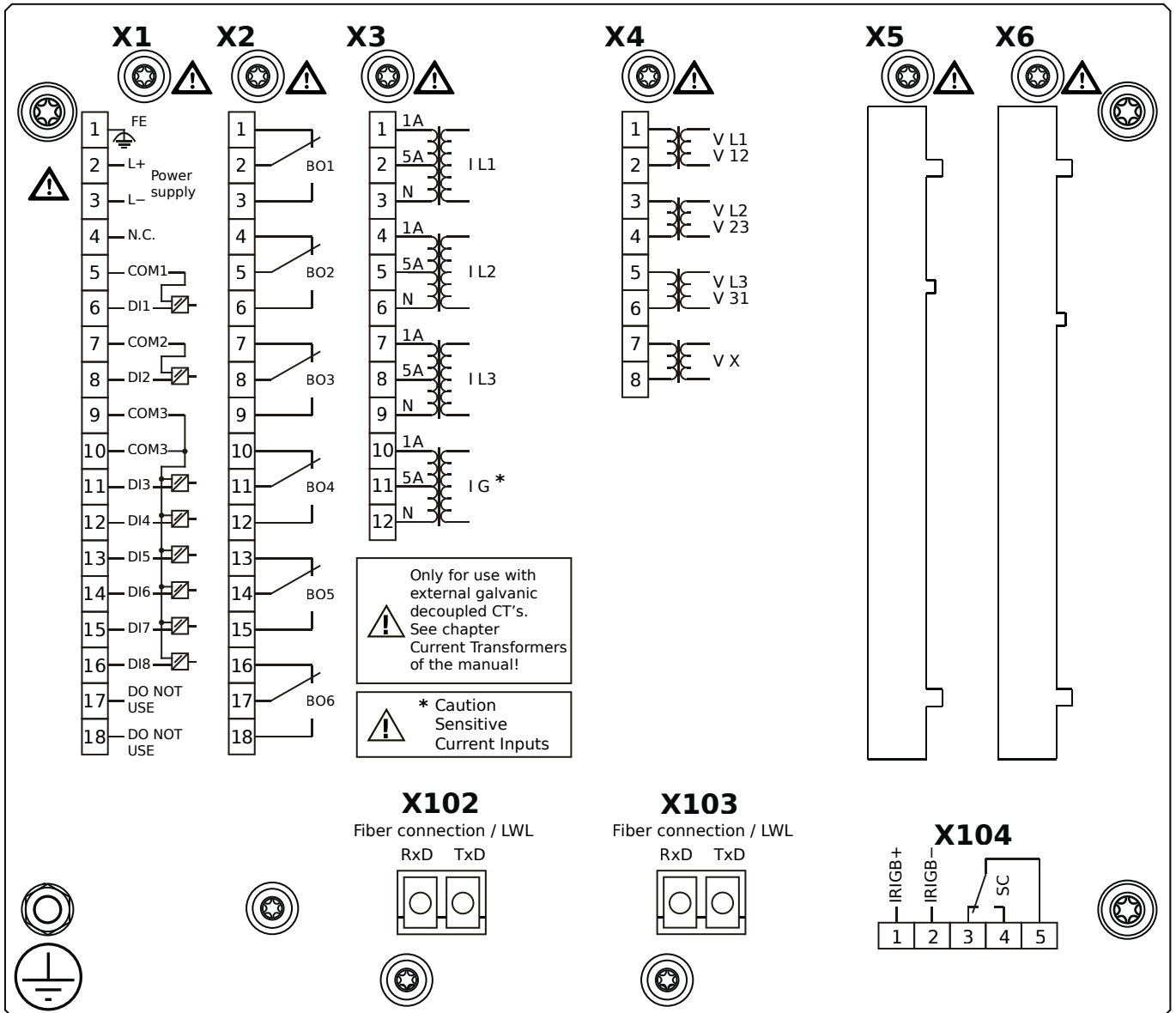


Housing B2, large display, 19" rack mounting

+ Conformal Coating (for installations in harsh environment)

- X1** – DI8-X1: Wide-range power supply unit, incl. 2 non-grouped digital inputs and 6 grouped digital inputs
- X2** – OR6: Assembly Group with 6 Output Relays (Changeover / Form C)
- X3** – TIs: Standard phase current measuring card and sensitive ground current measuring
- X4** – TU: Card with 4 voltage transformer measuring inputs (0 ... 800 VAC, under UL: 0 ... 600 VAC)
- X100** – Modbus TCP / IEC 60870-5-104 / DNP3.0 TCP/UDP, Ethernet interface, 100 Mbit/s, RJ45 (BASE100-FX)
- X102** – Long-distance Protection Communication, Fiber optics interface, LC Connector
- X103** – IEC 60870-5-103 / Modbus RTU / DNP3.0 RTU, RS485, Terminals
- X104** – IRIG-B00X, incl. System Contact (Supervision Contact)

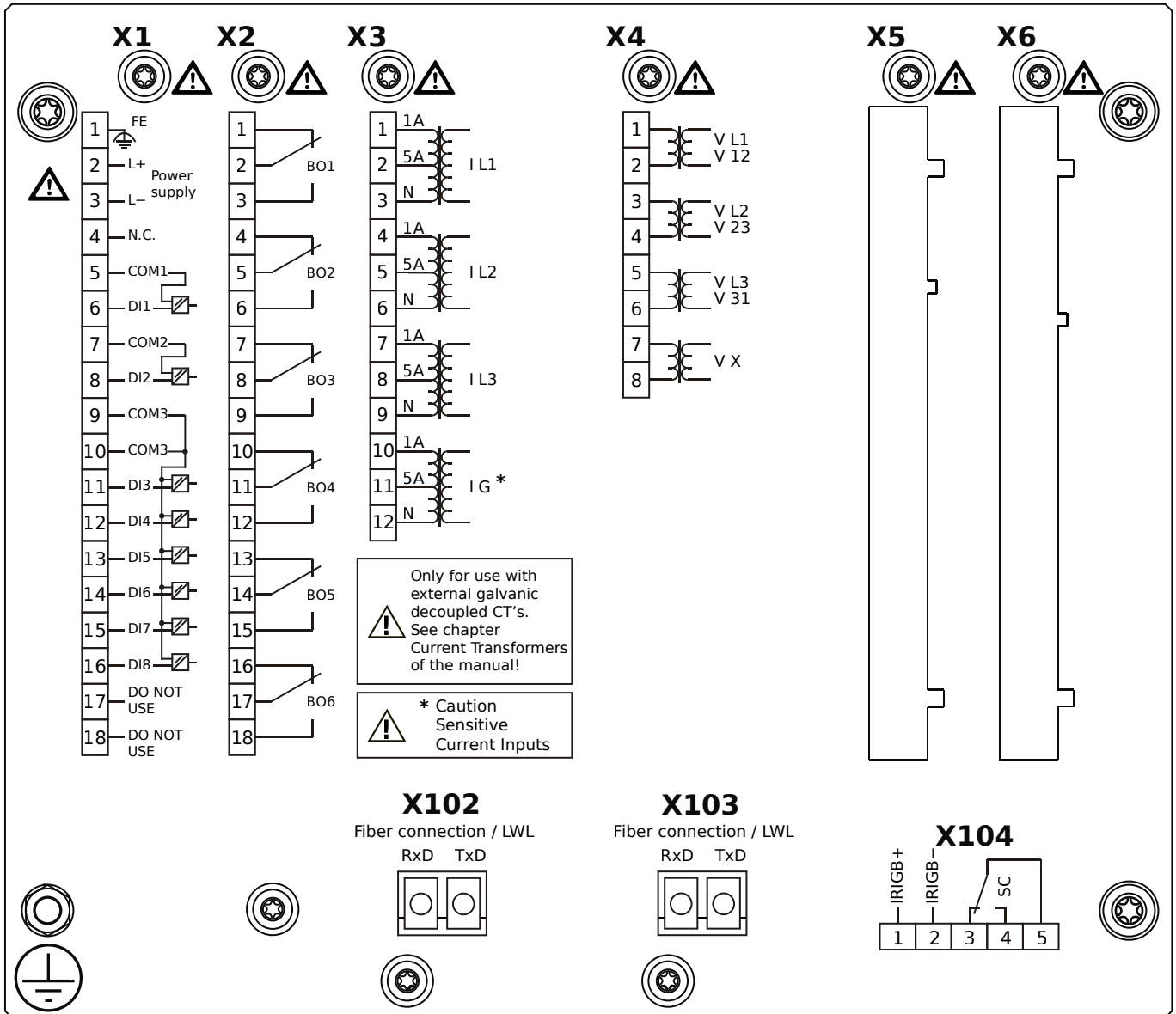
MCDLV4-2A1B0KA



Housing B2, large display, 19" rack mounting

- X1** – DI8-X1: Wide-range power supply unit, incl. 2 non-grouped digital inputs and 6 grouped digital inputs
- X2** – OR6: Assembly Group with 6 Output Relays (Changeover / Form C)
- X3** – TIs: Standard phase current measuring card and sensitive ground current measuring
- X4** – TU: Card with 4 voltage transformer measuring inputs (0 ... 800 VAC, under UL: 0 ... 600 VAC)
- X102** – Long-distance Protection Communication, Fiber optics interface, LC Connector
- X103** – IEC 61850 / Modbus TCP / IEC 60870-5-104 / DNP3.0 TCP/UDP, Fiber optics interface, LC Connector
- X104** – IRIG-B00X, incl. System Contact (Supervision Contact)

MCDLV4-2A1B0KB

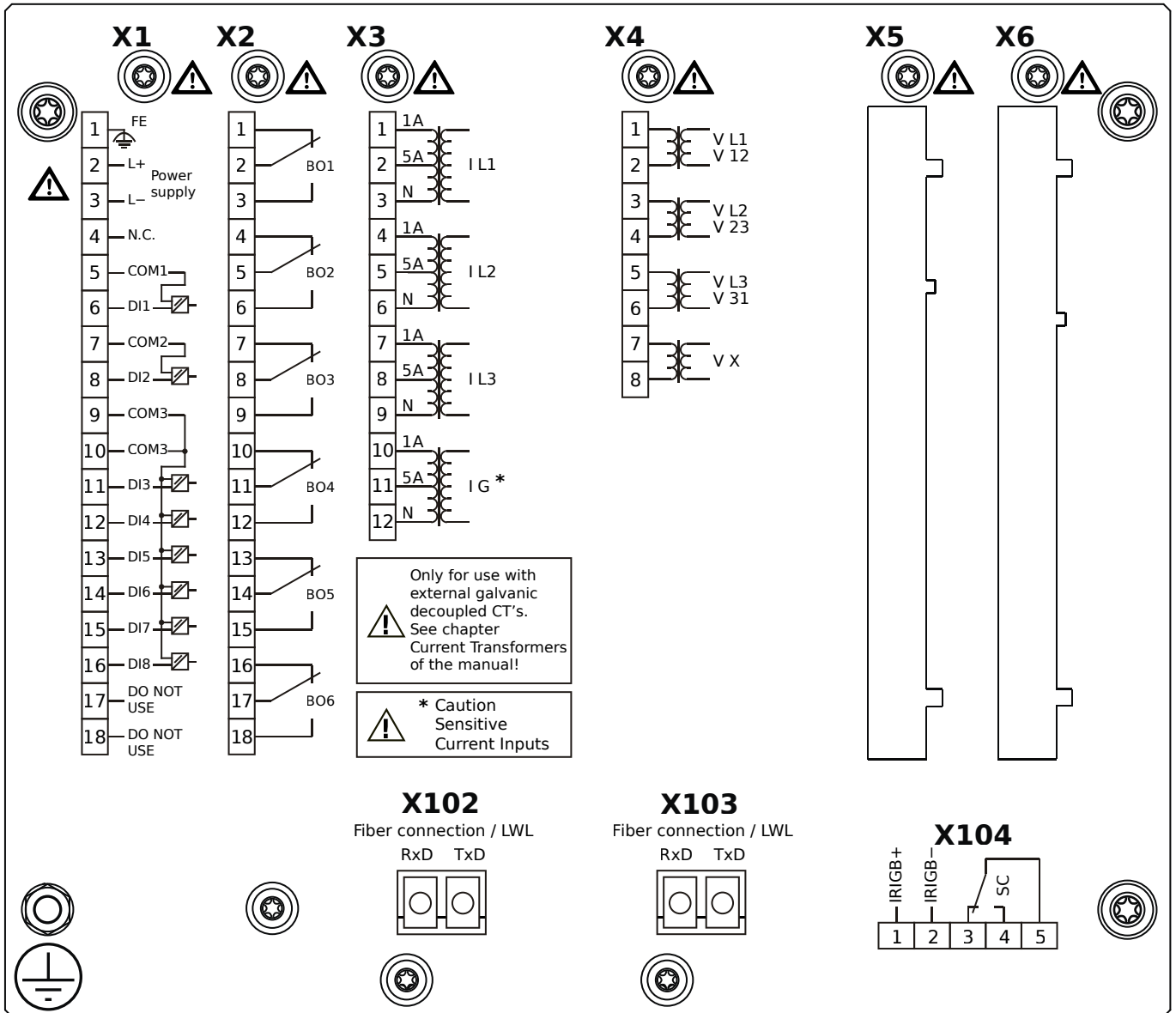


Housing B2, large display, 19" rack mounting

+ Conformal Coating (for installations in harsh environment)

- X1** – DI8-X1: Wide-range power supply unit, incl. 2 non-grouped digital inputs and 6 grouped digital inputs
- X2** – OR6: Assembly Group with 6 Output Relays (Changeover / Form C)
- X3** – TIs: Standard phase current measuring card and sensitive ground current measuring
- X4** – TU: Card with 4 voltage transformer measuring inputs (0 ... 800 VAC, under UL: 0 ... 600 VAC)
- X102** – Long-distance Protection Communication, Fiber optics interface, LC Connector
- X103** – IEC 61850 / Modbus TCP / IEC 60870-5-104 / DNP3.0 TCP/UDP, Fiber optics interface, LC Connector
- X104** – IRIG-B00X, incl. System Contact (Supervision Contact)

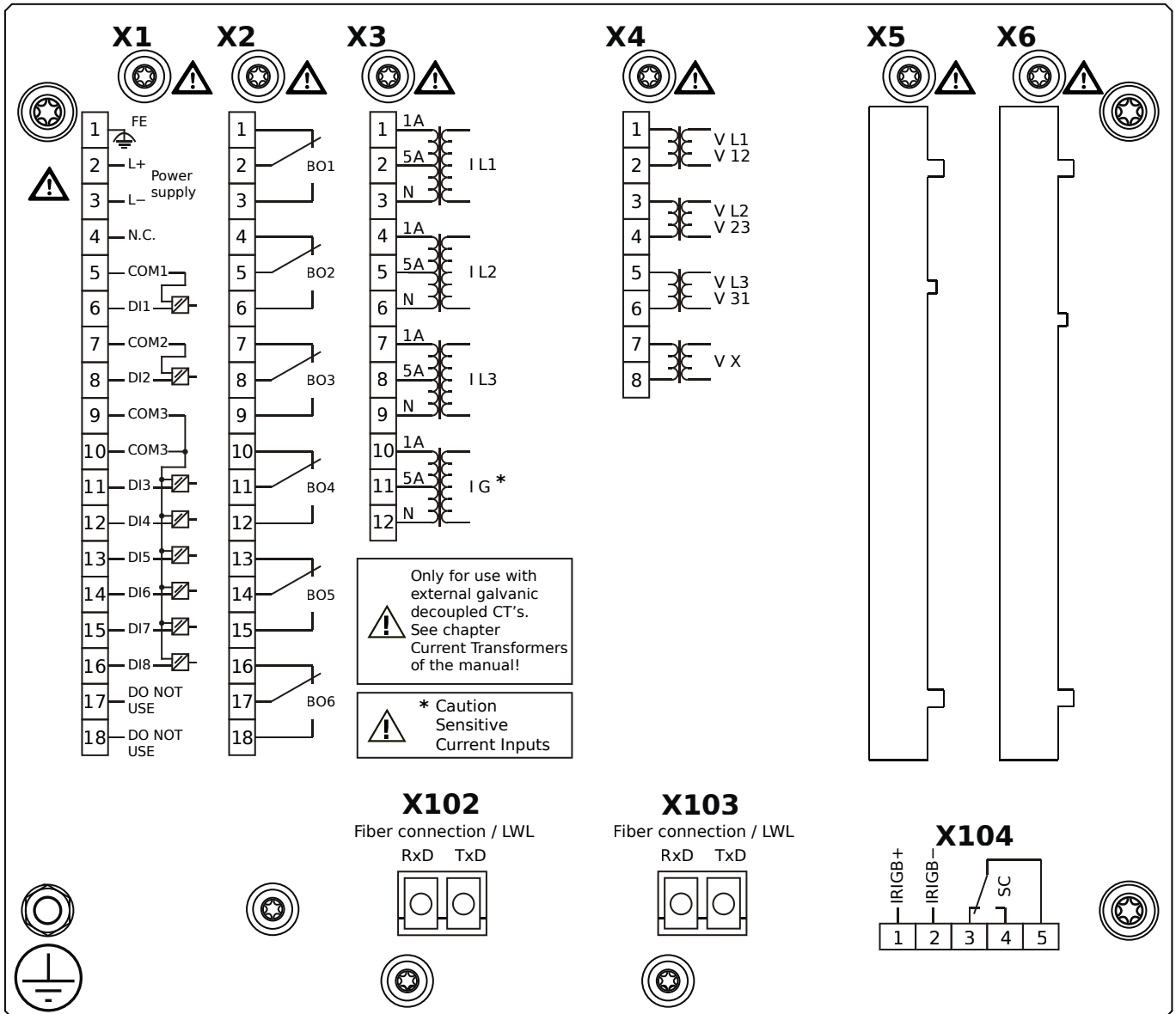
MCDLV4-2A1B0LA



Housing B2, large display, 19" rack mounting

- X1** – DI8-X1: Wide-range power supply unit, incl. 2 non-grouped digital inputs and 6 grouped digital inputs
- X2** – OR6: Assembly Group with 6 Output Relays (Changeover / Form C)
- X3** – TIs: Standard phase current measuring card and sensitive ground current measuring
- X4** – TU: Card with 4 voltage transformer measuring inputs (0 ... 800 VAC, under UL: 0 ... 600 VAC)
- X102** – Long-distance Protection Communication, Fiber optics interface, LC Connector
- X103** – Modbus TCP / IEC 60870-5-104 / DNP3.0 TCP/UDP, Fiber optics interface, LC Connector
- X104** – IRIG-B00X, incl. System Contact (Supervision Contact)

MCDLV4-2A1B0LB

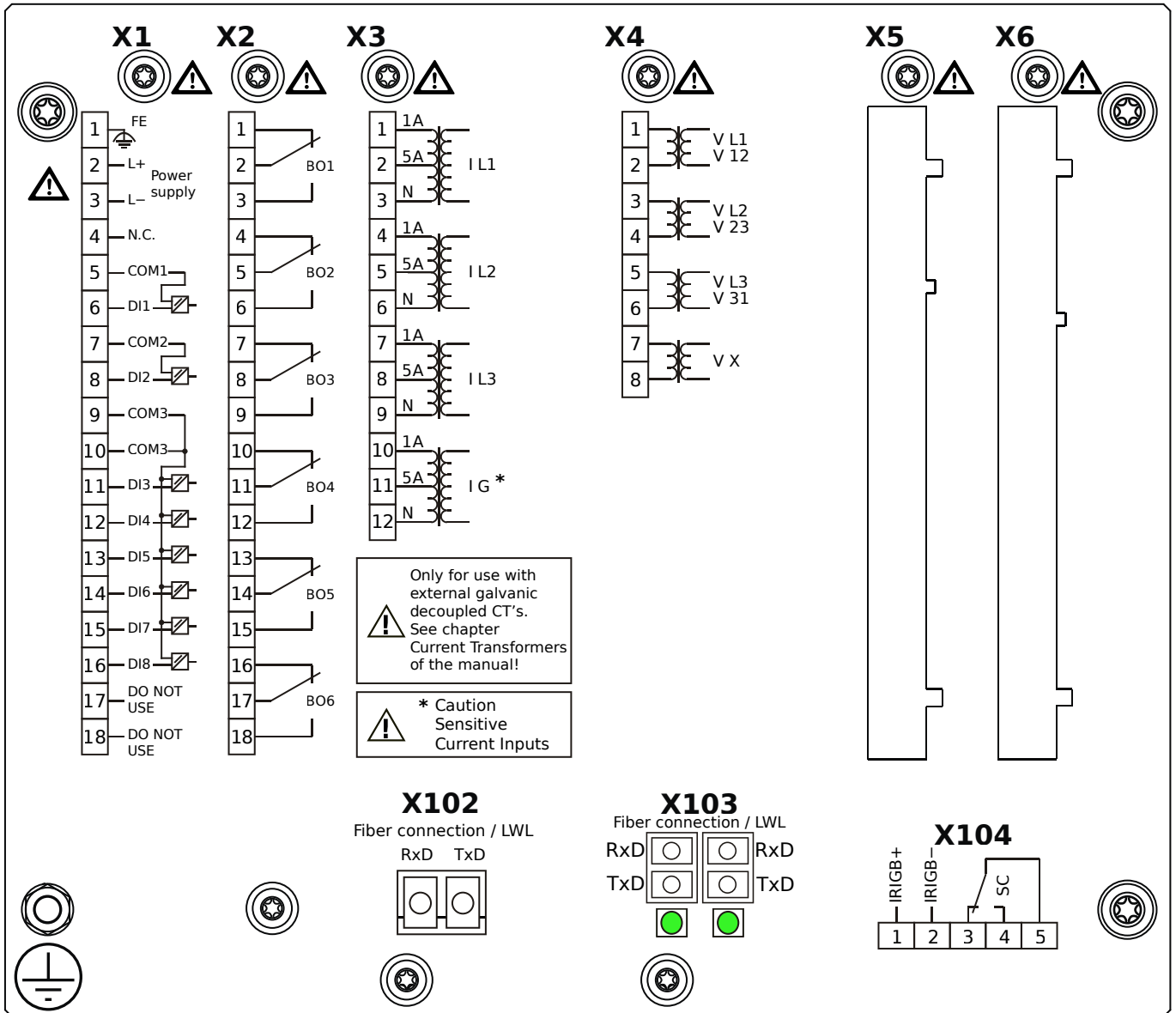


Housing B2, large display, 19" rack mounting

+ Conformal Coating (for installations in harsh environment)

- X1** – DI8-X1: Wide-range power supply unit, incl. 2 non-grouped digital inputs and 6 grouped digital inputs
- X2** – OR6: Assembly Group with 6 Output Relays (Changeover / Form C)
- X3** – TIs: Standard phase current measuring card and sensitive ground current measuring
- X4** – TU: Card with 4 voltage transformer measuring inputs (0 ... 800 VAC, under UL: 0 ... 600 VAC)
- X102** – Long-distance Protection Communication, Fiber optics interface, LC Connector
- X103** – Modbus TCP / IEC 60870-5-104 / DNP3.0 TCP/UDP, Fiber optics interface, LC Connector
- X104** – IRIG-B00X, incl. System Contact (Supervision Contact)

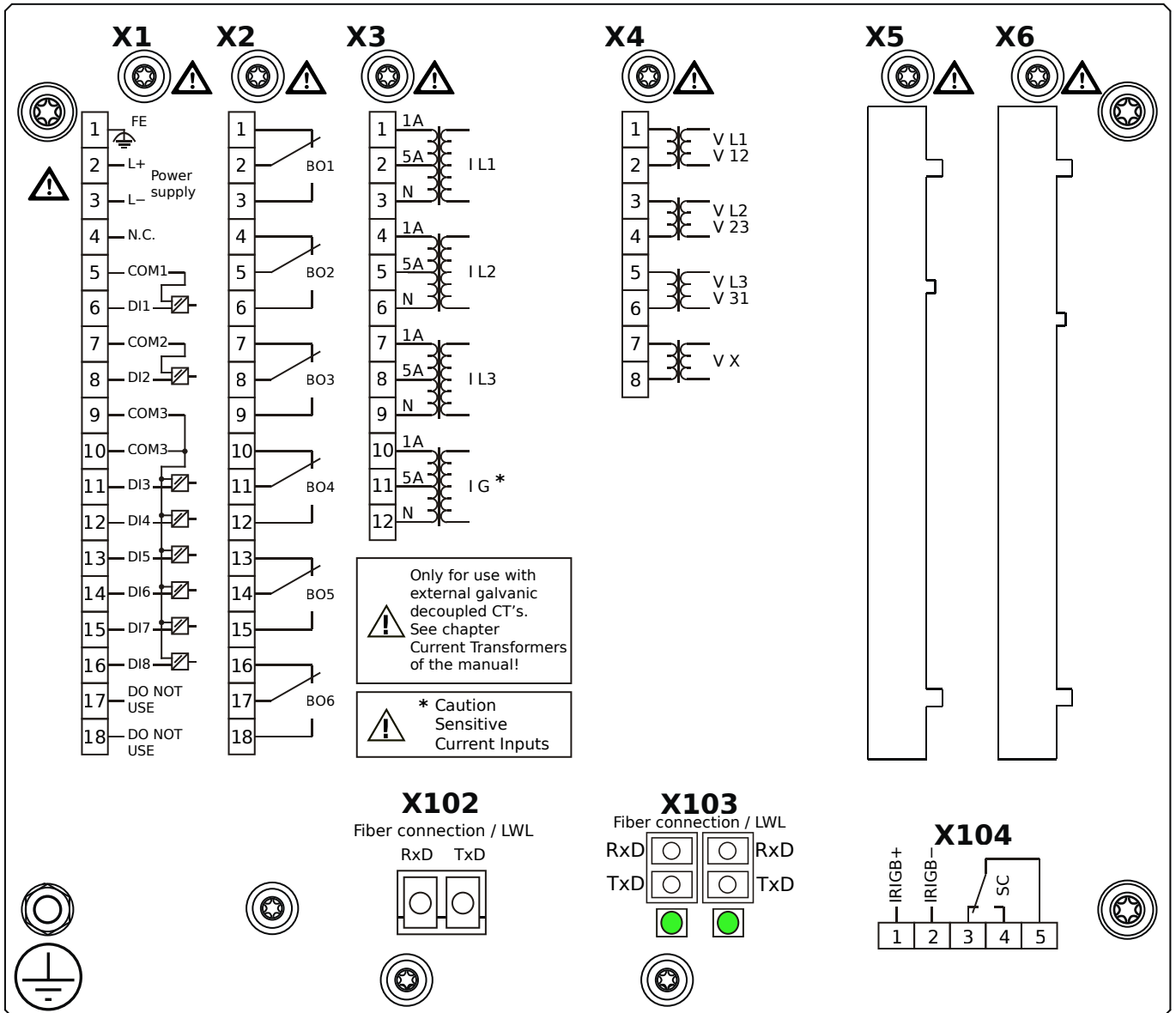
MCDLV4-2A1B00A



Housing B2, large display, 19" rack mounting

- X1** – DI8-X1: Wide-range power supply unit, incl. 2 non-grouped digital inputs and 6 grouped digital inputs
- X2** – OR6: Assembly Group with 6 Output Relays (Changeover / Form C)
- X3** – TIs: Standard phase current measuring card and sensitive ground current measuring
- X4** – TU: Card with 4 voltage transformer measuring inputs (0 ... 800 VAC, under UL: 0 ... 600 VAC)
- X102** – Long-distance Protection Communication, Fiber optics interface, LC Connector
- X103** – Modbus TCP / IEC 60870-5-104 / DNP3.0 TCP/UDP, Redundant Fiber optics interface, LC Connector
- X104** – IRIG-B00X, incl. System Contact (Supervision Contact)

MCDLV4-2A1B00B

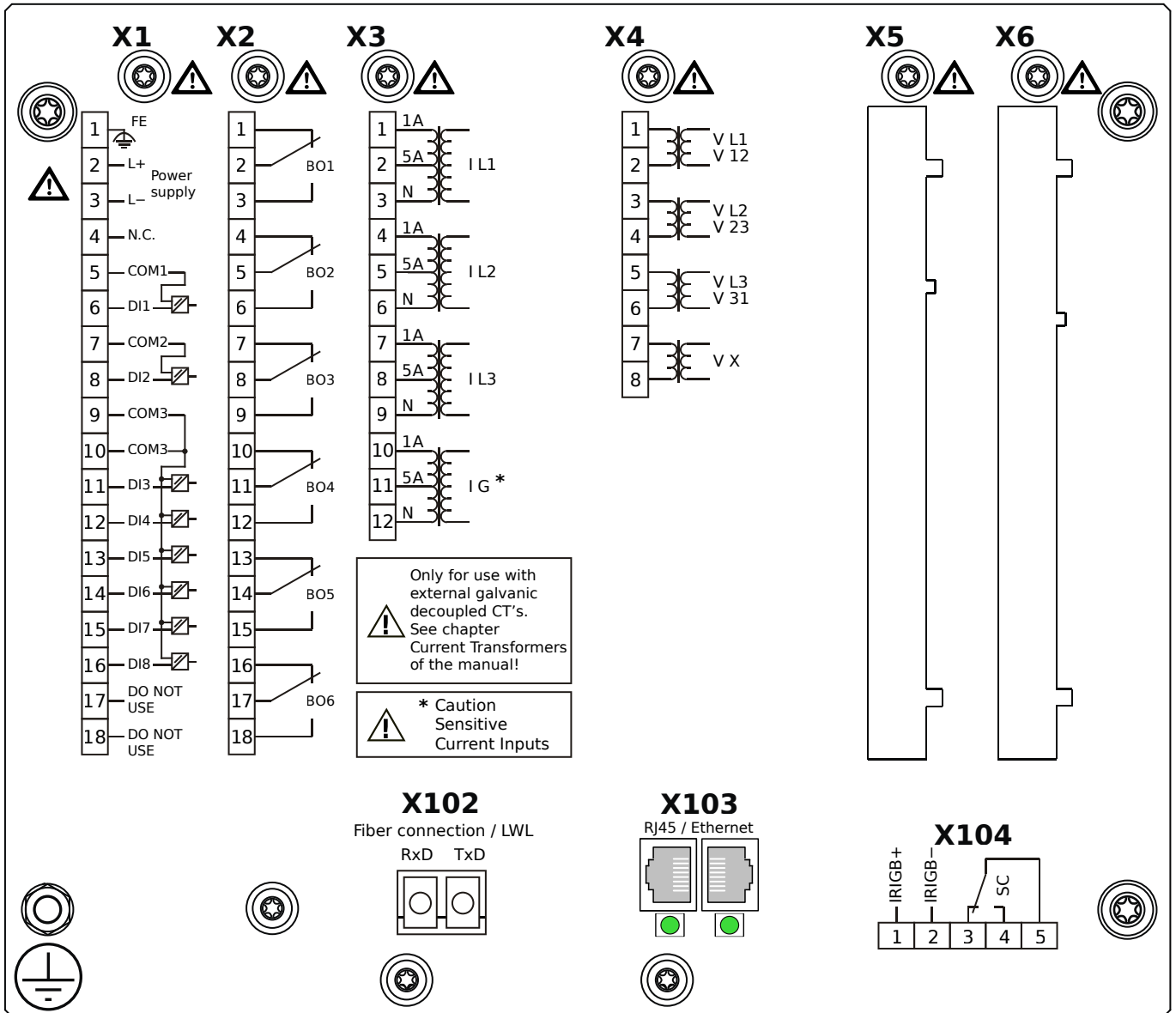


Housing B2, large display, 19" rack mounting

+ Conformal Coating (for installations in harsh environment)

- X1** – DI8-X1: Wide-range power supply unit, incl. 2 non-grouped digital inputs and 6 grouped digital inputs
- X2** – OR6: Assembly Group with 6 Output Relays (Changeover / Form C)
- X3** – TIs: Standard phase current measuring card and sensitive ground current measuring
- X4** – TU: Card with 4 voltage transformer measuring inputs (0 ... 800 VAC, under UL: 0 ... 600 VAC)
- X102** – Long-distance Protection Communication, Fiber optics interface, LC Connector
- X103** – Modbus TCP / IEC 60870-5-104 / DNP3.0 TCP/UDP, Redundant Fiber optics interface, LC Connector
- X104** – IRIG-B00X, incl. System Contact (Supervision Contact)

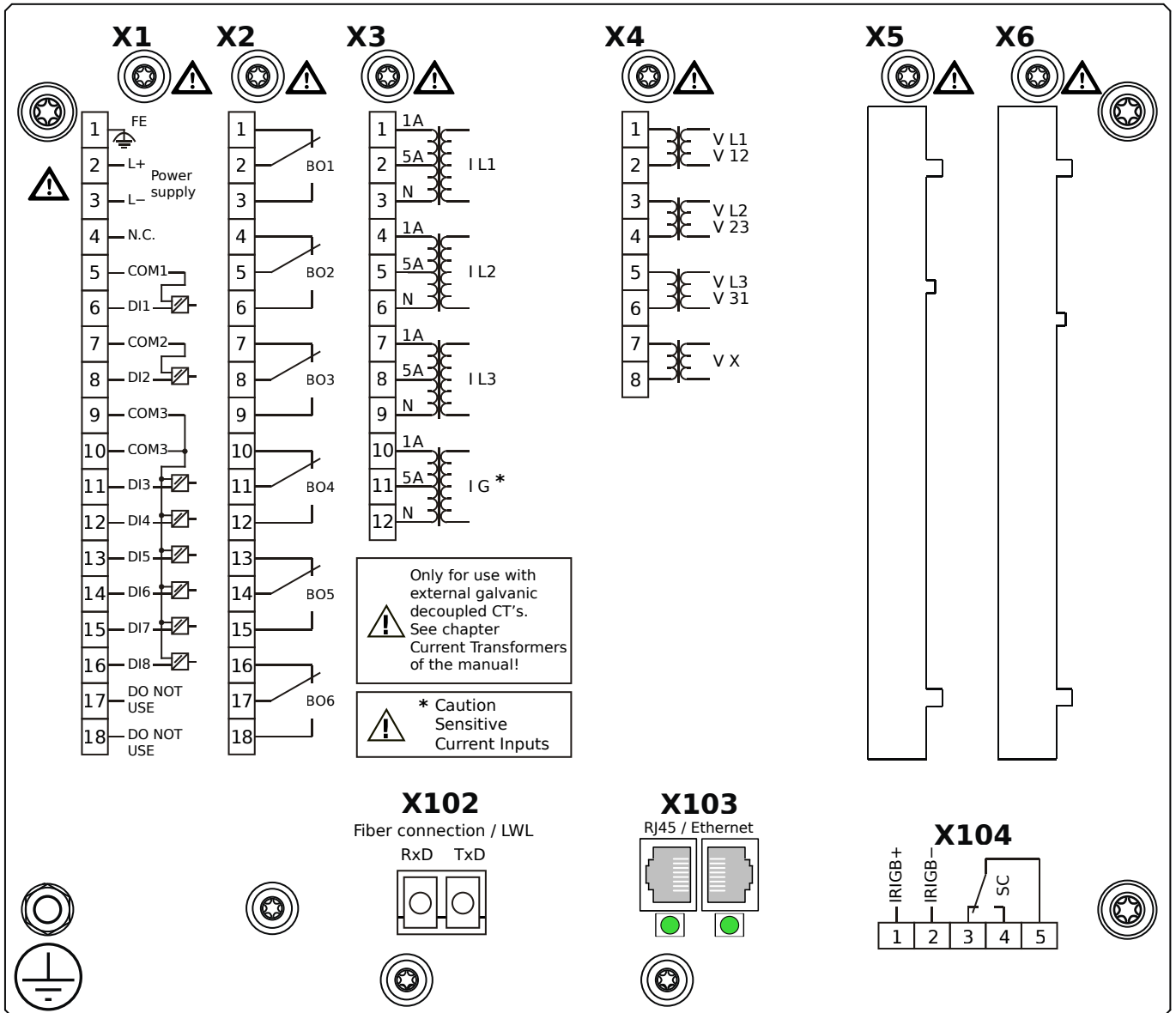
MCDLV4-2A1B0PA



Housing B2, large display, 19" rack mounting

- X1** – DI8-X1: Wide-range power supply unit, incl. 2 non-grouped digital inputs and 6 grouped digital inputs
- X2** – OR6: Assembly Group with 6 Output Relays (Changeover / Form C)
- X3** – TIs: Standard phase current measuring card and sensitive ground current measuring
- X4** – TU: Card with 4 voltage transformer measuring inputs (0 ... 800 VAC, under UL: 0 ... 600 VAC)
- X102** – Long-distance Protection Communication, Fiber optics interface, LC Connector
- X103** – Modbus TCP / IEC 60870-5-104 / DNP3.0 TCP/UDP, Redundant Ethernet interface, 100 Mbit/s, RJ45 (BASE100-FX)
- X104** – IRIG-B00X, incl. System Contact (Supervision Contact)

MCDLV4-2A1B0PB



Housing B2, large display, 19" rack mounting

+ Conformal Coating (for installations in harsh environment)

X1 – DI8-X1: Wide-range power supply unit, incl. 2 non-grouped digital inputs and 6 grouped digital inputs

X2 – OR6: Assembly Group with 6 Output Relays (Changeover / Form C)

X3 – TIs: Standard phase current measuring card and sensitive ground current measuring

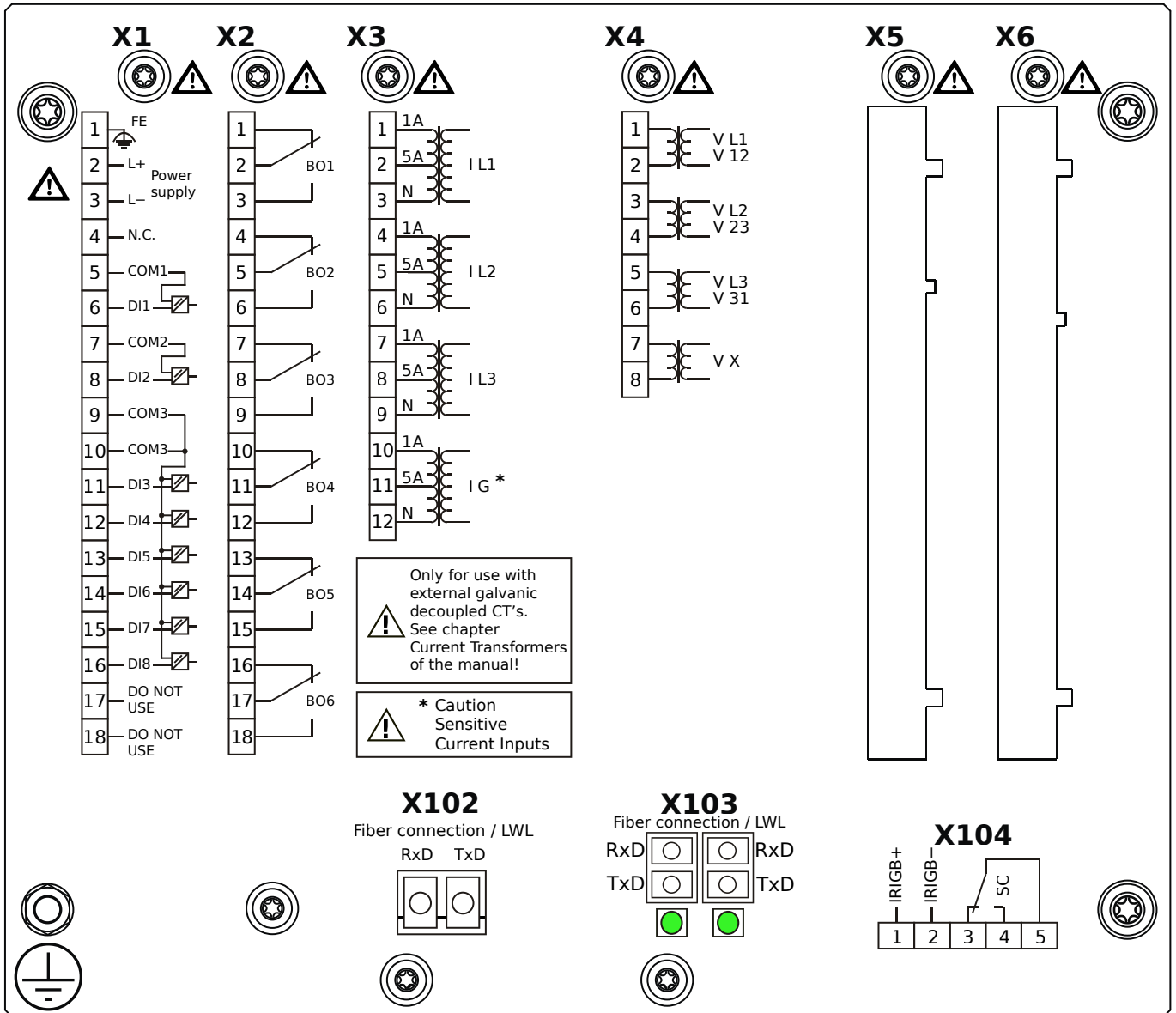
X4 – TU: Card with 4 voltage transformer measuring inputs (0 ... 800 VAC, under UL: 0 ... 600 VAC)

X102 – Long-distance Protection Communication, Fiber optics interface, LC Connector

X103 – Modbus TCP / IEC 60870-5-104 / DNP3.0 TCP/UDP, Redundant Ethernet interface, 100 Mbit/s, RJ45 (BASE100-FX)

X104 – IRIG-B00X, incl. System Contact (Supervision Contact)

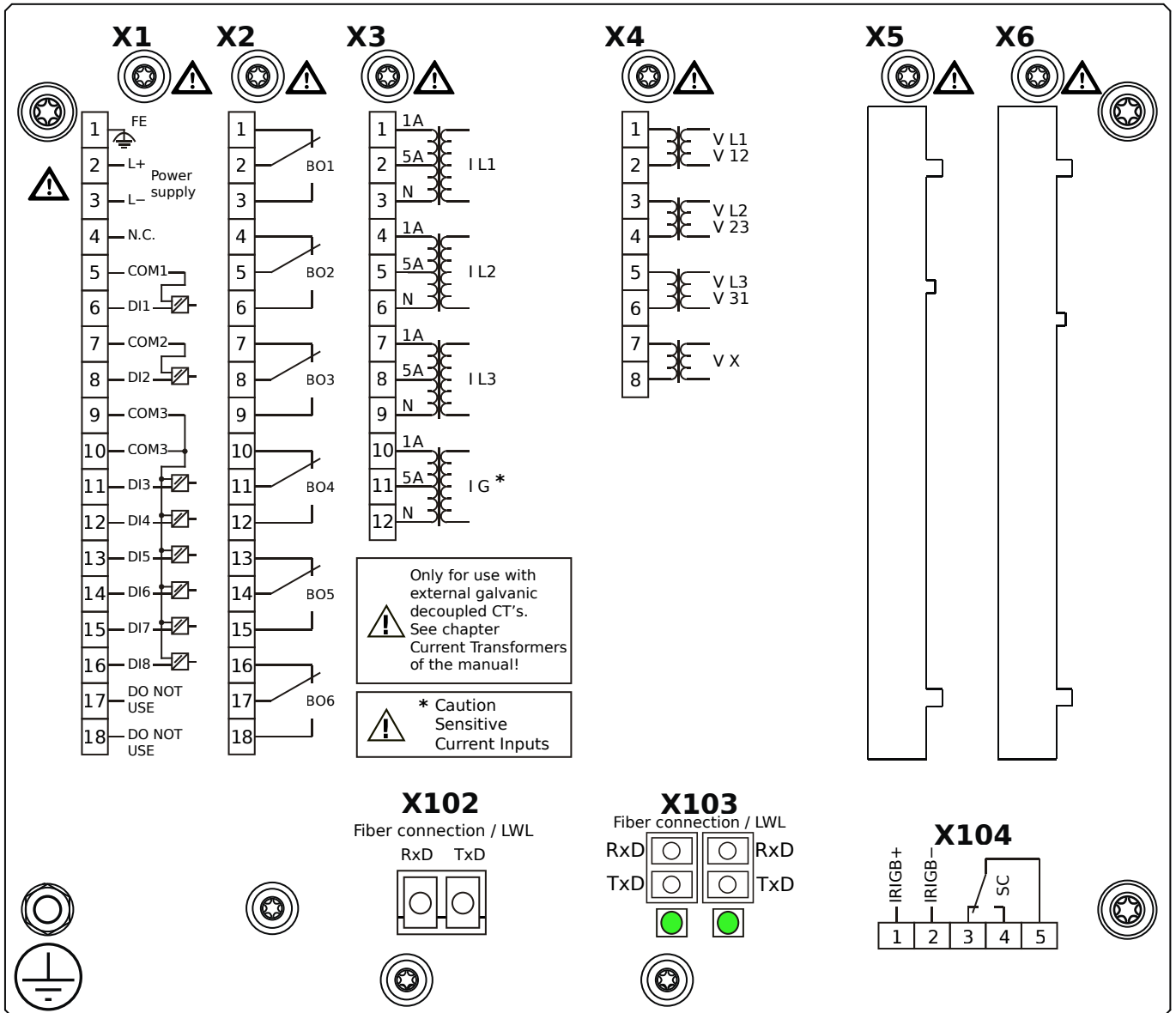
MCDLV4-2A1B0QA



Housing B2, large display, 19" rack mounting

- X1** – DI8-X1: Wide-range power supply unit, incl. 2 non-grouped digital inputs and 6 grouped digital inputs
- X2** – OR6: Assembly Group with 6 Output Relays (Changeover / Form C)
- X3** – TIs: Standard phase current measuring card and sensitive ground current measuring
- X4** – TU: Card with 4 voltage transformer measuring inputs (0 ... 800 VAC, under UL: 0 ... 600 VAC)
- X102** – Long-distance Protection Communication, Fiber optics interface, LC Connector
- X103** – IEC 61850 / Modbus TCP / IEC 60870-5-104 / DNP3.0 TCP/UDP, Redundant Fiber optics interface, LC Connector
- X104** – IRIG-B00X, incl. System Contact (Supervision Contact)

MCDLV4-2A1B0QB



Housing B2, large display, 19" rack mounting

+ Conformal Coating (for installations in harsh environment)

X1 – DI8-X1: Wide-range power supply unit, incl. 2 non-grouped digital inputs and 6 grouped digital inputs

X2 – OR6: Assembly Group with 6 Output Relays (Changeover / Form C)

X3 – TIs: Standard phase current measuring card and sensitive ground current measuring

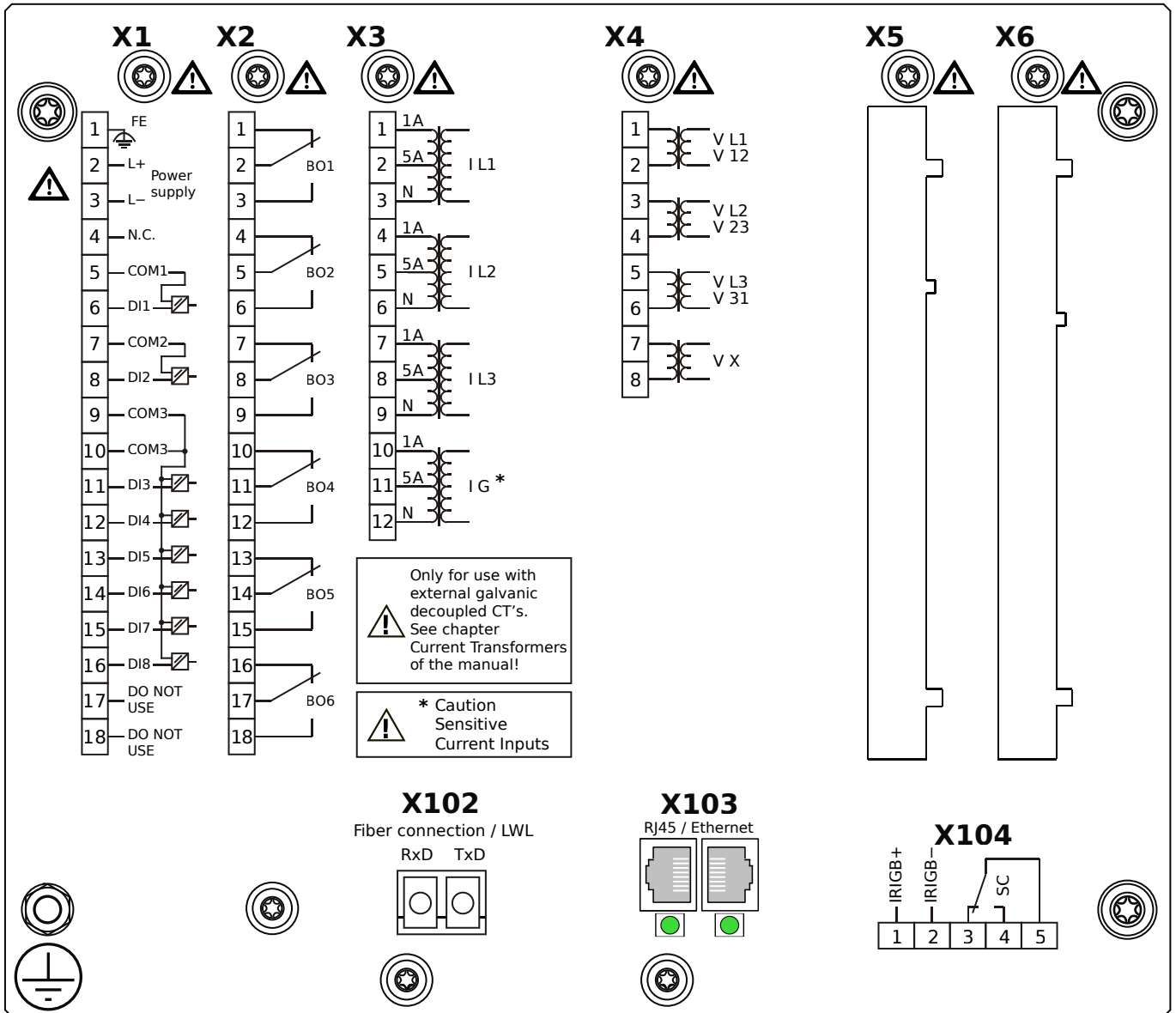
X4 – TU: Card with 4 voltage transformer measuring inputs (0 ... 800 VAC, under UL: 0 ... 600 VAC)

X102 – Long-distance Protection Communication, Fiber optics interface, LC Connector

X103 – IEC 61850 / Modbus TCP / IEC 60870-5-104 / DNP3.0 TCP/UDP, Redundant Fiber optics interface, LC Connector

X104 – IRIG-B00X, incl. System Contact (Supervision Contact)

MCDLV4-2A1B0RA



Housing B2, large display, 19" rack mounting

X1 – DI8-X1: Wide-range power supply unit, incl. 2 non-grouped digital inputs and 6 grouped digital inputs

X2 – OR6: Assembly Group with 6 Output Relays (Changeover / Form C)

X3 – TIs: Standard phase current measuring card and sensitive ground current measuring

X4 – TU: Card with 4 voltage transformer measuring inputs (0 ... 800 VAC, under UL: 0 ... 600 VAC)

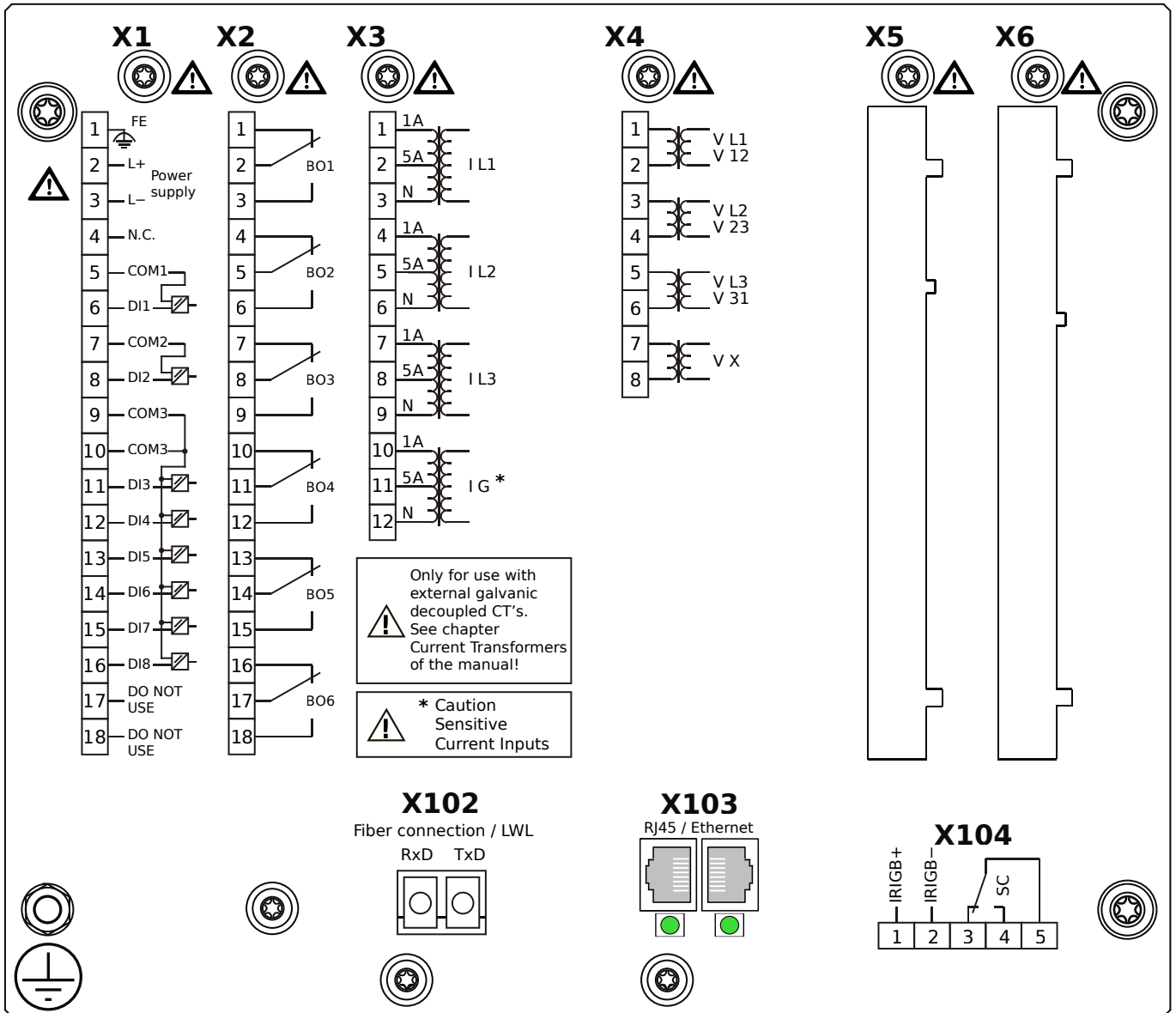
X102 – Long-distance Protection Communication, Fiber optics interface, LC Connector

X103 – IEC 61850 / Modbus TCP / IEC 60870-5-104 / DNP3.0 TCP/UDP, Redundant Ethernet interface, 100 Mbit/s, RJ45

(BASE100-FX)

X104 – IRIG-B00X, incl. System Contact (Supervision Contact)

MCDLV4-2A1B0RB



Housing B2, large display, 19" rack mounting

+ Conformal Coating (for installations in harsh environment)

X1 – DI8-X1: Wide-range power supply unit, incl. 2 non-grouped digital inputs and 6 grouped digital inputs

X2 – OR6: Assembly Group with 6 Output Relays (Changeover / Form C)

X3 – TIs: Standard phase current measuring card and sensitive ground current measuring

X4 – TU: Card with 4 voltage transformer measuring inputs (0 ... 800 VAC, under UL: 0 ... 600 VAC)

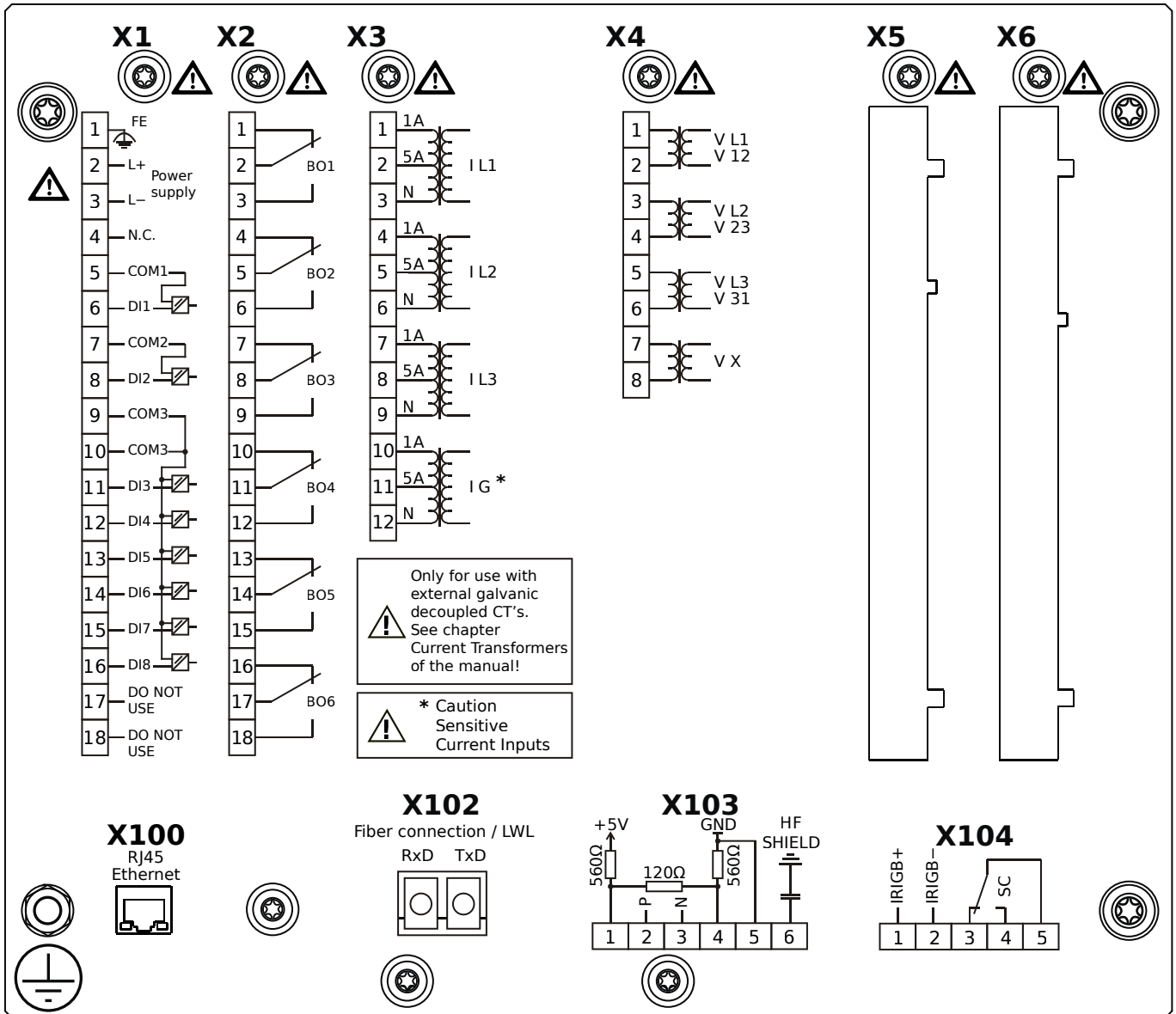
X102 – Long-distance Protection Communication, Fiber optics interface, LC Connector

X103 – IEC 61850 / Modbus TCP / IEC 60870-5-104 / DNP3.0 TCP/UDP, Redundant Ethernet interface, 100 Mbit/s, RJ45

(BASE100-FX)

X104 – IRIG-B00X, incl. System Contact (Supervision Contact)

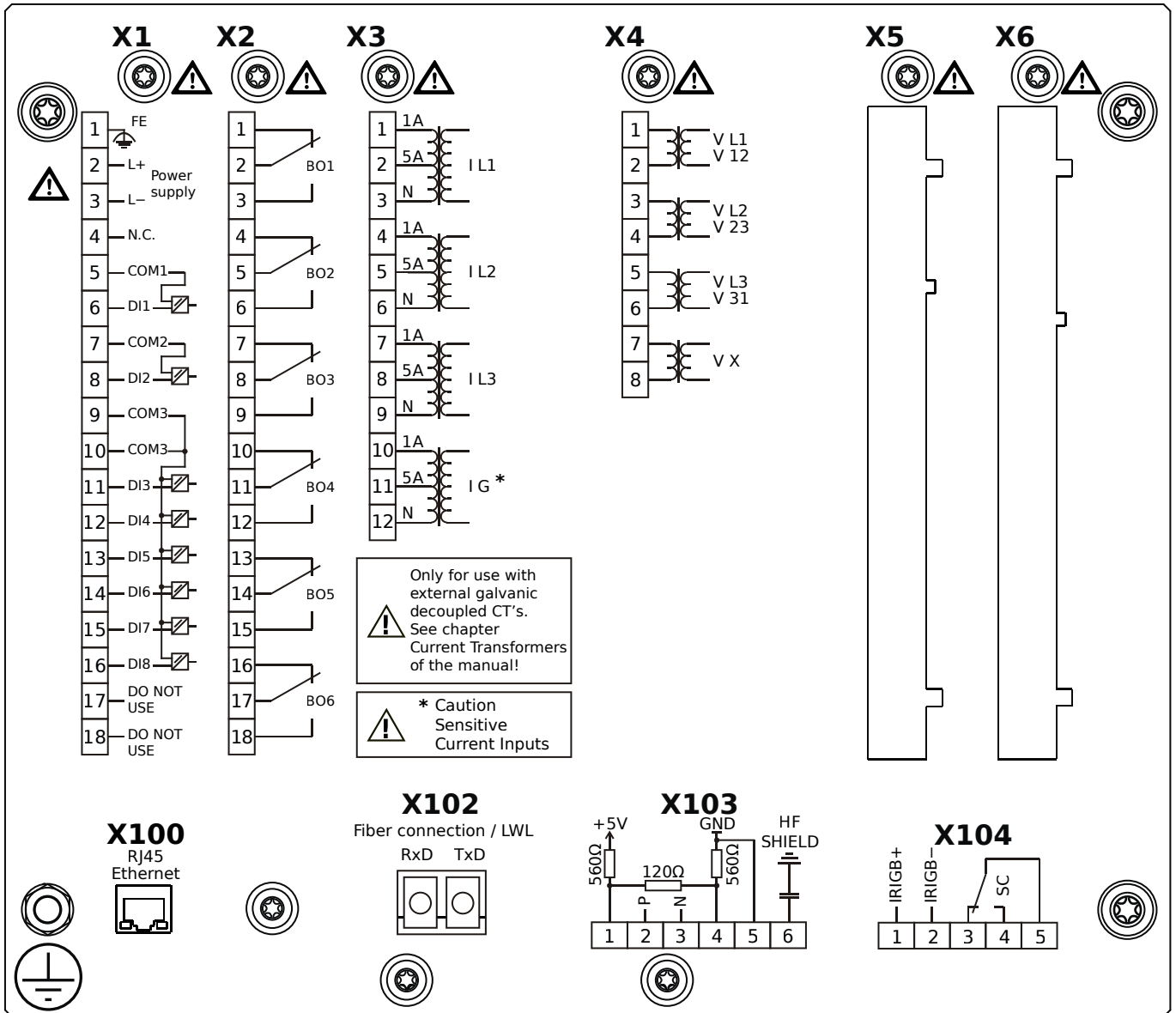
MCDLV4-2A1B0TA



Housing B2, large display, 19" rack mounting

- X1** – DI8-X1: Wide-range power supply unit, incl. 2 non-grouped digital inputs and 6 grouped digital inputs
- X2** – OR6: Assembly Group with 6 Output Relays (Changeover / Form C)
- X3** – TIs: Standard phase current measuring card and sensitive ground current measuring
- X4** – TU: Card with 4 voltage transformer measuring inputs (0 ... 800 VAC, under UL: 0 ... 600 VAC)
- X100** – IEC 61850 / Modbus TCP / IEC 60870-5-104 / DNP3.0 TCP/UDP, Ethernet interface, 100 Mbit/s, RJ45 (BASE100-FX)
- X102** – Long-distance Protection Communication, Fiber optics interface, LC Connector
- X103** – IEC 60870-5-103 / Modbus RTU / DNP3.0 RTU, RS485, Terminals
- X104** – IRIG-B00X, incl. System Contact (Supervision Contact)

MCDLV4-2A1B0TB



Housing B2, large display, 19" rack mounting

+ Conformal Coating (for installations in harsh environment)

X1 – DI8-X1: Wide-range power supply unit, incl. 2 non-grouped digital inputs and 6 grouped digital inputs

X2 – OR6: Assembly Group with 6 Output Relays (Changeover / Form C)

X3 – TIs: Standard phase current measuring card and sensitive ground current measuring

X4 – TU: Card with 4 voltage transformer measuring inputs (0 ... 800 VAC, under UL: 0 ... 600 VAC)

X100 – IEC 61850 / Modbus TCP / IEC 60870-5-104 / DNP3.0 TCP/UDP, Ethernet interface, 100 Mbit/s, RJ45 (BASE100-

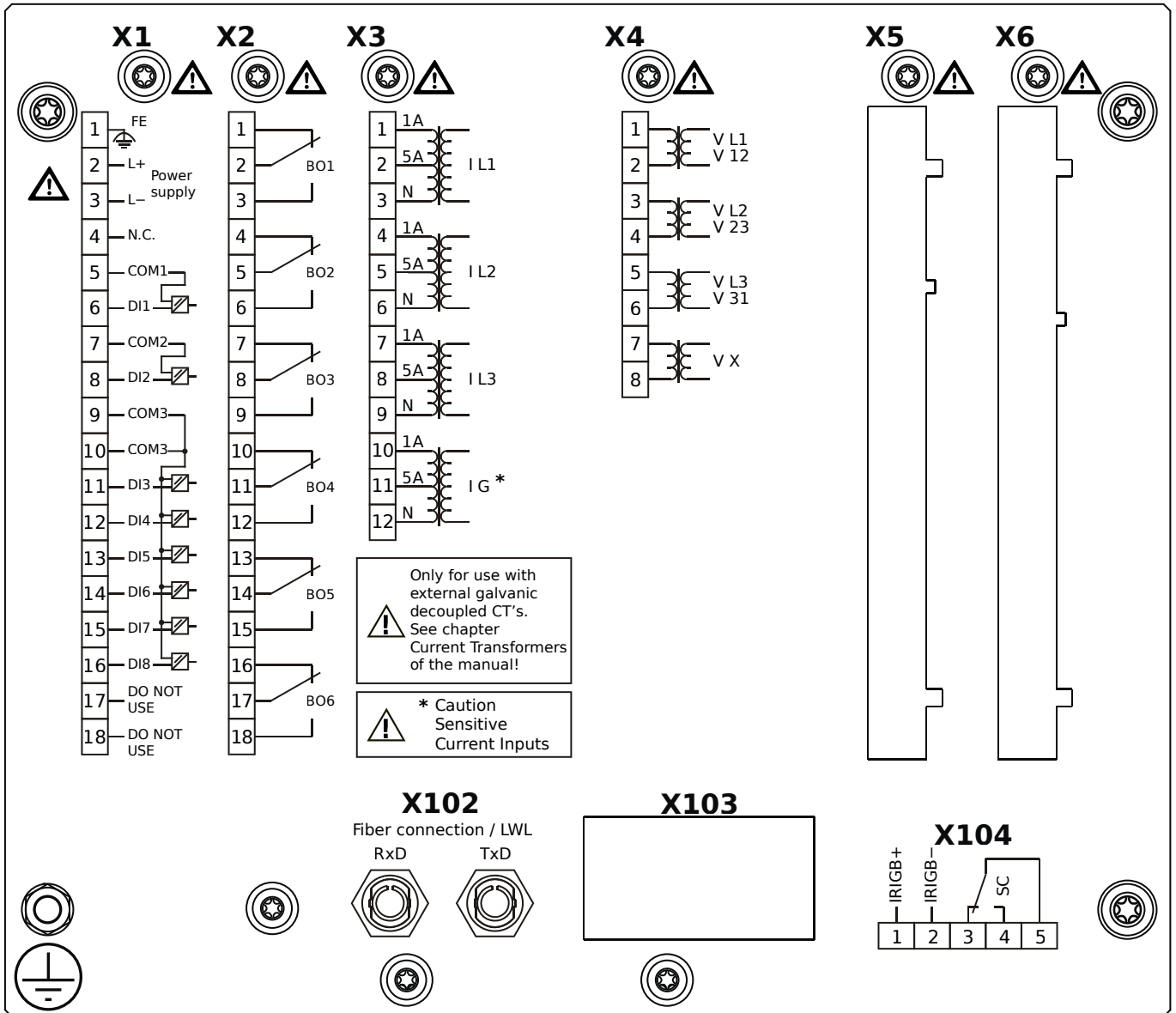
X102 – Long-distance Protection Communication, Fiber optics interface, LC Connector

X103 – IEC 60870-5-103 / Modbus RTU / DNP3.0 RTU, RS485, Terminals

X104 – IRIG-B00X, incl. System Contact (Supervision Contact)

FX)

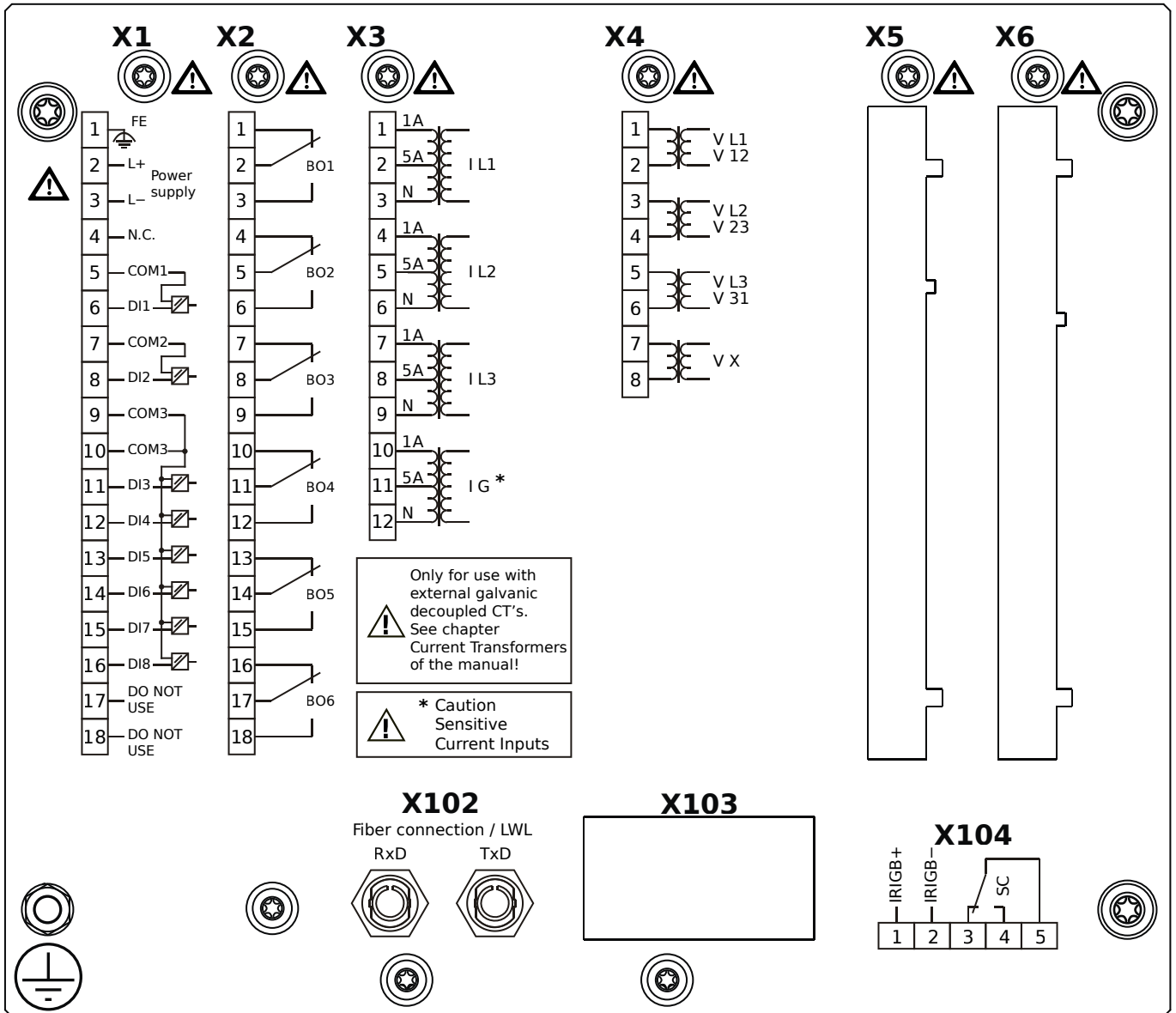
MCDLV4-2A1B1AA



Housing B2, large display, 19" rack mounting

- X1** – DI8-X1: Wide-range power supply unit, incl. 2 non-grouped digital inputs and 6 grouped digital inputs
- X2** – OR6: Assembly Group with 6 Output Relays (Changeover / Form C)
- X3** – TIs: Standard phase current measuring card and sensitive ground current measuring
- X4** – TU: Card with 4 voltage transformer measuring inputs (0 ... 800 VAC, under UL: 0 ... 600 VAC)
- X102** – Protection Communication, Fiber optics interface, ST Connector
- X104** – IRIG-B00X, incl. System Contact (Supervision Contact)

MCDLV4-2A1B1AB

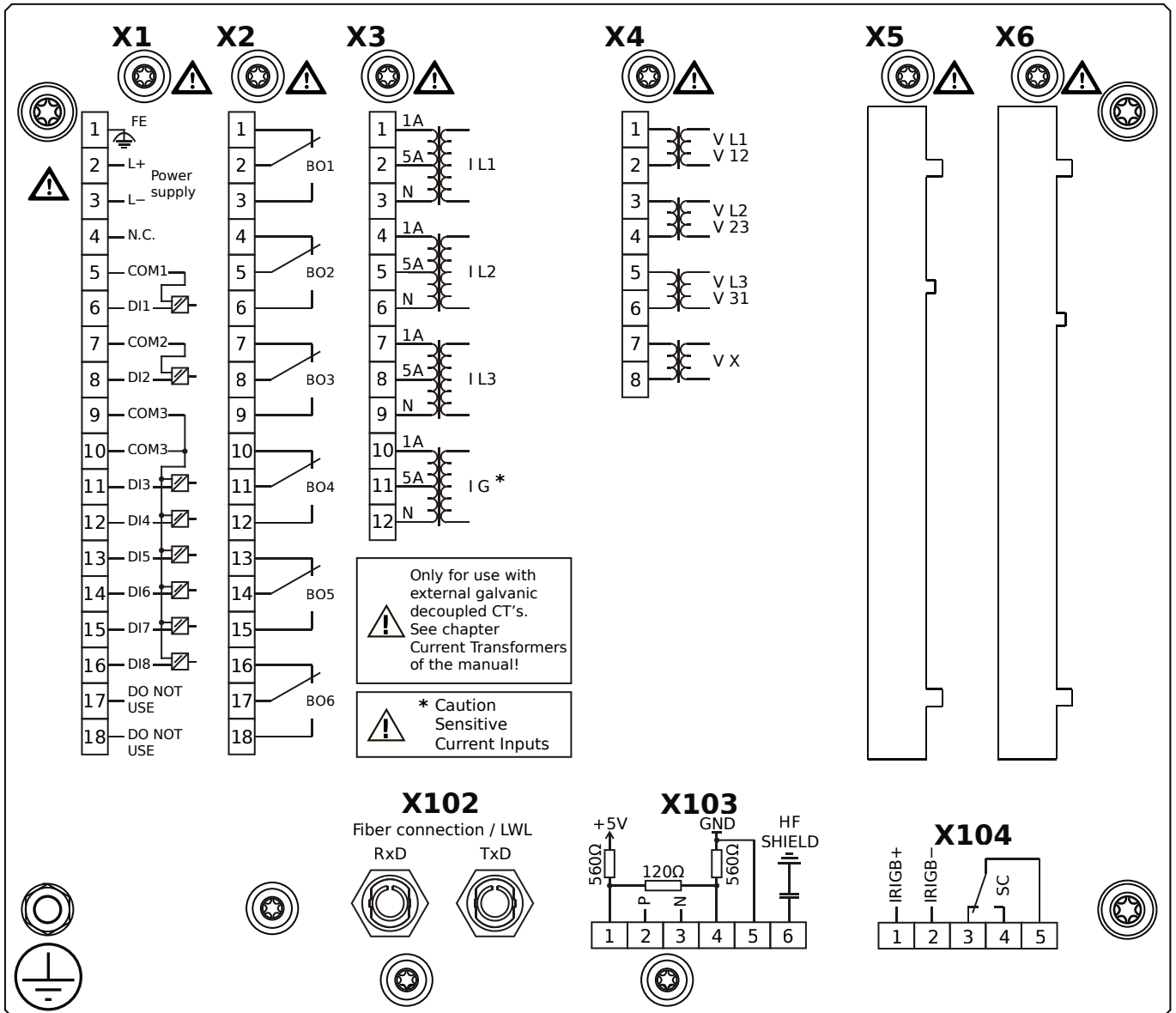


Housing B2, large display, 19" rack mounting

+ Conformal Coating (for installations in harsh environment)

- X1** – DI8-X1: Wide-range power supply unit, incl. 2 non-grouped digital inputs and 6 grouped digital inputs
- X2** – OR6: Assembly Group with 6 Output Relays (Changeover / Form C)
- X3** – TIs: Standard phase current measuring card and sensitive ground current measuring
- X4** – TU: Card with 4 voltage transformer measuring inputs (0 ... 800 VAC, under UL: 0 ... 600 VAC)
- X102** – Protection Communication, Fiber optics interface, ST Connector
- X104** – IRIG-B00X, incl. System Contact (Supervision Contact)

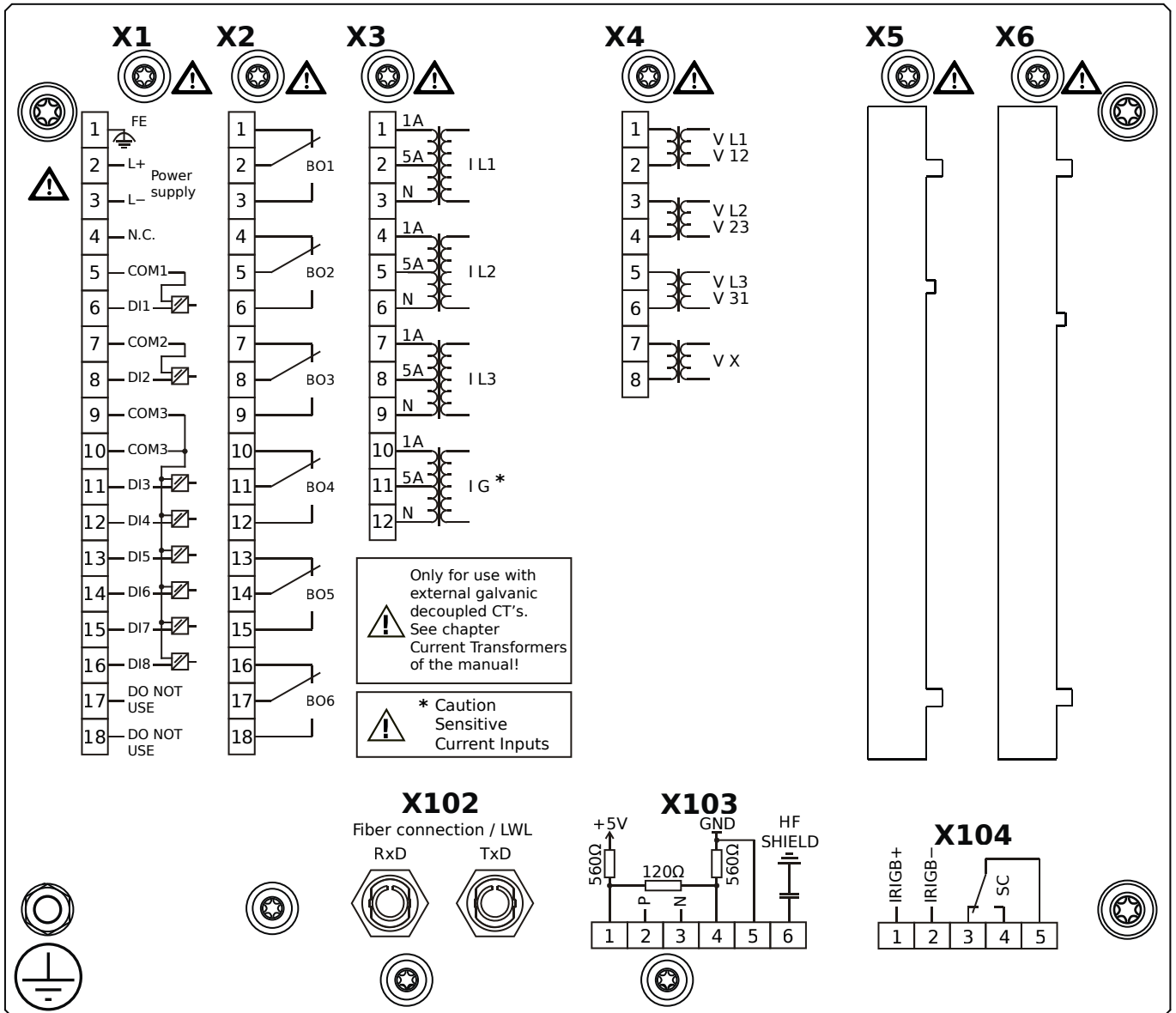
MCDLV4-2A1B1BA



Housing B2, large display, 19" rack mounting

- X1** – DI8-X1: Wide-range power supply unit, incl. 2 non-grouped digital inputs and 6 grouped digital inputs
- X2** – OR6: Assembly Group with 6 Output Relays (Changeover / Form C)
- X3** – TIs: Standard phase current measuring card and sensitive ground current measuring
- X4** – TU: Card with 4 voltage transformer measuring inputs (0 ... 800 VAC, under UL: 0 ... 600 VAC)
- X102** – Protection Communication, Fiber optics interface, ST Connector
- X103** – Modbus RTU / IEC 60870-5-103 / DNP3.0 RTU, RS485, Terminals
- X104** – IRIG-B00X, incl. System Contact (Supervision Contact)

MCDLV4-2A1B1BB

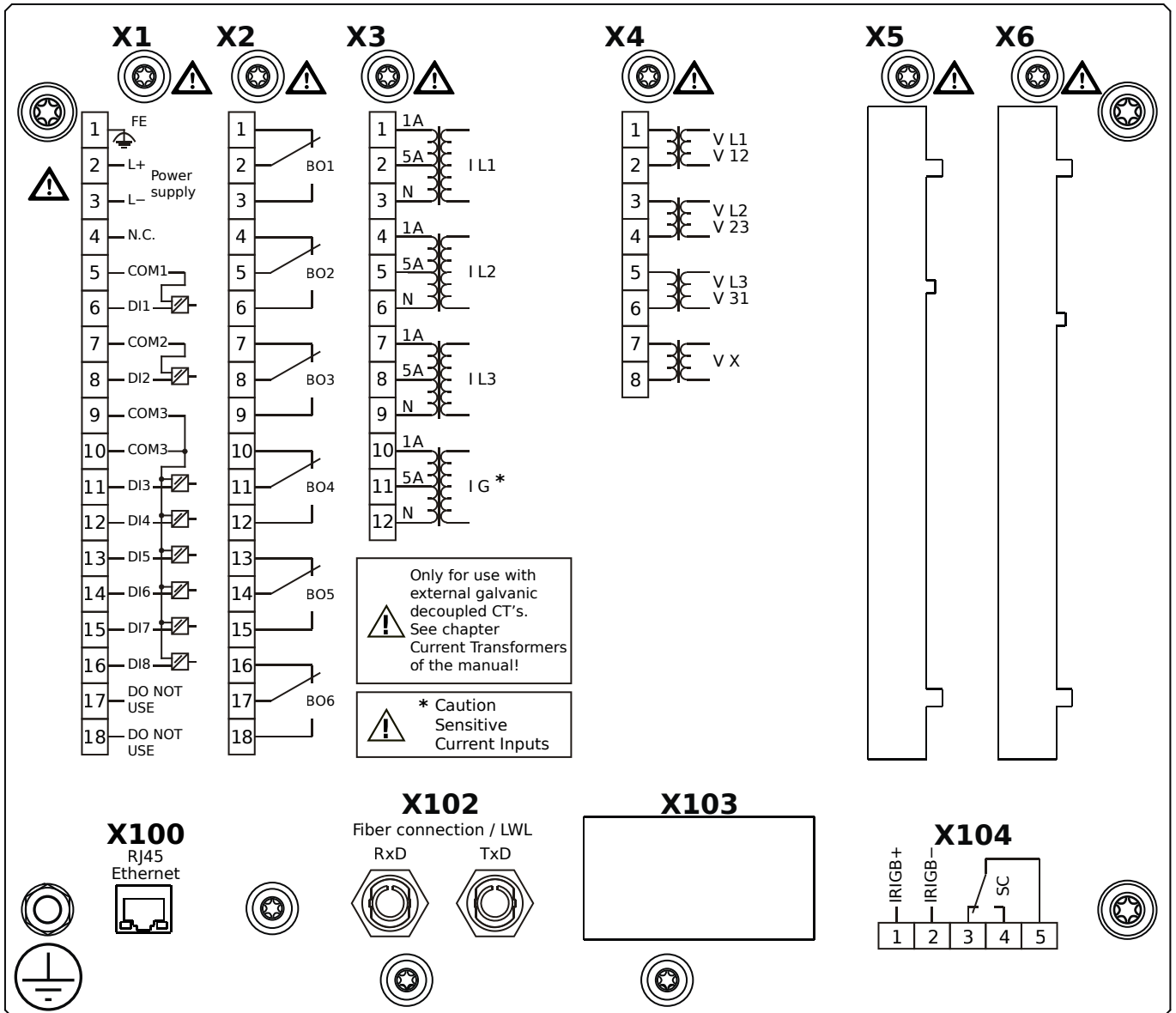


Housing B2, large display, 19" rack mounting

+ Conformal Coating (for installations in harsh environment)

- X1** – DI8-X1: Wide-range power supply unit, incl. 2 non-grouped digital inputs and 6 grouped digital inputs
- X2** – OR6: Assembly Group with 6 Output Relays (Changeover / Form C)
- X3** – TIs: Standard phase current measuring card and sensitive ground current measuring
- X4** – TU: Card with 4 voltage transformer measuring inputs (0 ... 800 VAC, under UL: 0 ... 600 VAC)
- X102** – Protection Communication, Fiber optics interface, ST Connector
- X103** – Modbus RTU / IEC 60870-5-103 / DNP3.0 RTU, RS485, Terminals
- X104** – IRIG-B00X, incl. System Contact (Supervision Contact)

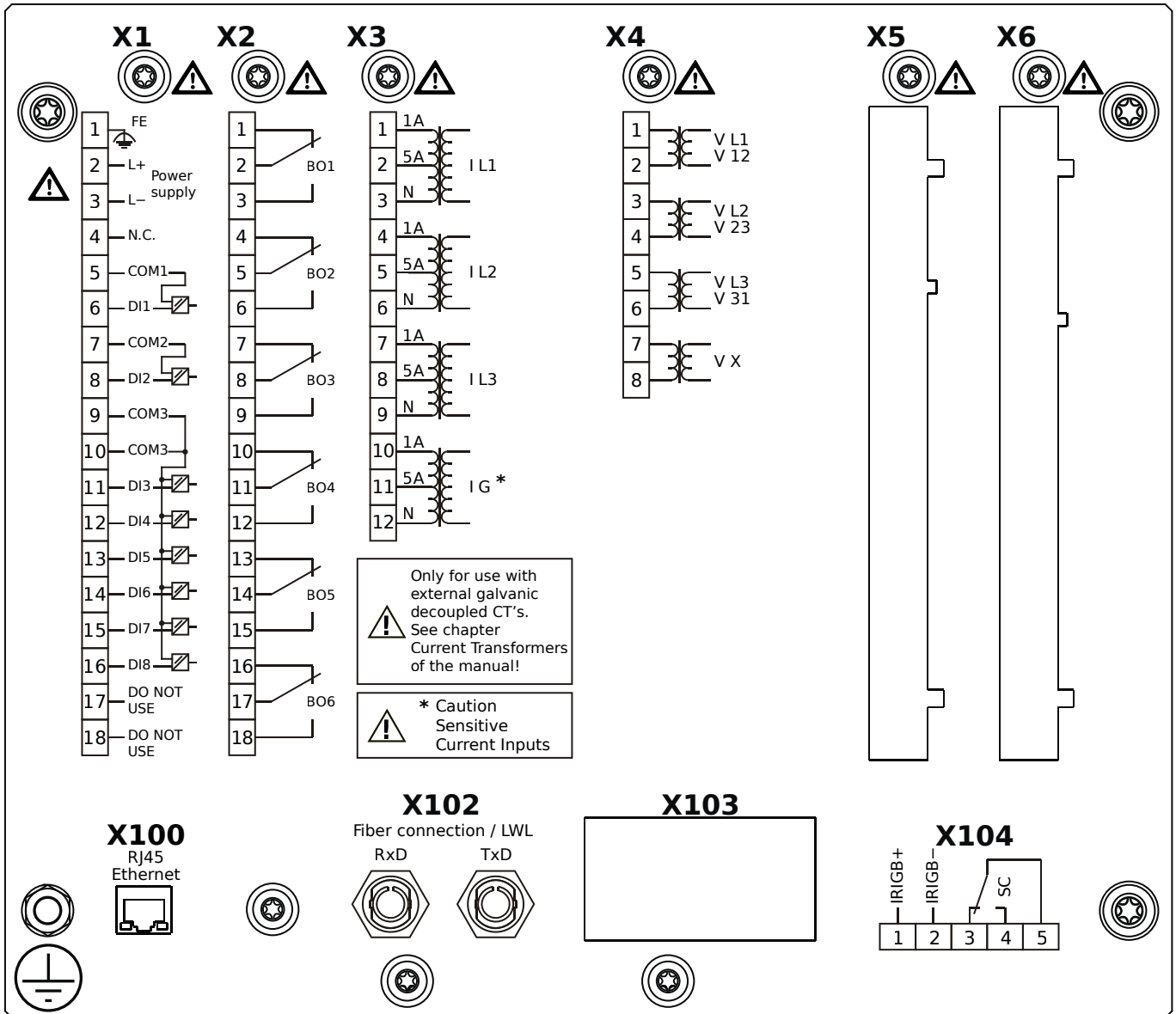
MCDLV4-2A1B1CA



Housing B2, large display, 19" rack mounting

- X1** – DI8-X1: Wide-range power supply unit, incl. 2 non-grouped digital inputs and 6 grouped digital inputs
- X2** – OR6: Assembly Group with 6 Output Relays (Changeover / Form C)
- X3** – TIs: Standard phase current measuring card and sensitive ground current measuring
- X4** – TU: Card with 4 voltage transformer measuring inputs (0 ... 800 VAC, under UL: 0 ... 600 VAC)
- X100** – Modbus TCP / IEC 60870-5-104 / DNP3.0 TCP/UDP, Ethernet interface, 100 Mbit/s, RJ45 (BASE100-FX)
- X102** – Protection Communication, Fiber optics interface, ST Connector
- X104** – IRIG-B00X, incl. System Contact (Supervision Contact)

MCDLV4-2A1B1CB

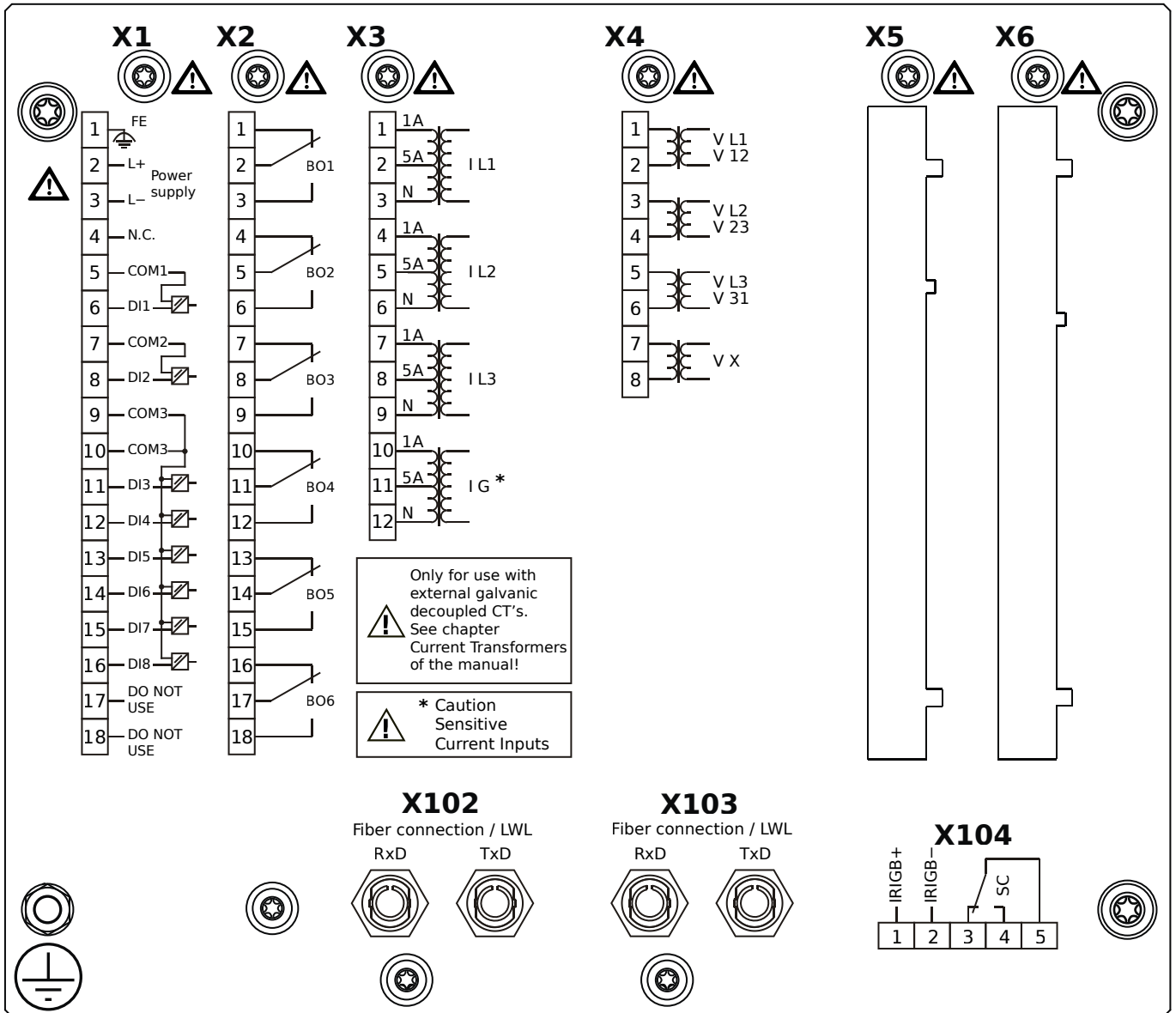


Housing B2, large display, 19" rack mounting

+ Conformal Coating (for installations in harsh environment)

- X1** – DI8-X1: Wide-range power supply unit, incl. 2 non-grouped digital inputs and 6 grouped digital inputs
- X2** – OR6: Assembly Group with 6 Output Relays (Changeover / Form C)
- X3** – TIs: Standard phase current measuring card and sensitive ground current measuring
- X4** – TU: Card with 4 voltage transformer measuring inputs (0 ... 800 VAC, under UL: 0 ... 600 VAC)
- X100** – Modbus TCP / IEC 60870-5-104 / DNP3.0 TCP/UDP, Ethernet interface, 100 Mbit/s, RJ45 (BASE100-FX)
- X102** – Protection Communication, Fiber optics interface, ST Connector
- X104** – IRIG-B00X, incl. System Contact (Supervision Contact)

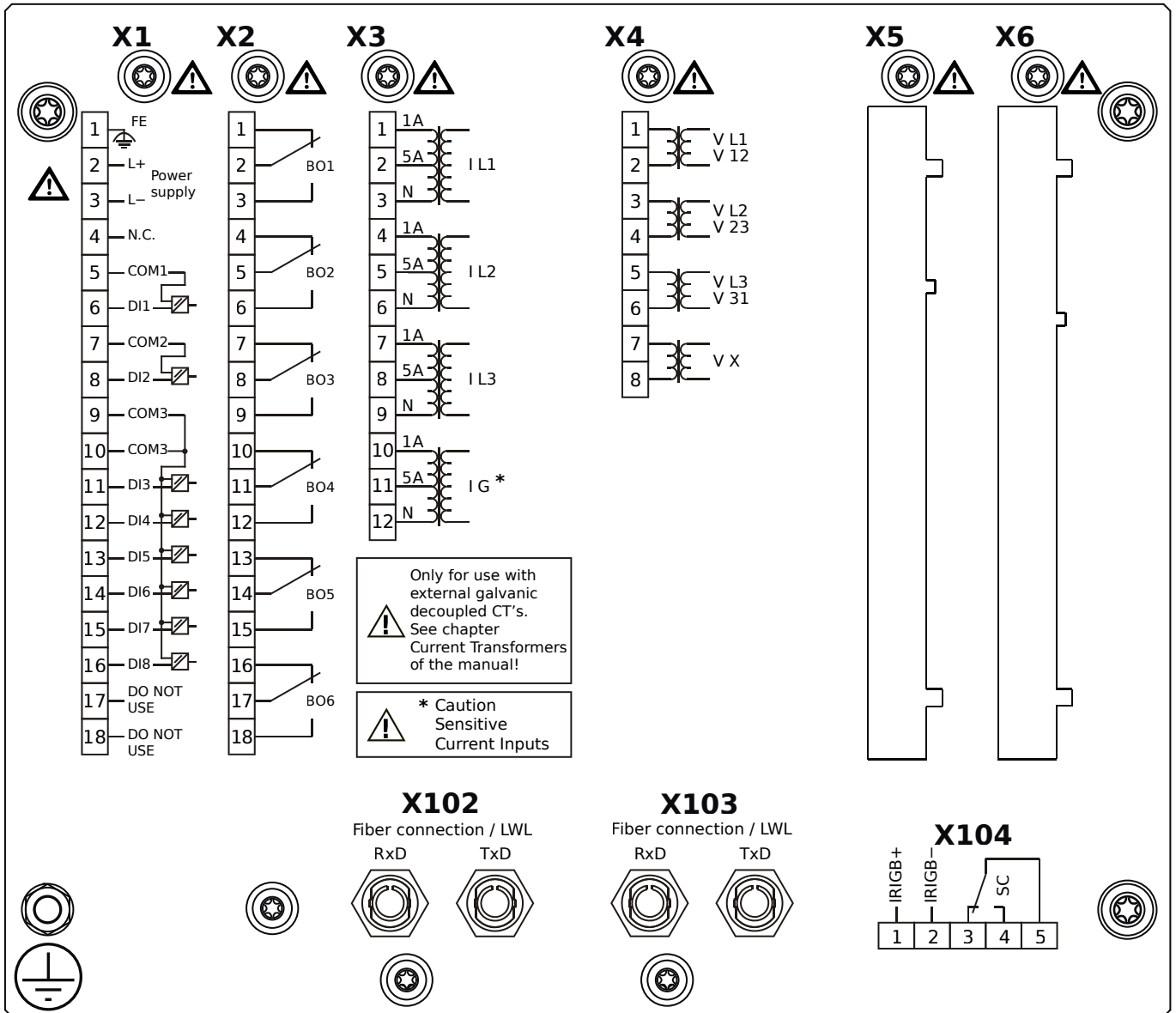
MCDLV4-2A1B1DA



Housing B2, large display, 19" rack mounting

- X1** – DI8-X1: Wide-range power supply unit, incl. 2 non-grouped digital inputs and 6 grouped digital inputs
- X2** – OR6: Assembly Group with 6 Output Relays (Changeover / Form C)
- X3** – TIs: Standard phase current measuring card and sensitive ground current measuring
- X4** – TU: Card with 4 voltage transformer measuring inputs (0 ... 800 VAC, under UL: 0 ... 600 VAC)
- X102** – Protection Communication, Fiber optics interface, ST Connector
- X103** – Profibus-DP, Fiber optics interface, ST Connector
- X104** – IRIG-B00X, incl. System Contact (Supervision Contact)

MCDLV4-2A1B1DB

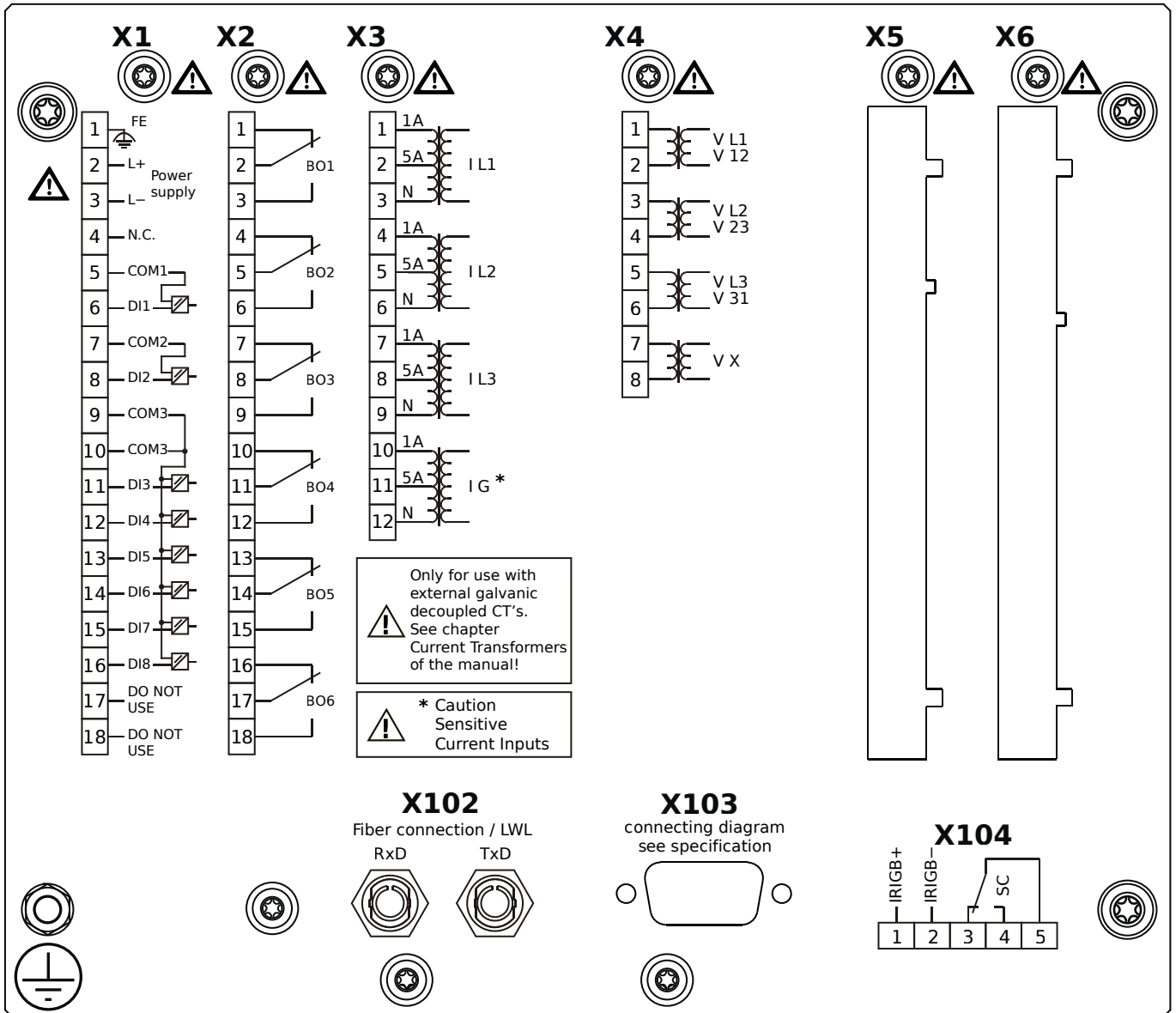


Housing B2, large display, 19" rack mounting

+ Conformal Coating (for installations in harsh environment)

- X1** – DI8-X1: Wide-range power supply unit, incl. 2 non-grouped digital inputs and 6 grouped digital inputs
- X2** – OR6: Assembly Group with 6 Output Relays (Changeover / Form C)
- X3** – TIs: Standard phase current measuring card and sensitive ground current measuring
- X4** – TU: Card with 4 voltage transformer measuring inputs (0 ... 800 VAC, under UL: 0 ... 600 VAC)
- X102** – Protection Communication, Fiber optics interface, ST Connector
- X103** – Profibus-DP, Fiber optics interface, ST Connector
- X104** – IRIG-B00X, incl. System Contact (Supervision Contact)

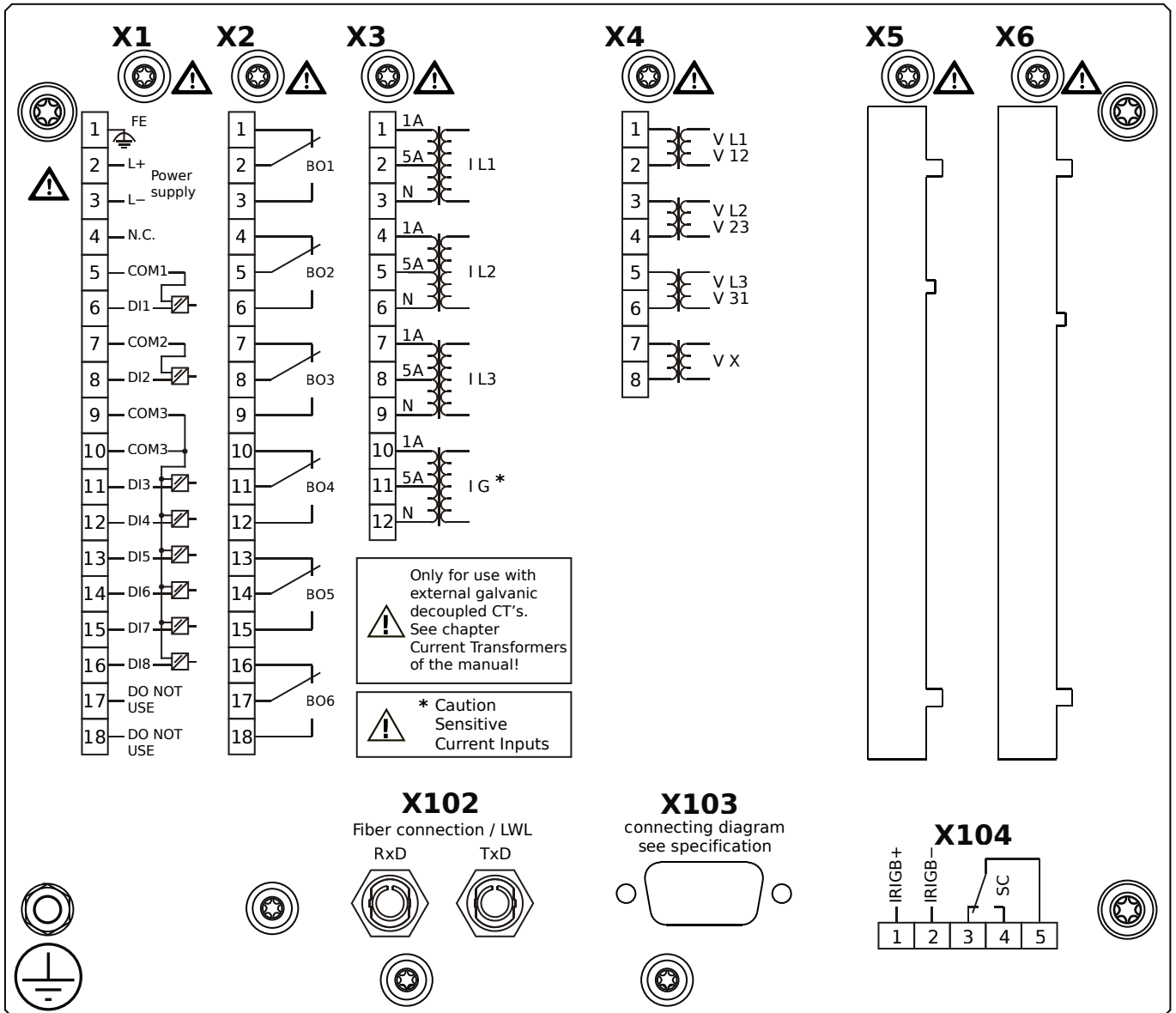
MCDLV4-2A1B1EA



Housing B2, large display, 19" rack mounting

- X1** – DI8-X1: Wide-range power supply unit, incl. 2 non-grouped digital inputs and 6 grouped digital inputs
- X2** – OR6: Assembly Group with 6 Output Relays (Changeover / Form C)
- X3** – TIs: Standard phase current measuring card and sensitive ground current measuring
- X4** – TU: Card with 4 voltage transformer measuring inputs (0 ... 800 VAC, under UL: 0 ... 600 VAC)
- X102** – Protection Communication, Fiber optics interface, ST Connector
- X103** – Profibus-DP, RS485, D-SUB
- X104** – IRIG-B00X, incl. System Contact (Supervision Contact)

MCDLV4-2A1B1EB

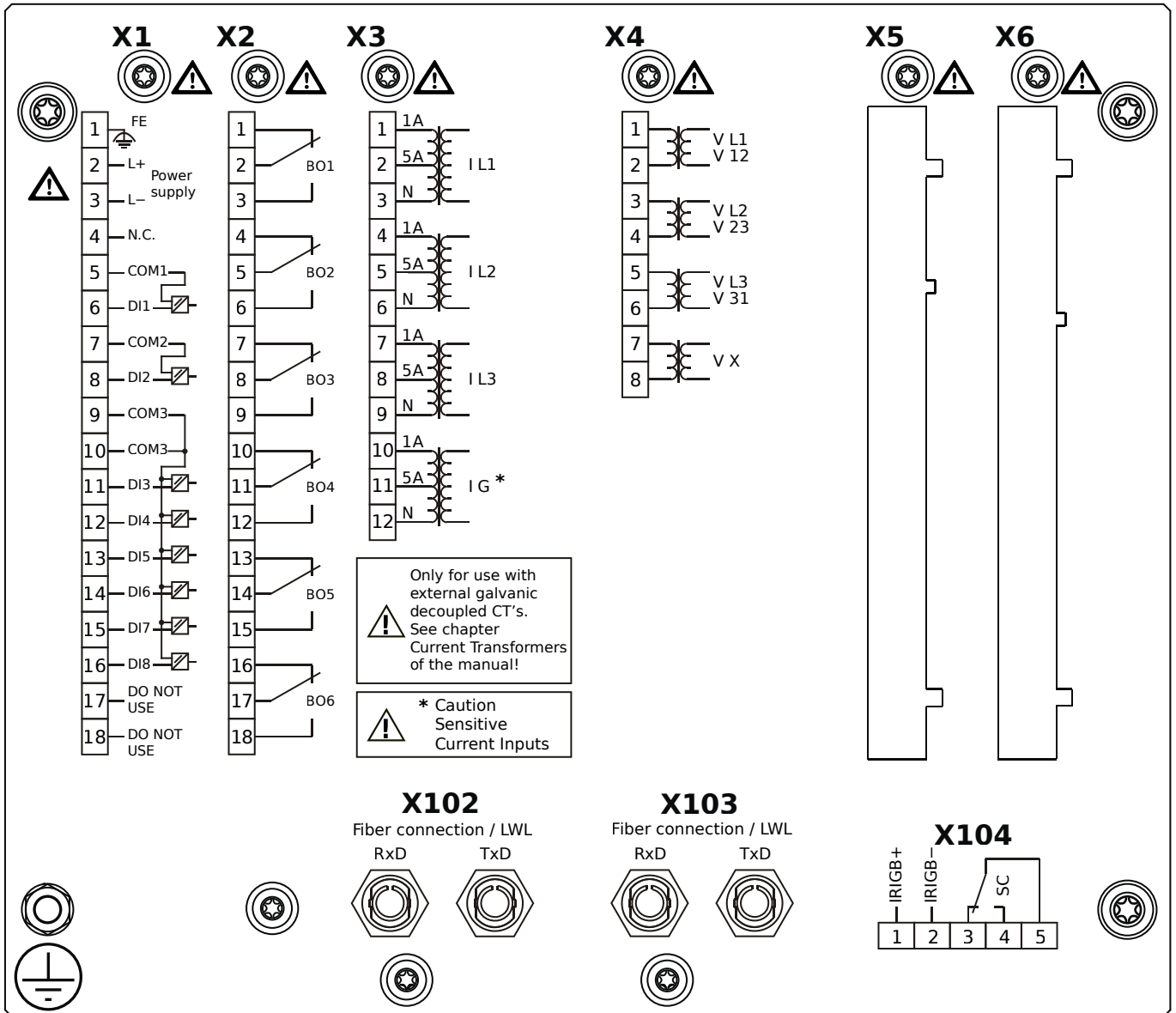


Housing B2, large display, 19" rack mounting

+ Conformal Coating (for installations in harsh environment)

- X1** – DI8-X1: Wide-range power supply unit, incl. 2 non-grouped digital inputs and 6 grouped digital inputs
- X2** – OR6: Assembly Group with 6 Output Relays (Changeover / Form C)
- X3** – TIs: Standard phase current measuring card and sensitive ground current measuring
- X4** – TU: Card with 4 voltage transformer measuring inputs (0 ... 800 VAC, under UL: 0 ... 600 VAC)
- X102** – Protection Communication, Fiber optics interface, ST Connector
- X103** – Profibus-DP, RS485, D-SUB
- X104** – IRIG-B00X, incl. System Contact (Supervision Contact)

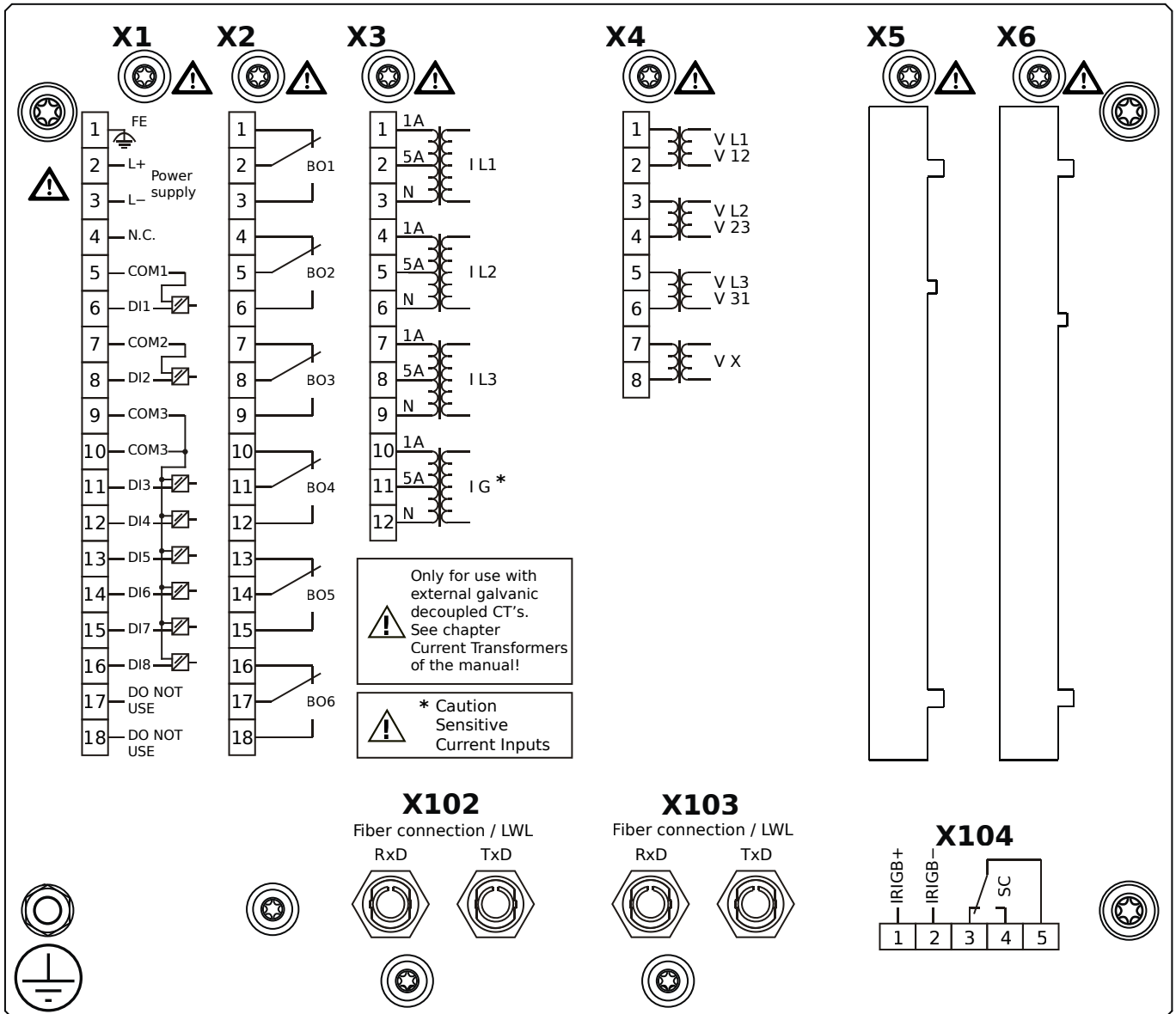
MCDLV4-2A1B1FA



Housing B2, large display, 19" rack mounting

- X1** – DI8-X1: Wide-range power supply unit, incl. 2 non-grouped digital inputs and 6 grouped digital inputs
- X2** – OR6: Assembly Group with 6 Output Relays (Changeover / Form C)
- X3** – TIs: Standard phase current measuring card and sensitive ground current measuring
- X4** – TU: Card with 4 voltage transformer measuring inputs (0 ... 800 VAC, under UL: 0 ... 600 VAC)
- X102** – Protection Communication, Fiber optics interface, ST Connector
- X103** – Modbus RTU / IEC 60870-5-103 / DNP3.0 RTU, Fiber optics interface, ST Connector
- X104** – IRIG-B00X, incl. System Contact (Supervision Contact)

MCDLV4-2A1B1FB

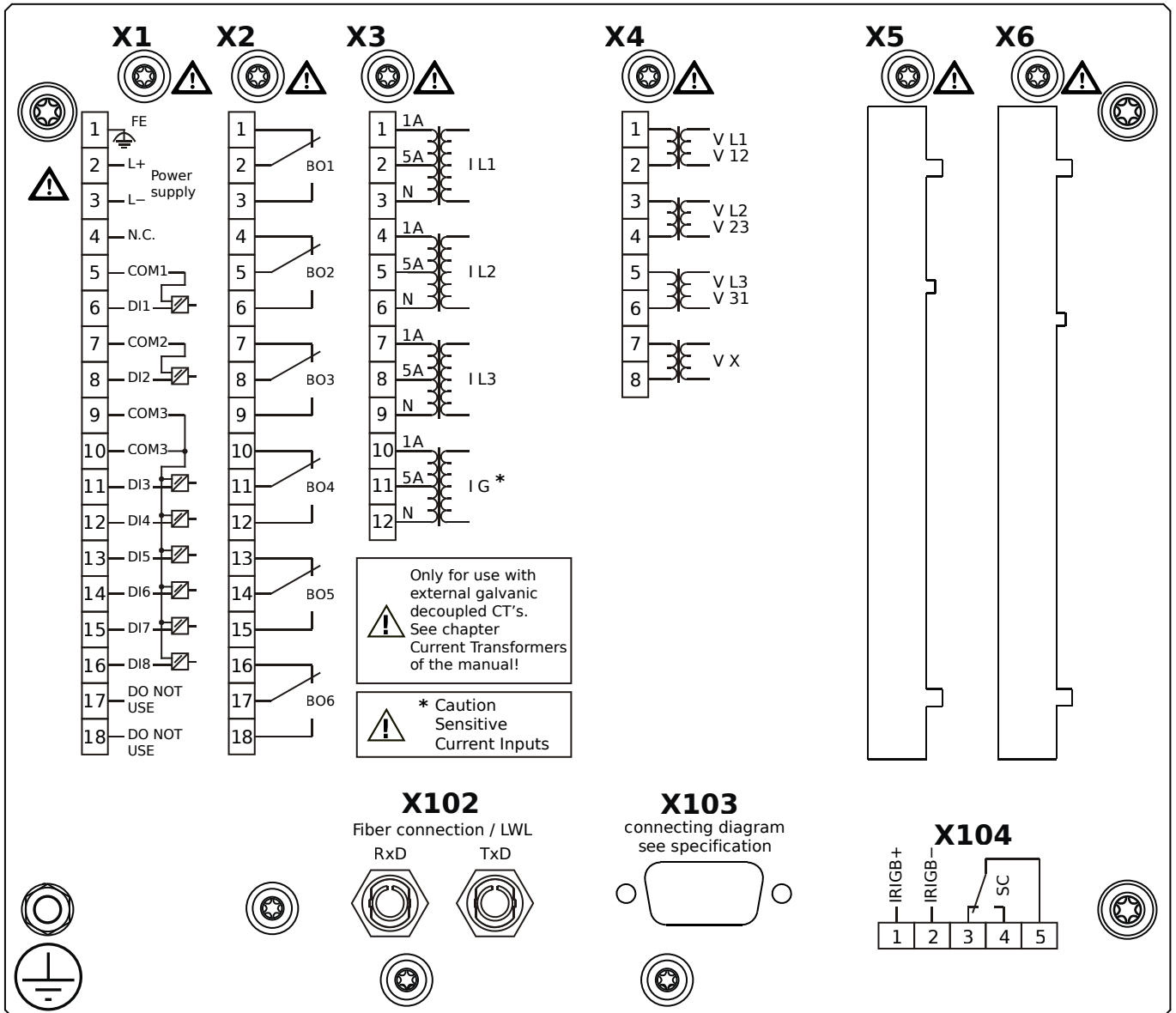


Housing B2, large display, 19" rack mounting

+ Conformal Coating (for installations in harsh environment)

- X1** – DI8-X1: Wide-range power supply unit, incl. 2 non-grouped digital inputs and 6 grouped digital inputs
- X2** – OR6: Assembly Group with 6 Output Relays (Changeover / Form C)
- X3** – TIs: Standard phase current measuring card and sensitive ground current measuring
- X4** – TU: Card with 4 voltage transformer measuring inputs (0 ... 800 VAC, under UL: 0 ... 600 VAC)
- X102** – Protection Communication, Fiber optics interface, ST Connector
- X103** – Modbus RTU / IEC 60870-5-103 / DNP3.0 RTU, Fiber optics interface, ST Connector
- X104** – IRIG-B00X, incl. System Contact (Supervision Contact)

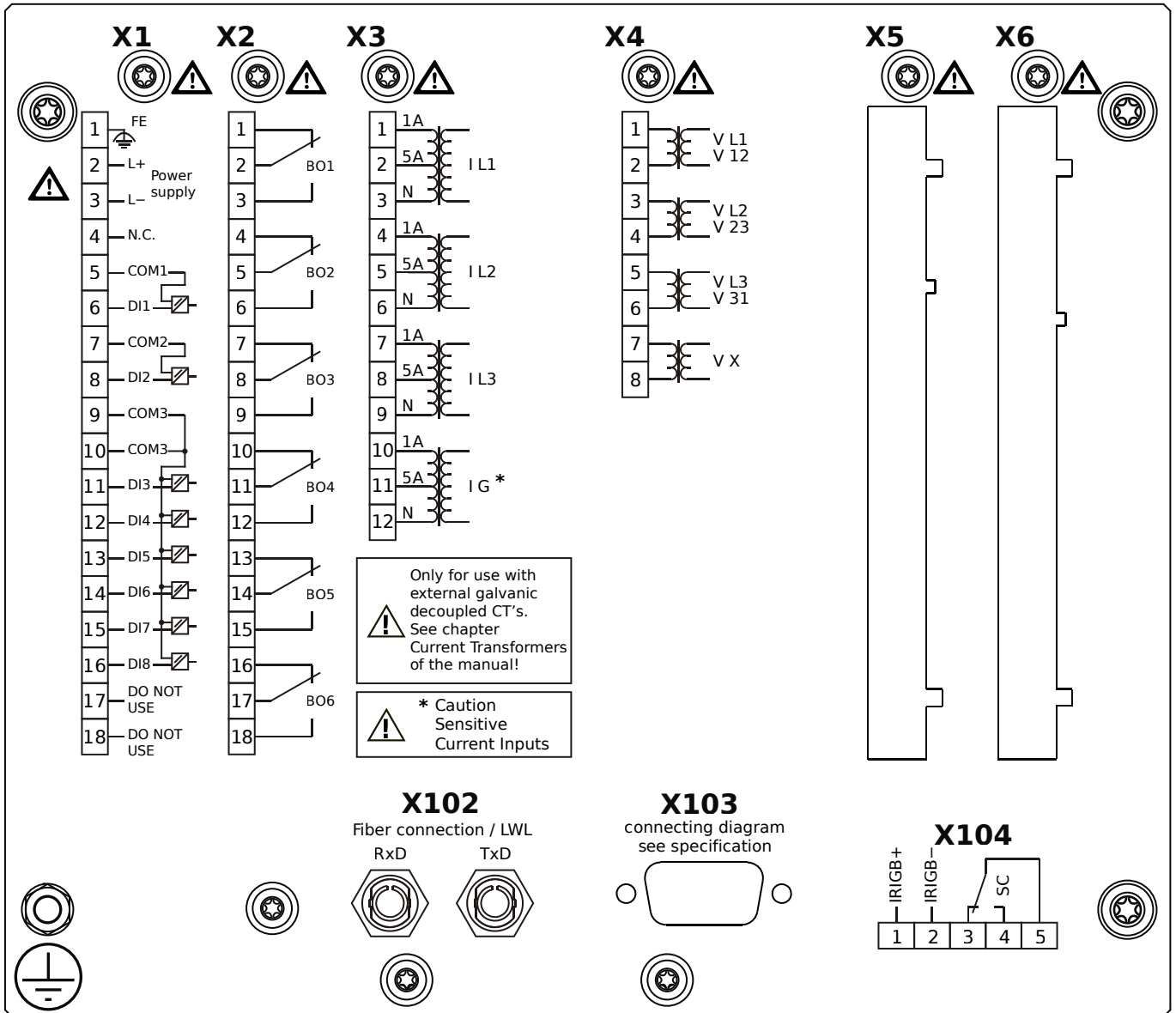
MCDLV4-2A1B1GA



Housing B2, large display, 19" rack mounting

- X1** – DI8-X1: Wide-range power supply unit, incl. 2 non-grouped digital inputs and 6 grouped digital inputs
- X2** – OR6: Assembly Group with 6 Output Relays (Changeover / Form C)
- X3** – TIs: Standard phase current measuring card and sensitive ground current measuring
- X4** – TU: Card with 4 voltage transformer measuring inputs (0 ... 800 VAC, under UL: 0 ... 600 VAC)
- X102** – Protection Communication, Fiber optics interface, ST Connector
- X103** – Modbus RTU / IEC 60870-5-103 / DNP3.0 RTU, RS485, D-SUB
- X104** – IRIG-B00X, incl. System Contact (Supervision Contact)

MCDLV4-2A1B1GB

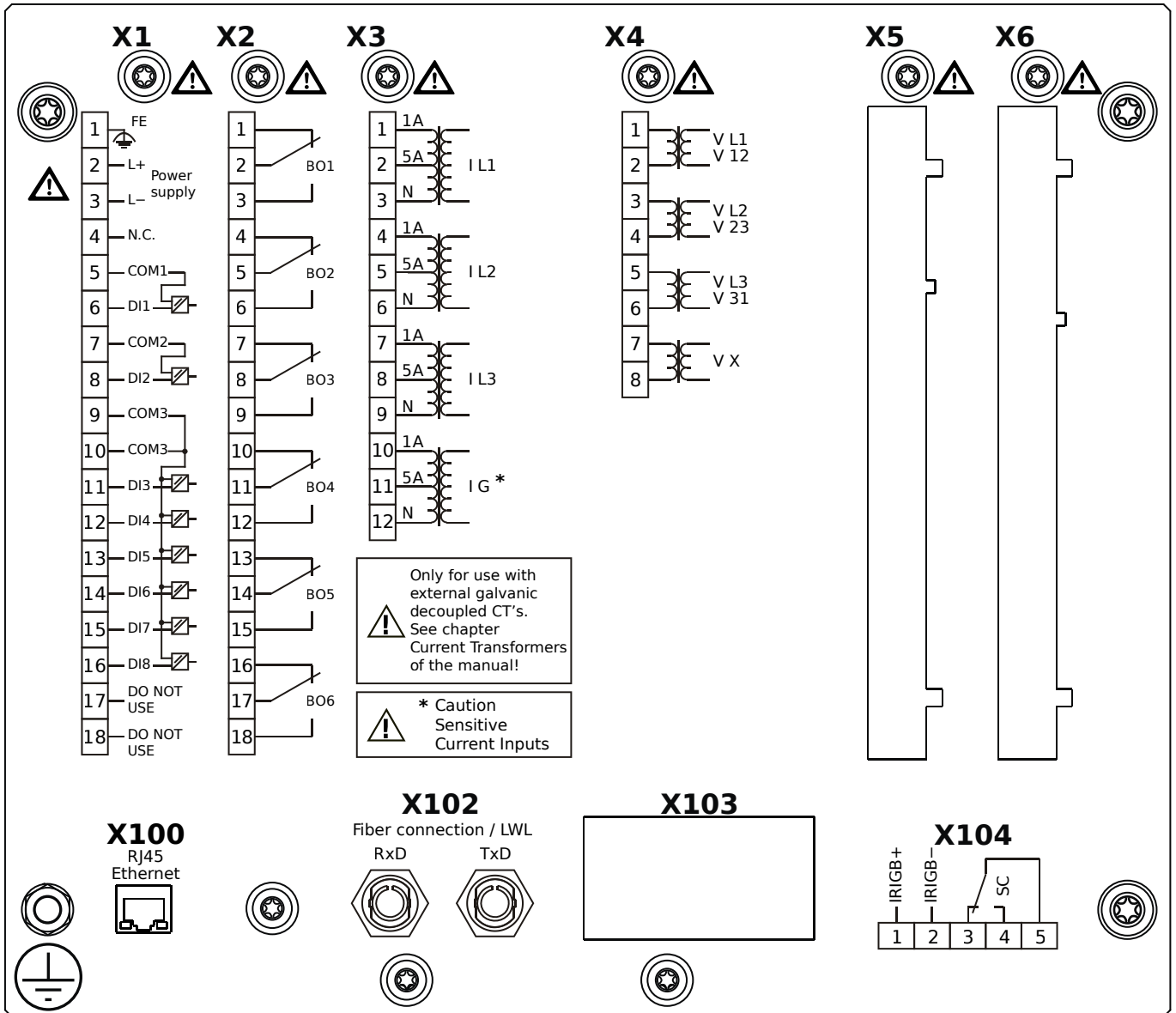


Housing B2, large display, 19" rack mounting

+ Conformal Coating (for installations in harsh environment)

- X1** – DI8-X1: Wide-range power supply unit, incl. 2 non-grouped digital inputs and 6 grouped digital inputs
- X2** – OR6: Assembly Group with 6 Output Relays (Changeover / Form C)
- X3** – TIs: Standard phase current measuring card and sensitive ground current measuring
- X4** – TU: Card with 4 voltage transformer measuring inputs (0 ... 800 VAC, under UL: 0 ... 600 VAC)
- X102** – Protection Communication, Fiber optics interface, ST Connector
- X103** – Modbus RTU / IEC 60870-5-103 / DNP3.0 RTU, RS485, D-SUB
- X104** – IRIG-B00X, incl. System Contact (Supervision Contact)

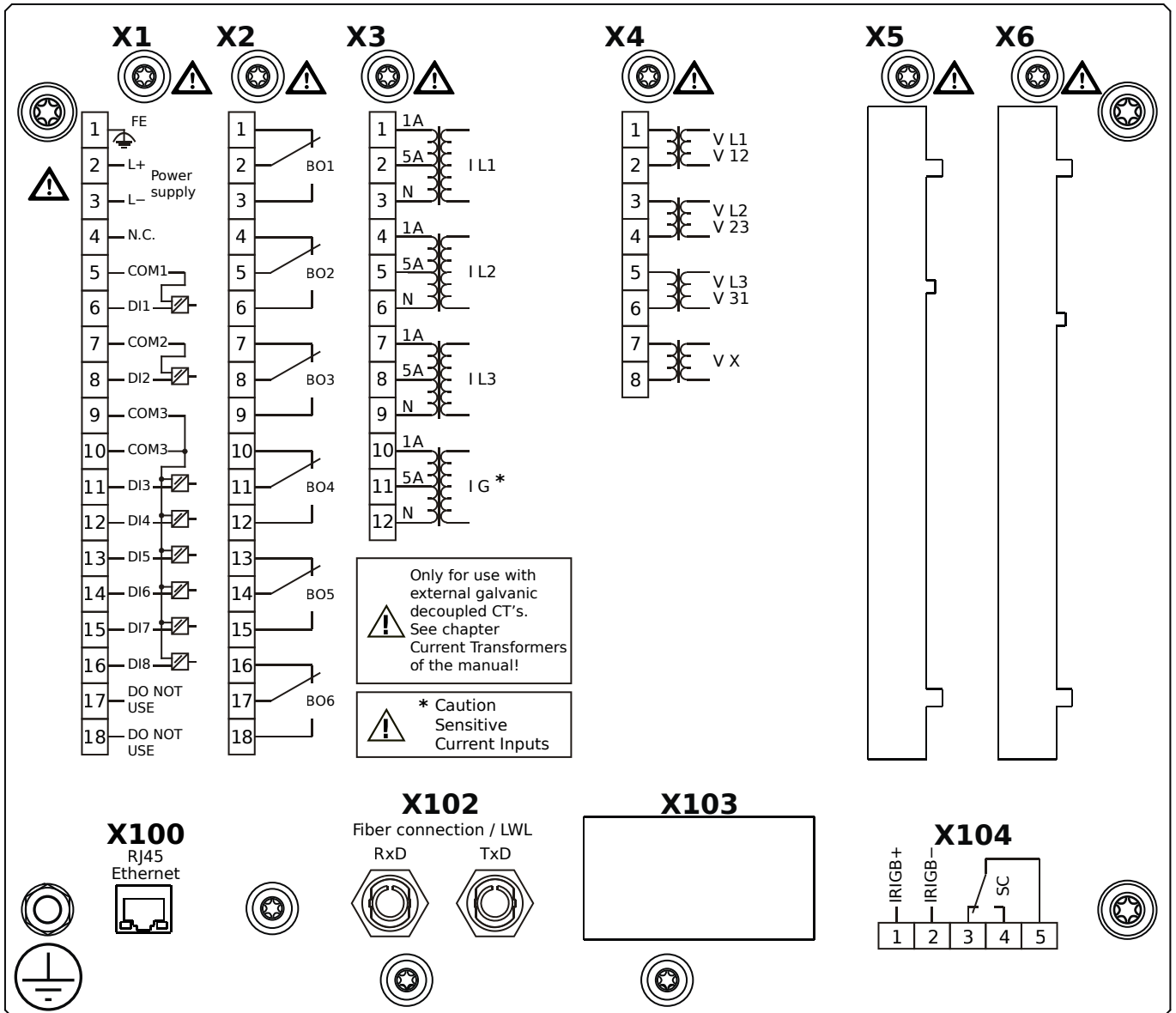
MCDLV4-2A1B1HA



Housing B2, large display, 19" rack mounting

- X1** – DI8-X1: Wide-range power supply unit, incl. 2 non-grouped digital inputs and 6 grouped digital inputs
- X2** – OR6: Assembly Group with 6 Output Relays (Changeover / Form C)
- X3** – TIs: Standard phase current measuring card and sensitive ground current measuring
- X4** – TU: Card with 4 voltage transformer measuring inputs (0 ... 800 VAC, under UL: 0 ... 600 VAC)
- X100** – IEC 61850 / Modbus TCP / IEC 60870-5-104 / DNP3.0 TCP/UDP, Ethernet interface, 100 Mbit/s, RJ45 (BASE100-FX)
- X102** – Protection Communication, Fiber optics interface, ST Connector
- X104** – IRIG-B00X, incl. System Contact (Supervision Contact)

MCDLV4-2A1B1HB



Housing B2, large display, 19" rack mounting

+ Conformal Coating (for installations in harsh environment)

X1 – DI8-X1: Wide-range power supply unit, incl. 2 non-grouped digital inputs and 6 grouped digital inputs

X2 – OR6: Assembly Group with 6 Output Relays (Changeover / Form C)

X3 – TIs: Standard phase current measuring card and sensitive ground current measuring

X4 – TU: Card with 4 voltage transformer measuring inputs (0 ... 800 VAC, under UL: 0 ... 600 VAC)

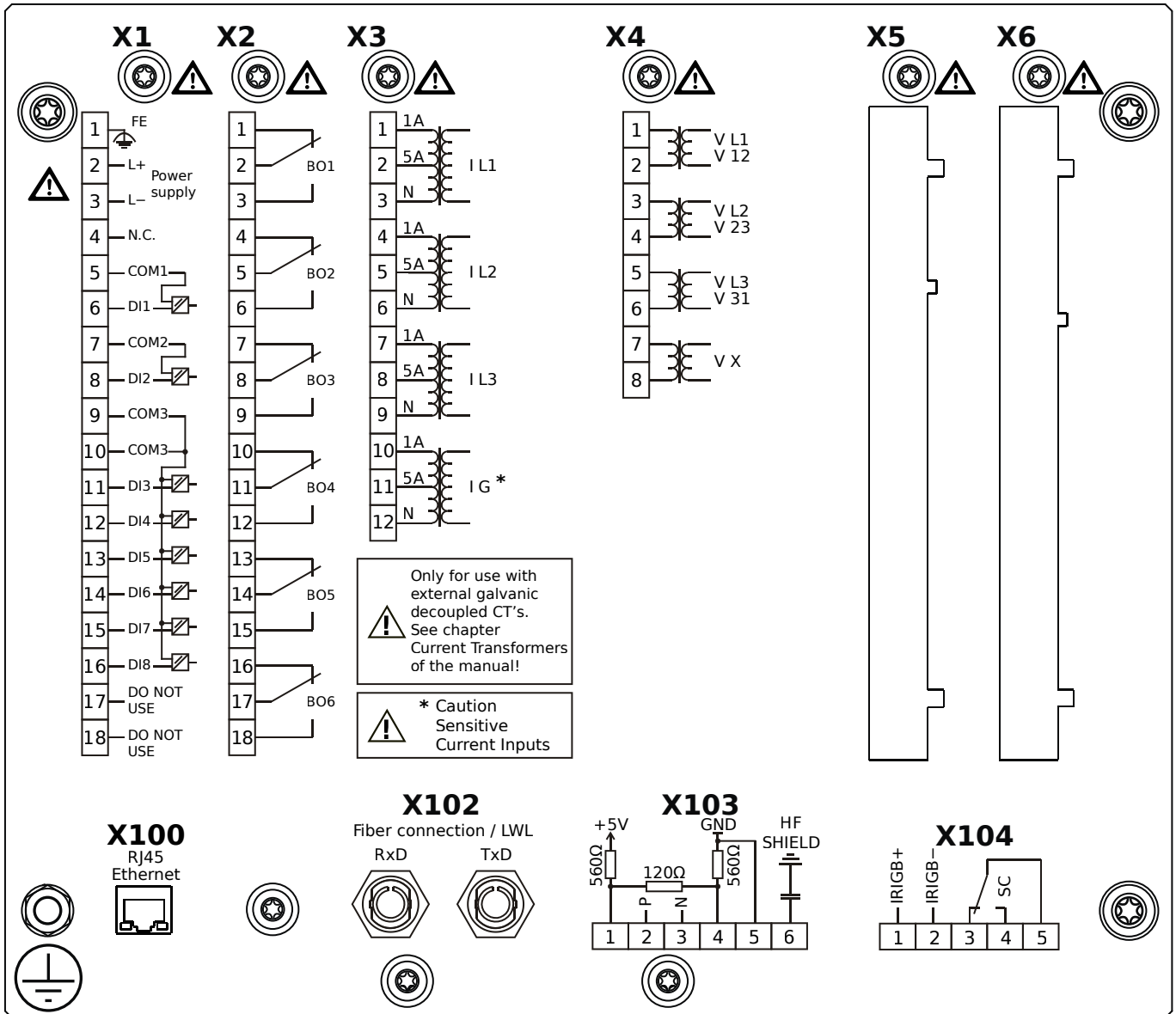
X100 – IEC 61850 / Modbus TCP / IEC 60870-5-104 / DNP3.0 TCP/UDP, Ethernet interface, 100 Mbit/s, RJ45 (BASE100-

FX)

X102 – Protection Communication, Fiber optics interface, ST Connector

X104 – IRIG-B00X, incl. System Contact (Supervision Contact)

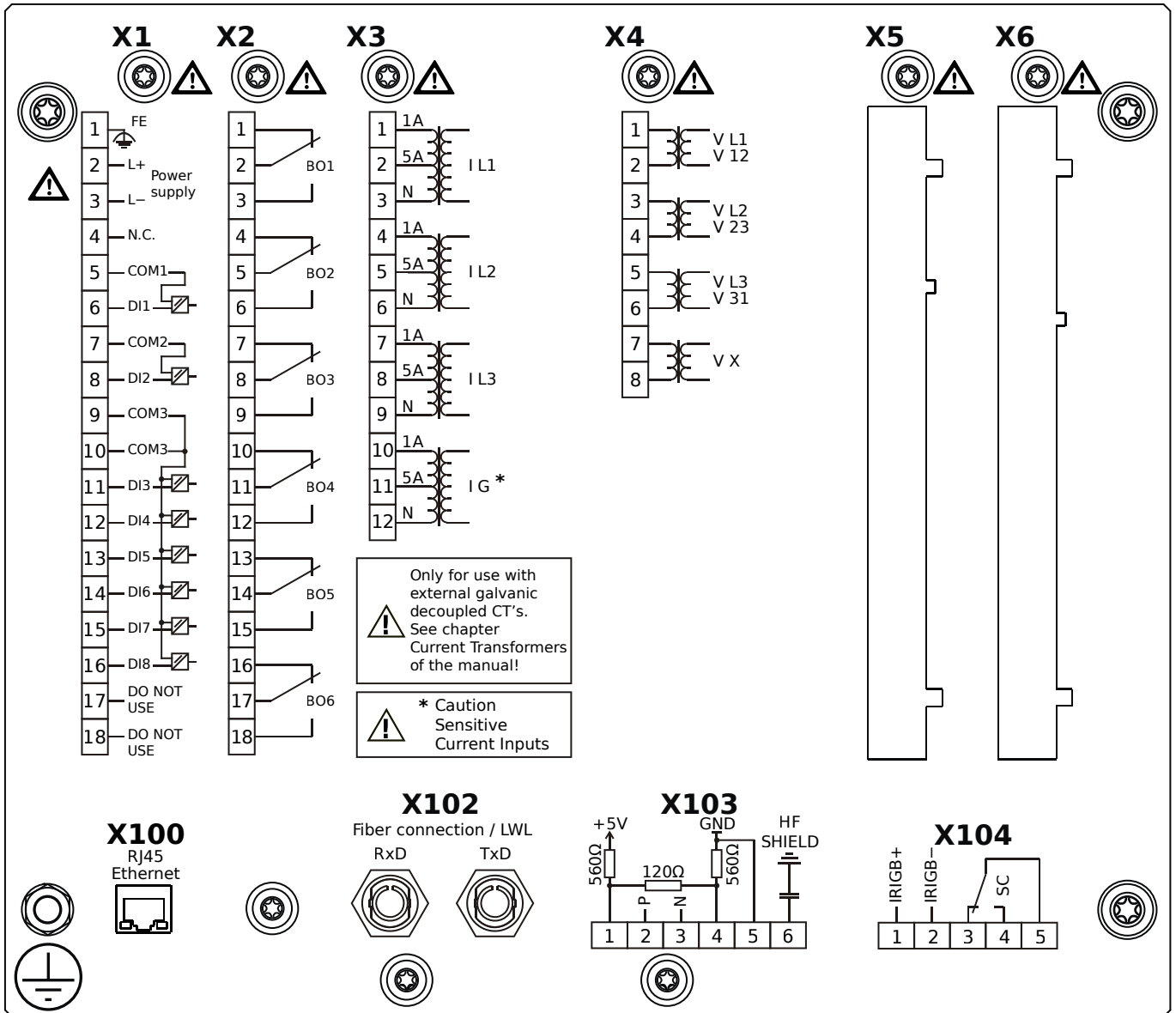
MCDLV4-2A1B1IA



Housing B2, large display, 19" rack mounting

- X1** – DI8-X1: Wide-range power supply unit, incl. 2 non-grouped digital inputs and 6 grouped digital inputs
- X2** – OR6: Assembly Group with 6 Output Relays (Changeover / Form C)
- X3** – TIs: Standard phase current measuring card and sensitive ground current measuring
- X4** – TU: Card with 4 voltage transformer measuring inputs (0 ... 800 VAC, under UL: 0 ... 600 VAC)
- X100** – Modbus TCP / IEC 60870-5-104 / DNP3.0 TCP/UDP, Ethernet interface, 100 Mbit/s, RJ45 (BASE100-FX)
- X102** – Protection Communication, Fiber optics interface, ST Connector
- X103** – IEC 60870-5-103 / Modbus RTU / DNP3.0 RTU, RS485, Terminals
- X104** – IRIG-B00X, incl. System Contact (Supervision Contact)

MCDLV4-2A1B1IB

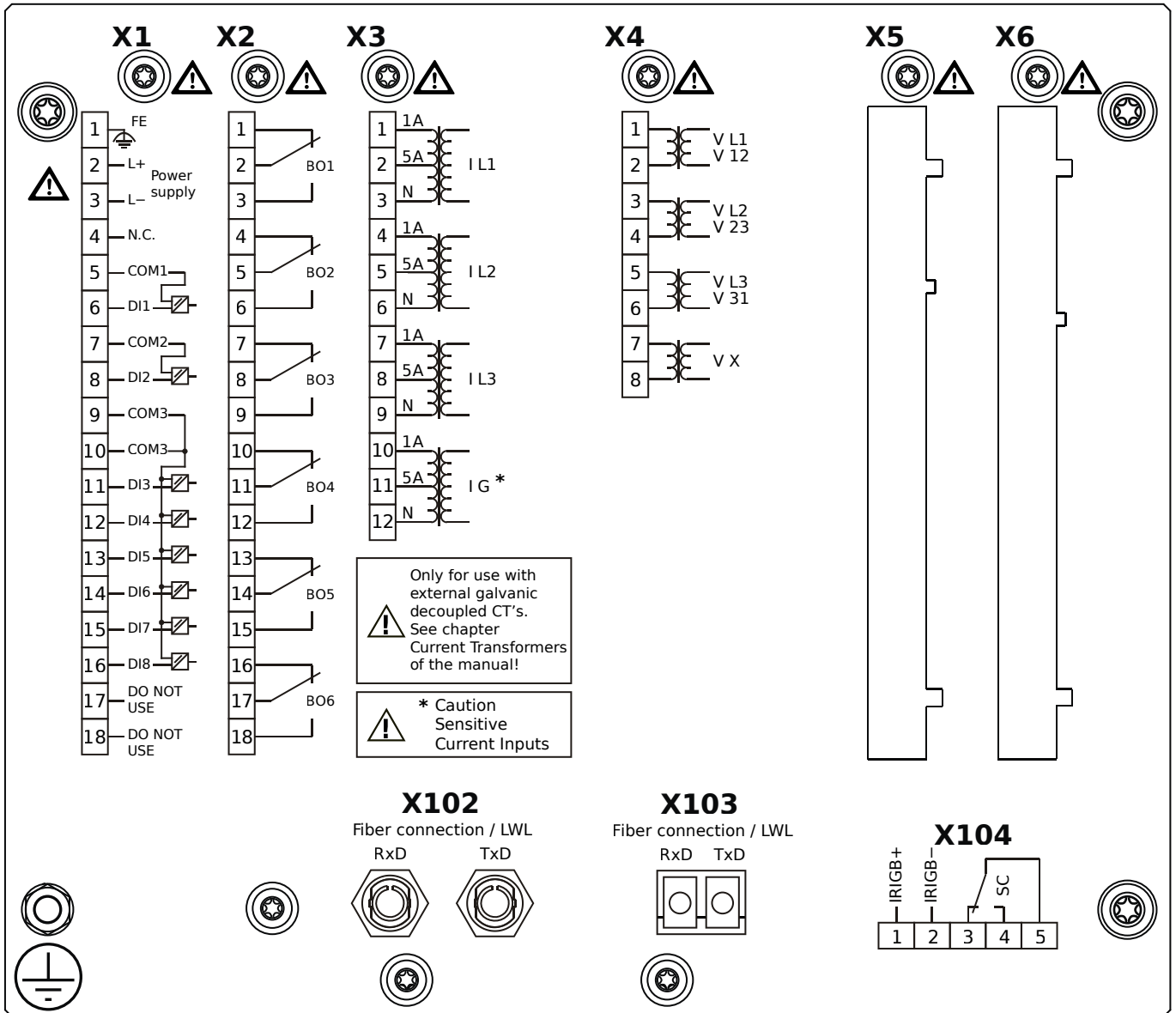


Housing B2, large display, 19" rack mounting

+ Conformal Coating (for installations in harsh environment)

- X1** – DI8-X1: Wide-range power supply unit, incl. 2 non-grouped digital inputs and 6 grouped digital inputs
- X2** – OR6: Assembly Group with 6 Output Relays (Changeover / Form C)
- X3** – TIs: Standard phase current measuring card and sensitive ground current measuring
- X4** – TU: Card with 4 voltage transformer measuring inputs (0 ... 800 VAC, under UL: 0 ... 600 VAC)
- X100** – Modbus TCP / IEC 60870-5-104 / DNP3.0 TCP/UDP, Ethernet interface, 100 Mbit/s, RJ45 (BASE100-FX)
- X102** – Protection Communication, Fiber optics interface, ST Connector
- X103** – IEC 60870-5-103 / Modbus RTU / DNP3.0 RTU, RS485, Terminals
- X104** – IRIG-B00X, incl. System Contact (Supervision Contact)

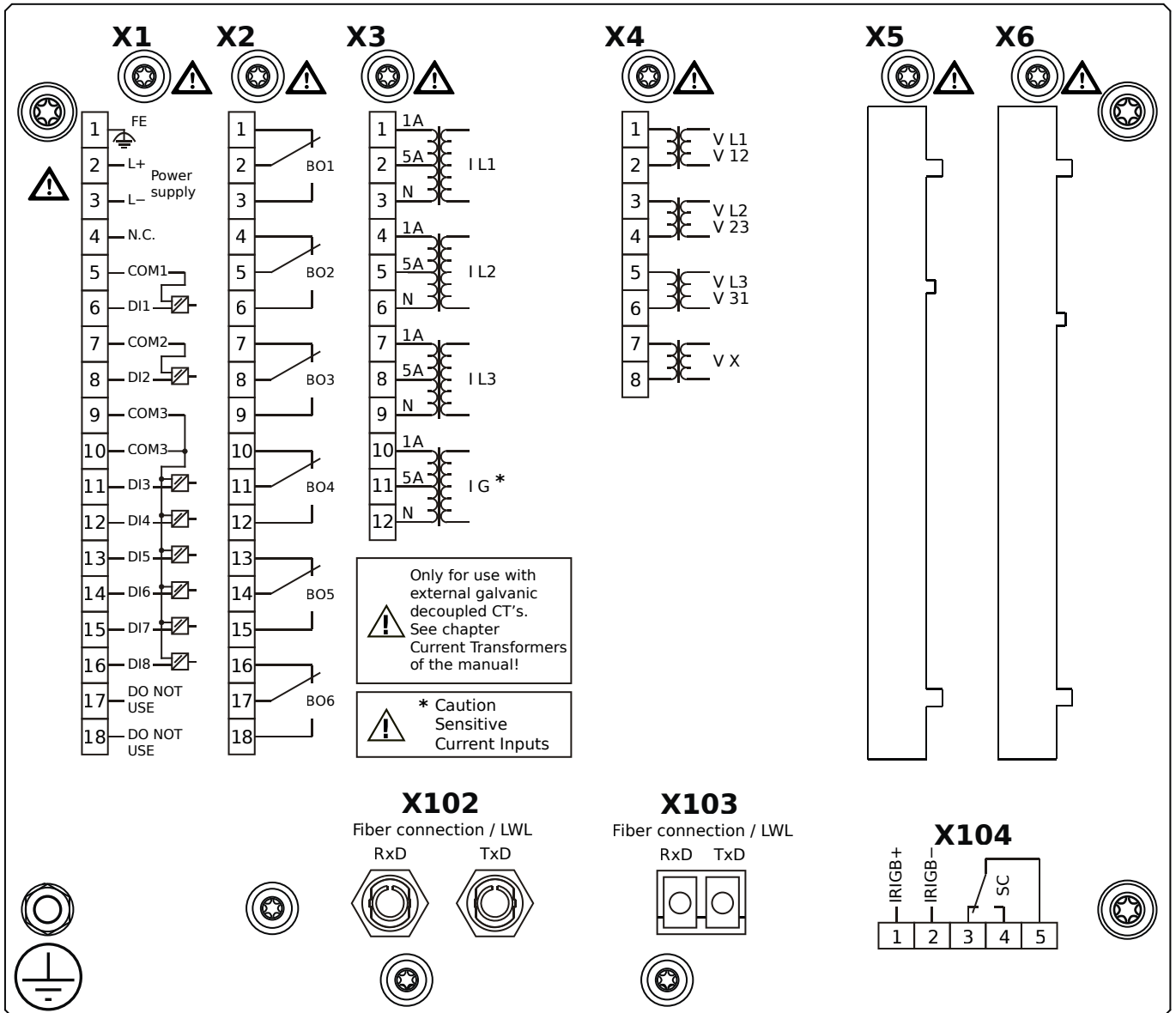
MCDLV4-2A1B1KA



Housing B2, large display, 19" rack mounting

- X1** – DI8-X1: Wide-range power supply unit, incl. 2 non-grouped digital inputs and 6 grouped digital inputs
- X2** – OR6: Assembly Group with 6 Output Relays (Changeover / Form C)
- X3** – TIs: Standard phase current measuring card and sensitive ground current measuring
- X4** – TU: Card with 4 voltage transformer measuring inputs (0 ... 800 VAC, under UL: 0 ... 600 VAC)
- X102** – Protection Communication, Fiber optics interface, ST Connector
- X103** – IEC 61850 / Modbus TCP / IEC 60870-5-104 / DNP3.0 TCP/UDP, Fiber optics interface, LC Connector
- X104** – IRIG-B00X, incl. System Contact (Supervision Contact)

MCDLV4-2A1B1KB

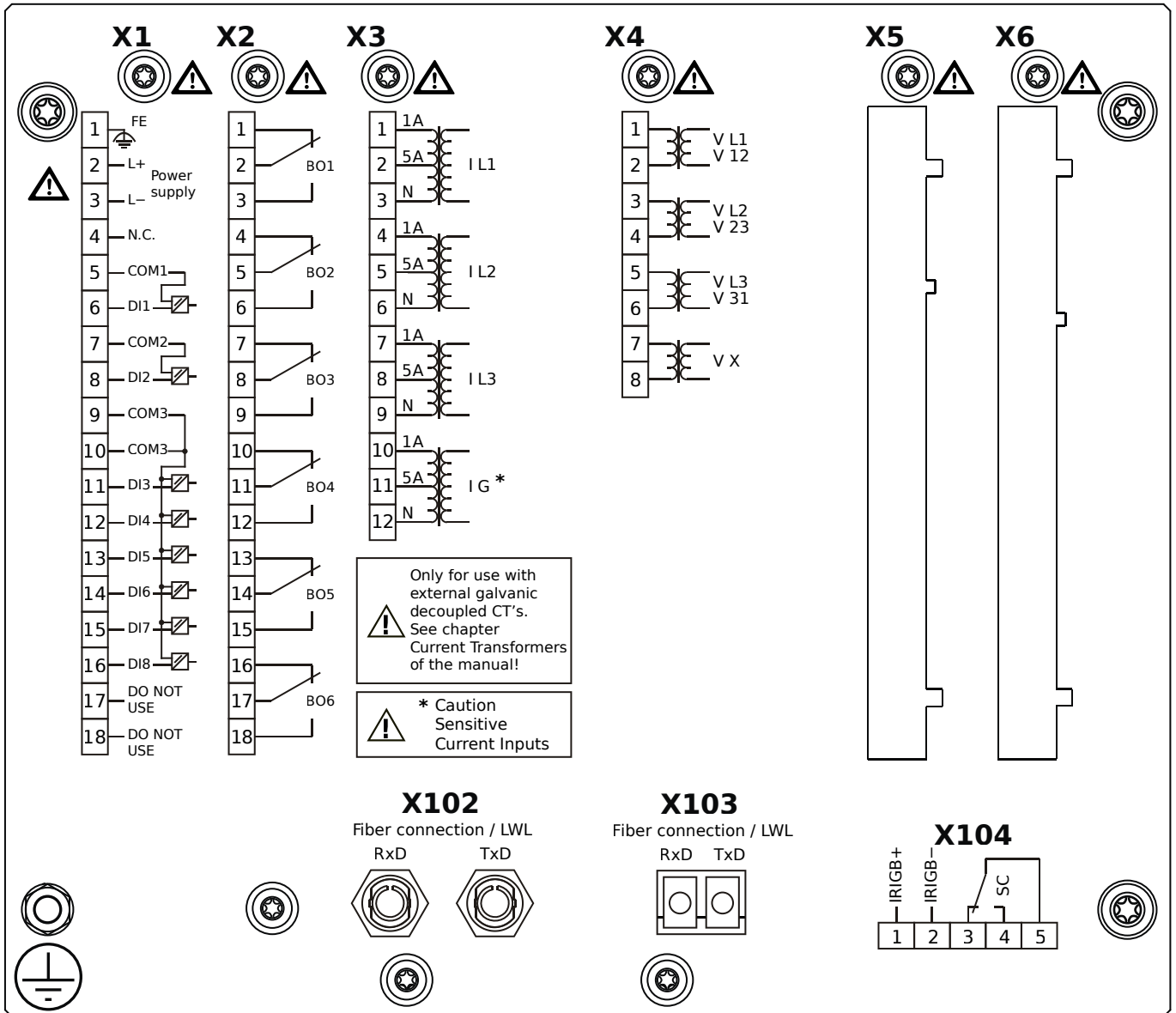


Housing B2, large display, 19" rack mounting

+ Conformal Coating (for installations in harsh environment)

- X1** – DI8-X1: Wide-range power supply unit, incl. 2 non-grouped digital inputs and 6 grouped digital inputs
- X2** – OR6: Assembly Group with 6 Output Relays (Changeover / Form C)
- X3** – TIs: Standard phase current measuring card and sensitive ground current measuring
- X4** – TU: Card with 4 voltage transformer measuring inputs (0 ... 800 VAC, under UL: 0 ... 600 VAC)
- X102** – Protection Communication, Fiber optics interface, ST Connector
- X103** – IEC 61850 / Modbus TCP / IEC 60870-5-104 / DNP3.0 TCP/UDP, Fiber optics interface, LC Connector
- X104** – IRIG-B00X, incl. System Contact (Supervision Contact)

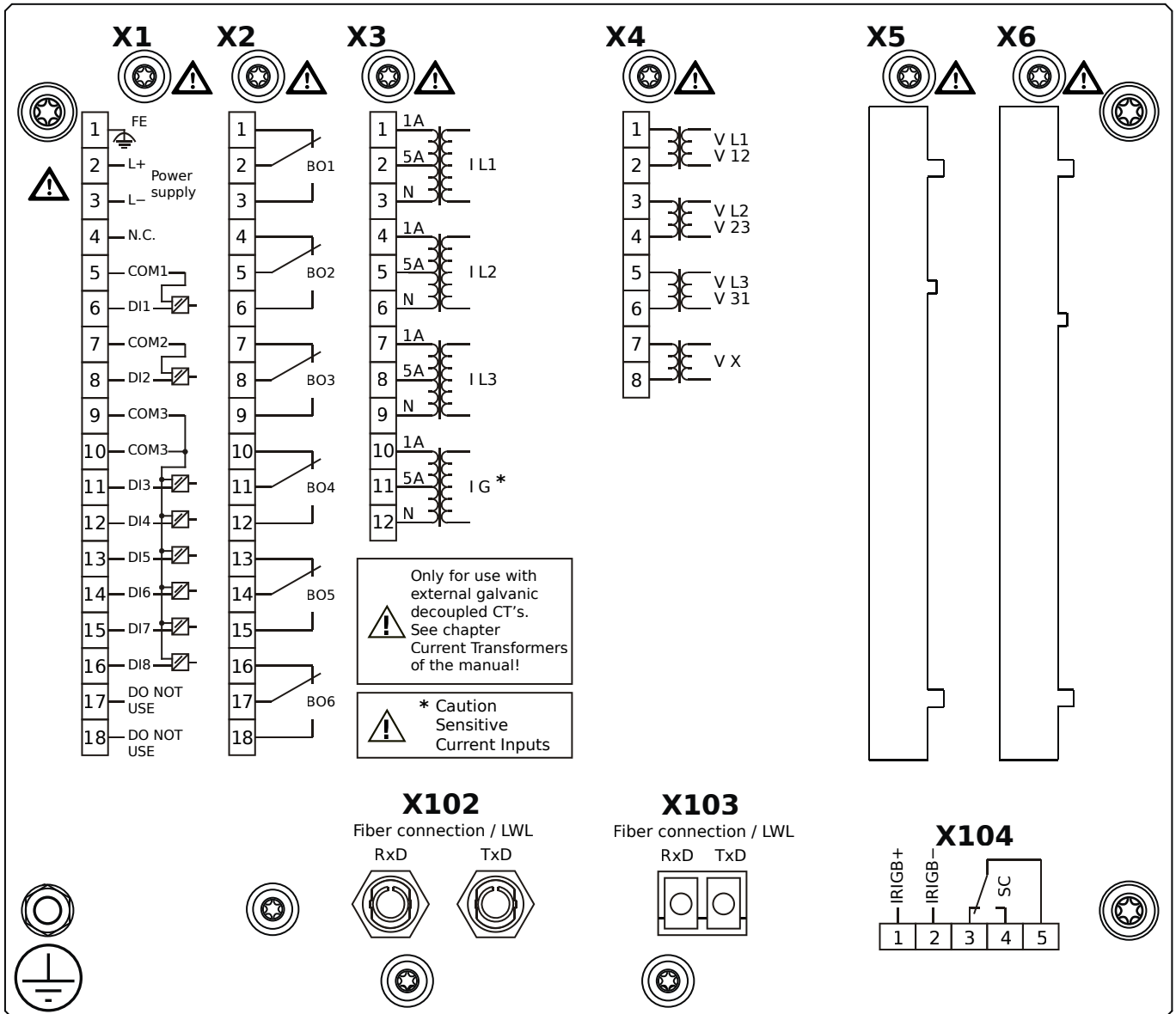
MCDLV4-2A1B1LA



Housing B2, large display, 19" rack mounting

- X1** – DI8-X1: Wide-range power supply unit, incl. 2 non-grouped digital inputs and 6 grouped digital inputs
- X2** – OR6: Assembly Group with 6 Output Relays (Changeover / Form C)
- X3** – TIs: Standard phase current measuring card and sensitive ground current measuring
- X4** – TU: Card with 4 voltage transformer measuring inputs (0 ... 800 VAC, under UL: 0 ... 600 VAC)
- X102** – Protection Communication, Fiber optics interface, ST Connector
- X103** – Modbus TCP / IEC 60870-5-104 / DNP3.0 TCP/UDP, Fiber optics interface, LC Connector
- X104** – IRIG-B00X, incl. System Contact (Supervision Contact)

MCDLV4-2A1B1LB

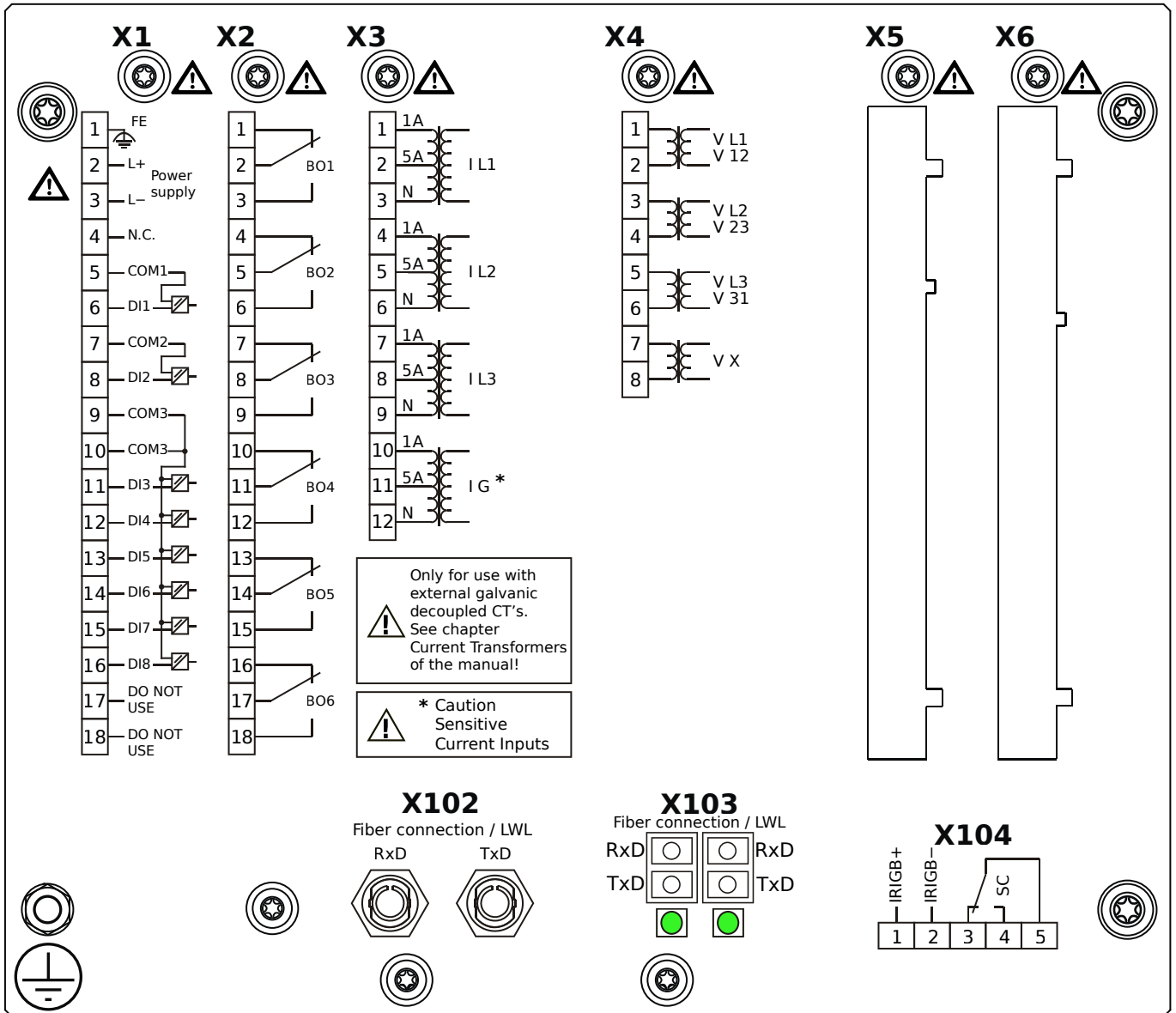


Housing B2, large display, 19" rack mounting

- + Conformal Coating (for installations in harsh environment)

- X1** – DI8-X1: Wide-range power supply unit, incl. 2 non-grouped digital inputs and 6 grouped digital inputs
- X2** – OR6: Assembly Group with 6 Output Relays (Changeover / Form C)
- X3** – TIs: Standard phase current measuring card and sensitive ground current measuring
- X4** – TU: Card with 4 voltage transformer measuring inputs (0 ... 800 VAC, under UL: 0 ... 600 VAC)
- X102** – Protection Communication, Fiber optics interface, ST Connector
- X103** – Modbus TCP / IEC 60870-5-104 / DNP3.0 TCP/UDP, Fiber optics interface, LC Connector
- X104** – IRIG-B00X, incl. System Contact (Supervision Contact)

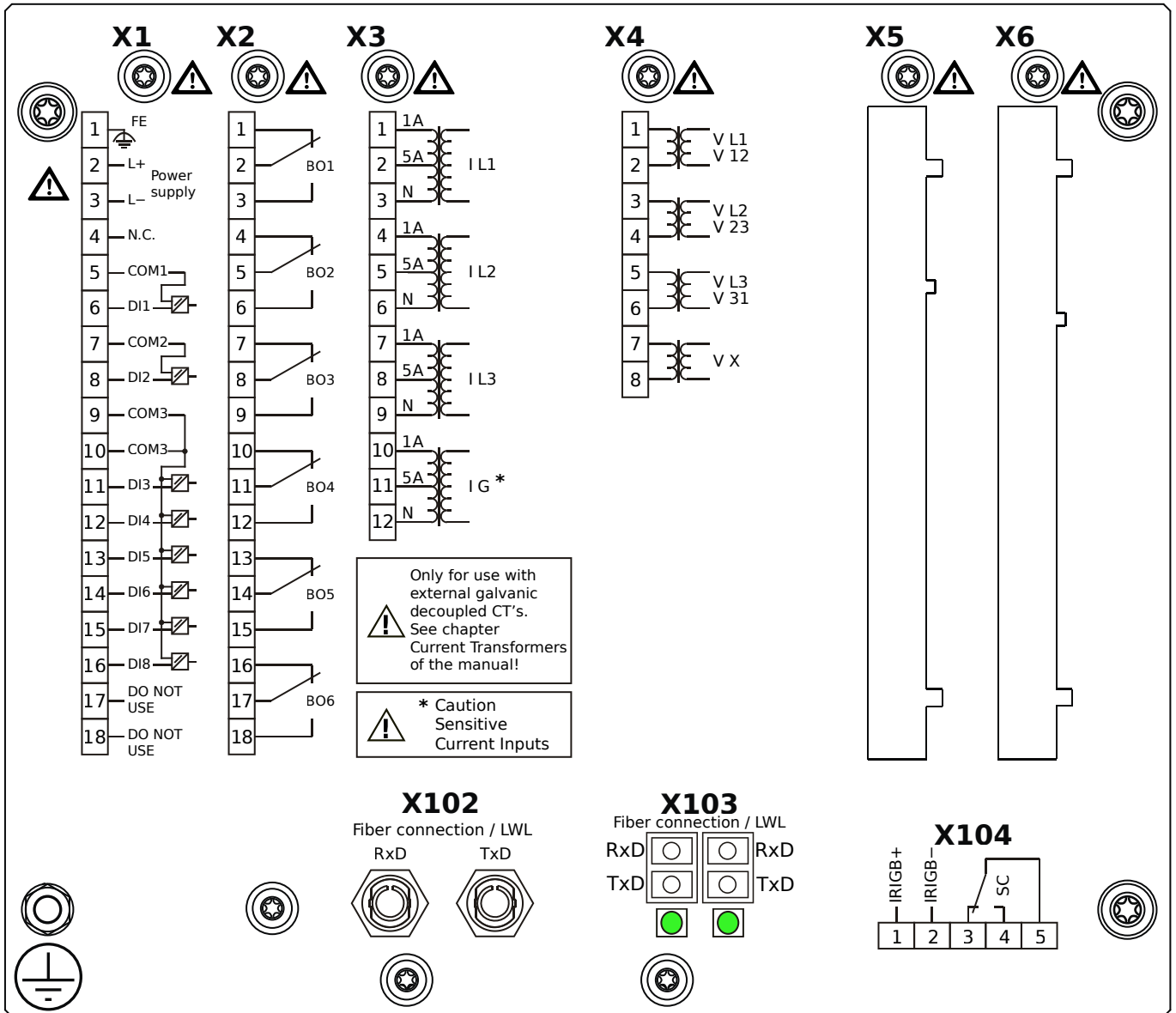
MCDLV4-2A1B10A



Housing B2, large display, 19" rack mounting

- X1** – DI8-X1: Wide-range power supply unit, incl. 2 non-grouped digital inputs and 6 grouped digital inputs
- X2** – OR6: Assembly Group with 6 Output Relays (Changeover / Form C)
- X3** – TIs: Standard phase current measuring card and sensitive ground current measuring
- X4** – TU: Card with 4 voltage transformer measuring inputs (0 ... 800 VAC, under UL: 0 ... 600 VAC)
- X102** – Protection Communication, Fiber optics interface, ST Connector
- X103** – Modbus TCP / IEC 60870-5-104 / DNP3.0 TCP/UDP, Redundant Fiber optics interface, LC Connector
- X104** – IRIG-B00X, incl. System Contact (Supervision Contact)

MCDLV4-2A1B10B

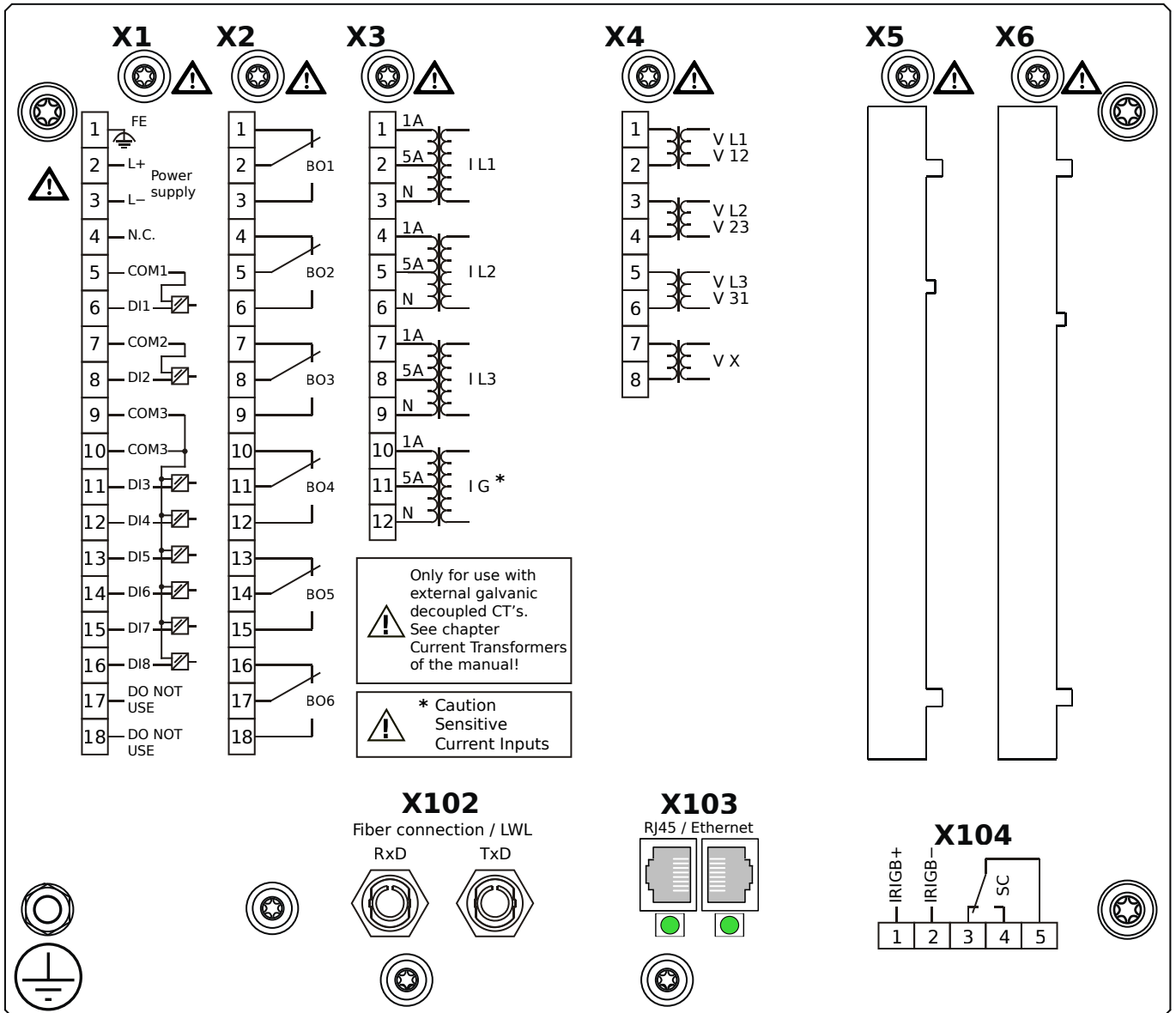


Housing B2, large display, 19" rack mounting

+ Conformal Coating (for installations in harsh environment)

- X1** – DI8-X1: Wide-range power supply unit, incl. 2 non-grouped digital inputs and 6 grouped digital inputs
- X2** – OR6: Assembly Group with 6 Output Relays (Changeover / Form C)
- X3** – TIs: Standard phase current measuring card and sensitive ground current measuring
- X4** – TU: Card with 4 voltage transformer measuring inputs (0 ... 800 VAC, under UL: 0 ... 600 VAC)
- X102** – Protection Communication, Fiber optics interface, ST Connector
- X103** – Modbus TCP / IEC 60870-5-104 / DNP3.0 TCP/UDP, Redundant Fiber optics interface, LC Connector
- X104** – IRIG-B00X, incl. System Contact (Supervision Contact)

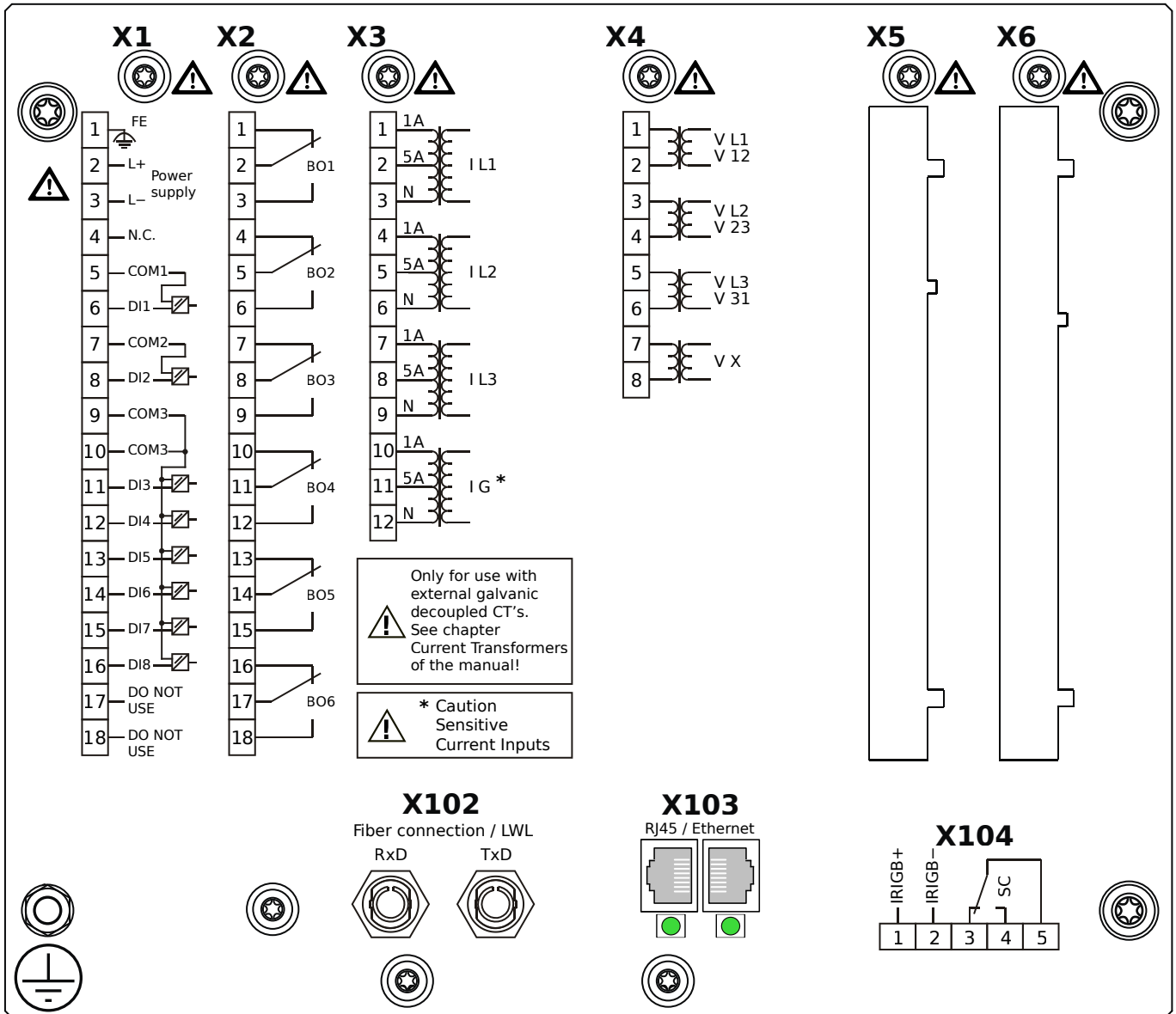
MCDLV4-2A1B1PA



Housing B2, large display, 19" rack mounting

- X1** – DI8-X1: Wide-range power supply unit, incl. 2 non-grouped digital inputs and 6 grouped digital inputs
- X2** – OR6: Assembly Group with 6 Output Relays (Changeover / Form C)
- X3** – TIs: Standard phase current measuring card and sensitive ground current measuring
- X4** – TU: Card with 4 voltage transformer measuring inputs (0 ... 800 VAC, under UL: 0 ... 600 VAC)
- X102** – Protection Communication, Fiber optics interface, ST Connector
- X103** – Modbus TCP / IEC 60870-5-104 / DNP3.0 TCP/UDP, Redundant Ethernet interface, 100 Mbit/s, RJ45 (BASE100-FX)
- X104** – IRIG-B00X, incl. System Contact (Supervision Contact)

MCDLV4-2A1B1PB

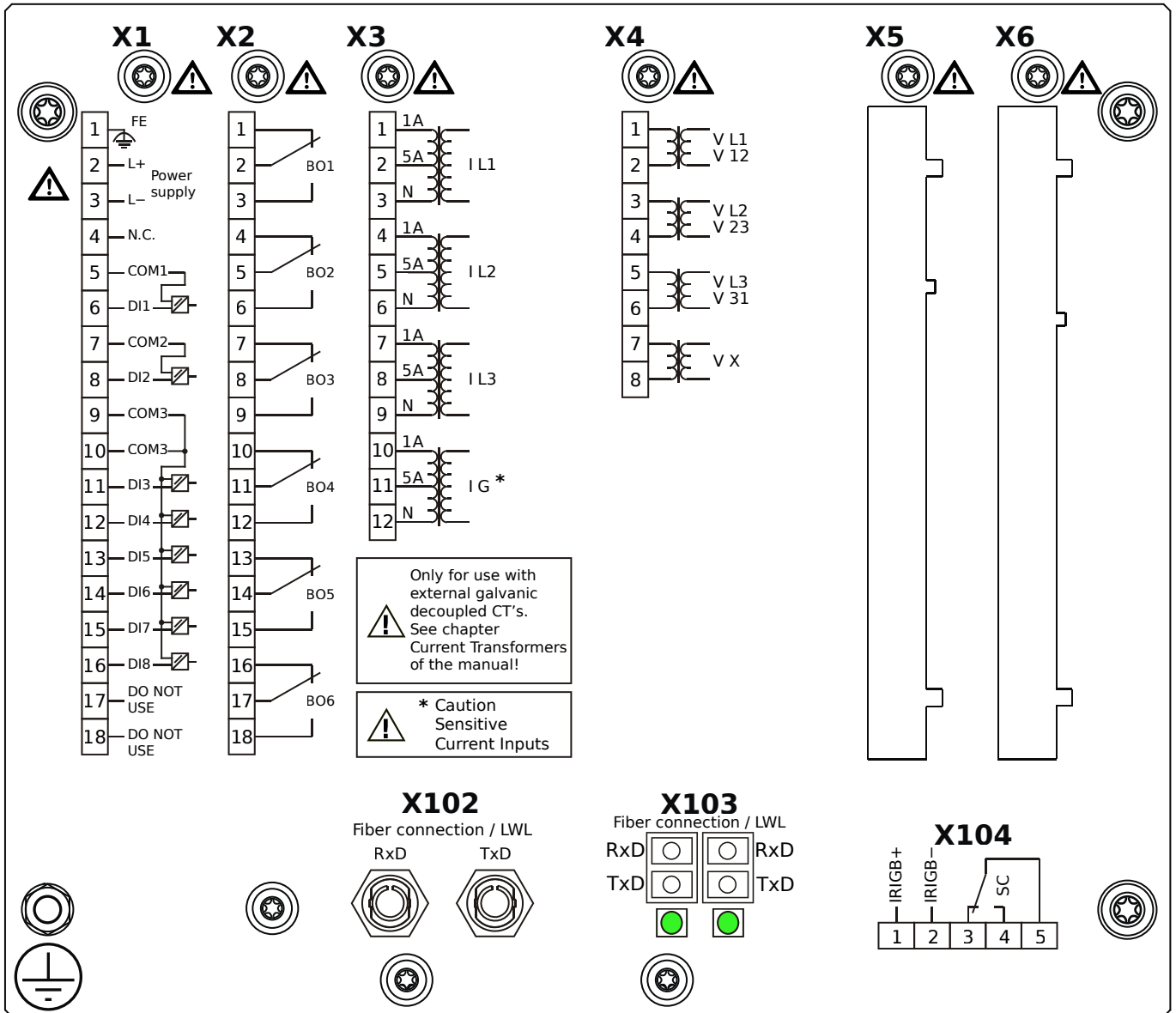


Housing B2, large display, 19" rack mounting

- + Conformal Coating (for installations in harsh environment)

- X1** – DI8-X1: Wide-range power supply unit, incl. 2 non-grouped digital inputs and 6 grouped digital inputs
- X2** – OR6: Assembly Group with 6 Output Relays (Changeover / Form C)
- X3** – TIs: Standard phase current measuring card and sensitive ground current measuring
- X4** – TU: Card with 4 voltage transformer measuring inputs (0 ... 800 VAC, under UL: 0 ... 600 VAC)
- X102** – Protection Communication, Fiber optics interface, ST Connector
- X103** – Modbus TCP / IEC 60870-5-104 / DNP3.0 TCP/UDP, Redundant Ethernet interface, 100 Mbit/s, RJ45 (BASE100-FX)
- X104** – IRIG-B00X, incl. System Contact (Supervision Contact)

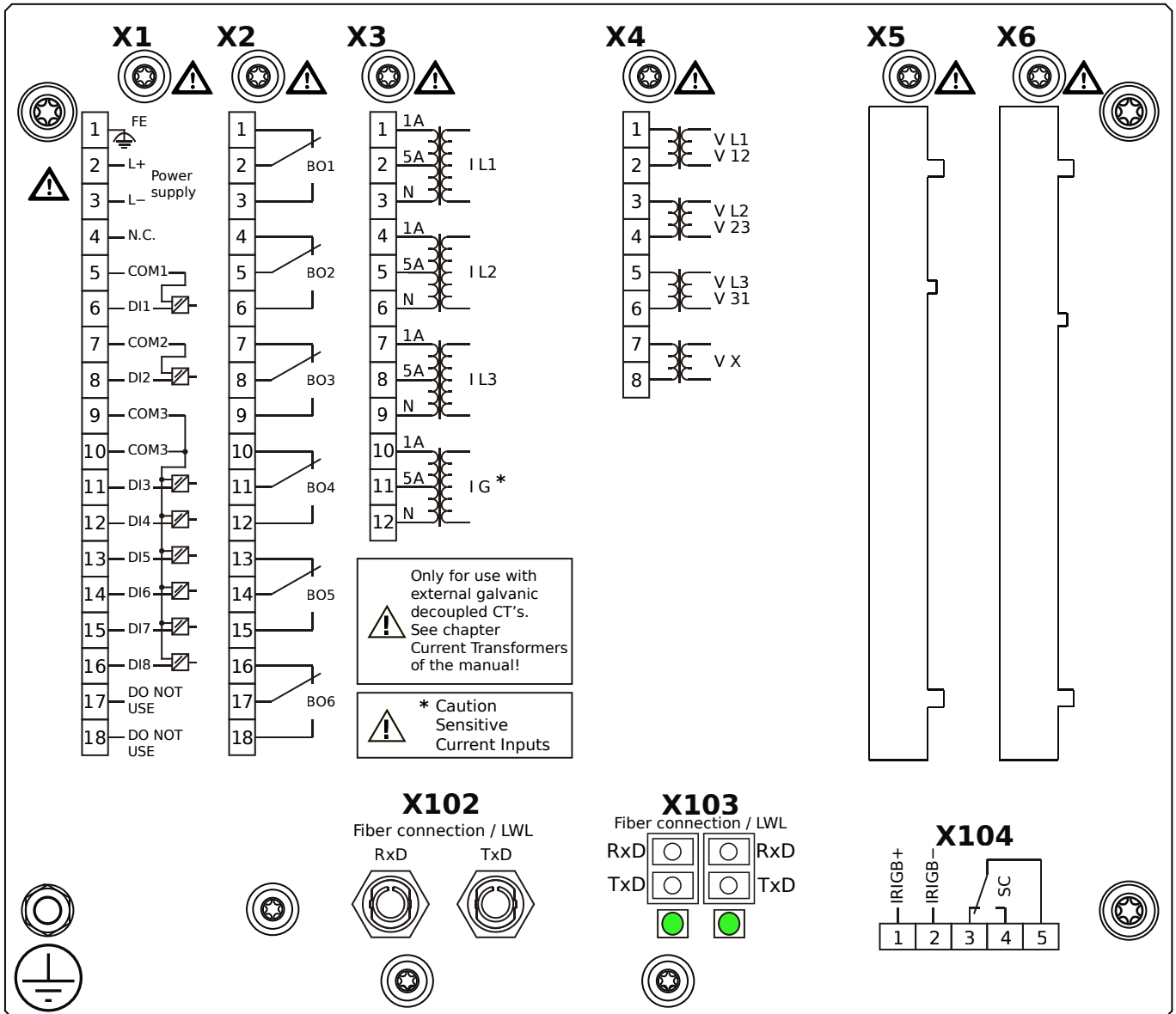
MCDLV4-2A1B1QA



Housing B2, large display, 19" rack mounting

- X1** – DI8-X1: Wide-range power supply unit, incl. 2 non-grouped digital inputs and 6 grouped digital inputs
- X2** – OR6: Assembly Group with 6 Output Relays (Changeover / Form C)
- X3** – TIs: Standard phase current measuring card and sensitive ground current measuring
- X4** – TU: Card with 4 voltage transformer measuring inputs (0 ... 800 VAC, under UL: 0 ... 600 VAC)
- X102** – Protection Communication, Fiber optics interface, ST Connector
- X103** – IEC 61850 / Modbus TCP / IEC 60870-5-104 / DNP3.0 TCP/UDP, Redundant Fiber optics interface, LC Connector
- X104** – IRIG-B00X, incl. System Contact (Supervision Contact)

MCDLV4-2A1B1QB



Housing B2, large display, 19" rack mounting

+ Conformal Coating (for installations in harsh environment)

X1 – DI8-X1: Wide-range power supply unit, incl. 2 non-grouped digital inputs and 6 grouped digital inputs

X2 – OR6: Assembly Group with 6 Output Relays (Changeover / Form C)

X3 – TIs: Standard phase current measuring card and sensitive ground current measuring

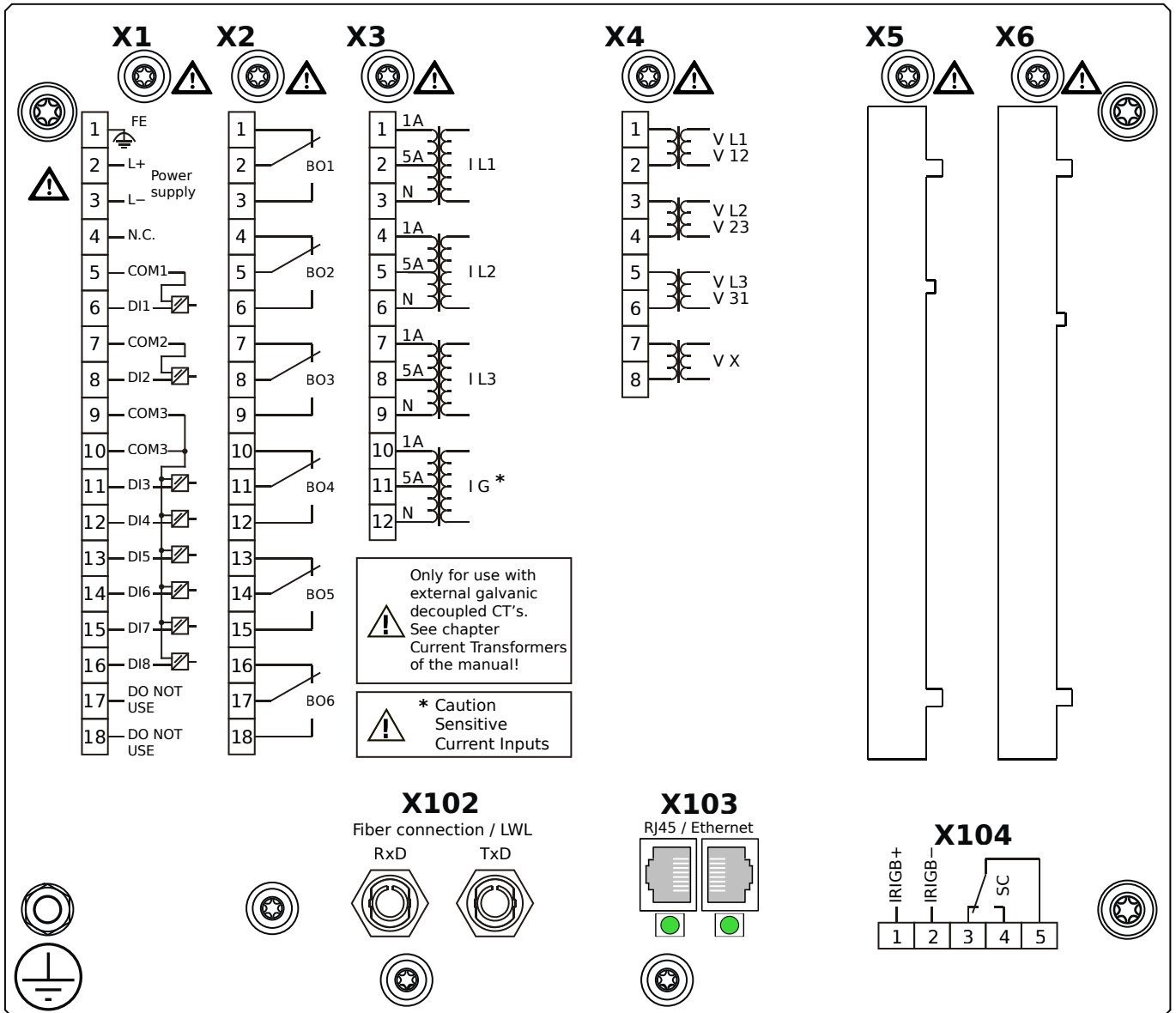
X4 – TU: Card with 4 voltage transformer measuring inputs (0 ... 800 VAC, under UL: 0 ... 600 VAC)

X102 – Protection Communication, Fiber optics interface, ST Connector

X103 – IEC 61850 / Modbus TCP / IEC 60870-5-104 / DNP3.0 TCP/UDP, Redundant Fiber optics interface, LC Connector

X104 – IRIG-B00X, incl. System Contact (Supervision Contact)

MCDLV4-2A1B1RA



Housing B2, large display, 19" rack mounting

X1 – DI8-X1: Wide-range power supply unit, incl. 2 non-grouped digital inputs and 6 grouped digital inputs

X2 – OR6: Assembly Group with 6 Output Relays (Changeover / Form C)

X3 – TIs: Standard phase current measuring card and sensitive ground current measuring

X4 – TU: Card with 4 voltage transformer measuring inputs (0 ... 800 VAC, under UL: 0 ... 600 VAC)

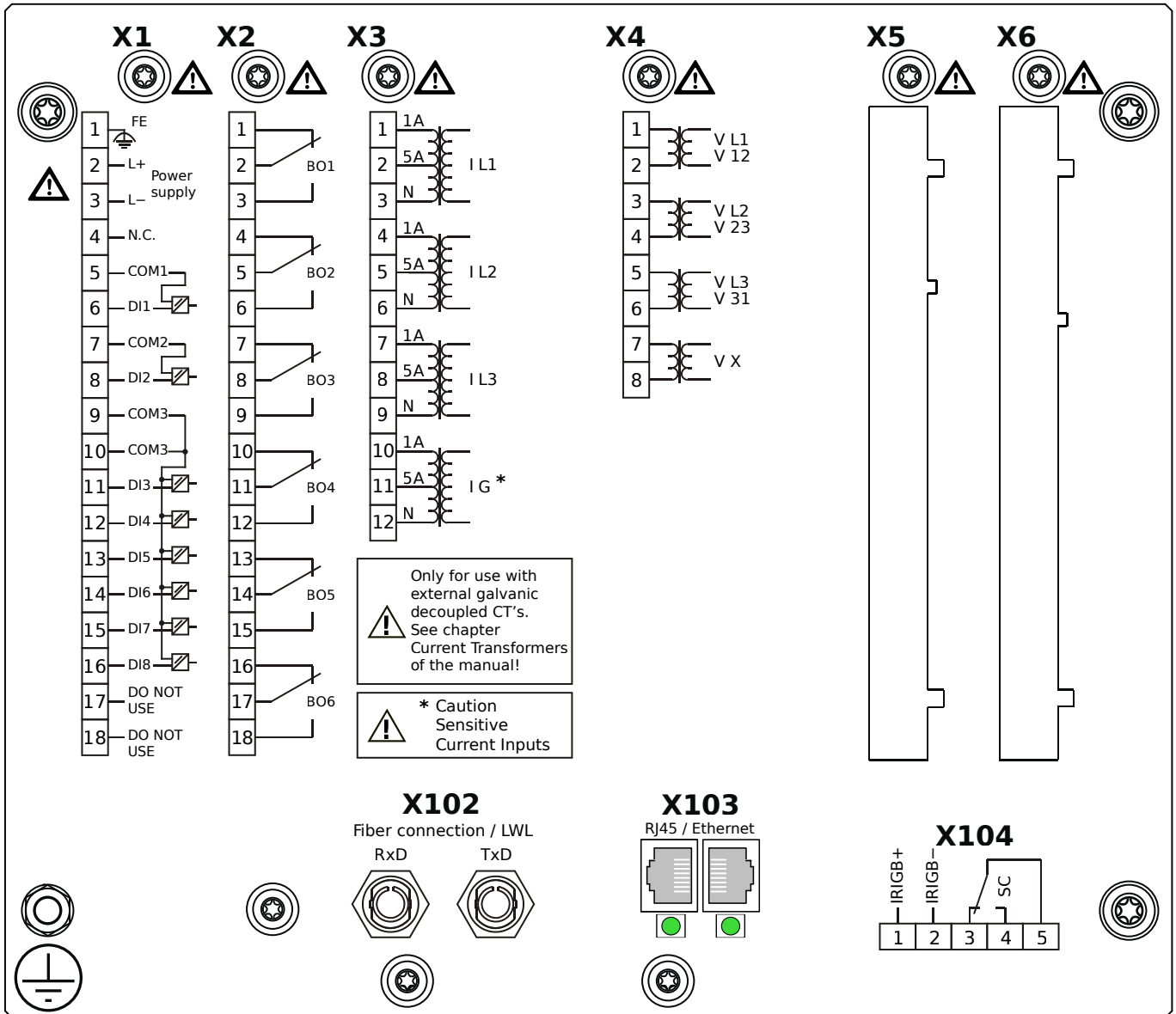
X102 – Protection Communication, Fiber optics interface, ST Connector

X103 – IEC 61850 / Modbus TCP / IEC 60870-5-104 / DNP3.0 TCP/UDP, Redundant Ethernet interface, 100 Mbit/s, RJ45

(BASE100-FX)

X104 – IRIG-B00X, incl. System Contact (Supervision Contact)

MCDLV4-2A1B1RB



Housing B2, large display, 19" rack mounting

- + Conformal Coating (for installations in harsh environment)

X1 – DI8-X1: Wide-range power supply unit, incl. 2 non-grouped digital inputs and 6 grouped digital inputs

X2 – OR6: Assembly Group with 6 Output Relays (Changeover / Form C)

X3 – TIs: Standard phase current measuring card and sensitive ground current measuring

X4 – TU: Card with 4 voltage transformer measuring inputs (0 ... 800 VAC, under UL: 0 ... 600 VAC)

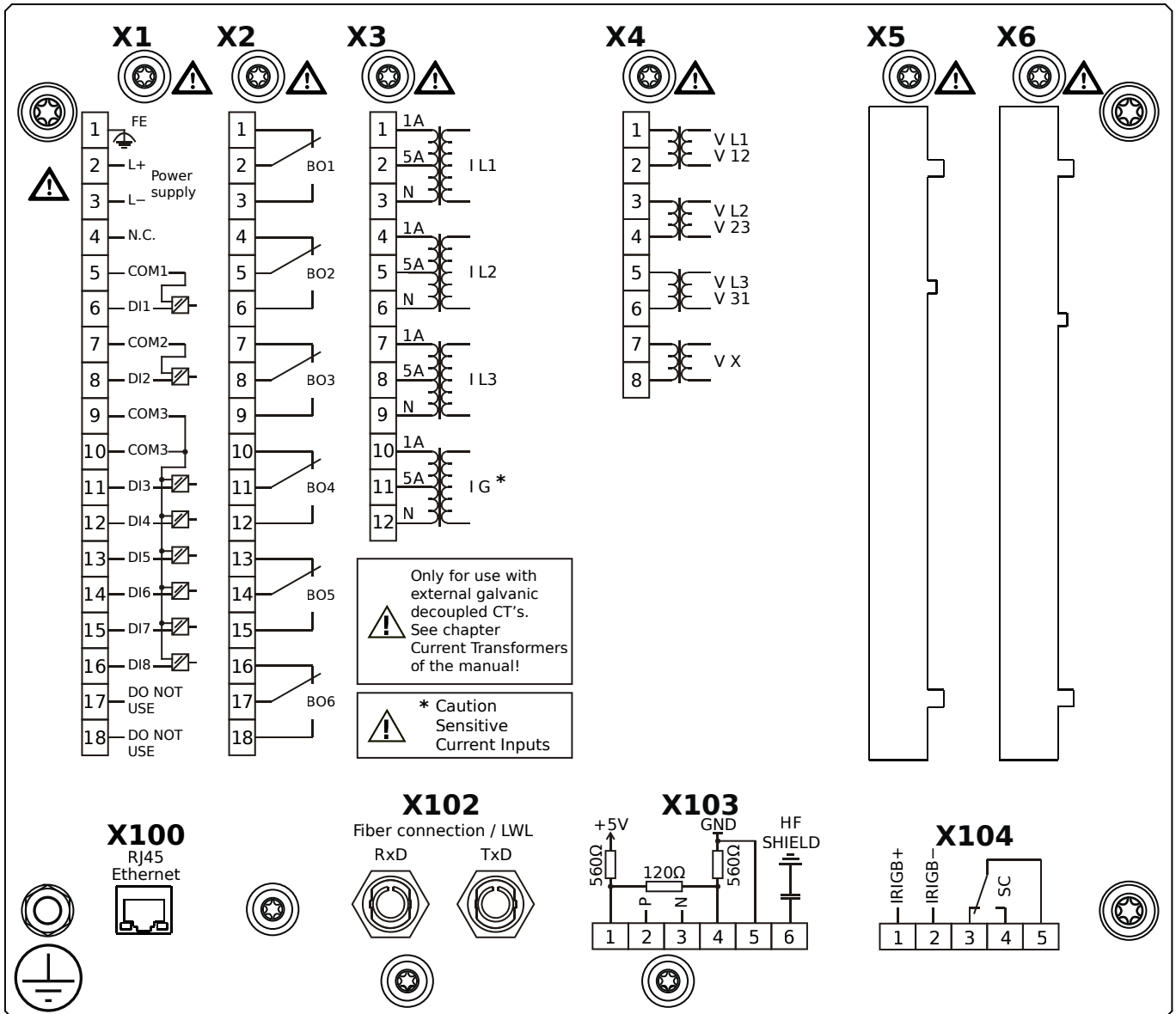
X102 – Protection Communication, Fiber optics interface, ST Connector

X103 – IEC 61850 / Modbus TCP / IEC 60870-5-104 / DNP3.0 TCP/UDP, Redundant Ethernet interface, 100 Mbit/s, RJ45

(BASE100-FX)

X104 – IRIG-B00X, incl. System Contact (Supervision Contact)

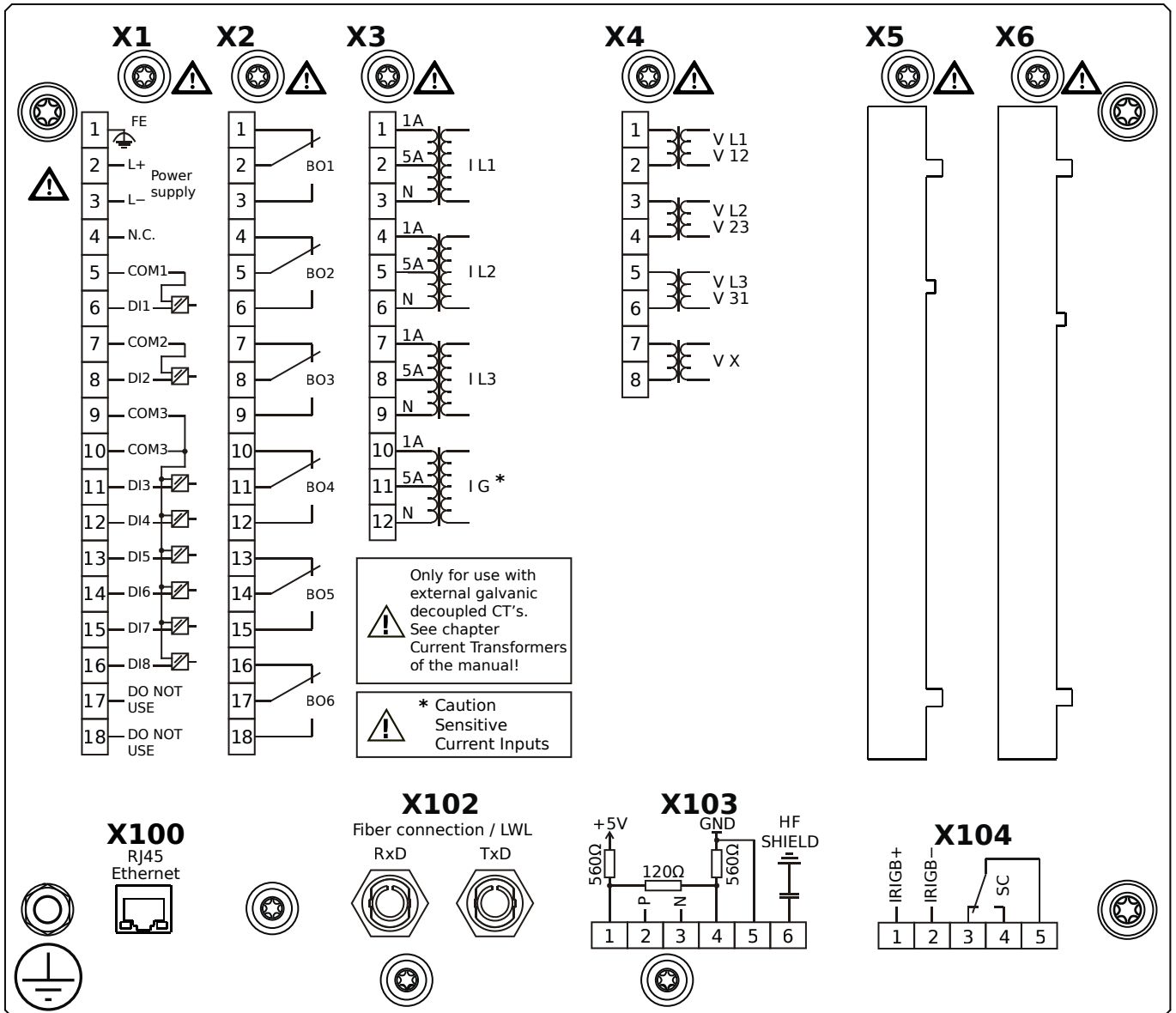
MCDLV4-2A1B1TA



Housing B2, large display, 19" rack mounting

- X1** – DI8-X1: Wide-range power supply unit, incl. 2 non-grouped digital inputs and 6 grouped digital inputs
- X2** – OR6: Assembly Group with 6 Output Relays (Changeover / Form C)
- X3** – TIs: Standard phase current measuring card and sensitive ground current measuring
- X4** – TU: Card with 4 voltage transformer measuring inputs (0 ... 800 VAC, under UL: 0 ... 600 VAC)
- X100** – IEC 61850 / Modbus TCP / IEC 60870-5-104 / DNP3.0 TCP/UDP, Ethernet interface, 100 Mbit/s, RJ45 (BASE100-FX)
- X102** – Protection Communication, Fiber optics interface, ST Connector
- X103** – IEC 60870-5-103 / Modbus RTU / DNP3.0 RTU, RS485, Terminals
- X104** – IRIG-B00X, incl. System Contact (Supervision Contact)

MCDLV4-2A1B1TB



Housing B2, large display, 19" rack mounting

+ Conformal Coating (for installations in harsh environment)

X1 – DI8-X1: Wide-range power supply unit, incl. 2 non-grouped digital inputs and 6 grouped digital inputs

X2 – OR6: Assembly Group with 6 Output Relays (Changeover / Form C)

X3 – TIs: Standard phase current measuring card and sensitive ground current measuring

X4 – TU: Card with 4 voltage transformer measuring inputs (0 ... 800 VAC, under UL: 0 ... 600 VAC)

X100 – IEC 61850 / Modbus TCP / IEC 60870-5-104 / DNP3.0 TCP/UDP, Ethernet interface, 100 Mbit/s, RJ45 (BASE100-

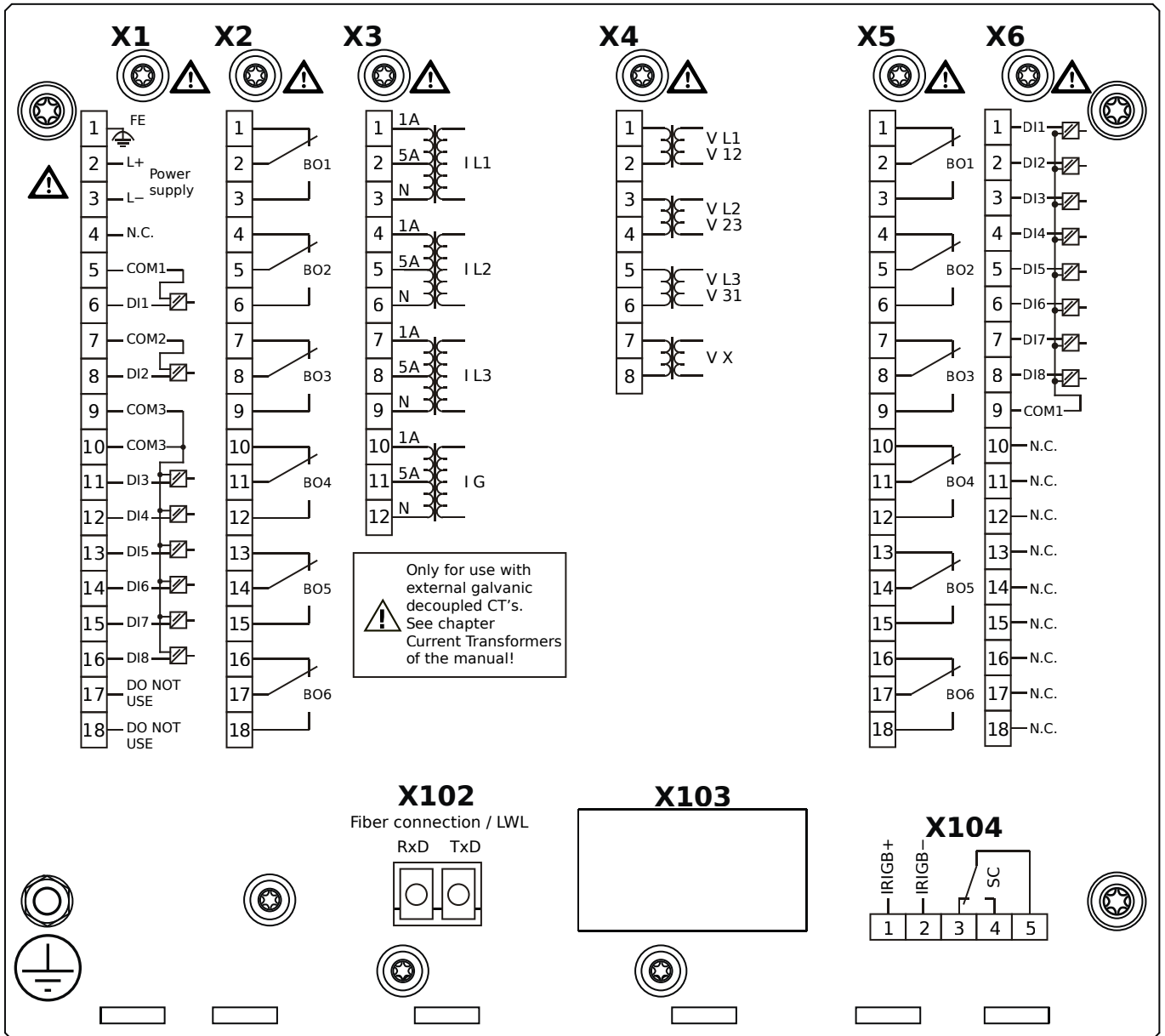
FX)

X102 – Protection Communication, Fiber optics interface, ST Connector

X103 – IEC 60870-5-103 / Modbus RTU / DNP3.0 RTU, RS485, Terminals

X104 – IRIG-B00X, incl. System Contact (Supervision Contact)

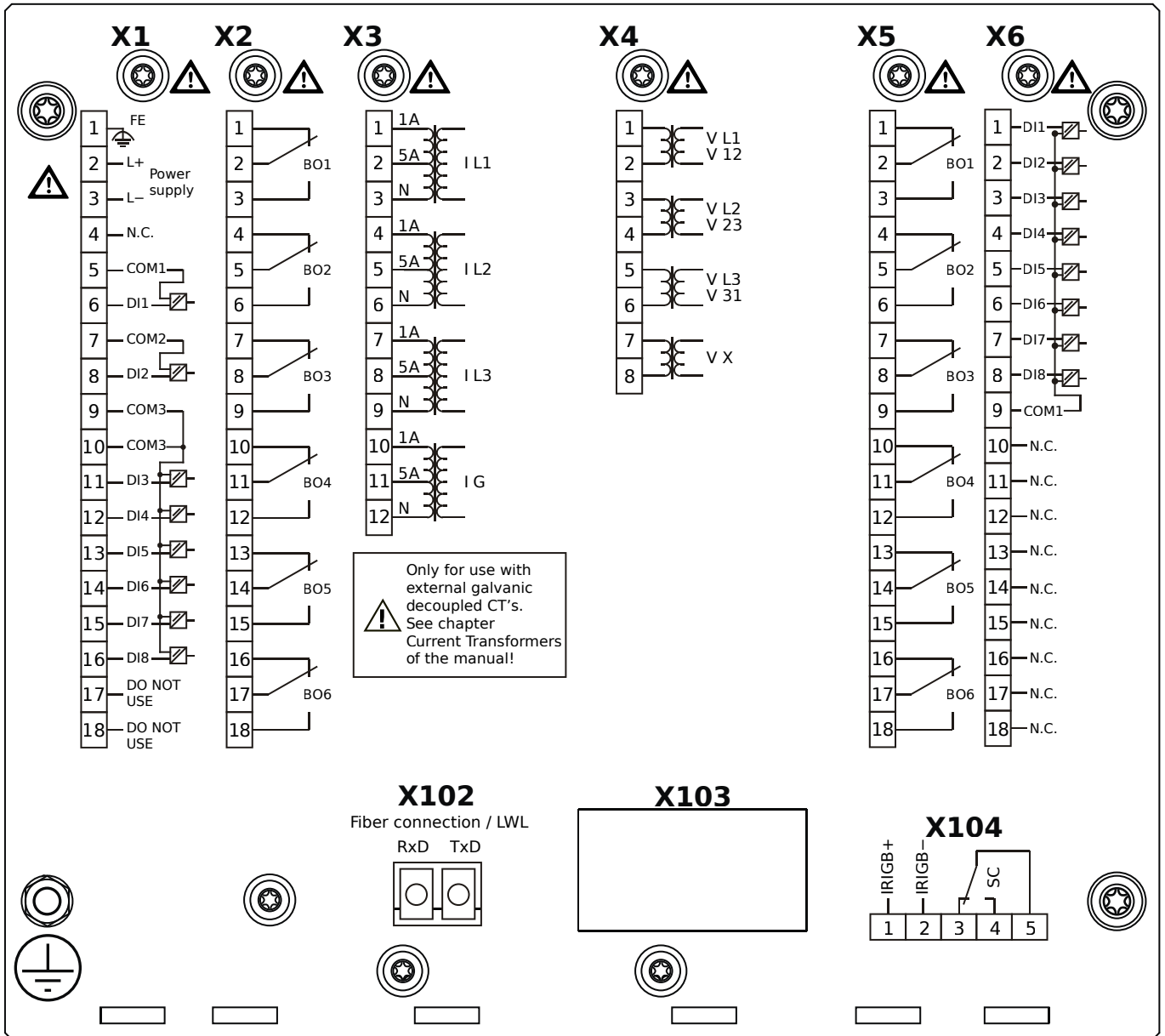
MCDLV4-2D0A0AA



Housing B2, large display, door mounting

- X1** – DI8-X1: Wide-range power supply unit, incl. 2 non-grouped digital inputs and 6 grouped digital inputs
- X2** – OR6: Assembly Group with 6 Output Relays (Changeover / Form C)
- X3** – TI: Standard current measuring card
- X4** – TU: Card with 4 voltage transformer measuring inputs (0 ... 800 VAC, under UL: 0 ... 600 VAC)
- X5** – OR6: Assembly Group with 6 Output Relays (Changeover / Form C)
- X6** – DI8: Assembly Group with 8 Digital Inputs
- X102** – Long-distance Protection Communication, Fiber optics interface, LC Connector
- X104** – IRIG-B00X, incl. System Contact (Supervision Contact)

MCDLV4-2D0A0AB

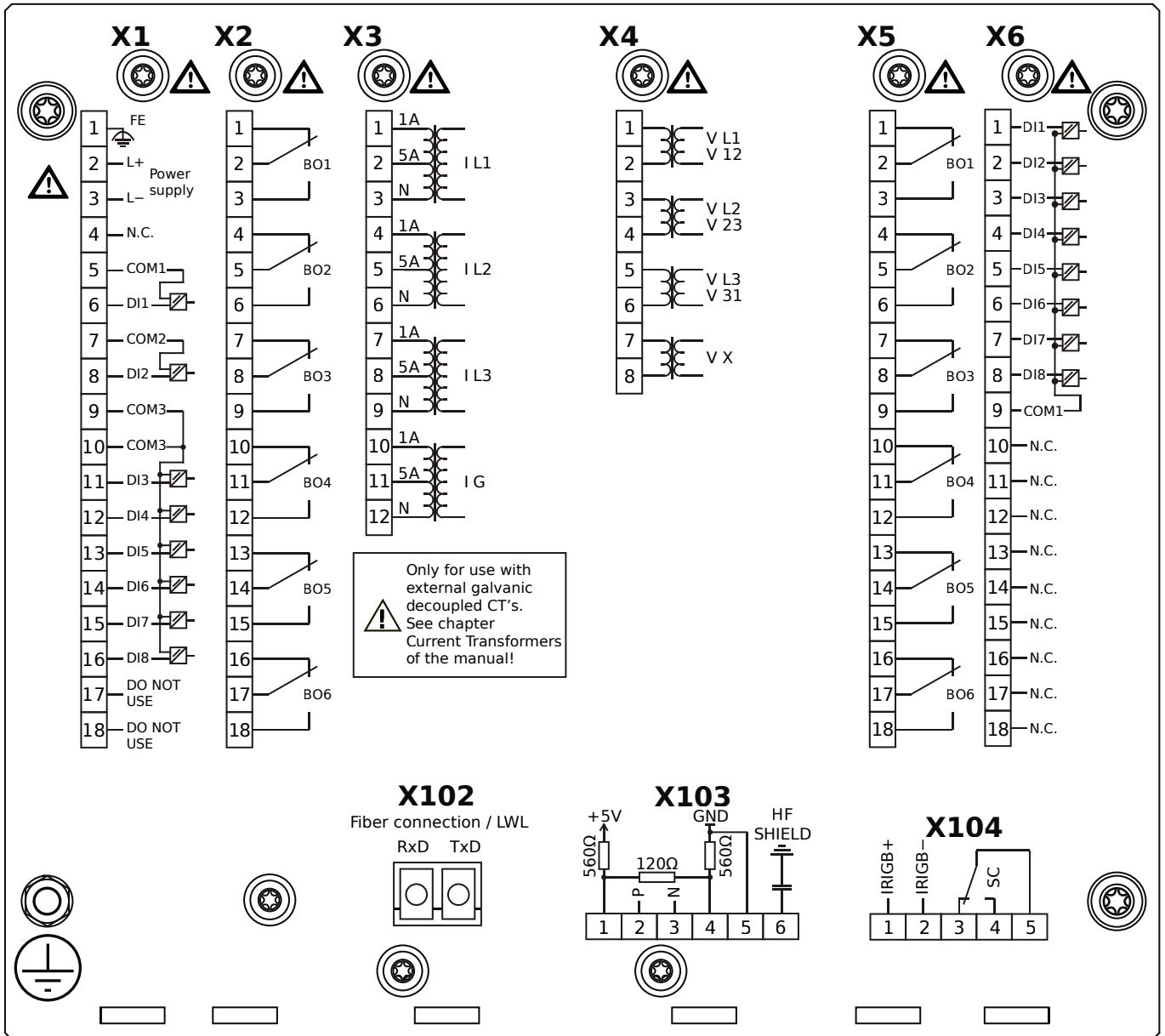


Housing B2, large display, door mounting

- + Conformal Coating (for installations in harsh environment)

- X1** – DI8-X1: Wide-range power supply unit, incl. 2 non-grouped digital inputs and 6 grouped digital inputs
- X2** – OR6: Assembly Group with 6 Output Relays (Changeover / Form C)
- X3** – TI: Standard current measuring card
- X4** – TU: Card with 4 voltage transformer measuring inputs (0 ... 800 VAC, under UL: 0 ... 600 VAC)
- X5** – OR6: Assembly Group with 6 Output Relays (Changeover / Form C)
- X6** – DI8: Assembly Group with 8 Digital Inputs
- X102** – Long-distance Protection Communication, Fiber optics interface, LC Connector
- X104** – IRIG-B00X, incl. System Contact (Supervision Contact)

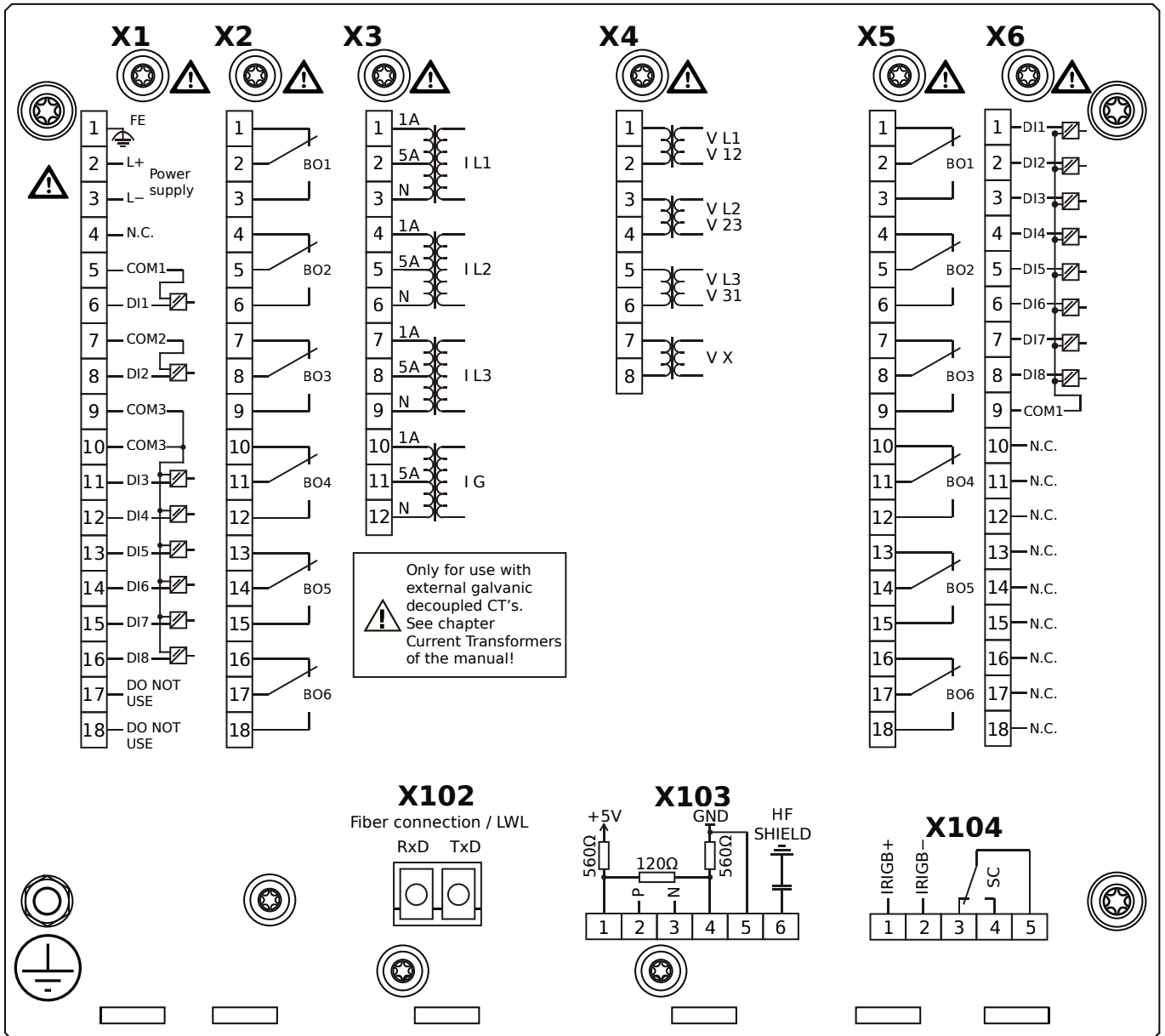
MCDLV4-2D0A0BA



Housing B2, large display, door mounting

- X1** – DI8-X1: Wide-range power supply unit, incl. 2 non-grouped digital inputs and 6 grouped digital inputs
- X2** – OR6: Assembly Group with 6 Output Relays (Changeover / Form C)
- X3** – TI: Standard current measuring card
- X4** – TU: Card with 4 voltage transformer measuring inputs (0 ... 800 VAC, under UL: 0 ... 600 VAC)
- X5** – OR6: Assembly Group with 6 Output Relays (Changeover / Form C)
- X6** – DI8: Assembly Group with 8 Digital Inputs
- X102** – Long-distance Protection Communication, Fiber optics interface, LC Connector
- X103** – Modbus RTU / IEC 60870-5-103 / DNP3.0 RTU, RS485, Terminals
- X104** – IRIG-B00X, incl. System Contact (Supervision Contact)

MCDLV4-2D0A0BB

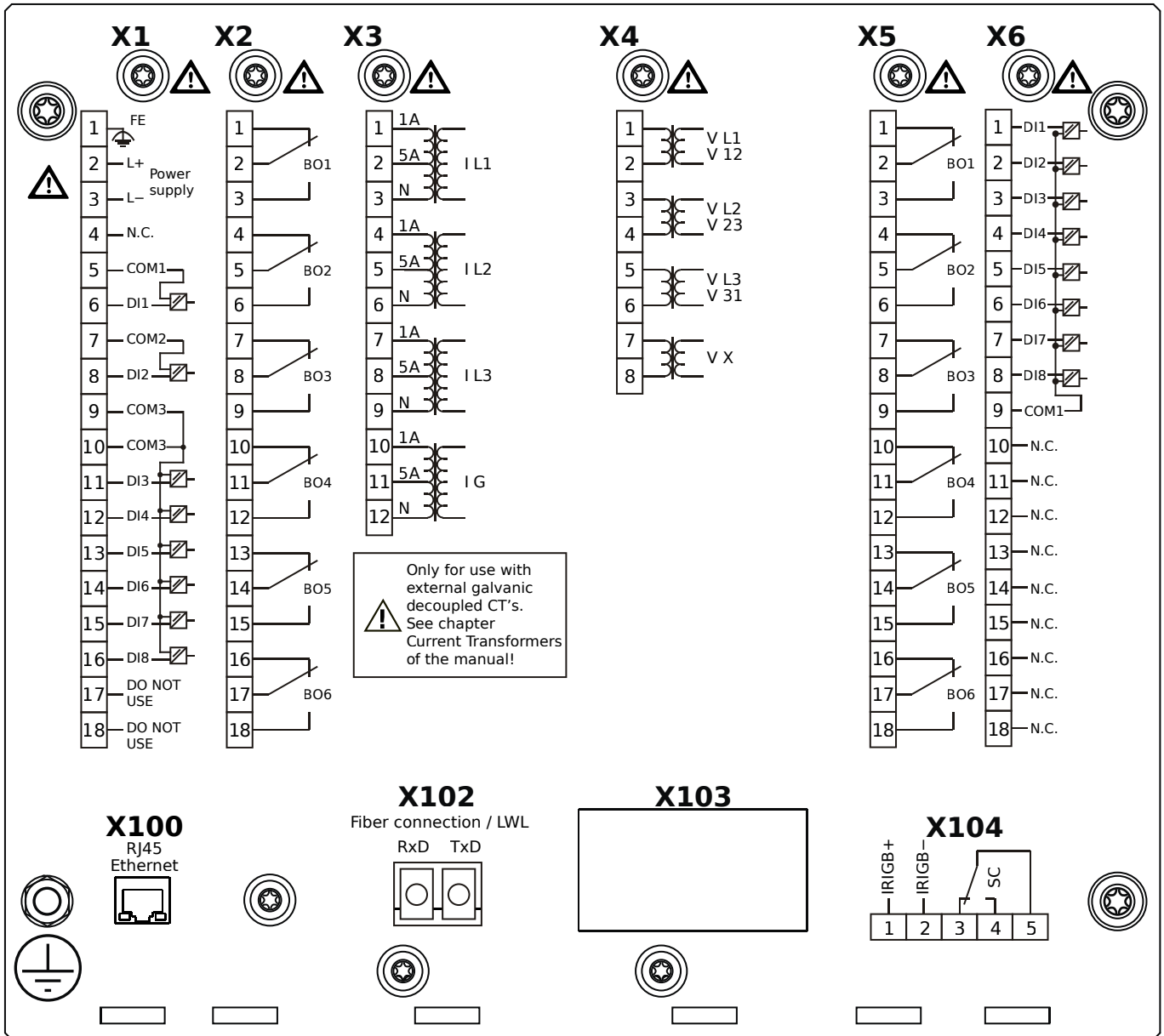


Housing B2, large display, door mounting

- + Conformal Coating (for installations in harsh environment)

- X1** – DI8-X1: Wide-range power supply unit, incl. 2 non-grouped digital inputs and 6 grouped digital inputs
- X2** – OR6: Assembly Group with 6 Output Relays (Changeover / Form C)
- X3** – TI: Standard current measuring card
- X4** – TU: Card with 4 voltage transformer measuring inputs (0 ... 800 VAC, under UL: 0 ... 600 VAC)
- X5** – OR6: Assembly Group with 6 Output Relays (Changeover / Form C)
- X6** – DI8: Assembly Group with 8 Digital Inputs
- X102** – Long-distance Protection Communication, Fiber optics interface, LC Connector
- X103** – Modbus RTU / IEC 60870-5-103 / DNP3.0 RTU, RS485, Terminals
- X104** – IRIG-B00X, incl. System Contact (Supervision Contact)

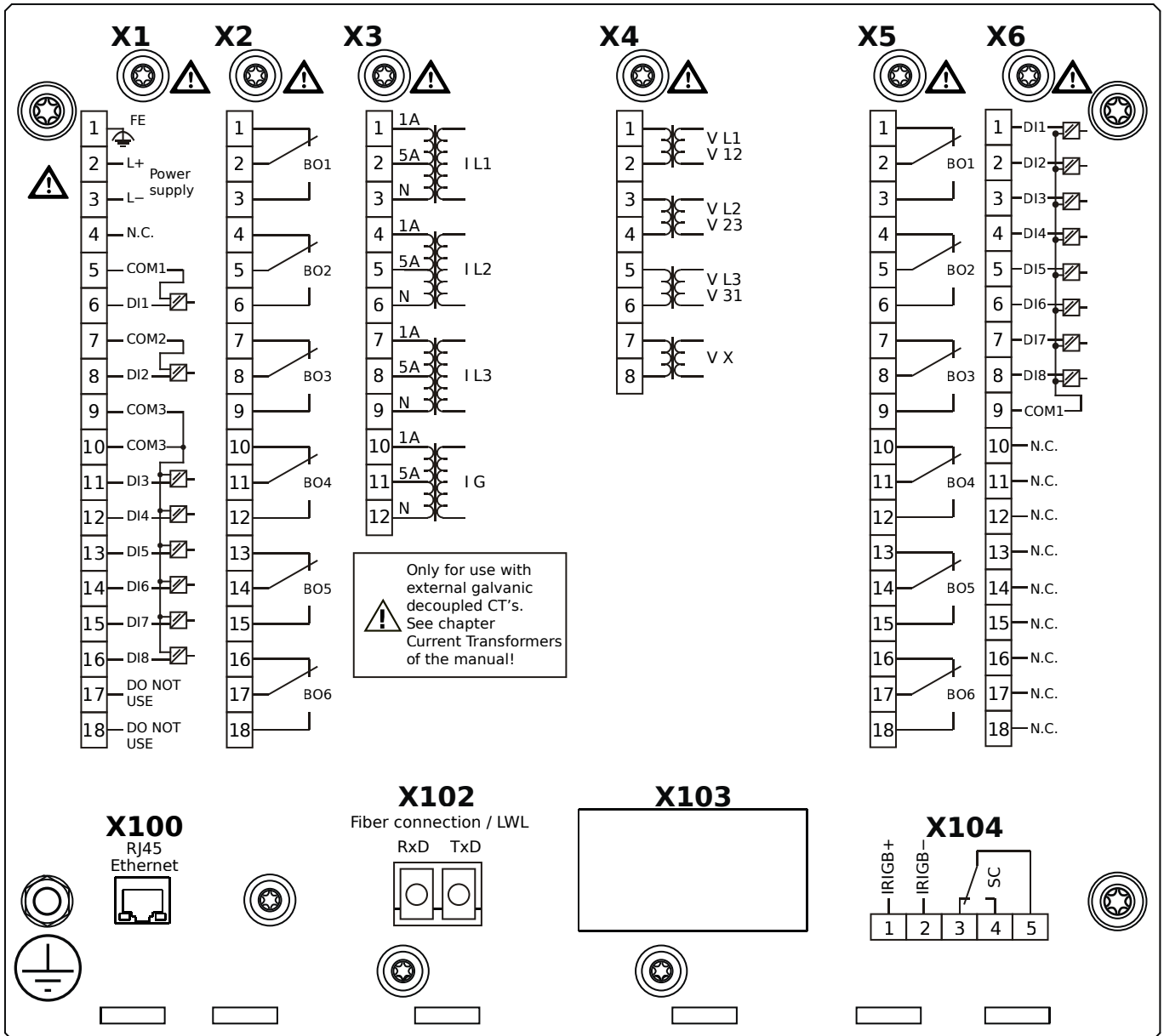
MCDLV4-2D0A0CA



Housing B2, large display, door mounting

- X1** – DI8-X1: Wide-range power supply unit, incl. 2 non-grouped digital inputs and 6 grouped digital inputs
- X2** – OR6: Assembly Group with 6 Output Relays (Changeover / Form C)
- X3** – TI: Standard current measuring card
- X4** – TU: Card with 4 voltage transformer measuring inputs (0 ... 800 VAC, under UL: 0 ... 600 VAC)
- X5** – OR6: Assembly Group with 6 Output Relays (Changeover / Form C)
- X6** – DI8: Assembly Group with 8 Digital Inputs
- X100** – Modbus TCP / IEC 60870-5-104 / DNP3.0 TCP/UDP, Ethernet interface, 100 Mbit/s, RJ45 (BASE100-FX)
- X102** – Long-distance Protection Communication, Fiber optics interface, LC Connector
- X104** – IRIG-B00X, incl. System Contact (Supervision Contact)

MCDLV4-2D0A0CB

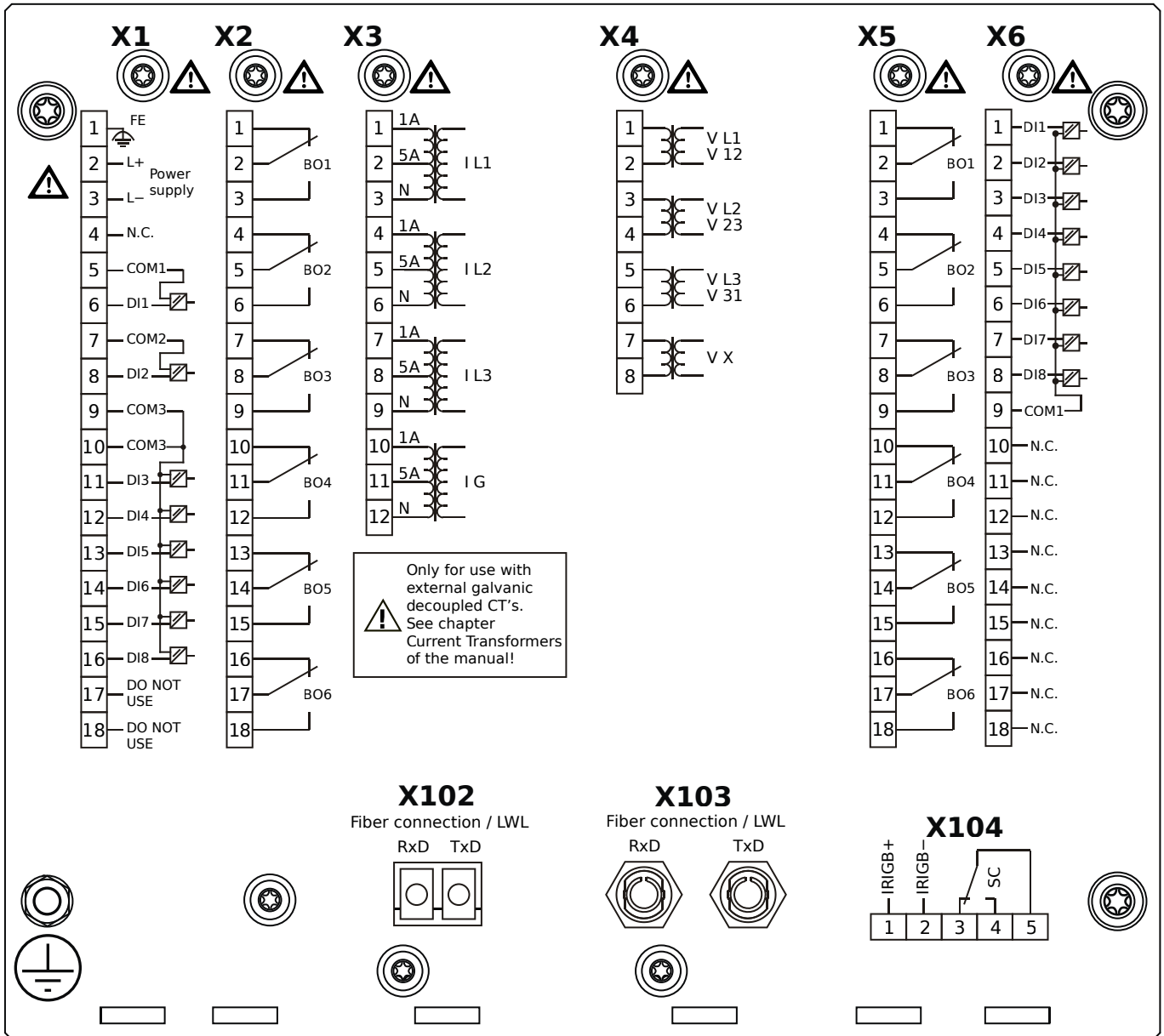


Housing B2, large display, door mounting

- + Conformal Coating (for installations in harsh environment)

- X1** – DI8-X1: Wide-range power supply unit, incl. 2 non-grouped digital inputs and 6 grouped digital inputs
- X2** – OR6: Assembly Group with 6 Output Relays (Changeover / Form C)
- X3** – TI: Standard current measuring card
- X4** – TU: Card with 4 voltage transformer measuring inputs (0 ... 800 VAC, under UL: 0 ... 600 VAC)
- X5** – OR6: Assembly Group with 6 Output Relays (Changeover / Form C)
- X6** – DI8: Assembly Group with 8 Digital Inputs
- X100** – Modbus TCP / IEC 60870-5-104 / DNP3.0 TCP/UDP, Ethernet interface, 100 Mbit/s, RJ45 (BASE100-FX)
- X102** – Long-distance Protection Communication, Fiber optics interface, LC Connector
- X104** – IRIG-B00X, incl. System Contact (Supervision Contact)

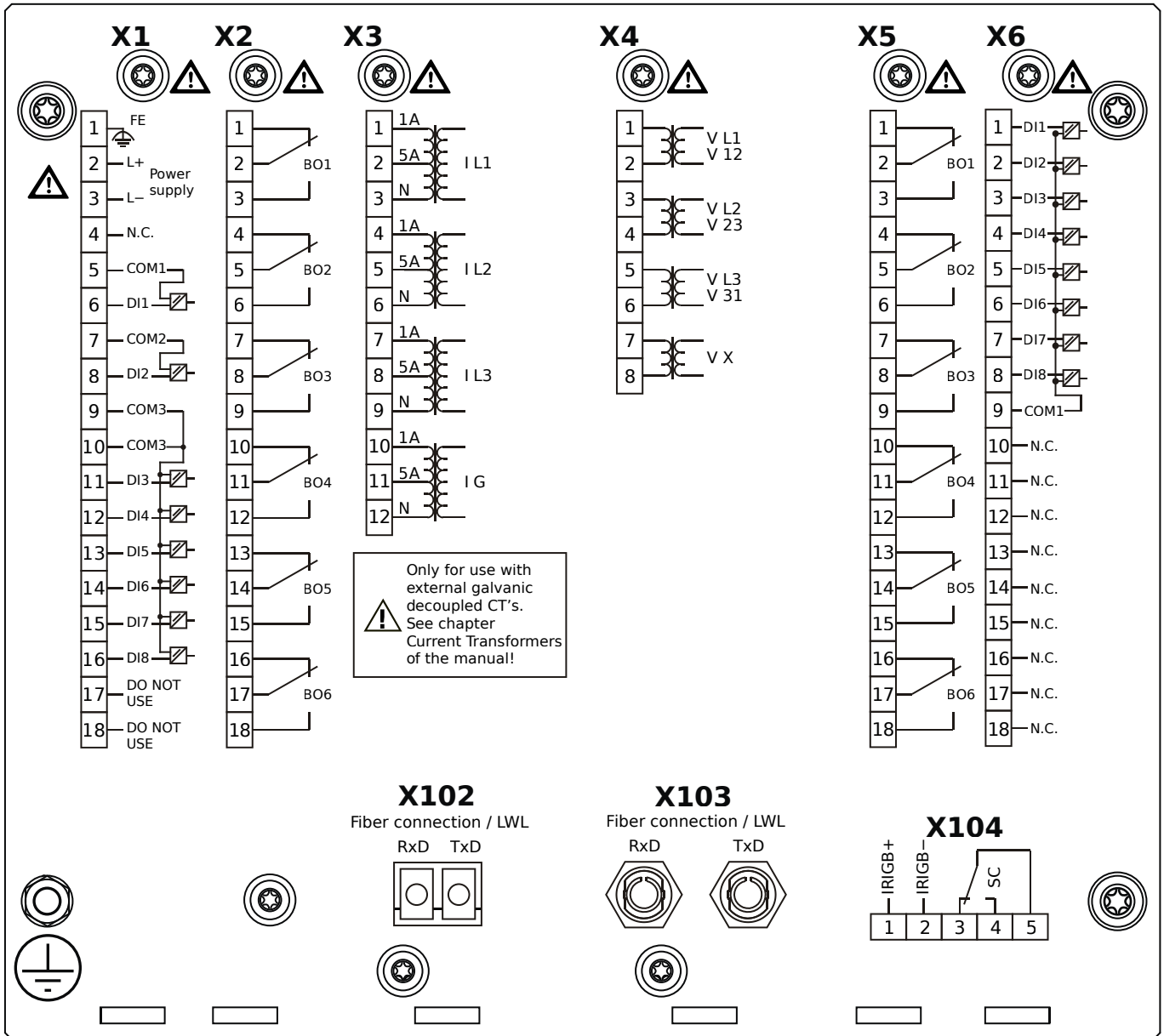
MCDLV4-2D0A0DA



Housing B2, large display, door mounting

- X1** – DI8-X1: Wide-range power supply unit, incl. 2 non-grouped digital inputs and 6 grouped digital inputs
- X2** – OR6: Assembly Group with 6 Output Relays (Changeover / Form C)
- X3** – TI: Standard current measuring card
- X4** – TU: Card with 4 voltage transformer measuring inputs (0 ... 800 VAC, under UL: 0 ... 600 VAC)
- X5** – OR6: Assembly Group with 6 Output Relays (Changeover / Form C)
- X6** – DI8: Assembly Group with 8 Digital Inputs
- X102** – Long-distance Protection Communication, Fiber optics interface, LC Connector
- X103** – Profibus-DP, Fiber optics interface, ST Connector
- X104** – IRIG-B00X, incl. System Contact (Supervision Contact)

MCDLV4-2D0A0DB

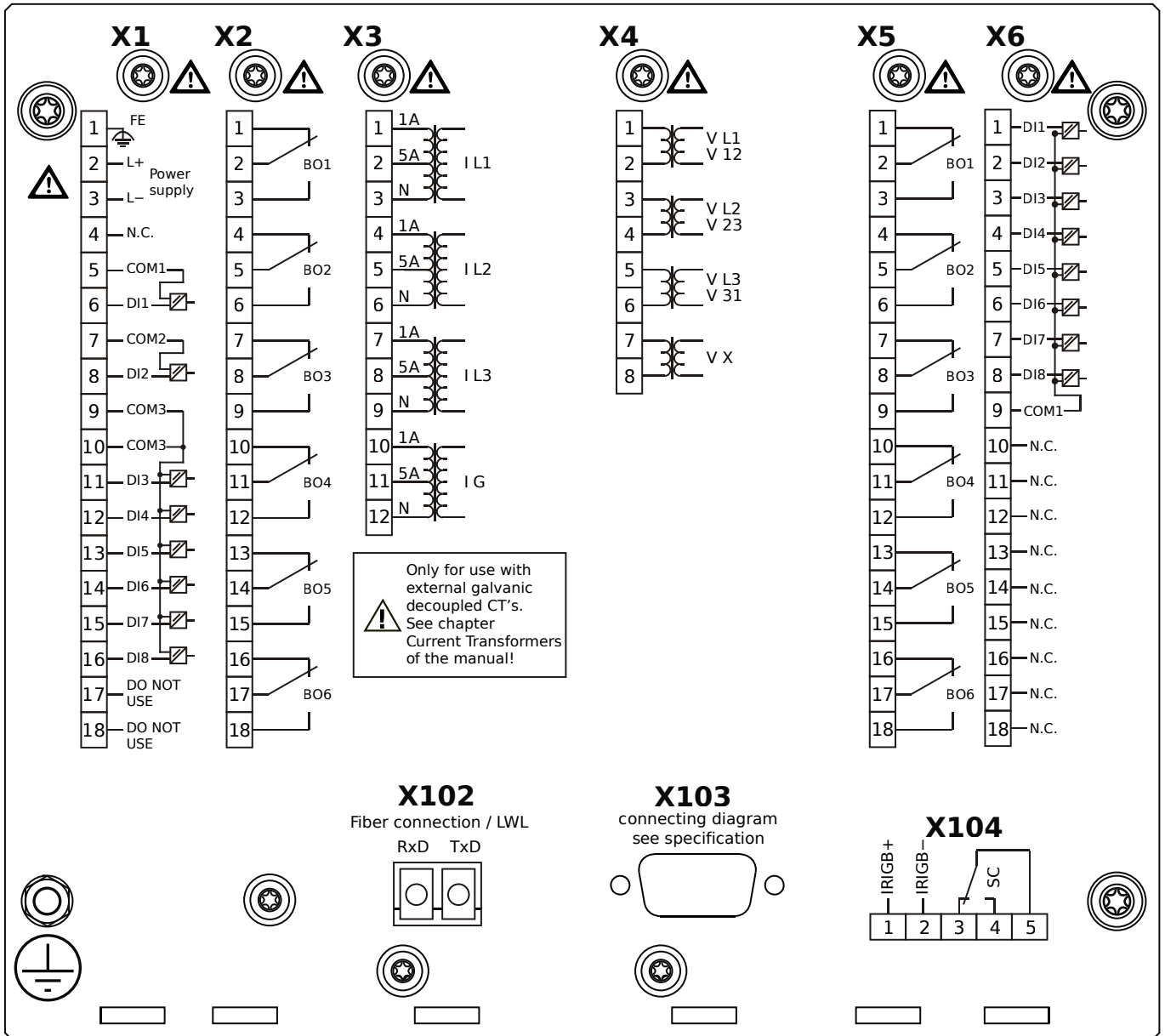


Housing B2, large display, door mounting

- + Conformal Coating (for installations in harsh environment)

- X1** – DI8-X1: Wide-range power supply unit, incl. 2 non-grouped digital inputs and 6 grouped digital inputs
- X2** – OR6: Assembly Group with 6 Output Relays (Changeover / Form C)
- X3** – TI: Standard current measuring card
- X4** – TU: Card with 4 voltage transformer measuring inputs (0 ... 800 VAC, under UL: 0 ... 600 VAC)
- X5** – OR6: Assembly Group with 6 Output Relays (Changeover / Form C)
- X6** – DI8: Assembly Group with 8 Digital Inputs
- X102** – Long-distance Protection Communication, Fiber optics interface, LC Connector
- X103** – Profibus-DP, Fiber optics interface, ST Connector
- X104** – IRIG-B00X, incl. System Contact (Supervision Contact)

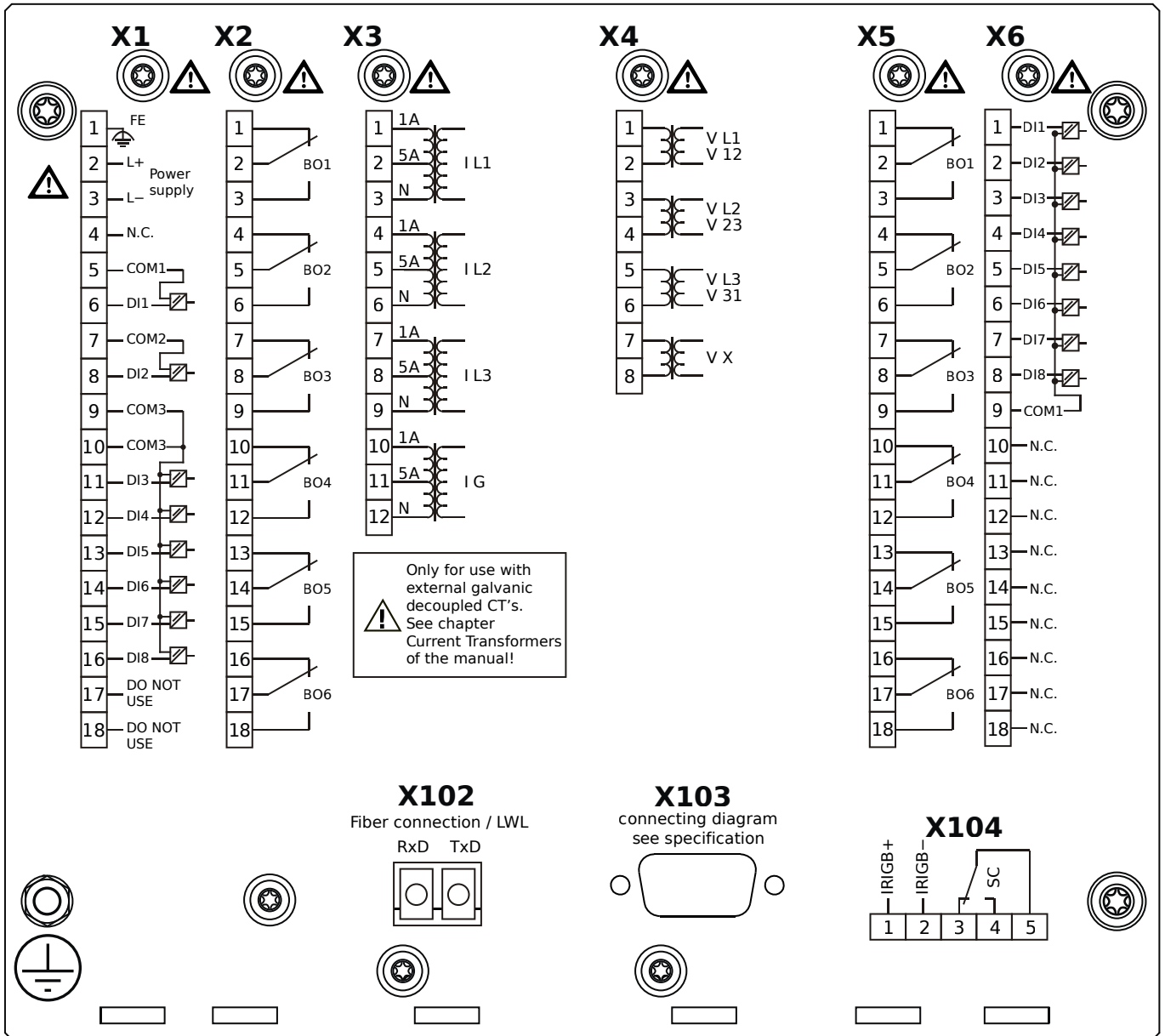
MCDLV4-2D0A0EA



Housing B2, large display, door mounting

- X1** – DI8-X1: Wide-range power supply unit, incl. 2 non-grouped digital inputs and 6 grouped digital inputs
- X2** – OR6: Assembly Group with 6 Output Relays (Changeover / Form C)
- X3** – TI: Standard current measuring card
- X4** – TU: Card with 4 voltage transformer measuring inputs (0 ... 800 VAC, under UL: 0 ... 600 VAC)
- X5** – OR6: Assembly Group with 6 Output Relays (Changeover / Form C)
- X6** – DI8: Assembly Group with 8 Digital Inputs
- X102** – Long-distance Protection Communication, Fiber optics interface, LC Connector
- X103** – Profibus-DP, RS485, D-SUB
- X104** – IRIG-B00X, incl. System Contact (Supervision Contact)

MCDLV4-2D0A0EB

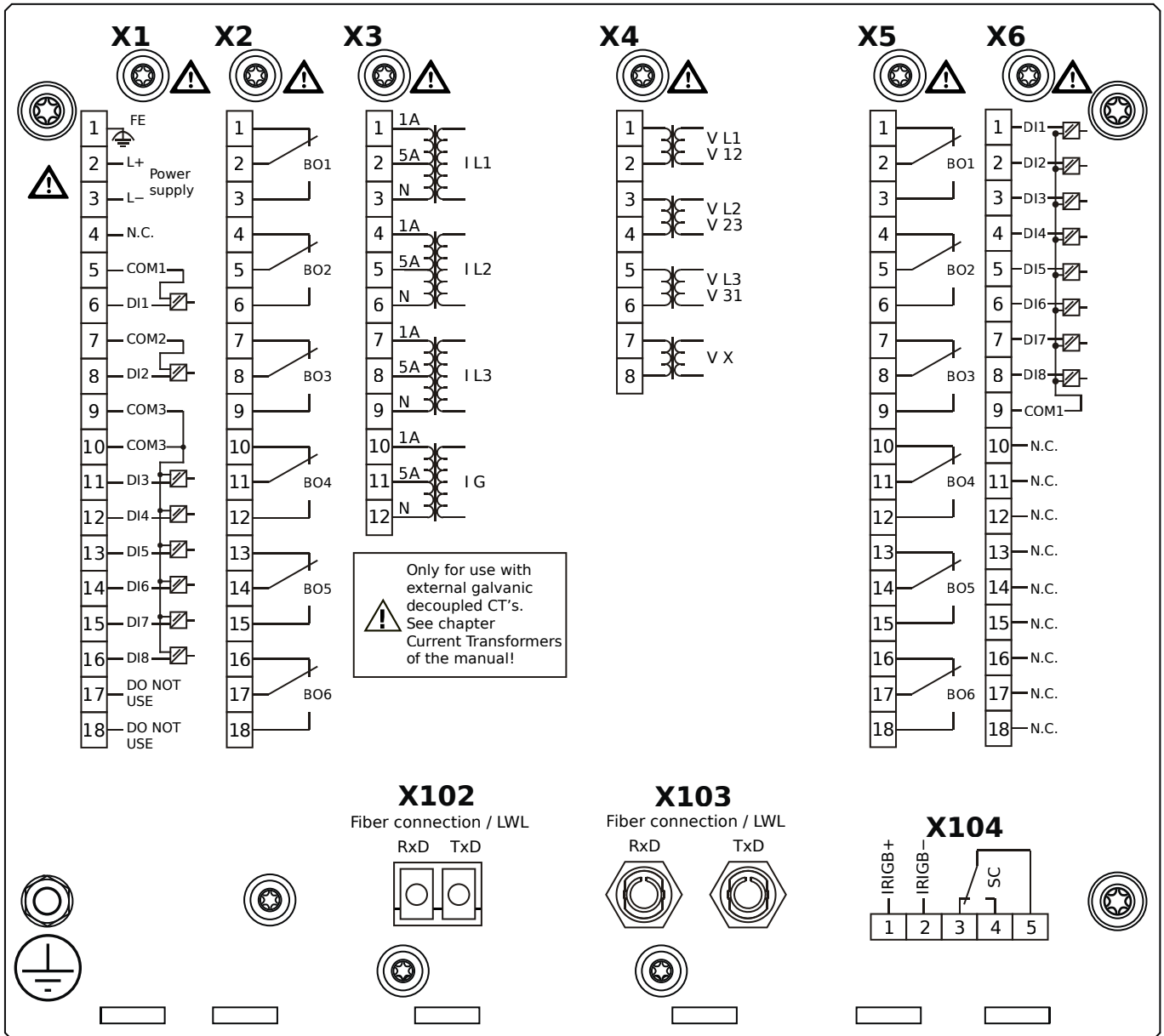


Housing B2, large display, door mounting

- + Conformal Coating (for installations in harsh environment)

- X1** – DI8-X1: Wide-range power supply unit, incl. 2 non-grouped digital inputs and 6 grouped digital inputs
- X2** – OR6: Assembly Group with 6 Output Relays (Changeover / Form C)
- X3** – TI: Standard current measuring card
- X4** – TU: Card with 4 voltage transformer measuring inputs (0 ... 800 VAC, under UL: 0 ... 600 VAC)
- X5** – OR6: Assembly Group with 6 Output Relays (Changeover / Form C)
- X6** – DI8: Assembly Group with 8 Digital Inputs
- X102** – Long-distance Protection Communication, Fiber optics interface, LC Connector
- X103** – Profibus-DP, RS485, D-SUB
- X104** – IRIG-B00X, incl. System Contact (Supervision Contact)

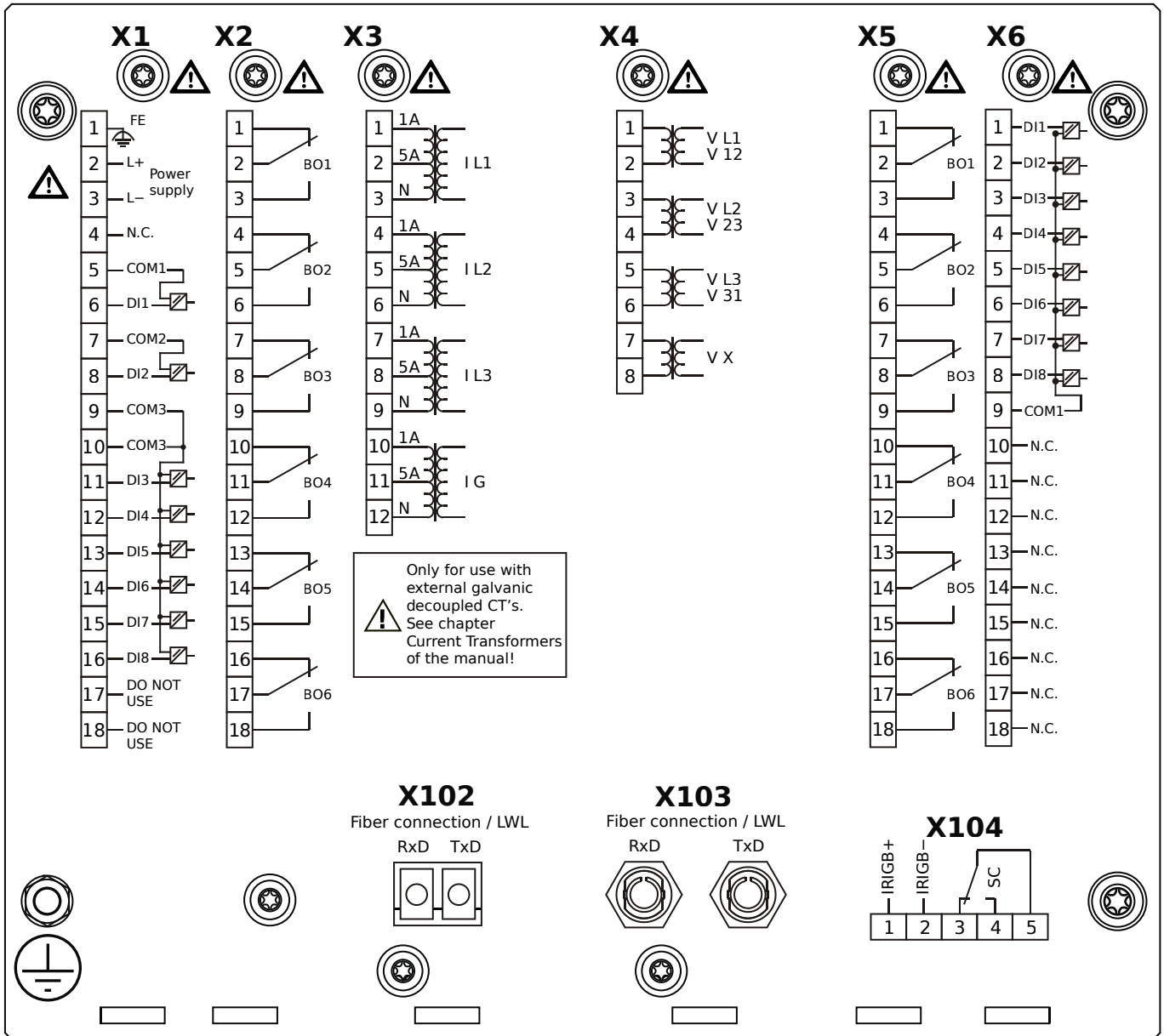
MCDLV4-2D0A0FA



Housing B2, large display, door mounting

- X1** – DI8-X1: Wide-range power supply unit, incl. 2 non-grouped digital inputs and 6 grouped digital inputs
- X2** – OR6: Assembly Group with 6 Output Relays (Changeover / Form C)
- X3** – TI: Standard current measuring card
- X4** – TU: Card with 4 voltage transformer measuring inputs (0 ... 800 VAC, under UL: 0 ... 600 VAC)
- X5** – OR6: Assembly Group with 6 Output Relays (Changeover / Form C)
- X6** – DI8: Assembly Group with 8 Digital Inputs
- X102** – Long-distance Protection Communication, Fiber optics interface, LC Connector
- X103** – Modbus RTU / IEC 60870-5-103 / DNP3.0 RTU, Fiber optics interface, ST Connector
- X104** – IRIG-B00X, incl. System Contact (Supervision Contact)

MCDLV4-2D0A0FB

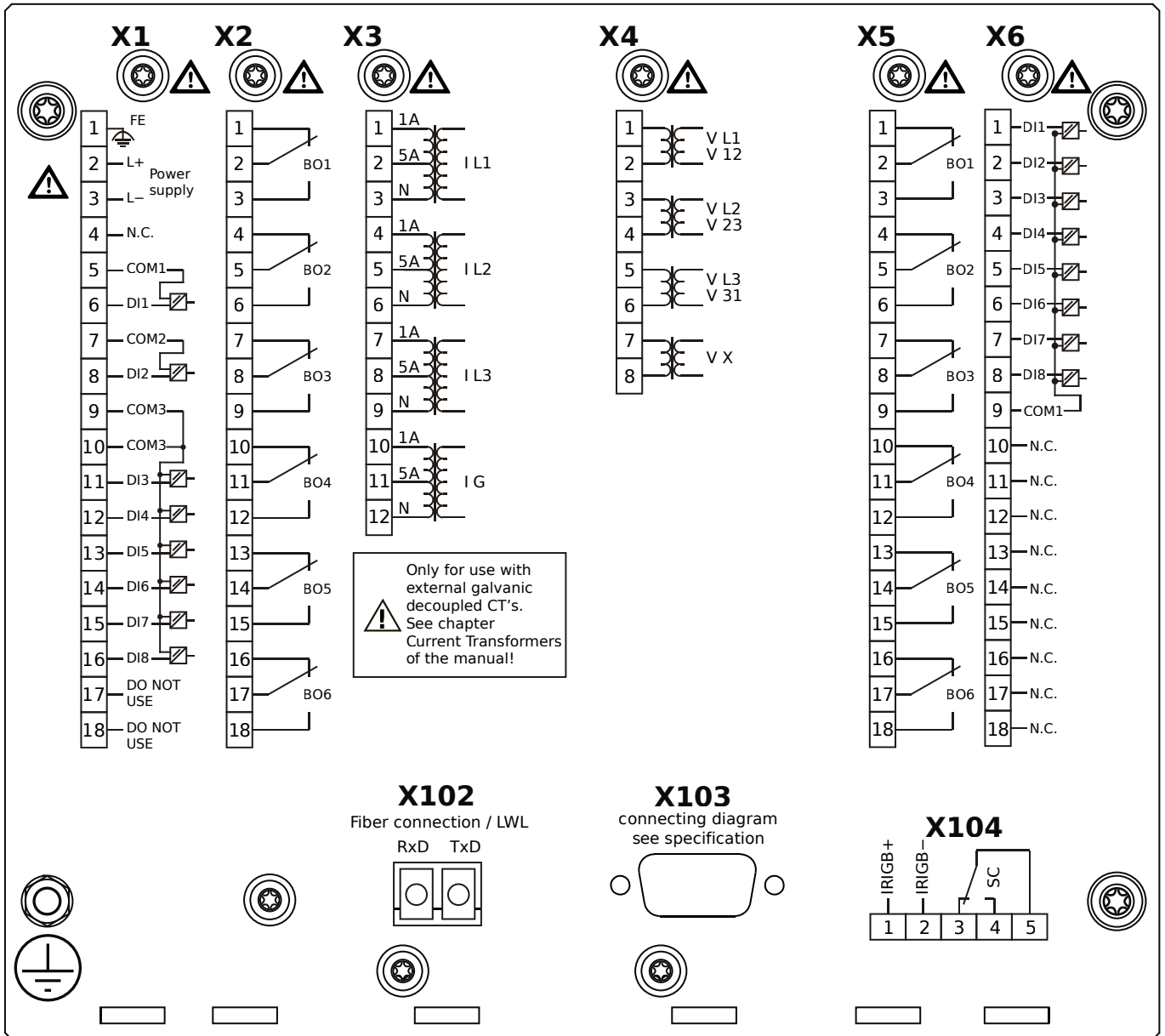


Housing B2, large display, door mounting

- + Conformal Coating (for installations in harsh environment)

- X1** – DI8-X1: Wide-range power supply unit, incl. 2 non-grouped digital inputs and 6 grouped digital inputs
- X2** – OR6: Assembly Group with 6 Output Relays (Changeover / Form C)
- X3** – TI: Standard current measuring card
- X4** – TU: Card with 4 voltage transformer measuring inputs (0 ... 800 VAC, under UL: 0 ... 600 VAC)
- X5** – OR6: Assembly Group with 6 Output Relays (Changeover / Form C)
- X6** – DI8: Assembly Group with 8 Digital Inputs
- X102** – Long-distance Protection Communication, Fiber optics interface, LC Connector
- X103** – Modbus RTU / IEC 60870-5-103 / DNP3.0 RTU, Fiber optics interface, ST Connector
- X104** – IRIG-B00X, incl. System Contact (Supervision Contact)

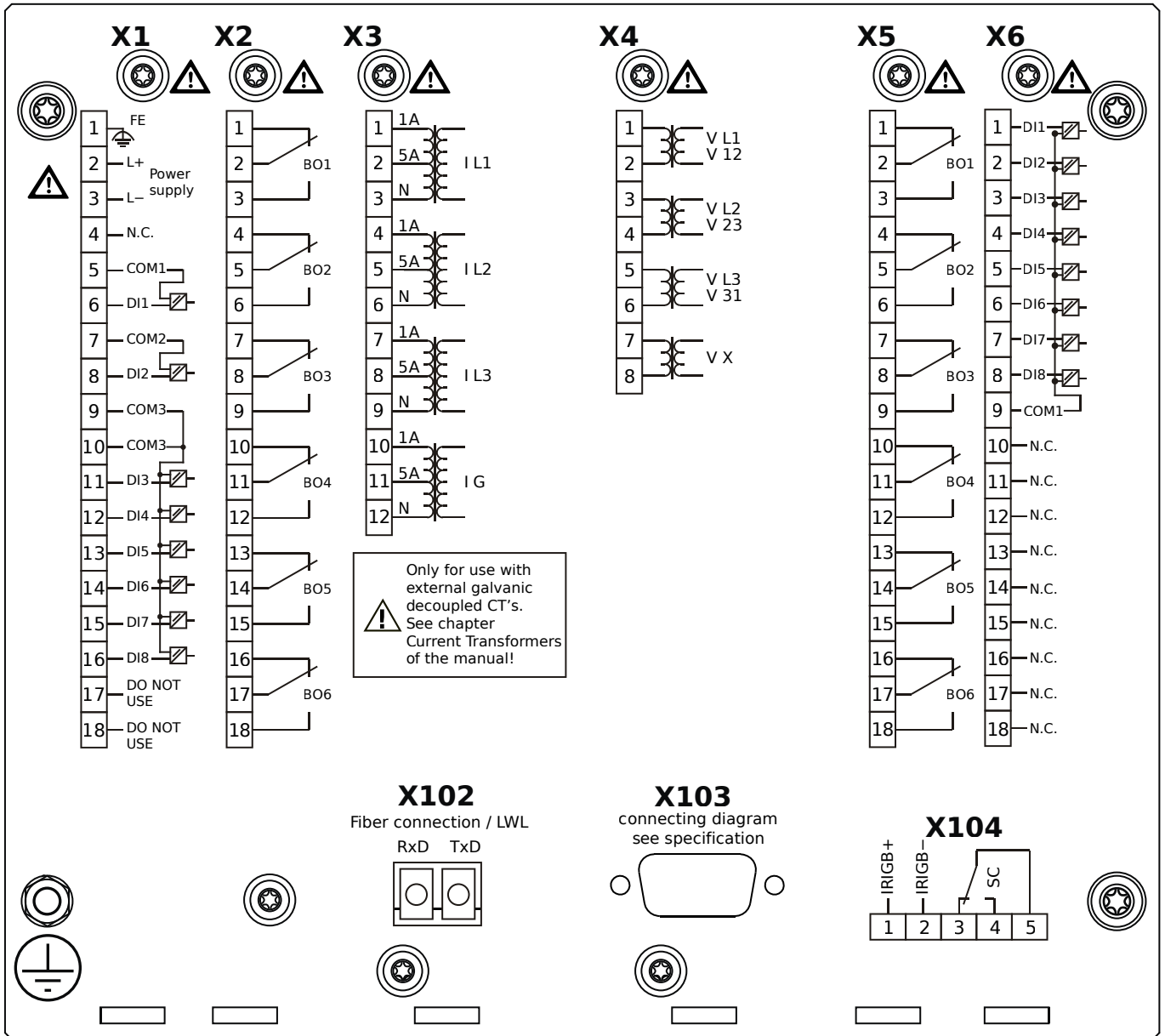
MCDLV4-2D0A0GA



Housing B2, large display, door mounting

- X1** – DI8-X1: Wide-range power supply unit, incl. 2 non-grouped digital inputs and 6 grouped digital inputs
- X2** – OR6: Assembly Group with 6 Output Relays (Changeover / Form C)
- X3** – TI: Standard current measuring card
- X4** – TU: Card with 4 voltage transformer measuring inputs (0 ... 800 VAC, under UL: 0 ... 600 VAC)
- X5** – OR6: Assembly Group with 6 Output Relays (Changeover / Form C)
- X6** – DI8: Assembly Group with 8 Digital Inputs
- X102** – Long-distance Protection Communication, Fiber optics interface, LC Connector
- X103** – Modbus RTU / IEC 60870-5-103 / DNP3.0 RTU, RS485, D-SUB
- X104** – IRIG-B00X, incl. System Contact (Supervision Contact)

MCDLV4-2D0A0GB

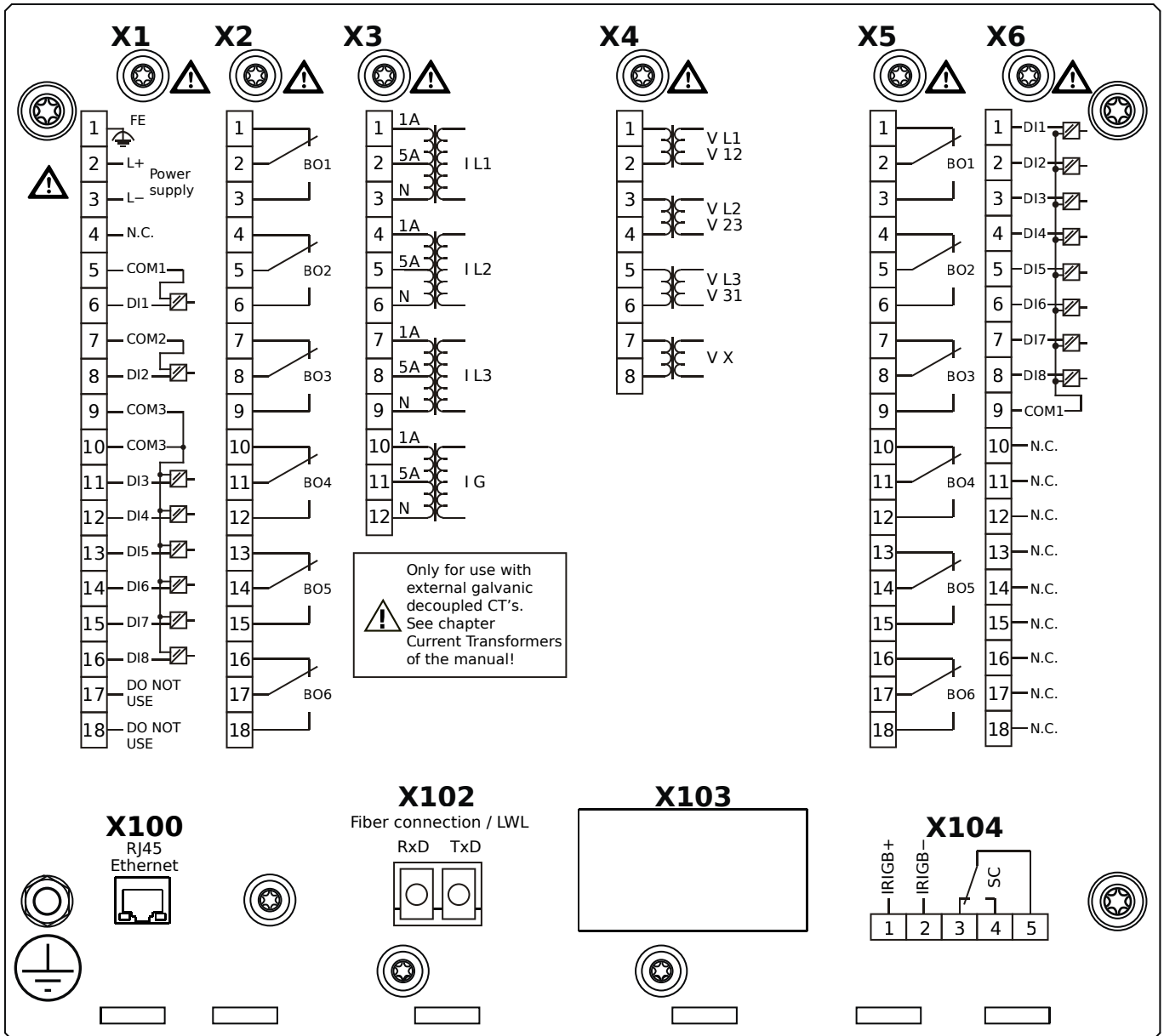


Housing B2, large display, door mounting

- + Conformal Coating (for installations in harsh environment)

- X1** – DI8-X1: Wide-range power supply unit, incl. 2 non-grouped digital inputs and 6 grouped digital inputs
- X2** – OR6: Assembly Group with 6 Output Relays (Changeover / Form C)
- X3** – TI: Standard current measuring card
- X4** – TU: Card with 4 voltage transformer measuring inputs (0 ... 800 VAC, under UL: 0 ... 600 VAC)
- X5** – OR6: Assembly Group with 6 Output Relays (Changeover / Form C)
- X6** – DI8: Assembly Group with 8 Digital Inputs
- X102** – Long-distance Protection Communication, Fiber optics interface, LC Connector
- X103** – Modbus RTU / IEC 60870-5-103 / DNP3.0 RTU, RS485, D-SUB
- X104** – IRIG-B00X, incl. System Contact (Supervision Contact)

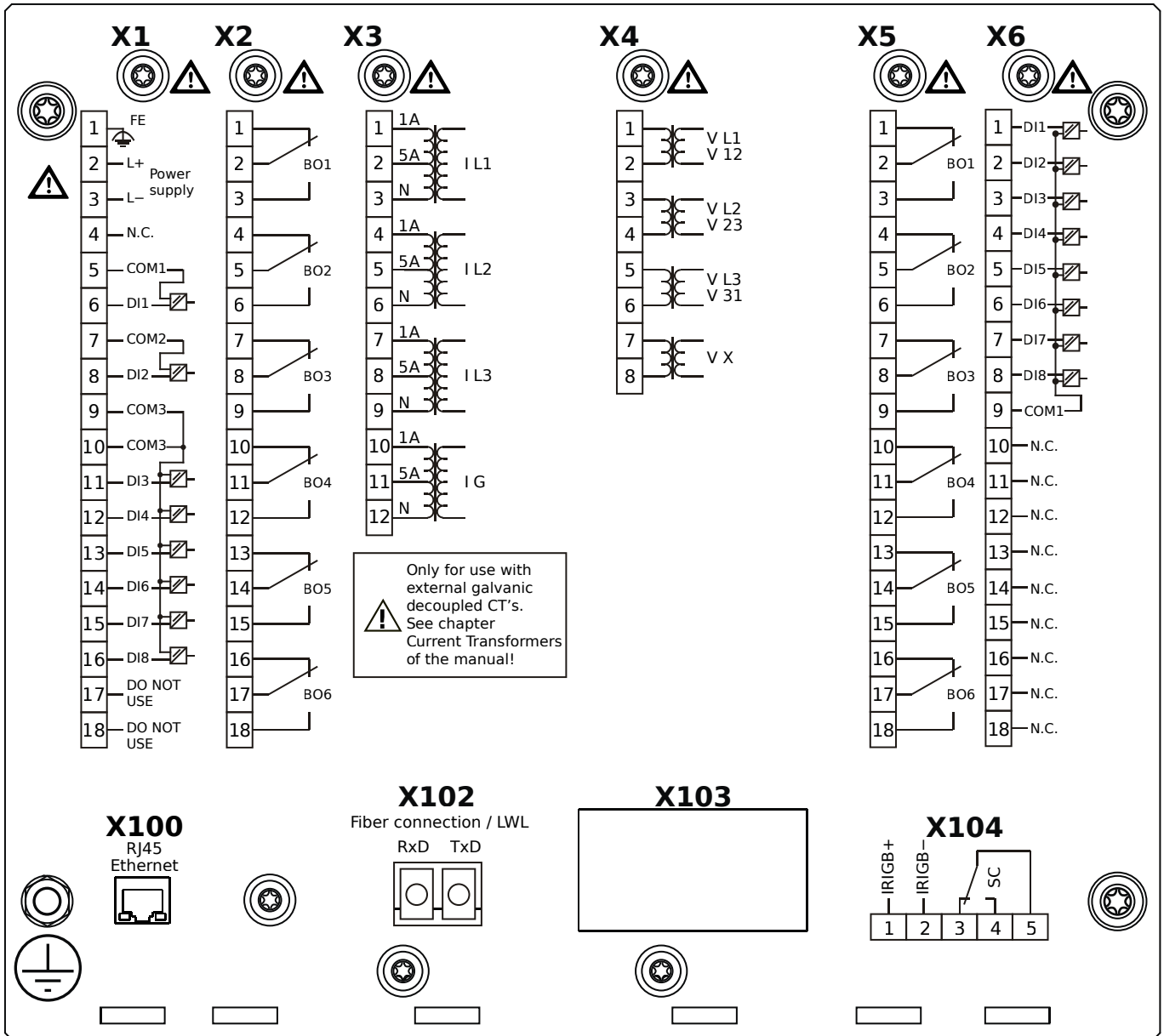
MCDLV4-2D0A0HA



Housing B2, large display, door mounting

- X1** – DI8-X1: Wide-range power supply unit, incl. 2 non-grouped digital inputs and 6 grouped digital inputs
- X2** – OR6: Assembly Group with 6 Output Relays (Changeover / Form C)
- X3** – TI: Standard current measuring card
- X4** – TU: Card with 4 voltage transformer measuring inputs (0 ... 800 VAC, under UL: 0 ... 600 VAC)
- X5** – OR6: Assembly Group with 6 Output Relays (Changeover / Form C)
- X6** – DI8: Assembly Group with 8 Digital Inputs
- X100** – IEC 61850 / Modbus TCP / IEC 60870-5-104 / DNP3.0 TCP/UDP, Ethernet interface, 100 Mbit/s, RJ45 (BASE100-FX)
- X102** – Long-distance Protection Communication, Fiber optics interface, LC Connector
- X104** – IRIG-B00X, incl. System Contact (Supervision Contact)

MCDLV4-2D0A0HB

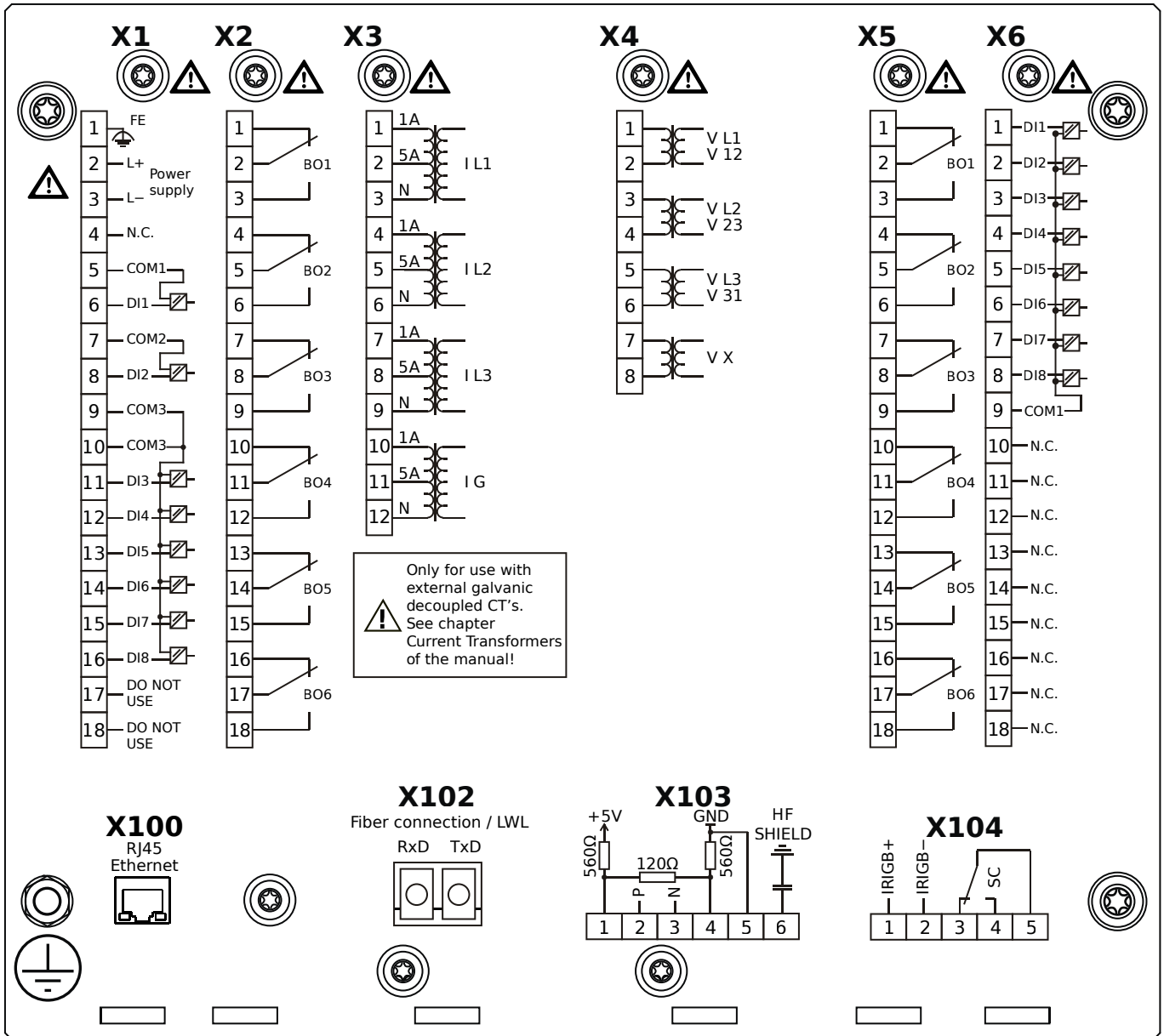


Housing B2, large display, door mounting

+ Conformal Coating (for installations in harsh environment)

- X1** – DI8-X1: Wide-range power supply unit, incl. 2 non-grouped digital inputs and 6 grouped digital inputs
- X2** – OR6: Assembly Group with 6 Output Relays (Changeover / Form C)
- X3** – TI: Standard current measuring card
- X4** – TU: Card with 4 voltage transformer measuring inputs (0 ... 800 VAC, under UL: 0 ... 600 VAC)
- X5** – OR6: Assembly Group with 6 Output Relays (Changeover / Form C)
- X6** – DI8: Assembly Group with 8 Digital Inputs
- X100** – IEC 61850 / Modbus TCP / IEC 60870-5-104 / DNP3.0 TCP/UDP, Ethernet interface, 100 Mbit/s, RJ45 (BASE100-FX)
- X102** – Long-distance Protection Communication, Fiber optics interface, LC Connector
- X104** – IRIG-B00X, incl. System Contact (Supervision Contact)

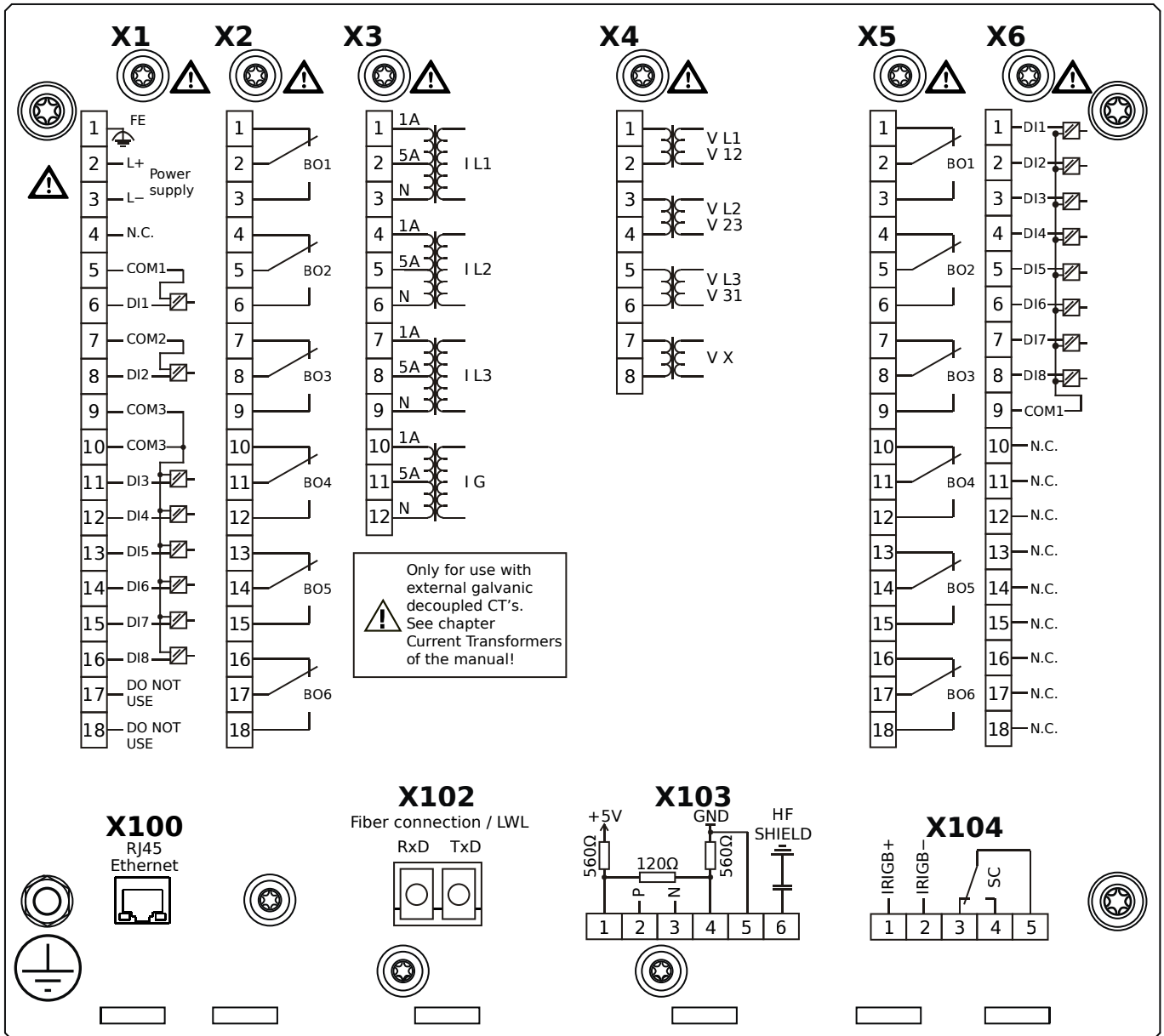
MCDLV4-2D0A01A



Housing B2, large display, door mounting

- X1** – DI8-X1: Wide-range power supply unit, incl. 2 non-grouped digital inputs and 6 grouped digital inputs
- X2** – OR6: Assembly Group with 6 Output Relays (Changeover / Form C)
- X3** – TI: Standard current measuring card
- X4** – TU: Card with 4 voltage transformer measuring inputs (0 ... 800 VAC, under UL: 0 ... 600 VAC)
- X5** – OR6: Assembly Group with 6 Output Relays (Changeover / Form C)
- X6** – DI8: Assembly Group with 8 Digital Inputs
- X100** – Modbus TCP / IEC 60870-5-104 / DNP3.0 TCP/UDP, Ethernet interface, 100 Mbit/s, RJ45 (BASE100-FX)
- X102** – Long-distance Protection Communication, Fiber optics interface, LC Connector
- X103** – IEC 60870-5-103 / Modbus RTU / DNP3.0 RTU, RS485, Terminals
- X104** – IRIG-B00X, incl. System Contact (Supervision Contact)

MCDLV4-2D0A0IB

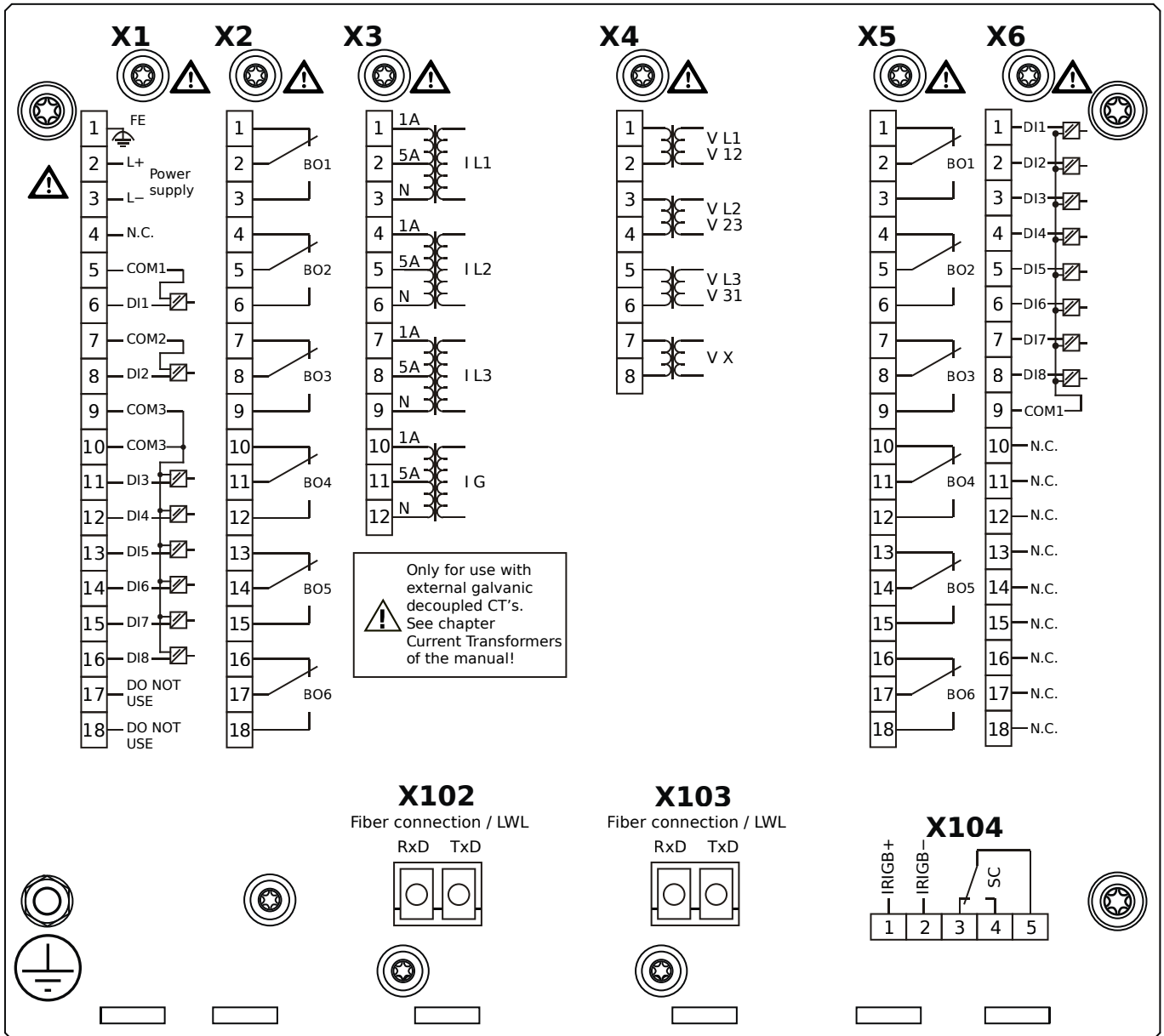


Housing B2, large display, door mounting

+ Conformal Coating (for installations in harsh environment)

- X1** – DI8-X1: Wide-range power supply unit, incl. 2 non-grouped digital inputs and 6 grouped digital inputs
- X2** – OR6: Assembly Group with 6 Output Relays (Changeover / Form C)
- X3** – TI: Standard current measuring card
- X4** – TU: Card with 4 voltage transformer measuring inputs (0 ... 800 VAC, under UL: 0 ... 600 VAC)
- X5** – OR6: Assembly Group with 6 Output Relays (Changeover / Form C)
- X6** – DI8: Assembly Group with 8 Digital Inputs
- X100** – Modbus TCP / IEC 60870-5-104 / DNP3.0 TCP/UDP, Ethernet interface, 100 Mbit/s, RJ45 (BASE100-FX)
- X102** – Long-distance Protection Communication, Fiber optics interface, LC Connector
- X103** – IEC 60870-5-103 / Modbus RTU / DNP3.0 RTU, RS485, Terminals
- X104** – IRIG-B00X, incl. System Contact (Supervision Contact)

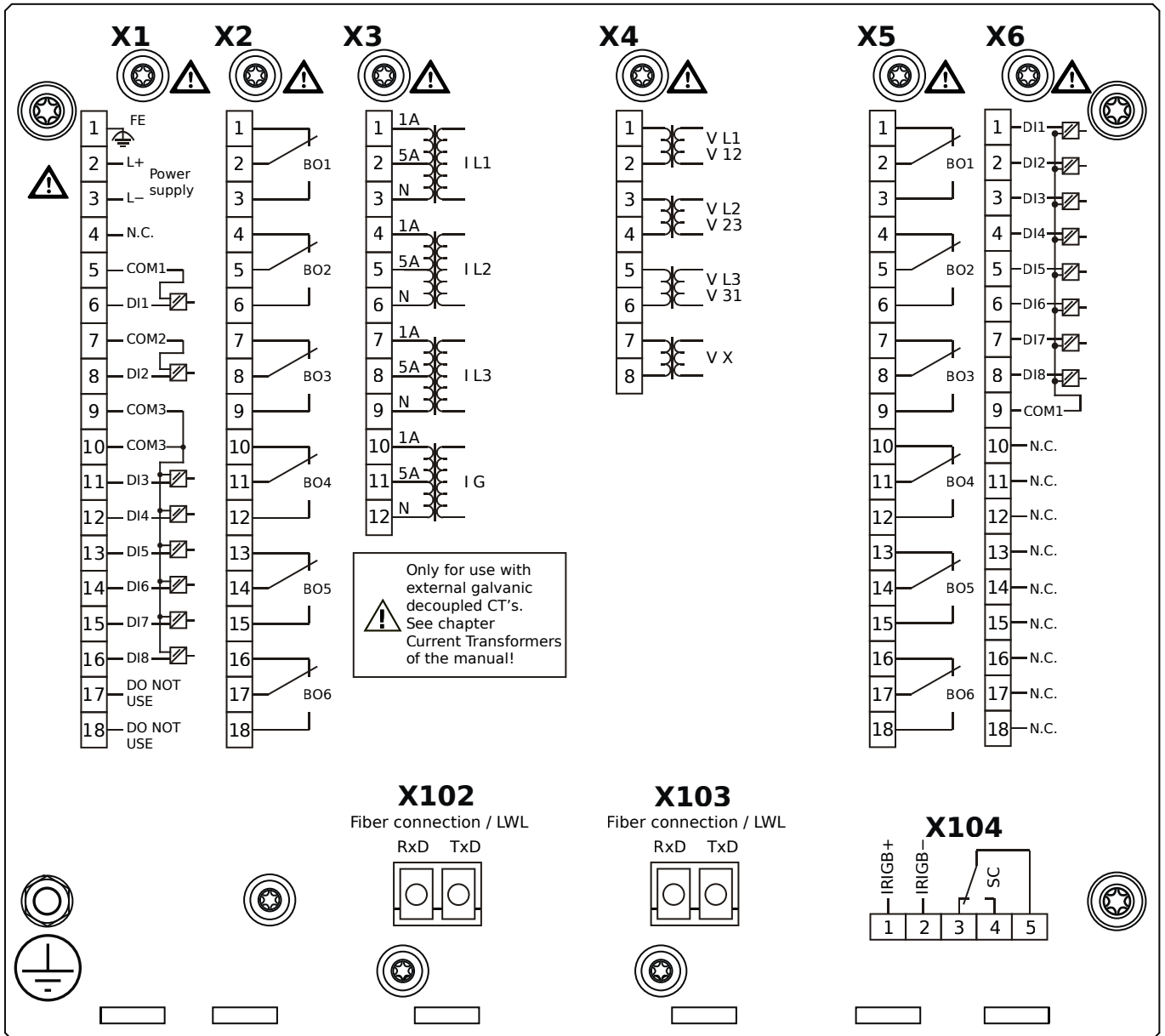
MCDLV4-2D0A0KA



Housing B2, large display, door mounting

- X1** – DI8-X1: Wide-range power supply unit, incl. 2 non-grouped digital inputs and 6 grouped digital inputs
- X2** – OR6: Assembly Group with 6 Output Relays (Changeover / Form C)
- X3** – TI: Standard current measuring card
- X4** – TU: Card with 4 voltage transformer measuring inputs (0 ... 800 VAC, under UL: 0 ... 600 VAC)
- X5** – OR6: Assembly Group with 6 Output Relays (Changeover / Form C)
- X6** – DI8: Assembly Group with 8 Digital Inputs
- X102** – Long-distance Protection Communication, Fiber optics interface, LC Connector
- X103** – IEC 61850 / Modbus TCP / IEC 60870-5-104 / DNP3.0 TCP/UDP, Fiber optics interface, LC Connector
- X104** – IRIG-B00X, incl. System Contact (Supervision Contact)

MCDLV4-2D0A0KB

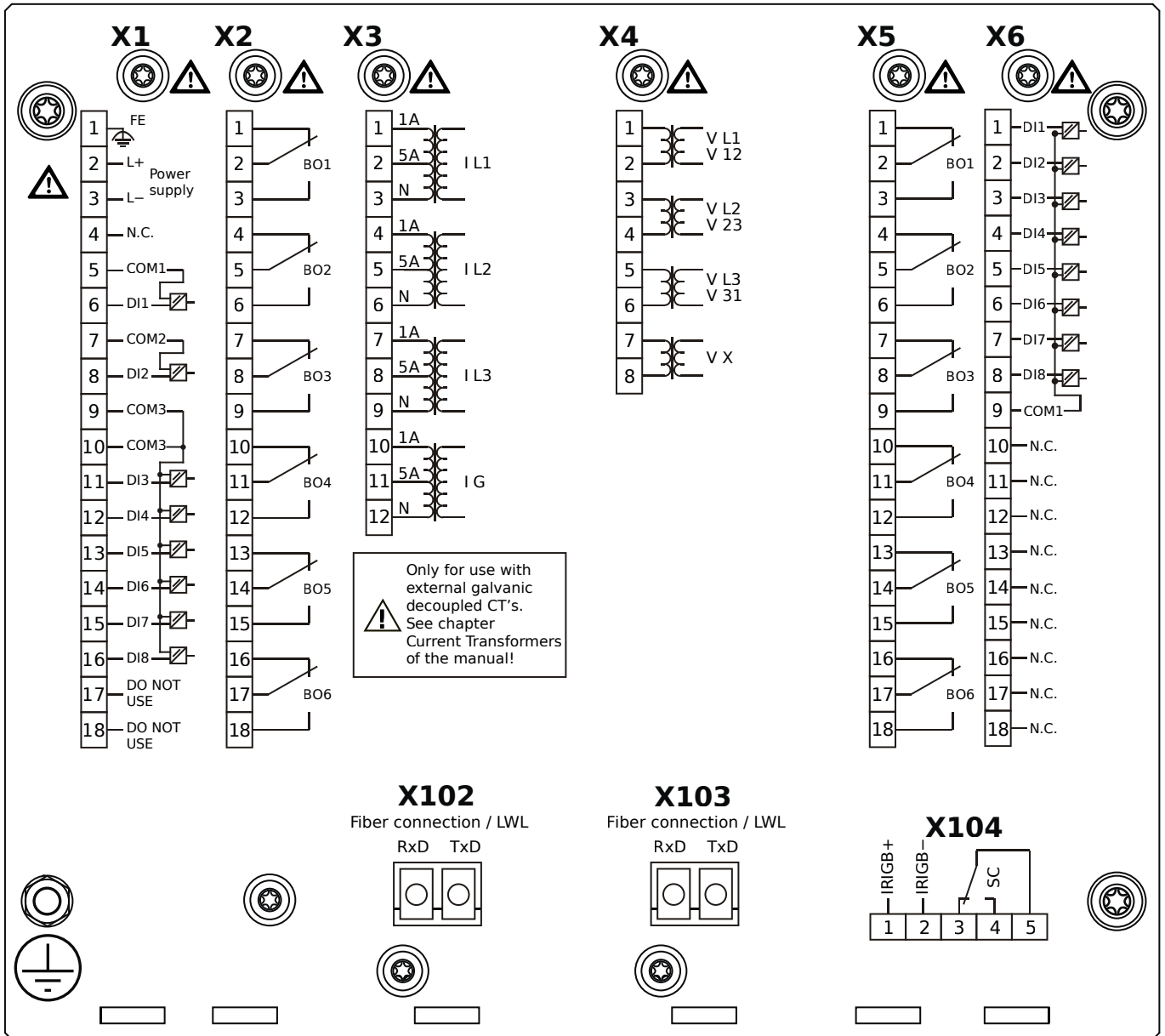


Housing B2, large display, door mounting

- + Conformal Coating (for installations in harsh environment)

- X1** – DI8-X1: Wide-range power supply unit, incl. 2 non-grouped digital inputs and 6 grouped digital inputs
- X2** – OR6: Assembly Group with 6 Output Relays (Changeover / Form C)
- X3** – TI: Standard current measuring card
- X4** – TU: Card with 4 voltage transformer measuring inputs (0 ... 800 VAC, under UL: 0 ... 600 VAC)
- X5** – OR6: Assembly Group with 6 Output Relays (Changeover / Form C)
- X6** – DI8: Assembly Group with 8 Digital Inputs
- X102** – Long-distance Protection Communication, Fiber optics interface, LC Connector
- X103** – IEC 61850 / Modbus TCP / IEC 60870-5-104 / DNP3.0 TCP/UDP, Fiber optics interface, LC Connector
- X104** – IRIG-B00X, incl. System Contact (Supervision Contact)

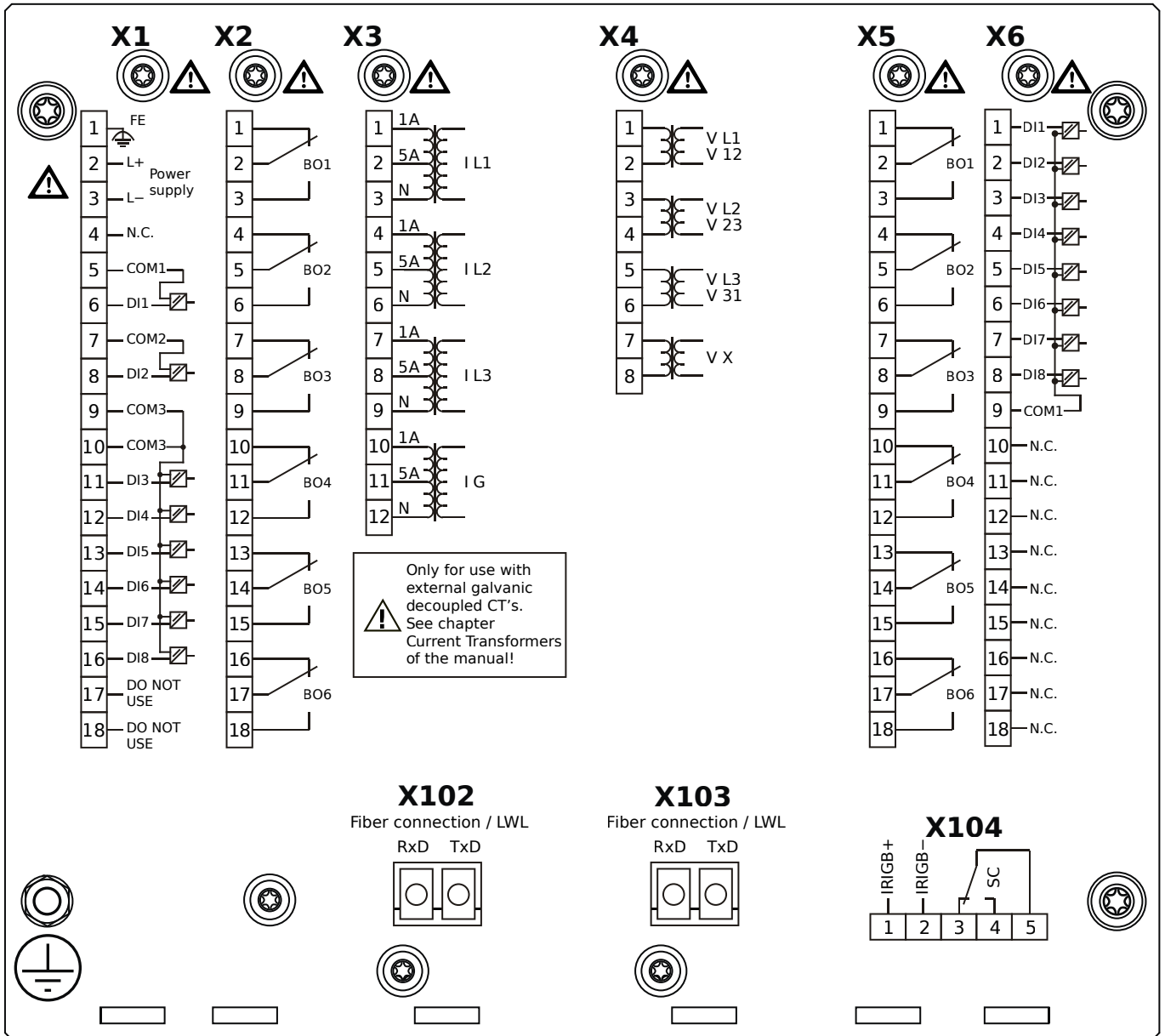
MCDLV4-2D0A0LA



Housing B2, large display, door mounting

- X1** – DI8-X1: Wide-range power supply unit, incl. 2 non-grouped digital inputs and 6 grouped digital inputs
- X2** – OR6: Assembly Group with 6 Output Relays (Changeover / Form C)
- X3** – TI: Standard current measuring card
- X4** – TU: Card with 4 voltage transformer measuring inputs (0 ... 800 VAC, under UL: 0 ... 600 VAC)
- X5** – OR6: Assembly Group with 6 Output Relays (Changeover / Form C)
- X6** – DI8: Assembly Group with 8 Digital Inputs
- X102** – Long-distance Protection Communication, Fiber optics interface, LC Connector
- X103** – Modbus TCP / IEC 60870-5-104 / DNP3.0 TCP/UDP, Fiber optics interface, LC Connector
- X104** – IRIG-B00X, incl. System Contact (Supervision Contact)

MCDLV4-2D0A0LB

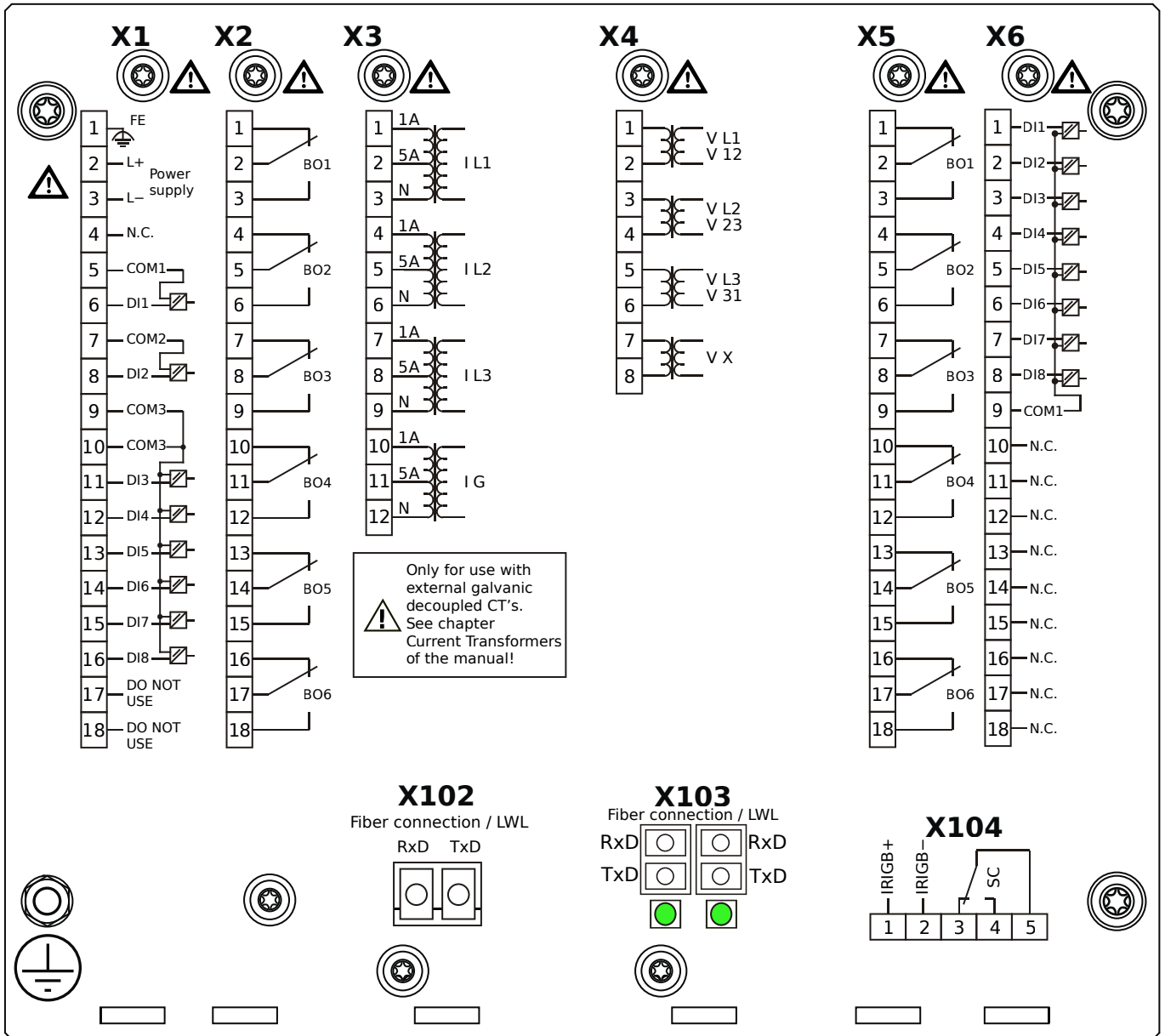


Housing B2, large display, door mounting

- + Conformal Coating (for installations in harsh environment)

- X1** – DI8-X1: Wide-range power supply unit, incl. 2 non-grouped digital inputs and 6 grouped digital inputs
- X2** – OR6: Assembly Group with 6 Output Relays (Changeover / Form C)
- X3** – TI: Standard current measuring card
- X4** – TU: Card with 4 voltage transformer measuring inputs (0 ... 800 VAC, under UL: 0 ... 600 VAC)
- X5** – OR6: Assembly Group with 6 Output Relays (Changeover / Form C)
- X6** – DI8: Assembly Group with 8 Digital Inputs
- X102** – Long-distance Protection Communication, Fiber optics interface, LC Connector
- X103** – Modbus TCP / IEC 60870-5-104 / DNP3.0 TCP/UDP, Fiber optics interface, LC Connector
- X104** – IRIG-B00X, incl. System Contact (Supervision Contact)

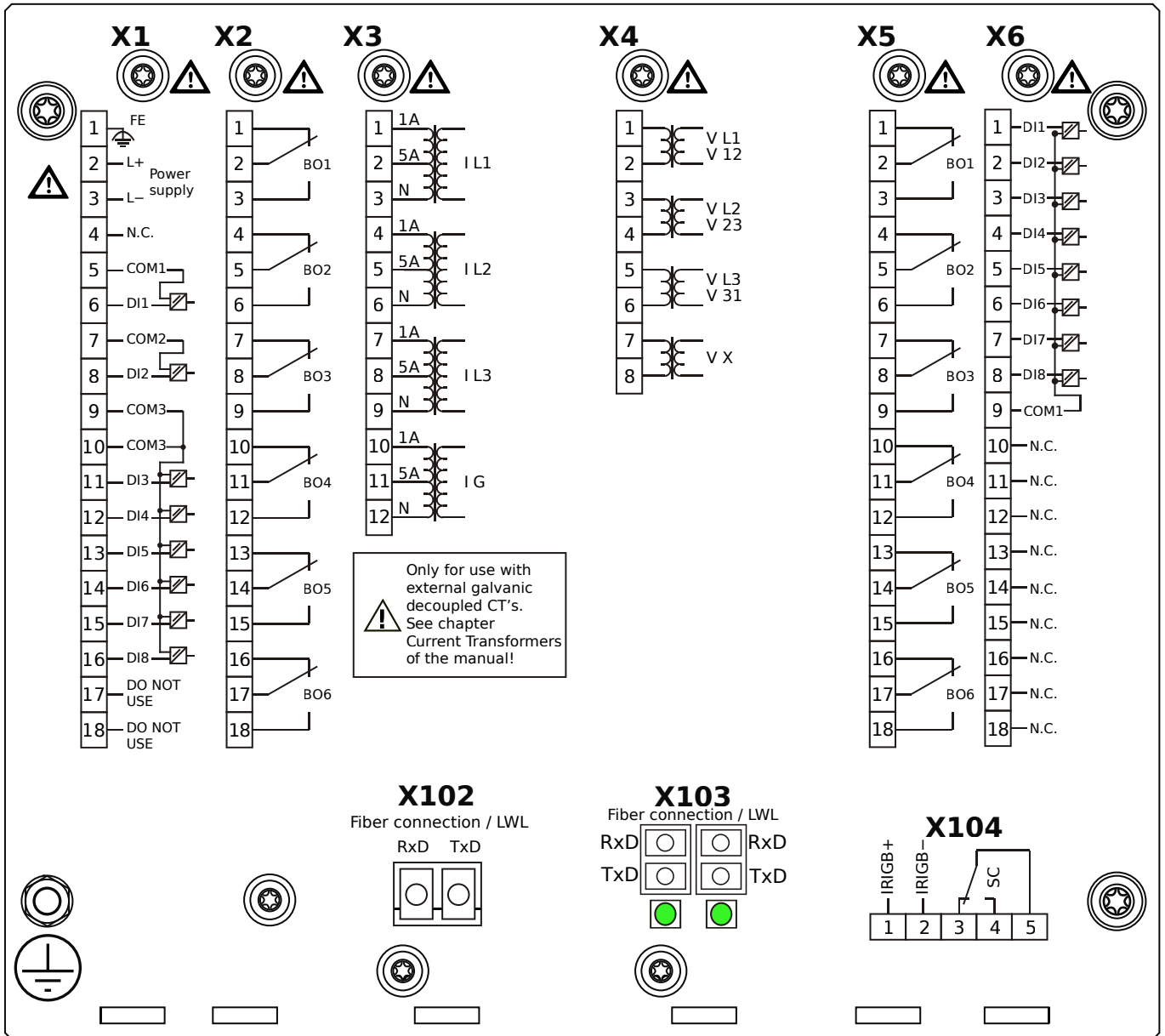
MCDLV4-2D0A00A



Housing B2, large display, door mounting

- X1** – DI8-X1: Wide-range power supply unit, incl. 2 non-grouped digital inputs and 6 grouped digital inputs
- X2** – OR6: Assembly Group with 6 Output Relays (Changeover / Form C)
- X3** – TI: Standard current measuring card
- X4** – TU: Card with 4 voltage transformer measuring inputs (0 ... 800 VAC, under UL: 0 ... 600 VAC)
- X5** – OR6: Assembly Group with 6 Output Relays (Changeover / Form C)
- X6** – DI8: Assembly Group with 8 Digital Inputs
- X102** – Long-distance Protection Communication, Fiber optics interface, LC Connector
- X103** – Modbus TCP / IEC 60870-5-104 / DNP3.0 TCP/UDP, Redundant Fiber optics interface, LC Connector
- X104** – IRIG-B00X, incl. System Contact (Supervision Contact)

MCDLV4-2D0A00B

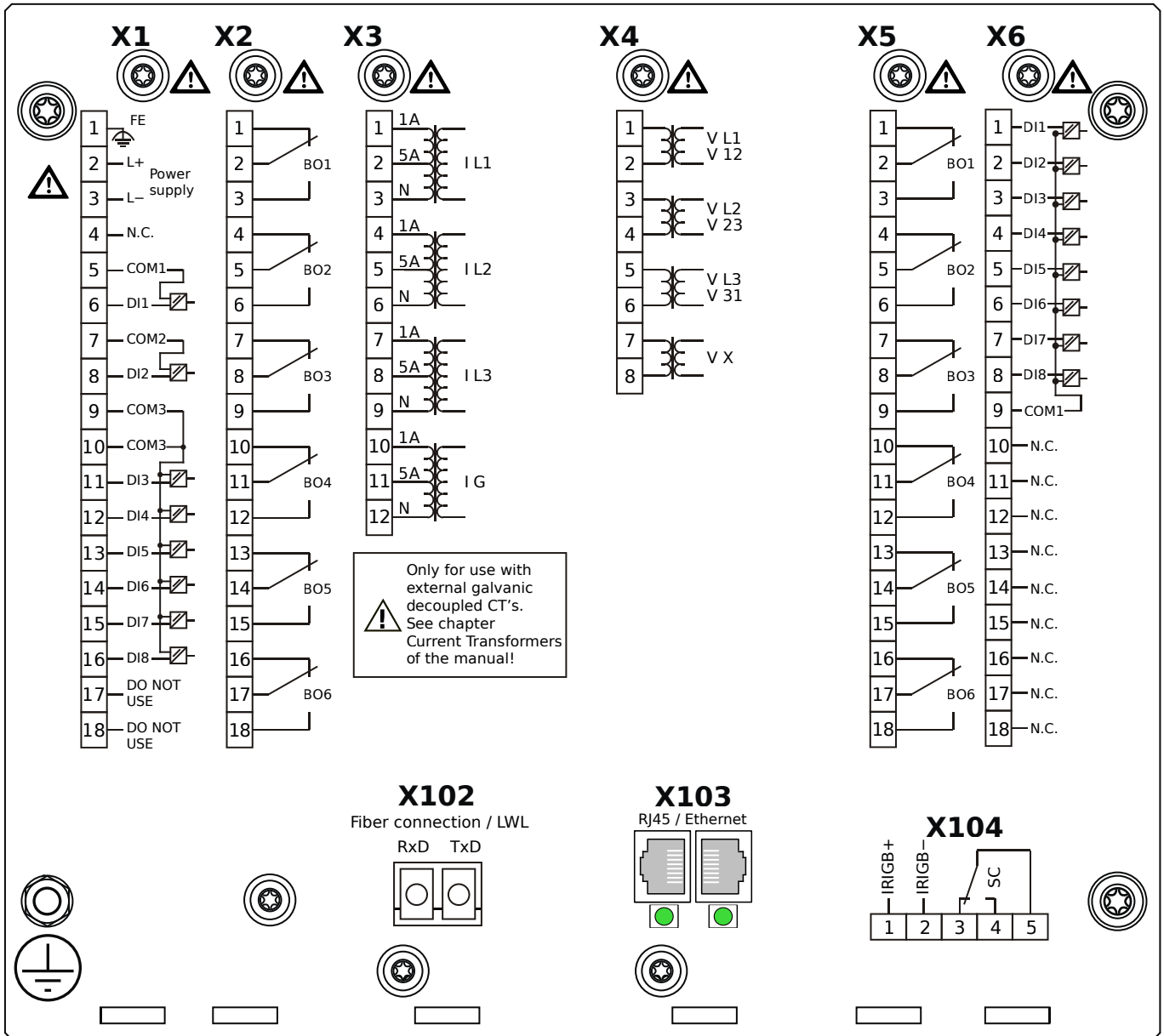


Housing B2, large display, door mounting

- + Conformal Coating (for installations in harsh environment)

- X1** – DI8-X1: Wide-range power supply unit, incl. 2 non-grouped digital inputs and 6 grouped digital inputs
- X2** – OR6: Assembly Group with 6 Output Relays (Changeover / Form C)
- X3** – TI: Standard current measuring card
- X4** – TU: Card with 4 voltage transformer measuring inputs (0 ... 800 VAC, under UL: 0 ... 600 VAC)
- X5** – OR6: Assembly Group with 6 Output Relays (Changeover / Form C)
- X6** – DI8: Assembly Group with 8 Digital Inputs
- X102** – Long-distance Protection Communication, Fiber optics interface, LC Connector
- X103** – Modbus TCP / IEC 60870-5-104 / DNP3.0 TCP/UDP, Redundant Fiber optics interface, LC Connector
- X104** – IRIG-B00X, incl. System Contact (Supervision Contact)

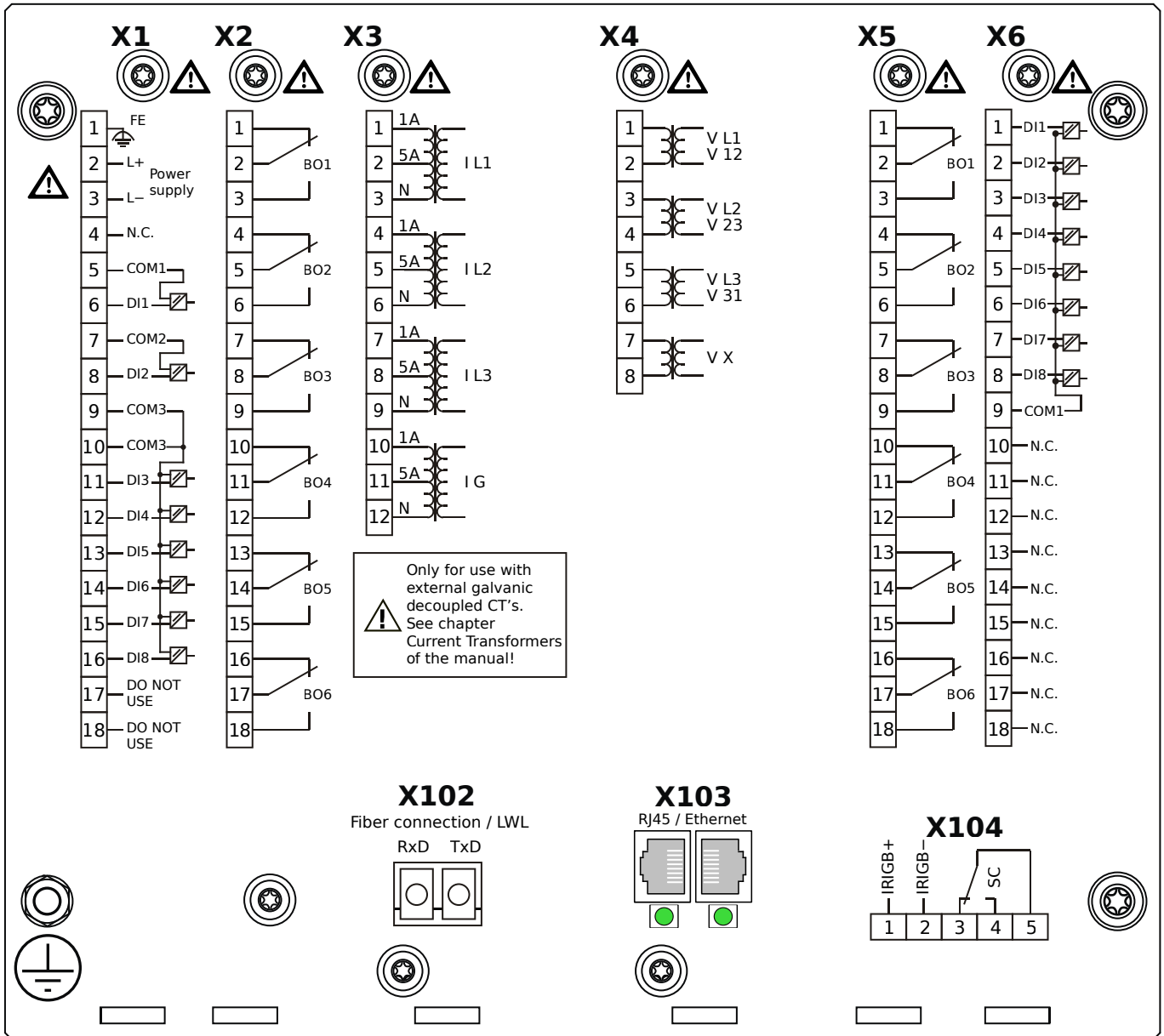
MCDLV4-2D0A0PA



Housing B2, large display, door mounting

- X1** – DI8-X1: Wide-range power supply unit, incl. 2 non-grouped digital inputs and 6 grouped digital inputs
- X2** – OR6: Assembly Group with 6 Output Relays (Changeover / Form C)
- X3** – TI: Standard current measuring card
- X4** – TU: Card with 4 voltage transformer measuring inputs (0 ... 800 VAC, under UL: 0 ... 600 VAC)
- X5** – OR6: Assembly Group with 6 Output Relays (Changeover / Form C)
- X6** – DI8: Assembly Group with 8 Digital Inputs
- X102** – Long-distance Protection Communication, Fiber optics interface, LC Connector
- X103** – Modbus TCP / IEC 60870-5-104 / DNP3.0 TCP/UDP, Redundant Ethernet interface, 100 Mbit/s, RJ45 (BASE100-FX)
- X104** – IRIG-B00X, incl. System Contact (Supervision Contact)

MCDLV4-2D0A0PB

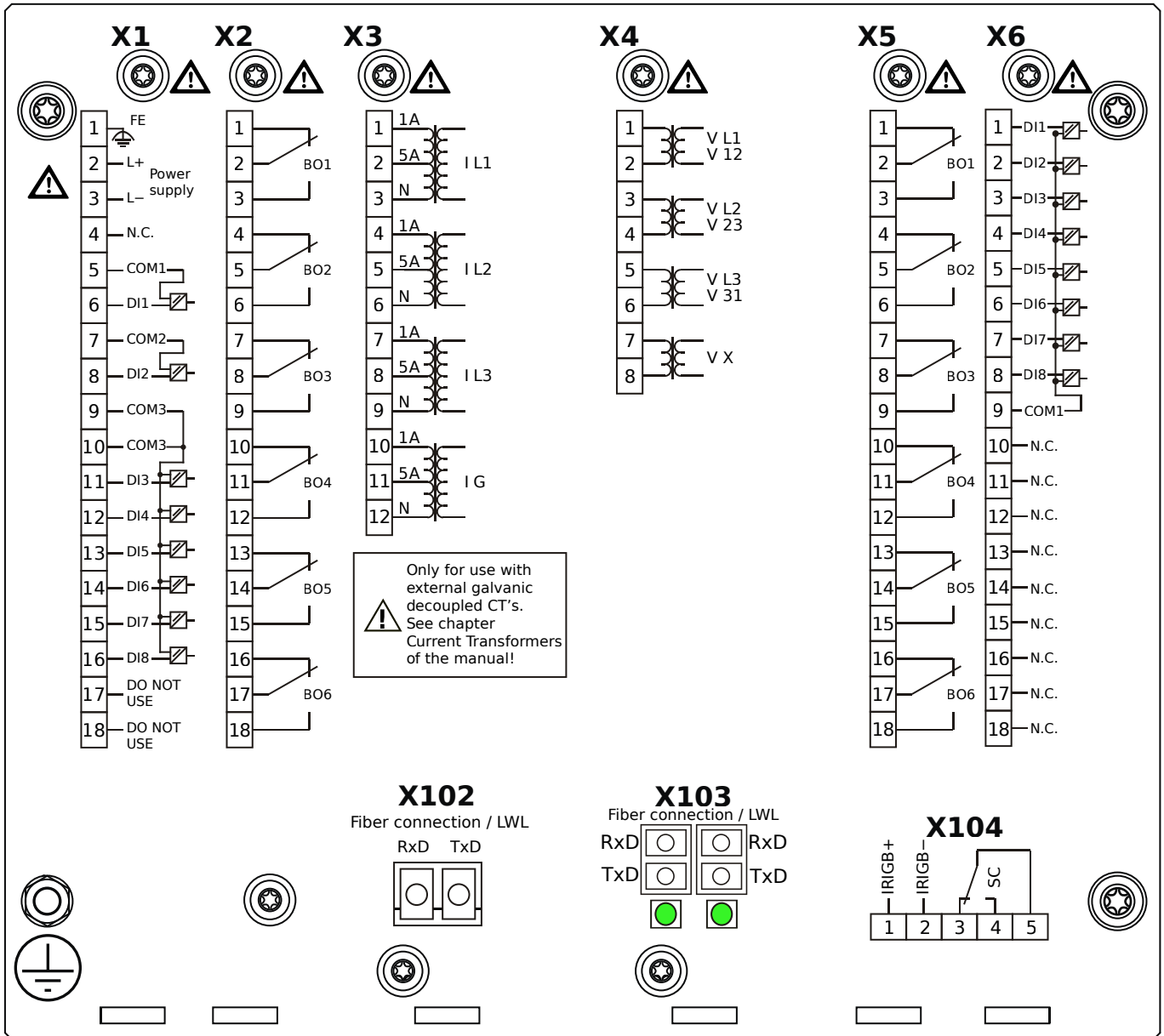


Housing B2, large display, door mounting

- + Conformal Coating (for installations in harsh environment)

- X1** – DI8-X1: Wide-range power supply unit, incl. 2 non-grouped digital inputs and 6 grouped digital inputs
- X2** – OR6: Assembly Group with 6 Output Relays (Changeover / Form C)
- X3** – TI: Standard current measuring card
- X4** – TU: Card with 4 voltage transformer measuring inputs (0 ... 800 VAC, under UL: 0 ... 600 VAC)
- X5** – OR6: Assembly Group with 6 Output Relays (Changeover / Form C)
- X6** – DI8: Assembly Group with 8 Digital Inputs
- X102** – Long-distance Protection Communication, Fiber optics interface, LC Connector
- X103** – Modbus TCP / IEC 60870-5-104 / DNP3.0 TCP/UDP, Redundant Ethernet interface, 100 Mbit/s, RJ45 (BASE100-FX)
- X104** – IRIG-B00X, incl. System Contact (Supervision Contact)

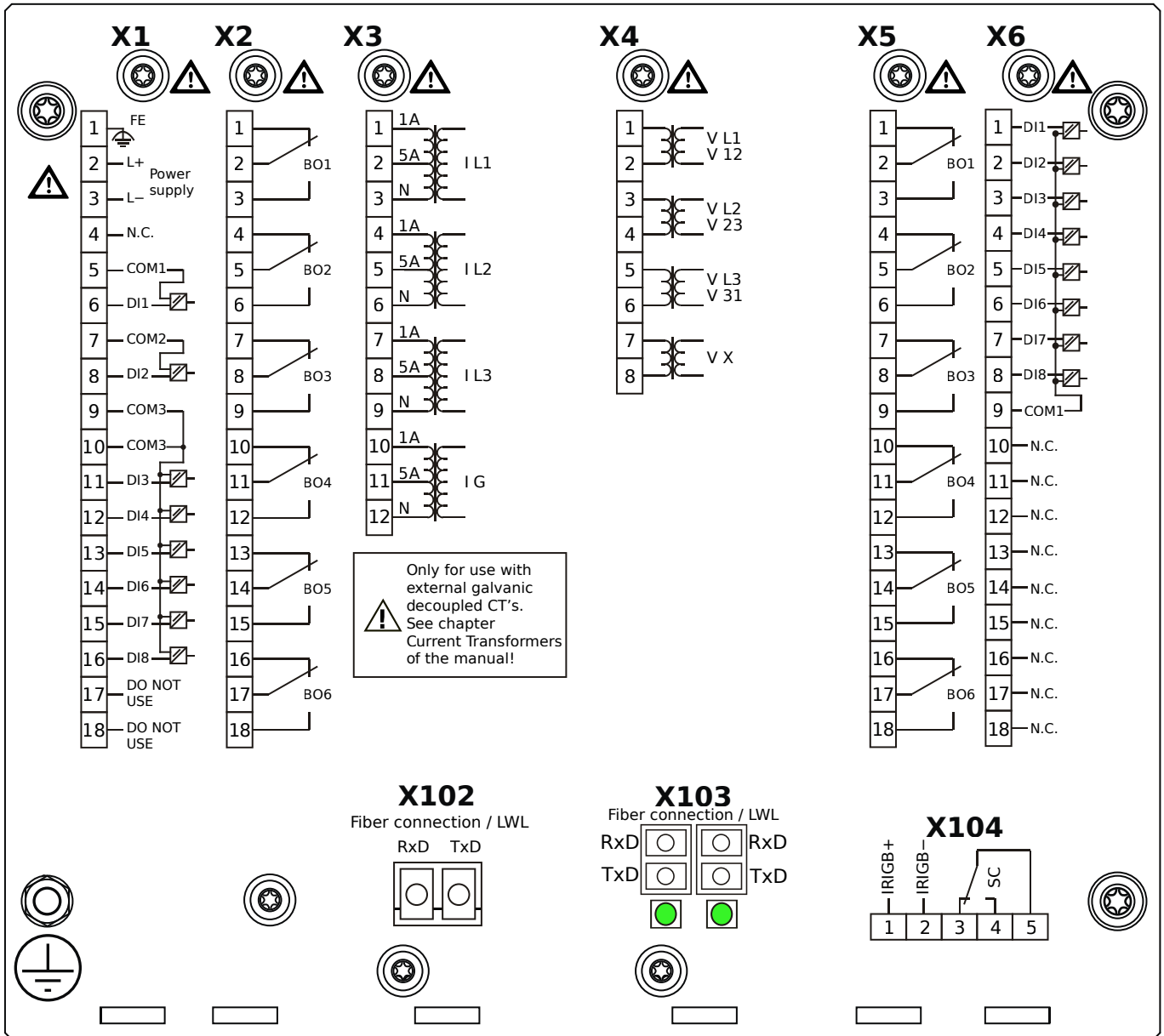
MCDLV4-2D0A0QA



Housing B2, large display, door mounting

- X1** – DI8-X1: Wide-range power supply unit, incl. 2 non-grouped digital inputs and 6 grouped digital inputs
- X2** – OR6: Assembly Group with 6 Output Relays (Changeover / Form C)
- X3** – TI: Standard current measuring card
- X4** – TU: Card with 4 voltage transformer measuring inputs (0 ... 800 VAC, under UL: 0 ... 600 VAC)
- X5** – OR6: Assembly Group with 6 Output Relays (Changeover / Form C)
- X6** – DI8: Assembly Group with 8 Digital Inputs
- X102** – Long-distance Protection Communication, Fiber optics interface, LC Connector
- X103** – IEC 61850 / Modbus TCP / IEC 60870-5-104 / DNP3.0 TCP/UDP, Redundant Fiber optics interface, LC Connector
- X104** – IRIG-B00X, incl. System Contact (Supervision Contact)

MCDLV4-2D0A0QB

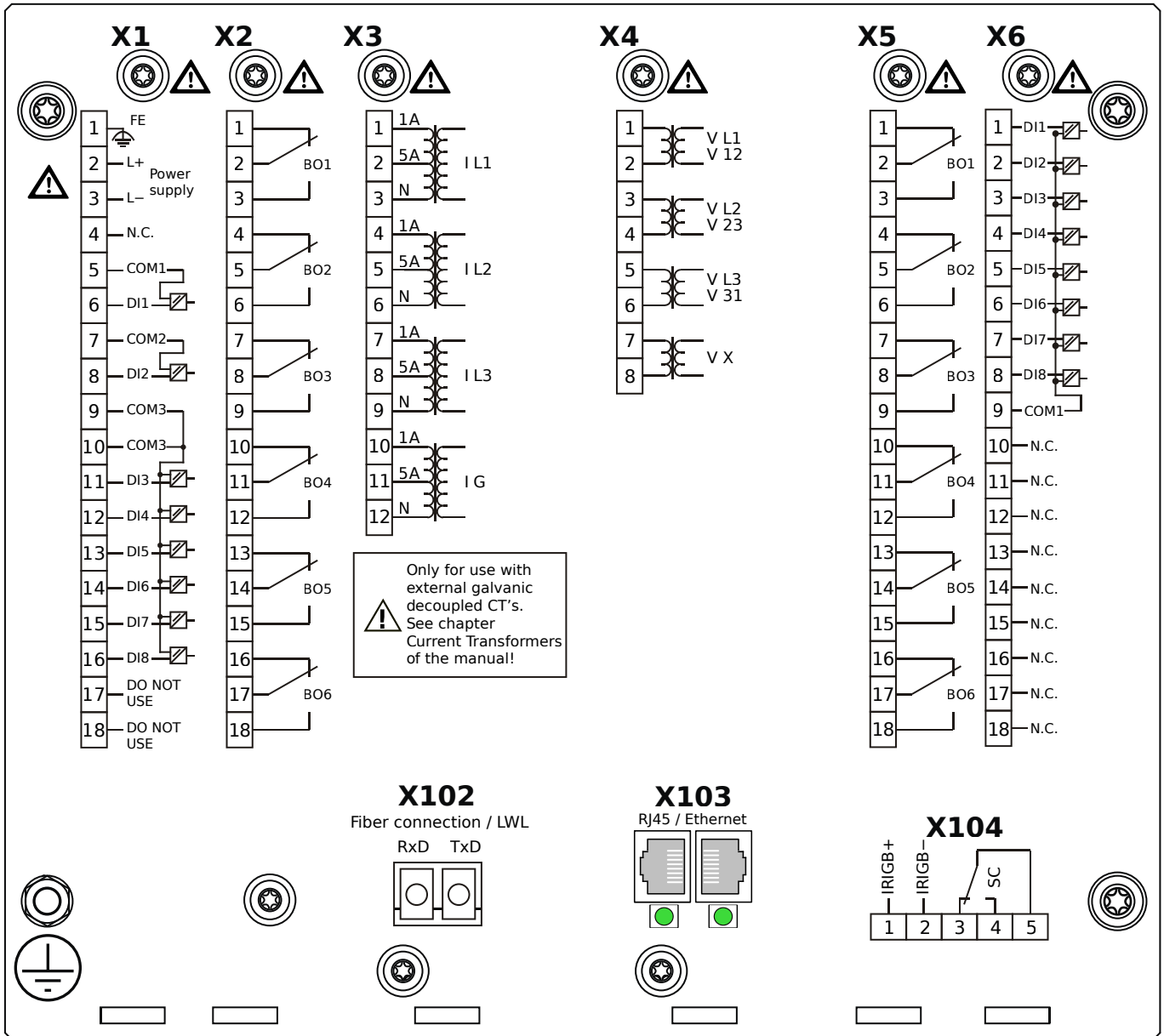


Housing B2, large display, door mounting

- + Conformal Coating (for installations in harsh environment)

- X1** – DI8-X1: Wide-range power supply unit, incl. 2 non-grouped digital inputs and 6 grouped digital inputs
- X2** – OR6: Assembly Group with 6 Output Relays (Changeover / Form C)
- X3** – TI: Standard current measuring card
- X4** – TU: Card with 4 voltage transformer measuring inputs (0 ... 800 VAC, under UL: 0 ... 600 VAC)
- X5** – OR6: Assembly Group with 6 Output Relays (Changeover / Form C)
- X6** – DI8: Assembly Group with 8 Digital Inputs
- X102** – Long-distance Protection Communication, Fiber optics interface, LC Connector
- X103** – IEC 61850 / Modbus TCP / IEC 60870-5-104 / DNP3.0 TCP/UDP, Redundant Fiber optics interface, LC Connector
- X104** – IRIG-B00X, incl. System Contact (Supervision Contact)

MCDLV4-2D0A0RA



Housing B2, large display, door mounting

X1 – DI8-X1: Wide-range power supply unit, incl. 2 non-grouped digital inputs and 6 grouped digital inputs

X2 – OR6: Assembly Group with 6 Output Relays (Changeover / Form C)

X3 – TI: Standard current measuring card

X4 – TU: Card with 4 voltage transformer measuring inputs (0 ... 800 VAC, under UL: 0 ... 600 VAC)

X5 – OR6: Assembly Group with 6 Output Relays (Changeover / Form C)

X6 – DI8: Assembly Group with 8 Digital Inputs

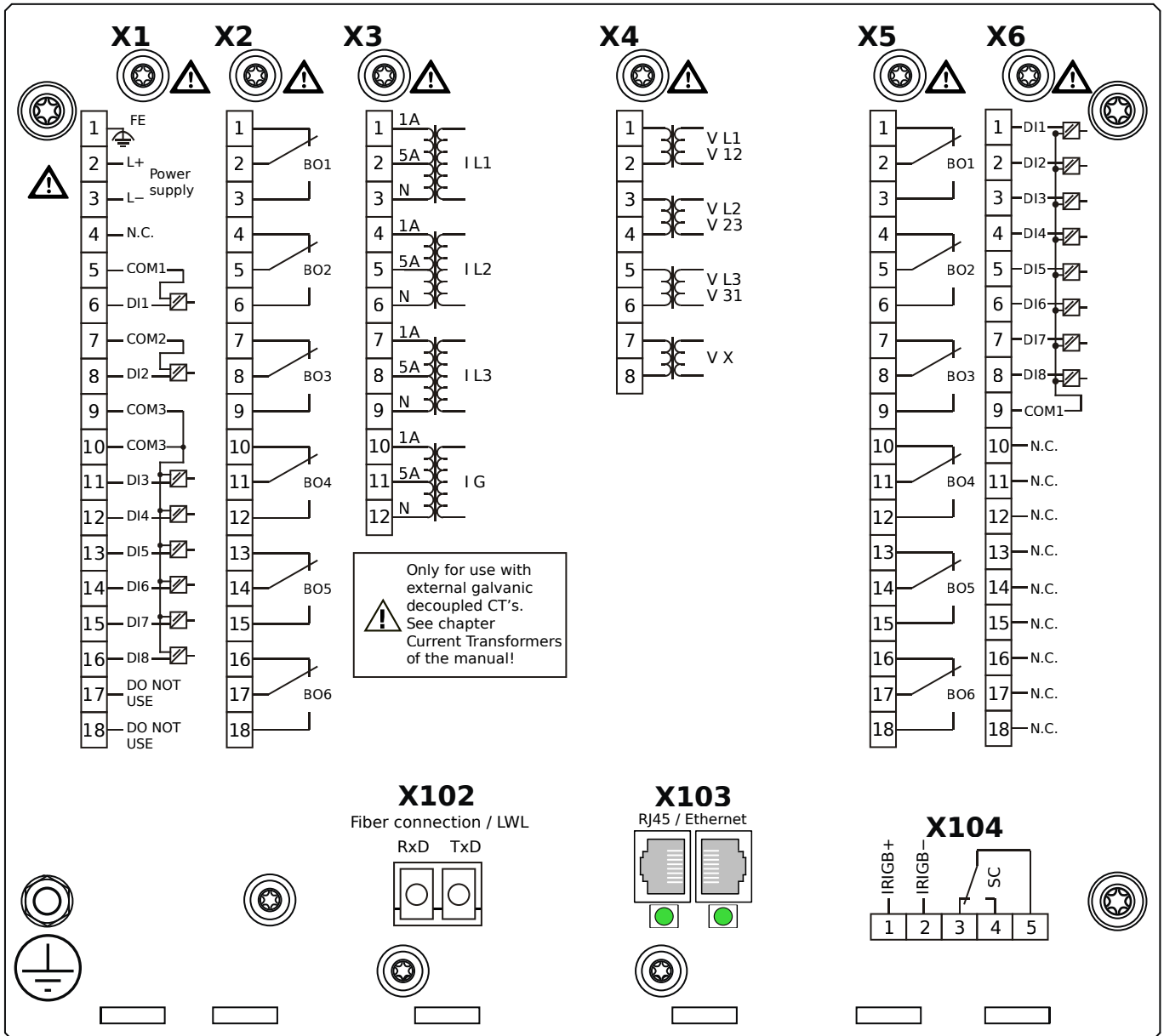
X102 – Long-distance Protection Communication, Fiber optics interface, LC Connector

X103 – IEC 61850 / Modbus TCP / IEC 60870-5-104 / DNP3.0 TCP/UDP, Redundant Ethernet interface, 100 Mbit/s, RJ45

(BASE100-FX)

X104 – IRIG-B00X, incl. System Contact (Supervision Contact)

MCDLV4-2D0A0RB



Housing B2, large display, door mounting

- + Conformal Coating (for installations in harsh environment)

X1 – DI8-X1: Wide-range power supply unit, incl. 2 non-grouped digital inputs and 6 grouped digital inputs

X2 – OR6: Assembly Group with 6 Output Relays (Changeover / Form C)

X3 – TI: Standard current measuring card

X4 – TU: Card with 4 voltage transformer measuring inputs (0 ... 800 VAC, under UL: 0 ... 600 VAC)

X5 – OR6: Assembly Group with 6 Output Relays (Changeover / Form C)

X6 – DI8: Assembly Group with 8 Digital Inputs

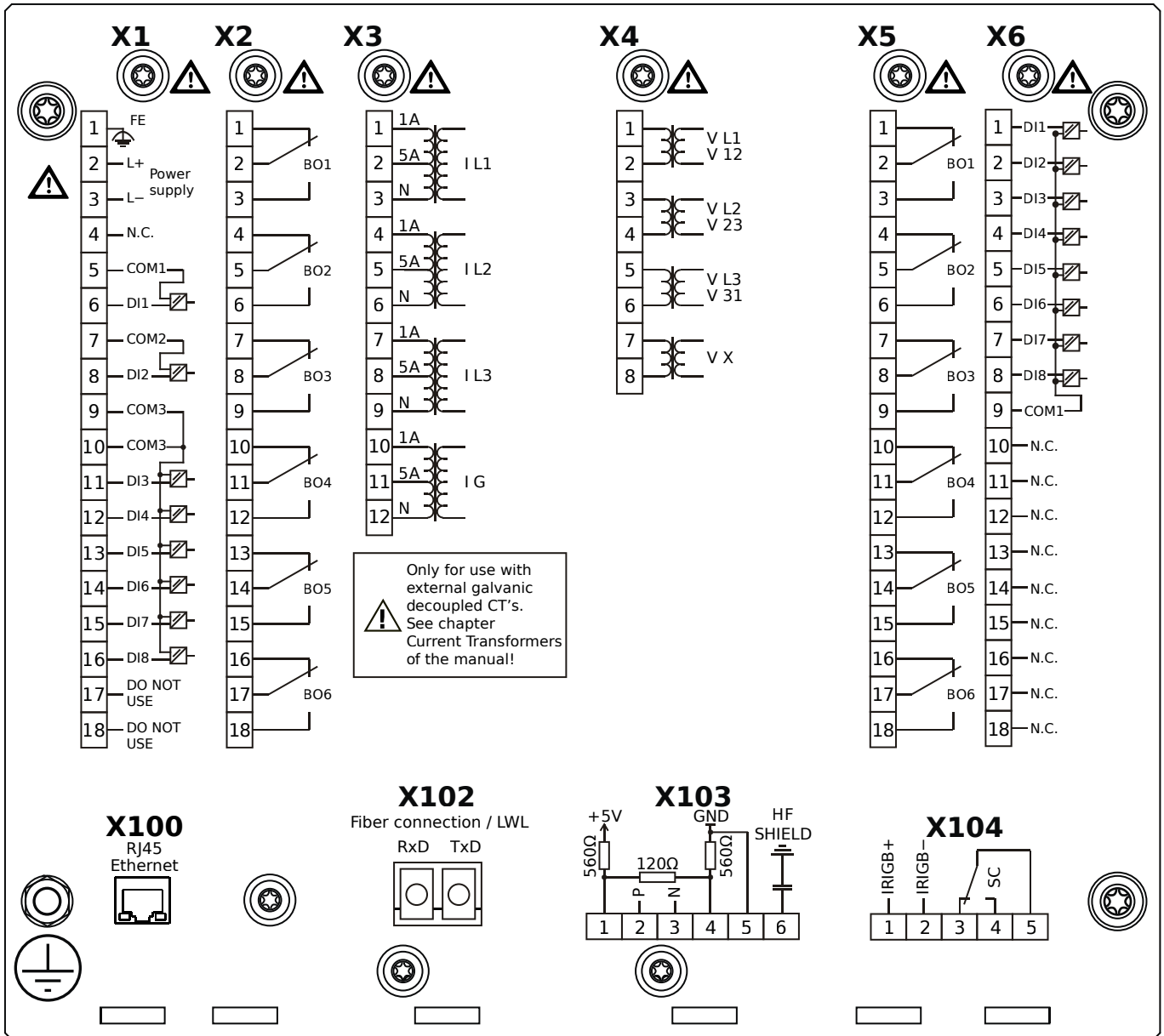
X102 – Long-distance Protection Communication, Fiber optics interface, LC Connector

X103 – IEC 61850 / Modbus TCP / IEC 60870-5-104 / DNP3.0 TCP/UDP, Redundant Ethernet interface, 100 Mbit/s, RJ45

(BASE100-FX)

X104 – IRIG-B00X, incl. System Contact (Supervision Contact)

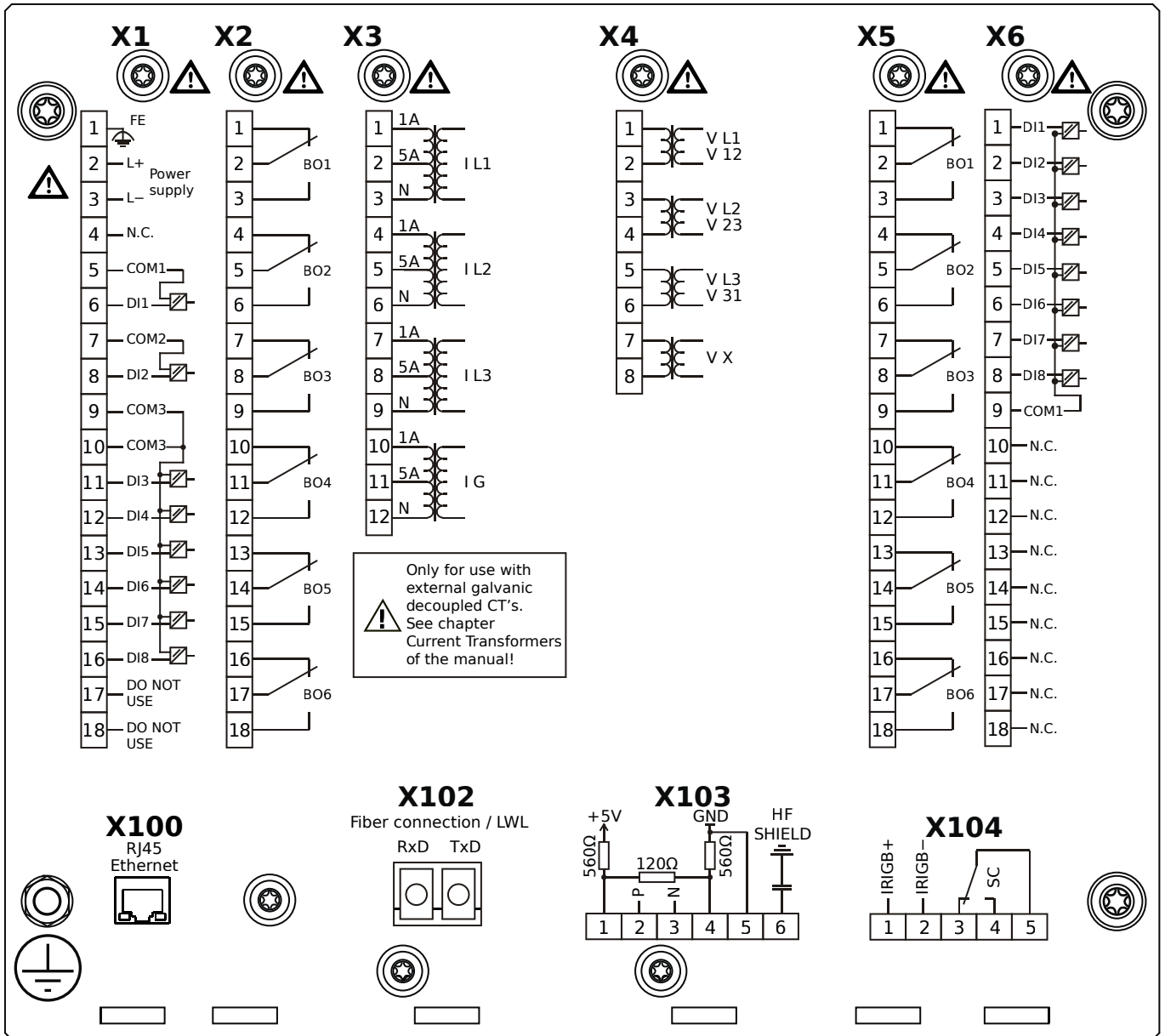
MCDLV4-2D0A0TA



Housing B2, large display, door mounting

- X1** – DI8-X1: Wide-range power supply unit, incl. 2 non-grouped digital inputs and 6 grouped digital inputs
- X2** – OR6: Assembly Group with 6 Output Relays (Changeover / Form C)
- X3** – TI: Standard current measuring card
- X4** – TU: Card with 4 voltage transformer measuring inputs (0 ... 800 VAC, under UL: 0 ... 600 VAC)
- X5** – OR6: Assembly Group with 6 Output Relays (Changeover / Form C)
- X6** – DI8: Assembly Group with 8 Digital Inputs
- X100** – IEC 61850 / Modbus TCP / IEC 60870-5-104 / DNP3.0 TCP/UDP, Ethernet interface, 100 Mbit/s, RJ45 (BASE100-FX)
- X102** – Long-distance Protection Communication, Fiber optics interface, LC Connector
- X103** – IEC 60870-5-103 / Modbus RTU / DNP3.0 RTU, RS485, Terminals
- X104** – IRIG-B00X, incl. System Contact (Supervision Contact)

MCDLV4-2D0A0TB



Housing B2, large display, door mounting

+ Conformal Coating (for installations in harsh environment)

X1 – DI8-X1: Wide-range power supply unit, incl. 2 non-grouped digital inputs and 6 grouped digital inputs

X2 – OR6: Assembly Group with 6 Output Relays (Changeover / Form C)

X3 – TI: Standard current measuring card

X4 – TU: Card with 4 voltage transformer measuring inputs (0 ... 800 VAC, under UL: 0 ... 600 VAC)

X5 – OR6: Assembly Group with 6 Output Relays (Changeover / Form C)

X6 – DI8: Assembly Group with 8 Digital Inputs

X100 – IEC 61850 / Modbus TCP / IEC 60870-5-104 / DNP3.0 TCP/UDP, Ethernet interface, 100 Mbit/s, RJ45 (BASE100-

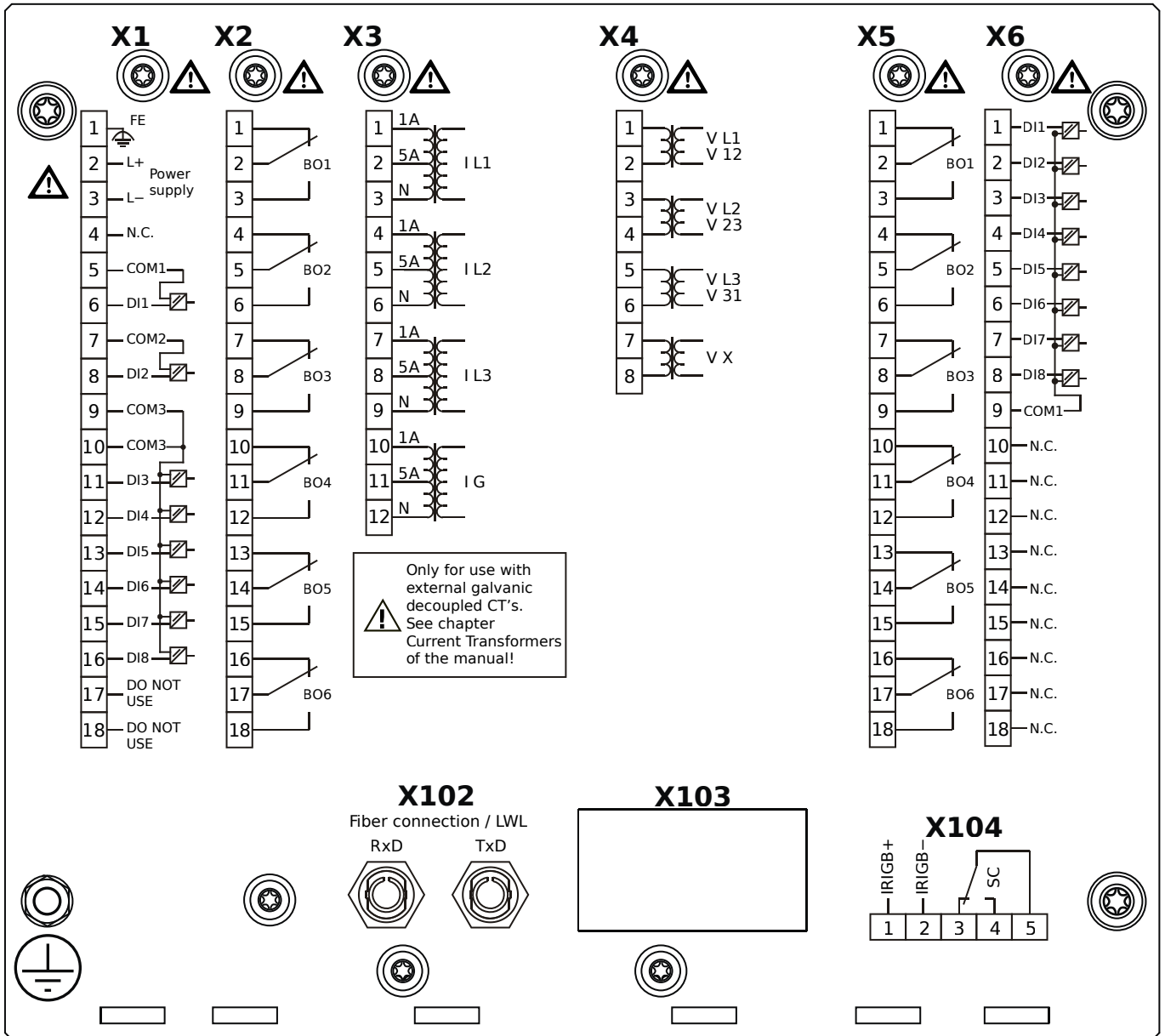
FX)

X102 – Long-distance Protection Communication, Fiber optics interface, LC Connector

X103 – IEC 60870-5-103 / Modbus RTU / DNP3.0 RTU, RS485, Terminals

X104 – IRIG-B00X, incl. System Contact (Supervision Contact)

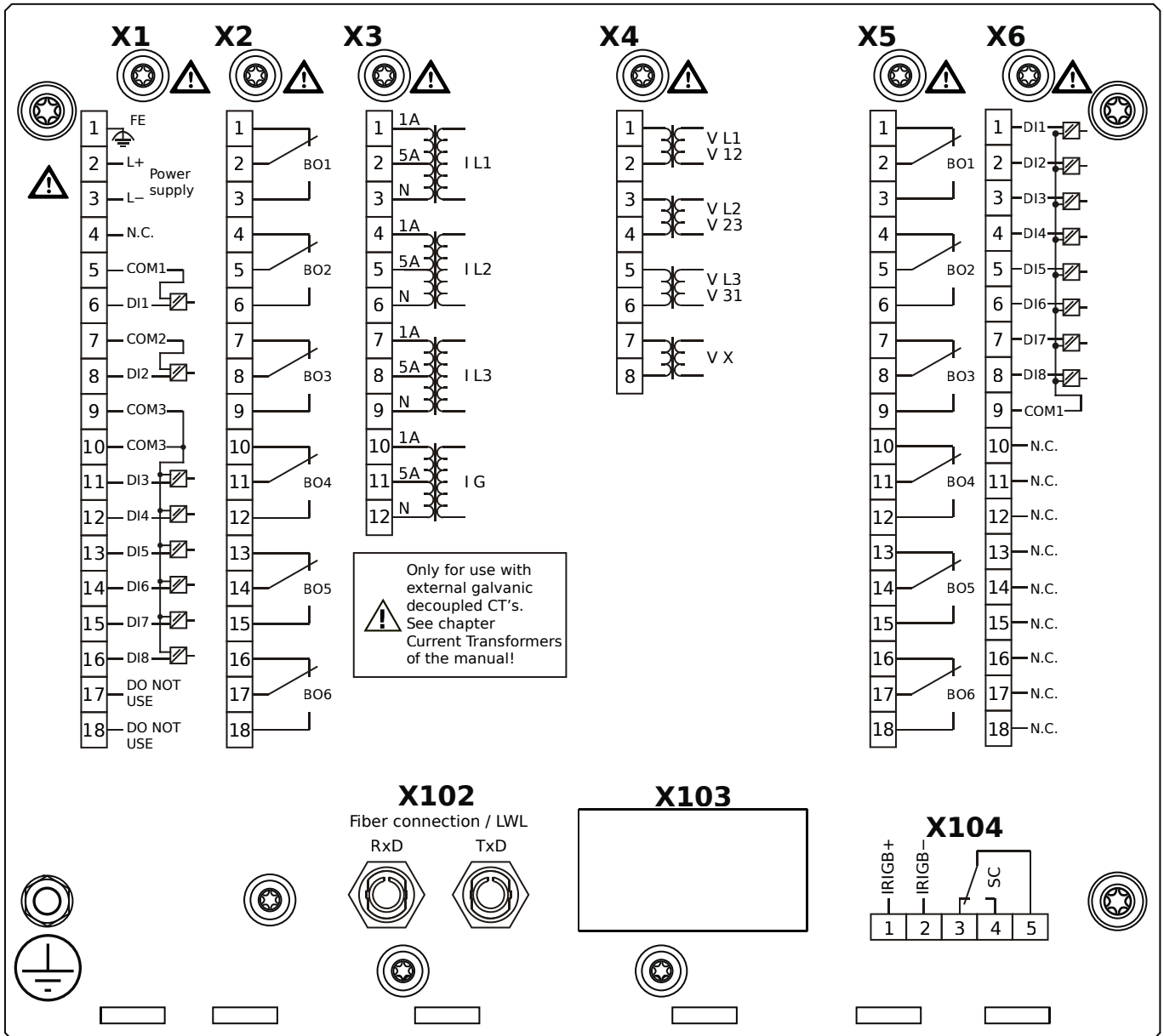
MCDLV4-2D0A1AA



Housing B2, large display, door mounting

- X1** – DI8-X1: Wide-range power supply unit, incl. 2 non-grouped digital inputs and 6 grouped digital inputs
- X2** – OR6: Assembly Group with 6 Output Relays (Changeover / Form C)
- X3** – TI: Standard current measuring card
- X4** – TU: Card with 4 voltage transformer measuring inputs (0 ... 800 VAC, under UL: 0 ... 600 VAC)
- X5** – OR6: Assembly Group with 6 Output Relays (Changeover / Form C)
- X6** – DI8: Assembly Group with 8 Digital Inputs
- X102** – Protection Communication, Fiber optics interface, ST Connector
- X104** – IRIG-B00X, incl. System Contact (Supervision Contact)

MCDLV4-2D0A1AB

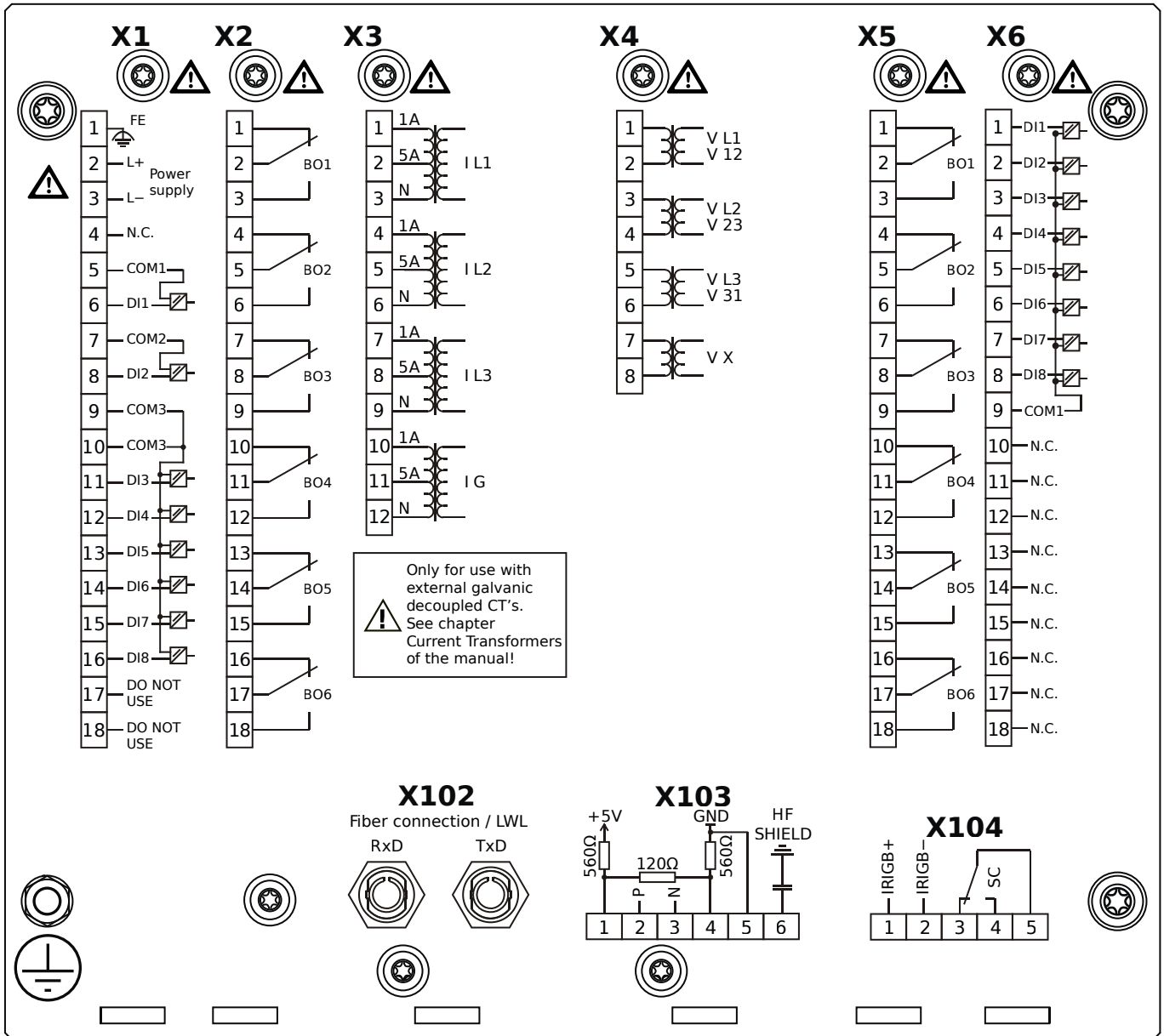


Housing B2, large display, door mounting

- + Conformal Coating (for installations in harsh environment)

- X1** – DI8-X1: Wide-range power supply unit, incl. 2 non-grouped digital inputs and 6 grouped digital inputs
- X2** – OR6: Assembly Group with 6 Output Relays (Changeover / Form C)
- X3** – TI: Standard current measuring card
- X4** – TU: Card with 4 voltage transformer measuring inputs (0 ... 800 VAC, under UL: 0 ... 600 VAC)
- X5** – OR6: Assembly Group with 6 Output Relays (Changeover / Form C)
- X6** – DI8: Assembly Group with 8 Digital Inputs
- X102** – Protection Communication, Fiber optics interface, ST Connector
- X104** – IRIG-B00X, incl. System Contact (Supervision Contact)

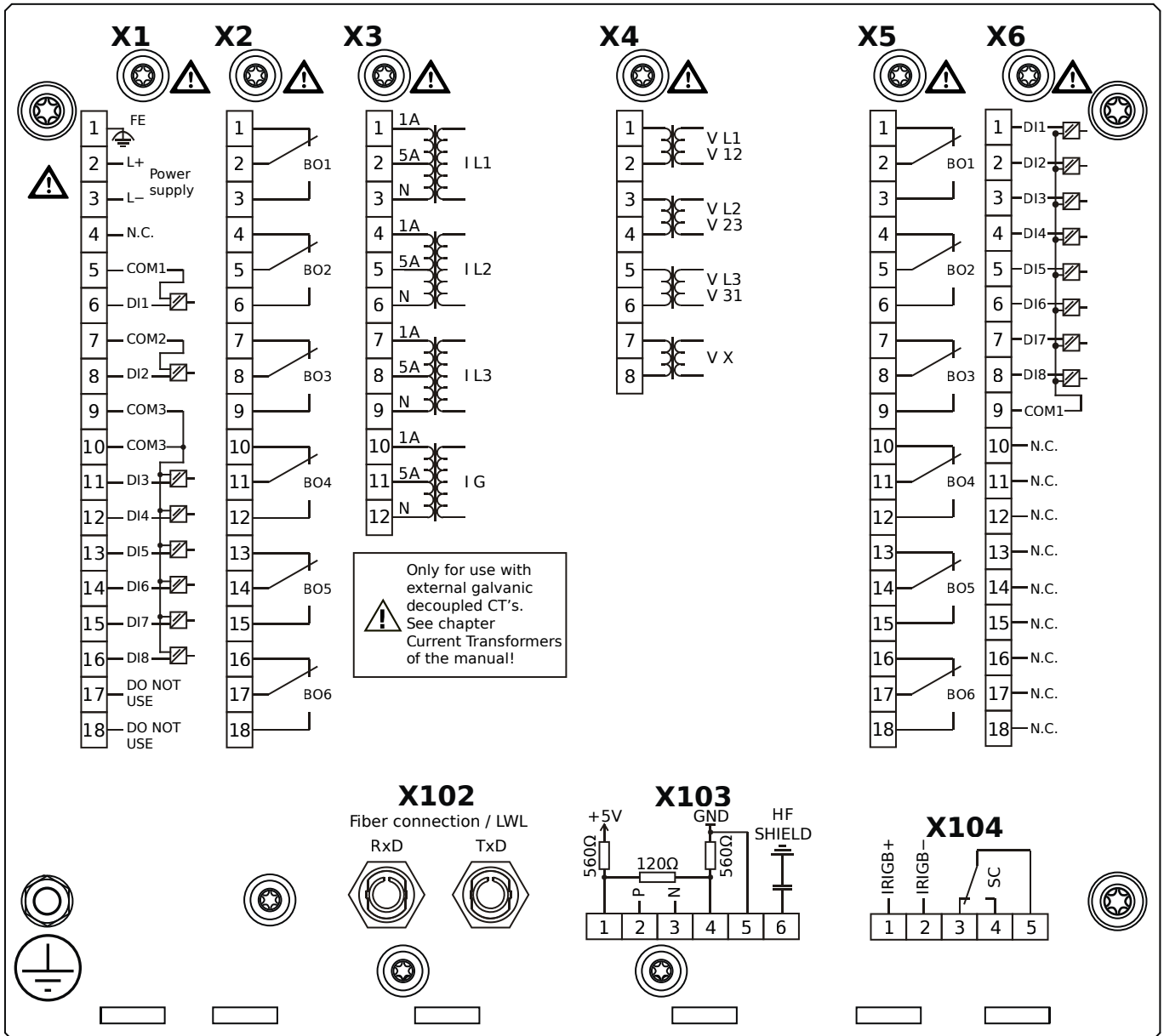
MCDLV4-2D0A1BA



Housing B2, large display, door mounting

- X1** – DI8-X1: Wide-range power supply unit, incl. 2 non-grouped digital inputs and 6 grouped digital inputs
- X2** – OR6: Assembly Group with 6 Output Relays (Changeover / Form C)
- X3** – TI: Standard current measuring card
- X4** – TU: Card with 4 voltage transformer measuring inputs (0 ... 800 VAC, under UL: 0 ... 600 VAC)
- X5** – OR6: Assembly Group with 6 Output Relays (Changeover / Form C)
- X6** – DI8: Assembly Group with 8 Digital Inputs
- X102** – Protection Communication, Fiber optics interface, ST Connector
- X103** – Modbus RTU / IEC 60870-5-103 / DNP3.0 RTU, RS485, Terminals
- X104** – IRIG-B00X, incl. System Contact (Supervision Contact)

MCDLV4-2D0A1BB

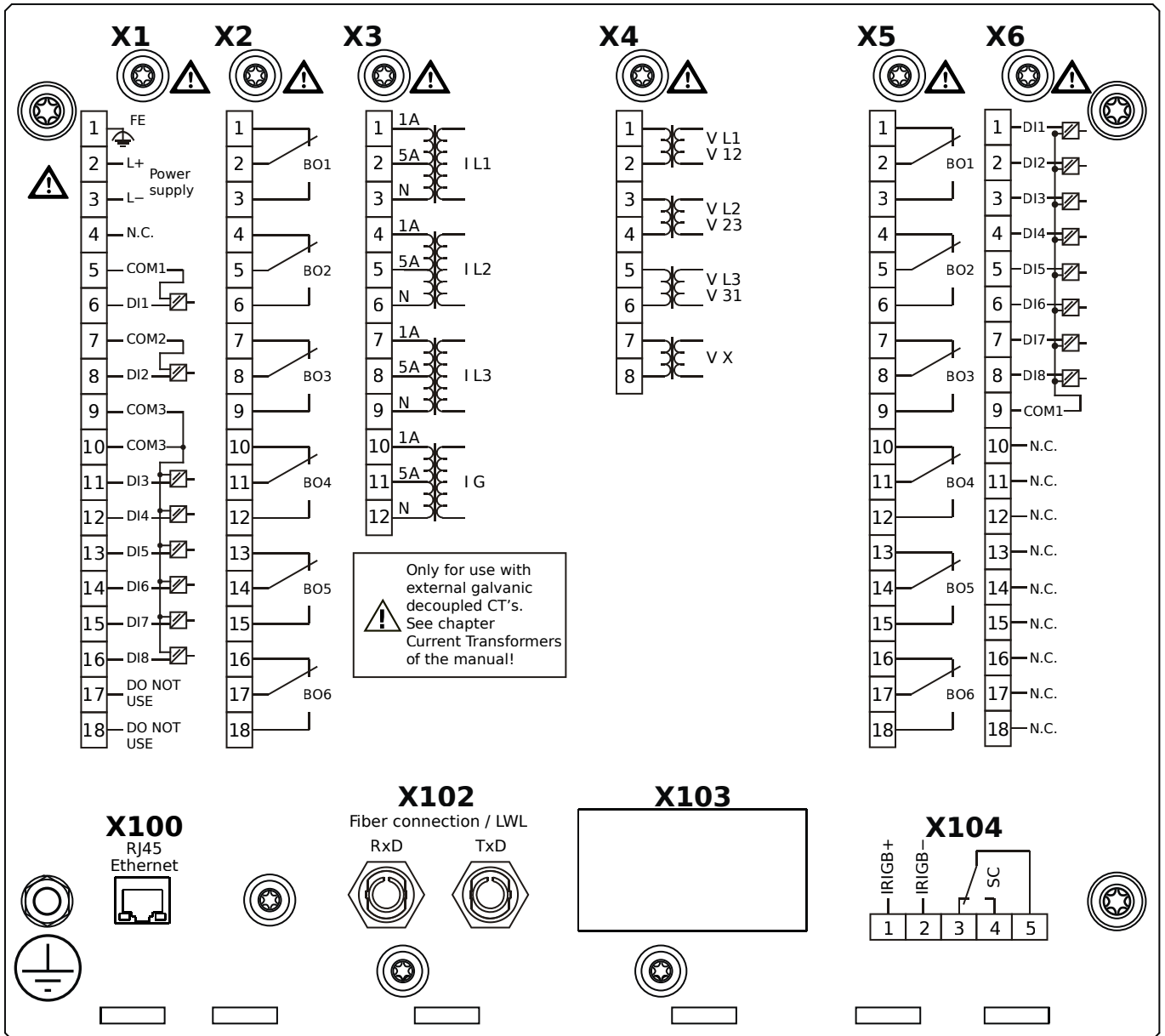


Housing B2, large display, door mounting

+ Conformal Coating (for installations in harsh environment)

- X1** – DI8-X1: Wide-range power supply unit, incl. 2 non-grouped digital inputs and 6 grouped digital inputs
- X2** – OR6: Assembly Group with 6 Output Relays (Changeover / Form C)
- X3** – TI: Standard current measuring card
- X4** – TU: Card with 4 voltage transformer measuring inputs (0 ... 800 VAC, under UL: 0 ... 600 VAC)
- X5** – OR6: Assembly Group with 6 Output Relays (Changeover / Form C)
- X6** – DI8: Assembly Group with 8 Digital Inputs
- X102** – Protection Communication, Fiber optics interface, ST Connector
- X103** – Modbus RTU / IEC 60870-5-103 / DNP3.0 RTU, RS485, Terminals
- X104** – IRIG-B00X, incl. System Contact (Supervision Contact)

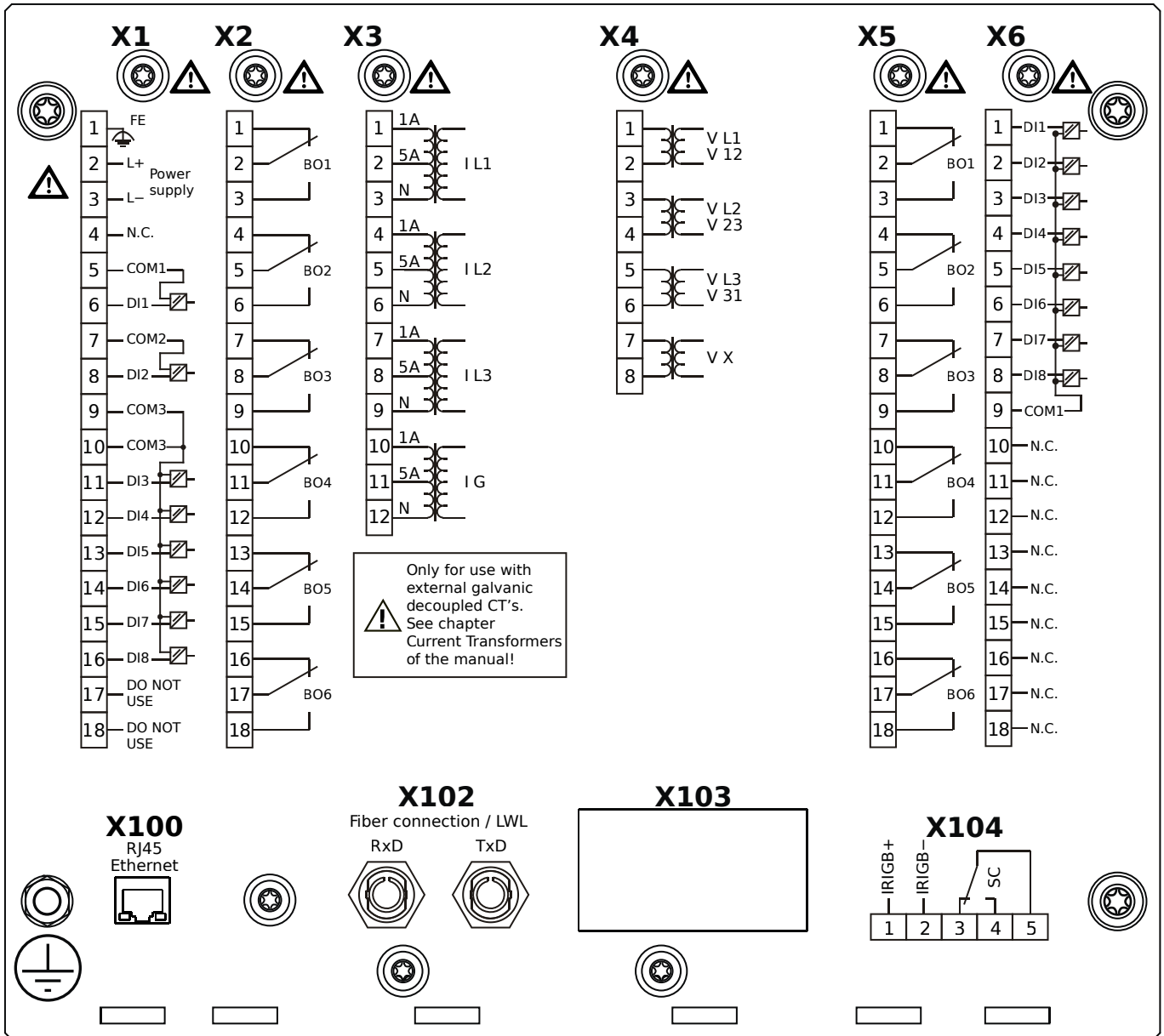
MCDLV4-2D0A1CA



Housing B2, large display, door mounting

- X1** – DI8-X1: Wide-range power supply unit, incl. 2 non-grouped digital inputs and 6 grouped digital inputs
- X2** – OR6: Assembly Group with 6 Output Relays (Changeover / Form C)
- X3** – TI: Standard current measuring card
- X4** – TU: Card with 4 voltage transformer measuring inputs (0 ... 800 VAC, under UL: 0 ... 600 VAC)
- X5** – OR6: Assembly Group with 6 Output Relays (Changeover / Form C)
- X6** – DI8: Assembly Group with 8 Digital Inputs
- X100** – Modbus TCP / IEC 60870-5-104 / DNP3.0 TCP/UDP, Ethernet interface, 100 Mbit/s, RJ45 (BASE100-FX)
- X102** – Protection Communication, Fiber optics interface, ST Connector
- X104** – IRIG-B00X, incl. System Contact (Supervision Contact)

MCDLV4-2D0A1CB

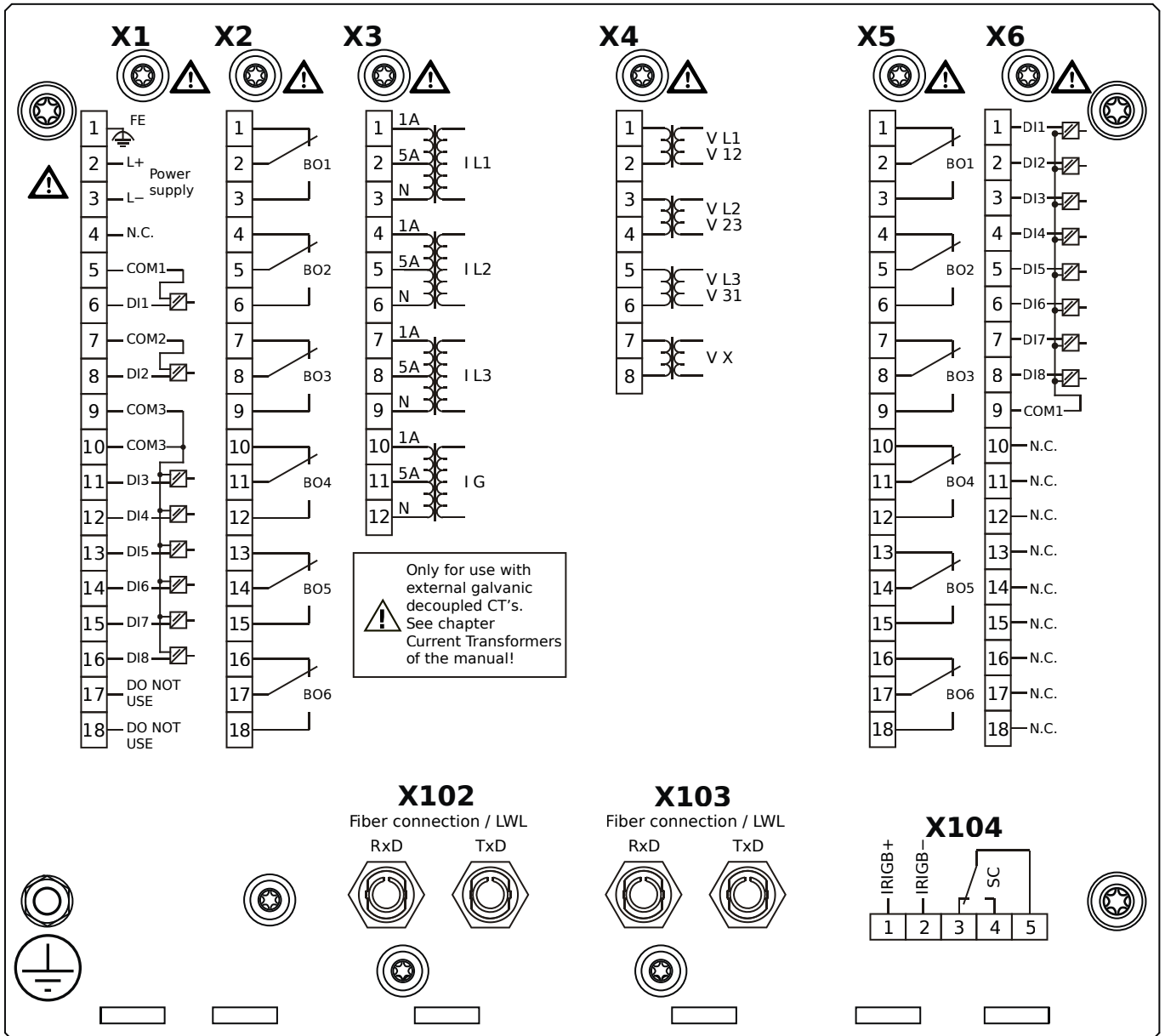


Housing B2, large display, door mounting

- + Conformal Coating (for installations in harsh environment)

- X1** – DI8-X1: Wide-range power supply unit, incl. 2 non-grouped digital inputs and 6 grouped digital inputs
- X2** – OR6: Assembly Group with 6 Output Relays (Changeover / Form C)
- X3** – TI: Standard current measuring card
- X4** – TU: Card with 4 voltage transformer measuring inputs (0 ... 800 VAC, under UL: 0 ... 600 VAC)
- X5** – OR6: Assembly Group with 6 Output Relays (Changeover / Form C)
- X6** – DI8: Assembly Group with 8 Digital Inputs
- X100** – Modbus TCP / IEC 60870-5-104 / DNP3.0 TCP/UDP, Ethernet interface, 100 Mbit/s, RJ45 (BASE100-FX)
- X102** – Protection Communication, Fiber optics interface, ST Connector
- X104** – IRIG-B00X, incl. System Contact (Supervision Contact)

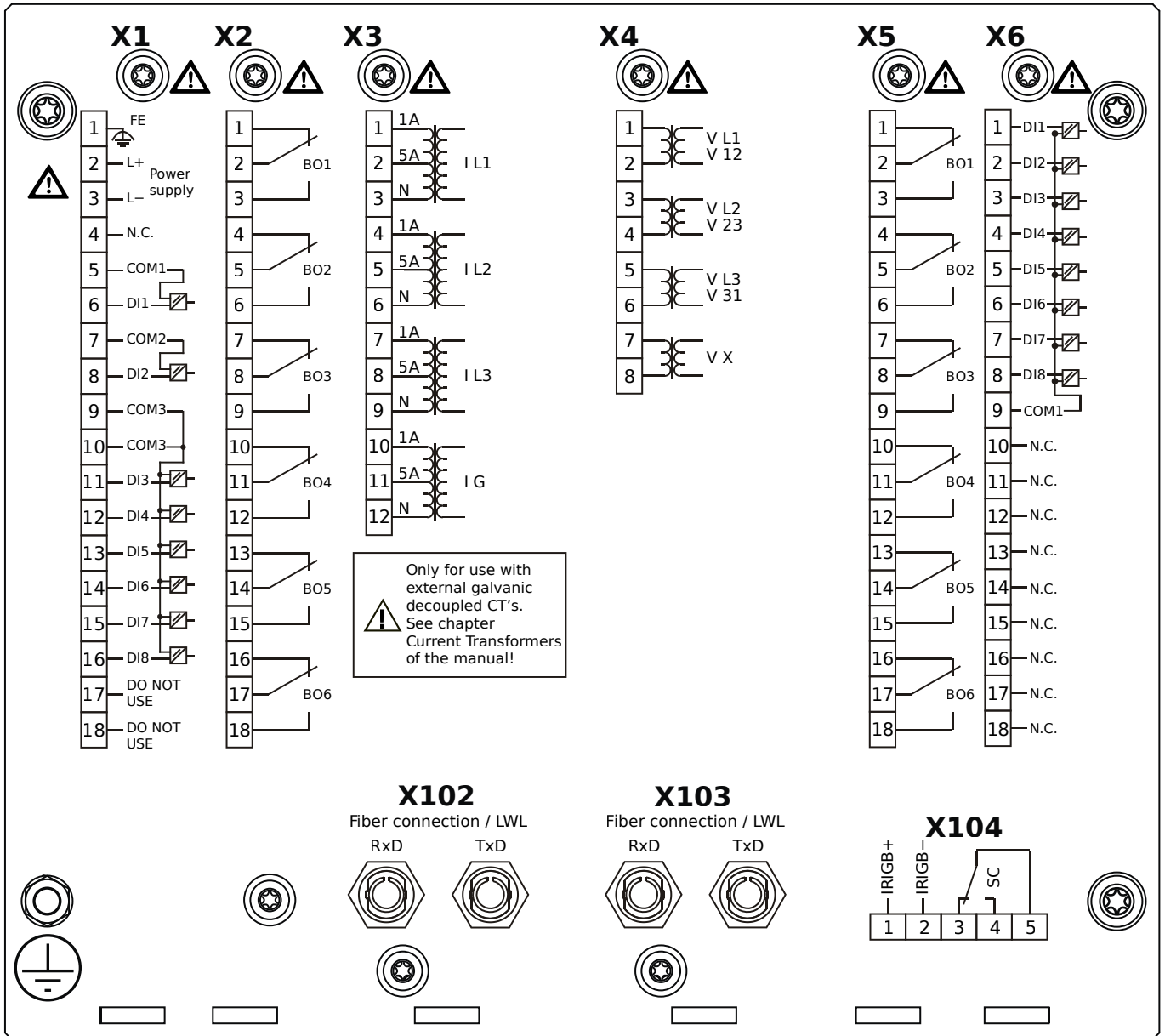
MCDLV4-2D0A1DA



Housing B2, large display, door mounting

- X1** – DI8-X1: Wide-range power supply unit, incl. 2 non-grouped digital inputs and 6 grouped digital inputs
- X2** – OR6: Assembly Group with 6 Output Relays (Changeover / Form C)
- X3** – TI: Standard current measuring card
- X4** – TU: Card with 4 voltage transformer measuring inputs (0 ... 800 VAC, under UL: 0 ... 600 VAC)
- X5** – OR6: Assembly Group with 6 Output Relays (Changeover / Form C)
- X6** – DI8: Assembly Group with 8 Digital Inputs
- X102** – Protection Communication, Fiber optics interface, ST Connector
- X103** – Profibus-DP, Fiber optics interface, ST Connector
- X104** – IRIG-B00X, incl. System Contact (Supervision Contact)

MCDLV4-2D0A1DB

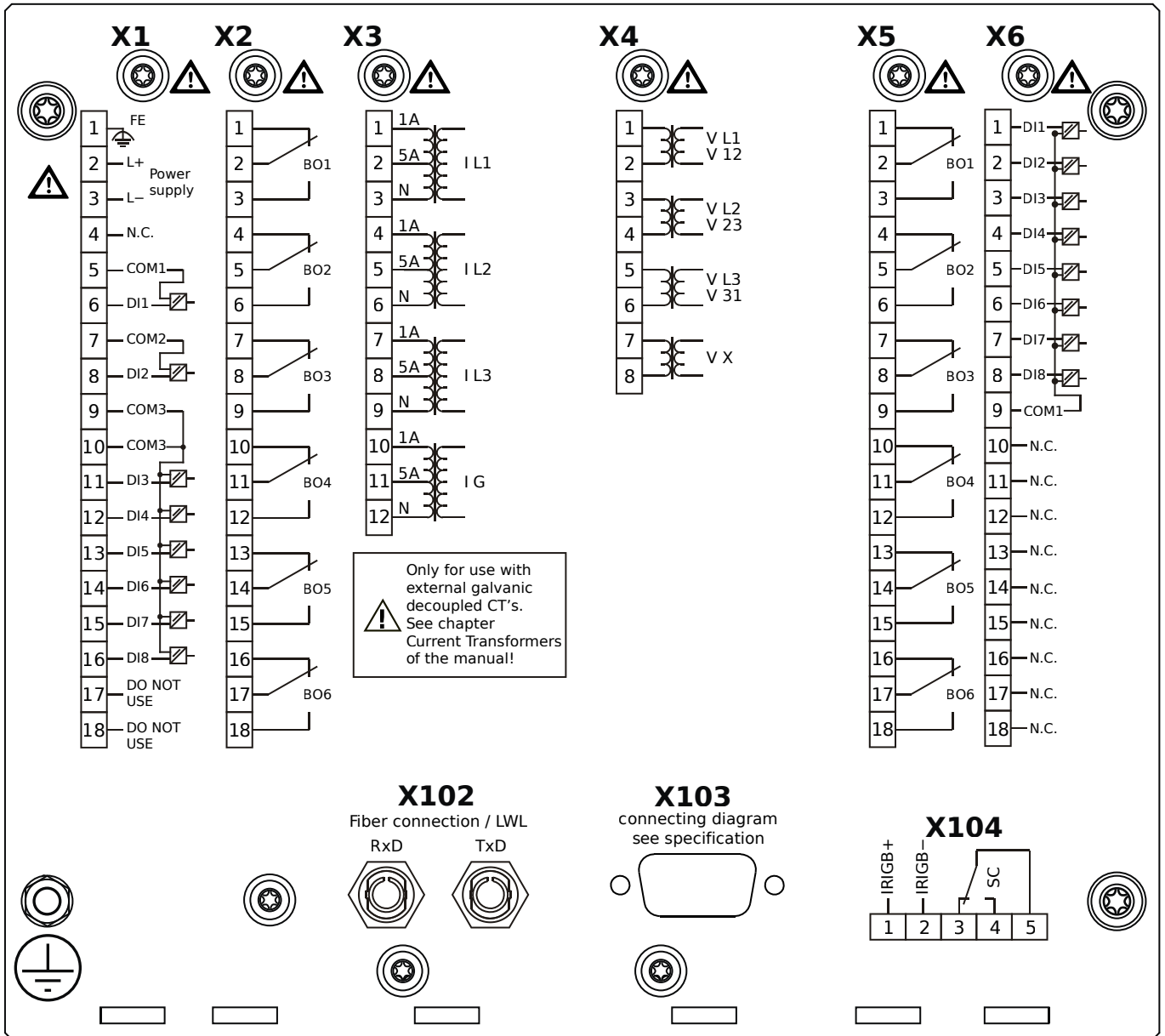


Housing B2, large display, door mounting

- + Conformal Coating (for installations in harsh environment)

- X1** – DI8-X1: Wide-range power supply unit, incl. 2 non-grouped digital inputs and 6 grouped digital inputs
- X2** – OR6: Assembly Group with 6 Output Relays (Changeover / Form C)
- X3** – TI: Standard current measuring card
- X4** – TU: Card with 4 voltage transformer measuring inputs (0 ... 800 VAC, under UL: 0 ... 600 VAC)
- X5** – OR6: Assembly Group with 6 Output Relays (Changeover / Form C)
- X6** – DI8: Assembly Group with 8 Digital Inputs
- X102** – Protection Communication, Fiber optics interface, ST Connector
- X103** – Profibus-DP, Fiber optics interface, ST Connector
- X104** – IRIG-B00X, incl. System Contact (Supervision Contact)

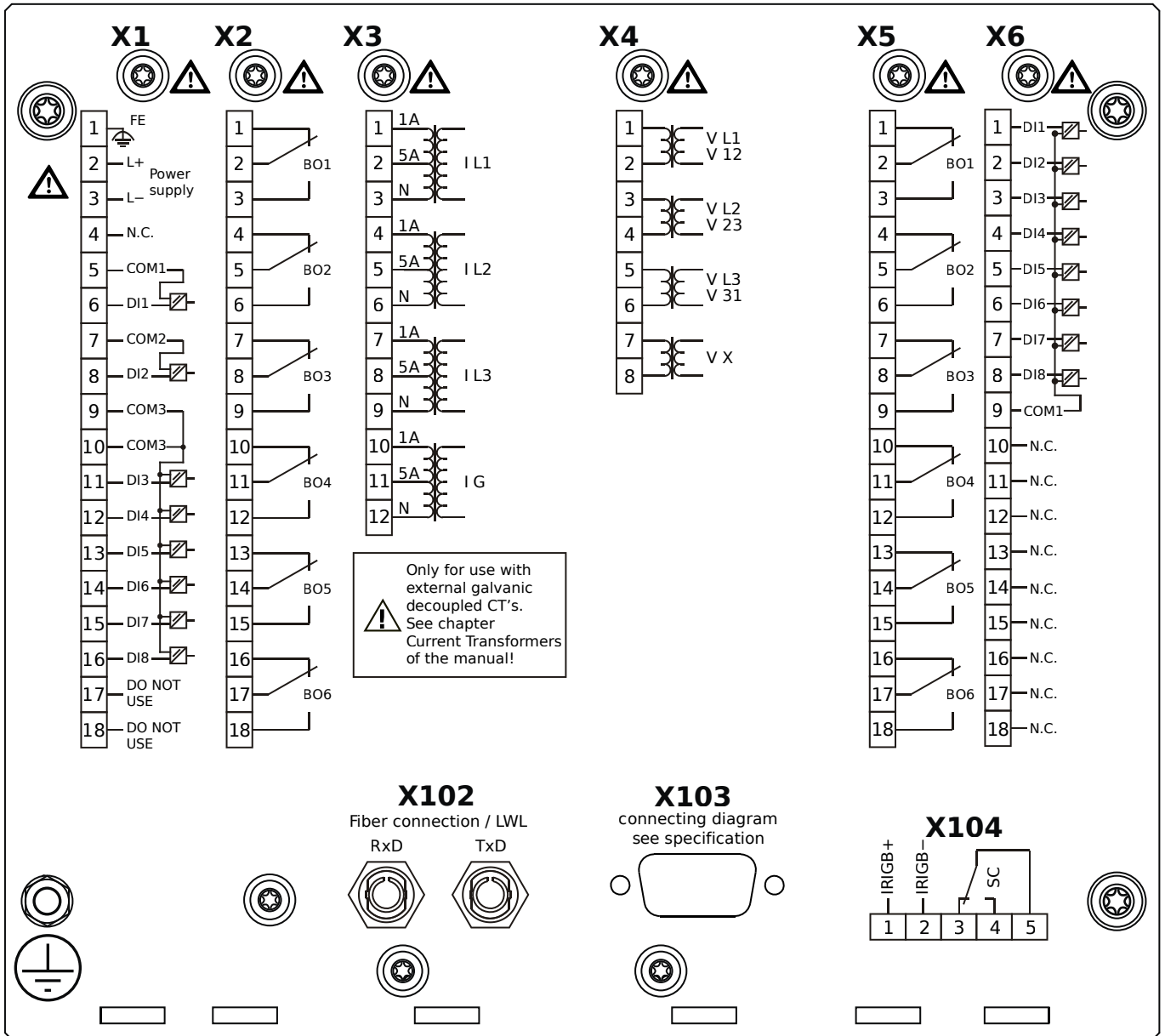
MCDLV4-2D0A1EA



Housing B2, large display, door mounting

- X1** – DI8-X1: Wide-range power supply unit, incl. 2 non-grouped digital inputs and 6 grouped digital inputs
- X2** – OR6: Assembly Group with 6 Output Relays (Changeover / Form C)
- X3** – TI: Standard current measuring card
- X4** – TU: Card with 4 voltage transformer measuring inputs (0 ... 800 VAC, under UL: 0 ... 600 VAC)
- X5** – OR6: Assembly Group with 6 Output Relays (Changeover / Form C)
- X6** – DI8: Assembly Group with 8 Digital Inputs
- X102** – Protection Communication, Fiber optics interface, ST Connector
- X103** – Profibus-DP, RS485, D-SUB
- X104** – IRIG-B00X, incl. System Contact (Supervision Contact)

MCDLV4-2D0A1EB

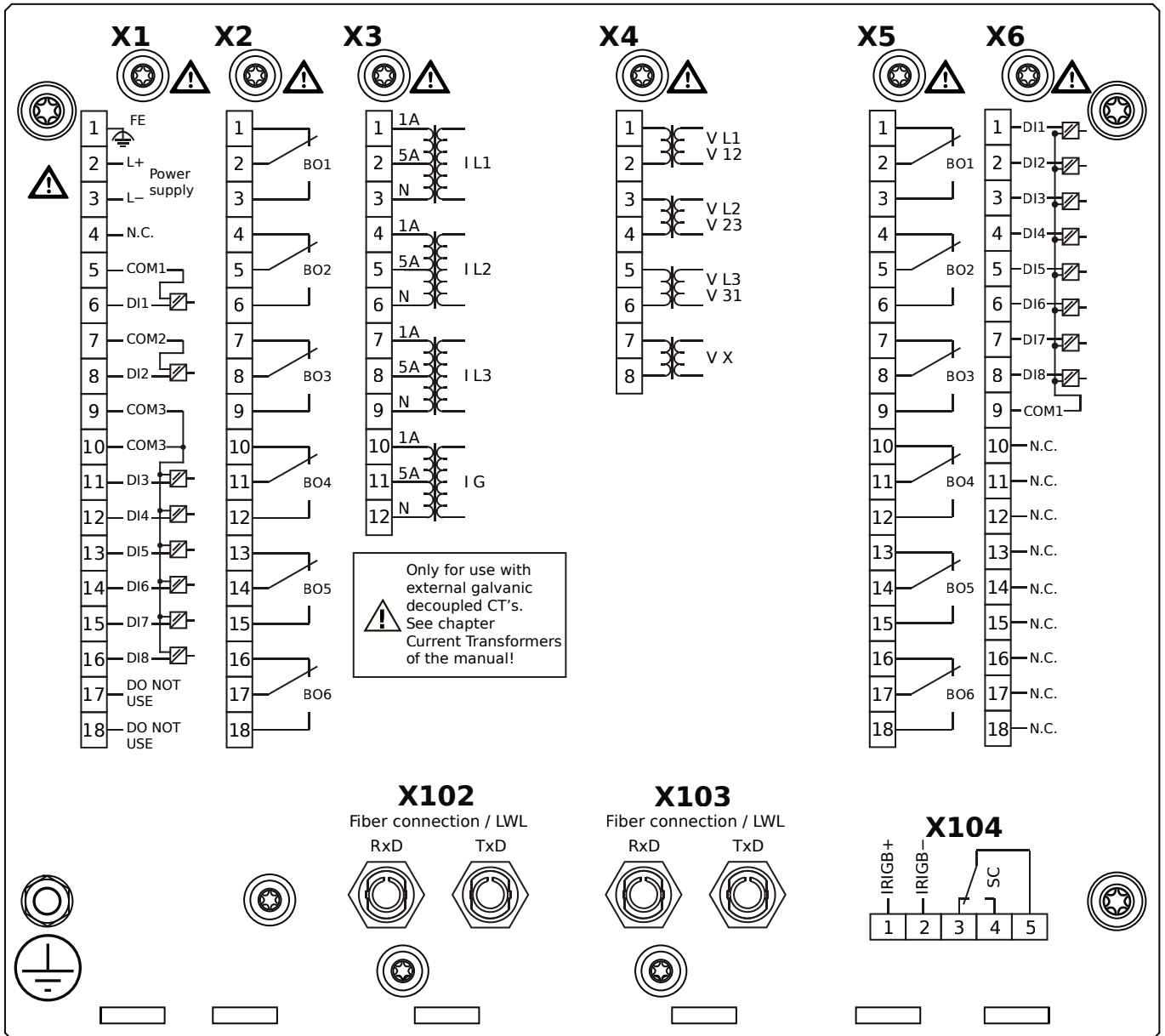


Housing B2, large display, door mounting

+ Conformal Coating (for installations in harsh environment)

- X1** – DI8-X1: Wide-range power supply unit, incl. 2 non-grouped digital inputs and 6 grouped digital inputs
- X2** – OR6: Assembly Group with 6 Output Relays (Changeover / Form C)
- X3** – TI: Standard current measuring card
- X4** – TU: Card with 4 voltage transformer measuring inputs (0 ... 800 VAC, under UL: 0 ... 600 VAC)
- X5** – OR6: Assembly Group with 6 Output Relays (Changeover / Form C)
- X6** – DI8: Assembly Group with 8 Digital Inputs
- X102** – Protection Communication, Fiber optics interface, ST Connector
- X103** – Profibus-DP, RS485, D-SUB
- X104** – IRIG-B00X, incl. System Contact (Supervision Contact)

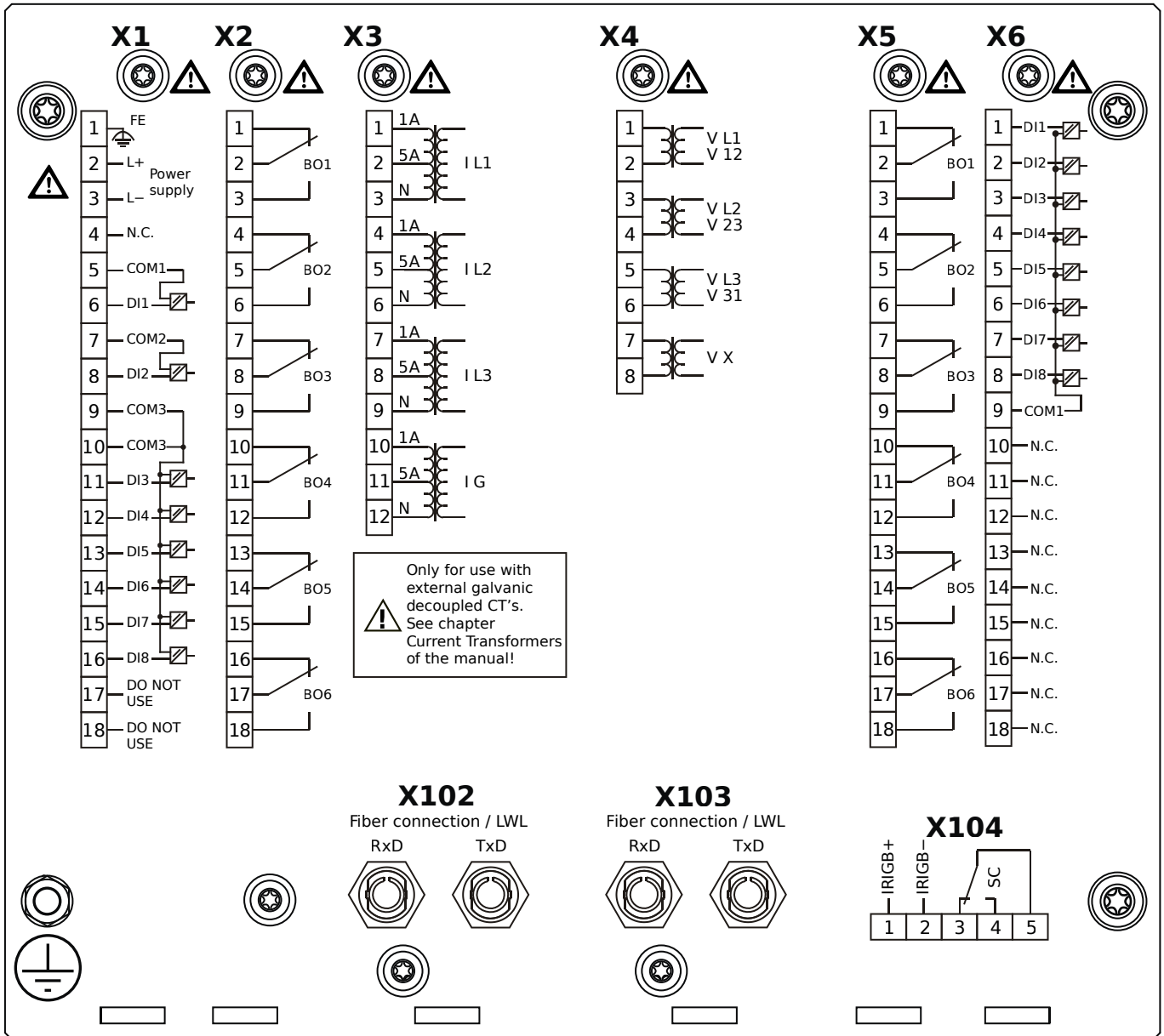
MCDLV4-2D0A1FA



Housing B2, large display, door mounting

- X1** – DI8-X1: Wide-range power supply unit, incl. 2 non-grouped digital inputs and 6 grouped digital inputs
- X2** – OR6: Assembly Group with 6 Output Relays (Changeover / Form C)
- X3** – TI: Standard current measuring card
- X4** – TU: Card with 4 voltage transformer measuring inputs (0 ... 800 VAC, under UL: 0 ... 600 VAC)
- X5** – OR6: Assembly Group with 6 Output Relays (Changeover / Form C)
- X6** – DI8: Assembly Group with 8 Digital Inputs
- X102** – Protection Communication, Fiber optics interface, ST Connector
- X103** – Modbus RTU / IEC 60870-5-103 / DNP3.0 RTU, Fiber optics interface, ST Connector
- X104** – IRIG-B00X, incl. System Contact (Supervision Contact)

MCDLV4-2D0A1FB

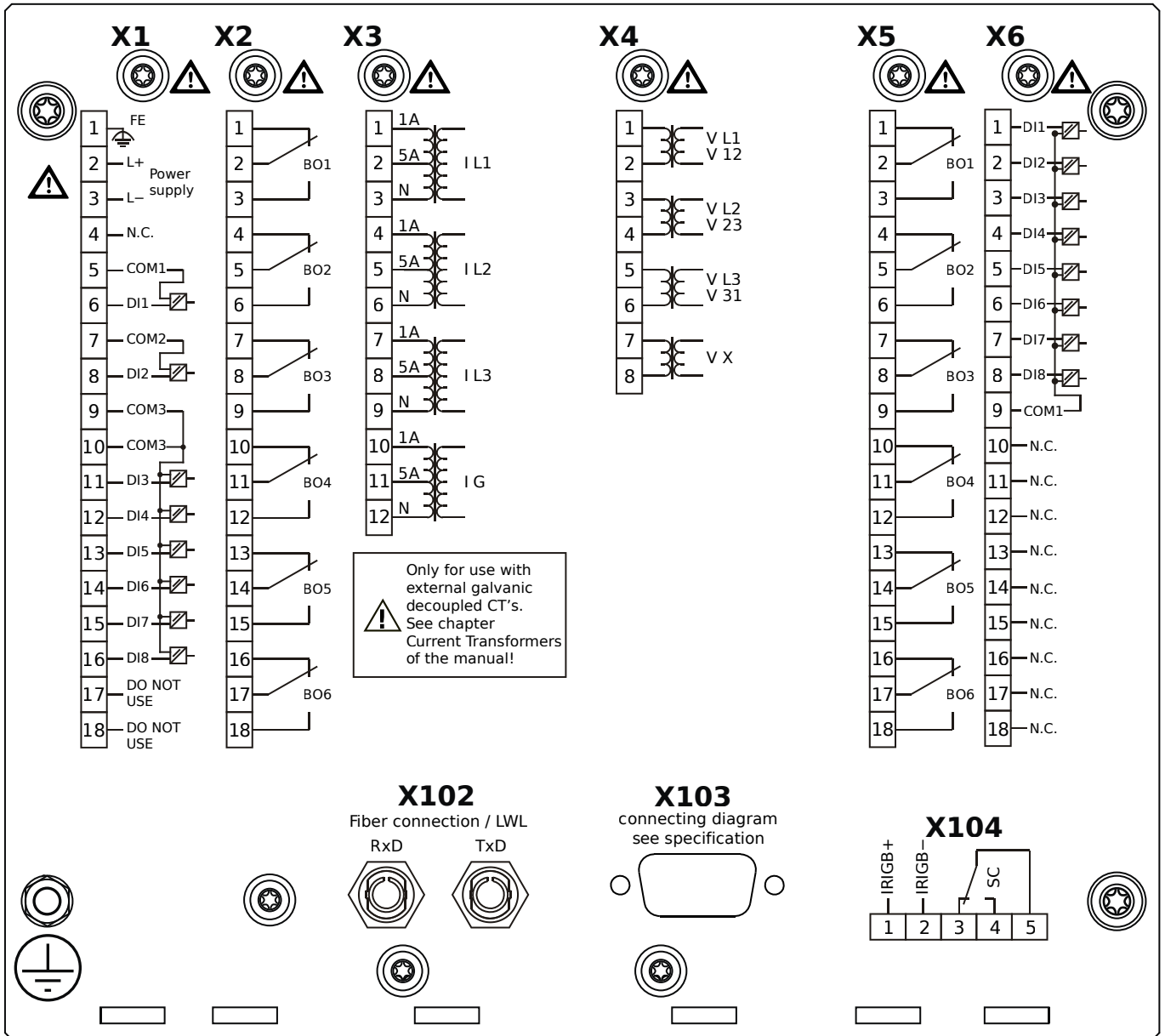


Housing B2, large display, door mounting

+ Conformal Coating (for installations in harsh environment)

- X1** – DI8-X1: Wide-range power supply unit, incl. 2 non-grouped digital inputs and 6 grouped digital inputs
- X2** – OR6: Assembly Group with 6 Output Relays (Changeover / Form C)
- X3** – TI: Standard current measuring card
- X4** – TU: Card with 4 voltage transformer measuring inputs (0 ... 800 VAC, under UL: 0 ... 600 VAC)
- X5** – OR6: Assembly Group with 6 Output Relays (Changeover / Form C)
- X6** – DI8: Assembly Group with 8 Digital Inputs
- X102** – Protection Communication, Fiber optics interface, ST Connector
- X103** – Modbus RTU / IEC 60870-5-103 / DNP3.0 RTU, Fiber optics interface, ST Connector
- X104** – IRIG-B00X, incl. System Contact (Supervision Contact)

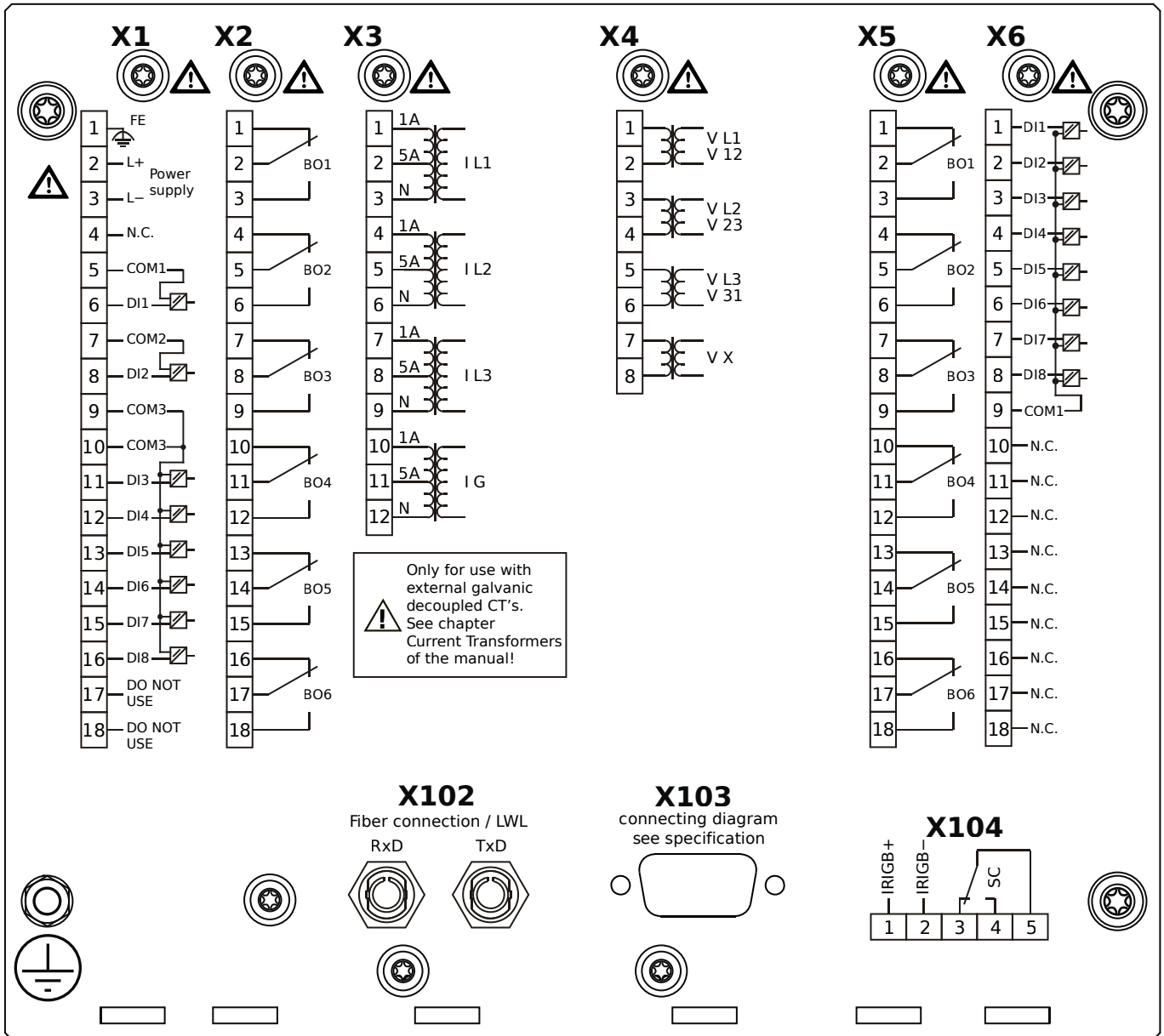
MCDLV4-2D0A1GA



Housing B2, large display, door mounting

- X1** – DI8-X1: Wide-range power supply unit, incl. 2 non-grouped digital inputs and 6 grouped digital inputs
- X2** – OR6: Assembly Group with 6 Output Relays (Changeover / Form C)
- X3** – TI: Standard current measuring card
- X4** – TU: Card with 4 voltage transformer measuring inputs (0 ... 800 VAC, under UL: 0 ... 600 VAC)
- X5** – OR6: Assembly Group with 6 Output Relays (Changeover / Form C)
- X6** – DI8: Assembly Group with 8 Digital Inputs
- X102** – Protection Communication, Fiber optics interface, ST Connector
- X103** – Modbus RTU / IEC 60870-5-103 / DNP3.0 RTU, RS485, D-SUB
- X104** – IRIG-B00X, incl. System Contact (Supervision Contact)

MCDLV4-2D0A1GB

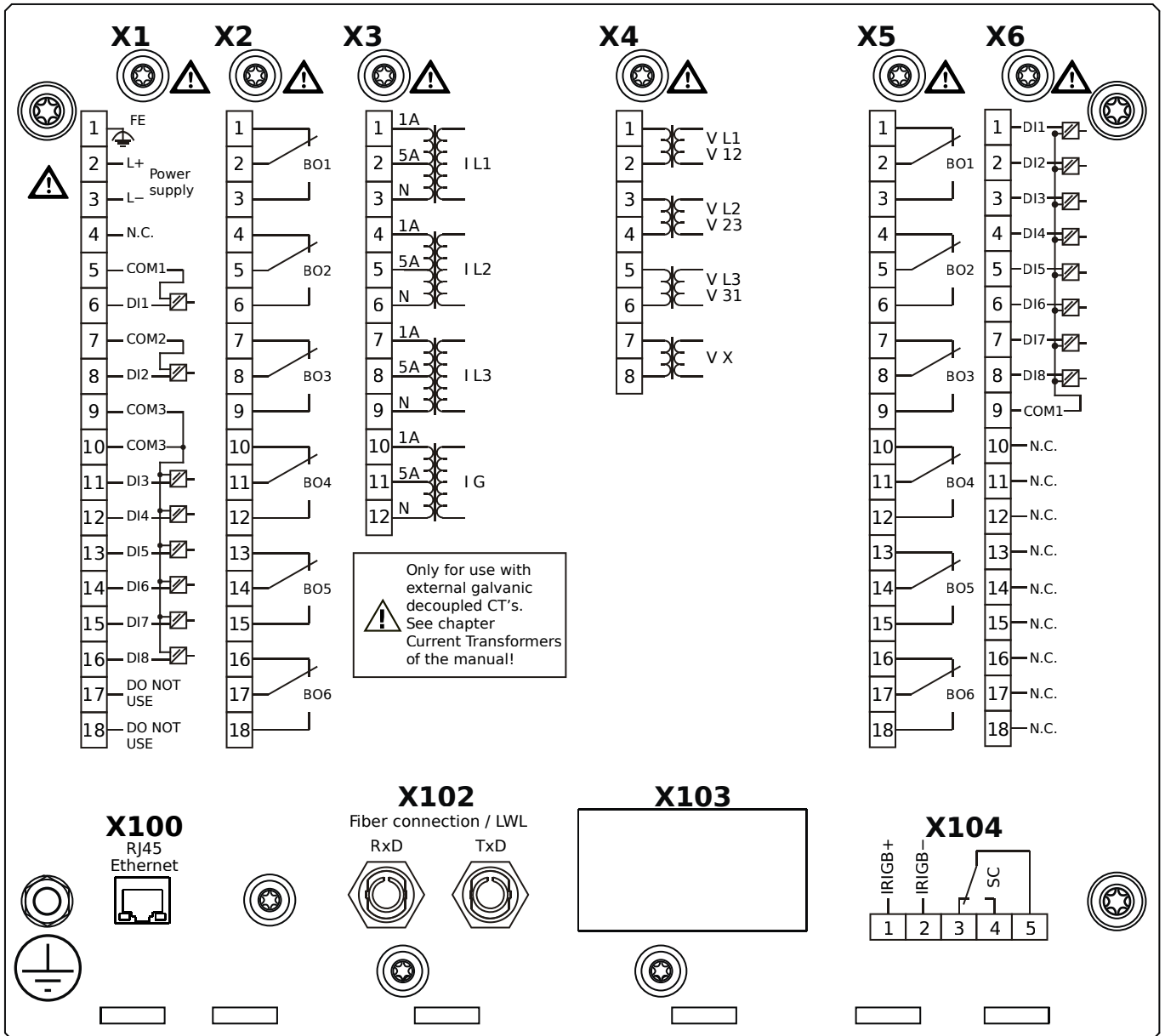


Housing B2, large display, door mounting

- + Conformal Coating (for installations in harsh environment)

- X1** – DI8-X1: Wide-range power supply unit, incl. 2 non-grouped digital inputs and 6 grouped digital inputs
- X2** – OR6: Assembly Group with 6 Output Relays (Changeover / Form C)
- X3** – TI: Standard current measuring card
- X4** – TU: Card with 4 voltage transformer measuring inputs (0 ... 800 VAC, under UL: 0 ... 600 VAC)
- X5** – OR6: Assembly Group with 6 Output Relays (Changeover / Form C)
- X6** – DI8: Assembly Group with 8 Digital Inputs
- X102** – Protection Communication, Fiber optics interface, ST Connector
- X103** – Modbus RTU / IEC 60870-5-103 / DNP3.0 RTU, RS485, D-SUB
- X104** – IRIG-B00X, incl. System Contact (Supervision Contact)

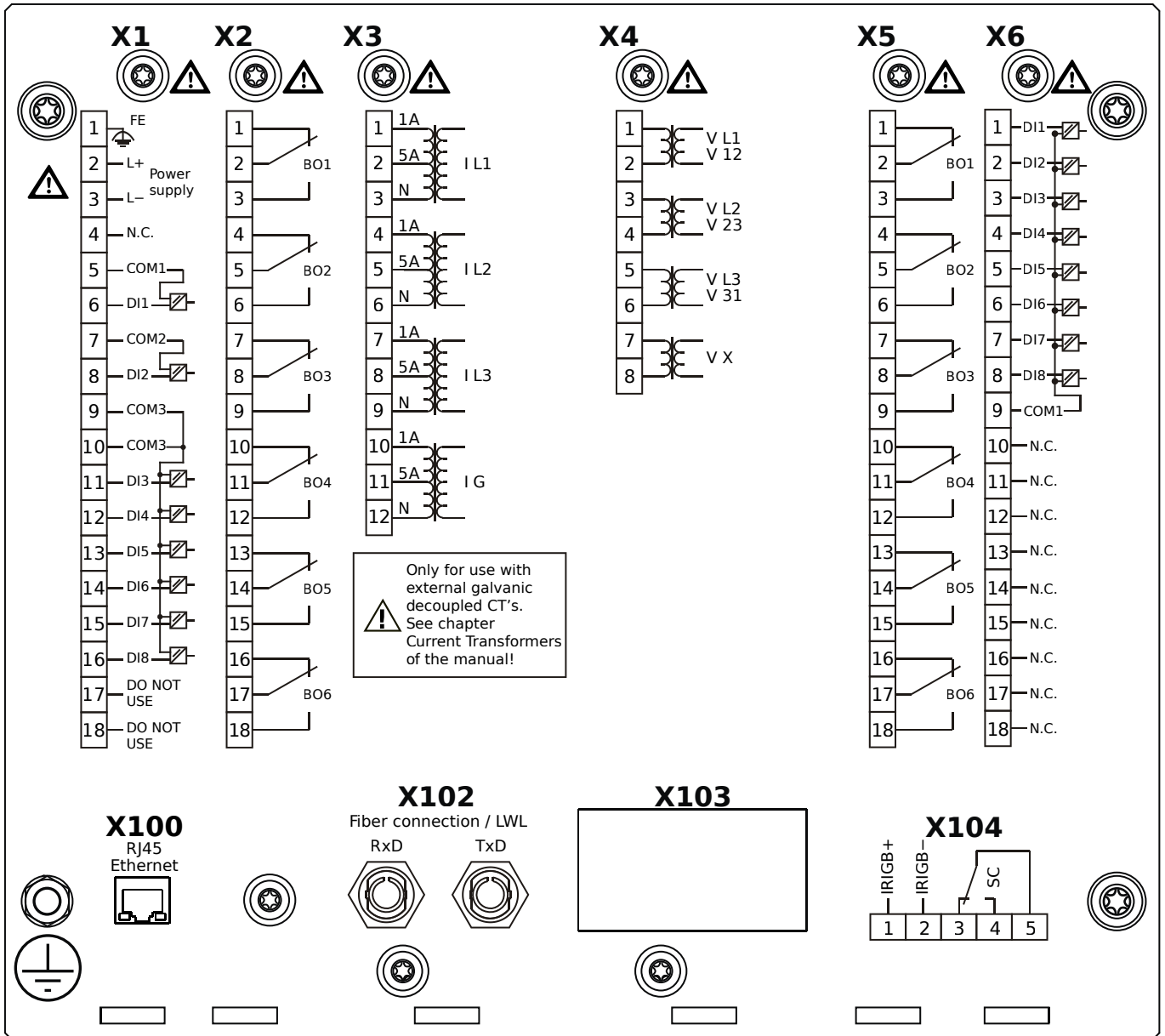
MCDLV4-2D0A1HA



Housing B2, large display, door mounting

- X1** – DI8-X1: Wide-range power supply unit, incl. 2 non-grouped digital inputs and 6 grouped digital inputs
- X2** – OR6: Assembly Group with 6 Output Relays (Changeover / Form C)
- X3** – TI: Standard current measuring card
- X4** – TU: Card with 4 voltage transformer measuring inputs (0 ... 800 VAC, under UL: 0 ... 600 VAC)
- X5** – OR6: Assembly Group with 6 Output Relays (Changeover / Form C)
- X6** – DI8: Assembly Group with 8 Digital Inputs
- X100** – IEC 61850 / Modbus TCP / IEC 60870-5-104 / DNP3.0 TCP/UDP, Ethernet interface, 100 Mbit/s, RJ45 (BASE100-FX)
- X102** – Protection Communication, Fiber optics interface, ST Connector
- X104** – IRIG-B00X, incl. System Contact (Supervision Contact)

MCDLV4-2D0A1HB

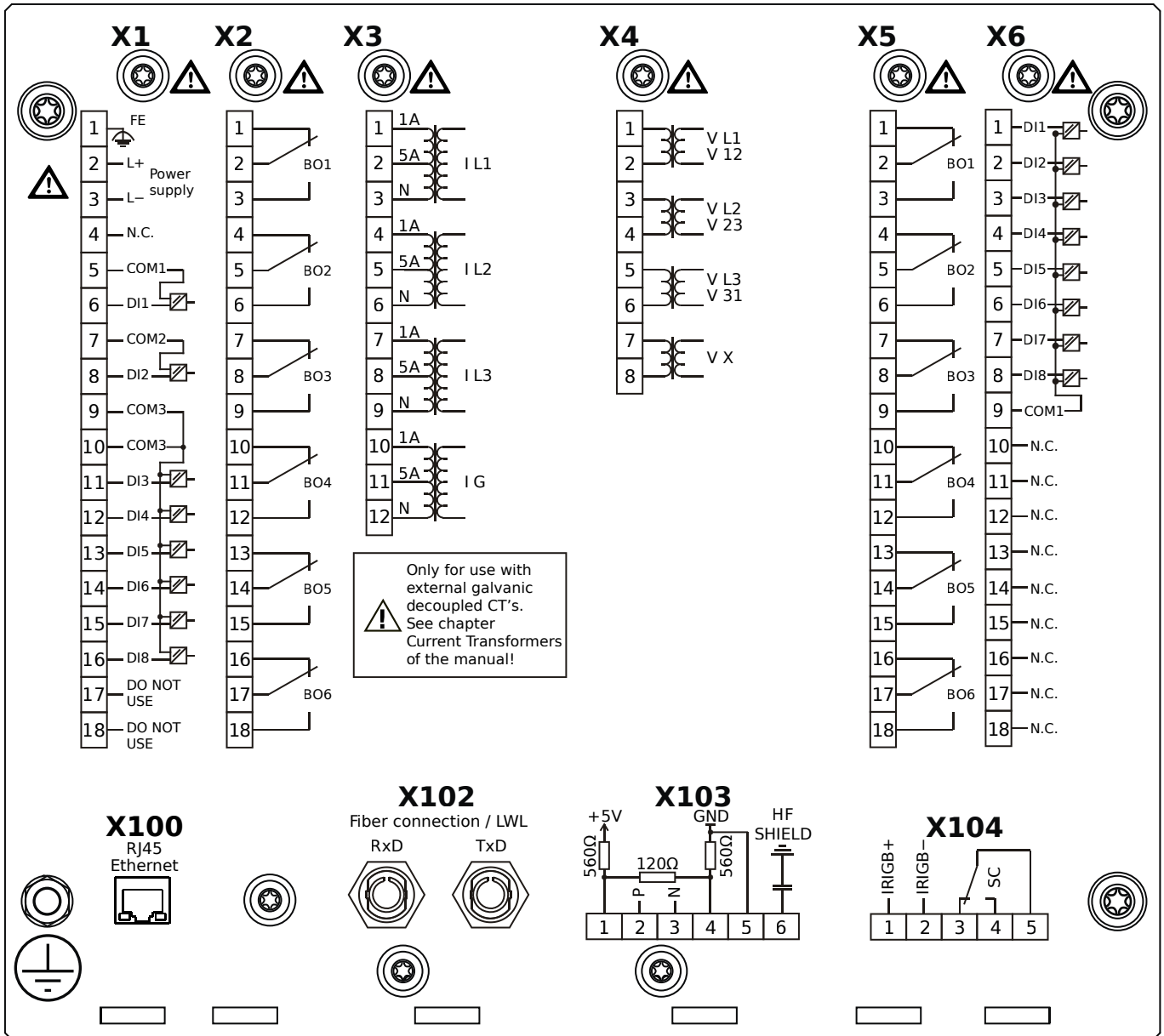


Housing B2, large display, door mounting

- + Conformal Coating (for installations in harsh environment)

- X1** – DI8-X1: Wide-range power supply unit, incl. 2 non-grouped digital inputs and 6 grouped digital inputs
- X2** – OR6: Assembly Group with 6 Output Relays (Changeover / Form C)
- X3** – TI: Standard current measuring card
- X4** – TU: Card with 4 voltage transformer measuring inputs (0 ... 800 VAC, under UL: 0 ... 600 VAC)
- X5** – OR6: Assembly Group with 6 Output Relays (Changeover / Form C)
- X6** – DI8: Assembly Group with 8 Digital Inputs
- X100** – IEC 61850 / Modbus TCP / IEC 60870-5-104 / DNP3.0 TCP/UDP, Ethernet interface, 100 Mbit/s, RJ45 (BASE100-FX)
- X102** – Protection Communication, Fiber optics interface, ST Connector
- X104** – IRIG-B00X, incl. System Contact (Supervision Contact)

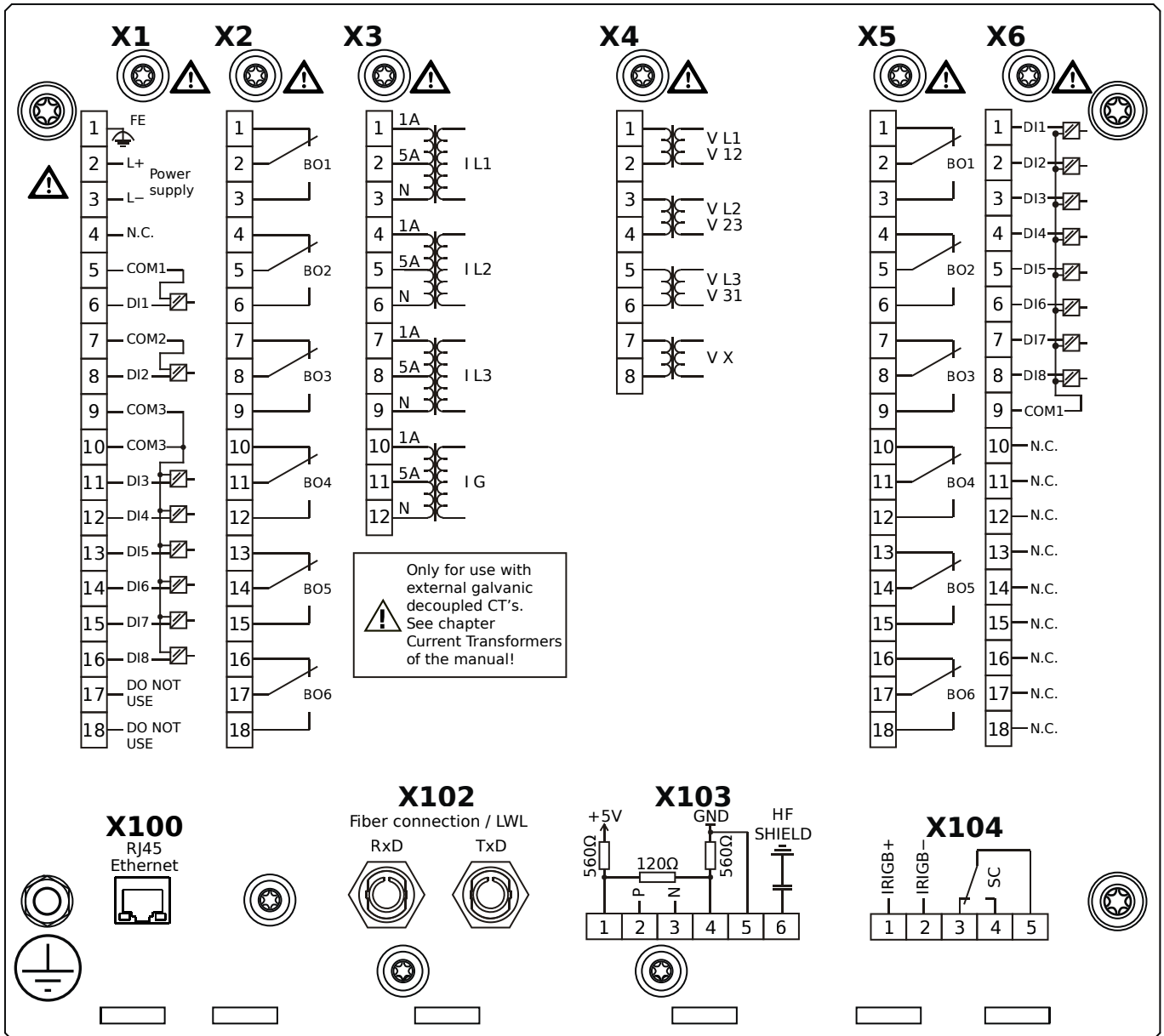
MCDLV4-2D0A1IA



Housing B2, large display, door mounting

- X1** – DI8-X1: Wide-range power supply unit, incl. 2 non-grouped digital inputs and 6 grouped digital inputs
- X2** – OR6: Assembly Group with 6 Output Relays (Changeover / Form C)
- X3** – TI: Standard current measuring card
- X4** – TU: Card with 4 voltage transformer measuring inputs (0 ... 800 VAC, under UL: 0 ... 600 VAC)
- X5** – OR6: Assembly Group with 6 Output Relays (Changeover / Form C)
- X6** – DI8: Assembly Group with 8 Digital Inputs
- X100** – Modbus TCP / IEC 60870-5-104 / DNP3.0 TCP/UDP, Ethernet interface, 100 Mbit/s, RJ45 (BASE100-FX)
- X102** – Protection Communication, Fiber optics interface, ST Connector
- X103** – IEC 60870-5-103 / Modbus RTU / DNP3.0 RTU, RS485, Terminals
- X104** – IRIG-B00X, incl. System Contact (Supervision Contact)

MCDLV4-2D0A1IB

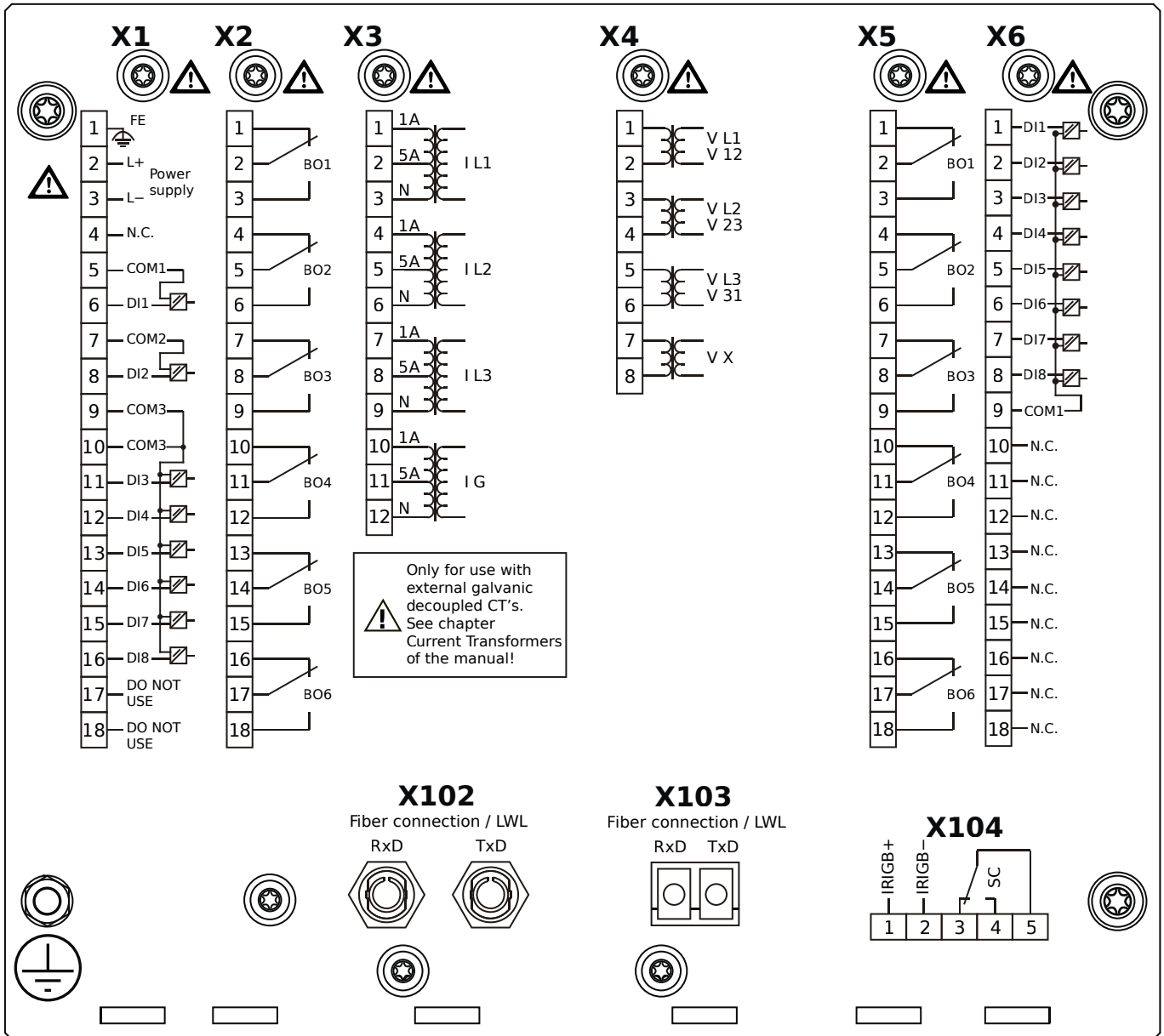


Housing B2, large display, door mounting

+ Conformal Coating (for installations in harsh environment)

- X1** – DI8-X1: Wide-range power supply unit, incl. 2 non-grouped digital inputs and 6 grouped digital inputs
- X2** – OR6: Assembly Group with 6 Output Relays (Changeover / Form C)
- X3** – TI: Standard current measuring card
- X4** – TU: Card with 4 voltage transformer measuring inputs (0 ... 800 VAC, under UL: 0 ... 600 VAC)
- X5** – OR6: Assembly Group with 6 Output Relays (Changeover / Form C)
- X6** – DI8: Assembly Group with 8 Digital Inputs
- X100** – Modbus TCP / IEC 60870-5-104 / DNP3.0 TCP/UDP, Ethernet interface, 100 Mbit/s, RJ45 (BASE100-FX)
- X102** – Protection Communication, Fiber optics interface, ST Connector
- X103** – IEC 60870-5-103 / Modbus RTU / DNP3.0 RTU, RS485, Terminals
- X104** – IRIG-B00X, incl. System Contact (Supervision Contact)

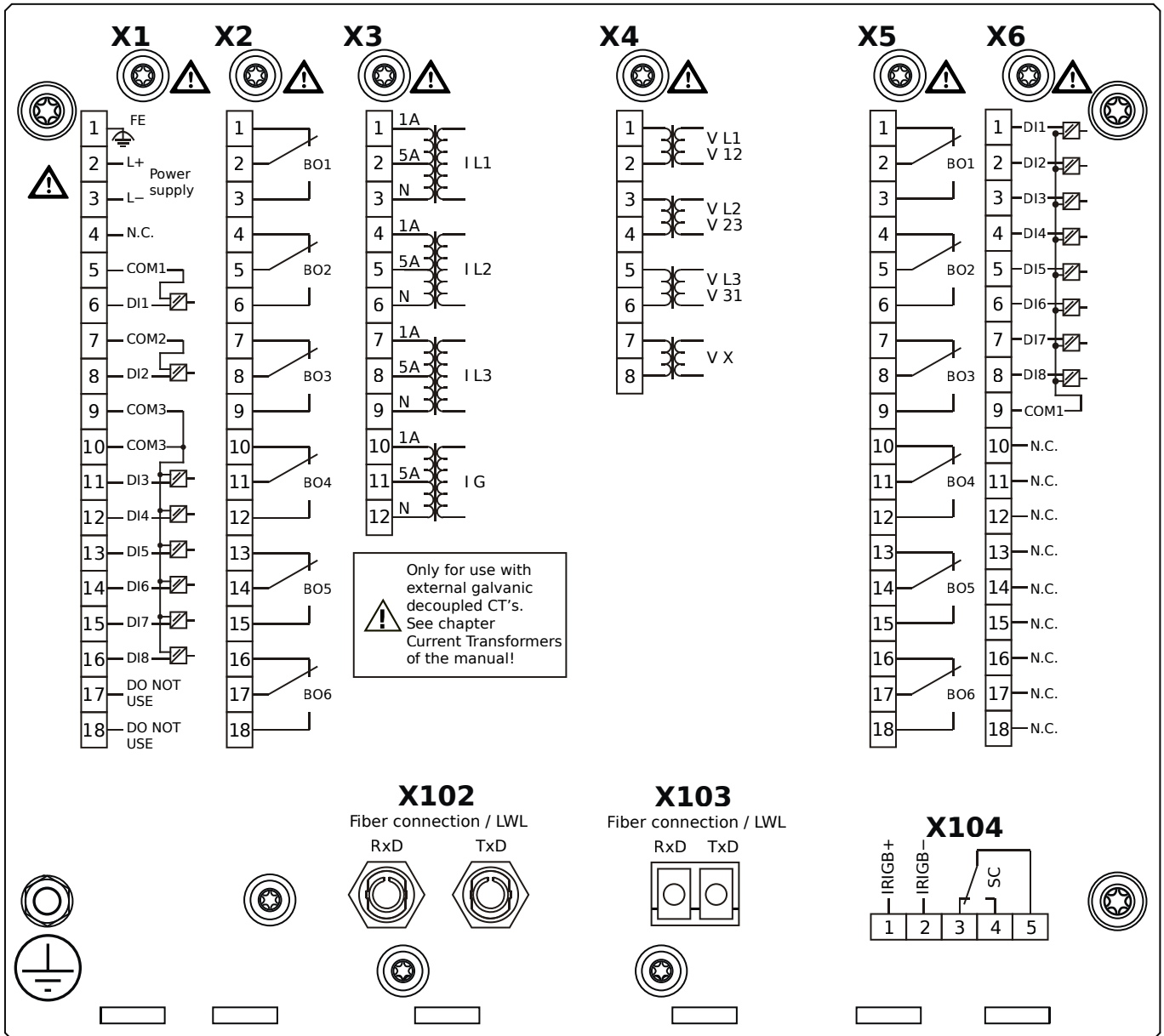
MCDLV4-2D0A1KA



Housing B2, large display, door mounting

- X1** – DI8-X1: Wide-range power supply unit, incl. 2 non-grouped digital inputs and 6 grouped digital inputs
- X2** – OR6: Assembly Group with 6 Output Relays (Changeover / Form C)
- X3** – TI: Standard current measuring card
- X4** – TU: Card with 4 voltage transformer measuring inputs (0 ... 800 VAC, under UL: 0 ... 600 VAC)
- X5** – OR6: Assembly Group with 6 Output Relays (Changeover / Form C)
- X6** – DI8: Assembly Group with 8 Digital Inputs
- X102** – Protection Communication, Fiber optics interface, ST Connector
- X103** – IEC 61850 / Modbus TCP / IEC 60870-5-104 / DNP3.0 TCP/UDP, Fiber optics interface, LC Connector
- X104** – IRIG-B00X, incl. System Contact (Supervision Contact)

MCDLV4-2D0A1KB

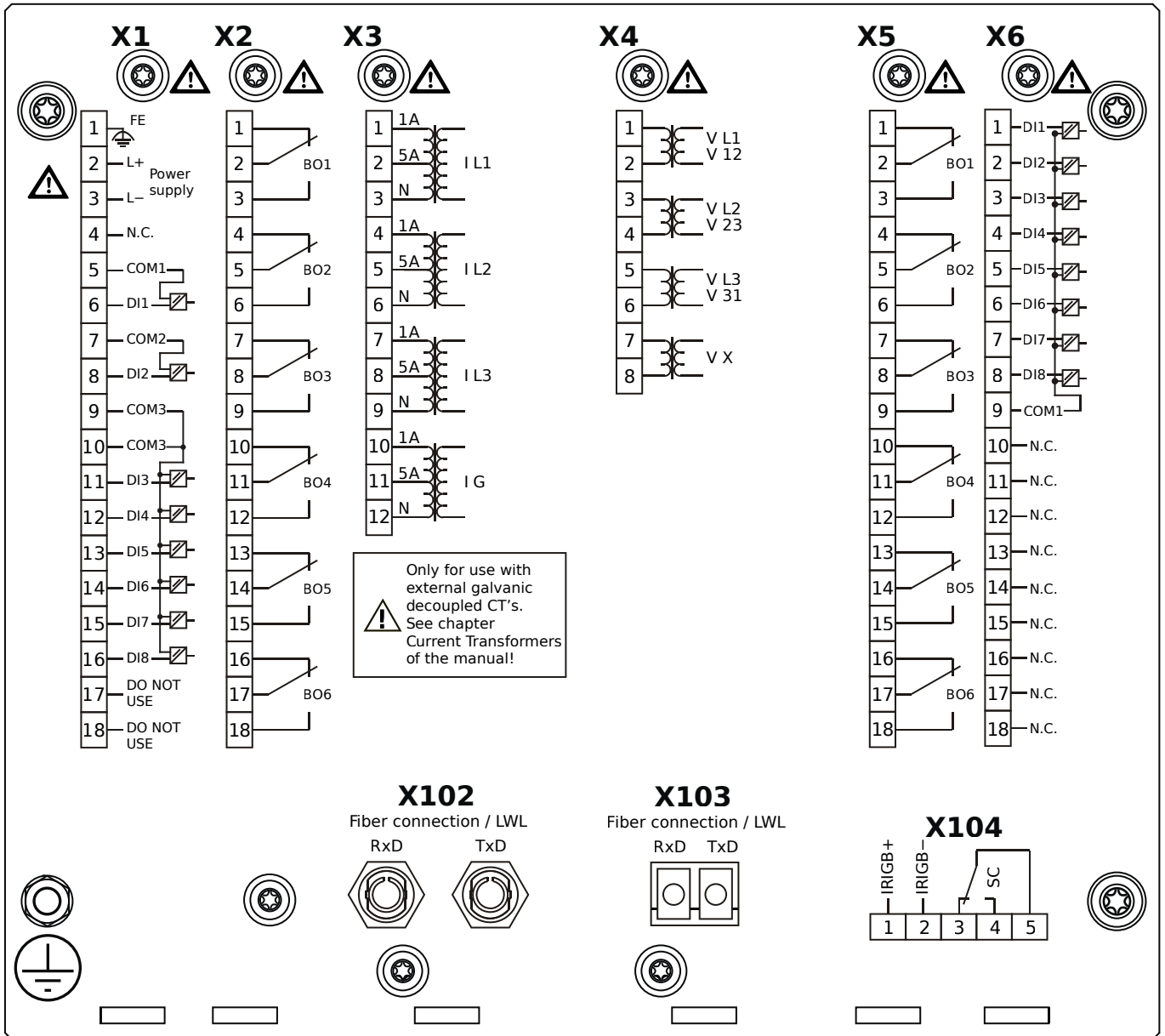


Housing B2, large display, door mounting

- + Conformal Coating (for installations in harsh environment)

- X1** – DI8-X1: Wide-range power supply unit, incl. 2 non-grouped digital inputs and 6 grouped digital inputs
- X2** – OR6: Assembly Group with 6 Output Relays (Changeover / Form C)
- X3** – TI: Standard current measuring card
- X4** – TU: Card with 4 voltage transformer measuring inputs (0 ... 800 VAC, under UL: 0 ... 600 VAC)
- X5** – OR6: Assembly Group with 6 Output Relays (Changeover / Form C)
- X6** – DI8: Assembly Group with 8 Digital Inputs
- X102** – Protection Communication, Fiber optics interface, ST Connector
- X103** – IEC 61850 / Modbus TCP / IEC 60870-5-104 / DNP3.0 TCP/UDP, Fiber optics interface, LC Connector
- X104** – IRIG-B00X, incl. System Contact (Supervision Contact)

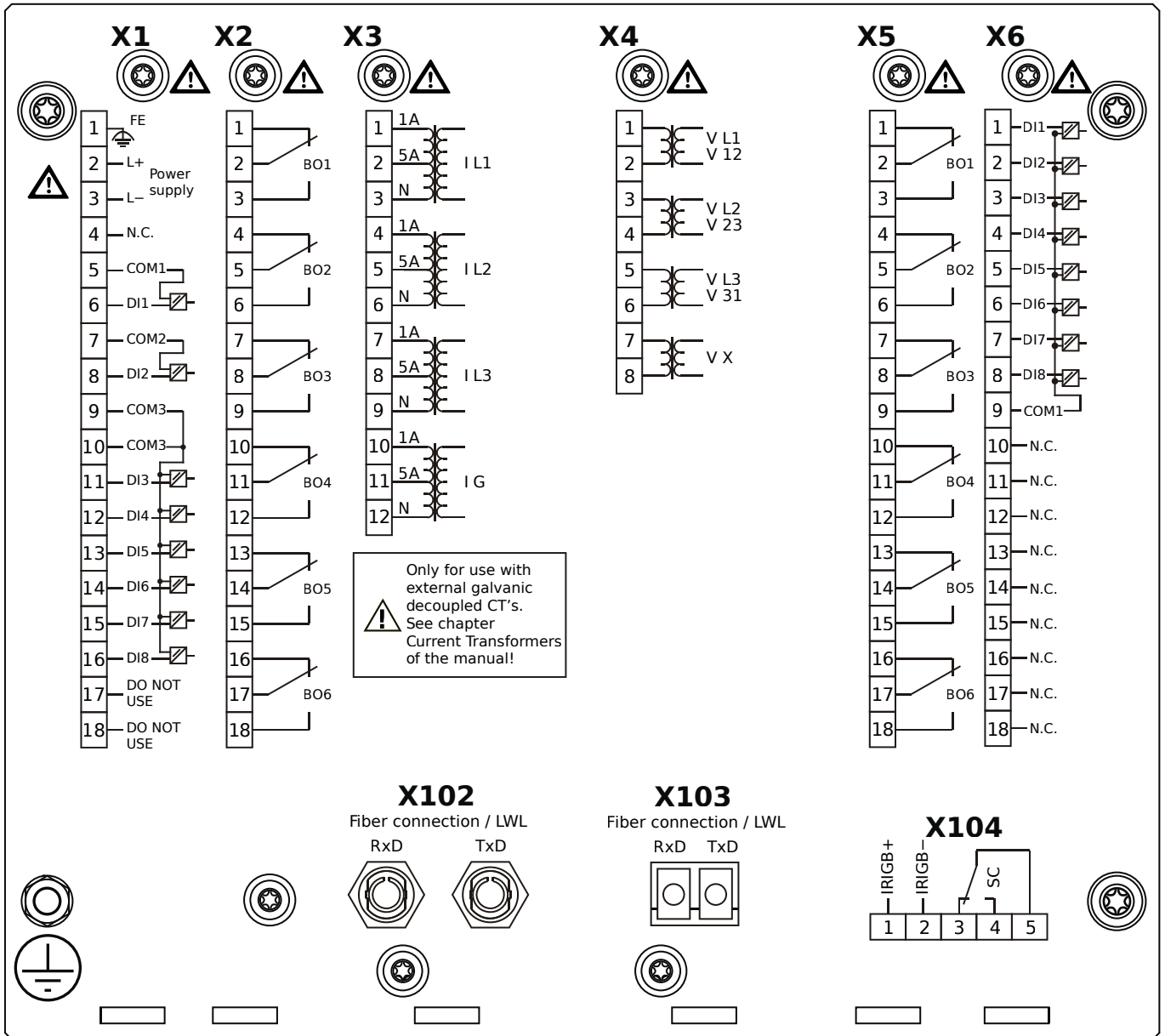
MCDLV4-2D0A1LA



Housing B2, large display, door mounting

- X1** – DI8-X1: Wide-range power supply unit, incl. 2 non-grouped digital inputs and 6 grouped digital inputs
- X2** – OR6: Assembly Group with 6 Output Relays (Changeover / Form C)
- X3** – TI: Standard current measuring card
- X4** – TU: Card with 4 voltage transformer measuring inputs (0 ... 800 VAC, under UL: 0 ... 600 VAC)
- X5** – OR6: Assembly Group with 6 Output Relays (Changeover / Form C)
- X6** – DI8: Assembly Group with 8 Digital Inputs
- X102** – Protection Communication, Fiber optics interface, ST Connector
- X103** – Modbus TCP / IEC 60870-5-104 / DNP3.0 TCP/UDP, Fiber optics interface, LC Connector
- X104** – IRIG-B00X, incl. System Contact (Supervision Contact)

MCDLV4-2D0A1LB

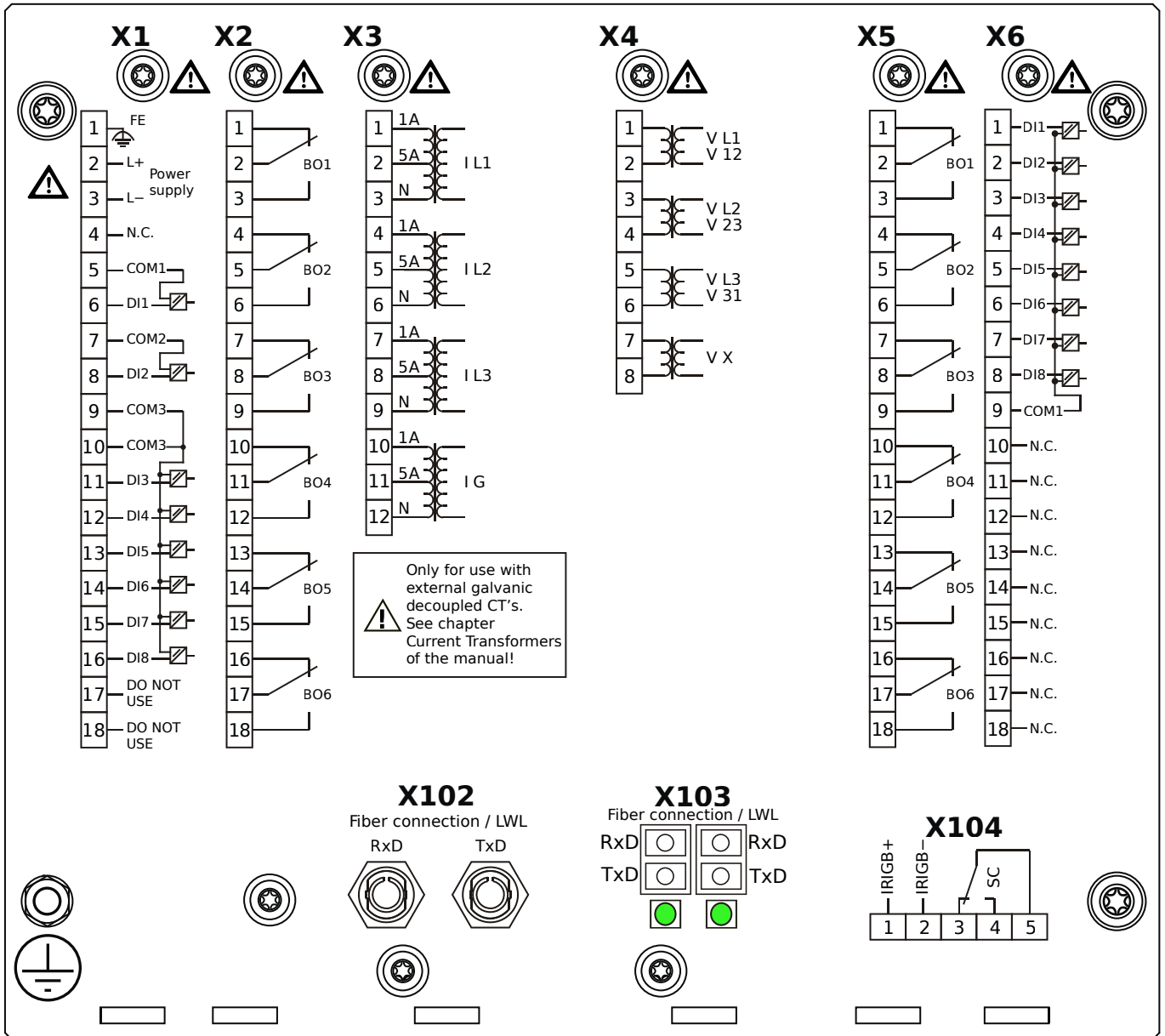


Housing B2, large display, door mounting

- + Conformal Coating (for installations in harsh environment)

- X1** – DI8-X1: Wide-range power supply unit, incl. 2 non-grouped digital inputs and 6 grouped digital inputs
- X2** – OR6: Assembly Group with 6 Output Relays (Changeover / Form C)
- X3** – TI: Standard current measuring card
- X4** – TU: Card with 4 voltage transformer measuring inputs (0 ... 800 VAC, under UL: 0 ... 600 VAC)
- X5** – OR6: Assembly Group with 6 Output Relays (Changeover / Form C)
- X6** – DI8: Assembly Group with 8 Digital Inputs
- X102** – Protection Communication, Fiber optics interface, ST Connector
- X103** – Modbus TCP / IEC 60870-5-104 / DNP3.0 TCP/UDP, Fiber optics interface, LC Connector
- X104** – IRIG-B00X, incl. System Contact (Supervision Contact)

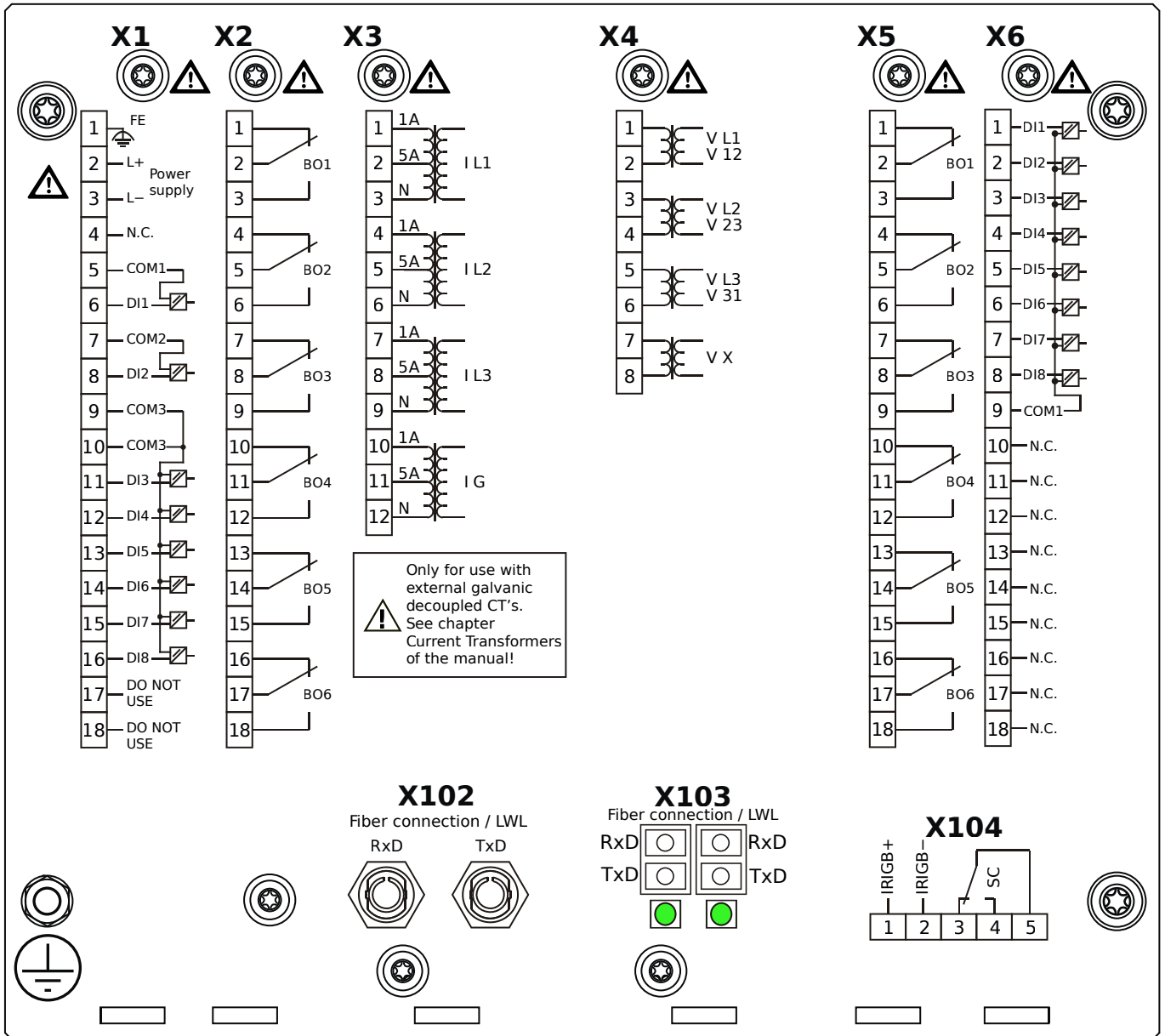
MCDLV4-2D0A10A



Housing B2, large display, door mounting

- X1** – DI8-X1: Wide-range power supply unit, incl. 2 non-grouped digital inputs and 6 grouped digital inputs
- X2** – OR6: Assembly Group with 6 Output Relays (Changeover / Form C)
- X3** – TI: Standard current measuring card
- X4** – TU: Card with 4 voltage transformer measuring inputs (0 ... 800 VAC, under UL: 0 ... 600 VAC)
- X5** – OR6: Assembly Group with 6 Output Relays (Changeover / Form C)
- X6** – DI8: Assembly Group with 8 Digital Inputs
- X102** – Protection Communication, Fiber optics interface, ST Connector
- X103** – Modbus TCP / IEC 60870-5-104 / DNP3.0 TCP/UDP, Redundant Fiber optics interface, LC Connector
- X104** – IRIG-B00X, incl. System Contact (Supervision Contact)

MCDLV4-2D0A10B

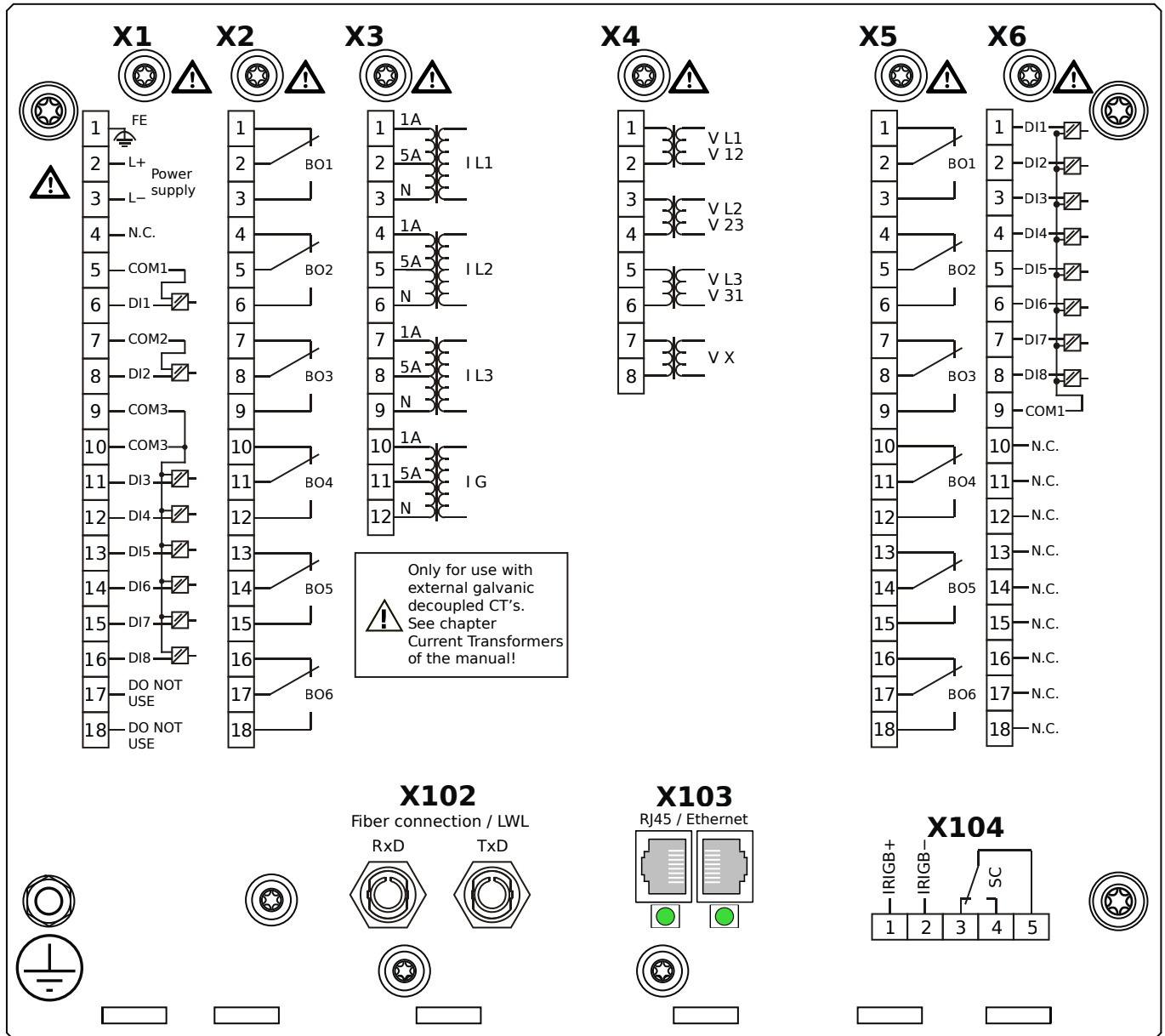


Housing B2, large display, door mounting

- + Conformal Coating (for installations in harsh environment)

- X1** – DI8-X1: Wide-range power supply unit, incl. 2 non-grouped digital inputs and 6 grouped digital inputs
- X2** – OR6: Assembly Group with 6 Output Relays (Changeover / Form C)
- X3** – TI: Standard current measuring card
- X4** – TU: Card with 4 voltage transformer measuring inputs (0 ... 800 VAC, under UL: 0 ... 600 VAC)
- X5** – OR6: Assembly Group with 6 Output Relays (Changeover / Form C)
- X6** – DI8: Assembly Group with 8 Digital Inputs
- X102** – Protection Communication, Fiber optics interface, ST Connector
- X103** – Modbus TCP / IEC 60870-5-104 / DNP3.0 TCP/UDP, Redundant Fiber optics interface, LC Connector
- X104** – IRIG-B00X, incl. System Contact (Supervision Contact)

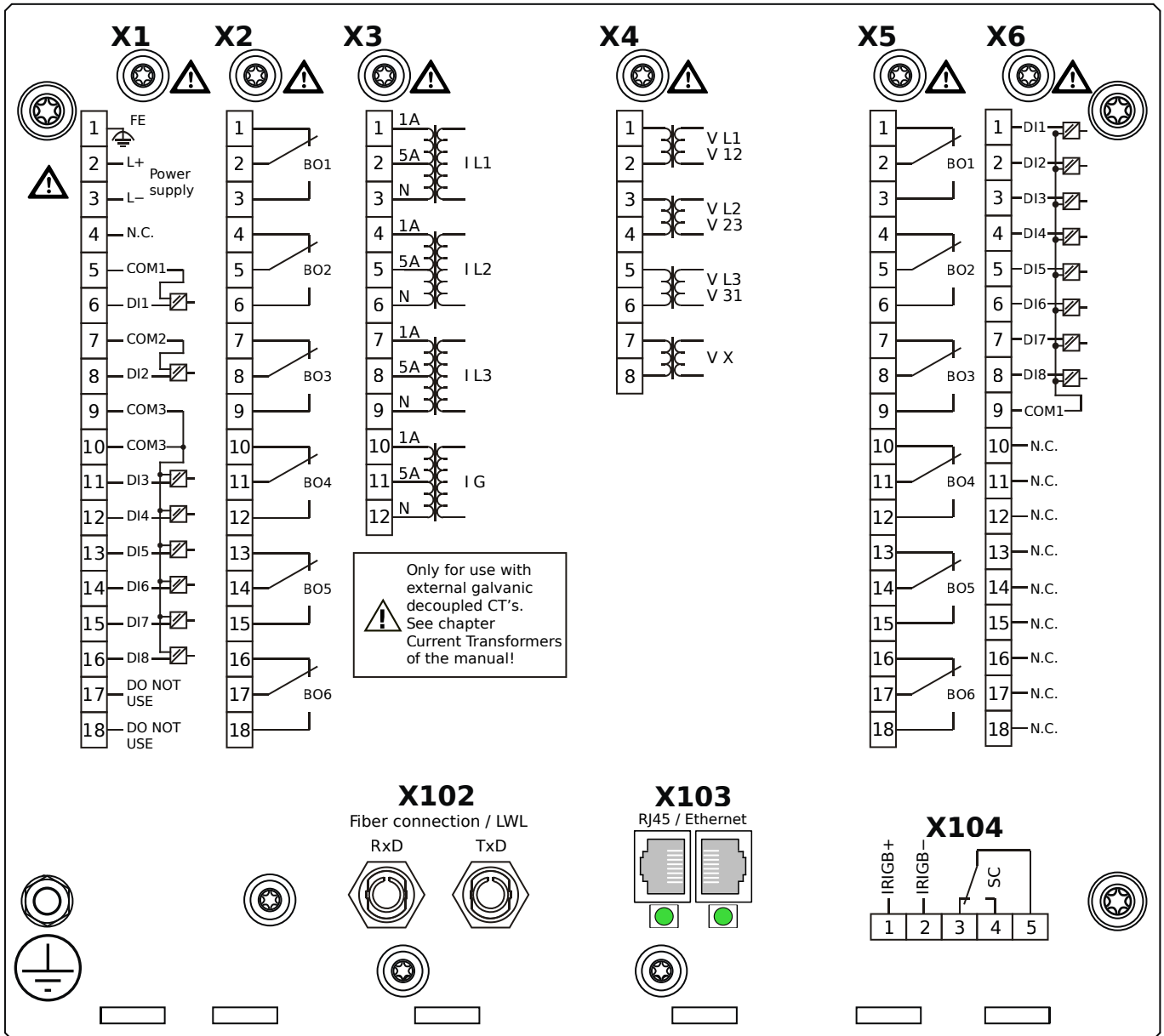
MCDLV4-2D0A1PA



Housing B2, large display, door mounting

- X1** – DI8-X1: Wide-range power supply unit, incl. 2 non-grouped digital inputs and 6 grouped digital inputs
- X2** – OR6: Assembly Group with 6 Output Relays (Changeover / Form C)
- X3** – TI: Standard current measuring card
- X4** – TU: Card with 4 voltage transformer measuring inputs (0 ... 800 VAC, under UL: 0 ... 600 VAC)
- X5** – OR6: Assembly Group with 6 Output Relays (Changeover / Form C)
- X6** – DI8: Assembly Group with 8 Digital Inputs
- X102** – Protection Communication, Fiber optics interface, ST Connector
- X103** – Modbus TCP / IEC 60870-5-104 / DNP3.0 TCP/UDP, Redundant Ethernet interface, 100 Mbit/s, RJ45 (BASE100-FX)
- X104** – IRIG-B00X, incl. System Contact (Supervision Contact)

MCDLV4-2D0A1PB

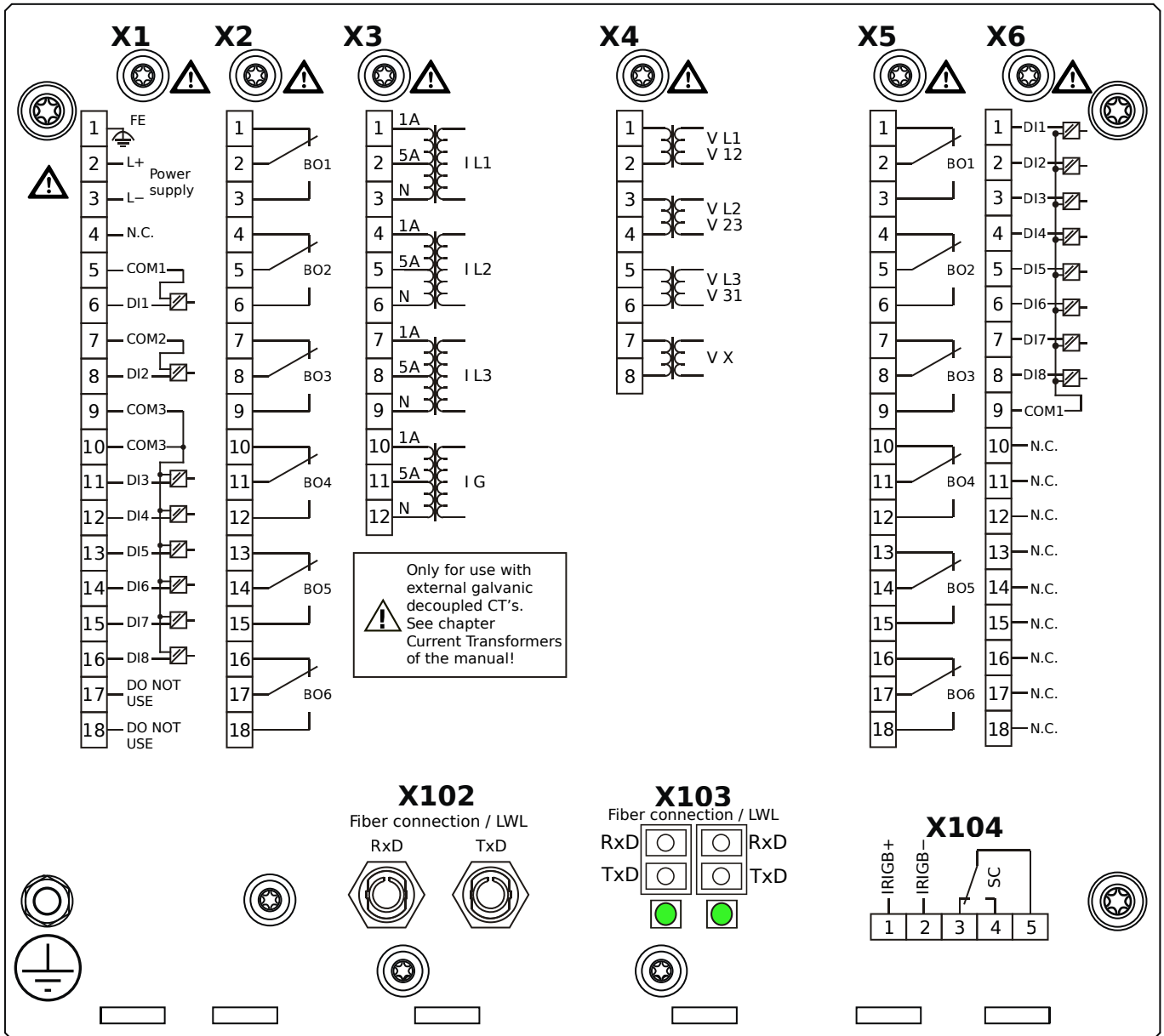


Housing B2, large display, door mounting

- + Conformal Coating (for installations in harsh environment)

- X1** – DI8-X1: Wide-range power supply unit, incl. 2 non-grouped digital inputs and 6 grouped digital inputs
- X2** – OR6: Assembly Group with 6 Output Relays (Changeover / Form C)
- X3** – TI: Standard current measuring card
- X4** – TU: Card with 4 voltage transformer measuring inputs (0 ... 800 VAC, under UL: 0 ... 600 VAC)
- X5** – OR6: Assembly Group with 6 Output Relays (Changeover / Form C)
- X6** – DI8: Assembly Group with 8 Digital Inputs
- X102** – Protection Communication, Fiber optics interface, ST Connector
- X103** – Modbus TCP / IEC 60870-5-104 / DNP3.0 TCP/UDP, Redundant Ethernet interface, 100 Mbit/s, RJ45 (BASE100-FX)
- X104** – IRIG-B00X, incl. System Contact (Supervision Contact)

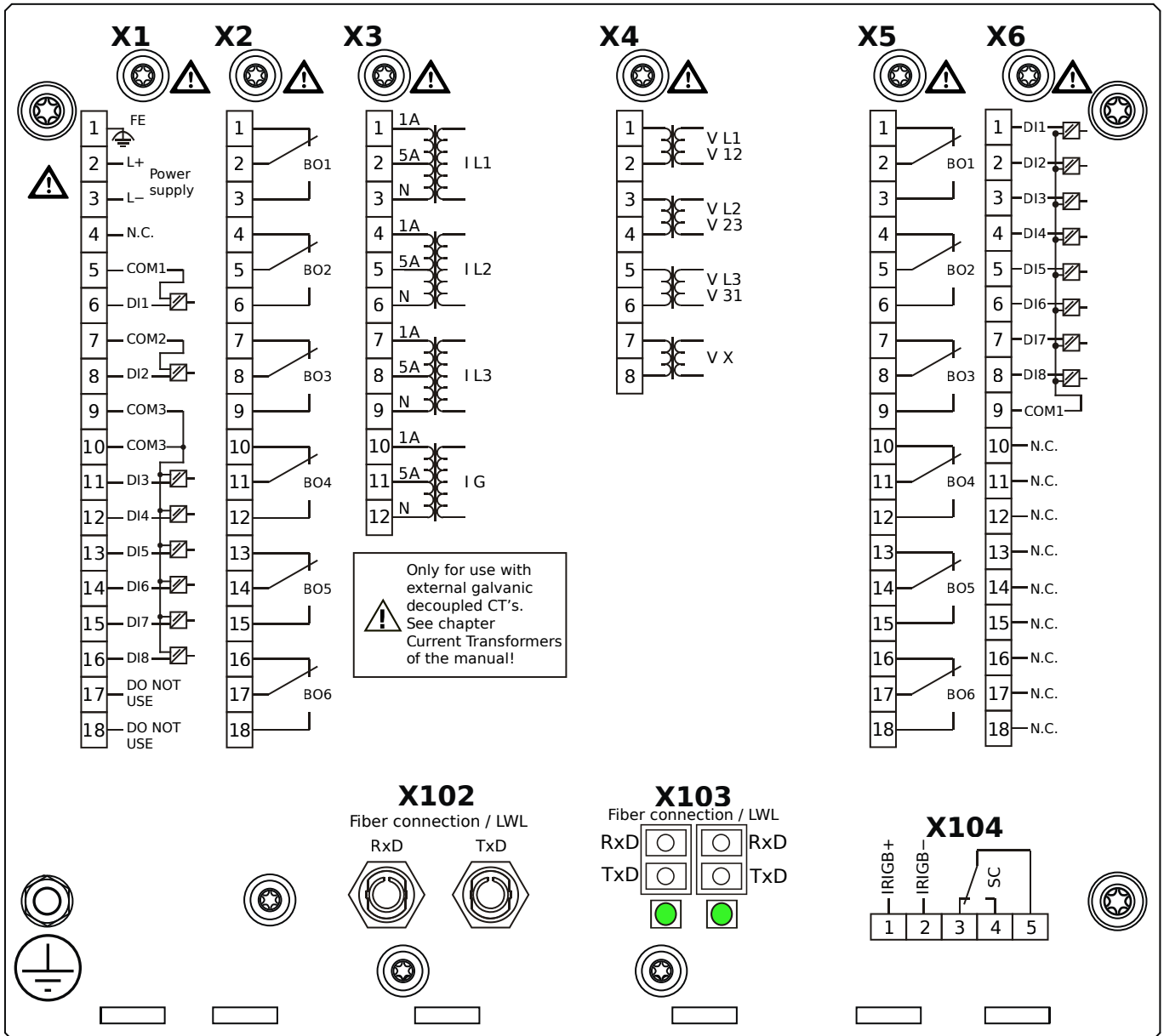
MCDLV4-2D0A1QA



Housing B2, large display, door mounting

- X1** – DI8-X1: Wide-range power supply unit, incl. 2 non-grouped digital inputs and 6 grouped digital inputs
- X2** – OR6: Assembly Group with 6 Output Relays (Changeover / Form C)
- X3** – TI: Standard current measuring card
- X4** – TU: Card with 4 voltage transformer measuring inputs (0 ... 800 VAC, under UL: 0 ... 600 VAC)
- X5** – OR6: Assembly Group with 6 Output Relays (Changeover / Form C)
- X6** – DI8: Assembly Group with 8 Digital Inputs
- X102** – Protection Communication, Fiber optics interface, ST Connector
- X103** – IEC 61850 / Modbus TCP / IEC 60870-5-104 / DNP3.0 TCP/UDP, Redundant Fiber optics interface, LC Connector
- X104** – IRIG-B00X, incl. System Contact (Supervision Contact)

MCDLV4-2D0A1QB

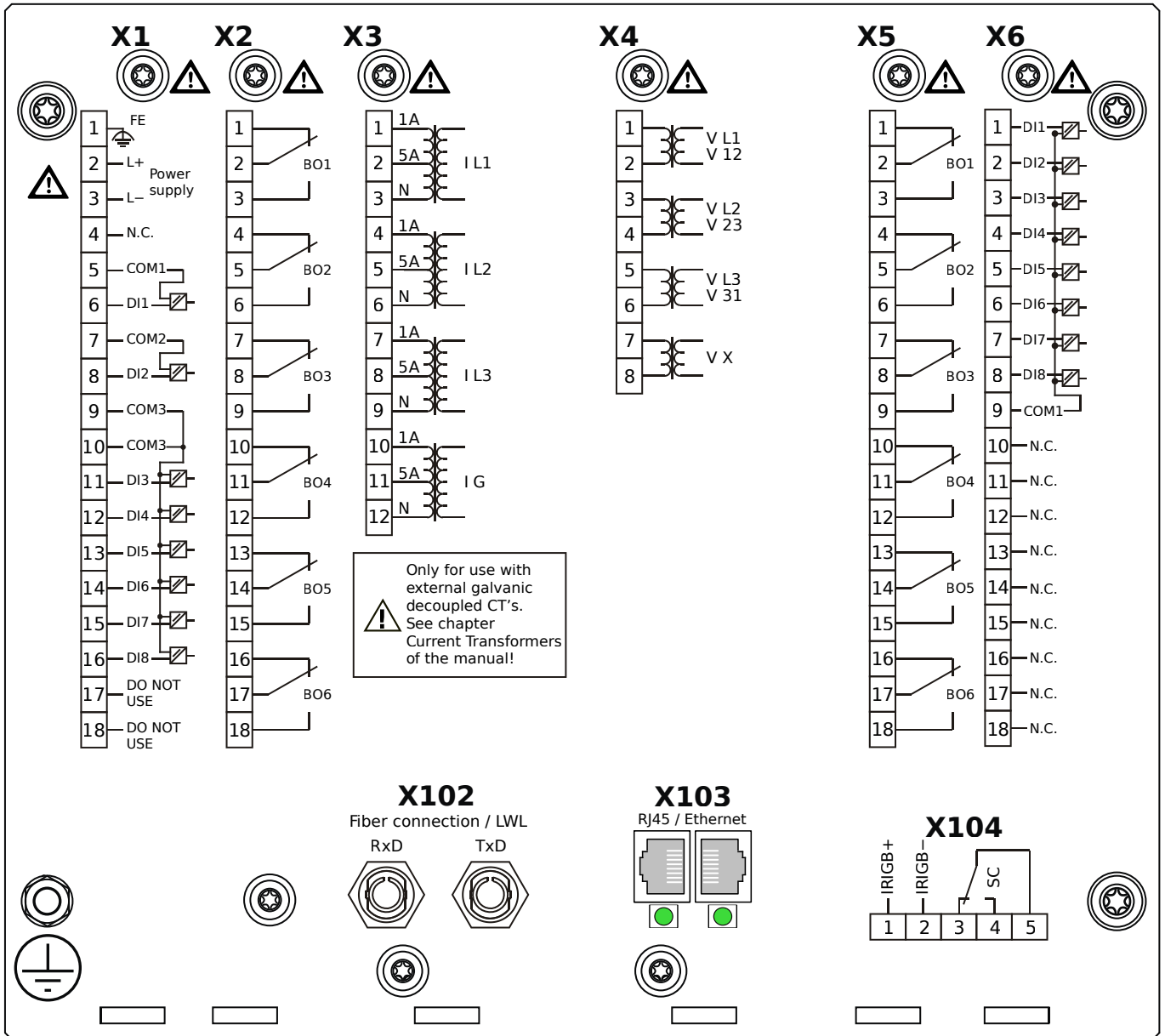


Housing B2, large display, door mounting

- + Conformal Coating (for installations in harsh environment)

- X1** – DI8-X1: Wide-range power supply unit, incl. 2 non-grouped digital inputs and 6 grouped digital inputs
- X2** – OR6: Assembly Group with 6 Output Relays (Changeover / Form C)
- X3** – TI: Standard current measuring card
- X4** – TU: Card with 4 voltage transformer measuring inputs (0 ... 800 VAC, under UL: 0 ... 600 VAC)
- X5** – OR6: Assembly Group with 6 Output Relays (Changeover / Form C)
- X6** – DI8: Assembly Group with 8 Digital Inputs
- X102** – Protection Communication, Fiber optics interface, ST Connector
- X103** – IEC 61850 / Modbus TCP / IEC 60870-5-104 / DNP3.0 TCP/UDP, Redundant Fiber optics interface, LC Connector
- X104** – IRIG-B00X, incl. System Contact (Supervision Contact)

MCDLV4-2D0A1RA



Housing B2, large display, door mounting

X1 – DI8-X1: Wide-range power supply unit, incl. 2 non-grouped digital inputs and 6 grouped digital inputs

X2 – OR6: Assembly Group with 6 Output Relays (Changeover / Form C)

X3 – TI: Standard current measuring card

X4 – TU: Card with 4 voltage transformer measuring inputs (0 ... 800 VAC, under UL: 0 ... 600 VAC)

X5 – OR6: Assembly Group with 6 Output Relays (Changeover / Form C)

X6 – DI8: Assembly Group with 8 Digital Inputs

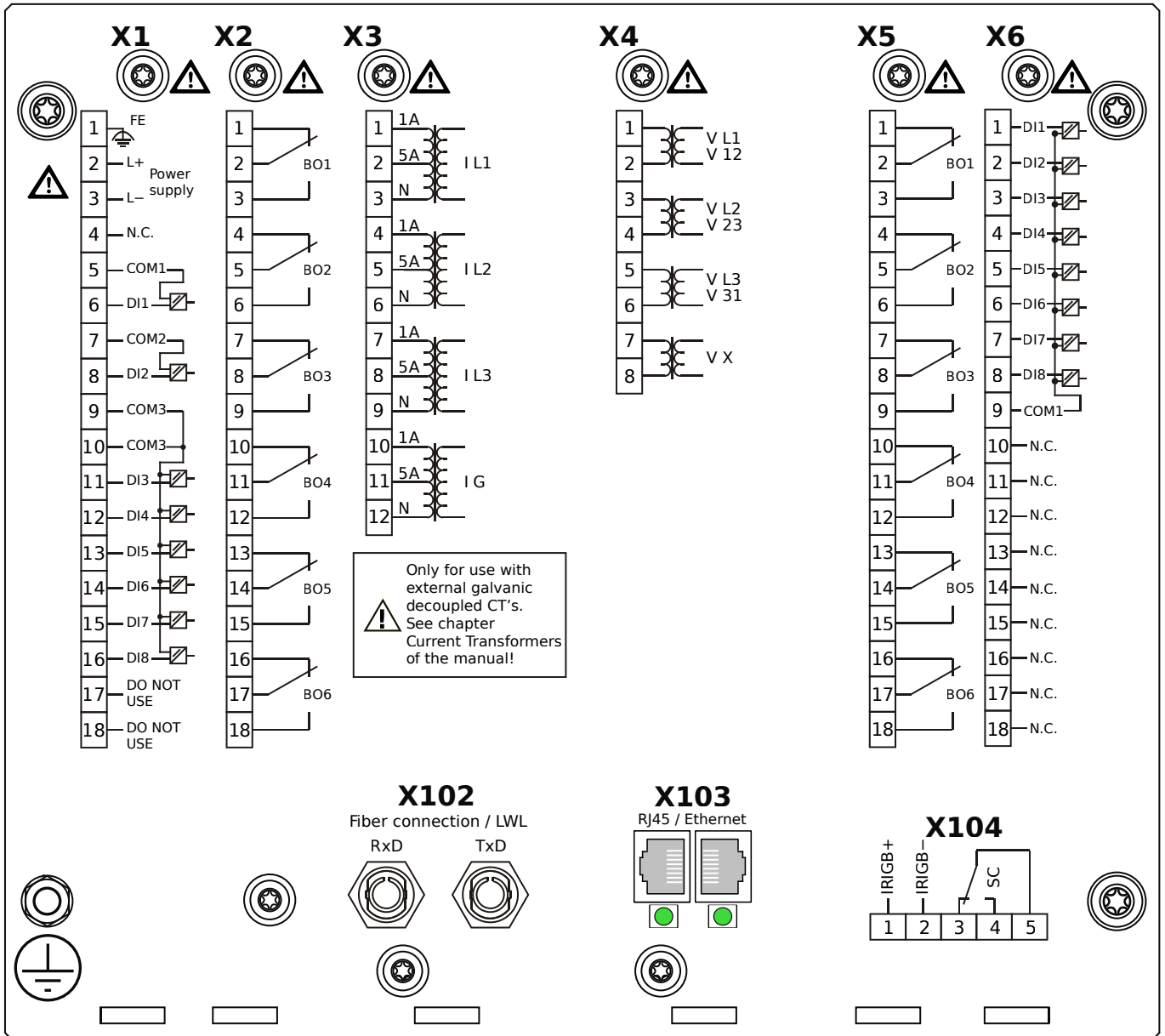
X102 – Protection Communication, Fiber optics interface, ST Connector

X103 – IEC 61850 / Modbus TCP / IEC 60870-5-104 / DNP3.0 TCP/UDP, Redundant Ethernet interface, 100 Mbit/s, RJ45

(BASE100-FX)

X104 – IRIG-B00X, incl. System Contact (Supervision Contact)

MCDLV4-2D0A1RB



Housing B2, large display, door mounting

- + Conformal Coating (for installations in harsh environment)

X1 – DI8-X1: Wide-range power supply unit, incl. 2 non-grouped digital inputs and 6 grouped digital inputs

X2 – OR6: Assembly Group with 6 Output Relays (Changeover / Form C)

X3 – TI: Standard current measuring card

X4 – TU: Card with 4 voltage transformer measuring inputs (0 ... 800 VAC, under UL: 0 ... 600 VAC)

X5 – OR6: Assembly Group with 6 Output Relays (Changeover / Form C)

X6 – DI8: Assembly Group with 8 Digital Inputs

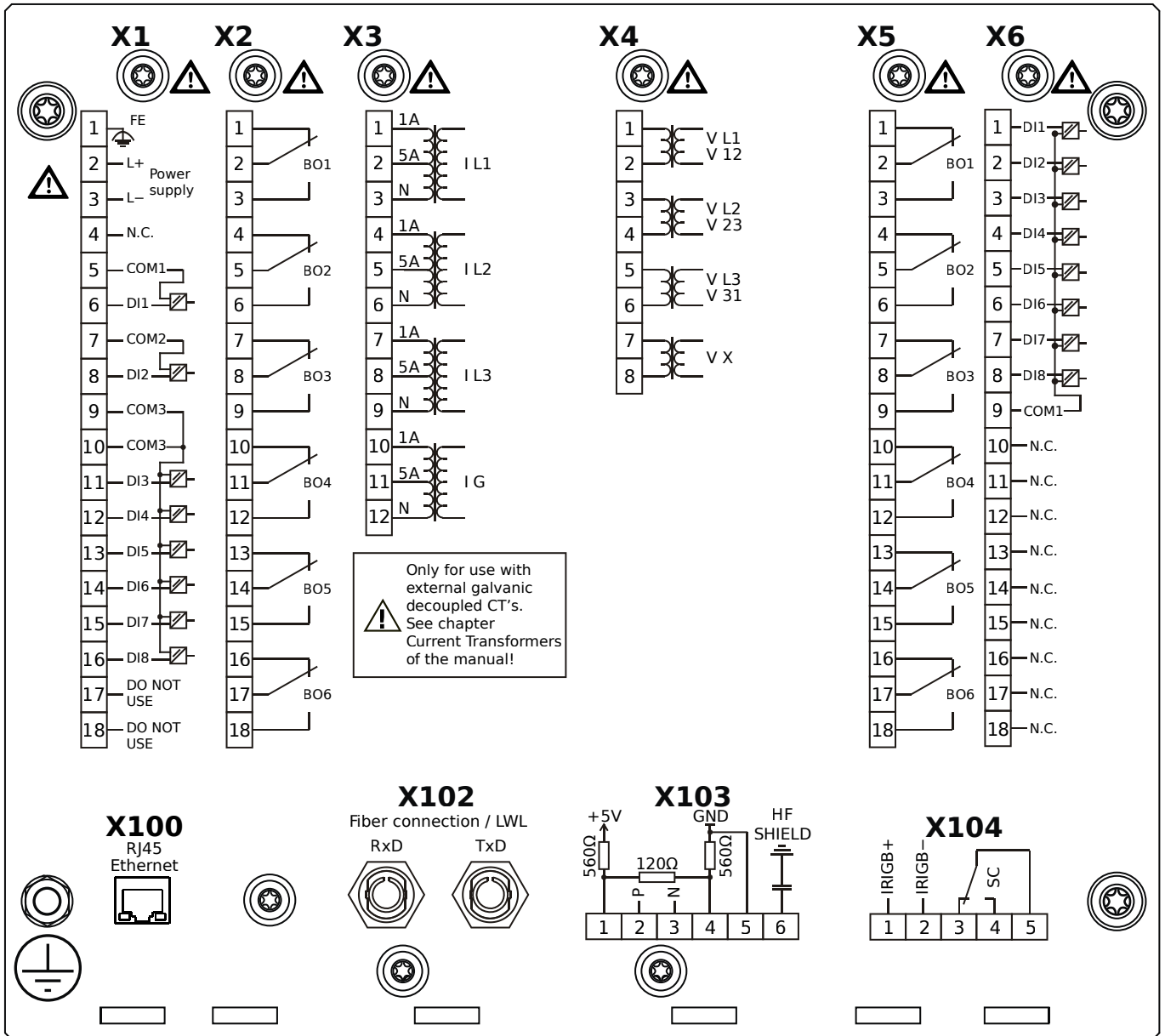
X102 – Protection Communication, Fiber optics interface, ST Connector

X103 – IEC 61850 / Modbus TCP / IEC 60870-5-104 / DNP3.0 TCP/UDP, Redundant Ethernet interface, 100 Mbit/s, RJ45

(BASE100-FX)

X104 – IRIG-B00X, incl. System Contact (Supervision Contact)

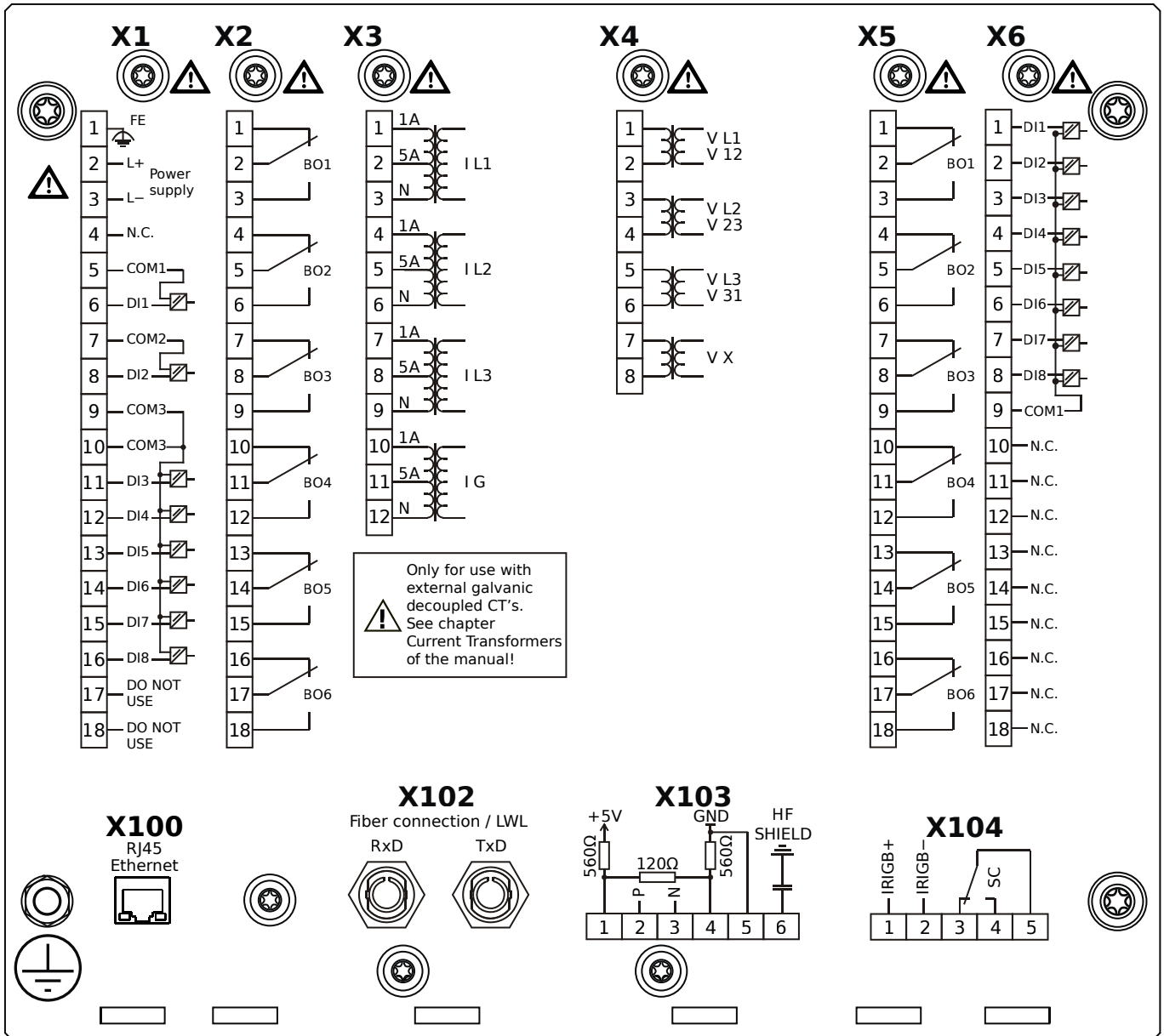
MCDLV4-2D0A1TA



Housing B2, large display, door mounting

- X1** – DI8-X1: Wide-range power supply unit, incl. 2 non-grouped digital inputs and 6 grouped digital inputs
- X2** – OR6: Assembly Group with 6 Output Relays (Changeover / Form C)
- X3** – TI: Standard current measuring card
- X4** – TU: Card with 4 voltage transformer measuring inputs (0 ... 800 VAC, under UL: 0 ... 600 VAC)
- X5** – OR6: Assembly Group with 6 Output Relays (Changeover / Form C)
- X6** – DI8: Assembly Group with 8 Digital Inputs
- X100** – IEC 61850 / Modbus TCP / IEC 60870-5-104 / DNP3.0 TCP/UDP, Ethernet interface, 100 Mbit/s, RJ45 (BASE100-FX)
- X102** – Protection Communication, Fiber optics interface, ST Connector
- X103** – IEC 60870-5-103 / Modbus RTU / DNP3.0 RTU, RS485, Terminals
- X104** – IRIG-B00X, incl. System Contact (Supervision Contact)

MCDLV4-2D0A1TB

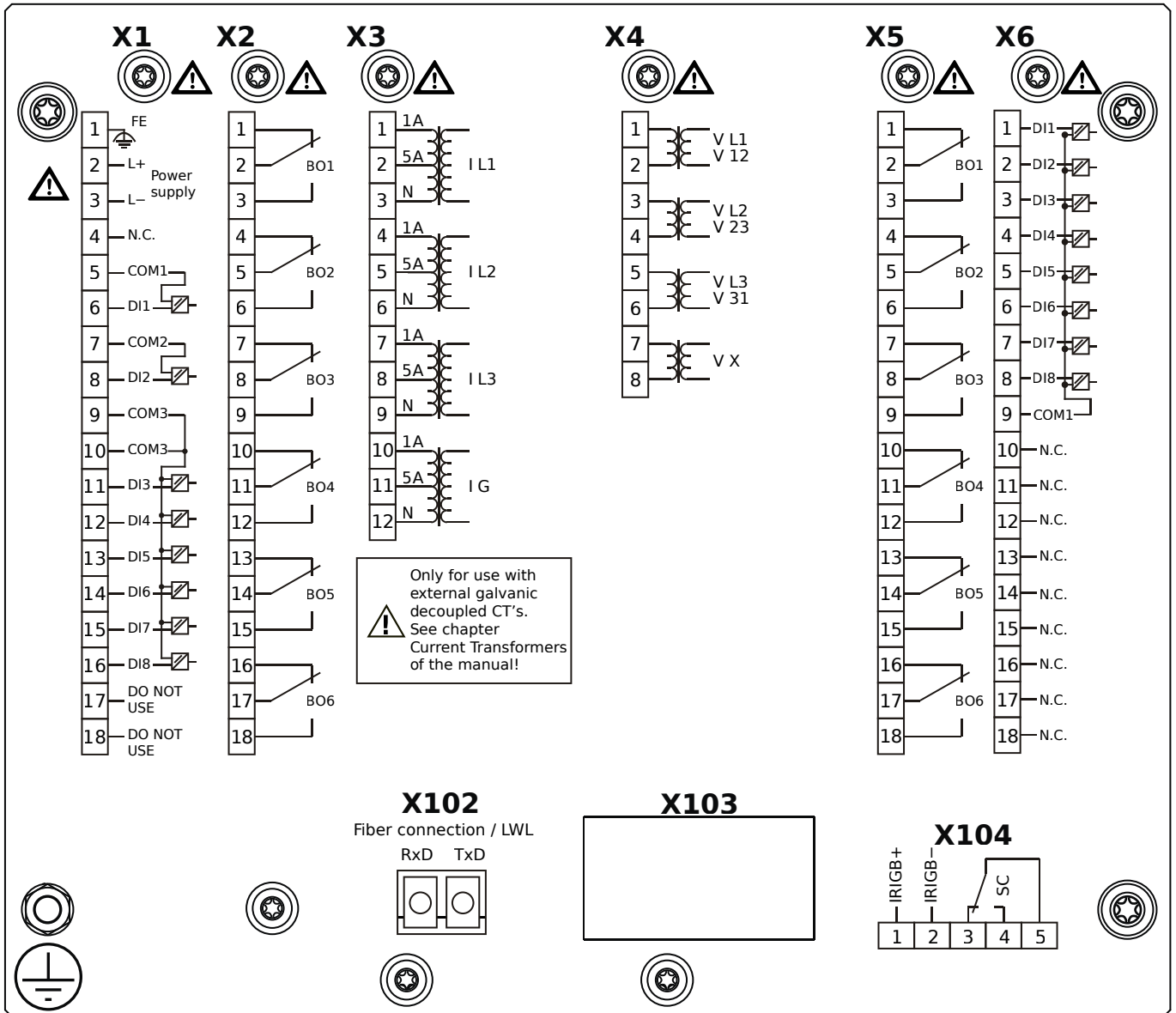


Housing B2, large display, door mounting

+ Conformal Coating (for installations in harsh environment)

- X1** – DI8-X1: Wide-range power supply unit, incl. 2 non-grouped digital inputs and 6 grouped digital inputs
- X2** – OR6: Assembly Group with 6 Output Relays (Changeover / Form C)
- X3** – TI: Standard current measuring card
- X4** – TU: Card with 4 voltage transformer measuring inputs (0 ... 800 VAC, under UL: 0 ... 600 VAC)
- X5** – OR6: Assembly Group with 6 Output Relays (Changeover / Form C)
- X6** – DI8: Assembly Group with 8 Digital Inputs
- X100** – IEC 61850 / Modbus TCP / IEC 60870-5-104 / DNP3.0 TCP/UDP, Ethernet interface, 100 Mbit/s, RJ45 (BASE100-FX)
- X102** – Protection Communication, Fiber optics interface, ST Connector
- X103** – IEC 60870-5-103 / Modbus RTU / DNP3.0 RTU, RS485, Terminals
- X104** – IRIG-B00X, incl. System Contact (Supervision Contact)

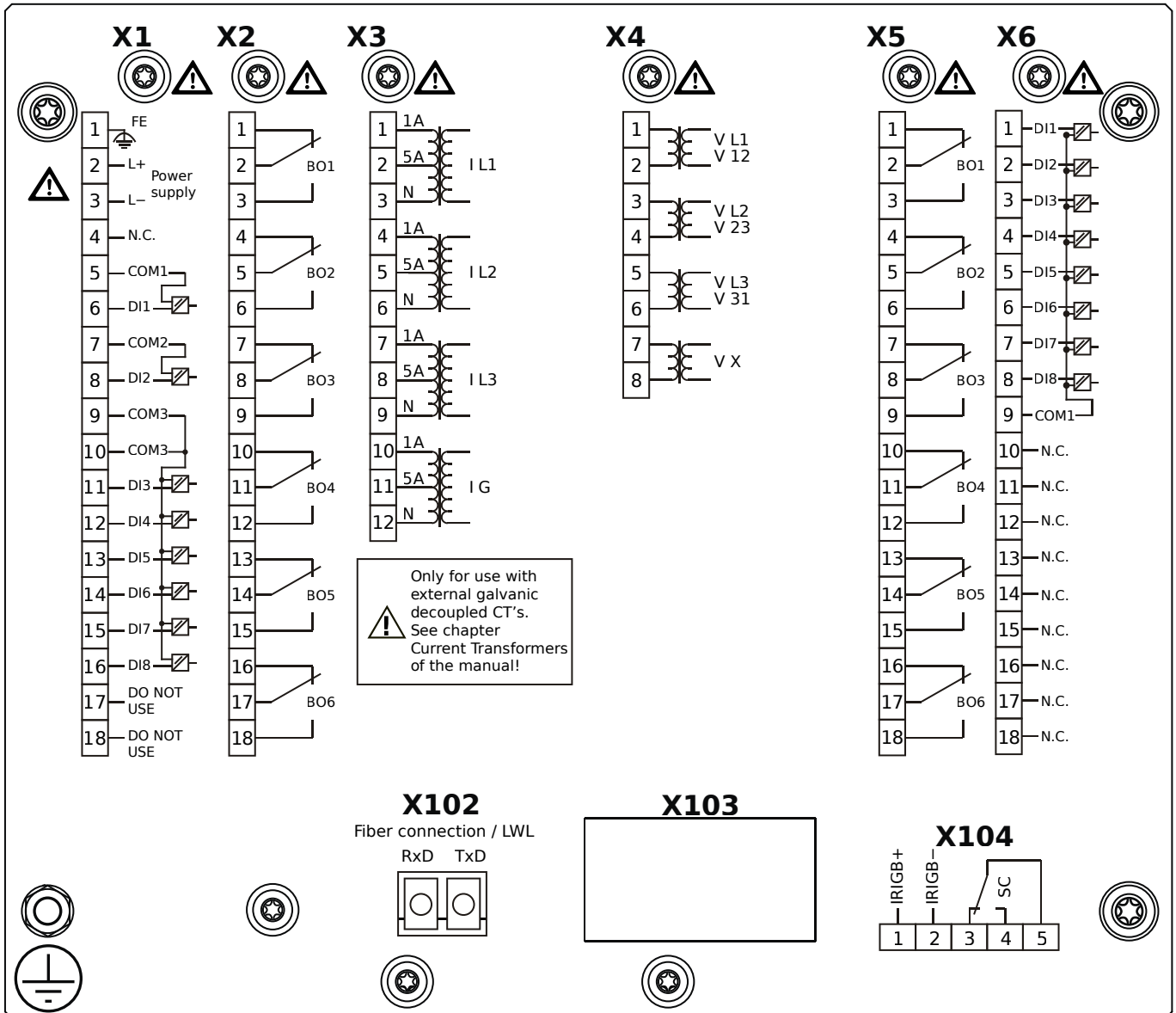
MCDLV4-2D0B0AA



Housing B2, large display, 19" rack mounting

- X1** – DI8-X1: Wide-range power supply unit, incl. 2 non-grouped digital inputs and 6 grouped digital inputs
- X2** – OR6: Assembly Group with 6 Output Relays (Changeover / Form C)
- X3** – TI: Standard current measuring card
- X4** – TU: Card with 4 voltage transformer measuring inputs (0 ... 800 VAC, under UL: 0 ... 600 VAC)
- X5** – OR6: Assembly Group with 6 Output Relays (Changeover / Form C)
- X6** – DI8: Assembly Group with 8 Digital Inputs
- X102** – Long-distance Protection Communication, Fiber optics interface, LC Connector
- X104** – IRIG-B00X, incl. System Contact (Supervision Contact)

MCDLV4-2D0B0AB

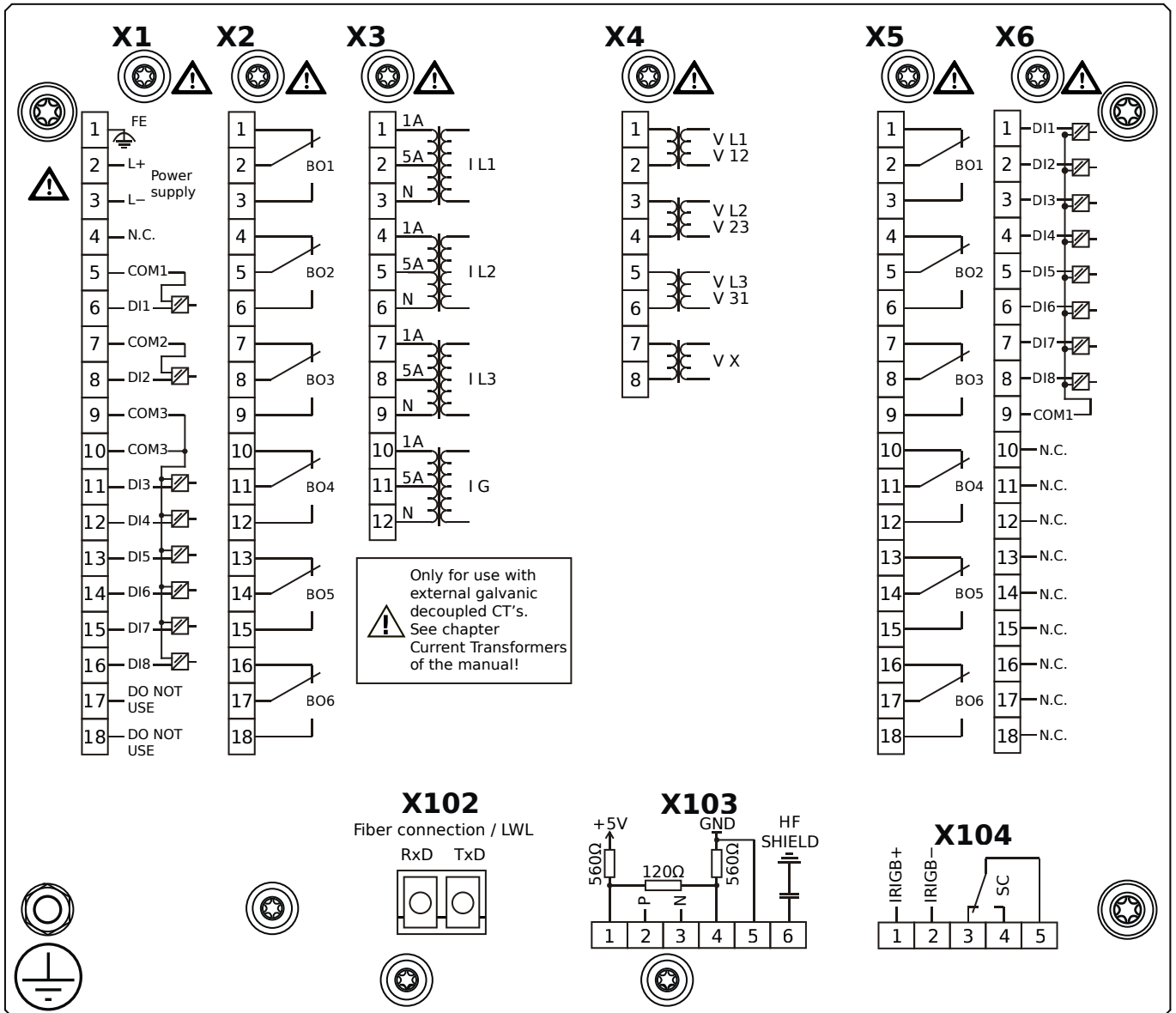


Housing B2, large display, 19" rack mounting

- + Conformal Coating (for installations in harsh environment)

- X1** – DI8-X1: Wide-range power supply unit, incl. 2 non-grouped digital inputs and 6 grouped digital inputs
- X2** – OR6: Assembly Group with 6 Output Relays (Changeover / Form C)
- X3** – TI: Standard current measuring card
- X4** – TU: Card with 4 voltage transformer measuring inputs (0 ... 800 VAC, under UL: 0 ... 600 VAC)
- X5** – OR6: Assembly Group with 6 Output Relays (Changeover / Form C)
- X6** – DI8: Assembly Group with 8 Digital Inputs
- X102** – Long-distance Protection Communication, Fiber optics interface, LC Connector
- X104** – IRIG-B00X, incl. System Contact (Supervision Contact)

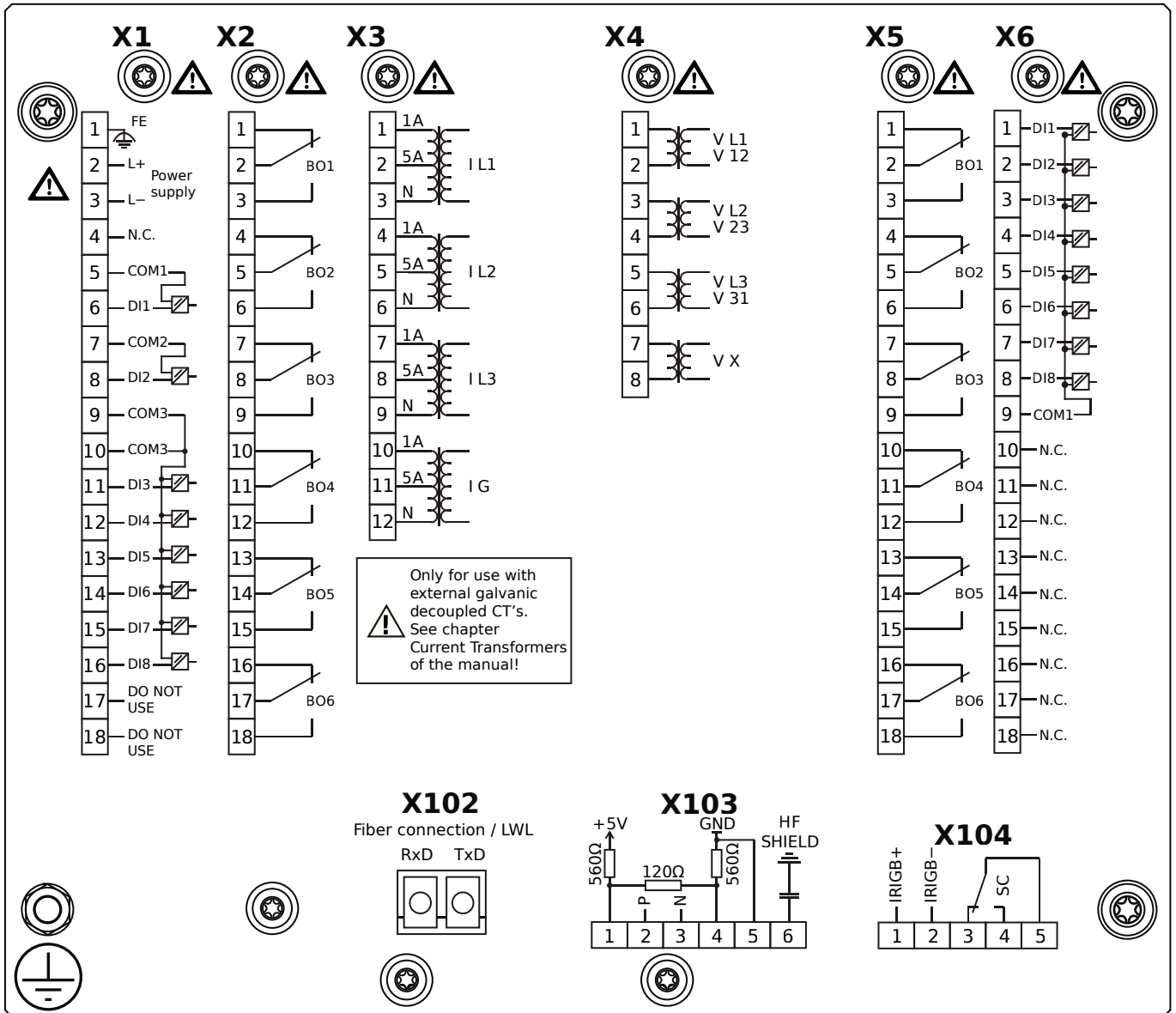
MCDLV4-2D0B0BA



Housing B2, large display, 19" rack mounting

- X1** – DI8-X1: Wide-range power supply unit, incl. 2 non-grouped digital inputs and 6 grouped digital inputs
- X2** – OR6: Assembly Group with 6 Output Relays (Changeover / Form C)
- X3** – TI: Standard current measuring card
- X4** – TU: Card with 4 voltage transformer measuring inputs (0 ... 800 VAC, under UL: 0 ... 600 VAC)
- X5** – OR6: Assembly Group with 6 Output Relays (Changeover / Form C)
- X6** – DI8: Assembly Group with 8 Digital Inputs
- X102** – Long-distance Protection Communication, Fiber optics interface, LC Connector
- X103** – Modbus RTU / IEC 60870-5-103 / DNP3.0 RTU, RS485, Terminals
- X104** – IRIG-B00X, incl. System Contact (Supervision Contact)

MCDLV4-2D0B0BB

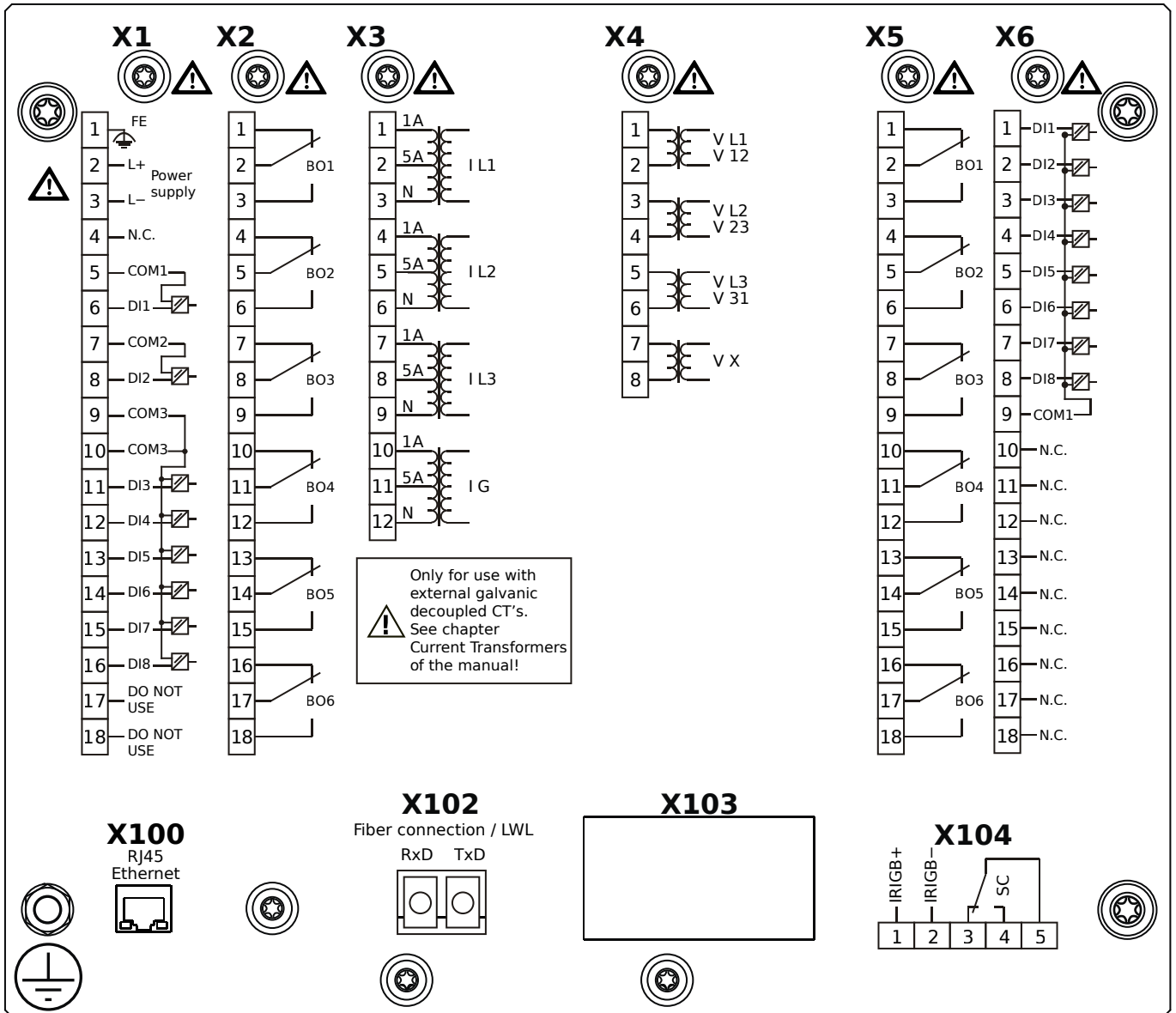


Housing B2, large display, 19" rack mounting

+ Conformal Coating (for installations in harsh environment)

- X1** – DI8-X1: Wide-range power supply unit, incl. 2 non-grouped digital inputs and 6 grouped digital inputs
- X2** – OR6: Assembly Group with 6 Output Relays (Changeover / Form C)
- X3** – TI: Standard current measuring card
- X4** – TU: Card with 4 voltage transformer measuring inputs (0 ... 800 VAC, under UL: 0 ... 600 VAC)
- X5** – OR6: Assembly Group with 6 Output Relays (Changeover / Form C)
- X6** – DI8: Assembly Group with 8 Digital Inputs
- X102** – Long-distance Protection Communication, Fiber optics interface, LC Connector
- X103** – Modbus RTU / IEC 60870-5-103 / DNP3.0 RTU, RS485, Terminals
- X104** – IRIG-B00X, incl. System Contact (Supervision Contact)

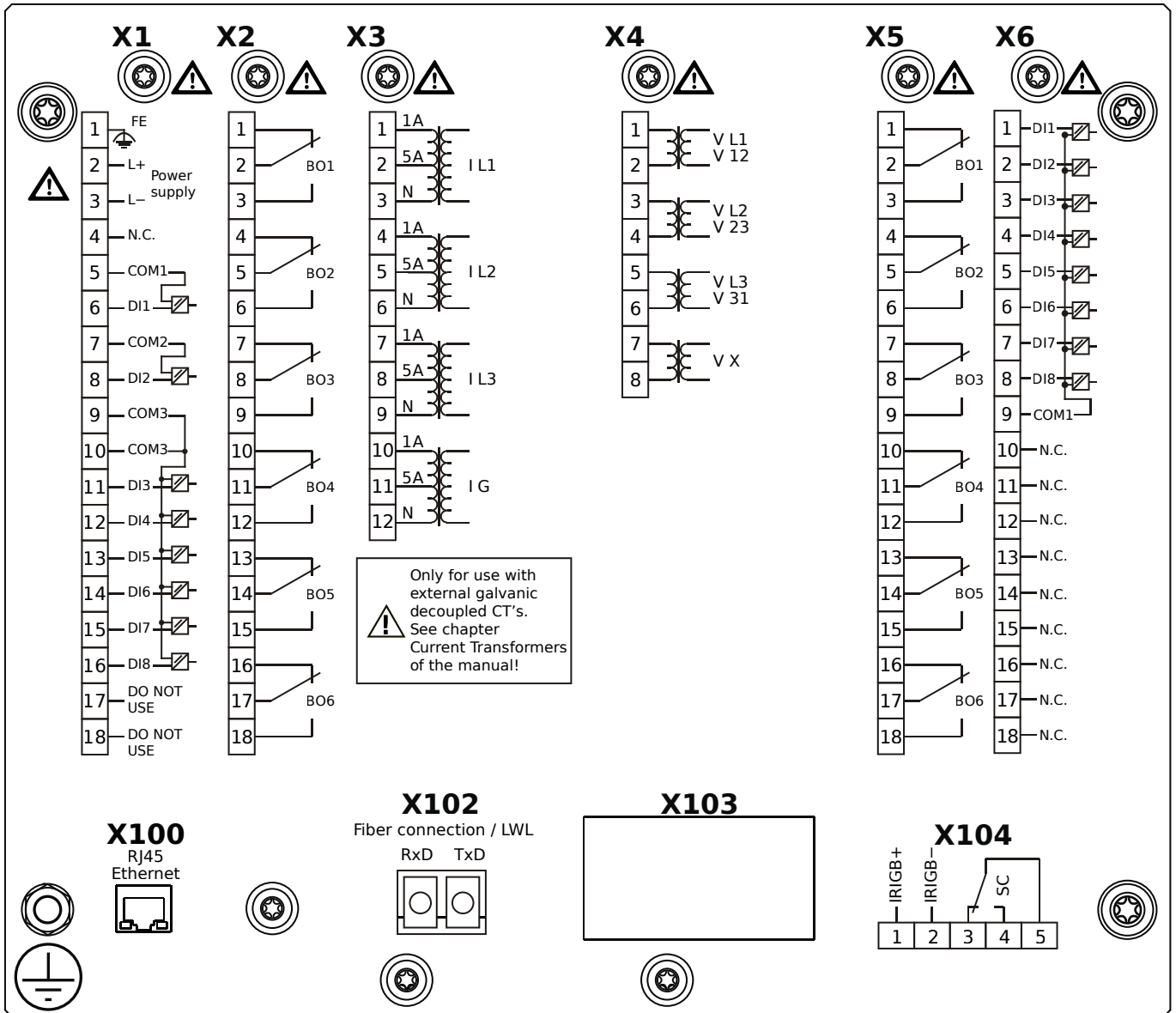
MCDLV4-2D0B0CA



Housing B2, large display, 19" rack mounting

- X1** – DI8-X1: Wide-range power supply unit, incl. 2 non-grouped digital inputs and 6 grouped digital inputs
- X2** – OR6: Assembly Group with 6 Output Relays (Changeover / Form C)
- X3** – TI: Standard current measuring card
- X4** – TU: Card with 4 voltage transformer measuring inputs (0 ... 800 VAC, under UL: 0 ... 600 VAC)
- X5** – OR6: Assembly Group with 6 Output Relays (Changeover / Form C)
- X6** – DI8: Assembly Group with 8 Digital Inputs
- X100** – Modbus TCP / IEC 60870-5-104 / DNP3.0 TCP/UDP, Ethernet interface, 100 Mbit/s, RJ45 (BASE100-FX)
- X102** – Long-distance Protection Communication, Fiber optics interface, LC Connector
- X104** – IRIG-B00X, incl. System Contact (Supervision Contact)

MCDLV4-2D0B0CB

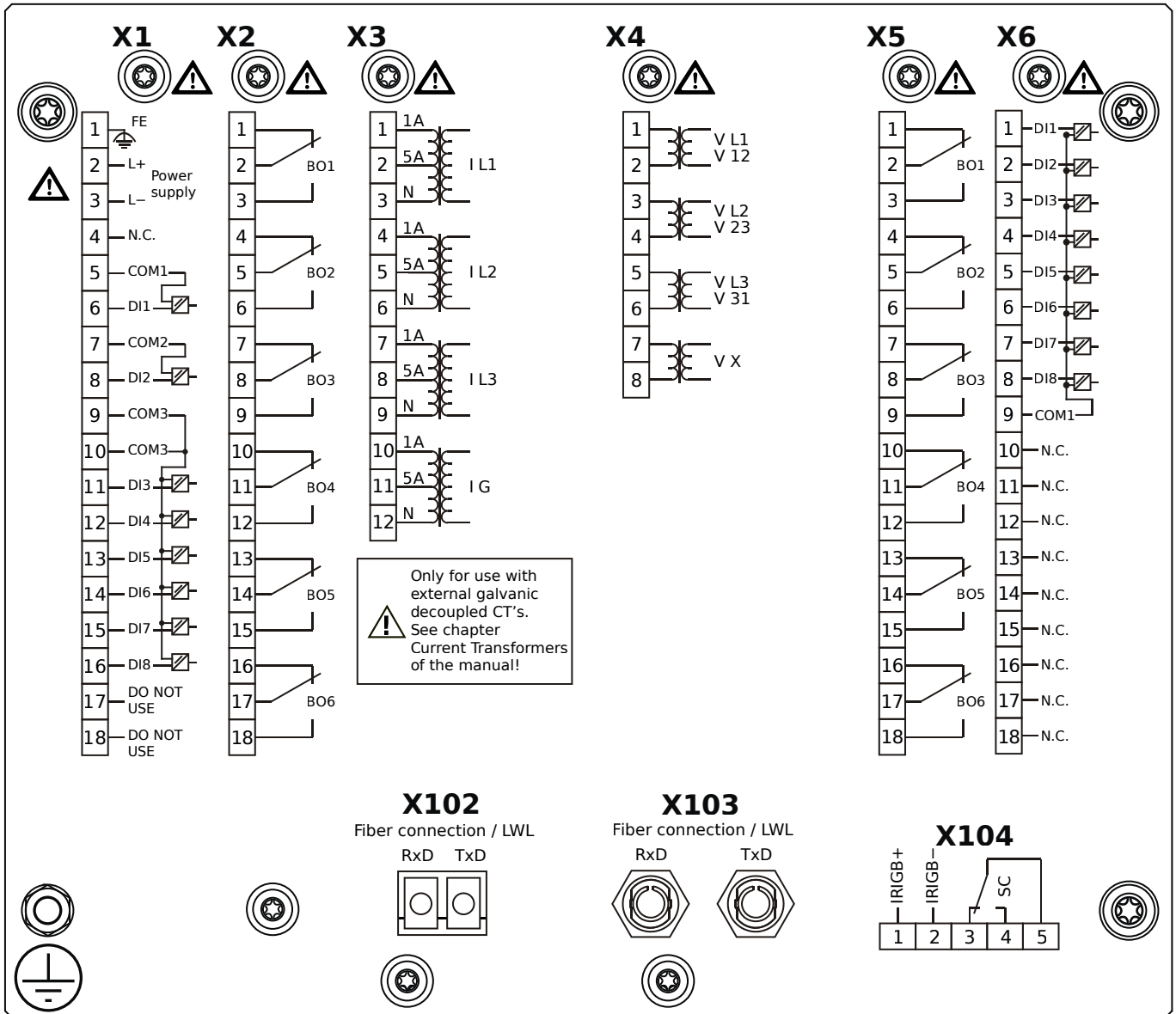


Housing B2, large display, 19" rack mounting

- + Conformal Coating (for installations in harsh environment)

- X1** – DI8-X1: Wide-range power supply unit, incl. 2 non-grouped digital inputs and 6 grouped digital inputs
- X2** – OR6: Assembly Group with 6 Output Relays (Changeover / Form C)
- X3** – TI: Standard current measuring card
- X4** – TU: Card with 4 voltage transformer measuring inputs (0 ... 800 VAC, under UL: 0 ... 600 VAC)
- X5** – OR6: Assembly Group with 6 Output Relays (Changeover / Form C)
- X6** – DI8: Assembly Group with 8 Digital Inputs
- X100** – Modbus TCP / IEC 60870-5-104 / DNP3.0 TCP/UDP, Ethernet interface, 100 Mbit/s, RJ45 (BASE100-FX)
- X102** – Long-distance Protection Communication, Fiber optics interface, LC Connector
- X104** – IRIG-B00X, incl. System Contact (Supervision Contact)

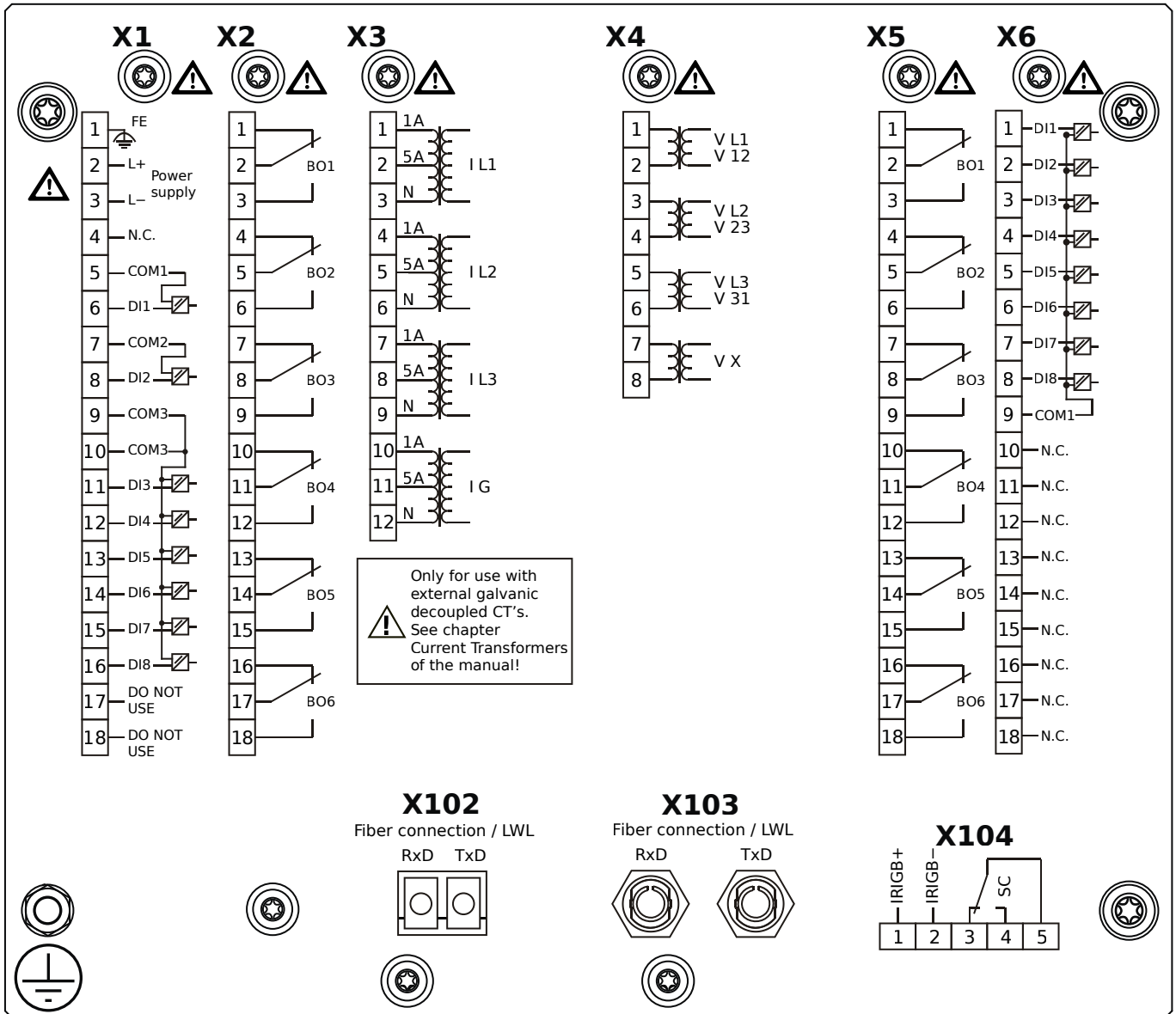
MCDLV4-2D0B0DA



Housing B2, large display, 19" rack mounting

- X1** – DI8-X1: Wide-range power supply unit, incl. 2 non-grouped digital inputs and 6 grouped digital inputs
- X2** – OR6: Assembly Group with 6 Output Relays (Changeover / Form C)
- X3** – TI: Standard current measuring card
- X4** – TU: Card with 4 voltage transformer measuring inputs (0 ... 800 VAC, under UL: 0 ... 600 VAC)
- X5** – OR6: Assembly Group with 6 Output Relays (Changeover / Form C)
- X6** – DI8: Assembly Group with 8 Digital Inputs
- X102** – Long-distance Protection Communication, Fiber optics interface, LC Connector
- X103** – Profibus-DP, Fiber optics interface, ST Connector
- X104** – IRIG-B00X, incl. System Contact (Supervision Contact)

MCDLV4-2D0B0DB

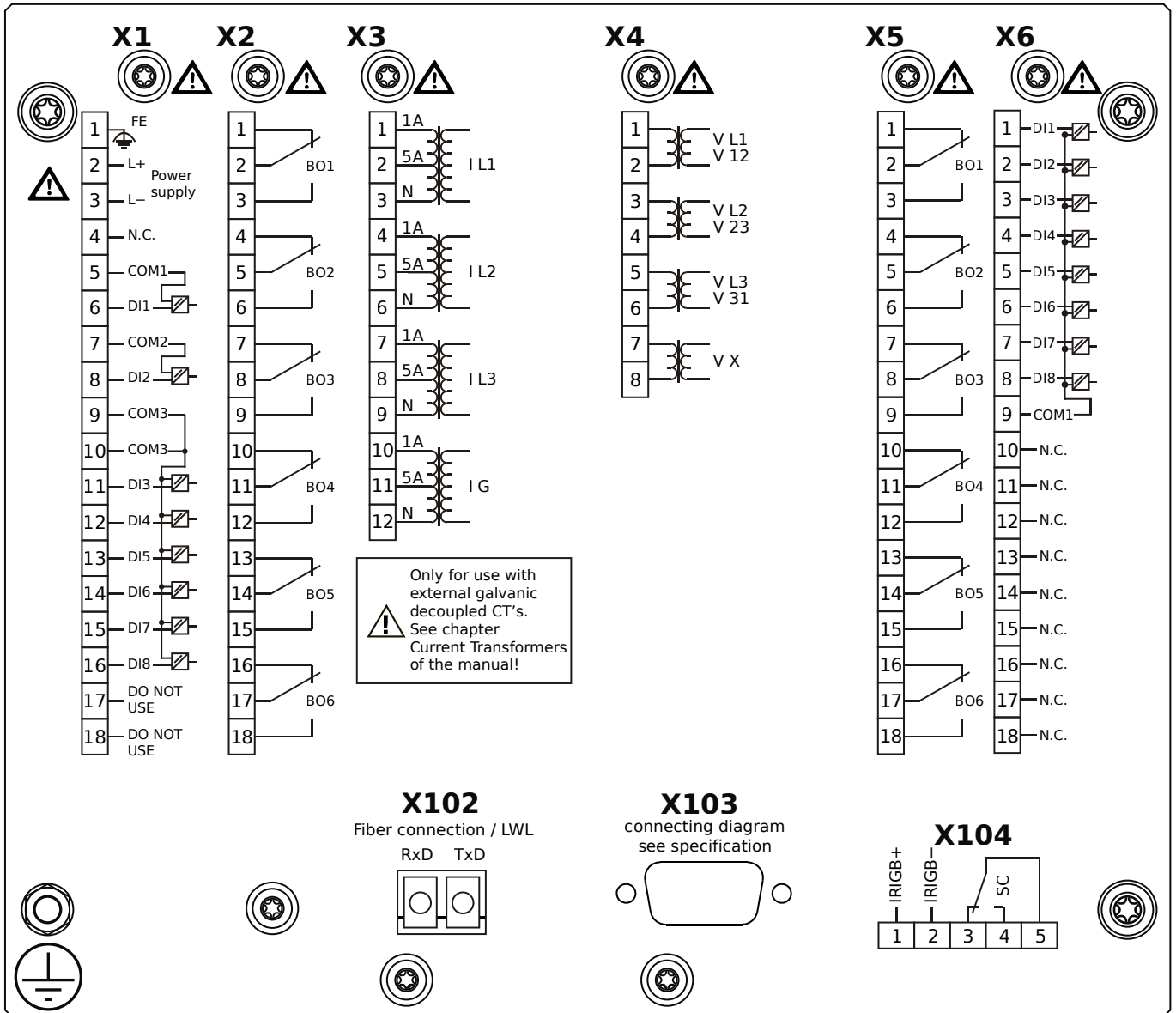


Housing B2, large display, 19" rack mounting

- + Conformal Coating (for installations in harsh environment)

- X1** – DI8-X1: Wide-range power supply unit, incl. 2 non-grouped digital inputs and 6 grouped digital inputs
- X2** – OR6: Assembly Group with 6 Output Relays (Changeover / Form C)
- X3** – TI: Standard current measuring card
- X4** – TU: Card with 4 voltage transformer measuring inputs (0 ... 800 VAC, under UL: 0 ... 600 VAC)
- X5** – OR6: Assembly Group with 6 Output Relays (Changeover / Form C)
- X6** – DI8: Assembly Group with 8 Digital Inputs
- X102** – Long-distance Protection Communication, Fiber optics interface, LC Connector
- X103** – Profibus-DP, Fiber optics interface, ST Connector
- X104** – IRIG-B00X, incl. System Contact (Supervision Contact)

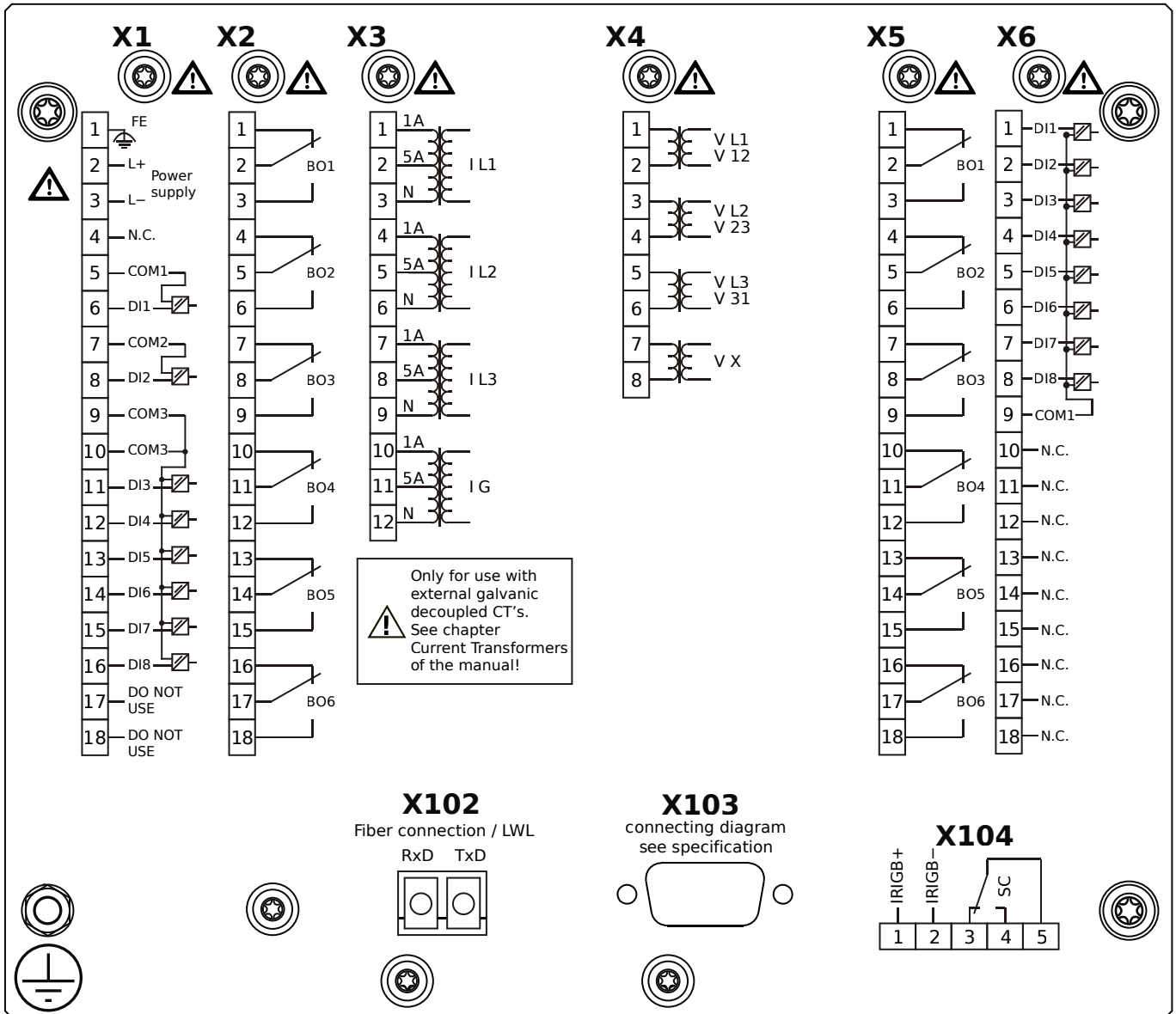
MCDLV4-2D0B0EA



Housing B2, large display, 19" rack mounting

- X1** – DI8-X1: Wide-range power supply unit, incl. 2 non-grouped digital inputs and 6 grouped digital inputs
- X2** – OR6: Assembly Group with 6 Output Relays (Changeover / Form C)
- X3** – TI: Standard current measuring card
- X4** – TU: Card with 4 voltage transformer measuring inputs (0 ... 800 VAC, under UL: 0 ... 600 VAC)
- X5** – OR6: Assembly Group with 6 Output Relays (Changeover / Form C)
- X6** – DI8: Assembly Group with 8 Digital Inputs
- X102** – Long-distance Protection Communication, Fiber optics interface, LC Connector
- X103** – Profibus-DP, RS485, D-SUB
- X104** – IRIG-B00X, incl. System Contact (Supervision Contact)

MCDLV4-2D0B0EB

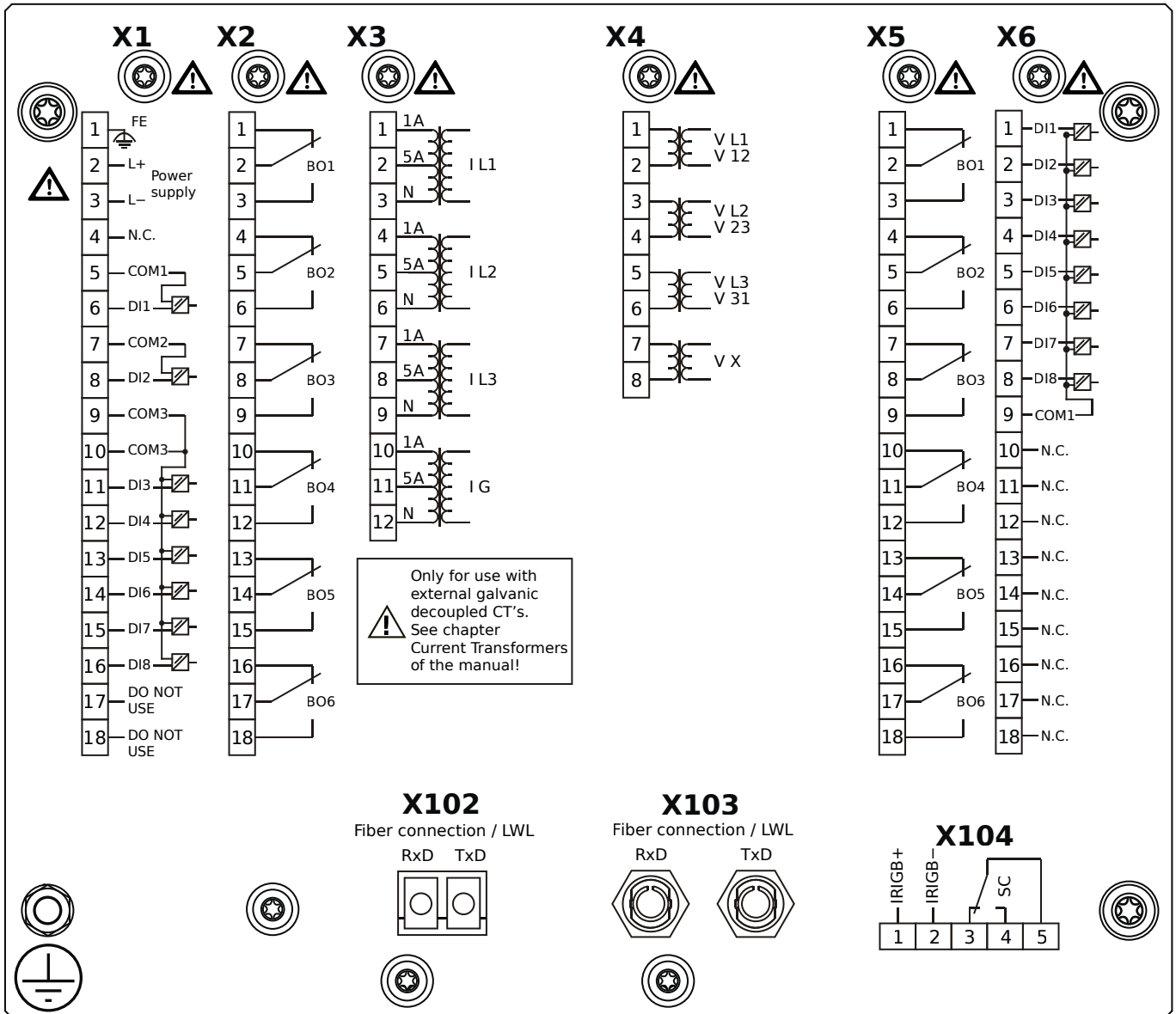


Housing B2, large display, 19" rack mounting

+ Conformal Coating (for installations in harsh environment)

- X1** – DI8-X1: Wide-range power supply unit, incl. 2 non-grouped digital inputs and 6 grouped digital inputs
- X2** – OR6: Assembly Group with 6 Output Relays (Changeover / Form C)
- X3** – TI: Standard current measuring card
- X4** – TU: Card with 4 voltage transformer measuring inputs (0 ... 800 VAC, under UL: 0 ... 600 VAC)
- X5** – OR6: Assembly Group with 6 Output Relays (Changeover / Form C)
- X6** – DI8: Assembly Group with 8 Digital Inputs
- X102** – Long-distance Protection Communication, Fiber optics interface, LC Connector
- X103** – Profibus-DP, RS485, D-SUB
- X104** – IRIG-B00X, incl. System Contact (Supervision Contact)

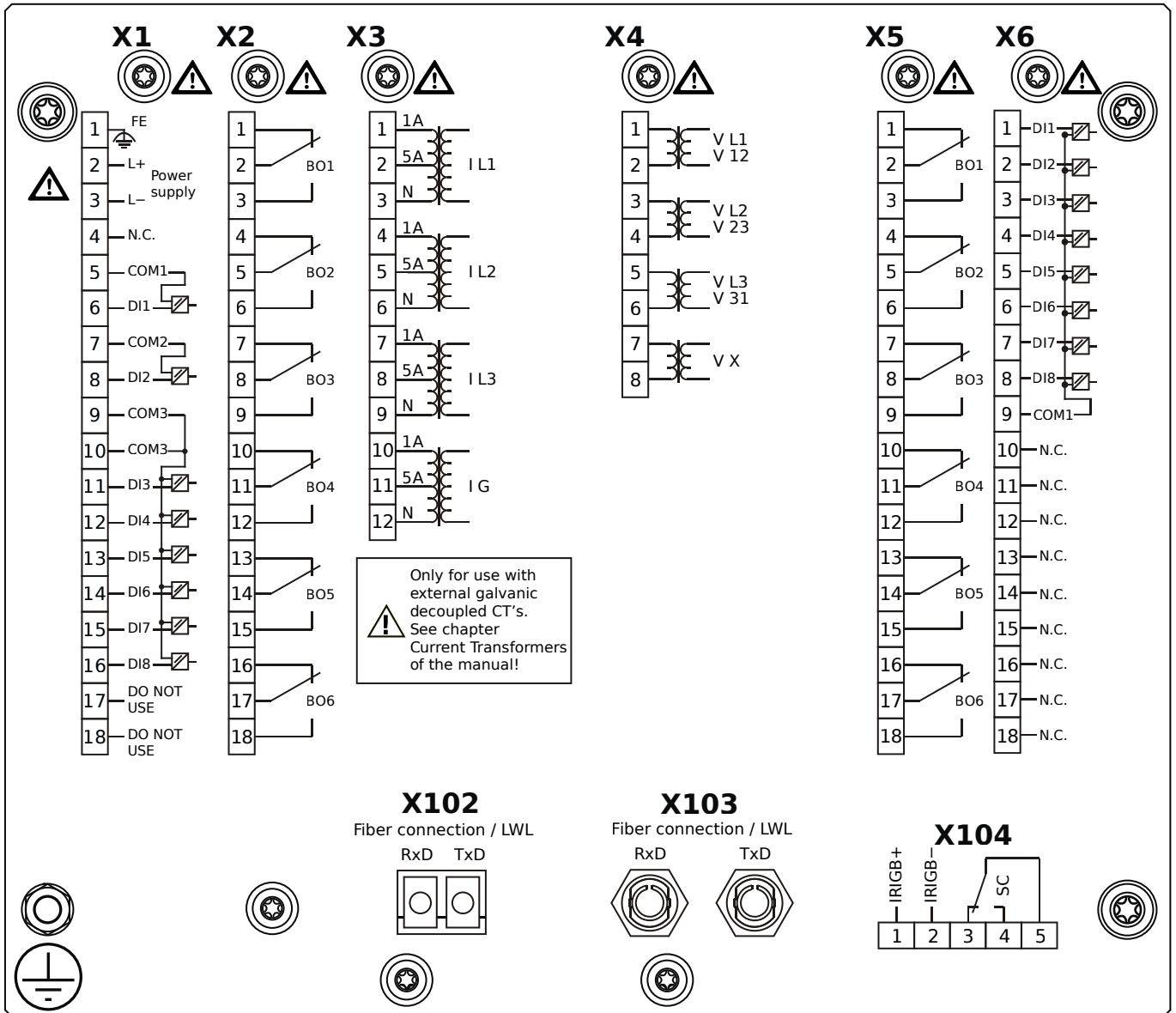
MCDLV4-2D0B0FA



Housing B2, large display, 19" rack mounting

- X1** – DI8-X1: Wide-range power supply unit, incl. 2 non-grouped digital inputs and 6 grouped digital inputs
- X2** – OR6: Assembly Group with 6 Output Relays (Changeover / Form C)
- X3** – TI: Standard current measuring card
- X4** – TU: Card with 4 voltage transformer measuring inputs (0 ... 800 VAC, under UL: 0 ... 600 VAC)
- X5** – OR6: Assembly Group with 6 Output Relays (Changeover / Form C)
- X6** – DI8: Assembly Group with 8 Digital Inputs
- X102** – Long-distance Protection Communication, Fiber optics interface, LC Connector
- X103** – Modbus RTU / IEC 60870-5-103 / DNP3.0 RTU, Fiber optics interface, ST Connector
- X104** – IRIG-B00X, incl. System Contact (Supervision Contact)

MCDLV4-2D0B0FB

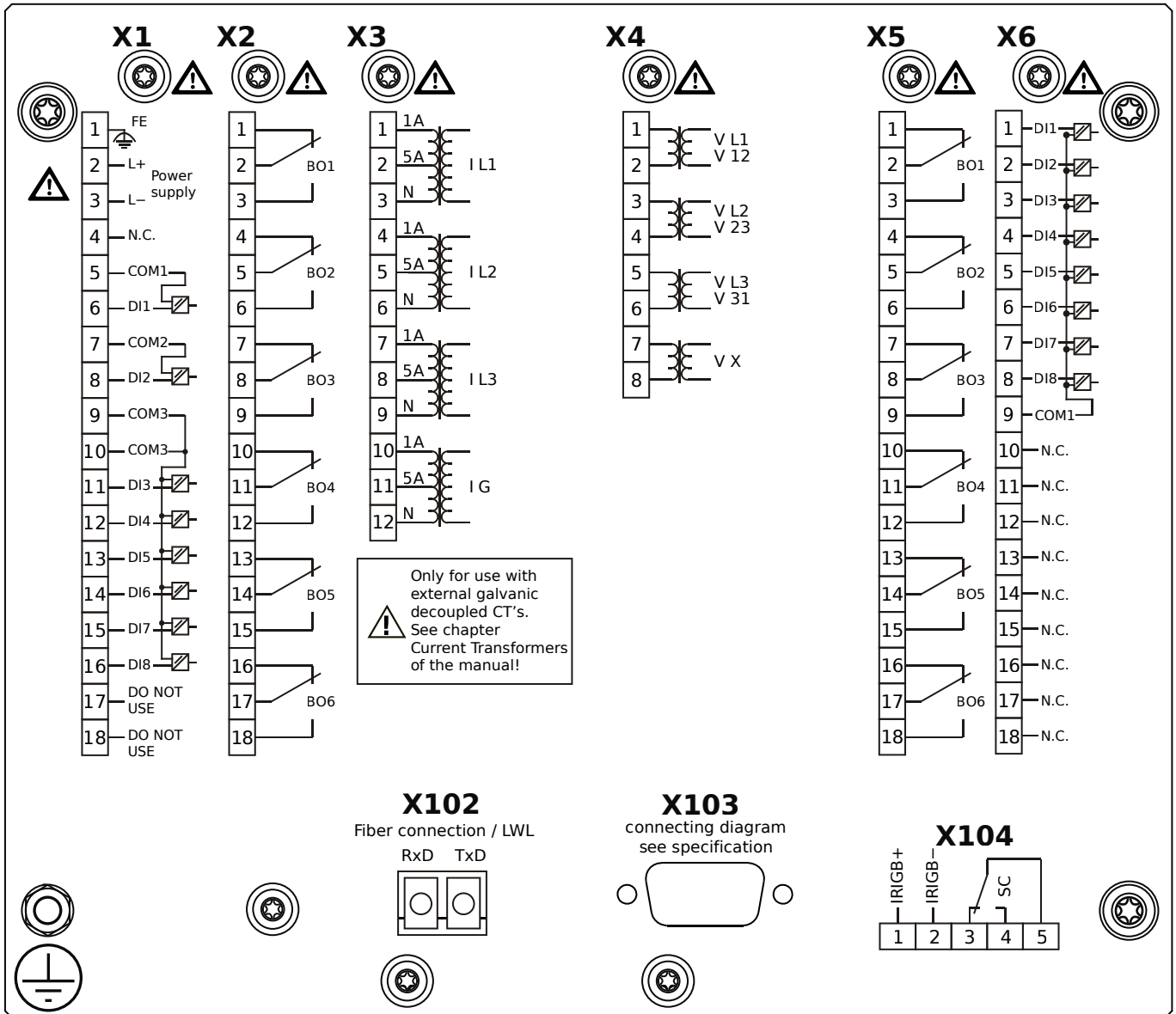


Housing B2, large display, 19" rack mounting

+ Conformal Coating (for installations in harsh environment)

- X1** – DI8-X1: Wide-range power supply unit, incl. 2 non-grouped digital inputs and 6 grouped digital inputs
- X2** – OR6: Assembly Group with 6 Output Relays (Changeover / Form C)
- X3** – TI: Standard current measuring card
- X4** – TU: Card with 4 voltage transformer measuring inputs (0 ... 800 VAC, under UL: 0 ... 600 VAC)
- X5** – OR6: Assembly Group with 6 Output Relays (Changeover / Form C)
- X6** – DI8: Assembly Group with 8 Digital Inputs
- X102** – Long-distance Protection Communication, Fiber optics interface, LC Connector
- X103** – Modbus RTU / IEC 60870-5-103 / DNP3.0 RTU, Fiber optics interface, ST Connector
- X104** – IRIG-B00X, incl. System Contact (Supervision Contact)

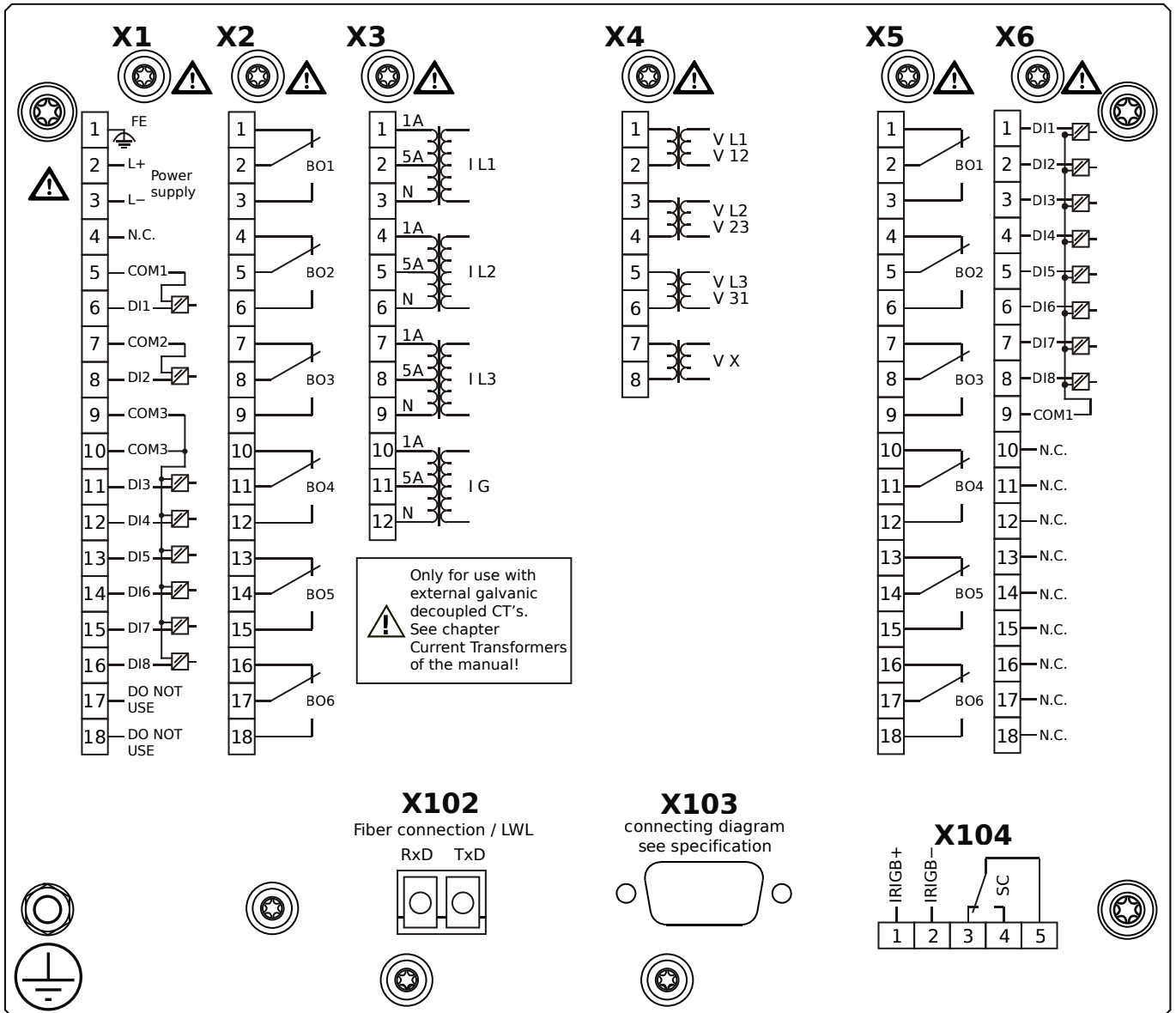
MCDLV4-2D0B0GA



Housing B2, large display, 19" rack mounting

- X1** – DI8-X1: Wide-range power supply unit, incl. 2 non-grouped digital inputs and 6 grouped digital inputs
- X2** – OR6: Assembly Group with 6 Output Relays (Changeover / Form C)
- X3** – TI: Standard current measuring card
- X4** – TU: Card with 4 voltage transformer measuring inputs (0 ... 800 VAC, under UL: 0 ... 600 VAC)
- X5** – OR6: Assembly Group with 6 Output Relays (Changeover / Form C)
- X6** – DI8: Assembly Group with 8 Digital Inputs
- X102** – Long-distance Protection Communication, Fiber optics interface, LC Connector
- X103** – Modbus RTU / IEC 60870-5-103 / DNP3.0 RTU, RS485, D-SUB
- X104** – IRIG-B00X, incl. System Contact (Supervision Contact)

MCDLV4-2D0B0GB

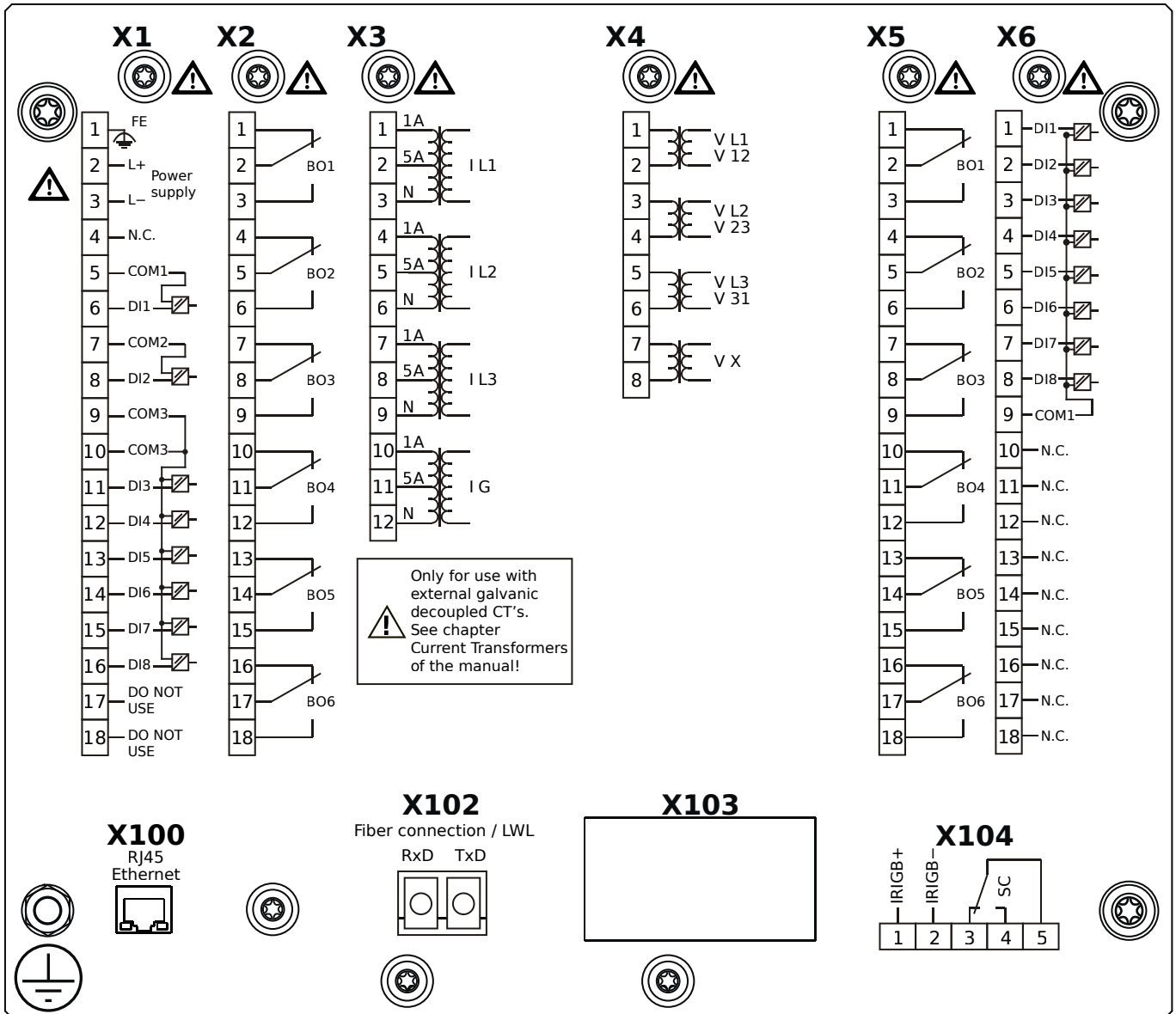


Housing B2, large display, 19" rack mounting

+ Conformal Coating (for installations in harsh environment)

- X1** – DI8-X1: Wide-range power supply unit, incl. 2 non-grouped digital inputs and 6 grouped digital inputs
- X2** – OR6: Assembly Group with 6 Output Relays (Changeover / Form C)
- X3** – TI: Standard current measuring card
- X4** – TU: Card with 4 voltage transformer measuring inputs (0 ... 800 VAC, under UL: 0 ... 600 VAC)
- X5** – OR6: Assembly Group with 6 Output Relays (Changeover / Form C)
- X6** – DI8: Assembly Group with 8 Digital Inputs
- X102** – Long-distance Protection Communication, Fiber optics interface, LC Connector
- X103** – Modbus RTU / IEC 60870-5-103 / DNP3.0 RTU, RS485, D-SUB
- X104** – IRIG-B00X, incl. System Contact (Supervision Contact)

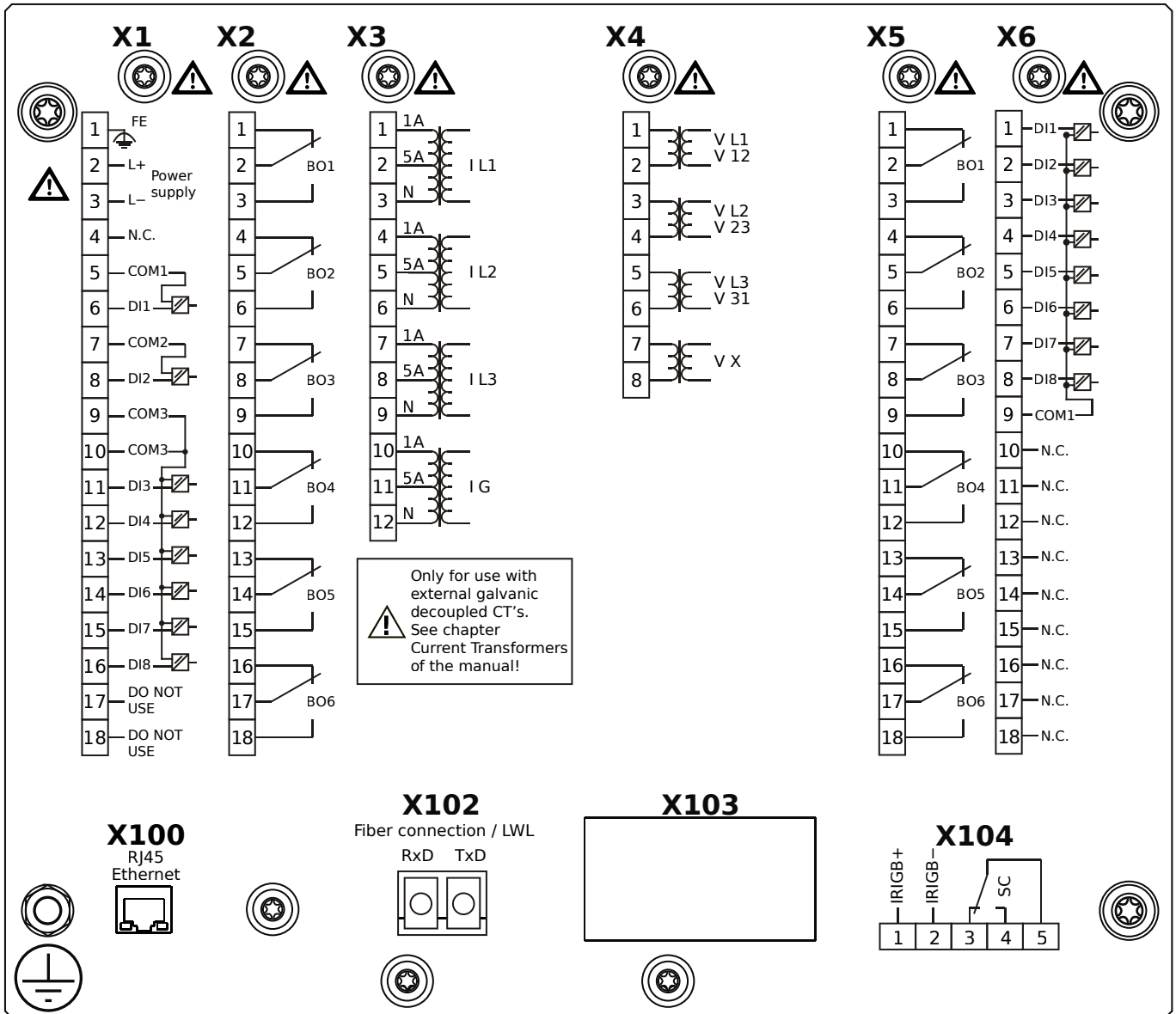
MCDLV4-2D0B0HA



Housing B2, large display, 19" rack mounting

- X1** – DI8-X1: Wide-range power supply unit, incl. 2 non-grouped digital inputs and 6 grouped digital inputs
- X2** – OR6: Assembly Group with 6 Output Relays (Changeover / Form C)
- X3** – TI: Standard current measuring card
- X4** – TU: Card with 4 voltage transformer measuring inputs (0 ... 800 VAC, under UL: 0 ... 600 VAC)
- X5** – OR6: Assembly Group with 6 Output Relays (Changeover / Form C)
- X6** – DI8: Assembly Group with 8 Digital Inputs
- X100** – IEC 61850 / Modbus TCP / IEC 60870-5-104 / DNP3.0 TCP/UDP, Ethernet interface, 100 Mbit/s, RJ45 (BASE100-FX)
- X102** – Long-distance Protection Communication, Fiber optics interface, LC Connector
- X104** – IRIG-B00X, incl. System Contact (Supervision Contact)

MCDLV4-2D0B0HB



Housing B2, large display, 19" rack mounting

+ Conformal Coating (for installations in harsh environment)

X1 – DI8-X1: Wide-range power supply unit, incl. 2 non-grouped digital inputs and 6 grouped digital inputs

X2 – OR6: Assembly Group with 6 Output Relays (Changeover / Form C)

X3 – TI: Standard current measuring card

X4 – TU: Card with 4 voltage transformer measuring inputs (0 ... 800 VAC, under UL: 0 ... 600 VAC)

X5 – OR6: Assembly Group with 6 Output Relays (Changeover / Form C)

X6 – DI8: Assembly Group with 8 Digital Inputs

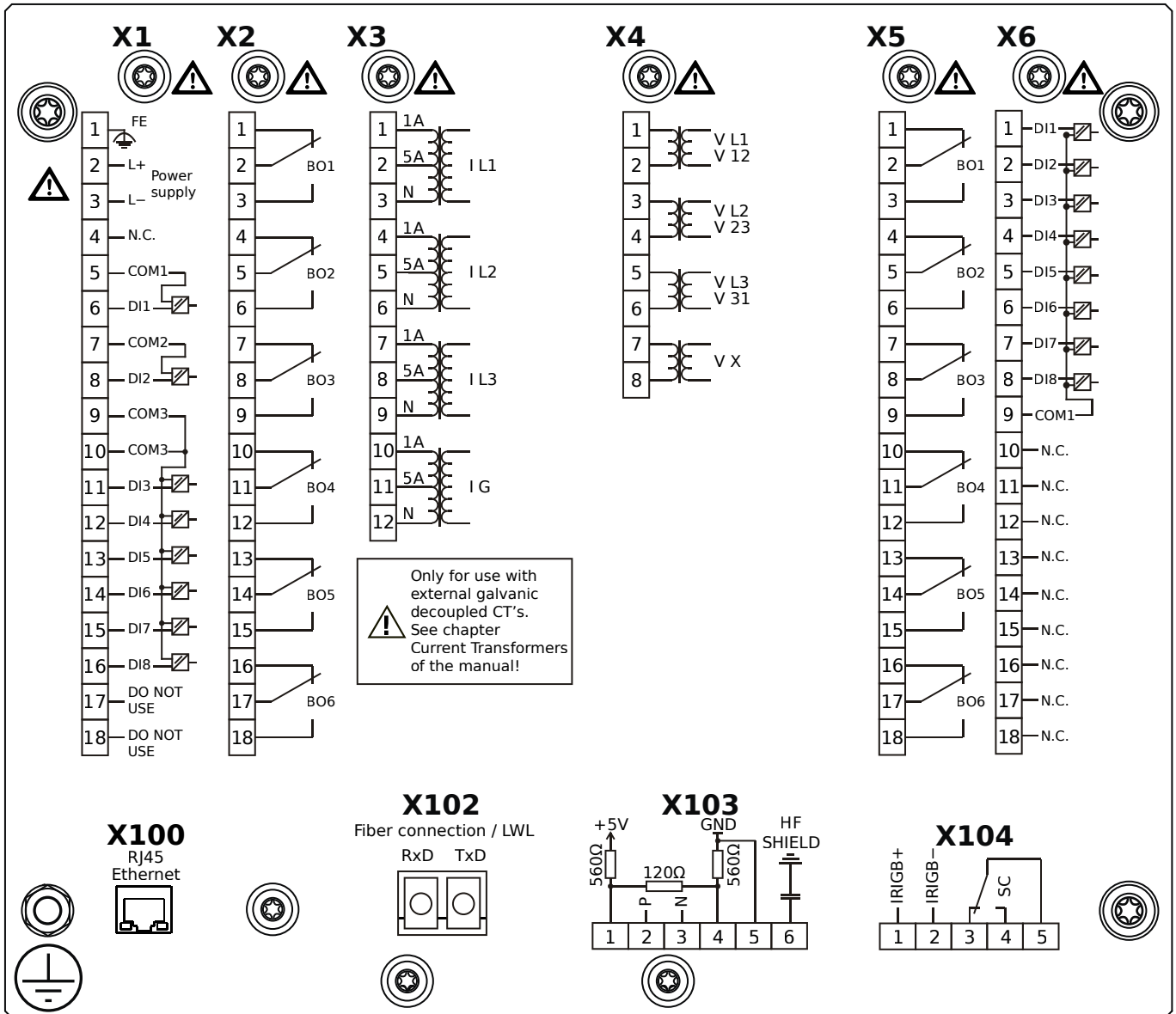
X100 – IEC 61850 / Modbus TCP / IEC 60870-5-104 / DNP3.0 TCP/UDP, Ethernet interface, 100 Mbit/s, RJ45 (BASE100-

FX)

X102 – Long-distance Protection Communication, Fiber optics interface, LC Connector

X104 – IRIG-B00X, incl. System Contact (Supervision Contact)

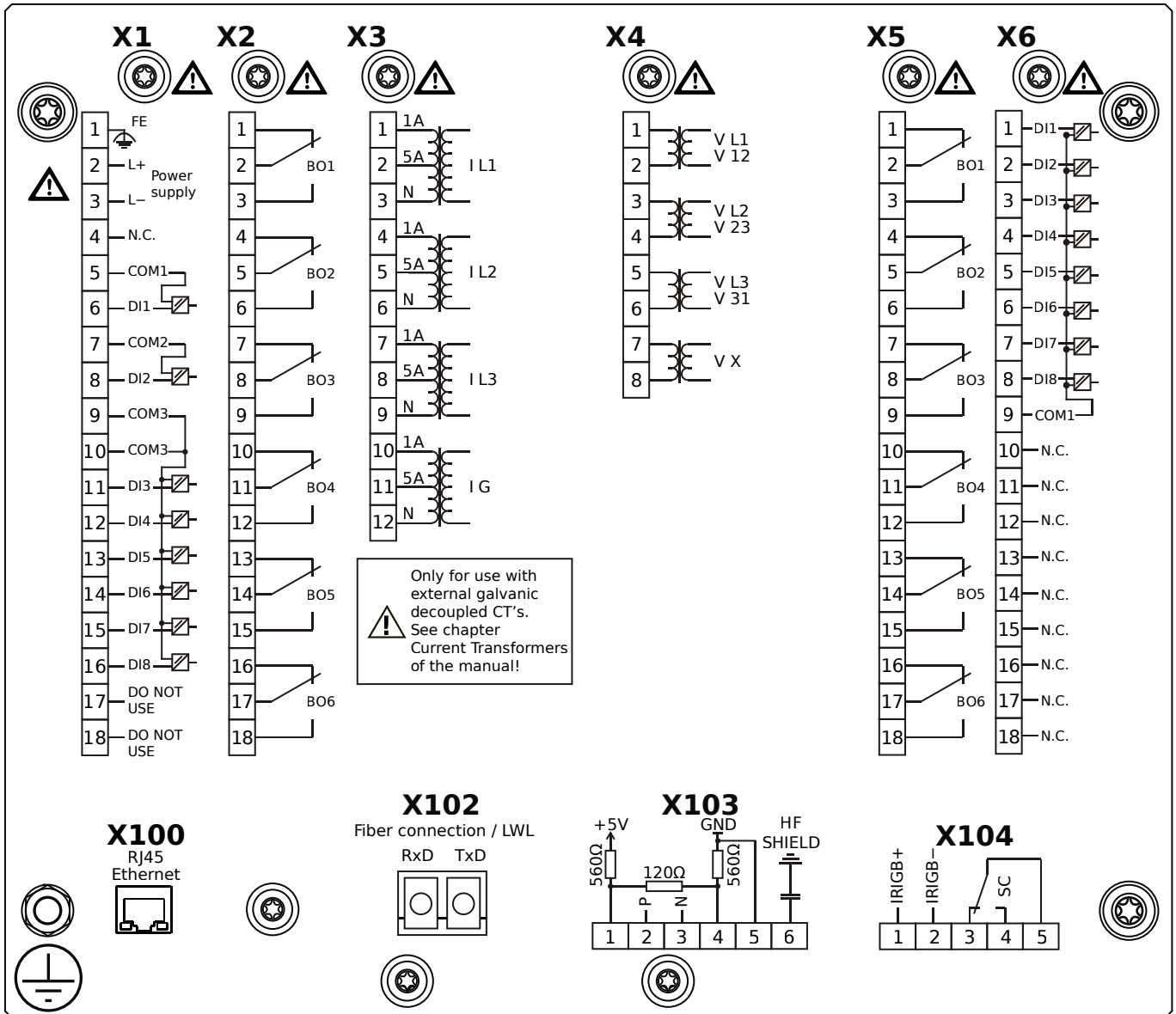
MCDLV4-2D0B01A



Housing B2, large display, 19" rack mounting

- X1** – DI8-X1: Wide-range power supply unit, incl. 2 non-grouped digital inputs and 6 grouped digital inputs
- X2** – OR6: Assembly Group with 6 Output Relays (Changeover / Form C)
- X3** – TI: Standard current measuring card
- X4** – TU: Card with 4 voltage transformer measuring inputs (0 ... 800 VAC, under UL: 0 ... 600 VAC)
- X5** – OR6: Assembly Group with 6 Output Relays (Changeover / Form C)
- X6** – DI8: Assembly Group with 8 Digital Inputs
- X100** – Modbus TCP / IEC 60870-5-104 / DNP3.0 TCP/UDP, Ethernet interface, 100 Mbit/s, RJ45 (BASE100-FX)
- X102** – Long-distance Protection Communication, Fiber optics interface, LC Connector
- X103** – IEC 60870-5-103 / Modbus RTU / DNP3.0 RTU, RS485, Terminals
- X104** – IRIG-B00X, incl. System Contact (Supervision Contact)

MCDLV4-2D0B0IB

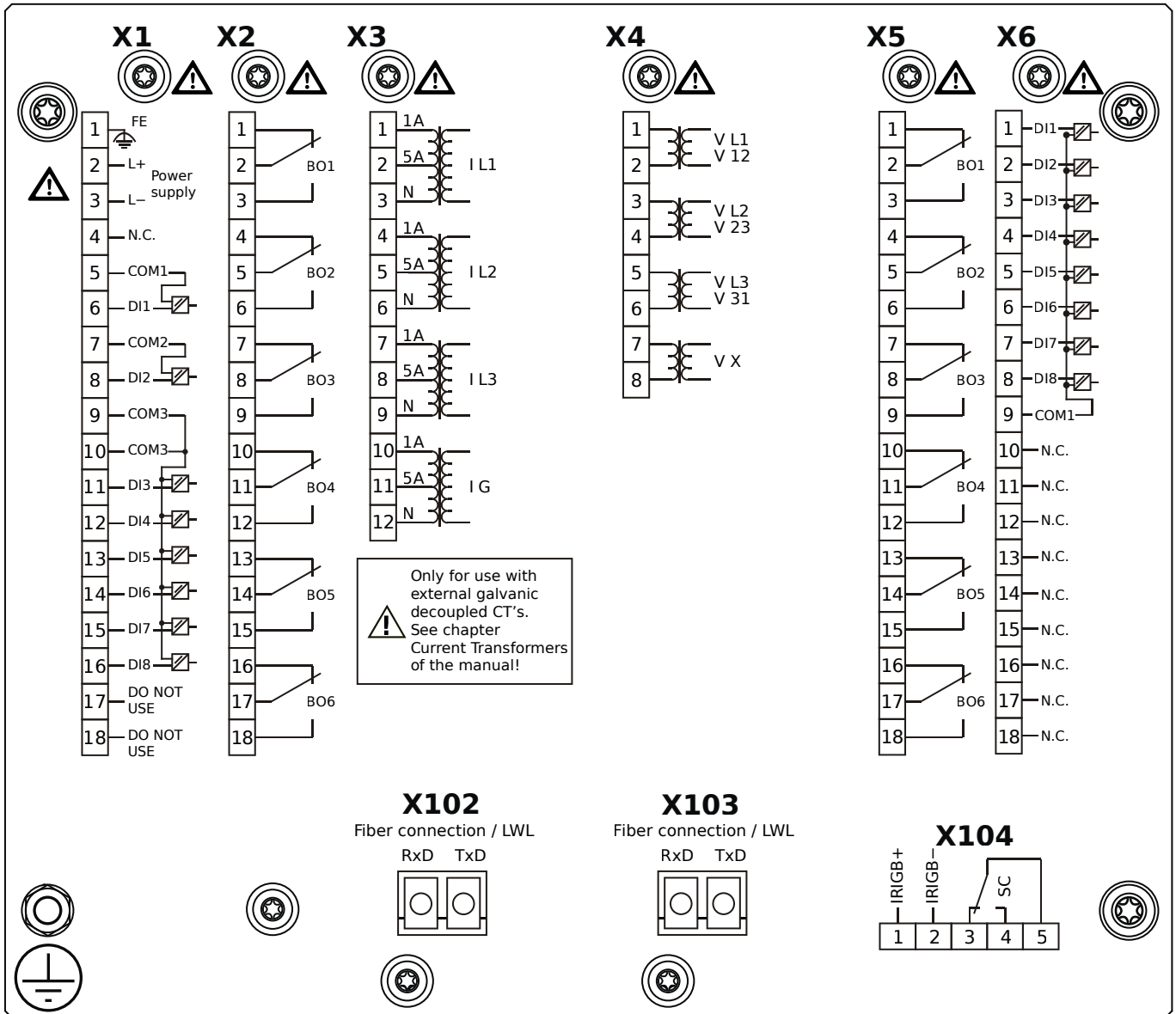


Housing B2, large display, 19" rack mounting

+ Conformal Coating (for installations in harsh environment)

- X1** – DI8-X1: Wide-range power supply unit, incl. 2 non-grouped digital inputs and 6 grouped digital inputs
- X2** – OR6: Assembly Group with 6 Output Relays (Changeover / Form C)
- X3** – TI: Standard current measuring card
- X4** – TU: Card with 4 voltage transformer measuring inputs (0 ... 800 VAC, under UL: 0 ... 600 VAC)
- X5** – OR6: Assembly Group with 6 Output Relays (Changeover / Form C)
- X6** – DI8: Assembly Group with 8 Digital Inputs
- X100** – Modbus TCP / IEC 60870-5-104 / DNP3.0 TCP/UDP, Ethernet interface, 100 Mbit/s, RJ45 (BASE100-FX)
- X102** – Long-distance Protection Communication, Fiber optics interface, LC Connector
- X103** – IEC 60870-5-103 / Modbus RTU / DNP3.0 RTU, RS485, Terminals
- X104** – IRIG-B00X, incl. System Contact (Supervision Contact)

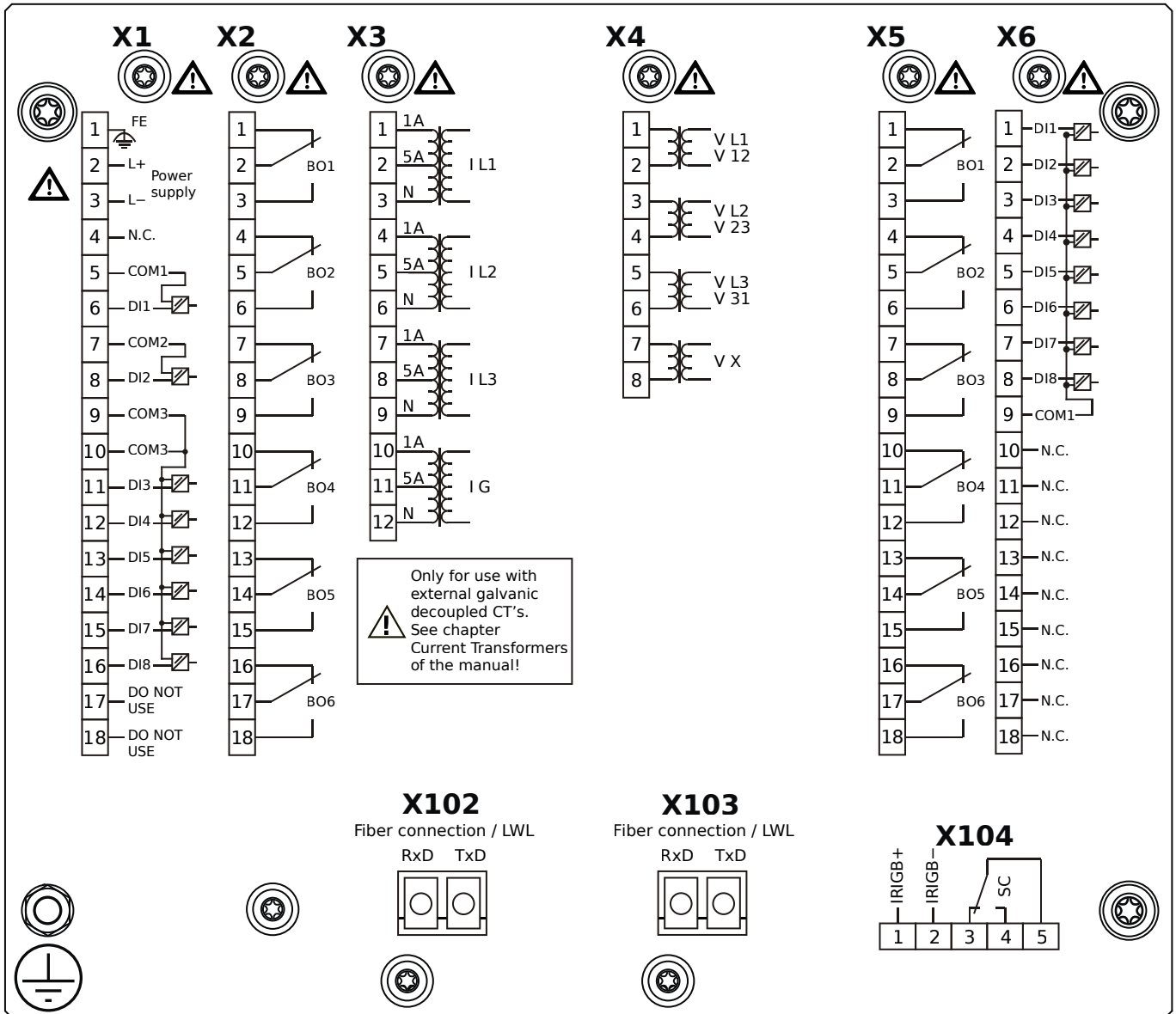
MCDLV4-2D0B0KA



Housing B2, large display, 19" rack mounting

- X1** – DI8-X1: Wide-range power supply unit, incl. 2 non-grouped digital inputs and 6 grouped digital inputs
- X2** – OR6: Assembly Group with 6 Output Relays (Changeover / Form C)
- X3** – TI: Standard current measuring card
- X4** – TU: Card with 4 voltage transformer measuring inputs (0 ... 800 VAC, under UL: 0 ... 600 VAC)
- X5** – OR6: Assembly Group with 6 Output Relays (Changeover / Form C)
- X6** – DI8: Assembly Group with 8 Digital Inputs
- X102** – Long-distance Protection Communication, Fiber optics interface, LC Connector
- X103** – IEC 61850 / Modbus TCP / IEC 60870-5-104 / DNP3.0 TCP/UDP, Fiber optics interface, LC Connector
- X104** – IRIG-B00X, incl. System Contact (Supervision Contact)

MCDLV4-2D0B0KB

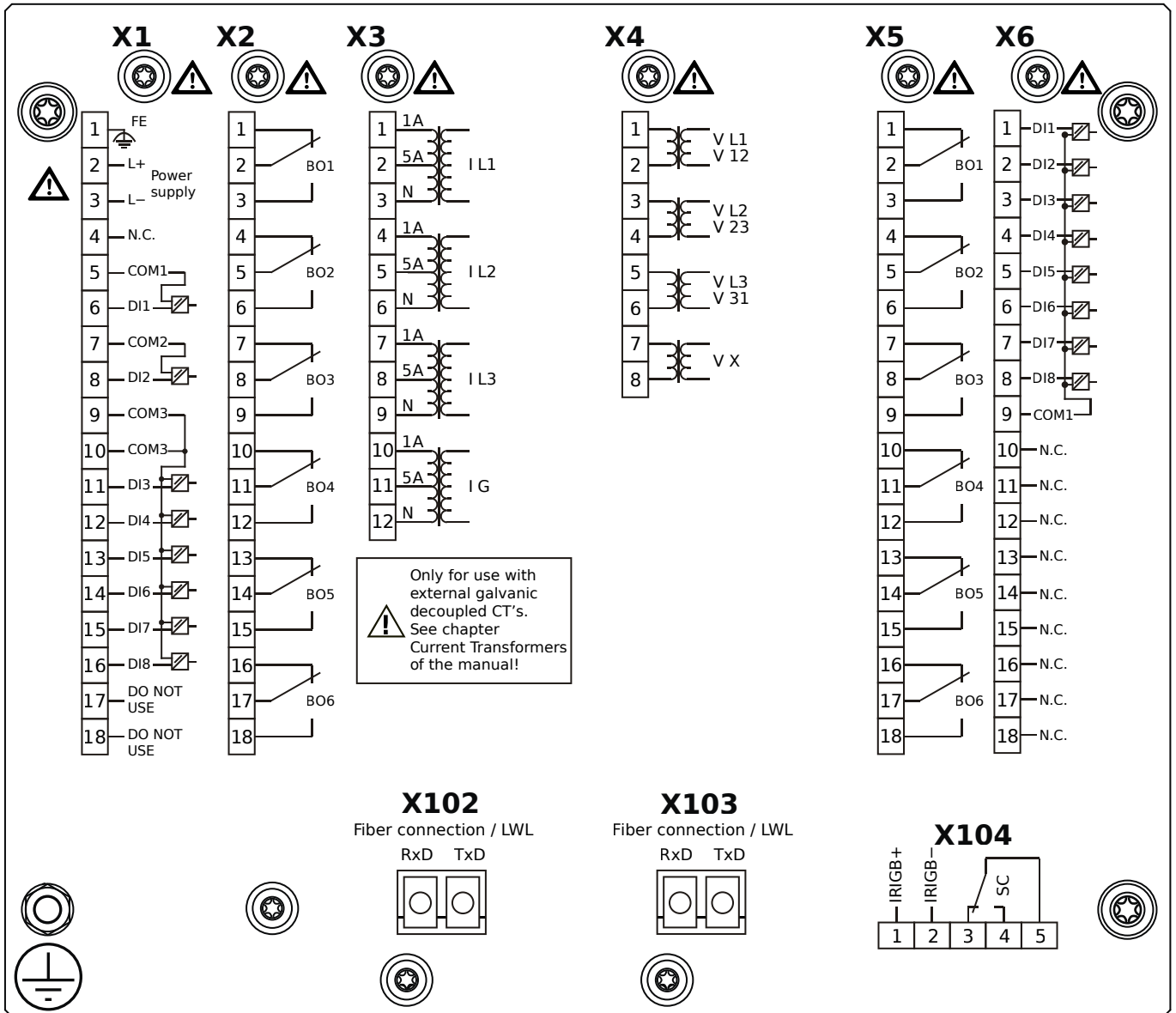


Housing B2, large display, 19" rack mounting

+ Conformal Coating (for installations in harsh environment)

- X1** – DI8-X1: Wide-range power supply unit, incl. 2 non-grouped digital inputs and 6 grouped digital inputs
- X2** – OR6: Assembly Group with 6 Output Relays (Changeover / Form C)
- X3** – TI: Standard current measuring card
- X4** – TU: Card with 4 voltage transformer measuring inputs (0 ... 800 VAC, under UL: 0 ... 600 VAC)
- X5** – OR6: Assembly Group with 6 Output Relays (Changeover / Form C)
- X6** – DI8: Assembly Group with 8 Digital Inputs
- X102** – Long-distance Protection Communication, Fiber optics interface, LC Connector
- X103** – IEC 61850 / Modbus TCP / IEC 60870-5-104 / DNP3.0 TCP/UDP, Fiber optics interface, LC Connector
- X104** – IRIG-B00X, incl. System Contact (Supervision Contact)

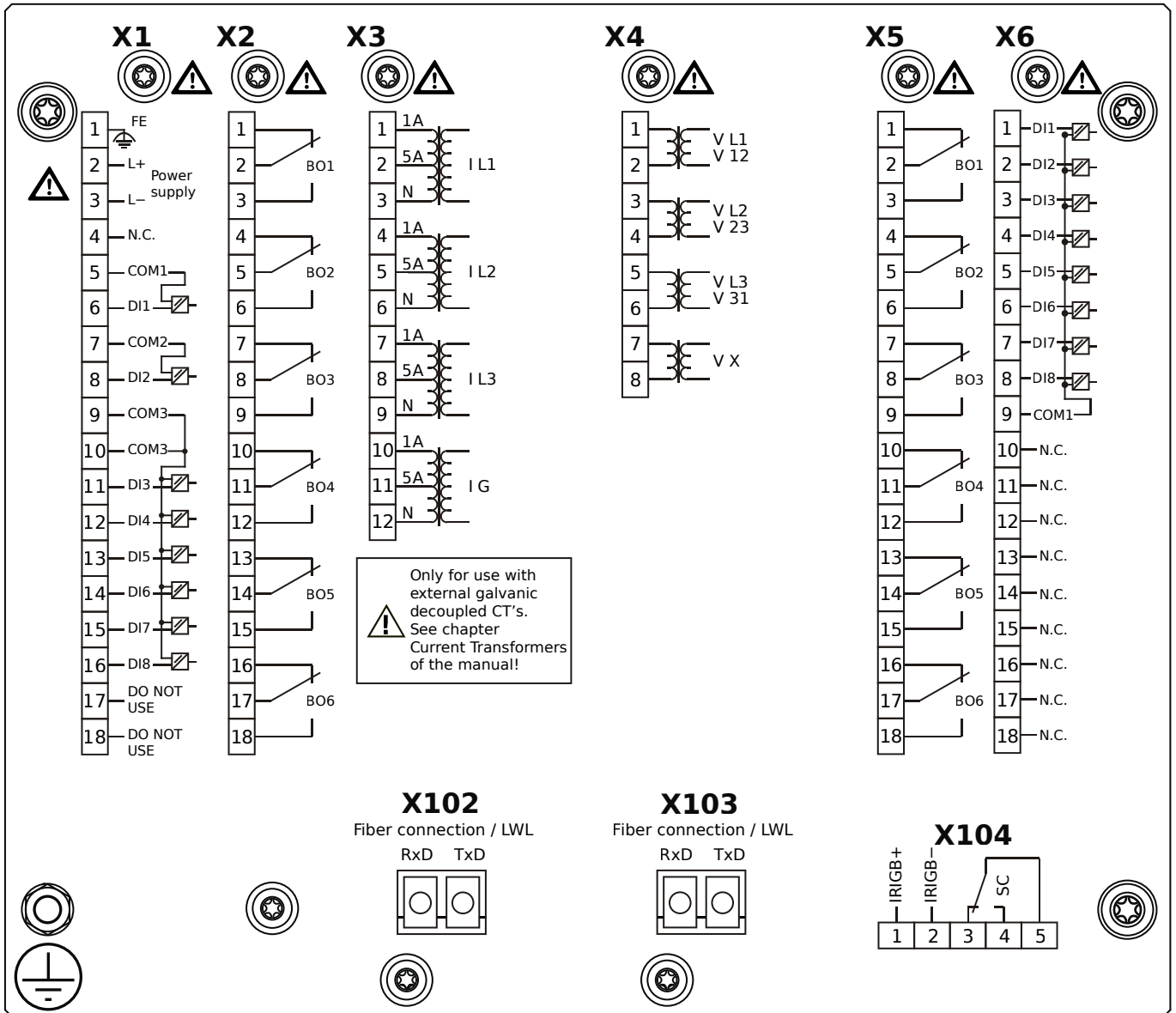
MCDLV4-2D0B0LA



Housing B2, large display, 19" rack mounting

- X1** – DI8-X1: Wide-range power supply unit, incl. 2 non-grouped digital inputs and 6 grouped digital inputs
- X2** – OR6: Assembly Group with 6 Output Relays (Changeover / Form C)
- X3** – TI: Standard current measuring card
- X4** – TU: Card with 4 voltage transformer measuring inputs (0 ... 800 VAC, under UL: 0 ... 600 VAC)
- X5** – OR6: Assembly Group with 6 Output Relays (Changeover / Form C)
- X6** – DI8: Assembly Group with 8 Digital Inputs
- X102** – Long-distance Protection Communication, Fiber optics interface, LC Connector
- X103** – Modbus TCP / IEC 60870-5-104 / DNP3.0 TCP/UDP, Fiber optics interface, LC Connector
- X104** – IRIG-B00X, incl. System Contact (Supervision Contact)

MCDLV4-2D0B0LB

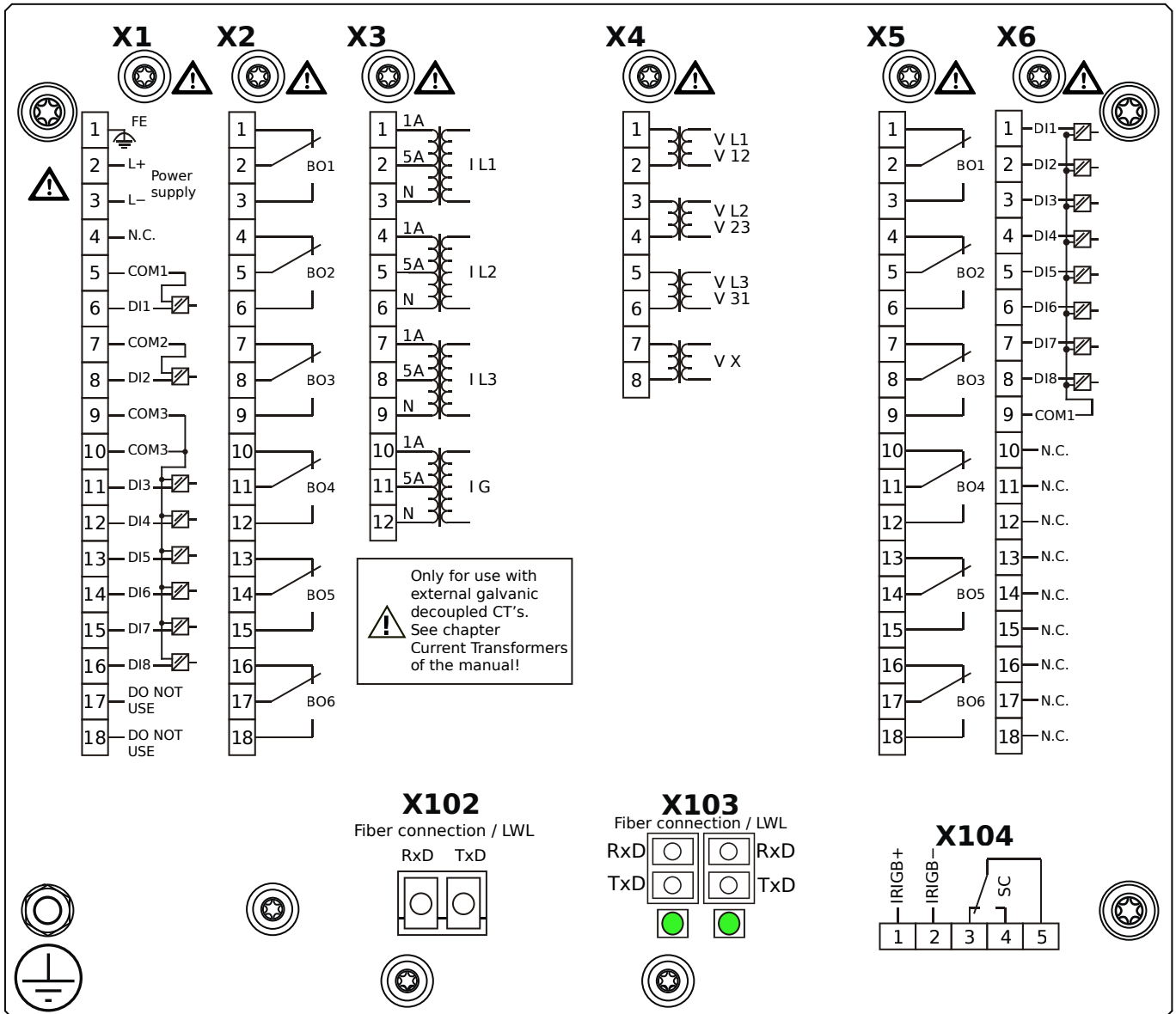


Housing B2, large display, 19" rack mounting

+ Conformal Coating (for installations in harsh environment)

- X1** – DI8-X1: Wide-range power supply unit, incl. 2 non-grouped digital inputs and 6 grouped digital inputs
- X2** – OR6: Assembly Group with 6 Output Relays (Changeover / Form C)
- X3** – TI: Standard current measuring card
- X4** – TU: Card with 4 voltage transformer measuring inputs (0 ... 800 VAC, under UL: 0 ... 600 VAC)
- X5** – OR6: Assembly Group with 6 Output Relays (Changeover / Form C)
- X6** – DI8: Assembly Group with 8 Digital Inputs
- X102** – Long-distance Protection Communication, Fiber optics interface, LC Connector
- X103** – Modbus TCP / IEC 60870-5-104 / DNP3.0 TCP/UDP, Fiber optics interface, LC Connector
- X104** – IRIG-B00X, incl. System Contact (Supervision Contact)

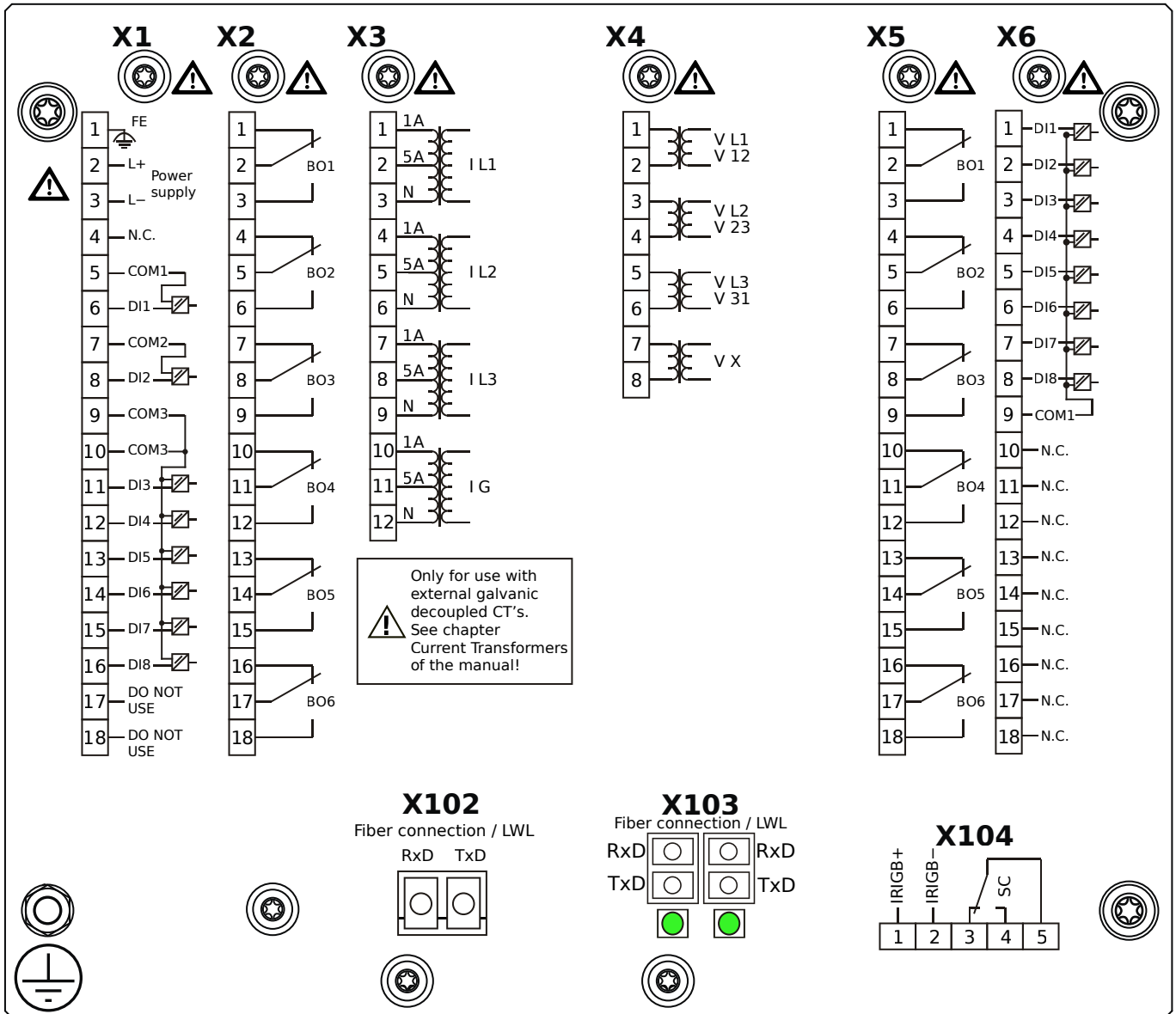
MCDLV4-2D0B00A



Housing B2, large display, 19" rack mounting

- X1** – DI8-X1: Wide-range power supply unit, incl. 2 non-grouped digital inputs and 6 grouped digital inputs
- X2** – OR6: Assembly Group with 6 Output Relays (Changeover / Form C)
- X3** – TI: Standard current measuring card
- X4** – TU: Card with 4 voltage transformer measuring inputs (0 ... 800 VAC, under UL: 0 ... 600 VAC)
- X5** – OR6: Assembly Group with 6 Output Relays (Changeover / Form C)
- X6** – DI8: Assembly Group with 8 Digital Inputs
- X102** – Long-distance Protection Communication, Fiber optics interface, LC Connector
- X103** – Modbus TCP / IEC 60870-5-104 / DNP3.0 TCP/UDP, Redundant Fiber optics interface, LC Connector
- X104** – IRIG-B00X, incl. System Contact (Supervision Contact)

MCDLV4-2D0B00B

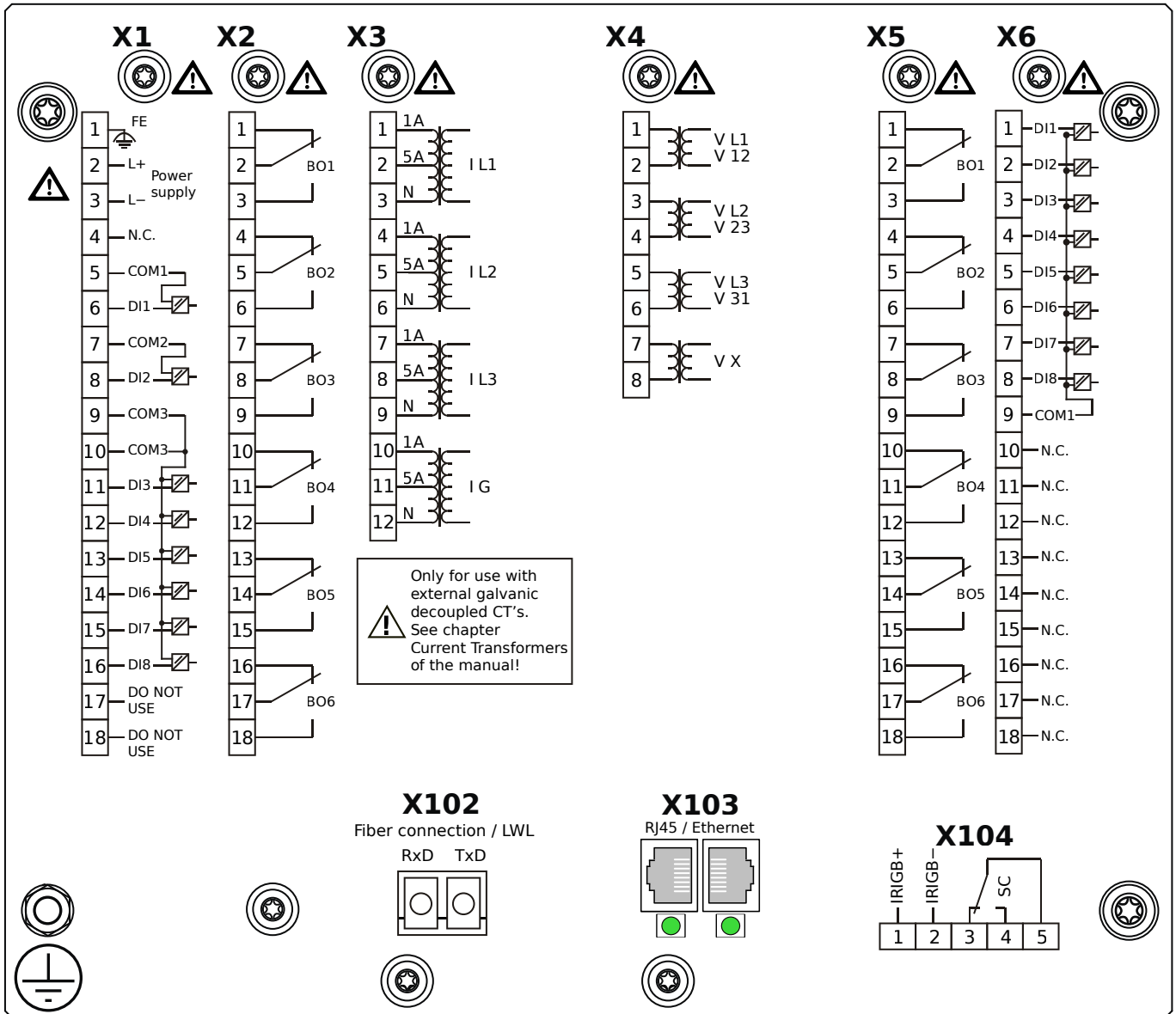


Housing B2, large display, 19" rack mounting

- + Conformal Coating (for installations in harsh environment)

- X1** – DI8-X1: Wide-range power supply unit, incl. 2 non-grouped digital inputs and 6 grouped digital inputs
- X2** – OR6: Assembly Group with 6 Output Relays (Changeover / Form C)
- X3** – TI: Standard current measuring card
- X4** – TU: Card with 4 voltage transformer measuring inputs (0 ... 800 VAC, under UL: 0 ... 600 VAC)
- X5** – OR6: Assembly Group with 6 Output Relays (Changeover / Form C)
- X6** – DI8: Assembly Group with 8 Digital Inputs
- X102** – Long-distance Protection Communication, Fiber optics interface, LC Connector
- X103** – Modbus TCP / IEC 60870-5-104 / DNP3.0 TCP/UDP, Redundant Fiber optics interface, LC Connector
- X104** – IRIG-B00X, incl. System Contact (Supervision Contact)

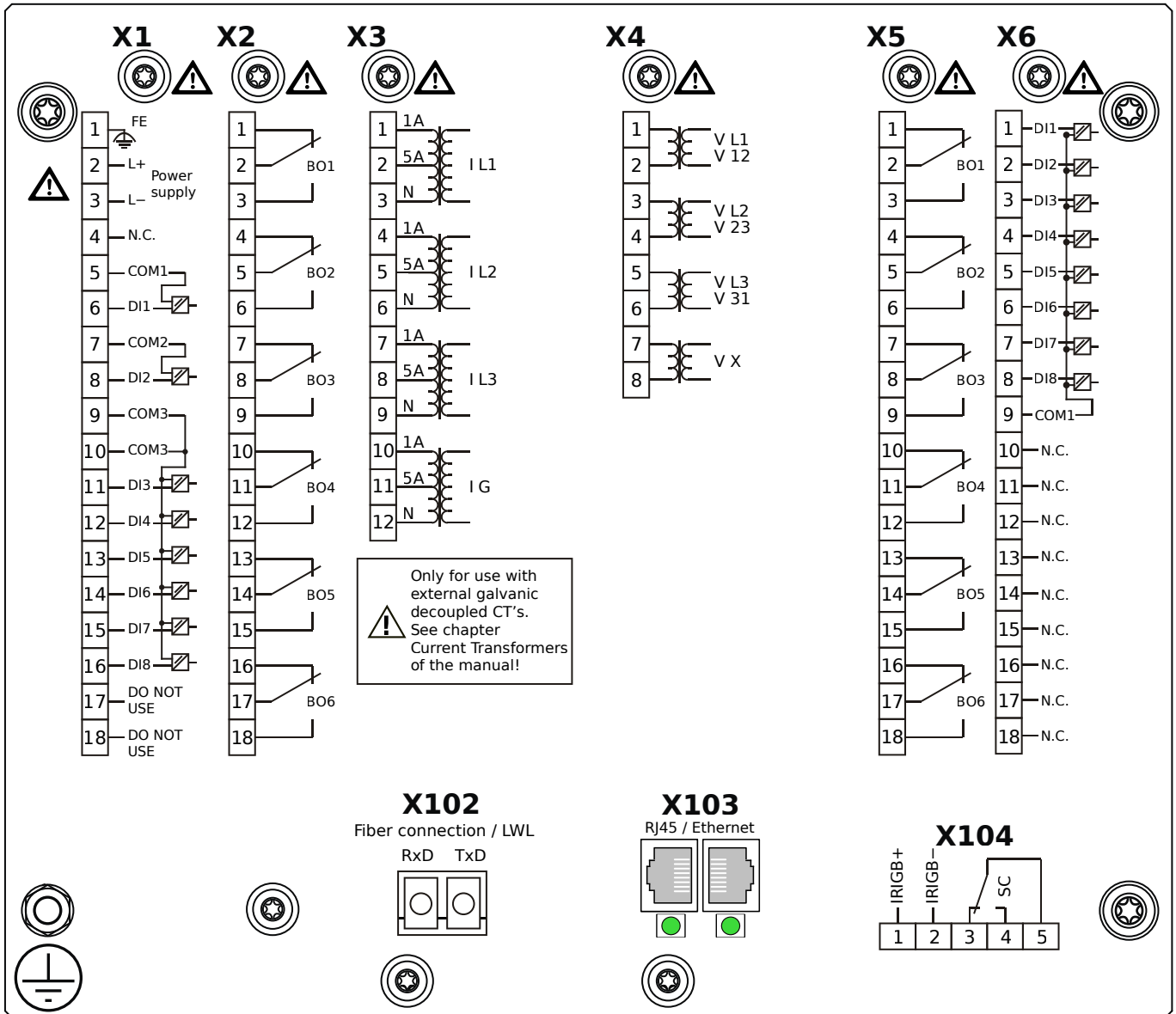
MCDLV4-2D0B0PA



Housing B2, large display, 19" rack mounting

- X1** – DI8-X1: Wide-range power supply unit, incl. 2 non-grouped digital inputs and 6 grouped digital inputs
- X2** – OR6: Assembly Group with 6 Output Relays (Changeover / Form C)
- X3** – TI: Standard current measuring card
- X4** – TU: Card with 4 voltage transformer measuring inputs (0 ... 800 VAC, under UL: 0 ... 600 VAC)
- X5** – OR6: Assembly Group with 6 Output Relays (Changeover / Form C)
- X6** – DI8: Assembly Group with 8 Digital Inputs
- X102** – Long-distance Protection Communication, Fiber optics interface, LC Connector
- X103** – Modbus TCP / IEC 60870-5-104 / DNP3.0 TCP/UDP, Redundant Ethernet interface, 100 Mbit/s, RJ45 (BASE100-FX)
- X104** – IRIG-B00X, incl. System Contact (Supervision Contact)

MCDLV4-2D0B0PB

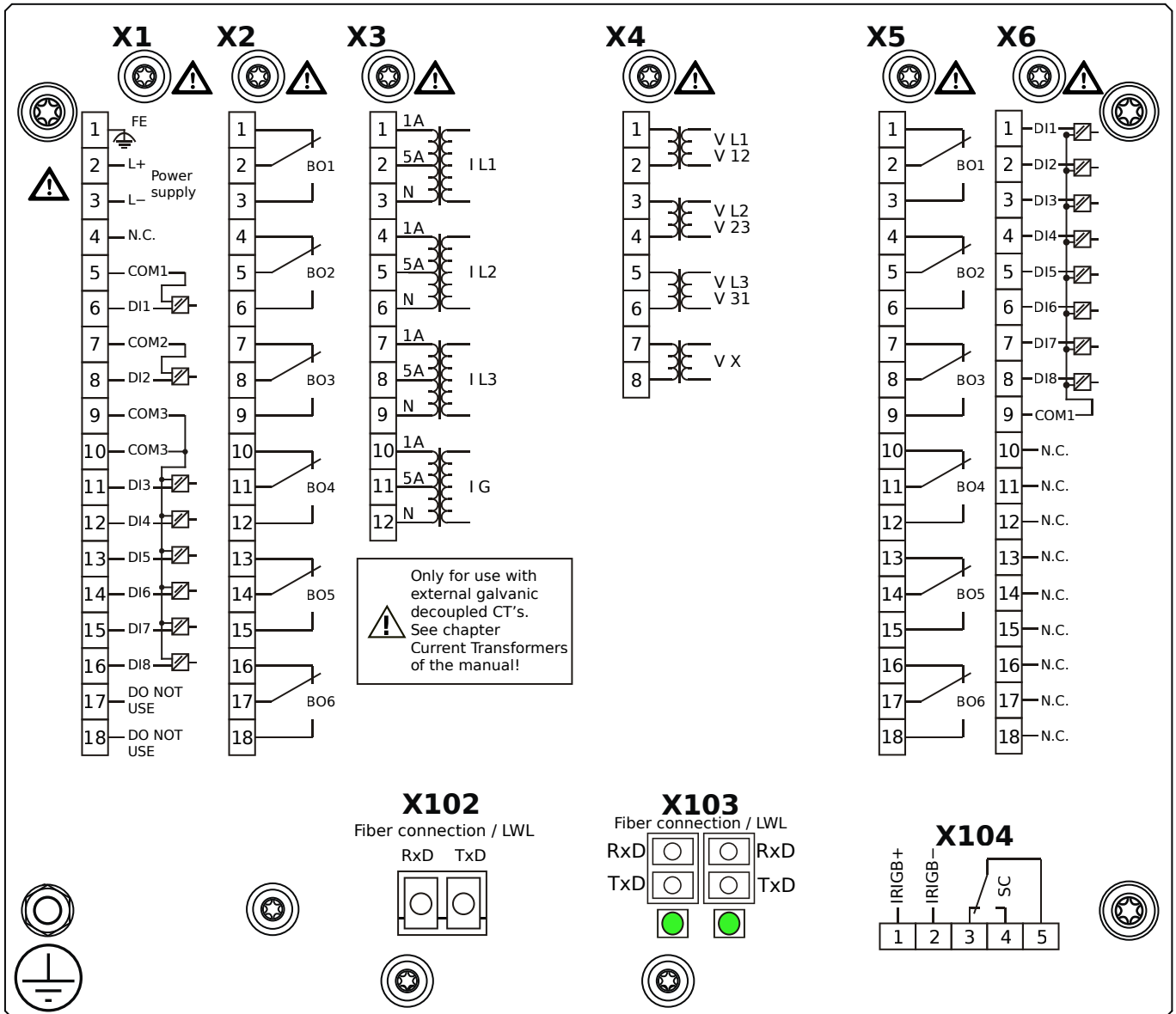


Housing B2, large display, 19" rack mounting

- + Conformal Coating (for installations in harsh environment)

- X1** – DI8-X1: Wide-range power supply unit, incl. 2 non-grouped digital inputs and 6 grouped digital inputs
- X2** – OR6: Assembly Group with 6 Output Relays (Changeover / Form C)
- X3** – TI: Standard current measuring card
- X4** – TU: Card with 4 voltage transformer measuring inputs (0 ... 800 VAC, under UL: 0 ... 600 VAC)
- X5** – OR6: Assembly Group with 6 Output Relays (Changeover / Form C)
- X6** – DI8: Assembly Group with 8 Digital Inputs
- X102** – Long-distance Protection Communication, Fiber optics interface, LC Connector
- X103** – Modbus TCP / IEC 60870-5-104 / DNP3.0 TCP/UDP, Redundant Ethernet interface, 100 Mbit/s, RJ45 (BASE100-FX)
- X104** – IRIG-B00X, incl. System Contact (Supervision Contact)

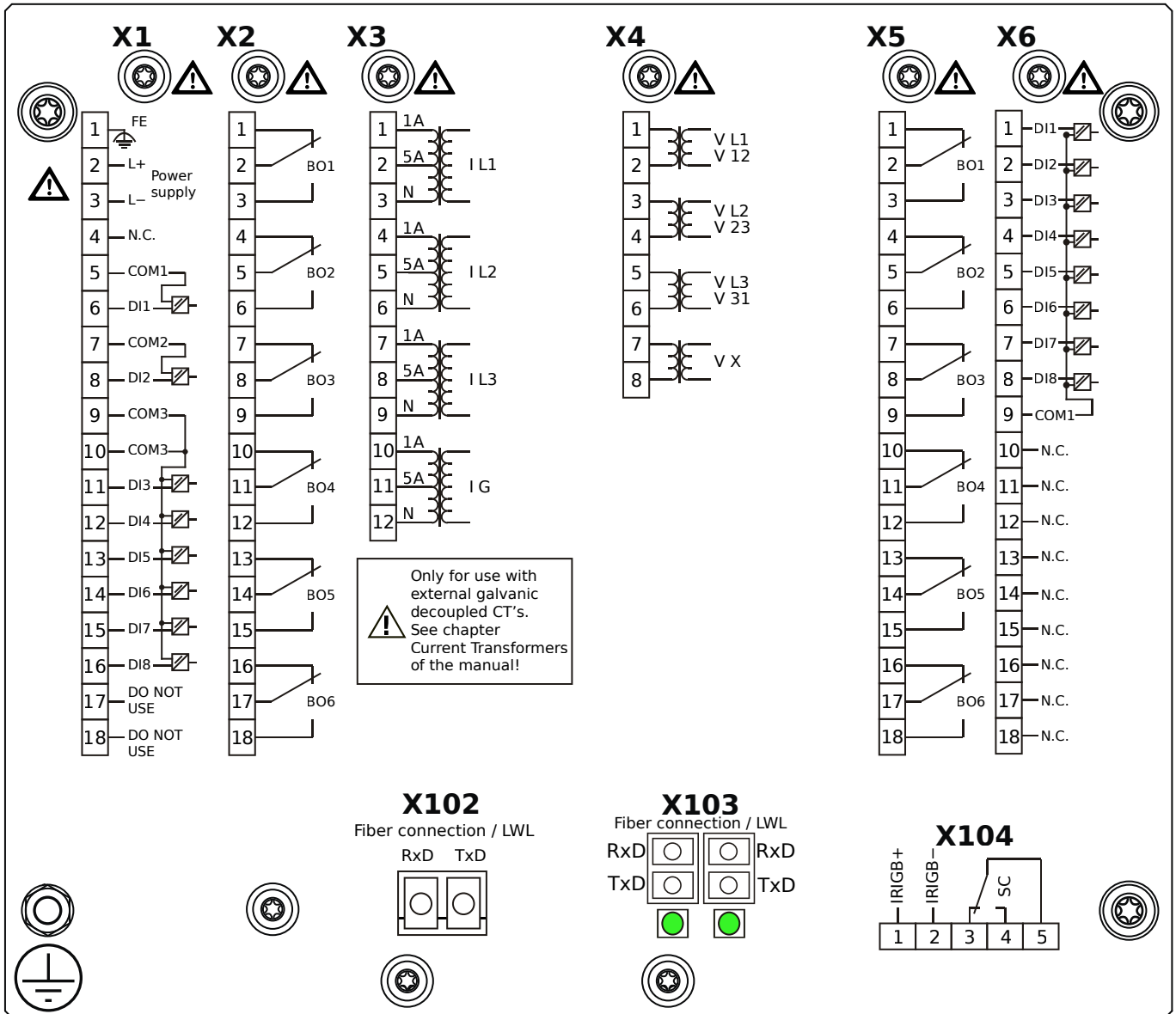
MCDLV4-2D0B0QA



Housing B2, large display, 19" rack mounting

- X1** – DI8-X1: Wide-range power supply unit, incl. 2 non-grouped digital inputs and 6 grouped digital inputs
- X2** – OR6: Assembly Group with 6 Output Relays (Changeover / Form C)
- X3** – TI: Standard current measuring card
- X4** – TU: Card with 4 voltage transformer measuring inputs (0 ... 800 VAC, under UL: 0 ... 600 VAC)
- X5** – OR6: Assembly Group with 6 Output Relays (Changeover / Form C)
- X6** – DI8: Assembly Group with 8 Digital Inputs
- X102** – Long-distance Protection Communication, Fiber optics interface, LC Connector
- X103** – IEC 61850 / Modbus TCP / IEC 60870-5-104 / DNP3.0 TCP/UDP, Redundant Fiber optics interface, LC Connector
- X104** – IRIG-B00X, incl. System Contact (Supervision Contact)

MCDLV4-2D0B0QB

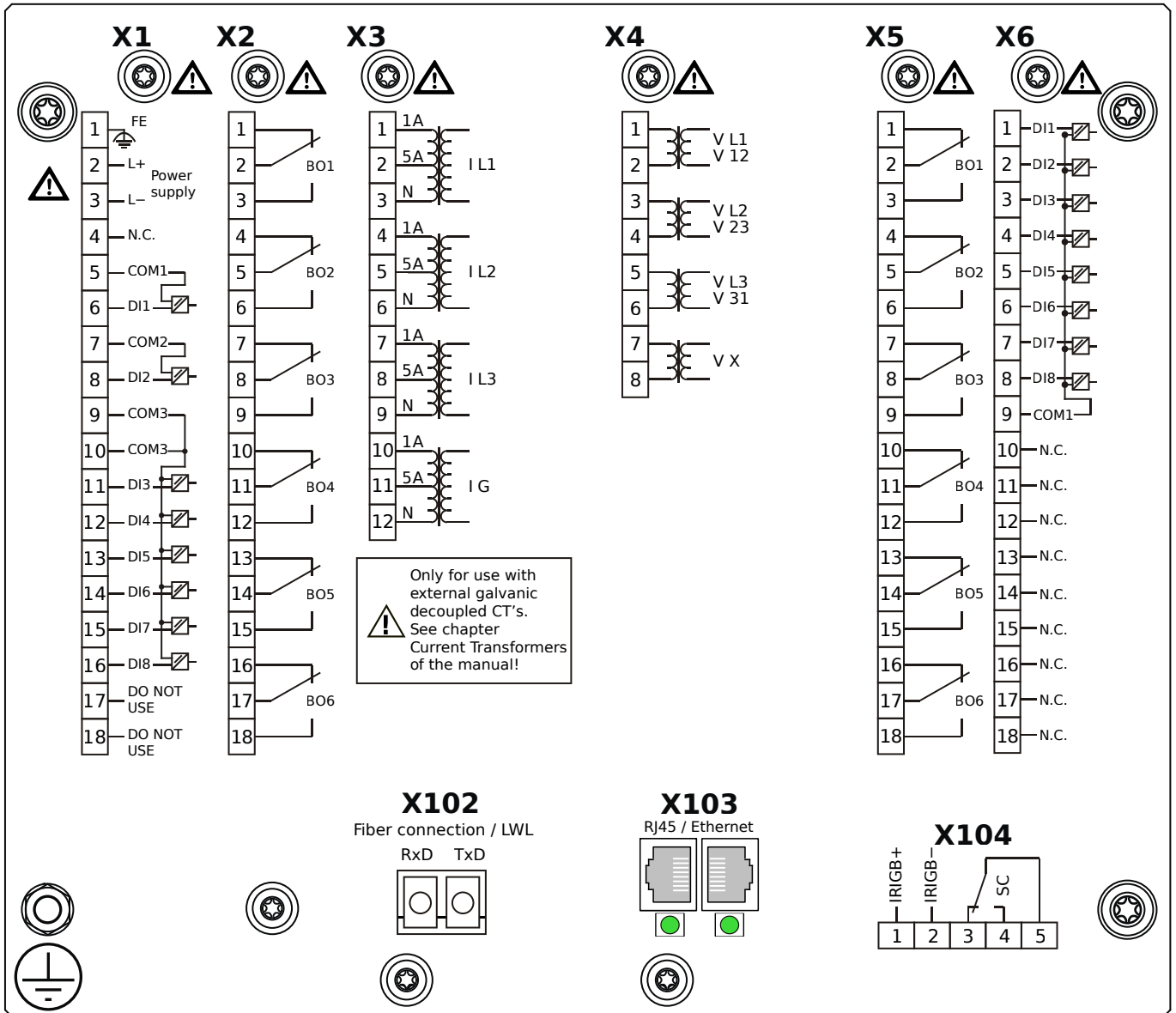


Housing B2, large display, 19" rack mounting

- + Conformal Coating (for installations in harsh environment)

- X1** – DI8-X1: Wide-range power supply unit, incl. 2 non-grouped digital inputs and 6 grouped digital inputs
- X2** – OR6: Assembly Group with 6 Output Relays (Changeover / Form C)
- X3** – TI: Standard current measuring card
- X4** – TU: Card with 4 voltage transformer measuring inputs (0 ... 800 VAC, under UL: 0 ... 600 VAC)
- X5** – OR6: Assembly Group with 6 Output Relays (Changeover / Form C)
- X6** – DI8: Assembly Group with 8 Digital Inputs
- X102** – Long-distance Protection Communication, Fiber optics interface, LC Connector
- X103** – IEC 61850 / Modbus TCP / IEC 60870-5-104 / DNP3.0 TCP/UDP, Redundant Fiber optics interface, LC Connector
- X104** – IRIG-B00X, incl. System Contact (Supervision Contact)

MCDLV4-2D0B0RA



Housing B2, large display, 19" rack mounting

X1 – DI8-X1: Wide-range power supply unit, incl. 2 non-grouped digital inputs and 6 grouped digital inputs

X2 – OR6: Assembly Group with 6 Output Relays (Changeover / Form C)

X3 – TI: Standard current measuring card

X4 – TU: Card with 4 voltage transformer measuring inputs (0 ... 800 VAC, under UL: 0 ... 600 VAC)

X5 – OR6: Assembly Group with 6 Output Relays (Changeover / Form C)

X6 – DI8: Assembly Group with 8 Digital Inputs

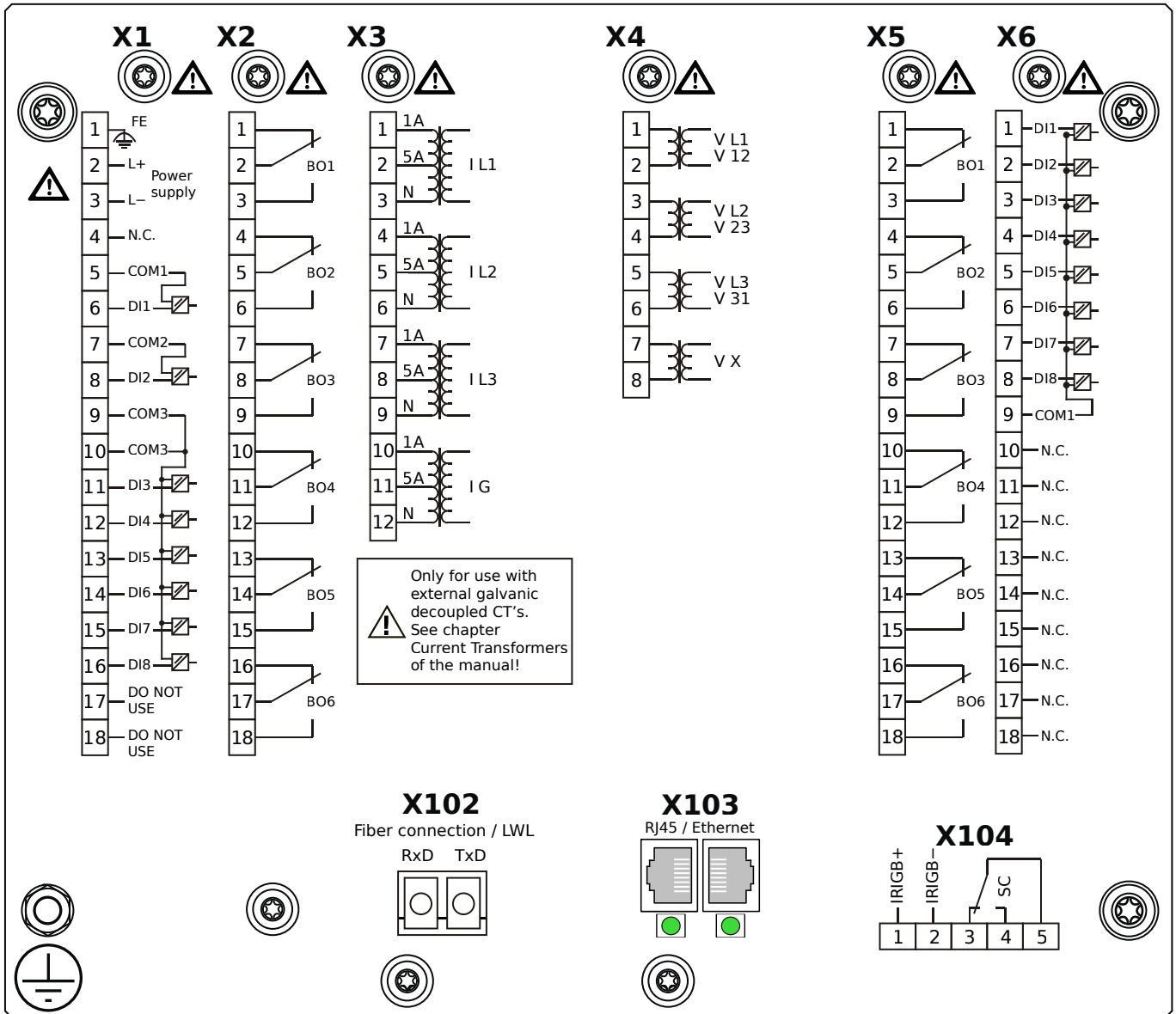
X102 – Long-distance Protection Communication, Fiber optics interface, LC Connector

X103 – IEC 61850 / Modbus TCP / IEC 60870-5-104 / DNP3.0 TCP/UDP, Redundant Ethernet interface, 100 Mbit/s, RJ45

(BASE100-FX)

X104 – IRIG-B00X, incl. System Contact (Supervision Contact)

MCDLV4-2D0B0RB



Housing B2, large display, 19" rack mounting

- + Conformal Coating (for installations in harsh environment)

X1 – DI8-X1: Wide-range power supply unit, incl. 2 non-grouped digital inputs and 6 grouped digital inputs

X2 – OR6: Assembly Group with 6 Output Relays (Changeover / Form C)

X3 – TI: Standard current measuring card

X4 – TU: Card with 4 voltage transformer measuring inputs (0 ... 800 VAC, under UL: 0 ... 600 VAC)

X5 – OR6: Assembly Group with 6 Output Relays (Changeover / Form C)

X6 – DI8: Assembly Group with 8 Digital Inputs

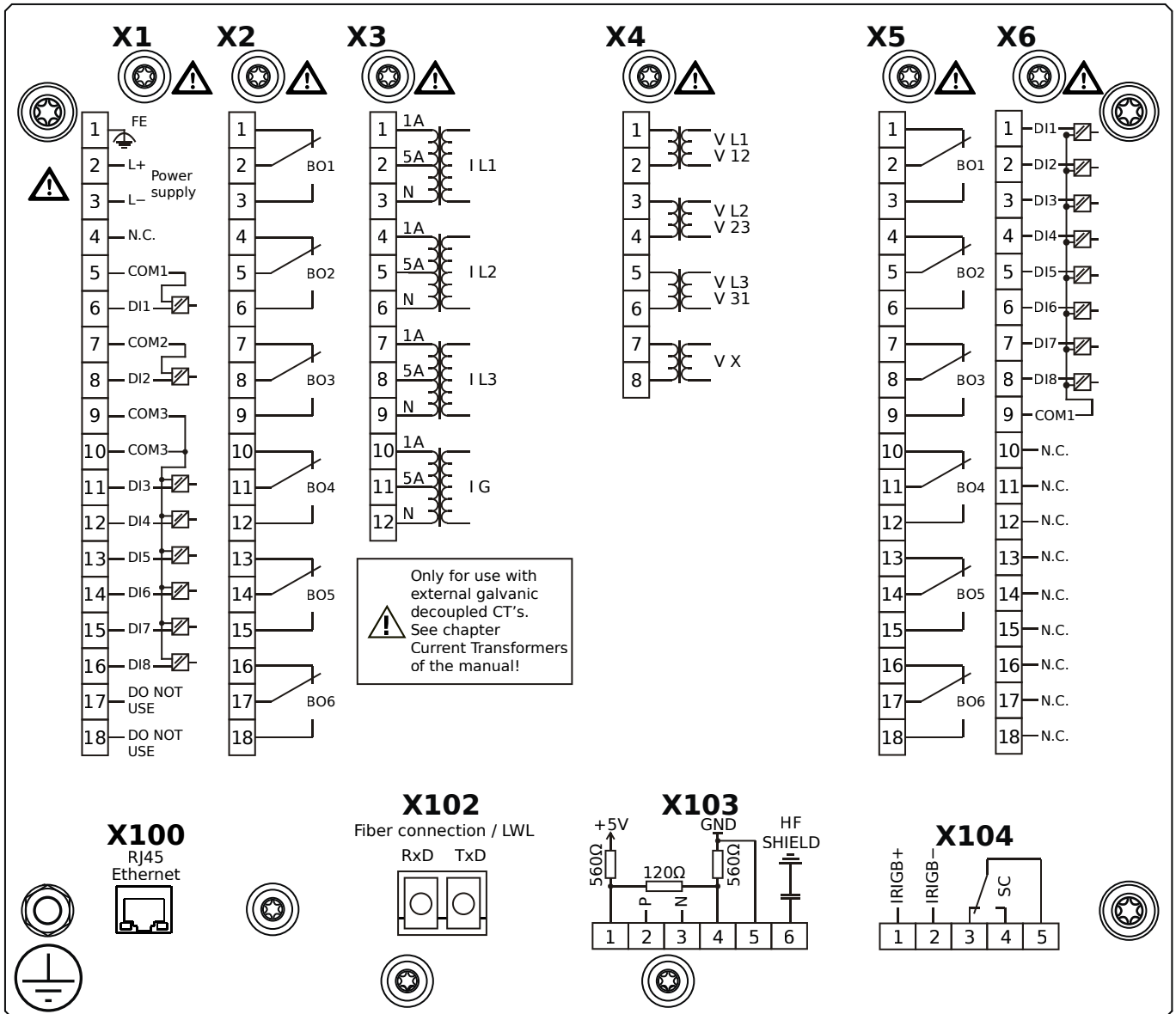
X102 – Long-distance Protection Communication, Fiber optics interface, LC Connector

X103 – IEC 61850 / Modbus TCP / IEC 60870-5-104 / DNP3.0 TCP/UDP, Redundant Ethernet interface, 100 Mbit/s, RJ45

(BASE100-FX)

X104 – IRIG-B00X, incl. System Contact (Supervision Contact)

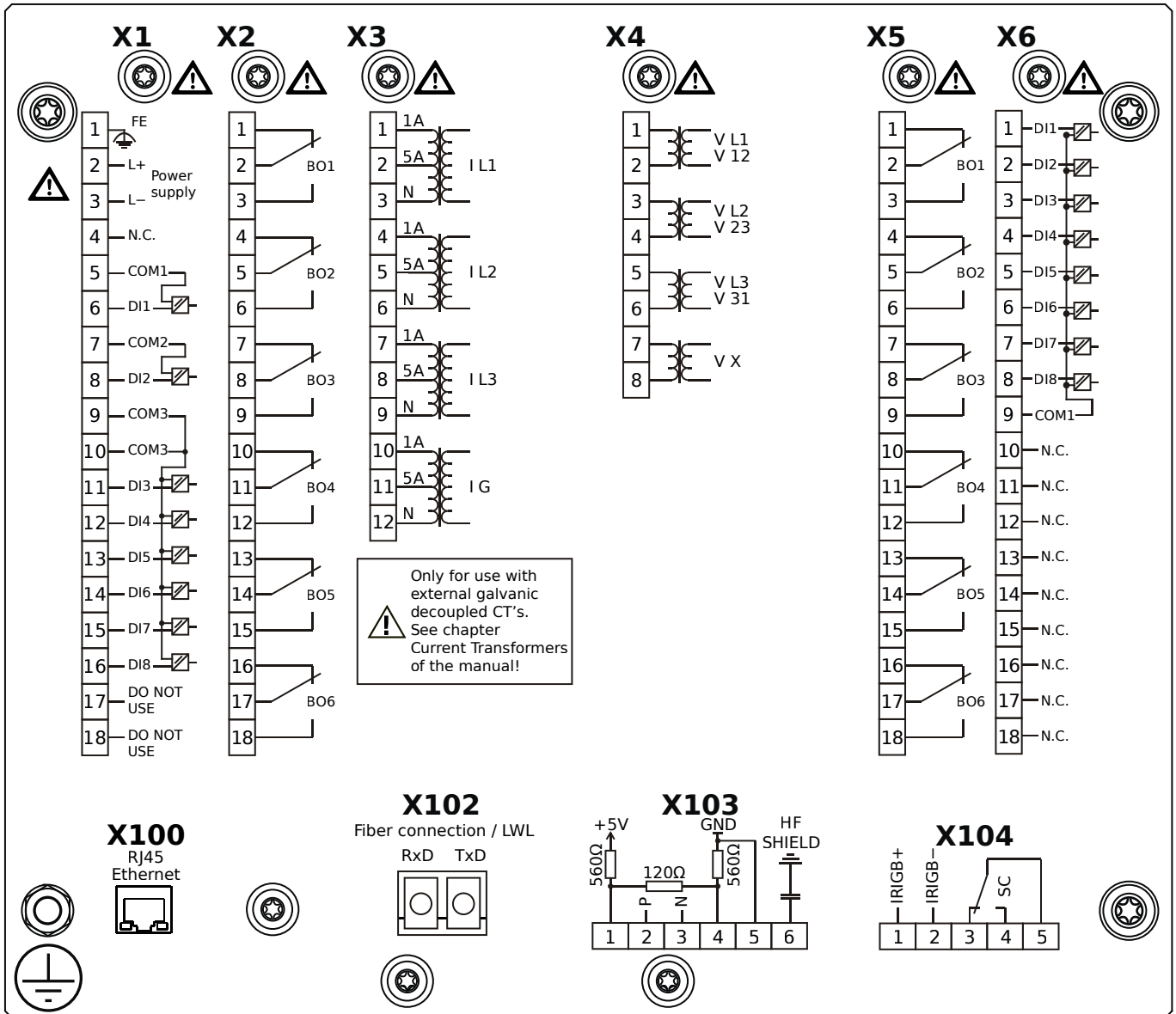
MCDLV4-2D0B0TA



Housing B2, large display, 19" rack mounting

- X1** – DI8-X1: Wide-range power supply unit, incl. 2 non-grouped digital inputs and 6 grouped digital inputs
- X2** – OR6: Assembly Group with 6 Output Relays (Changeover / Form C)
- X3** – TI: Standard current measuring card
- X4** – TU: Card with 4 voltage transformer measuring inputs (0 ... 800 VAC, under UL: 0 ... 600 VAC)
- X5** – OR6: Assembly Group with 6 Output Relays (Changeover / Form C)
- X6** – DI8: Assembly Group with 8 Digital Inputs
- X100** – IEC 61850 / Modbus TCP / IEC 60870-5-104 / DNP3.0 TCP/UDP, Ethernet interface, 100 Mbit/s, RJ45 (BASE100-FX)
- X102** – Long-distance Protection Communication, Fiber optics interface, LC Connector
- X103** – IEC 60870-5-103 / Modbus RTU / DNP3.0 RTU, RS485, Terminals
- X104** – IRIG-B00X, incl. System Contact (Supervision Contact)

MCDLV4-2D0B0TB

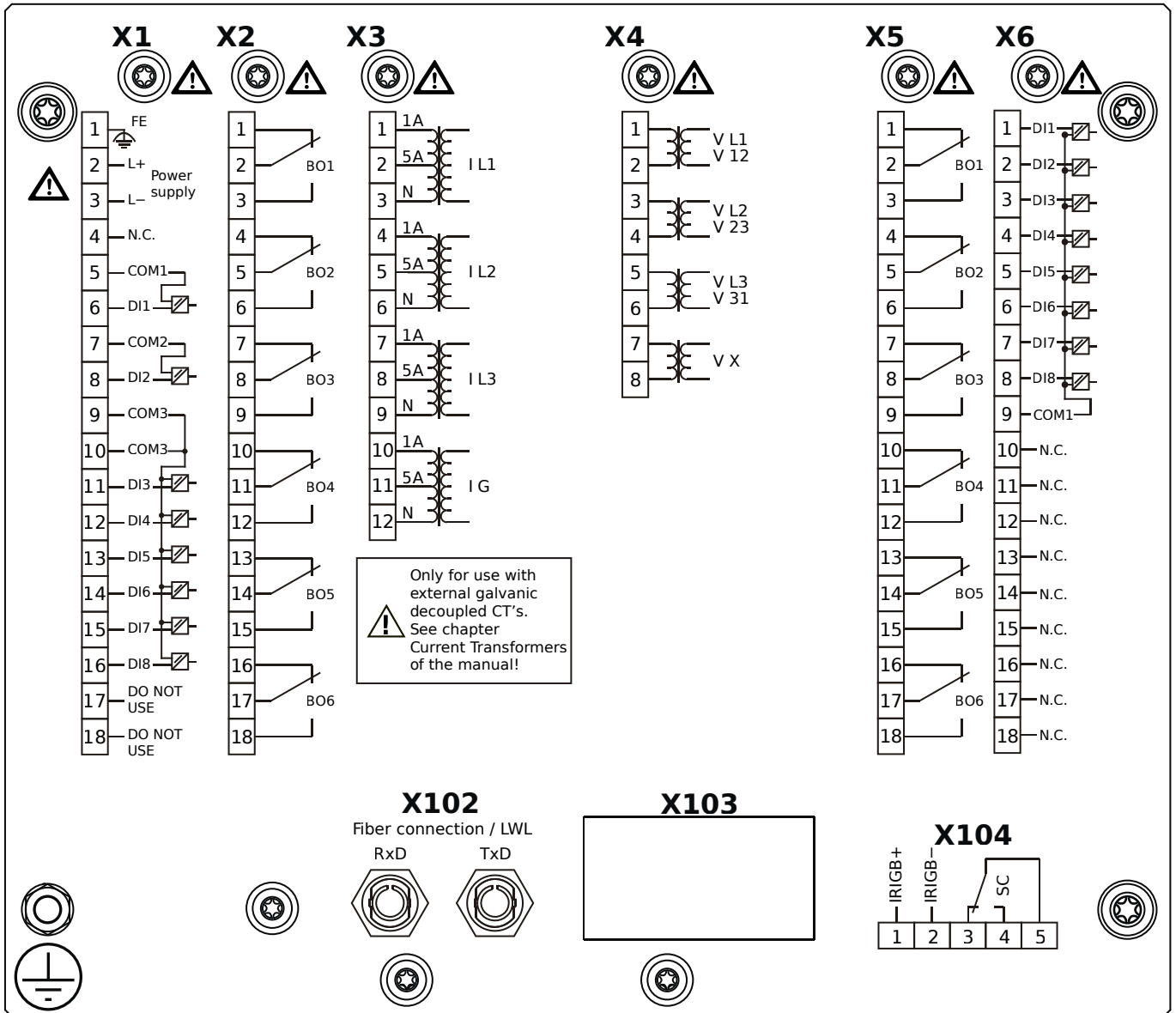


Housing B2, large display, 19" rack mounting

+ Conformal Coating (for installations in harsh environment)

- X1** – DI8-X1: Wide-range power supply unit, incl. 2 non-grouped digital inputs and 6 grouped digital inputs
- X2** – OR6: Assembly Group with 6 Output Relays (Changeover / Form C)
- X3** – TI: Standard current measuring card
- X4** – TU: Card with 4 voltage transformer measuring inputs (0 ... 800 VAC, under UL: 0 ... 600 VAC)
- X5** – OR6: Assembly Group with 6 Output Relays (Changeover / Form C)
- X6** – DI8: Assembly Group with 8 Digital Inputs
- X100** – IEC 61850 / Modbus TCP / IEC 60870-5-104 / DNP3.0 TCP/UDP, Ethernet interface, 100 Mbit/s, RJ45 (BASE100-FX)
- X102** – Long-distance Protection Communication, Fiber optics interface, LC Connector
- X103** – IEC 60870-5-103 / Modbus RTU / DNP3.0 RTU, RS485, Terminals
- X104** – IRIG-B00X, incl. System Contact (Supervision Contact)

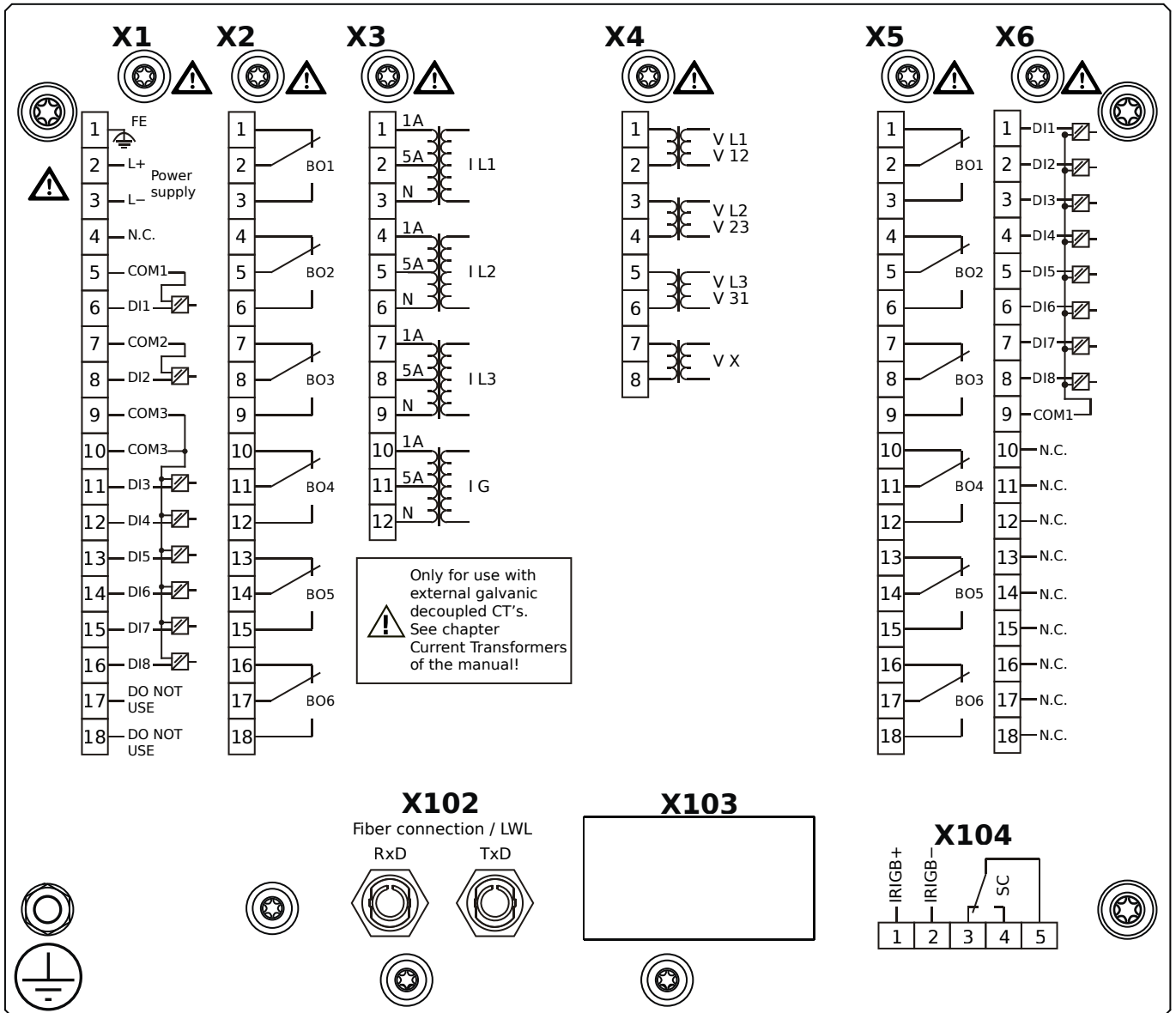
MCDLV4-2D0B1AA



Housing B2, large display, 19" rack mounting

- X1** – DI8-X1: Wide-range power supply unit, incl. 2 non-grouped digital inputs and 6 grouped digital inputs
- X2** – OR6: Assembly Group with 6 Output Relays (Changeover / Form C)
- X3** – TI: Standard current measuring card
- X4** – TU: Card with 4 voltage transformer measuring inputs (0 ... 800 VAC, under UL: 0 ... 600 VAC)
- X5** – OR6: Assembly Group with 6 Output Relays (Changeover / Form C)
- X6** – DI8: Assembly Group with 8 Digital Inputs
- X102** – Protection Communication, Fiber optics interface, ST Connector
- X104** – IRIG-B00X, incl. System Contact (Supervision Contact)

MCDLV4-2D0B1AB

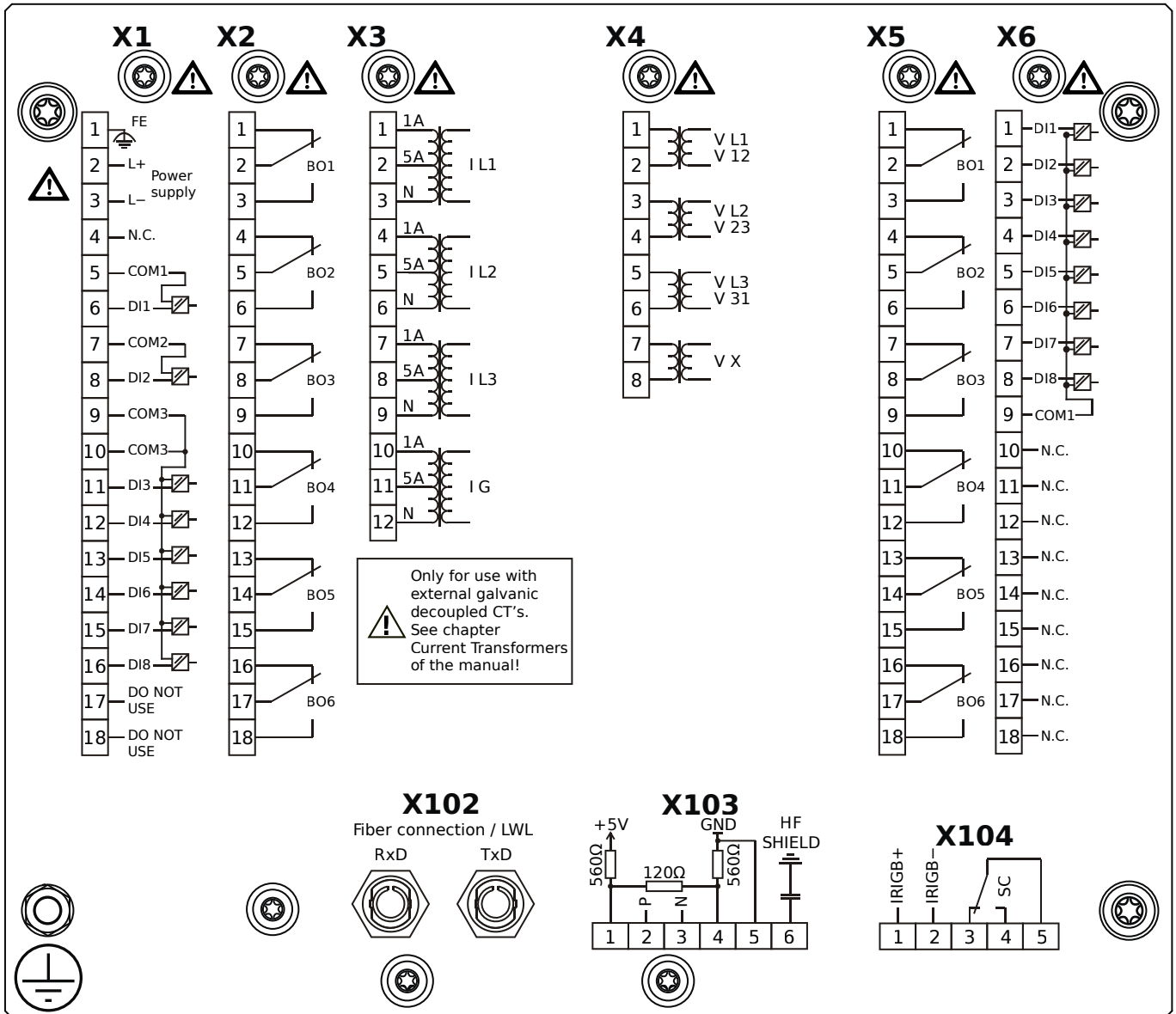


Housing B2, large display, 19" rack mounting

- + Conformal Coating (for installations in harsh environment)

- X1** – DI8-X1: Wide-range power supply unit, incl. 2 non-grouped digital inputs and 6 grouped digital inputs
- X2** – OR6: Assembly Group with 6 Output Relays (Changeover / Form C)
- X3** – TI: Standard current measuring card
- X4** – TU: Card with 4 voltage transformer measuring inputs (0 ... 800 VAC, under UL: 0 ... 600 VAC)
- X5** – OR6: Assembly Group with 6 Output Relays (Changeover / Form C)
- X6** – DI8: Assembly Group with 8 Digital Inputs
- X102** – Protection Communication, Fiber optics interface, ST Connector
- X104** – IRIG-B00X, incl. System Contact (Supervision Contact)

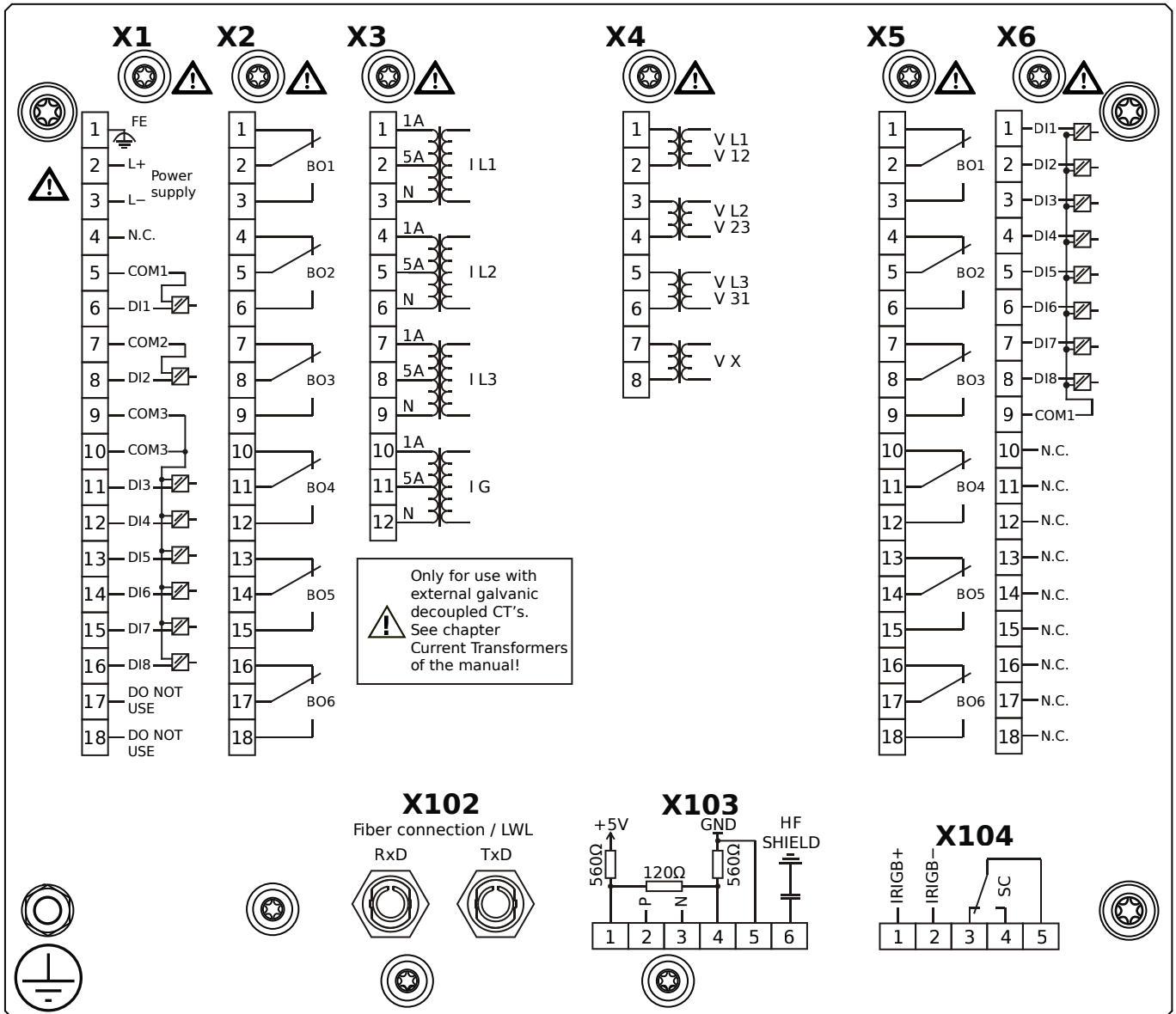
MCDLV4-2D0B1BA



Housing B2, large display, 19" rack mounting

- X1** – DI8-X1: Wide-range power supply unit, incl. 2 non-grouped digital inputs and 6 grouped digital inputs
- X2** – OR6: Assembly Group with 6 Output Relays (Changeover / Form C)
- X3** – TI: Standard current measuring card
- X4** – TU: Card with 4 voltage transformer measuring inputs (0 ... 800 VAC, under UL: 0 ... 600 VAC)
- X5** – OR6: Assembly Group with 6 Output Relays (Changeover / Form C)
- X6** – DI8: Assembly Group with 8 Digital Inputs
- X102** – Protection Communication, Fiber optics interface, ST Connector
- X103** – Modbus RTU / IEC 60870-5-103 / DNP3.0 RTU, RS485, Terminals
- X104** – IRIG-B00X, incl. System Contact (Supervision Contact)

MCDLV4-2D0B1BB

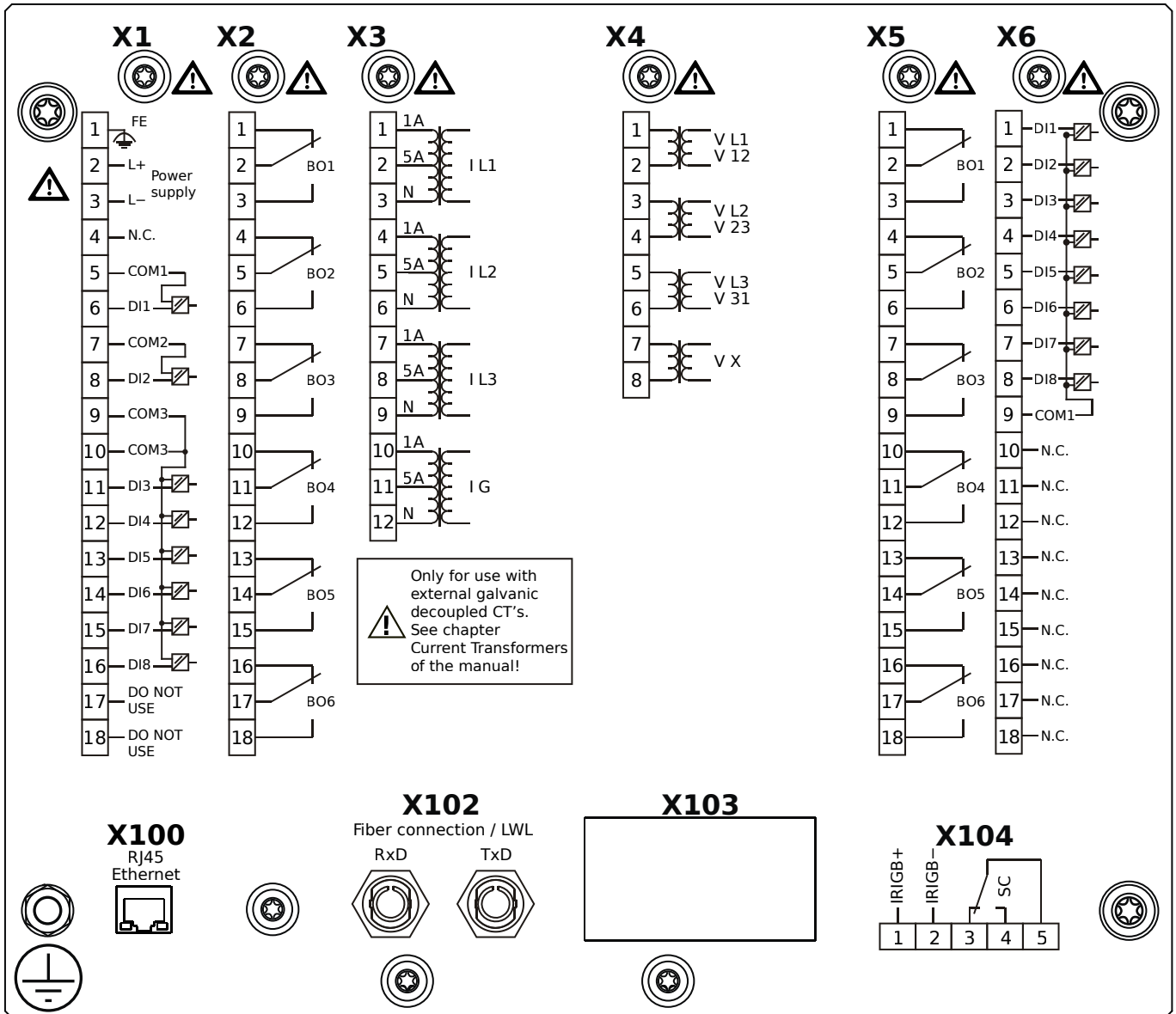


Housing B2, large display, 19" rack mounting

+ Conformal Coating (for installations in harsh environment)

- X1** – DI8-X1: Wide-range power supply unit, incl. 2 non-grouped digital inputs and 6 grouped digital inputs
- X2** – OR6: Assembly Group with 6 Output Relays (Changeover / Form C)
- X3** – TI: Standard current measuring card
- X4** – TU: Card with 4 voltage transformer measuring inputs (0 ... 800 VAC, under UL: 0 ... 600 VAC)
- X5** – OR6: Assembly Group with 6 Output Relays (Changeover / Form C)
- X6** – DI8: Assembly Group with 8 Digital Inputs
- X102** – Protection Communication, Fiber optics interface, ST Connector
- X103** – Modbus RTU / IEC 60870-5-103 / DNP3.0 RTU, RS485, Terminals
- X104** – IRIG-B00X, incl. System Contact (Supervision Contact)

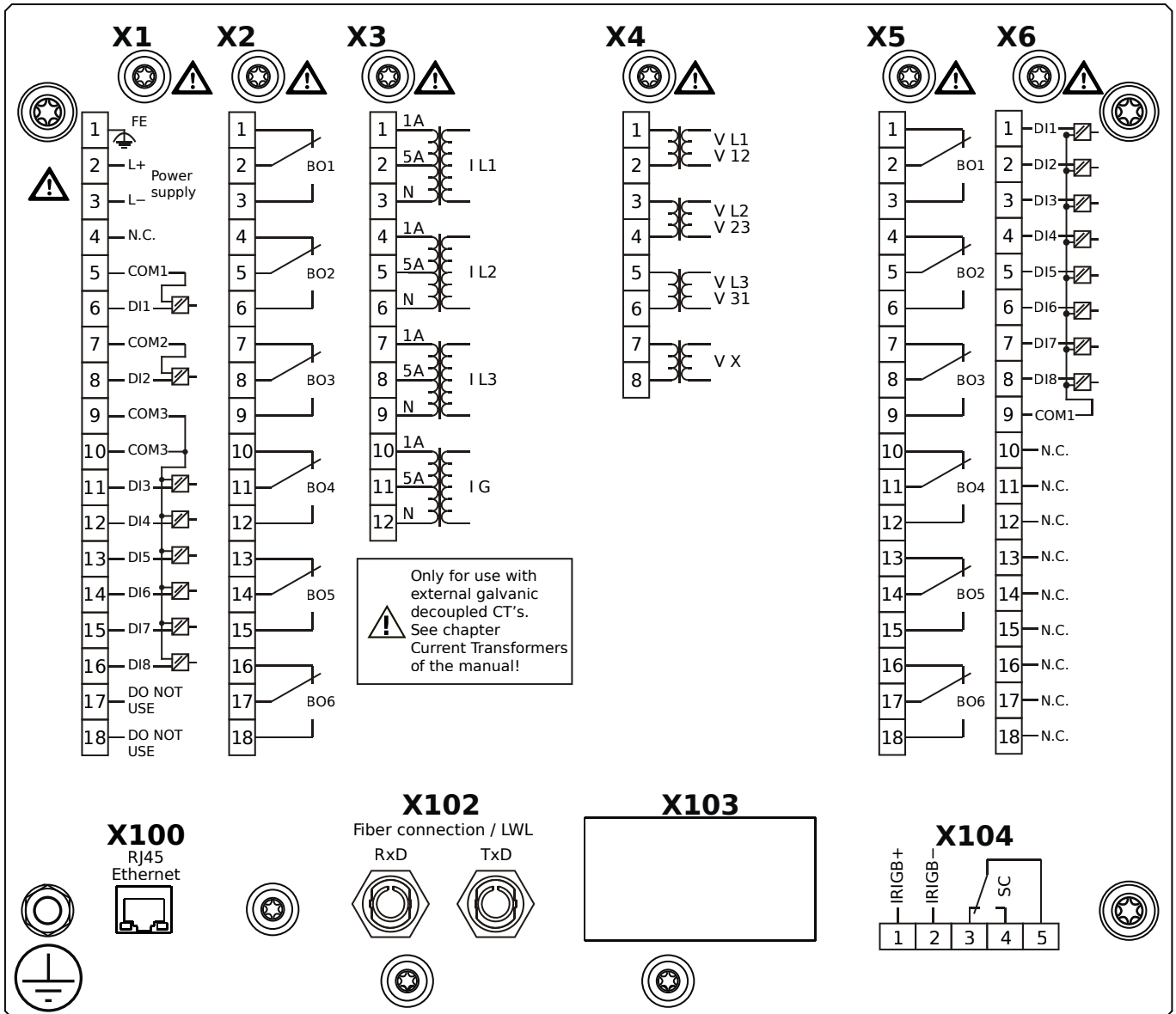
MCDLV4-2D0B1CA



Housing B2, large display, 19" rack mounting

- X1** – DI8-X1: Wide-range power supply unit, incl. 2 non-grouped digital inputs and 6 grouped digital inputs
- X2** – OR6: Assembly Group with 6 Output Relays (Changeover / Form C)
- X3** – TI: Standard current measuring card
- X4** – TU: Card with 4 voltage transformer measuring inputs (0 ... 800 VAC, under UL: 0 ... 600 VAC)
- X5** – OR6: Assembly Group with 6 Output Relays (Changeover / Form C)
- X6** – DI8: Assembly Group with 8 Digital Inputs
- X100** – Modbus TCP / IEC 60870-5-104 / DNP3.0 TCP/UDP, Ethernet interface, 100 Mbit/s, RJ45 (BASE100-FX)
- X102** – Protection Communication, Fiber optics interface, ST Connector
- X104** – IRIG-B00X, incl. System Contact (Supervision Contact)

MCDLV4-2D0B1CB

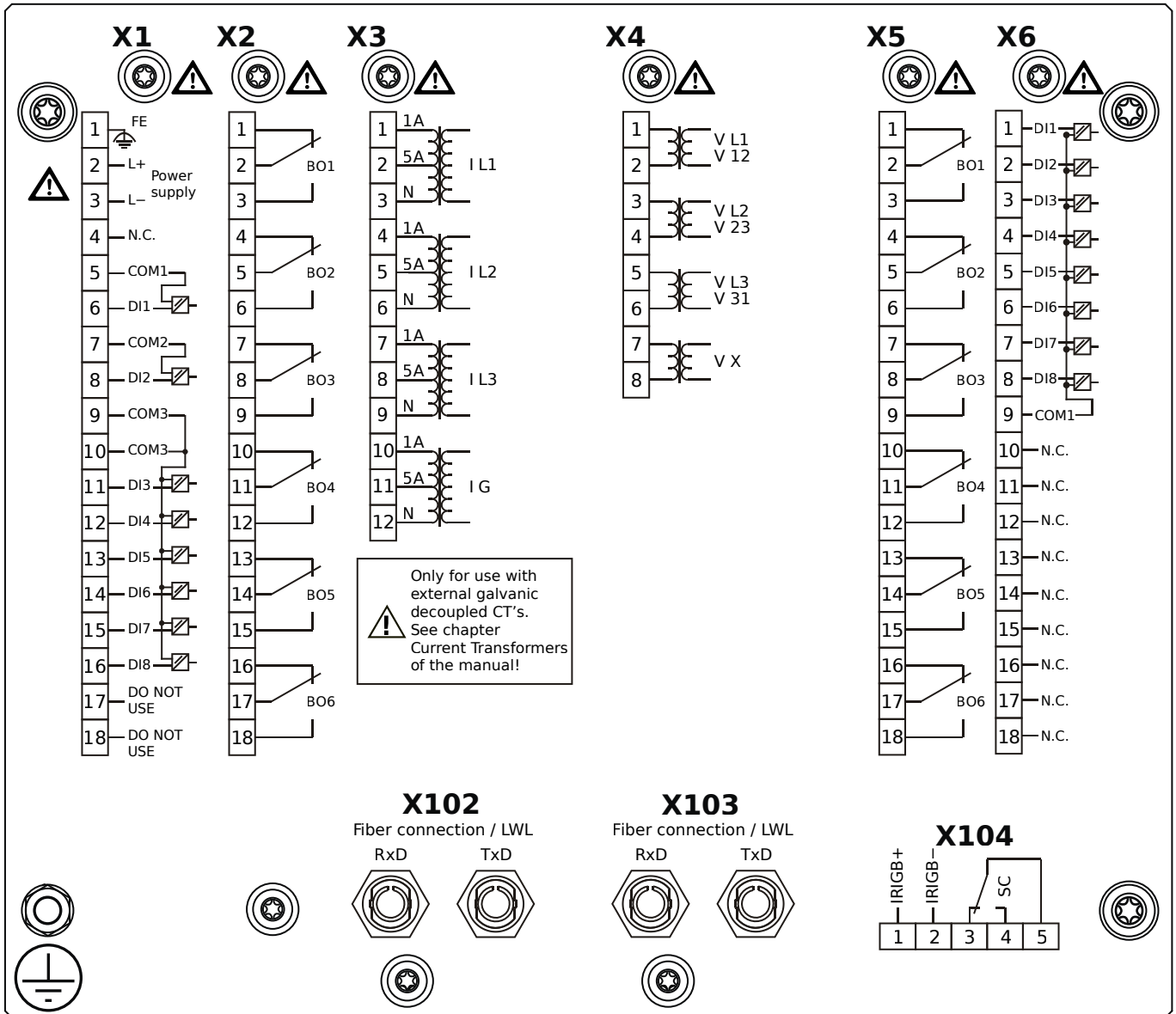


Housing B2, large display, 19" rack mounting

- + Conformal Coating (for installations in harsh environment)

- X1** – DI8-X1: Wide-range power supply unit, incl. 2 non-grouped digital inputs and 6 grouped digital inputs
- X2** – OR6: Assembly Group with 6 Output Relays (Changeover / Form C)
- X3** – TI: Standard current measuring card
- X4** – TU: Card with 4 voltage transformer measuring inputs (0 ... 800 VAC, under UL: 0 ... 600 VAC)
- X5** – OR6: Assembly Group with 6 Output Relays (Changeover / Form C)
- X6** – DI8: Assembly Group with 8 Digital Inputs
- X100** – Modbus TCP / IEC 60870-5-104 / DNP3.0 TCP/UDP, Ethernet interface, 100 Mbit/s, RJ45 (BASE100-FX)
- X102** – Protection Communication, Fiber optics interface, ST Connector
- X104** – IRIG-B00X, incl. System Contact (Supervision Contact)

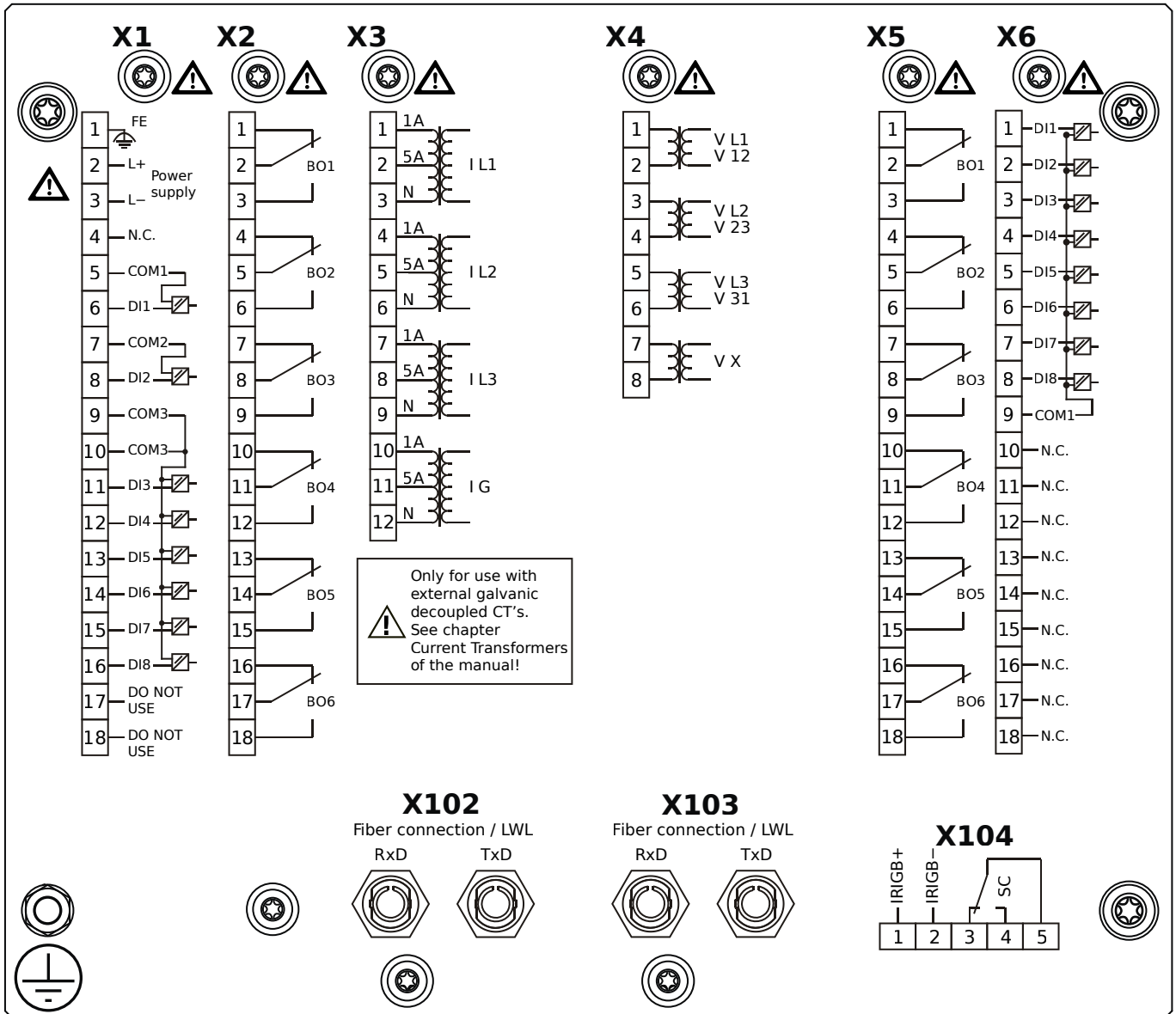
MCDLV4-2D0B1DA



Housing B2, large display, 19" rack mounting

- X1** – DI8-X1: Wide-range power supply unit, incl. 2 non-grouped digital inputs and 6 grouped digital inputs
- X2** – OR6: Assembly Group with 6 Output Relays (Changeover / Form C)
- X3** – TI: Standard current measuring card
- X4** – TU: Card with 4 voltage transformer measuring inputs (0 ... 800 VAC, under UL: 0 ... 600 VAC)
- X5** – OR6: Assembly Group with 6 Output Relays (Changeover / Form C)
- X6** – DI8: Assembly Group with 8 Digital Inputs
- X102** – Protection Communication, Fiber optics interface, ST Connector
- X103** – Profibus-DP, Fiber optics interface, ST Connector
- X104** – IRIG-B00X, incl. System Contact (Supervision Contact)

MCDLV4-2D0B1DB

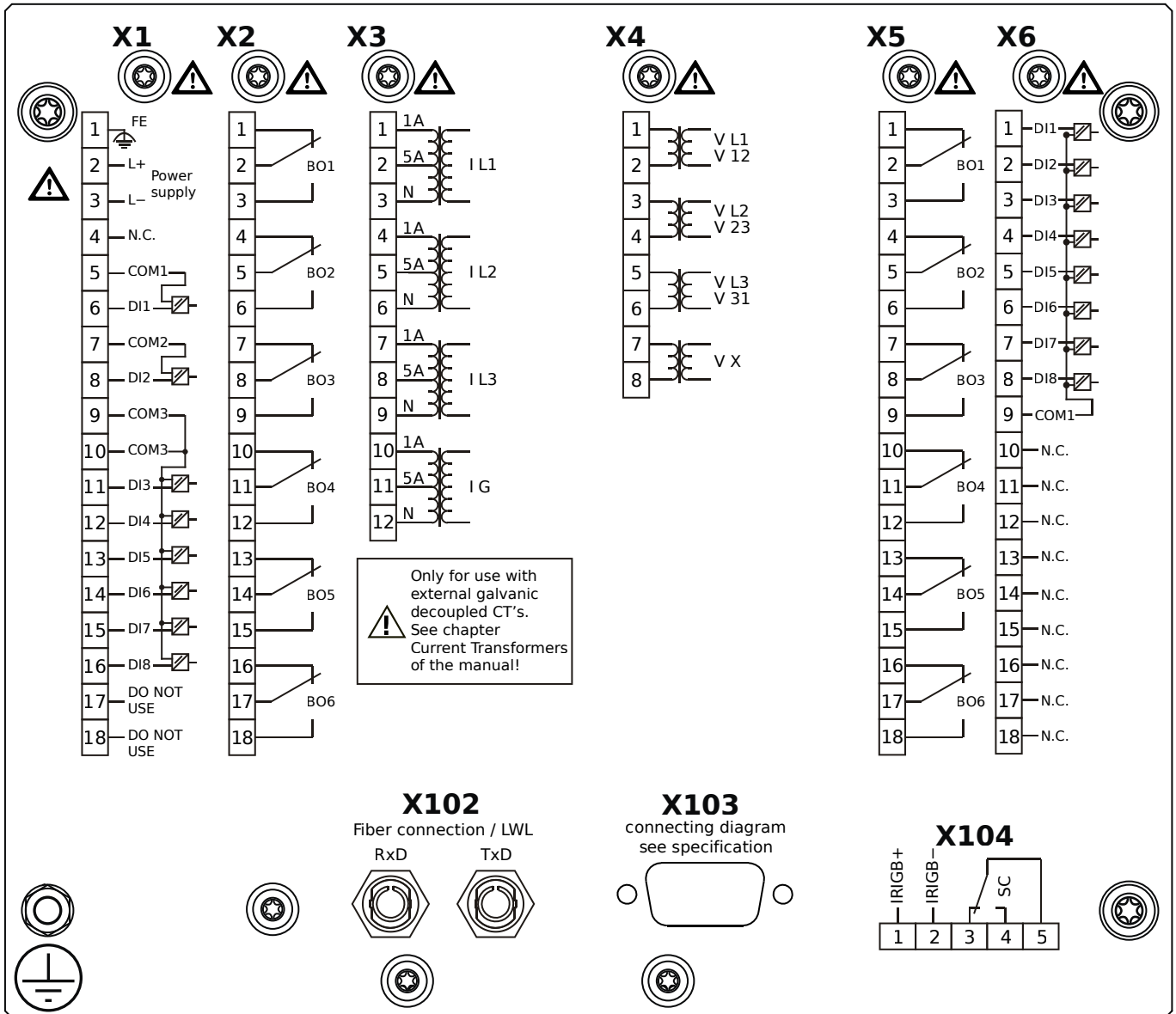


Housing B2, large display, 19" rack mounting

+ Conformal Coating (for installations in harsh environment)

- X1** – DI8-X1: Wide-range power supply unit, incl. 2 non-grouped digital inputs and 6 grouped digital inputs
- X2** – OR6: Assembly Group with 6 Output Relays (Changeover / Form C)
- X3** – TI: Standard current measuring card
- X4** – TU: Card with 4 voltage transformer measuring inputs (0 ... 800 VAC, under UL: 0 ... 600 VAC)
- X5** – OR6: Assembly Group with 6 Output Relays (Changeover / Form C)
- X6** – DI8: Assembly Group with 8 Digital Inputs
- X102** – Protection Communication, Fiber optics interface, ST Connector
- X103** – Profibus-DP, Fiber optics interface, ST Connector
- X104** – IRIG-B00X, incl. System Contact (Supervision Contact)

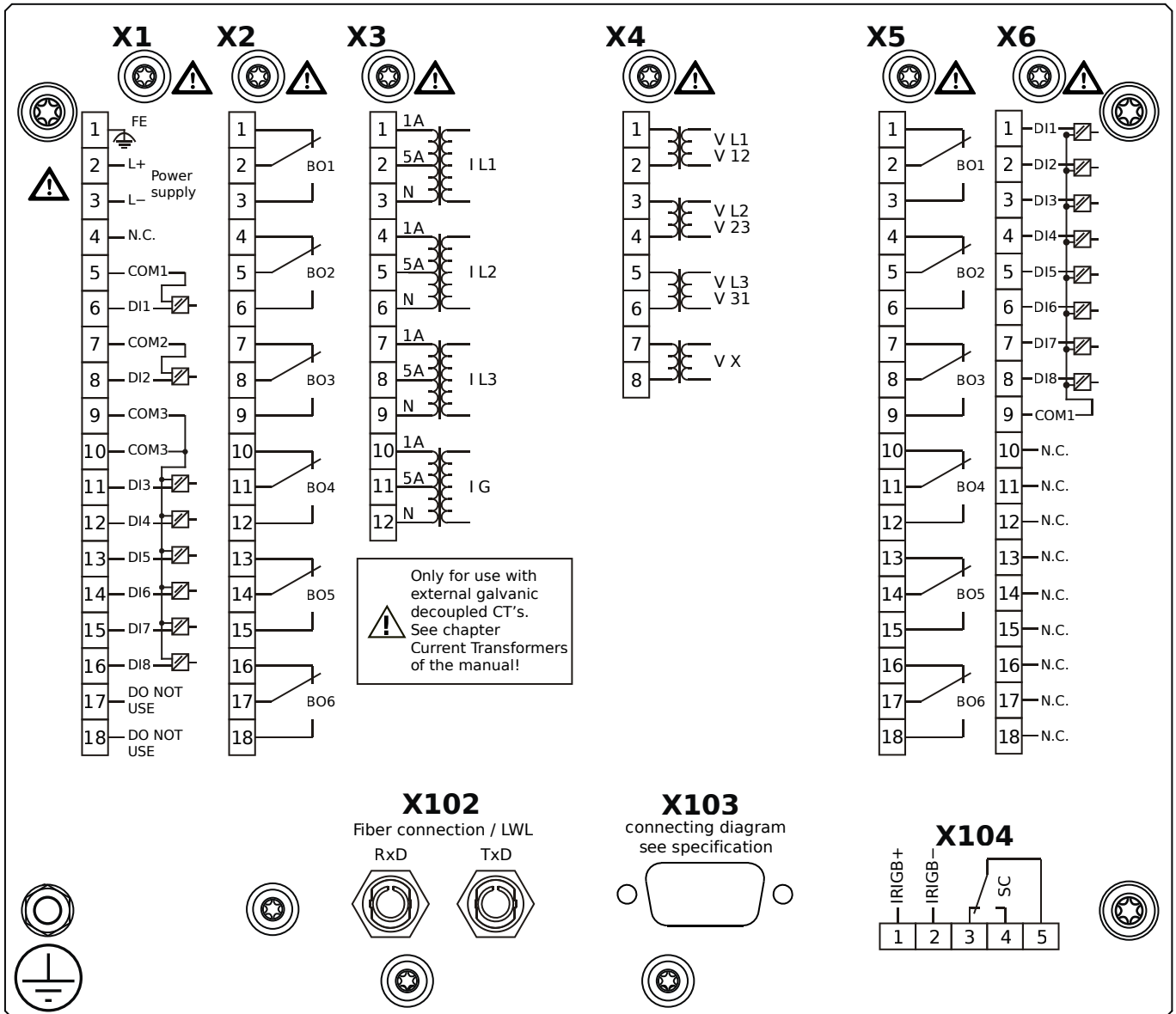
MCDLV4-2D0B1EA



Housing B2, large display, 19" rack mounting

- X1** – DI8-X1: Wide-range power supply unit, incl. 2 non-grouped digital inputs and 6 grouped digital inputs
- X2** – OR6: Assembly Group with 6 Output Relays (Changeover / Form C)
- X3** – TI: Standard current measuring card
- X4** – TU: Card with 4 voltage transformer measuring inputs (0 ... 800 VAC, under UL: 0 ... 600 VAC)
- X5** – OR6: Assembly Group with 6 Output Relays (Changeover / Form C)
- X6** – DI8: Assembly Group with 8 Digital Inputs
- X102** – Protection Communication, Fiber optics interface, ST Connector
- X103** – Profibus-DP, RS485, D-SUB
- X104** – IRIG-B00X, incl. System Contact (Supervision Contact)

MCDLV4-2D0B1EB

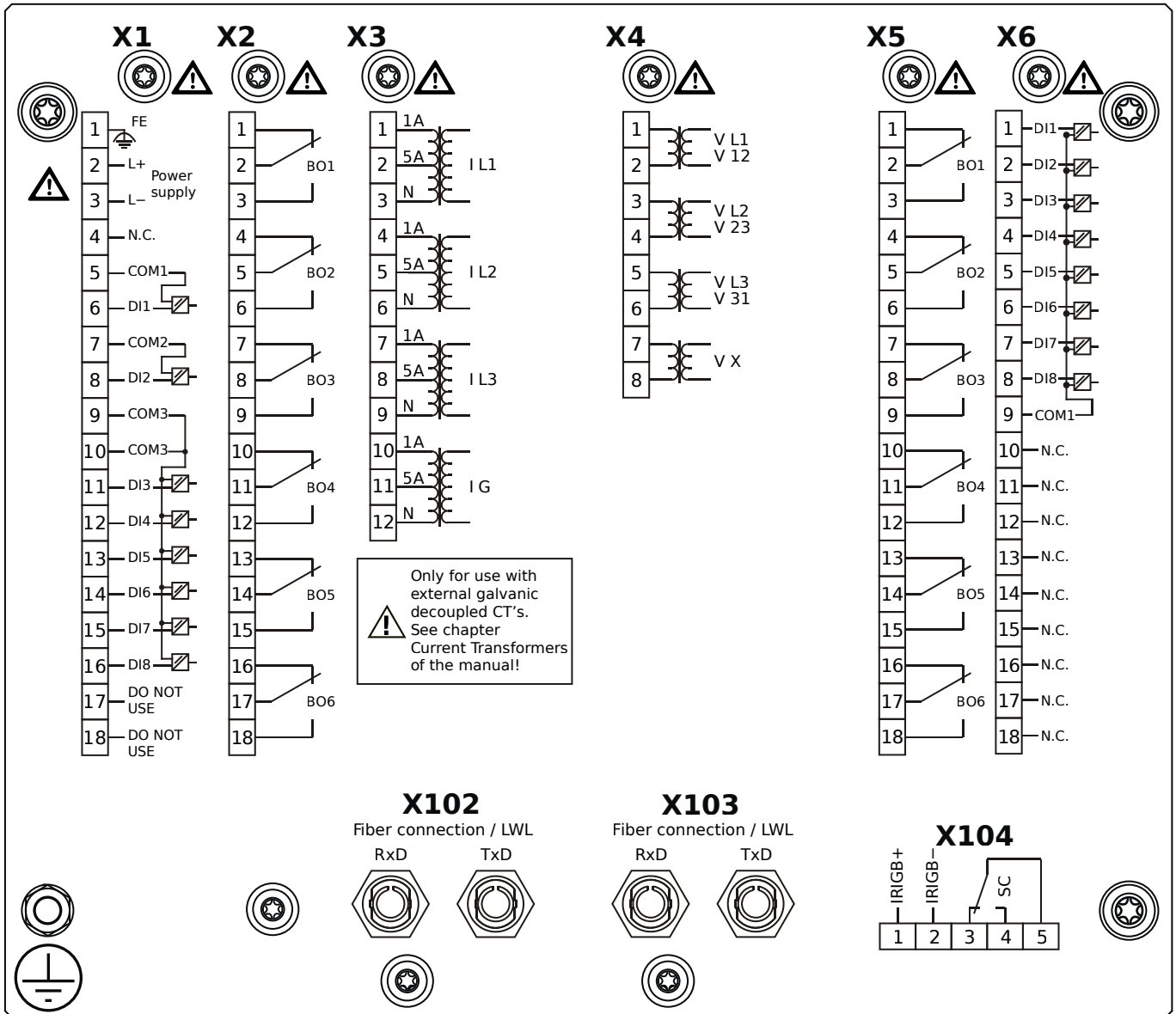


Housing B2, large display, 19" rack mounting

+ Conformal Coating (for installations in harsh environment)

- X1** – DI8-X1: Wide-range power supply unit, incl. 2 non-grouped digital inputs and 6 grouped digital inputs
- X2** – OR6: Assembly Group with 6 Output Relays (Changeover / Form C)
- X3** – TI: Standard current measuring card
- X4** – TU: Card with 4 voltage transformer measuring inputs (0 ... 800 VAC, under UL: 0 ... 600 VAC)
- X5** – OR6: Assembly Group with 6 Output Relays (Changeover / Form C)
- X6** – DI8: Assembly Group with 8 Digital Inputs
- X102** – Protection Communication, Fiber optics interface, ST Connector
- X103** – Profibus-DP, RS485, D-SUB
- X104** – IRIG-B00X, incl. System Contact (Supervision Contact)

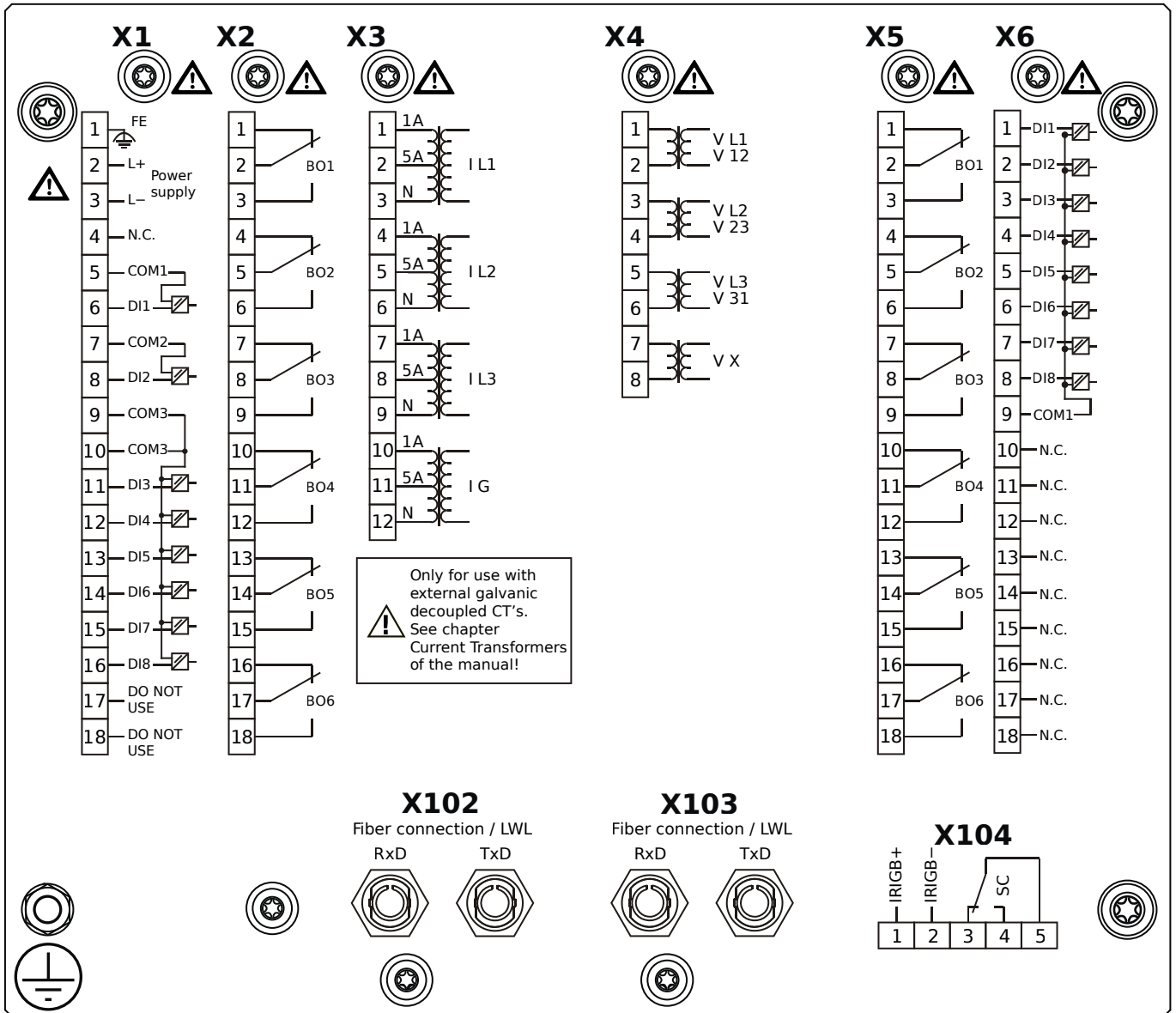
MCDLV4-2D0B1FA



Housing B2, large display, 19" rack mounting

- X1** – DI8-X1: Wide-range power supply unit, incl. 2 non-grouped digital inputs and 6 grouped digital inputs
- X2** – OR6: Assembly Group with 6 Output Relays (Changeover / Form C)
- X3** – TI: Standard current measuring card
- X4** – TU: Card with 4 voltage transformer measuring inputs (0 ... 800 VAC, under UL: 0 ... 600 VAC)
- X5** – OR6: Assembly Group with 6 Output Relays (Changeover / Form C)
- X6** – DI8: Assembly Group with 8 Digital Inputs
- X102** – Protection Communication, Fiber optics interface, ST Connector
- X103** – Modbus RTU / IEC 60870-5-103 / DNP3.0 RTU, Fiber optics interface, ST Connector
- X104** – IRIG-B00X, incl. System Contact (Supervision Contact)

MCDLV4-2D0B1FB

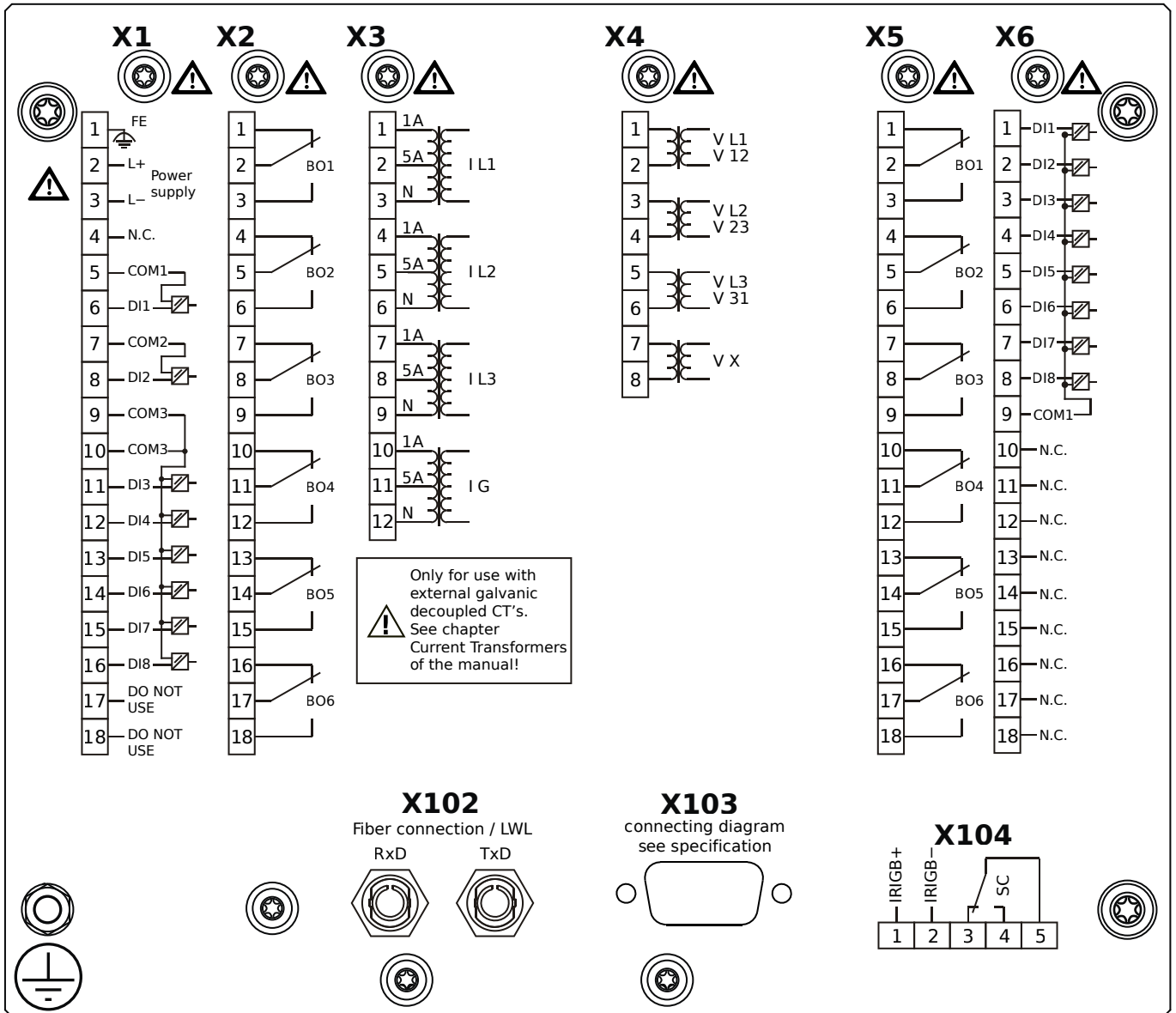


Housing B2, large display, 19" rack mounting

+ Conformal Coating (for installations in harsh environment)

- X1** – DI8-X1: Wide-range power supply unit, incl. 2 non-grouped digital inputs and 6 grouped digital inputs
- X2** – OR6: Assembly Group with 6 Output Relays (Changeover / Form C)
- X3** – TI: Standard current measuring card
- X4** – TU: Card with 4 voltage transformer measuring inputs (0 ... 800 VAC, under UL: 0 ... 600 VAC)
- X5** – OR6: Assembly Group with 6 Output Relays (Changeover / Form C)
- X6** – DI8: Assembly Group with 8 Digital Inputs
- X102** – Protection Communication, Fiber optics interface, ST Connector
- X103** – Modbus RTU / IEC 60870-5-103 / DNP3.0 RTU, Fiber optics interface, ST Connector
- X104** – IRIG-B00X, incl. System Contact (Supervision Contact)

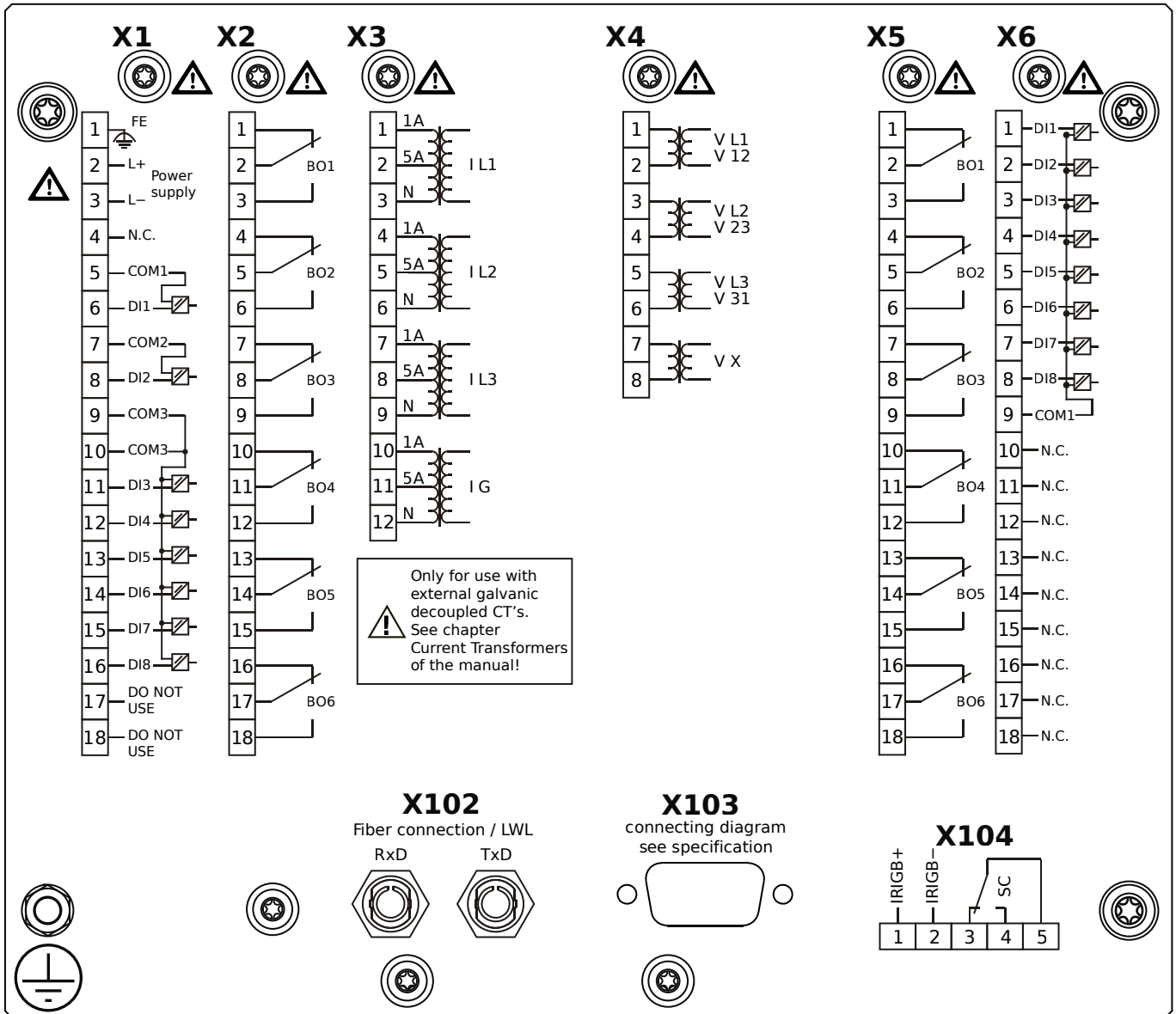
MCDLV4-2D0B1GA



Housing B2, large display, 19" rack mounting

- X1** – DI8-X1: Wide-range power supply unit, incl. 2 non-grouped digital inputs and 6 grouped digital inputs
- X2** – OR6: Assembly Group with 6 Output Relays (Changeover / Form C)
- X3** – TI: Standard current measuring card
- X4** – TU: Card with 4 voltage transformer measuring inputs (0 ... 800 VAC, under UL: 0 ... 600 VAC)
- X5** – OR6: Assembly Group with 6 Output Relays (Changeover / Form C)
- X6** – DI8: Assembly Group with 8 Digital Inputs
- X102** – Protection Communication, Fiber optics interface, ST Connector
- X103** – Modbus RTU / IEC 60870-5-103 / DNP3.0 RTU, RS485, D-SUB
- X104** – IRIG-B00X, incl. System Contact (Supervision Contact)

MCDLV4-2D0B1GB

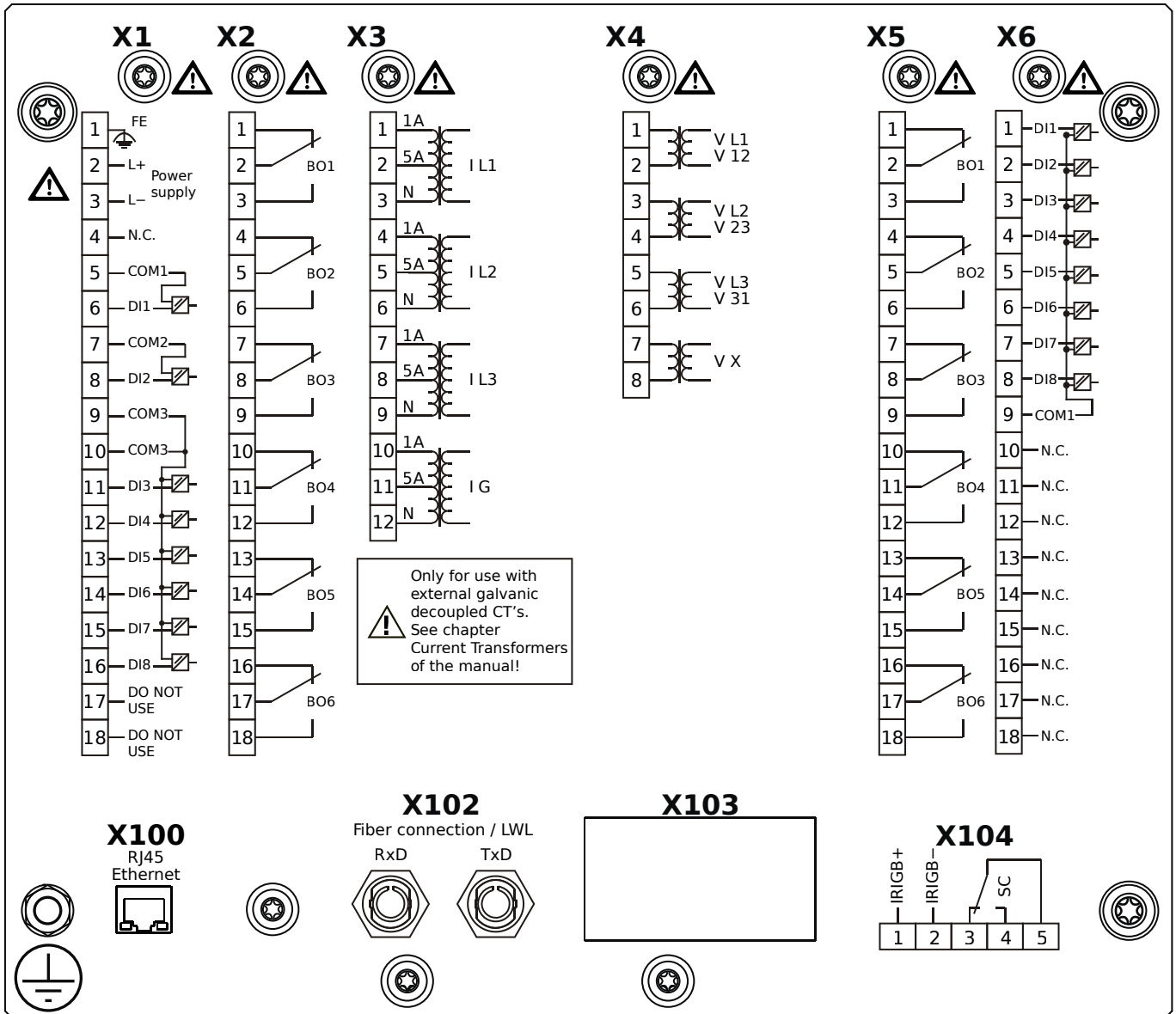


Housing B2, large display, 19" rack mounting

+ Conformal Coating (for installations in harsh environment)

- X1** – DI8-X1: Wide-range power supply unit, incl. 2 non-grouped digital inputs and 6 grouped digital inputs
- X2** – OR6: Assembly Group with 6 Output Relays (Changeover / Form C)
- X3** – TI: Standard current measuring card
- X4** – TU: Card with 4 voltage transformer measuring inputs (0 ... 800 VAC, under UL: 0 ... 600 VAC)
- X5** – OR6: Assembly Group with 6 Output Relays (Changeover / Form C)
- X6** – DI8: Assembly Group with 8 Digital Inputs
- X102** – Protection Communication, Fiber optics interface, ST Connector
- X103** – Modbus RTU / IEC 60870-5-103 / DNP3.0 RTU, RS485, D-SUB
- X104** – IRIG-B00X, incl. System Contact (Supervision Contact)

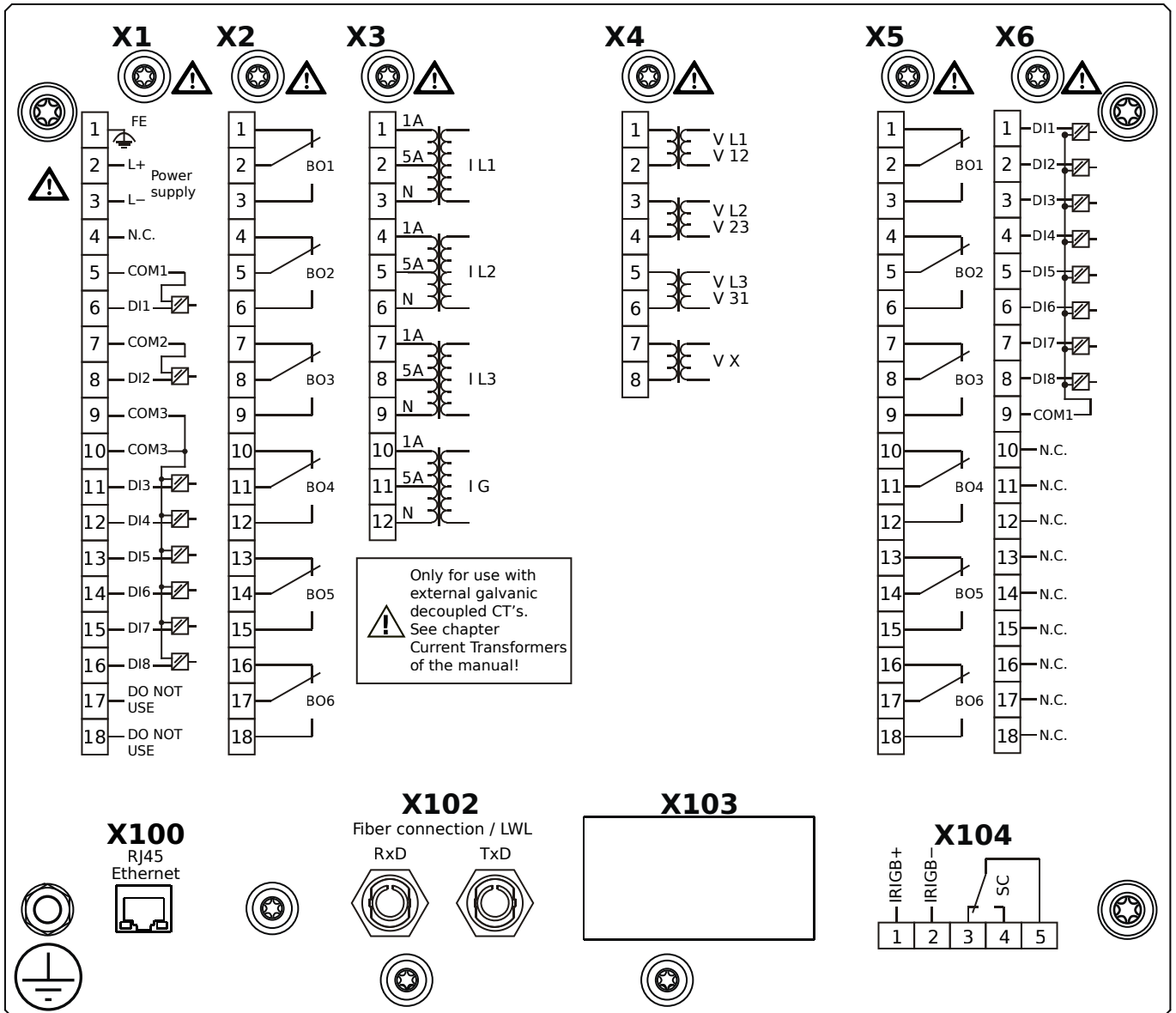
MCDLV4-2D0B1HA



Housing B2, large display, 19" rack mounting

- X1** – DI8-X1: Wide-range power supply unit, incl. 2 non-grouped digital inputs and 6 grouped digital inputs
- X2** – OR6: Assembly Group with 6 Output Relays (Changeover / Form C)
- X3** – TI: Standard current measuring card
- X4** – TU: Card with 4 voltage transformer measuring inputs (0 ... 800 VAC, under UL: 0 ... 600 VAC)
- X5** – OR6: Assembly Group with 6 Output Relays (Changeover / Form C)
- X6** – DI8: Assembly Group with 8 Digital Inputs
- X100** – IEC 61850 / Modbus TCP / IEC 60870-5-104 / DNP3.0 TCP/UDP, Ethernet interface, 100 Mbit/s, RJ45 (BASE100-FX)
- X102** – Protection Communication, Fiber optics interface, ST Connector
- X104** – IRIG-B00X, incl. System Contact (Supervision Contact)

MCDLV4-2D0B1HB



Housing B2, large display, 19" rack mounting

+ Conformal Coating (for installations in harsh environment)

X1 – DI8-X1: Wide-range power supply unit, incl. 2 non-grouped digital inputs and 6 grouped digital inputs

X2 – OR6: Assembly Group with 6 Output Relays (Changeover / Form C)

X3 – TI: Standard current measuring card

X4 – TU: Card with 4 voltage transformer measuring inputs (0 ... 800 VAC, under UL: 0 ... 600 VAC)

X5 – OR6: Assembly Group with 6 Output Relays (Changeover / Form C)

X6 – DI8: Assembly Group with 8 Digital Inputs

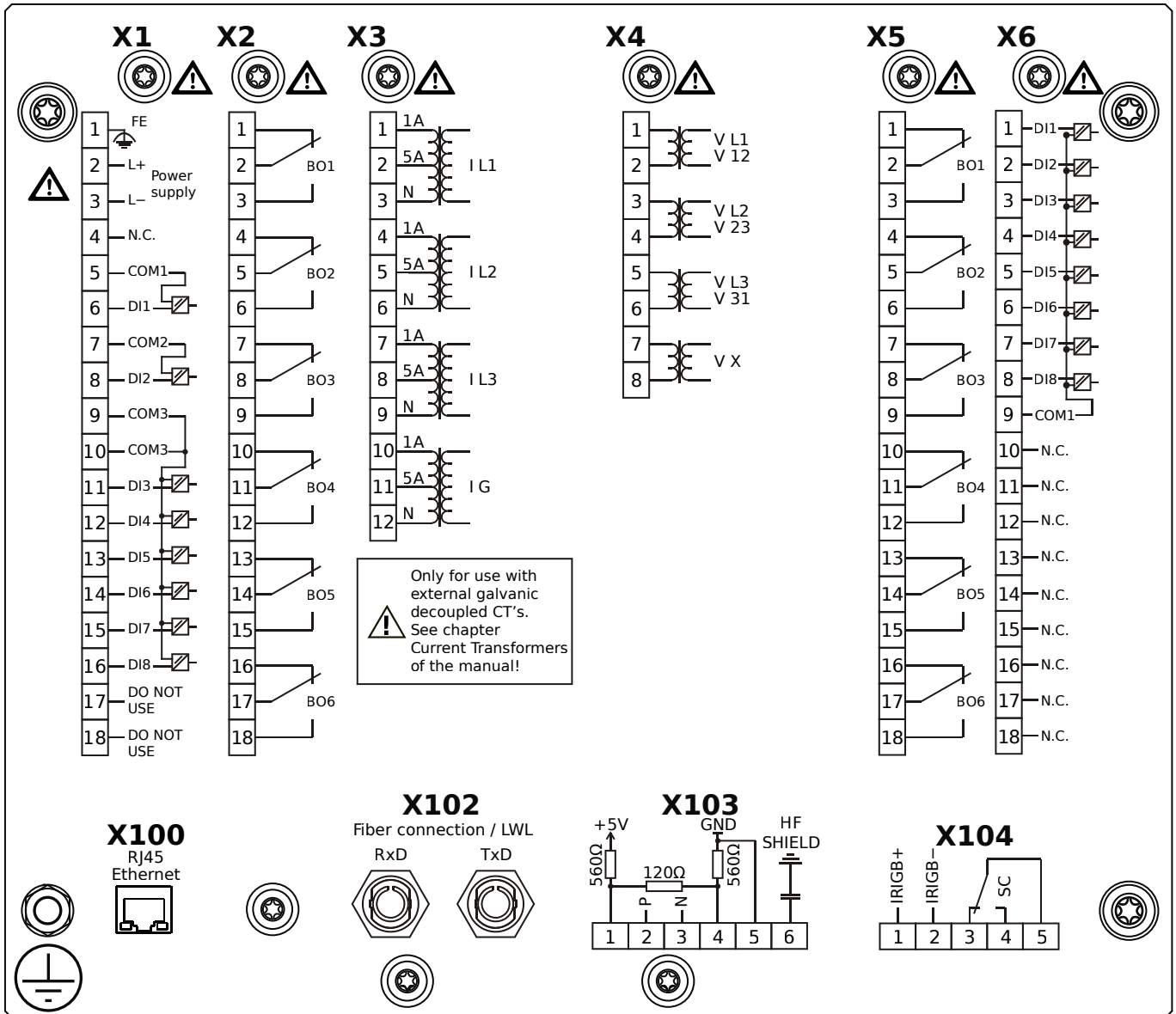
X100 – IEC 61850 / Modbus TCP / IEC 60870-5-104 / DNP3.0 TCP/UDP, Ethernet interface, 100 Mbit/s, RJ45 (BASE100-

FX)

X102 – Protection Communication, Fiber optics interface, ST Connector

X104 – IRIG-B00X, incl. System Contact (Supervision Contact)

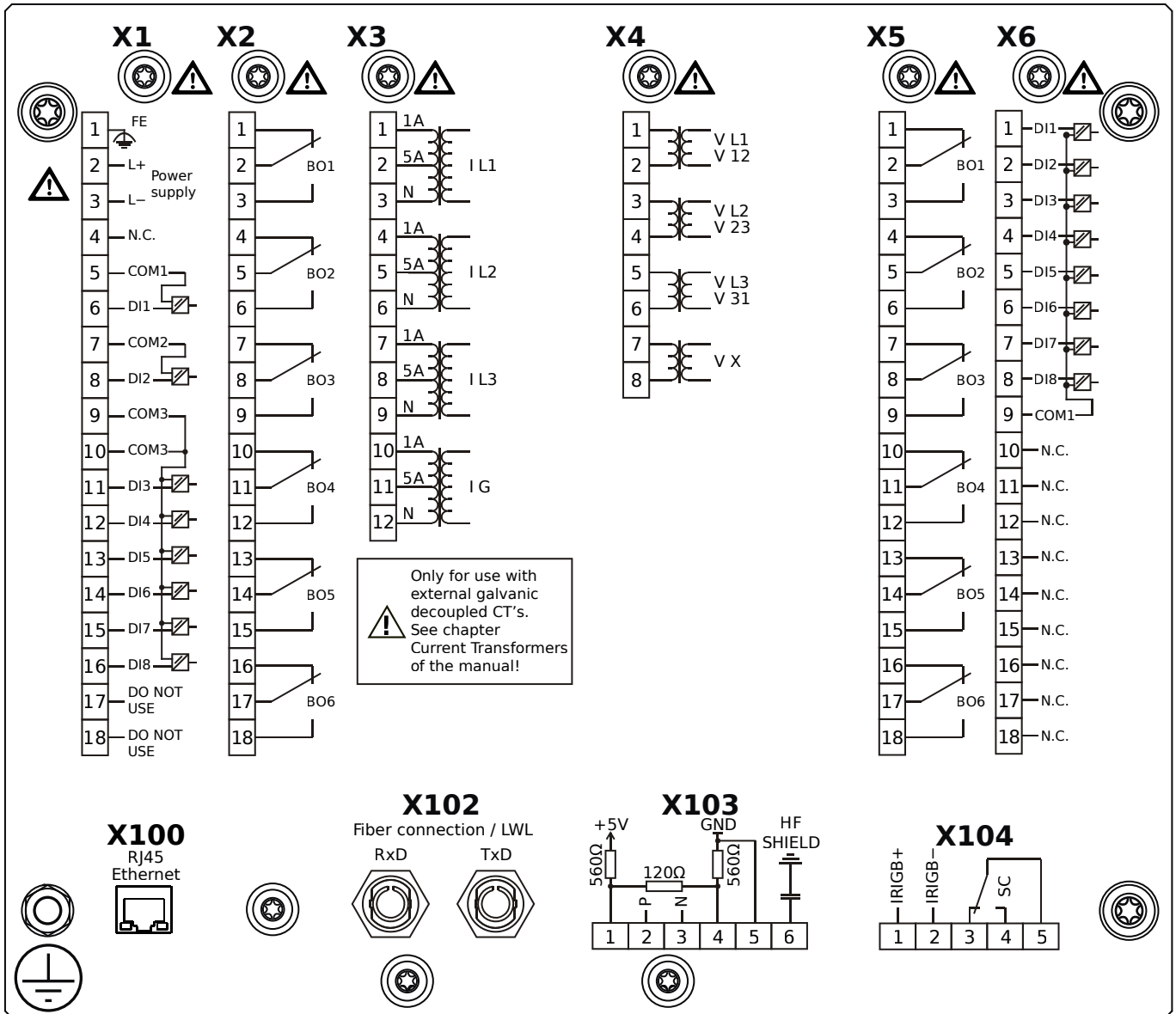
MCDLV4-2D0B11A



Housing B2, large display, 19" rack mounting

- X1** – DI8-X1: Wide-range power supply unit, incl. 2 non-grouped digital inputs and 6 grouped digital inputs
- X2** – OR6: Assembly Group with 6 Output Relays (Changeover / Form C)
- X3** – TI: Standard current measuring card
- X4** – TU: Card with 4 voltage transformer measuring inputs (0 ... 800 VAC, under UL: 0 ... 600 VAC)
- X5** – OR6: Assembly Group with 6 Output Relays (Changeover / Form C)
- X6** – DI8: Assembly Group with 8 Digital Inputs
- X100** – Modbus TCP / IEC 60870-5-104 / DNP3.0 TCP/UDP, Ethernet interface, 100 Mbit/s, RJ45 (BASE100-FX)
- X102** – Protection Communication, Fiber optics interface, ST Connector
- X103** – IEC 60870-5-103 / Modbus RTU / DNP3.0 RTU, RS485, Terminals
- X104** – IRIG-B00X, incl. System Contact (Supervision Contact)

MCDLV4-2D0B1IB

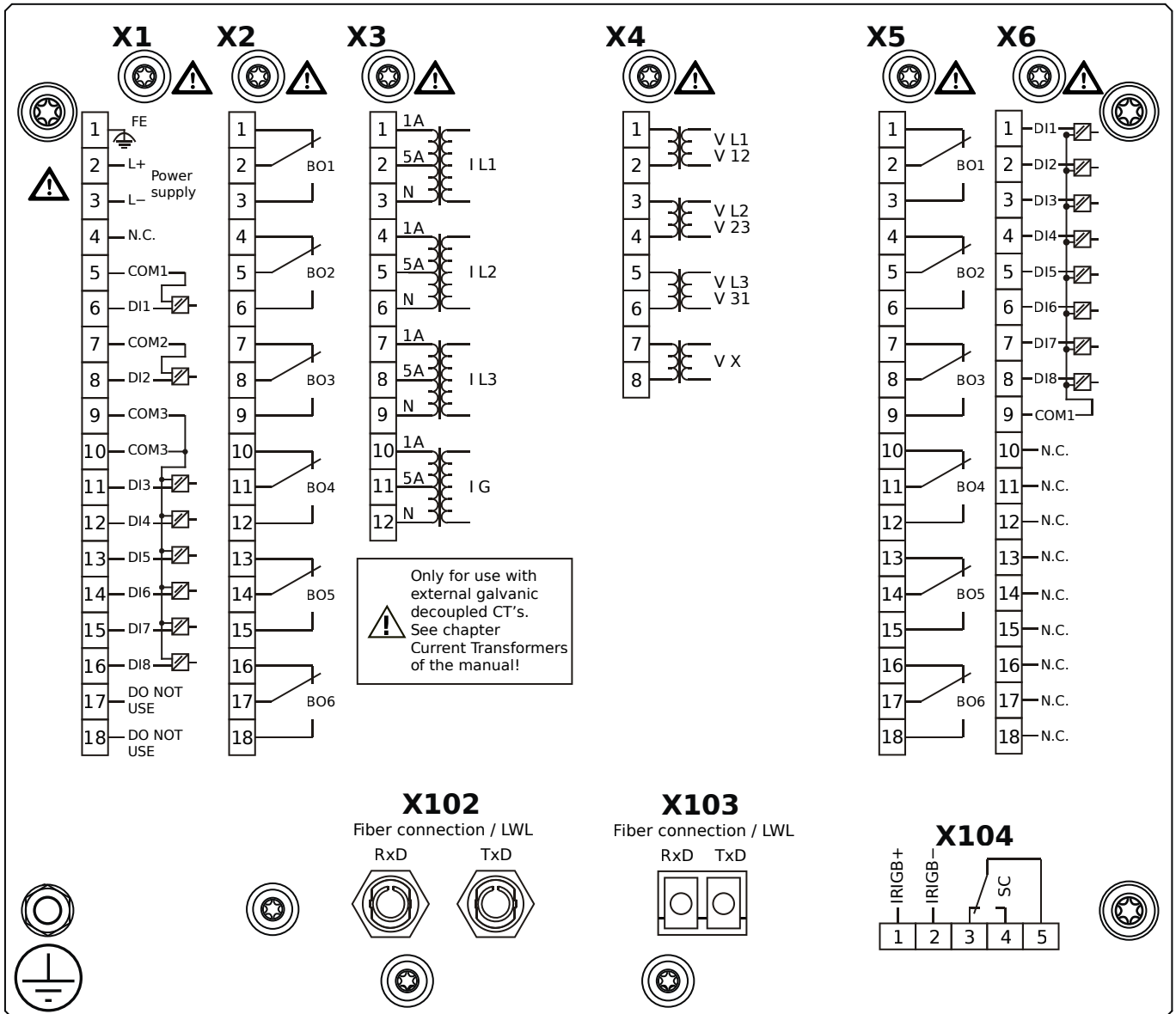


Housing B2, large display, 19" rack mounting

+ Conformal Coating (for installations in harsh environment)

- X1** – DI8-X1: Wide-range power supply unit, incl. 2 non-grouped digital inputs and 6 grouped digital inputs
- X2** – OR6: Assembly Group with 6 Output Relays (Changeover / Form C)
- X3** – TI: Standard current measuring card
- X4** – TU: Card with 4 voltage transformer measuring inputs (0 ... 800 VAC, under UL: 0 ... 600 VAC)
- X5** – OR6: Assembly Group with 6 Output Relays (Changeover / Form C)
- X6** – DI8: Assembly Group with 8 Digital Inputs
- X100** – Modbus TCP / IEC 60870-5-104 / DNP3.0 TCP/UDP, Ethernet interface, 100 Mbit/s, RJ45 (BASE100-FX)
- X102** – Protection Communication, Fiber optics interface, ST Connector
- X103** – IEC 60870-5-103 / Modbus RTU / DNP3.0 RTU, RS485, Terminals
- X104** – IRIG-B00X, incl. System Contact (Supervision Contact)

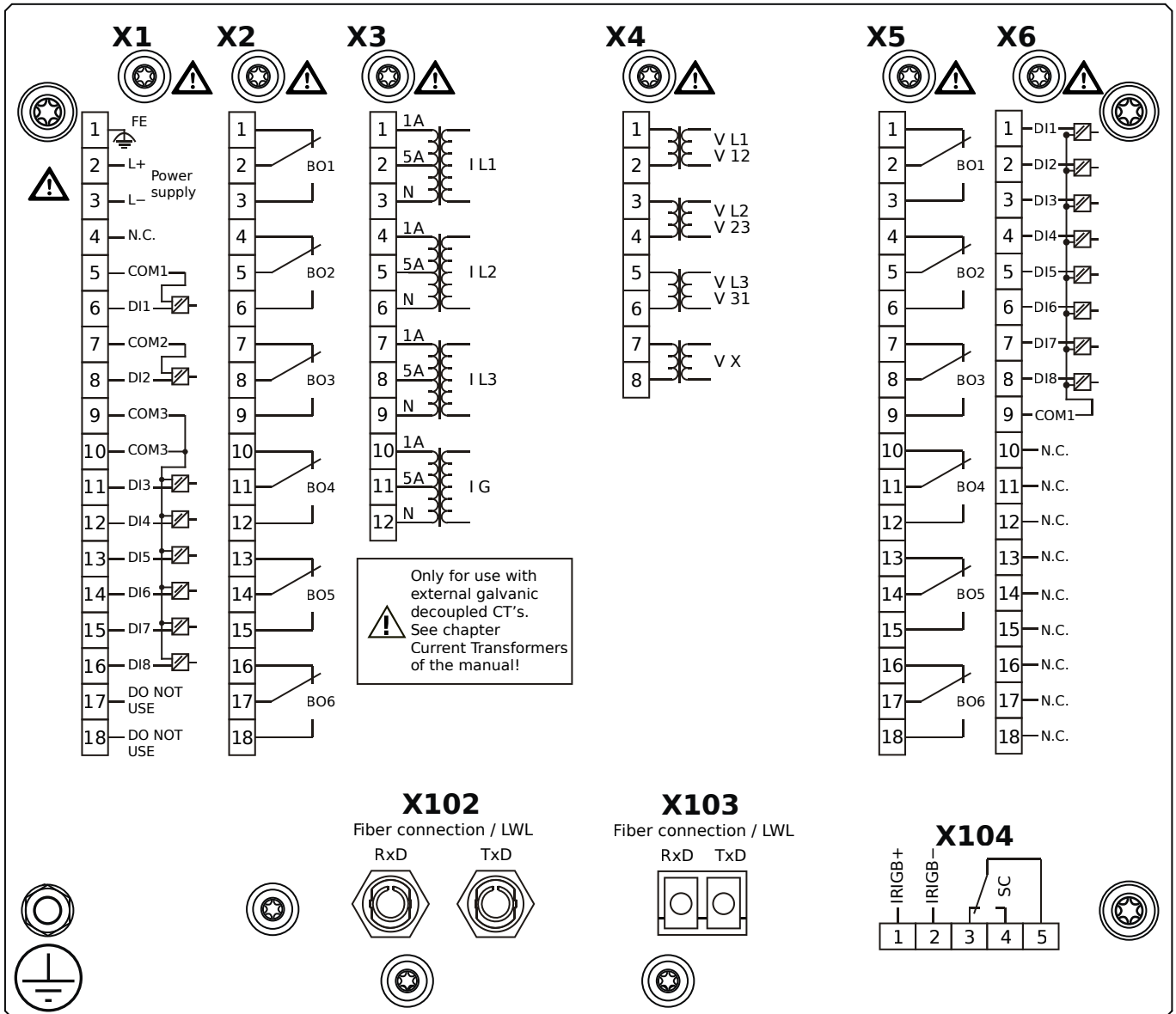
MCDLV4-2D0B1KA



Housing B2, large display, 19" rack mounting

- X1** – DI8-X1: Wide-range power supply unit, incl. 2 non-grouped digital inputs and 6 grouped digital inputs
- X2** – OR6: Assembly Group with 6 Output Relays (Changeover / Form C)
- X3** – TI: Standard current measuring card
- X4** – TU: Card with 4 voltage transformer measuring inputs (0 ... 800 VAC, under UL: 0 ... 600 VAC)
- X5** – OR6: Assembly Group with 6 Output Relays (Changeover / Form C)
- X6** – DI8: Assembly Group with 8 Digital Inputs
- X102** – Protection Communication, Fiber optics interface, ST Connector
- X103** – IEC 61850 / Modbus TCP / IEC 60870-5-104 / DNP3.0 TCP/UDP, Fiber optics interface, LC Connector
- X104** – IRIG-B00X, incl. System Contact (Supervision Contact)

MCDLV4-2D0B1KB

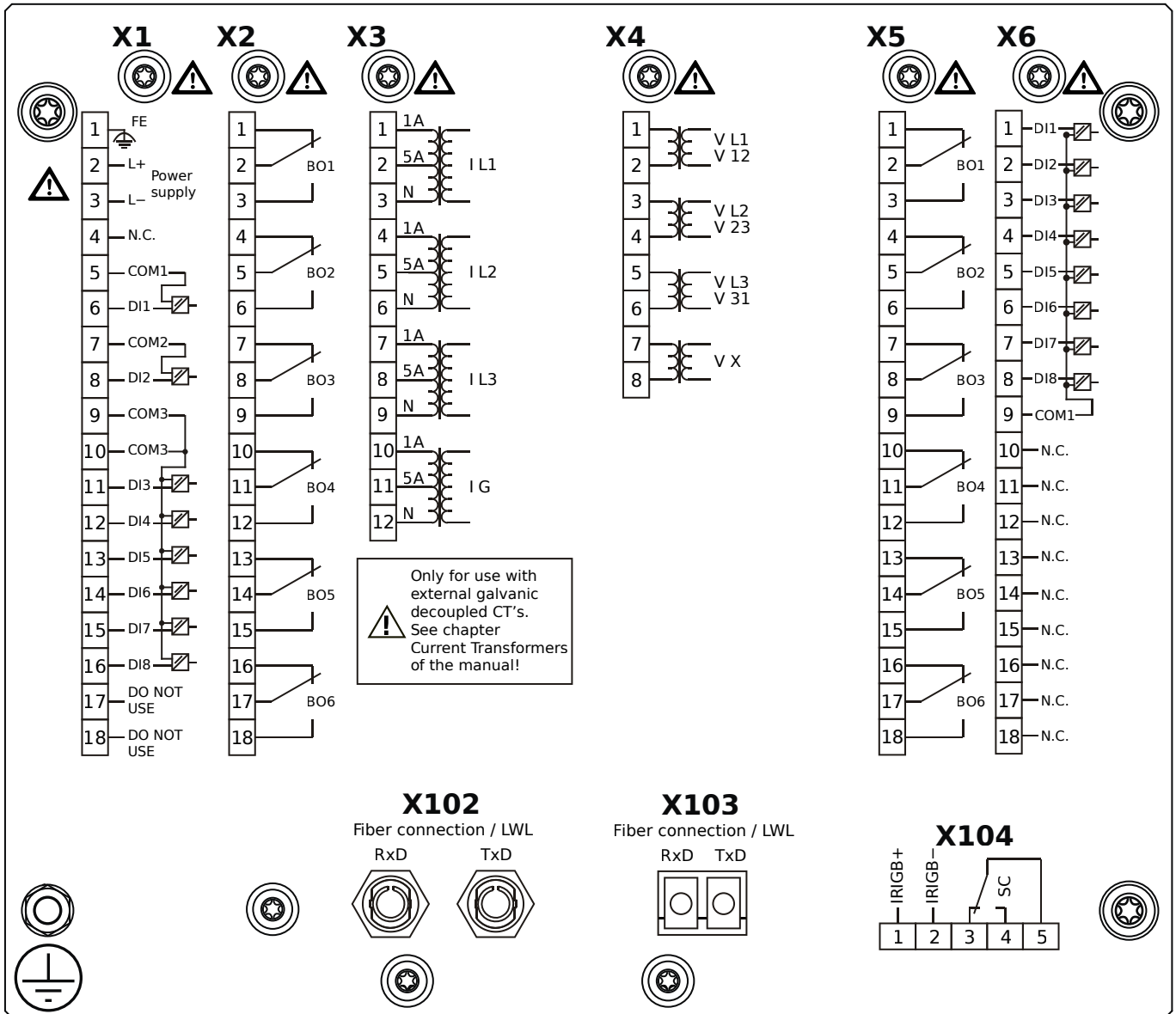


Housing B2, large display, 19" rack mounting

- + Conformal Coating (for installations in harsh environment)

- X1** – DI8-X1: Wide-range power supply unit, incl. 2 non-grouped digital inputs and 6 grouped digital inputs
- X2** – OR6: Assembly Group with 6 Output Relays (Changeover / Form C)
- X3** – TI: Standard current measuring card
- X4** – TU: Card with 4 voltage transformer measuring inputs (0 ... 800 VAC, under UL: 0 ... 600 VAC)
- X5** – OR6: Assembly Group with 6 Output Relays (Changeover / Form C)
- X6** – DI8: Assembly Group with 8 Digital Inputs
- X102** – Protection Communication, Fiber optics interface, ST Connector
- X103** – IEC 61850 / Modbus TCP / IEC 60870-5-104 / DNP3.0 TCP/UDP, Fiber optics interface, LC Connector
- X104** – IRIG-B00X, incl. System Contact (Supervision Contact)

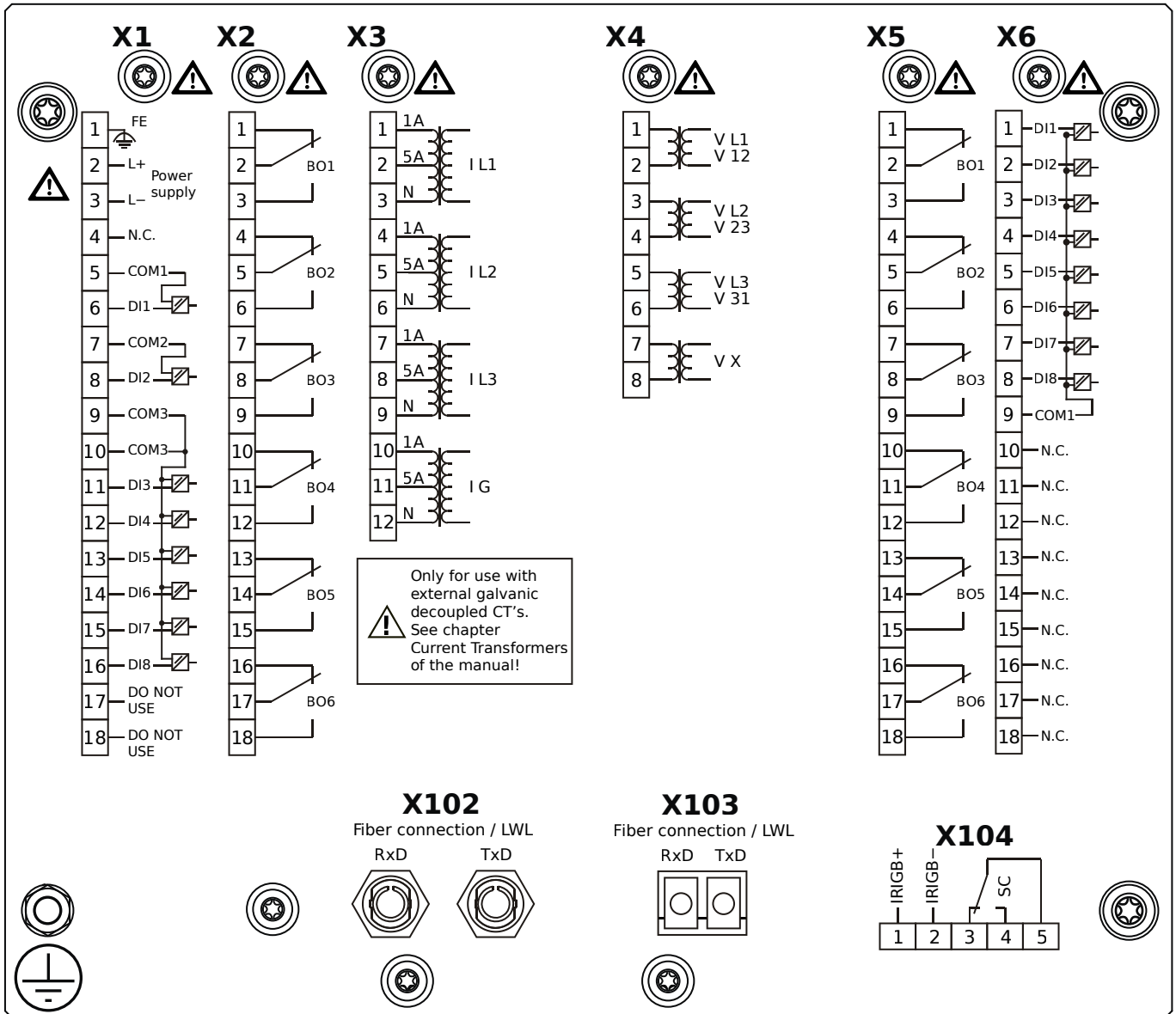
MCDLV4-2D0B1LA



Housing B2, large display, 19" rack mounting

- X1** – DI8-X1: Wide-range power supply unit, incl. 2 non-grouped digital inputs and 6 grouped digital inputs
- X2** – OR6: Assembly Group with 6 Output Relays (Changeover / Form C)
- X3** – TI: Standard current measuring card
- X4** – TU: Card with 4 voltage transformer measuring inputs (0 ... 800 VAC, under UL: 0 ... 600 VAC)
- X5** – OR6: Assembly Group with 6 Output Relays (Changeover / Form C)
- X6** – DI8: Assembly Group with 8 Digital Inputs
- X102** – Protection Communication, Fiber optics interface, ST Connector
- X103** – Modbus TCP / IEC 60870-5-104 / DNP3.0 TCP/UDP, Fiber optics interface, LC Connector
- X104** – IRIG-B00X, incl. System Contact (Supervision Contact)

MCDLV4-2D0B1LB

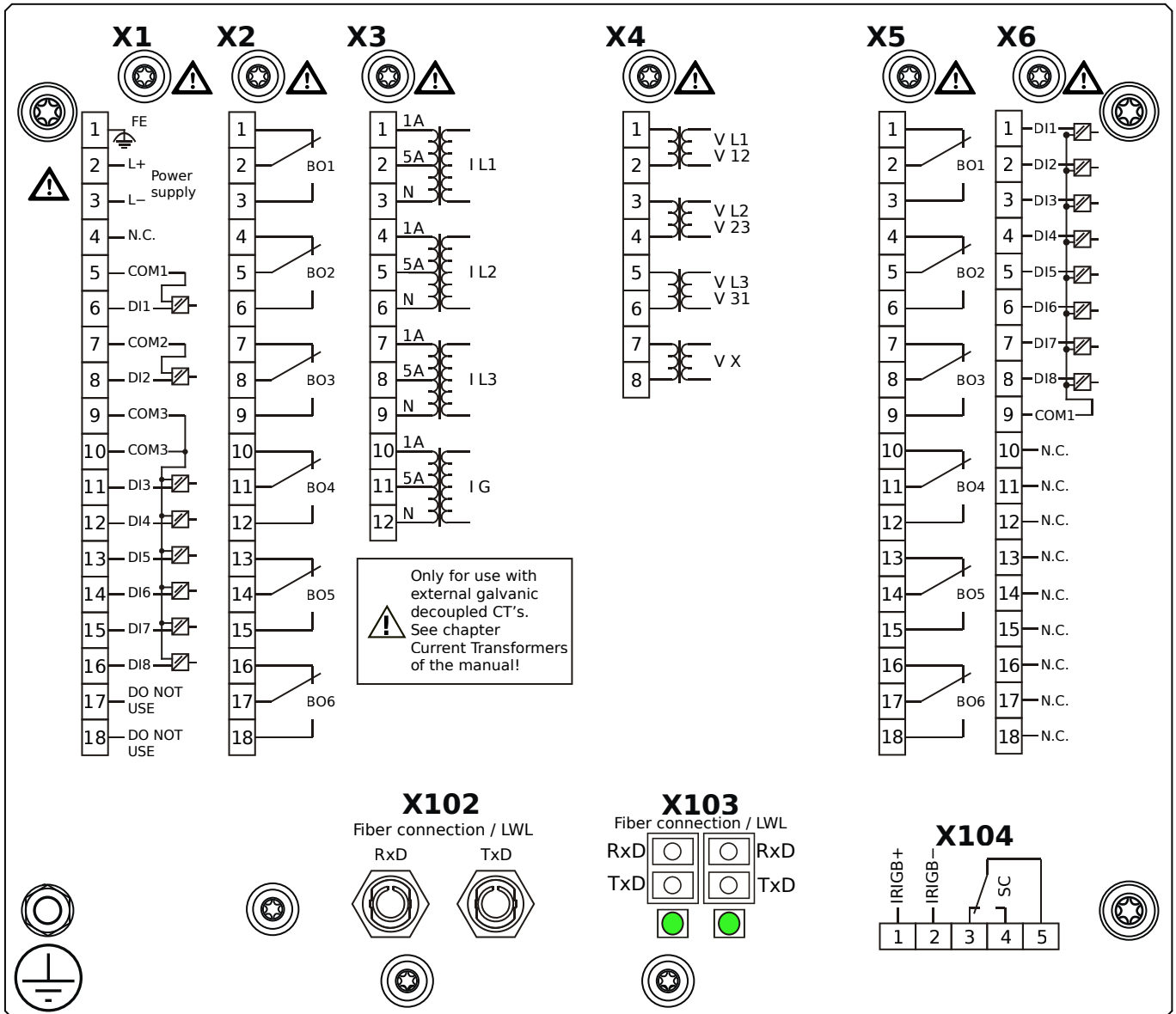


Housing B2, large display, 19" rack mounting

- + Conformal Coating (for installations in harsh environment)

- X1** – DI8-X1: Wide-range power supply unit, incl. 2 non-grouped digital inputs and 6 grouped digital inputs
- X2** – OR6: Assembly Group with 6 Output Relays (Changeover / Form C)
- X3** – TI: Standard current measuring card
- X4** – TU: Card with 4 voltage transformer measuring inputs (0 ... 800 VAC, under UL: 0 ... 600 VAC)
- X5** – OR6: Assembly Group with 6 Output Relays (Changeover / Form C)
- X6** – DI8: Assembly Group with 8 Digital Inputs
- X102** – Protection Communication, Fiber optics interface, ST Connector
- X103** – Modbus TCP / IEC 60870-5-104 / DNP3.0 TCP/UDP, Fiber optics interface, LC Connector
- X104** – IRIG-B00X, incl. System Contact (Supervision Contact)

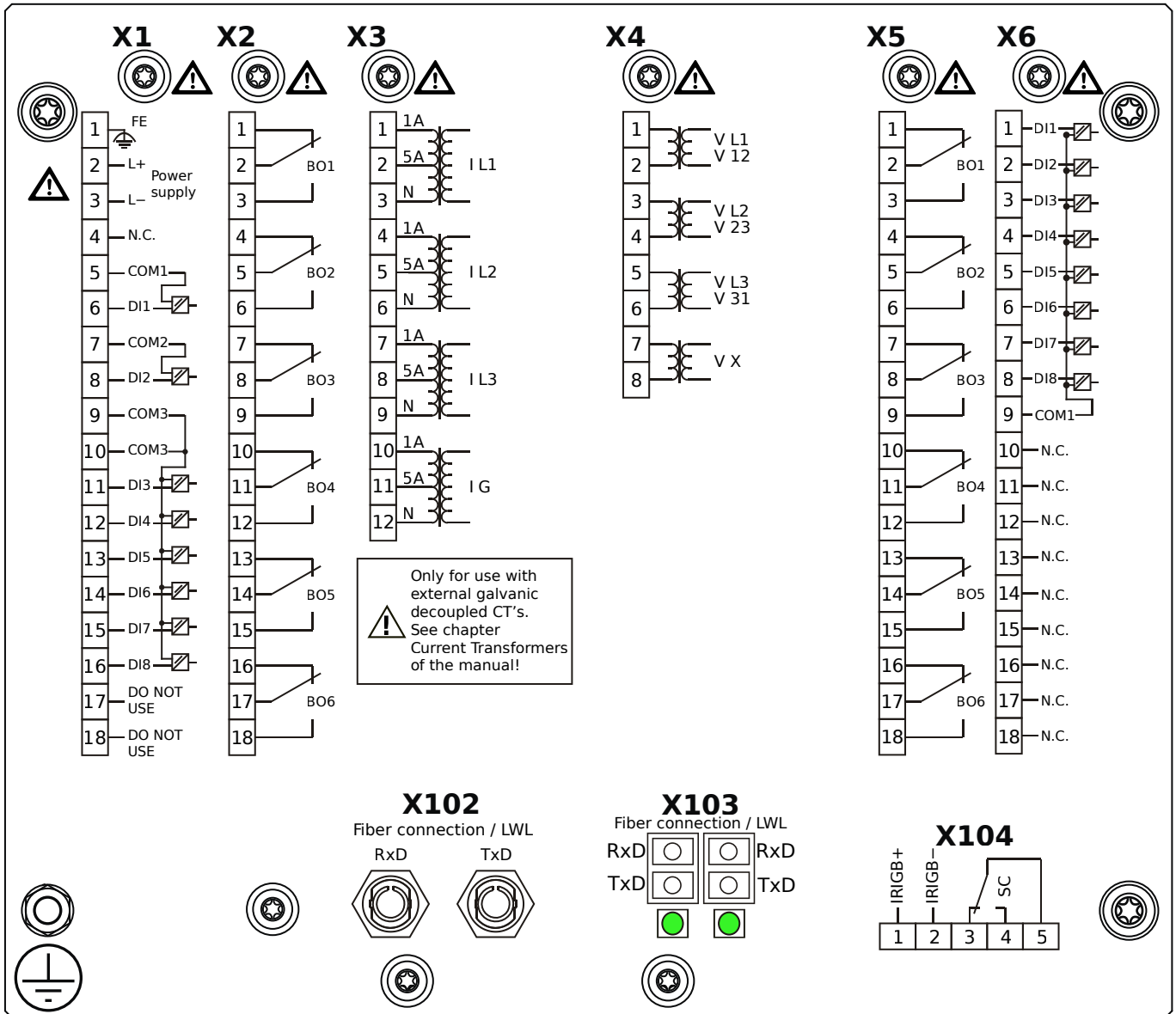
MCDLV4-2D0B10A



Housing B2, large display, 19" rack mounting

- X1** – DI8-X1: Wide-range power supply unit, incl. 2 non-grouped digital inputs and 6 grouped digital inputs
- X2** – OR6: Assembly Group with 6 Output Relays (Changeover / Form C)
- X3** – TI: Standard current measuring card
- X4** – TU: Card with 4 voltage transformer measuring inputs (0 ... 800 VAC, under UL: 0 ... 600 VAC)
- X5** – OR6: Assembly Group with 6 Output Relays (Changeover / Form C)
- X6** – DI8: Assembly Group with 8 Digital Inputs
- X102** – Protection Communication, Fiber optics interface, ST Connector
- X103** – Modbus TCP / IEC 60870-5-104 / DNP3.0 TCP/UDP, Redundant Fiber optics interface, LC Connector
- X104** – IRIG-B00X, incl. System Contact (Supervision Contact)

MCDLV4-2D0B10B

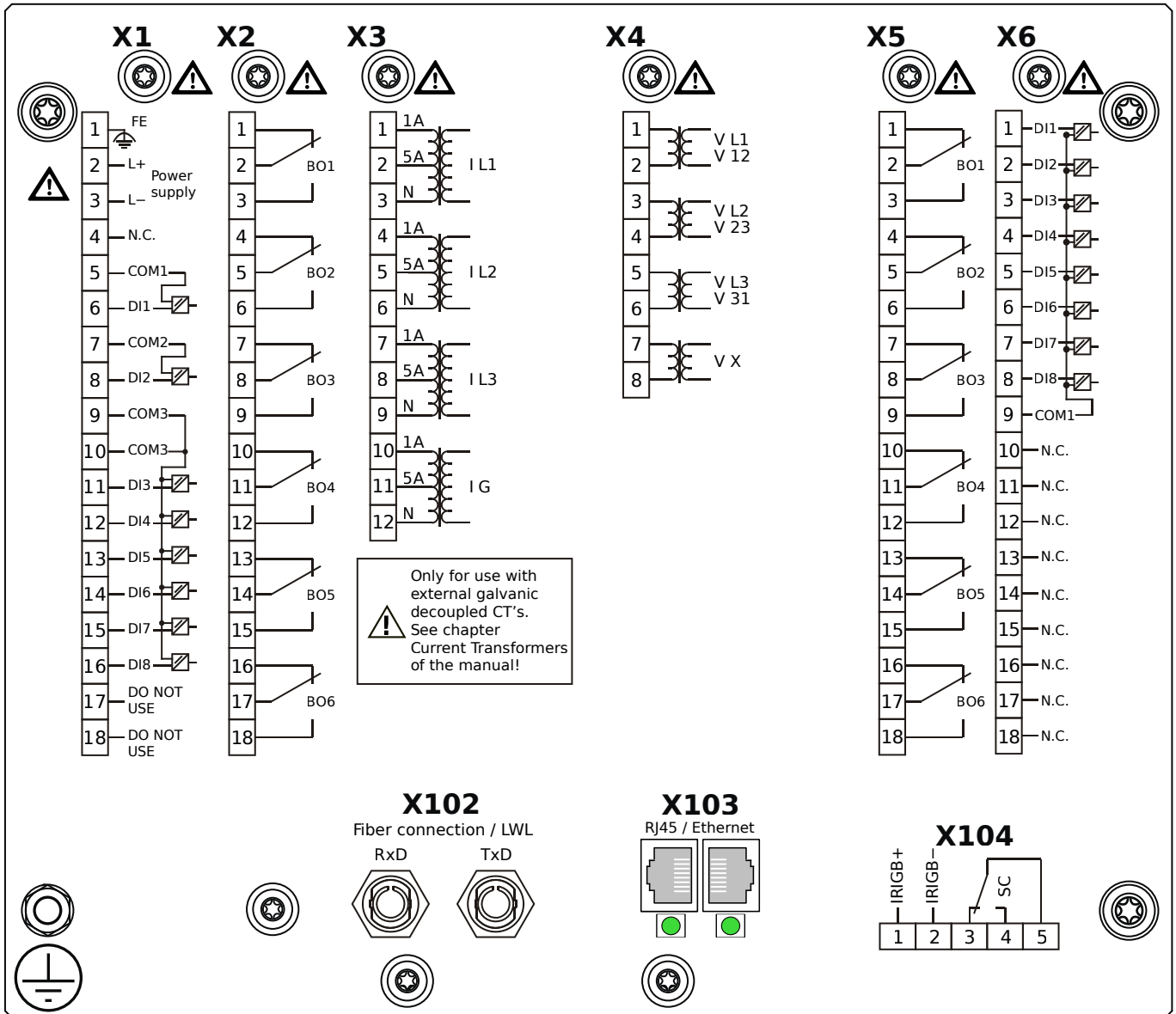


Housing B2, large display, 19" rack mounting

- + Conformal Coating (for installations in harsh environment)

- X1** – DI8-X1: Wide-range power supply unit, incl. 2 non-grouped digital inputs and 6 grouped digital inputs
- X2** – OR6: Assembly Group with 6 Output Relays (Changeover / Form C)
- X3** – TI: Standard current measuring card
- X4** – TU: Card with 4 voltage transformer measuring inputs (0 ... 800 VAC, under UL: 0 ... 600 VAC)
- X5** – OR6: Assembly Group with 6 Output Relays (Changeover / Form C)
- X6** – DI8: Assembly Group with 8 Digital Inputs
- X102** – Protection Communication, Fiber optics interface, ST Connector
- X103** – Modbus TCP / IEC 60870-5-104 / DNP3.0 TCP/UDP, Redundant Fiber optics interface, LC Connector
- X104** – IRIG-B00X, incl. System Contact (Supervision Contact)

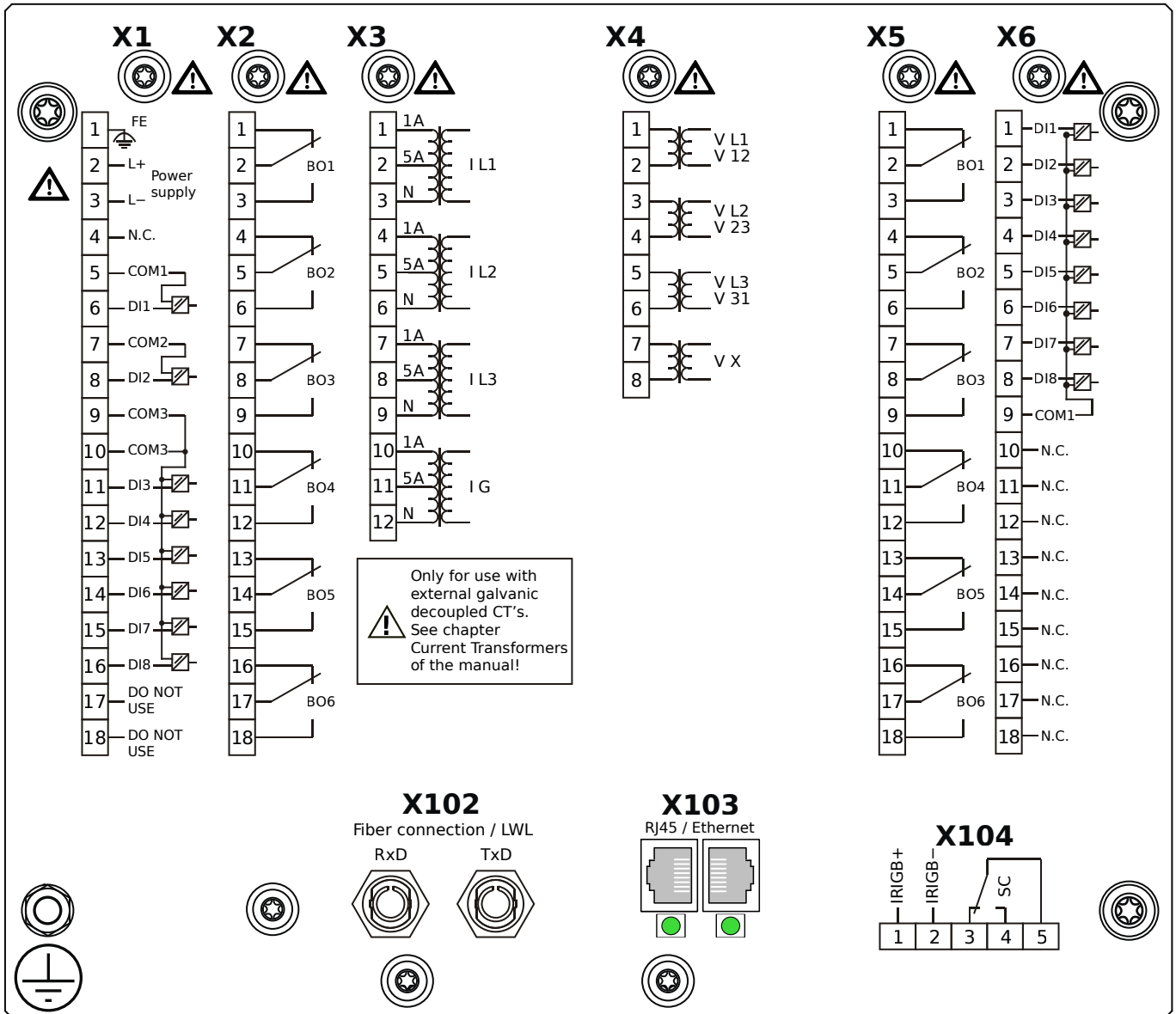
MCDLV4-2D0B1PA



Housing B2, large display, 19" rack mounting

- X1** – DI8-X1: Wide-range power supply unit, incl. 2 non-grouped digital inputs and 6 grouped digital inputs
- X2** – OR6: Assembly Group with 6 Output Relays (Changeover / Form C)
- X3** – TI: Standard current measuring card
- X4** – TU: Card with 4 voltage transformer measuring inputs (0 ... 800 VAC, under UL: 0 ... 600 VAC)
- X5** – OR6: Assembly Group with 6 Output Relays (Changeover / Form C)
- X6** – DI8: Assembly Group with 8 Digital Inputs
- X102** – Protection Communication, Fiber optics interface, ST Connector
- X103** – Modbus TCP / IEC 60870-5-104 / DNP3.0 TCP/UDP, Redundant Ethernet interface, 100 Mbit/s, RJ45 (BASE100-FX)
- X104** – IRIG-B00X, incl. System Contact (Supervision Contact)

MCDLV4-2D0B1PB

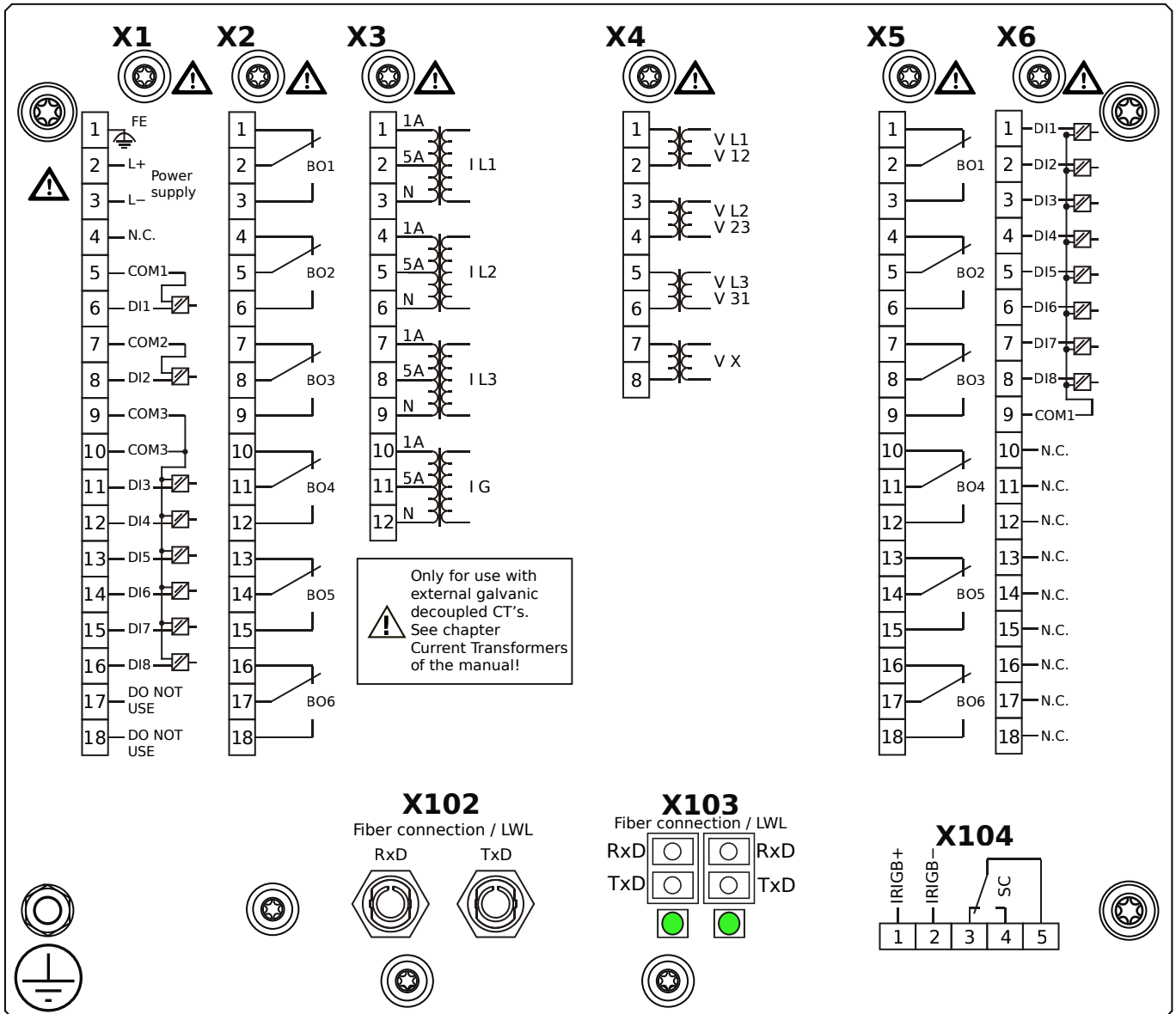


Housing B2, large display, 19" rack mounting

- + Conformal Coating (for installations in harsh environment)

- X1** – DI8-X1: Wide-range power supply unit, incl. 2 non-grouped digital inputs and 6 grouped digital inputs
- X2** – OR6: Assembly Group with 6 Output Relays (Changeover / Form C)
- X3** – TI: Standard current measuring card
- X4** – TU: Card with 4 voltage transformer measuring inputs (0 ... 800 VAC, under UL: 0 ... 600 VAC)
- X5** – OR6: Assembly Group with 6 Output Relays (Changeover / Form C)
- X6** – DI8: Assembly Group with 8 Digital Inputs
- X102** – Protection Communication, Fiber optics interface, ST Connector
- X103** – Modbus TCP / IEC 60870-5-104 / DNP3.0 TCP/UDP, Redundant Ethernet interface, 100 Mbit/s, RJ45 (BASE100-FX)
- X104** – IRIG-B00X, incl. System Contact (Supervision Contact)

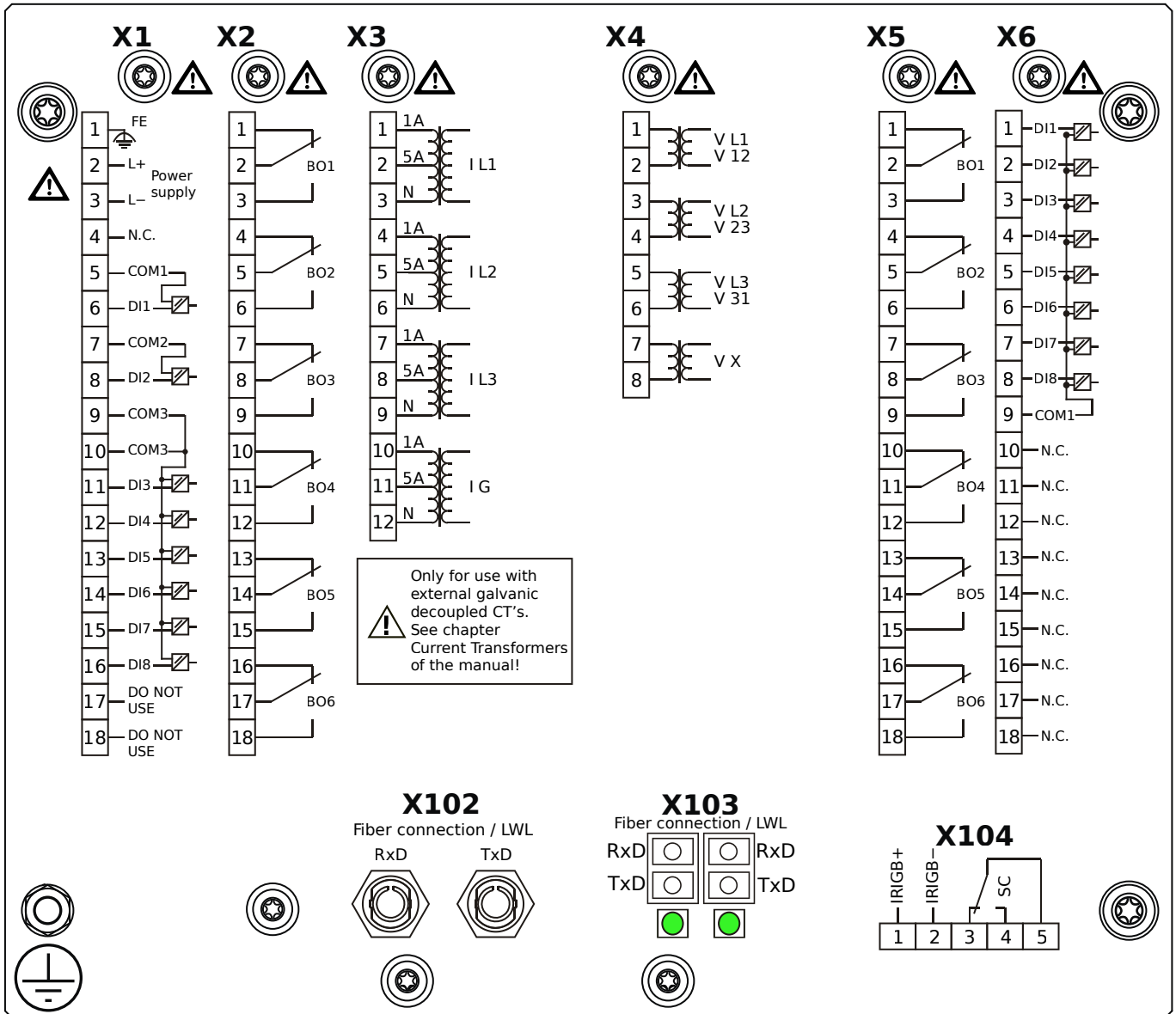
MCDLV4-2D0B1QA



Housing B2, large display, 19" rack mounting

- X1** – DI8-X1: Wide-range power supply unit, incl. 2 non-grouped digital inputs and 6 grouped digital inputs
- X2** – OR6: Assembly Group with 6 Output Relays (Changeover / Form C)
- X3** – TI: Standard current measuring card
- X4** – TU: Card with 4 voltage transformer measuring inputs (0 ... 800 VAC, under UL: 0 ... 600 VAC)
- X5** – OR6: Assembly Group with 6 Output Relays (Changeover / Form C)
- X6** – DI8: Assembly Group with 8 Digital Inputs
- X102** – Protection Communication, Fiber optics interface, ST Connector
- X103** – IEC 61850 / Modbus TCP / IEC 60870-5-104 / DNP3.0 TCP/UDP, Redundant Fiber optics interface, LC Connector
- X104** – IRIG-B00X, incl. System Contact (Supervision Contact)

MCDLV4-2D0B1QB

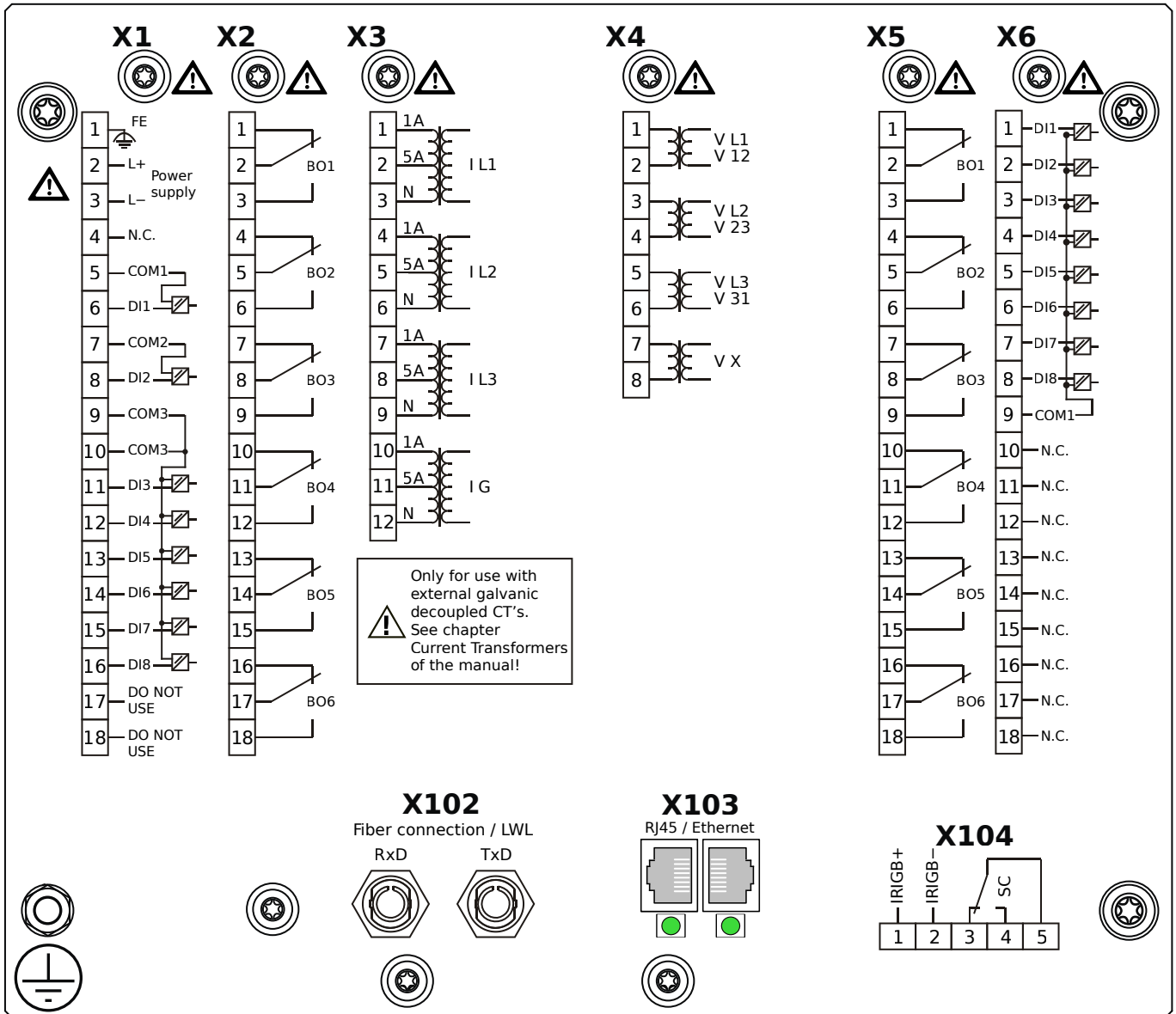


Housing B2, large display, 19" rack mounting

- + Conformal Coating (for installations in harsh environment)

- X1** – DI8-X1: Wide-range power supply unit, incl. 2 non-grouped digital inputs and 6 grouped digital inputs
- X2** – OR6: Assembly Group with 6 Output Relays (Changeover / Form C)
- X3** – TI: Standard current measuring card
- X4** – TU: Card with 4 voltage transformer measuring inputs (0 ... 800 VAC, under UL: 0 ... 600 VAC)
- X5** – OR6: Assembly Group with 6 Output Relays (Changeover / Form C)
- X6** – DI8: Assembly Group with 8 Digital Inputs
- X102** – Protection Communication, Fiber optics interface, ST Connector
- X103** – IEC 61850 / Modbus TCP / IEC 60870-5-104 / DNP3.0 TCP/UDP, Redundant Fiber optics interface, LC Connector
- X104** – IRIG-B00X, incl. System Contact (Supervision Contact)

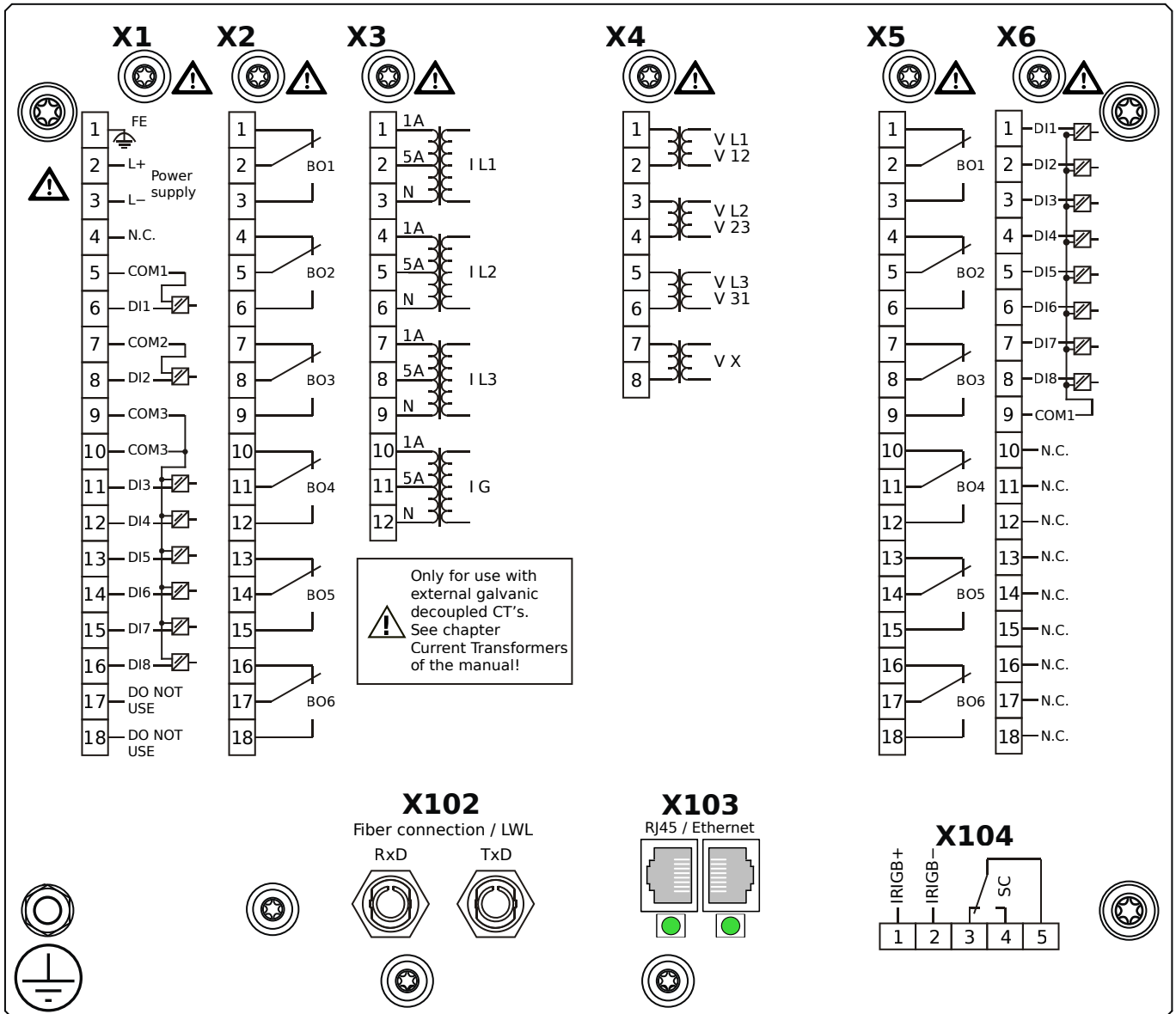
MCDLV4-2D0B1RA



Housing B2, large display, 19" rack mounting

- X1** – DI8-X1: Wide-range power supply unit, incl. 2 non-grouped digital inputs and 6 grouped digital inputs
- X2** – OR6: Assembly Group with 6 Output Relays (Changeover / Form C)
- X3** – TI: Standard current measuring card
- X4** – TU: Card with 4 voltage transformer measuring inputs (0 ... 800 VAC, under UL: 0 ... 600 VAC)
- X5** – OR6: Assembly Group with 6 Output Relays (Changeover / Form C)
- X6** – DI8: Assembly Group with 8 Digital Inputs
- X102** – Protection Communication, Fiber optics interface, ST Connector
- X103** – IEC 61850 / Modbus TCP / IEC 60870-5-104 / DNP3.0 TCP/UDP, Redundant Ethernet interface, 100 Mbit/s, RJ45 (BASE100-FX)
- X104** – IRIG-B00X, incl. System Contact (Supervision Contact)

MCDLV4-2D0B1RB



Housing B2, large display, 19" rack mounting

- + Conformal Coating (for installations in harsh environment)

X1 – DI8-X1: Wide-range power supply unit, incl. 2 non-grouped digital inputs and 6 grouped digital inputs

X2 – OR6: Assembly Group with 6 Output Relays (Changeover / Form C)

X3 – TI: Standard current measuring card

X4 – TU: Card with 4 voltage transformer measuring inputs (0 ... 800 VAC, under UL: 0 ... 600 VAC)

X5 – OR6: Assembly Group with 6 Output Relays (Changeover / Form C)

X6 – DI8: Assembly Group with 8 Digital Inputs

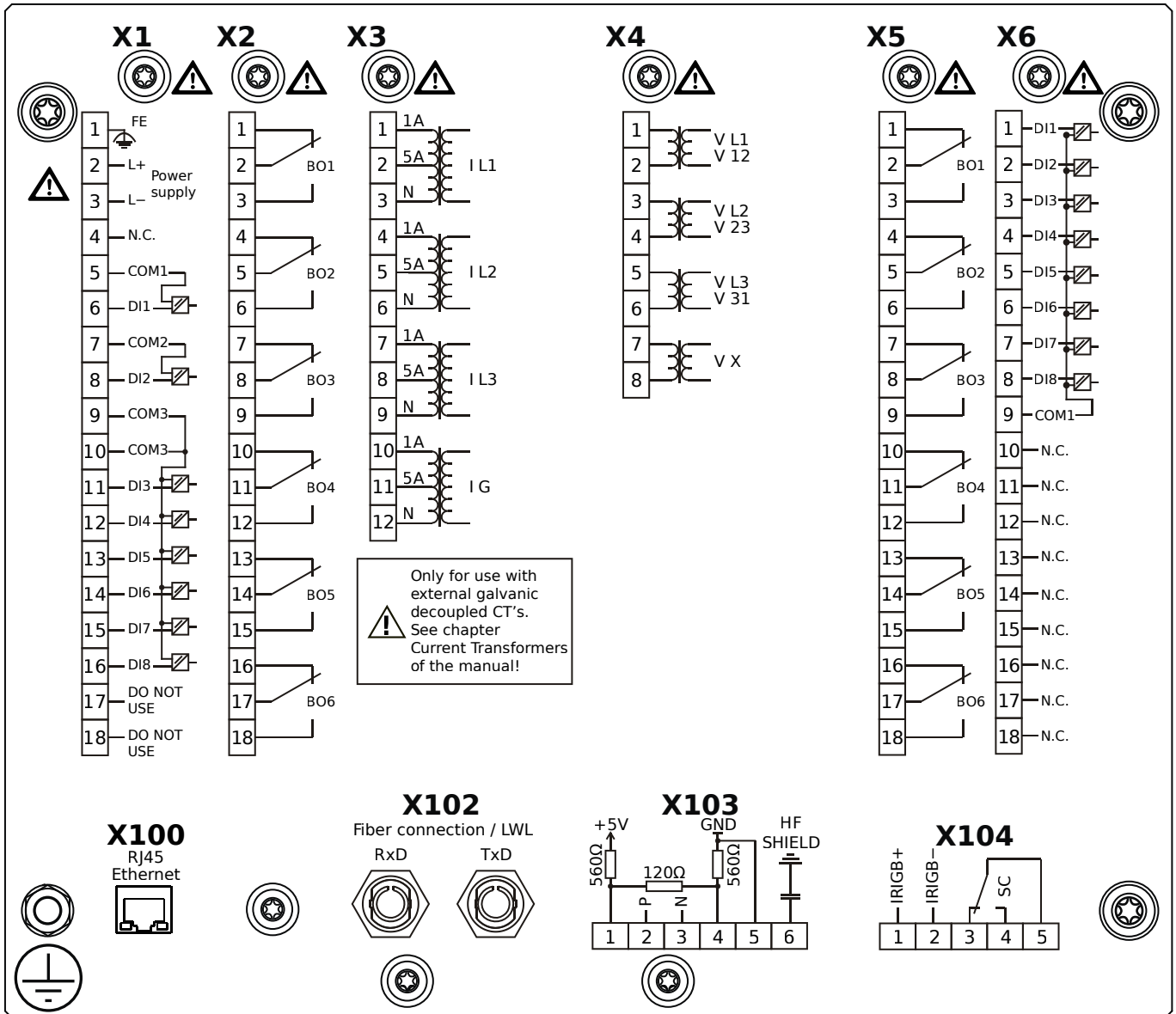
X102 – Protection Communication, Fiber optics interface, ST Connector

X103 – IEC 61850 / Modbus TCP / IEC 60870-5-104 / DNP3.0 TCP/UDP, Redundant Ethernet interface, 100 Mbit/s, RJ45

(BASE100-FX)

X104 – IRIG-B00X, incl. System Contact (Supervision Contact)

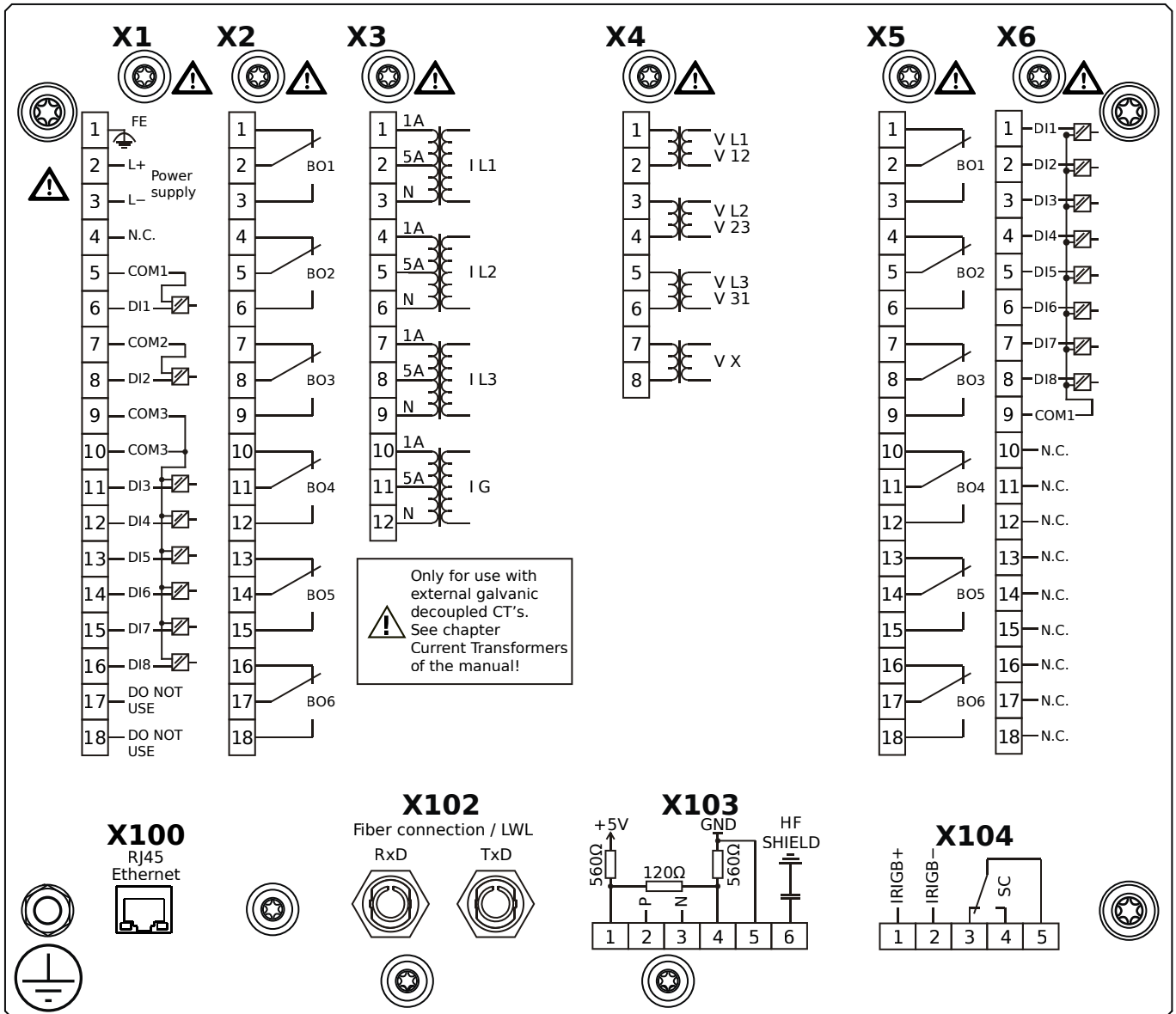
MCDLV4-2D0B1TA



Housing B2, large display, 19" rack mounting

- X1** – DI8-X1: Wide-range power supply unit, incl. 2 non-grouped digital inputs and 6 grouped digital inputs
- X2** – OR6: Assembly Group with 6 Output Relays (Changeover / Form C)
- X3** – TI: Standard current measuring card
- X4** – TU: Card with 4 voltage transformer measuring inputs (0 ... 800 VAC, under UL: 0 ... 600 VAC)
- X5** – OR6: Assembly Group with 6 Output Relays (Changeover / Form C)
- X6** – DI8: Assembly Group with 8 Digital Inputs
- X100** – IEC 61850 / Modbus TCP / IEC 60870-5-104 / DNP3.0 TCP/UDP, Ethernet interface, 100 Mbit/s, RJ45 (BASE100-FX)
- X102** – Protection Communication, Fiber optics interface, ST Connector
- X103** – IEC 60870-5-103 / Modbus RTU / DNP3.0 RTU, RS485, Terminals
- X104** – IRIG-B00X, incl. System Contact (Supervision Contact)

MCDLV4-2D0B1TB

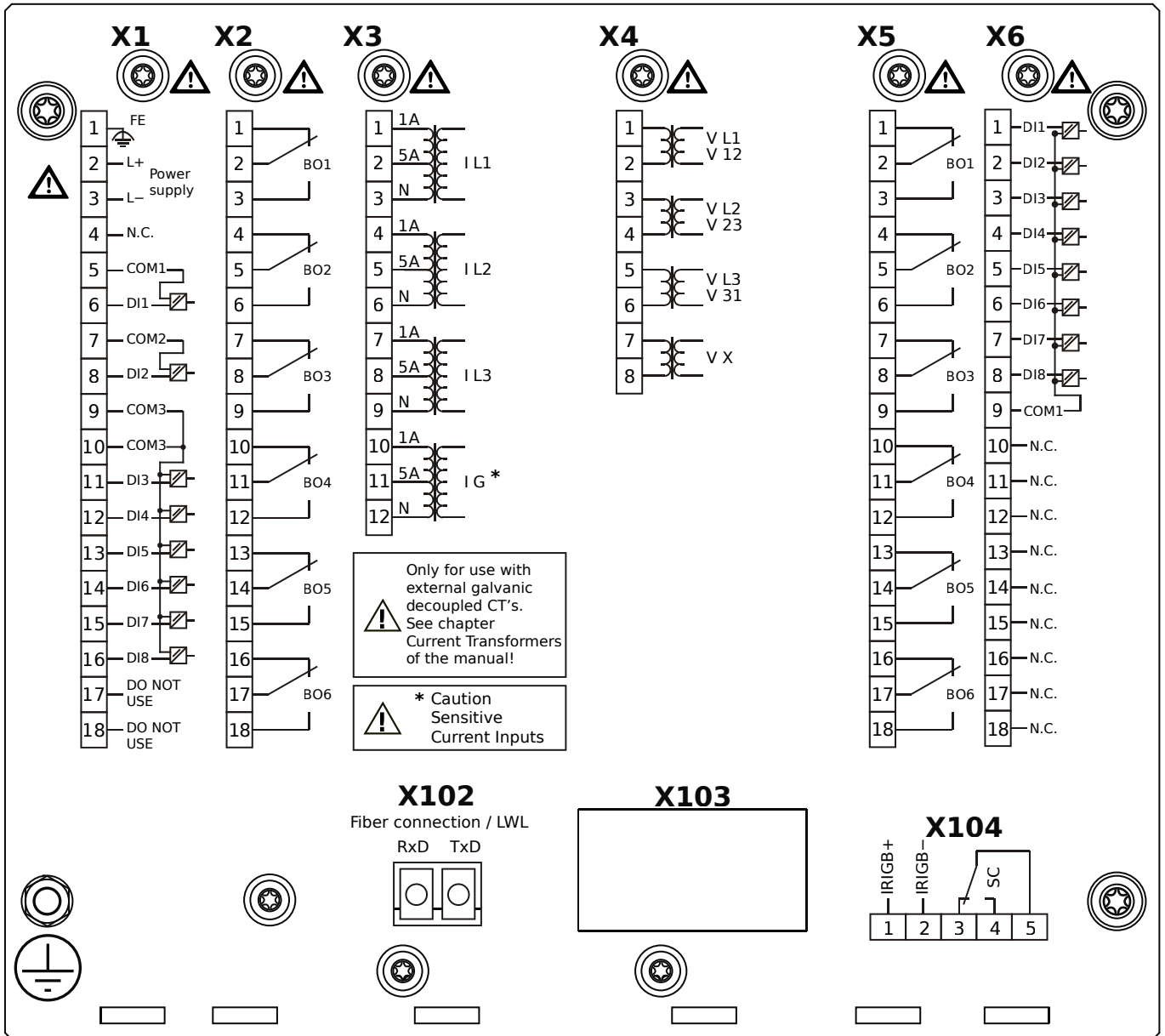


Housing B2, large display, 19" rack mounting

+ Conformal Coating (for installations in harsh environment)

- X1** – DI8-X1: Wide-range power supply unit, incl. 2 non-grouped digital inputs and 6 grouped digital inputs
- X2** – OR6: Assembly Group with 6 Output Relays (Changeover / Form C)
- X3** – TI: Standard current measuring card
- X4** – TU: Card with 4 voltage transformer measuring inputs (0 ... 800 VAC, under UL: 0 ... 600 VAC)
- X5** – OR6: Assembly Group with 6 Output Relays (Changeover / Form C)
- X6** – DI8: Assembly Group with 8 Digital Inputs
- X100** – IEC 61850 / Modbus TCP / IEC 60870-5-104 / DNP3.0 TCP/UDP, Ethernet interface, 100 Mbit/s, RJ45 (BASE100-FX)
- X102** – Protection Communication, Fiber optics interface, ST Connector
- X103** – IEC 60870-5-103 / Modbus RTU / DNP3.0 RTU, RS485, Terminals
- X104** – IRIG-B00X, incl. System Contact (Supervision Contact)

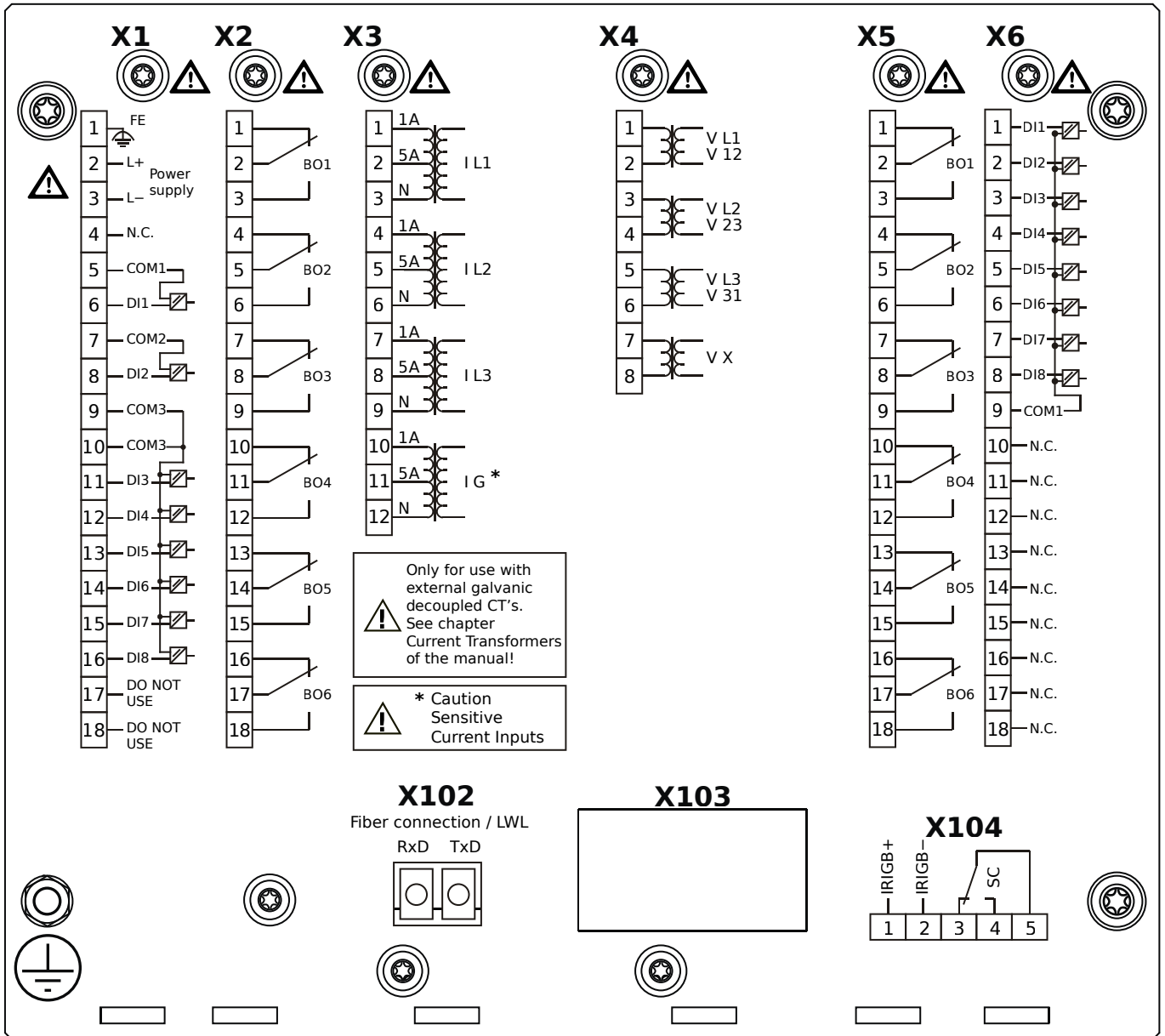
MCDLV4-2D1A0AA



Housing B2, large display, door mounting

- X1** – DI8-X1: Wide-range power supply unit, incl. 2 non-grouped digital inputs and 6 grouped digital inputs
- X2** – OR6: Assembly Group with 6 Output Relays (Changeover / Form C)
- X3** – TIs: Standard phase current measuring card and sensitive ground current measuring
- X4** – TU: Card with 4 voltage transformer measuring inputs (0 ... 800 VAC, under UL: 0 ... 600 VAC)
- X5** – OR6: Assembly Group with 6 Output Relays (Changeover / Form C)
- X6** – DI8: Assembly Group with 8 Digital Inputs
- X102** – Long-distance Protection Communication, Fiber optics interface, LC Connector
- X104** – IRIG-B00X, incl. System Contact (Supervision Contact)

MCDLV4-2D1A0AB

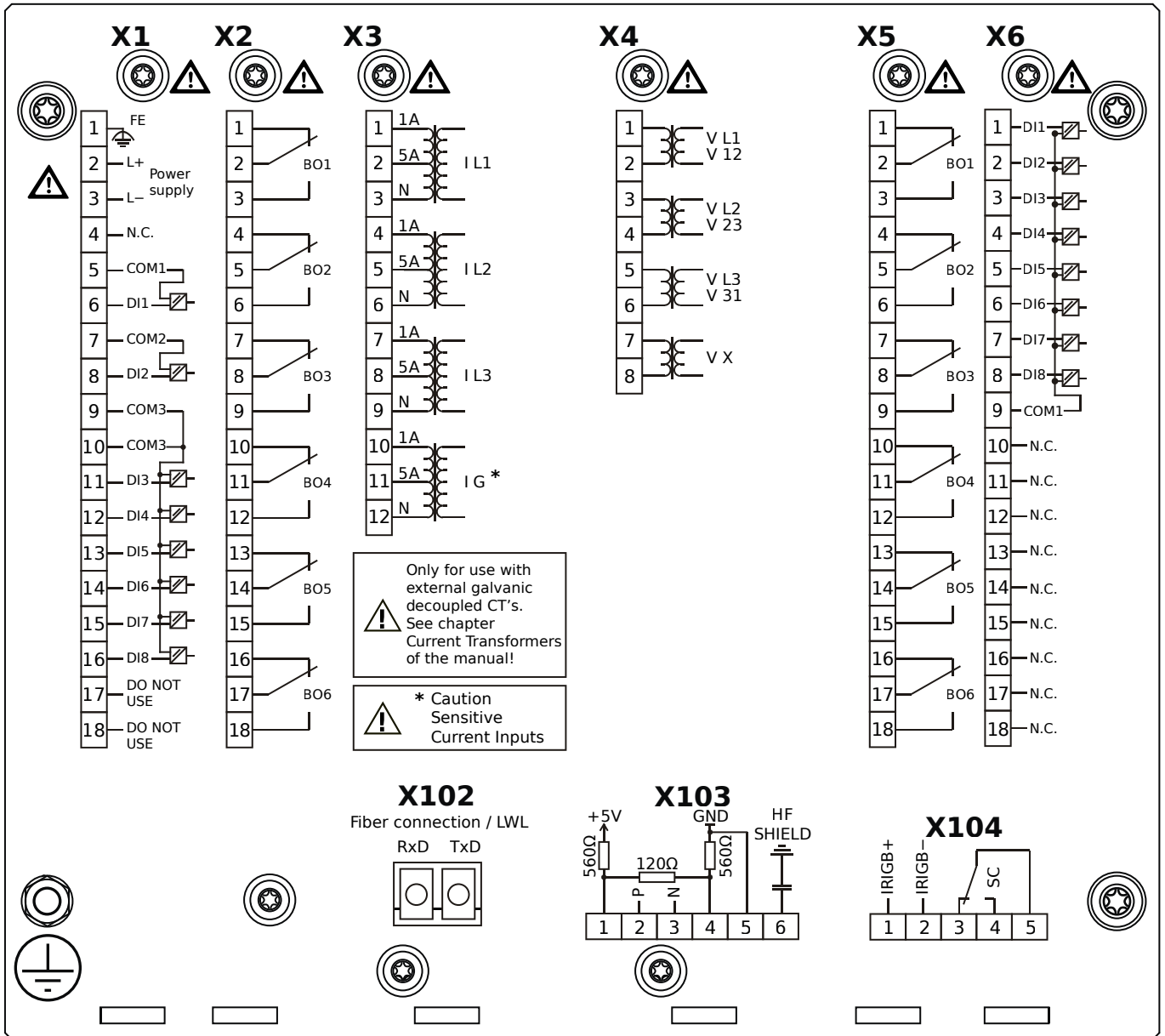


Housing B2, large display, door mounting

+ Conformal Coating (for installations in harsh environment)

- X1** – DI8-X1: Wide-range power supply unit, incl. 2 non-grouped digital inputs and 6 grouped digital inputs
- X2** – OR6: Assembly Group with 6 Output Relays (Changeover / Form C)
- X3** – TIs: Standard phase current measuring card and sensitive ground current measuring
- X4** – TU: Card with 4 voltage transformer measuring inputs (0 ... 800 VAC, under UL: 0 ... 600 VAC)
- X5** – OR6: Assembly Group with 6 Output Relays (Changeover / Form C)
- X6** – DI8: Assembly Group with 8 Digital Inputs
- X102** – Long-distance Protection Communication, Fiber optics interface, LC Connector
- X104** – IRIG-B00X, incl. System Contact (Supervision Contact)

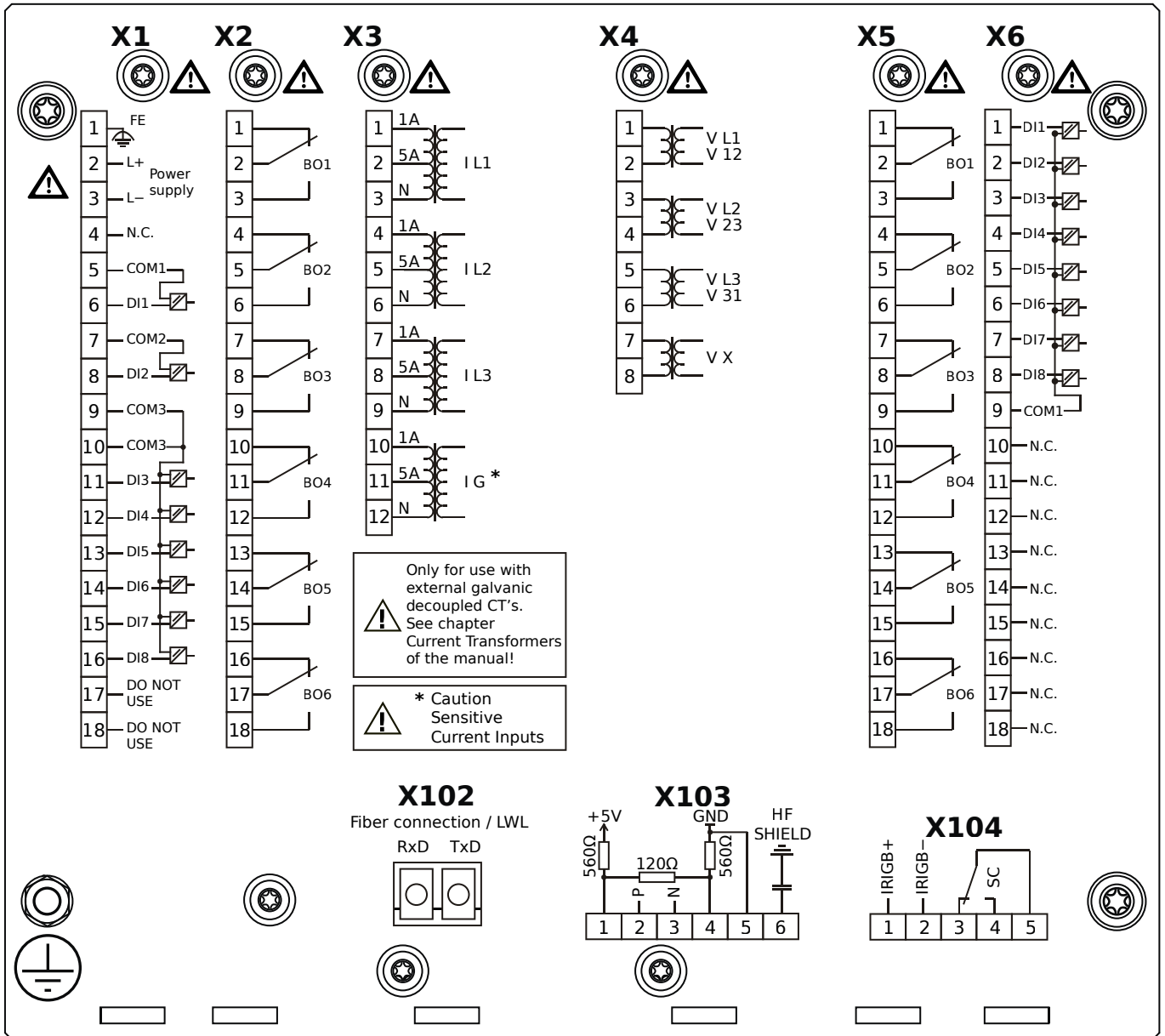
MCDLV4-2D1A0BA



Housing B2, large display, door mounting

- X1** – DI8-X1: Wide-range power supply unit, incl. 2 non-grouped digital inputs and 6 grouped digital inputs
- X2** – OR6: Assembly Group with 6 Output Relays (Changeover / Form C)
- X3** – TIs: Standard phase current measuring card and sensitive ground current measuring
- X4** – TU: Card with 4 voltage transformer measuring inputs (0 ... 800 VAC, under UL: 0 ... 600 VAC)
- X5** – OR6: Assembly Group with 6 Output Relays (Changeover / Form C)
- X6** – DI8: Assembly Group with 8 Digital Inputs
- X102** – Long-distance Protection Communication, Fiber optics interface, LC Connector
- X103** – Modbus RTU / IEC 60870-5-103 / DNP3.0 RTU, RS485, Terminals
- X104** – IRIG-B00X, incl. System Contact (Supervision Contact)

MCDLV4-2D1A0BB

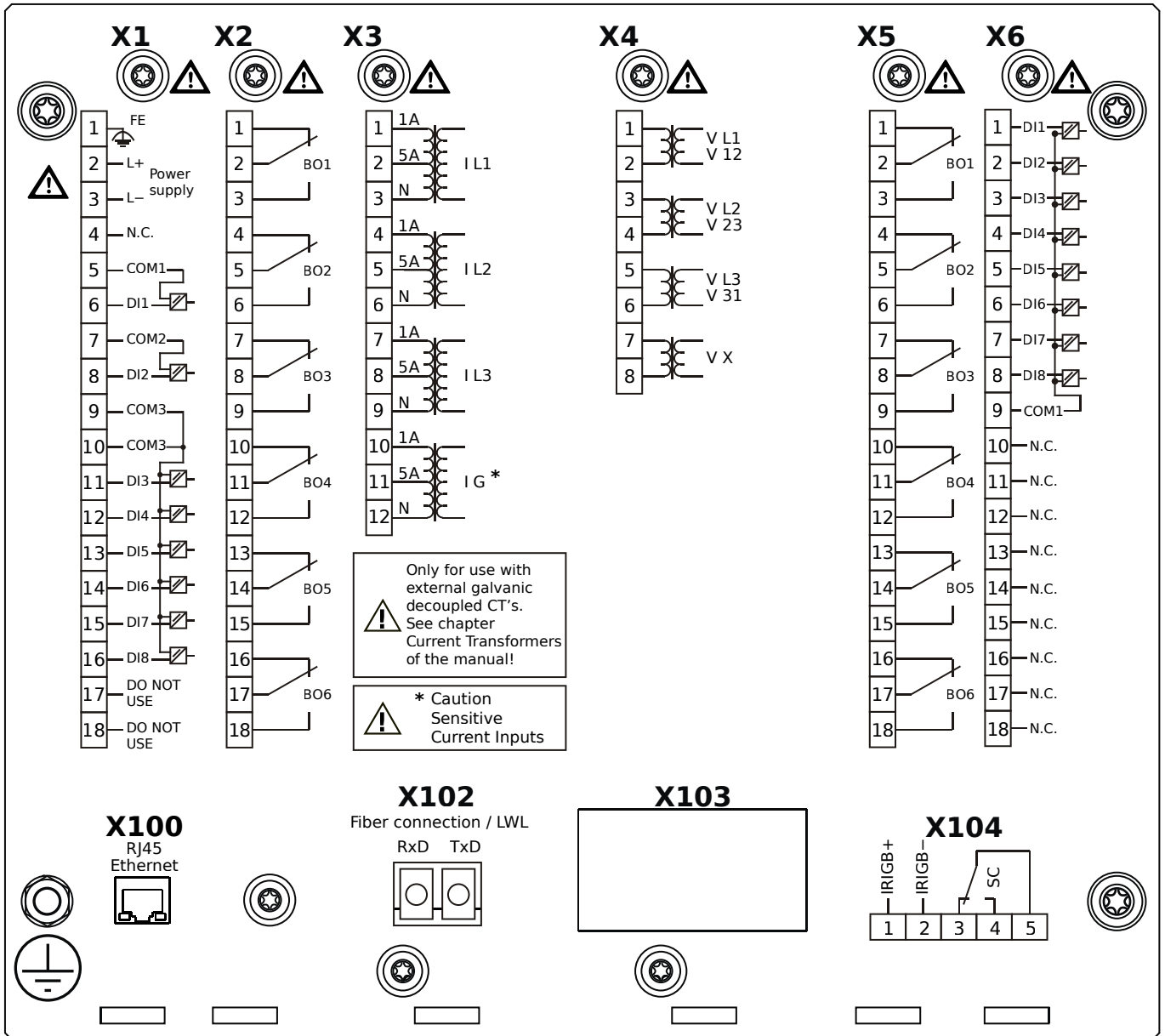


Housing B2, large display, door mounting

+ Conformal Coating (for installations in harsh environment)

- X1** – DI8-X1: Wide-range power supply unit, incl. 2 non-grouped digital inputs and 6 grouped digital inputs
- X2** – OR6: Assembly Group with 6 Output Relays (Changeover / Form C)
- X3** – TIs: Standard phase current measuring card and sensitive ground current measuring
- X4** – TU: Card with 4 voltage transformer measuring inputs (0 ... 800 VAC, under UL: 0 ... 600 VAC)
- X5** – OR6: Assembly Group with 6 Output Relays (Changeover / Form C)
- X6** – DI8: Assembly Group with 8 Digital Inputs
- X102** – Long-distance Protection Communication, Fiber optics interface, LC Connector
- X103** – Modbus RTU / IEC 60870-5-103 / DNP3.0 RTU, RS485, Terminals
- X104** – IRIG-B00X, incl. System Contact (Supervision Contact)

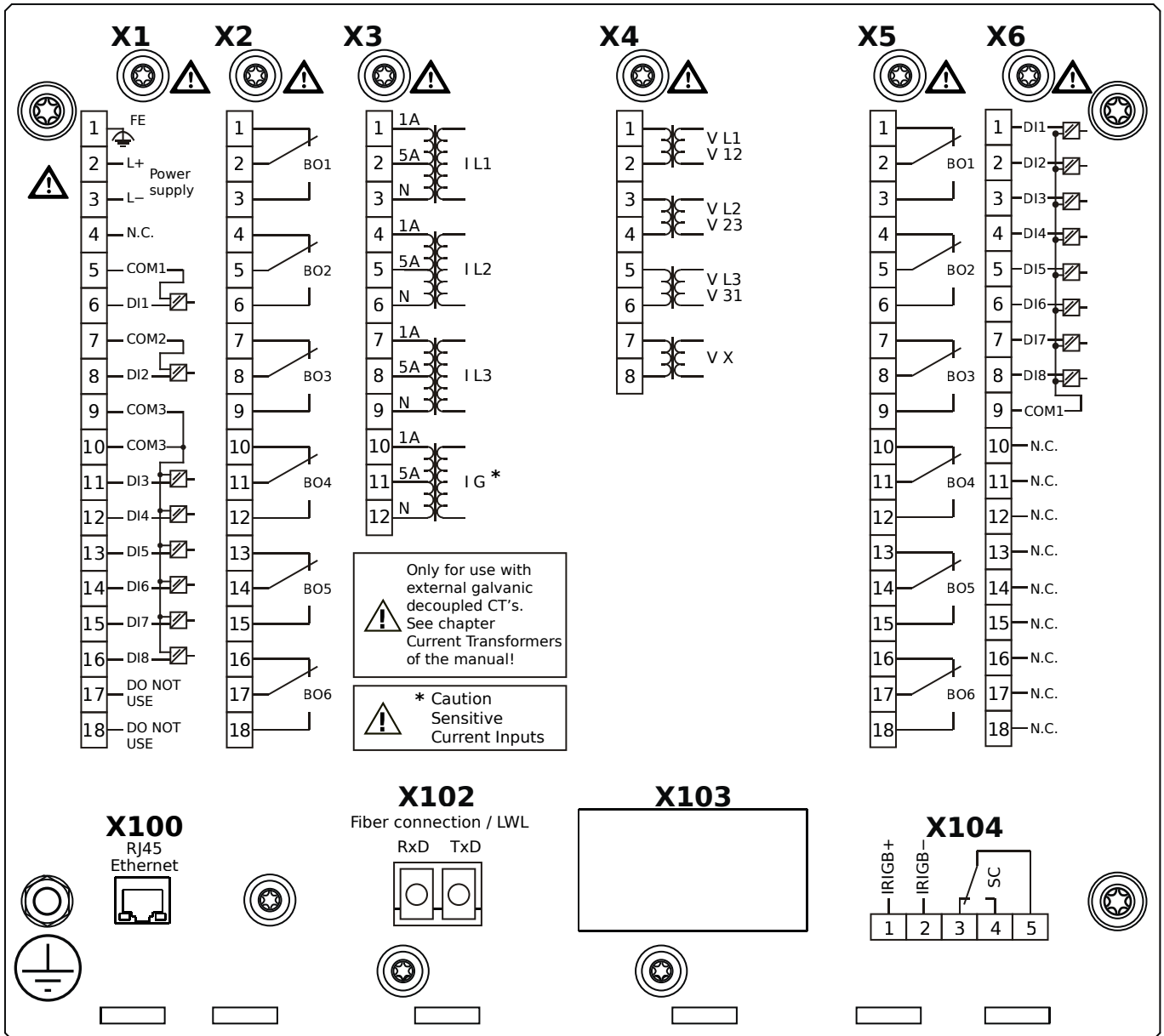
MCDLV4-2D1A0CA



Housing B2, large display, door mounting

- X1** – DI8-X1: Wide-range power supply unit, incl. 2 non-grouped digital inputs and 6 grouped digital inputs
- X2** – OR6: Assembly Group with 6 Output Relays (Changeover / Form C)
- X3** – TIs: Standard phase current measuring card and sensitive ground current measuring
- X4** – TU: Card with 4 voltage transformer measuring inputs (0 ... 800 VAC, under UL: 0 ... 600 VAC)
- X5** – OR6: Assembly Group with 6 Output Relays (Changeover / Form C)
- X6** – DI8: Assembly Group with 8 Digital Inputs
- X100** – Modbus TCP / IEC 60870-5-104 / DNP3.0 TCP/UDP, Ethernet interface, 100 Mbit/s, RJ45 (BASE100-FX)
- X102** – Long-distance Protection Communication, Fiber optics interface, LC Connector
- X104** – IRIG-B00X, incl. System Contact (Supervision Contact)

MCDLV4-2D1A0CB

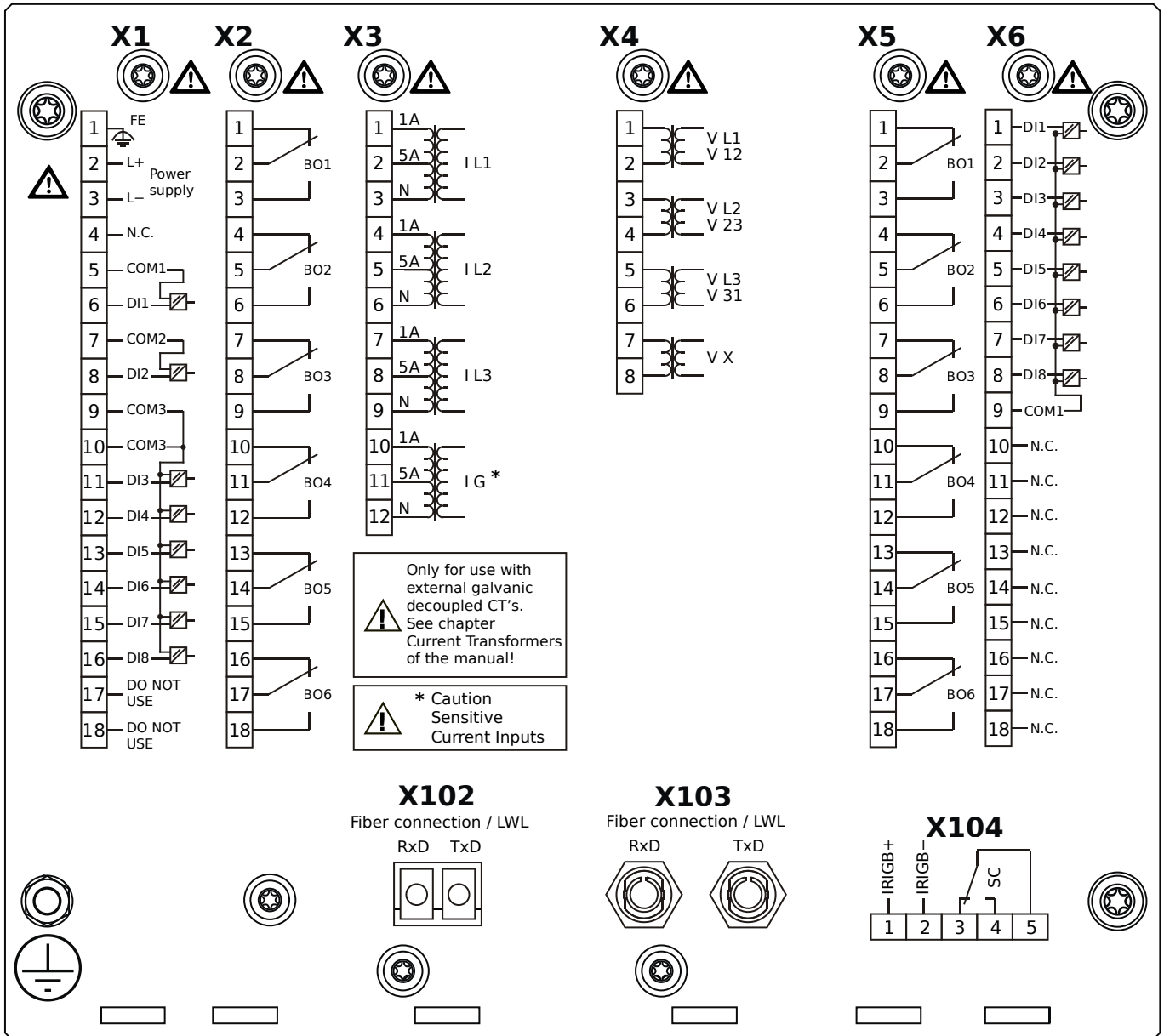


Housing B2, large display, door mounting

+ Conformal Coating (for installations in harsh environment)

- X1** – DI8-X1: Wide-range power supply unit, incl. 2 non-grouped digital inputs and 6 grouped digital inputs
- X2** – OR6: Assembly Group with 6 Output Relays (Changeover / Form C)
- X3** – TIs: Standard phase current measuring card and sensitive ground current measuring
- X4** – TU: Card with 4 voltage transformer measuring inputs (0 ... 800 VAC, under UL: 0 ... 600 VAC)
- X5** – OR6: Assembly Group with 6 Output Relays (Changeover / Form C)
- X6** – DI8: Assembly Group with 8 Digital Inputs
- X100** – Modbus TCP / IEC 60870-5-104 / DNP3.0 TCP/UDP, Ethernet interface, 100 Mbit/s, RJ45 (BASE100-FX)
- X102** – Long-distance Protection Communication, Fiber optics interface, LC Connector
- X104** – IRIG-B00X, incl. System Contact (Supervision Contact)

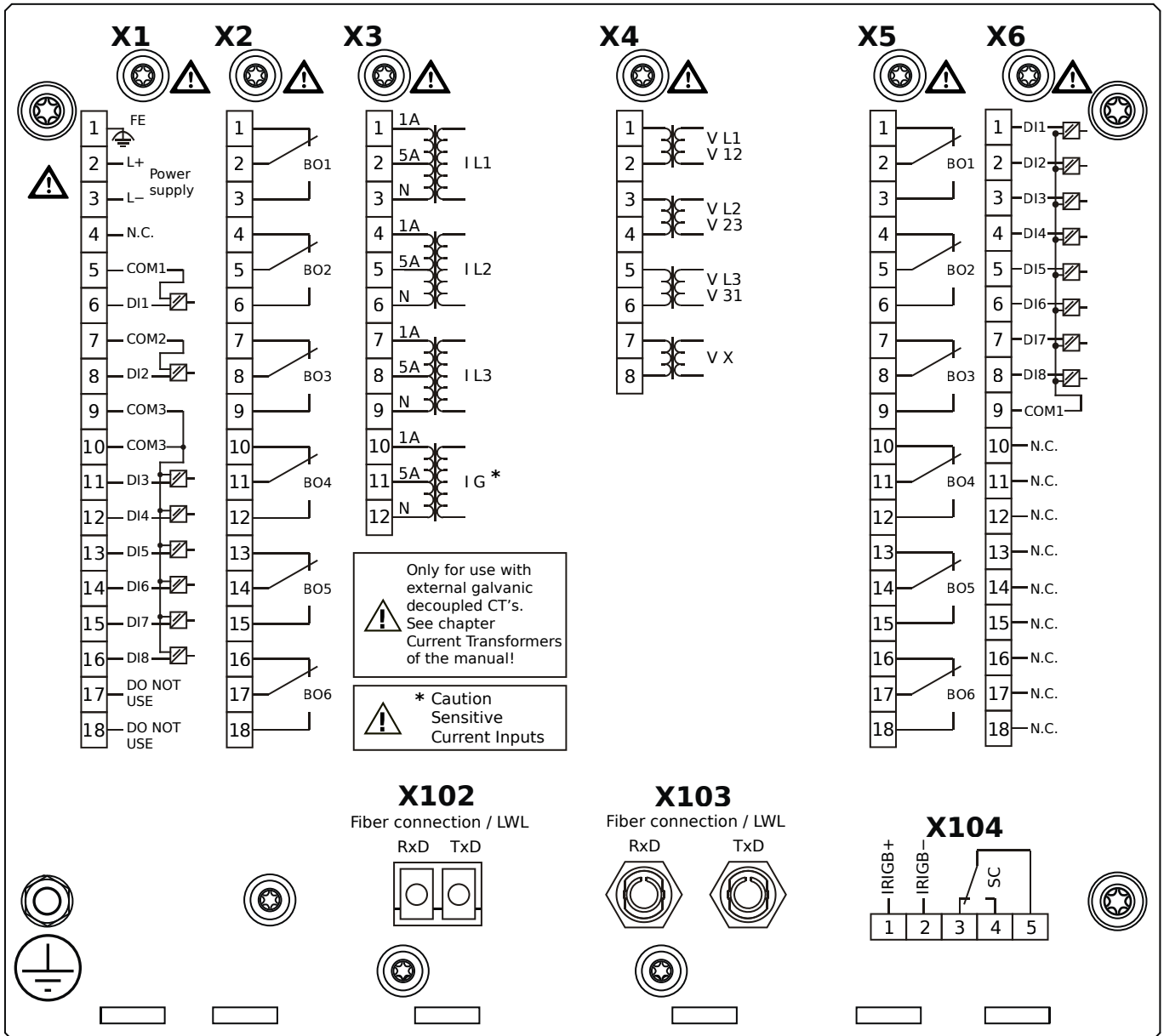
MCDLV4-2D1A0DA



Housing B2, large display, door mounting

- X1** – DI8-X1: Wide-range power supply unit, incl. 2 non-grouped digital inputs and 6 grouped digital inputs
- X2** – OR6: Assembly Group with 6 Output Relays (Changeover / Form C)
- X3** – TIs: Standard phase current measuring card and sensitive ground current measuring
- X4** – TU: Card with 4 voltage transformer measuring inputs (0 ... 800 VAC, under UL: 0 ... 600 VAC)
- X5** – OR6: Assembly Group with 6 Output Relays (Changeover / Form C)
- X6** – DI8: Assembly Group with 8 Digital Inputs
- X102** – Long-distance Protection Communication, Fiber optics interface, LC Connector
- X103** – Profibus-DP, Fiber optics interface, ST Connector
- X104** – IRIG-B00X, incl. System Contact (Supervision Contact)

MCDLV4-2D1A0DB

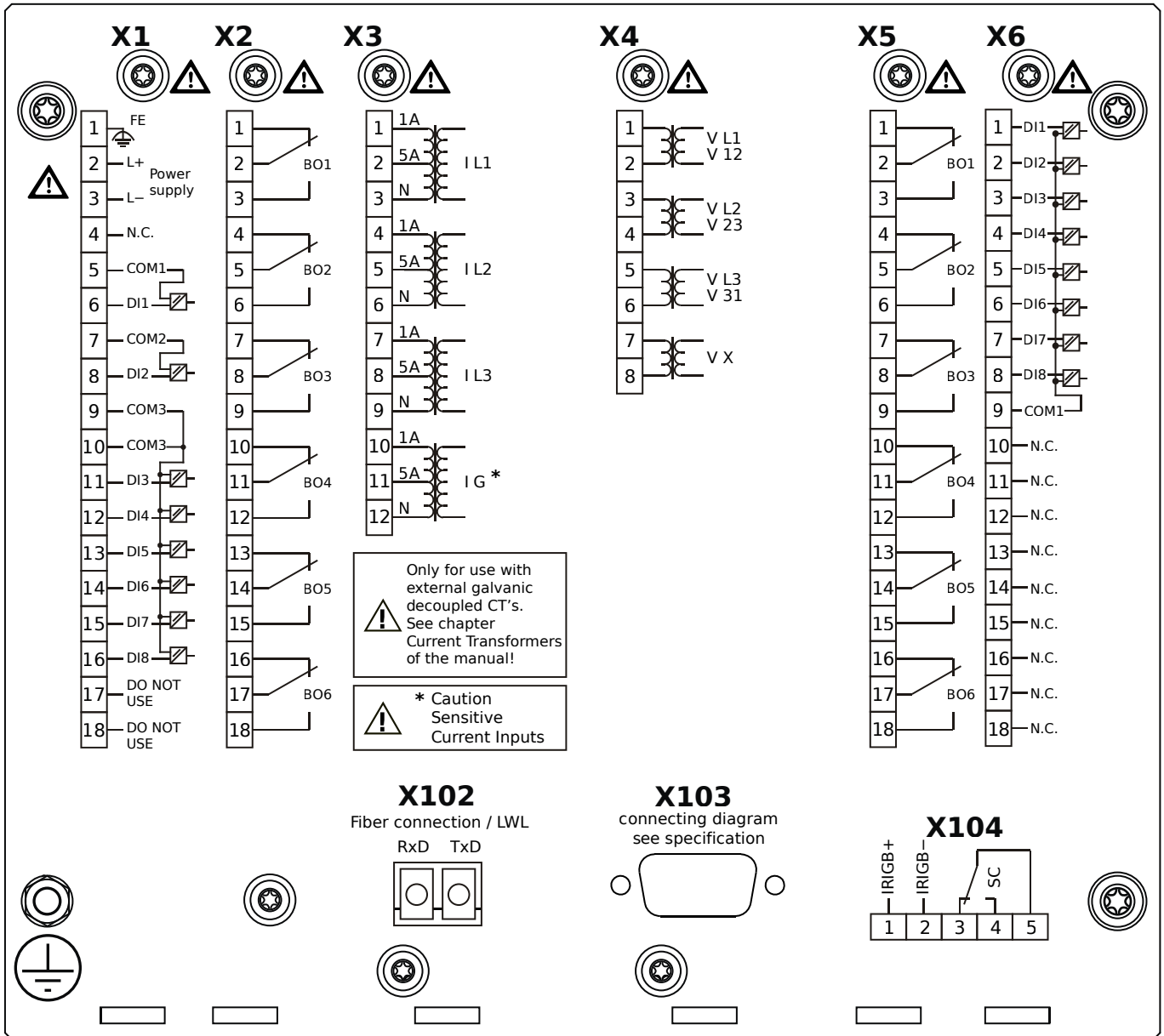


Housing B2, large display, door mounting

+ Conformal Coating (for installations in harsh environment)

- X1** – DI8-X1: Wide-range power supply unit, incl. 2 non-grouped digital inputs and 6 grouped digital inputs
- X2** – OR6: Assembly Group with 6 Output Relays (Changeover / Form C)
- X3** – TIs: Standard phase current measuring card and sensitive ground current measuring
- X4** – TU: Card with 4 voltage transformer measuring inputs (0 ... 800 VAC, under UL: 0 ... 600 VAC)
- X5** – OR6: Assembly Group with 6 Output Relays (Changeover / Form C)
- X6** – DI8: Assembly Group with 8 Digital Inputs
- X102** – Long-distance Protection Communication, Fiber optics interface, LC Connector
- X103** – Profibus-DP, Fiber optics interface, ST Connector
- X104** – IRIG-B00X, incl. System Contact (Supervision Contact)

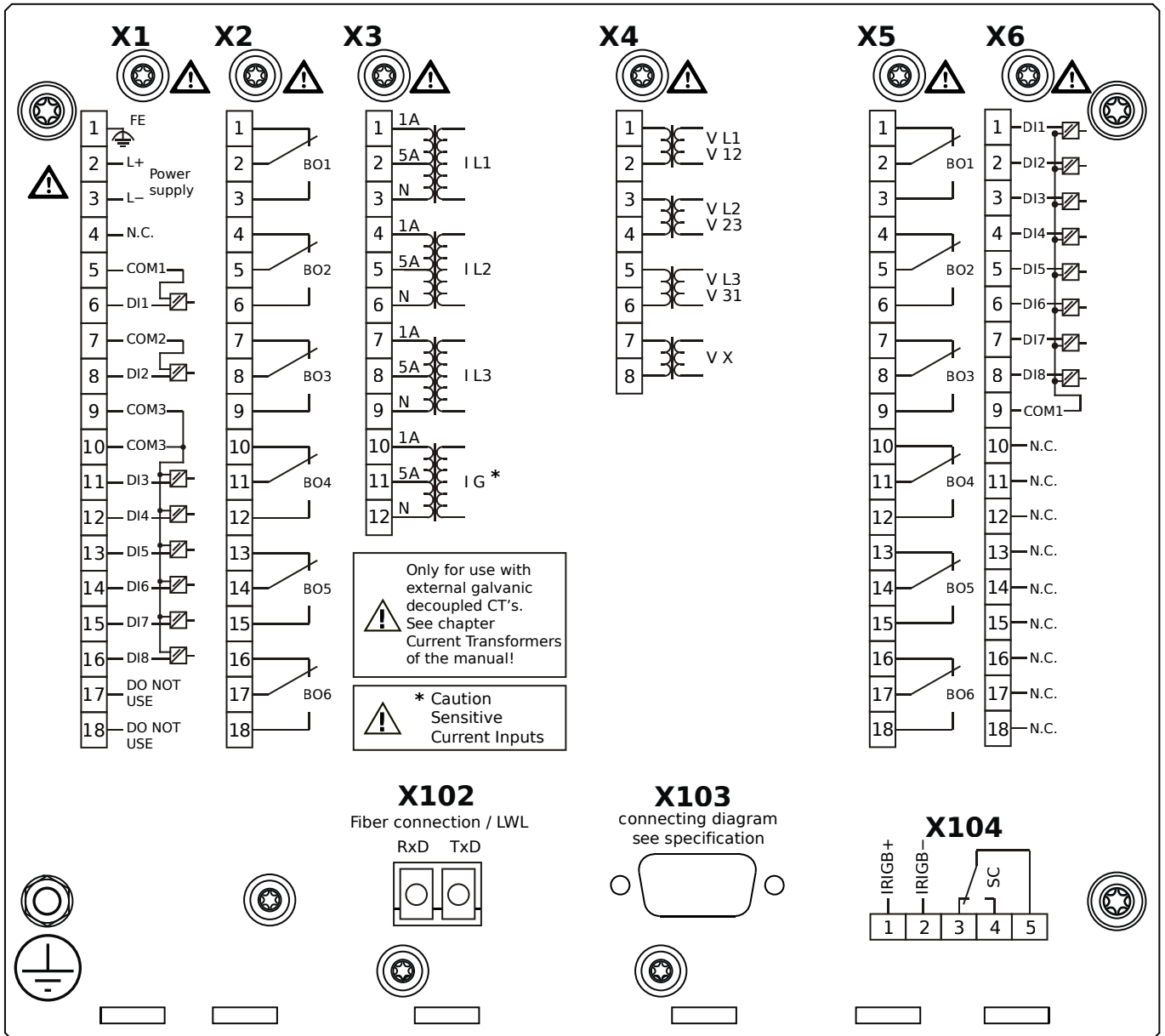
MCDLV4-2D1A0EA



Housing B2, large display, door mounting

- X1** – DI8-X1: Wide-range power supply unit, incl. 2 non-grouped digital inputs and 6 grouped digital inputs
- X2** – OR6: Assembly Group with 6 Output Relays (Changeover / Form C)
- X3** – TIs: Standard phase current measuring card and sensitive ground current measuring
- X4** – TU: Card with 4 voltage transformer measuring inputs (0 ... 800 VAC, under UL: 0 ... 600 VAC)
- X5** – OR6: Assembly Group with 6 Output Relays (Changeover / Form C)
- X6** – DI8: Assembly Group with 8 Digital Inputs
- X102** – Long-distance Protection Communication, Fiber optics interface, LC Connector
- X103** – Profibus-DP, RS485, D-SUB
- X104** – IRIG-B00X, incl. System Contact (Supervision Contact)

MCDLV4-2D1A0EB

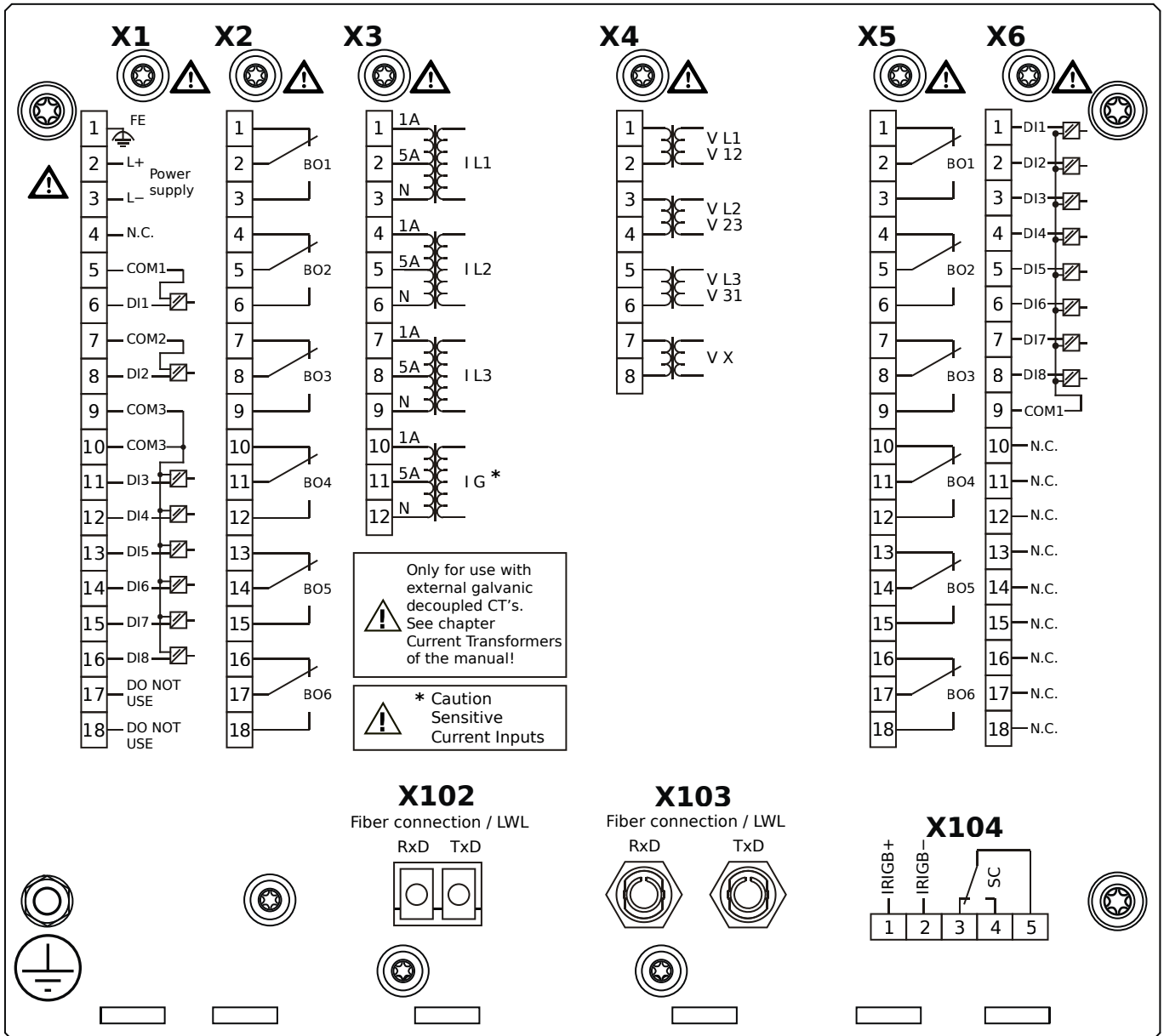


Housing B2, large display, door mounting

+ Conformal Coating (for installations in harsh environment)

- X1** – DI8-X1: Wide-range power supply unit, incl. 2 non-grouped digital inputs and 6 grouped digital inputs
- X2** – OR6: Assembly Group with 6 Output Relays (Changeover / Form C)
- X3** – TIs: Standard phase current measuring card and sensitive ground current measuring
- X4** – TU: Card with 4 voltage transformer measuring inputs (0 ... 800 VAC, under UL: 0 ... 600 VAC)
- X5** – OR6: Assembly Group with 6 Output Relays (Changeover / Form C)
- X6** – DI8: Assembly Group with 8 Digital Inputs
- X102** – Long-distance Protection Communication, Fiber optics interface, LC Connector
- X103** – Profibus-DP, RS485, D-SUB
- X104** – IRIG-B00X, incl. System Contact (Supervision Contact)

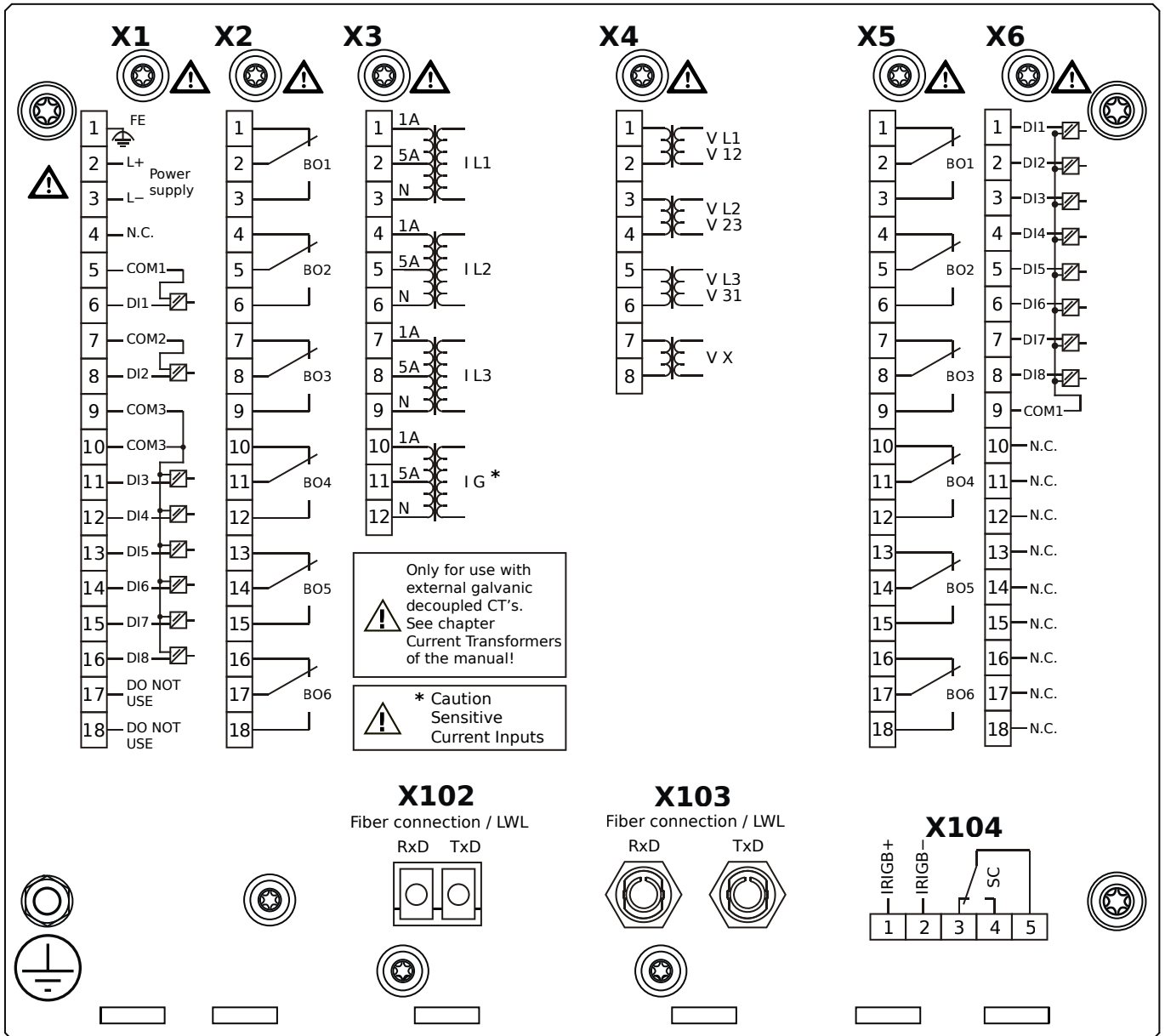
MCDLV4-2D1A0FA



Housing B2, large display, door mounting

- X1** – DI8-X1: Wide-range power supply unit, incl. 2 non-grouped digital inputs and 6 grouped digital inputs
- X2** – OR6: Assembly Group with 6 Output Relays (Changeover / Form C)
- X3** – TIs: Standard phase current measuring card and sensitive ground current measuring
- X4** – TU: Card with 4 voltage transformer measuring inputs (0 ... 800 VAC, under UL: 0 ... 600 VAC)
- X5** – OR6: Assembly Group with 6 Output Relays (Changeover / Form C)
- X6** – DI8: Assembly Group with 8 Digital Inputs
- X102** – Long-distance Protection Communication, Fiber optics interface, LC Connector
- X103** – Modbus RTU / IEC 60870-5-103 / DNP3.0 RTU, Fiber optics interface, ST Connector
- X104** – IRIG-B00X, incl. System Contact (Supervision Contact)

MCDLV4-2D1A0FB

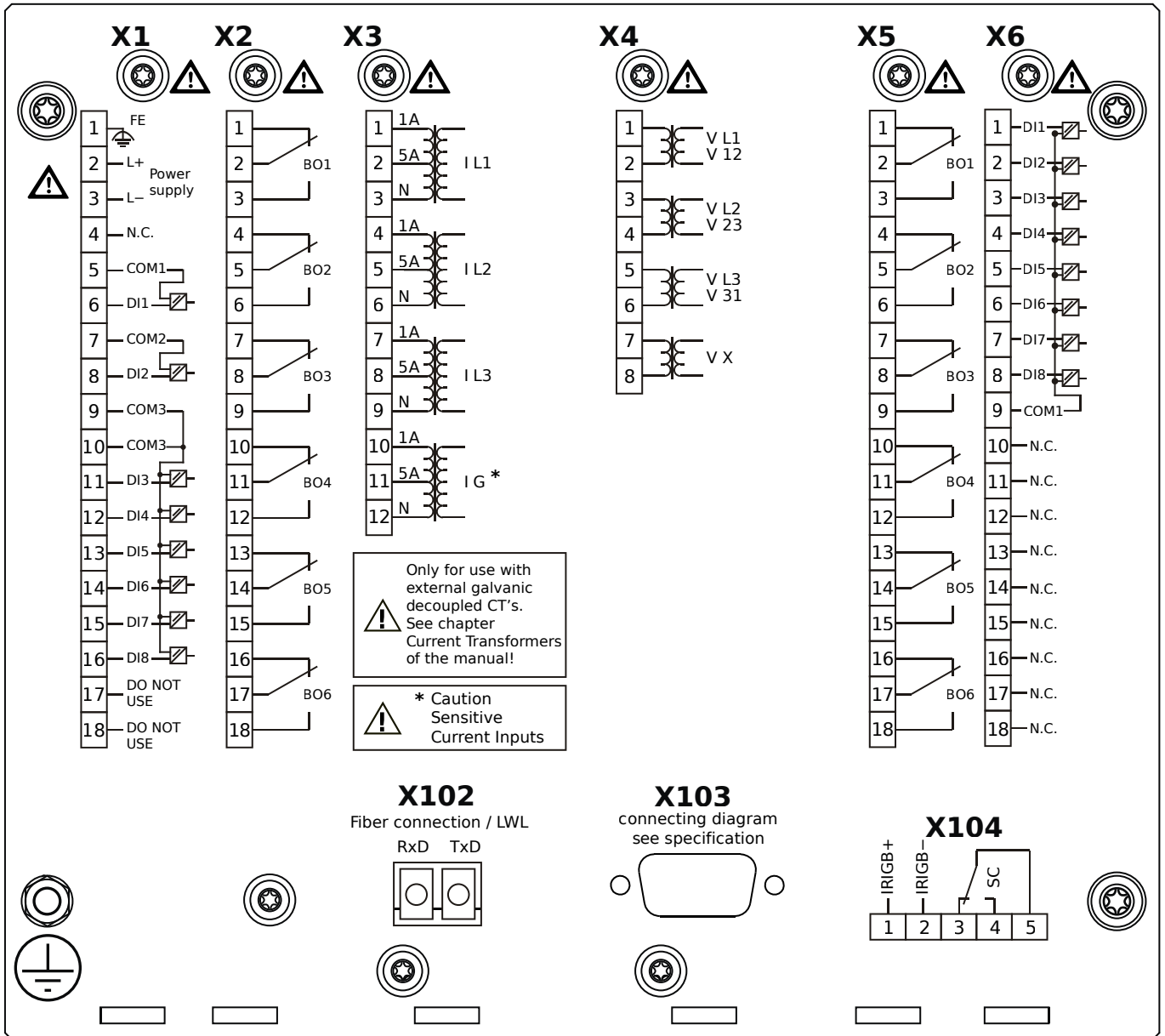


Housing B2, large display, door mounting

+ Conformal Coating (for installations in harsh environment)

- X1** – DI8-X1: Wide-range power supply unit, incl. 2 non-grouped digital inputs and 6 grouped digital inputs
- X2** – OR6: Assembly Group with 6 Output Relays (Changeover / Form C)
- X3** – TIs: Standard phase current measuring card and sensitive ground current measuring
- X4** – TU: Card with 4 voltage transformer measuring inputs (0 ... 800 VAC, under UL: 0 ... 600 VAC)
- X5** – OR6: Assembly Group with 6 Output Relays (Changeover / Form C)
- X6** – DI8: Assembly Group with 8 Digital Inputs
- X102** – Long-distance Protection Communication, Fiber optics interface, LC Connector
- X103** – Modbus RTU / IEC 60870-5-103 / DNP3.0 RTU, Fiber optics interface, ST Connector
- X104** – IRIG-B00X, incl. System Contact (Supervision Contact)

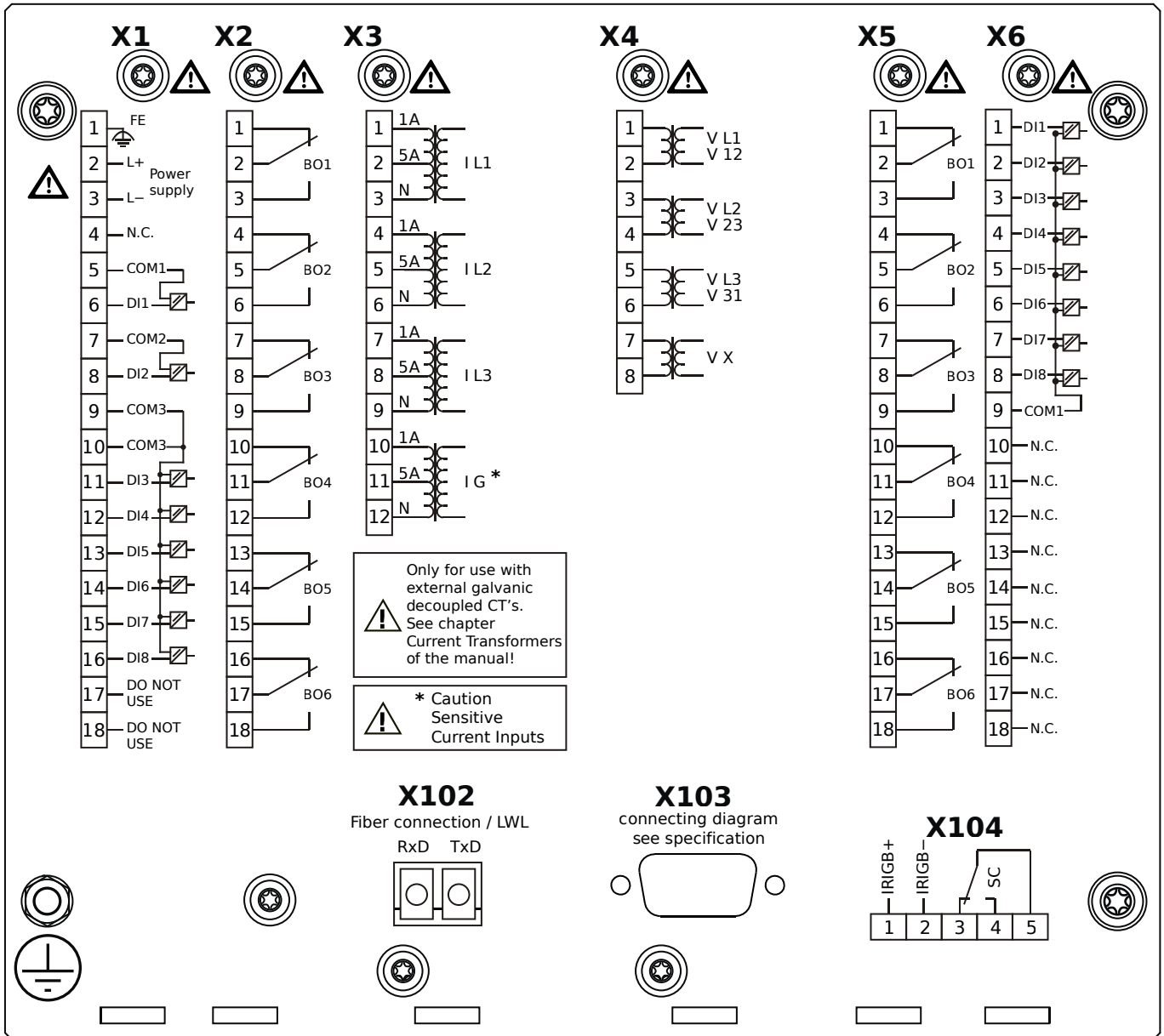
MCDLV4-2D1A0GA



Housing B2, large display, door mounting

- X1** – DI8-X1: Wide-range power supply unit, incl. 2 non-grouped digital inputs and 6 grouped digital inputs
- X2** – OR6: Assembly Group with 6 Output Relays (Changeover / Form C)
- X3** – TIs: Standard phase current measuring card and sensitive ground current measuring
- X4** – TU: Card with 4 voltage transformer measuring inputs (0 ... 800 VAC, under UL: 0 ... 600 VAC)
- X5** – OR6: Assembly Group with 6 Output Relays (Changeover / Form C)
- X6** – DI8: Assembly Group with 8 Digital Inputs
- X102** – Long-distance Protection Communication, Fiber optics interface, LC Connector
- X103** – Modbus RTU / IEC 60870-5-103 / DNP3.0 RTU, RS485, D-SUB
- X104** – IRIG-B00X, incl. System Contact (Supervision Contact)

MCDLV4-2D1A0GB

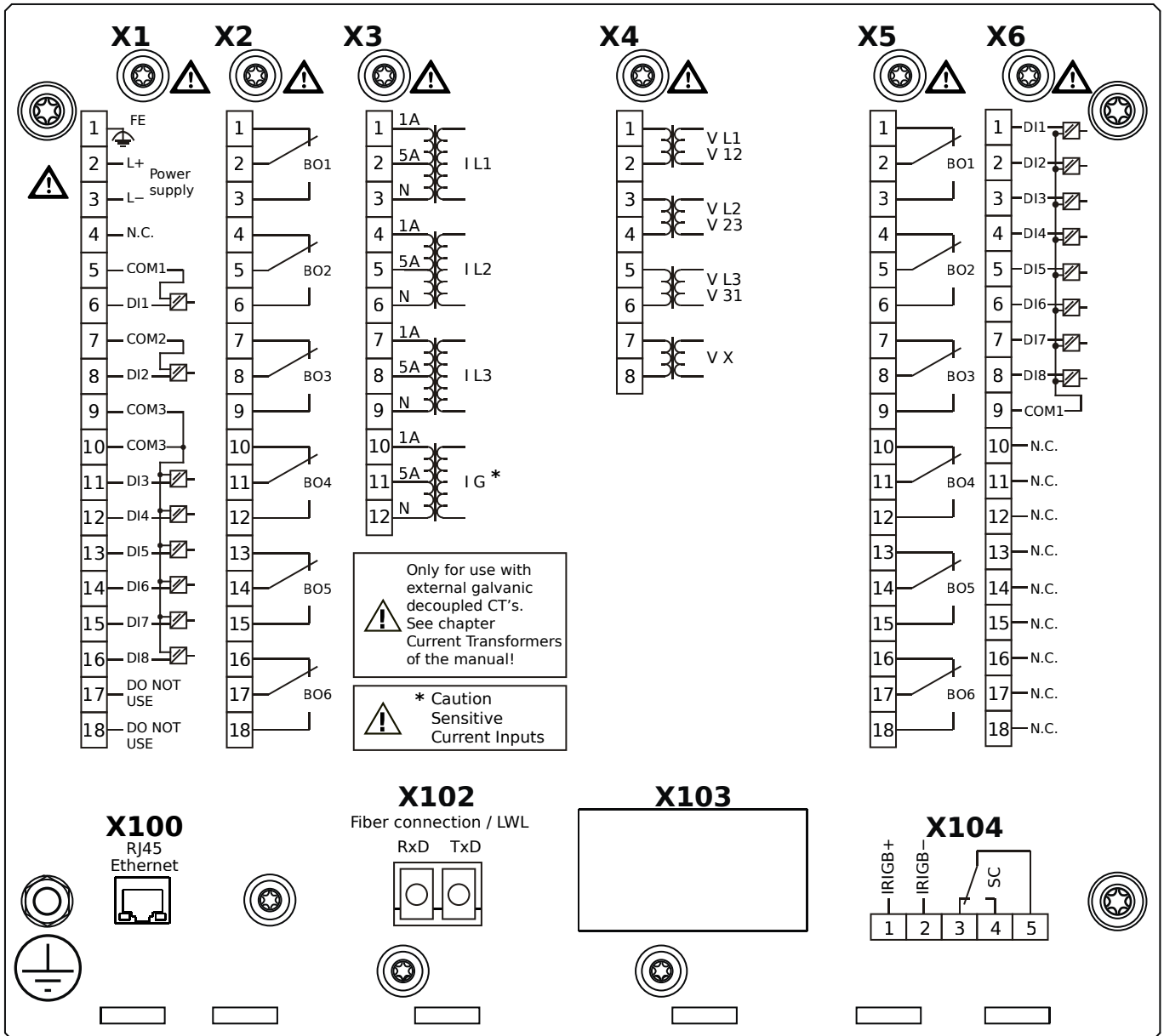


Housing B2, large display, door mounting

+ Conformal Coating (for installations in harsh environment)

- X1** – DI8-X1: Wide-range power supply unit, incl. 2 non-grouped digital inputs and 6 grouped digital inputs
- X2** – OR6: Assembly Group with 6 Output Relays (Changeover / Form C)
- X3** – TIs: Standard phase current measuring card and sensitive ground current measuring
- X4** – TU: Card with 4 voltage transformer measuring inputs (0 ... 800 VAC, under UL: 0 ... 600 VAC)
- X5** – OR6: Assembly Group with 6 Output Relays (Changeover / Form C)
- X6** – DI8: Assembly Group with 8 Digital Inputs
- X102** – Long-distance Protection Communication, Fiber optics interface, LC Connector
- X103** – Modbus RTU / IEC 60870-5-103 / DNP3.0 RTU, RS485, D-SUB
- X104** – IRIG-B00X, incl. System Contact (Supervision Contact)

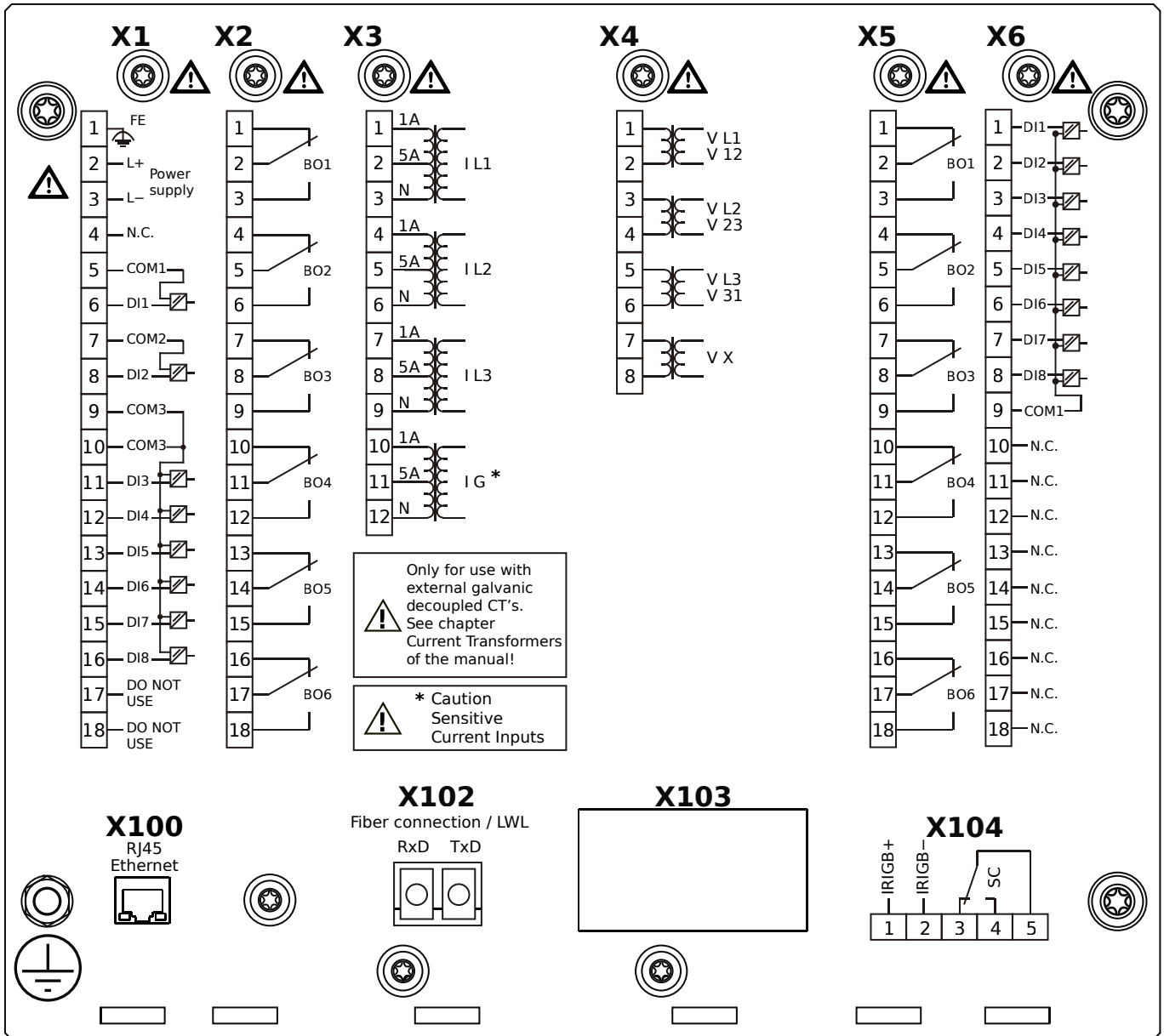
MCDLV4-2D1A0HA



Housing B2, large display, door mounting

- X1** – DI8-X1: Wide-range power supply unit, incl. 2 non-grouped digital inputs and 6 grouped digital inputs
- X2** – OR6: Assembly Group with 6 Output Relays (Changeover / Form C)
- X3** – TIs: Standard phase current measuring card and sensitive ground current measuring
- X4** – TU: Card with 4 voltage transformer measuring inputs (0 ... 800 VAC, under UL: 0 ... 600 VAC)
- X5** – OR6: Assembly Group with 6 Output Relays (Changeover / Form C)
- X6** – DI8: Assembly Group with 8 Digital Inputs
- X100** – IEC 61850 / Modbus TCP / IEC 60870-5-104 / DNP3.0 TCP/UDP, Ethernet interface, 100 Mbit/s, RJ45 (BASE100-FX)
- X102** – Long-distance Protection Communication, Fiber optics interface, LC Connector
- X104** – IRIG-B00X, incl. System Contact (Supervision Contact)

MCDLV4-2D1A0HB

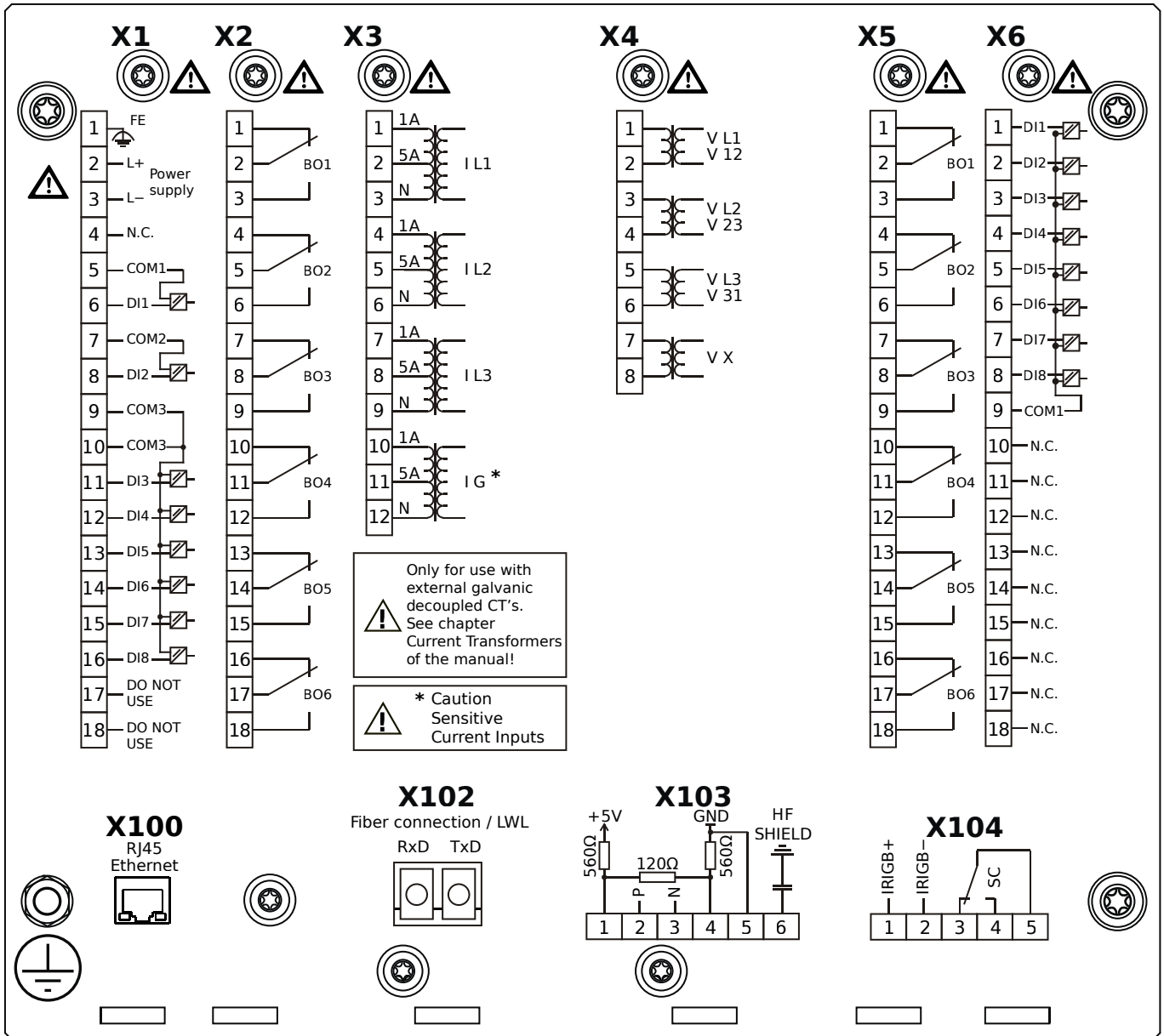


Housing B2, large display, door mounting

+ Conformal Coating (for installations in harsh environment)

- X1** – DI8-X1: Wide-range power supply unit, incl. 2 non-grouped digital inputs and 6 grouped digital inputs
- X2** – OR6: Assembly Group with 6 Output Relays (Changeover / Form C)
- X3** – TIs: Standard phase current measuring card and sensitive ground current measuring
- X4** – TU: Card with 4 voltage transformer measuring inputs (0 ... 800 VAC, under UL: 0 ... 600 VAC)
- X5** – OR6: Assembly Group with 6 Output Relays (Changeover / Form C)
- X6** – DI8: Assembly Group with 8 Digital Inputs
- X100** – IEC 61850 / Modbus TCP / IEC 60870-5-104 / DNP3.0 TCP/UDP, Ethernet interface, 100 Mbit/s, RJ45 (BASE100-FX)
- X102** – Long-distance Protection Communication, Fiber optics interface, LC Connector
- X104** – IRIG-B00X, incl. System Contact (Supervision Contact)

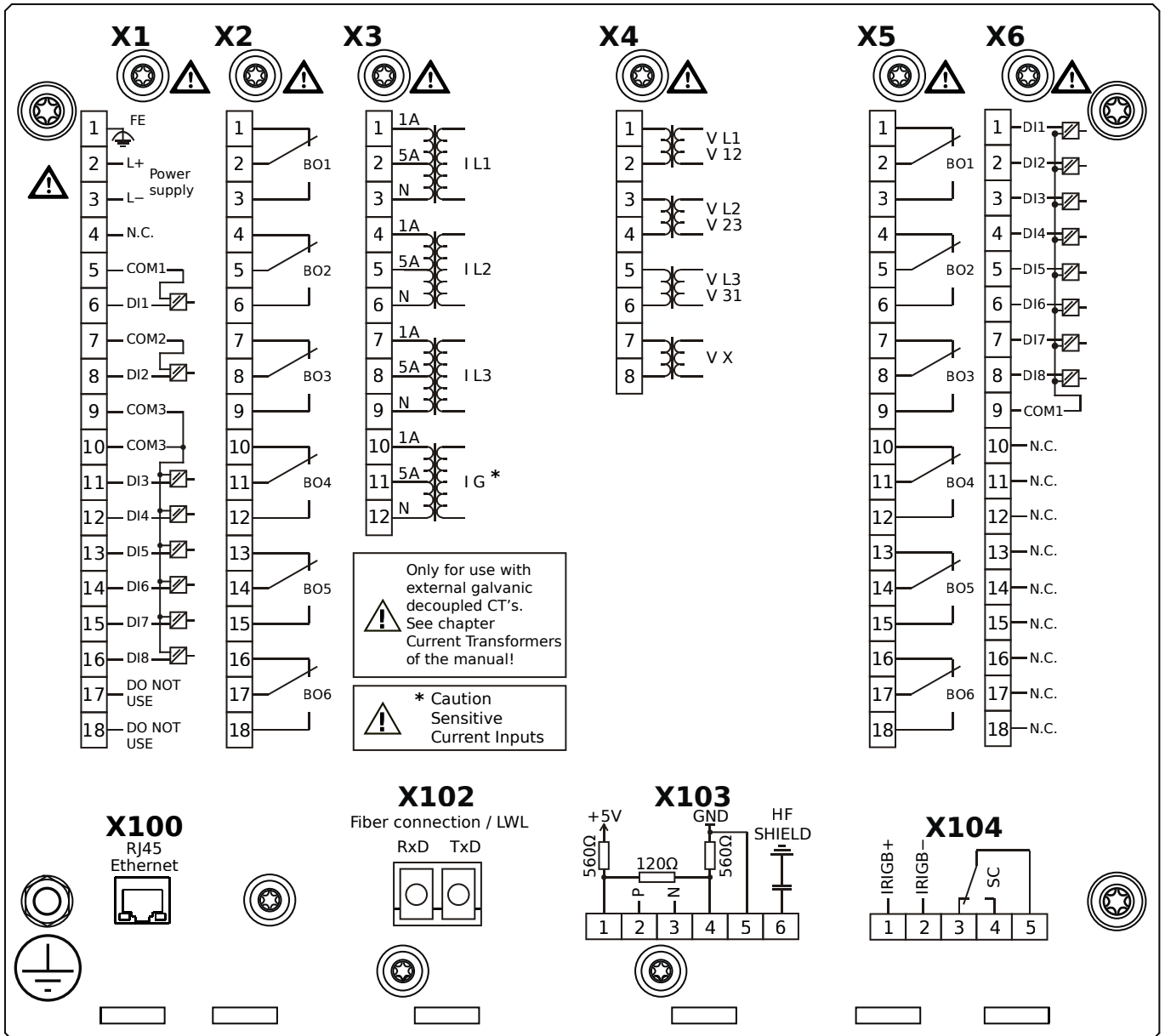
MCDLV4-2D1A0IA



Housing B2, large display, door mounting

- X1** – DI8-X1: Wide-range power supply unit, incl. 2 non-grouped digital inputs and 6 grouped digital inputs
- X2** – OR6: Assembly Group with 6 Output Relays (Changeover / Form C)
- X3** – TIs: Standard phase current measuring card and sensitive ground current measuring
- X4** – TU: Card with 4 voltage transformer measuring inputs (0 ... 800 VAC, under UL: 0 ... 600 VAC)
- X5** – OR6: Assembly Group with 6 Output Relays (Changeover / Form C)
- X6** – DI8: Assembly Group with 8 Digital Inputs
- X100** – Modbus TCP / IEC 60870-5-104 / DNP3.0 TCP/UDP, Ethernet interface, 100 Mbit/s, RJ45 (BASE100-FX)
- X102** – Long-distance Protection Communication, Fiber optics interface, LC Connector
- X103** – IEC 60870-5-103 / Modbus RTU / DNP3.0 RTU, RS485, Terminals
- X104** – IRIG-B00X, incl. System Contact (Supervision Contact)

MCDLV4-2D1A0IB

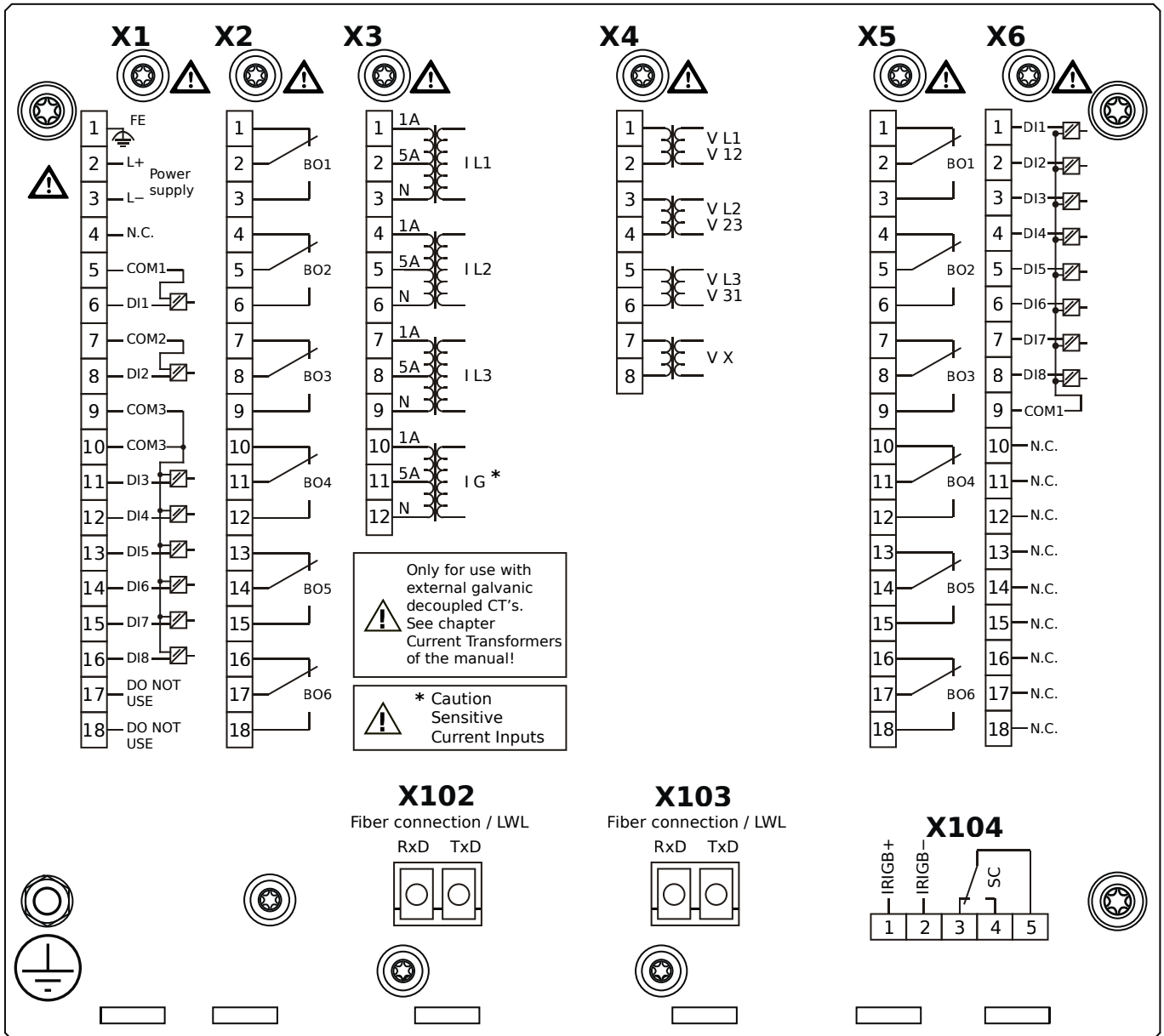


Housing B2, large display, door mounting

+ Conformal Coating (for installations in harsh environment)

- X1** – DI8-X1: Wide-range power supply unit, incl. 2 non-grouped digital inputs and 6 grouped digital inputs
- X2** – OR6: Assembly Group with 6 Output Relays (Changeover / Form C)
- X3** – TIs: Standard phase current measuring card and sensitive ground current measuring
- X4** – TU: Card with 4 voltage transformer measuring inputs (0 ... 800 VAC, under UL: 0 ... 600 VAC)
- X5** – OR6: Assembly Group with 6 Output Relays (Changeover / Form C)
- X6** – DI8: Assembly Group with 8 Digital Inputs
- X100** – Modbus TCP / IEC 60870-5-104 / DNP3.0 TCP/UDP, Ethernet interface, 100 Mbit/s, RJ45 (BASE100-FX)
- X102** – Long-distance Protection Communication, Fiber optics interface, LC Connector
- X103** – IEC 60870-5-103 / Modbus RTU / DNP3.0 RTU, RS485, Terminals
- X104** – IRIG-B00X, incl. System Contact (Supervision Contact)

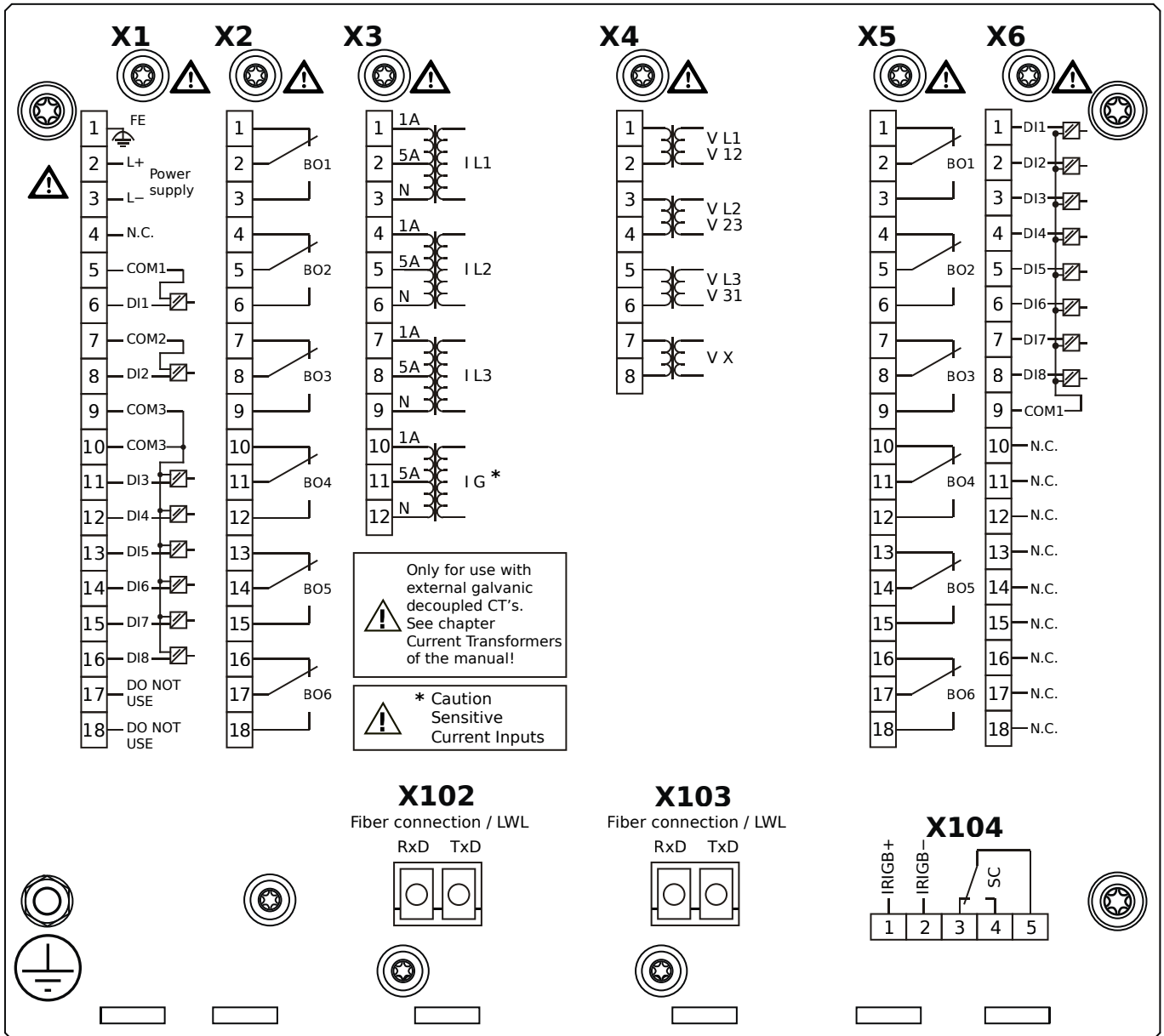
MCDLV4-2D1A0KA



Housing B2, large display, door mounting

- X1** – DI8-X1: Wide-range power supply unit, incl. 2 non-grouped digital inputs and 6 grouped digital inputs
- X2** – OR6: Assembly Group with 6 Output Relays (Changeover / Form C)
- X3** – TIs: Standard phase current measuring card and sensitive ground current measuring
- X4** – TU: Card with 4 voltage transformer measuring inputs (0 ... 800 VAC, under UL: 0 ... 600 VAC)
- X5** – OR6: Assembly Group with 6 Output Relays (Changeover / Form C)
- X6** – DI8: Assembly Group with 8 Digital Inputs
- X102** – Long-distance Protection Communication, Fiber optics interface, LC Connector
- X103** – IEC 61850 / Modbus TCP / IEC 60870-5-104 / DNP3.0 TCP/UDP, Fiber optics interface, LC Connector
- X104** – IRIG-B00X, incl. System Contact (Supervision Contact)

MCDLV4-2D1A0KB

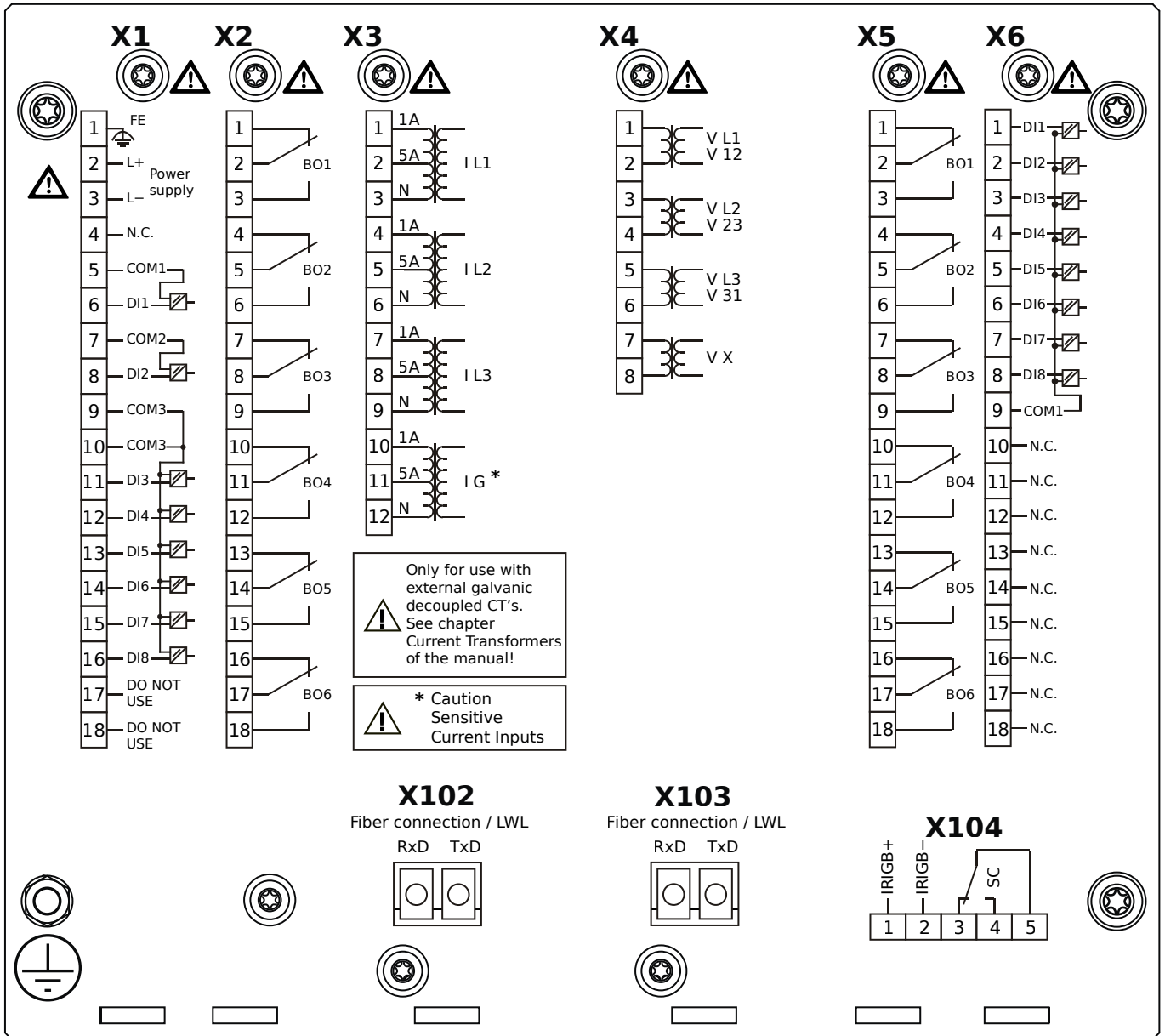


Housing B2, large display, door mounting

+ Conformal Coating (for installations in harsh environment)

- X1** – DI8-X1: Wide-range power supply unit, incl. 2 non-grouped digital inputs and 6 grouped digital inputs
- X2** – OR6: Assembly Group with 6 Output Relays (Changeover / Form C)
- X3** – TIs: Standard phase current measuring card and sensitive ground current measuring
- X4** – TU: Card with 4 voltage transformer measuring inputs (0 ... 800 VAC, under UL: 0 ... 600 VAC)
- X5** – OR6: Assembly Group with 6 Output Relays (Changeover / Form C)
- X6** – DI8: Assembly Group with 8 Digital Inputs
- X102** – Long-distance Protection Communication, Fiber optics interface, LC Connector
- X103** – IEC 61850 / Modbus TCP / IEC 60870-5-104 / DNP3.0 TCP/UDP, Fiber optics interface, LC Connector
- X104** – IRIG-B00X, incl. System Contact (Supervision Contact)

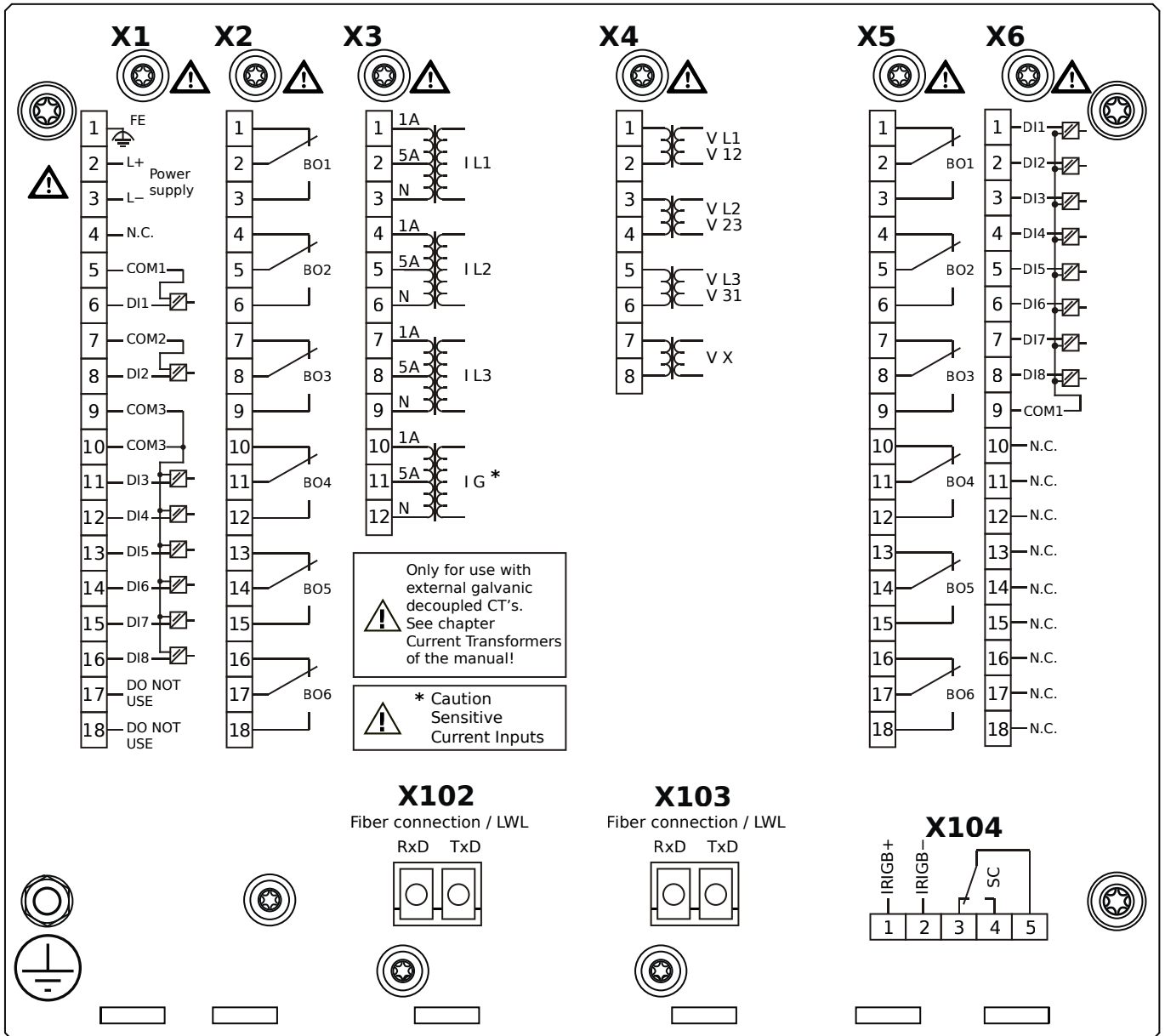
MCDLV4-2D1A0LA



Housing B2, large display, door mounting

- X1** – DI8-X1: Wide-range power supply unit, incl. 2 non-grouped digital inputs and 6 grouped digital inputs
- X2** – OR6: Assembly Group with 6 Output Relays (Changeover / Form C)
- X3** – TIs: Standard phase current measuring card and sensitive ground current measuring
- X4** – TU: Card with 4 voltage transformer measuring inputs (0 ... 800 VAC, under UL: 0 ... 600 VAC)
- X5** – OR6: Assembly Group with 6 Output Relays (Changeover / Form C)
- X6** – DI8: Assembly Group with 8 Digital Inputs
- X102** – Long-distance Protection Communication, Fiber optics interface, LC Connector
- X103** – Modbus TCP / IEC 60870-5-104 / DNP3.0 TCP/UDP, Fiber optics interface, LC Connector
- X104** – IRIG-B00X, incl. System Contact (Supervision Contact)

MCDLV4-2D1A0LB

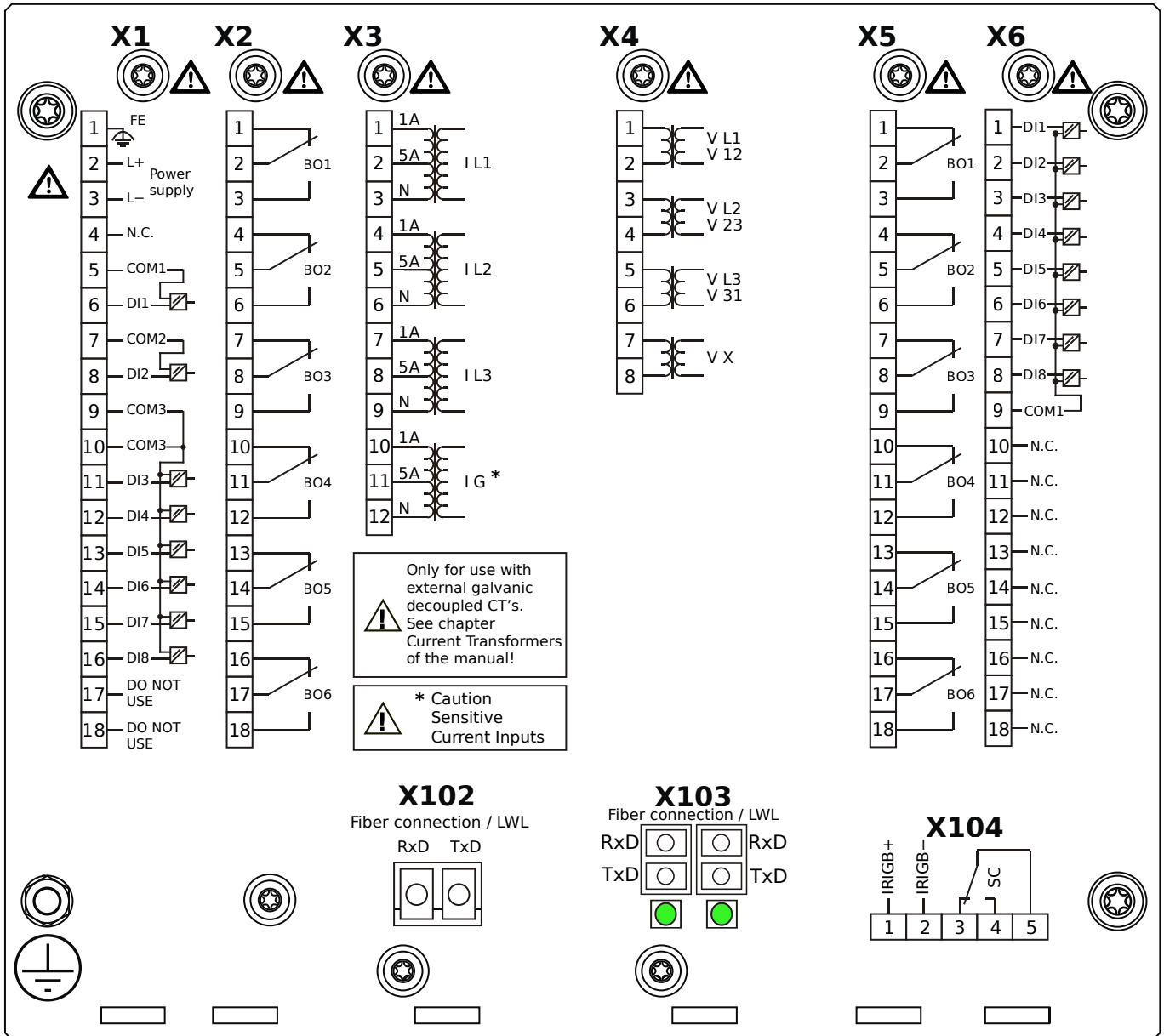


Housing B2, large display, door mounting

- + Conformal Coating (for installations in harsh environment)

- X1** – DI8-X1: Wide-range power supply unit, incl. 2 non-grouped digital inputs and 6 grouped digital inputs
- X2** – OR6: Assembly Group with 6 Output Relays (Changeover / Form C)
- X3** – TIs: Standard phase current measuring card and sensitive ground current measuring
- X4** – TU: Card with 4 voltage transformer measuring inputs (0 ... 800 VAC, under UL: 0 ... 600 VAC)
- X5** – OR6: Assembly Group with 6 Output Relays (Changeover / Form C)
- X6** – DI8: Assembly Group with 8 Digital Inputs
- X102** – Long-distance Protection Communication, Fiber optics interface, LC Connector
- X103** – Modbus TCP / IEC 60870-5-104 / DNP3.0 TCP/UDP, Fiber optics interface, LC Connector
- X104** – IRIG-B00X, incl. System Contact (Supervision Contact)

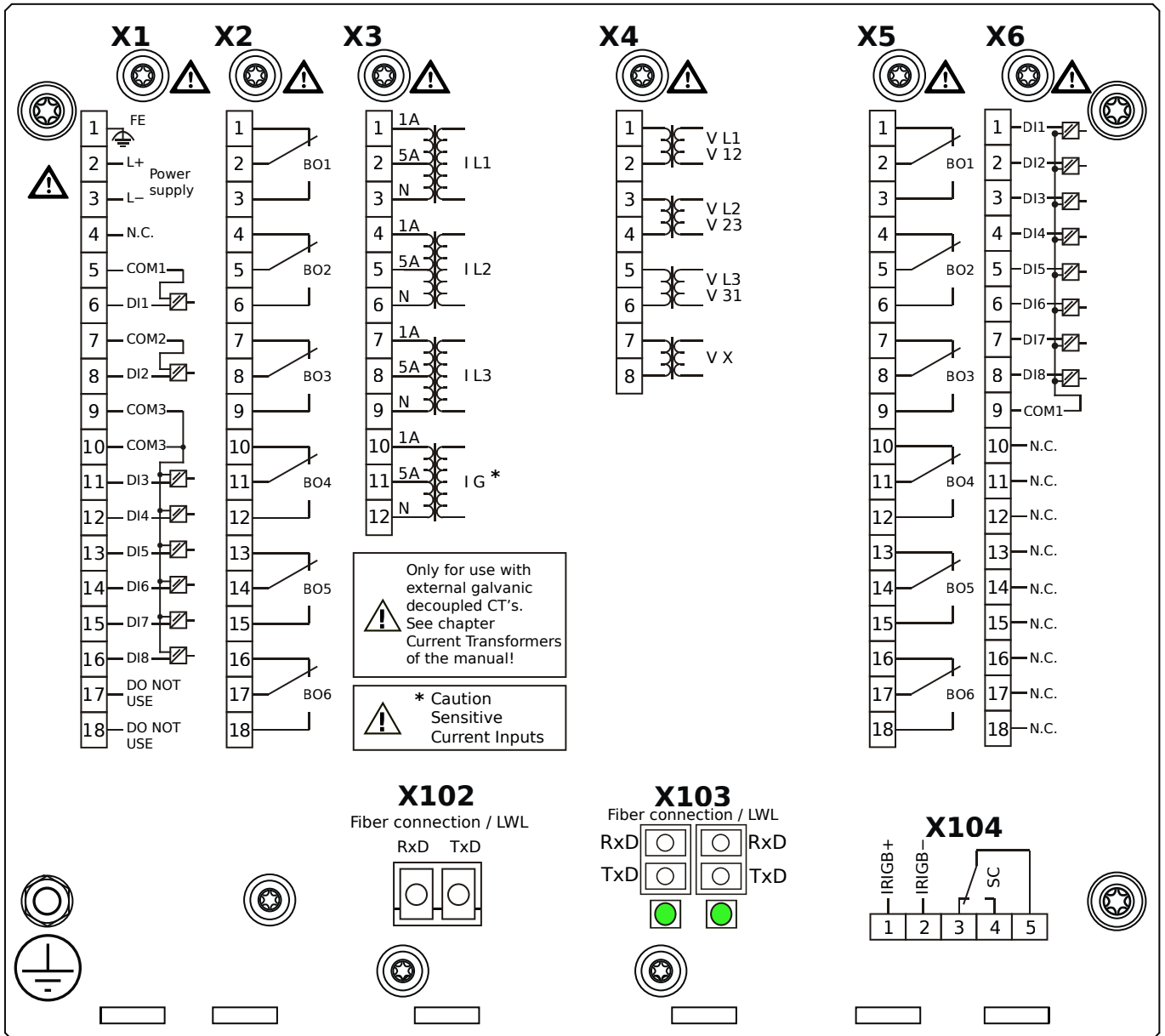
MCDLV4-2D1A00A



Housing B2, large display, door mounting

- X1** – DI8-X1: Wide-range power supply unit, incl. 2 non-grouped digital inputs and 6 grouped digital inputs
- X2** – OR6: Assembly Group with 6 Output Relays (Changeover / Form C)
- X3** – TIs: Standard phase current measuring card and sensitive ground current measuring
- X4** – TU: Card with 4 voltage transformer measuring inputs (0 ... 800 VAC, under UL: 0 ... 600 VAC)
- X5** – OR6: Assembly Group with 6 Output Relays (Changeover / Form C)
- X6** – DI8: Assembly Group with 8 Digital Inputs
- X102** – Long-distance Protection Communication, Fiber optics interface, LC Connector
- X103** – Modbus TCP / IEC 60870-5-104 / DNP3.0 TCP/UDP, Redundant Fiber optics interface, LC Connector
- X104** – IRIG-B00X, incl. System Contact (Supervision Contact)

MCDLV4-2D1A00B

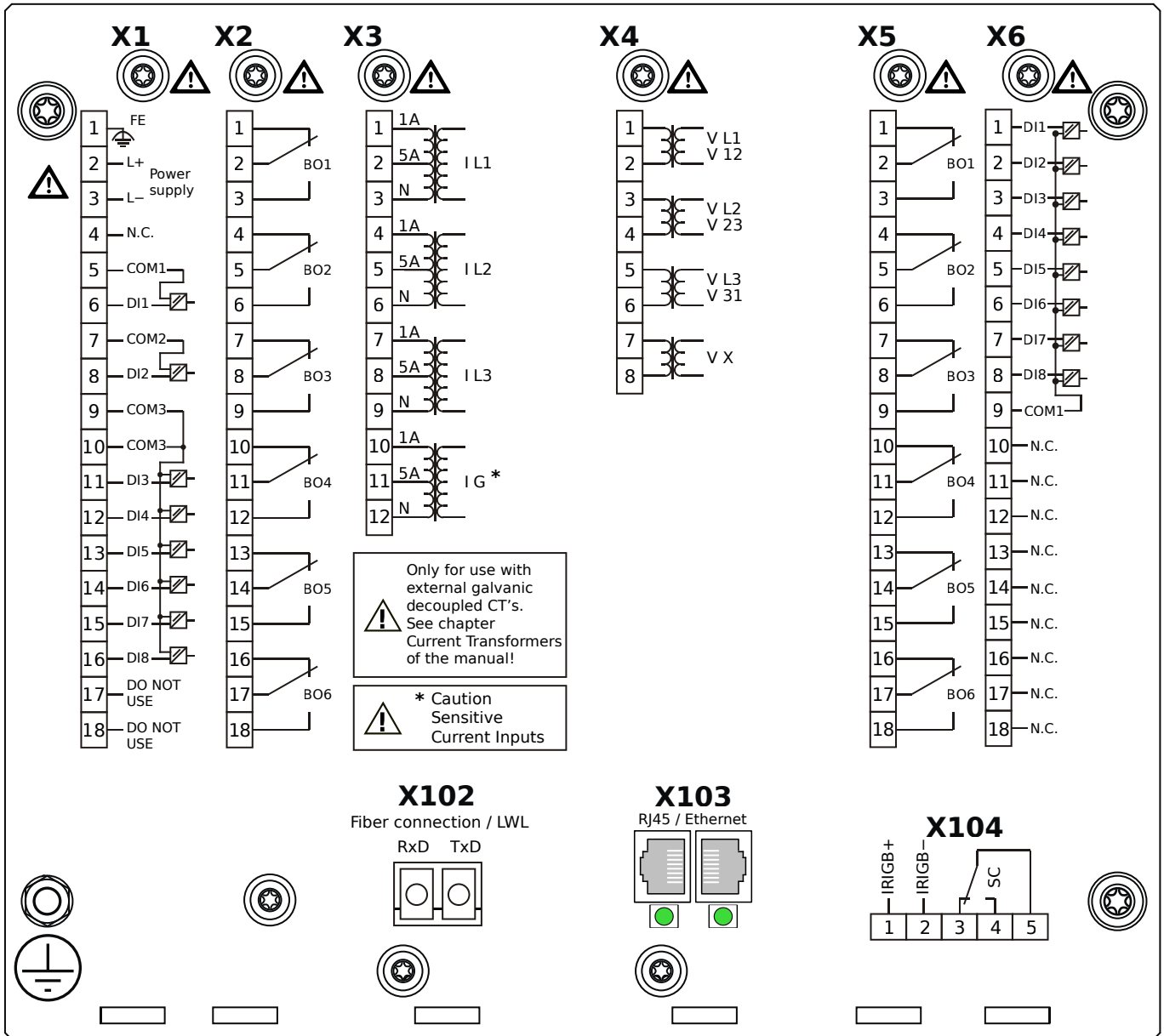


Housing B2, large display, door mounting

- + Conformal Coating (for installations in harsh environment)

- X1** – DI8-X1: Wide-range power supply unit, incl. 2 non-grouped digital inputs and 6 grouped digital inputs
- X2** – OR6: Assembly Group with 6 Output Relays (Changeover / Form C)
- X3** – TIs: Standard phase current measuring card and sensitive ground current measuring
- X4** – TU: Card with 4 voltage transformer measuring inputs (0 ... 800 VAC, under UL: 0 ... 600 VAC)
- X5** – OR6: Assembly Group with 6 Output Relays (Changeover / Form C)
- X6** – DI8: Assembly Group with 8 Digital Inputs
- X102** – Long-distance Protection Communication, Fiber optics interface, LC Connector
- X103** – Modbus TCP / IEC 60870-5-104 / DNP3.0 TCP/UDP, Redundant Fiber optics interface, LC Connector
- X104** – IRIG-B00X, incl. System Contact (Supervision Contact)

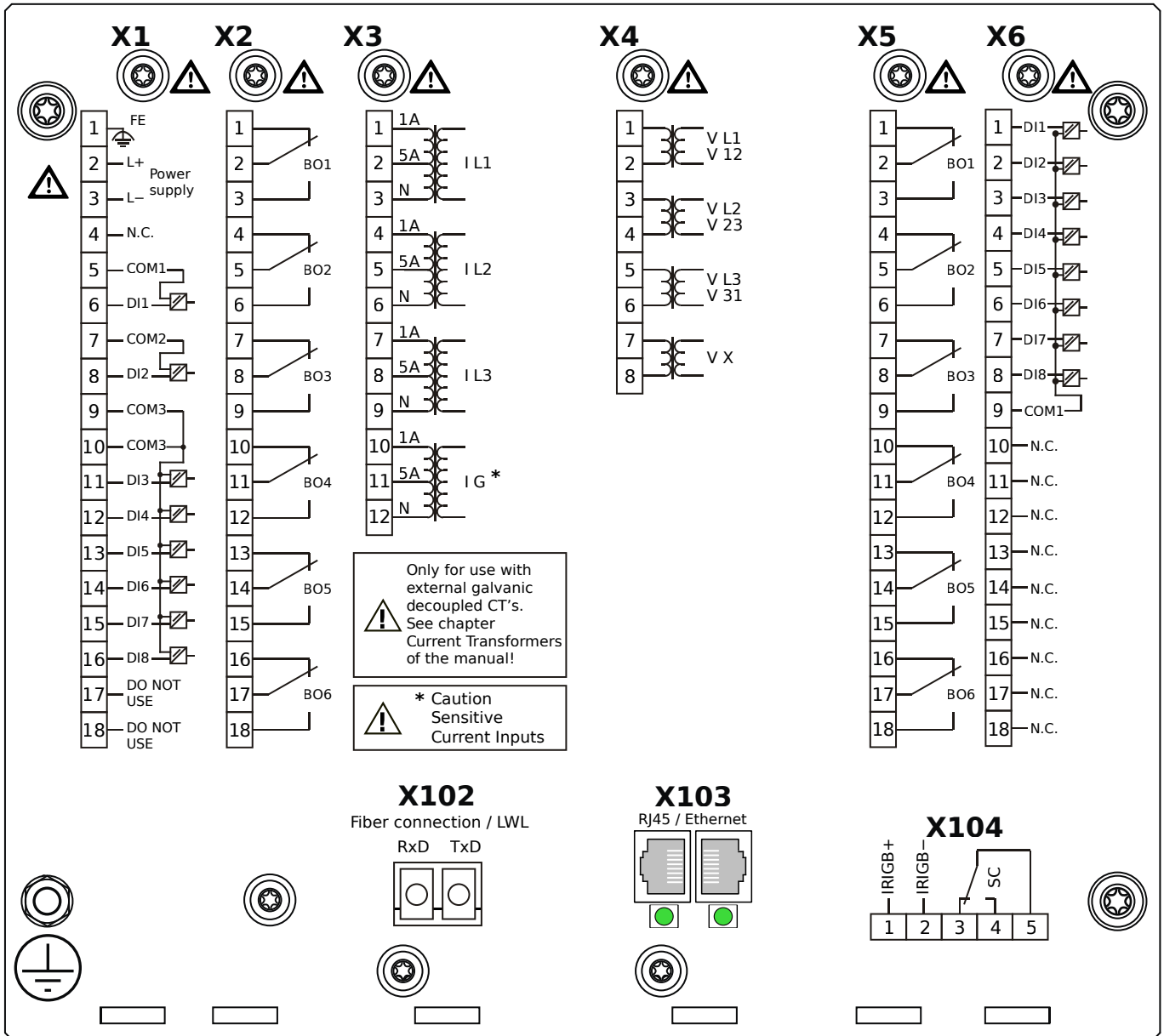
MCDLV4-2D1A0PA



Housing B2, large display, door mounting

- X1** – DI8-X1: Wide-range power supply unit, incl. 2 non-grouped digital inputs and 6 grouped digital inputs
- X2** – OR6: Assembly Group with 6 Output Relays (Changeover / Form C)
- X3** – TIs: Standard phase current measuring card and sensitive ground current measuring
- X4** – TU: Card with 4 voltage transformer measuring inputs (0 ... 800 VAC, under UL: 0 ... 600 VAC)
- X5** – OR6: Assembly Group with 6 Output Relays (Changeover / Form C)
- X6** – DI8: Assembly Group with 8 Digital Inputs
- X102** – Long-distance Protection Communication, Fiber optics interface, LC Connector
- X103** – Modbus TCP / IEC 60870-5-104 / DNP3.0 TCP/UDP, Redundant Ethernet interface, 100 Mbit/s, RJ45 (BASE100-FX)
- X104** – IRIG-B00X, incl. System Contact (Supervision Contact)

MCDLV4-2D1A0PB

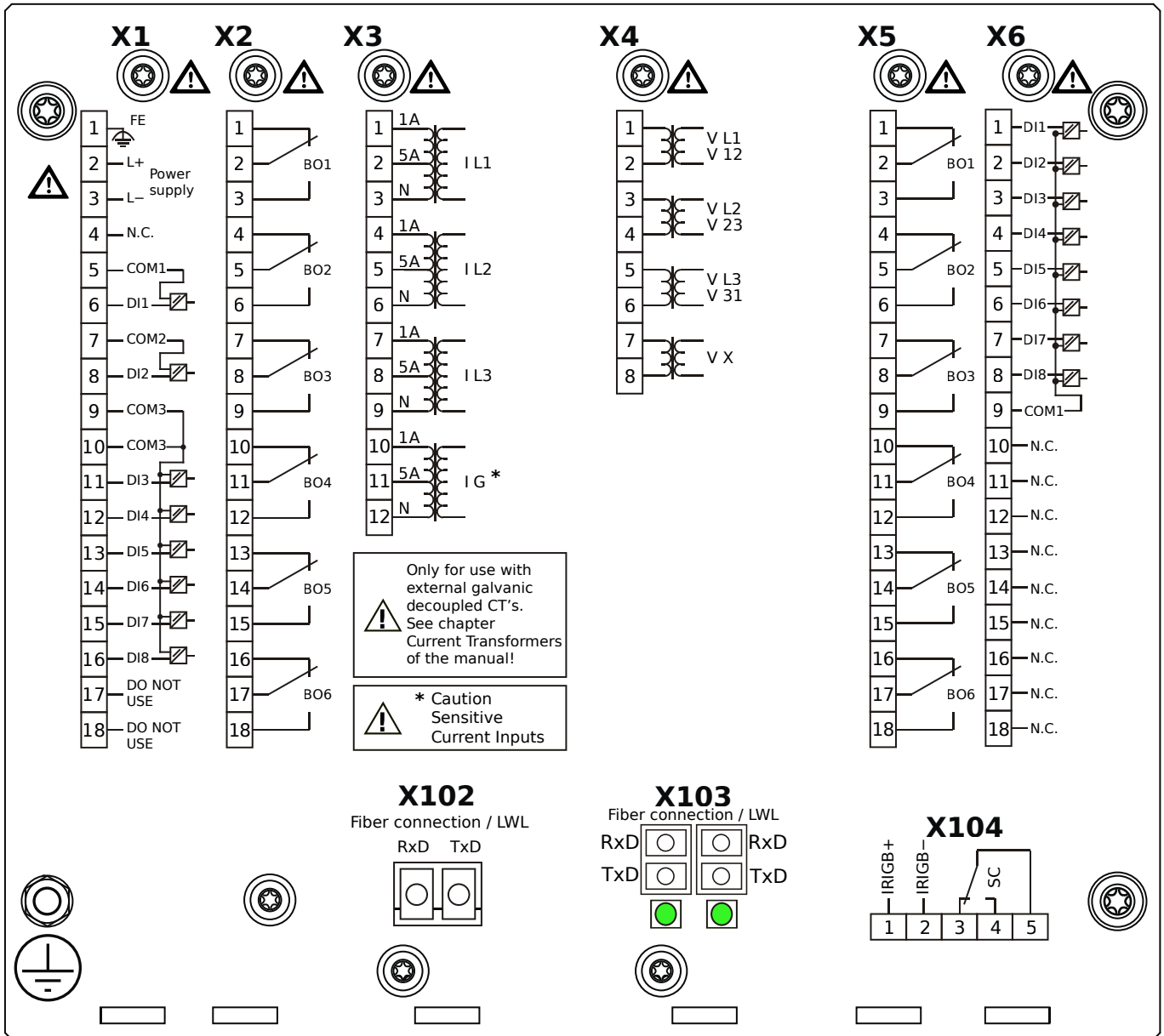


Housing B2, large display, door mounting

- + Conformal Coating (for installations in harsh environment)

- X1** – DI8-X1: Wide-range power supply unit, incl. 2 non-grouped digital inputs and 6 grouped digital inputs
- X2** – OR6: Assembly Group with 6 Output Relays (Changeover / Form C)
- X3** – TIs: Standard phase current measuring card and sensitive ground current measuring
- X4** – TU: Card with 4 voltage transformer measuring inputs (0 ... 800 VAC, under UL: 0 ... 600 VAC)
- X5** – OR6: Assembly Group with 6 Output Relays (Changeover / Form C)
- X6** – DI8: Assembly Group with 8 Digital Inputs
- X102** – Long-distance Protection Communication, Fiber optics interface, LC Connector
- X103** – Modbus TCP / IEC 60870-5-104 / DNP3.0 TCP/UDP, Redundant Ethernet interface, 100 Mbit/s, RJ45 (BASE100-FX)
- X104** – IRIG-B00X, incl. System Contact (Supervision Contact)

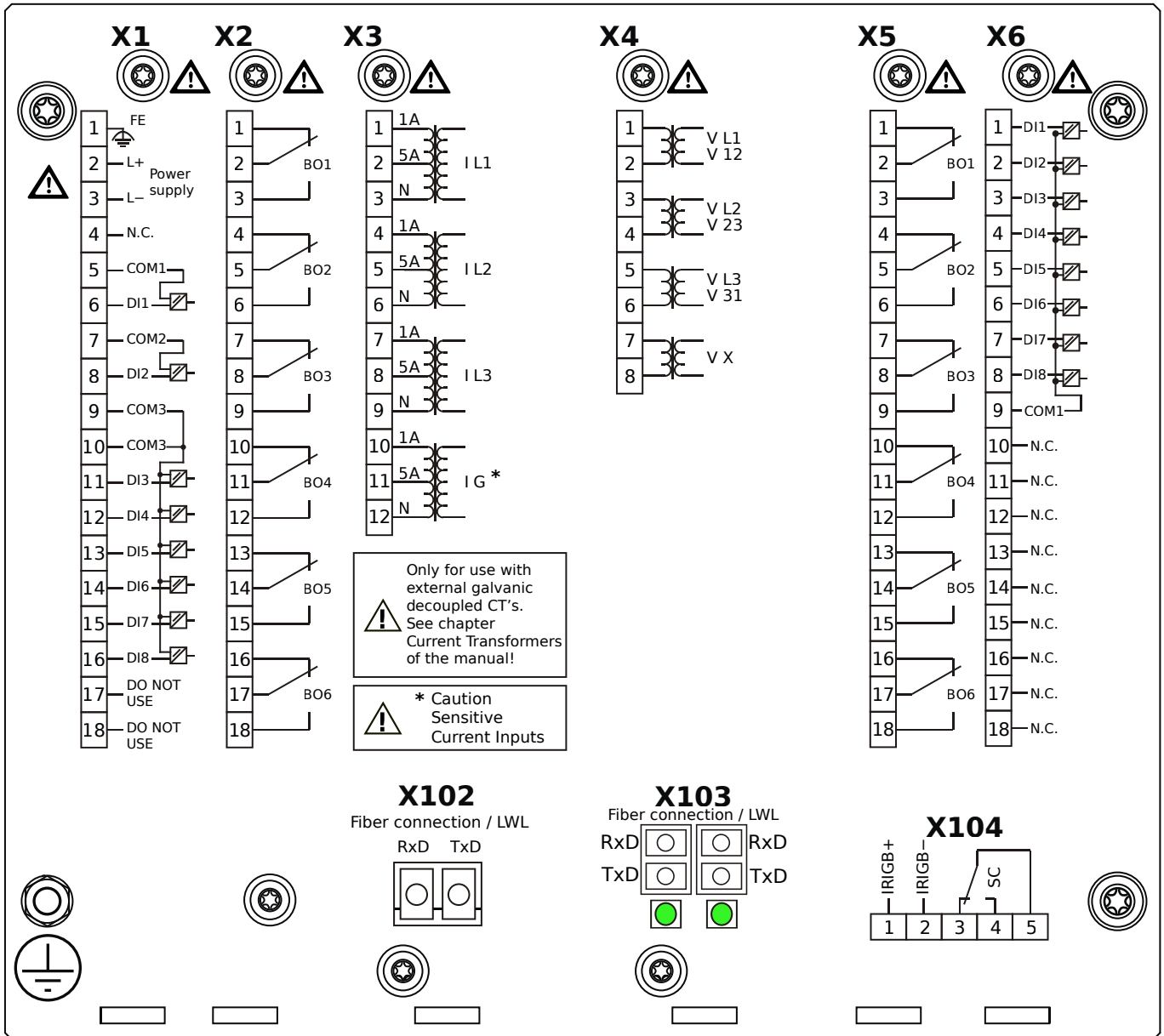
MCDLV4-2D1A0QA



Housing B2, large display, door mounting

- X1** – DI8-X1: Wide-range power supply unit, incl. 2 non-grouped digital inputs and 6 grouped digital inputs
- X2** – OR6: Assembly Group with 6 Output Relays (Changeover / Form C)
- X3** – TIs: Standard phase current measuring card and sensitive ground current measuring
- X4** – TU: Card with 4 voltage transformer measuring inputs (0 ... 800 VAC, under UL: 0 ... 600 VAC)
- X5** – OR6: Assembly Group with 6 Output Relays (Changeover / Form C)
- X6** – DI8: Assembly Group with 8 Digital Inputs
- X102** – Long-distance Protection Communication, Fiber optics interface, LC Connector
- X103** – IEC 61850 / Modbus TCP / IEC 60870-5-104 / DNP3.0 TCP/UDP, Redundant Fiber optics interface, LC Connector
- X104** – IRIG-B00X, incl. System Contact (Supervision Contact)

MCDLV4-2D1A0QB



Housing B2, large display, door mounting

+ Conformal Coating (for installations in harsh environment)

X1 – DI8-X1: Wide-range power supply unit, incl. 2 non-grouped digital inputs and 6 grouped digital inputs

X2 – OR6: Assembly Group with 6 Output Relays (Changeover / Form C)

X3 – TIs: Standard phase current measuring card and sensitive ground current measuring

X4 – TU: Card with 4 voltage transformer measuring inputs (0 ... 800 VAC, under UL: 0 ... 600 VAC)

X5 – OR6: Assembly Group with 6 Output Relays (Changeover / Form C)

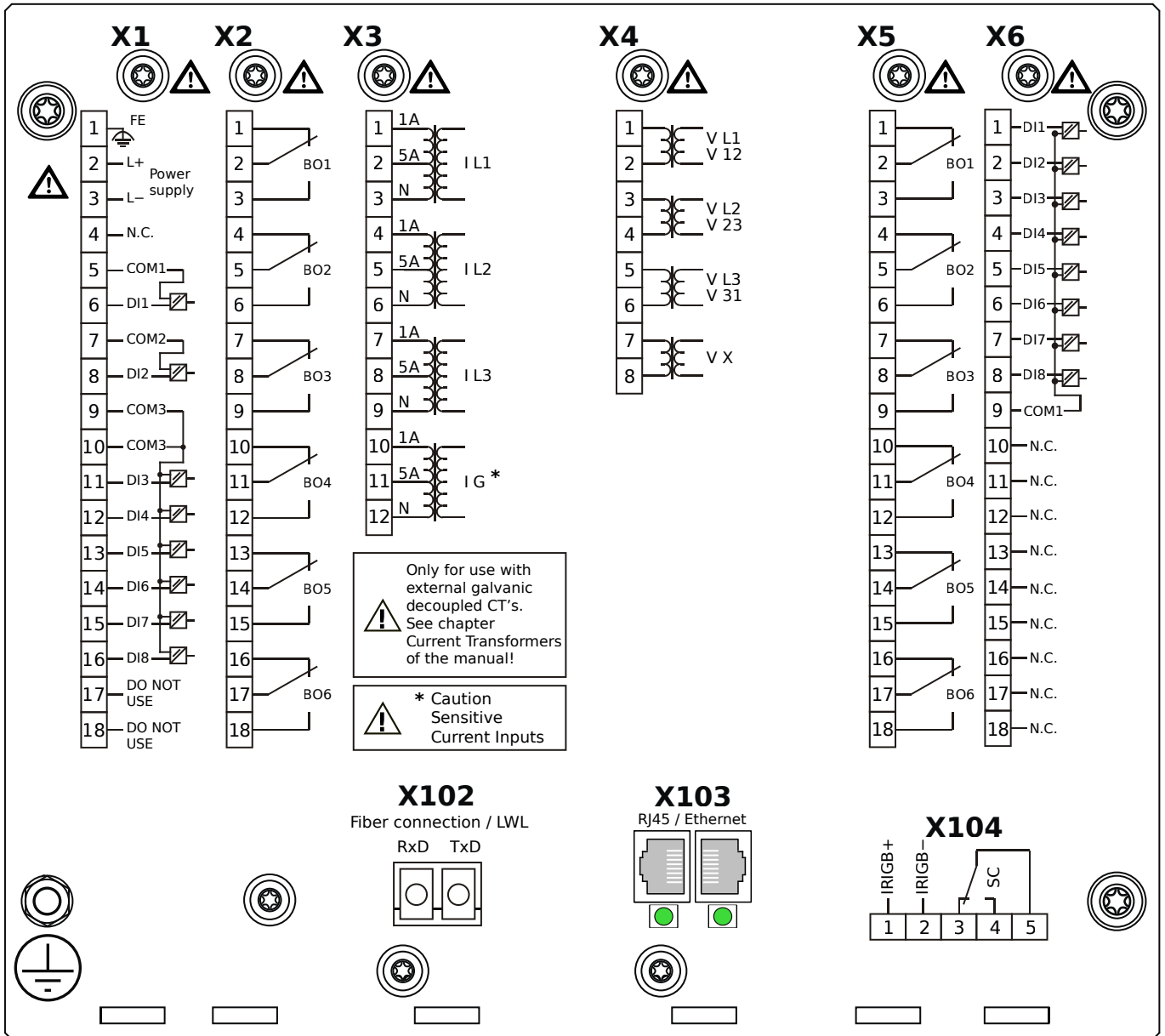
X6 – DI8: Assembly Group with 8 Digital Inputs

X102 – Long-distance Protection Communication, Fiber optics interface, LC Connector

X103 – IEC 61850 / Modbus TCP / IEC 60870-5-104 / DNP3.0 TCP/UDP, Redundant Fiber optics interface, LC Connector

X104 – IRIG-B00X, incl. System Contact (Supervision Contact)

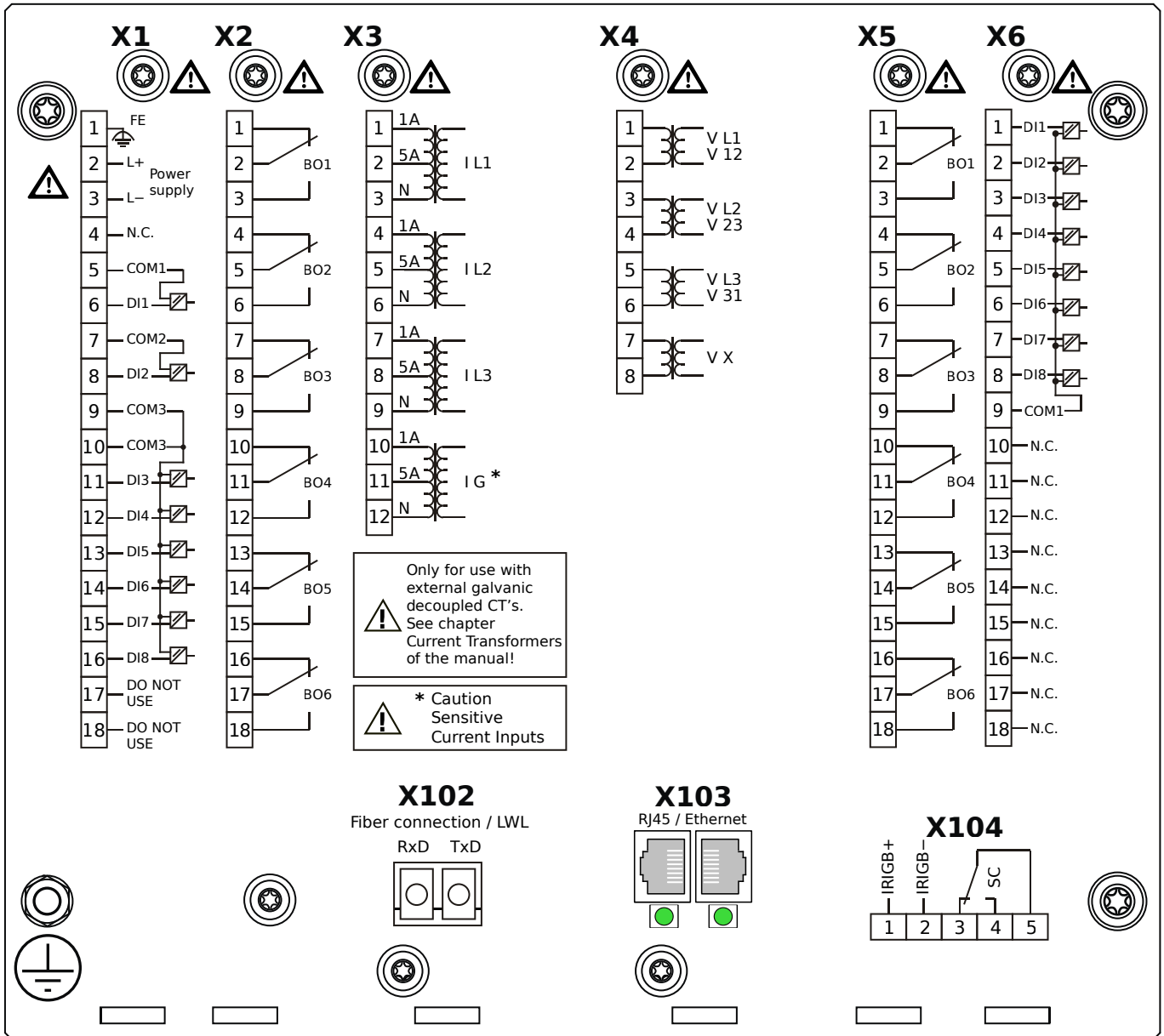
MCDLV4-2D1A0RA



Housing B2, large display, door mounting

- X1** – DI8-X1: Wide-range power supply unit, incl. 2 non-grouped digital inputs and 6 grouped digital inputs
 - X2** – OR6: Assembly Group with 6 Output Relays (Changeover / Form C)
 - X3** – TIs: Standard phase current measuring card and sensitive ground current measuring
 - X4** – TU: Card with 4 voltage transformer measuring inputs (0 ... 800 VAC, under UL: 0 ... 600 VAC)
 - X5** – OR6: Assembly Group with 6 Output Relays (Changeover / Form C)
 - X6** – DI8: Assembly Group with 8 Digital Inputs
 - X102** – Long-distance Protection Communication, Fiber optics interface, LC Connector
 - X103** – IEC 61850 / Modbus TCP / IEC 60870-5-104 / DNP3.0 TCP/UDP, Redundant Ethernet interface, 100 Mbit/s, RJ45
 - X104** – IRIG-B00X, incl. System Contact (Supervision Contact)
- (BASE100-FX)

MCDLV4-2D1A0RB



Housing B2, large display, door mounting

- + Conformal Coating (for installations in harsh environment)

X1 – DI8-X1: Wide-range power supply unit, incl. 2 non-grouped digital inputs and 6 grouped digital inputs

X2 – OR6: Assembly Group with 6 Output Relays (Changeover / Form C)

X3 – TIs: Standard phase current measuring card and sensitive ground current measuring

X4 – TU: Card with 4 voltage transformer measuring inputs (0 ... 800 VAC, under UL: 0 ... 600 VAC)

X5 – OR6: Assembly Group with 6 Output Relays (Changeover / Form C)

X6 – DI8: Assembly Group with 8 Digital Inputs

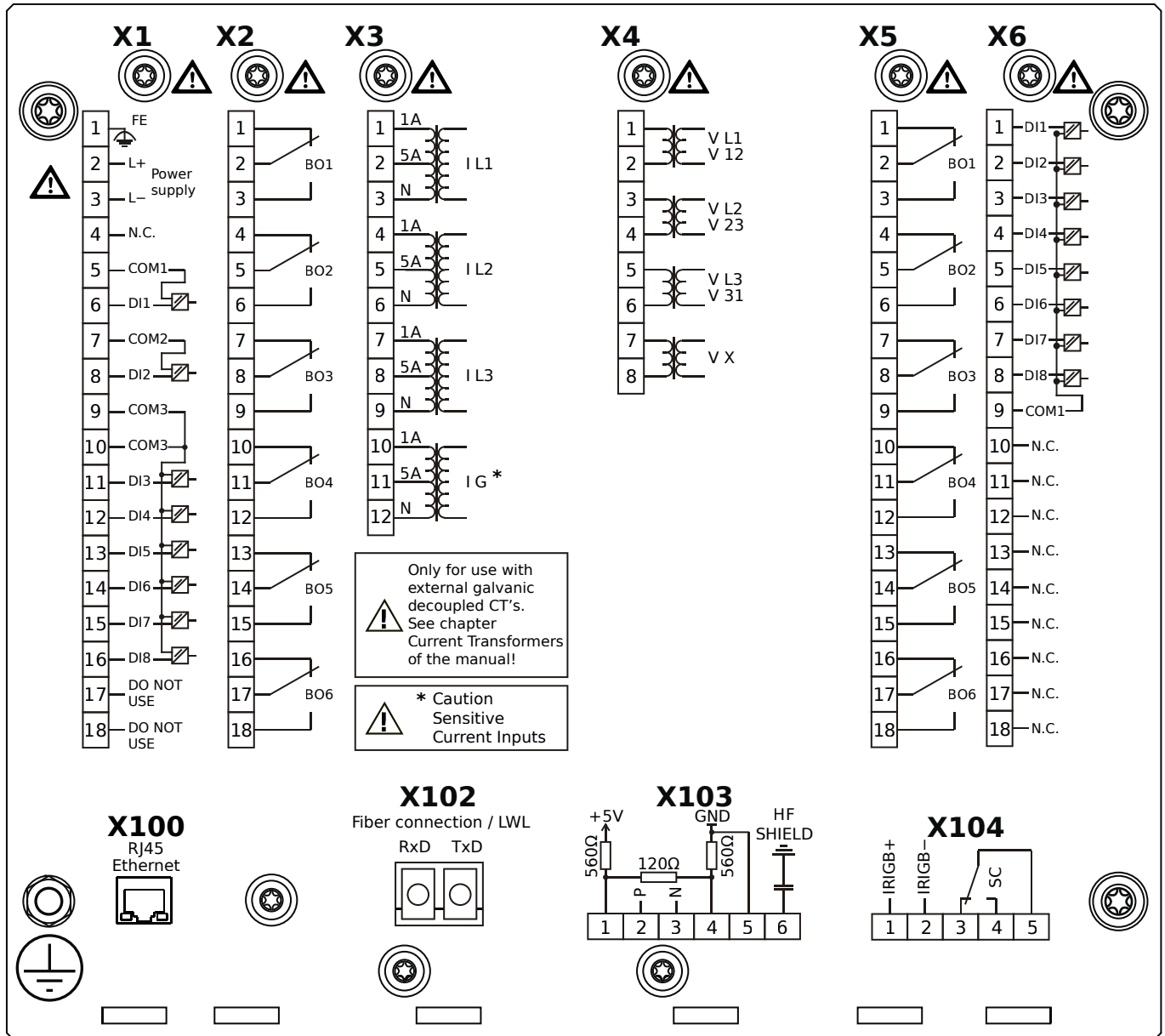
X102 – Long-distance Protection Communication, Fiber optics interface, LC Connector

X103 – IEC 61850 / Modbus TCP / IEC 60870-5-104 / DNP3.0 TCP/UDP, Redundant Ethernet interface, 100 Mbit/s, RJ45

(BASE100-FX)

X104 – IRIG-B00X, incl. System Contact (Supervision Contact)

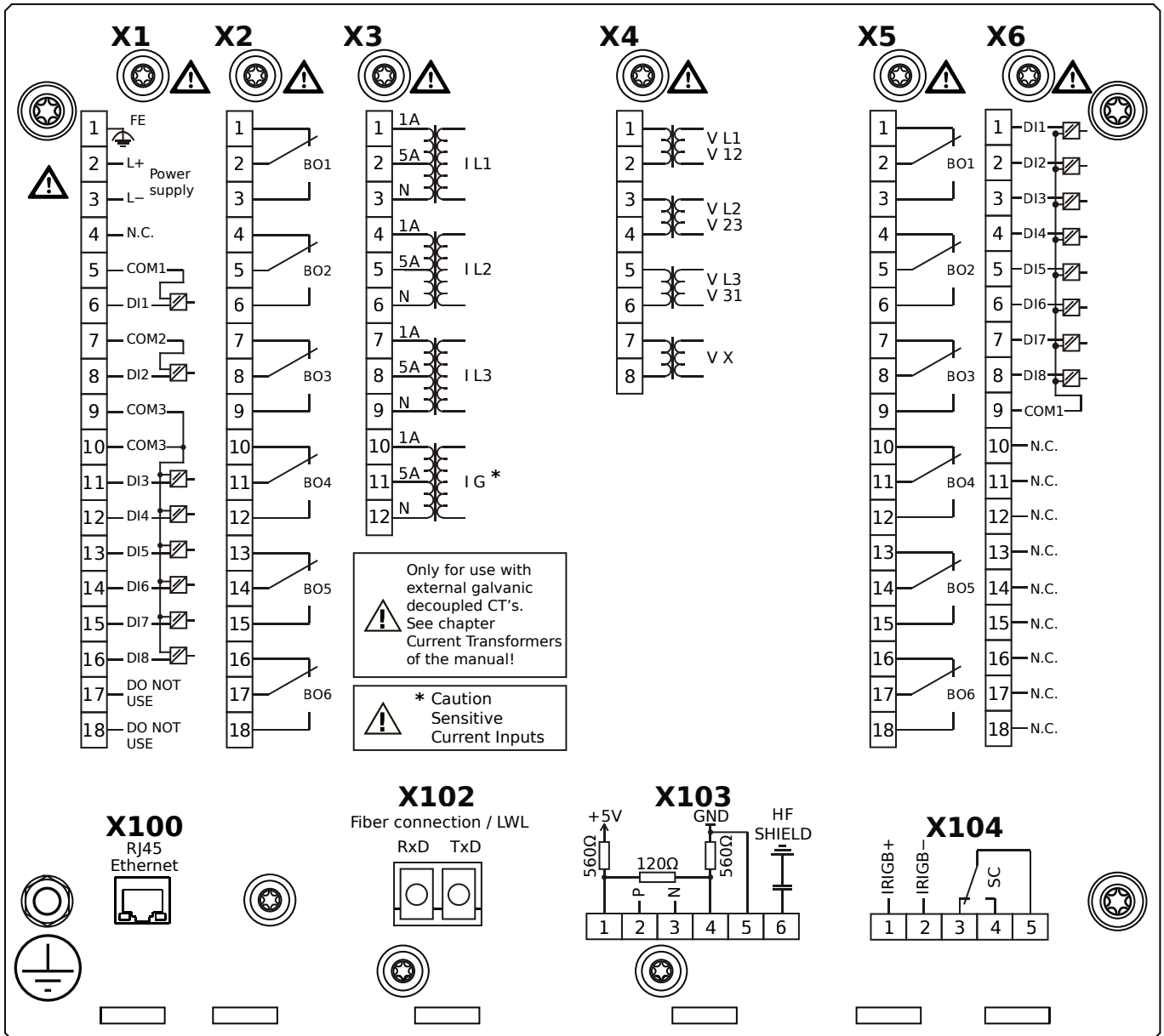
MCDLV4-2D1A0TA



Housing B2, large display, door mounting

- X1** – DI8-X1: Wide-range power supply unit, incl. 2 non-grouped digital inputs and 6 grouped digital inputs
- X2** – OR6: Assembly Group with 6 Output Relays (Changeover / Form C)
- X3** – TIs: Standard phase current measuring card and sensitive ground current measuring
- X4** – TU: Card with 4 voltage transformer measuring inputs (0 ... 800 VAC, under UL: 0 ... 600 VAC)
- X5** – OR6: Assembly Group with 6 Output Relays (Changeover / Form C)
- X6** – DI8: Assembly Group with 8 Digital Inputs
- X100** – IEC 61850 / Modbus TCP / IEC 60870-5-104 / DNP3.0 TCP/UDP, Ethernet interface, 100 Mbit/s, RJ45 (BASE100-FX)
- X102** – Long-distance Protection Communication, Fiber optics interface, LC Connector
- X103** – IEC 60870-5-103 / Modbus RTU / DNP3.0 RTU, RS485, Terminals
- X104** – IRIG-B00X, incl. System Contact (Supervision Contact)

MCDLV4-2D1A0TB



Housing B2, large display, door mounting

+ Conformal Coating (for installations in harsh environment)

X1 – DI8-X1: Wide-range power supply unit, incl. 2 non-grouped digital inputs and 6 grouped digital inputs

X2 – OR6: Assembly Group with 6 Output Relays (Changeover / Form C)

X3 – TIs: Standard phase current measuring card and sensitive ground current measuring

X4 – TU: Card with 4 voltage transformer measuring inputs (0 ... 800 VAC, under UL: 0 ... 600 VAC)

X5 – OR6: Assembly Group with 6 Output Relays (Changeover / Form C)

X6 – DI8: Assembly Group with 8 Digital Inputs

X100 – IEC 61850 / Modbus TCP / IEC 60870-5-104 / DNP3.0 TCP/UDP, Ethernet interface, 100 Mbit/s, RJ45 (BASE100-

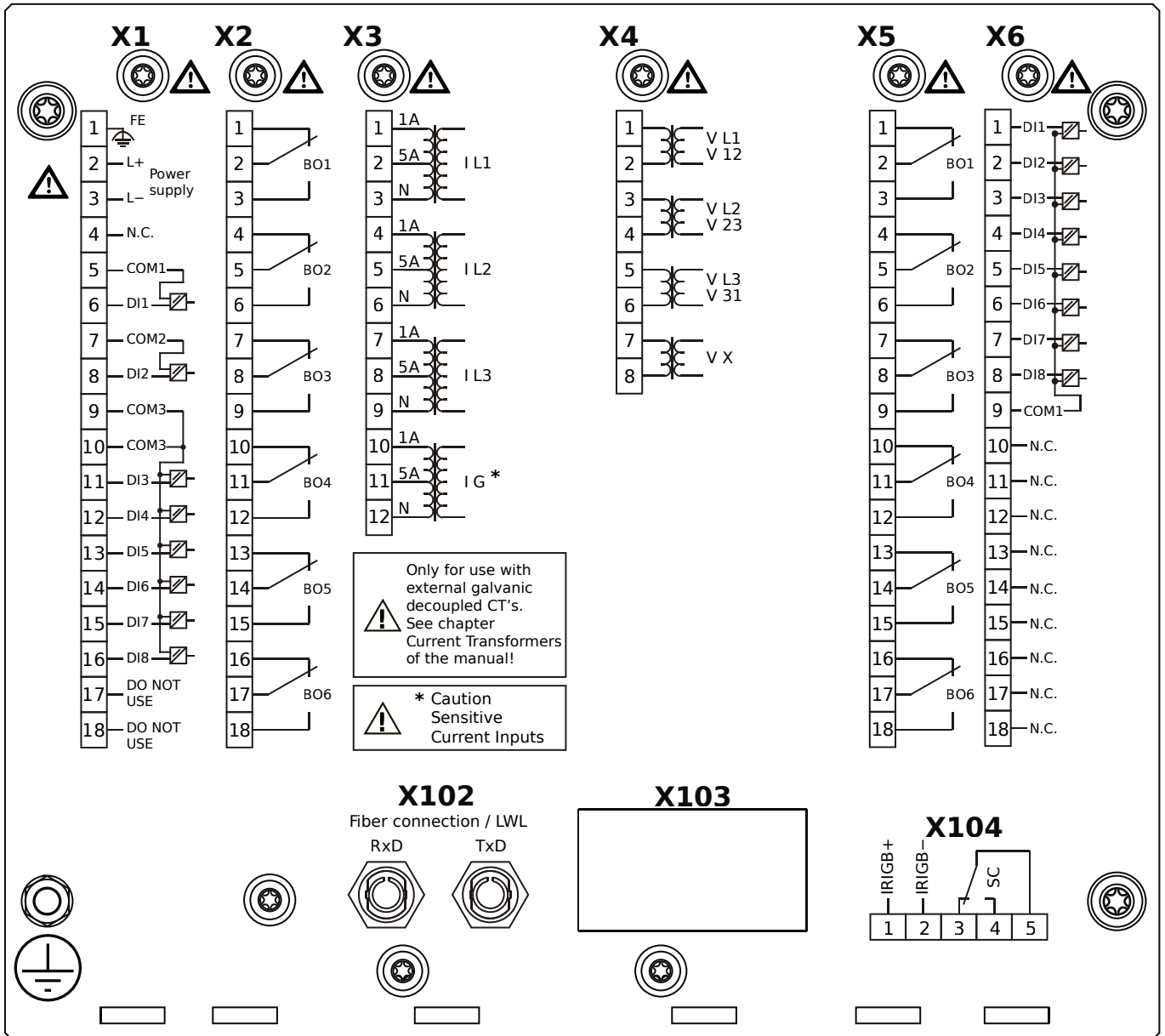
FX)

X102 – Long-distance Protection Communication, Fiber optics interface, LC Connector

X103 – IEC 60870-5-103 / Modbus RTU / DNP3.0 RTU, RS485, Terminals

X104 – IRIG-B00X, incl. System Contact (Supervision Contact)

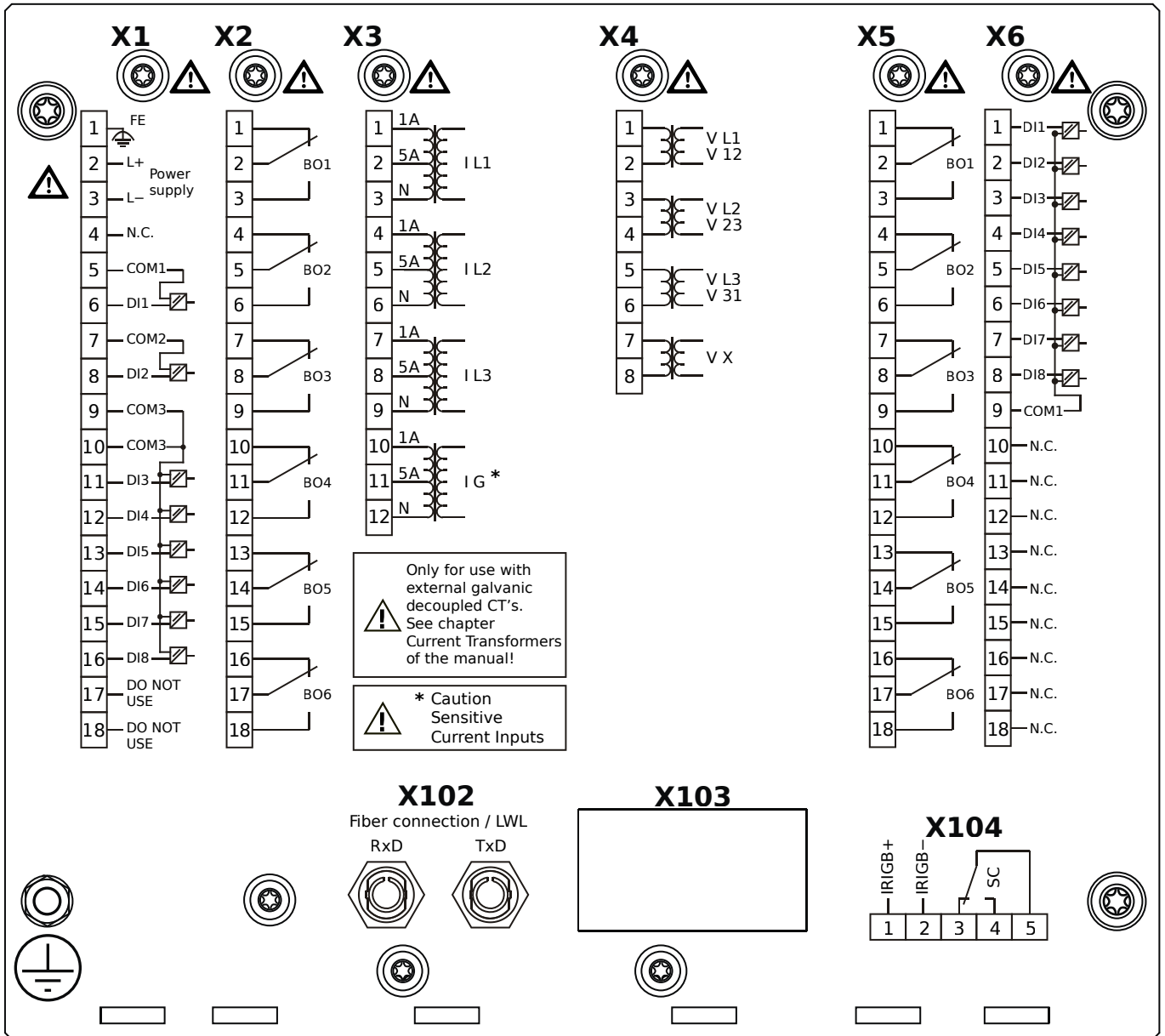
MCDLV4-2D1A1AA



Housing B2, large display, door mounting

- X1** – DI8-X1: Wide-range power supply unit, incl. 2 non-grouped digital inputs and 6 grouped digital inputs
- X2** – OR6: Assembly Group with 6 Output Relays (Changeover / Form C)
- X3** – TIs: Standard phase current measuring card and sensitive ground current measuring
- X4** – TU: Card with 4 voltage transformer measuring inputs (0 ... 800 VAC, under UL: 0 ... 600 VAC)
- X5** – OR6: Assembly Group with 6 Output Relays (Changeover / Form C)
- X6** – DI8: Assembly Group with 8 Digital Inputs
- X102** – Protection Communication, Fiber optics interface, ST Connector
- X104** – IRIG-B00X, incl. System Contact (Supervision Contact)

MCDLV4-2D1A1AB

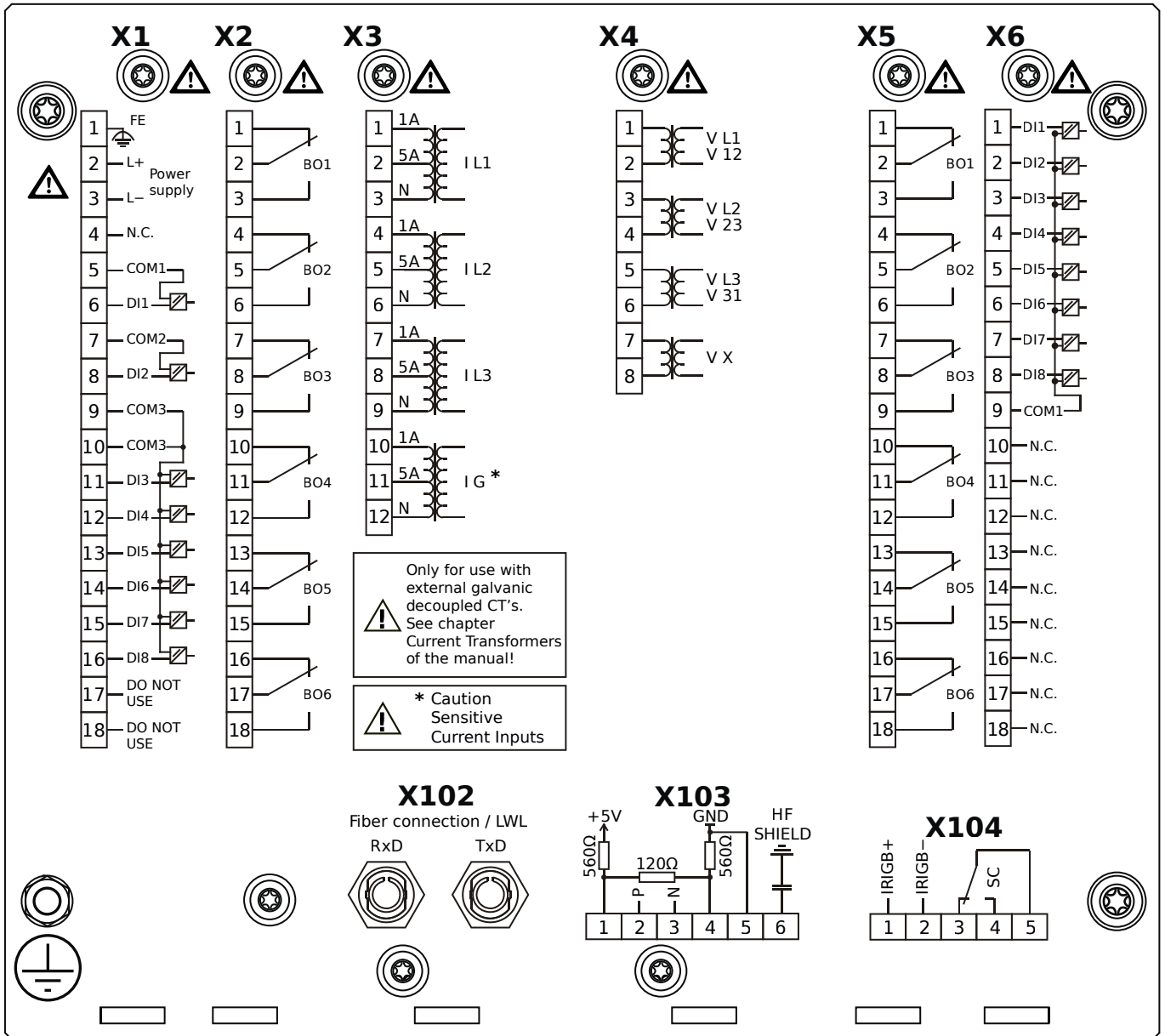


Housing B2, large display, door mounting

+ Conformal Coating (for installations in harsh environment)

- X1** – DI8-X1: Wide-range power supply unit, incl. 2 non-grouped digital inputs and 6 grouped digital inputs
- X2** – OR6: Assembly Group with 6 Output Relays (Changeover / Form C)
- X3** – TIs: Standard phase current measuring card and sensitive ground current measuring
- X4** – TU: Card with 4 voltage transformer measuring inputs (0 ... 800 VAC, under UL: 0 ... 600 VAC)
- X5** – OR6: Assembly Group with 6 Output Relays (Changeover / Form C)
- X6** – DI8: Assembly Group with 8 Digital Inputs
- X102** – Protection Communication, Fiber optics interface, ST Connector
- X104** – IRIG-B00X, incl. System Contact (Supervision Contact)

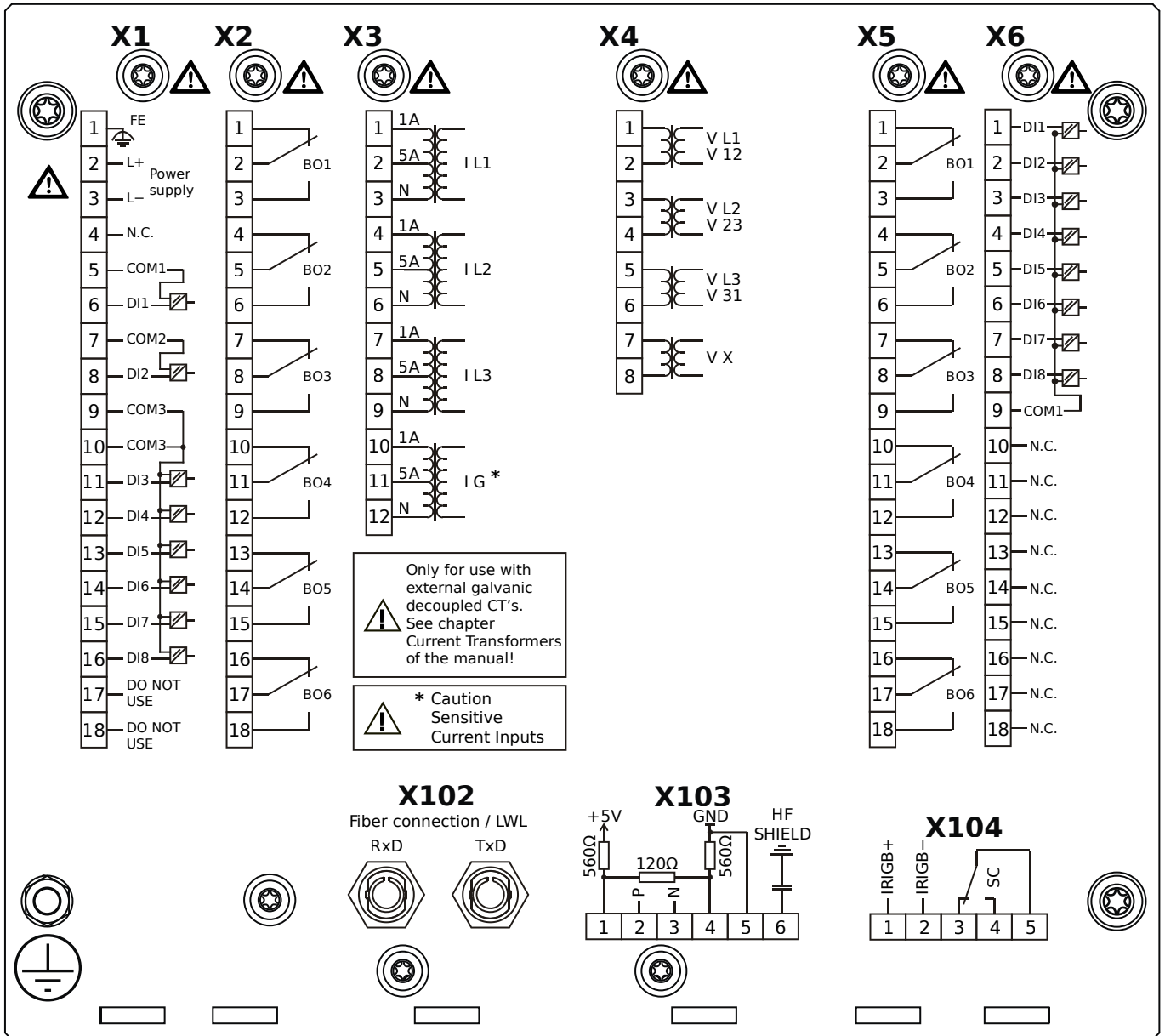
MCDLV4-2D1A1BA



Housing B2, large display, door mounting

- X1** – DI8-X1: Wide-range power supply unit, incl. 2 non-grouped digital inputs and 6 grouped digital inputs
- X2** – OR6: Assembly Group with 6 Output Relays (Changeover / Form C)
- X3** – TIs: Standard phase current measuring card and sensitive ground current measuring
- X4** – TU: Card with 4 voltage transformer measuring inputs (0 ... 800 VAC, under UL: 0 ... 600 VAC)
- X5** – OR6: Assembly Group with 6 Output Relays (Changeover / Form C)
- X6** – DI8: Assembly Group with 8 Digital Inputs
- X102** – Protection Communication, Fiber optics interface, ST Connector
- X103** – Modbus RTU / IEC 60870-5-103 / DNP3.0 RTU, RS485, Terminals
- X104** – IRIG-B00X, incl. System Contact (Supervision Contact)

MCDLV4-2D1A1BB

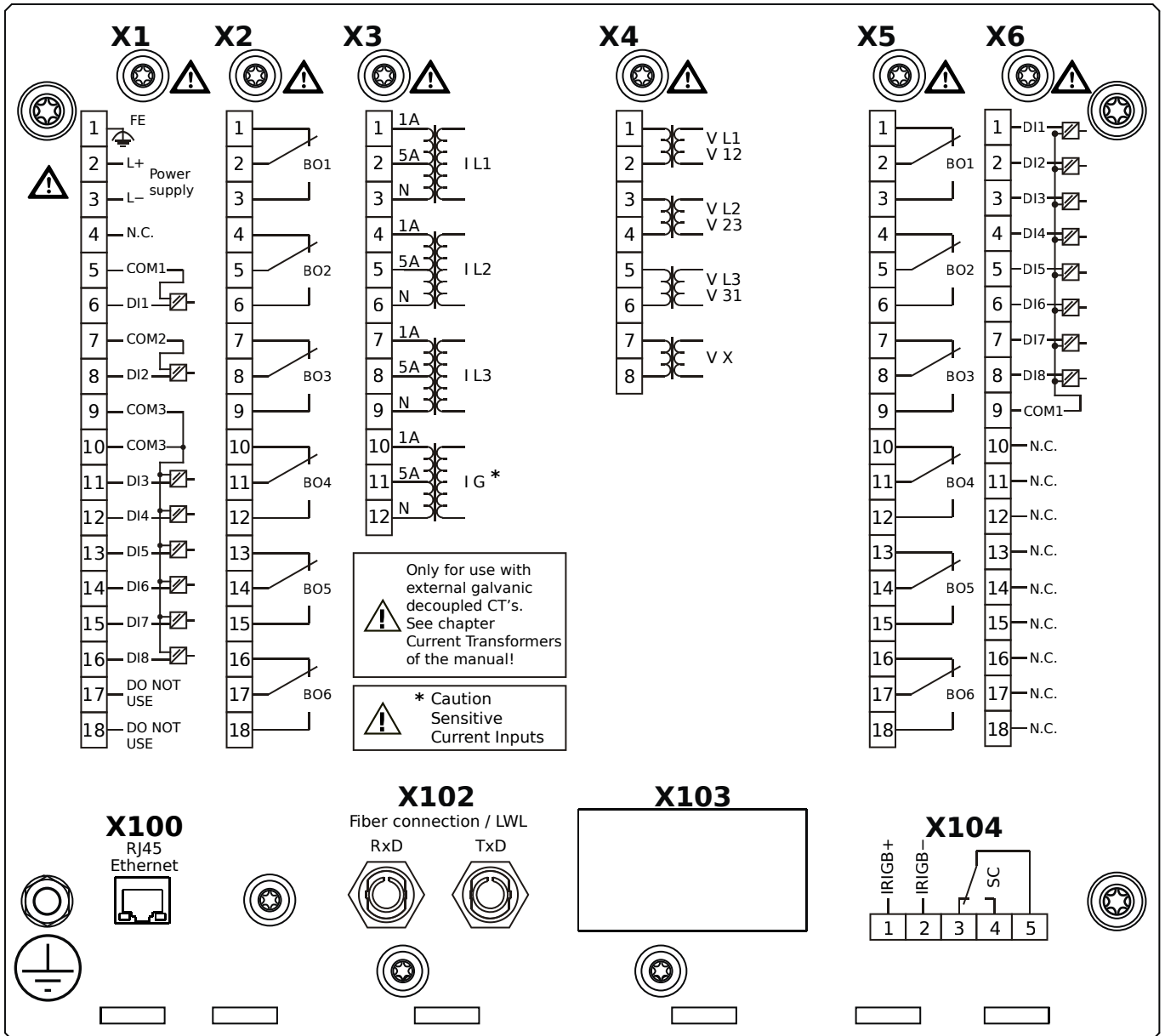


Housing B2, large display, door mounting

+ Conformal Coating (for installations in harsh environment)

- X1** – DI8-X1: Wide-range power supply unit, incl. 2 non-grouped digital inputs and 6 grouped digital inputs
- X2** – OR6: Assembly Group with 6 Output Relays (Changeover / Form C)
- X3** – TIs: Standard phase current measuring card and sensitive ground current measuring
- X4** – TU: Card with 4 voltage transformer measuring inputs (0 ... 800 VAC, under UL: 0 ... 600 VAC)
- X5** – OR6: Assembly Group with 6 Output Relays (Changeover / Form C)
- X6** – DI8: Assembly Group with 8 Digital Inputs
- X102** – Protection Communication, Fiber optics interface, ST Connector
- X103** – Modbus RTU / IEC 60870-5-103 / DNP3.0 RTU, RS485, Terminals
- X104** – IRIG-B00X, incl. System Contact (Supervision Contact)

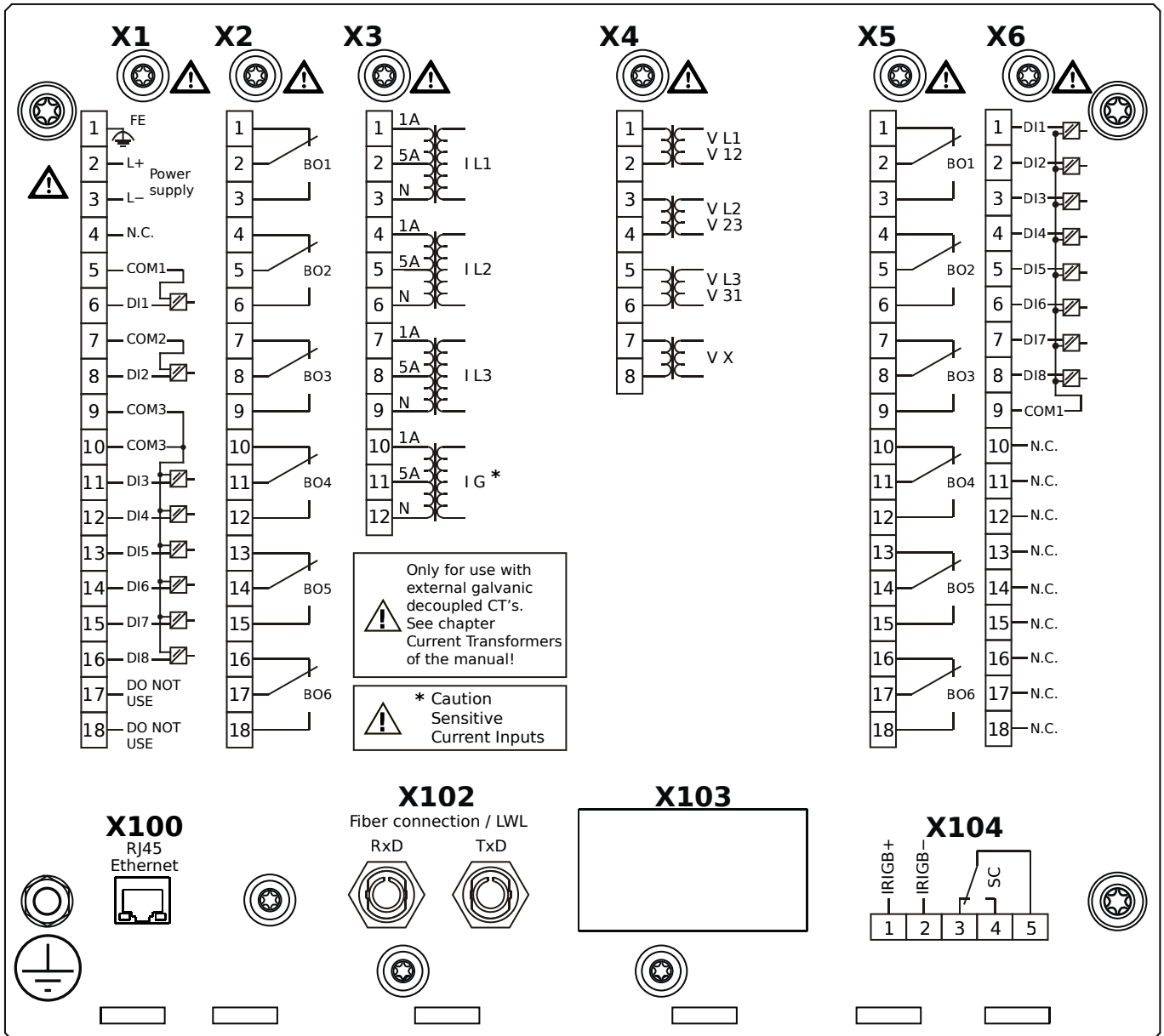
MCDLV4-2D1A1CA



Housing B2, large display, door mounting

- X1** – DI8-X1: Wide-range power supply unit, incl. 2 non-grouped digital inputs and 6 grouped digital inputs
- X2** – OR6: Assembly Group with 6 Output Relays (Changeover / Form C)
- X3** – TIs: Standard phase current measuring card and sensitive ground current measuring
- X4** – TU: Card with 4 voltage transformer measuring inputs (0 ... 800 VAC, under UL: 0 ... 600 VAC)
- X5** – OR6: Assembly Group with 6 Output Relays (Changeover / Form C)
- X6** – DI8: Assembly Group with 8 Digital Inputs
- X100** – Modbus TCP / IEC 60870-5-104 / DNP3.0 TCP/UDP, Ethernet interface, 100 Mbit/s, RJ45 (BASE100-FX)
- X102** – Protection Communication, Fiber optics interface, ST Connector
- X104** – IRIG-B00X, incl. System Contact (Supervision Contact)

MCDLV4-2D1A1CB

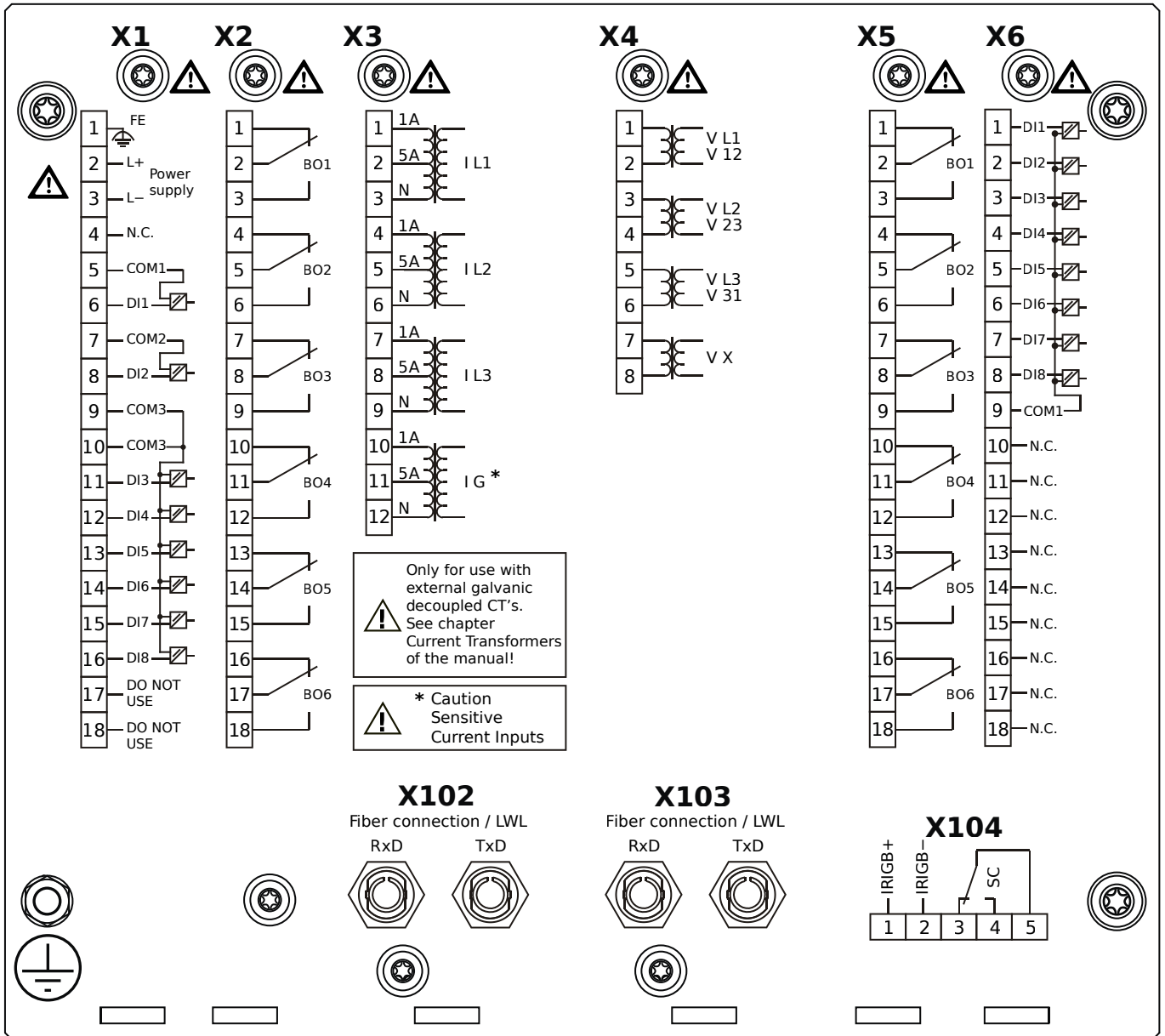


Housing B2, large display, door mounting

+ Conformal Coating (for installations in harsh environment)

- X1** – DI8-X1: Wide-range power supply unit, incl. 2 non-grouped digital inputs and 6 grouped digital inputs
- X2** – OR6: Assembly Group with 6 Output Relays (Changeover / Form C)
- X3** – TIs: Standard phase current measuring card and sensitive ground current measuring
- X4** – TU: Card with 4 voltage transformer measuring inputs (0 ... 800 VAC, under UL: 0 ... 600 VAC)
- X5** – OR6: Assembly Group with 6 Output Relays (Changeover / Form C)
- X6** – DI8: Assembly Group with 8 Digital Inputs
- X100** – Modbus TCP / IEC 60870-5-104 / DNP3.0 TCP/UDP, Ethernet interface, 100 Mbit/s, RJ45 (BASE100-FX)
- X102** – Protection Communication, Fiber optics interface, ST Connector
- X104** – IRIG-B00X, incl. System Contact (Supervision Contact)

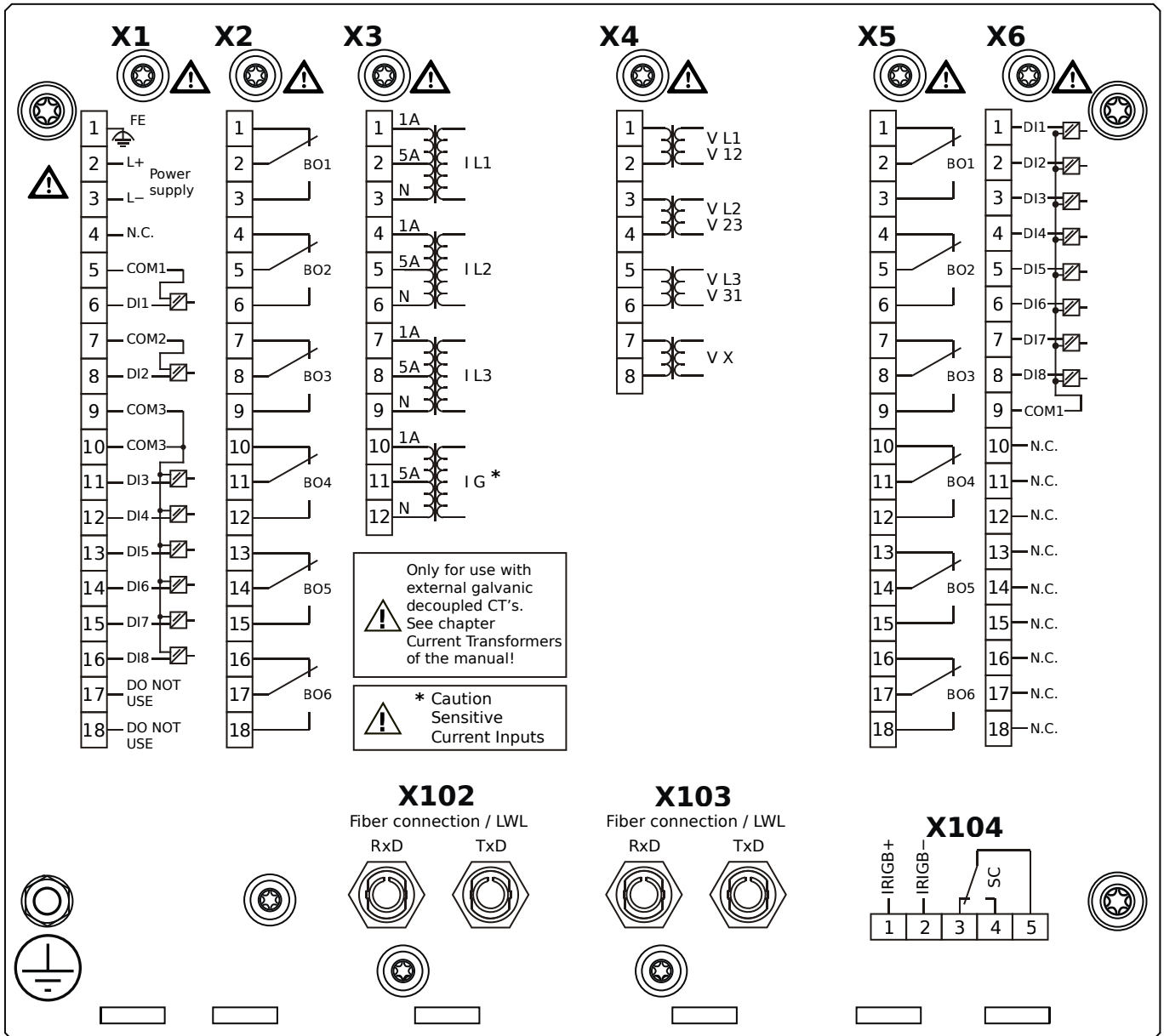
MCDLV4-2D1A1DA



Housing B2, large display, door mounting

- X1** – DI8-X1: Wide-range power supply unit, incl. 2 non-grouped digital inputs and 6 grouped digital inputs
- X2** – OR6: Assembly Group with 6 Output Relays (Changeover / Form C)
- X3** – TIs: Standard phase current measuring card and sensitive ground current measuring
- X4** – TU: Card with 4 voltage transformer measuring inputs (0 ... 800 VAC, under UL: 0 ... 600 VAC)
- X5** – OR6: Assembly Group with 6 Output Relays (Changeover / Form C)
- X6** – DI8: Assembly Group with 8 Digital Inputs
- X102** – Protection Communication, Fiber optics interface, ST Connector
- X103** – Profibus-DP, Fiber optics interface, ST Connector
- X104** – IRIG-B00X, incl. System Contact (Supervision Contact)

MCDLV4-2D1A1DB

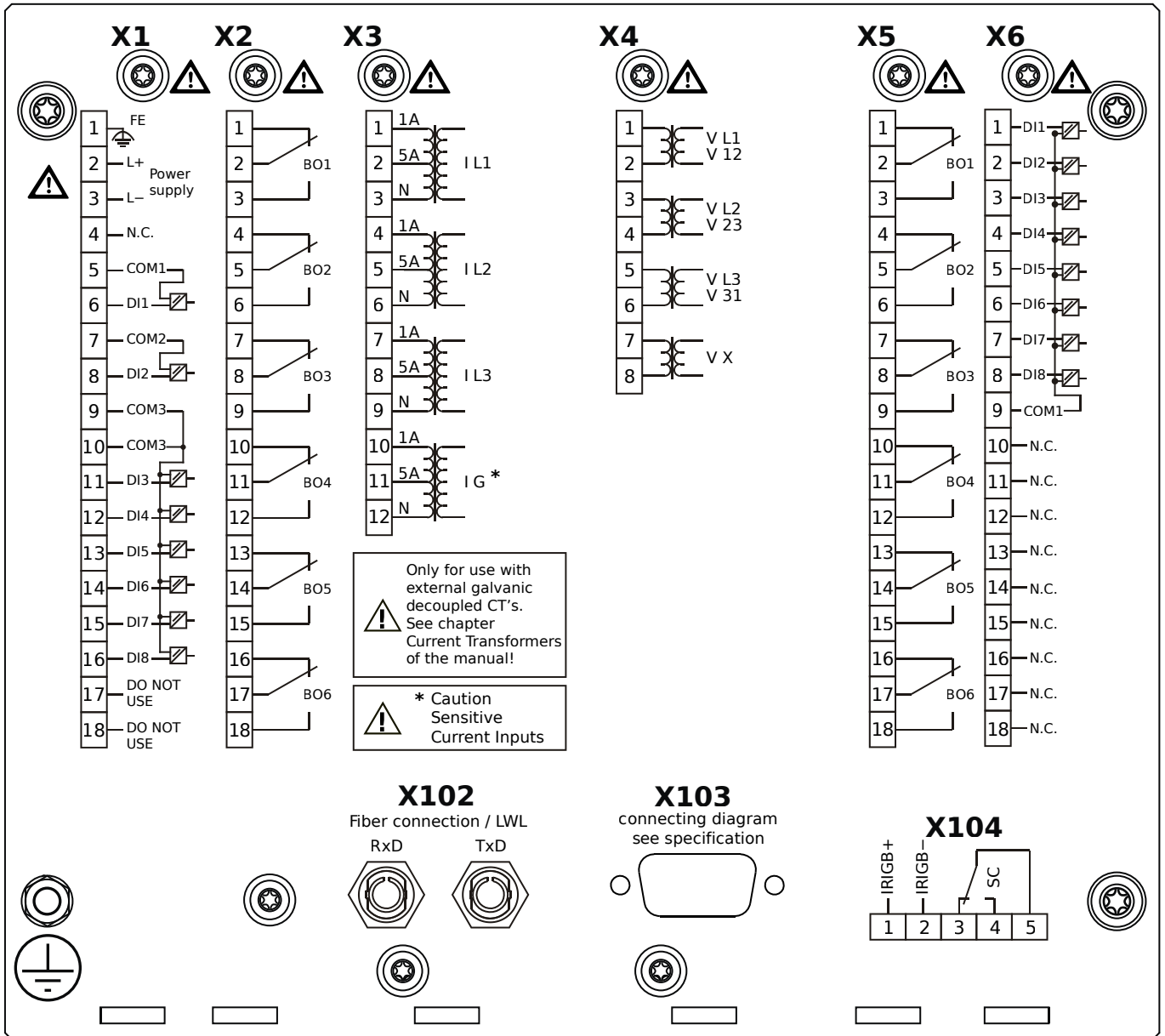


Housing B2, large display, door mounting

+ Conformal Coating (for installations in harsh environment)

- X1** – DI8-X1: Wide-range power supply unit, incl. 2 non-grouped digital inputs and 6 grouped digital inputs
- X2** – OR6: Assembly Group with 6 Output Relays (Changeover / Form C)
- X3** – TIs: Standard phase current measuring card and sensitive ground current measuring
- X4** – TU: Card with 4 voltage transformer measuring inputs (0 ... 800 VAC, under UL: 0 ... 600 VAC)
- X5** – OR6: Assembly Group with 6 Output Relays (Changeover / Form C)
- X6** – DI8: Assembly Group with 8 Digital Inputs
- X102** – Protection Communication, Fiber optics interface, ST Connector
- X103** – Profibus-DP, Fiber optics interface, ST Connector
- X104** – IRIG-B00X, incl. System Contact (Supervision Contact)

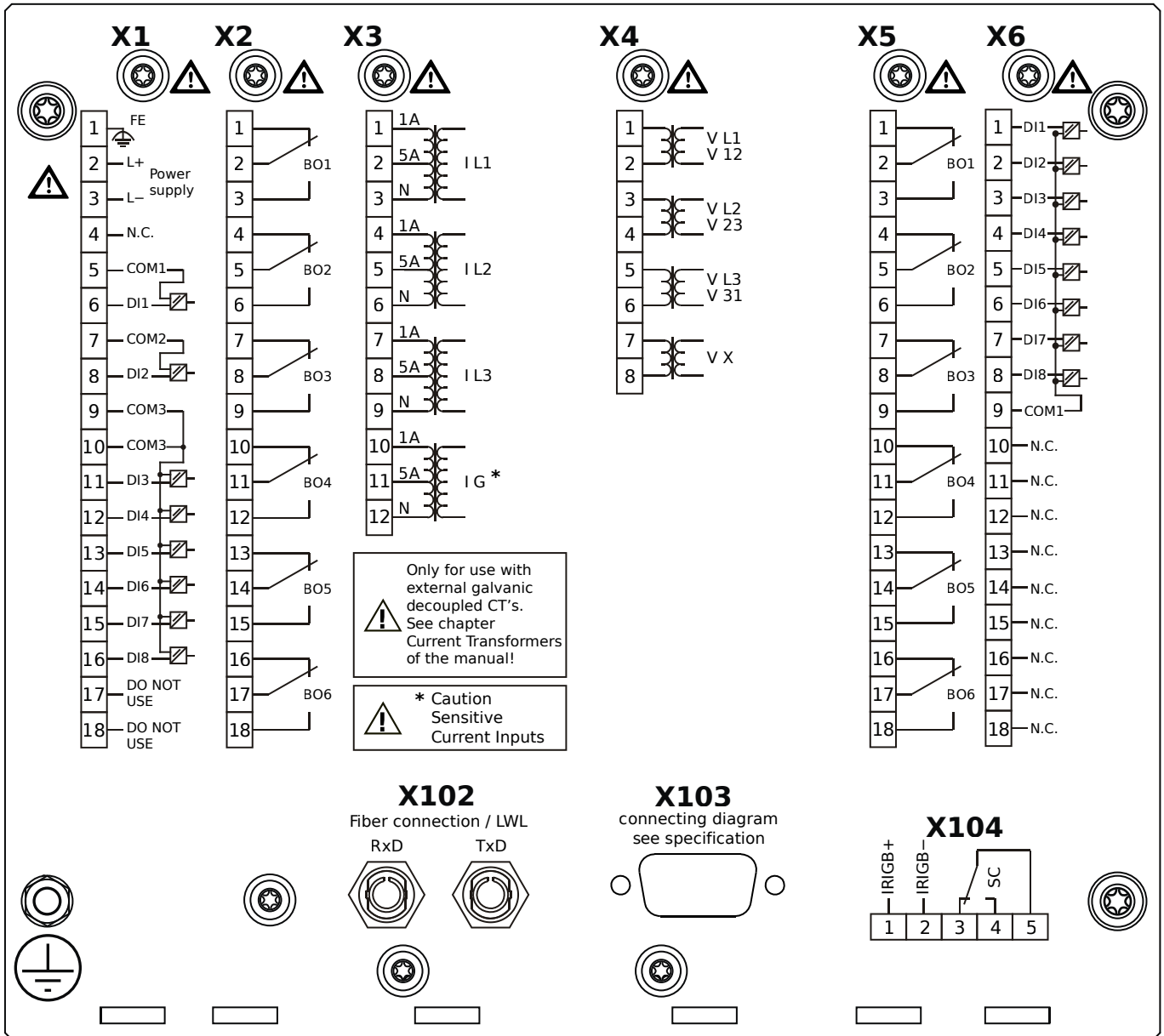
MCDLV4-2D1A1EA



Housing B2, large display, door mounting

- X1** – DI8-X1: Wide-range power supply unit, incl. 2 non-grouped digital inputs and 6 grouped digital inputs
- X2** – OR6: Assembly Group with 6 Output Relays (Changeover / Form C)
- X3** – TIs: Standard phase current measuring card and sensitive ground current measuring
- X4** – TU: Card with 4 voltage transformer measuring inputs (0 ... 800 VAC, under UL: 0 ... 600 VAC)
- X5** – OR6: Assembly Group with 6 Output Relays (Changeover / Form C)
- X6** – DI8: Assembly Group with 8 Digital Inputs
- X102** – Protection Communication, Fiber optics interface, ST Connector
- X103** – Profibus-DP, RS485, D-SUB
- X104** – IRIG-B00X, incl. System Contact (Supervision Contact)

MCDLV4-2D1A1EB

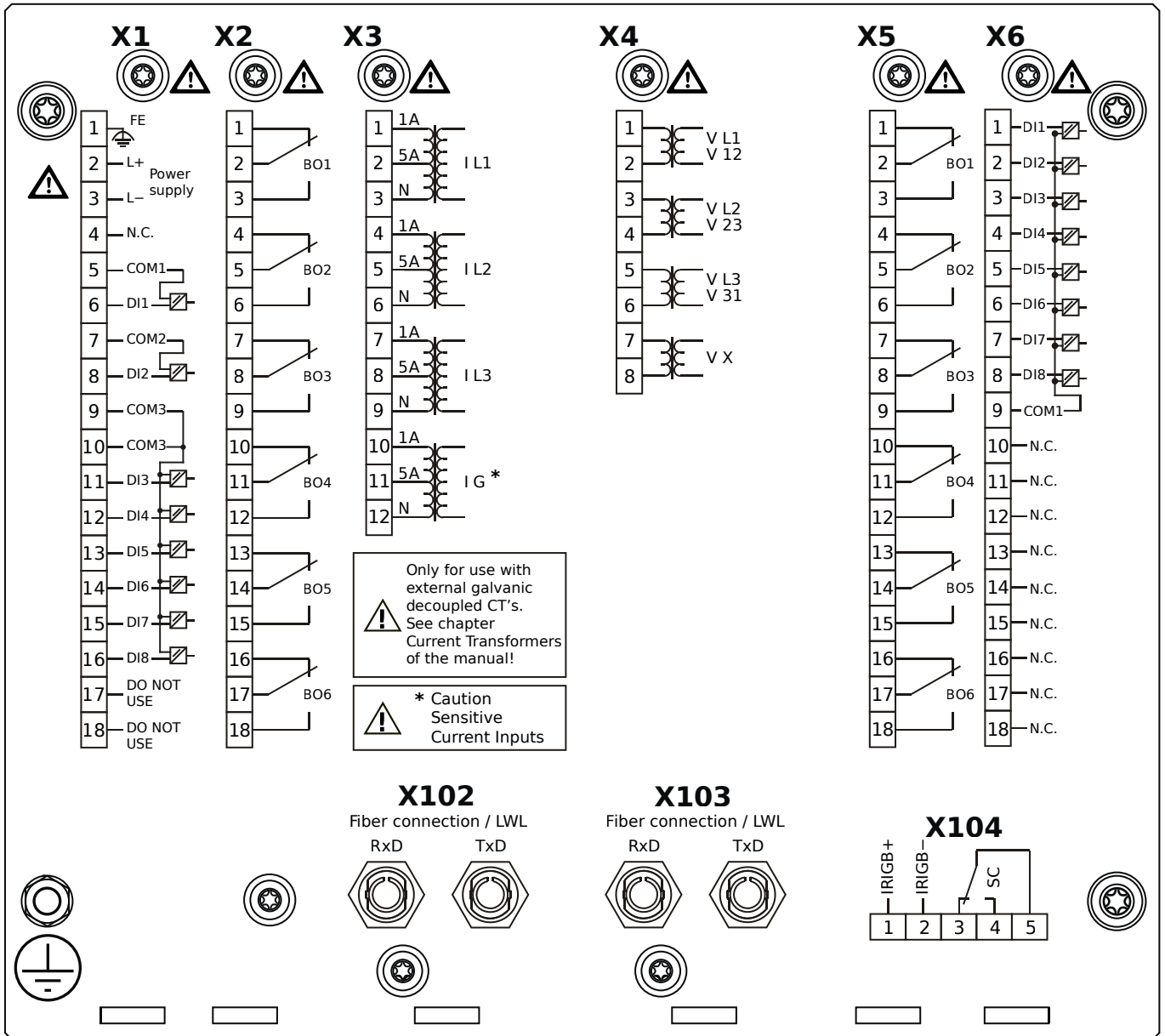


Housing B2, large display, door mounting

+ Conformal Coating (for installations in harsh environment)

- X1** – DI8-X1: Wide-range power supply unit, incl. 2 non-grouped digital inputs and 6 grouped digital inputs
- X2** – OR6: Assembly Group with 6 Output Relays (Changeover / Form C)
- X3** – TIs: Standard phase current measuring card and sensitive ground current measuring
- X4** – TU: Card with 4 voltage transformer measuring inputs (0 ... 800 VAC, under UL: 0 ... 600 VAC)
- X5** – OR6: Assembly Group with 6 Output Relays (Changeover / Form C)
- X6** – DI8: Assembly Group with 8 Digital Inputs
- X102** – Protection Communication, Fiber optics interface, ST Connector
- X103** – Profibus-DP, RS485, D-SUB
- X104** – IRIG-B00X, incl. System Contact (Supervision Contact)

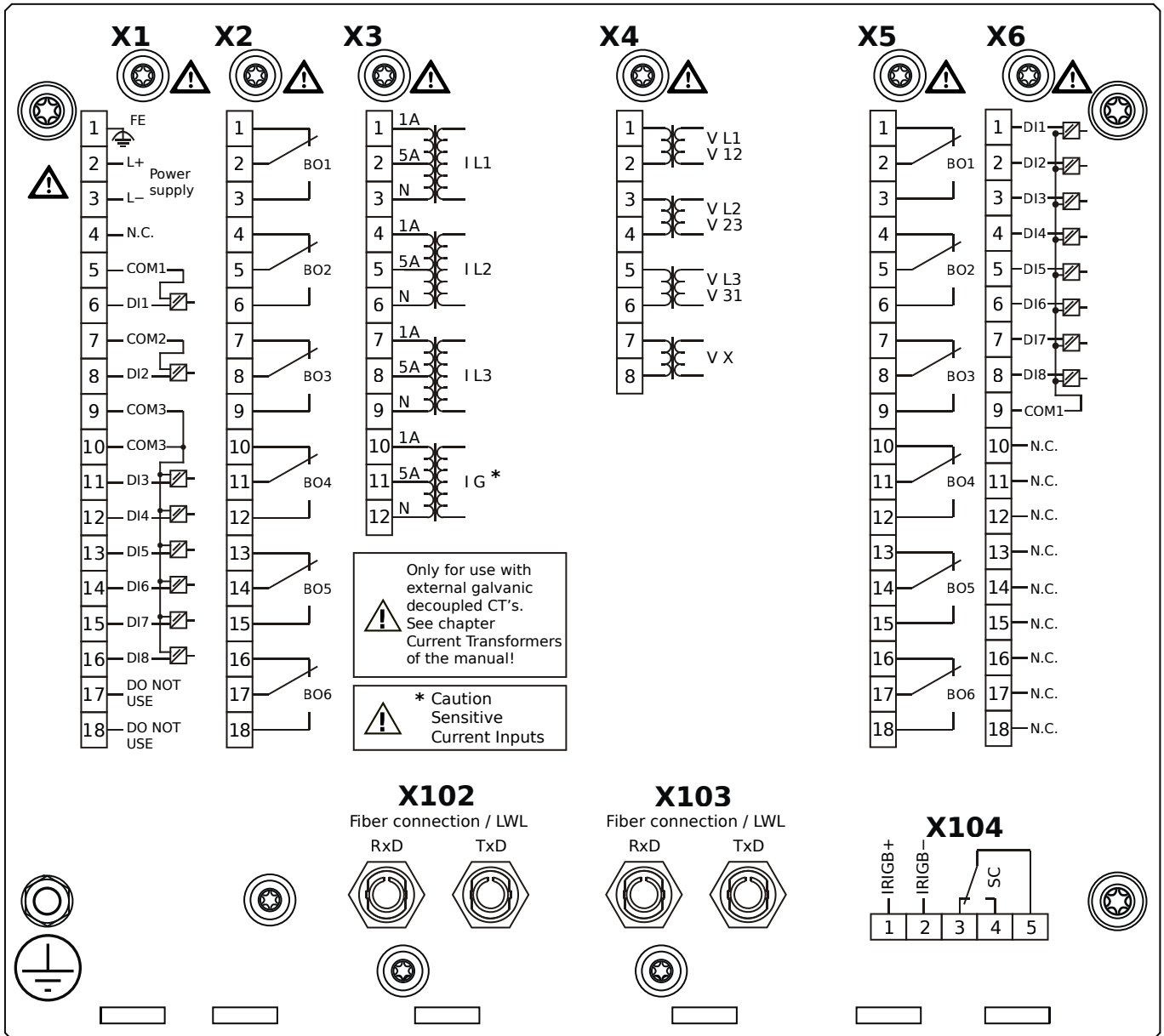
MCDLV4-2D1A1FA



Housing B2, large display, door mounting

- X1** – DI8-X1: Wide-range power supply unit, incl. 2 non-grouped digital inputs and 6 grouped digital inputs
- X2** – OR6: Assembly Group with 6 Output Relays (Changeover / Form C)
- X3** – TIs: Standard phase current measuring card and sensitive ground current measuring
- X4** – TU: Card with 4 voltage transformer measuring inputs (0 ... 800 VAC, under UL: 0 ... 600 VAC)
- X5** – OR6: Assembly Group with 6 Output Relays (Changeover / Form C)
- X6** – DI8: Assembly Group with 8 Digital Inputs
- X102** – Protection Communication, Fiber optics interface, ST Connector
- X103** – Modbus RTU / IEC 60870-5-103 / DNP3.0 RTU, Fiber optics interface, ST Connector
- X104** – IRIG-B00X, incl. System Contact (Supervision Contact)

MCDLV4-2D1A1FB

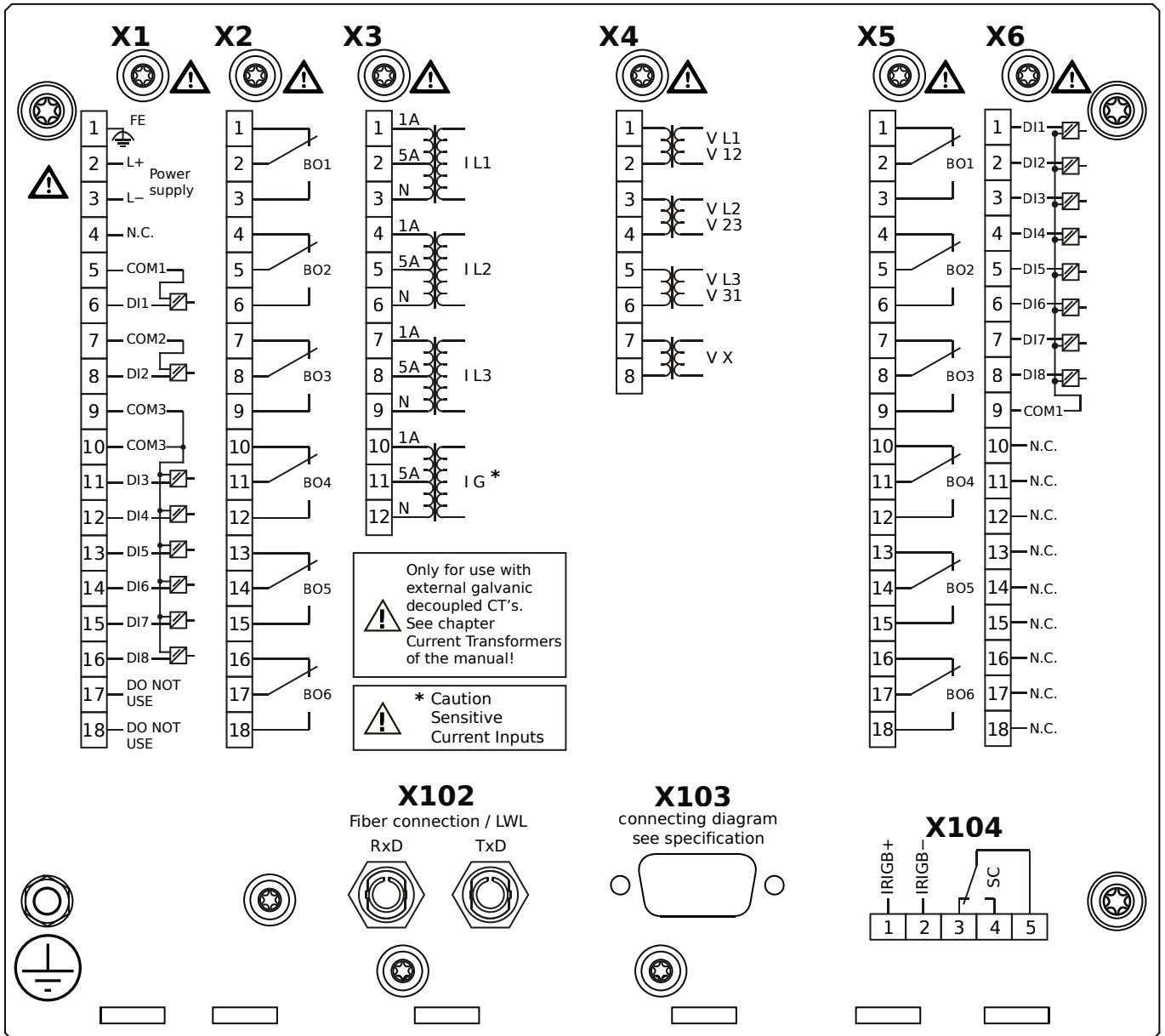


Housing B2, large display, door mounting

+ Conformal Coating (for installations in harsh environment)

- X1** – DI8-X1: Wide-range power supply unit, incl. 2 non-grouped digital inputs and 6 grouped digital inputs
- X2** – OR6: Assembly Group with 6 Output Relays (Changeover / Form C)
- X3** – TIs: Standard phase current measuring card and sensitive ground current measuring
- X4** – TU: Card with 4 voltage transformer measuring inputs (0 ... 800 VAC, under UL: 0 ... 600 VAC)
- X5** – OR6: Assembly Group with 6 Output Relays (Changeover / Form C)
- X6** – DI8: Assembly Group with 8 Digital Inputs
- X102** – Protection Communication, Fiber optics interface, ST Connector
- X103** – Modbus RTU / IEC 60870-5-103 / DNP3.0 RTU, Fiber optics interface, ST Connector
- X104** – IRIG-B00X, incl. System Contact (Supervision Contact)

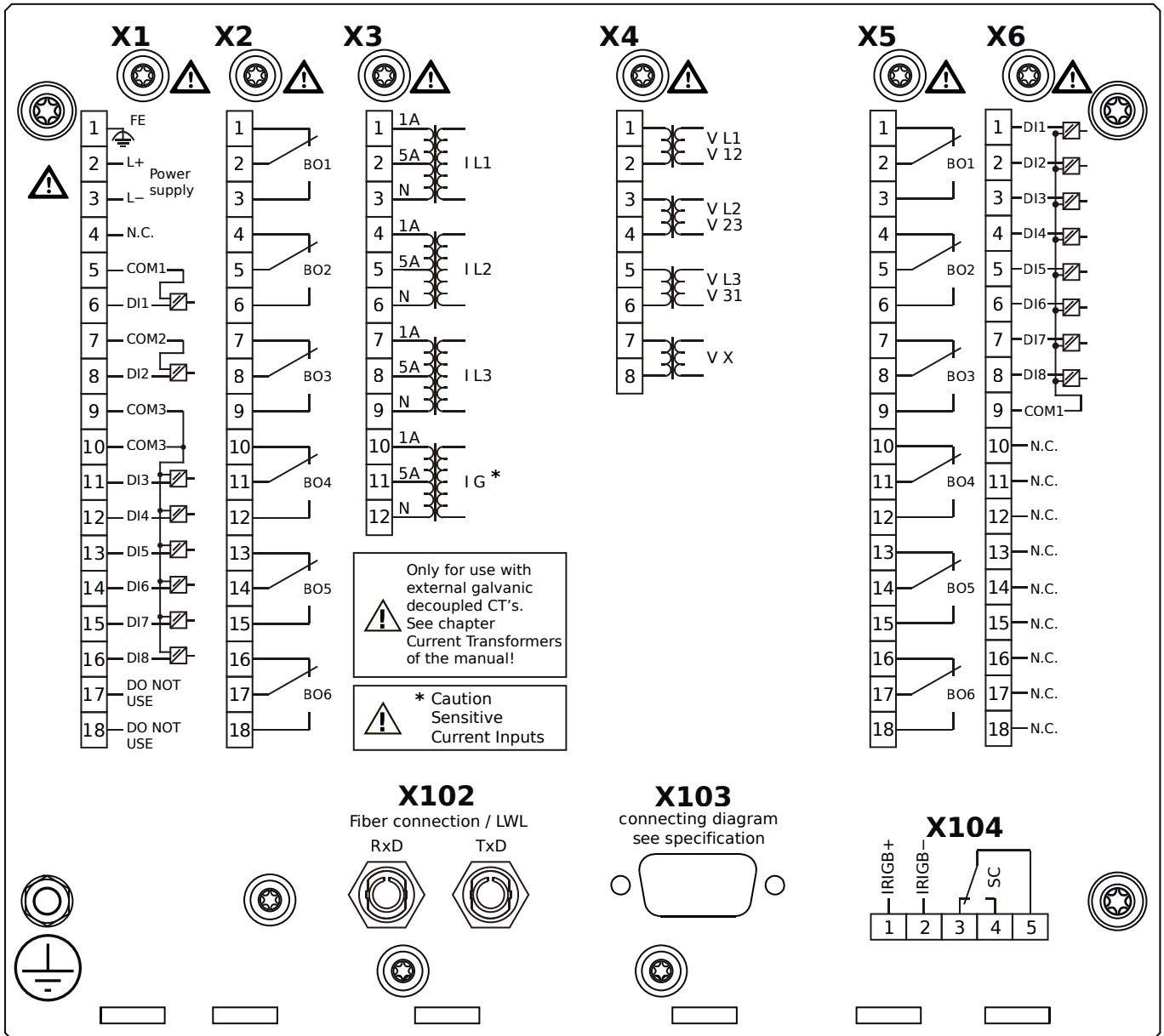
MCDLV4-2D1A1GA



Housing B2, large display, door mounting

- X1** – DI8-X1: Wide-range power supply unit, incl. 2 non-grouped digital inputs and 6 grouped digital inputs
- X2** – OR6: Assembly Group with 6 Output Relays (Changeover / Form C)
- X3** – TIs: Standard phase current measuring card and sensitive ground current measuring
- X4** – TU: Card with 4 voltage transformer measuring inputs (0 ... 800 VAC, under UL: 0 ... 600 VAC)
- X5** – OR6: Assembly Group with 6 Output Relays (Changeover / Form C)
- X6** – DI8: Assembly Group with 8 Digital Inputs
- X102** – Protection Communication, Fiber optics interface, ST Connector
- X103** – Modbus RTU / IEC 60870-5-103 / DNP3.0 RTU, RS485, D-SUB
- X104** – IRIG-B00X, incl. System Contact (Supervision Contact)

MCDLV4-2D1A1GB

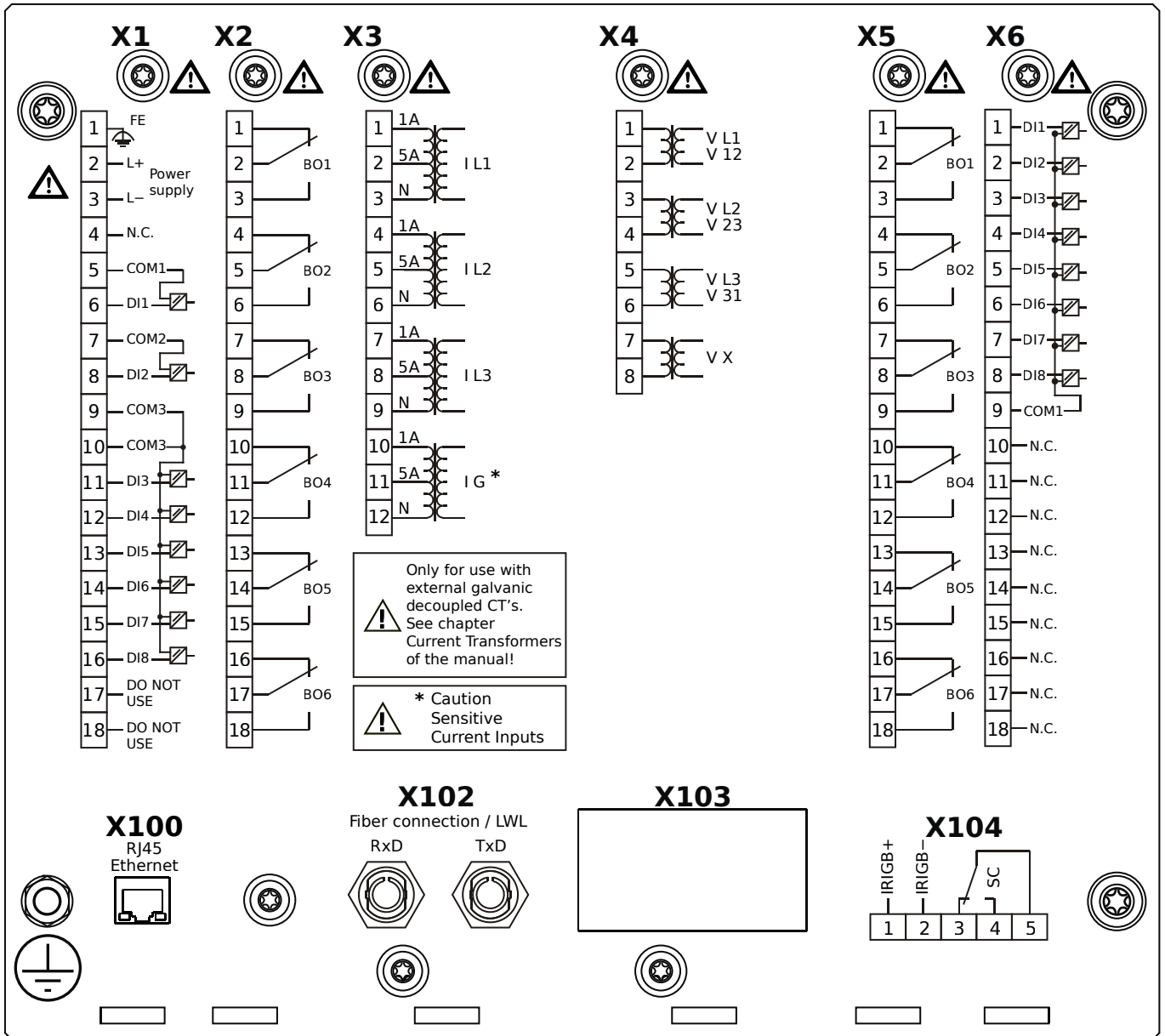


Housing B2, large display, door mounting

+ Conformal Coating (for installations in harsh environment)

- X1** – DI8-X1: Wide-range power supply unit, incl. 2 non-grouped digital inputs and 6 grouped digital inputs
- X2** – OR6: Assembly Group with 6 Output Relays (Changeover / Form C)
- X3** – TIs: Standard phase current measuring card and sensitive ground current measuring
- X4** – TU: Card with 4 voltage transformer measuring inputs (0 ... 800 VAC, under UL: 0 ... 600 VAC)
- X5** – OR6: Assembly Group with 6 Output Relays (Changeover / Form C)
- X6** – DI8: Assembly Group with 8 Digital Inputs
- X102** – Protection Communication, Fiber optics interface, ST Connector
- X103** – Modbus RTU / IEC 60870-5-103 / DNP3.0 RTU, RS485, D-SUB
- X104** – IRIG-B00X, incl. System Contact (Supervision Contact)

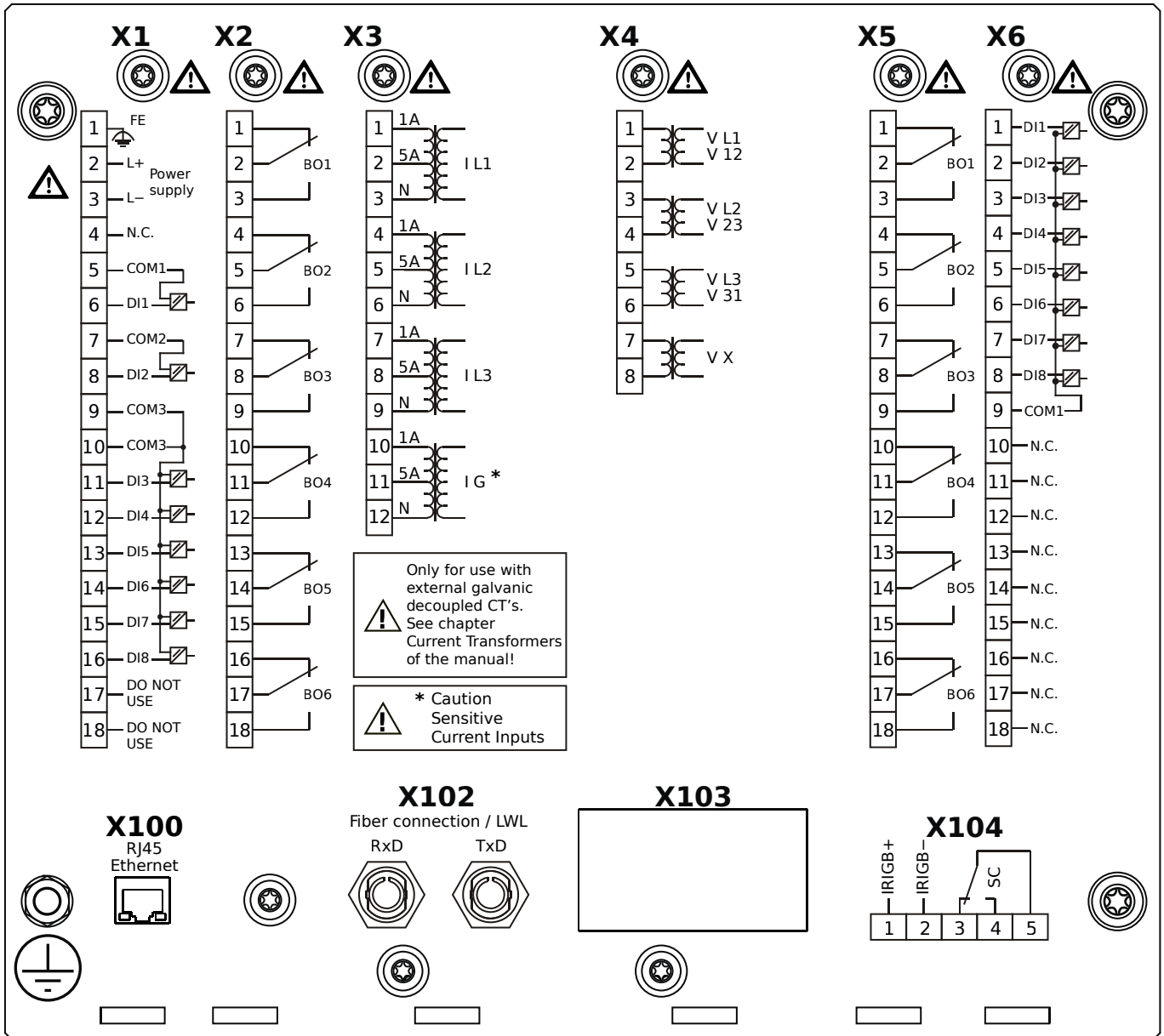
MCDLV4-2D1A1HA



Housing B2, large display, door mounting

- X1** – DI8-X1: Wide-range power supply unit, incl. 2 non-grouped digital inputs and 6 grouped digital inputs
- X2** – OR6: Assembly Group with 6 Output Relays (Changeover / Form C)
- X3** – TIs: Standard phase current measuring card and sensitive ground current measuring
- X4** – TU: Card with 4 voltage transformer measuring inputs (0 ... 800 VAC, under UL: 0 ... 600 VAC)
- X5** – OR6: Assembly Group with 6 Output Relays (Changeover / Form C)
- X6** – DI8: Assembly Group with 8 Digital Inputs
- X100** – IEC 61850 / Modbus TCP / IEC 60870-5-104 / DNP3.0 TCP/UDP, Ethernet interface, 100 Mbit/s, RJ45 (BASE100-FX)
- X102** – Protection Communication, Fiber optics interface, ST Connector
- X104** – IRIG-B00X, incl. System Contact (Supervision Contact)

MCDLV4-2D1A1HB

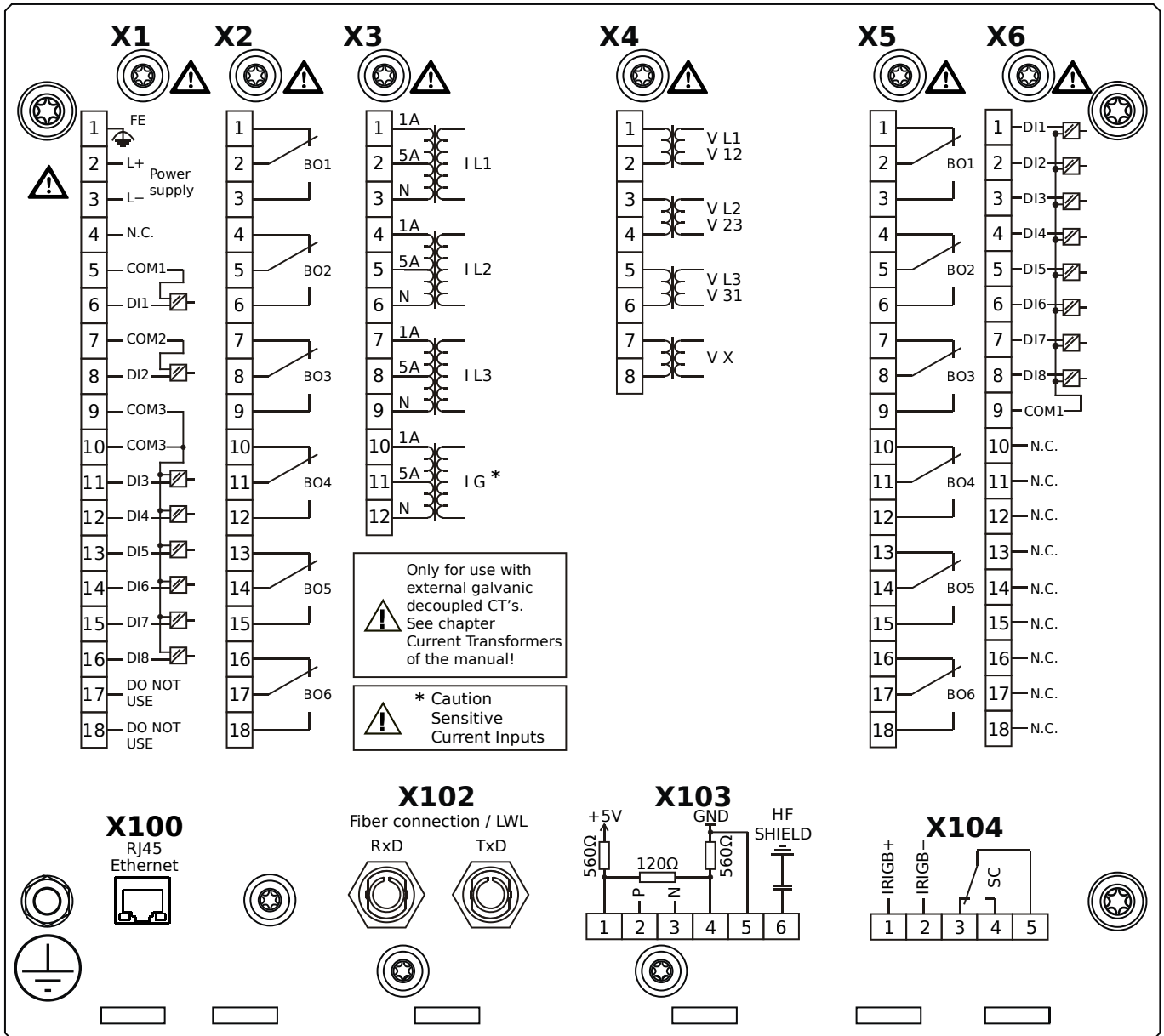


Housing B2, large display, door mounting

+ Conformal Coating (for installations in harsh environment)

- X1** – DI8-X1: Wide-range power supply unit, incl. 2 non-grouped digital inputs and 6 grouped digital inputs
- X2** – OR6: Assembly Group with 6 Output Relays (Changeover / Form C)
- X3** – TIs: Standard phase current measuring card and sensitive ground current measuring
- X4** – TU: Card with 4 voltage transformer measuring inputs (0 ... 800 VAC, under UL: 0 ... 600 VAC)
- X5** – OR6: Assembly Group with 6 Output Relays (Changeover / Form C)
- X6** – DI8: Assembly Group with 8 Digital Inputs
- X100** – IEC 61850 / Modbus TCP / IEC 60870-5-104 / DNP3.0 TCP/UDP, Ethernet interface, 100 Mbit/s, RJ45 (BASE100-FX)
- X102** – Protection Communication, Fiber optics interface, ST Connector
- X104** – IRIG-B00X, incl. System Contact (Supervision Contact)

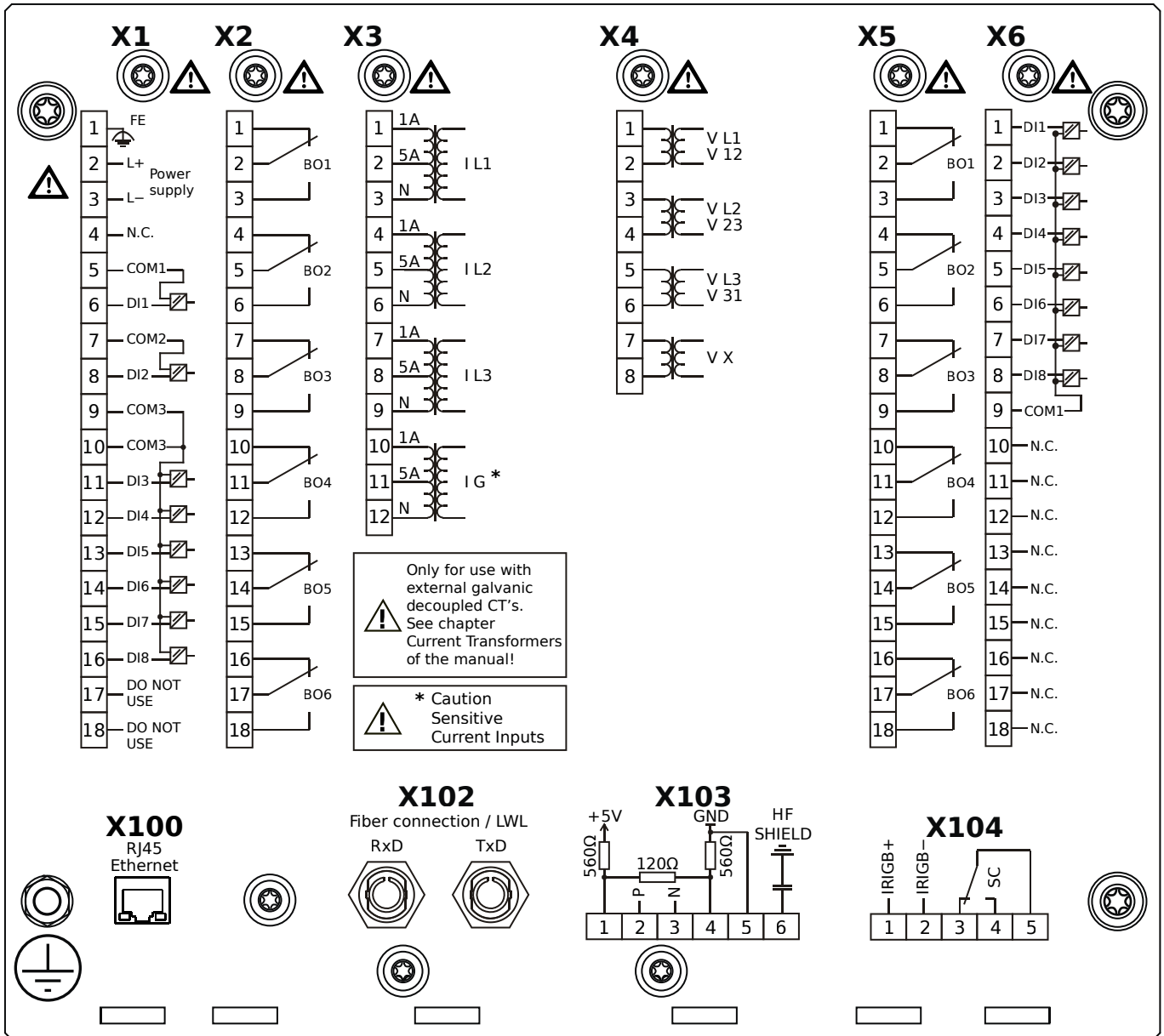
MCDLV4-2D1A1IA



Housing B2, large display, door mounting

- X1** – DI8-X1: Wide-range power supply unit, incl. 2 non-grouped digital inputs and 6 grouped digital inputs
- X2** – OR6: Assembly Group with 6 Output Relays (Changeover / Form C)
- X3** – TIs: Standard phase current measuring card and sensitive ground current measuring
- X4** – TU: Card with 4 voltage transformer measuring inputs (0 ... 800 VAC, under UL: 0 ... 600 VAC)
- X5** – OR6: Assembly Group with 6 Output Relays (Changeover / Form C)
- X6** – DI8: Assembly Group with 8 Digital Inputs
- X100** – Modbus TCP / IEC 60870-5-104 / DNP3.0 TCP/UDP, Ethernet interface, 100 Mbit/s, RJ45 (BASE100-FX)
- X102** – Protection Communication, Fiber optics interface, ST Connector
- X103** – IEC 60870-5-103 / Modbus RTU / DNP3.0 RTU, RS485, Terminals
- X104** – IRIG-B00X, incl. System Contact (Supervision Contact)

MCDLV4-2D1A1IB

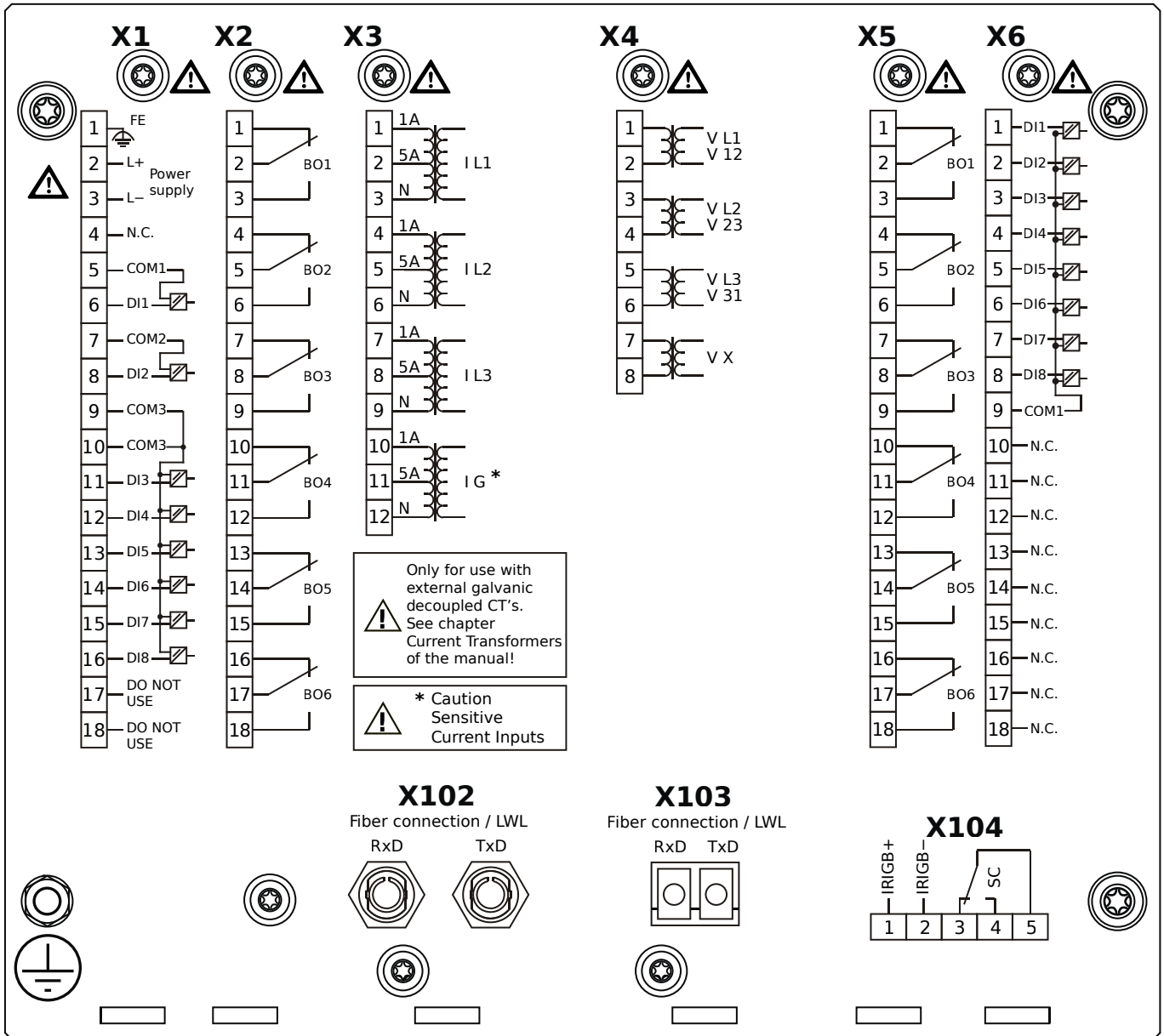


Housing B2, large display, door mounting

+ Conformal Coating (for installations in harsh environment)

- X1** – DI8-X1: Wide-range power supply unit, incl. 2 non-grouped digital inputs and 6 grouped digital inputs
- X2** – OR6: Assembly Group with 6 Output Relays (Changeover / Form C)
- X3** – TIs: Standard phase current measuring card and sensitive ground current measuring
- X4** – TU: Card with 4 voltage transformer measuring inputs (0 ... 800 VAC, under UL: 0 ... 600 VAC)
- X5** – OR6: Assembly Group with 6 Output Relays (Changeover / Form C)
- X6** – DI8: Assembly Group with 8 Digital Inputs
- X100** – Modbus TCP / IEC 60870-5-104 / DNP3.0 TCP/UDP, Ethernet interface, 100 Mbit/s, RJ45 (BASE100-FX)
- X102** – Protection Communication, Fiber optics interface, ST Connector
- X103** – IEC 60870-5-103 / Modbus RTU / DNP3.0 RTU, RS485, Terminals
- X104** – IRIG-B00X, incl. System Contact (Supervision Contact)

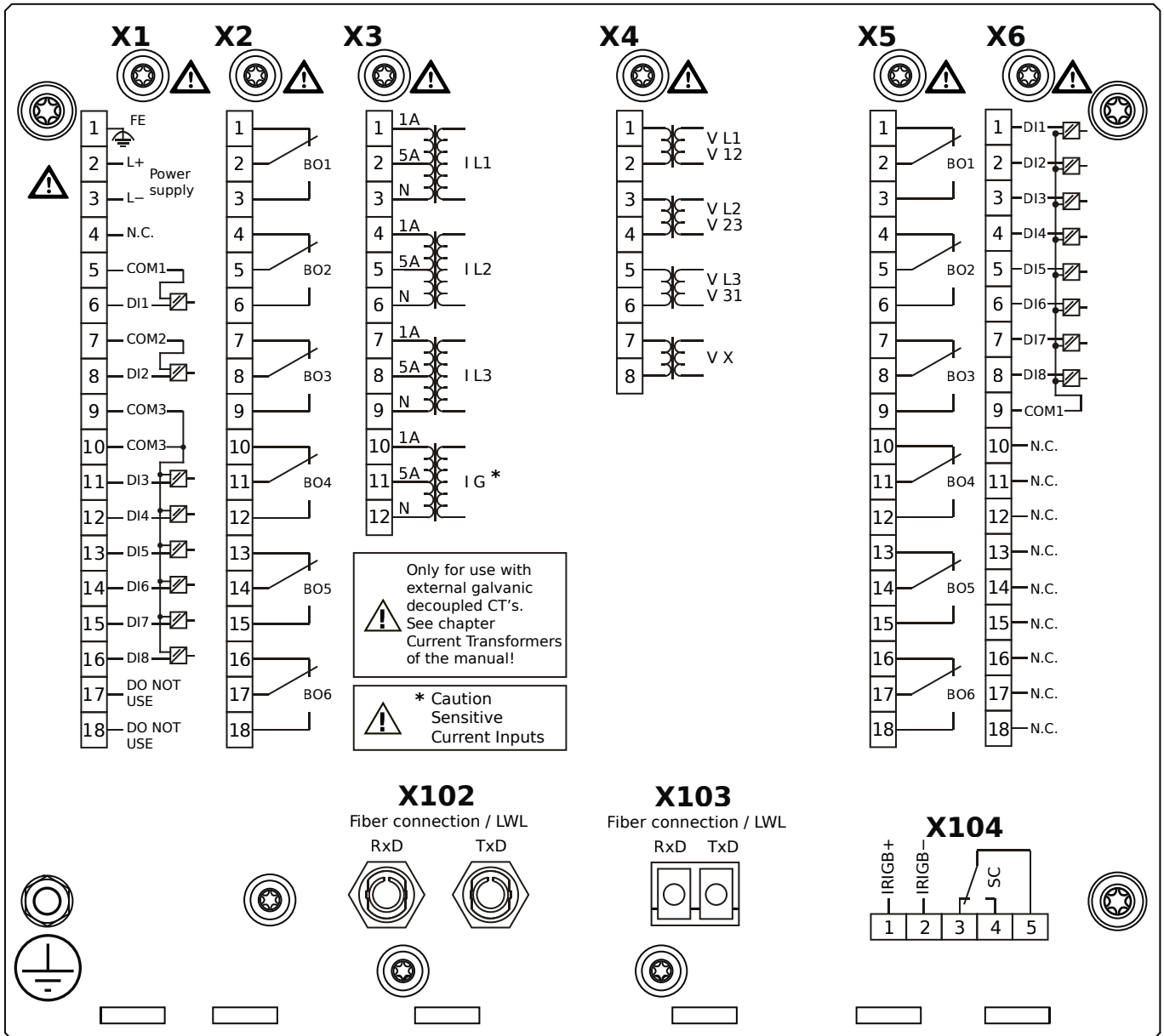
MCDLV4-2D1A1KA



Housing B2, large display, door mounting

- X1** – DI8-X1: Wide-range power supply unit, incl. 2 non-grouped digital inputs and 6 grouped digital inputs
- X2** – OR6: Assembly Group with 6 Output Relays (Changeover / Form C)
- X3** – TIs: Standard phase current measuring card and sensitive ground current measuring
- X4** – TU: Card with 4 voltage transformer measuring inputs (0 ... 800 VAC, under UL: 0 ... 600 VAC)
- X5** – OR6: Assembly Group with 6 Output Relays (Changeover / Form C)
- X6** – DI8: Assembly Group with 8 Digital Inputs
- X102** – Protection Communication, Fiber optics interface, ST Connector
- X103** – IEC 61850 / Modbus TCP / IEC 60870-5-104 / DNP3.0 TCP/UDP, Fiber optics interface, LC Connector
- X104** – IRIG-B00X, incl. System Contact (Supervision Contact)

MCDLV4-2D1A1KB

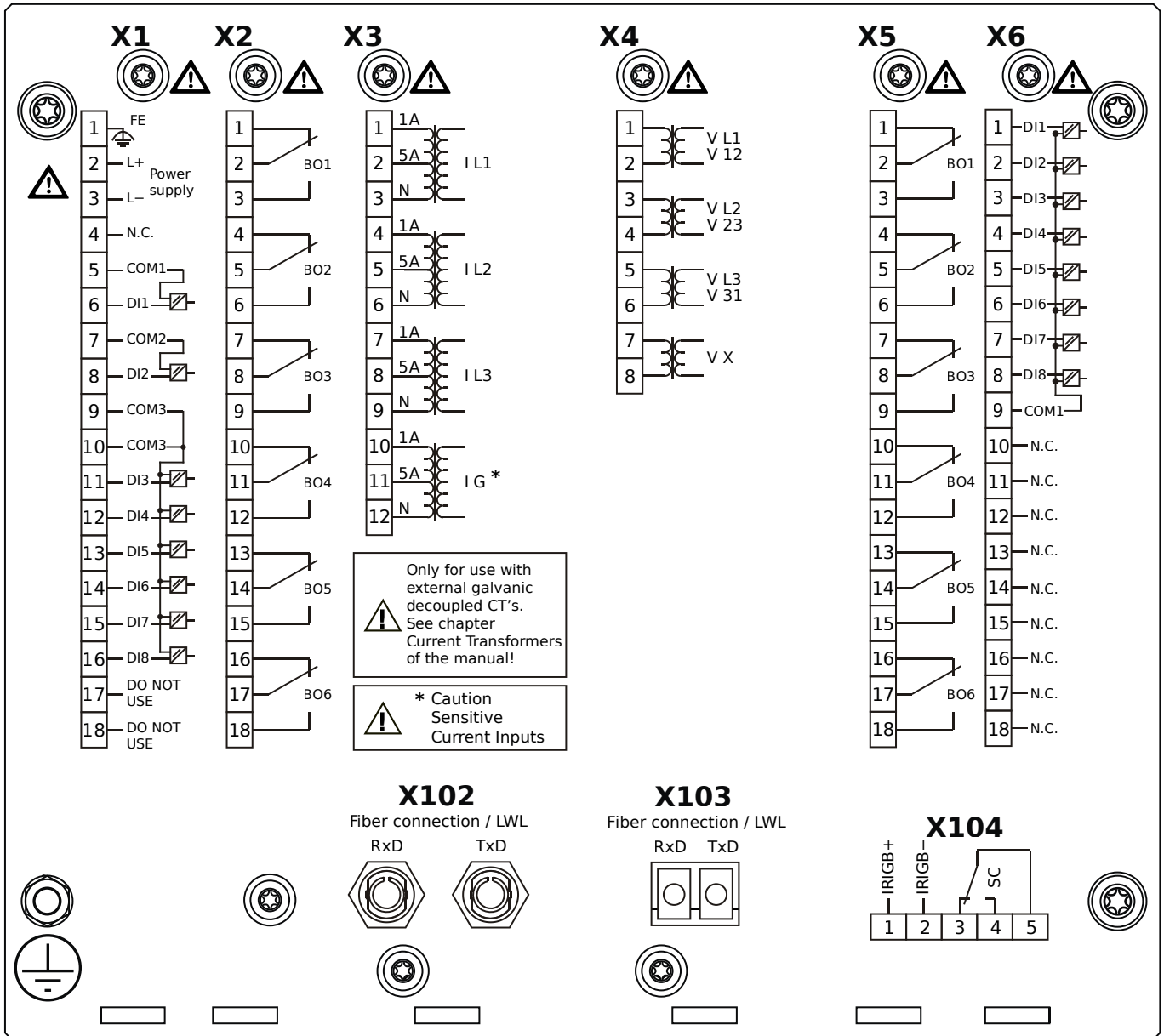


Housing B2, large display, door mounting

- + Conformal Coating (for installations in harsh environment)

- X1** – DI8-X1: Wide-range power supply unit, incl. 2 non-grouped digital inputs and 6 grouped digital inputs
- X2** – OR6: Assembly Group with 6 Output Relays (Changeover / Form C)
- X3** – TIs: Standard phase current measuring card and sensitive ground current measuring
- X4** – TU: Card with 4 voltage transformer measuring inputs (0 ... 800 VAC, under UL: 0 ... 600 VAC)
- X5** – OR6: Assembly Group with 6 Output Relays (Changeover / Form C)
- X6** – DI8: Assembly Group with 8 Digital Inputs
- X102** – Protection Communication, Fiber optics interface, ST Connector
- X103** – IEC 61850 / Modbus TCP / IEC 60870-5-104 / DNP3.0 TCP/UDP, Fiber optics interface, LC Connector
- X104** – IRIG-B00X, incl. System Contact (Supervision Contact)

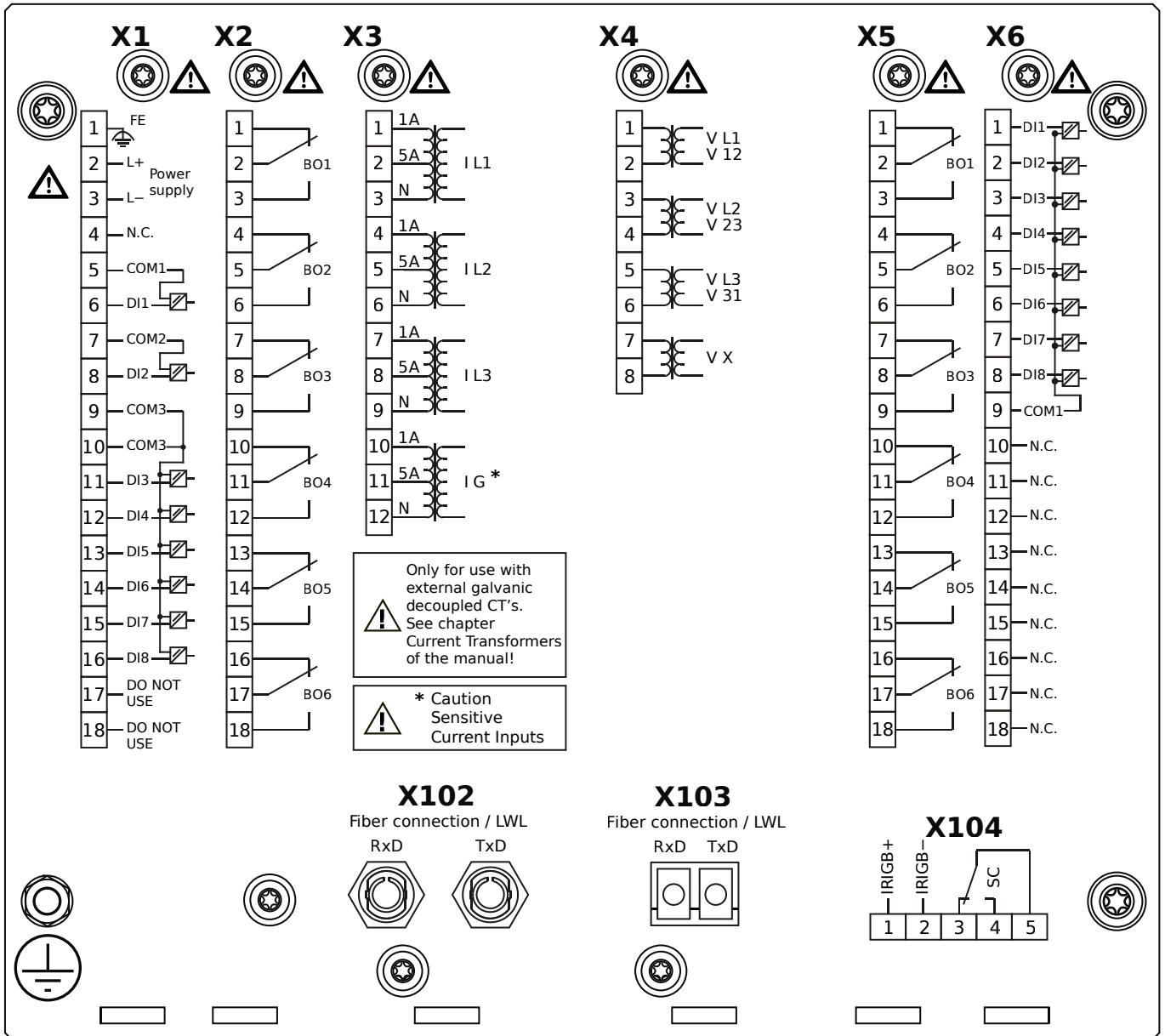
MCDLV4-2D1A1LA



Housing B2, large display, door mounting

- X1** – DI8-X1: Wide-range power supply unit, incl. 2 non-grouped digital inputs and 6 grouped digital inputs
- X2** – OR6: Assembly Group with 6 Output Relays (Changeover / Form C)
- X3** – TIs: Standard phase current measuring card and sensitive ground current measuring
- X4** – TU: Card with 4 voltage transformer measuring inputs (0 ... 800 VAC, under UL: 0 ... 600 VAC)
- X5** – OR6: Assembly Group with 6 Output Relays (Changeover / Form C)
- X6** – DI8: Assembly Group with 8 Digital Inputs
- X102** – Protection Communication, Fiber optics interface, ST Connector
- X103** – Modbus TCP / IEC 60870-5-104 / DNP3.0 TCP/UDP, Fiber optics interface, LC Connector
- X104** – IRIG-B00X, incl. System Contact (Supervision Contact)

MCDLV4-2D1A1LB

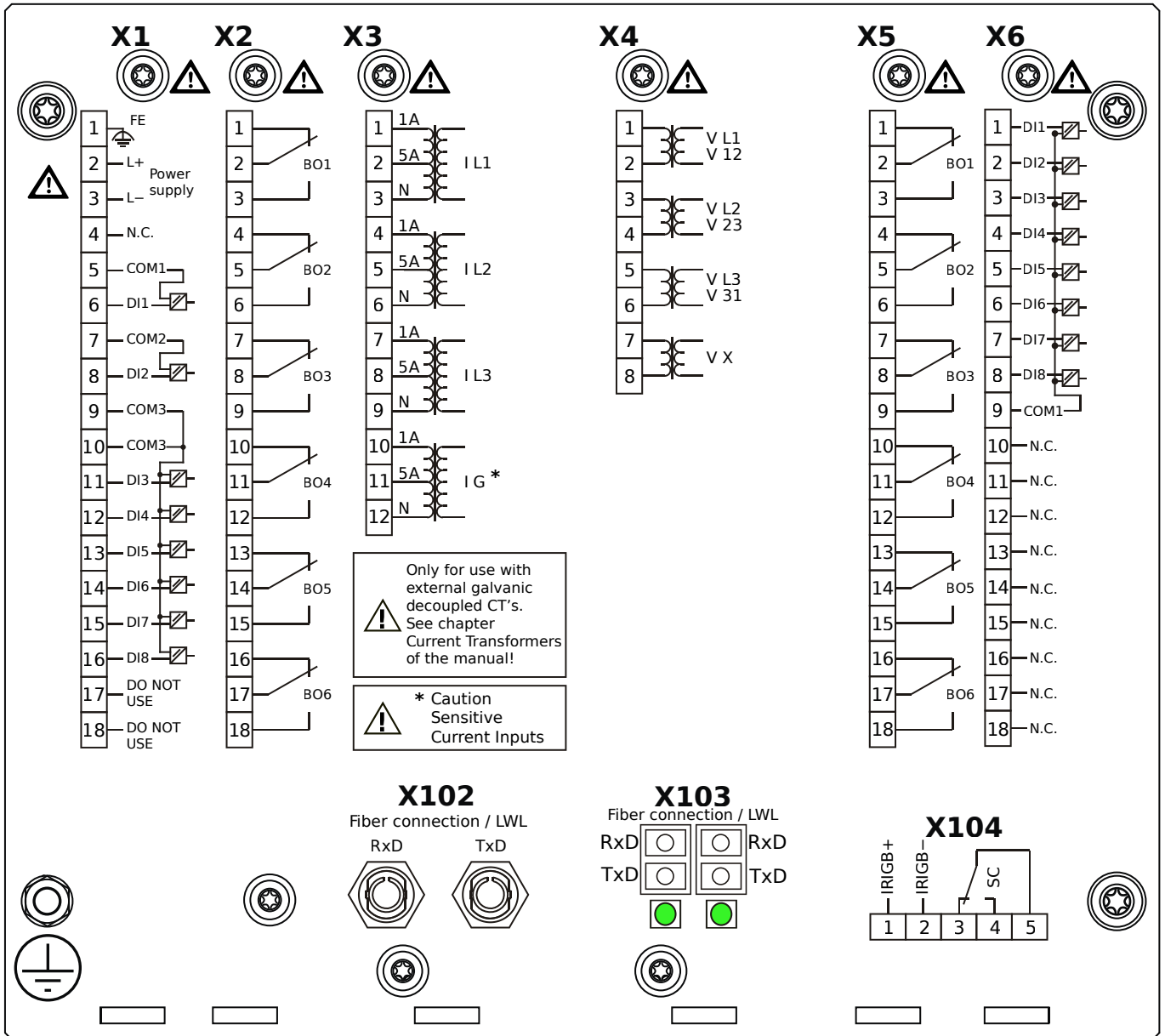


Housing B2, large display, door mounting

- + Conformal Coating (for installations in harsh environment)

- X1** – DI8-X1: Wide-range power supply unit, incl. 2 non-grouped digital inputs and 6 grouped digital inputs
- X2** – OR6: Assembly Group with 6 Output Relays (Changeover / Form C)
- X3** – TIs: Standard phase current measuring card and sensitive ground current measuring
- X4** – TU: Card with 4 voltage transformer measuring inputs (0 ... 800 VAC, under UL: 0 ... 600 VAC)
- X5** – OR6: Assembly Group with 6 Output Relays (Changeover / Form C)
- X6** – DI8: Assembly Group with 8 Digital Inputs
- X102** – Protection Communication, Fiber optics interface, ST Connector
- X103** – Modbus TCP / IEC 60870-5-104 / DNP3.0 TCP/UDP, Fiber optics interface, LC Connector
- X104** – IRIG-B00X, incl. System Contact (Supervision Contact)

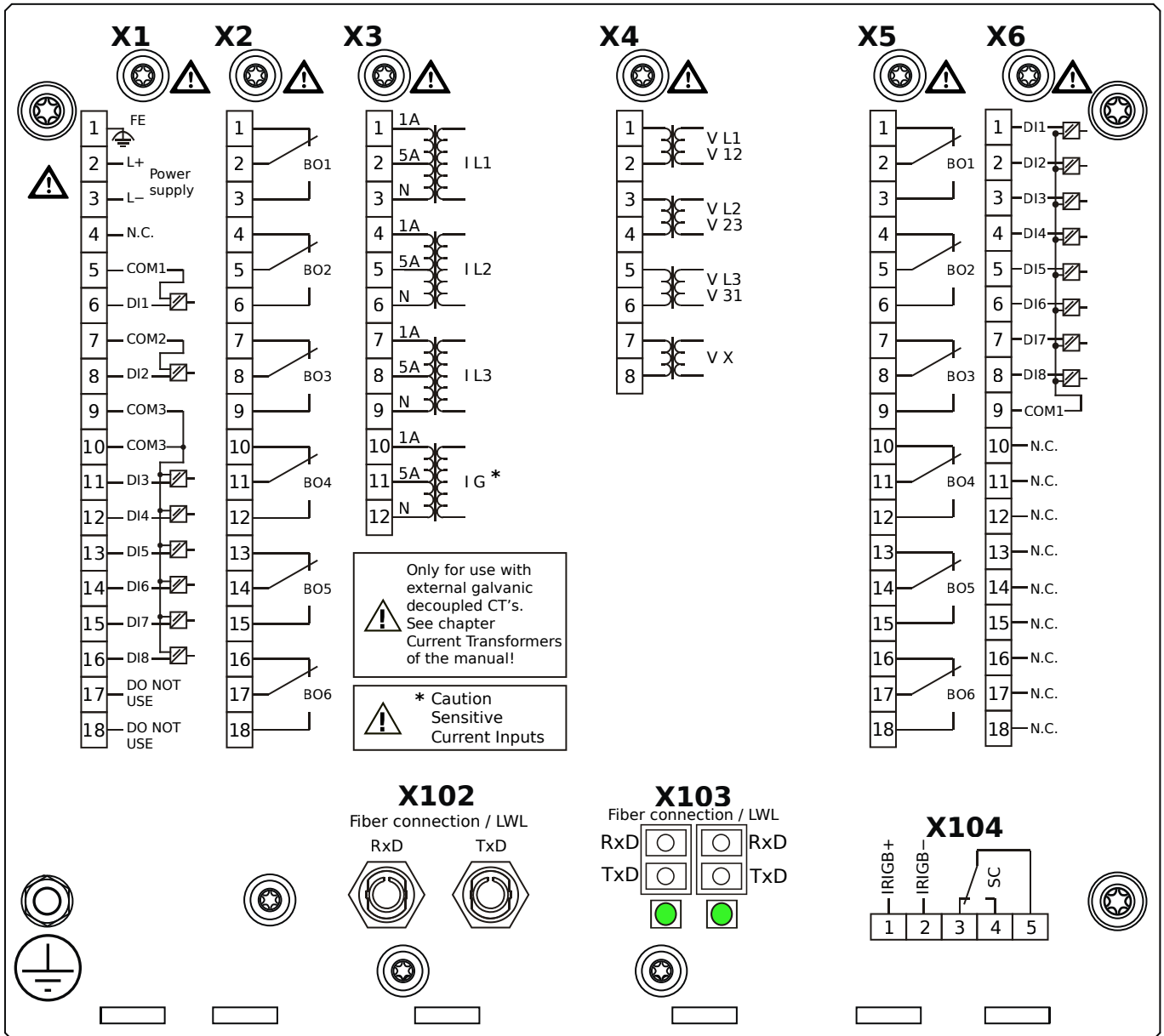
MCDLV4-2D1A10A



Housing B2, large display, door mounting

- X1** – DI8-X1: Wide-range power supply unit, incl. 2 non-grouped digital inputs and 6 grouped digital inputs
- X2** – OR6: Assembly Group with 6 Output Relays (Changeover / Form C)
- X3** – TIs: Standard phase current measuring card and sensitive ground current measuring
- X4** – TU: Card with 4 voltage transformer measuring inputs (0 ... 800 VAC, under UL: 0 ... 600 VAC)
- X5** – OR6: Assembly Group with 6 Output Relays (Changeover / Form C)
- X6** – DI8: Assembly Group with 8 Digital Inputs
- X102** – Protection Communication, Fiber optics interface, ST Connector
- X103** – Modbus TCP / IEC 60870-5-104 / DNP3.0 TCP/UDP, Redundant Fiber optics interface, LC Connector
- X104** – IRIG-B00X, incl. System Contact (Supervision Contact)

MCDLV4-2D1A10B

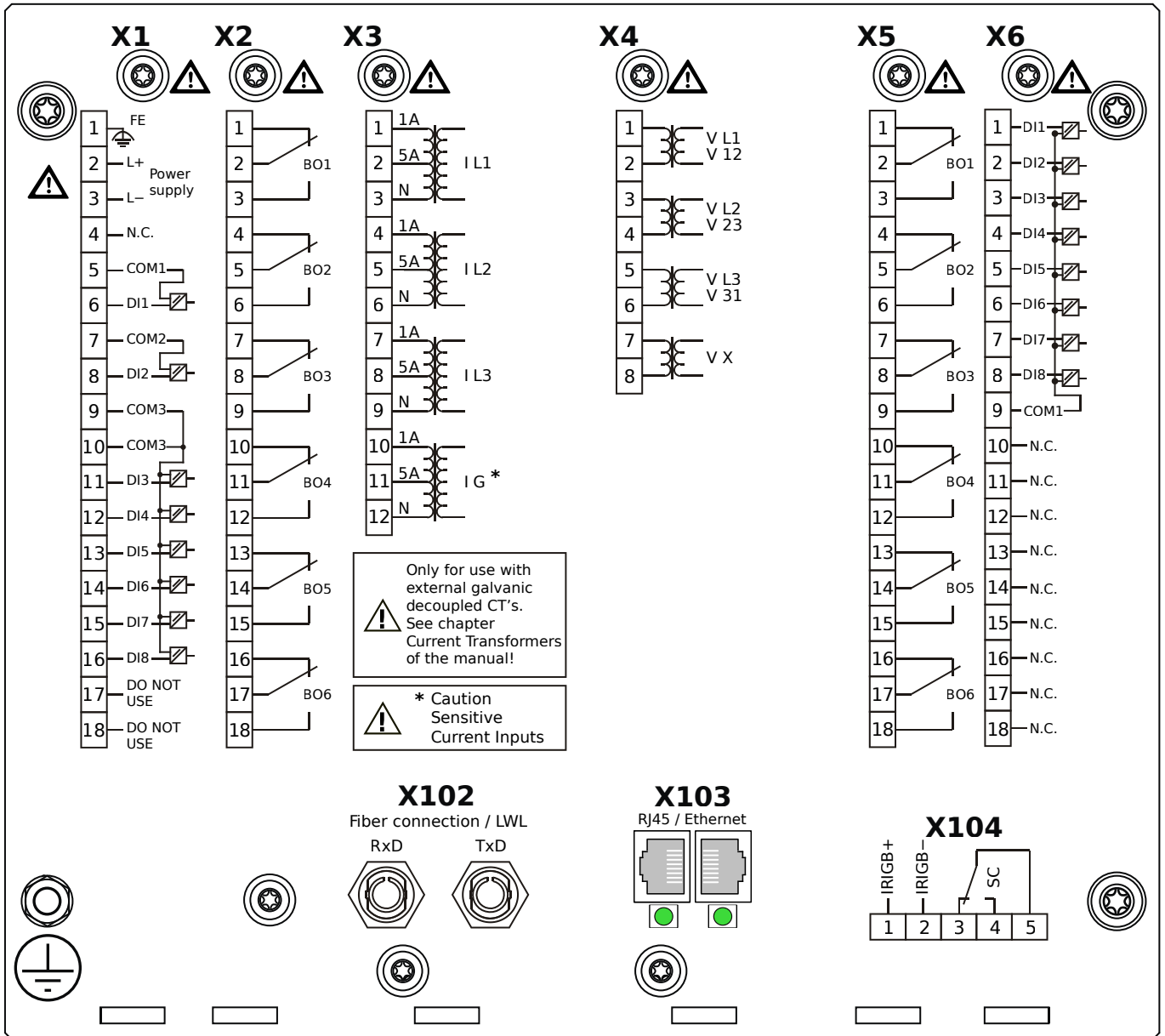


Housing B2, large display, door mounting

- + Conformal Coating (for installations in harsh environment)

- X1** – DI8-X1: Wide-range power supply unit, incl. 2 non-grouped digital inputs and 6 grouped digital inputs
- X2** – OR6: Assembly Group with 6 Output Relays (Changeover / Form C)
- X3** – TIs: Standard phase current measuring card and sensitive ground current measuring
- X4** – TU: Card with 4 voltage transformer measuring inputs (0 ... 800 VAC, under UL: 0 ... 600 VAC)
- X5** – OR6: Assembly Group with 6 Output Relays (Changeover / Form C)
- X6** – DI8: Assembly Group with 8 Digital Inputs
- X102** – Protection Communication, Fiber optics interface, ST Connector
- X103** – Modbus TCP / IEC 60870-5-104 / DNP3.0 TCP/UDP, Redundant Fiber optics interface, LC Connector
- X104** – IRIG-B00X, incl. System Contact (Supervision Contact)

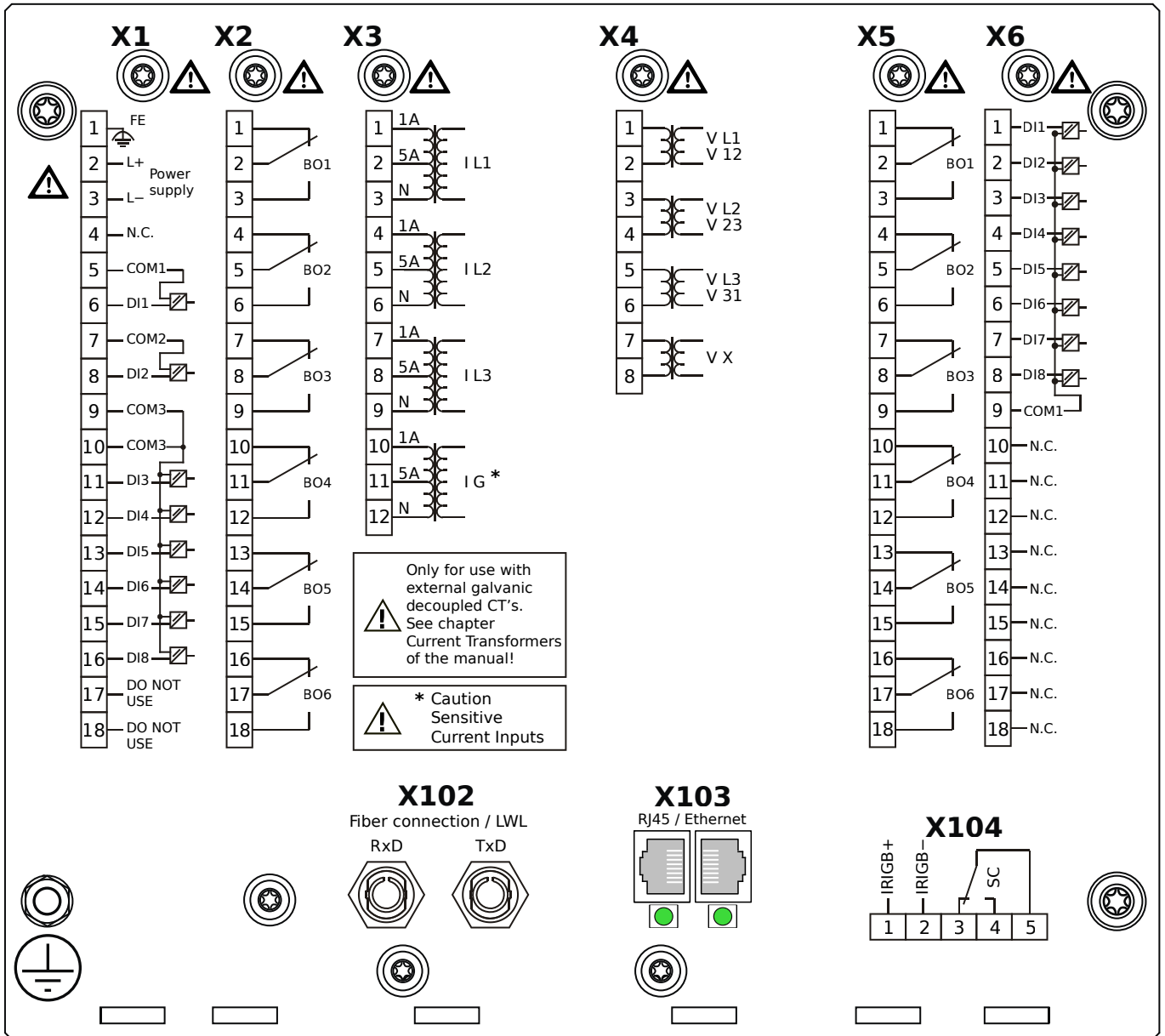
MCDLV4-2D1A1PA



Housing B2, large display, door mounting

- X1** – DI8-X1: Wide-range power supply unit, incl. 2 non-grouped digital inputs and 6 grouped digital inputs
- X2** – OR6: Assembly Group with 6 Output Relays (Changeover / Form C)
- X3** – TIs: Standard phase current measuring card and sensitive ground current measuring
- X4** – TU: Card with 4 voltage transformer measuring inputs (0 ... 800 VAC, under UL: 0 ... 600 VAC)
- X5** – OR6: Assembly Group with 6 Output Relays (Changeover / Form C)
- X6** – DI8: Assembly Group with 8 Digital Inputs
- X102** – Protection Communication, Fiber optics interface, ST Connector
- X103** – Modbus TCP / IEC 60870-5-104 / DNP3.0 TCP/UDP, Redundant Ethernet interface, 100 Mbit/s, RJ45 (BASE100-FX)
- X104** – IRIG-B00X, incl. System Contact (Supervision Contact)

MCDLV4-2D1A1PB

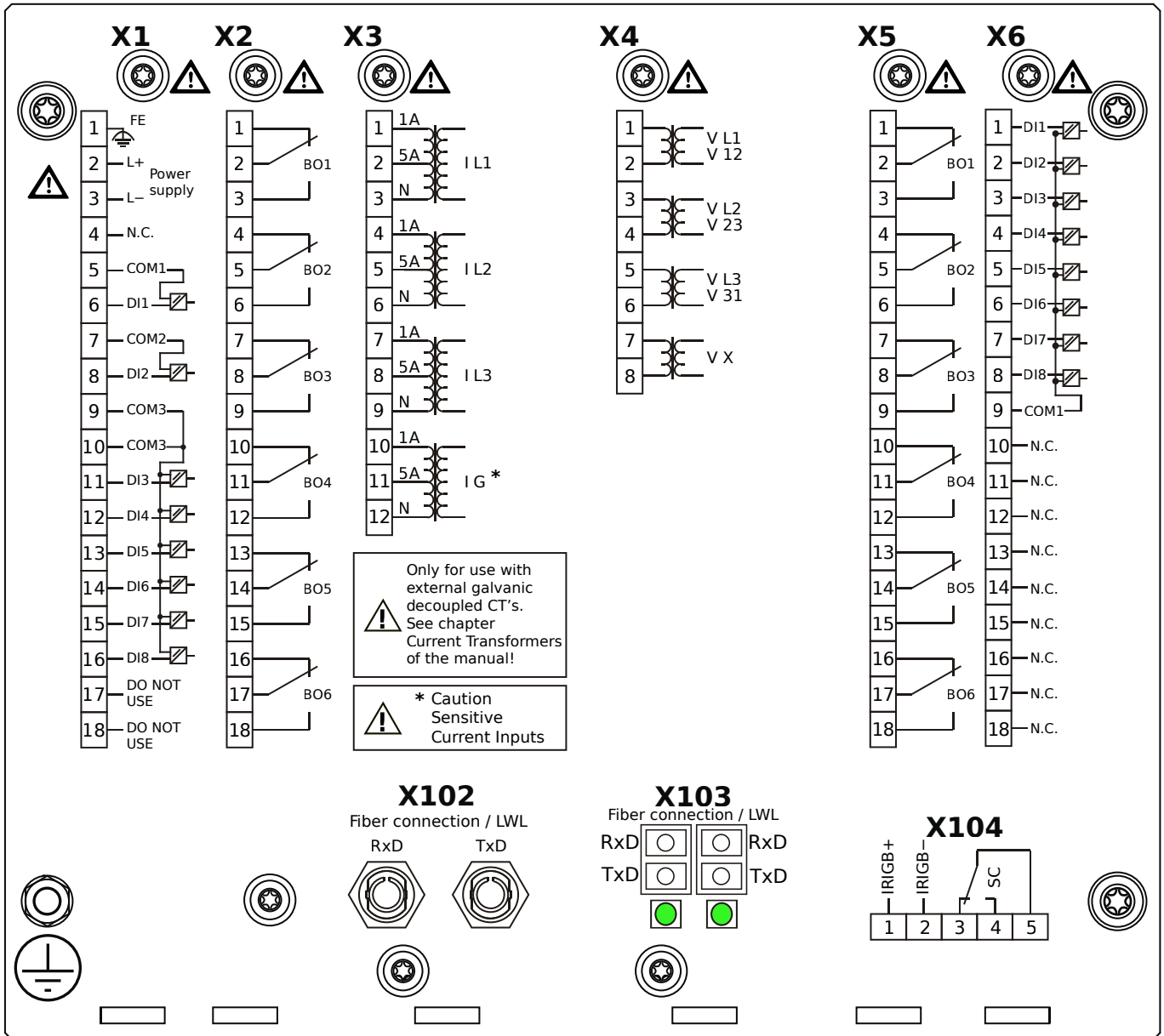


Housing B2, large display, door mounting

- + Conformal Coating (for installations in harsh environment)

- X1** – DI8-X1: Wide-range power supply unit, incl. 2 non-grouped digital inputs and 6 grouped digital inputs
- X2** – OR6: Assembly Group with 6 Output Relays (Changeover / Form C)
- X3** – TIs: Standard phase current measuring card and sensitive ground current measuring
- X4** – TU: Card with 4 voltage transformer measuring inputs (0 ... 800 VAC, under UL: 0 ... 600 VAC)
- X5** – OR6: Assembly Group with 6 Output Relays (Changeover / Form C)
- X6** – DI8: Assembly Group with 8 Digital Inputs
- X102** – Protection Communication, Fiber optics interface, ST Connector
- X103** – Modbus TCP / IEC 60870-5-104 / DNP3.0 TCP/UDP, Redundant Ethernet interface, 100 Mbit/s, RJ45 (BASE100-FX)
- X104** – IRIG-B00X, incl. System Contact (Supervision Contact)

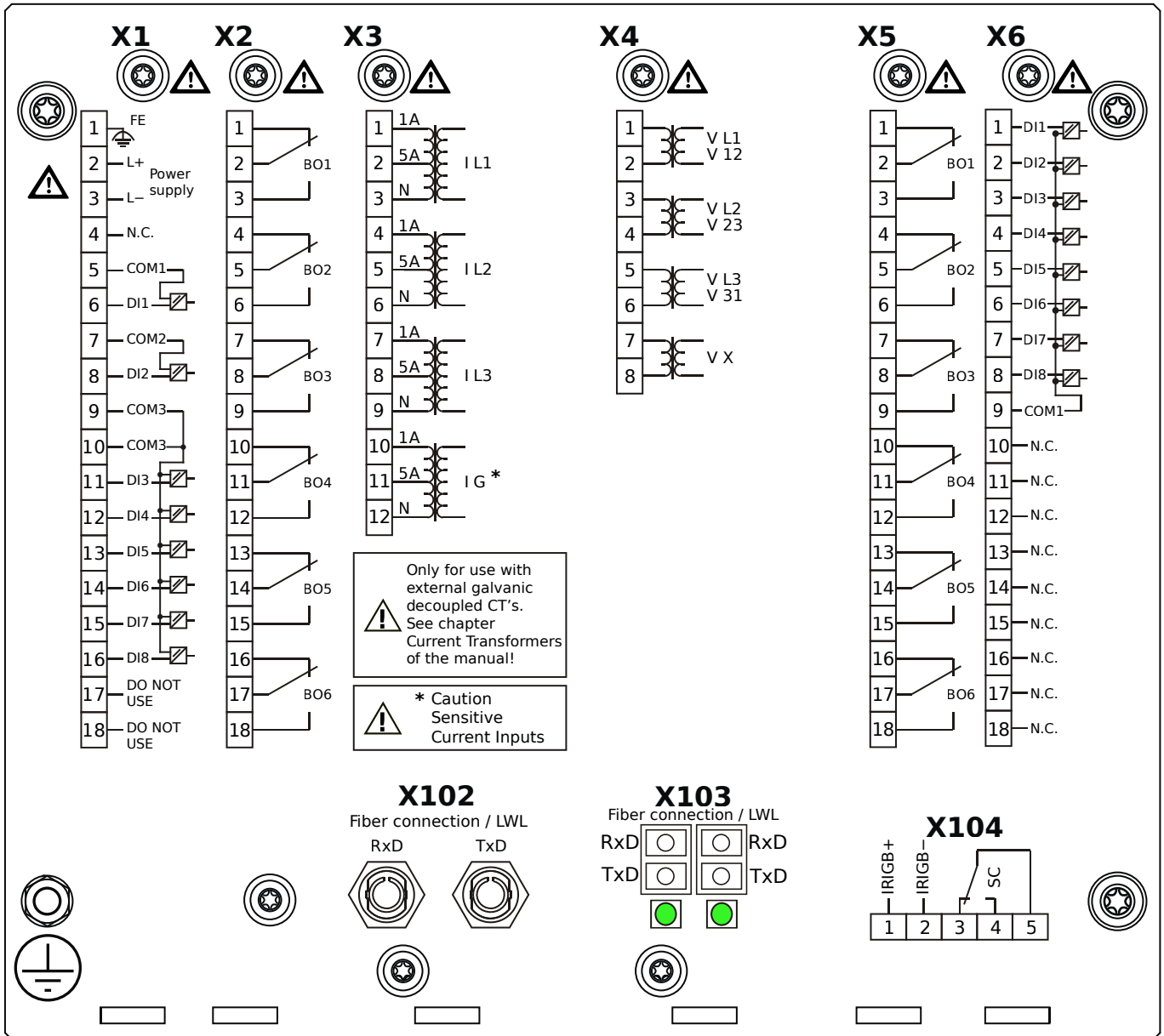
MCDLV4-2D1A1QA



Housing B2, large display, door mounting

- X1** – DI8-X1: Wide-range power supply unit, incl. 2 non-grouped digital inputs and 6 grouped digital inputs
- X2** – OR6: Assembly Group with 6 Output Relays (Changeover / Form C)
- X3** – TIs: Standard phase current measuring card and sensitive ground current measuring
- X4** – TU: Card with 4 voltage transformer measuring inputs (0 ... 800 VAC, under UL: 0 ... 600 VAC)
- X5** – OR6: Assembly Group with 6 Output Relays (Changeover / Form C)
- X6** – DI8: Assembly Group with 8 Digital Inputs
- X102** – Protection Communication, Fiber optics interface, ST Connector
- X103** – IEC 61850 / Modbus TCP / IEC 60870-5-104 / DNP3.0 TCP/UDP, Redundant Fiber optics interface, LC Connector
- X104** – IRIG-B00X, incl. System Contact (Supervision Contact)

MCDLV4-2D1A1QB



Housing B2, large display, door mounting

+ Conformal Coating (for installations in harsh environment)

X1 – DI8-X1: Wide-range power supply unit, incl. 2 non-grouped digital inputs and 6 grouped digital inputs

X2 – OR6: Assembly Group with 6 Output Relays (Changeover / Form C)

X3 – TIs: Standard phase current measuring card and sensitive ground current measuring

X4 – TU: Card with 4 voltage transformer measuring inputs (0 ... 800 VAC, under UL: 0 ... 600 VAC)

X5 – OR6: Assembly Group with 6 Output Relays (Changeover / Form C)

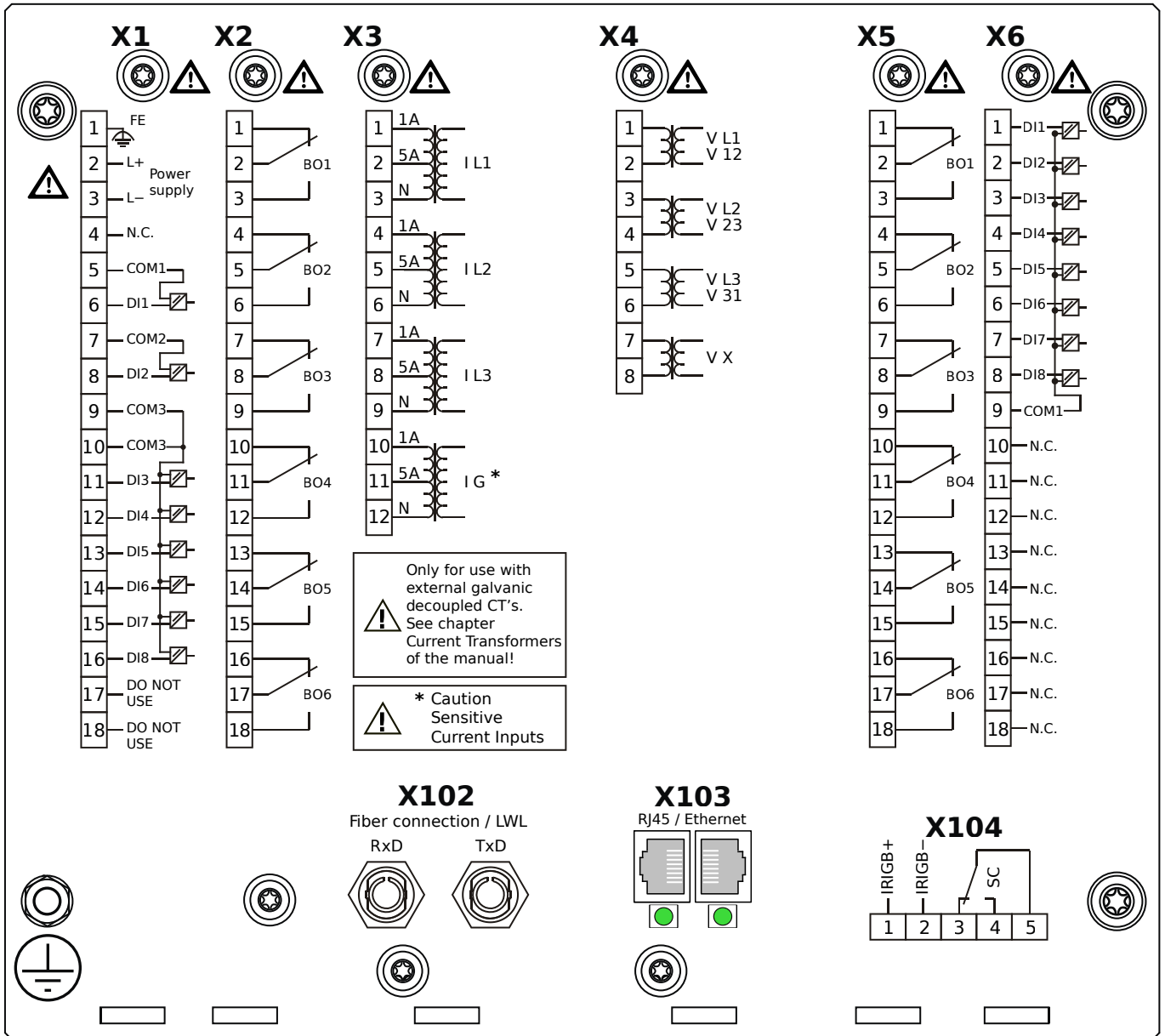
X6 – DI8: Assembly Group with 8 Digital Inputs

X102 – Protection Communication, Fiber optics interface, ST Connector

X103 – IEC 61850 / Modbus TCP / IEC 60870-5-104 / DNP3.0 TCP/UDP, Redundant Fiber optics interface, LC Connector

X104 – IRIG-B00X, incl. System Contact (Supervision Contact)

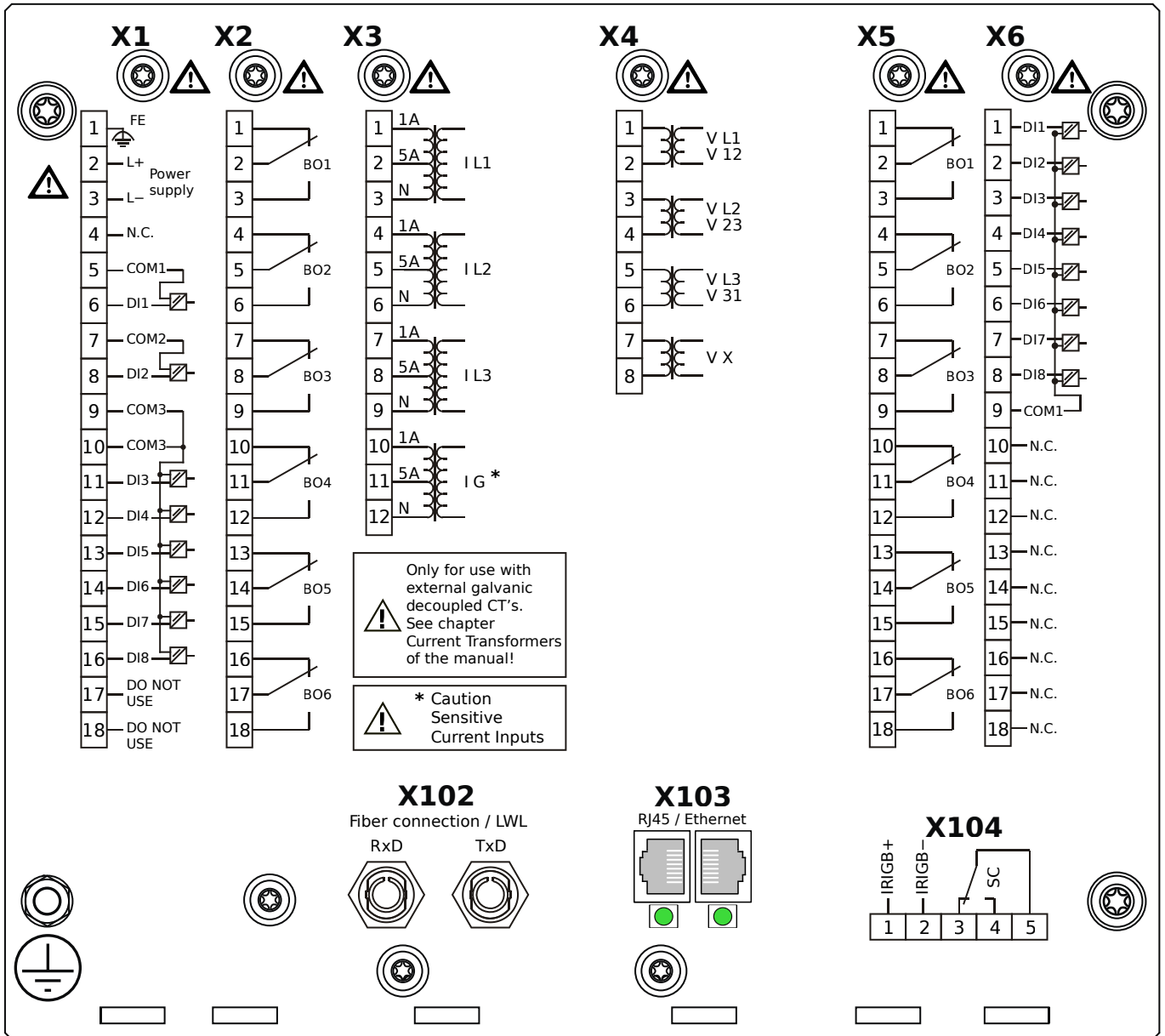
MCDLV4-2D1A1RA



Housing B2, large display, door mounting

- X1** – DI8-X1: Wide-range power supply unit, incl. 2 non-grouped digital inputs and 6 grouped digital inputs
 - X2** – OR6: Assembly Group with 6 Output Relays (Changeover / Form C)
 - X3** – TIs: Standard phase current measuring card and sensitive ground current measuring
 - X4** – TU: Card with 4 voltage transformer measuring inputs (0 ... 800 VAC, under UL: 0 ... 600 VAC)
 - X5** – OR6: Assembly Group with 6 Output Relays (Changeover / Form C)
 - X6** – DI8: Assembly Group with 8 Digital Inputs
 - X102** – Protection Communication, Fiber optics interface, ST Connector
 - X103** – IEC 61850 / Modbus TCP / IEC 60870-5-104 / DNP3.0 TCP/UDP, Redundant Ethernet interface, 100 Mbit/s, RJ45
- (BASE100-FX)
- X104** – IRIG-B00X, incl. System Contact (Supervision Contact)

MCDLV4-2D1A1RB



Housing B2, large display, door mounting

+ Conformal Coating (for installations in harsh environment)

X1 – DI8-X1: Wide-range power supply unit, incl. 2 non-grouped digital inputs and 6 grouped digital inputs

X2 – OR6: Assembly Group with 6 Output Relays (Changeover / Form C)

X3 – TIs: Standard phase current measuring card and sensitive ground current measuring

X4 – TU: Card with 4 voltage transformer measuring inputs (0 ... 800 VAC, under UL: 0 ... 600 VAC)

X5 – OR6: Assembly Group with 6 Output Relays (Changeover / Form C)

X6 – DI8: Assembly Group with 8 Digital Inputs

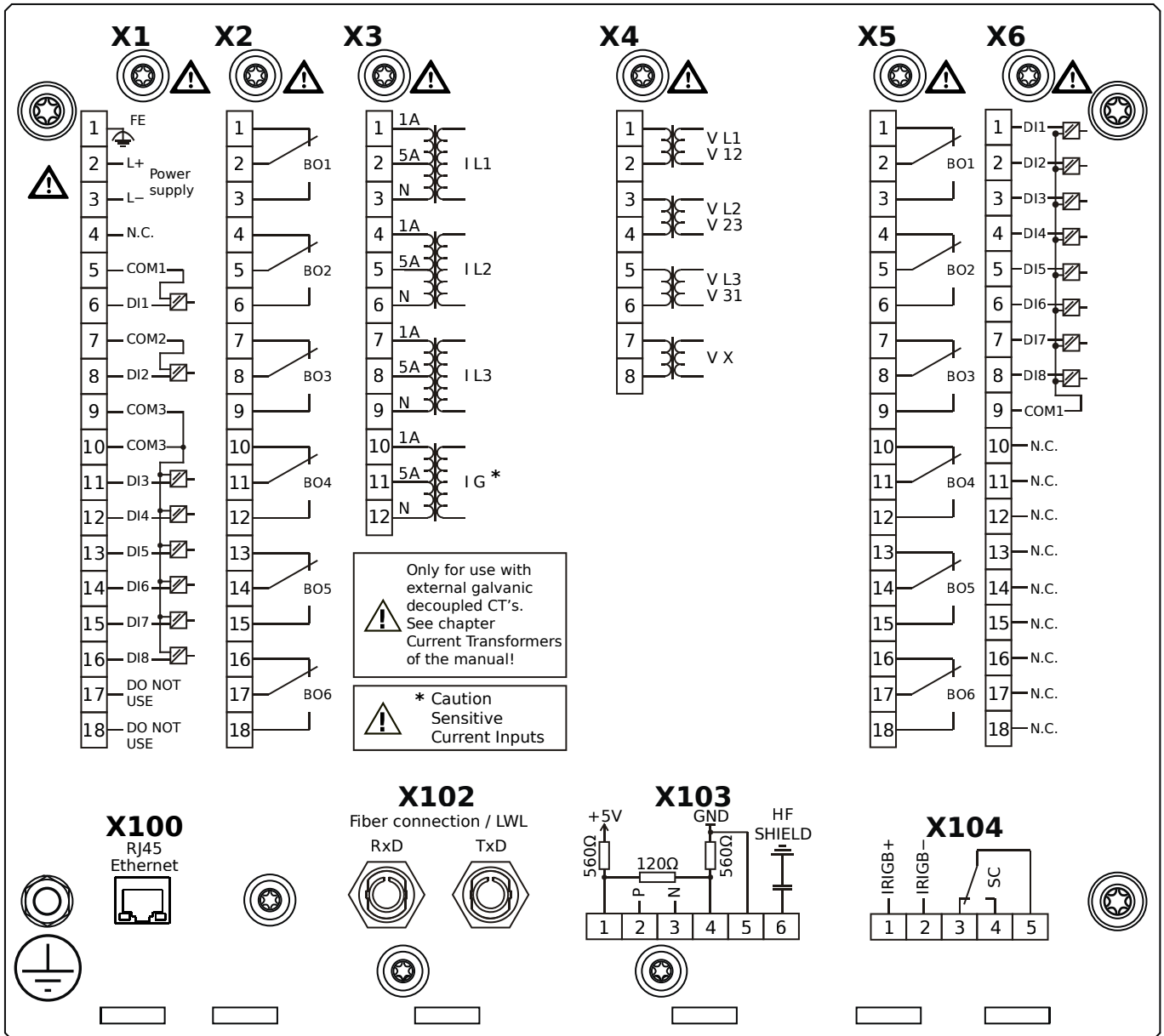
X102 – Protection Communication, Fiber optics interface, ST Connector

X103 – IEC 61850 / Modbus TCP / IEC 60870-5-104 / DNP3.0 TCP/UDP, Redundant Ethernet interface, 100 Mbit/s, RJ45

(BASE100-FX)

X104 – IRIG-B00X, incl. System Contact (Supervision Contact)

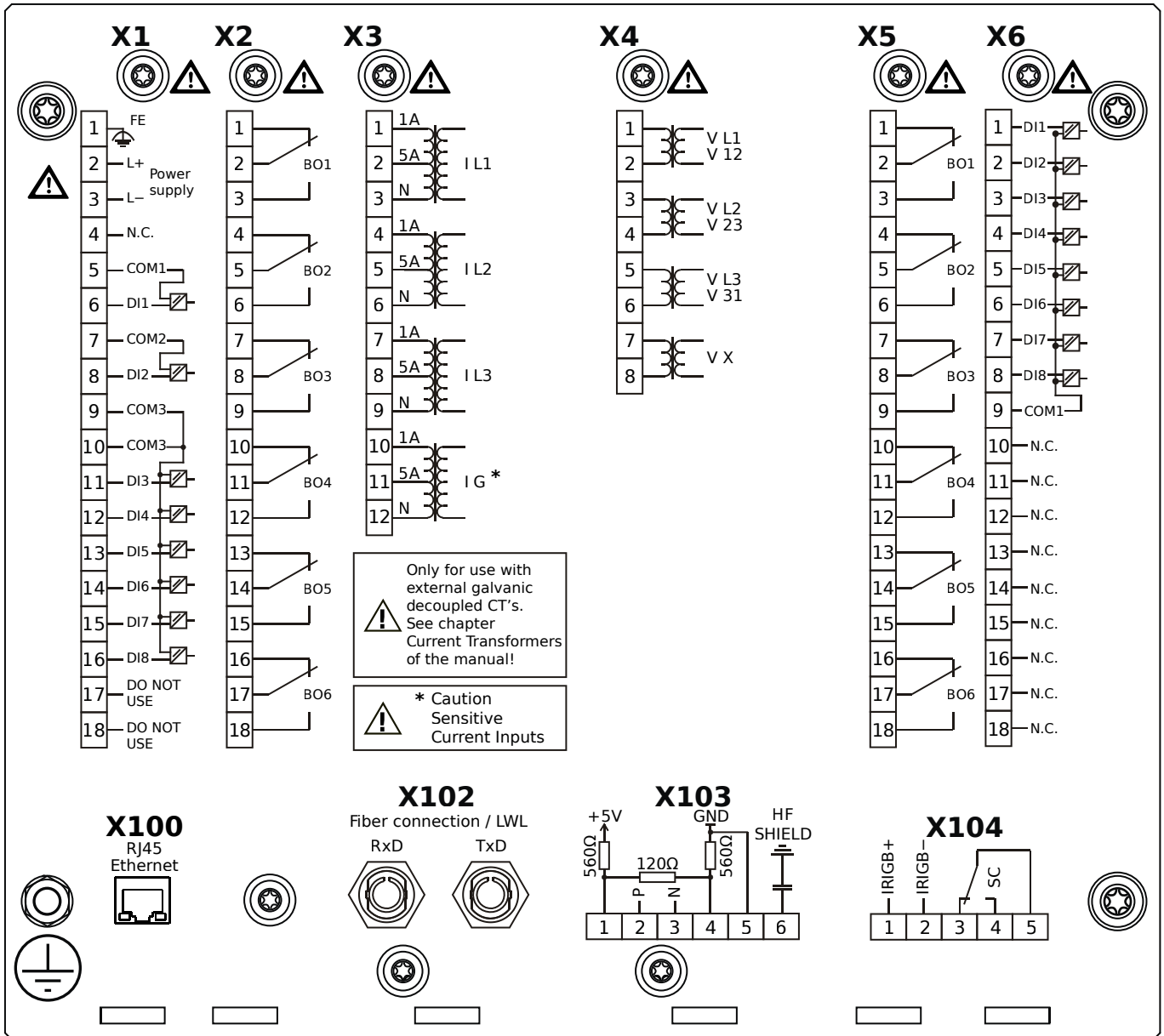
MCDLV4-2D1A1TA



Housing B2, large display, door mounting

- X1** – DI8-X1: Wide-range power supply unit, incl. 2 non-grouped digital inputs and 6 grouped digital inputs
- X2** – OR6: Assembly Group with 6 Output Relays (Changeover / Form C)
- X3** – TIs: Standard phase current measuring card and sensitive ground current measuring
- X4** – TU: Card with 4 voltage transformer measuring inputs (0 ... 800 VAC, under UL: 0 ... 600 VAC)
- X5** – OR6: Assembly Group with 6 Output Relays (Changeover / Form C)
- X6** – DI8: Assembly Group with 8 Digital Inputs
- X100** – IEC 61850 / Modbus TCP / IEC 60870-5-104 / DNP3.0 TCP/UDP, Ethernet interface, 100 Mbit/s, RJ45 (BASE100-FX)
- X102** – Protection Communication, Fiber optics interface, ST Connector
- X103** – IEC 60870-5-103 / Modbus RTU / DNP3.0 RTU, RS485, Terminals
- X104** – IRIG-B00X, incl. System Contact (Supervision Contact)

MCDLV4-2D1A1TB

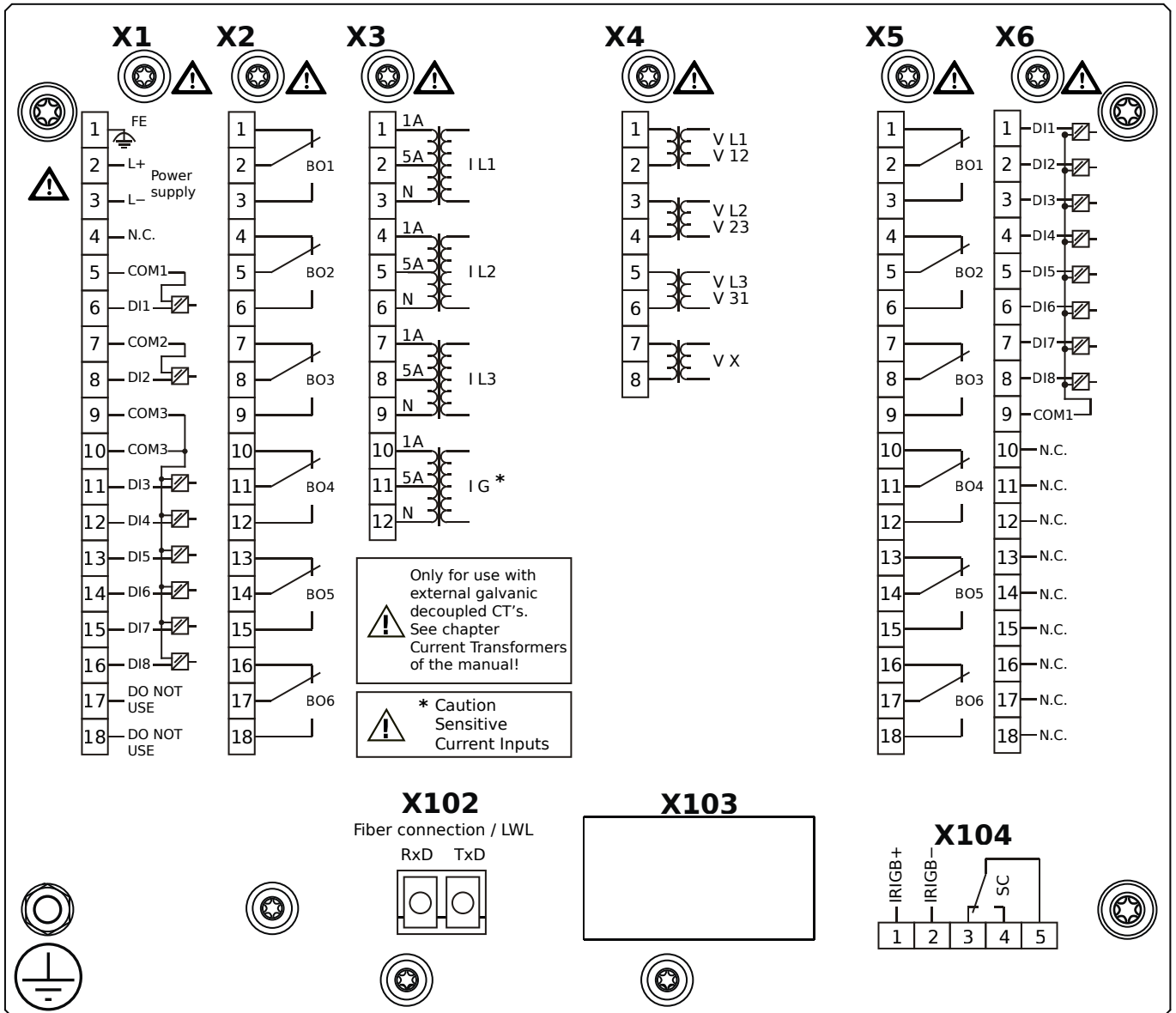


Housing B2, large display, door mounting

+ Conformal Coating (for installations in harsh environment)

- X1** – DI8-X1: Wide-range power supply unit, incl. 2 non-grouped digital inputs and 6 grouped digital inputs
- X2** – OR6: Assembly Group with 6 Output Relays (Changeover / Form C)
- X3** – TIs: Standard phase current measuring card and sensitive ground current measuring
- X4** – TU: Card with 4 voltage transformer measuring inputs (0 ... 800 VAC, under UL: 0 ... 600 VAC)
- X5** – OR6: Assembly Group with 6 Output Relays (Changeover / Form C)
- X6** – DI8: Assembly Group with 8 Digital Inputs
- X100** – IEC 61850 / Modbus TCP / IEC 60870-5-104 / DNP3.0 TCP/UDP, Ethernet interface, 100 Mbit/s, RJ45 (BASE100-FX)
- X102** – Protection Communication, Fiber optics interface, ST Connector
- X103** – IEC 60870-5-103 / Modbus RTU / DNP3.0 RTU, RS485, Terminals
- X104** – IRIG-B00X, incl. System Contact (Supervision Contact)

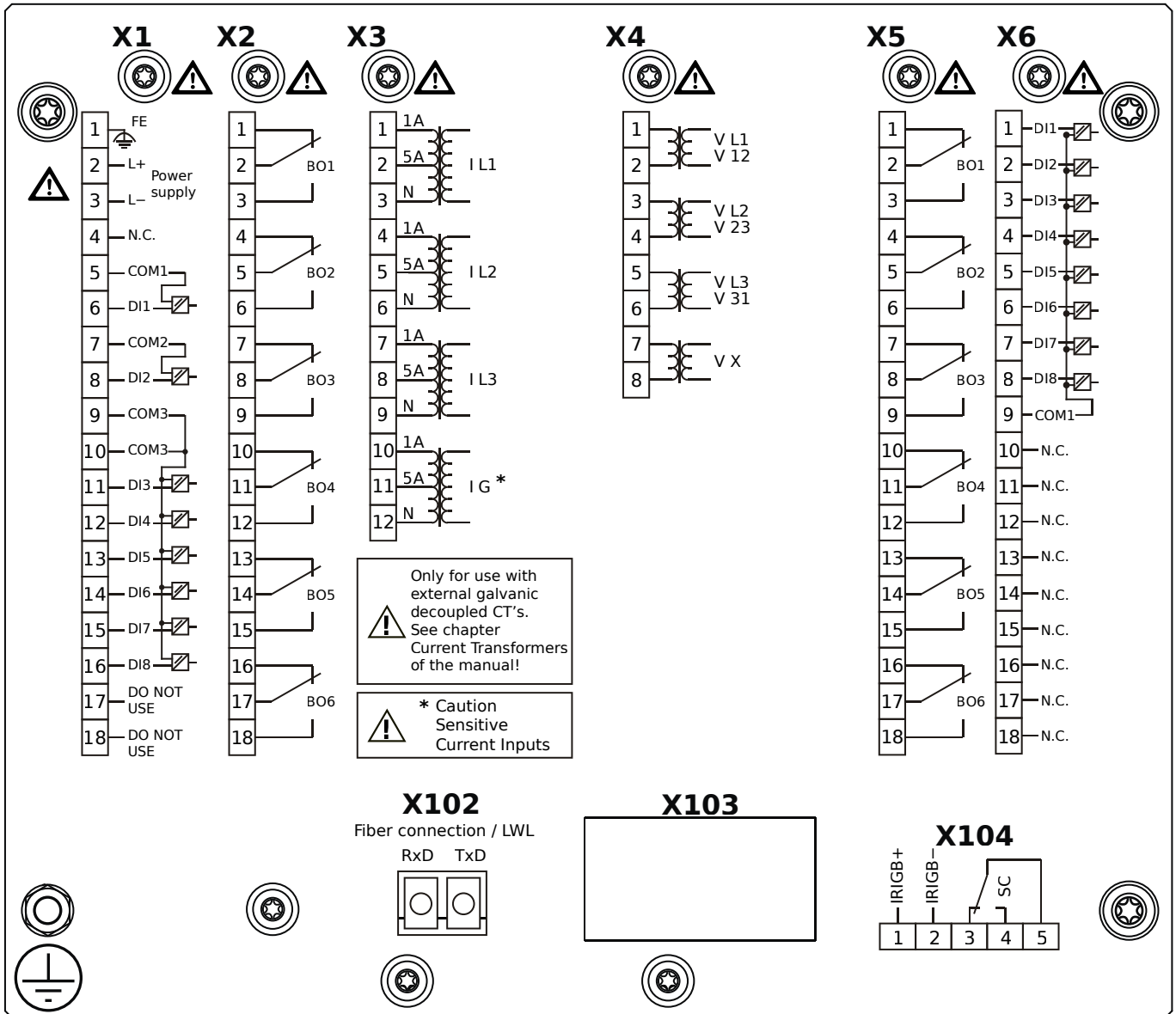
MCDLV4-2D1B0AA



Housing B2, large display, 19" rack mounting

- X1** – DI8-X1: Wide-range power supply unit, incl. 2 non-grouped digital inputs and 6 grouped digital inputs
- X2** – OR6: Assembly Group with 6 Output Relays (Changeover / Form C)
- X3** – TIs: Standard phase current measuring card and sensitive ground current measuring
- X4** – TU: Card with 4 voltage transformer measuring inputs (0 ... 800 VAC, under UL: 0 ... 600 VAC)
- X5** – OR6: Assembly Group with 6 Output Relays (Changeover / Form C)
- X6** – DI8: Assembly Group with 8 Digital Inputs
- X102** – Long-distance Protection Communication, Fiber optics interface, LC Connector
- X104** – IRIG-B00X, incl. System Contact (Supervision Contact)

MCDLV4-2D1B0AB

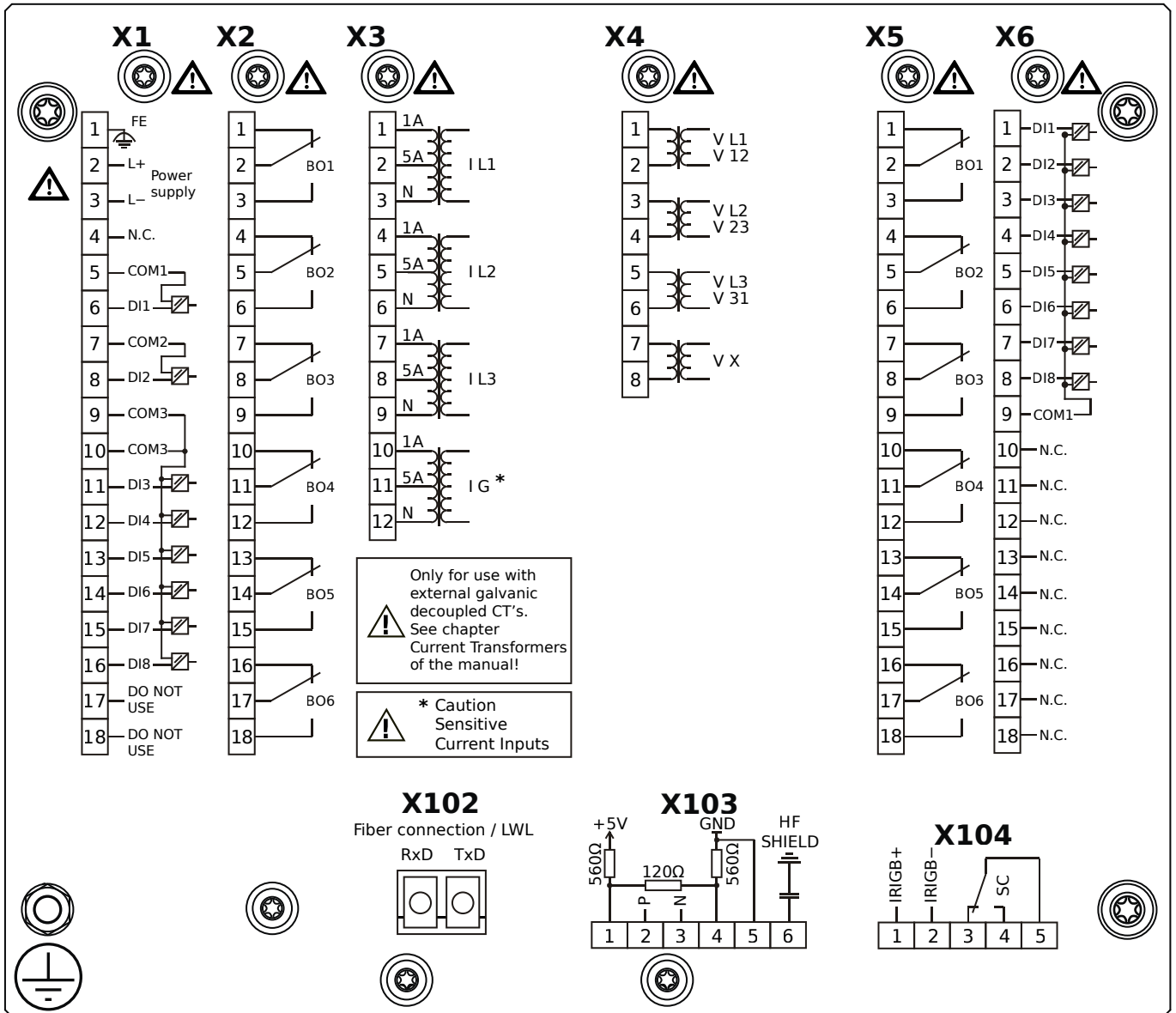


Housing B2, large display, 19" rack mounting

+ Conformal Coating (for installations in harsh environment)

- X1** – DI8-X1: Wide-range power supply unit, incl. 2 non-grouped digital inputs and 6 grouped digital inputs
- X2** – OR6: Assembly Group with 6 Output Relays (Changeover / Form C)
- X3** – TIs: Standard phase current measuring card and sensitive ground current measuring
- X4** – TU: Card with 4 voltage transformer measuring inputs (0 ... 800 VAC, under UL: 0 ... 600 VAC)
- X5** – OR6: Assembly Group with 6 Output Relays (Changeover / Form C)
- X6** – DI8: Assembly Group with 8 Digital Inputs
- X102** – Long-distance Protection Communication, Fiber optics interface, LC Connector
- X104** – IRIG-B00X, incl. System Contact (Supervision Contact)

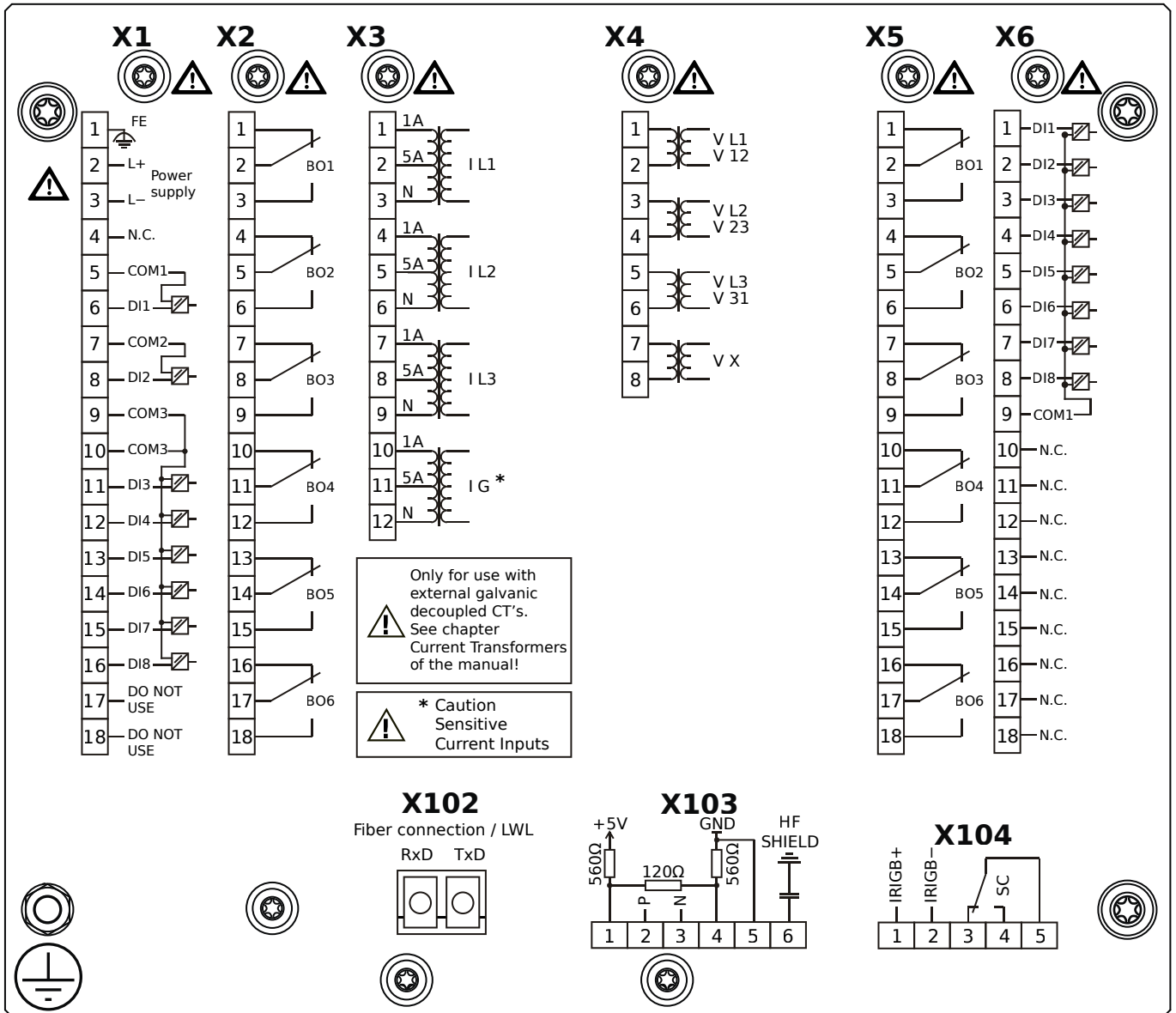
MCDLV4-2D1B0BA



Housing B2, large display, 19" rack mounting

- X1** – DI8-X1: Wide-range power supply unit, incl. 2 non-grouped digital inputs and 6 grouped digital inputs
- X2** – OR6: Assembly Group with 6 Output Relays (Changeover / Form C)
- X3** – TIs: Standard phase current measuring card and sensitive ground current measuring
- X4** – TU: Card with 4 voltage transformer measuring inputs (0 ... 800 VAC, under UL: 0 ... 600 VAC)
- X5** – OR6: Assembly Group with 6 Output Relays (Changeover / Form C)
- X6** – DI8: Assembly Group with 8 Digital Inputs
- X102** – Long-distance Protection Communication, Fiber optics interface, LC Connector
- X103** – Modbus RTU / IEC 60870-5-103 / DNP3.0 RTU, RS485, Terminals
- X104** – IRIG-B00X, incl. System Contact (Supervision Contact)

MCDLV4-2D1B0BB

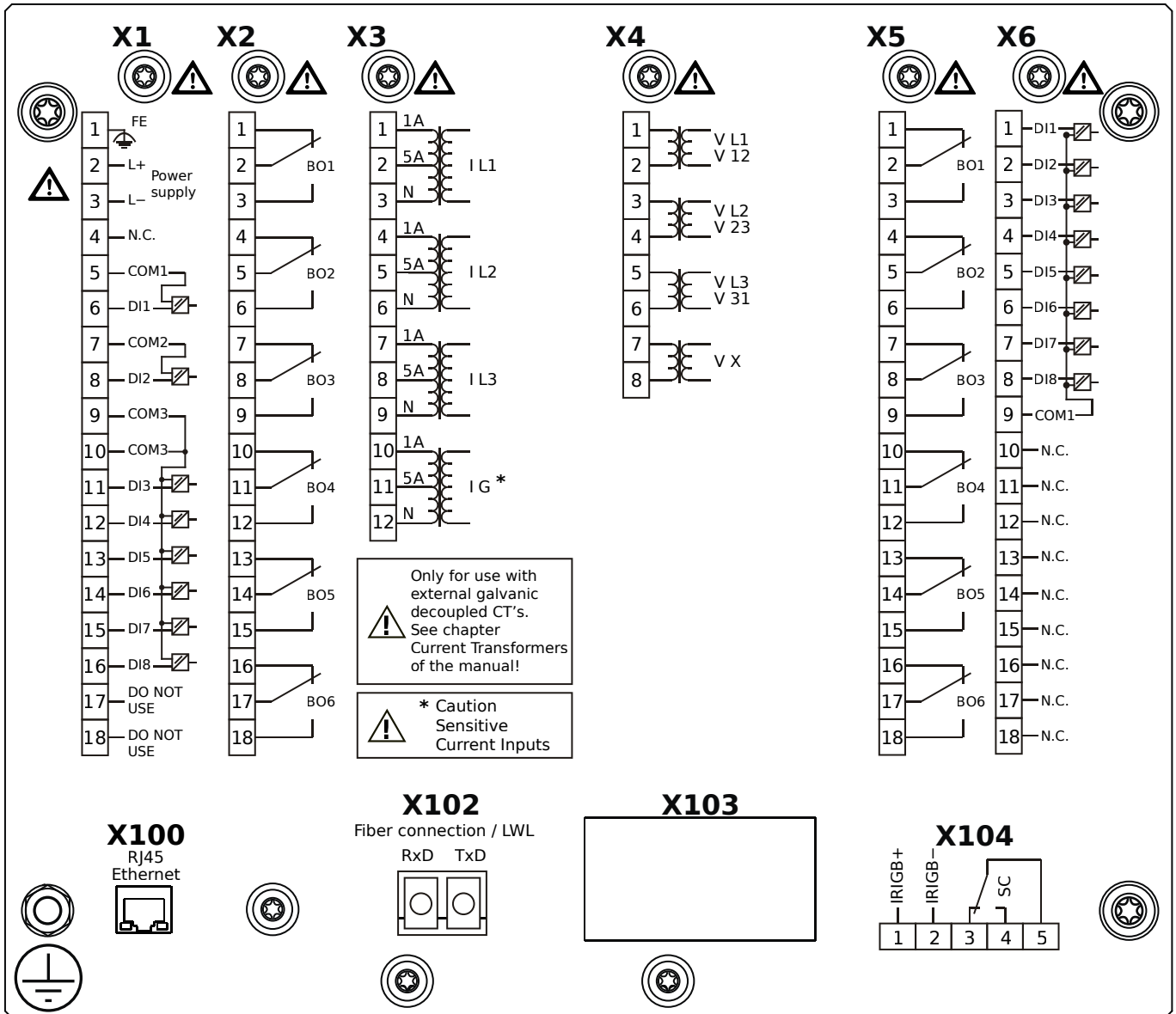


Housing B2, large display, 19" rack mounting

+ Conformal Coating (for installations in harsh environment)

- X1** – DI8-X1: Wide-range power supply unit, incl. 2 non-grouped digital inputs and 6 grouped digital inputs
- X2** – OR6: Assembly Group with 6 Output Relays (Changeover / Form C)
- X3** – TIs: Standard phase current measuring card and sensitive ground current measuring
- X4** – TU: Card with 4 voltage transformer measuring inputs (0 ... 800 VAC, under UL: 0 ... 600 VAC)
- X5** – OR6: Assembly Group with 6 Output Relays (Changeover / Form C)
- X6** – DI8: Assembly Group with 8 Digital Inputs
- X102** – Long-distance Protection Communication, Fiber optics interface, LC Connector
- X103** – Modbus RTU / IEC 60870-5-103 / DNP3.0 RTU, RS485, Terminals
- X104** – IRIG-B00X, incl. System Contact (Supervision Contact)

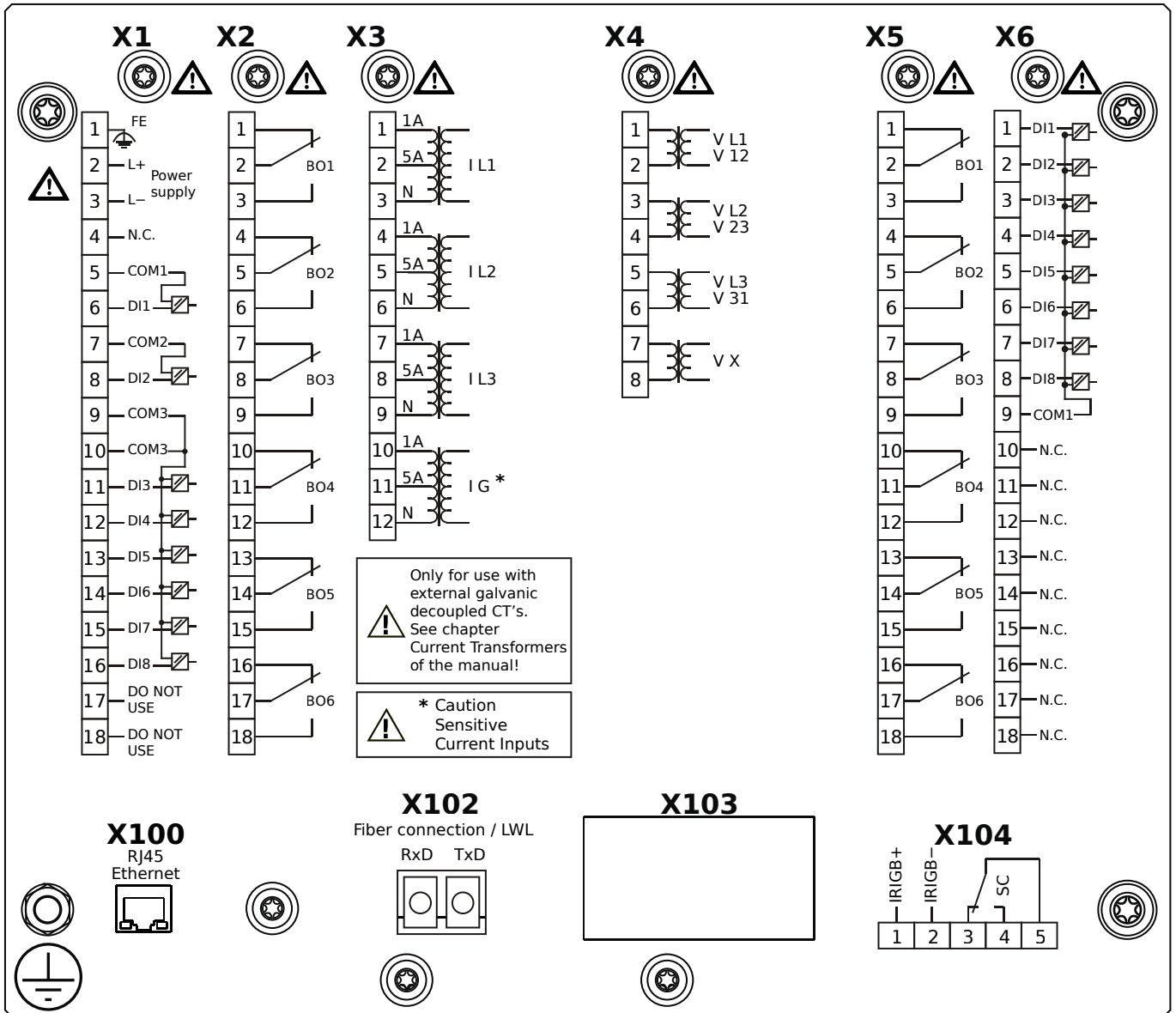
MCDLV4-2D1B0CA



Housing B2, large display, 19" rack mounting

- X1** – DI8-X1: Wide-range power supply unit, incl. 2 non-grouped digital inputs and 6 grouped digital inputs
- X2** – OR6: Assembly Group with 6 Output Relays (Changeover / Form C)
- X3** – TIs: Standard phase current measuring card and sensitive ground current measuring
- X4** – TU: Card with 4 voltage transformer measuring inputs (0 ... 800 VAC, under UL: 0 ... 600 VAC)
- X5** – OR6: Assembly Group with 6 Output Relays (Changeover / Form C)
- X6** – DI8: Assembly Group with 8 Digital Inputs
- X100** – Modbus TCP / IEC 60870-5-104 / DNP3.0 TCP/UDP, Ethernet interface, 100 Mbit/s, RJ45 (BASE100-FX)
- X102** – Long-distance Protection Communication, Fiber optics interface, LC Connector
- X104** – IRIG-B00X, incl. System Contact (Supervision Contact)

MCDLV4-2D1B0CB

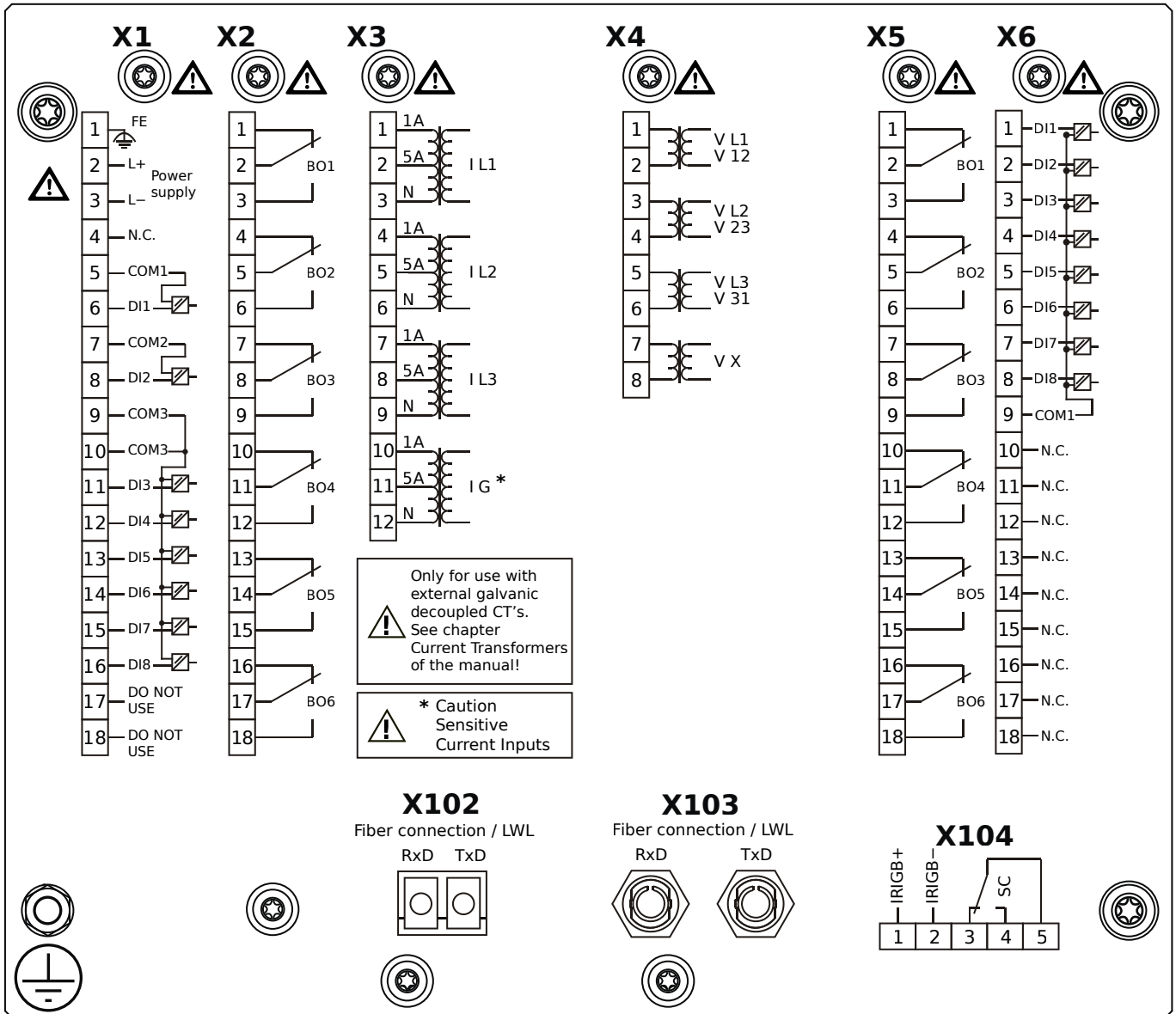


Housing B2, large display, 19" rack mounting

+ Conformal Coating (for installations in harsh environment)

- X1** – DI8-X1: Wide-range power supply unit, incl. 2 non-grouped digital inputs and 6 grouped digital inputs
- X2** – OR6: Assembly Group with 6 Output Relays (Changeover / Form C)
- X3** – TIs: Standard phase current measuring card and sensitive ground current measuring
- X4** – TU: Card with 4 voltage transformer measuring inputs (0 ... 800 VAC, under UL: 0 ... 600 VAC)
- X5** – OR6: Assembly Group with 6 Output Relays (Changeover / Form C)
- X6** – DI8: Assembly Group with 8 Digital Inputs
- X100** – Modbus TCP / IEC 60870-5-104 / DNP3.0 TCP/UDP, Ethernet interface, 100 Mbit/s, RJ45 (BASE100-FX)
- X102** – Long-distance Protection Communication, Fiber optics interface, LC Connector
- X104** – IRIG-B00X, incl. System Contact (Supervision Contact)

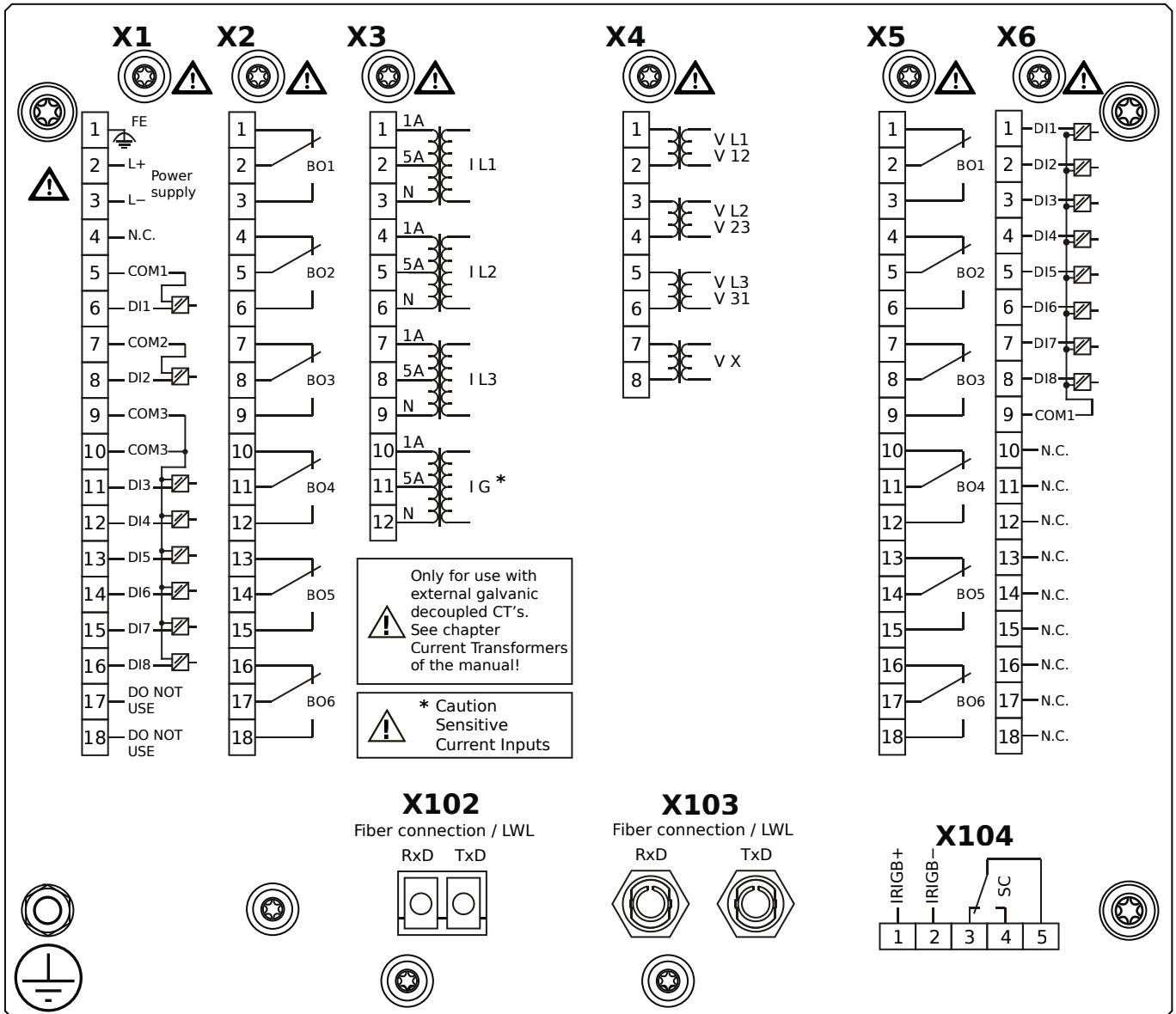
MCDLV4-2D1B0DA



Housing B2, large display, 19" rack mounting

- X1** – DI8-X1: Wide-range power supply unit, incl. 2 non-grouped digital inputs and 6 grouped digital inputs
- X2** – OR6: Assembly Group with 6 Output Relays (Changeover / Form C)
- X3** – TIs: Standard phase current measuring card and sensitive ground current measuring
- X4** – TU: Card with 4 voltage transformer measuring inputs (0 ... 800 VAC, under UL: 0 ... 600 VAC)
- X5** – OR6: Assembly Group with 6 Output Relays (Changeover / Form C)
- X6** – DI8: Assembly Group with 8 Digital Inputs
- X102** – Long-distance Protection Communication, Fiber optics interface, LC Connector
- X103** – Profibus-DP, Fiber optics interface, ST Connector
- X104** – IRIG-B00X, incl. System Contact (Supervision Contact)

MCDLV4-2D1B0DB

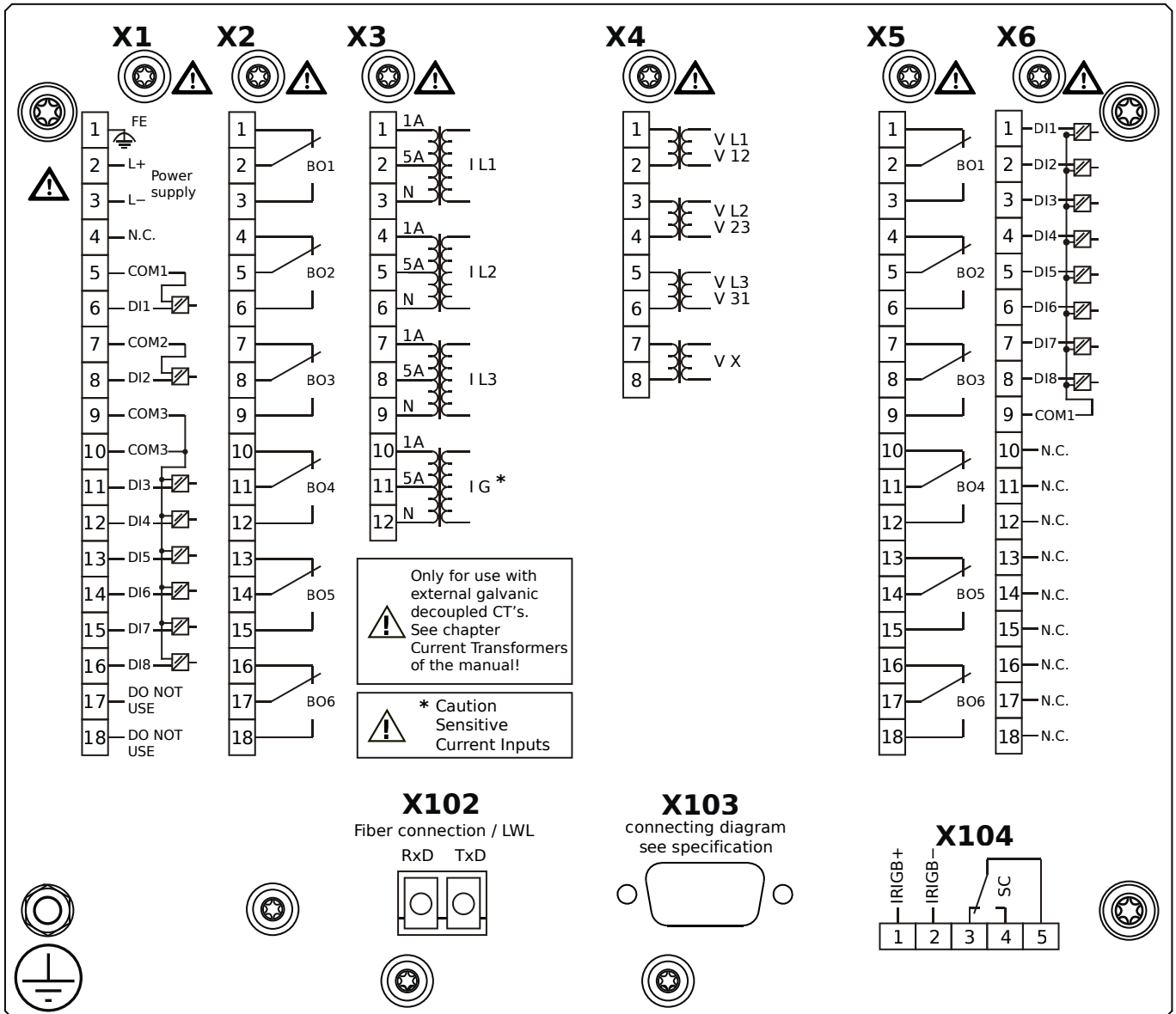


Housing B2, large display, 19" rack mounting

+ Conformal Coating (for installations in harsh environment)

- X1** – DI8-X1: Wide-range power supply unit, incl. 2 non-grouped digital inputs and 6 grouped digital inputs
- X2** – OR6: Assembly Group with 6 Output Relays (Changeover / Form C)
- X3** – TIs: Standard phase current measuring card and sensitive ground current measuring
- X4** – TU: Card with 4 voltage transformer measuring inputs (0 ... 800 VAC, under UL: 0 ... 600 VAC)
- X5** – OR6: Assembly Group with 6 Output Relays (Changeover / Form C)
- X6** – DI8: Assembly Group with 8 Digital Inputs
- X102** – Long-distance Protection Communication, Fiber optics interface, LC Connector
- X103** – Profibus-DP, Fiber optics interface, ST Connector
- X104** – IRIG-B00X, incl. System Contact (Supervision Contact)

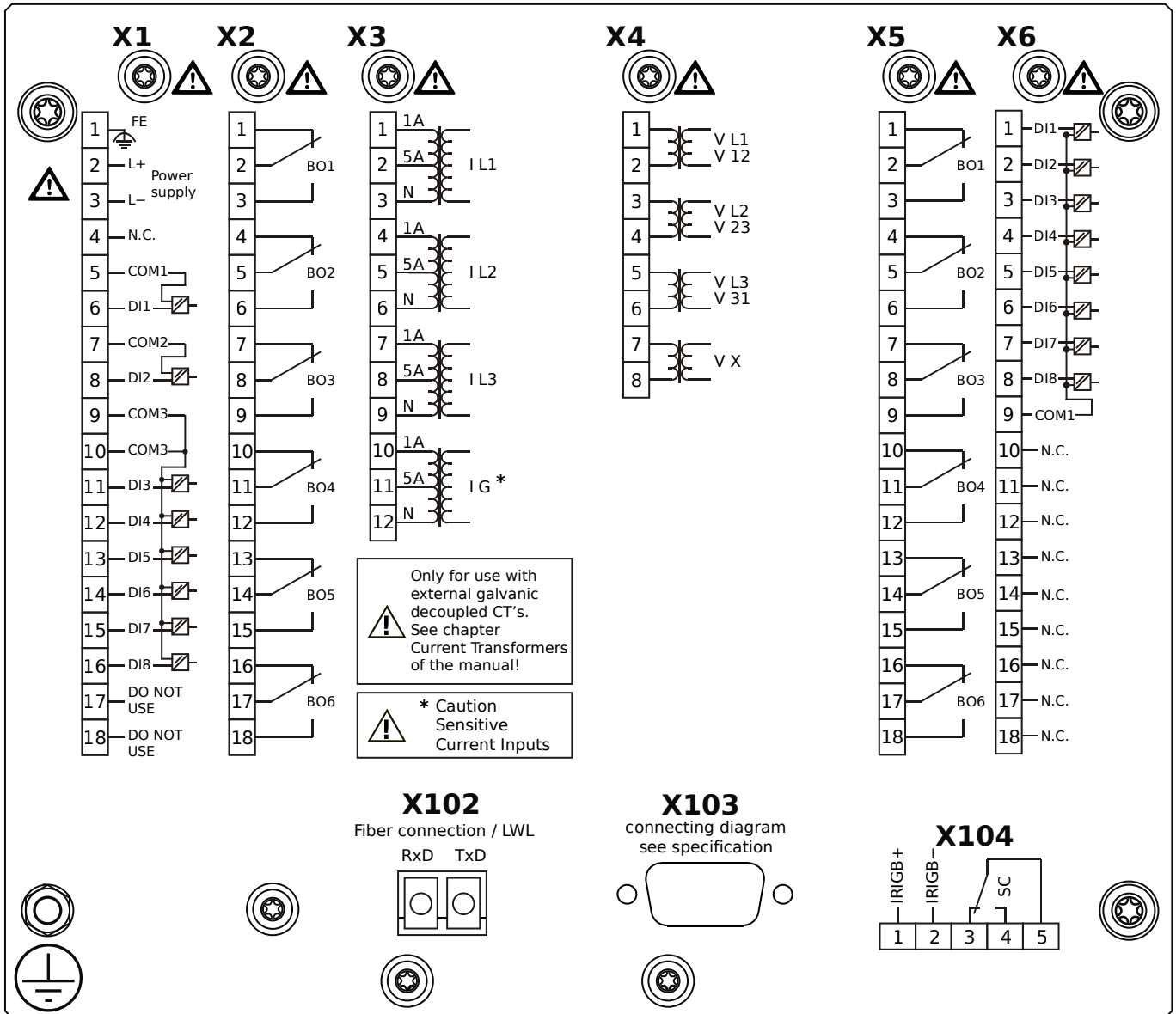
MCDLV4-2D1B0EA



Housing B2, large display, 19" rack mounting

- X1** – DI8-X1: Wide-range power supply unit, incl. 2 non-grouped digital inputs and 6 grouped digital inputs
- X2** – OR6: Assembly Group with 6 Output Relays (Changeover / Form C)
- X3** – TIs: Standard phase current measuring card and sensitive ground current measuring
- X4** – TU: Card with 4 voltage transformer measuring inputs (0 ... 800 VAC, under UL: 0 ... 600 VAC)
- X5** – OR6: Assembly Group with 6 Output Relays (Changeover / Form C)
- X6** – DI8: Assembly Group with 8 Digital Inputs
- X102** – Long-distance Protection Communication, Fiber optics interface, LC Connector
- X103** – Profibus-DP, RS485, D-SUB
- X104** – IRIG-B00X, incl. System Contact (Supervision Contact)

MCDLV4-2D1B0EB

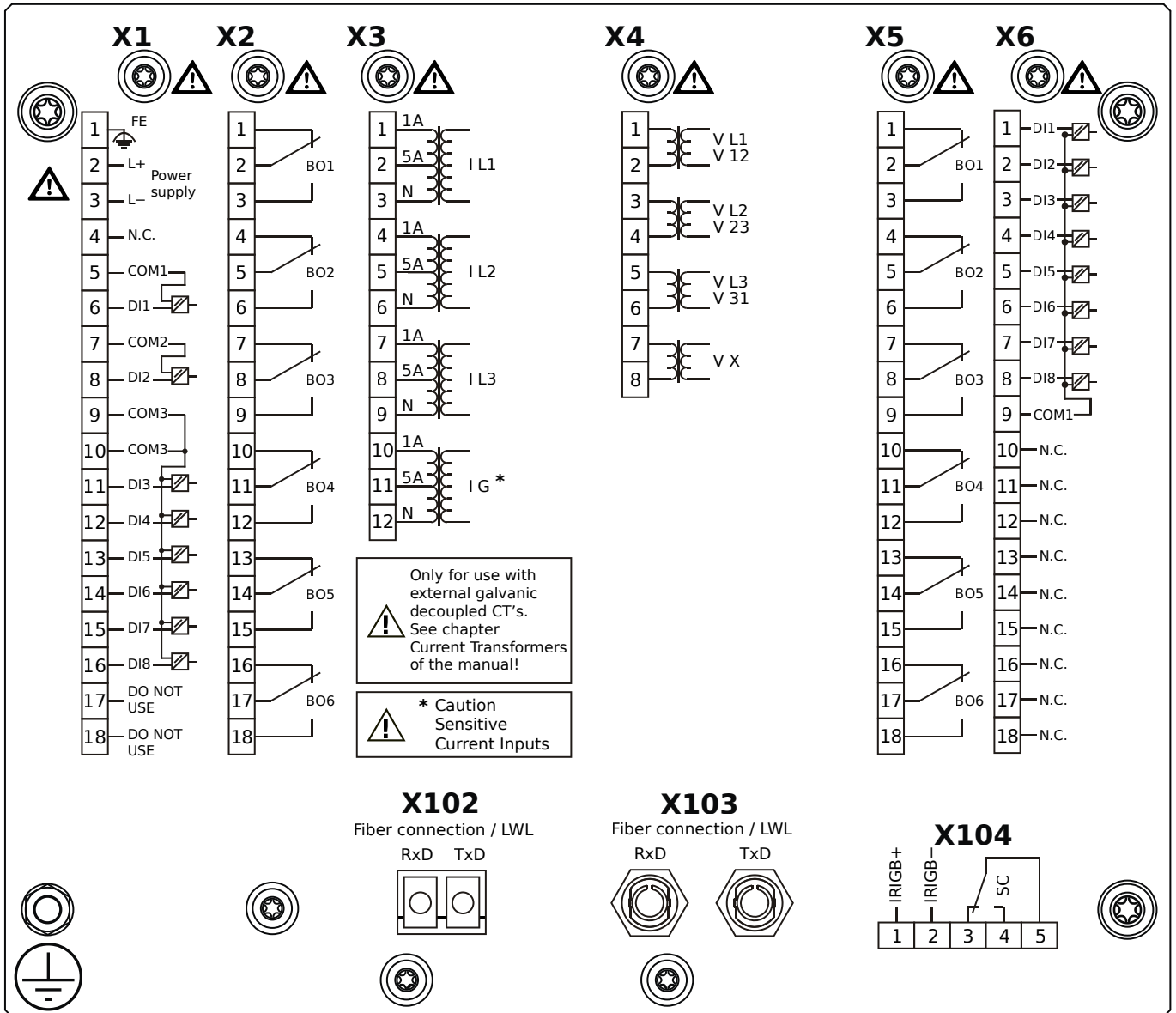


Housing B2, large display, 19" rack mounting

+ Conformal Coating (for installations in harsh environment)

- X1** – DI8-X1: Wide-range power supply unit, incl. 2 non-grouped digital inputs and 6 grouped digital inputs
- X2** – OR6: Assembly Group with 6 Output Relays (Changeover / Form C)
- X3** – TIs: Standard phase current measuring card and sensitive ground current measuring
- X4** – TU: Card with 4 voltage transformer measuring inputs (0 ... 800 VAC, under UL: 0 ... 600 VAC)
- X5** – OR6: Assembly Group with 6 Output Relays (Changeover / Form C)
- X6** – DI8: Assembly Group with 8 Digital Inputs
- X102** – Long-distance Protection Communication, Fiber optics interface, LC Connector
- X103** – Profibus-DP, RS485, D-SUB
- X104** – IRIG-B00X, incl. System Contact (Supervision Contact)

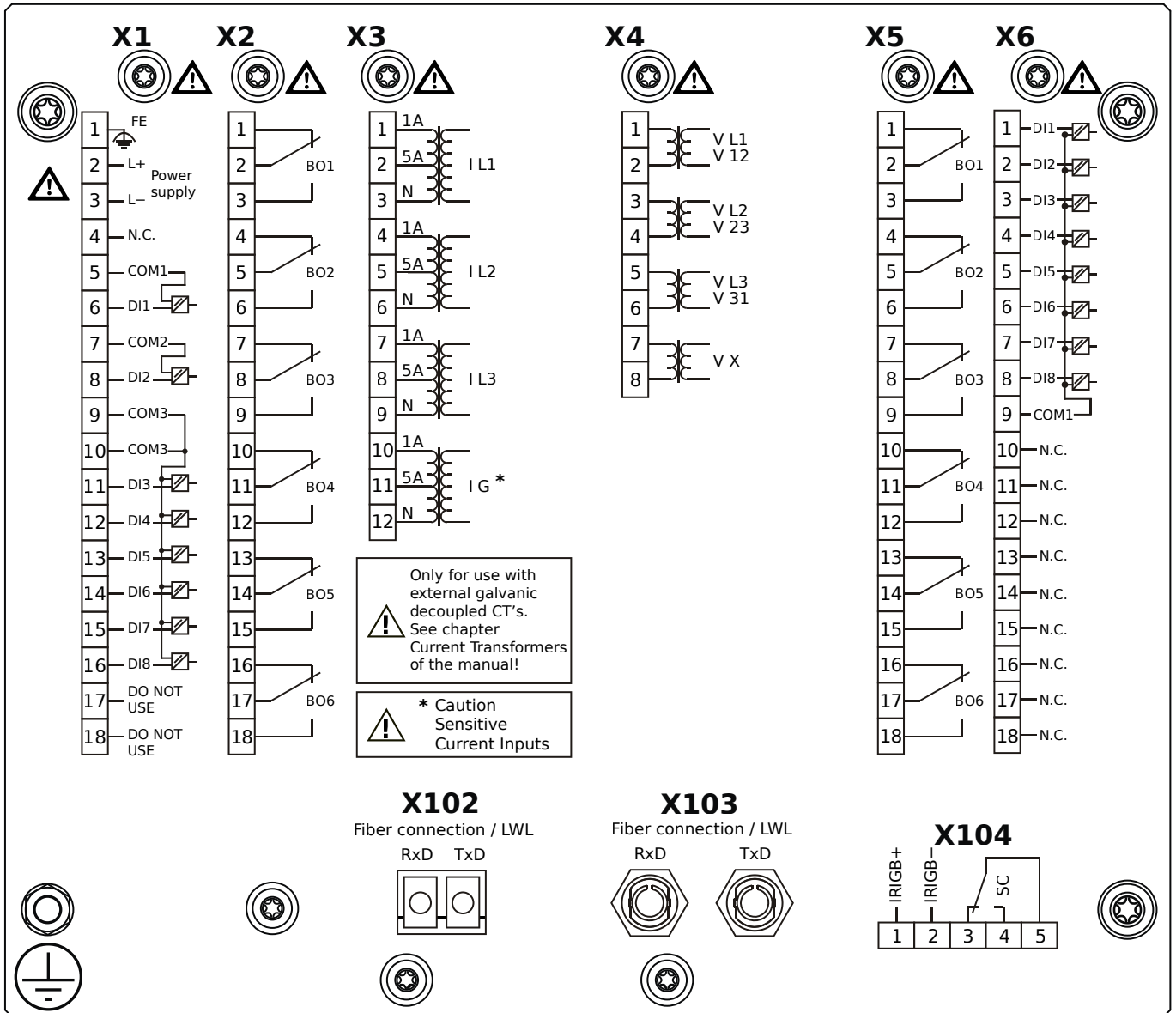
MCDLV4-2D1B0FA



Housing B2, large display, 19" rack mounting

- X1** – DI8-X1: Wide-range power supply unit, incl. 2 non-grouped digital inputs and 6 grouped digital inputs
- X2** – OR6: Assembly Group with 6 Output Relays (Changeover / Form C)
- X3** – TIs: Standard phase current measuring card and sensitive ground current measuring
- X4** – TU: Card with 4 voltage transformer measuring inputs (0 ... 800 VAC, under UL: 0 ... 600 VAC)
- X5** – OR6: Assembly Group with 6 Output Relays (Changeover / Form C)
- X6** – DI8: Assembly Group with 8 Digital Inputs
- X102** – Long-distance Protection Communication, Fiber optics interface, LC Connector
- X103** – Modbus RTU / IEC 60870-5-103 / DNP3.0 RTU, Fiber optics interface, ST Connector
- X104** – IRIG-B00X, incl. System Contact (Supervision Contact)

MCDLV4-2D1B0FB

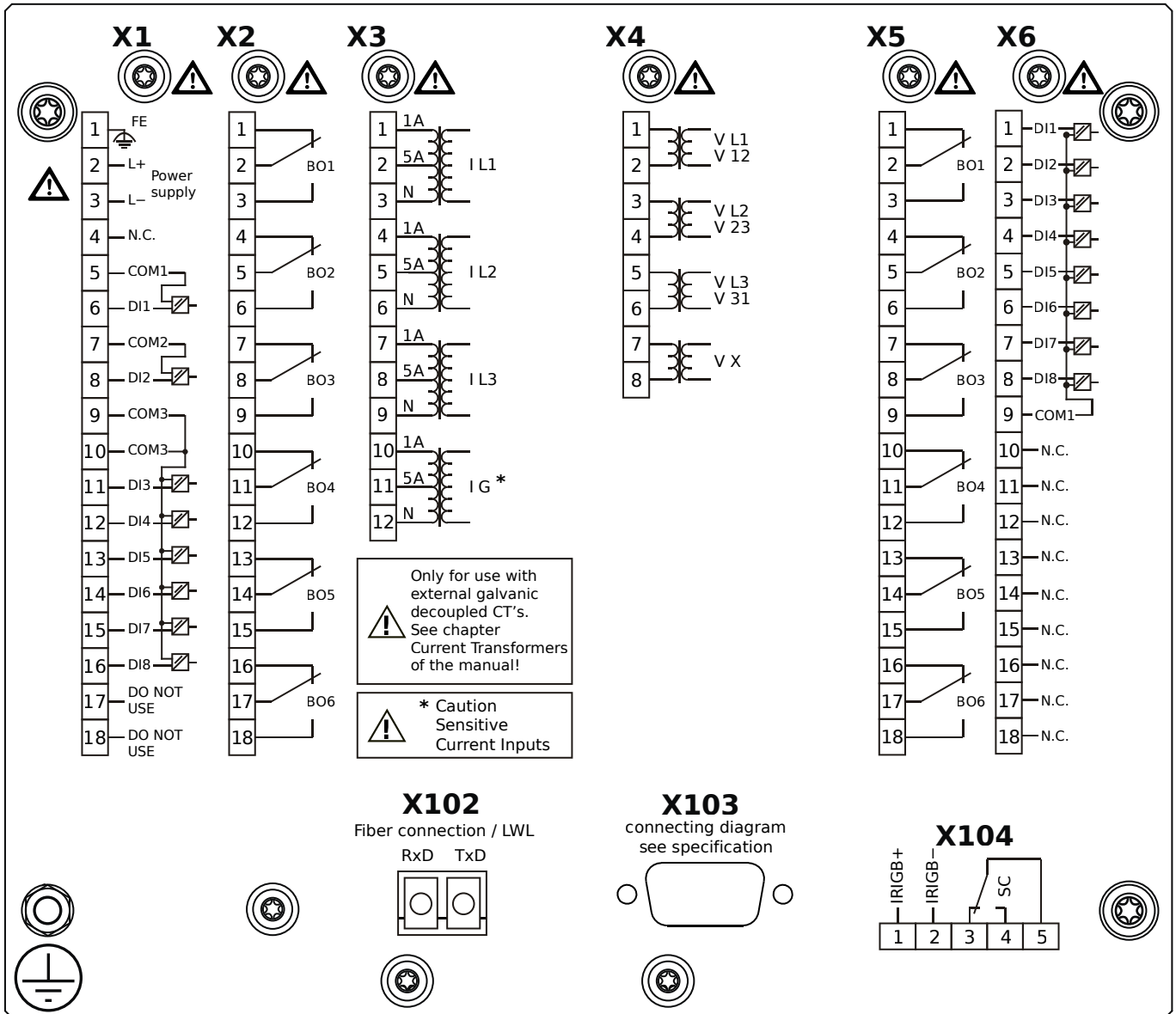


Housing B2, large display, 19" rack mounting

+ Conformal Coating (for installations in harsh environment)

- X1** – DI8-X1: Wide-range power supply unit, incl. 2 non-grouped digital inputs and 6 grouped digital inputs
- X2** – OR6: Assembly Group with 6 Output Relays (Changeover / Form C)
- X3** – TIs: Standard phase current measuring card and sensitive ground current measuring
- X4** – TU: Card with 4 voltage transformer measuring inputs (0 ... 800 VAC, under UL: 0 ... 600 VAC)
- X5** – OR6: Assembly Group with 6 Output Relays (Changeover / Form C)
- X6** – DI8: Assembly Group with 8 Digital Inputs
- X102** – Long-distance Protection Communication, Fiber optics interface, LC Connector
- X103** – Modbus RTU / IEC 60870-5-103 / DNP3.0 RTU, Fiber optics interface, ST Connector
- X104** – IRIG-B00X, incl. System Contact (Supervision Contact)

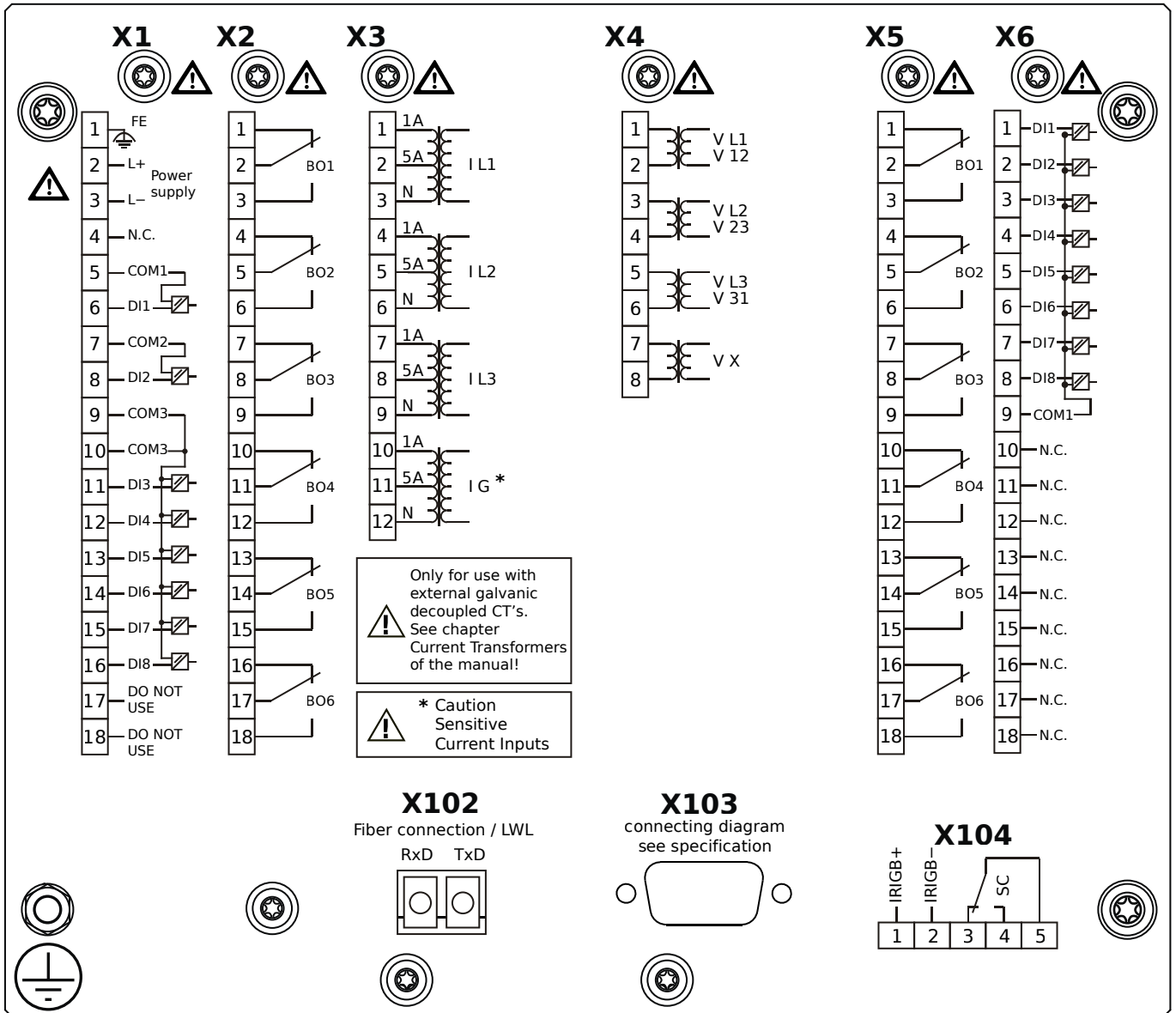
MCDLV4-2D1B0GA



Housing B2, large display, 19" rack mounting

- X1** – DI8-X1: Wide-range power supply unit, incl. 2 non-grouped digital inputs and 6 grouped digital inputs
- X2** – OR6: Assembly Group with 6 Output Relays (Changeover / Form C)
- X3** – TIs: Standard phase current measuring card and sensitive ground current measuring
- X4** – TU: Card with 4 voltage transformer measuring inputs (0 ... 800 VAC, under UL: 0 ... 600 VAC)
- X5** – OR6: Assembly Group with 6 Output Relays (Changeover / Form C)
- X6** – DI8: Assembly Group with 8 Digital Inputs
- X102** – Long-distance Protection Communication, Fiber optics interface, LC Connector
- X103** – Modbus RTU / IEC 60870-5-103 / DNP3.0 RTU, RS485, D-SUB
- X104** – IRIG-B00X, incl. System Contact (Supervision Contact)

MCDLV4-2D1B0GB

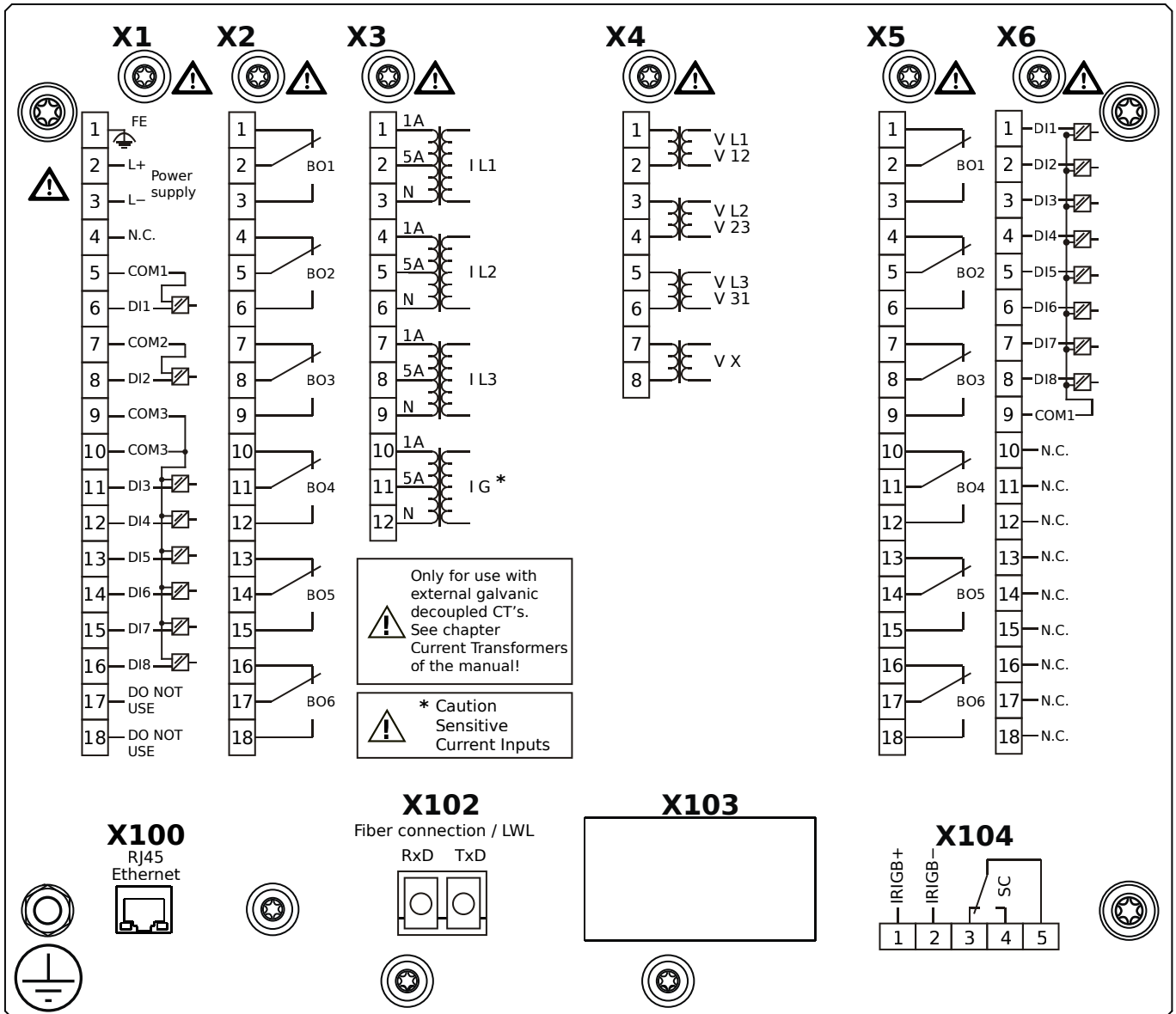


Housing B2, large display, 19" rack mounting

+ Conformal Coating (for installations in harsh environment)

- X1** – DI8-X1: Wide-range power supply unit, incl. 2 non-grouped digital inputs and 6 grouped digital inputs
- X2** – OR6: Assembly Group with 6 Output Relays (Changeover / Form C)
- X3** – TIs: Standard phase current measuring card and sensitive ground current measuring
- X4** – TU: Card with 4 voltage transformer measuring inputs (0 ... 800 VAC, under UL: 0 ... 600 VAC)
- X5** – OR6: Assembly Group with 6 Output Relays (Changeover / Form C)
- X6** – DI8: Assembly Group with 8 Digital Inputs
- X102** – Long-distance Protection Communication, Fiber optics interface, LC Connector
- X103** – Modbus RTU / IEC 60870-5-103 / DNP3.0 RTU, RS485, D-SUB
- X104** – IRIG-B00X, incl. System Contact (Supervision Contact)

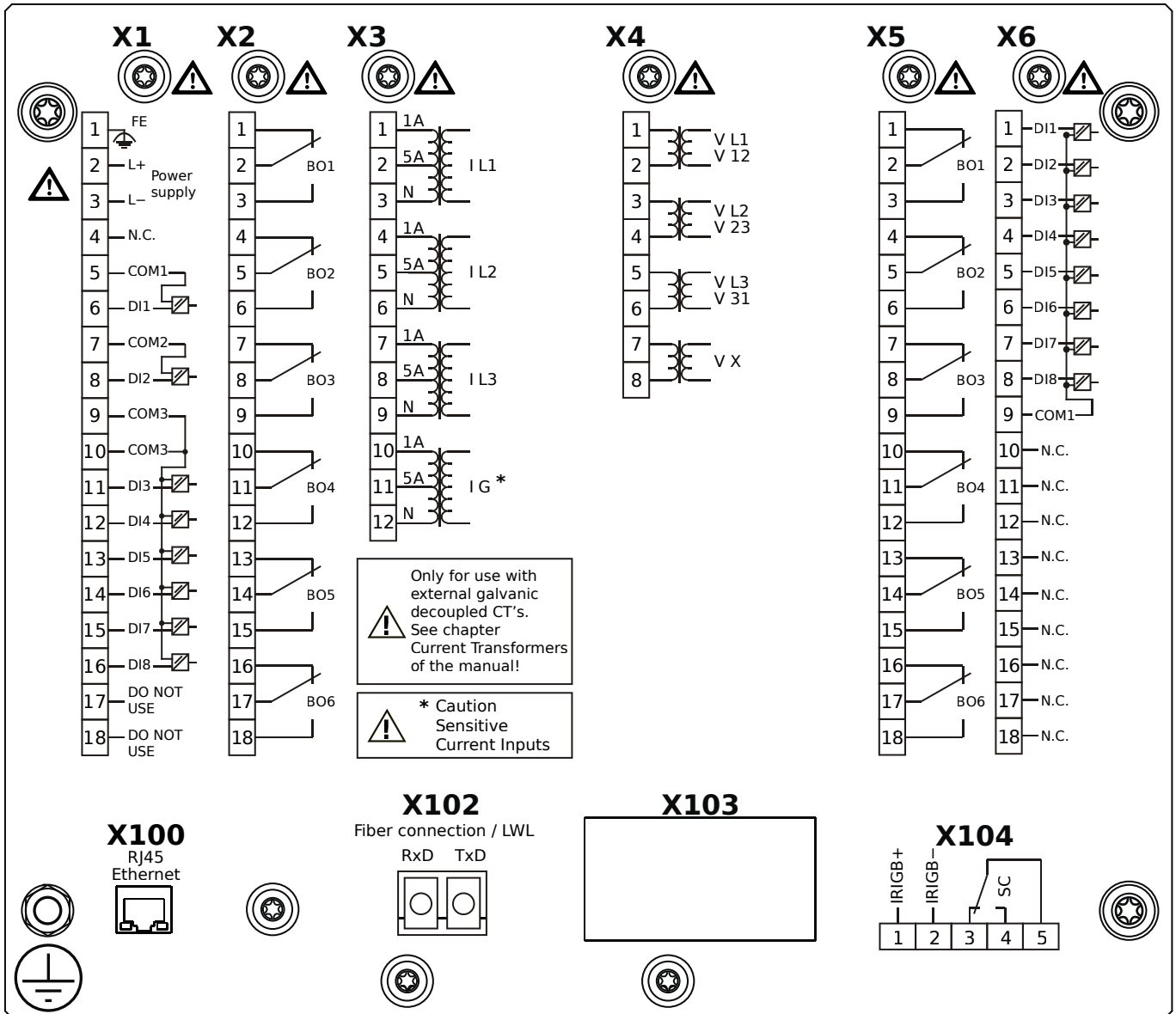
MCDLV4-2D1B0HA



Housing B2, large display, 19" rack mounting

- X1** – DI8-X1: Wide-range power supply unit, incl. 2 non-grouped digital inputs and 6 grouped digital inputs
- X2** – OR6: Assembly Group with 6 Output Relays (Changeover / Form C)
- X3** – TIs: Standard phase current measuring card and sensitive ground current measuring
- X4** – TU: Card with 4 voltage transformer measuring inputs (0 ... 800 VAC, under UL: 0 ... 600 VAC)
- X5** – OR6: Assembly Group with 6 Output Relays (Changeover / Form C)
- X6** – DI8: Assembly Group with 8 Digital Inputs
- X100** – IEC 61850 / Modbus TCP / IEC 60870-5-104 / DNP3.0 TCP/UDP, Ethernet interface, 100 Mbit/s, RJ45 (BASE100-FX)
- X102** – Long-distance Protection Communication, Fiber optics interface, LC Connector
- X104** – IRIG-B00X, incl. System Contact (Supervision Contact)

MCDLV4-2D1B0HB



Housing B2, large display, 19" rack mounting

+ Conformal Coating (for installations in harsh environment)

X1 – DI8-X1: Wide-range power supply unit, incl. 2 non-grouped digital inputs and 6 grouped digital inputs

X2 – OR6: Assembly Group with 6 Output Relays (Changeover / Form C)

X3 – TIs: Standard phase current measuring card and sensitive ground current measuring

X4 – TU: Card with 4 voltage transformer measuring inputs (0 ... 800 VAC, under UL: 0 ... 600 VAC)

X5 – OR6: Assembly Group with 6 Output Relays (Changeover / Form C)

X6 – DI8: Assembly Group with 8 Digital Inputs

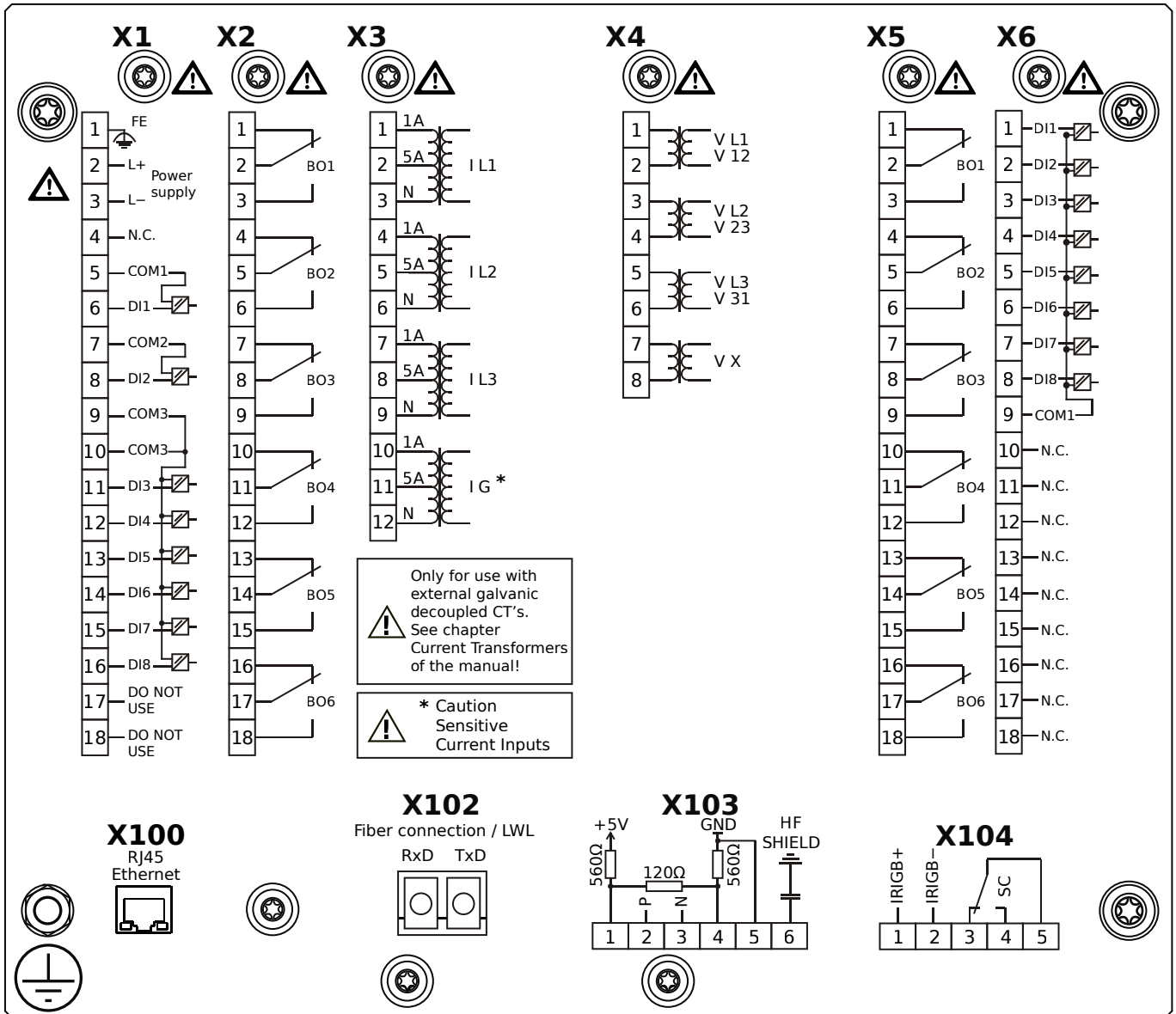
X100 – IEC 61850 / Modbus TCP / IEC 60870-5-104 / DNP3.0 TCP/UDP, Ethernet interface, 100 Mbit/s, RJ45 (BASE100-

FX)

X102 – Long-distance Protection Communication, Fiber optics interface, LC Connector

X104 – IRIG-B00X, incl. System Contact (Supervision Contact)

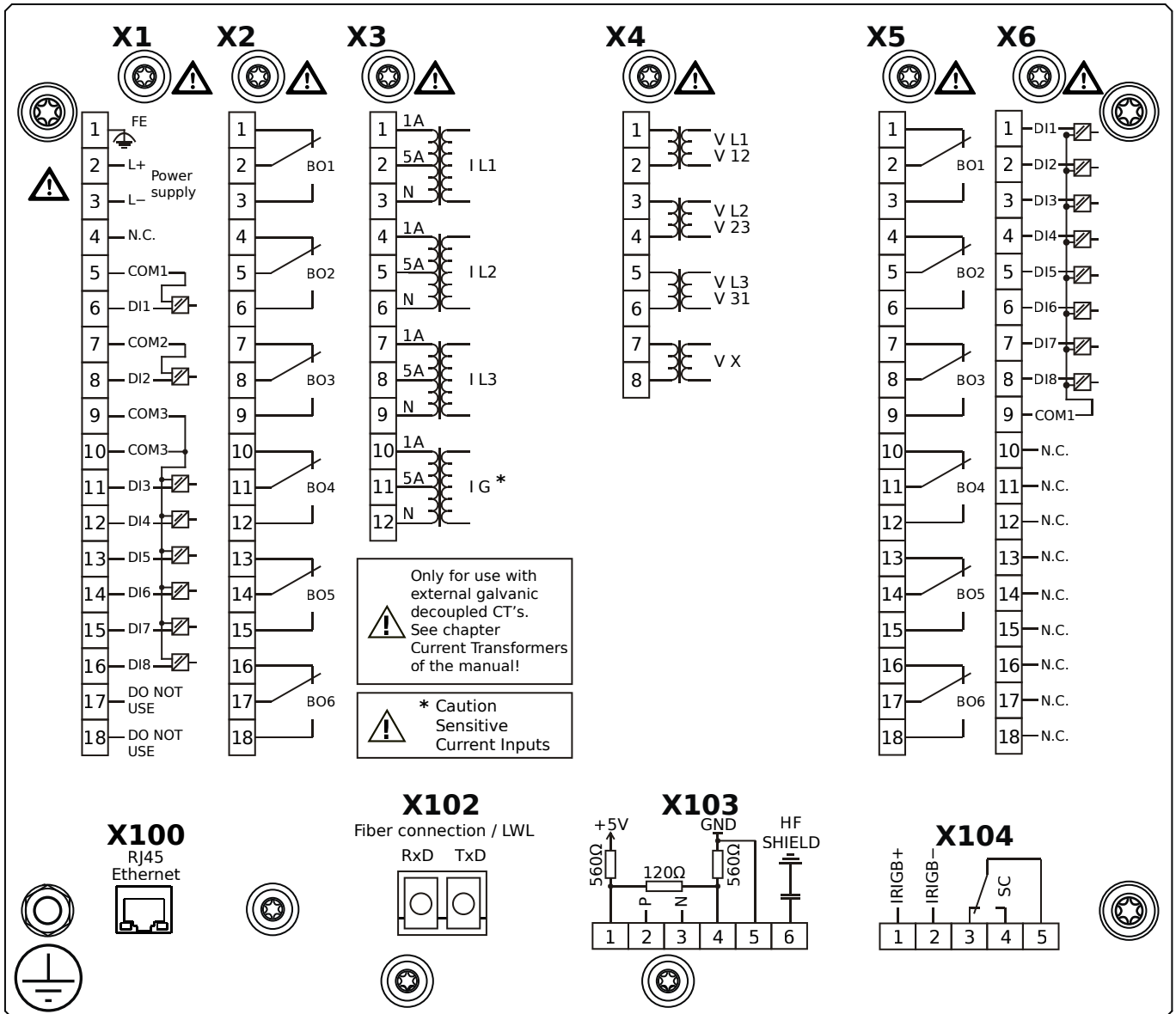
MCDLV4-2D1B01A



Housing B2, large display, 19" rack mounting

- X1** – DI8-X1: Wide-range power supply unit, incl. 2 non-grouped digital inputs and 6 grouped digital inputs
- X2** – OR6: Assembly Group with 6 Output Relays (Changeover / Form C)
- X3** – TIs: Standard phase current measuring card and sensitive ground current measuring
- X4** – TU: Card with 4 voltage transformer measuring inputs (0 ... 800 VAC, under UL: 0 ... 600 VAC)
- X5** – OR6: Assembly Group with 6 Output Relays (Changeover / Form C)
- X6** – DI8: Assembly Group with 8 Digital Inputs
- X100** – Modbus TCP / IEC 60870-5-104 / DNP3.0 TCP/UDP, Ethernet interface, 100 Mbit/s, RJ45 (BASE100-FX)
- X102** – Long-distance Protection Communication, Fiber optics interface, LC Connector
- X103** – IEC 60870-5-103 / Modbus RTU / DNP3.0 RTU, RS485, Terminals
- X104** – IRIG-B00X, incl. System Contact (Supervision Contact)

MCDLV4-2D1B0IB

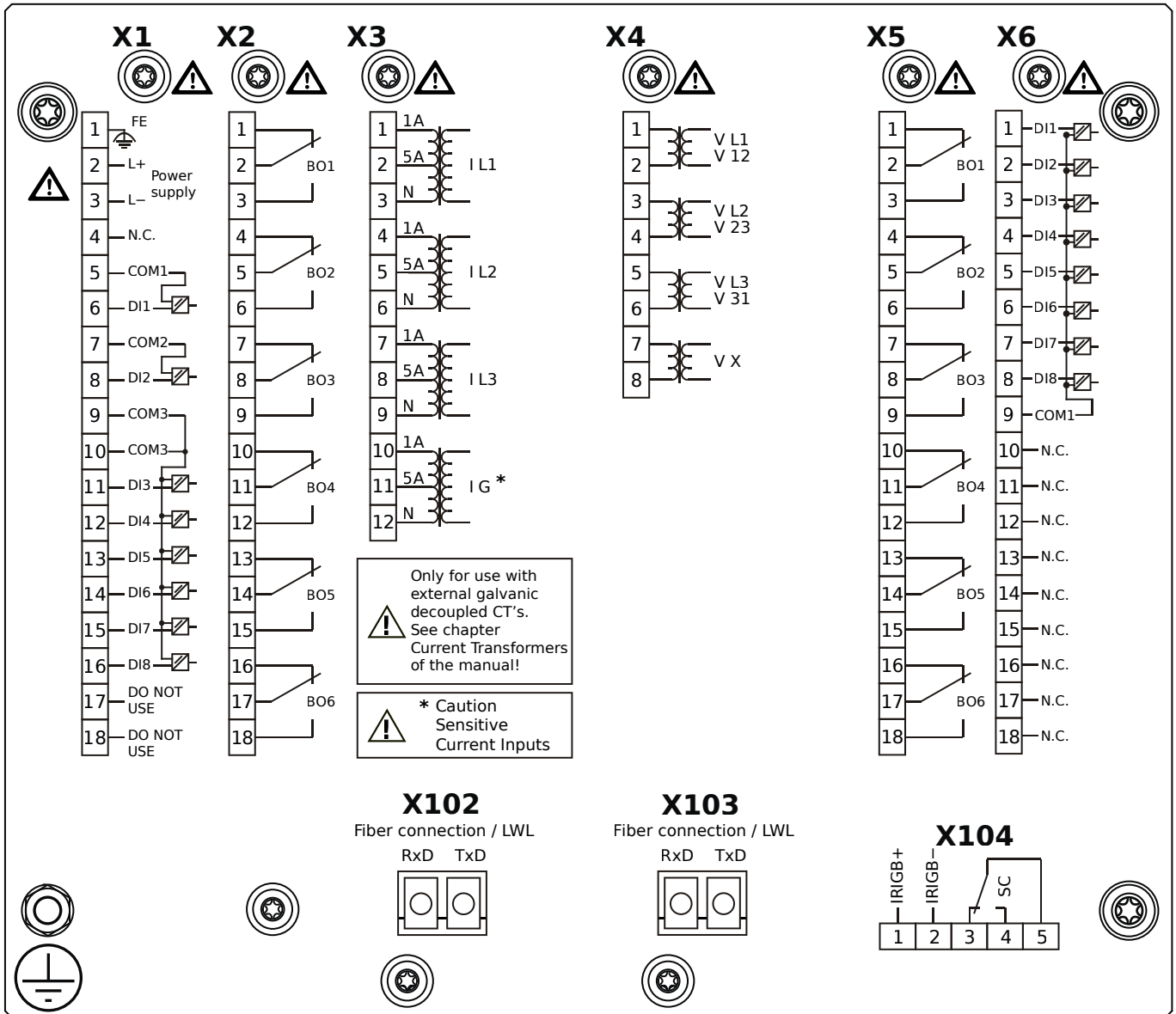


Housing B2, large display, 19" rack mounting

+ Conformal Coating (for installations in harsh environment)

- X1** – DI8-X1: Wide-range power supply unit, incl. 2 non-grouped digital inputs and 6 grouped digital inputs
- X2** – OR6: Assembly Group with 6 Output Relays (Changeover / Form C)
- X3** – TIs: Standard phase current measuring card and sensitive ground current measuring
- X4** – TU: Card with 4 voltage transformer measuring inputs (0 ... 800 VAC, under UL: 0 ... 600 VAC)
- X5** – OR6: Assembly Group with 6 Output Relays (Changeover / Form C)
- X6** – DI8: Assembly Group with 8 Digital Inputs
- X100** – Modbus TCP / IEC 60870-5-104 / DNP3.0 TCP/UDP, Ethernet interface, 100 Mbit/s, RJ45 (BASE100-FX)
- X102** – Long-distance Protection Communication, Fiber optics interface, LC Connector
- X103** – IEC 60870-5-103 / Modbus RTU / DNP3.0 RTU, RS485, Terminals
- X104** – IRIG-B00X, incl. System Contact (Supervision Contact)

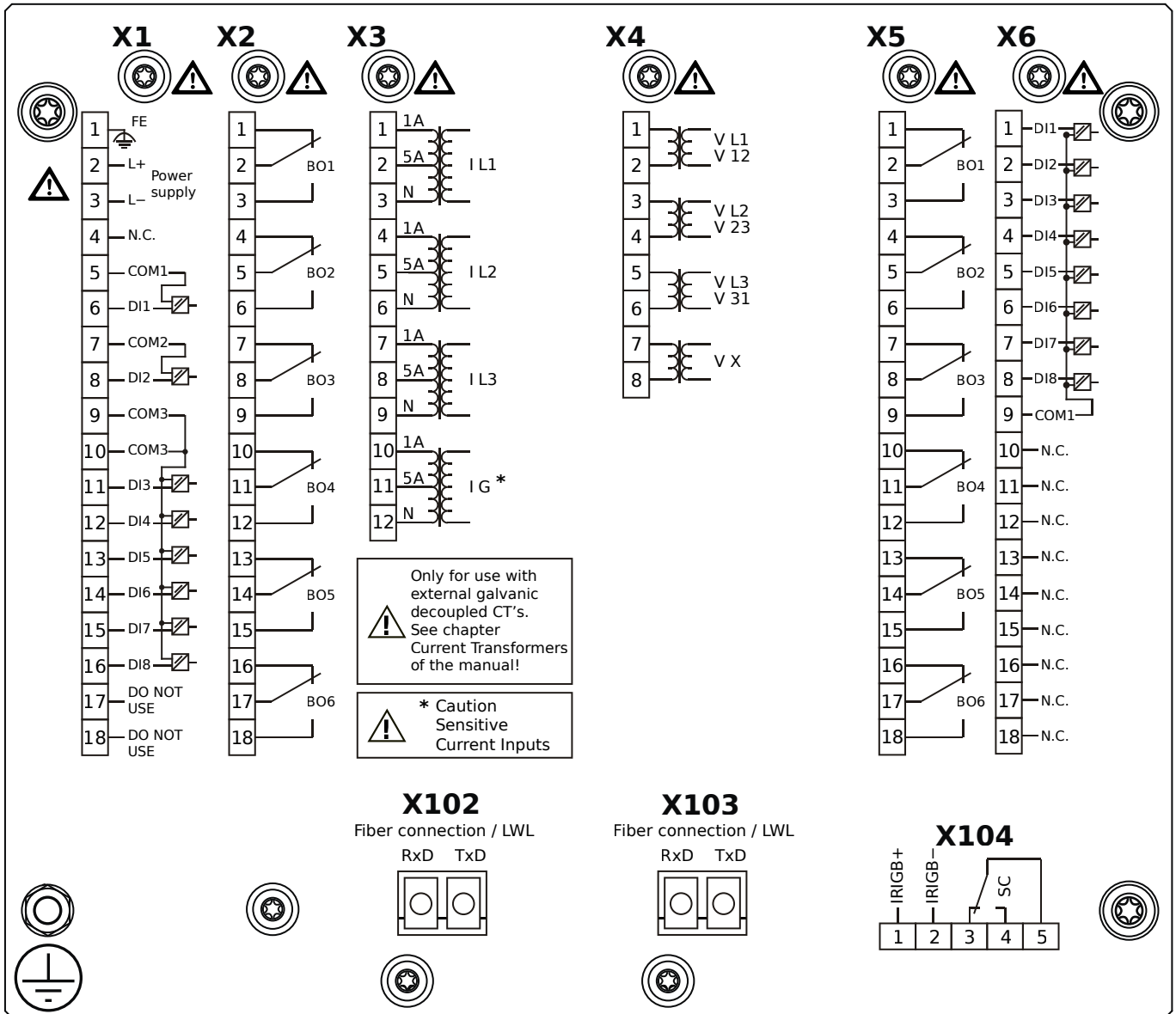
MCDLV4-2D1B0KA



Housing B2, large display, 19" rack mounting

- X1** – DI8-X1: Wide-range power supply unit, incl. 2 non-grouped digital inputs and 6 grouped digital inputs
- X2** – OR6: Assembly Group with 6 Output Relays (Changeover / Form C)
- X3** – TIs: Standard phase current measuring card and sensitive ground current measuring
- X4** – TU: Card with 4 voltage transformer measuring inputs (0 ... 800 VAC, under UL: 0 ... 600 VAC)
- X5** – OR6: Assembly Group with 6 Output Relays (Changeover / Form C)
- X6** – DI8: Assembly Group with 8 Digital Inputs
- X102** – Long-distance Protection Communication, Fiber optics interface, LC Connector
- X103** – IEC 61850 / Modbus TCP / IEC 60870-5-104 / DNP3.0 TCP/UDP, Fiber optics interface, LC Connector
- X104** – IRIG-B00X, incl. System Contact (Supervision Contact)

MCDLV4-2D1B0KB

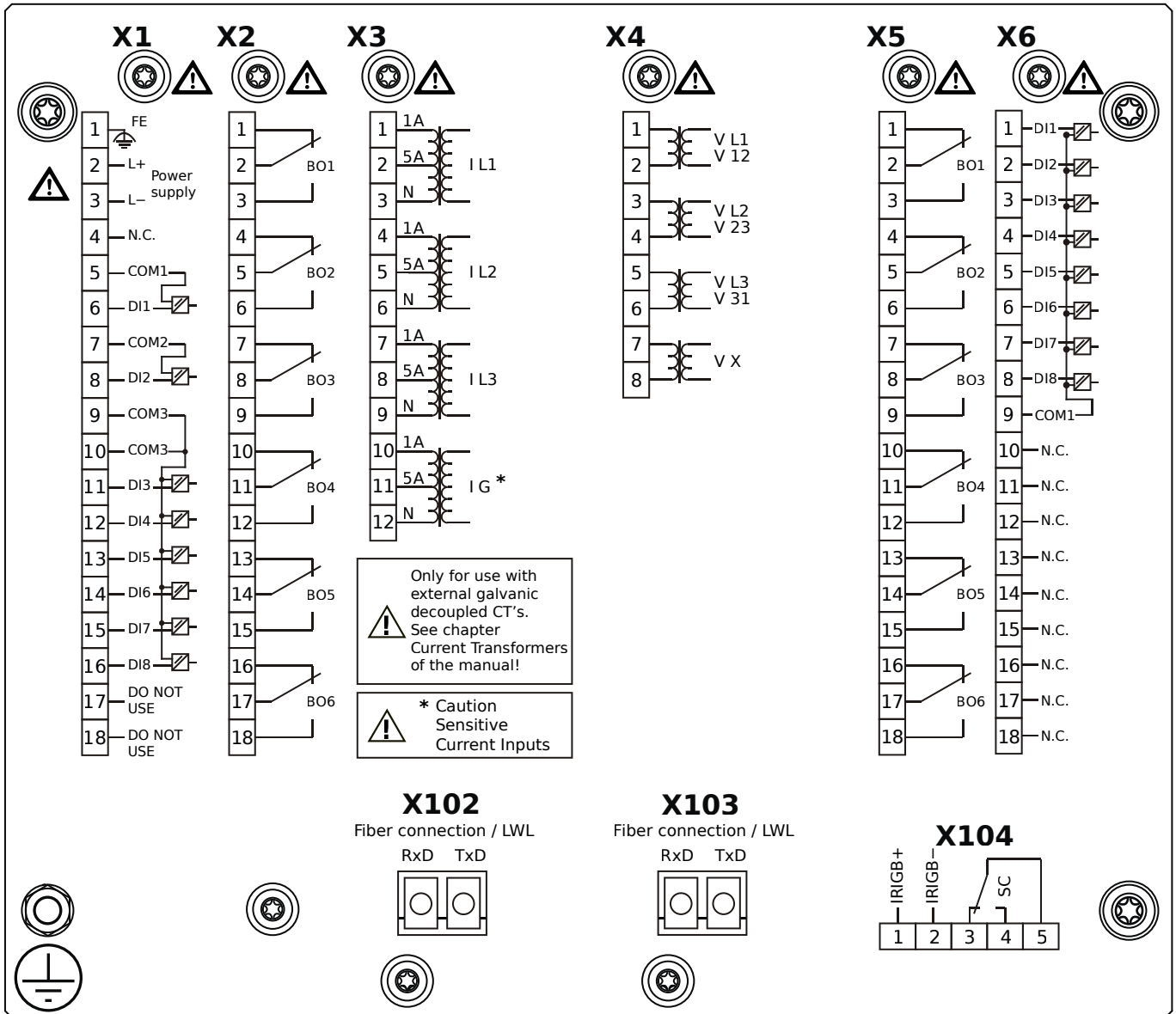


Housing B2, large display, 19" rack mounting

+ Conformal Coating (for installations in harsh environment)

- X1** – DI8-X1: Wide-range power supply unit, incl. 2 non-grouped digital inputs and 6 grouped digital inputs
- X2** – OR6: Assembly Group with 6 Output Relays (Changeover / Form C)
- X3** – TIs: Standard phase current measuring card and sensitive ground current measuring
- X4** – TU: Card with 4 voltage transformer measuring inputs (0 ... 800 VAC, under UL: 0 ... 600 VAC)
- X5** – OR6: Assembly Group with 6 Output Relays (Changeover / Form C)
- X6** – DI8: Assembly Group with 8 Digital Inputs
- X102** – Long-distance Protection Communication, Fiber optics interface, LC Connector
- X103** – IEC 61850 / Modbus TCP / IEC 60870-5-104 / DNP3.0 TCP/UDP, Fiber optics interface, LC Connector
- X104** – IRIG-B00X, incl. System Contact (Supervision Contact)

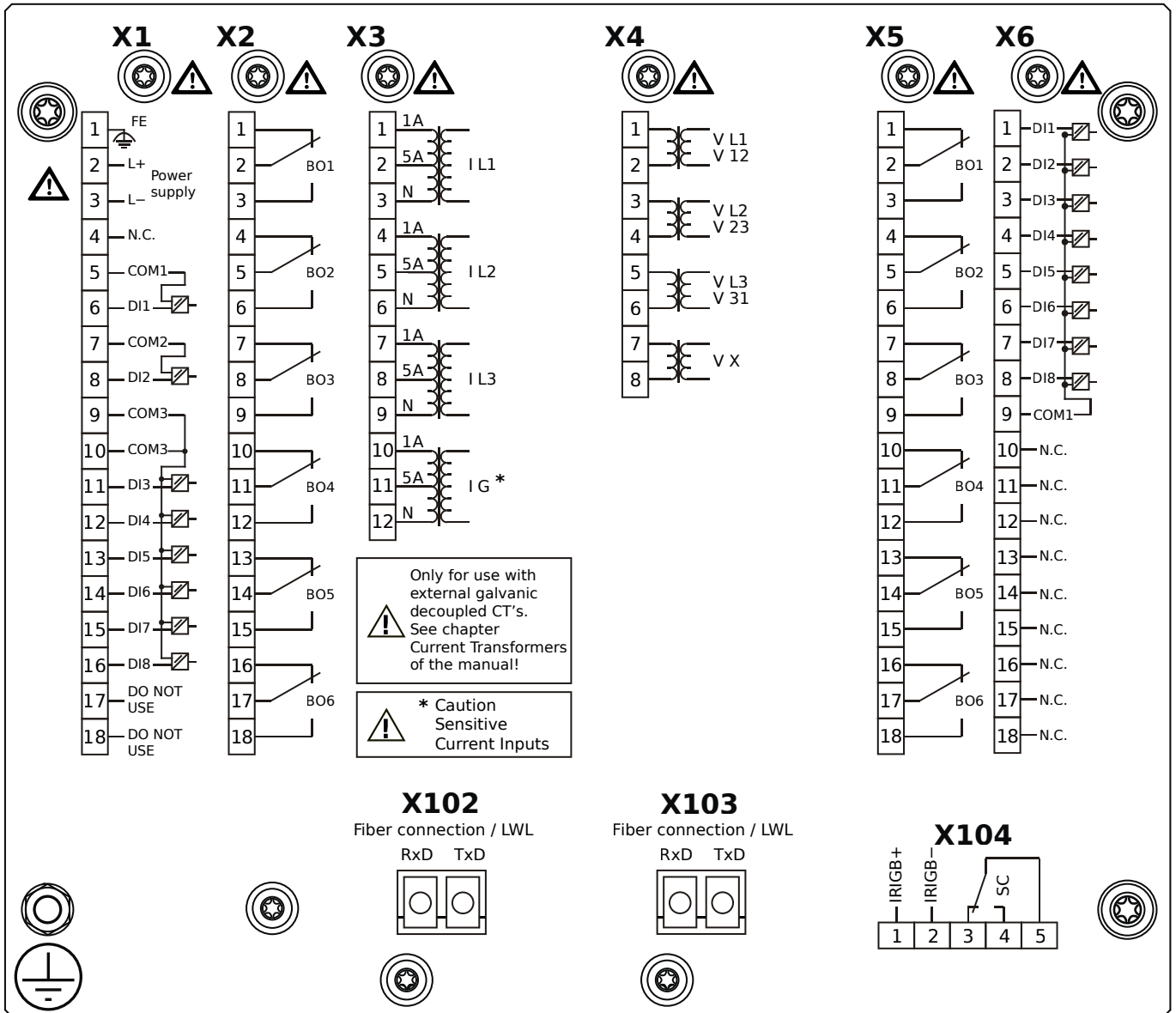
MCDLV4-2D1B0LA



Housing B2, large display, 19" rack mounting

- X1** – DI8-X1: Wide-range power supply unit, incl. 2 non-grouped digital inputs and 6 grouped digital inputs
- X2** – OR6: Assembly Group with 6 Output Relays (Changeover / Form C)
- X3** – TIs: Standard phase current measuring card and sensitive ground current measuring
- X4** – TU: Card with 4 voltage transformer measuring inputs (0 ... 800 VAC, under UL: 0 ... 600 VAC)
- X5** – OR6: Assembly Group with 6 Output Relays (Changeover / Form C)
- X6** – DI8: Assembly Group with 8 Digital Inputs
- X102** – Long-distance Protection Communication, Fiber optics interface, LC Connector
- X103** – Modbus TCP / IEC 60870-5-104 / DNP3.0 TCP/UDP, Fiber optics interface, LC Connector
- X104** – IRIG-B00X, incl. System Contact (Supervision Contact)

MCDLV4-2D1B0LB

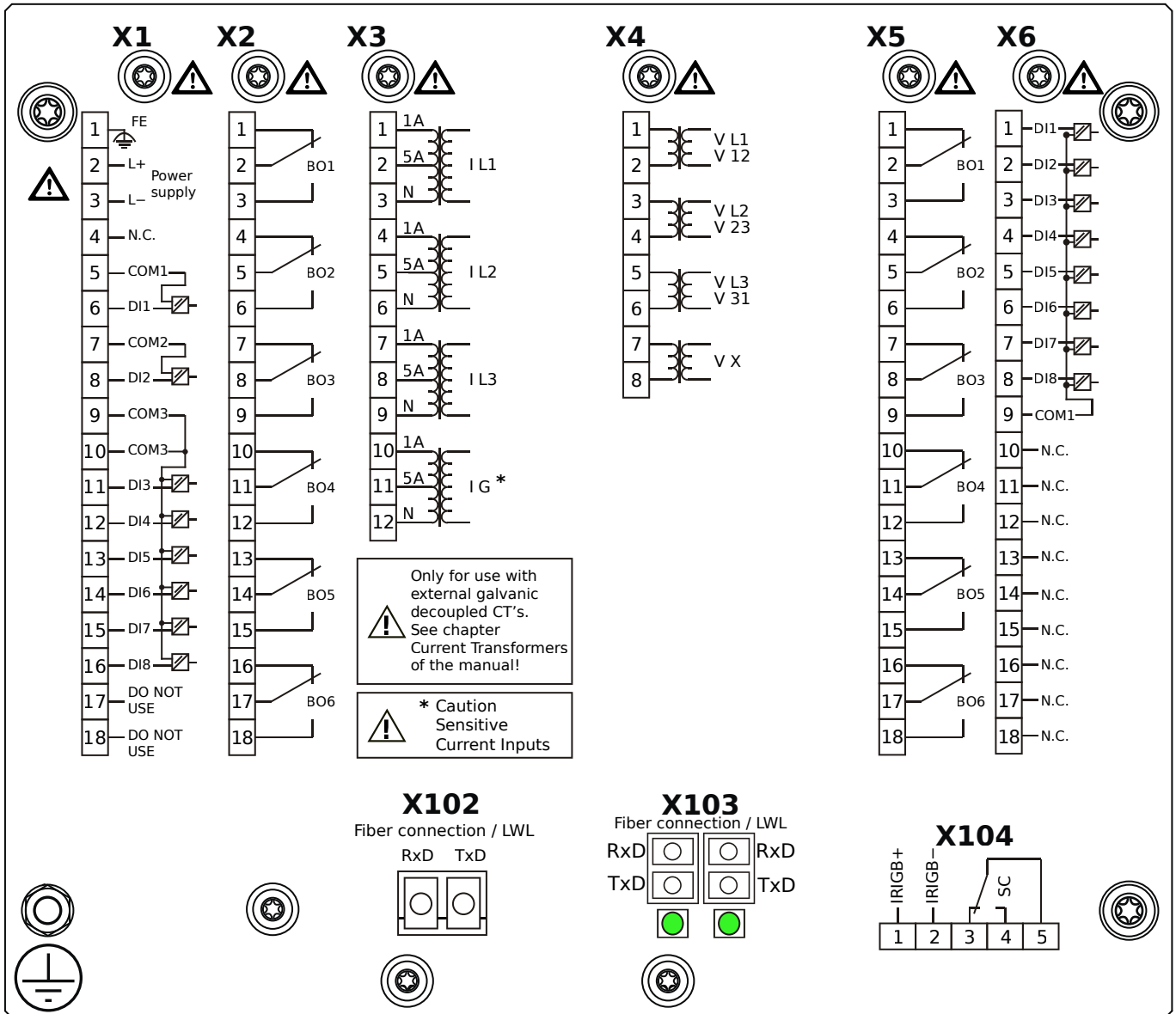


Housing B2, large display, 19" rack mounting

+ Conformal Coating (for installations in harsh environment)

- X1** – DI8-X1: Wide-range power supply unit, incl. 2 non-grouped digital inputs and 6 grouped digital inputs
- X2** – OR6: Assembly Group with 6 Output Relays (Changeover / Form C)
- X3** – TIs: Standard phase current measuring card and sensitive ground current measuring
- X4** – TU: Card with 4 voltage transformer measuring inputs (0 ... 800 VAC, under UL: 0 ... 600 VAC)
- X5** – OR6: Assembly Group with 6 Output Relays (Changeover / Form C)
- X6** – DI8: Assembly Group with 8 Digital Inputs
- X102** – Long-distance Protection Communication, Fiber optics interface, LC Connector
- X103** – Modbus TCP / IEC 60870-5-104 / DNP3.0 TCP/UDP, Fiber optics interface, LC Connector
- X104** – IRIG-B00X, incl. System Contact (Supervision Contact)

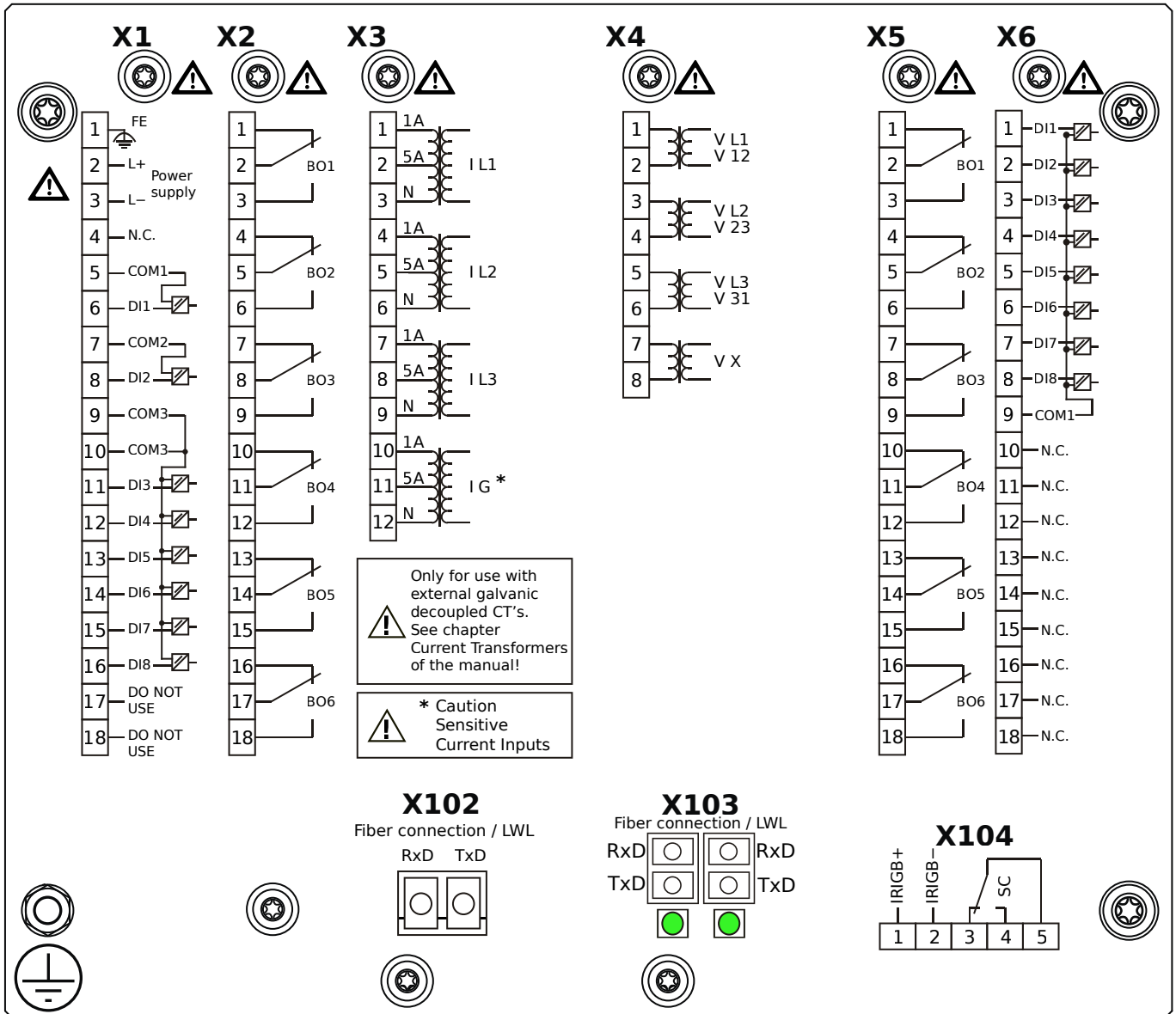
MCDLV4-2D1B00A



Housing B2, large display, 19" rack mounting

- X1** – DI8-X1: Wide-range power supply unit, incl. 2 non-grouped digital inputs and 6 grouped digital inputs
- X2** – OR6: Assembly Group with 6 Output Relays (Changeover / Form C)
- X3** – TIs: Standard phase current measuring card and sensitive ground current measuring
- X4** – TU: Card with 4 voltage transformer measuring inputs (0 ... 800 VAC, under UL: 0 ... 600 VAC)
- X5** – OR6: Assembly Group with 6 Output Relays (Changeover / Form C)
- X6** – DI8: Assembly Group with 8 Digital Inputs
- X102** – Long-distance Protection Communication, Fiber optics interface, LC Connector
- X103** – Modbus TCP / IEC 60870-5-104 / DNP3.0 TCP/UDP, Redundant Fiber optics interface, LC Connector
- X104** – IRIG-B00X, incl. System Contact (Supervision Contact)

MCDLV4-2D1B00B

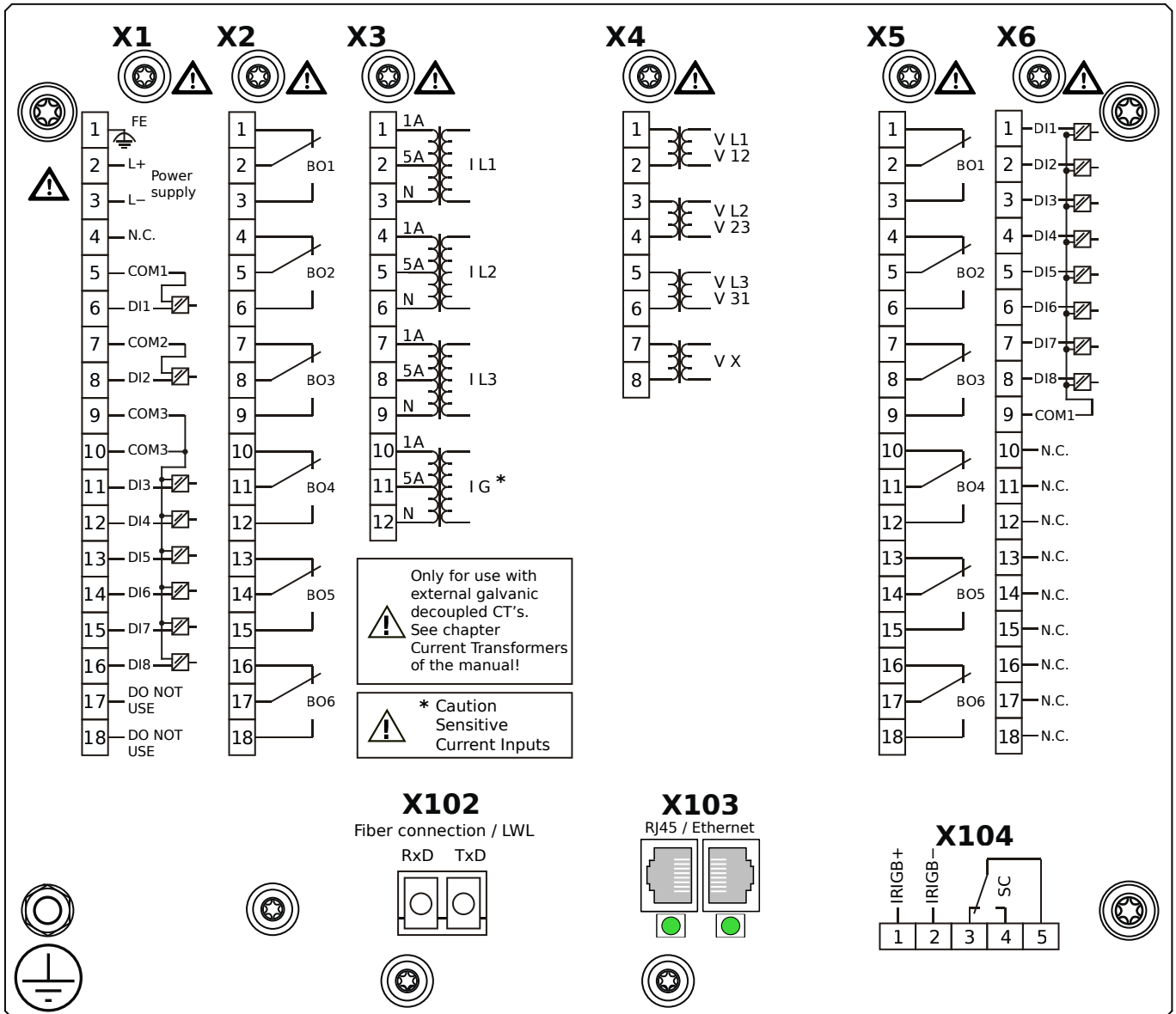


Housing B2, large display, 19" rack mounting

+ Conformal Coating (for installations in harsh environment)

- X1** – DI8-X1: Wide-range power supply unit, incl. 2 non-grouped digital inputs and 6 grouped digital inputs
- X2** – OR6: Assembly Group with 6 Output Relays (Changeover / Form C)
- X3** – TIs: Standard phase current measuring card and sensitive ground current measuring
- X4** – TU: Card with 4 voltage transformer measuring inputs (0 ... 800 VAC, under UL: 0 ... 600 VAC)
- X5** – OR6: Assembly Group with 6 Output Relays (Changeover / Form C)
- X6** – DI8: Assembly Group with 8 Digital Inputs
- X102** – Long-distance Protection Communication, Fiber optics interface, LC Connector
- X103** – Modbus TCP / IEC 60870-5-104 / DNP3.0 TCP/UDP, Redundant Fiber optics interface, LC Connector
- X104** – IRIG-B00X, incl. System Contact (Supervision Contact)

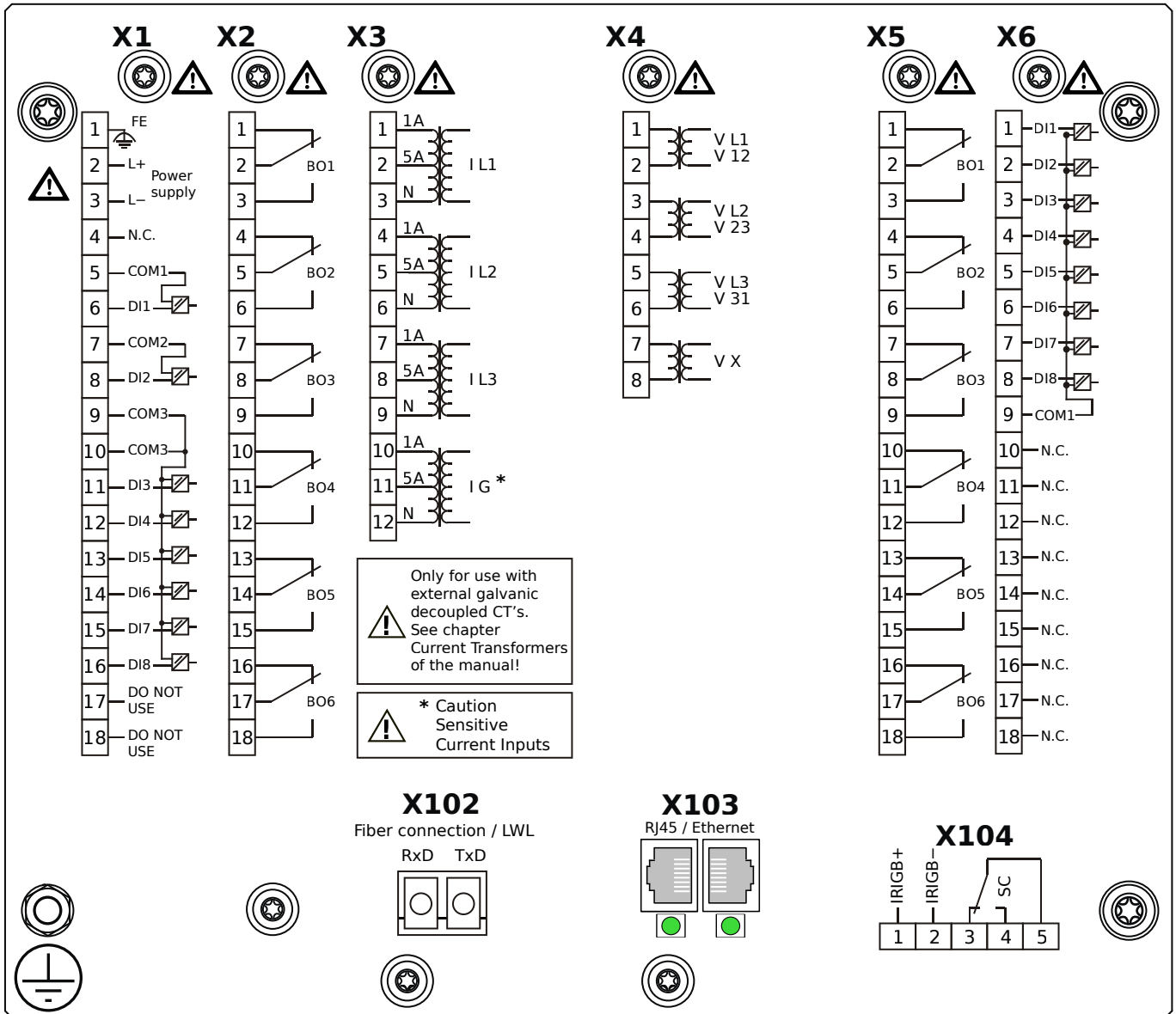
MCDLV4-2D1B0PA



Housing B2, large display, 19" rack mounting

- X1** – DI8-X1: Wide-range power supply unit, incl. 2 non-grouped digital inputs and 6 grouped digital inputs
- X2** – OR6: Assembly Group with 6 Output Relays (Changeover / Form C)
- X3** – TIs: Standard phase current measuring card and sensitive ground current measuring
- X4** – TU: Card with 4 voltage transformer measuring inputs (0 ... 800 VAC, under UL: 0 ... 600 VAC)
- X5** – OR6: Assembly Group with 6 Output Relays (Changeover / Form C)
- X6** – DI8: Assembly Group with 8 Digital Inputs
- X102** – Long-distance Protection Communication, Fiber optics interface, LC Connector
- X103** – Modbus TCP / IEC 60870-5-104 / DNP3.0 TCP/UDP, Redundant Ethernet interface, 100 Mbit/s, RJ45 (BASE100-FX)
- X104** – IRIG-B00X, incl. System Contact (Supervision Contact)

MCDLV4-2D1B0PB

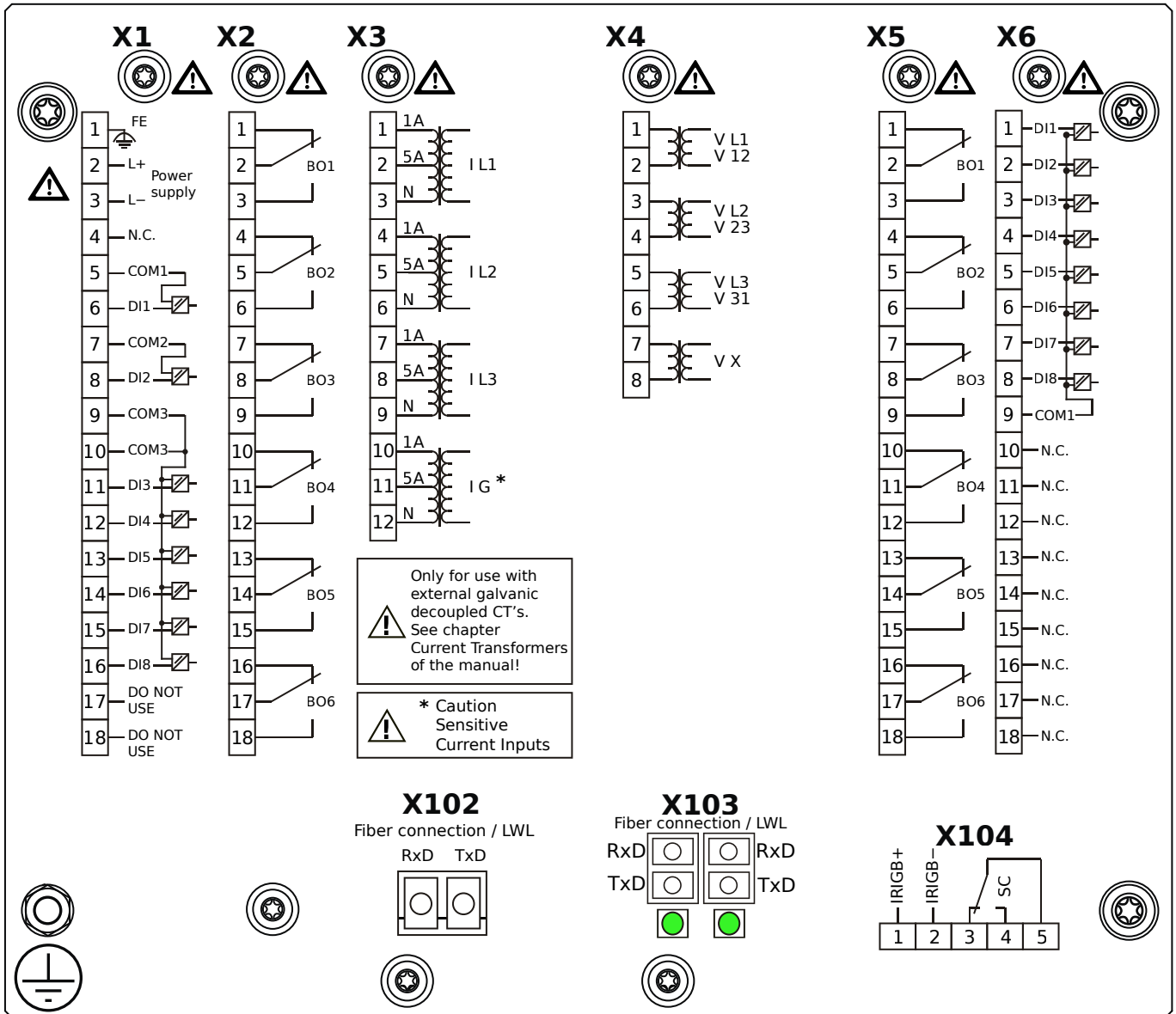


Housing B2, large display, 19" rack mounting

+ Conformal Coating (for installations in harsh environment)

- X1** – DI8-X1: Wide-range power supply unit, incl. 2 non-grouped digital inputs and 6 grouped digital inputs
- X2** – OR6: Assembly Group with 6 Output Relays (Changeover / Form C)
- X3** – TIs: Standard phase current measuring card and sensitive ground current measuring
- X4** – TU: Card with 4 voltage transformer measuring inputs (0 ... 800 VAC, under UL: 0 ... 600 VAC)
- X5** – OR6: Assembly Group with 6 Output Relays (Changeover / Form C)
- X6** – DI8: Assembly Group with 8 Digital Inputs
- X102** – Long-distance Protection Communication, Fiber optics interface, LC Connector
- X103** – Modbus TCP / IEC 60870-5-104 / DNP3.0 TCP/UDP, Redundant Ethernet interface, 100 Mbit/s, RJ45 (BASE100-FX)
- X104** – IRIG-B00X, incl. System Contact (Supervision Contact)

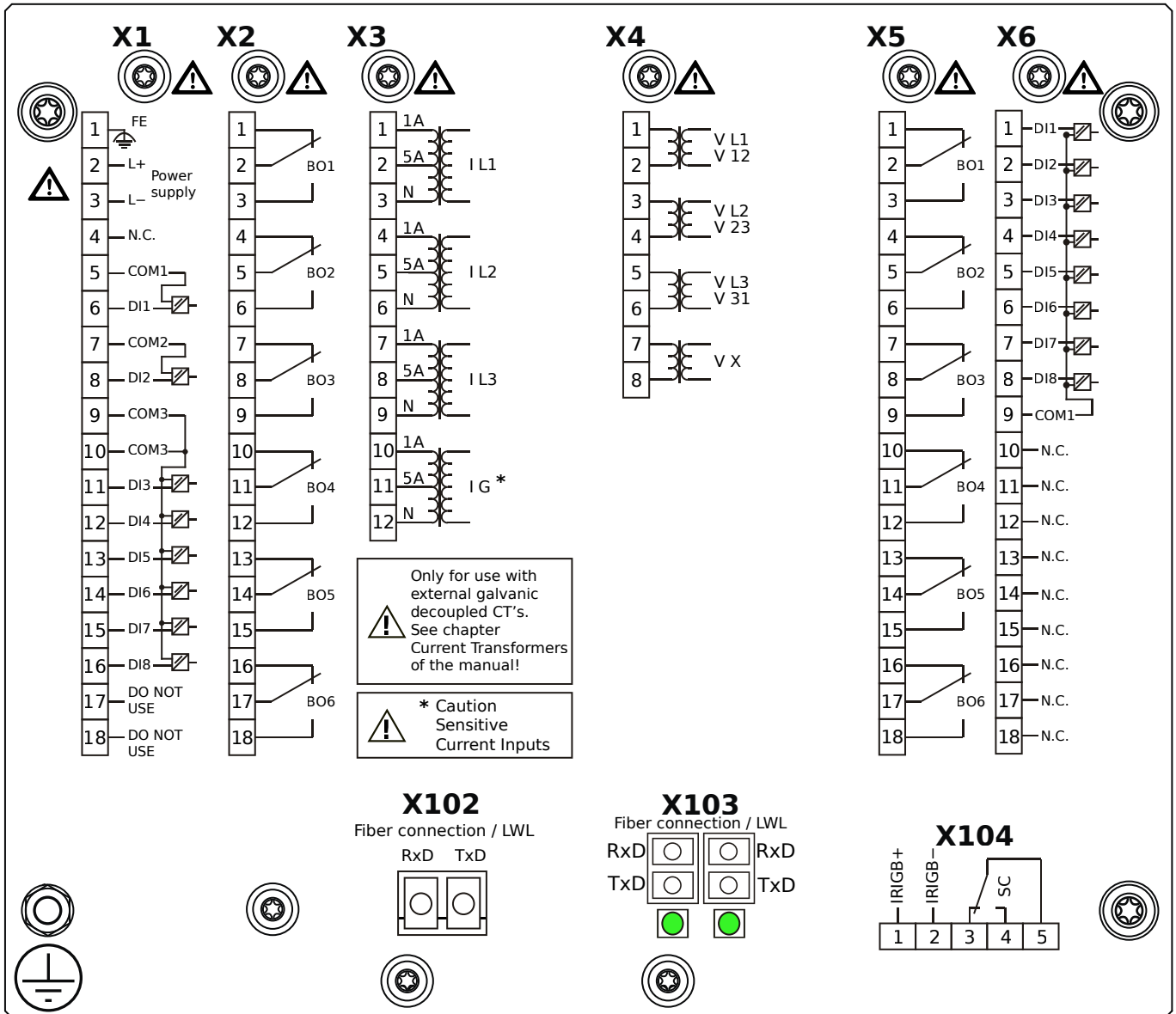
MCDLV4-2D1B0QA



Housing B2, large display, 19" rack mounting

- X1** – DI8-X1: Wide-range power supply unit, incl. 2 non-grouped digital inputs and 6 grouped digital inputs
- X2** – OR6: Assembly Group with 6 Output Relays (Changeover / Form C)
- X3** – TIs: Standard phase current measuring card and sensitive ground current measuring
- X4** – TU: Card with 4 voltage transformer measuring inputs (0 ... 800 VAC, under UL: 0 ... 600 VAC)
- X5** – OR6: Assembly Group with 6 Output Relays (Changeover / Form C)
- X6** – DI8: Assembly Group with 8 Digital Inputs
- X102** – Long-distance Protection Communication, Fiber optics interface, LC Connector
- X103** – IEC 61850 / Modbus TCP / IEC 60870-5-104 / DNP3.0 TCP/UDP, Redundant Fiber optics interface, LC Connector
- X104** – IRIG-B00X, incl. System Contact (Supervision Contact)

MCDLV4-2D1B0QB



Housing B2, large display, 19" rack mounting

+ Conformal Coating (for installations in harsh environment)

X1 – DI8-X1: Wide-range power supply unit, incl. 2 non-grouped digital inputs and 6 grouped digital inputs

X2 – OR6: Assembly Group with 6 Output Relays (Changeover / Form C)

X3 – TIs: Standard phase current measuring card and sensitive ground current measuring

X4 – TU: Card with 4 voltage transformer measuring inputs (0 ... 800 VAC, under UL: 0 ... 600 VAC)

X5 – OR6: Assembly Group with 6 Output Relays (Changeover / Form C)

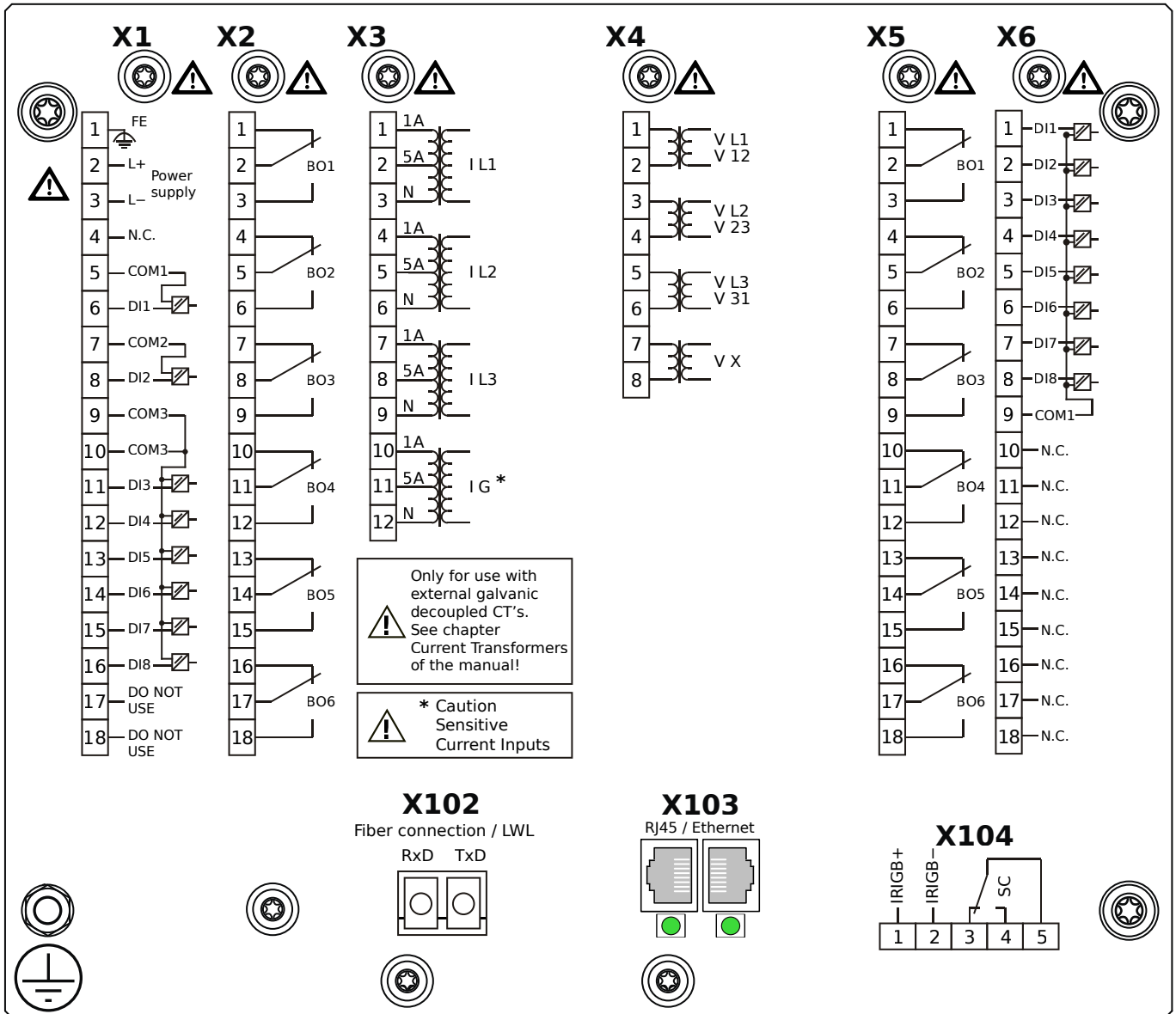
X6 – DI8: Assembly Group with 8 Digital Inputs

X102 – Long-distance Protection Communication, Fiber optics interface, LC Connector

X103 – IEC 61850 / Modbus TCP / IEC 60870-5-104 / DNP3.0 TCP/UDP, Redundant Fiber optics interface, LC Connector

X104 – IRIG-B00X, incl. System Contact (Supervision Contact)

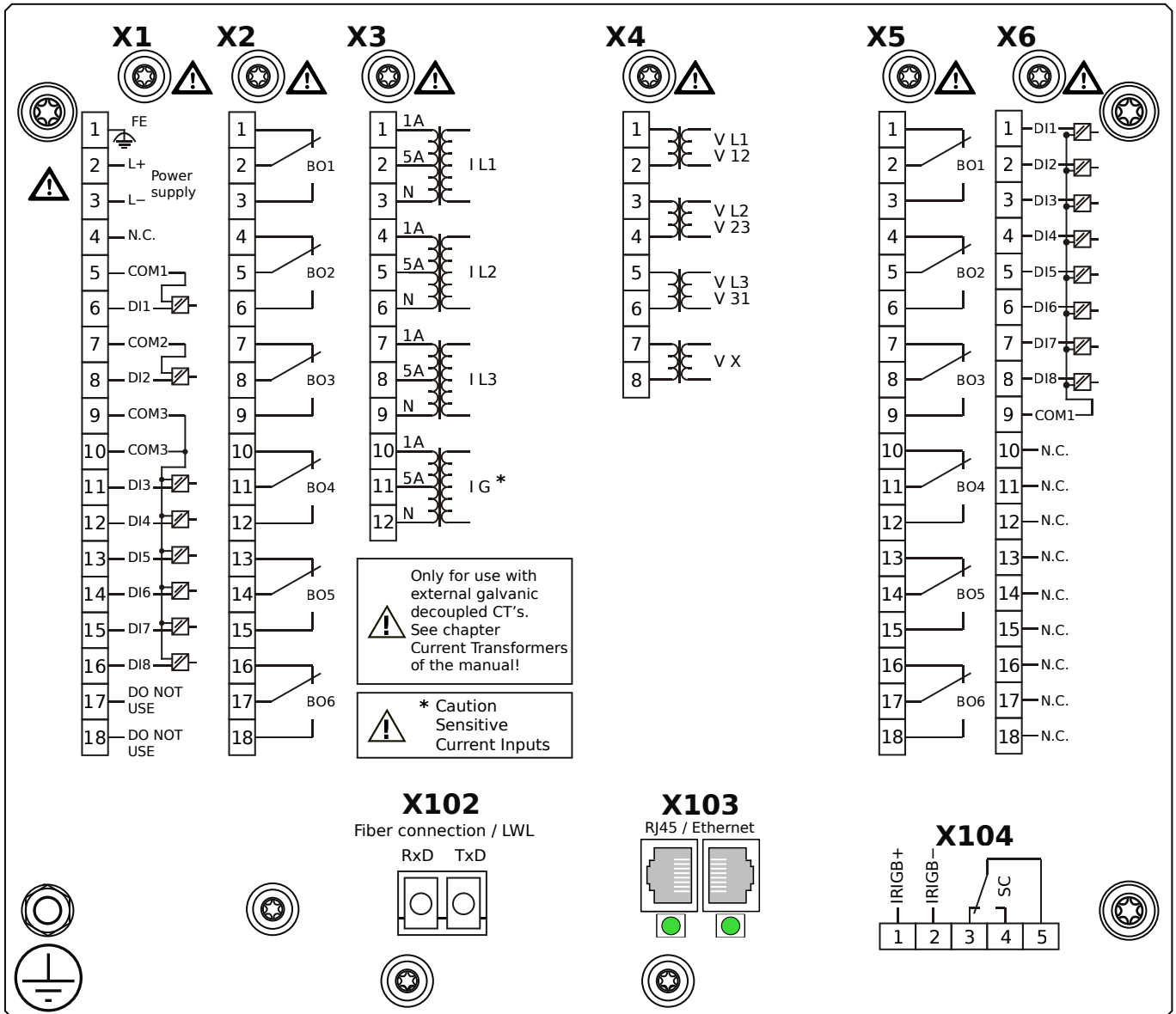
MCDLV4-2D1B0RA



Housing B2, large display, 19" rack mounting

- X1** – DI8-X1: Wide-range power supply unit, incl. 2 non-grouped digital inputs and 6 grouped digital inputs
- X2** – OR6: Assembly Group with 6 Output Relays (Changeover / Form C)
- X3** – TIs: Standard phase current measuring card and sensitive ground current measuring
- X4** – TU: Card with 4 voltage transformer measuring inputs (0 ... 800 VAC, under UL: 0 ... 600 VAC)
- X5** – OR6: Assembly Group with 6 Output Relays (Changeover / Form C)
- X6** – DI8: Assembly Group with 8 Digital Inputs
- X102** – Long-distance Protection Communication, Fiber optics interface, LC Connector
- X103** – IEC 61850 / Modbus TCP / IEC 60870-5-104 / DNP3.0 TCP/UDP, Redundant Ethernet interface, 100 Mbit/s, RJ45 (BASE100-FX)
- X104** – IRIG-B00X, incl. System Contact (Supervision Contact)

MCDLV4-2D1B0RB



Housing B2, large display, 19" rack mounting

+ Conformal Coating (for installations in harsh environment)

X1 – DI8-X1: Wide-range power supply unit, incl. 2 non-grouped digital inputs and 6 grouped digital inputs

X2 – OR6: Assembly Group with 6 Output Relays (Changeover / Form C)

X3 – TIs: Standard phase current measuring card and sensitive ground current measuring

X4 – TU: Card with 4 voltage transformer measuring inputs (0 ... 800 VAC, under UL: 0 ... 600 VAC)

X5 – OR6: Assembly Group with 6 Output Relays (Changeover / Form C)

X6 – DI8: Assembly Group with 8 Digital Inputs

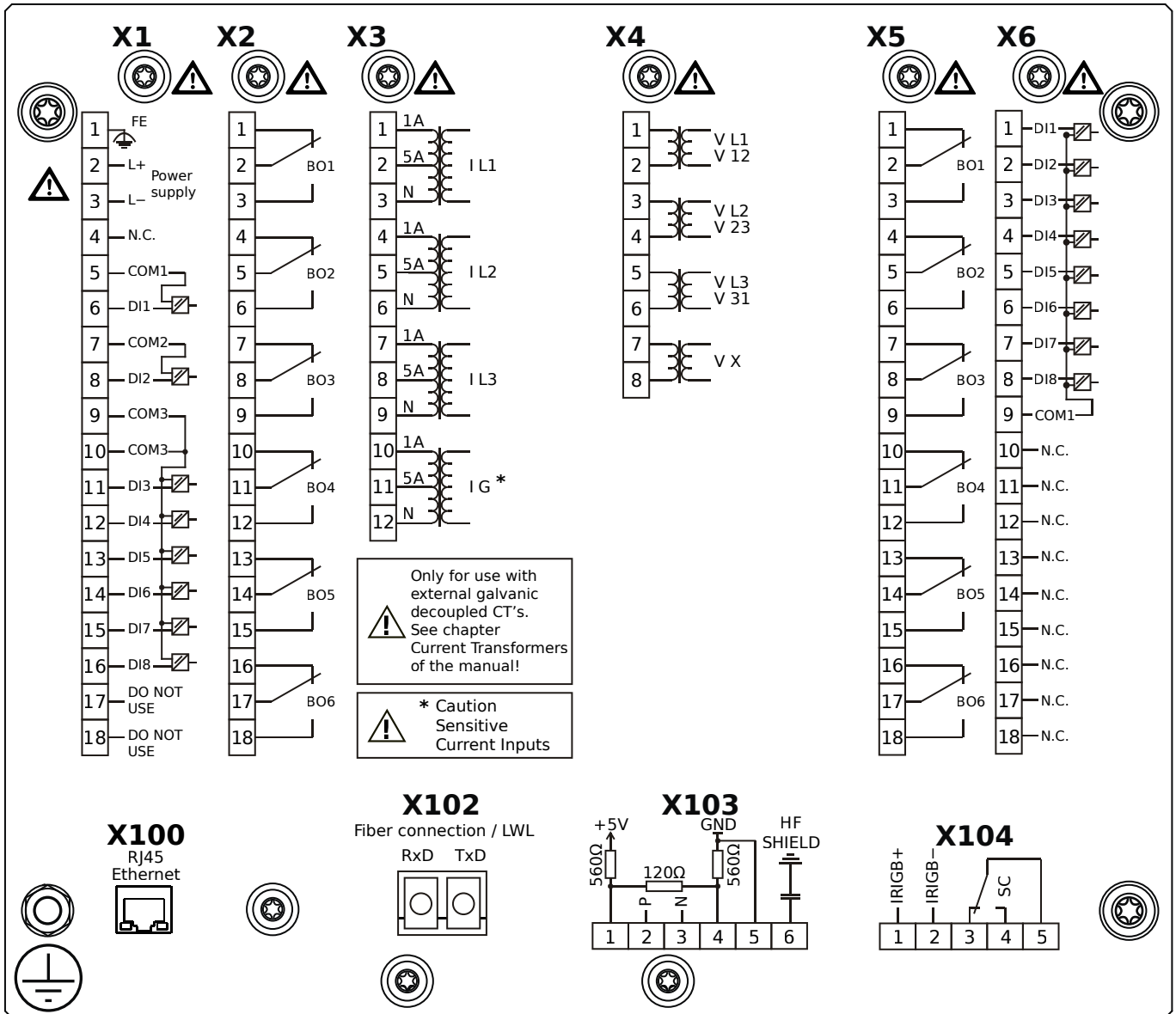
X102 – Long-distance Protection Communication, Fiber optics interface, LC Connector

X103 – IEC 61850 / Modbus TCP / IEC 60870-5-104 / DNP3.0 TCP/UDP, Redundant Ethernet interface, 100 Mbit/s, RJ45

(BASE100-FX)

X104 – IRIG-B00X, incl. System Contact (Supervision Contact)

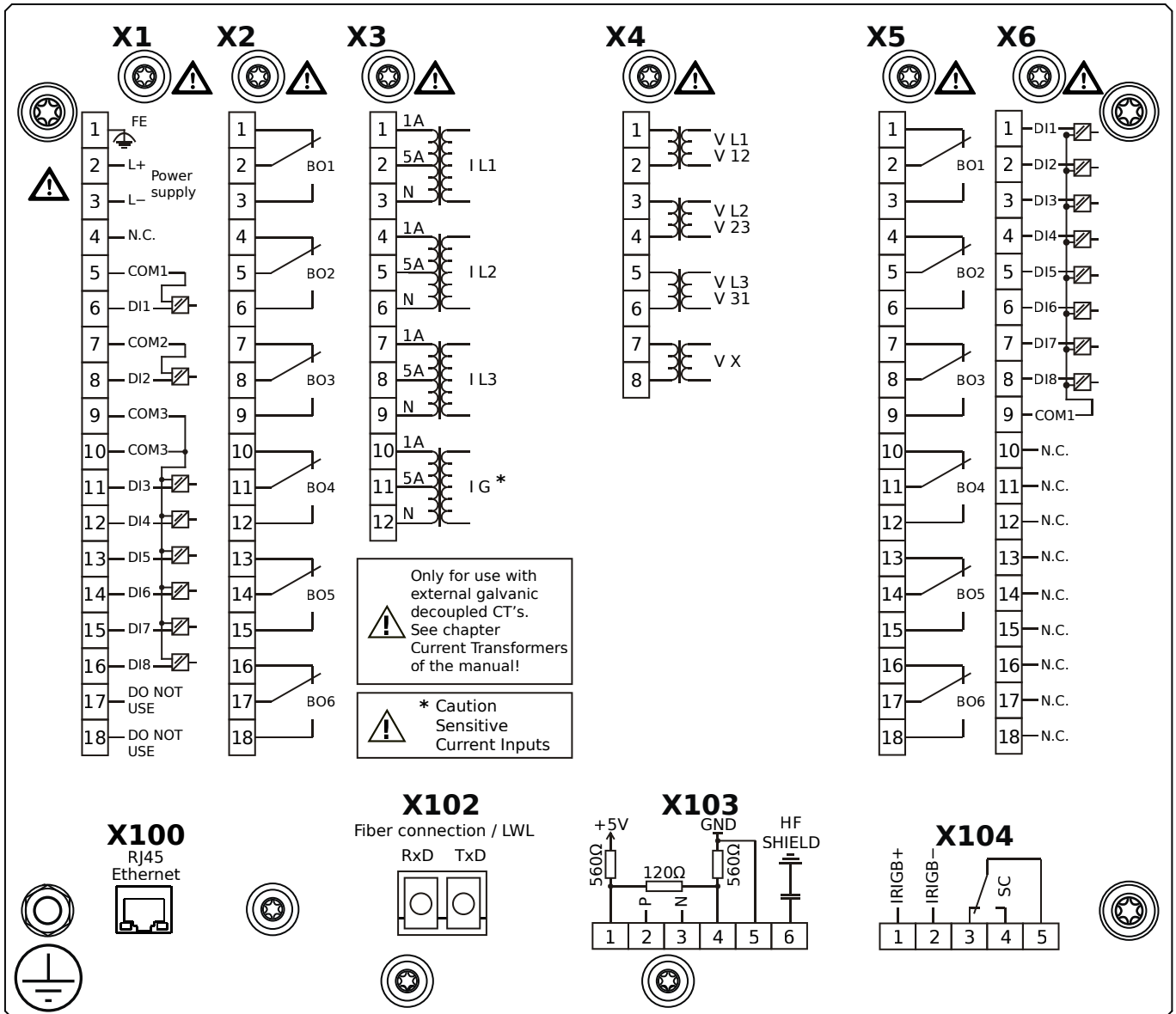
MCDLV4-2D1B0TA



Housing B2, large display, 19" rack mounting

- X1** – DI8-X1: Wide-range power supply unit, incl. 2 non-grouped digital inputs and 6 grouped digital inputs
- X2** – OR6: Assembly Group with 6 Output Relays (Changeover / Form C)
- X3** – TIs: Standard phase current measuring card and sensitive ground current measuring
- X4** – TU: Card with 4 voltage transformer measuring inputs (0 ... 800 VAC, under UL: 0 ... 600 VAC)
- X5** – OR6: Assembly Group with 6 Output Relays (Changeover / Form C)
- X6** – DI8: Assembly Group with 8 Digital Inputs
- X100** – IEC 61850 / Modbus TCP / IEC 60870-5-104 / DNP3.0 TCP/UDP, Ethernet interface, 100 Mbit/s, RJ45 (BASE100-FX)
- X102** – Long-distance Protection Communication, Fiber optics interface, LC Connector
- X103** – IEC 60870-5-103 / Modbus RTU / DNP3.0 RTU, RS485, Terminals
- X104** – IRIG-B00X, incl. System Contact (Supervision Contact)

MCDLV4-2D1B0TB



Housing B2, large display, 19" rack mounting

+ Conformal Coating (for installations in harsh environment)

X1 – DI8-X1: Wide-range power supply unit, incl. 2 non-grouped digital inputs and 6 grouped digital inputs

X2 – OR6: Assembly Group with 6 Output Relays (Changeover / Form C)

X3 – TIs: Standard phase current measuring card and sensitive ground current measuring

X4 – TU: Card with 4 voltage transformer measuring inputs (0 ... 800 VAC, under UL: 0 ... 600 VAC)

X5 – OR6: Assembly Group with 6 Output Relays (Changeover / Form C)

X6 – DI8: Assembly Group with 8 Digital Inputs

X100 – IEC 61850 / Modbus TCP / IEC 60870-5-104 / DNP3.0 TCP/UDP, Ethernet interface, 100 Mbit/s, RJ45 (BASE100-

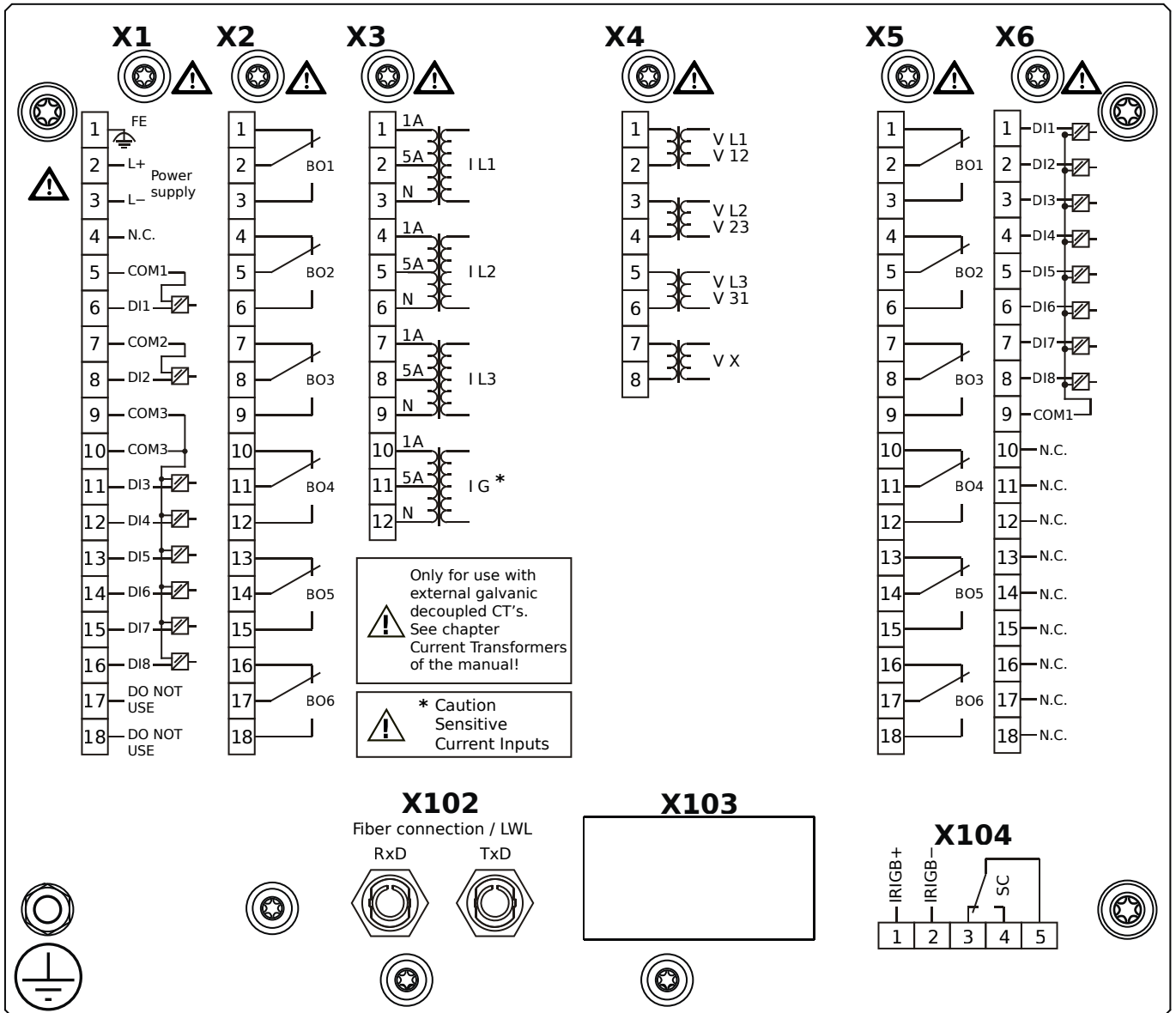
FX)

X102 – Long-distance Protection Communication, Fiber optics interface, LC Connector

X103 – IEC 60870-5-103 / Modbus RTU / DNP3.0 RTU, RS485, Terminals

X104 – IRIG-B00X, incl. System Contact (Supervision Contact)

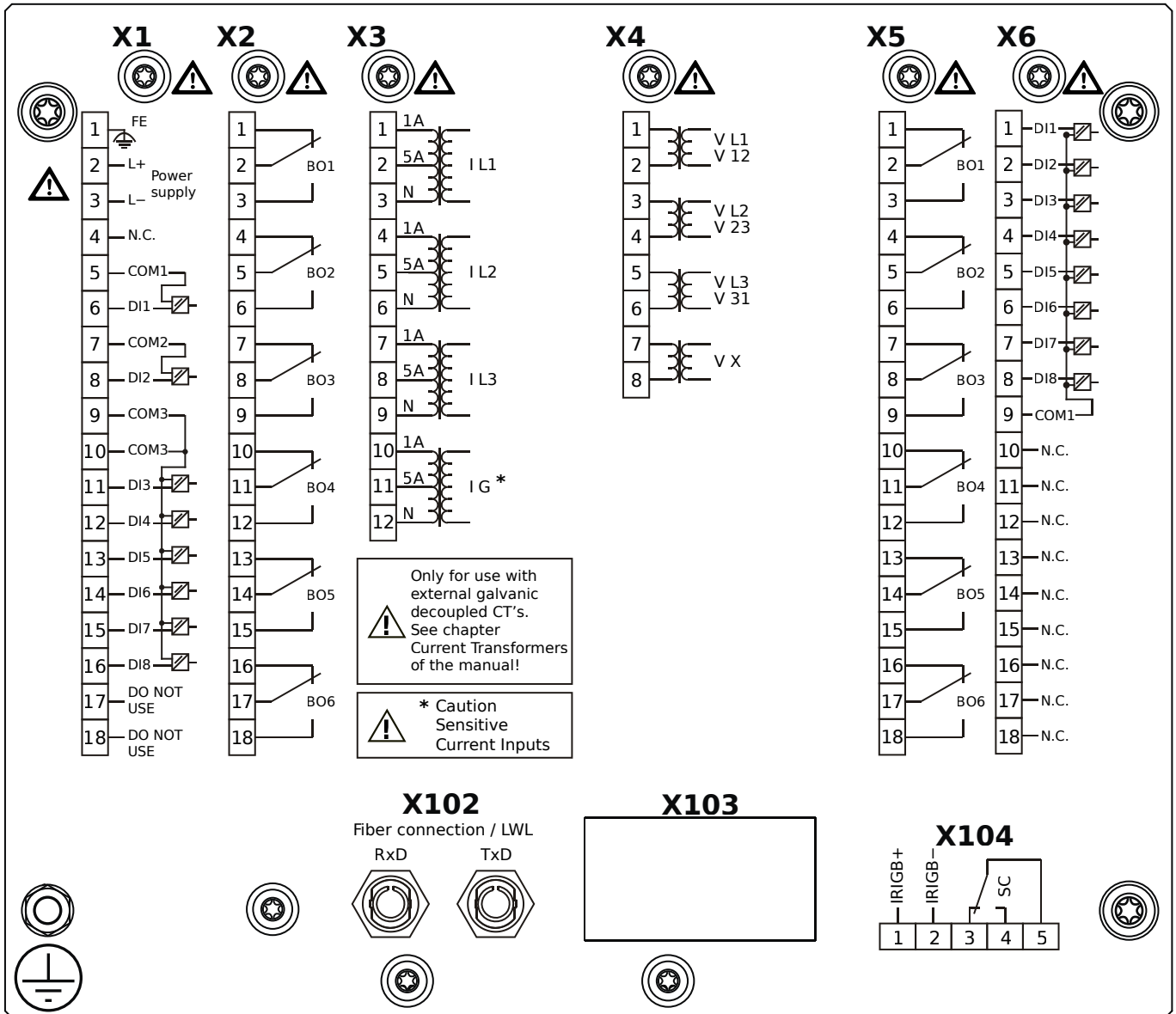
MCDLV4-2D1B1AA



Housing B2, large display, 19" rack mounting

- X1** – DI8-X1: Wide-range power supply unit, incl. 2 non-grouped digital inputs and 6 grouped digital inputs
- X2** – OR6: Assembly Group with 6 Output Relays (Changeover / Form C)
- X3** – TIs: Standard phase current measuring card and sensitive ground current measuring
- X4** – TU: Card with 4 voltage transformer measuring inputs (0 ... 800 VAC, under UL: 0 ... 600 VAC)
- X5** – OR6: Assembly Group with 6 Output Relays (Changeover / Form C)
- X6** – DI8: Assembly Group with 8 Digital Inputs
- X102** – Protection Communication, Fiber optics interface, ST Connector
- X104** – IRIG-B00X, incl. System Contact (Supervision Contact)

MCDLV4-2D1B1AB

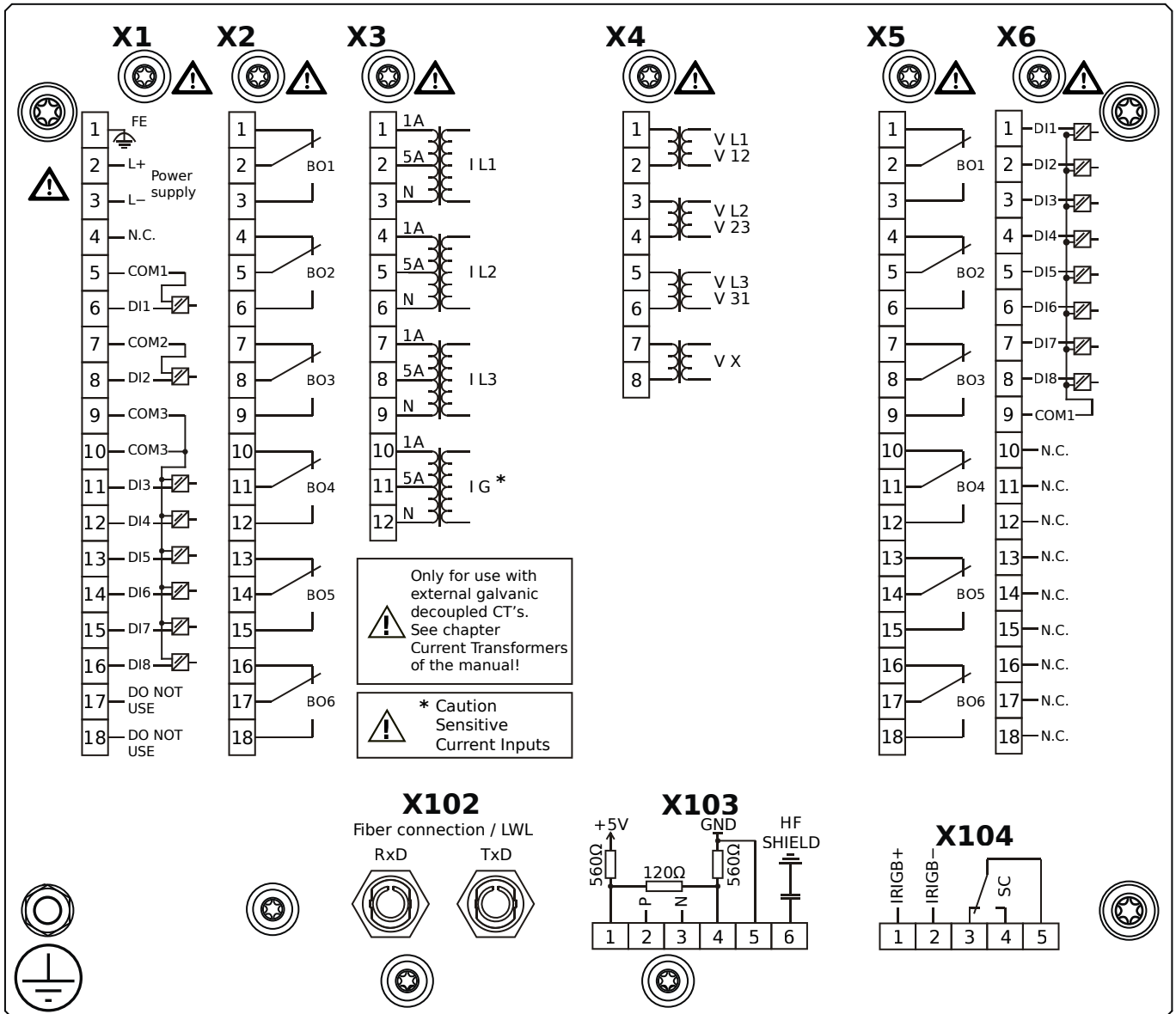


Housing B2, large display, 19" rack mounting

+ Conformal Coating (for installations in harsh environment)

- X1** – DI8-X1: Wide-range power supply unit, incl. 2 non-grouped digital inputs and 6 grouped digital inputs
- X2** – OR6: Assembly Group with 6 Output Relays (Changeover / Form C)
- X3** – TIs: Standard phase current measuring card and sensitive ground current measuring
- X4** – TU: Card with 4 voltage transformer measuring inputs (0 ... 800 VAC, under UL: 0 ... 600 VAC)
- X5** – OR6: Assembly Group with 6 Output Relays (Changeover / Form C)
- X6** – DI8: Assembly Group with 8 Digital Inputs
- X102** – Protection Communication, Fiber optics interface, ST Connector
- X104** – IRIG-B00X, incl. System Contact (Supervision Contact)

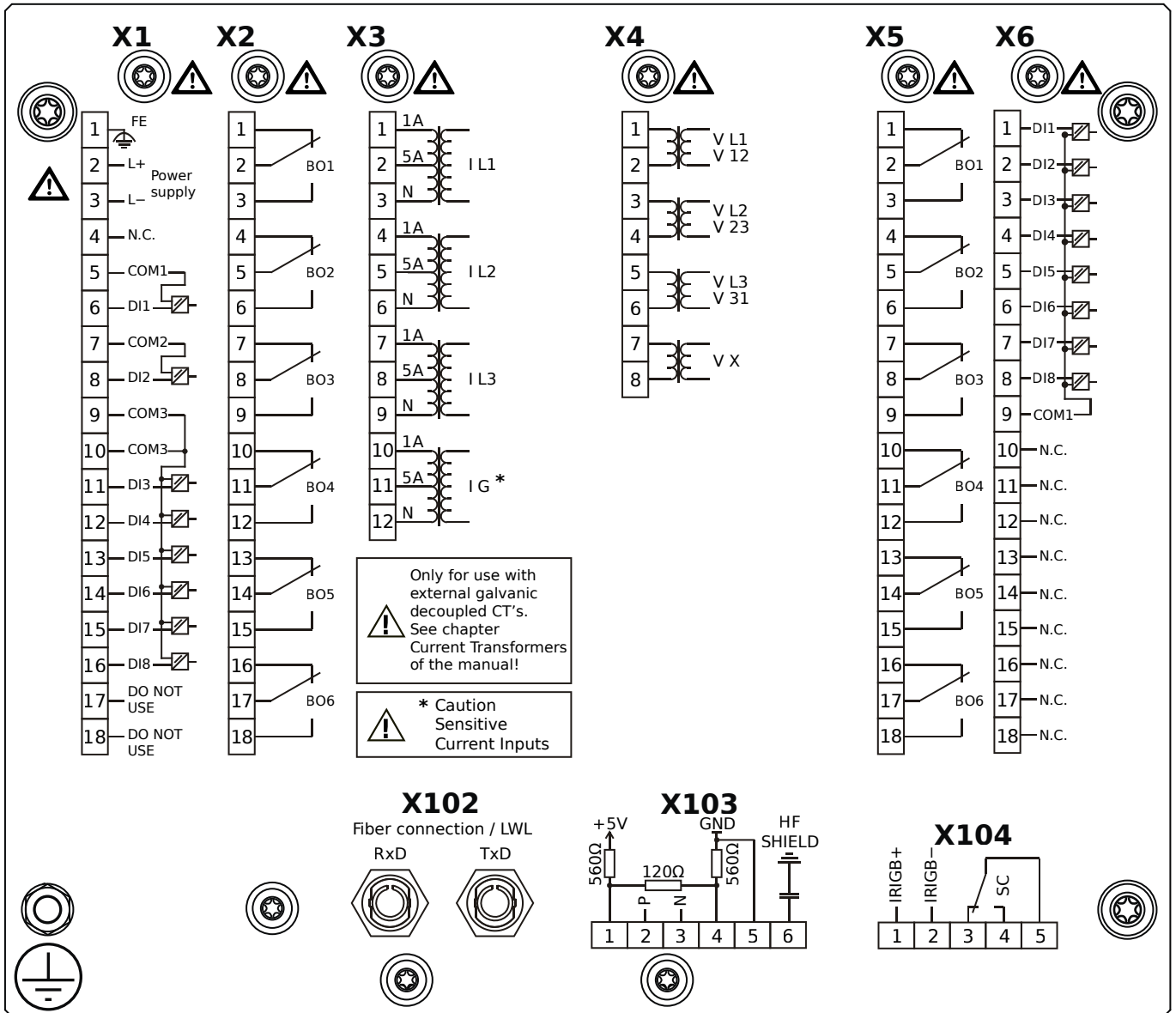
MCDLV4-2D1B1BA



Housing B2, large display, 19" rack mounting

- X1** – DI8-X1: Wide-range power supply unit, incl. 2 non-grouped digital inputs and 6 grouped digital inputs
- X2** – OR6: Assembly Group with 6 Output Relays (Changeover / Form C)
- X3** – TIs: Standard phase current measuring card and sensitive ground current measuring
- X4** – TU: Card with 4 voltage transformer measuring inputs (0 ... 800 VAC, under UL: 0 ... 600 VAC)
- X5** – OR6: Assembly Group with 6 Output Relays (Changeover / Form C)
- X6** – DI8: Assembly Group with 8 Digital Inputs
- X102** – Protection Communication, Fiber optics interface, ST Connector
- X103** – Modbus RTU / IEC 60870-5-103 / DNP3.0 RTU, RS485, Terminals
- X104** – IRIG-B00X, incl. System Contact (Supervision Contact)

MCDLV4-2D1B1BB

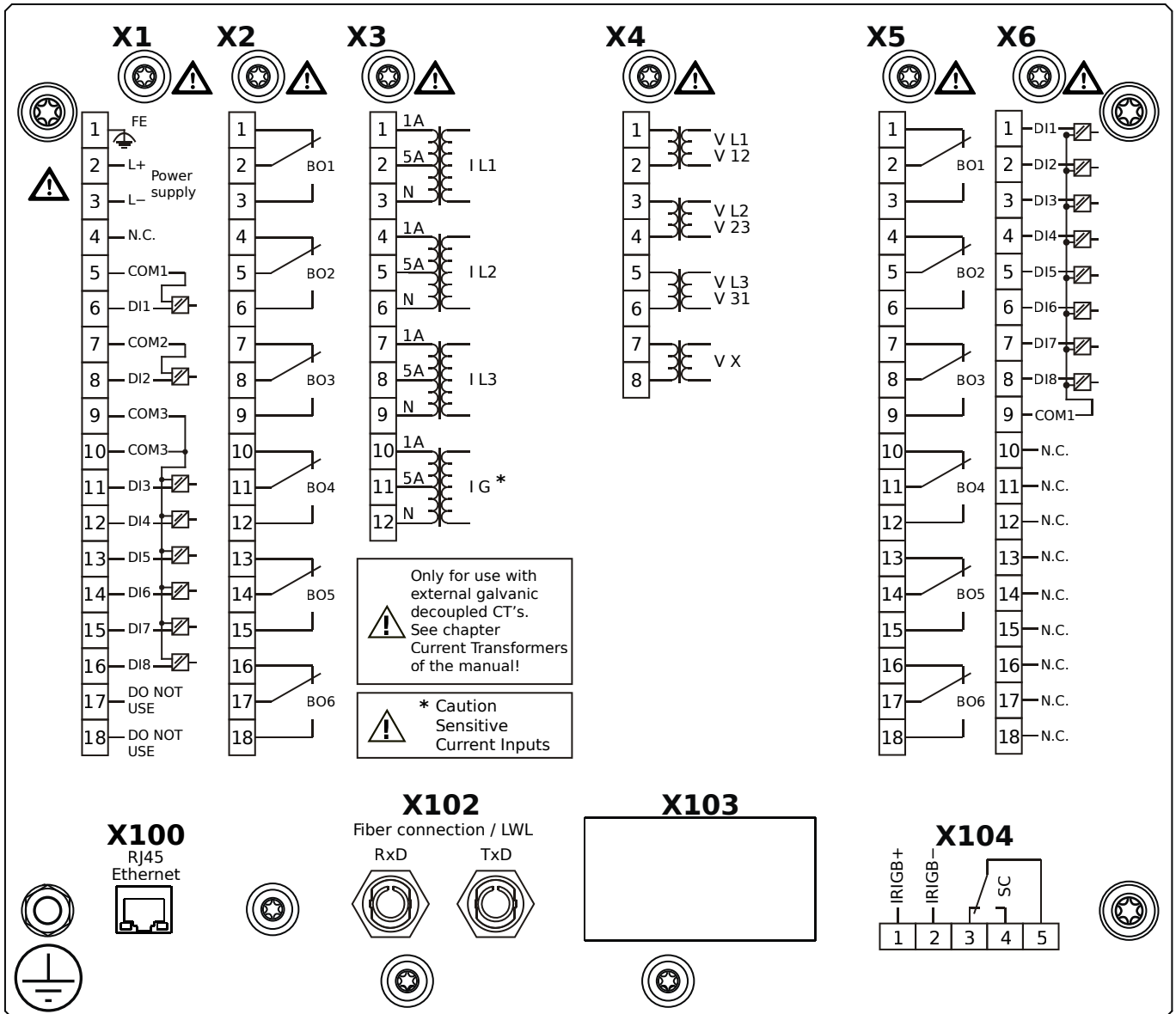


Housing B2, large display, 19" rack mounting

+ Conformal Coating (for installations in harsh environment)

- X1** – DI8-X1: Wide-range power supply unit, incl. 2 non-grouped digital inputs and 6 grouped digital inputs
- X2** – OR6: Assembly Group with 6 Output Relays (Changeover / Form C)
- X3** – TIs: Standard phase current measuring card and sensitive ground current measuring
- X4** – TU: Card with 4 voltage transformer measuring inputs (0 ... 800 VAC, under UL: 0 ... 600 VAC)
- X5** – OR6: Assembly Group with 6 Output Relays (Changeover / Form C)
- X6** – DI8: Assembly Group with 8 Digital Inputs
- X102** – Protection Communication, Fiber optics interface, ST Connector
- X103** – Modbus RTU / IEC 60870-5-103 / DNP3.0 RTU, RS485, Terminals
- X104** – IRIG-B00X, incl. System Contact (Supervision Contact)

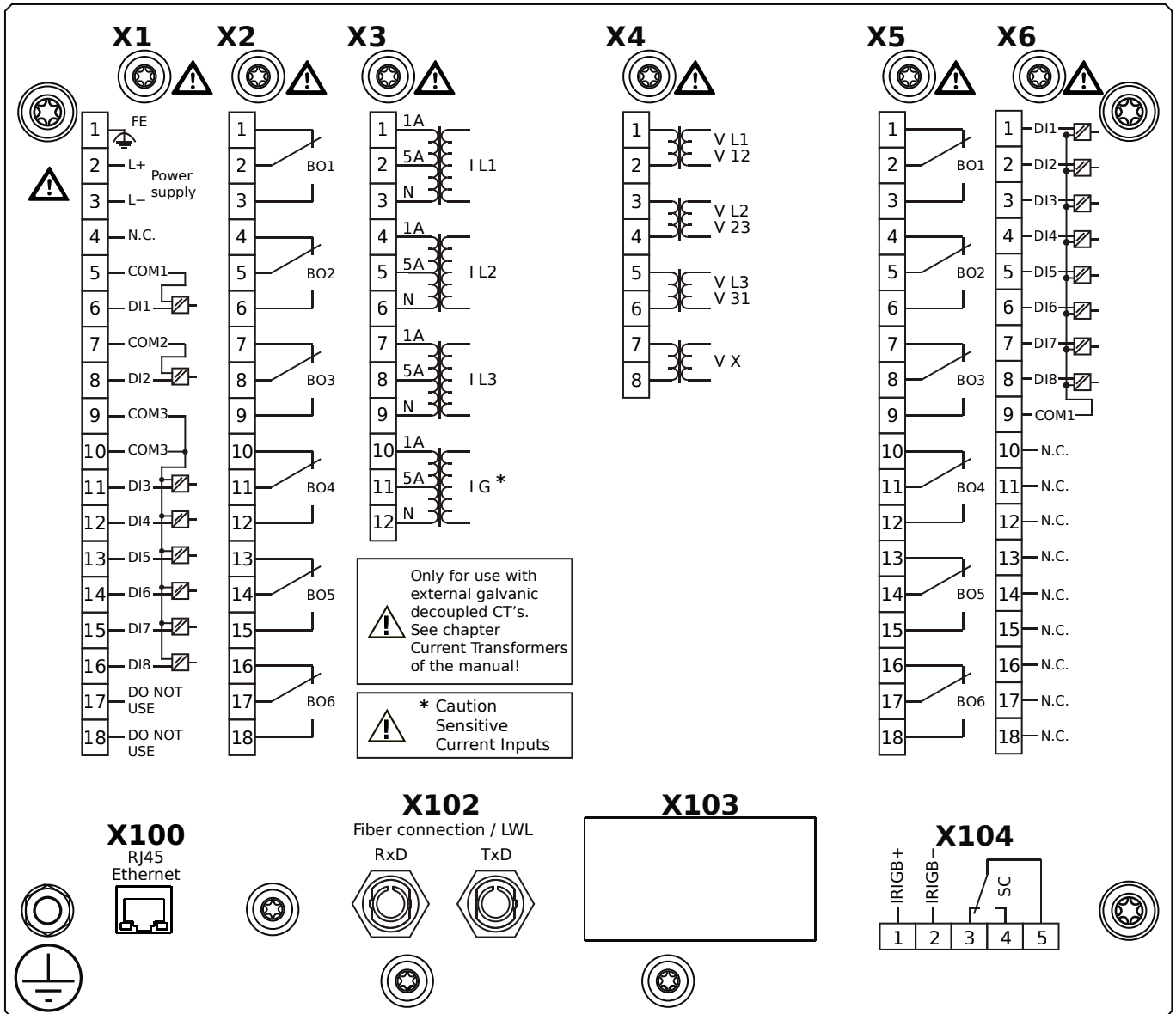
MCDLV4-2D1B1CA



Housing B2, large display, 19" rack mounting

- X1** – DI8-X1: Wide-range power supply unit, incl. 2 non-grouped digital inputs and 6 grouped digital inputs
- X2** – OR6: Assembly Group with 6 Output Relays (Changeover / Form C)
- X3** – TIs: Standard phase current measuring card and sensitive ground current measuring
- X4** – TU: Card with 4 voltage transformer measuring inputs (0 ... 800 VAC, under UL: 0 ... 600 VAC)
- X5** – OR6: Assembly Group with 6 Output Relays (Changeover / Form C)
- X6** – DI8: Assembly Group with 8 Digital Inputs
- X100** – Modbus TCP / IEC 60870-5-104 / DNP3.0 TCP/UDP, Ethernet interface, 100 Mbit/s, RJ45 (BASE100-FX)
- X102** – Protection Communication, Fiber optics interface, ST Connector
- X104** – IRIG-B00X, incl. System Contact (Supervision Contact)

MCDLV4-2D1B1CB

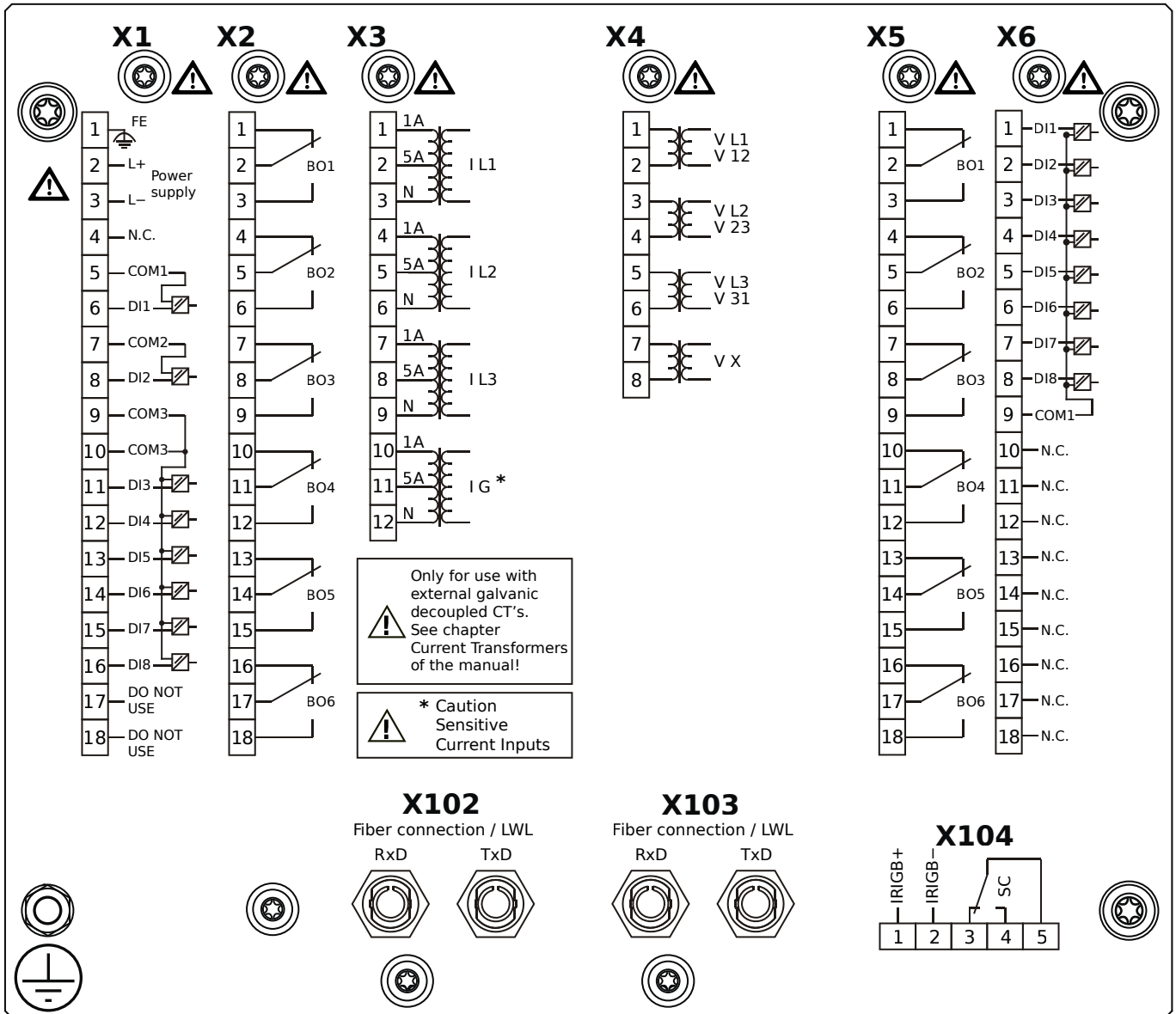


Housing B2, large display, 19" rack mounting

+ Conformal Coating (for installations in harsh environment)

- X1** – DI8-X1: Wide-range power supply unit, incl. 2 non-grouped digital inputs and 6 grouped digital inputs
- X2** – OR6: Assembly Group with 6 Output Relays (Changeover / Form C)
- X3** – TIs: Standard phase current measuring card and sensitive ground current measuring
- X4** – TU: Card with 4 voltage transformer measuring inputs (0 ... 800 VAC, under UL: 0 ... 600 VAC)
- X5** – OR6: Assembly Group with 6 Output Relays (Changeover / Form C)
- X6** – DI8: Assembly Group with 8 Digital Inputs
- X100** – Modbus TCP / IEC 60870-5-104 / DNP3.0 TCP/UDP, Ethernet interface, 100 Mbit/s, RJ45 (BASE100-FX)
- X102** – Protection Communication, Fiber optics interface, ST Connector
- X104** – IRIG-B00X, incl. System Contact (Supervision Contact)

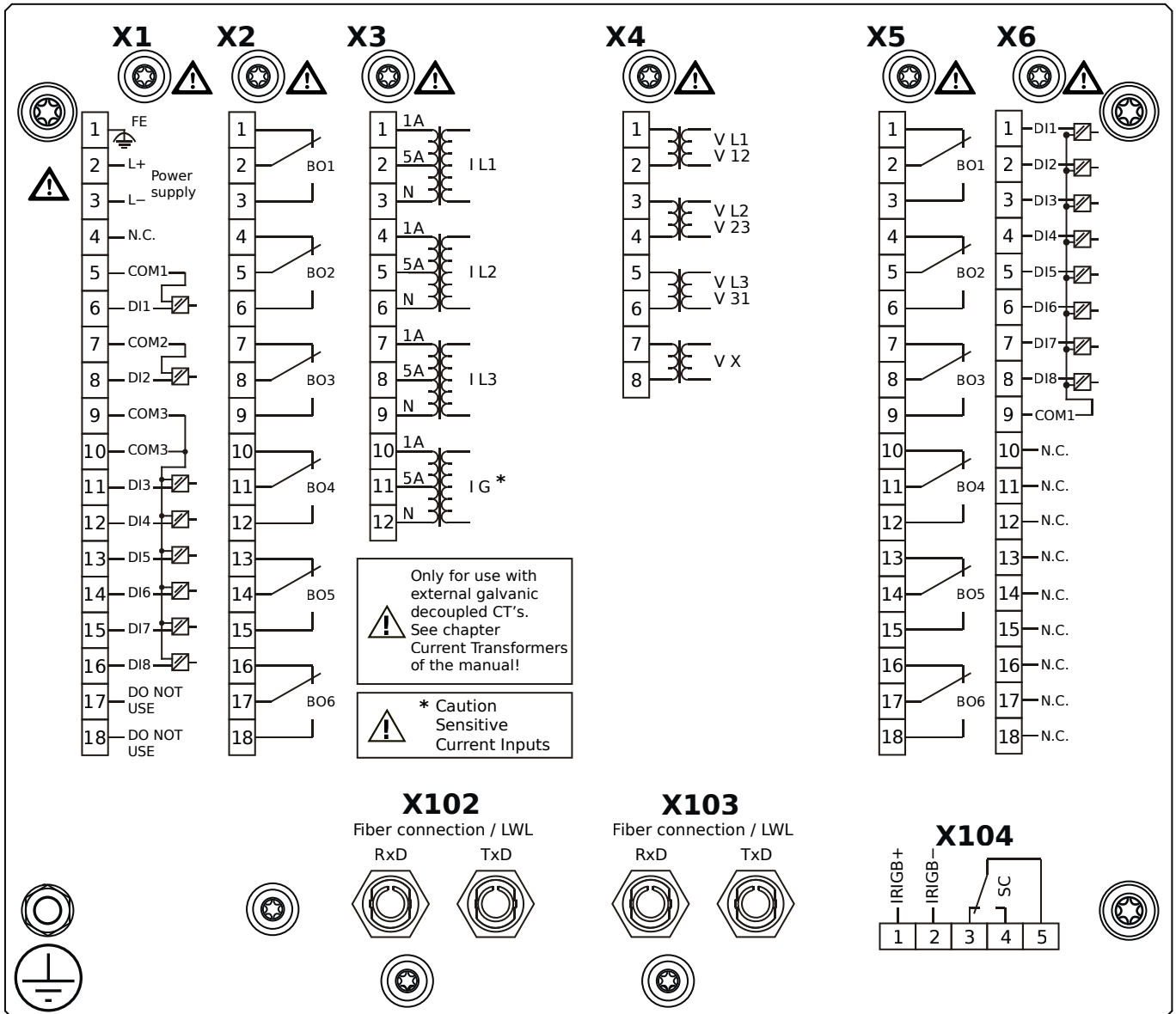
MCDLV4-2D1B1DA



Housing B2, large display, 19" rack mounting

- X1** – DI8-X1: Wide-range power supply unit, incl. 2 non-grouped digital inputs and 6 grouped digital inputs
- X2** – OR6: Assembly Group with 6 Output Relays (Changeover / Form C)
- X3** – TIs: Standard phase current measuring card and sensitive ground current measuring
- X4** – TU: Card with 4 voltage transformer measuring inputs (0 ... 800 VAC, under UL: 0 ... 600 VAC)
- X5** – OR6: Assembly Group with 6 Output Relays (Changeover / Form C)
- X6** – DI8: Assembly Group with 8 Digital Inputs
- X102** – Protection Communication, Fiber optics interface, ST Connector
- X103** – Profibus-DP, Fiber optics interface, ST Connector
- X104** – IRIG-B00X, incl. System Contact (Supervision Contact)

MCDLV4-2D1B1DB

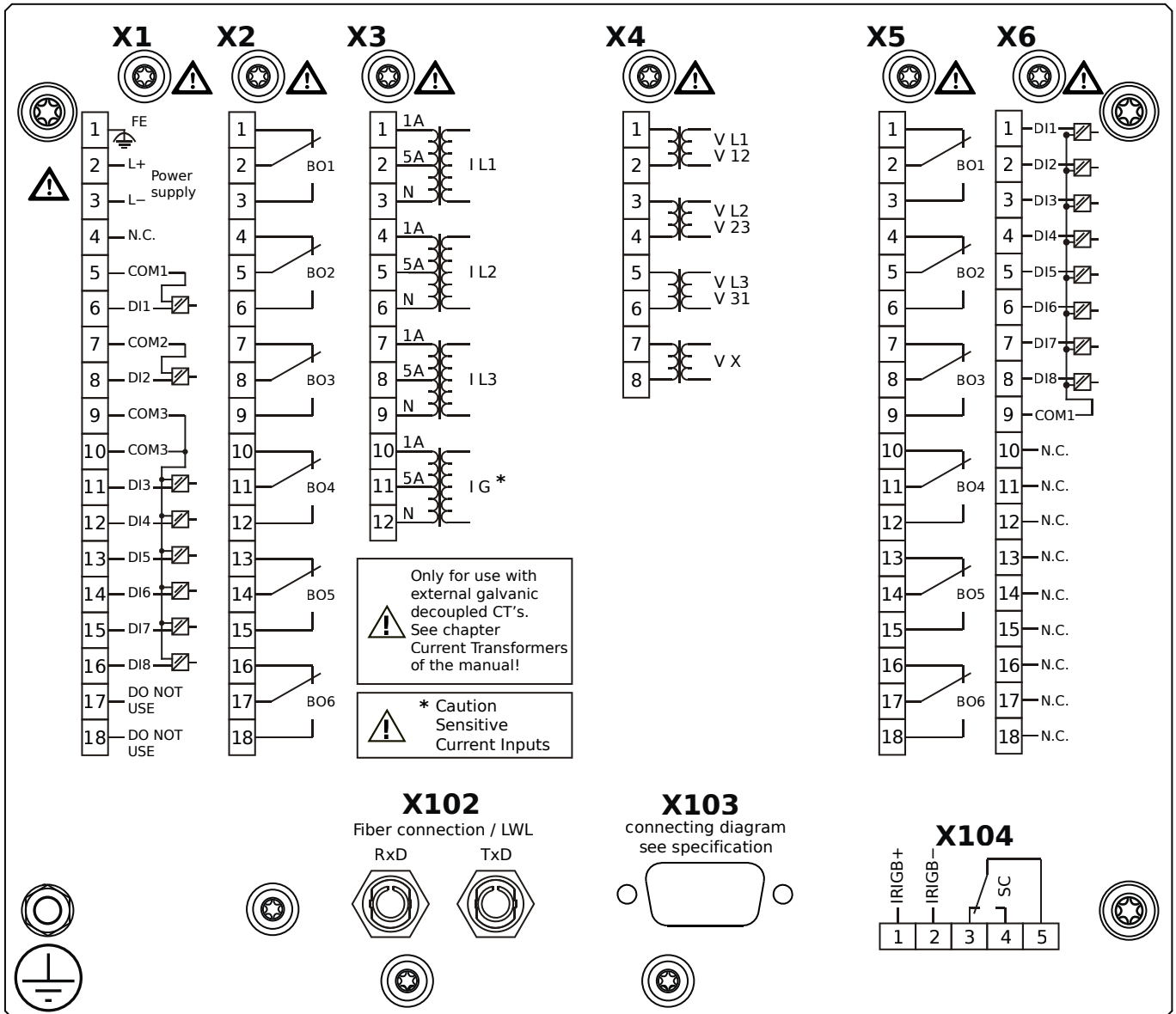


Housing B2, large display, 19" rack mounting

+ Conformal Coating (for installations in harsh environment)

- X1** – DI8-X1: Wide-range power supply unit, incl. 2 non-grouped digital inputs and 6 grouped digital inputs
- X2** – OR6: Assembly Group with 6 Output Relays (Changeover / Form C)
- X3** – TIs: Standard phase current measuring card and sensitive ground current measuring
- X4** – TU: Card with 4 voltage transformer measuring inputs (0 ... 800 VAC, under UL: 0 ... 600 VAC)
- X5** – OR6: Assembly Group with 6 Output Relays (Changeover / Form C)
- X6** – DI8: Assembly Group with 8 Digital Inputs
- X102** – Protection Communication, Fiber optics interface, ST Connector
- X103** – Profibus-DP, Fiber optics interface, ST Connector
- X104** – IRIG-B00X, incl. System Contact (Supervision Contact)

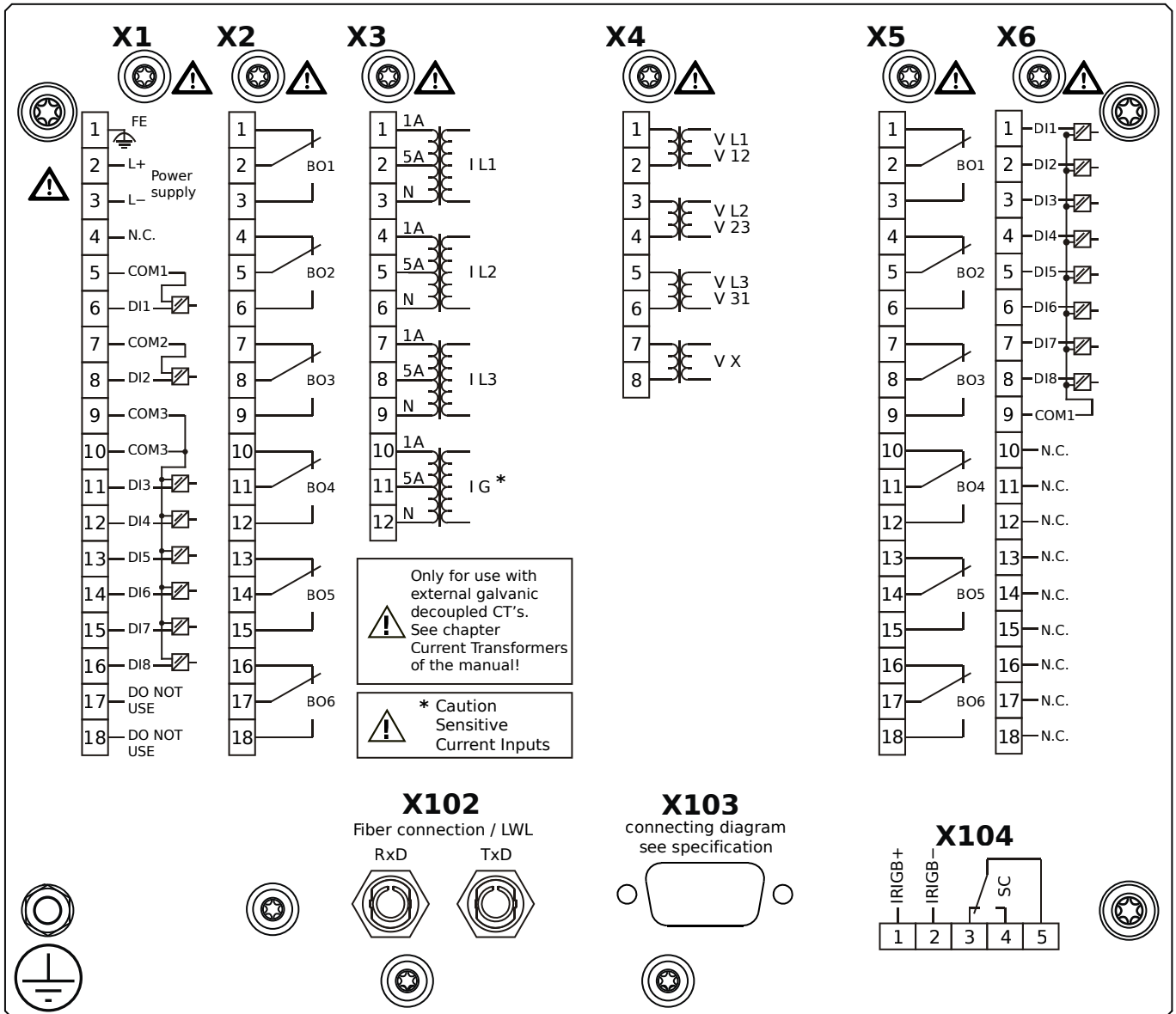
MCDLV4-2D1B1EA



Housing B2, large display, 19" rack mounting

- X1** – DI8-X1: Wide-range power supply unit, incl. 2 non-grouped digital inputs and 6 grouped digital inputs
- X2** – OR6: Assembly Group with 6 Output Relays (Changeover / Form C)
- X3** – TIs: Standard phase current measuring card and sensitive ground current measuring
- X4** – TU: Card with 4 voltage transformer measuring inputs (0 ... 800 VAC, under UL: 0 ... 600 VAC)
- X5** – OR6: Assembly Group with 6 Output Relays (Changeover / Form C)
- X6** – DI8: Assembly Group with 8 Digital Inputs
- X102** – Protection Communication, Fiber optics interface, ST Connector
- X103** – Profibus-DP, RS485, D-SUB
- X104** – IRIG-B00X, incl. System Contact (Supervision Contact)

MCDLV4-2D1B1EB

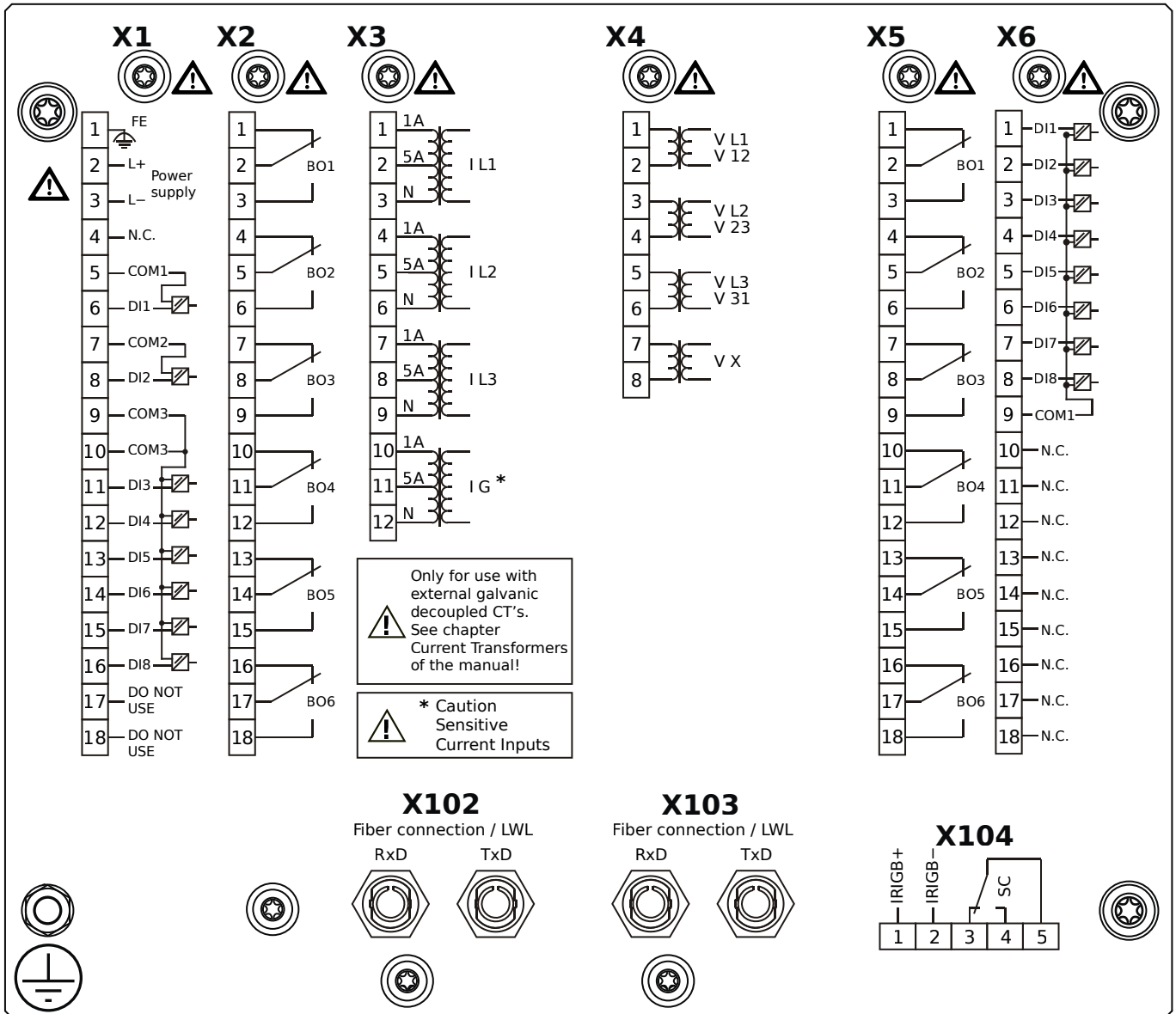


Housing B2, large display, 19" rack mounting

+ Conformal Coating (for installations in harsh environment)

- X1** – DI8-X1: Wide-range power supply unit, incl. 2 non-grouped digital inputs and 6 grouped digital inputs
- X2** – OR6: Assembly Group with 6 Output Relays (Changeover / Form C)
- X3** – TIs: Standard phase current measuring card and sensitive ground current measuring
- X4** – TU: Card with 4 voltage transformer measuring inputs (0 ... 800 VAC, under UL: 0 ... 600 VAC)
- X5** – OR6: Assembly Group with 6 Output Relays (Changeover / Form C)
- X6** – DI8: Assembly Group with 8 Digital Inputs
- X102** – Protection Communication, Fiber optics interface, ST Connector
- X103** – Profibus-DP, RS485, D-SUB
- X104** – IRIG-B00X, incl. System Contact (Supervision Contact)

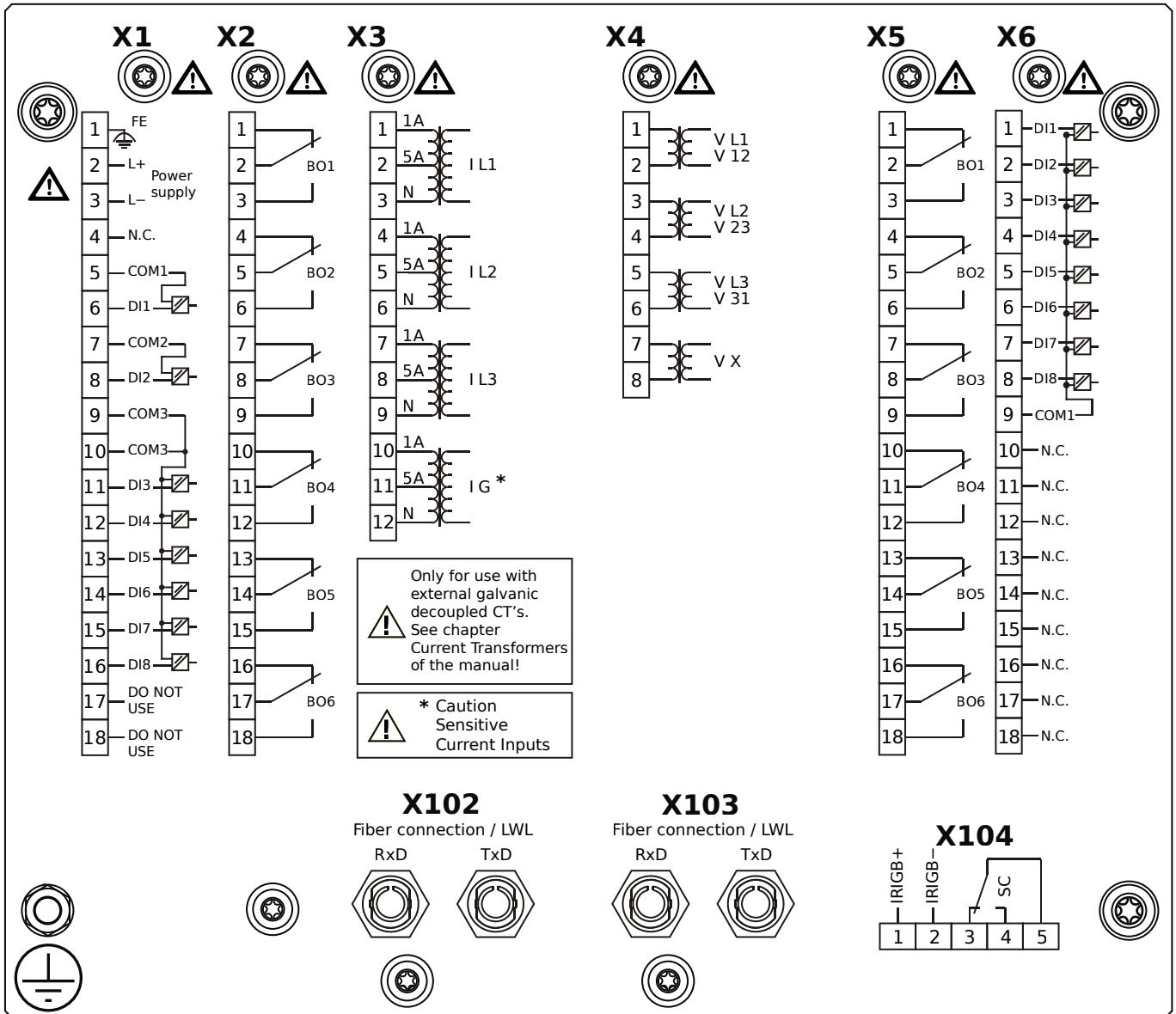
MCDLV4-2D1B1FA



Housing B2, large display, 19" rack mounting

- X1** – DI8-X1: Wide-range power supply unit, incl. 2 non-grouped digital inputs and 6 grouped digital inputs
- X2** – OR6: Assembly Group with 6 Output Relays (Changeover / Form C)
- X3** – TIs: Standard phase current measuring card and sensitive ground current measuring
- X4** – TU: Card with 4 voltage transformer measuring inputs (0 ... 800 VAC, under UL: 0 ... 600 VAC)
- X5** – OR6: Assembly Group with 6 Output Relays (Changeover / Form C)
- X6** – DI8: Assembly Group with 8 Digital Inputs
- X102** – Protection Communication, Fiber optics interface, ST Connector
- X103** – Modbus RTU / IEC 60870-5-103 / DNP3.0 RTU, Fiber optics interface, ST Connector
- X104** – IRIG-B00X, incl. System Contact (Supervision Contact)

MCDLV4-2D1B1FB

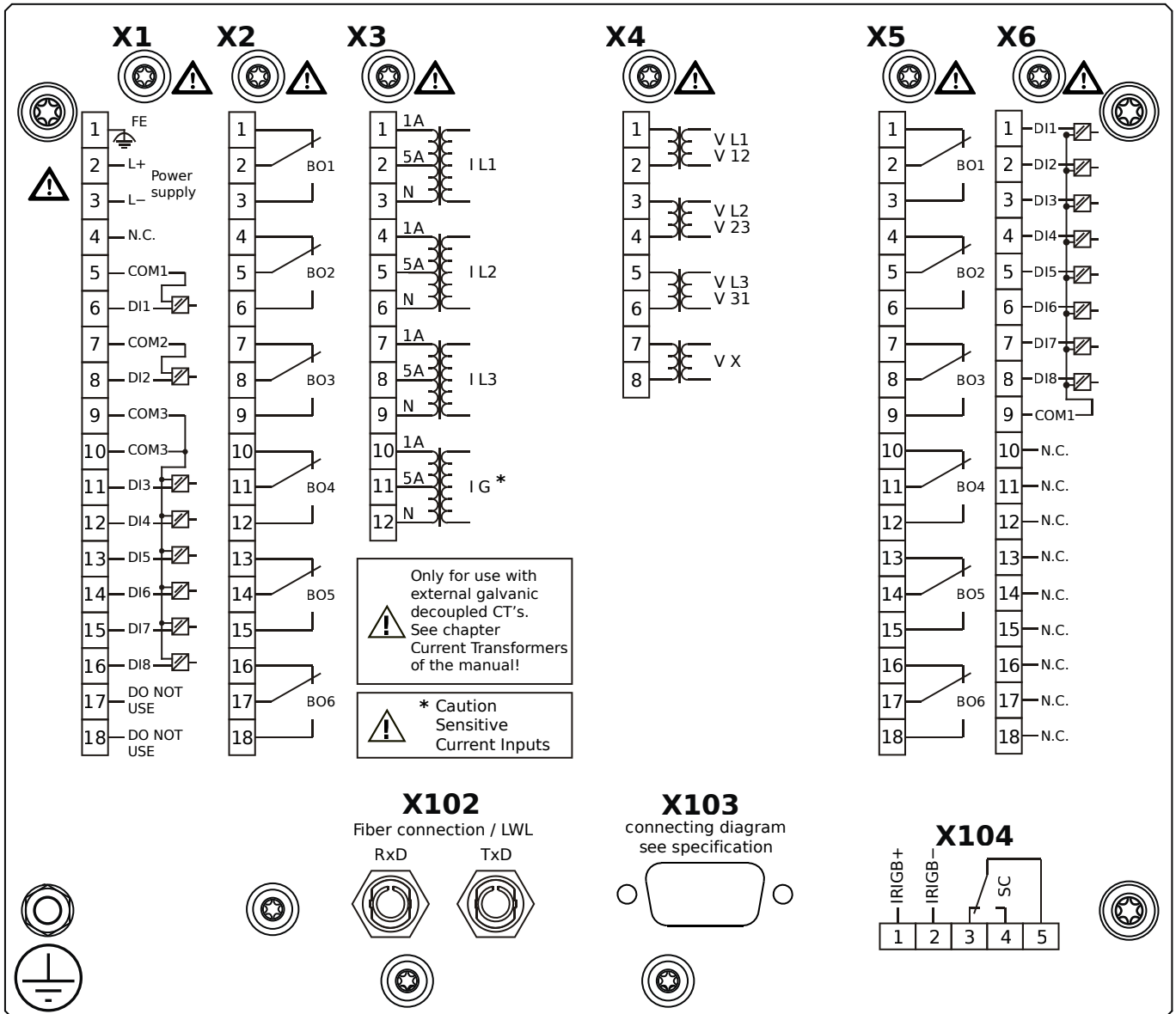


Housing B2, large display, 19" rack mounting

+ Conformal Coating (for installations in harsh environment)

- X1** – DI8-X1: Wide-range power supply unit, incl. 2 non-grouped digital inputs and 6 grouped digital inputs
- X2** – OR6: Assembly Group with 6 Output Relays (Changeover / Form C)
- X3** – TIs: Standard phase current measuring card and sensitive ground current measuring
- X4** – TU: Card with 4 voltage transformer measuring inputs (0 ... 800 VAC, under UL: 0 ... 600 VAC)
- X5** – OR6: Assembly Group with 6 Output Relays (Changeover / Form C)
- X6** – DI8: Assembly Group with 8 Digital Inputs
- X102** – Protection Communication, Fiber optics interface, ST Connector
- X103** – Modbus RTU / IEC 60870-5-103 / DNP3.0 RTU, Fiber optics interface, ST Connector
- X104** – IRIG-B00X, incl. System Contact (Supervision Contact)

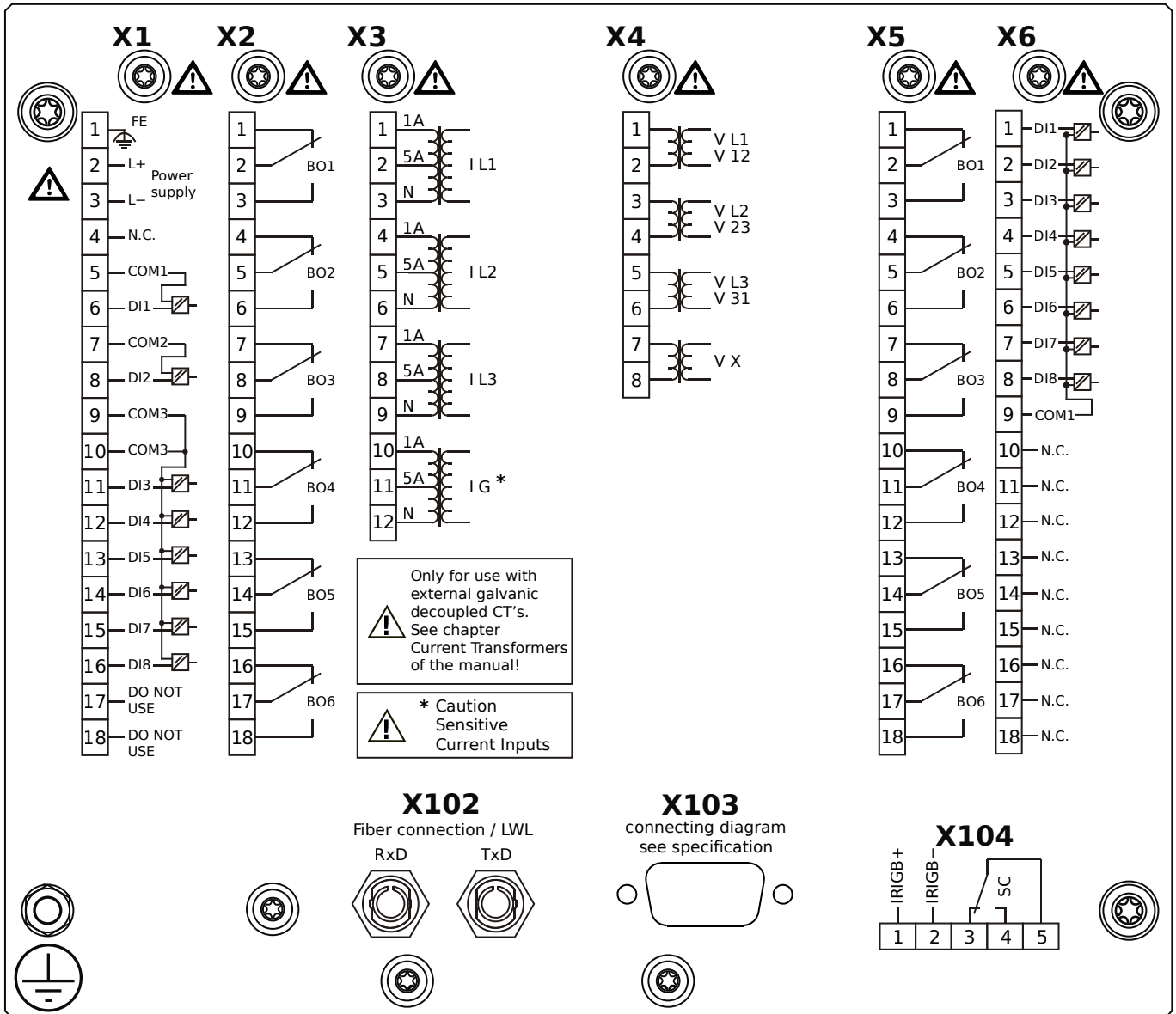
MCDLV4-2D1B1GA



Housing B2, large display, 19" rack mounting

- X1** – DI8-X1: Wide-range power supply unit, incl. 2 non-grouped digital inputs and 6 grouped digital inputs
- X2** – OR6: Assembly Group with 6 Output Relays (Changeover / Form C)
- X3** – TIs: Standard phase current measuring card and sensitive ground current measuring
- X4** – TU: Card with 4 voltage transformer measuring inputs (0 ... 800 VAC, under UL: 0 ... 600 VAC)
- X5** – OR6: Assembly Group with 6 Output Relays (Changeover / Form C)
- X6** – DI8: Assembly Group with 8 Digital Inputs
- X102** – Protection Communication, Fiber optics interface, ST Connector
- X103** – Modbus RTU / IEC 60870-5-103 / DNP3.0 RTU, RS485, D-SUB
- X104** – IRIG-B00X, incl. System Contact (Supervision Contact)

MCDLV4-2D1B1GB

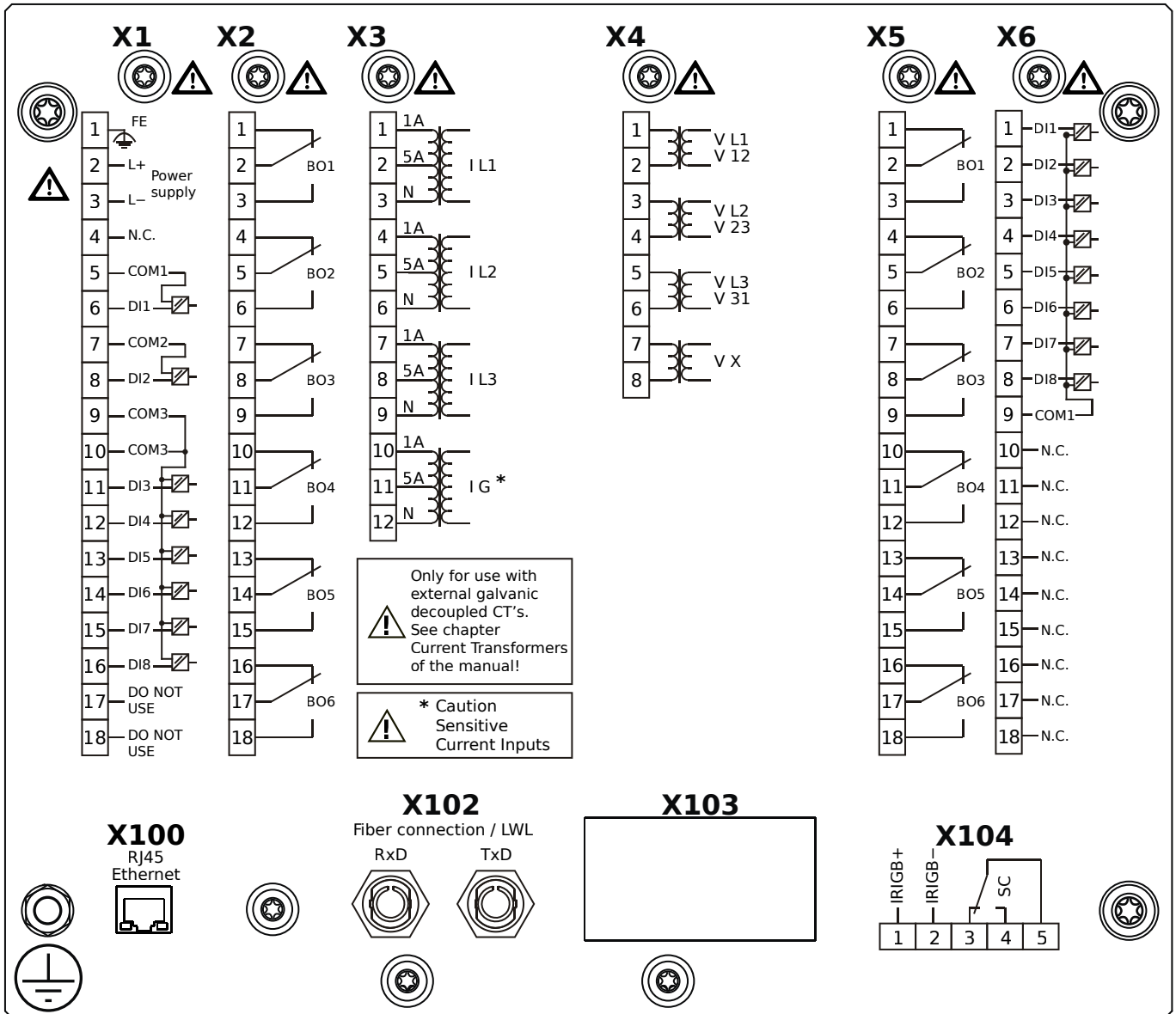


Housing B2, large display, 19" rack mounting

+ Conformal Coating (for installations in harsh environment)

- X1** – DI8-X1: Wide-range power supply unit, incl. 2 non-grouped digital inputs and 6 grouped digital inputs
- X2** – OR6: Assembly Group with 6 Output Relays (Changeover / Form C)
- X3** – TIs: Standard phase current measuring card and sensitive ground current measuring
- X4** – TU: Card with 4 voltage transformer measuring inputs (0 ... 800 VAC, under UL: 0 ... 600 VAC)
- X5** – OR6: Assembly Group with 6 Output Relays (Changeover / Form C)
- X6** – DI8: Assembly Group with 8 Digital Inputs
- X102** – Protection Communication, Fiber optics interface, ST Connector
- X103** – Modbus RTU / IEC 60870-5-103 / DNP3.0 RTU, RS485, D-SUB
- X104** – IRIG-B00X, incl. System Contact (Supervision Contact)

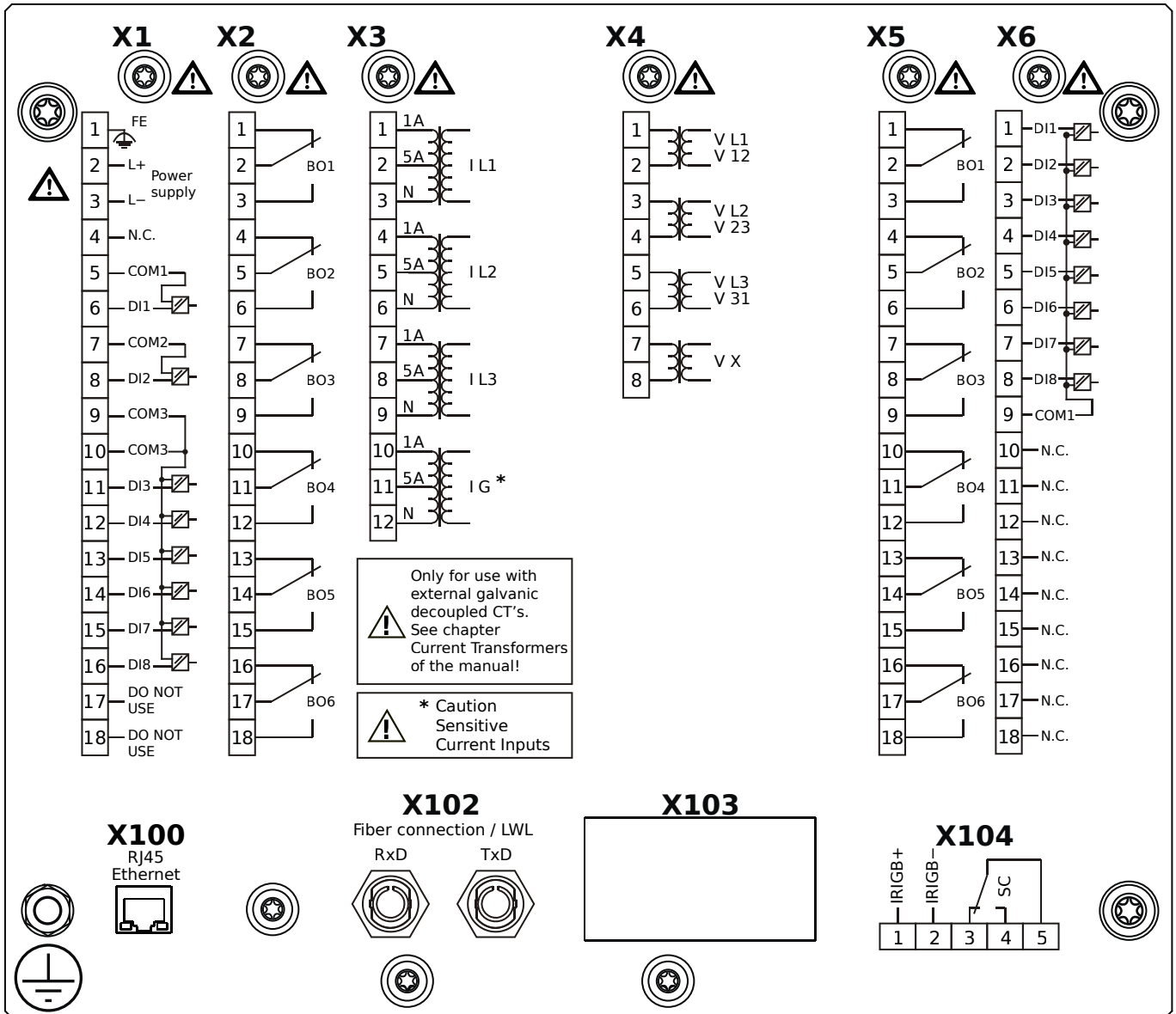
MCDLV4-2D1B1HA



Housing B2, large display, 19" rack mounting

- X1** – DI8-X1: Wide-range power supply unit, incl. 2 non-grouped digital inputs and 6 grouped digital inputs
- X2** – OR6: Assembly Group with 6 Output Relays (Changeover / Form C)
- X3** – TIs: Standard phase current measuring card and sensitive ground current measuring
- X4** – TU: Card with 4 voltage transformer measuring inputs (0 ... 800 VAC, under UL: 0 ... 600 VAC)
- X5** – OR6: Assembly Group with 6 Output Relays (Changeover / Form C)
- X6** – DI8: Assembly Group with 8 Digital Inputs
- X100** – IEC 61850 / Modbus TCP / IEC 60870-5-104 / DNP3.0 TCP/UDP, Ethernet interface, 100 Mbit/s, RJ45 (BASE100-FX)
- X102** – Protection Communication, Fiber optics interface, ST Connector
- X104** – IRIG-B00X, incl. System Contact (Supervision Contact)

MCDLV4-2D1B1HB



Housing B2, large display, 19" rack mounting

+ Conformal Coating (for installations in harsh environment)

X1 – DI8-X1: Wide-range power supply unit, incl. 2 non-grouped digital inputs and 6 grouped digital inputs

X2 – OR6: Assembly Group with 6 Output Relays (Changeover / Form C)

X3 – TIs: Standard phase current measuring card and sensitive ground current measuring

X4 – TU: Card with 4 voltage transformer measuring inputs (0 ... 800 VAC, under UL: 0 ... 600 VAC)

X5 – OR6: Assembly Group with 6 Output Relays (Changeover / Form C)

X6 – DI8: Assembly Group with 8 Digital Inputs

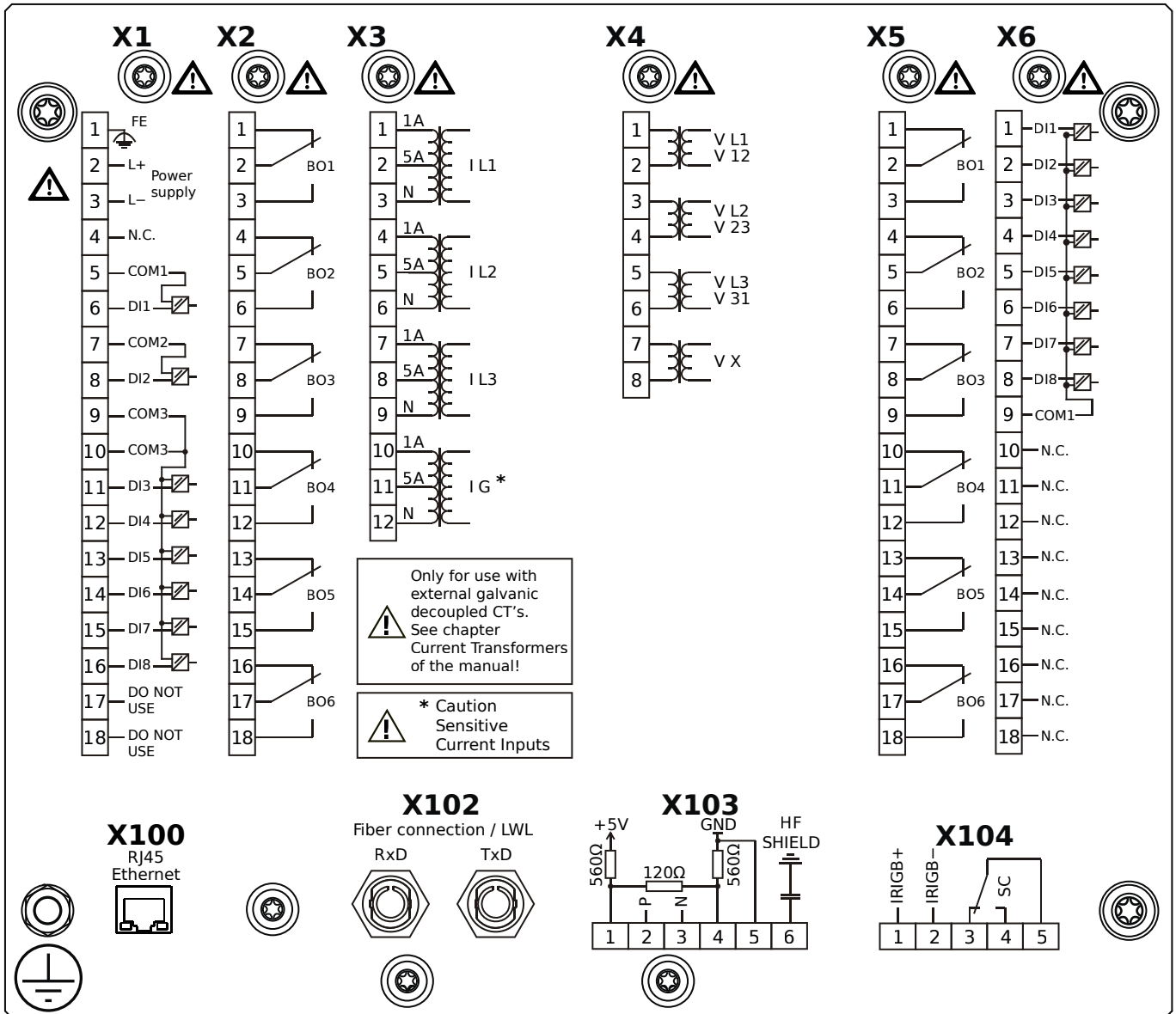
X100 – IEC 61850 / Modbus TCP / IEC 60870-5-104 / DNP3.0 TCP/UDP, Ethernet interface, 100 Mbit/s, RJ45 (BASE100-

FX)

X102 – Protection Communication, Fiber optics interface, ST Connector

X104 – IRIG-B00X, incl. System Contact (Supervision Contact)

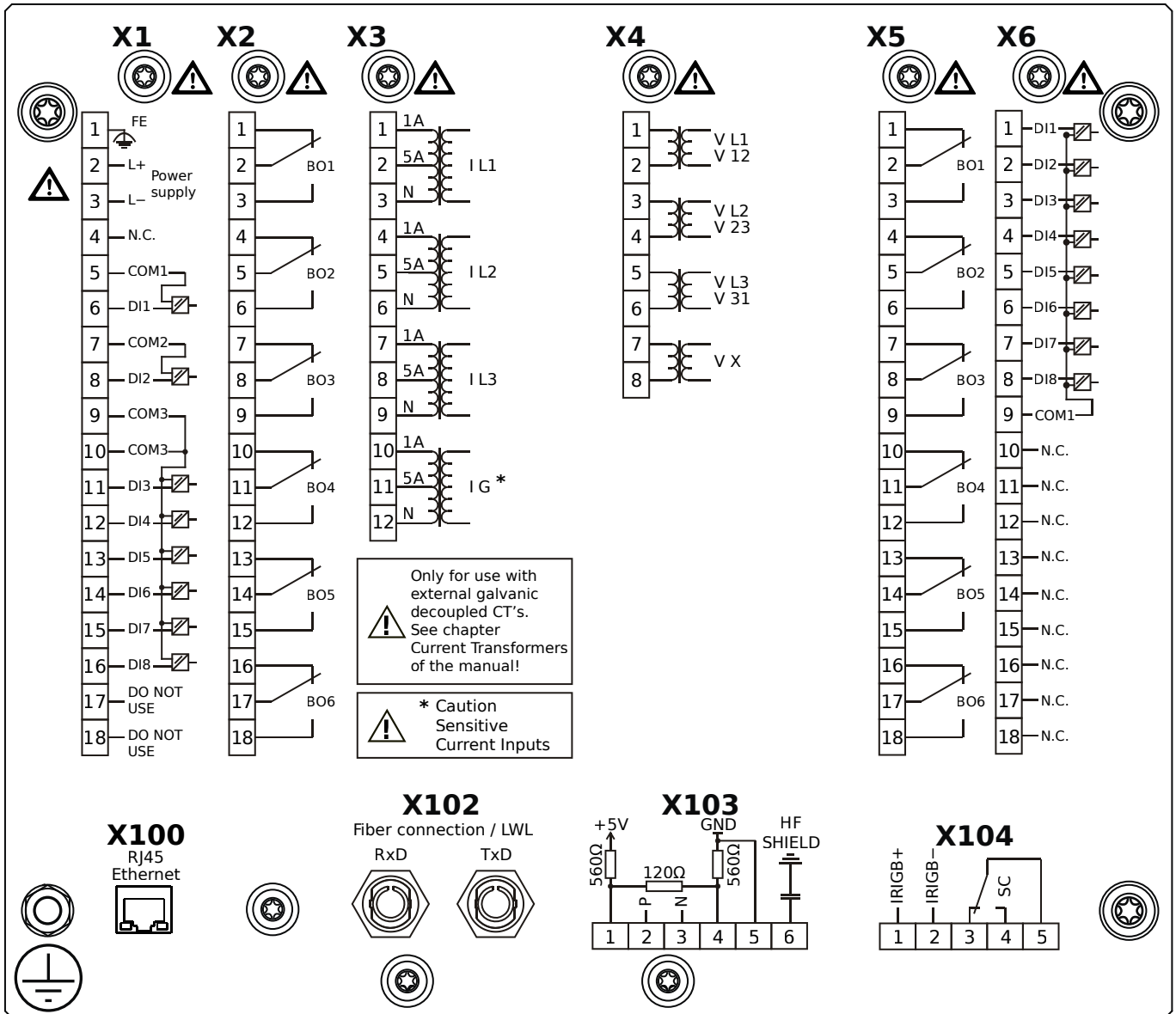
MCDLV4-2D1B1IA



Housing B2, large display, 19" rack mounting

- X1** – DI8-X1: Wide-range power supply unit, incl. 2 non-grouped digital inputs and 6 grouped digital inputs
- X2** – OR6: Assembly Group with 6 Output Relays (Changeover / Form C)
- X3** – TIs: Standard phase current measuring card and sensitive ground current measuring
- X4** – TU: Card with 4 voltage transformer measuring inputs (0 ... 800 VAC, under UL: 0 ... 600 VAC)
- X5** – OR6: Assembly Group with 6 Output Relays (Changeover / Form C)
- X6** – DI8: Assembly Group with 8 Digital Inputs
- X100** – Modbus TCP / IEC 60870-5-104 / DNP3.0 TCP/UDP, Ethernet interface, 100 Mbit/s, RJ45 (BASE100-FX)
- X102** – Protection Communication, Fiber optics interface, ST Connector
- X103** – IEC 60870-5-103 / Modbus RTU / DNP3.0 RTU, RS485, Terminals
- X104** – IRIG-B00X, incl. System Contact (Supervision Contact)

MCDLV4-2D1B1IB

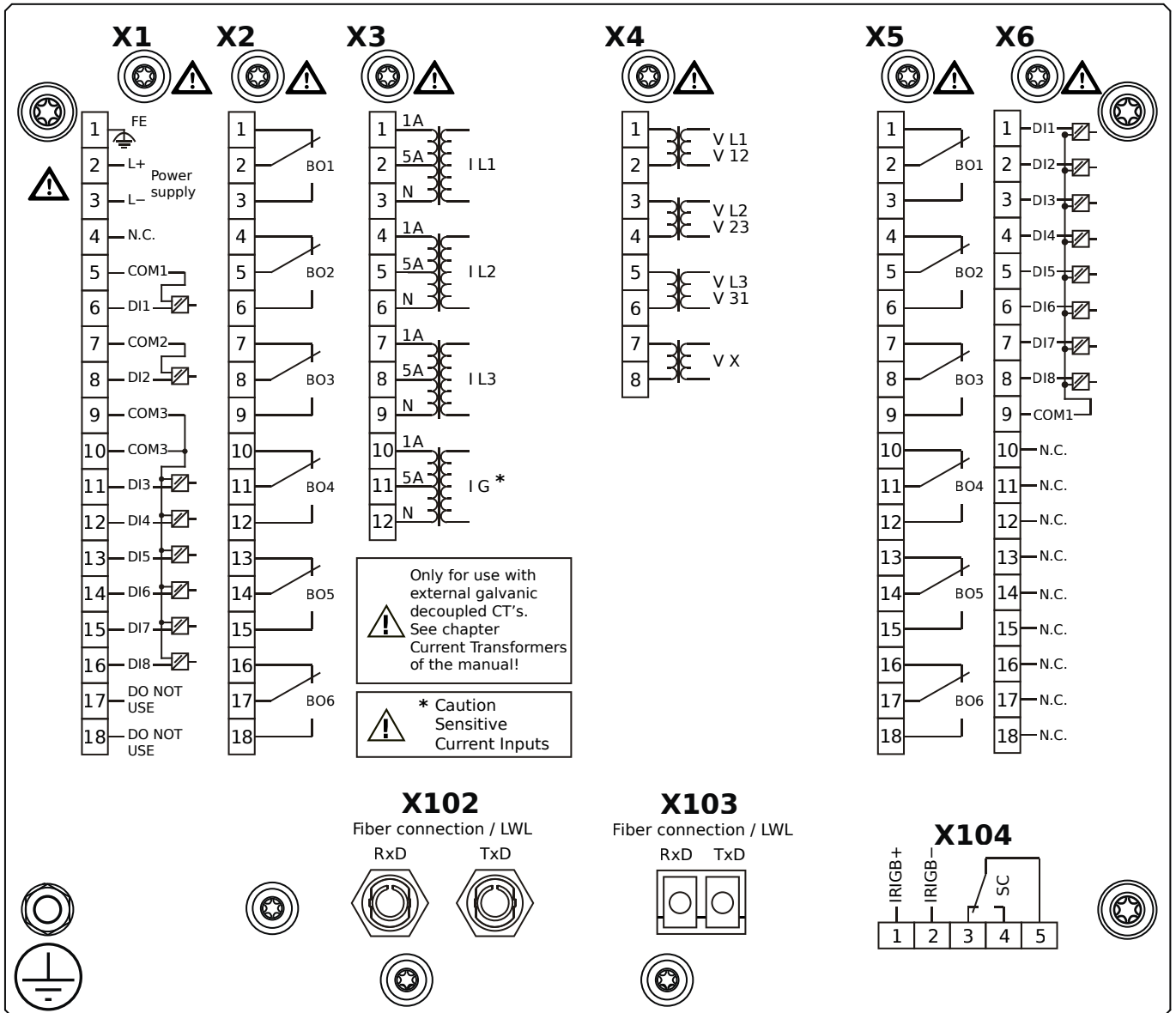


Housing B2, large display, 19" rack mounting

+ Conformal Coating (for installations in harsh environment)

- X1** – DI8-X1: Wide-range power supply unit, incl. 2 non-grouped digital inputs and 6 grouped digital inputs
- X2** – OR6: Assembly Group with 6 Output Relays (Changeover / Form C)
- X3** – TIs: Standard phase current measuring card and sensitive ground current measuring
- X4** – TU: Card with 4 voltage transformer measuring inputs (0 ... 800 VAC, under UL: 0 ... 600 VAC)
- X5** – OR6: Assembly Group with 6 Output Relays (Changeover / Form C)
- X6** – DI8: Assembly Group with 8 Digital Inputs
- X100** – Modbus TCP / IEC 60870-5-104 / DNP3.0 TCP/UDP, Ethernet interface, 100 Mbit/s, RJ45 (BASE100-FX)
- X102** – Protection Communication, Fiber optics interface, ST Connector
- X103** – IEC 60870-5-103 / Modbus RTU / DNP3.0 RTU, RS485, Terminals
- X104** – IRIG-B00X, incl. System Contact (Supervision Contact)

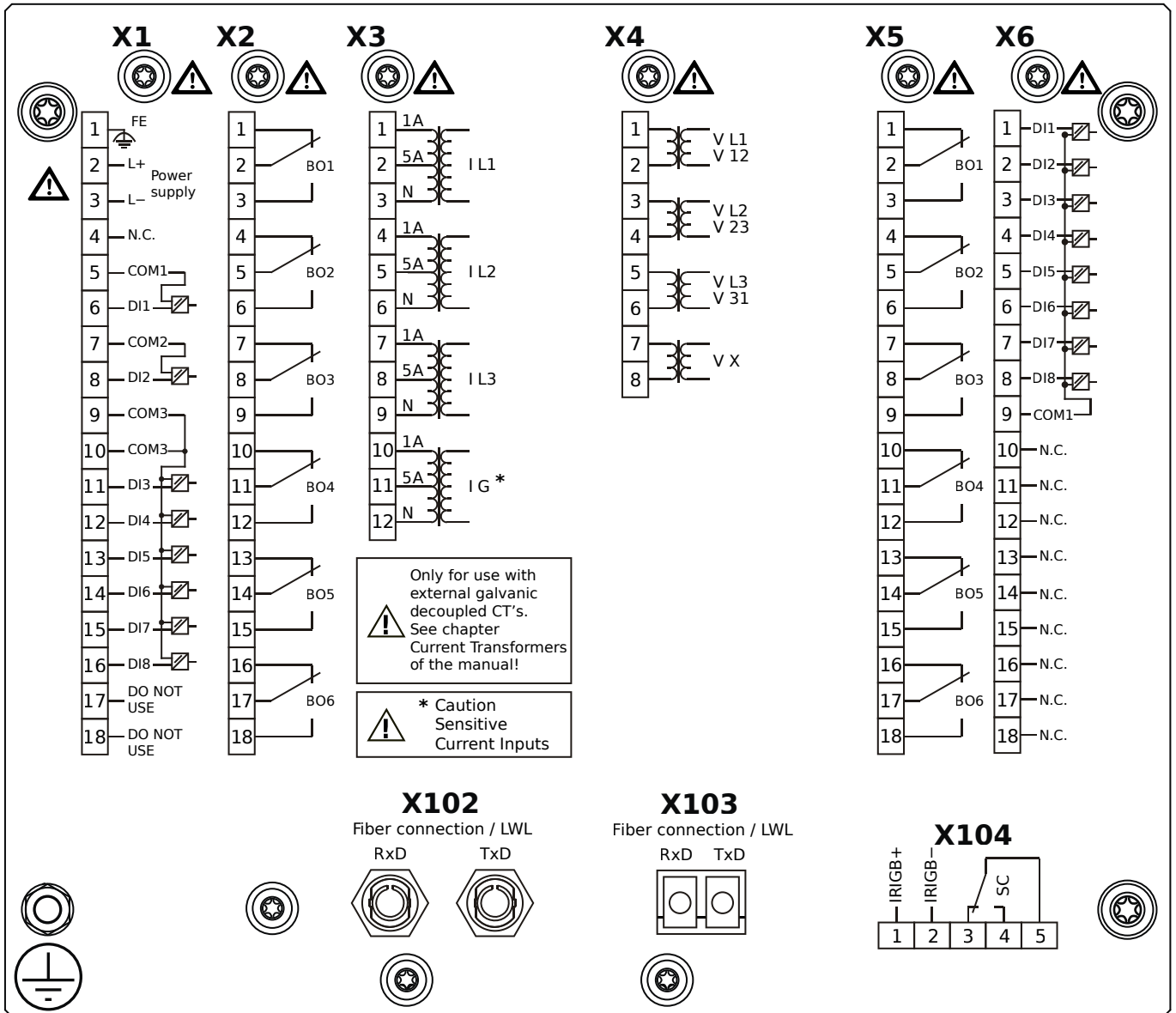
MCDLV4-2D1B1KA



Housing B2, large display, 19" rack mounting

- X1** – DI8-X1: Wide-range power supply unit, incl. 2 non-grouped digital inputs and 6 grouped digital inputs
- X2** – OR6: Assembly Group with 6 Output Relays (Changeover / Form C)
- X3** – TIs: Standard phase current measuring card and sensitive ground current measuring
- X4** – TU: Card with 4 voltage transformer measuring inputs (0 ... 800 VAC, under UL: 0 ... 600 VAC)
- X5** – OR6: Assembly Group with 6 Output Relays (Changeover / Form C)
- X6** – DI8: Assembly Group with 8 Digital Inputs
- X102** – Protection Communication, Fiber optics interface, ST Connector
- X103** – IEC 61850 / Modbus TCP / IEC 60870-5-104 / DNP3.0 TCP/UDP, Fiber optics interface, LC Connector
- X104** – IRIG-B00X, incl. System Contact (Supervision Contact)

MCDLV4-2D1B1KB

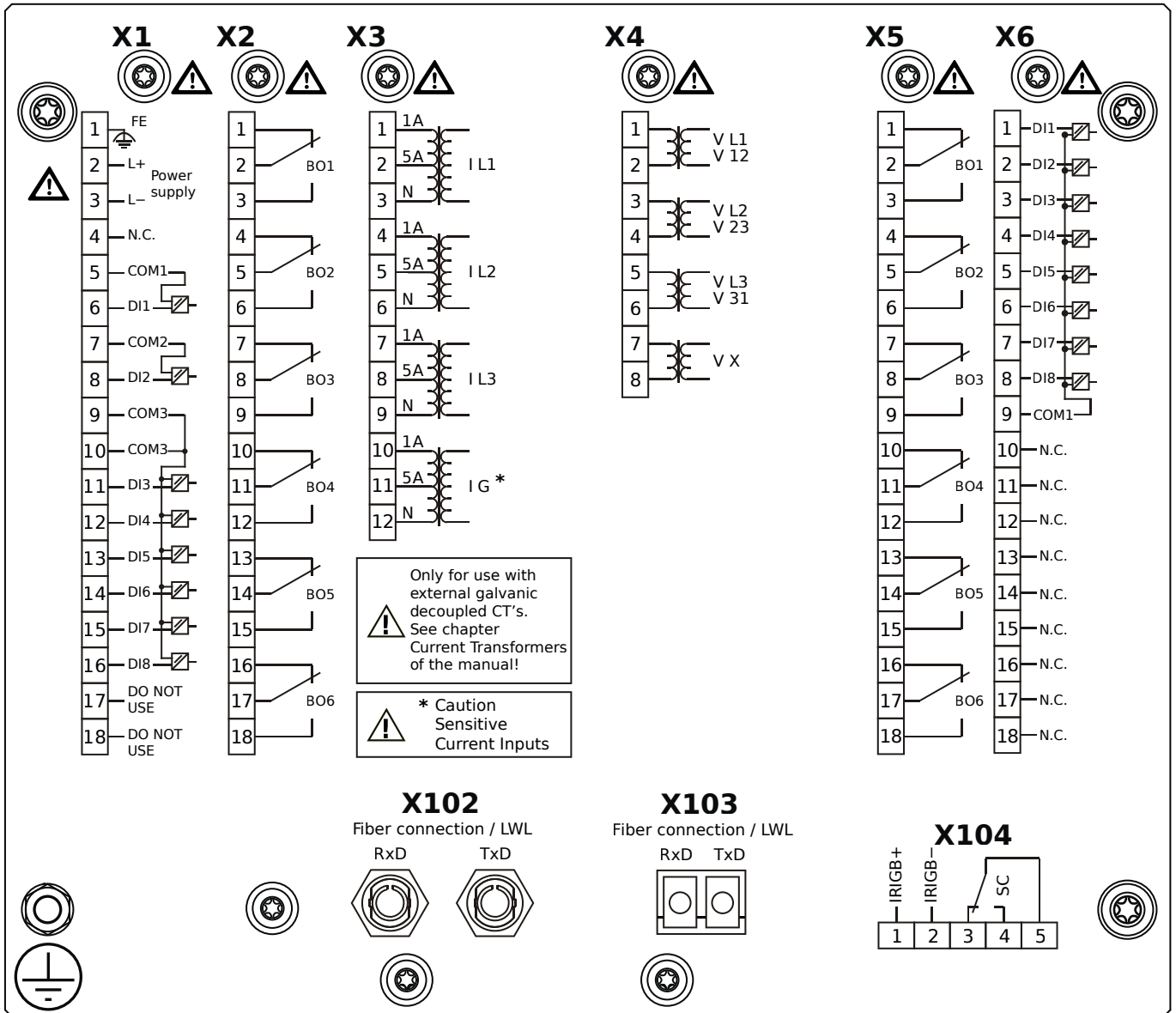


Housing B2, large display, 19" rack mounting

+ Conformal Coating (for installations in harsh environment)

- X1** – DI8-X1: Wide-range power supply unit, incl. 2 non-grouped digital inputs and 6 grouped digital inputs
- X2** – OR6: Assembly Group with 6 Output Relays (Changeover / Form C)
- X3** – TIs: Standard phase current measuring card and sensitive ground current measuring
- X4** – TU: Card with 4 voltage transformer measuring inputs (0 ... 800 VAC, under UL: 0 ... 600 VAC)
- X5** – OR6: Assembly Group with 6 Output Relays (Changeover / Form C)
- X6** – DI8: Assembly Group with 8 Digital Inputs
- X102** – Protection Communication, Fiber optics interface, ST Connector
- X103** – IEC 61850 / Modbus TCP / IEC 60870-5-104 / DNP3.0 TCP/UDP, Fiber optics interface, LC Connector
- X104** – IRIG-B00X, incl. System Contact (Supervision Contact)

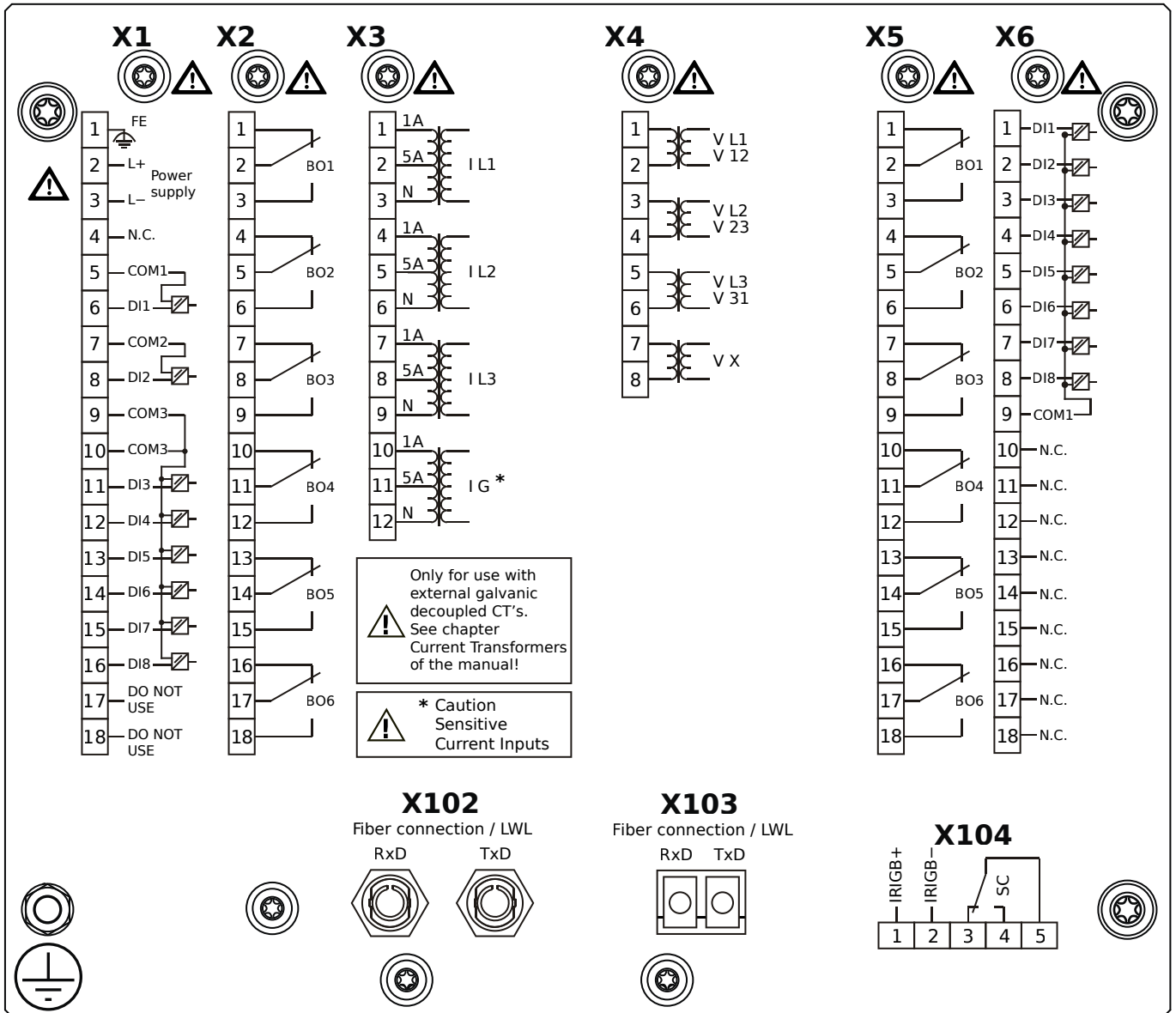
MCDLV4-2D1B1LA



Housing B2, large display, 19" rack mounting

- X1** – DI8-X1: Wide-range power supply unit, incl. 2 non-grouped digital inputs and 6 grouped digital inputs
- X2** – OR6: Assembly Group with 6 Output Relays (Changeover / Form C)
- X3** – TIs: Standard phase current measuring card and sensitive ground current measuring
- X4** – TU: Card with 4 voltage transformer measuring inputs (0 ... 800 VAC, under UL: 0 ... 600 VAC)
- X5** – OR6: Assembly Group with 6 Output Relays (Changeover / Form C)
- X6** – DI8: Assembly Group with 8 Digital Inputs
- X102** – Protection Communication, Fiber optics interface, ST Connector
- X103** – Modbus TCP / IEC 60870-5-104 / DNP3.0 TCP/UDP, Fiber optics interface, LC Connector
- X104** – IRIG-B00X, incl. System Contact (Supervision Contact)

MCDLV4-2D1B1LB

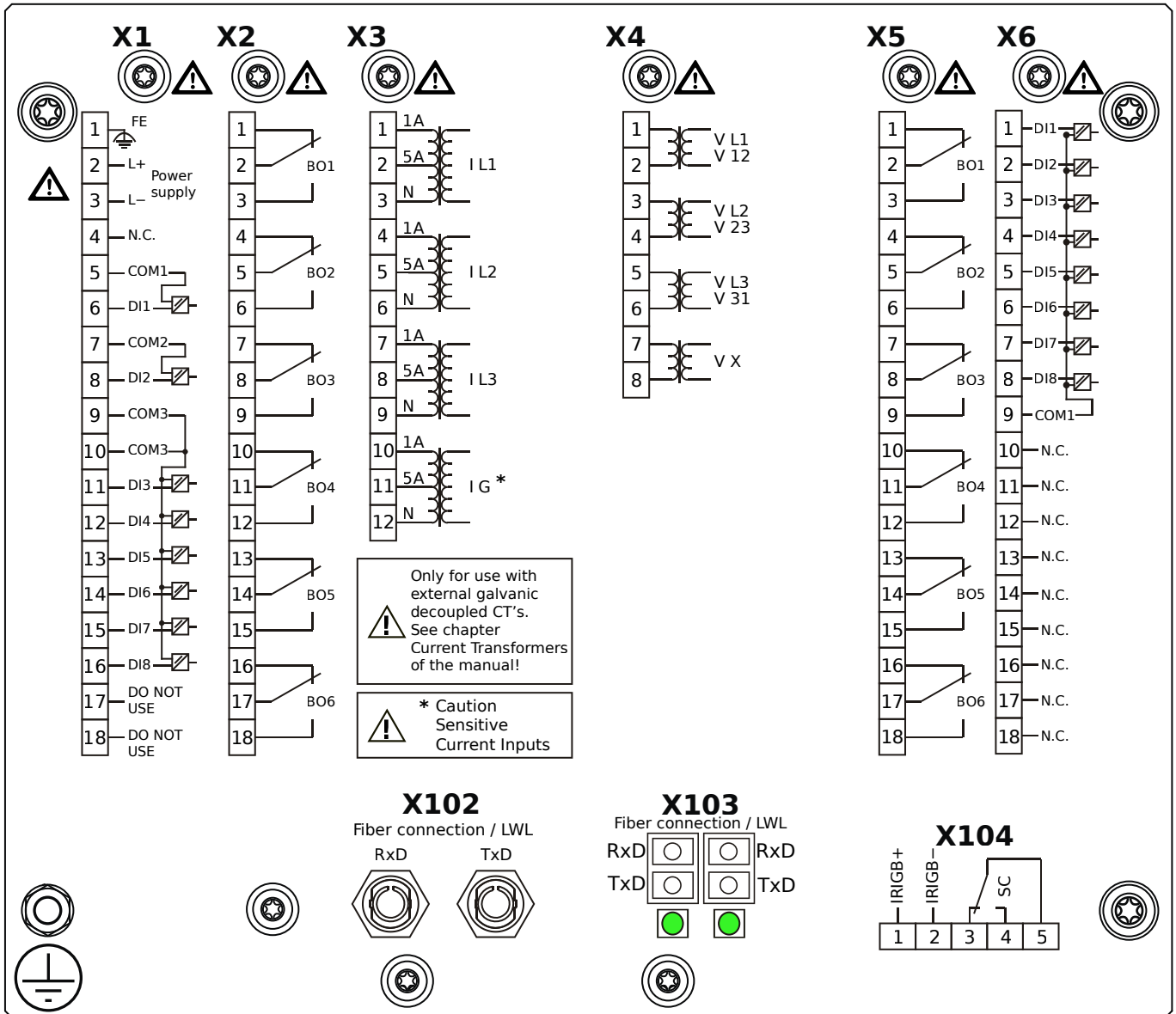


Housing B2, large display, 19" rack mounting

+ Conformal Coating (for installations in harsh environment)

- X1** – DI8-X1: Wide-range power supply unit, incl. 2 non-grouped digital inputs and 6 grouped digital inputs
- X2** – OR6: Assembly Group with 6 Output Relays (Changeover / Form C)
- X3** – TIs: Standard phase current measuring card and sensitive ground current measuring
- X4** – TU: Card with 4 voltage transformer measuring inputs (0 ... 800 VAC, under UL: 0 ... 600 VAC)
- X5** – OR6: Assembly Group with 6 Output Relays (Changeover / Form C)
- X6** – DI8: Assembly Group with 8 Digital Inputs
- X102** – Protection Communication, Fiber optics interface, ST Connector
- X103** – Modbus TCP / IEC 60870-5-104 / DNP3.0 TCP/UDP, Fiber optics interface, LC Connector
- X104** – IRIG-B00X, incl. System Contact (Supervision Contact)

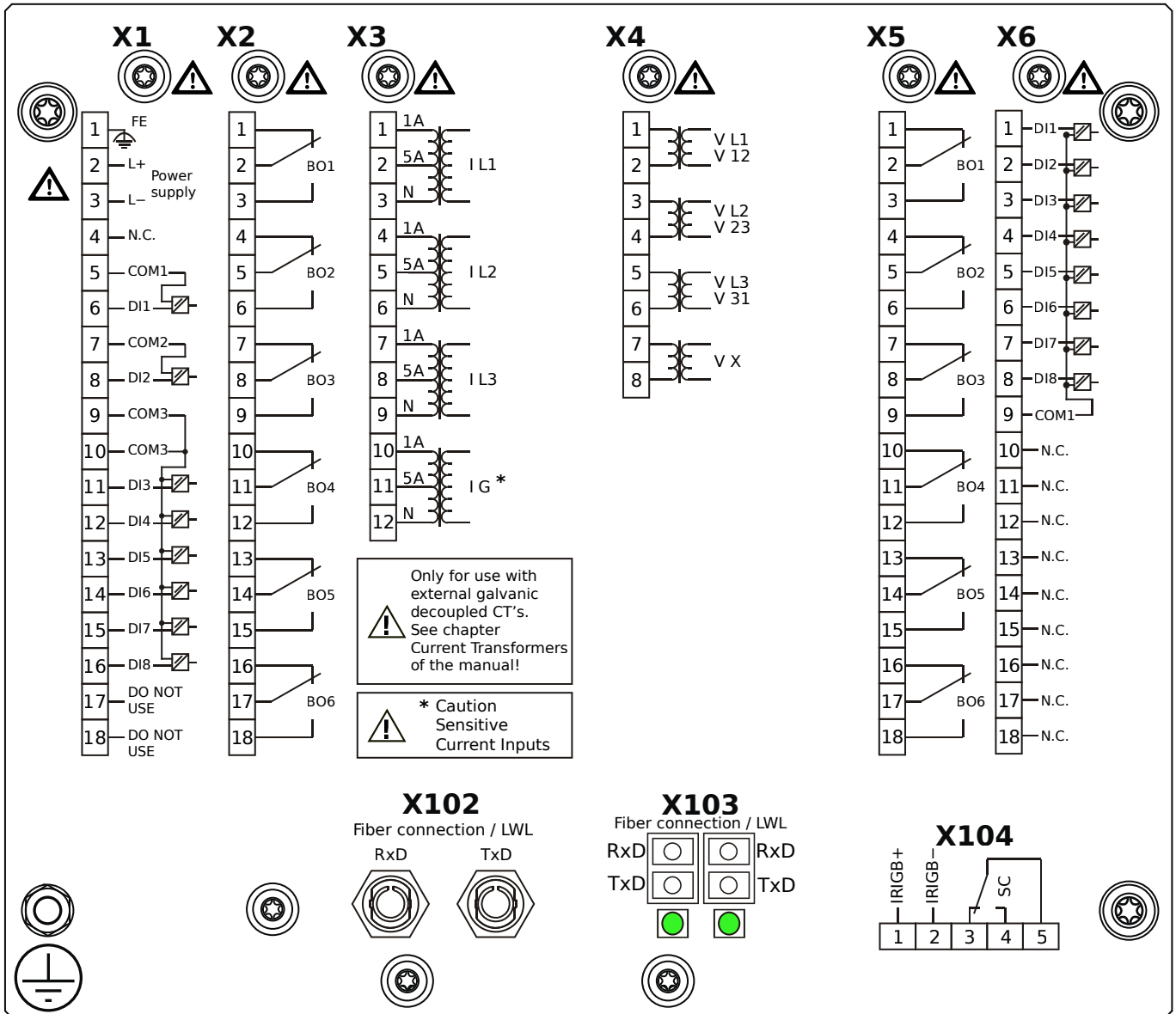
MCDLV4-2D1B10A



Housing B2, large display, 19" rack mounting

- X1** – DI8-X1: Wide-range power supply unit, incl. 2 non-grouped digital inputs and 6 grouped digital inputs
- X2** – OR6: Assembly Group with 6 Output Relays (Changeover / Form C)
- X3** – TIs: Standard phase current measuring card and sensitive ground current measuring
- X4** – TU: Card with 4 voltage transformer measuring inputs (0 ... 800 VAC, under UL: 0 ... 600 VAC)
- X5** – OR6: Assembly Group with 6 Output Relays (Changeover / Form C)
- X6** – DI8: Assembly Group with 8 Digital Inputs
- X102** – Protection Communication, Fiber optics interface, ST Connector
- X103** – Modbus TCP / IEC 60870-5-104 / DNP3.0 TCP/UDP, Redundant Fiber optics interface, LC Connector
- X104** – IRIG-B00X, incl. System Contact (Supervision Contact)

MCDLV4-2D1B10B

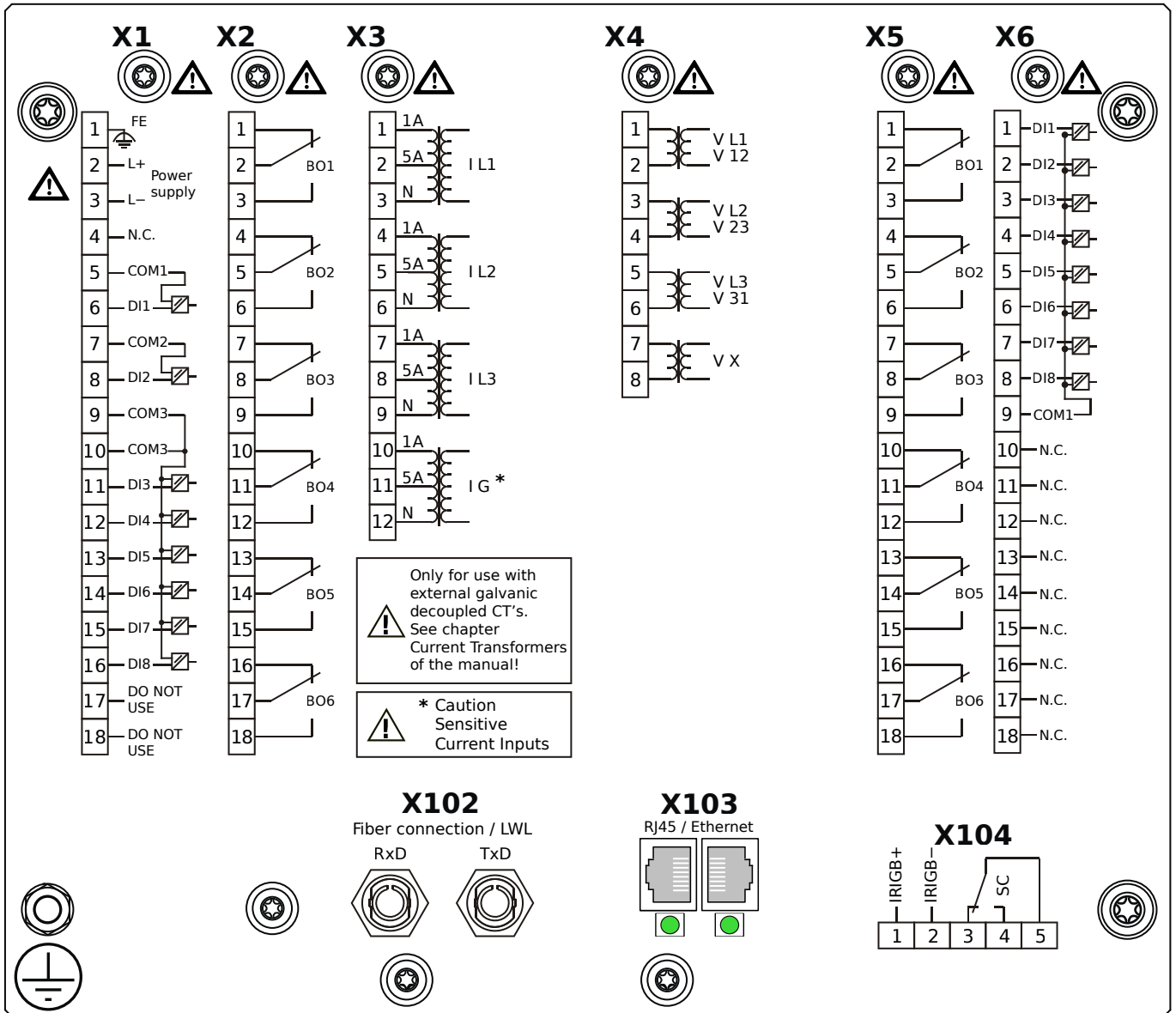


Housing B2, large display, 19" rack mounting

+ Conformal Coating (for installations in harsh environment)

- X1** – DI8-X1: Wide-range power supply unit, incl. 2 non-grouped digital inputs and 6 grouped digital inputs
- X2** – OR6: Assembly Group with 6 Output Relays (Changeover / Form C)
- X3** – TIs: Standard phase current measuring card and sensitive ground current measuring
- X4** – TU: Card with 4 voltage transformer measuring inputs (0 ... 800 VAC, under UL: 0 ... 600 VAC)
- X5** – OR6: Assembly Group with 6 Output Relays (Changeover / Form C)
- X6** – DI8: Assembly Group with 8 Digital Inputs
- X102** – Protection Communication, Fiber optics interface, ST Connector
- X103** – Modbus TCP / IEC 60870-5-104 / DNP3.0 TCP/UDP, Redundant Fiber optics interface, LC Connector
- X104** – IRIG-B00X, incl. System Contact (Supervision Contact)

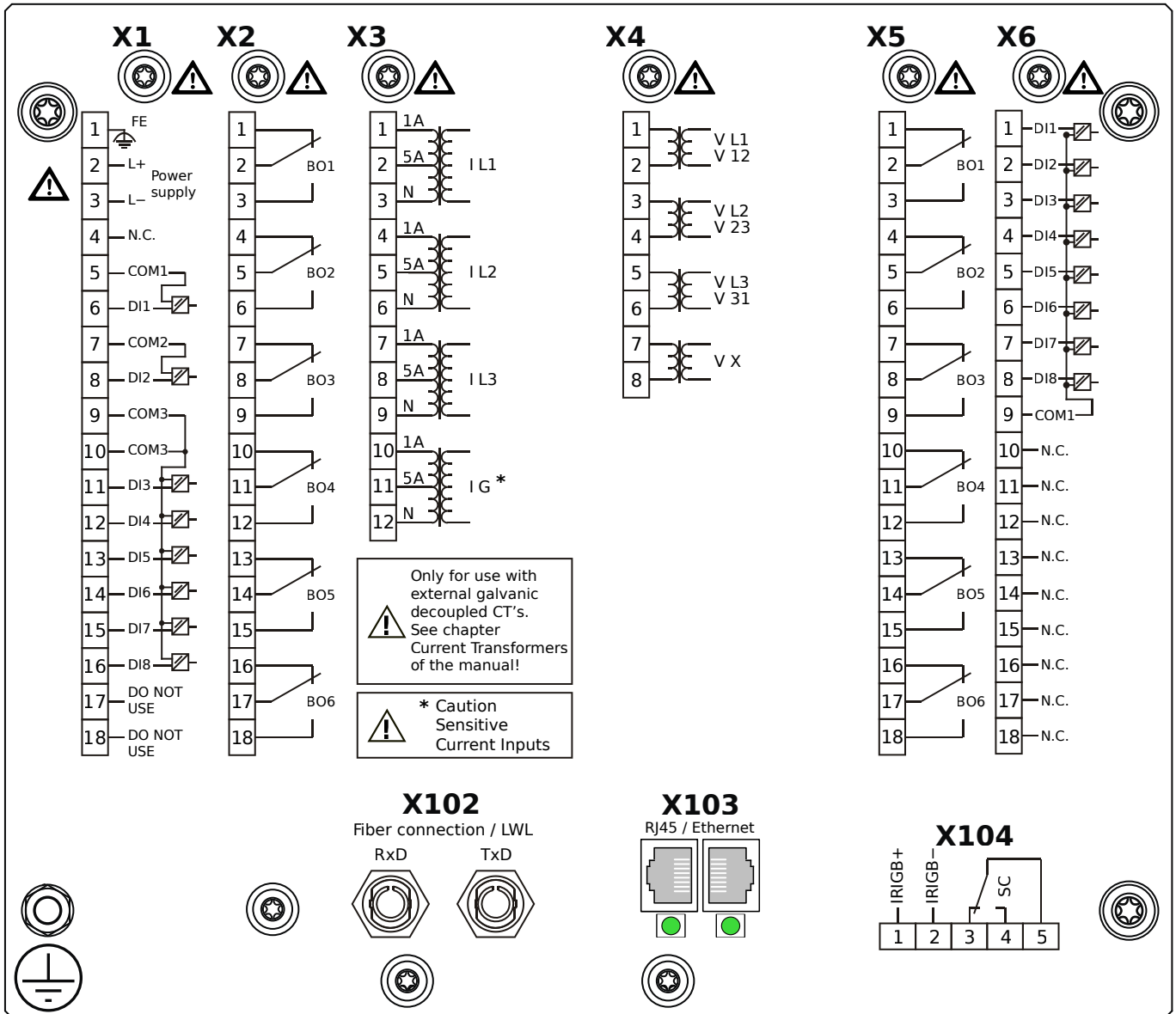
MCDLV4-2D1B1PA



Housing B2, large display, 19" rack mounting

- X1** – DI8-X1: Wide-range power supply unit, incl. 2 non-grouped digital inputs and 6 grouped digital inputs
- X2** – OR6: Assembly Group with 6 Output Relays (Changeover / Form C)
- X3** – TIs: Standard phase current measuring card and sensitive ground current measuring
- X4** – TU: Card with 4 voltage transformer measuring inputs (0 ... 800 VAC, under UL: 0 ... 600 VAC)
- X5** – OR6: Assembly Group with 6 Output Relays (Changeover / Form C)
- X6** – DI8: Assembly Group with 8 Digital Inputs
- X102** – Protection Communication, Fiber optics interface, ST Connector
- X103** – Modbus TCP / IEC 60870-5-104 / DNP3.0 TCP/UDP, Redundant Ethernet interface, 100 Mbit/s, RJ45 (BASE100-FX)
- X104** – IRIG-B00X, incl. System Contact (Supervision Contact)

MCDLV4-2D1B1PB

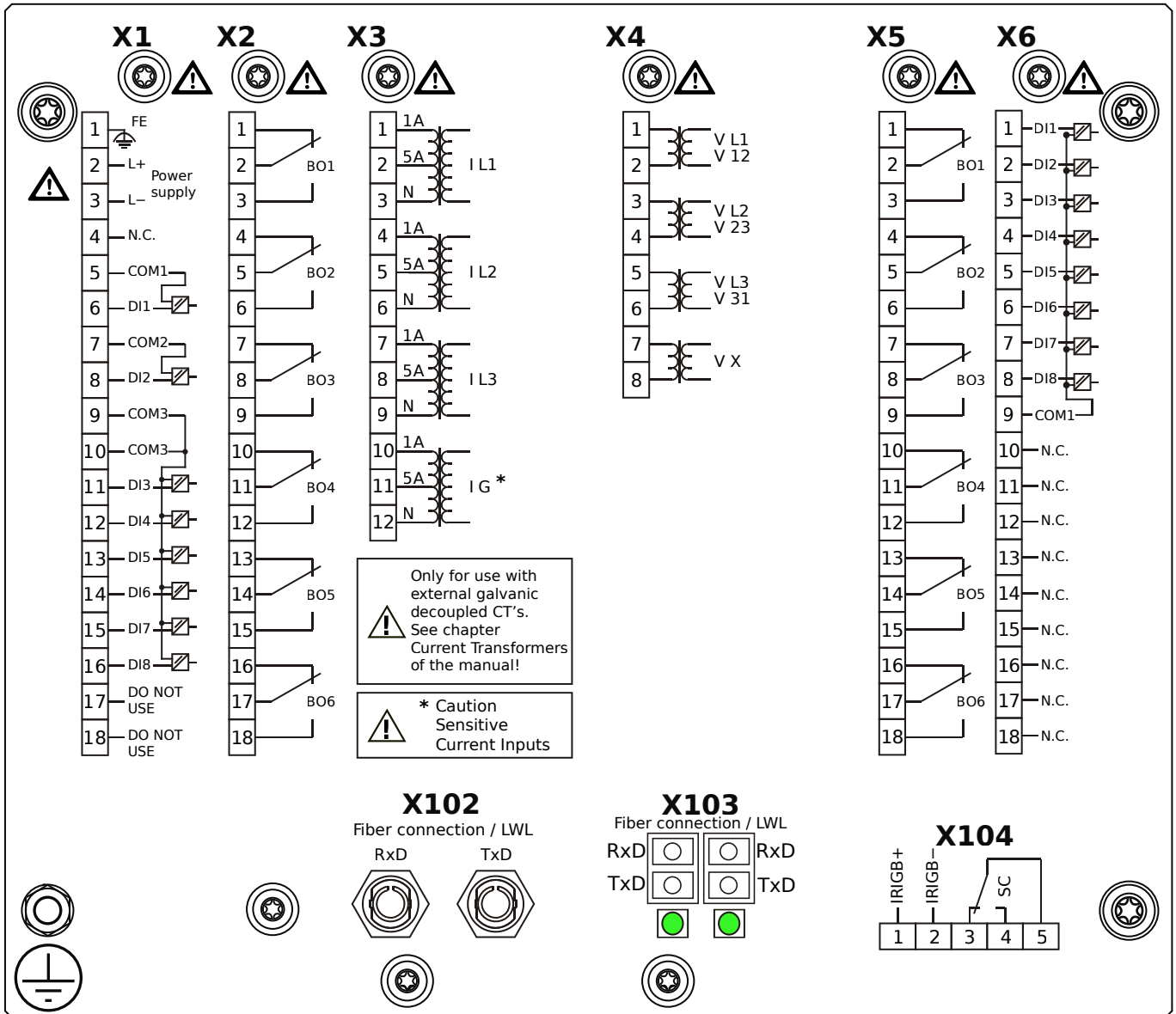


Housing B2, large display, 19" rack mounting

+ Conformal Coating (for installations in harsh environment)

- X1** – DI8-X1: Wide-range power supply unit, incl. 2 non-grouped digital inputs and 6 grouped digital inputs
- X2** – OR6: Assembly Group with 6 Output Relays (Changeover / Form C)
- X3** – TIs: Standard phase current measuring card and sensitive ground current measuring
- X4** – TU: Card with 4 voltage transformer measuring inputs (0 ... 800 VAC, under UL: 0 ... 600 VAC)
- X5** – OR6: Assembly Group with 6 Output Relays (Changeover / Form C)
- X6** – DI8: Assembly Group with 8 Digital Inputs
- X102** – Protection Communication, Fiber optics interface, ST Connector
- X103** – Modbus TCP / IEC 60870-5-104 / DNP3.0 TCP/UDP, Redundant Ethernet interface, 100 Mbit/s, RJ45 (BASE100-FX)
- X104** – IRIG-B00X, incl. System Contact (Supervision Contact)

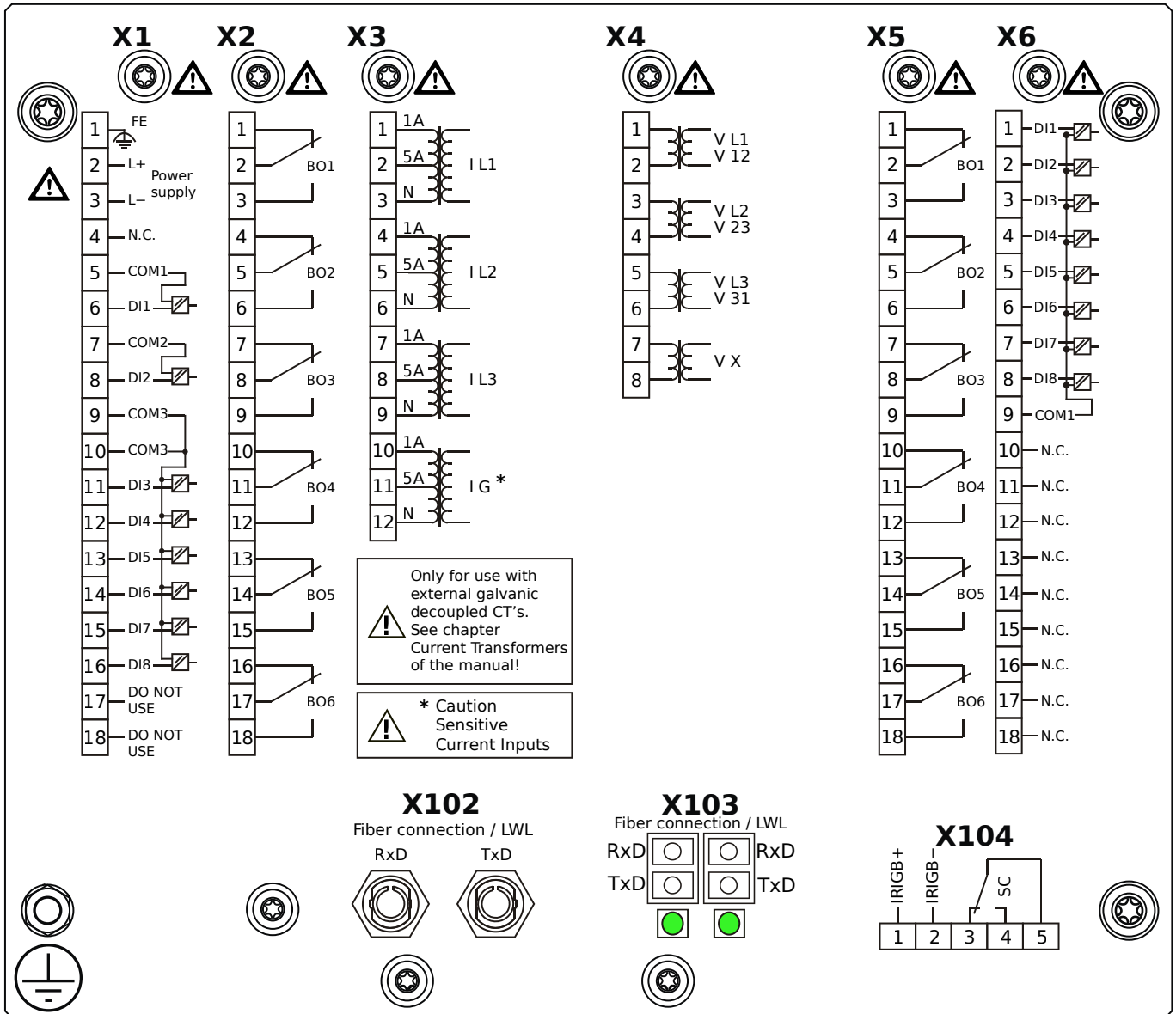
MCDLV4-2D1B1QA



Housing B2, large display, 19" rack mounting

- X1** – DI8-X1: Wide-range power supply unit, incl. 2 non-grouped digital inputs and 6 grouped digital inputs
- X2** – OR6: Assembly Group with 6 Output Relays (Changeover / Form C)
- X3** – TIs: Standard phase current measuring card and sensitive ground current measuring
- X4** – TU: Card with 4 voltage transformer measuring inputs (0 ... 800 VAC, under UL: 0 ... 600 VAC)
- X5** – OR6: Assembly Group with 6 Output Relays (Changeover / Form C)
- X6** – DI8: Assembly Group with 8 Digital Inputs
- X102** – Protection Communication, Fiber optics interface, ST Connector
- X103** – IEC 61850 / Modbus TCP / IEC 60870-5-104 / DNP3.0 TCP/UDP, Redundant Fiber optics interface, LC Connector
- X104** – IRIG-B00X, incl. System Contact (Supervision Contact)

MCDLV4-2D1B1QB



Housing B2, large display, 19" rack mounting

+ Conformal Coating (for installations in harsh environment)

X1 – DI8-X1: Wide-range power supply unit, incl. 2 non-grouped digital inputs and 6 grouped digital inputs

X2 – OR6: Assembly Group with 6 Output Relays (Changeover / Form C)

X3 – TIs: Standard phase current measuring card and sensitive ground current measuring

X4 – TU: Card with 4 voltage transformer measuring inputs (0 ... 800 VAC, under UL: 0 ... 600 VAC)

X5 – OR6: Assembly Group with 6 Output Relays (Changeover / Form C)

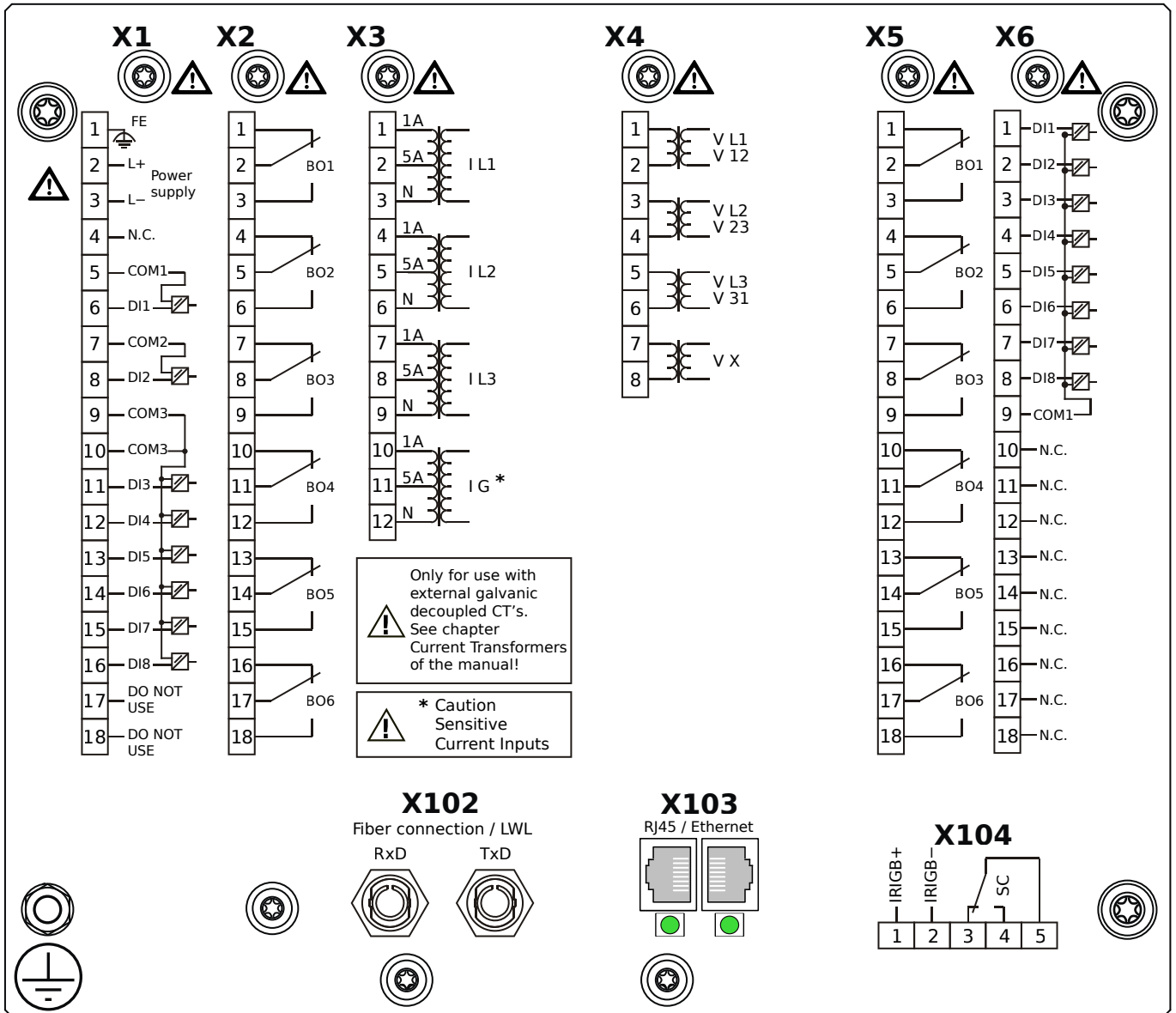
X6 – DI8: Assembly Group with 8 Digital Inputs

X102 – Protection Communication, Fiber optics interface, ST Connector

X103 – IEC 61850 / Modbus TCP / IEC 60870-5-104 / DNP3.0 TCP/UDP, Redundant Fiber optics interface, LC Connector

X104 – IRIG-B00X, incl. System Contact (Supervision Contact)

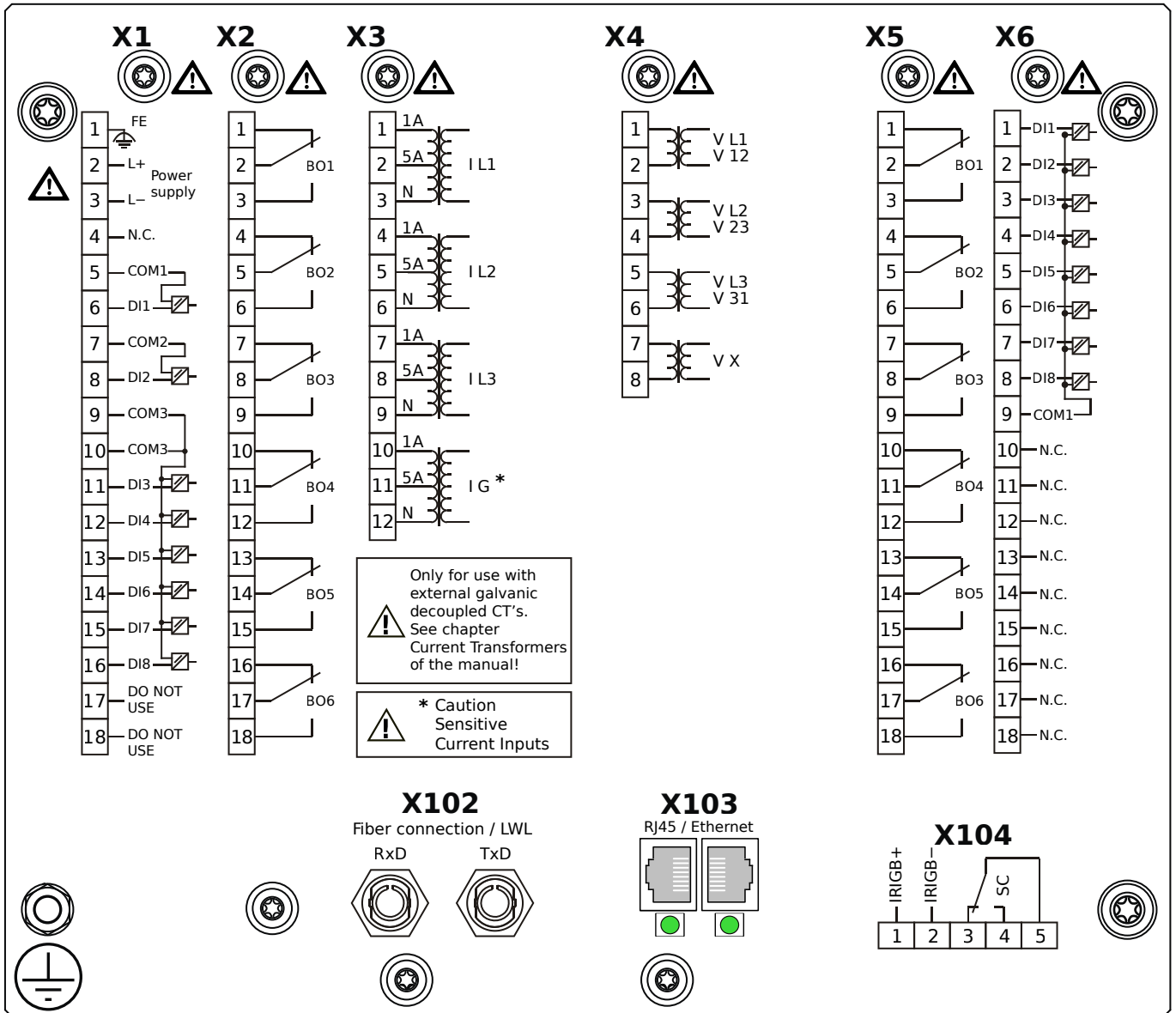
MCDLV4-2D1B1RA



Housing B2, large display, 19" rack mounting

- X1** – DI8-X1: Wide-range power supply unit, incl. 2 non-grouped digital inputs and 6 grouped digital inputs
- X2** – OR6: Assembly Group with 6 Output Relays (Changeover / Form C)
- X3** – TIs: Standard phase current measuring card and sensitive ground current measuring
- X4** – TU: Card with 4 voltage transformer measuring inputs (0 ... 800 VAC, under UL: 0 ... 600 VAC)
- X5** – OR6: Assembly Group with 6 Output Relays (Changeover / Form C)
- X6** – DI8: Assembly Group with 8 Digital Inputs
- X102** – Protection Communication, Fiber optics interface, ST Connector
- X103** – IEC 61850 / Modbus TCP / IEC 60870-5-104 / DNP3.0 TCP/UDP, Redundant Ethernet interface, 100 Mbit/s, RJ45 (BASE100-FX)
- X104** – IRIG-B00X, incl. System Contact (Supervision Contact)

MCDLV4-2D1B1RB



Housing B2, large display, 19" rack mounting

+ Conformal Coating (for installations in harsh environment)

X1 – DI8-X1: Wide-range power supply unit, incl. 2 non-grouped digital inputs and 6 grouped digital inputs

X2 – OR6: Assembly Group with 6 Output Relays (Changeover / Form C)

X3 – TIs: Standard phase current measuring card and sensitive ground current measuring

X4 – TU: Card with 4 voltage transformer measuring inputs (0 ... 800 VAC, under UL: 0 ... 600 VAC)

X5 – OR6: Assembly Group with 6 Output Relays (Changeover / Form C)

X6 – DI8: Assembly Group with 8 Digital Inputs

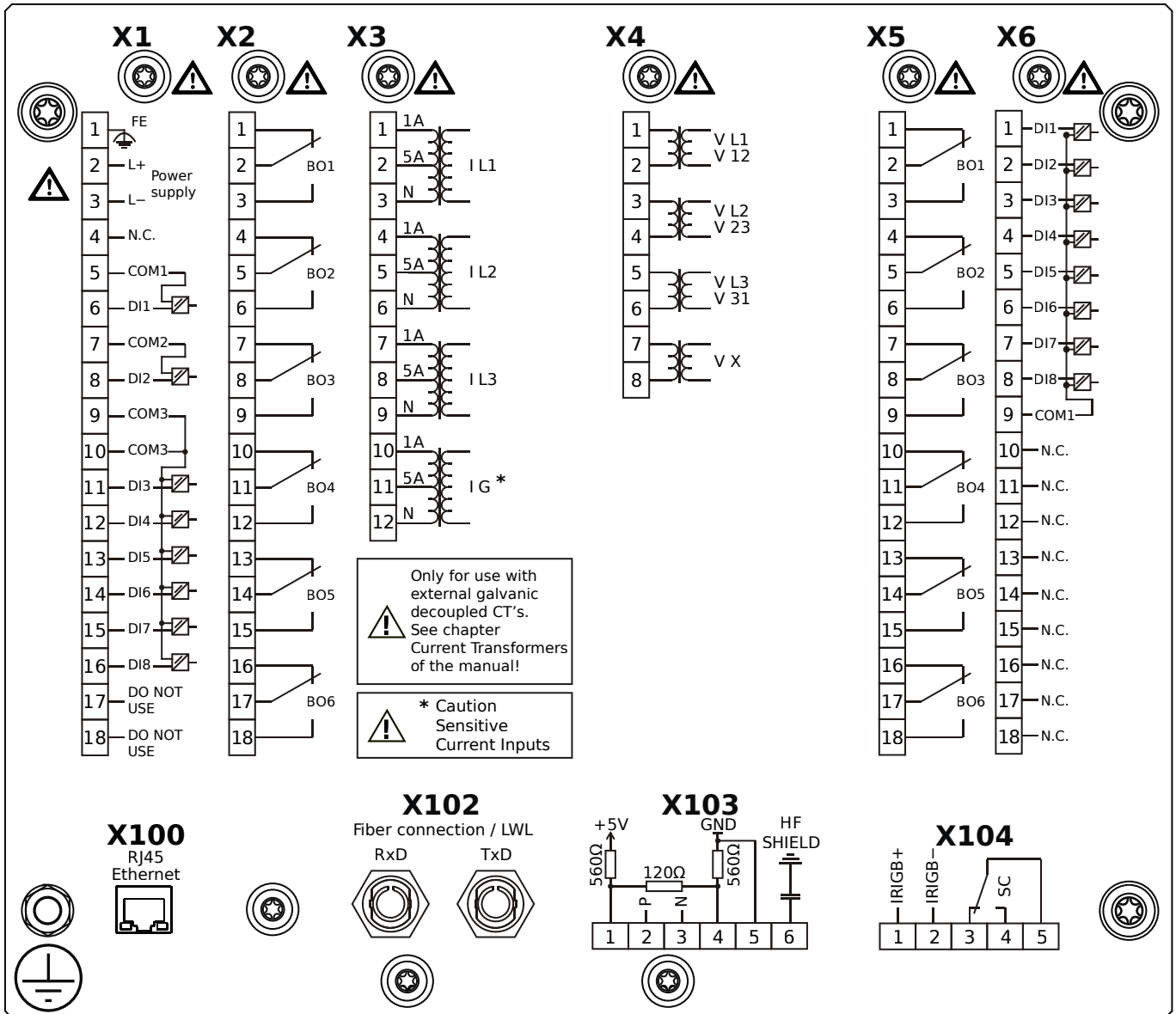
X102 – Protection Communication, Fiber optics interface, ST Connector

X103 – IEC 61850 / Modbus TCP / IEC 60870-5-104 / DNP3.0 TCP/UDP, Redundant Ethernet interface, 100 Mbit/s, RJ45

(BASE100-FX)

X104 – IRIG-B00X, incl. System Contact (Supervision Contact)

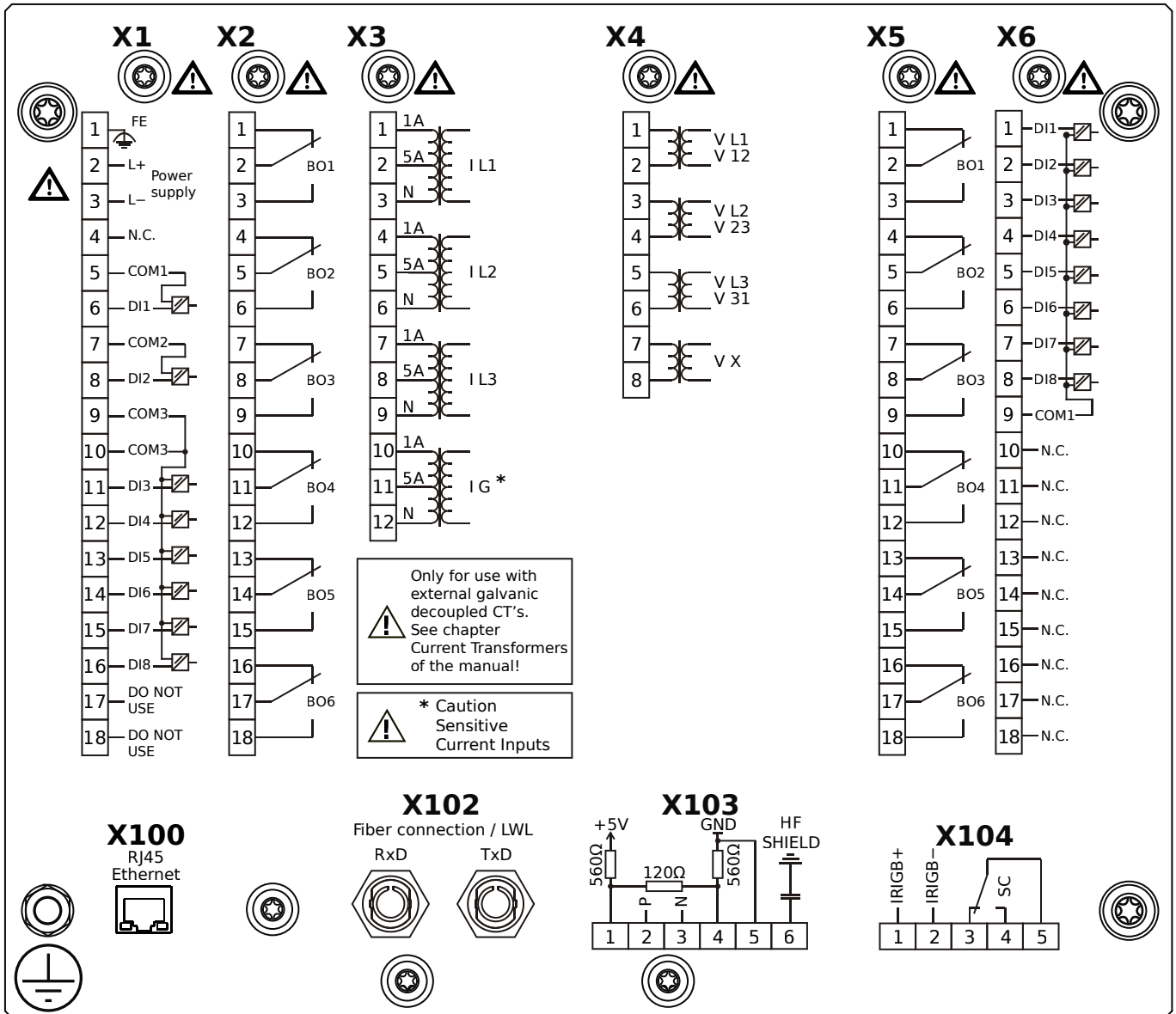
MCDLV4-2D1B1TA



Housing B2, large display, 19" rack mounting

- X1** – DI8-X1: Wide-range power supply unit, incl. 2 non-grouped digital inputs and 6 grouped digital inputs
- X2** – OR6: Assembly Group with 6 Output Relays (Changeover / Form C)
- X3** – TIs: Standard phase current measuring card and sensitive ground current measuring
- X4** – TU: Card with 4 voltage transformer measuring inputs (0 ... 800 VAC, under UL: 0 ... 600 VAC)
- X5** – OR6: Assembly Group with 6 Output Relays (Changeover / Form C)
- X6** – DI8: Assembly Group with 8 Digital Inputs
- X100** – IEC 61850 / Modbus TCP / IEC 60870-5-104 / DNP3.0 TCP/UDP, Ethernet interface, 100 Mbit/s, RJ45 (BASE100-FX)
- X102** – Protection Communication, Fiber optics interface, ST Connector
- X103** – IEC 60870-5-103 / Modbus RTU / DNP3.0 RTU, RS485, Terminals
- X104** – IRIG-B00X, incl. System Contact (Supervision Contact)

MCDLV4-2D1B1TB



Housing B2, large display, 19" rack mounting

+ Conformal Coating (for installations in harsh environment)

X1 – DI8-X1: Wide-range power supply unit, incl. 2 non-grouped digital inputs and 6 grouped digital inputs

X2 – OR6: Assembly Group with 6 Output Relays (Changeover / Form C)

X3 – TIs: Standard phase current measuring card and sensitive ground current measuring

X4 – TU: Card with 4 voltage transformer measuring inputs (0 ... 800 VAC, under UL: 0 ... 600 VAC)

X5 – OR6: Assembly Group with 6 Output Relays (Changeover / Form C)

X6 – DI8: Assembly Group with 8 Digital Inputs

X100 – IEC 61850 / Modbus TCP / IEC 60870-5-104 / DNP3.0 TCP/UDP, Ethernet interface, 100 Mbit/s, RJ45 (BASE100-

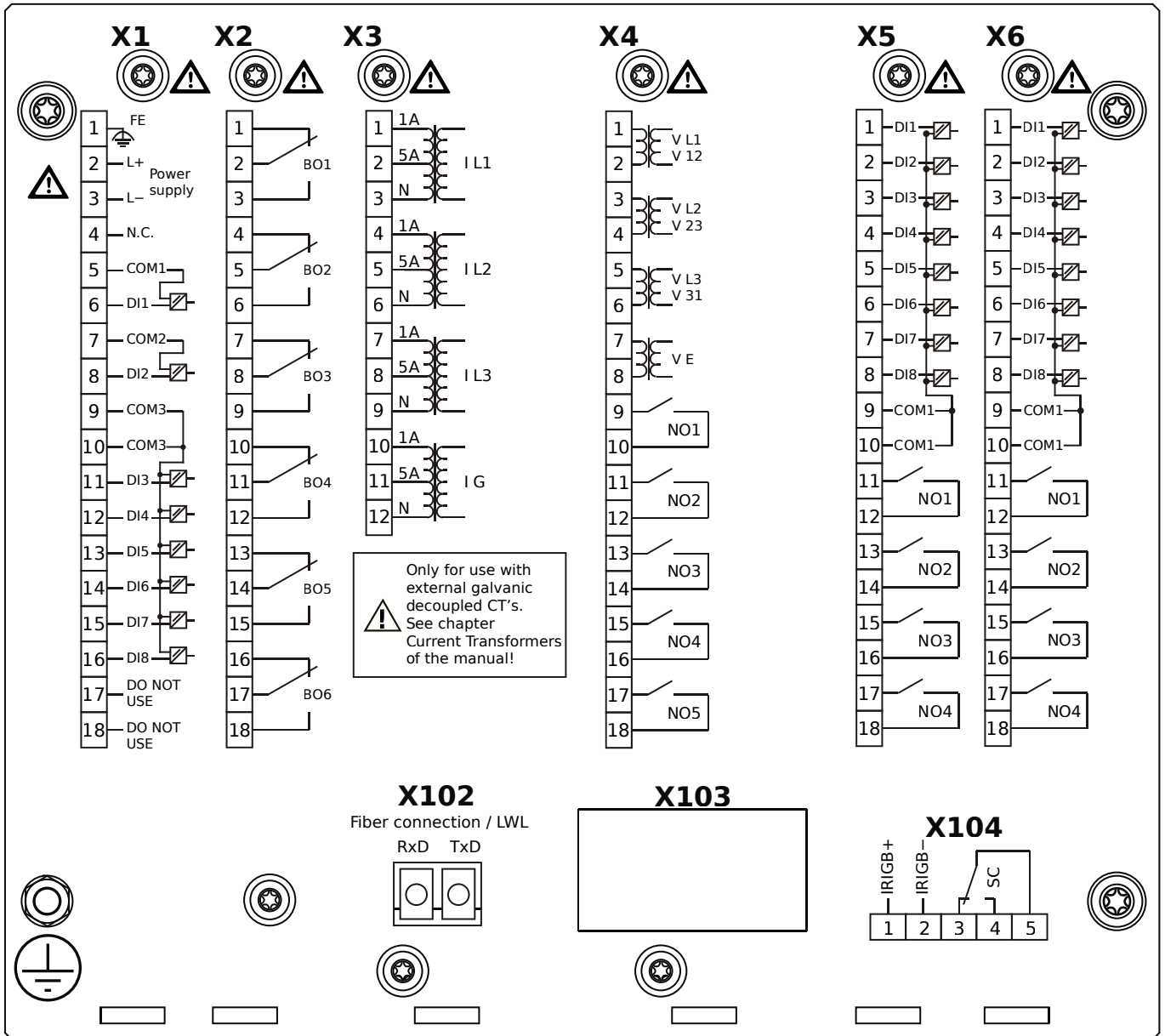
FX)

X102 – Protection Communication, Fiber optics interface, ST Connector

X103 – IEC 60870-5-103 / Modbus RTU / DNP3.0 RTU, RS485, Terminals

X104 – IRIG-B00X, incl. System Contact (Supervision Contact)

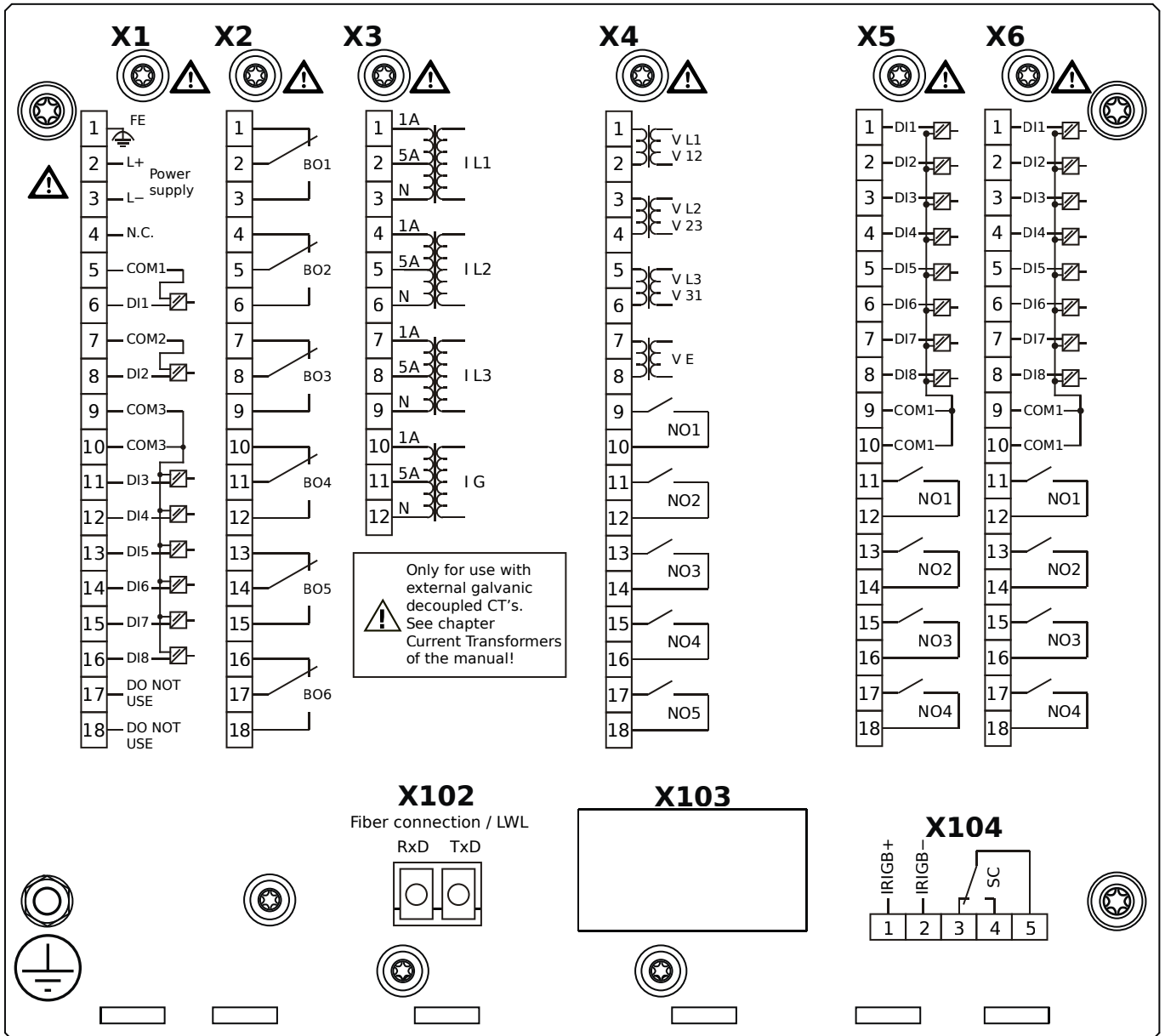
MCDLV4-2E0A0AA



Housing B2, large display, door mounting

- X1** – DI8-X1: Wide-range power supply unit, incl. 2 non-grouped digital inputs and 6 grouped digital inputs
- X2** – OR6: Assembly Group with 6 Output Relays (Changeover / Form C)
- X3** – TI: Standard current measuring card
- X4** – TU-OR5: Voltage measuring (0 ... 300 VAC) assembly group with 5 additional Output Relays (NO / Form A)
- X5** – DI8-OR4: Assembly Group with 8 Digital Inputs and 4 Output Relays (NO / Form A)
- X6** – DI8-OR4: Assembly Group with 8 Digital Inputs and 4 Output Relays (NO / Form A)
- X102** – Long-distance Protection Communication, Fiber optics interface, LC Connector
- X104** – IRIG-B00X, incl. System Contact (Supervision Contact)

MCDLV4-2E0A0AB

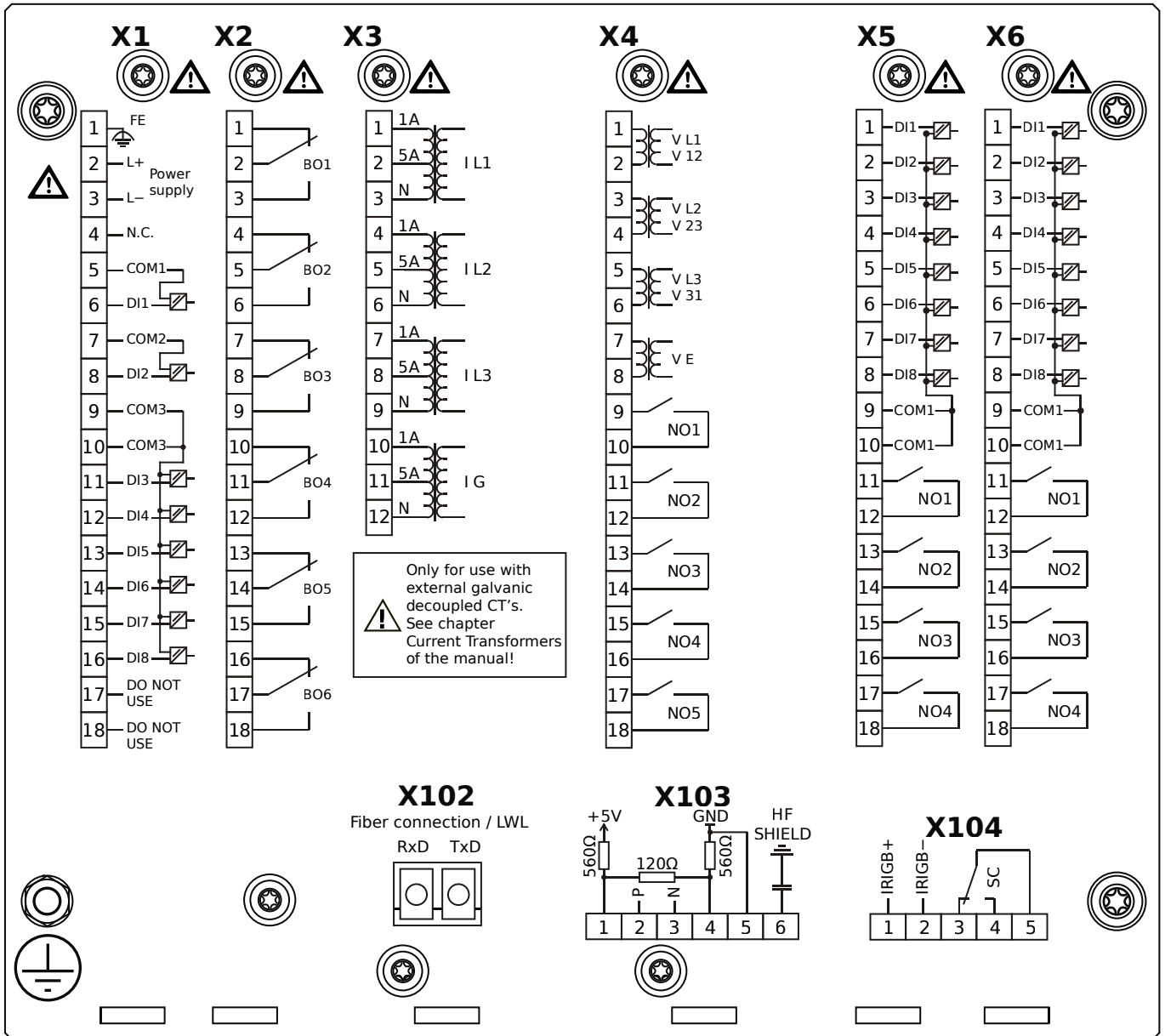


Housing B2, large display, door mounting

- + Conformal Coating (for installations in harsh environment)

- X1** – DI8-X1: Wide-range power supply unit, incl. 2 non-grouped digital inputs and 6 grouped digital inputs
- X2** – OR6: Assembly Group with 6 Output Relays (Changeover / Form C)
- X3** – TI: Standard current measuring card
- X4** – TU-OR5: Voltage measuring (0 ... 300 VAC) assembly group with 5 additional Output Relays (NO / Form A)
- X5** – DI8-OR4: Assembly Group with 8 Digital Inputs and 4 Output Relays (NO / Form A)
- X6** – DI8-OR4: Assembly Group with 8 Digital Inputs and 4 Output Relays (NO / Form A)
- X102** – Long-distance Protection Communication, Fiber optics interface, LC Connector
- X104** – IRIG-B00X, incl. System Contact (Supervision Contact)

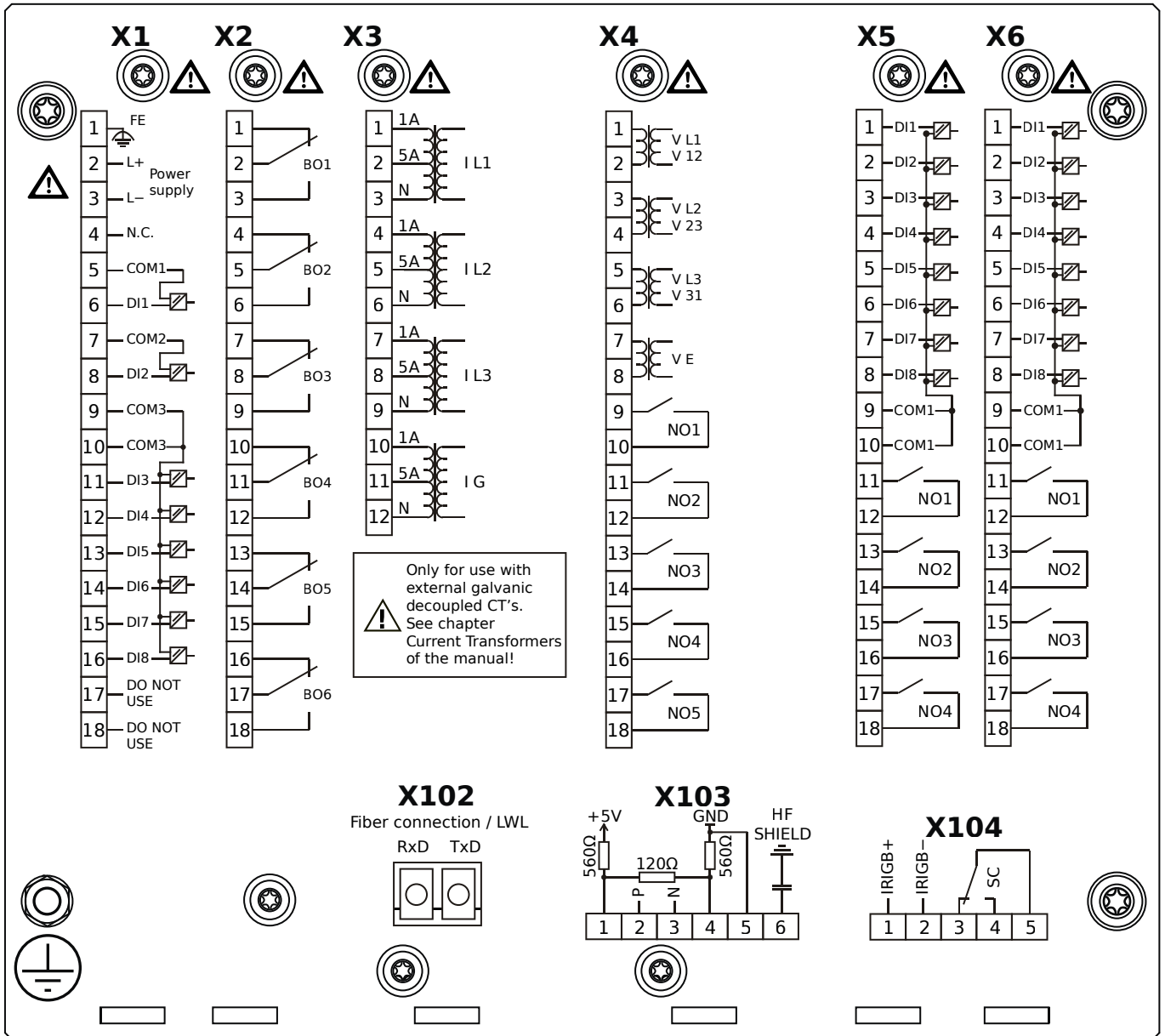
MCDLV4-2E0A0BA



Housing B2, large display, door mounting

- X1** – DI8-X1: Wide-range power supply unit, incl. 2 non-grouped digital inputs and 6 grouped digital inputs
- X2** – OR6: Assembly Group with 6 Output Relays (Changeover / Form C)
- X3** – TI: Standard current measuring card
- X4** – TU-OR5: Voltage measuring (0 ... 300 VAC) assembly group with 5 additional Output Relays (NO / Form A)
- X5** – DI8-OR4: Assembly Group with 8 Digital Inputs and 4 Output Relays (NO / Form A)
- X6** – DI8-OR4: Assembly Group with 8 Digital Inputs and 4 Output Relays (NO / Form A)
- X102** – Long-distance Protection Communication, Fiber optics interface, LC Connector
- X103** – Modbus RTU / IEC 60870-5-103 / DNP3.0 RTU, RS485, Terminals
- X104** – IRIG-B00X, incl. System Contact (Supervision Contact)

MCDLV4-2E0A0BB

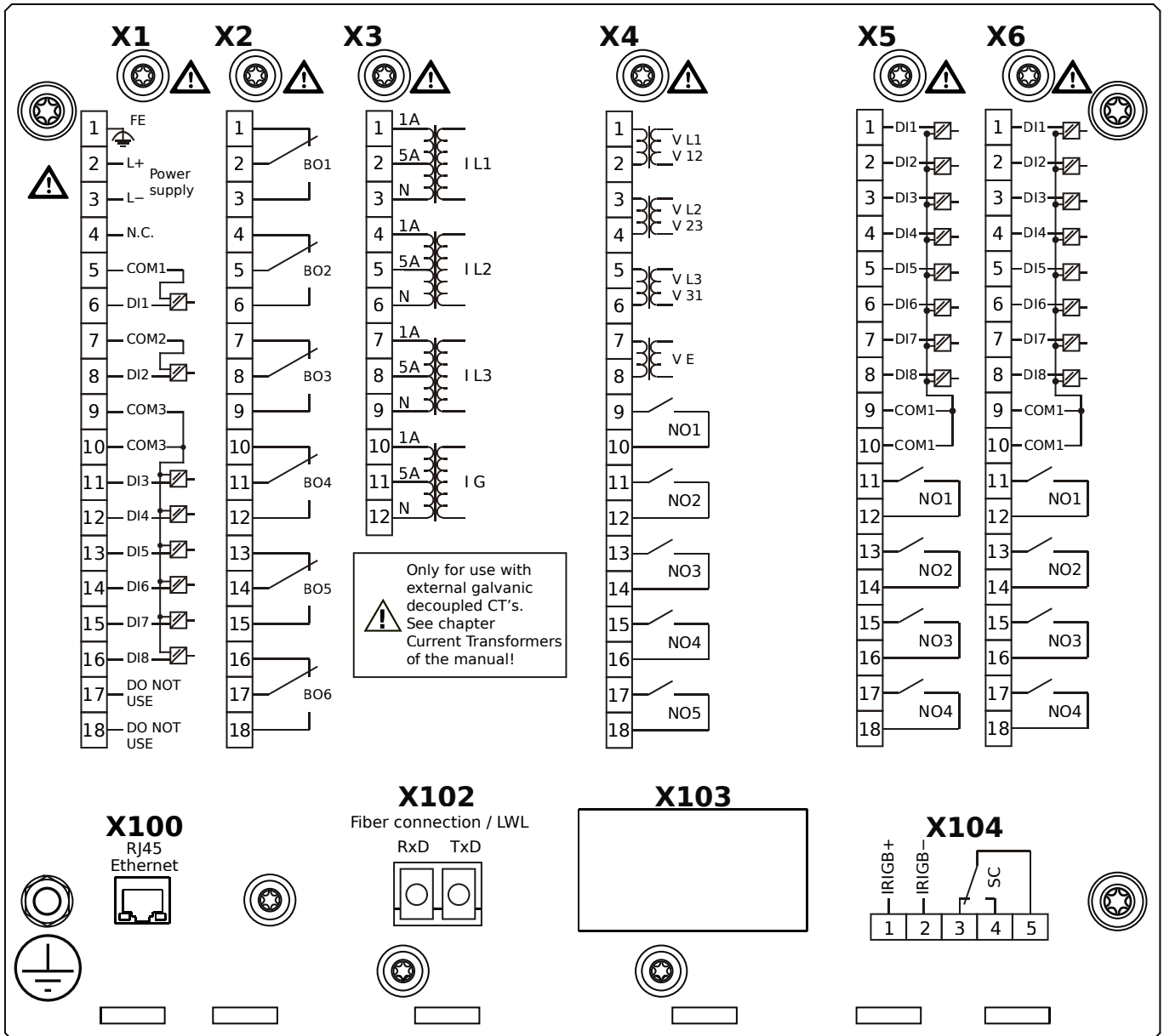


Housing B2, large display, door mounting

- + Conformal Coating (for installations in harsh environment)

- X1** – DI8-X1: Wide-range power supply unit, incl. 2 non-grouped digital inputs and 6 grouped digital inputs
- X2** – OR6: Assembly Group with 6 Output Relays (Changeover / Form C)
- X3** – TI: Standard current measuring card
- X4** – TU-OR5: Voltage measuring (0 ... 300 VAC) assembly group with 5 additional Output Relays (NO / Form A)
- X5** – DI8-OR4: Assembly Group with 8 Digital Inputs and 4 Output Relays (NO / Form A)
- X6** – DI8-OR4: Assembly Group with 8 Digital Inputs and 4 Output Relays (NO / Form A)
- X102** – Long-distance Protection Communication, Fiber optics interface, LC Connector
- X103** – Modbus RTU / IEC 60870-5-103 / DNP3.0 RTU, RS485, Terminals
- X104** – IRIG-B00X, incl. System Contact (Supervision Contact)

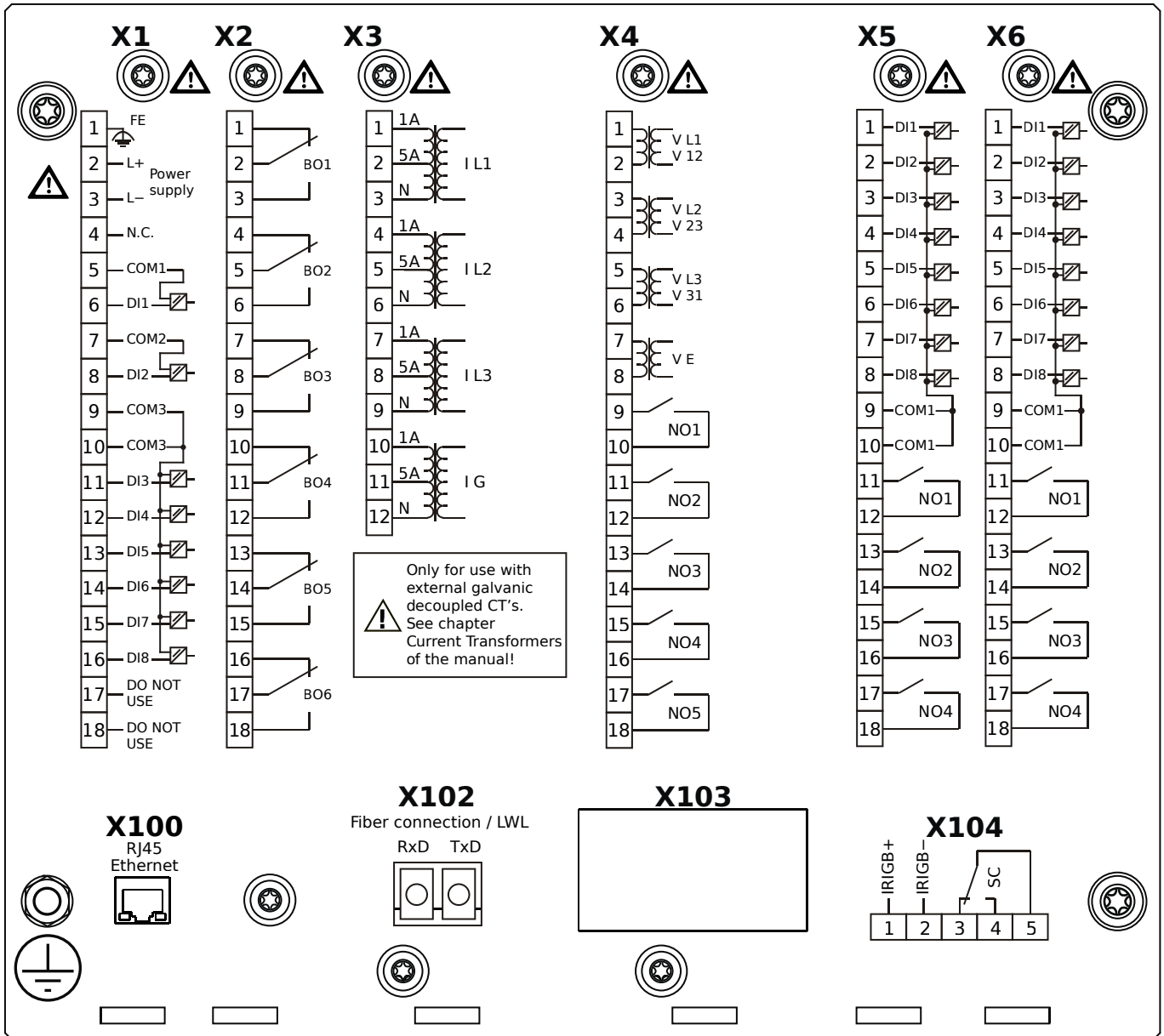
MCDLV4-2E0A0CA



Housing B2, large display, door mounting

- X1** – DI8-X1: Wide-range power supply unit, incl. 2 non-grouped digital inputs and 6 grouped digital inputs
- X2** – OR6: Assembly Group with 6 Output Relays (Changeover / Form C)
- X3** – TI: Standard current measuring card
- X4** – TU-OR5: Voltage measuring (0 ... 300 VAC) assembly group with 5 additional Output Relays (NO / Form A)
- X5** – DI8-OR4: Assembly Group with 8 Digital Inputs and 4 Output Relays (NO / Form A)
- X6** – DI8-OR4: Assembly Group with 8 Digital Inputs and 4 Output Relays (NO / Form A)
- X100** – Modbus TCP / IEC 60870-5-104 / DNP3.0 TCP/UDP, Ethernet interface, 100 Mbit/s, RJ45 (BASE100-FX)
- X102** – Long-distance Protection Communication, Fiber optics interface, LC Connector
- X104** – IRIG-B00X, incl. System Contact (Supervision Contact)

MCDLV4-2E0A0CB

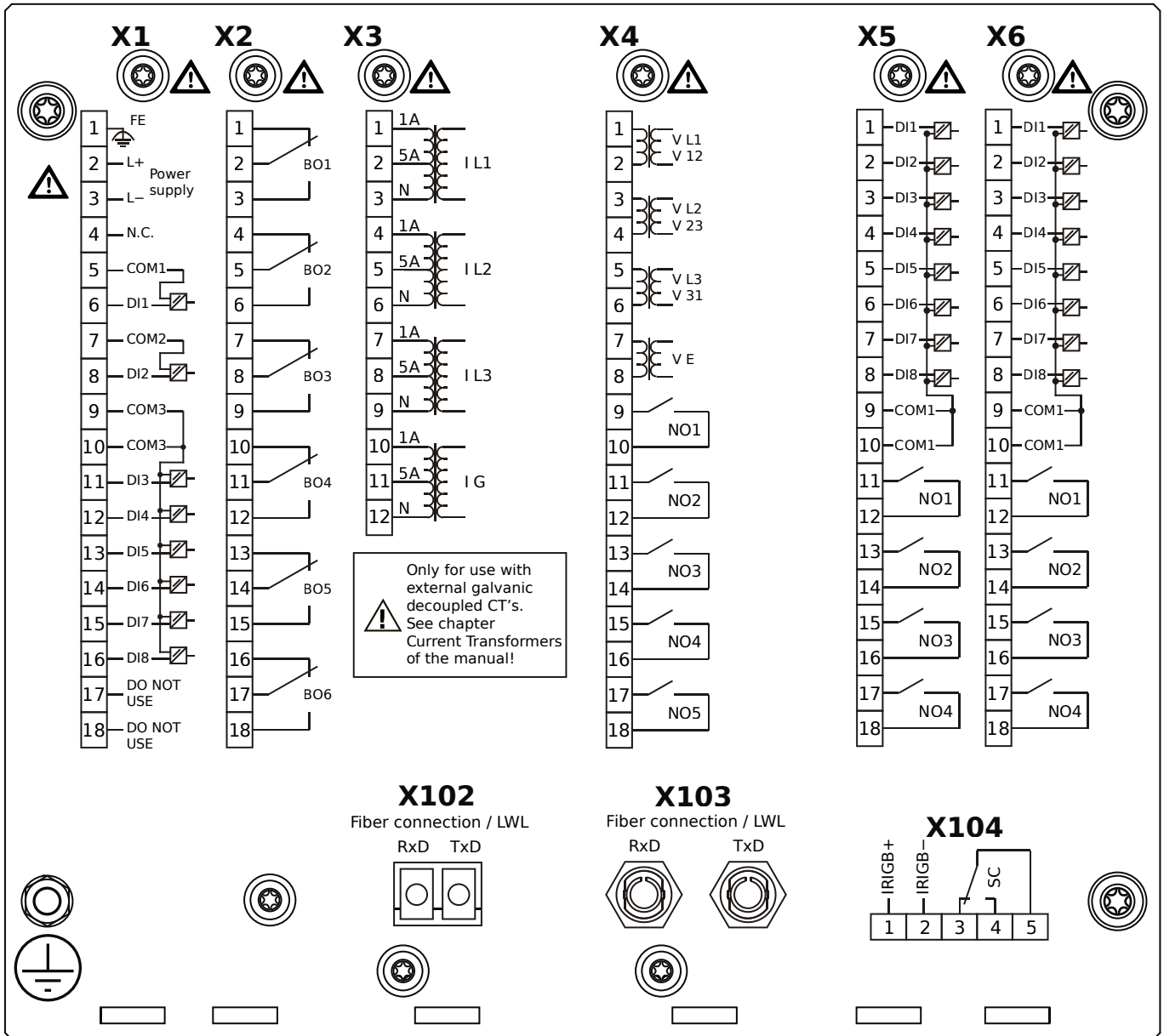


Housing B2, large display, door mounting

- + Conformal Coating (for installations in harsh environment)

- X1** – DI8-X1: Wide-range power supply unit, incl. 2 non-grouped digital inputs and 6 grouped digital inputs
- X2** – OR6: Assembly Group with 6 Output Relays (Changeover / Form C)
- X3** – TI: Standard current measuring card
- X4** – TU-OR5: Voltage measuring (0 ... 300 VAC) assembly group with 5 additional Output Relays (NO / Form A)
- X5** – DI8-OR4: Assembly Group with 8 Digital Inputs and 4 Output Relays (NO / Form A)
- X6** – DI8-OR4: Assembly Group with 8 Digital Inputs and 4 Output Relays (NO / Form A)
- X100** – Modbus TCP / IEC 60870-5-104 / DNP3.0 TCP/UDP, Ethernet interface, 100 Mbit/s, RJ45 (BASE100-FX)
- X102** – Long-distance Protection Communication, Fiber optics interface, LC Connector
- X104** – IRIG-B00X, incl. System Contact (Supervision Contact)

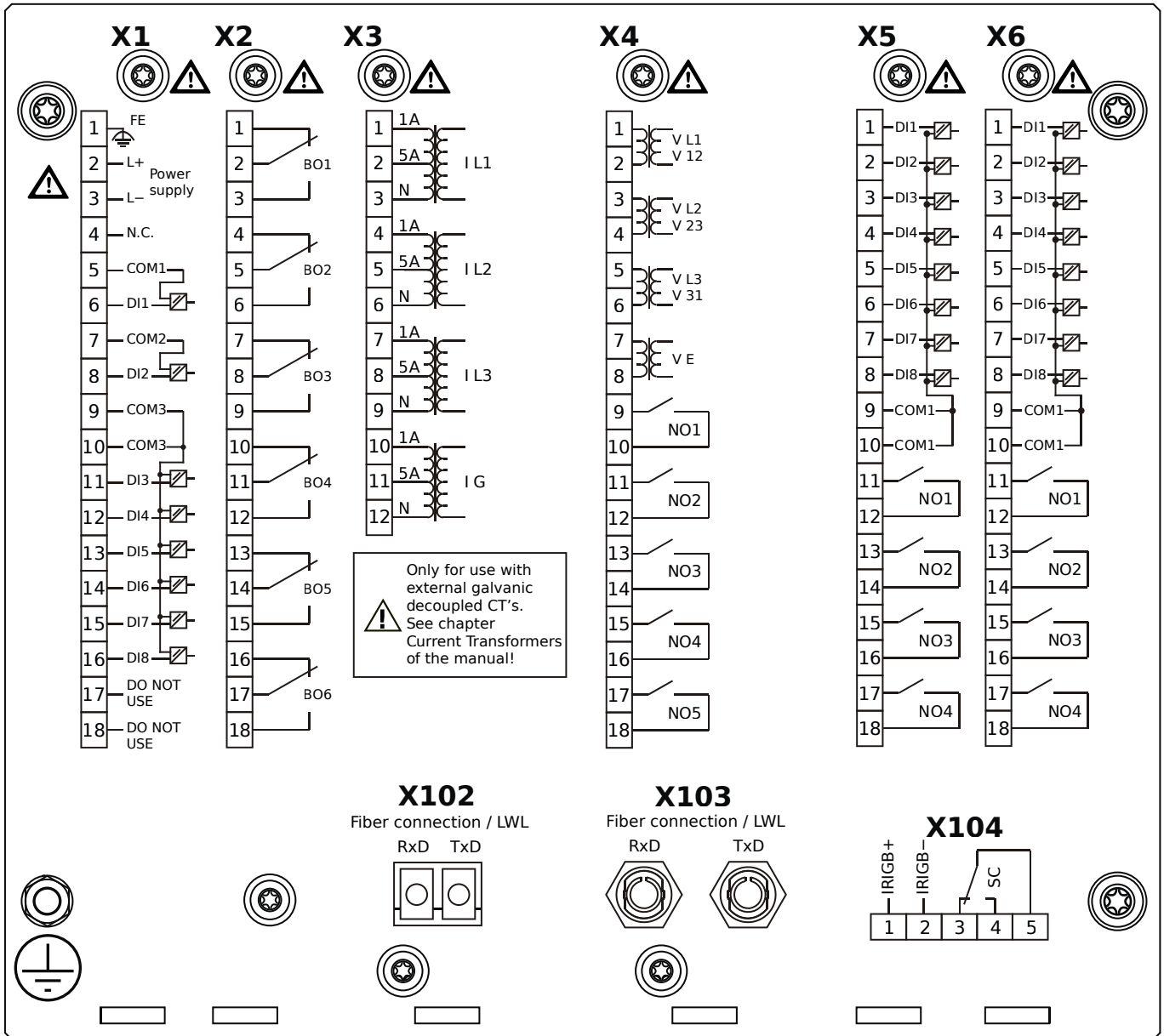
MCDLV4-2E0A0DA



Housing B2, large display, door mounting

- X1** – DI8-X1: Wide-range power supply unit, incl. 2 non-grouped digital inputs and 6 grouped digital inputs
- X2** – OR6: Assembly Group with 6 Output Relays (Changeover / Form C)
- X3** – TI: Standard current measuring card
- X4** – TU-OR5: Voltage measuring (0 ... 300 VAC) assembly group with 5 additional Output Relays (NO / Form A)
- X5** – DI8-OR4: Assembly Group with 8 Digital Inputs and 4 Output Relays (NO / Form A)
- X6** – DI8-OR4: Assembly Group with 8 Digital Inputs and 4 Output Relays (NO / Form A)
- X102** – Long-distance Protection Communication, Fiber optics interface, LC Connector
- X103** – Profibus-DP, Fiber optics interface, ST Connector
- X104** – IRIG-B00X, incl. System Contact (Supervision Contact)

MCDLV4-2E0A0DB

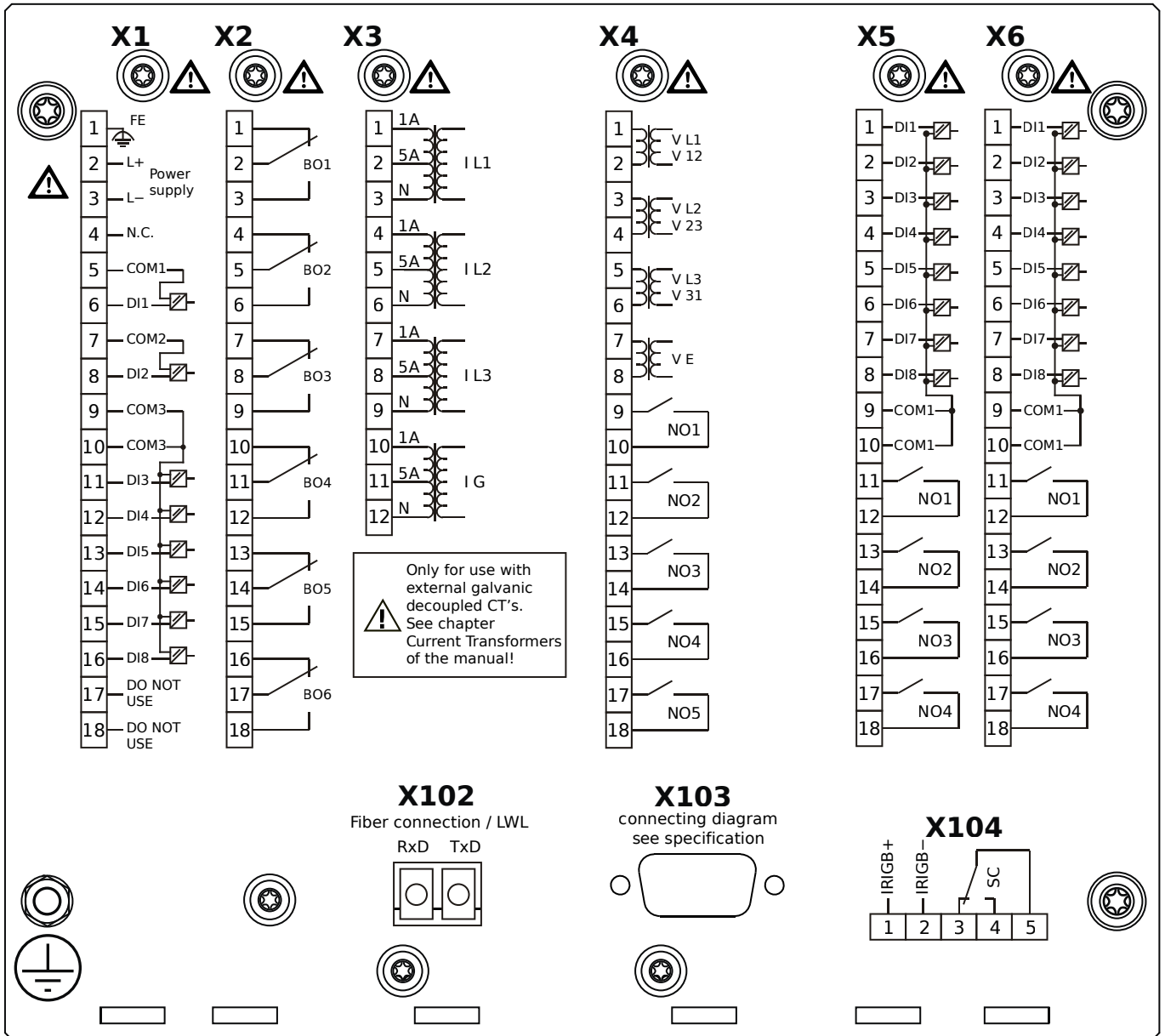


Housing B2, large display, door mounting

+ Conformal Coating (for installations in harsh environment)

- X1** – DI8-X1: Wide-range power supply unit, incl. 2 non-grouped digital inputs and 6 grouped digital inputs
- X2** – OR6: Assembly Group with 6 Output Relays (Changeover / Form C)
- X3** – TI: Standard current measuring card
- X4** – TU-OR5: Voltage measuring (0 ... 300 VAC) assembly group with 5 additional Output Relays (NO / Form A)
- X5** – DI8-OR4: Assembly Group with 8 Digital Inputs and 4 Output Relays (NO / Form A)
- X6** – DI8-OR4: Assembly Group with 8 Digital Inputs and 4 Output Relays (NO / Form A)
- X102** – Long-distance Protection Communication, Fiber optics interface, LC Connector
- X103** – Profibus-DP, Fiber optics interface, ST Connector
- X104** – IRIG-B00X, incl. System Contact (Supervision Contact)

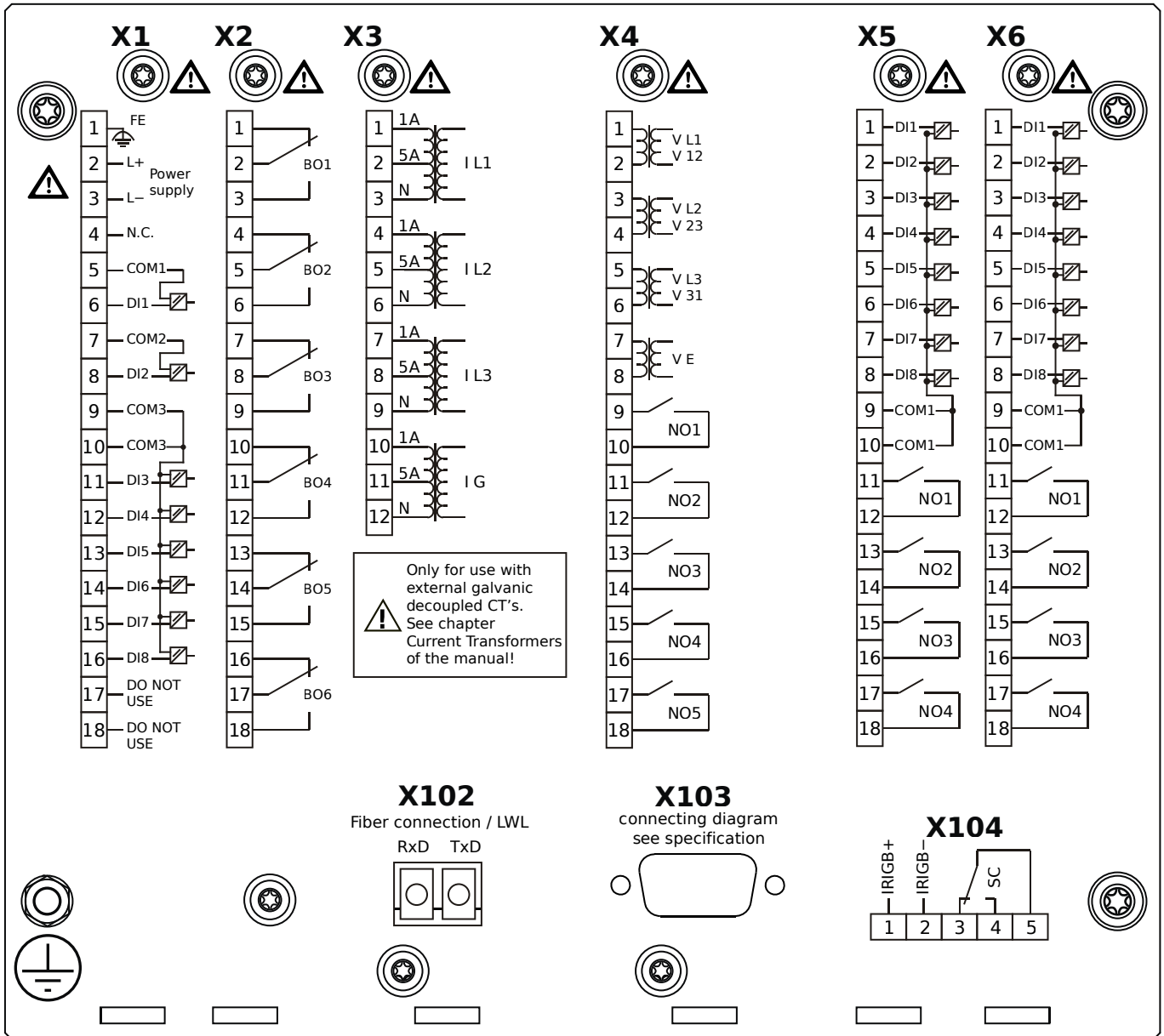
MCDLV4-2E0A0EA



Housing B2, large display, door mounting

- X1** – DI8-X1: Wide-range power supply unit, incl. 2 non-grouped digital inputs and 6 grouped digital inputs
- X2** – OR6: Assembly Group with 6 Output Relays (Changeover / Form C)
- X3** – TI: Standard current measuring card
- X4** – TU-OR5: Voltage measuring (0 ... 300 VAC) assembly group with 5 additional Output Relays (NO / Form A)
- X5** – DI8-OR4: Assembly Group with 8 Digital Inputs and 4 Output Relays (NO / Form A)
- X6** – DI8-OR4: Assembly Group with 8 Digital Inputs and 4 Output Relays (NO / Form A)
- X102** – Long-distance Protection Communication, Fiber optics interface, LC Connector
- X103** – Profibus-DP, RS485, D-SUB
- X104** – IRIG-B00X, incl. System Contact (Supervision Contact)

MCDLV4-2E0A0EB

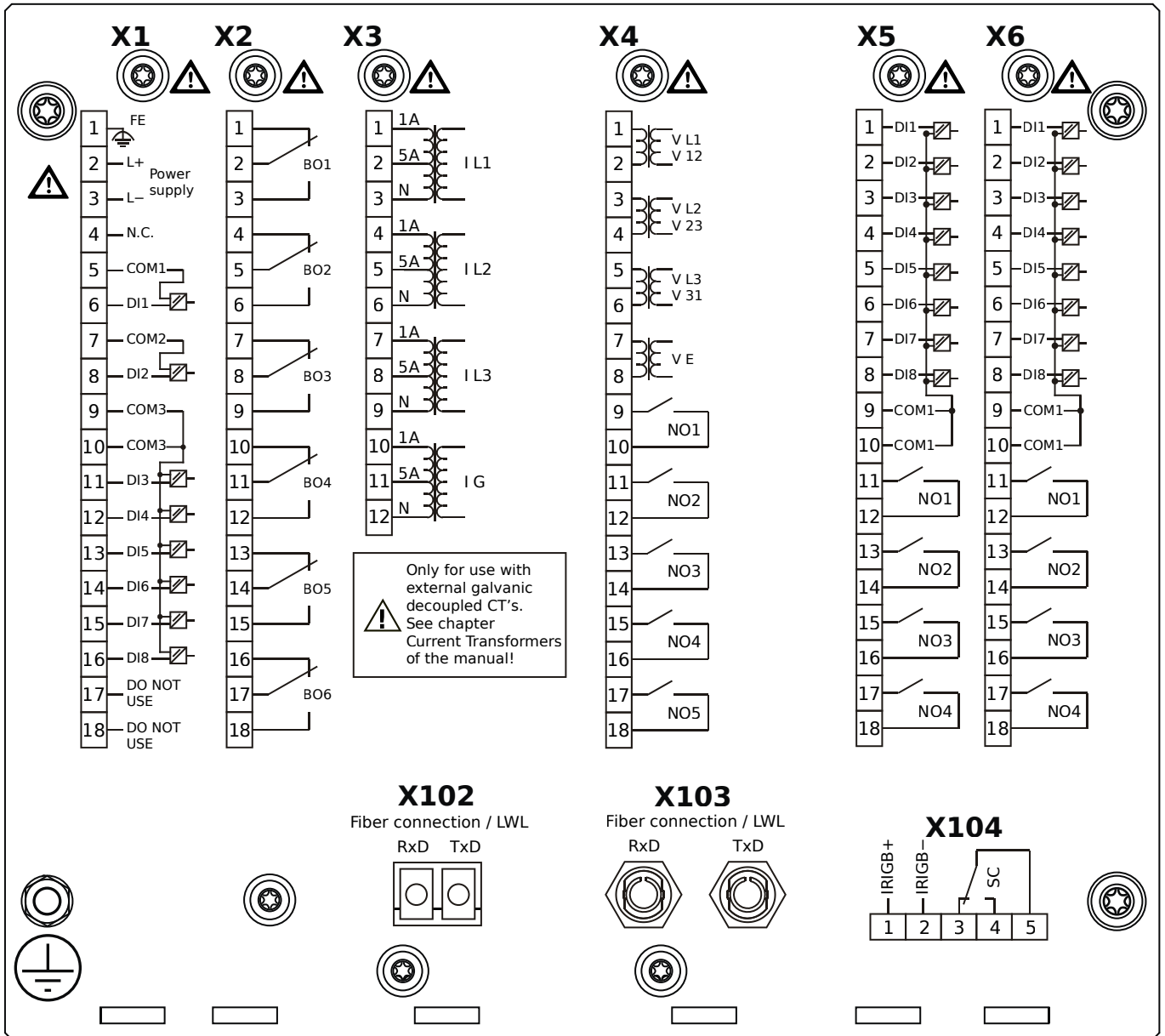


Housing B2, large display, door mounting

- + Conformal Coating (for installations in harsh environment)

- X1** – DI8-X1: Wide-range power supply unit, incl. 2 non-grouped digital inputs and 6 grouped digital inputs
- X2** – OR6: Assembly Group with 6 Output Relays (Changeover / Form C)
- X3** – TI: Standard current measuring card
- X4** – TU-OR5: Voltage measuring (0 ... 300 VAC) assembly group with 5 additional Output Relays (NO / Form A)
- X5** – DI8-OR4: Assembly Group with 8 Digital Inputs and 4 Output Relays (NO / Form A)
- X6** – DI8-OR4: Assembly Group with 8 Digital Inputs and 4 Output Relays (NO / Form A)
- X102** – Long-distance Protection Communication, Fiber optics interface, LC Connector
- X103** – Profibus-DP, RS485, D-SUB
- X104** – IRIG-B00X, incl. System Contact (Supervision Contact)

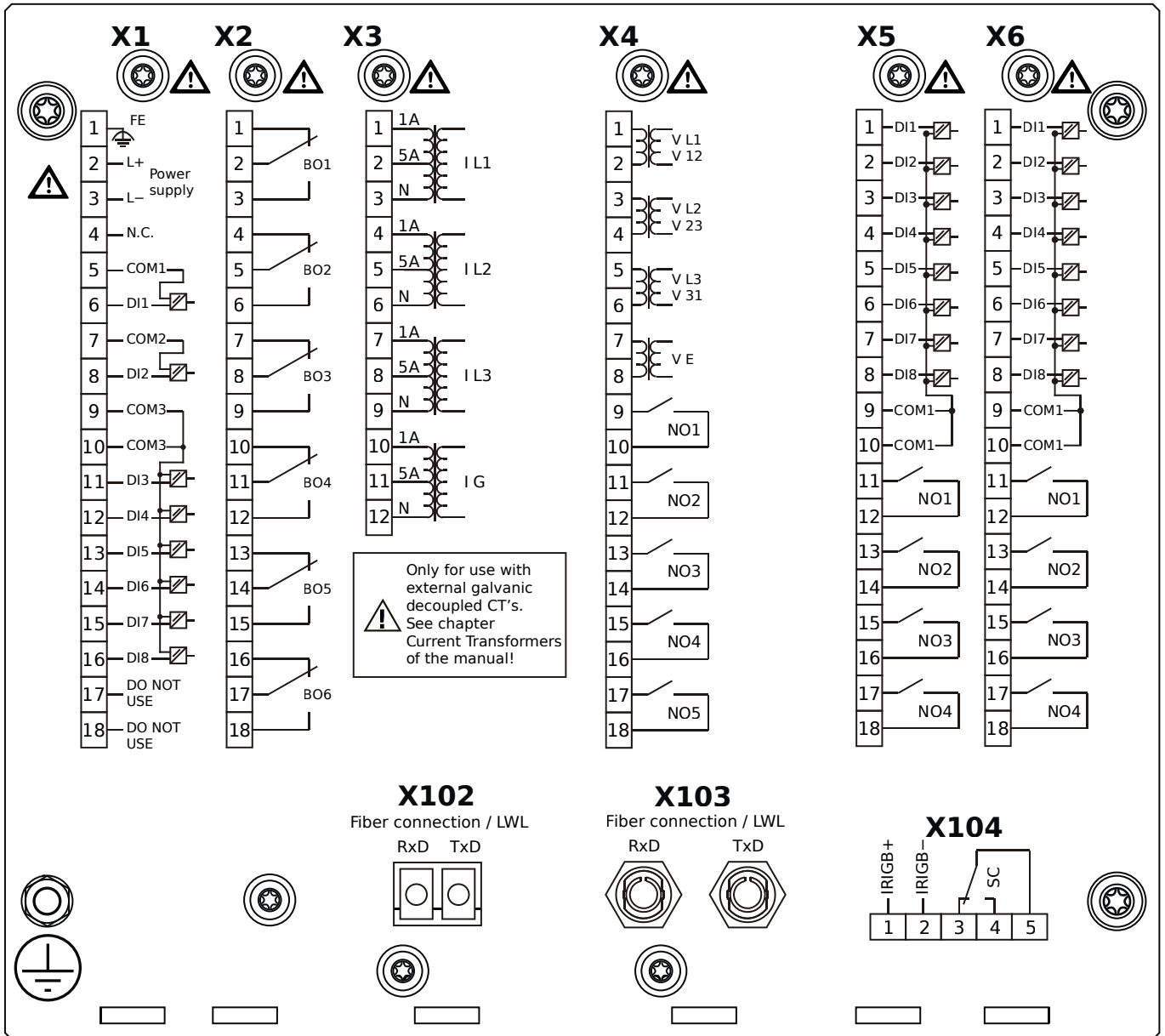
MCDLV4-2E0A0FA



Housing B2, large display, door mounting

- X1** – DI8-X1: Wide-range power supply unit, incl. 2 non-grouped digital inputs and 6 grouped digital inputs
- X2** – OR6: Assembly Group with 6 Output Relays (Changeover / Form C)
- X3** – TI: Standard current measuring card
- X4** – TU-OR5: Voltage measuring (0 ... 300 VAC) assembly group with 5 additional Output Relays (NO / Form A)
- X5** – DI8-OR4: Assembly Group with 8 Digital Inputs and 4 Output Relays (NO / Form A)
- X6** – DI8-OR4: Assembly Group with 8 Digital Inputs and 4 Output Relays (NO / Form A)
- X102** – Long-distance Protection Communication, Fiber optics interface, LC Connector
- X103** – Modbus RTU / IEC 60870-5-103 / DNP3.0 RTU, Fiber optics interface, ST Connector
- X104** – IRIG-B00X, incl. System Contact (Supervision Contact)

MCDLV4-2E0A0FB

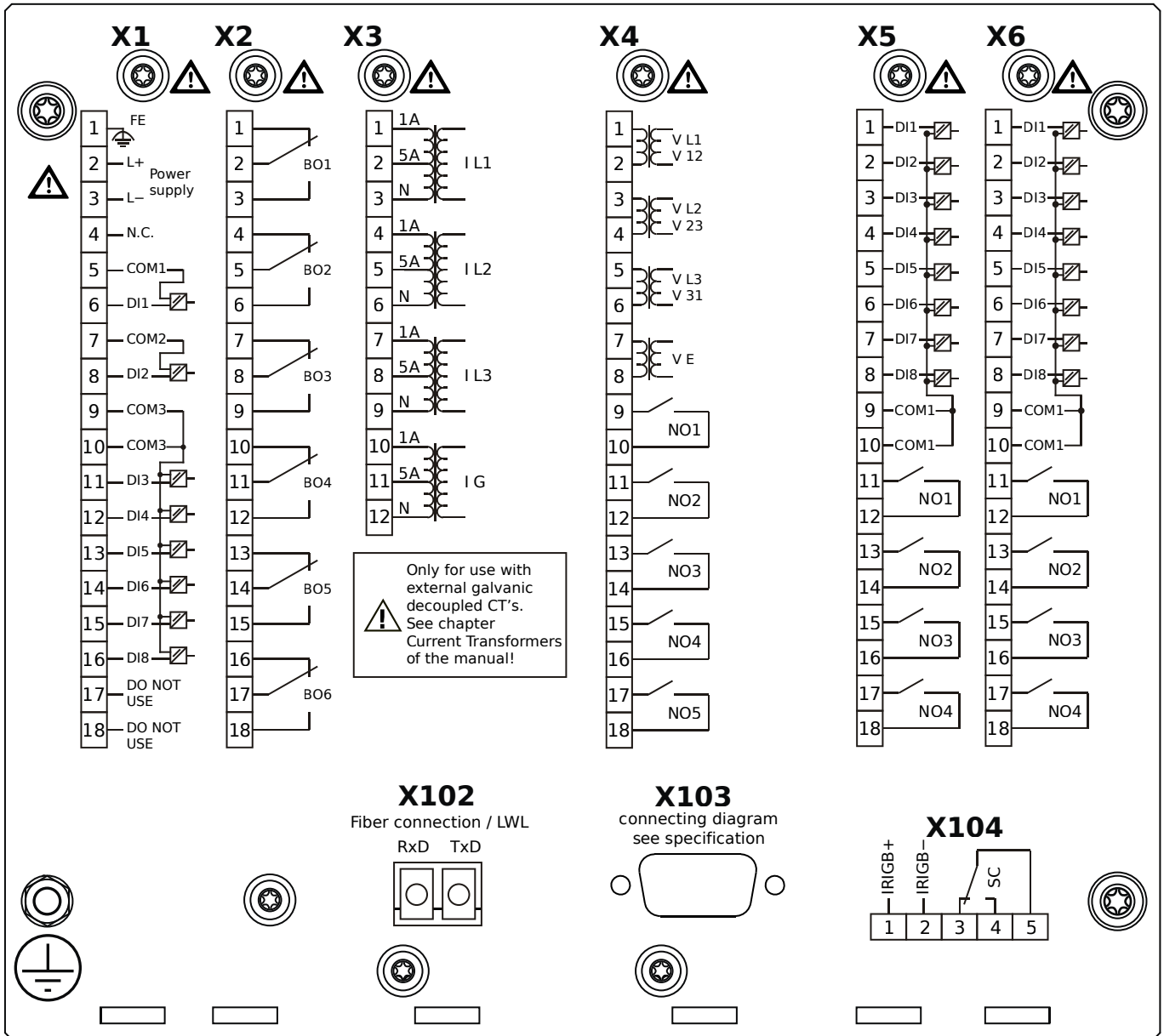


Housing B2, large display, door mounting

+ Conformal Coating (for installations in harsh environment)

- X1** – DI8-X1: Wide-range power supply unit, incl. 2 non-grouped digital inputs and 6 grouped digital inputs
- X2** – OR6: Assembly Group with 6 Output Relays (Changeover / Form C)
- X3** – TI: Standard current measuring card
- X4** – TU-OR5: Voltage measuring (0 ... 300 VAC) assembly group with 5 additional Output Relays (NO / Form A)
- X5** – DI8-OR4: Assembly Group with 8 Digital Inputs and 4 Output Relays (NO / Form A)
- X6** – DI8-OR4: Assembly Group with 8 Digital Inputs and 4 Output Relays (NO / Form A)
- X102** – Long-distance Protection Communication, Fiber optics interface, LC Connector
- X103** – Modbus RTU / IEC 60870-5-103 / DNP3.0 RTU, Fiber optics interface, ST Connector
- X104** – IRIG-B00X, incl. System Contact (Supervision Contact)

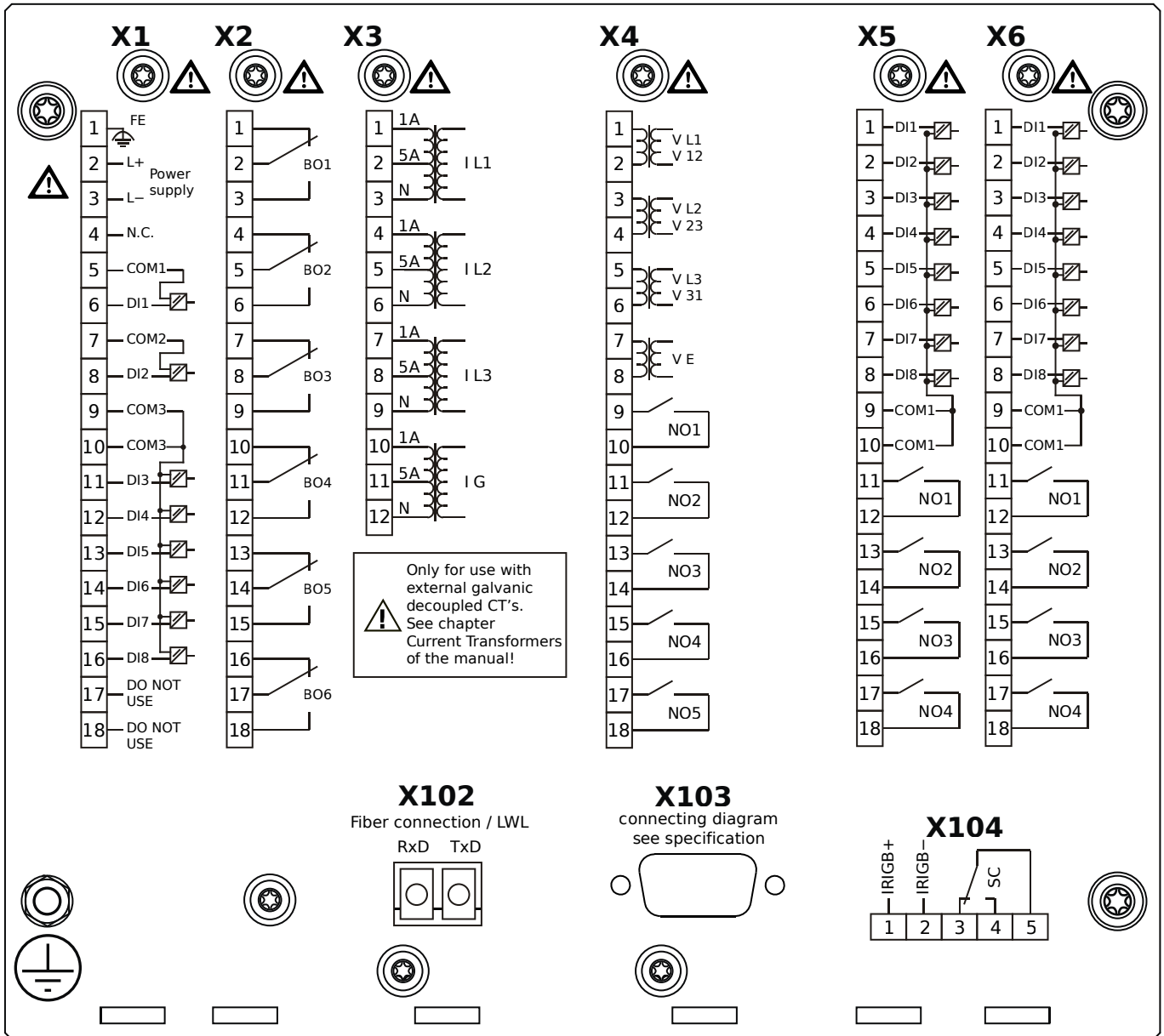
MCDLV4-2E0A0GA



Housing B2, large display, door mounting

- X1** – DI8-X1: Wide-range power supply unit, incl. 2 non-grouped digital inputs and 6 grouped digital inputs
- X2** – OR6: Assembly Group with 6 Output Relays (Changeover / Form C)
- X3** – TI: Standard current measuring card
- X4** – TU-OR5: Voltage measuring (0 ... 300 VAC) assembly group with 5 additional Output Relays (NO / Form A)
- X5** – DI8-OR4: Assembly Group with 8 Digital Inputs and 4 Output Relays (NO / Form A)
- X6** – DI8-OR4: Assembly Group with 8 Digital Inputs and 4 Output Relays (NO / Form A)
- X102** – Long-distance Protection Communication, Fiber optics interface, LC Connector
- X103** – Modbus RTU / IEC 60870-5-103 / DNP3.0 RTU, RS485, D-SUB
- X104** – IRIG-B00X, incl. System Contact (Supervision Contact)

MCDLV4-2E0A0GB

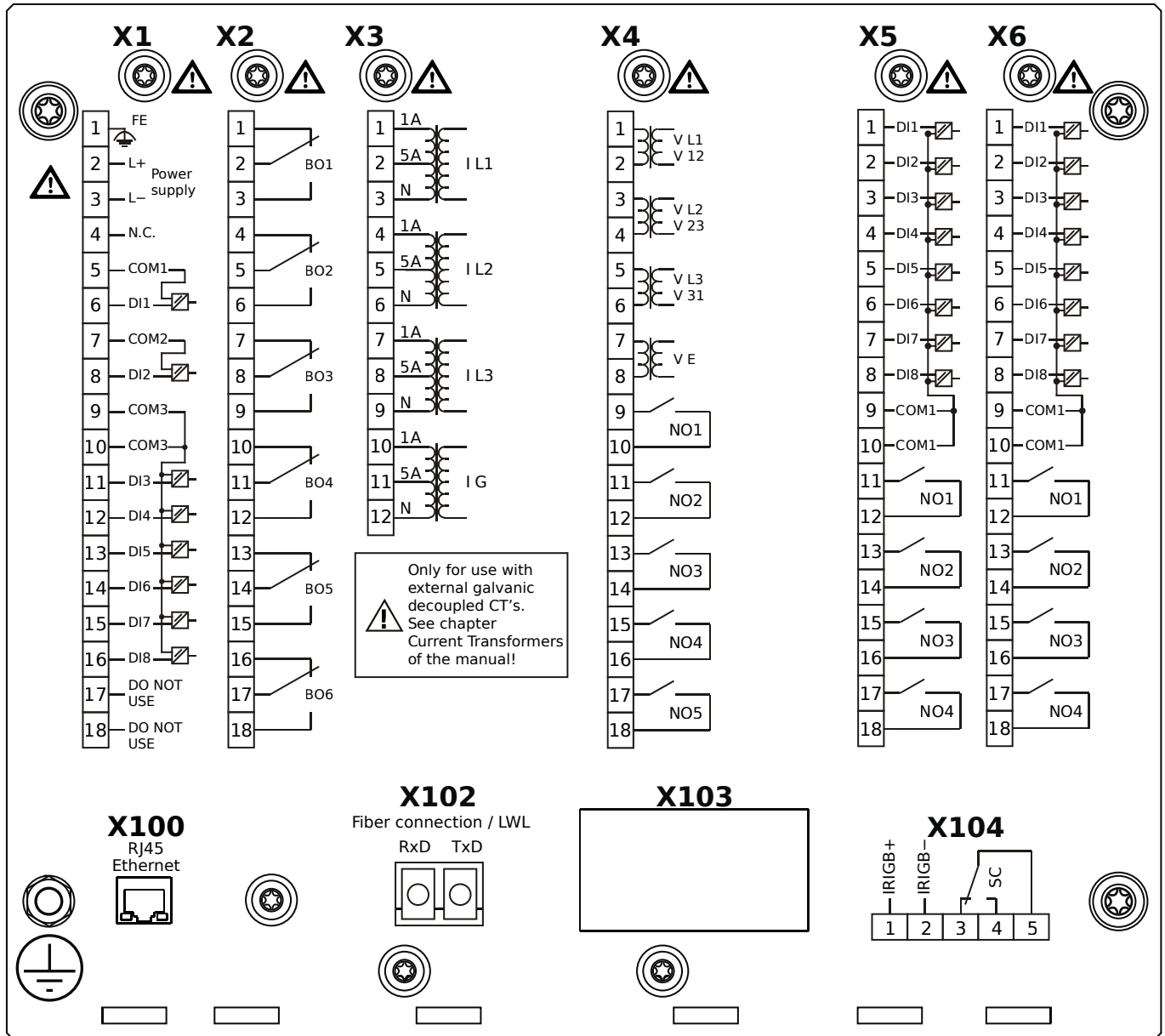


Housing B2, large display, door mounting

+ Conformal Coating (for installations in harsh environment)

- X1** – DI8-X1: Wide-range power supply unit, incl. 2 non-grouped digital inputs and 6 grouped digital inputs
- X2** – OR6: Assembly Group with 6 Output Relays (Changeover / Form C)
- X3** – TI: Standard current measuring card
- X4** – TU-OR5: Voltage measuring (0 ... 300 VAC) assembly group with 5 additional Output Relays (NO / Form A)
- X5** – DI8-OR4: Assembly Group with 8 Digital Inputs and 4 Output Relays (NO / Form A)
- X6** – DI8-OR4: Assembly Group with 8 Digital Inputs and 4 Output Relays (NO / Form A)
- X102** – Long-distance Protection Communication, Fiber optics interface, LC Connector
- X103** – Modbus RTU / IEC 60870-5-103 / DNP3.0 RTU, RS485, D-SUB
- X104** – IRIG-B00X, incl. System Contact (Supervision Contact)

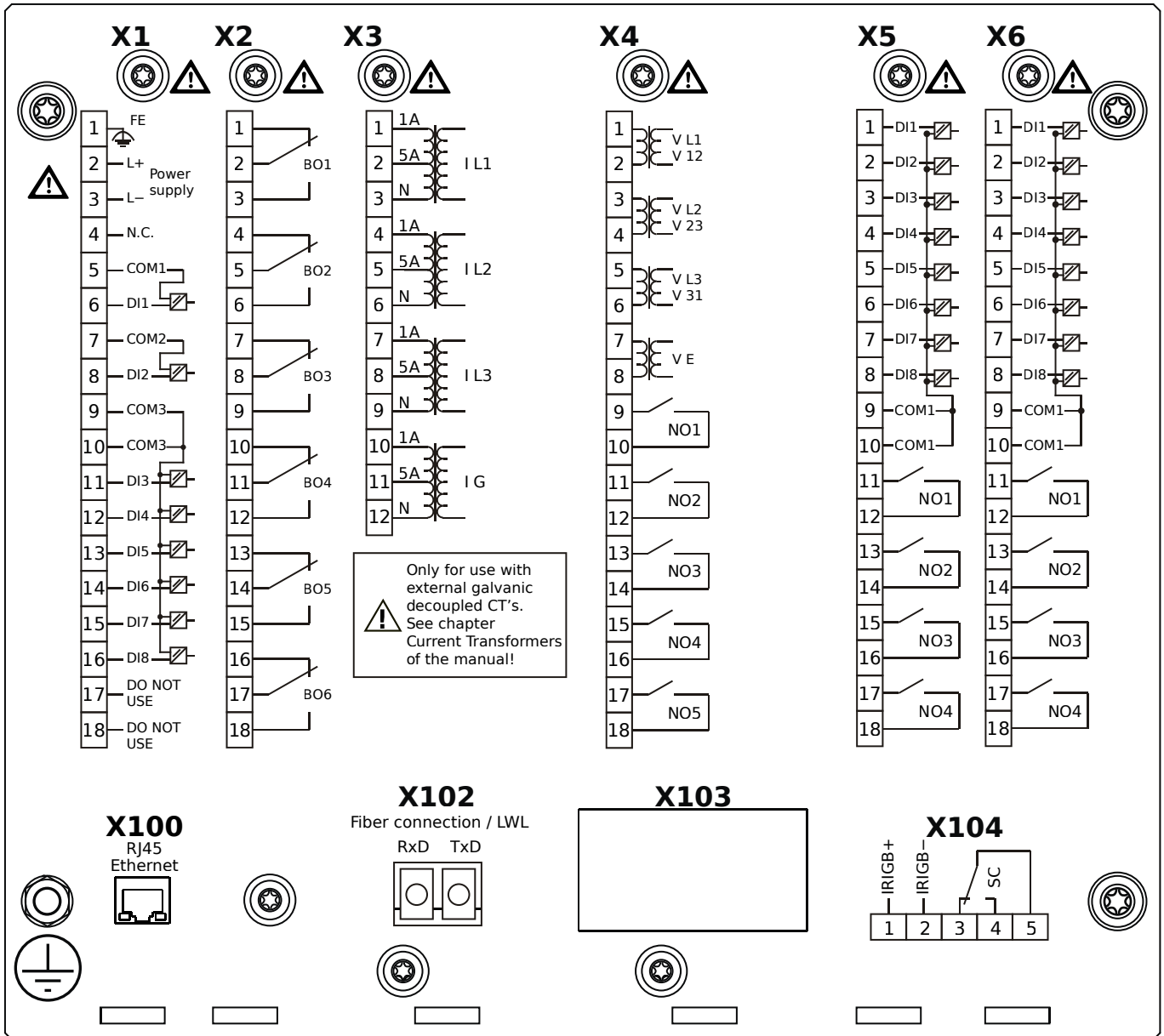
MCDLV4-2E0A0HA



Housing B2, large display, door mounting

- X1** – DI8-X1: Wide-range power supply unit, incl. 2 non-grouped digital inputs and 6 grouped digital inputs
- X2** – OR6: Assembly Group with 6 Output Relays (Changeover / Form C)
- X3** – TI: Standard current measuring card
- X4** – TU-OR5: Voltage measuring (0 ... 300 VAC) assembly group with 5 additional Output Relays (NO / Form A)
- X5** – DI8-OR4: Assembly Group with 8 Digital Inputs and 4 Output Relays (NO / Form A)
- X6** – DI8-OR4: Assembly Group with 8 Digital Inputs and 4 Output Relays (NO / Form A)
- X100** – IEC 61850 / Modbus TCP / IEC 60870-5-104 / DNP3.0 TCP/UDP, Ethernet interface, 100 Mbit/s, RJ45 (BASE100-FX)
- X102** – Long-distance Protection Communication, Fiber optics interface, LC Connector
- X104** – IRIG-B00X, incl. System Contact (Supervision Contact)

MCDLV4-2E0A0HB

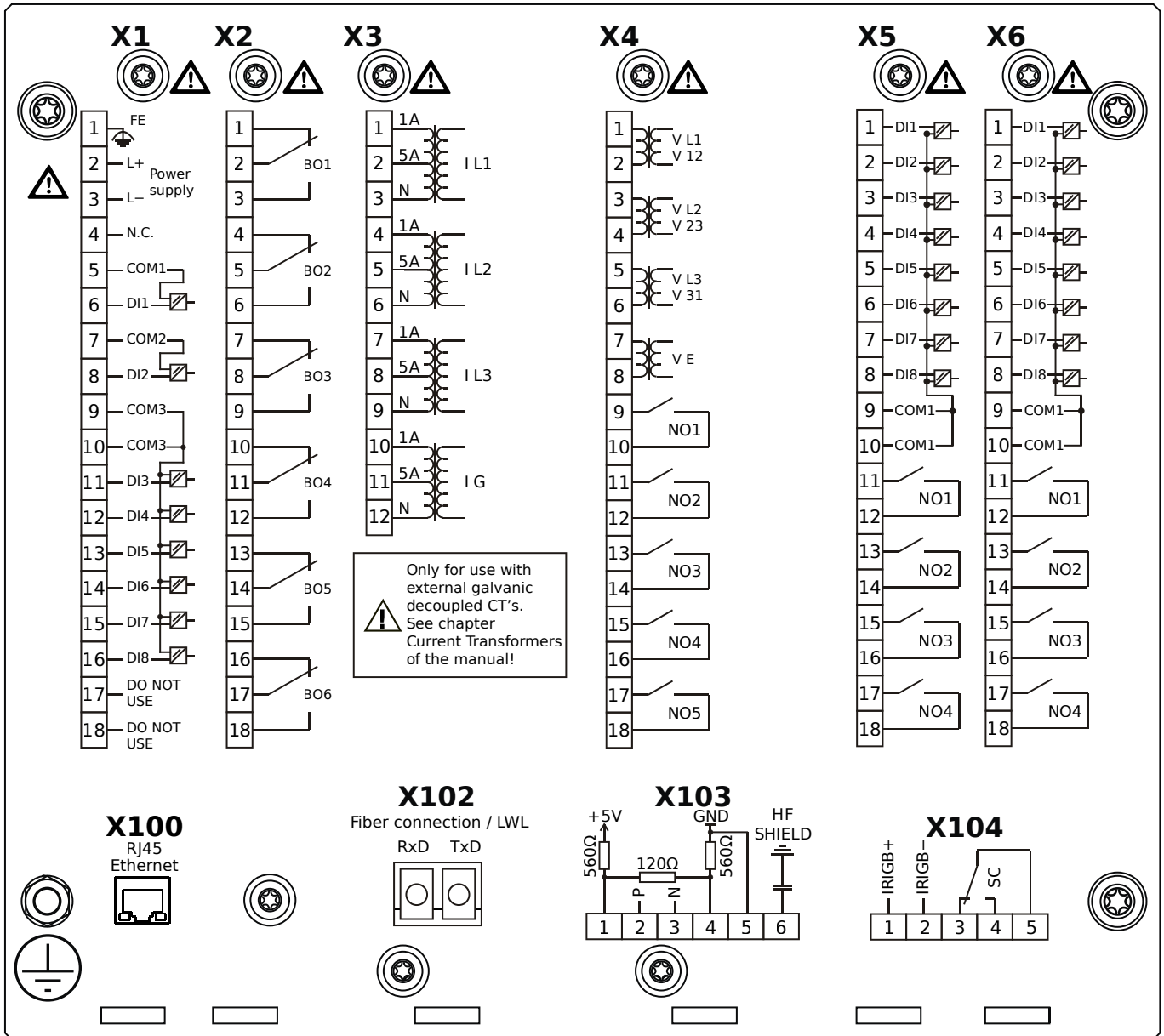


Housing B2, large display, door mounting

+ Conformal Coating (for installations in harsh environment)

- X1** – DI8-X1: Wide-range power supply unit, incl. 2 non-grouped digital inputs and 6 grouped digital inputs
- X2** – OR6: Assembly Group with 6 Output Relays (Changeover / Form C)
- X3** – TI: Standard current measuring card
- X4** – TU-OR5: Voltage measuring (0 ... 300 VAC) assembly group with 5 additional Output Relays (NO / Form A)
- X5** – DI8-OR4: Assembly Group with 8 Digital Inputs and 4 Output Relays (NO / Form A)
- X6** – DI8-OR4: Assembly Group with 8 Digital Inputs and 4 Output Relays (NO / Form A)
- X100** – IEC 61850 / Modbus TCP / IEC 60870-5-104 / DNP3.0 TCP/UDP, Ethernet interface, 100 Mbit/s, RJ45 (BASE100-FX)
- X102** – Long-distance Protection Communication, Fiber optics interface, LC Connector
- X104** – IRIG-B00X, incl. System Contact (Supervision Contact)

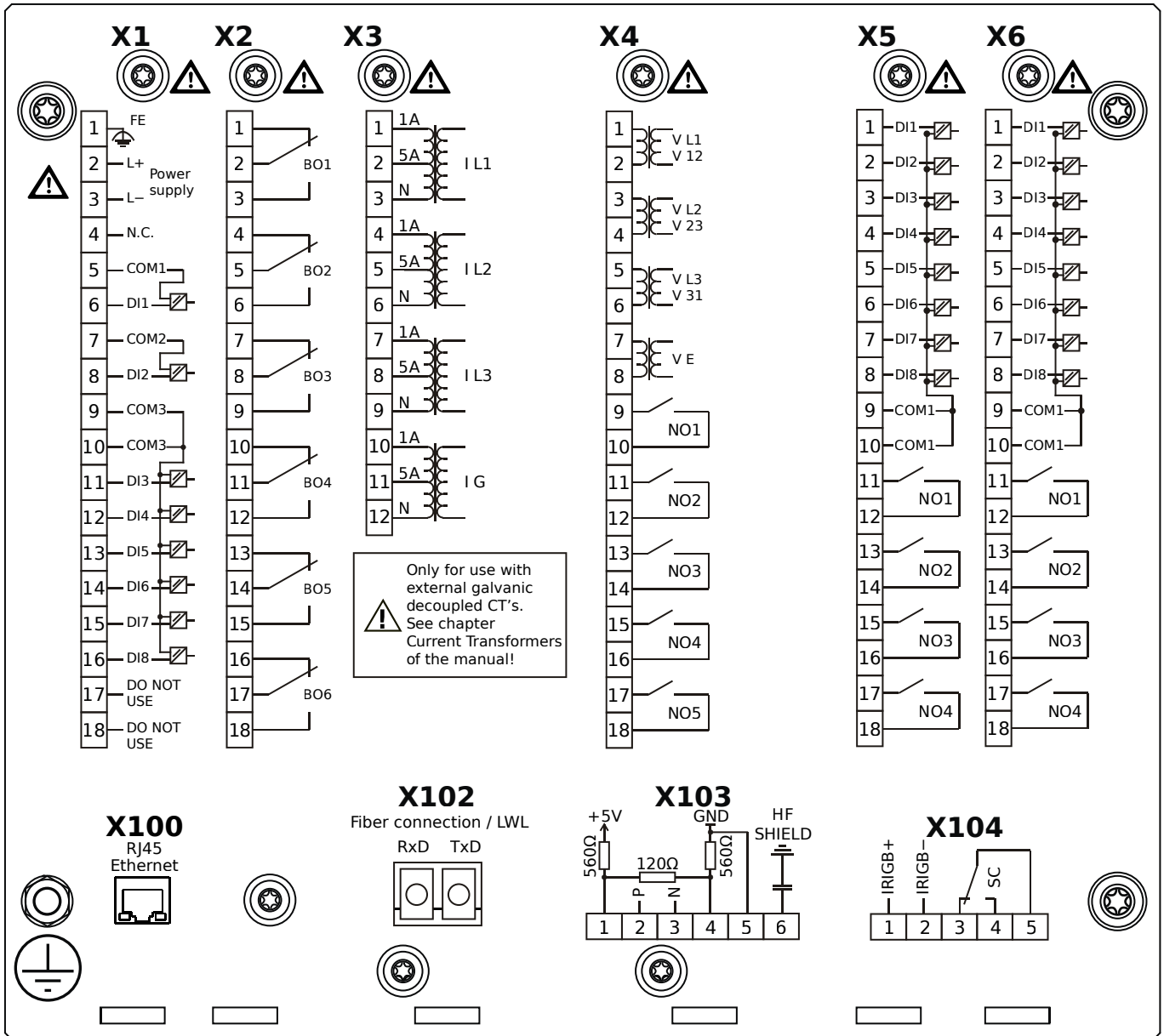
MCDLV4-2E0A01A



Housing B2, large display, door mounting

- X1** – DI8-X1: Wide-range power supply unit, incl. 2 non-grouped digital inputs and 6 grouped digital inputs
- X2** – OR6: Assembly Group with 6 Output Relays (Changeover / Form C)
- X3** – TI: Standard current measuring card
- X4** – TU-OR5: Voltage measuring (0 ... 300 VAC) assembly group with 5 additional Output Relays (NO / Form A)
- X5** – DI8-OR4: Assembly Group with 8 Digital Inputs and 4 Output Relays (NO / Form A)
- X6** – DI8-OR4: Assembly Group with 8 Digital Inputs and 4 Output Relays (NO / Form A)
- X100** – Modbus TCP / IEC 60870-5-104 / DNP3.0 TCP/UDP, Ethernet interface, 100 Mbit/s, RJ45 (BASE100-FX)
- X102** – Long-distance Protection Communication, Fiber optics interface, LC Connector
- X103** – IEC 60870-5-103 / Modbus RTU / DNP3.0 RTU, RS485, Terminals
- X104** – IRIG-B00X, incl. System Contact (Supervision Contact)

MCDLV4-2E0A0IB

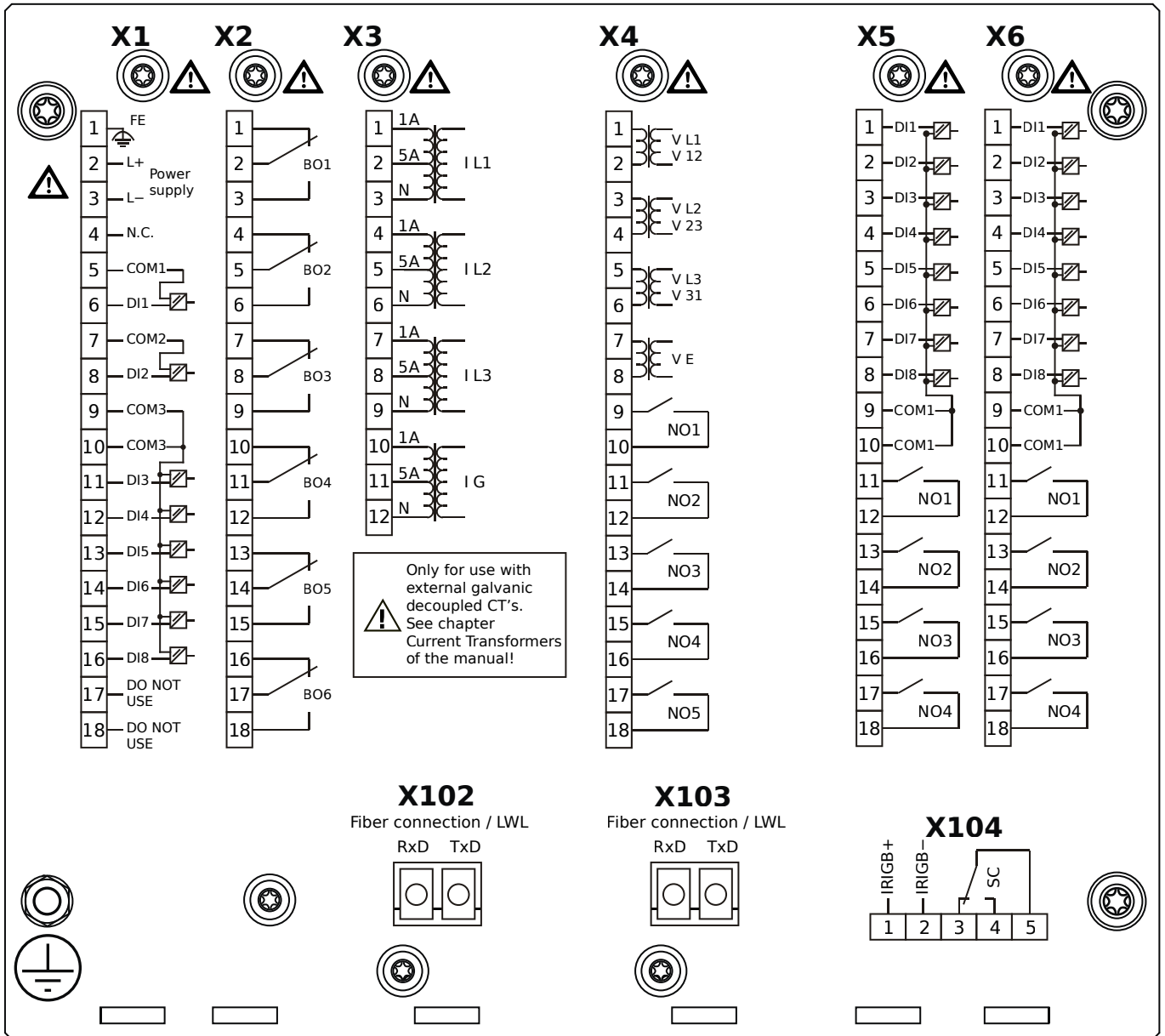


Housing B2, large display, door mounting

+ Conformal Coating (for installations in harsh environment)

- X1** – DI8-X1: Wide-range power supply unit, incl. 2 non-grouped digital inputs and 6 grouped digital inputs
- X2** – OR6: Assembly Group with 6 Output Relays (Changeover / Form C)
- X3** – TI: Standard current measuring card
- X4** – TU-OR5: Voltage measuring (0 ... 300 VAC) assembly group with 5 additional Output Relays (NO / Form A)
- X5** – DI8-OR4: Assembly Group with 8 Digital Inputs and 4 Output Relays (NO / Form A)
- X6** – DI8-OR4: Assembly Group with 8 Digital Inputs and 4 Output Relays (NO / Form A)
- X100** – Modbus TCP / IEC 60870-5-104 / DNP3.0 TCP/UDP, Ethernet interface, 100 Mbit/s, RJ45 (BASE100-FX)
- X102** – Long-distance Protection Communication, Fiber optics interface, LC Connector
- X103** – IEC 60870-5-103 / Modbus RTU / DNP3.0 RTU, RS485, Terminals
- X104** – IRIG-B00X, incl. System Contact (Supervision Contact)

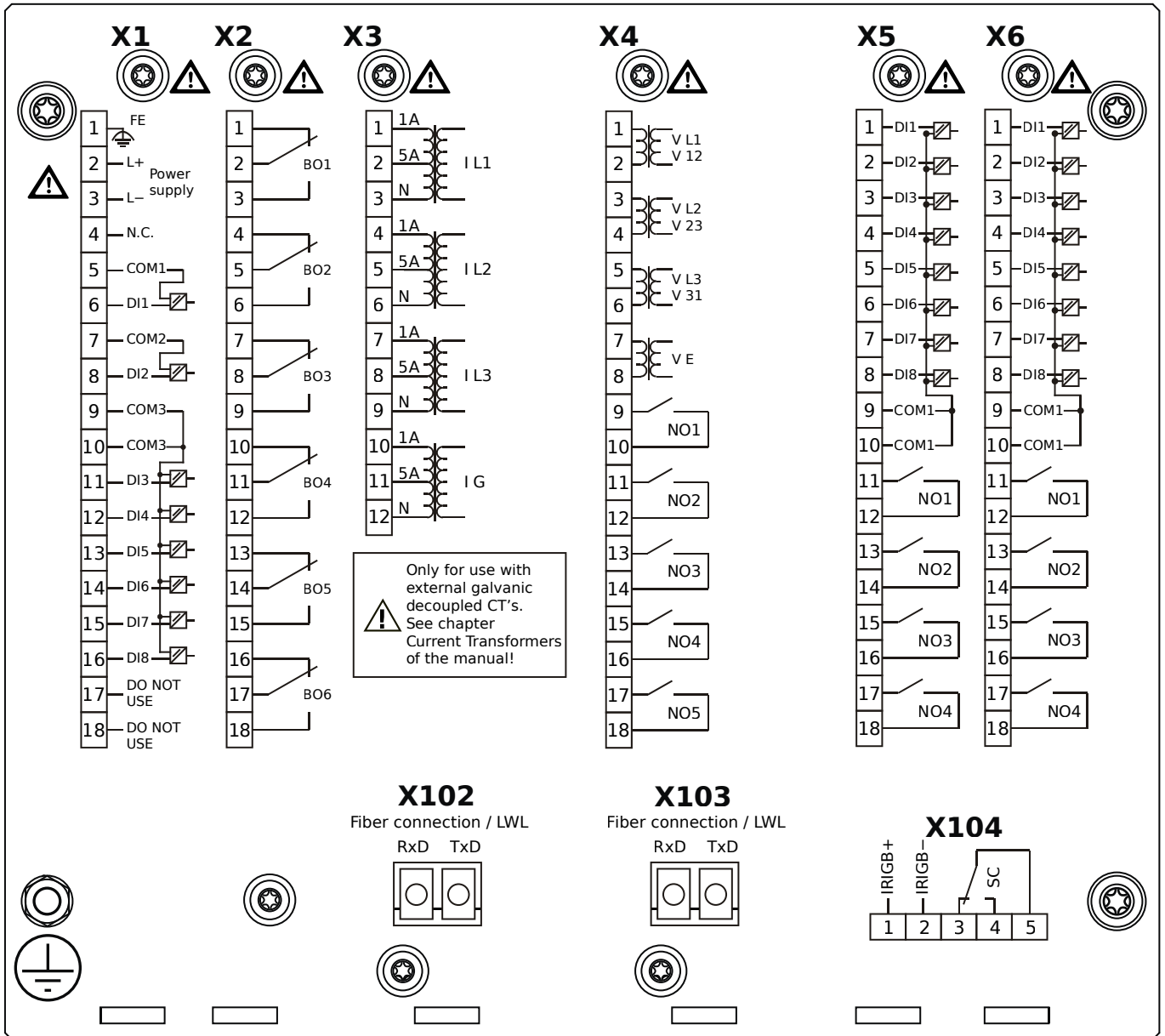
MCDLV4-2E0A0KA



Housing B2, large display, door mounting

- X1** – DI8-X1: Wide-range power supply unit, incl. 2 non-grouped digital inputs and 6 grouped digital inputs
- X2** – OR6: Assembly Group with 6 Output Relays (Changeover / Form C)
- X3** – TI: Standard current measuring card
- X4** – TU-OR5: Voltage measuring (0 ... 300 VAC) assembly group with 5 additional Output Relays (NO / Form A)
- X5** – DI8-OR4: Assembly Group with 8 Digital Inputs and 4 Output Relays (NO / Form A)
- X6** – DI8-OR4: Assembly Group with 8 Digital Inputs and 4 Output Relays (NO / Form A)
- X102** – Long-distance Protection Communication, Fiber optics interface, LC Connector
- X103** – IEC 61850 / Modbus TCP / IEC 60870-5-104 / DNP3.0 TCP/UDP, Fiber optics interface, LC Connector
- X104** – IRIG-B00X, incl. System Contact (Supervision Contact)

MCDLV4-2E0A0KB

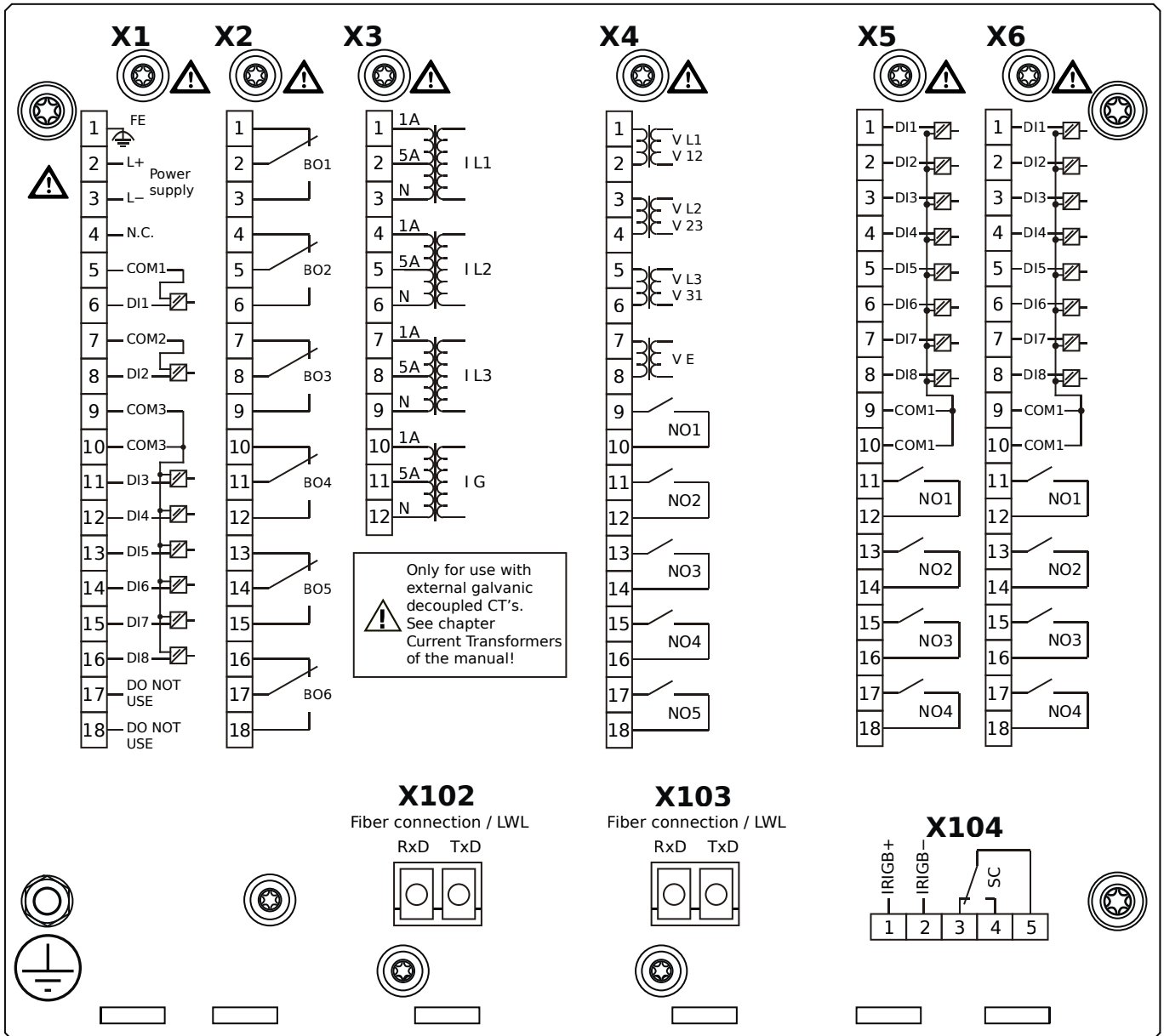


Housing B2, large display, door mounting

- + Conformal Coating (for installations in harsh environment)

- X1** – DI8-X1: Wide-range power supply unit, incl. 2 non-grouped digital inputs and 6 grouped digital inputs
- X2** – OR6: Assembly Group with 6 Output Relays (Changeover / Form C)
- X3** – TI: Standard current measuring card
- X4** – TU-OR5: Voltage measuring (0 ... 300 VAC) assembly group with 5 additional Output Relays (NO / Form A)
- X5** – DI8-OR4: Assembly Group with 8 Digital Inputs and 4 Output Relays (NO / Form A)
- X6** – DI8-OR4: Assembly Group with 8 Digital Inputs and 4 Output Relays (NO / Form A)
- X102** – Long-distance Protection Communication, Fiber optics interface, LC Connector
- X103** – IEC 61850 / Modbus TCP / IEC 60870-5-104 / DNP3.0 TCP/UDP, Fiber optics interface, LC Connector
- X104** – IRIG-B00X, incl. System Contact (Supervision Contact)

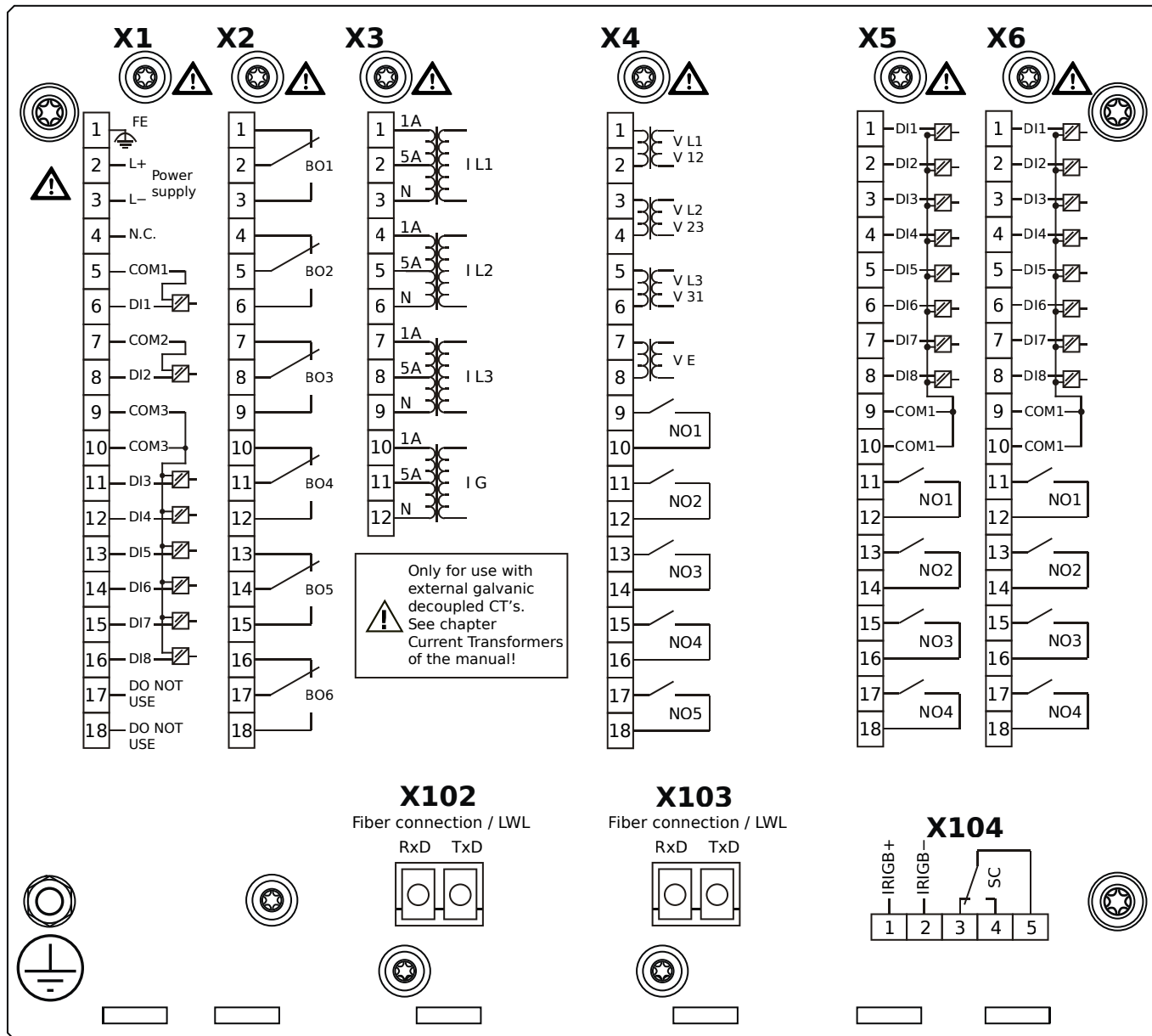
MCDLV4-2E0A0LA



Housing B2, large display, door mounting

- X1** – DI8-X1: Wide-range power supply unit, incl. 2 non-grouped digital inputs and 6 grouped digital inputs
- X2** – OR6: Assembly Group with 6 Output Relays (Changeover / Form C)
- X3** – TI: Standard current measuring card
- X4** – TU-OR5: Voltage measuring (0 ... 300 VAC) assembly group with 5 additional Output Relays (NO / Form A)
- X5** – DI8-OR4: Assembly Group with 8 Digital Inputs and 4 Output Relays (NO / Form A)
- X6** – DI8-OR4: Assembly Group with 8 Digital Inputs and 4 Output Relays (NO / Form A)
- X102** – Long-distance Protection Communication, Fiber optics interface, LC Connector
- X103** – Modbus TCP / IEC 60870-5-104 / DNP3.0 TCP/UDP, Fiber optics interface, LC Connector
- X104** – IRIG-B00X, incl. System Contact (Supervision Contact)

MCDLV4-2E0A0LB

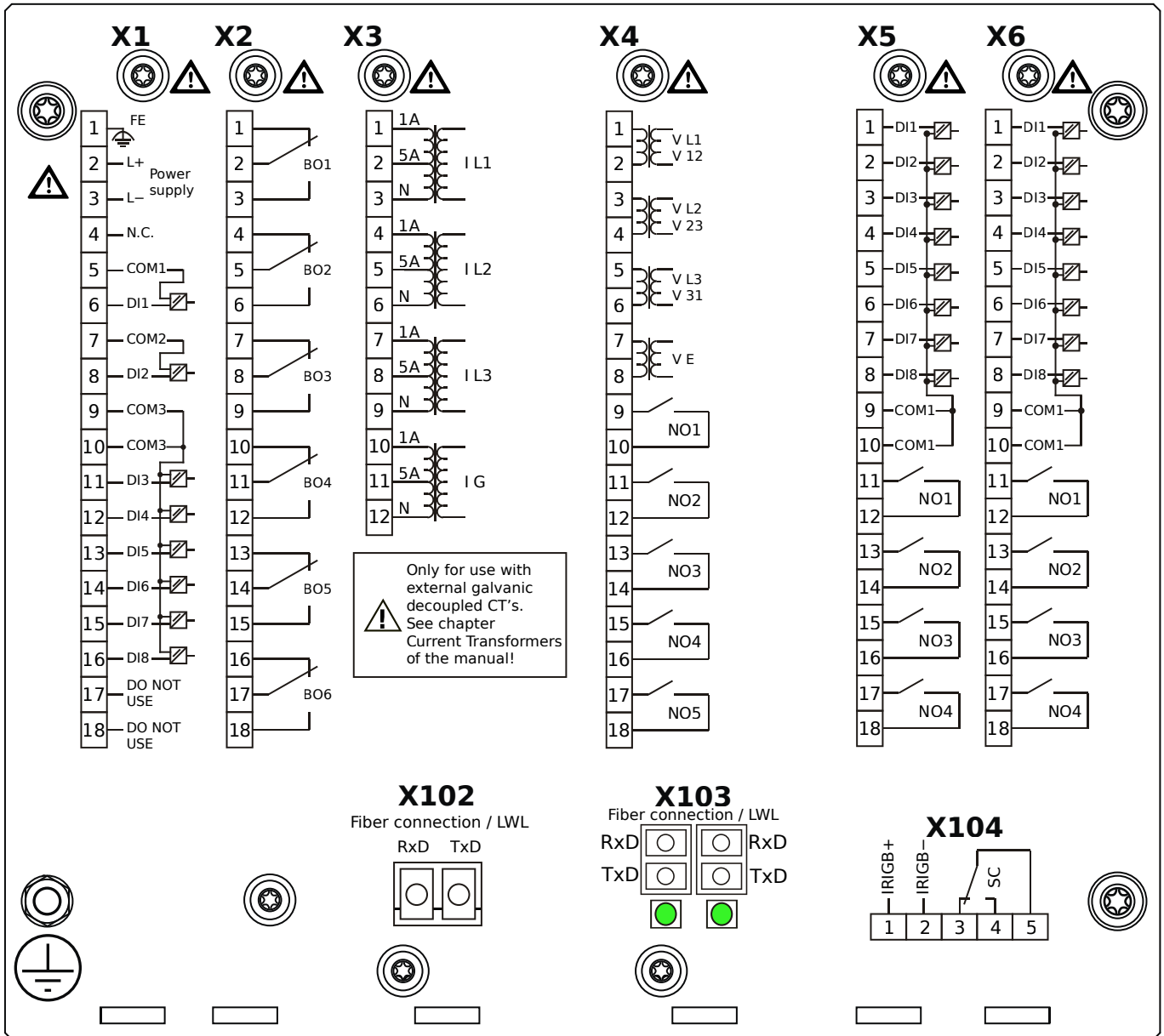


Housing B2, large display, door mounting

+ Conformal Coating (for installations in harsh environment)

- X1** – DI8-X1: Wide-range power supply unit, incl. 2 non-grouped digital inputs and 6 grouped digital inputs
- X2** – OR6: Assembly Group with 6 Output Relays (Changeover / Form C)
- X3** – TI: Standard current measuring card
- X4** – TU-OR5: Voltage measuring (0 ... 300 VAC) assembly group with 5 additional Output Relays (NO / Form A)
- X5** – DI8-OR4: Assembly Group with 8 Digital Inputs and 4 Output Relays (NO / Form A)
- X6** – DI8-OR4: Assembly Group with 8 Digital Inputs and 4 Output Relays (NO / Form A)
- X102** – Long-distance Protection Communication, Fiber optics interface, LC Connector
- X103** – Modbus TCP / IEC 60870-5-104 / DNP3.0 TCP/UDP, Fiber optics interface, LC Connector
- X104** – IRIG-B00X, incl. System Contact (Supervision Contact)

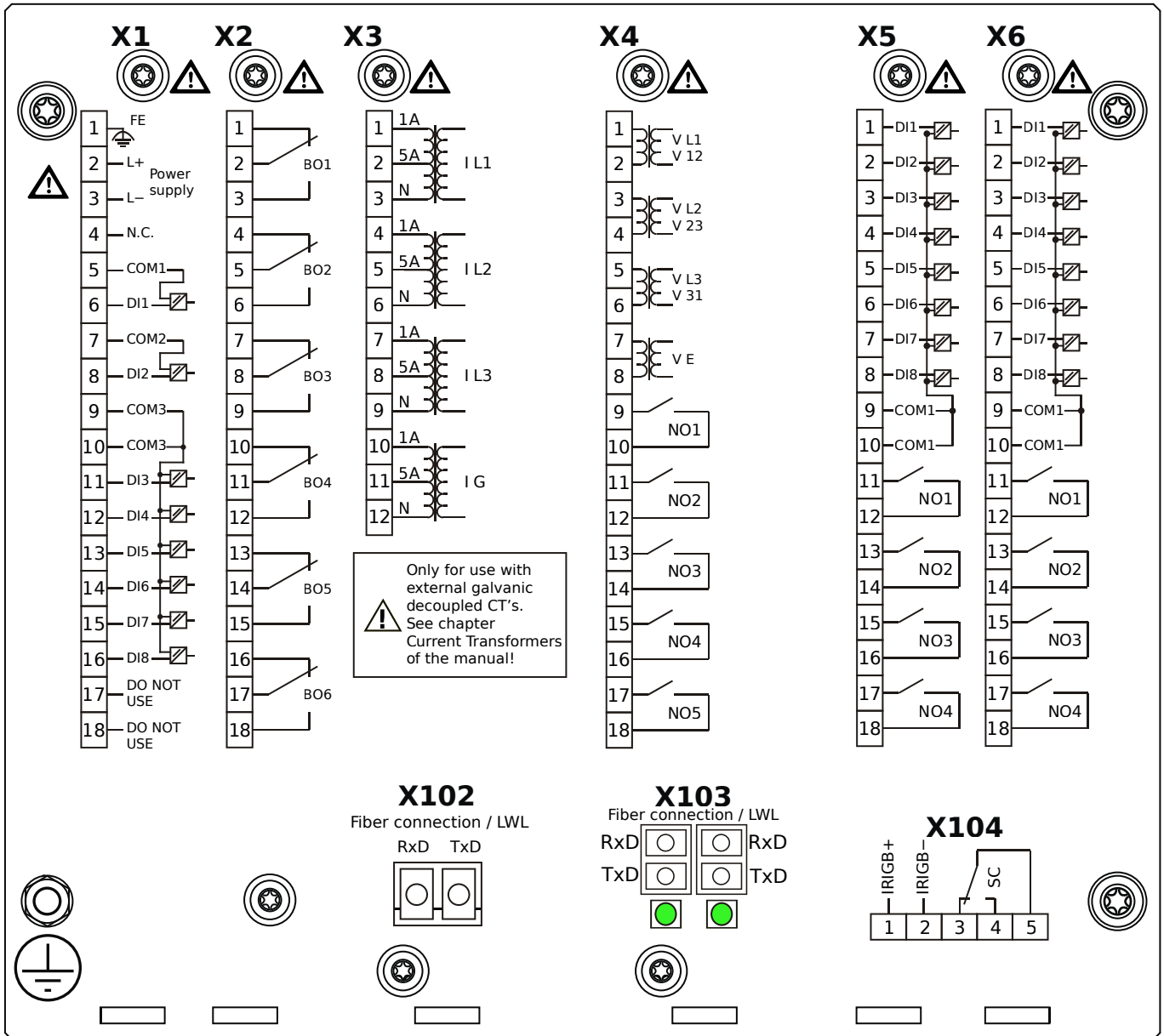
MCDLV4-2E0A00A



Housing B2, large display, door mounting

- X1** – DI8-X1: Wide-range power supply unit, incl. 2 non-grouped digital inputs and 6 grouped digital inputs
- X2** – OR6: Assembly Group with 6 Output Relays (Changeover / Form C)
- X3** – TI: Standard current measuring card
- X4** – TU-OR5: Voltage measuring (0 ... 300 VAC) assembly group with 5 additional Output Relays (NO / Form A)
- X5** – DI8-OR4: Assembly Group with 8 Digital Inputs and 4 Output Relays (NO / Form A)
- X6** – DI8-OR4: Assembly Group with 8 Digital Inputs and 4 Output Relays (NO / Form A)
- X102** – Long-distance Protection Communication, Fiber optics interface, LC Connector
- X103** – Modbus TCP / IEC 60870-5-104 / DNP3.0 TCP/UDP, Redundant Fiber optics interface, LC Connector
- X104** – IRIG-B00X, incl. System Contact (Supervision Contact)

MCDLV4-2E0A00B

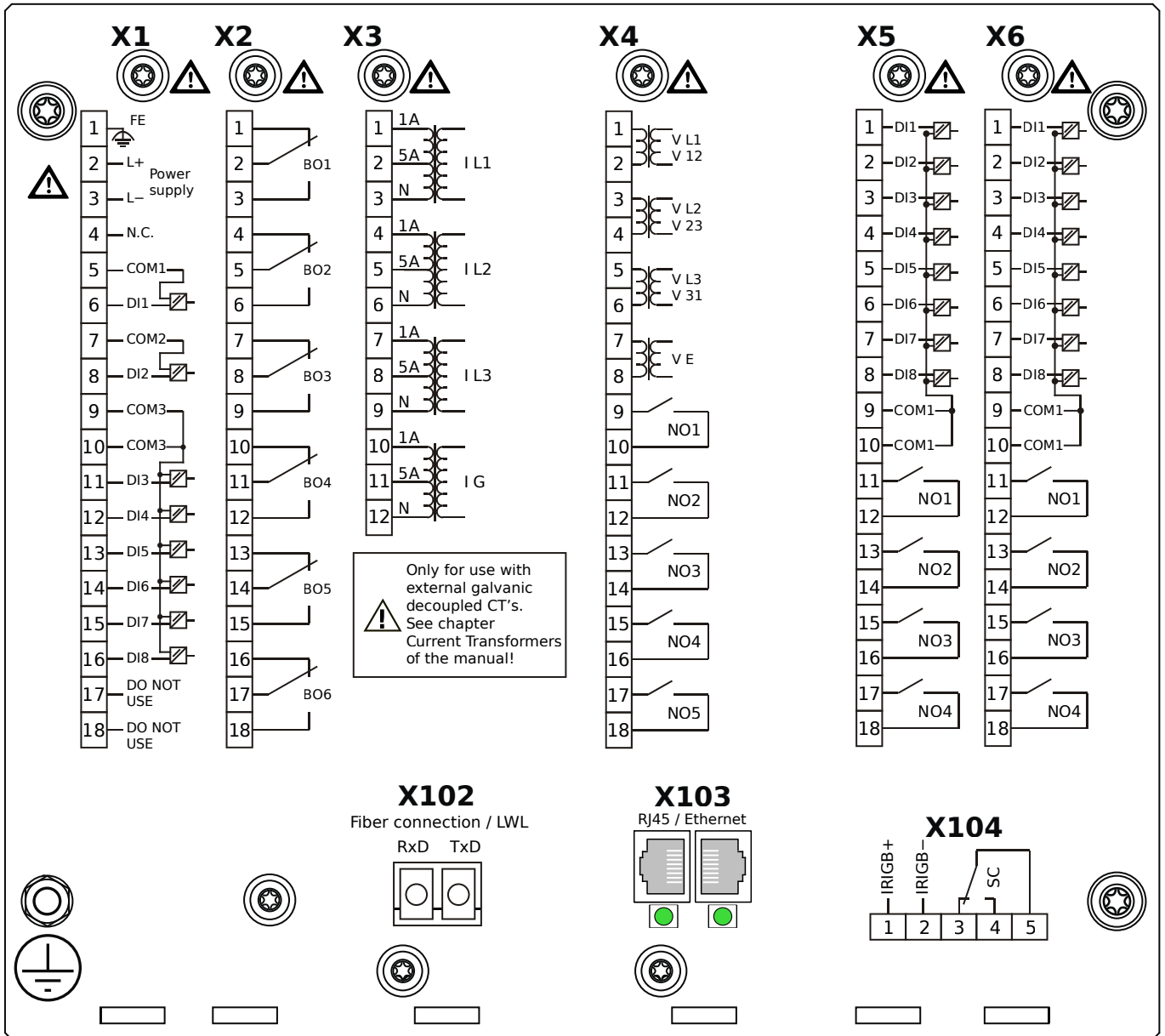


Housing B2, large display, door mounting

- + Conformal Coating (for installations in harsh environment)

- X1** – DI8-X1: Wide-range power supply unit, incl. 2 non-grouped digital inputs and 6 grouped digital inputs
- X2** – OR6: Assembly Group with 6 Output Relays (Changeover / Form C)
- X3** – TI: Standard current measuring card
- X4** – TU-OR5: Voltage measuring (0 ... 300 VAC) assembly group with 5 additional Output Relays (NO / Form A)
- X5** – DI8-OR4: Assembly Group with 8 Digital Inputs and 4 Output Relays (NO / Form A)
- X6** – DI8-OR4: Assembly Group with 8 Digital Inputs and 4 Output Relays (NO / Form A)
- X102** – Long-distance Protection Communication, Fiber optics interface, LC Connector
- X103** – Modbus TCP / IEC 60870-5-104 / DNP3.0 TCP/UDP, Redundant Fiber optics interface, LC Connector
- X104** – IRIG-B00X, incl. System Contact (Supervision Contact)

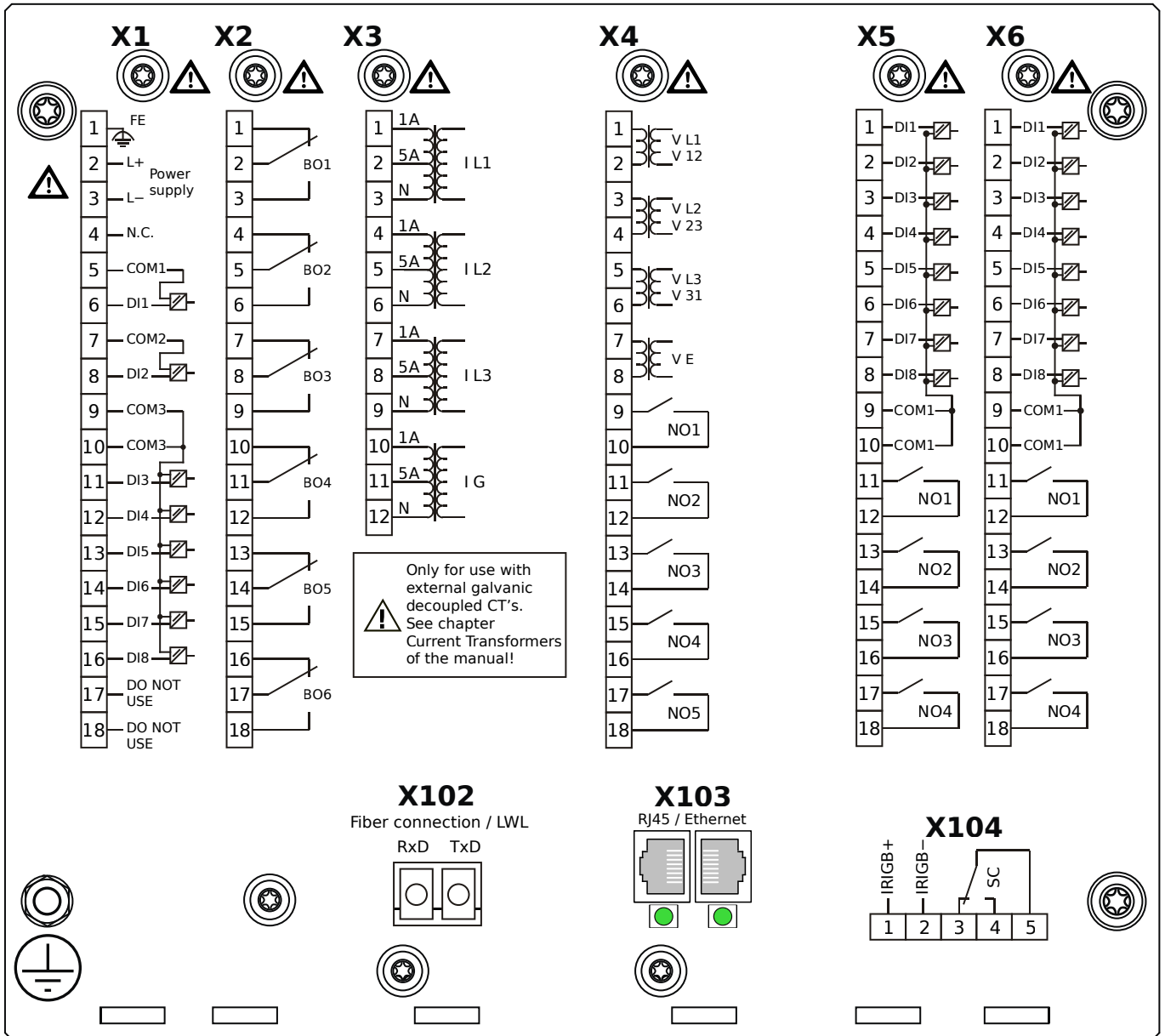
MCDLV4-2E0A0PA



Housing B2, large display, door mounting

- X1** – DI8-X1: Wide-range power supply unit, incl. 2 non-grouped digital inputs and 6 grouped digital inputs
- X2** – OR6: Assembly Group with 6 Output Relays (Changeover / Form C)
- X3** – TI: Standard current measuring card
- X4** – TU-OR5: Voltage measuring (0 ... 300 VAC) assembly group with 5 additional Output Relays (NO / Form A)
- X5** – DI8-OR4: Assembly Group with 8 Digital Inputs and 4 Output Relays (NO / Form A)
- X6** – DI8-OR4: Assembly Group with 8 Digital Inputs and 4 Output Relays (NO / Form A)
- X102** – Long-distance Protection Communication, Fiber optics interface, LC Connector
- X103** – Modbus TCP / IEC 60870-5-104 / DNP3.0 TCP/UDP, Redundant Ethernet interface, 100 Mbit/s, RJ45 (BASE100-FX)
- X104** – IRIG-B00X, incl. System Contact (Supervision Contact)

MCDLV4-2E0A0PB

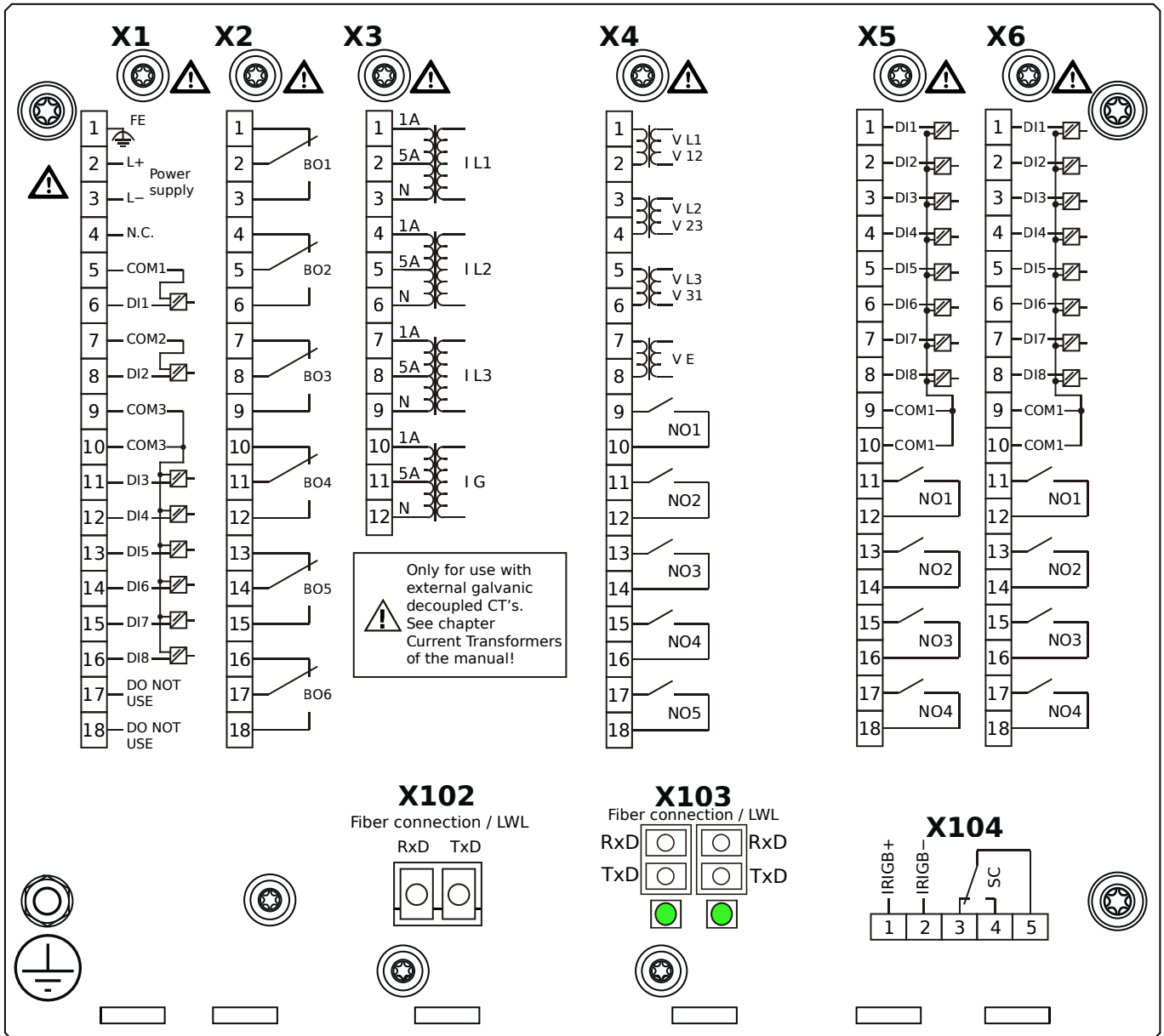


Housing B2, large display, door mounting

- + Conformal Coating (for installations in harsh environment)

- X1** – DI8-X1: Wide-range power supply unit, incl. 2 non-grouped digital inputs and 6 grouped digital inputs
- X2** – OR6: Assembly Group with 6 Output Relays (Changeover / Form C)
- X3** – TI: Standard current measuring card
- X4** – TU-OR5: Voltage measuring (0 ... 300 VAC) assembly group with 5 additional Output Relays (NO / Form A)
- X5** – DI8-OR4: Assembly Group with 8 Digital Inputs and 4 Output Relays (NO / Form A)
- X6** – DI8-OR4: Assembly Group with 8 Digital Inputs and 4 Output Relays (NO / Form A)
- X102** – Long-distance Protection Communication, Fiber optics interface, LC Connector
- X103** – Modbus TCP / IEC 60870-5-104 / DNP3.0 TCP/UDP, Redundant Ethernet interface, 100 Mbit/s, RJ45 (BASE100-FX)
- X104** – IRIG-B00X, incl. System Contact (Supervision Contact)

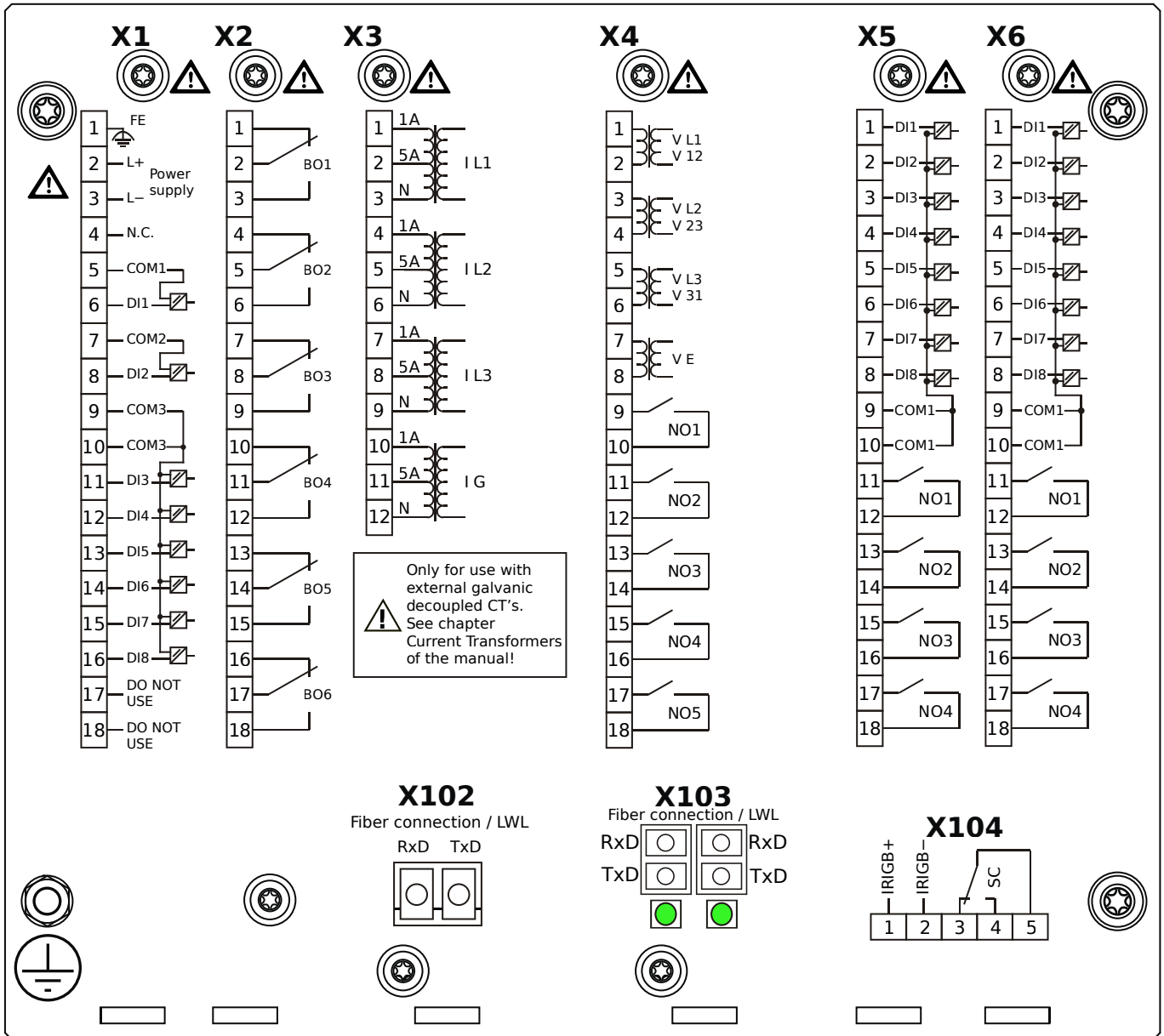
MCDLV4-2E0A0QA



Housing B2, large display, door mounting

- X1** – DI8-X1: Wide-range power supply unit, incl. 2 non-grouped digital inputs and 6 grouped digital inputs
- X2** – OR6: Assembly Group with 6 Output Relays (Changeover / Form C)
- X3** – TI: Standard current measuring card
- X4** – TU-OR5: Voltage measuring (0 ... 300 VAC) assembly group with 5 additional Output Relays (NO / Form A)
- X5** – DI8-OR4: Assembly Group with 8 Digital Inputs and 4 Output Relays (NO / Form A)
- X6** – DI8-OR4: Assembly Group with 8 Digital Inputs and 4 Output Relays (NO / Form A)
- X102** – Long-distance Protection Communication, Fiber optics interface, LC Connector
- X103** – IEC 61850 / Modbus TCP / IEC 60870-5-104 / DNP3.0 TCP/UDP, Redundant Fiber optics interface, LC Connector
- X104** – IRIG-B00X, incl. System Contact (Supervision Contact)

MCDLV4-2E0A0QB

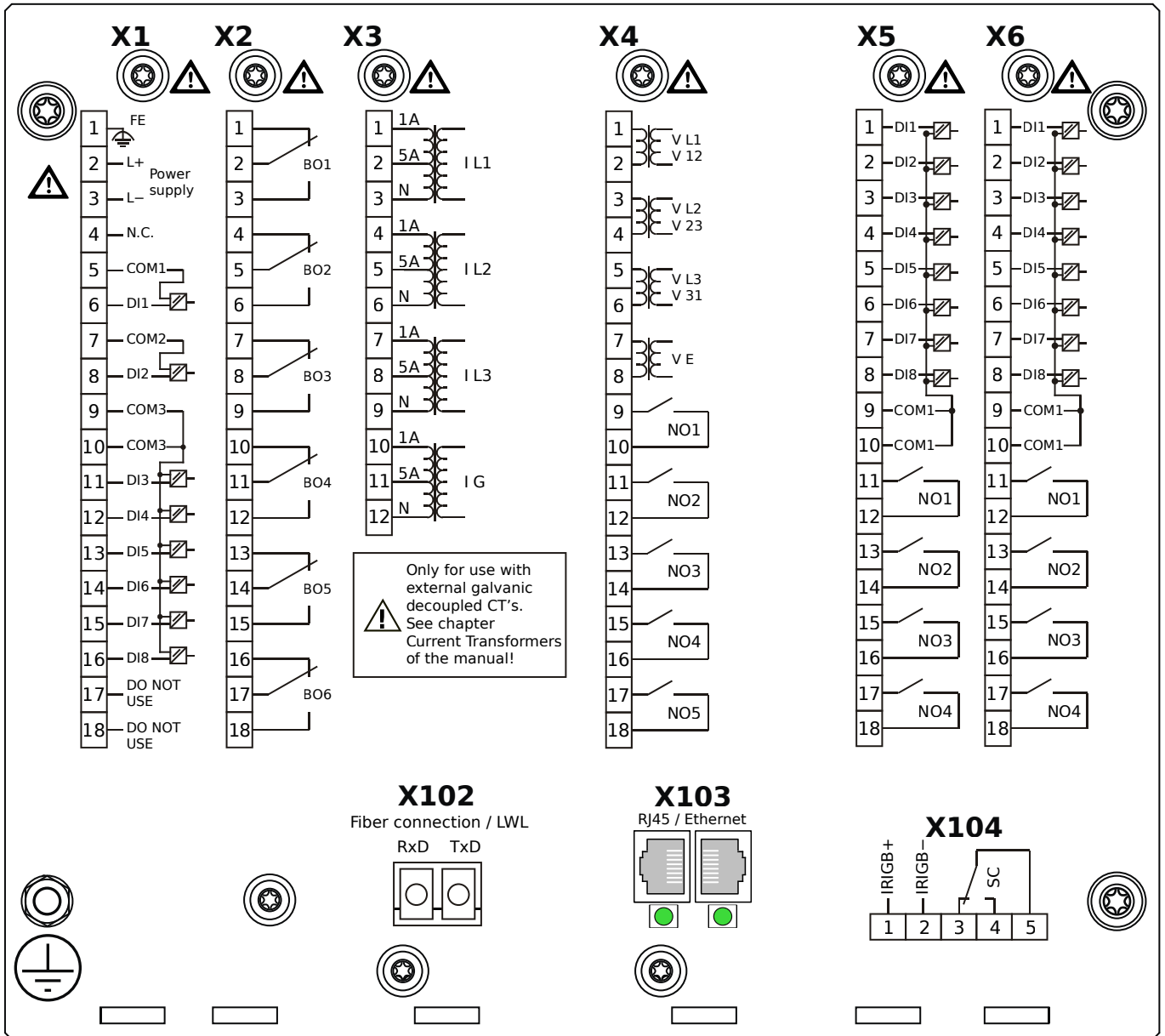


Housing B2, large display, door mounting

- + Conformal Coating (for installations in harsh environment)

- X1** – DI8-X1: Wide-range power supply unit, incl. 2 non-grouped digital inputs and 6 grouped digital inputs
- X2** – OR6: Assembly Group with 6 Output Relays (Changeover / Form C)
- X3** – TI: Standard current measuring card
- X4** – TU-OR5: Voltage measuring (0 ... 300 VAC) assembly group with 5 additional Output Relays (NO / Form A)
- X5** – DI8-OR4: Assembly Group with 8 Digital Inputs and 4 Output Relays (NO / Form A)
- X6** – DI8-OR4: Assembly Group with 8 Digital Inputs and 4 Output Relays (NO / Form A)
- X102** – Long-distance Protection Communication, Fiber optics interface, LC Connector
- X103** – IEC 61850 / Modbus TCP / IEC 60870-5-104 / DNP3.0 TCP/UDP, Redundant Fiber optics interface, LC Connector
- X104** – IRIG-B00X, incl. System Contact (Supervision Contact)

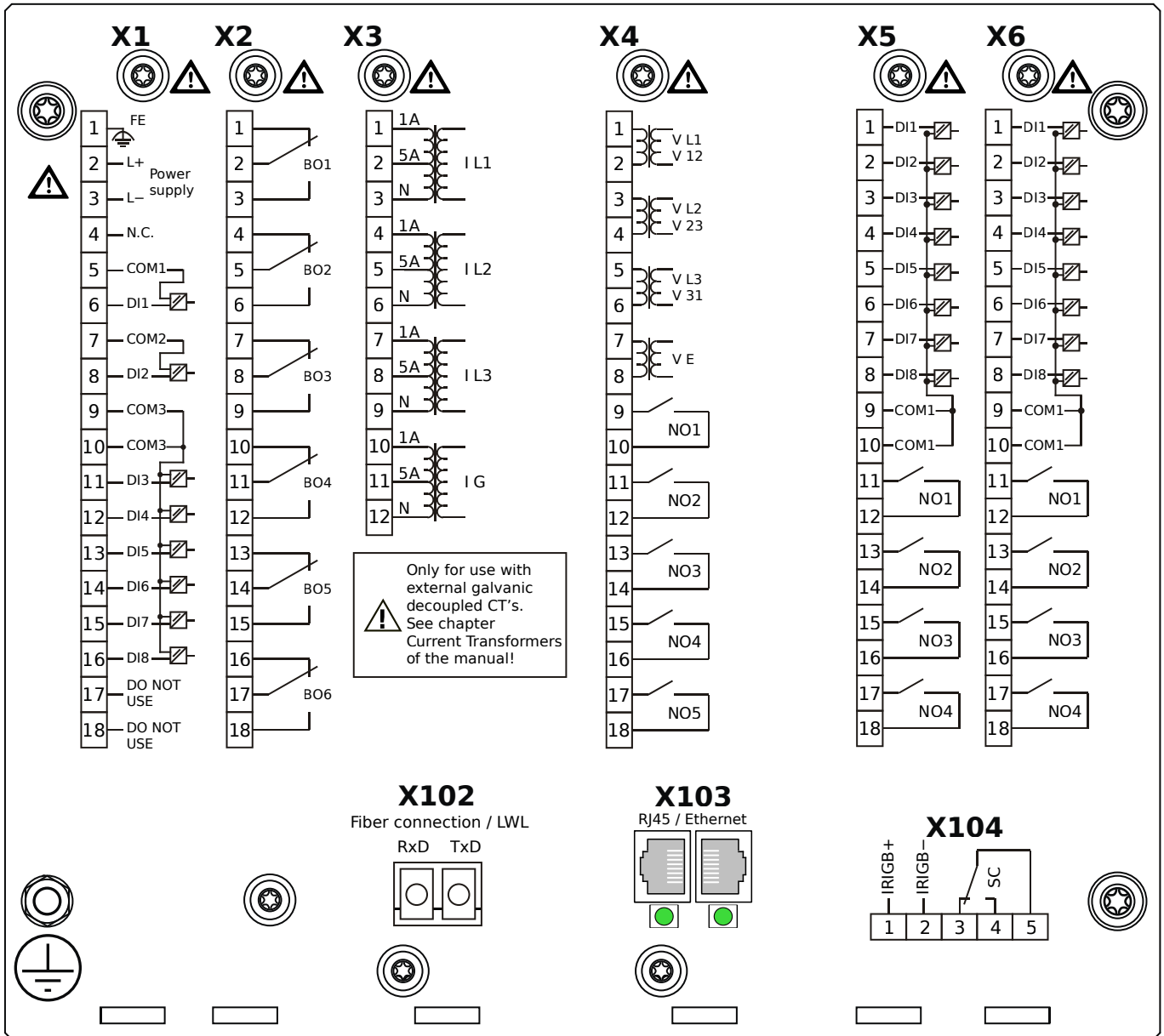
MCDLV4-2E0A0RA



Housing B2, large display, door mounting

- X1** – DI8-X1: Wide-range power supply unit, incl. 2 non-grouped digital inputs and 6 grouped digital inputs
 - X2** – OR6: Assembly Group with 6 Output Relays (Changeover / Form C)
 - X3** – TI: Standard current measuring card
 - X4** – TU-OR5: Voltage measuring (0 ... 300 VAC) assembly group with 5 additional Output Relays (NO / Form A)
 - X5** – DI8-OR4: Assembly Group with 8 Digital Inputs and 4 Output Relays (NO / Form A)
 - X6** – DI8-OR4: Assembly Group with 8 Digital Inputs and 4 Output Relays (NO / Form A)
 - X102** – Long-distance Protection Communication, Fiber optics interface, LC Connector
 - X103** – IEC 61850 / Modbus TCP / IEC 60870-5-104 / DNP3.0 TCP/UDP, Redundant Ethernet interface, 100 Mbit/s, RJ45
 - X104** – IRIG-B00X, incl. System Contact (Supervision Contact)
- (BASE100-FX)

MCDLV4-2E0A0RB



Housing B2, large display, door mounting

- + Conformal Coating (for installations in harsh environment)

X1 – DI8-X1: Wide-range power supply unit, incl. 2 non-grouped digital inputs and 6 grouped digital inputs

X2 – OR6: Assembly Group with 6 Output Relays (Changeover / Form C)

X3 – TI: Standard current measuring card

X4 – TU-OR5: Voltage measuring (0 ... 300 VAC) assembly group with 5 additional Output Relays (NO / Form A)

X5 – DI8-OR4: Assembly Group with 8 Digital Inputs and 4 Output Relays (NO / Form A)

X6 – DI8-OR4: Assembly Group with 8 Digital Inputs and 4 Output Relays (NO / Form A)

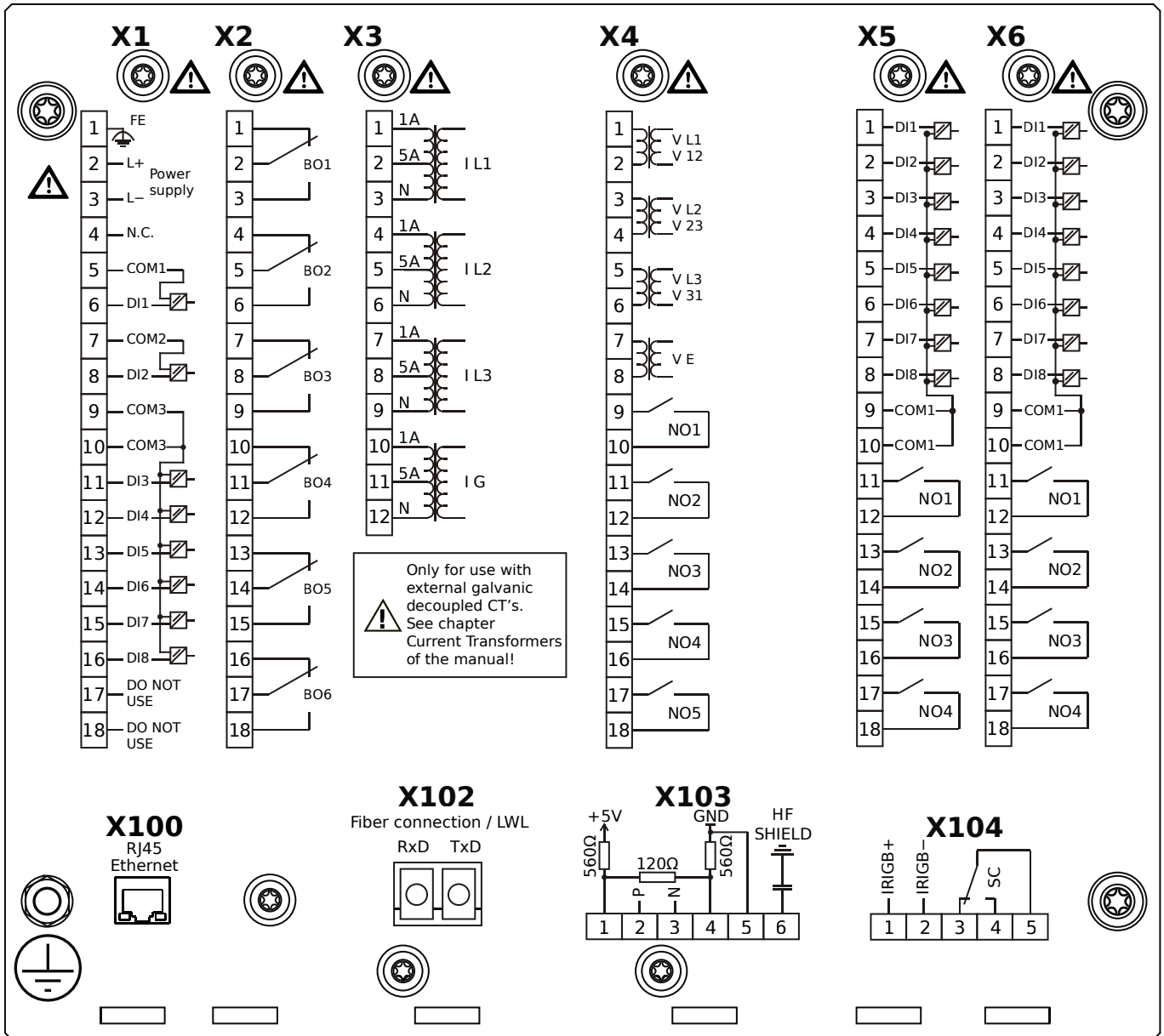
X102 – Long-distance Protection Communication, Fiber optics interface, LC Connector

X103 – IEC 61850 / Modbus TCP / IEC 60870-5-104 / DNP3.0 TCP/UDP, Redundant Ethernet interface, 100 Mbit/s, RJ45

(BASE100-FX)

X104 – IRIG-B00X, incl. System Contact (Supervision Contact)

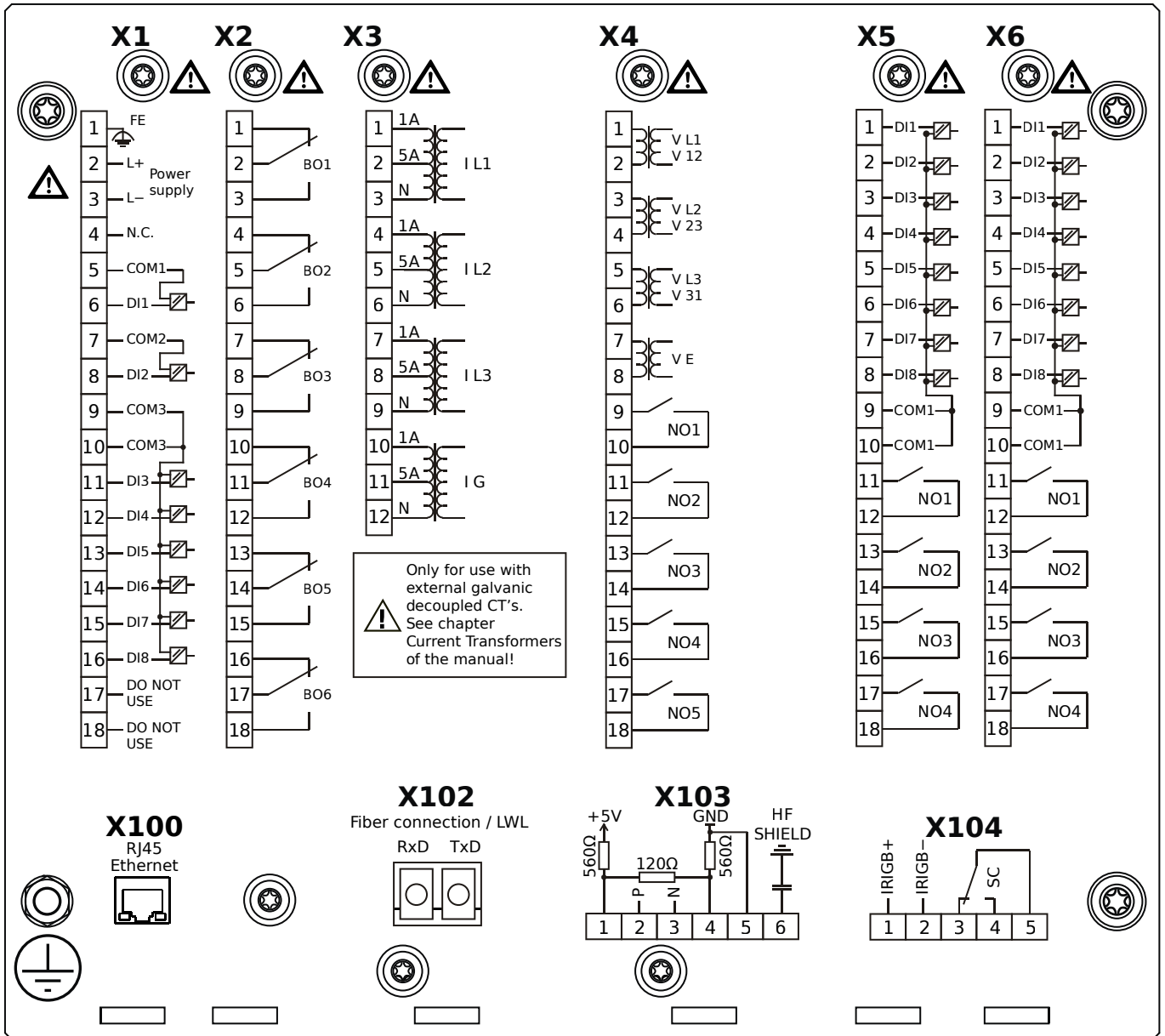
MCDLV4-2E0A0TA



Housing B2, large display, door mounting

- X1** – DI8-X1: Wide-range power supply unit, incl. 2 non-grouped digital inputs and 6 grouped digital inputs
- X2** – OR6: Assembly Group with 6 Output Relays (Changeover / Form C)
- X3** – TI: Standard current measuring card
- X4** – TU-OR5: Voltage measuring (0 ... 300 VAC) assembly group with 5 additional Output Relays (NO / Form A)
- X5** – DI8-OR4: Assembly Group with 8 Digital Inputs and 4 Output Relays (NO / Form A)
- X6** – DI8-OR4: Assembly Group with 8 Digital Inputs and 4 Output Relays (NO / Form A)
- X100** – IEC 61850 / Modbus TCP / IEC 60870-5-104 / DNP3.0 TCP/UDP, Ethernet interface, 100 Mbit/s, RJ45 (BASE100-FX)
- X102** – Long-distance Protection Communication, Fiber optics interface, LC Connector
- X103** – IEC 60870-5-103 / Modbus RTU / DNP3.0 RTU, RS485, Terminals
- X104** – IRIG-B00X, incl. System Contact (Supervision Contact)

MCDLV4-2E0A0TB

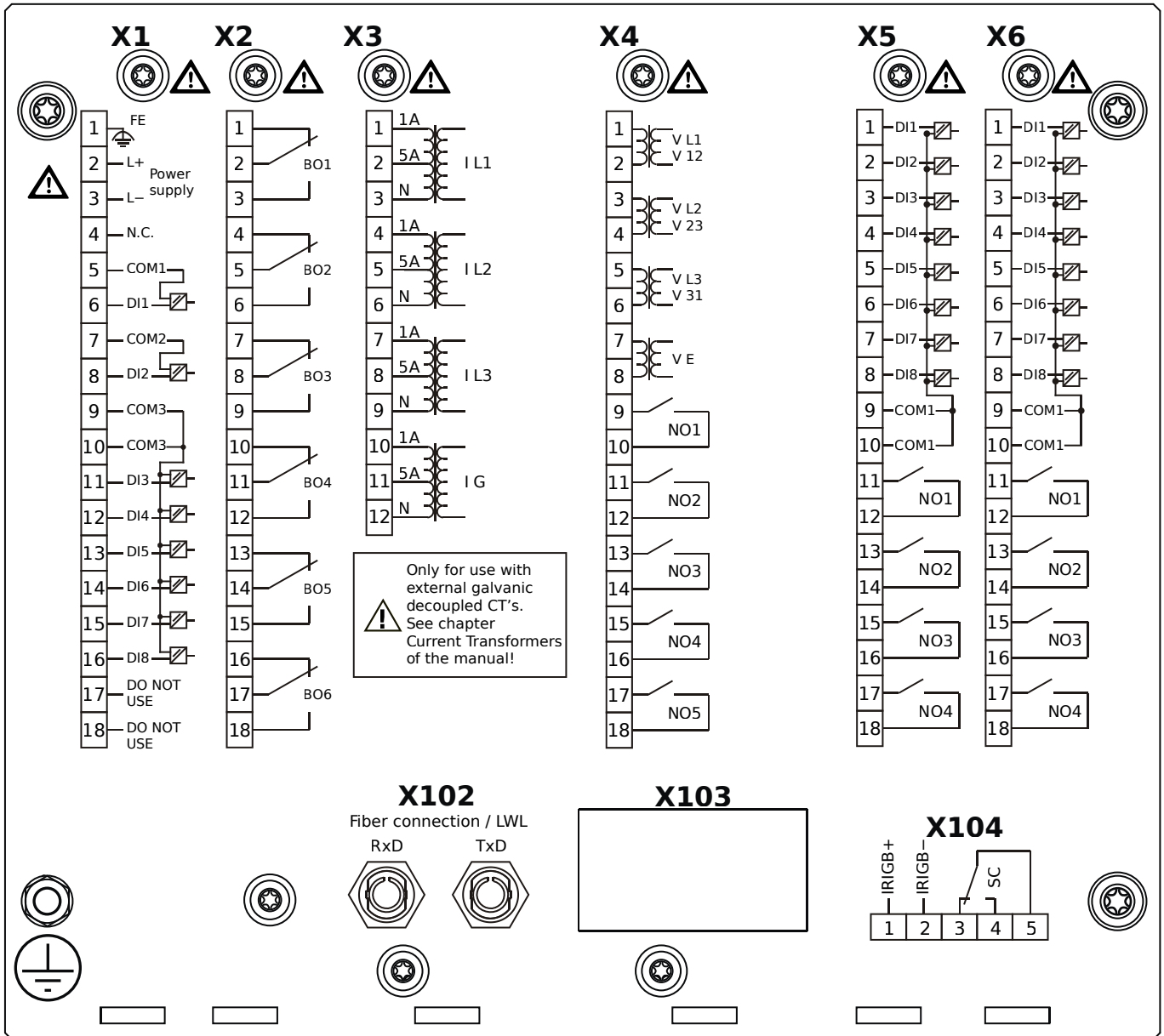


Housing B2, large display, door mounting

+ Conformal Coating (for installations in harsh environment)

- X1** – DI8-X1: Wide-range power supply unit, incl. 2 non-grouped digital inputs and 6 grouped digital inputs
- X2** – OR6: Assembly Group with 6 Output Relays (Changeover / Form C)
- X3** – TI: Standard current measuring card
- X4** – TU-OR5: Voltage measuring (0 ... 300 VAC) assembly group with 5 additional Output Relays (NO / Form A)
- X5** – DI8-OR4: Assembly Group with 8 Digital Inputs and 4 Output Relays (NO / Form A)
- X6** – DI8-OR4: Assembly Group with 8 Digital Inputs and 4 Output Relays (NO / Form A)
- X100** – IEC 61850 / Modbus TCP / IEC 60870-5-104 / DNP3.0 TCP/UDP, Ethernet interface, 100 Mbit/s, RJ45 (BASE100-FX)
- X102** – Long-distance Protection Communication, Fiber optics interface, LC Connector
- X103** – IEC 60870-5-103 / Modbus RTU / DNP3.0 RTU, RS485, Terminals
- X104** – IRIG-B00X, incl. System Contact (Supervision Contact)

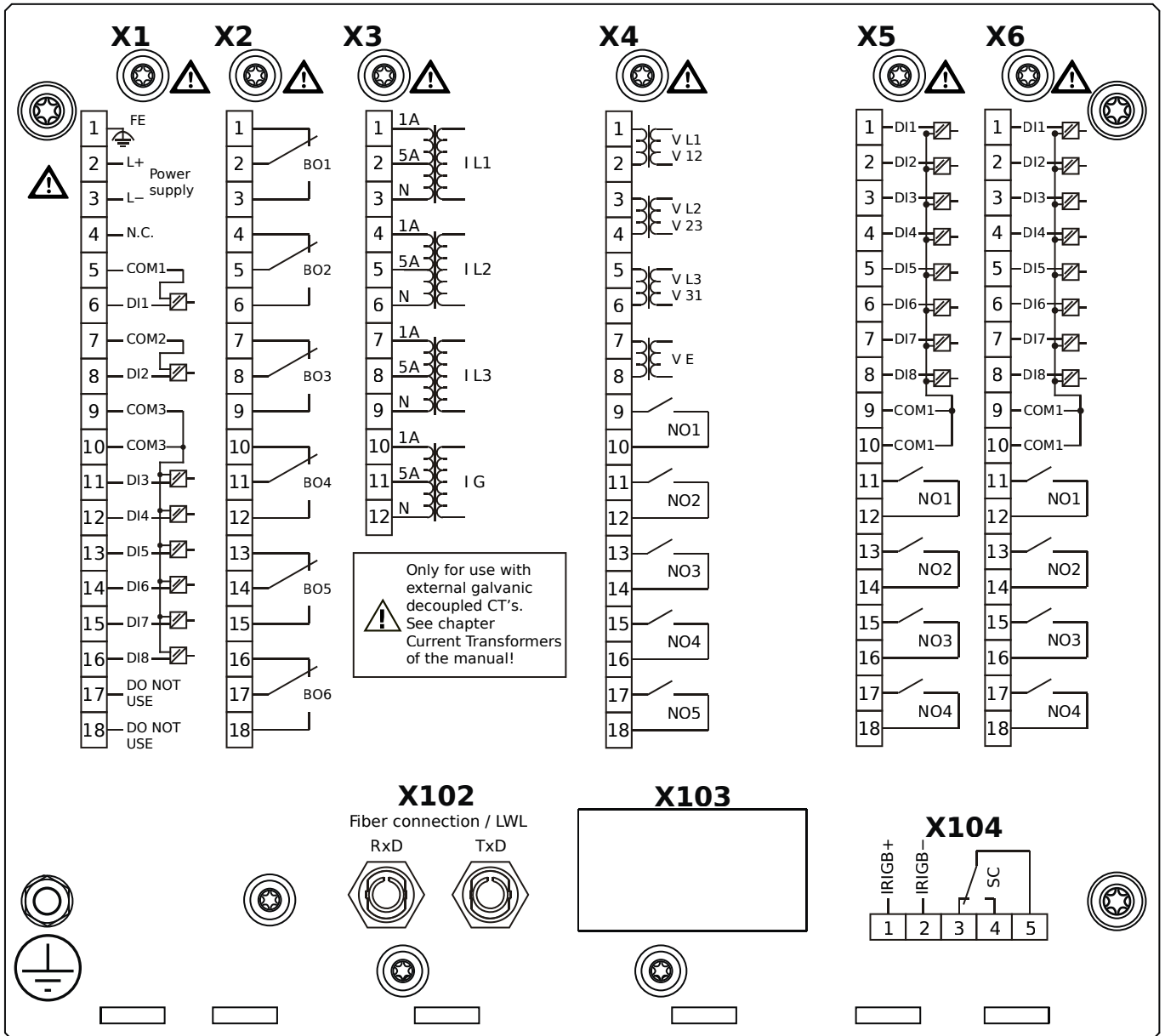
MCDLV4-2E0A1AA



Housing B2, large display, door mounting

- X1** – DI8-X1: Wide-range power supply unit, incl. 2 non-grouped digital inputs and 6 grouped digital inputs
- X2** – OR6: Assembly Group with 6 Output Relays (Changeover / Form C)
- X3** – TI: Standard current measuring card
- X4** – TU-OR5: Voltage measuring (0 ... 300 VAC) assembly group with 5 additional Output Relays (NO / Form A)
- X5** – DI8-OR4: Assembly Group with 8 Digital Inputs and 4 Output Relays (NO / Form A)
- X6** – DI8-OR4: Assembly Group with 8 Digital Inputs and 4 Output Relays (NO / Form A)
- X102** – Protection Communication, Fiber optics interface, ST Connector
- X104** – IRIG-B00X, incl. System Contact (Supervision Contact)

MCDLV4-2E0A1AB

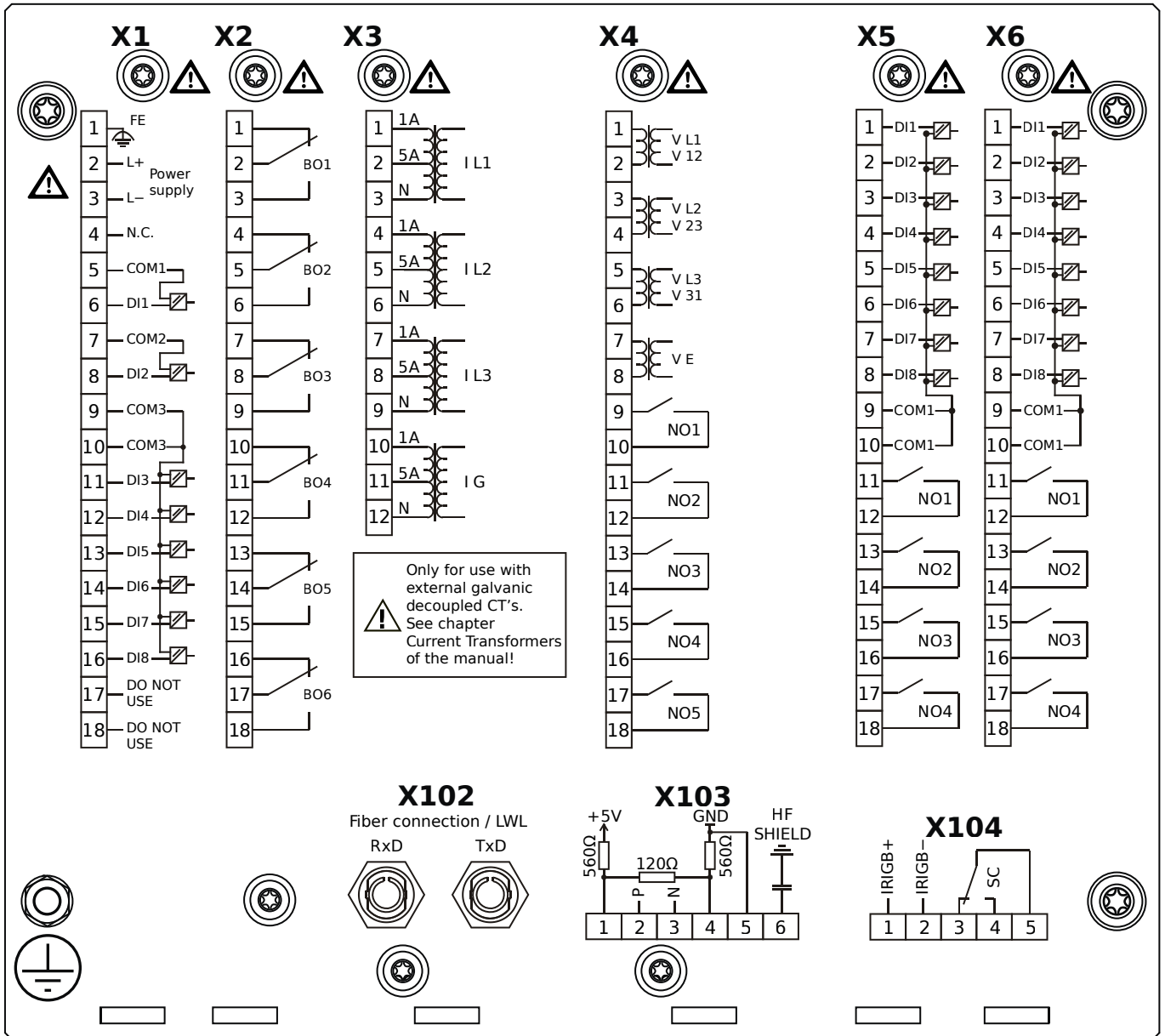


Housing B2, large display, door mounting

- + Conformal Coating (for installations in harsh environment)

- X1** – DI8-X1: Wide-range power supply unit, incl. 2 non-grouped digital inputs and 6 grouped digital inputs
- X2** – OR6: Assembly Group with 6 Output Relays (Changeover / Form C)
- X3** – TI: Standard current measuring card
- X4** – TU-OR5: Voltage measuring (0 ... 300 VAC) assembly group with 5 additional Output Relays (NO / Form A)
- X5** – DI8-OR4: Assembly Group with 8 Digital Inputs and 4 Output Relays (NO / Form A)
- X6** – DI8-OR4: Assembly Group with 8 Digital Inputs and 4 Output Relays (NO / Form A)
- X102** – Protection Communication, Fiber optics interface, ST Connector
- X104** – IRIG-B00X, incl. System Contact (Supervision Contact)

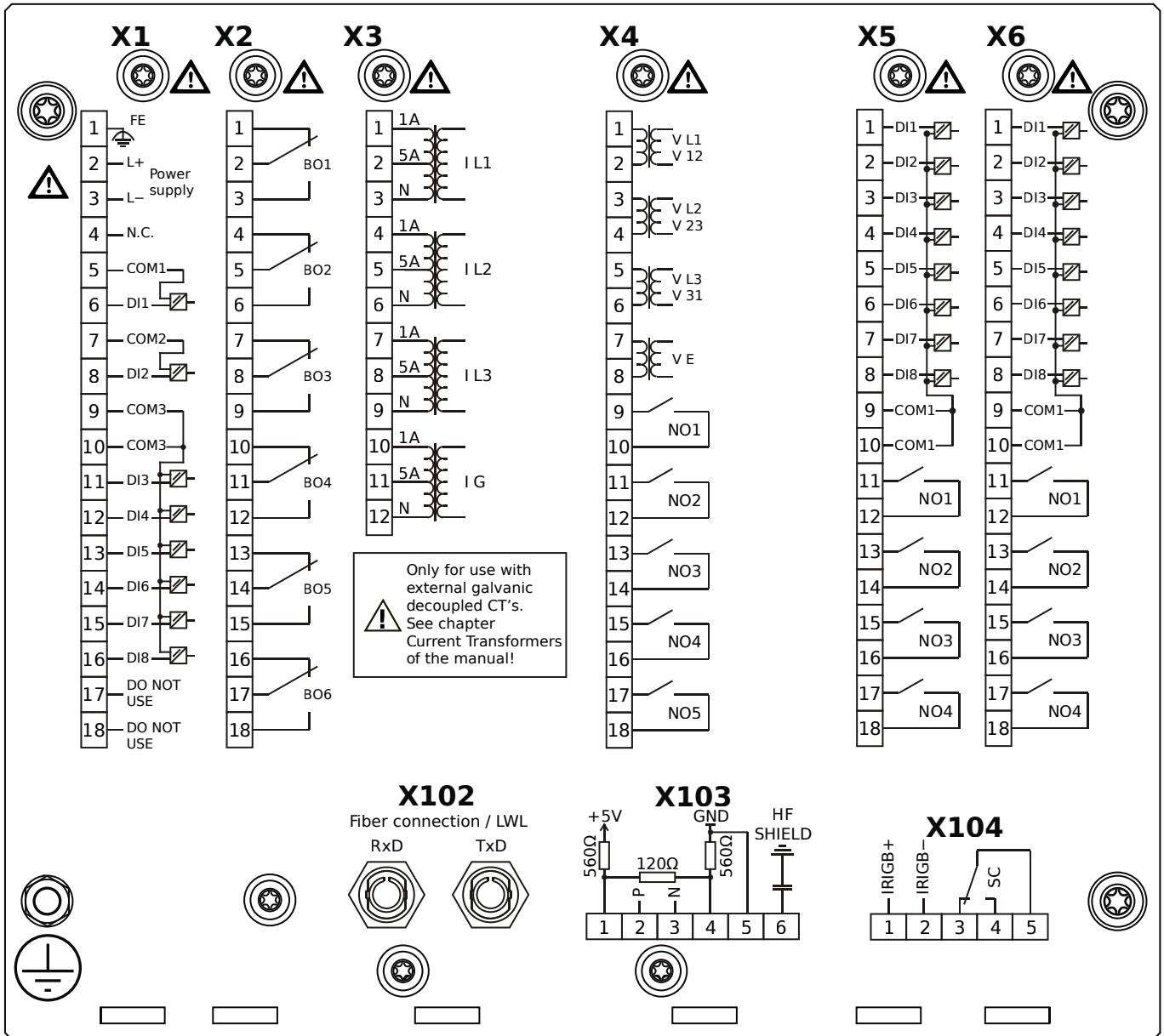
MCDLV4-2E0A1BA



Housing B2, large display, door mounting

- X1** – DI8-X1: Wide-range power supply unit, incl. 2 non-grouped digital inputs and 6 grouped digital inputs
- X2** – OR6: Assembly Group with 6 Output Relays (Changeover / Form C)
- X3** – TI: Standard current measuring card
- X4** – TU-OR5: Voltage measuring (0 ... 300 VAC) assembly group with 5 additional Output Relays (NO / Form A)
- X5** – DI8-OR4: Assembly Group with 8 Digital Inputs and 4 Output Relays (NO / Form A)
- X6** – DI8-OR4: Assembly Group with 8 Digital Inputs and 4 Output Relays (NO / Form A)
- X102** – Protection Communication, Fiber optics interface, ST Connector
- X103** – Modbus RTU / IEC 60870-5-103 / DNP3.0 RTU, RS485, Terminals
- X104** – IRIG-B00X, incl. System Contact (Supervision Contact)

MCDLV4-2E0A1BB

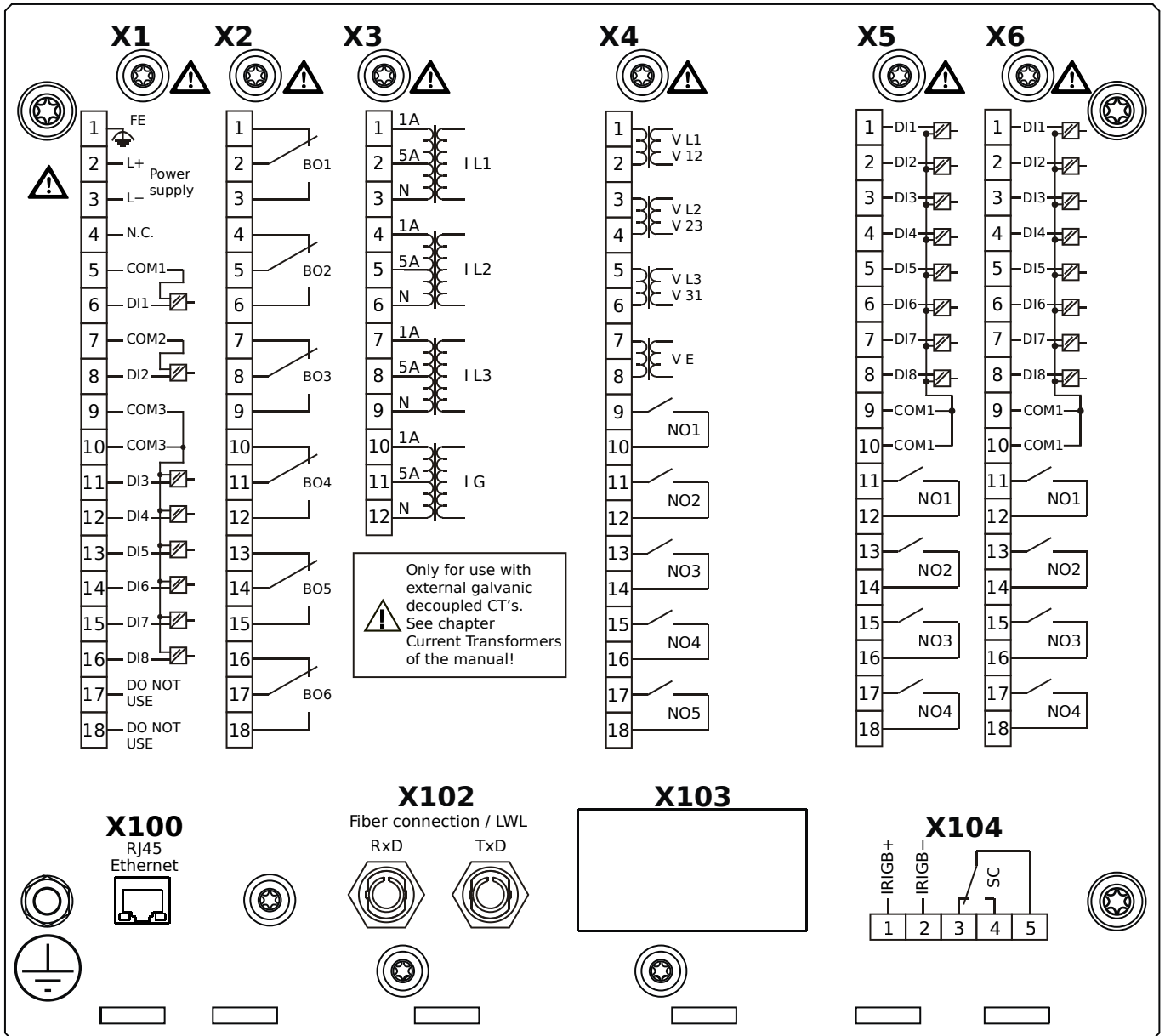


Housing B2, large display, door mounting

- + Conformal Coating (for installations in harsh environment)

- X1** – DI8-X1: Wide-range power supply unit, incl. 2 non-grouped digital inputs and 6 grouped digital inputs
- X2** – OR6: Assembly Group with 6 Output Relays (Changeover / Form C)
- X3** – TI: Standard current measuring card
- X4** – TU-OR5: Voltage measuring (0 ... 300 VAC) assembly group with 5 additional Output Relays (NO / Form A)
- X5** – DI8-OR4: Assembly Group with 8 Digital Inputs and 4 Output Relays (NO / Form A)
- X6** – DI8-OR4: Assembly Group with 8 Digital Inputs and 4 Output Relays (NO / Form A)
- X102** – Protection Communication, Fiber optics interface, ST Connector
- X103** – Modbus RTU / IEC 60870-5-103 / DNP3.0 RTU, RS485, Terminals
- X104** – IRIG-B00X, incl. System Contact (Supervision Contact)

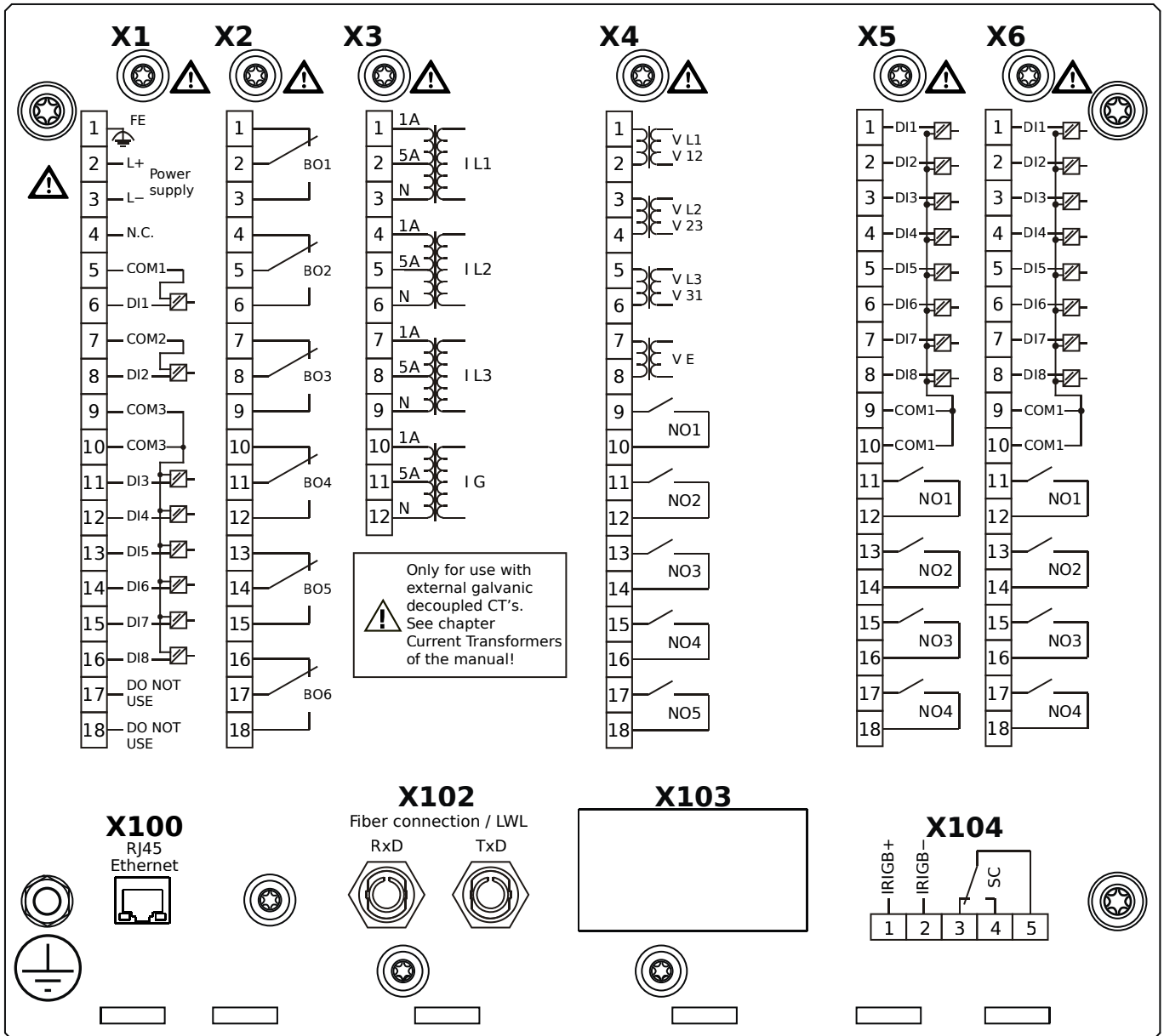
MCDLV4-2E0A1CA



Housing B2, large display, door mounting

- X1** – DI8-X1: Wide-range power supply unit, incl. 2 non-grouped digital inputs and 6 grouped digital inputs
- X2** – OR6: Assembly Group with 6 Output Relays (Changeover / Form C)
- X3** – TI: Standard current measuring card
- X4** – TU-OR5: Voltage measuring (0 ... 300 VAC) assembly group with 5 additional Output Relays (NO / Form A)
- X5** – DI8-OR4: Assembly Group with 8 Digital Inputs and 4 Output Relays (NO / Form A)
- X6** – DI8-OR4: Assembly Group with 8 Digital Inputs and 4 Output Relays (NO / Form A)
- X100** – Modbus TCP / IEC 60870-5-104 / DNP3.0 TCP/UDP, Ethernet interface, 100 Mbit/s, RJ45 (BASE100-FX)
- X102** – Protection Communication, Fiber optics interface, ST Connector
- X104** – IRIG-B00X, incl. System Contact (Supervision Contact)

MCDLV4-2E0A1CB

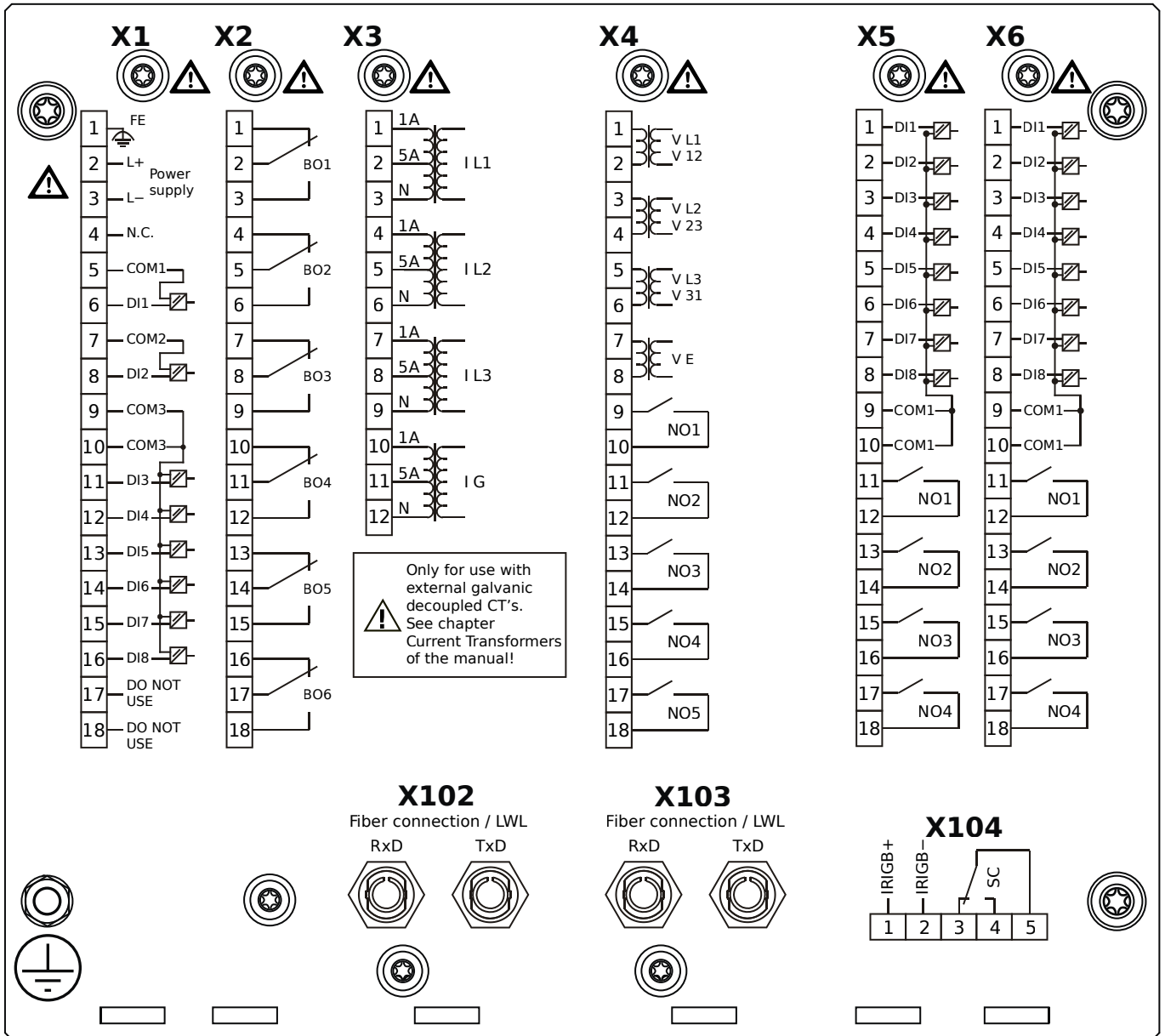


Housing B2, large display, door mounting

- + Conformal Coating (for installations in harsh environment)

- X1** – DI8-X1: Wide-range power supply unit, incl. 2 non-grouped digital inputs and 6 grouped digital inputs
- X2** – OR6: Assembly Group with 6 Output Relays (Changeover / Form C)
- X3** – TI: Standard current measuring card
- X4** – TU-OR5: Voltage measuring (0 ... 300 VAC) assembly group with 5 additional Output Relays (NO / Form A)
- X5** – DI8-OR4: Assembly Group with 8 Digital Inputs and 4 Output Relays (NO / Form A)
- X6** – DI8-OR4: Assembly Group with 8 Digital Inputs and 4 Output Relays (NO / Form A)
- X100** – Modbus TCP / IEC 60870-5-104 / DNP3.0 TCP/UDP, Ethernet interface, 100 Mbit/s, RJ45 (BASE100-FX)
- X102** – Protection Communication, Fiber optics interface, ST Connector
- X104** – IRIG-B00X, incl. System Contact (Supervision Contact)

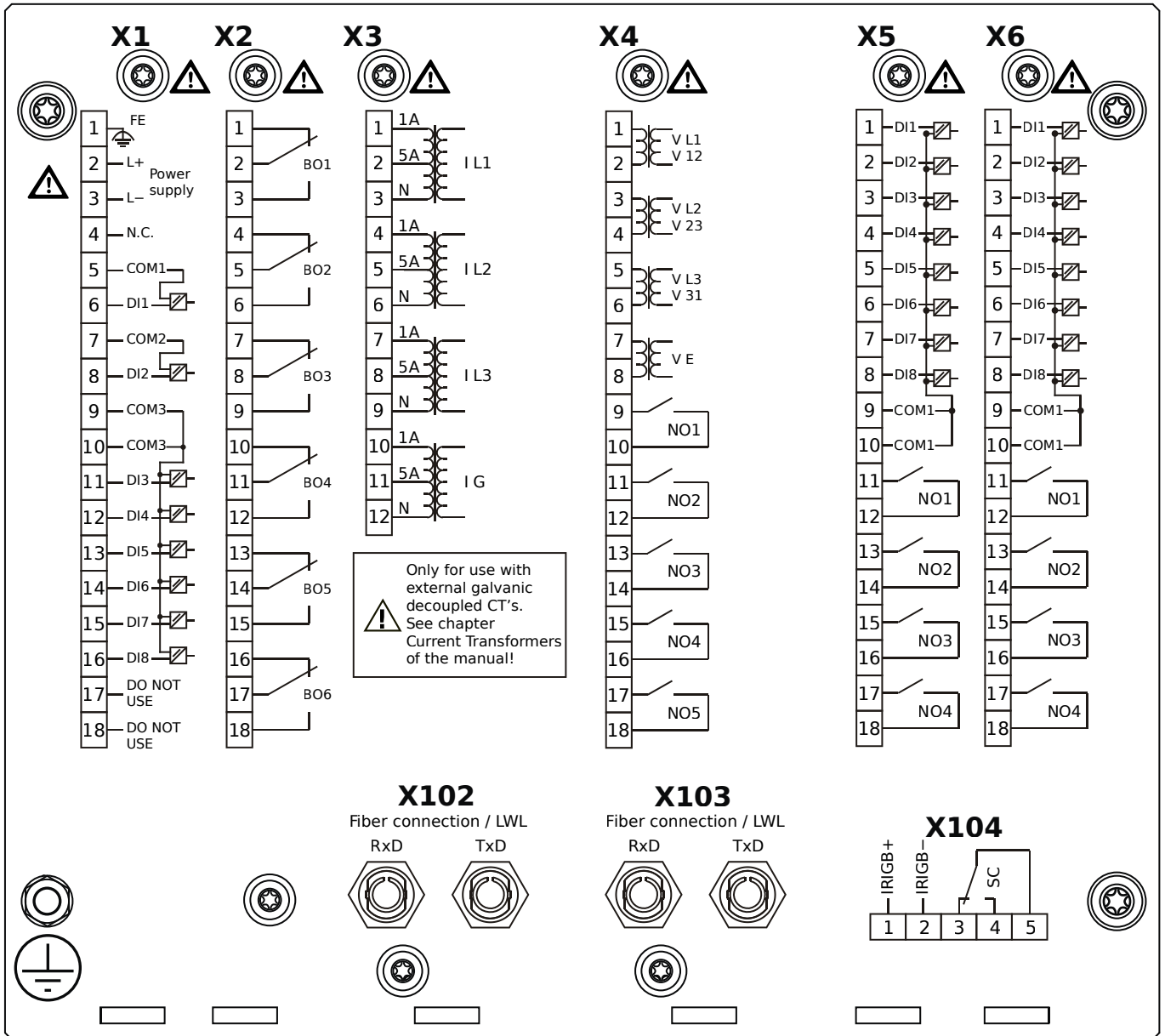
MCDLV4-2E0A1DA



Housing B2, large display, door mounting

- X1** – DI8-X1: Wide-range power supply unit, incl. 2 non-grouped digital inputs and 6 grouped digital inputs
- X2** – OR6: Assembly Group with 6 Output Relays (Changeover / Form C)
- X3** – TI: Standard current measuring card
- X4** – TU-OR5: Voltage measuring (0 ... 300 VAC) assembly group with 5 additional Output Relays (NO / Form A)
- X5** – DI8-OR4: Assembly Group with 8 Digital Inputs and 4 Output Relays (NO / Form A)
- X6** – DI8-OR4: Assembly Group with 8 Digital Inputs and 4 Output Relays (NO / Form A)
- X102** – Protection Communication, Fiber optics interface, ST Connector
- X103** – Profibus-DP, Fiber optics interface, ST Connector
- X104** – IRIG-B00X, incl. System Contact (Supervision Contact)

MCDLV4-2E0A1DB

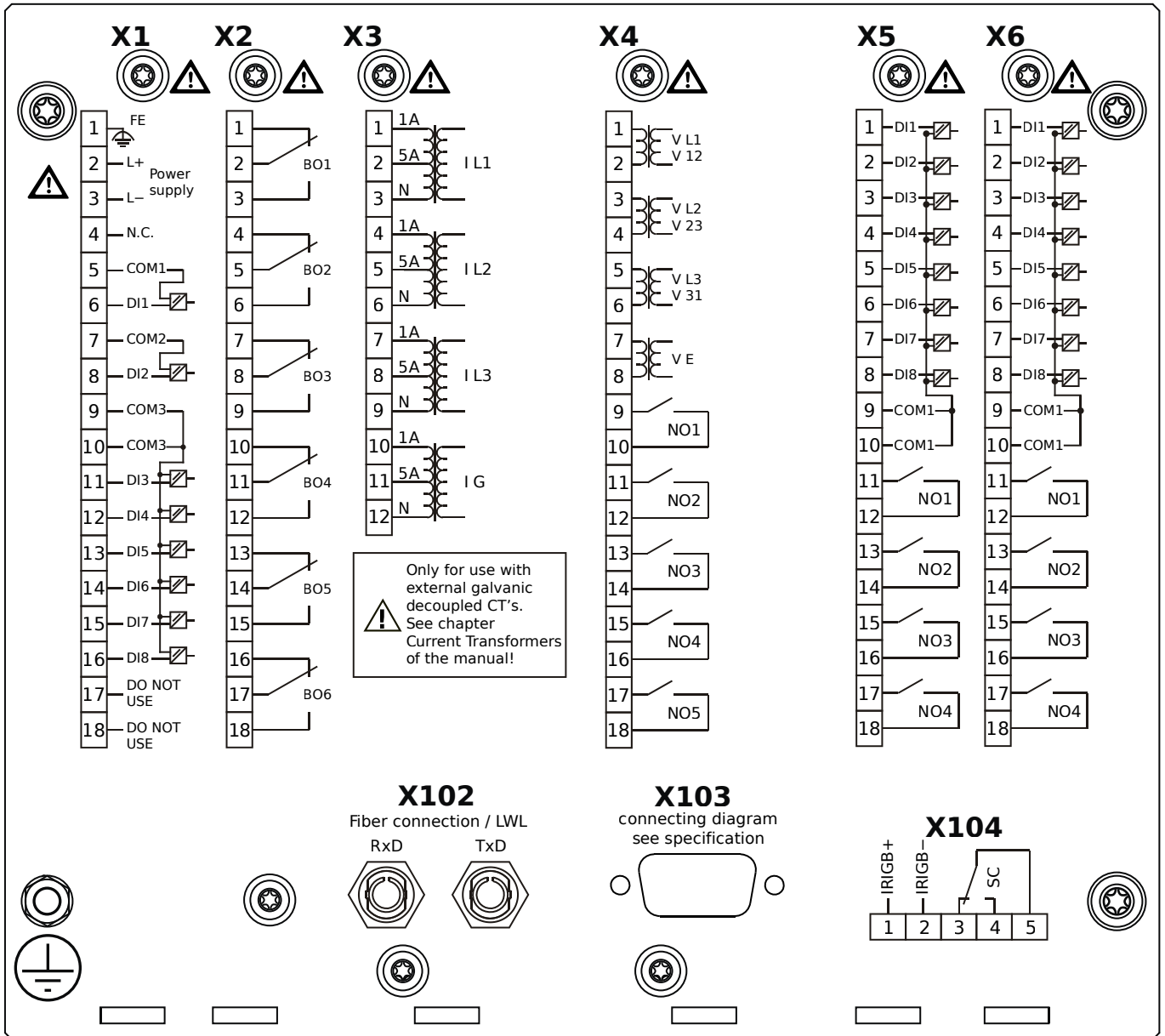


Housing B2, large display, door mounting

- + Conformal Coating (for installations in harsh environment)

- X1** – DI8-X1: Wide-range power supply unit, incl. 2 non-grouped digital inputs and 6 grouped digital inputs
- X2** – OR6: Assembly Group with 6 Output Relays (Changeover / Form C)
- X3** – TI: Standard current measuring card
- X4** – TU-OR5: Voltage measuring (0 ... 300 VAC) assembly group with 5 additional Output Relays (NO / Form A)
- X5** – DI8-OR4: Assembly Group with 8 Digital Inputs and 4 Output Relays (NO / Form A)
- X6** – DI8-OR4: Assembly Group with 8 Digital Inputs and 4 Output Relays (NO / Form A)
- X102** – Protection Communication, Fiber optics interface, ST Connector
- X103** – Profibus-DP, Fiber optics interface, ST Connector
- X104** – IRIG-B00X, incl. System Contact (Supervision Contact)

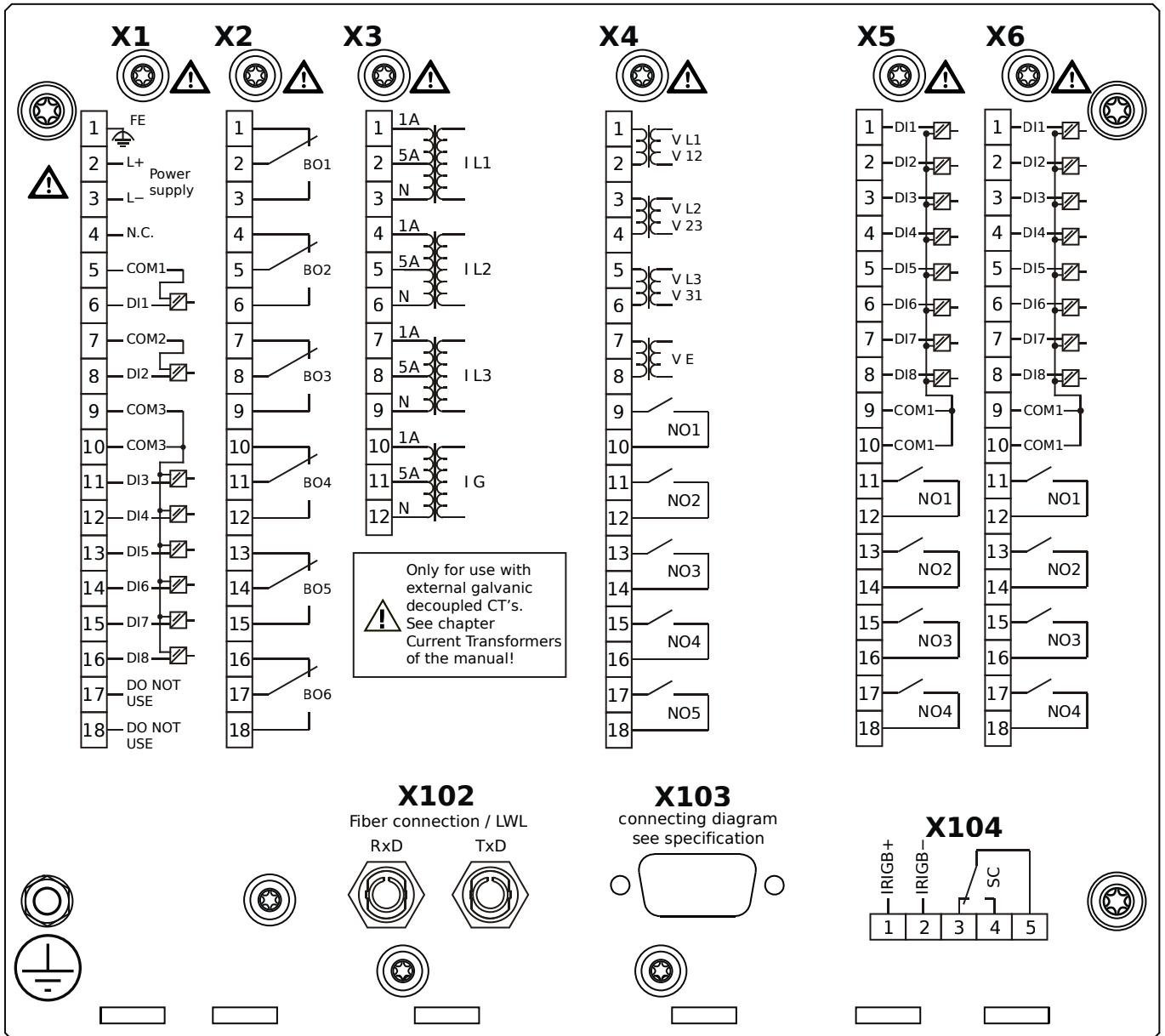
MCDLV4-2E0A1EA



Housing B2, large display, door mounting

- X1** – DI8-X1: Wide-range power supply unit, incl. 2 non-grouped digital inputs and 6 grouped digital inputs
- X2** – OR6: Assembly Group with 6 Output Relays (Changeover / Form C)
- X3** – TI: Standard current measuring card
- X4** – TU-OR5: Voltage measuring (0 ... 300 VAC) assembly group with 5 additional Output Relays (NO / Form A)
- X5** – DI8-OR4: Assembly Group with 8 Digital Inputs and 4 Output Relays (NO / Form A)
- X6** – DI8-OR4: Assembly Group with 8 Digital Inputs and 4 Output Relays (NO / Form A)
- X102** – Protection Communication, Fiber optics interface, ST Connector
- X103** – Profibus-DP, RS485, D-SUB
- X104** – IRIG-B00X, incl. System Contact (Supervision Contact)

MCDLV4-2E0A1EB

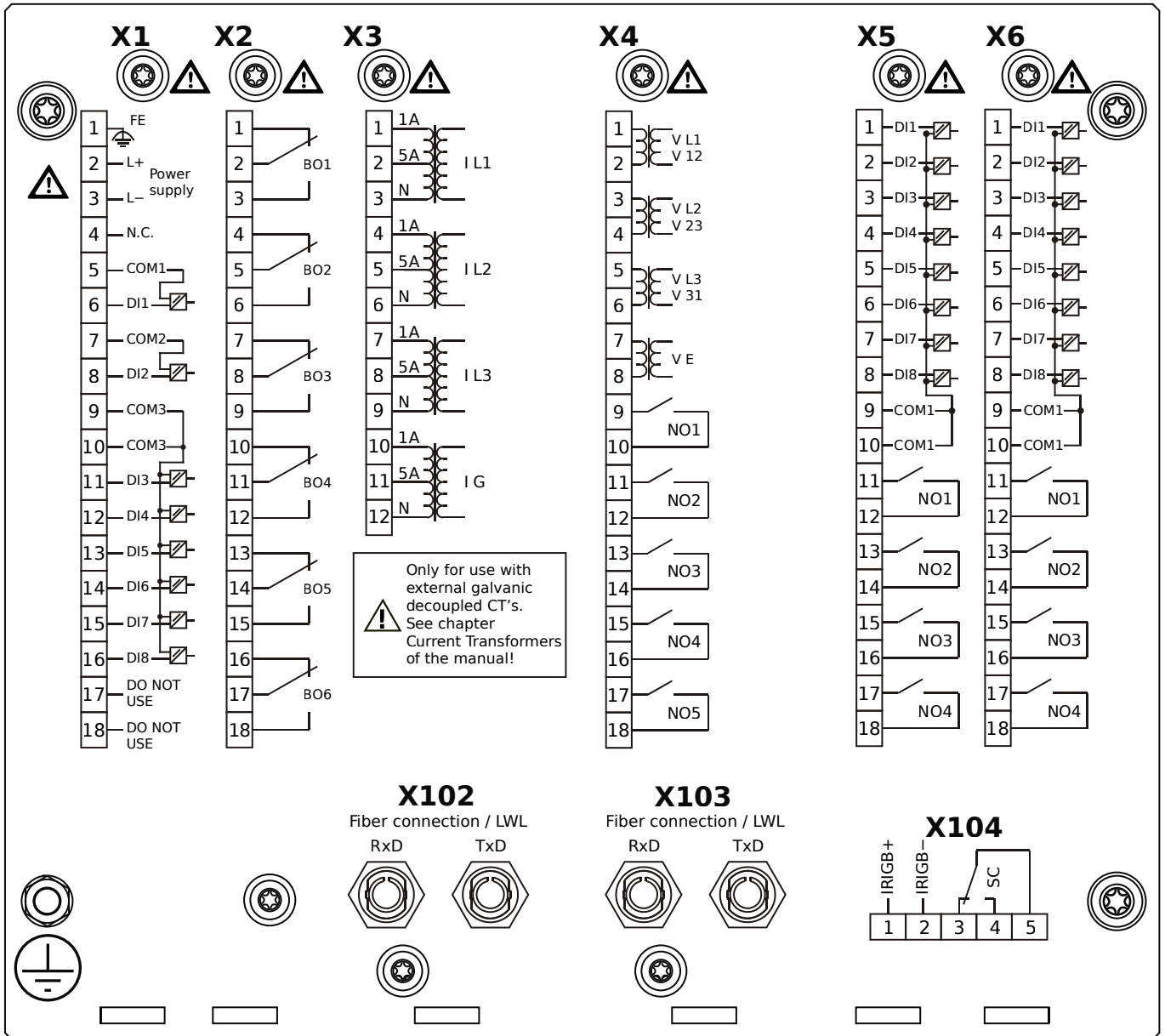


Housing B2, large display, door mounting

- + Conformal Coating (for installations in harsh environment)

- X1** – DI8-X1: Wide-range power supply unit, incl. 2 non-grouped digital inputs and 6 grouped digital inputs
- X2** – OR6: Assembly Group with 6 Output Relays (Changeover / Form C)
- X3** – TI: Standard current measuring card
- X4** – TU-OR5: Voltage measuring (0 ... 300 VAC) assembly group with 5 additional Output Relays (NO / Form A)
- X5** – DI8-OR4: Assembly Group with 8 Digital Inputs and 4 Output Relays (NO / Form A)
- X6** – DI8-OR4: Assembly Group with 8 Digital Inputs and 4 Output Relays (NO / Form A)
- X102** – Protection Communication, Fiber optics interface, ST Connector
- X103** – Profibus-DP, RS485, D-SUB
- X104** – IRIG-B00X, incl. System Contact (Supervision Contact)

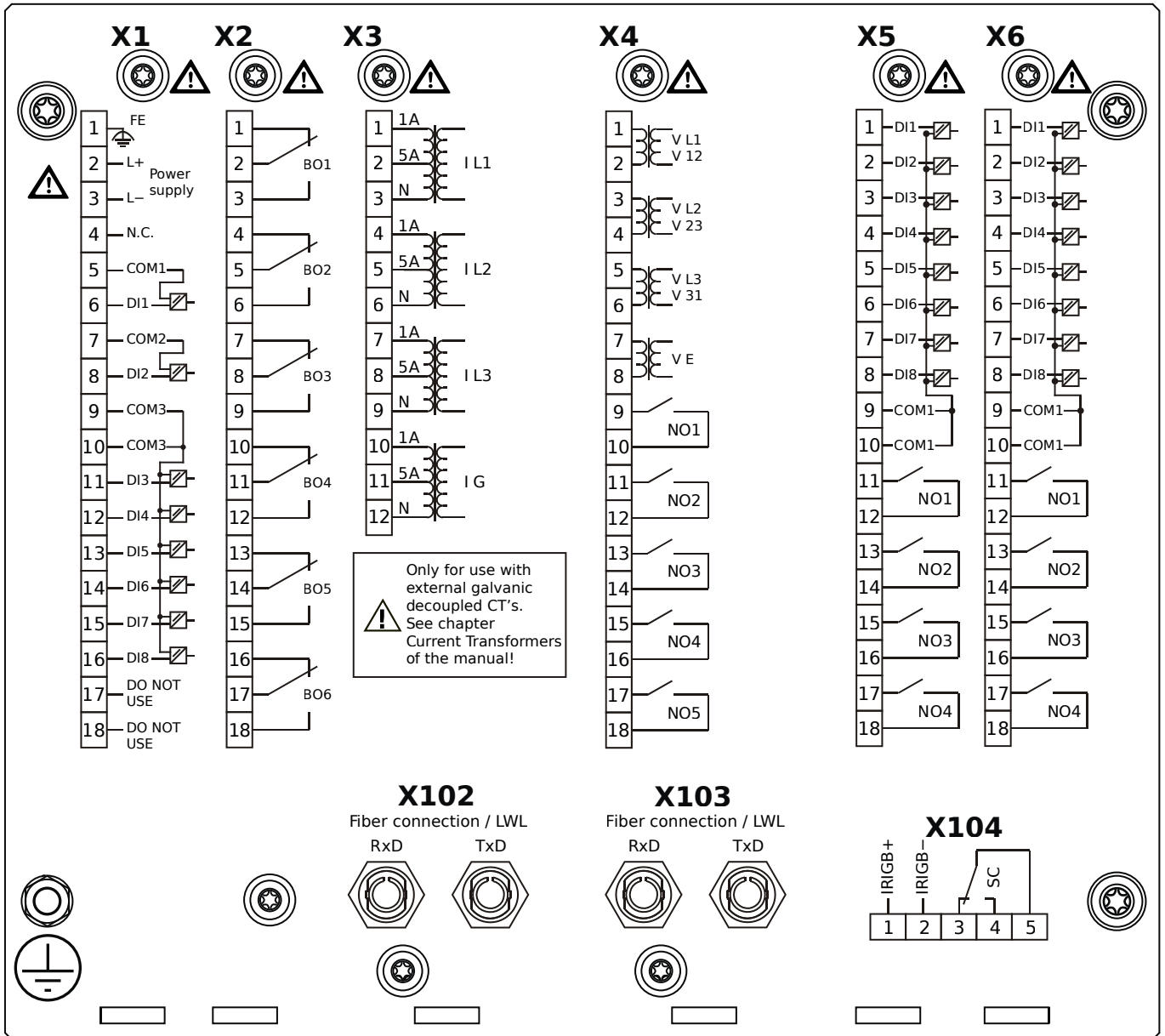
MCDLV4-2E0A1FA



Housing B2, large display, door mounting

- X1** – DI8-X1: Wide-range power supply unit, incl. 2 non-grouped digital inputs and 6 grouped digital inputs
- X2** – OR6: Assembly Group with 6 Output Relays (Changeover / Form C)
- X3** – TI: Standard current measuring card
- X4** – TU-OR5: Voltage measuring (0 ... 300 VAC) assembly group with 5 additional Output Relays (NO / Form A)
- X5** – DI8-OR4: Assembly Group with 8 Digital Inputs and 4 Output Relays (NO / Form A)
- X6** – DI8-OR4: Assembly Group with 8 Digital Inputs and 4 Output Relays (NO / Form A)
- X102** – Protection Communication, Fiber optics interface, ST Connector
- X103** – Modbus RTU / IEC 60870-5-103 / DNP3.0 RTU, Fiber optics interface, ST Connector
- X104** – IRIG-B00X, incl. System Contact (Supervision Contact)

MCDLV4-2E0A1FB

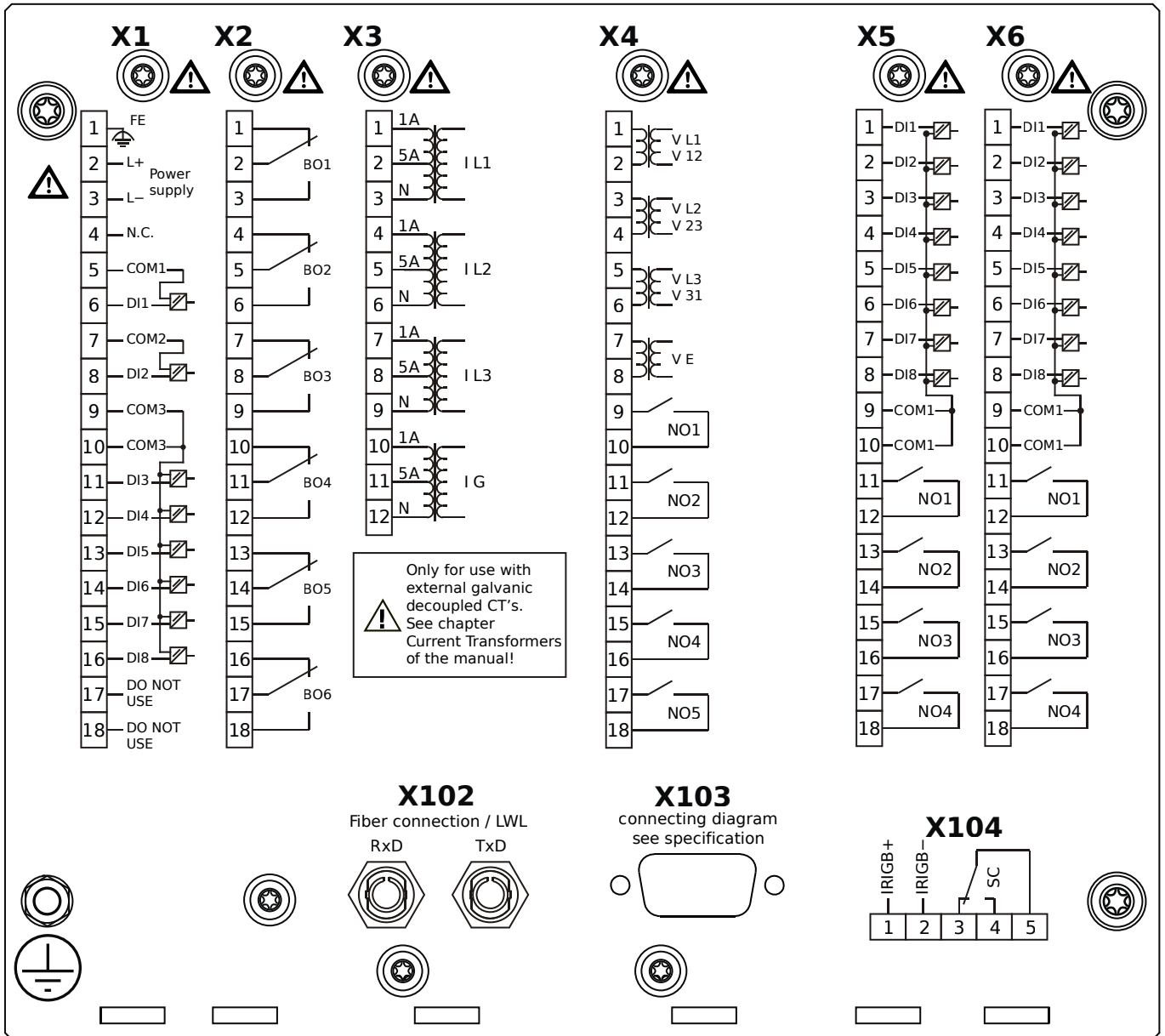


Housing B2, large display, door mounting

- + Conformal Coating (for installations in harsh environment)

- X1** – DI8-X1: Wide-range power supply unit, incl. 2 non-grouped digital inputs and 6 grouped digital inputs
- X2** – OR6: Assembly Group with 6 Output Relays (Changeover / Form C)
- X3** – TI: Standard current measuring card
- X4** – TU-OR5: Voltage measuring (0 ... 300 VAC) assembly group with 5 additional Output Relays (NO / Form A)
- X5** – DI8-OR4: Assembly Group with 8 Digital Inputs and 4 Output Relays (NO / Form A)
- X6** – DI8-OR4: Assembly Group with 8 Digital Inputs and 4 Output Relays (NO / Form A)
- X102** – Protection Communication, Fiber optics interface, ST Connector
- X103** – Modbus RTU / IEC 60870-5-103 / DNP3.0 RTU, Fiber optics interface, ST Connector
- X104** – IRIG-B00X, incl. System Contact (Supervision Contact)

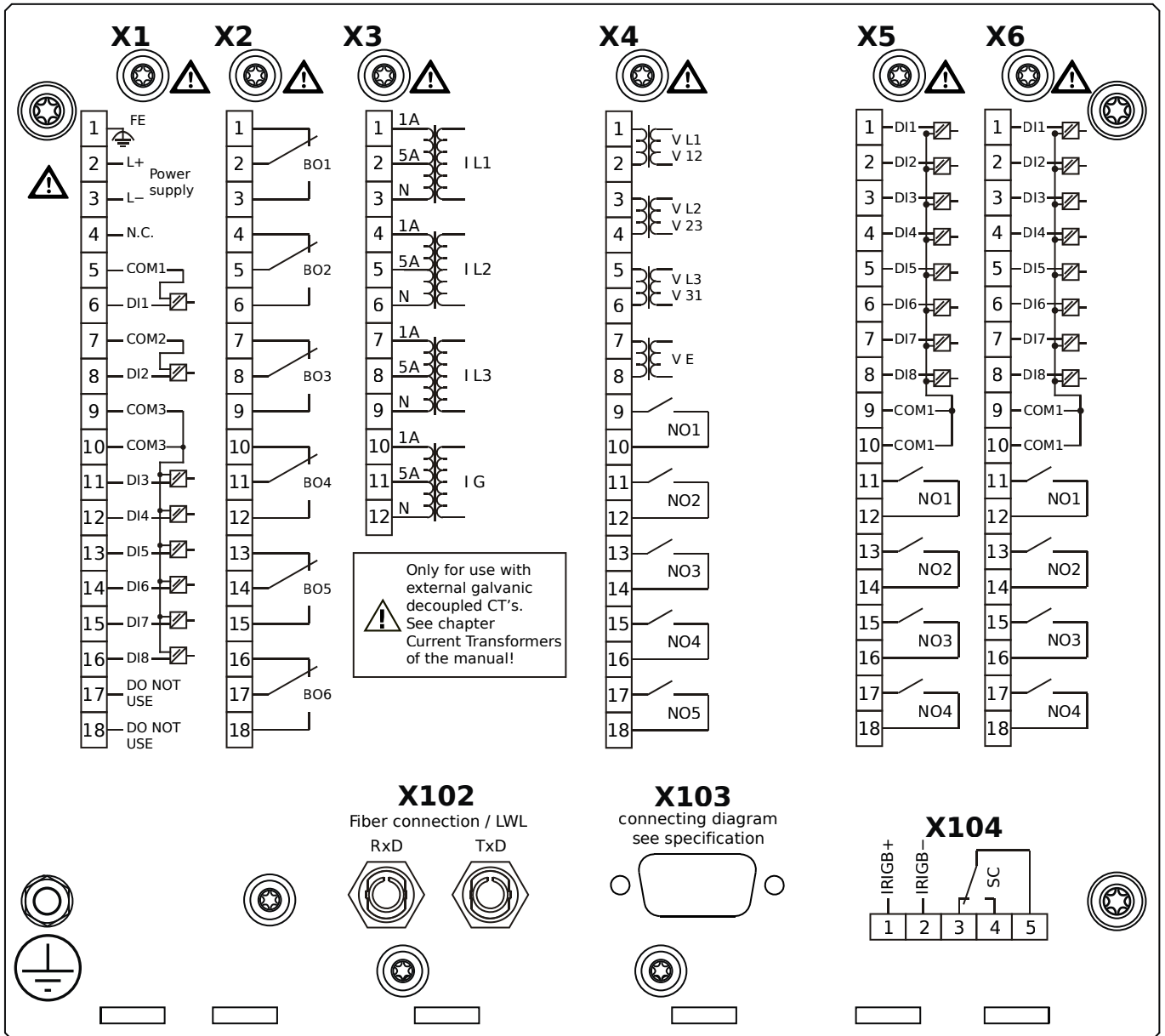
MCDLV4-2E0A1GA



Housing B2, large display, door mounting

- X1** – DI8-X1: Wide-range power supply unit, incl. 2 non-grouped digital inputs and 6 grouped digital inputs
- X2** – OR6: Assembly Group with 6 Output Relays (Changeover / Form C)
- X3** – TI: Standard current measuring card
- X4** – TU-OR5: Voltage measuring (0 ... 300 VAC) assembly group with 5 additional Output Relays (NO / Form A)
- X5** – DI8-OR4: Assembly Group with 8 Digital Inputs and 4 Output Relays (NO / Form A)
- X6** – DI8-OR4: Assembly Group with 8 Digital Inputs and 4 Output Relays (NO / Form A)
- X102** – Protection Communication, Fiber optics interface, ST Connector
- X103** – Modbus RTU / IEC 60870-5-103 / DNP3.0 RTU, RS485, D-SUB
- X104** – IRIG-B00X, incl. System Contact (Supervision Contact)

MCDLV4-2E0A1GB

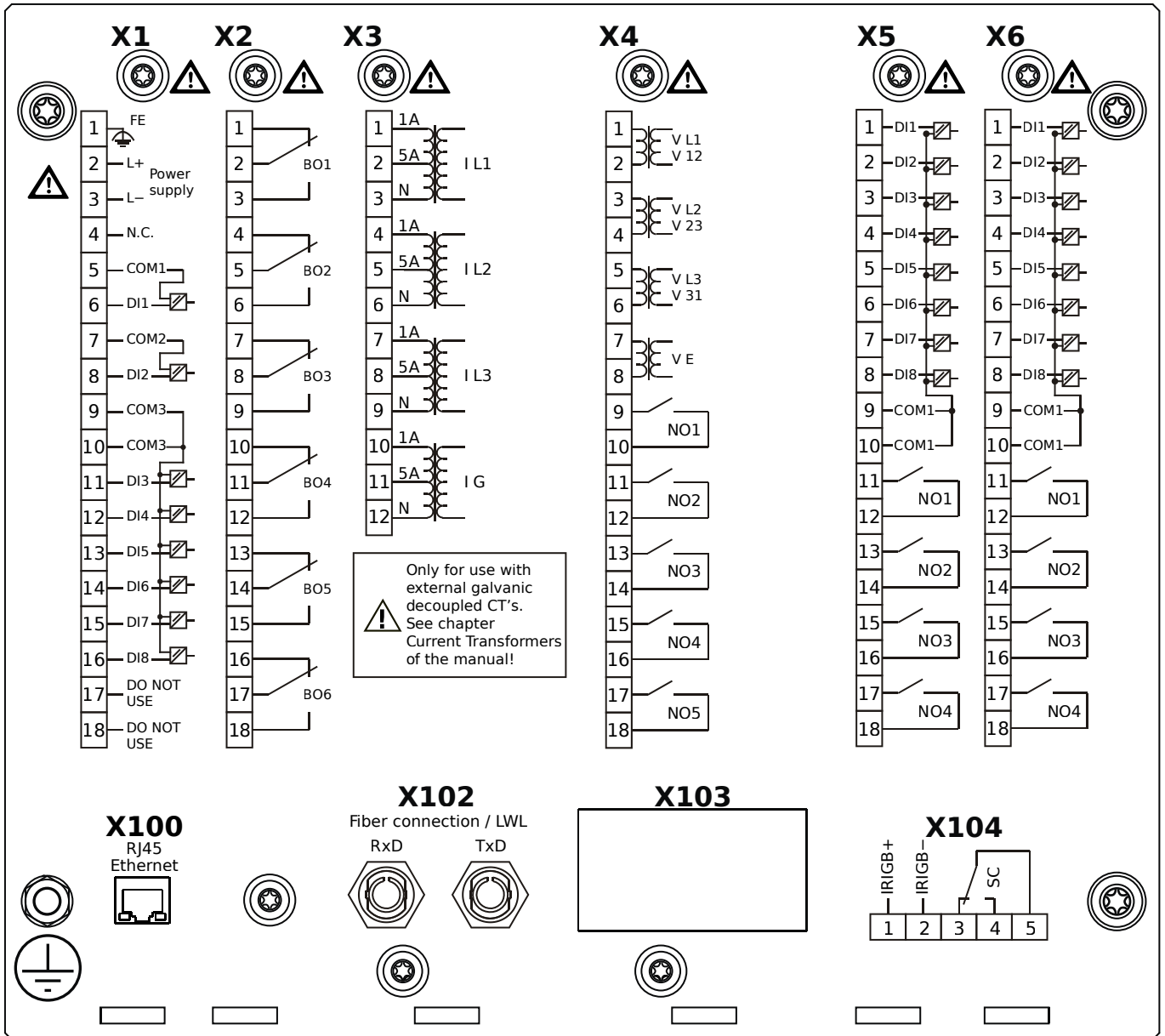


Housing B2, large display, door mounting

- + Conformal Coating (for installations in harsh environment)

- X1** – DI8-X1: Wide-range power supply unit, incl. 2 non-grouped digital inputs and 6 grouped digital inputs
- X2** – OR6: Assembly Group with 6 Output Relays (Changeover / Form C)
- X3** – TI: Standard current measuring card
- X4** – TU-OR5: Voltage measuring (0 ... 300 VAC) assembly group with 5 additional Output Relays (NO / Form A)
- X5** – DI8-OR4: Assembly Group with 8 Digital Inputs and 4 Output Relays (NO / Form A)
- X6** – DI8-OR4: Assembly Group with 8 Digital Inputs and 4 Output Relays (NO / Form A)
- X102** – Protection Communication, Fiber optics interface, ST Connector
- X103** – Modbus RTU / IEC 60870-5-103 / DNP3.0 RTU, RS485, D-SUB
- X104** – IRIG-B00X, incl. System Contact (Supervision Contact)

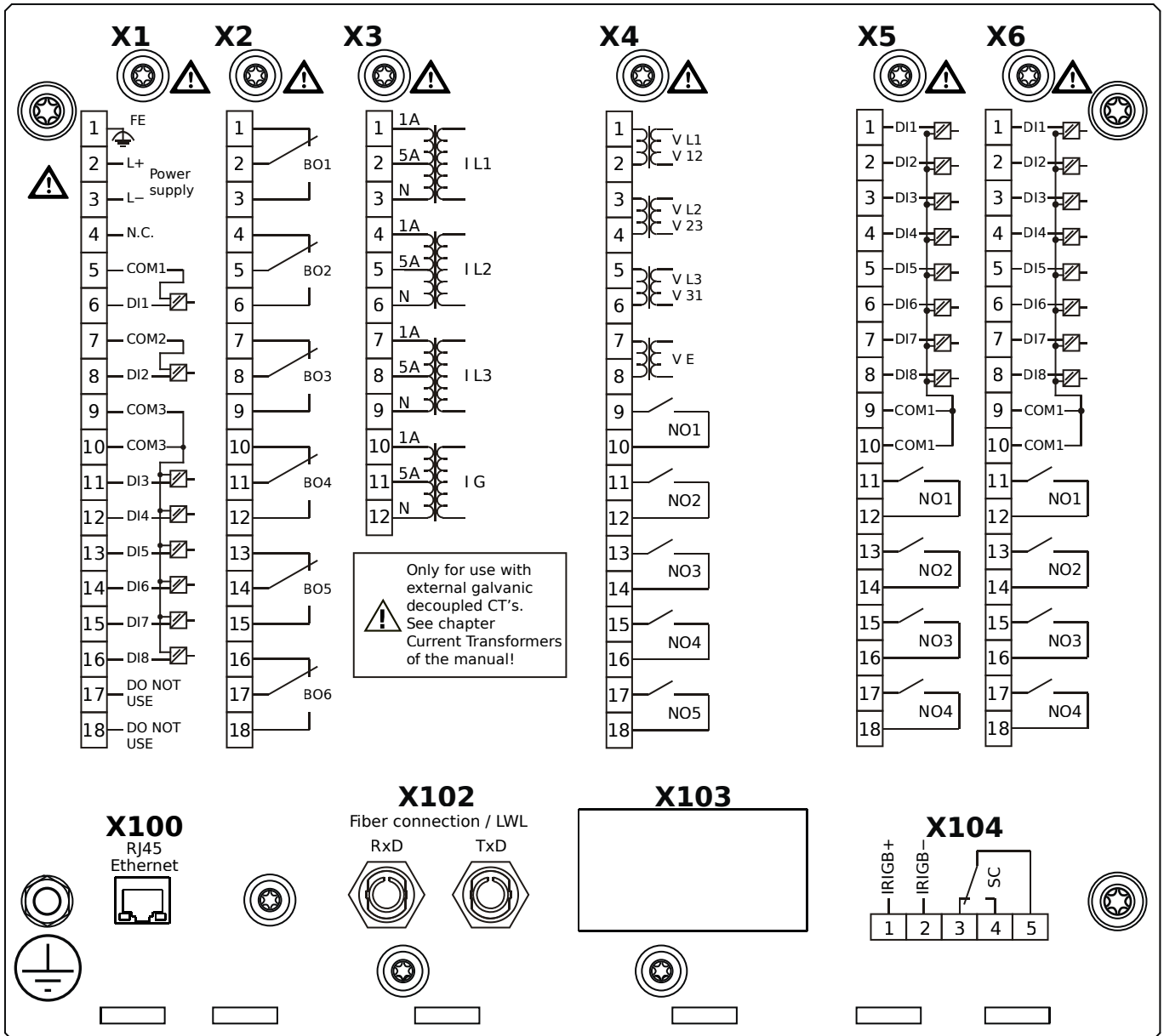
MCDLV4-2E0A1HA



Housing B2, large display, door mounting

- X1** – DI8-X1: Wide-range power supply unit, incl. 2 non-grouped digital inputs and 6 grouped digital inputs
- X2** – OR6: Assembly Group with 6 Output Relays (Changeover / Form C)
- X3** – TI: Standard current measuring card
- X4** – TU-OR5: Voltage measuring (0 ... 300 VAC) assembly group with 5 additional Output Relays (NO / Form A)
- X5** – DI8-OR4: Assembly Group with 8 Digital Inputs and 4 Output Relays (NO / Form A)
- X6** – DI8-OR4: Assembly Group with 8 Digital Inputs and 4 Output Relays (NO / Form A)
- X100** – IEC 61850 / Modbus TCP / IEC 60870-5-104 / DNP3.0 TCP/UDP, Ethernet interface, 100 Mbit/s, RJ45 (BASE100-FX)
- X102** – Protection Communication, Fiber optics interface, ST Connector
- X104** – IRIG-B00X, incl. System Contact (Supervision Contact)

MCDLV4-2E0A1HB

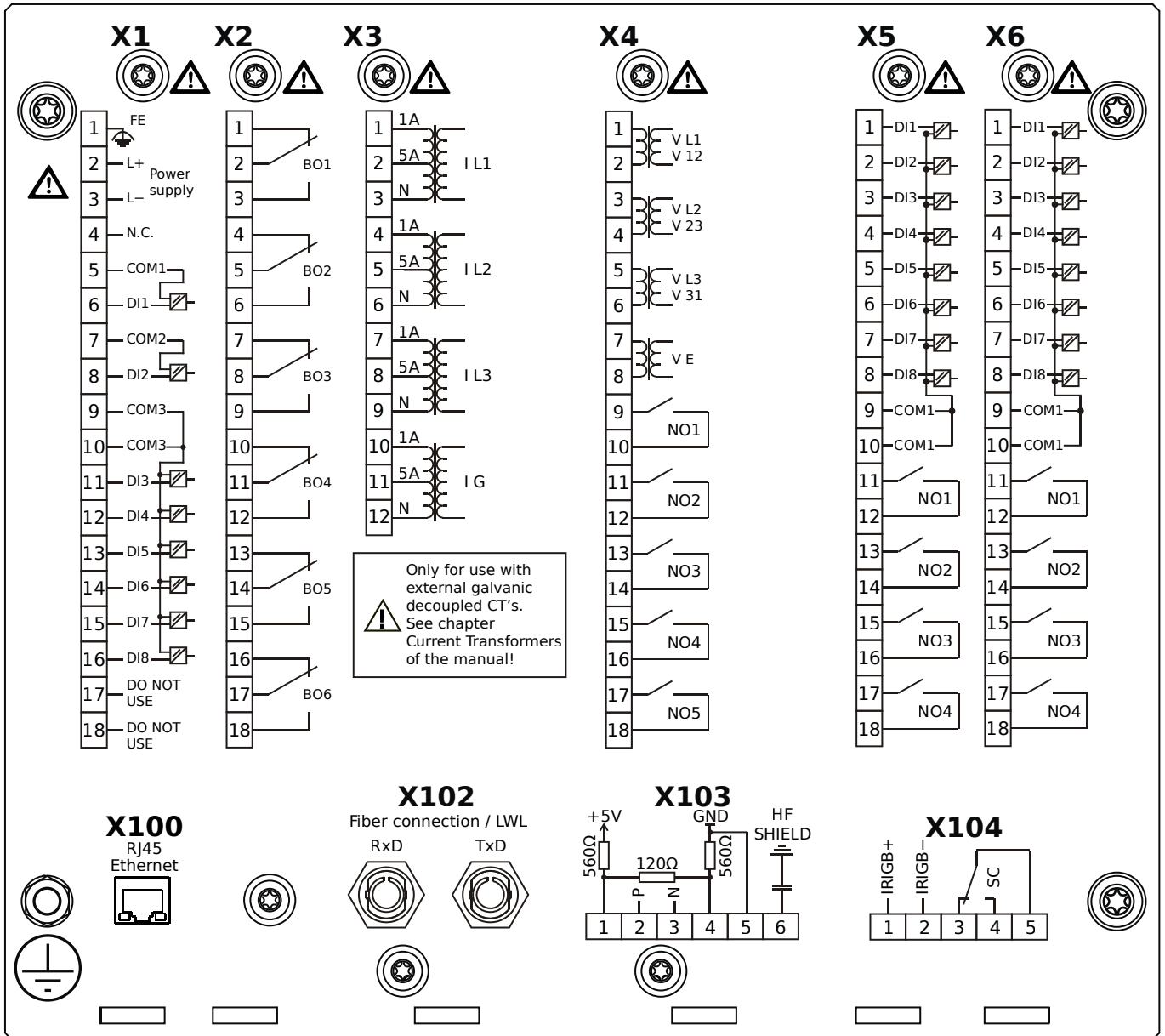


Housing B2, large display, door mounting

+ Conformal Coating (for installations in harsh environment)

- X1** – DI8-X1: Wide-range power supply unit, incl. 2 non-grouped digital inputs and 6 grouped digital inputs
- X2** – OR6: Assembly Group with 6 Output Relays (Changeover / Form C)
- X3** – TI: Standard current measuring card
- X4** – TU-OR5: Voltage measuring (0 ... 300 VAC) assembly group with 5 additional Output Relays (NO / Form A)
- X5** – DI8-OR4: Assembly Group with 8 Digital Inputs and 4 Output Relays (NO / Form A)
- X6** – DI8-OR4: Assembly Group with 8 Digital Inputs and 4 Output Relays (NO / Form A)
- X100** – IEC 61850 / Modbus TCP / IEC 60870-5-104 / DNP3.0 TCP/UDP, Ethernet interface, 100 Mbit/s, RJ45 (BASE100-FX)
- X102** – Protection Communication, Fiber optics interface, ST Connector
- X104** – IRIG-B00X, incl. System Contact (Supervision Contact)

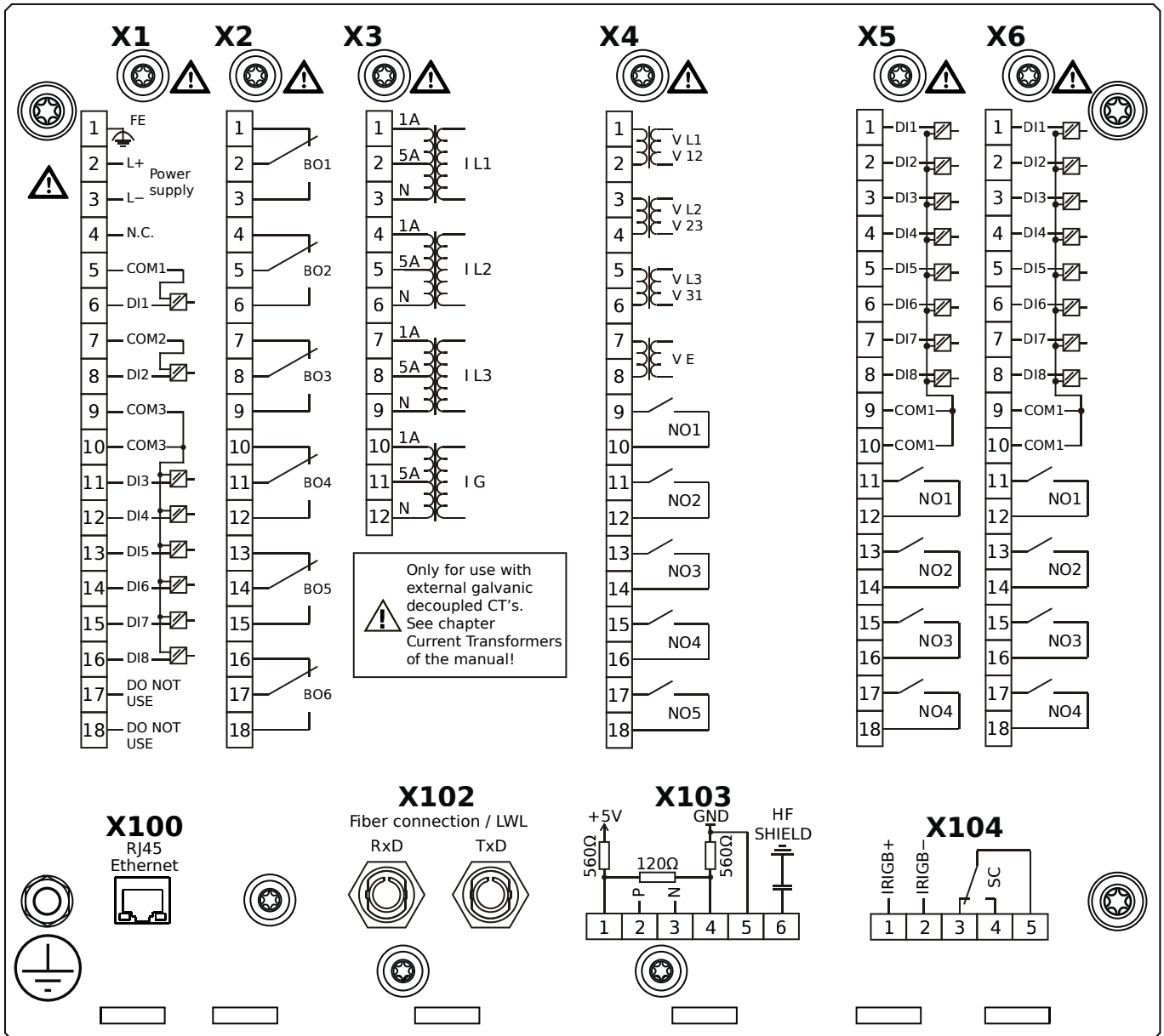
MCDLV4-2E0A1IA



Housing B2, large display, door mounting

- X1** – DI8-X1: Wide-range power supply unit, incl. 2 non-grouped digital inputs and 6 grouped digital inputs
- X2** – OR6: Assembly Group with 6 Output Relays (Changeover / Form C)
- X3** – TI: Standard current measuring card
- X4** – TU-OR5: Voltage measuring (0 ... 300 VAC) assembly group with 5 additional Output Relays (NO / Form A)
- X5** – DI8-OR4: Assembly Group with 8 Digital Inputs and 4 Output Relays (NO / Form A)
- X6** – DI8-OR4: Assembly Group with 8 Digital Inputs and 4 Output Relays (NO / Form A)
- X100** – Modbus TCP / IEC 60870-5-104 / DNP3.0 TCP/UDP, Ethernet interface, 100 Mbit/s, RJ45 (BASE100-FX)
- X102** – Protection Communication, Fiber optics interface, ST Connector
- X103** – IEC 60870-5-103 / Modbus RTU / DNP3.0 RTU, RS485, Terminals
- X104** – IRIG-B00X, incl. System Contact (Supervision Contact)

MCDLV4-2E0A1IB

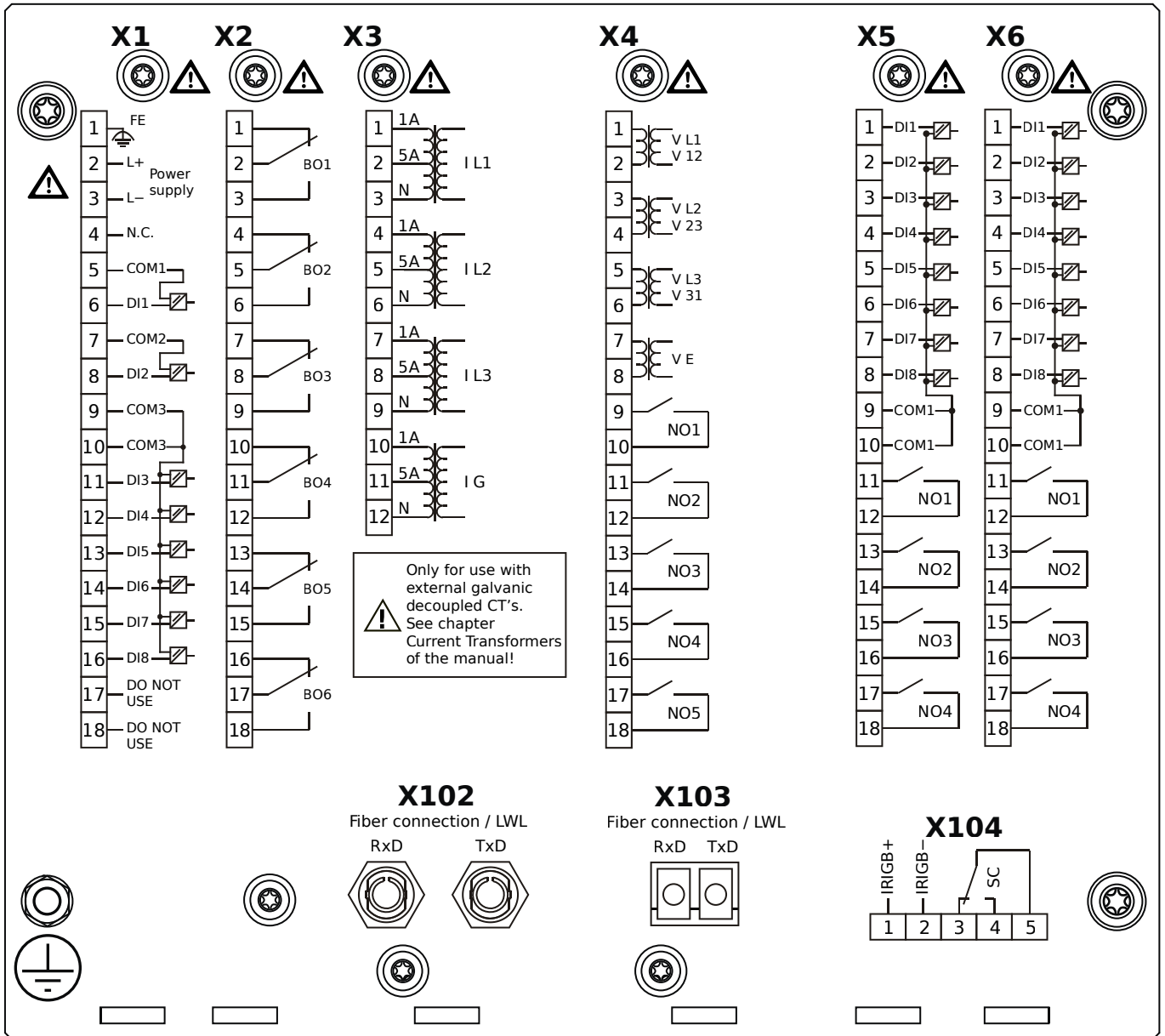


Housing B2, large display, door mounting

+ Conformal Coating (for installations in harsh environment)

- X1** – DI8-X1: Wide-range power supply unit, incl. 2 non-grouped digital inputs and 6 grouped digital inputs
- X2** – OR6: Assembly Group with 6 Output Relays (Changeover / Form C)
- X3** – TI: Standard current measuring card
- X4** – TU-OR5: Voltage measuring (0 ... 300 VAC) assembly group with 5 additional Output Relays (NO / Form A)
- X5** – DI8-OR4: Assembly Group with 8 Digital Inputs and 4 Output Relays (NO / Form A)
- X6** – DI8-OR4: Assembly Group with 8 Digital Inputs and 4 Output Relays (NO / Form A)
- X100** – Modbus TCP / IEC 60870-5-104 / DNP3.0 TCP/UDP, Ethernet interface, 100 Mbit/s, RJ45 (BASE100-FX)
- X102** – Protection Communication, Fiber optics interface, ST Connector
- X103** – IEC 60870-5-103 / Modbus RTU / DNP3.0 RTU, RS485, Terminals
- X104** – IRIG-B00X, incl. System Contact (Supervision Contact)

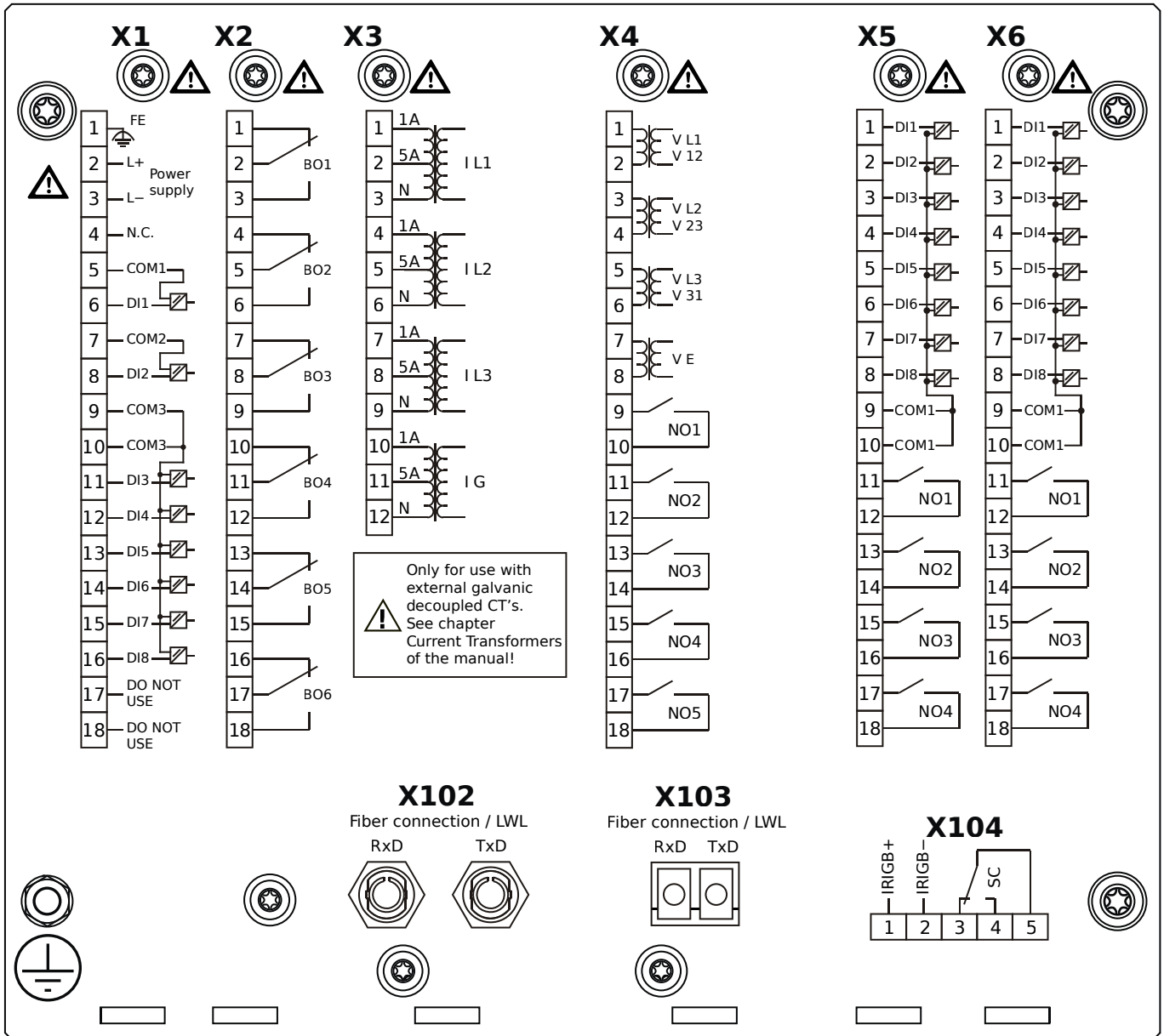
MCDLV4-2E0A1KA



Housing B2, large display, door mounting

- X1** – DI8-X1: Wide-range power supply unit, incl. 2 non-grouped digital inputs and 6 grouped digital inputs
- X2** – OR6: Assembly Group with 6 Output Relays (Changeover / Form C)
- X3** – TI: Standard current measuring card
- X4** – TU-OR5: Voltage measuring (0 ... 300 VAC) assembly group with 5 additional Output Relays (NO / Form A)
- X5** – DI8-OR4: Assembly Group with 8 Digital Inputs and 4 Output Relays (NO / Form A)
- X6** – DI8-OR4: Assembly Group with 8 Digital Inputs and 4 Output Relays (NO / Form A)
- X102** – Protection Communication, Fiber optics interface, ST Connector
- X103** – IEC 61850 / Modbus TCP / IEC 60870-5-104 / DNP3.0 TCP/UDP, Fiber optics interface, LC Connector
- X104** – IRIG-B00X, incl. System Contact (Supervision Contact)

MCDLV4-2E0A1KB

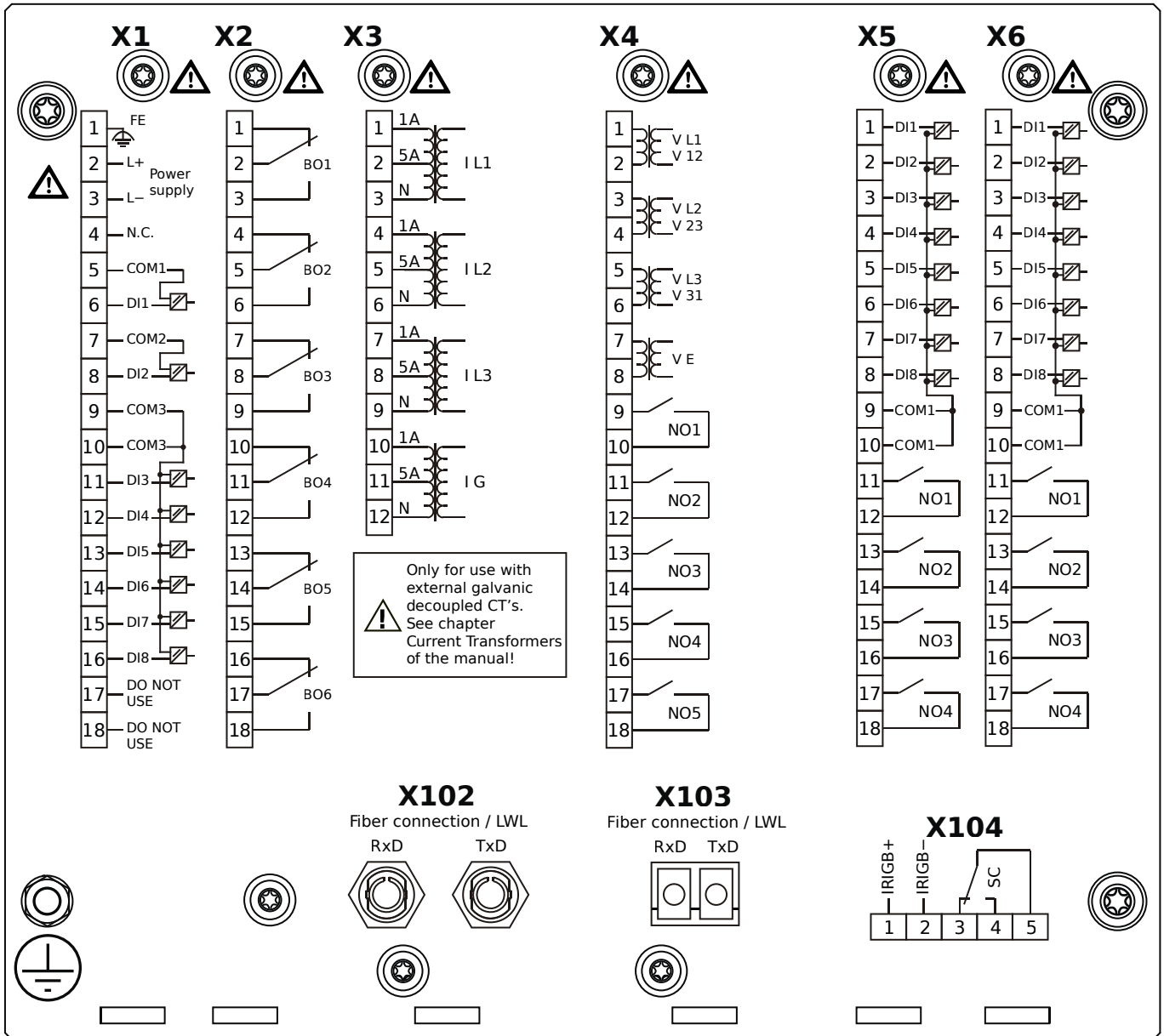


Housing B2, large display, door mounting

- + Conformal Coating (for installations in harsh environment)

- X1** – DI8-X1: Wide-range power supply unit, incl. 2 non-grouped digital inputs and 6 grouped digital inputs
- X2** – OR6: Assembly Group with 6 Output Relays (Changeover / Form C)
- X3** – TI: Standard current measuring card
- X4** – TU-OR5: Voltage measuring (0 ... 300 VAC) assembly group with 5 additional Output Relays (NO / Form A)
- X5** – DI8-OR4: Assembly Group with 8 Digital Inputs and 4 Output Relays (NO / Form A)
- X6** – DI8-OR4: Assembly Group with 8 Digital Inputs and 4 Output Relays (NO / Form A)
- X102** – Protection Communication, Fiber optics interface, ST Connector
- X103** – IEC 61850 / Modbus TCP / IEC 60870-5-104 / DNP3.0 TCP/UDP, Fiber optics interface, LC Connector
- X104** – IRIG-B00X, incl. System Contact (Supervision Contact)

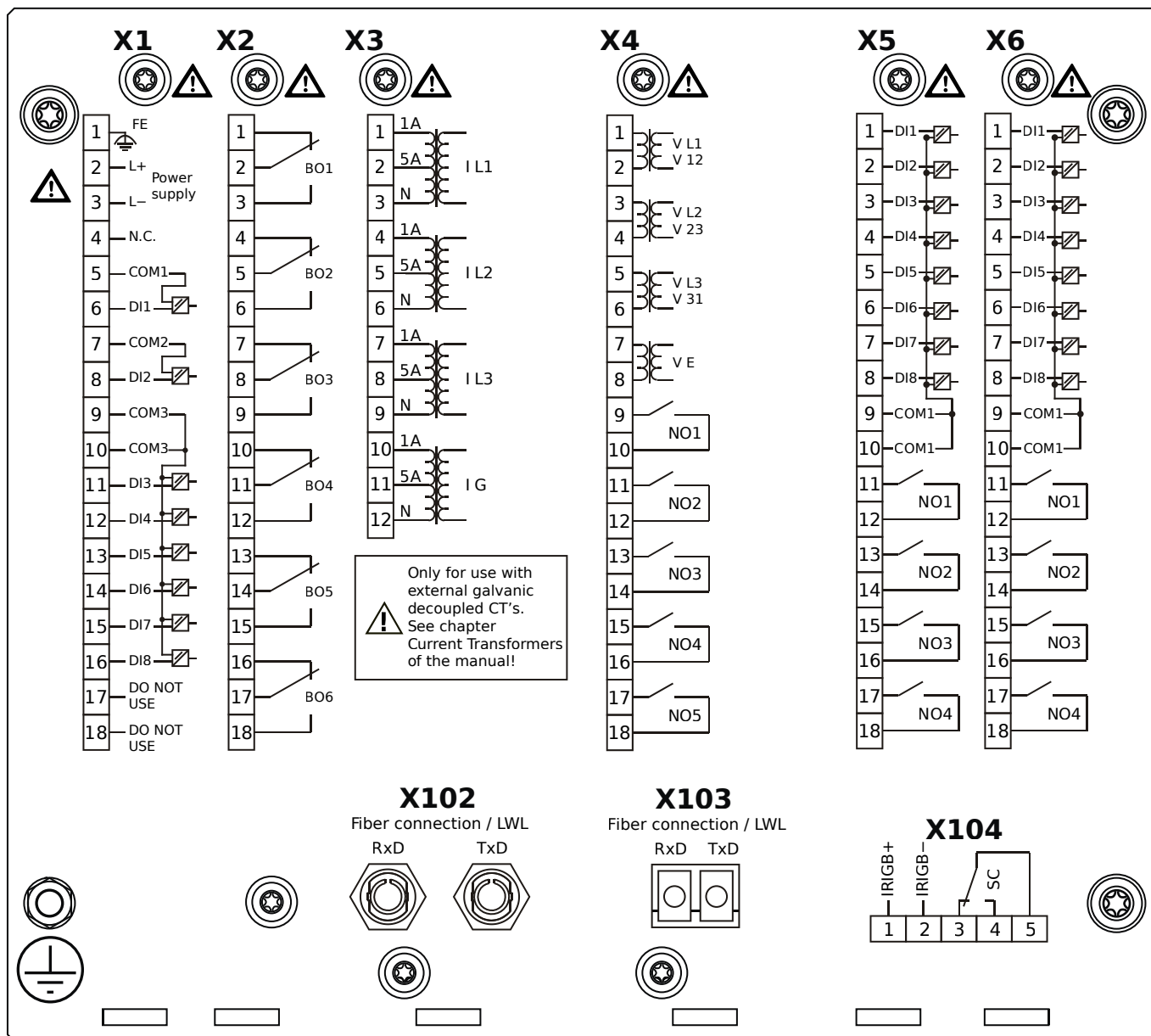
MCDLV4-2E0A1LA



Housing B2, large display, door mounting

- X1** – DI8-X1: Wide-range power supply unit, incl. 2 non-grouped digital inputs and 6 grouped digital inputs
- X2** – OR6: Assembly Group with 6 Output Relays (Changeover / Form C)
- X3** – TI: Standard current measuring card
- X4** – TU-OR5: Voltage measuring (0 ... 300 VAC) assembly group with 5 additional Output Relays (NO / Form A)
- X5** – DI8-OR4: Assembly Group with 8 Digital Inputs and 4 Output Relays (NO / Form A)
- X6** – DI8-OR4: Assembly Group with 8 Digital Inputs and 4 Output Relays (NO / Form A)
- X102** – Protection Communication, Fiber optics interface, ST Connector
- X103** – Modbus TCP / IEC 60870-5-104 / DNP3.0 TCP/UDP, Fiber optics interface, LC Connector
- X104** – IRIG-B00X, incl. System Contact (Supervision Contact)

MCDLV4-2E0A1LB

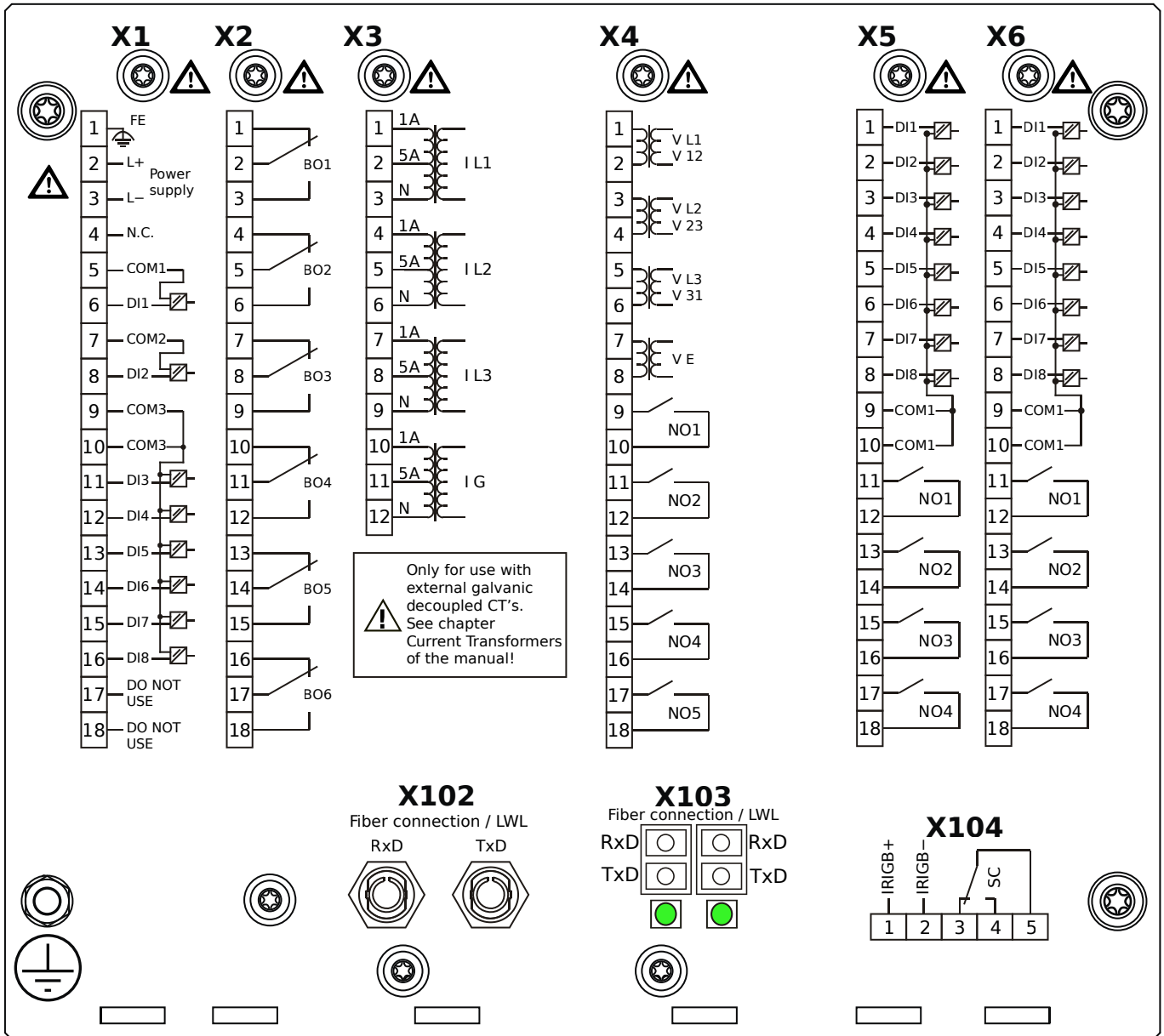


Housing B2, large display, door mounting

- + Conformal Coating (for installations in harsh environment)

- X1** – DI8-X1: Wide-range power supply unit, incl. 2 non-grouped digital inputs and 6 grouped digital inputs
- X2** – OR6: Assembly Group with 6 Output Relays (Changeover / Form C)
- X3** – TI: Standard current measuring card
- X4** – TU-OR5: Voltage measuring (0 ... 300 VAC) assembly group with 5 additional Output Relays (NO / Form A)
- X5** – DI8-OR4: Assembly Group with 8 Digital Inputs and 4 Output Relays (NO / Form A)
- X6** – DI8-OR4: Assembly Group with 8 Digital Inputs and 4 Output Relays (NO / Form A)
- X102** – Protection Communication, Fiber optics interface, ST Connector
- X103** – Modbus TCP / IEC 60870-5-104 / DNP3.0 TCP/UDP, Fiber optics interface, LC Connector
- X104** – IRIG-B00X, incl. System Contact (Supervision Contact)

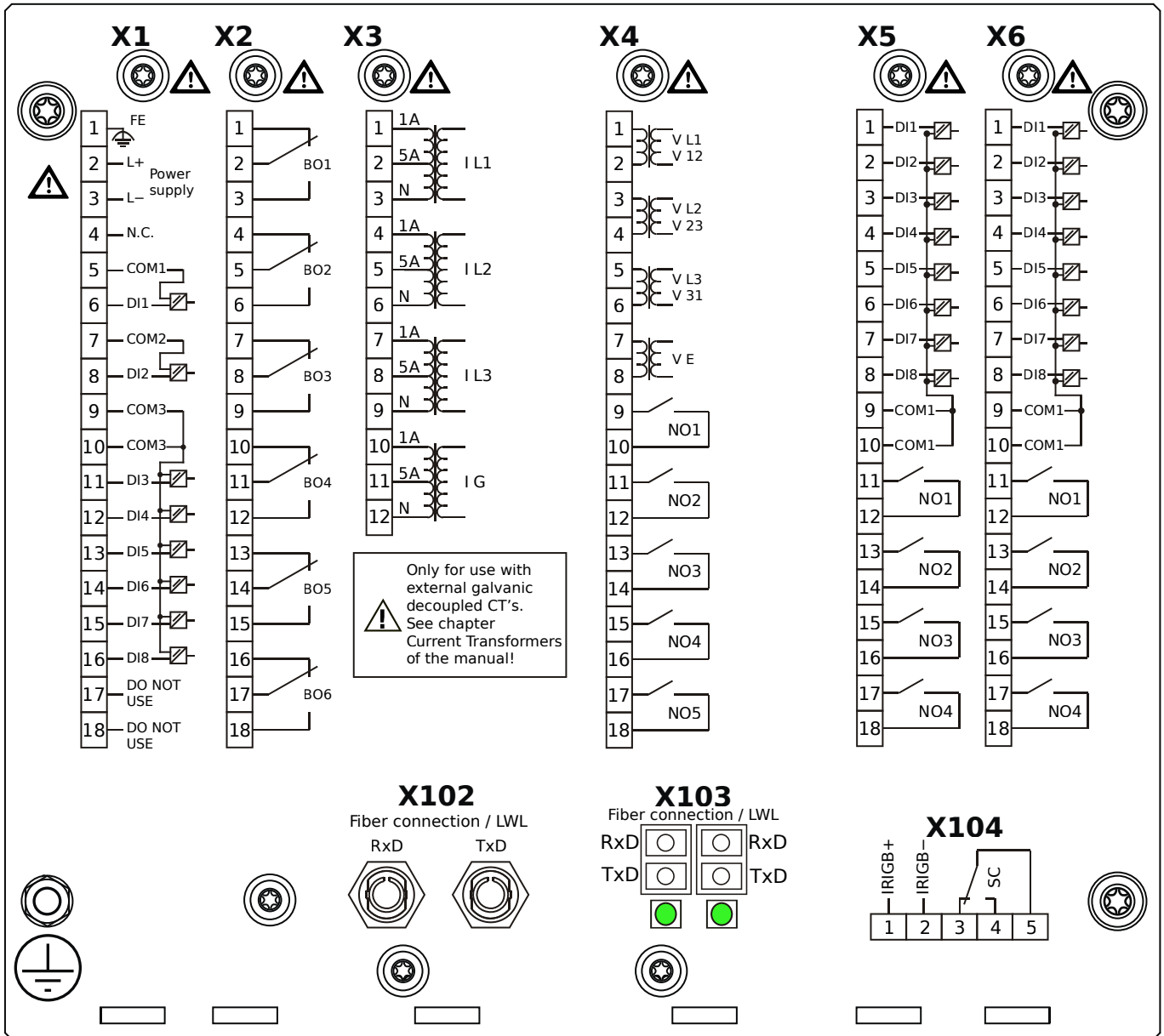
MCDLV4-2E0A10A



Housing B2, large display, door mounting

- X1** – DI8-X1: Wide-range power supply unit, incl. 2 non-grouped digital inputs and 6 grouped digital inputs
- X2** – OR6: Assembly Group with 6 Output Relays (Changeover / Form C)
- X3** – TI: Standard current measuring card
- X4** – TU-OR5: Voltage measuring (0 ... 300 VAC) assembly group with 5 additional Output Relays (NO / Form A)
- X5** – DI8-OR4: Assembly Group with 8 Digital Inputs and 4 Output Relays (NO / Form A)
- X6** – DI8-OR4: Assembly Group with 8 Digital Inputs and 4 Output Relays (NO / Form A)
- X102** – Protection Communication, Fiber optics interface, ST Connector
- X103** – Modbus TCP / IEC 60870-5-104 / DNP3.0 TCP/UDP, Redundant Fiber optics interface, LC Connector
- X104** – IRIG-B00X, incl. System Contact (Supervision Contact)

MCDLV4-2E0A10B

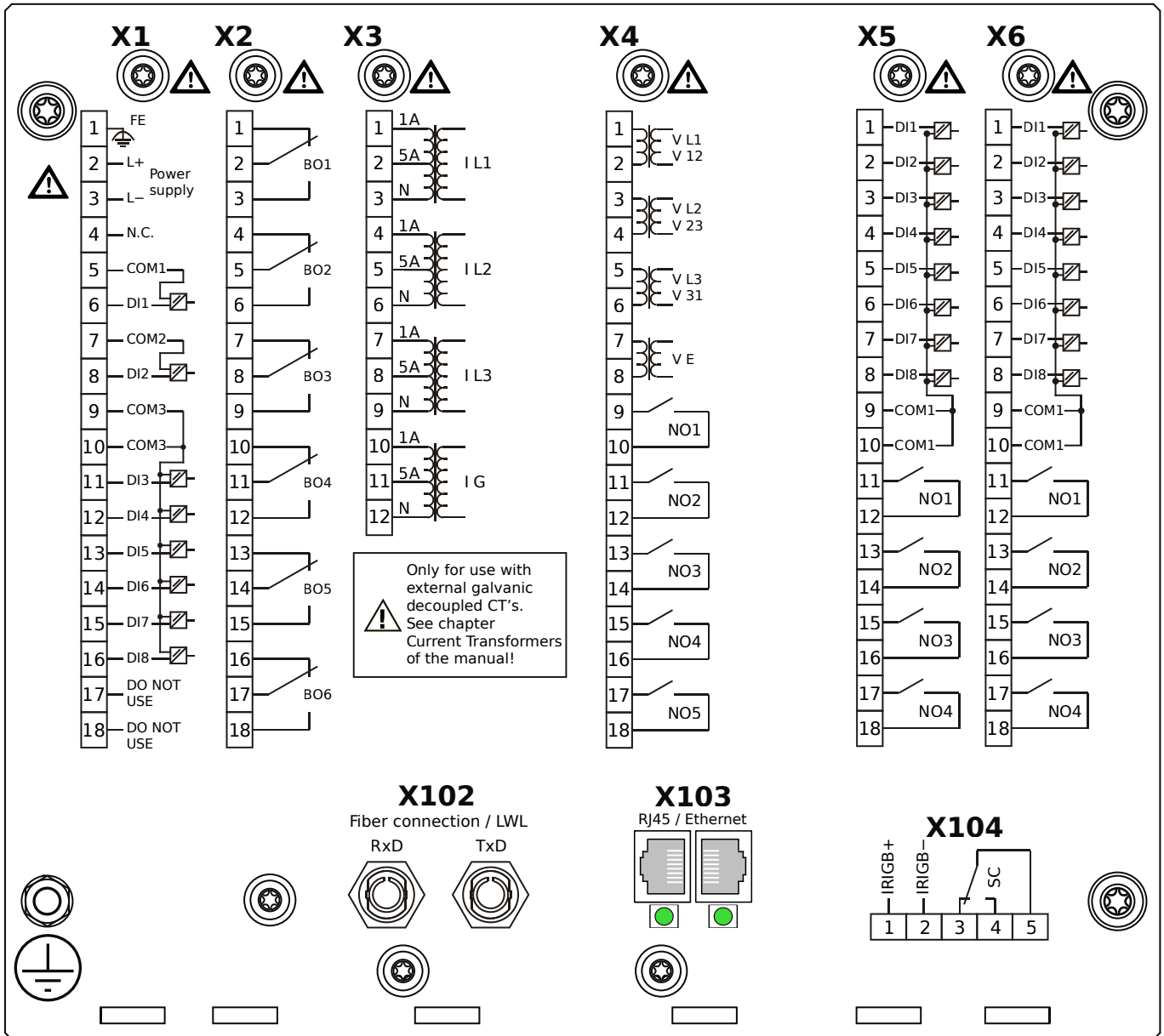


Housing B2, large display, door mounting

+ Conformal Coating (for installations in harsh environment)

- X1** – DI8-X1: Wide-range power supply unit, incl. 2 non-grouped digital inputs and 6 grouped digital inputs
- X2** – OR6: Assembly Group with 6 Output Relays (Changeover / Form C)
- X3** – TI: Standard current measuring card
- X4** – TU-OR5: Voltage measuring (0 ... 300 VAC) assembly group with 5 additional Output Relays (NO / Form A)
- X5** – DI8-OR4: Assembly Group with 8 Digital Inputs and 4 Output Relays (NO / Form A)
- X6** – DI8-OR4: Assembly Group with 8 Digital Inputs and 4 Output Relays (NO / Form A)
- X102** – Protection Communication, Fiber optics interface, ST Connector
- X103** – Modbus TCP / IEC 60870-5-104 / DNP3.0 TCP/UDP, Redundant Fiber optics interface, LC Connector
- X104** – IRIG-B00X, incl. System Contact (Supervision Contact)

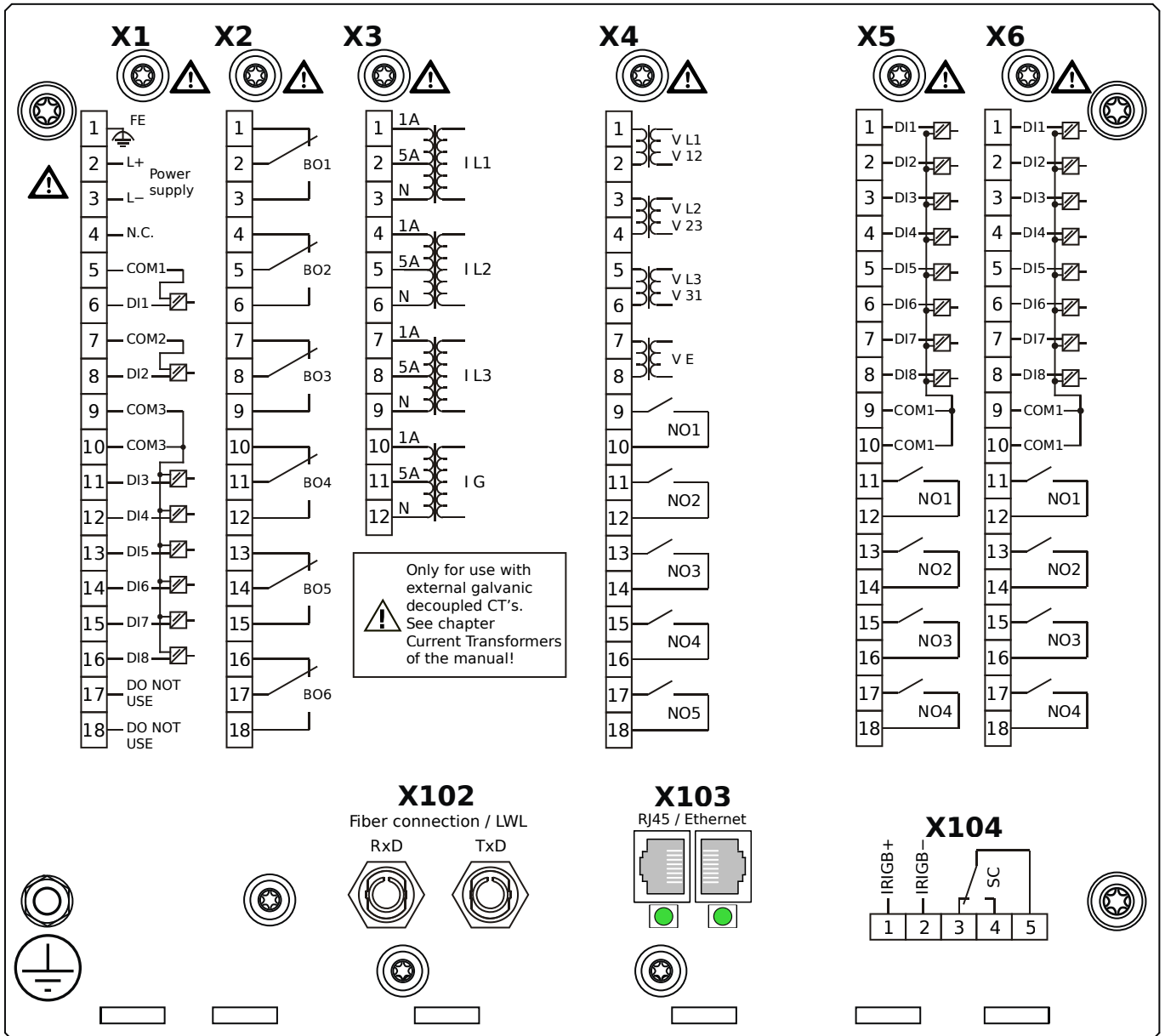
MCDLV4-2E0A1PA



Housing B2, large display, door mounting

- X1** – DI8-X1: Wide-range power supply unit, incl. 2 non-grouped digital inputs and 6 grouped digital inputs
- X2** – OR6: Assembly Group with 6 Output Relays (Changeover / Form C)
- X3** – TI: Standard current measuring card
- X4** – TU-OR5: Voltage measuring (0 ... 300 VAC) assembly group with 5 additional Output Relays (NO / Form A)
- X5** – DI8-OR4: Assembly Group with 8 Digital Inputs and 4 Output Relays (NO / Form A)
- X6** – DI8-OR4: Assembly Group with 8 Digital Inputs and 4 Output Relays (NO / Form A)
- X102** – Protection Communication, Fiber optics interface, ST Connector
- X103** – Modbus TCP / IEC 60870-5-104 / DNP3.0 TCP/UDP, Redundant Ethernet interface, 100 Mbit/s, RJ45 (BASE100-FX)
- X104** – IRIG-B00X, incl. System Contact (Supervision Contact)

MCDLV4-2E0A1PB

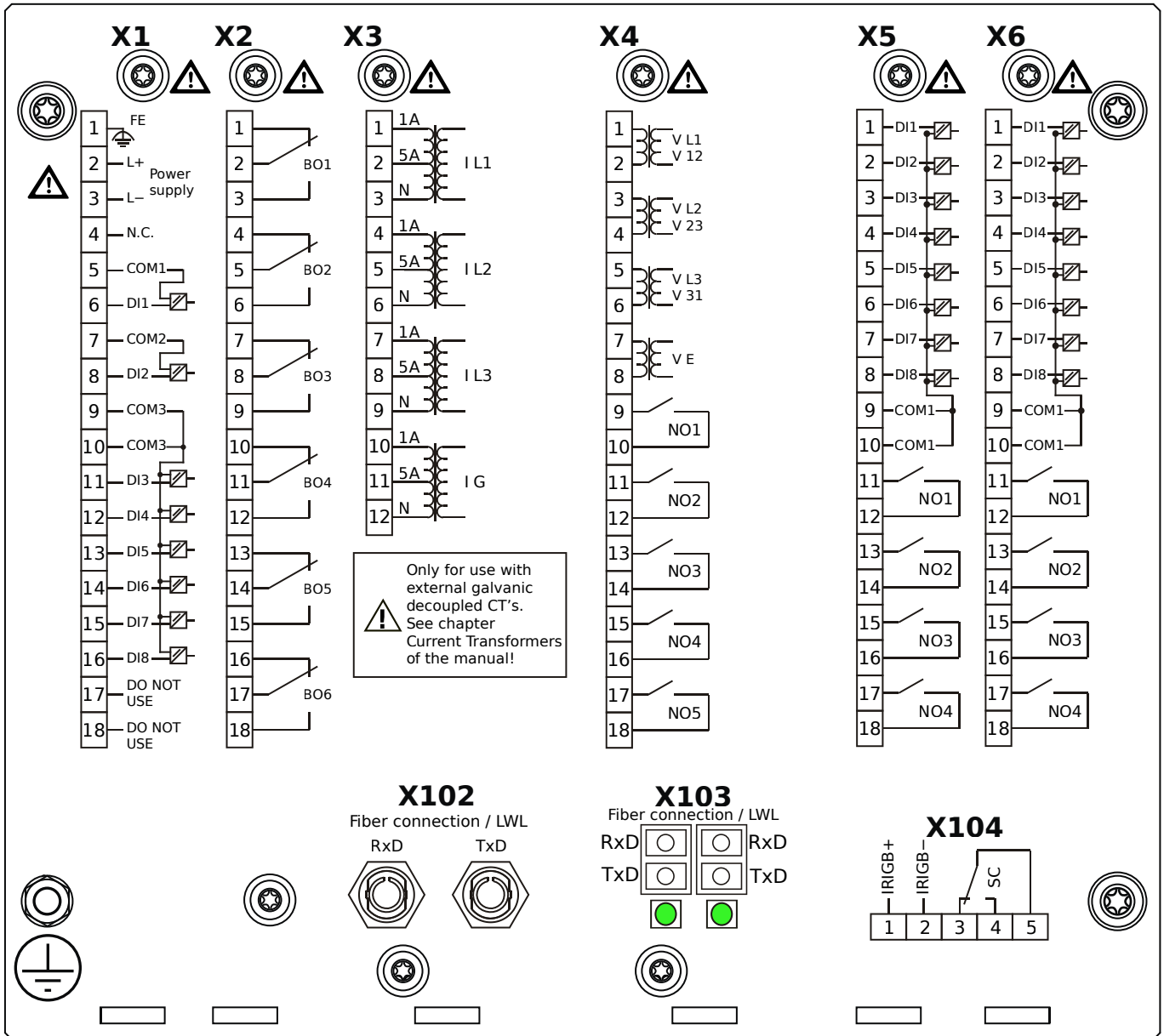


Housing B2, large display, door mounting

- + Conformal Coating (for installations in harsh environment)

- X1** – DI8-X1: Wide-range power supply unit, incl. 2 non-grouped digital inputs and 6 grouped digital inputs
- X2** – OR6: Assembly Group with 6 Output Relays (Changeover / Form C)
- X3** – TI: Standard current measuring card
- X4** – TU-OR5: Voltage measuring (0 ... 300 VAC) assembly group with 5 additional Output Relays (NO / Form A)
- X5** – DI8-OR4: Assembly Group with 8 Digital Inputs and 4 Output Relays (NO / Form A)
- X6** – DI8-OR4: Assembly Group with 8 Digital Inputs and 4 Output Relays (NO / Form A)
- X102** – Protection Communication, Fiber optics interface, ST Connector
- X103** – Modbus TCP / IEC 60870-5-104 / DNP3.0 TCP/UDP, Redundant Ethernet interface, 100 Mbit/s, RJ45 (BASE100-FX)
- X104** – IRIG-B00X, incl. System Contact (Supervision Contact)

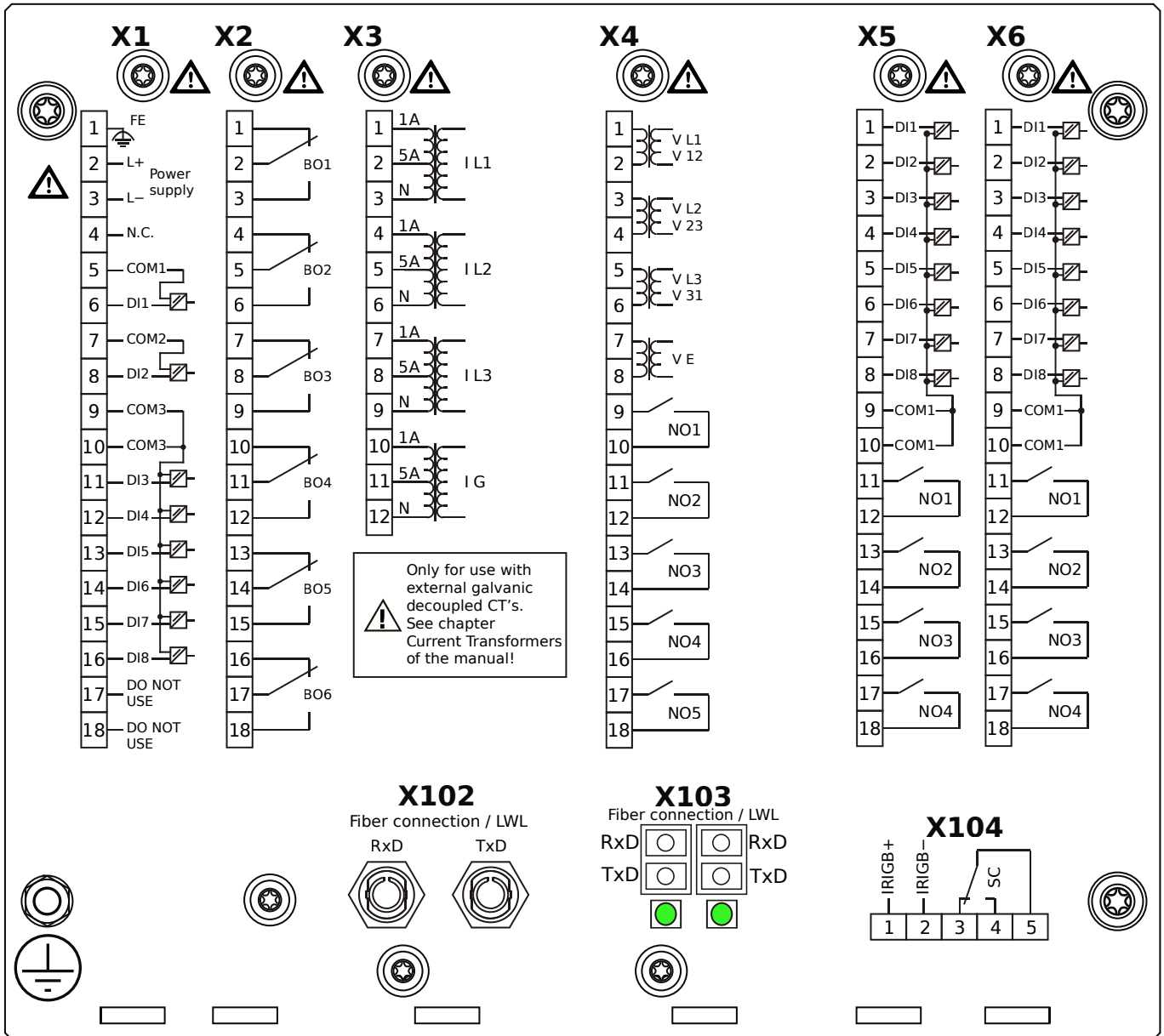
MCDLV4-2E0A1QA



Housing B2, large display, door mounting

- X1** – DI8-X1: Wide-range power supply unit, incl. 2 non-grouped digital inputs and 6 grouped digital inputs
- X2** – OR6: Assembly Group with 6 Output Relays (Changeover / Form C)
- X3** – TI: Standard current measuring card
- X4** – TU-OR5: Voltage measuring (0 ... 300 VAC) assembly group with 5 additional Output Relays (NO / Form A)
- X5** – DI8-OR4: Assembly Group with 8 Digital Inputs and 4 Output Relays (NO / Form A)
- X6** – DI8-OR4: Assembly Group with 8 Digital Inputs and 4 Output Relays (NO / Form A)
- X102** – Protection Communication, Fiber optics interface, ST Connector
- X103** – IEC 61850 / Modbus TCP / IEC 60870-5-104 / DNP3.0 TCP/UDP, Redundant Fiber optics interface, LC Connector
- X104** – IRIG-B00X, incl. System Contact (Supervision Contact)

MCDLV4-2E0A1QB

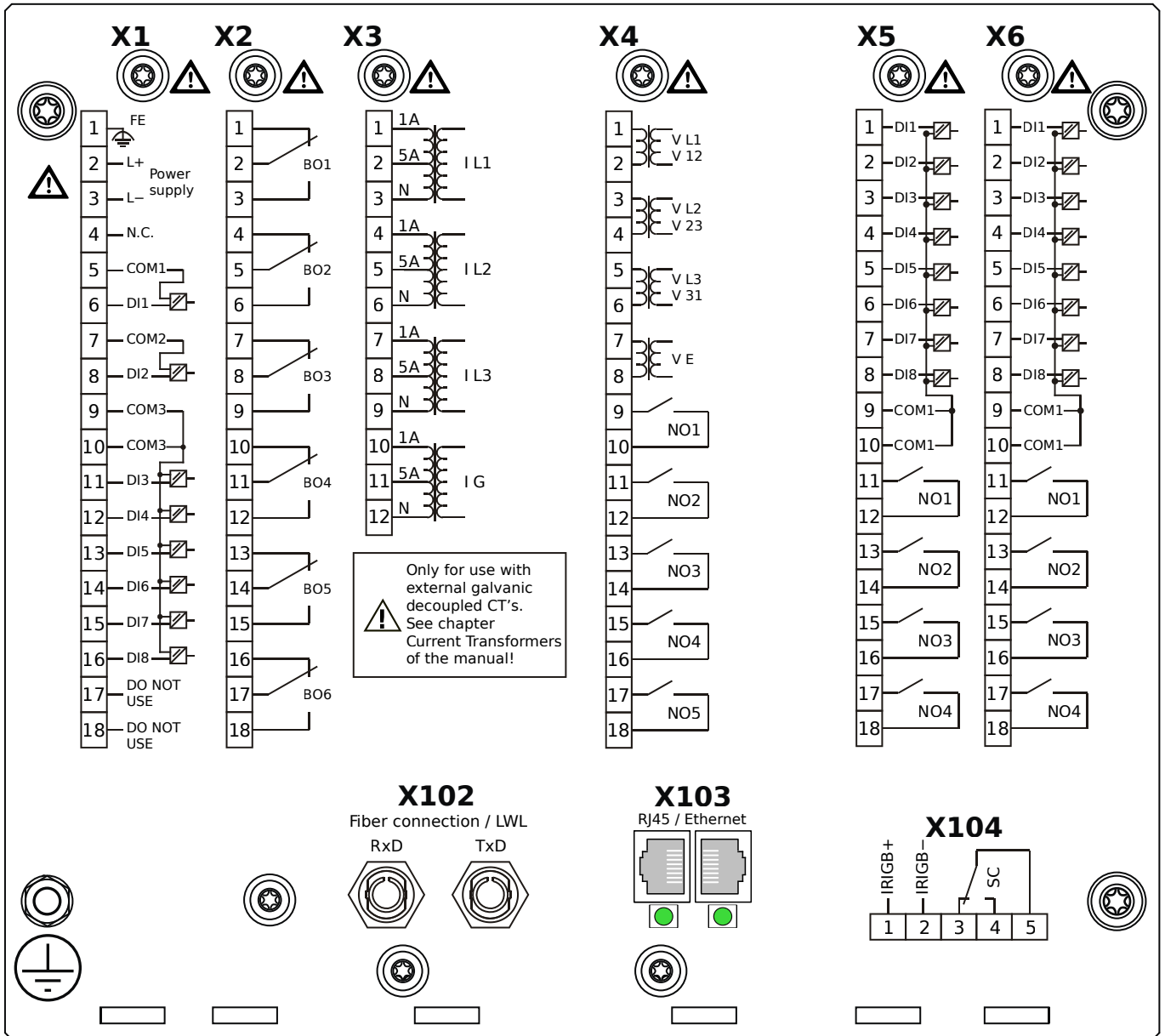


Housing B2, large display, door mounting

- + Conformal Coating (for installations in harsh environment)

- X1** – DI8-X1: Wide-range power supply unit, incl. 2 non-grouped digital inputs and 6 grouped digital inputs
- X2** – OR6: Assembly Group with 6 Output Relays (Changeover / Form C)
- X3** – TI: Standard current measuring card
- X4** – TU-OR5: Voltage measuring (0 ... 300 VAC) assembly group with 5 additional Output Relays (NO / Form A)
- X5** – DI8-OR4: Assembly Group with 8 Digital Inputs and 4 Output Relays (NO / Form A)
- X6** – DI8-OR4: Assembly Group with 8 Digital Inputs and 4 Output Relays (NO / Form A)
- X102** – Protection Communication, Fiber optics interface, ST Connector
- X103** – IEC 61850 / Modbus TCP / IEC 60870-5-104 / DNP3.0 TCP/UDP, Redundant Fiber optics interface, LC Connector
- X104** – IRIG-B00X, incl. System Contact (Supervision Contact)

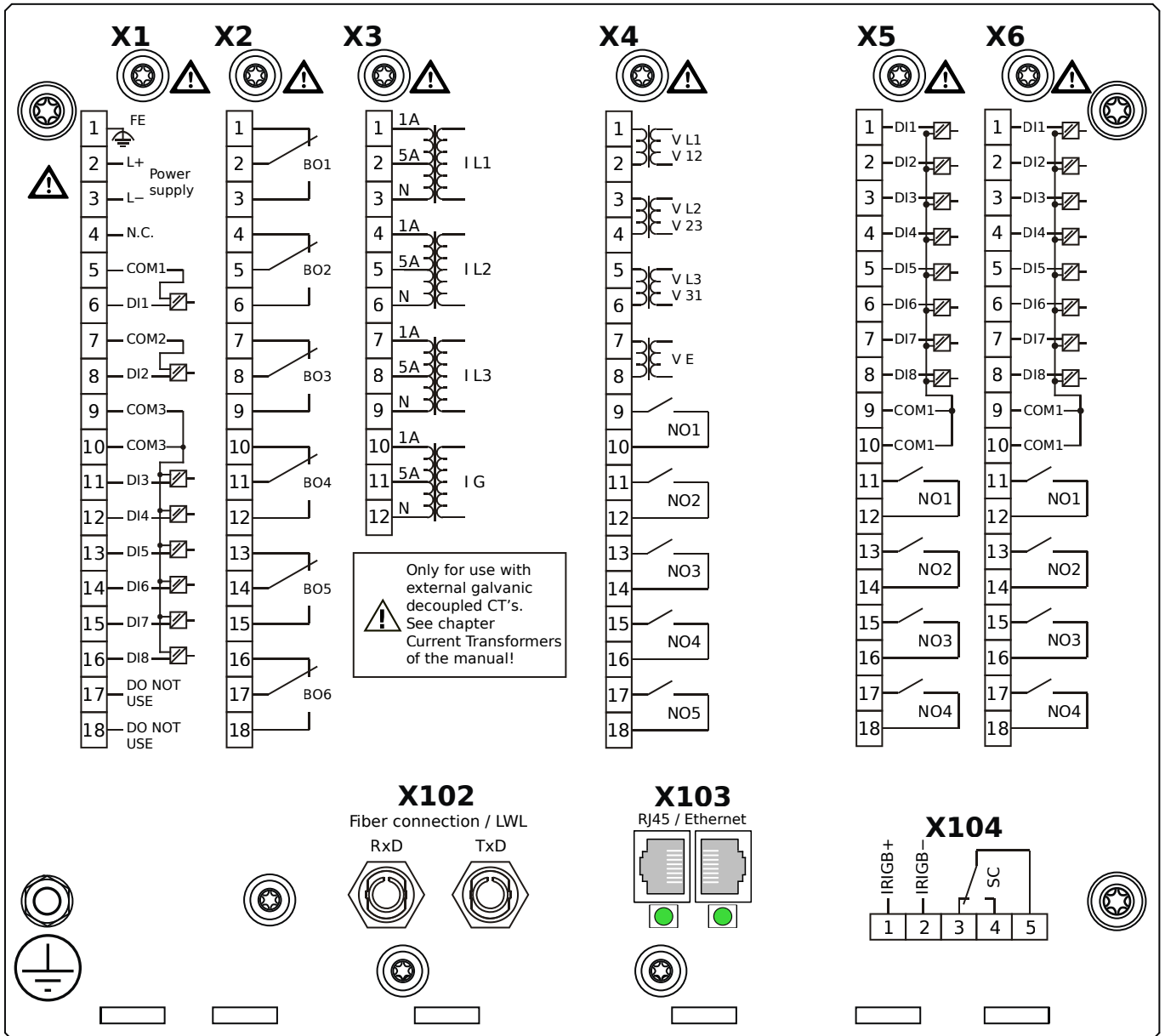
MCDLV4-2E0A1RA



Housing B2, large display, door mounting

- X1** – DI8-X1: Wide-range power supply unit, incl. 2 non-grouped digital inputs and 6 grouped digital inputs
 - X2** – OR6: Assembly Group with 6 Output Relays (Changeover / Form C)
 - X3** – TI: Standard current measuring card
 - X4** – TU-OR5: Voltage measuring (0 ... 300 VAC) assembly group with 5 additional Output Relays (NO / Form A)
 - X5** – DI8-OR4: Assembly Group with 8 Digital Inputs and 4 Output Relays (NO / Form A)
 - X6** – DI8-OR4: Assembly Group with 8 Digital Inputs and 4 Output Relays (NO / Form A)
 - X102** – Protection Communication, Fiber optics interface, ST Connector
 - X103** – IEC 61850 / Modbus TCP / IEC 60870-5-104 / DNP3.0 TCP/UDP, Redundant Ethernet interface, 100 Mbit/s, RJ45
 - X104** – IRIG-B00X, incl. System Contact (Supervision Contact)
- (BASE100-FX)

MCDLV4-2E0A1RB



Housing B2, large display, door mounting

- + Conformal Coating (for installations in harsh environment)

X1 – DI8-X1: Wide-range power supply unit, incl. 2 non-grouped digital inputs and 6 grouped digital inputs

X2 – OR6: Assembly Group with 6 Output Relays (Changeover / Form C)

X3 – TI: Standard current measuring card

X4 – TU-OR5: Voltage measuring (0 ... 300 VAC) assembly group with 5 additional Output Relays (NO / Form A)

X5 – DI8-OR4: Assembly Group with 8 Digital Inputs and 4 Output Relays (NO / Form A)

X6 – DI8-OR4: Assembly Group with 8 Digital Inputs and 4 Output Relays (NO / Form A)

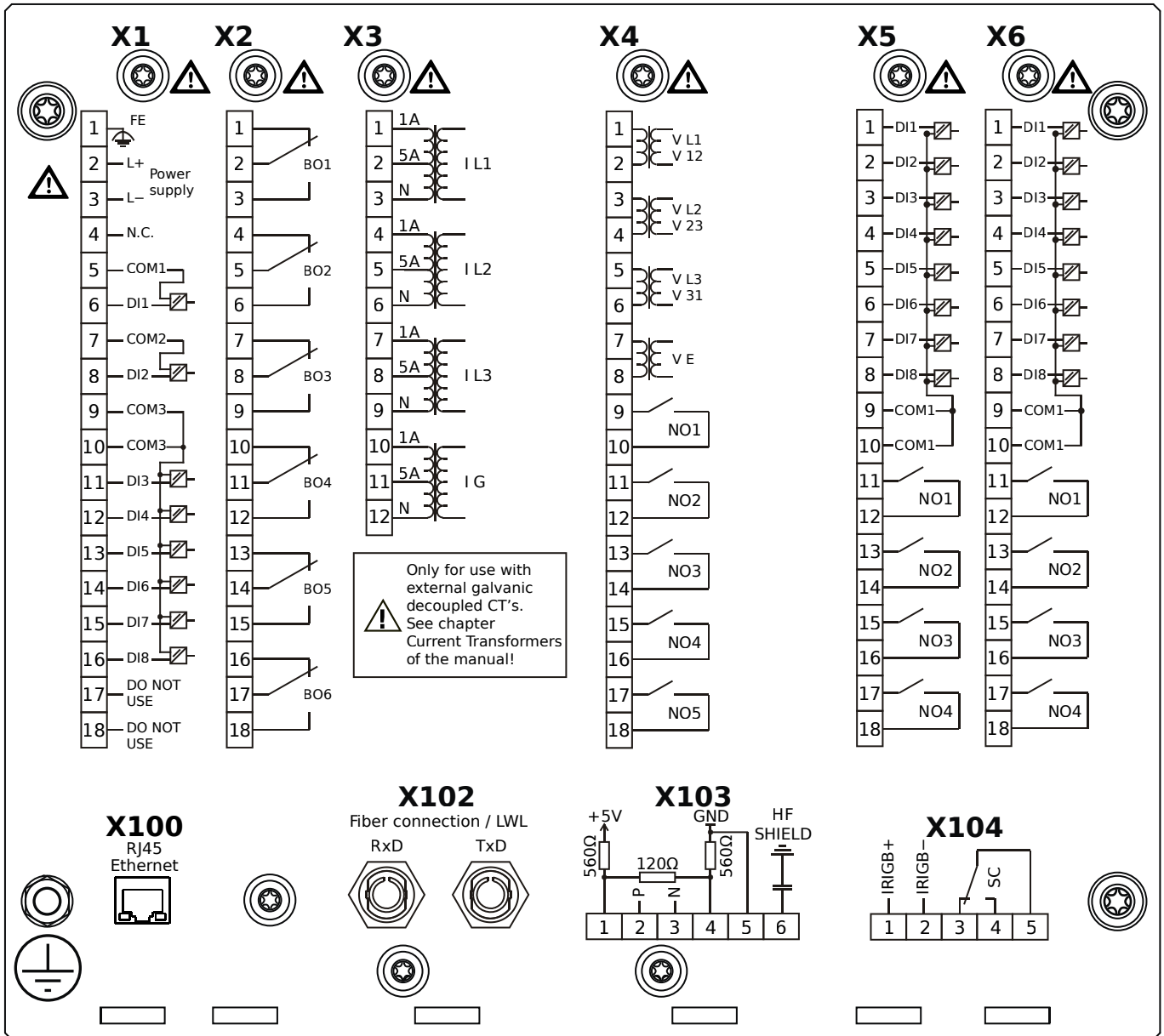
X102 – Protection Communication, Fiber optics interface, ST Connector

X103 – IEC 61850 / Modbus TCP / IEC 60870-5-104 / DNP3.0 TCP/UDP, Redundant Ethernet interface, 100 Mbit/s, RJ45

(BASE100-FX)

X104 – IRIG-B00X, incl. System Contact (Supervision Contact)

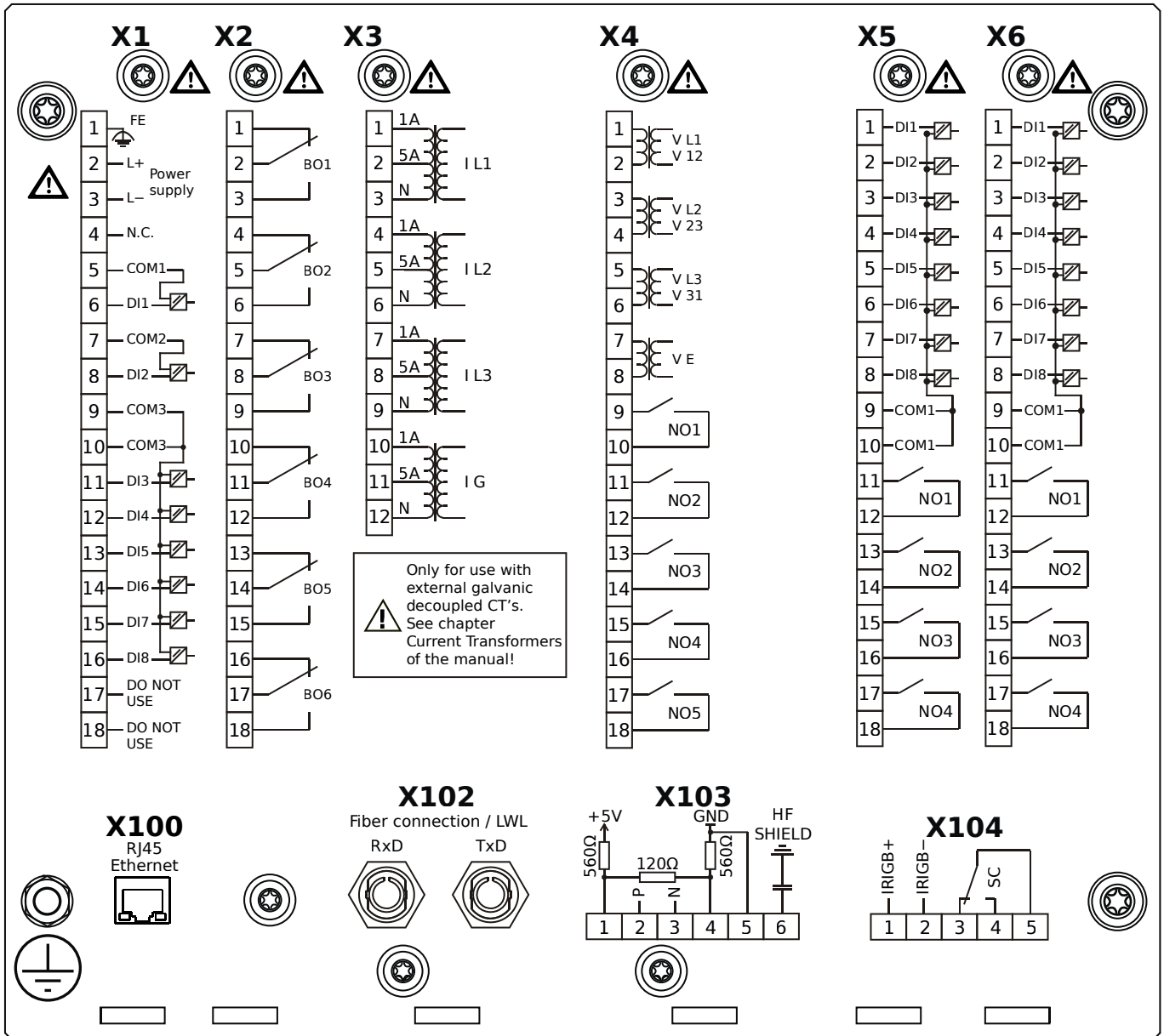
MCDLV4-2E0A1TA



Housing B2, large display, door mounting

- X1** – DI8-X1: Wide-range power supply unit, incl. 2 non-grouped digital inputs and 6 grouped digital inputs
- X2** – OR6: Assembly Group with 6 Output Relays (Changeover / Form C)
- X3** – TI: Standard current measuring card
- X4** – TU-OR5: Voltage measuring (0 ... 300 VAC) assembly group with 5 additional Output Relays (NO / Form A)
- X5** – DI8-OR4: Assembly Group with 8 Digital Inputs and 4 Output Relays (NO / Form A)
- X6** – DI8-OR4: Assembly Group with 8 Digital Inputs and 4 Output Relays (NO / Form A)
- X100** – IEC 61850 / Modbus TCP / IEC 60870-5-104 / DNP3.0 TCP/UDP, Ethernet interface, 100 Mbit/s, RJ45 (BASE100-FX)
- X102** – Protection Communication, Fiber optics interface, ST Connector
- X103** – IEC 60870-5-103 / Modbus RTU / DNP3.0 RTU, RS485, Terminals
- X104** – IRIG-B00X, incl. System Contact (Supervision Contact)

MCDLV4-2E0A1TB

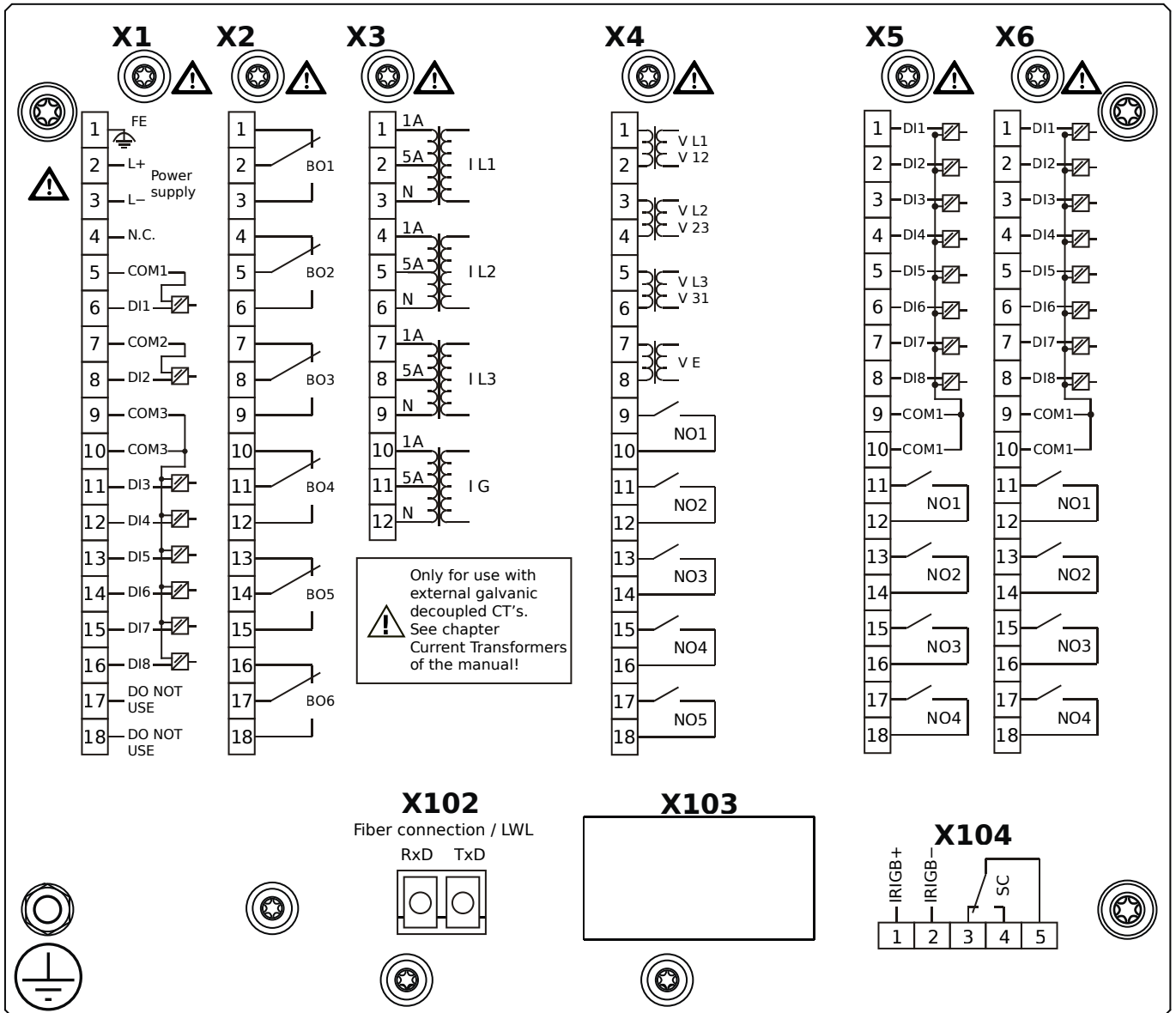


Housing B2, large display, door mounting

+ Conformal Coating (for installations in harsh environment)

- X1** – DI8-X1: Wide-range power supply unit, incl. 2 non-grouped digital inputs and 6 grouped digital inputs
- X2** – OR6: Assembly Group with 6 Output Relays (Changeover / Form C)
- X3** – TI: Standard current measuring card
- X4** – TU-OR5: Voltage measuring (0 ... 300 VAC) assembly group with 5 additional Output Relays (NO / Form A)
- X5** – DI8-OR4: Assembly Group with 8 Digital Inputs and 4 Output Relays (NO / Form A)
- X6** – DI8-OR4: Assembly Group with 8 Digital Inputs and 4 Output Relays (NO / Form A)
- X100** – IEC 61850 / Modbus TCP / IEC 60870-5-104 / DNP3.0 TCP/UDP, Ethernet interface, 100 Mbit/s, RJ45 (BASE100-FX)
- X102** – Protection Communication, Fiber optics interface, ST Connector
- X103** – IEC 60870-5-103 / Modbus RTU / DNP3.0 RTU, RS485, Terminals
- X104** – IRIG-B00X, incl. System Contact (Supervision Contact)

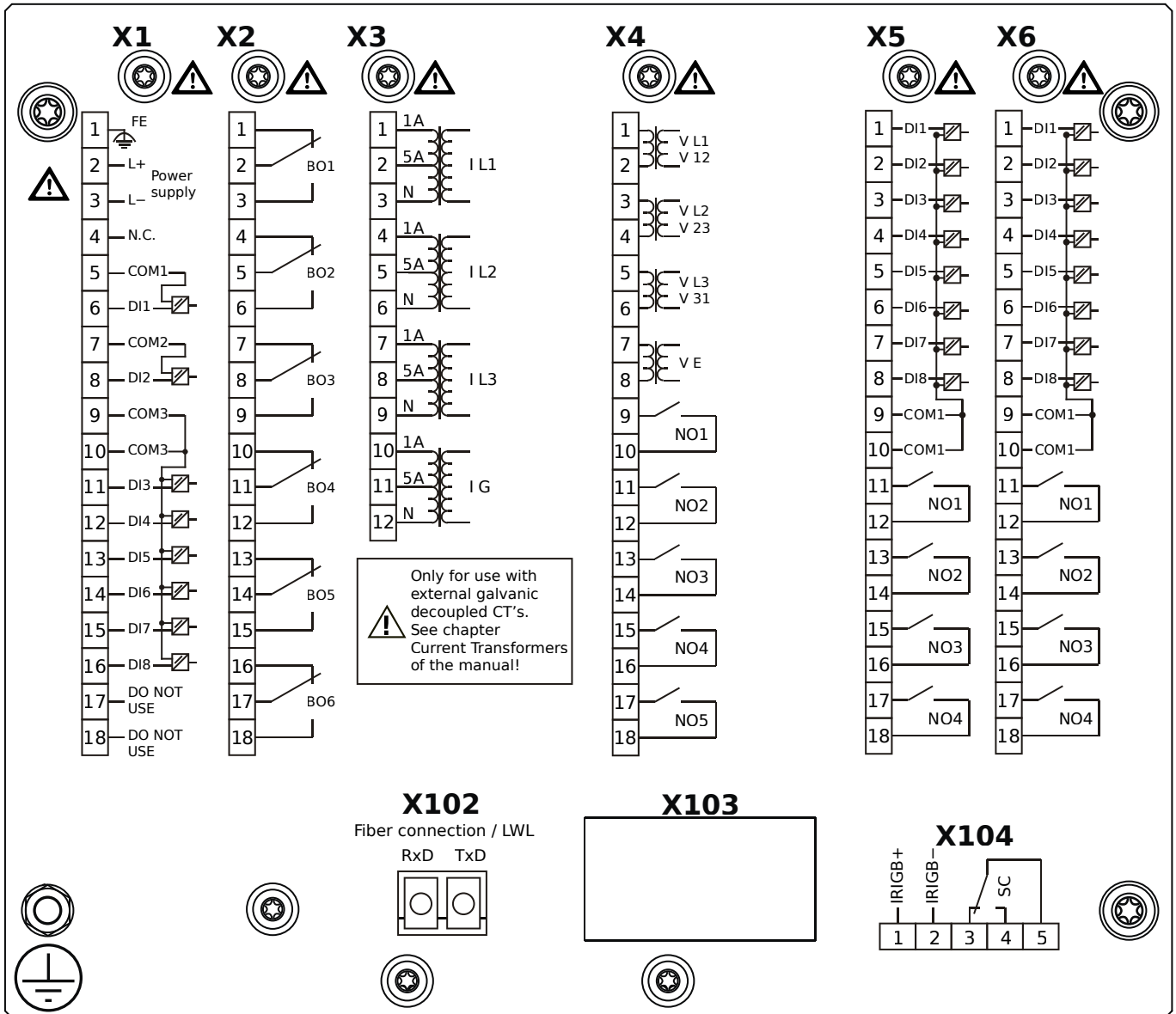
MCDLV4-2E0B0AA



Housing B2, large display, 19" rack mounting

- X1** – DI8-X1: Wide-range power supply unit, incl. 2 non-grouped digital inputs and 6 grouped digital inputs
- X2** – OR6: Assembly Group with 6 Output Relays (Changeover / Form C)
- X3** – TI: Standard current measuring card
- X4** – TU-OR5: Voltage measuring (0 ... 300 VAC) assembly group with 5 additional Output Relays (NO / Form A)
- X5** – DI8-OR4: Assembly Group with 8 Digital Inputs and 4 Output Relays (NO / Form A)
- X6** – DI8-OR4: Assembly Group with 8 Digital Inputs and 4 Output Relays (NO / Form A)
- X102** – Long-distance Protection Communication, Fiber optics interface, LC Connector
- X104** – IRIG-B00X, incl. System Contact (Supervision Contact)

MCDLV4-2E0B0AB

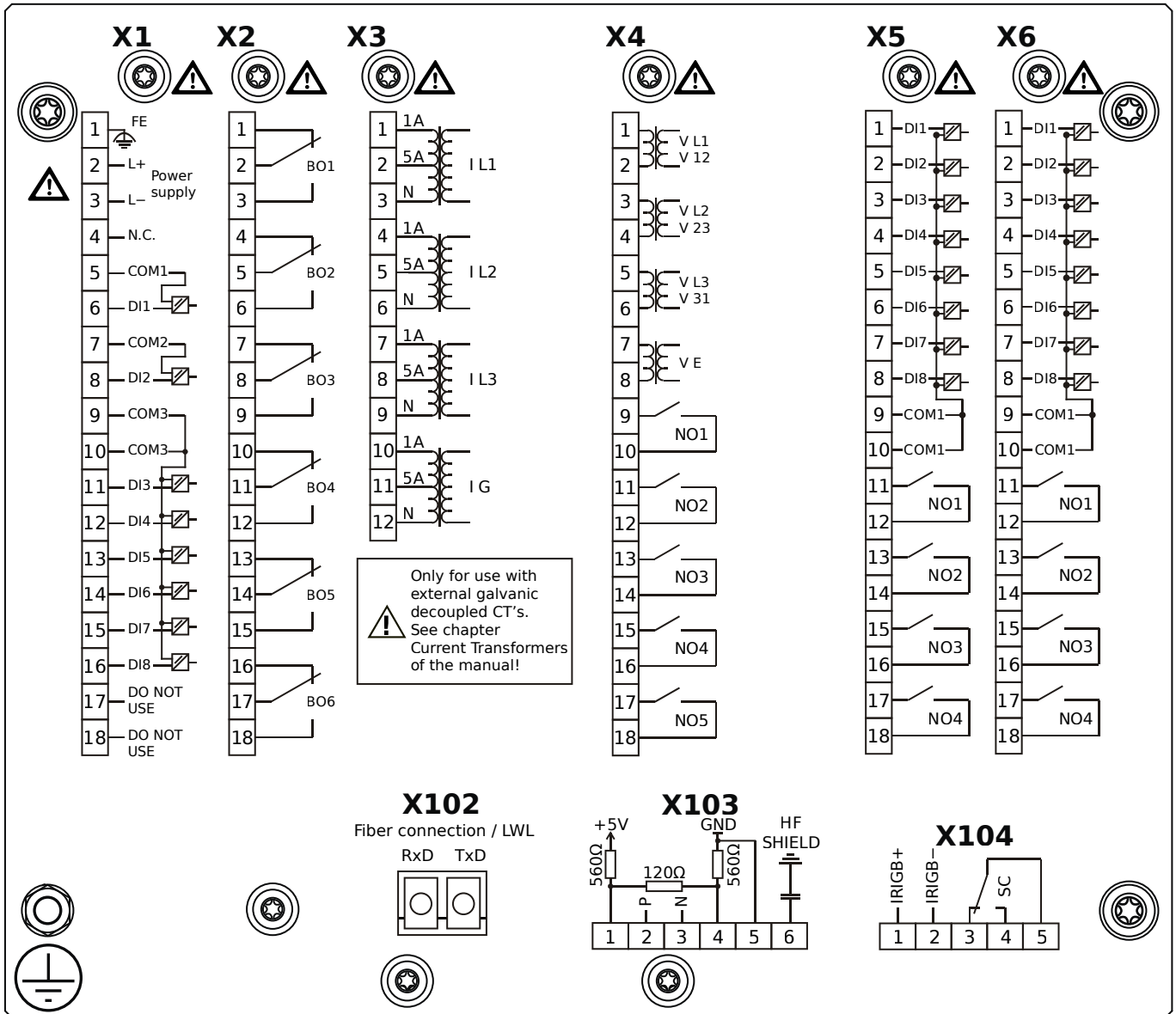


Housing B2, large display, 19" rack mounting

- + Conformal Coating (for installations in harsh environment)

- X1** – DI8-X1: Wide-range power supply unit, incl. 2 non-grouped digital inputs and 6 grouped digital inputs
- X2** – OR6: Assembly Group with 6 Output Relays (Changeover / Form C)
- X3** – TI: Standard current measuring card
- X4** – TU-OR5: Voltage measuring (0 ... 300 VAC) assembly group with 5 additional Output Relays (NO / Form A)
- X5** – DI8-OR4: Assembly Group with 8 Digital Inputs and 4 Output Relays (NO / Form A)
- X6** – DI8-OR4: Assembly Group with 8 Digital Inputs and 4 Output Relays (NO / Form A)
- X102** – Long-distance Protection Communication, Fiber optics interface, LC Connector
- X104** – IRIG-B00X, incl. System Contact (Supervision Contact)

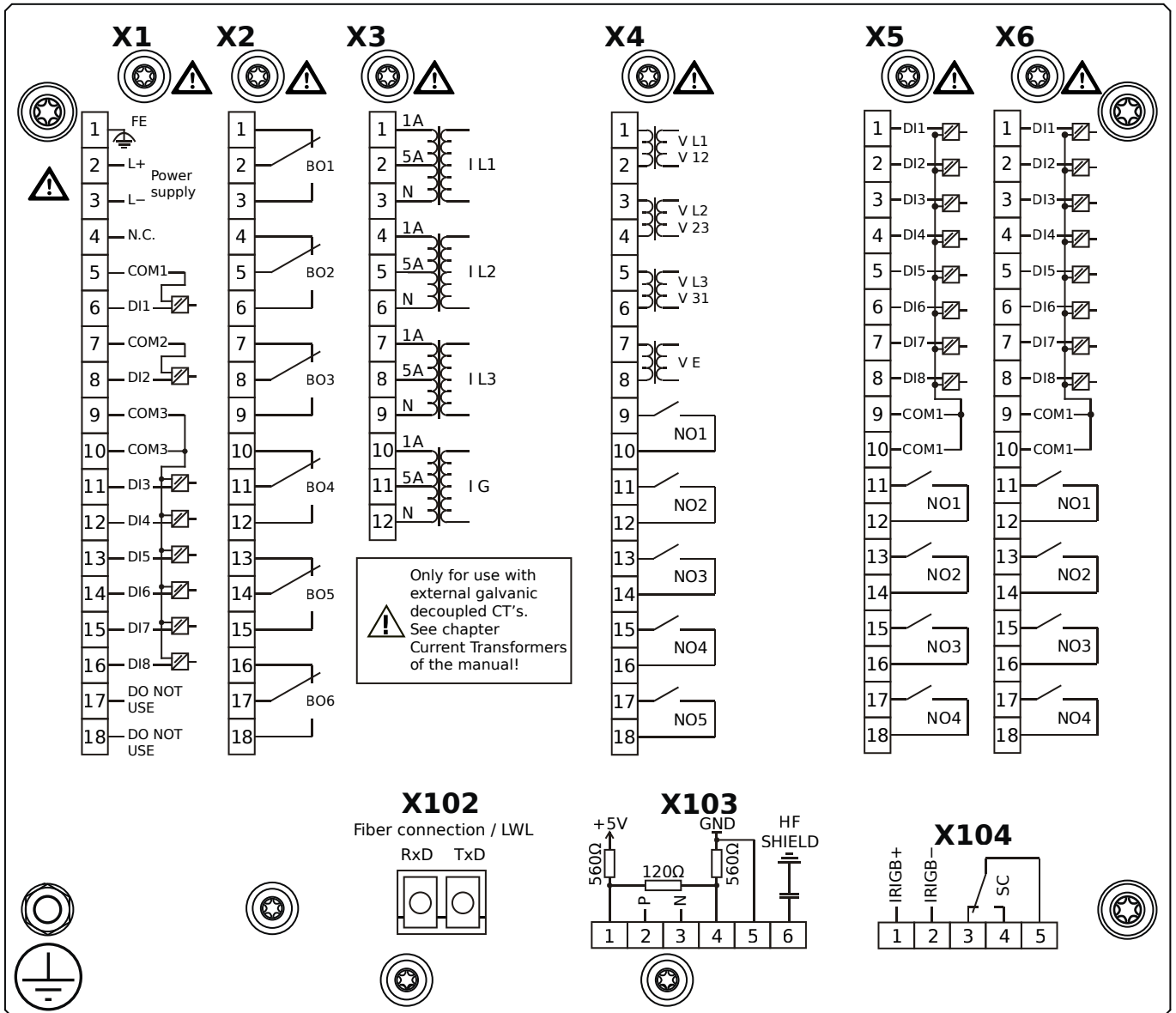
MCDLV4-2E0B0BA



Housing B2, large display, 19" rack mounting

- X1** – DI8-X1: Wide-range power supply unit, incl. 2 non-grouped digital inputs and 6 grouped digital inputs
- X2** – OR6: Assembly Group with 6 Output Relays (Changeover / Form C)
- X3** – TI: Standard current measuring card
- X4** – TU-OR5: Voltage measuring (0 ... 300 VAC) assembly group with 5 additional Output Relays (NO / Form A)
- X5** – DI8-OR4: Assembly Group with 8 Digital Inputs and 4 Output Relays (NO / Form A)
- X6** – DI8-OR4: Assembly Group with 8 Digital Inputs and 4 Output Relays (NO / Form A)
- X102** – Long-distance Protection Communication, Fiber optics interface, LC Connector
- X103** – Modbus RTU / IEC 60870-5-103 / DNP3.0 RTU, RS485, Terminals
- X104** – IRIG-B00X, incl. System Contact (Supervision Contact)

MCDLV4-2E0B0BB

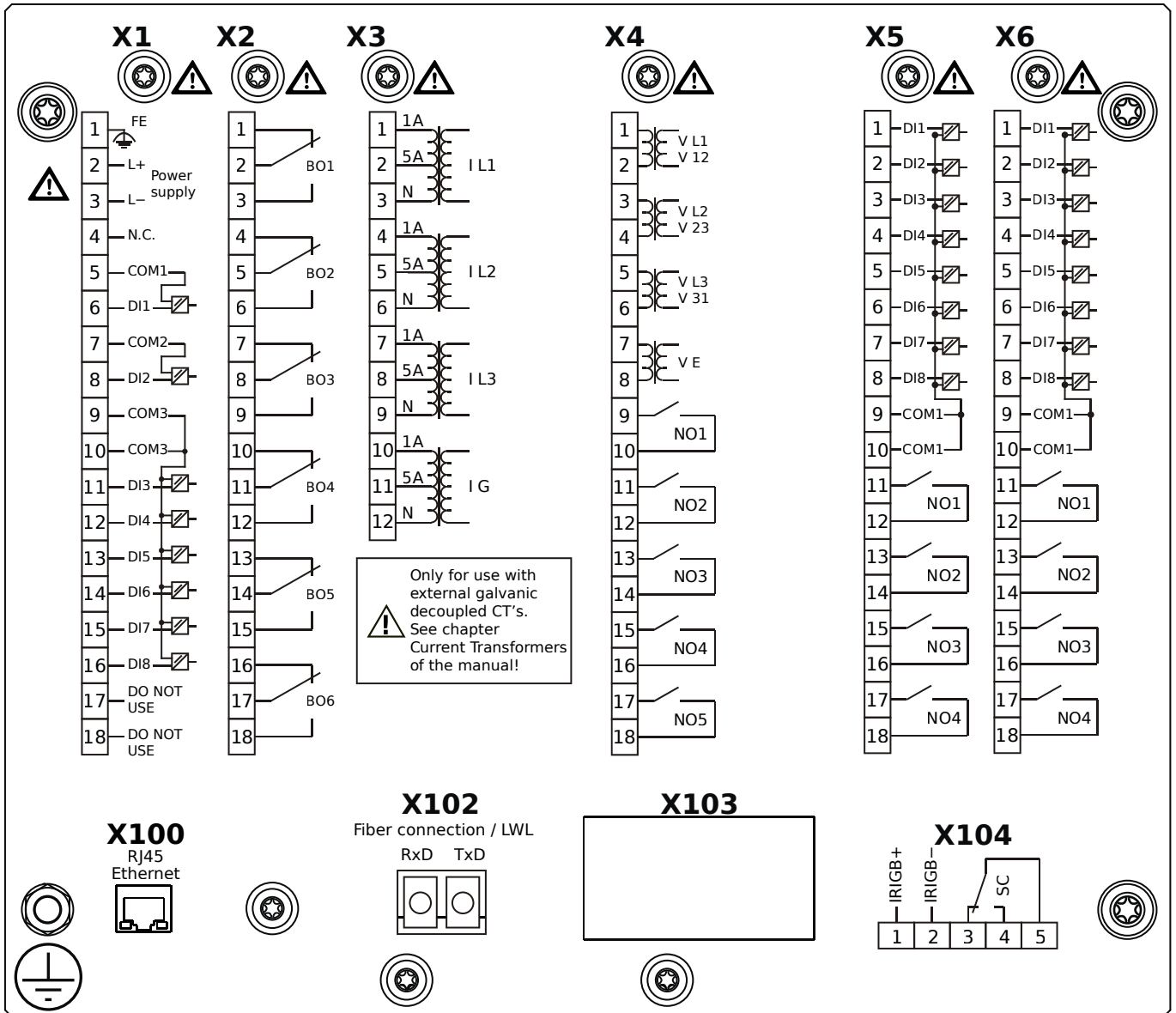


Housing B2, large display, 19" rack mounting

+ Conformal Coating (for installations in harsh environment)

- X1** – DI8-X1: Wide-range power supply unit, incl. 2 non-grouped digital inputs and 6 grouped digital inputs
- X2** – OR6: Assembly Group with 6 Output Relays (Changeover / Form C)
- X3** – TI: Standard current measuring card
- X4** – TU-OR5: Voltage measuring (0 ... 300 VAC) assembly group with 5 additional Output Relays (NO / Form A)
- X5** – DI8-OR4: Assembly Group with 8 Digital Inputs and 4 Output Relays (NO / Form A)
- X6** – DI8-OR4: Assembly Group with 8 Digital Inputs and 4 Output Relays (NO / Form A)
- X102** – Long-distance Protection Communication, Fiber optics interface, LC Connector
- X103** – Modbus RTU / IEC 60870-5-103 / DNP3.0 RTU, RS485, Terminals
- X104** – IRIG-B00X, incl. System Contact (Supervision Contact)

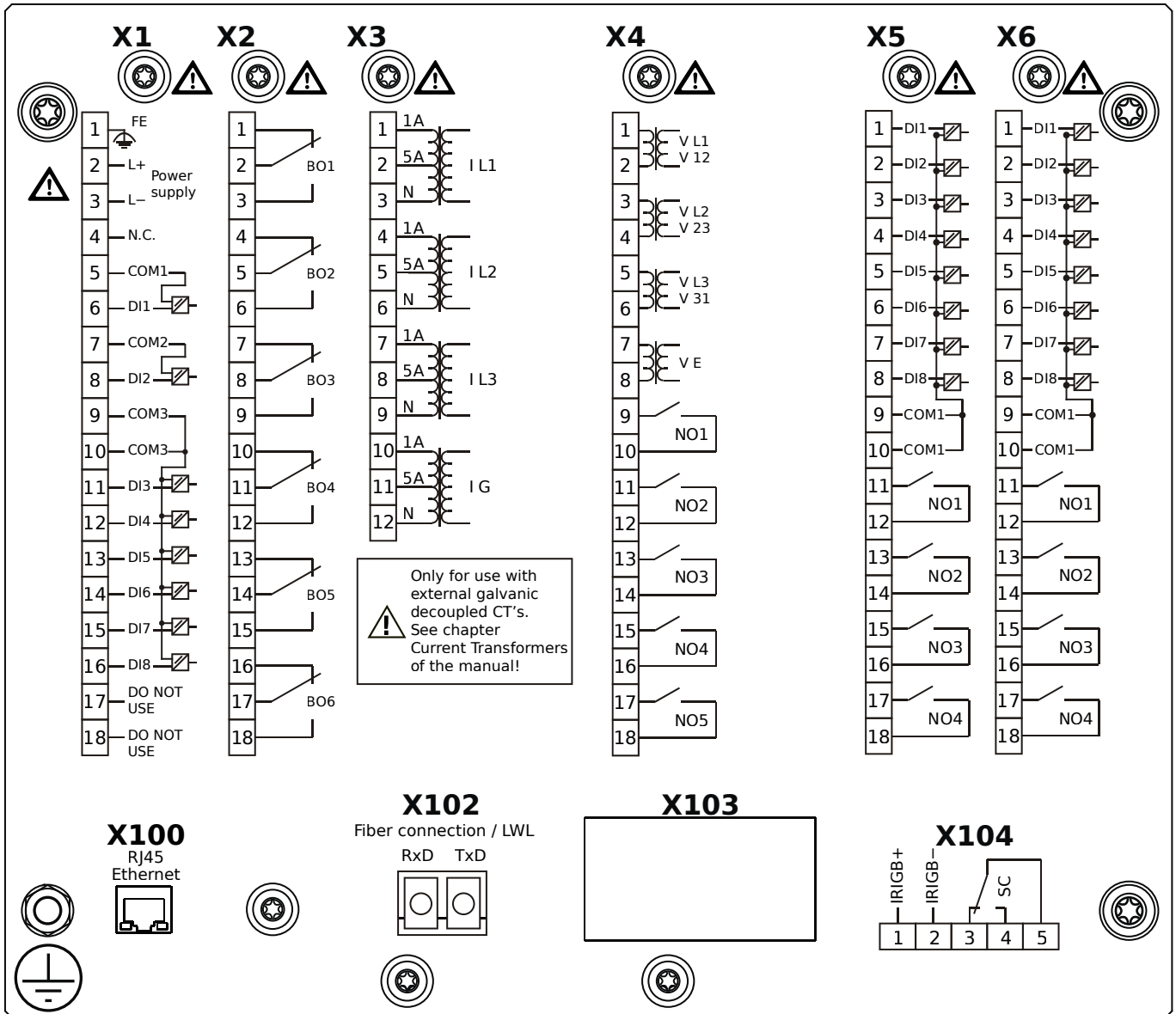
MCDLV4-2E0B0CA



Housing B2, large display, 19" rack mounting

- X1** – DI8-X1: Wide-range power supply unit, incl. 2 non-grouped digital inputs and 6 grouped digital inputs
- X2** – OR6: Assembly Group with 6 Output Relays (Changeover / Form C)
- X3** – TI: Standard current measuring card
- X4** – TU-OR5: Voltage measuring (0 ... 300 VAC) assembly group with 5 additional Output Relays (NO / Form A)
- X5** – DI8-OR4: Assembly Group with 8 Digital Inputs and 4 Output Relays (NO / Form A)
- X6** – DI8-OR4: Assembly Group with 8 Digital Inputs and 4 Output Relays (NO / Form A)
- X100** – Modbus TCP / IEC 60870-5-104 / DNP3.0 TCP/UDP, Ethernet interface, 100 Mbit/s, RJ45 (BASE100-FX)
- X102** – Long-distance Protection Communication, Fiber optics interface, LC Connector
- X104** – IRIG-B00X, incl. System Contact (Supervision Contact)

MCDLV4-2E0B0CB

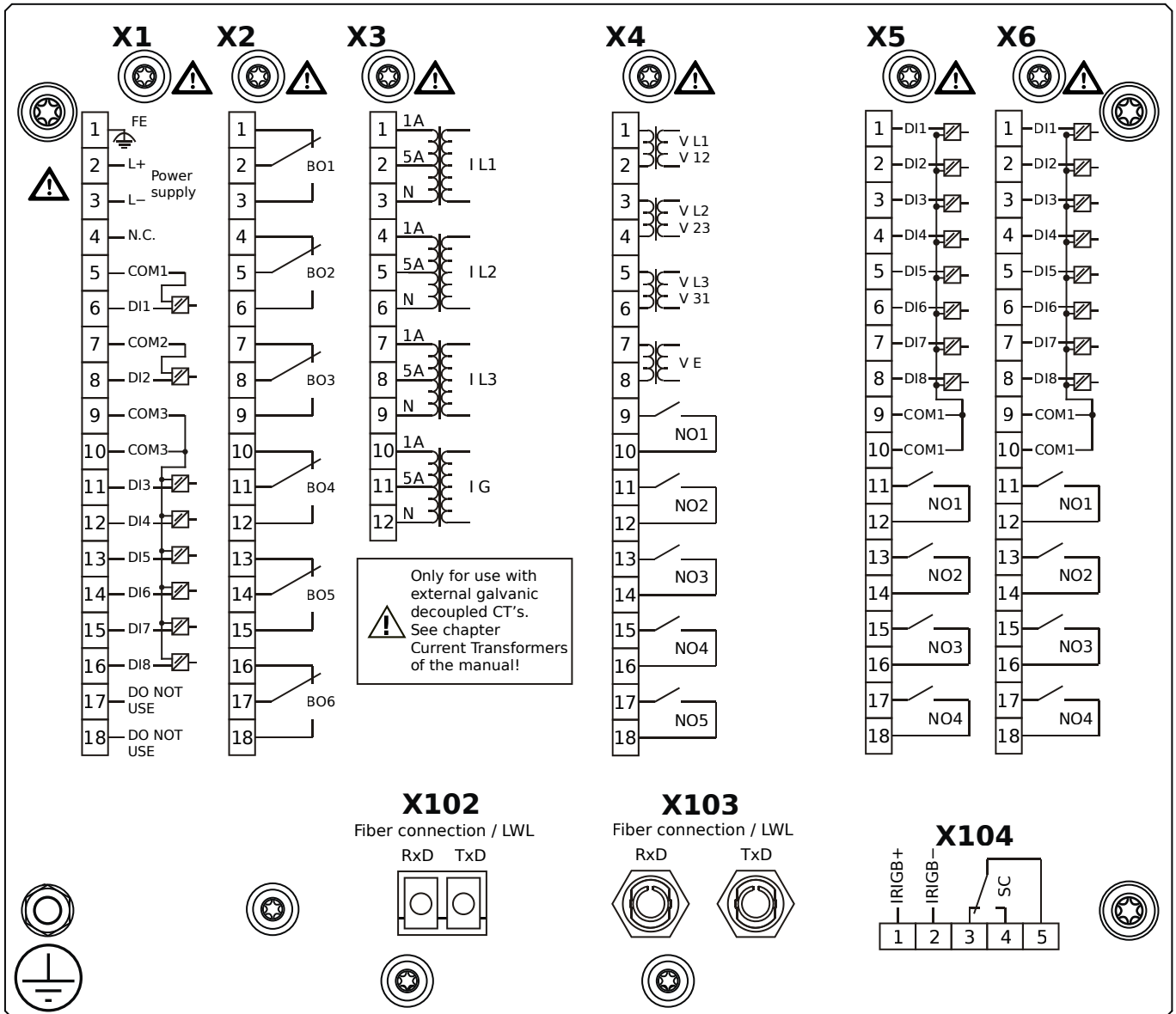


Housing B2, large display, 19" rack mounting

- + Conformal Coating (for installations in harsh environment)

- X1** – DI8-X1: Wide-range power supply unit, incl. 2 non-grouped digital inputs and 6 grouped digital inputs
- X2** – OR6: Assembly Group with 6 Output Relays (Changeover / Form C)
- X3** – TI: Standard current measuring card
- X4** – TU-OR5: Voltage measuring (0 ... 300 VAC) assembly group with 5 additional Output Relays (NO / Form A)
- X5** – DI8-OR4: Assembly Group with 8 Digital Inputs and 4 Output Relays (NO / Form A)
- X6** – DI8-OR4: Assembly Group with 8 Digital Inputs and 4 Output Relays (NO / Form A)
- X100** – Modbus TCP / IEC 60870-5-104 / DNP3.0 TCP/UDP, Ethernet interface, 100 Mbit/s, RJ45 (BASE100-FX)
- X102** – Long-distance Protection Communication, Fiber optics interface, LC Connector
- X104** – IRIG-B00X, incl. System Contact (Supervision Contact)

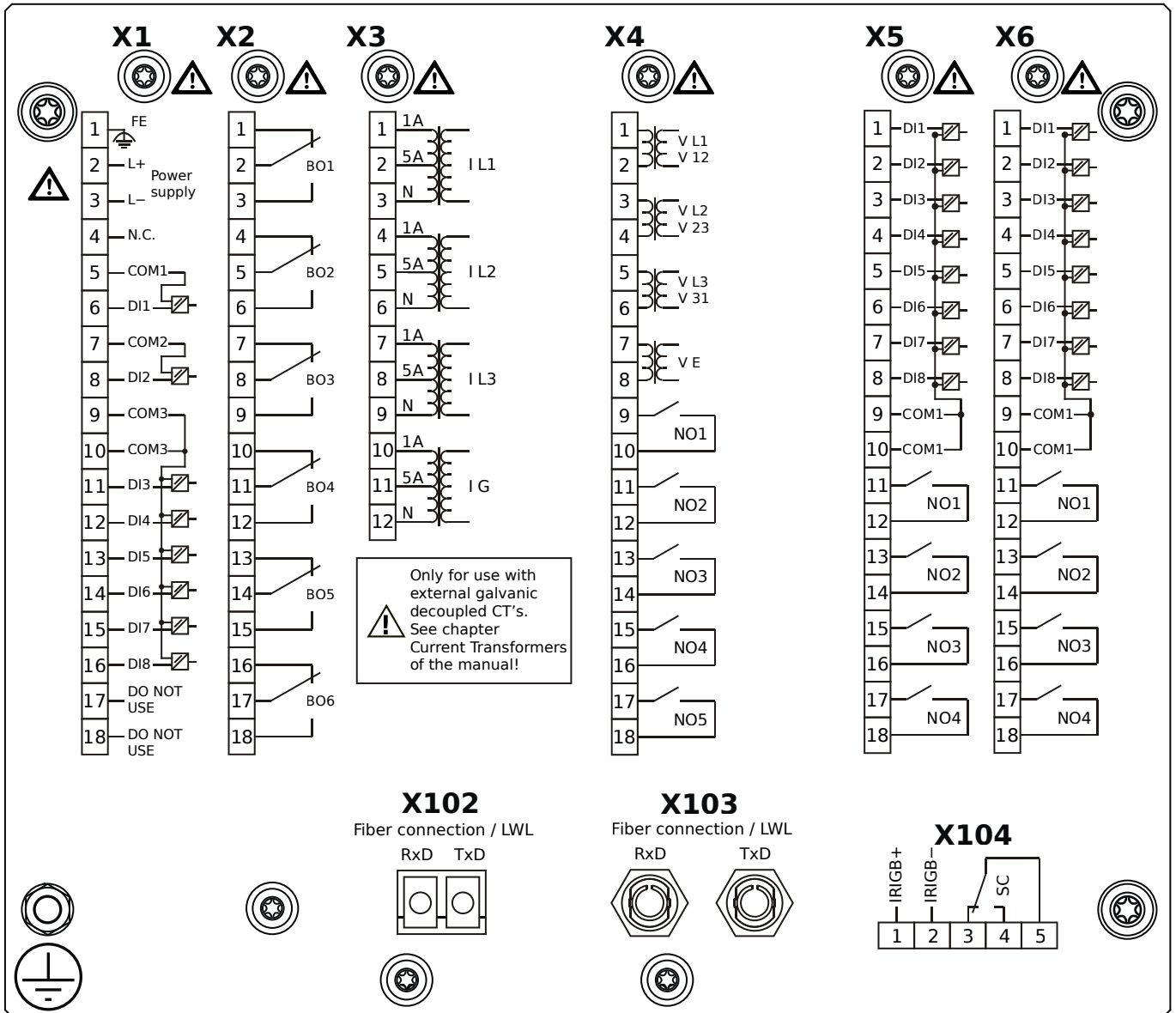
MCDLV4-2E0B0DA



Housing B2, large display, 19" rack mounting

- X1** – DI8-X1: Wide-range power supply unit, incl. 2 non-grouped digital inputs and 6 grouped digital inputs
- X2** – OR6: Assembly Group with 6 Output Relays (Changeover / Form C)
- X3** – TI: Standard current measuring card
- X4** – TU-OR5: Voltage measuring (0 ... 300 VAC) assembly group with 5 additional Output Relays (NO / Form A)
- X5** – DI8-OR4: Assembly Group with 8 Digital Inputs and 4 Output Relays (NO / Form A)
- X6** – DI8-OR4: Assembly Group with 8 Digital Inputs and 4 Output Relays (NO / Form A)
- X102** – Long-distance Protection Communication, Fiber optics interface, LC Connector
- X103** – Profibus-DP, Fiber optics interface, ST Connector
- X104** – IRIG-B00X, incl. System Contact (Supervision Contact)

MCDLV4-2E0B0DB

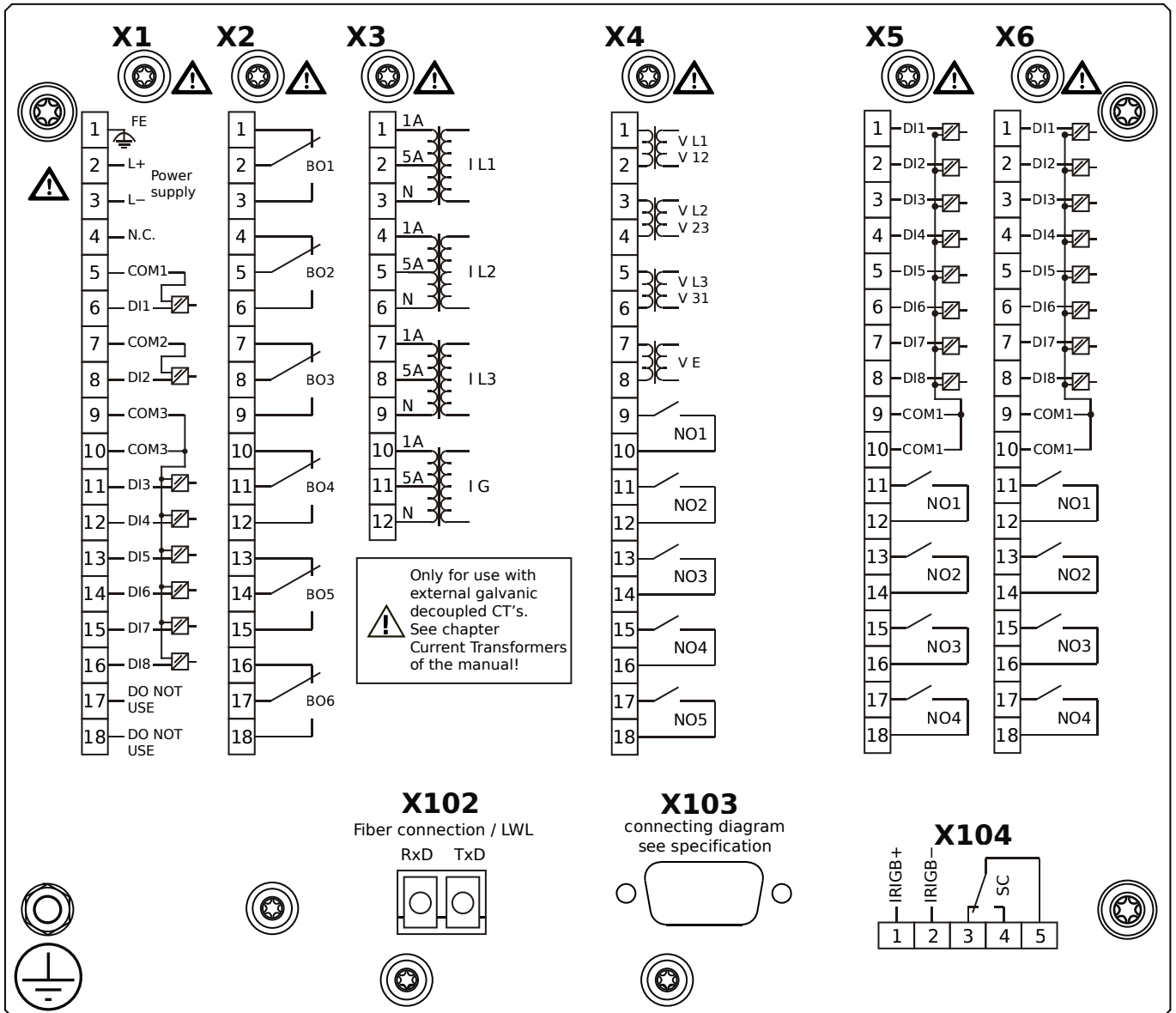


Housing B2, large display, 19" rack mounting

+ Conformal Coating (for installations in harsh environment)

- X1** – DI8-X1: Wide-range power supply unit, incl. 2 non-grouped digital inputs and 6 grouped digital inputs
- X2** – OR6: Assembly Group with 6 Output Relays (Changeover / Form C)
- X3** – TI: Standard current measuring card
- X4** – TU-OR5: Voltage measuring (0 ... 300 VAC) assembly group with 5 additional Output Relays (NO / Form A)
- X5** – DI8-OR4: Assembly Group with 8 Digital Inputs and 4 Output Relays (NO / Form A)
- X6** – DI8-OR4: Assembly Group with 8 Digital Inputs and 4 Output Relays (NO / Form A)
- X102** – Long-distance Protection Communication, Fiber optics interface, LC Connector
- X103** – Profibus-DP, Fiber optics interface, ST Connector
- X104** – IRIG-B00X, incl. System Contact (Supervision Contact)

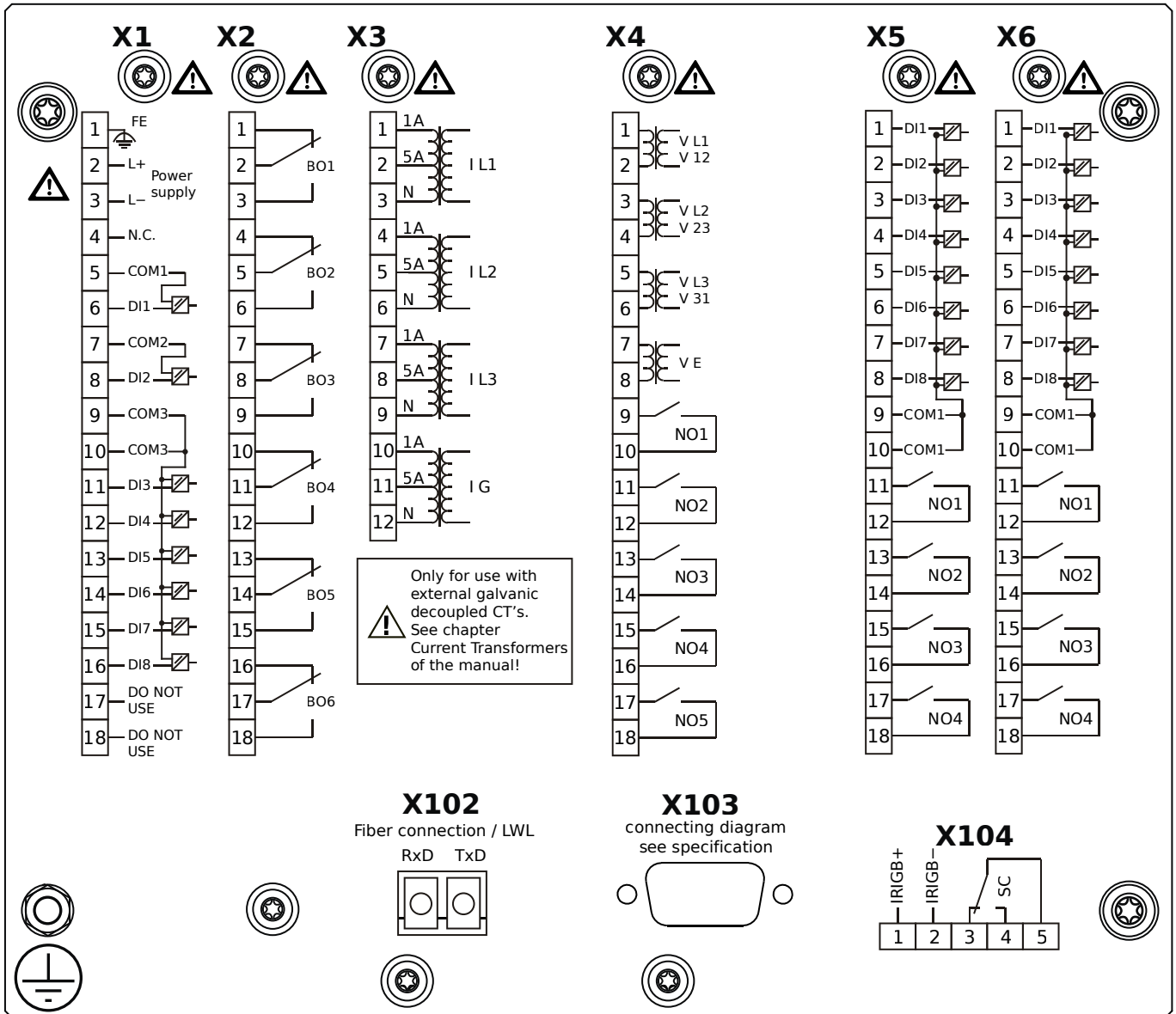
MCDLV4-2E0B0EA



Housing B2, large display, 19" rack mounting

- X1** – DI8-X1: Wide-range power supply unit, incl. 2 non-grouped digital inputs and 6 grouped digital inputs
- X2** – OR6: Assembly Group with 6 Output Relays (Changeover / Form C)
- X3** – TI: Standard current measuring card
- X4** – TU-OR5: Voltage measuring (0 ... 300 VAC) assembly group with 5 additional Output Relays (NO / Form A)
- X5** – DI8-OR4: Assembly Group with 8 Digital Inputs and 4 Output Relays (NO / Form A)
- X6** – DI8-OR4: Assembly Group with 8 Digital Inputs and 4 Output Relays (NO / Form A)
- X102** – Long-distance Protection Communication, Fiber optics interface, LC Connector
- X103** – Profibus-DP, RS485, D-SUB
- X104** – IRIG-B00X, incl. System Contact (Supervision Contact)

MCDLV4-2E0B0EB

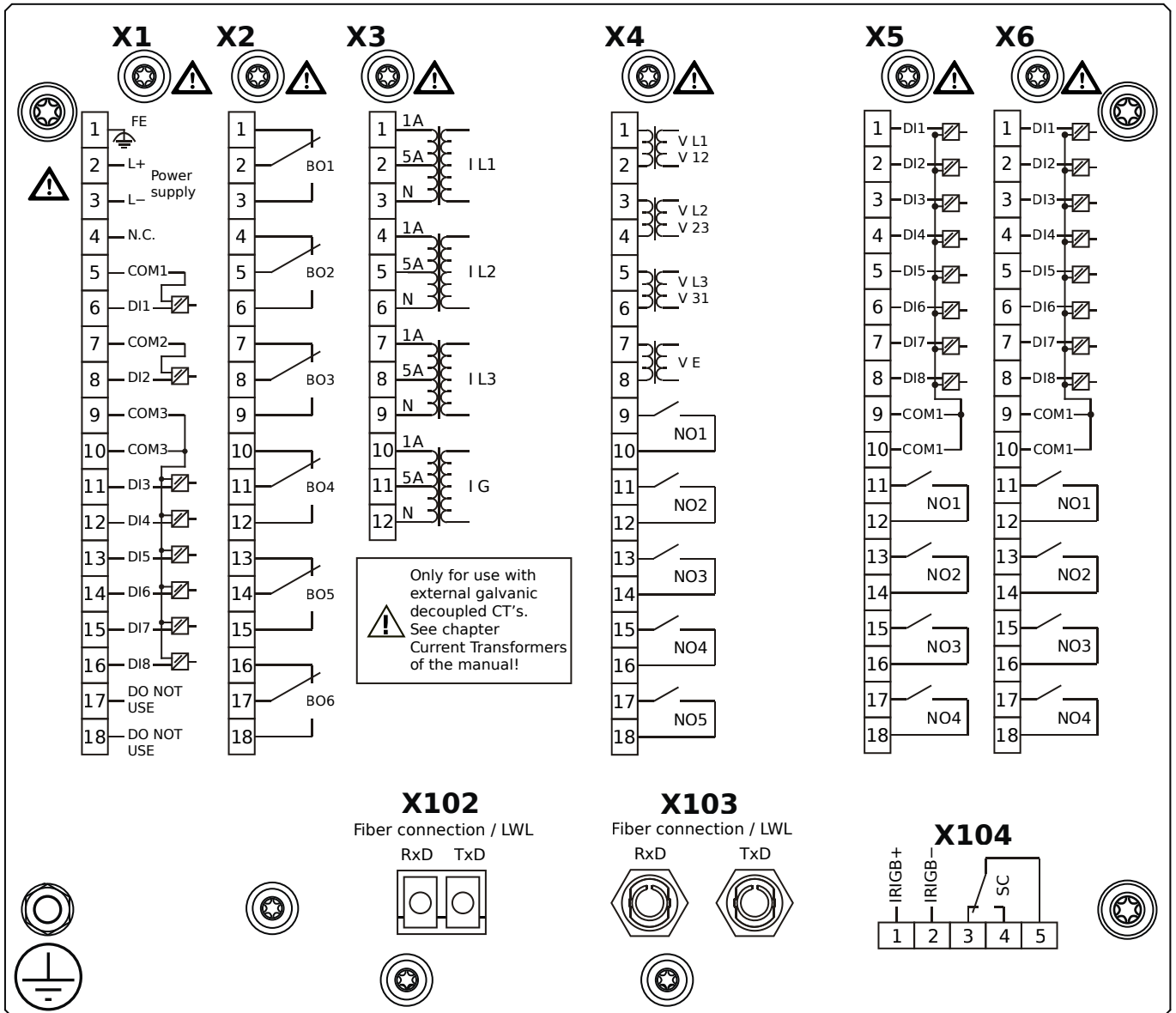


Housing B2, large display, 19" rack mounting

+ Conformal Coating (for installations in harsh environment)

- X1** – DI8-X1: Wide-range power supply unit, incl. 2 non-grouped digital inputs and 6 grouped digital inputs
- X2** – OR6: Assembly Group with 6 Output Relays (Changeover / Form C)
- X3** – TI: Standard current measuring card
- X4** – TU-OR5: Voltage measuring (0 ... 300 VAC) assembly group with 5 additional Output Relays (NO / Form A)
- X5** – DI8-OR4: Assembly Group with 8 Digital Inputs and 4 Output Relays (NO / Form A)
- X6** – DI8-OR4: Assembly Group with 8 Digital Inputs and 4 Output Relays (NO / Form A)
- X102** – Long-distance Protection Communication, Fiber optics interface, LC Connector
- X103** – Profibus-DP, RS485, D-SUB
- X104** – IRIG-B00X, incl. System Contact (Supervision Contact)

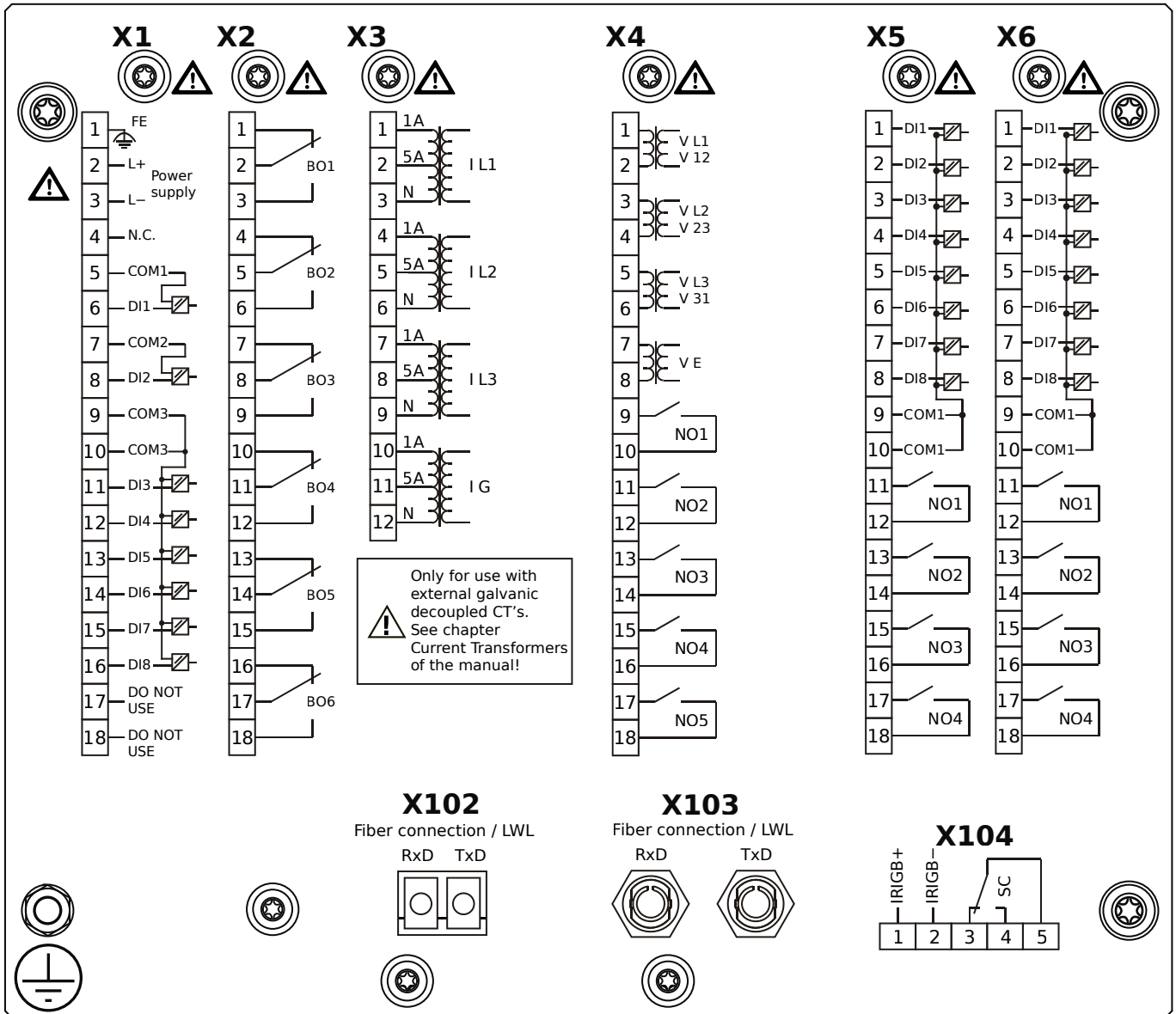
MCDLV4-2E0B0FA



Housing B2, large display, 19" rack mounting

- X1** – DI8-X1: Wide-range power supply unit, incl. 2 non-grouped digital inputs and 6 grouped digital inputs
- X2** – OR6: Assembly Group with 6 Output Relays (Changeover / Form C)
- X3** – TI: Standard current measuring card
- X4** – TU-OR5: Voltage measuring (0 ... 300 VAC) assembly group with 5 additional Output Relays (NO / Form A)
- X5** – DI8-OR4: Assembly Group with 8 Digital Inputs and 4 Output Relays (NO / Form A)
- X6** – DI8-OR4: Assembly Group with 8 Digital Inputs and 4 Output Relays (NO / Form A)
- X102** – Long-distance Protection Communication, Fiber optics interface, LC Connector
- X103** – Modbus RTU / IEC 60870-5-103 / DNP3.0 RTU, Fiber optics interface, ST Connector
- X104** – IRIG-B00X, incl. System Contact (Supervision Contact)

MCDLV4-2E0B0FB

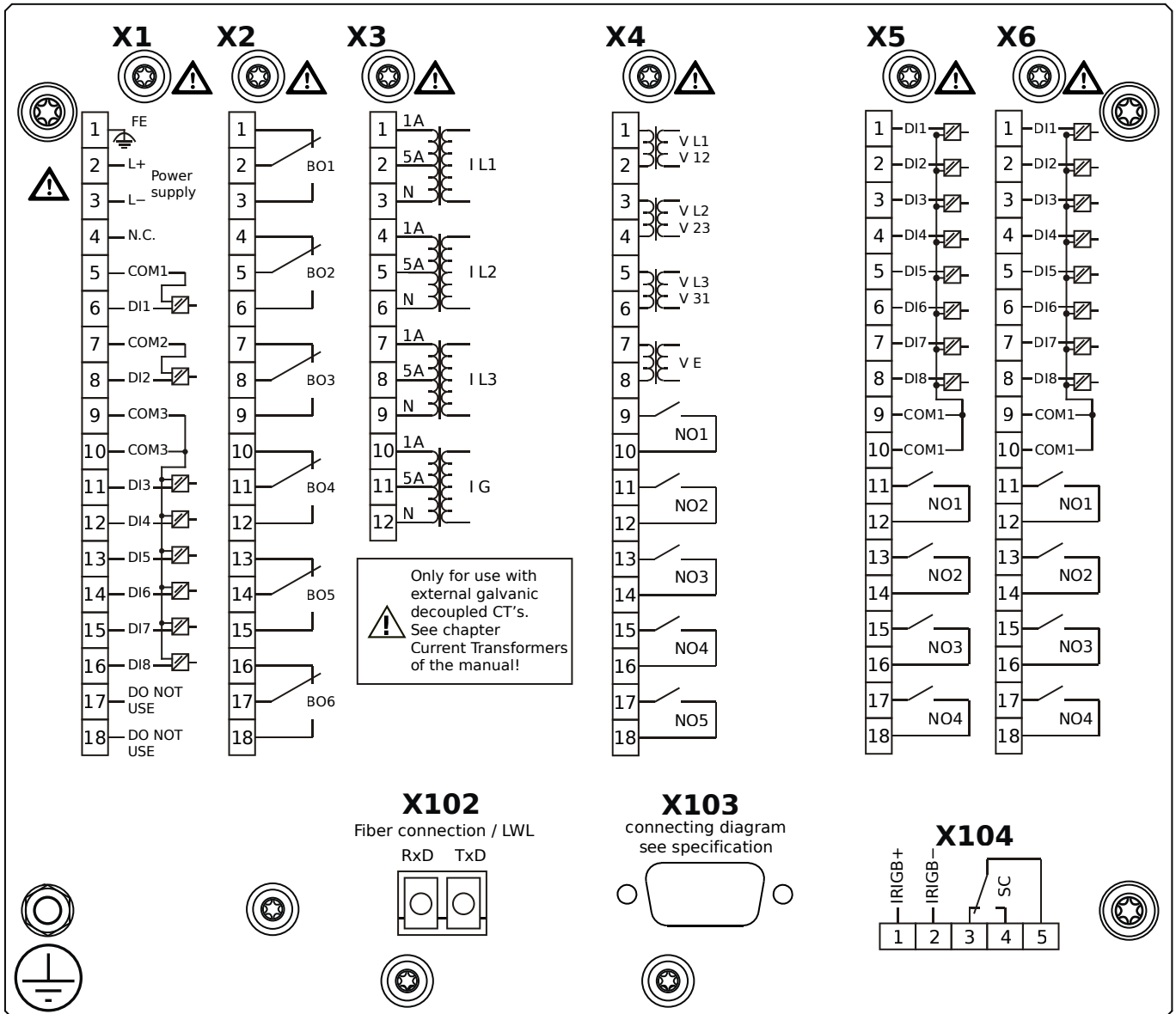


Housing B2, large display, 19" rack mounting

+ Conformal Coating (for installations in harsh environment)

- X1** – DI8-X1: Wide-range power supply unit, incl. 2 non-grouped digital inputs and 6 grouped digital inputs
- X2** – OR6: Assembly Group with 6 Output Relays (Changeover / Form C)
- X3** – TI: Standard current measuring card
- X4** – TU-OR5: Voltage measuring (0 ... 300 VAC) assembly group with 5 additional Output Relays (NO / Form A)
- X5** – DI8-OR4: Assembly Group with 8 Digital Inputs and 4 Output Relays (NO / Form A)
- X6** – DI8-OR4: Assembly Group with 8 Digital Inputs and 4 Output Relays (NO / Form A)
- X102** – Long-distance Protection Communication, Fiber optics interface, LC Connector
- X103** – Modbus RTU / IEC 60870-5-103 / DNP3.0 RTU, Fiber optics interface, ST Connector
- X104** – IRIG-B00X, incl. System Contact (Supervision Contact)

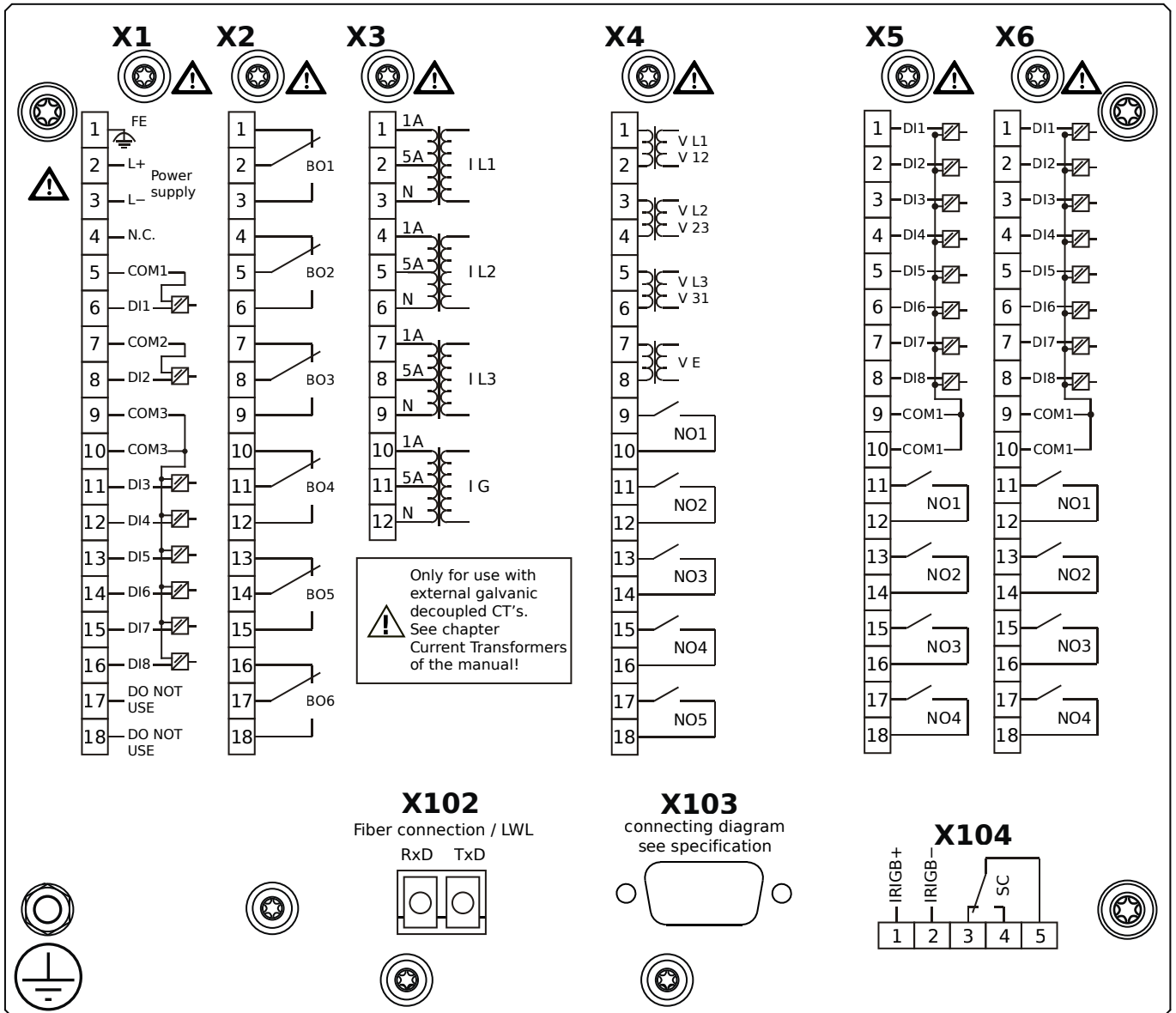
MCDLV4-2E0B0GA



Housing B2, large display, 19" rack mounting

- X1** – DI8-X1: Wide-range power supply unit, incl. 2 non-grouped digital inputs and 6 grouped digital inputs
- X2** – OR6: Assembly Group with 6 Output Relays (Changeover / Form C)
- X3** – TI: Standard current measuring card
- X4** – TU-OR5: Voltage measuring (0 ... 300 VAC) assembly group with 5 additional Output Relays (NO / Form A)
- X5** – DI8-OR4: Assembly Group with 8 Digital Inputs and 4 Output Relays (NO / Form A)
- X6** – DI8-OR4: Assembly Group with 8 Digital Inputs and 4 Output Relays (NO / Form A)
- X102** – Long-distance Protection Communication, Fiber optics interface, LC Connector
- X103** – Modbus RTU / IEC 60870-5-103 / DNP3.0 RTU, RS485, D-SUB
- X104** – IRIG-B00X, incl. System Contact (Supervision Contact)

MCDLV4-2E0B0GB

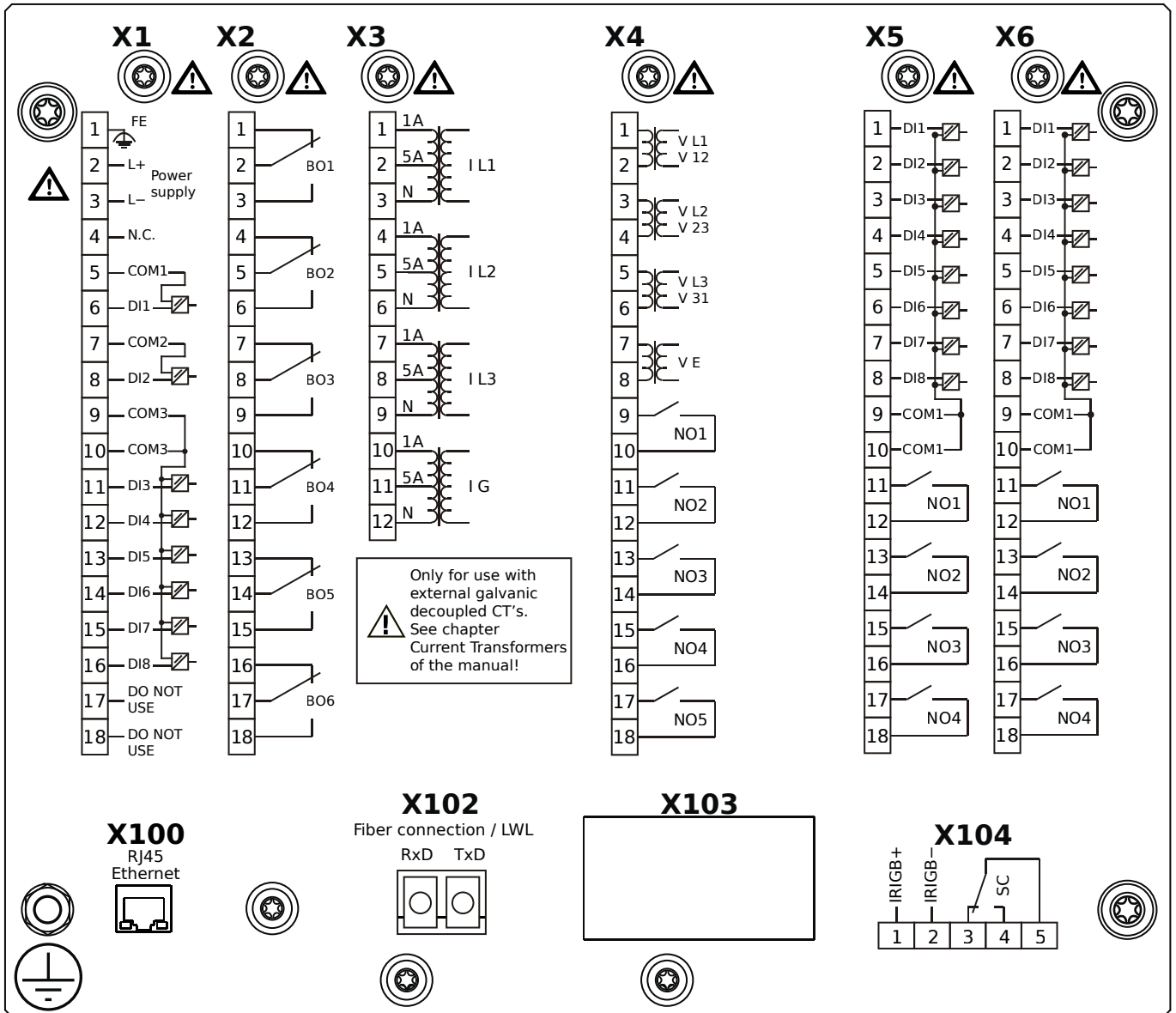


Housing B2, large display, 19" rack mounting

+ Conformal Coating (for installations in harsh environment)

- X1** – DI8-X1: Wide-range power supply unit, incl. 2 non-grouped digital inputs and 6 grouped digital inputs
- X2** – OR6: Assembly Group with 6 Output Relays (Changeover / Form C)
- X3** – TI: Standard current measuring card
- X4** – TU-OR5: Voltage measuring (0 ... 300 VAC) assembly group with 5 additional Output Relays (NO / Form A)
- X5** – DI8-OR4: Assembly Group with 8 Digital Inputs and 4 Output Relays (NO / Form A)
- X6** – DI8-OR4: Assembly Group with 8 Digital Inputs and 4 Output Relays (NO / Form A)
- X102** – Long-distance Protection Communication, Fiber optics interface, LC Connector
- X103** – Modbus RTU / IEC 60870-5-103 / DNP3.0 RTU, RS485, D-SUB
- X104** – IRIG-B00X, incl. System Contact (Supervision Contact)

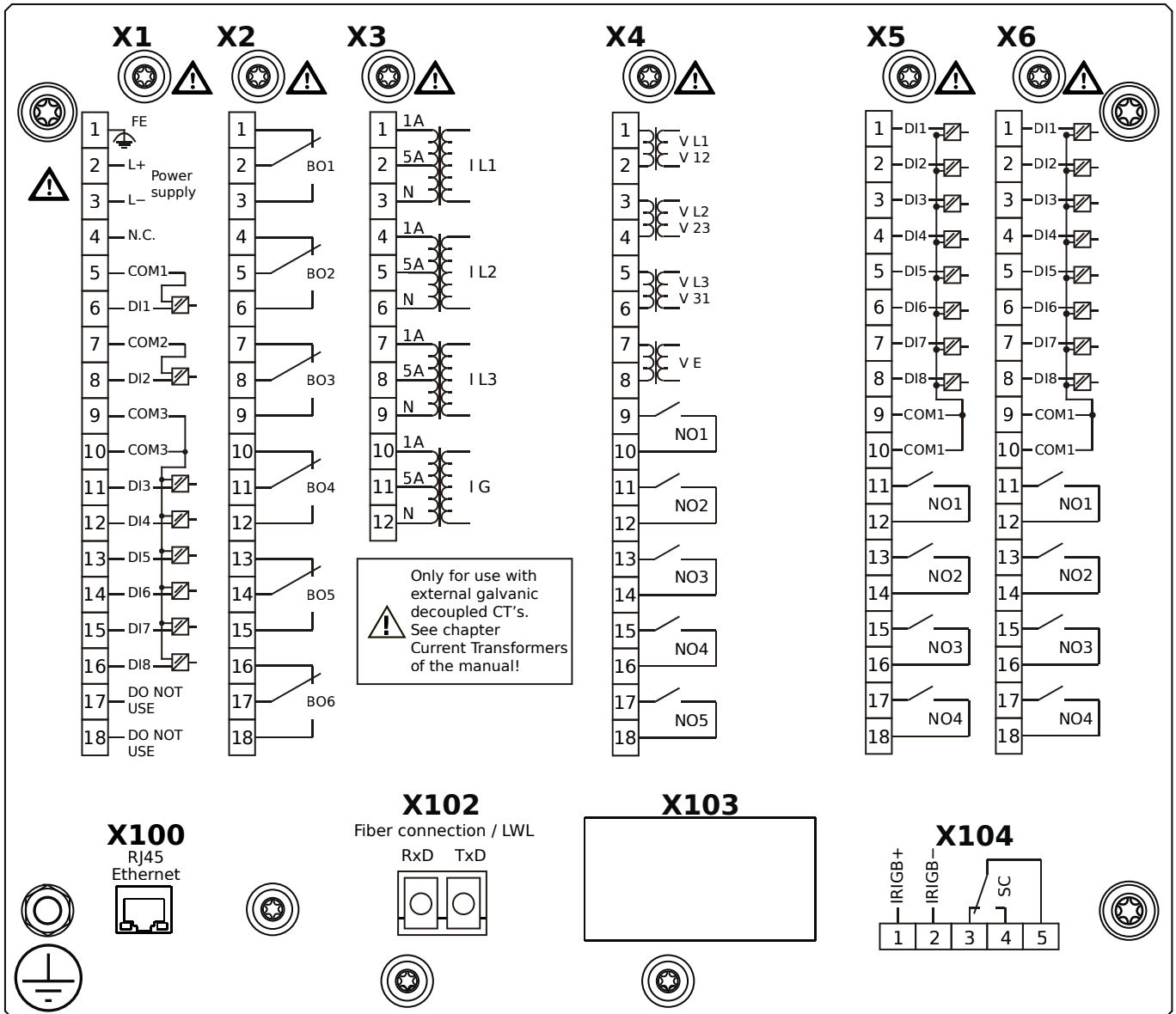
MCDLV4-2E0B0HA



Housing B2, large display, 19" rack mounting

- X1** – DI8-X1: Wide-range power supply unit, incl. 2 non-grouped digital inputs and 6 grouped digital inputs
- X2** – OR6: Assembly Group with 6 Output Relays (Changeover / Form C)
- X3** – TI: Standard current measuring card
- X4** – TU-OR5: Voltage measuring (0 ... 300 VAC) assembly group with 5 additional Output Relays (NO / Form A)
- X5** – DI8-OR4: Assembly Group with 8 Digital Inputs and 4 Output Relays (NO / Form A)
- X6** – DI8-OR4: Assembly Group with 8 Digital Inputs and 4 Output Relays (NO / Form A)
- X100** – IEC 61850 / Modbus TCP / IEC 60870-5-104 / DNP3.0 TCP/UDP, Ethernet interface, 100 Mbit/s, RJ45 (BASE100-FX)
- X102** – Long-distance Protection Communication, Fiber optics interface, LC Connector
- X104** – IRIG-B00X, incl. System Contact (Supervision Contact)

MCDLV4-2E0B0HB

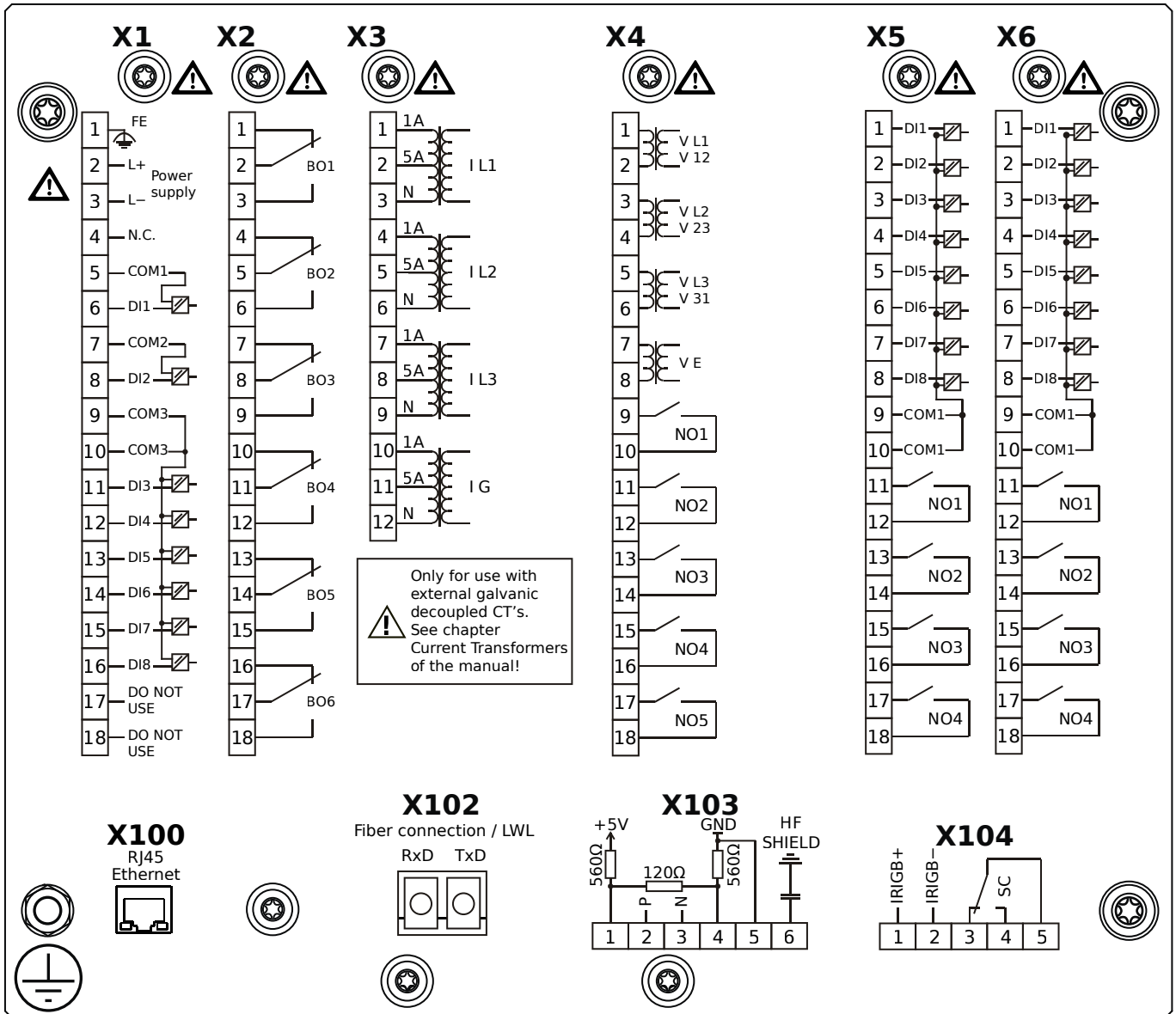


Housing B2, large display, 19" rack mounting

+ Conformal Coating (for installations in harsh environment)

- X1** – DI8-X1: Wide-range power supply unit, incl. 2 non-grouped digital inputs and 6 grouped digital inputs
- X2** – OR6: Assembly Group with 6 Output Relays (Changeover / Form C)
- X3** – TI: Standard current measuring card
- X4** – TU-OR5: Voltage measuring (0 ... 300 VAC) assembly group with 5 additional Output Relays (NO / Form A)
- X5** – DI8-OR4: Assembly Group with 8 Digital Inputs and 4 Output Relays (NO / Form A)
- X6** – DI8-OR4: Assembly Group with 8 Digital Inputs and 4 Output Relays (NO / Form A)
- X100** – IEC 61850 / Modbus TCP / IEC 60870-5-104 / DNP3.0 TCP/UDP, Ethernet interface, 100 Mbit/s, RJ45 (BASE100-FX)
- X102** – Long-distance Protection Communication, Fiber optics interface, LC Connector
- X104** – IRIG-B00X, incl. System Contact (Supervision Contact)

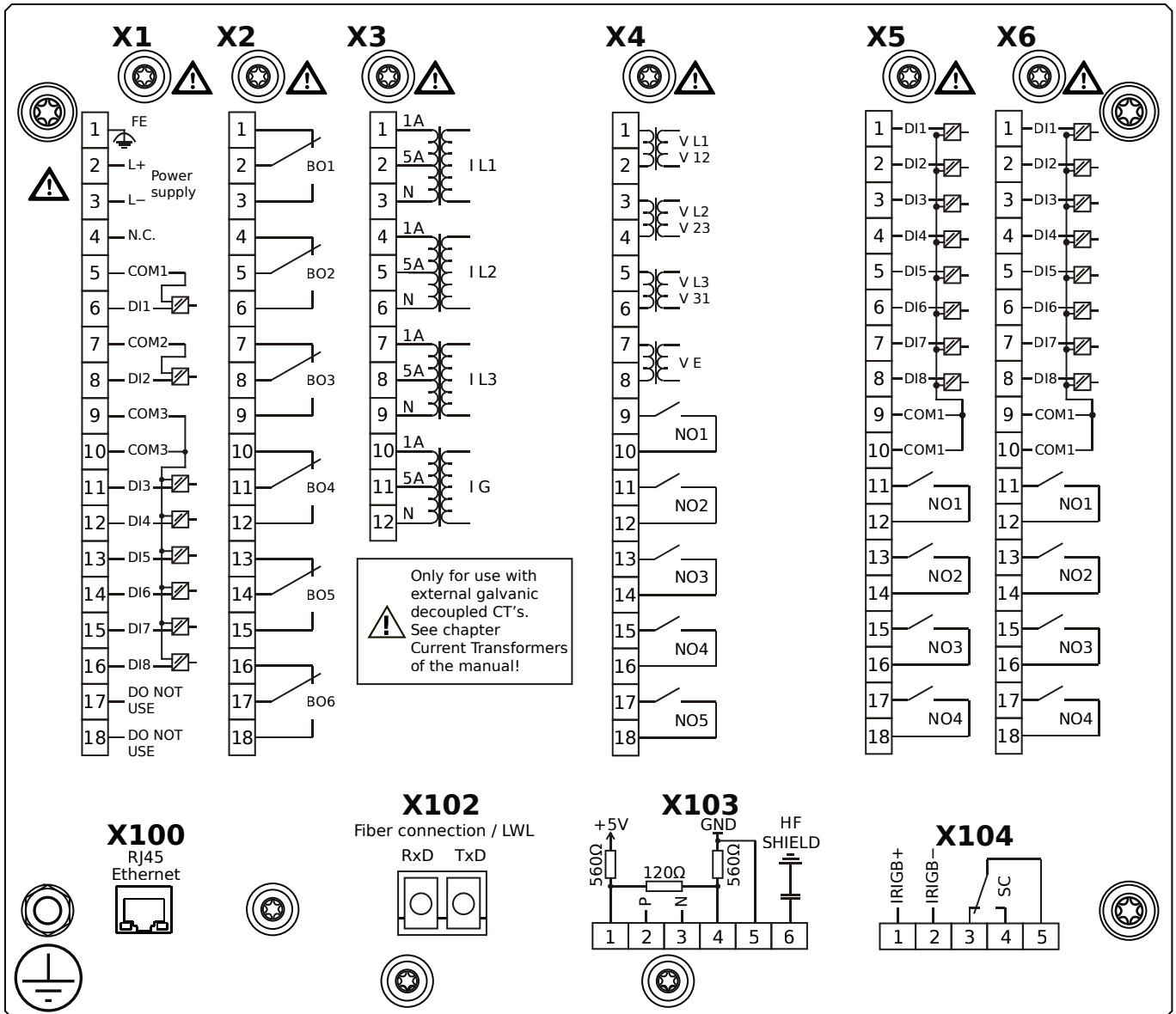
MCDLV4-2E0B01A



Housing B2, large display, 19" rack mounting

- X1** – DI8-X1: Wide-range power supply unit, incl. 2 non-grouped digital inputs and 6 grouped digital inputs
- X2** – OR6: Assembly Group with 6 Output Relays (Changeover / Form C)
- X3** – TI: Standard current measuring card
- X4** – TU-OR5: Voltage measuring (0 ... 300 VAC) assembly group with 5 additional Output Relays (NO / Form A)
- X5** – DI8-OR4: Assembly Group with 8 Digital Inputs and 4 Output Relays (NO / Form A)
- X6** – DI8-OR4: Assembly Group with 8 Digital Inputs and 4 Output Relays (NO / Form A)
- X100** – Modbus TCP / IEC 60870-5-104 / DNP3.0 TCP/UDP, Ethernet interface, 100 Mbit/s, RJ45 (BASE100-FX)
- X102** – Long-distance Protection Communication, Fiber optics interface, LC Connector
- X103** – IEC 60870-5-103 / Modbus RTU / DNP3.0 RTU, RS485, Terminals
- X104** – IRIG-B00X, incl. System Contact (Supervision Contact)

MCDLV4-2E0B0IB

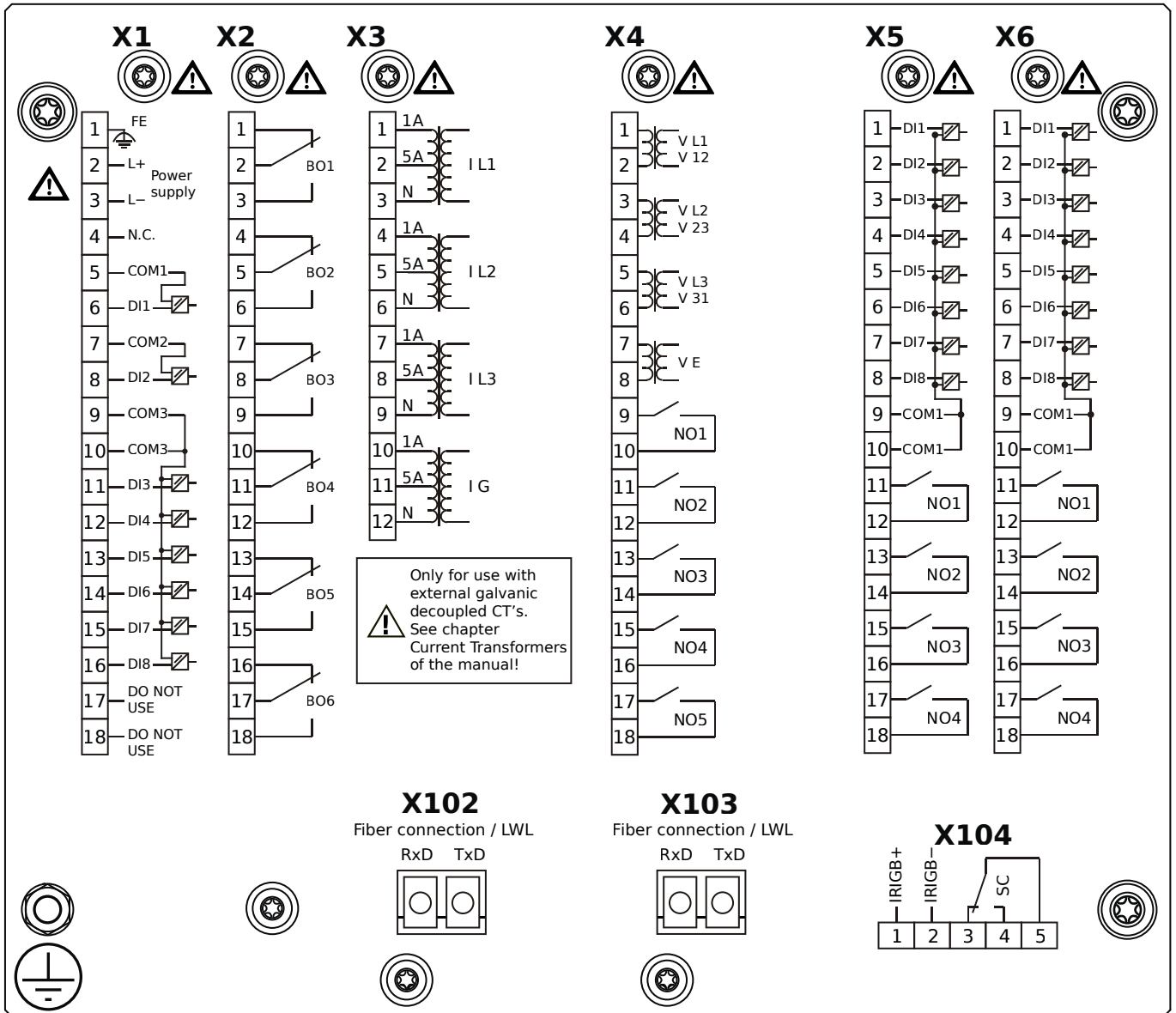


Housing B2, large display, 19" rack mounting

+ Conformal Coating (for installations in harsh environment)

- X1** – DI8-X1: Wide-range power supply unit, incl. 2 non-grouped digital inputs and 6 grouped digital inputs
- X2** – OR6: Assembly Group with 6 Output Relays (Changeover / Form C)
- X3** – TI: Standard current measuring card
- X4** – TU-OR5: Voltage measuring (0 ... 300 VAC) assembly group with 5 additional Output Relays (NO / Form A)
- X5** – DI8-OR4: Assembly Group with 8 Digital Inputs and 4 Output Relays (NO / Form A)
- X6** – DI8-OR4: Assembly Group with 8 Digital Inputs and 4 Output Relays (NO / Form A)
- X100** – Modbus TCP / IEC 60870-5-104 / DNP3.0 TCP/UDP, Ethernet interface, 100 Mbit/s, RJ45 (BASE100-FX)
- X102** – Long-distance Protection Communication, Fiber optics interface, LC Connector
- X103** – IEC 60870-5-103 / Modbus RTU / DNP3.0 RTU, RS485, Terminals
- X104** – IRIG-B00X, incl. System Contact (Supervision Contact)

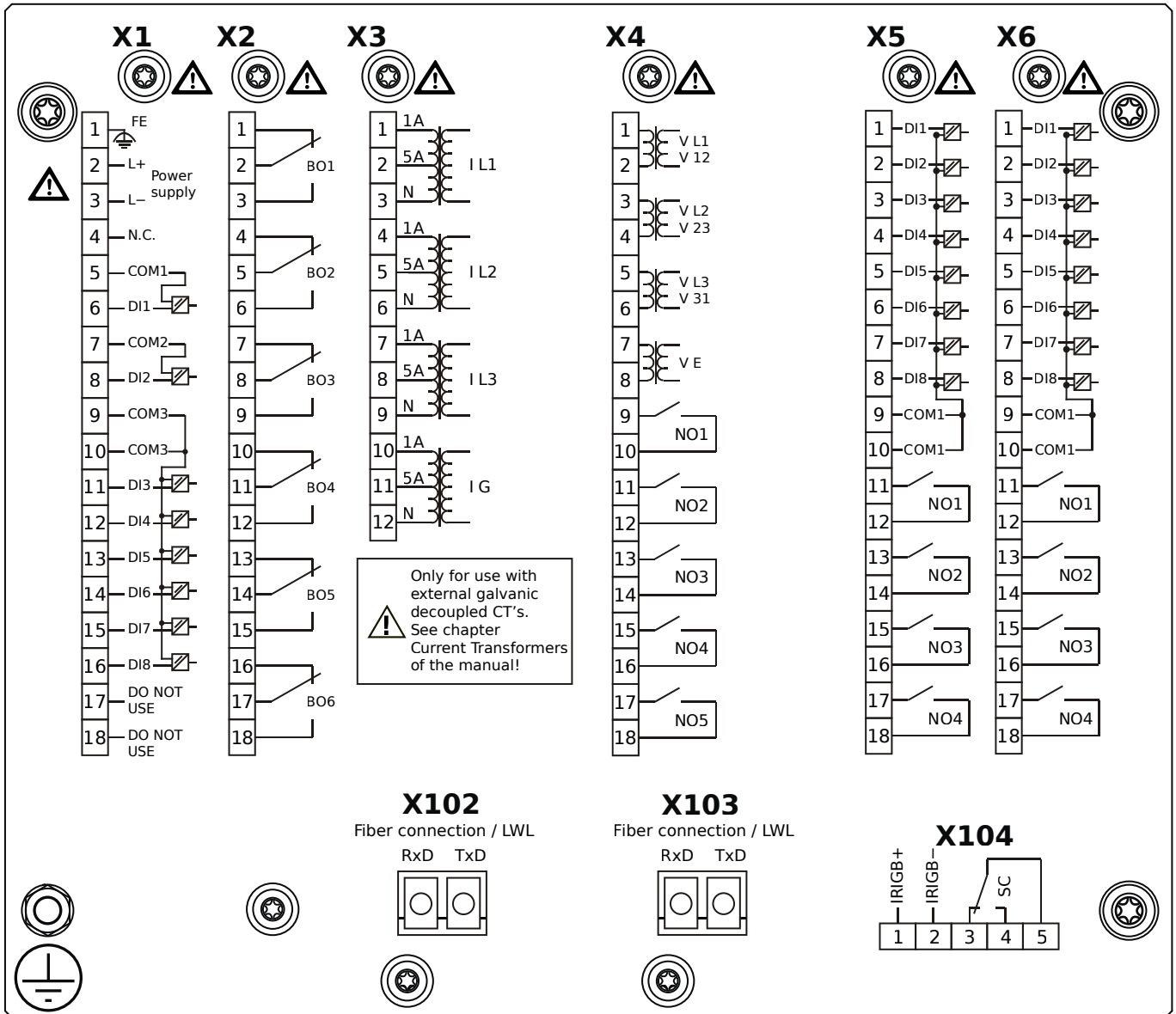
MCDLV4-2E0B0KA



Housing B2, large display, 19" rack mounting

- X1** – DI8-X1: Wide-range power supply unit, incl. 2 non-grouped digital inputs and 6 grouped digital inputs
- X2** – OR6: Assembly Group with 6 Output Relays (Changeover / Form C)
- X3** – TI: Standard current measuring card
- X4** – TU-OR5: Voltage measuring (0 ... 300 VAC) assembly group with 5 additional Output Relays (NO / Form A)
- X5** – DI8-OR4: Assembly Group with 8 Digital Inputs and 4 Output Relays (NO / Form A)
- X6** – DI8-OR4: Assembly Group with 8 Digital Inputs and 4 Output Relays (NO / Form A)
- X102** – Long-distance Protection Communication, Fiber optics interface, LC Connector
- X103** – IEC 61850 / Modbus TCP / IEC 60870-5-104 / DNP3.0 TCP/UDP, Fiber optics interface, LC Connector
- X104** – IRIG-B00X, incl. System Contact (Supervision Contact)

MCDLV4-2E0B0KB

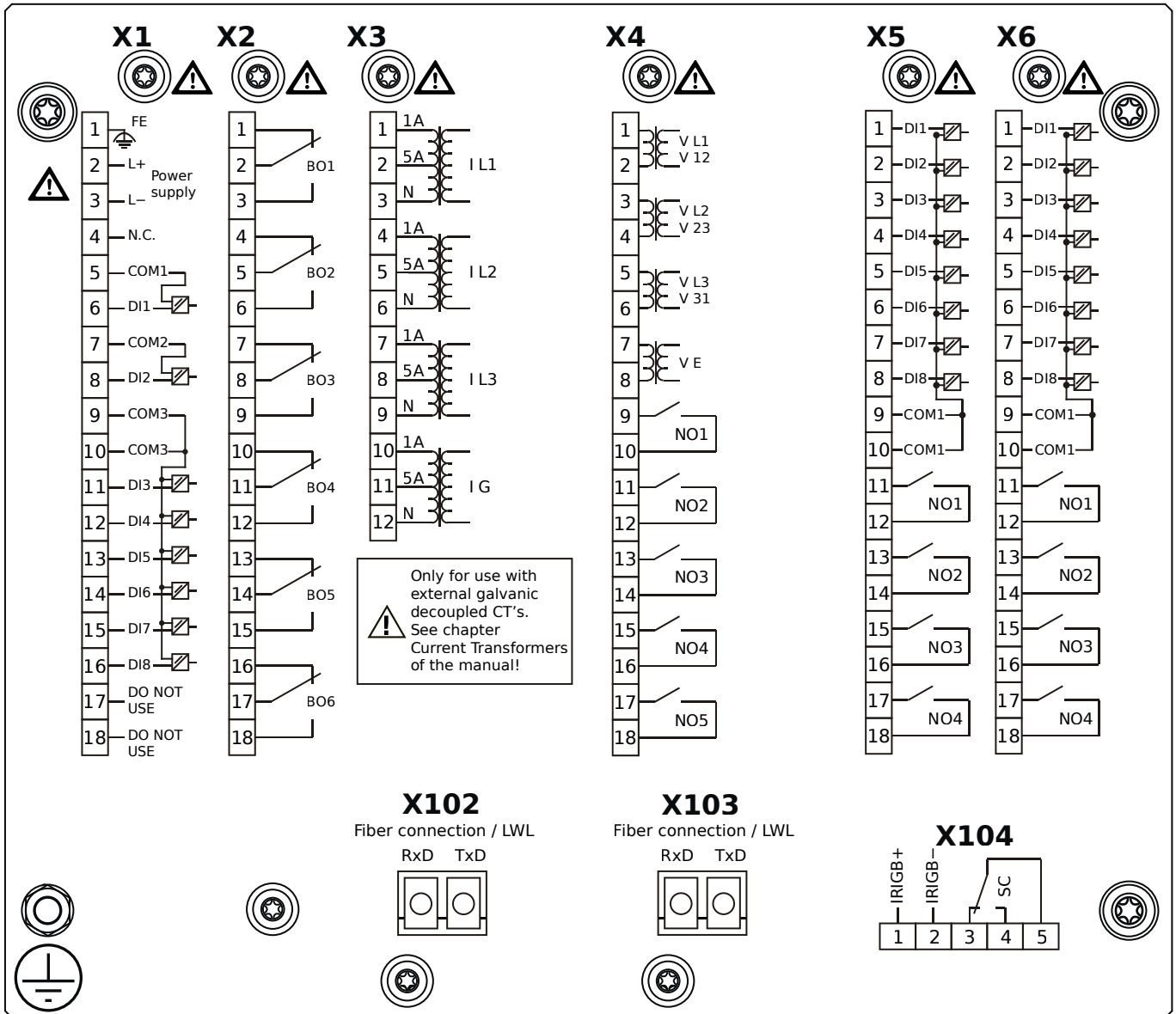


Housing B2, large display, 19" rack mounting

- + Conformal Coating (for installations in harsh environment)

- X1** – DI8-X1: Wide-range power supply unit, incl. 2 non-grouped digital inputs and 6 grouped digital inputs
- X2** – OR6: Assembly Group with 6 Output Relays (Changeover / Form C)
- X3** – TI: Standard current measuring card
- X4** – TU-OR5: Voltage measuring (0 ... 300 VAC) assembly group with 5 additional Output Relays (NO / Form A)
- X5** – DI8-OR4: Assembly Group with 8 Digital Inputs and 4 Output Relays (NO / Form A)
- X6** – DI8-OR4: Assembly Group with 8 Digital Inputs and 4 Output Relays (NO / Form A)
- X102** – Long-distance Protection Communication, Fiber optics interface, LC Connector
- X103** – IEC 61850 / Modbus TCP / IEC 60870-5-104 / DNP3.0 TCP/UDP, Fiber optics interface, LC Connector
- X104** – IRIG-B00X, incl. System Contact (Supervision Contact)

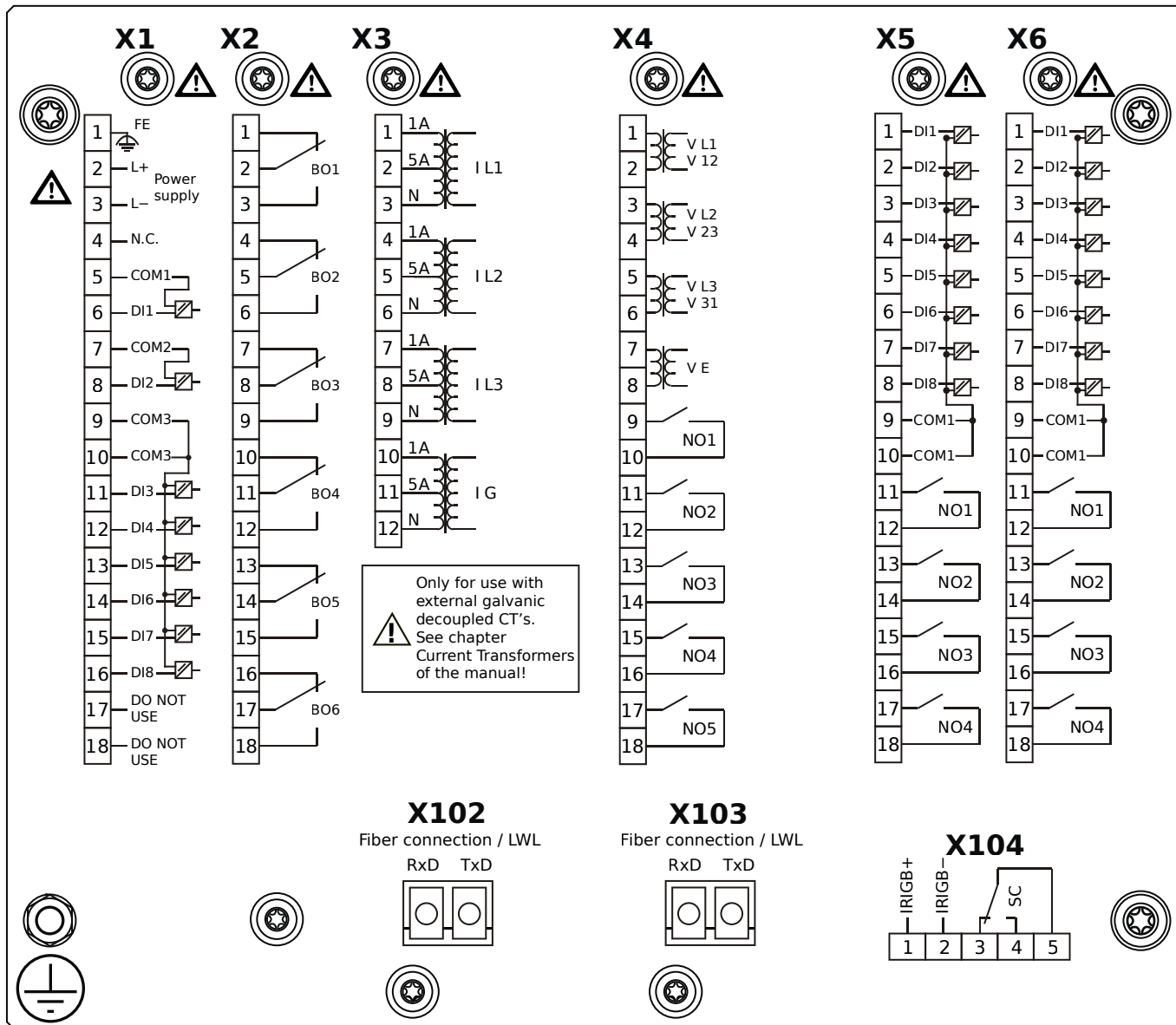
MCDLV4-2E0B0LA



Housing B2, large display, 19" rack mounting

- X1** – DI8-X1: Wide-range power supply unit, incl. 2 non-grouped digital inputs and 6 grouped digital inputs
- X2** – OR6: Assembly Group with 6 Output Relays (Changeover / Form C)
- X3** – TI: Standard current measuring card
- X4** – TU-OR5: Voltage measuring (0 ... 300 VAC) assembly group with 5 additional Output Relays (NO / Form A)
- X5** – DI8-OR4: Assembly Group with 8 Digital Inputs and 4 Output Relays (NO / Form A)
- X6** – DI8-OR4: Assembly Group with 8 Digital Inputs and 4 Output Relays (NO / Form A)
- X102** – Long-distance Protection Communication, Fiber optics interface, LC Connector
- X103** – Modbus TCP / IEC 60870-5-104 / DNP3.0 TCP/UDP, Fiber optics interface, LC Connector
- X104** – IRIG-B00X, incl. System Contact (Supervision Contact)

MCDLV4-2E0B0LB

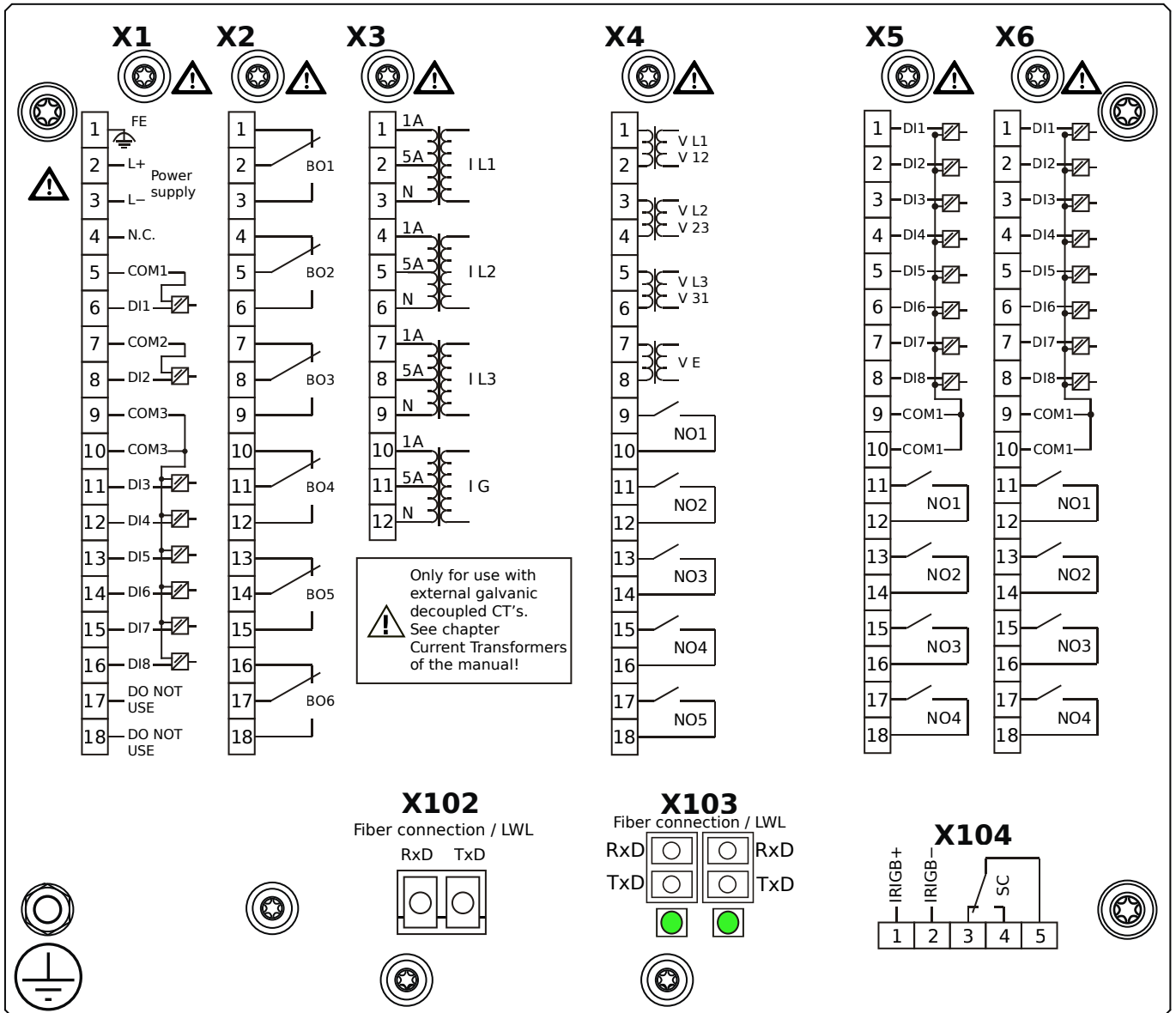


Housing B2, large display, 19" rack mounting

+ Conformal Coating (for installations in harsh environment)

- X1** – DI8-X1: Wide-range power supply unit, incl. 2 non-grouped digital inputs and 6 grouped digital inputs
- X2** – OR6: Assembly Group with 6 Output Relays (Changeover / Form C)
- X3** – TI: Standard current measuring card
- X4** – TU-OR5: Voltage measuring (0 ... 300 VAC) assembly group with 5 additional Output Relays (NO / Form A)
- X5** – DI8-OR4: Assembly Group with 8 Digital Inputs and 4 Output Relays (NO / Form A)
- X6** – DI8-OR4: Assembly Group with 8 Digital Inputs and 4 Output Relays (NO / Form A)
- X102** – Long-distance Protection Communication, Fiber optics interface, LC Connector
- X103** – Modbus TCP / IEC 60870-5-104 / DNP3.0 TCP/UDP, Fiber optics interface, LC Connector
- X104** – IRIG-B00X, incl. System Contact (Supervision Contact)

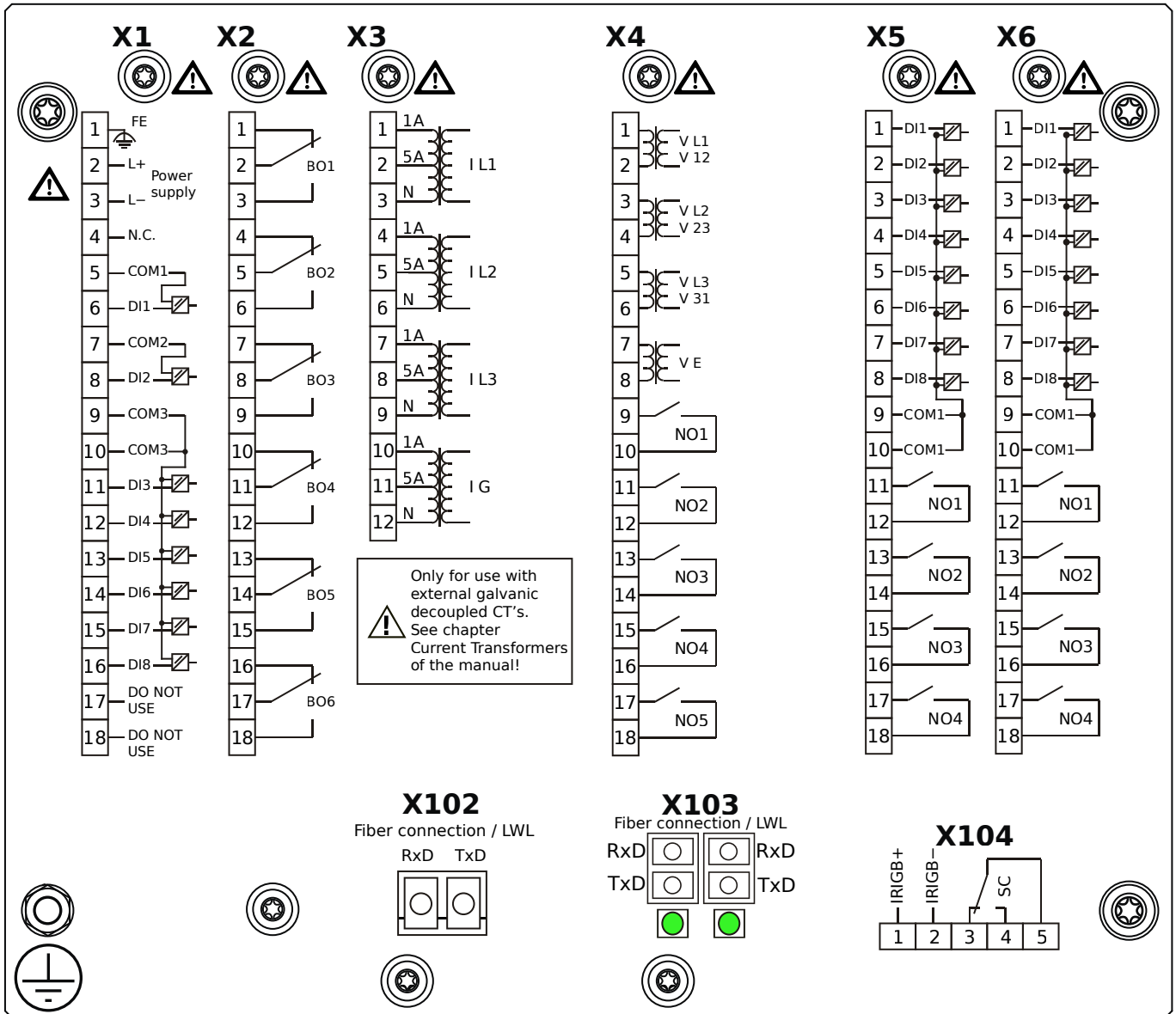
MCDLV4-2E0B00A



Housing B2, large display, 19" rack mounting

- X1** – DI8-X1: Wide-range power supply unit, incl. 2 non-grouped digital inputs and 6 grouped digital inputs
- X2** – OR6: Assembly Group with 6 Output Relays (Changeover / Form C)
- X3** – TI: Standard current measuring card
- X4** – TU-OR5: Voltage measuring (0 ... 300 VAC) assembly group with 5 additional Output Relays (NO / Form A)
- X5** – DI8-OR4: Assembly Group with 8 Digital Inputs and 4 Output Relays (NO / Form A)
- X6** – DI8-OR4: Assembly Group with 8 Digital Inputs and 4 Output Relays (NO / Form A)
- X102** – Long-distance Protection Communication, Fiber optics interface, LC Connector
- X103** – Modbus TCP / IEC 60870-5-104 / DNP3.0 TCP/UDP, Redundant Fiber optics interface, LC Connector
- X104** – IRIG-B00X, incl. System Contact (Supervision Contact)

MCDLV4-2E0B00B

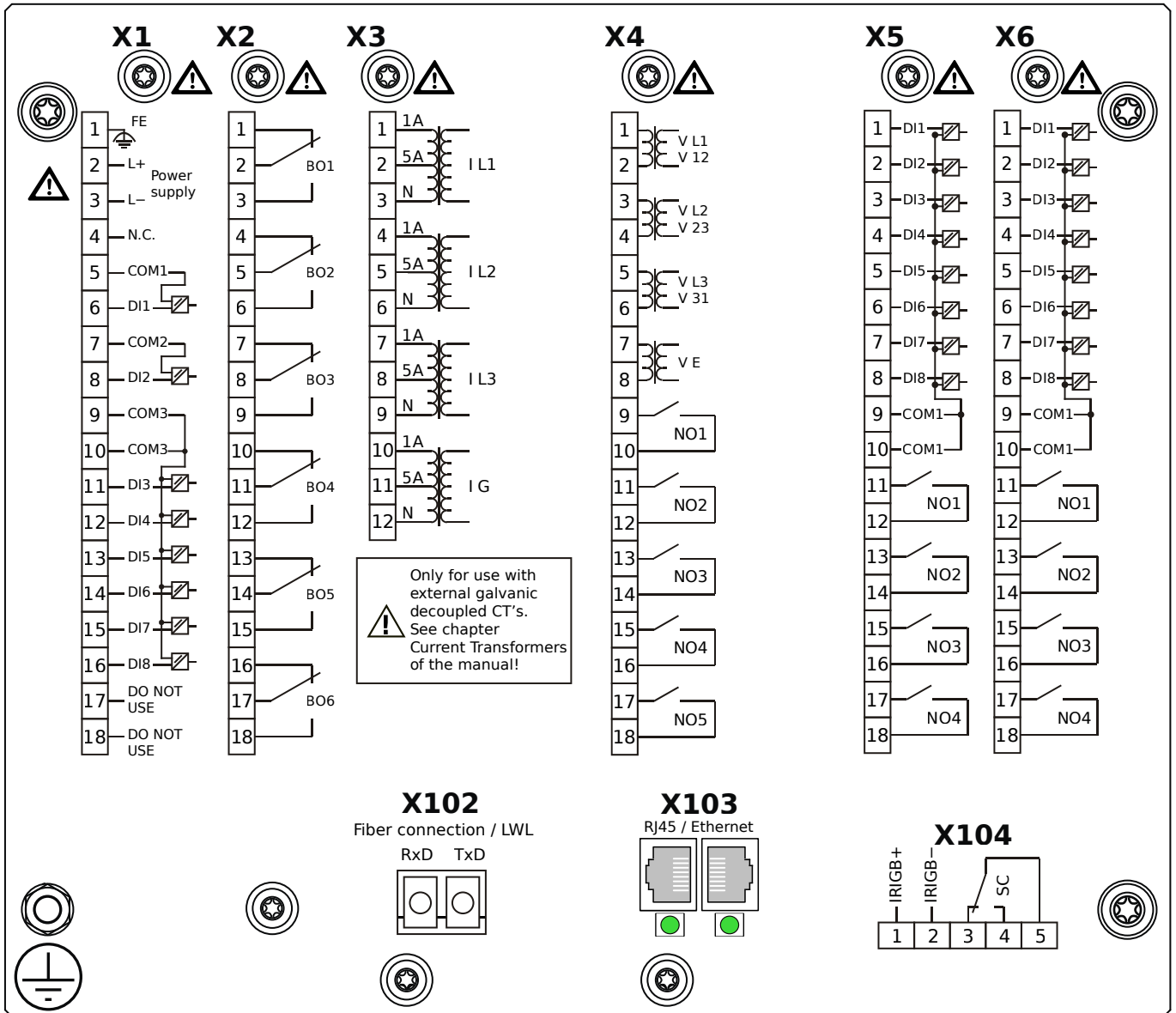


Housing B2, large display, 19" rack mounting

- + Conformal Coating (for installations in harsh environment)

- X1** – DI8-X1: Wide-range power supply unit, incl. 2 non-grouped digital inputs and 6 grouped digital inputs
- X2** – OR6: Assembly Group with 6 Output Relays (Changeover / Form C)
- X3** – TI: Standard current measuring card
- X4** – TU-OR5: Voltage measuring (0 ... 300 VAC) assembly group with 5 additional Output Relays (NO / Form A)
- X5** – DI8-OR4: Assembly Group with 8 Digital Inputs and 4 Output Relays (NO / Form A)
- X6** – DI8-OR4: Assembly Group with 8 Digital Inputs and 4 Output Relays (NO / Form A)
- X102** – Long-distance Protection Communication, Fiber optics interface, LC Connector
- X103** – Modbus TCP / IEC 60870-5-104 / DNP3.0 TCP/UDP, Redundant Fiber optics interface, LC Connector
- X104** – IRIG-B00X, incl. System Contact (Supervision Contact)

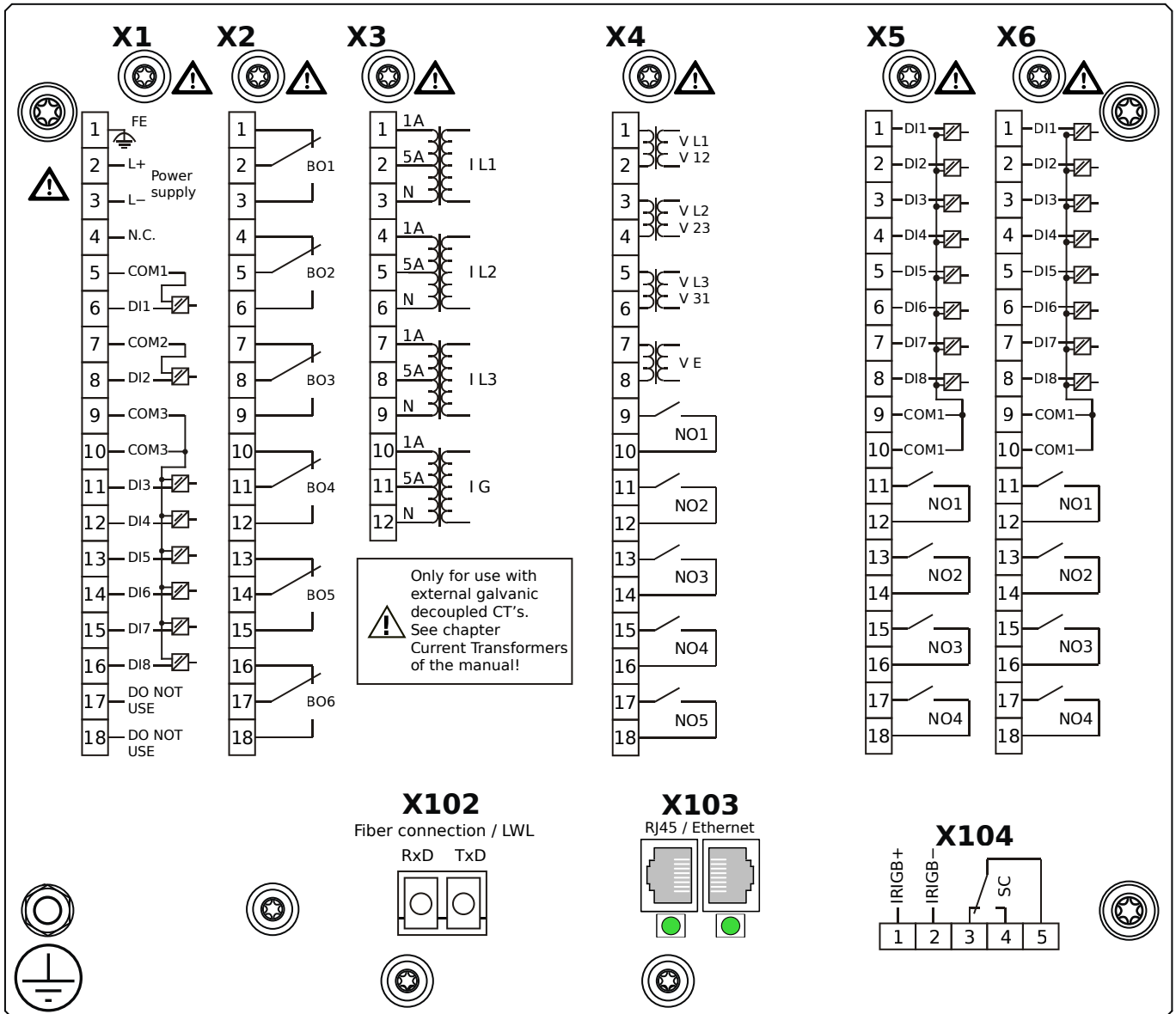
MCDLV4-2E0B0PA



Housing B2, large display, 19" rack mounting

- X1** – DI8-X1: Wide-range power supply unit, incl. 2 non-grouped digital inputs and 6 grouped digital inputs
- X2** – OR6: Assembly Group with 6 Output Relays (Changeover / Form C)
- X3** – TI: Standard current measuring card
- X4** – TU-OR5: Voltage measuring (0 ... 300 VAC) assembly group with 5 additional Output Relays (NO / Form A)
- X5** – DI8-OR4: Assembly Group with 8 Digital Inputs and 4 Output Relays (NO / Form A)
- X6** – DI8-OR4: Assembly Group with 8 Digital Inputs and 4 Output Relays (NO / Form A)
- X102** – Long-distance Protection Communication, Fiber optics interface, LC Connector
- X103** – Modbus TCP / IEC 60870-5-104 / DNP3.0 TCP/UDP, Redundant Ethernet interface, 100 Mbit/s, RJ45 (BASE100-FX)
- X104** – IRIG-B00X, incl. System Contact (Supervision Contact)

MCDLV4-2E0B0PB

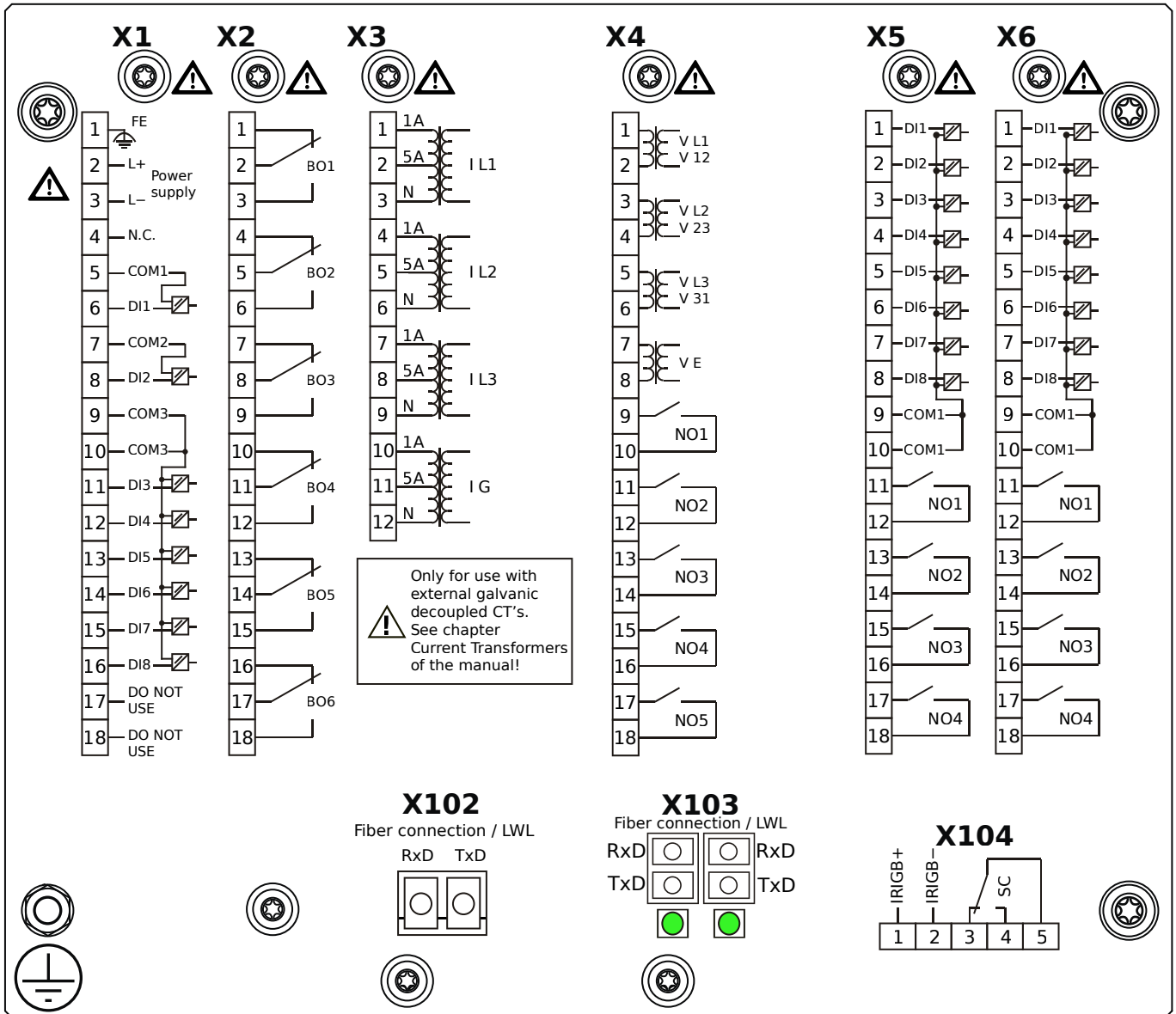


Housing B2, large display, 19" rack mounting

- + Conformal Coating (for installations in harsh environment)

- X1** – DI8-X1: Wide-range power supply unit, incl. 2 non-grouped digital inputs and 6 grouped digital inputs
- X2** – OR6: Assembly Group with 6 Output Relays (Changeover / Form C)
- X3** – TI: Standard current measuring card
- X4** – TU-OR5: Voltage measuring (0 ... 300 VAC) assembly group with 5 additional Output Relays (NO / Form A)
- X5** – DI8-OR4: Assembly Group with 8 Digital Inputs and 4 Output Relays (NO / Form A)
- X6** – DI8-OR4: Assembly Group with 8 Digital Inputs and 4 Output Relays (NO / Form A)
- X102** – Long-distance Protection Communication, Fiber optics interface, LC Connector
- X103** – Modbus TCP / IEC 60870-5-104 / DNP3.0 TCP/UDP, Redundant Ethernet interface, 100 Mbit/s, RJ45 (BASE100-FX)
- X104** – IRIG-B00X, incl. System Contact (Supervision Contact)

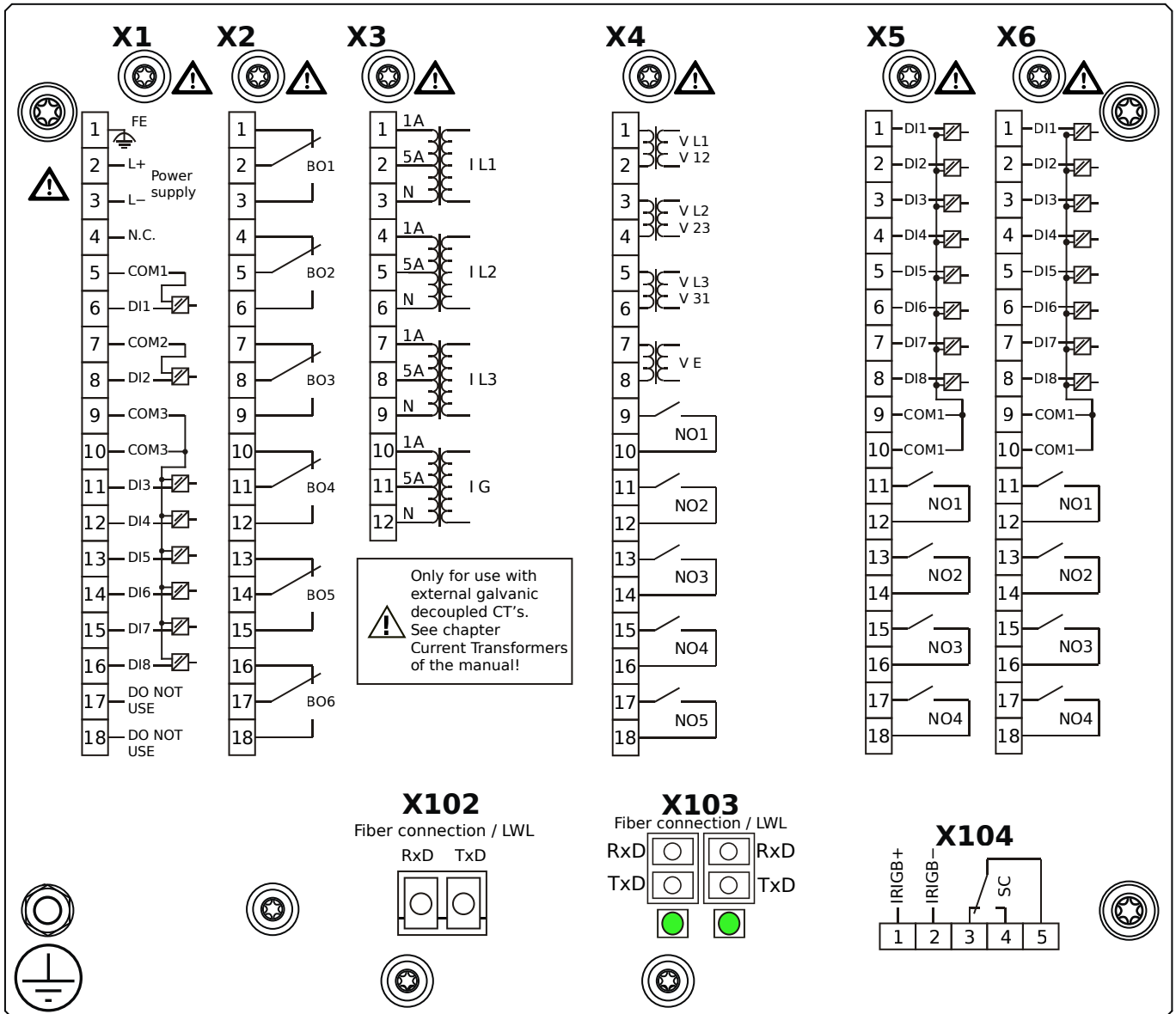
MCDLV4-2E0B0QA



Housing B2, large display, 19" rack mounting

- X1** – DI8-X1: Wide-range power supply unit, incl. 2 non-grouped digital inputs and 6 grouped digital inputs
- X2** – OR6: Assembly Group with 6 Output Relays (Changeover / Form C)
- X3** – TI: Standard current measuring card
- X4** – TU-OR5: Voltage measuring (0 ... 300 VAC) assembly group with 5 additional Output Relays (NO / Form A)
- X5** – DI8-OR4: Assembly Group with 8 Digital Inputs and 4 Output Relays (NO / Form A)
- X6** – DI8-OR4: Assembly Group with 8 Digital Inputs and 4 Output Relays (NO / Form A)
- X102** – Long-distance Protection Communication, Fiber optics interface, LC Connector
- X103** – IEC 61850 / Modbus TCP / IEC 60870-5-104 / DNP3.0 TCP/UDP, Redundant Fiber optics interface, LC Connector
- X104** – IRIG-B00X, incl. System Contact (Supervision Contact)

MCDLV4-2E0B0QB

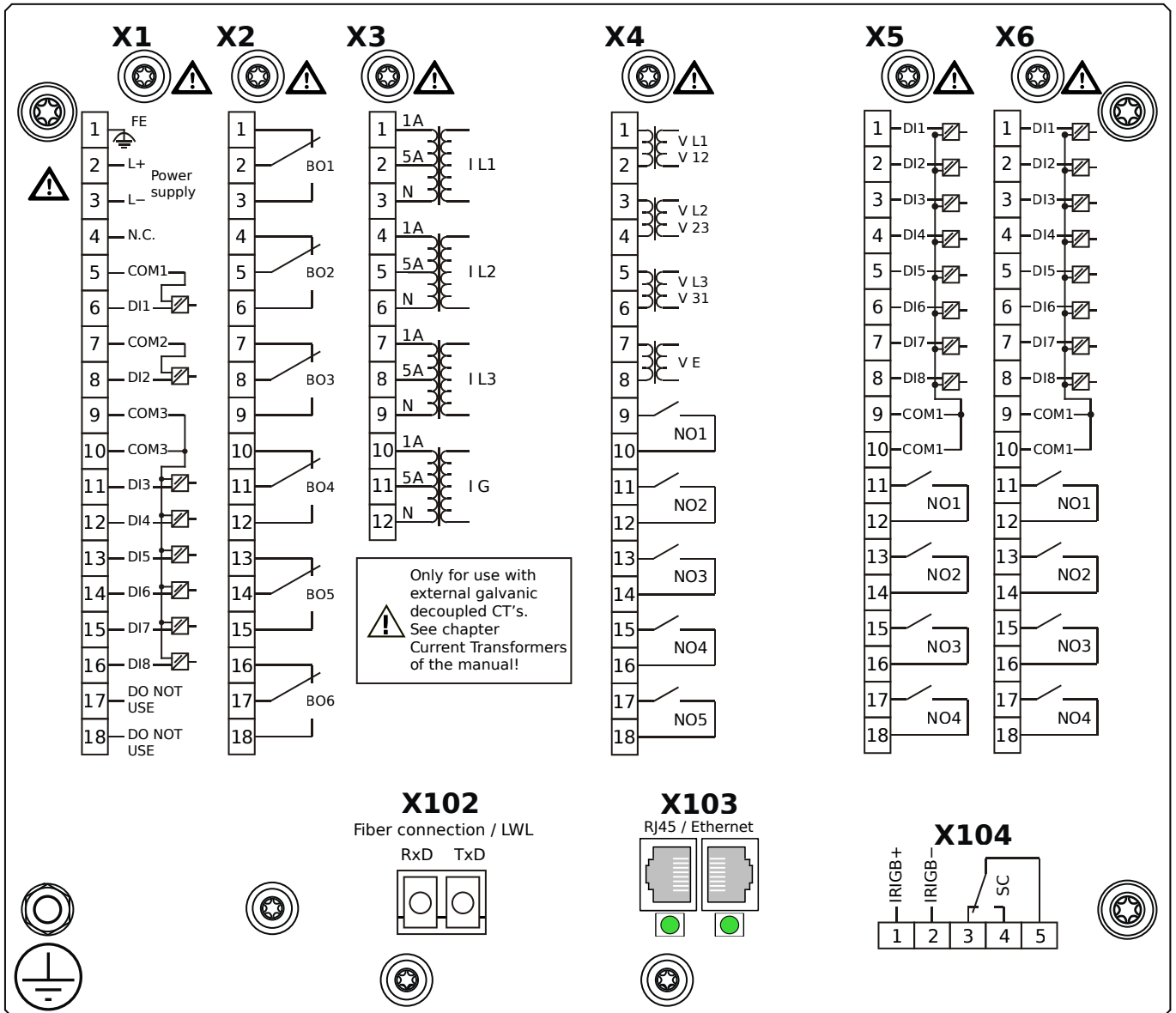


Housing B2, large display, 19" rack mounting

- + Conformal Coating (for installations in harsh environment)

- X1** – DI8-X1: Wide-range power supply unit, incl. 2 non-grouped digital inputs and 6 grouped digital inputs
- X2** – OR6: Assembly Group with 6 Output Relays (Changeover / Form C)
- X3** – TI: Standard current measuring card
- X4** – TU-OR5: Voltage measuring (0 ... 300 VAC) assembly group with 5 additional Output Relays (NO / Form A)
- X5** – DI8-OR4: Assembly Group with 8 Digital Inputs and 4 Output Relays (NO / Form A)
- X6** – DI8-OR4: Assembly Group with 8 Digital Inputs and 4 Output Relays (NO / Form A)
- X102** – Long-distance Protection Communication, Fiber optics interface, LC Connector
- X103** – IEC 61850 / Modbus TCP / IEC 60870-5-104 / DNP3.0 TCP/UDP, Redundant Fiber optics interface, LC Connector
- X104** – IRIG-B00X, incl. System Contact (Supervision Contact)

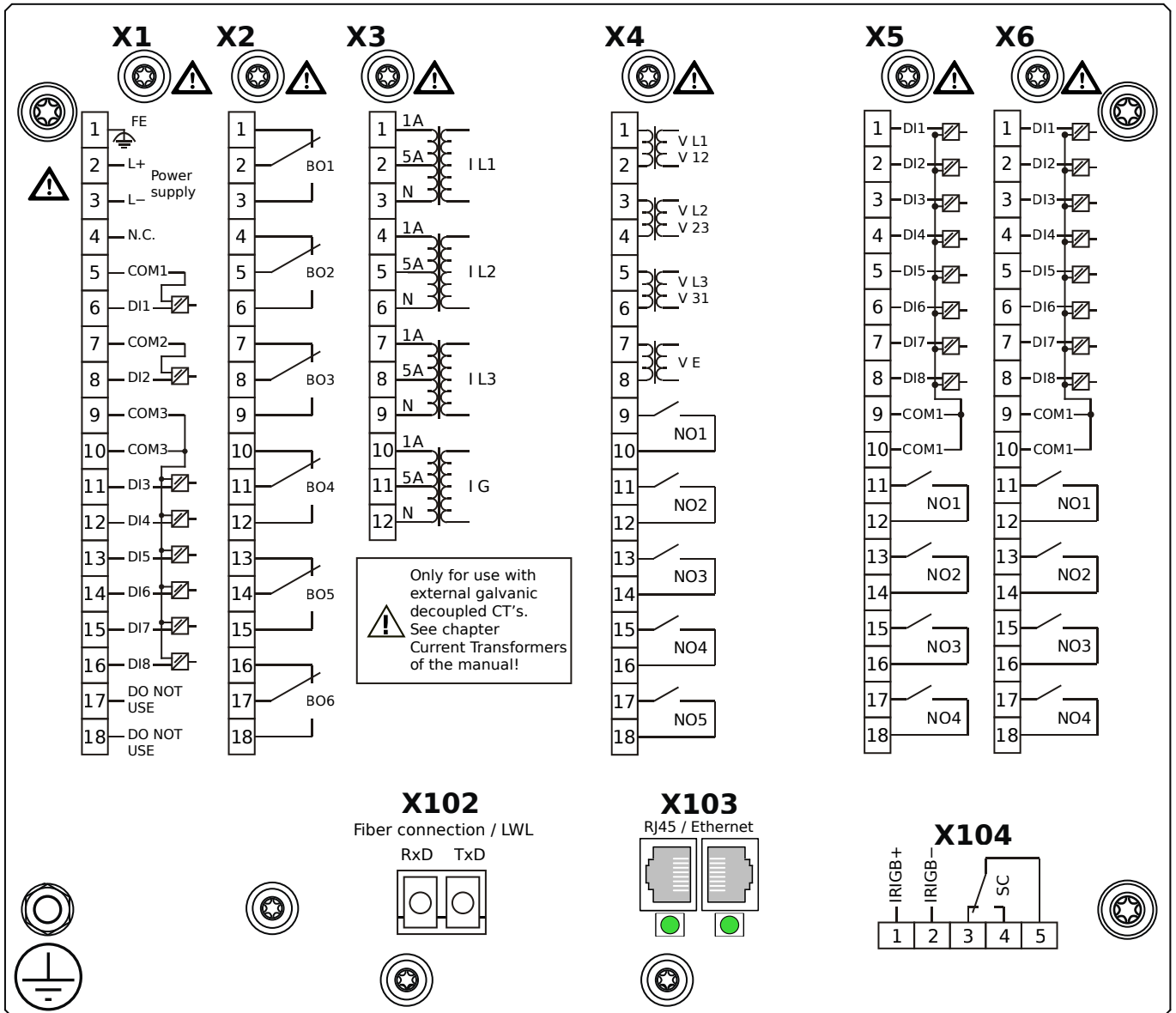
MCDLV4-2E0B0RA



Housing B2, large display, 19" rack mounting

- X1** – DI8-X1: Wide-range power supply unit, incl. 2 non-grouped digital inputs and 6 grouped digital inputs
- X2** – OR6: Assembly Group with 6 Output Relays (Changeover / Form C)
- X3** – TI: Standard current measuring card
- X4** – TU-OR5: Voltage measuring (0 ... 300 VAC) assembly group with 5 additional Output Relays (NO / Form A)
- X5** – DI8-OR4: Assembly Group with 8 Digital Inputs and 4 Output Relays (NO / Form A)
- X6** – DI8-OR4: Assembly Group with 8 Digital Inputs and 4 Output Relays (NO / Form A)
- X102** – Long-distance Protection Communication, Fiber optics interface, LC Connector
- X103** – IEC 61850 / Modbus TCP / IEC 60870-5-104 / DNP3.0 TCP/UDP, Redundant Ethernet interface, 100 Mbit/s, RJ45 (BASE100-FX)
- X104** – IRIG-B00X, incl. System Contact (Supervision Contact)

MCDLV4-2E0B0RB



Housing B2, large display, 19" rack mounting

- + Conformal Coating (for installations in harsh environment)

X1 – DI8-X1: Wide-range power supply unit, incl. 2 non-grouped digital inputs and 6 grouped digital inputs

X2 – OR6: Assembly Group with 6 Output Relays (Changeover / Form C)

X3 – TI: Standard current measuring card

X4 – TU-OR5: Voltage measuring (0 ... 300 VAC) assembly group with 5 additional Output Relays (NO / Form A)

X5 – DI8-OR4: Assembly Group with 8 Digital Inputs and 4 Output Relays (NO / Form A)

X6 – DI8-OR4: Assembly Group with 8 Digital Inputs and 4 Output Relays (NO / Form A)

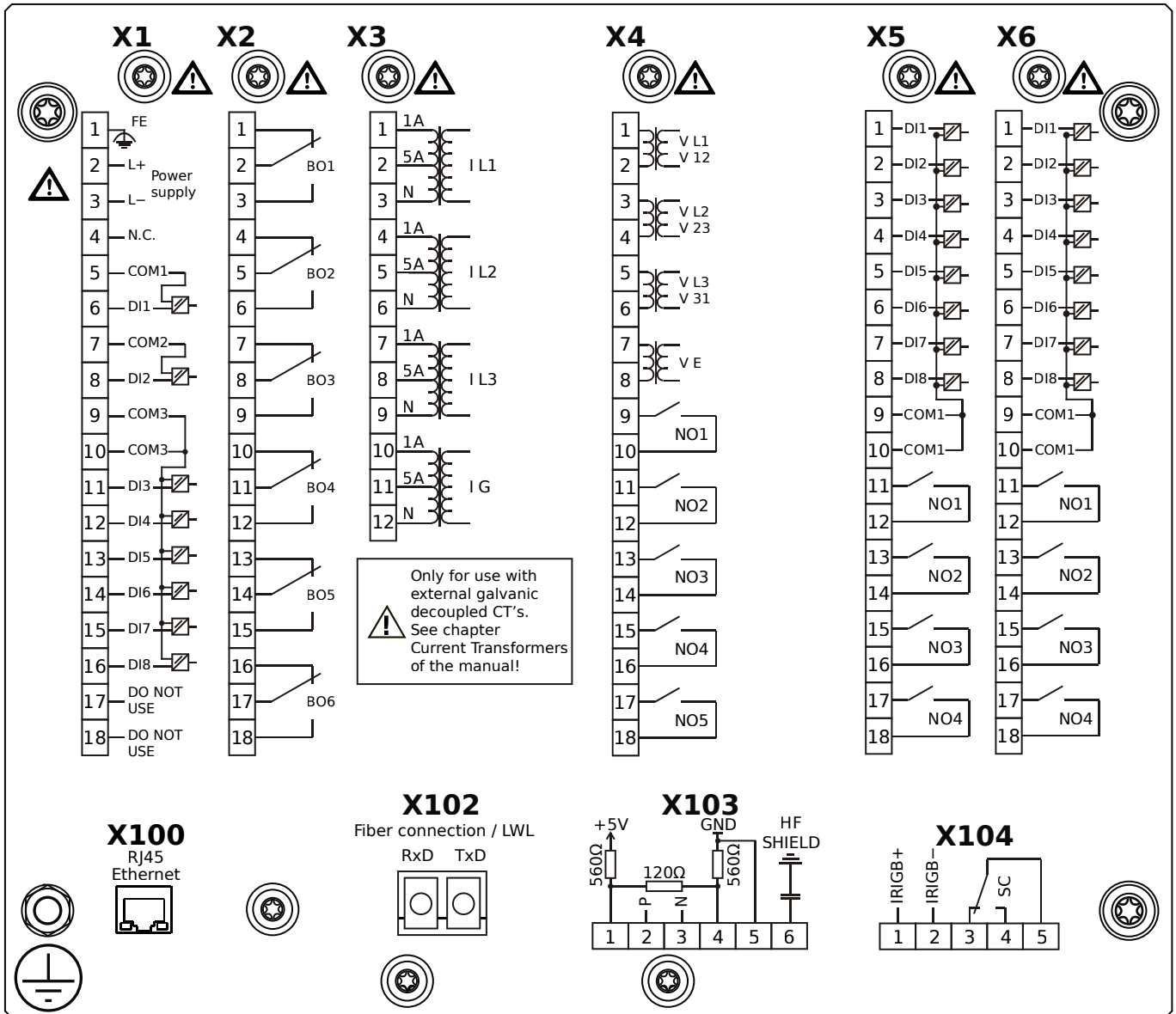
X102 – Long-distance Protection Communication, Fiber optics interface, LC Connector

X103 – IEC 61850 / Modbus TCP / IEC 60870-5-104 / DNP3.0 TCP/UDP, Redundant Ethernet interface, 100 Mbit/s, RJ45

(BASE100-FX)

X104 – IRIG-B00X, incl. System Contact (Supervision Contact)

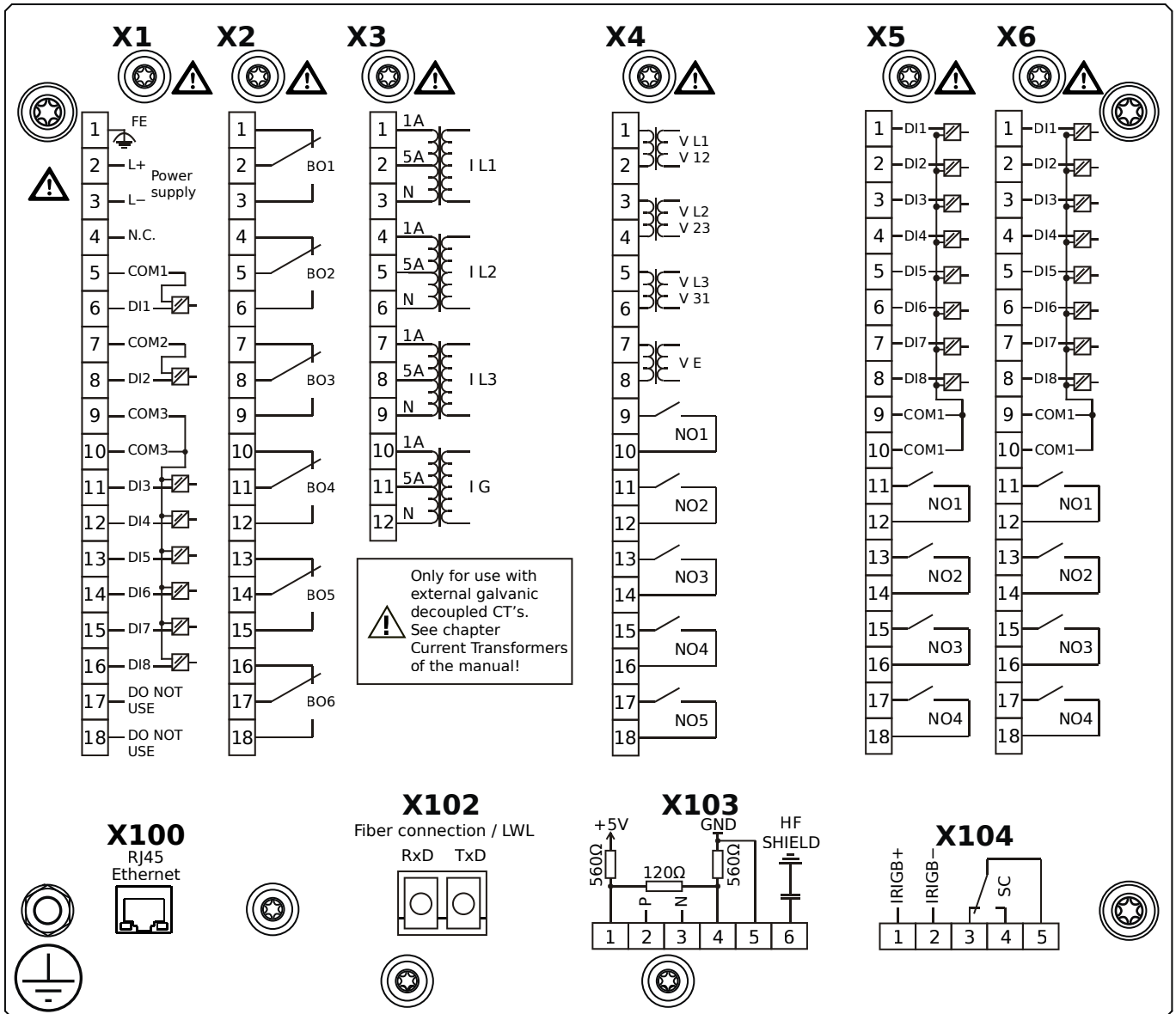
MCDLV4-2E0B0TA



Housing B2, large display, 19" rack mounting

- X1** – DI8-X1: Wide-range power supply unit, incl. 2 non-grouped digital inputs and 6 grouped digital inputs
- X2** – OR6: Assembly Group with 6 Output Relays (Changeover / Form C)
- X3** – TI: Standard current measuring card
- X4** – TU-OR5: Voltage measuring (0 ... 300 VAC) assembly group with 5 additional Output Relays (NO / Form A)
- X5** – DI8-OR4: Assembly Group with 8 Digital Inputs and 4 Output Relays (NO / Form A)
- X6** – DI8-OR4: Assembly Group with 8 Digital Inputs and 4 Output Relays (NO / Form A)
- X100** – IEC 61850 / Modbus TCP / IEC 60870-5-104 / DNP3.0 TCP/UDP, Ethernet interface, 100 Mbit/s, RJ45 (BASE100-FX)
- X102** – Long-distance Protection Communication, Fiber optics interface, LC Connector
- X103** – IEC 60870-5-103 / Modbus RTU / DNP3.0 RTU, RS485, Terminals
- X104** – IRIG-B00X, incl. System Contact (Supervision Contact)

MCDLV4-2E0B0TB

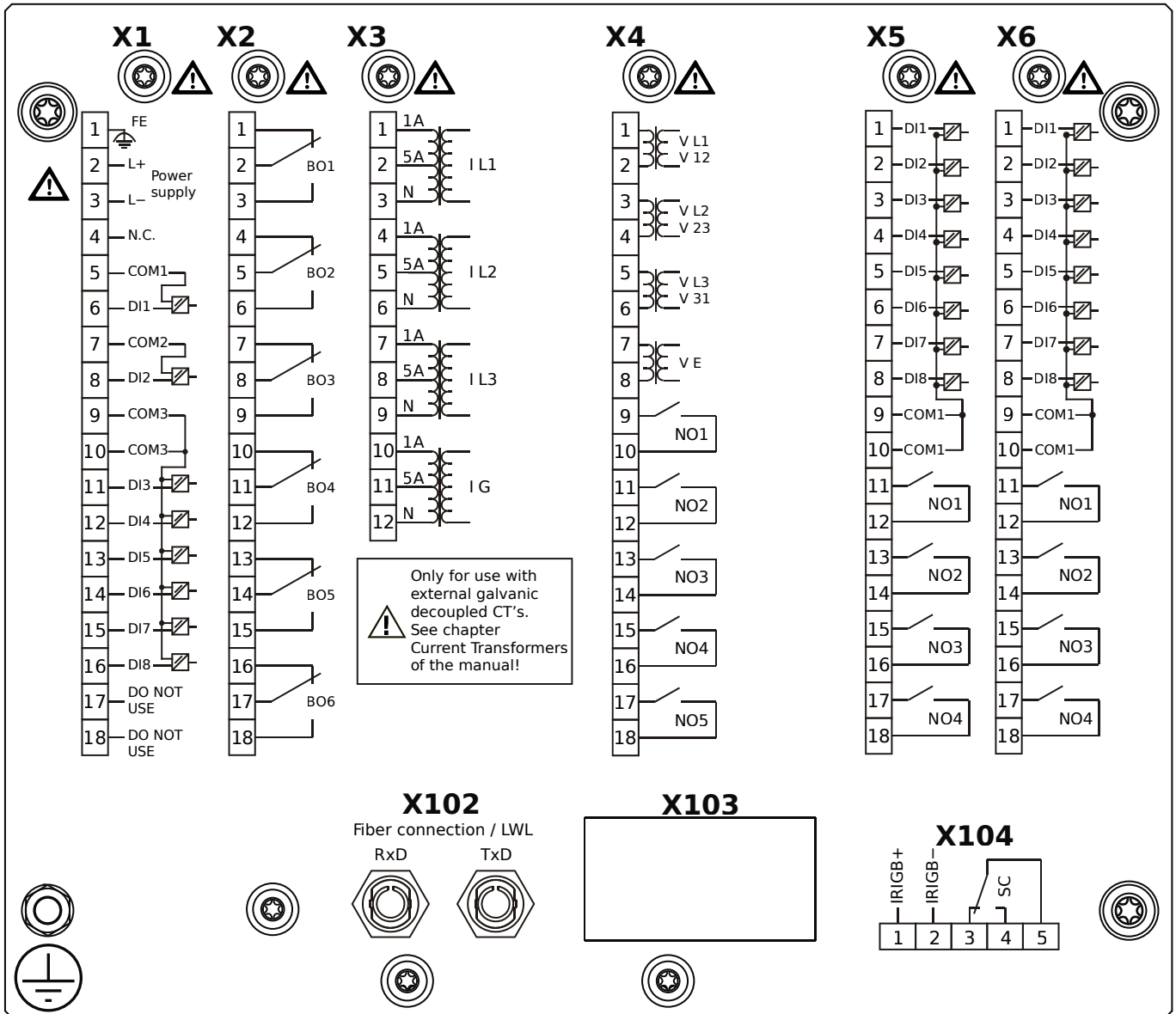


Housing B2, large display, 19" rack mounting

+ Conformal Coating (for installations in harsh environment)

- X1** – DI8-X1: Wide-range power supply unit, incl. 2 non-grouped digital inputs and 6 grouped digital inputs
- X2** – OR6: Assembly Group with 6 Output Relays (Changeover / Form C)
- X3** – TI: Standard current measuring card
- X4** – TU-OR5: Voltage measuring (0 ... 300 VAC) assembly group with 5 additional Output Relays (NO / Form A)
- X5** – DI8-OR4: Assembly Group with 8 Digital Inputs and 4 Output Relays (NO / Form A)
- X6** – DI8-OR4: Assembly Group with 8 Digital Inputs and 4 Output Relays (NO / Form A)
- X100** – IEC 61850 / Modbus TCP / IEC 60870-5-104 / DNP3.0 TCP/UDP, Ethernet interface, 100 Mbit/s, RJ45 (BASE100-FX)
- X102** – Long-distance Protection Communication, Fiber optics interface, LC Connector
- X103** – IEC 60870-5-103 / Modbus RTU / DNP3.0 RTU, RS485, Terminals
- X104** – IRIG-B00X, incl. System Contact (Supervision Contact)

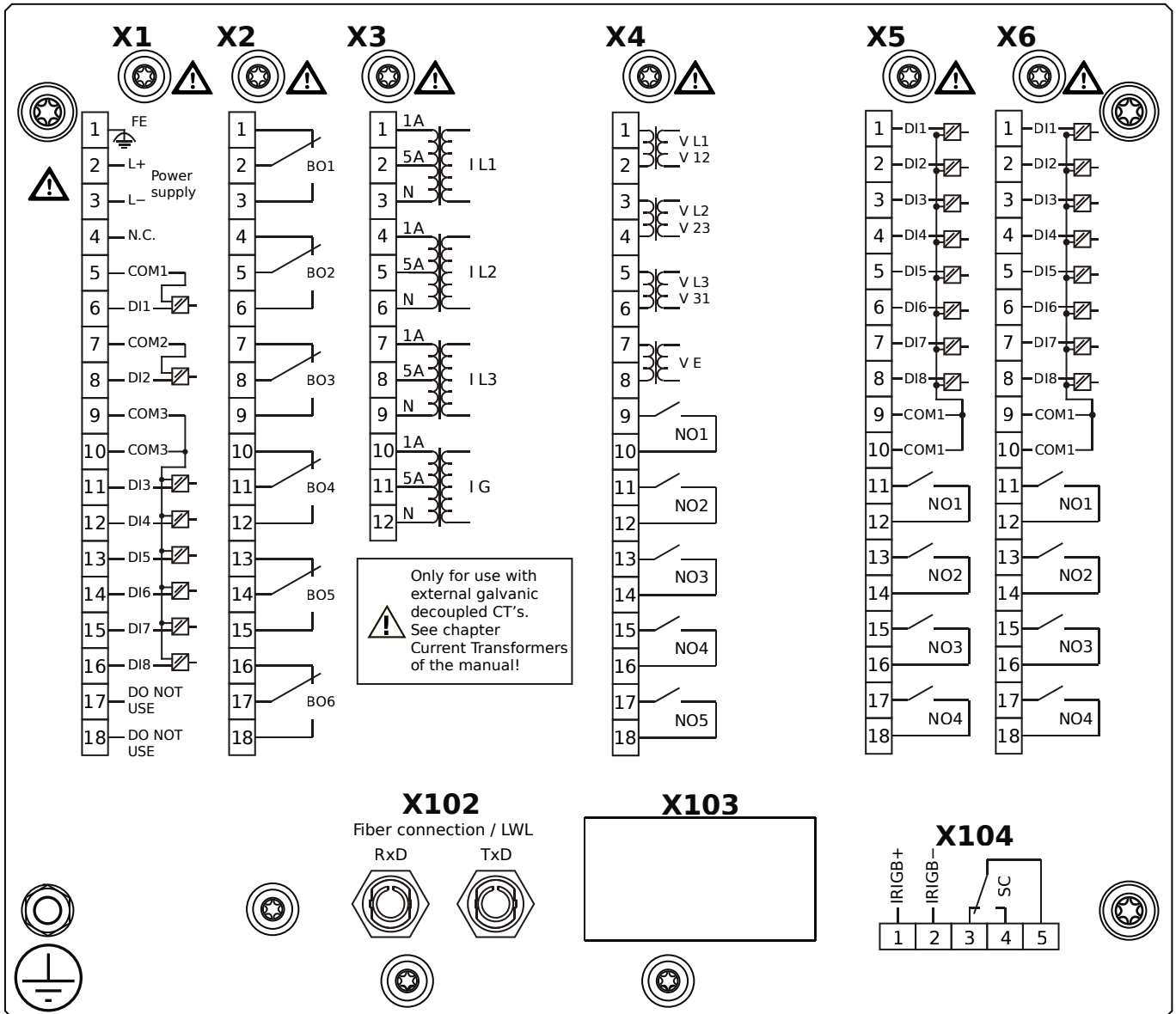
MCDLV4-2E0B1AA



Housing B2, large display, 19" rack mounting

- X1** – DI8-X1: Wide-range power supply unit, incl. 2 non-grouped digital inputs and 6 grouped digital inputs
- X2** – OR6: Assembly Group with 6 Output Relays (Changeover / Form C)
- X3** – TI: Standard current measuring card
- X4** – TU-OR5: Voltage measuring (0 ... 300 VAC) assembly group with 5 additional Output Relays (NO / Form A)
- X5** – DI8-OR4: Assembly Group with 8 Digital Inputs and 4 Output Relays (NO / Form A)
- X6** – DI8-OR4: Assembly Group with 8 Digital Inputs and 4 Output Relays (NO / Form A)
- X102** – Protection Communication, Fiber optics interface, ST Connector
- X104** – IRIG-B00X, incl. System Contact (Supervision Contact)

MCDLV4-2E0B1AB

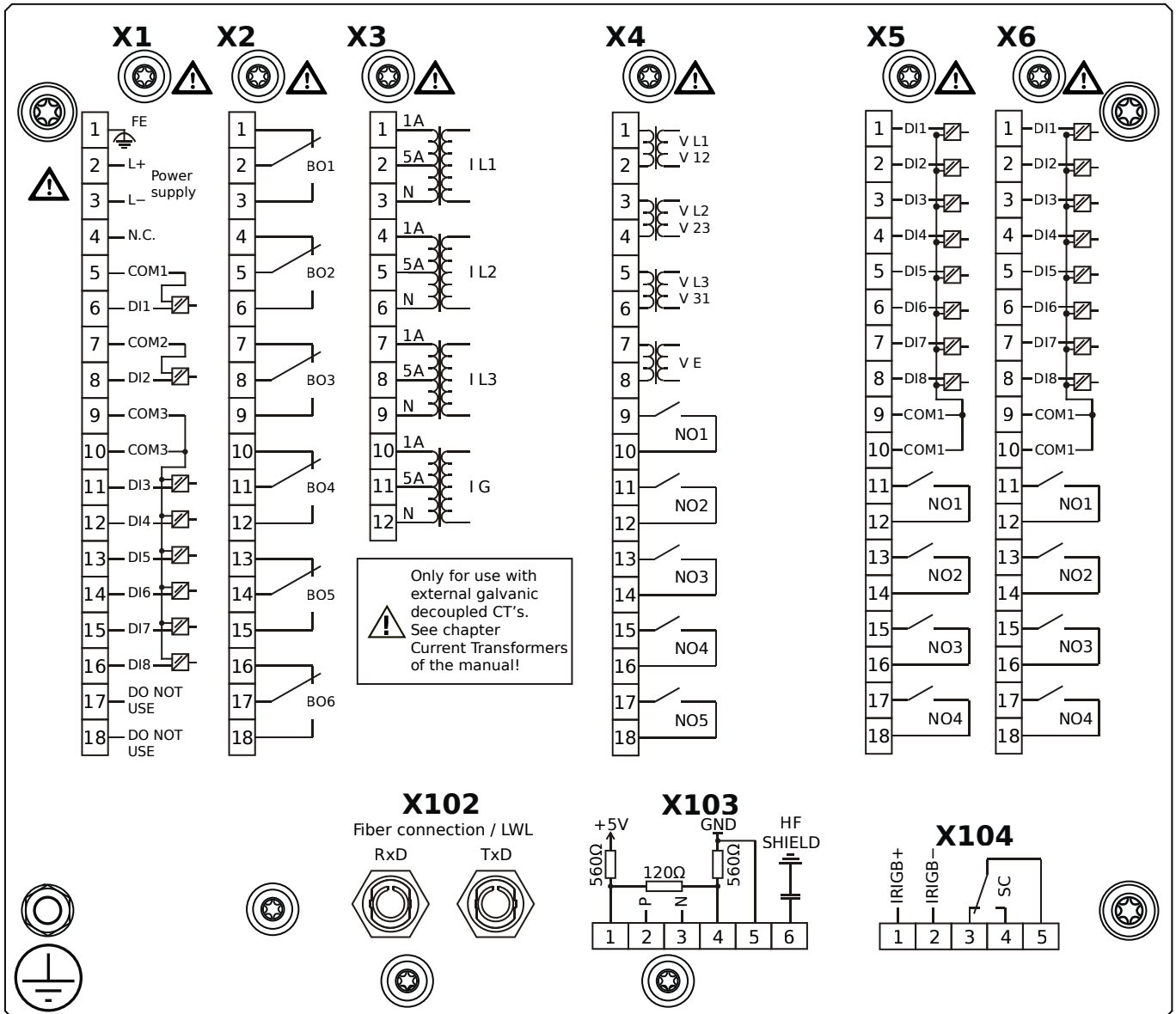


Housing B2, large display, 19" rack mounting

- + Conformal Coating (for installations in harsh environment)

- X1** – DI8-X1: Wide-range power supply unit, incl. 2 non-grouped digital inputs and 6 grouped digital inputs
- X2** – OR6: Assembly Group with 6 Output Relays (Changeover / Form C)
- X3** – TI: Standard current measuring card
- X4** – TU-OR5: Voltage measuring (0 ... 300 VAC) assembly group with 5 additional Output Relays (NO / Form A)
- X5** – DI8-OR4: Assembly Group with 8 Digital Inputs and 4 Output Relays (NO / Form A)
- X6** – DI8-OR4: Assembly Group with 8 Digital Inputs and 4 Output Relays (NO / Form A)
- X102** – Protection Communication, Fiber optics interface, ST Connector
- X104** – IRIG-B00X, incl. System Contact (Supervision Contact)

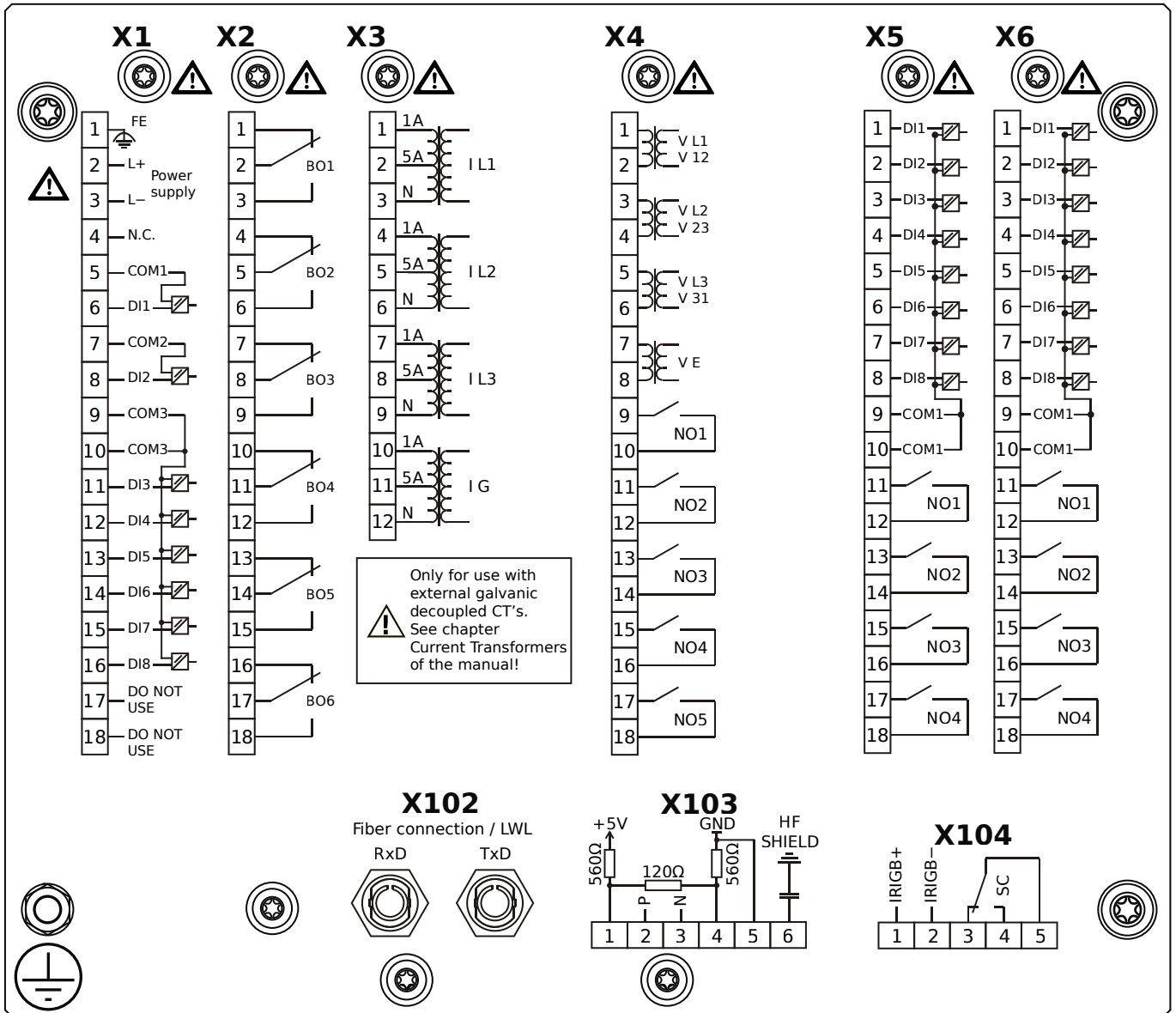
MCDLV4-2E0B1BA



Housing B2, large display, 19" rack mounting

- X1** – DI8-X1: Wide-range power supply unit, incl. 2 non-grouped digital inputs and 6 grouped digital inputs
- X2** – OR6: Assembly Group with 6 Output Relays (Changeover / Form C)
- X3** – TI: Standard current measuring card
- X4** – TU-OR5: Voltage measuring (0 ... 300 VAC) assembly group with 5 additional Output Relays (NO / Form A)
- X5** – DI8-OR4: Assembly Group with 8 Digital Inputs and 4 Output Relays (NO / Form A)
- X6** – DI8-OR4: Assembly Group with 8 Digital Inputs and 4 Output Relays (NO / Form A)
- X102** – Protection Communication, Fiber optics interface, ST Connector
- X103** – Modbus RTU / IEC 60870-5-103 / DNP3.0 RTU, RS485, Terminals
- X104** – I R I G B-00X, incl. System Contact (Supervision Contact)

MCDLV4-2E0B1BB

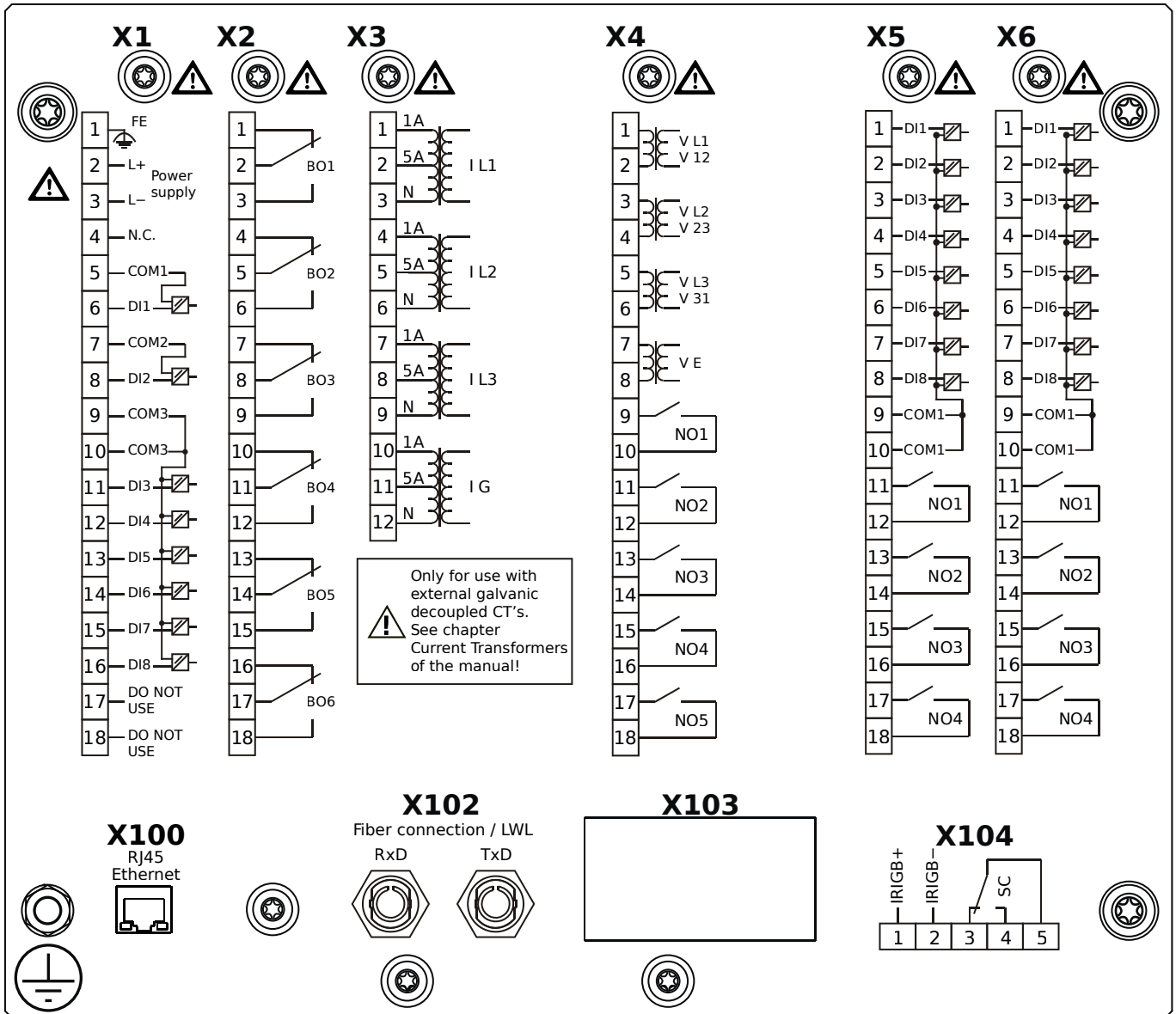


Housing B2, large display, 19" rack mounting

+ Conformal Coating (for installations in harsh environment)

- X1** – DI8-X1: Wide-range power supply unit, incl. 2 non-grouped digital inputs and 6 grouped digital inputs
- X2** – OR6: Assembly Group with 6 Output Relays (Changeover / Form C)
- X3** – TI: Standard current measuring card
- X4** – TU-OR5: Voltage measuring (0 ... 300 VAC) assembly group with 5 additional Output Relays (NO / Form A)
- X5** – DI8-OR4: Assembly Group with 8 Digital Inputs and 4 Output Relays (NO / Form A)
- X6** – DI8-OR4: Assembly Group with 8 Digital Inputs and 4 Output Relays (NO / Form A)
- X102** – Protection Communication, Fiber optics interface, ST Connector
- X103** – Modbus RTU / IEC 60870-5-103 / DNP3.0 RTU, RS485, Terminals
- X104** – IRIG-B00X, incl. System Contact (Supervision Contact)

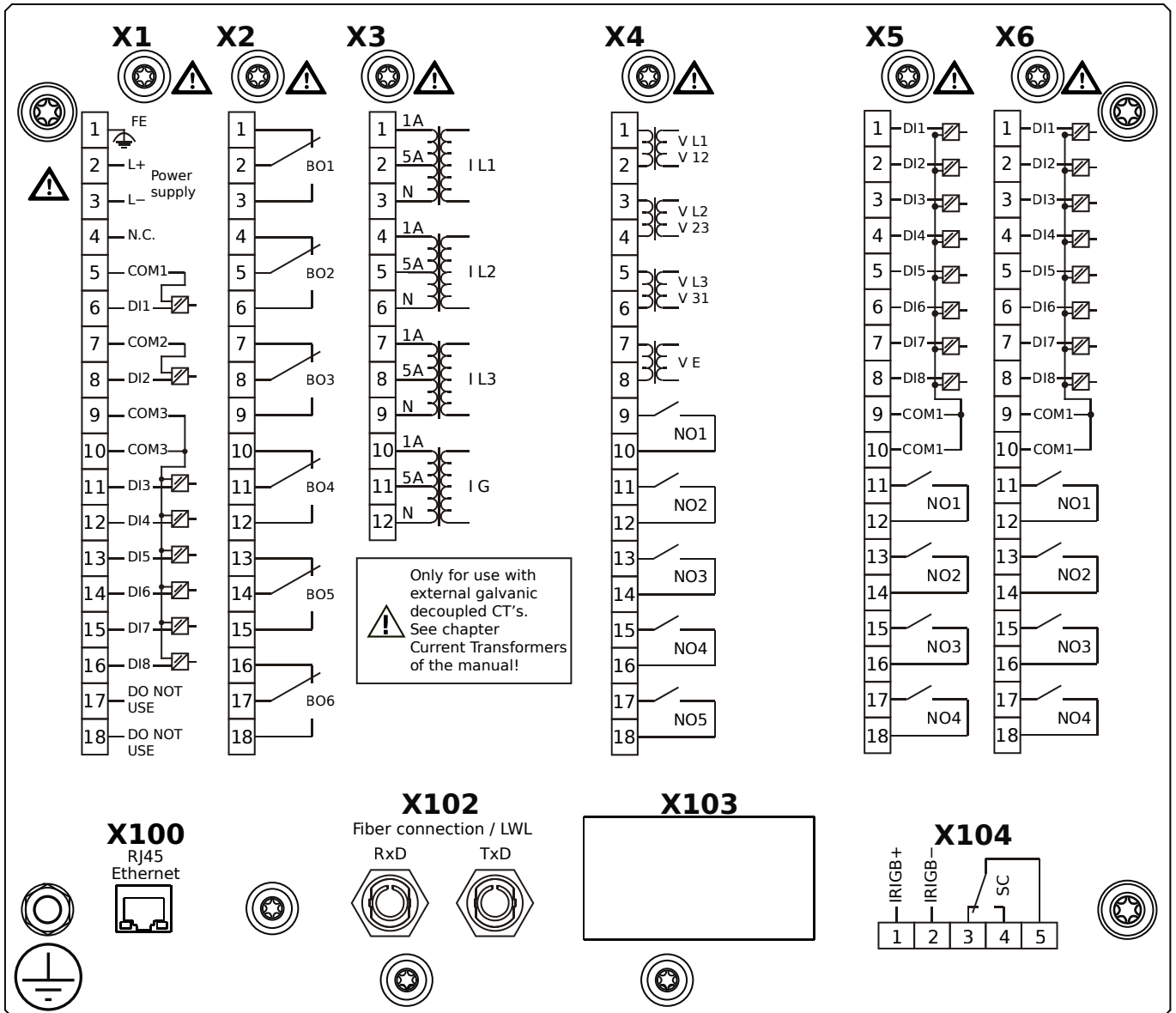
MCDLV4-2E0B1CA



Housing B2, large display, 19" rack mounting

- X1** – DI8-X1: Wide-range power supply unit, incl. 2 non-grouped digital inputs and 6 grouped digital inputs
- X2** – OR6: Assembly Group with 6 Output Relays (Changeover / Form C)
- X3** – TI: Standard current measuring card
- X4** – TU-OR5: Voltage measuring (0 ... 300 VAC) assembly group with 5 additional Output Relays (NO / Form A)
- X5** – DI8-OR4: Assembly Group with 8 Digital Inputs and 4 Output Relays (NO / Form A)
- X6** – DI8-OR4: Assembly Group with 8 Digital Inputs and 4 Output Relays (NO / Form A)
- X100** – Modbus TCP / IEC 60870-5-104 / DNP3.0 TCP/UDP, Ethernet interface, 100 Mbit/s, RJ45 (BASE100-FX)
- X102** – Protection Communication, Fiber optics interface, ST Connector
- X104** – IRIG-B00X, incl. System Contact (Supervision Contact)

MCDLV4-2E0B1CB

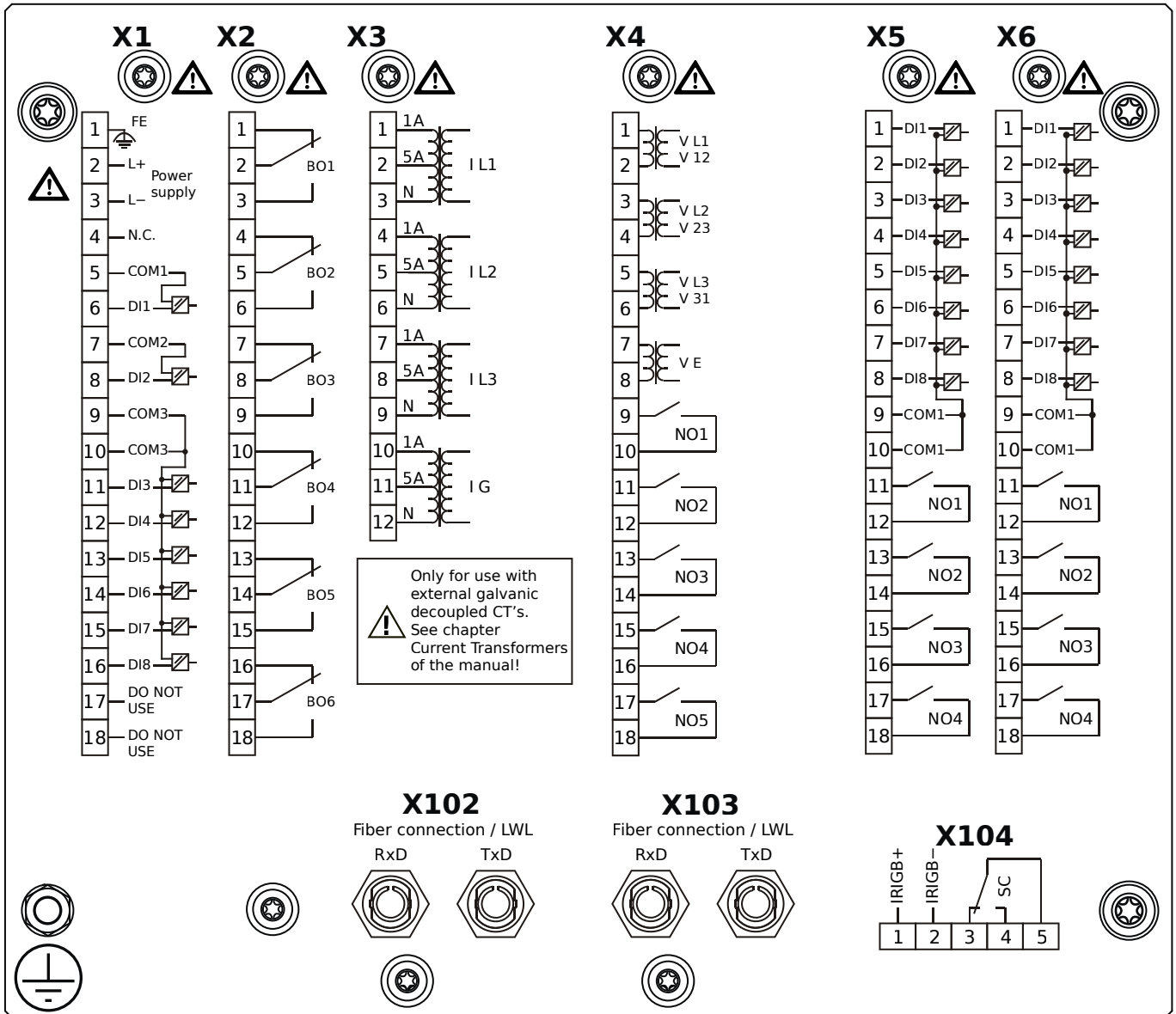


Housing B2, large display, 19" rack mounting

+ Conformal Coating (for installations in harsh environment)

- X1** – DI8-X1: Wide-range power supply unit, incl. 2 non-grouped digital inputs and 6 grouped digital inputs
- X2** – OR6: Assembly Group with 6 Output Relays (Changeover / Form C)
- X3** – TI: Standard current measuring card
- X4** – TU-OR5: Voltage measuring (0 ... 300 VAC) assembly group with 5 additional Output Relays (NO / Form A)
- X5** – DI8-OR4: Assembly Group with 8 Digital Inputs and 4 Output Relays (NO / Form A)
- X6** – DI8-OR4: Assembly Group with 8 Digital Inputs and 4 Output Relays (NO / Form A)
- X100** – Modbus TCP / IEC 60870-5-104 / DNP3.0 TCP/UDP, Ethernet interface, 100 Mbit/s, RJ45 (BASE100-FX)
- X102** – Protection Communication, Fiber optics interface, ST Connector
- X104** – IRIG-B00X, incl. System Contact (Supervision Contact)

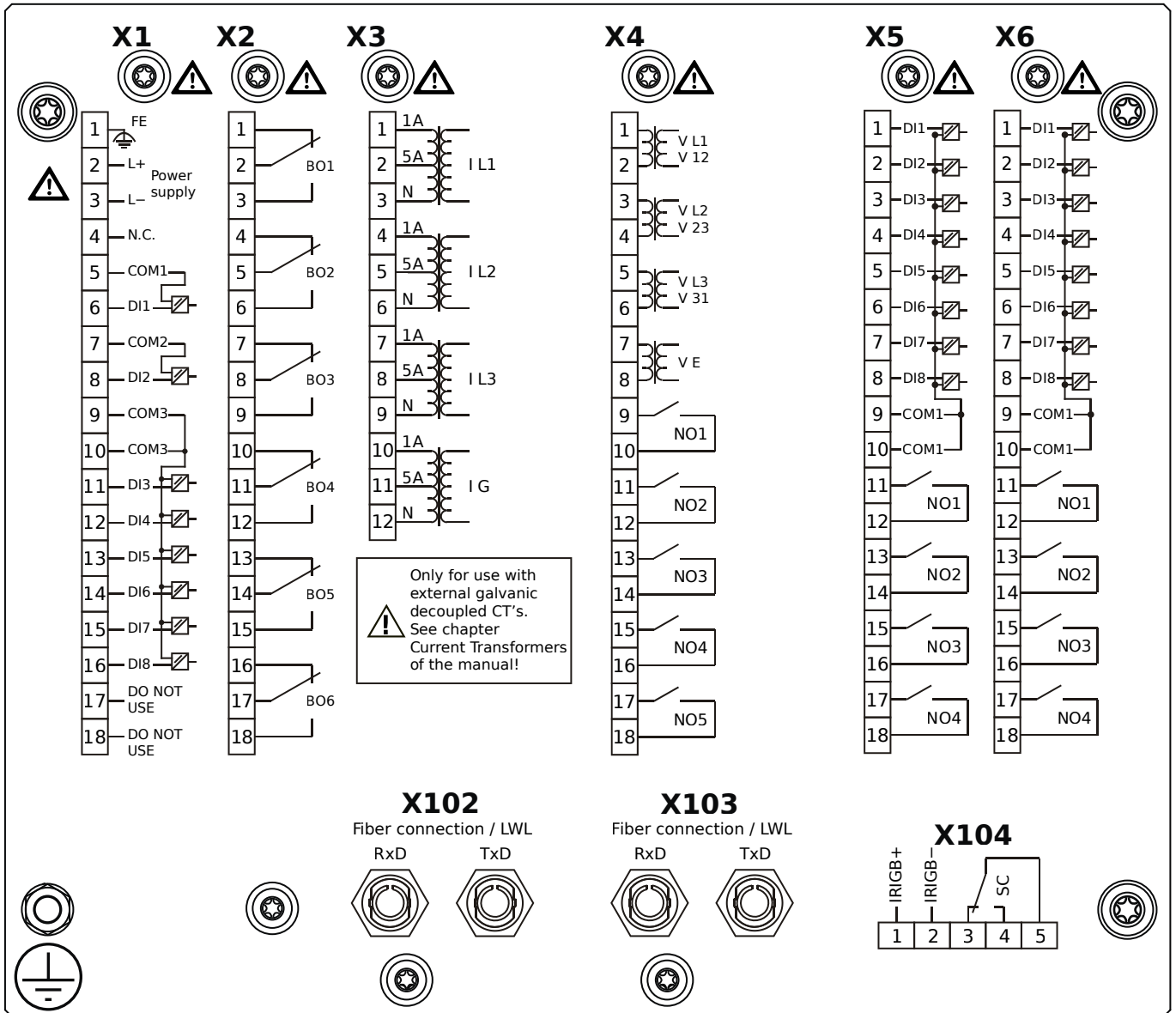
MCDLV4-2E0B1DA



Housing B2, large display, 19" rack mounting

- X1** – DI8-X1: Wide-range power supply unit, incl. 2 non-grouped digital inputs and 6 grouped digital inputs
- X2** – OR6: Assembly Group with 6 Output Relays (Changeover / Form C)
- X3** – TI: Standard current measuring card
- X4** – TU-OR5: Voltage measuring (0 ... 300 VAC) assembly group with 5 additional Output Relays (NO / Form A)
- X5** – DI8-OR4: Assembly Group with 8 Digital Inputs and 4 Output Relays (NO / Form A)
- X6** – DI8-OR4: Assembly Group with 8 Digital Inputs and 4 Output Relays (NO / Form A)
- X102** – Protection Communication, Fiber optics interface, ST Connector
- X103** – Profibus-DP, Fiber optics interface, ST Connector
- X104** – IRIG-B00X, incl. System Contact (Supervision Contact)

MCDLV4-2E0B1DB

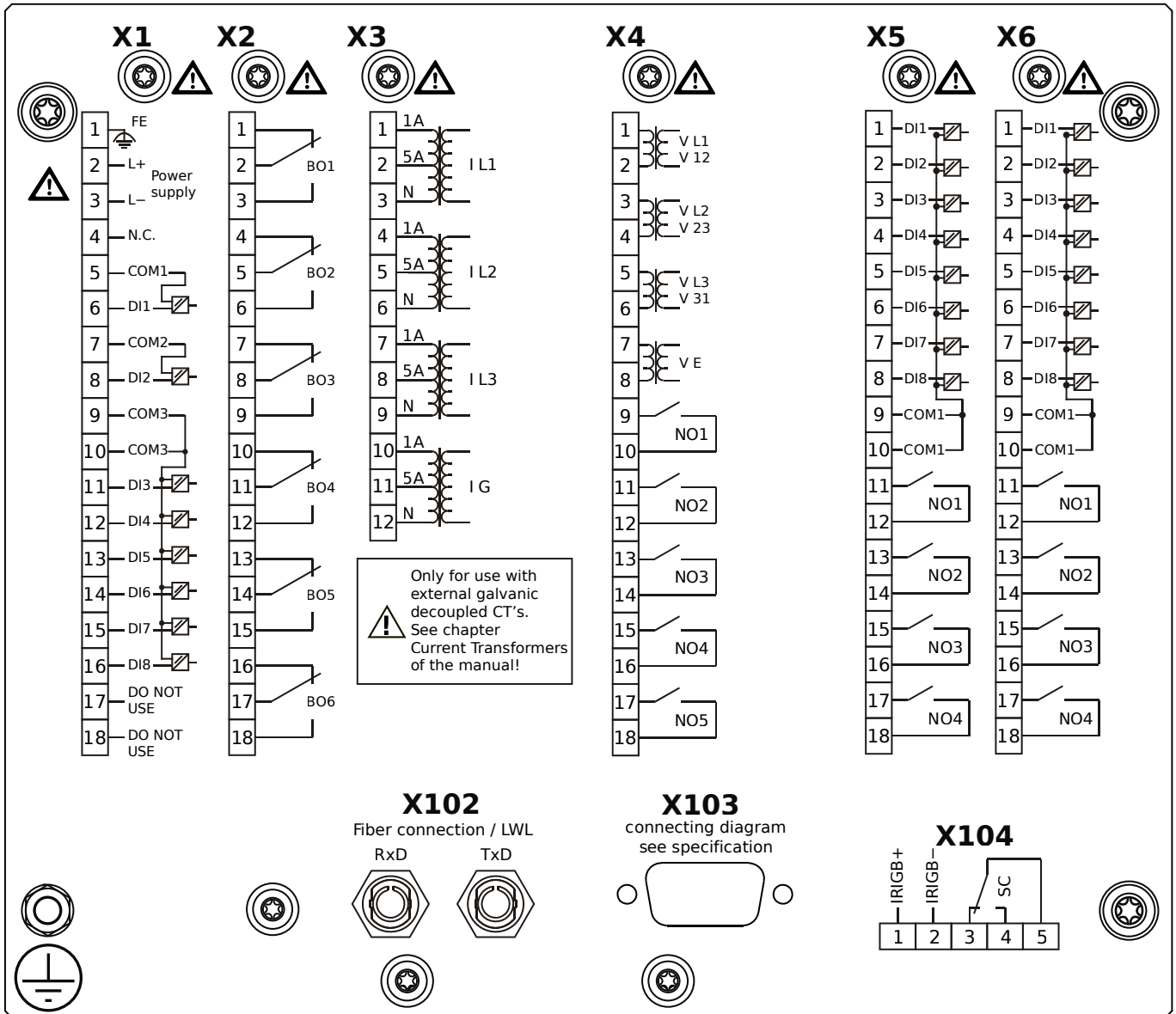


Housing B2, large display, 19" rack mounting

+ Conformal Coating (for installations in harsh environment)

- X1** – DI8-X1: Wide-range power supply unit, incl. 2 non-grouped digital inputs and 6 grouped digital inputs
- X2** – OR6: Assembly Group with 6 Output Relays (Changeover / Form C)
- X3** – TI: Standard current measuring card
- X4** – TU-OR5: Voltage measuring (0 ... 300 VAC) assembly group with 5 additional Output Relays (NO / Form A)
- X5** – DI8-OR4: Assembly Group with 8 Digital Inputs and 4 Output Relays (NO / Form A)
- X6** – DI8-OR4: Assembly Group with 8 Digital Inputs and 4 Output Relays (NO / Form A)
- X102** – Protection Communication, Fiber optics interface, ST Connector
- X103** – Profibus-DP, Fiber optics interface, ST Connector
- X104** – IRIG-B00X, incl. System Contact (Supervision Contact)

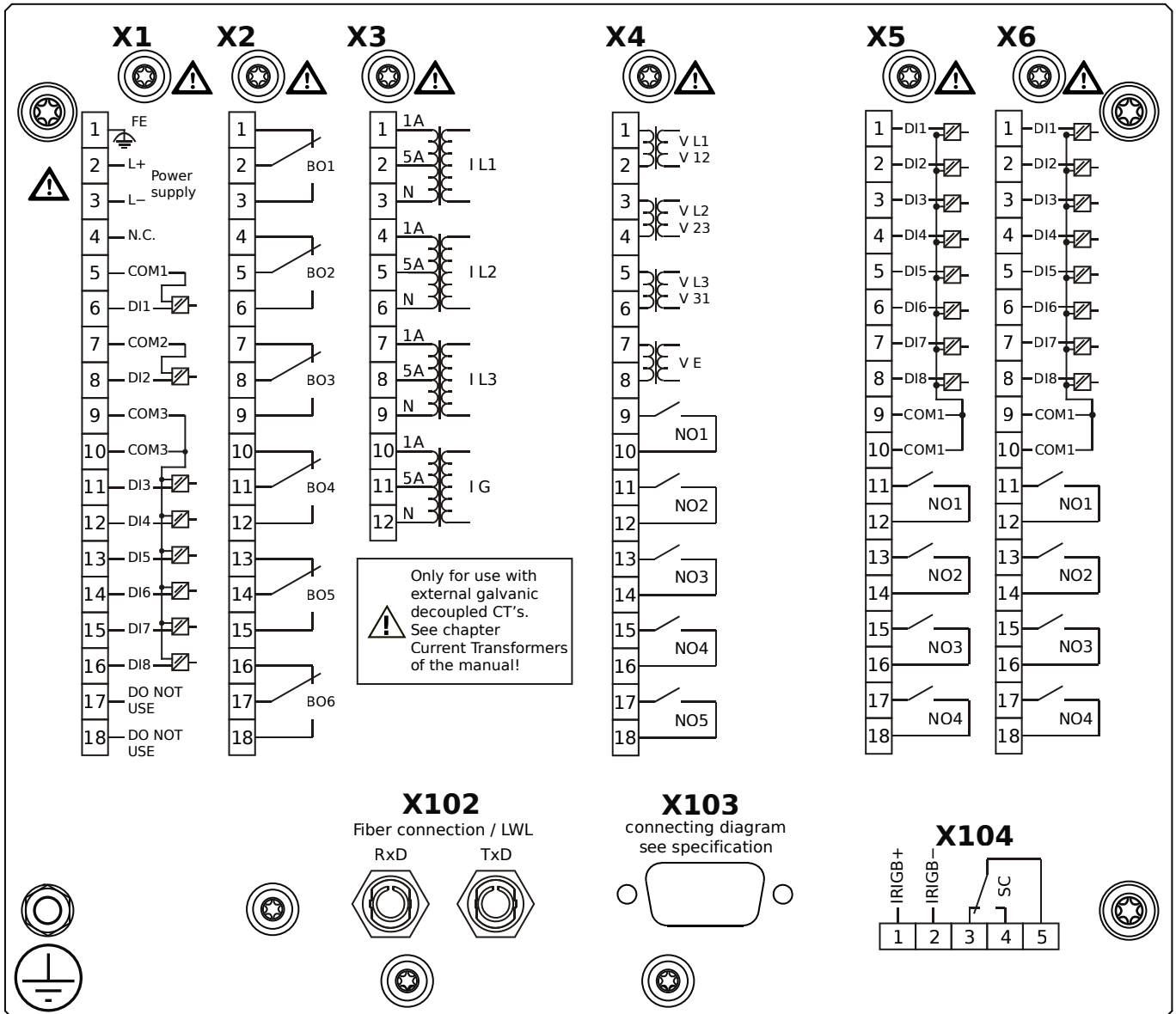
MCDLV4-2E0B1EA



Housing B2, large display, 19" rack mounting

- X1** – DI8-X1: Wide-range power supply unit, incl. 2 non-grouped digital inputs and 6 grouped digital inputs
- X2** – OR6: Assembly Group with 6 Output Relays (Changeover / Form C)
- X3** – TI: Standard current measuring card
- X4** – TU-OR5: Voltage measuring (0 ... 300 VAC) assembly group with 5 additional Output Relays (NO / Form A)
- X5** – DI8-OR4: Assembly Group with 8 Digital Inputs and 4 Output Relays (NO / Form A)
- X6** – DI8-OR4: Assembly Group with 8 Digital Inputs and 4 Output Relays (NO / Form A)
- X102** – Protection Communication, Fiber optics interface, ST Connector
- X103** – Profibus-DP, RS485, D-SUB
- X104** – IRIG-B00X, incl. System Contact (Supervision Contact)

MCDLV4-2E0B1EB

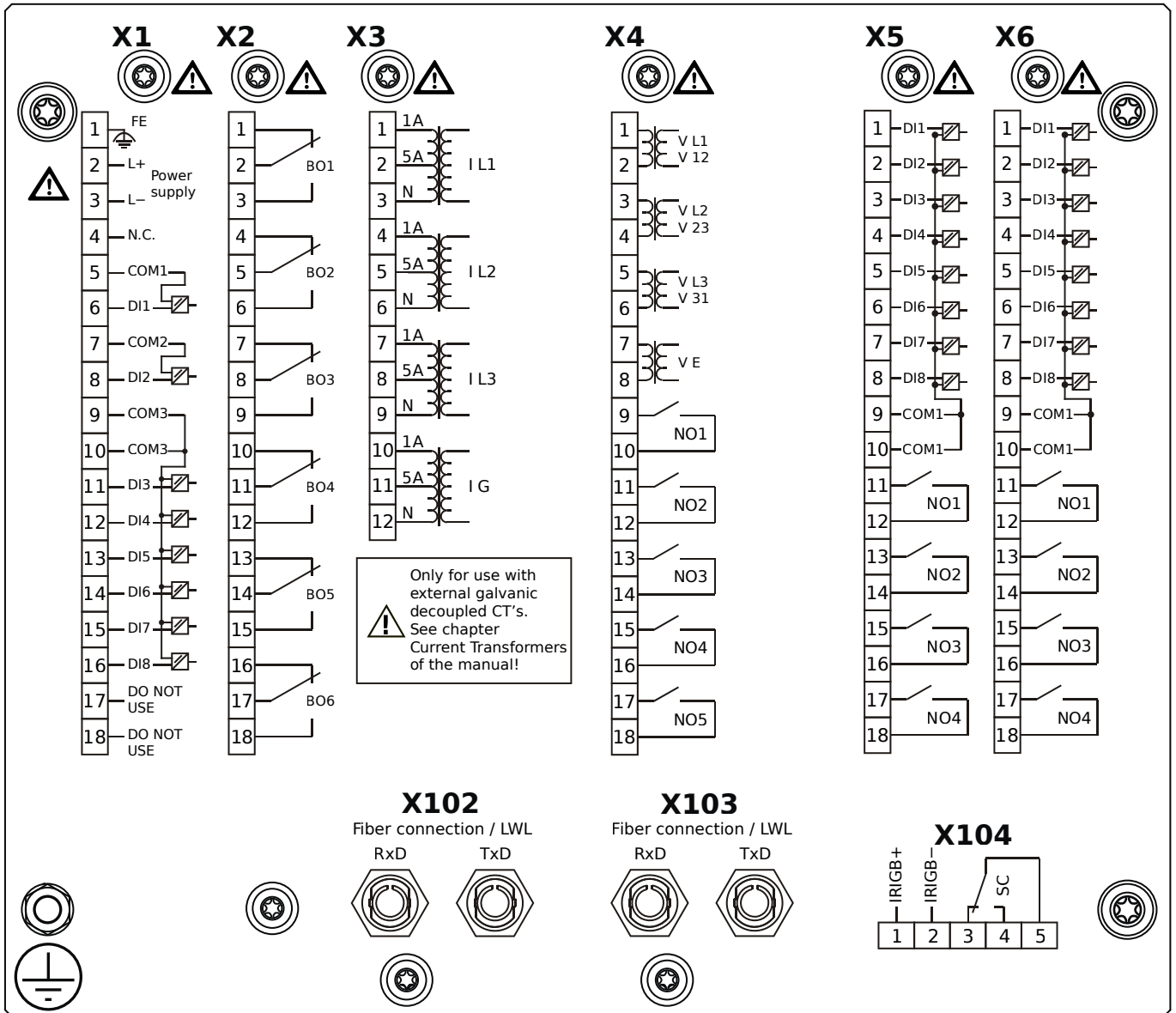


Housing B2, large display, 19" rack mounting

+ Conformal Coating (for installations in harsh environment)

- X1** – DI8-X1: Wide-range power supply unit, incl. 2 non-grouped digital inputs and 6 grouped digital inputs
- X2** – OR6: Assembly Group with 6 Output Relays (Changeover / Form C)
- X3** – TI: Standard current measuring card
- X4** – TU-OR5: Voltage measuring (0 ... 300 VAC) assembly group with 5 additional Output Relays (NO / Form A)
- X5** – DI8-OR4: Assembly Group with 8 Digital Inputs and 4 Output Relays (NO / Form A)
- X6** – DI8-OR4: Assembly Group with 8 Digital Inputs and 4 Output Relays (NO / Form A)
- X102** – Protection Communication, Fiber optics interface, ST Connector
- X103** – Profibus-DP, RS485, D-SUB
- X104** – I/RGB-B00X, incl. System Contact (Supervision Contact)

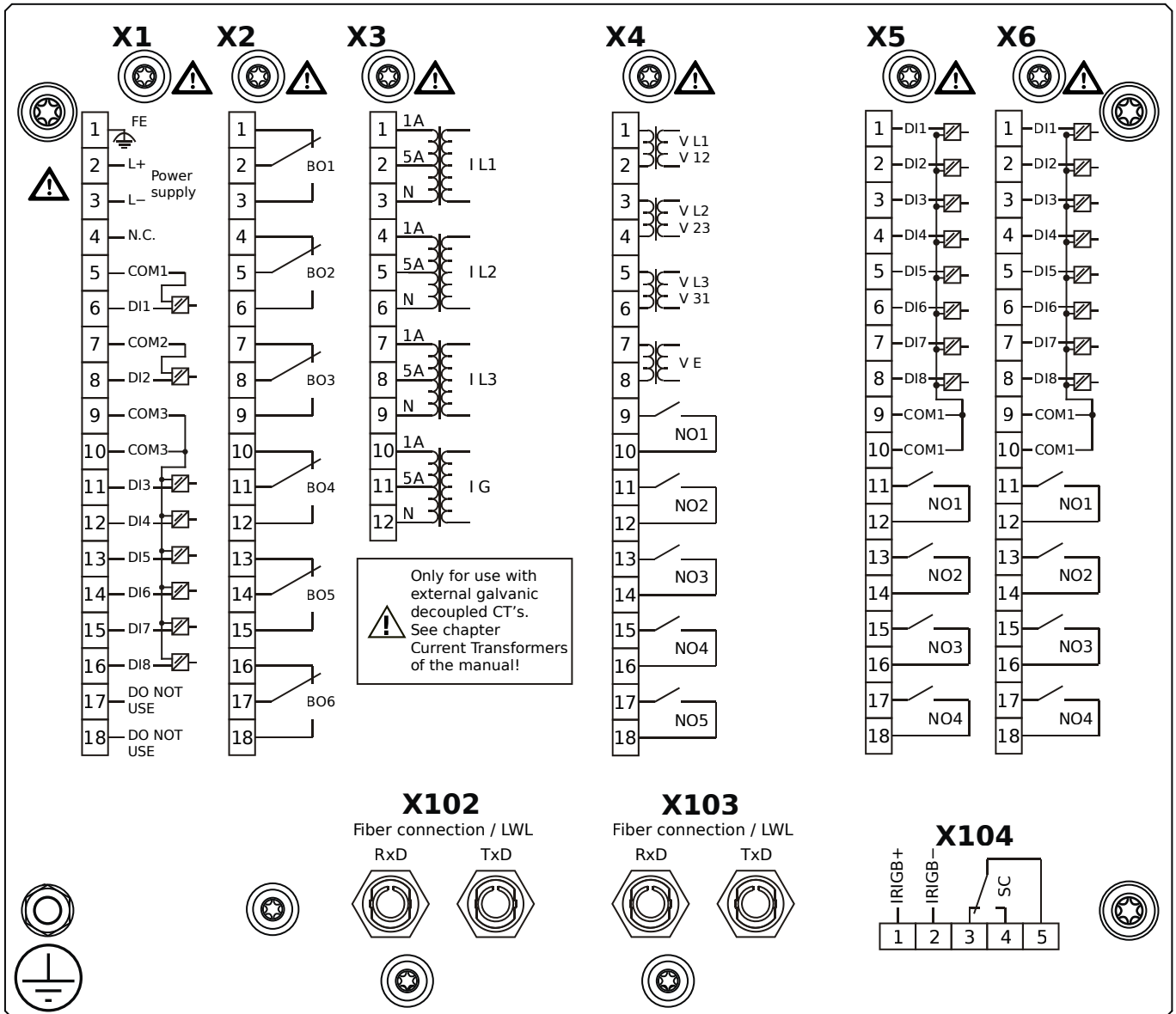
MCDLV4-2E0B1FA



Housing B2, large display, 19" rack mounting

- X1** – DI8-X1: Wide-range power supply unit, incl. 2 non-grouped digital inputs and 6 grouped digital inputs
- X2** – OR6: Assembly Group with 6 Output Relays (Changeover / Form C)
- X3** – TI: Standard current measuring card
- X4** – TU-OR5: Voltage measuring (0 ... 300 VAC) assembly group with 5 additional Output Relays (NO / Form A)
- X5** – DI8-OR4: Assembly Group with 8 Digital Inputs and 4 Output Relays (NO / Form A)
- X6** – DI8-OR4: Assembly Group with 8 Digital Inputs and 4 Output Relays (NO / Form A)
- X102** – Protection Communication, Fiber optics interface, ST Connector
- X103** – Modbus RTU / IEC 60870-5-103 / DNP3.0 RTU, Fiber optics interface, ST Connector
- X104** – IRIG-B00X, incl. System Contact (Supervision Contact)

MCDLV4-2E0B1FB

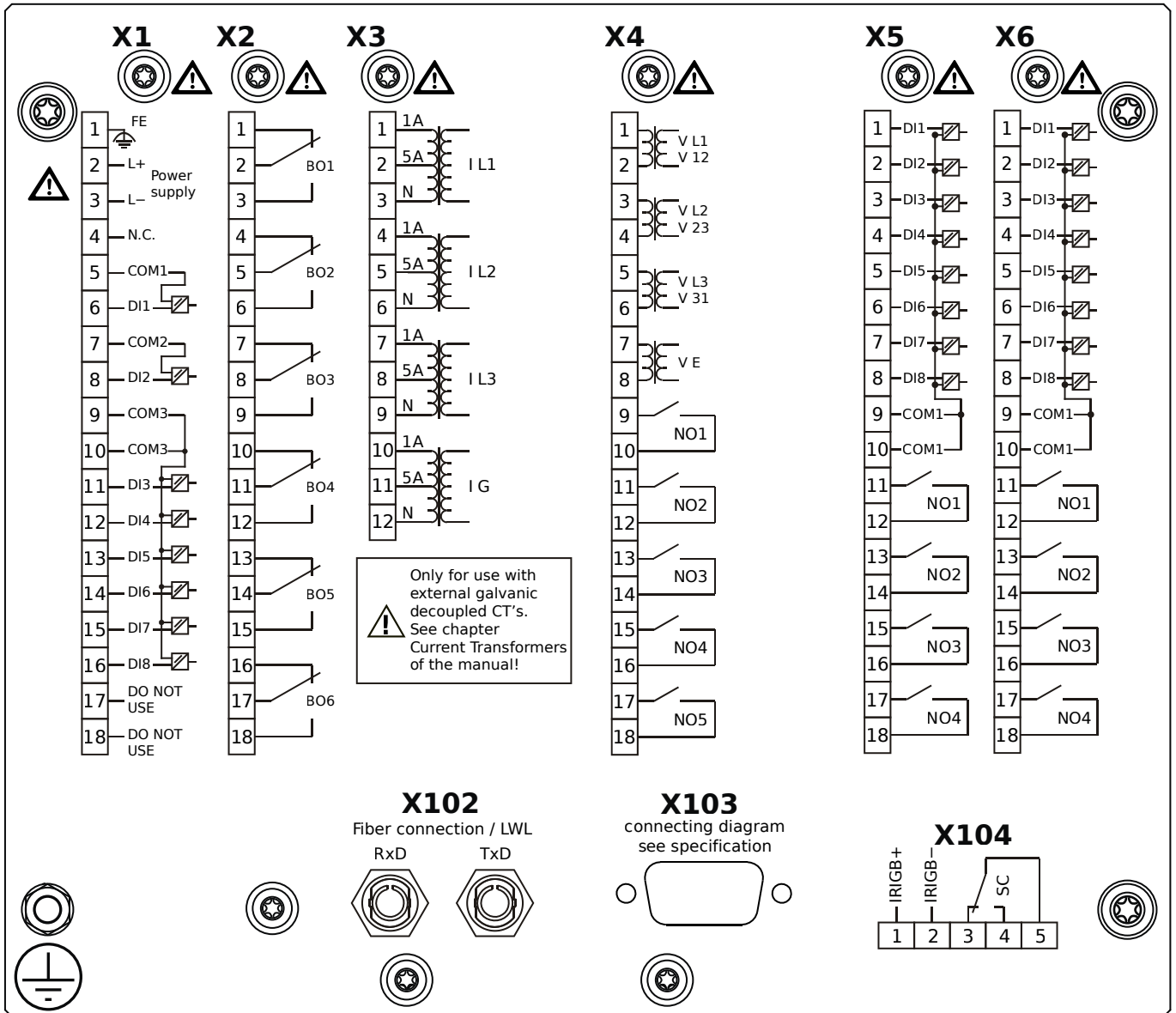


Housing B2, large display, 19" rack mounting

- + Conformal Coating (for installations in harsh environment)

- X1** – DI8-X1: Wide-range power supply unit, incl. 2 non-grouped digital inputs and 6 grouped digital inputs
- X2** – OR6: Assembly Group with 6 Output Relays (Changeover / Form C)
- X3** – TI: Standard current measuring card
- X4** – TU-OR5: Voltage measuring (0 ... 300 VAC) assembly group with 5 additional Output Relays (NO / Form A)
- X5** – DI8-OR4: Assembly Group with 8 Digital Inputs and 4 Output Relays (NO / Form A)
- X6** – DI8-OR4: Assembly Group with 8 Digital Inputs and 4 Output Relays (NO / Form A)
- X102** – Protection Communication, Fiber optics interface, ST Connector
- X103** – Modbus RTU / IEC 60870-5-103 / DNP3.0 RTU, Fiber optics interface, ST Connector
- X104** – IRIG-B00X, incl. System Contact (Supervision Contact)

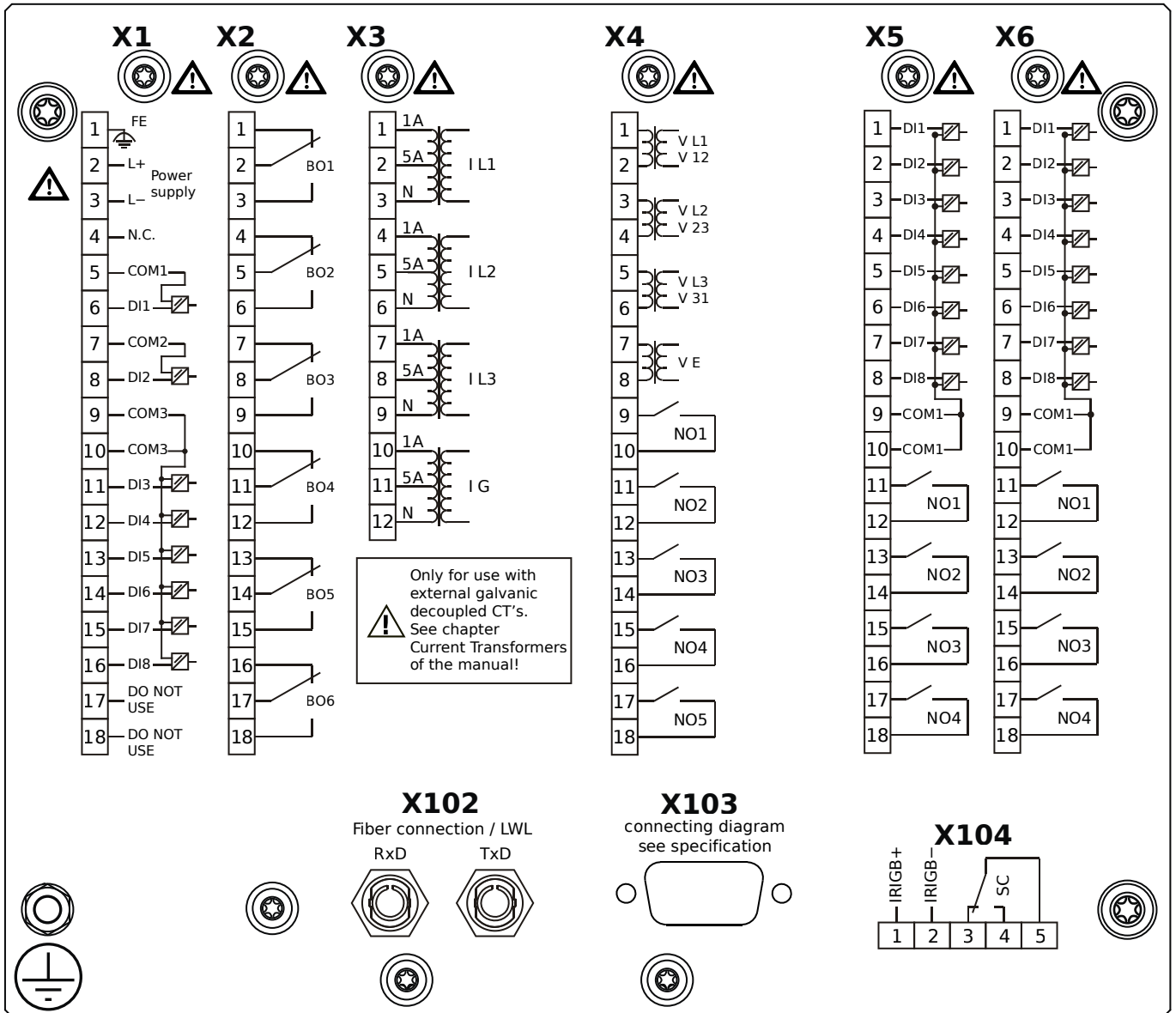
MCDLV4-2E0B1GA



Housing B2, large display, 19" rack mounting

- X1** – DI8-X1: Wide-range power supply unit, incl. 2 non-grouped digital inputs and 6 grouped digital inputs
- X2** – OR6: Assembly Group with 6 Output Relays (Changeover / Form C)
- X3** – TI: Standard current measuring card
- X4** – TU-OR5: Voltage measuring (0 ... 300 VAC) assembly group with 5 additional Output Relays (NO / Form A)
- X5** – DI8-OR4: Assembly Group with 8 Digital Inputs and 4 Output Relays (NO / Form A)
- X6** – DI8-OR4: Assembly Group with 8 Digital Inputs and 4 Output Relays (NO / Form A)
- X102** – Protection Communication, Fiber optics interface, ST Connector
- X103** – Modbus RTU / IEC 60870-5-103 / DNP3.0 RTU, RS485, D-SUB
- X104** – IRIG-B00X, incl. System Contact (Supervision Contact)

MCDLV4-2E0B1GB

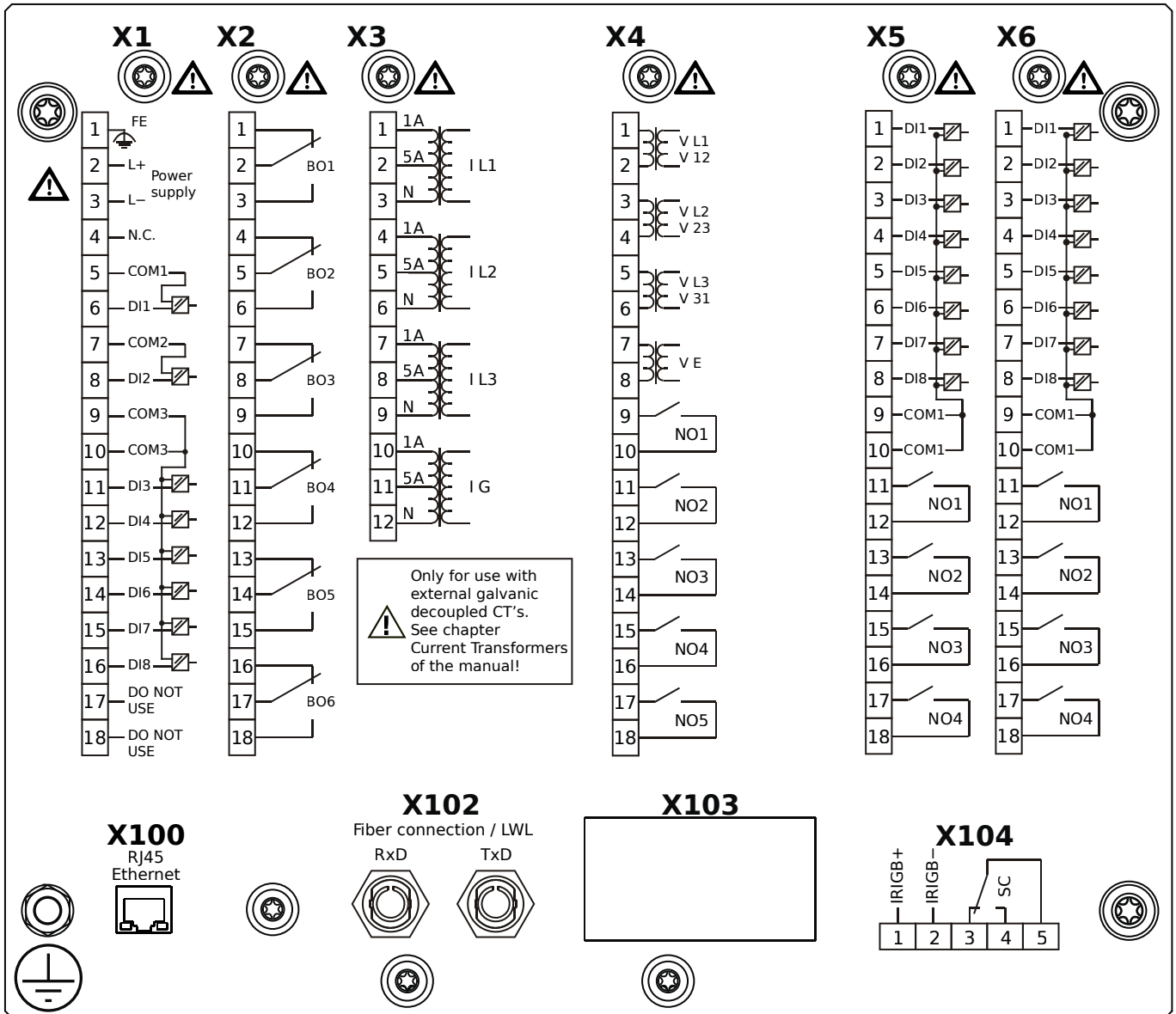


Housing B2, large display, 19" rack mounting

+ Conformal Coating (for installations in harsh environment)

- X1** – DI8-X1: Wide-range power supply unit, incl. 2 non-grouped digital inputs and 6 grouped digital inputs
- X2** – OR6: Assembly Group with 6 Output Relays (Changeover / Form C)
- X3** – TI: Standard current measuring card
- X4** – TU-OR5: Voltage measuring (0 ... 300 VAC) assembly group with 5 additional Output Relays (NO / Form A)
- X5** – DI8-OR4: Assembly Group with 8 Digital Inputs and 4 Output Relays (NO / Form A)
- X6** – DI8-OR4: Assembly Group with 8 Digital Inputs and 4 Output Relays (NO / Form A)
- X102** – Protection Communication, Fiber optics interface, ST Connector
- X103** – Modbus RTU / IEC 60870-5-103 / DNP3.0 RTU, RS485, D-SUB
- X104** – IRIG-B00X, incl. System Contact (Supervision Contact)

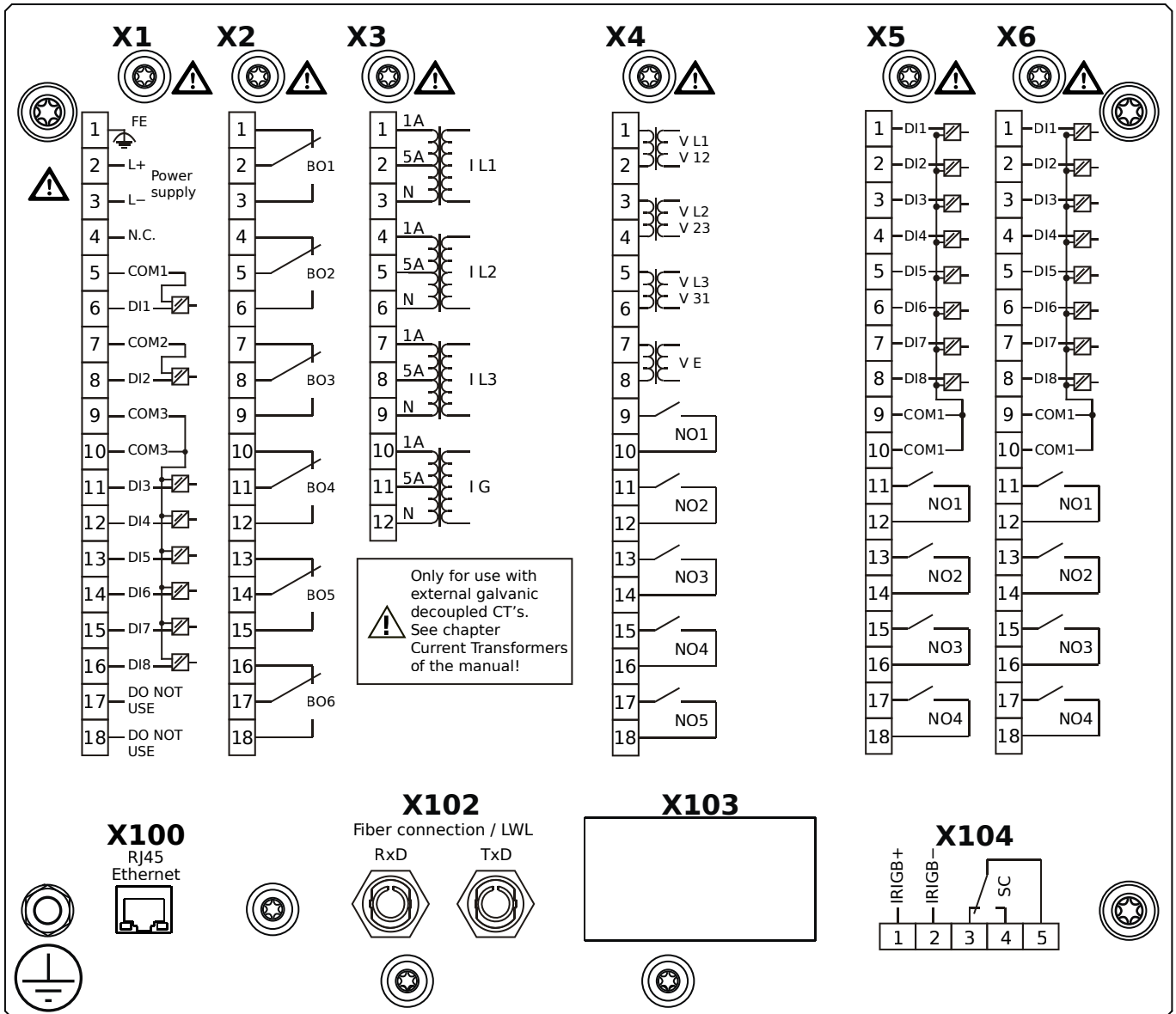
MCDLV4-2E0B1HA



Housing B2, large display, 19" rack mounting

- X1** – DI8-X1: Wide-range power supply unit, incl. 2 non-grouped digital inputs and 6 grouped digital inputs
- X2** – OR6: Assembly Group with 6 Output Relays (Changeover / Form C)
- X3** – TI: Standard current measuring card
- X4** – TU-OR5: Voltage measuring (0 ... 300 VAC) assembly group with 5 additional Output Relays (NO / Form A)
- X5** – DI8-OR4: Assembly Group with 8 Digital Inputs and 4 Output Relays (NO / Form A)
- X6** – DI8-OR4: Assembly Group with 8 Digital Inputs and 4 Output Relays (NO / Form A)
- X100** – IEC 61850 / Modbus TCP / IEC 60870-5-104 / DNP3.0 TCP/UDP, Ethernet interface, 100 Mbit/s, RJ45 (BASE100-FX)
- X102** – Protection Communication, Fiber optics interface, ST Connector
- X104** – IRIG-B00X, incl. System Contact (Supervision Contact)

MCDLV4-2E0B1HB

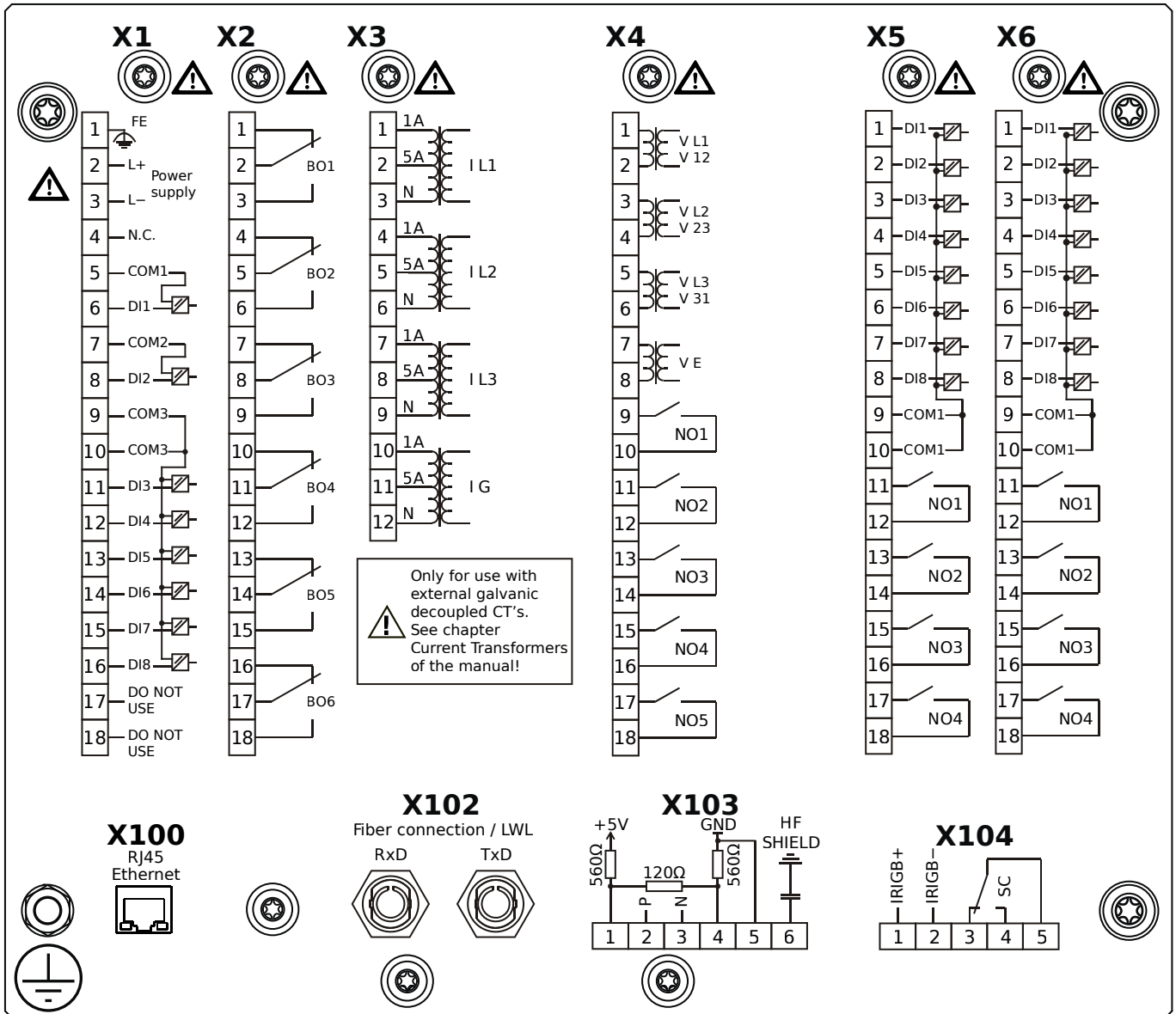


Housing B2, large display, 19" rack mounting

+ Conformal Coating (for installations in harsh environment)

- X1** – DI8-X1: Wide-range power supply unit, incl. 2 non-grouped digital inputs and 6 grouped digital inputs
- X2** – OR6: Assembly Group with 6 Output Relays (Changeover / Form C)
- X3** – TI: Standard current measuring card
- X4** – TU-OR5: Voltage measuring (0 ... 300 VAC) assembly group with 5 additional Output Relays (NO / Form A)
- X5** – DI8-OR4: Assembly Group with 8 Digital Inputs and 4 Output Relays (NO / Form A)
- X6** – DI8-OR4: Assembly Group with 8 Digital Inputs and 4 Output Relays (NO / Form A)
- X100** – IEC 61850 / Modbus TCP / IEC 60870-5-104 / DNP3.0 TCP/UDP, Ethernet interface, 100 Mbit/s, RJ45 (BASE100-FX)
- X102** – Protection Communication, Fiber optics interface, ST Connector
- X104** – IRIG-B00X, incl. System Contact (Supervision Contact)

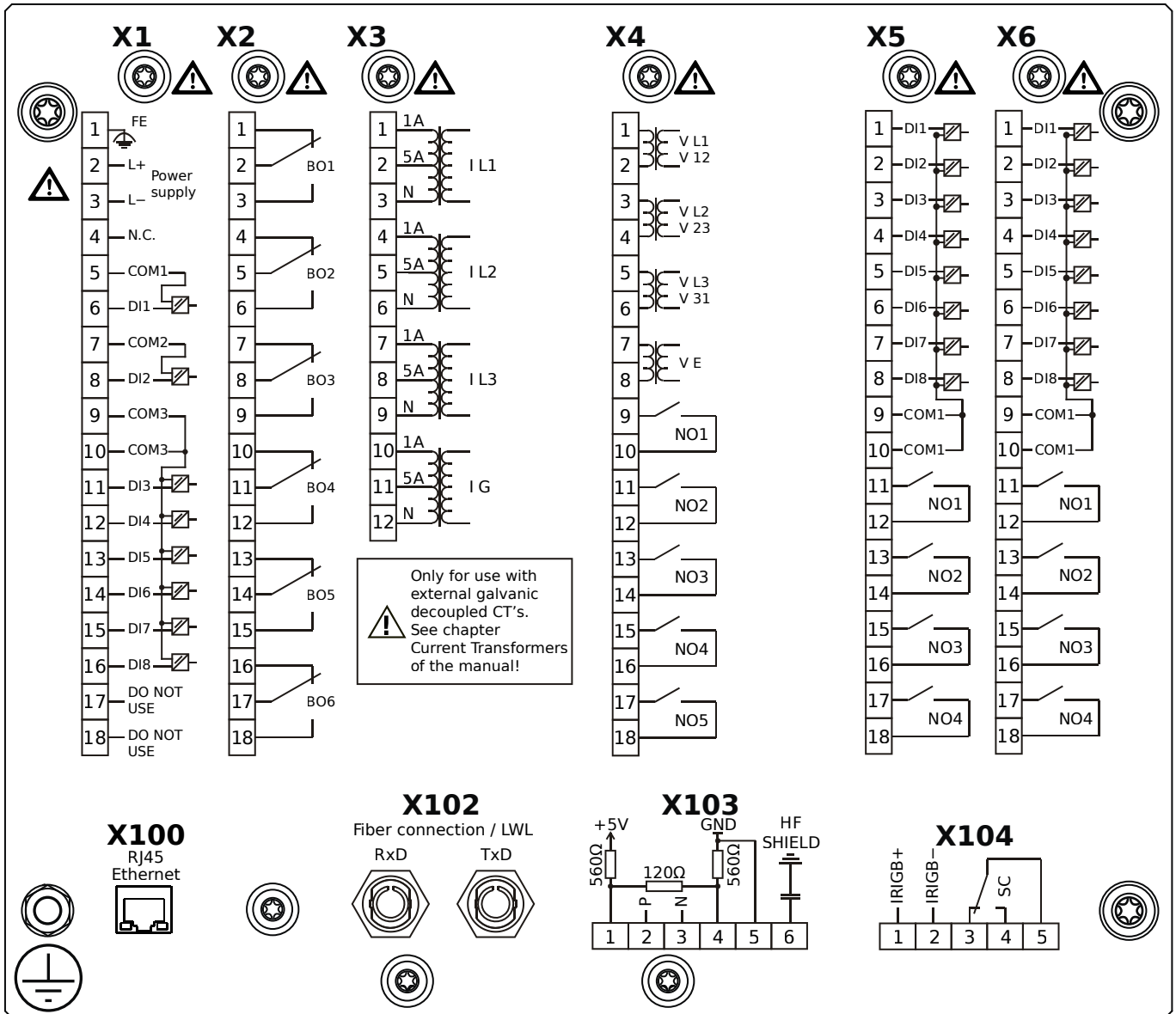
MCDLV4-2E0B1IA



Housing B2, large display, 19" rack mounting

- X1** – DI8-X1: Wide-range power supply unit, incl. 2 non-grouped digital inputs and 6 grouped digital inputs
- X2** – OR6: Assembly Group with 6 Output Relays (Changeover / Form C)
- X3** – TI: Standard current measuring card
- X4** – TU-OR5: Voltage measuring (0 ... 300 VAC) assembly group with 5 additional Output Relays (NO / Form A)
- X5** – DI8-OR4: Assembly Group with 8 Digital Inputs and 4 Output Relays (NO / Form A)
- X6** – DI8-OR4: Assembly Group with 8 Digital Inputs and 4 Output Relays (NO / Form A)
- X100** – Modbus TCP / IEC 60870-5-104 / DNP3.0 TCP/UDP, Ethernet interface, 100 Mbit/s, RJ45 (BASE100-FX)
- X102** – Protection Communication, Fiber optics interface, ST Connector
- X103** – IEC 60870-5-103 / Modbus RTU / DNP3.0 RTU, RS485, Terminals
- X104** – IRIG-B00X, incl. System Contact (Supervision Contact)

MCDLV4-2E0B1IB

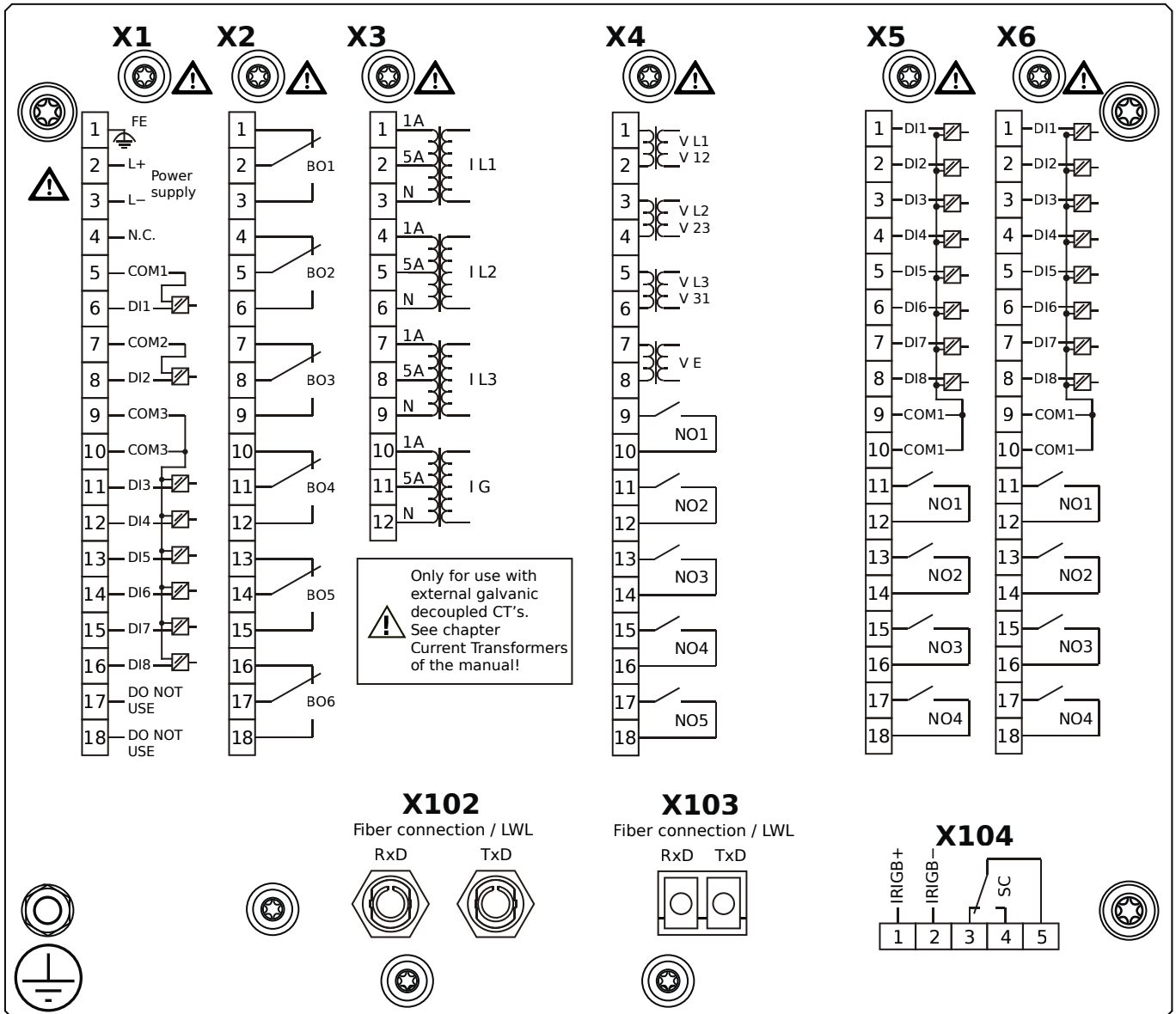


Housing B2, large display, 19" rack mounting

+ Conformal Coating (for installations in harsh environment)

- X1** – DI8-X1: Wide-range power supply unit, incl. 2 non-grouped digital inputs and 6 grouped digital inputs
- X2** – OR6: Assembly Group with 6 Output Relays (Changeover / Form C)
- X3** – TI: Standard current measuring card
- X4** – TU-OR5: Voltage measuring (0 ... 300 VAC) assembly group with 5 additional Output Relays (NO / Form A)
- X5** – DI8-OR4: Assembly Group with 8 Digital Inputs and 4 Output Relays (NO / Form A)
- X6** – DI8-OR4: Assembly Group with 8 Digital Inputs and 4 Output Relays (NO / Form A)
- X100** – Modbus TCP / IEC 60870-5-104 / DNP3.0 TCP/UDP, Ethernet interface, 100 Mbit/s, RJ45 (BASE100-FX)
- X102** – Protection Communication, Fiber optics interface, ST Connector
- X103** – IEC 60870-5-103 / Modbus RTU / DNP3.0 RTU, RS485, Terminals
- X104** – IRIG-B00X, incl. System Contact (Supervision Contact)

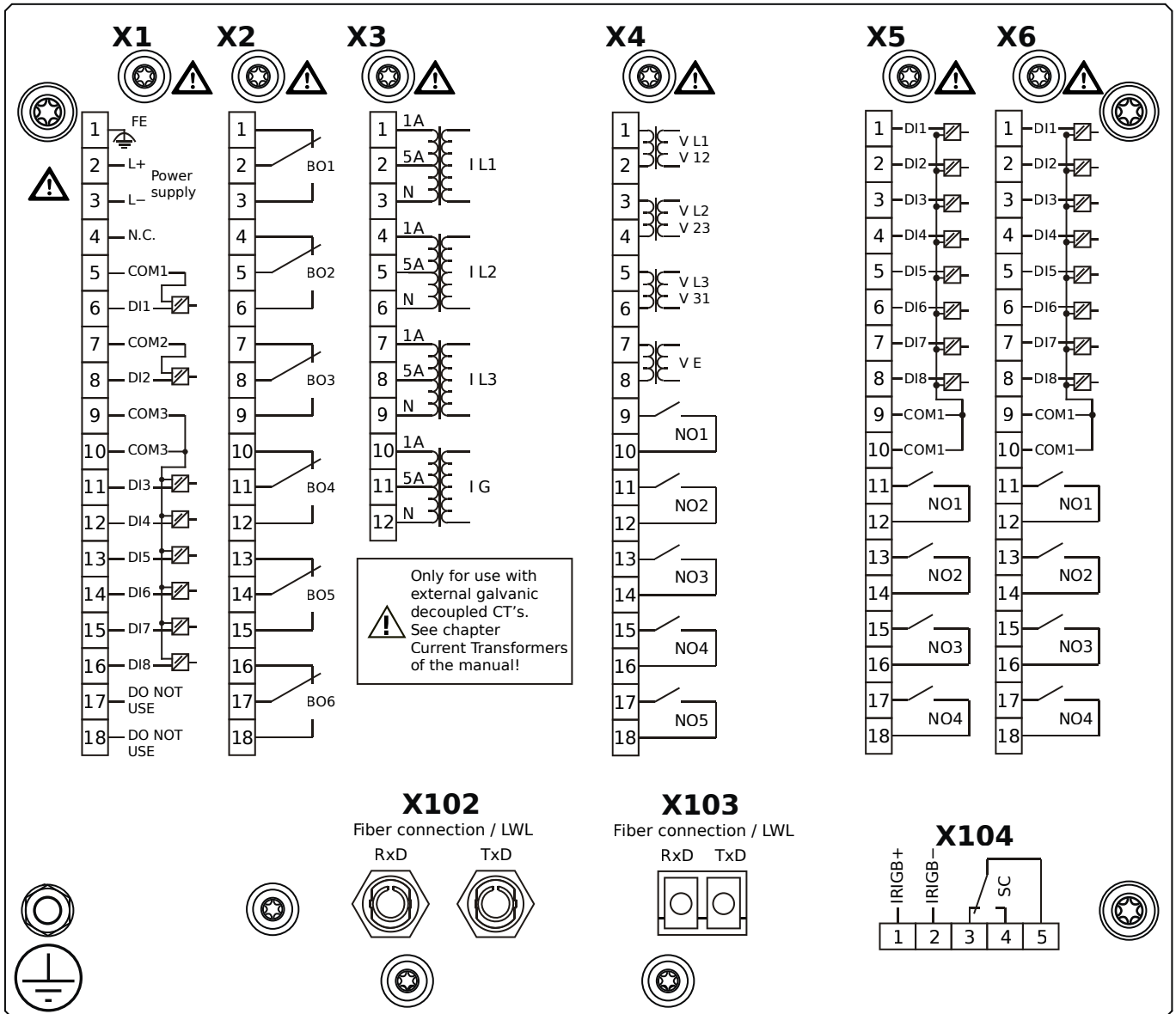
MCDLV4-2E0B1KA



Housing B2, large display, 19" rack mounting

- X1** – DI8-X1: Wide-range power supply unit, incl. 2 non-grouped digital inputs and 6 grouped digital inputs
- X2** – OR6: Assembly Group with 6 Output Relays (Changeover / Form C)
- X3** – TI: Standard current measuring card
- X4** – TU-OR5: Voltage measuring (0 ... 300 VAC) assembly group with 5 additional Output Relays (NO / Form A)
- X5** – DI8-OR4: Assembly Group with 8 Digital Inputs and 4 Output Relays (NO / Form A)
- X6** – DI8-OR4: Assembly Group with 8 Digital Inputs and 4 Output Relays (NO / Form A)
- X102** – Protection Communication, Fiber optics interface, ST Connector
- X103** – IEC 61850 / Modbus TCP / IEC 60870-5-104 / DNP3.0 TCP/UDP, Fiber optics interface, LC Connector
- X104** – IRIG-B00X, incl. System Contact (Supervision Contact)

MCDLV4-2E0B1KB

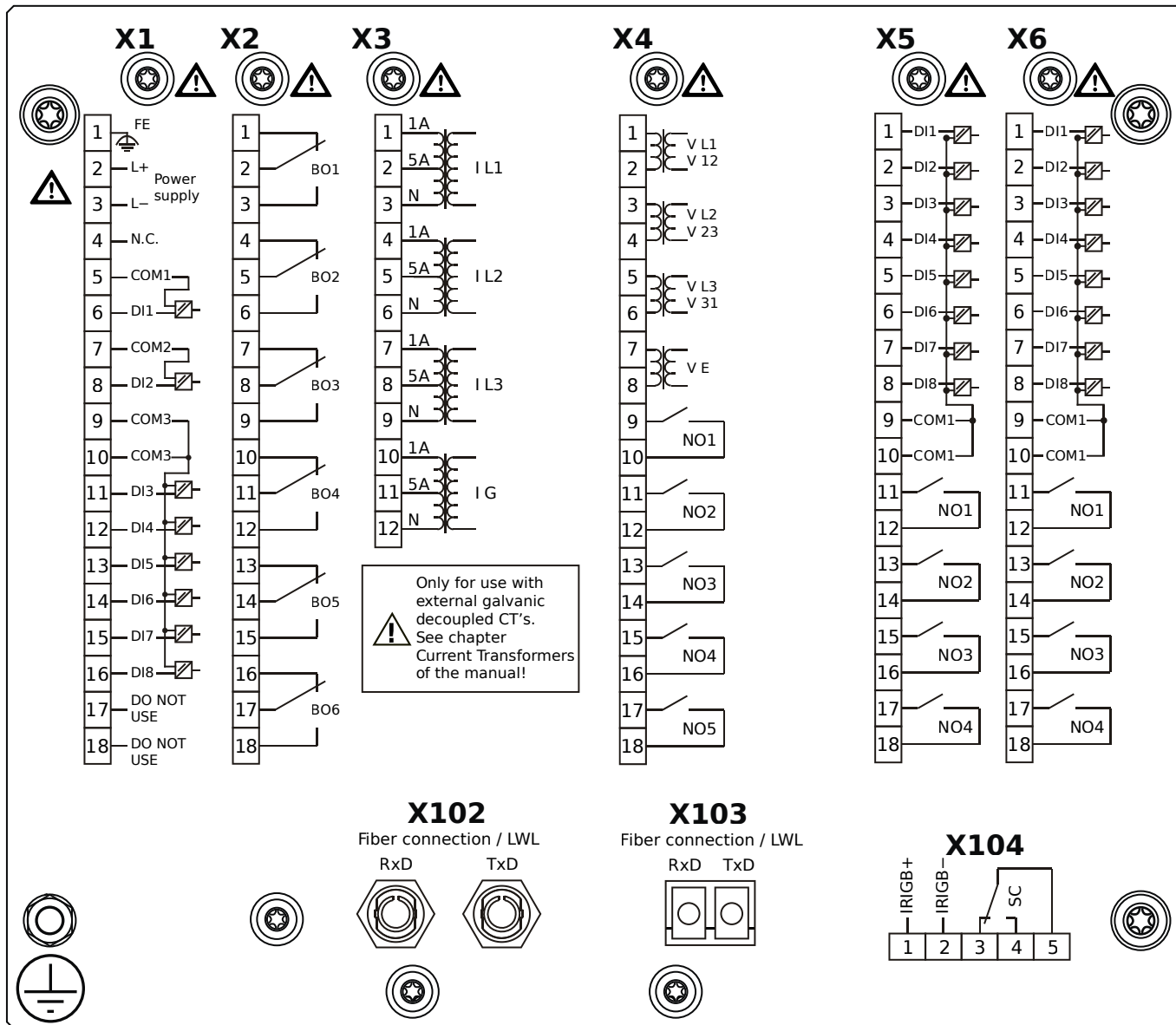


Housing B2, large display, 19" rack mounting

+ Conformal Coating (for installations in harsh environment)

- X1** – DI8-X1: Wide-range power supply unit, incl. 2 non-grouped digital inputs and 6 grouped digital inputs
- X2** – OR6: Assembly Group with 6 Output Relays (Changeover / Form C)
- X3** – TI: Standard current measuring card
- X4** – TU-OR5: Voltage measuring (0 ... 300 VAC) assembly group with 5 additional Output Relays (NO / Form A)
- X5** – DI8-OR4: Assembly Group with 8 Digital Inputs and 4 Output Relays (NO / Form A)
- X6** – DI8-OR4: Assembly Group with 8 Digital Inputs and 4 Output Relays (NO / Form A)
- X102** – Protection Communication, Fiber optics interface, ST Connector
- X103** – IEC 61850 / Modbus TCP / IEC 60870-5-104 / DNP3.0 TCP/UDP, Fiber optics interface, LC Connector
- X104** – IRIG-B00X, incl. System Contact (Supervision Contact)

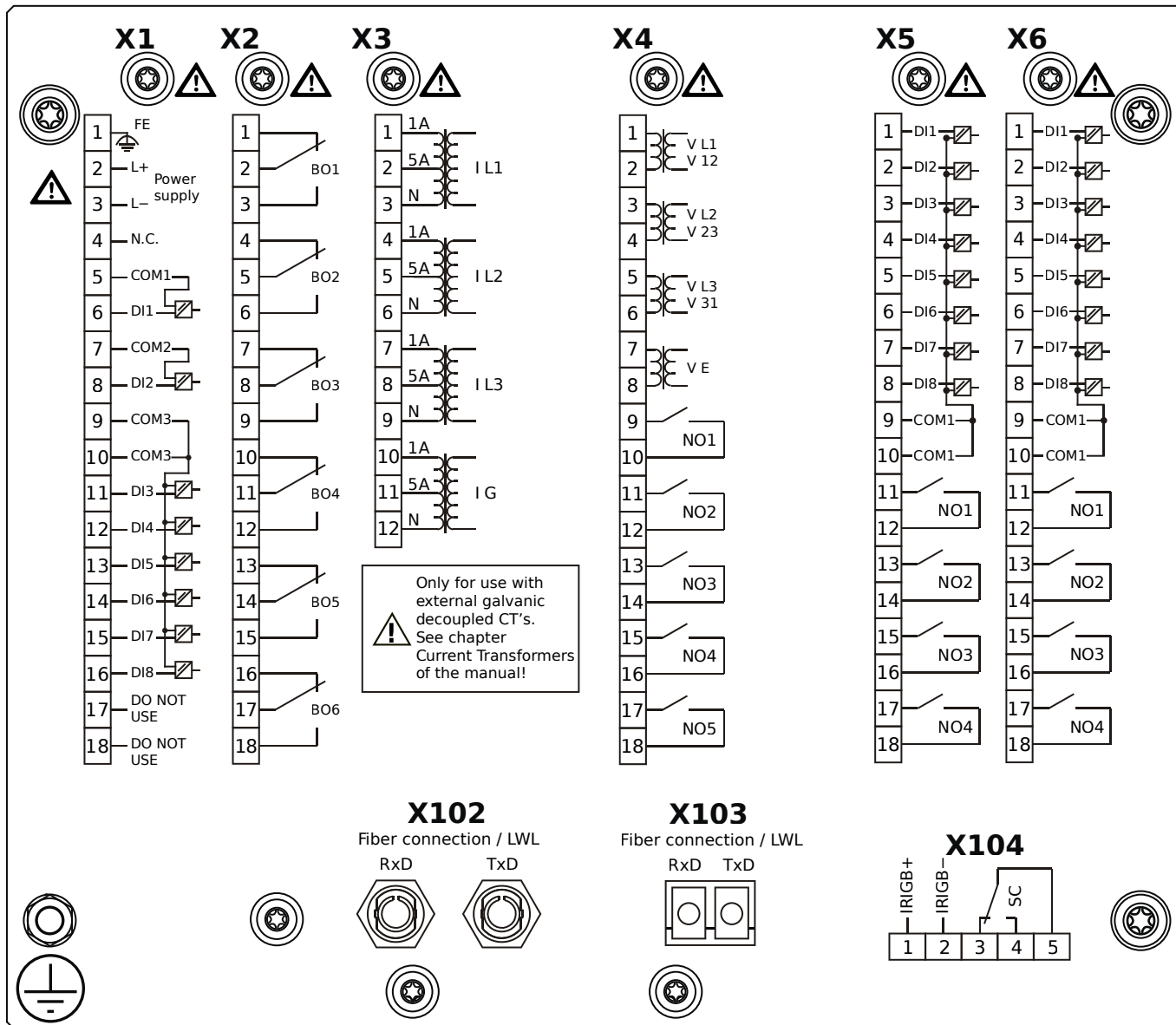
MCDLV4-2E0B1LA



Housing B2, large display, 19" rack mounting

- X1** – DI8-X1: Wide-range power supply unit, incl. 2 non-grouped digital inputs and 6 grouped digital inputs
- X2** – OR6: Assembly Group with 6 Output Relays (Changeover / Form C)
- X3** – TI: Standard current measuring card
- X4** – TU-OR5: Voltage measuring (0 ... 300 VAC) assembly group with 5 additional Output Relays (NO / Form A)
- X5** – DI8-OR4: Assembly Group with 8 Digital Inputs and 4 Output Relays (NO / Form A)
- X6** – DI8-OR4: Assembly Group with 8 Digital Inputs and 4 Output Relays (NO / Form A)
- X102** – Protection Communication, Fiber optics interface, ST Connector
- X103** – Modbus TCP / IEC 60870-5-104 / DNP3.0 TCP/UDP, Fiber optics interface, LC Connector
- X104** – IRIG-B00X, incl. System Contact (Supervision Contact)

MCDLV4-2E0B1LB

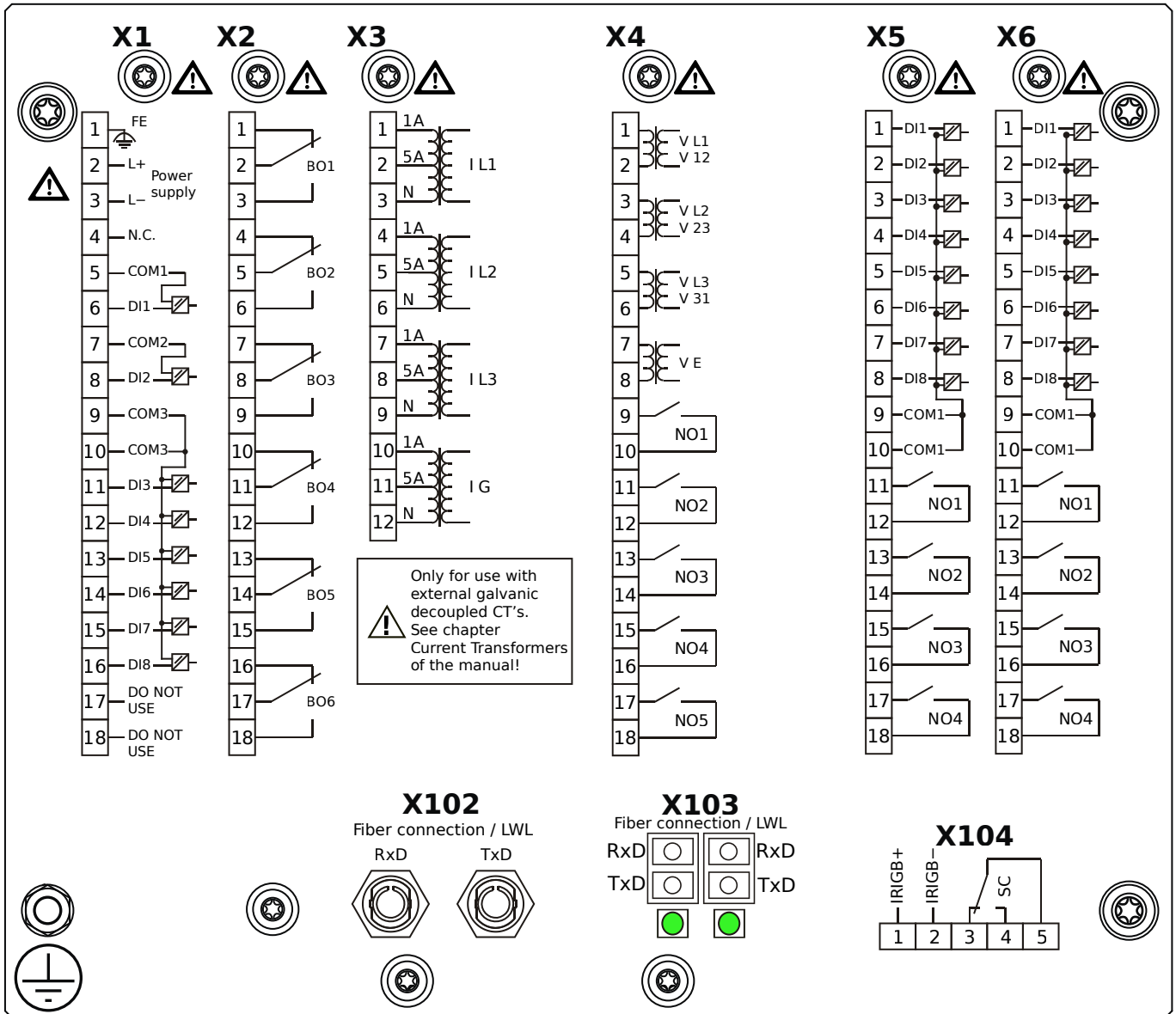


Housing B2, large display, 19" rack mounting

+ Conformal Coating (for installations in harsh environment)

- X1** – DI8-X1: Wide-range power supply unit, incl. 2 non-grouped digital inputs and 6 grouped digital inputs
- X2** – OR6: Assembly Group with 6 Output Relays (Changeover / Form C)
- X3** – TI: Standard current measuring card
- X4** – TU-OR5: Voltage measuring (0 ... 300 VAC) assembly group with 5 additional Output Relays (NO / Form A)
- X5** – DI8-OR4: Assembly Group with 8 Digital Inputs and 4 Output Relays (NO / Form A)
- X6** – DI8-OR4: Assembly Group with 8 Digital Inputs and 4 Output Relays (NO / Form A)
- X102** – Protection Communication, Fiber optics interface, ST Connector
- X103** – Modbus TCP / IEC 60870-5-104 / DNP3.0 TCP/UDP, Fiber optics interface, LC Connector
- X104** – IRIG-B00X, incl. System Contact (Supervision Contact)

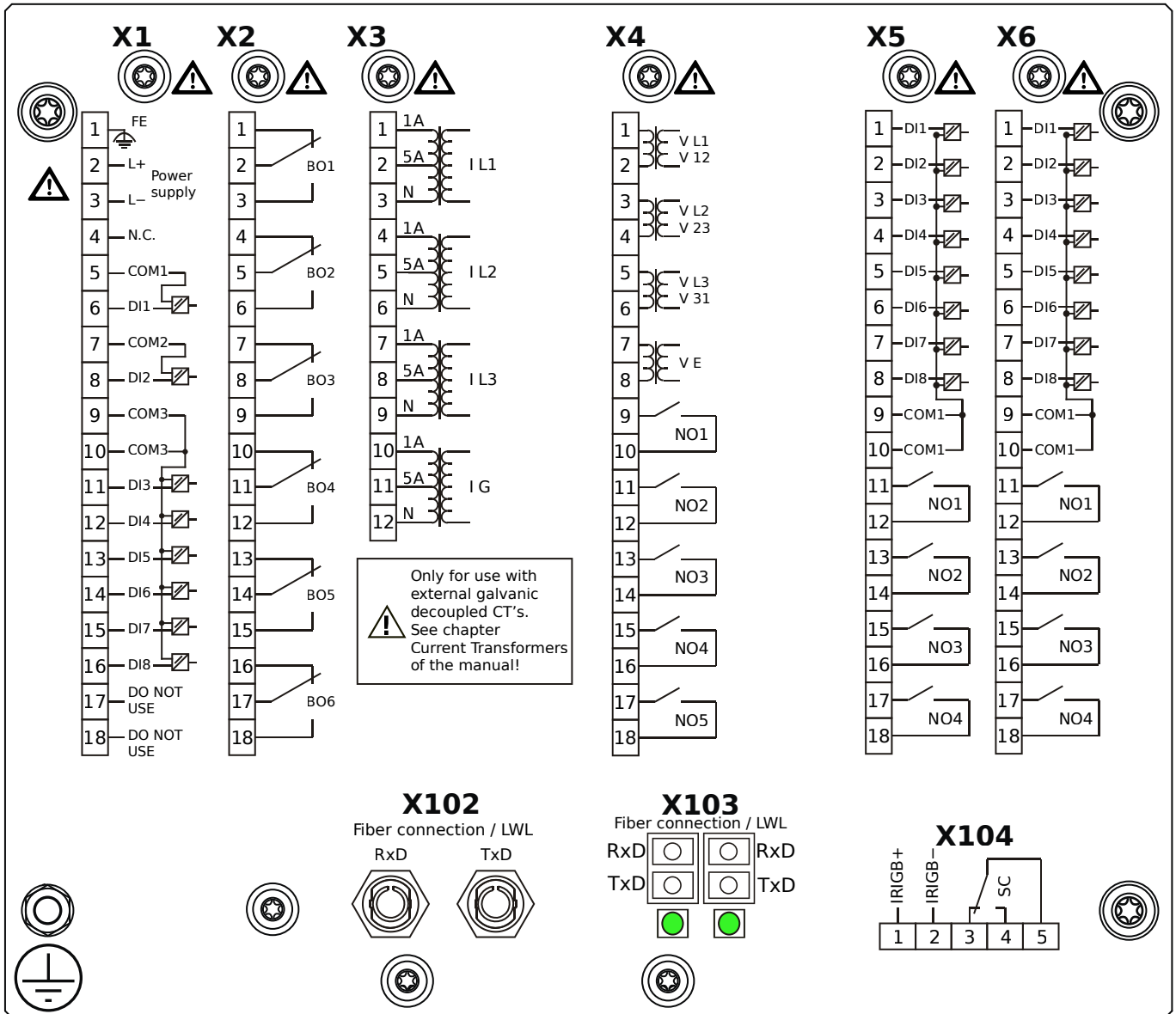
MCDLV4-2E0B10A



Housing B2, large display, 19" rack mounting

- X1** – DI8-X1: Wide-range power supply unit, incl. 2 non-grouped digital inputs and 6 grouped digital inputs
- X2** – OR6: Assembly Group with 6 Output Relays (Changeover / Form C)
- X3** – TI: Standard current measuring card
- X4** – TU-OR5: Voltage measuring (0 ... 300 VAC) assembly group with 5 additional Output Relays (NO / Form A)
- X5** – DI8-OR4: Assembly Group with 8 Digital Inputs and 4 Output Relays (NO / Form A)
- X6** – DI8-OR4: Assembly Group with 8 Digital Inputs and 4 Output Relays (NO / Form A)
- X102** – Protection Communication, Fiber optics interface, ST Connector
- X103** – Modbus TCP / IEC 60870-5-104 / DNP3.0 TCP/UDP, Redundant Fiber optics interface, LC Connector
- X104** – IRIG-B00X, incl. System Contact (Supervision Contact)

MCDLV4-2E0B10B

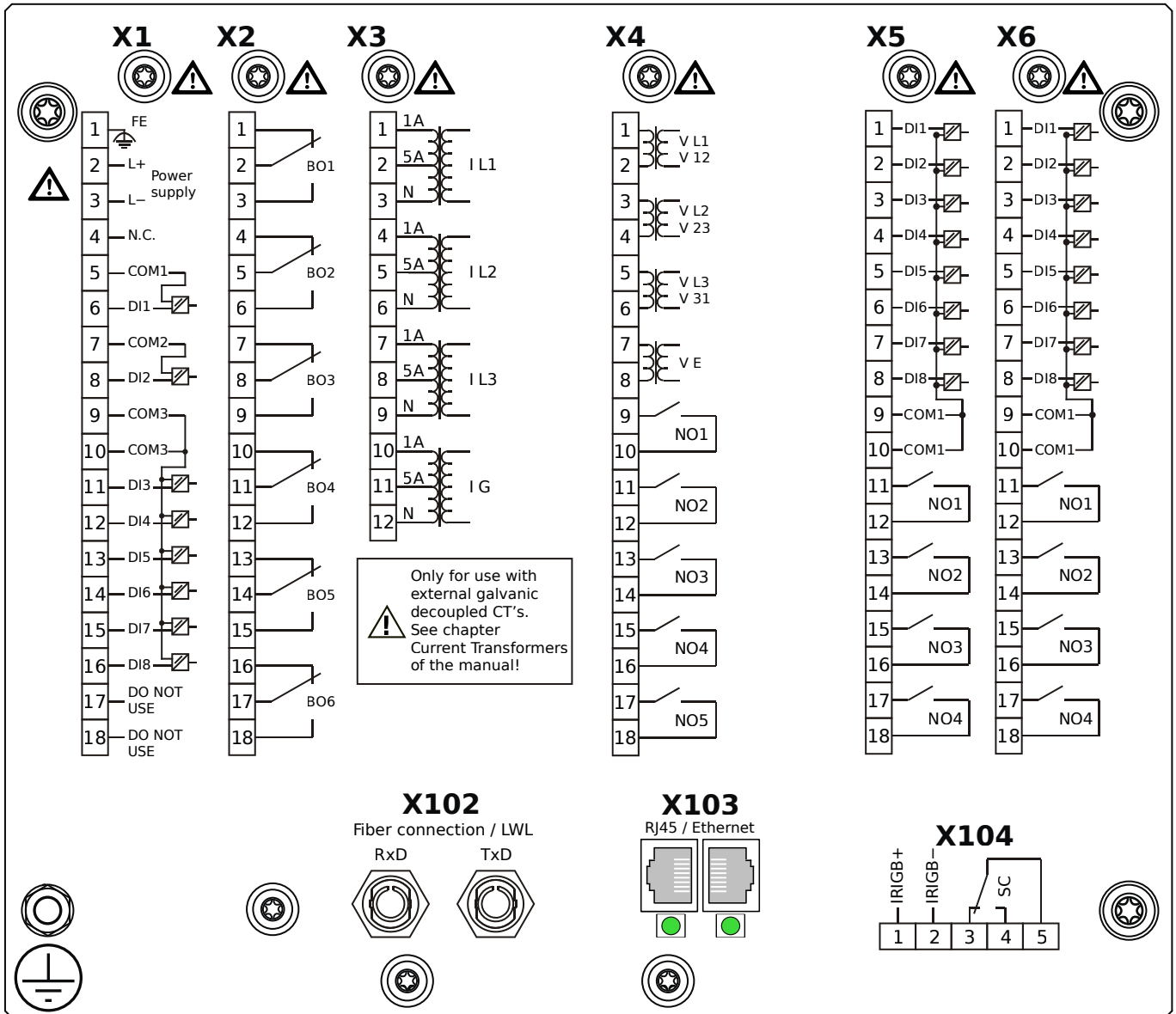


Housing B2, large display, 19" rack mounting

- + Conformal Coating (for installations in harsh environment)

- X1** – DI8-X1: Wide-range power supply unit, incl. 2 non-grouped digital inputs and 6 grouped digital inputs
- X2** – OR6: Assembly Group with 6 Output Relays (Changeover / Form C)
- X3** – TI: Standard current measuring card
- X4** – TU-OR5: Voltage measuring (0 ... 300 VAC) assembly group with 5 additional Output Relays (NO / Form A)
- X5** – DI8-OR4: Assembly Group with 8 Digital Inputs and 4 Output Relays (NO / Form A)
- X6** – DI8-OR4: Assembly Group with 8 Digital Inputs and 4 Output Relays (NO / Form A)
- X102** – Protection Communication, Fiber optics interface, ST Connector
- X103** – Modbus TCP / IEC 60870-5-104 / DNP3.0 TCP/UDP, Redundant Fiber optics interface, LC Connector
- X104** – IRIG-B00X, incl. System Contact (Supervision Contact)

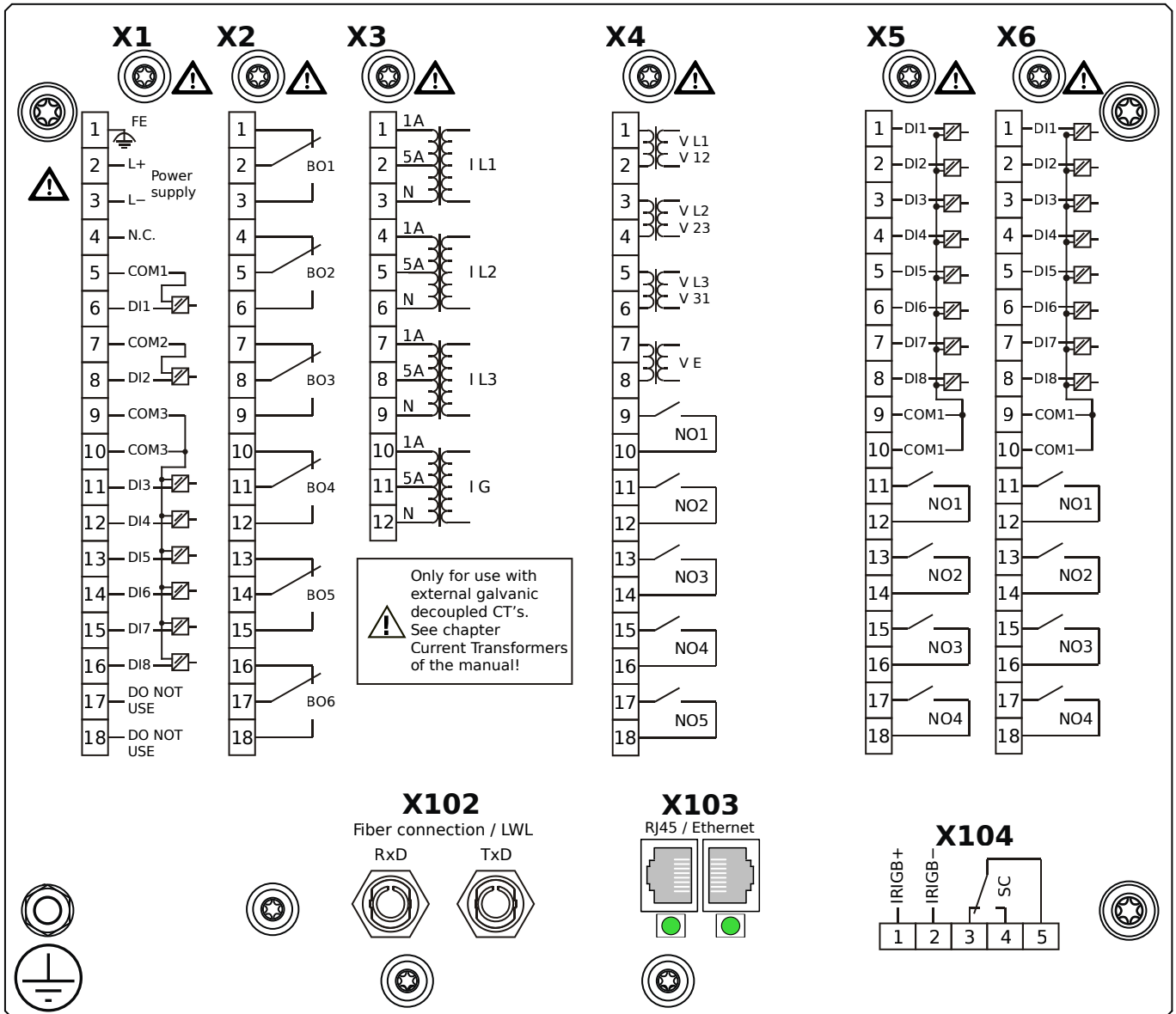
MCDLV4-2E0B1PA



Housing B2, large display, 19" rack mounting

- X1** – DI8-X1: Wide-range power supply unit, incl. 2 non-grouped digital inputs and 6 grouped digital inputs
- X2** – OR6: Assembly Group with 6 Output Relays (Changeover / Form C)
- X3** – TI: Standard current measuring card
- X4** – TU-OR5: Voltage measuring (0 ... 300 VAC) assembly group with 5 additional Output Relays (NO / Form A)
- X5** – DI8-OR4: Assembly Group with 8 Digital Inputs and 4 Output Relays (NO / Form A)
- X6** – DI8-OR4: Assembly Group with 8 Digital Inputs and 4 Output Relays (NO / Form A)
- X102** – Protection Communication, Fiber optics interface, ST Connector
- X103** – Modbus TCP / IEC 60870-5-104 / DNP3.0 TCP/UDP, Redundant Ethernet interface, 100 Mbit/s, RJ45 (BASE100-FX)
- X104** – IRIG-B00X, incl. System Contact (Supervision Contact)

MCDLV4-2E0B1PB

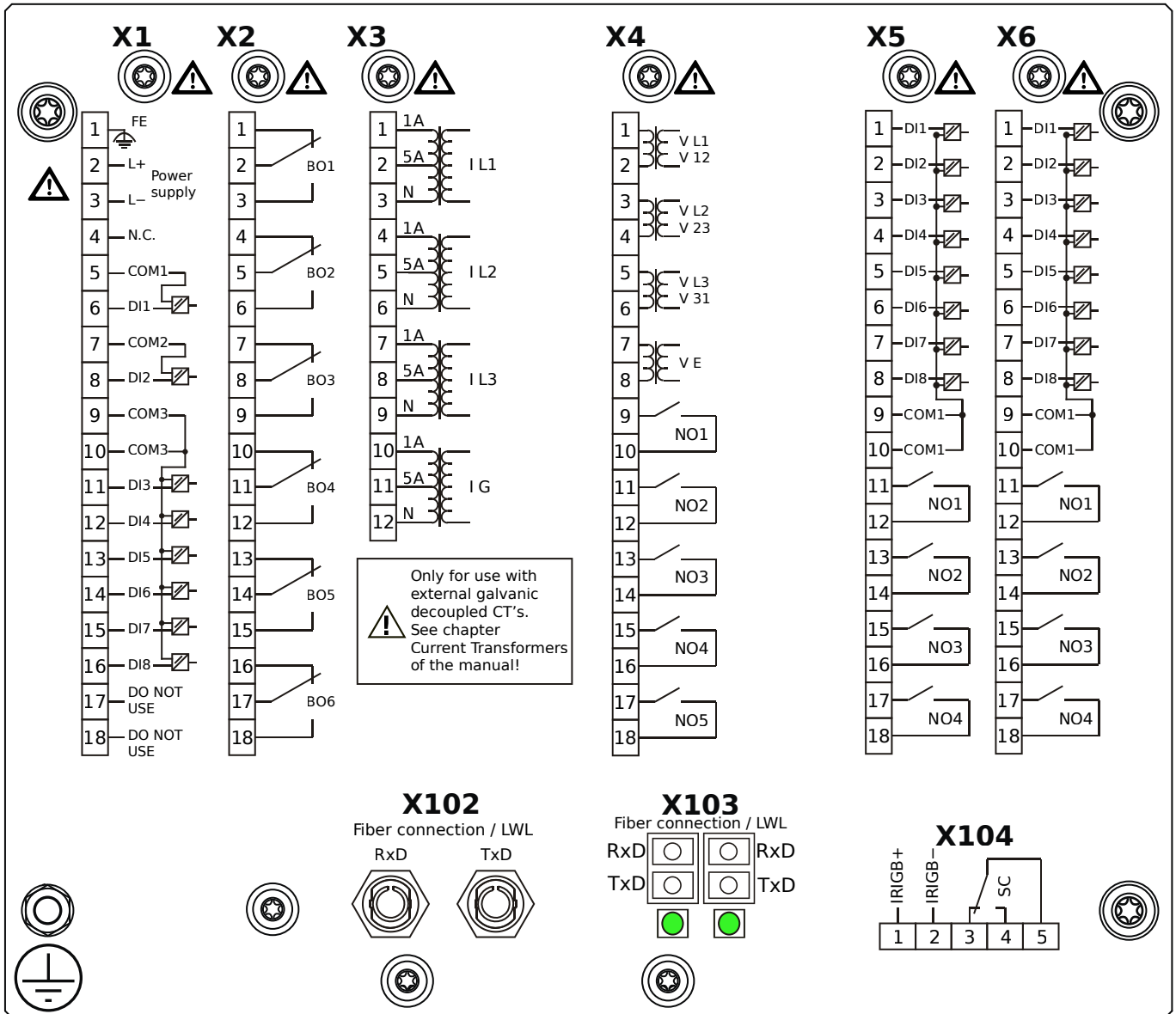


Housing B2, large display, 19" rack mounting

- + Conformal Coating (for installations in harsh environment)

- X1** – DI8-X1: Wide-range power supply unit, incl. 2 non-grouped digital inputs and 6 grouped digital inputs
- X2** – OR6: Assembly Group with 6 Output Relays (Changeover / Form C)
- X3** – TI: Standard current measuring card
- X4** – TU-OR5: Voltage measuring (0 ... 300 VAC) assembly group with 5 additional Output Relays (NO / Form A)
- X5** – DI8-OR4: Assembly Group with 8 Digital Inputs and 4 Output Relays (NO / Form A)
- X6** – DI8-OR4: Assembly Group with 8 Digital Inputs and 4 Output Relays (NO / Form A)
- X102** – Protection Communication, Fiber optics interface, ST Connector
- X103** – Modbus TCP / IEC 60870-5-104 / DNP3.0 TCP/UDP, Redundant Ethernet interface, 100 Mbit/s, RJ45 (BASE100-FX)
- X104** – IRIG-B00X, incl. System Contact (Supervision Contact)

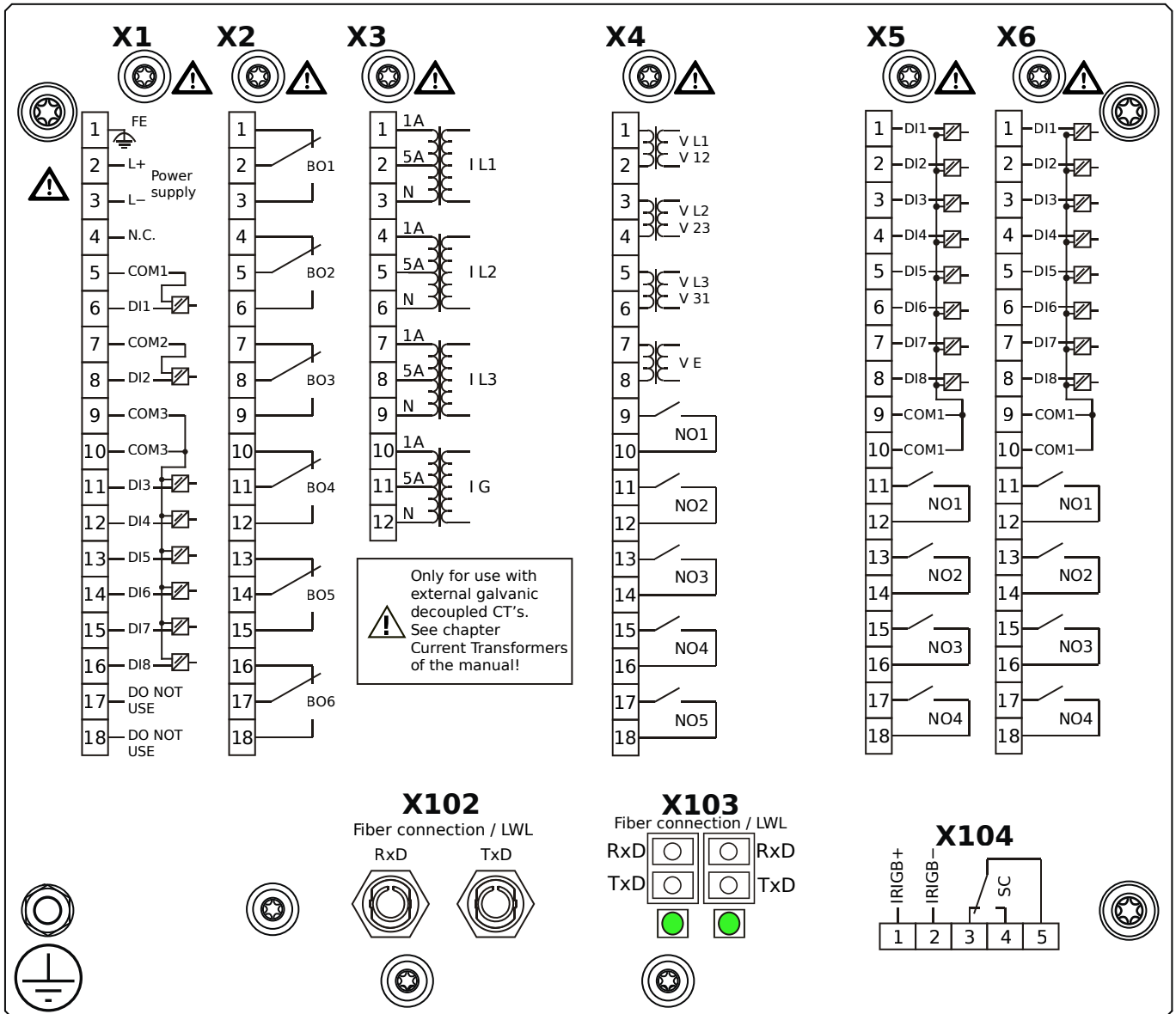
MCDLV4-2E0B1QA



Housing B2, large display, 19" rack mounting

- X1** – DI8-X1: Wide-range power supply unit, incl. 2 non-grouped digital inputs and 6 grouped digital inputs
- X2** – OR6: Assembly Group with 6 Output Relays (Changeover / Form C)
- X3** – TI: Standard current measuring card
- X4** – TU-OR5: Voltage measuring (0 ... 300 VAC) assembly group with 5 additional Output Relays (NO / Form A)
- X5** – DI8-OR4: Assembly Group with 8 Digital Inputs and 4 Output Relays (NO / Form A)
- X6** – DI8-OR4: Assembly Group with 8 Digital Inputs and 4 Output Relays (NO / Form A)
- X102** – Protection Communication, Fiber optics interface, ST Connector
- X103** – IEC 61850 / Modbus TCP / IEC 60870-5-104 / DNP3.0 TCP/UDP, Redundant Fiber optics interface, LC Connector
- X104** – IRIG-B00X, incl. System Contact (Supervision Contact)

MCDLV4-2E0B1QB

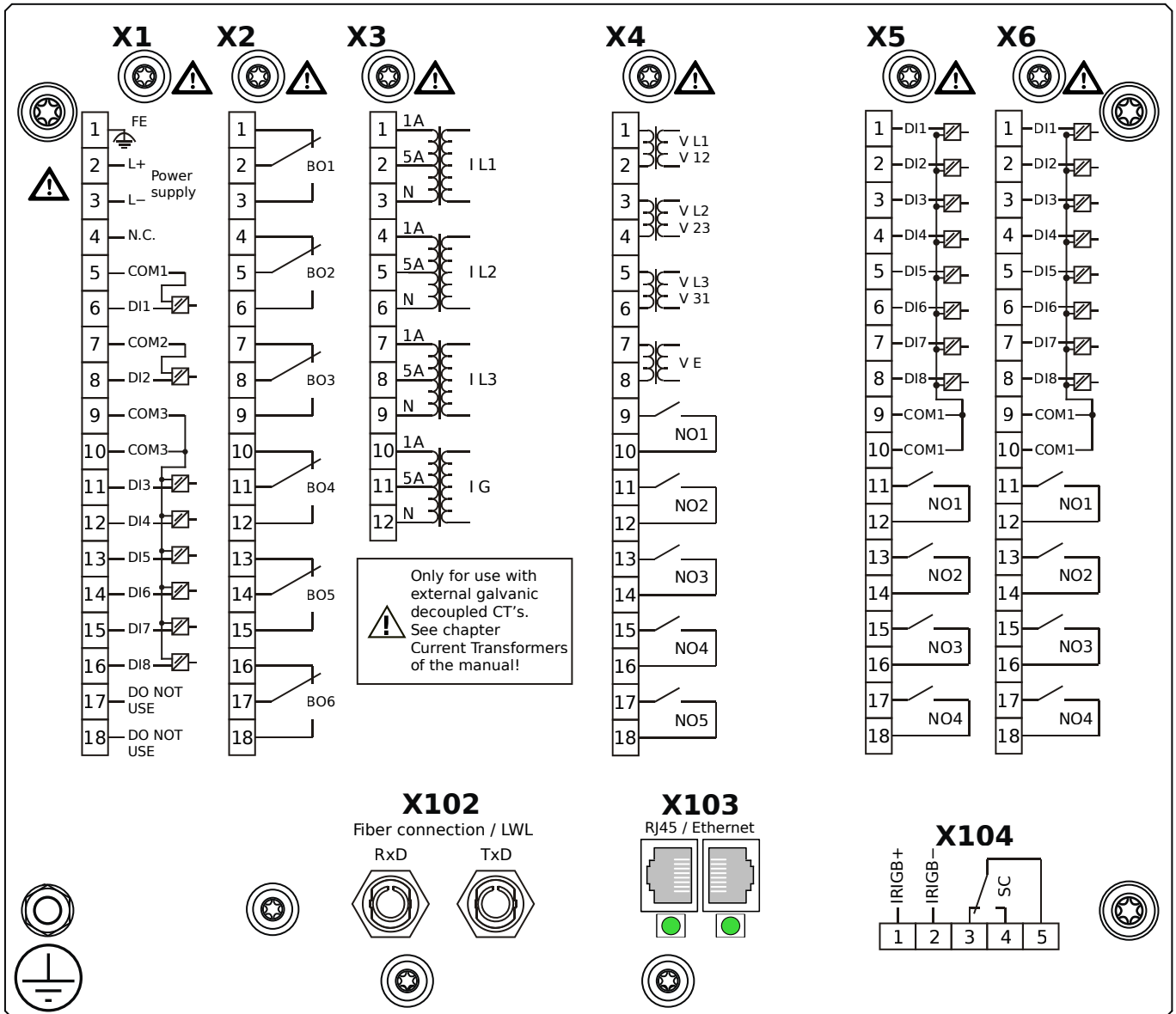


Housing B2, large display, 19" rack mounting

- + Conformal Coating (for installations in harsh environment)

- X1** – DI8-X1: Wide-range power supply unit, incl. 2 non-grouped digital inputs and 6 grouped digital inputs
- X2** – OR6: Assembly Group with 6 Output Relays (Changeover / Form C)
- X3** – TI: Standard current measuring card
- X4** – TU-OR5: Voltage measuring (0 ... 300 VAC) assembly group with 5 additional Output Relays (NO / Form A)
- X5** – DI8-OR4: Assembly Group with 8 Digital Inputs and 4 Output Relays (NO / Form A)
- X6** – DI8-OR4: Assembly Group with 8 Digital Inputs and 4 Output Relays (NO / Form A)
- X102** – Protection Communication, Fiber optics interface, ST Connector
- X103** – IEC 61850 / Modbus TCP / IEC 60870-5-104 / DNP3.0 TCP/UDP, Redundant Fiber optics interface, LC Connector
- X104** – IRIG-B00X, incl. System Contact (Supervision Contact)

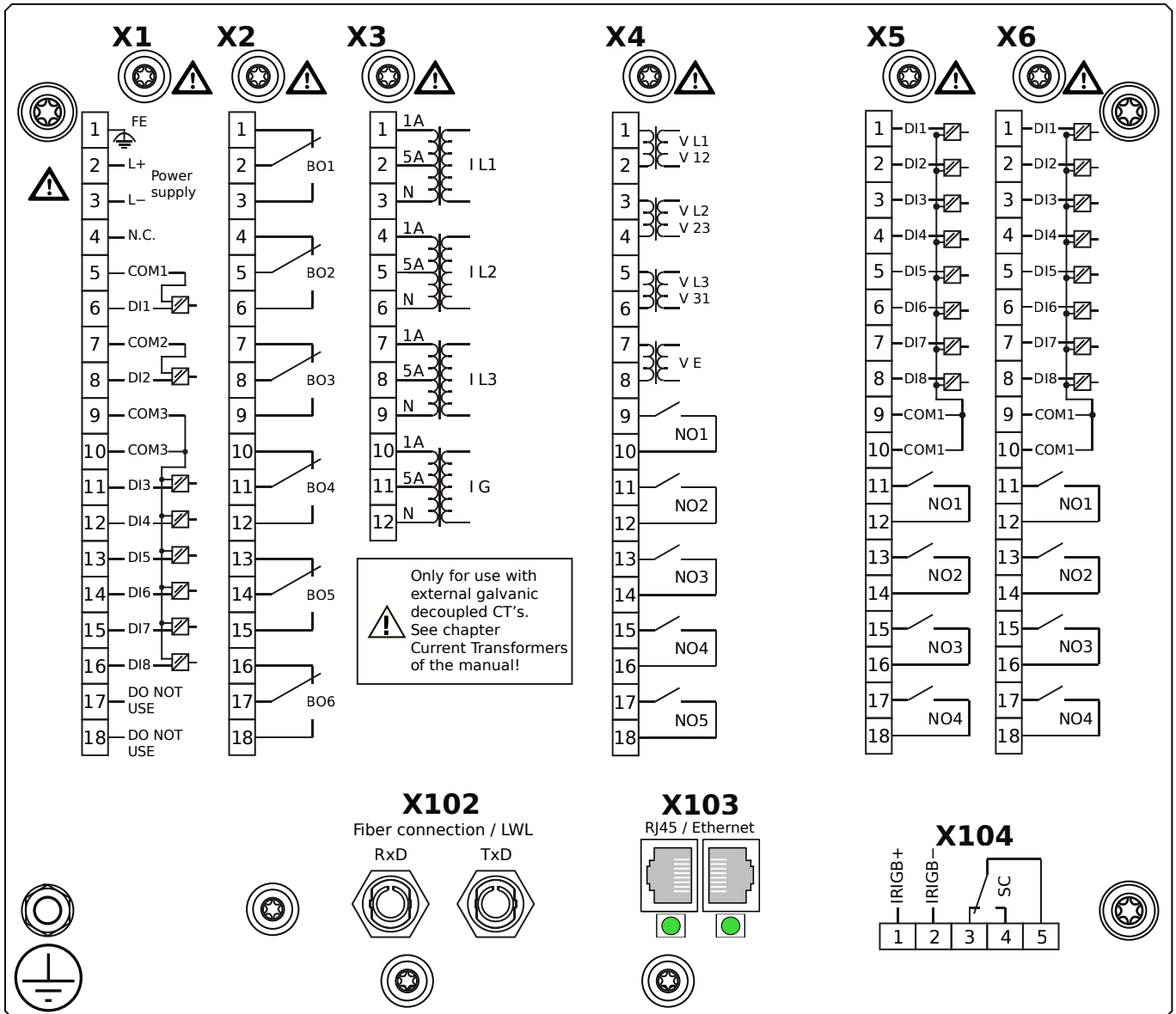
MCDLV4-2E0B1RA



Housing B2, large display, 19" rack mounting

- X1** – DI8-X1: Wide-range power supply unit, incl. 2 non-grouped digital inputs and 6 grouped digital inputs
- X2** – OR6: Assembly Group with 6 Output Relays (Changeover / Form C)
- X3** – TI: Standard current measuring card
- X4** – TU-OR5: Voltage measuring (0 ... 300 VAC) assembly group with 5 additional Output Relays (NO / Form A)
- X5** – DI8-OR4: Assembly Group with 8 Digital Inputs and 4 Output Relays (NO / Form A)
- X6** – DI8-OR4: Assembly Group with 8 Digital Inputs and 4 Output Relays (NO / Form A)
- X102** – Protection Communication, Fiber optics interface, ST Connector
- X103** – IEC 61850 / Modbus TCP / IEC 60870-5-104 / DNP3.0 TCP/UDP, Redundant Ethernet interface, 100 Mbit/s, RJ45 (BASE100-FX)
- X104** – IRIG-B00X, incl. System Contact (Supervision Contact)

MCDLV4-2E0B1RB



Housing B2, large display, 19" rack mounting

- + Conformal Coating (for installations in harsh environment)

X1 – DI8-X1: Wide-range power supply unit, incl. 2 non-grouped digital inputs and 6 grouped digital inputs

X2 – OR6: Assembly Group with 6 Output Relays (Changeover / Form C)

X3 – TI: Standard current measuring card

X4 – TU-OR5: Voltage measuring (0 ... 300 VAC) assembly group with 5 additional Output Relays (NO / Form A)

X5 – DI8-OR4: Assembly Group with 8 Digital Inputs and 4 Output Relays (NO / Form A)

X6 – DI8-OR4: Assembly Group with 8 Digital Inputs and 4 Output Relays (NO / Form A)

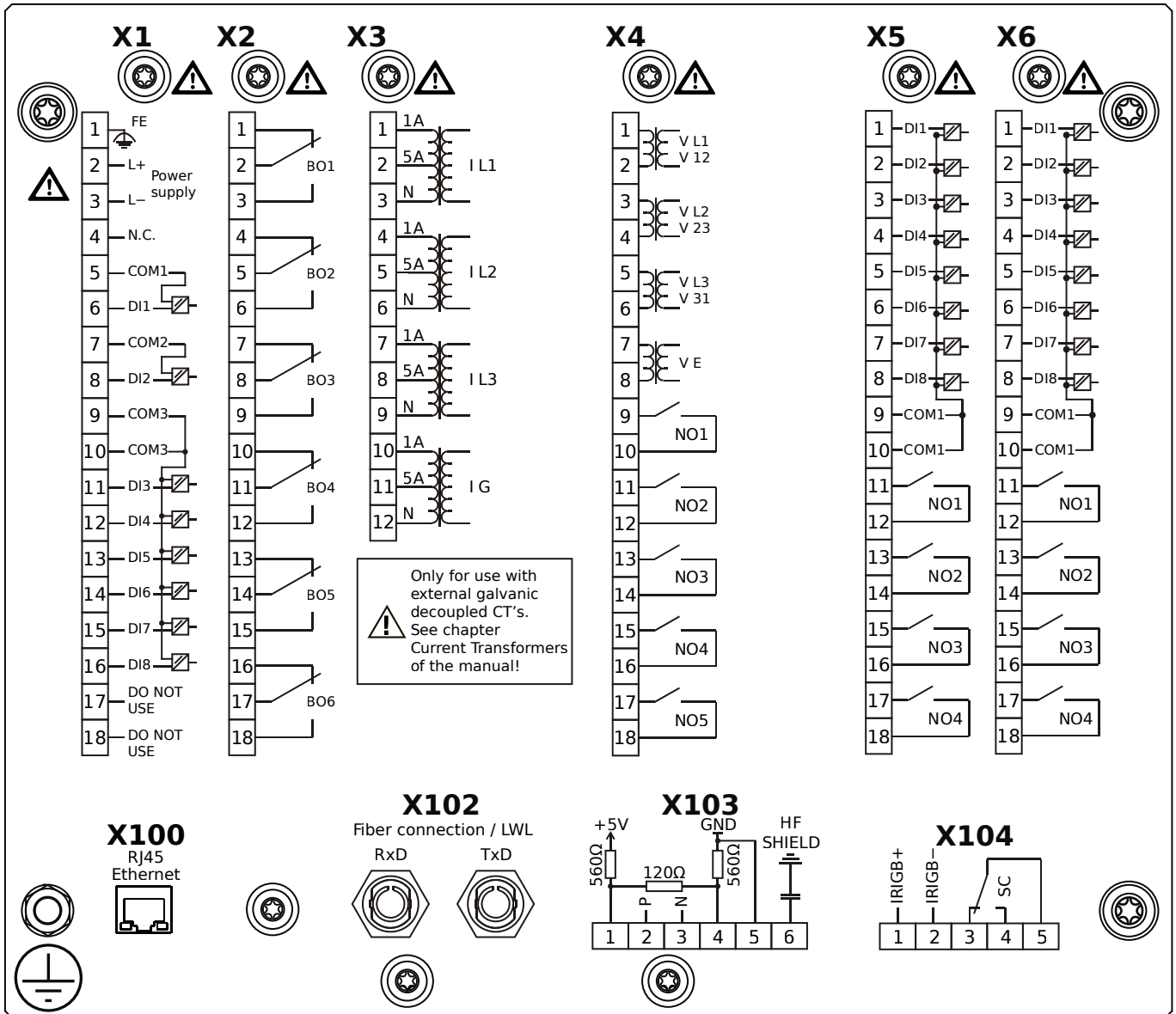
X102 – Protection Communication, Fiber optics interface, ST Connector

X103 – IEC 61850 / Modbus TCP / IEC 60870-5-104 / DNP3.0 TCP/UDP, Redundant Ethernet interface, 100 Mbit/s, RJ45

(BASE100-FX)

X104 – IRIG-B00X, incl. System Contact (Supervision Contact)

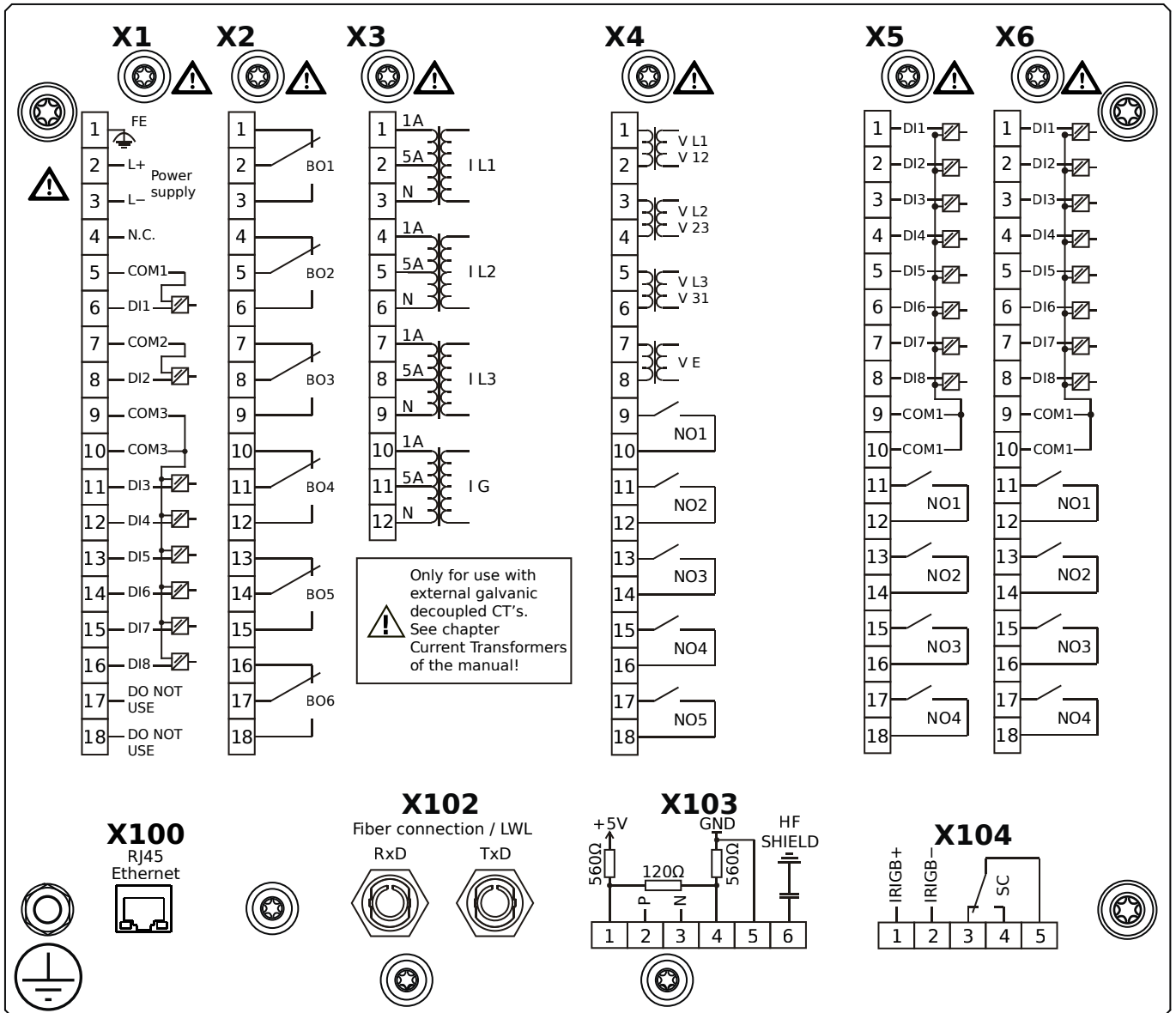
MCDLV4-2E0B1TA



Housing B2, large display, 19" rack mounting

- X1** – DI8-X1: Wide-range power supply unit, incl. 2 non-grouped digital inputs and 6 grouped digital inputs
 - X2** – OR6: Assembly Group with 6 Output Relays (Changeover / Form C)
 - X3** – TI: Standard current measuring card
 - X4** – TU-OR5: Voltage measuring (0 ... 300 VAC) assembly group with 5 additional Output Relays (NO / Form A)
 - X5** – DI8-OR4: Assembly Group with 8 Digital Inputs and 4 Output Relays (NO / Form A)
 - X6** – DI8-OR4: Assembly Group with 8 Digital Inputs and 4 Output Relays (NO / Form A)
 - X100** – IEC 61850 / Modbus TCP / IEC 60870-5-104 / DNP3.0 TCP/UDP, Ethernet interface, 100 Mbit/s, RJ45 (BASE100-
- FX)
- X102** – Protection Communication, Fiber optics interface, ST Connector
 - X103** – IEC 60870-5-103 / Modbus RTU / DNP3.0 RTU, RS485, Terminals
 - X104** – IRIG-B00X, incl. System Contact (Supervision Contact)

MCDLV4-2E0B1TB

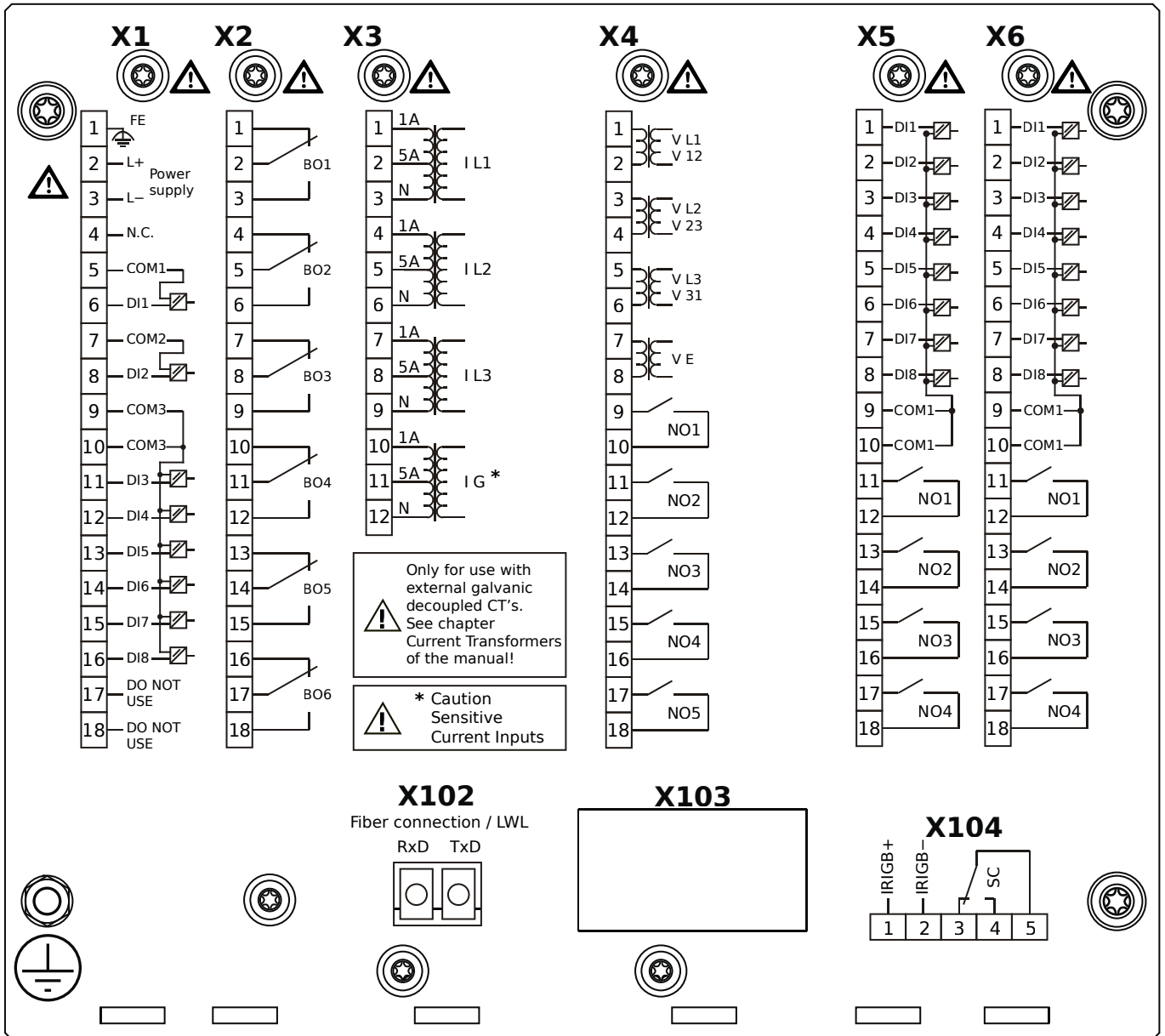


Housing B2, large display, 19" rack mounting

+ Conformal Coating (for installations in harsh environment)

- X1** – DI8-X1: Wide-range power supply unit, incl. 2 non-grouped digital inputs and 6 grouped digital inputs
- X2** – OR6: Assembly Group with 6 Output Relays (Changeover / Form C)
- X3** – TI: Standard current measuring card
- X4** – TU-OR5: Voltage measuring (0 ... 300 VAC) assembly group with 5 additional Output Relays (NO / Form A)
- X5** – DI8-OR4: Assembly Group with 8 Digital Inputs and 4 Output Relays (NO / Form A)
- X6** – DI8-OR4: Assembly Group with 8 Digital Inputs and 4 Output Relays (NO / Form A)
- X100** – IEC 61850 / Modbus TCP / IEC 60870-5-104 / DNP3.0 TCP/UDP, Ethernet interface, 100 Mbit/s, RJ45 (BASE100-FX)
- X102** – Protection Communication, Fiber optics interface, ST Connector
- X103** – IEC 60870-5-103 / Modbus RTU / DNP3.0 RTU, RS485, Terminals
- X104** – IRIG-B00X, incl. System Contact (Supervision Contact)

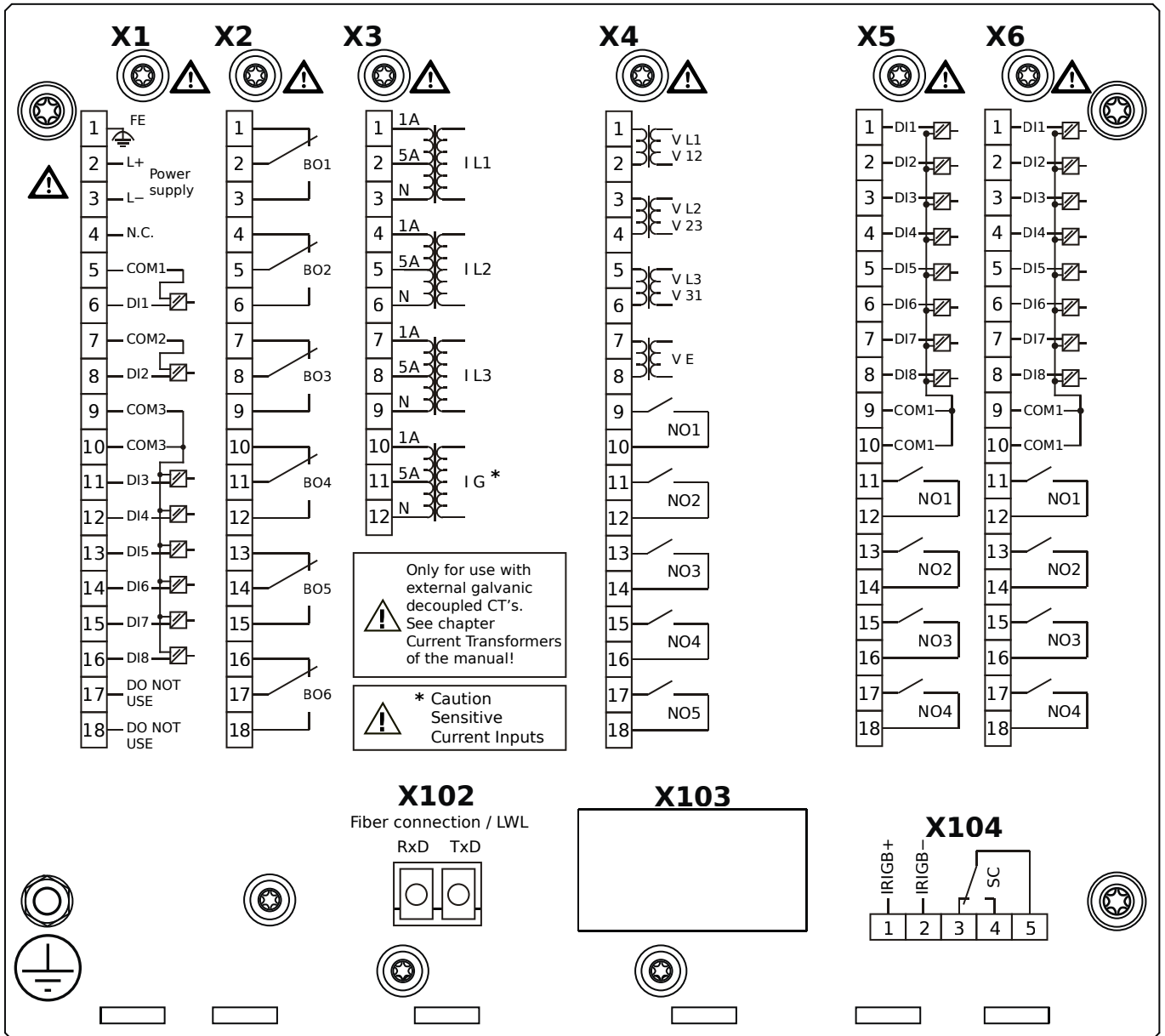
MCDLV4-2E1A0AA



Housing B2, large display, door mounting

- X1** – DI8-X1: Wide-range power supply unit, incl. 2 non-grouped digital inputs and 6 grouped digital inputs
- X2** – OR6: Assembly Group with 6 Output Relays (Changeover / Form C)
- X3** – TIs: Standard phase current measuring card and sensitive ground current measuring
- X4** – TU-OR5: Voltage measuring (0 ... 300 VAC) assembly group with 5 additional Output Relays (NO / Form A)
- X5** – DI8-OR4: Assembly Group with 8 Digital Inputs and 4 Output Relays (NO / Form A)
- X6** – DI8-OR4: Assembly Group with 8 Digital Inputs and 4 Output Relays (NO / Form A)
- X102** – Long-distance Protection Communication, Fiber optics interface, LC Connector
- X104** – IRIG-B00X, incl. System Contact (Supervision Contact)

MCDLV4-2E1A0AB

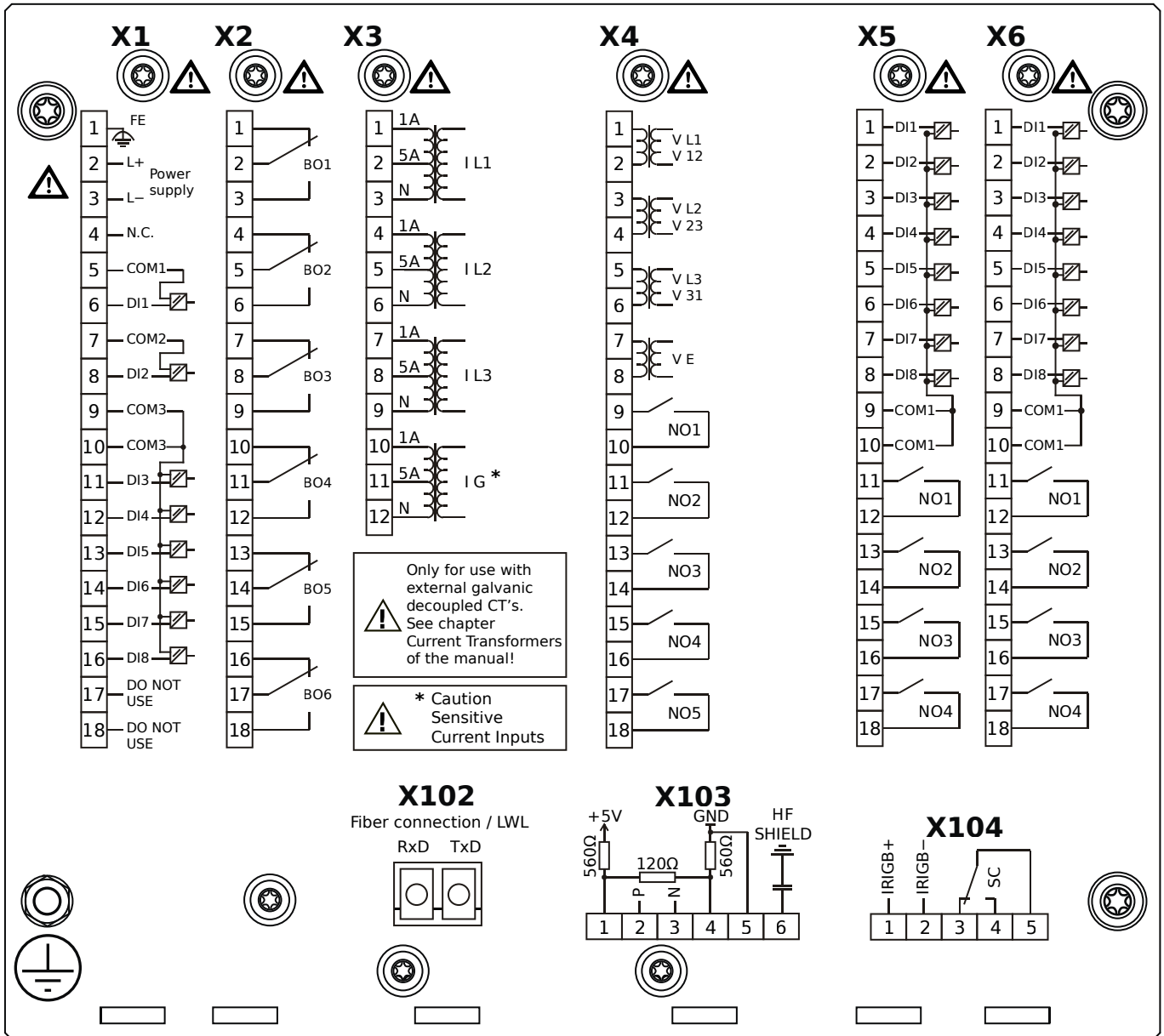


Housing B2, large display, door mounting

+ Conformal Coating (for installations in harsh environment)

- X1** – DI8-X1: Wide-range power supply unit, incl. 2 non-grouped digital inputs and 6 grouped digital inputs
- X2** – OR6: Assembly Group with 6 Output Relays (Changeover / Form C)
- X3** – TIs: Standard phase current measuring card and sensitive ground current measuring
- X4** – TU-OR5: Voltage measuring (0 ... 300 VAC) assembly group with 5 additional Output Relays (NO / Form A)
- X5** – DI8-OR4: Assembly Group with 8 Digital Inputs and 4 Output Relays (NO / Form A)
- X6** – DI8-OR4: Assembly Group with 8 Digital Inputs and 4 Output Relays (NO / Form A)
- X102** – Long-distance Protection Communication, Fiber optics interface, LC Connector
- X104** – IRIG-B00X, incl. System Contact (Supervision Contact)

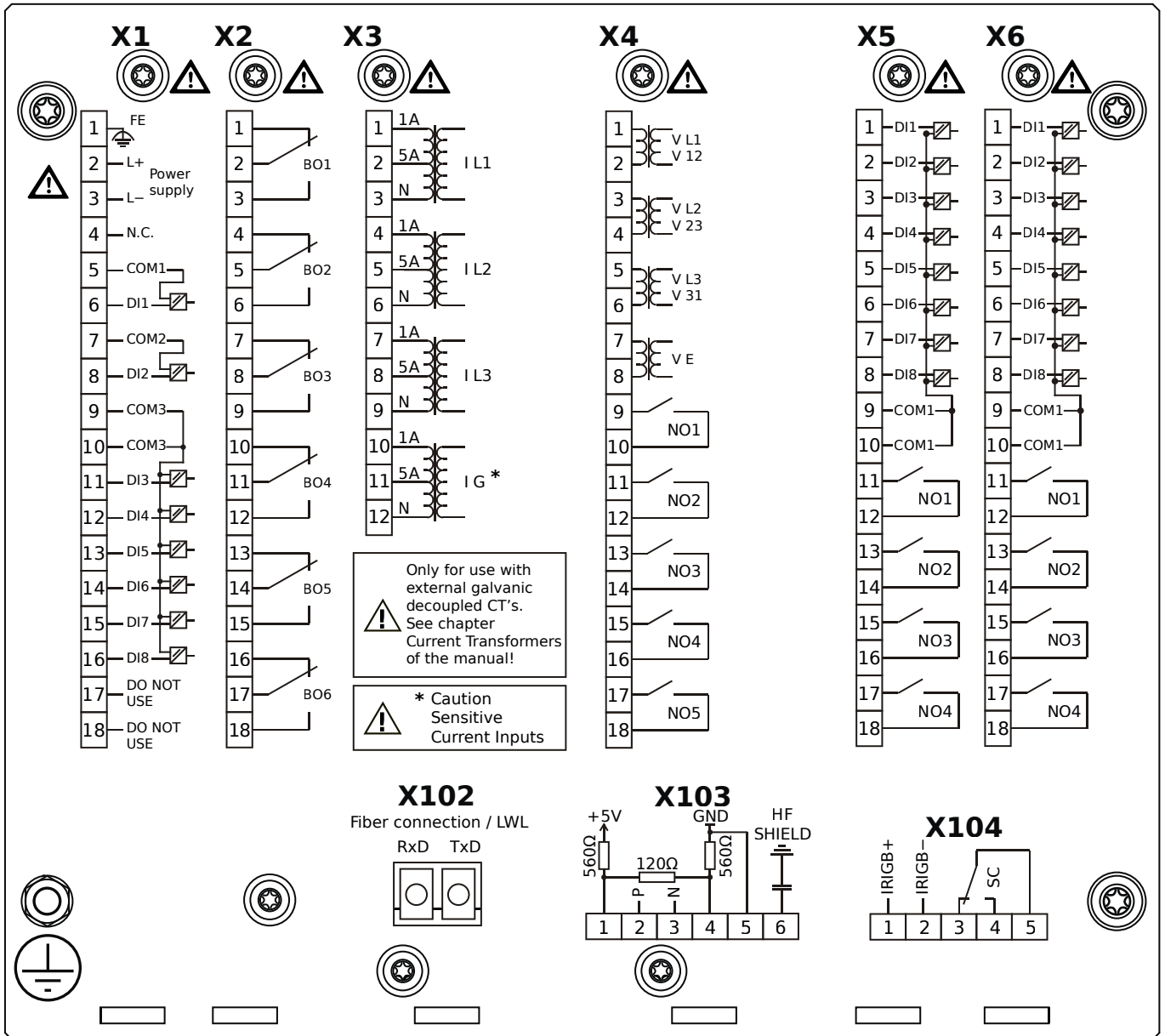
MCDLV4-2E1A0BA



Housing B2, large display, door mounting

- X1** – DI8-X1: Wide-range power supply unit, incl. 2 non-grouped digital inputs and 6 grouped digital inputs
- X2** – OR6: Assembly Group with 6 Output Relays (Changeover / Form C)
- X3** – TIs: Standard phase current measuring card and sensitive ground current measuring
- X4** – TU-OR5: Voltage measuring (0 ... 300 VAC) assembly group with 5 additional Output Relays (NO / Form A)
- X5** – DI8-OR4: Assembly Group with 8 Digital Inputs and 4 Output Relays (NO / Form A)
- X6** – DI8-OR4: Assembly Group with 8 Digital Inputs and 4 Output Relays (NO / Form A)
- X102** – Long-distance Protection Communication, Fiber optics interface, LC Connector
- X103** – Modbus RTU / IEC 60870-5-103 / DNP3.0 RTU, RS485, Terminals
- X104** – IRIG-B00X, incl. System Contact (Supervision Contact)

MCDLV4-2E1A0BB

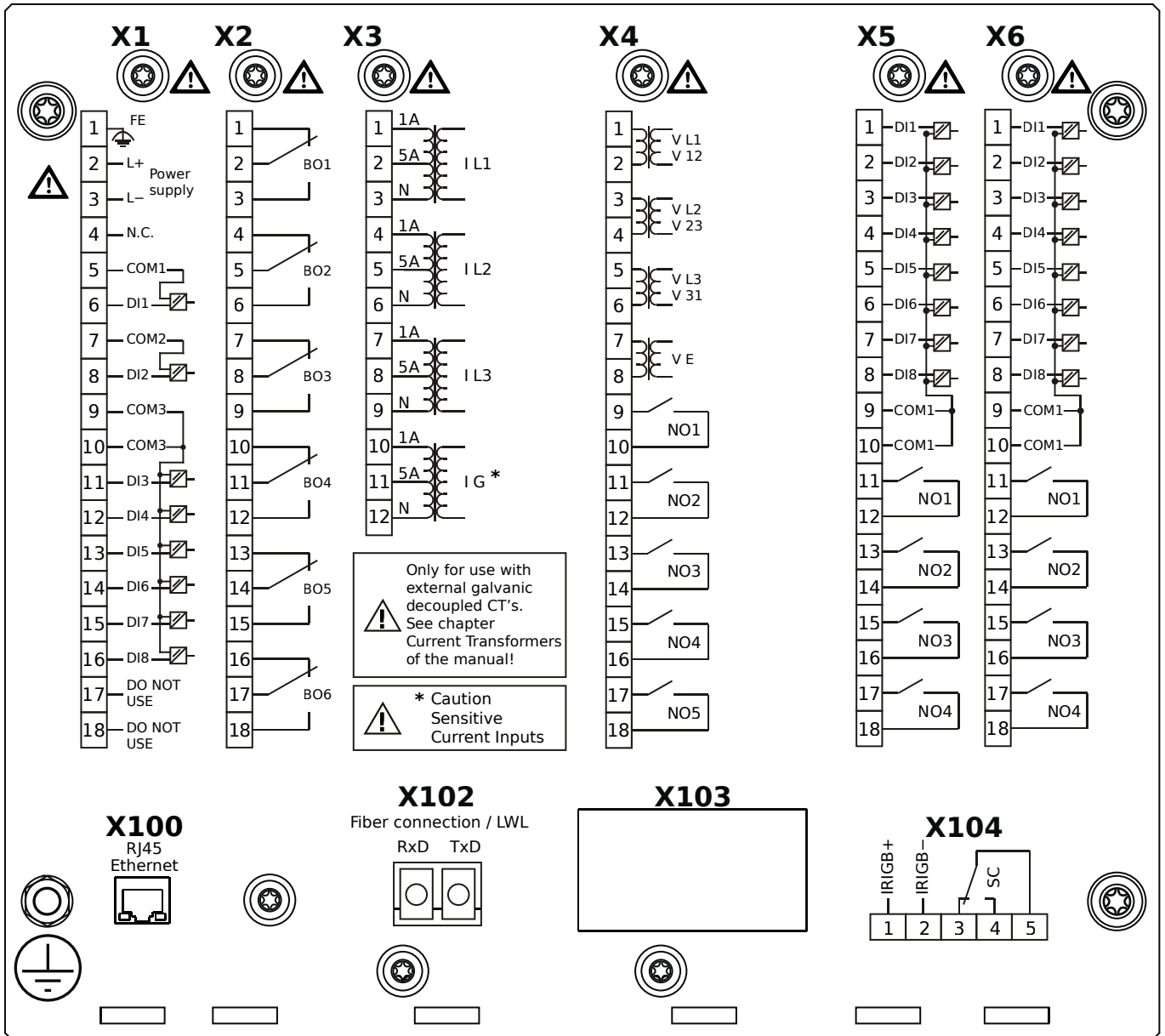


Housing B2, large display, door mounting

+ Conformal Coating (for installations in harsh environment)

- X1** – DI8-X1: Wide-range power supply unit, incl. 2 non-grouped digital inputs and 6 grouped digital inputs
- X2** – OR6: Assembly Group with 6 Output Relays (Changeover / Form C)
- X3** – TIs: Standard phase current measuring card and sensitive ground current measuring
- X4** – TU-OR5: Voltage measuring (0 ... 300 VAC) assembly group with 5 additional Output Relays (NO / Form A)
- X5** – DI8-OR4: Assembly Group with 8 Digital Inputs and 4 Output Relays (NO / Form A)
- X6** – DI8-OR4: Assembly Group with 8 Digital Inputs and 4 Output Relays (NO / Form A)
- X102** – Long-distance Protection Communication, Fiber optics interface, LC Connector
- X103** – Modbus RTU / IEC 60870-5-103 / DNP3.0 RTU, RS485, Terminals
- X104** – IRIG-B00X, incl. System Contact (Supervision Contact)

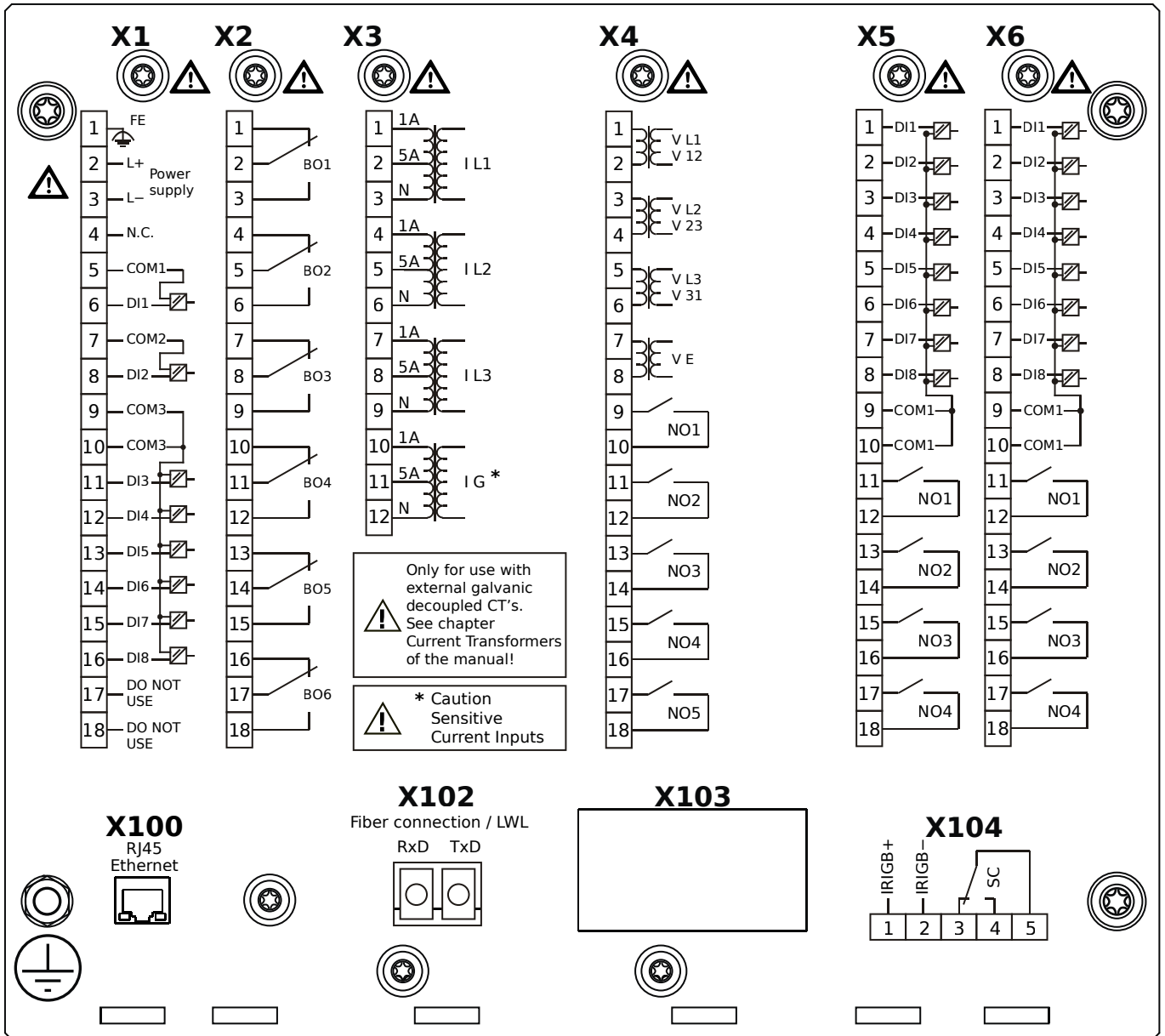
MCDLV4-2E1A0CA



Housing B2, large display, door mounting

- X1** – DI8-X1: Wide-range power supply unit, incl. 2 non-grouped digital inputs and 6 grouped digital inputs
- X2** – OR6: Assembly Group with 6 Output Relays (Changeover / Form C)
- X3** – TIs: Standard phase current measuring card and sensitive ground current measuring
- X4** – TU-OR5: Voltage measuring (0 ... 300 VAC) assembly group with 5 additional Output Relays (NO / Form A)
- X5** – DI8-OR4: Assembly Group with 8 Digital Inputs and 4 Output Relays (NO / Form A)
- X6** – DI8-OR4: Assembly Group with 8 Digital Inputs and 4 Output Relays (NO / Form A)
- X100** – Modbus TCP / IEC 60870-5-104 / DNP3.0 TCP/UDP, Ethernet interface, 100 Mbit/s, RJ45 (BASE100-FX)
- X102** – Long-distance Protection Communication, Fiber optics interface, LC Connector
- X104** – IRIG-B00X, incl. System Contact (Supervision Contact)

MCDLV4-2E1A0CB

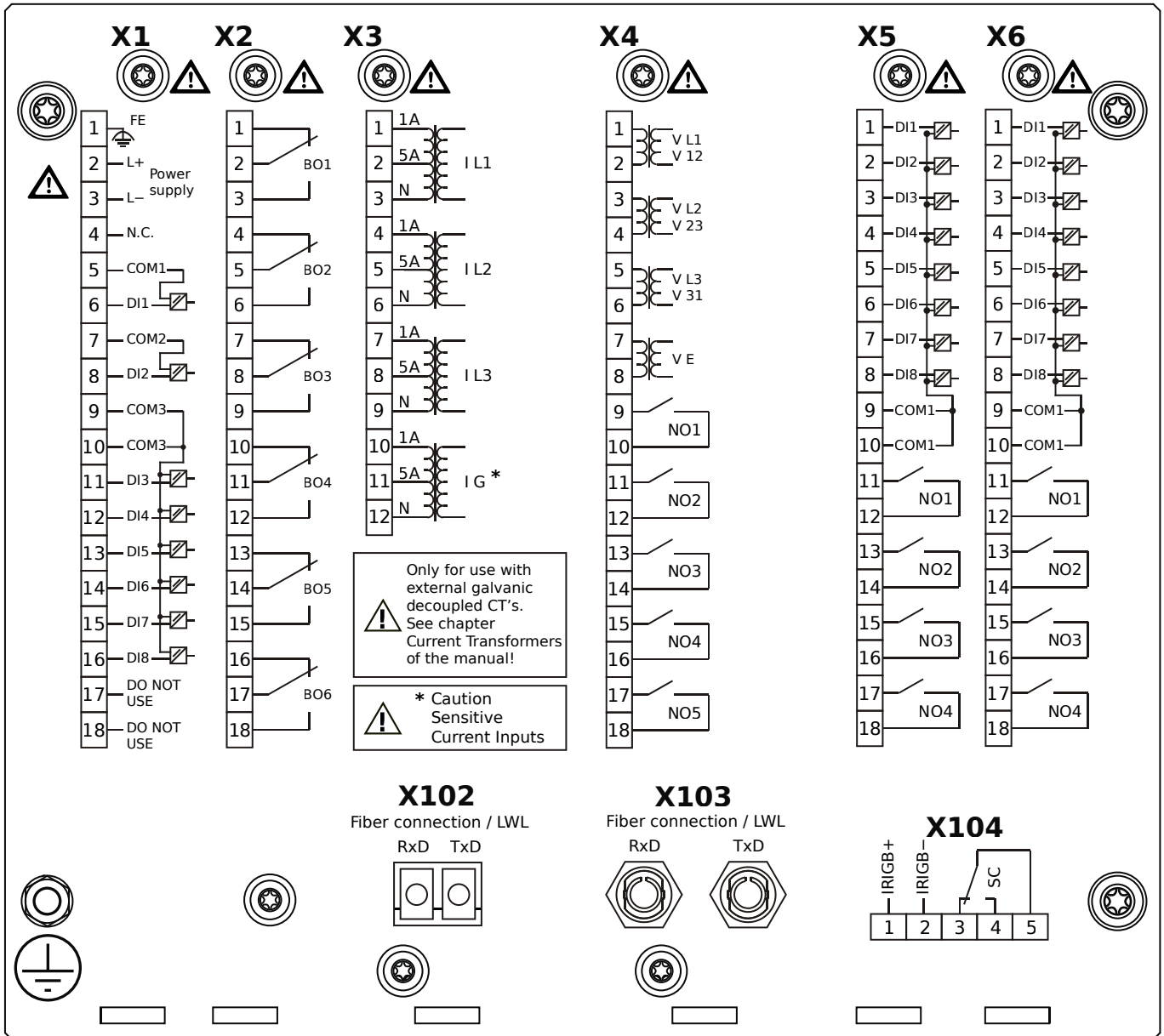


Housing B2, large display, door mounting

+ Conformal Coating (for installations in harsh environment)

- X1** – DI8-X1: Wide-range power supply unit, incl. 2 non-grouped digital inputs and 6 grouped digital inputs
- X2** – OR6: Assembly Group with 6 Output Relays (Changeover / Form C)
- X3** – TIs: Standard phase current measuring card and sensitive ground current measuring
- X4** – TU-OR5: Voltage measuring (0 ... 300 VAC) assembly group with 5 additional Output Relays (NO / Form A)
- X5** – DI8-OR4: Assembly Group with 8 Digital Inputs and 4 Output Relays (NO / Form A)
- X6** – DI8-OR4: Assembly Group with 8 Digital Inputs and 4 Output Relays (NO / Form A)
- X100** – Modbus TCP / IEC 60870-5-104 / DNP3.0 TCP/UDP, Ethernet interface, 100 Mbit/s, RJ45 (BASE100-FX)
- X102** – Long-distance Protection Communication, Fiber optics interface, LC Connector
- X104** – IRIG-B00X, incl. System Contact (Supervision Contact)

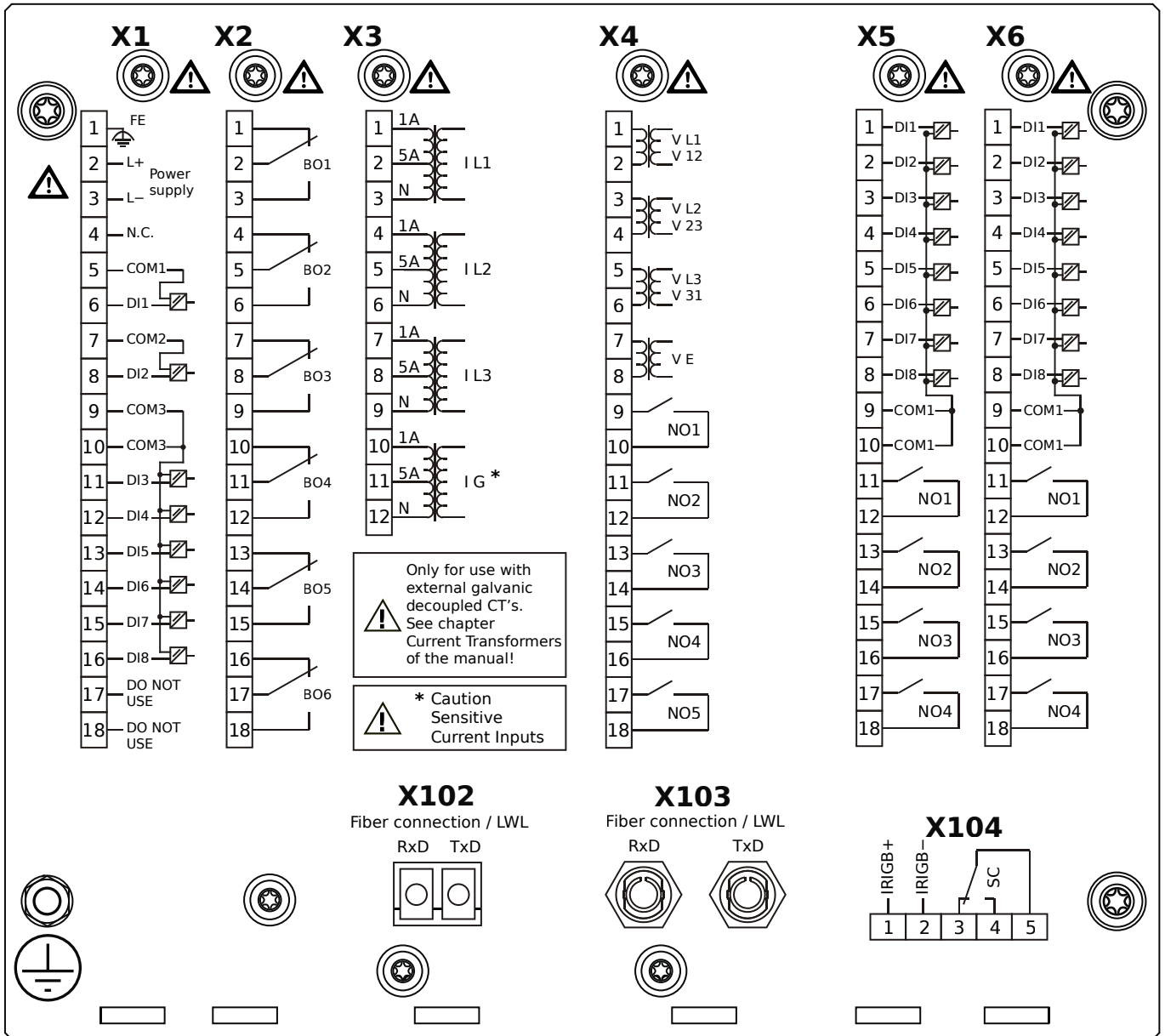
MCDLV4-2E1A0DA



Housing B2, large display, door mounting

- X1** – DI8-X1: Wide-range power supply unit, incl. 2 non-grouped digital inputs and 6 grouped digital inputs
- X2** – OR6: Assembly Group with 6 Output Relays (Changeover / Form C)
- X3** – TIs: Standard phase current measuring card and sensitive ground current measuring
- X4** – TU-OR5: Voltage measuring (0 ... 300 VAC) assembly group with 5 additional Output Relays (NO / Form A)
- X5** – DI8-OR4: Assembly Group with 8 Digital Inputs and 4 Output Relays (NO / Form A)
- X6** – DI8-OR4: Assembly Group with 8 Digital Inputs and 4 Output Relays (NO / Form A)
- X102** – Long-distance Protection Communication, Fiber optics interface, LC Connector
- X103** – Profibus-DP, Fiber optics interface, ST Connector
- X104** – IRIG-B00X, incl. System Contact (Supervision Contact)

MCDLV4-2E1A0DB

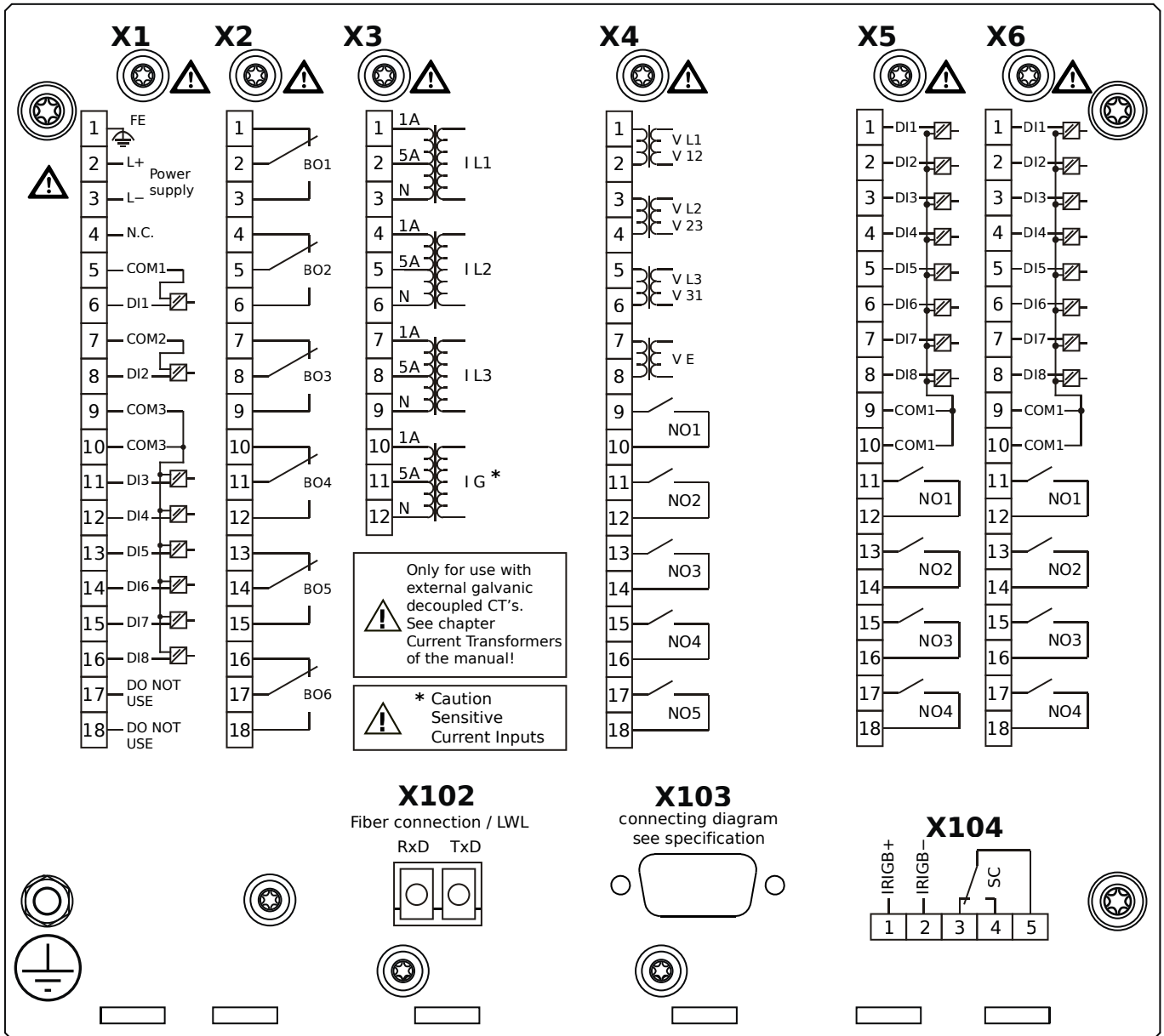


Housing B2, large display, door mounting

+ Conformal Coating (for installations in harsh environment)

- X1** – DI8-X1: Wide-range power supply unit, incl. 2 non-grouped digital inputs and 6 grouped digital inputs
- X2** – OR6: Assembly Group with 6 Output Relays (Changeover / Form C)
- X3** – TIs: Standard phase current measuring card and sensitive ground current measuring
- X4** – TU-OR5: Voltage measuring (0 ... 300 VAC) assembly group with 5 additional Output Relays (NO / Form A)
- X5** – DI8-OR4: Assembly Group with 8 Digital Inputs and 4 Output Relays (NO / Form A)
- X6** – DI8-OR4: Assembly Group with 8 Digital Inputs and 4 Output Relays (NO / Form A)
- X102** – Long-distance Protection Communication, Fiber optics interface, LC Connector
- X103** – Profibus-DP, Fiber optics interface, ST Connector
- X104** – IRIG-B00X, incl. System Contact (Supervision Contact)

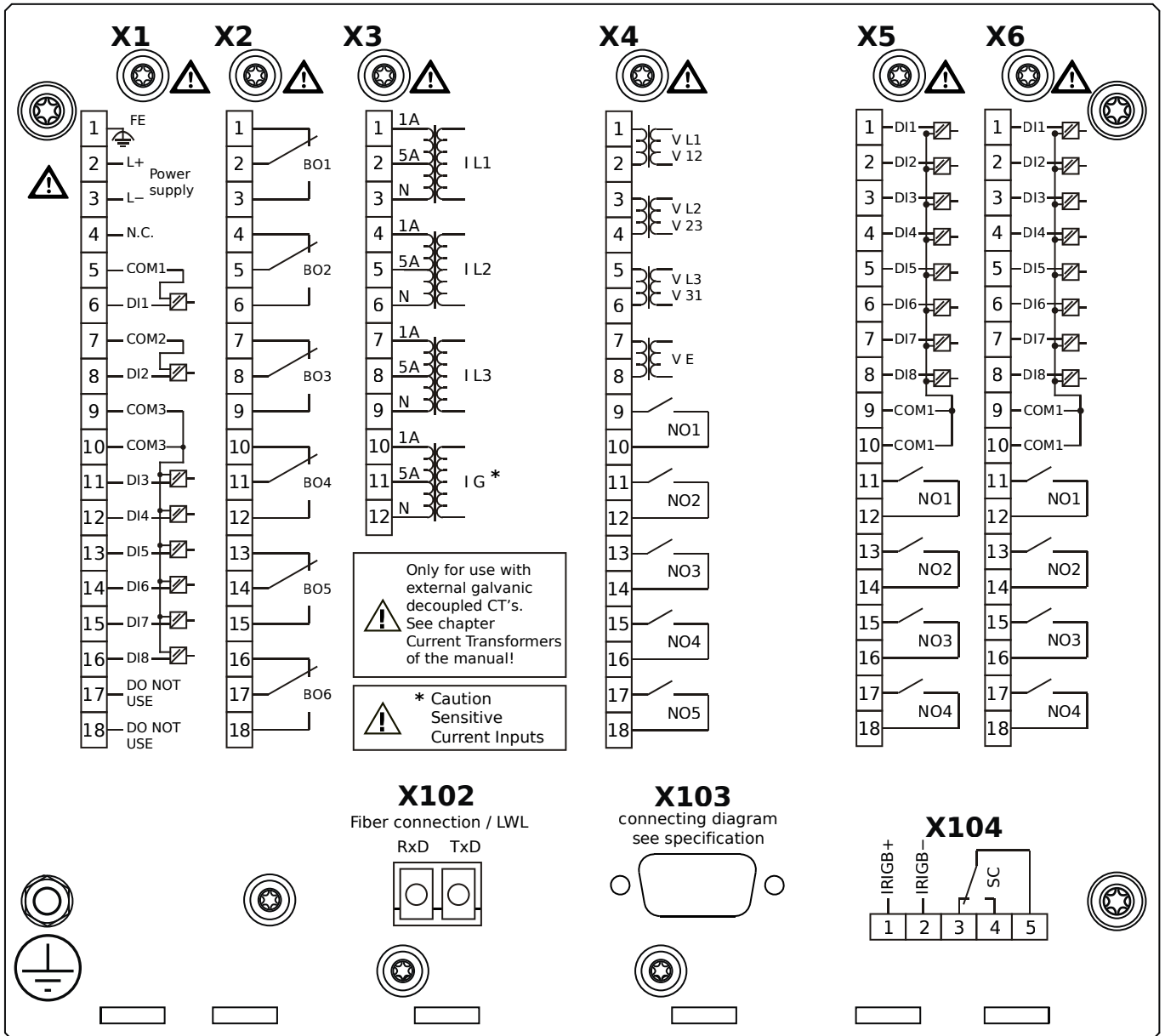
MCDLV4-2E1A0EA



Housing B2, large display, door mounting

- X1** – DI8-X1: Wide-range power supply unit, incl. 2 non-grouped digital inputs and 6 grouped digital inputs
- X2** – OR6: Assembly Group with 6 Output Relays (Changeover / Form C)
- X3** – TIs: Standard phase current measuring card and sensitive ground current measuring
- X4** – TU-OR5: Voltage measuring (0 ... 300 VAC) assembly group with 5 additional Output Relays (NO / Form A)
- X5** – DI8-OR4: Assembly Group with 8 Digital Inputs and 4 Output Relays (NO / Form A)
- X6** – DI8-OR4: Assembly Group with 8 Digital Inputs and 4 Output Relays (NO / Form A)
- X102** – Long-distance Protection Communication, Fiber optics interface, LC Connector
- X103** – Profibus-DP, RS485, D-SUB
- X104** – IRIG-B00X, incl. System Contact (Supervision Contact)

MCDLV4-2E1A0EB

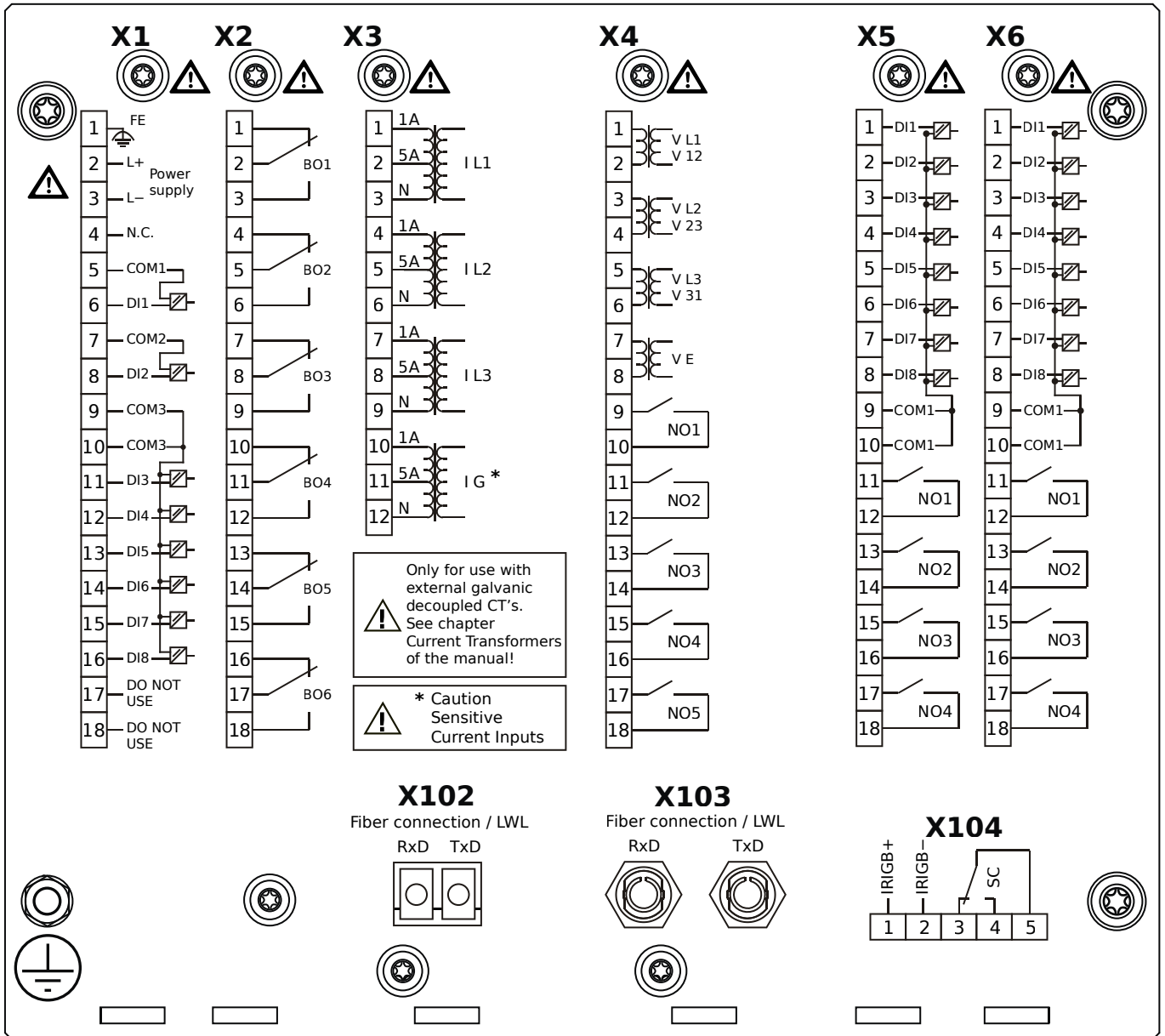


Housing B2, large display, door mounting

+ Conformal Coating (for installations in harsh environment)

- X1** – DI8-X1: Wide-range power supply unit, incl. 2 non-grouped digital inputs and 6 grouped digital inputs
- X2** – OR6: Assembly Group with 6 Output Relays (Changeover / Form C)
- X3** – TIs: Standard phase current measuring card and sensitive ground current measuring
- X4** – TU-OR5: Voltage measuring (0 ... 300 VAC) assembly group with 5 additional Output Relays (NO / Form A)
- X5** – DI8-OR4: Assembly Group with 8 Digital Inputs and 4 Output Relays (NO / Form A)
- X6** – DI8-OR4: Assembly Group with 8 Digital Inputs and 4 Output Relays (NO / Form A)
- X102** – Long-distance Protection Communication, Fiber optics interface, LC Connector
- X103** – Profibus-DP, RS485, D-SUB
- X104** – IRIG-B00X, incl. System Contact (Supervision Contact)

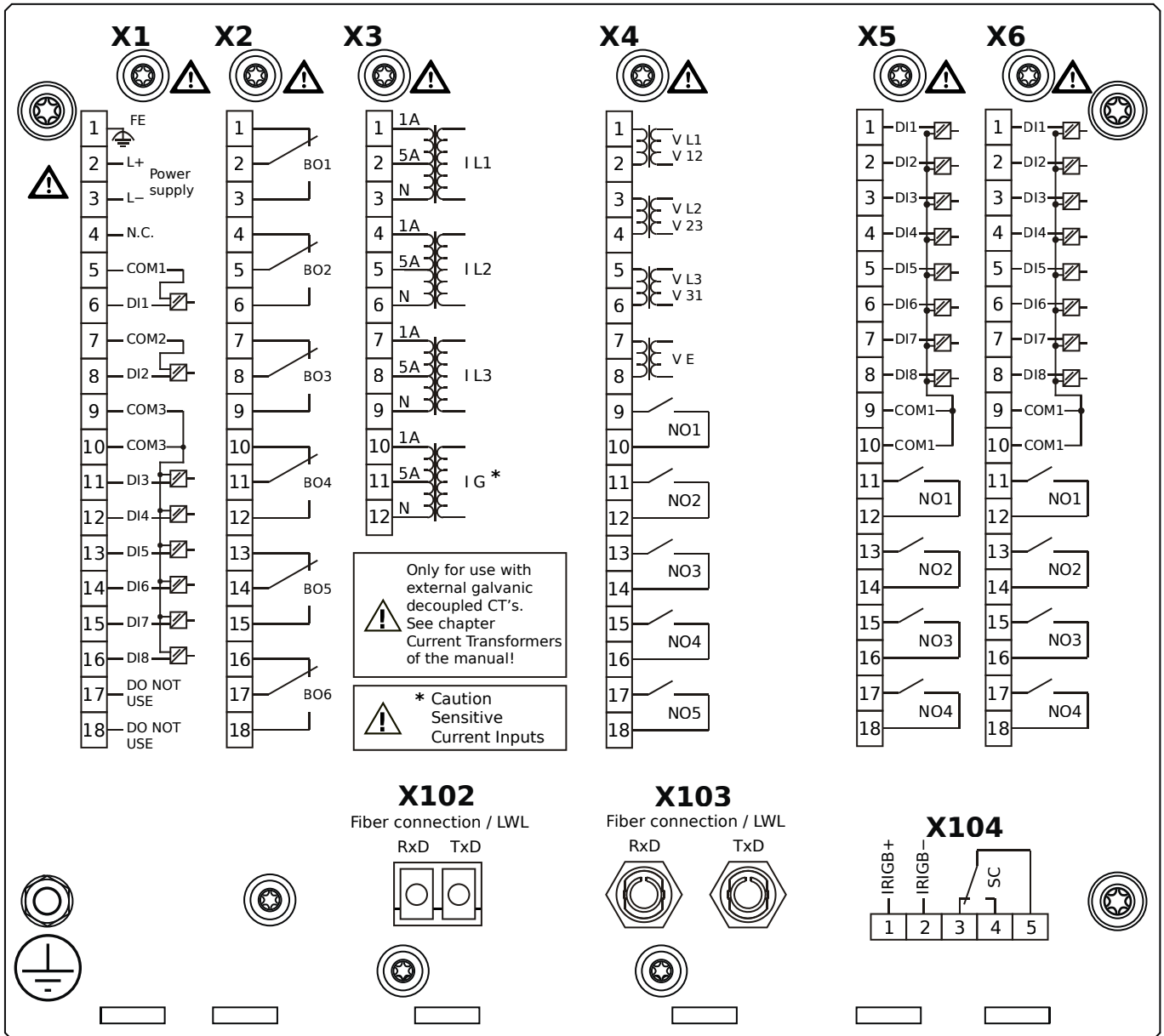
MCDLV4-2E1A0FA



Housing B2, large display, door mounting

- X1** – DI8-X1: Wide-range power supply unit, incl. 2 non-grouped digital inputs and 6 grouped digital inputs
- X2** – OR6: Assembly Group with 6 Output Relays (Changeover / Form C)
- X3** – TIs: Standard phase current measuring card and sensitive ground current measuring
- X4** – TU-OR5: Voltage measuring (0 ... 300 VAC) assembly group with 5 additional Output Relays (NO / Form A)
- X5** – DI8-OR4: Assembly Group with 8 Digital Inputs and 4 Output Relays (NO / Form A)
- X6** – DI8-OR4: Assembly Group with 8 Digital Inputs and 4 Output Relays (NO / Form A)
- X102** – Long-distance Protection Communication, Fiber optics interface, LC Connector
- X103** – Modbus RTU / IEC 60870-5-103 / DNP3.0 RTU, Fiber optics interface, ST Connector
- X104** – IRIG-B00X, incl. System Contact (Supervision Contact)

MCDLV4-2E1A0FB

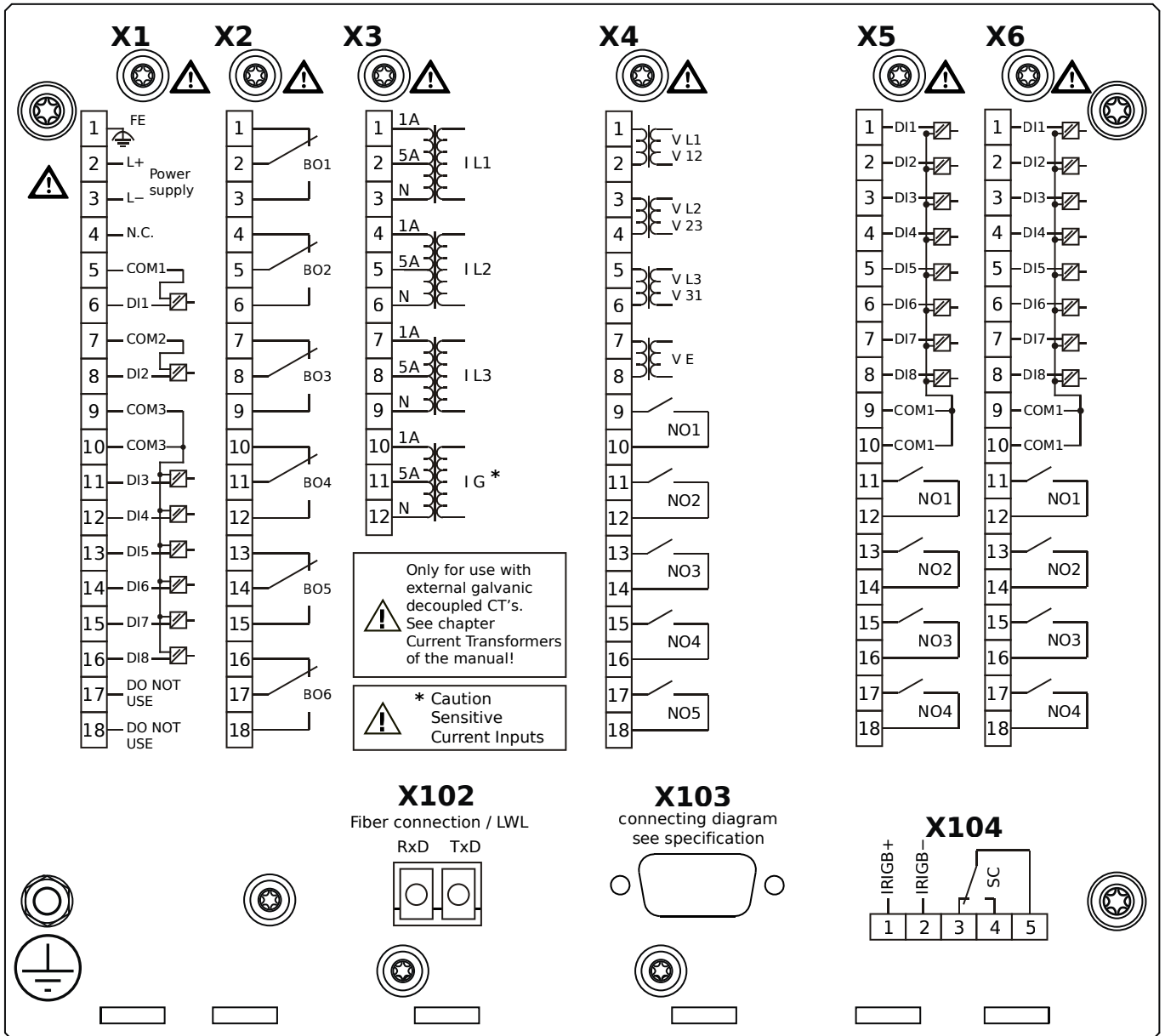


Housing B2, large display, door mounting

+ Conformal Coating (for installations in harsh environment)

- X1** – DI8-X1: Wide-range power supply unit, incl. 2 non-grouped digital inputs and 6 grouped digital inputs
- X2** – OR6: Assembly Group with 6 Output Relays (Changeover / Form C)
- X3** – TIs: Standard phase current measuring card and sensitive ground current measuring
- X4** – TU-OR5: Voltage measuring (0 ... 300 VAC) assembly group with 5 additional Output Relays (NO / Form A)
- X5** – DI8-OR4: Assembly Group with 8 Digital Inputs and 4 Output Relays (NO / Form A)
- X6** – DI8-OR4: Assembly Group with 8 Digital Inputs and 4 Output Relays (NO / Form A)
- X102** – Long-distance Protection Communication, Fiber optics interface, LC Connector
- X103** – Modbus RTU / IEC 60870-5-103 / DNP3.0 RTU, Fiber optics interface, ST Connector
- X104** – IRIG-B00X, incl. System Contact (Supervision Contact)

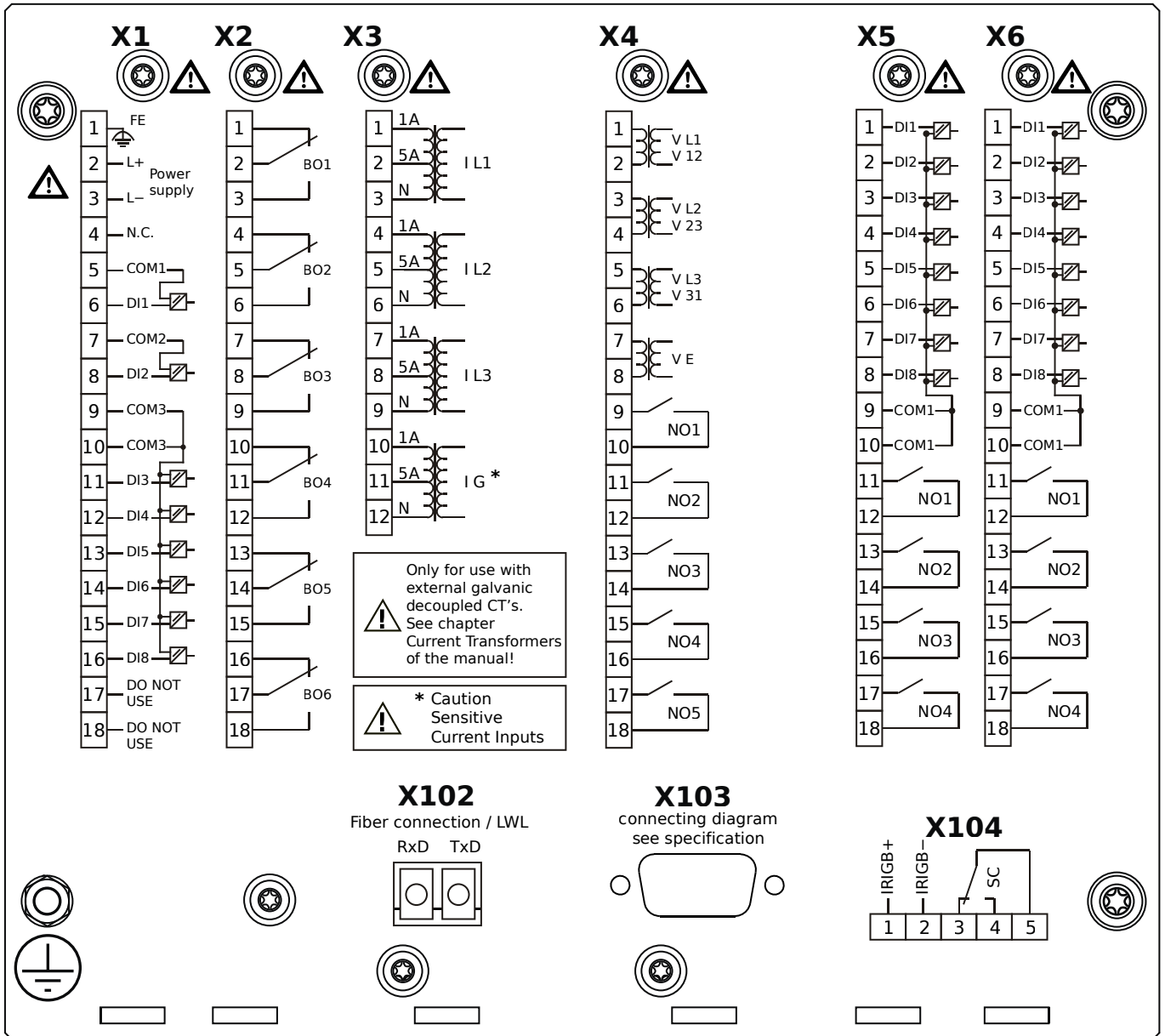
MCDLV4-2E1A0GA



Housing B2, large display, door mounting

- X1** – DI8-X1: Wide-range power supply unit, incl. 2 non-grouped digital inputs and 6 grouped digital inputs
- X2** – OR6: Assembly Group with 6 Output Relays (Changeover / Form C)
- X3** – TIs: Standard phase current measuring card and sensitive ground current measuring
- X4** – TU-OR5: Voltage measuring (0 ... 300 VAC) assembly group with 5 additional Output Relays (NO / Form A)
- X5** – DI8-OR4: Assembly Group with 8 Digital Inputs and 4 Output Relays (NO / Form A)
- X6** – DI8-OR4: Assembly Group with 8 Digital Inputs and 4 Output Relays (NO / Form A)
- X102** – Long-distance Protection Communication, Fiber optics interface, LC Connector
- X103** – Modbus RTU / IEC 60870-5-103 / DNP3.0 RTU, RS485, D-SUB
- X104** – IRIG-B00X, incl. System Contact (Supervision Contact)

MCDLV4-2E1A0GB

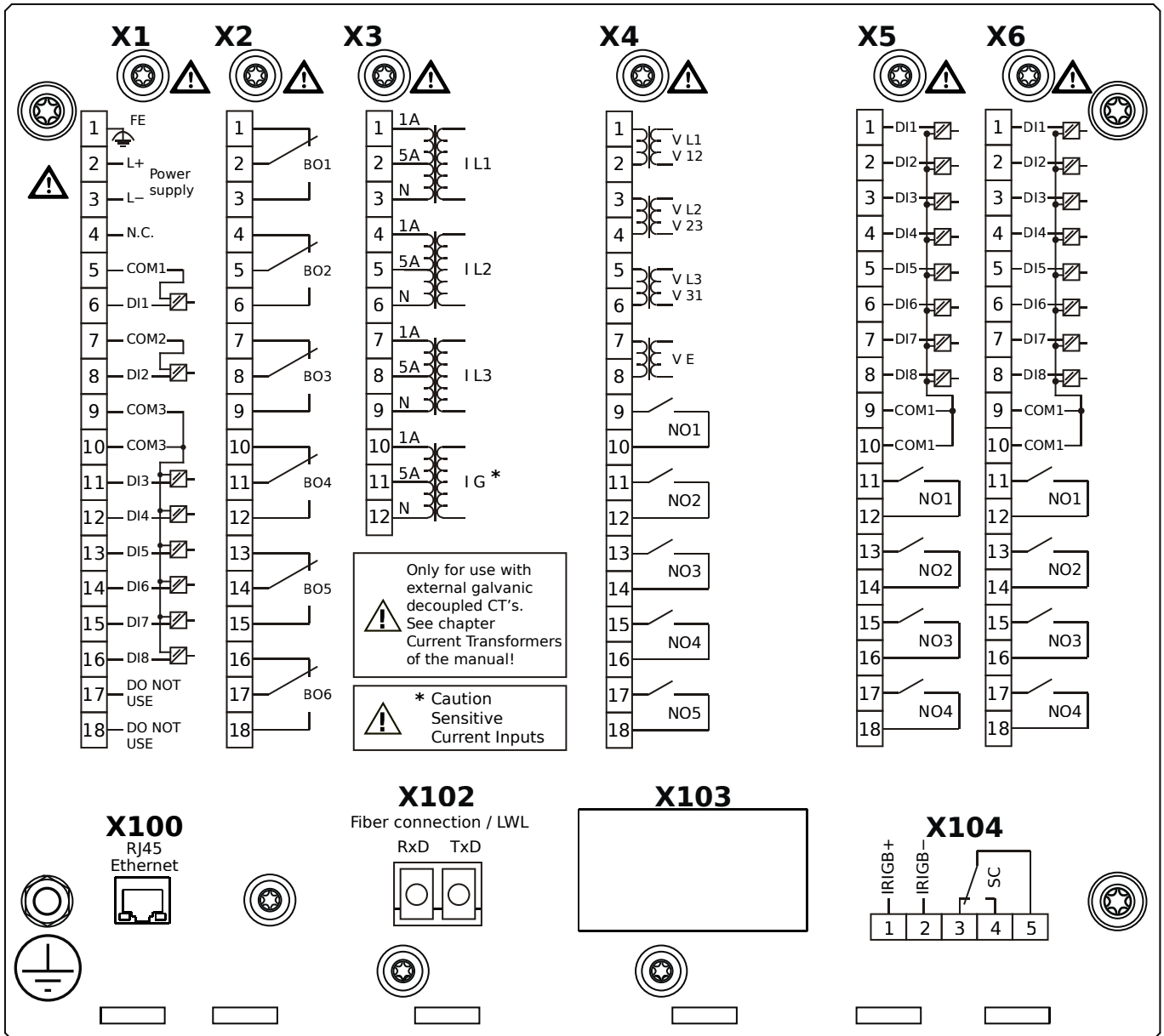


Housing B2, large display, door mounting

+ Conformal Coating (for installations in harsh environment)

- X1** – DI8-X1: Wide-range power supply unit, incl. 2 non-grouped digital inputs and 6 grouped digital inputs
- X2** – OR6: Assembly Group with 6 Output Relays (Changeover / Form C)
- X3** – TIs: Standard phase current measuring card and sensitive ground current measuring
- X4** – TU-OR5: Voltage measuring (0 ... 300 VAC) assembly group with 5 additional Output Relays (NO / Form A)
- X5** – DI8-OR4: Assembly Group with 8 Digital Inputs and 4 Output Relays (NO / Form A)
- X6** – DI8-OR4: Assembly Group with 8 Digital Inputs and 4 Output Relays (NO / Form A)
- X102** – Long-distance Protection Communication, Fiber optics interface, LC Connector
- X103** – Modbus RTU / IEC 60870-5-103 / DNP3.0 RTU, RS485, D-SUB
- X104** – IRIG-B00X, incl. System Contact (Supervision Contact)

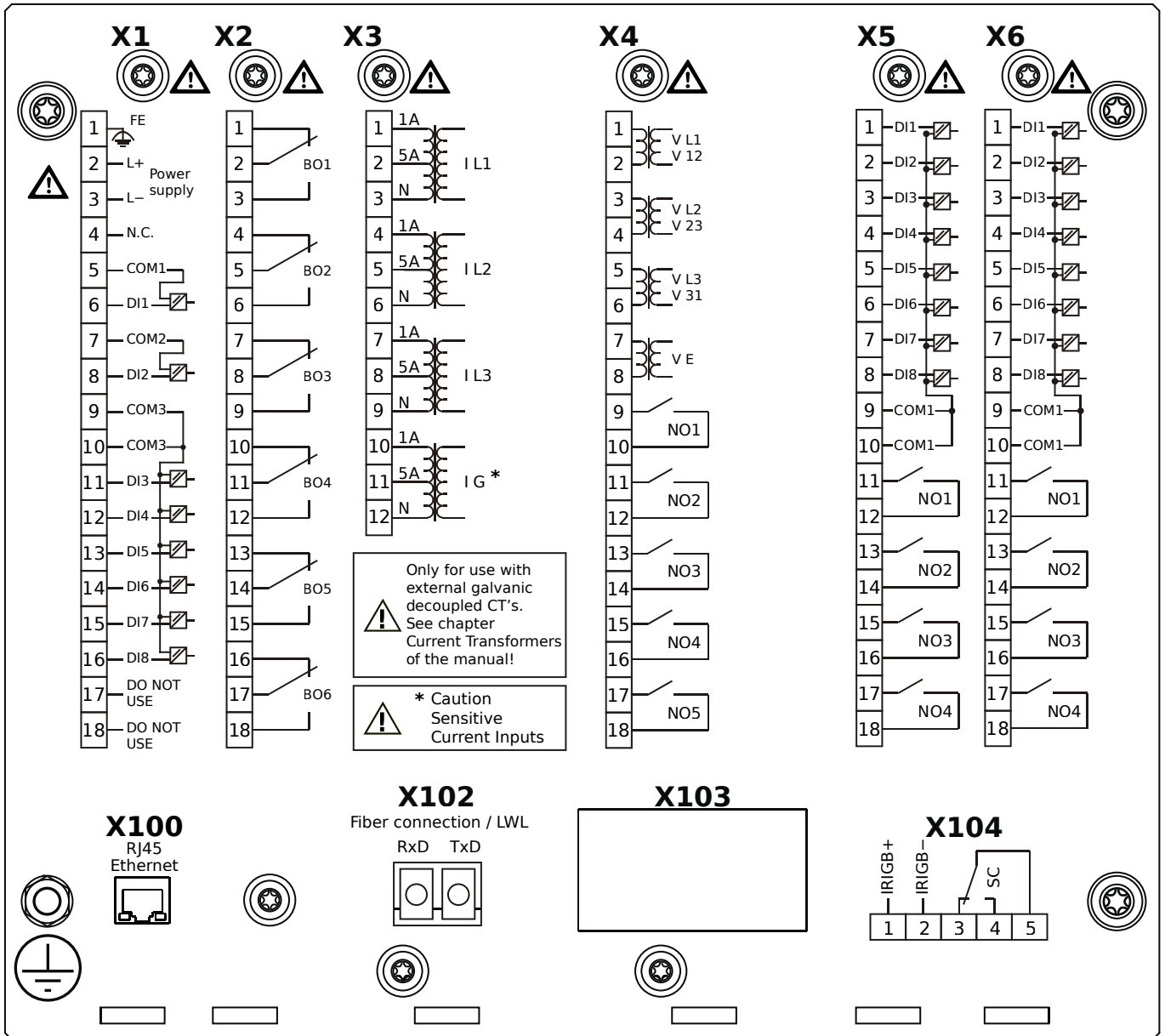
MCDLV4-2E1A0HA



Housing B2, large display, door mounting

- X1** – DI8-X1: Wide-range power supply unit, incl. 2 non-grouped digital inputs and 6 grouped digital inputs
- X2** – OR6: Assembly Group with 6 Output Relays (Changeover / Form C)
- X3** – TIs: Standard phase current measuring card and sensitive ground current measuring
- X4** – TU-OR5: Voltage measuring (0 ... 300 VAC) assembly group with 5 additional Output Relays (NO / Form A)
- X5** – DI8-OR4: Assembly Group with 8 Digital Inputs and 4 Output Relays (NO / Form A)
- X6** – DI8-OR4: Assembly Group with 8 Digital Inputs and 4 Output Relays (NO / Form A)
- X100** – IEC 61850 / Modbus TCP / IEC 60870-5-104 / DNP3.0 TCP/UDP, Ethernet interface, 100 Mbit/s, RJ45 (BASE100-FX)
- X102** – Long-distance Protection Communication, Fiber optics interface, LC Connector
- X104** – IRIG-B00X, incl. System Contact (Supervision Contact)

MCDLV4-2E1A0HB

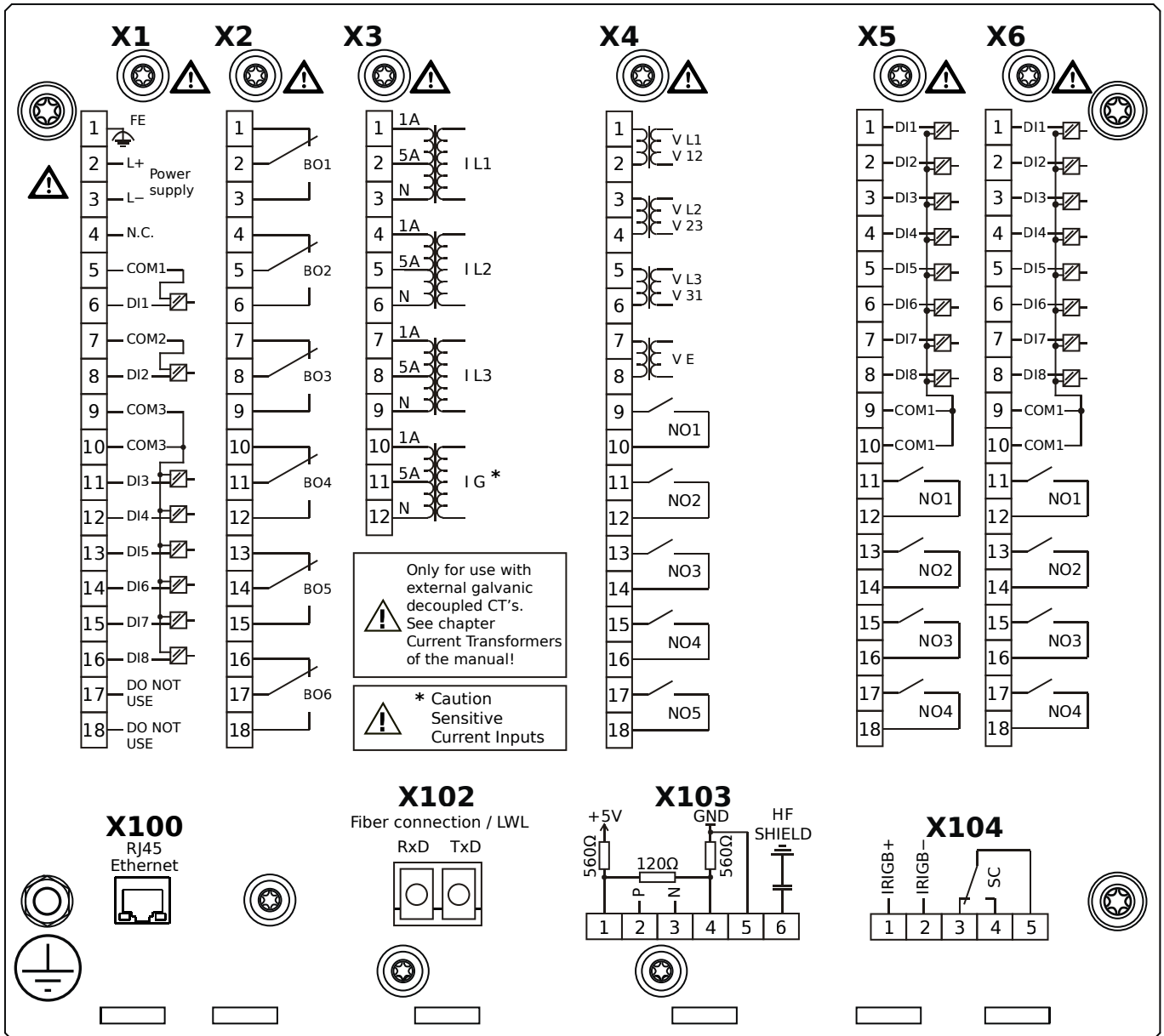


Housing B2, large display, door mounting

+ Conformal Coating (for installations in harsh environment)

- X1** – DI8-X1: Wide-range power supply unit, incl. 2 non-grouped digital inputs and 6 grouped digital inputs
- X2** – OR6: Assembly Group with 6 Output Relays (Changeover / Form C)
- X3** – TIs: Standard phase current measuring card and sensitive ground current measuring
- X4** – TU-OR5: Voltage measuring (0 ... 300 VAC) assembly group with 5 additional Output Relays (NO / Form A)
- X5** – DI8-OR4: Assembly Group with 8 Digital Inputs and 4 Output Relays (NO / Form A)
- X6** – DI8-OR4: Assembly Group with 8 Digital Inputs and 4 Output Relays (NO / Form A)
- X100** – IEC 61850 / Modbus TCP / IEC 60870-5-104 / DNP3.0 TCP/UDP, Ethernet interface, 100 Mbit/s, RJ45 (BASE100-FX)
- X102** – Long-distance Protection Communication, Fiber optics interface, LC Connector
- X104** – IRIG-B00X, incl. System Contact (Supervision Contact)

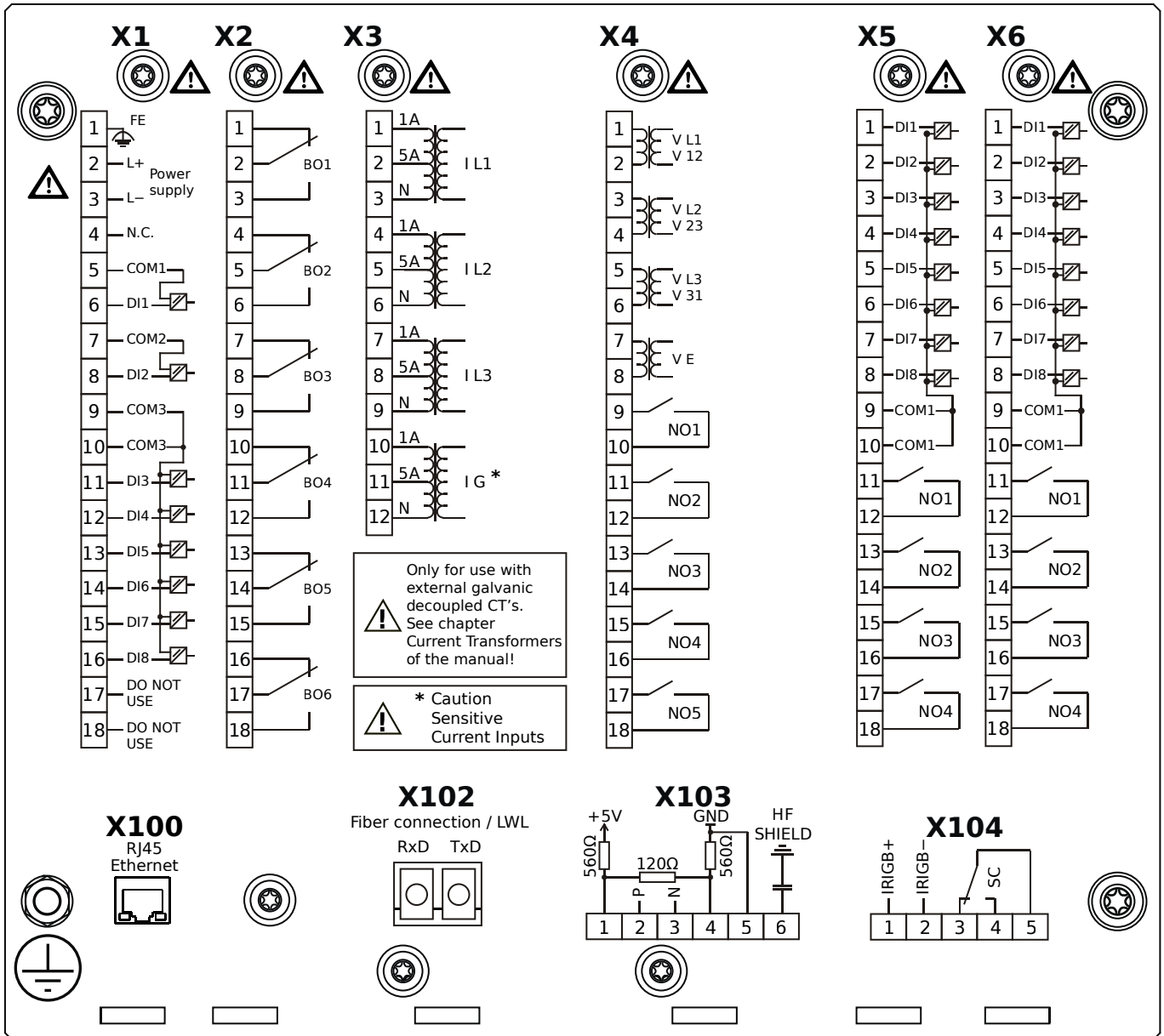
MCDLV4-2E1A0IA



Housing B2, large display, door mounting

- X1** – DI8-X1: Wide-range power supply unit, incl. 2 non-grouped digital inputs and 6 grouped digital inputs
- X2** – OR6: Assembly Group with 6 Output Relays (Changeover / Form C)
- X3** – TIs: Standard phase current measuring card and sensitive ground current measuring
- X4** – TU-OR5: Voltage measuring (0 ... 300 VAC) assembly group with 5 additional Output Relays (NO / Form A)
- X5** – DI8-OR4: Assembly Group with 8 Digital Inputs and 4 Output Relays (NO / Form A)
- X6** – DI8-OR4: Assembly Group with 8 Digital Inputs and 4 Output Relays (NO / Form A)
- X100** – Modbus TCP / IEC 60870-5-104 / DNP3.0 TCP/UDP, Ethernet interface, 100 Mbit/s, RJ45 (BASE100-FX)
- X102** – Long-distance Protection Communication, Fiber optics interface, LC Connector
- X103** – IEC 60870-5-103 / Modbus RTU / DNP3.0 RTU, RS485, Terminals
- X104** – IRIG-B00X, incl. System Contact (Supervision Contact)

MCDLV4-2E1A0IB

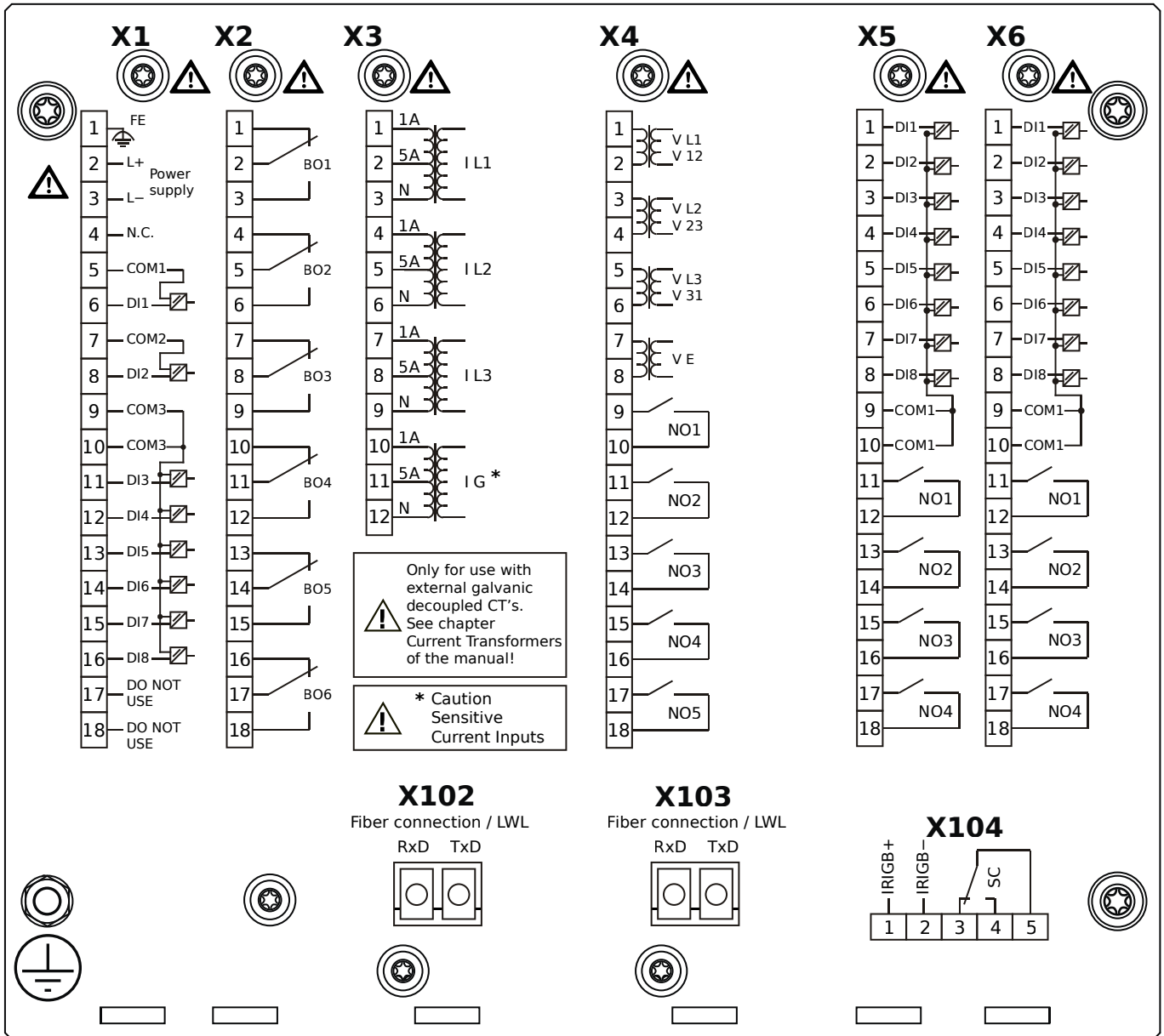


Housing B2, large display, door mounting

+ Conformal Coating (for installations in harsh environment)

- X1** – DI8-X1: Wide-range power supply unit, incl. 2 non-grouped digital inputs and 6 grouped digital inputs
- X2** – OR6: Assembly Group with 6 Output Relays (Changeover / Form C)
- X3** – TIs: Standard phase current measuring card and sensitive ground current measuring
- X4** – TU-OR5: Voltage measuring (0 ... 300 VAC) assembly group with 5 additional Output Relays (NO / Form A)
- X5** – DI8-OR4: Assembly Group with 8 Digital Inputs and 4 Output Relays (NO / Form A)
- X6** – DI8-OR4: Assembly Group with 8 Digital Inputs and 4 Output Relays (NO / Form A)
- X100** – Modbus TCP / IEC 60870-5-104 / DNP3.0 TCP/UDP, Ethernet interface, 100 Mbit/s, RJ45 (BASE100-FX)
- X102** – Long-distance Protection Communication, Fiber optics interface, LC Connector
- X103** – IEC 60870-5-103 / Modbus RTU / DNP3.0 RTU, RS485, Terminals
- X104** – IRIG-B00X, incl. System Contact (Supervision Contact)

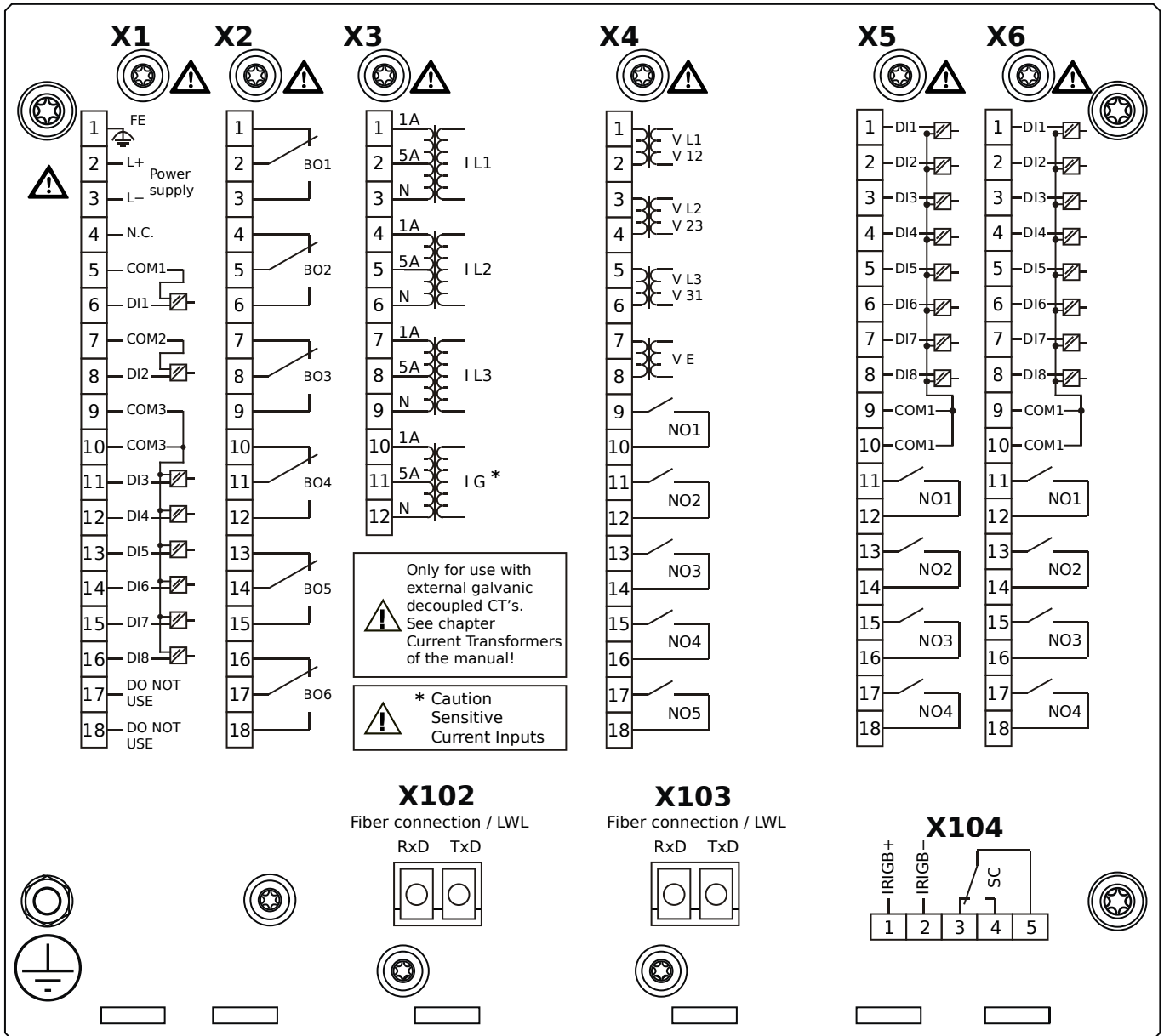
MCDLV4-2E1A0KA



Housing B2, large display, door mounting

- X1** – DI8-X1: Wide-range power supply unit, incl. 2 non-grouped digital inputs and 6 grouped digital inputs
- X2** – OR6: Assembly Group with 6 Output Relays (Changeover / Form C)
- X3** – TIs: Standard phase current measuring card and sensitive ground current measuring
- X4** – TU-OR5: Voltage measuring (0 ... 300 VAC) assembly group with 5 additional Output Relays (NO / Form A)
- X5** – DI8-OR4: Assembly Group with 8 Digital Inputs and 4 Output Relays (NO / Form A)
- X6** – DI8-OR4: Assembly Group with 8 Digital Inputs and 4 Output Relays (NO / Form A)
- X102** – Long-distance Protection Communication, Fiber optics interface, LC Connector
- X103** – IEC 61850 / Modbus TCP / IEC 60870-5-104 / DNP3.0 TCP/UDP, Fiber optics interface, LC Connector
- X104** – IRIG-B00X, incl. System Contact (Supervision Contact)

MCDLV4-2E1A0KB

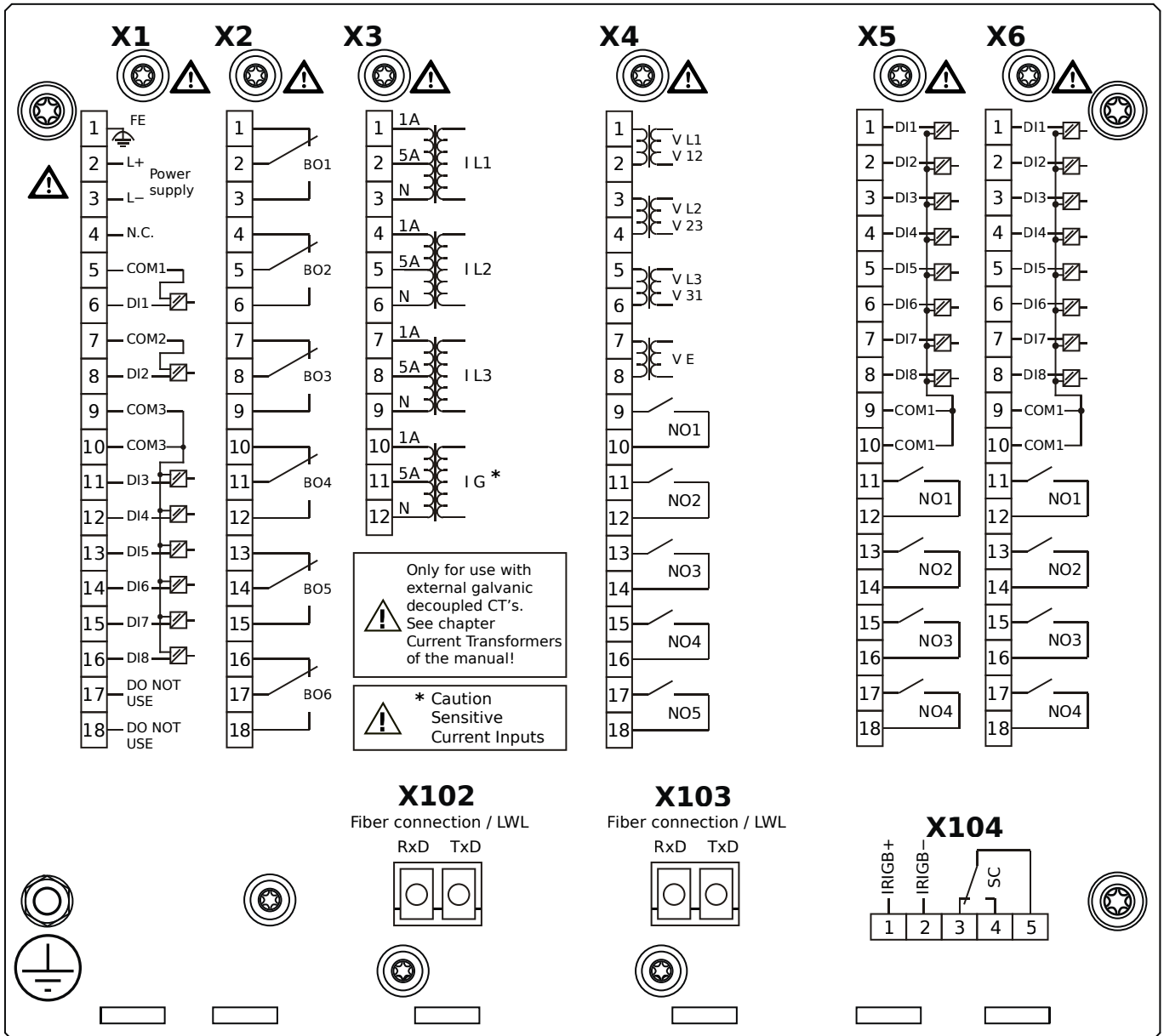


Housing B2, large display, door mounting

+ Conformal Coating (for installations in harsh environment)

- X1** – DI8-X1: Wide-range power supply unit, incl. 2 non-grouped digital inputs and 6 grouped digital inputs
- X2** – OR6: Assembly Group with 6 Output Relays (Changeover / Form C)
- X3** – TIs: Standard phase current measuring card and sensitive ground current measuring
- X4** – TU-OR5: Voltage measuring (0 ... 300 VAC) assembly group with 5 additional Output Relays (NO / Form A)
- X5** – DI8-OR4: Assembly Group with 8 Digital Inputs and 4 Output Relays (NO / Form A)
- X6** – DI8-OR4: Assembly Group with 8 Digital Inputs and 4 Output Relays (NO / Form A)
- X102** – Long-distance Protection Communication, Fiber optics interface, LC Connector
- X103** – IEC 61850 / Modbus TCP / IEC 60870-5-104 / DNP3.0 TCP/UDP, Fiber optics interface, LC Connector
- X104** – IRIG-B00X, incl. System Contact (Supervision Contact)

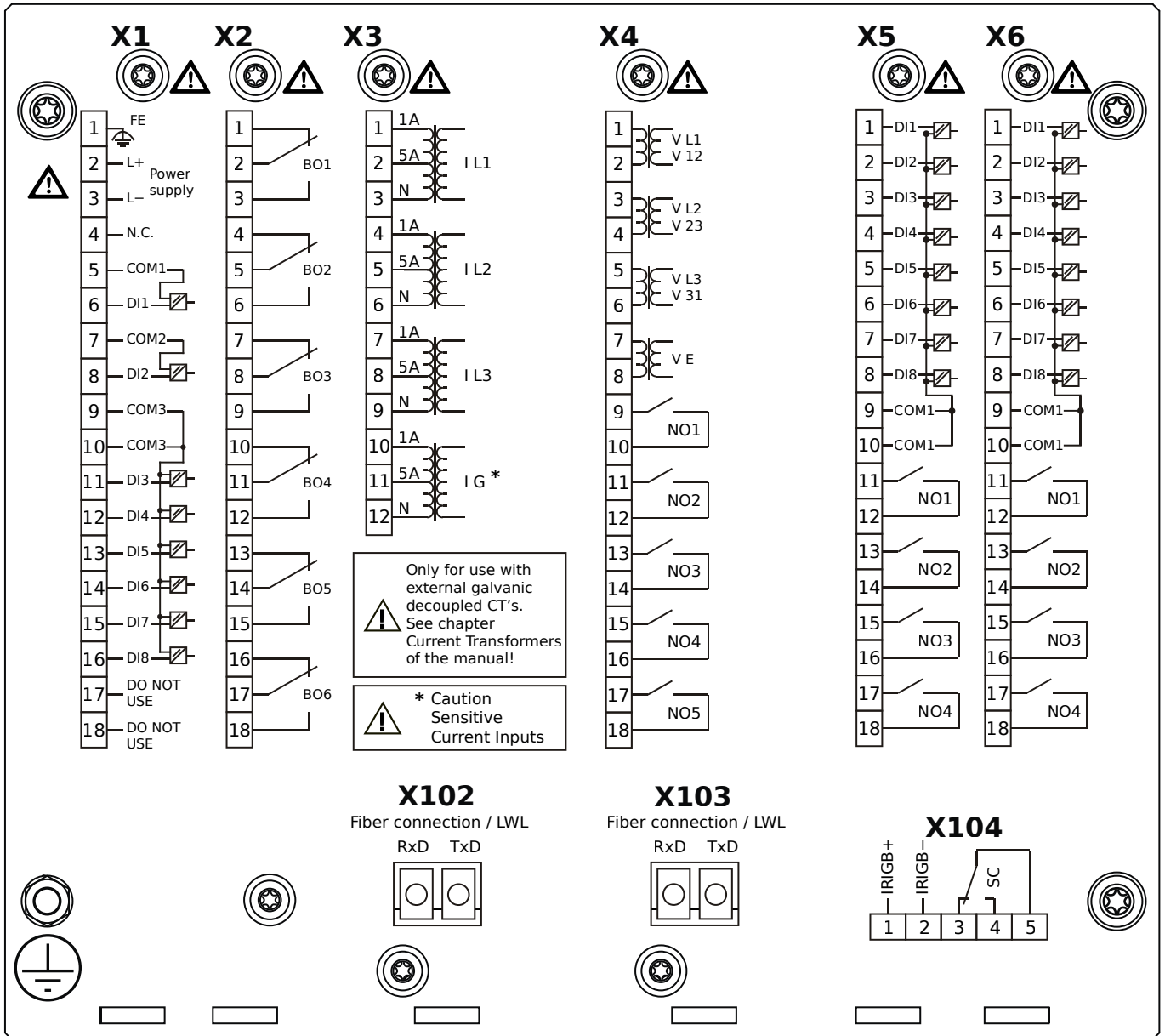
MCDLV4-2E1A0LA



Housing B2, large display, door mounting

- X1** – DI8-X1: Wide-range power supply unit, incl. 2 non-grouped digital inputs and 6 grouped digital inputs
- X2** – OR6: Assembly Group with 6 Output Relays (Changeover / Form C)
- X3** – TIs: Standard phase current measuring card and sensitive ground current measuring
- X4** – TU-OR5: Voltage measuring (0 ... 300 VAC) assembly group with 5 additional Output Relays (NO / Form A)
- X5** – DI8-OR4: Assembly Group with 8 Digital Inputs and 4 Output Relays (NO / Form A)
- X6** – DI8-OR4: Assembly Group with 8 Digital Inputs and 4 Output Relays (NO / Form A)
- X102** – Long-distance Protection Communication, Fiber optics interface, LC Connector
- X103** – Modbus TCP / IEC 60870-5-104 / DNP3.0 TCP/UDP, Fiber optics interface, LC Connector
- X104** – IRIG-B00X, incl. System Contact (Supervision Contact)

MCDLV4-2E1A0LB

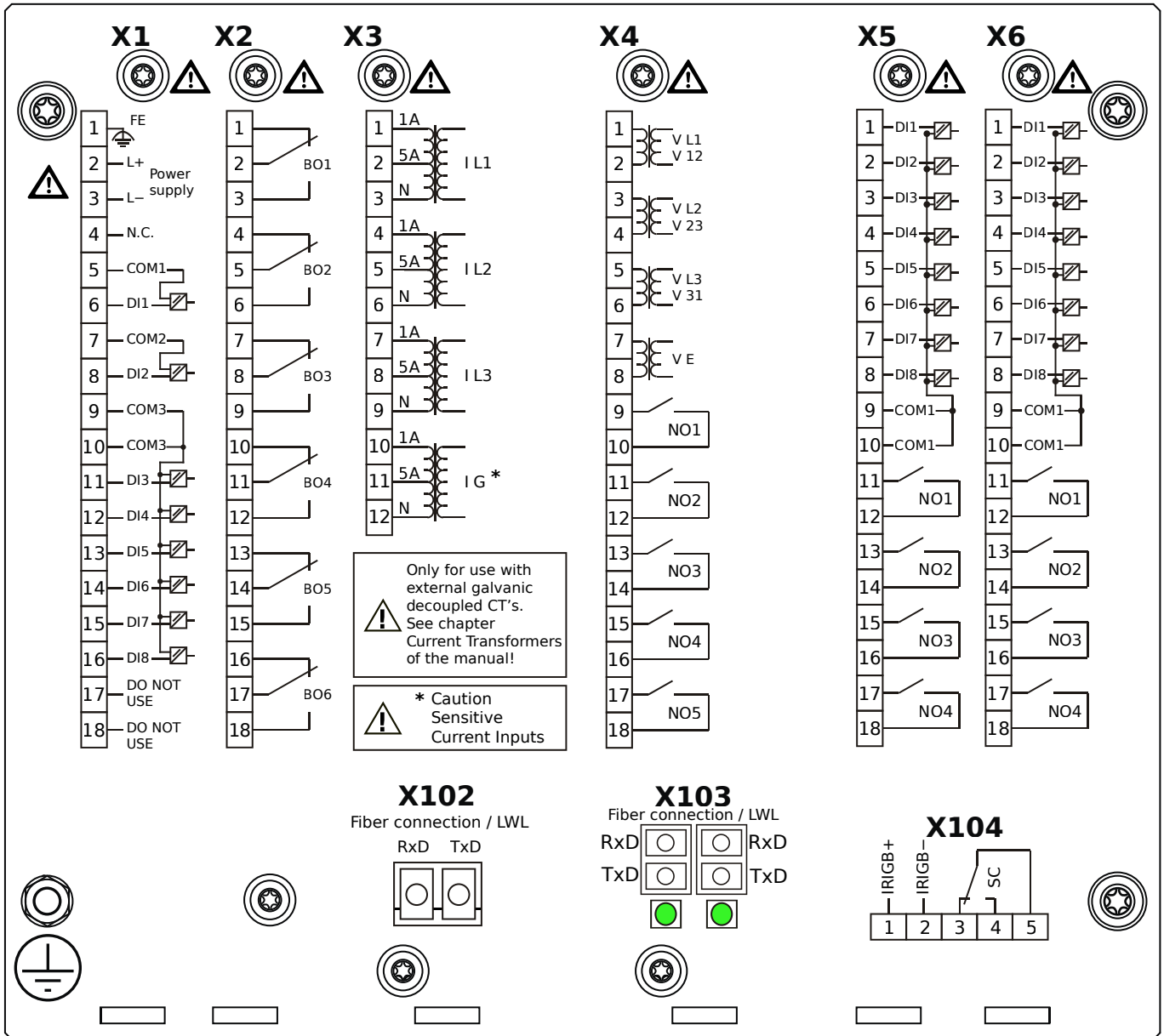


Housing B2, large display, door mounting

+ Conformal Coating (for installations in harsh environment)

- X1** – DI8-X1: Wide-range power supply unit, incl. 2 non-grouped digital inputs and 6 grouped digital inputs
- X2** – OR6: Assembly Group with 6 Output Relays (Changeover / Form C)
- X3** – TIs: Standard phase current measuring card and sensitive ground current measuring
- X4** – TU-OR5: Voltage measuring (0 ... 300 VAC) assembly group with 5 additional Output Relays (NO / Form A)
- X5** – DI8-OR4: Assembly Group with 8 Digital Inputs and 4 Output Relays (NO / Form A)
- X6** – DI8-OR4: Assembly Group with 8 Digital Inputs and 4 Output Relays (NO / Form A)
- X102** – Long-distance Protection Communication, Fiber optics interface, LC Connector
- X103** – Modbus TCP / IEC 60870-5-104 / DNP3.0 TCP/UDP, Fiber optics interface, LC Connector
- X104** – IRIG-B00X, incl. System Contact (Supervision Contact)

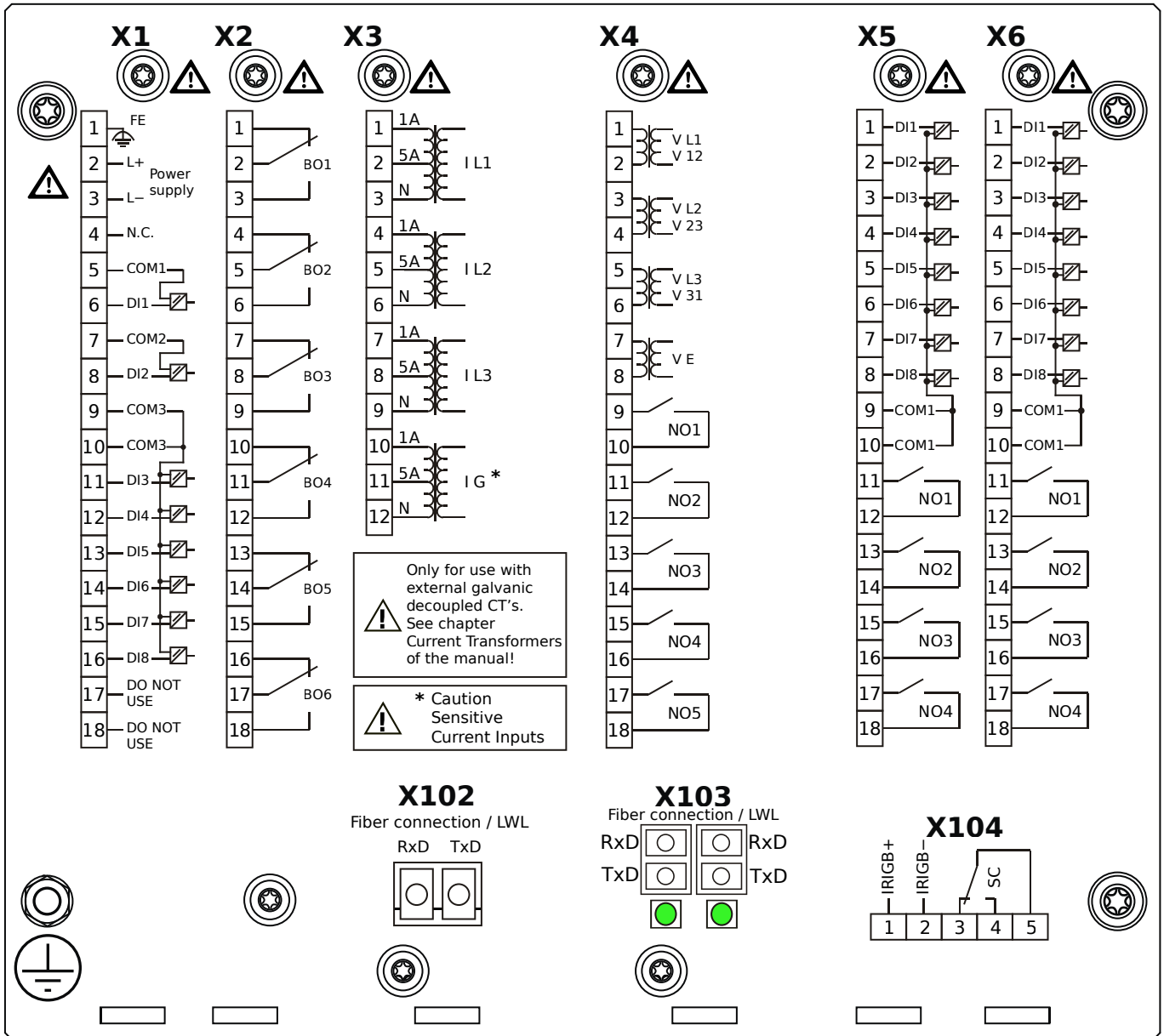
MCDLV4-2E1A00A



Housing B2, large display, door mounting

- X1** – DI8-X1: Wide-range power supply unit, incl. 2 non-grouped digital inputs and 6 grouped digital inputs
- X2** – OR6: Assembly Group with 6 Output Relays (Changeover / Form C)
- X3** – TIs: Standard phase current measuring card and sensitive ground current measuring
- X4** – TU-OR5: Voltage measuring (0 ... 300 VAC) assembly group with 5 additional Output Relays (NO / Form A)
- X5** – DI8-OR4: Assembly Group with 8 Digital Inputs and 4 Output Relays (NO / Form A)
- X6** – DI8-OR4: Assembly Group with 8 Digital Inputs and 4 Output Relays (NO / Form A)
- X102** – Long-distance Protection Communication, Fiber optics interface, LC Connector
- X103** – Modbus TCP / IEC 60870-5-104 / DNP3.0 TCP/UDP, Redundant Fiber optics interface, LC Connector
- X104** – IRIG-B00X, incl. System Contact (Supervision Contact)

MCDLV4-2E1A00B

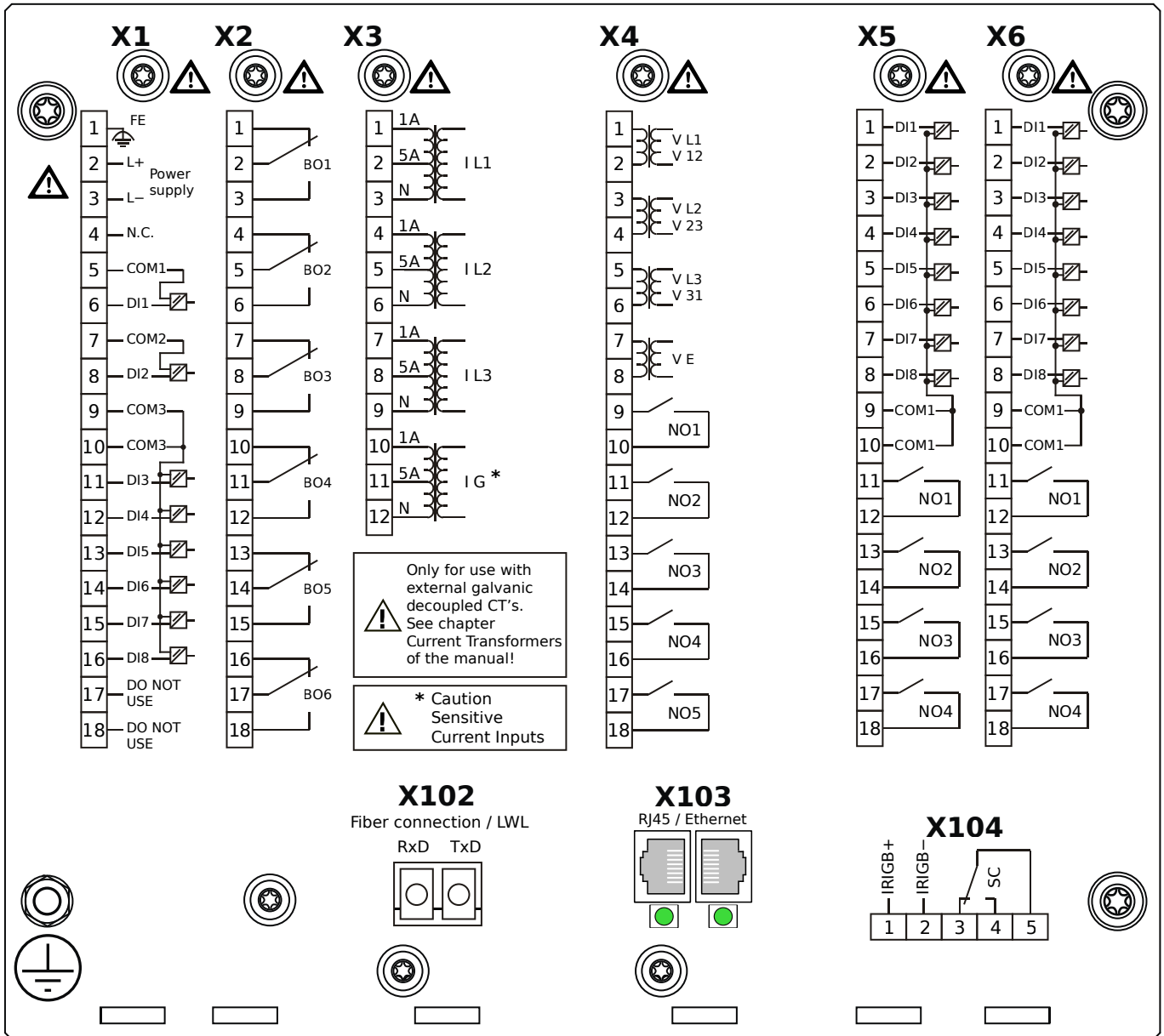


Housing B2, large display, door mounting

+ Conformal Coating (for installations in harsh environment)

- X1** – DI8-X1: Wide-range power supply unit, incl. 2 non-grouped digital inputs and 6 grouped digital inputs
- X2** – OR6: Assembly Group with 6 Output Relays (Changeover / Form C)
- X3** – TIs: Standard phase current measuring card and sensitive ground current measuring
- X4** – TU-OR5: Voltage measuring (0 ... 300 VAC) assembly group with 5 additional Output Relays (NO / Form A)
- X5** – DI8-OR4: Assembly Group with 8 Digital Inputs and 4 Output Relays (NO / Form A)
- X6** – DI8-OR4: Assembly Group with 8 Digital Inputs and 4 Output Relays (NO / Form A)
- X102** – Long-distance Protection Communication, Fiber optics interface, LC Connector
- X103** – Modbus TCP / IEC 60870-5-104 / DNP3.0 TCP/UDP, Redundant Fiber optics interface, LC Connector
- X104** – IRIG-B00X, incl. System Contact (Supervision Contact)

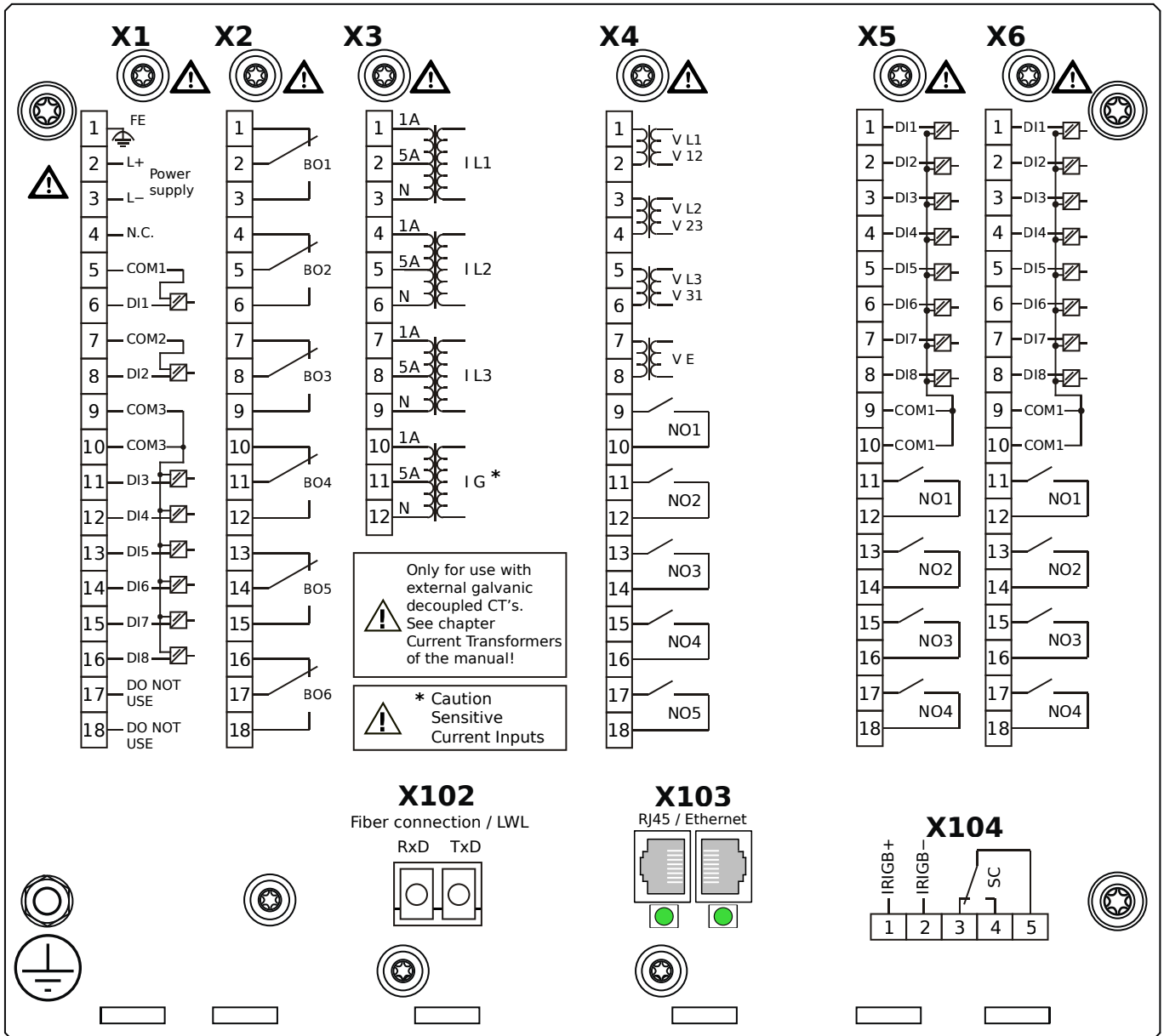
MCDLV4-2E1A0PA



Housing B2, large display, door mounting

- X1** – DI8-X1: Wide-range power supply unit, incl. 2 non-grouped digital inputs and 6 grouped digital inputs
- X2** – OR6: Assembly Group with 6 Output Relays (Changeover / Form C)
- X3** – TIs: Standard phase current measuring card and sensitive ground current measuring
- X4** – TU-OR5: Voltage measuring (0 ... 300 VAC) assembly group with 5 additional Output Relays (NO / Form A)
- X5** – DI8-OR4: Assembly Group with 8 Digital Inputs and 4 Output Relays (NO / Form A)
- X6** – DI8-OR4: Assembly Group with 8 Digital Inputs and 4 Output Relays (NO / Form A)
- X102** – Long-distance Protection Communication, Fiber optics interface, LC Connector
- X103** – Modbus TCP / IEC 60870-5-104 / DNP3.0 TCP/UDP, Redundant Ethernet interface, 100 Mbit/s, RJ45 (BASE100-FX)
- X104** – IRIG-B00X, incl. System Contact (Supervision Contact)

MCDLV4-2E1A0PB

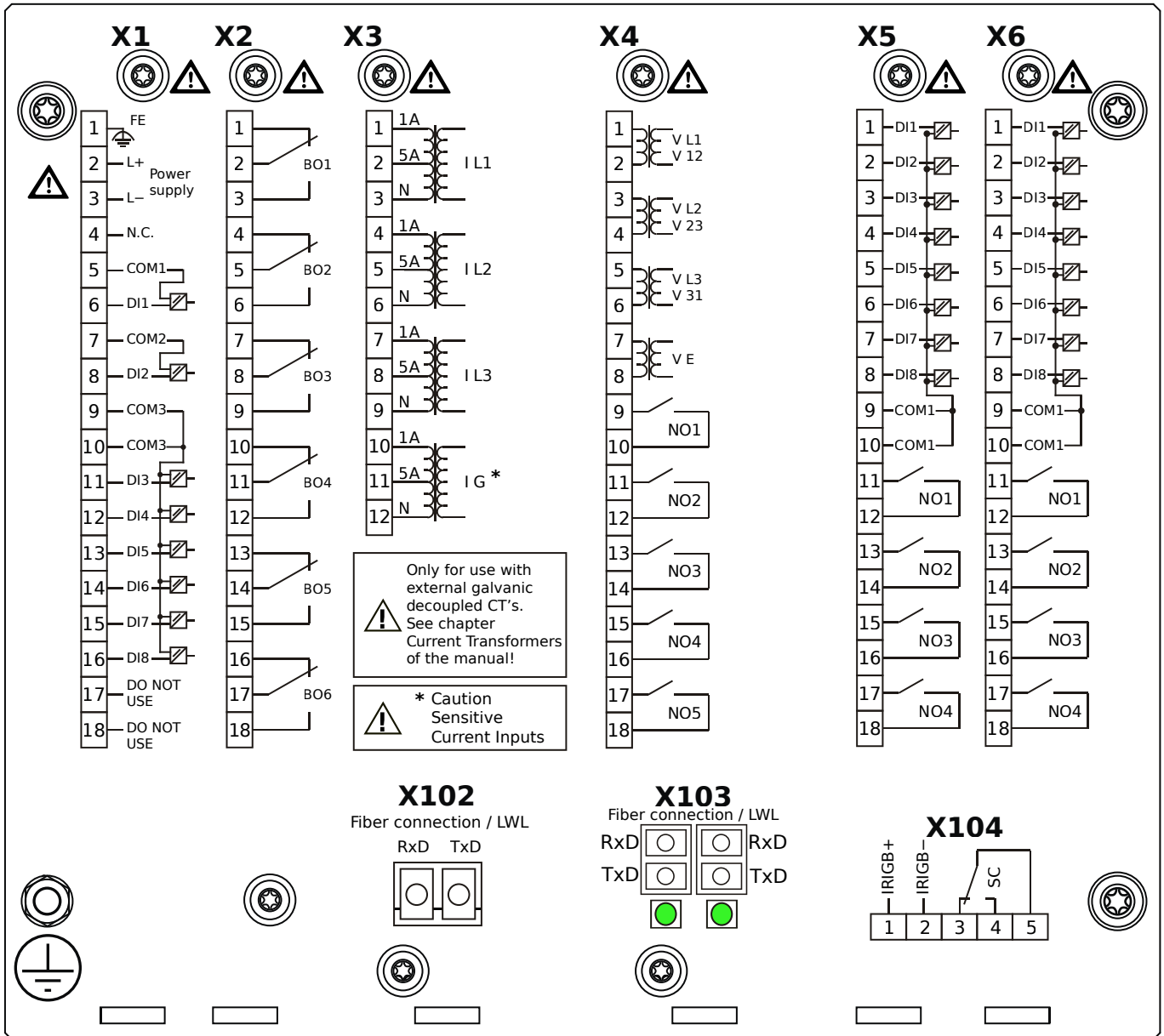


Housing B2, large display, door mounting

+ Conformal Coating (for installations in harsh environment)

- X1** – DI8-X1: Wide-range power supply unit, incl. 2 non-grouped digital inputs and 6 grouped digital inputs
- X2** – OR6: Assembly Group with 6 Output Relays (Changeover / Form C)
- X3** – TIs: Standard phase current measuring card and sensitive ground current measuring
- X4** – TU-OR5: Voltage measuring (0 ... 300 VAC) assembly group with 5 additional Output Relays (NO / Form A)
- X5** – DI8-OR4: Assembly Group with 8 Digital Inputs and 4 Output Relays (NO / Form A)
- X6** – DI8-OR4: Assembly Group with 8 Digital Inputs and 4 Output Relays (NO / Form A)
- X102** – Long-distance Protection Communication, Fiber optics interface, LC Connector
- X103** – Modbus TCP / IEC 60870-5-104 / DNP3.0 TCP/UDP, Redundant Ethernet interface, 100 Mbit/s, RJ45 (BASE100-FX)
- X104** – IRIG-B00X, incl. System Contact (Supervision Contact)

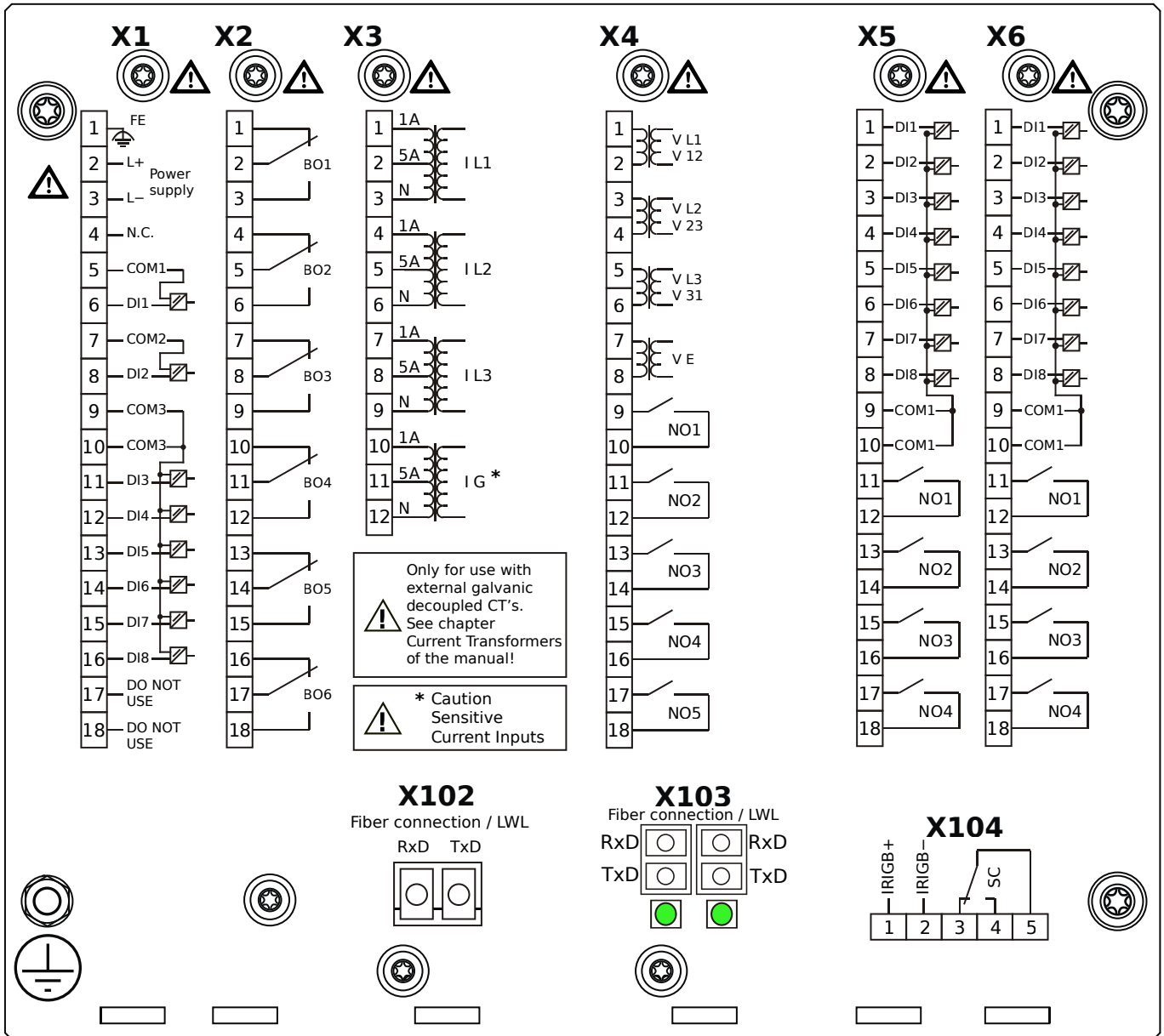
MCDLV4-2E1A0QA



Housing B2, large display, door mounting

- X1** – DI8-X1: Wide-range power supply unit, incl. 2 non-grouped digital inputs and 6 grouped digital inputs
- X2** – OR6: Assembly Group with 6 Output Relays (Changeover / Form C)
- X3** – TIs: Standard phase current measuring card and sensitive ground current measuring
- X4** – TU-OR5: Voltage measuring (0 ... 300 VAC) assembly group with 5 additional Output Relays (NO / Form A)
- X5** – DI8-OR4: Assembly Group with 8 Digital Inputs and 4 Output Relays (NO / Form A)
- X6** – DI8-OR4: Assembly Group with 8 Digital Inputs and 4 Output Relays (NO / Form A)
- X102** – Long-distance Protection Communication, Fiber optics interface, LC Connector
- X103** – IEC 61850 / Modbus TCP / IEC 60870-5-104 / DNP3.0 TCP/UDP, Redundant Fiber optics interface, LC Connector
- X104** – IRIG-B00X, incl. System Contact (Supervision Contact)

MCDLV4-2E1A0QB

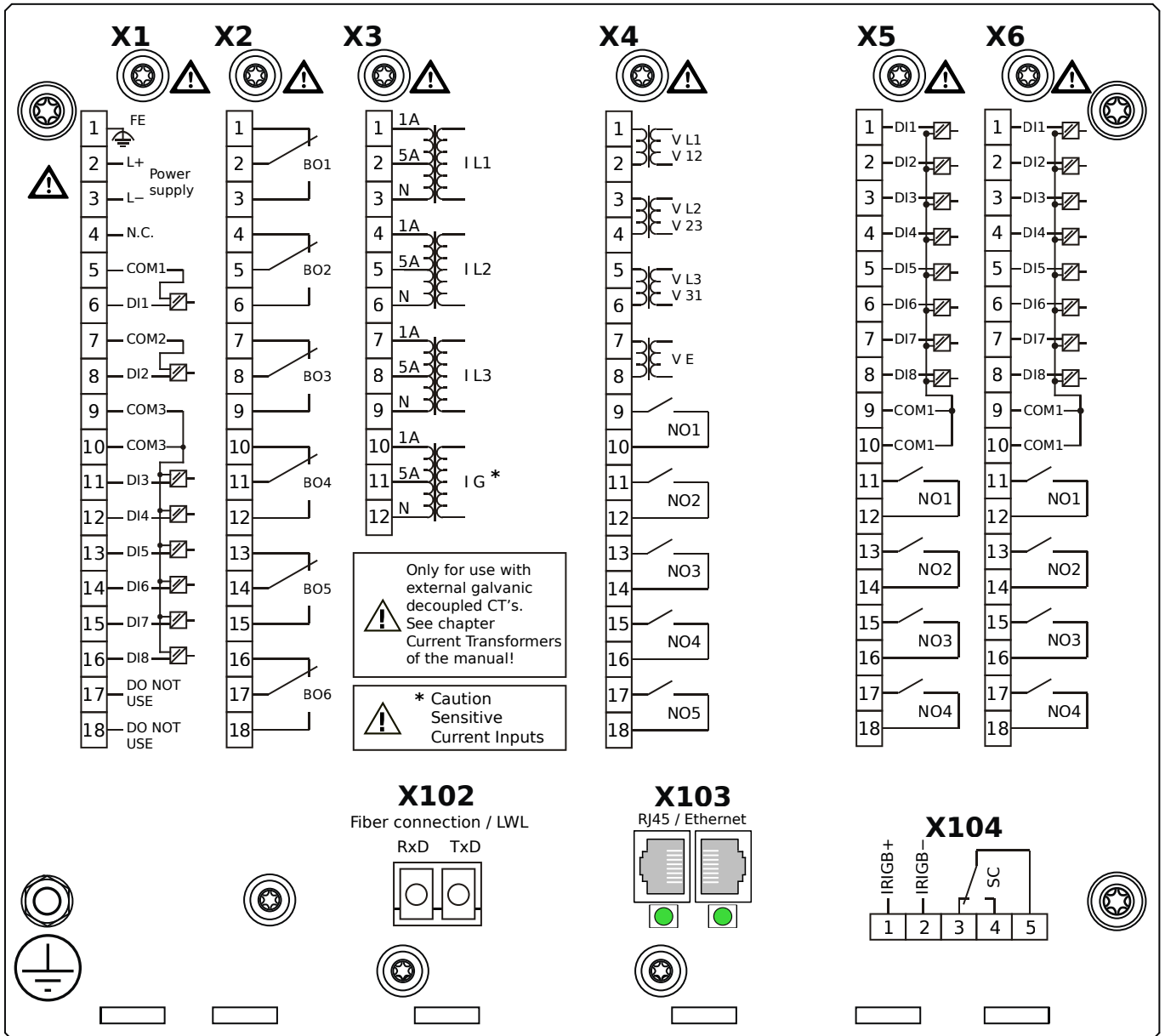


Housing B2, large display, door mounting

+ Conformal Coating (for installations in harsh environment)

- X1** – DI8-X1: Wide-range power supply unit, incl. 2 non-grouped digital inputs and 6 grouped digital inputs
- X2** – OR6: Assembly Group with 6 Output Relays (Changeover / Form C)
- X3** – TIs: Standard phase current measuring card and sensitive ground current measuring
- X4** – TU-OR5: Voltage measuring (0 ... 300 VAC) assembly group with 5 additional Output Relays (NO / Form A)
- X5** – DI8-OR4: Assembly Group with 8 Digital Inputs and 4 Output Relays (NO / Form A)
- X6** – DI8-OR4: Assembly Group with 8 Digital Inputs and 4 Output Relays (NO / Form A)
- X102** – Long-distance Protection Communication, Fiber optics interface, LC Connector
- X103** – IEC 61850 / Modbus TCP / IEC 60870-5-104 / DNP3.0 TCP/UDP, Redundant Fiber optics interface, LC Connector
- X104** – IRIG-B00X, incl. System Contact (Supervision Contact)

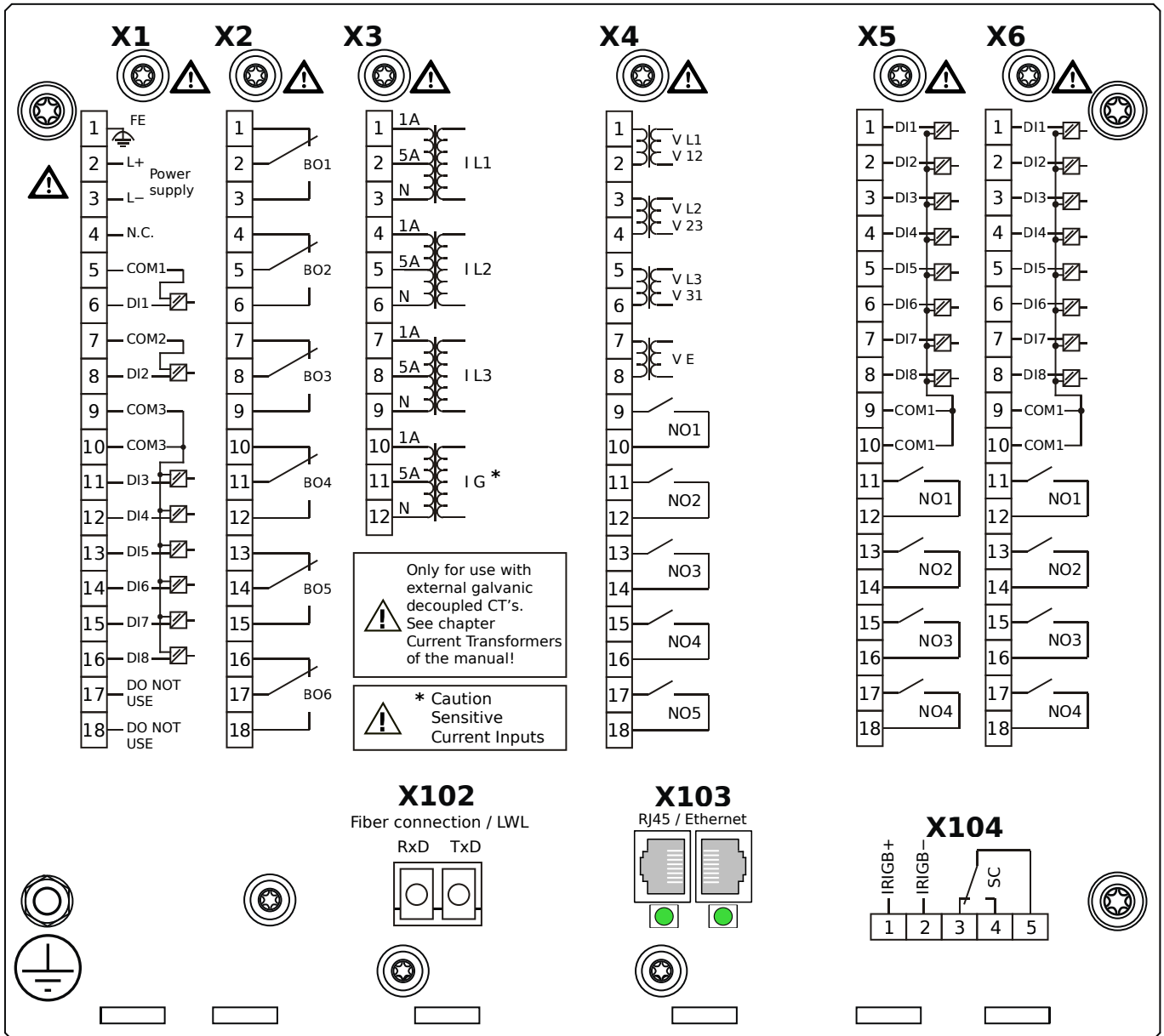
MCDLV4-2E1A0RA



Housing B2, large display, door mounting

- X1** – DI8-X1: Wide-range power supply unit, incl. 2 non-grouped digital inputs and 6 grouped digital inputs
- X2** – OR6: Assembly Group with 6 Output Relays (Changeover / Form C)
- X3** – TIs: Standard phase current measuring card and sensitive ground current measuring
- X4** – TU-OR5: Voltage measuring (0 ... 300 VAC) assembly group with 5 additional Output Relays (NO / Form A)
- X5** – DI8-OR4: Assembly Group with 8 Digital Inputs and 4 Output Relays (NO / Form A)
- X6** – DI8-OR4: Assembly Group with 8 Digital Inputs and 4 Output Relays (NO / Form A)
- X102** – Long-distance Protection Communication, Fiber optics interface, LC Connector
- X103** – IEC 61850 / Modbus TCP / IEC 60870-5-104 / DNP3.0 TCP/UDP, Redundant Ethernet interface, 100 Mbit/s, RJ45 (BASE100-FX)
- X104** – IRIG-B00X, incl. System Contact (Supervision Contact)

MCDLV4-2E1A0RB



Housing B2, large display, door mounting

+ Conformal Coating (for installations in harsh environment)

X1 – DI8-X1: Wide-range power supply unit, incl. 2 non-grouped digital inputs and 6 grouped digital inputs

X2 – OR6: Assembly Group with 6 Output Relays (Changeover / Form C)

X3 – TIs: Standard phase current measuring card and sensitive ground current measuring

X4 – TU-OR5: Voltage measuring (0 ... 300 VAC) assembly group with 5 additional Output Relays (NO / Form A)

X5 – DI8-OR4: Assembly Group with 8 Digital Inputs and 4 Output Relays (NO / Form A)

X6 – DI8-OR4: Assembly Group with 8 Digital Inputs and 4 Output Relays (NO / Form A)

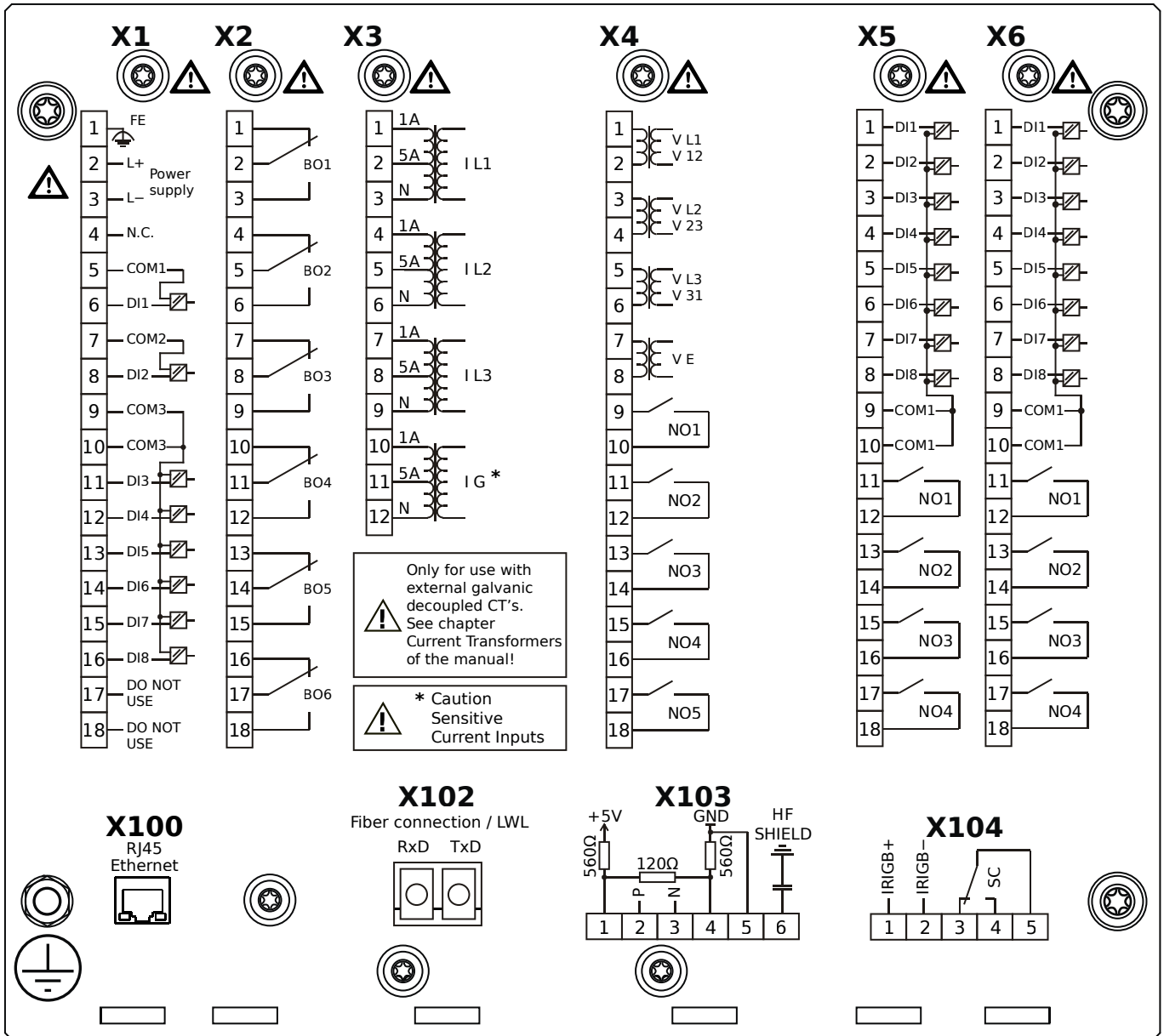
X102 – Long-distance Protection Communication, Fiber optics interface, LC Connector

X103 – IEC 61850 / Modbus TCP / IEC 60870-5-104 / DNP3.0 TCP/UDP, Redundant Ethernet interface, 100 Mbit/s, RJ45

(BASE100-FX)

X104 – IRIG-B00X, incl. System Contact (Supervision Contact)

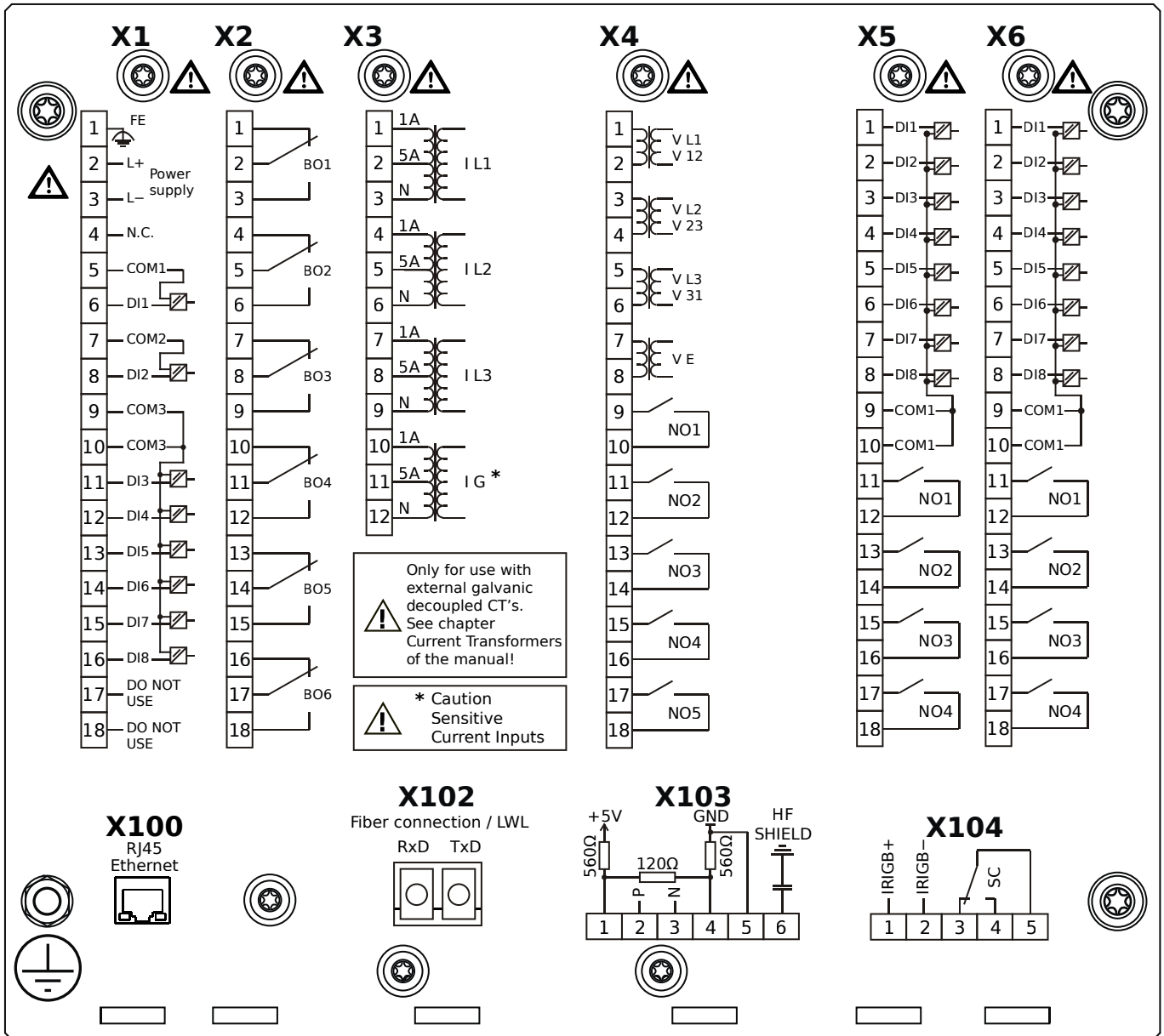
MCDLV4-2E1A0TA



Housing B2, large display, door mounting

- X1** – DI8-X1: Wide-range power supply unit, incl. 2 non-grouped digital inputs and 6 grouped digital inputs
- X2** – OR6: Assembly Group with 6 Output Relays (Changeover / Form C)
- X3** – TIs: Standard phase current measuring card and sensitive ground current measuring
- X4** – TU-OR5: Voltage measuring (0 ... 300 VAC) assembly group with 5 additional Output Relays (NO / Form A)
- X5** – DI8-OR4: Assembly Group with 8 Digital Inputs and 4 Output Relays (NO / Form A)
- X6** – DI8-OR4: Assembly Group with 8 Digital Inputs and 4 Output Relays (NO / Form A)
- X100** – IEC 61850 / Modbus TCP / IEC 60870-5-104 / DNP3.0 TCP/UDP, Ethernet interface, 100 Mbit/s, RJ45 (BASE100-FX)
- X102** – Long-distance Protection Communication, Fiber optics interface, LC Connector
- X103** – IEC 60870-5-103 / Modbus RTU / DNP3.0 RTU, RS485, Terminals
- X104** – IRIG-B00X, incl. System Contact (Supervision Contact)

MCDLV4-2E1A0TB

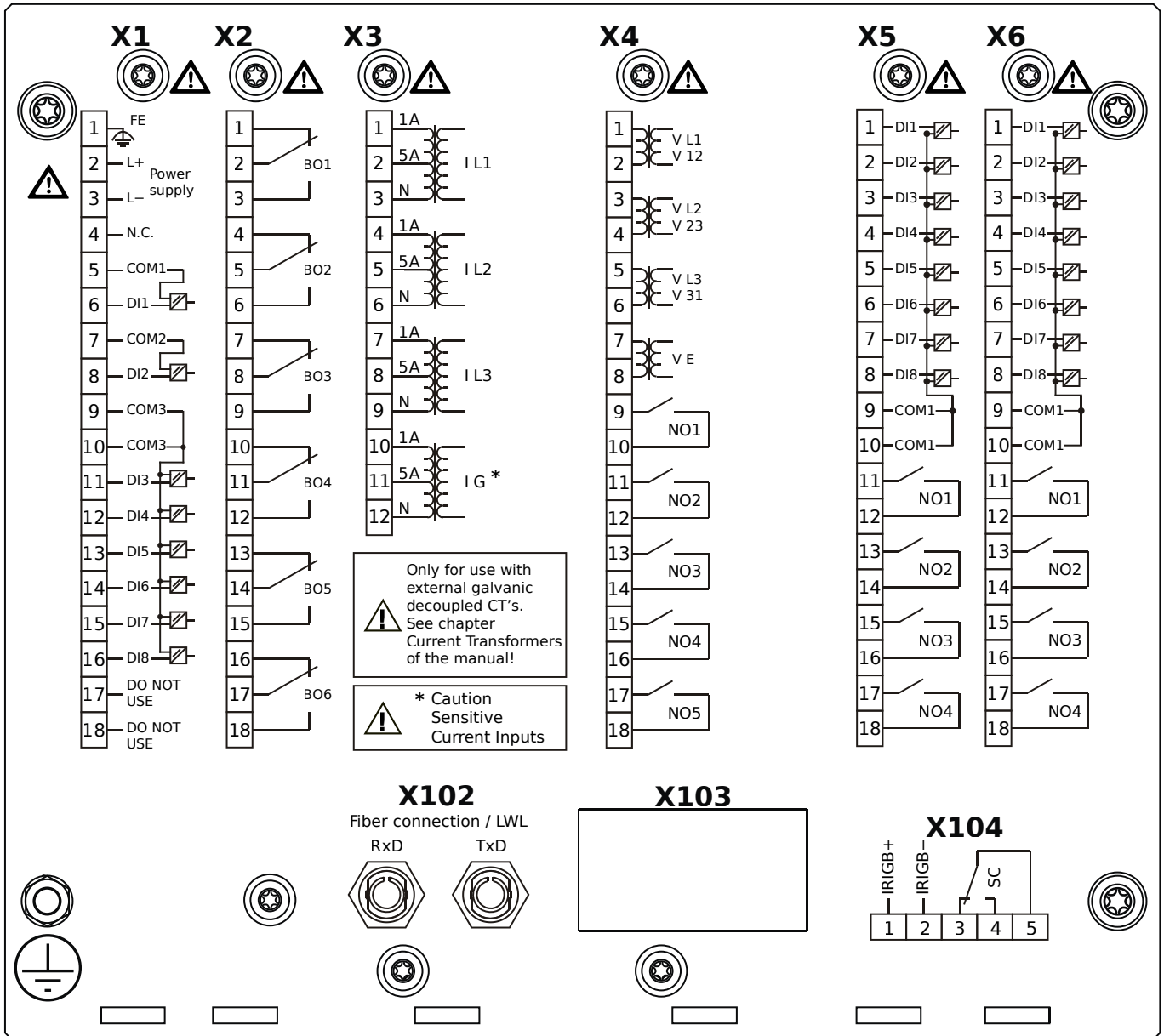


Housing B2, large display, door mounting

+ Conformal Coating (for installations in harsh environment)

- X1** – DI8-X1: Wide-range power supply unit, incl. 2 non-grouped digital inputs and 6 grouped digital inputs
- X2** – OR6: Assembly Group with 6 Output Relays (Changeover / Form C)
- X3** – TIs: Standard phase current measuring card and sensitive ground current measuring
- X4** – TU-OR5: Voltage measuring (0 ... 300 VAC) assembly group with 5 additional Output Relays (NO / Form A)
- X5** – DI8-OR4: Assembly Group with 8 Digital Inputs and 4 Output Relays (NO / Form A)
- X6** – DI8-OR4: Assembly Group with 8 Digital Inputs and 4 Output Relays (NO / Form A)
- X100** – IEC 61850 / Modbus TCP / IEC 60870-5-104 / DNP3.0 TCP/UDP, Ethernet interface, 100 Mbit/s, RJ45 (BASE100-FX)
- X102** – Long-distance Protection Communication, Fiber optics interface, LC Connector
- X103** – IEC 60870-5-103 / Modbus RTU / DNP3.0 RTU, RS485, Terminals
- X104** – IRIG-B00X, incl. System Contact (Supervision Contact)

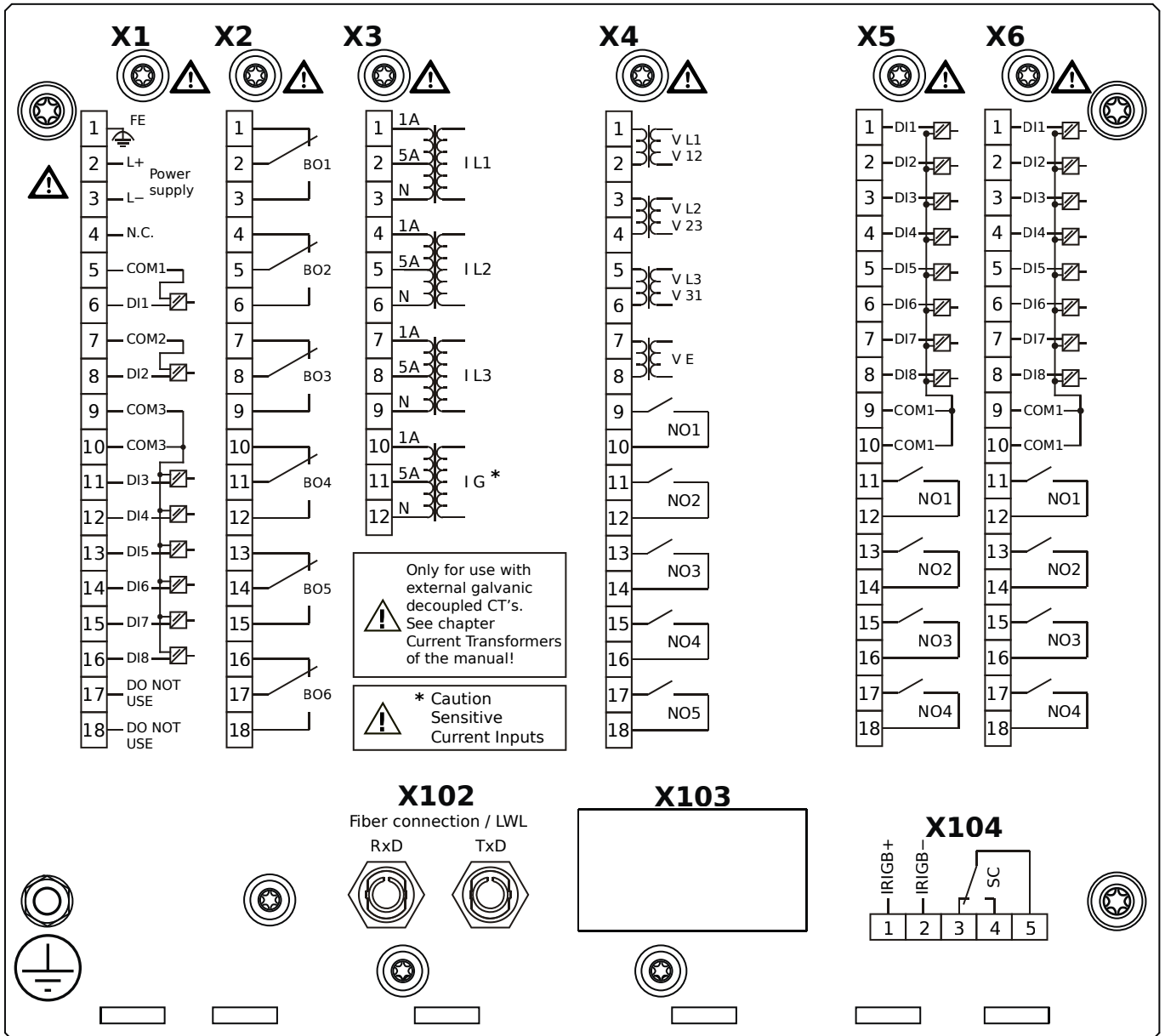
MCDLV4-2E1A1AA



Housing B2, large display, door mounting

- X1** – DI8-X1: Wide-range power supply unit, incl. 2 non-grouped digital inputs and 6 grouped digital inputs
- X2** – OR6: Assembly Group with 6 Output Relays (Changeover / Form C)
- X3** – TIs: Standard phase current measuring card and sensitive ground current measuring
- X4** – TU-OR5: Voltage measuring (0 ... 300 VAC) assembly group with 5 additional Output Relays (NO / Form A)
- X5** – DI8-OR4: Assembly Group with 8 Digital Inputs and 4 Output Relays (NO / Form A)
- X6** – DI8-OR4: Assembly Group with 8 Digital Inputs and 4 Output Relays (NO / Form A)
- X102** – Protection Communication, Fiber optics interface, ST Connector
- X104** – IRIG-B00X, incl. System Contact (Supervision Contact)

MCDLV4-2E1A1AB

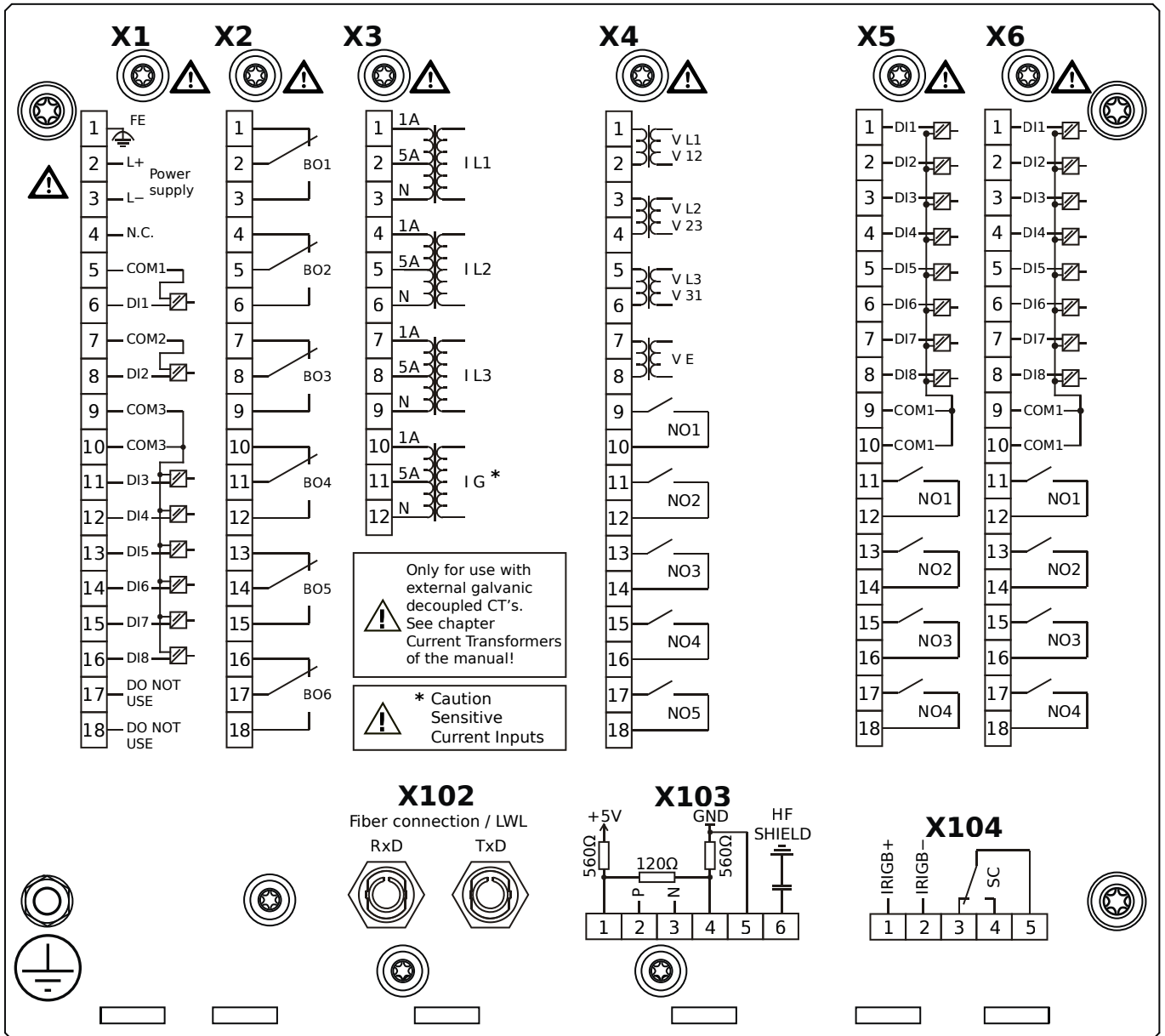


Housing B2, large display, door mounting

+ Conformal Coating (for installations in harsh environment)

- X1** – DI8-X1: Wide-range power supply unit, incl. 2 non-grouped digital inputs and 6 grouped digital inputs
- X2** – OR6: Assembly Group with 6 Output Relays (Changeover / Form C)
- X3** – TIs: Standard phase current measuring card and sensitive ground current measuring
- X4** – TU-OR5: Voltage measuring (0 ... 300 VAC) assembly group with 5 additional Output Relays (NO / Form A)
- X5** – DI8-OR4: Assembly Group with 8 Digital Inputs and 4 Output Relays (NO / Form A)
- X6** – DI8-OR4: Assembly Group with 8 Digital Inputs and 4 Output Relays (NO / Form A)
- X102** – Protection Communication, Fiber optics interface, ST Connector
- X104** – IRIG-B00X, incl. System Contact (Supervision Contact)

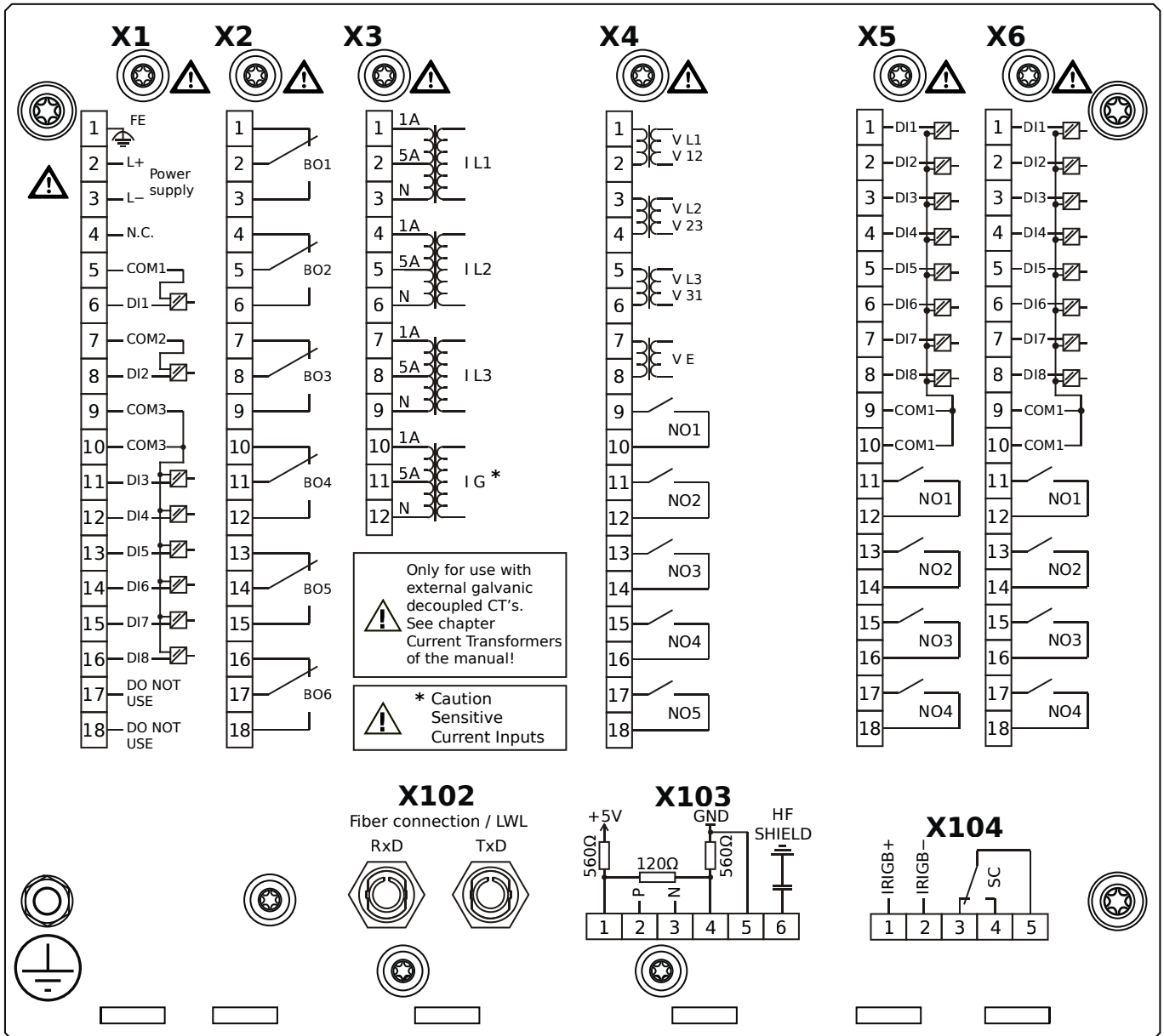
MCDLV4-2E1A1BA



Housing B2, large display, door mounting

- X1** – DI8-X1: Wide-range power supply unit, incl. 2 non-grouped digital inputs and 6 grouped digital inputs
- X2** – OR6: Assembly Group with 6 Output Relays (Changeover / Form C)
- X3** – TIs: Standard phase current measuring card and sensitive ground current measuring
- X4** – TU-OR5: Voltage measuring (0 ... 300 VAC) assembly group with 5 additional Output Relays (NO / Form A)
- X5** – DI8-OR4: Assembly Group with 8 Digital Inputs and 4 Output Relays (NO / Form A)
- X6** – DI8-OR4: Assembly Group with 8 Digital Inputs and 4 Output Relays (NO / Form A)
- X102** – Protection Communication, Fiber optics interface, ST Connector
- X103** – Modbus RTU / IEC 60870-5-103 / DNP3.0 RTU, RS485, Terminals
- X104** – IRIG-B00X, incl. System Contact (Supervision Contact)

MCDLV4-2E1A1BB

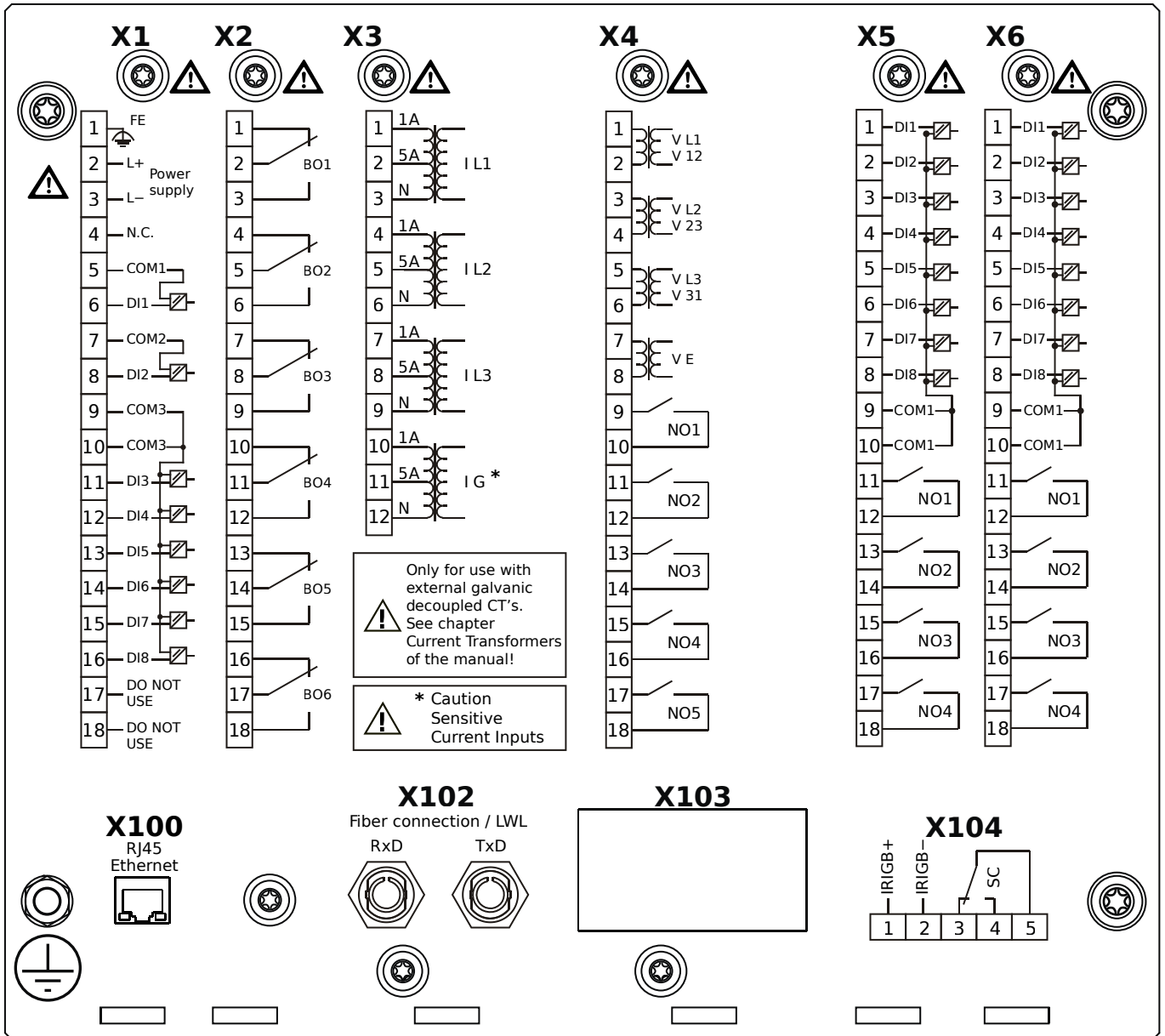


Housing B2, large display, door mounting

+ Conformal Coating (for installations in harsh environment)

- X1** – DI8-X1: Wide-range power supply unit, incl. 2 non-grouped digital inputs and 6 grouped digital inputs
- X2** – OR6: Assembly Group with 6 Output Relays (Changeover / Form C)
- X3** – TIs: Standard phase current measuring card and sensitive ground current measuring
- X4** – TU-OR5: Voltage measuring (0 ... 300 VAC) assembly group with 5 additional Output Relays (NO / Form A)
- X5** – DI8-OR4: Assembly Group with 8 Digital Inputs and 4 Output Relays (NO / Form A)
- X6** – DI8-OR4: Assembly Group with 8 Digital Inputs and 4 Output Relays (NO / Form A)
- X102** – Protection Communication, Fiber optics interface, ST Connector
- X103** – Modbus RTU / IEC 60870-5-103 / DNP3.0 RTU, RS485, Terminals
- X104** – IRIG-B00X, incl. System Contact (Supervision Contact)

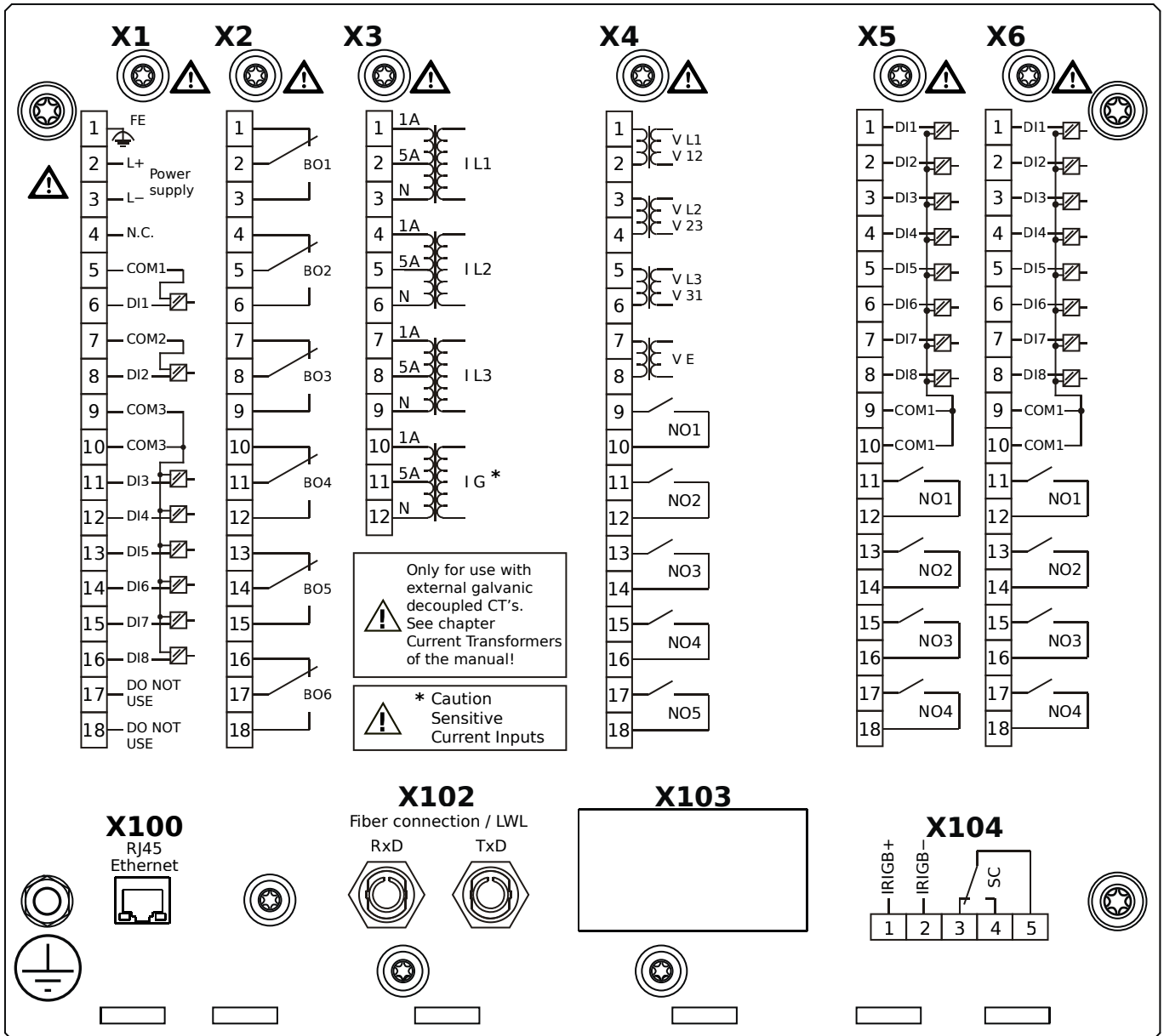
MCDLV4-2E1A1CA



Housing B2, large display, door mounting

- X1** – DI8-X1: Wide-range power supply unit, incl. 2 non-grouped digital inputs and 6 grouped digital inputs
- X2** – OR6: Assembly Group with 6 Output Relays (Changeover / Form C)
- X3** – TIs: Standard phase current measuring card and sensitive ground current measuring
- X4** – TU-OR5: Voltage measuring (0 ... 300 VAC) assembly group with 5 additional Output Relays (NO / Form A)
- X5** – DI8-OR4: Assembly Group with 8 Digital Inputs and 4 Output Relays (NO / Form A)
- X6** – DI8-OR4: Assembly Group with 8 Digital Inputs and 4 Output Relays (NO / Form A)
- X100** – Modbus TCP / IEC 60870-5-104 / DNP3.0 TCP/UDP, Ethernet interface, 100 Mbit/s, RJ45 (BASE100-FX)
- X102** – Protection Communication, Fiber optics interface, ST Connector
- X104** – IRIG-B00X, incl. System Contact (Supervision Contact)

MCDLV4-2E1A1CB

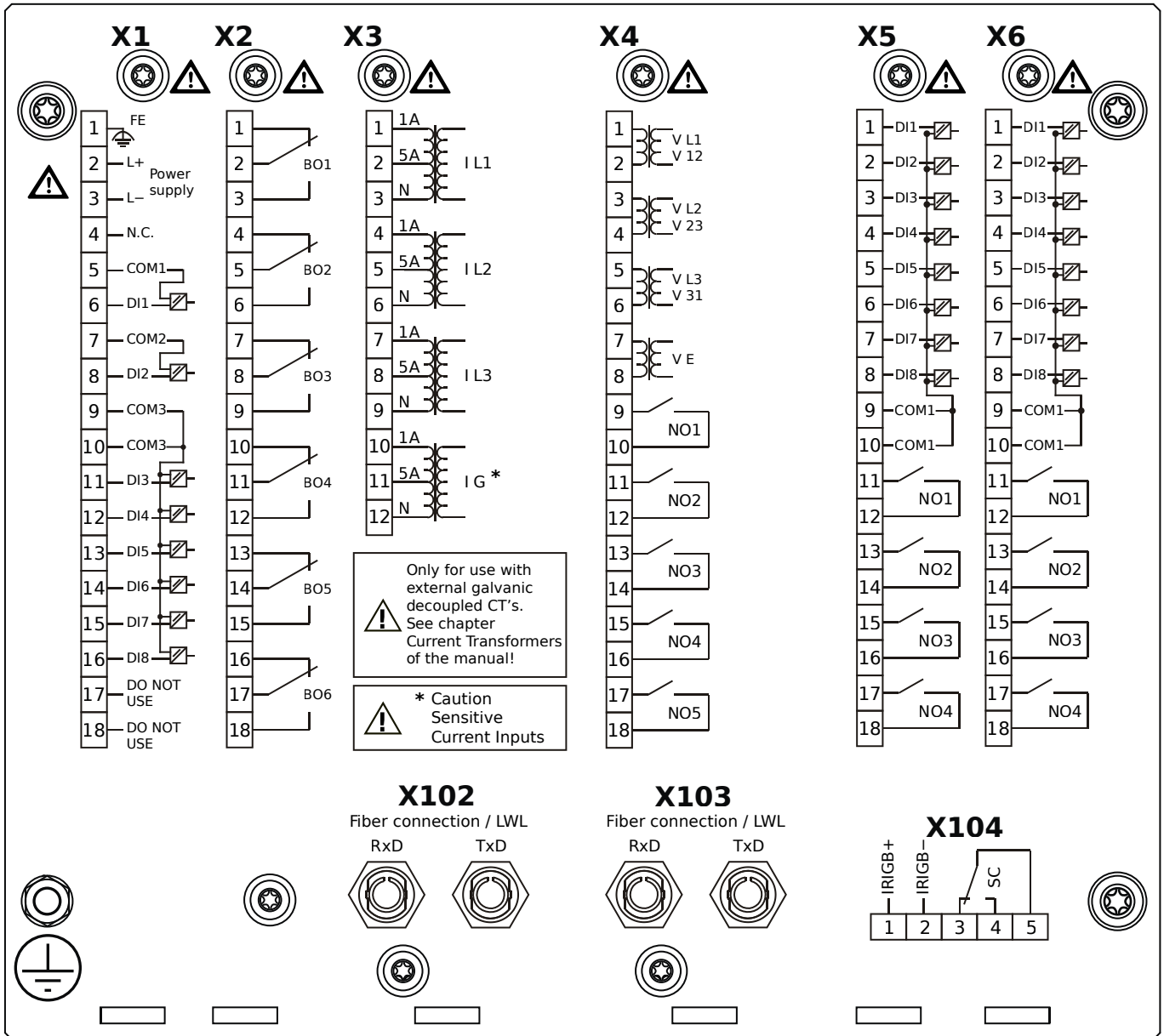


Housing B2, large display, door mounting

+ Conformal Coating (for installations in harsh environment)

- X1** – DI8-X1: Wide-range power supply unit, incl. 2 non-grouped digital inputs and 6 grouped digital inputs
- X2** – OR6: Assembly Group with 6 Output Relays (Changeover / Form C)
- X3** – TIs: Standard phase current measuring card and sensitive ground current measuring
- X4** – TU-OR5: Voltage measuring (0 ... 300 VAC) assembly group with 5 additional Output Relays (NO / Form A)
- X5** – DI8-OR4: Assembly Group with 8 Digital Inputs and 4 Output Relays (NO / Form A)
- X6** – DI8-OR4: Assembly Group with 8 Digital Inputs and 4 Output Relays (NO / Form A)
- X100** – Modbus TCP / IEC 60870-5-104 / DNP3.0 TCP/UDP, Ethernet interface, 100 Mbit/s, RJ45 (BASE100-FX)
- X102** – Protection Communication, Fiber optics interface, ST Connector
- X104** – IRIG-B00X, incl. System Contact (Supervision Contact)

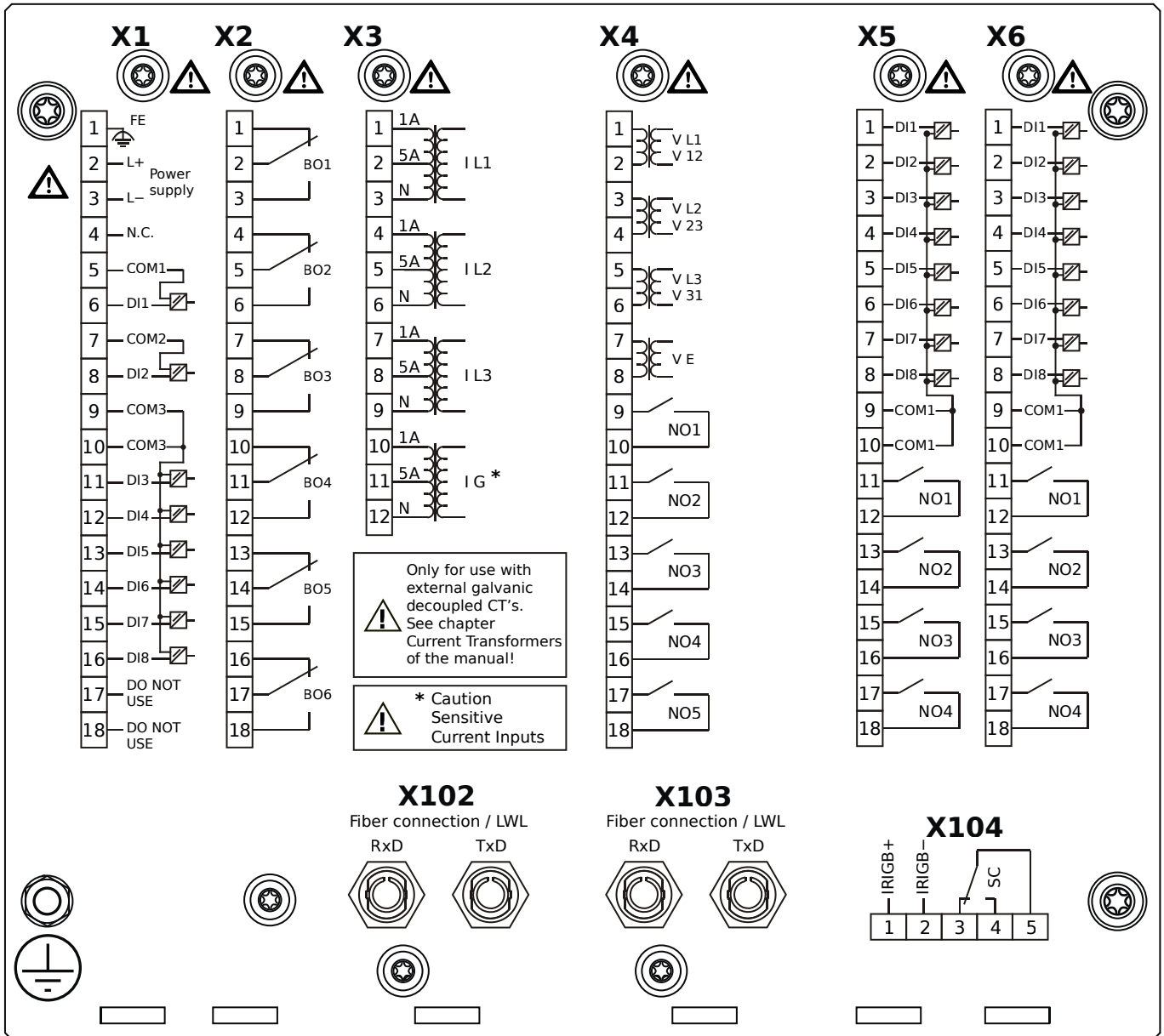
MCDLV4-2E1A1DA



Housing B2, large display, door mounting

- X1** – DI8-X1: Wide-range power supply unit, incl. 2 non-grouped digital inputs and 6 grouped digital inputs
- X2** – OR6: Assembly Group with 6 Output Relays (Changeover / Form C)
- X3** – TIs: Standard phase current measuring card and sensitive ground current measuring
- X4** – TU-OR5: Voltage measuring (0 ... 300 VAC) assembly group with 5 additional Output Relays (NO / Form A)
- X5** – DI8-OR4: Assembly Group with 8 Digital Inputs and 4 Output Relays (NO / Form A)
- X6** – DI8-OR4: Assembly Group with 8 Digital Inputs and 4 Output Relays (NO / Form A)
- X102** – Protection Communication, Fiber optics interface, ST Connector
- X103** – Profibus-DP, Fiber optics interface, ST Connector
- X104** – IRIG-B00X, incl. System Contact (Supervision Contact)

MCDLV4-2E1A1DB

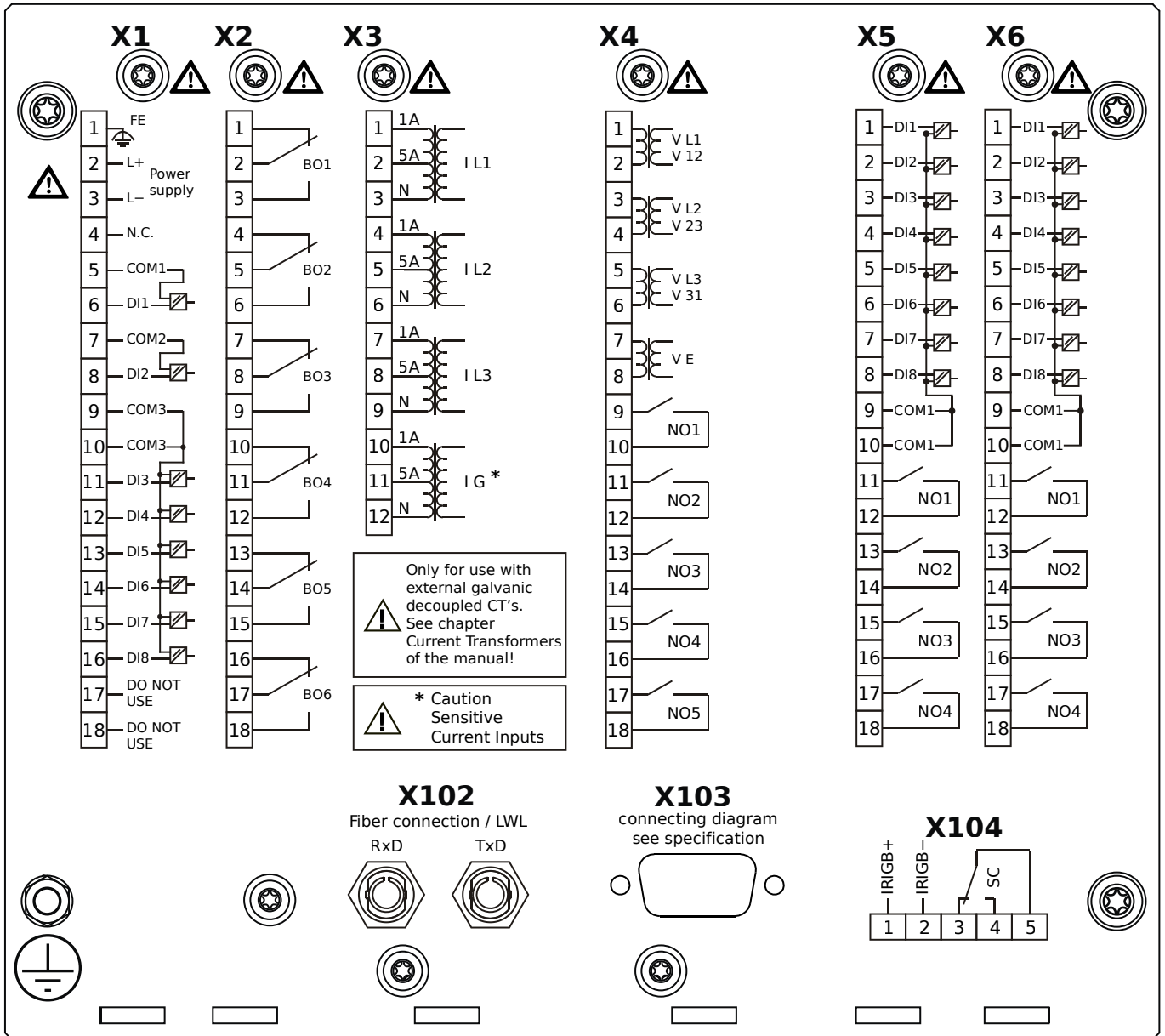


Housing B2, large display, door mounting

+ Conformal Coating (for installations in harsh environment)

- X1** – DI8-X1: Wide-range power supply unit, incl. 2 non-grouped digital inputs and 6 grouped digital inputs
- X2** – OR6: Assembly Group with 6 Output Relays (Changeover / Form C)
- X3** – TIs: Standard phase current measuring card and sensitive ground current measuring
- X4** – TU-OR5: Voltage measuring (0 ... 300 VAC) assembly group with 5 additional Output Relays (NO / Form A)
- X5** – DI8-OR4: Assembly Group with 8 Digital Inputs and 4 Output Relays (NO / Form A)
- X6** – DI8-OR4: Assembly Group with 8 Digital Inputs and 4 Output Relays (NO / Form A)
- X102** – Protection Communication, Fiber optics interface, ST Connector
- X103** – Profibus-DP, Fiber optics interface, ST Connector
- X104** – IRIG-B00X, incl. System Contact (Supervision Contact)

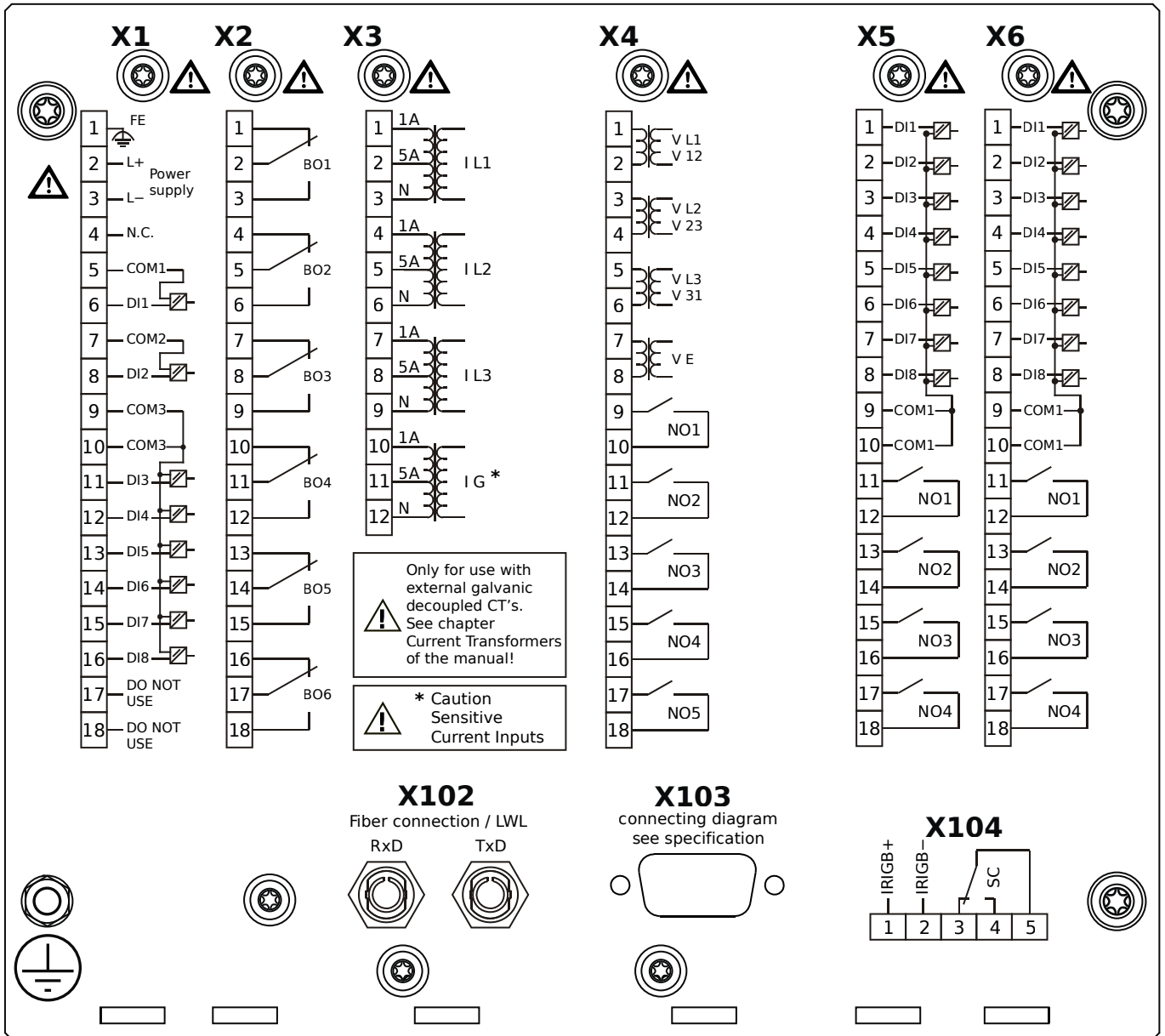
MCDLV4-2E1A1EA



Housing B2, large display, door mounting

- X1** – DI8-X1: Wide-range power supply unit, incl. 2 non-grouped digital inputs and 6 grouped digital inputs
- X2** – OR6: Assembly Group with 6 Output Relays (Changeover / Form C)
- X3** – TIs: Standard phase current measuring card and sensitive ground current measuring
- X4** – TU-OR5: Voltage measuring (0 ... 300 VAC) assembly group with 5 additional Output Relays (NO / Form A)
- X5** – DI8-OR4: Assembly Group with 8 Digital Inputs and 4 Output Relays (NO / Form A)
- X6** – DI8-OR4: Assembly Group with 8 Digital Inputs and 4 Output Relays (NO / Form A)
- X102** – Protection Communication, Fiber optics interface, ST Connector
- X103** – Profibus-DP, RS485, D-SUB
- X104** – IRIG-B00X, incl. System Contact (Supervision Contact)

MCDLV4-2E1A1EB

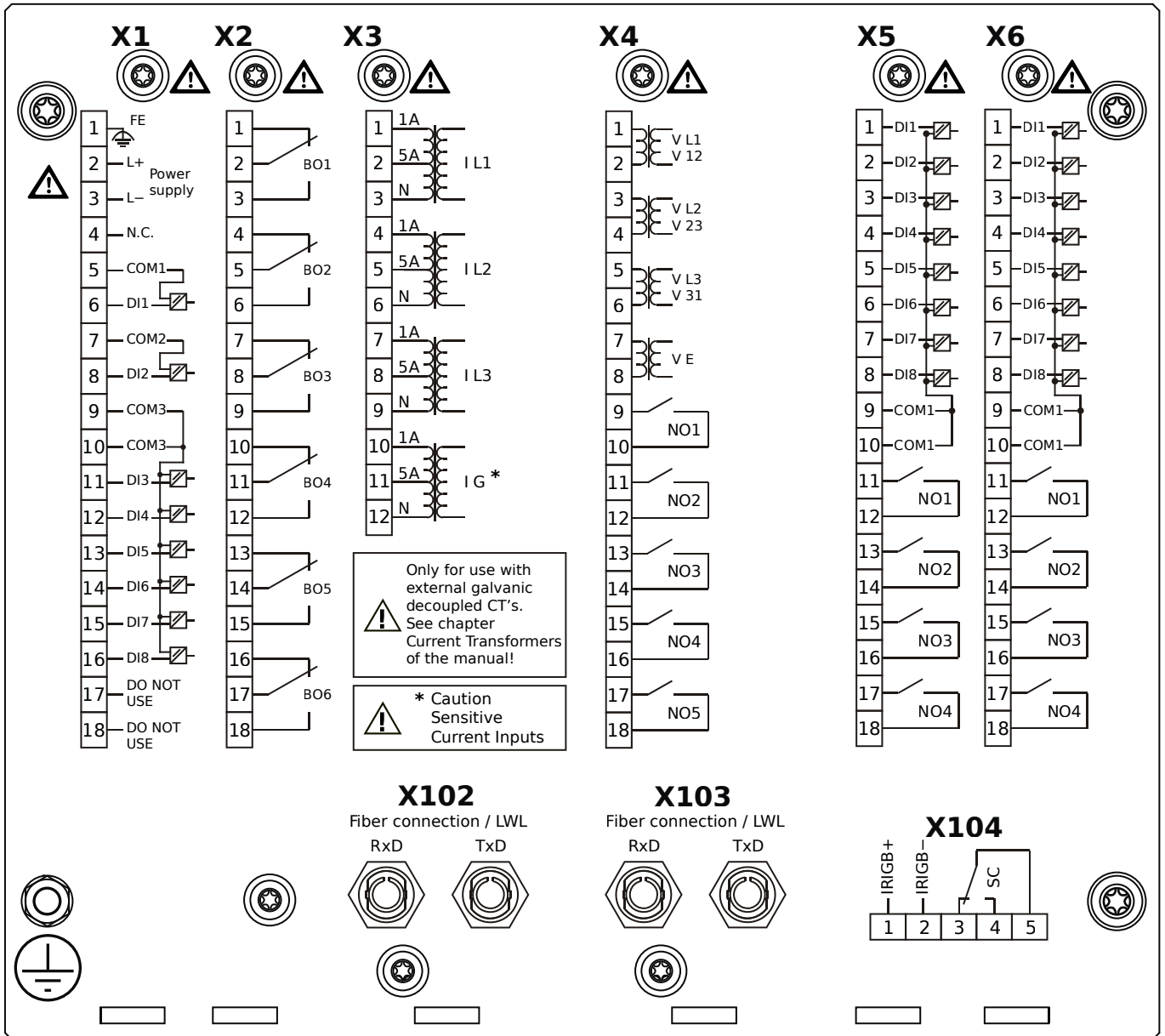


Housing B2, large display, door mounting

+ Conformal Coating (for installations in harsh environment)

- X1** – DI8-X1: Wide-range power supply unit, incl. 2 non-grouped digital inputs and 6 grouped digital inputs
- X2** – OR6: Assembly Group with 6 Output Relays (Changeover / Form C)
- X3** – TIs: Standard phase current measuring card and sensitive ground current measuring
- X4** – TU-OR5: Voltage measuring (0 ... 300 VAC) assembly group with 5 additional Output Relays (NO / Form A)
- X5** – DI8-OR4: Assembly Group with 8 Digital Inputs and 4 Output Relays (NO / Form A)
- X6** – DI8-OR4: Assembly Group with 8 Digital Inputs and 4 Output Relays (NO / Form A)
- X102** – Protection Communication, Fiber optics interface, ST Connector
- X103** – Profibus-DP, RS485, D-SUB
- X104** – IRIG-B00X, incl. System Contact (Supervision Contact)

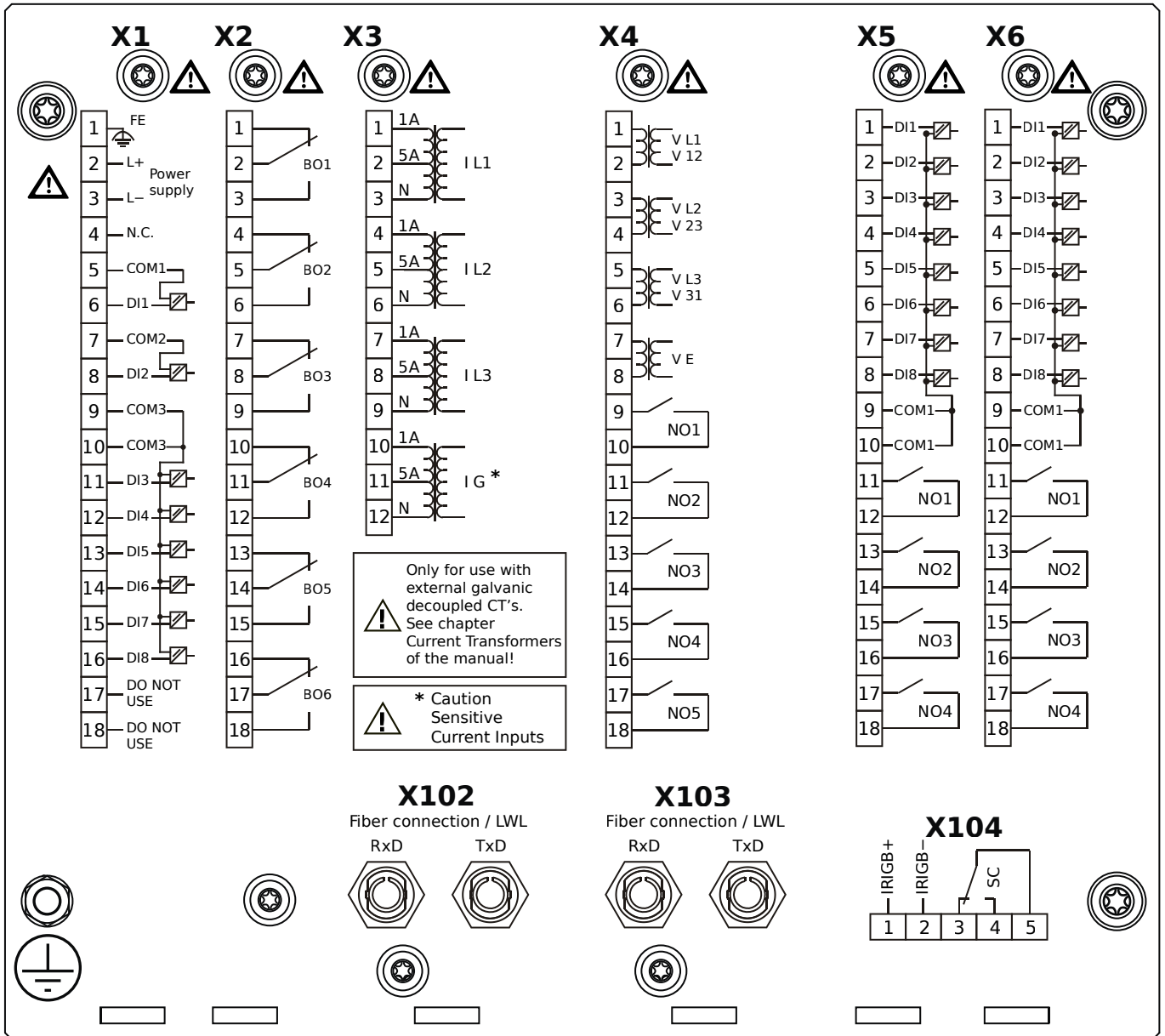
MCDLV4-2E1A1FA



Housing B2, large display, door mounting

- X1** – DI8-X1: Wide-range power supply unit, incl. 2 non-grouped digital inputs and 6 grouped digital inputs
- X2** – OR6: Assembly Group with 6 Output Relays (Changeover / Form C)
- X3** – TIs: Standard phase current measuring card and sensitive ground current measuring
- X4** – TU-OR5: Voltage measuring (0 ... 300 VAC) assembly group with 5 additional Output Relays (NO / Form A)
- X5** – DI8-OR4: Assembly Group with 8 Digital Inputs and 4 Output Relays (NO / Form A)
- X6** – DI8-OR4: Assembly Group with 8 Digital Inputs and 4 Output Relays (NO / Form A)
- X102** – Protection Communication, Fiber optics interface, ST Connector
- X103** – Modbus RTU / IEC 60870-5-103 / DNP3.0 RTU, Fiber optics interface, ST Connector
- X104** – IRIG-B00X, incl. System Contact (Supervision Contact)

MCDLV4-2E1A1FB

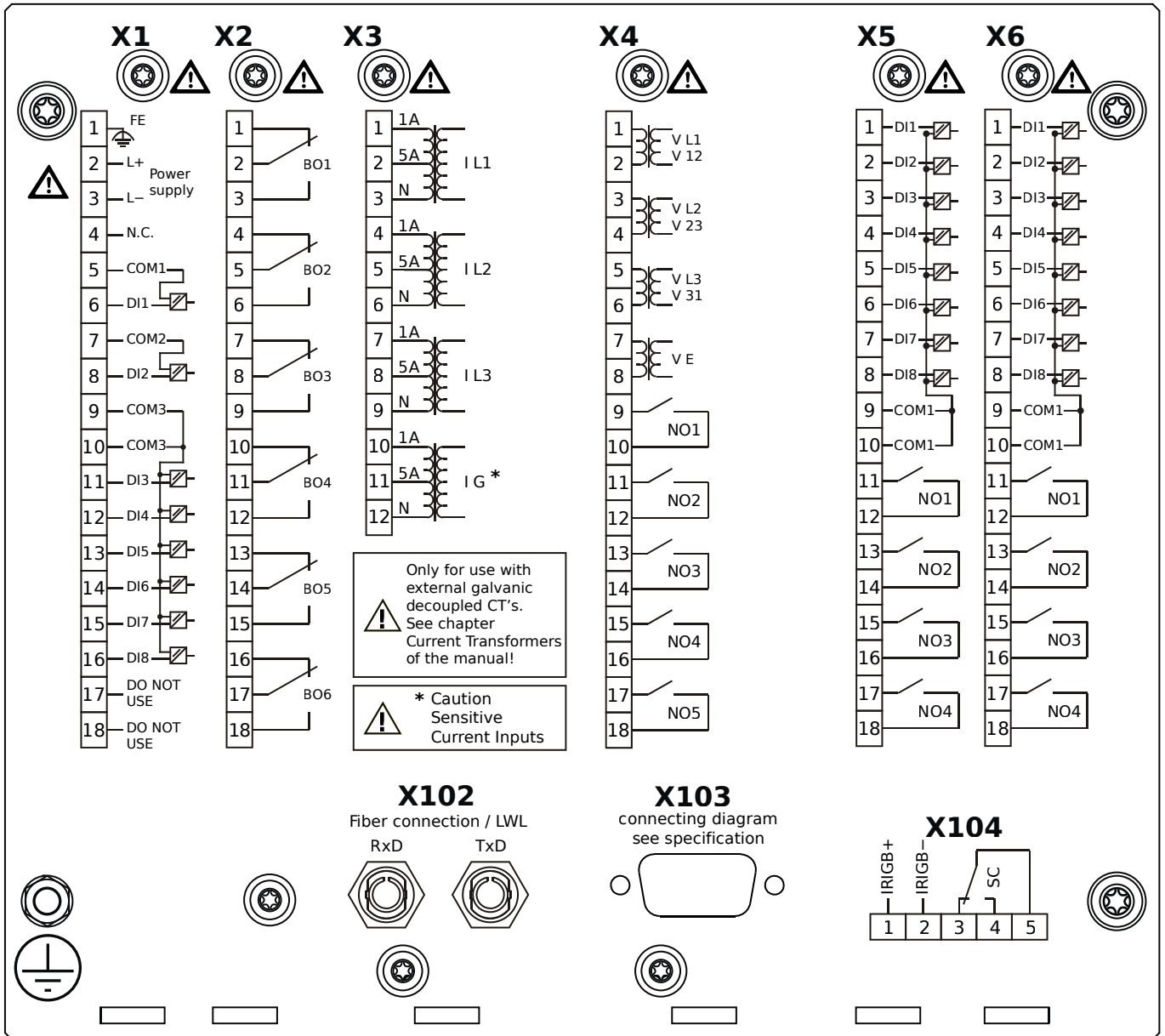


Housing B2, large display, door mounting

+ Conformal Coating (for installations in harsh environment)

- X1** – DI8-X1: Wide-range power supply unit, incl. 2 non-grouped digital inputs and 6 grouped digital inputs
- X2** – OR6: Assembly Group with 6 Output Relays (Changeover / Form C)
- X3** – TIs: Standard phase current measuring card and sensitive ground current measuring
- X4** – TU-OR5: Voltage measuring (0 ... 300 VAC) assembly group with 5 additional Output Relays (NO / Form A)
- X5** – DI8-OR4: Assembly Group with 8 Digital Inputs and 4 Output Relays (NO / Form A)
- X6** – DI8-OR4: Assembly Group with 8 Digital Inputs and 4 Output Relays (NO / Form A)
- X102** – Protection Communication, Fiber optics interface, ST Connector
- X103** – Modbus RTU / IEC 60870-5-103 / DNP3.0 RTU, Fiber optics interface, ST Connector
- X104** – IRIG-B00X, incl. System Contact (Supervision Contact)

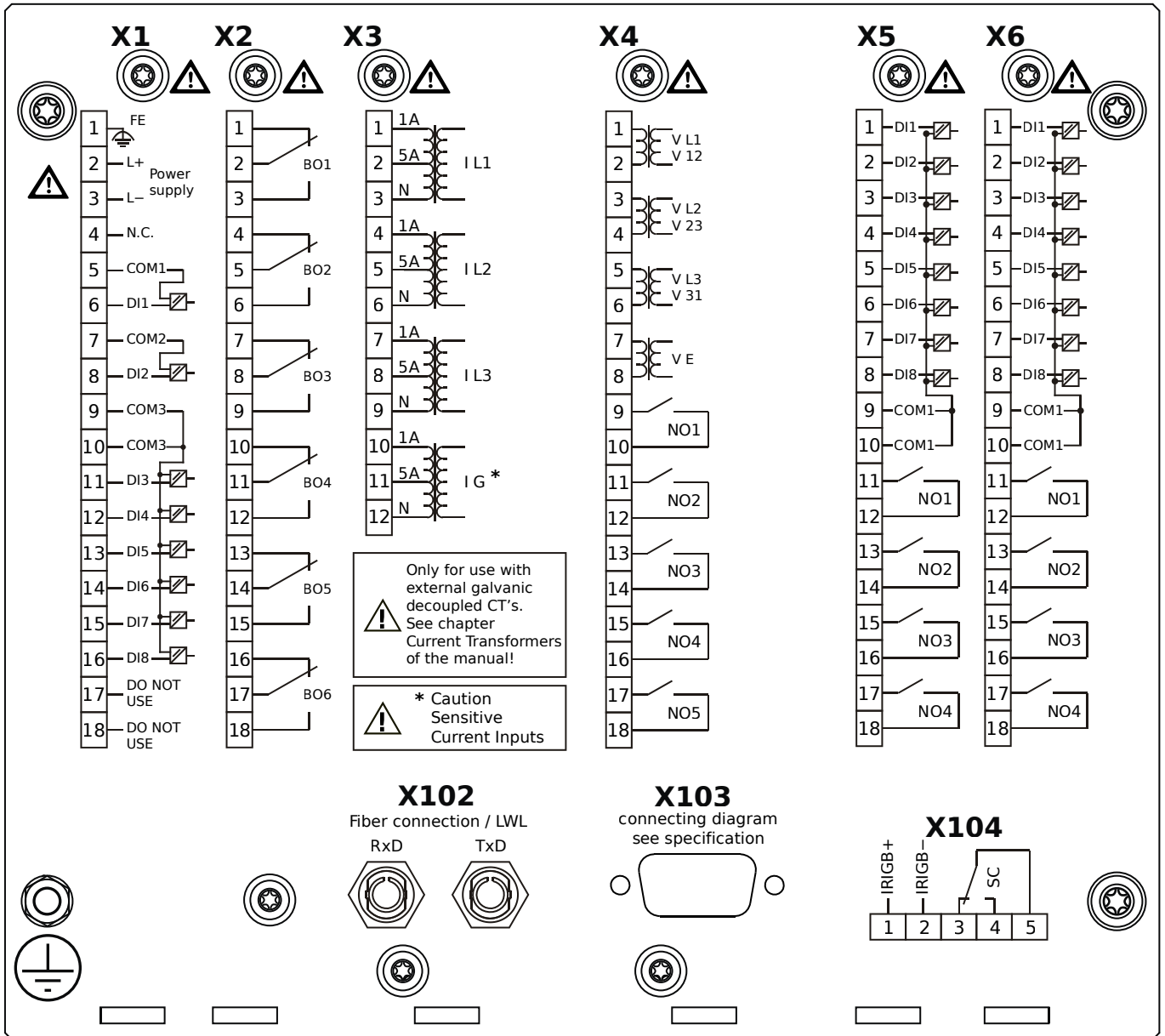
MCDLV4-2E1A1GA



Housing B2, large display, door mounting

- X1** – DI8-X1: Wide-range power supply unit, incl. 2 non-grouped digital inputs and 6 grouped digital inputs
- X2** – OR6: Assembly Group with 6 Output Relays (Changeover / Form C)
- X3** – TIs: Standard phase current measuring card and sensitive ground current measuring
- X4** – TU-OR5: Voltage measuring (0 ... 300 VAC) assembly group with 5 additional Output Relays (NO / Form A)
- X5** – DI8-OR4: Assembly Group with 8 Digital Inputs and 4 Output Relays (NO / Form A)
- X6** – DI8-OR4: Assembly Group with 8 Digital Inputs and 4 Output Relays (NO / Form A)
- X102** – Protection Communication, Fiber optics interface, ST Connector
- X103** – Modbus RTU / IEC 60870-5-103 / DNP3.0 RTU, RS485, D-SUB
- X104** – IRIG-B00X, incl. System Contact (Supervision Contact)

MCDLV4-2E1A1GB

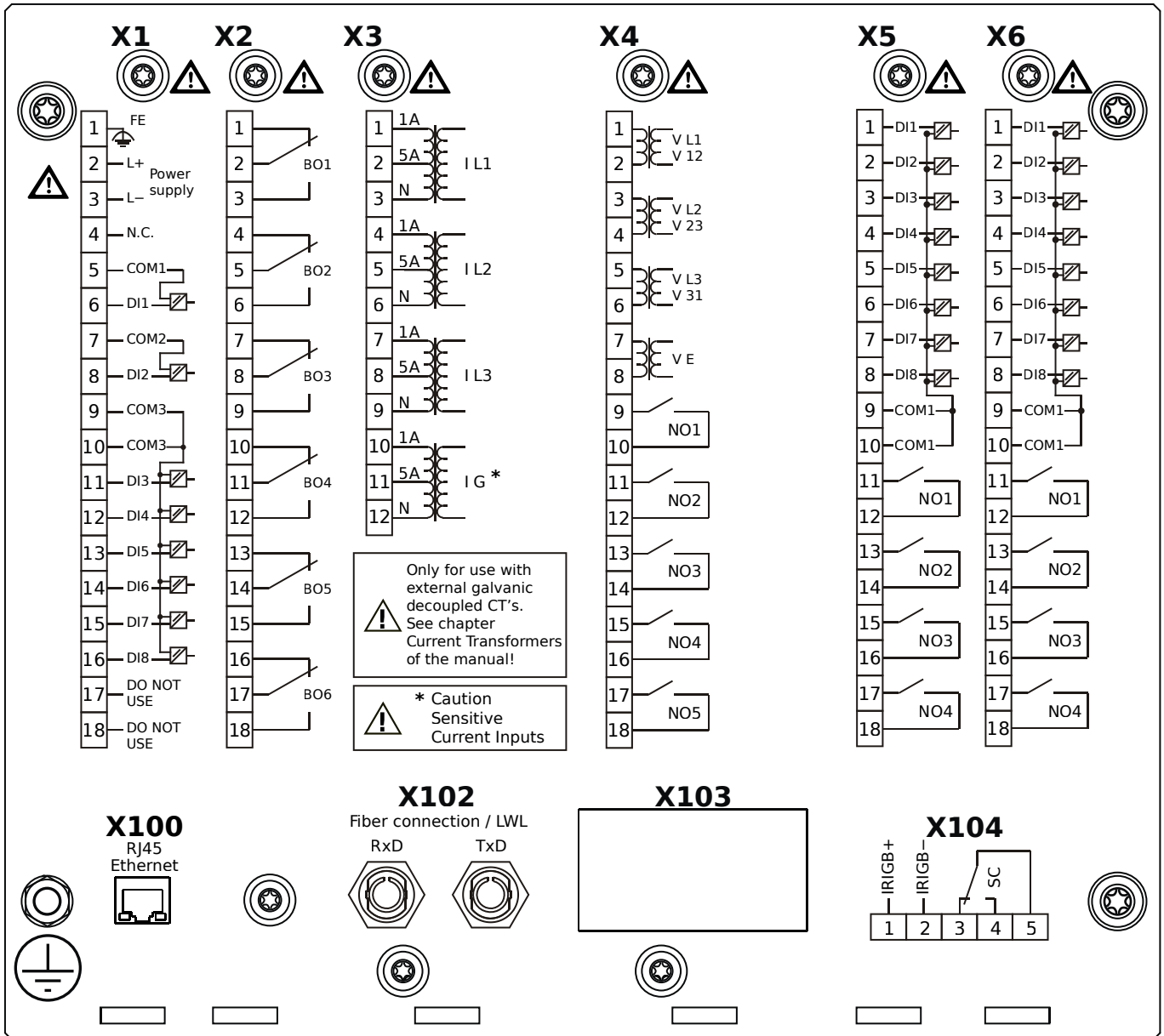


Housing B2, large display, door mounting

+ Conformal Coating (for installations in harsh environment)

- X1** – DI8-X1: Wide-range power supply unit, incl. 2 non-grouped digital inputs and 6 grouped digital inputs
- X2** – OR6: Assembly Group with 6 Output Relays (Changeover / Form C)
- X3** – TIs: Standard phase current measuring card and sensitive ground current measuring
- X4** – TU-OR5: Voltage measuring (0 ... 300 VAC) assembly group with 5 additional Output Relays (NO / Form A)
- X5** – DI8-OR4: Assembly Group with 8 Digital Inputs and 4 Output Relays (NO / Form A)
- X6** – DI8-OR4: Assembly Group with 8 Digital Inputs and 4 Output Relays (NO / Form A)
- X102** – Protection Communication, Fiber optics interface, ST Connector
- X103** – Modbus RTU / IEC 60870-5-103 / DNP3.0 RTU, RS485, D-SUB
- X104** – IRIG-B00X, incl. System Contact (Supervision Contact)

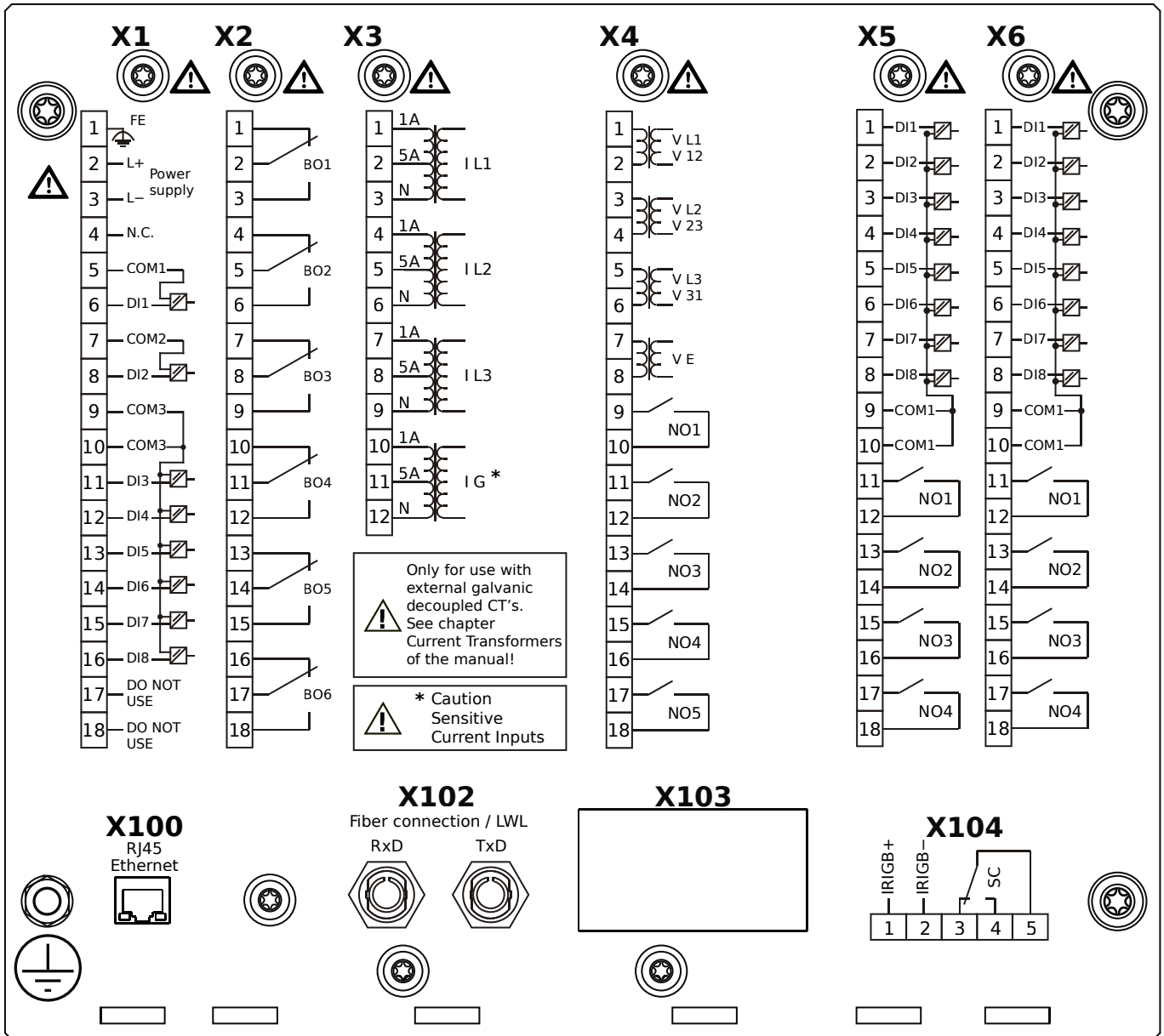
MCDLV4-2E1A1HA



Housing B2, large display, door mounting

- X1** – DI8-X1: Wide-range power supply unit, incl. 2 non-grouped digital inputs and 6 grouped digital inputs
- X2** – OR6: Assembly Group with 6 Output Relays (Changeover / Form C)
- X3** – TIs: Standard phase current measuring card and sensitive ground current measuring
- X4** – TU-OR5: Voltage measuring (0 ... 300 VAC) assembly group with 5 additional Output Relays (NO / Form A)
- X5** – DI8-OR4: Assembly Group with 8 Digital Inputs and 4 Output Relays (NO / Form A)
- X6** – DI8-OR4: Assembly Group with 8 Digital Inputs and 4 Output Relays (NO / Form A)
- X100** – IEC 61850 / Modbus TCP / IEC 60870-5-104 / DNP3.0 TCP/UDP, Ethernet interface, 100 Mbit/s, RJ45 (BASE100-FX)
- X102** – Protection Communication, Fiber optics interface, ST Connector
- X104** – IRIG-B00X, incl. System Contact (Supervision Contact)

MCDLV4-2E1A1HB

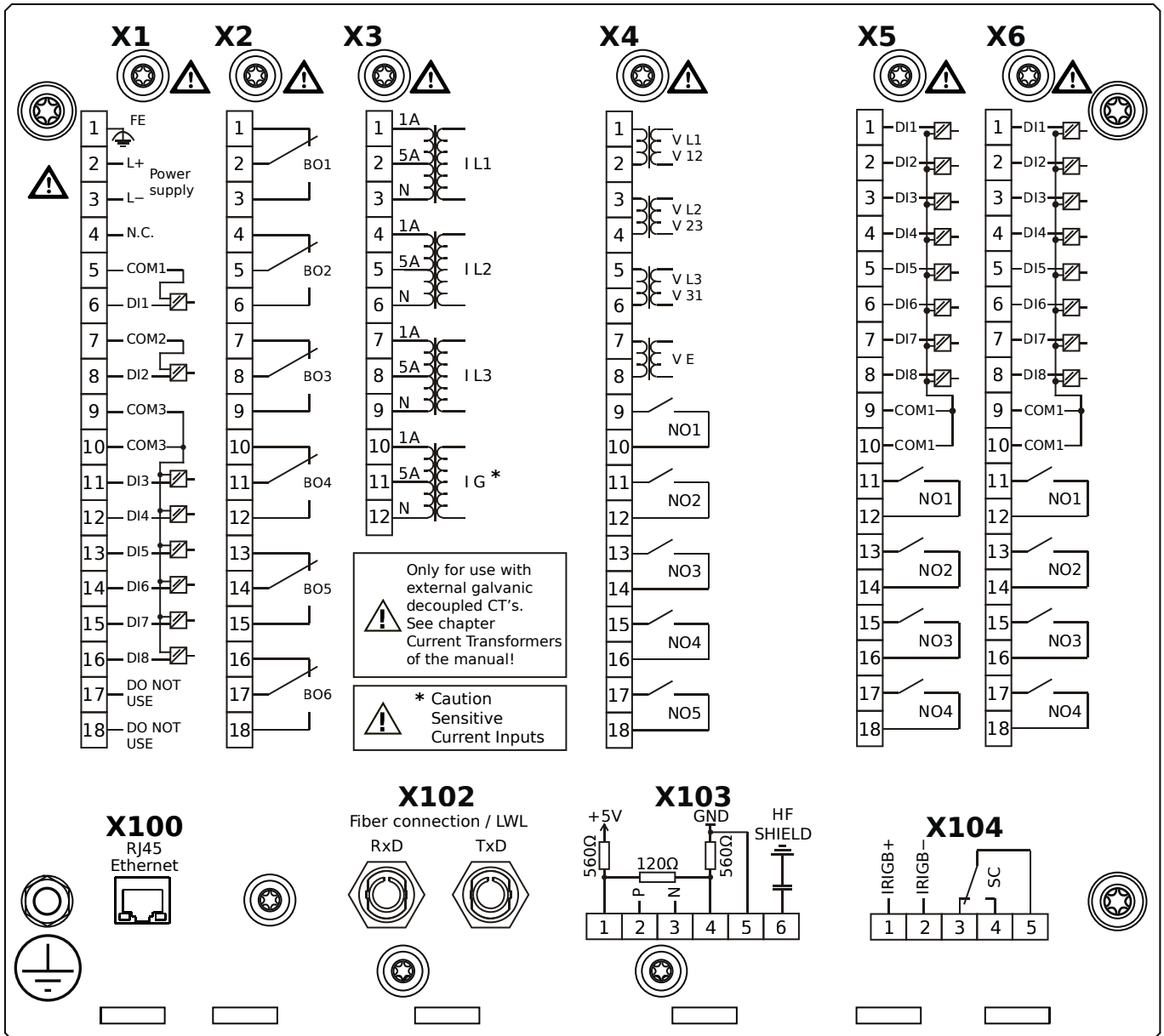


Housing B2, large display, door mounting

+ Conformal Coating (for installations in harsh environment)

- X1** – DI8-X1: Wide-range power supply unit, incl. 2 non-grouped digital inputs and 6 grouped digital inputs
- X2** – OR6: Assembly Group with 6 Output Relays (Changeover / Form C)
- X3** – TIs: Standard phase current measuring card and sensitive ground current measuring
- X4** – TU-OR5: Voltage measuring (0 ... 300 VAC) assembly group with 5 additional Output Relays (NO / Form A)
- X5** – DI8-OR4: Assembly Group with 8 Digital Inputs and 4 Output Relays (NO / Form A)
- X6** – DI8-OR4: Assembly Group with 8 Digital Inputs and 4 Output Relays (NO / Form A)
- X100** – IEC 61850 / Modbus TCP / IEC 60870-5-104 / DNP3.0 TCP/UDP, Ethernet interface, 100 Mbit/s, RJ45 (BASE100-FX)
- X102** – Protection Communication, Fiber optics interface, ST Connector
- X104** – IRIG-B00X, incl. System Contact (Supervision Contact)

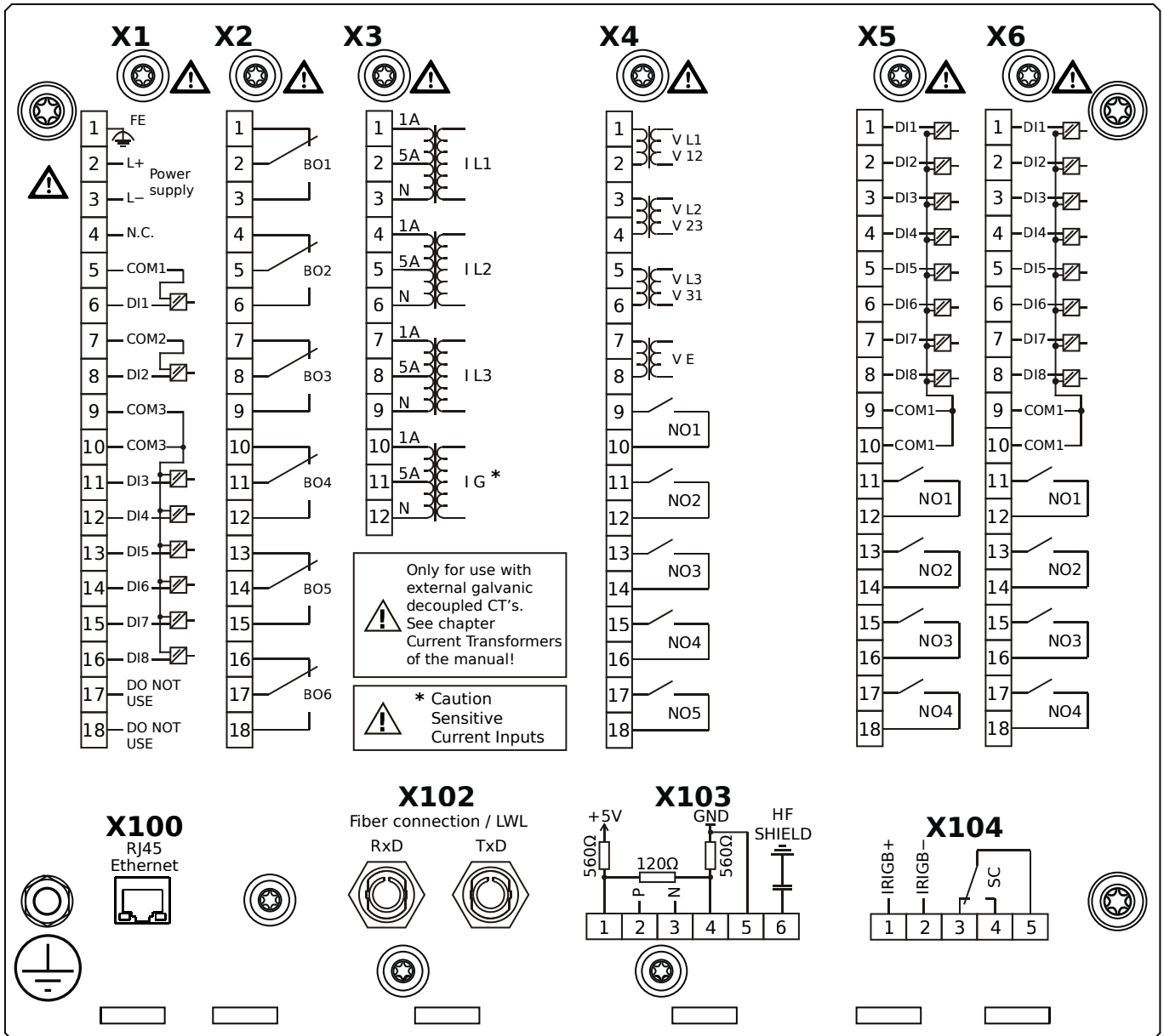
MCDLV4-2E1A1IA



Housing B2, large display, door mounting

- X1** – DI8-X1: Wide-range power supply unit, incl. 2 non-grouped digital inputs and 6 grouped digital inputs
- X2** – OR6: Assembly Group with 6 Output Relays (Changeover / Form C)
- X3** – TIs: Standard phase current measuring card and sensitive ground current measuring
- X4** – TU-OR5: Voltage measuring (0 ... 300 VAC) assembly group with 5 additional Output Relays (NO / Form A)
- X5** – DI8-OR4: Assembly Group with 8 Digital Inputs and 4 Output Relays (NO / Form A)
- X6** – DI8-OR4: Assembly Group with 8 Digital Inputs and 4 Output Relays (NO / Form A)
- X100** – Modbus TCP / IEC 60870-5-104 / DNP3.0 TCP/UDP, Ethernet interface, 100 Mbit/s, RJ45 (BASE100-FX)
- X102** – Protection Communication, Fiber optics interface, ST Connector
- X103** – IEC 60870-5-103 / Modbus RTU / DNP3.0 RTU, RS485, Terminals
- X104** – IRIG-B00X, incl. System Contact (Supervision Contact)

MCDLV4-2E1A1IB

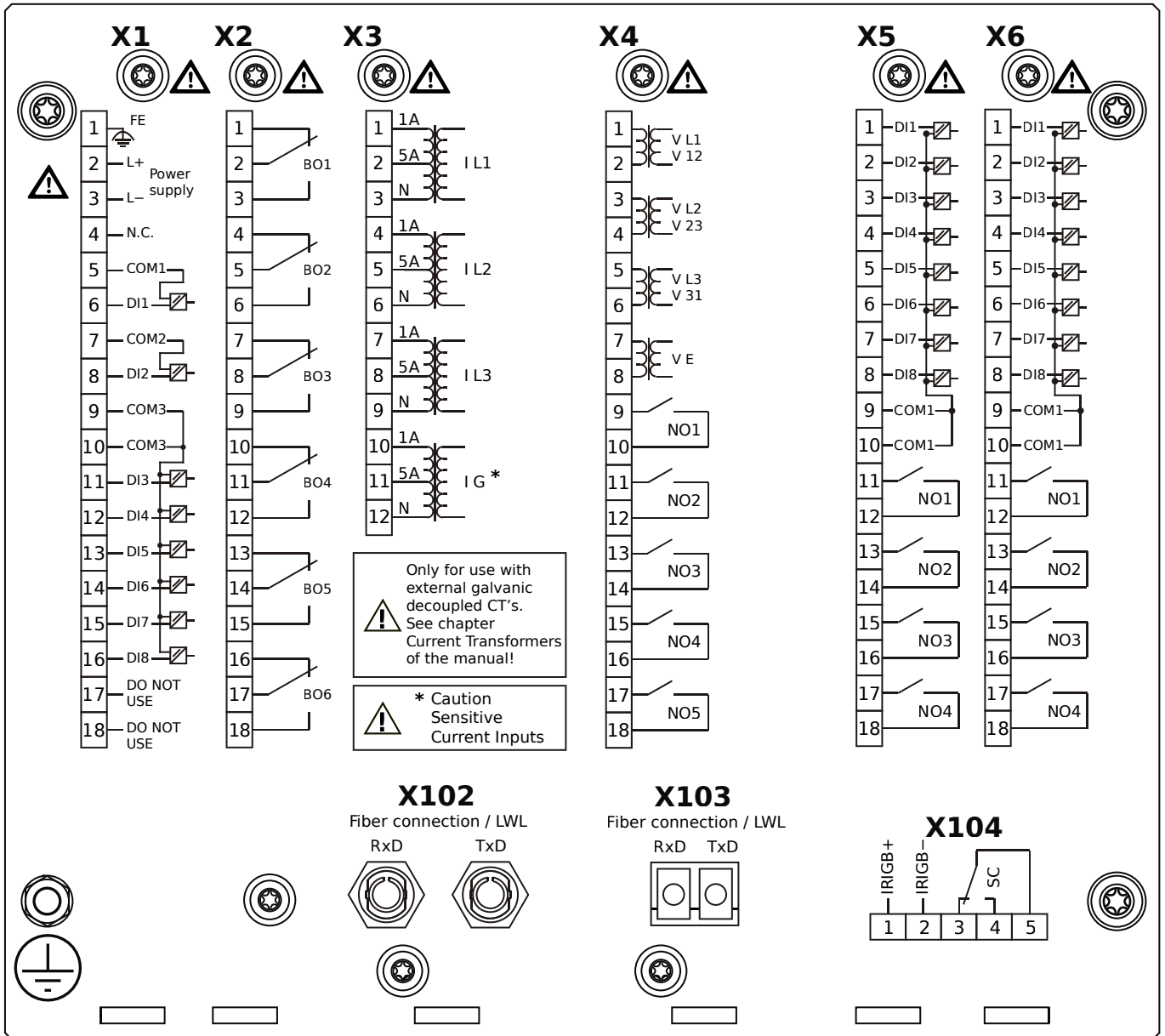


Housing B2, large display, door mounting

+ Conformal Coating (for installations in harsh environment)

- X1** – DI8-X1: Wide-range power supply unit, incl. 2 non-grouped digital inputs and 6 grouped digital inputs
- X2** – OR6: Assembly Group with 6 Output Relays (Changeover / Form C)
- X3** – TIs: Standard phase current measuring card and sensitive ground current measuring
- X4** – TU-OR5: Voltage measuring (0 ... 300 VAC) assembly group with 5 additional Output Relays (NO / Form A)
- X5** – DI8-OR4: Assembly Group with 8 Digital Inputs and 4 Output Relays (NO / Form A)
- X6** – DI8-OR4: Assembly Group with 8 Digital Inputs and 4 Output Relays (NO / Form A)
- X100** – Modbus TCP / IEC 60870-5-104 / DNP3.0 TCP/UDP, Ethernet interface, 100 Mbit/s, RJ45 (BASE100-FX)
- X102** – Protection Communication, Fiber optics interface, ST Connector
- X103** – IEC 60870-5-103 / Modbus RTU / DNP3.0 RTU, RS485, Terminals
- X104** – IRIG-B00X, incl. System Contact (Supervision Contact)

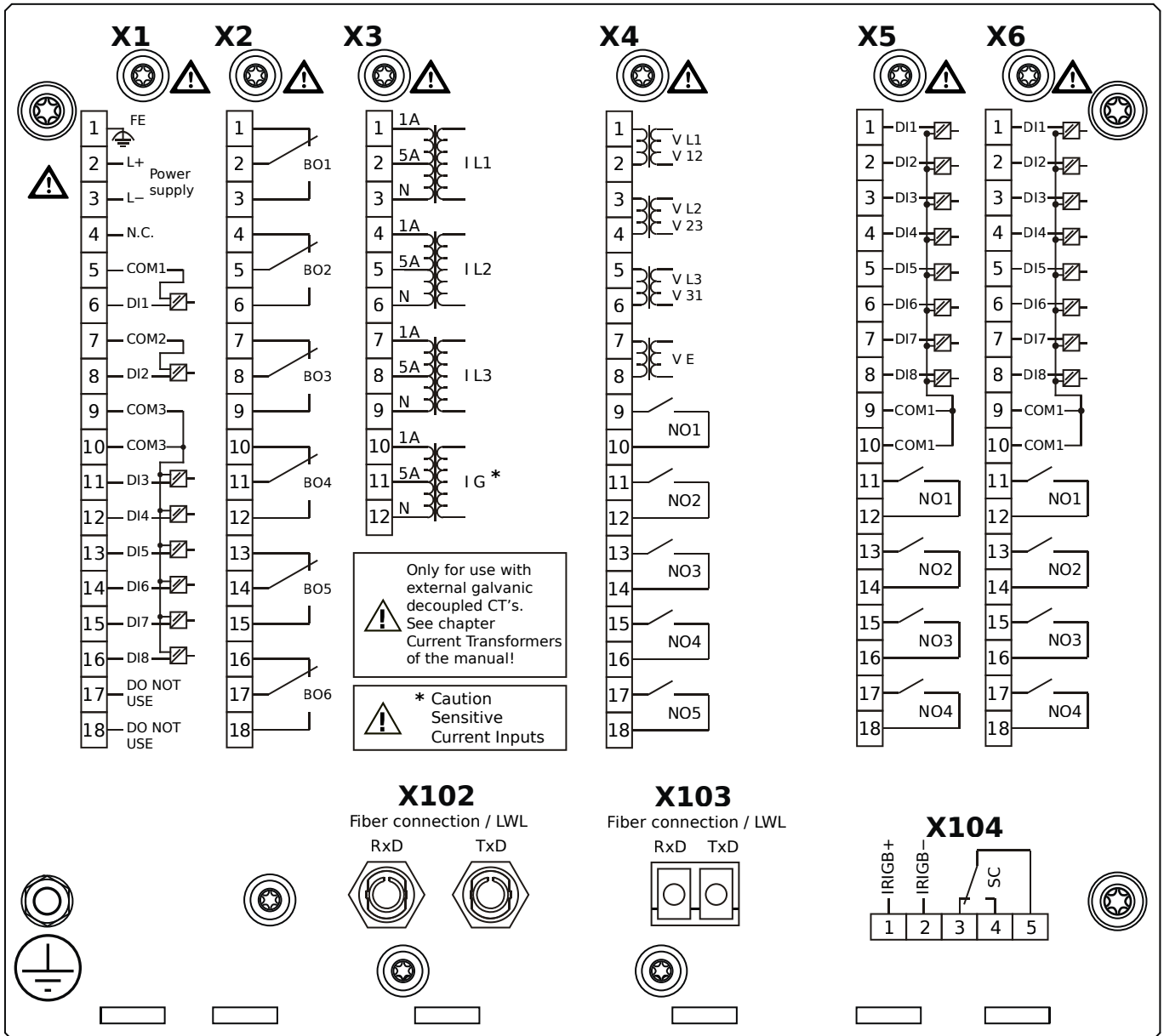
MCDLV4-2E1A1KA



Housing B2, large display, door mounting

- X1** – DI8-X1: Wide-range power supply unit, incl. 2 non-grouped digital inputs and 6 grouped digital inputs
- X2** – OR6: Assembly Group with 6 Output Relays (Changeover / Form C)
- X3** – TIs: Standard phase current measuring card and sensitive ground current measuring
- X4** – TU-OR5: Voltage measuring (0 ... 300 VAC) assembly group with 5 additional Output Relays (NO / Form A)
- X5** – DI8-OR4: Assembly Group with 8 Digital Inputs and 4 Output Relays (NO / Form A)
- X6** – DI8-OR4: Assembly Group with 8 Digital Inputs and 4 Output Relays (NO / Form A)
- X102** – Protection Communication, Fiber optics interface, ST Connector
- X103** – IEC 61850 / Modbus TCP / IEC 60870-5-104 / DNP3.0 TCP/UDP, Fiber optics interface, LC Connector
- X104** – IRIG-B00X, incl. System Contact (Supervision Contact)

MCDLV4-2E1A1KB

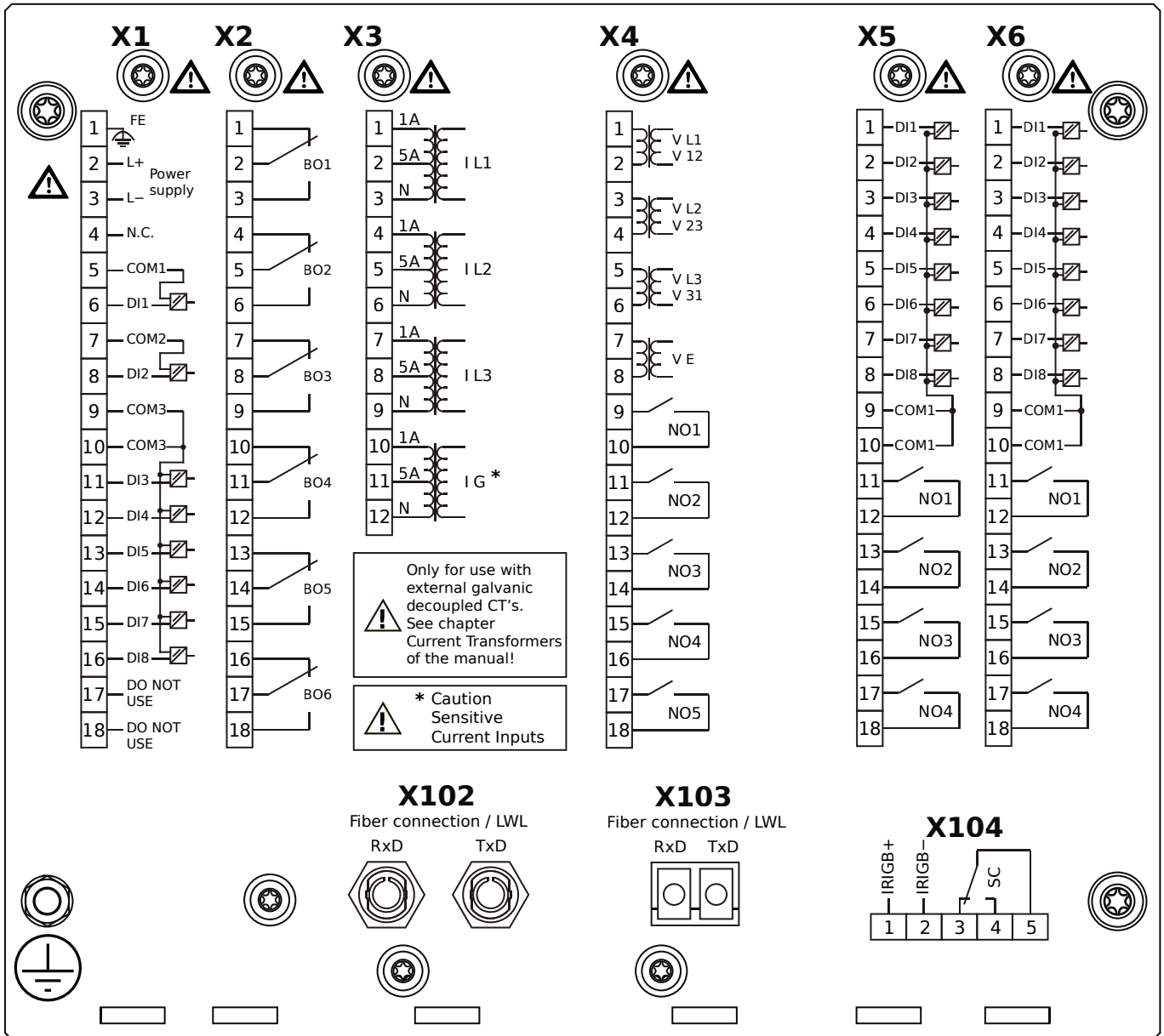


Housing B2, large display, door mounting

- + Conformal Coating (for installations in harsh environment)

- X1** – DI8-X1: Wide-range power supply unit, incl. 2 non-grouped digital inputs and 6 grouped digital inputs
- X2** – OR6: Assembly Group with 6 Output Relays (Changeover / Form C)
- X3** – TIs: Standard phase current measuring card and sensitive ground current measuring
- X4** – TU-OR5: Voltage measuring (0 ... 300 VAC) assembly group with 5 additional Output Relays (NO / Form A)
- X5** – DI8-OR4: Assembly Group with 8 Digital Inputs and 4 Output Relays (NO / Form A)
- X6** – DI8-OR4: Assembly Group with 8 Digital Inputs and 4 Output Relays (NO / Form A)
- X102** – Protection Communication, Fiber optics interface, ST Connector
- X103** – IEC 61850 / Modbus TCP / IEC 60870-5-104 / DNP3.0 TCP/UDP, Fiber optics interface, LC Connector
- X104** – IRIG-B00X, incl. System Contact (Supervision Contact)

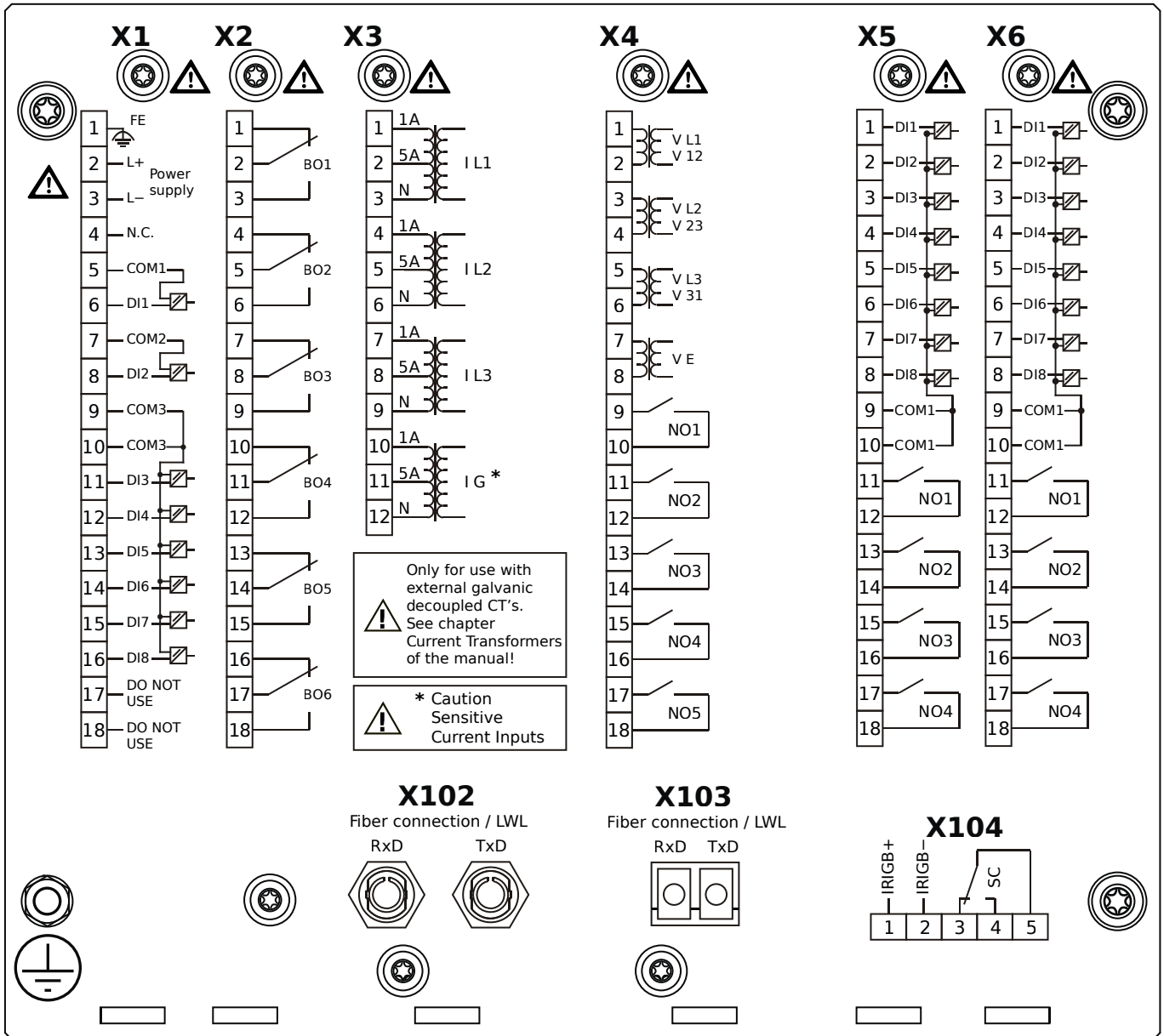
MCDLV4-2E1A1LA



Housing B2, large display, door mounting

- X1** – DI8-X1: Wide-range power supply unit, incl. 2 non-grouped digital inputs and 6 grouped digital inputs
- X2** – OR6: Assembly Group with 6 Output Relays (Changeover / Form C)
- X3** – TIs: Standard phase current measuring card and sensitive ground current measuring
- X4** – TU-OR5: Voltage measuring (0 ... 300 VAC) assembly group with 5 additional Output Relays (NO / Form A)
- X5** – DI8-OR4: Assembly Group with 8 Digital Inputs and 4 Output Relays (NO / Form A)
- X6** – DI8-OR4: Assembly Group with 8 Digital Inputs and 4 Output Relays (NO / Form A)
- X102** – Protection Communication, Fiber optics interface, ST Connector
- X103** – Modbus TCP / IEC 60870-5-104 / DNP3.0 TCP/UDP, Fiber optics interface, LC Connector
- X104** – IRIG-B00X, incl. System Contact (Supervision Contact)

MCDLV4-2E1A1LB

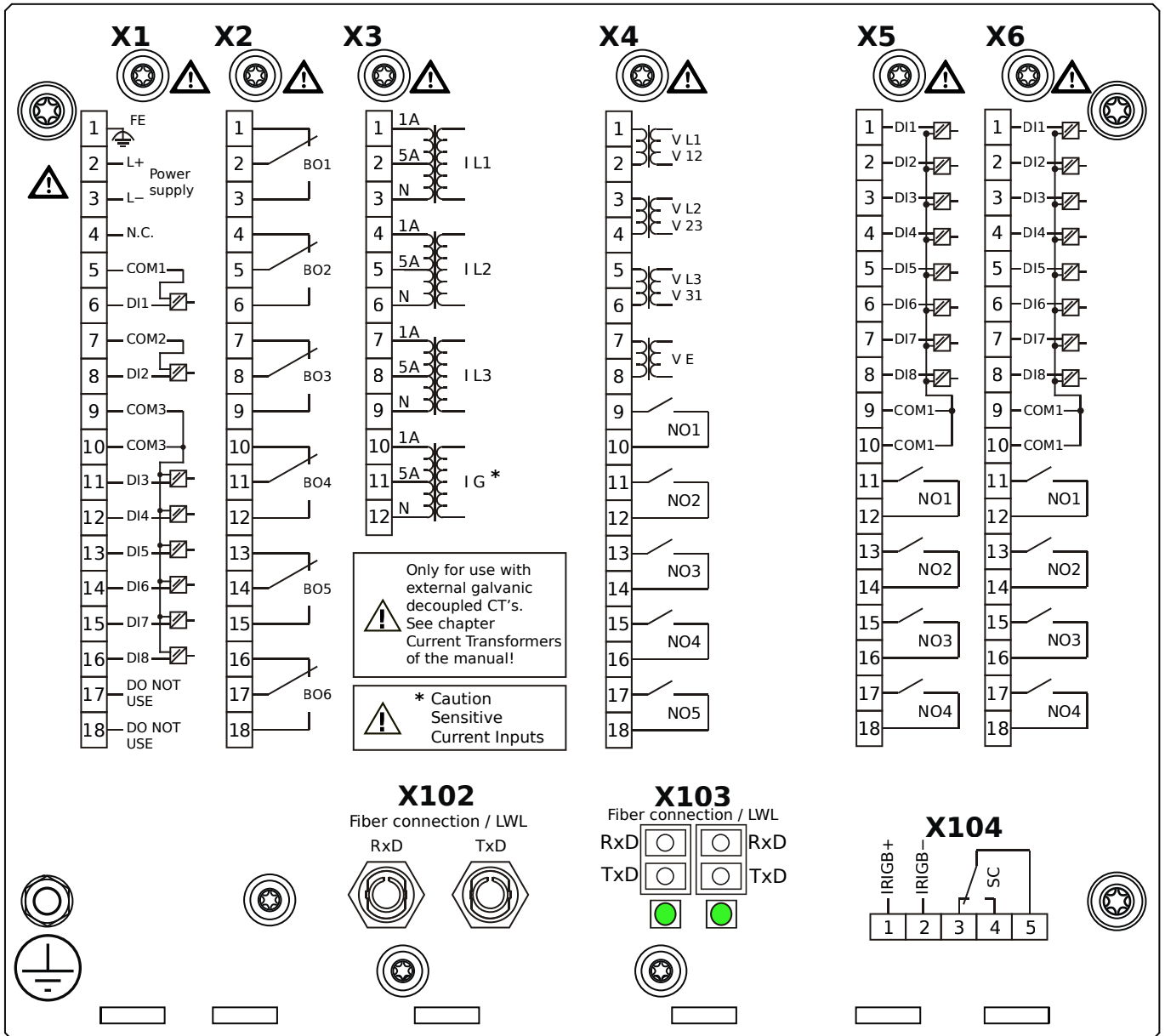


Housing B2, large display, door mounting

- + Conformal Coating (for installations in harsh environment)

- X1** – DI8-X1: Wide-range power supply unit, incl. 2 non-grouped digital inputs and 6 grouped digital inputs
- X2** – OR6: Assembly Group with 6 Output Relays (Changeover / Form C)
- X3** – TIs: Standard phase current measuring card and sensitive ground current measuring
- X4** – TU-OR5: Voltage measuring (0 ... 300 VAC) assembly group with 5 additional Output Relays (NO / Form A)
- X5** – DI8-OR4: Assembly Group with 8 Digital Inputs and 4 Output Relays (NO / Form A)
- X6** – DI8-OR4: Assembly Group with 8 Digital Inputs and 4 Output Relays (NO / Form A)
- X102** – Protection Communication, Fiber optics interface, ST Connector
- X103** – Modbus TCP / IEC 60870-5-104 / DNP3.0 TCP/UDP, Fiber optics interface, LC Connector
- X104** – IRIG-B00X, incl. System Contact (Supervision Contact)

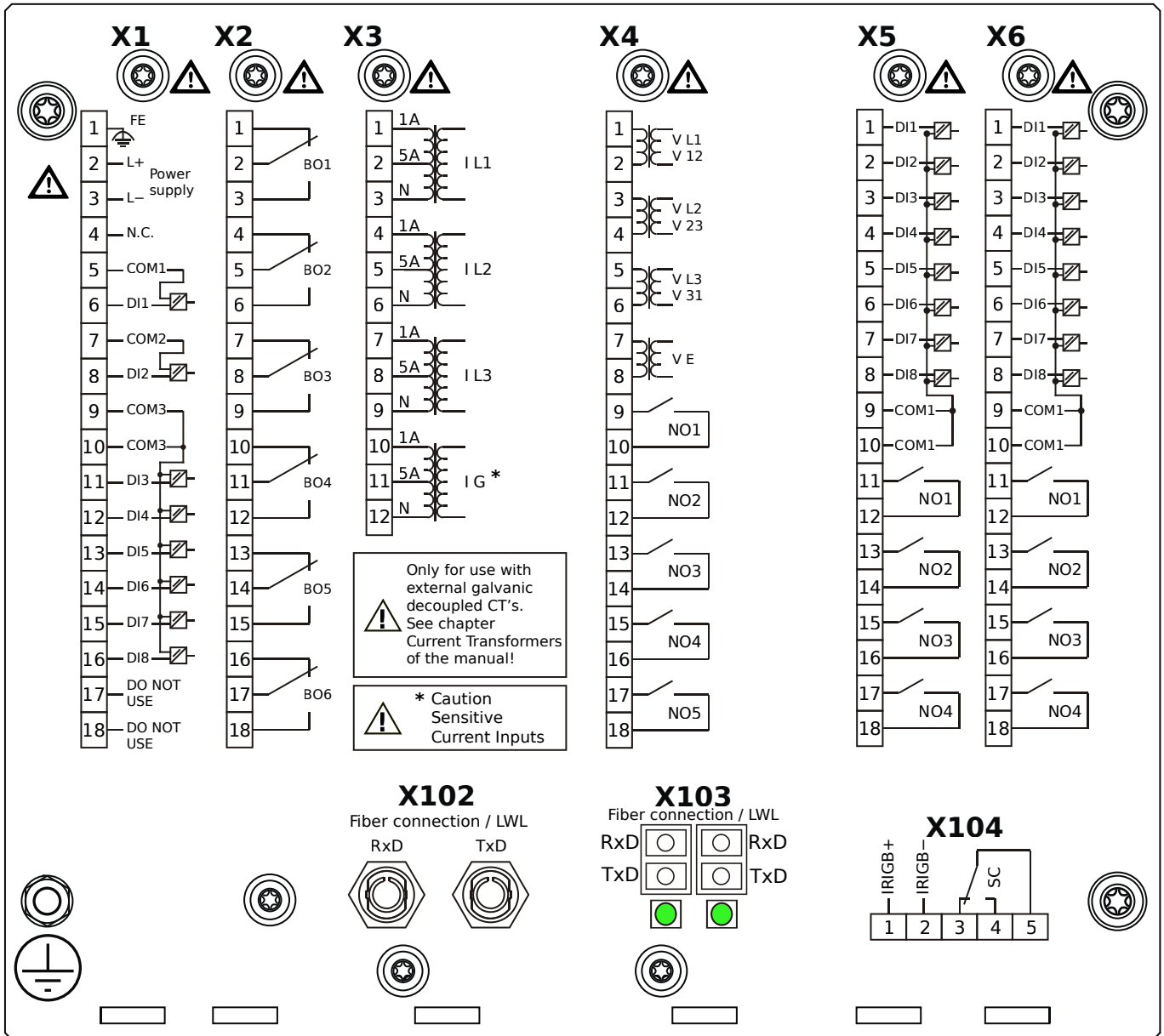
MCDLV4-2E1A10A



Housing B2, large display, door mounting

- X1** – DI8-X1: Wide-range power supply unit, incl. 2 non-grouped digital inputs and 6 grouped digital inputs
- X2** – OR6: Assembly Group with 6 Output Relays (Changeover / Form C)
- X3** – TIs: Standard phase current measuring card and sensitive ground current measuring
- X4** – TU-OR5: Voltage measuring (0 ... 300 VAC) assembly group with 5 additional Output Relays (NO / Form A)
- X5** – DI8-OR4: Assembly Group with 8 Digital Inputs and 4 Output Relays (NO / Form A)
- X6** – DI8-OR4: Assembly Group with 8 Digital Inputs and 4 Output Relays (NO / Form A)
- X102** – Protection Communication, Fiber optics interface, ST Connector
- X103** – Modbus TCP / IEC 60870-5-104 / DNP3.0 TCP/UDP, Redundant Fiber optics interface, LC Connector
- X104** – IRIG-B00X, incl. System Contact (Supervision Contact)

MCDLV4-2E1A10B

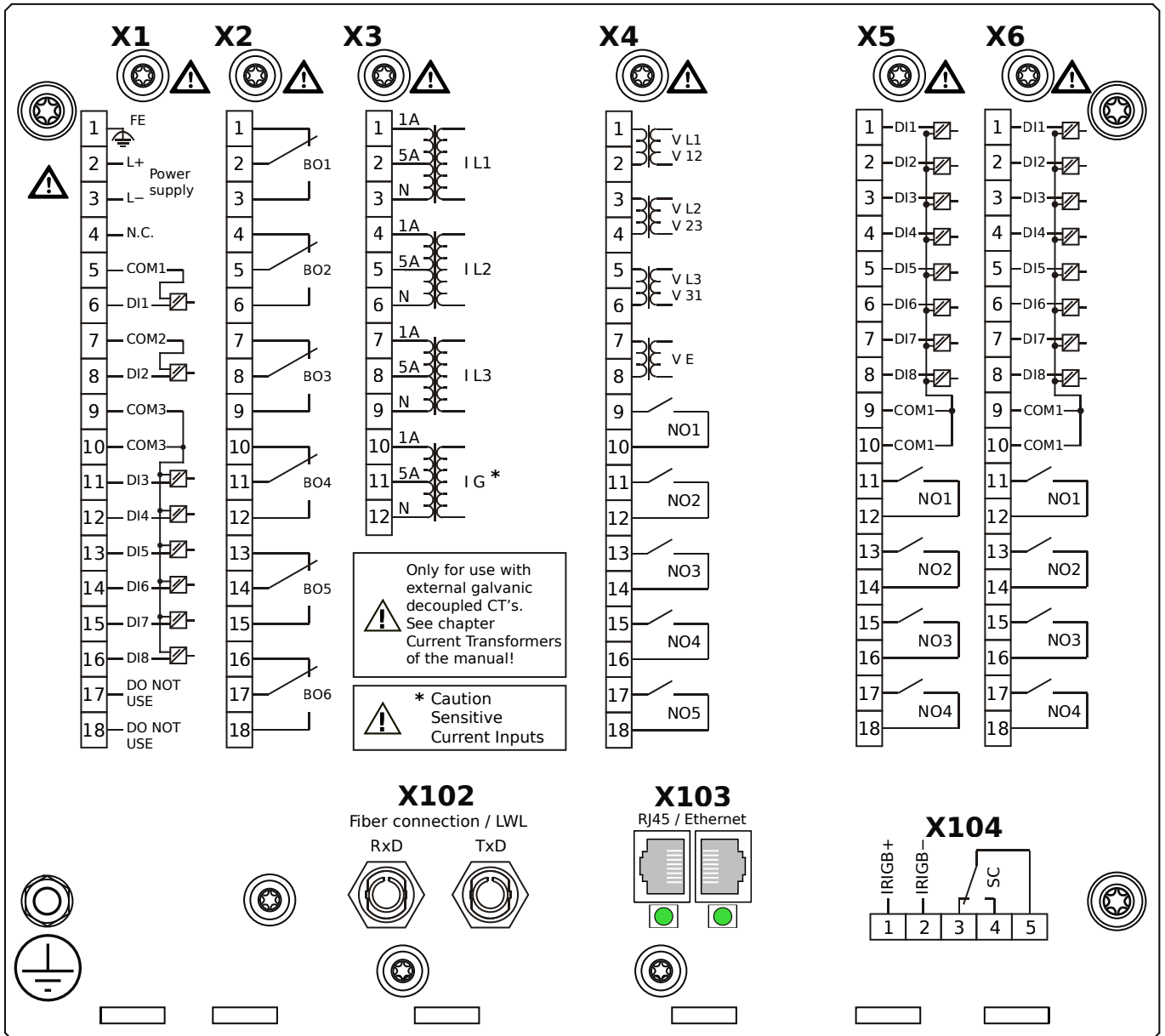


Housing B2, large display, door mounting

+ Conformal Coating (for installations in harsh environment)

- X1** – DI8-X1: Wide-range power supply unit, incl. 2 non-grouped digital inputs and 6 grouped digital inputs
- X2** – OR6: Assembly Group with 6 Output Relays (Changeover / Form C)
- X3** – TIs: Standard phase current measuring card and sensitive ground current measuring
- X4** – TU-OR5: Voltage measuring (0 ... 300 VAC) assembly group with 5 additional Output Relays (NO / Form A)
- X5** – DI8-OR4: Assembly Group with 8 Digital Inputs and 4 Output Relays (NO / Form A)
- X6** – DI8-OR4: Assembly Group with 8 Digital Inputs and 4 Output Relays (NO / Form A)
- X102** – Protection Communication, Fiber optics interface, ST Connector
- X103** – Modbus TCP / IEC 60870-5-104 / DNP3.0 TCP/UDP, Redundant Fiber optics interface, LC Connector
- X104** – IRIG-B00X, incl. System Contact (Supervision Contact)

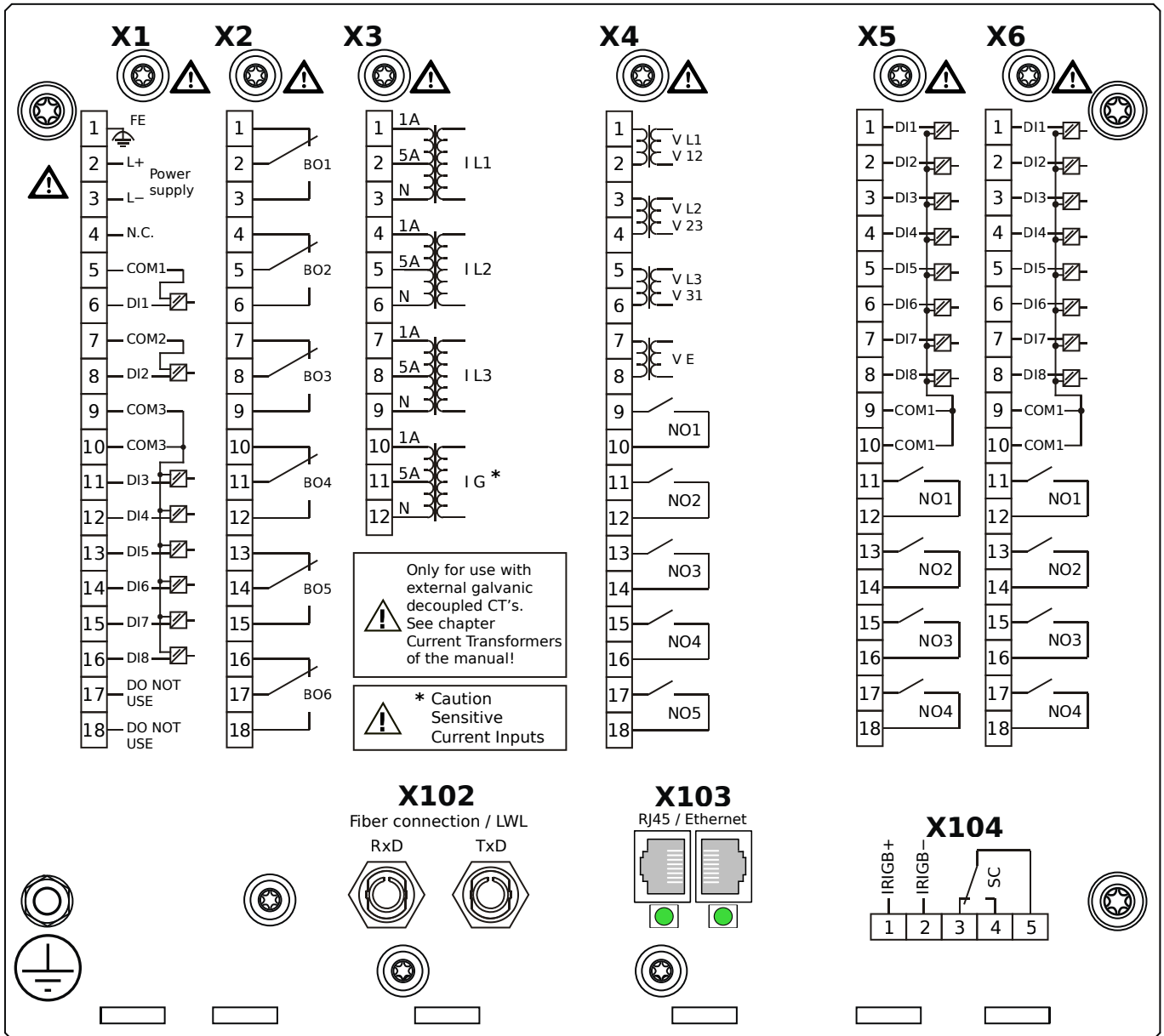
MCDLV4-2E1A1PA



Housing B2, large display, door mounting

- X1** – DI8-X1: Wide-range power supply unit, incl. 2 non-grouped digital inputs and 6 grouped digital inputs
- X2** – OR6: Assembly Group with 6 Output Relays (Changeover / Form C)
- X3** – TIs: Standard phase current measuring card and sensitive ground current measuring
- X4** – TU-OR5: Voltage measuring (0 ... 300 VAC) assembly group with 5 additional Output Relays (NO / Form A)
- X5** – DI8-OR4: Assembly Group with 8 Digital Inputs and 4 Output Relays (NO / Form A)
- X6** – DI8-OR4: Assembly Group with 8 Digital Inputs and 4 Output Relays (NO / Form A)
- X102** – Protection Communication, Fiber optics interface, ST Connector
- X103** – Modbus TCP / IEC 60870-5-104 / DNP3.0 TCP/UDP, Redundant Ethernet interface, 100 Mbit/s, RJ45 (BASE100-FX)
- X104** – IRIG-B00X, incl. System Contact (Supervision Contact)

MCDLV4-2E1A1PB

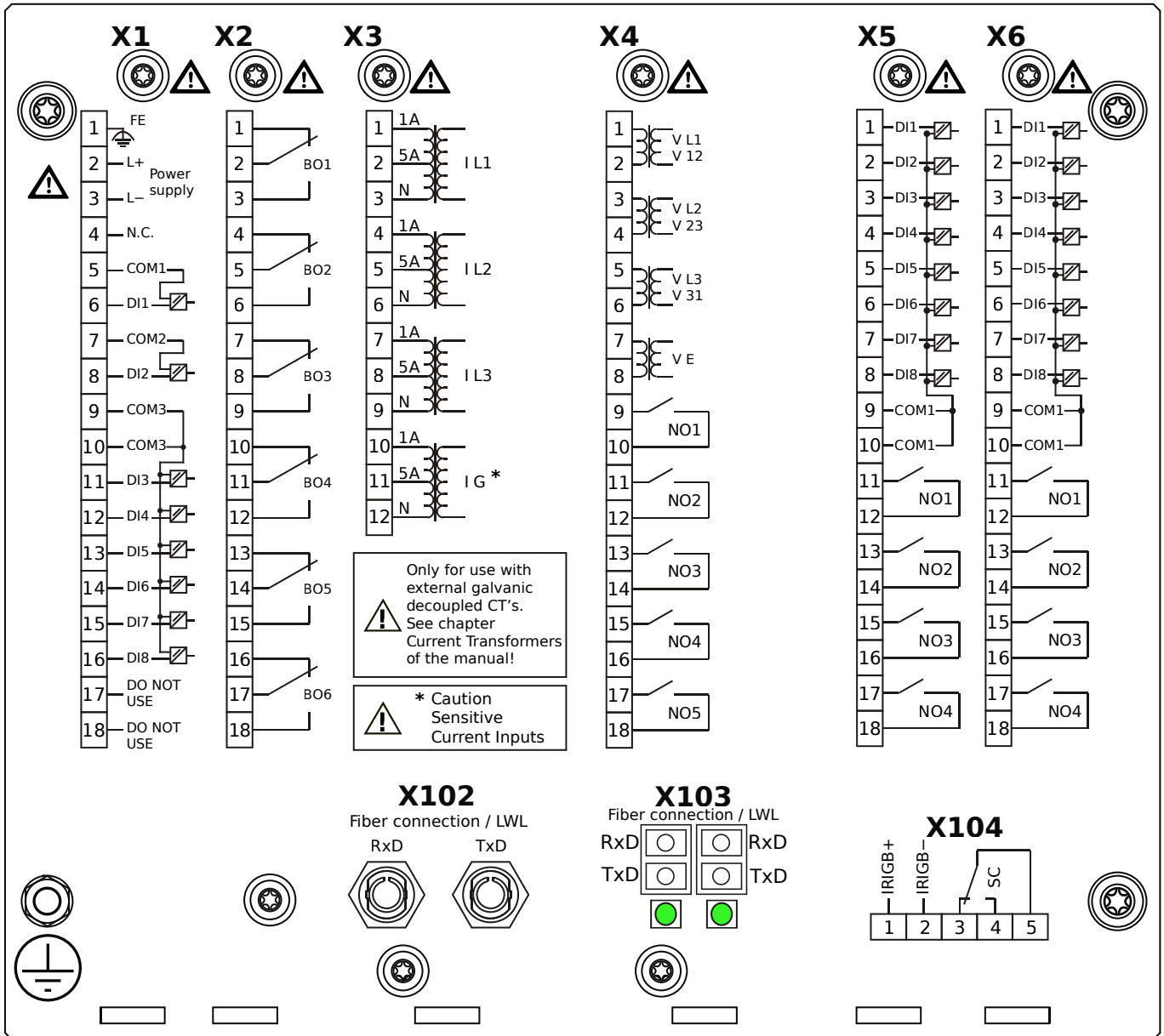


Housing B2, large display, door mounting

- + Conformal Coating (for installations in harsh environment)

- X1** – DI8-X1: Wide-range power supply unit, incl. 2 non-grouped digital inputs and 6 grouped digital inputs
- X2** – OR6: Assembly Group with 6 Output Relays (Changeover / Form C)
- X3** – TIs: Standard phase current measuring card and sensitive ground current measuring
- X4** – TU-OR5: Voltage measuring (0 ... 300 VAC) assembly group with 5 additional Output Relays (NO / Form A)
- X5** – DI8-OR4: Assembly Group with 8 Digital Inputs and 4 Output Relays (NO / Form A)
- X6** – DI8-OR4: Assembly Group with 8 Digital Inputs and 4 Output Relays (NO / Form A)
- X102** – Protection Communication, Fiber optics interface, ST Connector
- X103** – Modbus TCP / IEC 60870-5-104 / DNP3.0 TCP/UDP, Redundant Ethernet interface, 100 Mbit/s, RJ45 (BASE100-FX)
- X104** – IRIG-B00X, incl. System Contact (Supervision Contact)

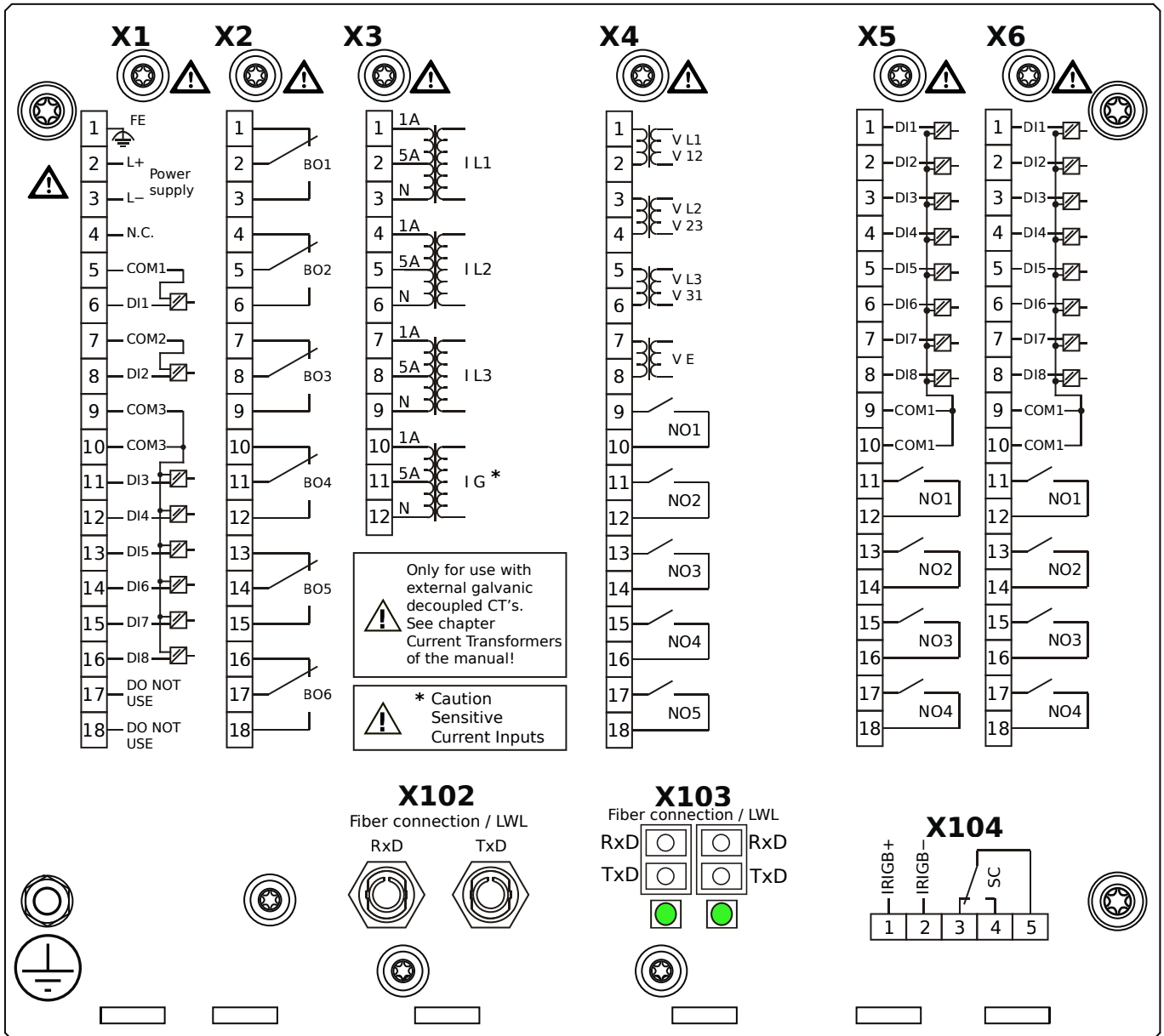
MCDLV4-2E1A1QA



Housing B2, large display, door mounting

- X1** – DI8-X1: Wide-range power supply unit, incl. 2 non-grouped digital inputs and 6 grouped digital inputs
- X2** – OR6: Assembly Group with 6 Output Relays (Changeover / Form C)
- X3** – TIs: Standard phase current measuring card and sensitive ground current measuring
- X4** – TU-OR5: Voltage measuring (0 ... 300 VAC) assembly group with 5 additional Output Relays (NO / Form A)
- X5** – DI8-OR4: Assembly Group with 8 Digital Inputs and 4 Output Relays (NO / Form A)
- X6** – DI8-OR4: Assembly Group with 8 Digital Inputs and 4 Output Relays (NO / Form A)
- X102** – Protection Communication, Fiber optics interface, ST Connector
- X103** – IEC 61850 / Modbus TCP / IEC 60870-5-104 / DNP3.0 TCP/UDP, Redundant Fiber optics interface, LC Connector
- X104** – IRIG-B00X, incl. System Contact (Supervision Contact)

MCDLV4-2E1A1QB

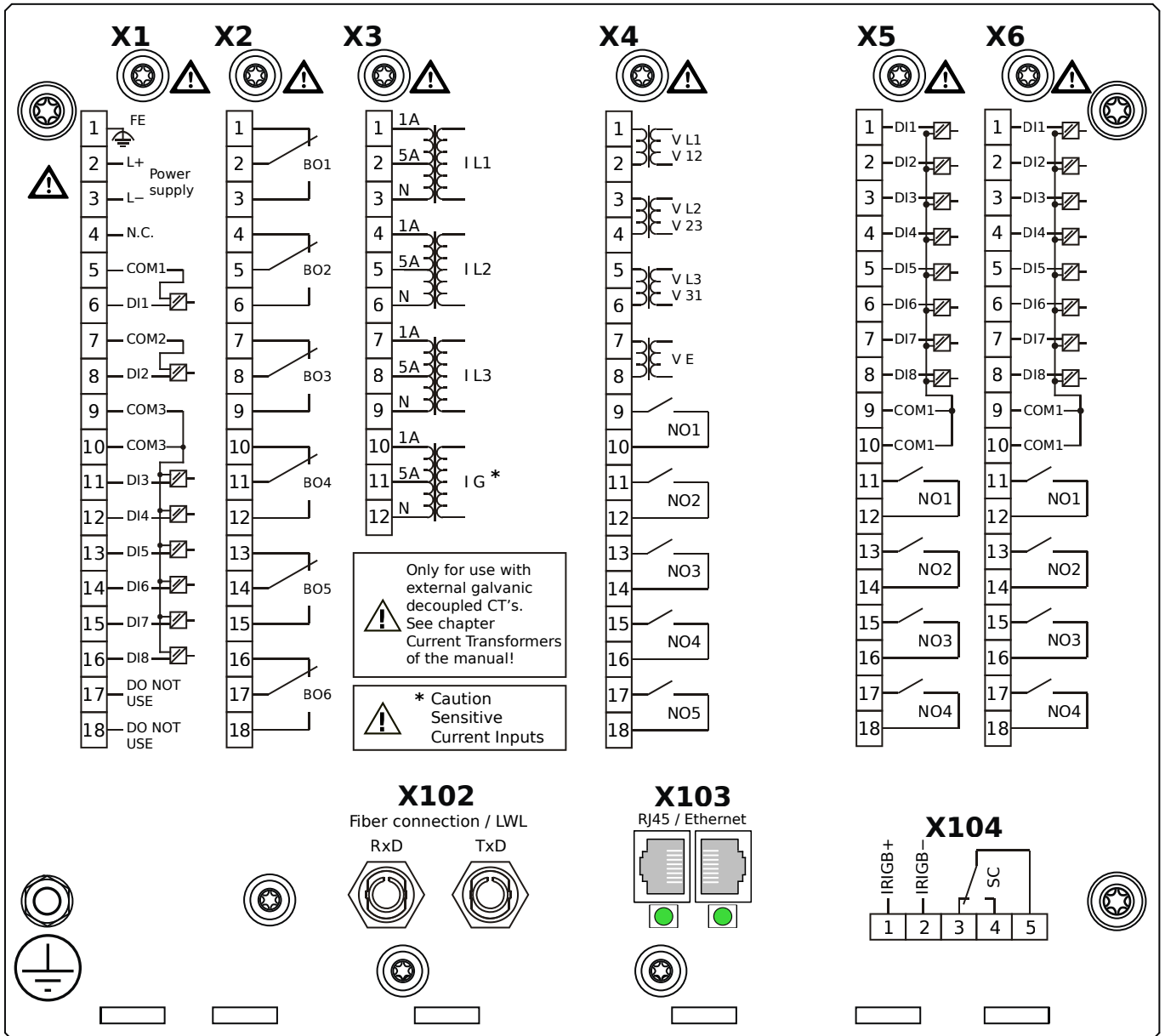


Housing B2, large display, door mounting

+ Conformal Coating (for installations in harsh environment)

- X1** – DI8-X1: Wide-range power supply unit, incl. 2 non-grouped digital inputs and 6 grouped digital inputs
- X2** – OR6: Assembly Group with 6 Output Relays (Changeover / Form C)
- X3** – TIs: Standard phase current measuring card and sensitive ground current measuring
- X4** – TU-OR5: Voltage measuring (0 ... 300 VAC) assembly group with 5 additional Output Relays (NO / Form A)
- X5** – DI8-OR4: Assembly Group with 8 Digital Inputs and 4 Output Relays (NO / Form A)
- X6** – DI8-OR4: Assembly Group with 8 Digital Inputs and 4 Output Relays (NO / Form A)
- X102** – Protection Communication, Fiber optics interface, ST Connector
- X103** – IEC 61850 / Modbus TCP / IEC 60870-5-104 / DNP3.0 TCP/UDP, Redundant Fiber optics interface, LC Connector
- X104** – IRIG-B00X, incl. System Contact (Supervision Contact)

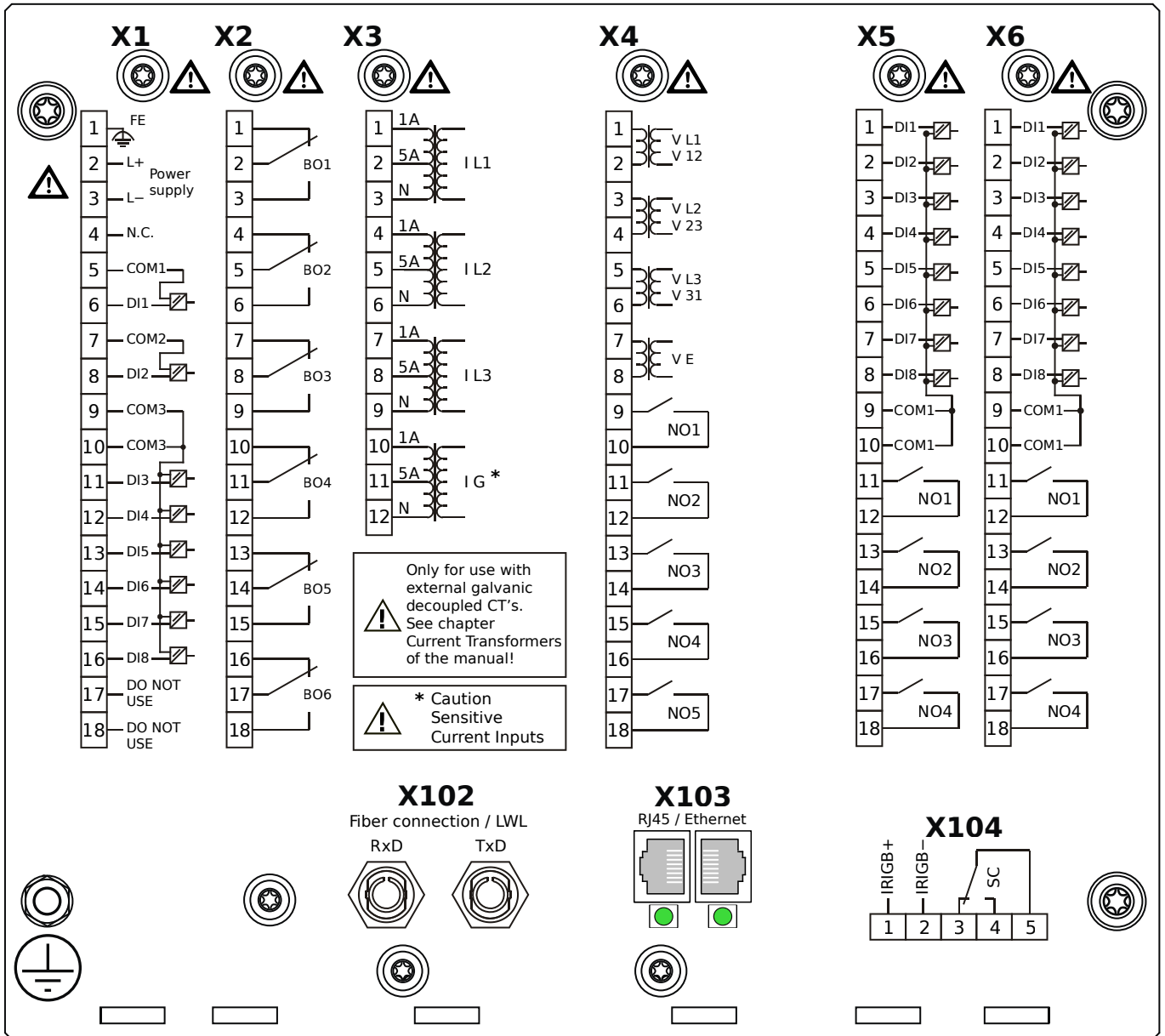
MCDLV4-2E1A1RA



Housing B2, large display, door mounting

- X1** – DI8-X1: Wide-range power supply unit, incl. 2 non-grouped digital inputs and 6 grouped digital inputs
- X2** – OR6: Assembly Group with 6 Output Relays (Changeover / Form C)
- X3** – TIs: Standard phase current measuring card and sensitive ground current measuring
- X4** – TU-OR5: Voltage measuring (0 ... 300 VAC) assembly group with 5 additional Output Relays (NO / Form A)
- X5** – DI8-OR4: Assembly Group with 8 Digital Inputs and 4 Output Relays (NO / Form A)
- X6** – DI8-OR4: Assembly Group with 8 Digital Inputs and 4 Output Relays (NO / Form A)
- X102** – Protection Communication, Fiber optics interface, ST Connector
- X103** – IEC 61850 / Modbus TCP / IEC 60870-5-104 / DNP3.0 TCP/UDP, Redundant Ethernet interface, 100 Mbit/s, RJ45
- (BASE100-FX)
- X104** – IRIG-B00X, incl. System Contact (Supervision Contact)

MCDLV4-2E1A1RB



Housing B2, large display, door mounting

+ Conformal Coating (for installations in harsh environment)

X1 – DI8-X1: Wide-range power supply unit, incl. 2 non-grouped digital inputs and 6 grouped digital inputs

X2 – OR6: Assembly Group with 6 Output Relays (Changeover / Form C)

X3 – TIs: Standard phase current measuring card and sensitive ground current measuring

X4 – TU-OR5: Voltage measuring (0 ... 300 VAC) assembly group with 5 additional Output Relays (NO / Form A)

X5 – DI8-OR4: Assembly Group with 8 Digital Inputs and 4 Output Relays (NO / Form A)

X6 – DI8-OR4: Assembly Group with 8 Digital Inputs and 4 Output Relays (NO / Form A)

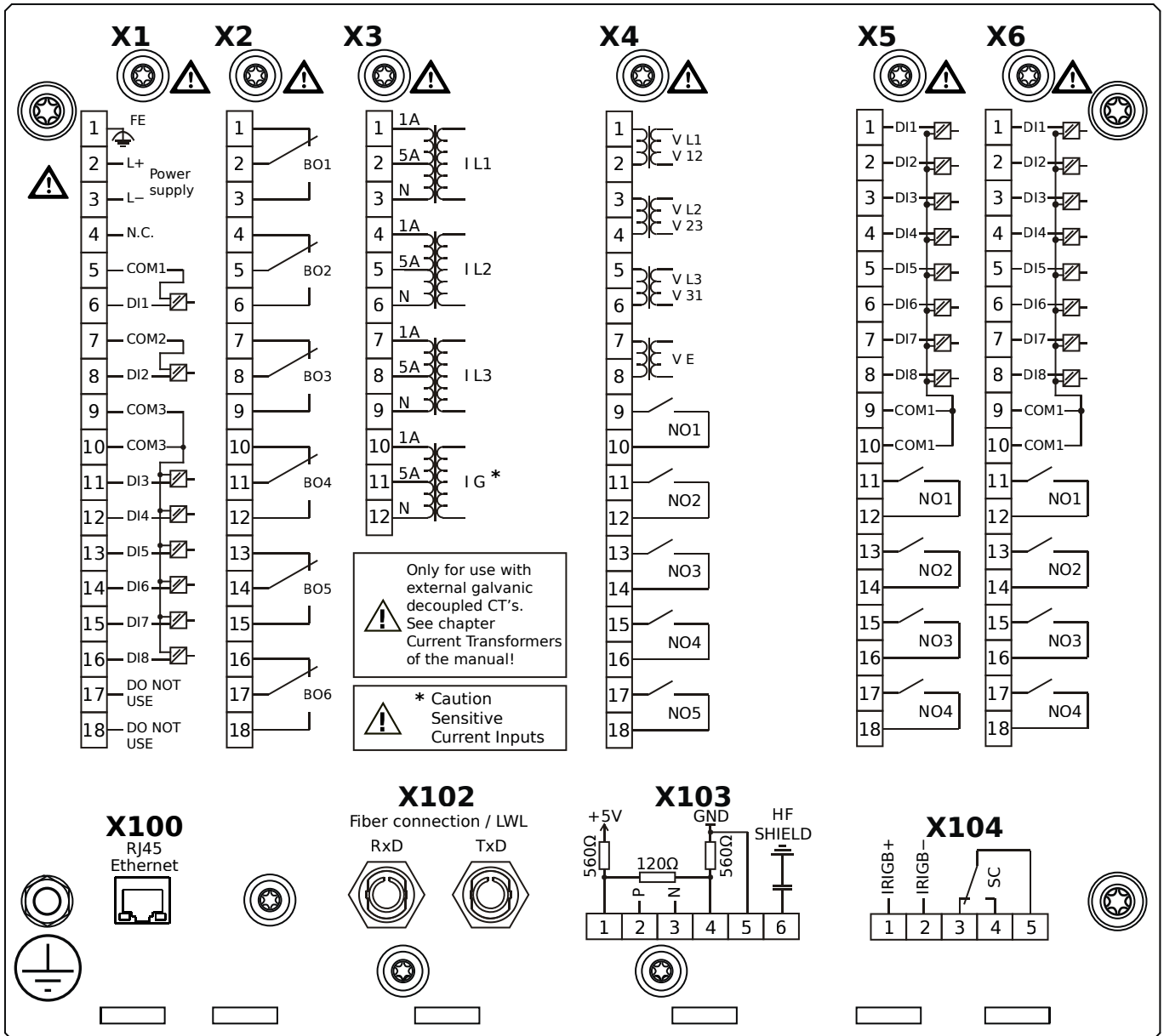
X102 – Protection Communication, Fiber optics interface, ST Connector

X103 – IEC 61850 / Modbus TCP / IEC 60870-5-104 / DNP3.0 TCP/UDP, Redundant Ethernet interface, 100 Mbit/s, RJ45

(BASE100-FX)

X104 – IRIG-B00X, incl. System Contact (Supervision Contact)

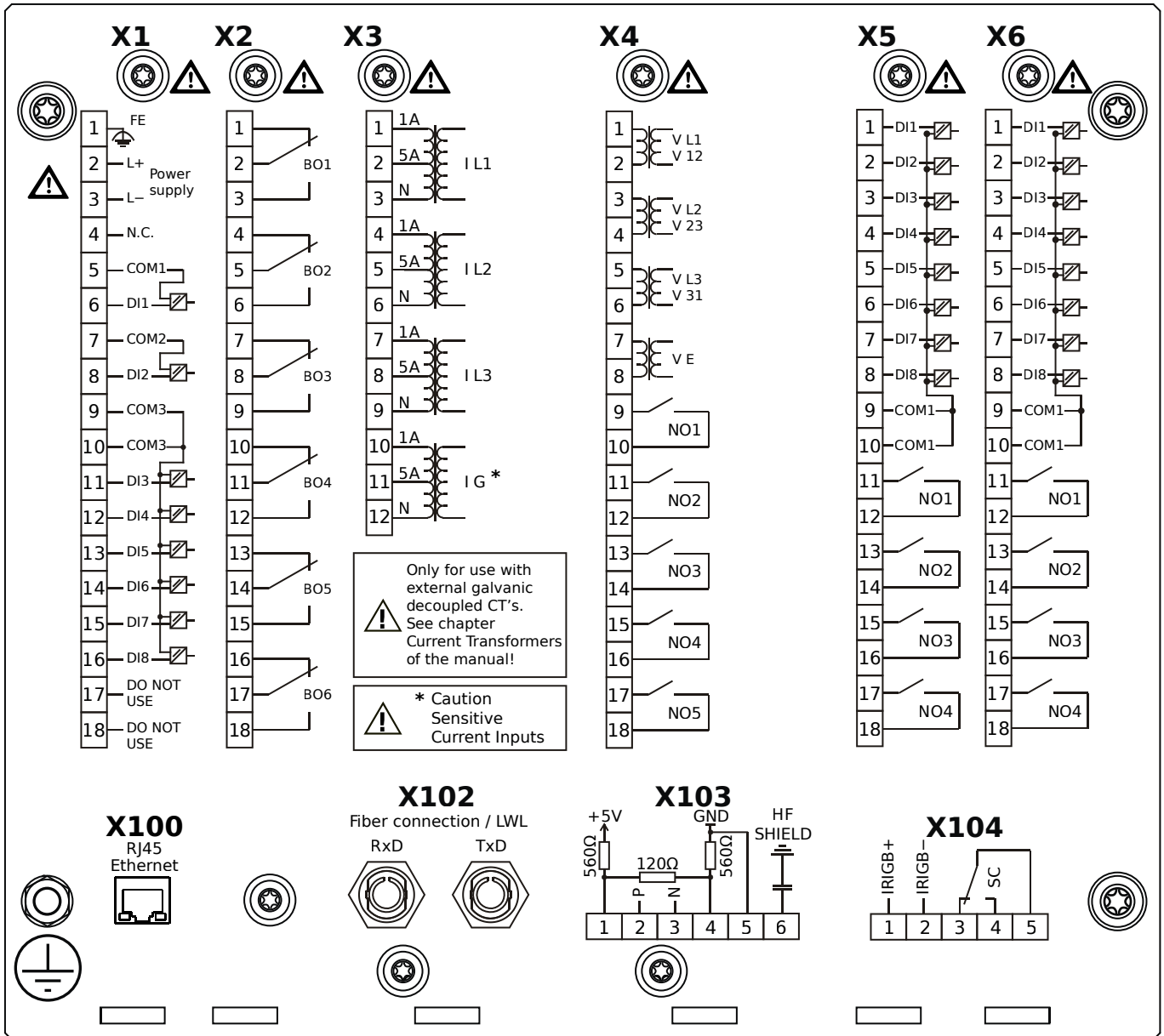
MCDLV4-2E1A1TA



Housing B2, large display, door mounting

- X1** – DI8-X1: Wide-range power supply unit, incl. 2 non-grouped digital inputs and 6 grouped digital inputs
- X2** – OR6: Assembly Group with 6 Output Relays (Changeover / Form C)
- X3** – TIs: Standard phase current measuring card and sensitive ground current measuring
- X4** – TU-OR5: Voltage measuring (0 ... 300 VAC) assembly group with 5 additional Output Relays (NO / Form A)
- X5** – DI8-OR4: Assembly Group with 8 Digital Inputs and 4 Output Relays (NO / Form A)
- X6** – DI8-OR4: Assembly Group with 8 Digital Inputs and 4 Output Relays (NO / Form A)
- X100** – IEC 61850 / Modbus TCP / IEC 60870-5-104 / DNP3.0 TCP/UDP, Ethernet interface, 100 Mbit/s, RJ45 (BASE100-FX)
- X102** – Protection Communication, Fiber optics interface, ST Connector
- X103** – IEC 60870-5-103 / Modbus RTU / DNP3.0 RTU, RS485, Terminals
- X104** – IRIG-B00X, incl. System Contact (Supervision Contact)

MCDLV4-2E1A1TB

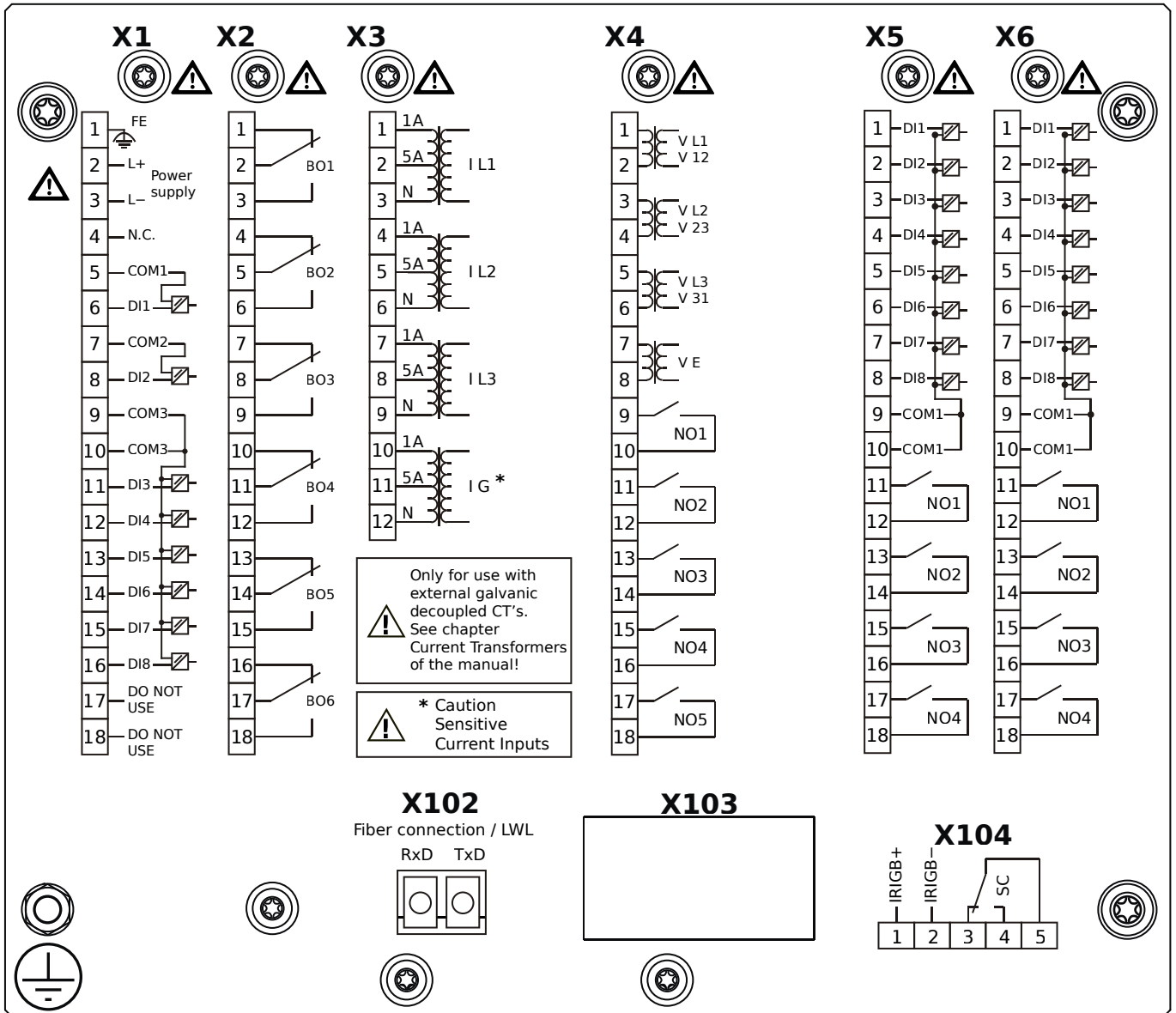


Housing B2, large display, door mounting

+ Conformal Coating (for installations in harsh environment)

- X1** – DI8-X1: Wide-range power supply unit, incl. 2 non-grouped digital inputs and 6 grouped digital inputs
- X2** – OR6: Assembly Group with 6 Output Relays (Changeover / Form C)
- X3** – TIs: Standard phase current measuring card and sensitive ground current measuring
- X4** – TU-OR5: Voltage measuring (0 ... 300 VAC) assembly group with 5 additional Output Relays (NO / Form A)
- X5** – DI8-OR4: Assembly Group with 8 Digital Inputs and 4 Output Relays (NO / Form A)
- X6** – DI8-OR4: Assembly Group with 8 Digital Inputs and 4 Output Relays (NO / Form A)
- X100** – IEC 61850 / Modbus TCP / IEC 60870-5-104 / DNP3.0 TCP/UDP, Ethernet interface, 100 Mbit/s, RJ45 (BASE100-FX)
- X102** – Protection Communication, Fiber optics interface, ST Connector
- X103** – IEC 60870-5-103 / Modbus RTU / DNP3.0 RTU, RS485, Terminals
- X104** – IRIG-B00X, incl. System Contact (Supervision Contact)

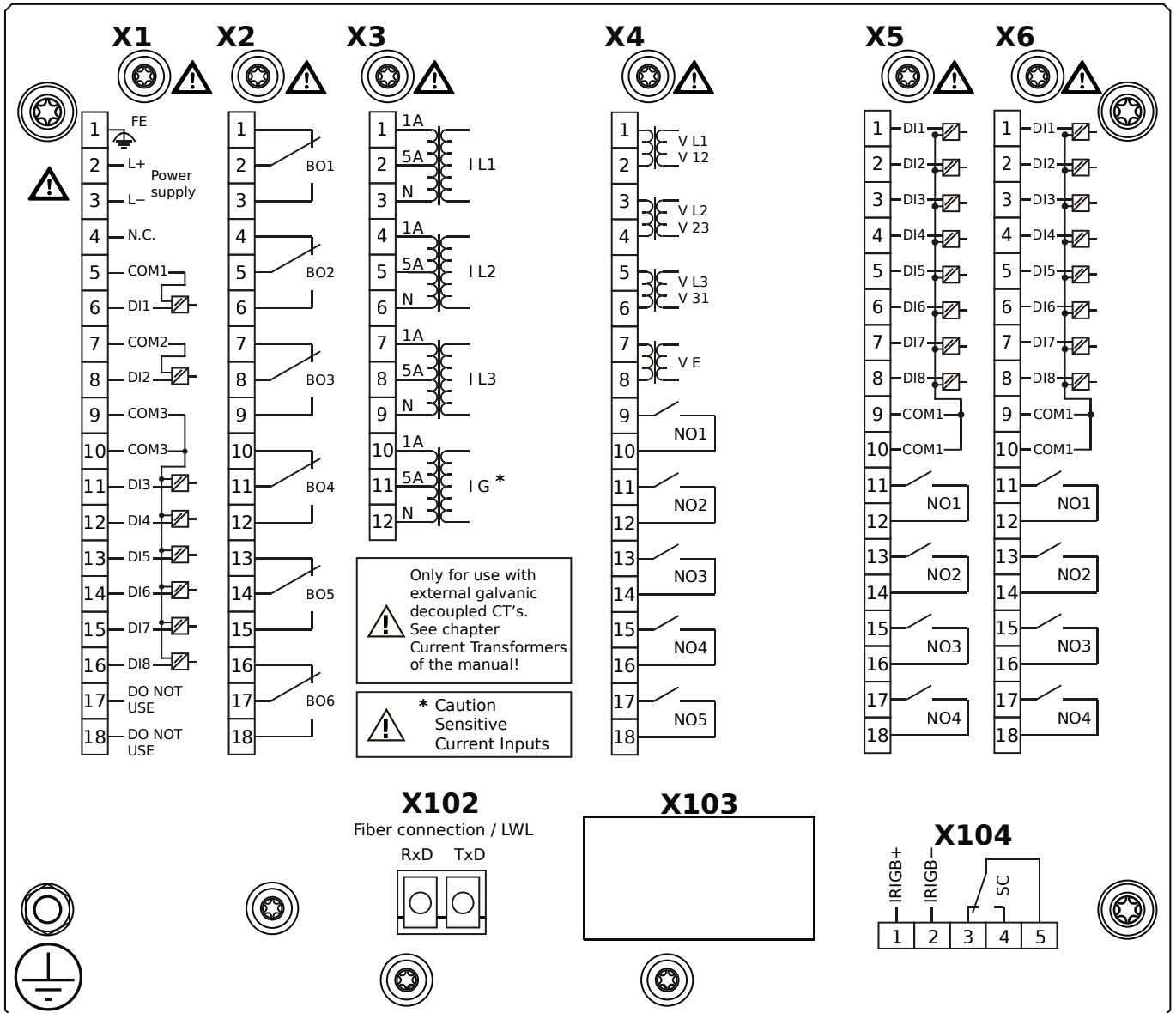
MCDLV4-2E1B0AA



Housing B2, large display, 19" rack mounting

- X1** – DI8-X1: Wide-range power supply unit, incl. 2 non-grouped digital inputs and 6 grouped digital inputs
- X2** – OR6: Assembly Group with 6 Output Relays (Changeover / Form C)
- X3** – TIs: Standard phase current measuring card and sensitive ground current measuring
- X4** – TU-OR5: Voltage measuring (0 ... 300 VAC) assembly group with 5 additional Output Relays (NO / Form A)
- X5** – DI8-OR4: Assembly Group with 8 Digital Inputs and 4 Output Relays (NO / Form A)
- X6** – DI8-OR4: Assembly Group with 8 Digital Inputs and 4 Output Relays (NO / Form A)
- X102** – Long-distance Protection Communication, Fiber optics interface, LC Connector
- X104** – IRIG-B00X, incl. System Contact (Supervision Contact)

MCDLV4-2E1B0AB

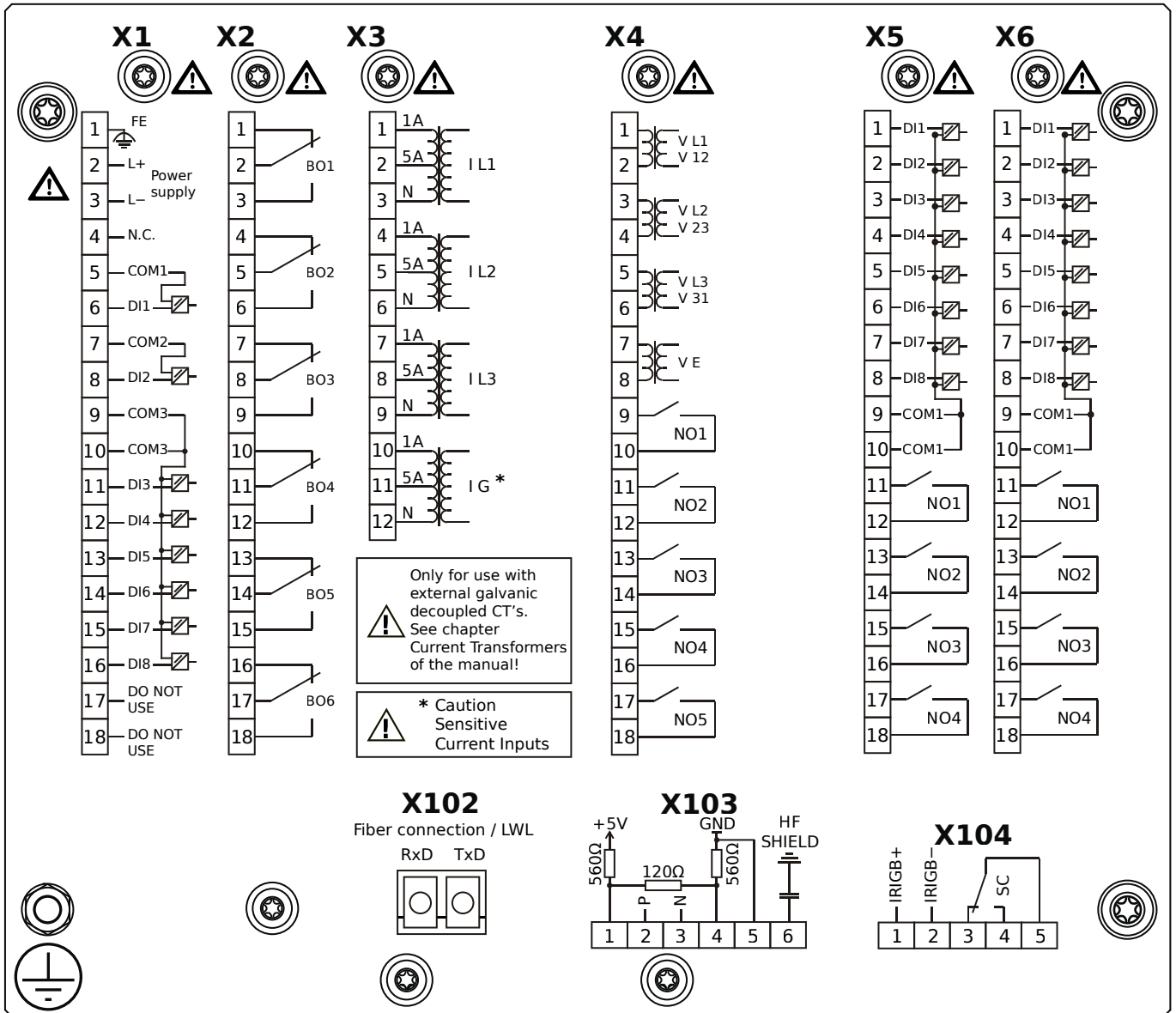


Housing B2, large display, 19" rack mounting

+ Conformal Coating (for installations in harsh environment)

- X1** – DI8-X1: Wide-range power supply unit, incl. 2 non-grouped digital inputs and 6 grouped digital inputs
- X2** – OR6: Assembly Group with 6 Output Relays (Changeover / Form C)
- X3** – TIs: Standard phase current measuring card and sensitive ground current measuring
- X4** – TU-OR5: Voltage measuring (0 ... 300 VAC) assembly group with 5 additional Output Relays (NO / Form A)
- X5** – DI8-OR4: Assembly Group with 8 Digital Inputs and 4 Output Relays (NO / Form A)
- X6** – DI8-OR4: Assembly Group with 8 Digital Inputs and 4 Output Relays (NO / Form A)
- X102** – Long-distance Protection Communication, Fiber optics interface, LC Connector
- X104** – IRIG-B00X, incl. System Contact (Supervision Contact)

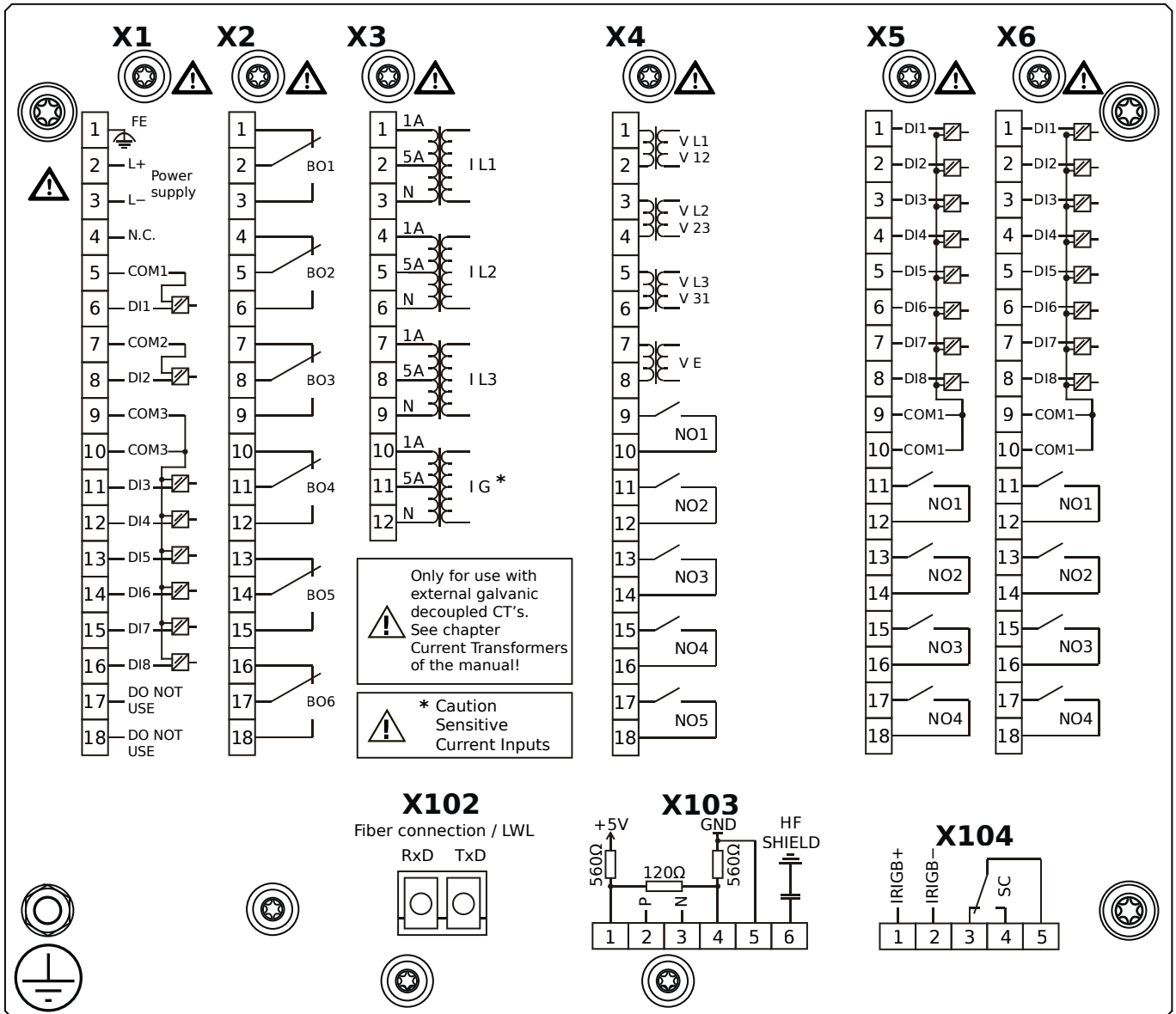
MCDLV4-2E1B0BA



Housing B2, large display, 19" rack mounting

- X1** – DI8-X1: Wide-range power supply unit, incl. 2 non-grouped digital inputs and 6 grouped digital inputs
- X2** – OR6: Assembly Group with 6 Output Relays (Changeover / Form C)
- X3** – TIs: Standard phase current measuring card and sensitive ground current measuring
- X4** – TU-OR5: Voltage measuring (0 ... 300 VAC) assembly group with 5 additional Output Relays (NO / Form A)
- X5** – DI8-OR4: Assembly Group with 8 Digital Inputs and 4 Output Relays (NO / Form A)
- X6** – DI8-OR4: Assembly Group with 8 Digital Inputs and 4 Output Relays (NO / Form A)
- X102** – Long-distance Protection Communication, Fiber optics interface, LC Connector
- X103** – Modbus RTU / IEC 60870-5-103 / DNP3.0 RTU, RS485, Terminals
- X104** – IRIG-B00X, incl. System Contact (Supervision Contact)

MCDLV4-2E1B0BB

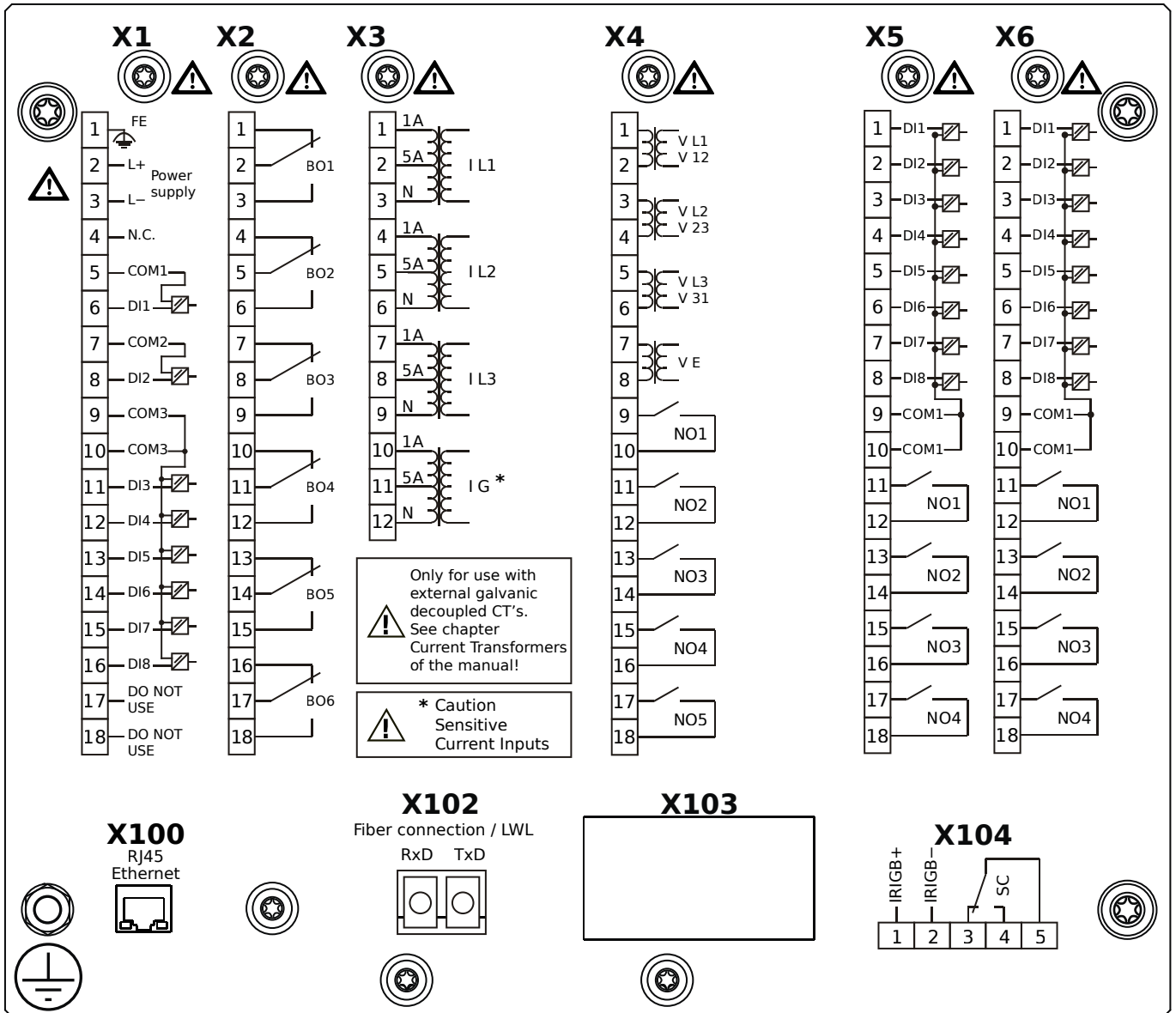


Housing B2, large display, 19" rack mounting

+ Conformal Coating (for installations in harsh environment)

- X1** – DI8-X1: Wide-range power supply unit, incl. 2 non-grouped digital inputs and 6 grouped digital inputs
- X2** – OR6: Assembly Group with 6 Output Relays (Changeover / Form C)
- X3** – TIs: Standard phase current measuring card and sensitive ground current measuring
- X4** – TU-OR5: Voltage measuring (0 ... 300 VAC) assembly group with 5 additional Output Relays (NO / Form A)
- X5** – DI8-OR4: Assembly Group with 8 Digital Inputs and 4 Output Relays (NO / Form A)
- X6** – DI8-OR4: Assembly Group with 8 Digital Inputs and 4 Output Relays (NO / Form A)
- X102** – Long-distance Protection Communication, Fiber optics interface, LC Connector
- X103** – Modbus RTU / IEC 60870-5-103 / DNP3.0 RTU, RS485, Terminals
- X104** – IRIG-B00X, incl. System Contact (Supervision Contact)

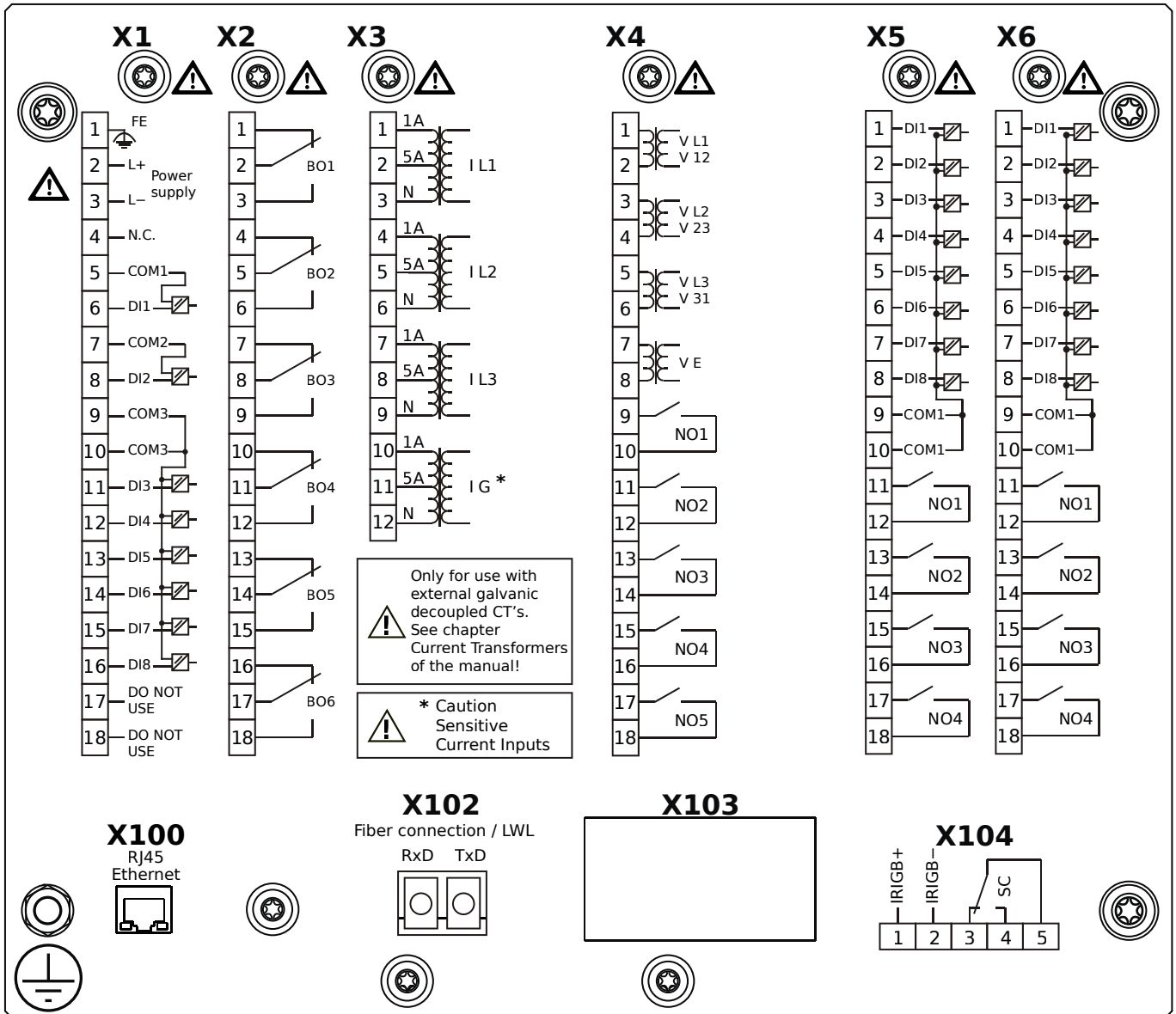
MCDLV4-2E1B0CA



Housing B2, large display, 19" rack mounting

- X1** – DI8-X1: Wide-range power supply unit, incl. 2 non-grouped digital inputs and 6 grouped digital inputs
- X2** – OR6: Assembly Group with 6 Output Relays (Changeover / Form C)
- X3** – TIs: Standard phase current measuring card and sensitive ground current measuring
- X4** – TU-OR5: Voltage measuring (0 ... 300 VAC) assembly group with 5 additional Output Relays (NO / Form A)
- X5** – DI8-OR4: Assembly Group with 8 Digital Inputs and 4 Output Relays (NO / Form A)
- X6** – DI8-OR4: Assembly Group with 8 Digital Inputs and 4 Output Relays (NO / Form A)
- X100** – Modbus TCP / IEC 60870-5-104 / DNP3.0 TCP/UDP, Ethernet interface, 100 Mbit/s, RJ45 (BASE100-FX)
- X102** – Long-distance Protection Communication, Fiber optics interface, LC Connector
- X104** – IRIG-B00X, incl. System Contact (Supervision Contact)

MCDLV4-2E1B0CB

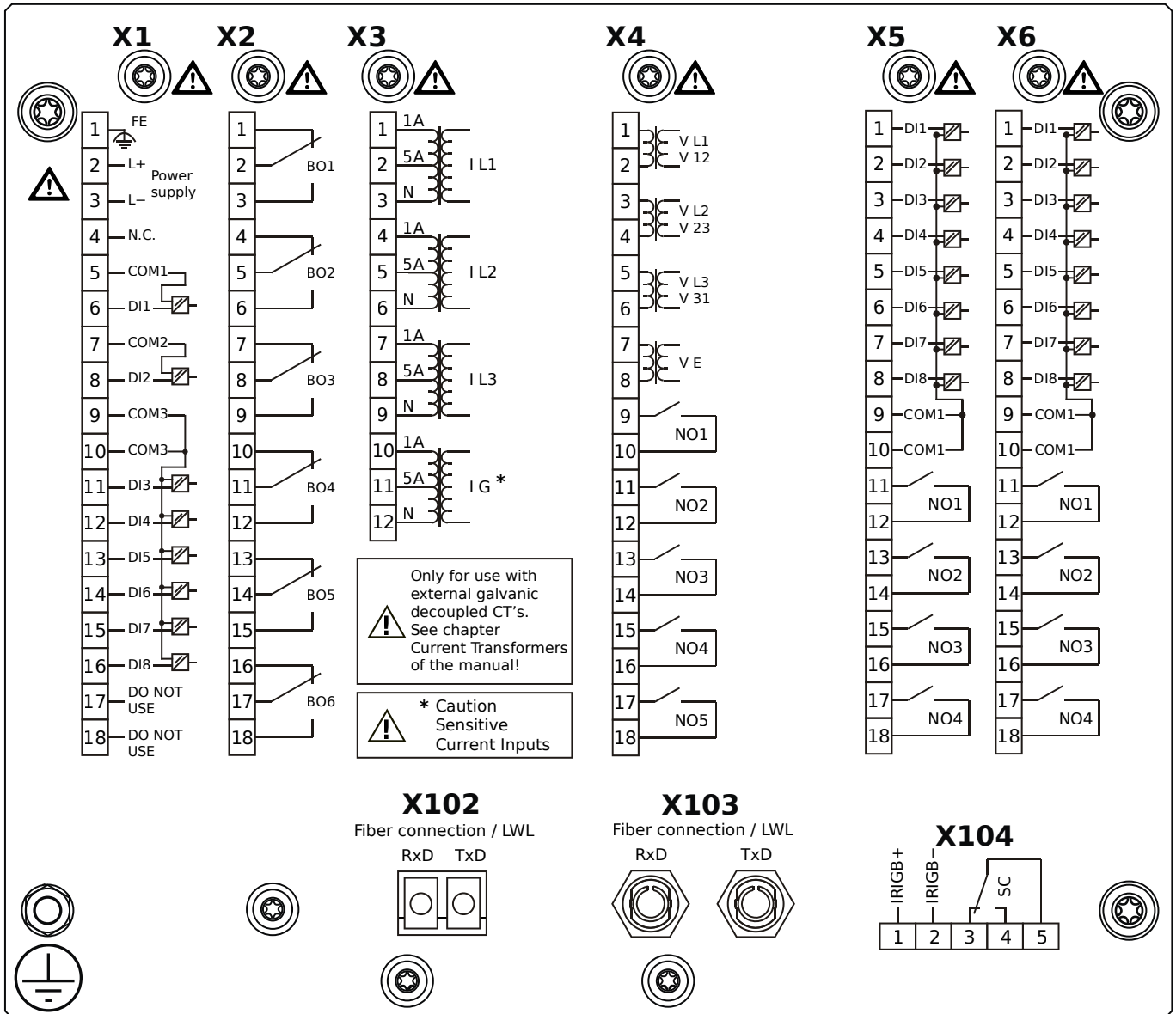


Housing B2, large display, 19" rack mounting

+ Conformal Coating (for installations in harsh environment)

- X1** – DI8-X1: Wide-range power supply unit, incl. 2 non-grouped digital inputs and 6 grouped digital inputs
- X2** – OR6: Assembly Group with 6 Output Relays (Changeover / Form C)
- X3** – TIs: Standard phase current measuring card and sensitive ground current measuring
- X4** – TU-OR5: Voltage measuring (0 ... 300 VAC) assembly group with 5 additional Output Relays (NO / Form A)
- X5** – DI8-OR4: Assembly Group with 8 Digital Inputs and 4 Output Relays (NO / Form A)
- X6** – DI8-OR4: Assembly Group with 8 Digital Inputs and 4 Output Relays (NO / Form A)
- X100** – Modbus TCP / IEC 60870-5-104 / DNP3.0 TCP/UDP, Ethernet interface, 100 Mbit/s, RJ45 (BASE100-FX)
- X102** – Long-distance Protection Communication, Fiber optics interface, LC Connector
- X104** – IRIG-B00X, incl. System Contact (Supervision Contact)

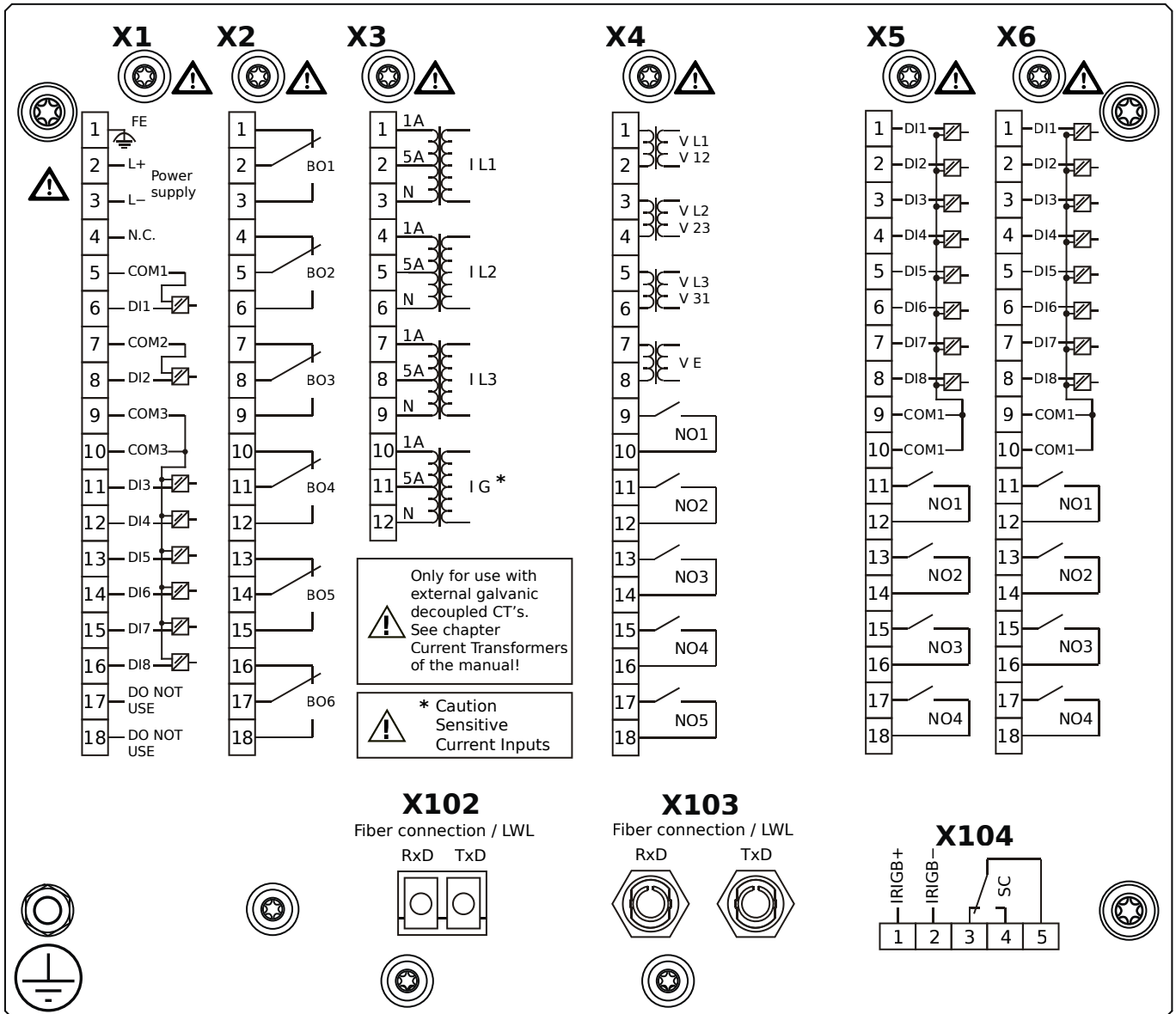
MCDLV4-2E1B0DA



Housing B2, large display, 19" rack mounting

- X1** – DI8-X1: Wide-range power supply unit, incl. 2 non-grouped digital inputs and 6 grouped digital inputs
- X2** – OR6: Assembly Group with 6 Output Relays (Changeover / Form C)
- X3** – TIs: Standard phase current measuring card and sensitive ground current measuring
- X4** – TU-OR5: Voltage measuring (0 ... 300 VAC) assembly group with 5 additional Output Relays (NO / Form A)
- X5** – DI8-OR4: Assembly Group with 8 Digital Inputs and 4 Output Relays (NO / Form A)
- X6** – DI8-OR4: Assembly Group with 8 Digital Inputs and 4 Output Relays (NO / Form A)
- X102** – Long-distance Protection Communication, Fiber optics interface, LC Connector
- X103** – Profibus-DP, Fiber optics interface, ST Connector
- X104** – IRIG-B00X, incl. System Contact (Supervision Contact)

MCDLV4-2E1B0DB

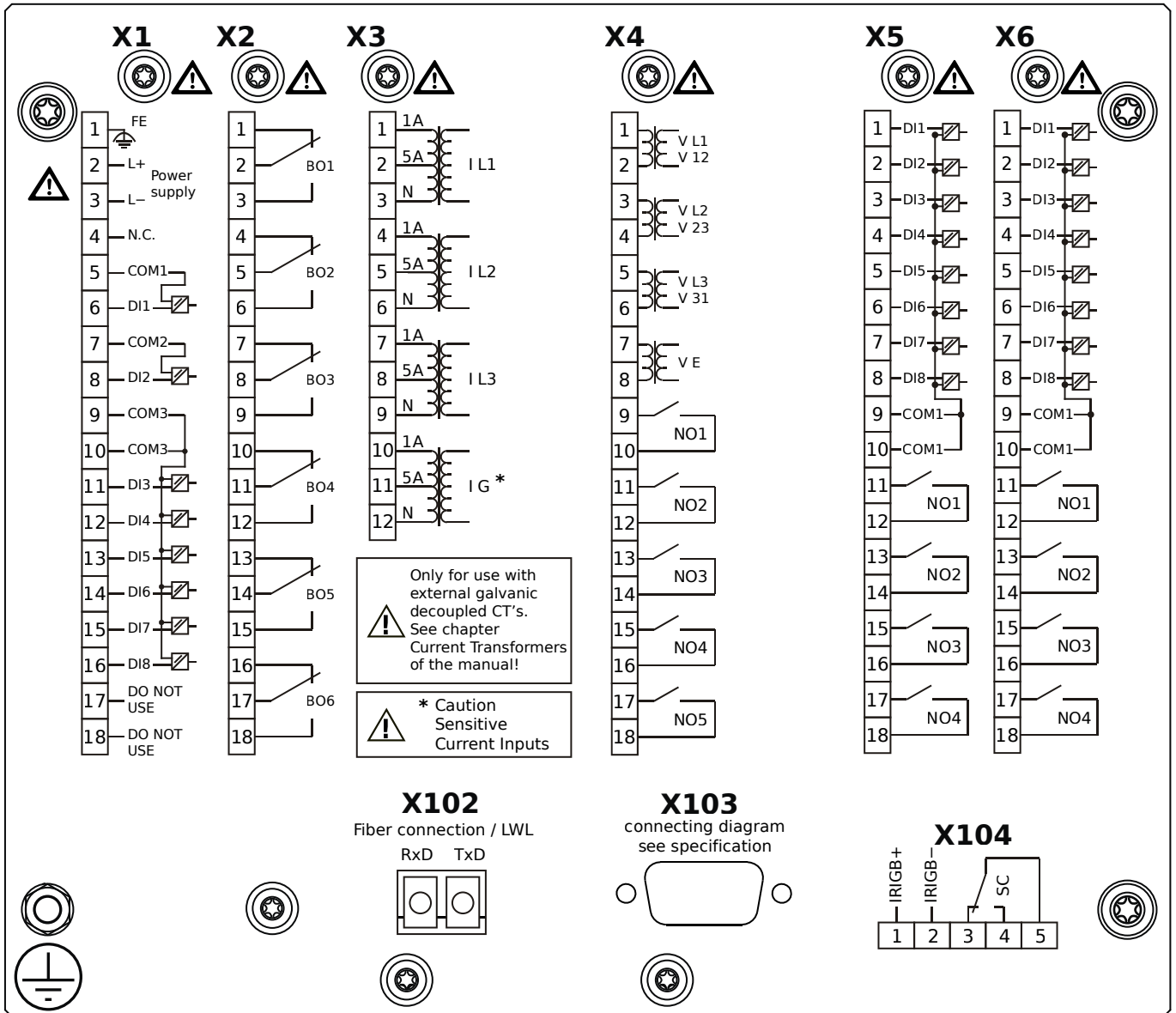


Housing B2, large display, 19" rack mounting

+ Conformal Coating (for installations in harsh environment)

- X1** – DI8-X1: Wide-range power supply unit, incl. 2 non-grouped digital inputs and 6 grouped digital inputs
- X2** – OR6: Assembly Group with 6 Output Relays (Changeover / Form C)
- X3** – TIs: Standard phase current measuring card and sensitive ground current measuring
- X4** – TU-OR5: Voltage measuring (0 ... 300 VAC) assembly group with 5 additional Output Relays (NO / Form A)
- X5** – DI8-OR4: Assembly Group with 8 Digital Inputs and 4 Output Relays (NO / Form A)
- X6** – DI8-OR4: Assembly Group with 8 Digital Inputs and 4 Output Relays (NO / Form A)
- X102** – Long-distance Protection Communication, Fiber optics interface, LC Connector
- X103** – Profibus-DP, Fiber optics interface, ST Connector
- X104** – IRIG-B00X, incl. System Contact (Supervision Contact)

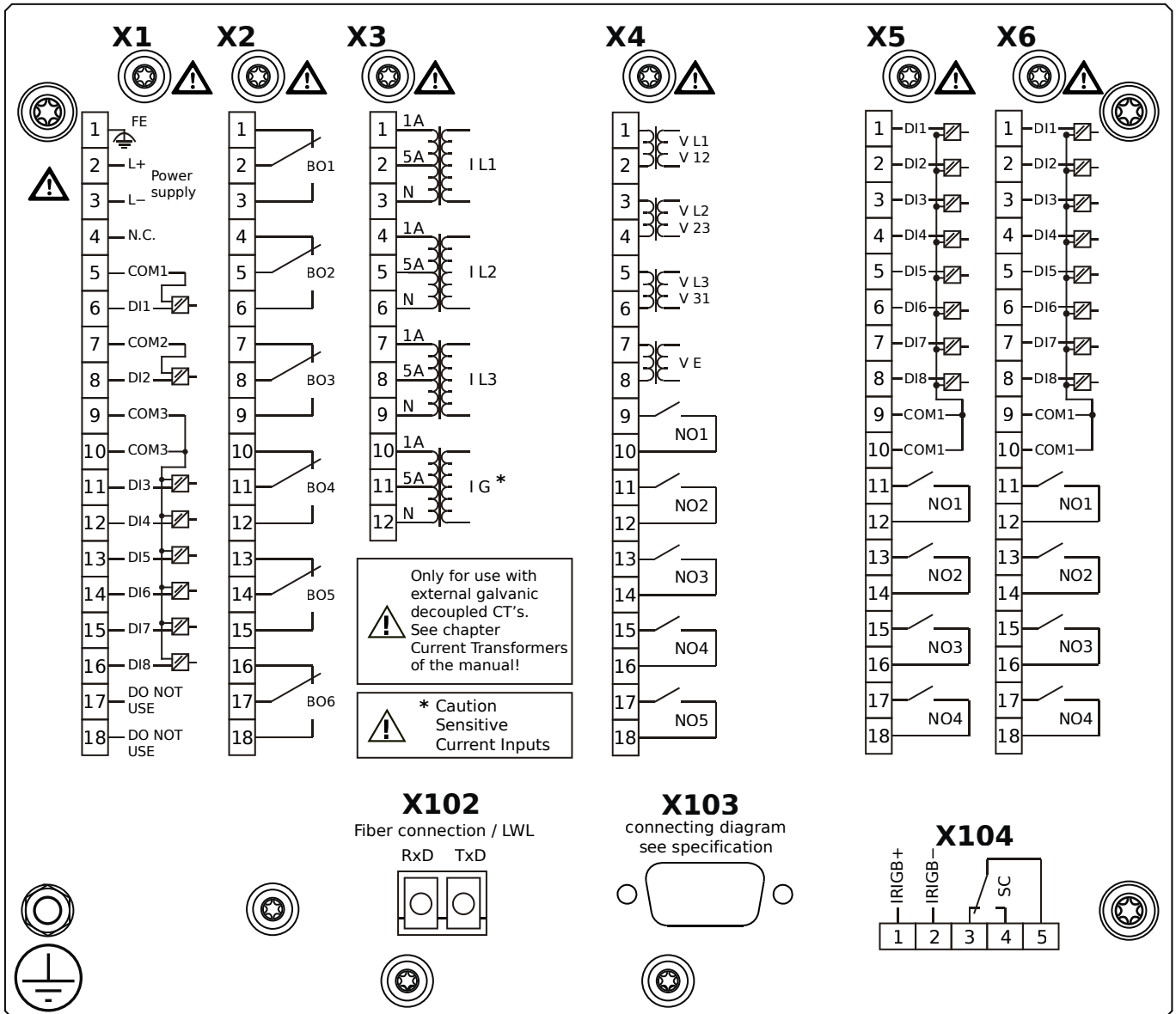
MCDLV4-2E1B0EA



Housing B2, large display, 19" rack mounting

- X1** – DI8-X1: Wide-range power supply unit, incl. 2 non-grouped digital inputs and 6 grouped digital inputs
- X2** – OR6: Assembly Group with 6 Output Relays (Changeover / Form C)
- X3** – TIs: Standard phase current measuring card and sensitive ground current measuring
- X4** – TU-OR5: Voltage measuring (0 ... 300 VAC) assembly group with 5 additional Output Relays (NO / Form A)
- X5** – DI8-OR4: Assembly Group with 8 Digital Inputs and 4 Output Relays (NO / Form A)
- X6** – DI8-OR4: Assembly Group with 8 Digital Inputs and 4 Output Relays (NO / Form A)
- X102** – Long-distance Protection Communication, Fiber optics interface, LC Connector
- X103** – Profibus-DP, RS485, D-SUB
- X104** – IRIG-B00X, incl. System Contact (Supervision Contact)

MCDLV4-2E1B0EB

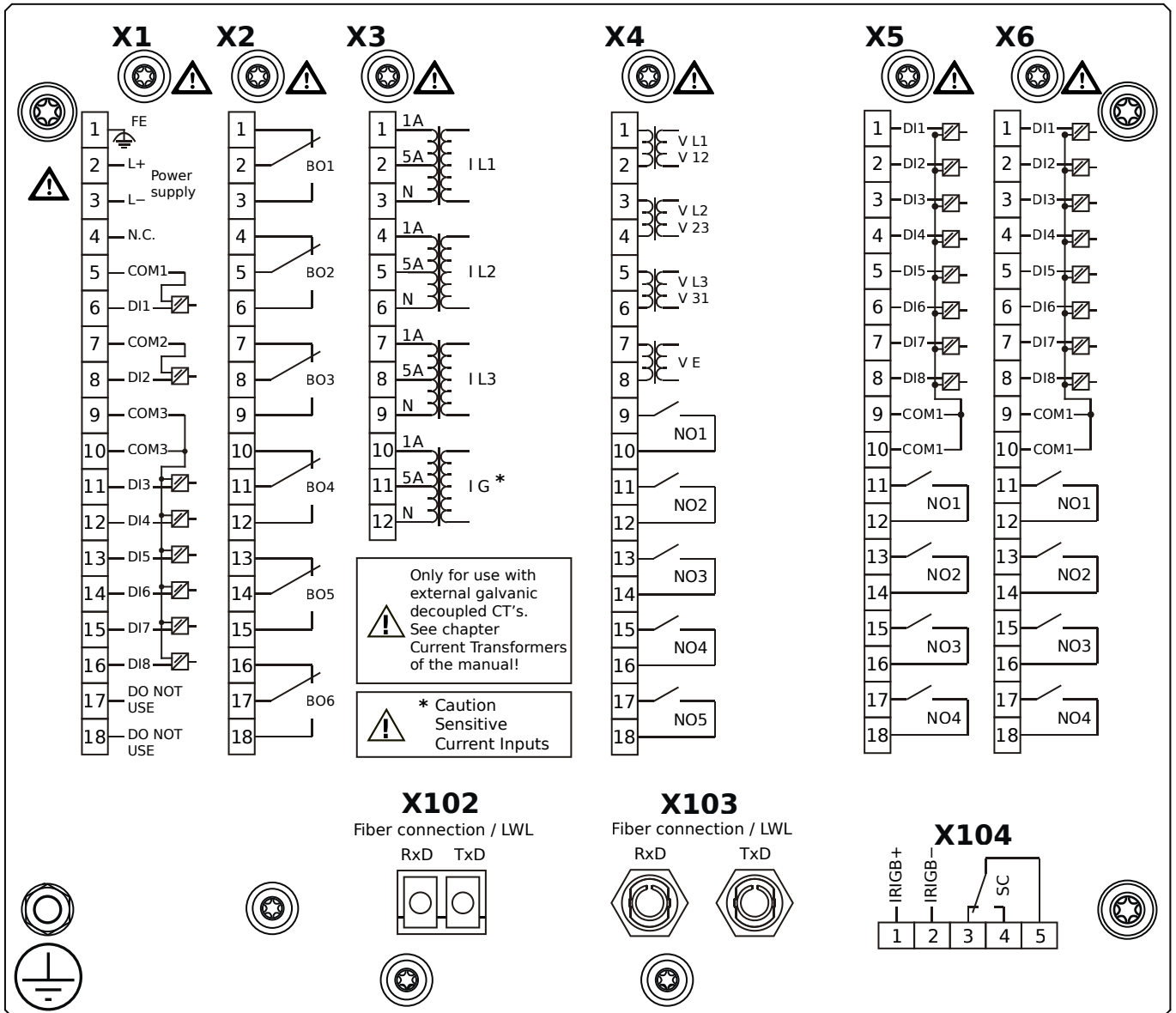


Housing B2, large display, 19" rack mounting

+ Conformal Coating (for installations in harsh environment)

- X1** – DI8-X1: Wide-range power supply unit, incl. 2 non-grouped digital inputs and 6 grouped digital inputs
- X2** – OR6: Assembly Group with 6 Output Relays (Changeover / Form C)
- X3** – TIs: Standard phase current measuring card and sensitive ground current measuring
- X4** – TU-OR5: Voltage measuring (0 ... 300 VAC) assembly group with 5 additional Output Relays (NO / Form A)
- X5** – DI8-OR4: Assembly Group with 8 Digital Inputs and 4 Output Relays (NO / Form A)
- X6** – DI8-OR4: Assembly Group with 8 Digital Inputs and 4 Output Relays (NO / Form A)
- X102** – Long-distance Protection Communication, Fiber optics interface, LC Connector
- X103** – Profibus-DP, RS485, D-SUB
- X104** – IRIG-B00X, incl. System Contact (Supervision Contact)

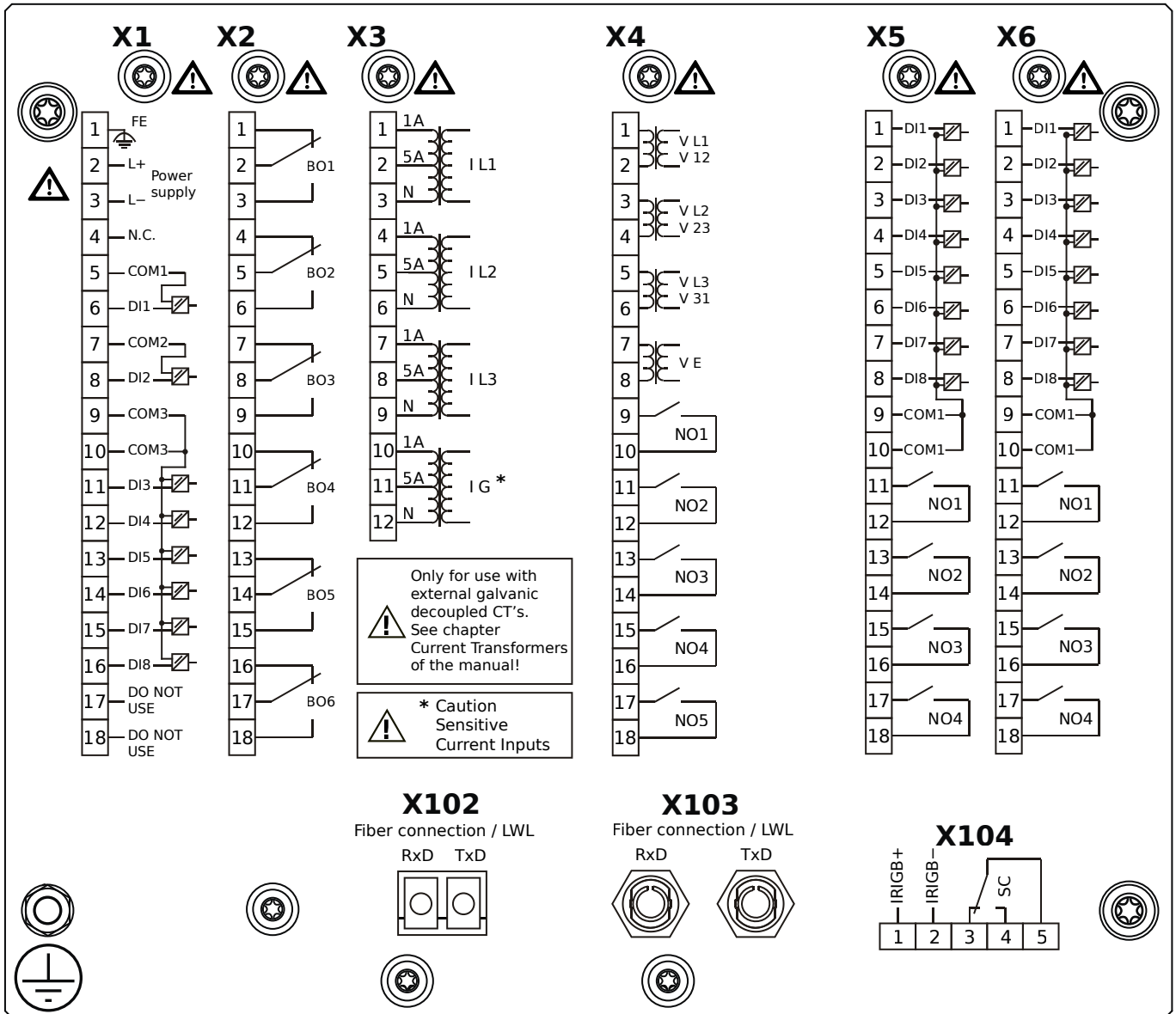
MCDLV4-2E1B0FA



Housing B2, large display, 19" rack mounting

- X1** – DI8-X1: Wide-range power supply unit, incl. 2 non-grouped digital inputs and 6 grouped digital inputs
- X2** – OR6: Assembly Group with 6 Output Relays (Changeover / Form C)
- X3** – TIs: Standard phase current measuring card and sensitive ground current measuring
- X4** – TU-OR5: Voltage measuring (0 ... 300 VAC) assembly group with 5 additional Output Relays (NO / Form A)
- X5** – DI8-OR4: Assembly Group with 8 Digital Inputs and 4 Output Relays (NO / Form A)
- X6** – DI8-OR4: Assembly Group with 8 Digital Inputs and 4 Output Relays (NO / Form A)
- X102** – Long-distance Protection Communication, Fiber optics interface, LC Connector
- X103** – Modbus RTU / IEC 60870-5-103 / DNP3.0 RTU, Fiber optics interface, ST Connector
- X104** – IRIG-B00X, incl. System Contact (Supervision Contact)

MCDLV4-2E1B0FB

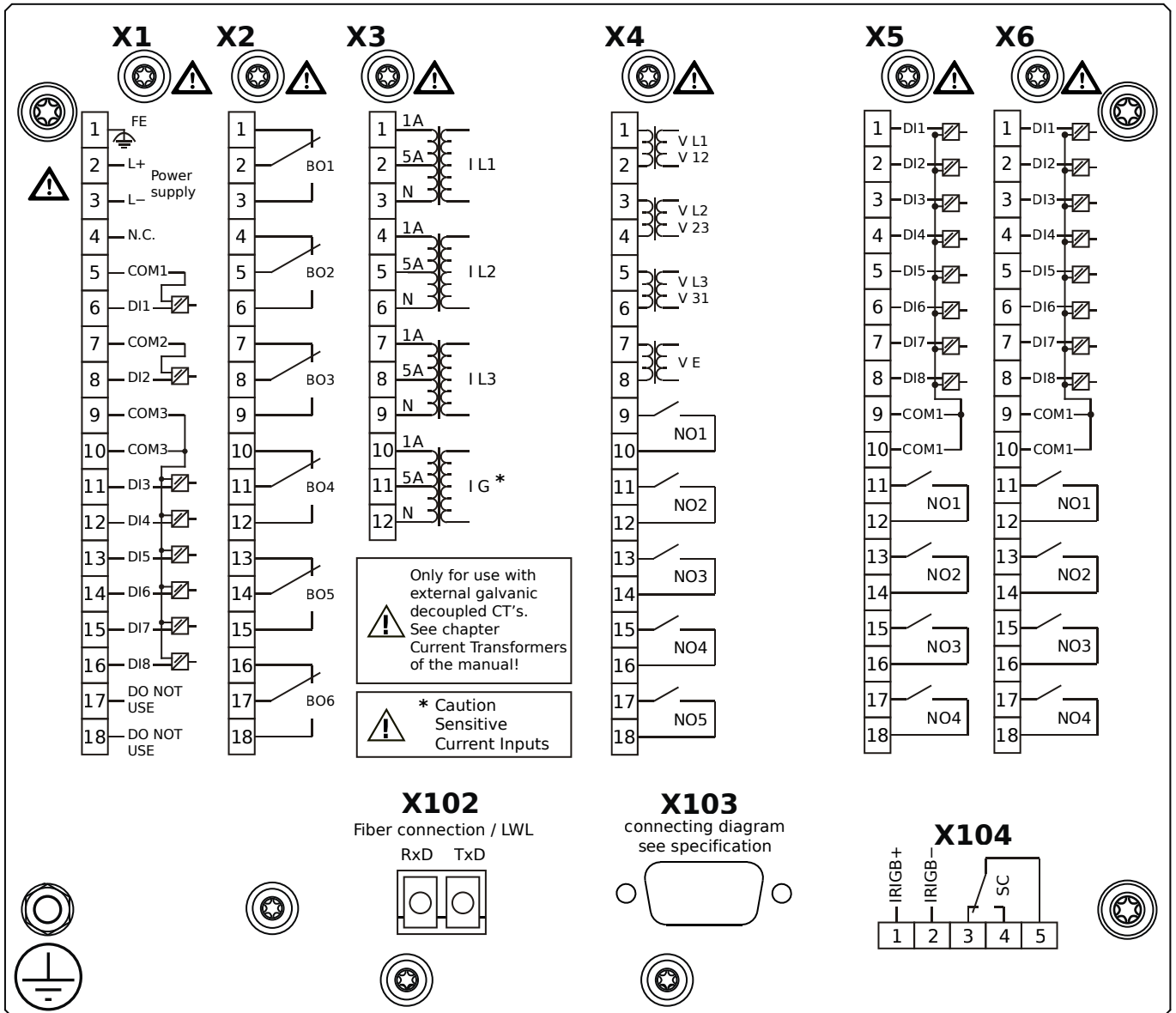


Housing B2, large display, 19" rack mounting

+ Conformal Coating (for installations in harsh environment)

- X1** – DI8-X1: Wide-range power supply unit, incl. 2 non-grouped digital inputs and 6 grouped digital inputs
- X2** – OR6: Assembly Group with 6 Output Relays (Changeover / Form C)
- X3** – TIs: Standard phase current measuring card and sensitive ground current measuring
- X4** – TU-OR5: Voltage measuring (0 ... 300 VAC) assembly group with 5 additional Output Relays (NO / Form A)
- X5** – DI8-OR4: Assembly Group with 8 Digital Inputs and 4 Output Relays (NO / Form A)
- X6** – DI8-OR4: Assembly Group with 8 Digital Inputs and 4 Output Relays (NO / Form A)
- X102** – Long-distance Protection Communication, Fiber optics interface, LC Connector
- X103** – Modbus RTU / IEC 60870-5-103 / DNP3.0 RTU, Fiber optics interface, ST Connector
- X104** – IRIG-B00X, incl. System Contact (Supervision Contact)

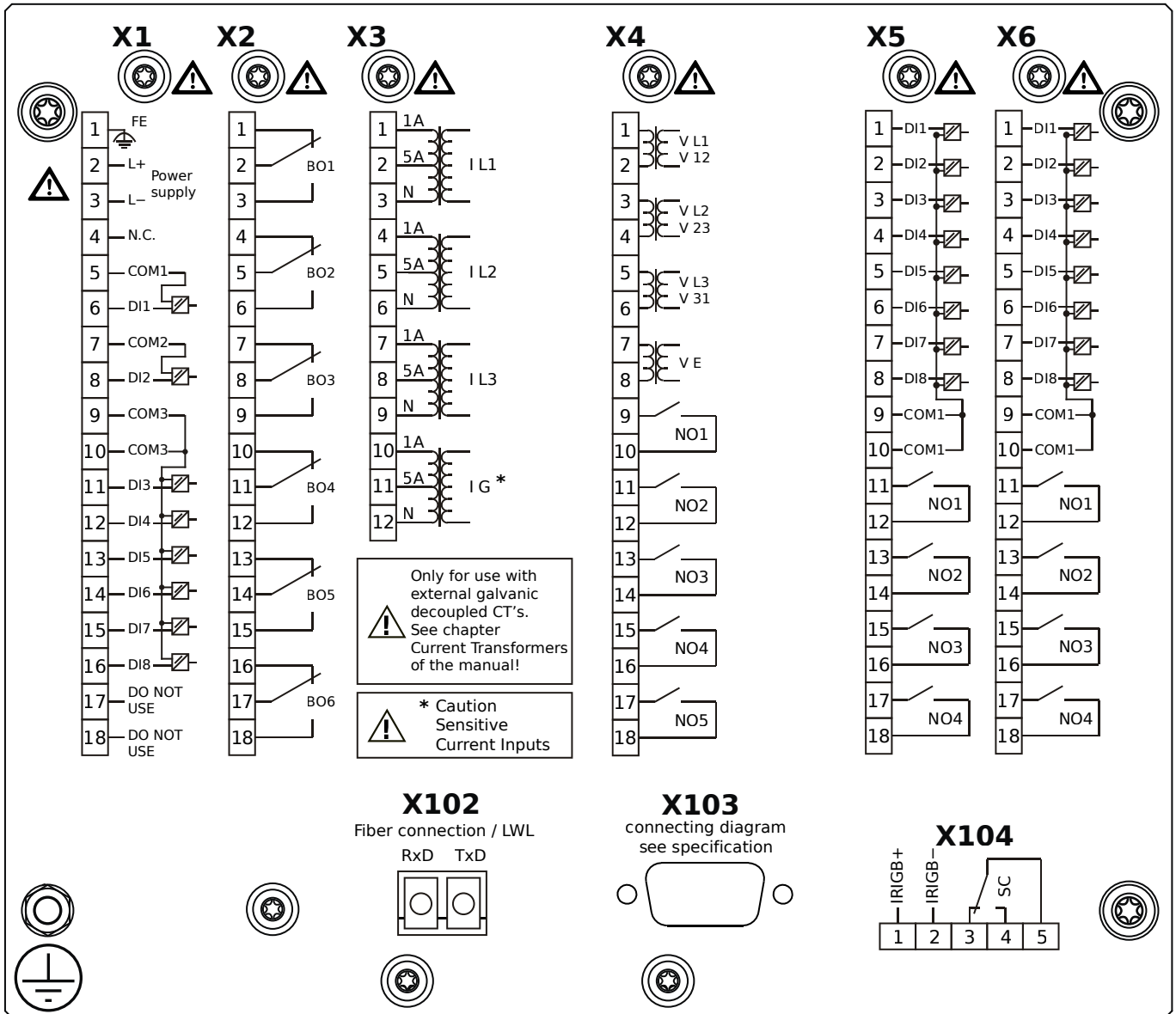
MCDLV4-2E1B0GA



Housing B2, large display, 19" rack mounting

- X1** – DI8-X1: Wide-range power supply unit, incl. 2 non-grouped digital inputs and 6 grouped digital inputs
- X2** – OR6: Assembly Group with 6 Output Relays (Changeover / Form C)
- X3** – TIs: Standard phase current measuring card and sensitive ground current measuring
- X4** – TU-OR5: Voltage measuring (0 ... 300 VAC) assembly group with 5 additional Output Relays (NO / Form A)
- X5** – DI8-OR4: Assembly Group with 8 Digital Inputs and 4 Output Relays (NO / Form A)
- X6** – DI8-OR4: Assembly Group with 8 Digital Inputs and 4 Output Relays (NO / Form A)
- X102** – Long-distance Protection Communication, Fiber optics interface, LC Connector
- X103** – Modbus RTU / IEC 60870-5-103 / DNP3.0 RTU, RS485, D-SUB
- X104** – IRIG-B00X, incl. System Contact (Supervision Contact)

MCDLV4-2E1B0GB

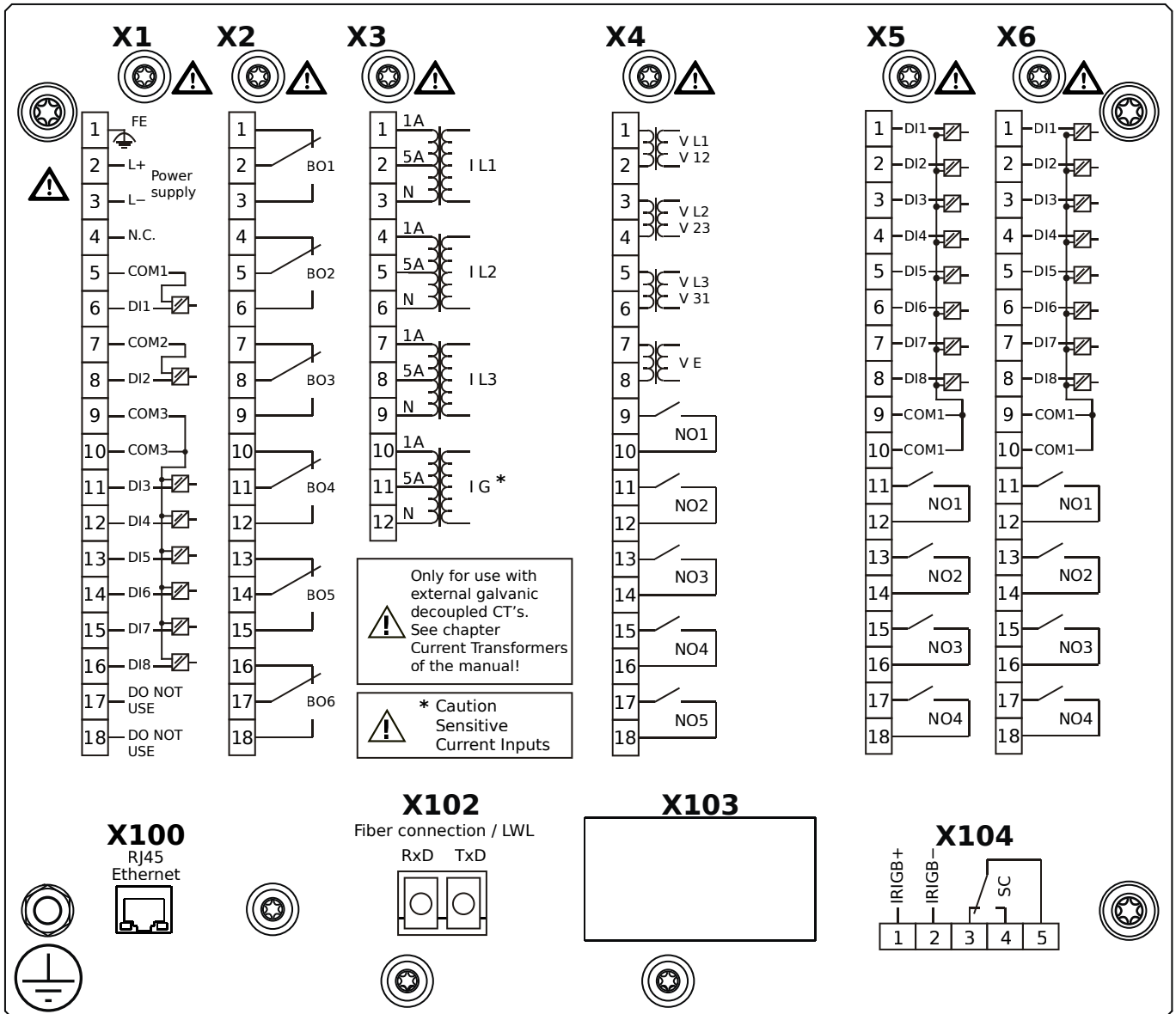


Housing B2, large display, 19" rack mounting

+ Conformal Coating (for installations in harsh environment)

- X1** – DI8-X1: Wide-range power supply unit, incl. 2 non-grouped digital inputs and 6 grouped digital inputs
- X2** – OR6: Assembly Group with 6 Output Relays (Changeover / Form C)
- X3** – TIs: Standard phase current measuring card and sensitive ground current measuring
- X4** – TU-OR5: Voltage measuring (0 ... 300 VAC) assembly group with 5 additional Output Relays (NO / Form A)
- X5** – DI8-OR4: Assembly Group with 8 Digital Inputs and 4 Output Relays (NO / Form A)
- X6** – DI8-OR4: Assembly Group with 8 Digital Inputs and 4 Output Relays (NO / Form A)
- X102** – Long-distance Protection Communication, Fiber optics interface, LC Connector
- X103** – Modbus RTU / IEC 60870-5-103 / DNP3.0 RTU, RS485, D-SUB
- X104** – IRIG-B00X, incl. System Contact (Supervision Contact)

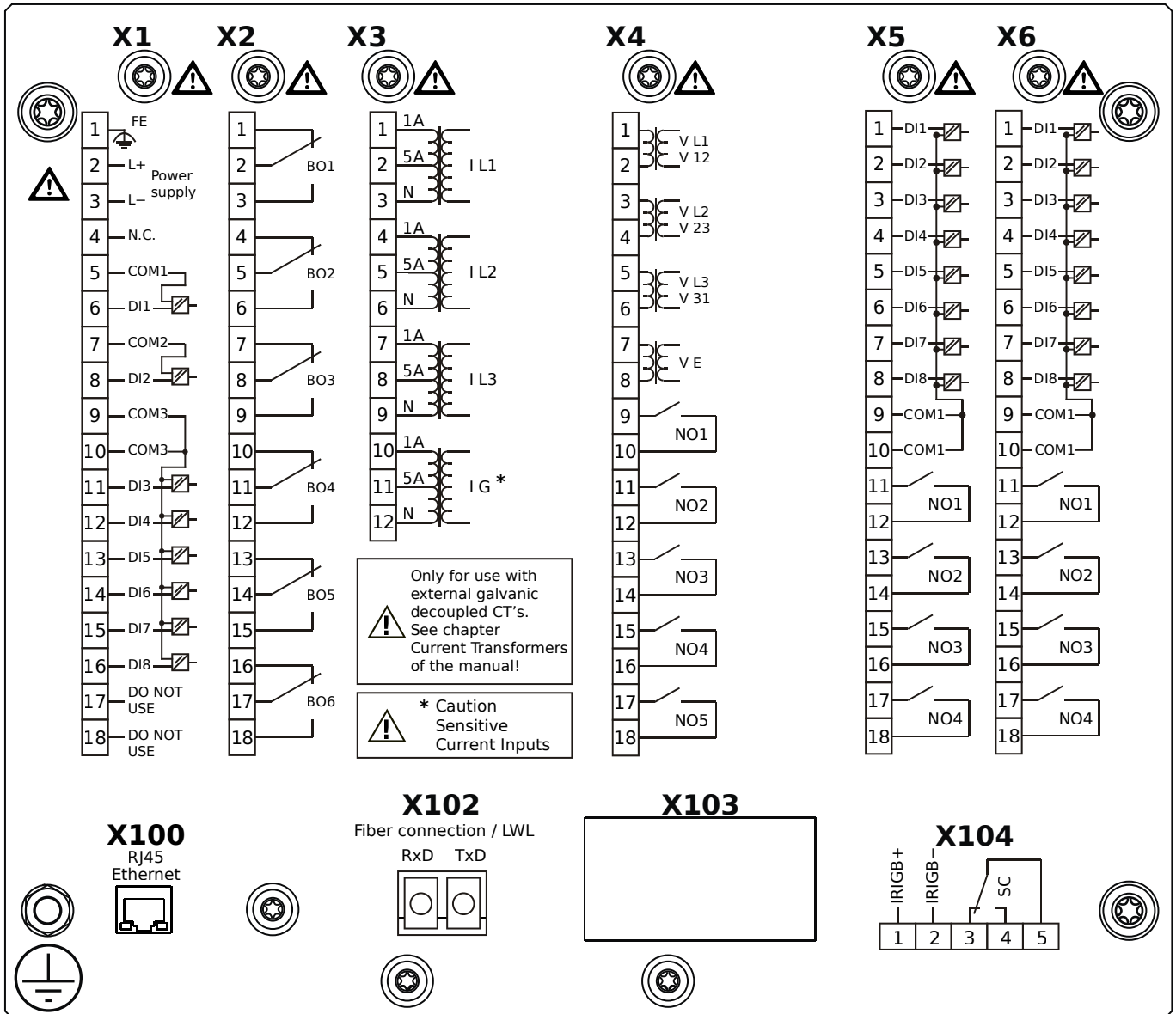
MCDLV4-2E1B0HA



Housing B2, large display, 19" rack mounting

- X1** – DI8-X1: Wide-range power supply unit, incl. 2 non-grouped digital inputs and 6 grouped digital inputs
- X2** – OR6: Assembly Group with 6 Output Relays (Changeover / Form C)
- X3** – TIs: Standard phase current measuring card and sensitive ground current measuring
- X4** – TU-OR5: Voltage measuring (0 ... 300 VAC) assembly group with 5 additional Output Relays (NO / Form A)
- X5** – DI8-OR4: Assembly Group with 8 Digital Inputs and 4 Output Relays (NO / Form A)
- X6** – DI8-OR4: Assembly Group with 8 Digital Inputs and 4 Output Relays (NO / Form A)
- X100** – IEC 61850 / Modbus TCP / IEC 60870-5-104 / DNP3.0 TCP/UDP, Ethernet interface, 100 Mbit/s, RJ45 (BASE100-FX)
- X102** – Long-distance Protection Communication, Fiber optics interface, LC Connector
- X104** – IRIG-B00X, incl. System Contact (Supervision Contact)

MCDLV4-2E1B0HB

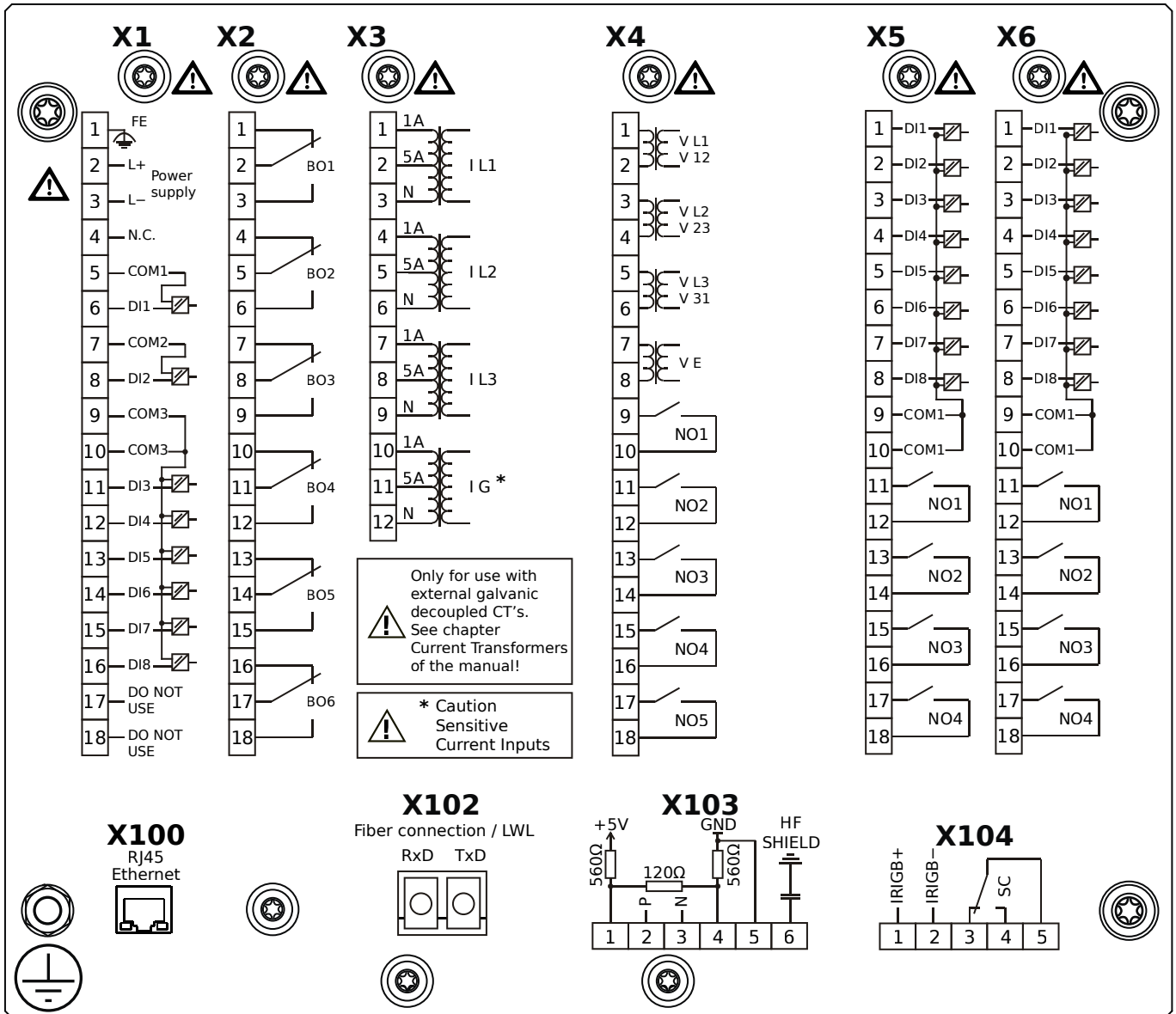


Housing B2, large display, 19" rack mounting

+ Conformal Coating (for installations in harsh environment)

- X1** – DI8-X1: Wide-range power supply unit, incl. 2 non-grouped digital inputs and 6 grouped digital inputs
- X2** – OR6: Assembly Group with 6 Output Relays (Changeover / Form C)
- X3** – TIs: Standard phase current measuring card and sensitive ground current measuring
- X4** – TU-OR5: Voltage measuring (0 ... 300 VAC) assembly group with 5 additional Output Relays (NO / Form A)
- X5** – DI8-OR4: Assembly Group with 8 Digital Inputs and 4 Output Relays (NO / Form A)
- X6** – DI8-OR4: Assembly Group with 8 Digital Inputs and 4 Output Relays (NO / Form A)
- X100** – IEC 61850 / Modbus TCP / IEC 60870-5-104 / DNP3.0 TCP/UDP, Ethernet interface, 100 Mbit/s, RJ45 (BASE100-FX)
- X102** – Long-distance Protection Communication, Fiber optics interface, LC Connector
- X104** – IRIG-B00X, incl. System Contact (Supervision Contact)

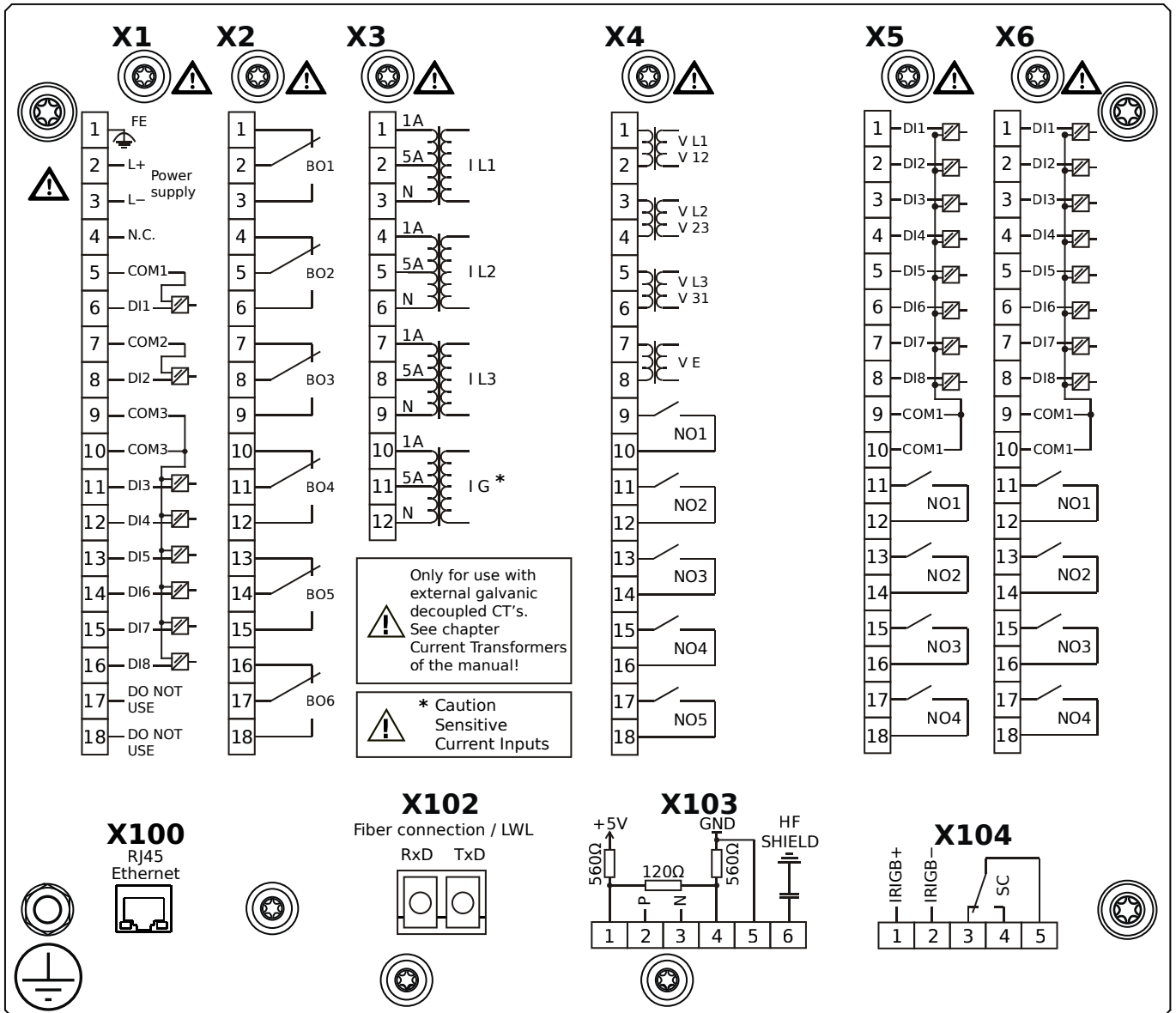
MCDLV4-2E1B0IA



Housing B2, large display, 19" rack mounting

- X1** – DI8-X1: Wide-range power supply unit, incl. 2 non-grouped digital inputs and 6 grouped digital inputs
- X2** – OR6: Assembly Group with 6 Output Relays (Changeover / Form C)
- X3** – TIs: Standard phase current measuring card and sensitive ground current measuring
- X4** – TU-OR5: Voltage measuring (0 ... 300 VAC) assembly group with 5 additional Output Relays (NO / Form A)
- X5** – DI8-OR4: Assembly Group with 8 Digital Inputs and 4 Output Relays (NO / Form A)
- X6** – DI8-OR4: Assembly Group with 8 Digital Inputs and 4 Output Relays (NO / Form A)
- X100** – Modbus TCP / IEC 60870-5-104 / DNP3.0 TCP/UDP, Ethernet interface, 100 Mbit/s, RJ45 (BASE100-FX)
- X102** – Long-distance Protection Communication, Fiber optics interface, LC Connector
- X103** – IEC 60870-5-103 / Modbus RTU / DNP3.0 RTU, RS485, Terminals
- X104** – IRIG-B00X, incl. System Contact (Supervision Contact)

MCDLV4-2E1B0IB

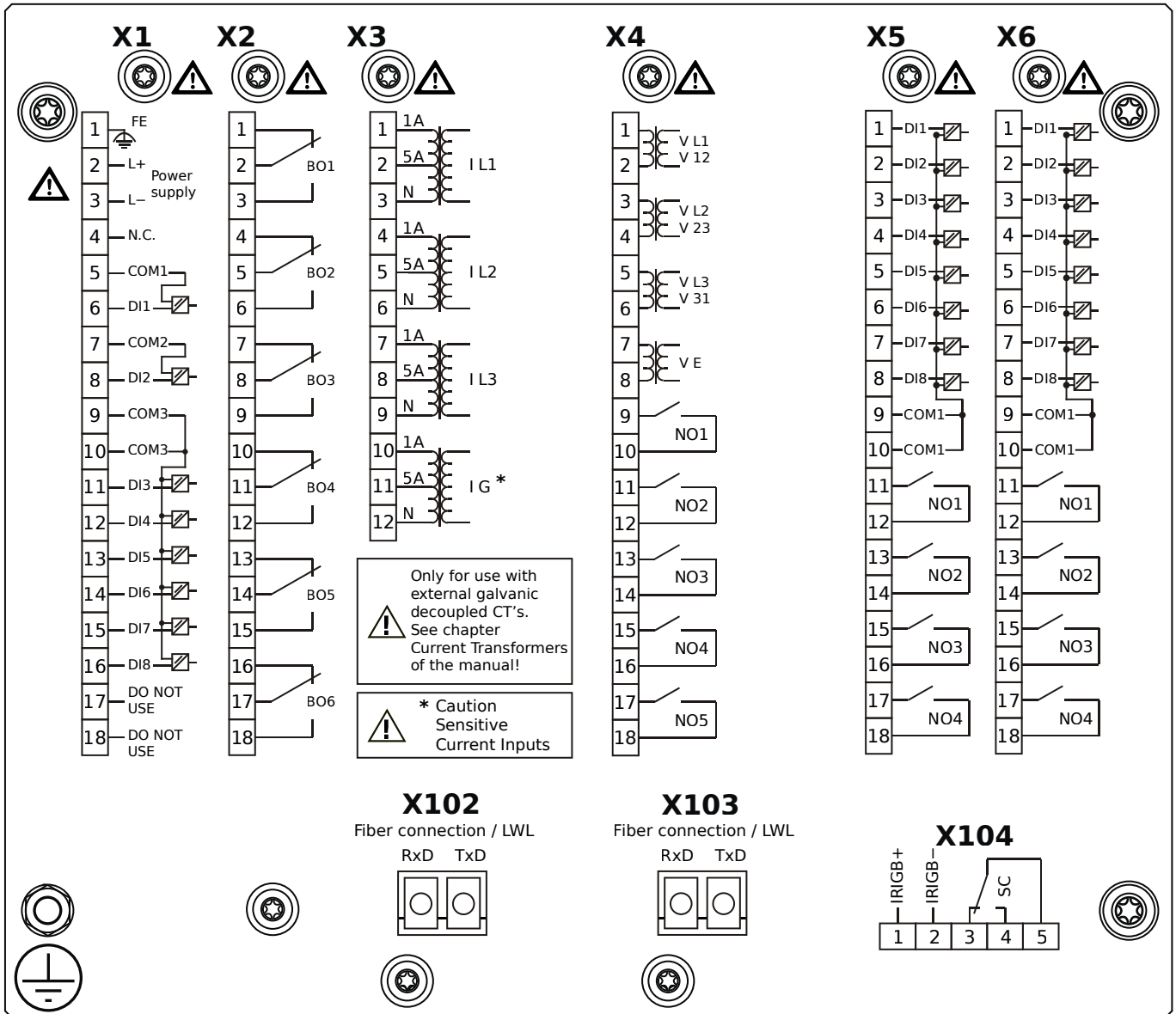


Housing B2, large display, 19" rack mounting

+ Conformal Coating (for installations in harsh environment)

- X1** – DI8-X1: Wide-range power supply unit, incl. 2 non-grouped digital inputs and 6 grouped digital inputs
- X2** – OR6: Assembly Group with 6 Output Relays (Changeover / Form C)
- X3** – TIs: Standard phase current measuring card and sensitive ground current measuring
- X4** – TU-OR5: Voltage measuring (0 ... 300 VAC) assembly group with 5 additional Output Relays (NO / Form A)
- X5** – DI8-OR4: Assembly Group with 8 Digital Inputs and 4 Output Relays (NO / Form A)
- X6** – DI8-OR4: Assembly Group with 8 Digital Inputs and 4 Output Relays (NO / Form A)
- X100** – Modbus TCP / IEC 60870-5-104 / DNP3.0 TCP/UDP, Ethernet interface, 100 Mbit/s, RJ45 (BASE100-FX)
- X102** – Long-distance Protection Communication, Fiber optics interface, LC Connector
- X103** – IEC 60870-5-103 / Modbus RTU / DNP3.0 RTU, RS485, Terminals
- X104** – IRIG-B00X, incl. System Contact (Supervision Contact)

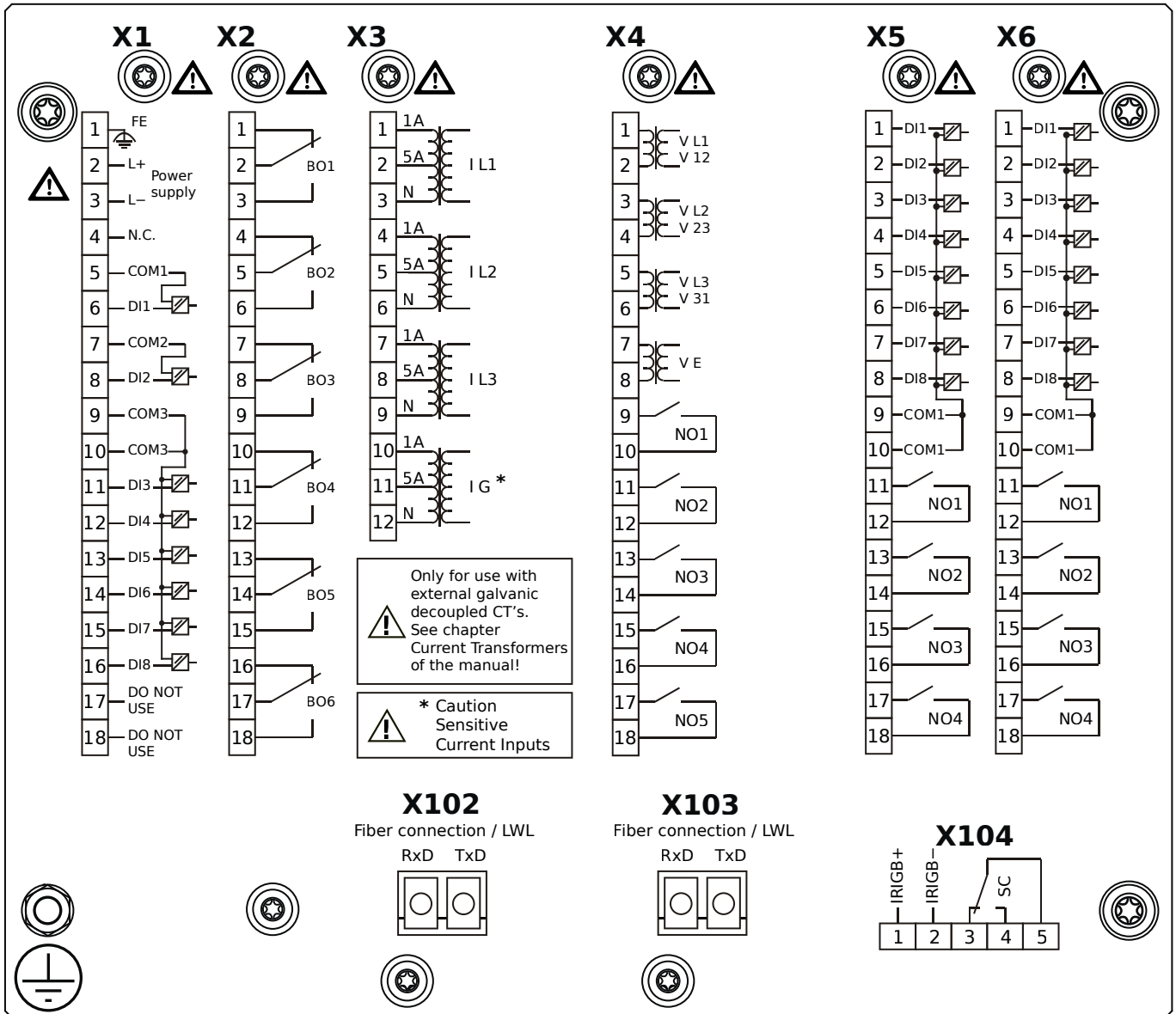
MCDLV4-2E1B0KA



Housing B2, large display, 19" rack mounting

- X1** – DI8-X1: Wide-range power supply unit, incl. 2 non-grouped digital inputs and 6 grouped digital inputs
- X2** – OR6: Assembly Group with 6 Output Relays (Changeover / Form C)
- X3** – TIs: Standard phase current measuring card and sensitive ground current measuring
- X4** – TU-OR5: Voltage measuring (0 ... 300 VAC) assembly group with 5 additional Output Relays (NO / Form A)
- X5** – DI8-OR4: Assembly Group with 8 Digital Inputs and 4 Output Relays (NO / Form A)
- X6** – DI8-OR4: Assembly Group with 8 Digital Inputs and 4 Output Relays (NO / Form A)
- X102** – Long-distance Protection Communication, Fiber optics interface, LC Connector
- X103** – IEC 61850 / Modbus TCP / IEC 60870-5-104 / DNP3.0 TCP/UDP, Fiber optics interface, LC Connector
- X104** – IRIG-B00X, incl. System Contact (Supervision Contact)

MCDLV4-2E1B0KB

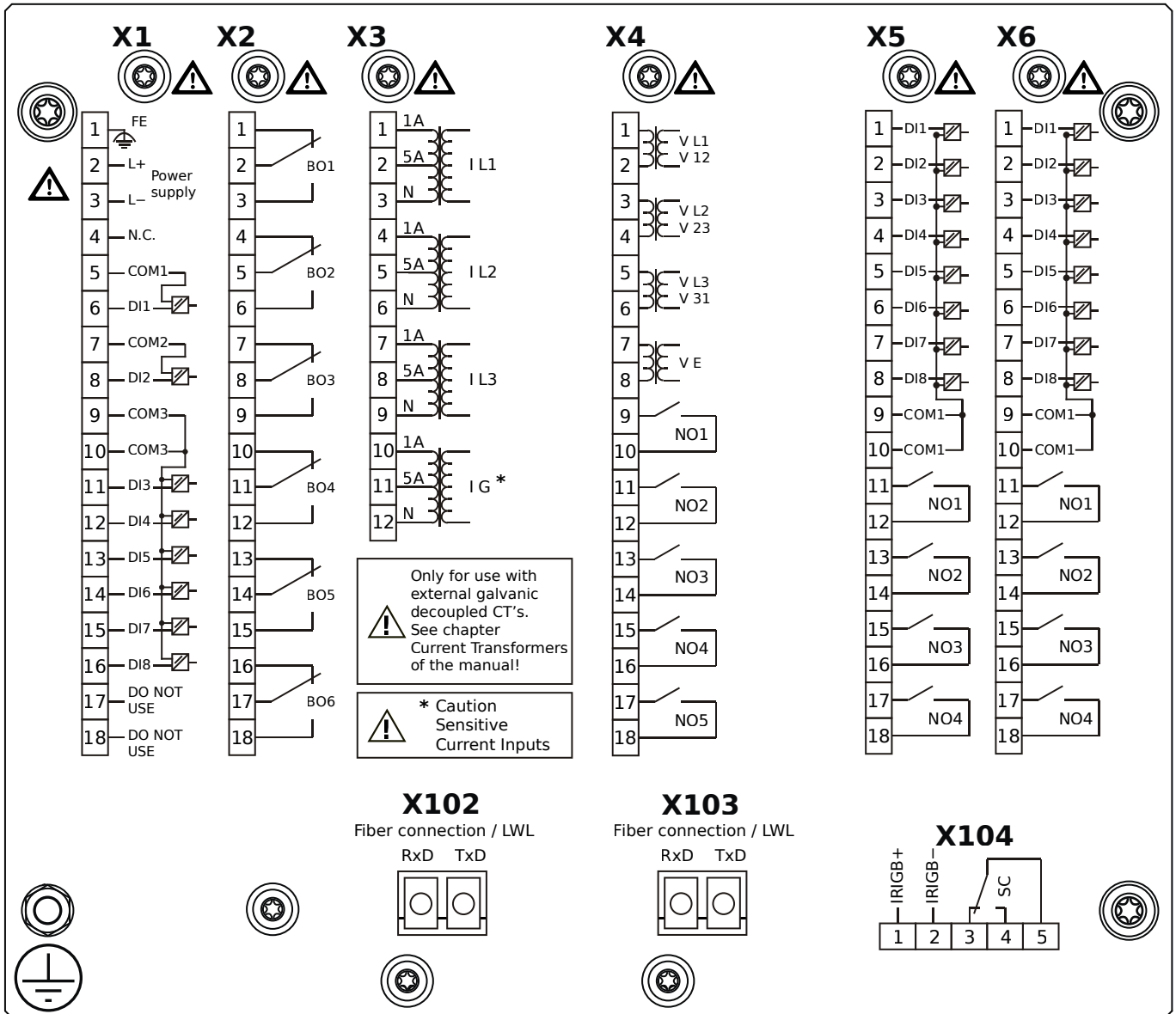


Housing B2, large display, 19" rack mounting

+ Conformal Coating (for installations in harsh environment)

- X1** – DI8-X1: Wide-range power supply unit, incl. 2 non-grouped digital inputs and 6 grouped digital inputs
- X2** – OR6: Assembly Group with 6 Output Relays (Changeover / Form C)
- X3** – TIs: Standard phase current measuring card and sensitive ground current measuring
- X4** – TU-OR5: Voltage measuring (0 ... 300 VAC) assembly group with 5 additional Output Relays (NO / Form A)
- X5** – DI8-OR4: Assembly Group with 8 Digital Inputs and 4 Output Relays (NO / Form A)
- X6** – DI8-OR4: Assembly Group with 8 Digital Inputs and 4 Output Relays (NO / Form A)
- X102** – Long-distance Protection Communication, Fiber optics interface, LC Connector
- X103** – IEC 61850 / Modbus TCP / IEC 60870-5-104 / DNP3.0 TCP/UDP, Fiber optics interface, LC Connector
- X104** – IRIG-B00X, incl. System Contact (Supervision Contact)

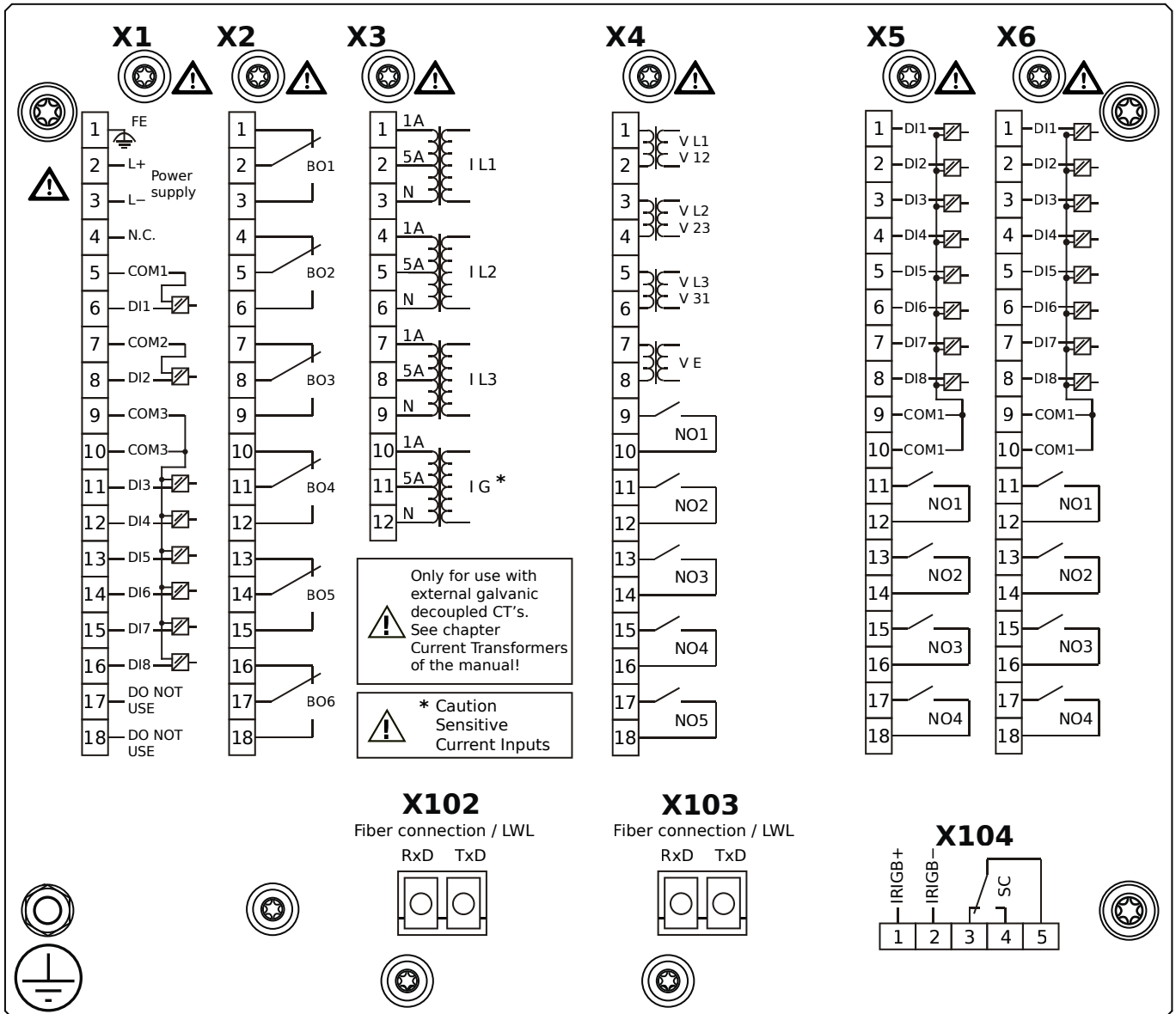
MCDLV4-2E1B0LA



Housing B2, large display, 19" rack mounting

- X1** – DI8-X1: Wide-range power supply unit, incl. 2 non-grouped digital inputs and 6 grouped digital inputs
- X2** – OR6: Assembly Group with 6 Output Relays (Changeover / Form C)
- X3** – TIs: Standard phase current measuring card and sensitive ground current measuring
- X4** – TU-OR5: Voltage measuring (0 ... 300 VAC) assembly group with 5 additional Output Relays (NO / Form A)
- X5** – DI8-OR4: Assembly Group with 8 Digital Inputs and 4 Output Relays (NO / Form A)
- X6** – DI8-OR4: Assembly Group with 8 Digital Inputs and 4 Output Relays (NO / Form A)
- X102** – Long-distance Protection Communication, Fiber optics interface, LC Connector
- X103** – Modbus TCP / IEC 60870-5-104 / DNP3.0 TCP/UDP, Fiber optics interface, LC Connector
- X104** – IRIG-B00X, incl. System Contact (Supervision Contact)

MCDLV4-2E1B0LB

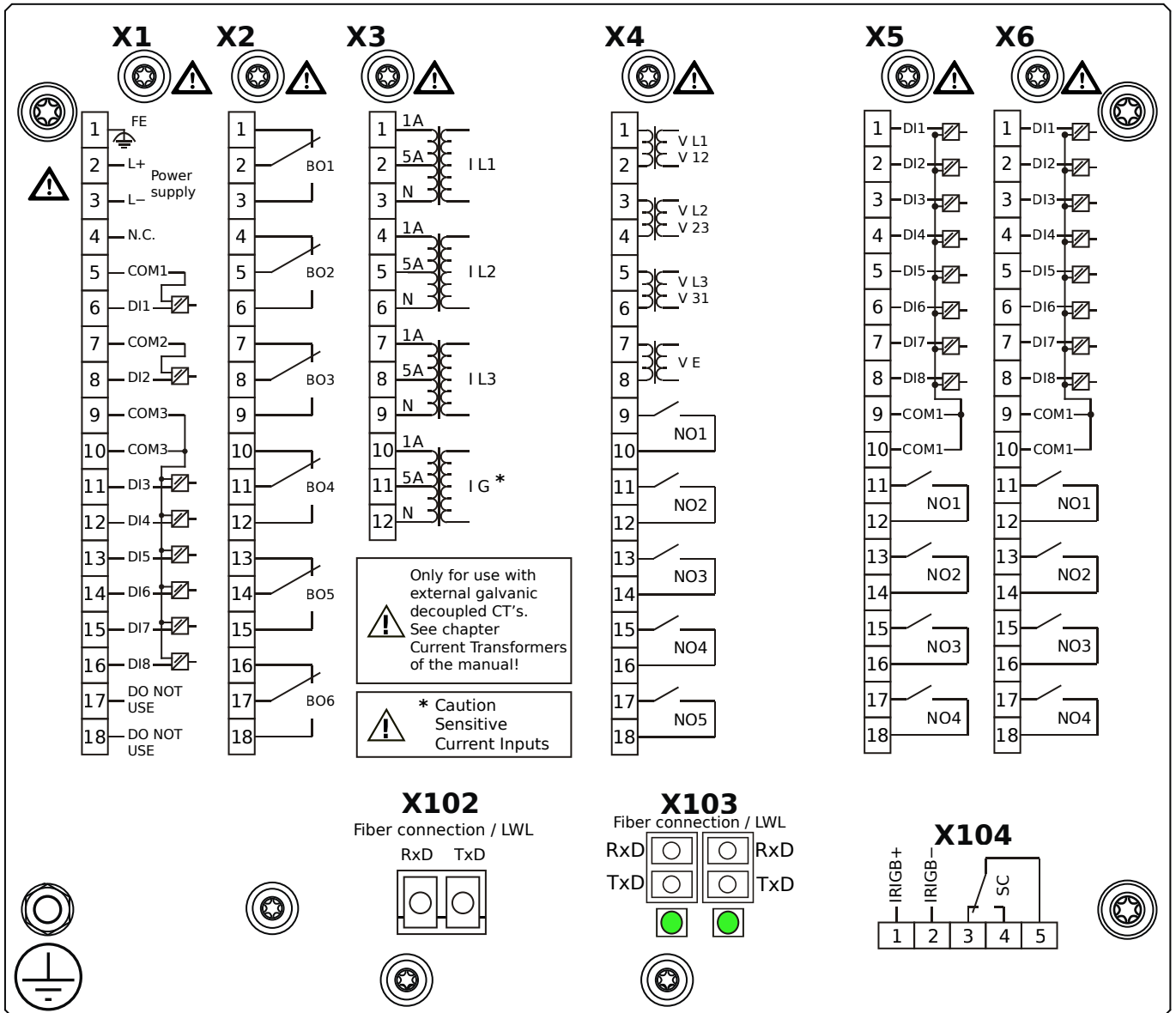


Housing B2, large display, 19" rack mounting

+ Conformal Coating (for installations in harsh environment)

- X1** – DI8-X1: Wide-range power supply unit, incl. 2 non-grouped digital inputs and 6 grouped digital inputs
- X2** – OR6: Assembly Group with 6 Output Relays (Changeover / Form C)
- X3** – TIs: Standard phase current measuring card and sensitive ground current measuring
- X4** – TU-OR5: Voltage measuring (0 ... 300 VAC) assembly group with 5 additional Output Relays (NO / Form A)
- X5** – DI8-OR4: Assembly Group with 8 Digital Inputs and 4 Output Relays (NO / Form A)
- X6** – DI8-OR4: Assembly Group with 8 Digital Inputs and 4 Output Relays (NO / Form A)
- X102** – Long-distance Protection Communication, Fiber optics interface, LC Connector
- X103** – Modbus TCP / IEC 60870-5-104 / DNP3.0 TCP/UDP, Fiber optics interface, LC Connector
- X104** – IRIG-B00X, incl. System Contact (Supervision Contact)

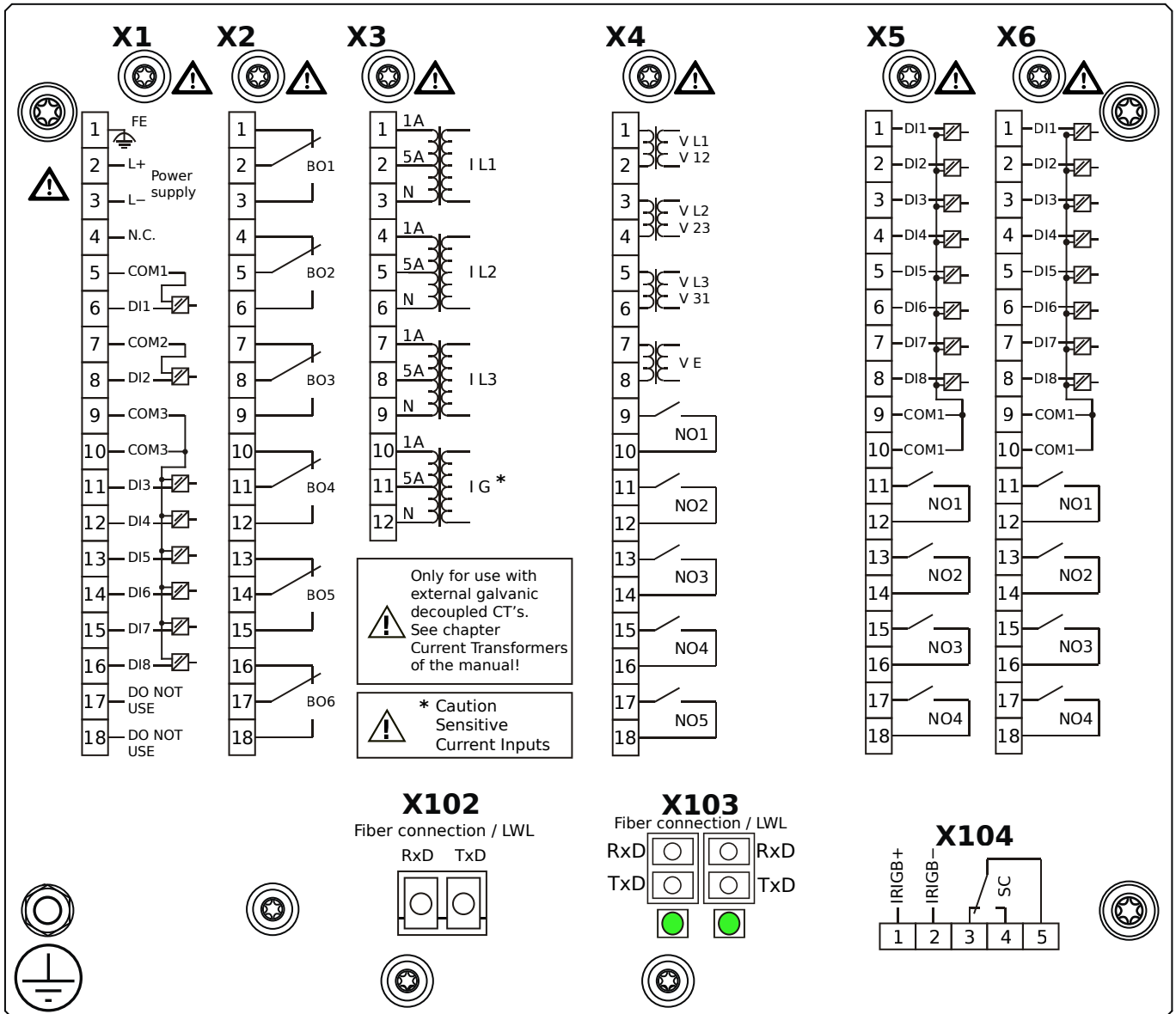
MCDLV4-2E1B00A



Housing B2, large display, 19" rack mounting

- X1** – DI8-X1: Wide-range power supply unit, incl. 2 non-grouped digital inputs and 6 grouped digital inputs
- X2** – OR6: Assembly Group with 6 Output Relays (Changeover / Form C)
- X3** – TIs: Standard phase current measuring card and sensitive ground current measuring
- X4** – TU-OR5: Voltage measuring (0 ... 300 VAC) assembly group with 5 additional Output Relays (NO / Form A)
- X5** – DI8-OR4: Assembly Group with 8 Digital Inputs and 4 Output Relays (NO / Form A)
- X6** – DI8-OR4: Assembly Group with 8 Digital Inputs and 4 Output Relays (NO / Form A)
- X102** – Long-distance Protection Communication, Fiber optics interface, LC Connector
- X103** – Modbus TCP / IEC 60870-5-104 / DNP3.0 TCP/UDP, Redundant Fiber optics interface, LC Connector
- X104** – IRIG-B00X, incl. System Contact (Supervision Contact)

MCDLV4-2E1B00B

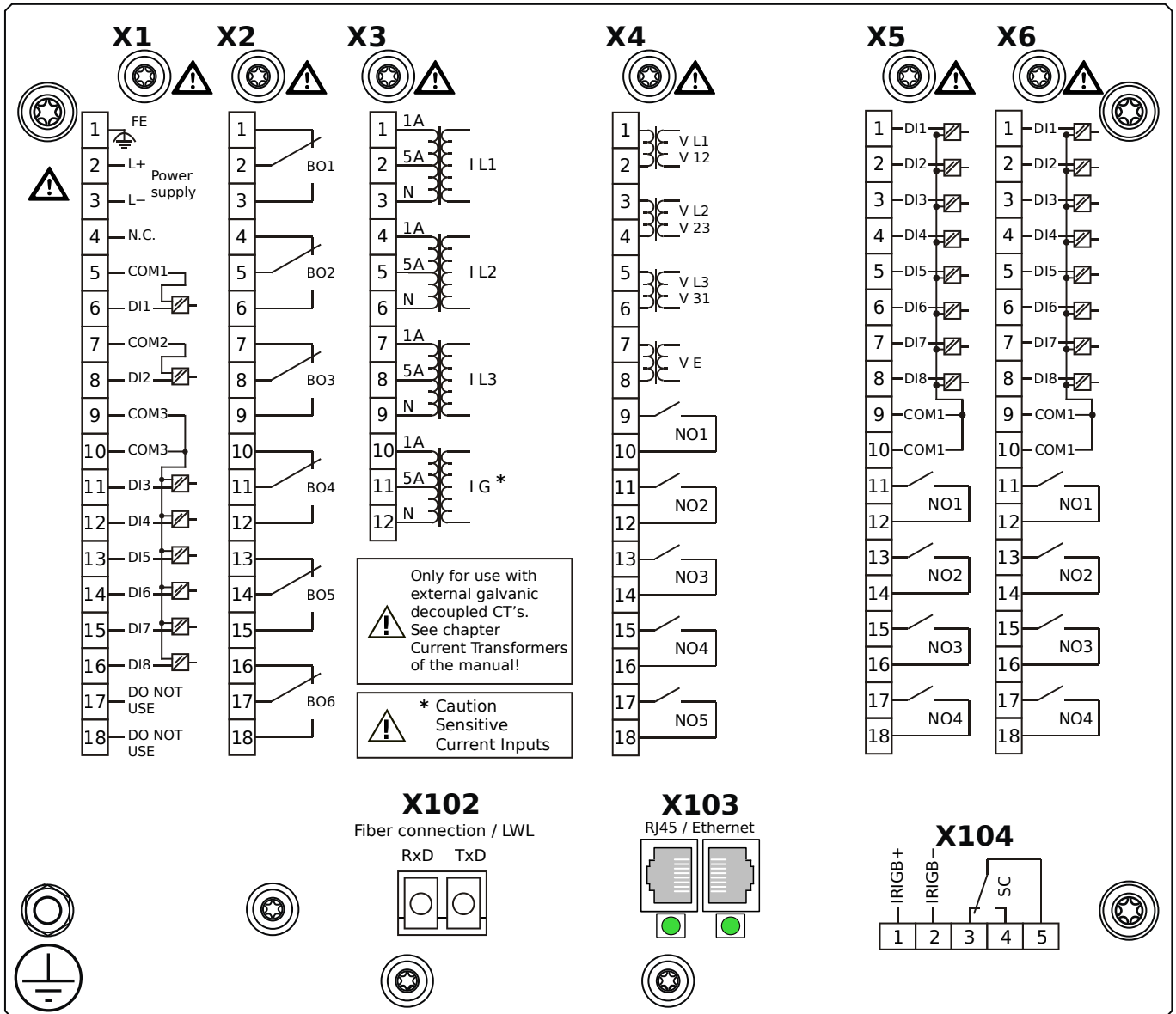


Housing B2, large display, 19" rack mounting

- + Conformal Coating (for installations in harsh environment)

- X1** – DI8-X1: Wide-range power supply unit, incl. 2 non-grouped digital inputs and 6 grouped digital inputs
- X2** – OR6: Assembly Group with 6 Output Relays (Changeover / Form C)
- X3** – TIs: Standard phase current measuring card and sensitive ground current measuring
- X4** – TU-OR5: Voltage measuring (0 ... 300 VAC) assembly group with 5 additional Output Relays (NO / Form A)
- X5** – DI8-OR4: Assembly Group with 8 Digital Inputs and 4 Output Relays (NO / Form A)
- X6** – DI8-OR4: Assembly Group with 8 Digital Inputs and 4 Output Relays (NO / Form A)
- X102** – Long-distance Protection Communication, Fiber optics interface, LC Connector
- X103** – Modbus TCP / IEC 60870-5-104 / DNP3.0 TCP/UDP, Redundant Fiber optics interface, LC Connector
- X104** – IRIG-B00X, incl. System Contact (Supervision Contact)

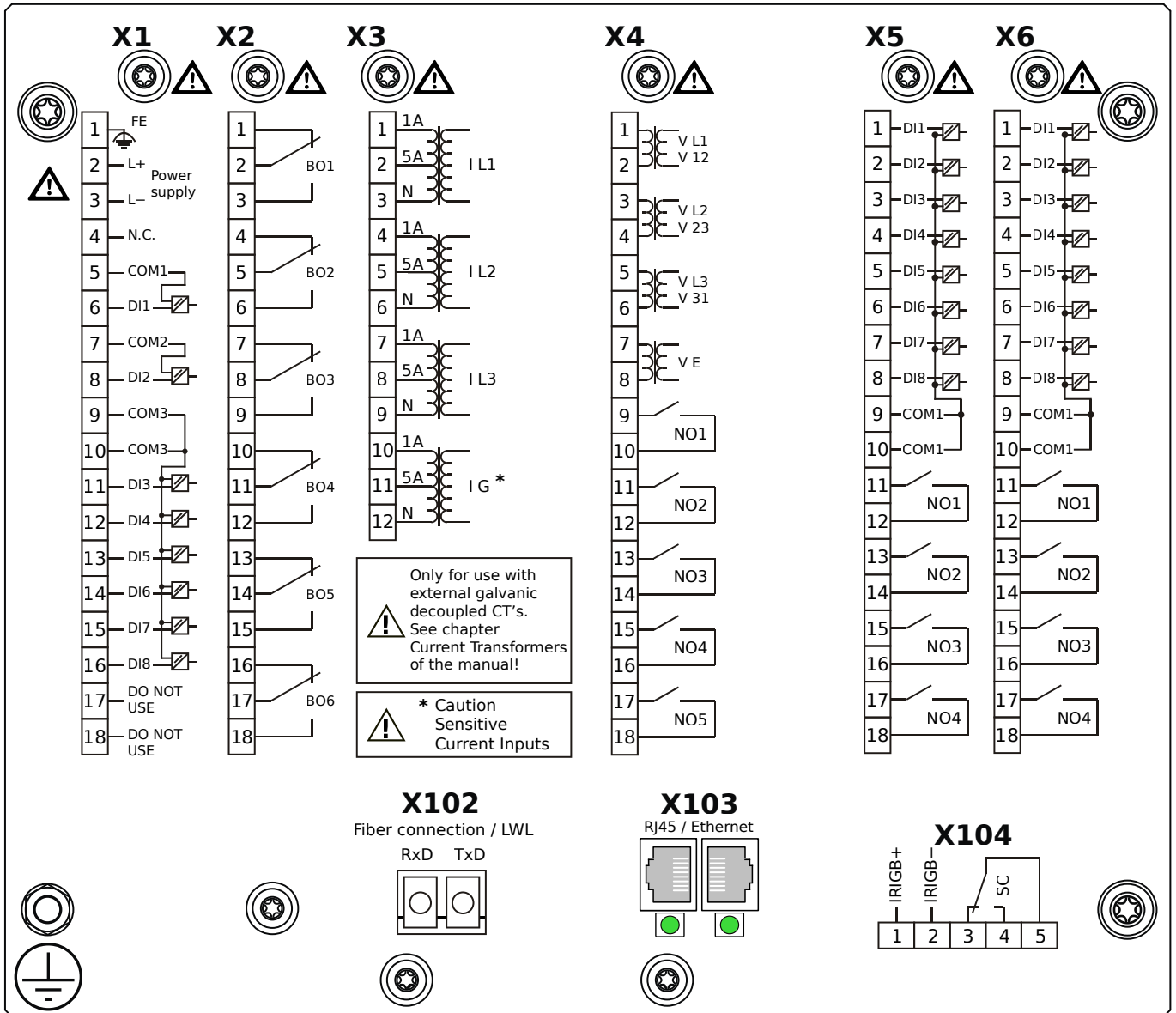
MCDLV4-2E1B0PA



Housing B2, large display, 19" rack mounting

- X1** – DI8-X1: Wide-range power supply unit, incl. 2 non-grouped digital inputs and 6 grouped digital inputs
- X2** – OR6: Assembly Group with 6 Output Relays (Changeover / Form C)
- X3** – TIs: Standard phase current measuring card and sensitive ground current measuring
- X4** – TU-OR5: Voltage measuring (0 ... 300 VAC) assembly group with 5 additional Output Relays (NO / Form A)
- X5** – DI8-OR4: Assembly Group with 8 Digital Inputs and 4 Output Relays (NO / Form A)
- X6** – DI8-OR4: Assembly Group with 8 Digital Inputs and 4 Output Relays (NO / Form A)
- X102** – Long-distance Protection Communication, Fiber optics interface, LC Connector
- X103** – Modbus TCP / IEC 60870-5-104 / DNP3.0 TCP/UDP, Redundant Ethernet interface, 100 Mbit/s, RJ45 (BASE100-FX)
- X104** – IRIG-B00X, incl. System Contact (Supervision Contact)

MCDLV4-2E1B0PB

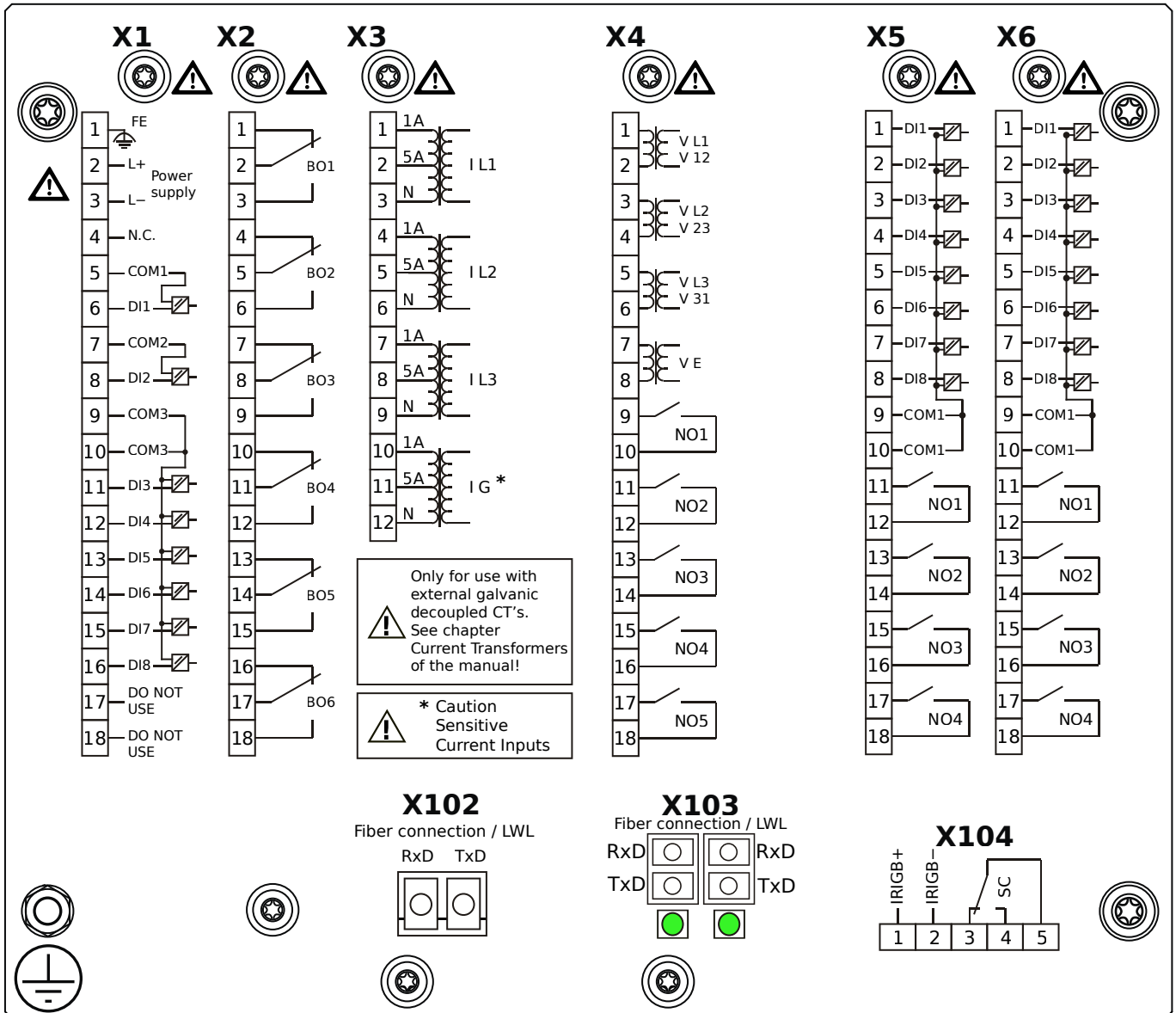


Housing B2, large display, 19" rack mounting

+ Conformal Coating (for installations in harsh environment)

- X1** – DI8-X1: Wide-range power supply unit, incl. 2 non-grouped digital inputs and 6 grouped digital inputs
- X2** – OR6: Assembly Group with 6 Output Relays (Changeover / Form C)
- X3** – TIs: Standard phase current measuring card and sensitive ground current measuring
- X4** – TU-OR5: Voltage measuring (0 ... 300 VAC) assembly group with 5 additional Output Relays (NO / Form A)
- X5** – DI8-OR4: Assembly Group with 8 Digital Inputs and 4 Output Relays (NO / Form A)
- X6** – DI8-OR4: Assembly Group with 8 Digital Inputs and 4 Output Relays (NO / Form A)
- X102** – Long-distance Protection Communication, Fiber optics interface, LC Connector
- X103** – Modbus TCP / IEC 60870-5-104 / DNP3.0 TCP/UDP, Redundant Ethernet interface, 100 Mbit/s, RJ45 (BASE100-FX)
- X104** – IRIG-B00X, incl. System Contact (Supervision Contact)

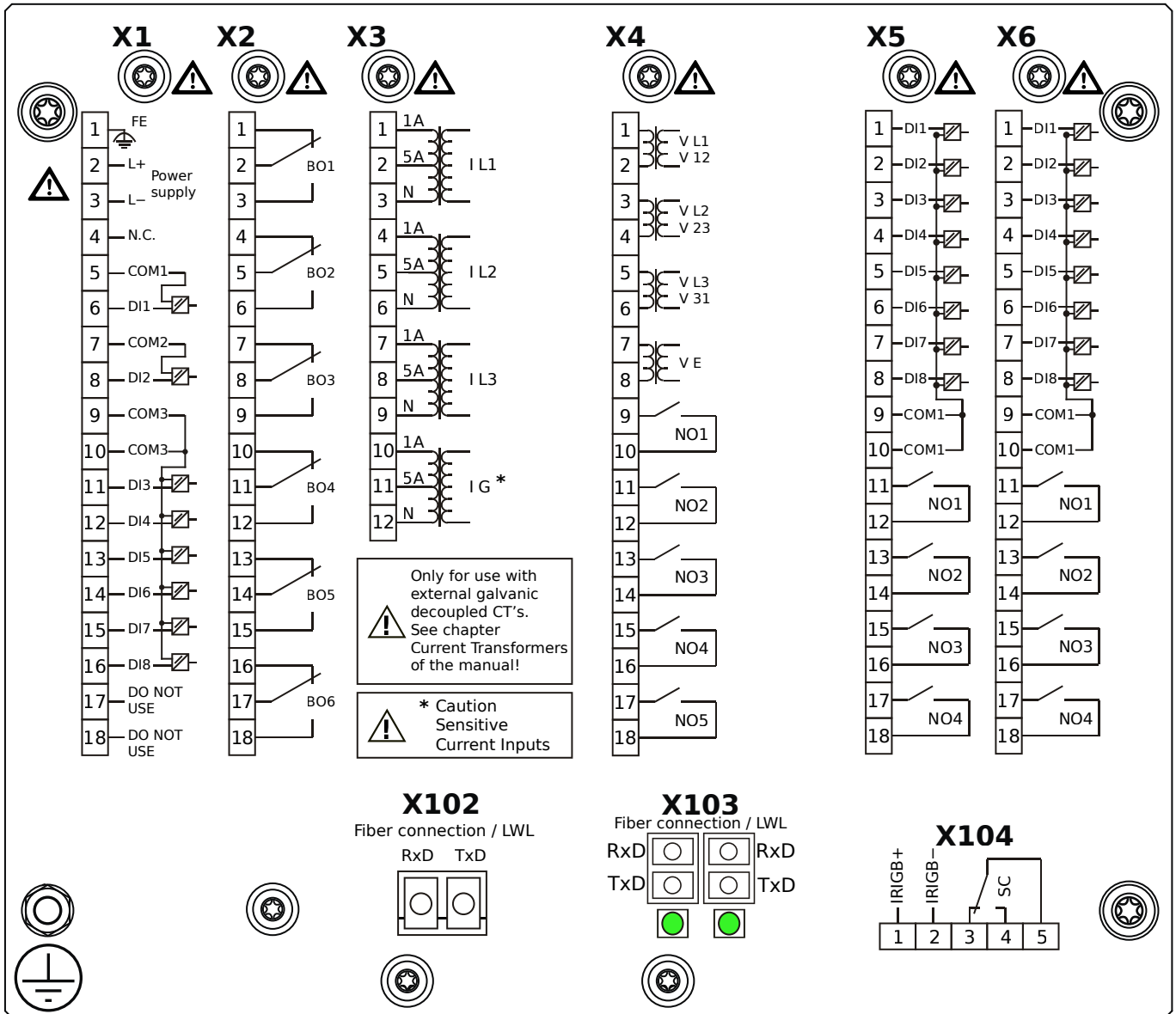
MCDLV4-2E1B0QA



Housing B2, large display, 19" rack mounting

- X1** – DI8-X1: Wide-range power supply unit, incl. 2 non-grouped digital inputs and 6 grouped digital inputs
- X2** – OR6: Assembly Group with 6 Output Relays (Changeover / Form C)
- X3** – TIs: Standard phase current measuring card and sensitive ground current measuring
- X4** – TU-OR5: Voltage measuring (0 ... 300 VAC) assembly group with 5 additional Output Relays (NO / Form A)
- X5** – DI8-OR4: Assembly Group with 8 Digital Inputs and 4 Output Relays (NO / Form A)
- X6** – DI8-OR4: Assembly Group with 8 Digital Inputs and 4 Output Relays (NO / Form A)
- X102** – Long-distance Protection Communication, Fiber optics interface, LC Connector
- X103** – IEC 61850 / Modbus TCP / IEC 60870-5-104 / DNP3.0 TCP/UDP, Redundant Fiber optics interface, LC Connector
- X104** – IRIG-B00X, incl. System Contact (Supervision Contact)

MCDLV4-2E1B0QB

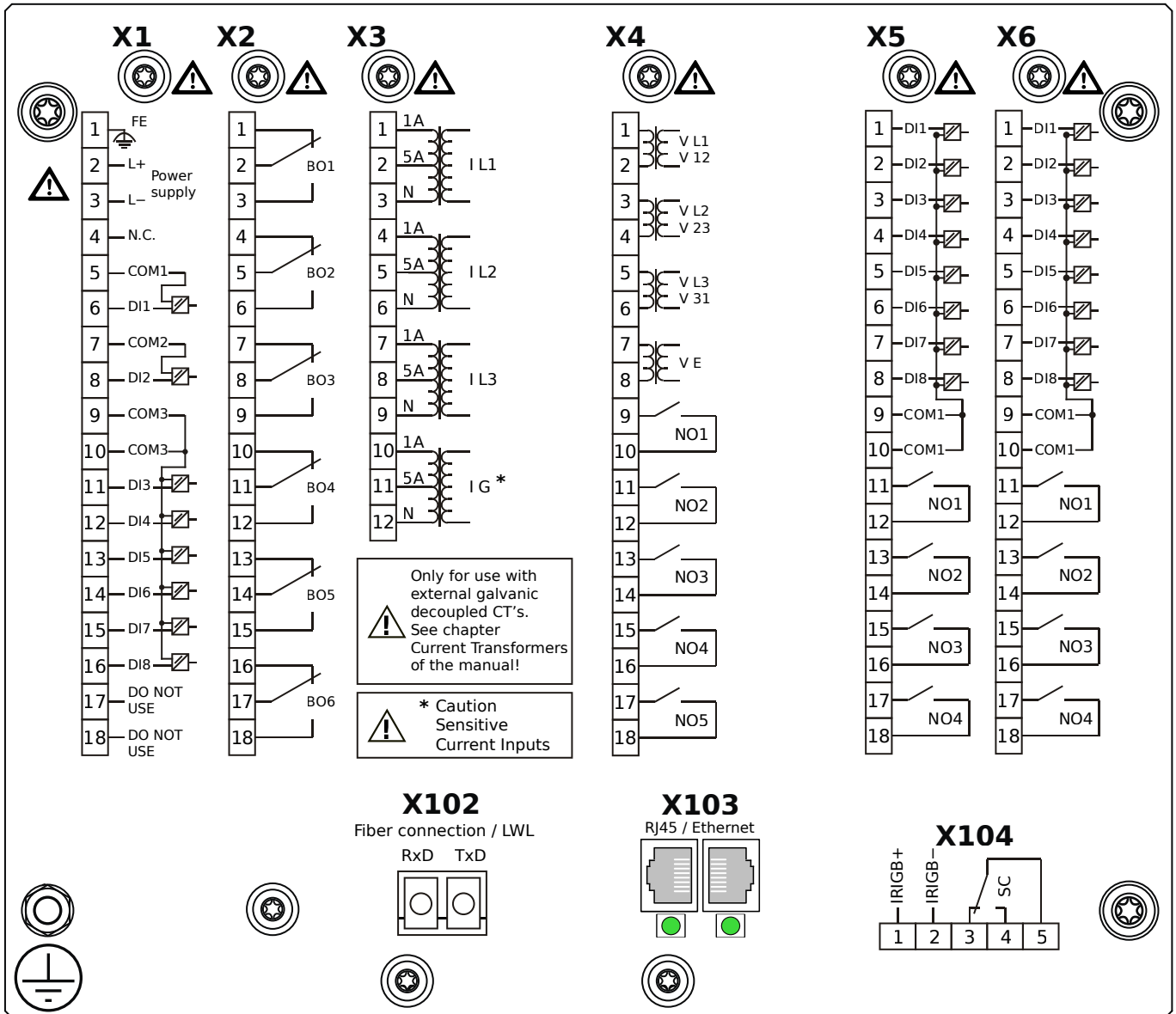


Housing B2, large display, 19" rack mounting

- + Conformal Coating (for installations in harsh environment)

- X1** – DI8-X1: Wide-range power supply unit, incl. 2 non-grouped digital inputs and 6 grouped digital inputs
- X2** – OR6: Assembly Group with 6 Output Relays (Changeover / Form C)
- X3** – TIs: Standard phase current measuring card and sensitive ground current measuring
- X4** – TU-OR5: Voltage measuring (0 ... 300 VAC) assembly group with 5 additional Output Relays (NO / Form A)
- X5** – DI8-OR4: Assembly Group with 8 Digital Inputs and 4 Output Relays (NO / Form A)
- X6** – DI8-OR4: Assembly Group with 8 Digital Inputs and 4 Output Relays (NO / Form A)
- X102** – Long-distance Protection Communication, Fiber optics interface, LC Connector
- X103** – IEC 61850 / Modbus TCP / IEC 60870-5-104 / DNP3.0 TCP/UDP, Redundant Fiber optics interface, LC Connector
- X104** – IRIG-B00X, incl. System Contact (Supervision Contact)

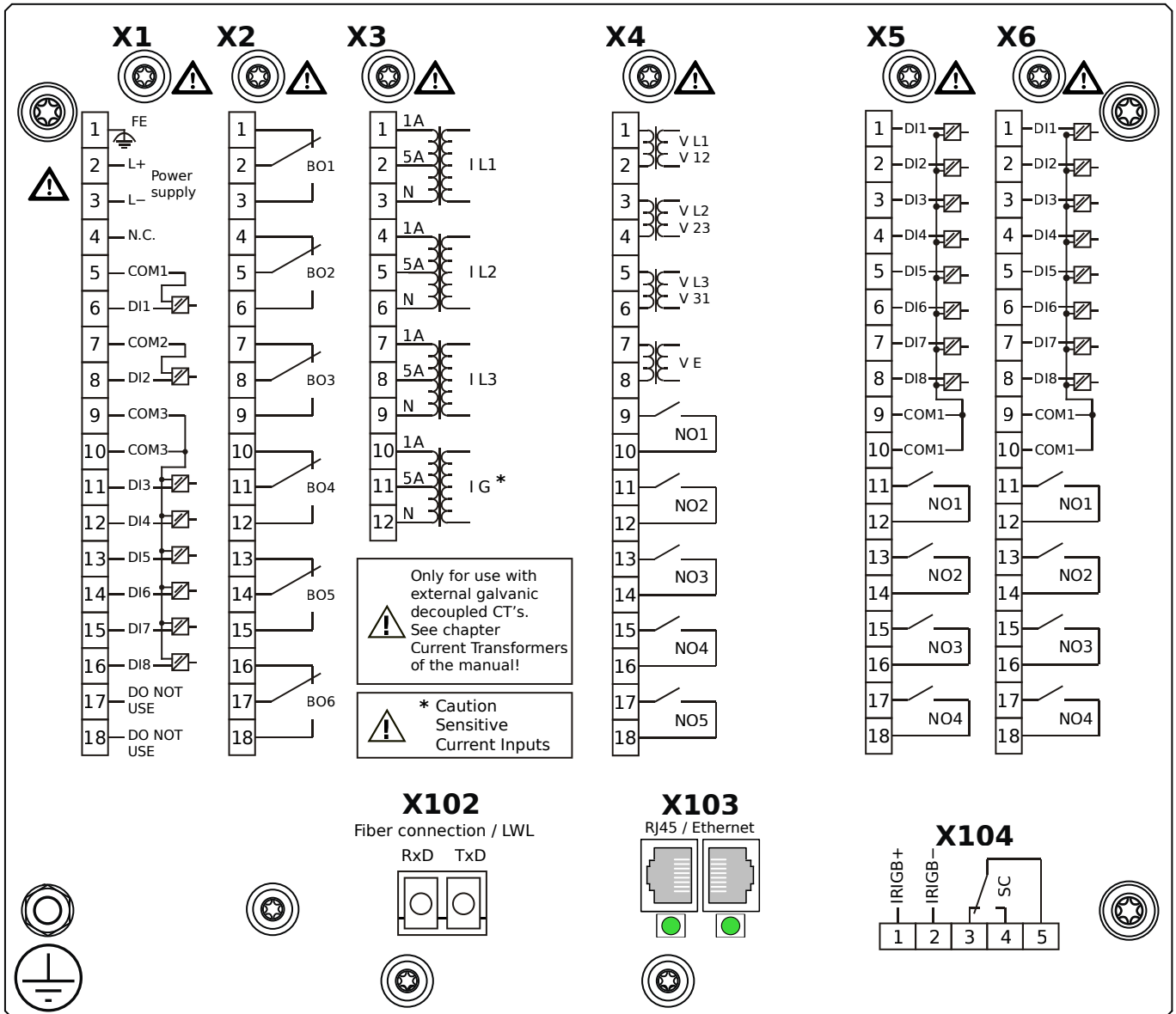
MCDLV4-2E1B0RA



Housing B2, large display, 19" rack mounting

- X1** – DI8-X1: Wide-range power supply unit, incl. 2 non-grouped digital inputs and 6 grouped digital inputs
- X2** – OR6: Assembly Group with 6 Output Relays (Changeover / Form C)
- X3** – TIs: Standard phase current measuring card and sensitive ground current measuring
- X4** – TU-OR5: Voltage measuring (0 ... 300 VAC) assembly group with 5 additional Output Relays (NO / Form A)
- X5** – DI8-OR4: Assembly Group with 8 Digital Inputs and 4 Output Relays (NO / Form A)
- X6** – DI8-OR4: Assembly Group with 8 Digital Inputs and 4 Output Relays (NO / Form A)
- X102** – Long-distance Protection Communication, Fiber optics interface, LC Connector
- X103** – IEC 61850 / Modbus TCP / IEC 60870-5-104 / DNP3.0 TCP/UDP, Redundant Ethernet interface, 100 Mbit/s, RJ45 (BASE100-FX)
- X104** – IRIG-B00X, incl. System Contact (Supervision Contact)

MCDLV4-2E1B0RB



Housing B2, large display, 19" rack mounting

+ Conformal Coating (for installations in harsh environment)

X1 – DI8-X1: Wide-range power supply unit, incl. 2 non-grouped digital inputs and 6 grouped digital inputs

X2 – OR6: Assembly Group with 6 Output Relays (Changeover / Form C)

X3 – TIs: Standard phase current measuring card and sensitive ground current measuring

X4 – TU-OR5: Voltage measuring (0 ... 300 VAC) assembly group with 5 additional Output Relays (NO / Form A)

X5 – DI8-OR4: Assembly Group with 8 Digital Inputs and 4 Output Relays (NO / Form A)

X6 – DI8-OR4: Assembly Group with 8 Digital Inputs and 4 Output Relays (NO / Form A)

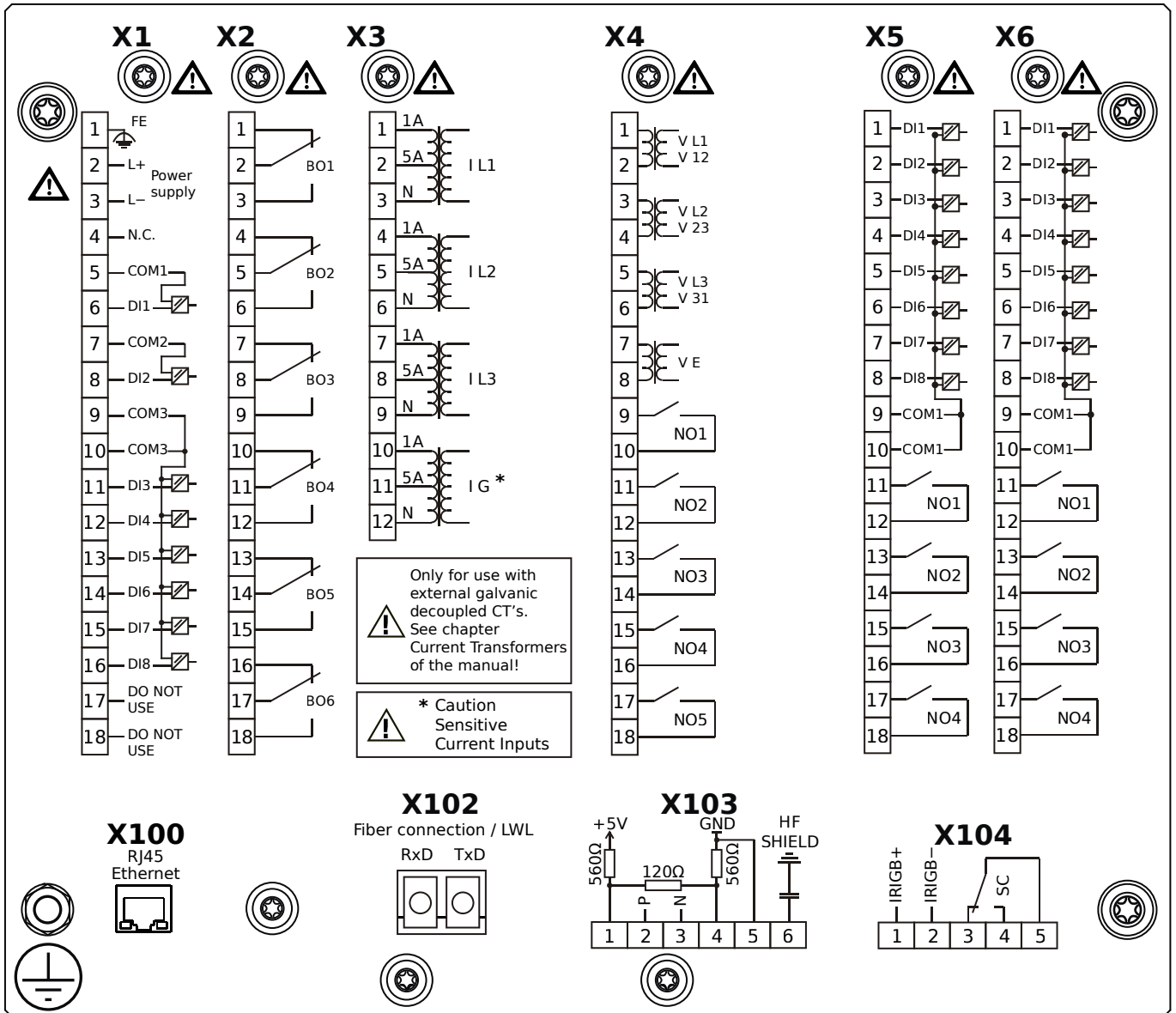
X102 – Long-distance Protection Communication, Fiber optics interface, LC Connector

X103 – IEC 61850 / Modbus TCP / IEC 60870-5-104 / DNP3.0 TCP/UDP, Redundant Ethernet interface, 100 Mbit/s, RJ45

(BASE100-FX)

X104 – IRIG-B00X, incl. System Contact (Supervision Contact)

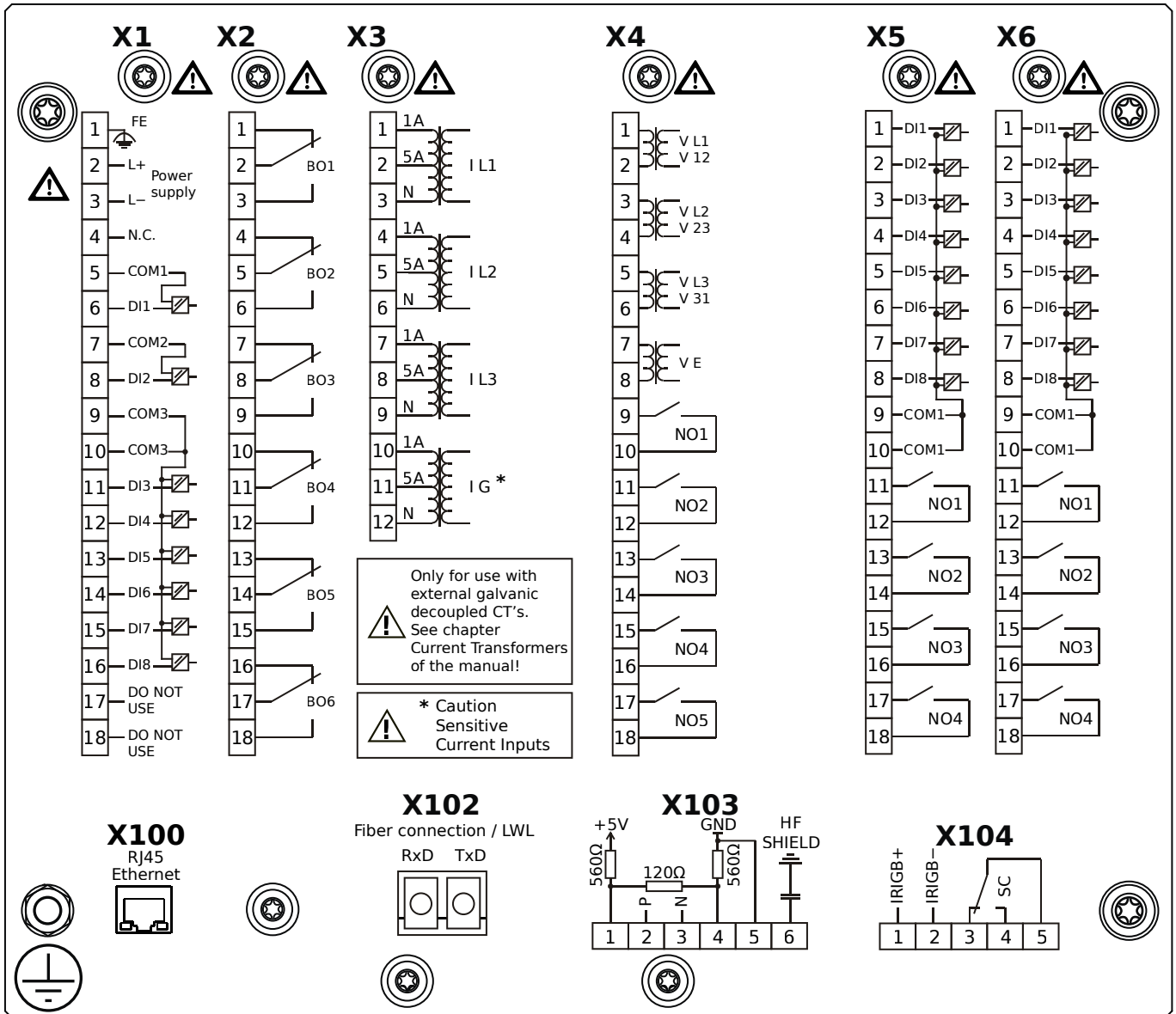
MCDLV4-2E1B0TA



Housing B2, large display, 19" rack mounting

- X1** – DI8-X1: Wide-range power supply unit, incl. 2 non-grouped digital inputs and 6 grouped digital inputs
- X2** – OR6: Assembly Group with 6 Output Relays (Changeover / Form C)
- X3** – TIs: Standard phase current measuring card and sensitive ground current measuring
- X4** – TU-OR5: Voltage measuring (0 ... 300 VAC) assembly group with 5 additional Output Relays (NO / Form A)
- X5** – DI8-OR4: Assembly Group with 8 Digital Inputs and 4 Output Relays (NO / Form A)
- X6** – DI8-OR4: Assembly Group with 8 Digital Inputs and 4 Output Relays (NO / Form A)
- X100** – IEC 61850 / Modbus TCP / IEC 60870-5-104 / DNP3.0 TCP/UDP, Ethernet interface, 100 Mbit/s, RJ45 (BASE100-FX)
- X102** – Long-distance Protection Communication, Fiber optics interface, LC Connector
- X103** – IEC 60870-5-103 / Modbus RTU / DNP3.0 RTU, RS485, Terminals
- X104** – IRIG-B00X, incl. System Contact (Supervision Contact)

MCDLV4-2E1B0TB

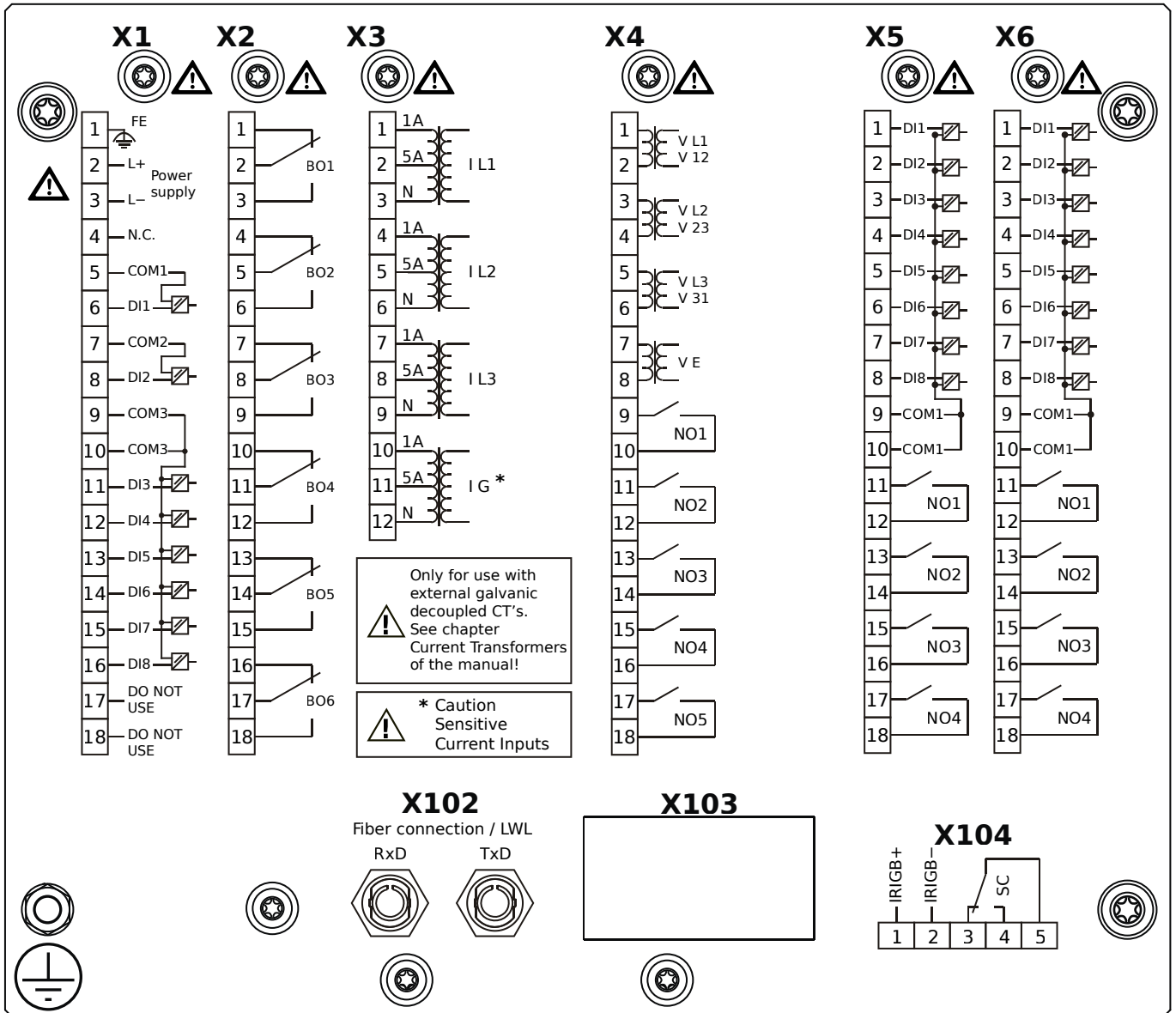


Housing B2, large display, 19" rack mounting

+ Conformal Coating (for installations in harsh environment)

- X1** – DI8-X1: Wide-range power supply unit, incl. 2 non-grouped digital inputs and 6 grouped digital inputs
- X2** – OR6: Assembly Group with 6 Output Relays (Changeover / Form C)
- X3** – TIs: Standard phase current measuring card and sensitive ground current measuring
- X4** – TU-OR5: Voltage measuring (0 ... 300 VAC) assembly group with 5 additional Output Relays (NO / Form A)
- X5** – DI8-OR4: Assembly Group with 8 Digital Inputs and 4 Output Relays (NO / Form A)
- X6** – DI8-OR4: Assembly Group with 8 Digital Inputs and 4 Output Relays (NO / Form A)
- X100** – IEC 61850 / Modbus TCP / IEC 60870-5-104 / DNP3.0 TCP/UDP, Ethernet interface, 100 Mbit/s, RJ45 (BASE100-FX)
- X102** – Long-distance Protection Communication, Fiber optics interface, LC Connector
- X103** – IEC 60870-5-103 / Modbus RTU / DNP3.0 RTU, RS485, Terminals
- X104** – IRIG-B00X, incl. System Contact (Supervision Contact)

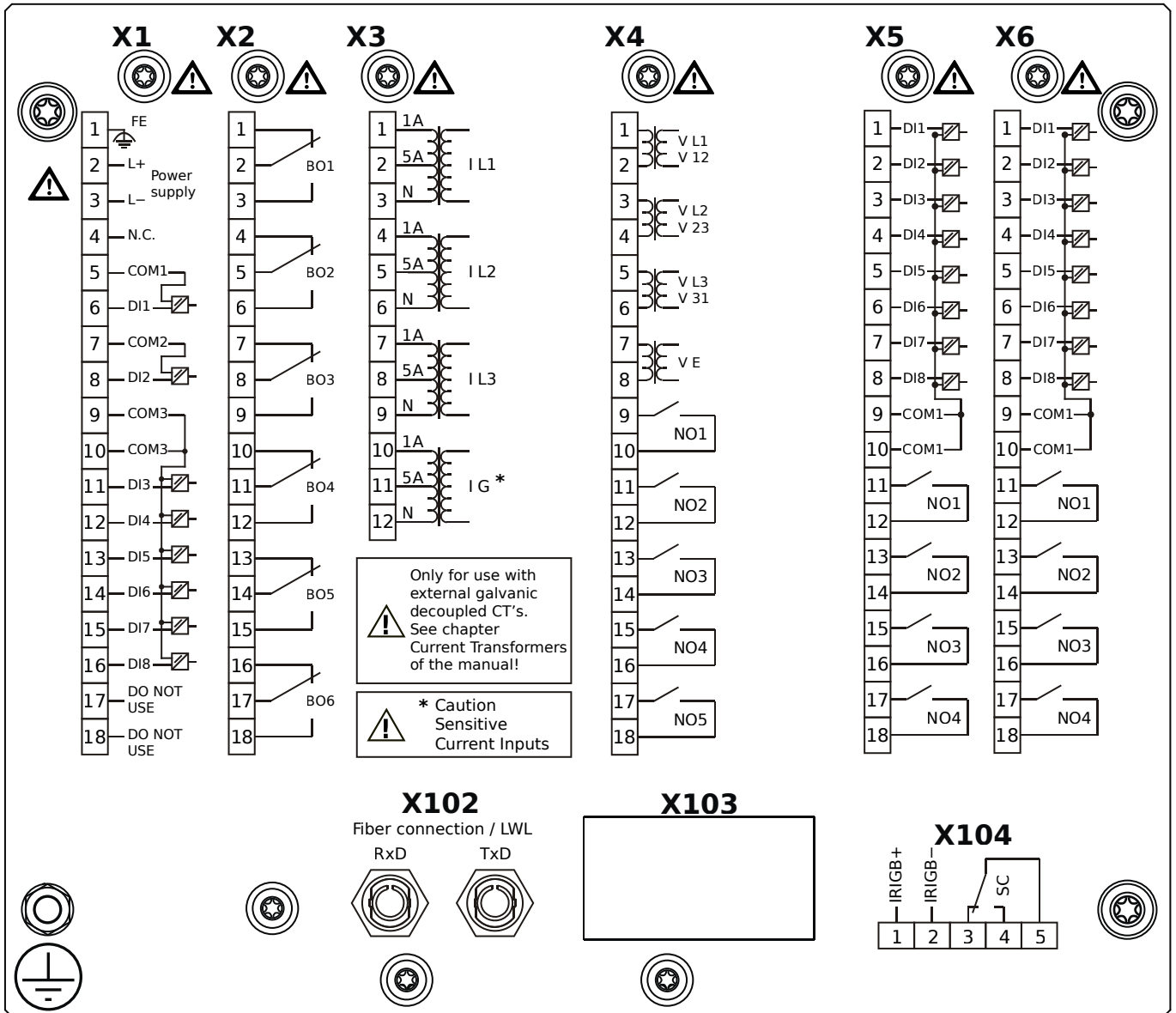
MCDLV4-2E1B1AA



Housing B2, large display, 19" rack mounting

- X1** – DI8-X1: Wide-range power supply unit, incl. 2 non-grouped digital inputs and 6 grouped digital inputs
- X2** – OR6: Assembly Group with 6 Output Relays (Changeover / Form C)
- X3** – TIs: Standard phase current measuring card and sensitive ground current measuring
- X4** – TU-OR5: Voltage measuring (0 ... 300 VAC) assembly group with 5 additional Output Relays (NO / Form A)
- X5** – DI8-OR4: Assembly Group with 8 Digital Inputs and 4 Output Relays (NO / Form A)
- X6** – DI8-OR4: Assembly Group with 8 Digital Inputs and 4 Output Relays (NO / Form A)
- X102** – Protection Communication, Fiber optics interface, ST Connector
- X104** – IRIG-B00X, incl. System Contact (Supervision Contact)

MCDLV4-2E1B1AB

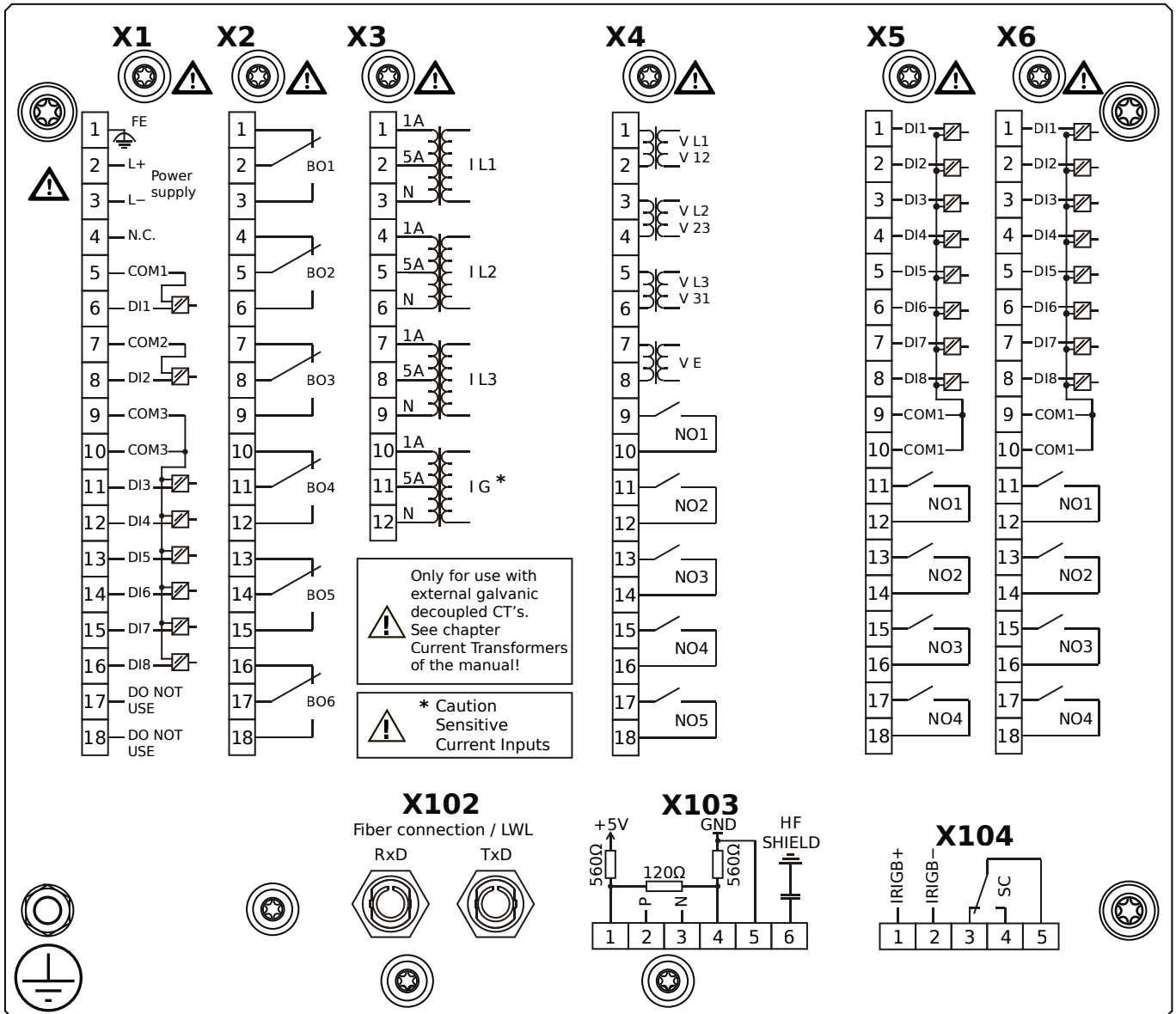


Housing B2, large display, 19" rack mounting

- + Conformal Coating (for installations in harsh environment)

- X1** – DI8-X1: Wide-range power supply unit, incl. 2 non-grouped digital inputs and 6 grouped digital inputs
- X2** – OR6: Assembly Group with 6 Output Relays (Changeover / Form C)
- X3** – TIs: Standard phase current measuring card and sensitive ground current measuring
- X4** – TU-OR5: Voltage measuring (0 ... 300 VAC) assembly group with 5 additional Output Relays (NO / Form A)
- X5** – DI8-OR4: Assembly Group with 8 Digital Inputs and 4 Output Relays (NO / Form A)
- X6** – DI8-OR4: Assembly Group with 8 Digital Inputs and 4 Output Relays (NO / Form A)
- X102** – Protection Communication, Fiber optics interface, ST Connector
- X104** – IRIG-B00X, incl. System Contact (Supervision Contact)

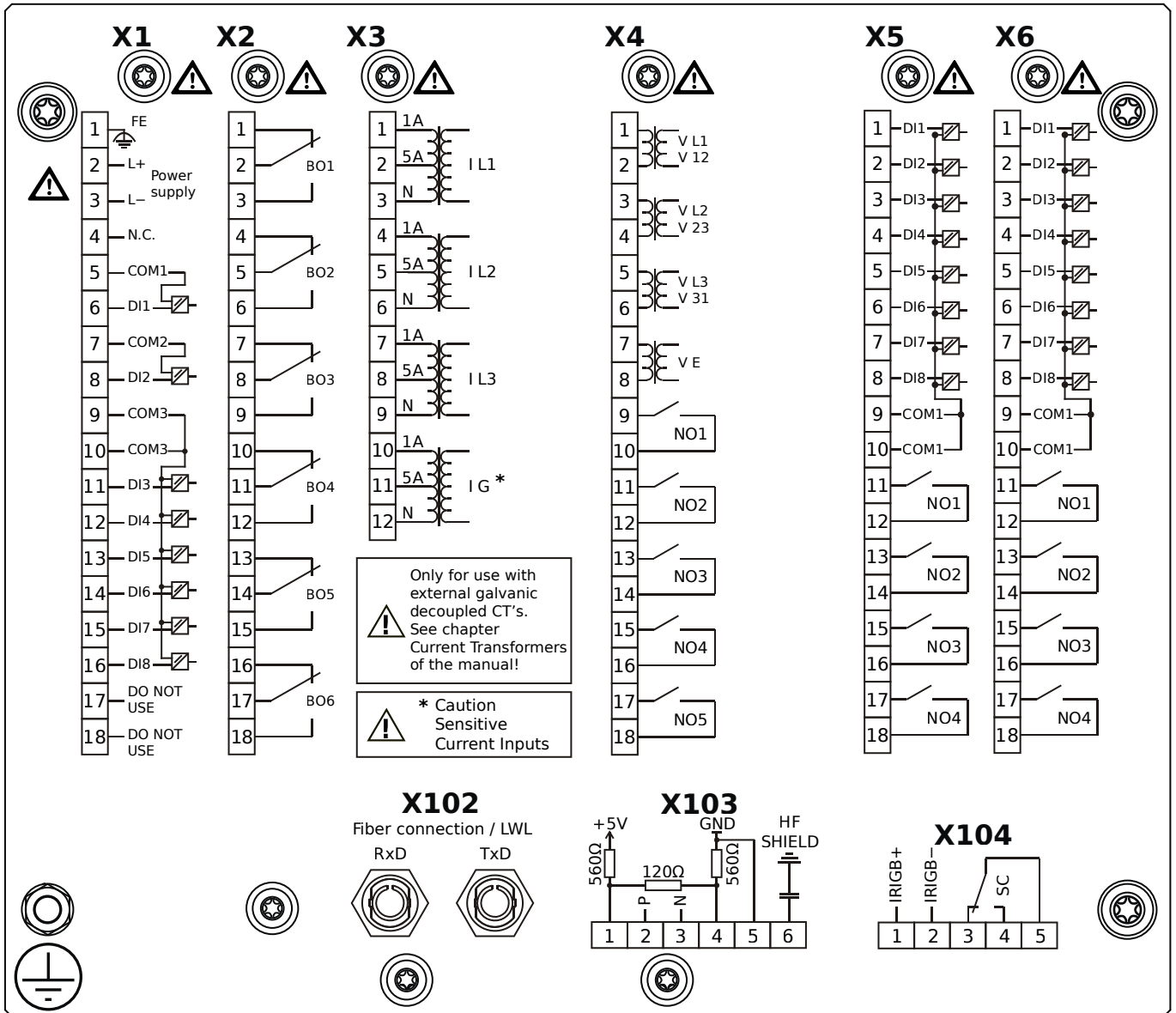
MCDLV4-2E1B1BA



Housing B2, large display, 19" rack mounting

- X1** – DI8-X1: Wide-range power supply unit, incl. 2 non-grouped digital inputs and 6 grouped digital inputs
- X2** – OR6: Assembly Group with 6 Output Relays (Changeover / Form C)
- X3** – TIs: Standard phase current measuring card and sensitive ground current measuring
- X4** – TU-OR5: Voltage measuring (0 ... 300 VAC) assembly group with 5 additional Output Relays (NO / Form A)
- X5** – DI8-OR4: Assembly Group with 8 Digital Inputs and 4 Output Relays (NO / Form A)
- X6** – DI8-OR4: Assembly Group with 8 Digital Inputs and 4 Output Relays (NO / Form A)
- X102** – Protection Communication, Fiber optics interface, ST Connector
- X103** – Modbus RTU / IEC 60870-5-103 / DNP3.0 RTU, RS485, Terminals
- X104** – IRIG-B00X, incl. System Contact (Supervision Contact)

MCDLV4-2E1B1BB

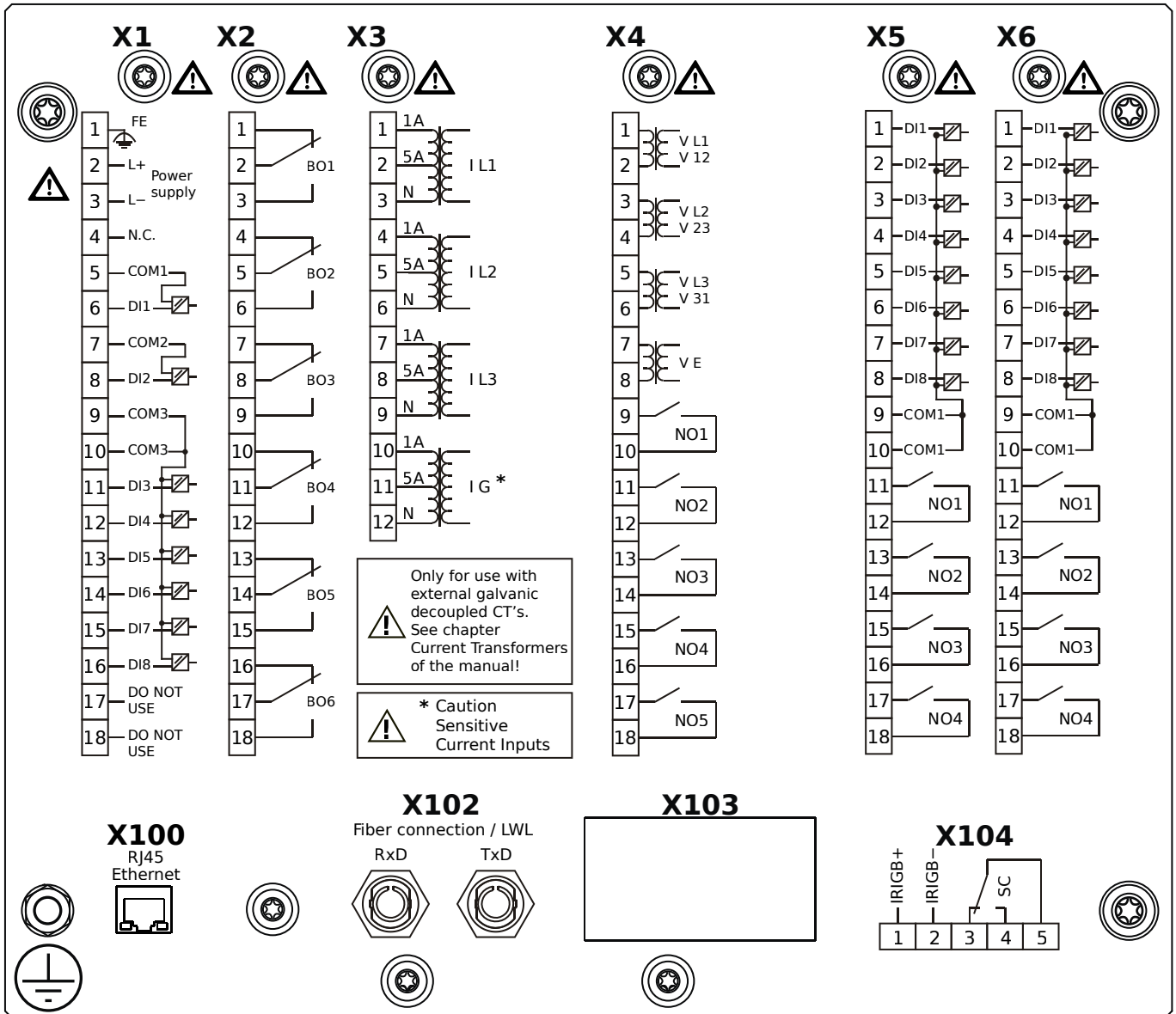


Housing B2, large display, 19" rack mounting

+ Conformal Coating (for installations in harsh environment)

- X1** – DI8-X1: Wide-range power supply unit, incl. 2 non-grouped digital inputs and 6 grouped digital inputs
- X2** – OR6: Assembly Group with 6 Output Relays (Changeover / Form C)
- X3** – TIs: Standard phase current measuring card and sensitive ground current measuring
- X4** – TU-OR5: Voltage measuring (0 ... 300 VAC) assembly group with 5 additional Output Relays (NO / Form A)
- X5** – DI8-OR4: Assembly Group with 8 Digital Inputs and 4 Output Relays (NO / Form A)
- X6** – DI8-OR4: Assembly Group with 8 Digital Inputs and 4 Output Relays (NO / Form A)
- X102** – Protection Communication, Fiber optics interface, ST Connector
- X103** – Modbus RTU / IEC 60870-5-103 / DNP3.0 RTU, RS485, Terminals
- X104** – IRIG-B00X, incl. System Contact (Supervision Contact)

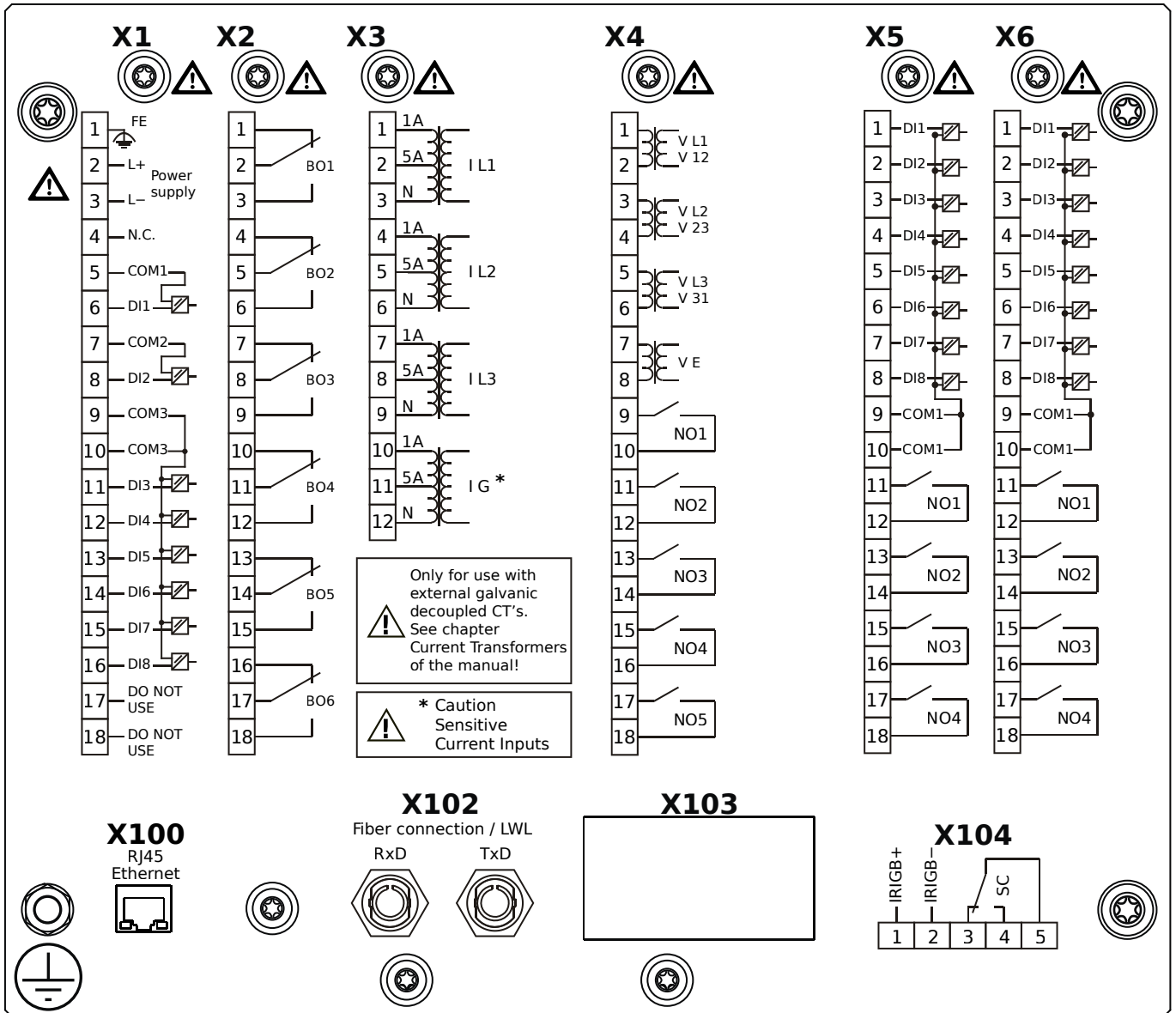
MCDLV4-2E1B1CA



Housing B2, large display, 19" rack mounting

- X1** – DI8-X1: Wide-range power supply unit, incl. 2 non-grouped digital inputs and 6 grouped digital inputs
- X2** – OR6: Assembly Group with 6 Output Relays (Changeover / Form C)
- X3** – TIs: Standard phase current measuring card and sensitive ground current measuring
- X4** – TU-OR5: Voltage measuring (0 ... 300 VAC) assembly group with 5 additional Output Relays (NO / Form A)
- X5** – DI8-OR4: Assembly Group with 8 Digital Inputs and 4 Output Relays (NO / Form A)
- X6** – DI8-OR4: Assembly Group with 8 Digital Inputs and 4 Output Relays (NO / Form A)
- X100** – Modbus TCP / IEC 60870-5-104 / DNP3.0 TCP/UDP, Ethernet interface, 100 Mbit/s, RJ45 (BASE100-FX)
- X102** – Protection Communication, Fiber optics interface, ST Connector
- X104** – IRIG-B00X, incl. System Contact (Supervision Contact)

MCDLV4-2E1B1CB

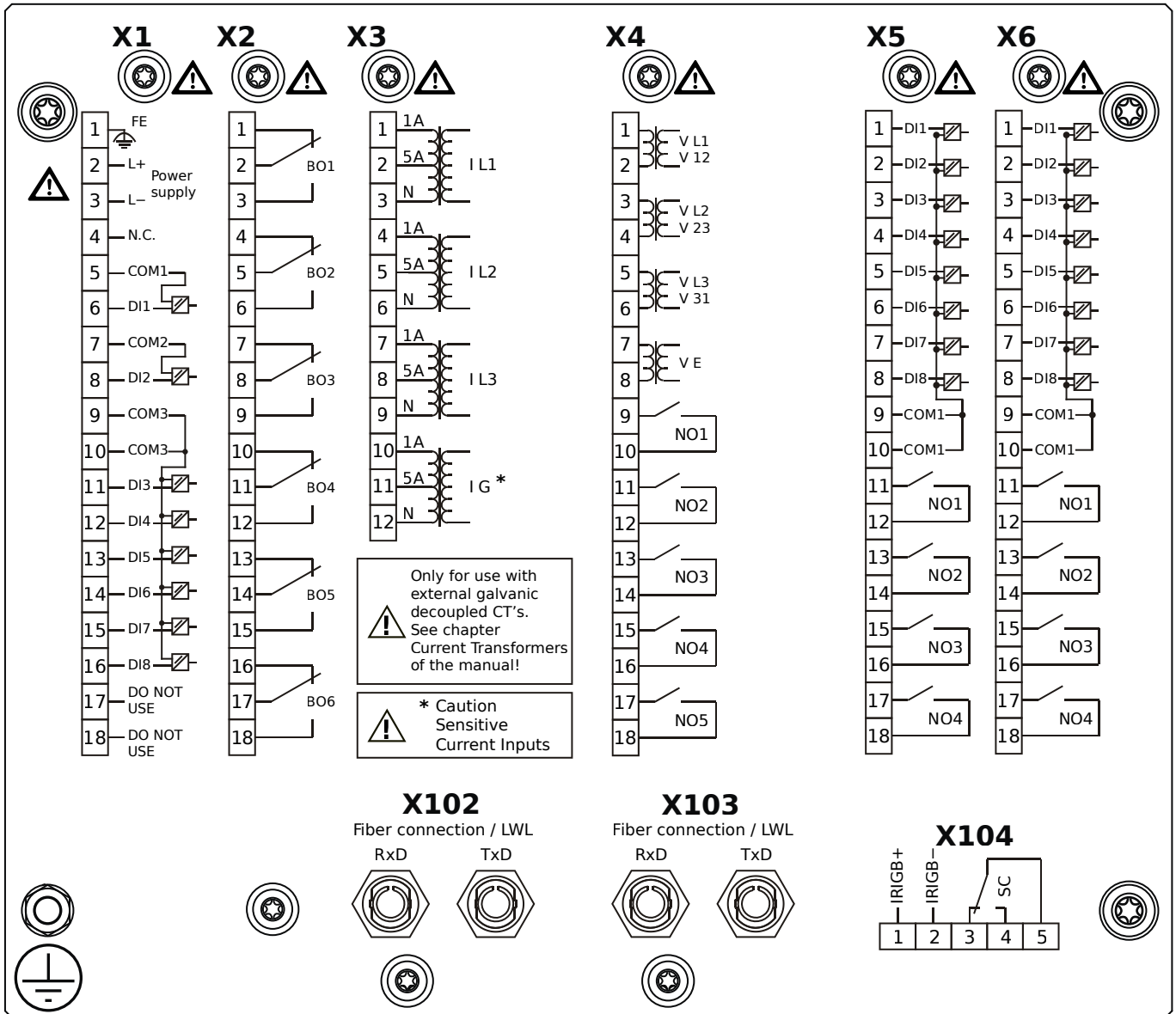


Housing B2, large display, 19" rack mounting

+ Conformal Coating (for installations in harsh environment)

- X1** – DI8-X1: Wide-range power supply unit, incl. 2 non-grouped digital inputs and 6 grouped digital inputs
- X2** – OR6: Assembly Group with 6 Output Relays (Changeover / Form C)
- X3** – TIs: Standard phase current measuring card and sensitive ground current measuring
- X4** – TU-OR5: Voltage measuring (0 ... 300 VAC) assembly group with 5 additional Output Relays (NO / Form A)
- X5** – DI8-OR4: Assembly Group with 8 Digital Inputs and 4 Output Relays (NO / Form A)
- X6** – DI8-OR4: Assembly Group with 8 Digital Inputs and 4 Output Relays (NO / Form A)
- X100** – Modbus TCP / IEC 60870-5-104 / DNP3.0 TCP/UDP, Ethernet interface, 100 Mbit/s, RJ45 (BASE100-FX)
- X102** – Protection Communication, Fiber optics interface, ST Connector
- X104** – IRIG-B00X, incl. System Contact (Supervision Contact)

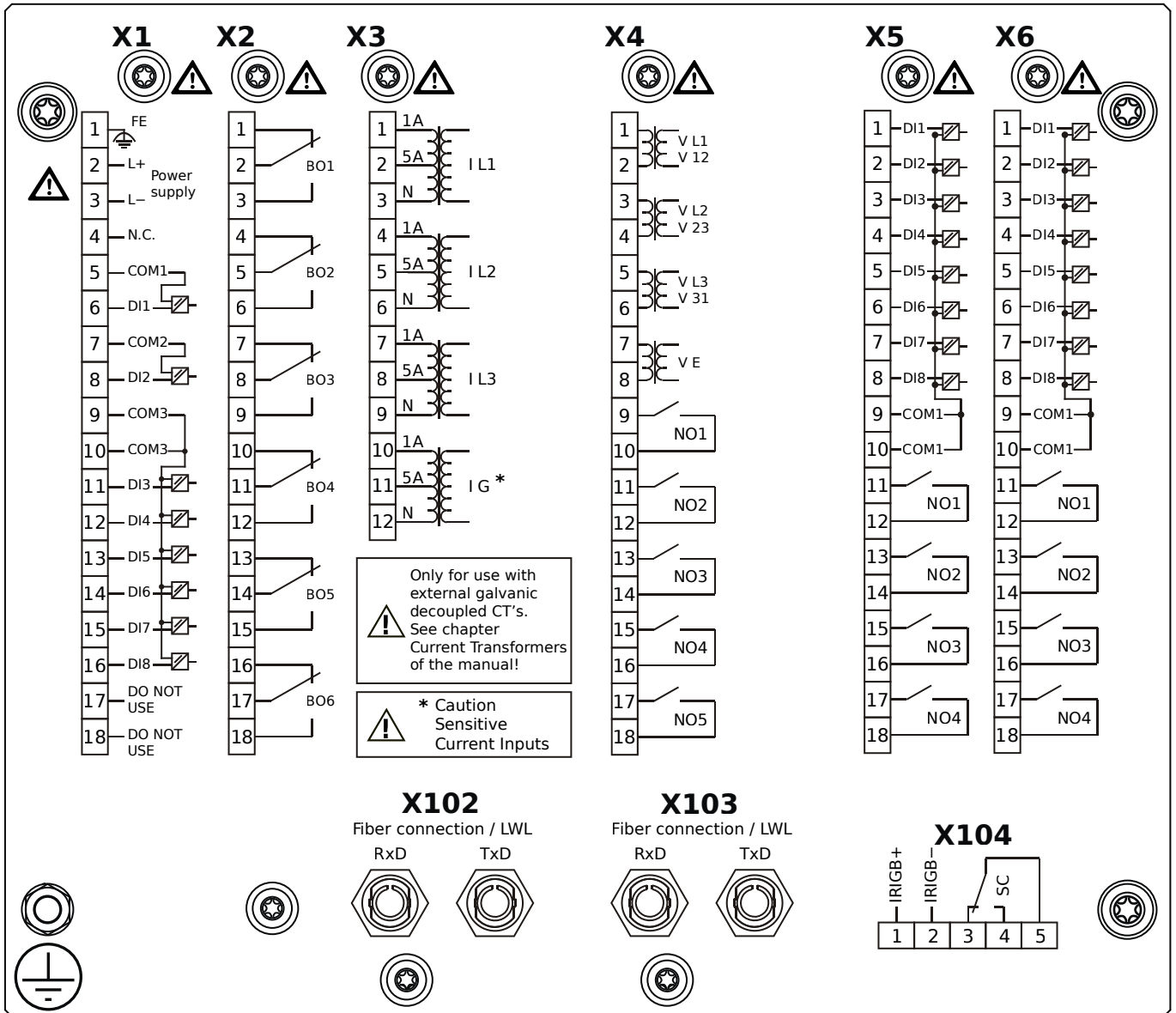
MCDLV4-2E1B1DA



Housing B2, large display, 19" rack mounting

- X1** – DI8-X1: Wide-range power supply unit, incl. 2 non-grouped digital inputs and 6 grouped digital inputs
- X2** – OR6: Assembly Group with 6 Output Relays (Changeover / Form C)
- X3** – TIs: Standard phase current measuring card and sensitive ground current measuring
- X4** – TU-OR5: Voltage measuring (0 ... 300 VAC) assembly group with 5 additional Output Relays (NO / Form A)
- X5** – DI8-OR4: Assembly Group with 8 Digital Inputs and 4 Output Relays (NO / Form A)
- X6** – DI8-OR4: Assembly Group with 8 Digital Inputs and 4 Output Relays (NO / Form A)
- X102** – Protection Communication, Fiber optics interface, ST Connector
- X103** – Profibus-DP, Fiber optics interface, ST Connector
- X104** – IRIG-B00X, incl. System Contact (Supervision Contact)

MCDLV4-2E1B1DB

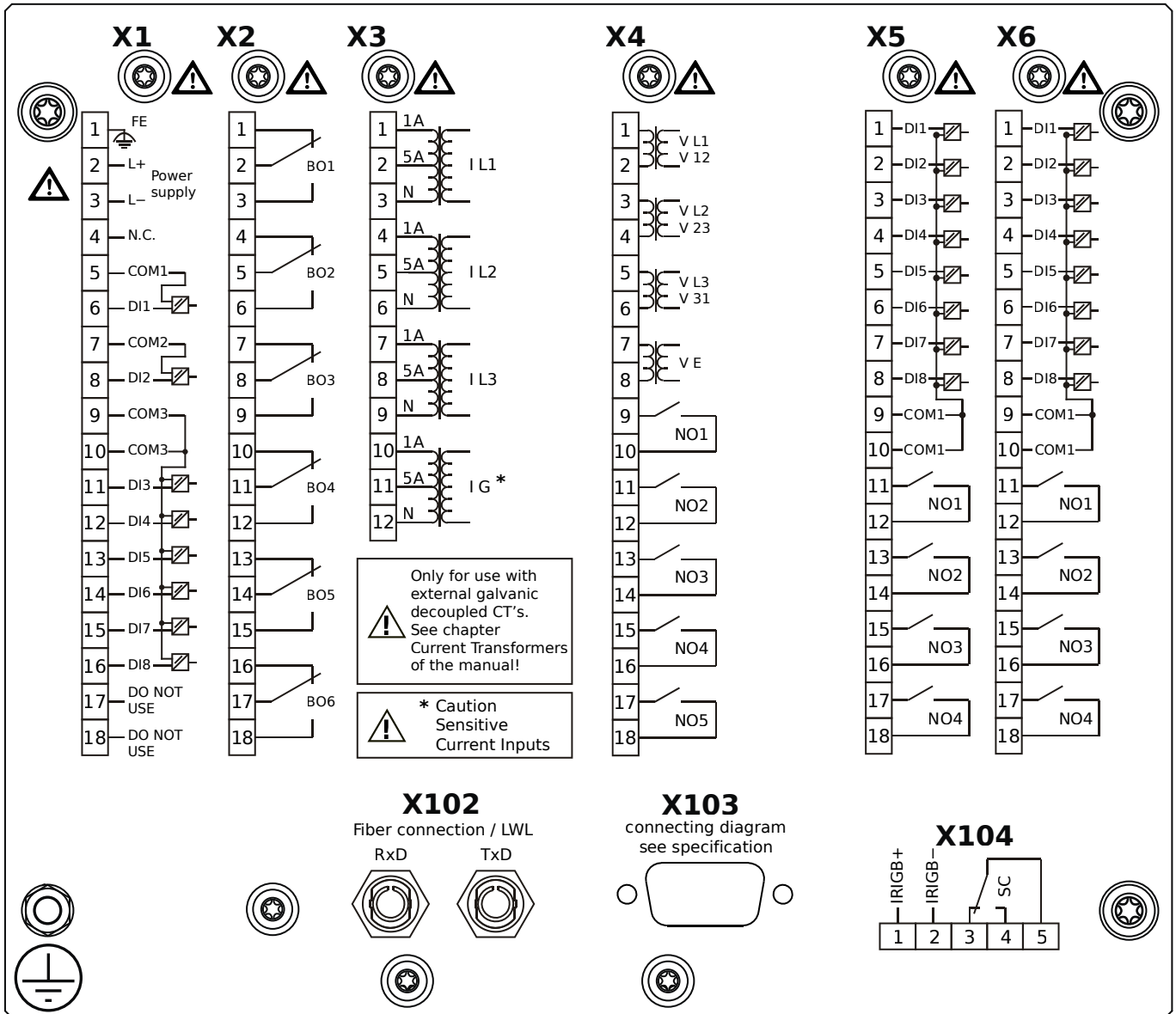


Housing B2, large display, 19" rack mounting

+ Conformal Coating (for installations in harsh environment)

- X1** – DI8-X1: Wide-range power supply unit, incl. 2 non-grouped digital inputs and 6 grouped digital inputs
- X2** – OR6: Assembly Group with 6 Output Relays (Changeover / Form C)
- X3** – TIs: Standard phase current measuring card and sensitive ground current measuring
- X4** – TU-OR5: Voltage measuring (0 ... 300 VAC) assembly group with 5 additional Output Relays (NO / Form A)
- X5** – DI8-OR4: Assembly Group with 8 Digital Inputs and 4 Output Relays (NO / Form A)
- X6** – DI8-OR4: Assembly Group with 8 Digital Inputs and 4 Output Relays (NO / Form A)
- X102** – Protection Communication, Fiber optics interface, ST Connector
- X103** – Profibus-DP, Fiber optics interface, ST Connector
- X104** – IRIG-B00X, incl. System Contact (Supervision Contact)

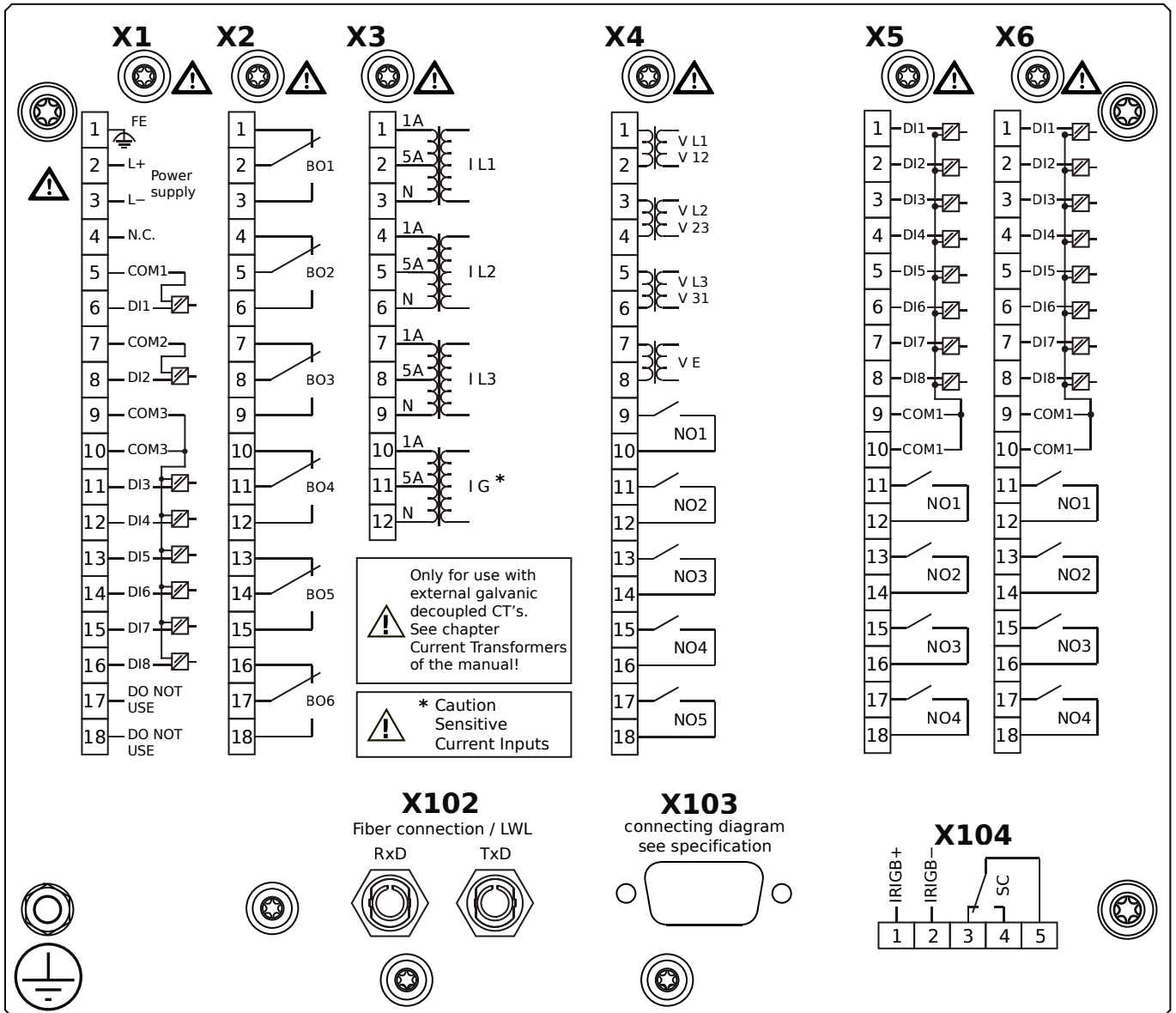
MCDLV4-2E1B1EA



Housing B2, large display, 19" rack mounting

- X1** – DI8-X1: Wide-range power supply unit, incl. 2 non-grouped digital inputs and 6 grouped digital inputs
- X2** – OR6: Assembly Group with 6 Output Relays (Changeover / Form C)
- X3** – TIs: Standard phase current measuring card and sensitive ground current measuring
- X4** – TU-OR5: Voltage measuring (0 ... 300 VAC) assembly group with 5 additional Output Relays (NO / Form A)
- X5** – DI8-OR4: Assembly Group with 8 Digital Inputs and 4 Output Relays (NO / Form A)
- X6** – DI8-OR4: Assembly Group with 8 Digital Inputs and 4 Output Relays (NO / Form A)
- X102** – Protection Communication, Fiber optics interface, ST Connector
- X103** – Profibus-DP, RS485, D-SUB
- X104** – IRIG-B00X, incl. System Contact (Supervision Contact)

MCDLV4-2E1B1EB

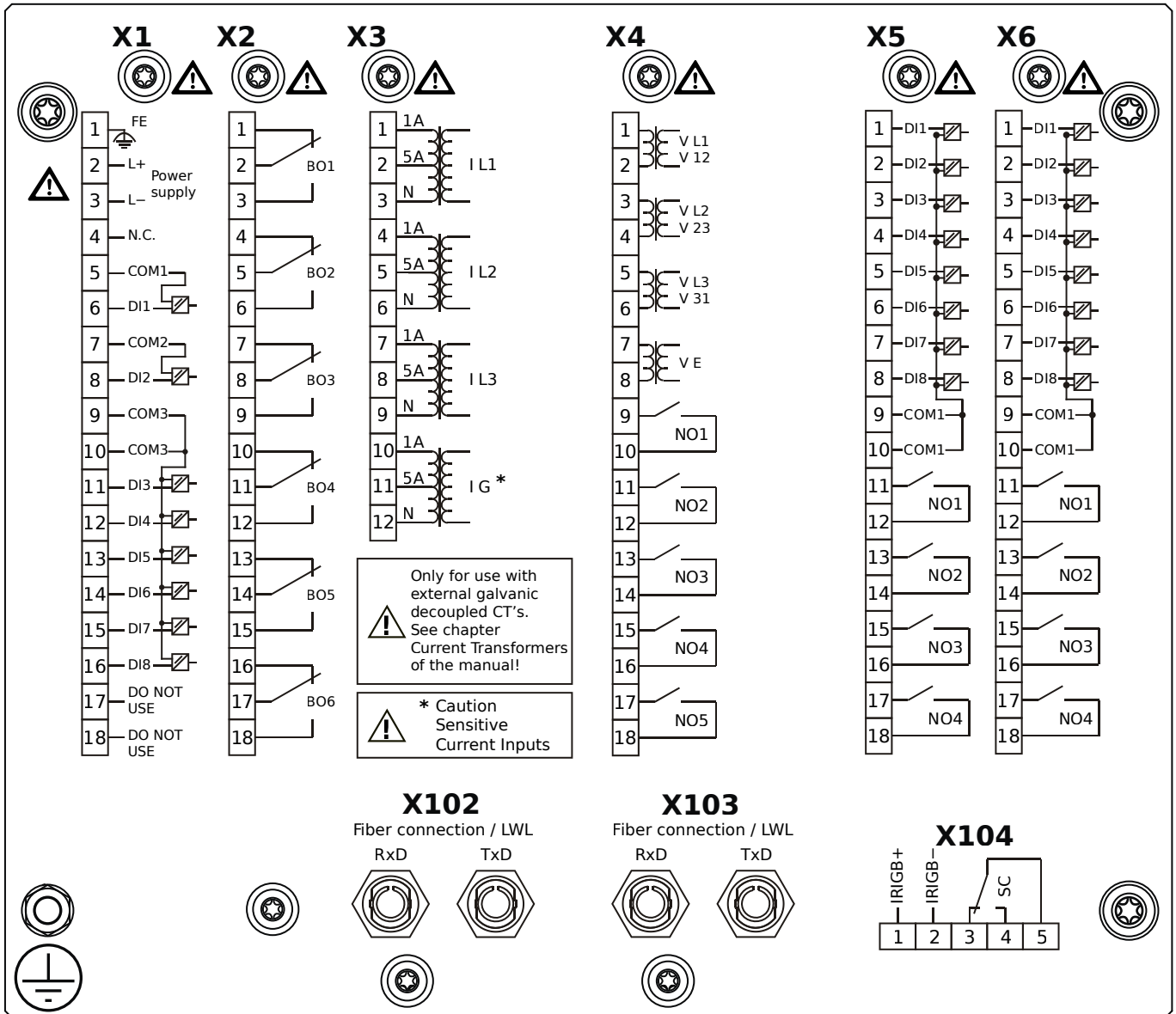


Housing B2, large display, 19" rack mounting

+ Conformal Coating (for installations in harsh environment)

- X1** – DI8-X1: Wide-range power supply unit, incl. 2 non-grouped digital inputs and 6 grouped digital inputs
- X2** – OR6: Assembly Group with 6 Output Relays (Changeover / Form C)
- X3** – TIs: Standard phase current measuring card and sensitive ground current measuring
- X4** – TU-OR5: Voltage measuring (0 ... 300 VAC) assembly group with 5 additional Output Relays (NO / Form A)
- X5** – DI8-OR4: Assembly Group with 8 Digital Inputs and 4 Output Relays (NO / Form A)
- X6** – DI8-OR4: Assembly Group with 8 Digital Inputs and 4 Output Relays (NO / Form A)
- X102** – Protection Communication, Fiber optics interface, ST Connector
- X103** – Profibus-DP, RS485, D-SUB
- X104** – IRIG-B00X, incl. System Contact (Supervision Contact)

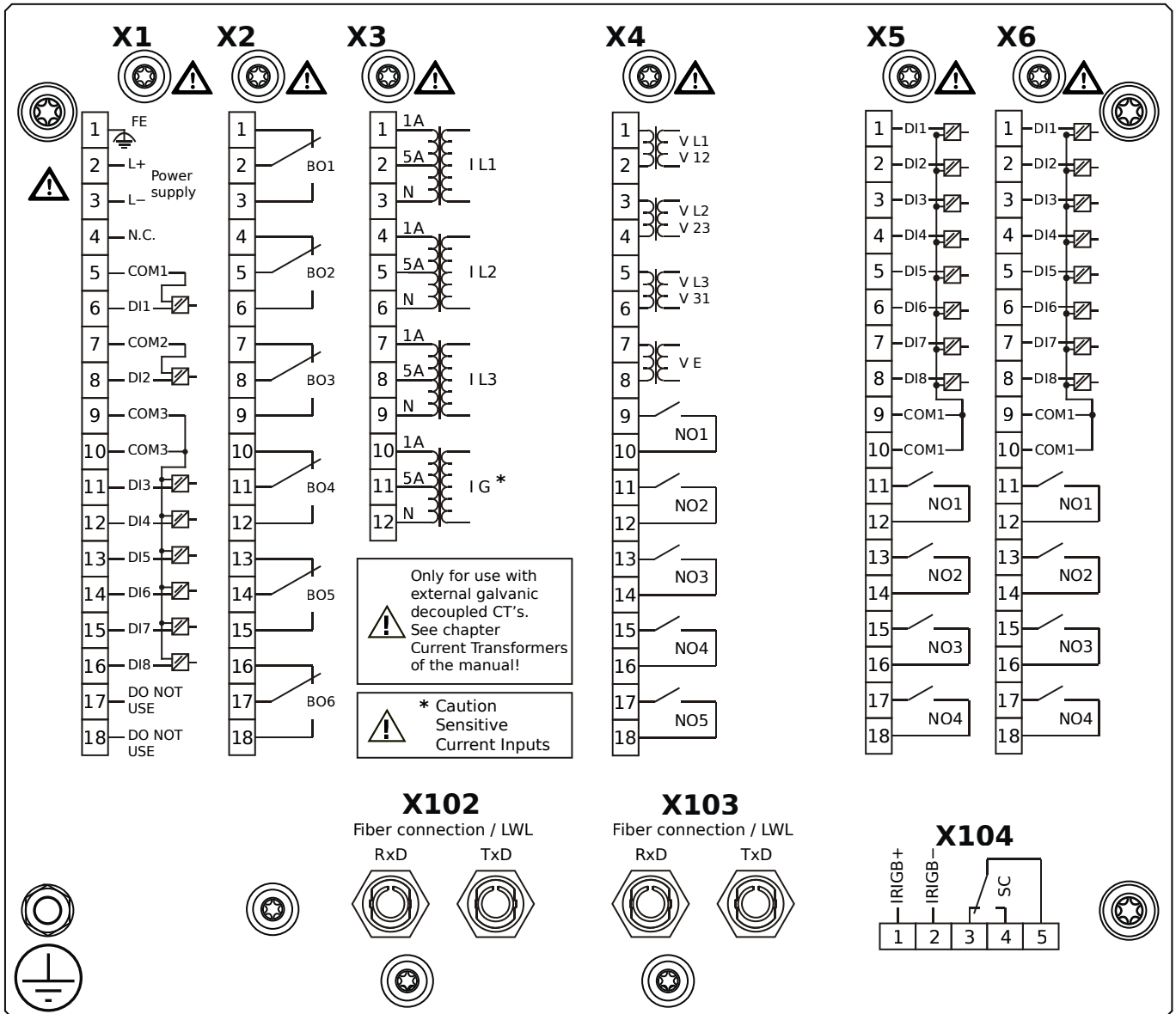
MCDLV4-2E1B1FA



Housing B2, large display, 19" rack mounting

- X1** – DI8-X1: Wide-range power supply unit, incl. 2 non-grouped digital inputs and 6 grouped digital inputs
- X2** – OR6: Assembly Group with 6 Output Relays (Changeover / Form C)
- X3** – TIs: Standard phase current measuring card and sensitive ground current measuring
- X4** – TU-OR5: Voltage measuring (0 ... 300 VAC) assembly group with 5 additional Output Relays (NO / Form A)
- X5** – DI8-OR4: Assembly Group with 8 Digital Inputs and 4 Output Relays (NO / Form A)
- X6** – DI8-OR4: Assembly Group with 8 Digital Inputs and 4 Output Relays (NO / Form A)
- X102** – Protection Communication, Fiber optics interface, ST Connector
- X103** – Modbus RTU / IEC 60870-5-103 / DNP3.0 RTU, Fiber optics interface, ST Connector
- X104** – IRIG-B00X, incl. System Contact (Supervision Contact)

MCDLV4-2E1B1FB

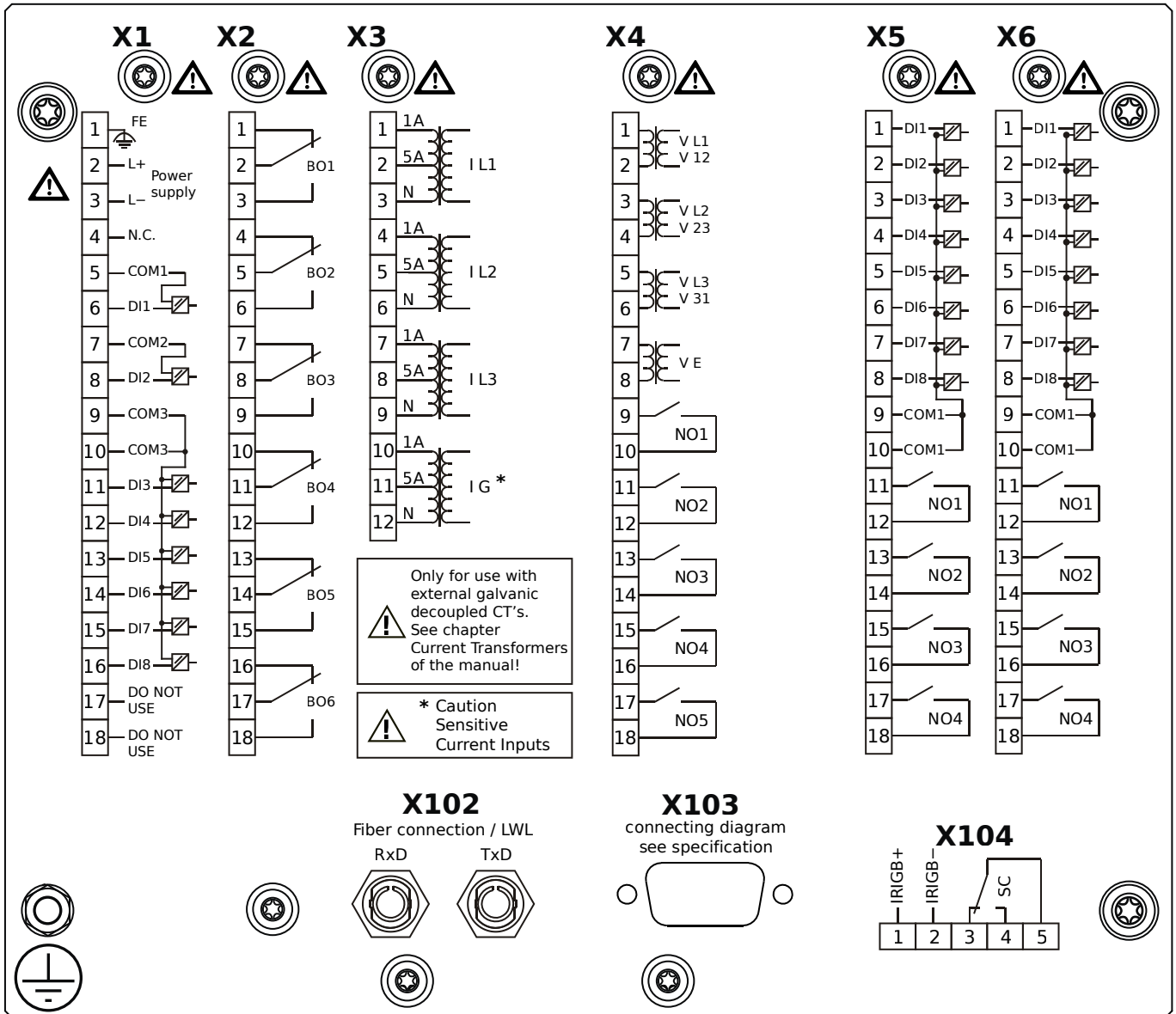


Housing B2, large display, 19" rack mounting

+ Conformal Coating (for installations in harsh environment)

- X1** – DI8-X1: Wide-range power supply unit, incl. 2 non-grouped digital inputs and 6 grouped digital inputs
- X2** – OR6: Assembly Group with 6 Output Relays (Changeover / Form C)
- X3** – TIs: Standard phase current measuring card and sensitive ground current measuring
- X4** – TU-OR5: Voltage measuring (0 ... 300 VAC) assembly group with 5 additional Output Relays (NO / Form A)
- X5** – DI8-OR4: Assembly Group with 8 Digital Inputs and 4 Output Relays (NO / Form A)
- X6** – DI8-OR4: Assembly Group with 8 Digital Inputs and 4 Output Relays (NO / Form A)
- X102** – Protection Communication, Fiber optics interface, ST Connector
- X103** – Modbus RTU / IEC 60870-5-103 / DNP3.0 RTU, Fiber optics interface, ST Connector
- X104** – IRIG-B00X, incl. System Contact (Supervision Contact)

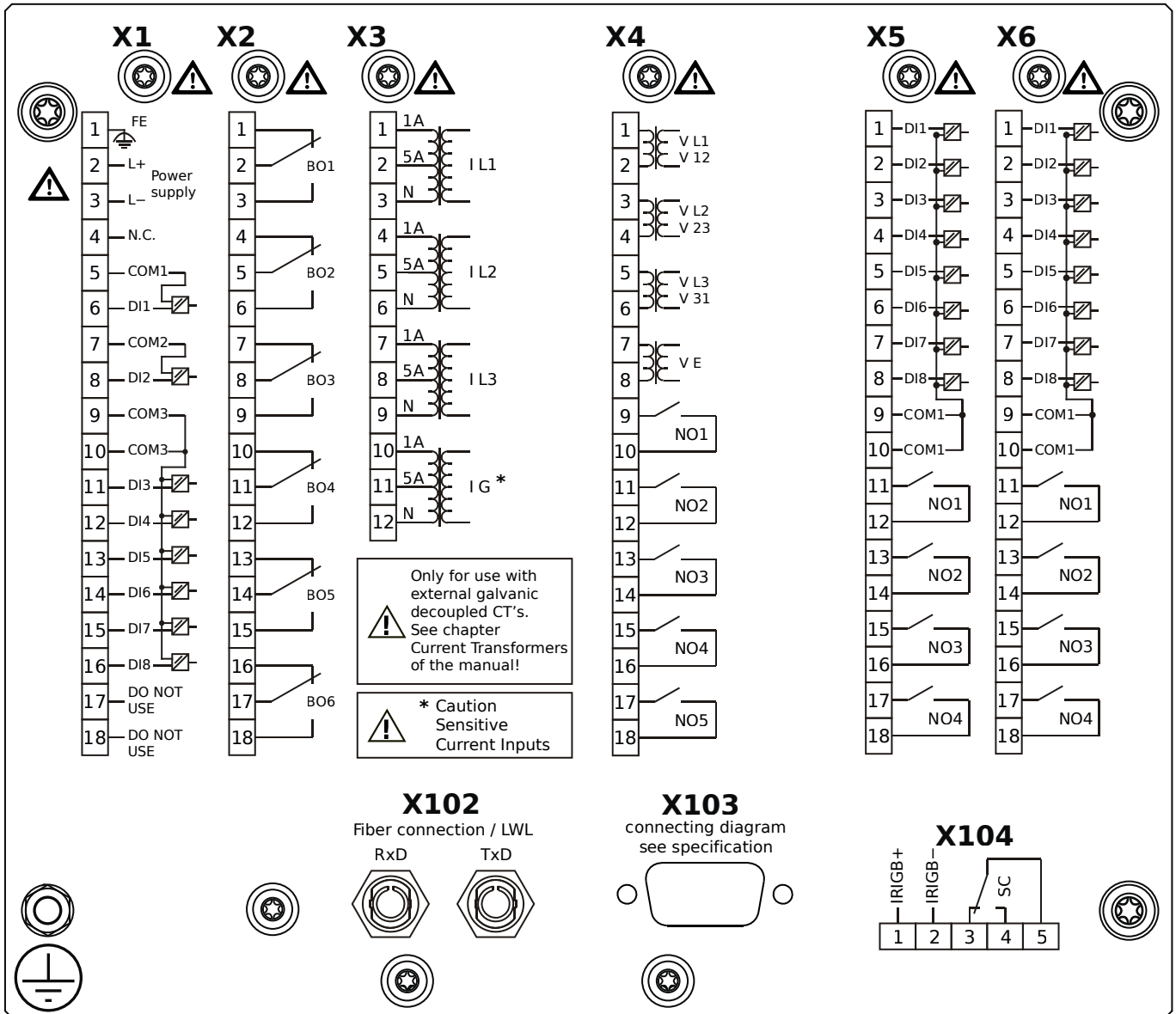
MCDLV4-2E1B1GA



Housing B2, large display, 19" rack mounting

- X1** – DI8-X1: Wide-range power supply unit, incl. 2 non-grouped digital inputs and 6 grouped digital inputs
- X2** – OR6: Assembly Group with 6 Output Relays (Changeover / Form C)
- X3** – TIs: Standard phase current measuring card and sensitive ground current measuring
- X4** – TU-OR5: Voltage measuring (0 ... 300 VAC) assembly group with 5 additional Output Relays (NO / Form A)
- X5** – DI8-OR4: Assembly Group with 8 Digital Inputs and 4 Output Relays (NO / Form A)
- X6** – DI8-OR4: Assembly Group with 8 Digital Inputs and 4 Output Relays (NO / Form A)
- X102** – Protection Communication, Fiber optics interface, ST Connector
- X103** – Modbus RTU / IEC 60870-5-103 / DNP3.0 RTU, RS485, D-SUB
- X104** – IRIG-B00X, incl. System Contact (Supervision Contact)

MCDLV4-2E1B1GB

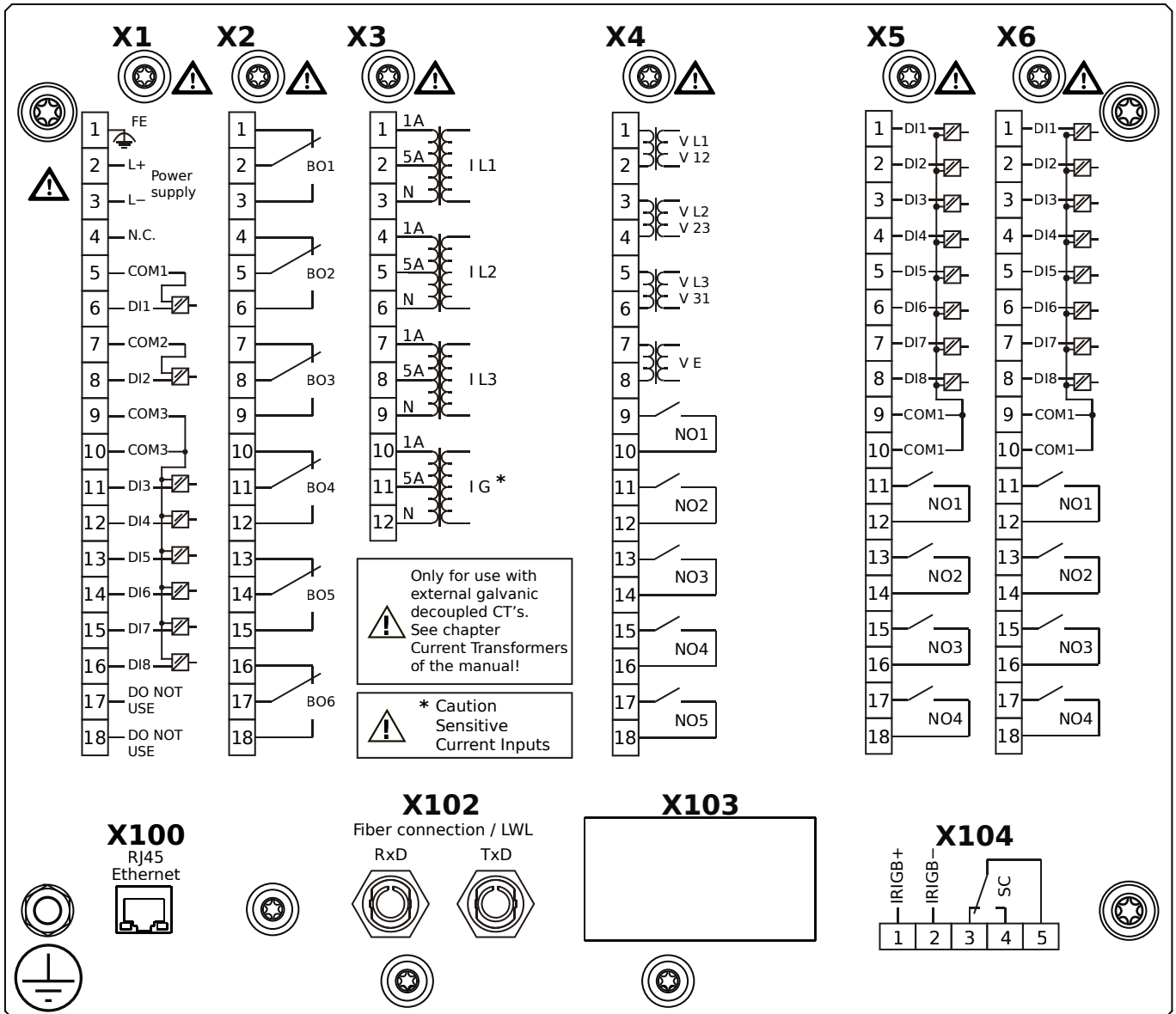


Housing B2, large display, 19" rack mounting

+ Conformal Coating (for installations in harsh environment)

- X1** – DI8-X1: Wide-range power supply unit, incl. 2 non-grouped digital inputs and 6 grouped digital inputs
- X2** – OR6: Assembly Group with 6 Output Relays (Changeover / Form C)
- X3** – TIs: Standard phase current measuring card and sensitive ground current measuring
- X4** – TU-OR5: Voltage measuring (0 ... 300 VAC) assembly group with 5 additional Output Relays (NO / Form A)
- X5** – DI8-OR4: Assembly Group with 8 Digital Inputs and 4 Output Relays (NO / Form A)
- X6** – DI8-OR4: Assembly Group with 8 Digital Inputs and 4 Output Relays (NO / Form A)
- X102** – Protection Communication, Fiber optics interface, ST Connector
- X103** – Modbus RTU / IEC 60870-5-103 / DNP3.0 RTU, RS485, D-SUB
- X104** – IRIG-B00X, incl. System Contact (Supervision Contact)

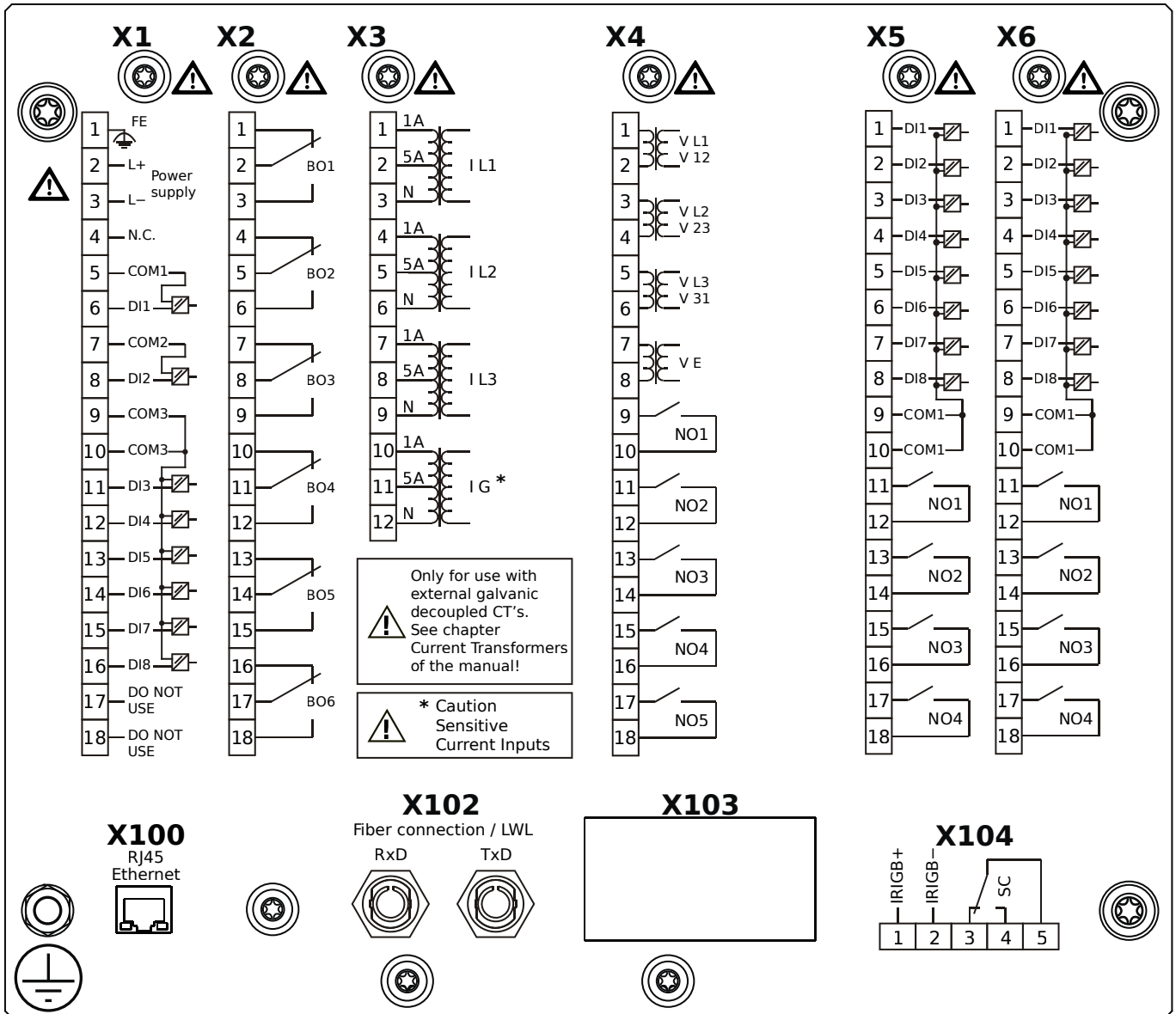
MCDLV4-2E1B1HA



Housing B2, large display, 19" rack mounting

- X1** – DI8-X1: Wide-range power supply unit, incl. 2 non-grouped digital inputs and 6 grouped digital inputs
- X2** – OR6: Assembly Group with 6 Output Relays (Changeover / Form C)
- X3** – TIs: Standard phase current measuring card and sensitive ground current measuring
- X4** – TU-OR5: Voltage measuring (0 ... 300 VAC) assembly group with 5 additional Output Relays (NO / Form A)
- X5** – DI8-OR4: Assembly Group with 8 Digital Inputs and 4 Output Relays (NO / Form A)
- X6** – DI8-OR4: Assembly Group with 8 Digital Inputs and 4 Output Relays (NO / Form A)
- X100** – IEC 61850 / Modbus TCP / IEC 60870-5-104 / DNP3.0 TCP/UDP, Ethernet interface, 100 Mbit/s, RJ45 (BASE100-FX)
- X102** – Protection Communication, Fiber optics interface, ST Connector
- X104** – IRIG-B00X, incl. System Contact (Supervision Contact)

MCDLV4-2E1B1HB

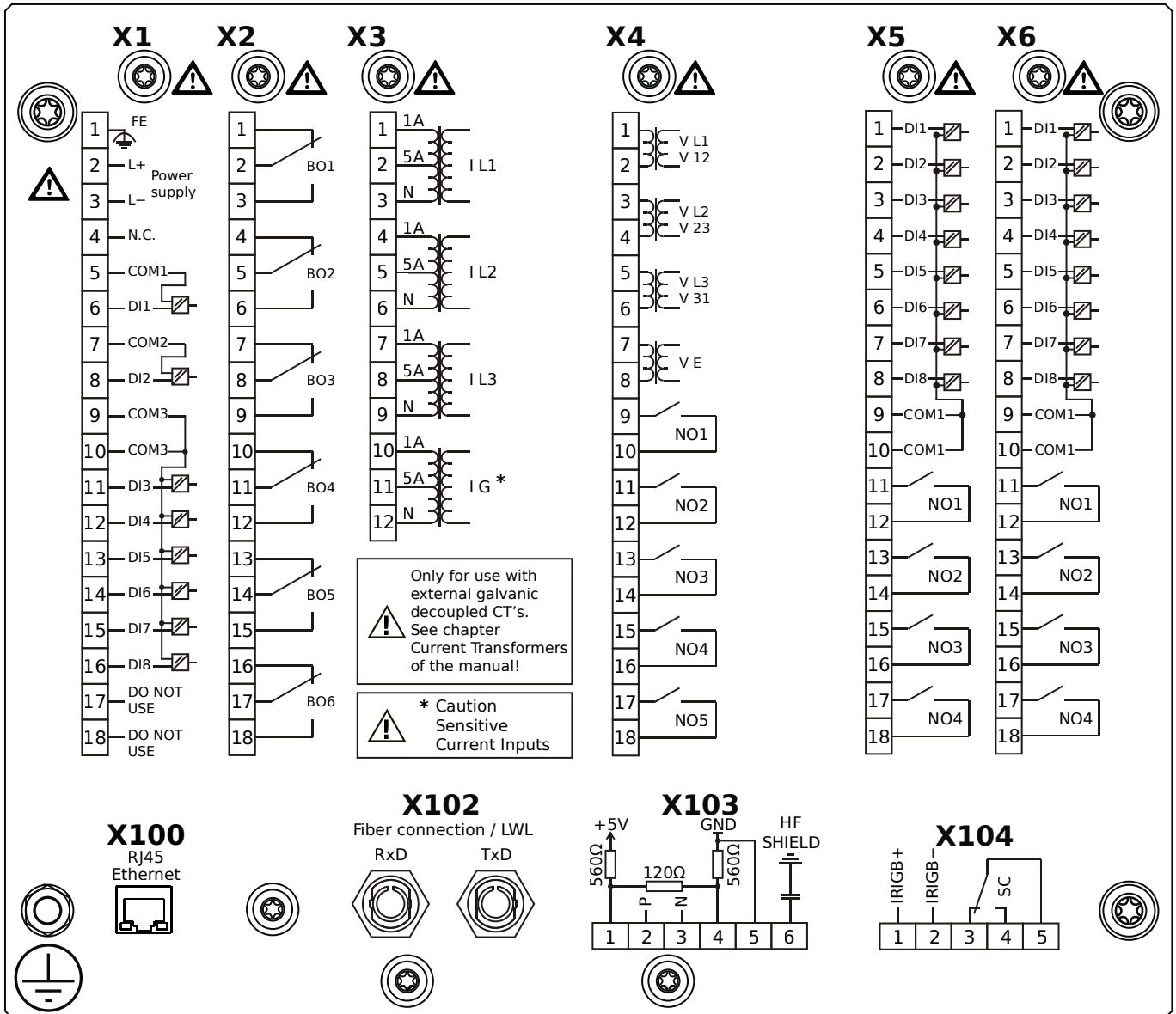


Housing B2, large display, 19" rack mounting

+ Conformal Coating (for installations in harsh environment)

- X1** – DI8-X1: Wide-range power supply unit, incl. 2 non-grouped digital inputs and 6 grouped digital inputs
- X2** – OR6: Assembly Group with 6 Output Relays (Changeover / Form C)
- X3** – TIs: Standard phase current measuring card and sensitive ground current measuring
- X4** – TU-OR5: Voltage measuring (0 ... 300 VAC) assembly group with 5 additional Output Relays (NO / Form A)
- X5** – DI8-OR4: Assembly Group with 8 Digital Inputs and 4 Output Relays (NO / Form A)
- X6** – DI8-OR4: Assembly Group with 8 Digital Inputs and 4 Output Relays (NO / Form A)
- X100** – IEC 61850 / Modbus TCP / IEC 60870-5-104 / DNP3.0 TCP/UDP, Ethernet interface, 100 Mbit/s, RJ45 (BASE100-FX)
- X102** – Protection Communication, Fiber optics interface, ST Connector
- X104** – IRIG-B00X, incl. System Contact (Supervision Contact)

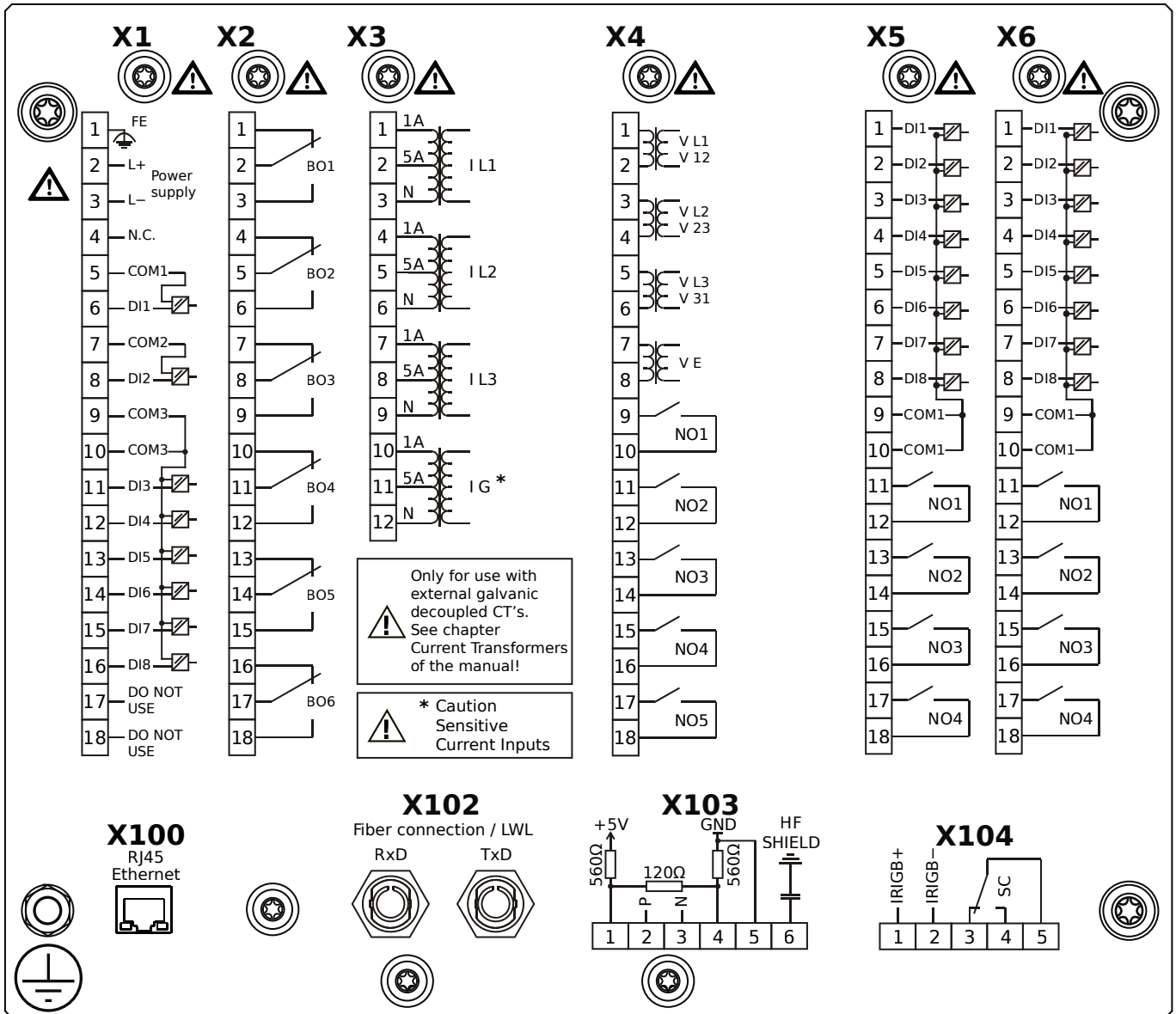
MCDLV4-2E1B1IA



Housing B2, large display, 19" rack mounting

- X1** – DI8-X1: Wide-range power supply unit, incl. 2 non-grouped digital inputs and 6 grouped digital inputs
- X2** – OR6: Assembly Group with 6 Output Relays (Changeover / Form C)
- X3** – TIs: Standard phase current measuring card and sensitive ground current measuring
- X4** – TU-OR5: Voltage measuring (0 ... 300 VAC) assembly group with 5 additional Output Relays (NO / Form A)
- X5** – DI8-OR4: Assembly Group with 8 Digital Inputs and 4 Output Relays (NO / Form A)
- X6** – DI8-OR4: Assembly Group with 8 Digital Inputs and 4 Output Relays (NO / Form A)
- X100** – Modbus TCP / IEC 60870-5-104 / DNP3.0 TCP/UDP, Ethernet interface, 100 Mbit/s, RJ45 (BASE100-FX)
- X102** – Protection Communication, Fiber optics interface, ST Connector
- X103** – IEC 60870-5-103 / Modbus RTU / DNP3.0 RTU, RS485, Terminals
- X104** – IRIG-B00X, incl. System Contact (Supervision Contact)

MCDLV4-2E1B1B

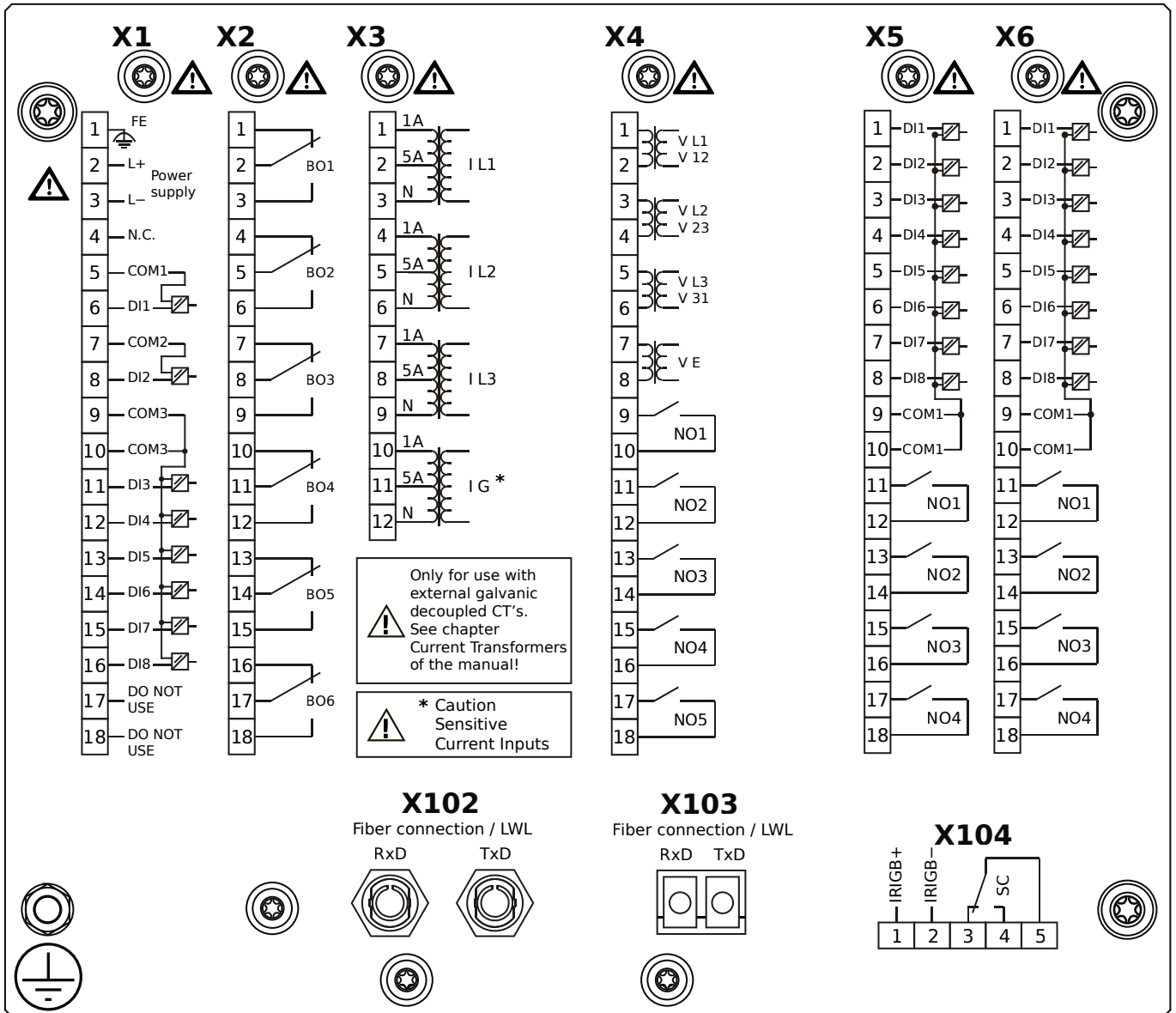


Housing B2, large display, 19" rack mounting

+ Conformal Coating (for installations in harsh environment)

- X1** – DI8-X1: Wide-range power supply unit, incl. 2 non-grouped digital inputs and 6 grouped digital inputs
- X2** – OR6: Assembly Group with 6 Output Relays (Changeover / Form C)
- X3** – TIs: Standard phase current measuring card and sensitive ground current measuring
- X4** – TU-OR5: Voltage measuring (0 ... 300 VAC) assembly group with 5 additional Output Relays (NO / Form A)
- X5** – DI8-OR4: Assembly Group with 8 Digital Inputs and 4 Output Relays (NO / Form A)
- X6** – DI8-OR4: Assembly Group with 8 Digital Inputs and 4 Output Relays (NO / Form A)
- X100** – Modbus TCP / IEC 60870-5-104 / DNP3.0 TCP/UDP, Ethernet interface, 100 Mbit/s, RJ45 (BASE100-FX)
- X102** – Protection Communication, Fiber optics interface, ST Connector
- X103** – IEC 60870-5-103 / Modbus RTU / DNP3.0 RTU, RS485, Terminals
- X104** – IRIG-B00X, incl. System Contact (Supervision Contact)

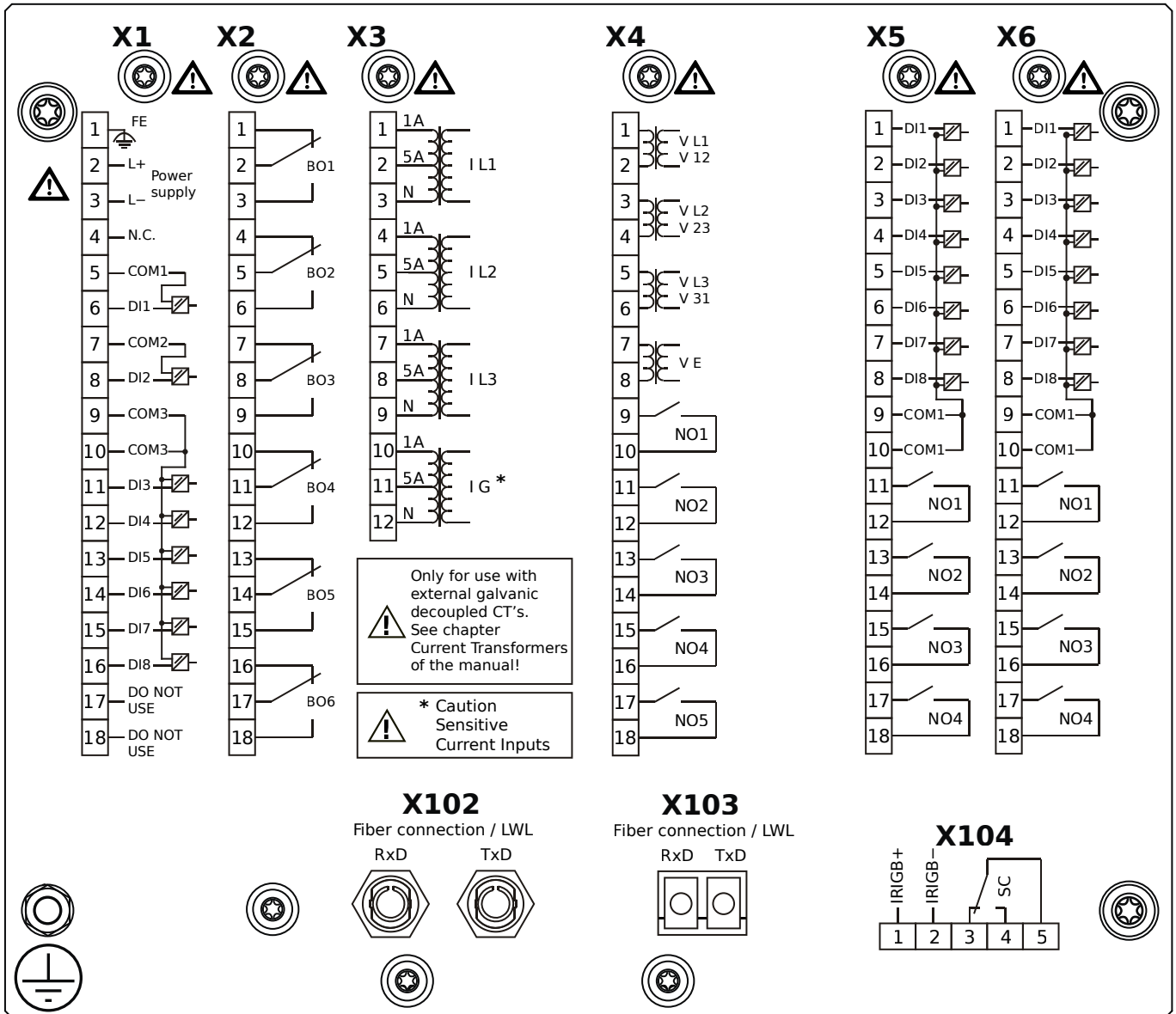
MCDLV4-2E1B1KA



Housing B2, large display, 19" rack mounting

- X1** – DI8-X1: Wide-range power supply unit, incl. 2 non-grouped digital inputs and 6 grouped digital inputs
- X2** – OR6: Assembly Group with 6 Output Relays (Changeover / Form C)
- X3** – TIs: Standard phase current measuring card and sensitive ground current measuring
- X4** – TU-OR5: Voltage measuring (0 ... 300 VAC) assembly group with 5 additional Output Relays (NO / Form A)
- X5** – DI8-OR4: Assembly Group with 8 Digital Inputs and 4 Output Relays (NO / Form A)
- X6** – DI8-OR4: Assembly Group with 8 Digital Inputs and 4 Output Relays (NO / Form A)
- X102** – Protection Communication, Fiber optics interface, ST Connector
- X103** – IEC 61850 / Modbus TCP / IEC 60870-5-104 / DNP3.0 TCP/UDP, Fiber optics interface, LC Connector
- X104** – IRIG-B00X, incl. System Contact (Supervision Contact)

MCDLV4-2E1B1KB

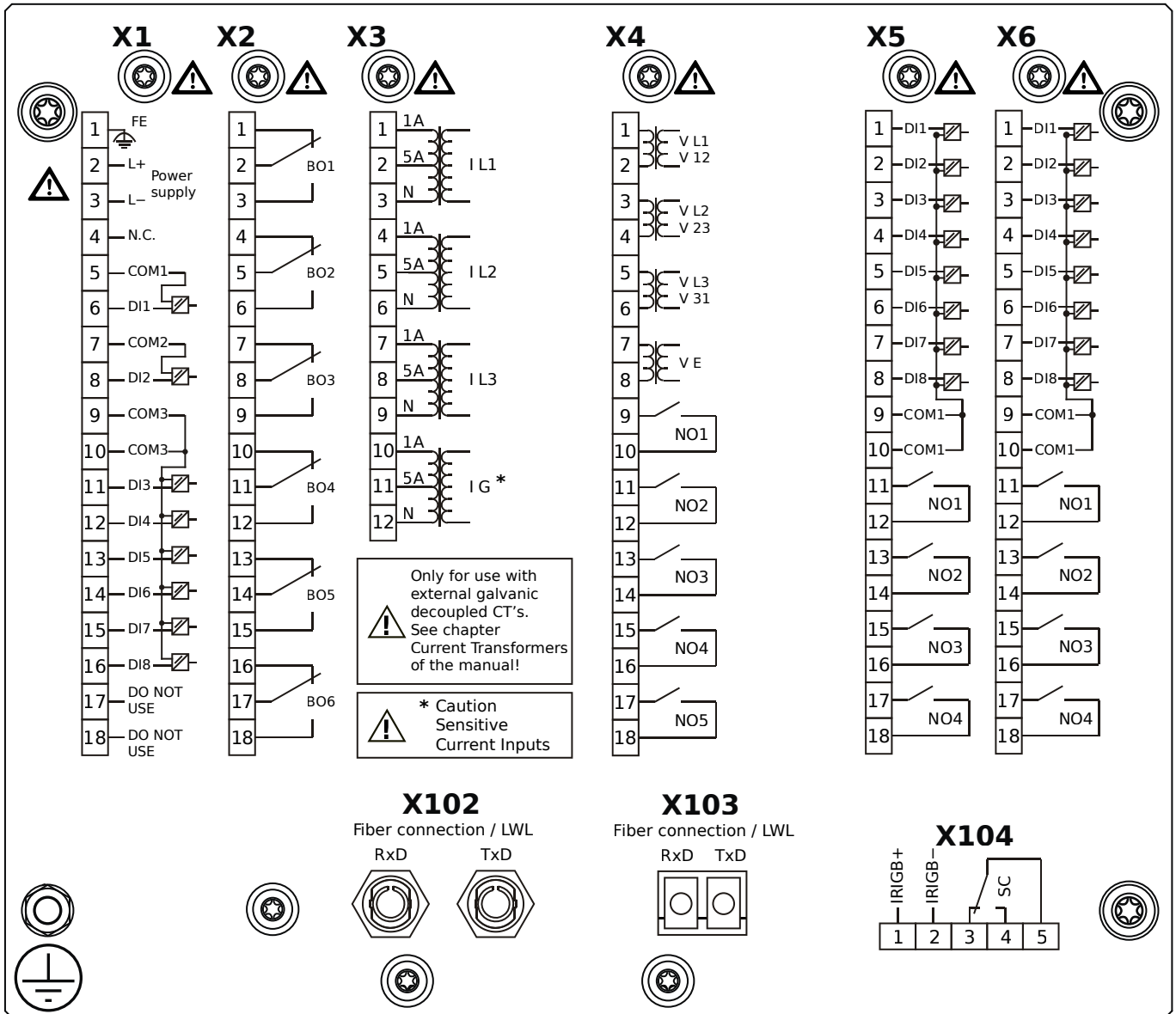


Housing B2, large display, 19" rack mounting

+ Conformal Coating (for installations in harsh environment)

- X1** – DI8-X1: Wide-range power supply unit, incl. 2 non-grouped digital inputs and 6 grouped digital inputs
- X2** – OR6: Assembly Group with 6 Output Relays (Changeover / Form C)
- X3** – TIs: Standard phase current measuring card and sensitive ground current measuring
- X4** – TU-OR5: Voltage measuring (0 ... 300 VAC) assembly group with 5 additional Output Relays (NO / Form A)
- X5** – DI8-OR4: Assembly Group with 8 Digital Inputs and 4 Output Relays (NO / Form A)
- X6** – DI8-OR4: Assembly Group with 8 Digital Inputs and 4 Output Relays (NO / Form A)
- X102** – Protection Communication, Fiber optics interface, ST Connector
- X103** – IEC 61850 / Modbus TCP / IEC 60870-5-104 / DNP3.0 TCP/UDP, Fiber optics interface, LC Connector
- X104** – IRIG-B00X, incl. System Contact (Supervision Contact)

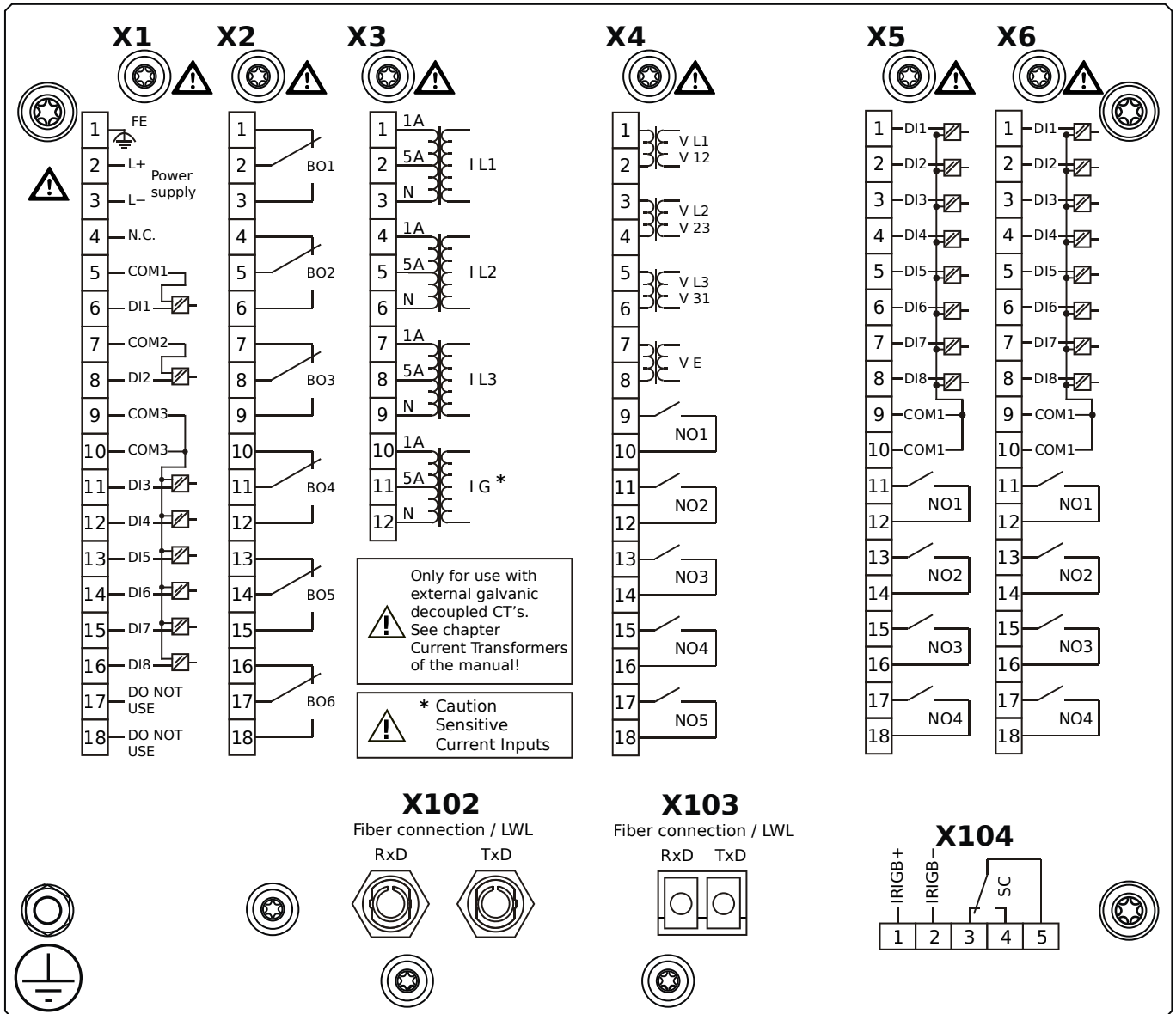
MCDLV4-2E1B1LA



Housing B2, large display, 19" rack mounting

- X1** – DI8-X1: Wide-range power supply unit, incl. 2 non-grouped digital inputs and 6 grouped digital inputs
- X2** – OR6: Assembly Group with 6 Output Relays (Changeover / Form C)
- X3** – TIs: Standard phase current measuring card and sensitive ground current measuring
- X4** – TU-OR5: Voltage measuring (0 ... 300 VAC) assembly group with 5 additional Output Relays (NO / Form A)
- X5** – DI8-OR4: Assembly Group with 8 Digital Inputs and 4 Output Relays (NO / Form A)
- X6** – DI8-OR4: Assembly Group with 8 Digital Inputs and 4 Output Relays (NO / Form A)
- X102** – Protection Communication, Fiber optics interface, ST Connector
- X103** – Modbus TCP / IEC 60870-5-104 / DNP3.0 TCP/UDP, Fiber optics interface, LC Connector
- X104** – IRIG-B00X, incl. System Contact (Supervision Contact)

MCDLV4-2E1B1LB

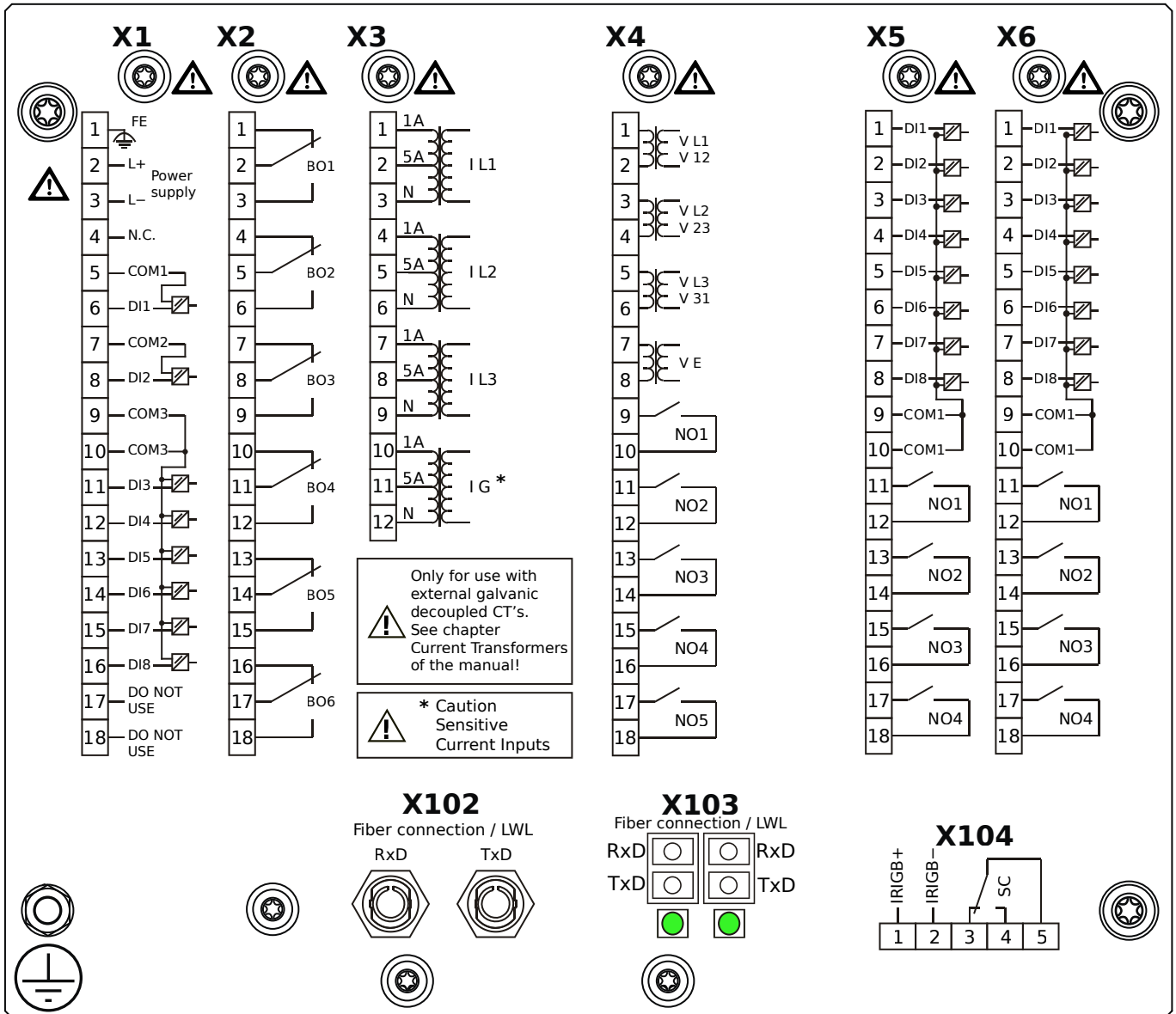


Housing B2, large display, 19" rack mounting

+ Conformal Coating (for installations in harsh environment)

- X1** – DI8-X1: Wide-range power supply unit, incl. 2 non-grouped digital inputs and 6 grouped digital inputs
- X2** – OR6: Assembly Group with 6 Output Relays (Changeover / Form C)
- X3** – TIs: Standard phase current measuring card and sensitive ground current measuring
- X4** – TU-OR5: Voltage measuring (0 ... 300 VAC) assembly group with 5 additional Output Relays (NO / Form A)
- X5** – DI8-OR4: Assembly Group with 8 Digital Inputs and 4 Output Relays (NO / Form A)
- X6** – DI8-OR4: Assembly Group with 8 Digital Inputs and 4 Output Relays (NO / Form A)
- X102** – Protection Communication, Fiber optics interface, ST Connector
- X103** – Modbus TCP / IEC 60870-5-104 / DNP3.0 TCP/UDP, Fiber optics interface, LC Connector
- X104** – IRIG-B00X, incl. System Contact (Supervision Contact)

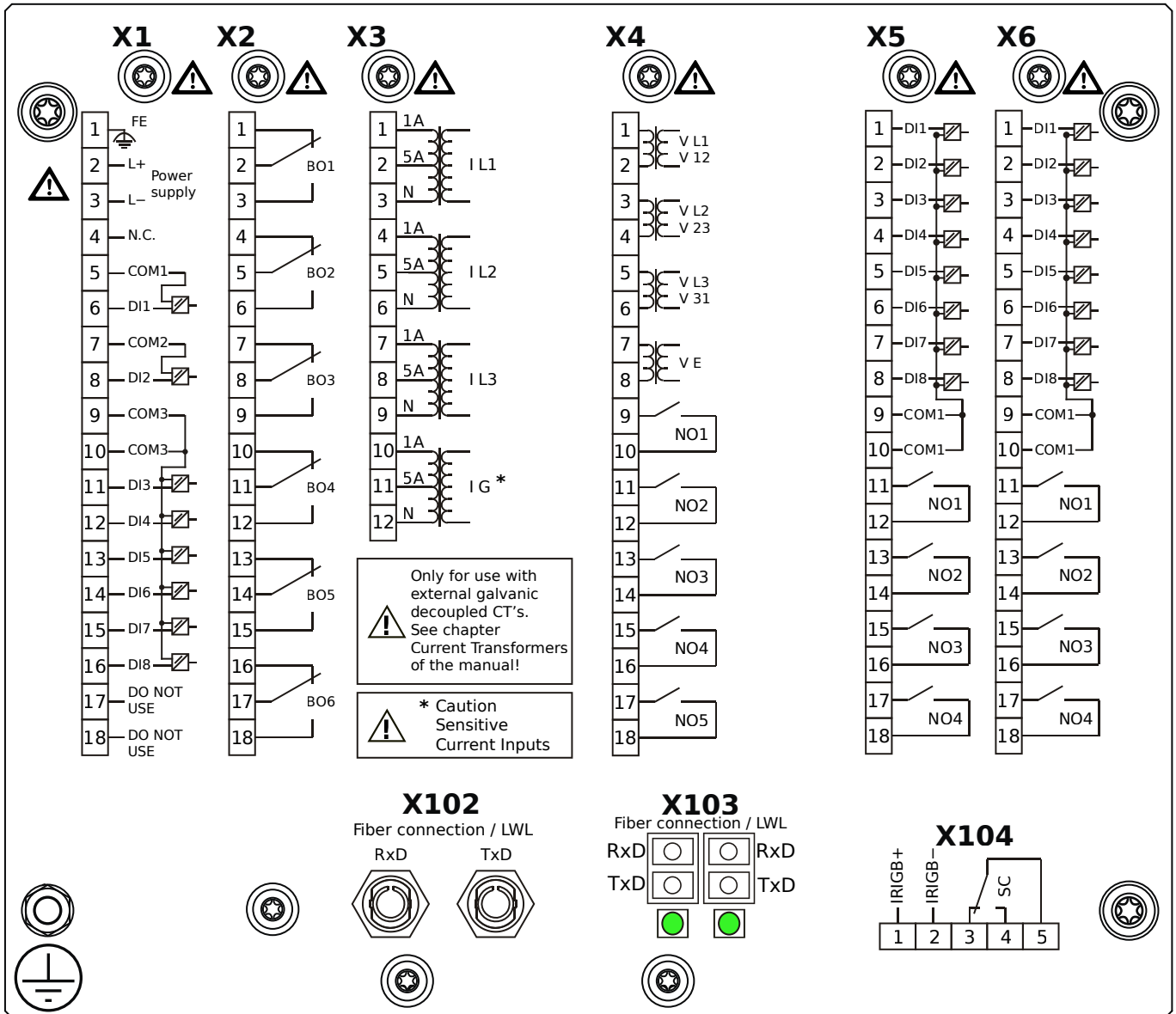
MCDLV4-2E1B10A



Housing B2, large display, 19" rack mounting

- X1** – DI8-X1: Wide-range power supply unit, incl. 2 non-grouped digital inputs and 6 grouped digital inputs
- X2** – OR6: Assembly Group with 6 Output Relays (Changeover / Form C)
- X3** – TIs: Standard phase current measuring card and sensitive ground current measuring
- X4** – TU-OR5: Voltage measuring (0 ... 300 VAC) assembly group with 5 additional Output Relays (NO / Form A)
- X5** – DI8-OR4: Assembly Group with 8 Digital Inputs and 4 Output Relays (NO / Form A)
- X6** – DI8-OR4: Assembly Group with 8 Digital Inputs and 4 Output Relays (NO / Form A)
- X102** – Protection Communication, Fiber optics interface, ST Connector
- X103** – Modbus TCP / IEC 60870-5-104 / DNP3.0 TCP/UDP, Redundant Fiber optics interface, LC Connector
- X104** – IRIG-B00X, incl. System Contact (Supervision Contact)

MCDLV4-2E1B10B

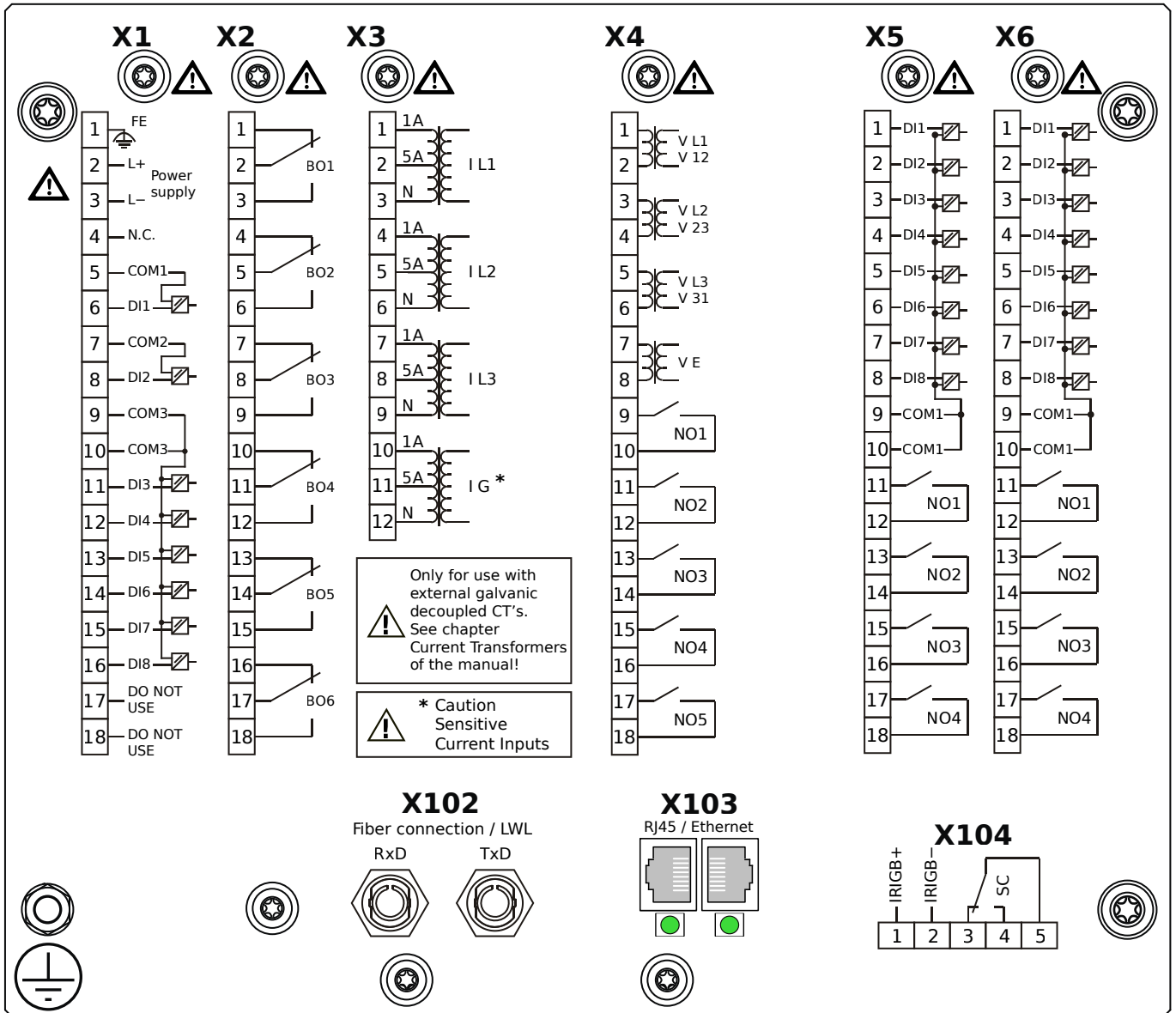


Housing B2, large display, 19" rack mounting

+ Conformal Coating (for installations in harsh environment)

- X1** – DI8-X1: Wide-range power supply unit, incl. 2 non-grouped digital inputs and 6 grouped digital inputs
- X2** – OR6: Assembly Group with 6 Output Relays (Changeover / Form C)
- X3** – TIs: Standard phase current measuring card and sensitive ground current measuring
- X4** – TU-OR5: Voltage measuring (0 ... 300 VAC) assembly group with 5 additional Output Relays (NO / Form A)
- X5** – DI8-OR4: Assembly Group with 8 Digital Inputs and 4 Output Relays (NO / Form A)
- X6** – DI8-OR4: Assembly Group with 8 Digital Inputs and 4 Output Relays (NO / Form A)
- X102** – Protection Communication, Fiber optics interface, ST Connector
- X103** – Modbus TCP / IEC 60870-5-104 / DNP3.0 TCP/UDP, Redundant Fiber optics interface, LC Connector
- X104** – IRIG-B00X, incl. System Contact (Supervision Contact)

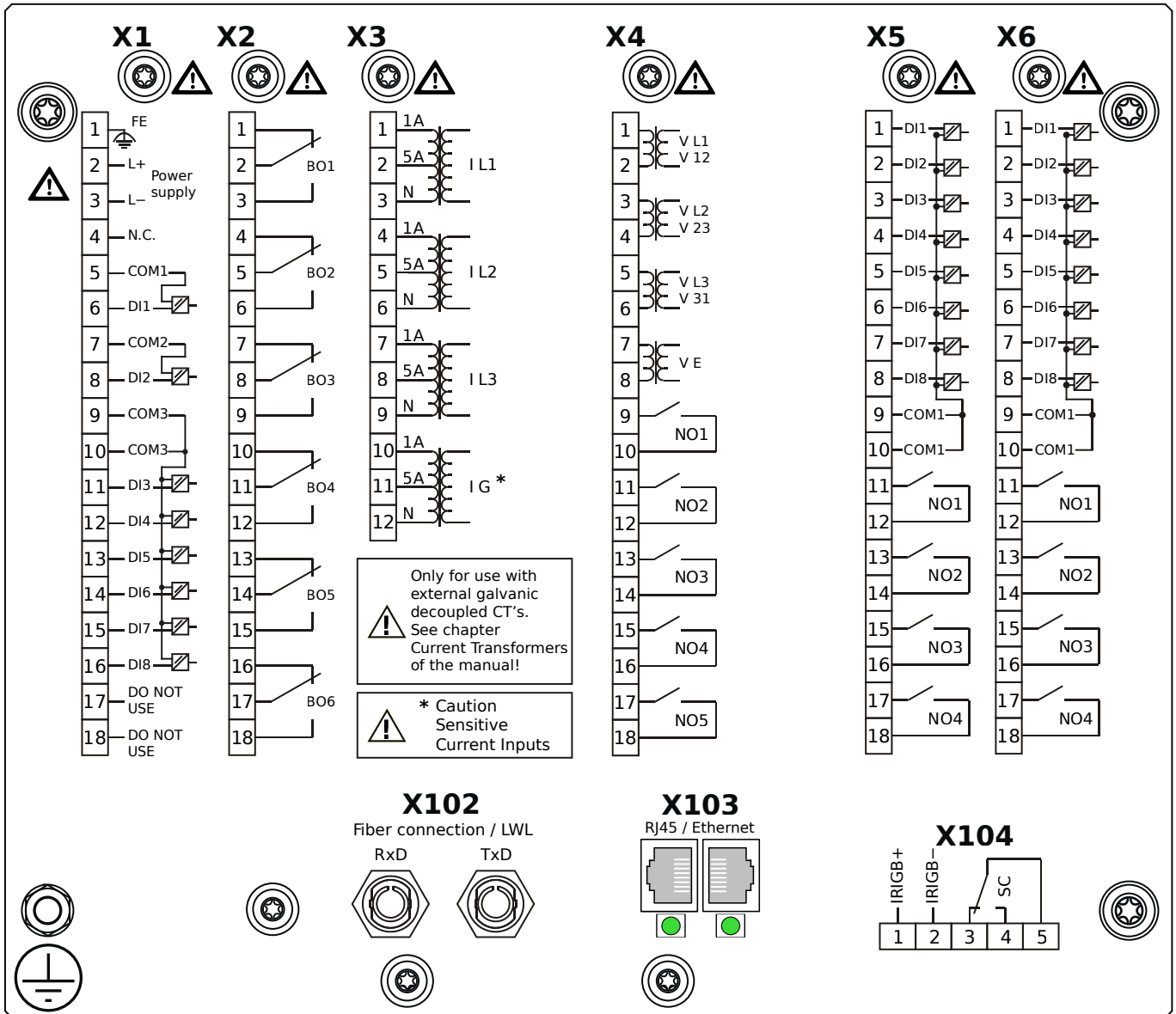
MCDLV4-2E1B1PA



Housing B2, large display, 19" rack mounting

- X1** – DI8-X1: Wide-range power supply unit, incl. 2 non-grouped digital inputs and 6 grouped digital inputs
- X2** – OR6: Assembly Group with 6 Output Relays (Changeover / Form C)
- X3** – TIs: Standard phase current measuring card and sensitive ground current measuring
- X4** – TU-OR5: Voltage measuring (0 ... 300 VAC) assembly group with 5 additional Output Relays (NO / Form A)
- X5** – DI8-OR4: Assembly Group with 8 Digital Inputs and 4 Output Relays (NO / Form A)
- X6** – DI8-OR4: Assembly Group with 8 Digital Inputs and 4 Output Relays (NO / Form A)
- X102** – Protection Communication, Fiber optics interface, ST Connector
- X103** – Modbus TCP / IEC 60870-5-104 / DNP3.0 TCP/UDP, Redundant Ethernet interface, 100 Mbit/s, RJ45 (BASE100-FX)
- X104** – IRIG-B00X, incl. System Contact (Supervision Contact)

MCDLV4-2E1B1PB

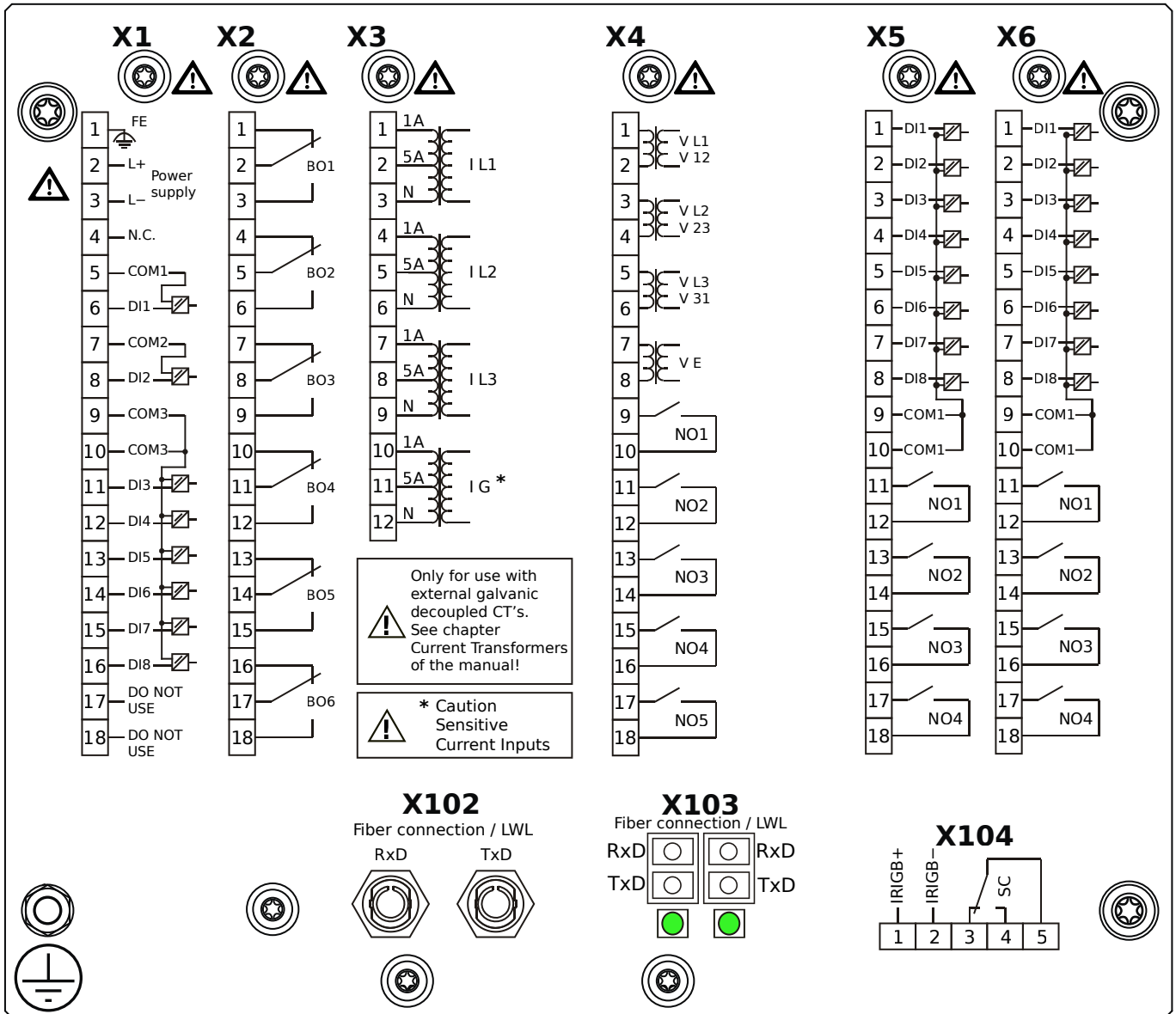


Housing B2, large display, 19" rack mounting

- + Conformal Coating (for installations in harsh environment)

- X1** – DI8-X1: Wide-range power supply unit, incl. 2 non-grouped digital inputs and 6 grouped digital inputs
- X2** – OR6: Assembly Group with 6 Output Relays (Changeover / Form C)
- X3** – TIs: Standard phase current measuring card and sensitive ground current measuring
- X4** – TU-OR5: Voltage measuring (0 ... 300 VAC) assembly group with 5 additional Output Relays (NO / Form A)
- X5** – DI8-OR4: Assembly Group with 8 Digital Inputs and 4 Output Relays (NO / Form A)
- X6** – DI8-OR4: Assembly Group with 8 Digital Inputs and 4 Output Relays (NO / Form A)
- X102** – Protection Communication, Fiber optics interface, ST Connector
- X103** – Modbus TCP / IEC 60870-5-104 / DNP3.0 TCP/UDP, Redundant Ethernet interface, 100 Mbit/s, RJ45 (BASE100-FX)
- X104** – IRIG-B00X, incl. System Contact (Supervision Contact)

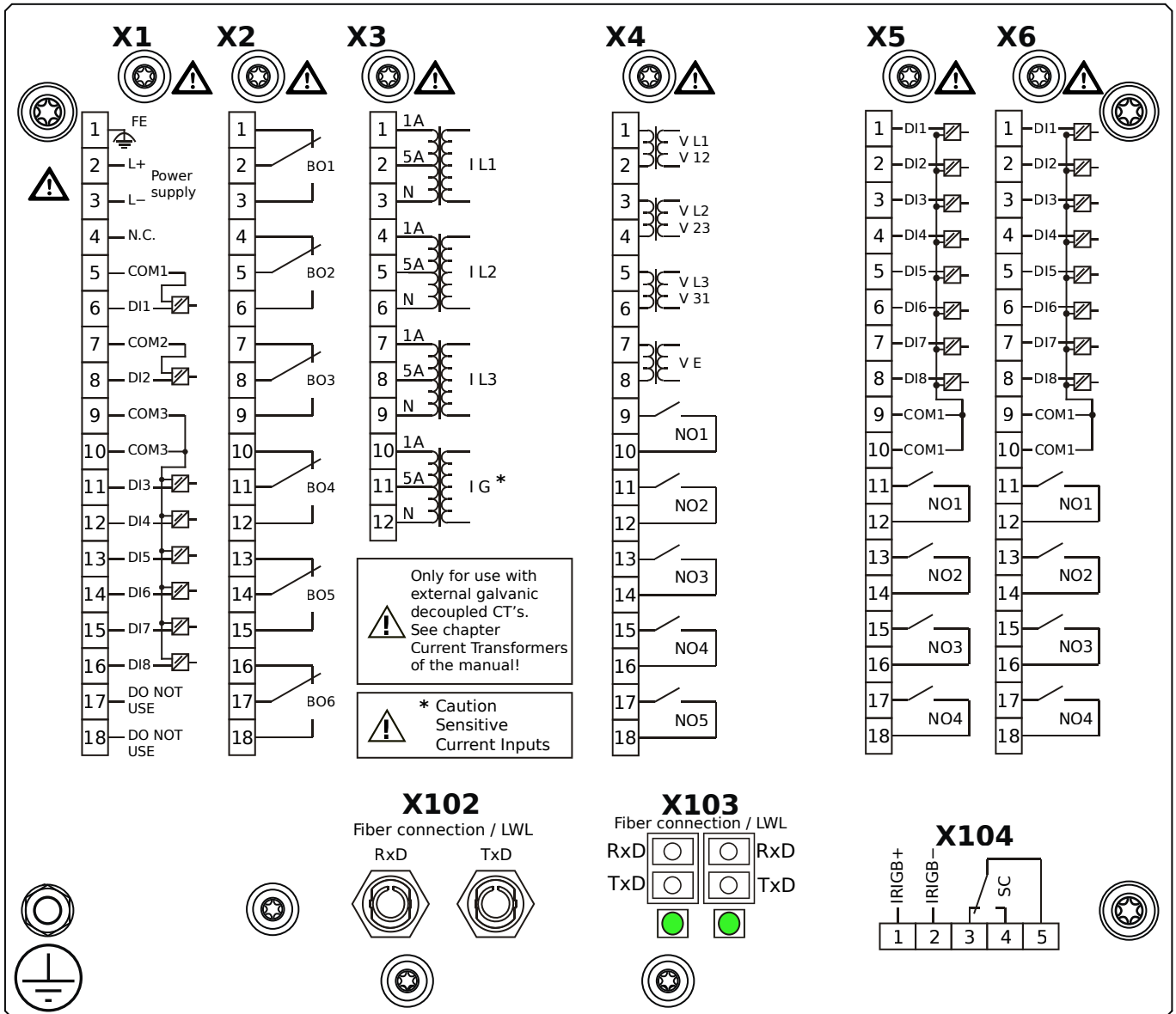
MCDLV4-2E1B1QA



Housing B2, large display, 19" rack mounting

- X1** – DI8-X1: Wide-range power supply unit, incl. 2 non-grouped digital inputs and 6 grouped digital inputs
- X2** – OR6: Assembly Group with 6 Output Relays (Changeover / Form C)
- X3** – TIs: Standard phase current measuring card and sensitive ground current measuring
- X4** – TU-OR5: Voltage measuring (0 ... 300 VAC) assembly group with 5 additional Output Relays (NO / Form A)
- X5** – DI8-OR4: Assembly Group with 8 Digital Inputs and 4 Output Relays (NO / Form A)
- X6** – DI8-OR4: Assembly Group with 8 Digital Inputs and 4 Output Relays (NO / Form A)
- X102** – Protection Communication, Fiber optics interface, ST Connector
- X103** – IEC 61850 / Modbus TCP / IEC 60870-5-104 / DNP3.0 TCP/UDP, Redundant Fiber optics interface, LC Connector
- X104** – IRIG-B00X, incl. System Contact (Supervision Contact)

MCDLV4-2E1B1QB

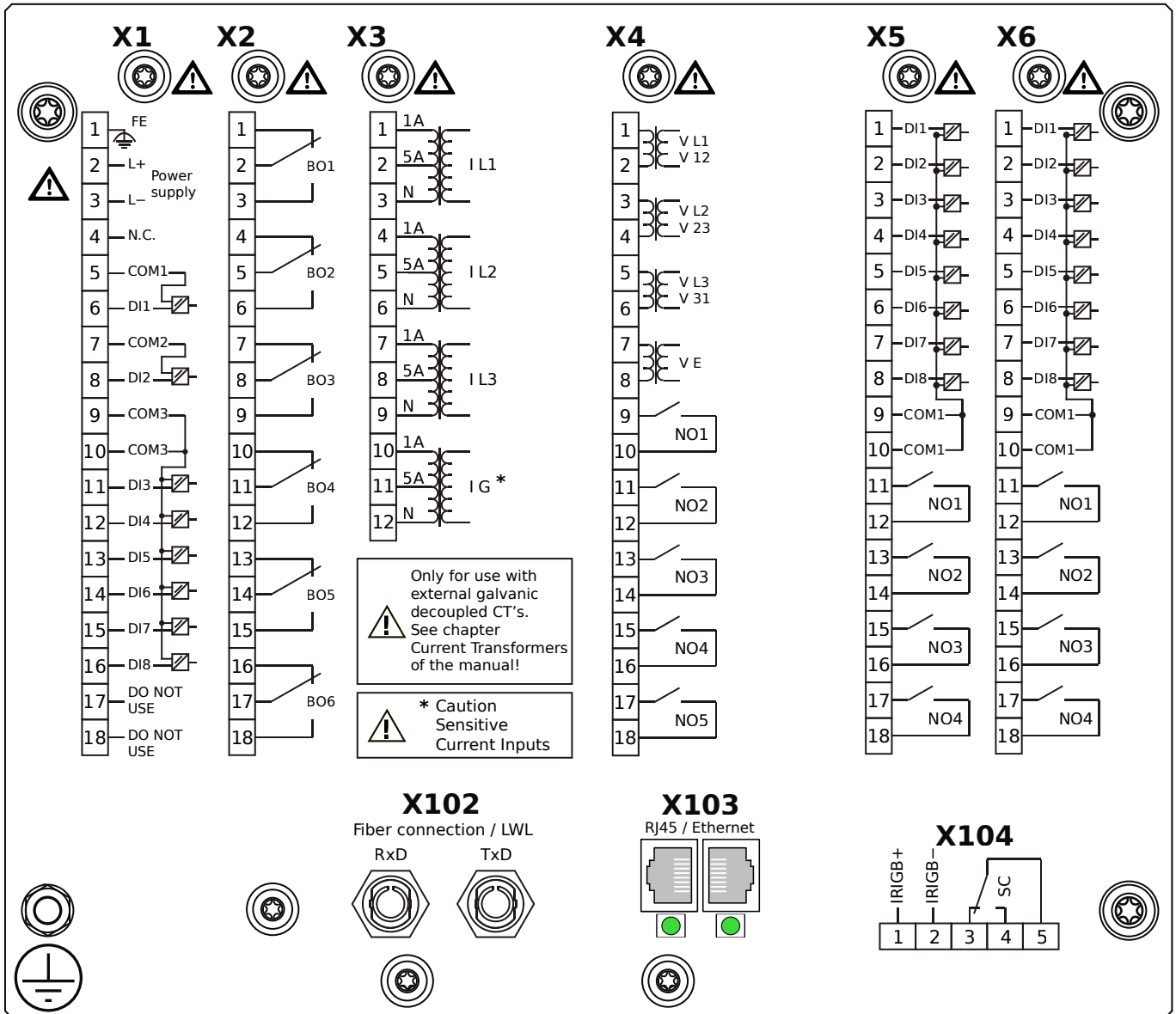


Housing B2, large display, 19" rack mounting

- + Conformal Coating (for installations in harsh environment)

- X1** – DI8-X1: Wide-range power supply unit, incl. 2 non-grouped digital inputs and 6 grouped digital inputs
- X2** – OR6: Assembly Group with 6 Output Relays (Changeover / Form C)
- X3** – TIs: Standard phase current measuring card and sensitive ground current measuring
- X4** – TU-OR5: Voltage measuring (0 ... 300 VAC) assembly group with 5 additional Output Relays (NO / Form A)
- X5** – DI8-OR4: Assembly Group with 8 Digital Inputs and 4 Output Relays (NO / Form A)
- X6** – DI8-OR4: Assembly Group with 8 Digital Inputs and 4 Output Relays (NO / Form A)
- X102** – Protection Communication, Fiber optics interface, ST Connector
- X103** – IEC 61850 / Modbus TCP / IEC 60870-5-104 / DNP3.0 TCP/UDP, Redundant Fiber optics interface, LC Connector
- X104** – IRIG-B00X, incl. System Contact (Supervision Contact)

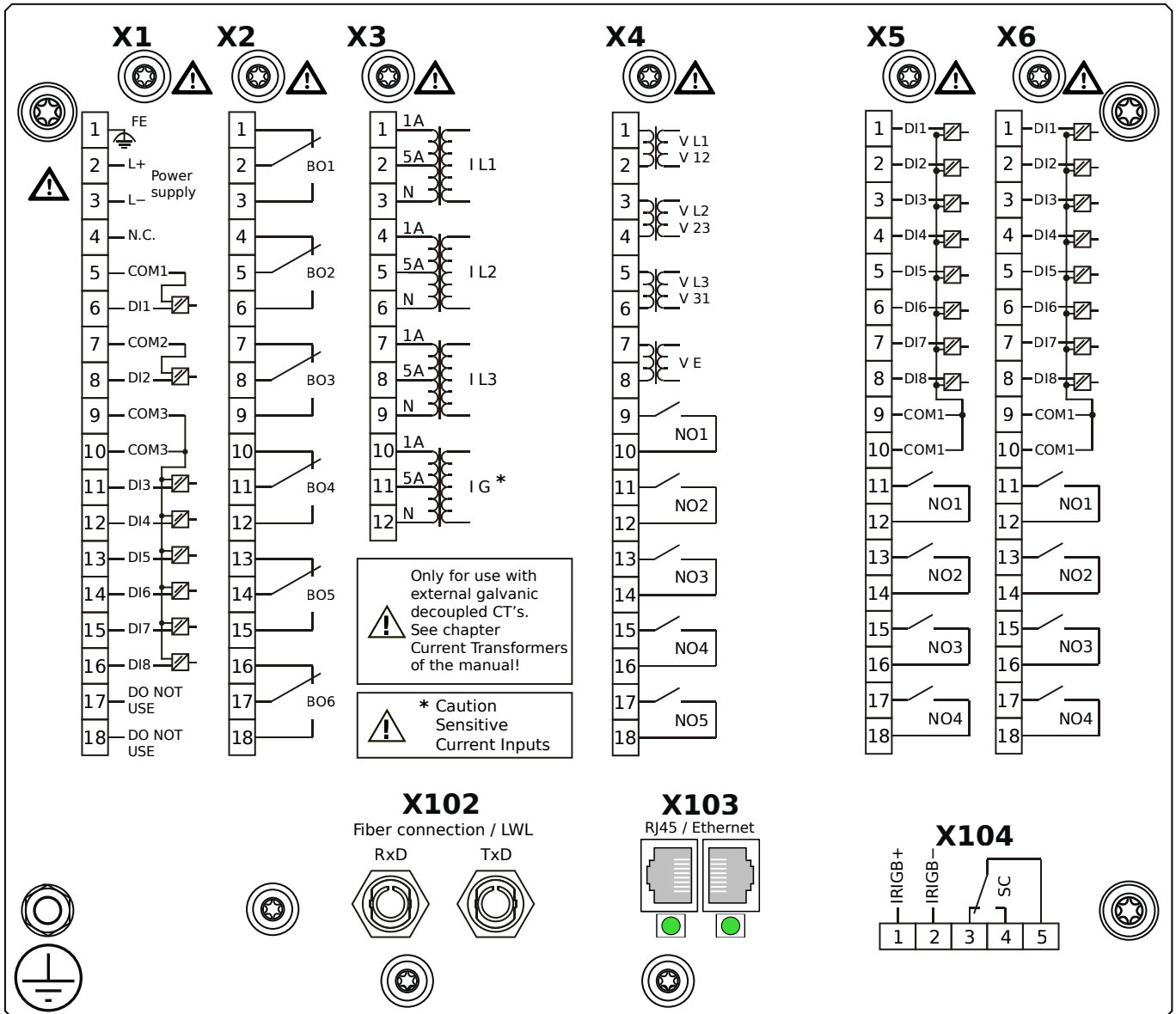
MCDLV4-2E1B1RA



Housing B2, large display, 19" rack mounting

- X1** – DI8-X1: Wide-range power supply unit, incl. 2 non-grouped digital inputs and 6 grouped digital inputs
- X2** – OR6: Assembly Group with 6 Output Relays (Changeover / Form C)
- X3** – TIs: Standard phase current measuring card and sensitive ground current measuring
- X4** – TU-OR5: Voltage measuring (0 ... 300 VAC) assembly group with 5 additional Output Relays (NO / Form A)
- X5** – DI8-OR4: Assembly Group with 8 Digital Inputs and 4 Output Relays (NO / Form A)
- X6** – DI8-OR4: Assembly Group with 8 Digital Inputs and 4 Output Relays (NO / Form A)
- X102** – Protection Communication, Fiber optics interface, ST Connector
- X103** – IEC 61850 / Modbus TCP / IEC 60870-5-104 / DNP3.0 TCP/UDP, Redundant Ethernet interface, 100 Mbit/s, RJ45 (BASE100-FX)
- X104** – IRIG-B00X, incl. System Contact (Supervision Contact)

MCDLV4-2E1B1RB



Housing B2, large display, 19" rack mounting

+ Conformal Coating (for installations in harsh environment)

X1 – DI8-X1: Wide-range power supply unit, incl. 2 non-grouped digital inputs and 6 grouped digital inputs

X2 – OR6: Assembly Group with 6 Output Relays (Changeover / Form C)

X3 – TIs: Standard phase current measuring card and sensitive ground current measuring

X4 – TU-OR5: Voltage measuring (0 ... 300 VAC) assembly group with 5 additional Output Relays (NO / Form A)

X5 – DI8-OR4: Assembly Group with 8 Digital Inputs and 4 Output Relays (NO / Form A)

X6 – DI8-OR4: Assembly Group with 8 Digital Inputs and 4 Output Relays (NO / Form A)

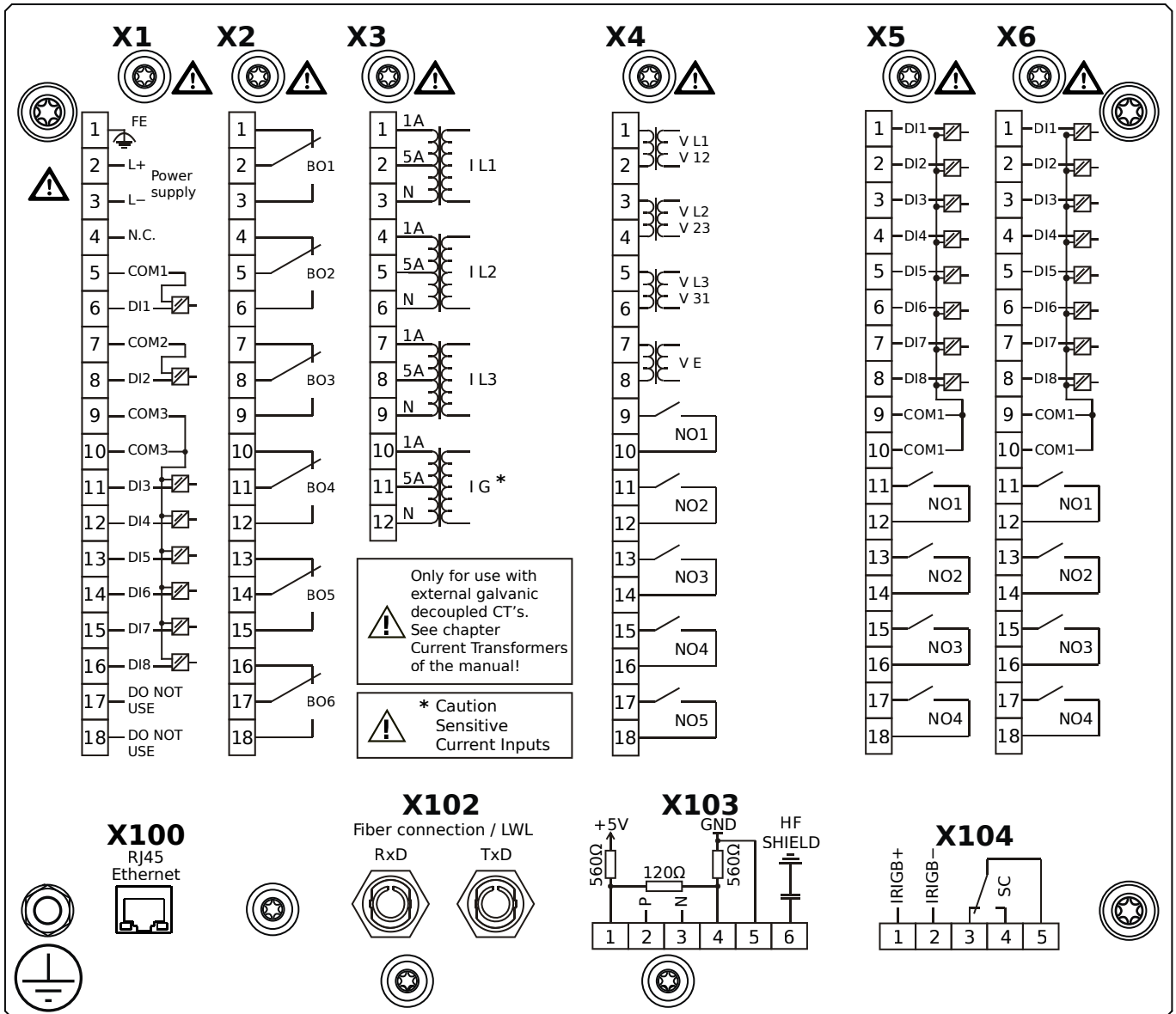
X102 – Protection Communication, Fiber optics interface, ST Connector

X103 – IEC 61850 / Modbus TCP / IEC 60870-5-104 / DNP3.0 TCP/UDP, Redundant Ethernet interface, 100 Mbit/s, RJ45

(BASE100-FX)

X104 – IRIG-B00X, incl. System Contact (Supervision Contact)

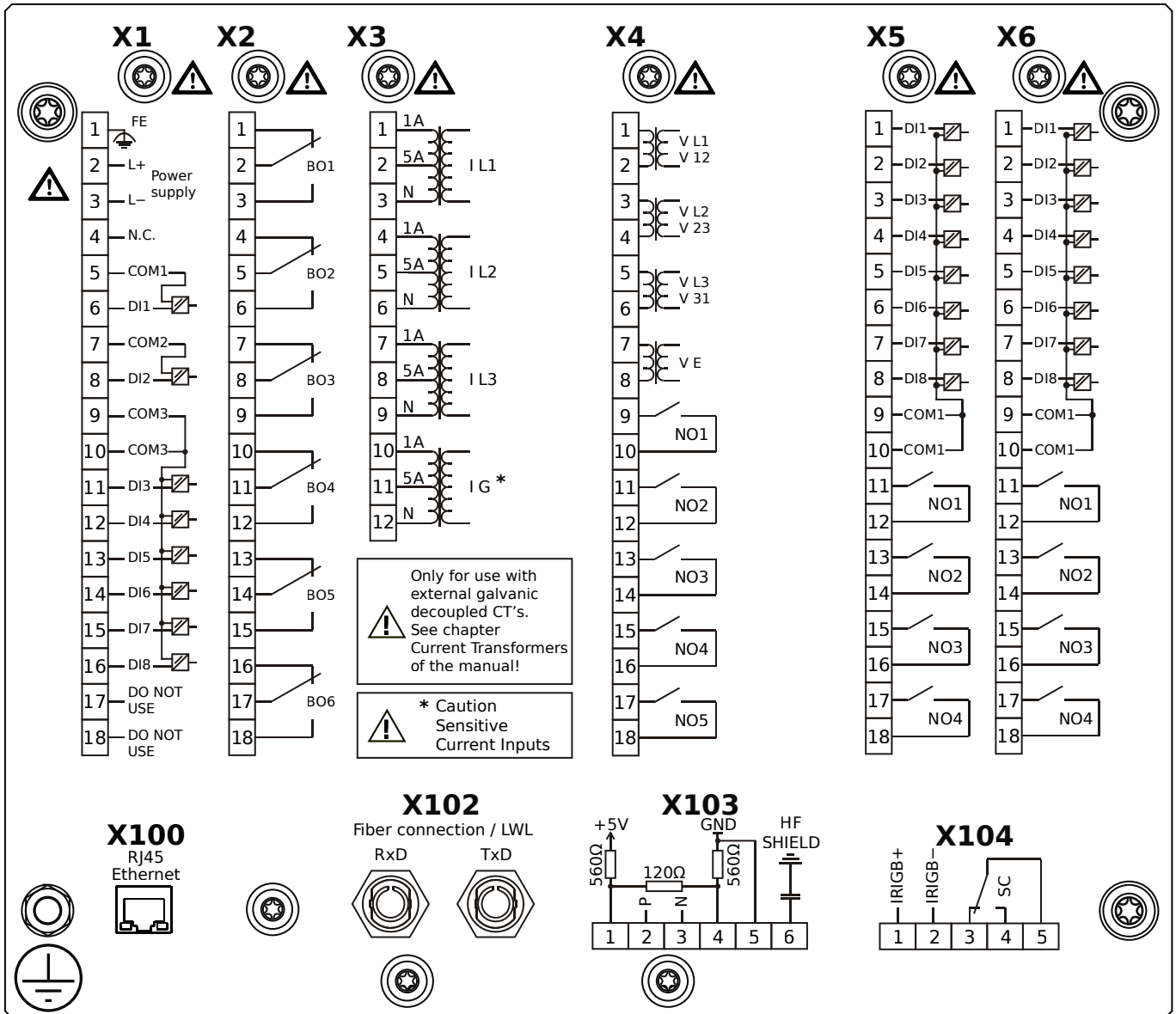
MCDLV4-2E1B1TA



Housing B2, large display, 19" rack mounting

- X1** – DI8-X1: Wide-range power supply unit, incl. 2 non-grouped digital inputs and 6 grouped digital inputs
- X2** – OR6: Assembly Group with 6 Output Relays (Changeover / Form C)
- X3** – TIs: Standard phase current measuring card and sensitive ground current measuring
- X4** – TU-OR5: Voltage measuring (0 ... 300 VAC) assembly group with 5 additional Output Relays (NO / Form A)
- X5** – DI8-OR4: Assembly Group with 8 Digital Inputs and 4 Output Relays (NO / Form A)
- X6** – DI8-OR4: Assembly Group with 8 Digital Inputs and 4 Output Relays (NO / Form A)
- X100** – IEC 61850 / Modbus TCP / IEC 60870-5-104 / DNP3.0 TCP/UDP, Ethernet interface, 100 Mbit/s, RJ45 (BASE100-FX)
- X102** – Protection Communication, Fiber optics interface, ST Connector
- X103** – IEC 60870-5-103 / Modbus RTU / DNP3.0 RTU, RS485, Terminals
- X104** – IRIG-B00X, incl. System Contact (Supervision Contact)

MCDLV4-2E1B1TB



Housing B2, large display, 19" rack mounting

+ Conformal Coating (for installations in harsh environment)

- X1** – DI8-X1: Wide-range power supply unit, incl. 2 non-grouped digital inputs and 6 grouped digital inputs
- X2** – OR6: Assembly Group with 6 Output Relays (Changeover / Form C)
- X3** – TIs: Standard phase current measuring card and sensitive ground current measuring
- X4** – TU-OR5: Voltage measuring (0 ... 300 VAC) assembly group with 5 additional Output Relays (NO / Form A)
- X5** – DI8-OR4: Assembly Group with 8 Digital Inputs and 4 Output Relays (NO / Form A)
- X6** – DI8-OR4: Assembly Group with 8 Digital Inputs and 4 Output Relays (NO / Form A)
- X100** – IEC 61850 / Modbus TCP / IEC 60870-5-104 / DNP3.0 TCP/UDP, Ethernet interface, 100 Mbit/s, RJ45 (BASE100-FX)
- X102** – Protection Communication, Fiber optics interface, ST Connector
- X103** – IEC 60870-5-103 / Modbus RTU / DNP3.0 RTU, RS485, Terminals
- X104** – IRIG-B00X, incl. System Contact (Supervision Contact)

Appendix – Legend

In this legend designations of various device types are listed, e.g. transformer protection, motor protection, generator protection, etc. Therefore it can occur that not every designation actually appears on the wiring diagram of your device.

PE	– Connection of protective earth (see chapter Grounding in the Technical Manual).
FE	– Connection of functional earth (see chapter Grounding in the Technical Manual).
Power Supply	– Connection for auxiliary power supply.
IL1	– Phase current input L1 (in some countries designated as IA).
IL2	– Phase current input L2 (in some countries designated as IB).
IL3	– Phase current input L3 (in some countries designated as IC).
ILx C–D	– WIC1 Test windings.
ILx S1–S2	– WIC1 phase current inputs.
IL1 W1 ... IL3 W1	– Phase current input L1...L3, winding side 1.
IL1 W2 ... IL3 W2	– Phase current input L1...L3, winding side 2.
IG	– Ground (earth) current input.
IG W1, IG W2	– Ground (earth) current input, winding side 1 / 2.
VL1	– Phase-to-neutral voltage L1 (in some countries designated as VA).
VL2	– Phase-to-neutral voltage L2 (in some countries designated as VB).
VL3	– Phase-to-neutral voltage L3 (in some countries designated as VC).
VL12	– Phase-to-phase voltage V12 (in some countries designated as VAB).
VL23	– Phase-to-phase voltage V23 (in some countries designated as VBC).
VL31	– Phase-to-phase voltage V31 (in some countries designated as VCA).
VX	– 4th voltage measuring input for measuring residual voltage or synchro-check.
BO	– Binary output relay.
NO / NC	– Contact output, normally open (Form A) / closed (Form B).
DI	– Digital input.
COM	– Common connection of digital inputs.
Out+, AnOut	– Analog output + (0/4...20 mA or 0...10 V).
In–, AnIn	– Analog input + (0/4...20 mA or 0...10 V).
n.c.	– Not connected.
DO NOT USE	– Do not use. (Caution: Non-usable internal wiring may exist.)
SC	– Self-supervision contact.
HF SHIELD	– Connection cable shield.
Fiber Optics / LWL	– Fiber optic connection.

High **PROTEC**

MCDLV4

WIRING DIAGRAMS

