

MCDGV4

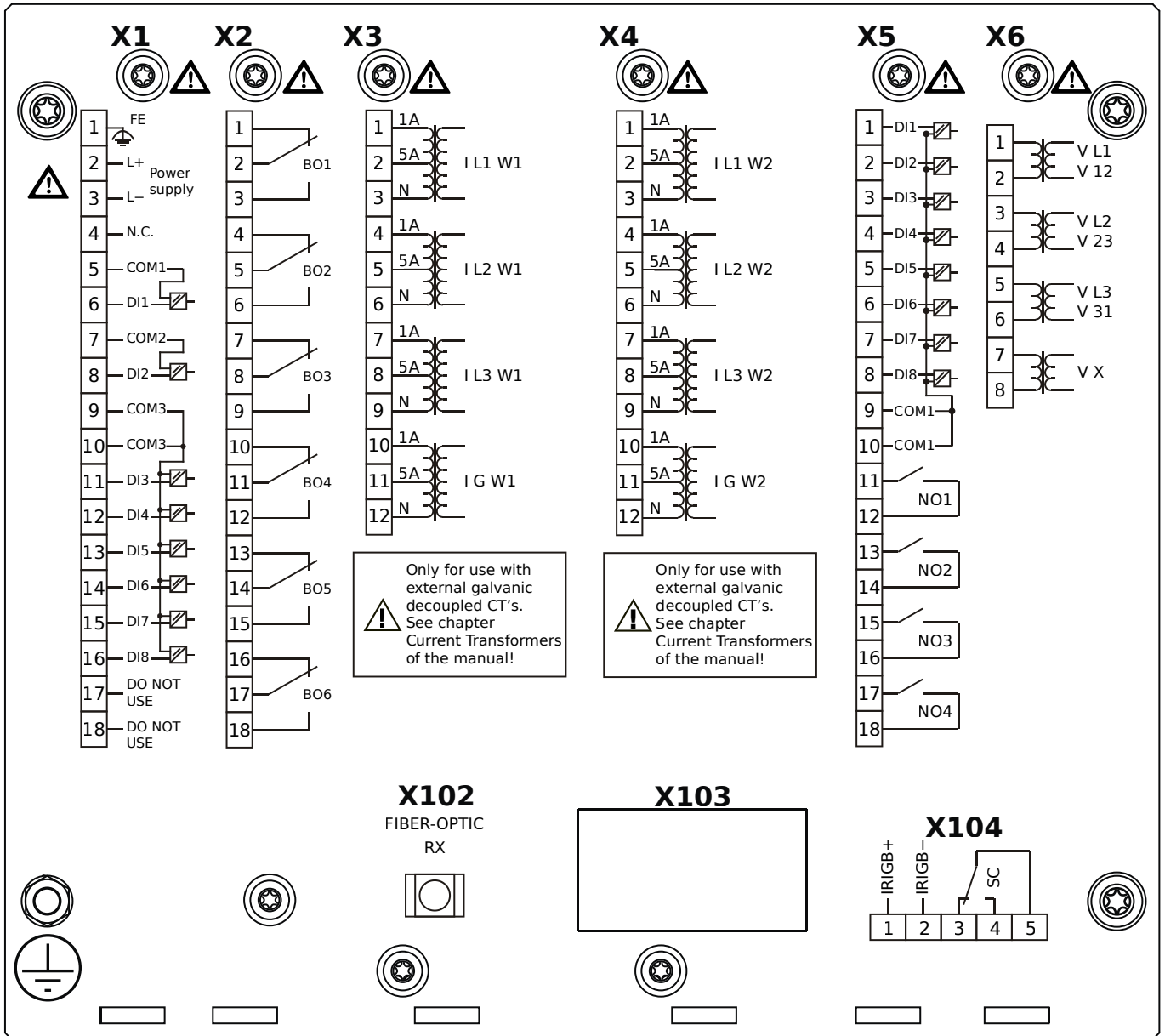
Software-Version: 3.1.c

DOK-WD-MCDGV4-2E

Revision: D

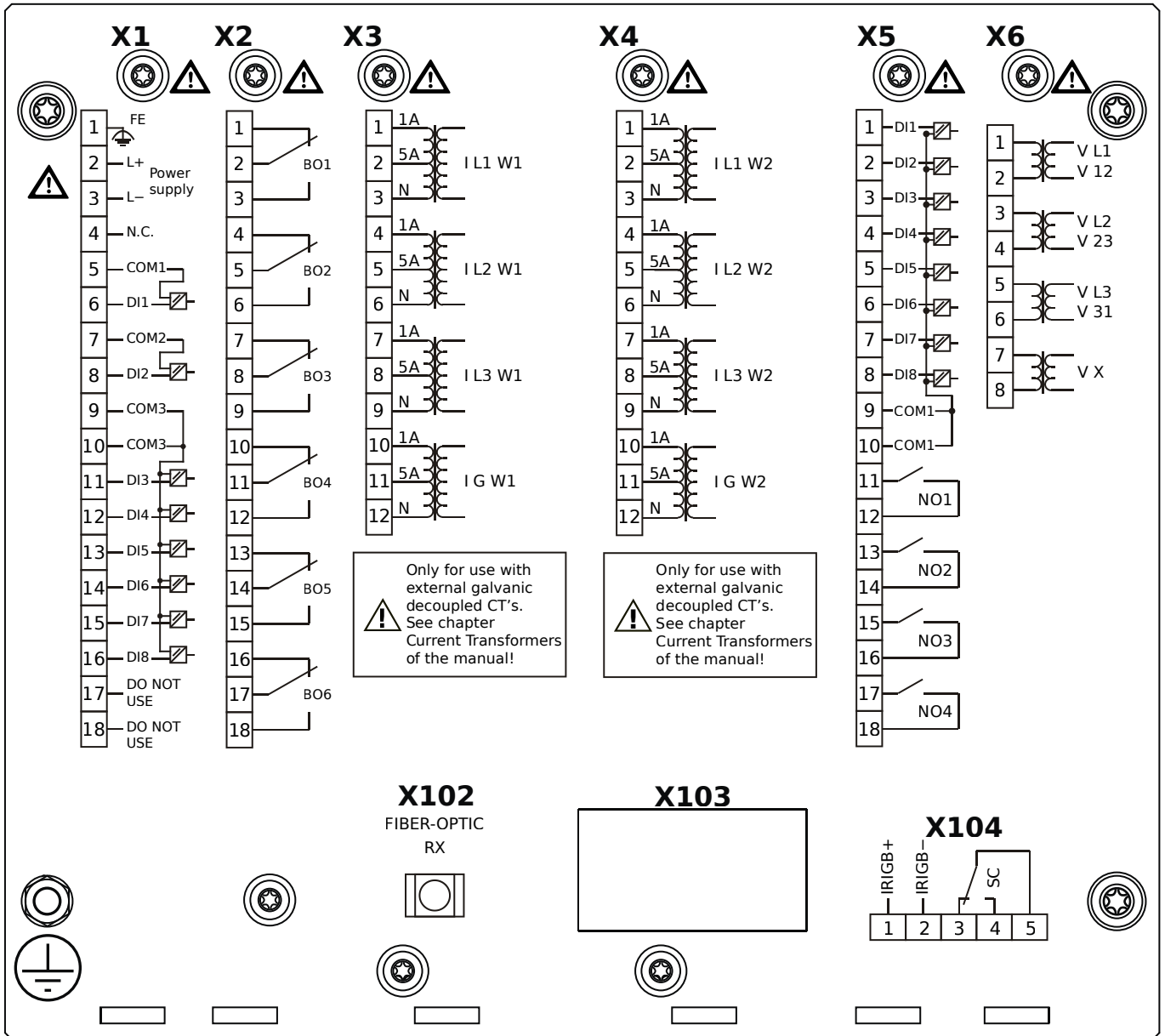
This document does not replace the Technical Manual.

MCDGV4-2A0AAA



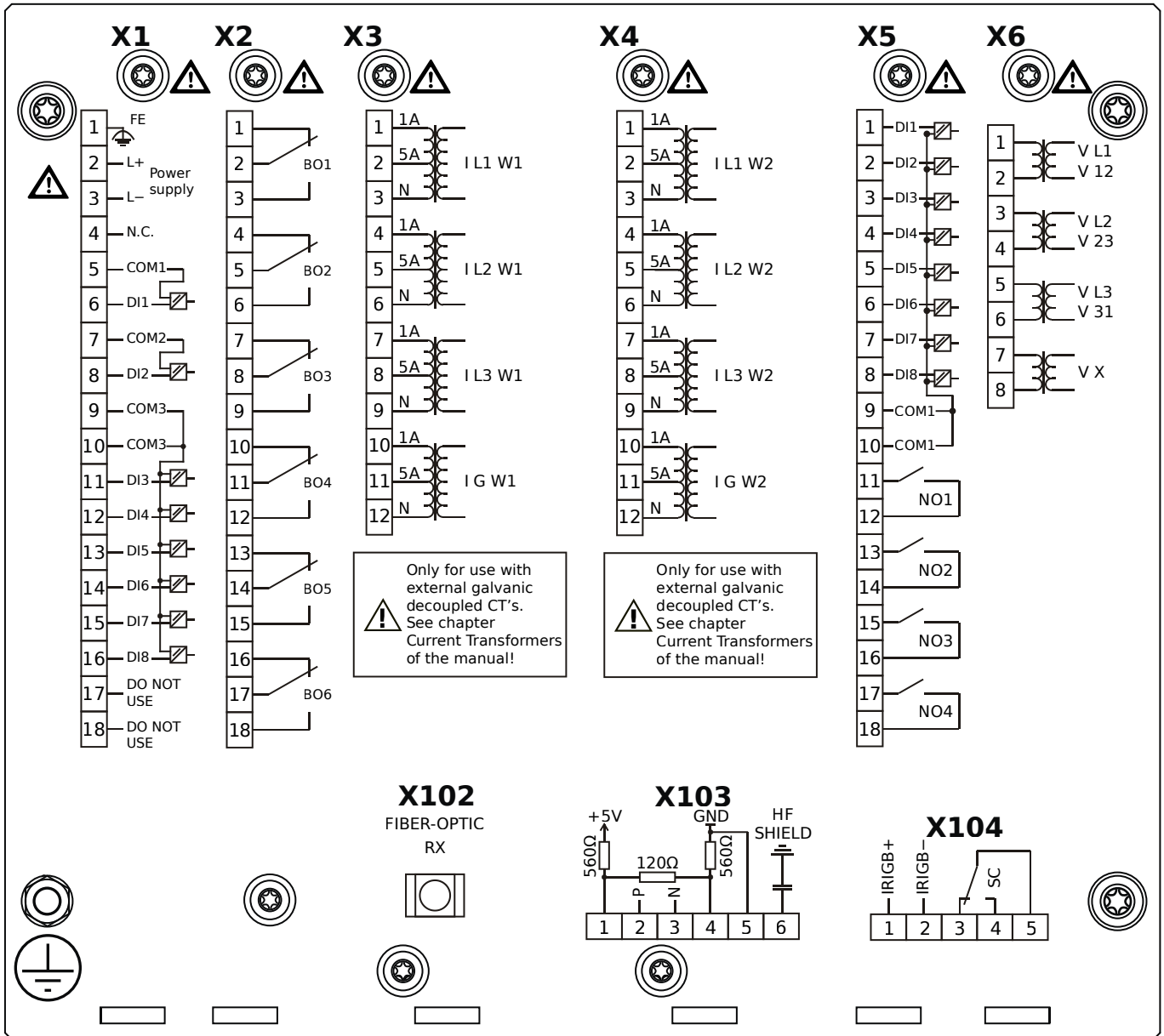
- X1** – DI8-X1: Wide-range power supply unit, incl. 2 non-grouped digital inputs and 6 grouped digital inputs
- X2** – OR-6: Assembly Group with 6 Relay Outputs
- X3** – TI-4: Standard ground current measuring card (for the neutral side of the differential protection)
- X4** – TI-4: Standard ground current measuring card (for the line side of the differential protection)
- X5** – DI8-OR4: Assembly Group with 8 Digital Inputs and 4 Output Relays
- X6** – TU: Card with 4 voltage transformer measuring inputs
- X102** – Universal Resistance-Temperature Detector (URTD) input, Fiber optics interface, ST Connector
- X104** – IRIG-B00X, incl. System Contact (Supervision Contact)

MCDGV4-2A0AAB



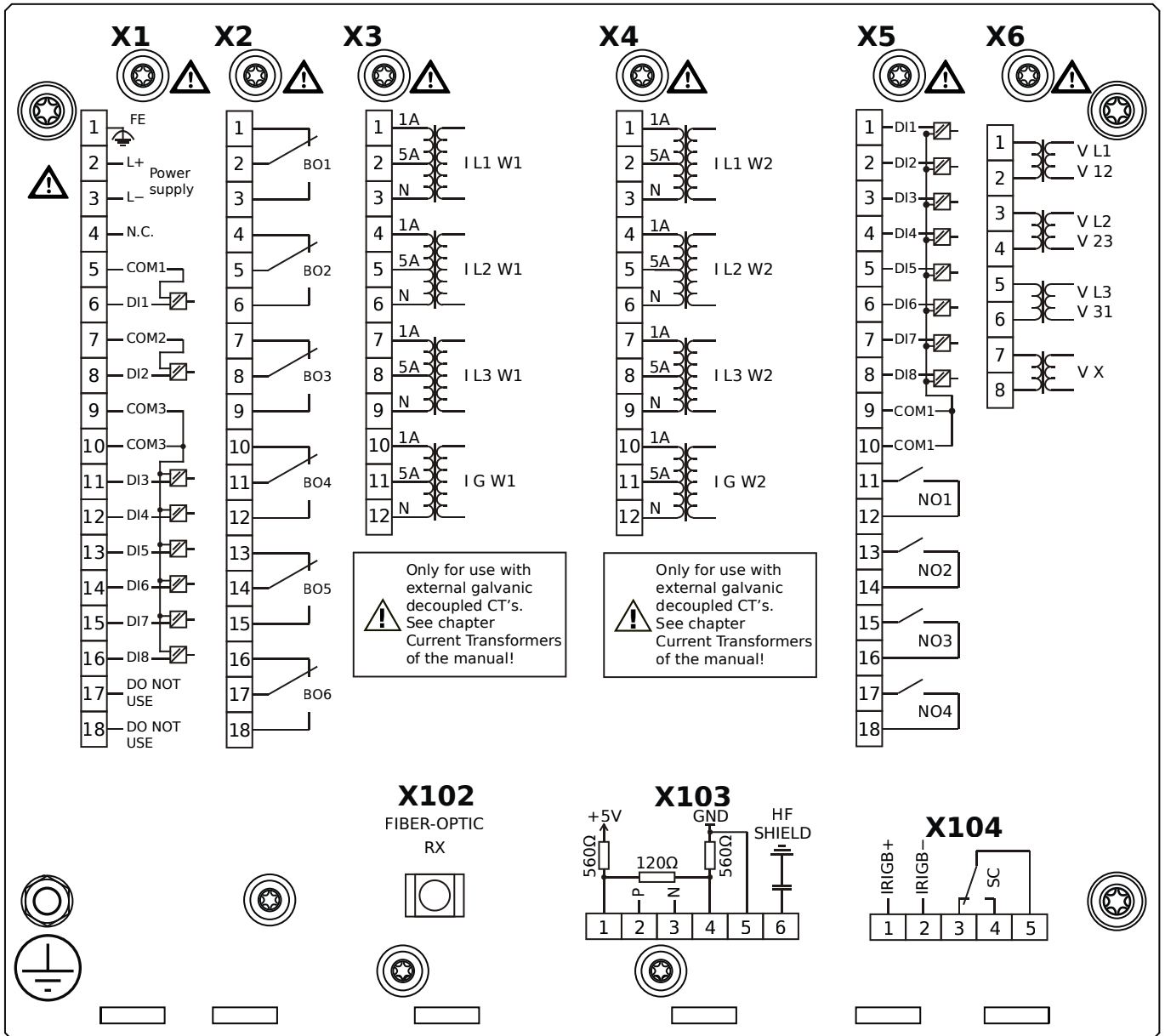
- X1** – DI8-X1: Wide-range power supply unit, incl. 2 non-grouped digital inputs and 6 grouped digital inputs
- X2** – OR-6: Assembly Group with 6 Relay Outputs
- X3** – TI-4: Standard ground current measuring card (for the neutral side of the differential protection)
- X4** – TI-4: Standard ground current measuring card (for the line side of the differential protection)
- X5** – DI8-OR4: Assembly Group with 8 Digital Inputs and 4 Output Relays
- X6** – TU: Card with 4 voltage transformer measuring inputs
- X102** – Universal Resistance-Temperature Detector (URTD) input, Fiber optics interface, ST Connector
- X104** – IRIG-B00X, incl. System Contact (Supervision Contact)

MCDGV4-2A0ABA



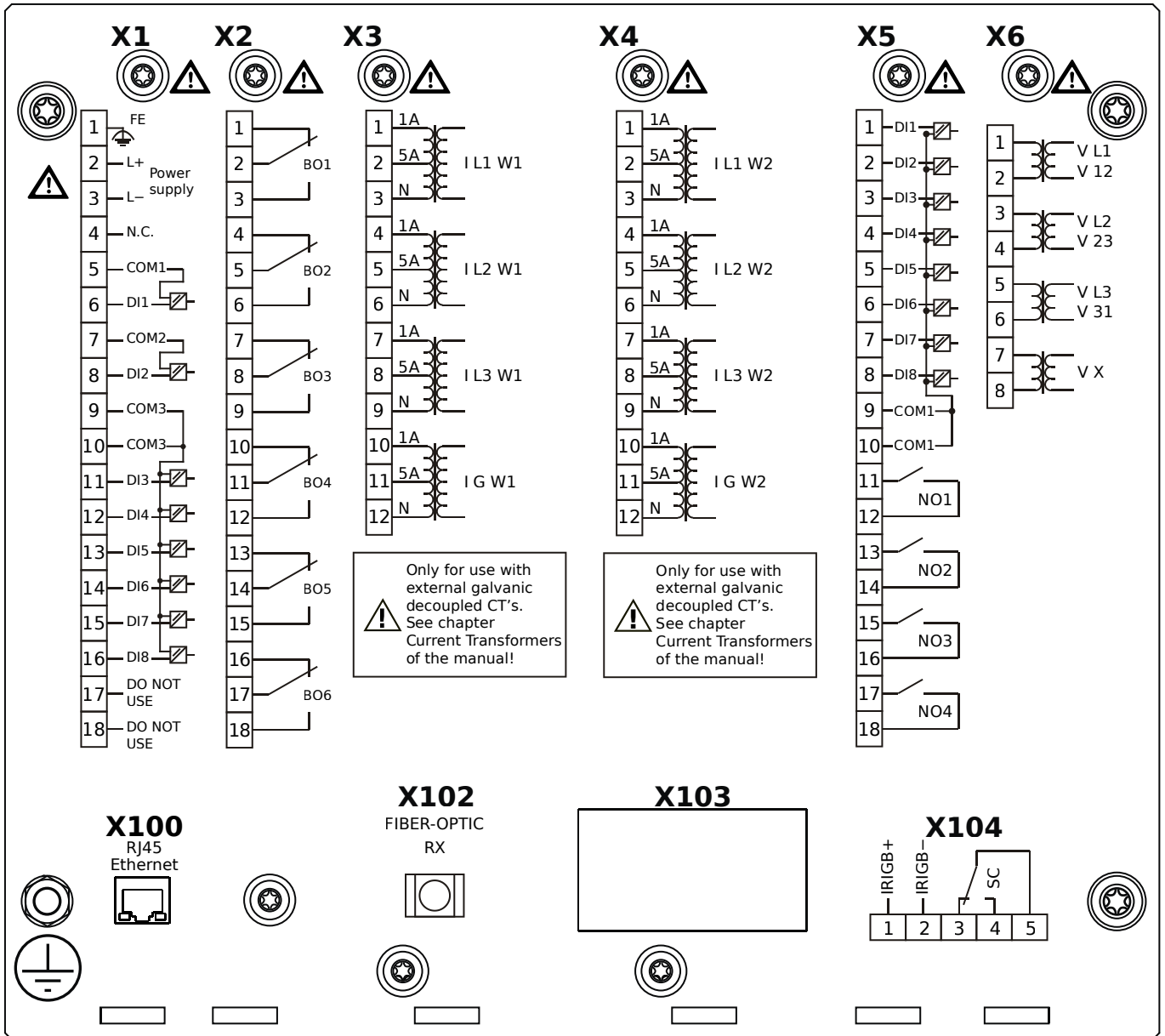
- X1** – DI8-X1: Wide-range power supply unit, incl. 2 non-grouped digital inputs and 6 grouped digital inputs
- X2** – OR-6: Assembly Group with 6 Relay Outputs
- X3** – TI-4: Standard ground current measuring card (for the neutral side of the differential protection)
- X4** – TI-4: Standard ground current measuring card (for the line side of the differential protection)
- X5** – DI8-OR4: Assembly Group with 8 Digital Inputs and 4 Output Relays
- X6** – TU: Card with 4 voltage transformer measuring inputs
- X102** – Universal Resistance-Temperature Detector (URTD) input, Fiber optics interface, ST Connector
- X103** – RS485, Terminals
- X104** – IRIG-B00X, incl. System Contact (Supervision Contact)

MCDGV4-2A0ABB



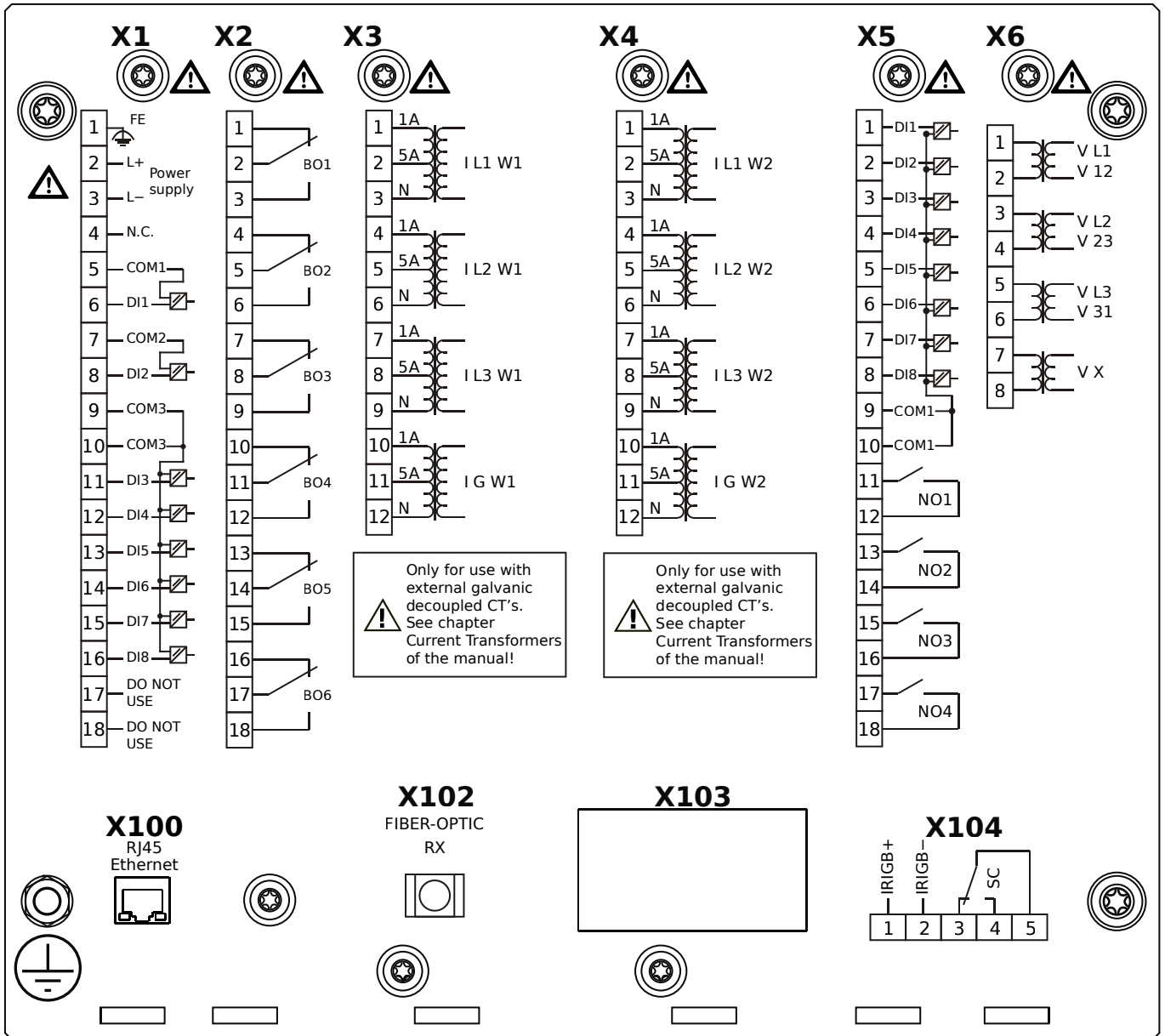
- X1** – DI8-X1: Wide-range power supply unit, incl. 2 non-grouped digital inputs and 6 grouped digital inputs
- X2** – OR-6: Assembly Group with 6 Relay Outputs
- X3** – TI-4: Standard ground current measuring card (for the neutral side of the differential protection)
- X4** – TI-4: Standard ground current measuring card (for the line side of the differential protection)
- X5** – DI8-OR4: Assembly Group with 8 Digital Inputs and 4 Output Relays
- X6** – TU: Card with 4 voltage transformer measuring inputs
- X102** – Universal Resistance-Temperature Detector (URTD) input, Fiber optics interface, ST Connector
- X103** – RS485, Terminals
- X104** – IRIG-B00X, incl. System Contact (Supervision Contact)

MCDGV4-2A0ACA



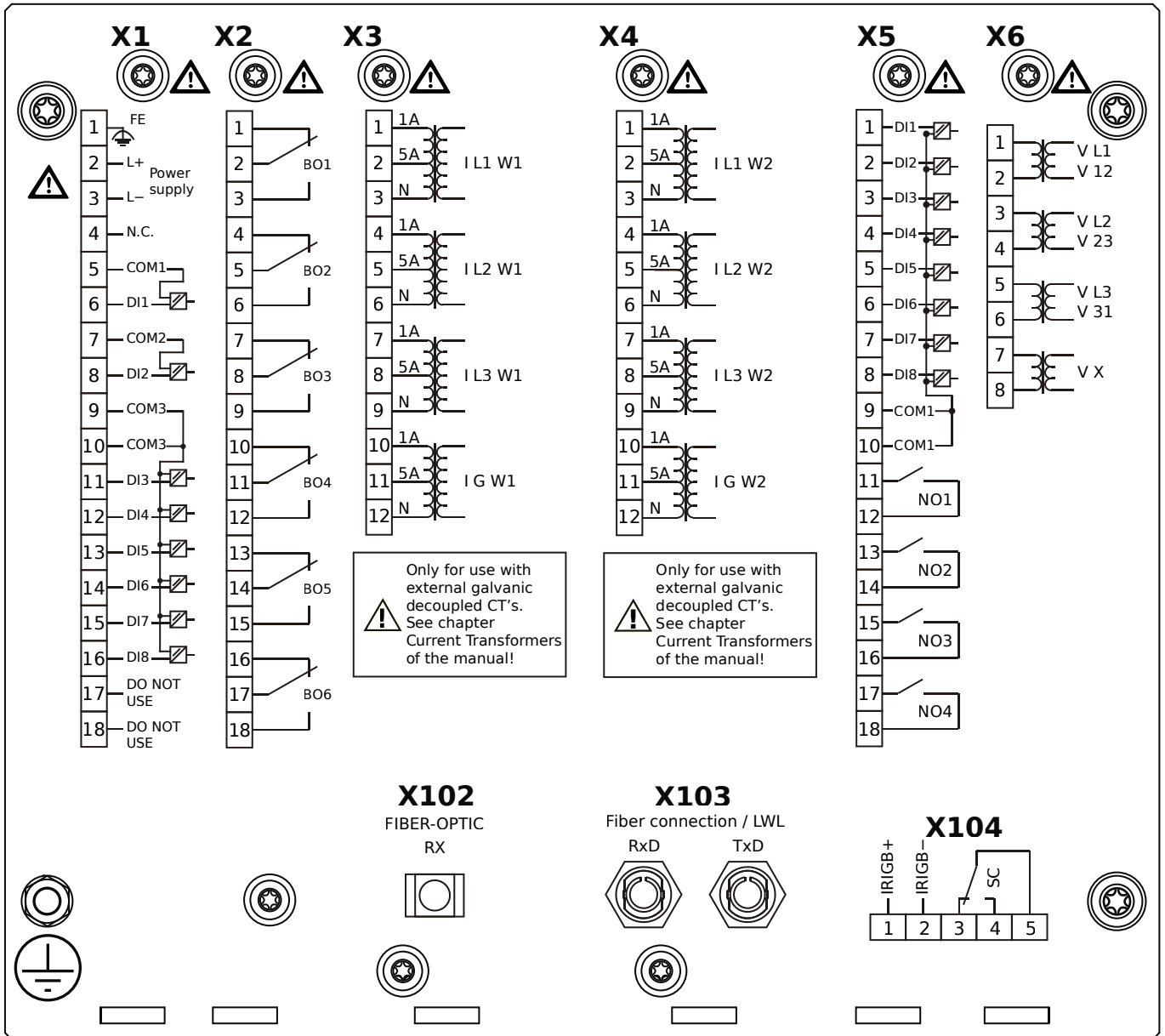
- X1** – DI8-X1: Wide-range power supply unit, incl. 2 non-grouped digital inputs and 6 grouped digital inputs
- X2** – OR-6: Assembly Group with 6 Relay Outputs
- X3** – TI-4: Standard ground current measuring card (for the neutral side of the differential protection)
- X4** – TI-4: Standard ground current measuring card (for the line side of the differential protection)
- X5** – DI8-OR4: Assembly Group with 8 Digital Inputs and 4 Output Relays
- X6** – TU: Card with 4 voltage transformer measuring inputs
- X100** – Ethernet interface, 100 Mbit/s, RJ45
- X102** – Universal Resistance-Temperature Detector (URTD) input, Fiber optics interface, ST Connector
- X104** – IRIG-B00X, incl. System Contact (Supervision Contact)

MCDGV4-2A0ACB



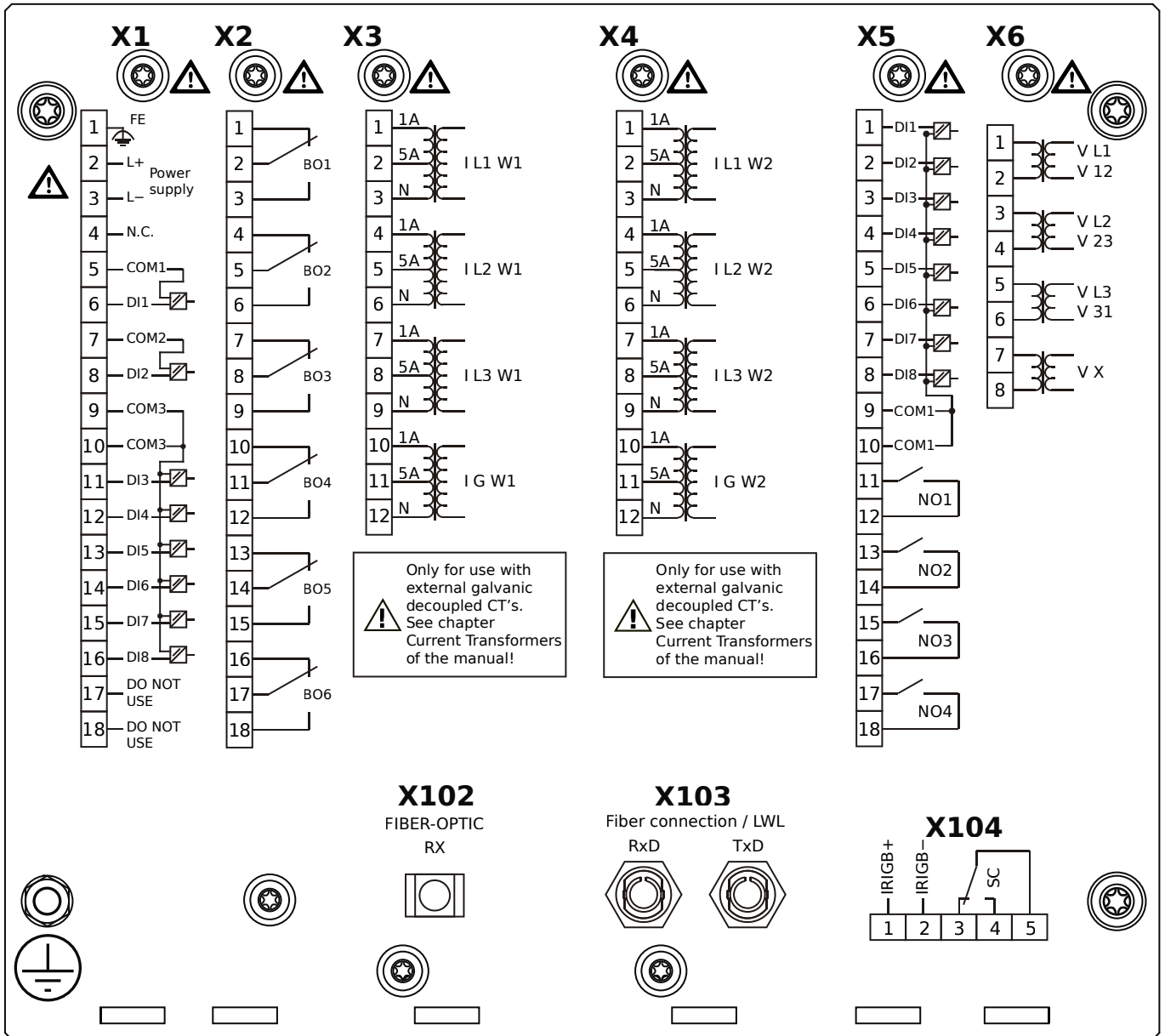
- X1** – DI8-X1: Wide-range power supply unit, incl. 2 non-grouped digital inputs and 6 grouped digital inputs
- X2** – OR-6: Assembly Group with 6 Relay Outputs
- X3** – TI-4: Standard ground current measuring card (for the neutral side of the differential protection)
- X4** – TI-4: Standard ground current measuring card (for the line side of the differential protection)
- X5** – DI8-OR4: Assembly Group with 8 Digital Inputs and 4 Output Relays
- X6** – TU: Card with 4 voltage transformer measuring inputs
- X100** – Ethernet interface, 100 Mbit/s, RJ45
- X102** – Universal Resistance-Temperature Detector (URTD) input, Fiber optics interface, ST Connector
- X104** – IRIG-B00X, incl. System Contact (Supervision Contact)

MCDGV4-2A0ADA



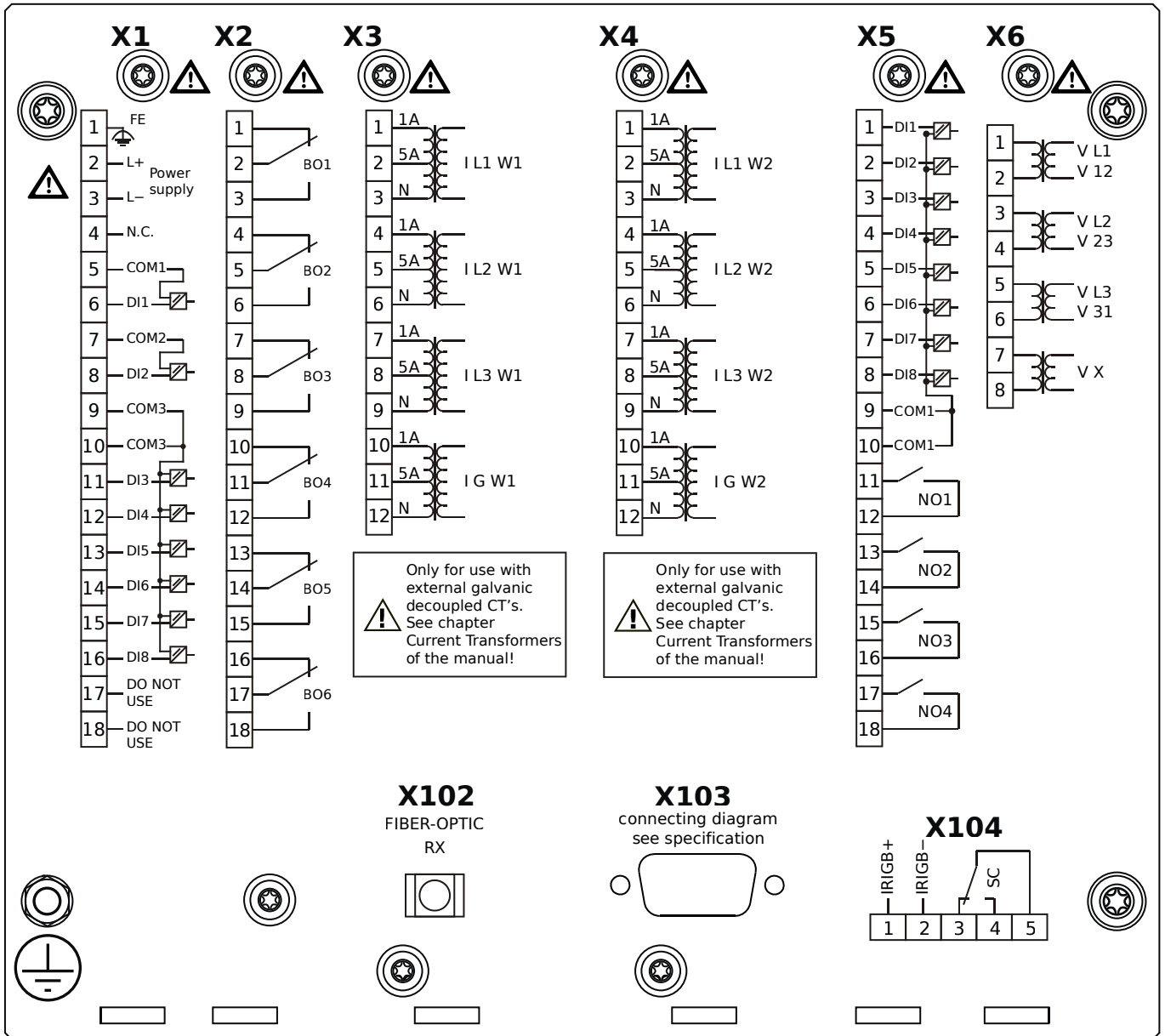
- X1** – DI8-X1: Wide-range power supply unit, incl. 2 non-grouped digital inputs and 6 grouped digital inputs
- X2** – OR-6: Assembly Group with 6 Relay Outputs
- X3** – TI-4: Standard ground current measuring card (for the neutral side of the differential protection)
- X4** – TI-4: Standard ground current measuring card (for the line side of the differential protection)
- X5** – DI8-OR4: Assembly Group with 8 Digital Inputs and 4 Output Relays
- X6** – TU: Card with 4 voltage transformer measuring inputs
- X102** – Universal Resistance-Temperature Detector (URTD) input, Fiber optics interface, ST Connector
- X103** – Fiber optics interface, ST Connector
- X104** – IRIG-B00X, incl. System Contact (Supervision Contact)

MCDGV4-2A0ADB



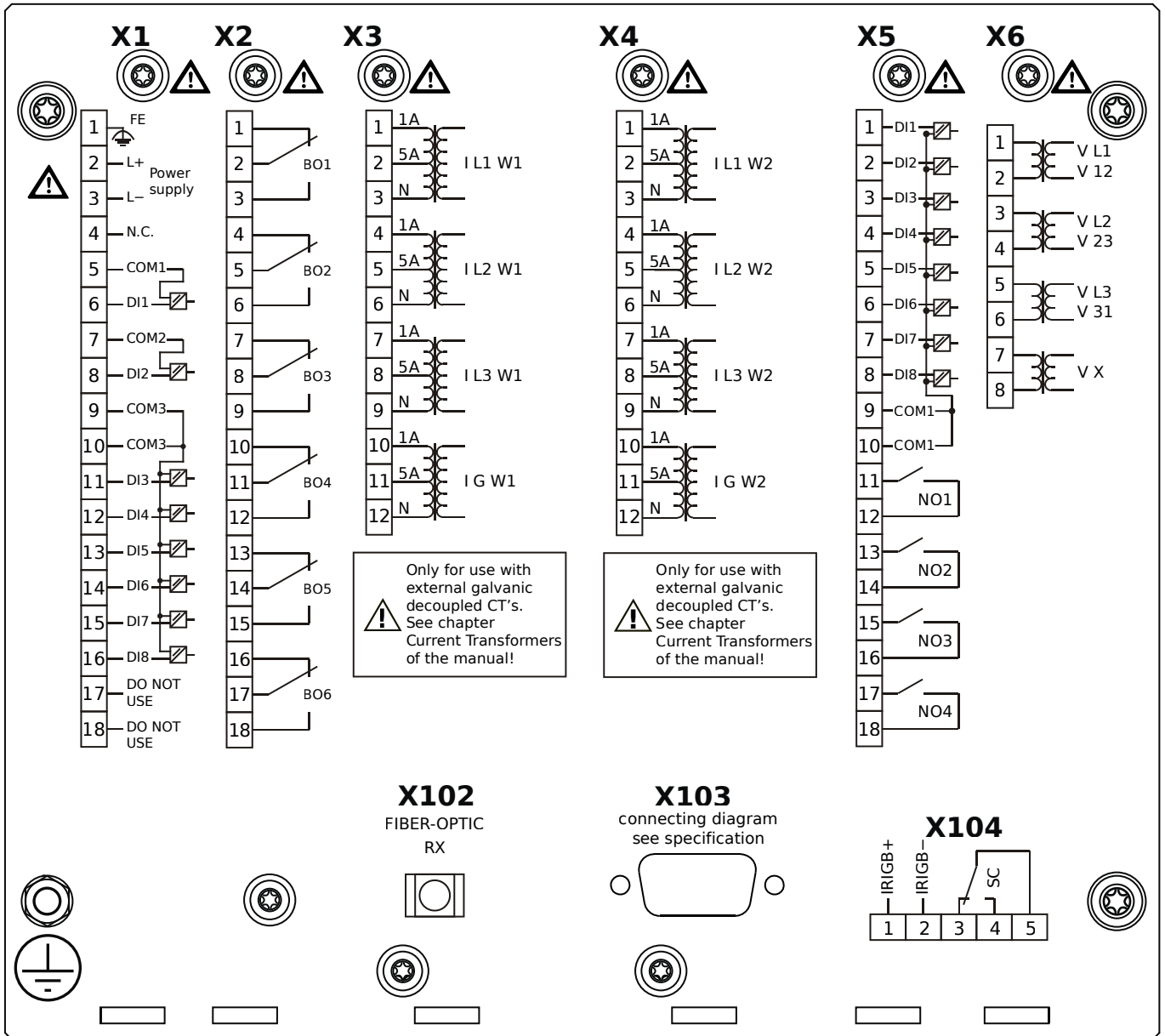
- X1** – DI8-X1: Wide-range power supply unit, incl. 2 non-grouped digital inputs and 6 grouped digital inputs
- X2** – OR-6: Assembly Group with 6 Relay Outputs
- X3** – TI-4: Standard ground current measuring card (for the neutral side of the differential protection)
- X4** – TI-4: Standard ground current measuring card (for the line side of the differential protection)
- X5** – DI8-OR4: Assembly Group with 8 Digital Inputs and 4 Output Relays
- X6** – TU: Card with 4 voltage transformer measuring inputs
- X102** – Universal Resistance-Temperature Detector (URTD) input, Fiber optics interface, ST Connector
- X103** – Fiber optics interface, ST Connector
- X104** – IRIG-B00X, incl. System Contact (Supervision Contact)

MCDGV4-2A0AEA



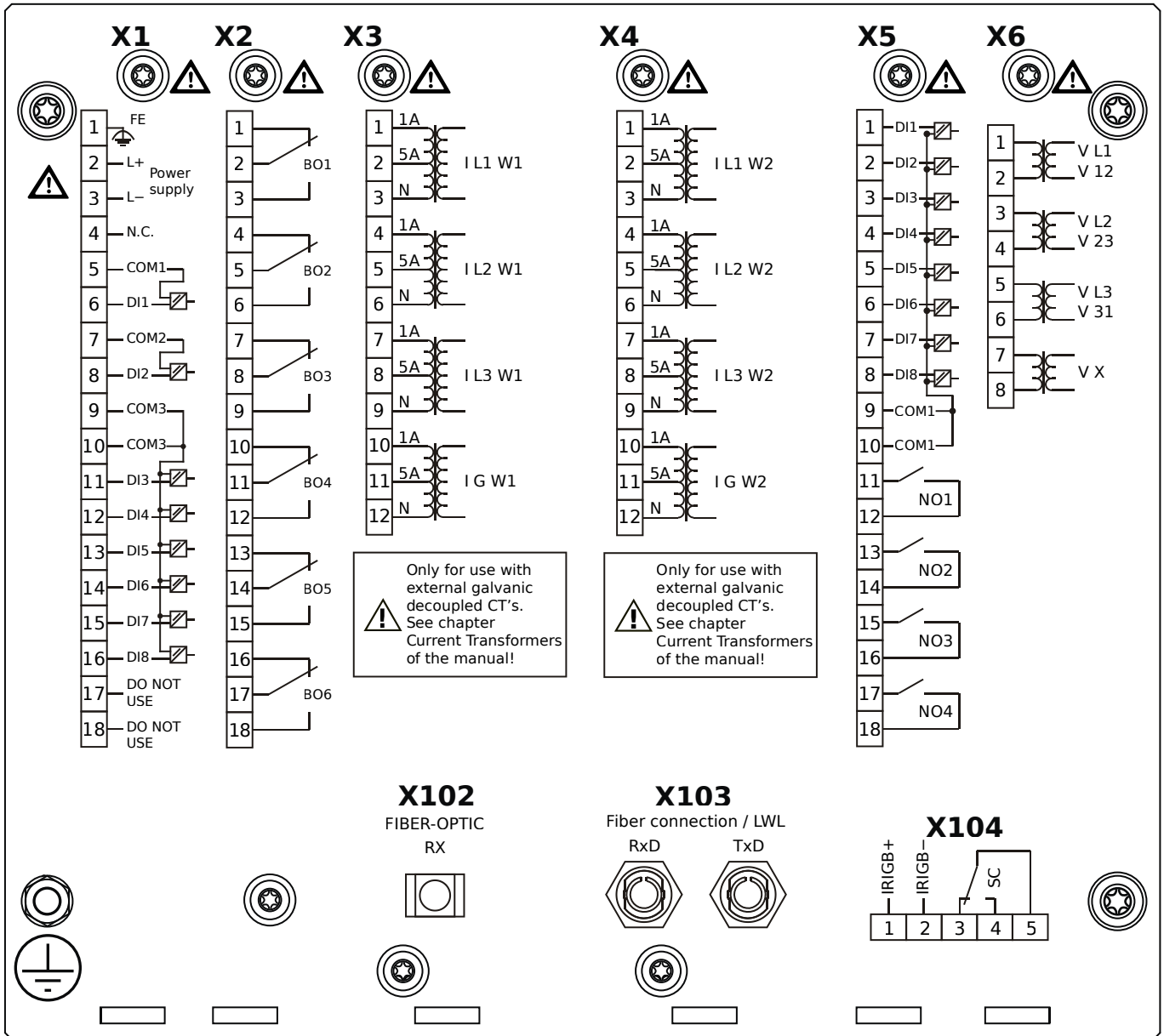
- X1** – DI8-X1: Wide-range power supply unit, incl. 2 non-grouped digital inputs and 6 grouped digital inputs
- X2** – OR-6: Assembly Group with 6 Relay Outputs
- X3** – TI-4: Standard ground current measuring card (for the neutral side of the differential protection)
- X4** – TI-4: Standard ground current measuring card (for the line side of the differential protection)
- X5** – DI8-OR4: Assembly Group with 8 Digital Inputs and 4 Output Relays
- X6** – TU: Card with 4 voltage transformer measuring inputs
- X102** – Universal Resistance-Temperature Detector (URTD) input, Fiber optics interface, ST Connector
- X103** – RS485, D-SUB
- X104** – IRIG-B00X, incl. System Contact (Supervision Contact)

MCDGV4-2A0AEB



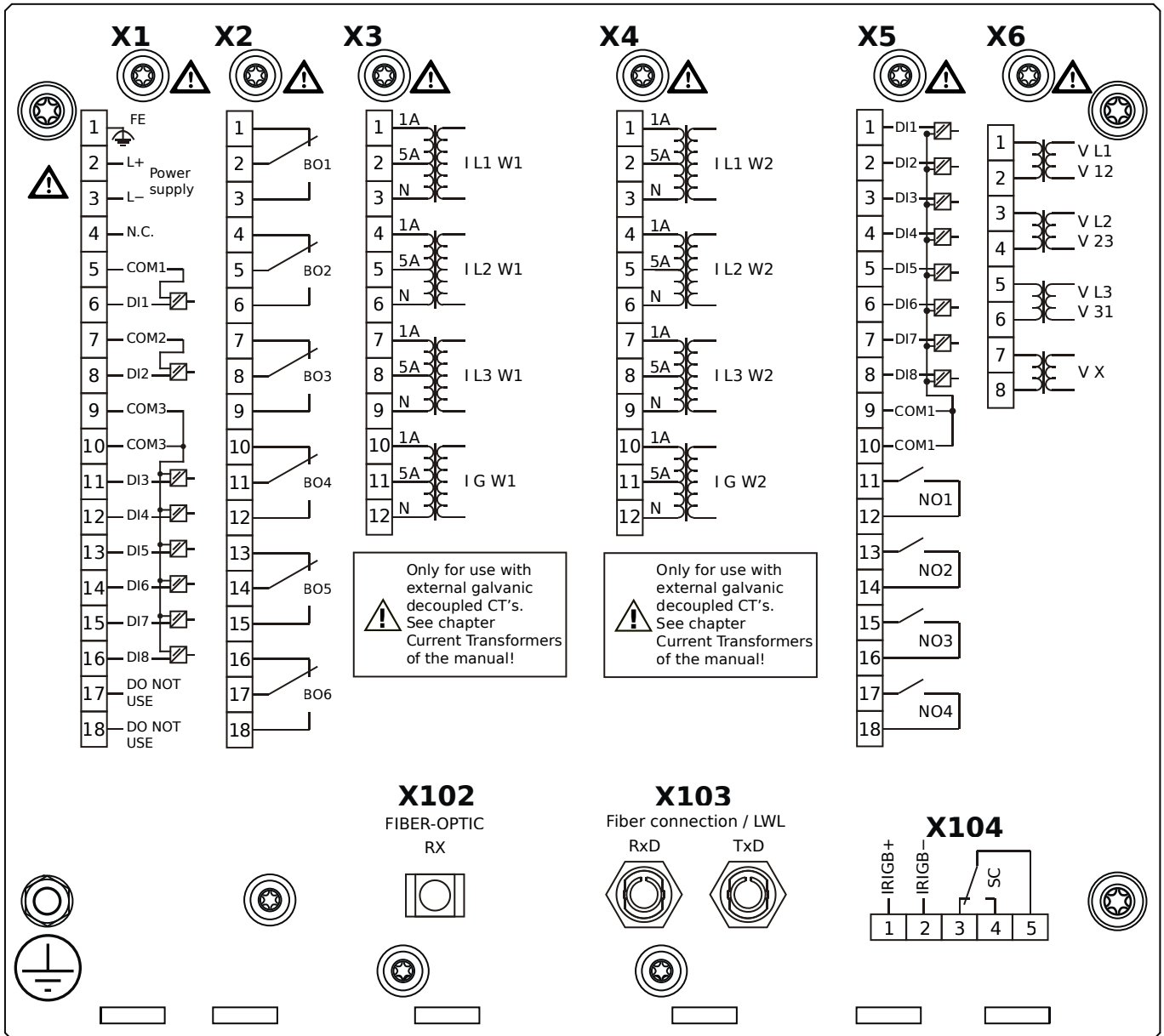
- X1** – DI8-X1: Wide-range power supply unit, incl. 2 non-grouped digital inputs and 6 grouped digital inputs
- X2** – OR-6: Assembly Group with 6 Relay Outputs
- X3** – TI-4: Standard ground current measuring card (for the neutral side of the differential protection)
- X4** – TI-4: Standard ground current measuring card (for the line side of the differential protection)
- X5** – DI8-OR4: Assembly Group with 8 Digital Inputs and 4 Output Relays
- X6** – TU: Card with 4 voltage transformer measuring inputs
- X102** – Universal Resistance-Temperature Detector (URTD) input, Fiber optics interface, ST Connector
- X103** – RS485, D-SUB
- X104** – IRIG-B00X, incl. System Contact (Supervision Contact)

MCDGV4-2A0AFA



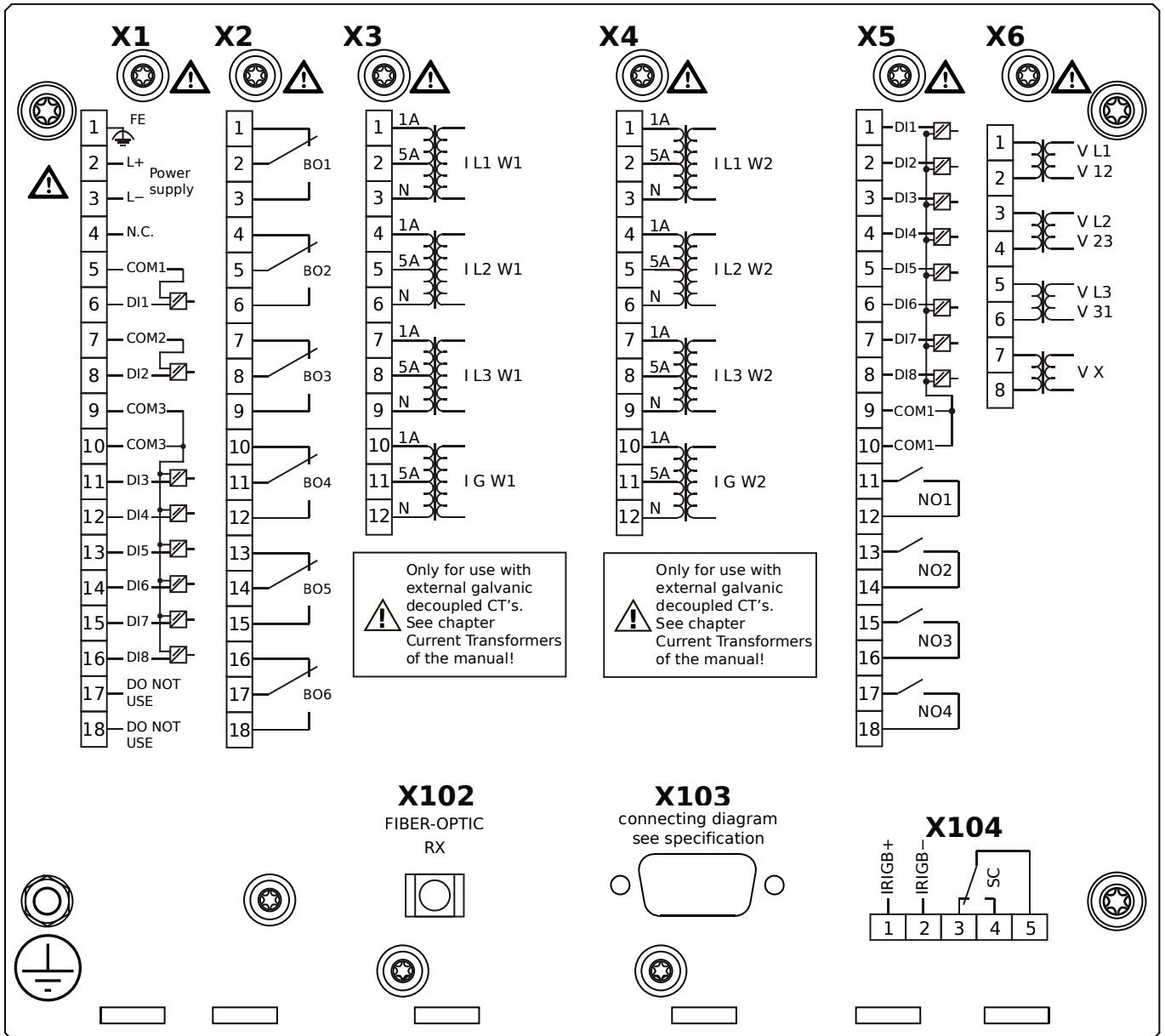
- X1** – DI8-X1: Wide-range power supply unit, incl. 2 non-grouped digital inputs and 6 grouped digital inputs
- X2** – OR-6: Assembly Group with 6 Relay Outputs
- X3** – TI-4: Standard ground current measuring card (for the neutral side of the differential protection)
- X4** – TI-4: Standard ground current measuring card (for the line side of the differential protection)
- X5** – DI8-OR4: Assembly Group with 8 Digital Inputs and 4 Output Relays
- X6** – TU: Card with 4 voltage transformer measuring inputs
- X102** – Universal Resistance-Temperature Detector (URTD) input, Fiber optics interface, ST Connector
- X103** – Fiber optics interface, ST Connector
- X104** – IRIG-B00X, incl. System Contact (Supervision Contact)

MCDGV4-2A0AFB



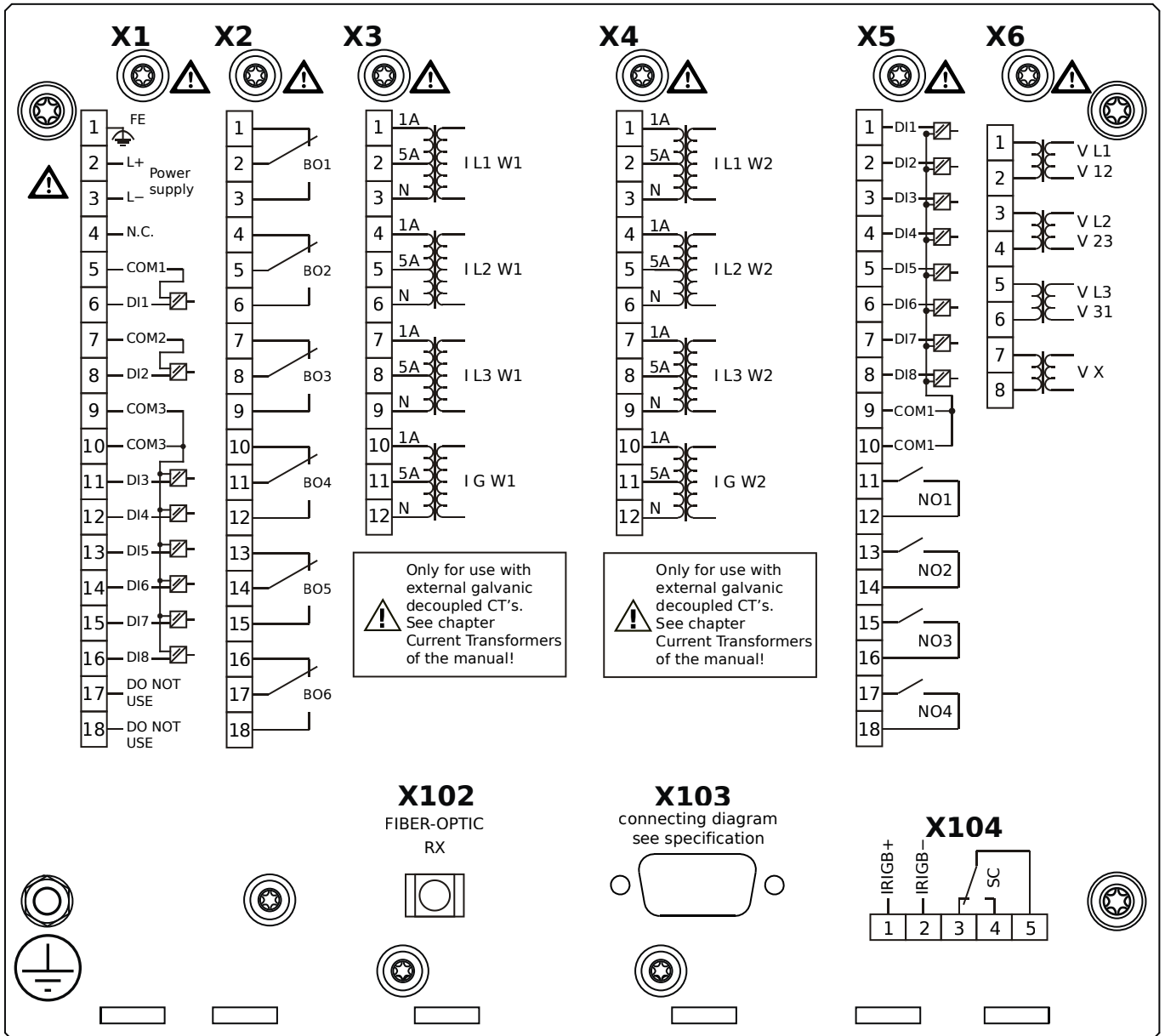
- X1** – DI8-X1: Wide-range power supply unit, incl. 2 non-grouped digital inputs and 6 grouped digital inputs
- X2** – OR-6: Assembly Group with 6 Relay Outputs
- X3** – TI-4: Standard ground current measuring card (for the neutral side of the differential protection)
- X4** – TI-4: Standard ground current measuring card (for the line side of the differential protection)
- X5** – DI8-OR4: Assembly Group with 8 Digital Inputs and 4 Output Relays
- X6** – TU: Card with 4 voltage transformer measuring inputs
- X102** – Universal Resistance-Temperature Detector (URTD) input, Fiber optics interface, ST Connector
- X103** – Fiber optics interface, ST Connector
- X104** – IRIG-B00X, incl. System Contact (Supervision Contact)

MCDGV4-2A0AGA



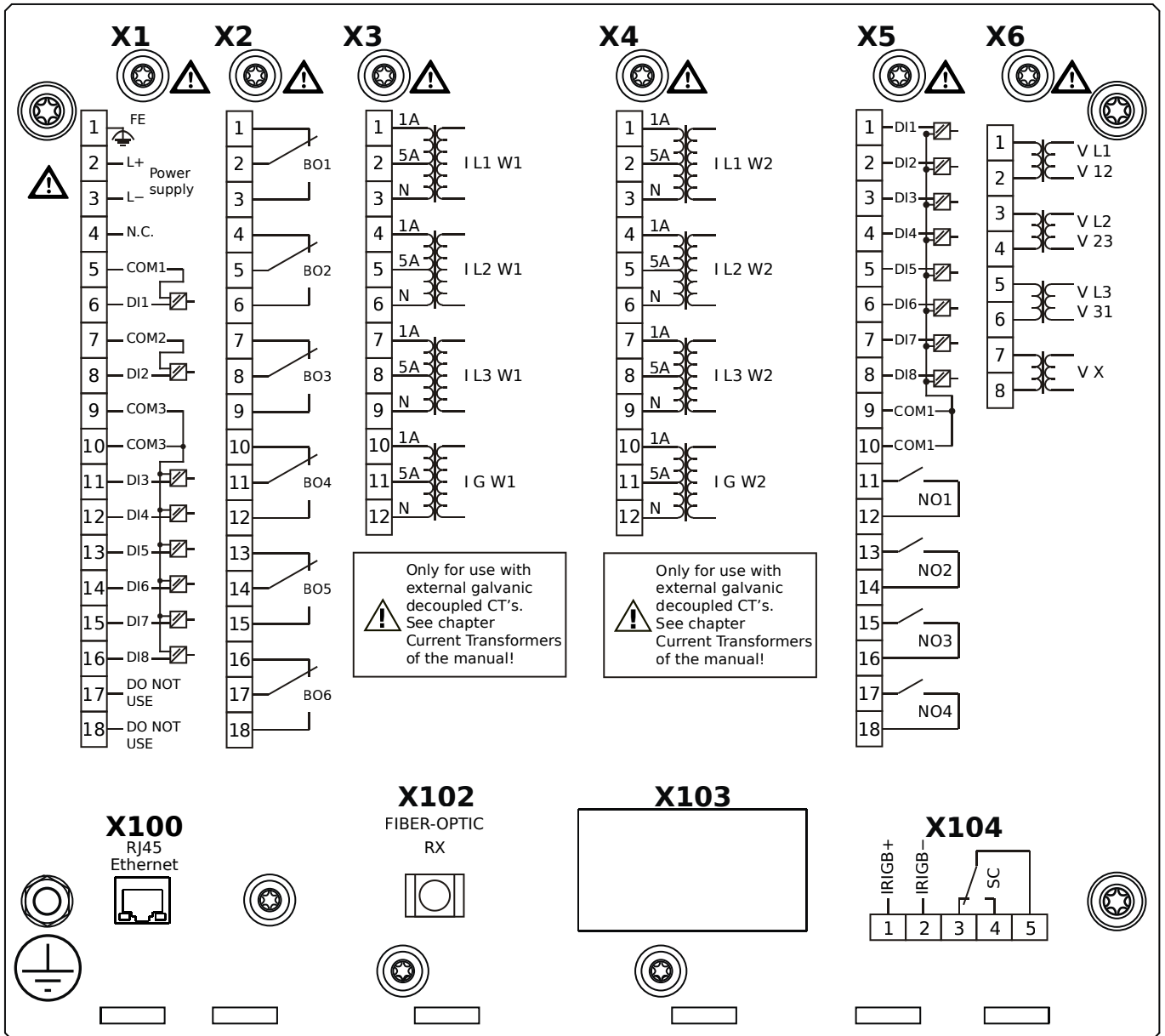
- X1** – DI8-X1: Wide-range power supply unit, incl. 2 non-grouped digital inputs and 6 grouped digital inputs
- X2** – OR-6: Assembly Group with 6 Relay Outputs
- X3** – TI-4: Standard ground current measuring card (for the neutral side of the differential protection)
- X4** – TI-4: Standard ground current measuring card (for the line side of the differential protection)
- X5** – DI8-OR4: Assembly Group with 8 Digital Inputs and 4 Output Relays
- X6** – TU: Card with 4 voltage transformer measuring inputs
- X102** – Universal Resistance-Temperature Detector (URTD) input, Fiber optics interface, ST Connector
- X103** – RS485, D-SUB
- X104** – IRIG-B00X, incl. System Contact (Supervision Contact)

MCDGV4-2A0AGB



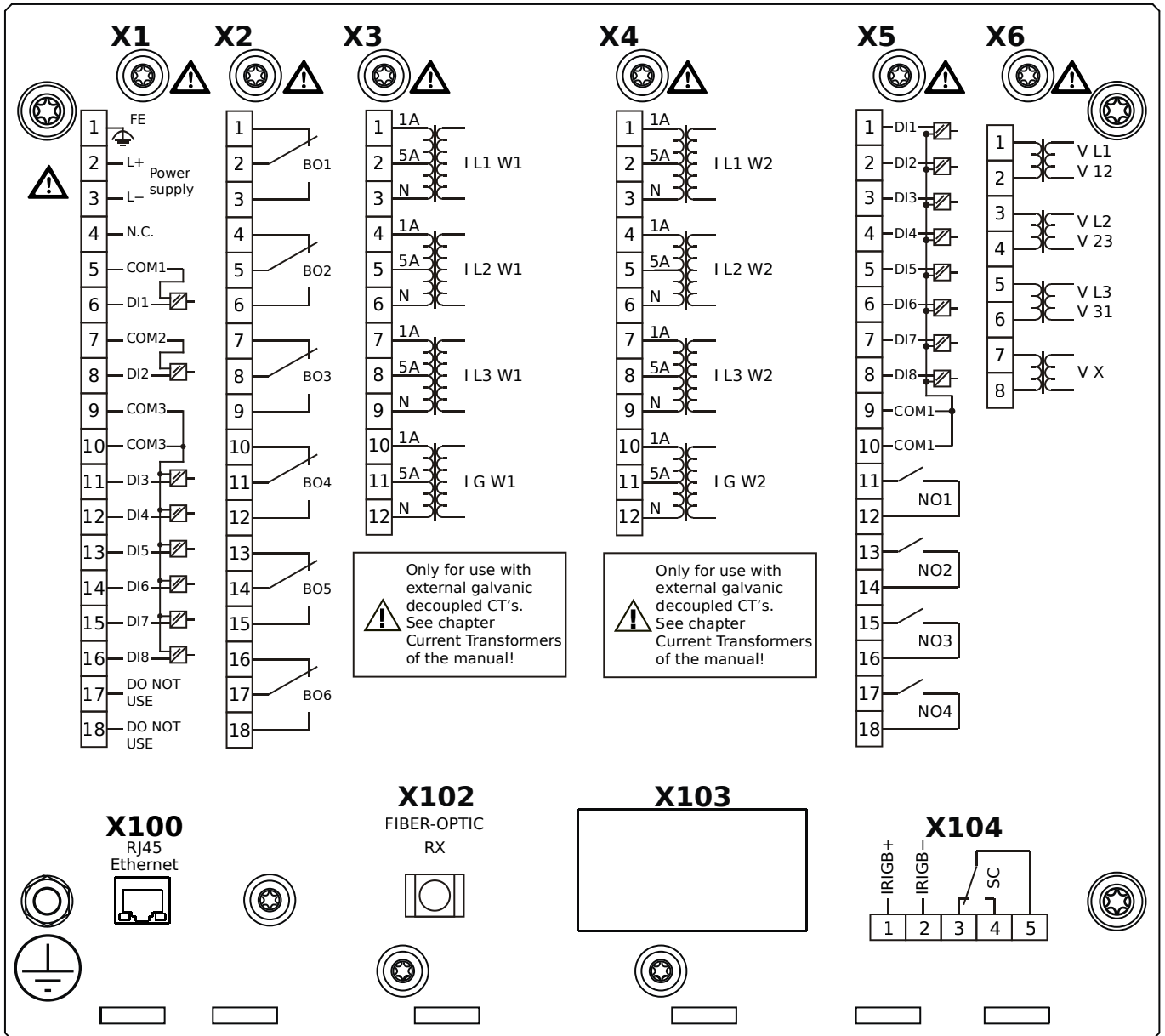
- X1** – DI8-X1: Wide-range power supply unit, incl. 2 non-grouped digital inputs and 6 grouped digital inputs
- X2** – OR-6: Assembly Group with 6 Relay Outputs
- X3** – TI-4: Standard ground current measuring card (for the neutral side of the differential protection)
- X4** – TI-4: Standard ground current measuring card (for the line side of the differential protection)
- X5** – DI8-OR4: Assembly Group with 8 Digital Inputs and 4 Output Relays
- X6** – TU: Card with 4 voltage transformer measuring inputs
- X102** – Universal Resistance-Temperature Detector (URTD) input, Fiber optics interface, ST Connector
- X103** – RS485, D-SUB
- X104** – IRIG-B00X, incl. System Contact (Supervision Contact)

MCDGV4-2A0AHA



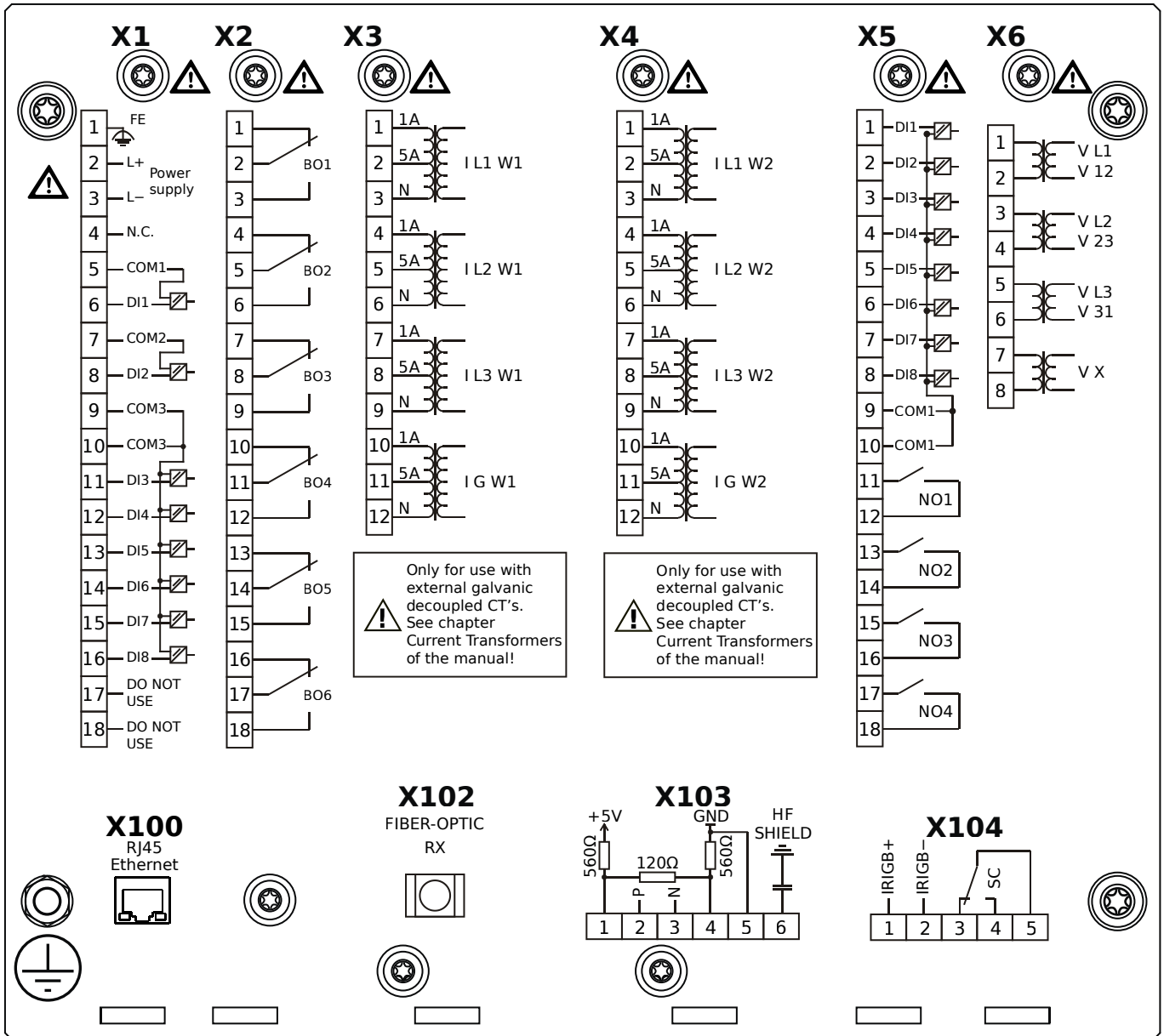
- X1** – DI8-X1: Wide-range power supply unit, incl. 2 non-grouped digital inputs and 6 grouped digital inputs
- X2** – OR-6: Assembly Group with 6 Relay Outputs
- X3** – TI-4: Standard ground current measuring card (for the neutral side of the differential protection)
- X4** – TI-4: Standard ground current measuring card (for the line side of the differential protection)
- X5** – DI8-OR4: Assembly Group with 8 Digital Inputs and 4 Output Relays
- X6** – TU: Card with 4 voltage transformer measuring inputs
- X100** – Ethernet interface, 100 Mbit/s, RJ45
- X102** – Universal Resistance-Temperature Detector (URTD) input, Fiber optics interface, ST Connector
- X104** – IRIG-B00X, incl. System Contact (Supervision Contact)

MCDGV4-2A0AHB



- X1** – DI8-X1: Wide-range power supply unit, incl. 2 non-grouped digital inputs and 6 grouped digital inputs
- X2** – OR-6: Assembly Group with 6 Relay Outputs
- X3** – TI-4: Standard ground current measuring card (for the neutral side of the differential protection)
- X4** – TI-4: Standard ground current measuring card (for the line side of the differential protection)
- X5** – DI8-OR4: Assembly Group with 8 Digital Inputs and 4 Output Relays
- X6** – TU: Card with 4 voltage transformer measuring inputs
- X100** – Ethernet interface, 100 Mbit/s, RJ45
- X102** – Universal Resistance-Temperature Detector (URTD) input, Fiber optics interface, ST Connector
- X104** – IRIG-B00X, incl. System Contact (Supervision Contact)

MCDGV4-2A0AIA



X1 – DI8-X1: Wide-range power supply unit, incl. 2 non-grouped digital inputs and 6 grouped digital inputs

X2 – OR-6: Assembly Group with 6 Relay Outputs

X3 – TI-4: Standard ground current measuring card (for the neutral side of the differential protection)

X4 – TI-4: Standard ground current measuring card (for the line side of the differential protection)

X5 – DI8-OR4: Assembly Group with 8 Digital Inputs and 4 Output Relays

X6 – TU: Card with 4 voltage transformer measuring inputs

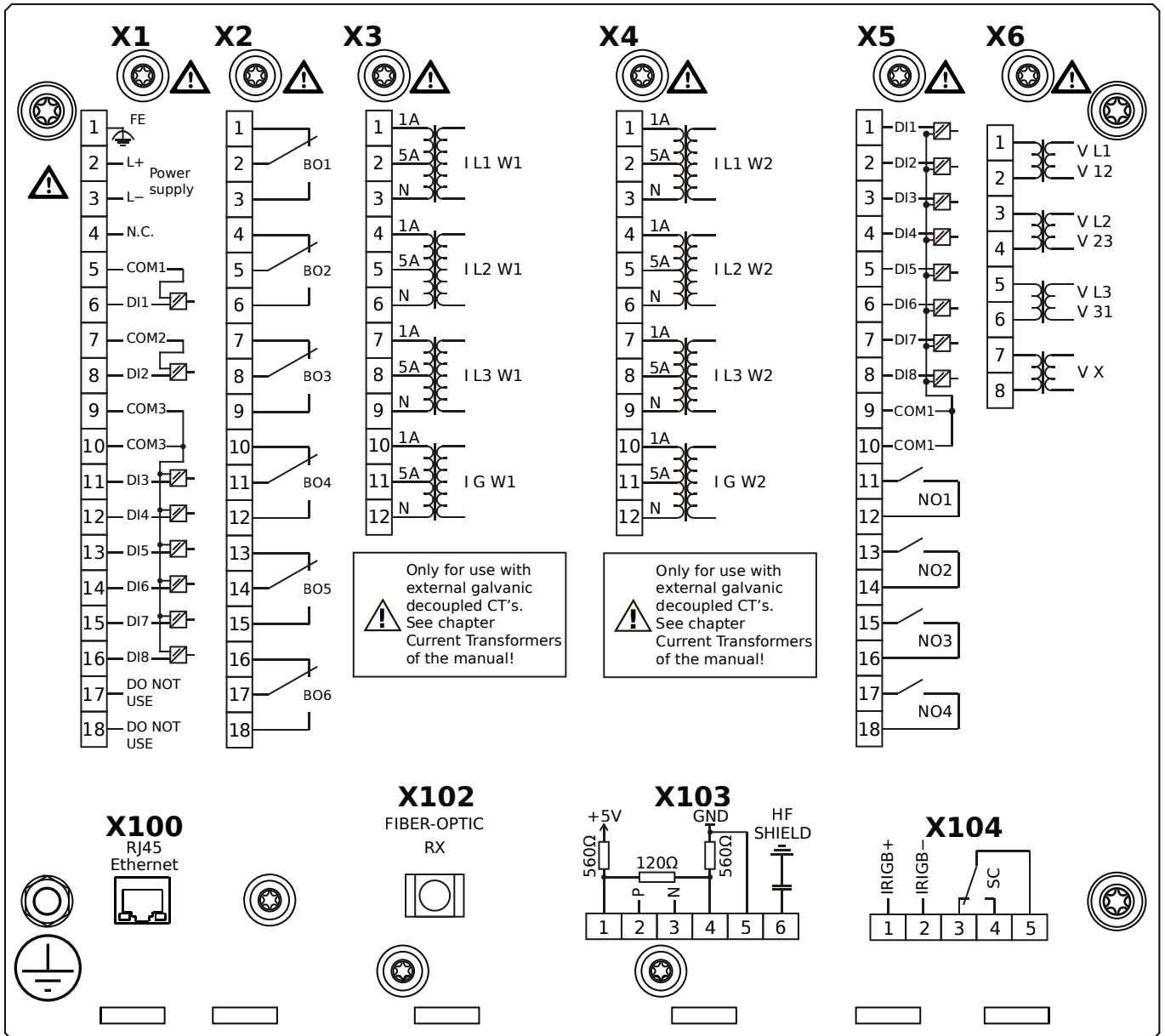
X100 – Ethernet interface, 100 Mbit/s, RJ45

X102 – Universal Resistance-Temperature Detector (URTD) input, Fiber optics interface, ST Connector

X103 – RS485, Terminals

X104 – IRIG-B00X, incl. System Contact (Supervision Contact)

MCDGV4-2A0AIB



X1 – DI8-X1: Wide-range power supply unit, incl. 2 non-grouped digital inputs and 6 grouped digital inputs

X2 – OR-6: Assembly Group with 6 Relay Outputs

X3 – TI-4: Standard ground current measuring card (for the neutral side of the differential protection)

X4 – TI-4: Standard ground current measuring card (for the line side of the differential protection)

X5 – DI8-OR4: Assembly Group with 8 Digital Inputs and 4 Output Relays

X6 – TU: Card with 4 voltage transformer measuring inputs

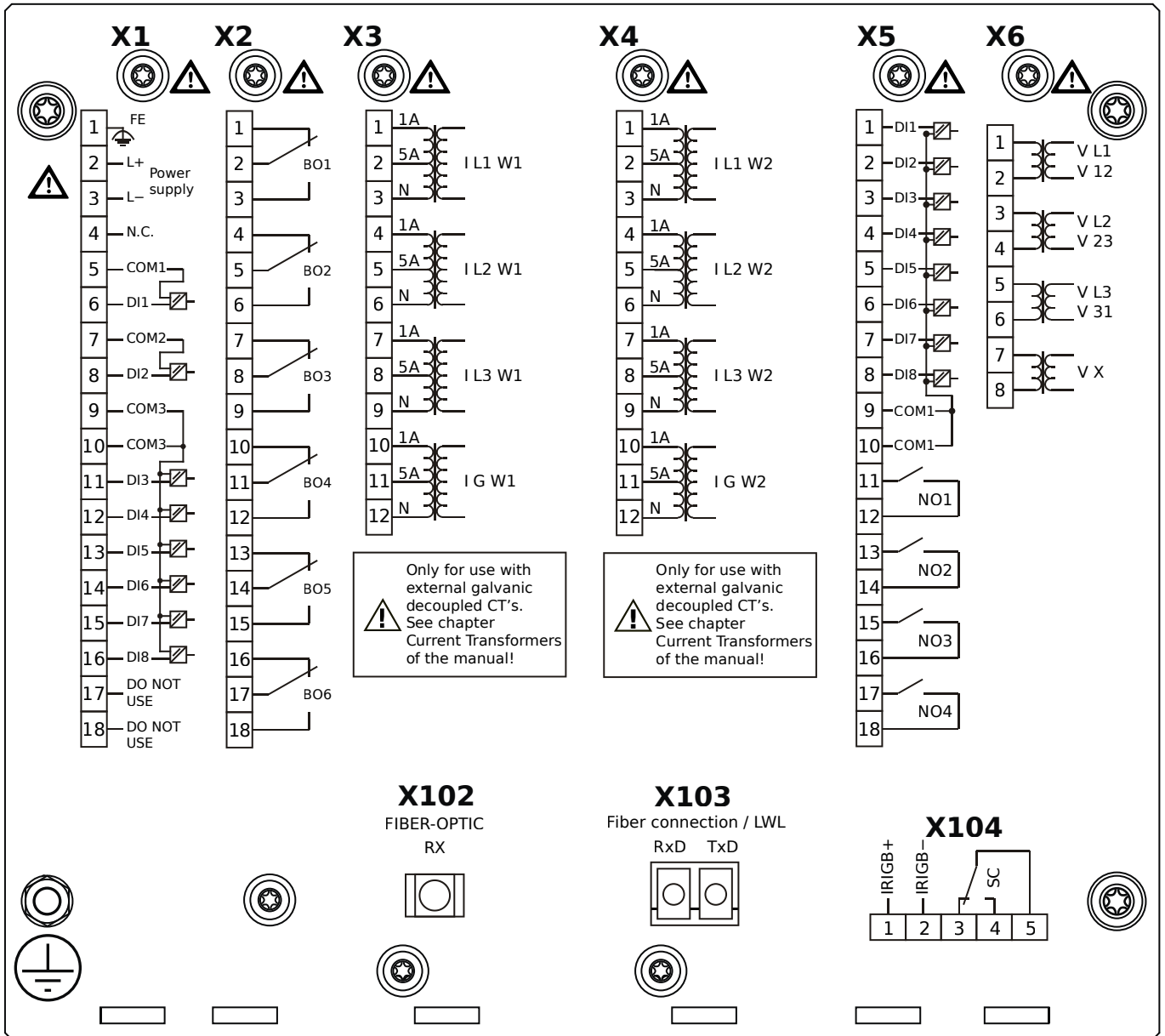
X100 – Ethernet interface, 100 Mbit/s, RJ45

X102 – Universal Resistance-Temperature Detector (URTD) input, Fiber optics interface, ST Connector

X103 – RS485, Terminals

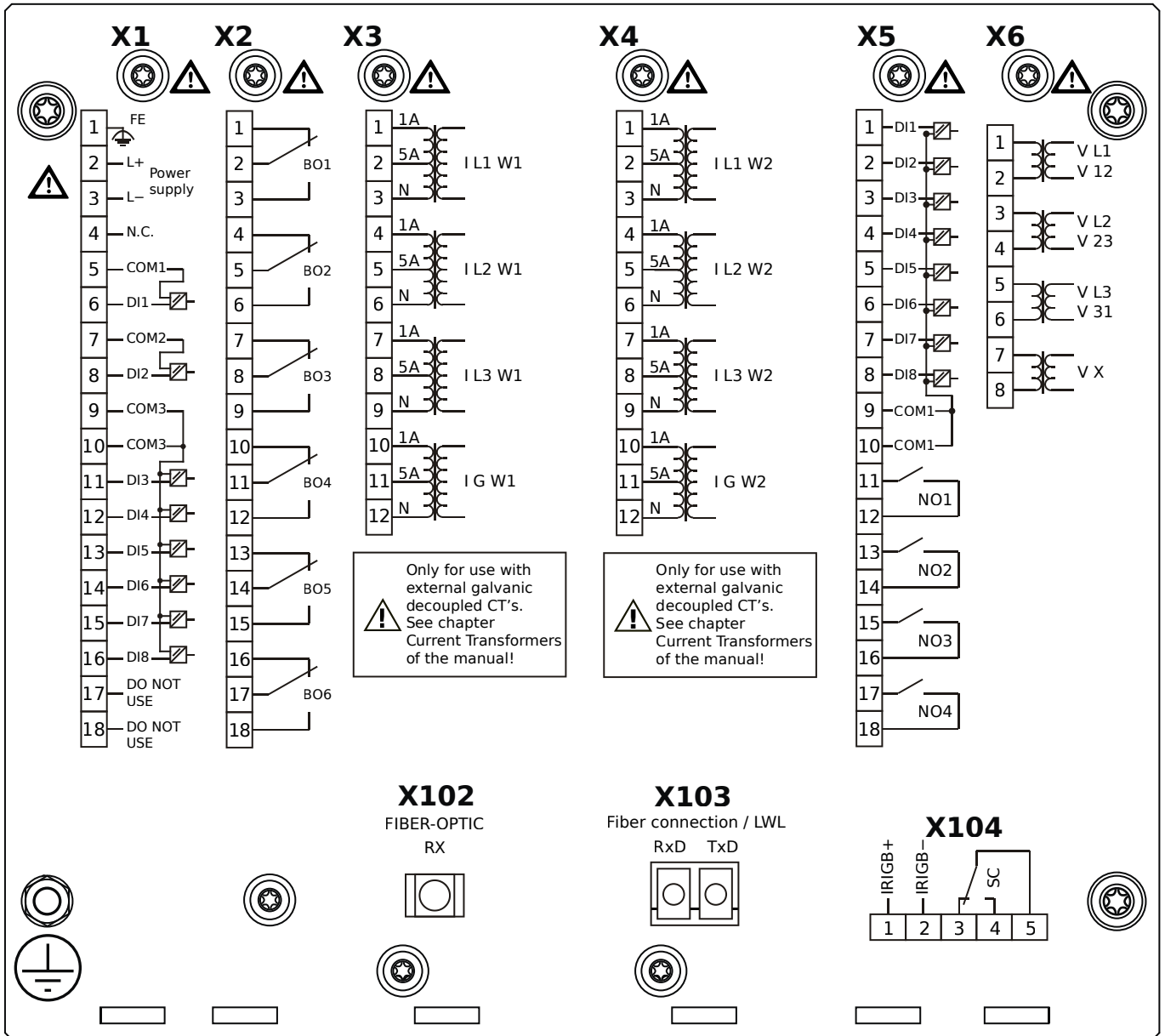
X104 – IRIG-B00X, incl. System Contact (Supervision Contact)

MCDGV4-2A0AKA



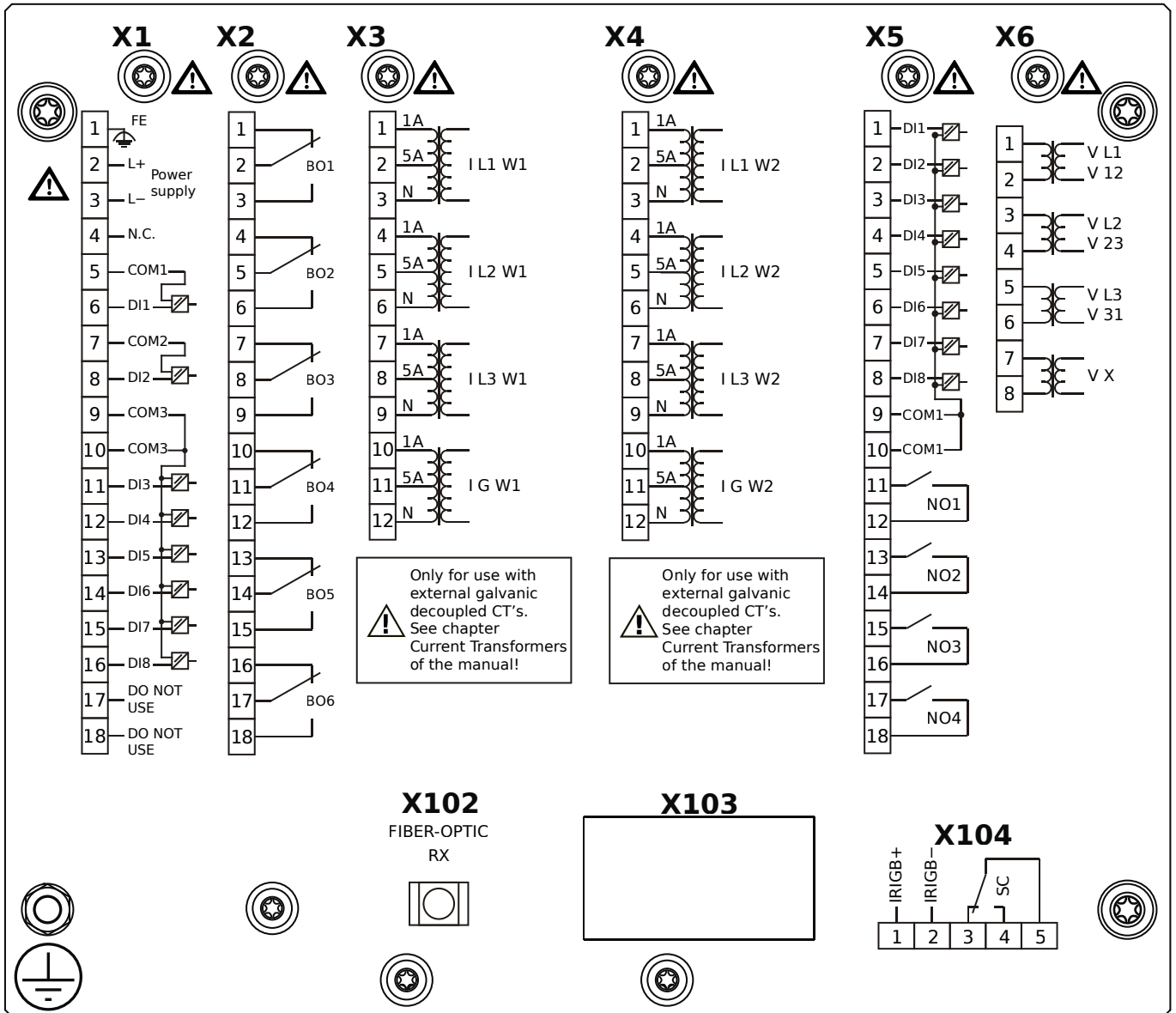
- X1** – DI8-X1: Wide-range power supply unit, incl. 2 non-grouped digital inputs and 6 grouped digital inputs
- X2** – OR-6: Assembly Group with 6 Relay Outputs
- X3** – TI-4: Standard ground current measuring card (for the neutral side of the differential protection)
- X4** – TI-4: Standard ground current measuring card (for the line side of the differential protection)
- X5** – DI8-OR4: Assembly Group with 8 Digital Inputs and 4 Output Relays
- X6** – TU: Card with 4 voltage transformer measuring inputs
- X102** – Universal Resistance-Temperature Detector (URTD) input, Fiber optics interface, ST Connector
- X103** – Fiber optics interface, LC Connector
- X104** – IRIG-B00X, incl. System Contact (Supervision Contact)

MCDGV4-2A0ALB



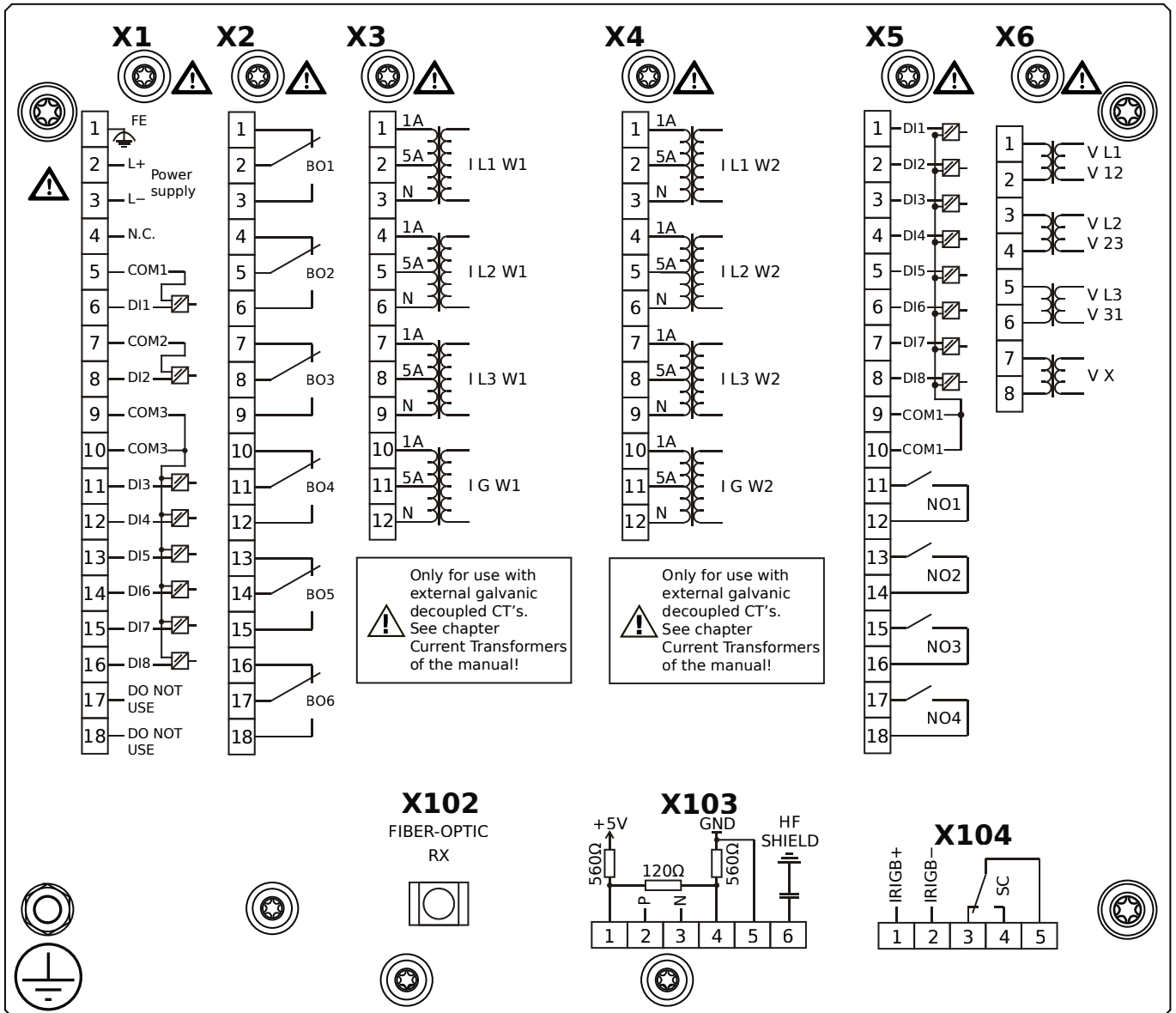
- X1** – DI8-X1: Wide-range power supply unit, incl. 2 non-grouped digital inputs and 6 grouped digital inputs
- X2** – OR-6: Assembly Group with 6 Relay Outputs
- X3** – TI-4: Standard ground current measuring card (for the neutral side of the differential protection)
- X4** – TI-4: Standard ground current measuring card (for the line side of the differential protection)
- X5** – DI8-OR4: Assembly Group with 8 Digital Inputs and 4 Output Relays
- X6** – TU: Card with 4 voltage transformer measuring inputs
- X102** – Universal Resistance-Temperature Detector (URTD) input, Fiber optics interface, ST Connector
- X103** – Fiber optics interface, LC Connector
- X104** – IRIG-B00X, incl. System Contact (Supervision Contact)

MCDGV4-2A0BAA



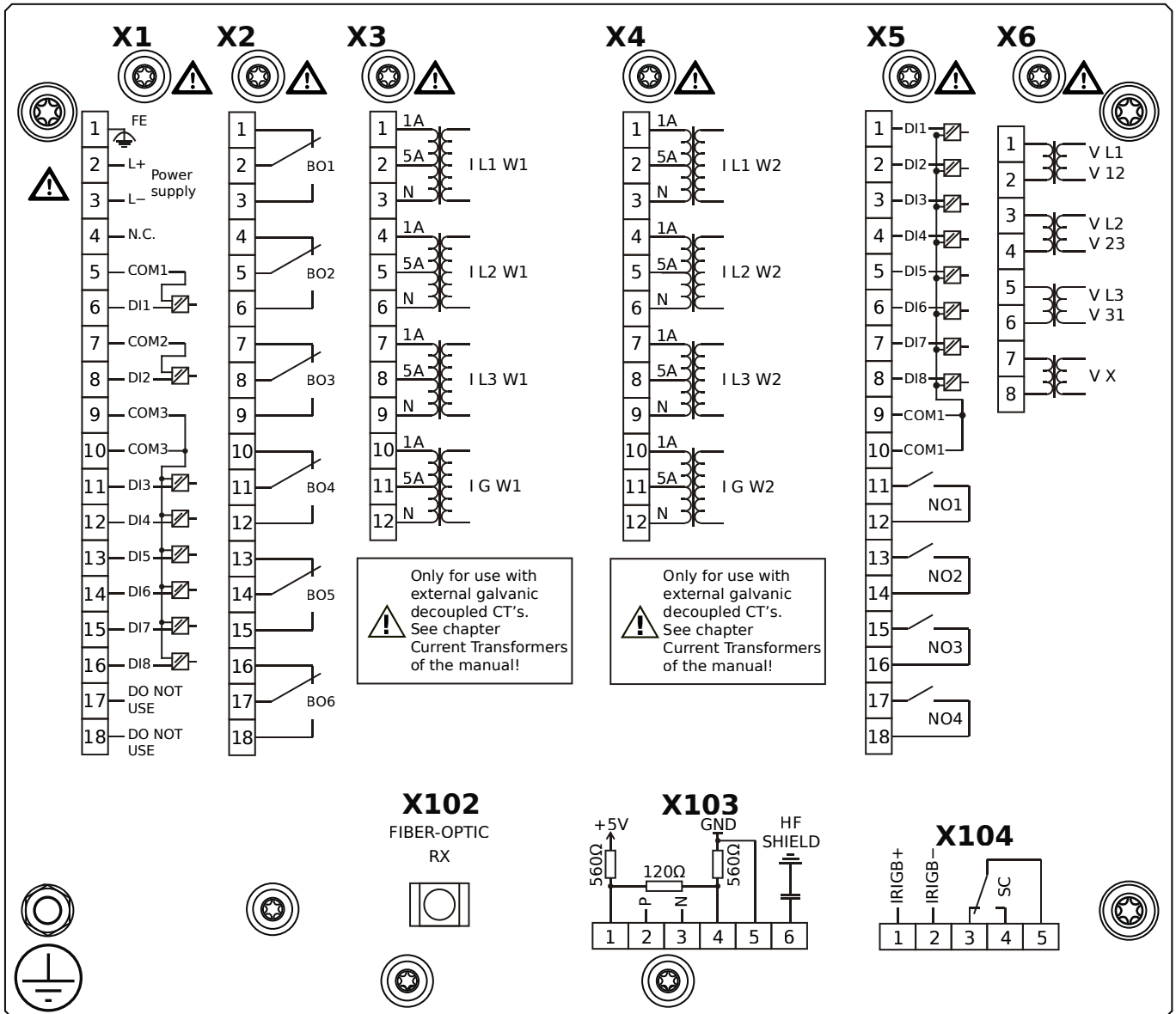
- X1** – DI8-X1: Wide-range power supply unit, incl. 2 non-grouped digital inputs and 6 grouped digital inputs
- X2** – OR-6: Assembly Group with 6 Relay Outputs
- X3** – TI-4: Standard ground current measuring card (for the neutral side of the differential protection)
- X4** – TI-4: Standard ground current measuring card (for the line side of the differential protection)
- X5** – DI8-OR4: Assembly Group with 8 Digital Inputs and 4 Output Relays
- X6** – TU: Card with 4 voltage transformer measuring inputs
- X102** – Universal Resistance-Temperature Detector (URTD) input, Fiber optics interface, ST Connector
- X104** – IRIG-B00X, incl. System Contact (Supervision Contact)

MCDGV4-2A0BBA



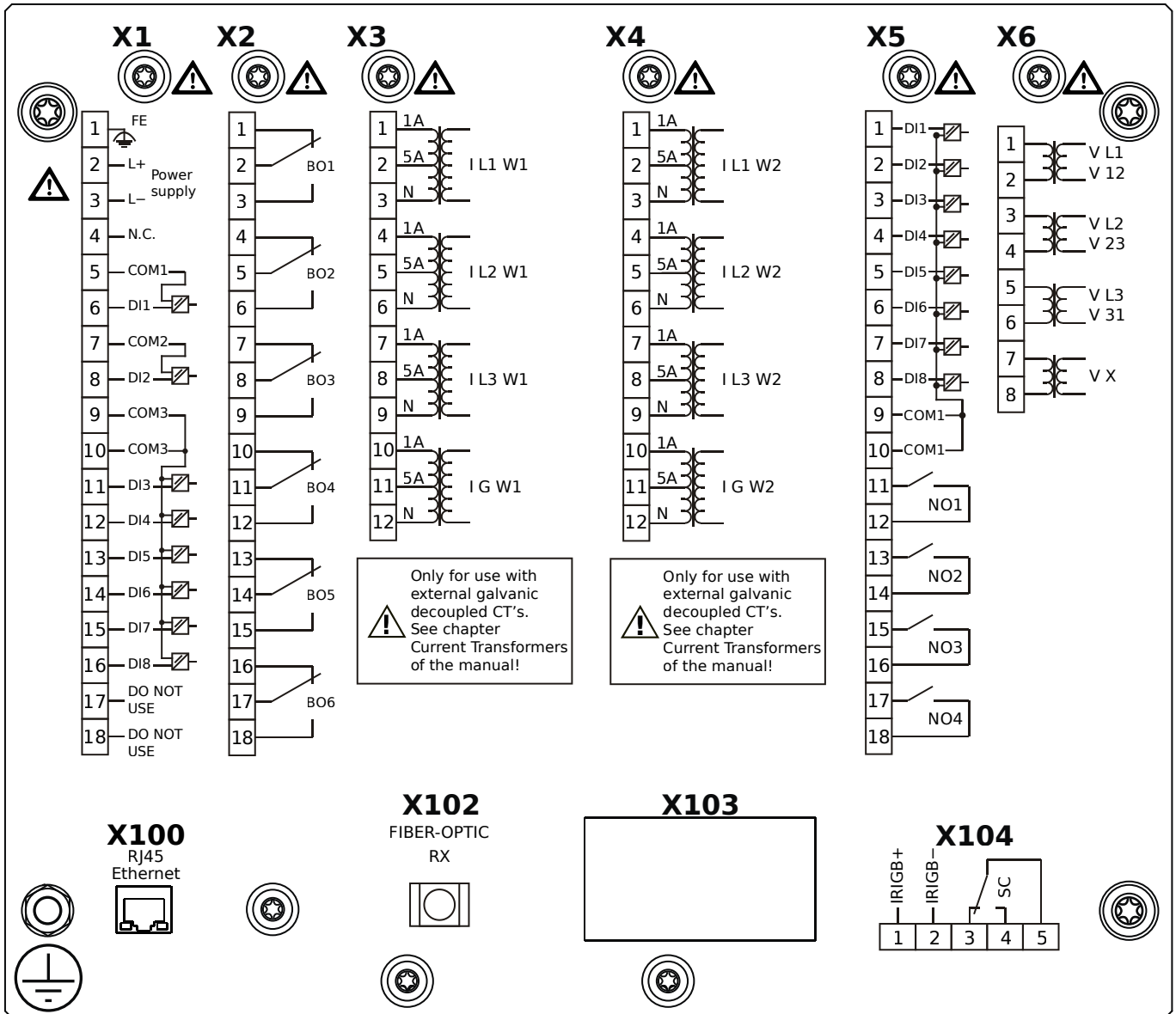
- X1** – DI8-X1: Wide-range power supply unit, incl. 2 non-grouped digital inputs and 6 grouped digital inputs
- X2** – OR-6: Assembly Group with 6 Relay Outputs
- X3** – TI-4: Standard ground current measuring card (for the neutral side of the differential protection)
- X4** – TI-4: Standard ground current measuring card (for the line side of the differential protection)
- X5** – DI8-OR4: Assembly Group with 8 Digital Inputs and 4 Output Relays
- X6** – TU: Card with 4 voltage transformer measuring inputs
- X102** – Universal Resistance-Temperature Detector (URTD) input, Fiber optics interface, ST Connector
- X103** – RS485, Terminals
- X104** – IRIG-B00X, incl. System Contact (Supervision Contact)

MCDGV4-2A0BBB



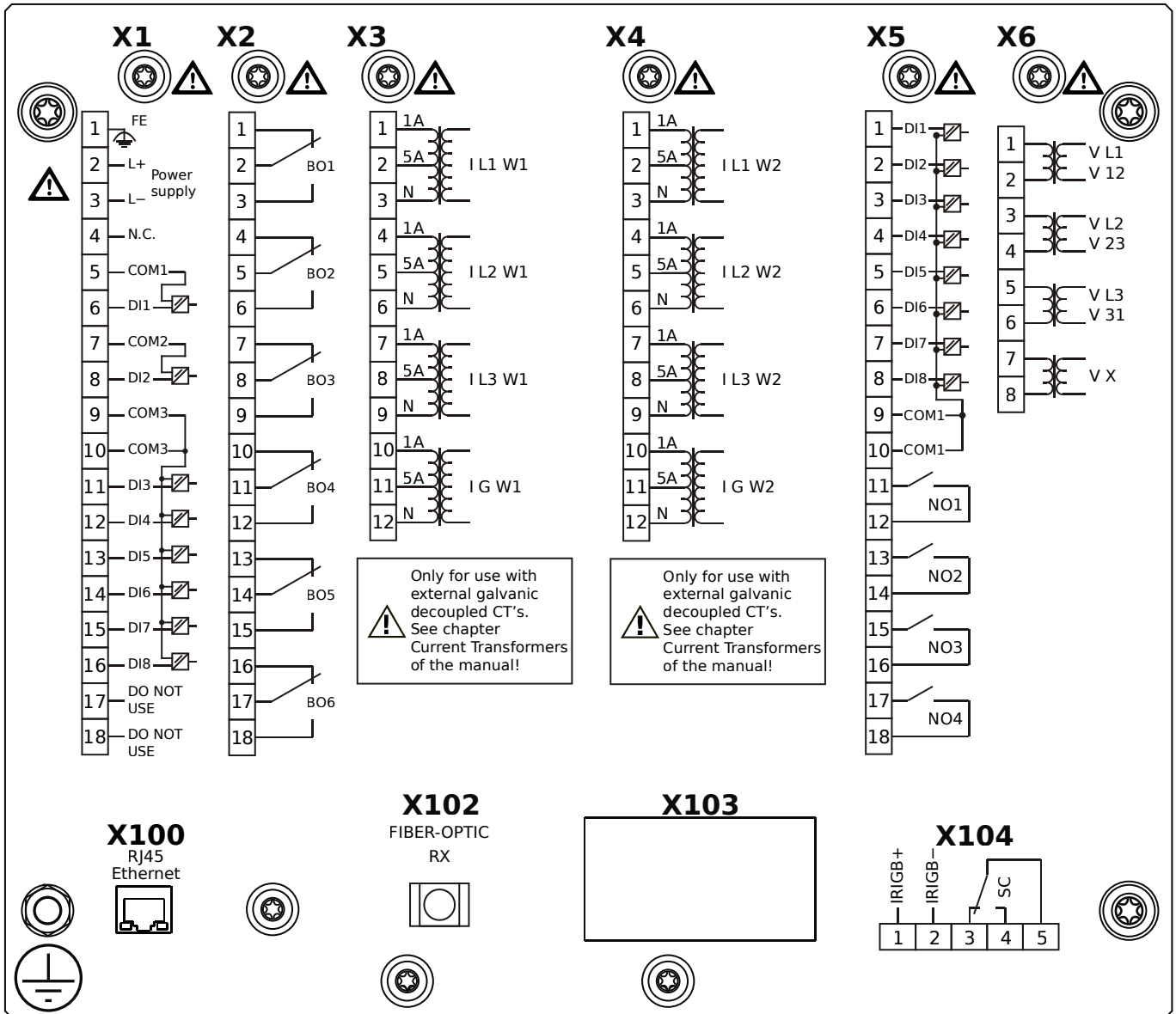
- X1** – DI8-X1: Wide-range power supply unit, incl. 2 non-grouped digital inputs and 6 grouped digital inputs
- X2** – OR-6: Assembly Group with 6 Relay Outputs
- X3** – TI-4: Standard ground current measuring card (for the neutral side of the differential protection)
- X4** – TI-4: Standard ground current measuring card (for the line side of the differential protection)
- X5** – DI8-OR4: Assembly Group with 8 Digital Inputs and 4 Output Relays
- X6** – TU: Card with 4 voltage transformer measuring inputs
- X102** – Universal Resistance-Temperature Detector (URTD) input, Fiber optics interface, ST Connector
- X103** – RS485, Terminals
- X104** – IRIG-B00X, incl. System Contact (Supervision Contact)

MCDGV4-2A0BCA



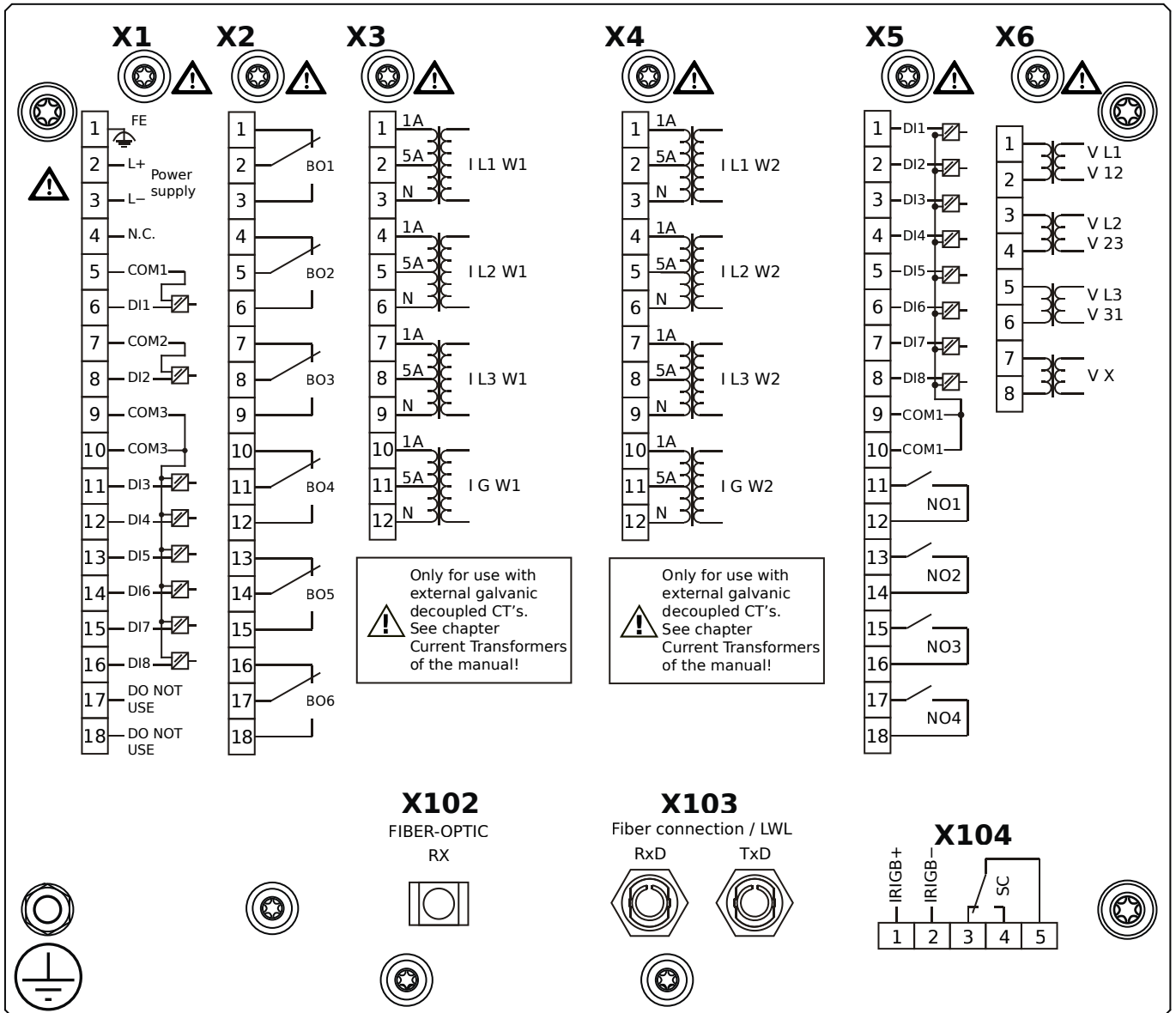
- X1** – DI8-X1: Wide-range power supply unit, incl. 2 non-grouped digital inputs and 6 grouped digital inputs
- X2** – OR-6: Assembly Group with 6 Relay Outputs
- X3** – TI-4: Standard ground current measuring card (for the neutral side of the differential protection)
- X4** – TI-4: Standard ground current measuring card (for the line side of the differential protection)
- X5** – DI8-OR4: Assembly Group with 8 Digital Inputs and 4 Output Relays
- X6** – TU: Card with 4 voltage transformer measuring inputs
- X100** – Ethernet interface, 100 Mbit/s, RJ45
- X102** – Universal Resistance-Temperature Detector (URTD) input, Fiber optics interface, ST Connector
- X104** – IRIG-B00X, incl. System Contact (Supervision Contact)

MCDGV4-2A0BCB



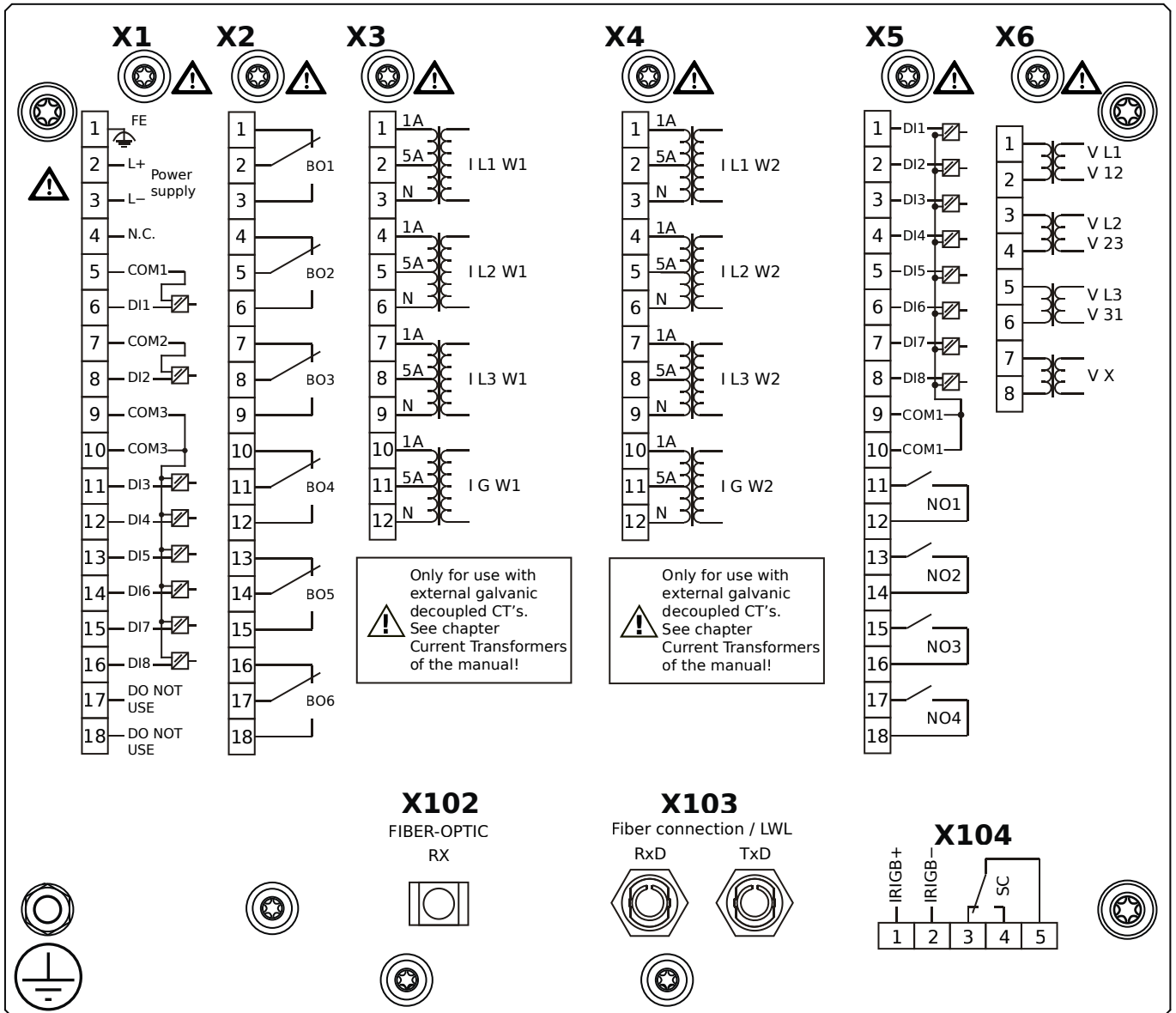
- X1** – DI8-X1: Wide-range power supply unit, incl. 2 non-grouped digital inputs and 6 grouped digital inputs
- X2** – OR-6: Assembly Group with 6 Relay Outputs
- X3** – TI-4: Standard ground current measuring card (for the neutral side of the differential protection)
- X4** – TI-4: Standard ground current measuring card (for the line side of the differential protection)
- X5** – DI8-OR4: Assembly Group with 8 Digital Inputs and 4 Output Relays
- X6** – TU: Card with 4 voltage transformer measuring inputs
- X100** – Ethernet interface, 100 Mbit/s, RJ45
- X102** – Universal Resistance-Temperature Detector (URTD) input, Fiber optics interface, ST Connector
- X104** – IRIG-B00X, incl. System Contact (Supervision Contact)

MCDGV4-2A0BDA



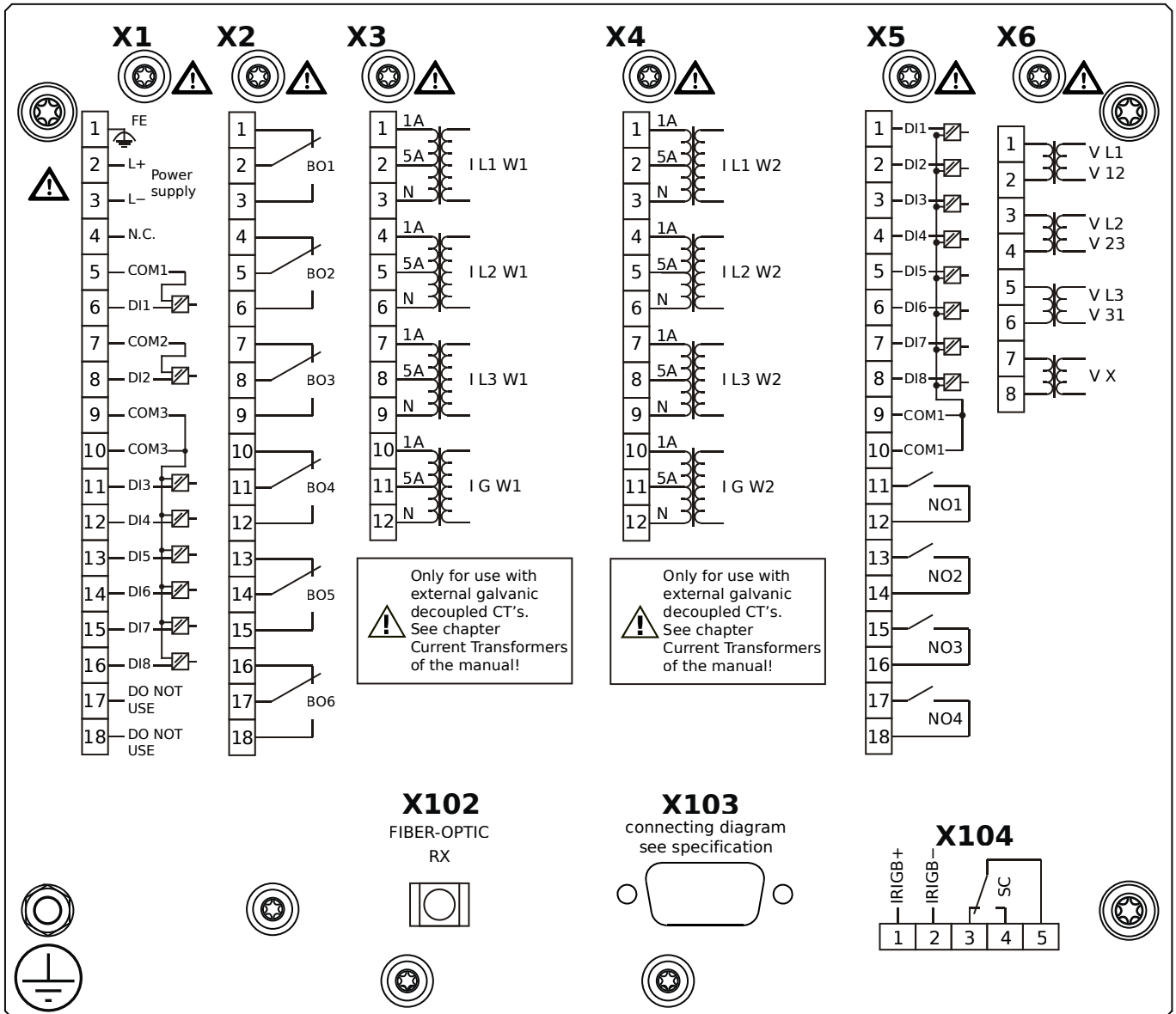
- X1** – DI8-X1: Wide-range power supply unit, incl. 2 non-grouped digital inputs and 6 grouped digital inputs
- X2** – OR-6: Assembly Group with 6 Relay Outputs
- X3** – TI-4: Standard ground current measuring card (for the neutral side of the differential protection)
- X4** – TI-4: Standard ground current measuring card (for the line side of the differential protection)
- X5** – DI8-OR4: Assembly Group with 8 Digital Inputs and 4 Output Relays
- X6** – TU: Card with 4 voltage transformer measuring inputs
- X102** – Universal Resistance-Temperature Detector (URTD) input, Fiber optics interface, ST Connector
- X103** – Fiber optics interface, ST Connector
- X104** – IRIG-B00X, incl. System Contact (Supervision Contact)

MCDGV4-2A0BDB



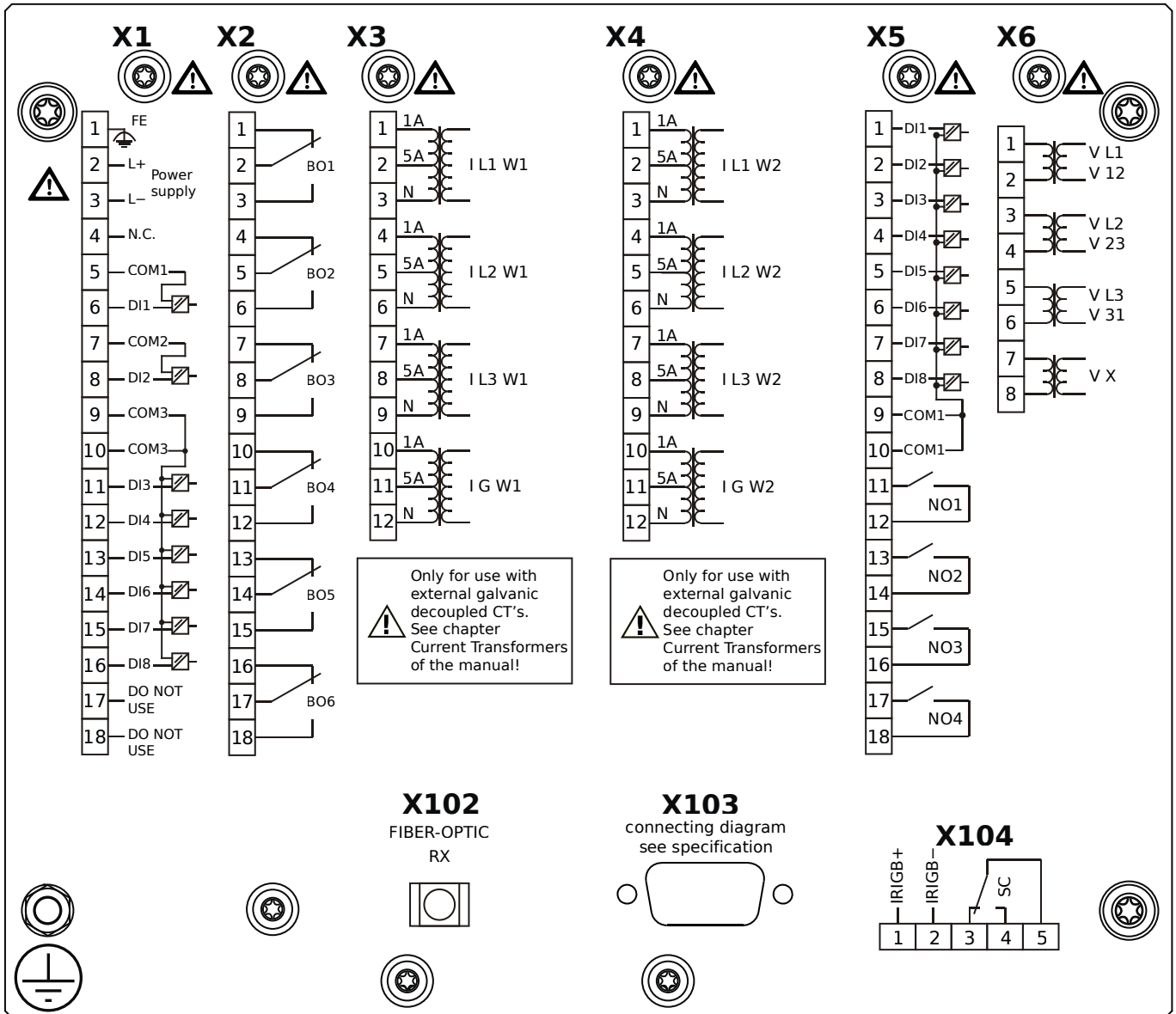
- X1** – DI8-X1: Wide-range power supply unit, incl. 2 non-grouped digital inputs and 6 grouped digital inputs
- X2** – OR-6: Assembly Group with 6 Relay Outputs
- X3** – TI-4: Standard ground current measuring card (for the neutral side of the differential protection)
- X4** – TI-4: Standard ground current measuring card (for the line side of the differential protection)
- X5** – DI8-OR4: Assembly Group with 8 Digital Inputs and 4 Output Relays
- X6** – TU: Card with 4 voltage transformer measuring inputs
- X102** – Universal Resistance-Temperature Detector (URTD) input, Fiber optics interface, ST Connector
- X103** – Fiber optics interface, ST Connector
- X104** – IRIG-B00X, incl. System Contact (Supervision Contact)

MCDGV4-2A0BEA



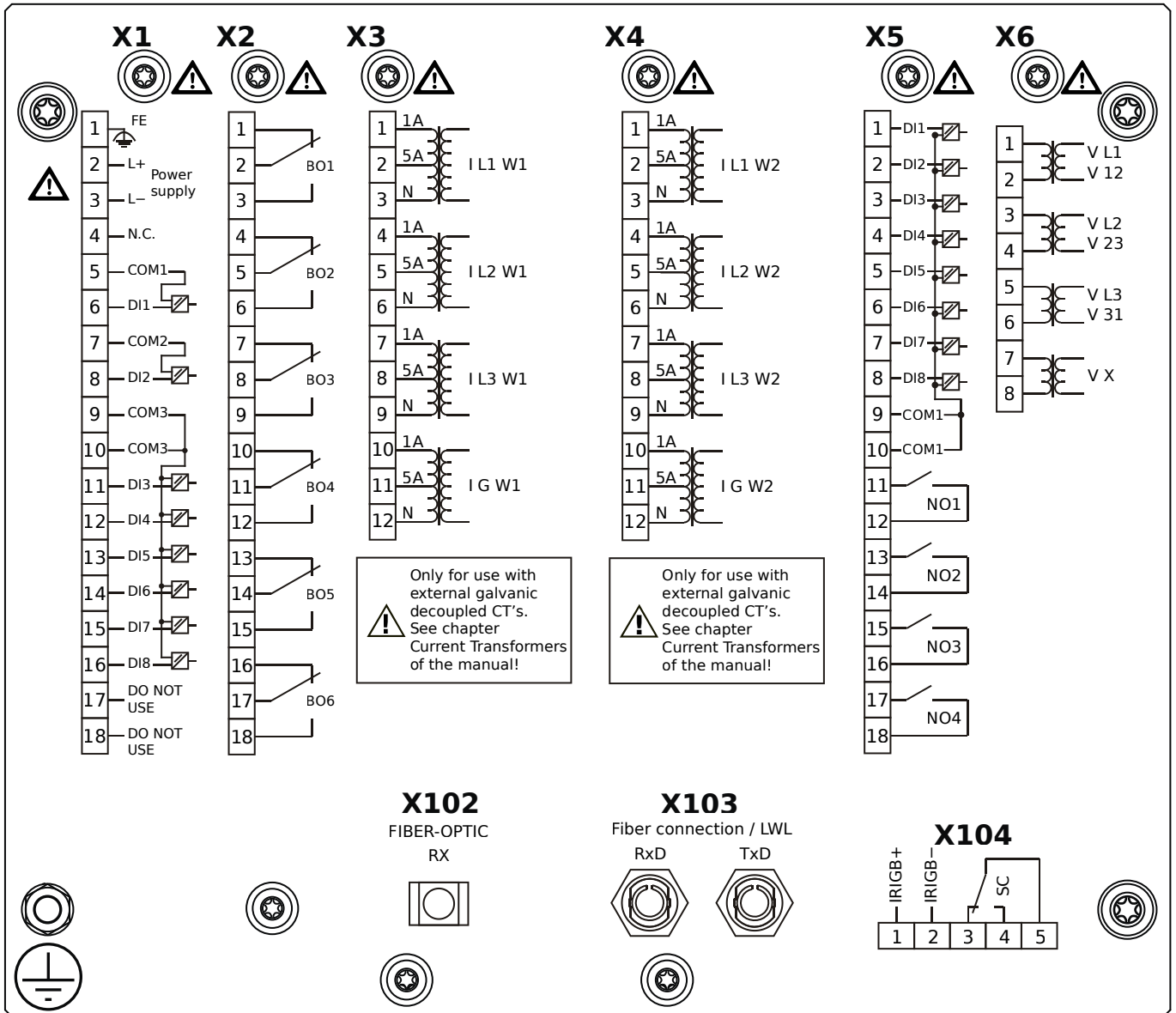
- X1** – DI8-X1: Wide-range power supply unit, incl. 2 non-grouped digital inputs and 6 grouped digital inputs
- X2** – OR-6: Assembly Group with 6 Relay Outputs
- X3** – TI-4: Standard ground current measuring card (for the neutral side of the differential protection)
- X4** – TI-4: Standard ground current measuring card (for the line side of the differential protection)
- X5** – DI8-OR4: Assembly Group with 8 Digital Inputs and 4 Output Relays
- X6** – TU: Card with 4 voltage transformer measuring inputs
- X102** – Universal Resistance-Temperature Detector (URTD) input, Fiber optics interface, ST Connector
- X103** – RS485, D-SUB
- X104** – IRIG-B00X, incl. System Contact (Supervision Contact)

MCDGV4-2A0BEB



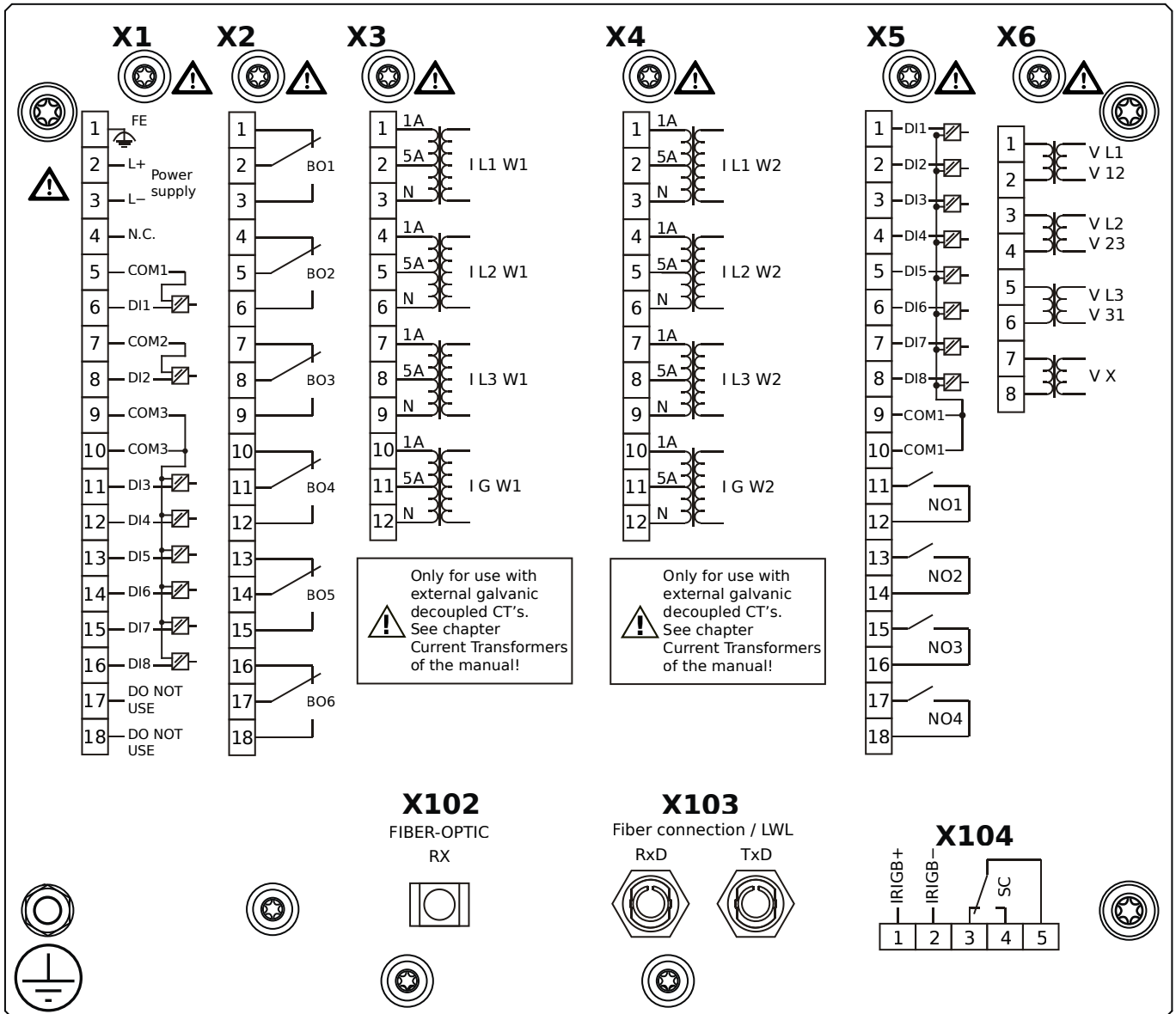
- X1** – DI8-X1: Wide-range power supply unit, incl. 2 non-grouped digital inputs and 6 grouped digital inputs
- X2** – OR-6: Assembly Group with 6 Relay Outputs
- X3** – TI-4: Standard ground current measuring card (for the neutral side of the differential protection)
- X4** – TI-4: Standard ground current measuring card (for the line side of the differential protection)
- X5** – DI8-OR4: Assembly Group with 8 Digital Inputs and 4 Output Relays
- X6** – TU: Card with 4 voltage transformer measuring inputs
- X102** – Universal Resistance-Temperature Detector (URTD) input, Fiber optics interface, ST Connector
- X103** – RS485, D-SUB
- X104** – IRIG-B00X, incl. System Contact (Supervision Contact)

MCDGV4-2A0BFA



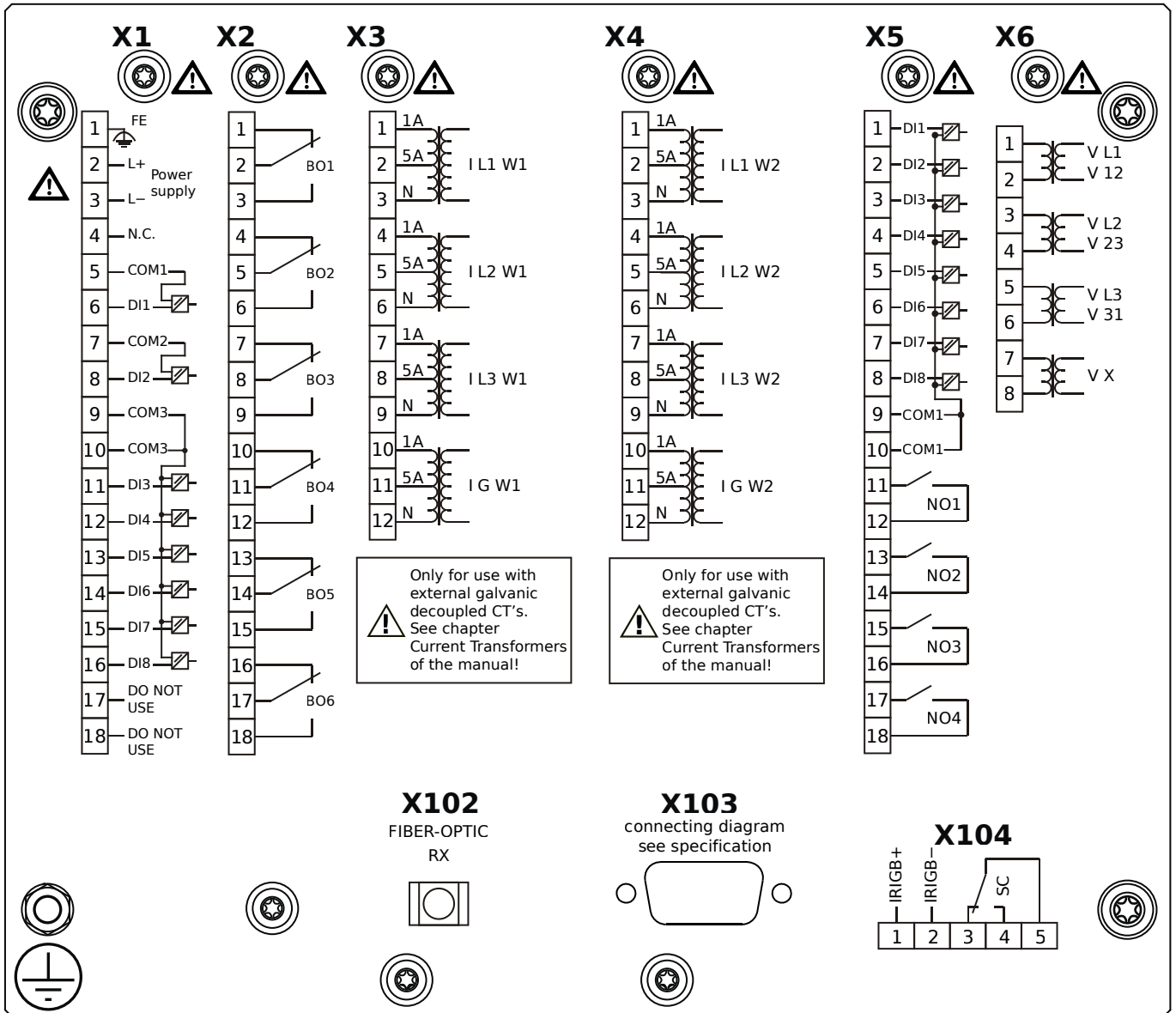
- X1** – DI8-X1: Wide-range power supply unit, incl. 2 non-grouped digital inputs and 6 grouped digital inputs
- X2** – OR-6: Assembly Group with 6 Relay Outputs
- X3** – TI-4: Standard ground current measuring card (for the neutral side of the differential protection)
- X4** – TI-4: Standard ground current measuring card (for the line side of the differential protection)
- X5** – DI8-OR4: Assembly Group with 8 Digital Inputs and 4 Output Relays
- X6** – TU: Card with 4 voltage transformer measuring inputs
- X102** – Universal Resistance-Temperature Detector (URTD) input, Fiber optics interface, ST Connector
- X103** – Fiber optics interface, ST Connector
- X104** – IRIG-B00X, incl. System Contact (Supervision Contact)

MCDGV4-2A0BFB



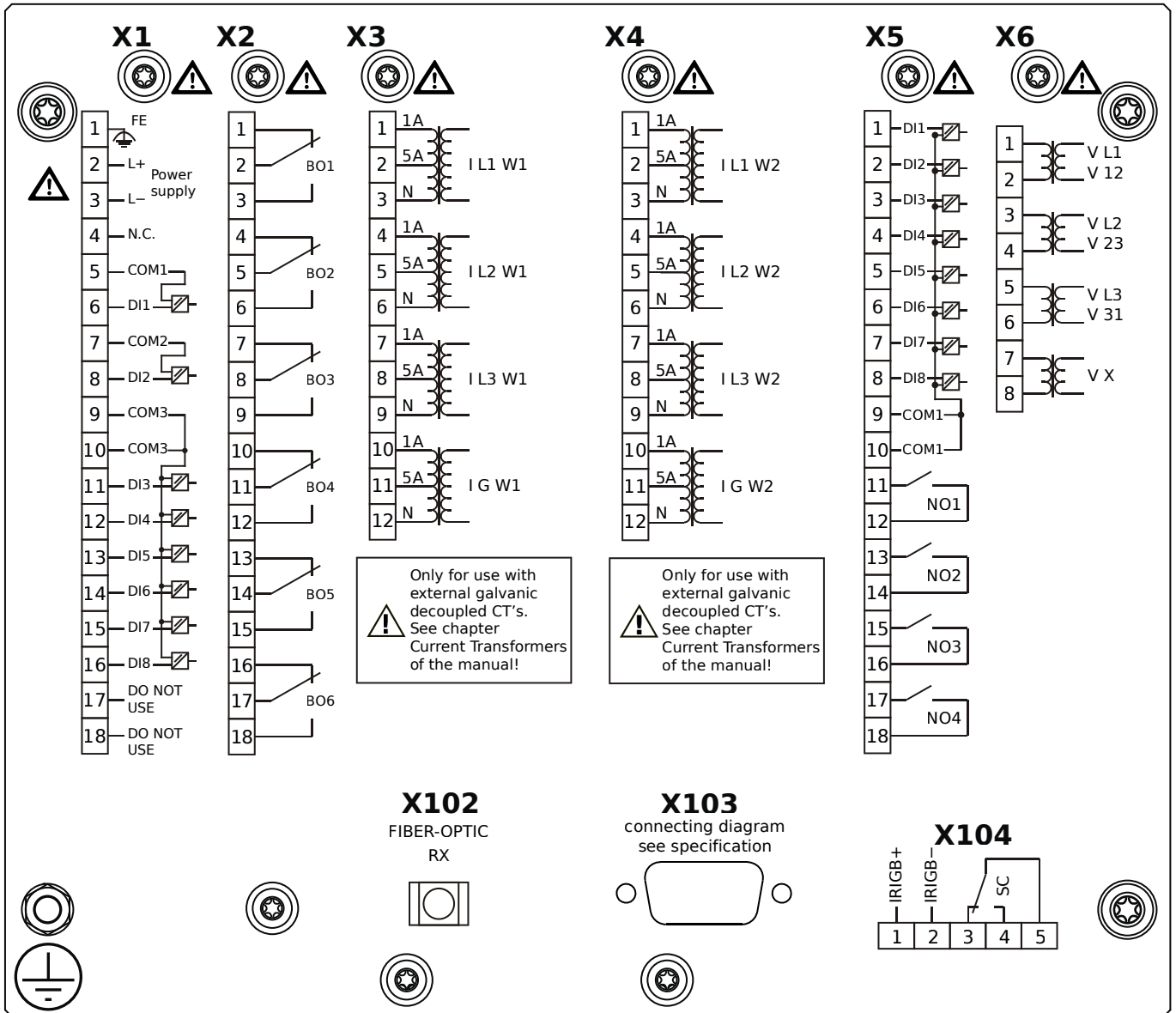
- X1** – DI8-X1: Wide-range power supply unit, incl. 2 non-grouped digital inputs and 6 grouped digital inputs
- X2** – OR-6: Assembly Group with 6 Relay Outputs
- X3** – TI-4: Standard ground current measuring card (for the neutral side of the differential protection)
- X4** – TI-4: Standard ground current measuring card (for the line side of the differential protection)
- X5** – DI8-OR4: Assembly Group with 8 Digital Inputs and 4 Output Relays
- X6** – TU: Card with 4 voltage transformer measuring inputs
- X102** – Universal Resistance-Temperature Detector (URTD) input, Fiber optics interface, ST Connector
- X103** – Fiber optics interface, ST Connector
- X104** – IRIG-B00X, incl. System Contact (Supervision Contact)

MCDGV4-2A0BGA



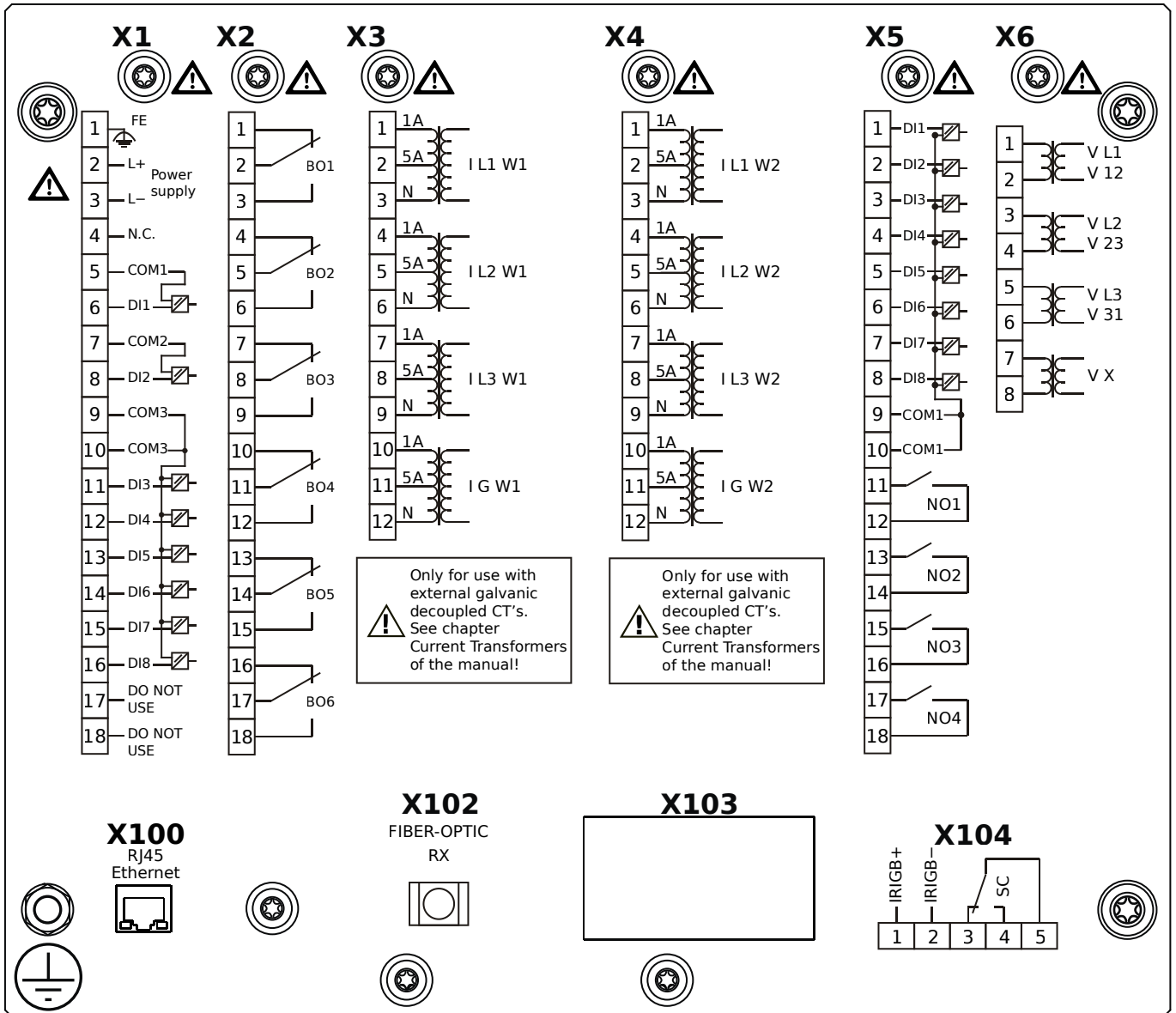
- X1** – DI8-X1: Wide-range power supply unit, incl. 2 non-grouped digital inputs and 6 grouped digital inputs
- X2** – OR-6: Assembly Group with 6 Relay Outputs
- X3** – TI-4: Standard ground current measuring card (for the neutral side of the differential protection)
- X4** – TI-4: Standard ground current measuring card (for the line side of the differential protection)
- X5** – DI8-OR4: Assembly Group with 8 Digital Inputs and 4 Output Relays
- X6** – TU: Card with 4 voltage transformer measuring inputs
- X102** – Universal Resistance-Temperature Detector (URTD) input, Fiber optics interface, ST Connector
- X103** – RS485, D-SUB
- X104** – IRIG-B00X, incl. System Contact (Supervision Contact)

MCDGV4-2A0BGB



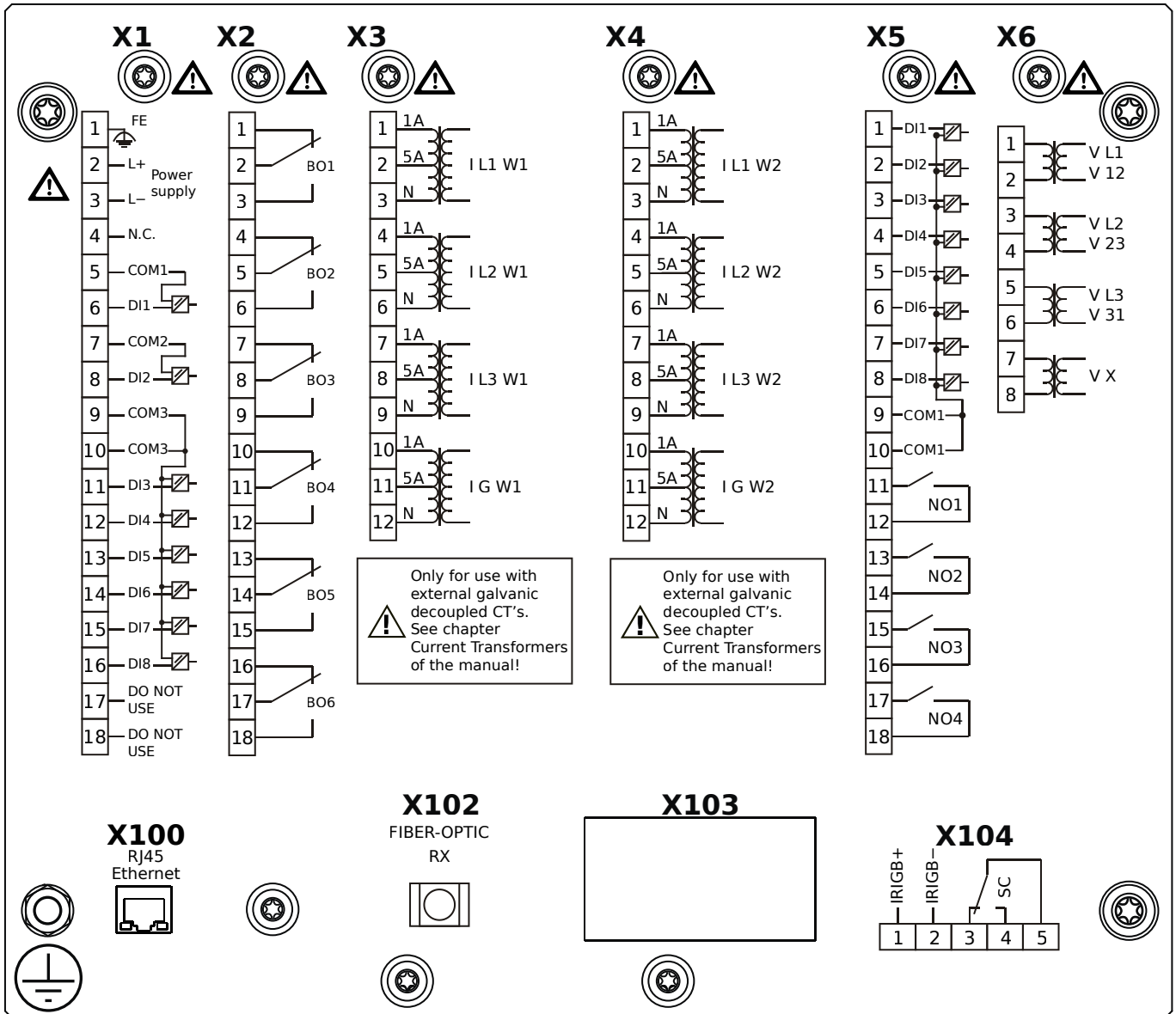
- X1** – DI8-X1: Wide-range power supply unit, incl. 2 non-grouped digital inputs and 6 grouped digital inputs
- X2** – OR-6: Assembly Group with 6 Relay Outputs
- X3** – TI-4: Standard ground current measuring card (for the neutral side of the differential protection)
- X4** – TI-4: Standard ground current measuring card (for the line side of the differential protection)
- X5** – DI8-OR4: Assembly Group with 8 Digital Inputs and 4 Output Relays
- X6** – TU: Card with 4 voltage transformer measuring inputs
- X102** – Universal Resistance-Temperature Detector (URTD) input, Fiber optics interface, ST Connector
- X103** – RS485, D-SUB
- X104** – IRIG-B00X, incl. System Contact (Supervision Contact)

MCDGV4-2A0BHA



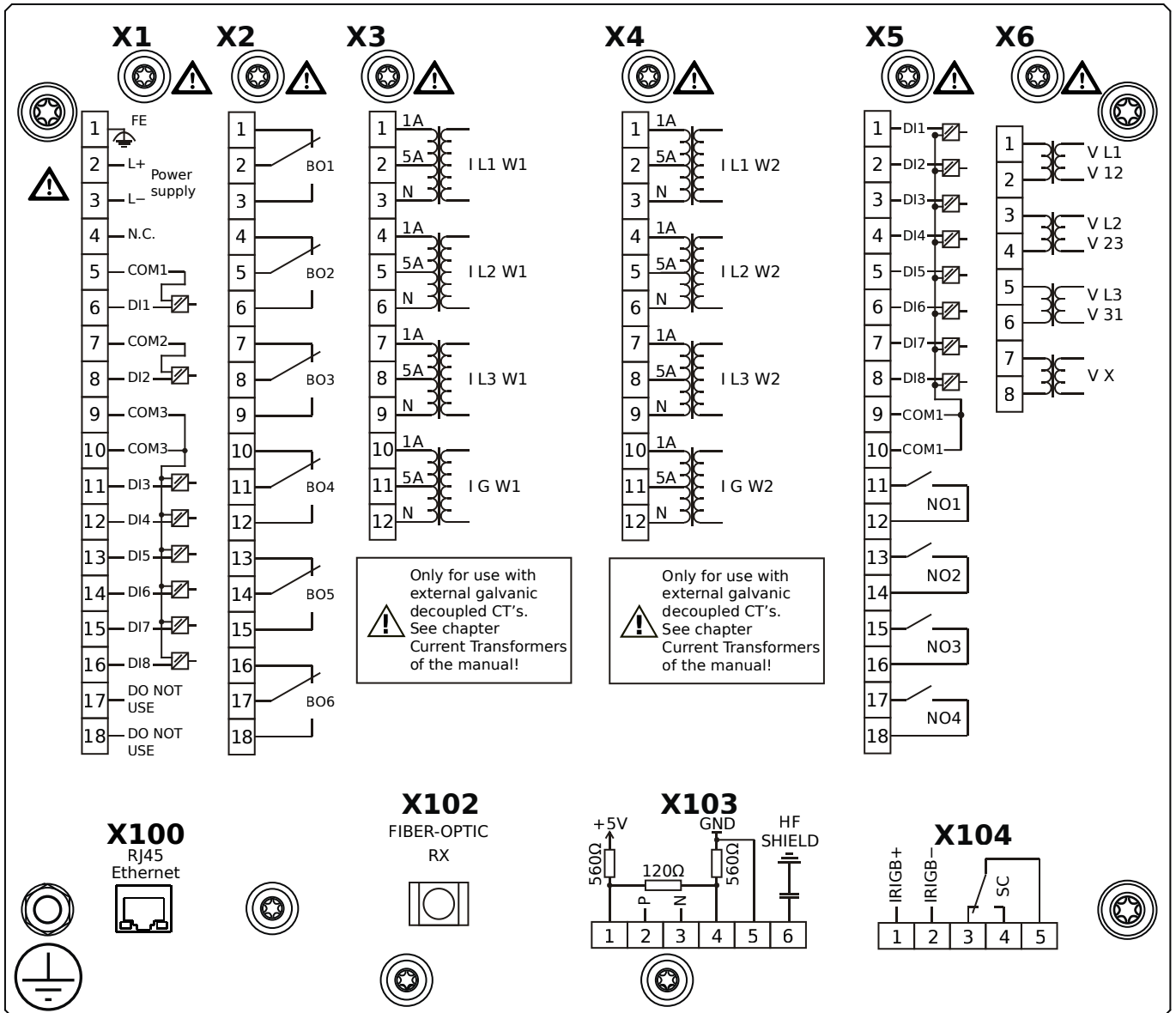
- X1** – DI8-X1: Wide-range power supply unit, incl. 2 non-grouped digital inputs and 6 grouped digital inputs
- X2** – OR-6: Assembly Group with 6 Relay Outputs
- X3** – TI-4: Standard ground current measuring card (for the neutral side of the differential protection)
- X4** – TI-4: Standard ground current measuring card (for the line side of the differential protection)
- X5** – DI8-OR4: Assembly Group with 8 Digital Inputs and 4 Output Relays
- X6** – TU: Card with 4 voltage transformer measuring inputs
- X100** – Ethernet interface, 100 Mbit/s, RJ45
- X102** – Universal Resistance-Temperature Detector (URTD) input, Fiber optics interface, ST Connector
- X104** – IRIG-B00X, incl. System Contact (Supervision Contact)

MCDGV4-2A0BHB



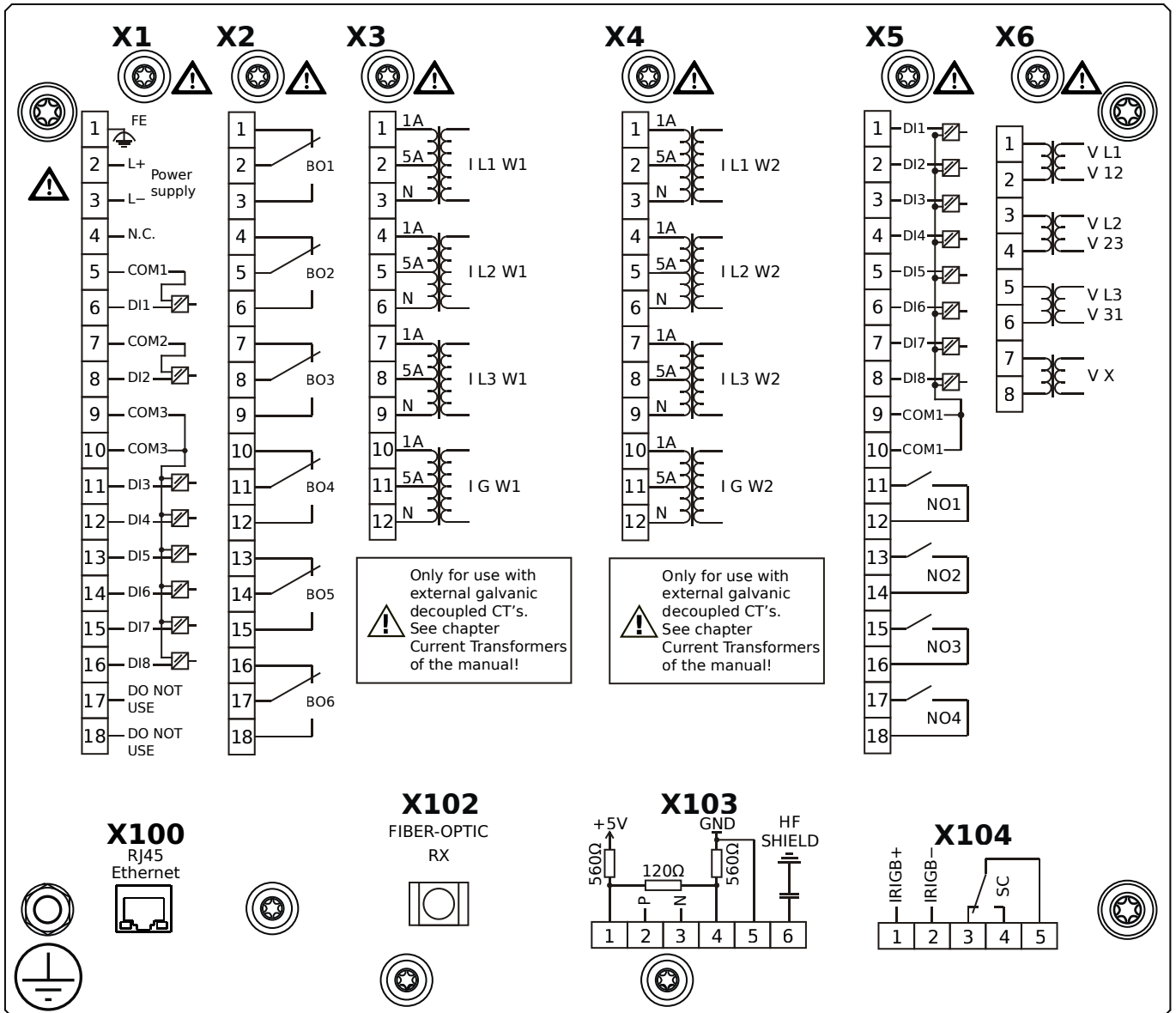
- X1** – DI8-X1: Wide-range power supply unit, incl. 2 non-grouped digital inputs and 6 grouped digital inputs
- X2** – OR-6: Assembly Group with 6 Relay Outputs
- X3** – TI-4: Standard ground current measuring card (for the neutral side of the differential protection)
- X4** – TI-4: Standard ground current measuring card (for the line side of the differential protection)
- X5** – DI8-OR4: Assembly Group with 8 Digital Inputs and 4 Output Relays
- X6** – TU: Card with 4 voltage transformer measuring inputs
- X100** – Ethernet interface, 100 Mbit/s, RJ45
- X102** – Universal Resistance-Temperature Detector (URTD) input, Fiber optics interface, ST Connector
- X104** – IRIG-B00X, incl. System Contact (Supervision Contact)

MCDGV4-2A0BIA



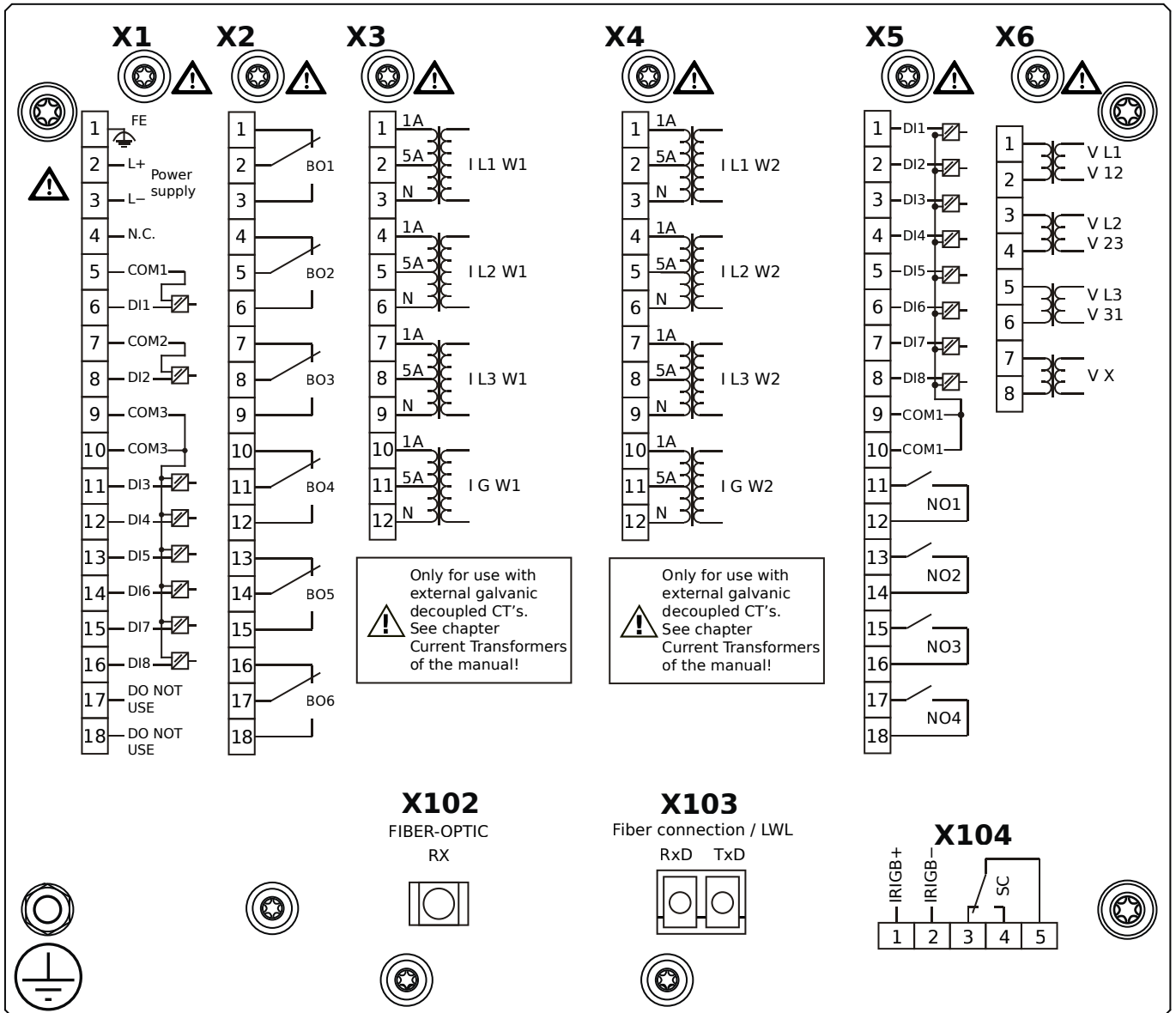
- X1** – DI8-X1: Wide-range power supply unit, incl. 2 non-grouped digital inputs and 6 grouped digital inputs
- X2** – OR-6: Assembly Group with 6 Relay Outputs
- X3** – TI-4: Standard ground current measuring card (for the neutral side of the differential protection)
- X4** – TI-4: Standard ground current measuring card (for the line side of the differential protection)
- X5** – DI8-OR4: Assembly Group with 8 Digital Inputs and 4 Output Relays
- X6** – TU: Card with 4 voltage transformer measuring inputs
- X100** – Ethernet interface, 100 Mbit/s, RJ45
- X102** – Universal Resistance-Temperature Detector (URTD) input, Fiber optics interface, ST Connector
- X103** – RS485, Terminals
- X104** – IRIG-B00X, incl. System Contact (Supervision Contact)

MCDGV4-2A0BIB



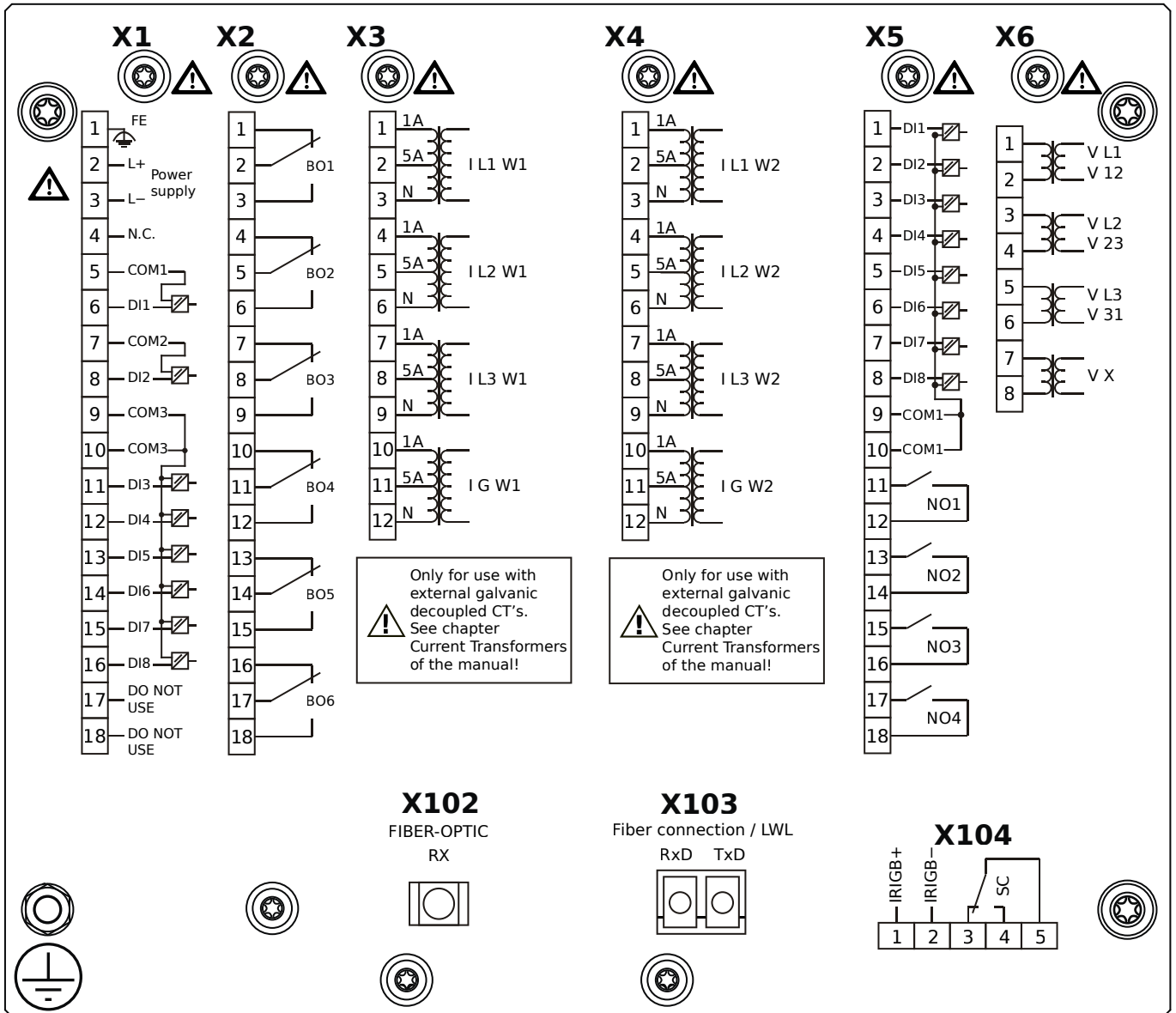
- X1** – DI8-X1: Wide-range power supply unit, incl. 2 non-grouped digital inputs and 6 grouped digital inputs
- X2** – OR-6: Assembly Group with 6 Relay Outputs
- X3** – TI-4: Standard ground current measuring card (for the neutral side of the differential protection)
- X4** – TI-4: Standard ground current measuring card (for the line side of the differential protection)
- X5** – DI8-OR4: Assembly Group with 8 Digital Inputs and 4 Output Relays
- X6** – TU: Card with 4 voltage transformer measuring inputs
- X100** – Ethernet interface, 100 Mbit/s, RJ45
- X102** – Universal Resistance-Temperature Detector (URTD) input, Fiber optics interface, ST Connector
- X103** – RS485, Terminals
- X104** – IRIG-B00X, incl. System Contact (Supervision Contact)

MCDGV4-2A0BKA



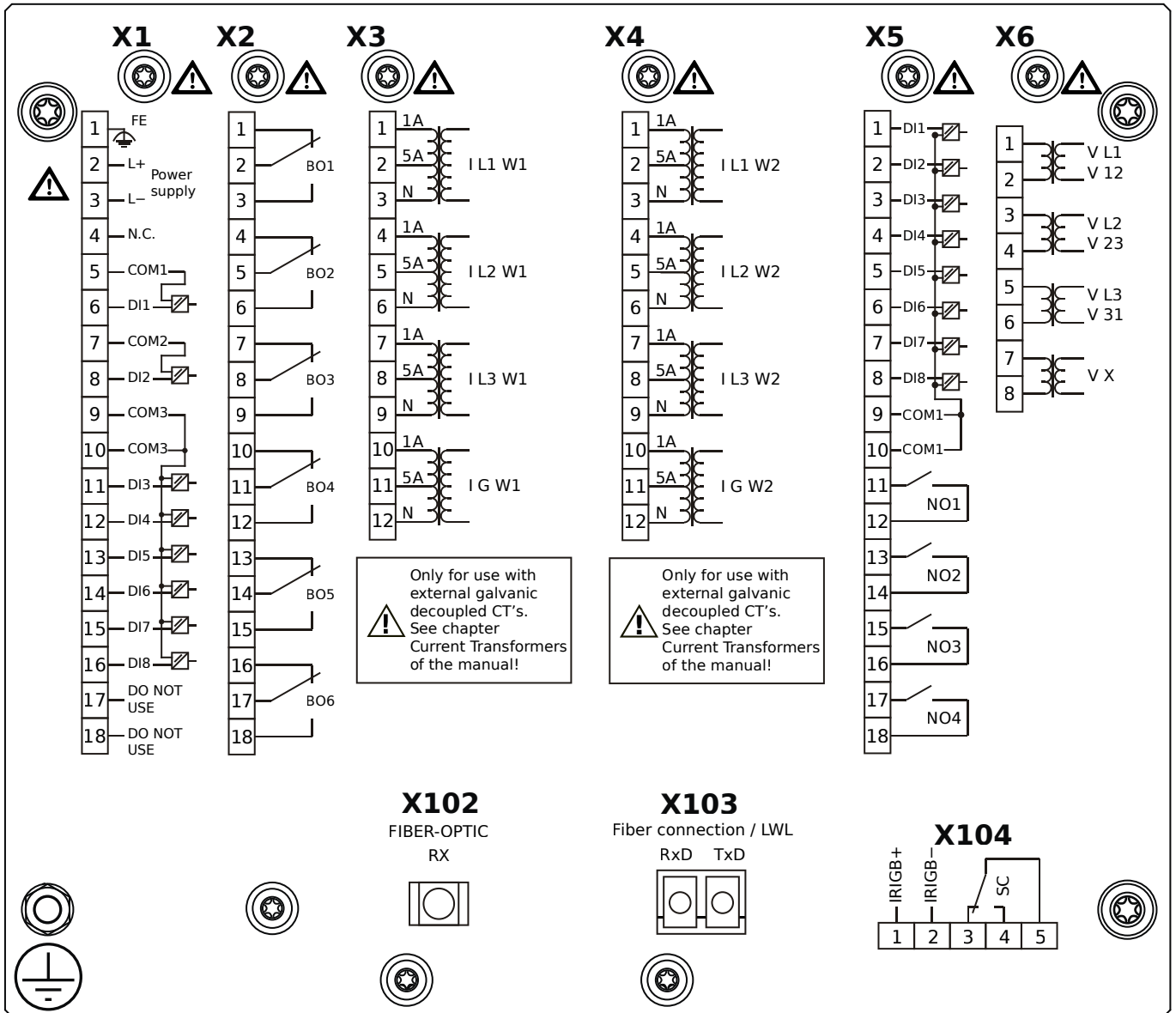
- X1** – DI8-X1: Wide-range power supply unit, incl. 2 non-grouped digital inputs and 6 grouped digital inputs
- X2** – OR-6: Assembly Group with 6 Relay Outputs
- X3** – TI-4: Standard ground current measuring card (for the neutral side of the differential protection)
- X4** – TI-4: Standard ground current measuring card (for the line side of the differential protection)
- X5** – DI8-OR4: Assembly Group with 8 Digital Inputs and 4 Output Relays
- X6** – TU: Card with 4 voltage transformer measuring inputs
- X102** – Universal Resistance-Temperature Detector (URTD) input, Fiber optics interface, ST Connector
- X103** – Fiber optics interface, LC Connector
- X104** – IRIG-B00X, incl. System Contact (Supervision Contact)

MCDGV4-2A0BKB



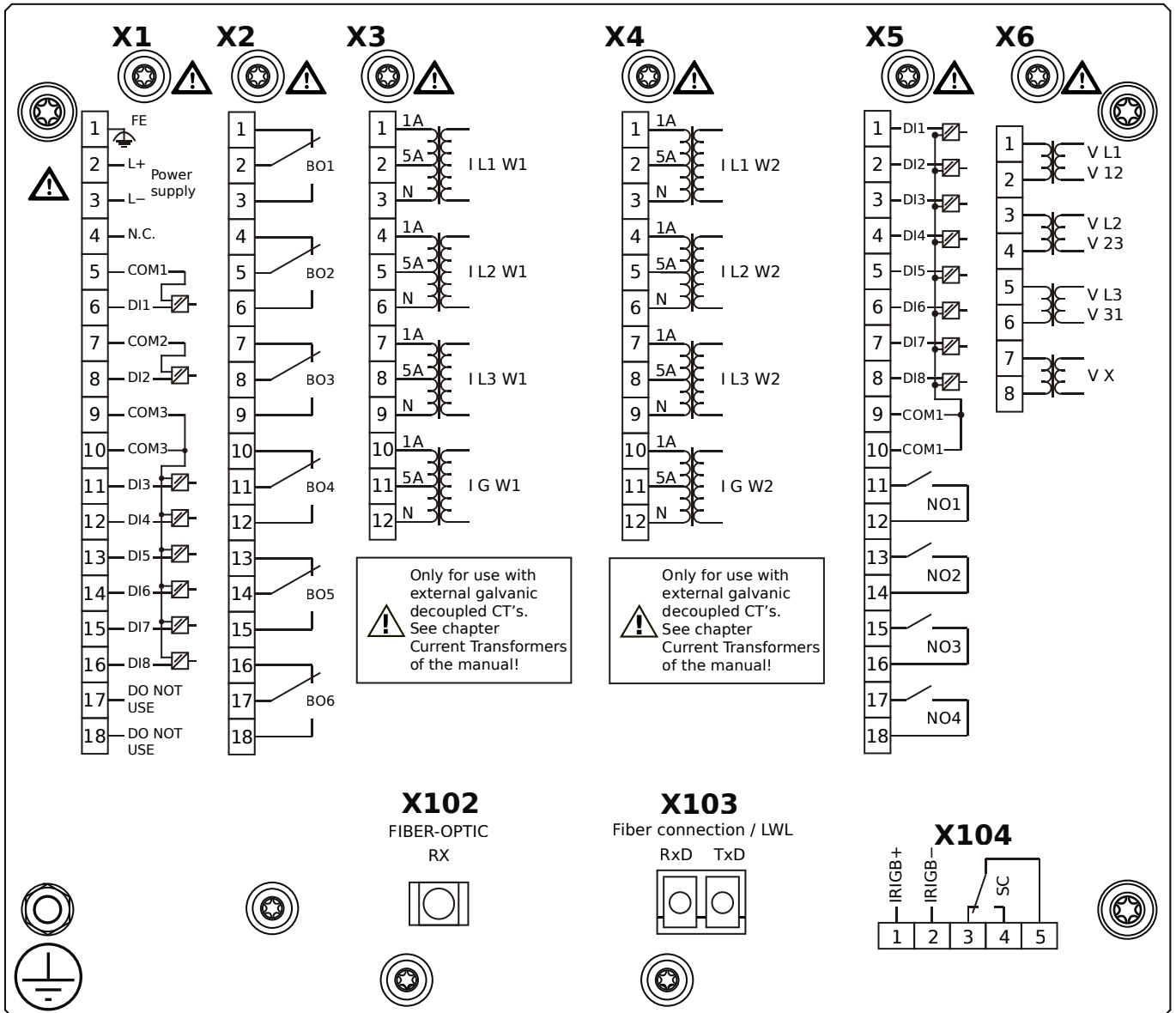
- X1** – DI8-X1: Wide-range power supply unit, incl. 2 non-grouped digital inputs and 6 grouped digital inputs
- X2** – OR-6: Assembly Group with 6 Relay Outputs
- X3** – TI-4: Standard ground current measuring card (for the neutral side of the differential protection)
- X4** – TI-4: Standard ground current measuring card (for the line side of the differential protection)
- X5** – DI8-OR4: Assembly Group with 8 Digital Inputs and 4 Output Relays
- X6** – TU: Card with 4 voltage transformer measuring inputs
- X102** – Universal Resistance-Temperature Detector (URTD) input, Fiber optics interface, ST Connector
- X103** – Fiber optics interface, LC Connector
- X104** – IRIG-B00X, incl. System Contact (Supervision Contact)

MCDGV4-2A0BLA



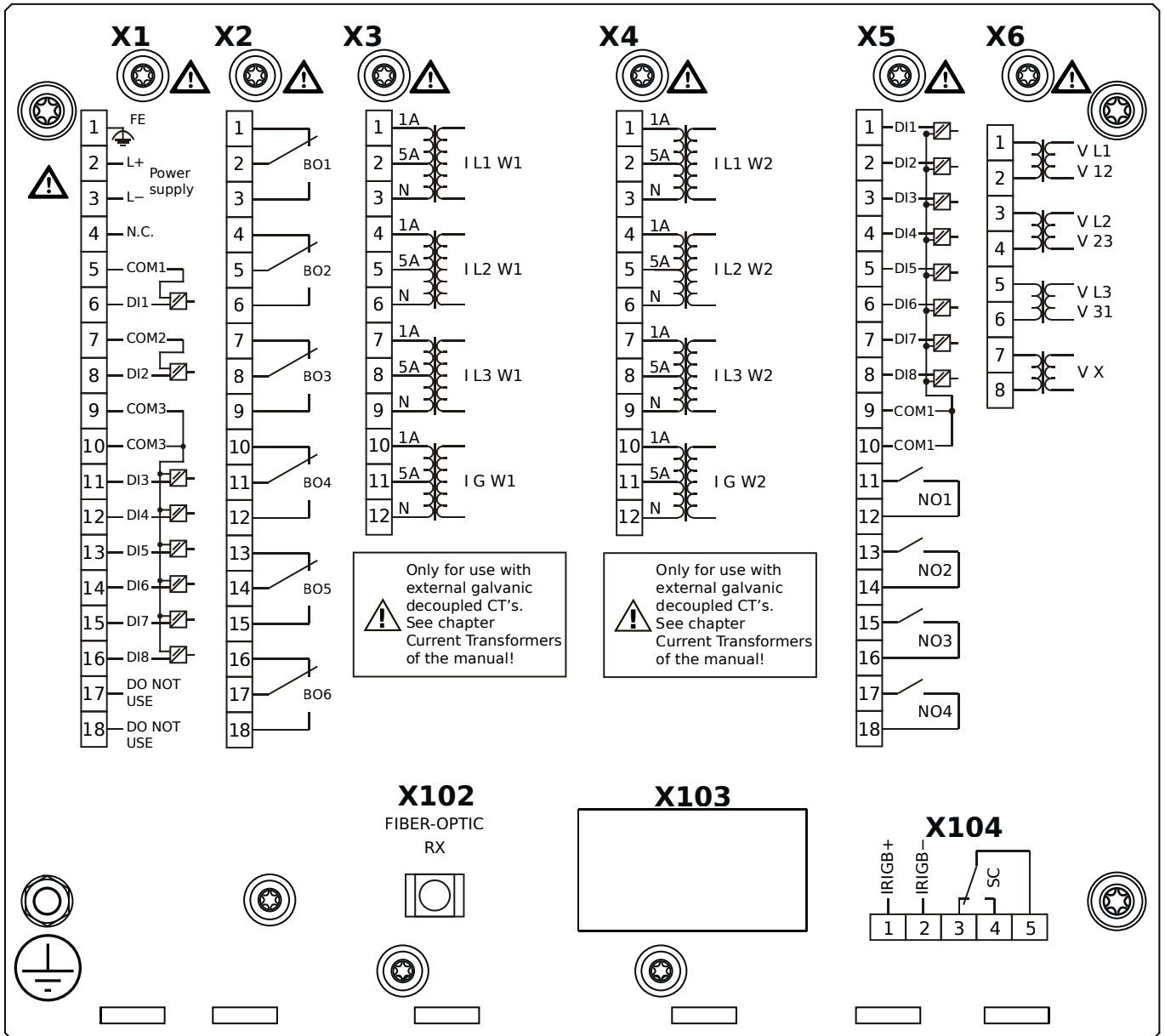
- X1** – DI8-X1: Wide-range power supply unit, incl. 2 non-grouped digital inputs and 6 grouped digital inputs
- X2** – OR-6: Assembly Group with 6 Relay Outputs
- X3** – TI-4: Standard ground current measuring card (for the neutral side of the differential protection)
- X4** – TI-4: Standard ground current measuring card (for the line side of the differential protection)
- X5** – DI8-OR4: Assembly Group with 8 Digital Inputs and 4 Output Relays
- X6** – TU: Card with 4 voltage transformer measuring inputs
- X102** – Universal Resistance-Temperature Detector (URTD) input, Fiber optics interface, ST Connector
- X103** – Fiber optics interface, LC Connector
- X104** – IRIG-B00X, incl. System Contact (Supervision Contact)

MCDGV4-2A0BLB



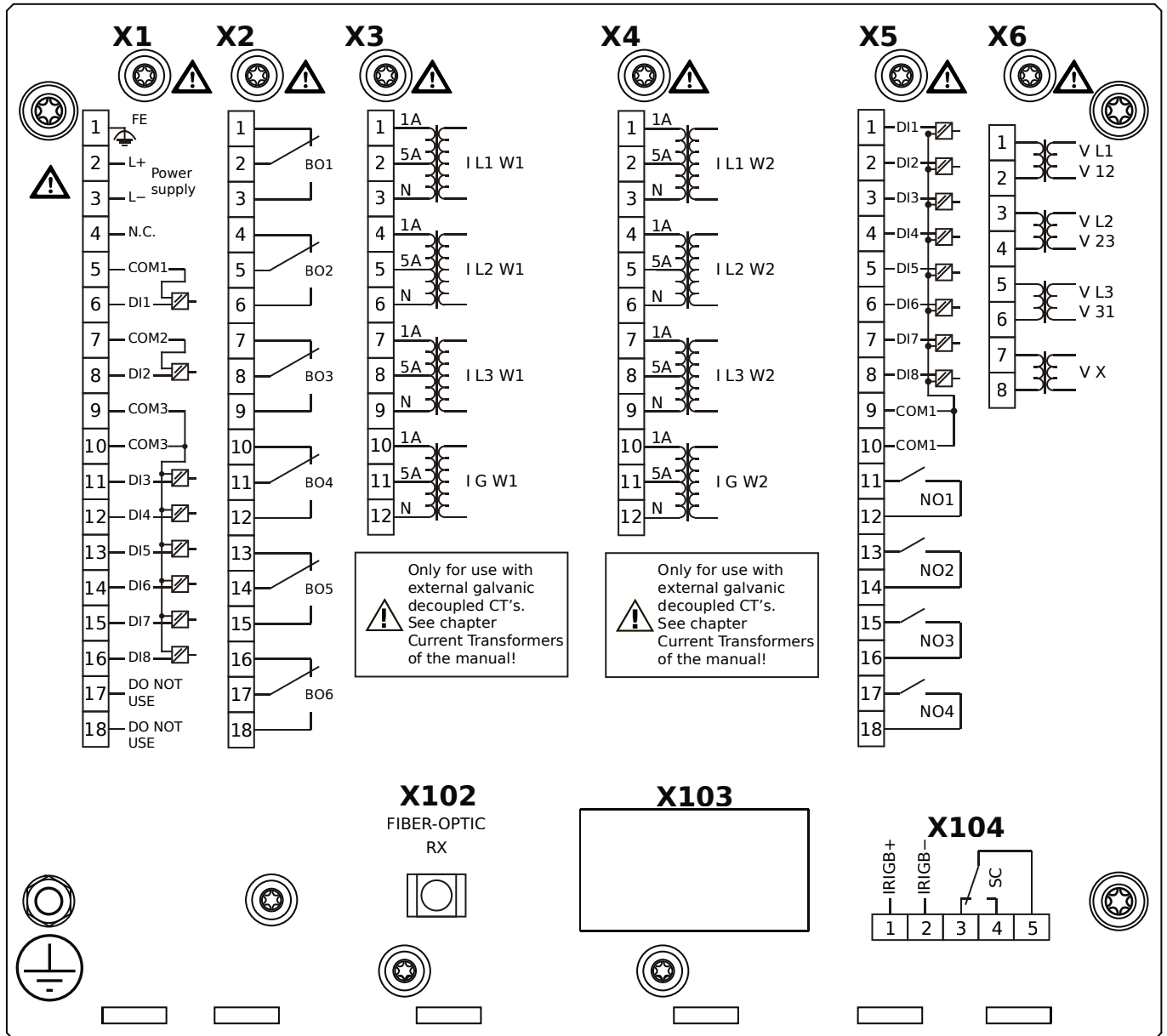
- X1** – DI8-X1: Wide-range power supply unit, incl. 2 non-grouped digital inputs and 6 grouped digital inputs
- X2** – OR-6: Assembly Group with 6 Relay Outputs
- X3** – TI-4: Standard ground current measuring card (for the neutral side of the differential protection)
- X4** – TI-4: Standard ground current measuring card (for the line side of the differential protection)
- X5** – DI8-OR4: Assembly Group with 8 Digital Inputs and 4 Output Relays
- X6** – TU: Card with 4 voltage transformer measuring inputs
- X102** – Universal Resistance-Temperature Detector (URTD) input, Fiber optics interface, ST Connector
- X103** – Fiber optics interface, LC Connector
- X104** – IRIG-B00X, incl. System Contact (Supervision Contact)

MCDGV4-2A0HAA



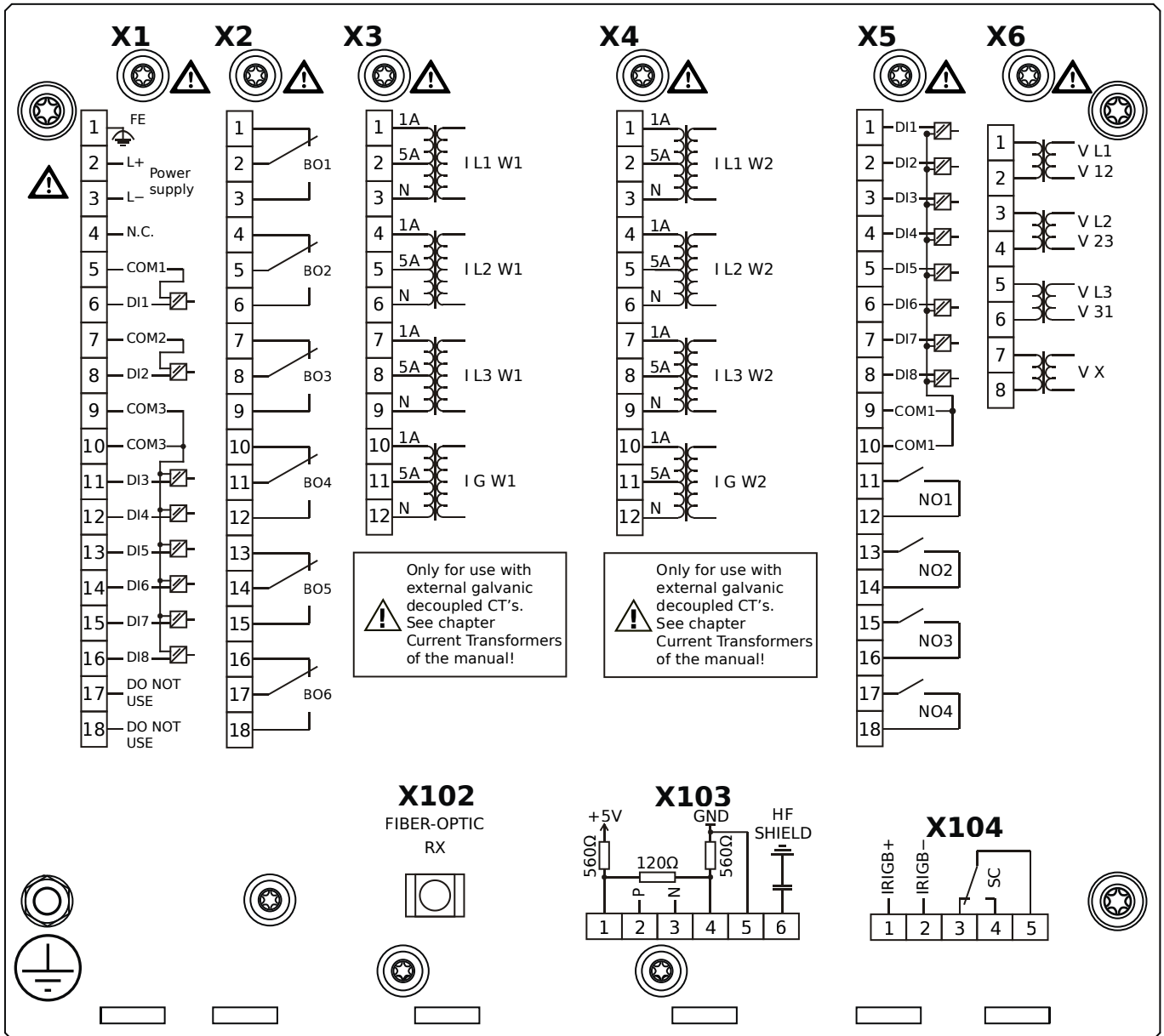
- X1** – DI8-X1: Wide-range power supply unit, incl. 2 non-grouped digital inputs and 6 grouped digital inputs
- X2** – OR-6: Assembly Group with 6 Relay Outputs
- X3** – TI-4: Standard ground current measuring card (for the neutral side of the differential protection)
- X4** – TI-4: Standard ground current measuring card (for the line side of the differential protection)
- X5** – DI8-OR4: Assembly Group with 8 Digital Inputs and 4 Output Relays
- X6** – TU: Card with 4 voltage transformer measuring inputs
- X102** – Universal Resistance-Temperature Detector (URTD) input, Fiber optics interface, ST Connector
- X104** – IRIG-B00X, incl. System Contact (Supervision Contact)

MCDGV4-2A0HAB



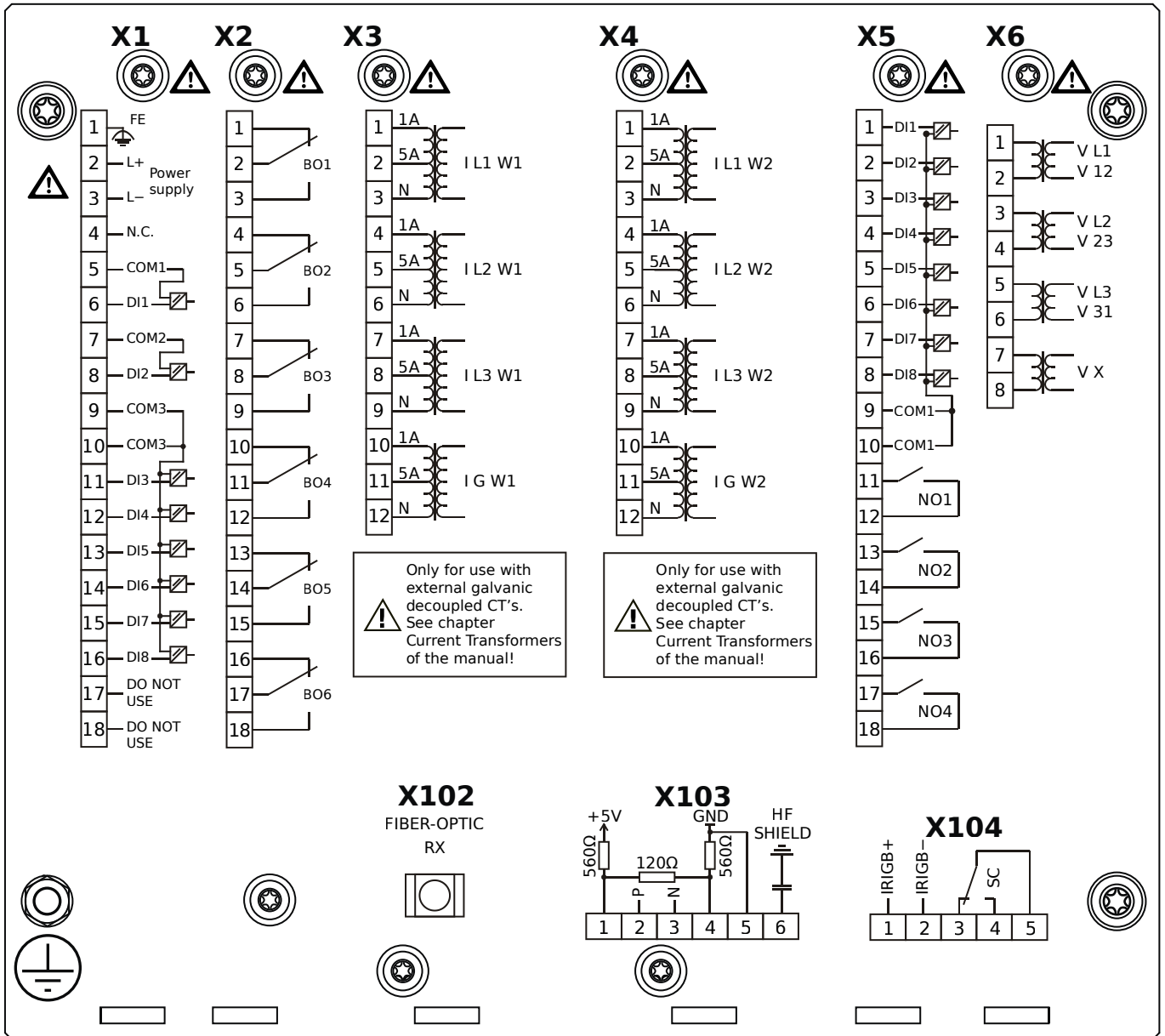
- X1** – DI8-X1: Wide-range power supply unit, incl. 2 non-grouped digital inputs and 6 grouped digital inputs
- X2** – OR-6: Assembly Group with 6 Relay Outputs
- X3** – TI-4: Standard ground current measuring card (for the neutral side of the differential protection)
- X4** – TI-4: Standard ground current measuring card (for the line side of the differential protection)
- X5** – DI8-OR4: Assembly Group with 8 Digital Inputs and 4 Output Relays
- X6** – TU: Card with 4 voltage transformer measuring inputs
- X102** – Universal Resistance-Temperature Detector (URTD) input, Fiber optics interface, ST Connector
- X104** – IRIG-B00X, incl. System Contact (Supervision Contact)

MCDGV4-2A0HBA



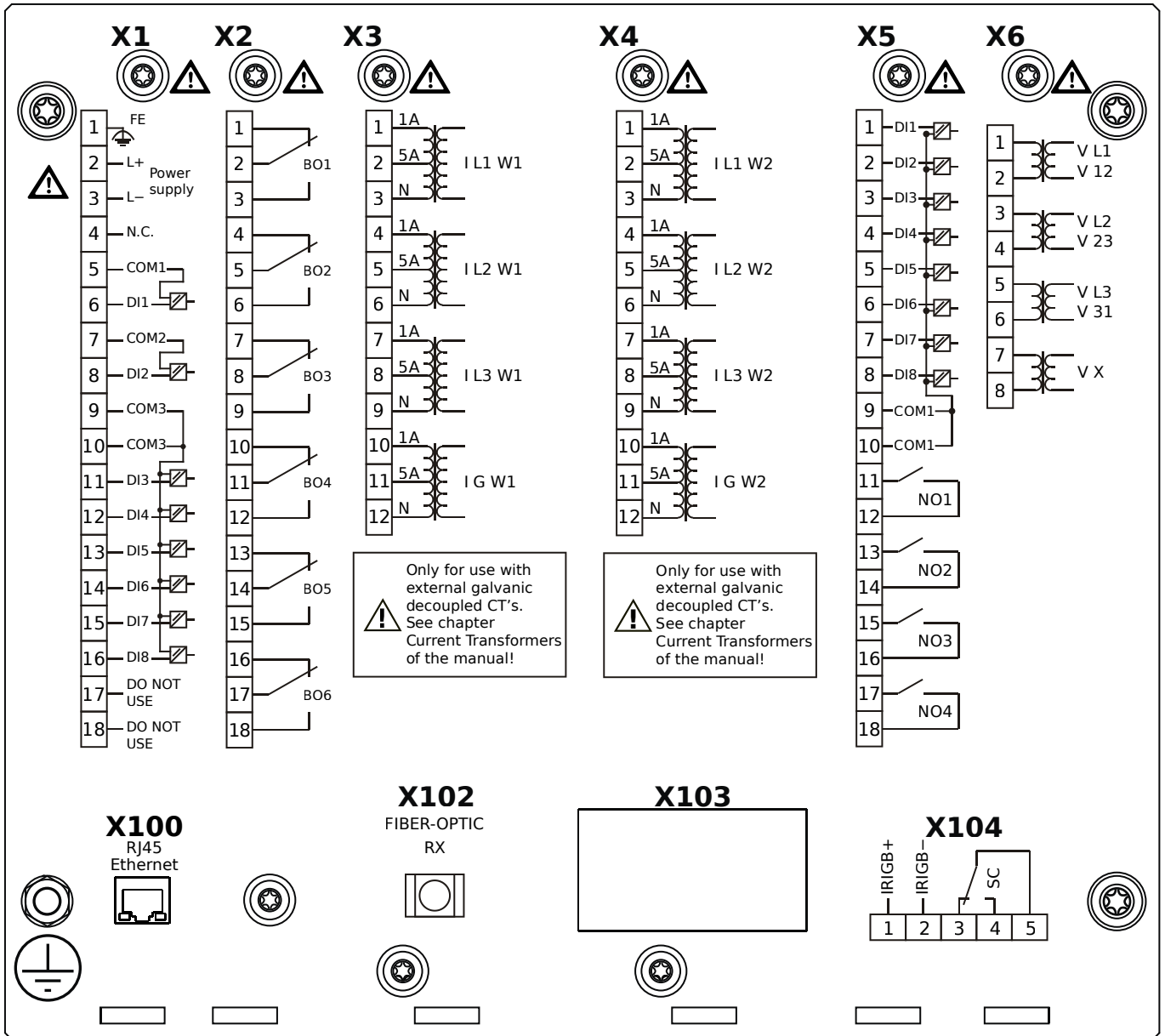
- X1** – DI8-X1: Wide-range power supply unit, incl. 2 non-grouped digital inputs and 6 grouped digital inputs
- X2** – OR-6: Assembly Group with 6 Relay Outputs
- X3** – TI-4: Standard ground current measuring card (for the neutral side of the differential protection)
- X4** – TI-4: Standard ground current measuring card (for the line side of the differential protection)
- X5** – DI8-OR4: Assembly Group with 8 Digital Inputs and 4 Output Relays
- X6** – TU: Card with 4 voltage transformer measuring inputs
- X102** – Universal Resistance-Temperature Detector (URTD) input, Fiber optics interface, ST Connector
- X103** – RS485, Terminals
- X104** – IRIG-B00X, incl. System Contact (Supervision Contact)

MCDGV4-2A0HBB



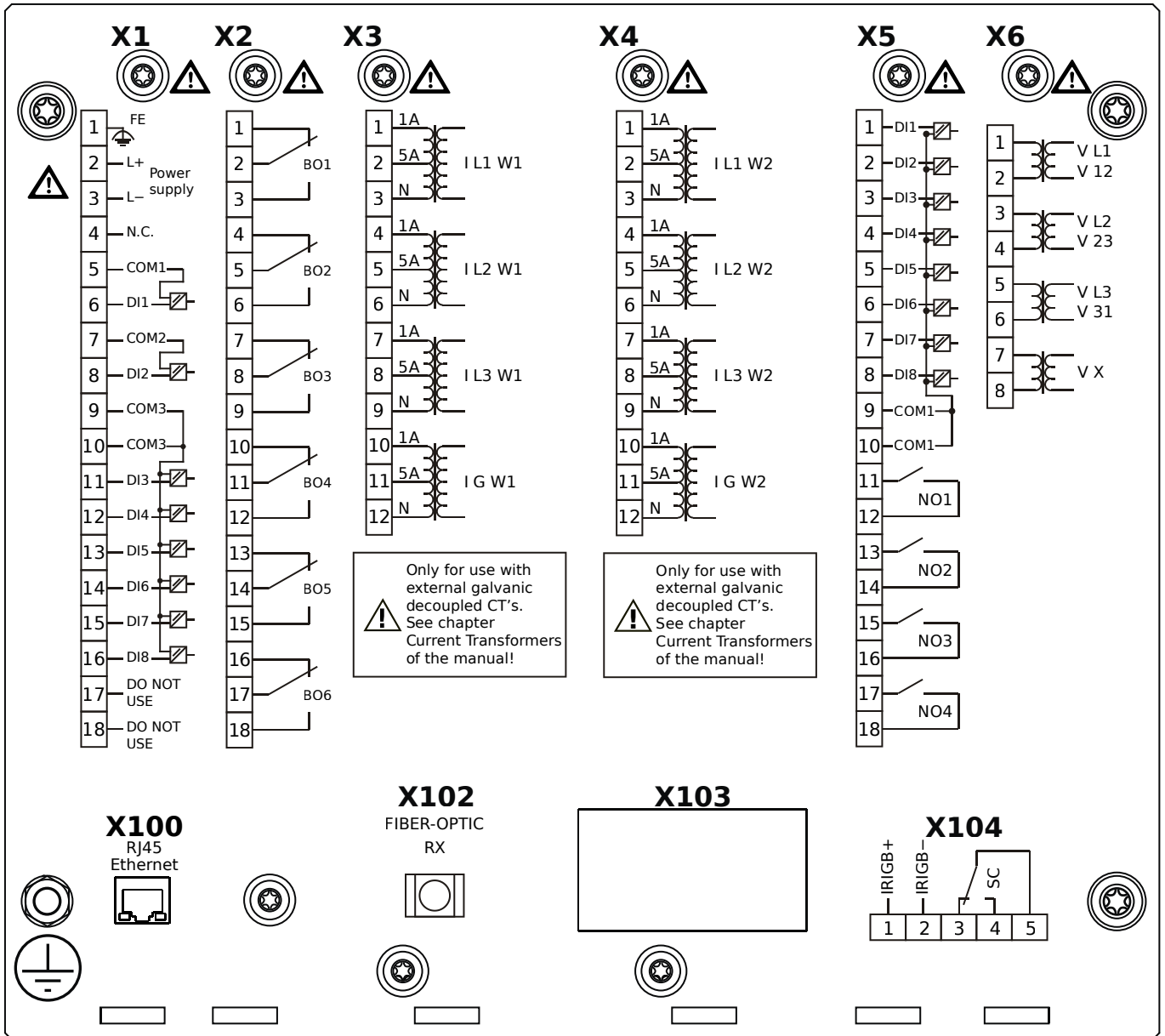
- X1** – DI8-X1: Wide-range power supply unit, incl. 2 non-grouped digital inputs and 6 grouped digital inputs
- X2** – OR-6: Assembly Group with 6 Relay Outputs
- X3** – TI-4: Standard ground current measuring card (for the neutral side of the differential protection)
- X4** – TI-4: Standard ground current measuring card (for the line side of the differential protection)
- X5** – DI8-OR4: Assembly Group with 8 Digital Inputs and 4 Output Relays
- X6** – TU: Card with 4 voltage transformer measuring inputs
- X102** – Universal Resistance-Temperature Detector (URTD) input, Fiber optics interface, ST Connector
- X103** – RS485, Terminals
- X104** – IRIG-B00X, incl. System Contact (Supervision Contact)

MCDGV4-2A0HCA



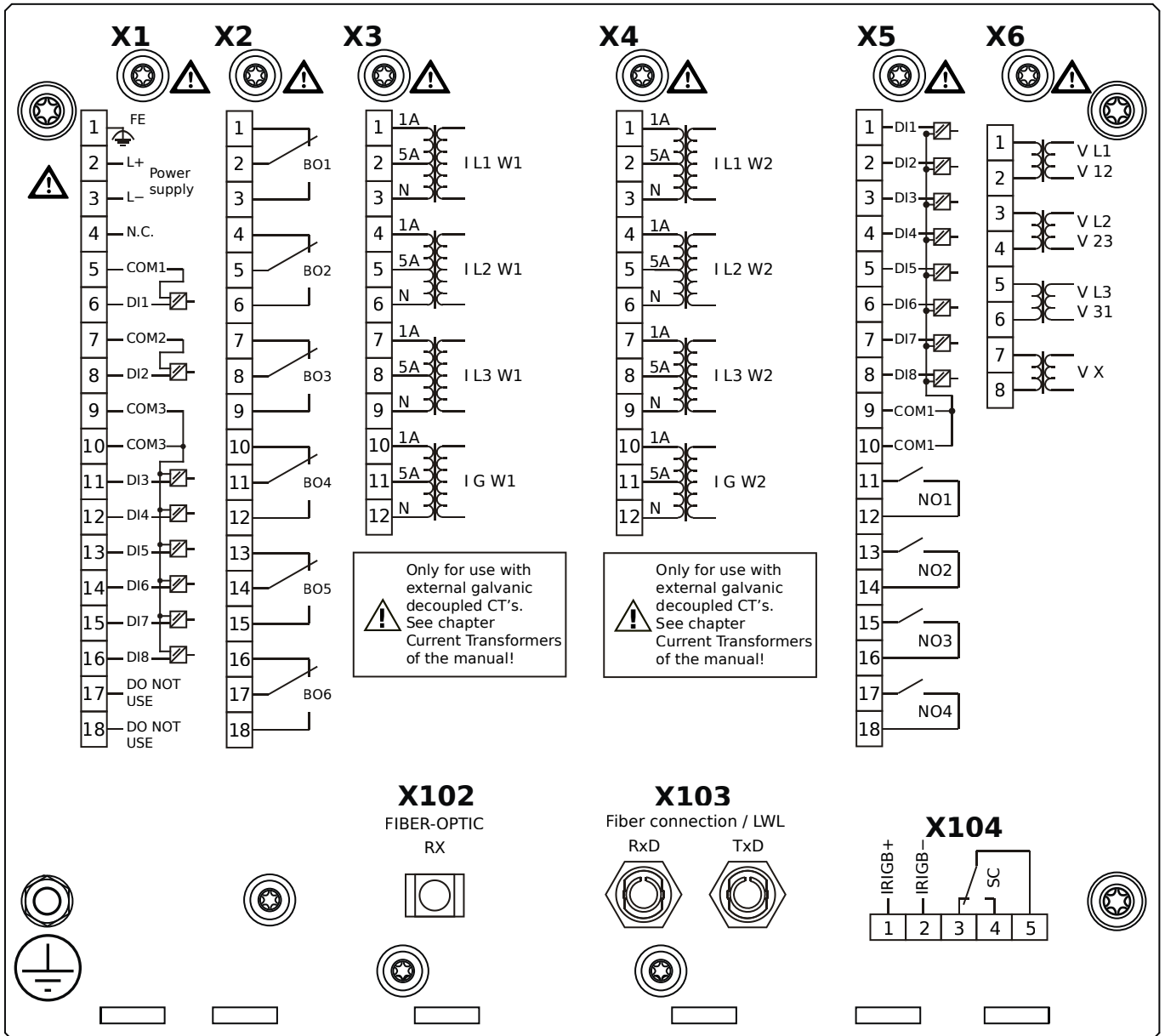
- X1** – DI8-X1: Wide-range power supply unit, incl. 2 non-grouped digital inputs and 6 grouped digital inputs
- X2** – OR-6: Assembly Group with 6 Relay Outputs
- X3** – TI-4: Standard ground current measuring card (for the neutral side of the differential protection)
- X4** – TI-4: Standard ground current measuring card (for the line side of the differential protection)
- X5** – DI8-OR4: Assembly Group with 8 Digital Inputs and 4 Output Relays
- X6** – TU: Card with 4 voltage transformer measuring inputs
- X100** – Ethernet interface, 100 Mbit/s, RJ45
- X102** – Universal Resistance-Temperature Detector (URTD) input, Fiber optics interface, ST Connector
- X104** – IRIG-B00X, incl. System Contact (Supervision Contact)

MCDGV4-2A0HCB



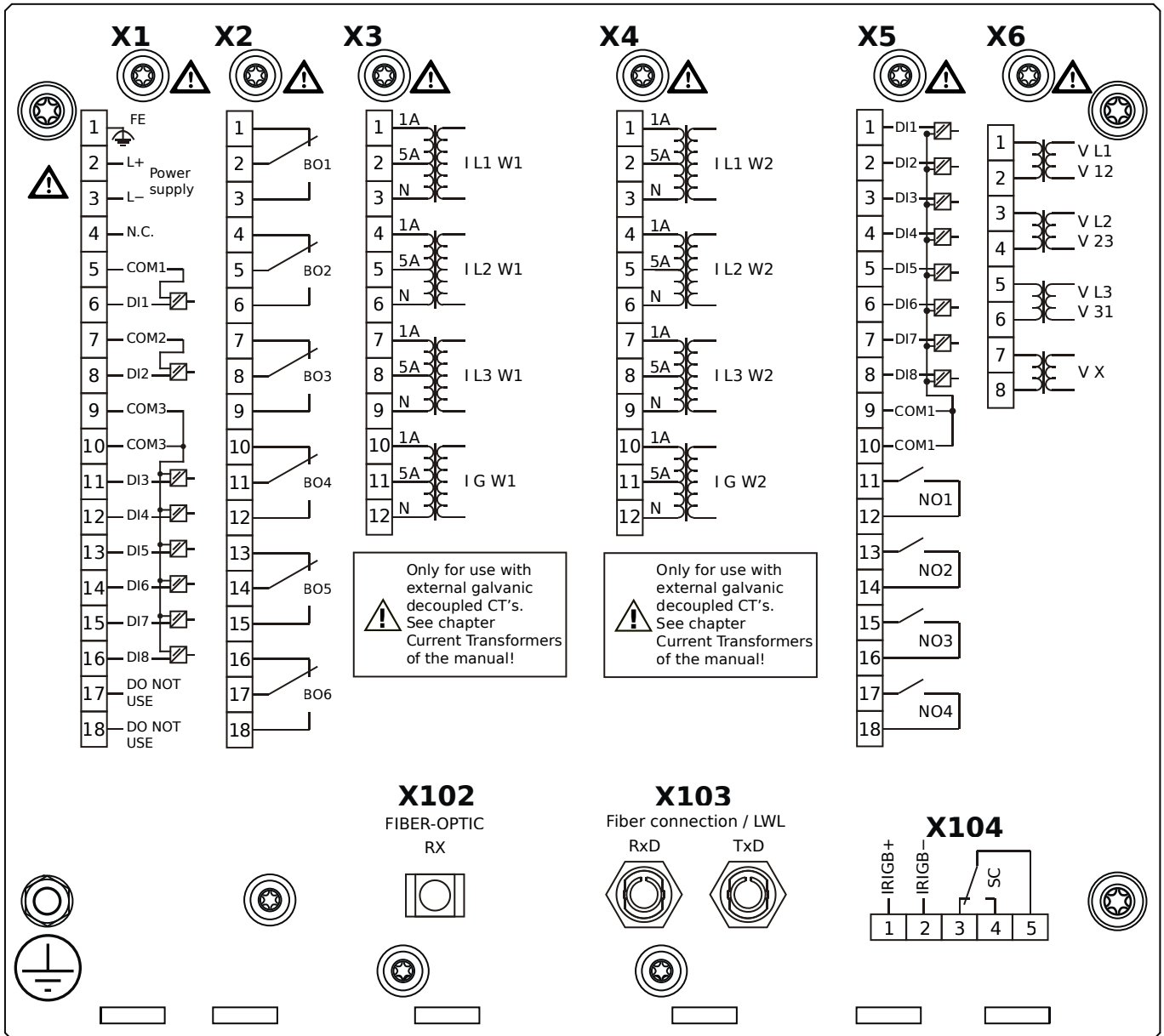
- X1** – DI8-X1: Wide-range power supply unit, incl. 2 non-grouped digital inputs and 6 grouped digital inputs
- X2** – OR-6: Assembly Group with 6 Relay Outputs
- X3** – TI-4: Standard ground current measuring card (for the neutral side of the differential protection)
- X4** – TI-4: Standard ground current measuring card (for the line side of the differential protection)
- X5** – DI8-OR4: Assembly Group with 8 Digital Inputs and 4 Output Relays
- X6** – TU: Card with 4 voltage transformer measuring inputs
- X100** – Ethernet interface, 100 Mbit/s, RJ45
- X102** – Universal Resistance-Temperature Detector (URTD) input, Fiber optics interface, ST Connector
- X104** – IRIG-B00X, incl. System Contact (Supervision Contact)

MCDGV4-2A0HDA



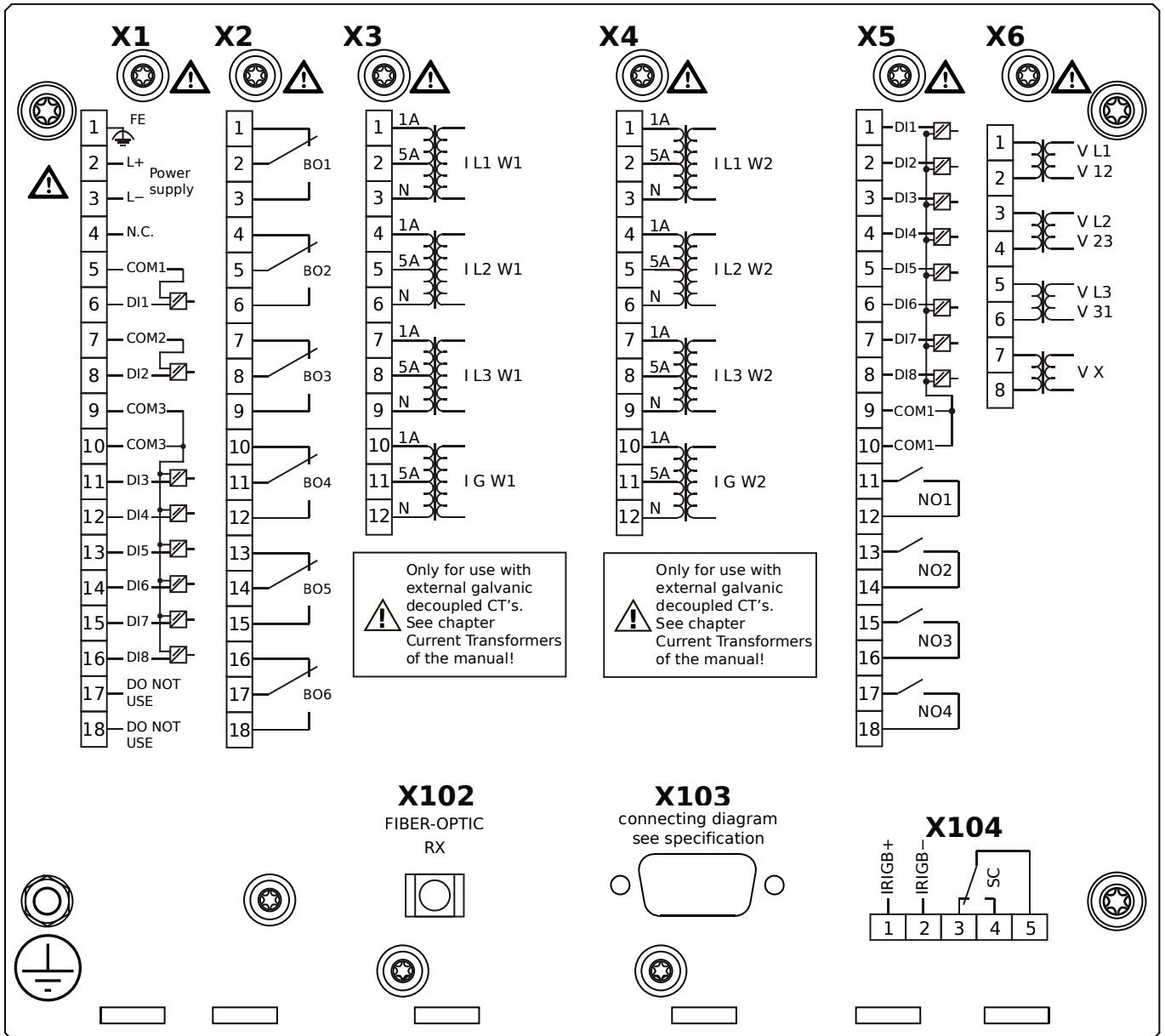
- X1** – DI8-X1: Wide-range power supply unit, incl. 2 non-grouped digital inputs and 6 grouped digital inputs
- X2** – OR-6: Assembly Group with 6 Relay Outputs
- X3** – TI-4: Standard ground current measuring card (for the neutral side of the differential protection)
- X4** – TI-4: Standard ground current measuring card (for the line side of the differential protection)
- X5** – DI8-OR4: Assembly Group with 8 Digital Inputs and 4 Output Relays
- X6** – TU: Card with 4 voltage transformer measuring inputs
- X102** – Universal Resistance-Temperature Detector (URTD) input, Fiber optics interface, ST Connector
- X103** – Fiber optics interface, ST Connector
- X104** – IRIG-B00X, incl. System Contact (Supervision Contact)

MCDGV4-2A0HDB



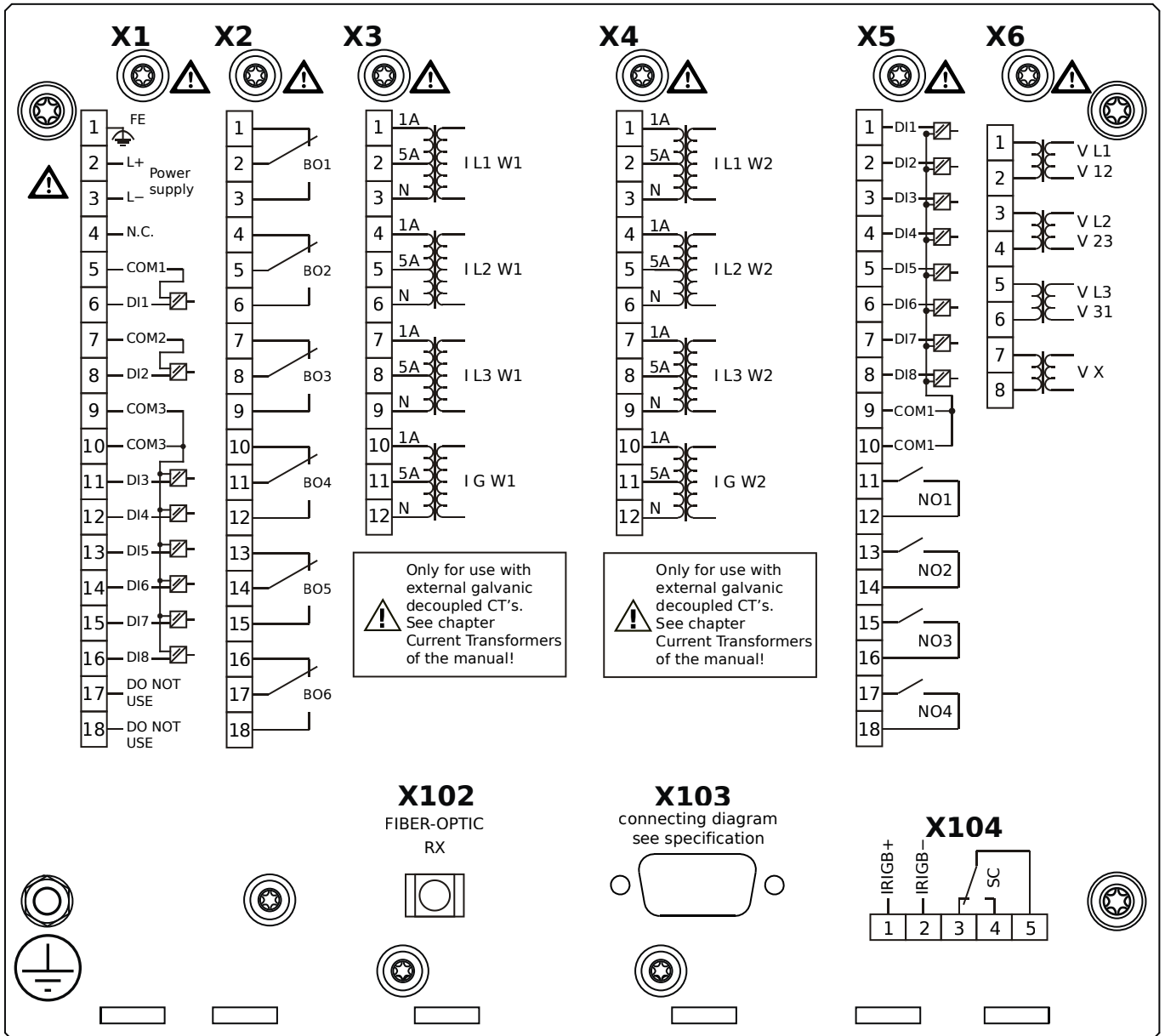
- X1** – DI8-X1: Wide-range power supply unit, incl. 2 non-grouped digital inputs and 6 grouped digital inputs
- X2** – OR-6: Assembly Group with 6 Relay Outputs
- X3** – TI-4: Standard ground current measuring card (for the neutral side of the differential protection)
- X4** – TI-4: Standard ground current measuring card (for the line side of the differential protection)
- X5** – DI8-OR4: Assembly Group with 8 Digital Inputs and 4 Output Relays
- X6** – TU: Card with 4 voltage transformer measuring inputs
- X102** – Universal Resistance-Temperature Detector (URTD) input, Fiber optics interface, ST Connector
- X103** – Fiber optics interface, ST Connector
- X104** – IRIG-B00X, incl. System Contact (Supervision Contact)

MCDGV4-2A0HEA



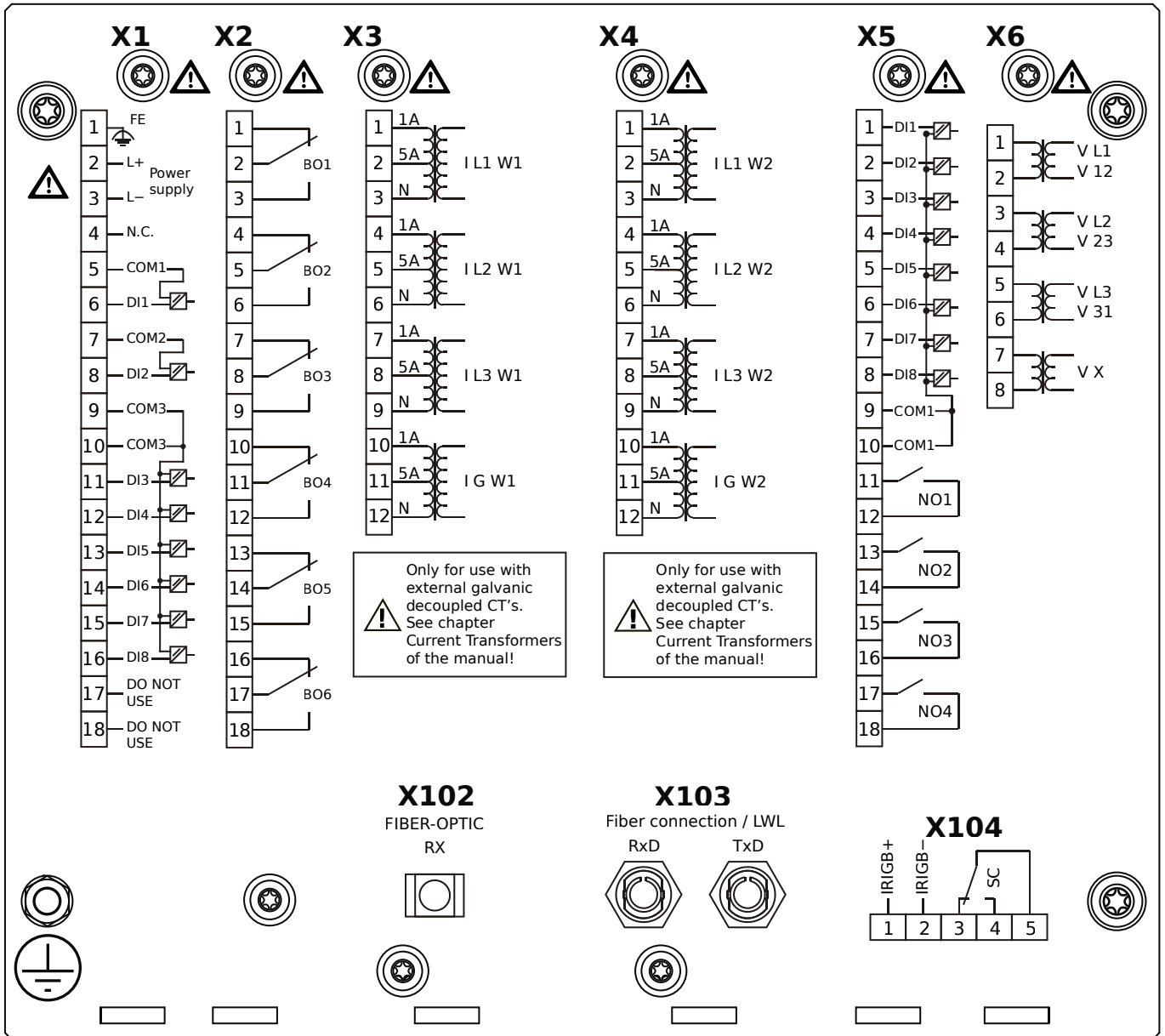
- X1** – DI8-X1: Wide-range power supply unit, incl. 2 non-grouped digital inputs and 6 grouped digital inputs
- X2** – OR-6: Assembly Group with 6 Relay Outputs
- X3** – TI-4: Standard ground current measuring card (for the neutral side of the differential protection)
- X4** – TI-4: Standard ground current measuring card (for the line side of the differential protection)
- X5** – DI8-OR4: Assembly Group with 8 Digital Inputs and 4 Output Relays
- X6** – TU: Card with 4 voltage transformer measuring inputs
- X102** – Universal Resistance-Temperature Detector (URTD) input, Fiber optics interface, ST Connector
- X103** – RS485, D-SUB
- X104** – IRIG-B00X, incl. System Contact (Supervision Contact)

MCDGV4-2A0HEB



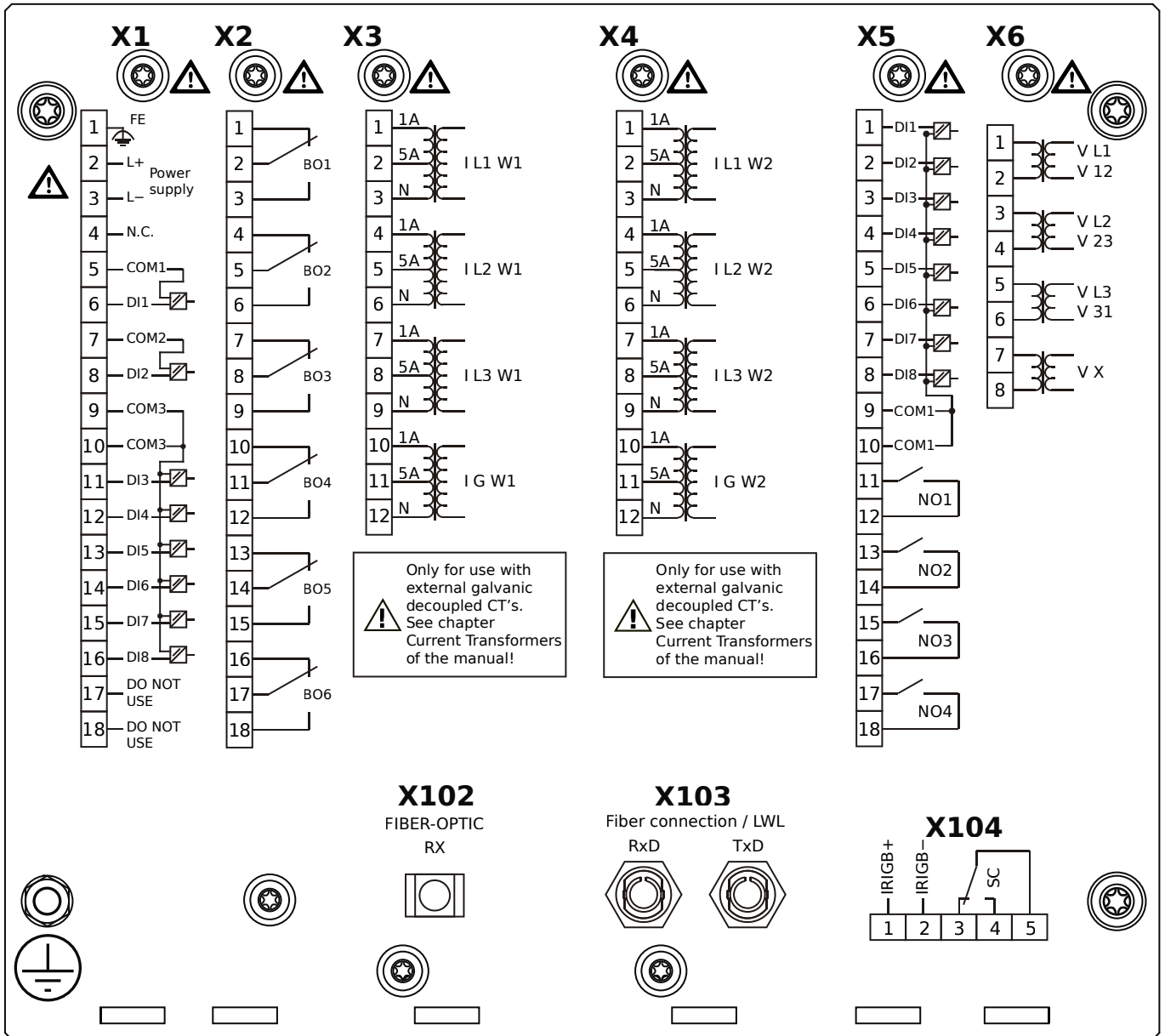
- X1** – DI8-X1: Wide-range power supply unit, incl. 2 non-grouped digital inputs and 6 grouped digital inputs
- X2** – OR-6: Assembly Group with 6 Relay Outputs
- X3** – TI-4: Standard ground current measuring card (for the neutral side of the differential protection)
- X4** – TI-4: Standard ground current measuring card (for the line side of the differential protection)
- X5** – DI8-OR4: Assembly Group with 8 Digital Inputs and 4 Output Relays
- X6** – TU: Card with 4 voltage transformer measuring inputs
- X102** – Universal Resistance-Temperature Detector (URTD) input, Fiber optics interface, ST Connector
- X103** – RS485, D-SUB
- X104** – IRIG-B00X, incl. System Contact (Supervision Contact)

MCDGV4-2A0HFA



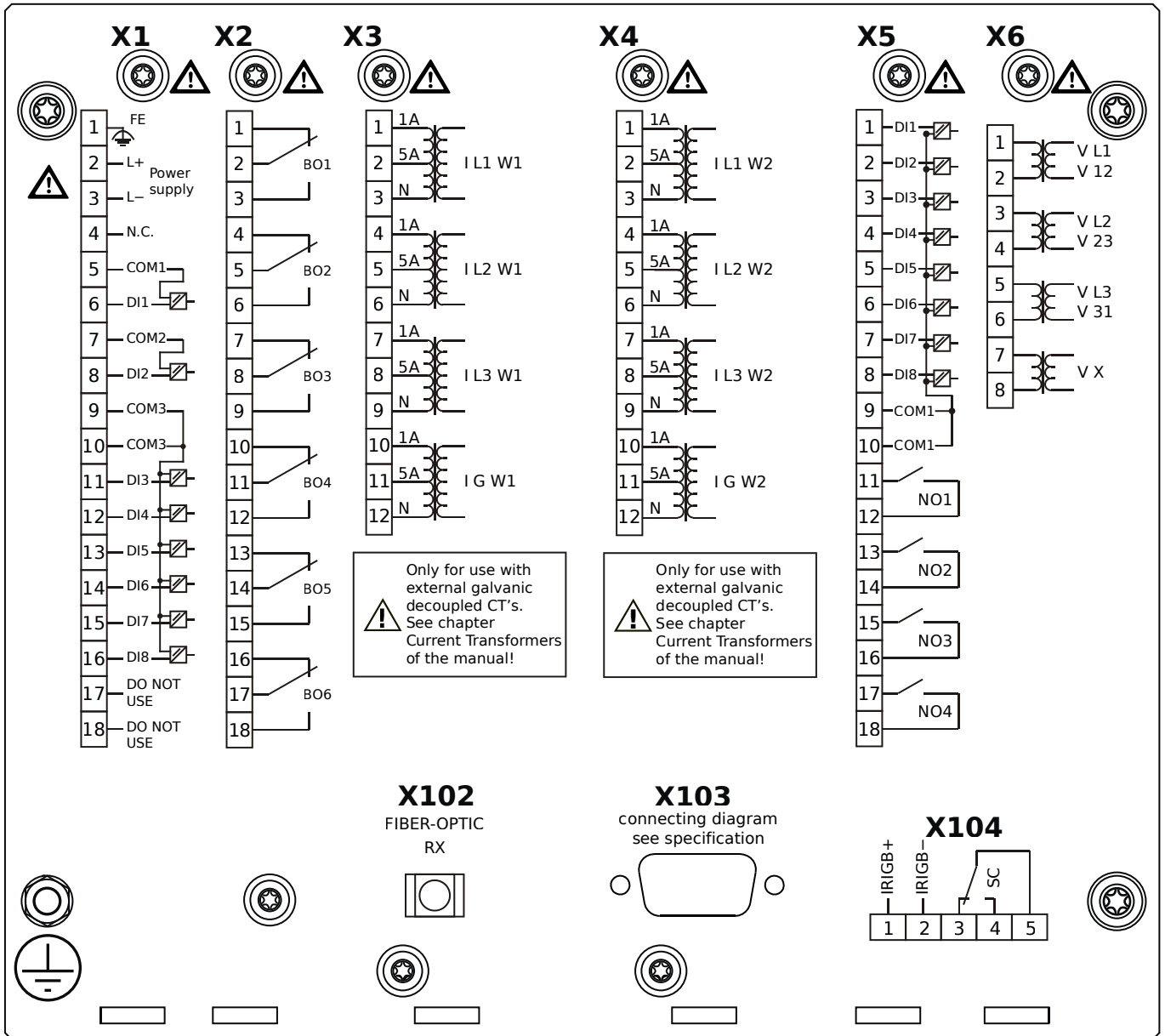
- X1** – DI8-X1: Wide-range power supply unit, incl. 2 non-grouped digital inputs and 6 grouped digital inputs
- X2** – OR-6: Assembly Group with 6 Relay Outputs
- X3** – TI-4: Standard ground current measuring card (for the neutral side of the differential protection)
- X4** – TI-4: Standard ground current measuring card (for the line side of the differential protection)
- X5** – DI8-OR4: Assembly Group with 8 Digital Inputs and 4 Output Relays
- X6** – TU: Card with 4 voltage transformer measuring inputs
- X102** – Universal Resistance-Temperature Detector (URTD) input, Fiber optics interface, ST Connector
- X103** – Fiber optics interface, ST Connector
- X104** – IRIG-B00X, incl. System Contact (Supervision Contact)

MCDGV4-2A0HFB



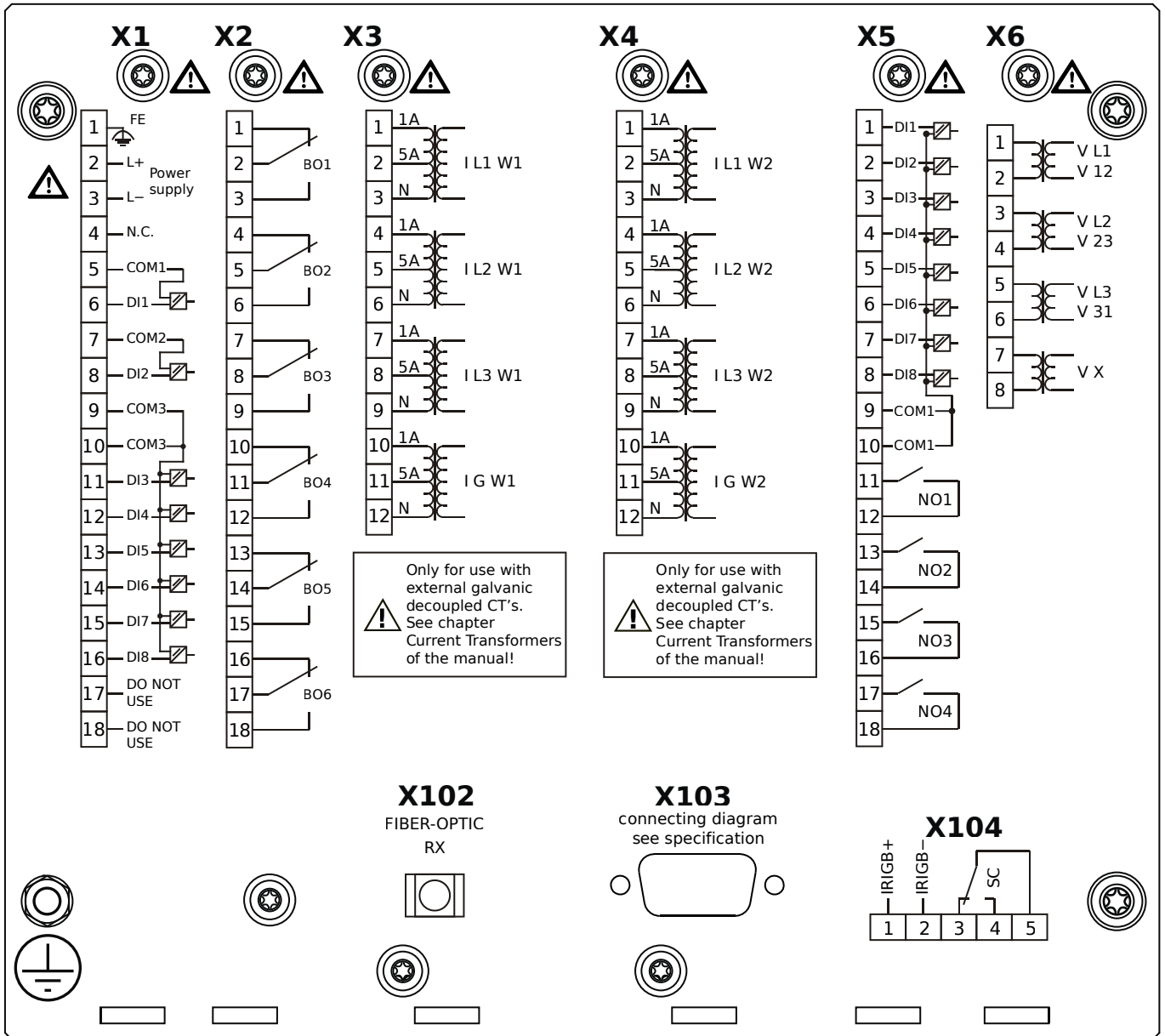
- X1** – DI8-X1: Wide-range power supply unit, incl. 2 non-grouped digital inputs and 6 grouped digital inputs
- X2** – OR-6: Assembly Group with 6 Relay Outputs
- X3** – TI-4: Standard ground current measuring card (for the neutral side of the differential protection)
- X4** – TI-4: Standard ground current measuring card (for the line side of the differential protection)
- X5** – DI8-OR4: Assembly Group with 8 Digital Inputs and 4 Output Relays
- X6** – TU: Card with 4 voltage transformer measuring inputs
- X102** – Universal Resistance-Temperature Detector (URTD) input, Fiber optics interface, ST Connector
- X103** – Fiber optics interface, ST Connector
- X104** – IRIG-B00X, incl. System Contact (Supervision Contact)

MCDGV4-2A0HGA



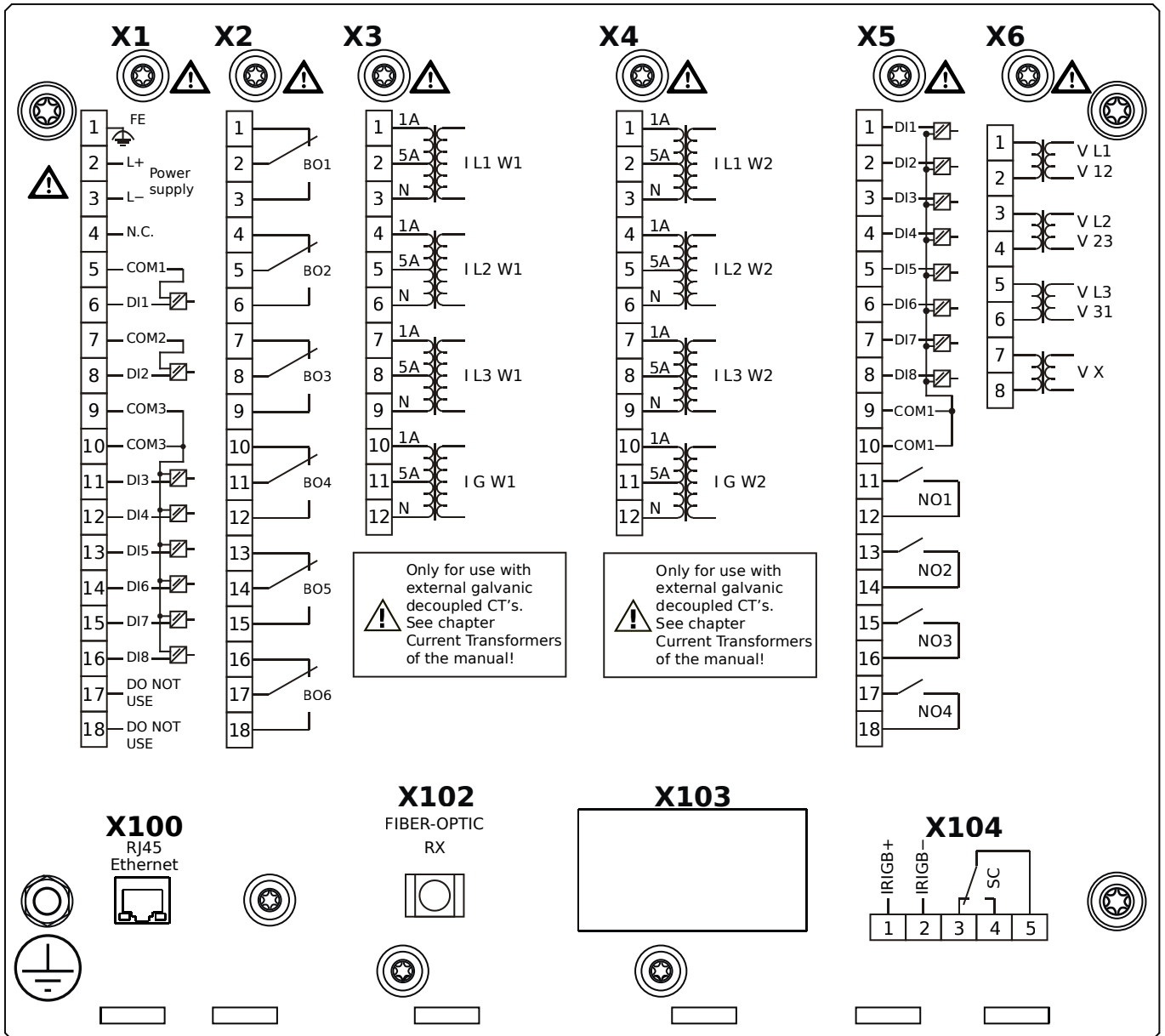
- X1** – DI8-X1: Wide-range power supply unit, incl. 2 non-grouped digital inputs and 6 grouped digital inputs
- X2** – OR-6: Assembly Group with 6 Relay Outputs
- X3** – TI-4: Standard ground current measuring card (for the neutral side of the differential protection)
- X4** – TI-4: Standard ground current measuring card (for the line side of the differential protection)
- X5** – DI8-OR4: Assembly Group with 8 Digital Inputs and 4 Output Relays
- X6** – TU: Card with 4 voltage transformer measuring inputs
- X102** – Universal Resistance-Temperature Detector (URTD) input, Fiber optics interface, ST Connector
- X103** – RS485, D-SUB
- X104** – IRIG-B00X, incl. System Contact (Supervision Contact)

MCDGV4-2A0HGB



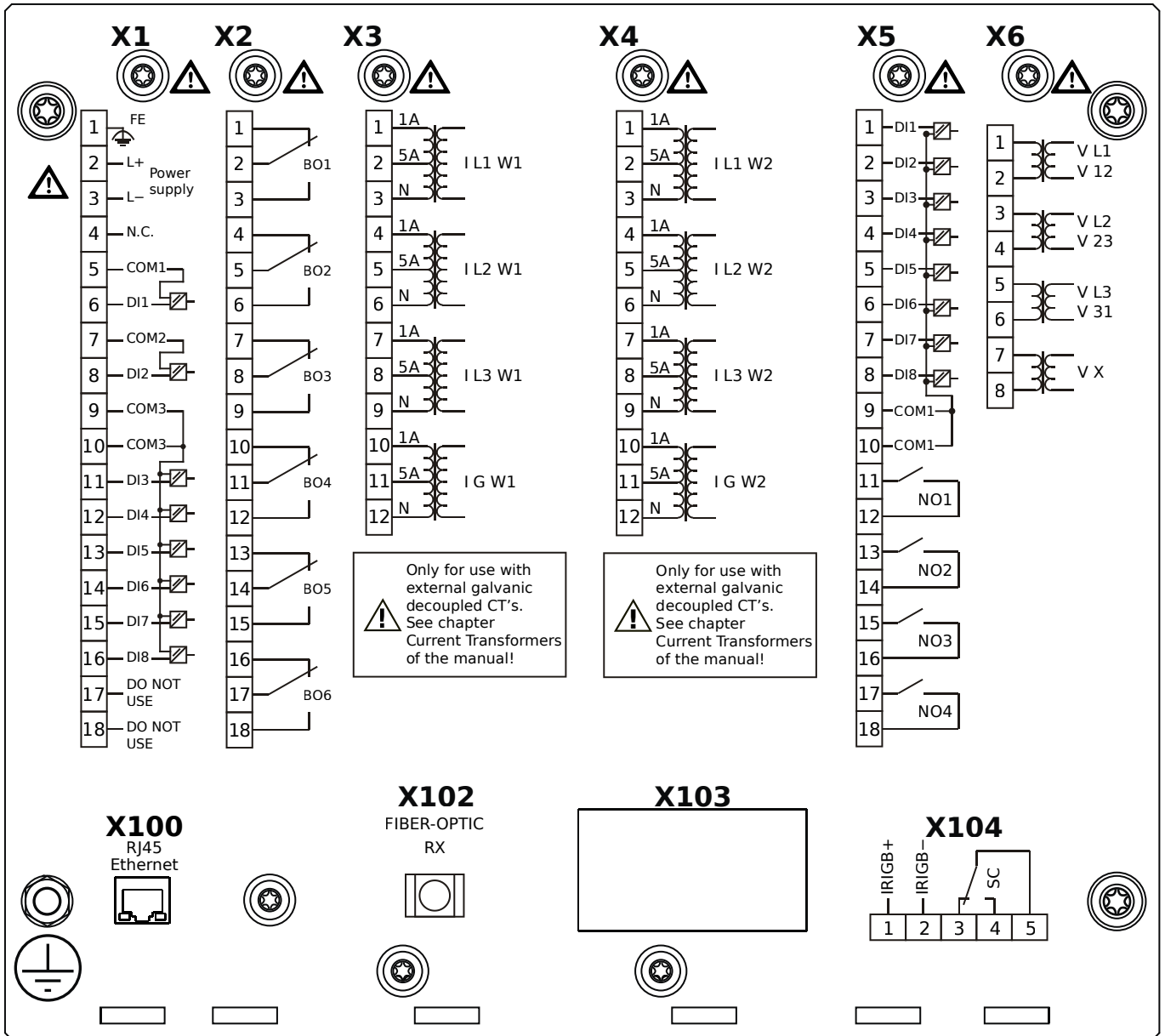
- X1** – DI8-X1: Wide-range power supply unit, incl. 2 non-grouped digital inputs and 6 grouped digital inputs
- X2** – OR-6: Assembly Group with 6 Relay Outputs
- X3** – TI-4: Standard ground current measuring card (for the neutral side of the differential protection)
- X4** – TI-4: Standard ground current measuring card (for the line side of the differential protection)
- X5** – DI8-OR4: Assembly Group with 8 Digital Inputs and 4 Output Relays
- X6** – TU: Card with 4 voltage transformer measuring inputs
- X102** – Universal Resistance-Temperature Detector (URTD) input, Fiber optics interface, ST Connector
- X103** – RS485, D-SUB
- X104** – IRIG-B00X, incl. System Contact (Supervision Contact)

MCDGV4-2A0HHA



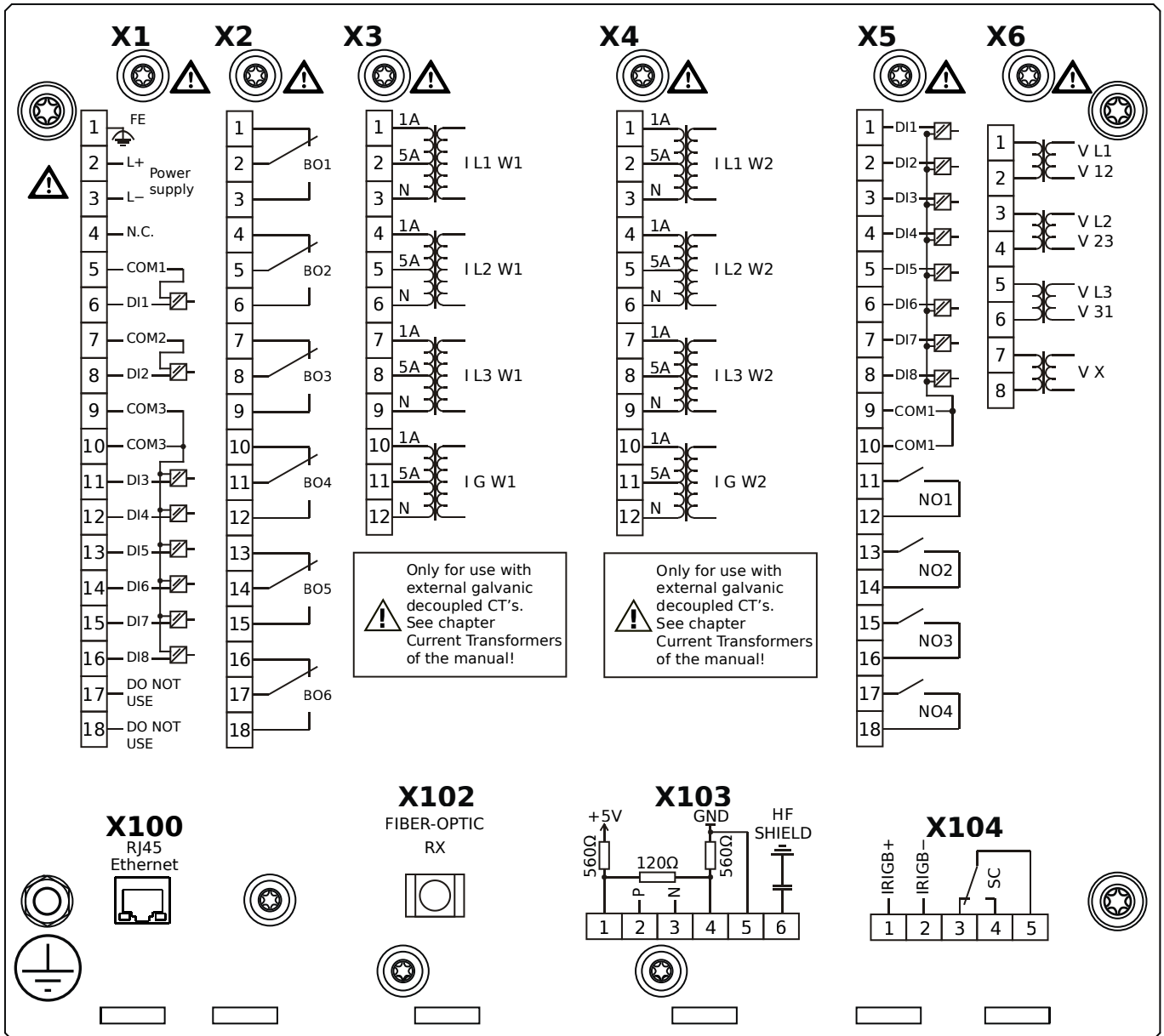
- X1** – DI8-X1: Wide-range power supply unit, incl. 2 non-grouped digital inputs and 6 grouped digital inputs
- X2** – OR-6: Assembly Group with 6 Relay Outputs
- X3** – TI-4: Standard ground current measuring card (for the neutral side of the differential protection)
- X4** – TI-4: Standard ground current measuring card (for the line side of the differential protection)
- X5** – DI8-OR4: Assembly Group with 8 Digital Inputs and 4 Output Relays
- X6** – TU: Card with 4 voltage transformer measuring inputs
- X100** – Ethernet interface, 100 Mbit/s, RJ45
- X102** – Universal Resistance-Temperature Detector (URTD) input, Fiber optics interface, ST Connector
- X104** – IRIG-B00X, incl. System Contact (Supervision Contact)

MCDGV4-2A0HHB



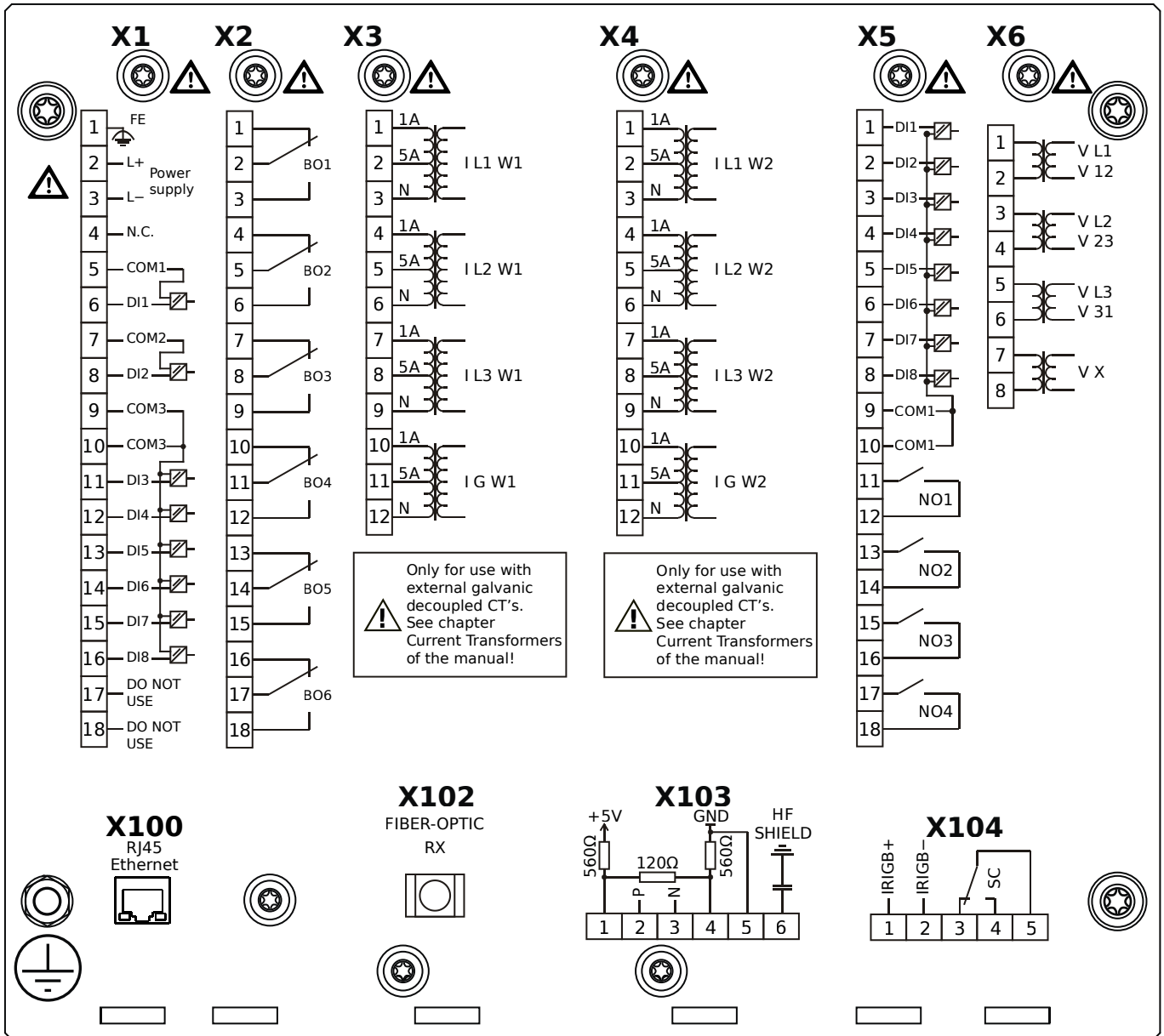
- X1** – DI8-X1: Wide-range power supply unit, incl. 2 non-grouped digital inputs and 6 grouped digital inputs
- X2** – OR-6: Assembly Group with 6 Relay Outputs
- X3** – TI-4: Standard ground current measuring card (for the neutral side of the differential protection)
- X4** – TI-4: Standard ground current measuring card (for the line side of the differential protection)
- X5** – DI8-OR4: Assembly Group with 8 Digital Inputs and 4 Output Relays
- X6** – TU: Card with 4 voltage transformer measuring inputs
- X100** – Ethernet interface, 100 Mbit/s, RJ45
- X102** – Universal Resistance-Temperature Detector (URTD) input, Fiber optics interface, ST Connector
- X104** – IRIG-B00X, incl. System Contact (Supervision Contact)

MCDGV4-2A0HIA



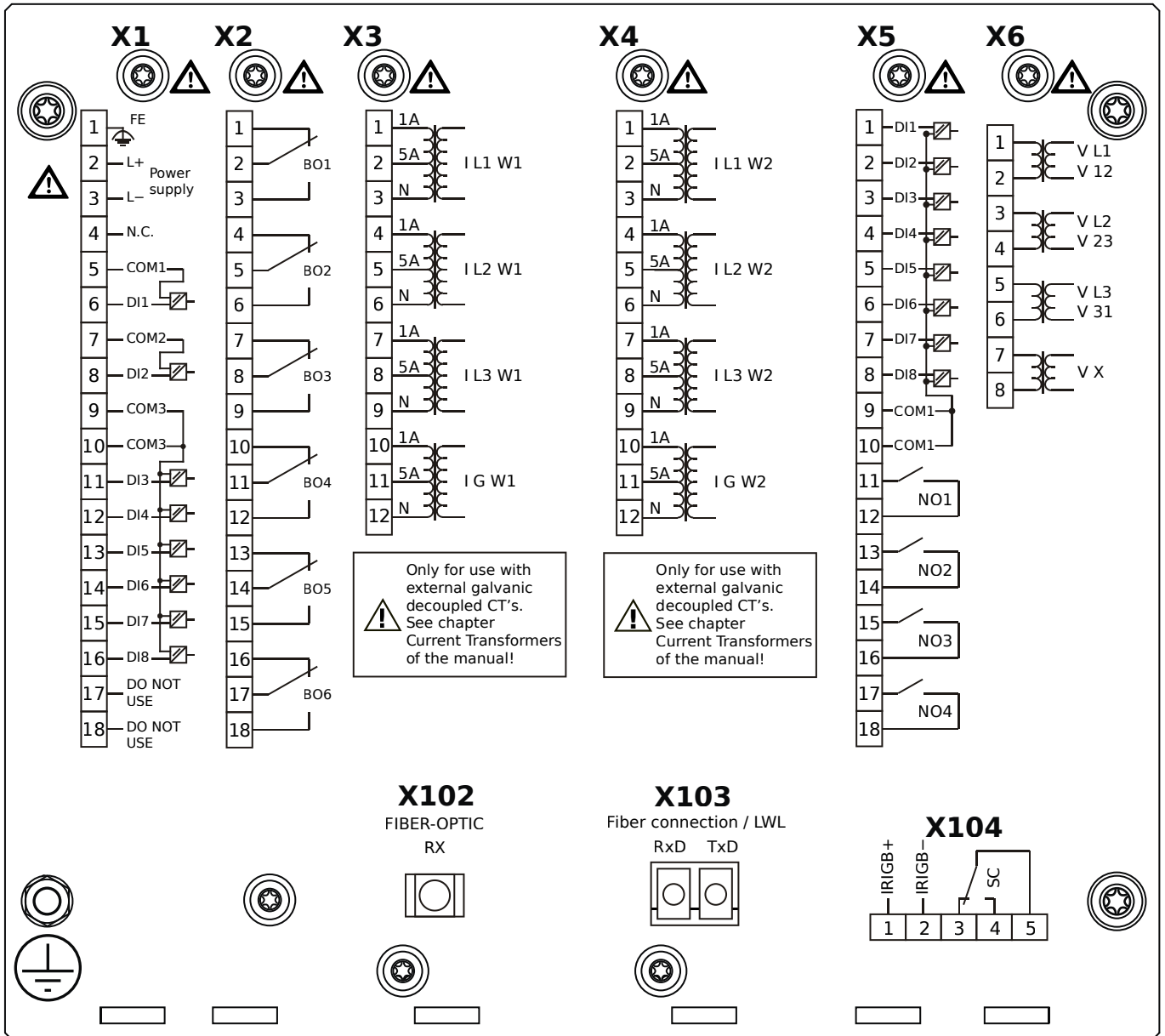
- X1** – DI8-X1: Wide-range power supply unit, incl. 2 non-grouped digital inputs and 6 grouped digital inputs
- X2** – OR-6: Assembly Group with 6 Relay Outputs
- X3** – TI-4: Standard ground current measuring card (for the neutral side of the differential protection)
- X4** – TI-4: Standard ground current measuring card (for the line side of the differential protection)
- X5** – DI8-OR4: Assembly Group with 8 Digital Inputs and 4 Output Relays
- X6** – TU: Card with 4 voltage transformer measuring inputs
- X100** – Ethernet interface, 100 Mbit/s, RJ45
- X102** – Universal Resistance-Temperature Detector (URTD) input, Fiber optics interface, ST Connector
- X103** – RS485, Terminals
- X104** – IRIG-B00X, incl. System Contact (Supervision Contact)

MCDGV4-2A0HIB



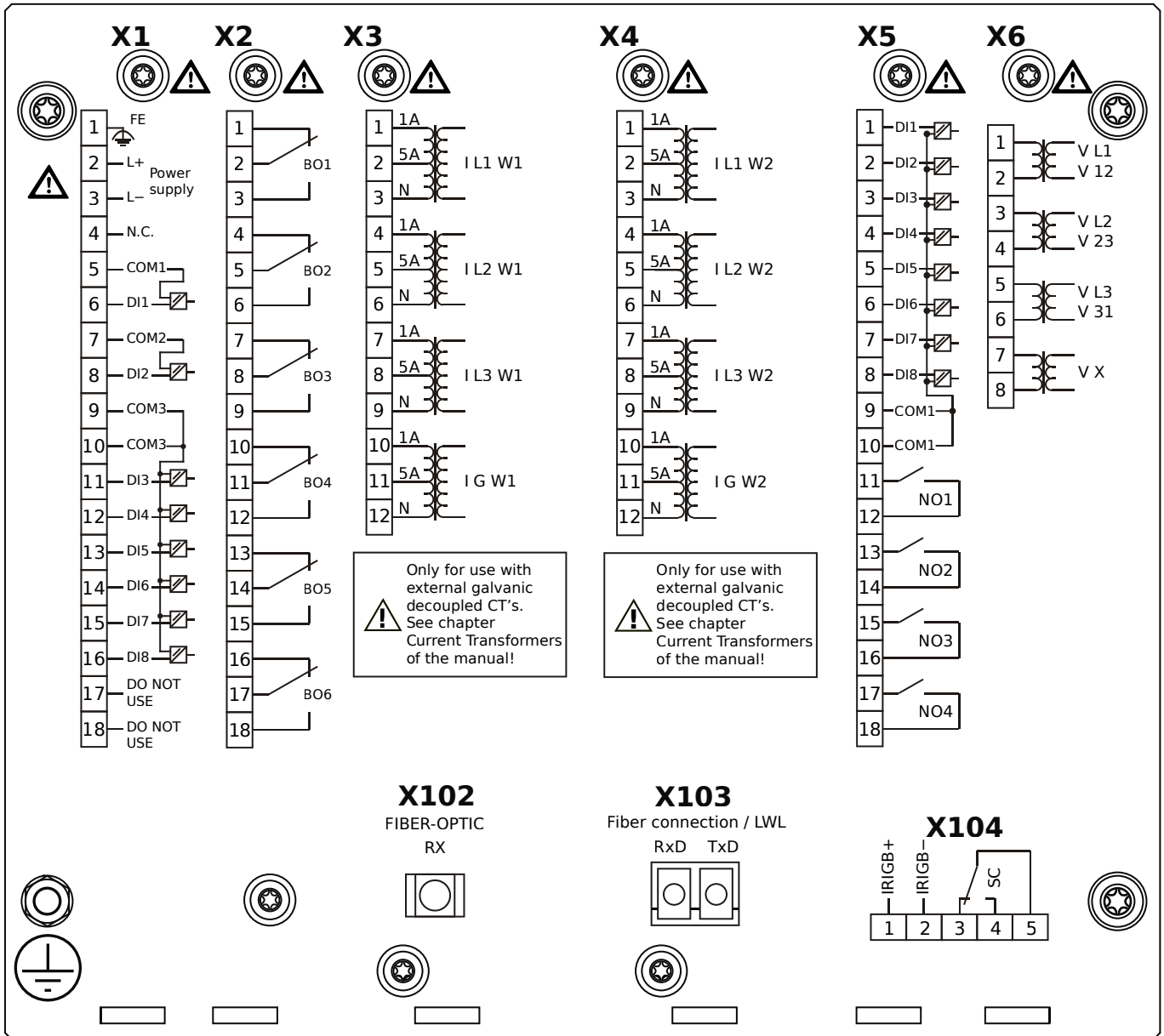
- X1** – DI8-X1: Wide-range power supply unit, incl. 2 non-grouped digital inputs and 6 grouped digital inputs
- X2** – OR-6: Assembly Group with 6 Relay Outputs
- X3** – TI-4: Standard ground current measuring card (for the neutral side of the differential protection)
- X4** – TI-4: Standard ground current measuring card (for the line side of the differential protection)
- X5** – DI8-OR4: Assembly Group with 8 Digital Inputs and 4 Output Relays
- X6** – TU: Card with 4 voltage transformer measuring inputs
- X100** – Ethernet interface, 100 Mbit/s, RJ45
- X102** – Universal Resistance-Temperature Detector (URTD) input, Fiber optics interface, ST Connector
- X103** – RS485, Terminals
- X104** – IRIG-B00X, incl. System Contact (Supervision Contact)

MCDGV4-2A0HKA



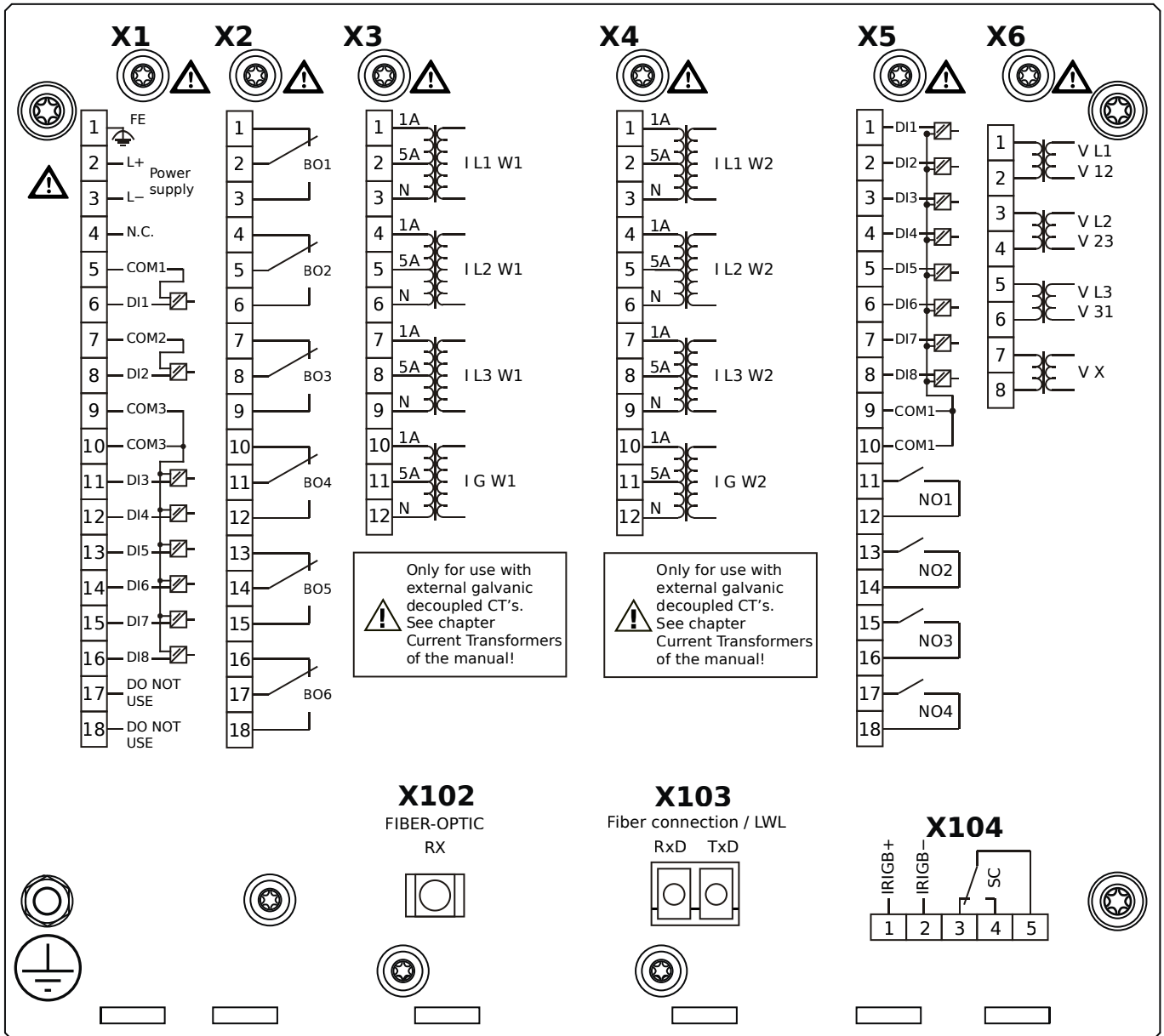
- X1** – DI8-X1: Wide-range power supply unit, incl. 2 non-grouped digital inputs and 6 grouped digital inputs
- X2** – OR-6: Assembly Group with 6 Relay Outputs
- X3** – TI-4: Standard ground current measuring card (for the neutral side of the differential protection)
- X4** – TI-4: Standard ground current measuring card (for the line side of the differential protection)
- X5** – DI8-OR4: Assembly Group with 8 Digital Inputs and 4 Output Relays
- X6** – TU: Card with 4 voltage transformer measuring inputs
- X102** – Universal Resistance-Temperature Detector (URTD) input, Fiber optics interface, ST Connector
- X103** – Fiber optics interface, LC Connector
- X104** – IRIG-B00X, incl. System Contact (Supervision Contact)

MCDGV4-2A0HLA



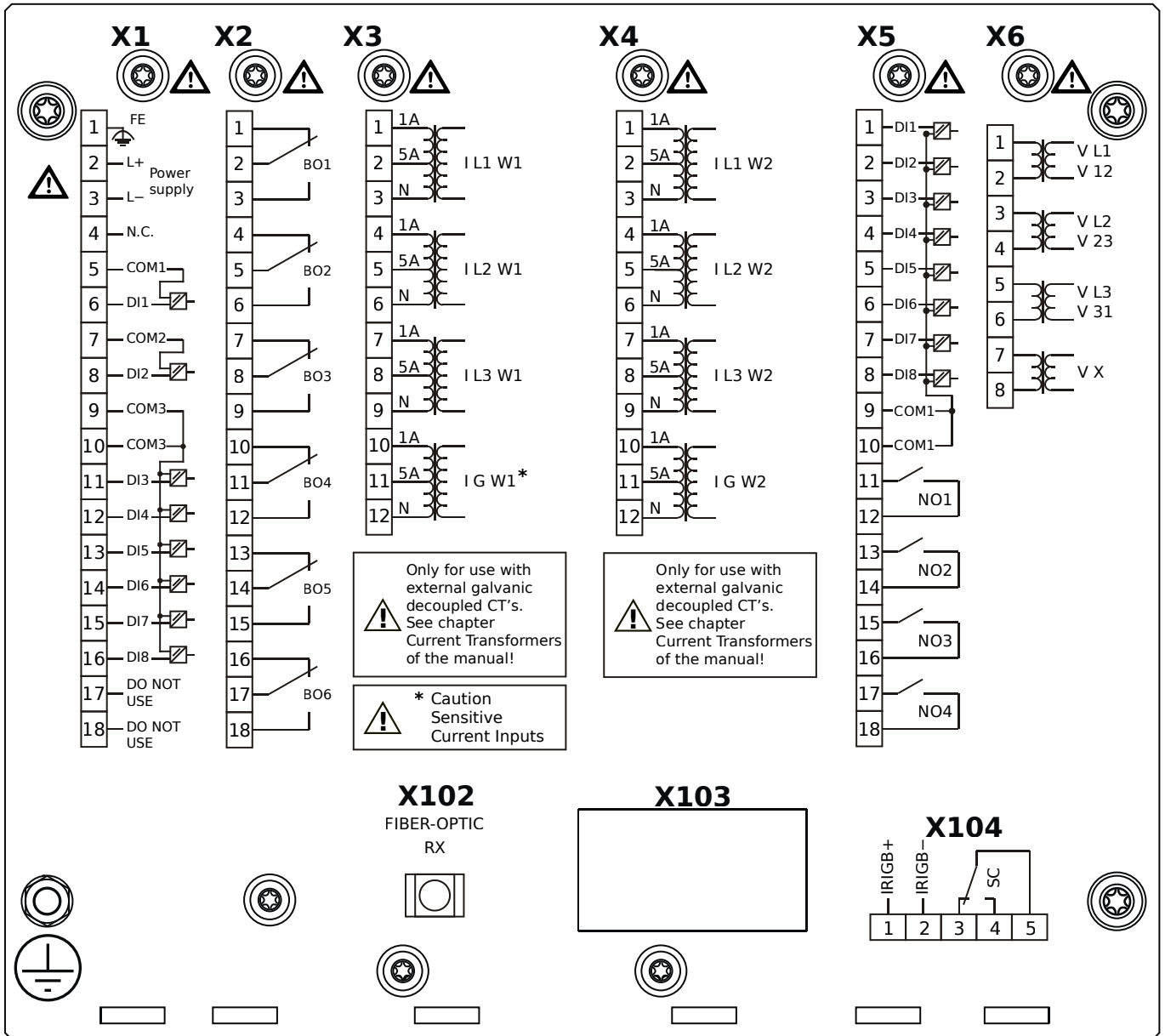
- X1** – DI8-X1: Wide-range power supply unit, incl. 2 non-grouped digital inputs and 6 grouped digital inputs
- X2** – OR-6: Assembly Group with 6 Relay Outputs
- X3** – TI-4: Standard ground current measuring card (for the neutral side of the differential protection)
- X4** – TI-4: Standard ground current measuring card (for the line side of the differential protection)
- X5** – DI8-OR4: Assembly Group with 8 Digital Inputs and 4 Output Relays
- X6** – TU: Card with 4 voltage transformer measuring inputs
- X102** – Universal Resistance-Temperature Detector (URTD) input, Fiber optics interface, ST Connector
- X103** – Fiber optics interface, LC Connector
- X104** – IRIG-B00X, incl. System Contact (Supervision Contact)

MCDGV4-2A0HLB



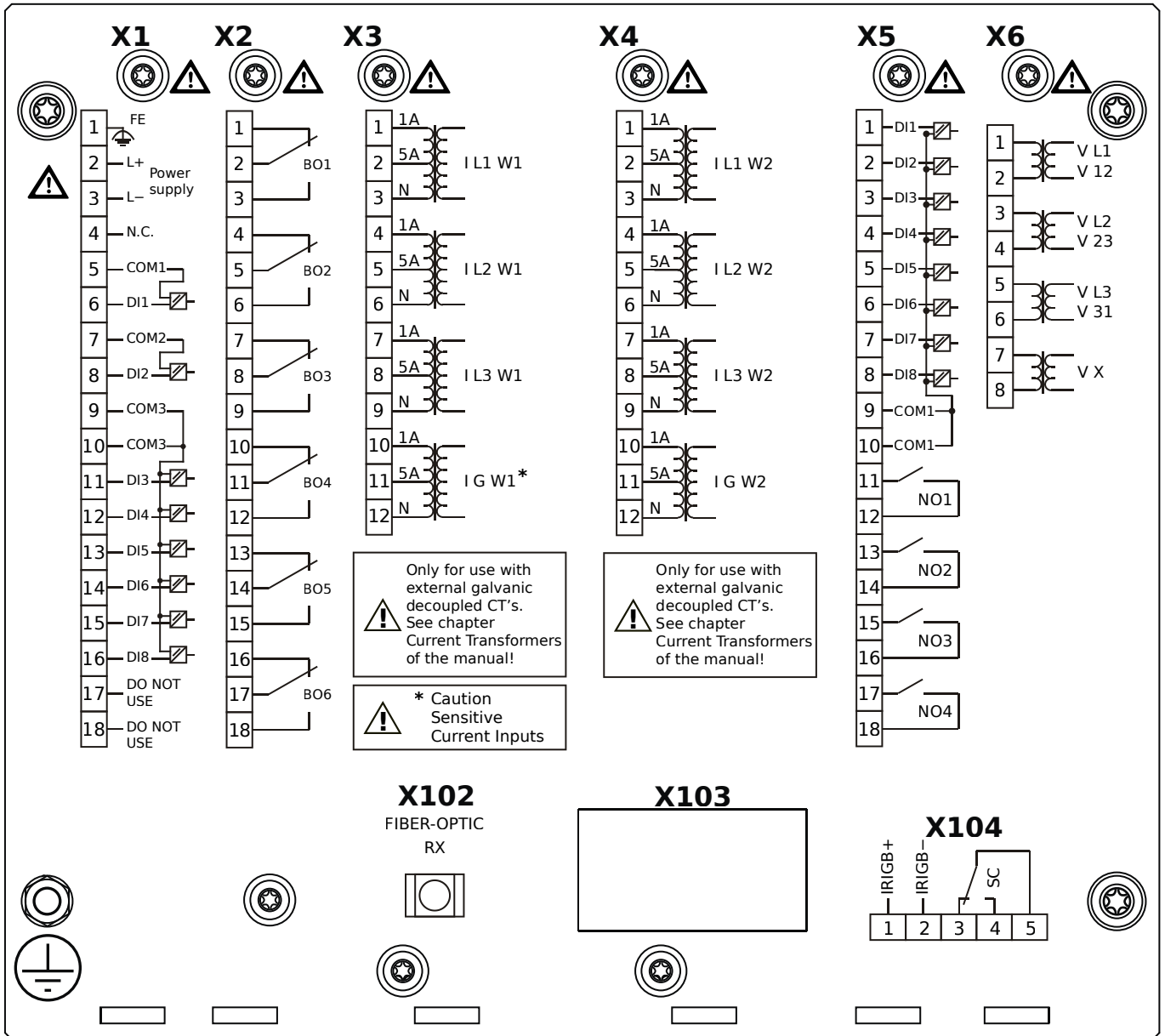
- X1** – DI8-X1: Wide-range power supply unit, incl. 2 non-grouped digital inputs and 6 grouped digital inputs
- X2** – OR-6: Assembly Group with 6 Relay Outputs
- X3** – TI-4: Standard ground current measuring card (for the neutral side of the differential protection)
- X4** – TI-4: Standard ground current measuring card (for the line side of the differential protection)
- X5** – DI8-OR4: Assembly Group with 8 Digital Inputs and 4 Output Relays
- X6** – TU: Card with 4 voltage transformer measuring inputs
- X102** – Universal Resistance-Temperature Detector (URTD) input, Fiber optics interface, ST Connector
- X103** – Fiber optics interface, LC Connector
- X104** – IRIG-B00X, incl. System Contact (Supervision Contact)

MCDGV4-2A1AAA



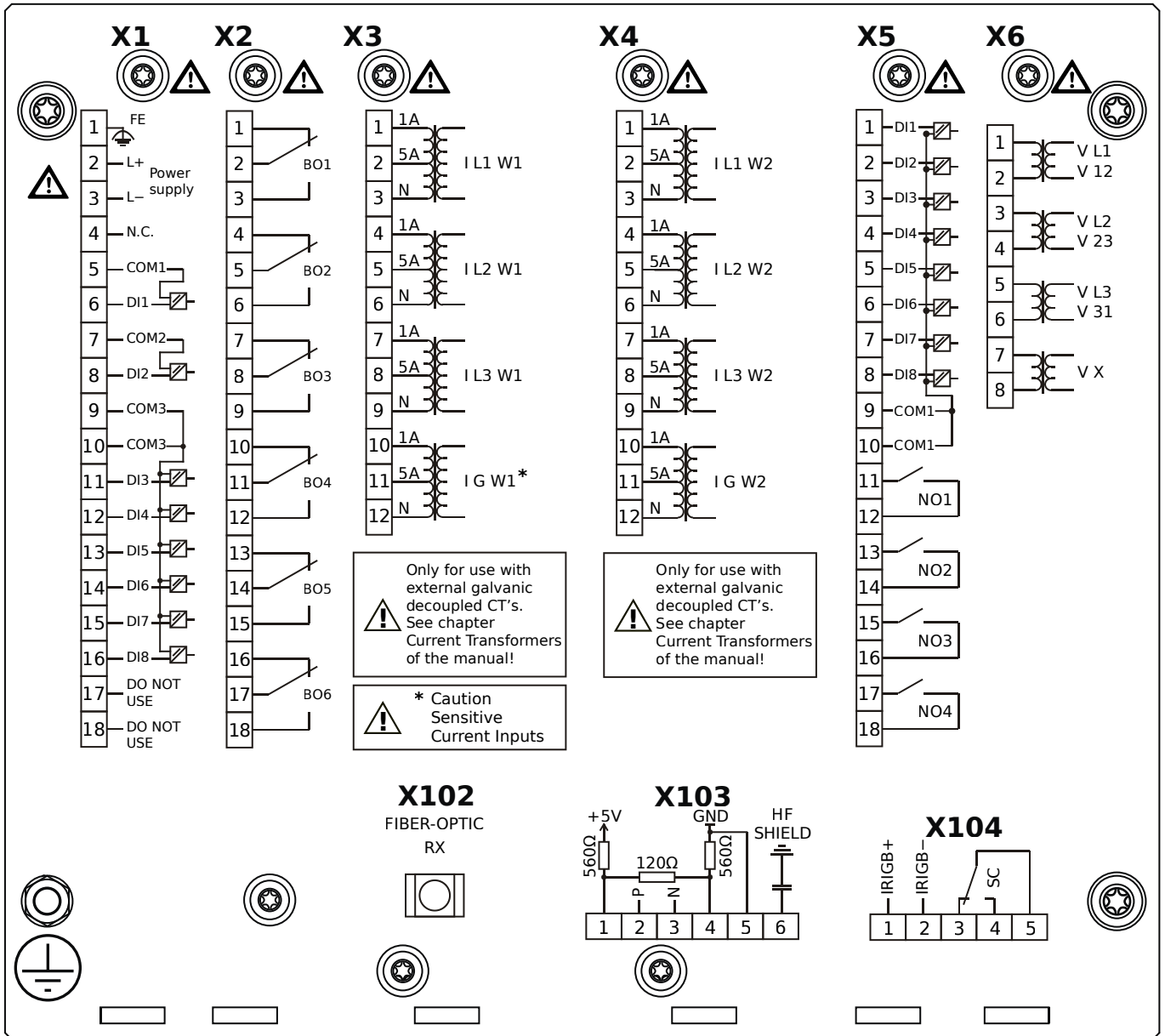
- X1** – DI8-X1: Wide-range power supply unit, incl. 2 non-grouped digital inputs and 6 grouped digital inputs
- X2** – OR-6: Assembly Group with 6 Relay Outputs
- X3** – TIS-4: Sensitive Ground current measuring card (for the neutral side of the differential protection)
- X4** – TI-4: Standard ground current measuring card (for the line side of the differential protection)
- X5** – DI8-OR4: Assembly Group with 8 Digital Inputs and 4 Output Relays
- X6** – TU: Card with 4 voltage transformer measuring inputs
- X102** – Universal Resistance-Temperature Detector (URTD) input, Fiber optics interface, ST Connector
- X104** – IRIG-B00X, incl. System Contact (Supervision Contact)

MCDGV4-2A1AAB



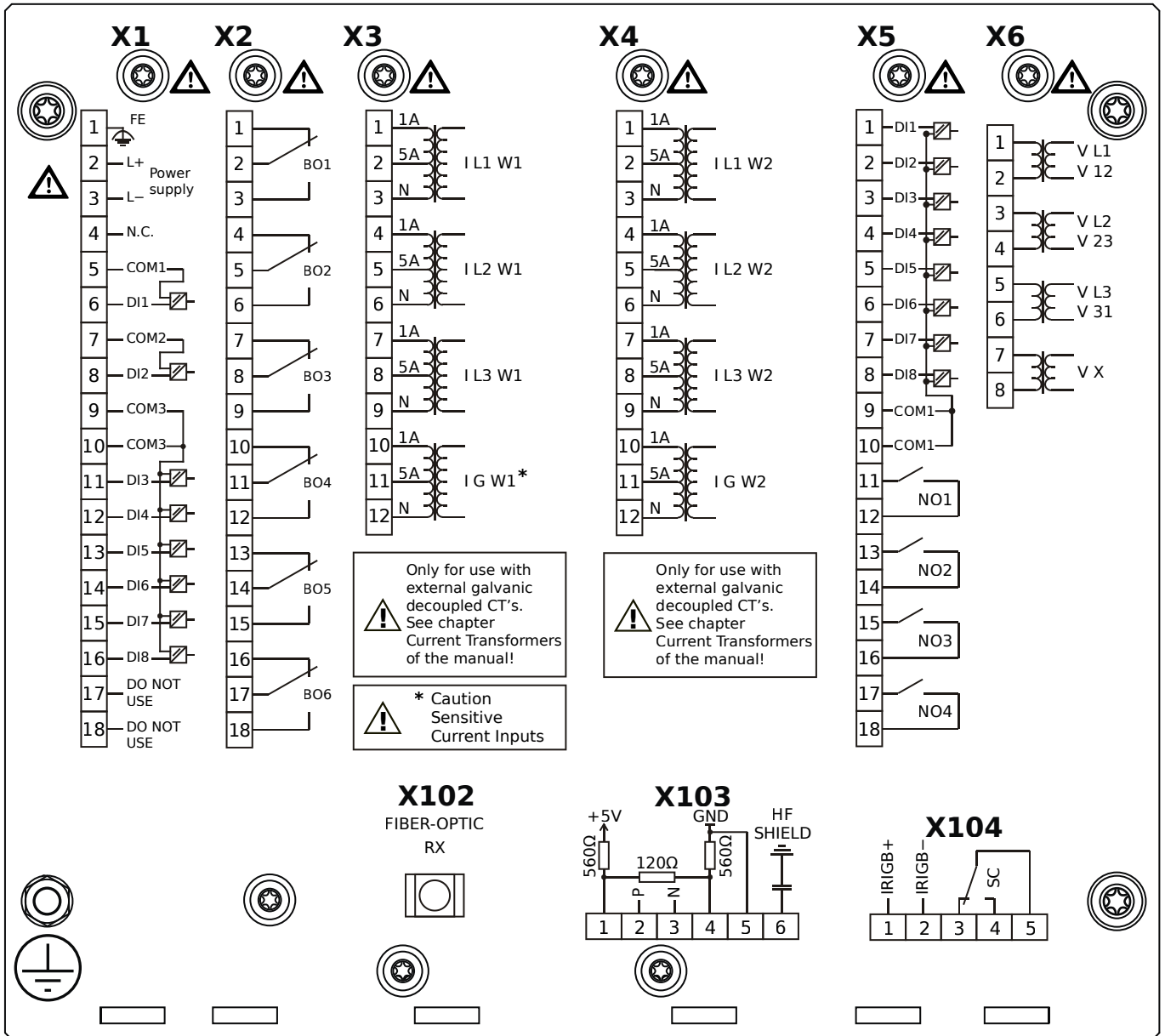
- X1** – DI8-X1: Wide-range power supply unit, incl. 2 non-grouped digital inputs and 6 grouped digital inputs
- X2** – OR-6: Assembly Group with 6 Relay Outputs
- X3** – TIS-4: Sensitive Ground current measuring card (for the neutral side of the differential protection)
- X4** – TI-4: Standard ground current measuring card (for the line side of the differential protection)
- X5** – DI8-OR4: Assembly Group with 8 Digital Inputs and 4 Output Relays
- X6** – TU: Card with 4 voltage transformer measuring inputs
- X102** – Universal Resistance-Temperature Detector (URTD) input, Fiber optics interface, ST Connector
- X104** – IRIG-B00X, incl. System Contact (Supervision Contact)

MCDGV4-2A1ABA



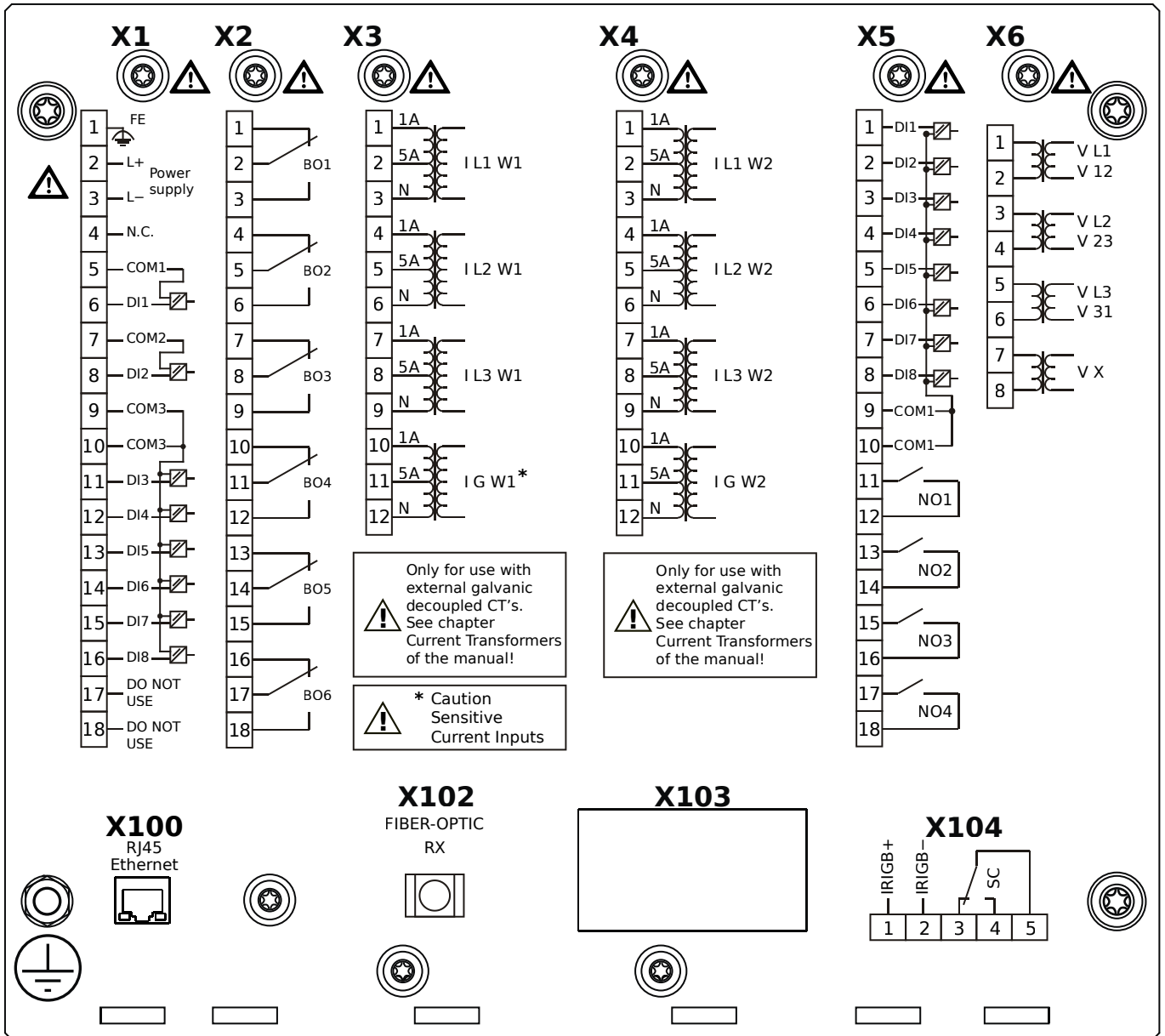
- X1** – DI8-X1: Wide-range power supply unit, incl. 2 non-grouped digital inputs and 6 grouped digital inputs
- X2** – OR-6: Assembly Group with 6 Relay Outputs
- X3** – TIS-4: Sensitive Ground current measuring card (for the neutral side of the differential protection)
- X4** – TI-4: Standard ground current measuring card (for the line side of the differential protection)
- X5** – DI8-OR4: Assembly Group with 8 Digital Inputs and 4 Output Relays
- X6** – TU: Card with 4 voltage transformer measuring inputs
- X102** – Universal Resistance-Temperature Detector (URTD) input, Fiber optics interface, ST Connector
- X103** – RS485, Terminals
- X104** – IRIG-B00X, incl. System Contact (Supervision Contact)

MCDGV4-2A1ABB



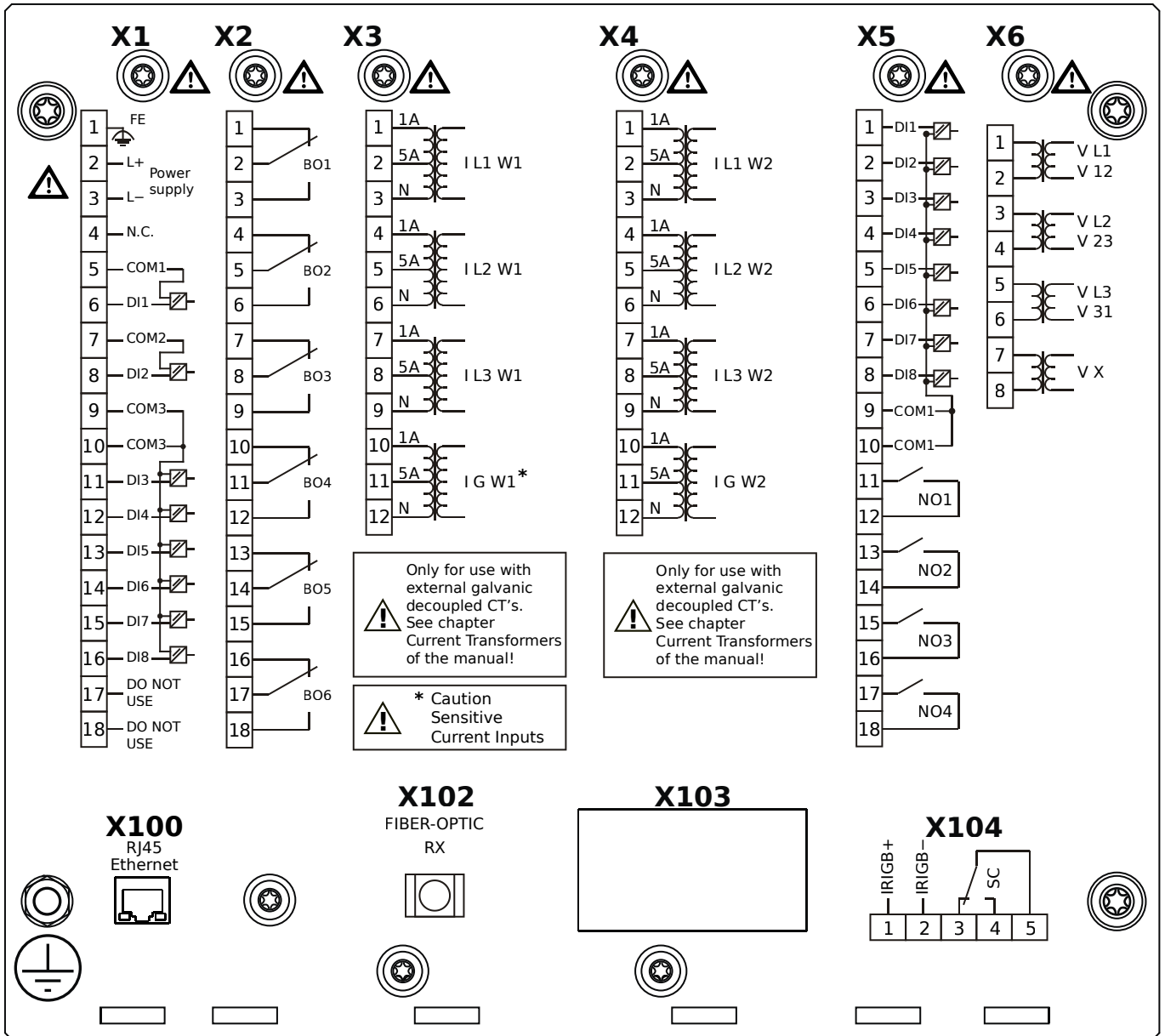
- X1** – DI8-X1: Wide-range power supply unit, incl. 2 non-grouped digital inputs and 6 grouped digital inputs
- X2** – OR-6: Assembly Group with 6 Relay Outputs
- X3** – TIS-4: Sensitive Ground current measuring card (for the neutral side of the differential protection)
- X4** – TI-4: Standard ground current measuring card (for the line side of the differential protection)
- X5** – DI8-OR4: Assembly Group with 8 Digital Inputs and 4 Output Relays
- X6** – TU: Card with 4 voltage transformer measuring inputs
- X102** – Universal Resistance-Temperature Detector (URTD) input, Fiber optics interface, ST Connector
- X103** – RS485, Terminals
- X104** – IRIG-B00X, incl. System Contact (Supervision Contact)

MCDGV4-2A1ACA



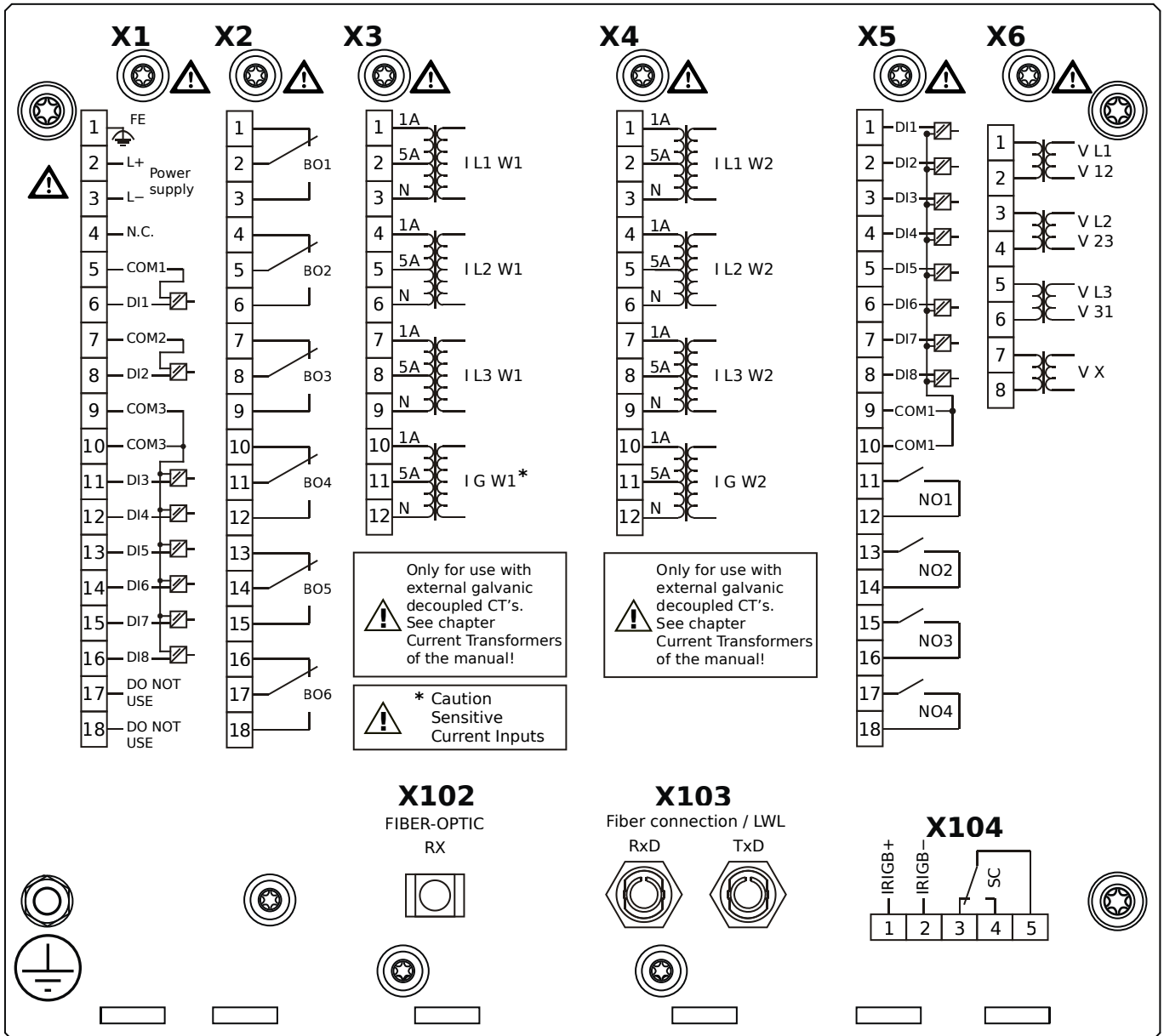
- X1** – DI8-X1: Wide-range power supply unit, incl. 2 non-grouped digital inputs and 6 grouped digital inputs
- X2** – OR-6: Assembly Group with 6 Relay Outputs
- X3** – TIS-4: Sensitive Ground current measuring card (for the neutral side of the differential protection)
- X4** – TI-4: Standard ground current measuring card (for the line side of the differential protection)
- X5** – DI8-OR4: Assembly Group with 8 Digital Inputs and 4 Output Relays
- X6** – TU: Card with 4 voltage transformer measuring inputs
- X100** – Ethernet interface, 100 Mbit/s, RJ45
- X102** – Universal Resistance-Temperature Detector (URTD) input, Fiber optics interface, ST Connector
- X104** – IRIG-B00X, incl. System Contact (Supervision Contact)

MCDGV4-2A1ACB



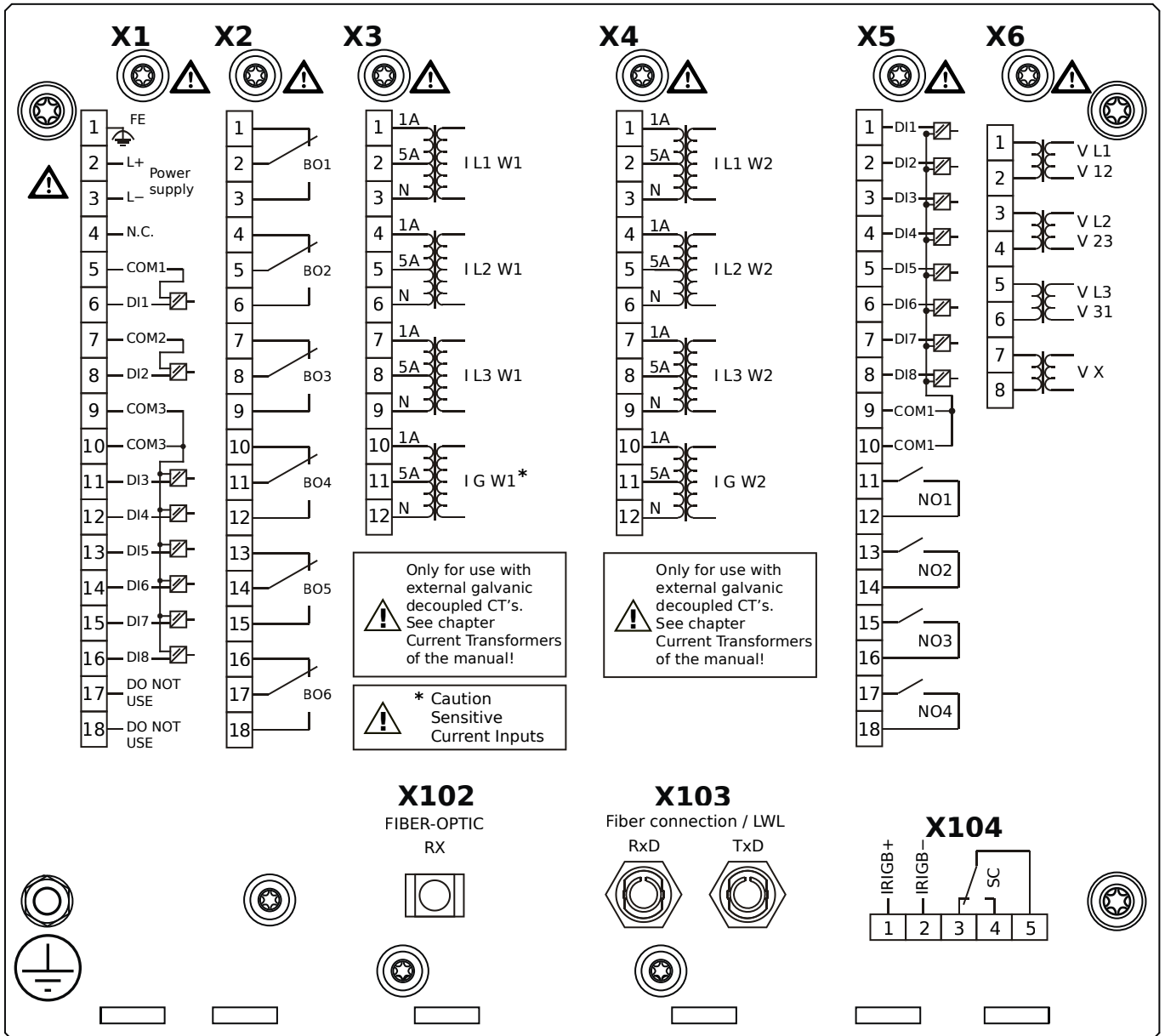
- X1** – DI8-X1: Wide-range power supply unit, incl. 2 non-grouped digital inputs and 6 grouped digital inputs
- X2** – OR-6: Assembly Group with 6 Relay Outputs
- X3** – TIS-4: Sensitive Ground current measuring card (for the neutral side of the differential protection)
- X4** – TI-4: Standard ground current measuring card (for the line side of the differential protection)
- X5** – DI8-OR4: Assembly Group with 8 Digital Inputs and 4 Output Relays
- X6** – TU: Card with 4 voltage transformer measuring inputs
- X100** – Ethernet interface, 100 Mbit/s, RJ45
- X102** – Universal Resistance-Temperature Detector (URTD) input, Fiber optics interface, ST Connector
- X104** – IRIG-B00X, incl. System Contact (Supervision Contact)

MCDGV4-2A1ADA



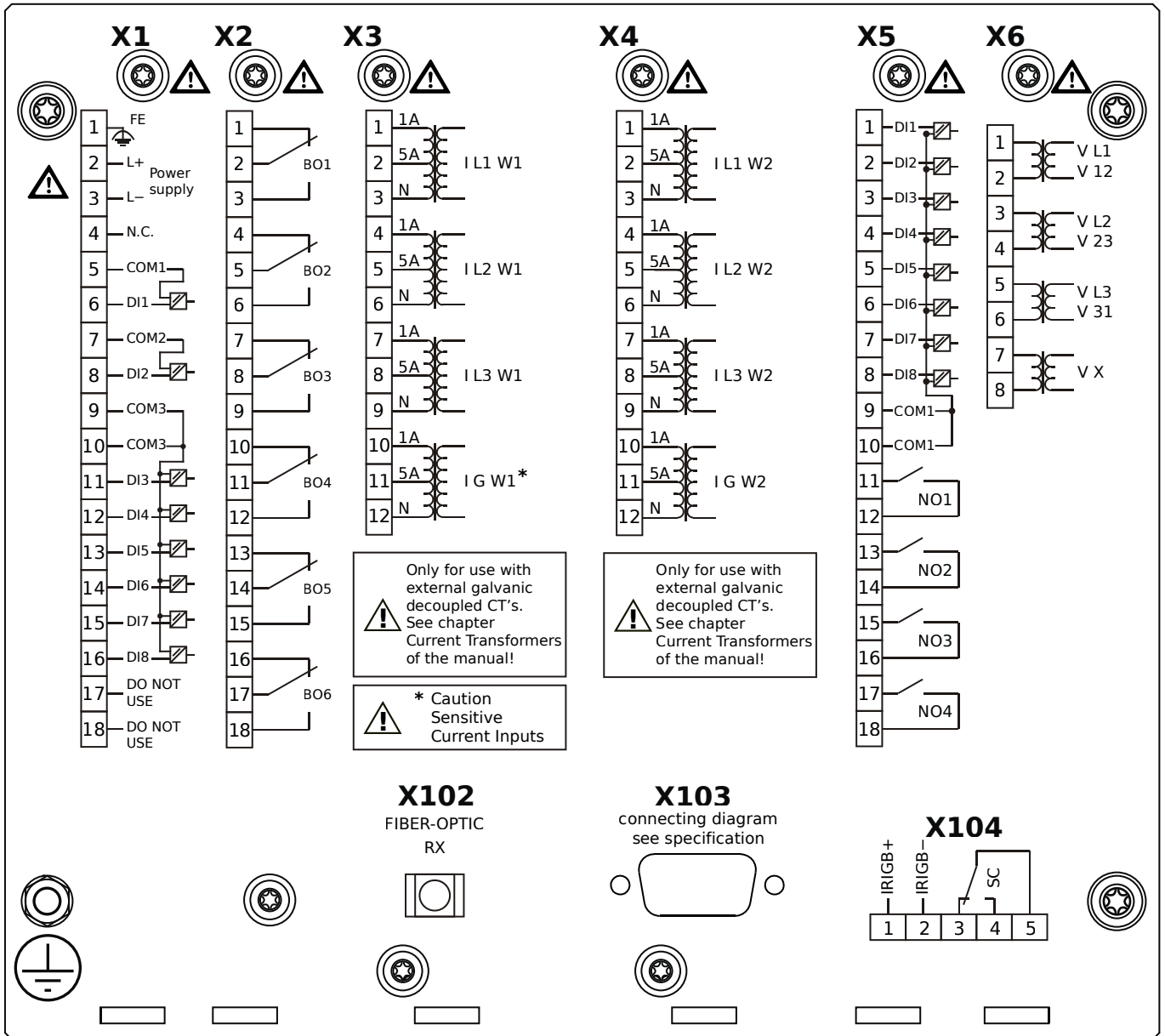
- X1** – DI8-X1: Wide-range power supply unit, incl. 2 non-grouped digital inputs and 6 grouped digital inputs
- X2** – OR-6: Assembly Group with 6 Relay Outputs
- X3** – TIS-4: Sensitive Ground current measuring card (for the neutral side of the differential protection)
- X4** – TI-4: Standard ground current measuring card (for the line side of the differential protection)
- X5** – DI8-OR4: Assembly Group with 8 Digital Inputs and 4 Output Relays
- X6** – TU: Card with 4 voltage transformer measuring inputs
- X102** – Universal Resistance-Temperature Detector (URTD) input, Fiber optics interface, ST Connector
- X103** – Fiber optics interface, ST Connector
- X104** – IRIG-B00X, incl. System Contact (Supervision Contact)

MCDGV4-2A1ADB



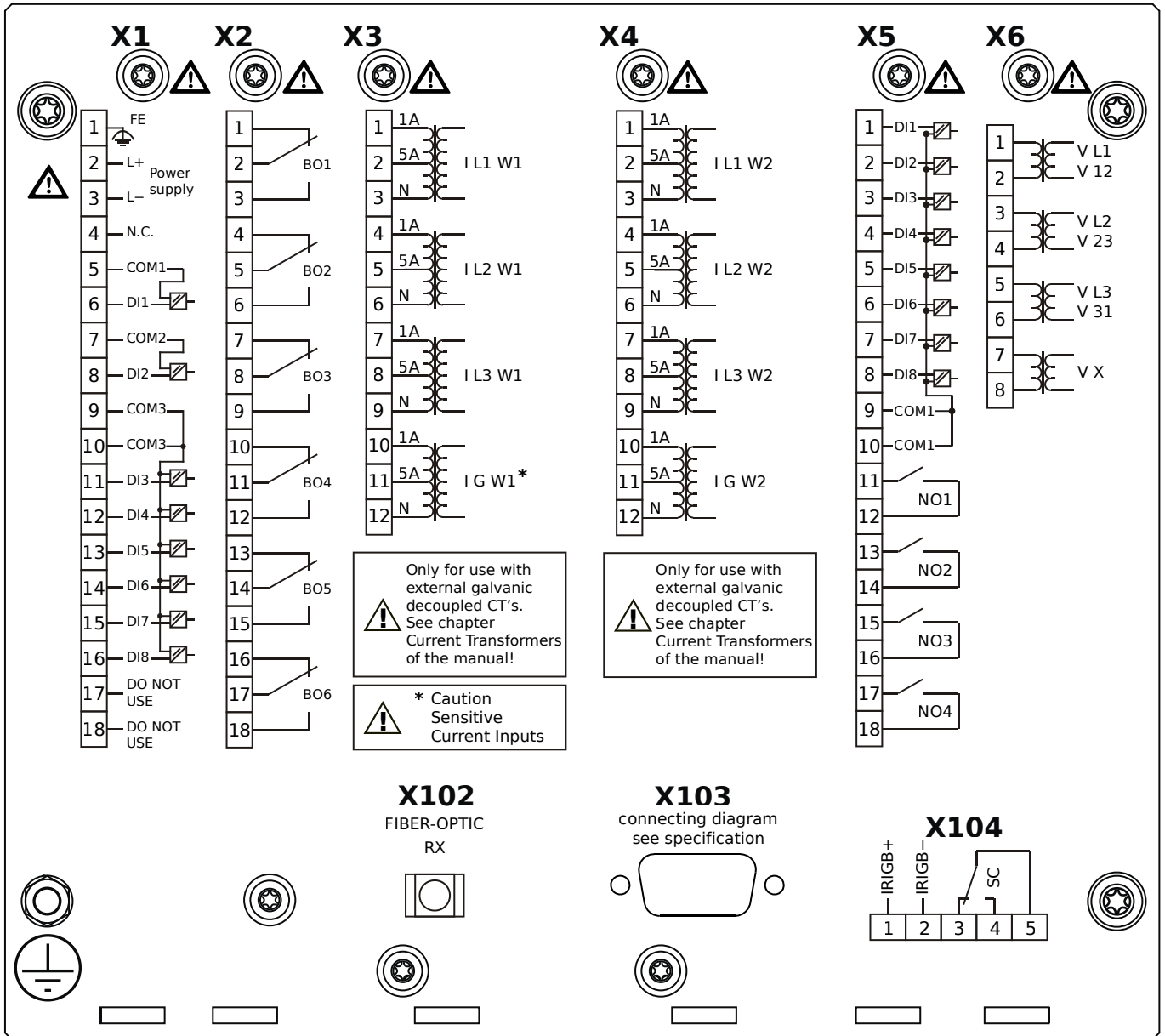
- X1** – DI8-X1: Wide-range power supply unit, incl. 2 non-grouped digital inputs and 6 grouped digital inputs
- X2** – OR-6: Assembly Group with 6 Relay Outputs
- X3** – TIS-4: Sensitive Ground current measuring card (for the neutral side of the differential protection)
- X4** – TI-4: Standard ground current measuring card (for the line side of the differential protection)
- X5** – DI8-OR4: Assembly Group with 8 Digital Inputs and 4 Output Relays
- X6** – TU: Card with 4 voltage transformer measuring inputs
- X102** – Universal Resistance-Temperature Detector (URTD) input, Fiber optics interface, ST Connector
- X103** – Fiber optics interface, ST Connector
- X104** – IRIG-B00X, incl. System Contact (Supervision Contact)

MCDGV4-2A1AEA



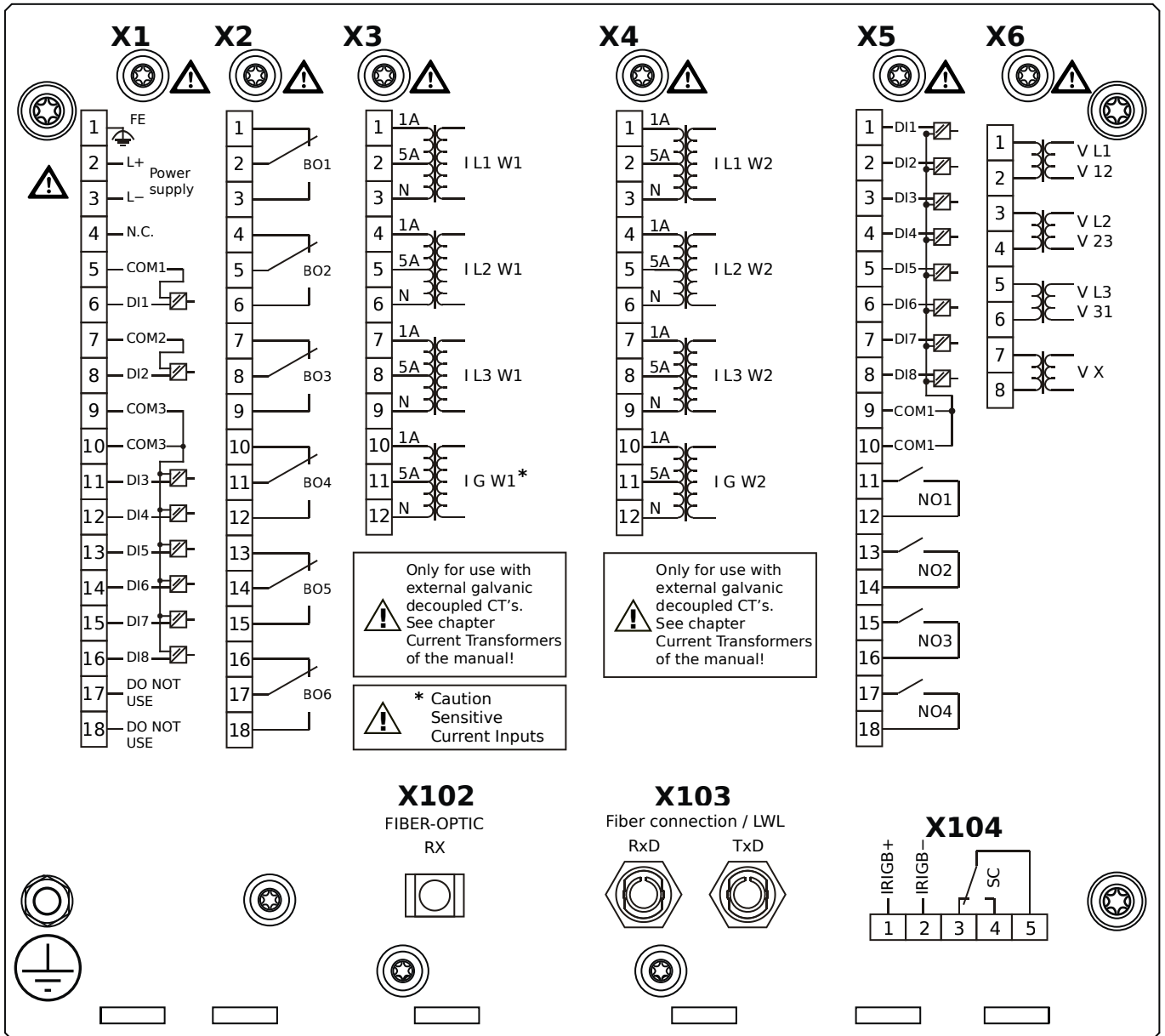
- X1** – DI8-X1: Wide-range power supply unit, incl. 2 non-grouped digital inputs and 6 grouped digital inputs
- X2** – OR-6: Assembly Group with 6 Relay Outputs
- X3** – TIS-4: Sensitive Ground current measuring card (for the neutral side of the differential protection)
- X4** – TI-4: Standard ground current measuring card (for the line side of the differential protection)
- X5** – DI8-OR4: Assembly Group with 8 Digital Inputs and 4 Output Relays
- X6** – TU: Card with 4 voltage transformer measuring inputs
- X102** – Universal Resistance-Temperature Detector (URTD) input, Fiber optics interface, ST Connector
- X103** – RS485, D-SUB
- X104** – IRIG-B00X, incl. System Contact (Supervision Contact)

MCDGV4-2A1AEB



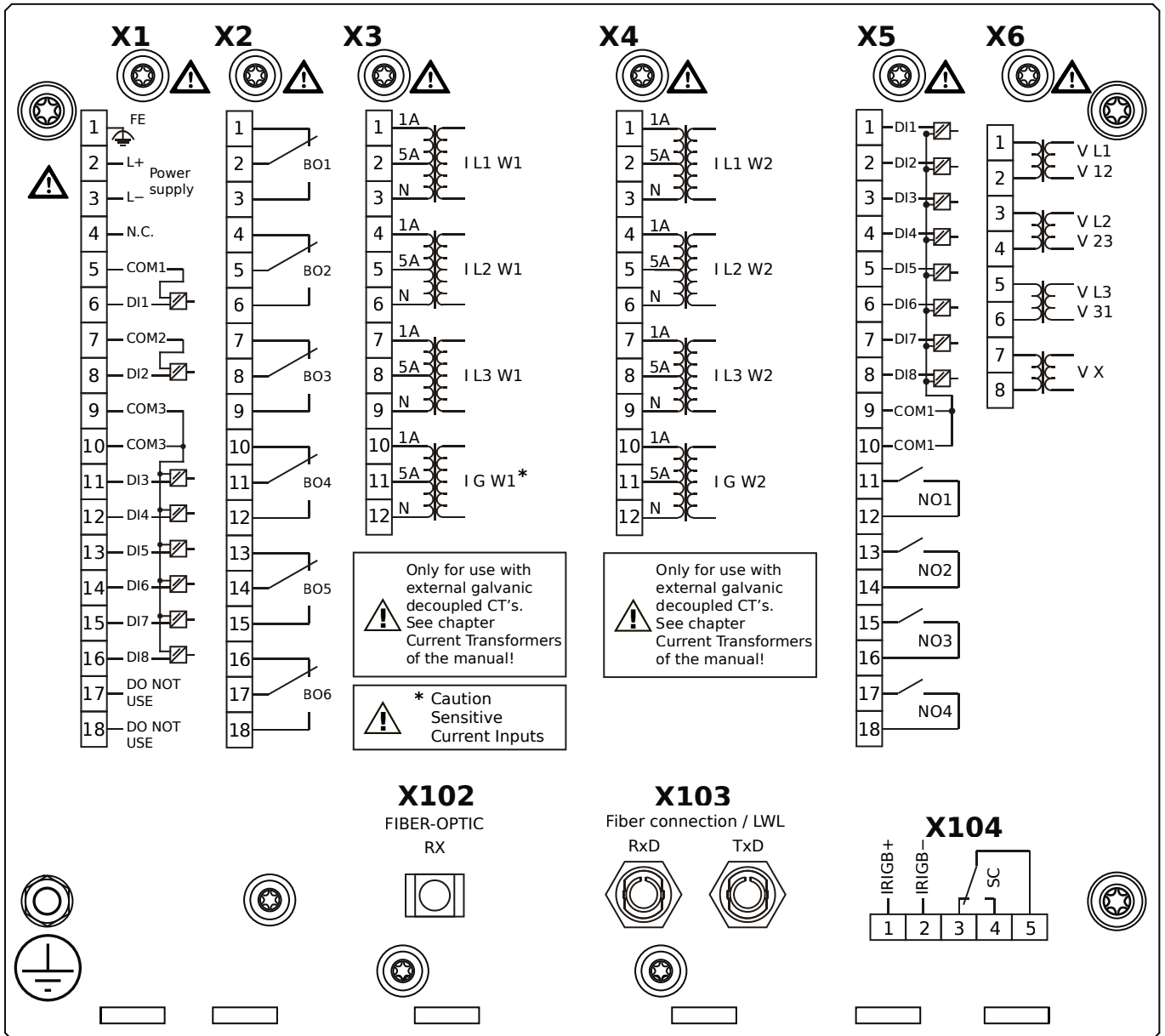
- X1** – DI8-X1: Wide-range power supply unit, incl. 2 non-grouped digital inputs and 6 grouped digital inputs
- X2** – OR-6: Assembly Group with 6 Relay Outputs
- X3** – TIS-4: Sensitive Ground current measuring card (for the neutral side of the differential protection)
- X4** – TI-4: Standard ground current measuring card (for the line side of the differential protection)
- X5** – DI8-OR4: Assembly Group with 8 Digital Inputs and 4 Output Relays
- X6** – TU: Card with 4 voltage transformer measuring inputs
- X102** – Universal Resistance-Temperature Detector (URTD) input, Fiber optics interface, ST Connector
- X103** – RS485, D-SUB
- X104** – IRIG-B00X, incl. System Contact (Supervision Contact)

MCDGV4-2A1AFA



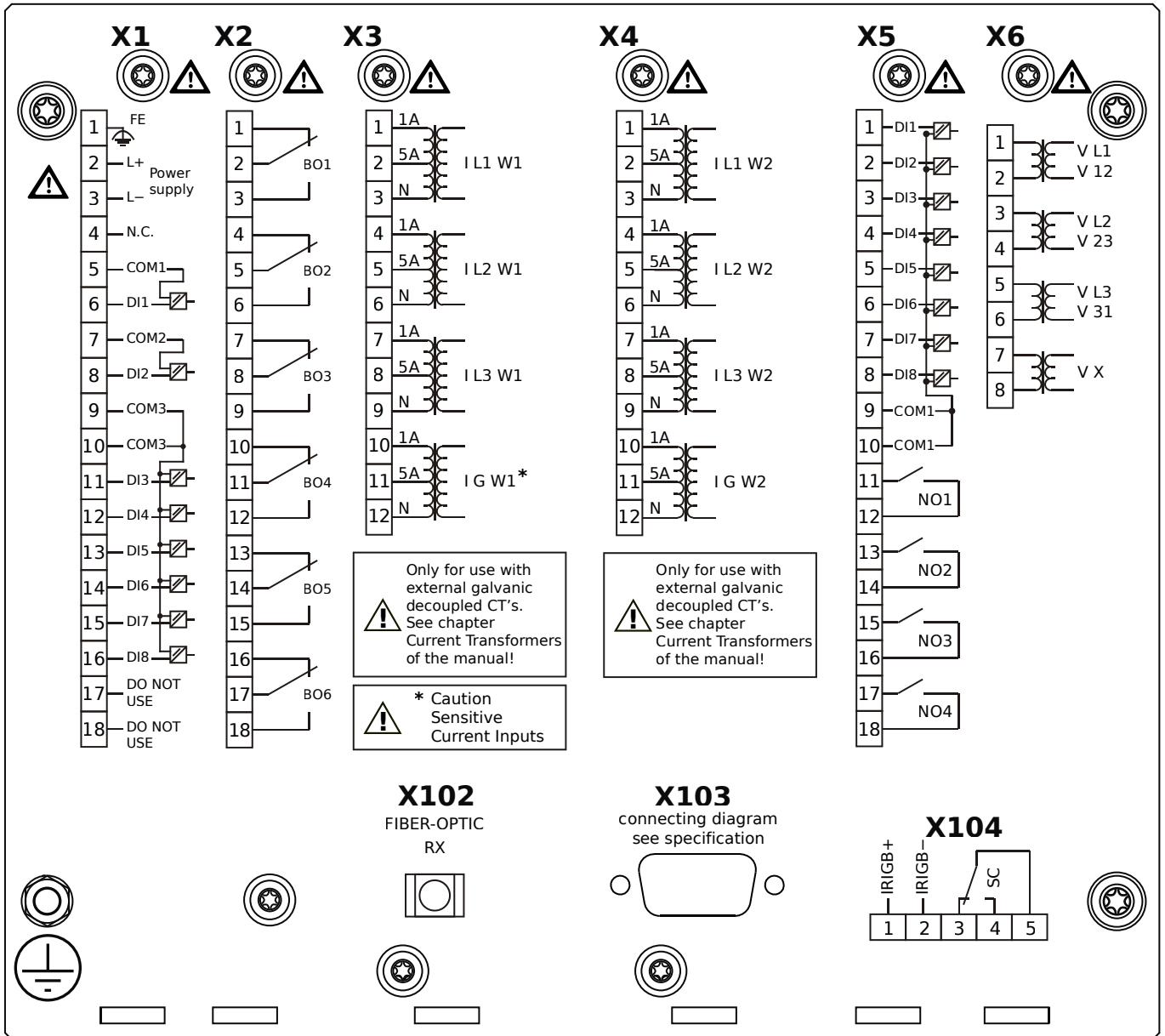
- X1** – DI8-X1: Wide-range power supply unit, incl. 2 non-grouped digital inputs and 6 grouped digital inputs
- X2** – OR-6: Assembly Group with 6 Relay Outputs
- X3** – TIS-4: Sensitive Ground current measuring card (for the neutral side of the differential protection)
- X4** – TI-4: Standard ground current measuring card (for the line side of the differential protection)
- X5** – DI8-OR4: Assembly Group with 8 Digital Inputs and 4 Output Relays
- X6** – TU: Card with 4 voltage transformer measuring inputs
- X102** – Universal Resistance-Temperature Detector (URTD) input, Fiber optics interface, ST Connector
- X103** – Fiber optics interface, ST Connector
- X104** – IRIG-B00X, incl. System Contact (Supervision Contact)

MCDGV4-2A1AFB



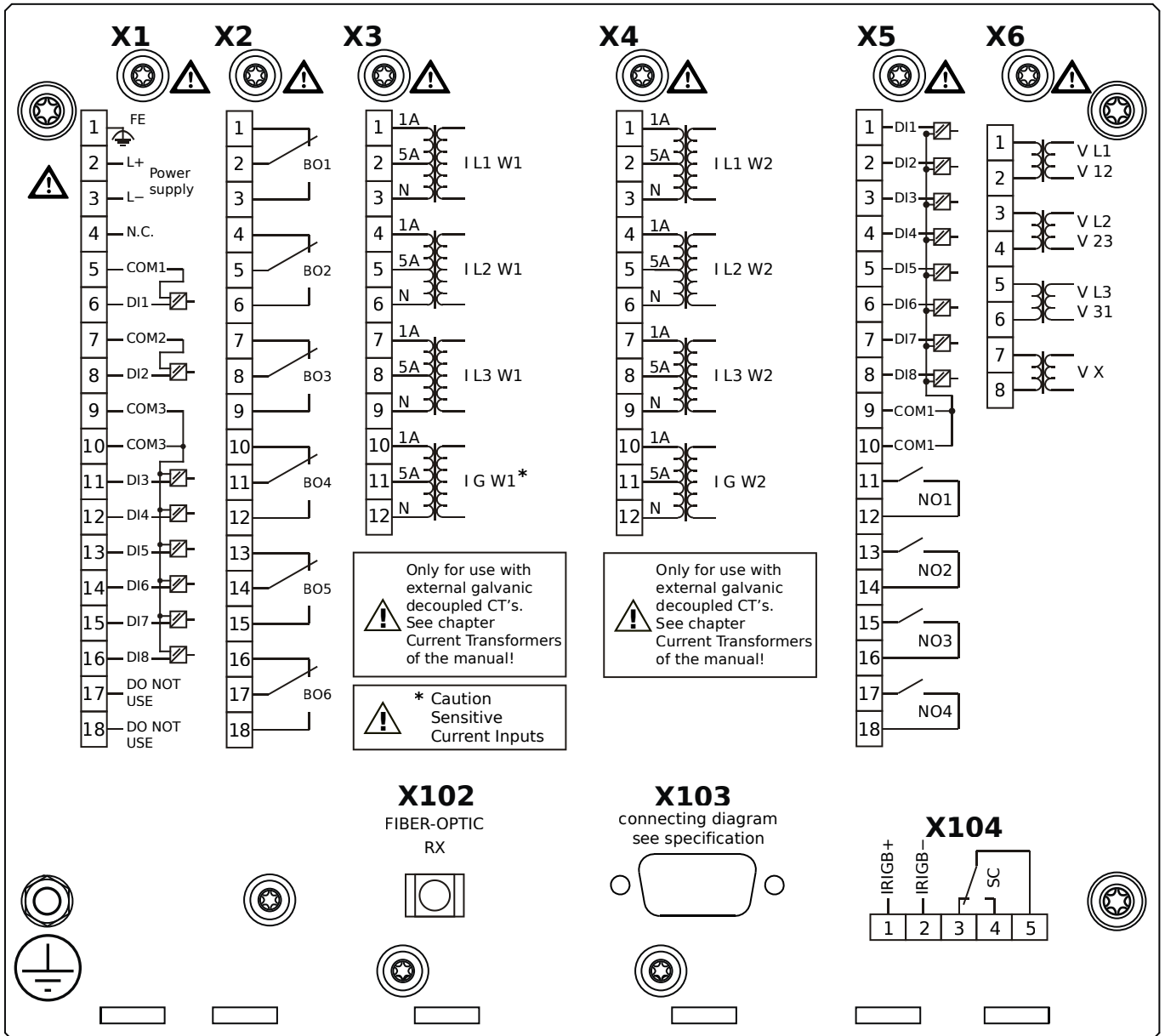
- X1** – DI8-X1: Wide-range power supply unit, incl. 2 non-grouped digital inputs and 6 grouped digital inputs
- X2** – OR-6: Assembly Group with 6 Relay Outputs
- X3** – TIS-4: Sensitive Ground current measuring card (for the neutral side of the differential protection)
- X4** – TI-4: Standard ground current measuring card (for the line side of the differential protection)
- X5** – DI8-OR4: Assembly Group with 8 Digital Inputs and 4 Output Relays
- X6** – TU: Card with 4 voltage transformer measuring inputs
- X102** – Universal Resistance-Temperature Detector (URTD) input, Fiber optics interface, ST Connector
- X103** – Fiber optics interface, ST Connector
- X104** – IRIG-B00X, incl. System Contact (Supervision Contact)

MCDGV4-2A1AGA



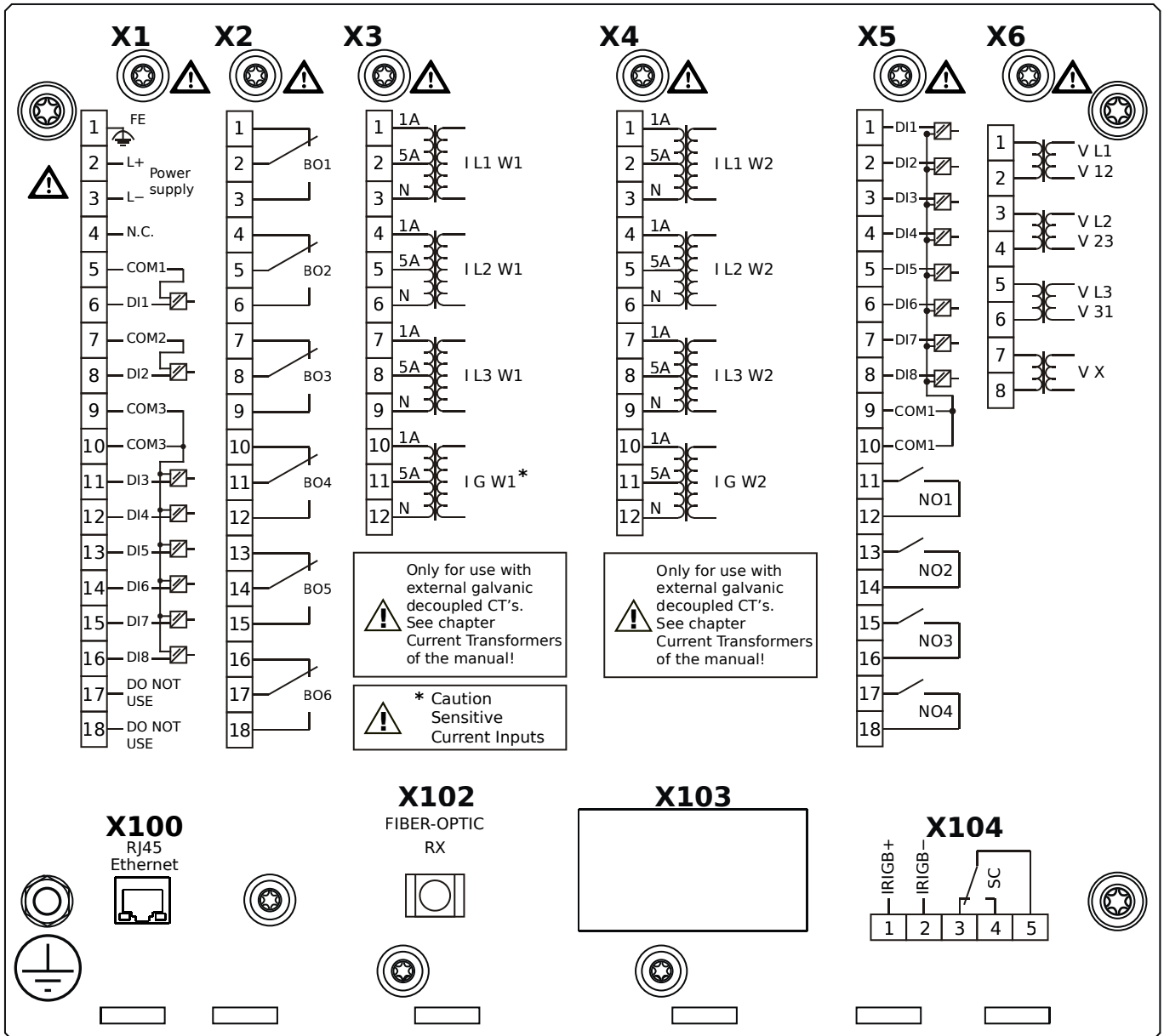
- X1** – DI8-X1: Wide-range power supply unit, incl. 2 non-grouped digital inputs and 6 grouped digital inputs
- X2** – OR-6: Assembly Group with 6 Relay Outputs
- X3** – TIS-4: Sensitive Ground current measuring card (for the neutral side of the differential protection)
- X4** – TI-4: Standard ground current measuring card (for the line side of the differential protection)
- X5** – DI8-OR4: Assembly Group with 8 Digital Inputs and 4 Output Relays
- X6** – TU: Card with 4 voltage transformer measuring inputs
- X102** – Universal Resistance-Temperature Detector (URTD) input, Fiber optics interface, ST Connector
- X103** – RS485, D-SUB
- X104** – IRIG-B00X, incl. System Contact (Supervision Contact)

MCDGV4-2A1AGB



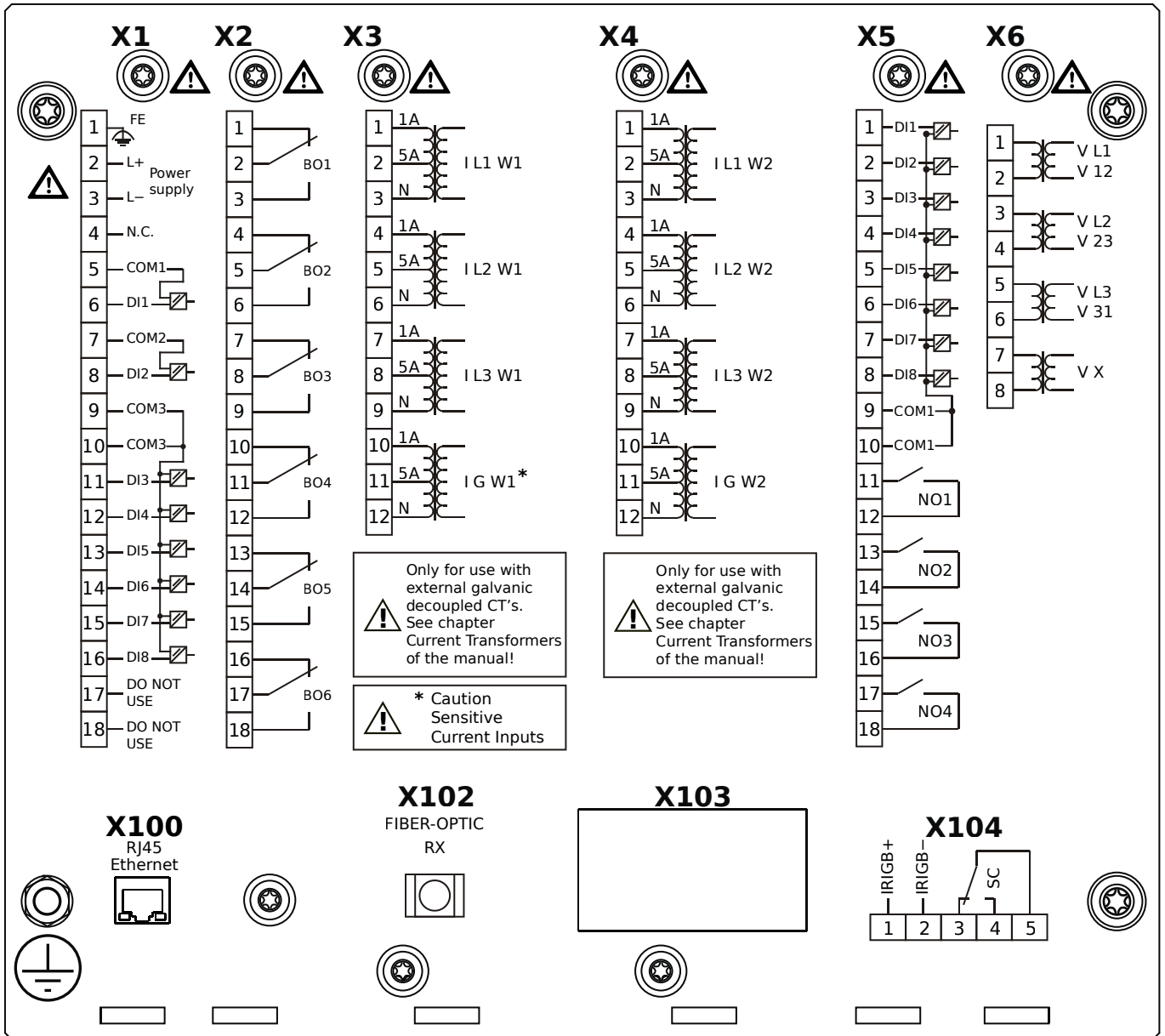
- X1** – DI8-X1: Wide-range power supply unit, incl. 2 non-grouped digital inputs and 6 grouped digital inputs
- X2** – OR-6: Assembly Group with 6 Relay Outputs
- X3** – TIS-4: Sensitive Ground current measuring card (for the neutral side of the differential protection)
- X4** – TI-4: Standard ground current measuring card (for the line side of the differential protection)
- X5** – DI8-OR4: Assembly Group with 8 Digital Inputs and 4 Output Relays
- X6** – TU: Card with 4 voltage transformer measuring inputs
- X102** – Universal Resistance-Temperature Detector (URTD) input, Fiber optics interface, ST Connector
- X103** – RS485, D-SUB
- X104** – IRIG-B00X, incl. System Contact (Supervision Contact)

MCDGV4-2A1AHA



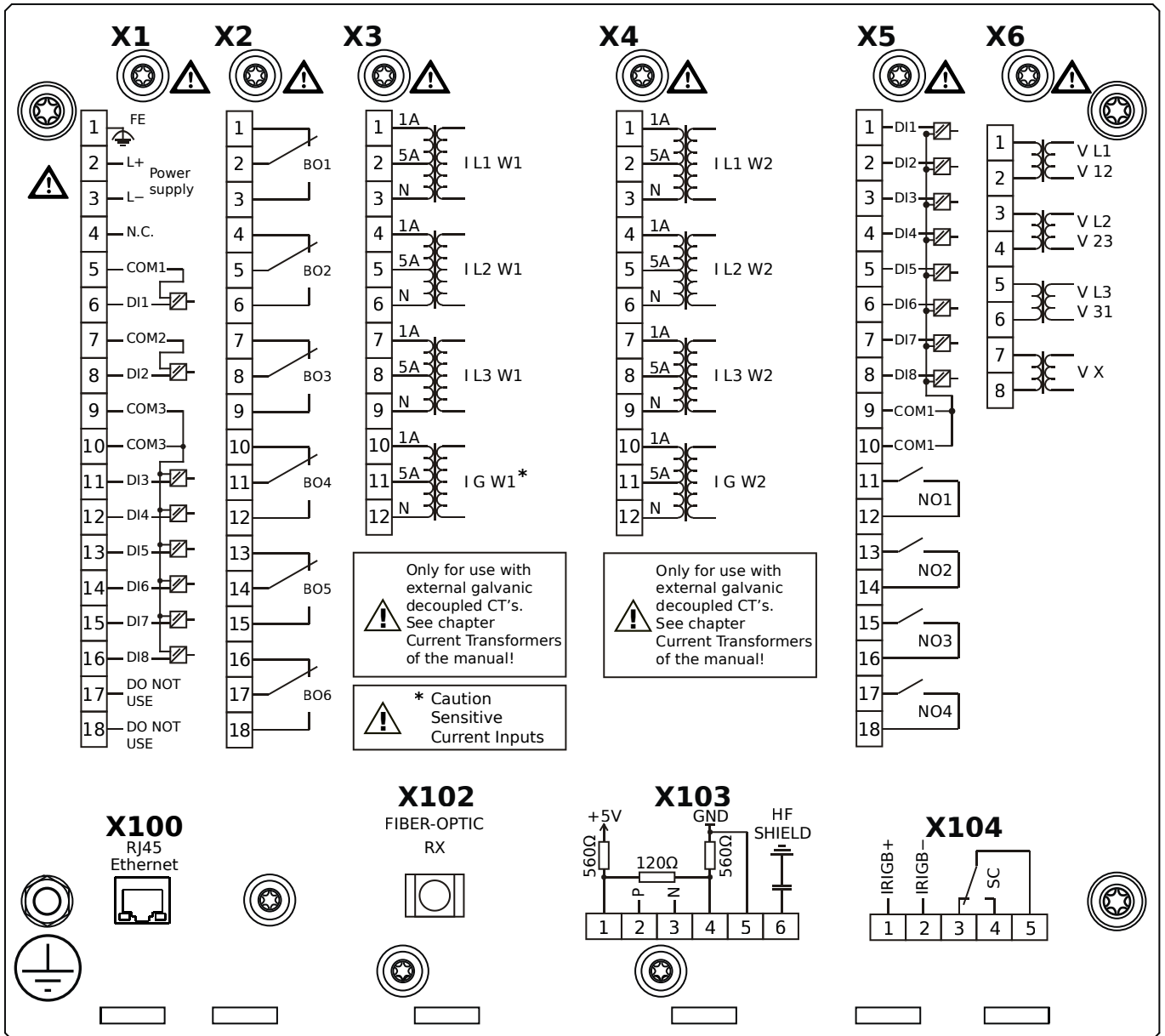
- X1** – DI8-X1: Wide-range power supply unit, incl. 2 non-grouped digital inputs and 6 grouped digital inputs
- X2** – OR-6: Assembly Group with 6 Relay Outputs
- X3** – TIS-4: Sensitive Ground current measuring card (for the neutral side of the differential protection)
- X4** – TI-4: Standard ground current measuring card (for the line side of the differential protection)
- X5** – DI8-OR4: Assembly Group with 8 Digital Inputs and 4 Output Relays
- X6** – TU: Card with 4 voltage transformer measuring inputs
- X100** – Ethernet interface, 100 Mbit/s, RJ45
- X102** – Universal Resistance-Temperature Detector (URTD) input, Fiber optics interface, ST Connector
- X104** – IRIG-B00X, incl. System Contact (Supervision Contact)

MCDGV4-2A1AHB



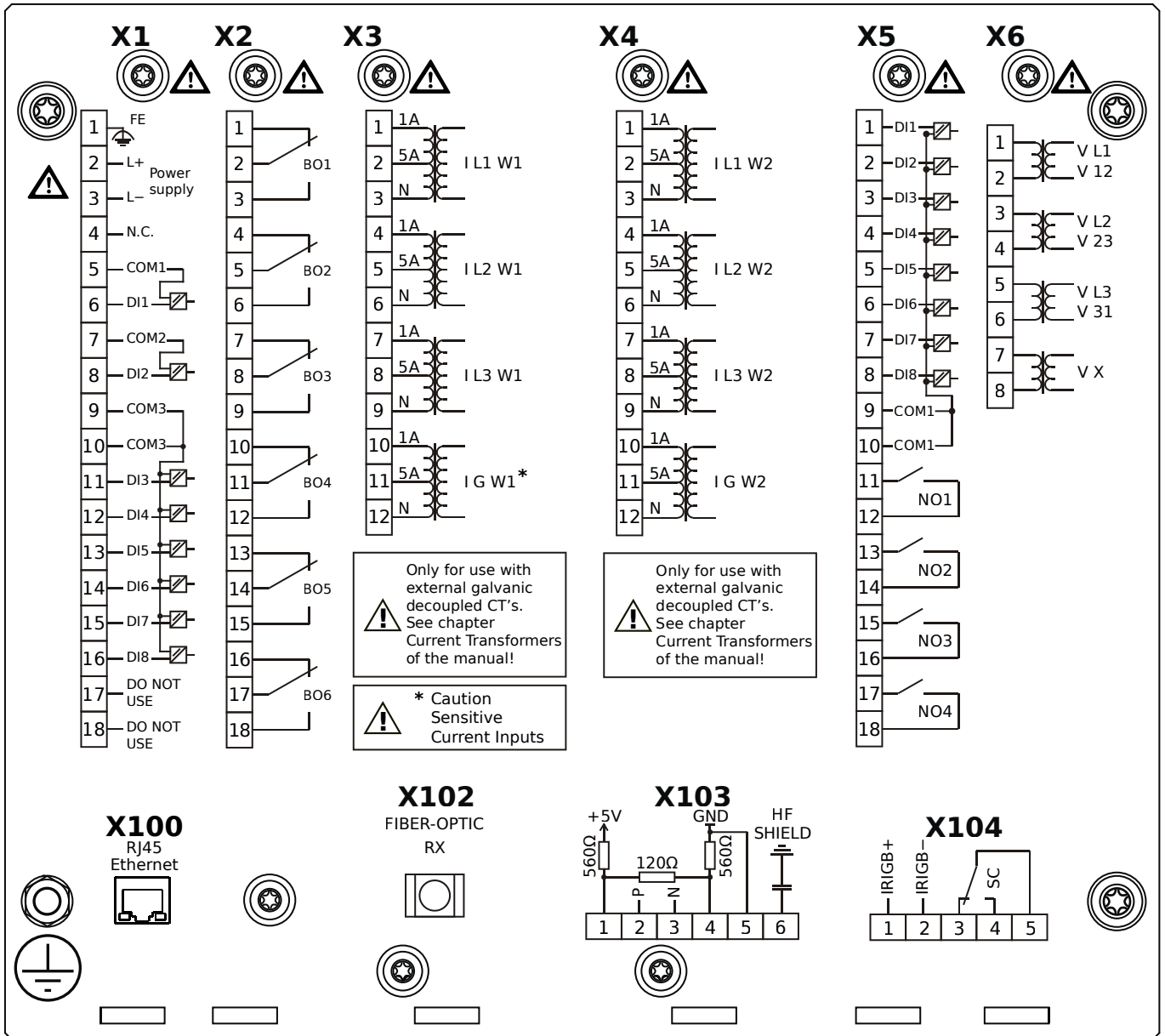
- X1** – DI8-X1: Wide-range power supply unit, incl. 2 non-grouped digital inputs and 6 grouped digital inputs
- X2** – OR-6: Assembly Group with 6 Relay Outputs
- X3** – TIS-4: Sensitive Ground current measuring card (for the neutral side of the differential protection)
- X4** – TI-4: Standard ground current measuring card (for the line side of the differential protection)
- X5** – DI8-OR4: Assembly Group with 8 Digital Inputs and 4 Output Relays
- X6** – TU: Card with 4 voltage transformer measuring inputs
- X100** – Ethernet interface, 100 Mbit/s, RJ45
- X102** – Universal Resistance-Temperature Detector (URTD) input, Fiber optics interface, ST Connector
- X104** – IRIG-B00X, incl. System Contact (Supervision Contact)

MCDGV4-2A1AIA



- X1** – DI8-X1: Wide-range power supply unit, incl. 2 non-grouped digital inputs and 6 grouped digital inputs
- X2** – OR-6: Assembly Group with 6 Relay Outputs
- X3** – TIS-4: Sensitive Ground current measuring card (for the neutral side of the differential protection)
- X4** – TI-4: Standard ground current measuring card (for the line side of the differential protection)
- X5** – DI8-OR4: Assembly Group with 8 Digital Inputs and 4 Output Relays
- X6** – TU: Card with 4 voltage transformer measuring inputs
- X100** – Ethernet interface, 100 Mbit/s, RJ45
- X102** – Universal Resistance-Temperature Detector (URTD) input, Fiber optics interface, ST Connector
- X103** – RS485, Terminals
- X104** – IRIG-B00X, incl. System Contact (Supervision Contact)

MCDGV4-2A1AIB



X1 – DI8-X1: Wide-range power supply unit, incl. 2 non-grouped digital inputs and 6 grouped digital inputs

X2 – OR-6: Assembly Group with 6 Relay Outputs

X3 – TIS-4: Sensitive Ground current measuring card (for the neutral side of the differential protection)

X4 – TI-4: Standard ground current measuring card (for the line side of the differential protection)

X5 – DI8-OR4: Assembly Group with 8 Digital Inputs and 4 Output Relays

X6 – TU: Card with 4 voltage transformer measuring inputs

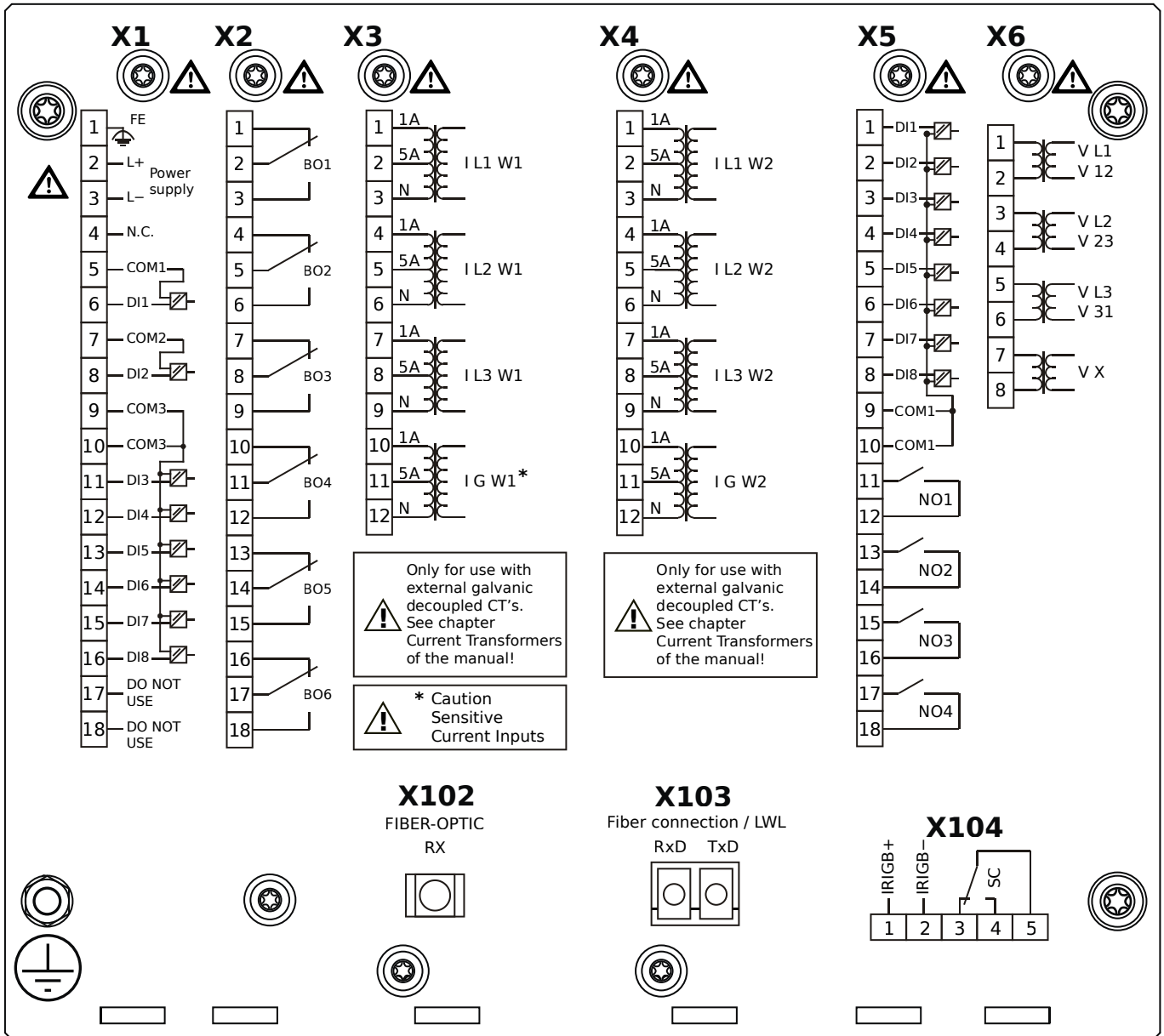
X100 – Ethernet interface, 100 Mbit/s, RJ45

X102 – Universal Resistance-Temperature Detector (URTD) input, Fiber optics interface, ST Connector

X103 – RS485, Terminals

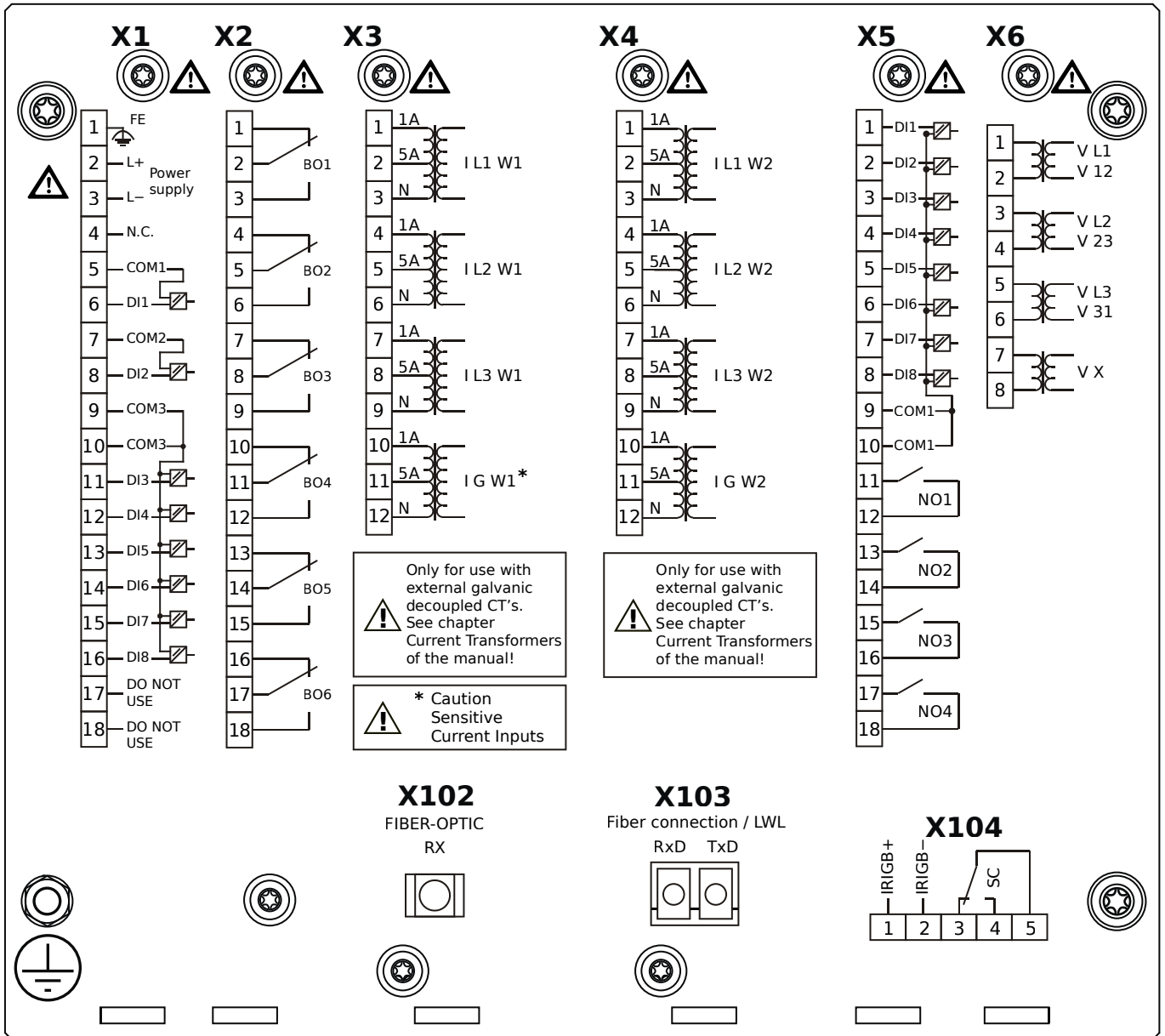
X104 – IRIG-B00X, incl. System Contact (Supervision Contact)

MCDGV4-2A1AKA



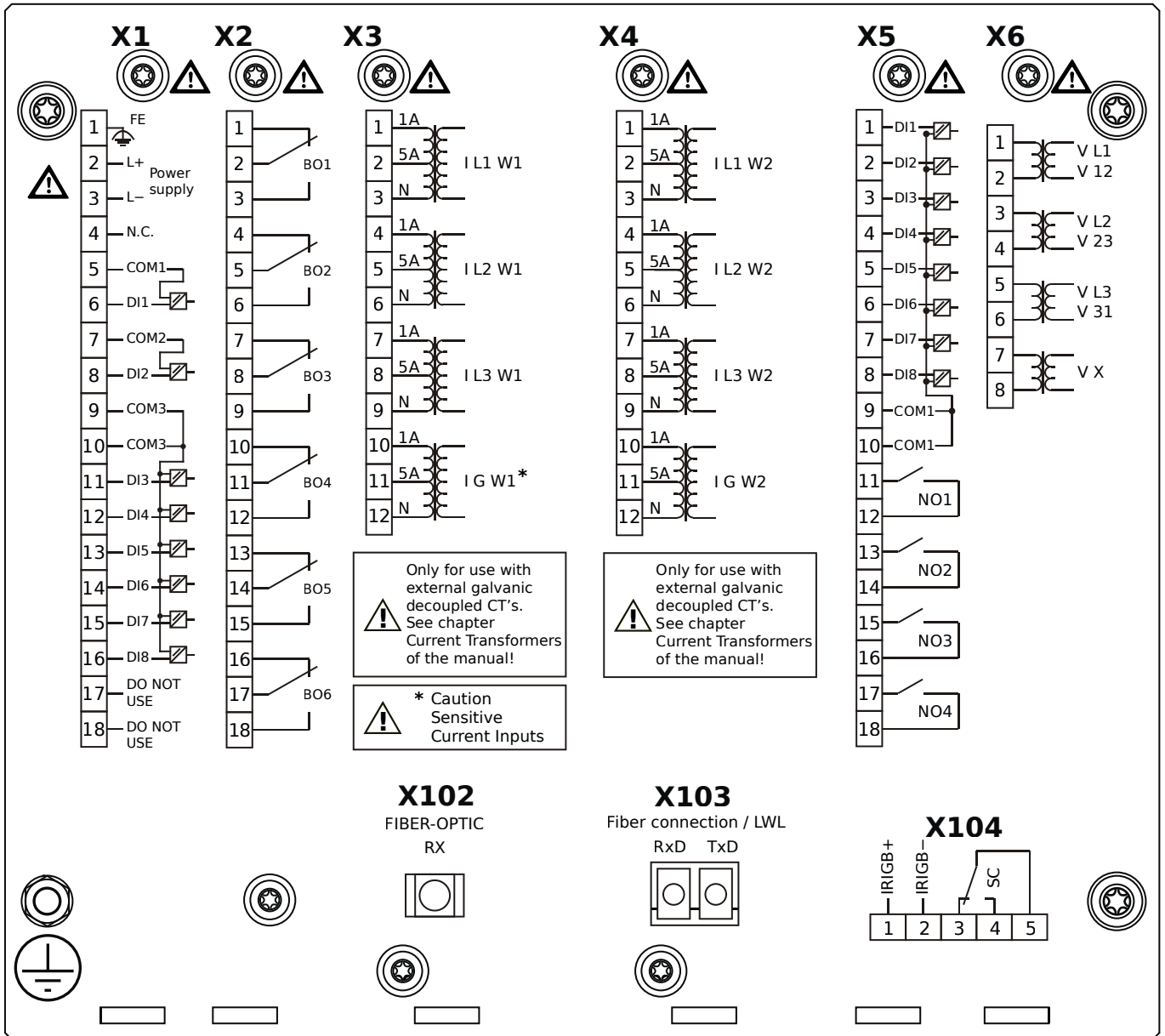
- X1** – DI8-X1: Wide-range power supply unit, incl. 2 non-grouped digital inputs and 6 grouped digital inputs
- X2** – OR-6: Assembly Group with 6 Relay Outputs
- X3** – TIS-4: Sensitive Ground current measuring card (for the neutral side of the differential protection)
- X4** – TI-4: Standard ground current measuring card (for the line side of the differential protection)
- X5** – DI8-OR4: Assembly Group with 8 Digital Inputs and 4 Output Relays
- X6** – TU: Card with 4 voltage transformer measuring inputs
- X102** – Universal Resistance-Temperature Detector (URTD) input, Fiber optics interface, ST Connector
- X103** – Fiber optics interface, LC Connector
- X104** – IRIG-B00X, incl. System Contact (Supervision Contact)

MCDGV4-2A1AKB



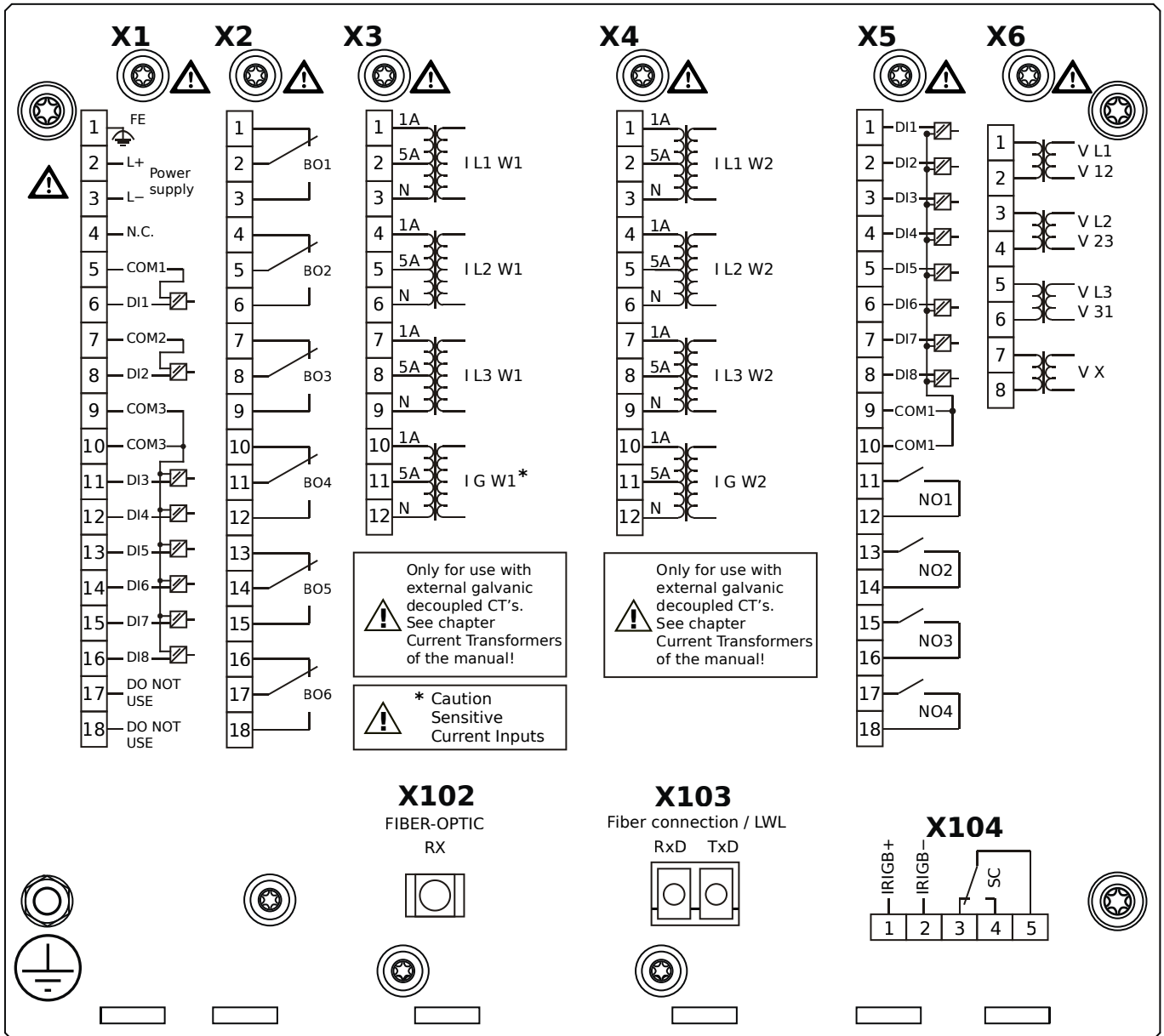
- X1** – DI8-X1: Wide-range power supply unit, incl. 2 non-grouped digital inputs and 6 grouped digital inputs
- X2** – OR-6: Assembly Group with 6 Relay Outputs
- X3** – TIS-4: Sensitive Ground current measuring card (for the neutral side of the differential protection)
- X4** – TI-4: Standard ground current measuring card (for the line side of the differential protection)
- X5** – DI8-OR4: Assembly Group with 8 Digital Inputs and 4 Output Relays
- X6** – TU: Card with 4 voltage transformer measuring inputs
- X102** – Universal Resistance-Temperature Detector (URTD) input, Fiber optics interface, ST Connector
- X103** – Fiber optics interface, LC Connector
- X104** – IRIG-B00X, incl. System Contact (Supervision Contact)

MCDGV4-2A1ALA



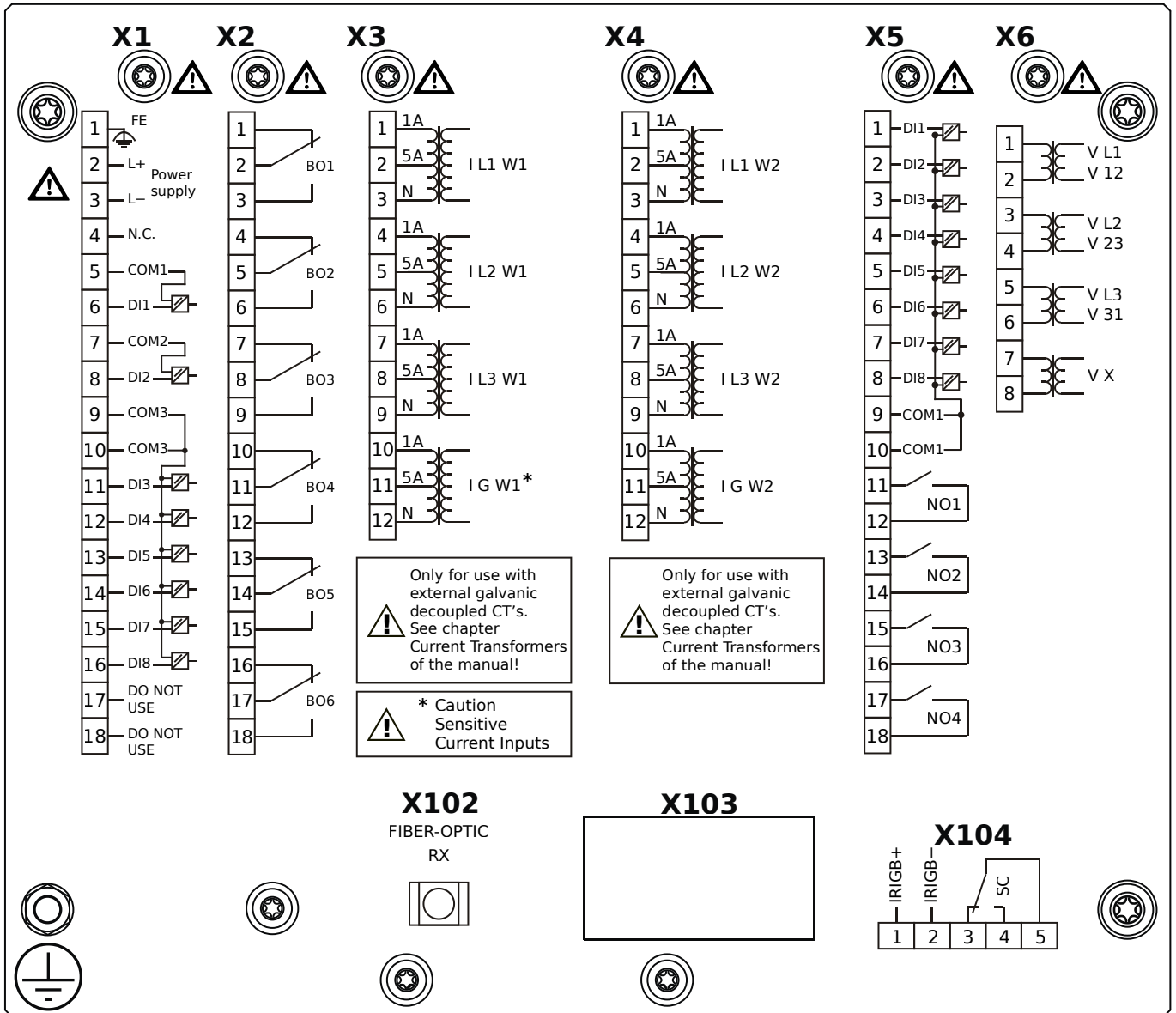
- X1** – DI8-X1: Wide-range power supply unit, incl. 2 non-grouped digital inputs and 6 grouped digital inputs
- X2** – OR-6: Assembly Group with 6 Relay Outputs
- X3** – TIS-4: Sensitive Ground current measuring card (for the neutral side of the differential protection)
- X4** – TI-4: Standard ground current measuring card (for the line side of the differential protection)
- X5** – DI8-OR4: Assembly Group with 8 Digital Inputs and 4 Output Relays
- X6** – TU: Card with 4 voltage transformer measuring inputs
- X102** – Universal Resistance-Temperature Detector (URTD) input, Fiber optics interface, ST Connector
- X103** – Fiber optics interface, LC Connector
- X104** – IRIG-B00X, incl. System Contact (Supervision Contact)

MCDGV4-2A1ALB



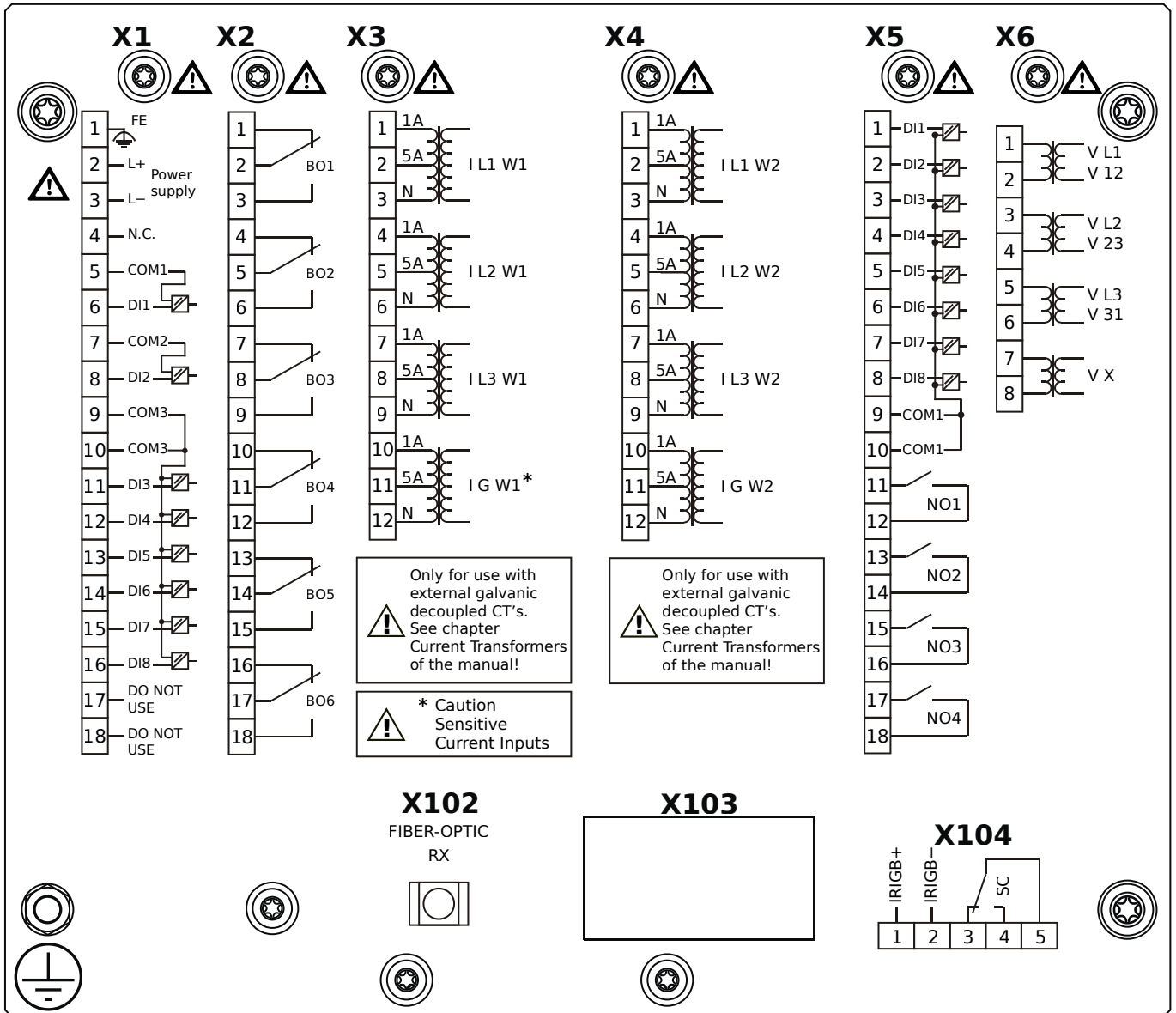
- X1** – DI8-X1: Wide-range power supply unit, incl. 2 non-grouped digital inputs and 6 grouped digital inputs
- X2** – OR-6: Assembly Group with 6 Relay Outputs
- X3** – TIS-4: Sensitive Ground current measuring card (for the neutral side of the differential protection)
- X4** – TI-4: Standard ground current measuring card (for the line side of the differential protection)
- X5** – DI8-OR4: Assembly Group with 8 Digital Inputs and 4 Output Relays
- X6** – TU: Card with 4 voltage transformer measuring inputs
- X102** – Universal Resistance-Temperature Detector (URTD) input, Fiber optics interface, ST Connector
- X103** – Fiber optics interface, LC Connector
- X104** – IRIG-B00X, incl. System Contact (Supervision Contact)

MCDGV4-2A1BAA



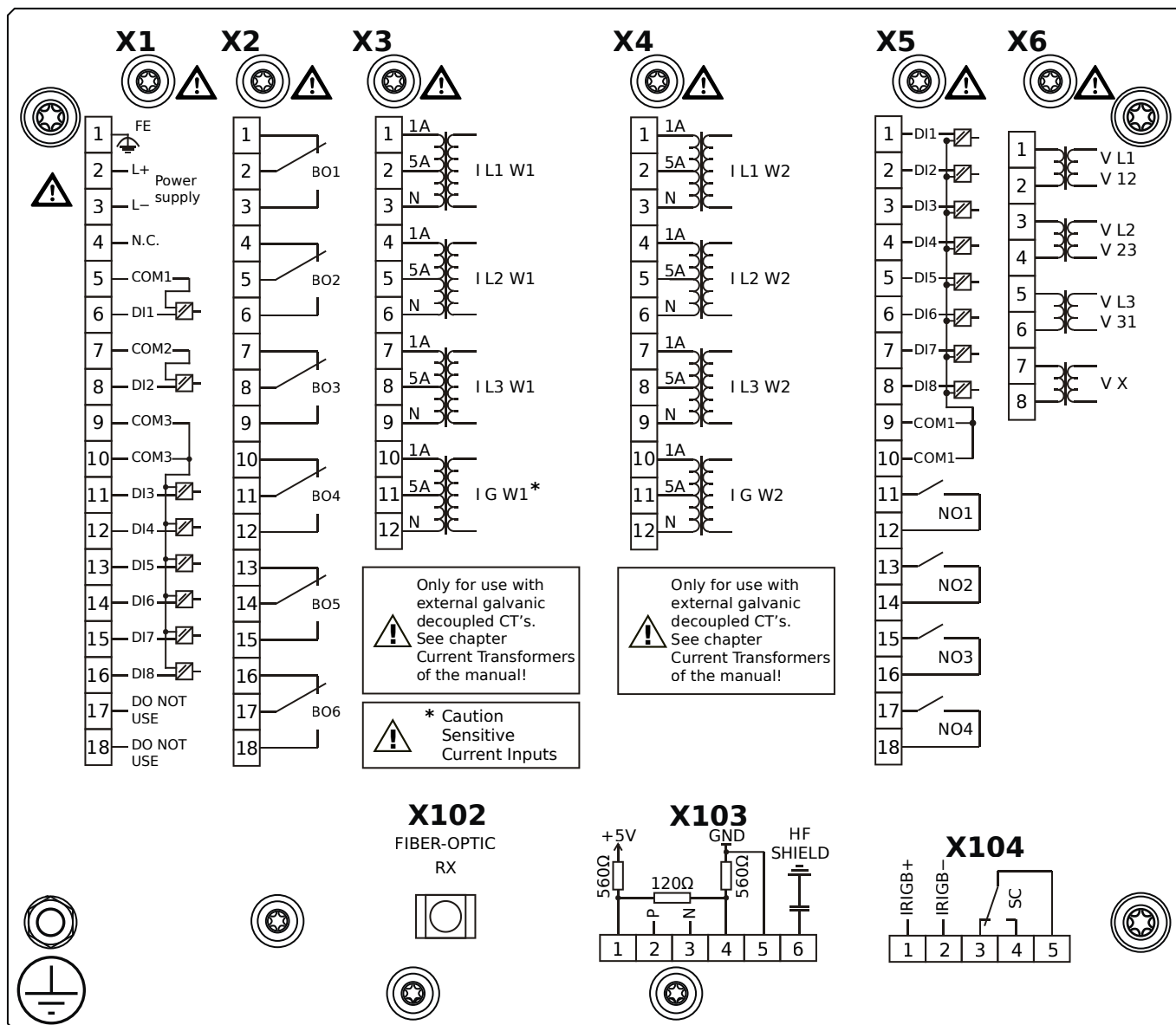
- X1** – DI8-X1: Wide-range power supply unit, incl. 2 non-grouped digital inputs and 6 grouped digital inputs
- X2** – OR-6: Assembly Group with 6 Relay Outputs
- X3** – TIS-4: Sensitive Ground current measuring card (for the neutral side of the differential protection)
- X4** – TI-4: Standard ground current measuring card (for the line side of the differential protection)
- X5** – DI8-OR4: Assembly Group with 8 Digital Inputs and 4 Output Relays
- X6** – TU: Card with 4 voltage transformer measuring inputs
- X102** – Universal Resistance-Temperature Detector (URTD) input, Fiber optics interface, ST Connector
- X104** – IRIG-B00X, incl. System Contact (Supervision Contact)

MCDGV4-2A1BAB



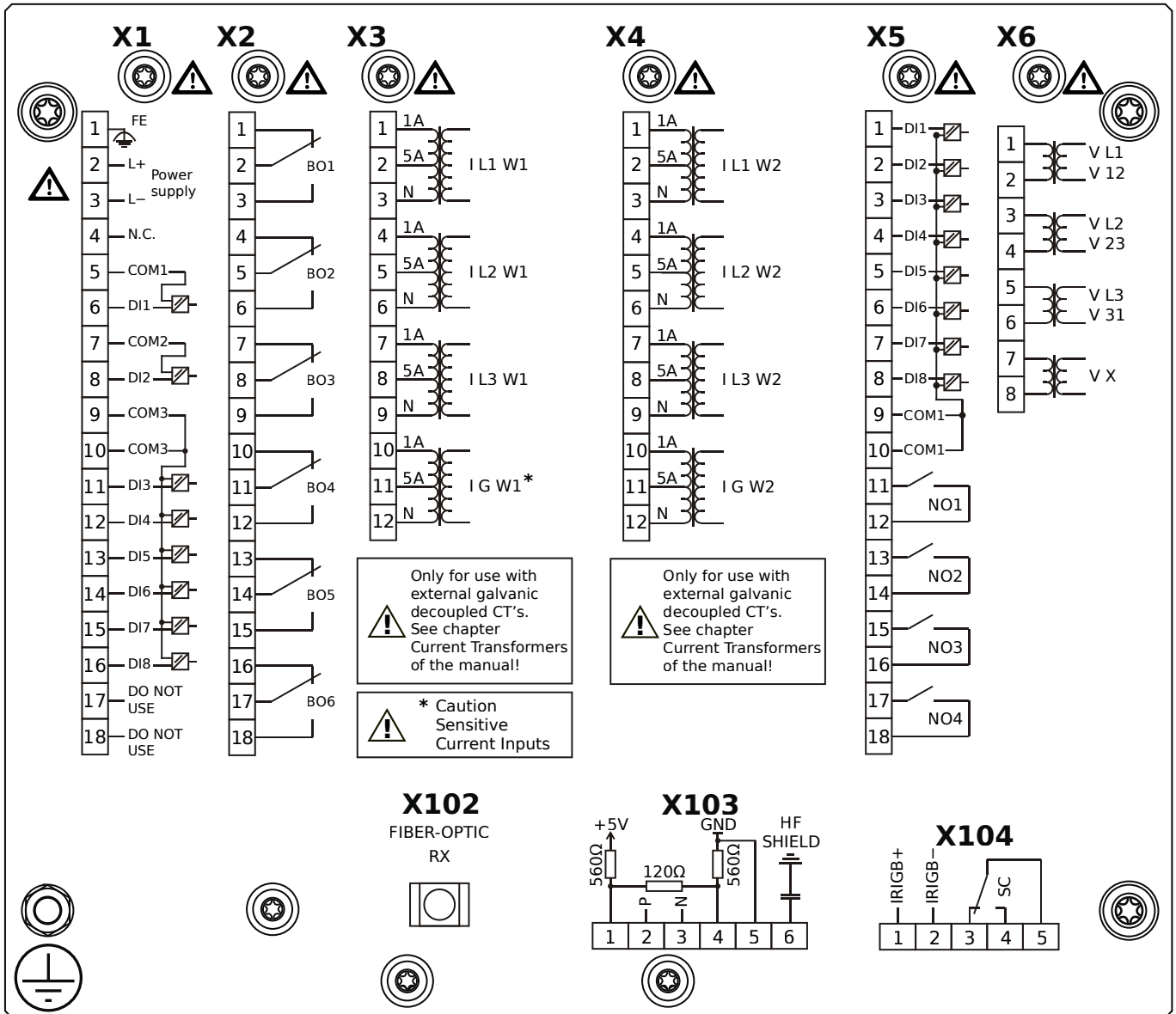
- X1** – DI8-X1: Wide-range power supply unit, incl. 2 non-grouped digital inputs and 6 grouped digital inputs
- X2** – OR-6: Assembly Group with 6 Relay Outputs
- X3** – TIS-4: Sensitive Ground current measuring card (for the neutral side of the differential protection)
- X4** – TI-4: Standard ground current measuring card (for the line side of the differential protection)
- X5** – DI8-OR4: Assembly Group with 8 Digital Inputs and 4 Output Relays
- X6** – TU: Card with 4 voltage transformer measuring inputs
- X102** – Universal Resistance-Temperature Detector (URTD) input, Fiber optics interface, ST Connector
- X104** – IRIG-B00X, incl. System Contact (Supervision Contact)

MCDGV4-2A1BBA



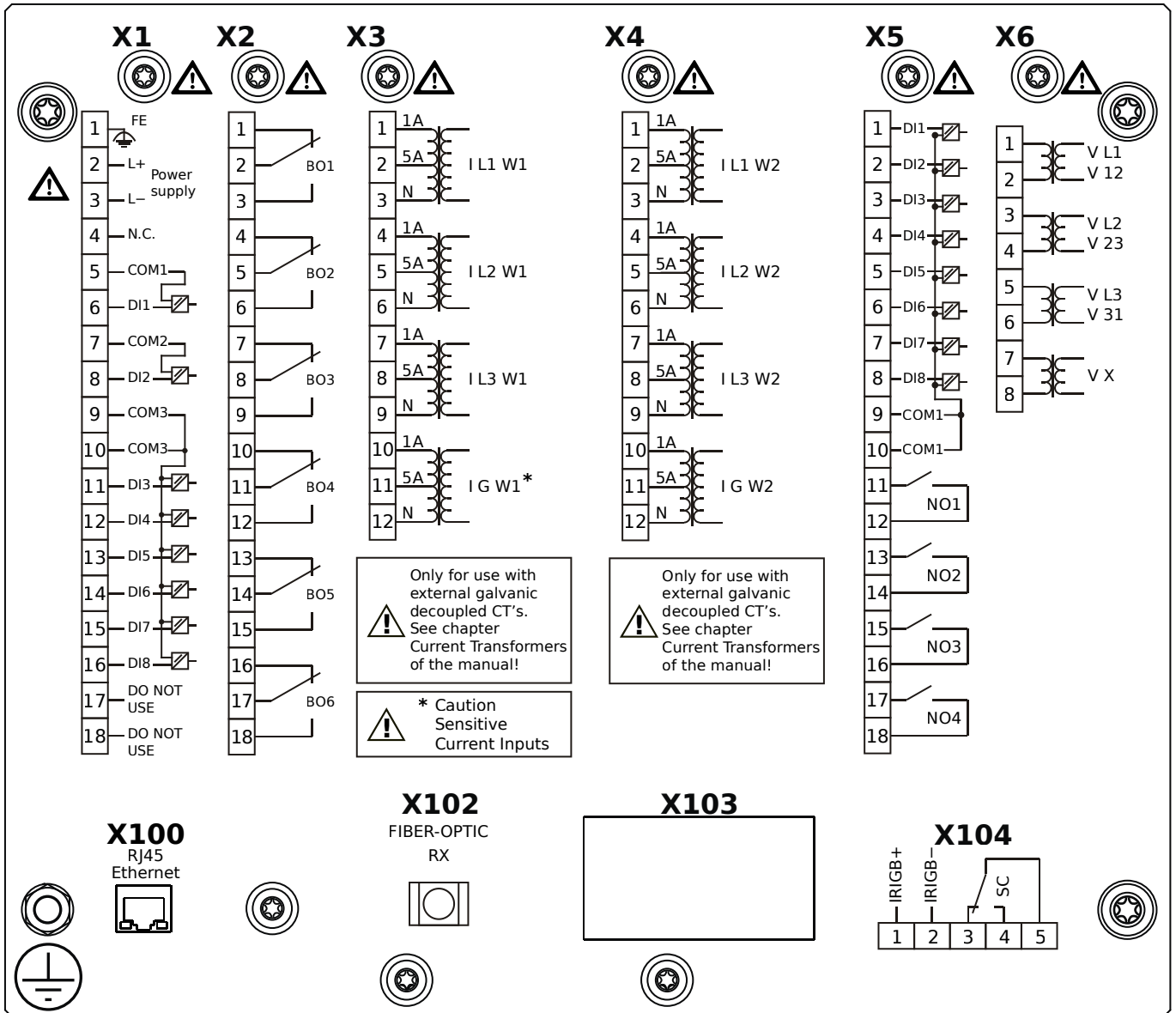
- X1** – DI8-X1: Wide-range power supply unit, incl. 2 non-grouped digital inputs and 6 grouped digital inputs
- X2** – OR-6: Assembly Group with 6 Relay Outputs
- X3** – TIS-4: Sensitive Ground current measuring card (for the neutral side of the differential protection)
- X4** – TI-4: Standard ground current measuring card (for the line side of the differential protection)
- X5** – DI8-OR4: Assembly Group with 8 Digital Inputs and 4 Output Relays
- X6** – TU: Card with 4 voltage transformer measuring inputs
- X102** – Universal Resistance-Temperature Detector (URTD) input, Fiber optics interface, ST Connector
- X103** – RS485, Terminals
- X104** – IRIG-B00X, incl. System Contact (Supervision Contact)

MCDGV4-2A1BBB



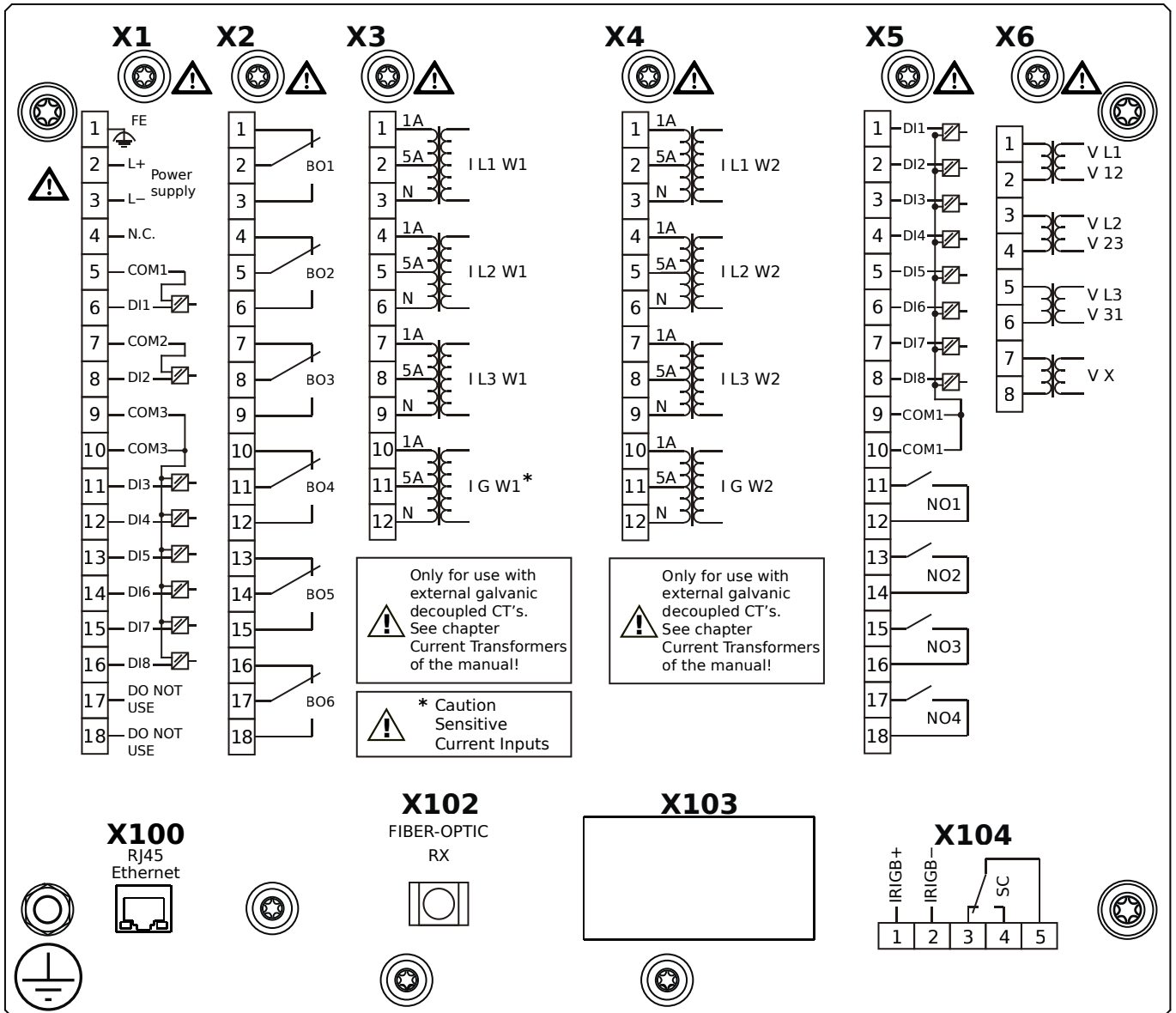
- X1** – DI8-X1: Wide-range power supply unit, incl. 2 non-grouped digital inputs and 6 grouped digital inputs
- X2** – OR-6: Assembly Group with 6 Relay Outputs
- X3** – TIS-4: Sensitive Ground current measuring card (for the neutral side of the differential protection)
- X4** – TI-4: Standard ground current measuring card (for the line side of the differential protection)
- X5** – DI8-OR4: Assembly Group with 8 Digital Inputs and 4 Output Relays
- X6** – TU: Card with 4 voltage transformer measuring inputs
- X102** – Universal Resistance-Temperature Detector (URTD) input, Fiber optics interface, ST Connector
- X103** – RS485, Terminals
- X104** – IRIG-B00X, incl. System Contact (Supervision Contact)

MCDGV4-2A1BCA



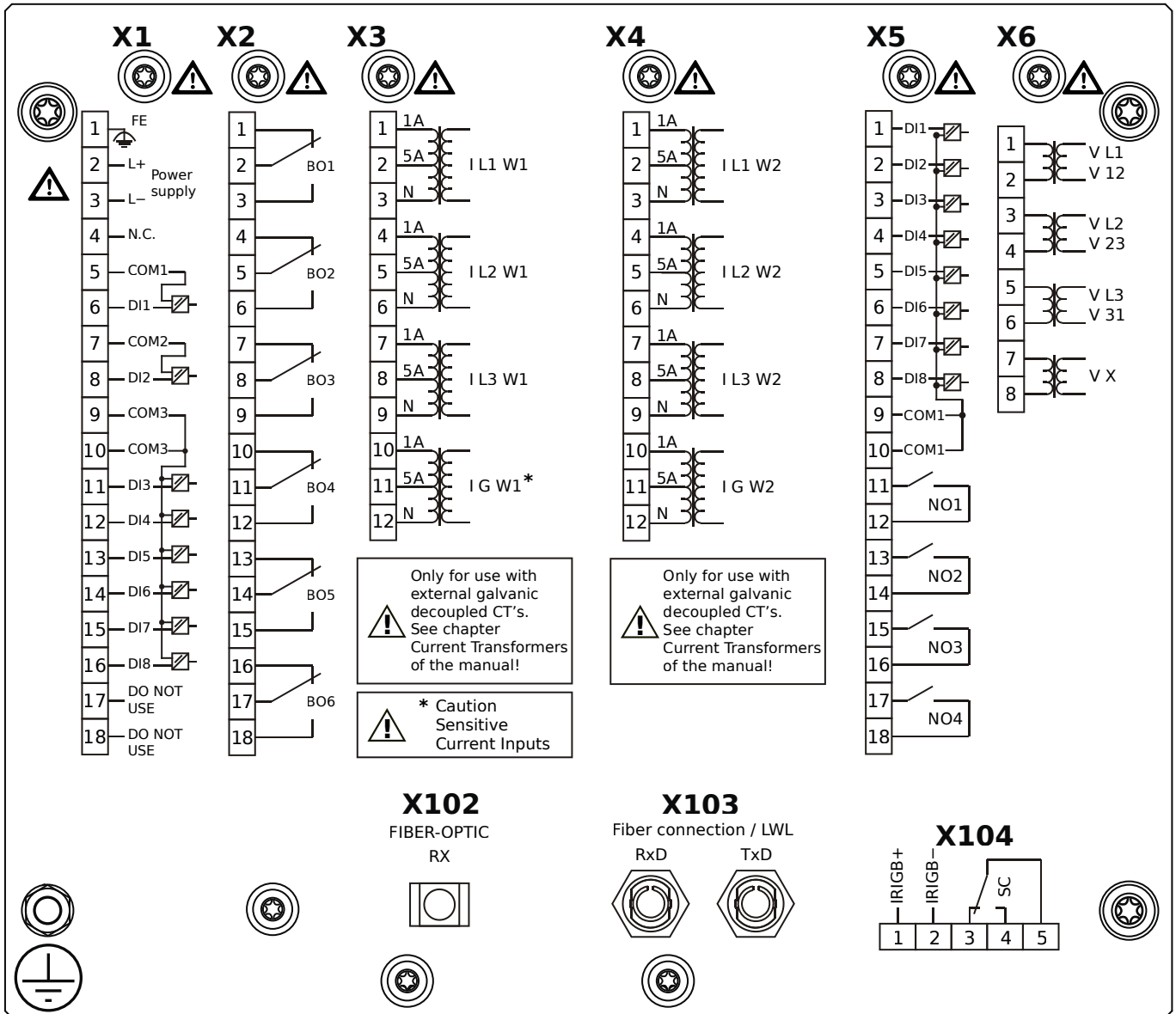
- X1** – DI8-X1: Wide-range power supply unit, incl. 2 non-grouped digital inputs and 6 grouped digital inputs
- X2** – OR-6: Assembly Group with 6 Relay Outputs
- X3** – TIS-4: Sensitive Ground current measuring card (for the neutral side of the differential protection)
- X4** – TI-4: Standard ground current measuring card (for the line side of the differential protection)
- X5** – DI8-OR4: Assembly Group with 8 Digital Inputs and 4 Output Relays
- X6** – TU: Card with 4 voltage transformer measuring inputs
- X100** – Ethernet interface, 100 Mbit/s, RJ45
- X102** – Universal Resistance-Temperature Detector (URTD) input, Fiber optics interface, ST Connector
- X104** – IRIG-B00X, incl. System Contact (Supervision Contact)

MCDGV4-2A1BCB



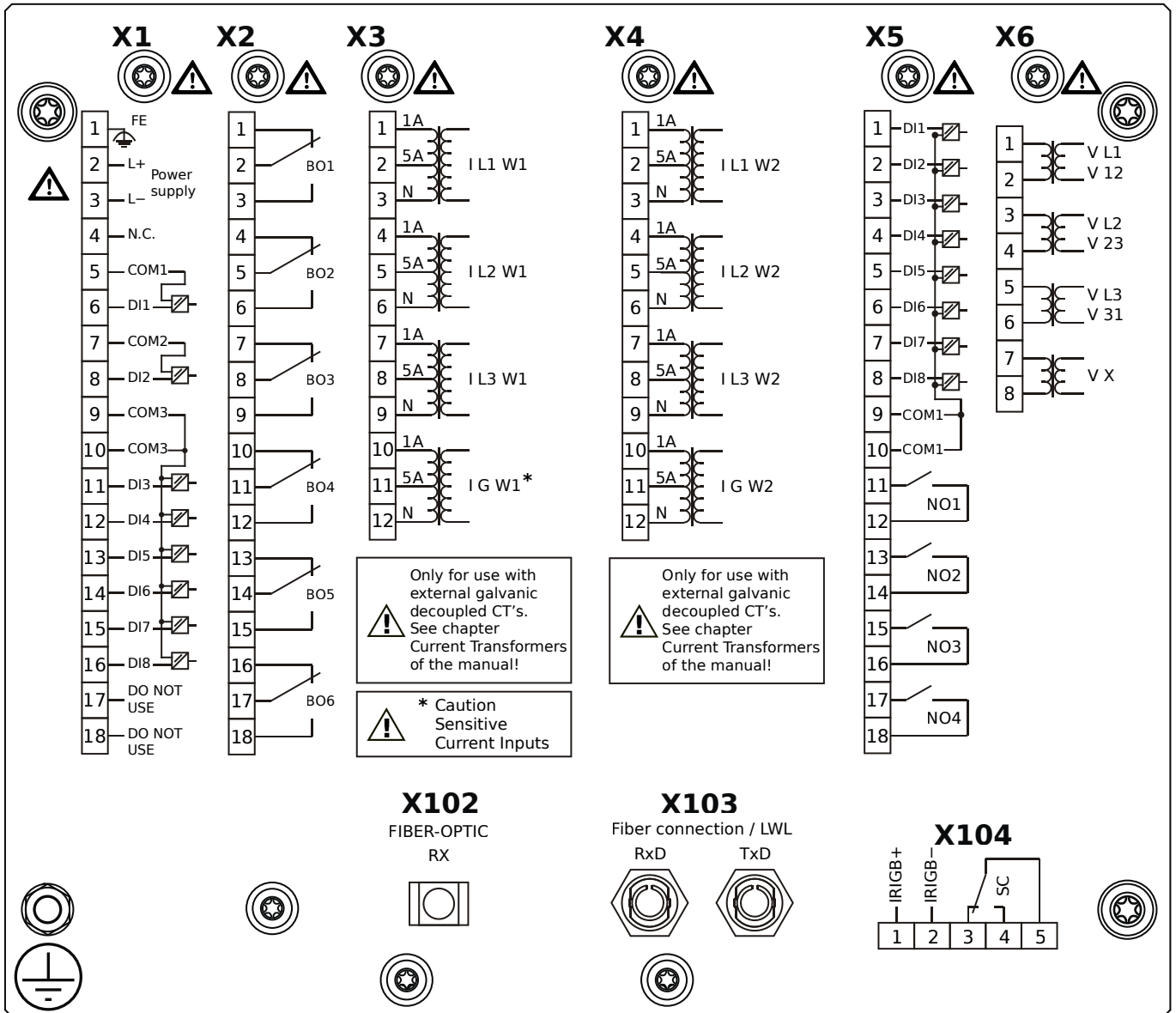
- X1** – DI8-X1: Wide-range power supply unit, incl. 2 non-grouped digital inputs and 6 grouped digital inputs
- X2** – OR-6: Assembly Group with 6 Relay Outputs
- X3** – TIS-4: Sensitive Ground current measuring card (for the neutral side of the differential protection)
- X4** – TI-4: Standard ground current measuring card (for the line side of the differential protection)
- X5** – DI8-OR4: Assembly Group with 8 Digital Inputs and 4 Output Relays
- X6** – TU: Card with 4 voltage transformer measuring inputs
- X100** – Ethernet interface, 100 Mbit/s, RJ45
- X102** – Universal Resistance-Temperature Detector (URTD) input, Fiber optics interface, ST Connector
- X104** – IRIG-B00X, incl. System Contact (Supervision Contact)

MCDGV4-2A1BDA



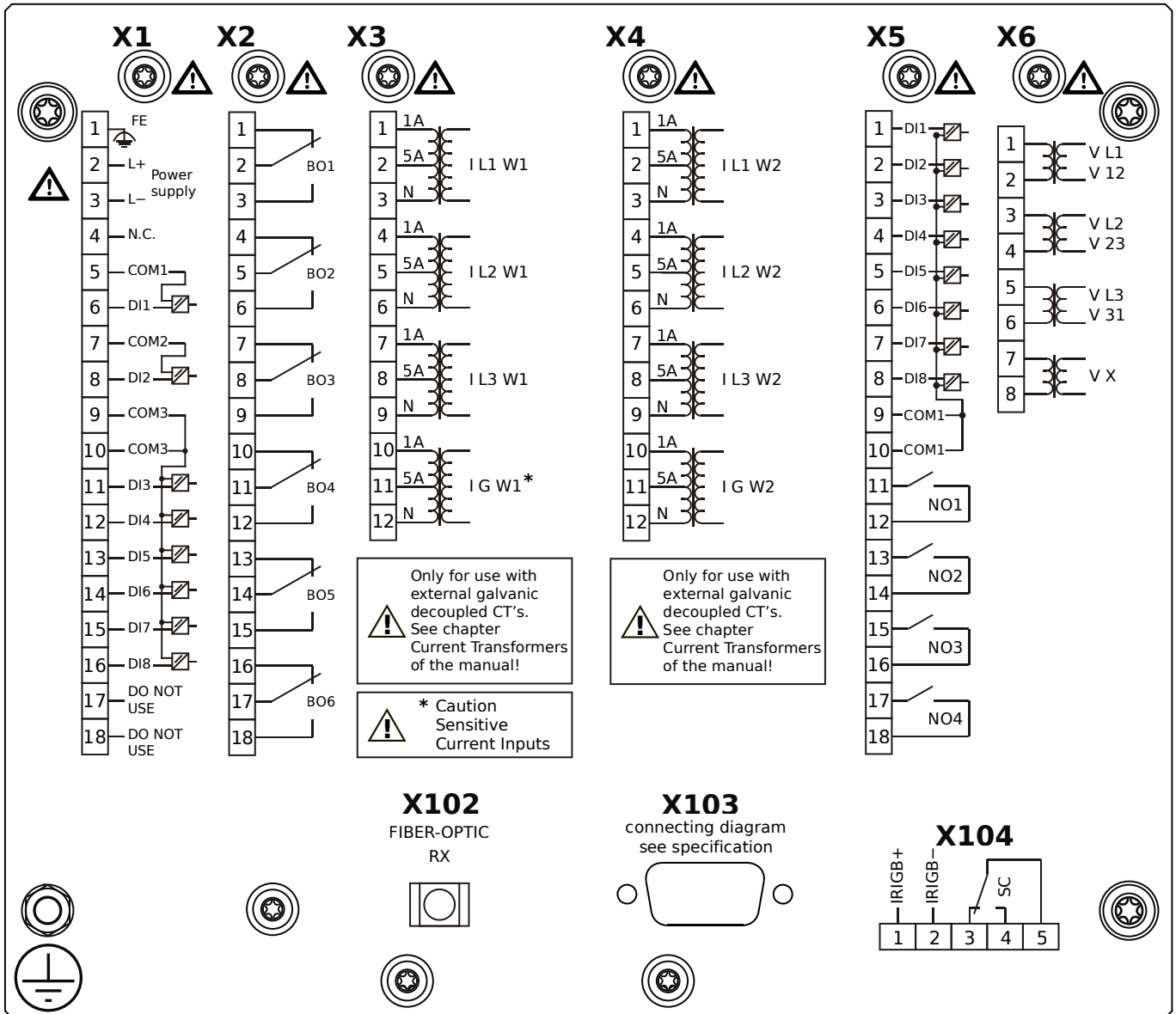
- X1** – DI8-X1: Wide-range power supply unit, incl. 2 non-grouped digital inputs and 6 grouped digital inputs
- X2** – OR-6: Assembly Group with 6 Relay Outputs
- X3** – TIS-4: Sensitive Ground current measuring card (for the neutral side of the differential protection)
- X4** – TI-4: Standard ground current measuring card (for the line side of the differential protection)
- X5** – DI8-OR4: Assembly Group with 8 Digital Inputs and 4 Output Relays
- X6** – TU: Card with 4 voltage transformer measuring inputs
- X102** – Universal Resistance-Temperature Detector (URTD) input, Fiber optics interface, ST Connector
- X103** – Fiber optics interface, ST Connector
- X104** – IRIG-B00X, incl. System Contact (Supervision Contact)

MCDGV4-2A1BDB



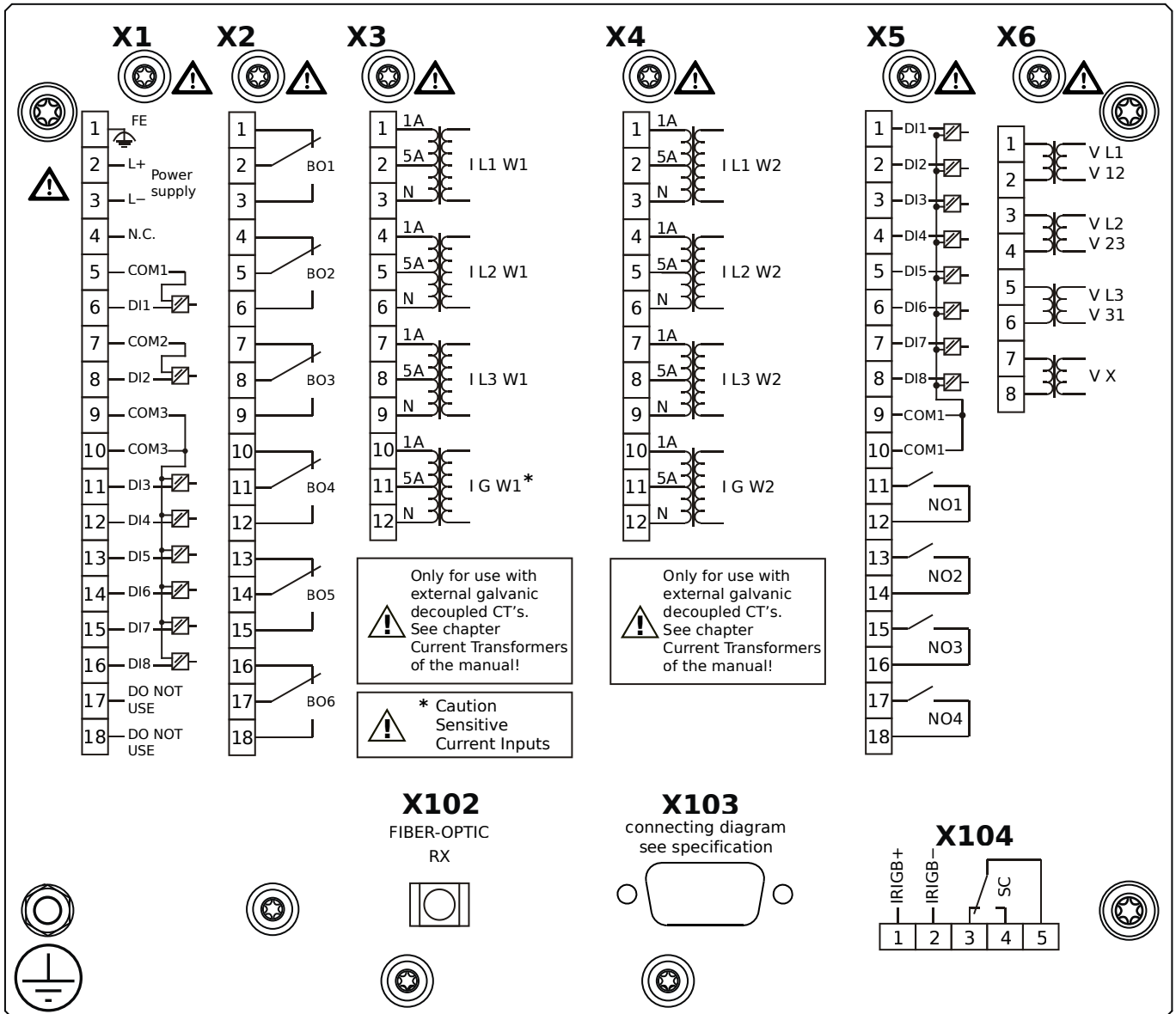
- X1** – DI8-X1: Wide-range power supply unit, incl. 2 non-grouped digital inputs and 6 grouped digital inputs
- X2** – OR-6: Assembly Group with 6 Relay Outputs
- X3** – TIS-4: Sensitive Ground current measuring card (for the neutral side of the differential protection)
- X4** – TI-4: Standard ground current measuring card (for the line side of the differential protection)
- X5** – DI8-OR4: Assembly Group with 8 Digital Inputs and 4 Output Relays
- X6** – TU: Card with 4 voltage transformer measuring inputs
- X102** – Universal Resistance-Temperature Detector (URTD) input, Fiber optics interface, ST Connector
- X103** – Fiber optics interface, ST Connector
- X104** – IRIG-B00X, incl. System Contact (Supervision Contact)

MCDGV4-2A1BEA



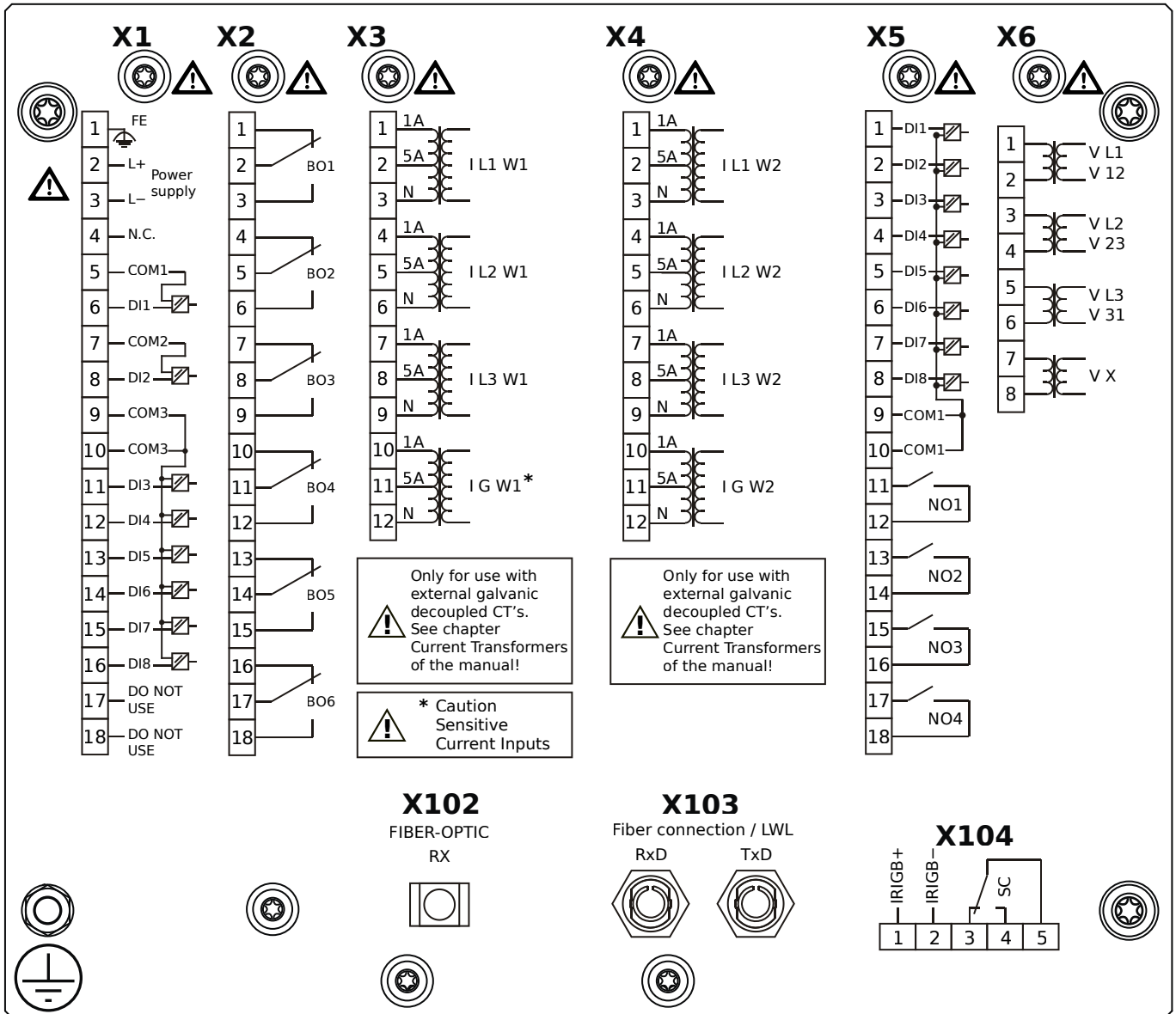
- X1** – DI8-X1: Wide-range power supply unit, incl. 2 non-grouped digital inputs and 6 grouped digital inputs
- X2** – OR-6: Assembly Group with 6 Relay Outputs
- X3** – TIS-4: Sensitive Ground current measuring card (for the neutral side of the differential protection)
- X4** – TI-4: Standard ground current measuring card (for the line side of the differential protection)
- X5** – DI8-OR4: Assembly Group with 8 Digital Inputs and 4 Output Relays
- X6** – TU: Card with 4 voltage transformer measuring inputs
- X102** – Universal Resistance-Temperature Detector (URTD) input, Fiber optics interface, ST Connector
- X103** – RS485, D-SUB
- X104** – IRIG-B00X, incl. System Contact (Supervision Contact)

MCDGV4-2A1BEB



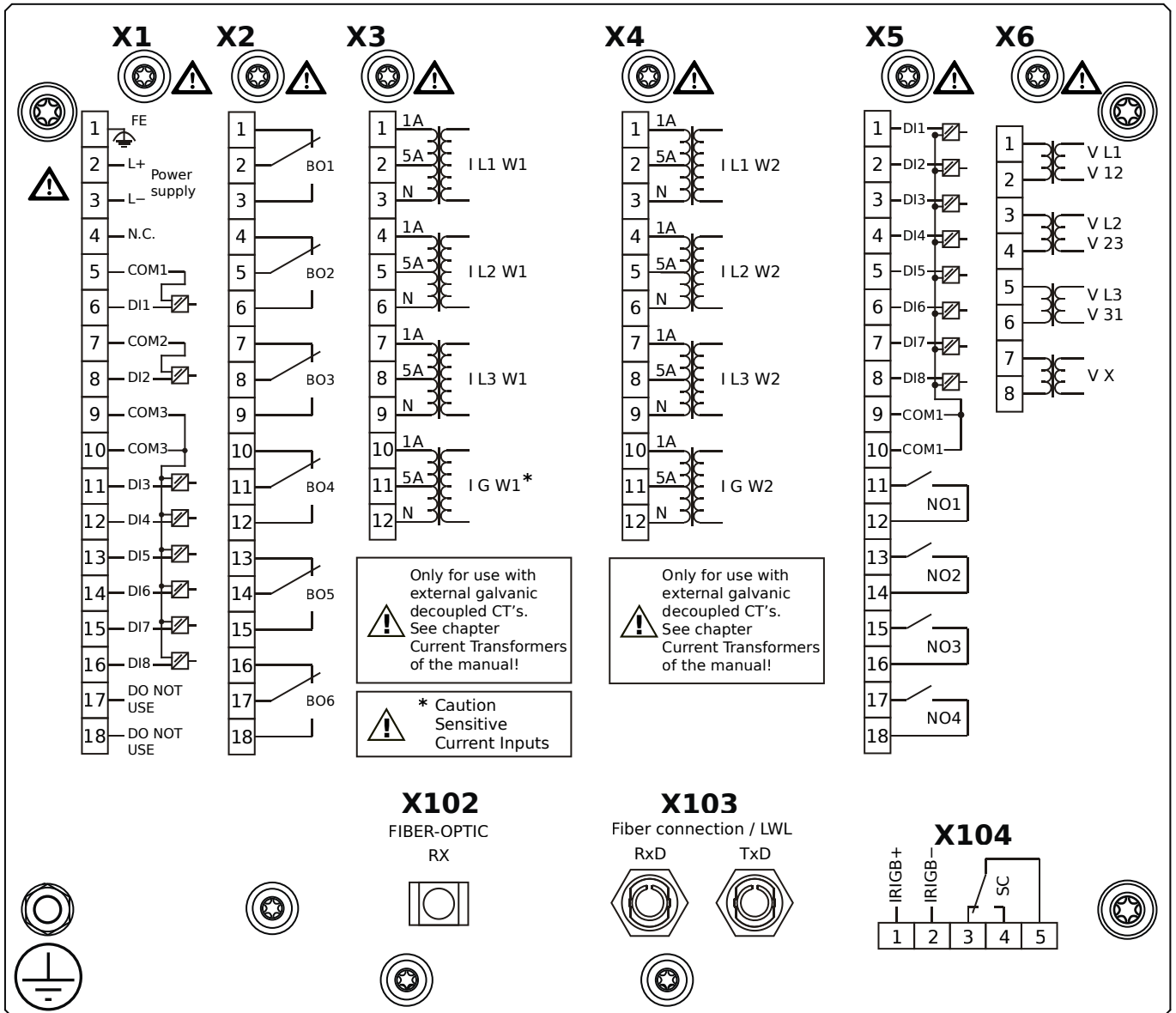
- X1** – DI8-X1: Wide-range power supply unit, incl. 2 non-grouped digital inputs and 6 grouped digital inputs
- X2** – OR-6: Assembly Group with 6 Relay Outputs
- X3** – TIS-4: Sensitive Ground current measuring card (for the neutral side of the differential protection)
- X4** – TI-4: Standard ground current measuring card (for the line side of the differential protection)
- X5** – DI8-OR4: Assembly Group with 8 Digital Inputs and 4 Output Relays
- X6** – TU: Card with 4 voltage transformer measuring inputs
- X102** – Universal Resistance-Temperature Detector (URTD) input, Fiber optics interface, ST Connector
- X103** – RS485, D-SUB
- X104** – IRIG-B00X, incl. System Contact (Supervision Contact)

MCDGV4-2A1BFA



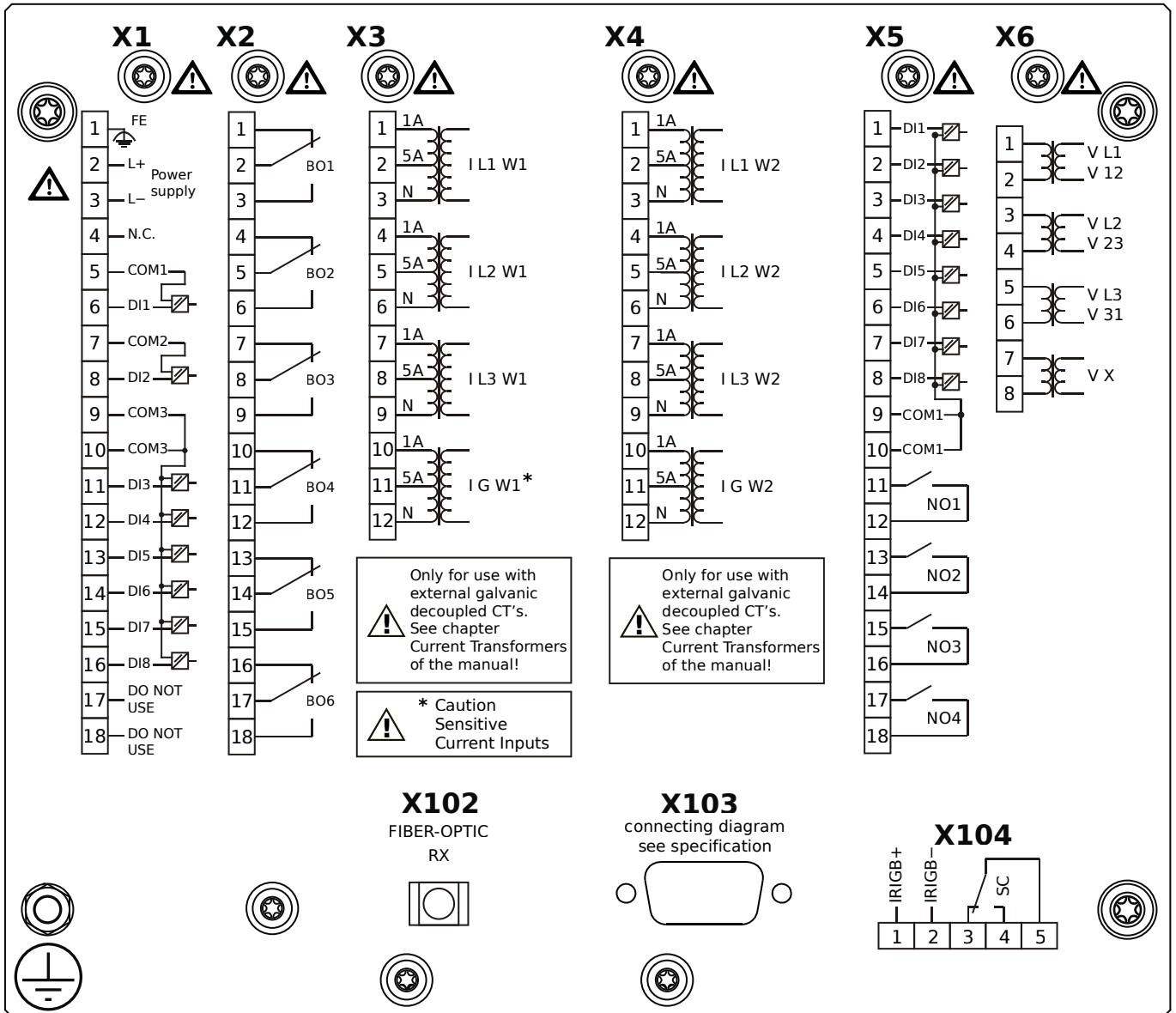
- X1** – DI8-X1: Wide-range power supply unit, incl. 2 non-grouped digital inputs and 6 grouped digital inputs
- X2** – OR-6: Assembly Group with 6 Relay Outputs
- X3** – TIS-4: Sensitive Ground current measuring card (for the neutral side of the differential protection)
- X4** – TI-4: Standard ground current measuring card (for the line side of the differential protection)
- X5** – DI8-OR4: Assembly Group with 8 Digital Inputs and 4 Output Relays
- X6** – TU: Card with 4 voltage transformer measuring inputs
- X102** – Universal Resistance-Temperature Detector (URTD) input, Fiber optics interface, ST Connector
- X103** – Fiber optics interface, ST Connector
- X104** – IRIG-B00X, incl. System Contact (Supervision Contact)

MCDGV4-2A1BFB



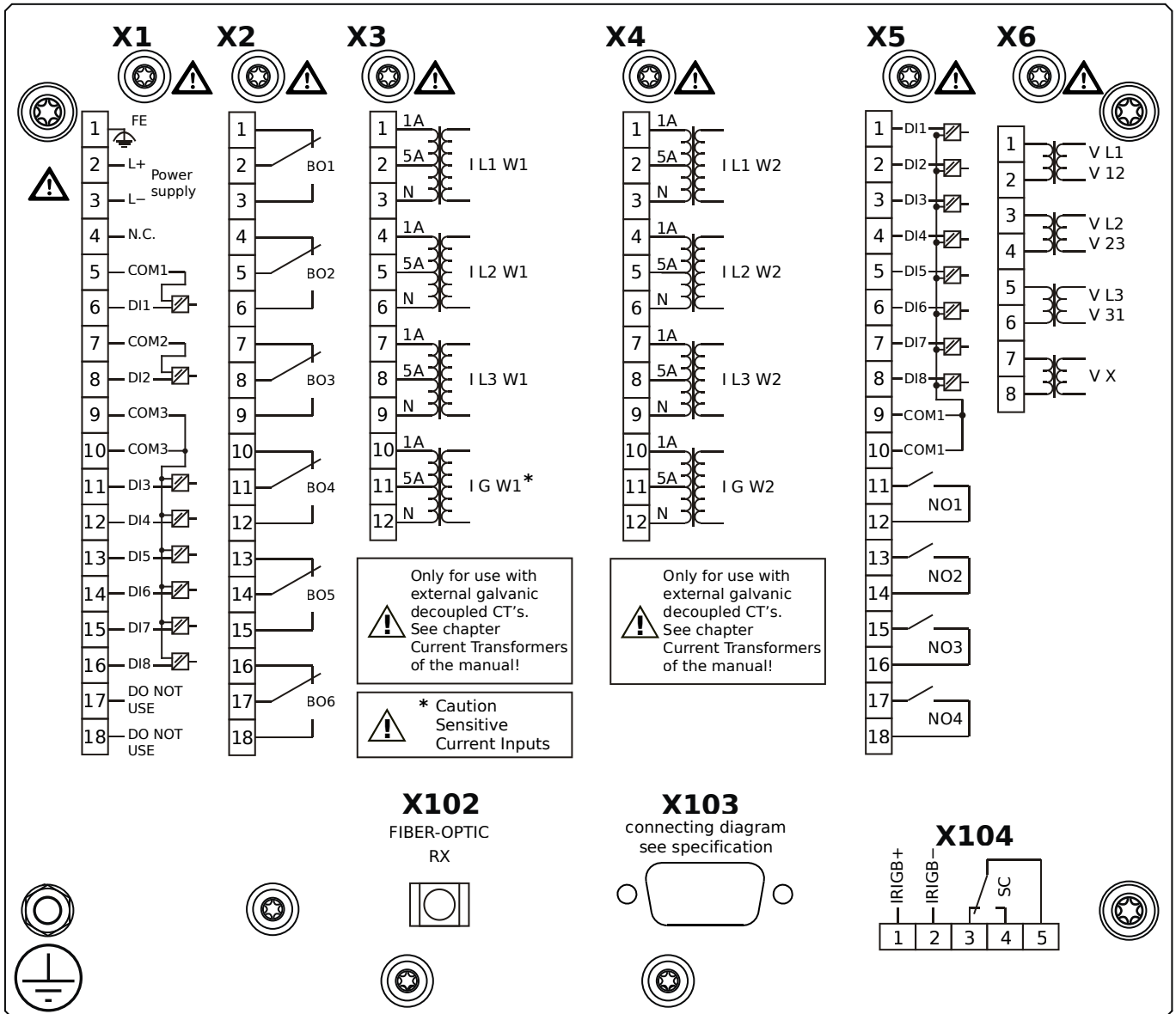
- X1** – DI8-X1: Wide-range power supply unit, incl. 2 non-grouped digital inputs and 6 grouped digital inputs
- X2** – OR-6: Assembly Group with 6 Relay Outputs
- X3** – TIS-4: Sensitive Ground current measuring card (for the neutral side of the differential protection)
- X4** – TI-4: Standard ground current measuring card (for the line side of the differential protection)
- X5** – DI8-OR4: Assembly Group with 8 Digital Inputs and 4 Output Relays
- X6** – TU: Card with 4 voltage transformer measuring inputs
- X102** – Universal Resistance-Temperature Detector (URTD) input, Fiber optics interface, ST Connector
- X103** – Fiber optics interface, ST Connector
- X104** – IRIG-B00X, incl. System Contact (Supervision Contact)

MCDGV4-2A1BGA



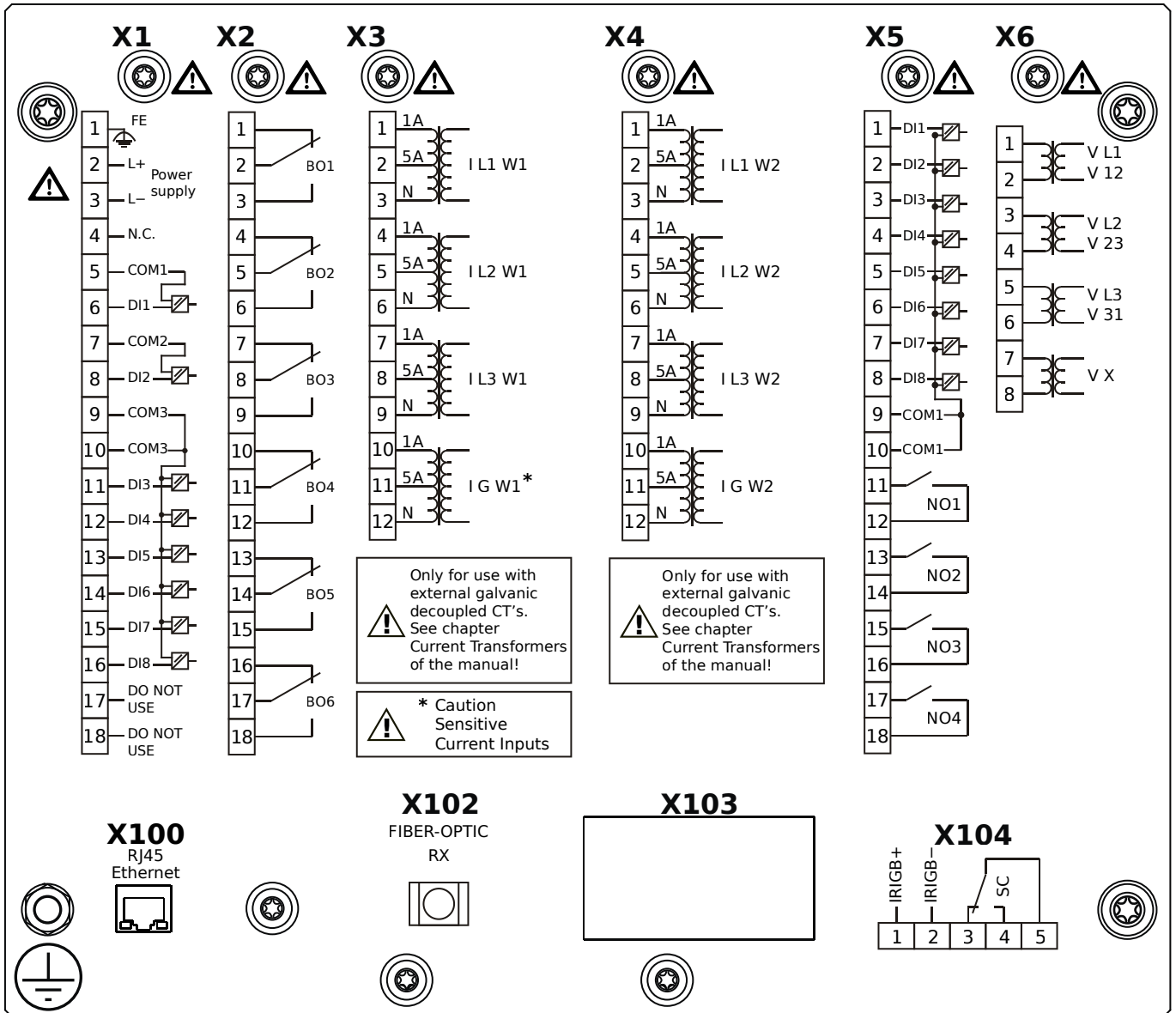
- X1** – DI8-X1: Wide-range power supply unit, incl. 2 non-grouped digital inputs and 6 grouped digital inputs
- X2** – OR-6: Assembly Group with 6 Relay Outputs
- X3** – TIS-4: Sensitive Ground current measuring card (for the neutral side of the differential protection)
- X4** – TI-4: Standard ground current measuring card (for the line side of the differential protection)
- X5** – DI8-OR4: Assembly Group with 8 Digital Inputs and 4 Output Relays
- X6** – TU: Card with 4 voltage transformer measuring inputs
- X102** – Universal Resistance-Temperature Detector (URTD) input, Fiber optics interface, ST Connector
- X103** – RS485, D-SUB
- X104** – IRIG-B00X, incl. System Contact (Supervision Contact)

MCDGV4-2A1BGB



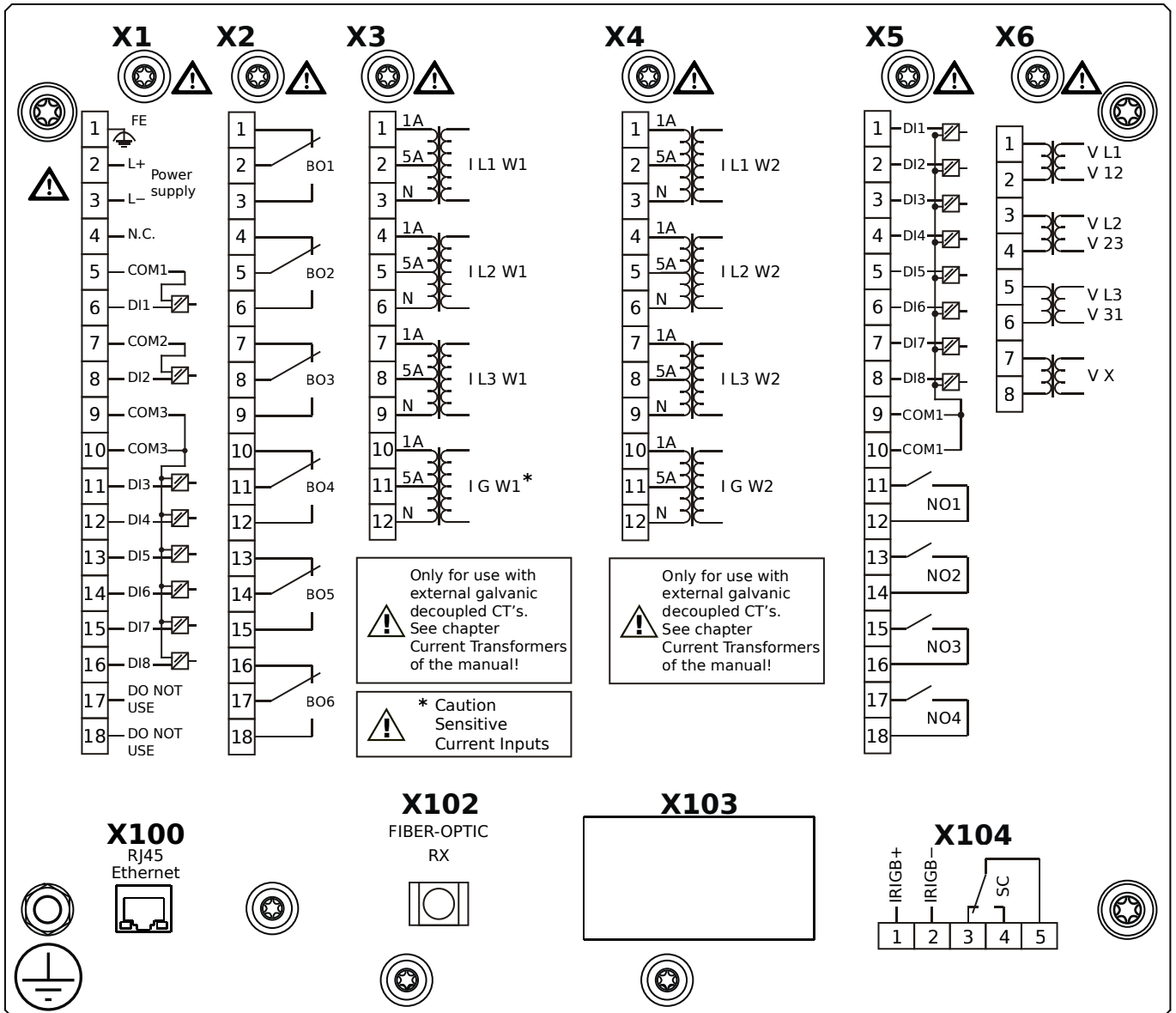
- X1** – DI8-X1: Wide-range power supply unit, incl. 2 non-grouped digital inputs and 6 grouped digital inputs
- X2** – OR-6: Assembly Group with 6 Relay Outputs
- X3** – TIS-4: Sensitive Ground current measuring card (for the neutral side of the differential protection)
- X4** – TI-4: Standard ground current measuring card (for the line side of the differential protection)
- X5** – DI8-OR4: Assembly Group with 8 Digital Inputs and 4 Output Relays
- X6** – TU: Card with 4 voltage transformer measuring inputs
- X102** – Universal Resistance-Temperature Detector (URTD) input, Fiber optics interface, ST Connector
- X103** – RS485, D-SUB
- X104** – IRIG-B00X, incl. System Contact (Supervision Contact)

MCDGV4-2A1BHA



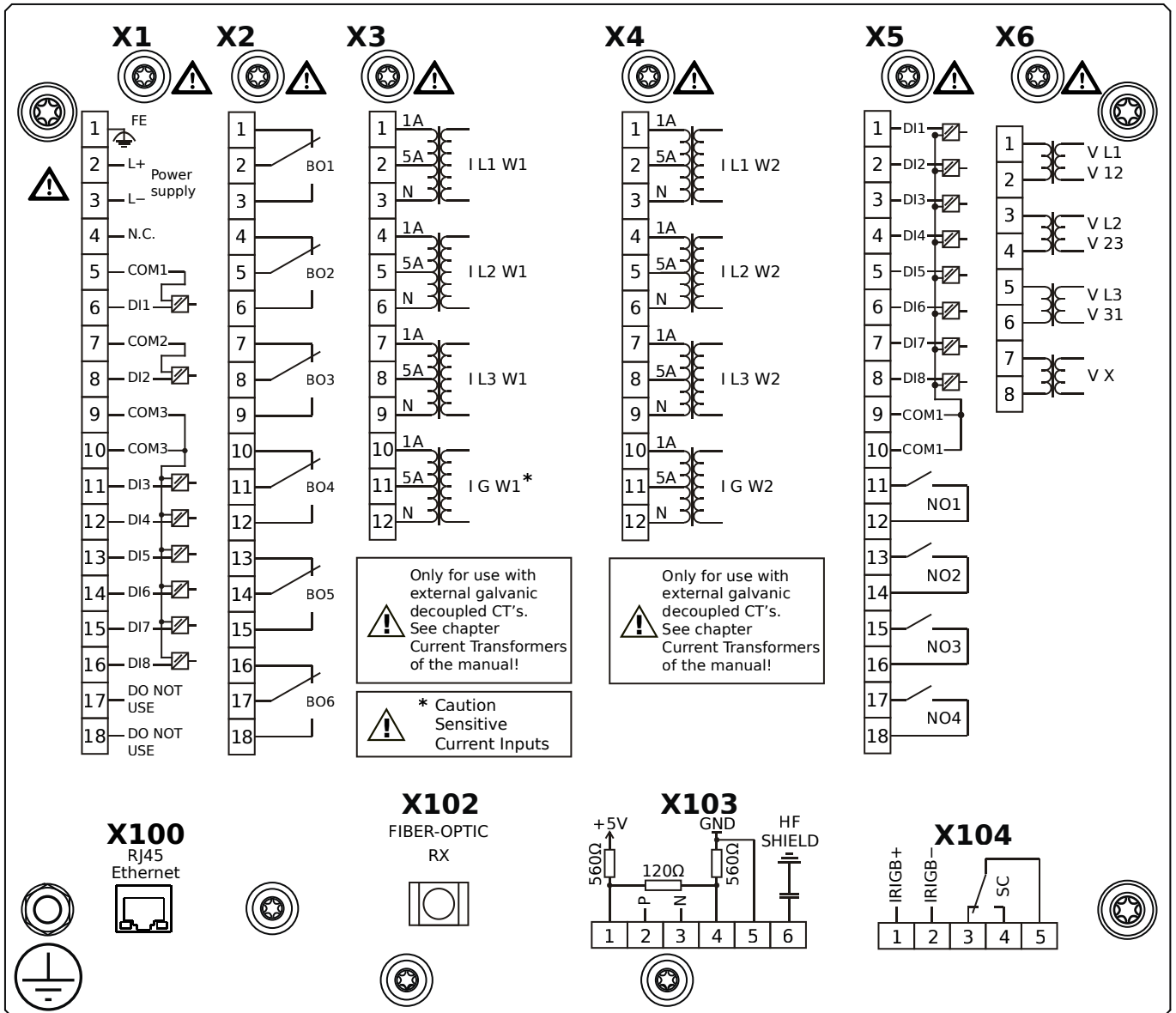
- X1** – DI8-X1: Wide-range power supply unit, incl. 2 non-grouped digital inputs and 6 grouped digital inputs
- X2** – OR-6: Assembly Group with 6 Relay Outputs
- X3** – TIS-4: Sensitive Ground current measuring card (for the neutral side of the differential protection)
- X4** – TI-4: Standard ground current measuring card (for the line side of the differential protection)
- X5** – DI8-OR4: Assembly Group with 8 Digital Inputs and 4 Output Relays
- X6** – TU: Card with 4 voltage transformer measuring inputs
- X100** – Ethernet interface, 100 Mbit/s, RJ45
- X102** – Universal Resistance-Temperature Detector (URTD) input, Fiber optics interface, ST Connector
- X104** – IRIG-B00X, incl. System Contact (Supervision Contact)

MCDGV4-2A1BHB



- X1** – DI8-X1: Wide-range power supply unit, incl. 2 non-grouped digital inputs and 6 grouped digital inputs
- X2** – OR-6: Assembly Group with 6 Relay Outputs
- X3** – TIS-4: Sensitive Ground current measuring card (for the neutral side of the differential protection)
- X4** – TI-4: Standard ground current measuring card (for the line side of the differential protection)
- X5** – DI8-OR4: Assembly Group with 8 Digital Inputs and 4 Output Relays
- X6** – TU: Card with 4 voltage transformer measuring inputs
- X100** – Ethernet interface, 100 Mbit/s, RJ45
- X102** – Universal Resistance-Temperature Detector (URTD) input, Fiber optics interface, ST Connector
- X104** – IRIG-B00X, incl. System Contact (Supervision Contact)

MCDGV4-2A1BIA



X1 – DI8-X1: Wide-range power supply unit, incl. 2 non-grouped digital inputs and 6 grouped digital inputs

X2 – OR-6: Assembly Group with 6 Relay Outputs

X3 – TIS-4: Sensitive Ground current measuring card (for the neutral side of the differential protection)

X4 – TI-4: Standard ground current measuring card (for the line side of the differential protection)

X5 – DI8-OR4: Assembly Group with 8 Digital Inputs and 4 Output Relays

X6 – TU: Card with 4 voltage transformer measuring inputs

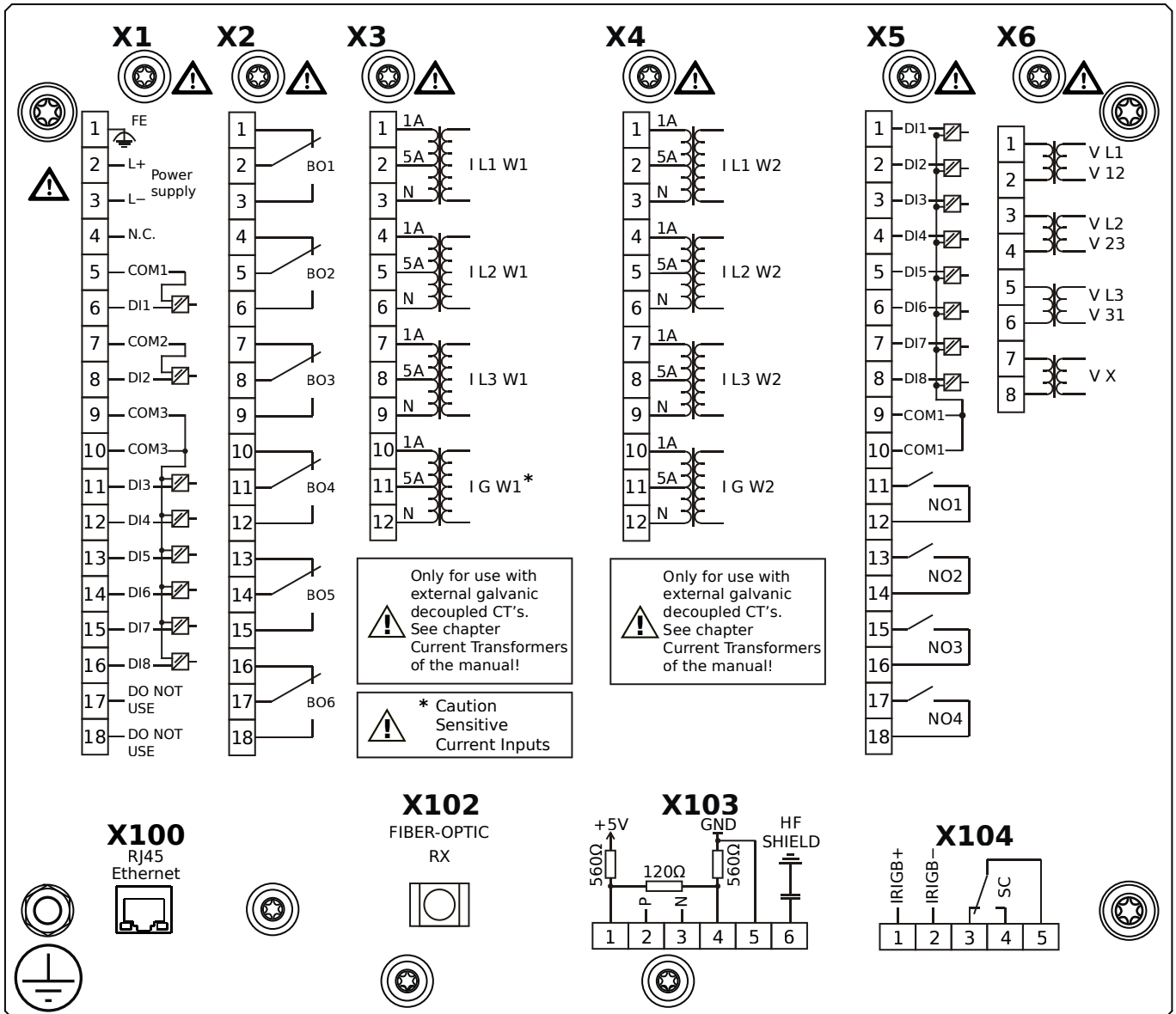
X100 – Ethernet interface, 100 Mbit/s, RJ45

X102 – Universal Resistance-Temperature Detector (URTD) input, Fiber optics interface, ST Connector

X103 – RS485, Terminals

X104 – IRIG-B00X, incl. System Contact (Supervision Contact)

MCDGV4-2A1BIB



X1 – DI8-X1: Wide-range power supply unit, incl. 2 non-grouped digital inputs and 6 grouped digital inputs

X2 – OR-6: Assembly Group with 6 Relay Outputs

X3 – TIS-4: Sensitive Ground current measuring card (for the neutral side of the differential protection)

X4 – TI-4: Standard ground current measuring card (for the line side of the differential protection)

X5 – DI8-OR4: Assembly Group with 8 Digital Inputs and 4 Output Relays

X6 – TU: Card with 4 voltage transformer measuring inputs

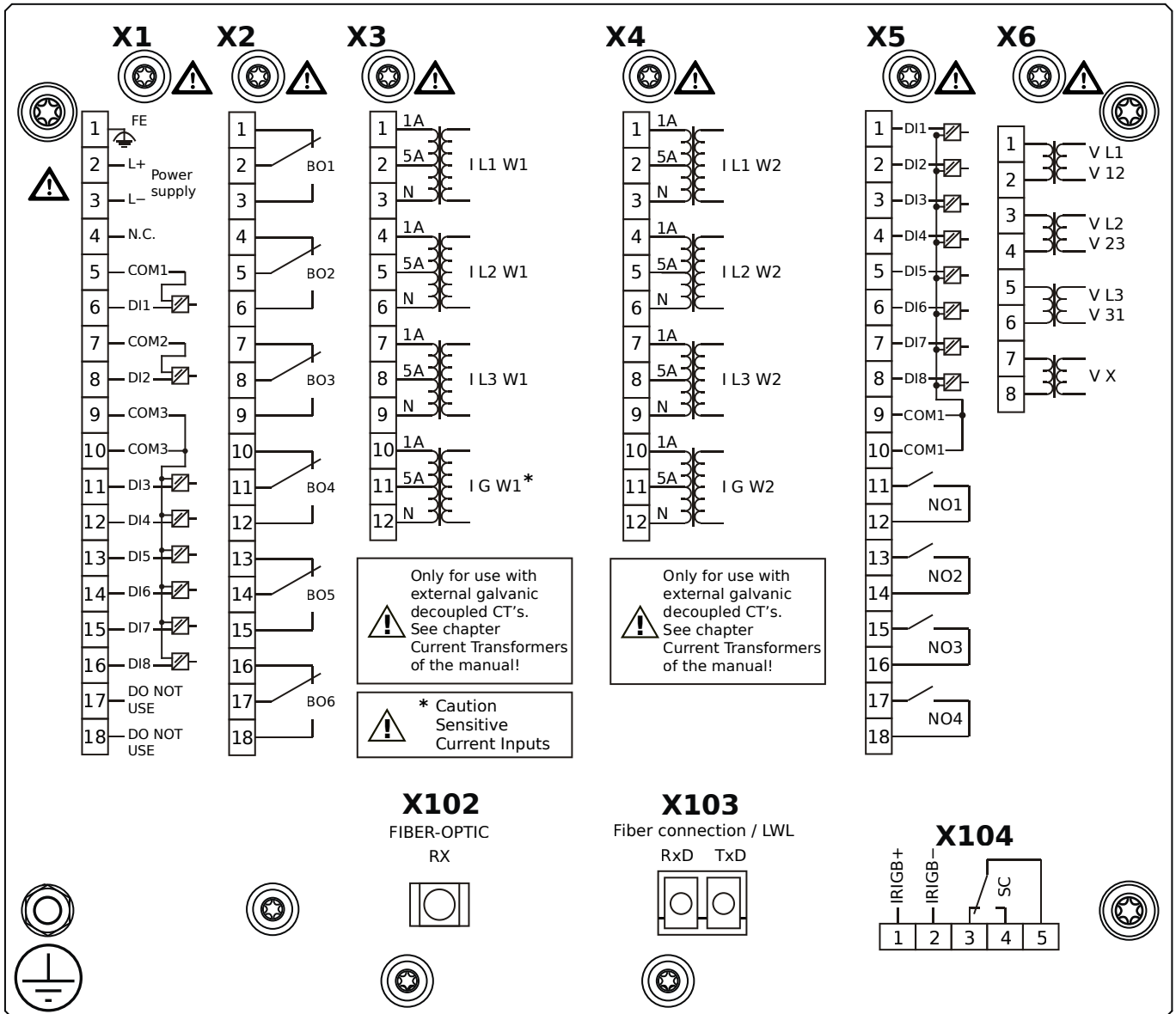
X100 – Ethernet interface, 100 Mbit/s, RJ45

X102 – Universal Resistance-Temperature Detector (URTD) input, Fiber optics interface, ST Connector

X103 – RS485, Terminals

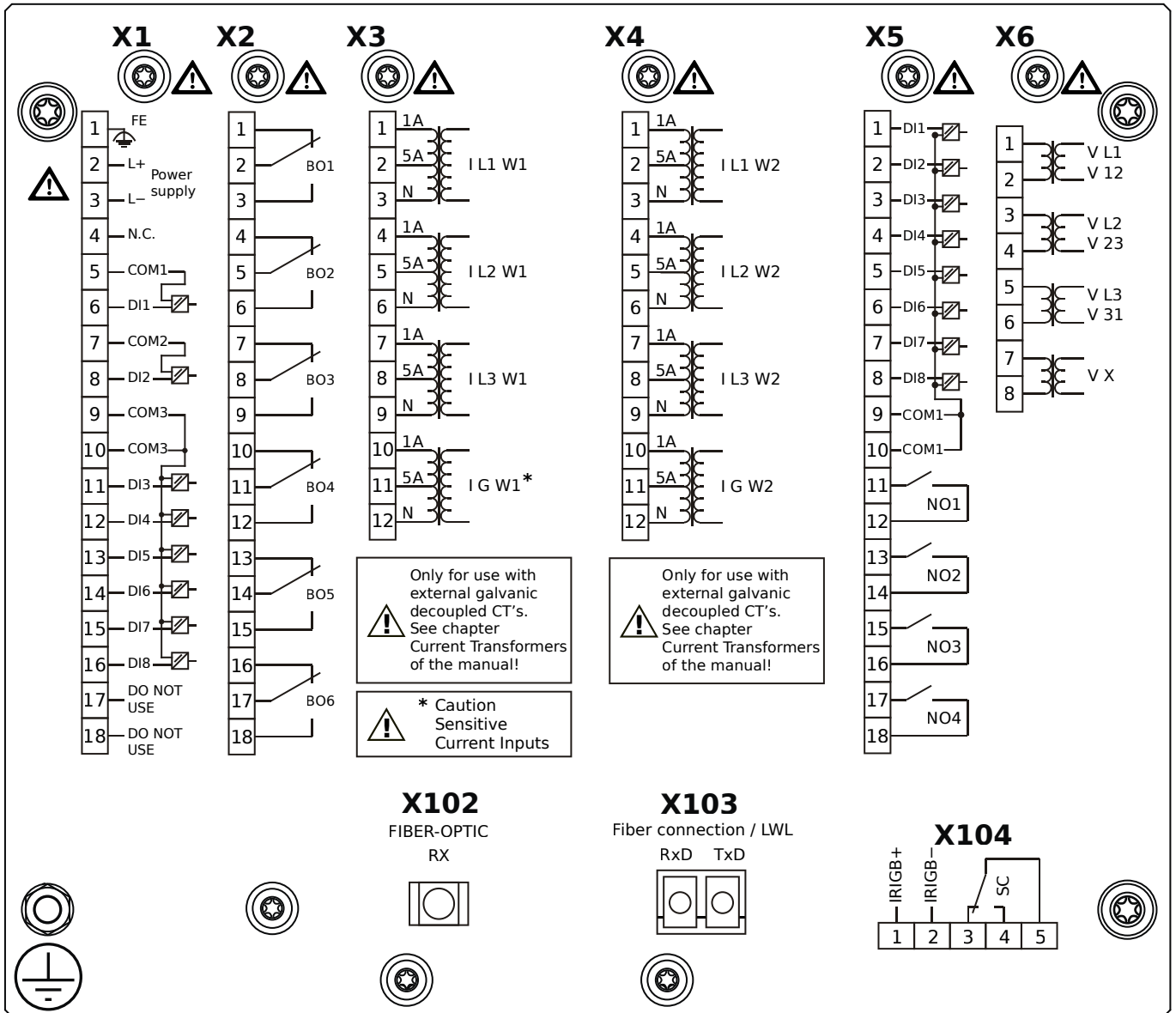
X104 – IRIG-B00X, incl. System Contact (Supervision Contact)

MCDGV4-2A1BKA



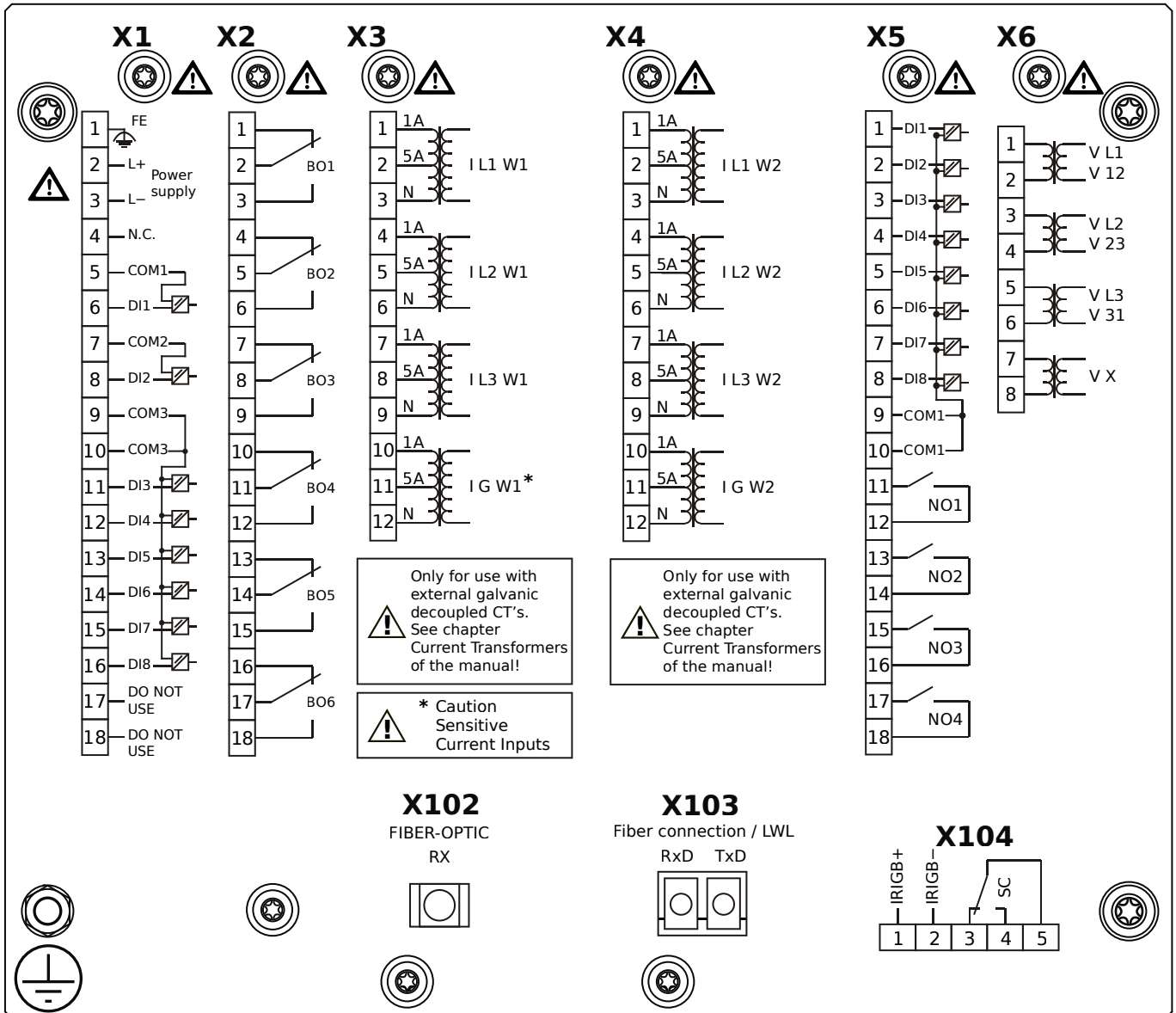
- X1** – DI8-X1: Wide-range power supply unit, incl. 2 non-grouped digital inputs and 6 grouped digital inputs
- X2** – OR-6: Assembly Group with 6 Relay Outputs
- X3** – TIS-4: Sensitive Ground current measuring card (for the neutral side of the differential protection)
- X4** – TI-4: Standard ground current measuring card (for the line side of the differential protection)
- X5** – DI8-OR4: Assembly Group with 8 Digital Inputs and 4 Output Relays
- X6** – TU: Card with 4 voltage transformer measuring inputs
- X102** – Universal Resistance-Temperature Detector (URTD) input, Fiber optics interface, ST Connector
- X103** – Fiber optics interface, LC Connector
- X104** – IRIG-B00X, incl. System Contact (Supervision Contact)

MCDGV4-2A1BKB



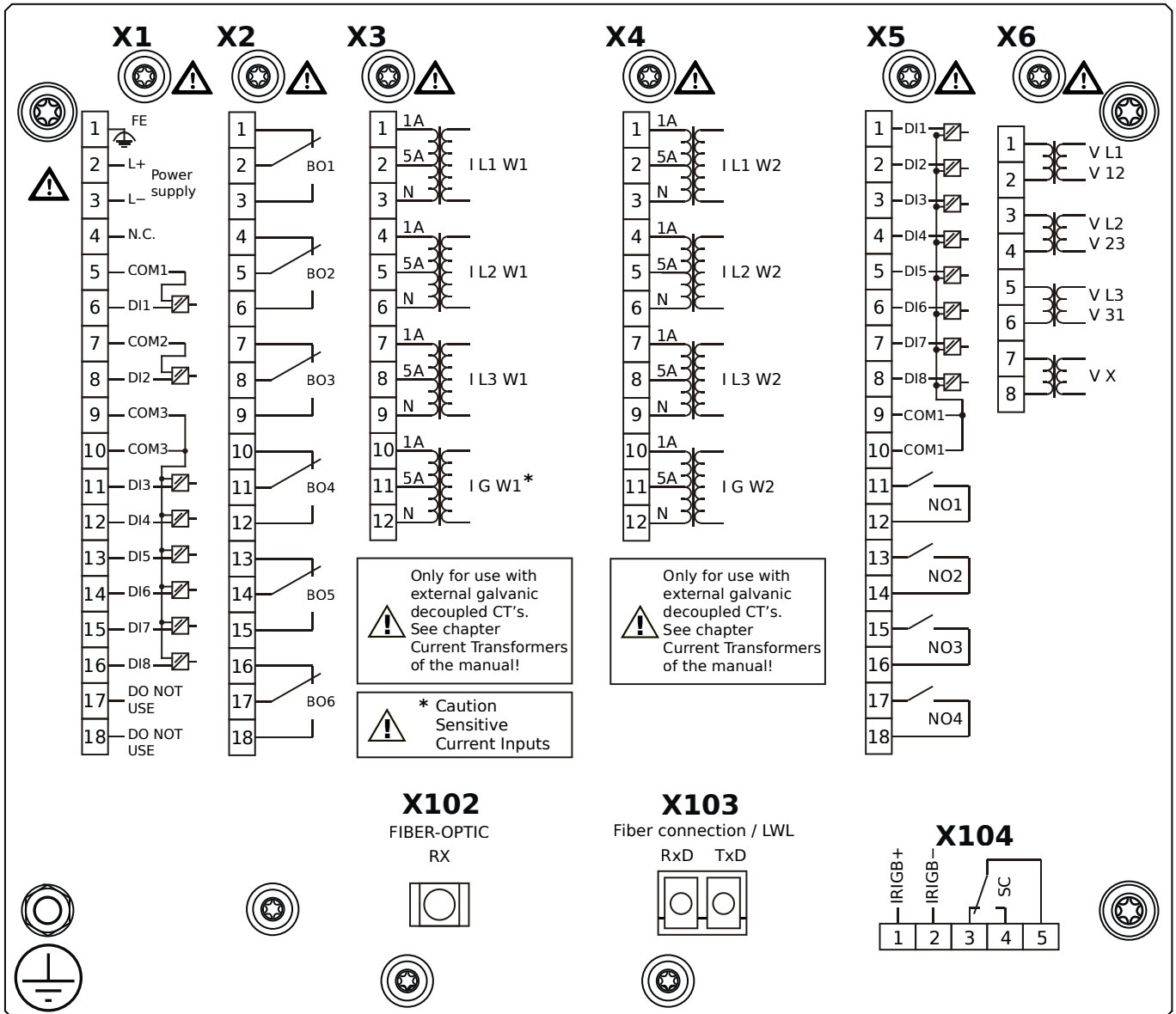
- X1** – DI8-X1: Wide-range power supply unit, incl. 2 non-grouped digital inputs and 6 grouped digital inputs
- X2** – OR-6: Assembly Group with 6 Relay Outputs
- X3** – TIS-4: Sensitive Ground current measuring card (for the neutral side of the differential protection)
- X4** – TI-4: Standard ground current measuring card (for the line side of the differential protection)
- X5** – DI8-OR4: Assembly Group with 8 Digital Inputs and 4 Output Relays
- X6** – TU: Card with 4 voltage transformer measuring inputs
- X102** – Universal Resistance-Temperature Detector (URTD) input, Fiber optics interface, ST Connector
- X103** – Fiber optics interface, LC Connector
- X104** – IRIG-B00X, incl. System Contact (Supervision Contact)

MCDGV4-2A1BLA



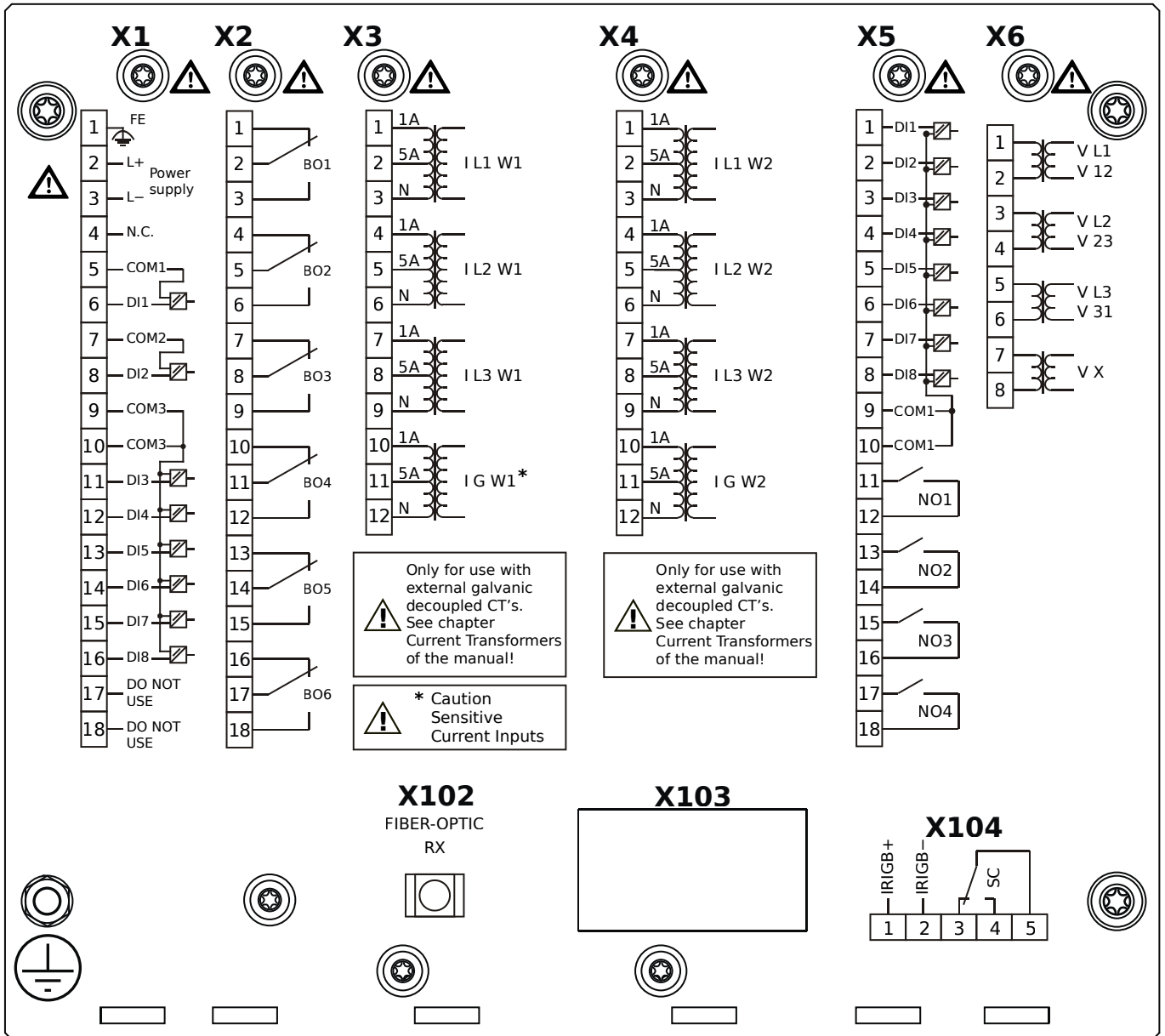
- X1** – DI8-X1: Wide-range power supply unit, incl. 2 non-grouped digital inputs and 6 grouped digital inputs
- X2** – OR-6: Assembly Group with 6 Relay Outputs
- X3** – TIS-4: Sensitive Ground current measuring card (for the neutral side of the differential protection)
- X4** – TI-4: Standard ground current measuring card (for the line side of the differential protection)
- X5** – DI8-OR4: Assembly Group with 8 Digital Inputs and 4 Output Relays
- X6** – TU: Card with 4 voltage transformer measuring inputs
- X102** – Universal Resistance-Temperature Detector (URTD) input, Fiber optics interface, ST Connector
- X103** – Fiber optics interface, LC Connector
- X104** – IRIG-B00X, incl. System Contact (Supervision Contact)

MCDGV4-2A1BLB



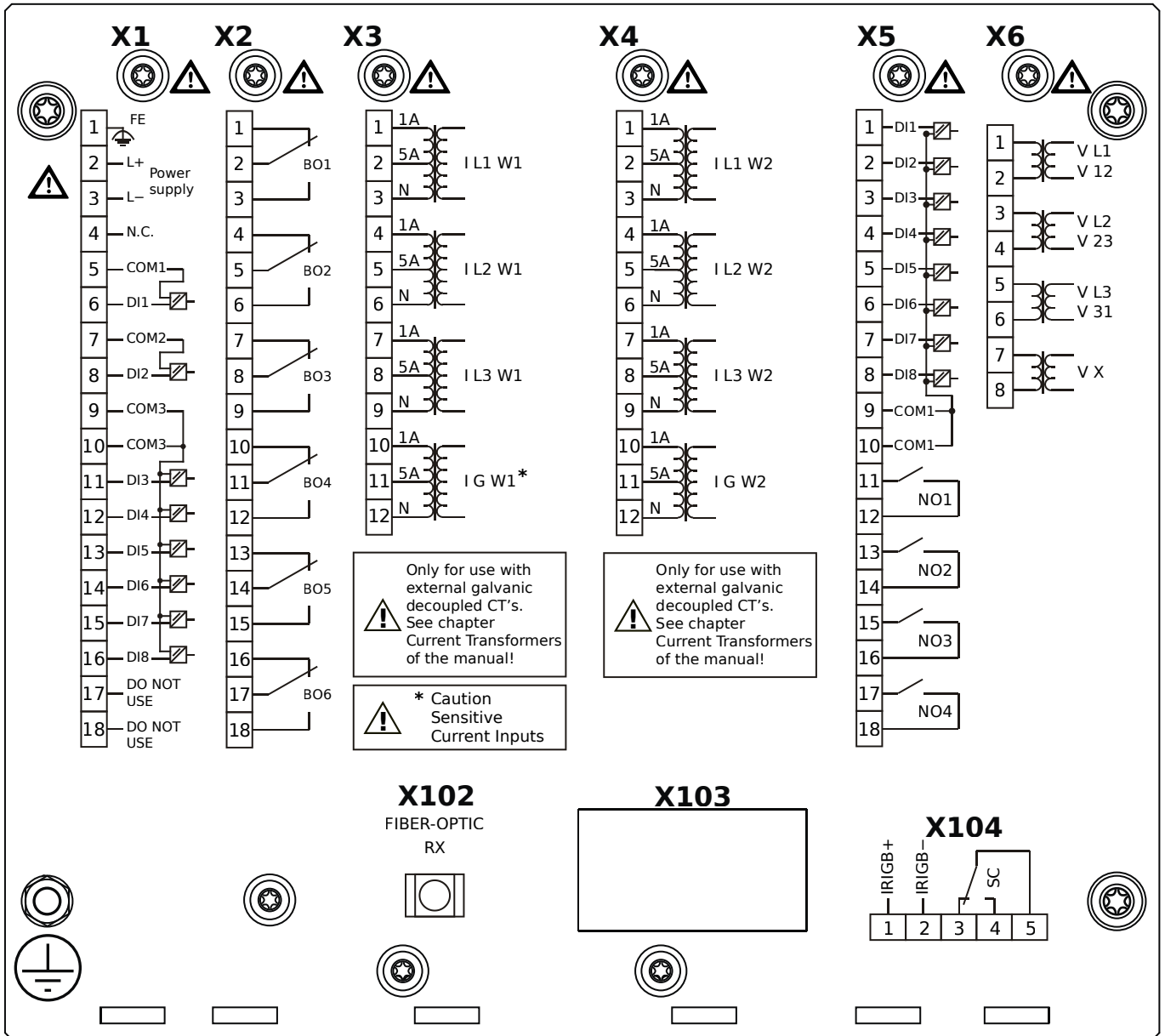
- X1** – DI8-X1: Wide-range power supply unit, incl. 2 non-grouped digital inputs and 6 grouped digital inputs
- X2** – OR-6: Assembly Group with 6 Relay Outputs
- X3** – TIS-4: Sensitive Ground current measuring card (for the neutral side of the differential protection)
- X4** – TI-4: Standard ground current measuring card (for the line side of the differential protection)
- X5** – DI8-OR4: Assembly Group with 8 Digital Inputs and 4 Output Relays
- X6** – TU: Card with 4 voltage transformer measuring inputs
- X102** – Universal Resistance-Temperature Detector (URTD) input, Fiber optics interface, ST Connector
- X103** – Fiber optics interface, LC Connector
- X104** – IRIG-B00X, incl. System Contact (Supervision Contact)

MCDGV4-2A1HAA



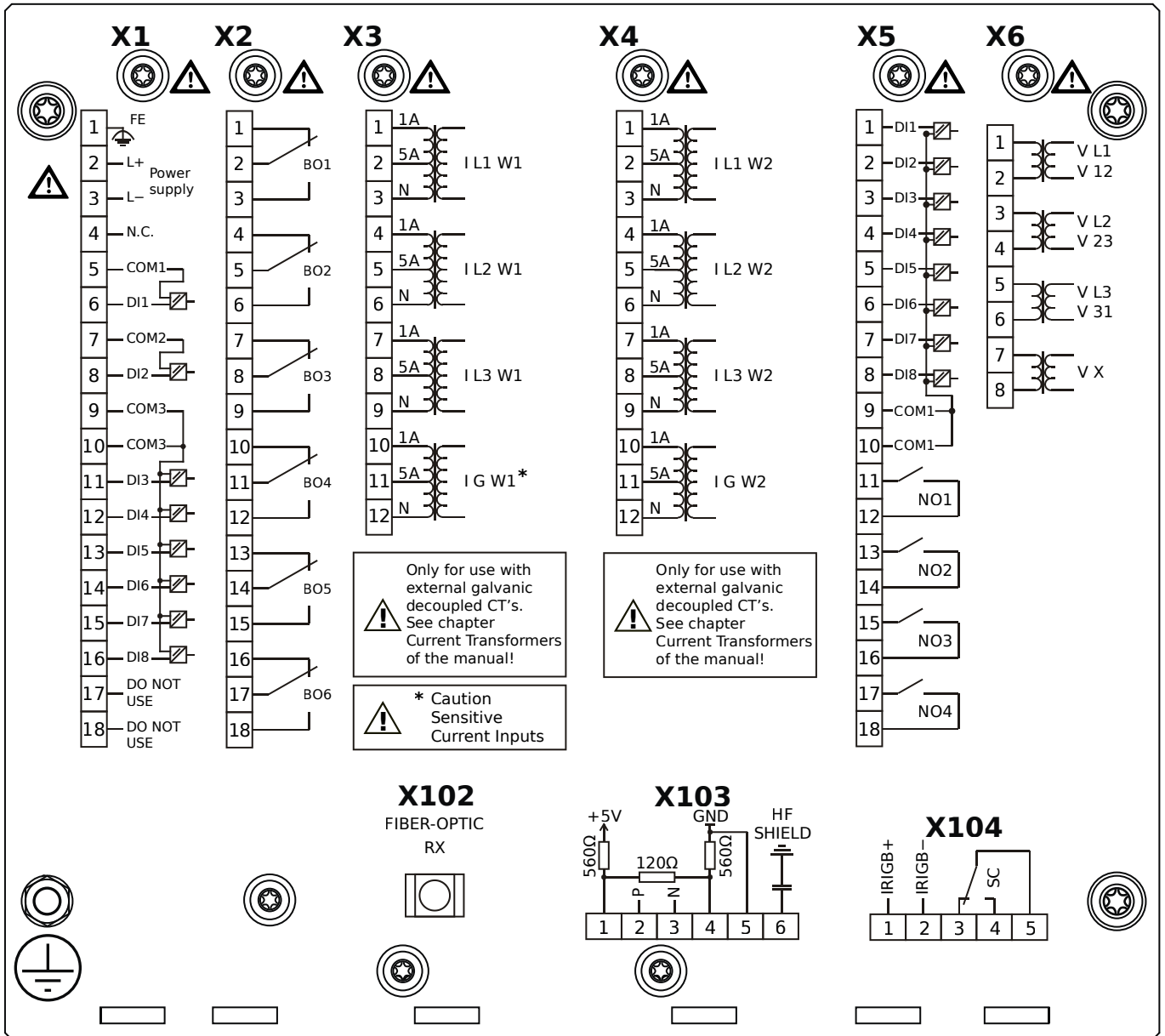
- X1** – DI8-X1: Wide-range power supply unit, incl. 2 non-grouped digital inputs and 6 grouped digital inputs
- X2** – OR-6: Assembly Group with 6 Relay Outputs
- X3** – TIS-4: Sensitive Ground current measuring card (for the neutral side of the differential protection)
- X4** – TI-4: Standard ground current measuring card (for the line side of the differential protection)
- X5** – DI8-OR4: Assembly Group with 8 Digital Inputs and 4 Output Relays
- X6** – TU: Card with 4 voltage transformer measuring inputs
- X102** – Universal Resistance-Temperature Detector (URTD) input, Fiber optics interface, ST Connector
- X104** – IRIG-B00X, incl. System Contact (Supervision Contact)

MCDGV4-2A1HAB



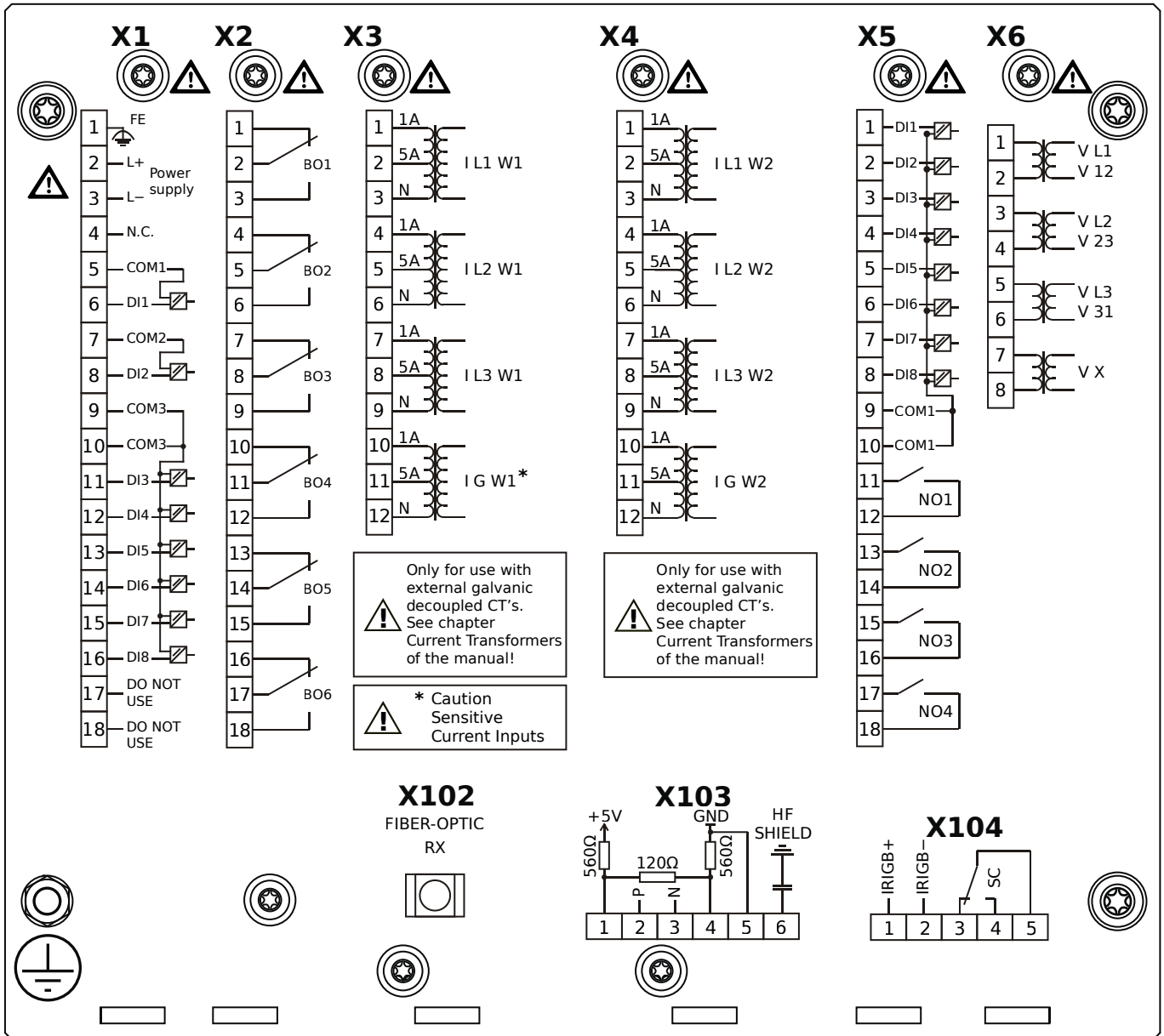
- X1** – DI8-X1: Wide-range power supply unit, incl. 2 non-grouped digital inputs and 6 grouped digital inputs
- X2** – OR-6: Assembly Group with 6 Relay Outputs
- X3** – TIS-4: Sensitive Ground current measuring card (for the neutral side of the differential protection)
- X4** – TI-4: Standard ground current measuring card (for the line side of the differential protection)
- X5** – DI8-OR4: Assembly Group with 8 Digital Inputs and 4 Output Relays
- X6** – TU: Card with 4 voltage transformer measuring inputs
- X102** – Universal Resistance-Temperature Detector (URTD) input, Fiber optics interface, ST Connector
- X104** – IRIG-B00X, incl. System Contact (Supervision Contact)

MCDGV4-2A1HBA



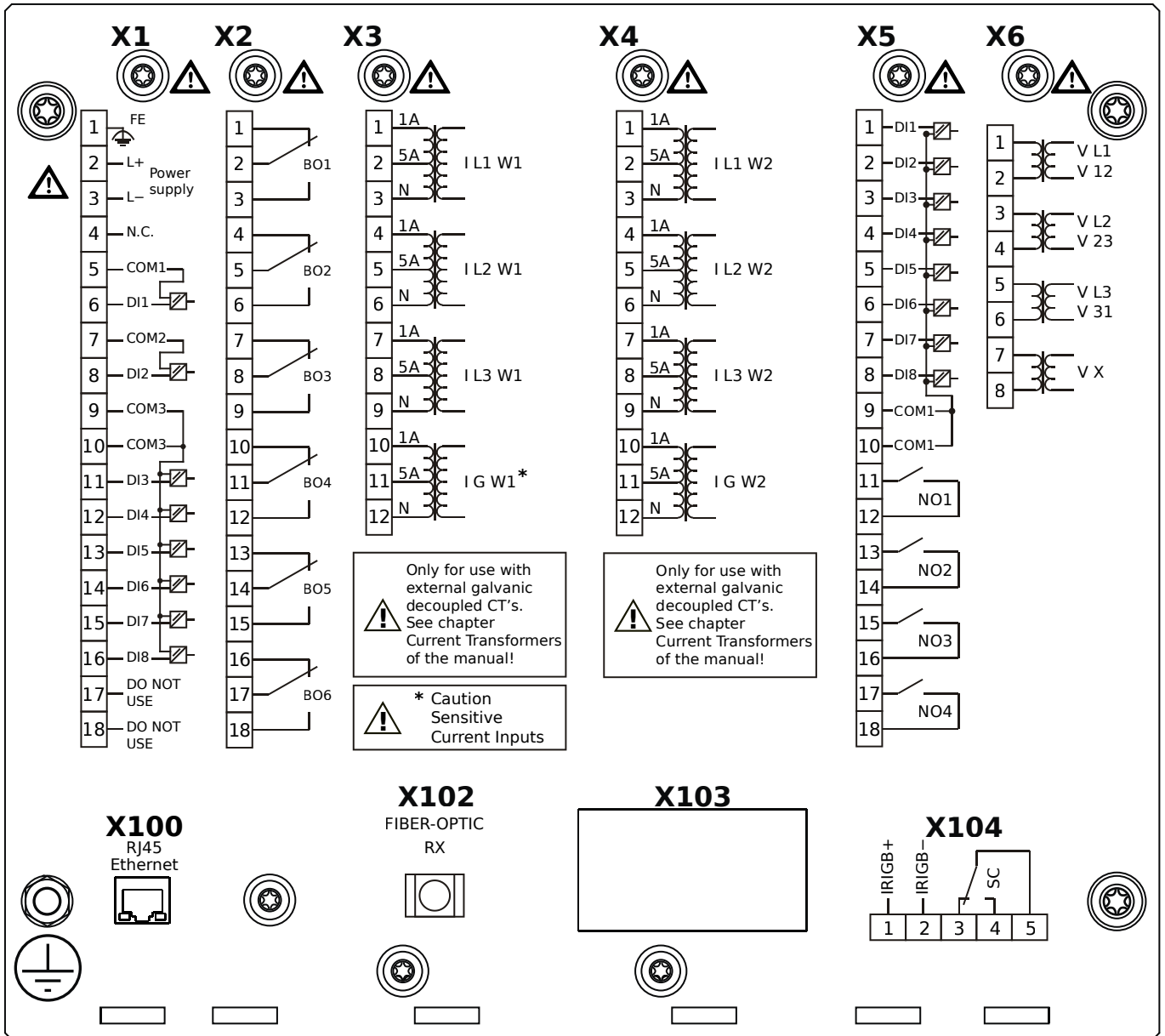
- X1** – DI8-X1: Wide-range power supply unit, incl. 2 non-grouped digital inputs and 6 grouped digital inputs
- X2** – OR-6: Assembly Group with 6 Relay Outputs
- X3** – TIS-4: Sensitive Ground current measuring card (for the neutral side of the differential protection)
- X4** – TI-4: Standard ground current measuring card (for the line side of the differential protection)
- X5** – DI8-OR4: Assembly Group with 8 Digital Inputs and 4 Output Relays
- X6** – TU: Card with 4 voltage transformer measuring inputs
- X102** – Universal Resistance-Temperature Detector (URTD) input, Fiber optics interface, ST Connector
- X103** – RS485, Terminals
- X104** – IRIG-B00X, incl. System Contact (Supervision Contact)

MCDGV4-2A1HBB



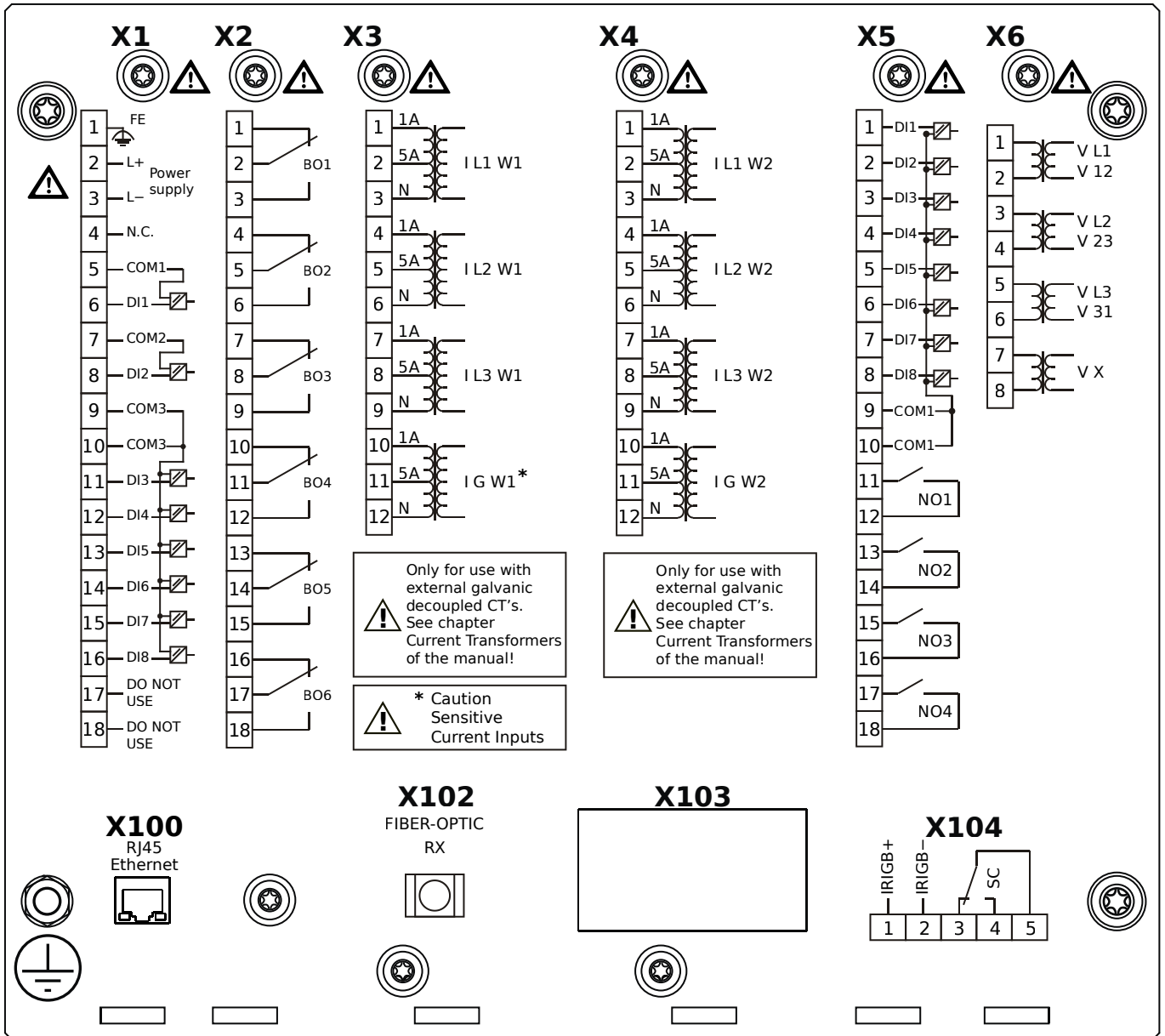
- X1** – DI8-X1: Wide-range power supply unit, incl. 2 non-grouped digital inputs and 6 grouped digital inputs
- X2** – OR-6: Assembly Group with 6 Relay Outputs
- X3** – TIS-4: Sensitive Ground current measuring card (for the neutral side of the differential protection)
- X4** – TI-4: Standard ground current measuring card (for the line side of the differential protection)
- X5** – DI8-OR4: Assembly Group with 8 Digital Inputs and 4 Output Relays
- X6** – TU: Card with 4 voltage transformer measuring inputs
- X102** – Universal Resistance-Temperature Detector (URTD) input, Fiber optics interface, ST Connector
- X103** – RS485, Terminals
- X104** – IRIG-B00X, incl. System Contact (Supervision Contact)

MCDGV4-2A1HCA



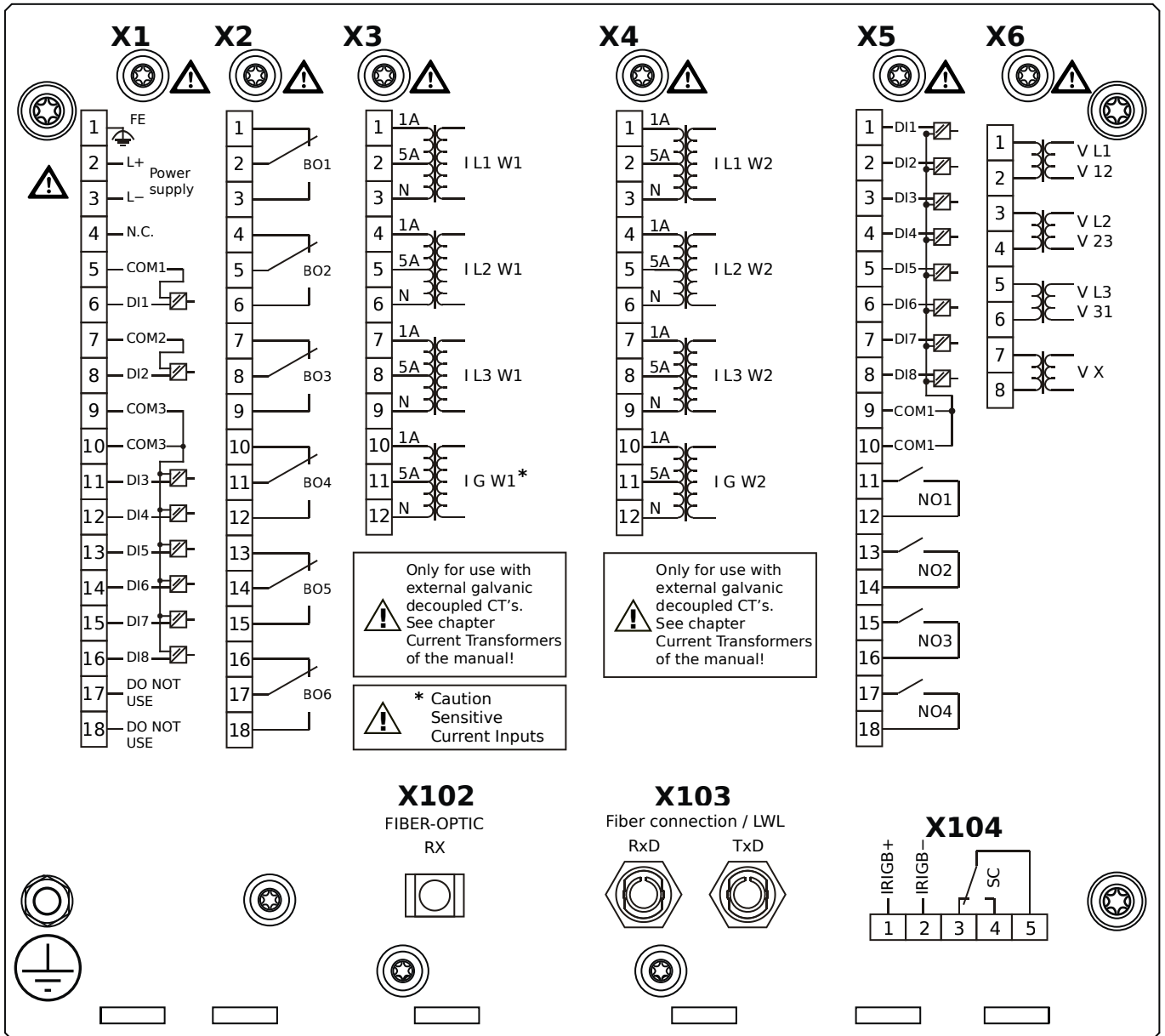
- X1** – DI8-X1: Wide-range power supply unit, incl. 2 non-grouped digital inputs and 6 grouped digital inputs
- X2** – OR-6: Assembly Group with 6 Relay Outputs
- X3** – TIS-4: Sensitive Ground current measuring card (for the neutral side of the differential protection)
- X4** – TI-4: Standard ground current measuring card (for the line side of the differential protection)
- X5** – DI8-OR4: Assembly Group with 8 Digital Inputs and 4 Output Relays
- X6** – TU: Card with 4 voltage transformer measuring inputs
- X100** – Ethernet interface, 100 Mbit/s, RJ45
- X102** – Universal Resistance-Temperature Detector (URTD) input, Fiber optics interface, ST Connector
- X104** – IRIG-B00X, incl. System Contact (Supervision Contact)

MCDGV4-2A1HCB



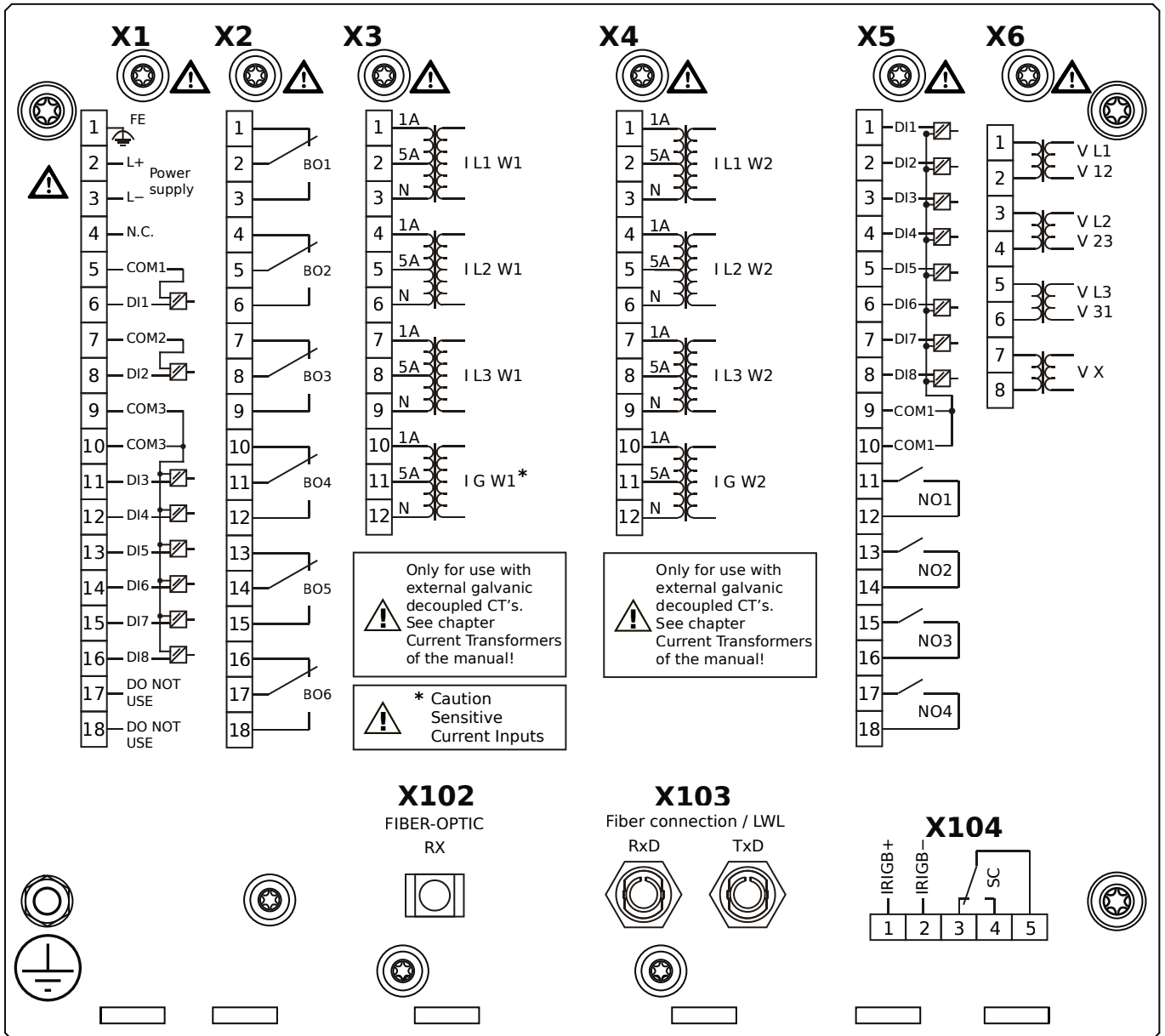
- X1** – DI8-X1: Wide-range power supply unit, incl. 2 non-grouped digital inputs and 6 grouped digital inputs
- X2** – OR-6: Assembly Group with 6 Relay Outputs
- X3** – TIS-4: Sensitive Ground current measuring card (for the neutral side of the differential protection)
- X4** – TI-4: Standard ground current measuring card (for the line side of the differential protection)
- X5** – DI8-OR4: Assembly Group with 8 Digital Inputs and 4 Output Relays
- X6** – TU: Card with 4 voltage transformer measuring inputs
- X100** – Ethernet interface, 100 Mbit/s, RJ45
- X102** – Universal Resistance-Temperature Detector (URTD) input, Fiber optics interface, ST Connector
- X104** – IRIG-B00X, incl. System Contact (Supervision Contact)

MCDGV4-2A1HDA



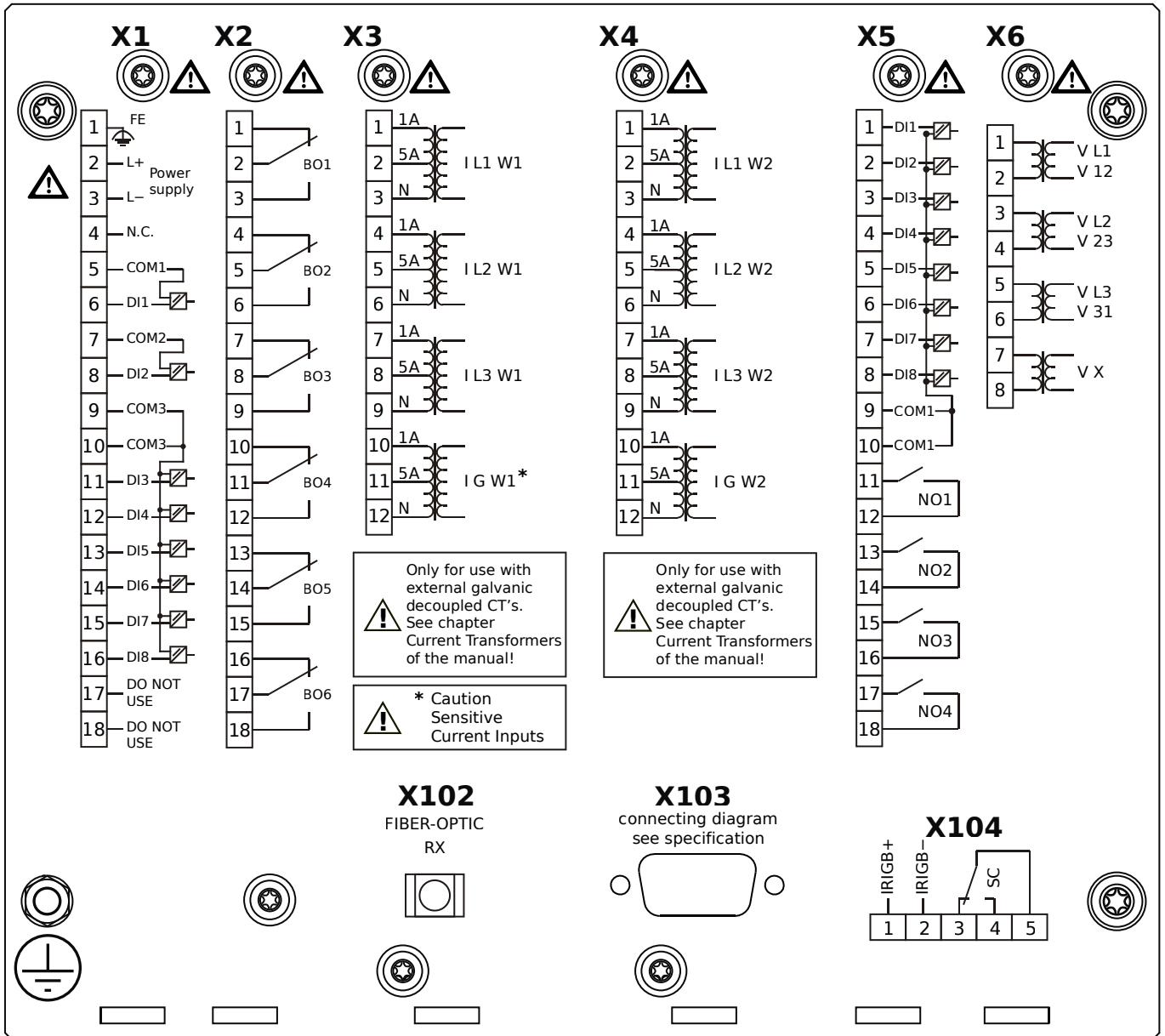
- X1** – DI8-X1: Wide-range power supply unit, incl. 2 non-grouped digital inputs and 6 grouped digital inputs
- X2** – OR-6: Assembly Group with 6 Relay Outputs
- X3** – TIS-4: Sensitive Ground current measuring card (for the neutral side of the differential protection)
- X4** – TI-4: Standard ground current measuring card (for the line side of the differential protection)
- X5** – DI8-OR4: Assembly Group with 8 Digital Inputs and 4 Output Relays
- X6** – TU: Card with 4 voltage transformer measuring inputs
- X102** – Universal Resistance-Temperature Detector (URTD) input, Fiber optics interface, ST Connector
- X103** – Fiber optics interface, ST Connector
- X104** – IRIG-B00X, incl. System Contact (Supervision Contact)

MCDGV4-2A1HDB



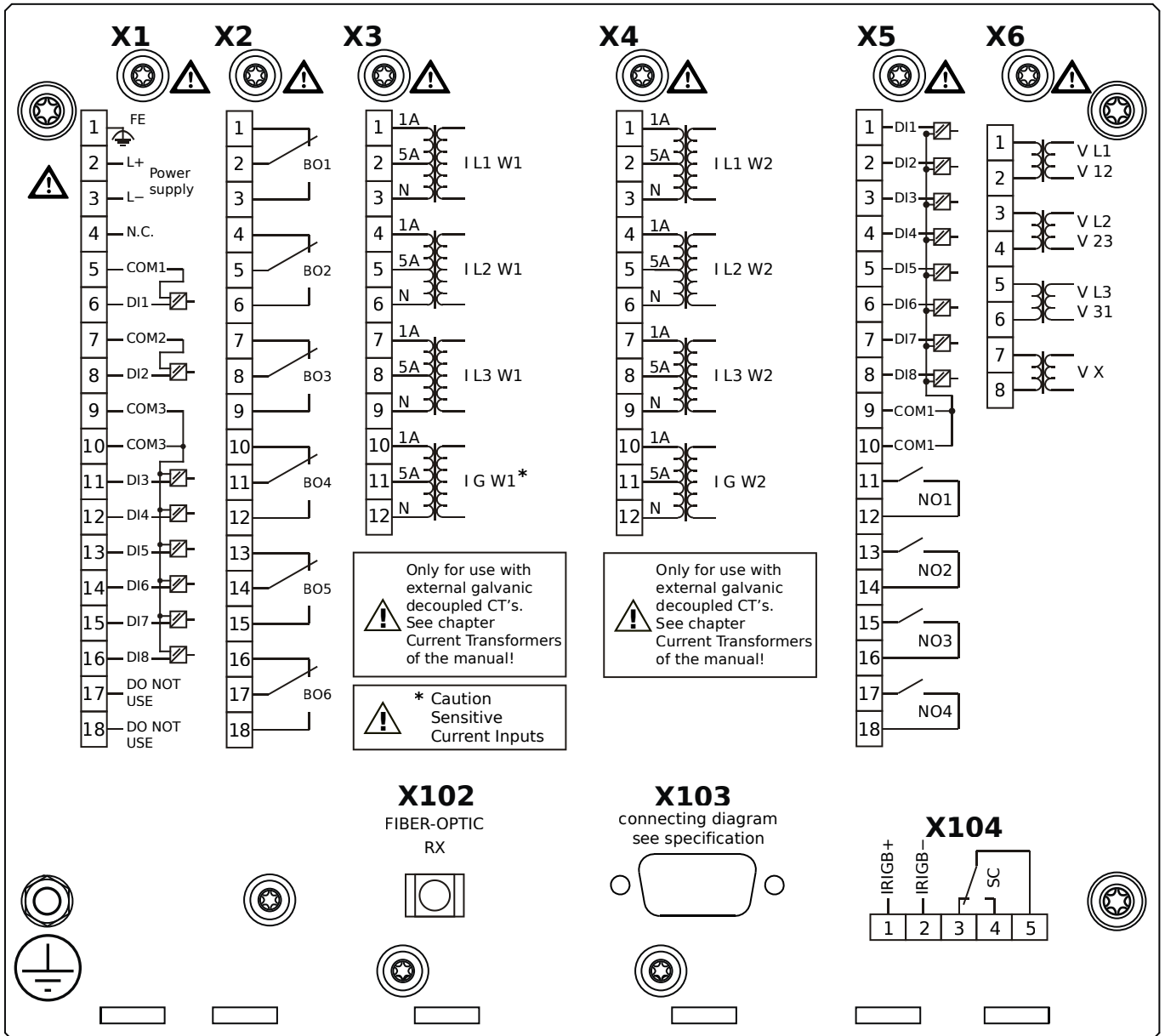
- X1** – DI8-X1: Wide-range power supply unit, incl. 2 non-grouped digital inputs and 6 grouped digital inputs
- X2** – OR-6: Assembly Group with 6 Relay Outputs
- X3** – TIS-4: Sensitive Ground current measuring card (for the neutral side of the differential protection)
- X4** – TI-4: Standard ground current measuring card (for the line side of the differential protection)
- X5** – DI8-OR4: Assembly Group with 8 Digital Inputs and 4 Output Relays
- X6** – TU: Card with 4 voltage transformer measuring inputs
- X102** – Universal Resistance-Temperature Detector (URTD) input, Fiber optics interface, ST Connector
- X103** – Fiber optics interface, ST Connector
- X104** – IRIG-B00X, incl. System Contact (Supervision Contact)

MCDGV4-2A1HEA



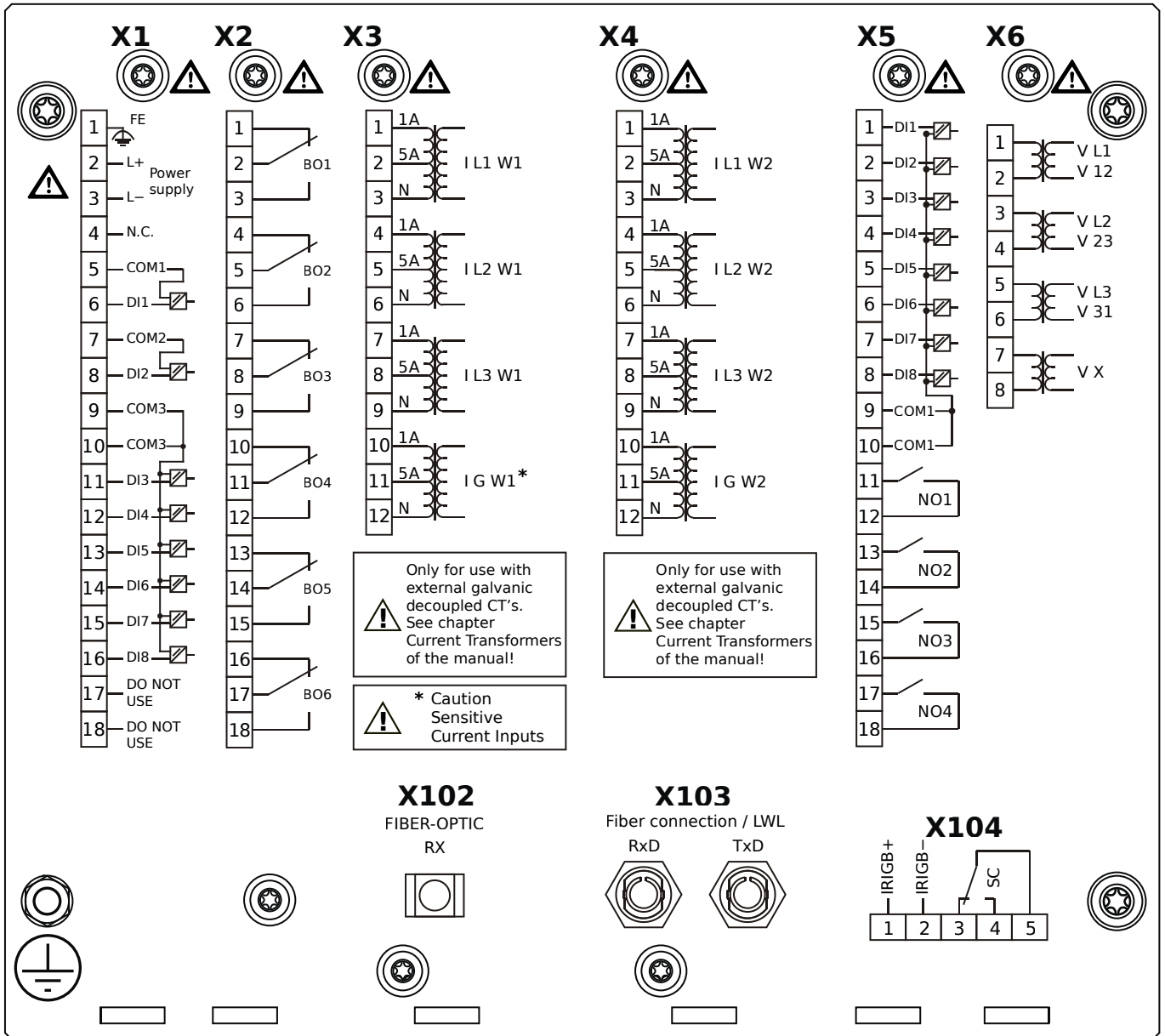
- X1** – DI8-X1: Wide-range power supply unit, incl. 2 non-grouped digital inputs and 6 grouped digital inputs
- X2** – OR-6: Assembly Group with 6 Relay Outputs
- X3** – TIS-4: Sensitive Ground current measuring card (for the neutral side of the differential protection)
- X4** – TI-4: Standard ground current measuring card (for the line side of the differential protection)
- X5** – DI8-OR4: Assembly Group with 8 Digital Inputs and 4 Output Relays
- X6** – TU: Card with 4 voltage transformer measuring inputs
- X102** – Universal Resistance-Temperature Detector (URTD) input, Fiber optics interface, ST Connector
- X103** – RS485, D-SUB
- X104** – IRIG-B00X, incl. System Contact (Supervision Contact)

MCDGV4-2A1HEB



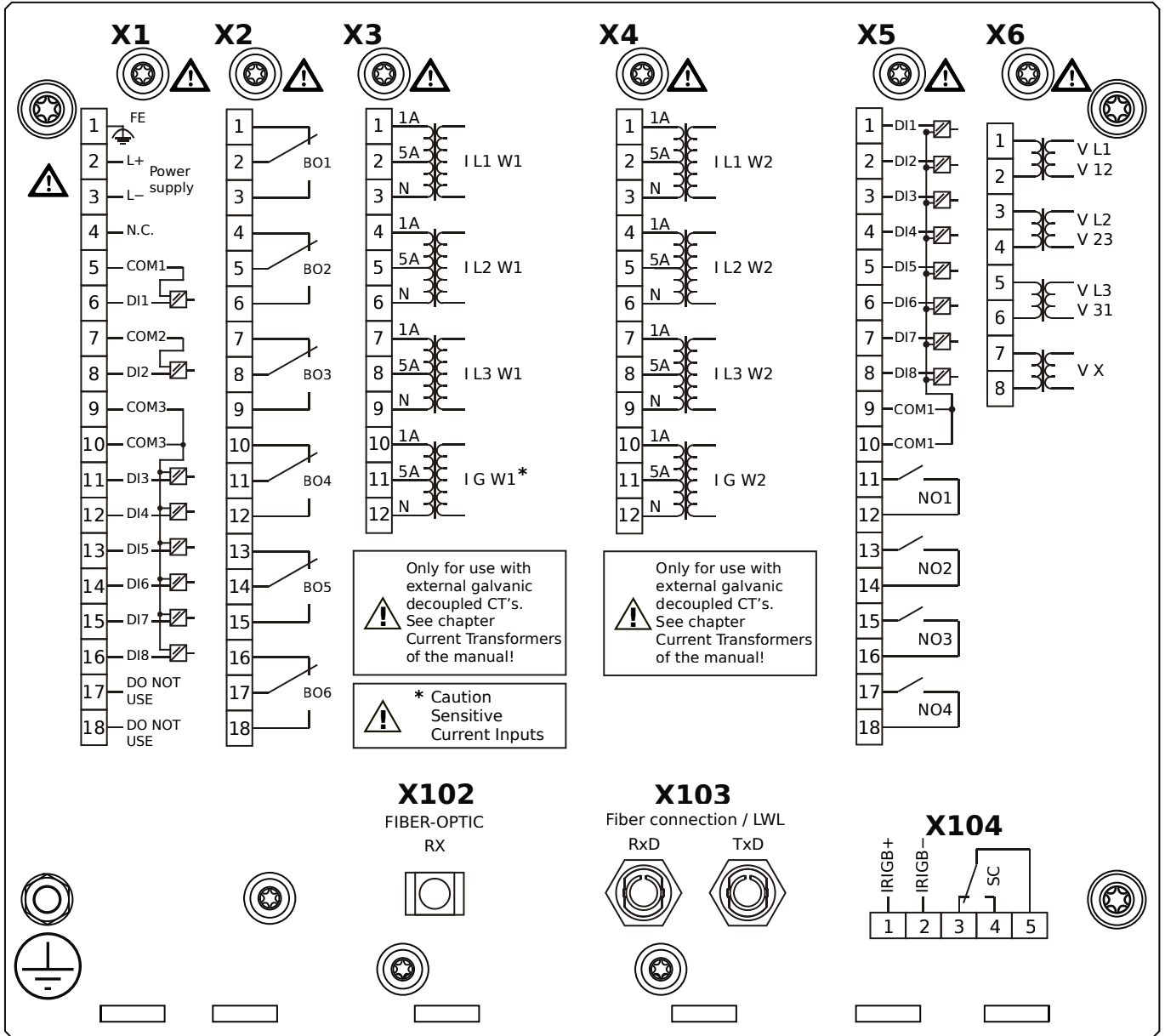
- X1** – DI8-X1: Wide-range power supply unit, incl. 2 non-grouped digital inputs and 6 grouped digital inputs
- X2** – OR-6: Assembly Group with 6 Relay Outputs
- X3** – TIS-4: Sensitive Ground current measuring card (for the neutral side of the differential protection)
- X4** – TI-4: Standard ground current measuring card (for the line side of the differential protection)
- X5** – DI8-OR4: Assembly Group with 8 Digital Inputs and 4 Output Relays
- X6** – TU: Card with 4 voltage transformer measuring inputs
- X102** – Universal Resistance-Temperature Detector (URTD) input, Fiber optics interface, ST Connector
- X103** – RS485, D-SUB
- X104** – IRIG-B00X, incl. System Contact (Supervision Contact)

MCDGV4-2A1HFA



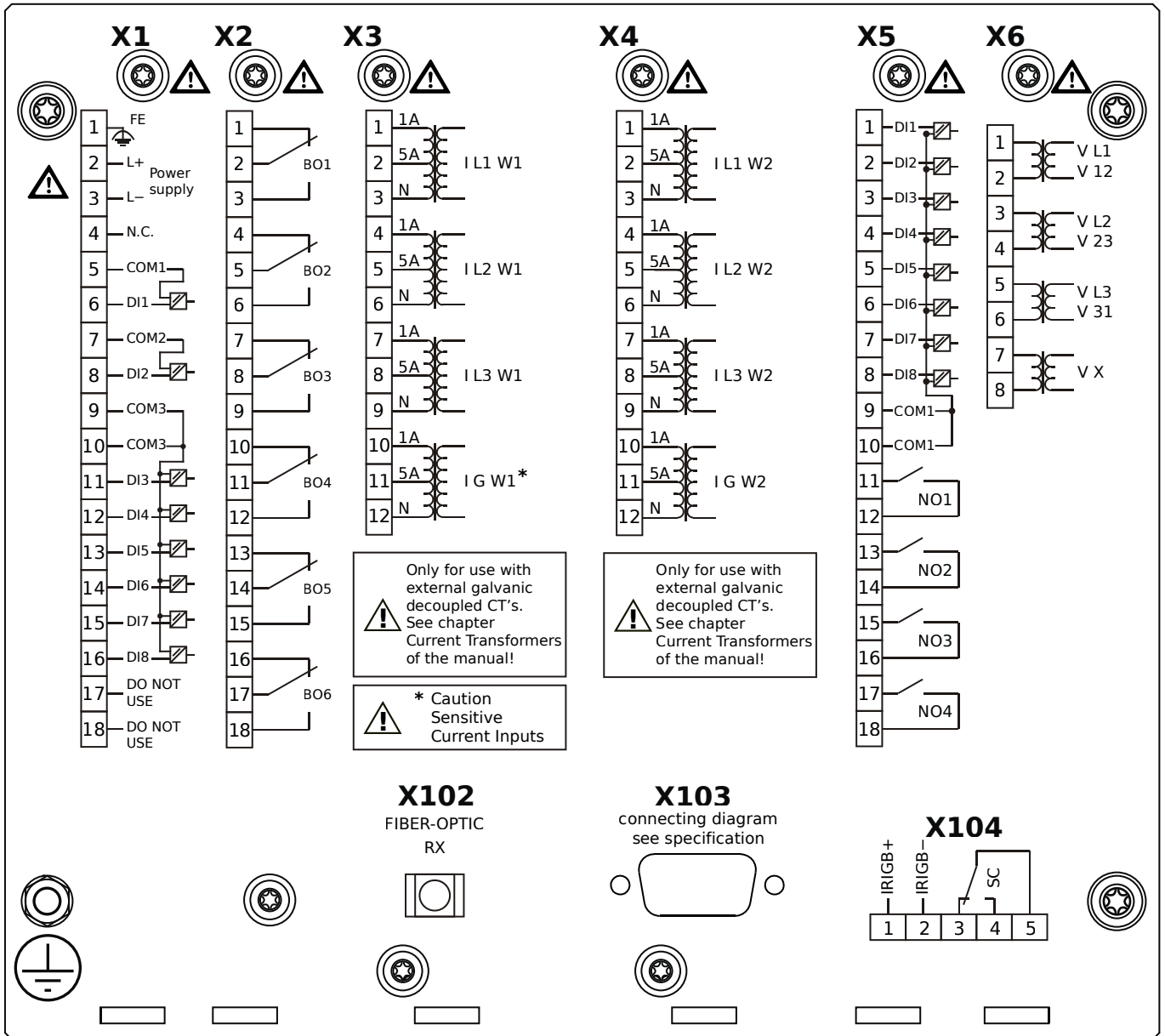
- X1** – DI8-X1: Wide-range power supply unit, incl. 2 non-grouped digital inputs and 6 grouped digital inputs
- X2** – OR-6: Assembly Group with 6 Relay Outputs
- X3** – TIS-4: Sensitive Ground current measuring card (for the neutral side of the differential protection)
- X4** – TI-4: Standard ground current measuring card (for the line side of the differential protection)
- X5** – DI8-OR4: Assembly Group with 8 Digital Inputs and 4 Output Relays
- X6** – TU: Card with 4 voltage transformer measuring inputs
- X102** – Universal Resistance-Temperature Detector (URTD) input, Fiber optics interface, ST Connector
- X103** – Fiber optics interface, ST Connector
- X104** – IRIG-B00X, incl. System Contact (Supervision Contact)

MCDGV4-2A1HFB



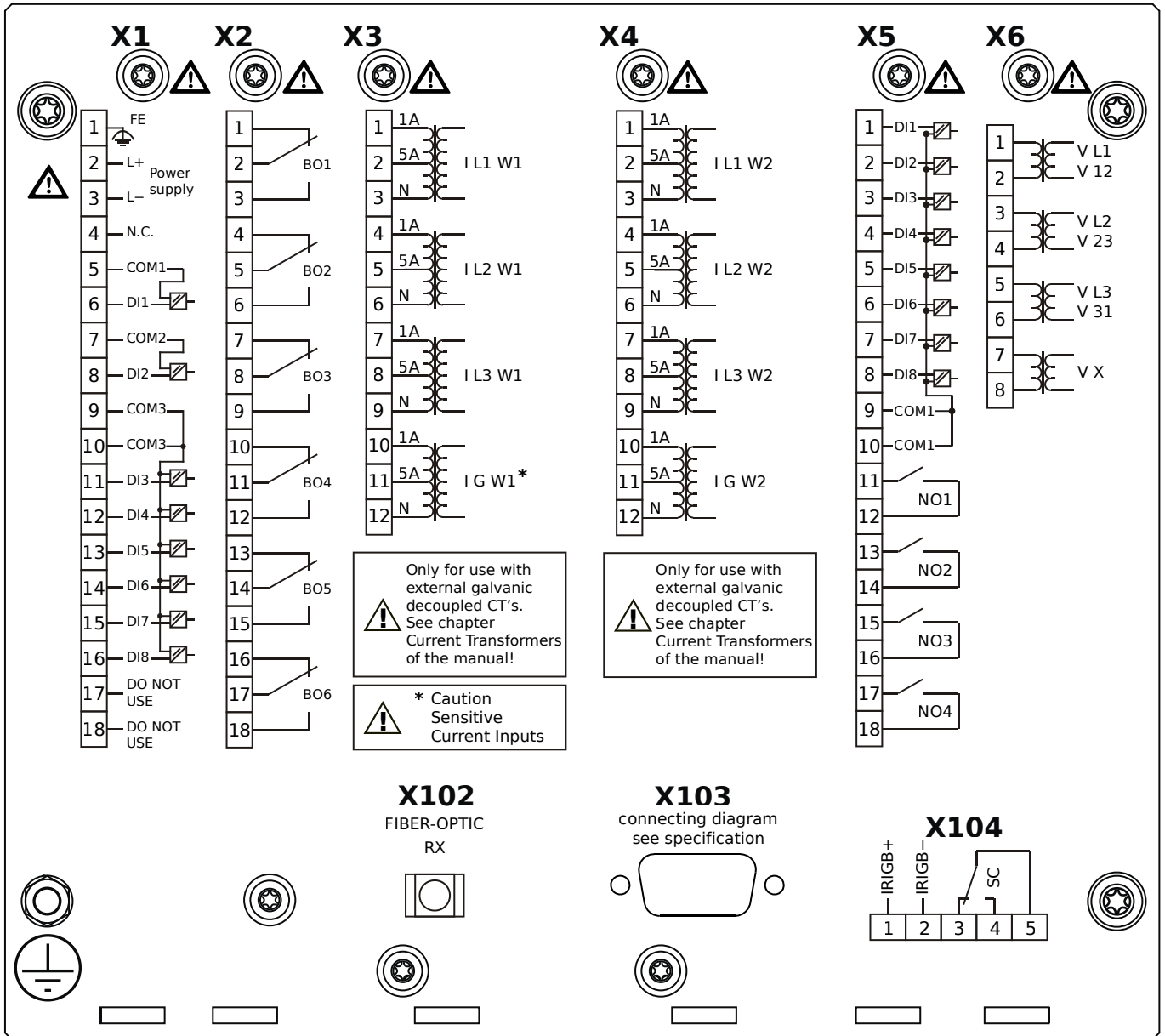
- X1** – DI8-X1: Wide-range power supply unit, incl. 2 non-grouped digital inputs and 6 grouped digital inputs
- X2** – OR-6: Assembly Group with 6 Relay Outputs
- X3** – TIS-4: Sensitive Ground current measuring card (for the neutral side of the differential protection)
- X4** – TI-4: Standard ground current measuring card (for the line side of the differential protection)
- X5** – DI8-OR4: Assembly Group with 8 Digital Inputs and 4 Output Relays
- X6** – TU: Card with 4 voltage transformer measuring inputs
- X102** – Universal Resistance-Temperature Detector (URTD) input, Fiber optics interface, ST Connector
- X103** – Fiber optics interface, ST Connector
- X104** – IRIG-B00X, incl. System Contact (Supervision Contact)

MCDGV4-2A1HGA



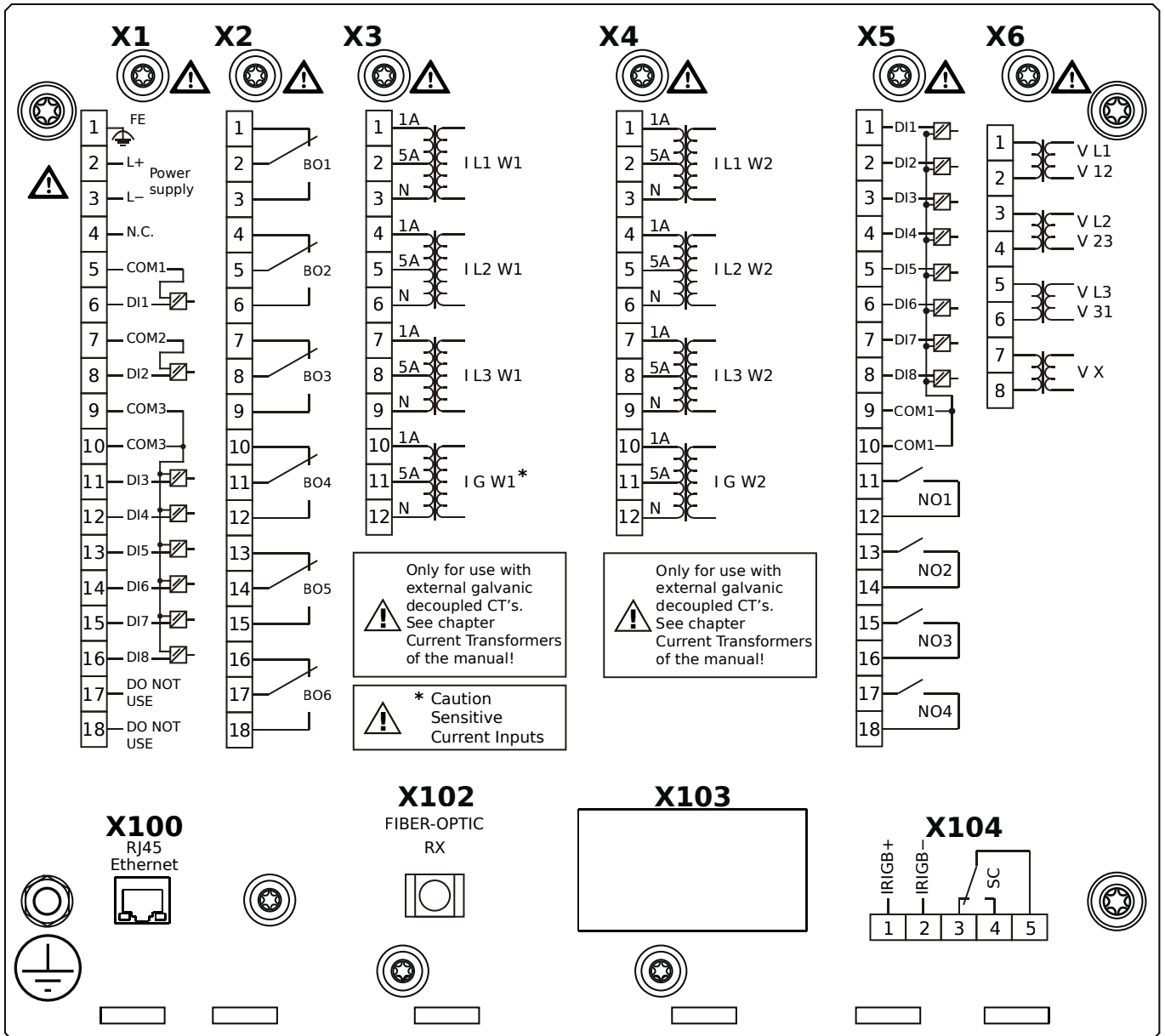
- X1** – DI8-X1: Wide-range power supply unit, incl. 2 non-grouped digital inputs and 6 grouped digital inputs
- X2** – OR-6: Assembly Group with 6 Relay Outputs
- X3** – TIS-4: Sensitive Ground current measuring card (for the neutral side of the differential protection)
- X4** – TI-4: Standard ground current measuring card (for the line side of the differential protection)
- X5** – DI8-OR4: Assembly Group with 8 Digital Inputs and 4 Output Relays
- X6** – TU: Card with 4 voltage transformer measuring inputs
- X102** – Universal Resistance-Temperature Detector (URTD) input, Fiber optics interface, ST Connector
- X103** – RS485, D-SUB
- X104** – IRIG-B00X, incl. System Contact (Supervision Contact)

MCDGV4-2A1HGB



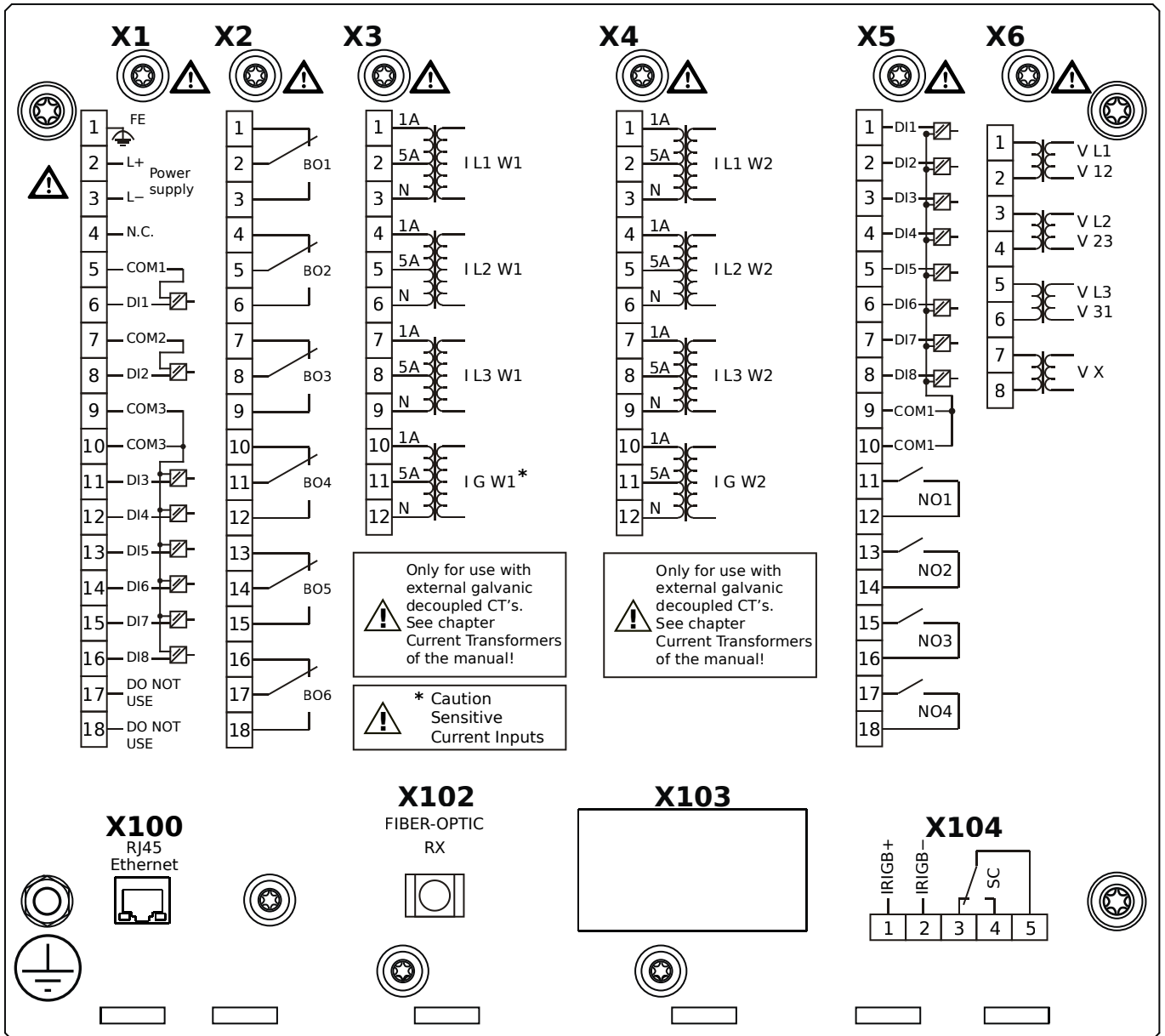
- X1** – DI8-X1: Wide-range power supply unit, incl. 2 non-grouped digital inputs and 6 grouped digital inputs
- X2** – OR-6: Assembly Group with 6 Relay Outputs
- X3** – TIS-4: Sensitive Ground current measuring card (for the neutral side of the differential protection)
- X4** – TI-4: Standard ground current measuring card (for the line side of the differential protection)
- X5** – DI8-OR4: Assembly Group with 8 Digital Inputs and 4 Output Relays
- X6** – TU: Card with 4 voltage transformer measuring inputs
- X102** – Universal Resistance-Temperature Detector (URTD) input, Fiber optics interface, ST Connector
- X103** – RS485, D-SUB
- X104** – IRIG-B00X, incl. System Contact (Supervision Contact)

MCDGV4-2A1HHA



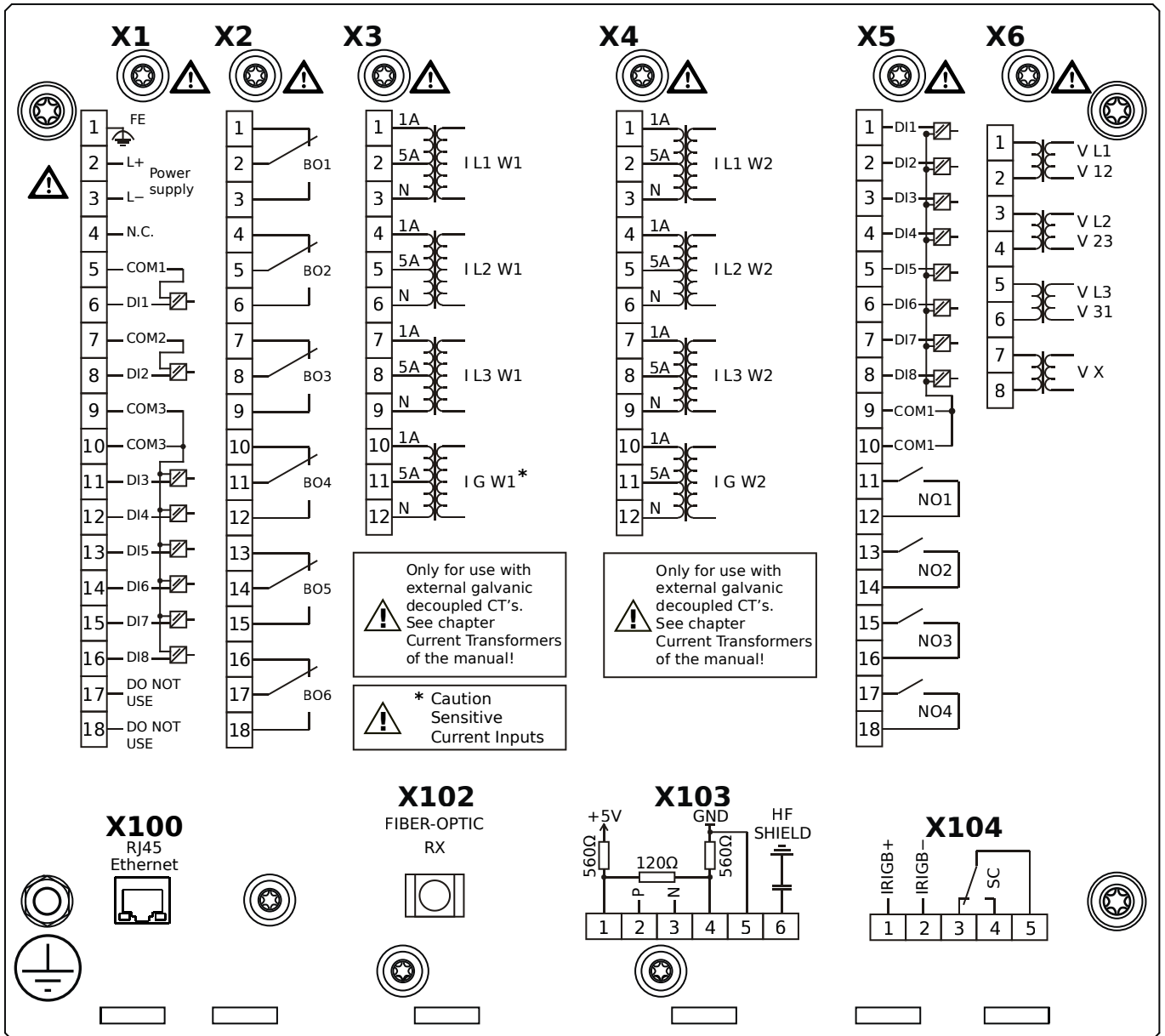
- X1** – DI8-X1: Wide-range power supply unit, incl. 2 non-grouped digital inputs and 6 grouped digital inputs
- X2** – OR-6: Assembly Group with 6 Relay Outputs
- X3** – TIS-4: Sensitive Ground current measuring card (for the neutral side of the differential protection)
- X4** – TI-4: Standard ground current measuring card (for the line side of the differential protection)
- X5** – DI8-OR4: Assembly Group with 8 Digital Inputs and 4 Output Relays
- X6** – TU: Card with 4 voltage transformer measuring inputs
- X100** – Ethernet interface, 100 Mbit/s, RJ45
- X102** – Universal Resistance-Temperature Detector (URTD) input, Fiber optics interface, ST Connector
- X104** – IRIG-B00X, incl. System Contact (Supervision Contact)

MCDGV4-2A1HHB



- X1** – DI8-X1: Wide-range power supply unit, incl. 2 non-grouped digital inputs and 6 grouped digital inputs
- X2** – OR-6: Assembly Group with 6 Relay Outputs
- X3** – TIS-4: Sensitive Ground current measuring card (for the neutral side of the differential protection)
- X4** – TI-4: Standard ground current measuring card (for the line side of the differential protection)
- X5** – DI8-OR4: Assembly Group with 8 Digital Inputs and 4 Output Relays
- X6** – TU: Card with 4 voltage transformer measuring inputs
- X100** – Ethernet interface, 100 Mbit/s, RJ45
- X102** – Universal Resistance-Temperature Detector (URTD) input, Fiber optics interface, ST Connector
- X104** – IRIG-B00X, incl. System Contact (Supervision Contact)

MCDGV4-2A1HIA



X1 – DI8-X1: Wide-range power supply unit, incl. 2 non-grouped digital inputs and 6 grouped digital inputs

X2 – OR-6: Assembly Group with 6 Relay Outputs

X3 – TIS-4: Sensitive Ground current measuring card (for the neutral side of the differential protection)

X4 – TI-4: Standard ground current measuring card (for the line side of the differential protection)

X5 – DI8-OR4: Assembly Group with 8 Digital Inputs and 4 Output Relays

X6 – TU: Card with 4 voltage transformer measuring inputs

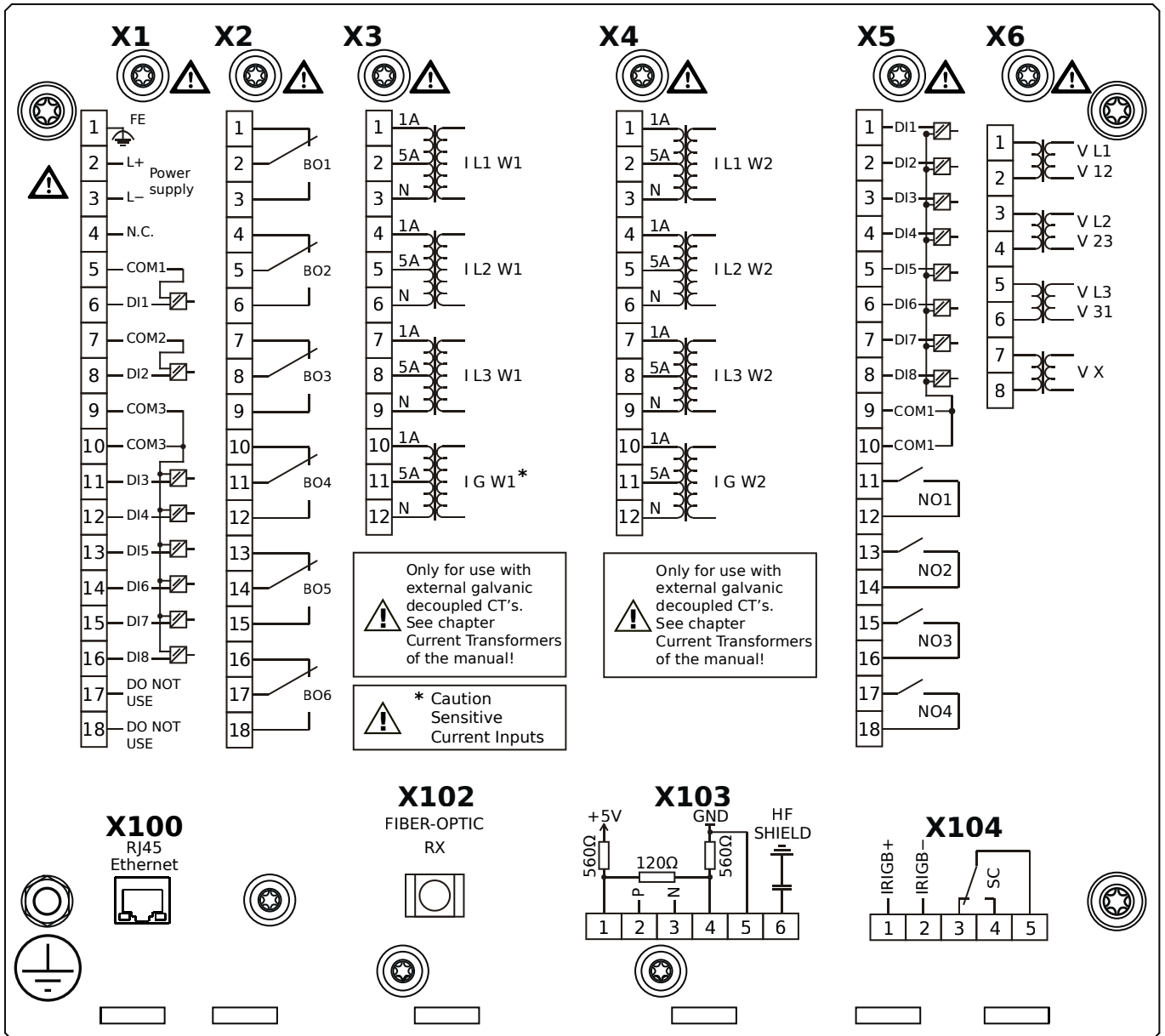
X100 – Ethernet interface, 100 Mbit/s, RJ45

X102 – Universal Resistance-Temperature Detector (URTD) input, Fiber optics interface, ST Connector

X103 – RS485, Terminals

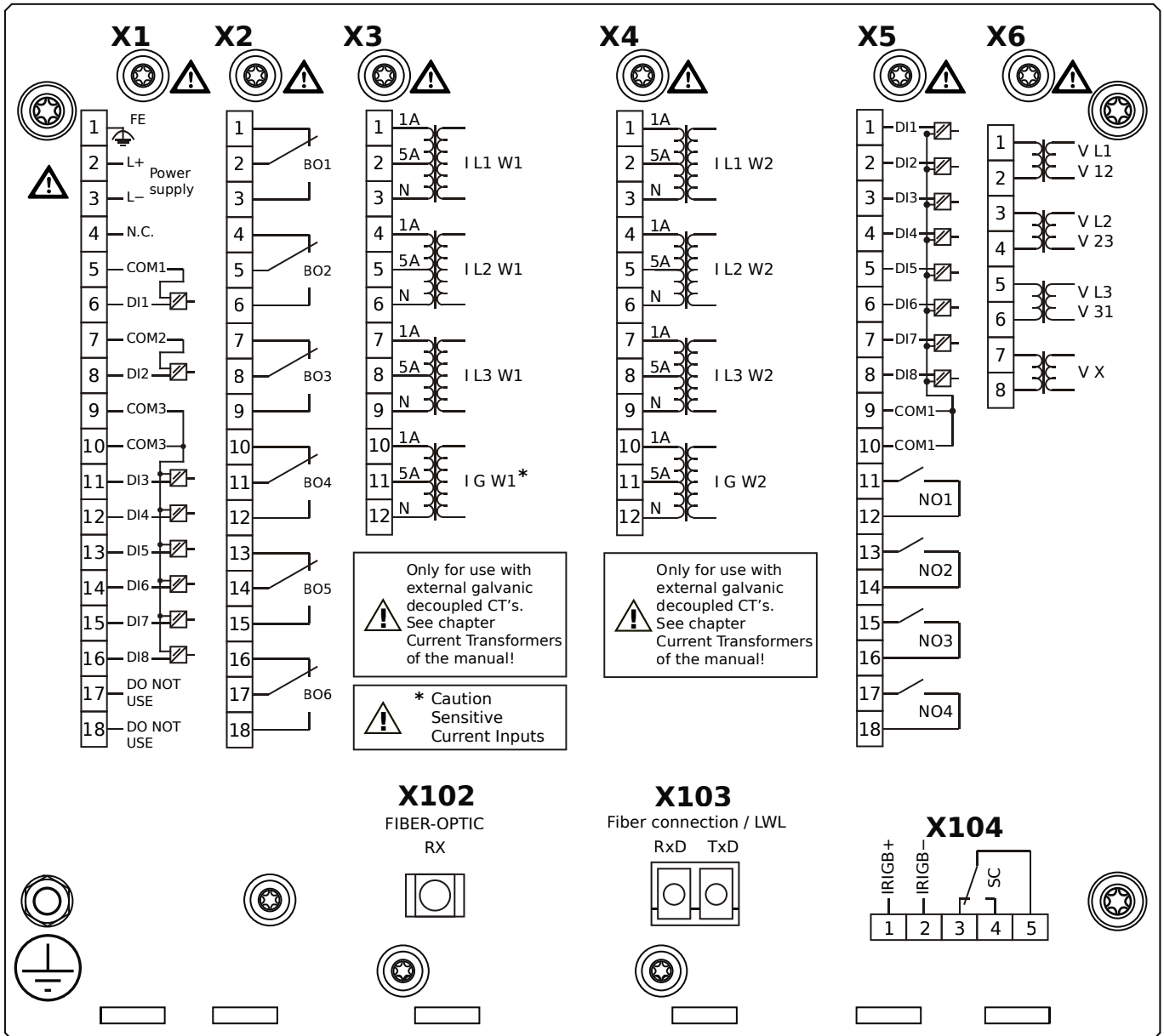
X104 – IRIG-B00X, incl. System Contact (Supervision Contact)

MCDGV4-2A1HIB



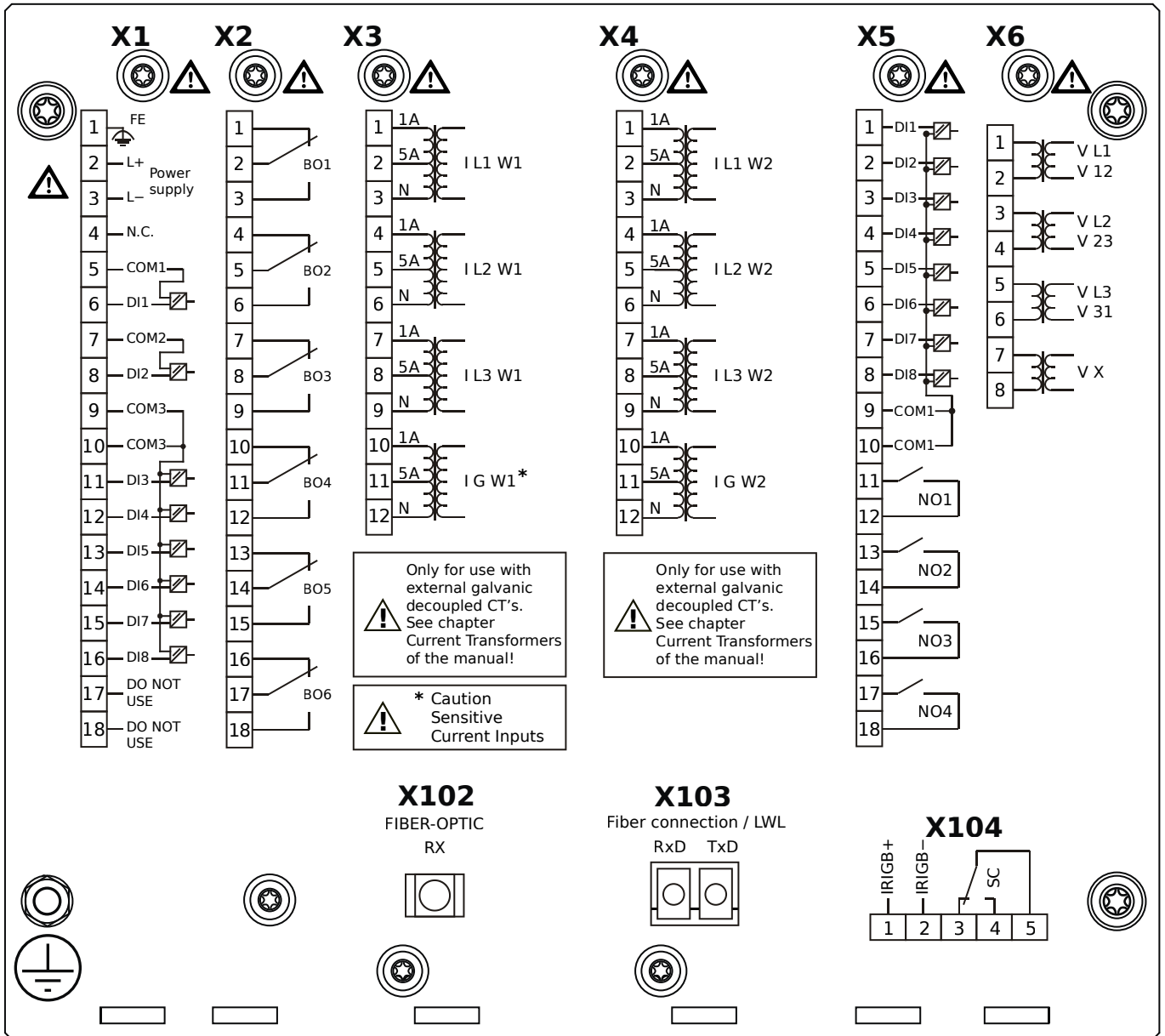
- X1** – DI8-X1: Wide-range power supply unit, incl. 2 non-grouped digital inputs and 6 grouped digital inputs
- X2** – OR-6: Assembly Group with 6 Relay Outputs
- X3** – TIS-4: Sensitive Ground current measuring card (for the neutral side of the differential protection)
- X4** – TI-4: Standard ground current measuring card (for the line side of the differential protection)
- X5** – DI8-OR4: Assembly Group with 8 Digital Inputs and 4 Output Relays
- X6** – TU: Card with 4 voltage transformer measuring inputs
- X100** – Ethernet interface, 100 Mbit/s, RJ45
- X102** – Universal Resistance-Temperature Detector (URTD) input, Fiber optics interface, ST Connector
- X103** – RS485, Terminals
- X104** – IRIG-B00X, incl. System Contact (Supervision Contact)

MCDGV4-2A1HKA



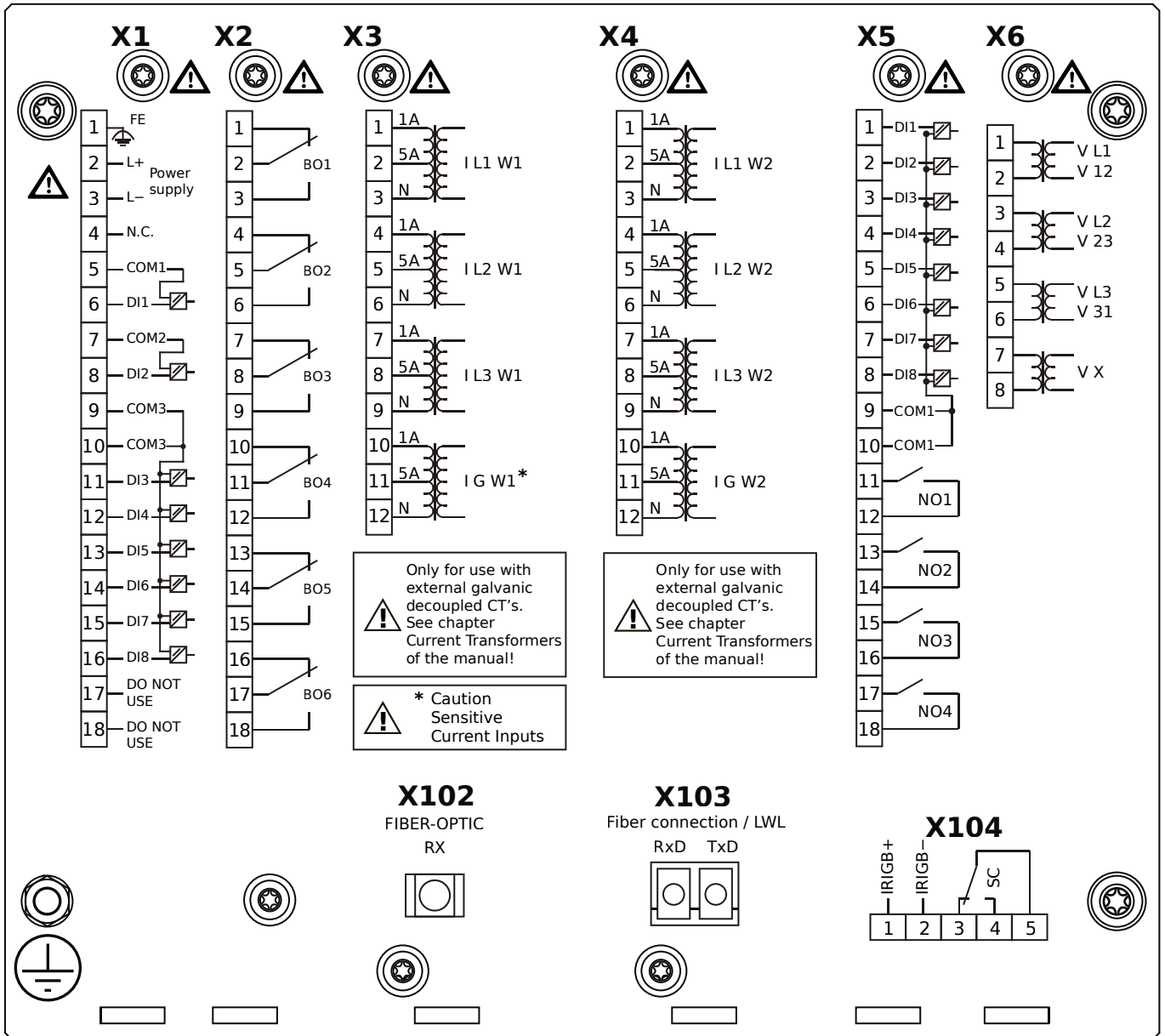
- X1** – DI8-X1: Wide-range power supply unit, incl. 2 non-grouped digital inputs and 6 grouped digital inputs
- X2** – OR-6: Assembly Group with 6 Relay Outputs
- X3** – TIS-4: Sensitive Ground current measuring card (for the neutral side of the differential protection)
- X4** – TI-4: Standard ground current measuring card (for the line side of the differential protection)
- X5** – DI8-OR4: Assembly Group with 8 Digital Inputs and 4 Output Relays
- X6** – TU: Card with 4 voltage transformer measuring inputs
- X102** – Universal Resistance-Temperature Detector (URTD) input, Fiber optics interface, ST Connector
- X103** – Fiber optics interface, LC Connector
- X104** – IRIG-B00X, incl. System Contact (Supervision Contact)

MCDGV4-2A1HKB



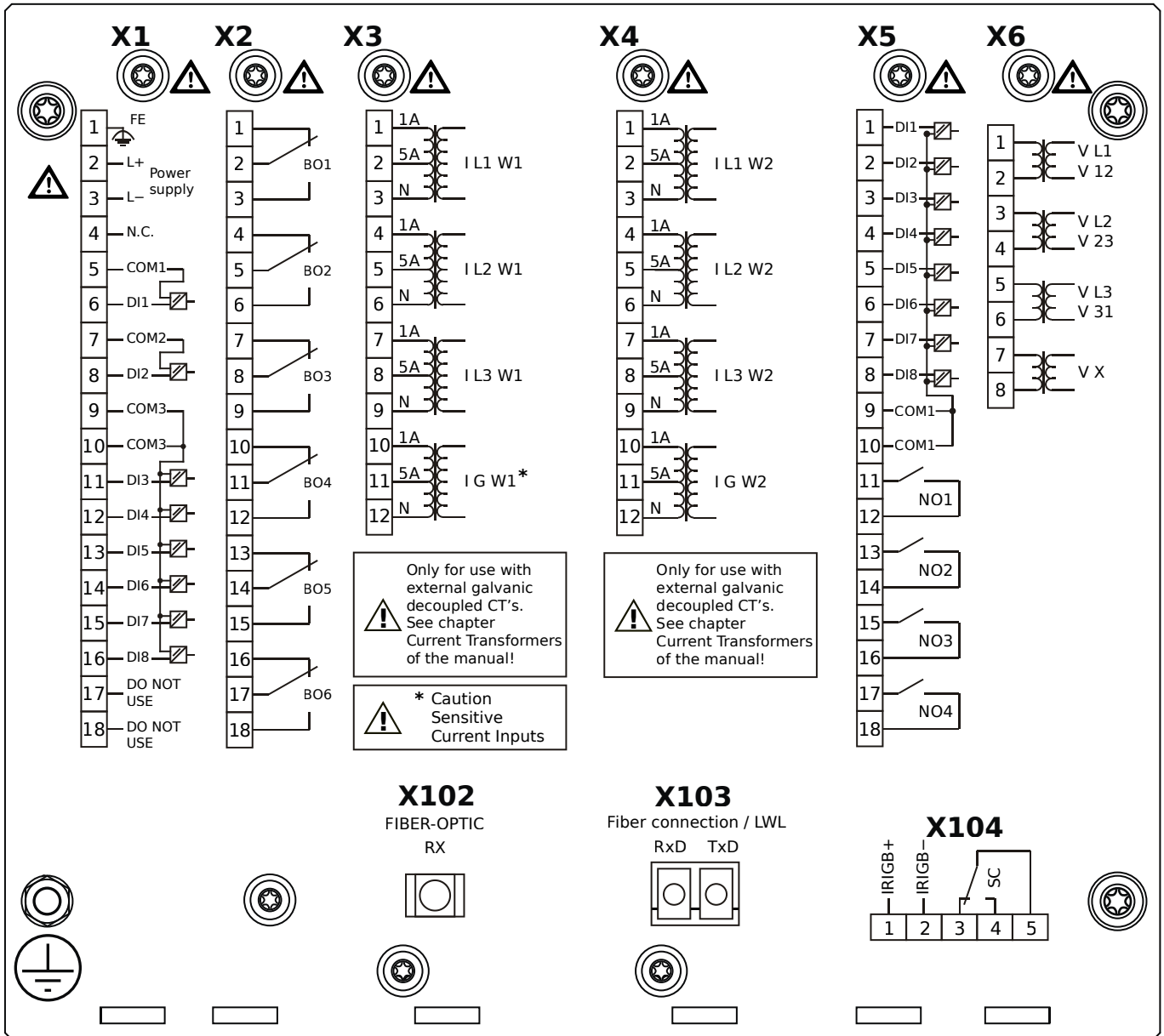
- X1** – DI8-X1: Wide-range power supply unit, incl. 2 non-grouped digital inputs and 6 grouped digital inputs
- X2** – OR-6: Assembly Group with 6 Relay Outputs
- X3** – TIS-4: Sensitive Ground current measuring card (for the neutral side of the differential protection)
- X4** – TI-4: Standard ground current measuring card (for the line side of the differential protection)
- X5** – DI8-OR4: Assembly Group with 8 Digital Inputs and 4 Output Relays
- X6** – TU: Card with 4 voltage transformer measuring inputs
- X102** – Universal Resistance-Temperature Detector (URTD) input, Fiber optics interface, ST Connector
- X103** – Fiber optics interface, LC Connector
- X104** – IRIG-B00X, incl. System Contact (Supervision Contact)

MCDGV4-2A1HLA



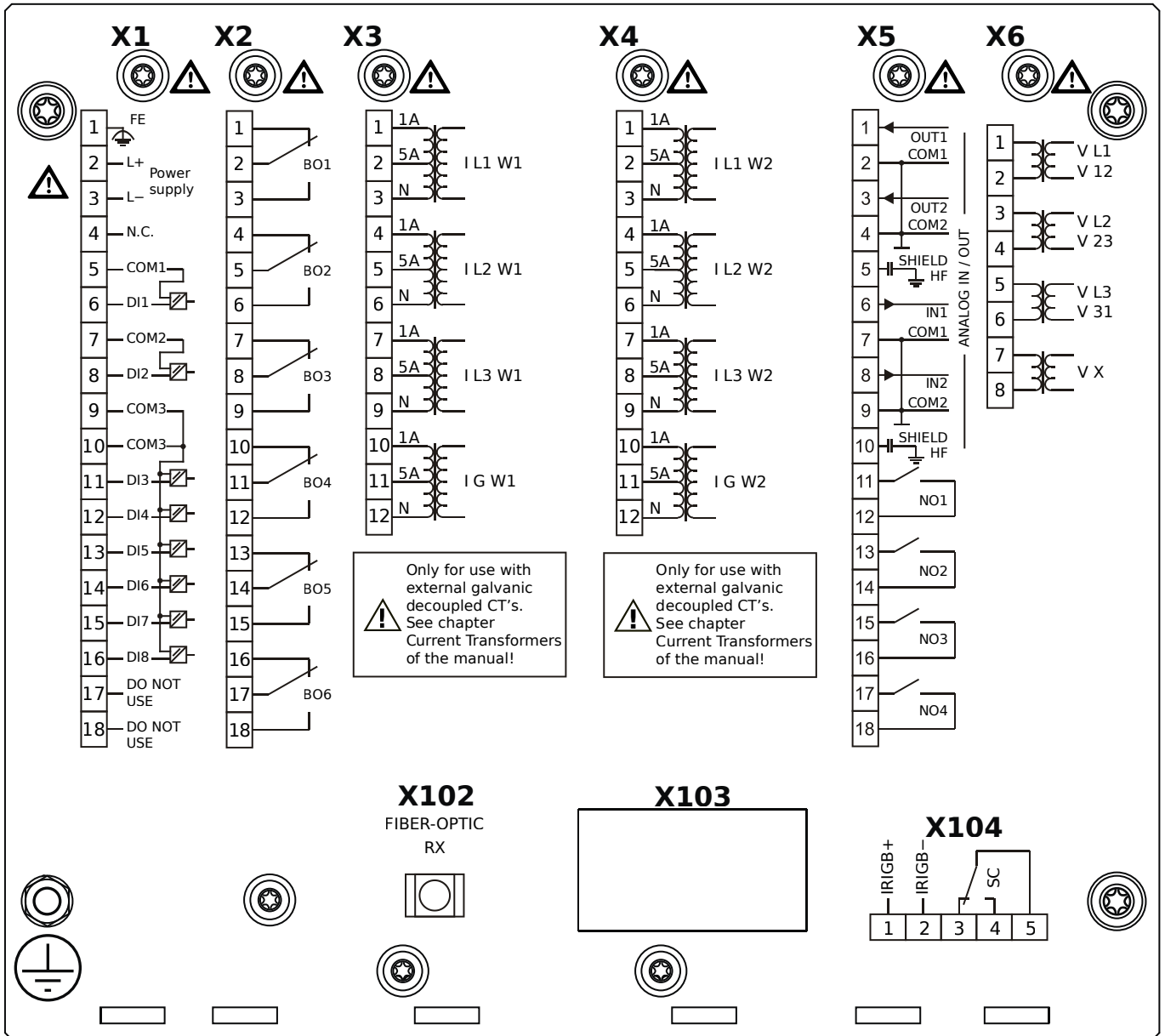
- X1** – DI8-X1: Wide-range power supply unit, incl. 2 non-grouped digital inputs and 6 grouped digital inputs
- X2** – OR-6: Assembly Group with 6 Relay Outputs
- X3** – TIS-4: Sensitive Ground current measuring card (for the neutral side of the differential protection)
- X4** – TI-4: Standard ground current measuring card (for the line side of the differential protection)
- X5** – DI8-OR4: Assembly Group with 8 Digital Inputs and 4 Output Relays
- X6** – TU: Card with 4 voltage transformer measuring inputs
- X102** – Universal Resistance-Temperature Detector (URTD) input, Fiber optics interface, ST Connector
- X103** – Fiber optics interface, LC Connector
- X104** – IRIG-B00X, incl. System Contact (Supervision Contact)

MCDGV4-2A1HLB



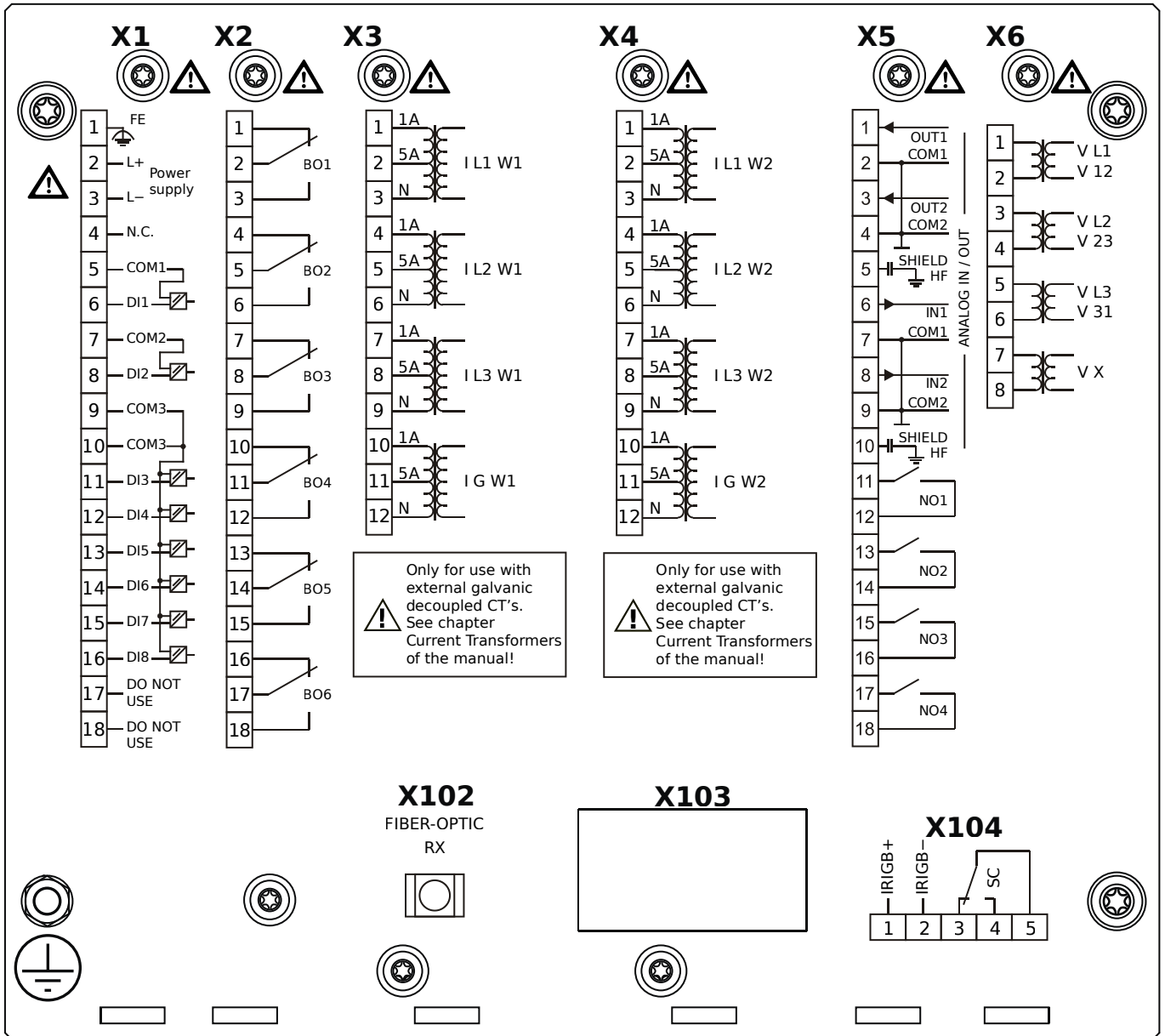
- X1** – DI8-X1: Wide-range power supply unit, incl. 2 non-grouped digital inputs and 6 grouped digital inputs
- X2** – OR-6: Assembly Group with 6 Relay Outputs
- X3** – TIS-4: Sensitive Ground current measuring card (for the neutral side of the differential protection)
- X4** – TI-4: Standard ground current measuring card (for the line side of the differential protection)
- X5** – DI8-OR4: Assembly Group with 8 Digital Inputs and 4 Output Relays
- X6** – TU: Card with 4 voltage transformer measuring inputs
- X102** – Universal Resistance-Temperature Detector (URTD) input, Fiber optics interface, ST Connector
- X103** – Fiber optics interface, LC Connector
- X104** – IRIG-B00X, incl. System Contact (Supervision Contact)

MCDGV4-2B0AAA



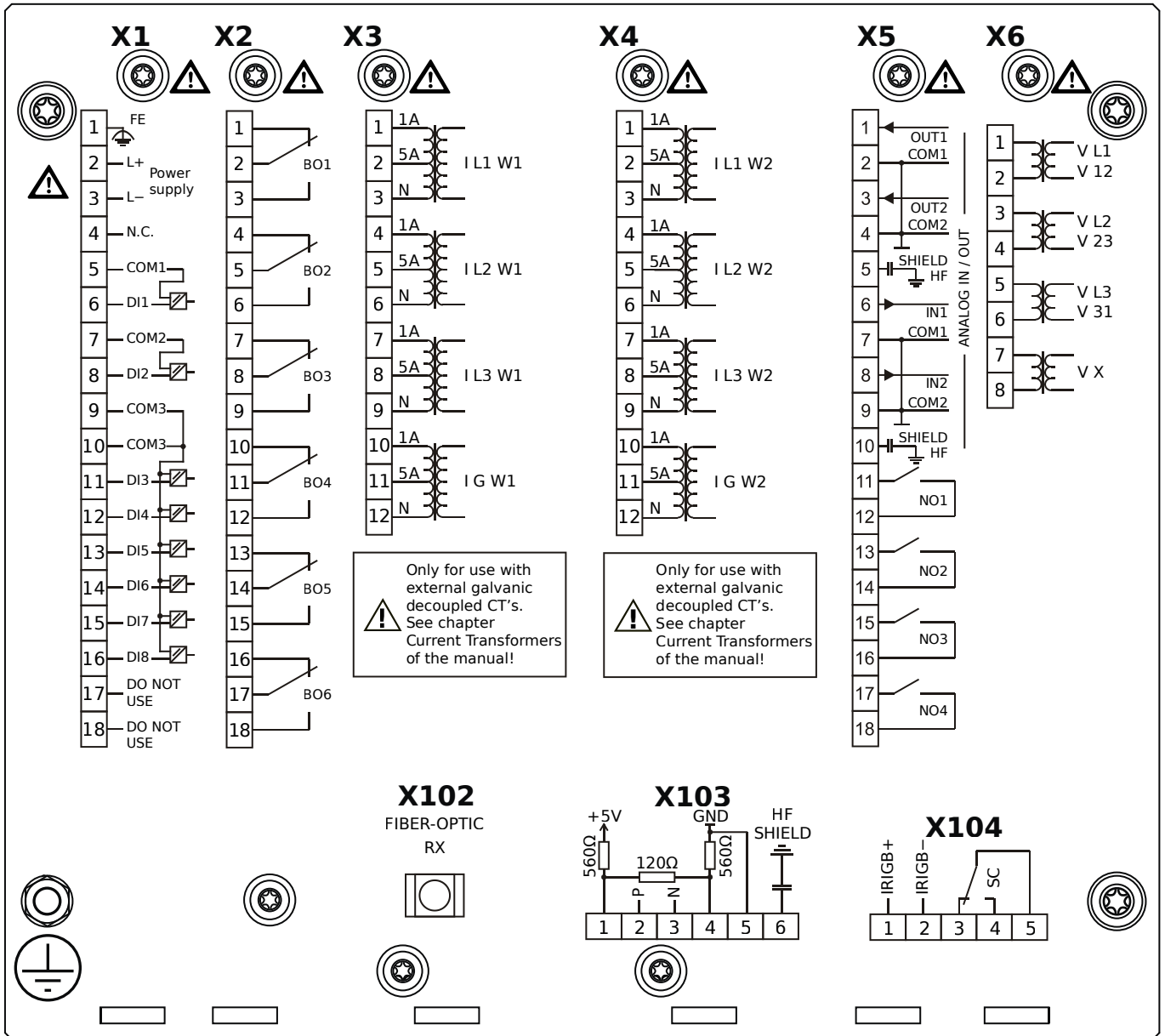
- X1** – DI8-X1: Wide-range power supply unit, incl. 2 non-grouped digital inputs and 6 grouped digital inputs
- X2** – OR-6: Assembly Group with 6 Relay Outputs
- X3** – TI-4: Standard ground current measuring card (for the neutral side of the differential protection)
- X4** – TI-4: Standard ground current measuring card (for the line side of the differential protection)
- X5** – AN I02-OR4: Assembly Group with 2 Analog Inputs, 2 Analog Outputs and 4 Output Relays
- X6** – TU: Card with 4 voltage transformer measuring inputs
- X102** – Universal Resistance-Temperature Detector (URTD) input, Fiber optics interface, ST Connector
- X104** – IRIG-B00X, incl. System Contact (Supervision Contact)

MCDGV4-2B0AAB



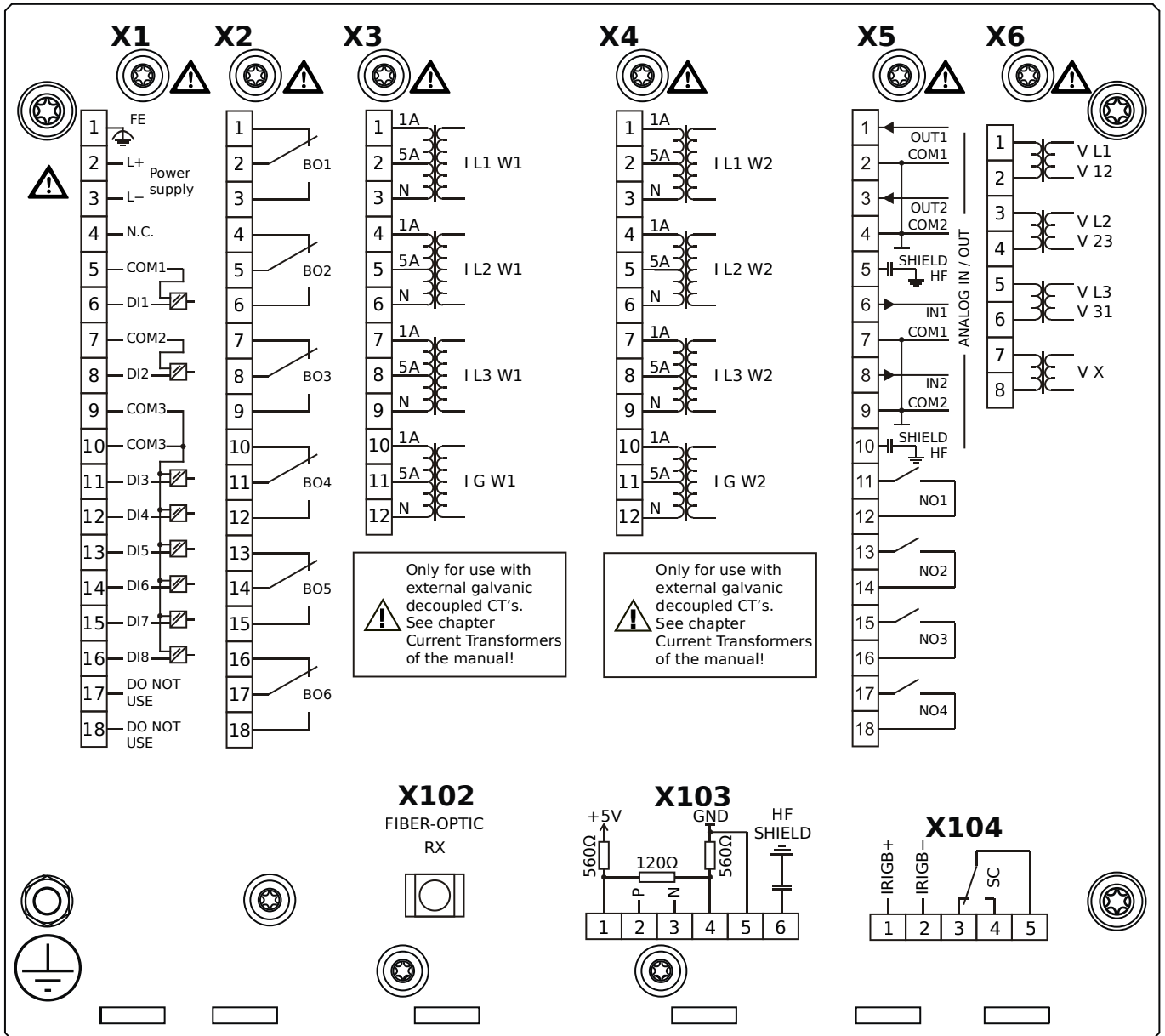
- X1** – DI8-X1: Wide-range power supply unit, incl. 2 non-grouped digital inputs and 6 grouped digital inputs
- X2** – OR-6: Assembly Group with 6 Relay Outputs
- X3** – TI-4: Standard ground current measuring card (for the neutral side of the differential protection)
- X4** – TI-4: Standard ground current measuring card (for the line side of the differential protection)
- X5** – AN I02-OR4: Assembly Group with 2 Analog Inputs, 2 Analog Outputs and 4 Output Relays
- X6** – TU: Card with 4 voltage transformer measuring inputs
- X102** – Universal Resistance-Temperature Detector (URTD) input, Fiber optics interface, ST Connector
- X104** – IRIG-B00X, incl. System Contact (Supervision Contact)

MCDGV4-2B0ABA



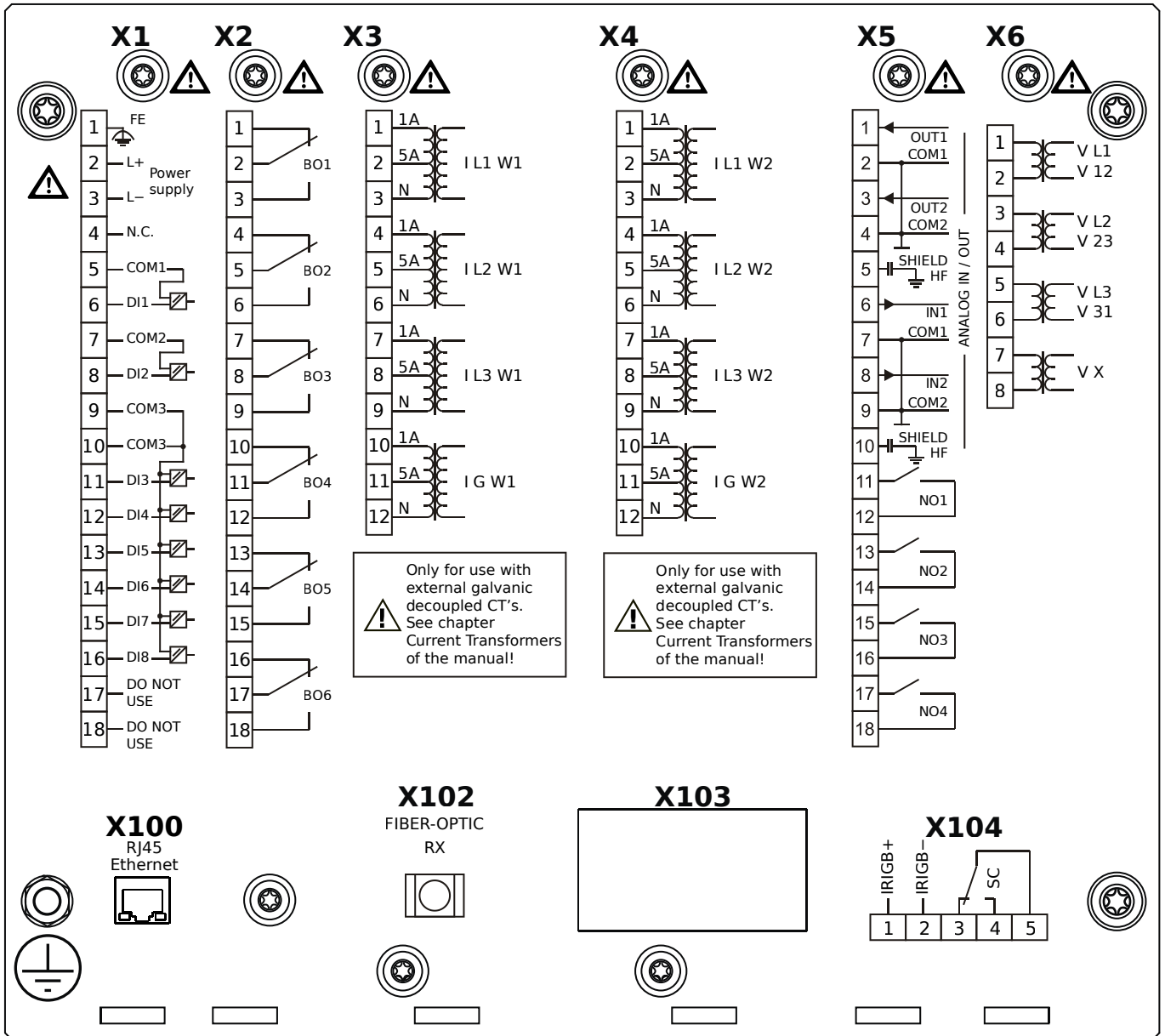
- X1** – DI8-X1: Wide-range power supply unit, incl. 2 non-grouped digital inputs and 6 grouped digital inputs
- X2** – OR-6: Assembly Group with 6 Relay Outputs
- X3** – TI-4: Standard ground current measuring card (for the neutral side of the differential protection)
- X4** – TI-4: Standard ground current measuring card (for the line side of the differential protection)
- X5** – AN I02-OR4: Assembly Group with 2 Analog Inputs, 2 Analog Outputs and 4 Output Relays
- X6** – TU: Card with 4 voltage transformer measuring inputs
- X102** – Universal Resistance-Temperature Detector (URTD) input, Fiber optics interface, ST Connector
- X103** – RS485, Terminals
- X104** – IRIG-B00X, incl. System Contact (Supervision Contact)

MCDGV4-2B0ABB



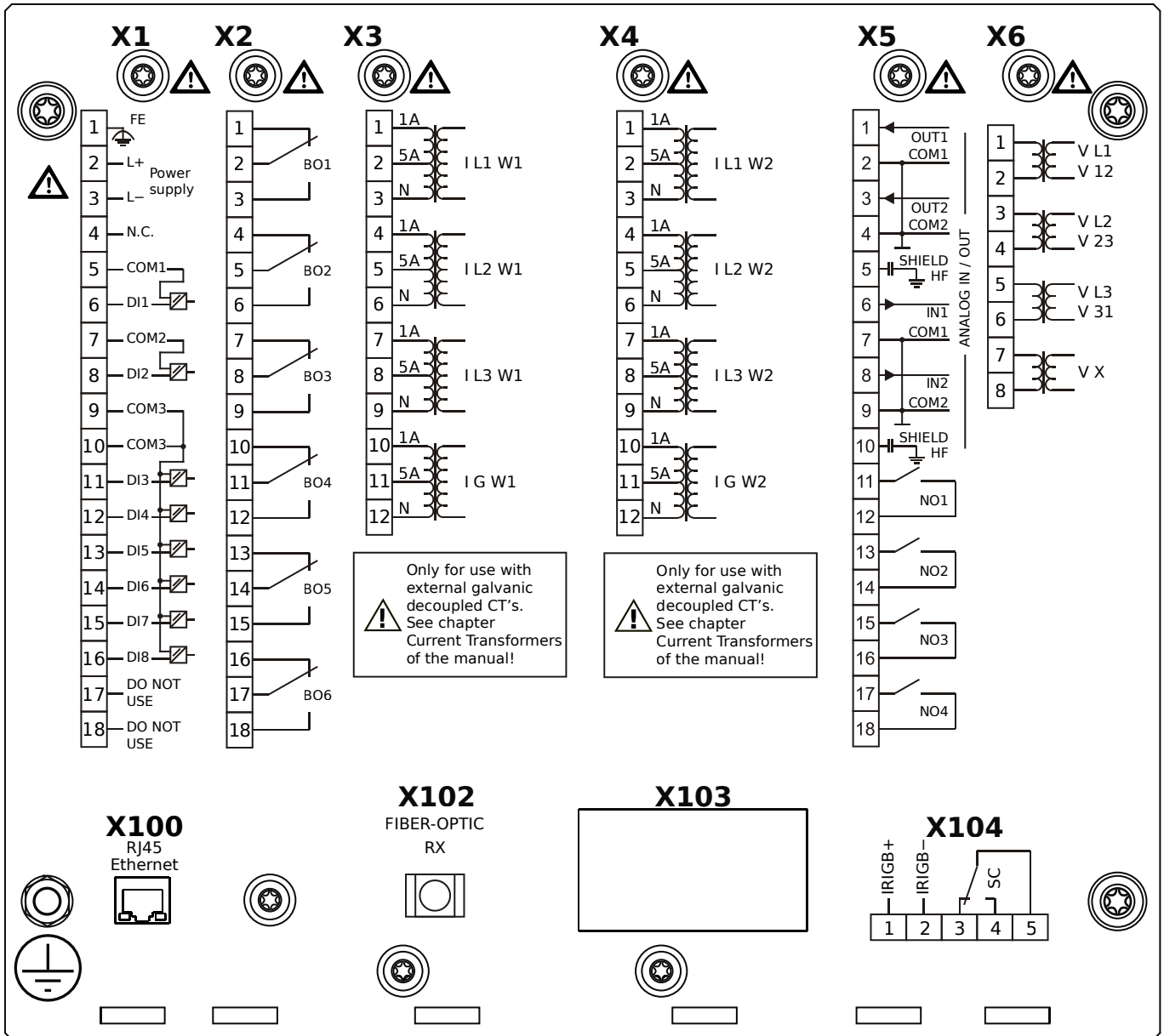
- X1** – DI8-X1: Wide-range power supply unit, incl. 2 non-grouped digital inputs and 6 grouped digital inputs
- X2** – OR-6: Assembly Group with 6 Relay Outputs
- X3** – TI-4: Standard ground current measuring card (for the neutral side of the differential protection)
- X4** – TI-4: Standard ground current measuring card (for the line side of the differential protection)
- X5** – AN I02-OR4: Assembly Group with 2 Analog Inputs, 2 Analog Outputs and 4 Output Relays
- X6** – TU: Card with 4 voltage transformer measuring inputs
- X102** – Universal Resistance-Temperature Detector (URTD) input, Fiber optics interface, ST Connector
- X103** – RS485, Terminals
- X104** – IRIG-B00X, incl. System Contact (Supervision Contact)

MCDGV4-2B0ACA



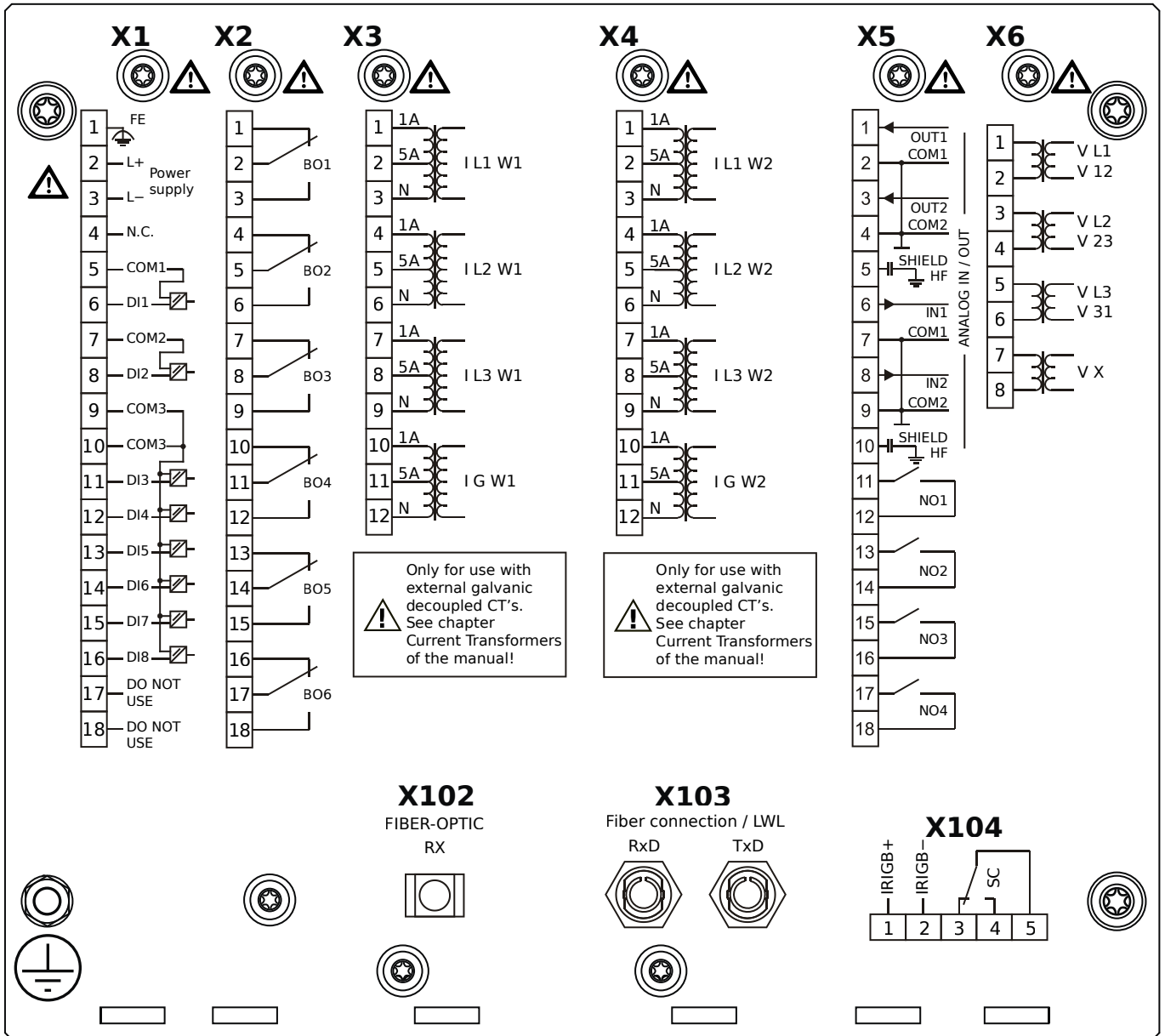
- X1** – DI8-X1: Wide-range power supply unit, incl. 2 non-grouped digital inputs and 6 grouped digital inputs
- X2** – OR-6: Assembly Group with 6 Relay Outputs
- X3** – TI-4: Standard ground current measuring card (for the neutral side of the differential protection)
- X4** – TI-4: Standard ground current measuring card (for the line side of the differential protection)
- X5** – AN I02-OR4: Assembly Group with 2 Analog Inputs, 2 Analog Outputs and 4 Output Relays
- X6** – TU: Card with 4 voltage transformer measuring inputs
- X100** – Ethernet interface, 100 Mbit/s, RJ45
- X102** – Universal Resistance-Temperature Detector (URTD) input, Fiber optics interface, ST Connector
- X104** – IRIG-B00X, incl. System Contact (Supervision Contact)

MCDGV4-2B0ACB



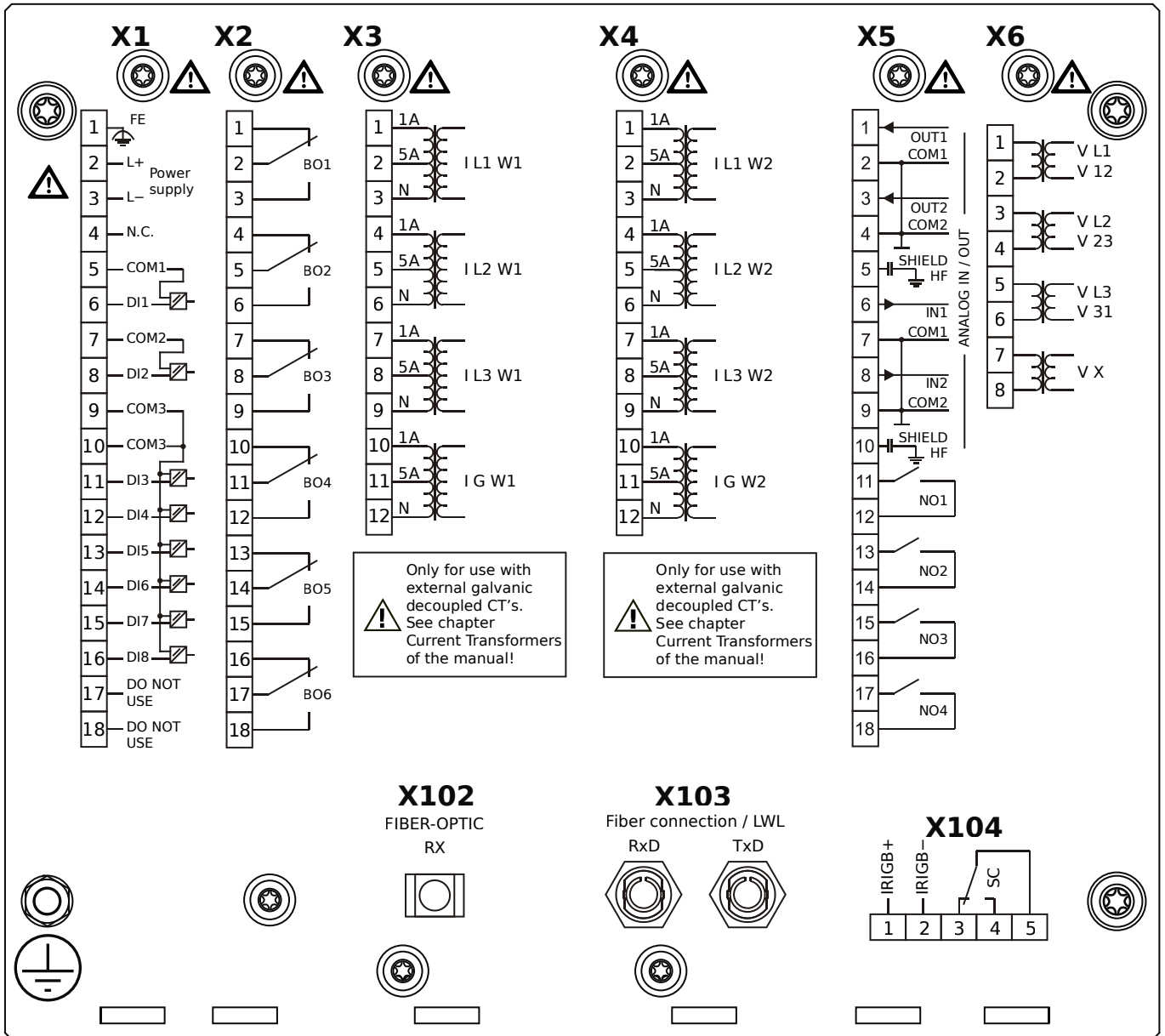
- X1** – DI8-X1: Wide-range power supply unit, incl. 2 non-grouped digital inputs and 6 grouped digital inputs
- X2** – OR-6: Assembly Group with 6 Relay Outputs
- X3** – TI-4: Standard ground current measuring card (for the neutral side of the differential protection)
- X4** – TI-4: Standard ground current measuring card (for the line side of the differential protection)
- X5** – AN I02-OR4: Assembly Group with 2 Analog Inputs, 2 Analog Outputs and 4 Output Relays
- X6** – TU: Card with 4 voltage transformer measuring inputs
- X100** – Ethernet interface, 100 Mbit/s, RJ45
- X102** – Universal Resistance-Temperature Detector (URTD) input, Fiber optics interface, ST Connector
- X104** – IRIG-B00X, incl. System Contact (Supervision Contact)

MCDGV4-2B0ADA



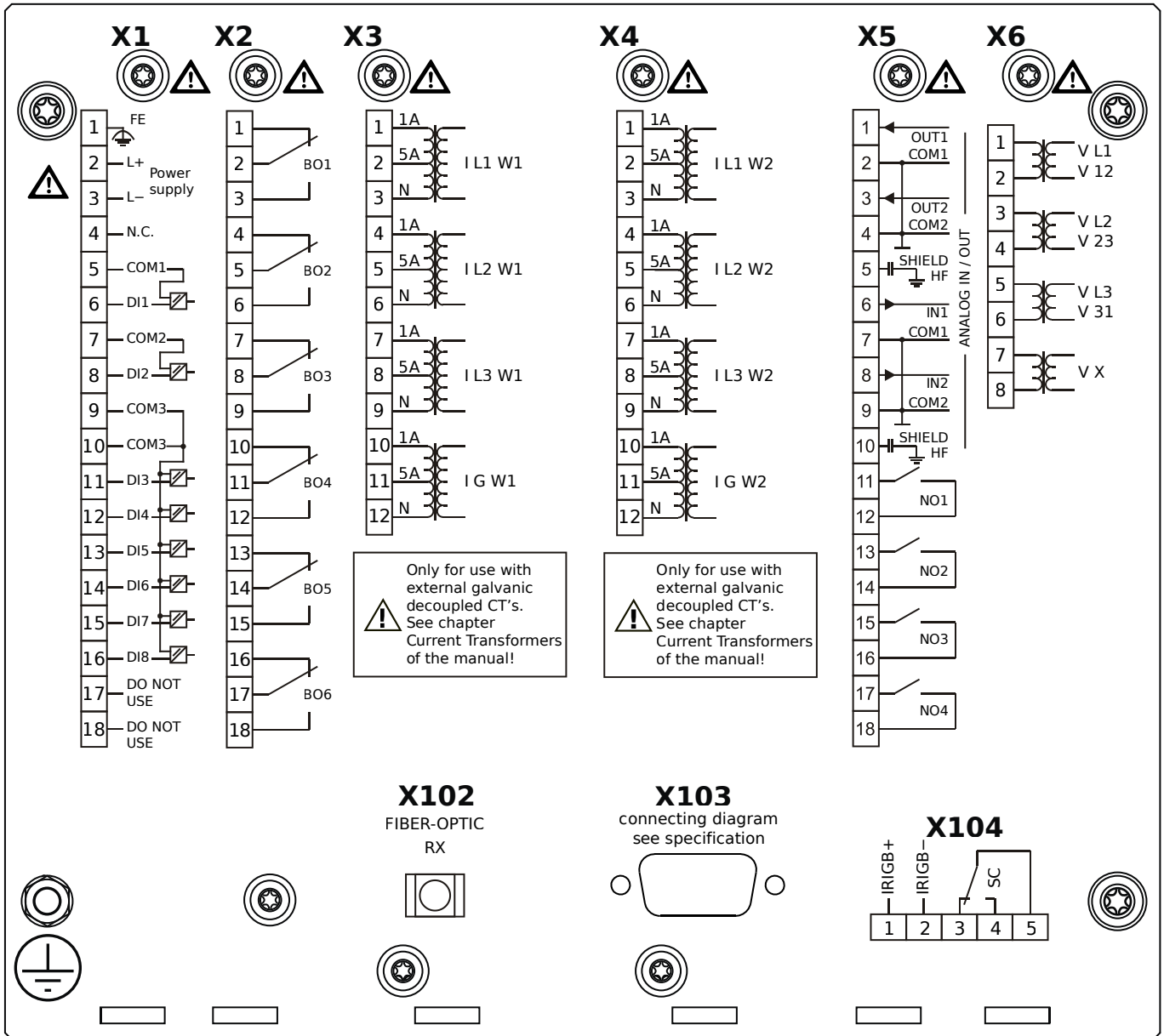
- X1** – DI8-X1: Wide-range power supply unit, incl. 2 non-grouped digital inputs and 6 grouped digital inputs
- X2** – OR-6: Assembly Group with 6 Relay Outputs
- X3** – TI-4: Standard ground current measuring card (for the neutral side of the differential protection)
- X4** – TI-4: Standard ground current measuring card (for the line side of the differential protection)
- X5** – AN I02-OR4: Assembly Group with 2 Analog Inputs, 2 Analog Outputs and 4 Output Relays
- X6** – TU: Card with 4 voltage transformer measuring inputs
- X102** – Universal Resistance-Temperature Detector (URTD) input, Fiber optics interface, ST Connector
- X103** – Fiber optics interface, ST Connector
- X104** – IRIG-B00X, incl. System Contact (Supervision Contact)

MCDGV4-2B0ADB



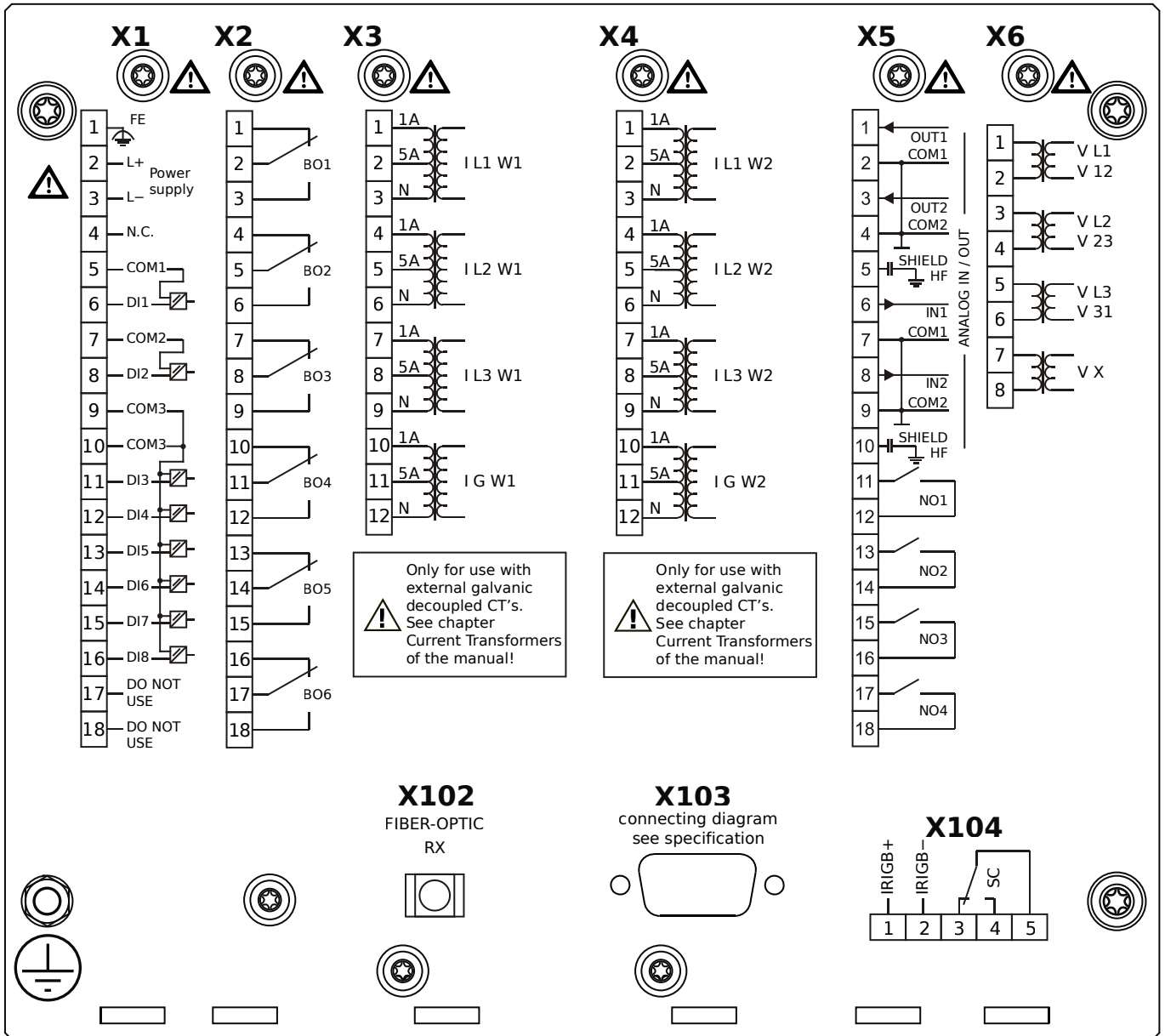
- X1** – DI8-X1: Wide-range power supply unit, incl. 2 non-grouped digital inputs and 6 grouped digital inputs
- X2** – OR-6: Assembly Group with 6 Relay Outputs
- X3** – TI-4: Standard ground current measuring card (for the neutral side of the differential protection)
- X4** – TI-4: Standard ground current measuring card (for the line side of the differential protection)
- X5** – AN I02-OR4: Assembly Group with 2 Analog Inputs, 2 Analog Outputs and 4 Output Relays
- X6** – TU: Card with 4 voltage transformer measuring inputs
- X102** – Universal Resistance-Temperature Detector (URTD) input, Fiber optics interface, ST Connector
- X103** – Fiber optics interface, ST Connector
- X104** – IRIG-B00X, incl. System Contact (Supervision Contact)

MCDGV4-2B0AEA



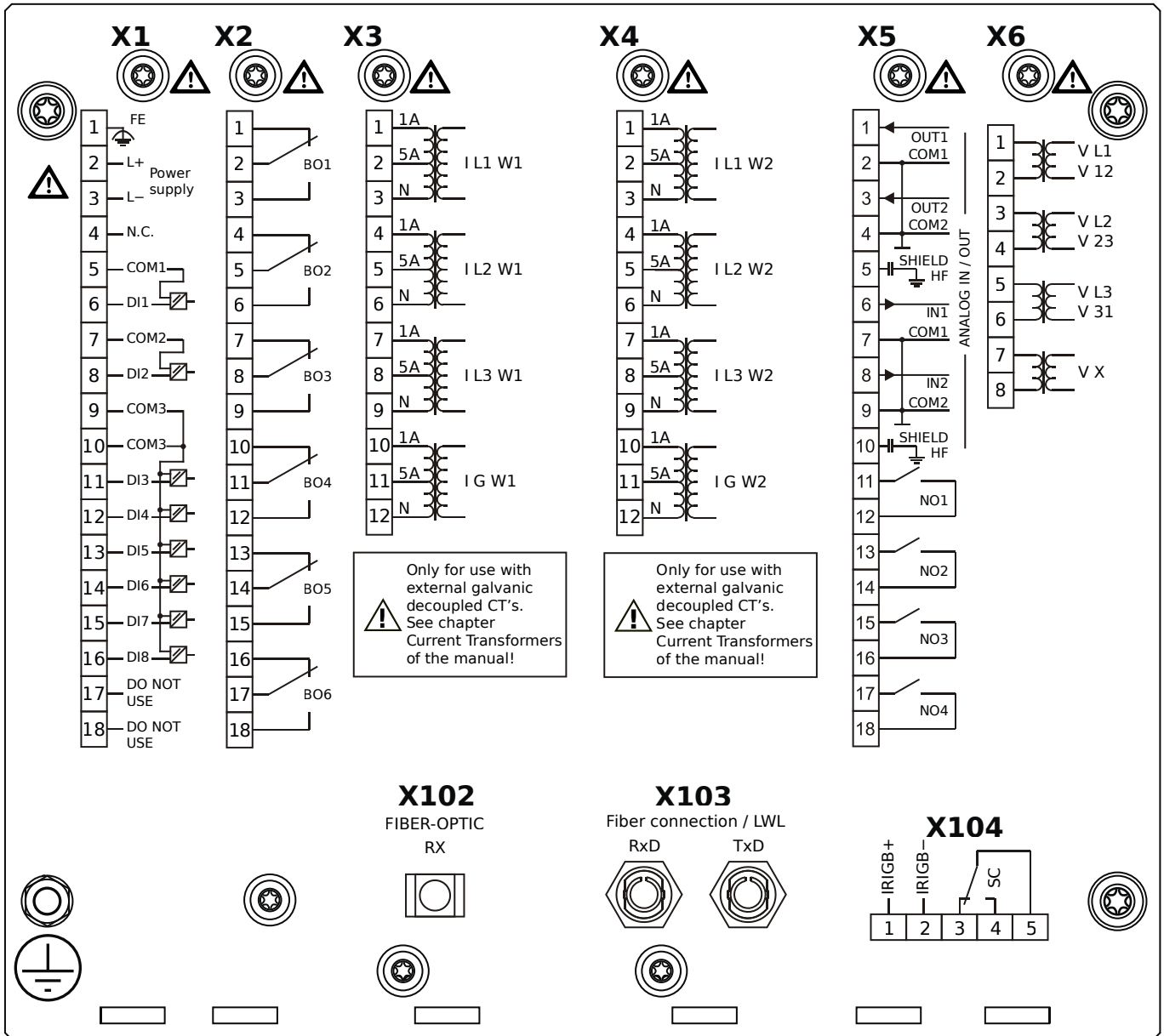
- X1** – DI8-X1: Wide-range power supply unit, incl. 2 non-grouped digital inputs and 6 grouped digital inputs
- X2** – OR-6: Assembly Group with 6 Relay Outputs
- X3** – TI-4: Standard ground current measuring card (for the neutral side of the differential protection)
- X4** – TI-4: Standard ground current measuring card (for the line side of the differential protection)
- X5** – AN I02-OR4: Assembly Group with 2 Analog Inputs, 2 Analog Outputs and 4 Output Relays
- X6** – TU: Card with 4 voltage transformer measuring inputs
- X102** – Universal Resistance-Temperature Detector (URTD) input, Fiber optics interface, ST Connector
- X103** – RS485, D-SUB
- X104** – IRIG-B00X, incl. System Contact (Supervision Contact)

MCDGV4-2B0AEB



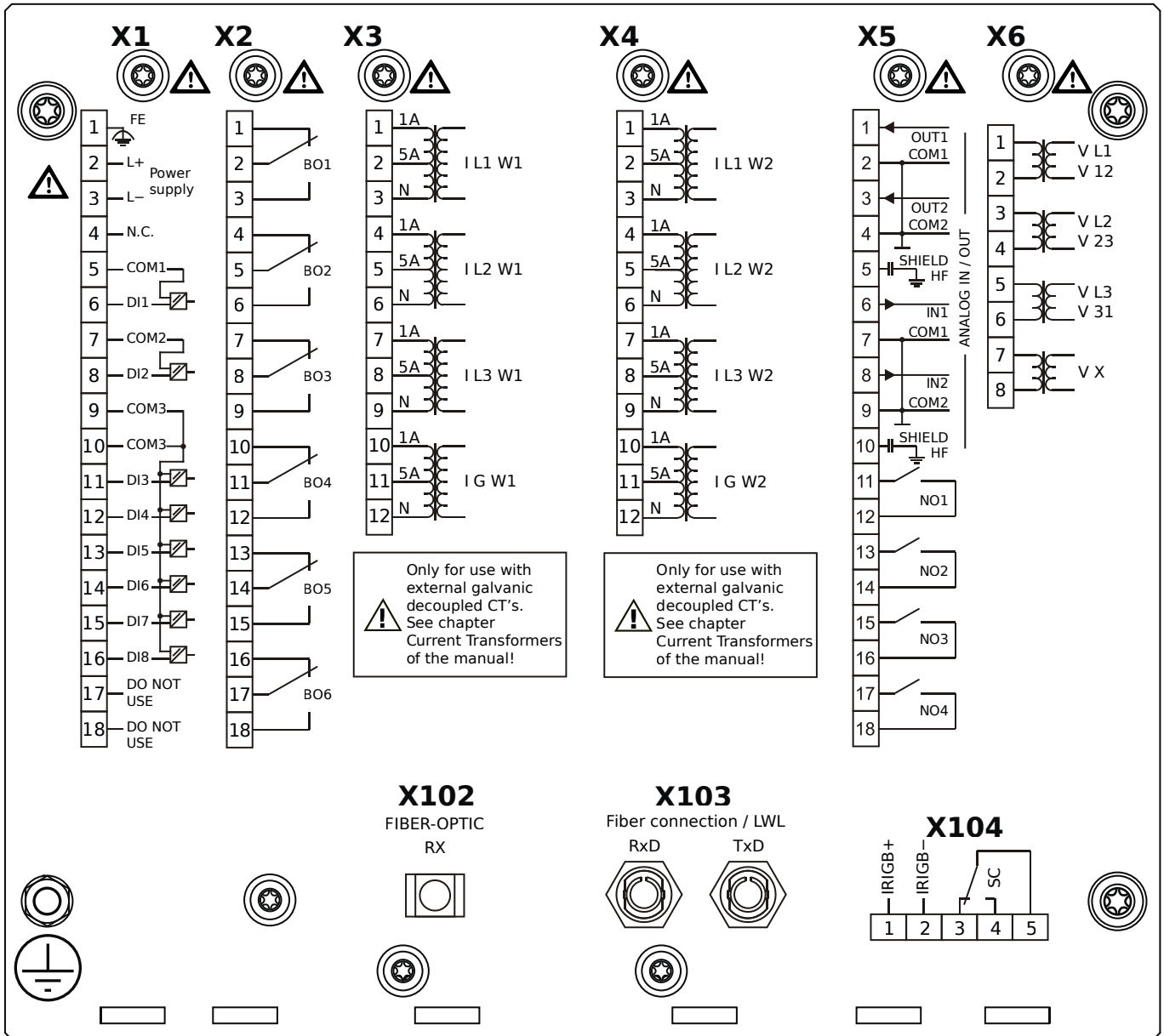
- X1** – DI8-X1: Wide-range power supply unit, incl. 2 non-grouped digital inputs and 6 grouped digital inputs
- X2** – OR-6: Assembly Group with 6 Relay Outputs
- X3** – TI-4: Standard ground current measuring card (for the neutral side of the differential protection)
- X4** – TI-4: Standard ground current measuring card (for the line side of the differential protection)
- X5** – AN I02-OR4: Assembly Group with 2 Analog Inputs, 2 Analog Outputs and 4 Output Relays
- X6** – TU: Card with 4 voltage transformer measuring inputs
- X102** – Universal Resistance-Temperature Detector (URTD) input, Fiber optics interface, ST Connector
- X103** – RS485, D-SUB
- X104** – IRIG-B00X, incl. System Contact (Supervision Contact)

MCDGV4-2B0AFA



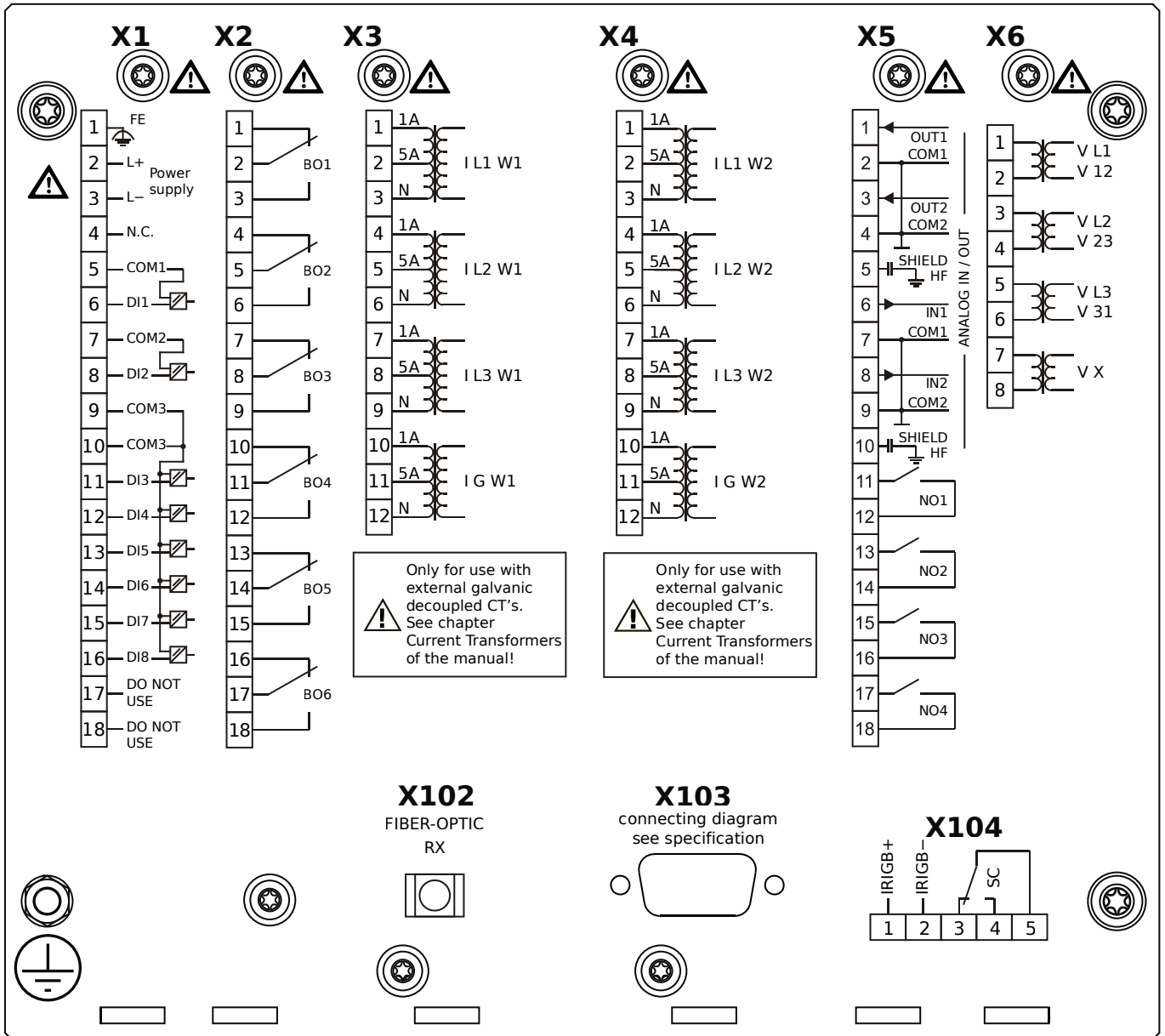
- X1** – DI8-X1: Wide-range power supply unit, incl. 2 non-grouped digital inputs and 6 grouped digital inputs
- X2** – OR-6: Assembly Group with 6 Relay Outputs
- X3** – TI-4: Standard ground current measuring card (for the neutral side of the differential protection)
- X4** – TI-4: Standard ground current measuring card (for the line side of the differential protection)
- X5** – AN I02-OR4: Assembly Group with 2 Analog Inputs, 2 Analog Outputs and 4 Output Relays
- X6** – TU: Card with 4 voltage transformer measuring inputs
- X102** – Universal Resistance-Temperature Detector (URTD) input, Fiber optics interface, ST Connector
- X103** – Fiber optics interface, ST Connector
- X104** – IRIG-B00X, incl. System Contact (Supervision Contact)

MCDGV4-2B0AFB



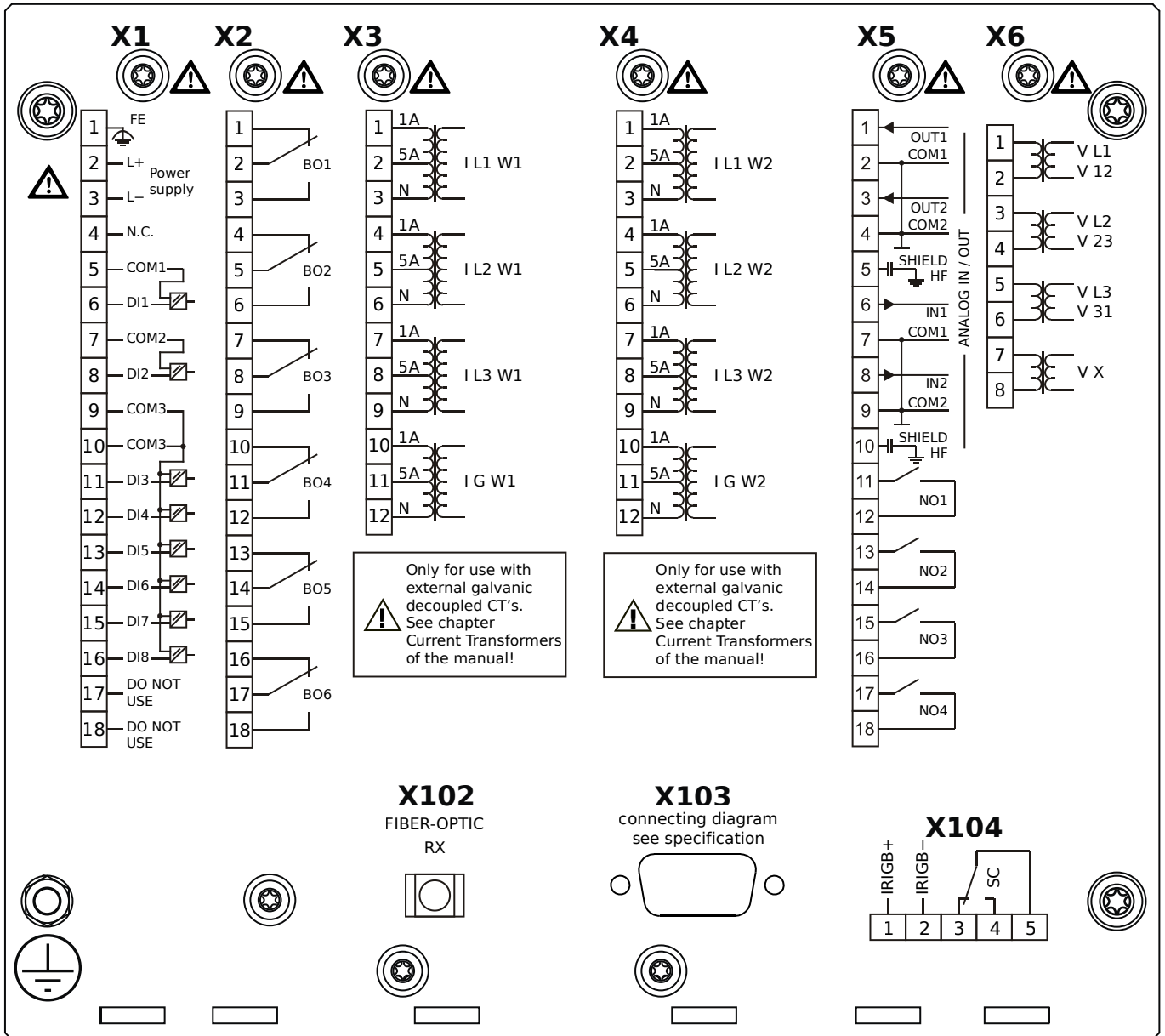
- X1** – DI8-X1: Wide-range power supply unit, incl. 2 non-grouped digital inputs and 6 grouped digital inputs
- X2** – OR-6: Assembly Group with 6 Relay Outputs
- X3** – TI-4: Standard ground current measuring card (for the neutral side of the differential protection)
- X4** – TI-4: Standard ground current measuring card (for the line side of the differential protection)
- X5** – AN I02-OR4: Assembly Group with 2 Analog Inputs, 2 Analog Outputs and 4 Output Relays
- X6** – TU: Card with 4 voltage transformer measuring inputs
- X102** – Universal Resistance-Temperature Detector (URTD) input, Fiber optics interface, ST Connector
- X103** – Fiber optics interface, ST Connector
- X104** – IRIG-B00X, incl. System Contact (Supervision Contact)

MCDGV4-2B0AGA



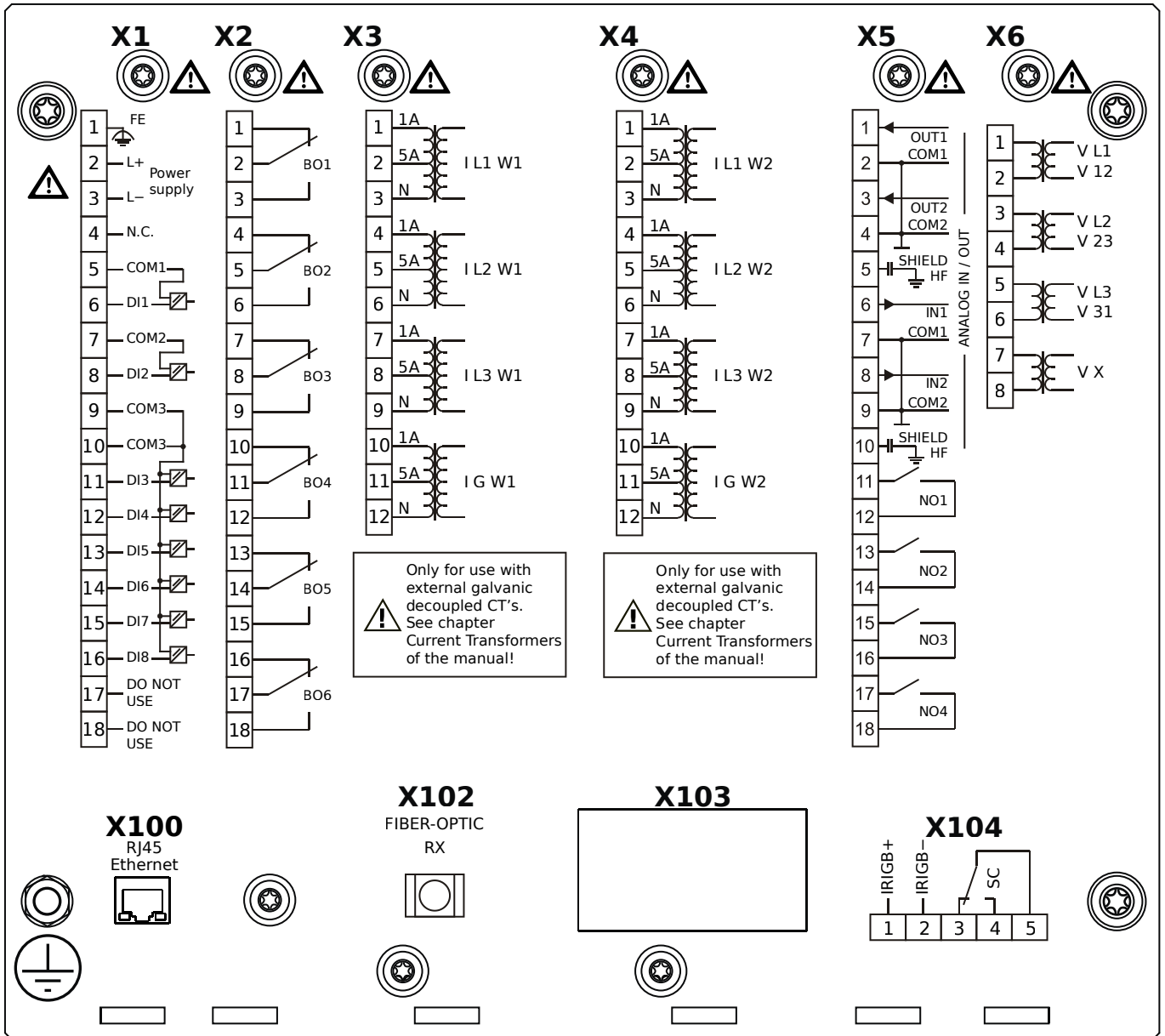
- X1** – DI8-X1: Wide-range power supply unit, incl. 2 non-grouped digital inputs and 6 grouped digital inputs
- X2** – OR-6: Assembly Group with 6 Relay Outputs
- X3** – TI-4: Standard ground current measuring card (for the neutral side of the differential protection)
- X4** – TI-4: Standard ground current measuring card (for the line side of the differential protection)
- X5** – AN I02-OR4: Assembly Group with 2 Analog Inputs, 2 Analog Outputs and 4 Output Relays
- X6** – TU: Card with 4 voltage transformer measuring inputs
- X102** – Universal Resistance-Temperature Detector (URTD) input, Fiber optics interface, ST Connector
- X103** – RS485, D-SUB
- X104** – IRIG-B00X, incl. System Contact (Supervision Contact)

MCDGV4-2B0AGB



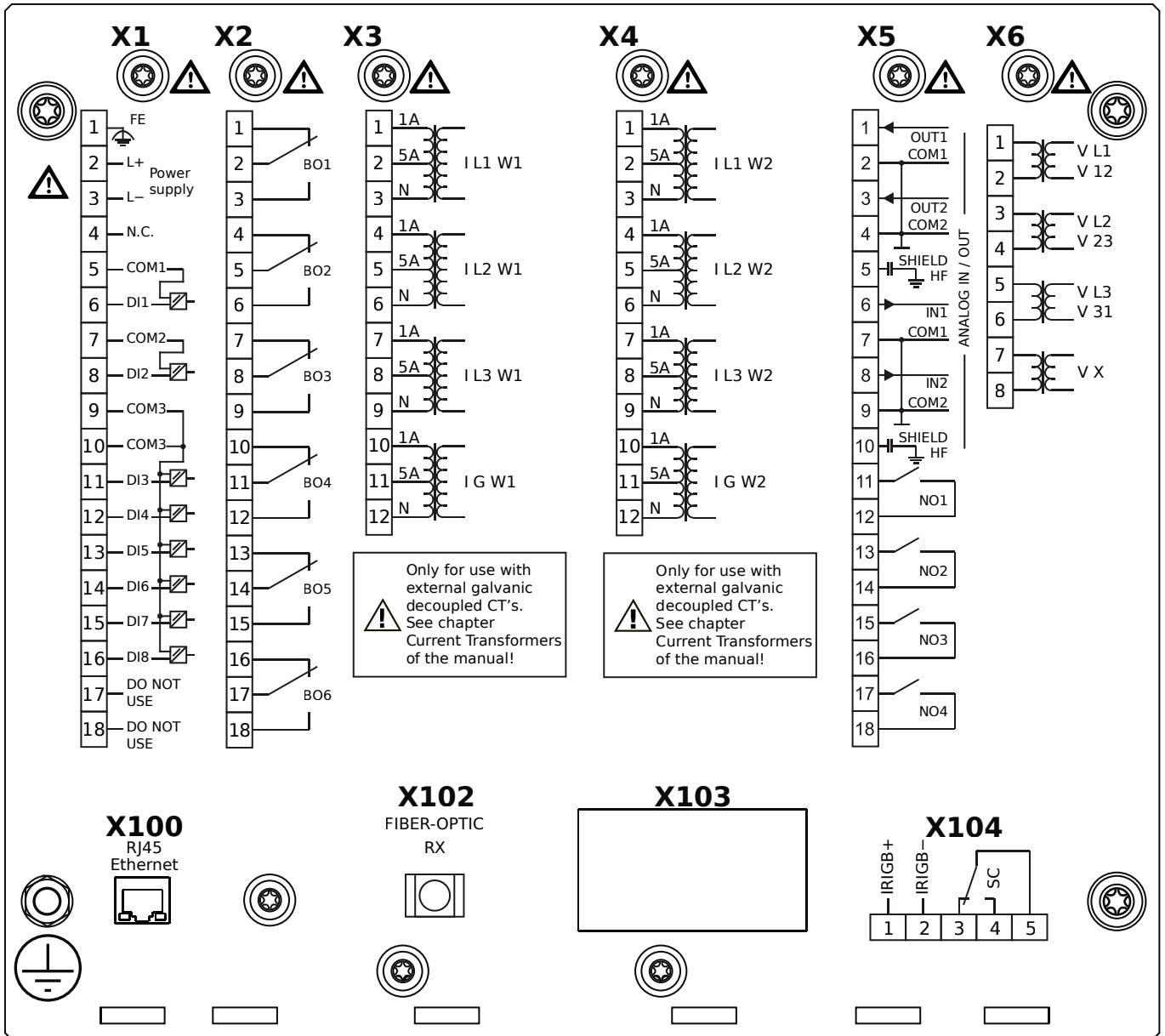
- X1** – DI8-X1: Wide-range power supply unit, incl. 2 non-grouped digital inputs and 6 grouped digital inputs
- X2** – OR-6: Assembly Group with 6 Relay Outputs
- X3** – TI-4: Standard ground current measuring card (for the neutral side of the differential protection)
- X4** – TI-4: Standard ground current measuring card (for the line side of the differential protection)
- X5** – AN I02-OR4: Assembly Group with 2 Analog Inputs, 2 Analog Outputs and 4 Output Relays
- X6** – TU: Card with 4 voltage transformer measuring inputs
- X102** – Universal Resistance-Temperature Detector (URTD) input, Fiber optics interface, ST Connector
- X103** – RS485, D-SUB
- X104** – IRIG-B00X, incl. System Contact (Supervision Contact)

MCDGV4-2B0AHA



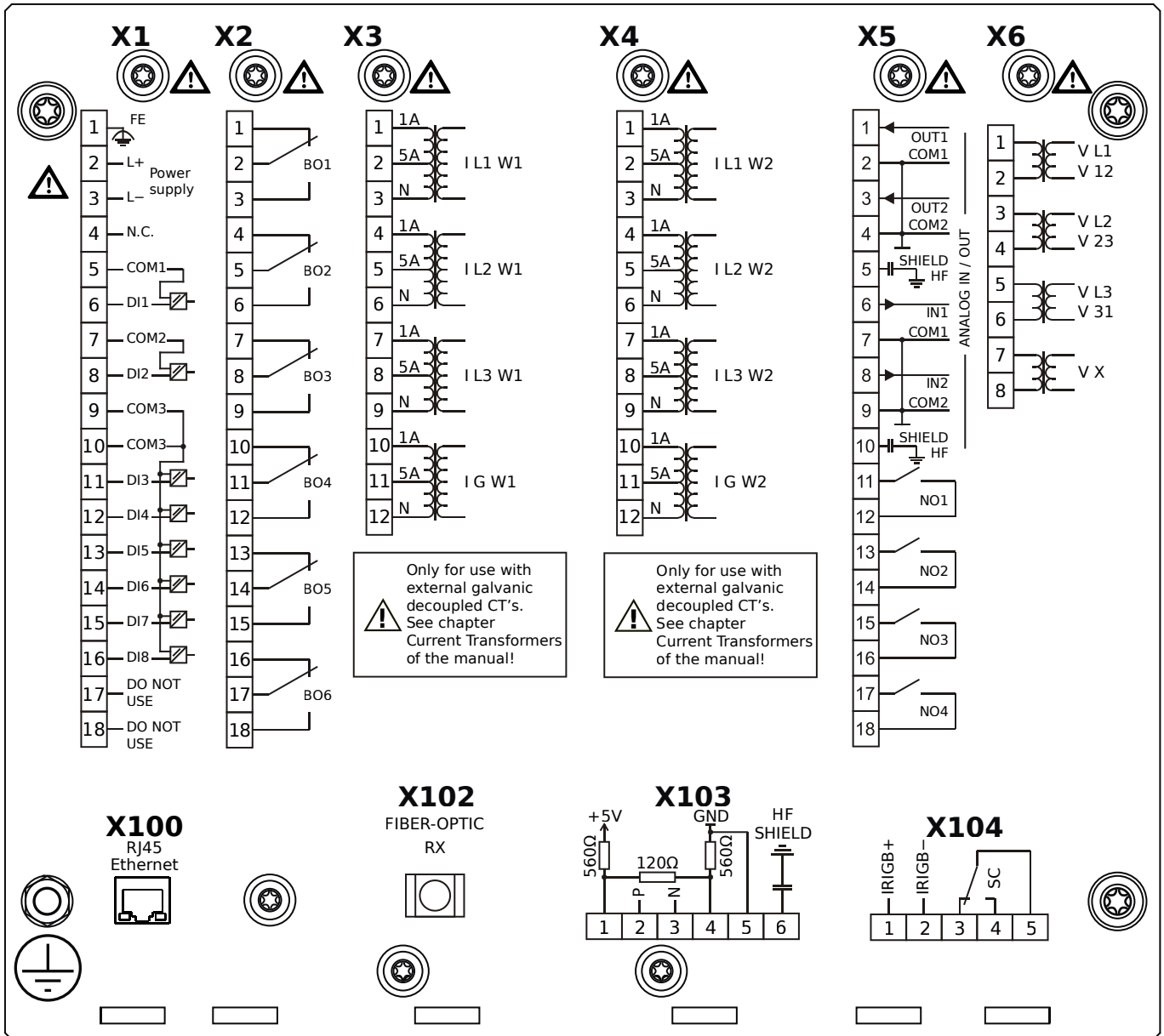
- X1** – DI8-X1: Wide-range power supply unit, incl. 2 non-grouped digital inputs and 6 grouped digital inputs
- X2** – OR-6: Assembly Group with 6 Relay Outputs
- X3** – TI-4: Standard ground current measuring card (for the neutral side of the differential protection)
- X4** – TI-4: Standard ground current measuring card (for the line side of the differential protection)
- X5** – AN I02-OR4: Assembly Group with 2 Analog Inputs, 2 Analog Outputs and 4 Output Relays
- X6** – TU: Card with 4 voltage transformer measuring inputs
- X100** – Ethernet interface, 100 Mbit/s, RJ45
- X102** – Universal Resistance-Temperature Detector (URTD) input, Fiber optics interface, ST Connector
- X104** – IRIG-B00X, incl. System Contact (Supervision Contact)

MCDGV4-2B0AHB



- X1** – DI8-X1: Wide-range power supply unit, incl. 2 non-grouped digital inputs and 6 grouped digital inputs
- X2** – OR-6: Assembly Group with 6 Relay Outputs
- X3** – TI-4: Standard ground current measuring card (for the neutral side of the differential protection)
- X4** – TI-4: Standard ground current measuring card (for the line side of the differential protection)
- X5** – AN I02-OR4: Assembly Group with 2 Analog Inputs, 2 Analog Outputs and 4 Output Relays
- X6** – TU: Card with 4 voltage transformer measuring inputs
- X100** – Ethernet interface, 100 Mbit/s, RJ45
- X102** – Universal Resistance-Temperature Detector (URTD) input, Fiber optics interface, ST Connector
- X104** – IRIG-B00X, incl. System Contact (Supervision Contact)

MCDGV4-2B0AIA



X1 – DI8-X1: Wide-range power supply unit, incl. 2 non-grouped digital inputs and 6 grouped digital inputs

X2 – OR-6: Assembly Group with 6 Relay Outputs

X3 – TI-4: Standard ground current measuring card (for the neutral side of the differential protection)

X4 – TI-4: Standard ground current measuring card (for the line side of the differential protection)

X5 – AN I02-OR4: Assembly Group with 2 Analog Inputs, 2 Analog Outputs and 4 Output Relays

X6 – TU: Card with 4 voltage transformer measuring inputs

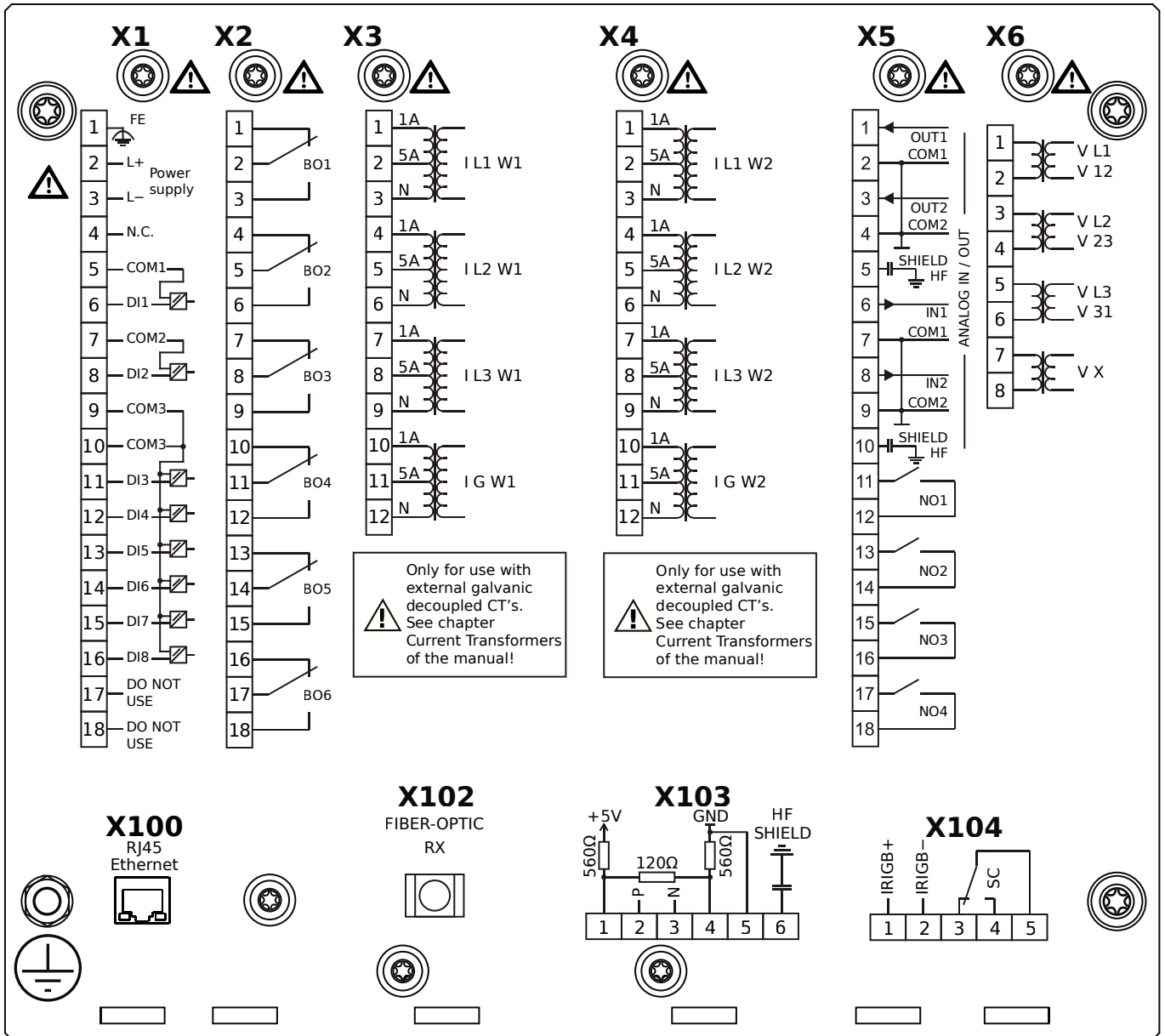
X100 – Ethernet interface, 100 Mbit/s, RJ45

X102 – Universal Resistance-Temperature Detector (URTD) input, Fiber optics interface, ST Connector

X103 – RS485, Terminals

X104 – IRIG-B00X, incl. System Contact (Supervision Contact)

MCDGV4-2B0AIB



X1 – DI8-X1: Wide-range power supply unit, incl. 2 non-grouped digital inputs and 6 grouped digital inputs

X2 – OR-6: Assembly Group with 6 Relay Outputs

X3 – TI-4: Standard ground current measuring card (for the neutral side of the differential protection)

X4 – TI-4: Standard ground current measuring card (for the line side of the differential protection)

X5 – AN I02-OR4: Assembly Group with 2 Analog Inputs, 2 Analog Outputs and 4 Output Relays

X6 – TU: Card with 4 voltage transformer measuring inputs

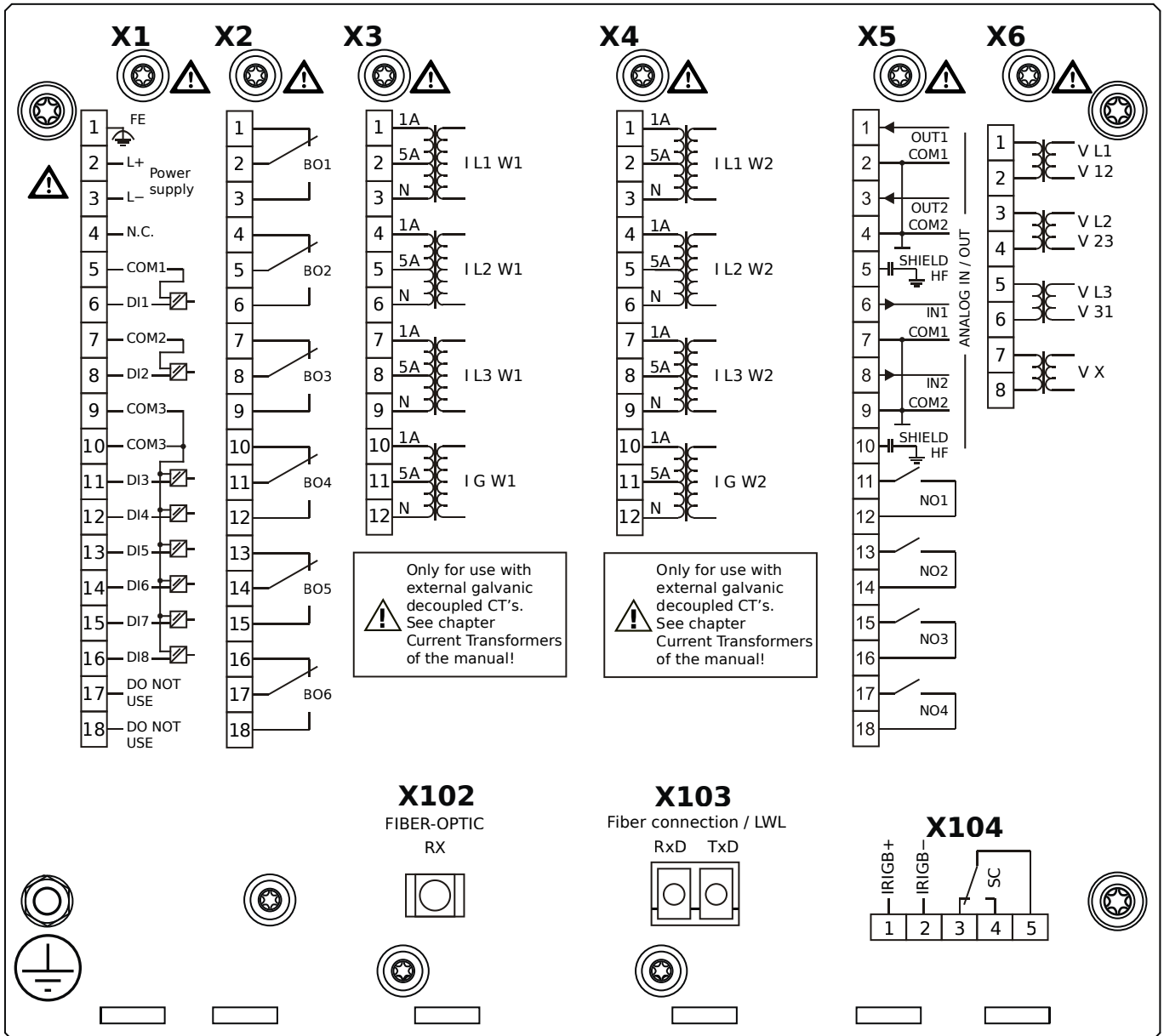
X100 – Ethernet interface, 100 Mbit/s, RJ45

X102 – Universal Resistance-Temperature Detector (URTD) input, Fiber optics interface, ST Connector

X103 – RS485, Terminals

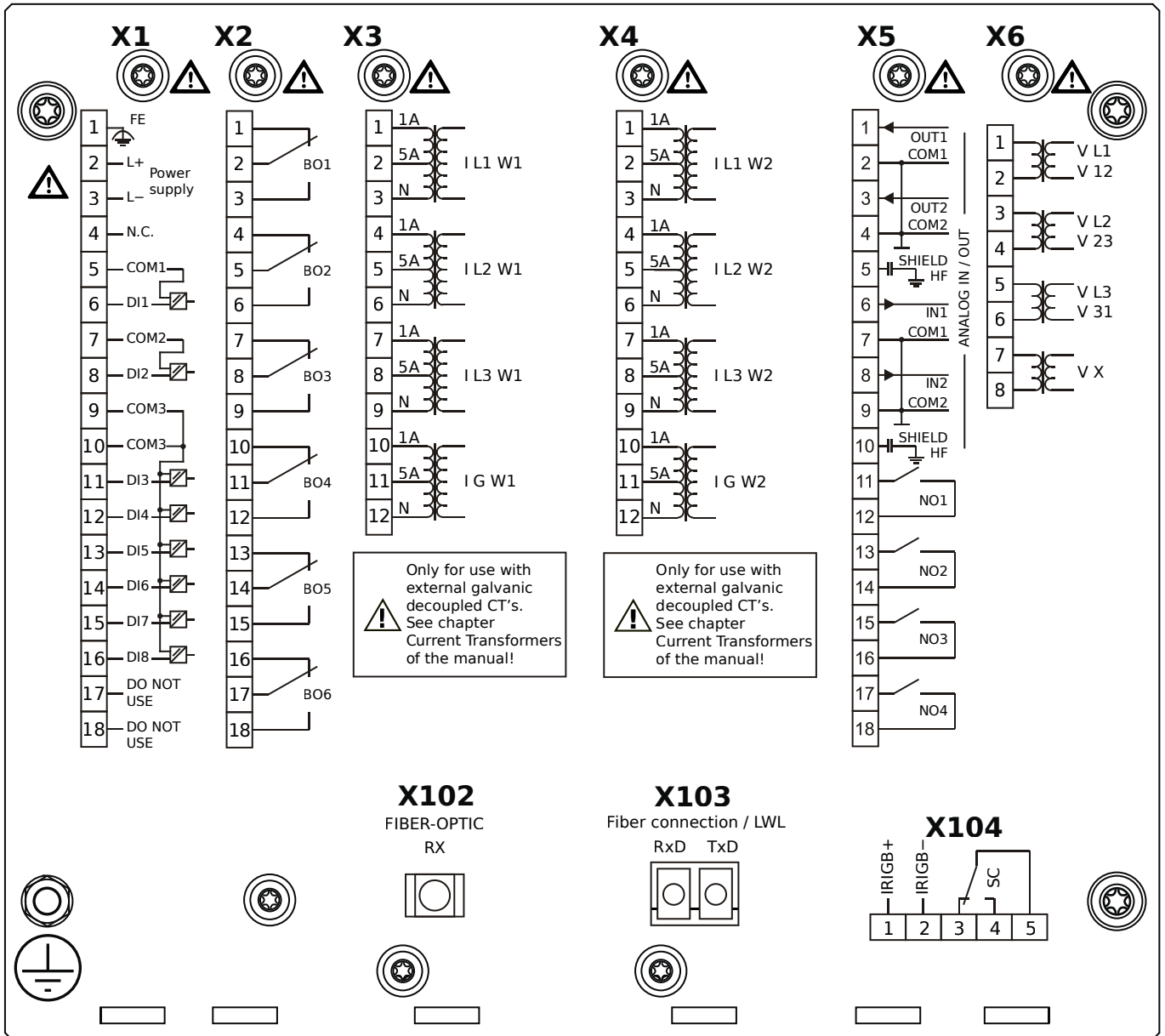
X104 – IRIG-B00X, incl. System Contact (Supervision Contact)

MCDGV4-2B0AKA



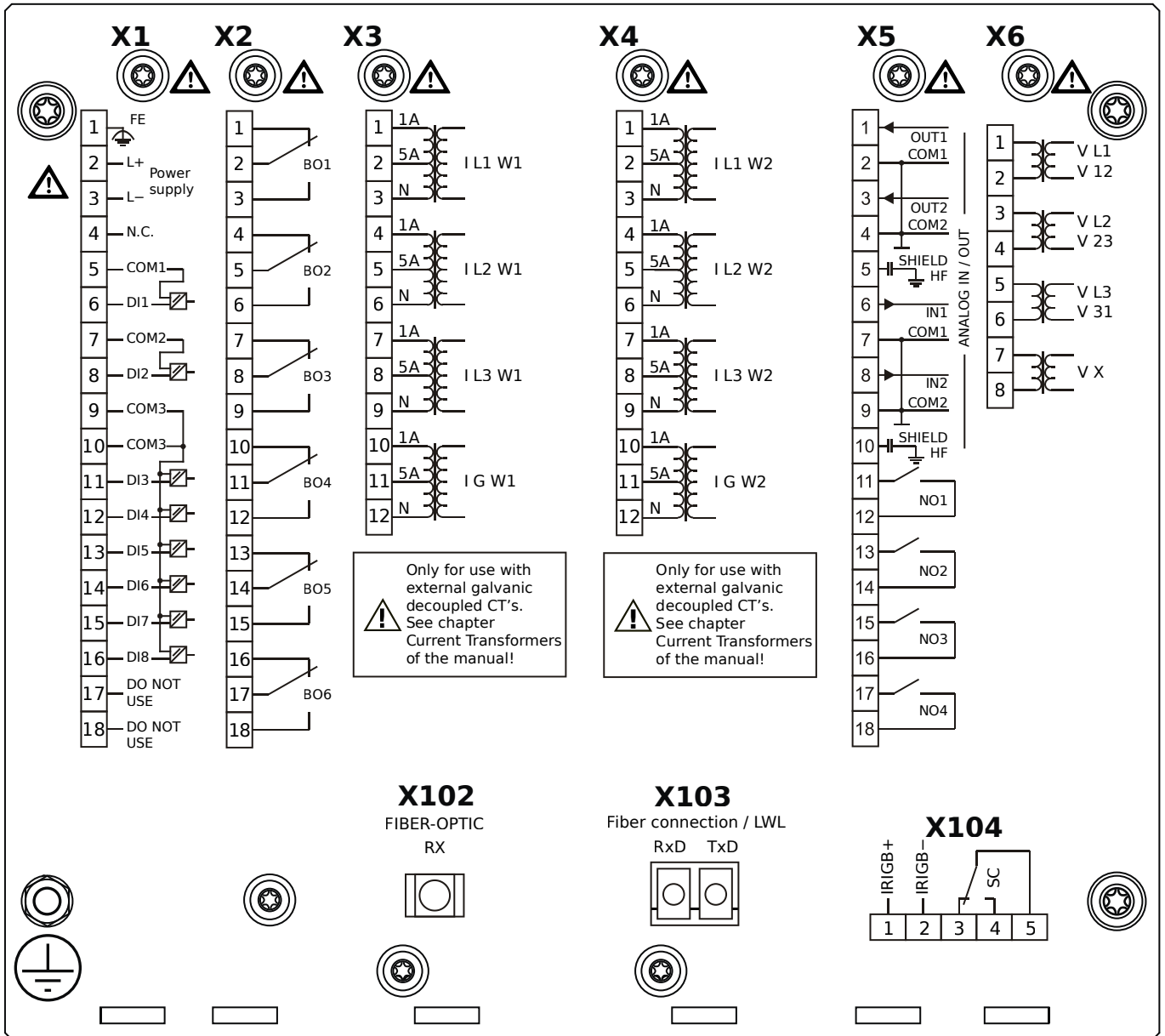
- X1** – DI8-X1: Wide-range power supply unit, incl. 2 non-grouped digital inputs and 6 grouped digital inputs
- X2** – OR-6: Assembly Group with 6 Relay Outputs
- X3** – TI-4: Standard ground current measuring card (for the neutral side of the differential protection)
- X4** – TI-4: Standard ground current measuring card (for the line side of the differential protection)
- X5** – AN I02-OR4: Assembly Group with 2 Analog Inputs, 2 Analog Outputs and 4 Output Relays
- X6** – TU: Card with 4 voltage transformer measuring inputs
- X102** – Universal Resistance-Temperature Detector (URTD) input, Fiber optics interface, ST Connector
- X103** – Fiber optics interface, LC Connector
- X104** – IRIG-B00X, incl. System Contact (Supervision Contact)

MCDGV4-2B0AKB



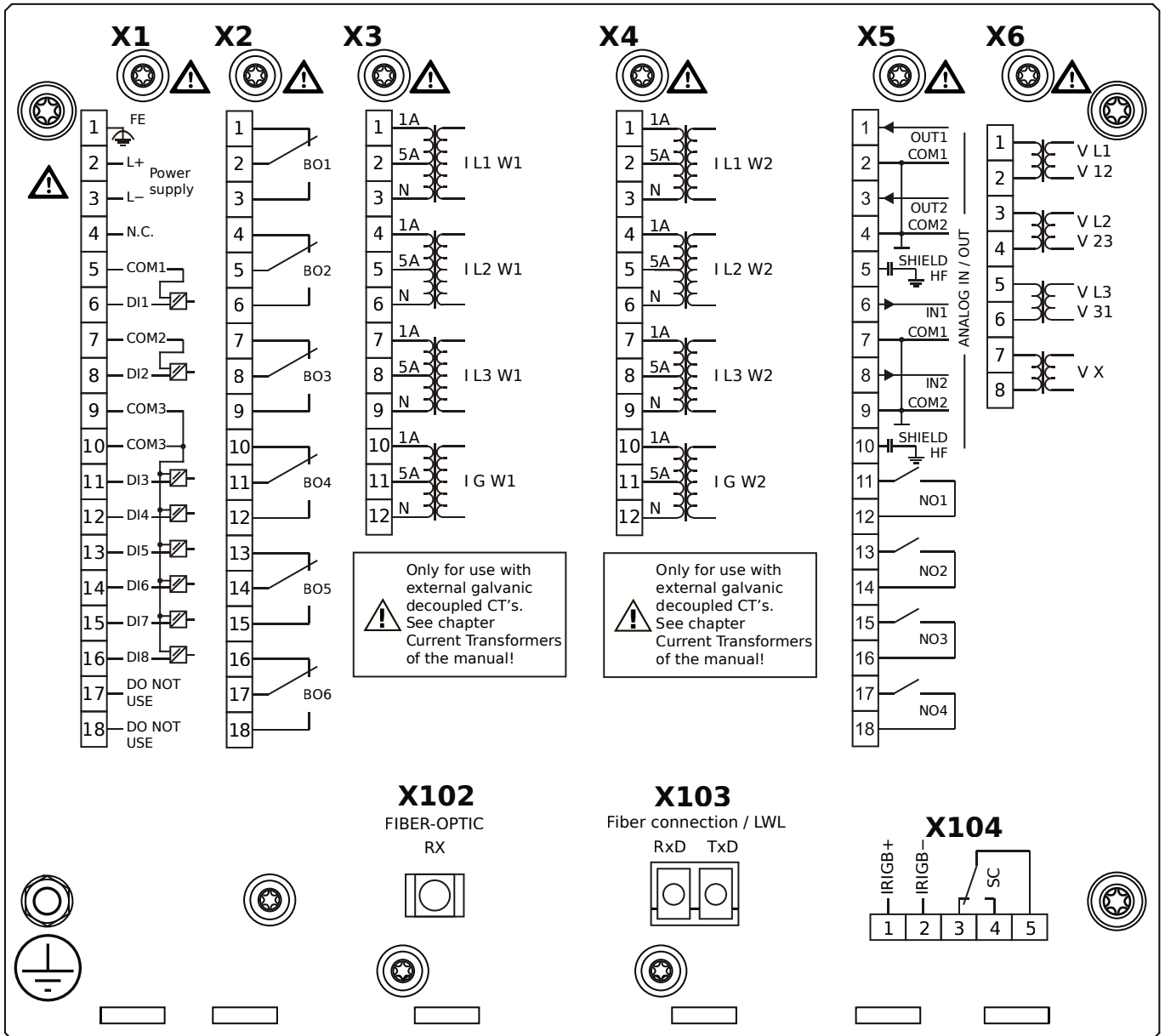
- X1** – DI8-X1: Wide-range power supply unit, incl. 2 non-grouped digital inputs and 6 grouped digital inputs
- X2** – OR-6: Assembly Group with 6 Relay Outputs
- X3** – TI-4: Standard ground current measuring card (for the neutral side of the differential protection)
- X4** – TI-4: Standard ground current measuring card (for the line side of the differential protection)
- X5** – AN I02-OR4: Assembly Group with 2 Analog Inputs, 2 Analog Outputs and 4 Output Relays
- X6** – TU: Card with 4 voltage transformer measuring inputs
- X102** – Universal Resistance-Temperature Detector (URTD) input, Fiber optics interface, ST Connector
- X103** – Fiber optics interface, LC Connector
- X104** – IRIG-B00X, incl. System Contact (Supervision Contact)

MCDGV4-2B0ALA



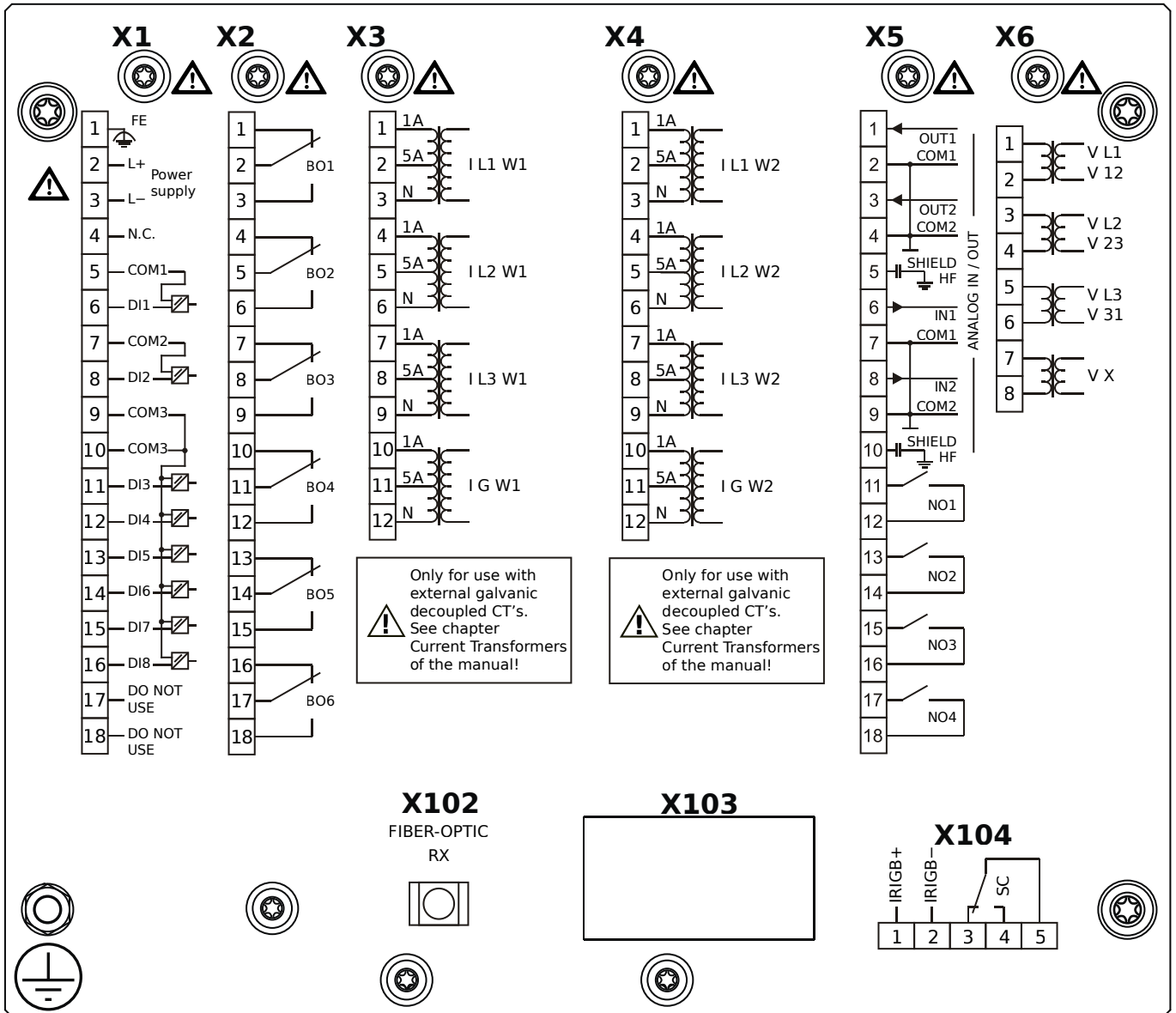
- X1** – DI8-X1: Wide-range power supply unit, incl. 2 non-grouped digital inputs and 6 grouped digital inputs
- X2** – OR-6: Assembly Group with 6 Relay Outputs
- X3** – TI-4: Standard ground current measuring card (for the neutral side of the differential protection)
- X4** – TI-4: Standard ground current measuring card (for the line side of the differential protection)
- X5** – AN I02-OR4: Assembly Group with 2 Analog Inputs, 2 Analog Outputs and 4 Output Relays
- X6** – TU: Card with 4 voltage transformer measuring inputs
- X102** – Universal Resistance-Temperature Detector (URTD) input, Fiber optics interface, ST Connector
- X103** – Fiber optics interface, LC Connector
- X104** – IRIG-B00X, incl. System Contact (Supervision Contact)

MCDGV4-2B0ALB



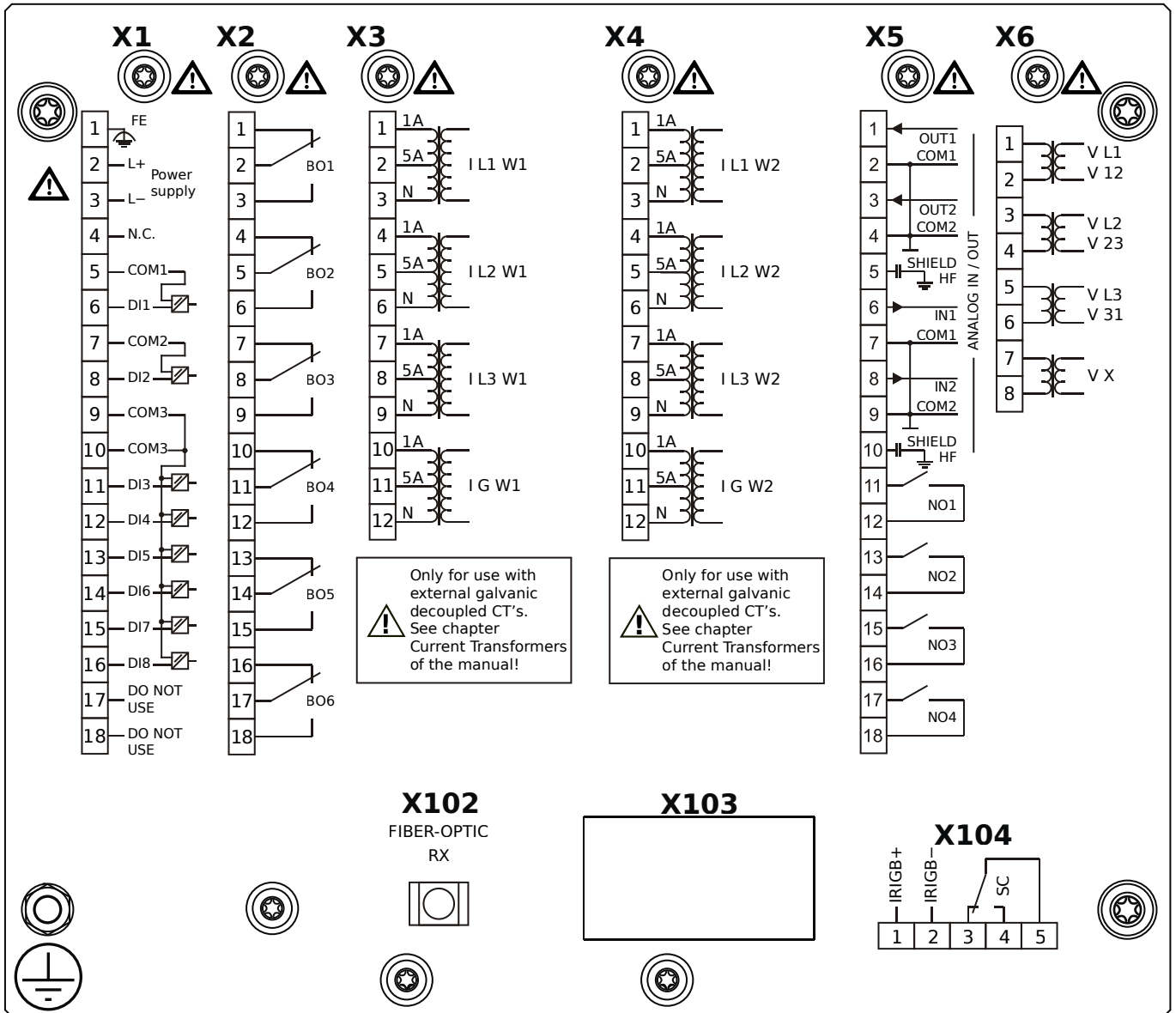
- X1** – DI8-X1: Wide-range power supply unit, incl. 2 non-grouped digital inputs and 6 grouped digital inputs
- X2** – OR-6: Assembly Group with 6 Relay Outputs
- X3** – TI-4: Standard ground current measuring card (for the neutral side of the differential protection)
- X4** – TI-4: Standard ground current measuring card (for the line side of the differential protection)
- X5** – AN I02-OR4: Assembly Group with 2 Analog Inputs, 2 Analog Outputs and 4 Output Relays
- X6** – TU: Card with 4 voltage transformer measuring inputs
- X102** – Universal Resistance-Temperature Detector (URTD) input, Fiber optics interface, ST Connector
- X103** – Fiber optics interface, LC Connector
- X104** – IRIG-B00X, incl. System Contact (Supervision Contact)

MCDGV4-2B0BAA



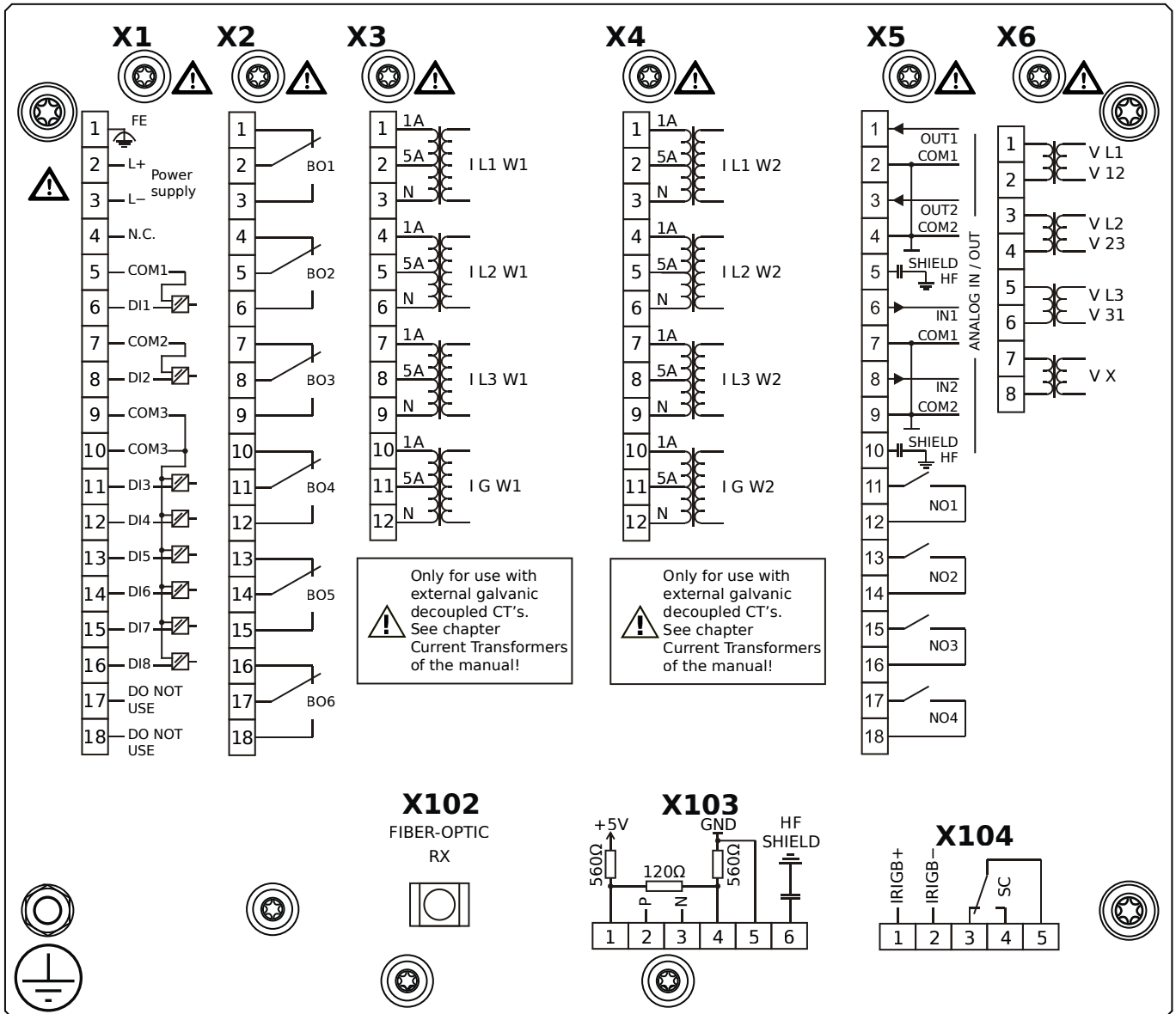
- X1** – DI8-X1: Wide-range power supply unit, incl. 2 non-grouped digital inputs and 6 grouped digital inputs
- X2** – OR-6: Assembly Group with 6 Relay Outputs
- X3** – TI-4: Standard ground current measuring card (for the neutral side of the differential protection)
- X4** – TI-4: Standard ground current measuring card (for the line side of the differential protection)
- X5** – AN I02-OR4: Assembly Group with 2 Analog Inputs, 2 Analog Outputs and 4 Output Relays
- X6** – TU: Card with 4 voltage transformer measuring inputs
- X102** – Universal Resistance-Temperature Detector (URTD) input, Fiber optics interface, ST Connector
- X104** – IRIG-B00X, incl. System Contact (Supervision Contact)

MCDGV4-2B0BAB



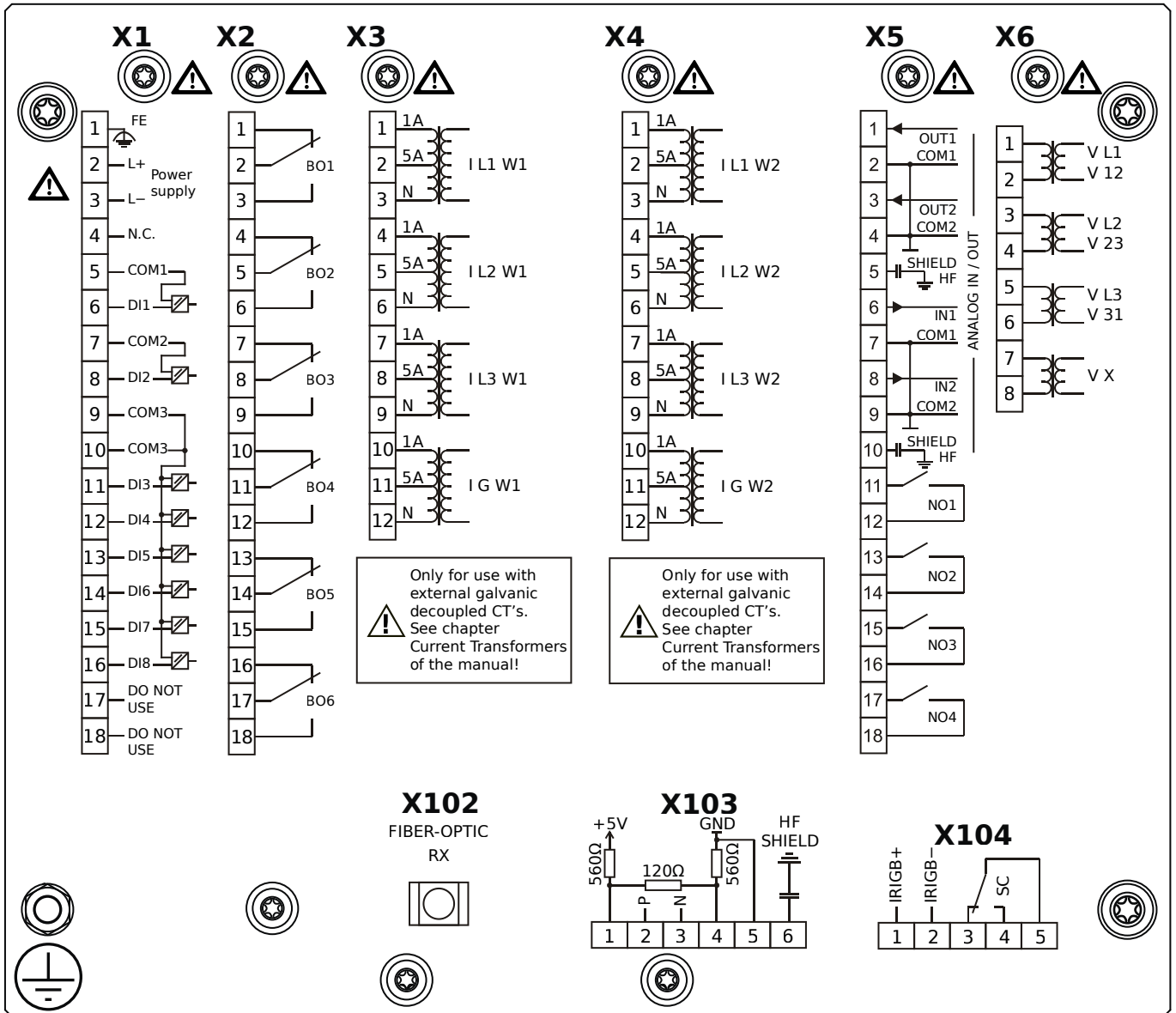
- X1** – DI8-X1: Wide-range power supply unit, incl. 2 non-grouped digital inputs and 6 grouped digital inputs
- X2** – OR-6: Assembly Group with 6 Relay Outputs
- X3** – TI-4: Standard ground current measuring card (for the neutral side of the differential protection)
- X4** – TI-4: Standard ground current measuring card (for the line side of the differential protection)
- X5** – AN I02-OR4: Assembly Group with 2 Analog Inputs, 2 Analog Outputs and 4 Output Relays
- X6** – TU: Card with 4 voltage transformer measuring inputs
- X102** – Universal Resistance-Temperature Detector (URTD) input, Fiber optics interface, ST Connector
- X104** – IRIG-B00X, incl. System Contact (Supervision Contact)

MCDGV4-2B0BBA



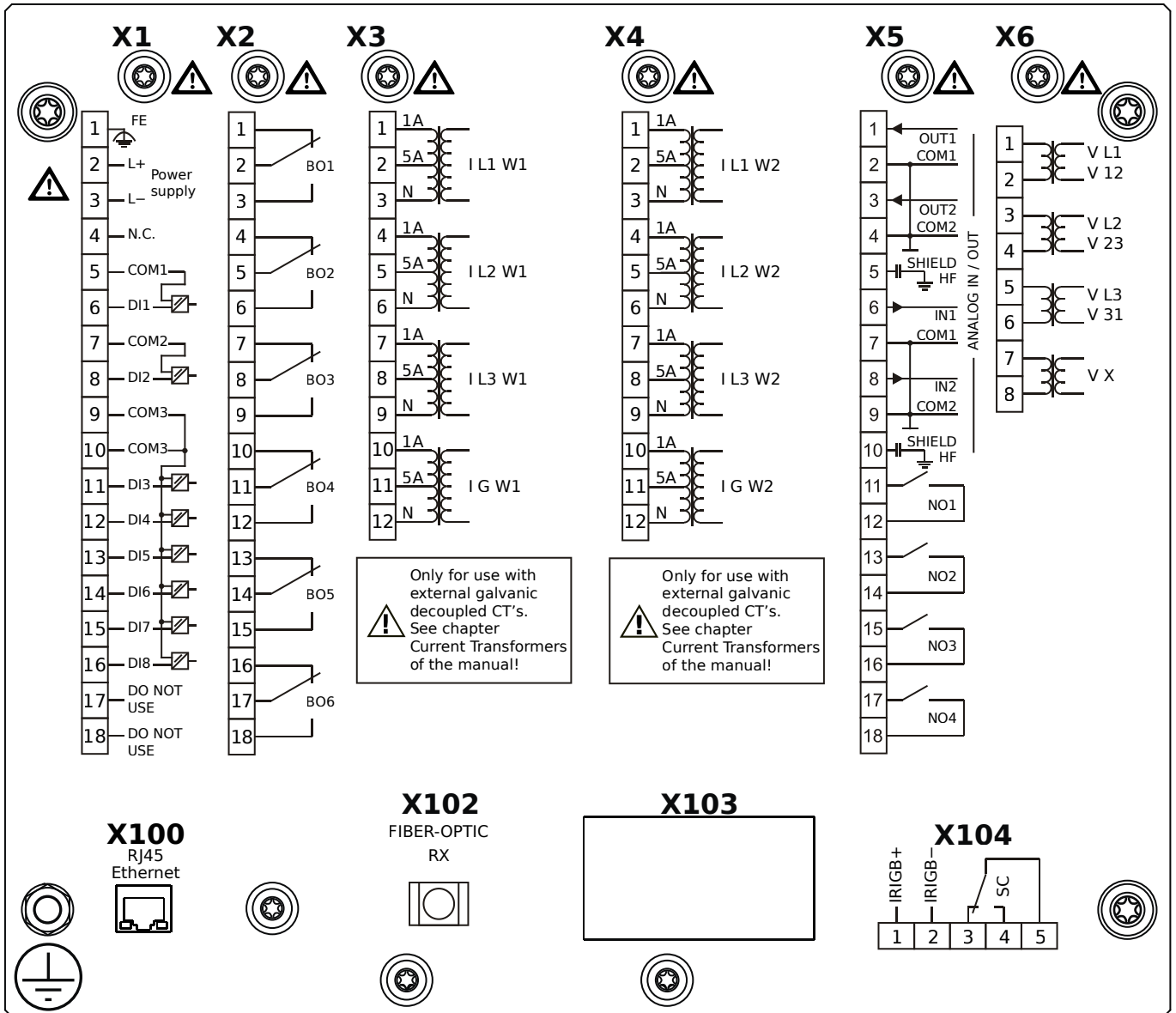
- X1** – DI8-X1: Wide-range power supply unit, incl. 2 non-grouped digital inputs and 6 grouped digital inputs
- X2** – OR-6: Assembly Group with 6 Relay Outputs
- X3** – TI-4: Standard ground current measuring card (for the neutral side of the differential protection)
- X4** – TI-4: Standard ground current measuring card (for the line side of the differential protection)
- X5** – AN I02-OR4: Assembly Group with 2 Analog Inputs, 2 Analog Outputs and 4 Output Relays
- X6** – TU: Card with 4 voltage transformer measuring inputs
- X102** – Universal Resistance-Temperature Detector (URTD) input, Fiber optics interface, ST Connector
- X103** – RS485, Terminals
- X104** – IRIG-B00X, incl. System Contact (Supervision Contact)

MCDGV4-2B0BBB



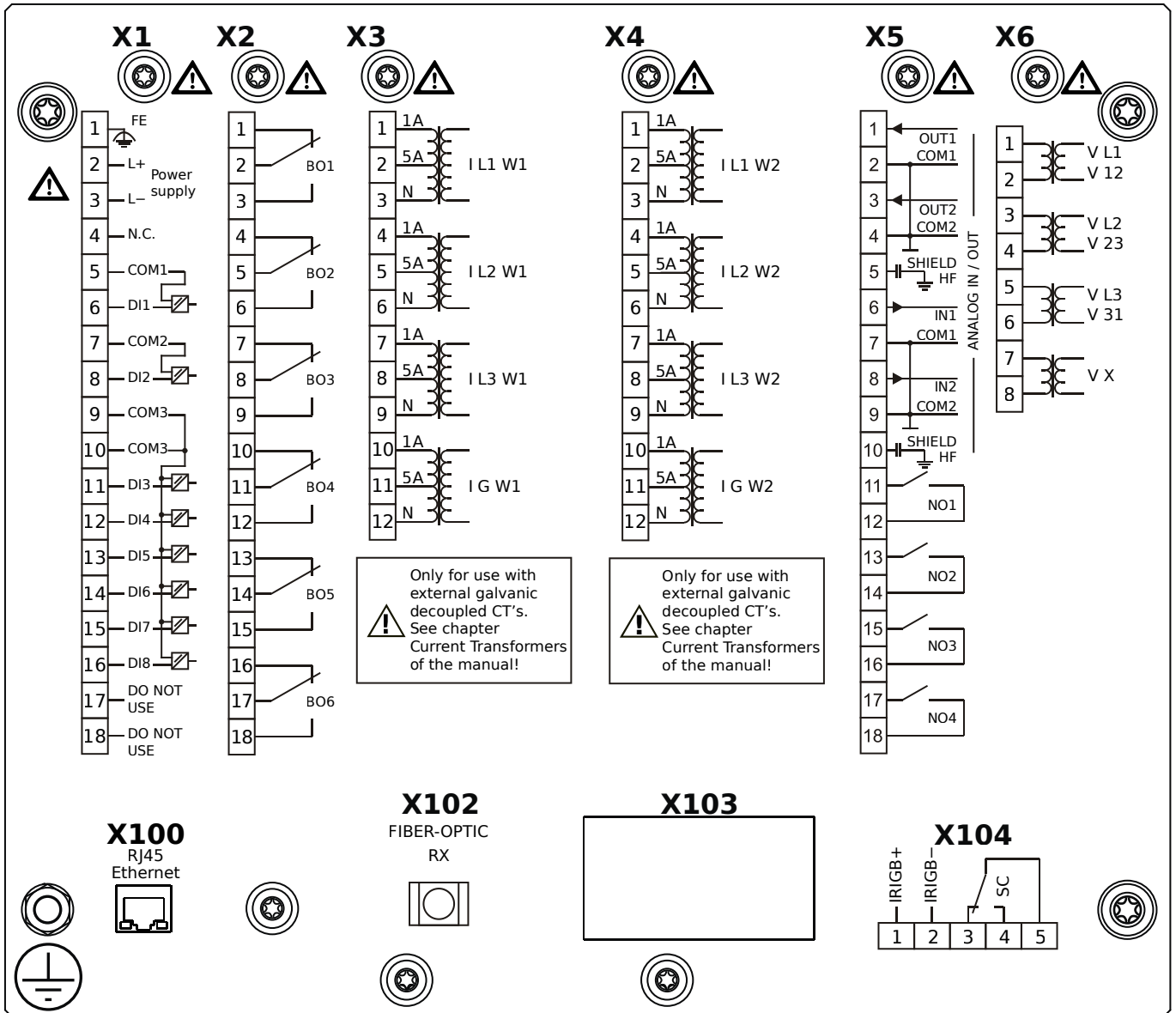
- X1** – DI8-X1: Wide-range power supply unit, incl. 2 non-grouped digital inputs and 6 grouped digital inputs
- X2** – OR-6: Assembly Group with 6 Relay Outputs
- X3** – TI-4: Standard ground current measuring card (for the neutral side of the differential protection)
- X4** – TI-4: Standard ground current measuring card (for the line side of the differential protection)
- X5** – AN I02-OR4: Assembly Group with 2 Analog Inputs, 2 Analog Outputs and 4 Output Relays
- X6** – TU: Card with 4 voltage transformer measuring inputs
- X102** – Universal Resistance-Temperature Detector (URTD) input, Fiber optics interface, ST Connector
- X103** – RS485, Terminals
- X104** – IRIG-B00X, incl. System Contact (Supervision Contact)

MCDGV4-2B0BCA



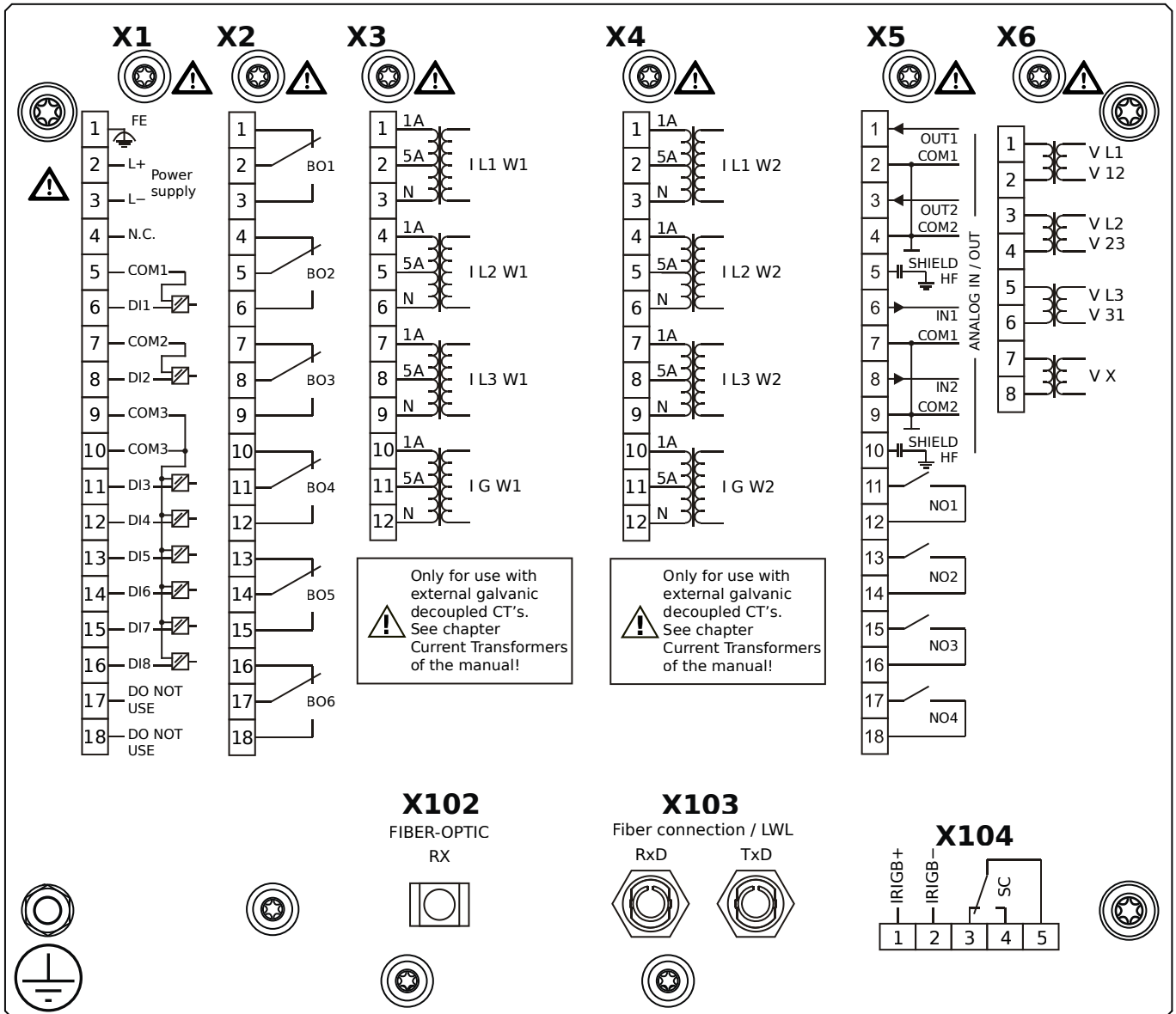
- X1** – DI8-X1: Wide-range power supply unit, incl. 2 non-grouped digital inputs and 6 grouped digital inputs
- X2** – OR-6: Assembly Group with 6 Relay Outputs
- X3** – TI-4: Standard ground current measuring card (for the neutral side of the differential protection)
- X4** – TI-4: Standard ground current measuring card (for the line side of the differential protection)
- X5** – AN I02-OR4: Assembly Group with 2 Analog Inputs, 2 Analog Outputs and 4 Output Relays
- X6** – TU: Card with 4 voltage transformer measuring inputs
- X100** – Ethernet interface, 100 Mbit/s, RJ45
- X102** – Universal Resistance-Temperature Detector (URTD) input, Fiber optics interface, ST Connector
- X104** – IRIG-B00X, incl. System Contact (Supervision Contact)

MCDGV4-2B0BCB



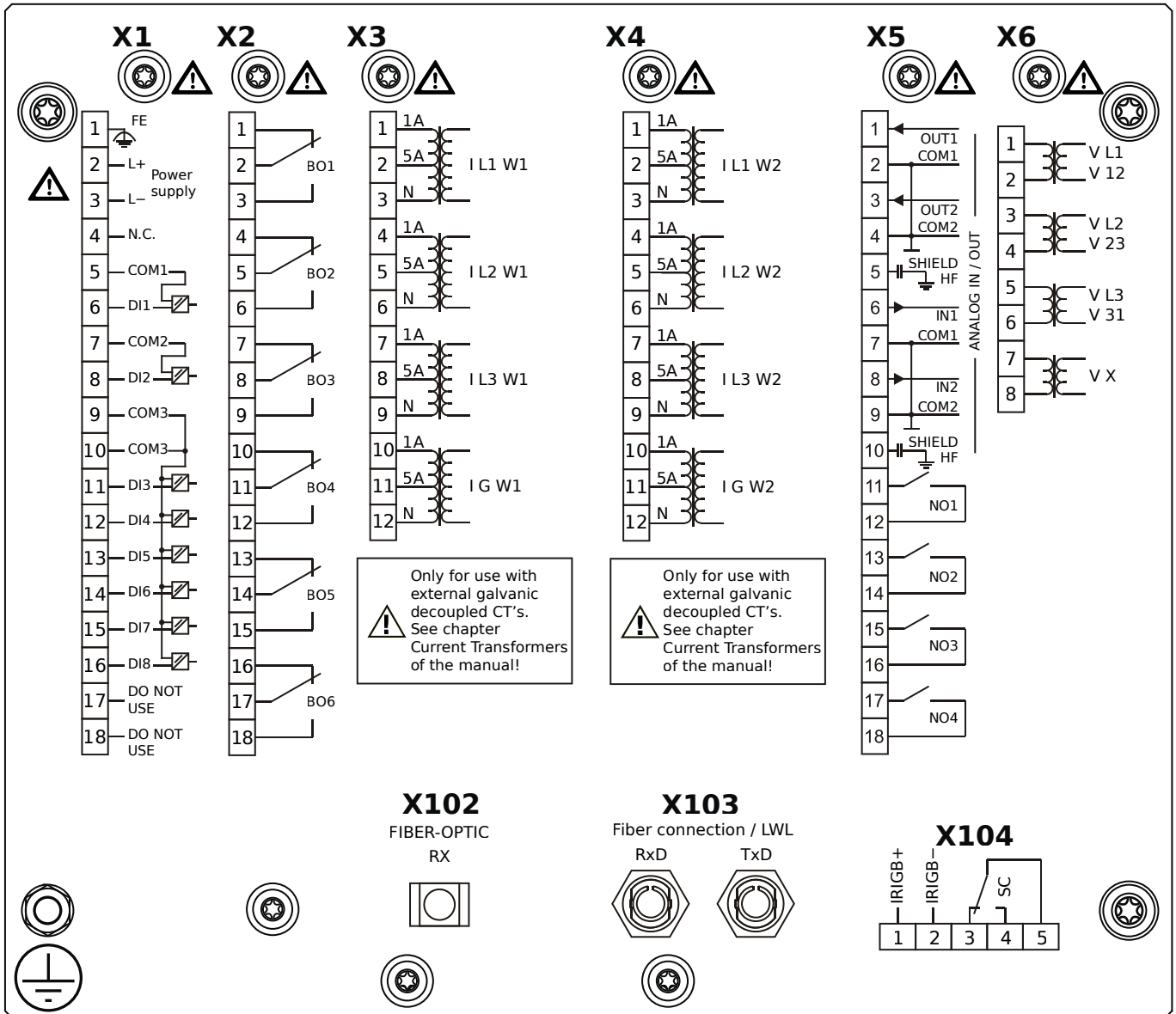
- X1** – DI8-X1: Wide-range power supply unit, incl. 2 non-grouped digital inputs and 6 grouped digital inputs
- X2** – OR-6: Assembly Group with 6 Relay Outputs
- X3** – TI-4: Standard ground current measuring card (for the neutral side of the differential protection)
- X4** – TI-4: Standard ground current measuring card (for the line side of the differential protection)
- X5** – AN I02-OR4: Assembly Group with 2 Analog Inputs, 2 Analog Outputs and 4 Output Relays
- X6** – TU: Card with 4 voltage transformer measuring inputs
- X100** – Ethernet interface, 100 Mbit/s, RJ45
- X102** – Universal Resistance-Temperature Detector (URTD) input, Fiber optics interface, ST Connector
- X104** – IRIG-B00X, incl. System Contact (Supervision Contact)

MCDGV4-2B0BDA



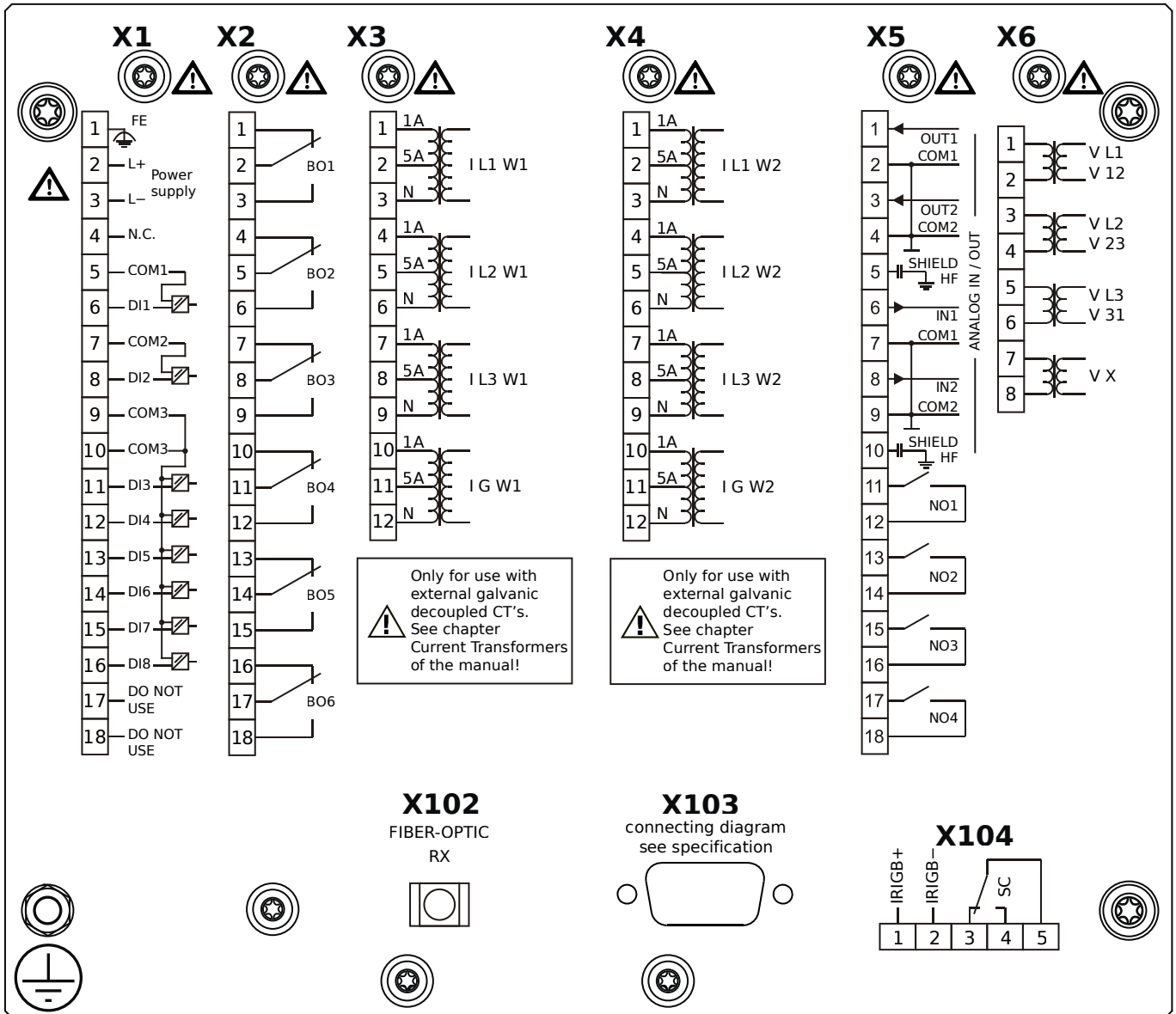
- X1** – DI8-X1: Wide-range power supply unit, incl. 2 non-grouped digital inputs and 6 grouped digital inputs
- X2** – OR-6: Assembly Group with 6 Relay Outputs
- X3** – TI-4: Standard ground current measuring card (for the neutral side of the differential protection)
- X4** – TI-4: Standard ground current measuring card (for the line side of the differential protection)
- X5** – AN I02-OR4: Assembly Group with 2 Analog Inputs, 2 Analog Outputs and 4 Output Relays
- X6** – TU: Card with 4 voltage transformer measuring inputs
- X102** – Universal Resistance-Temperature Detector (URTD) input, Fiber optics interface, ST Connector
- X103** – Fiber optics interface, ST Connector
- X104** – IRIG-B00X, incl. System Contact (Supervision Contact)

MCDGV4-2B0BDB



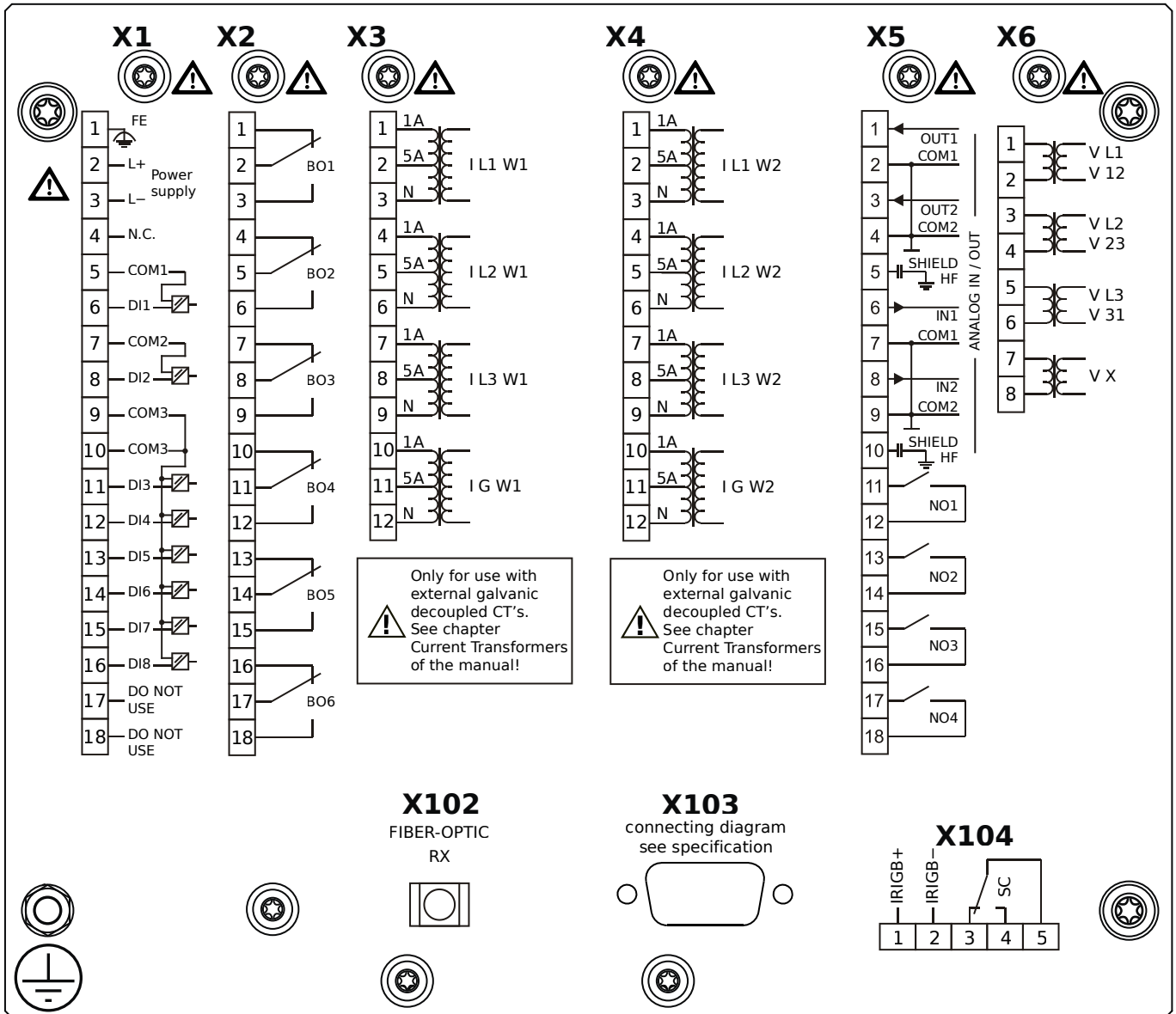
- X1** – DI8-X1: Wide-range power supply unit, incl. 2 non-grouped digital inputs and 6 grouped digital inputs
- X2** – OR-6: Assembly Group with 6 Relay Outputs
- X3** – TI-4: Standard ground current measuring card (for the neutral side of the differential protection)
- X4** – TI-4: Standard ground current measuring card (for the line side of the differential protection)
- X5** – AN I02-OR4: Assembly Group with 2 Analog Inputs, 2 Analog Outputs and 4 Output Relays
- X6** – TU: Card with 4 voltage transformer measuring inputs
- X102** – Universal Resistance-Temperature Detector (URTD) input, Fiber optics interface, ST Connector
- X103** – Fiber optics interface, ST Connector
- X104** – IRIG-B00X, incl. System Contact (Supervision Contact)

MCDGV4-2B0BEA



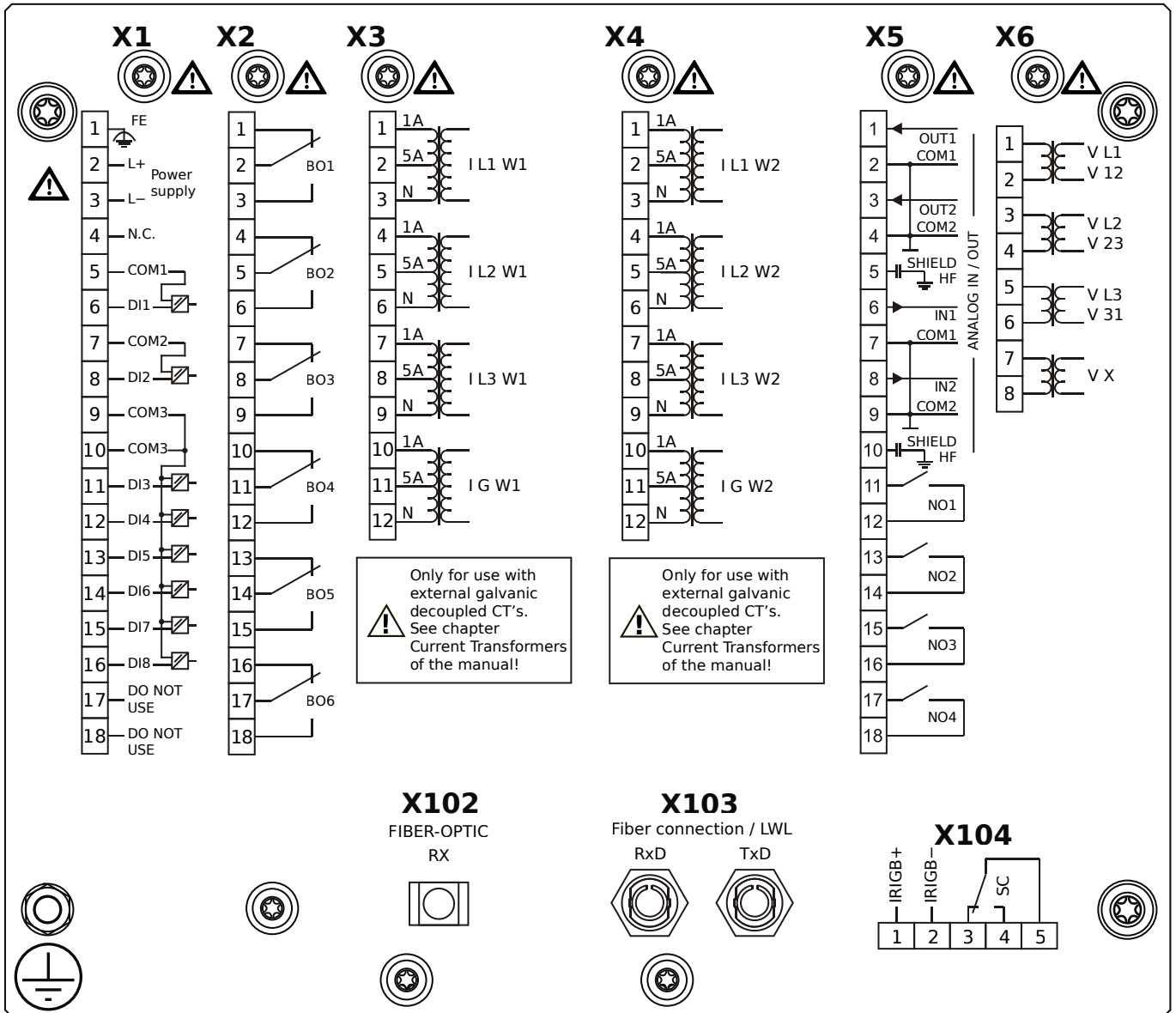
- X1** – DI8-X1: Wide-range power supply unit, incl. 2 non-grouped digital inputs and 6 grouped digital inputs
- X2** – OR-6: Assembly Group with 6 Relay Outputs
- X3** – TI-4: Standard ground current measuring card (for the neutral side of the differential protection)
- X4** – TI-4: Standard ground current measuring card (for the line side of the differential protection)
- X5** – AN I02-OR4: Assembly Group with 2 Analog Inputs, 2 Analog Outputs and 4 Output Relays
- X6** – TU: Card with 4 voltage transformer measuring inputs
- X102** – Universal Resistance-Temperature Detector (URTD) input, Fiber optics interface, ST Connector
- X103** – RS485, D-SUB
- X104** – IRIG-B00X, incl. System Contact (Supervision Contact)

MCDGV4-2B0BEB



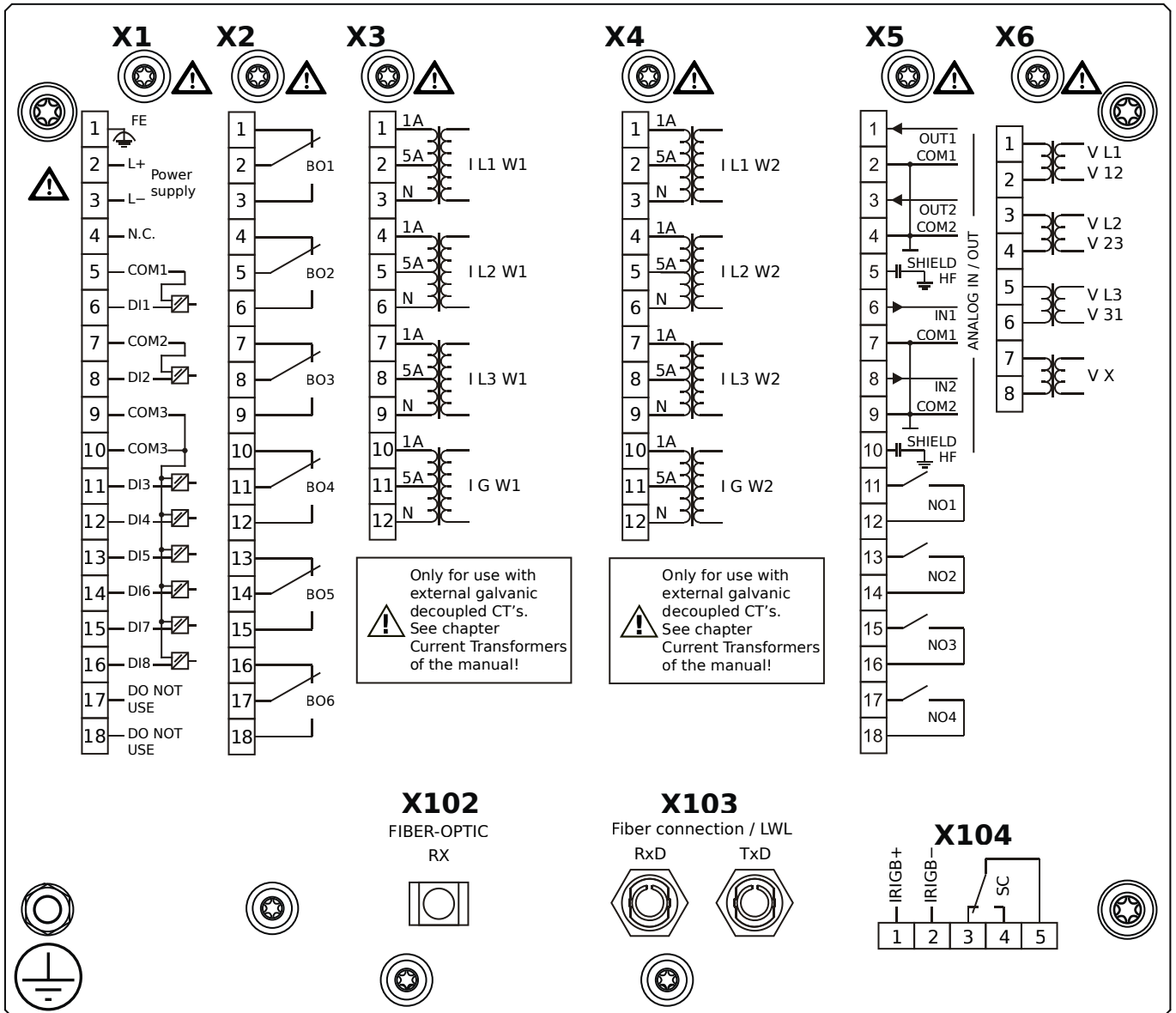
- X1** – DI8-X1: Wide-range power supply unit, incl. 2 non-grouped digital inputs and 6 grouped digital inputs
- X2** – OR-6: Assembly Group with 6 Relay Outputs
- X3** – TI-4: Standard ground current measuring card (for the neutral side of the differential protection)
- X4** – TI-4: Standard ground current measuring card (for the line side of the differential protection)
- X5** – AN I02-OR4: Assembly Group with 2 Analog Inputs, 2 Analog Outputs and 4 Output Relays
- X6** – TU: Card with 4 voltage transformer measuring inputs
- X102** – Universal Resistance-Temperature Detector (URTD) input, Fiber optics interface, ST Connector
- X103** – RS485, D-SUB
- X104** – IRIG-B00X, incl. System Contact (Supervision Contact)

MCDGV4-2B0BFA



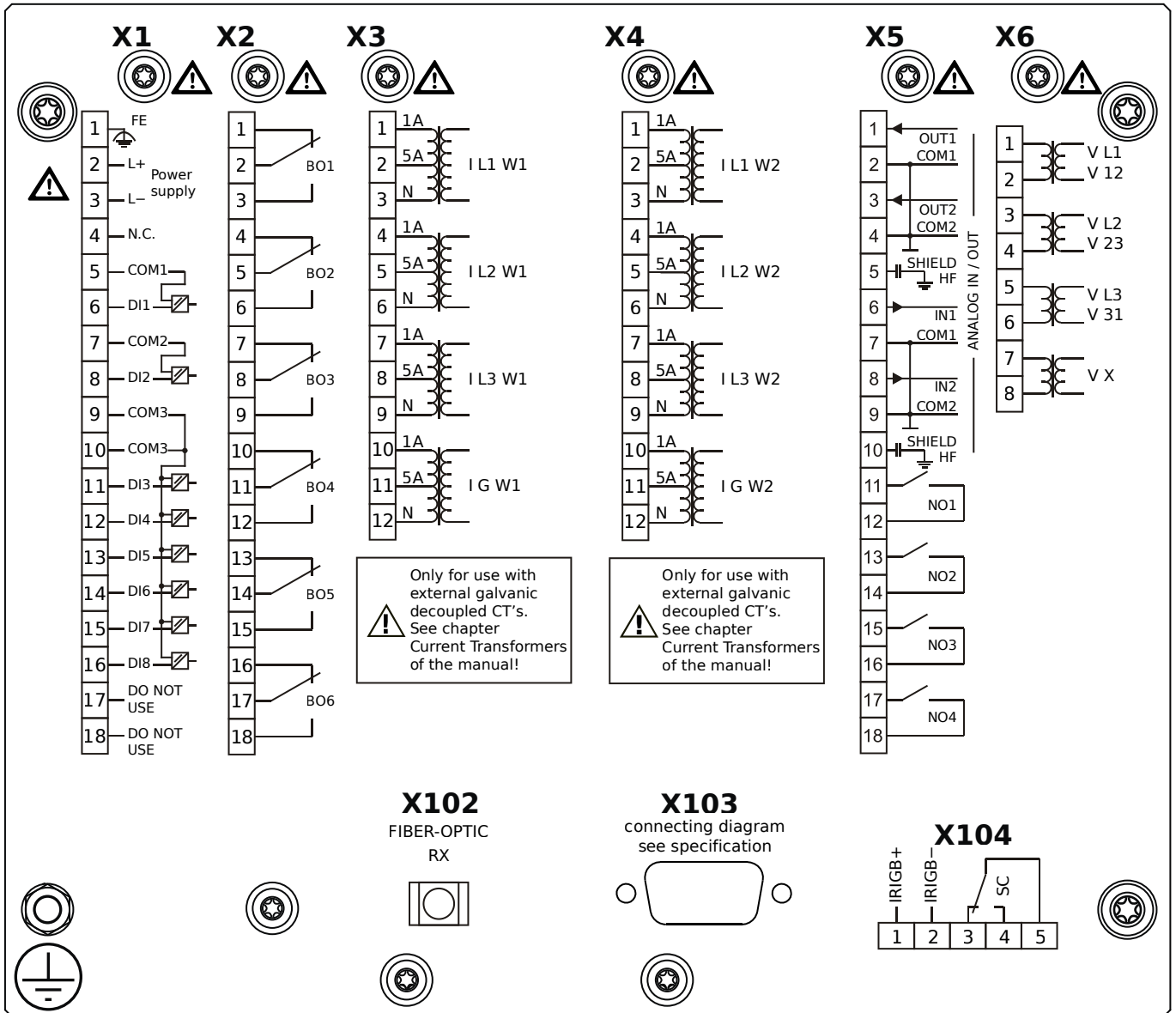
- X1** – DI8-X1: Wide-range power supply unit, incl. 2 non-grouped digital inputs and 6 grouped digital inputs
- X2** – OR-6: Assembly Group with 6 Relay Outputs
- X3** – TI-4: Standard ground current measuring card (for the neutral side of the differential protection)
- X4** – TI-4: Standard ground current measuring card (for the line side of the differential protection)
- X5** – AN I02-OR4: Assembly Group with 2 Analog Inputs, 2 Analog Outputs and 4 Output Relays
- X6** – TU: Card with 4 voltage transformer measuring inputs
- X102** – Universal Resistance-Temperature Detector (URTD) input, Fiber optics interface, ST Connector
- X103** – Fiber optics interface, ST Connector
- X104** – IRIG-B00X, incl. System Contact (Supervision Contact)

MCDGV4-2B0BFB



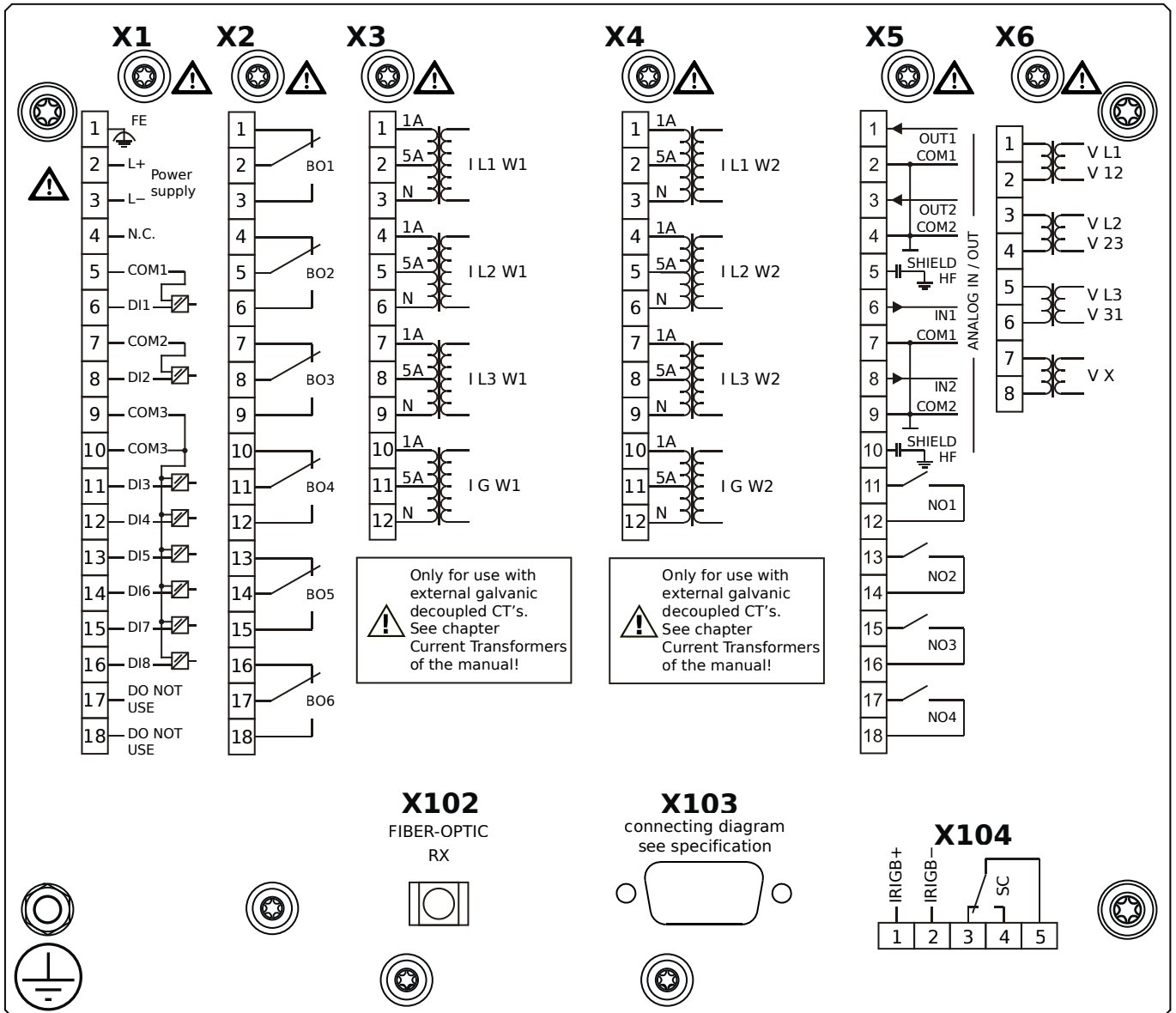
- X1** – DI8-X1: Wide-range power supply unit, incl. 2 non-grouped digital inputs and 6 grouped digital inputs
- X2** – OR-6: Assembly Group with 6 Relay Outputs
- X3** – TI-4: Standard ground current measuring card (for the neutral side of the differential protection)
- X4** – TI-4: Standard ground current measuring card (for the line side of the differential protection)
- X5** – AN I02-OR4: Assembly Group with 2 Analog Inputs, 2 Analog Outputs and 4 Output Relays
- X6** – TU: Card with 4 voltage transformer measuring inputs
- X102** – Universal Resistance-Temperature Detector (URTD) input, Fiber optics interface, ST Connector
- X103** – Fiber optics interface, ST Connector
- X104** – IRIG-B00X, incl. System Contact (Supervision Contact)

MCDGV4-2B0BGA



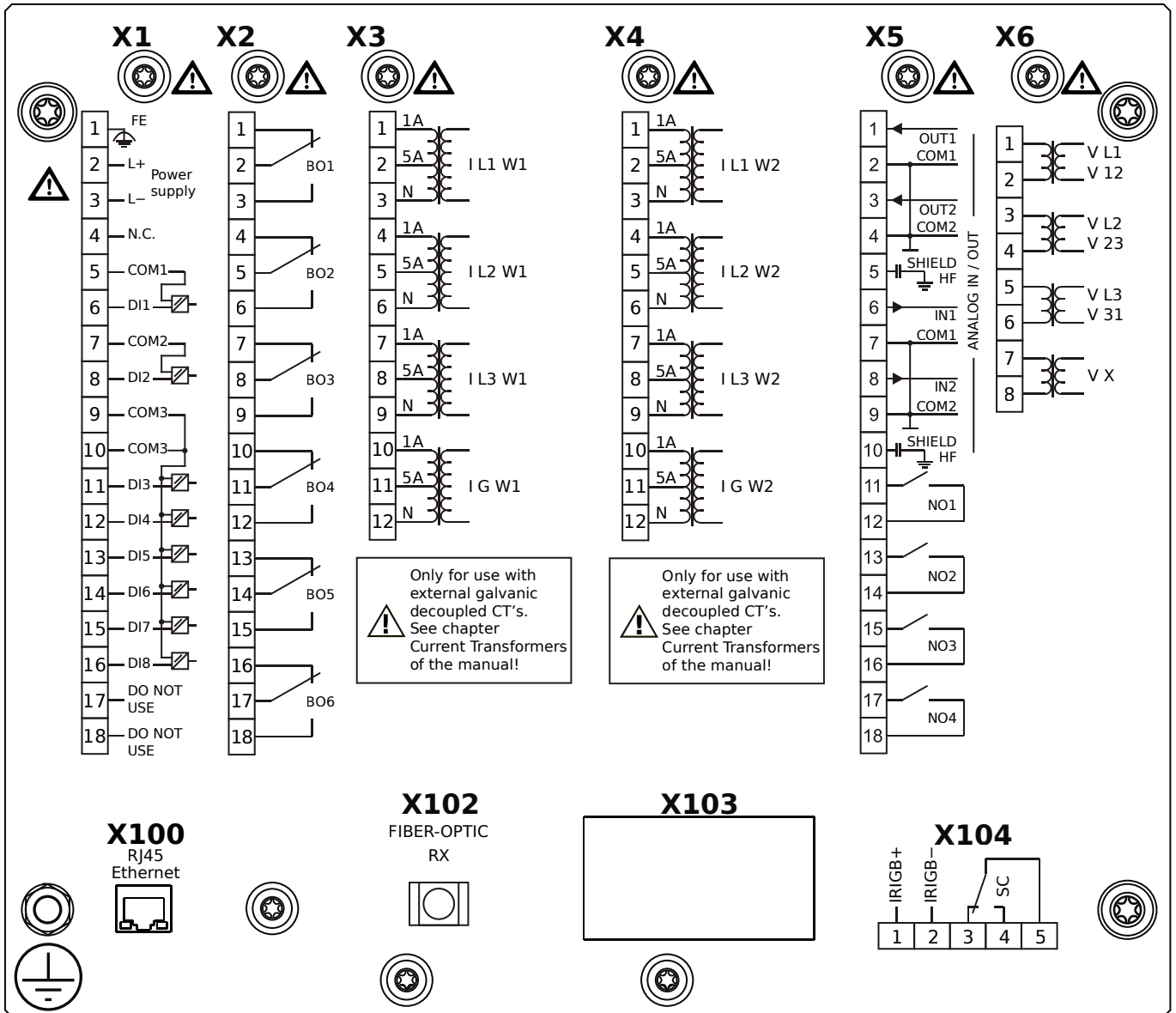
- X1** – DI8-X1: Wide-range power supply unit, incl. 2 non-grouped digital inputs and 6 grouped digital inputs
- X2** – OR-6: Assembly Group with 6 Relay Outputs
- X3** – TI-4: Standard ground current measuring card (for the neutral side of the differential protection)
- X4** – TI-4: Standard ground current measuring card (for the line side of the differential protection)
- X5** – AN I02-OR4: Assembly Group with 2 Analog Inputs, 2 Analog Outputs and 4 Output Relays
- X6** – TU: Card with 4 voltage transformer measuring inputs
- X102** – Universal Resistance-Temperature Detector (URTD) input, Fiber optics interface, ST Connector
- X103** – RS485, D-SUB
- X104** – IRIG-B00X, incl. System Contact (Supervision Contact)

MCDGV4-2B0BGB



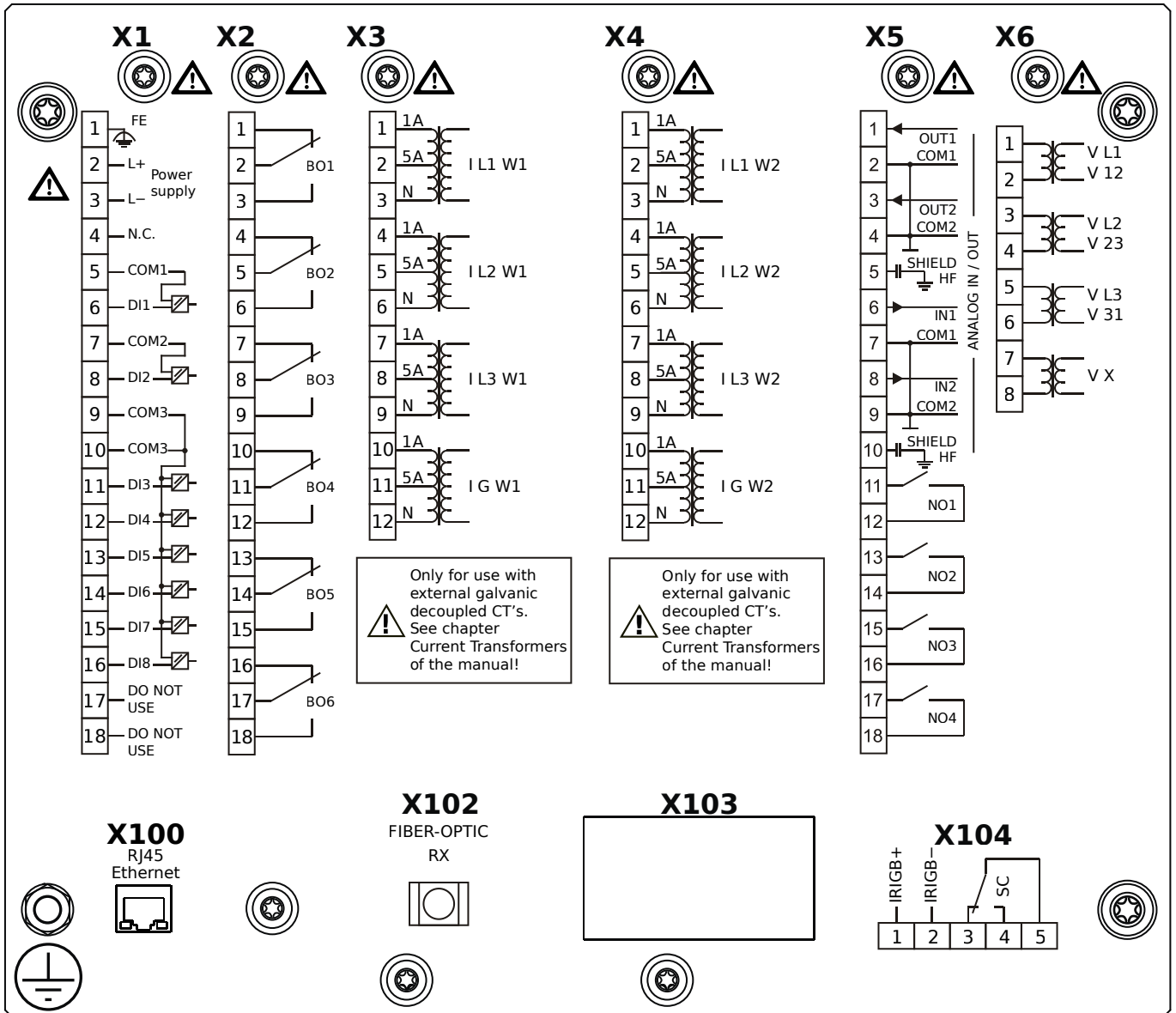
- X1** – DI8-X1: Wide-range power supply unit, incl. 2 non-grouped digital inputs and 6 grouped digital inputs
- X2** – OR-6: Assembly Group with 6 Relay Outputs
- X3** – TI-4: Standard ground current measuring card (for the neutral side of the differential protection)
- X4** – TI-4: Standard ground current measuring card (for the line side of the differential protection)
- X5** – AN I02-OR4: Assembly Group with 2 Analog Inputs, 2 Analog Outputs and 4 Output Relays
- X6** – TU: Card with 4 voltage transformer measuring inputs
- X102** – Universal Resistance-Temperature Detector (URTD) input, Fiber optics interface, ST Connector
- X103** – RS485, D-SUB
- X104** – IRIG-B00X, incl. System Contact (Supervision Contact)

MCDGV4-2B0BHA



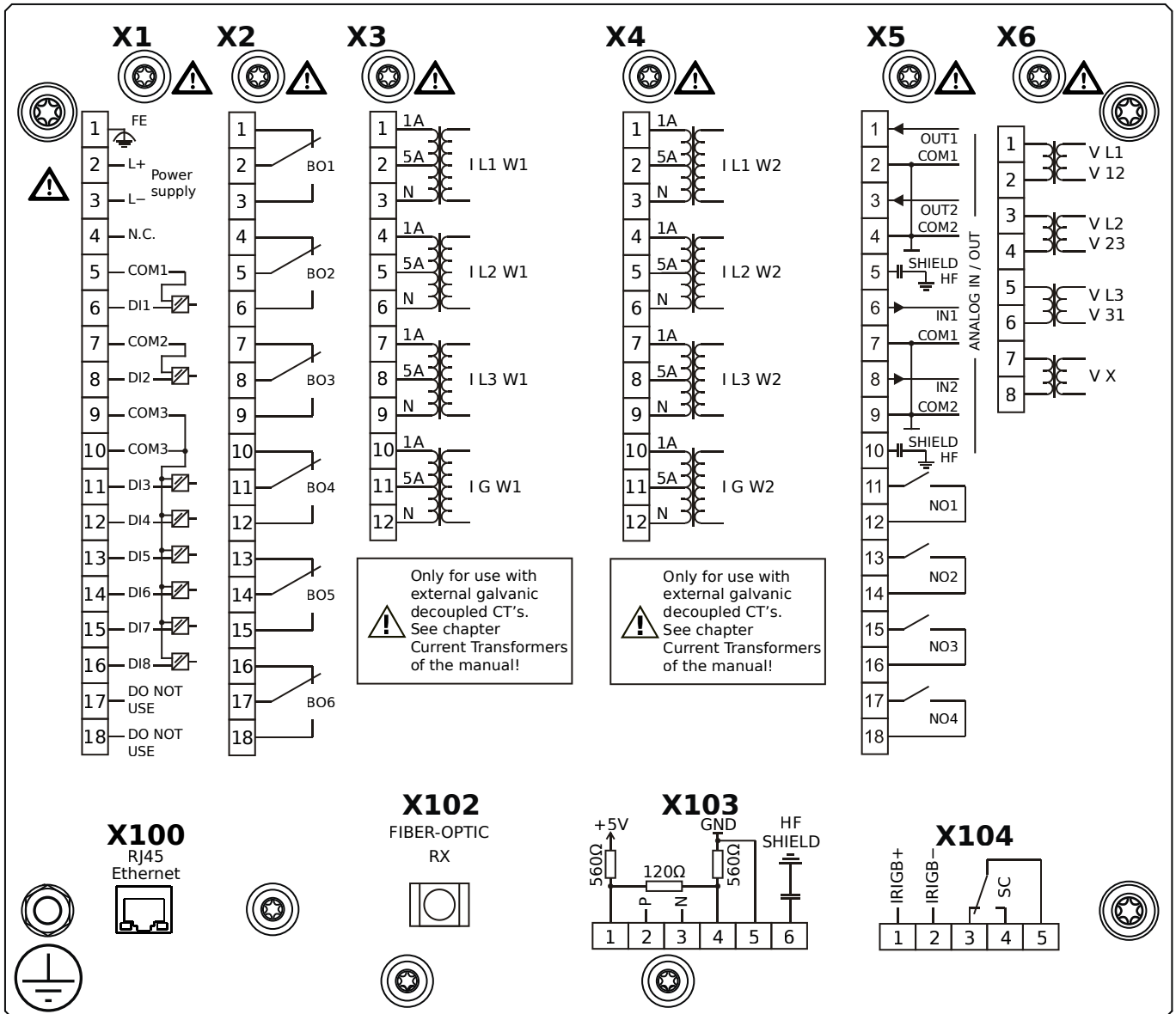
- X1** – DI8-X1: Wide-range power supply unit, incl. 2 non-grouped digital inputs and 6 grouped digital inputs
- X2** – OR-6: Assembly Group with 6 Relay Outputs
- X3** – TI-4: Standard ground current measuring card (for the neutral side of the differential protection)
- X4** – TI-4: Standard ground current measuring card (for the line side of the differential protection)
- X5** – AN I02-OR4: Assembly Group with 2 Analog Inputs, 2 Analog Outputs and 4 Output Relays
- X6** – TU: Card with 4 voltage transformer measuring inputs
- X100** – Ethernet interface, 100 Mbit/s, RJ45
- X102** – Universal Resistance-Temperature Detector (URTD) input, Fiber optics interface, ST Connector
- X104** – IRIG-B00X, incl. System Contact (Supervision Contact)

MCDGV4-2B0BHB



- X1** – DI8-X1: Wide-range power supply unit, incl. 2 non-grouped digital inputs and 6 grouped digital inputs
- X2** – OR-6: Assembly Group with 6 Relay Outputs
- X3** – TI-4: Standard ground current measuring card (for the neutral side of the differential protection)
- X4** – TI-4: Standard ground current measuring card (for the line side of the differential protection)
- X5** – AN I02-OR4: Assembly Group with 2 Analog Inputs, 2 Analog Outputs and 4 Output Relays
- X6** – TU: Card with 4 voltage transformer measuring inputs
- X100** – Ethernet interface, 100 Mbit/s, RJ45
- X102** – Universal Resistance-Temperature Detector (URTD) input, Fiber optics interface, ST Connector
- X104** – IRIG-B00X, incl. System Contact (Supervision Contact)

MCDGV4-2B0BIA



X1 – DI8-X1: Wide-range power supply unit, incl. 2 non-grouped digital inputs and 6 grouped digital inputs

X2 – OR-6: Assembly Group with 6 Relay Outputs

X3 – TI-4: Standard ground current measuring card (for the neutral side of the differential protection)

X4 – TI-4: Standard ground current measuring card (for the line side of the differential protection)

X5 – AN I02-OR4: Assembly Group with 2 Analog Inputs, 2 Analog Outputs and 4 Output Relays

X6 – TU: Card with 4 voltage transformer measuring inputs

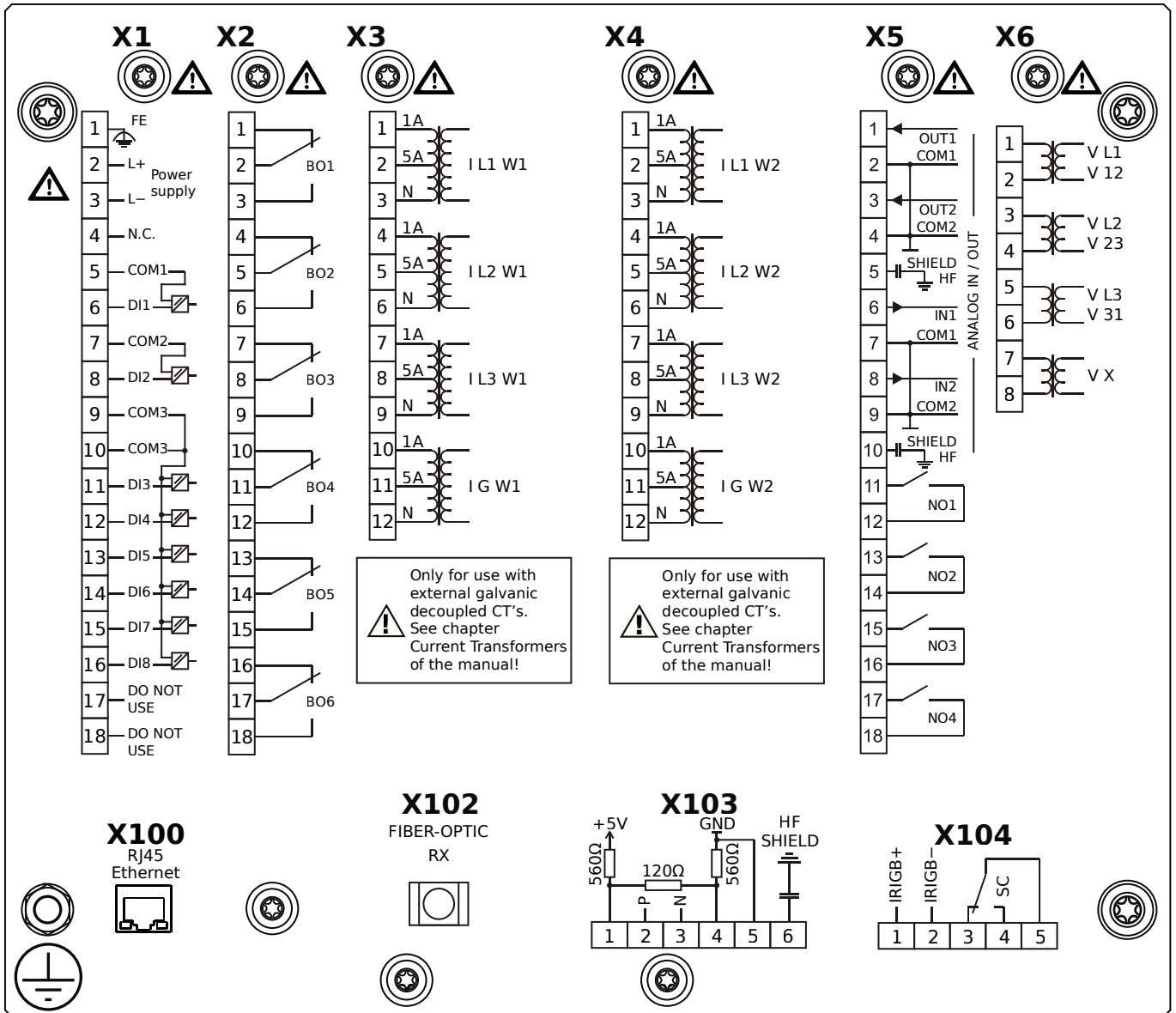
X100 – Ethernet interface, 100 Mbit/s, RJ45

X102 – Universal Resistance-Temperature Detector (URTD) input, Fiber optics interface, ST Connector

X103 – RS485, Terminals

X104 – IRIG-B00X, incl. System Contact (Supervision Contact)

MCDGV4-2B0BIB



X1 – DI8-X1: Wide-range power supply unit, incl. 2 non-grouped digital inputs and 6 grouped digital inputs

X2 – OR-6: Assembly Group with 6 Relay Outputs

X3 – TI-4: Standard ground current measuring card (for the neutral side of the differential protection)

X4 – TI-4: Standard ground current measuring card (for the line side of the differential protection)

X5 – AN I02-OR4: Assembly Group with 2 Analog Inputs, 2 Analog Outputs and 4 Output Relays

X6 – TU: Card with 4 voltage transformer measuring inputs

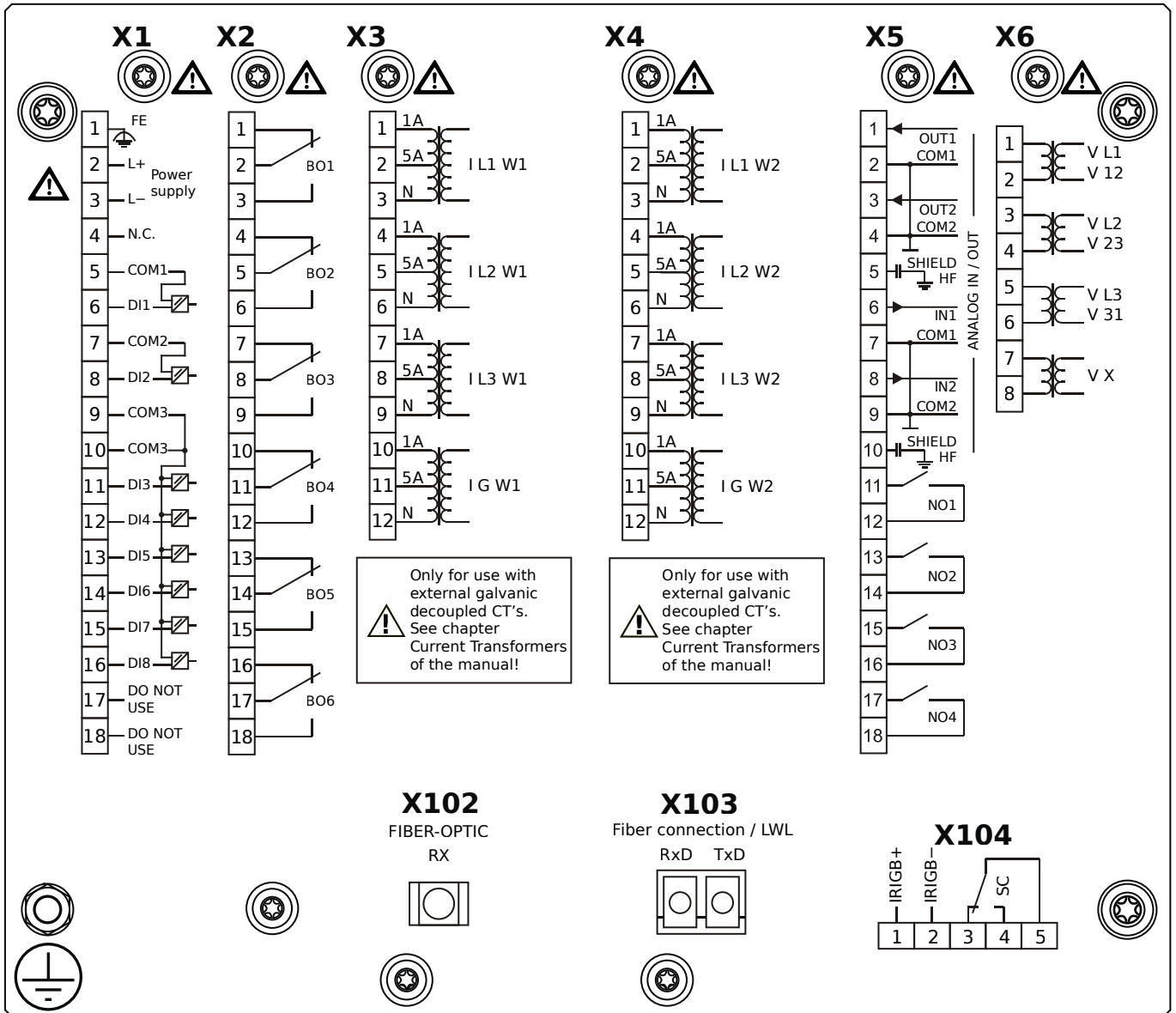
X100 – Ethernet interface, 100 Mbit/s, RJ45

X102 – Universal Resistance-Temperature Detector (URTD) input, Fiber optics interface, ST Connector

X103 – RS485, Terminals

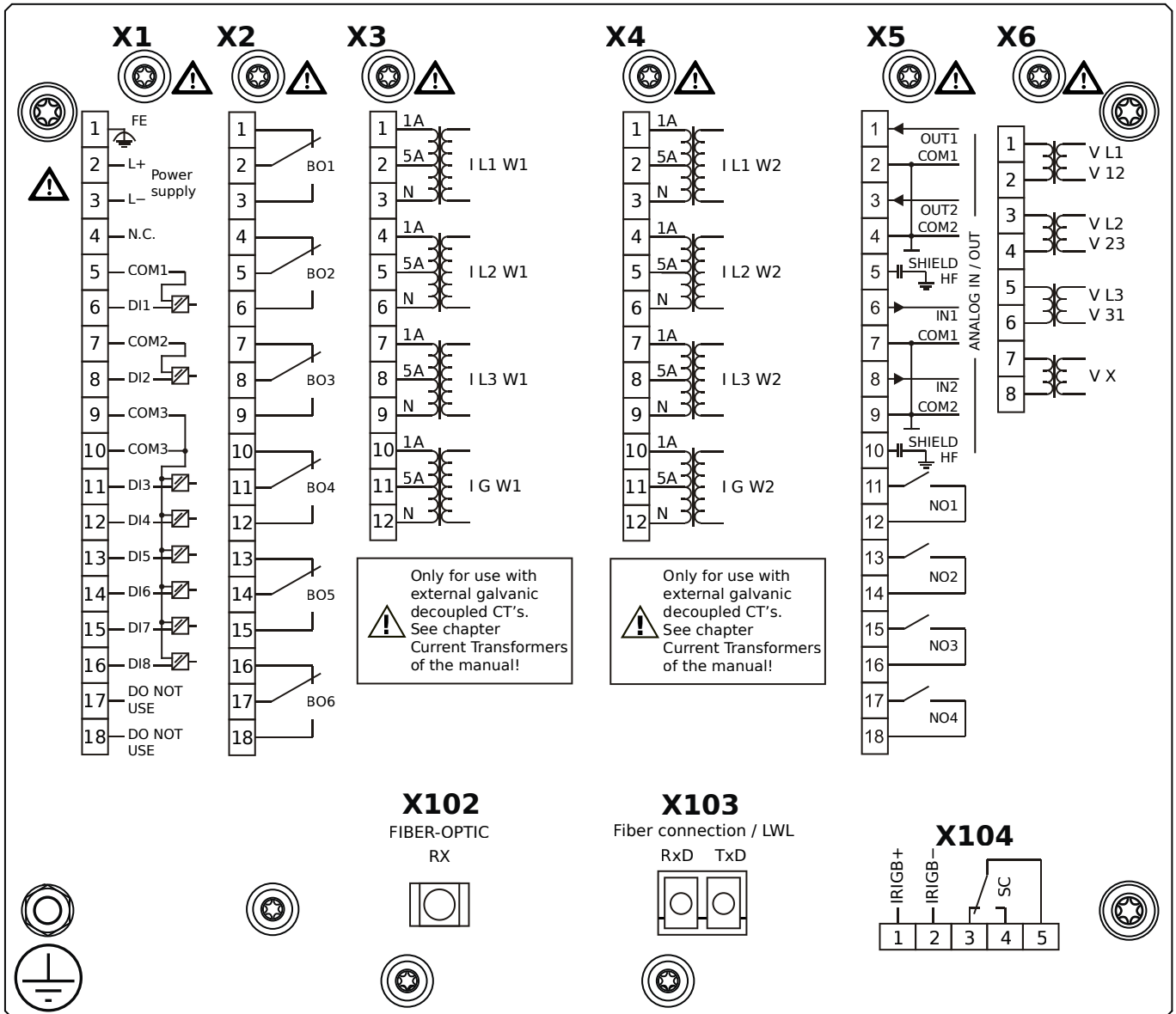
X104 – IRIG-B00X, incl. System Contact (Supervision Contact)

MCDGV4-2B0BKA



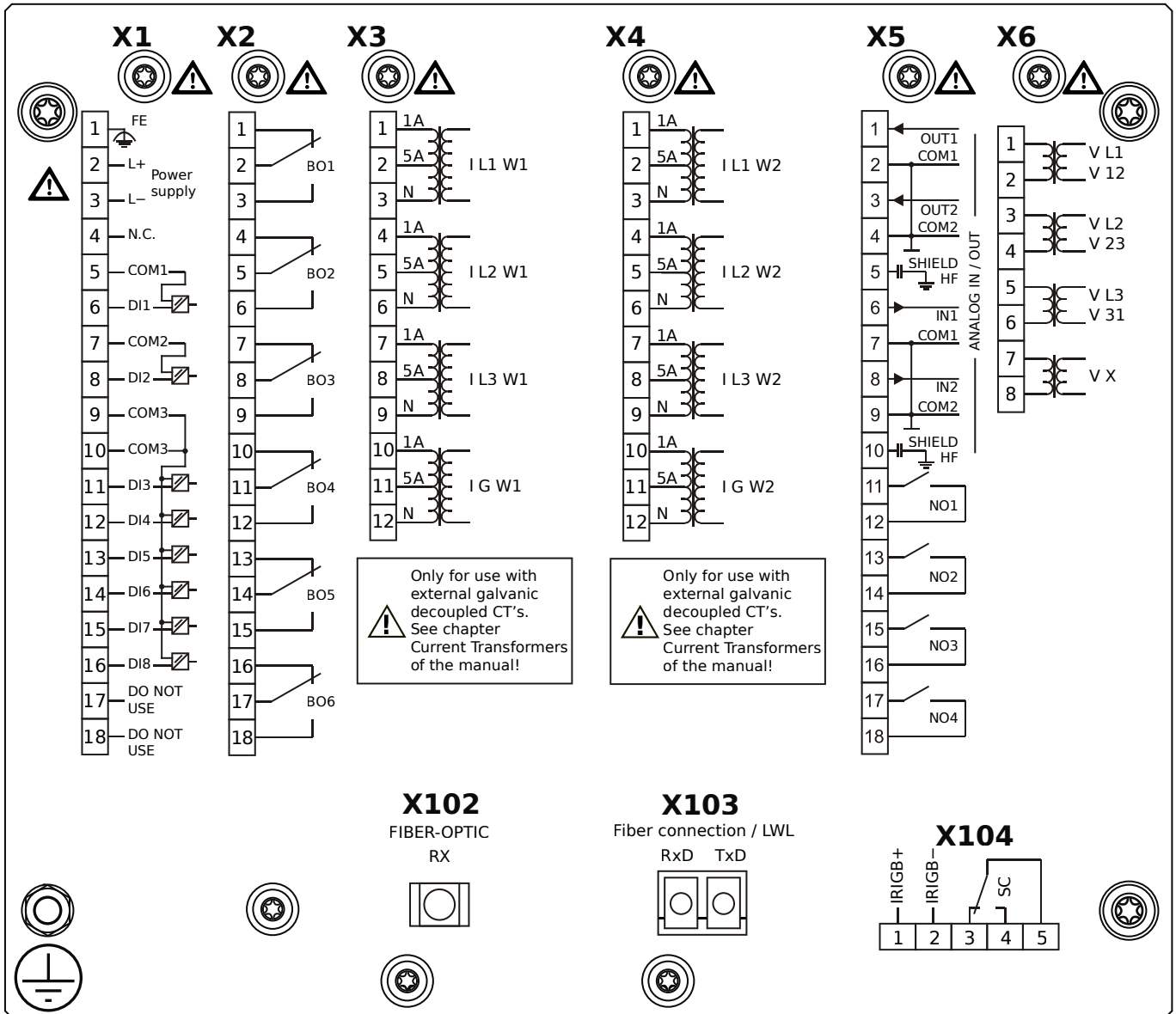
- X1** – DI8-X1: Wide-range power supply unit, incl. 2 non-grouped digital inputs and 6 grouped digital inputs
- X2** – OR-6: Assembly Group with 6 Relay Outputs
- X3** – TI-4: Standard ground current measuring card (for the neutral side of the differential protection)
- X4** – TI-4: Standard ground current measuring card (for the line side of the differential protection)
- X5** – AN I02-OR4: Assembly Group with 2 Analog Inputs, 2 Analog Outputs and 4 Output Relays
- X6** – TU: Card with 4 voltage transformer measuring inputs
- X102** – Universal Resistance-Temperature Detector (URTD) input, Fiber optics interface, ST Connector
- X103** – Fiber optics interface, LC Connector
- X104** – IRIG-B00X, incl. System Contact (Supervision Contact)

MCDGV4-2B0BKB



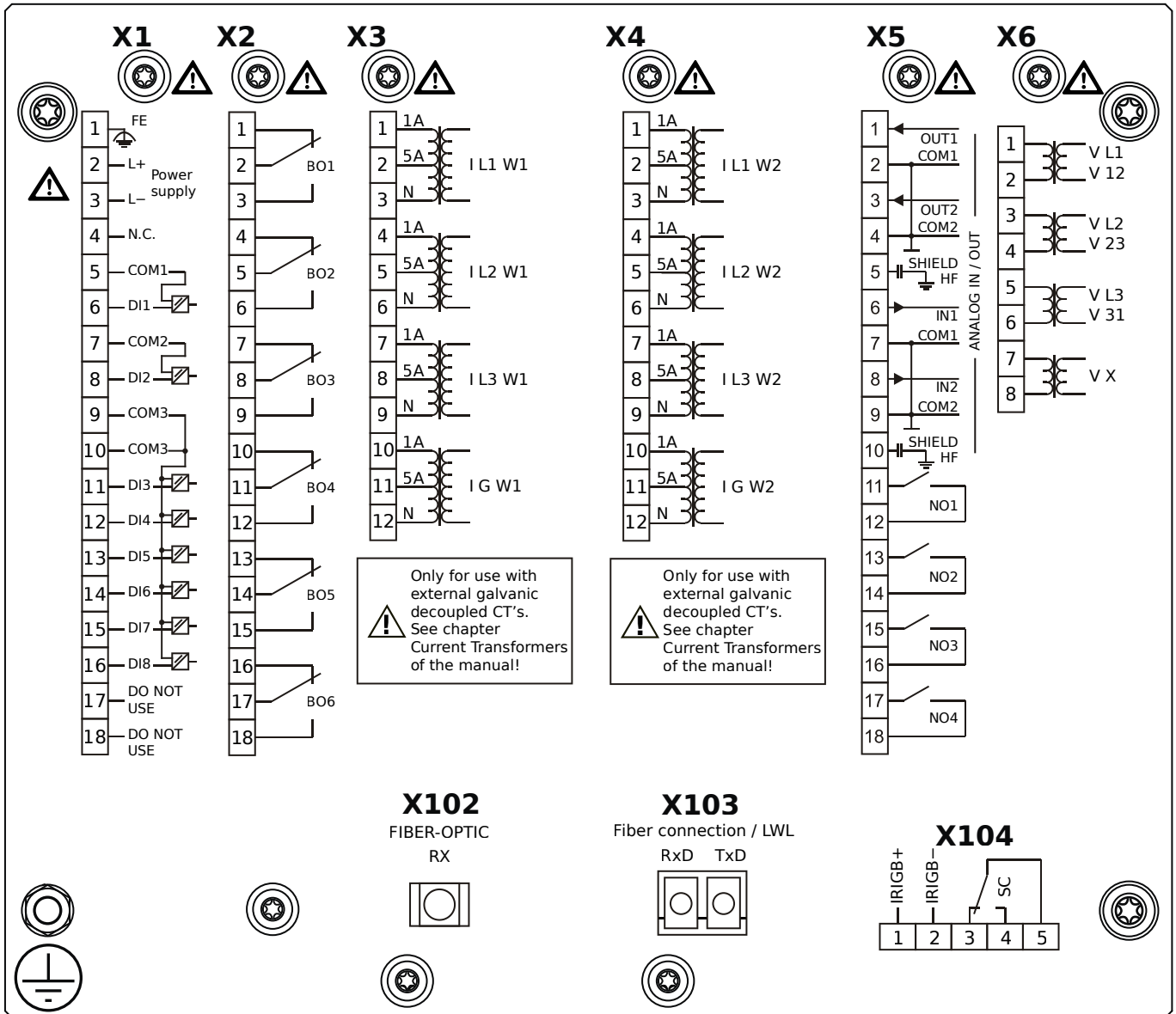
- X1** – DI8-X1: Wide-range power supply unit, incl. 2 non-grouped digital inputs and 6 grouped digital inputs
- X2** – OR-6: Assembly Group with 6 Relay Outputs
- X3** – TI-4: Standard ground current measuring card (for the neutral side of the differential protection)
- X4** – TI-4: Standard ground current measuring card (for the line side of the differential protection)
- X5** – AN I02-OR4: Assembly Group with 2 Analog Inputs, 2 Analog Outputs and 4 Output Relays
- X6** – TU: Card with 4 voltage transformer measuring inputs
- X102** – Universal Resistance-Temperature Detector (URTD) input, Fiber optics interface, ST Connector
- X103** – Fiber optics interface, LC Connector
- X104** – IRIG-B00X, incl. System Contact (Supervision Contact)

MCDGV4-2B0BLA



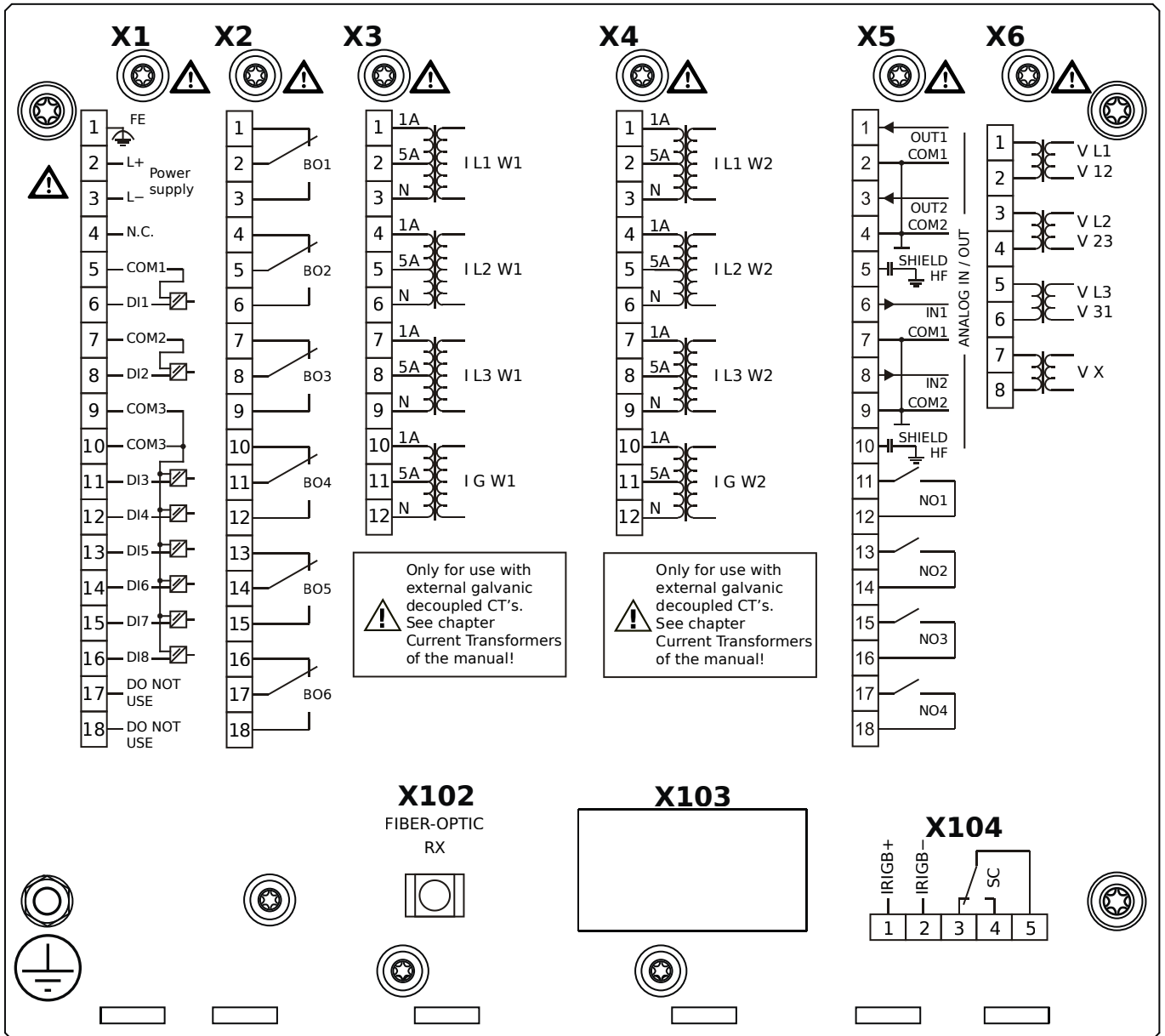
- X1** – DI8-X1: Wide-range power supply unit, incl. 2 non-grouped digital inputs and 6 grouped digital inputs
- X2** – OR-6: Assembly Group with 6 Relay Outputs
- X3** – TI-4: Standard ground current measuring card (for the neutral side of the differential protection)
- X4** – TI-4: Standard ground current measuring card (for the line side of the differential protection)
- X5** – AN I02-OR4: Assembly Group with 2 Analog Inputs, 2 Analog Outputs and 4 Output Relays
- X6** – TU: Card with 4 voltage transformer measuring inputs
- X102** – Universal Resistance-Temperature Detector (URTD) input, Fiber optics interface, ST Connector
- X103** – Fiber optics interface, LC Connector
- X104** – IRIG-B00X, incl. System Contact (Supervision Contact)

MCDGV4-2B0BLB



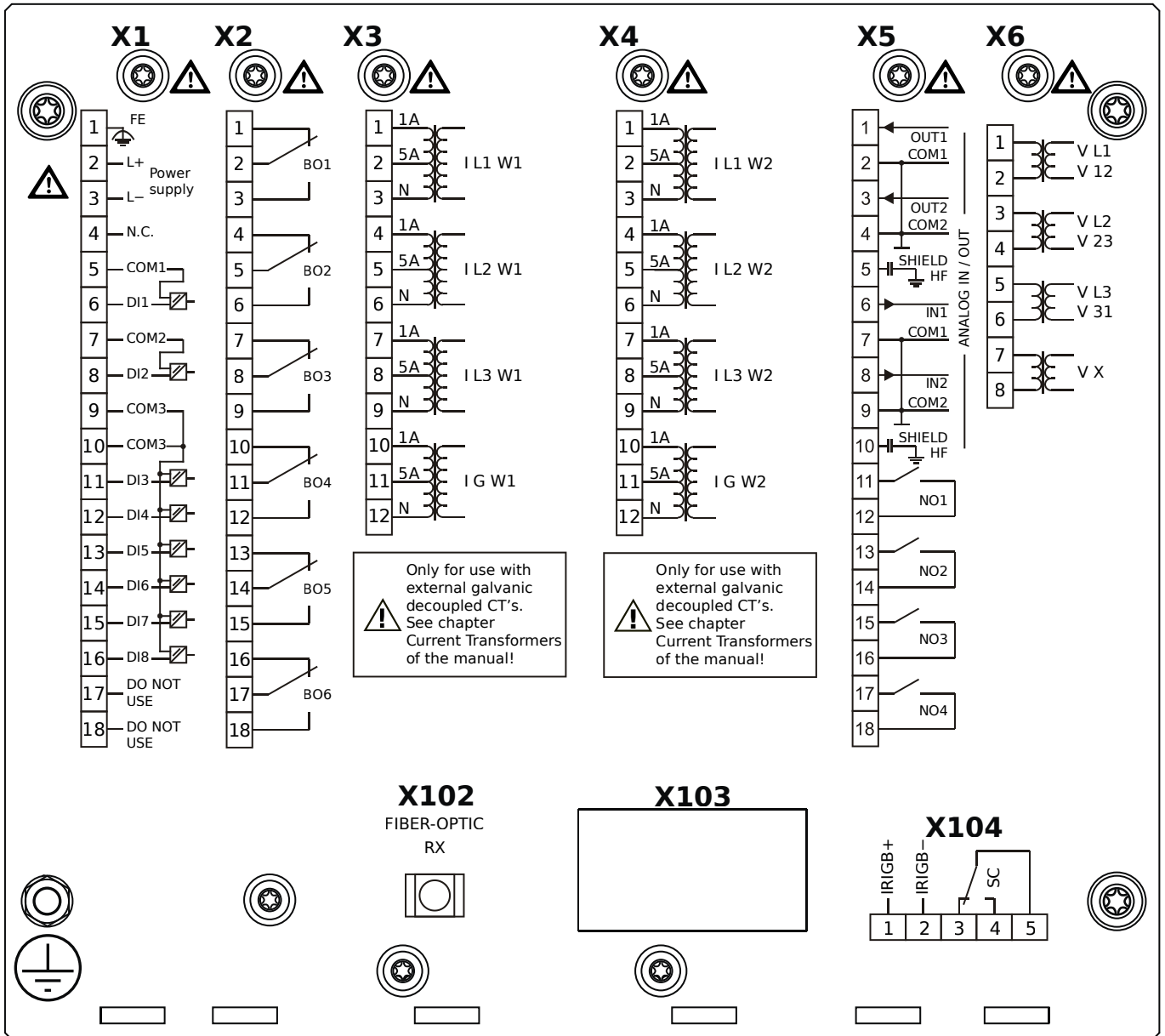
- X1** – DI8-X1: Wide-range power supply unit, incl. 2 non-grouped digital inputs and 6 grouped digital inputs
- X2** – OR-6: Assembly Group with 6 Relay Outputs
- X3** – TI-4: Standard ground current measuring card (for the neutral side of the differential protection)
- X4** – TI-4: Standard ground current measuring card (for the line side of the differential protection)
- X5** – AN I02-OR4: Assembly Group with 2 Analog Inputs, 2 Analog Outputs and 4 Output Relays
- X6** – TU: Card with 4 voltage transformer measuring inputs
- X102** – Universal Resistance-Temperature Detector (URTD) input, Fiber optics interface, ST Connector
- X103** – Fiber optics interface, LC Connector
- X104** – IRIG-B00X, incl. System Contact (Supervision Contact)

MCDGV4-2B0HAA



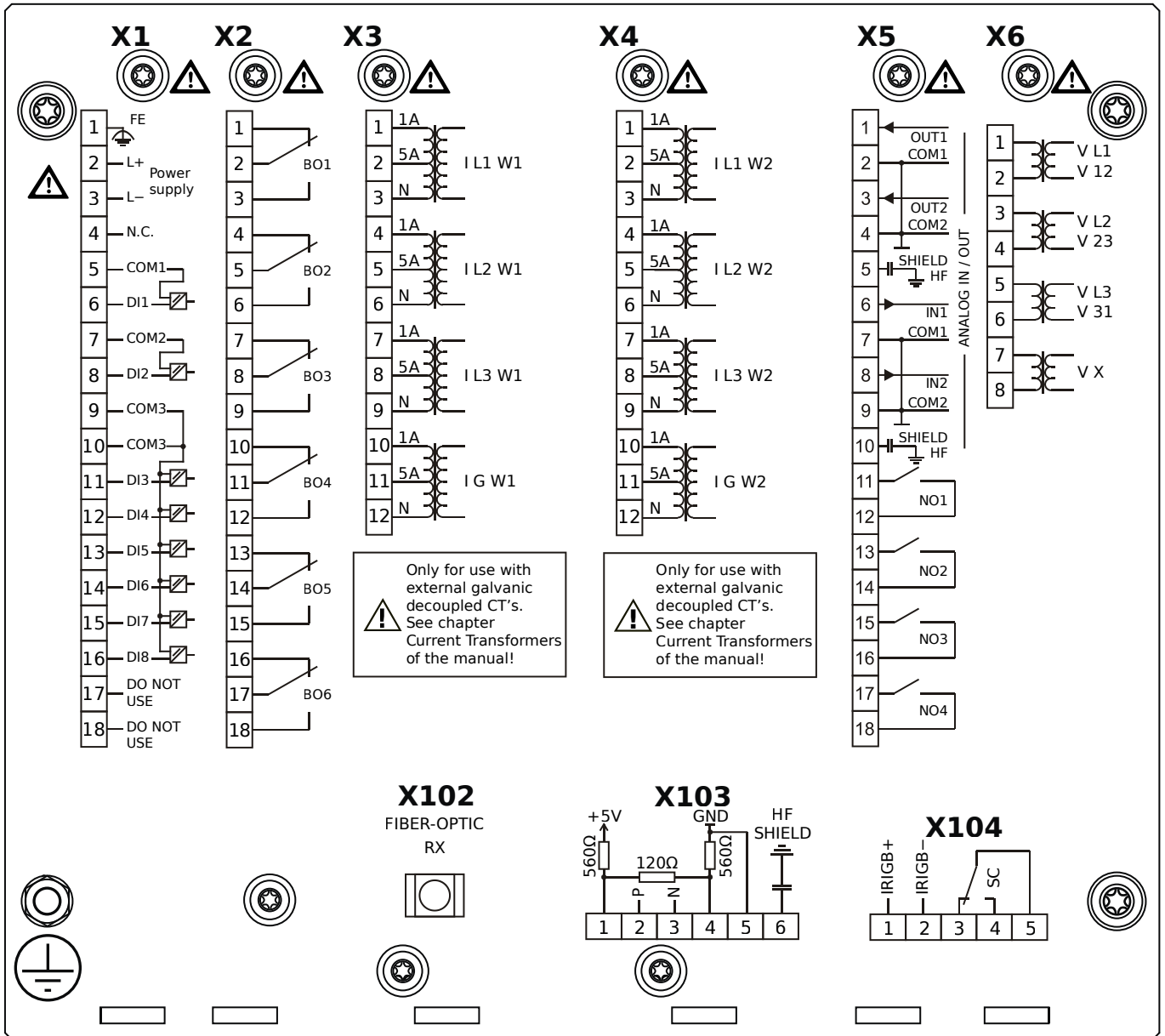
- X1** – DI8-X1: Wide-range power supply unit, incl. 2 non-grouped digital inputs and 6 grouped digital inputs
- X2** – OR-6: Assembly Group with 6 Relay Outputs
- X3** – TI-4: Standard ground current measuring card (for the neutral side of the differential protection)
- X4** – TI-4: Standard ground current measuring card (for the line side of the differential protection)
- X5** – AN I02-OR4: Assembly Group with 2 Analog Inputs, 2 Analog Outputs and 4 Output Relays
- X6** – TU: Card with 4 voltage transformer measuring inputs
- X102** – Universal Resistance-Temperature Detector (URTD) input, Fiber optics interface, ST Connector
- X104** – IRIG-B00X, incl. System Contact (Supervision Contact)

MCDGV4-2B0HAB



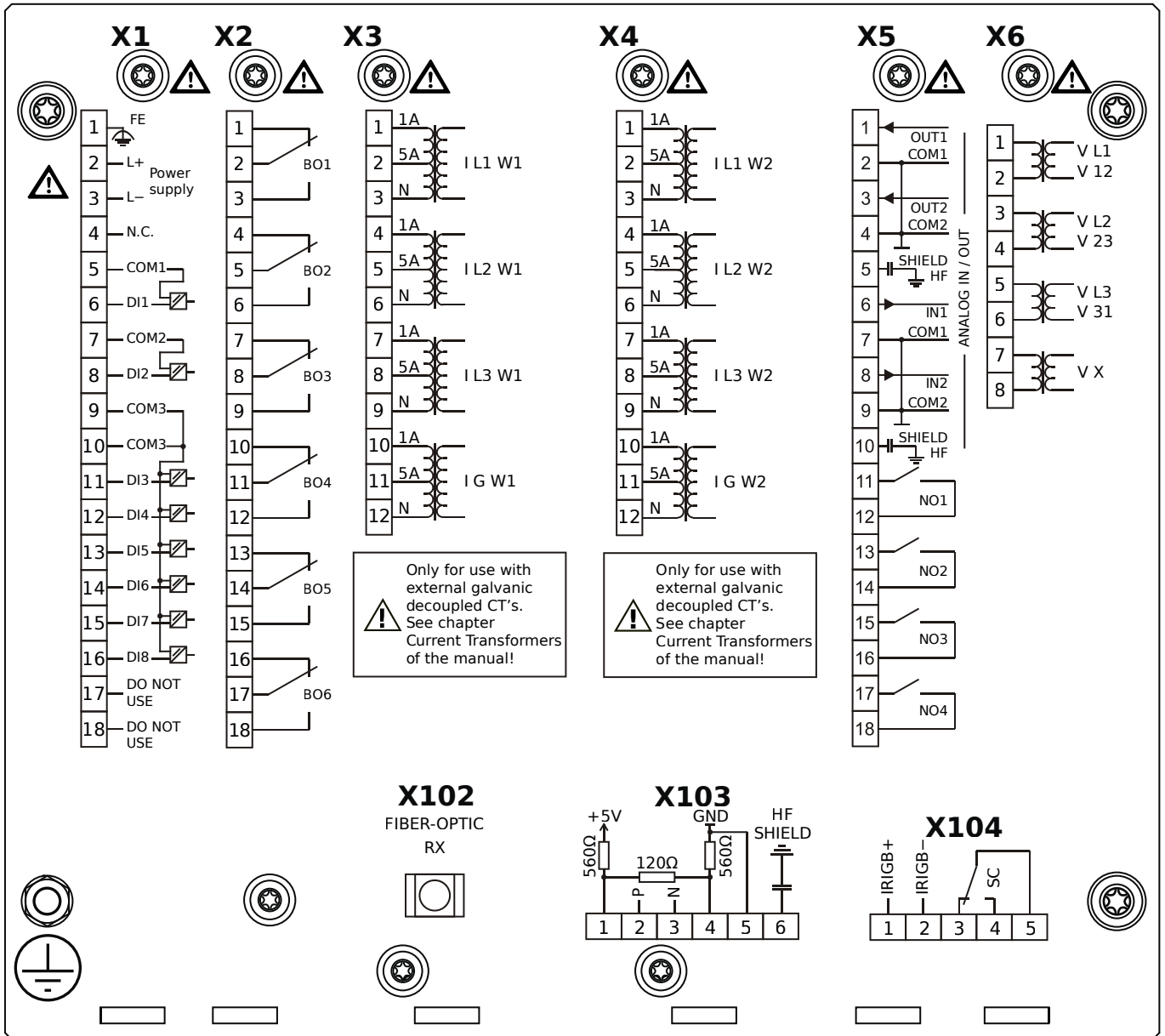
- X1** – DI8-X1: Wide-range power supply unit, incl. 2 non-grouped digital inputs and 6 grouped digital inputs
- X2** – OR-6: Assembly Group with 6 Relay Outputs
- X3** – TI-4: Standard ground current measuring card (for the neutral side of the differential protection)
- X4** – TI-4: Standard ground current measuring card (for the line side of the differential protection)
- X5** – AN I02-OR4: Assembly Group with 2 Analog Inputs, 2 Analog Outputs and 4 Output Relays
- X6** – TU: Card with 4 voltage transformer measuring inputs
- X102** – Universal Resistance-Temperature Detector (URTD) input, Fiber optics interface, ST Connector
- X104** – IRIG-B00X, incl. System Contact (Supervision Contact)

MCDGV4-2B0HBA



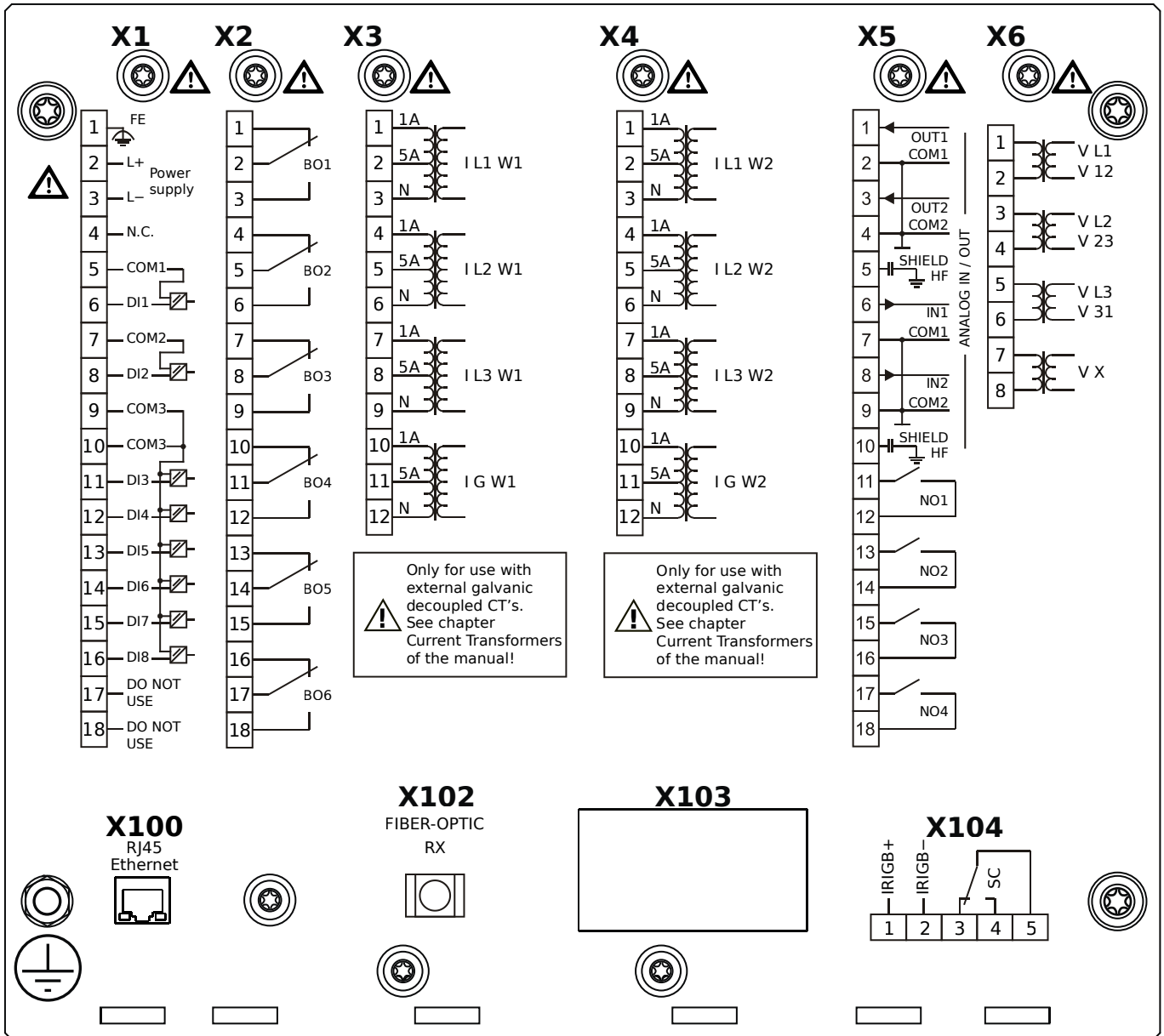
- X1** – DI8-X1: Wide-range power supply unit, incl. 2 non-grouped digital inputs and 6 grouped digital inputs
- X2** – OR-6: Assembly Group with 6 Relay Outputs
- X3** – TI-4: Standard ground current measuring card (for the neutral side of the differential protection)
- X4** – TI-4: Standard ground current measuring card (for the line side of the differential protection)
- X5** – AN I02-OR4: Assembly Group with 2 Analog Inputs, 2 Analog Outputs and 4 Output Relays
- X6** – TU: Card with 4 voltage transformer measuring inputs
- X102** – Universal Resistance-Temperature Detector (URTD) input, Fiber optics interface, ST Connector
- X103** – RS485, Terminals
- X104** – IRIG-B00X, incl. System Contact (Supervision Contact)

MCDGV4-2B0HBB



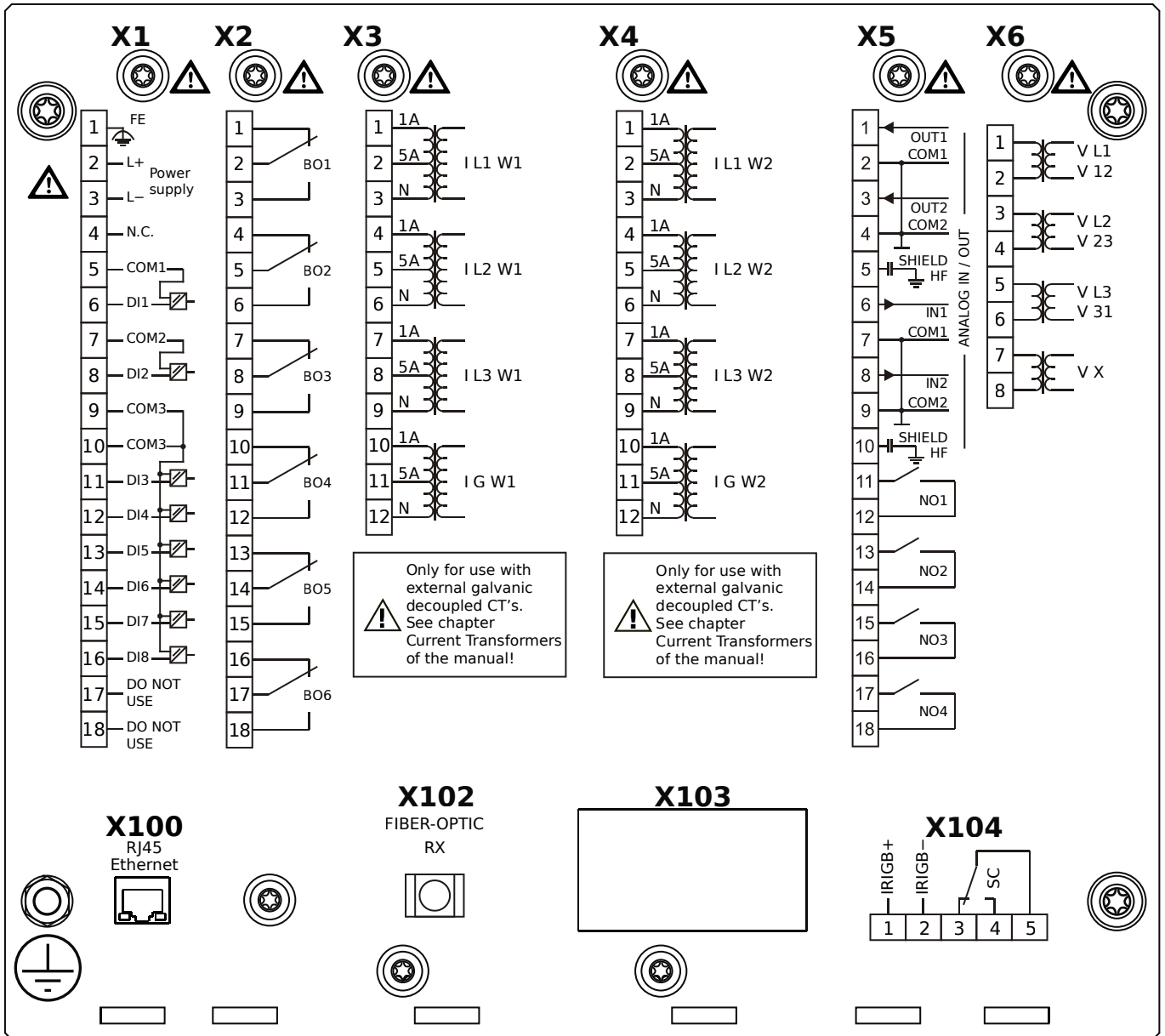
- X1** – DI8-X1: Wide-range power supply unit, incl. 2 non-grouped digital inputs and 6 grouped digital inputs
- X2** – OR-6: Assembly Group with 6 Relay Outputs
- X3** – TI-4: Standard ground current measuring card (for the neutral side of the differential protection)
- X4** – TI-4: Standard ground current measuring card (for the line side of the differential protection)
- X5** – AN I02-OR4: Assembly Group with 2 Analog Inputs, 2 Analog Outputs and 4 Output Relays
- X6** – TU: Card with 4 voltage transformer measuring inputs
- X102** – Universal Resistance-Temperature Detector (URTD) input, Fiber optics interface, ST Connector
- X103** – RS485, Terminals
- X104** – IRIG-B00X, incl. System Contact (Supervision Contact)

MCDGV4-2B0HCA



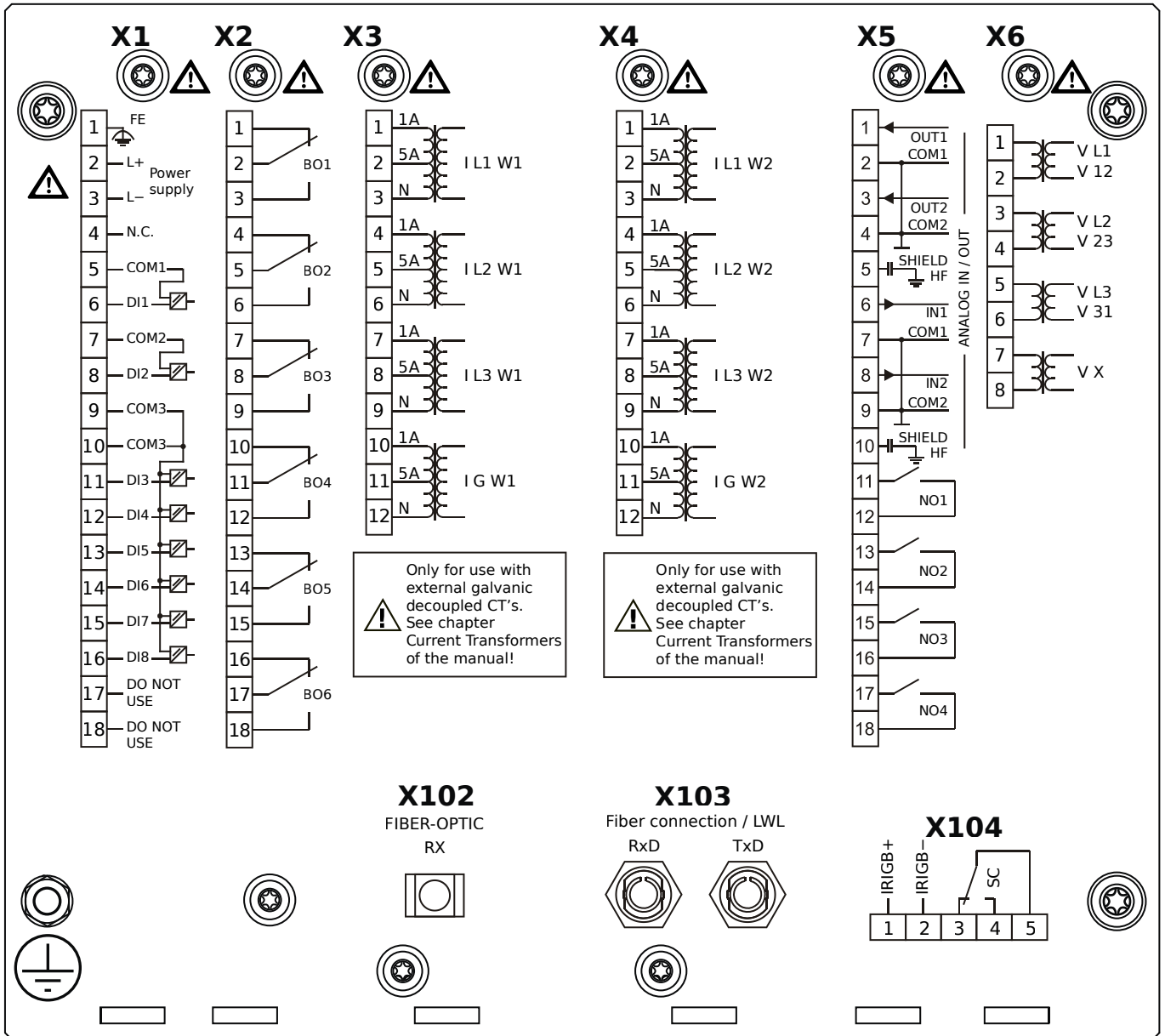
- X1** – DI8-X1: Wide-range power supply unit, incl. 2 non-grouped digital inputs and 6 grouped digital inputs
- X2** – OR-6: Assembly Group with 6 Relay Outputs
- X3** – TI-4: Standard ground current measuring card (for the neutral side of the differential protection)
- X4** – TI-4: Standard ground current measuring card (for the line side of the differential protection)
- X5** – AN I02-OR4: Assembly Group with 2 Analog Inputs, 2 Analog Outputs and 4 Output Relays
- X6** – TU: Card with 4 voltage transformer measuring inputs
- X100** – Ethernet interface, 100 Mbit/s, RJ45
- X102** – Universal Resistance-Temperature Detector (URTD) input, Fiber optics interface, ST Connector
- X104** – IRIG-B00X, incl. System Contact (Supervision Contact)

MCDGV4-2B0HCB



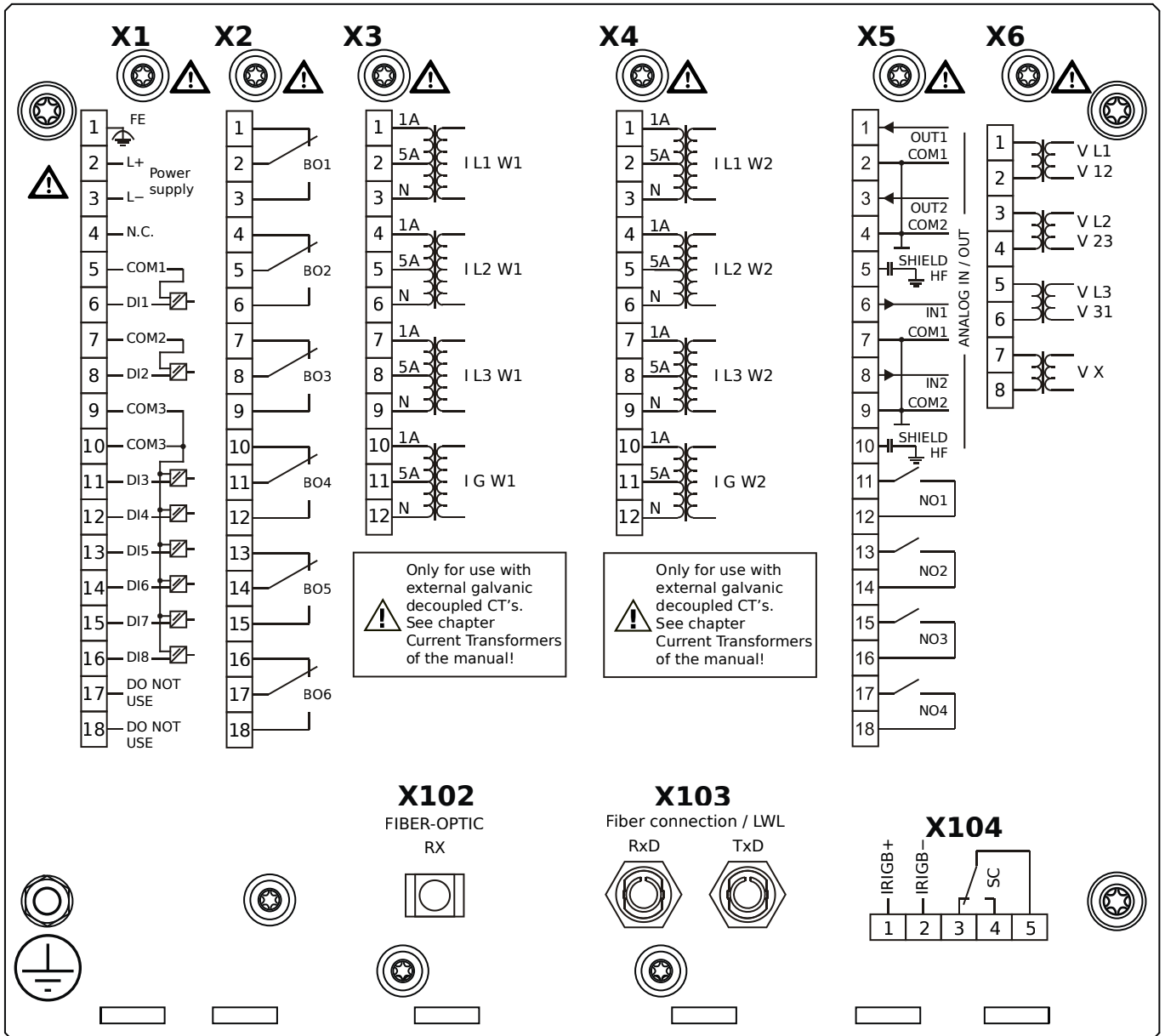
- X1** – DI8-X1: Wide-range power supply unit, incl. 2 non-grouped digital inputs and 6 grouped digital inputs
- X2** – OR-6: Assembly Group with 6 Relay Outputs
- X3** – TI-4: Standard ground current measuring card (for the neutral side of the differential protection)
- X4** – TI-4: Standard ground current measuring card (for the line side of the differential protection)
- X5** – AN I02-OR4: Assembly Group with 2 Analog Inputs, 2 Analog Outputs and 4 Output Relays
- X6** – TU: Card with 4 voltage transformer measuring inputs
- X100** – Ethernet interface, 100 Mbit/s, RJ45
- X102** – Universal Resistance-Temperature Detector (URTD) input, Fiber optics interface, ST Connector
- X104** – IRIG-B00X, incl. System Contact (Supervision Contact)

MCDGV4-2B0HDA



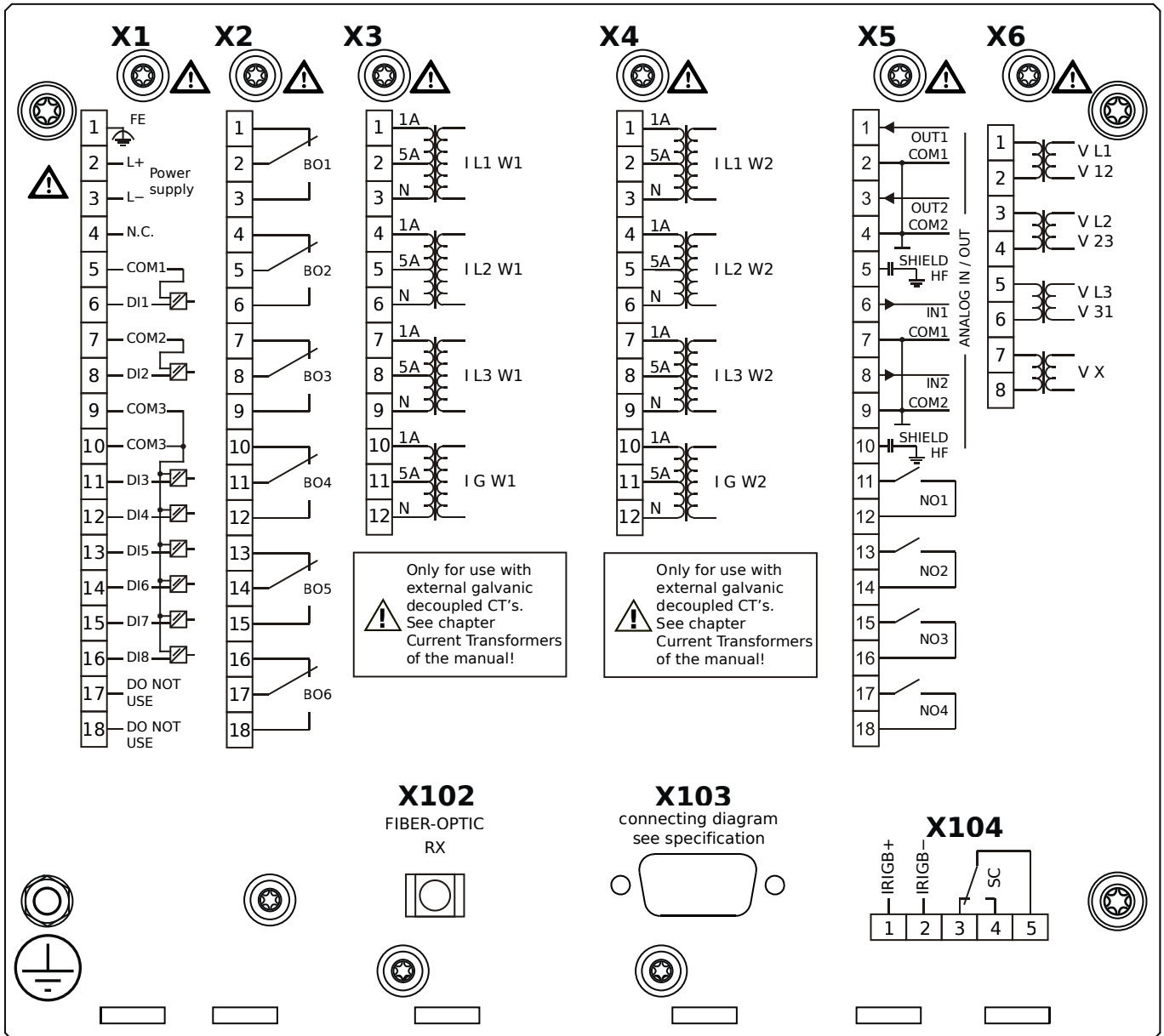
- X1** – DI8-X1: Wide-range power supply unit, incl. 2 non-grouped digital inputs and 6 grouped digital inputs
- X2** – OR-6: Assembly Group with 6 Relay Outputs
- X3** – TI-4: Standard ground current measuring card (for the neutral side of the differential protection)
- X4** – TI-4: Standard ground current measuring card (for the line side of the differential protection)
- X5** – AN I02-OR4: Assembly Group with 2 Analog Inputs, 2 Analog Outputs and 4 Output Relays
- X6** – TU: Card with 4 voltage transformer measuring inputs
- X102** – Universal Resistance-Temperature Detector (URTD) input, Fiber optics interface, ST Connector
- X103** – Fiber optics interface, ST Connector
- X104** – IRIG-B00X, incl. System Contact (Supervision Contact)

MCDGV4-2B0HDB



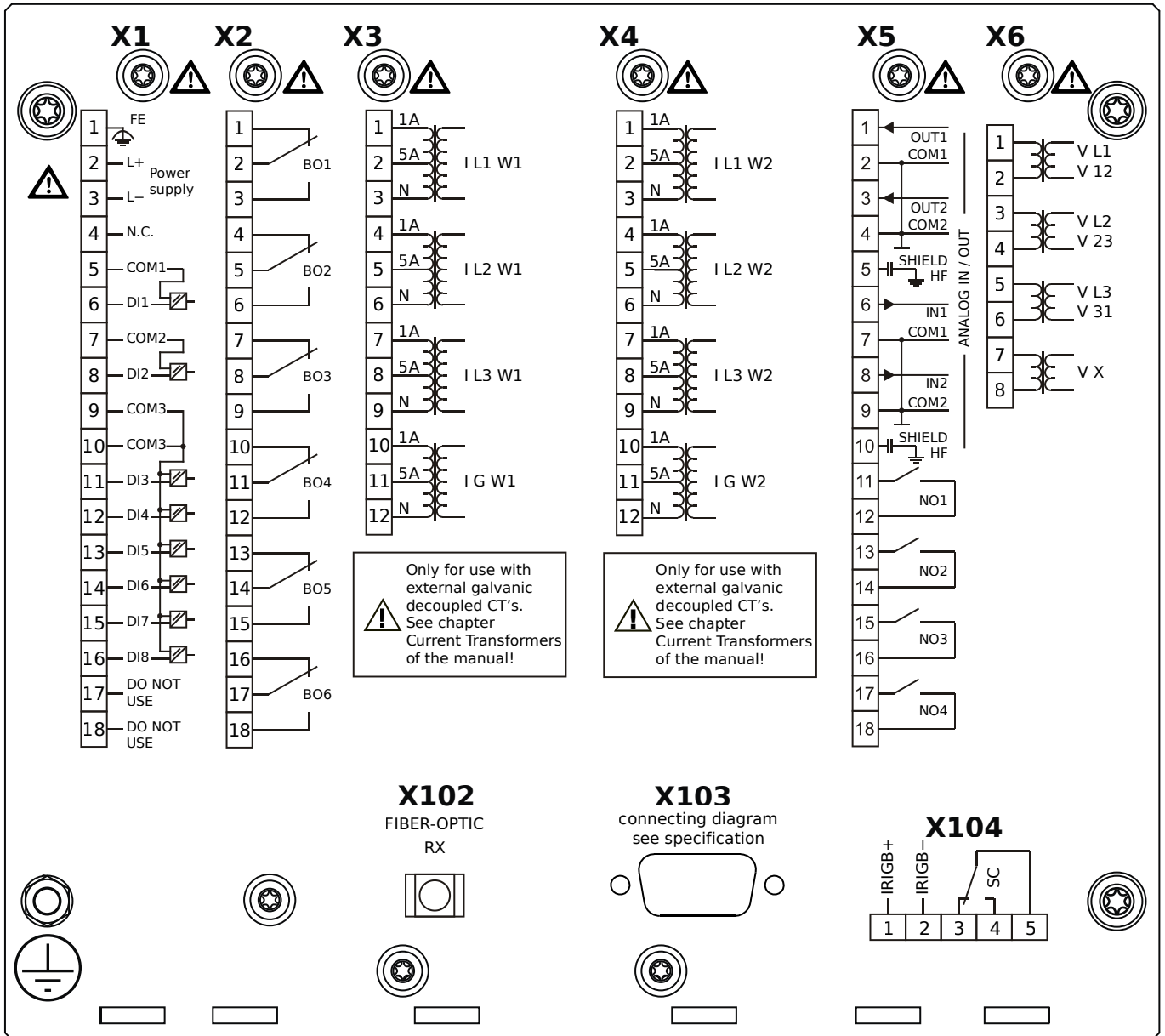
- X1** – DI8-X1: Wide-range power supply unit, incl. 2 non-grouped digital inputs and 6 grouped digital inputs
- X2** – OR-6: Assembly Group with 6 Relay Outputs
- X3** – TI-4: Standard ground current measuring card (for the neutral side of the differential protection)
- X4** – TI-4: Standard ground current measuring card (for the line side of the differential protection)
- X5** – AN I02-OR4: Assembly Group with 2 Analog Inputs, 2 Analog Outputs and 4 Output Relays
- X6** – TU: Card with 4 voltage transformer measuring inputs
- X102** – Universal Resistance-Temperature Detector (URTD) input, Fiber optics interface, ST Connector
- X103** – Fiber optics interface, ST Connector
- X104** – IRIG-B00X, incl. System Contact (Supervision Contact)

MCDGV4-2B0HEA



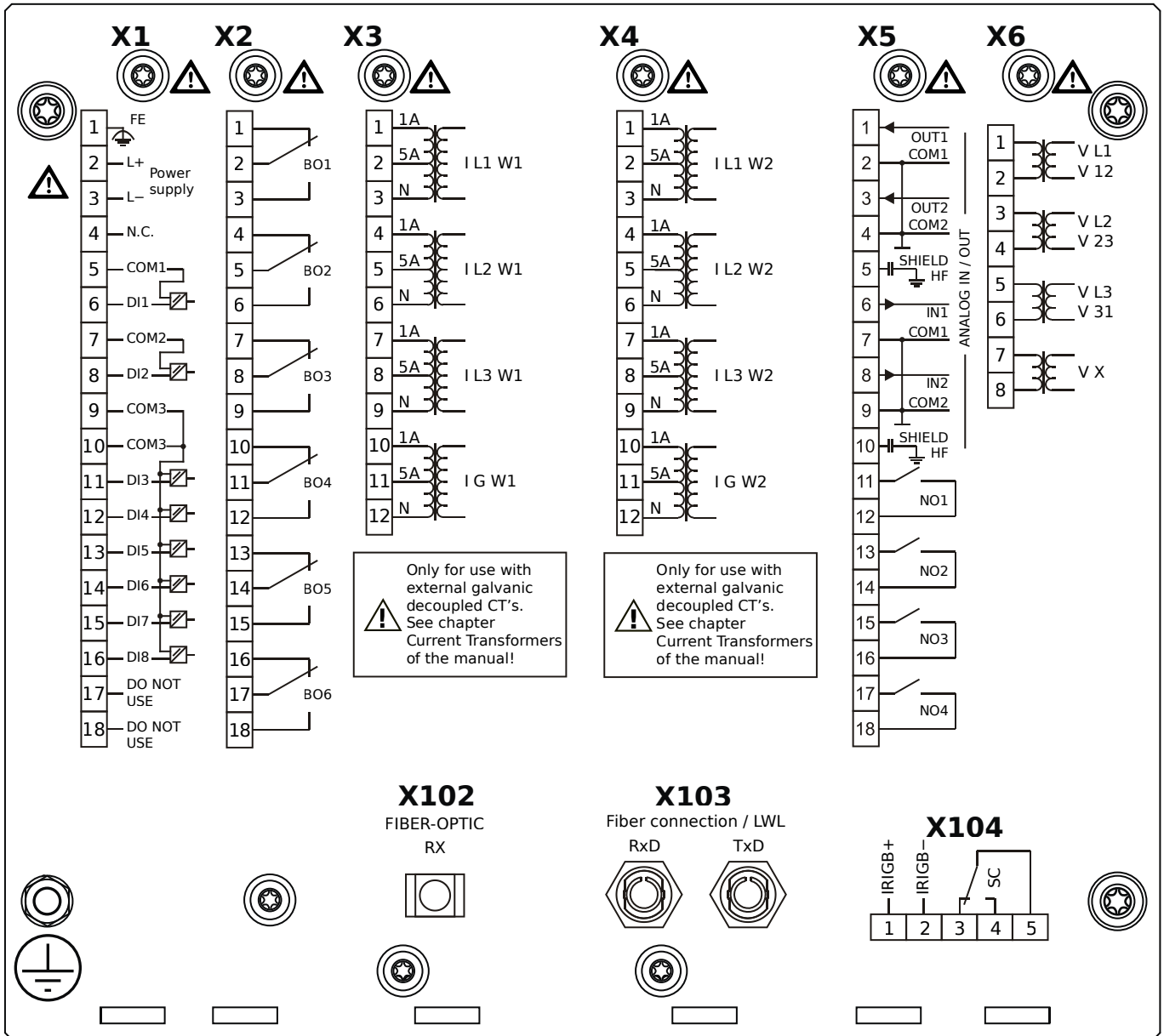
- X1** – DI8-X1: Wide-range power supply unit, incl. 2 non-grouped digital inputs and 6 grouped digital inputs
- X2** – OR-6: Assembly Group with 6 Relay Outputs
- X3** – TI-4: Standard ground current measuring card (for the neutral side of the differential protection)
- X4** – TI-4: Standard ground current measuring card (for the line side of the differential protection)
- X5** – AN I02-OR4: Assembly Group with 2 Analog Inputs, 2 Analog Outputs and 4 Output Relays
- X6** – TU: Card with 4 voltage transformer measuring inputs
- X102** – Universal Resistance-Temperature Detector (URTD) input, Fiber optics interface, ST Connector
- X103** – RS485, D-SUB
- X104** – IRIG-B00X, incl. System Contact (Supervision Contact)

MCDGV4-2B0HEB



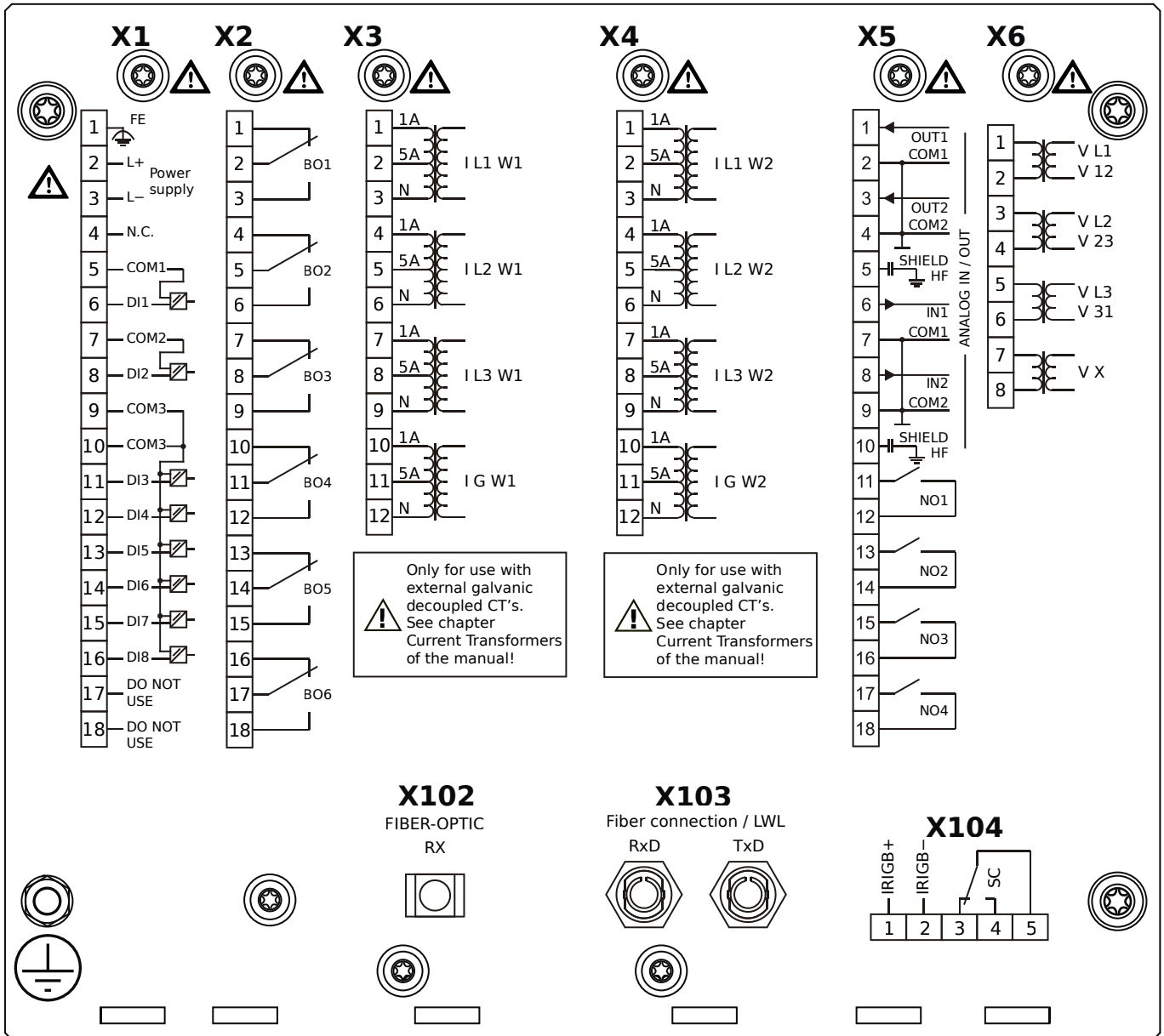
- X1** – DI8-X1: Wide-range power supply unit, incl. 2 non-grouped digital inputs and 6 grouped digital inputs
- X2** – OR-6: Assembly Group with 6 Relay Outputs
- X3** – TI-4: Standard ground current measuring card (for the neutral side of the differential protection)
- X4** – TI-4: Standard ground current measuring card (for the line side of the differential protection)
- X5** – AN I02-OR4: Assembly Group with 2 Analog Inputs, 2 Analog Outputs and 4 Output Relays
- X6** – TU: Card with 4 voltage transformer measuring inputs
- X102** – Universal Resistance-Temperature Detector (URTD) input, Fiber optics interface, ST Connector
- X103** – RS485, D-SUB
- X104** – IRIG-B00X, incl. System Contact (Supervision Contact)

MCDGV4-2B0HFA



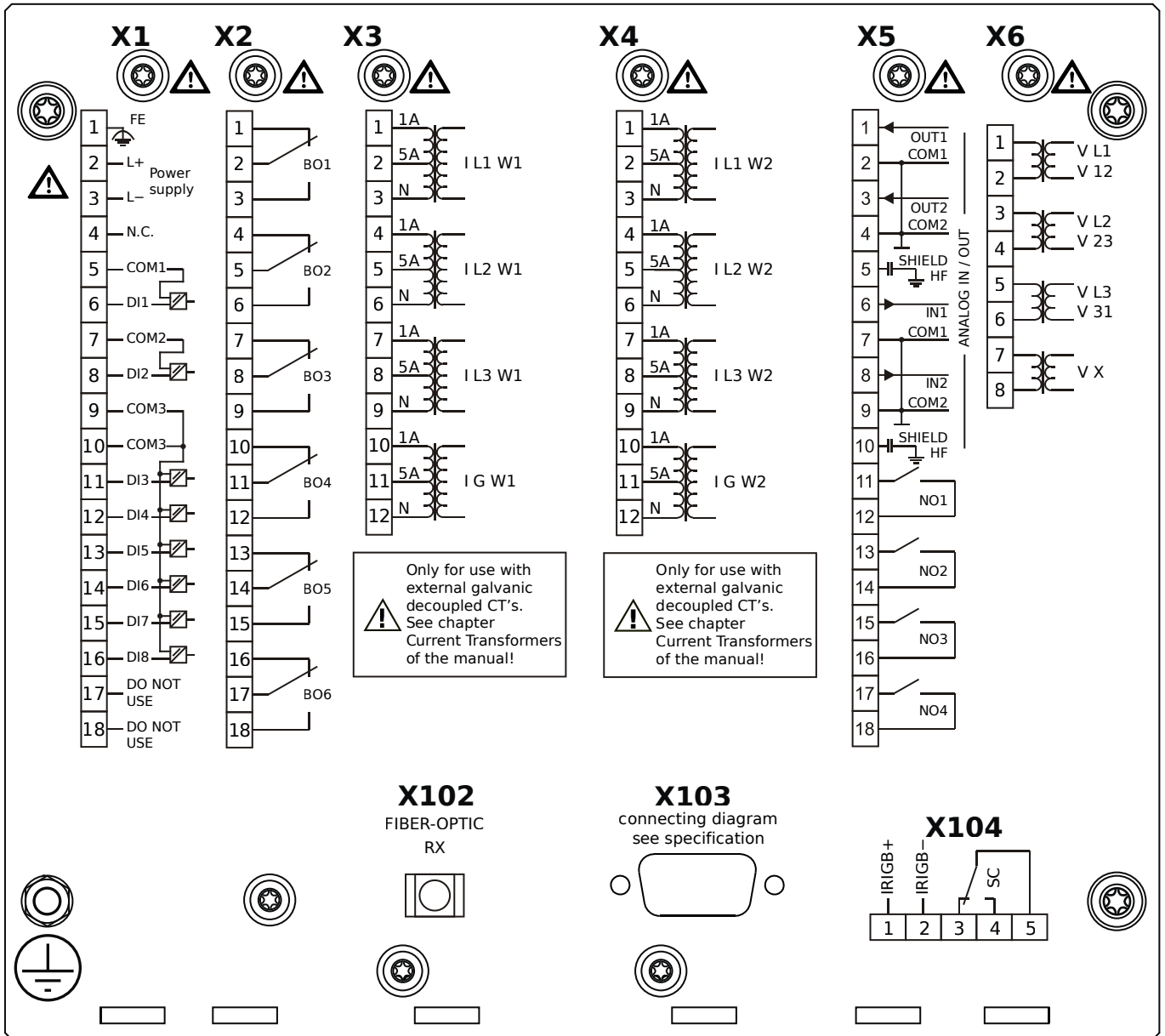
- X1** – DI8-X1: Wide-range power supply unit, incl. 2 non-grouped digital inputs and 6 grouped digital inputs
- X2** – OR-6: Assembly Group with 6 Relay Outputs
- X3** – TI-4: Standard ground current measuring card (for the neutral side of the differential protection)
- X4** – TI-4: Standard ground current measuring card (for the line side of the differential protection)
- X5** – AN I02-OR4: Assembly Group with 2 Analog Inputs, 2 Analog Outputs and 4 Output Relays
- X6** – TU: Card with 4 voltage transformer measuring inputs
- X102** – Universal Resistance-Temperature Detector (URTD) input, Fiber optics interface, ST Connector
- X103** – Fiber optics interface, ST Connector
- X104** – IRIG-B00X, incl. System Contact (Supervision Contact)

MCDGV4-2B0HFB



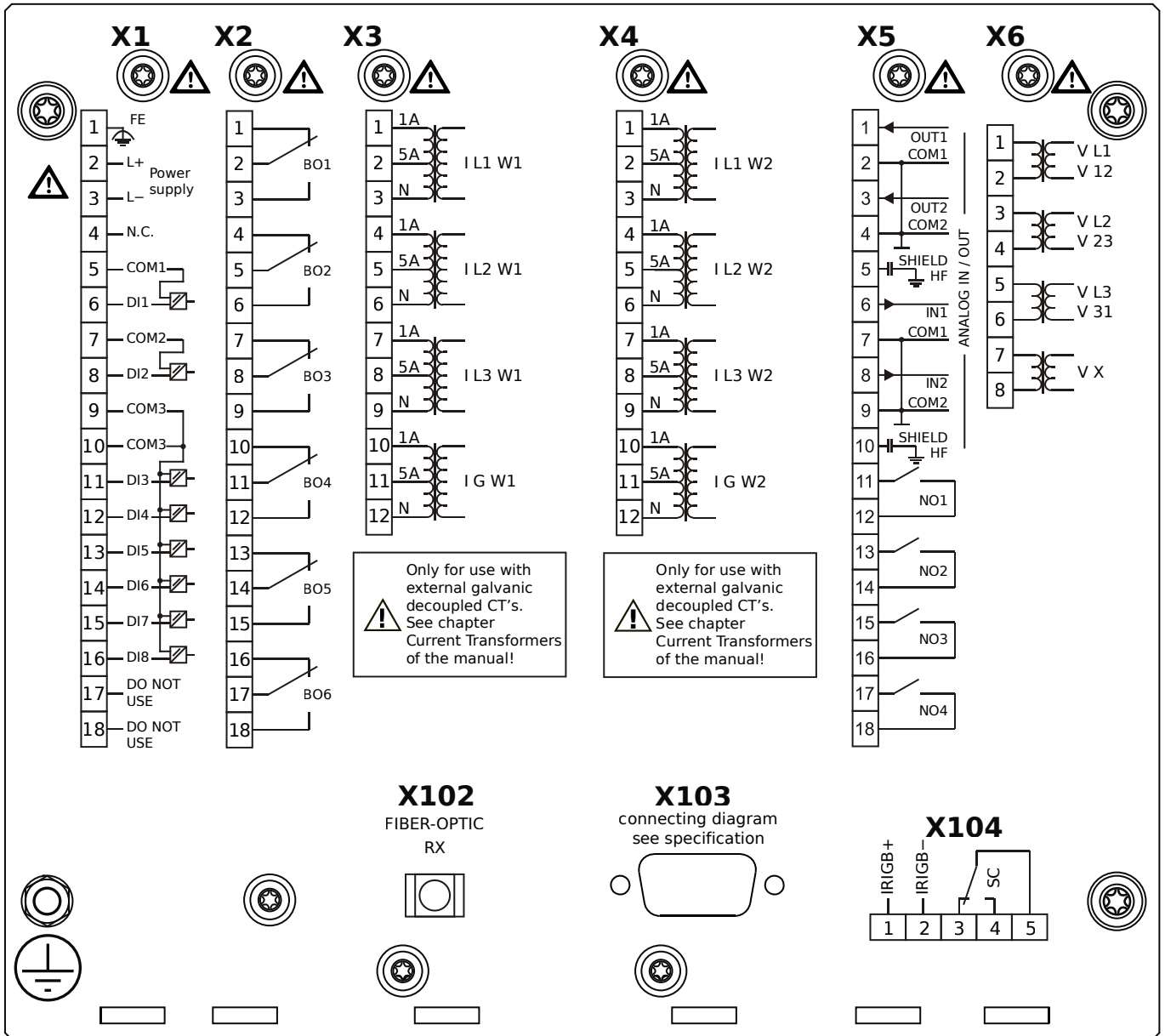
- X1** – DI8-X1: Wide-range power supply unit, incl. 2 non-grouped digital inputs and 6 grouped digital inputs
- X2** – OR-6: Assembly Group with 6 Relay Outputs
- X3** – TI-4: Standard ground current measuring card (for the neutral side of the differential protection)
- X4** – TI-4: Standard ground current measuring card (for the line side of the differential protection)
- X5** – AN I02-OR4: Assembly Group with 2 Analog Inputs, 2 Analog Outputs and 4 Output Relays
- X6** – TU: Card with 4 voltage transformer measuring inputs
- X102** – Universal Resistance-Temperature Detector (URTD) input, Fiber optics interface, ST Connector
- X103** – Fiber optics interface, ST Connector
- X104** – IRIG-B00X, incl. System Contact (Supervision Contact)

MCDGV4-2B0HGA



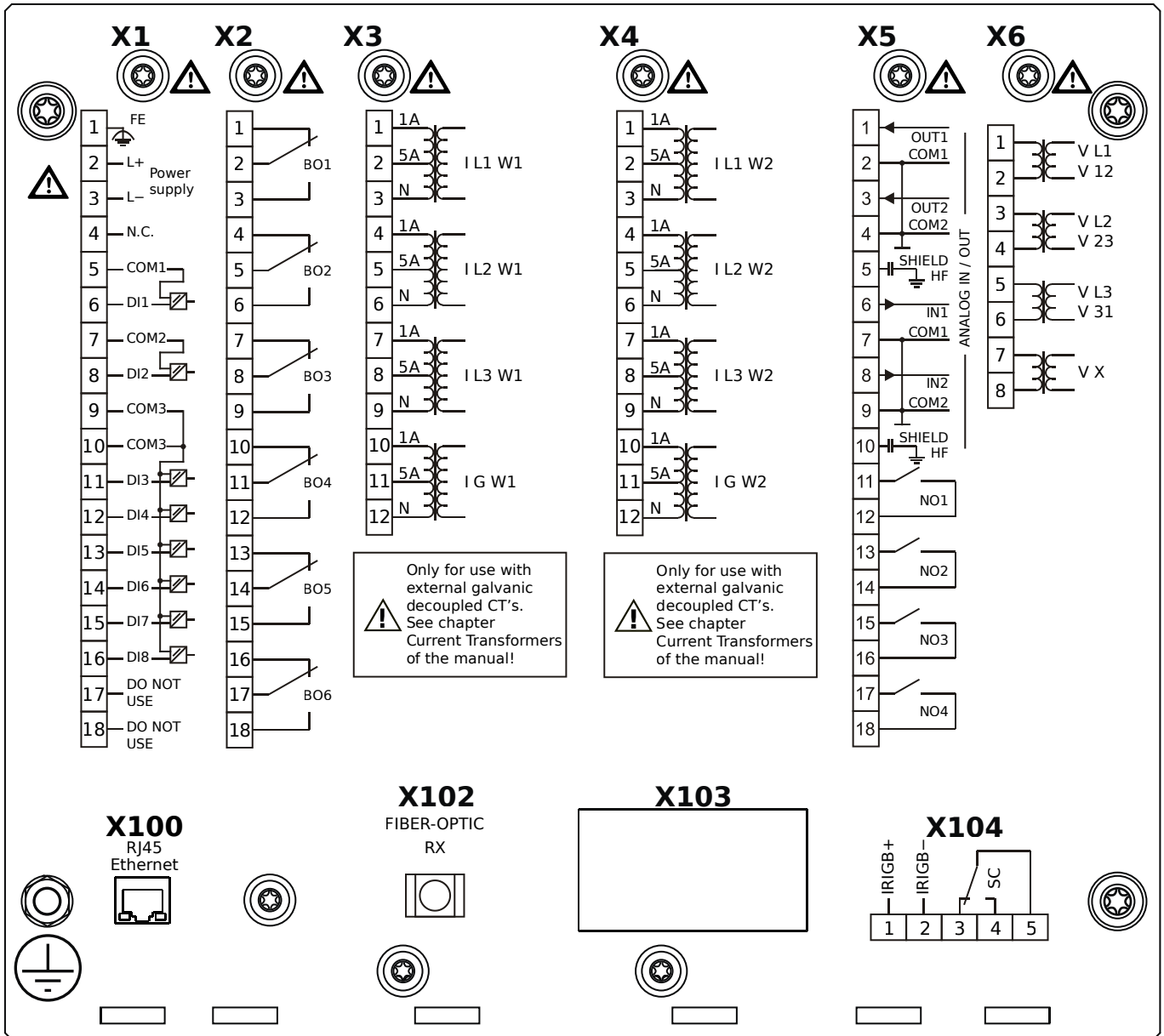
- X1** – DI8-X1: Wide-range power supply unit, incl. 2 non-grouped digital inputs and 6 grouped digital inputs
- X2** – OR-6: Assembly Group with 6 Relay Outputs
- X3** – TI-4: Standard ground current measuring card (for the neutral side of the differential protection)
- X4** – TI-4: Standard ground current measuring card (for the line side of the differential protection)
- X5** – AN I02-OR4: Assembly Group with 2 Analog Inputs, 2 Analog Outputs and 4 Output Relays
- X6** – TU: Card with 4 voltage transformer measuring inputs
- X102** – Universal Resistance-Temperature Detector (URTD) input, Fiber optics interface, ST Connector
- X103** – RS485, D-SUB
- X104** – IRIG-B00X, incl. System Contact (Supervision Contact)

MCDGV4-2B0HGB



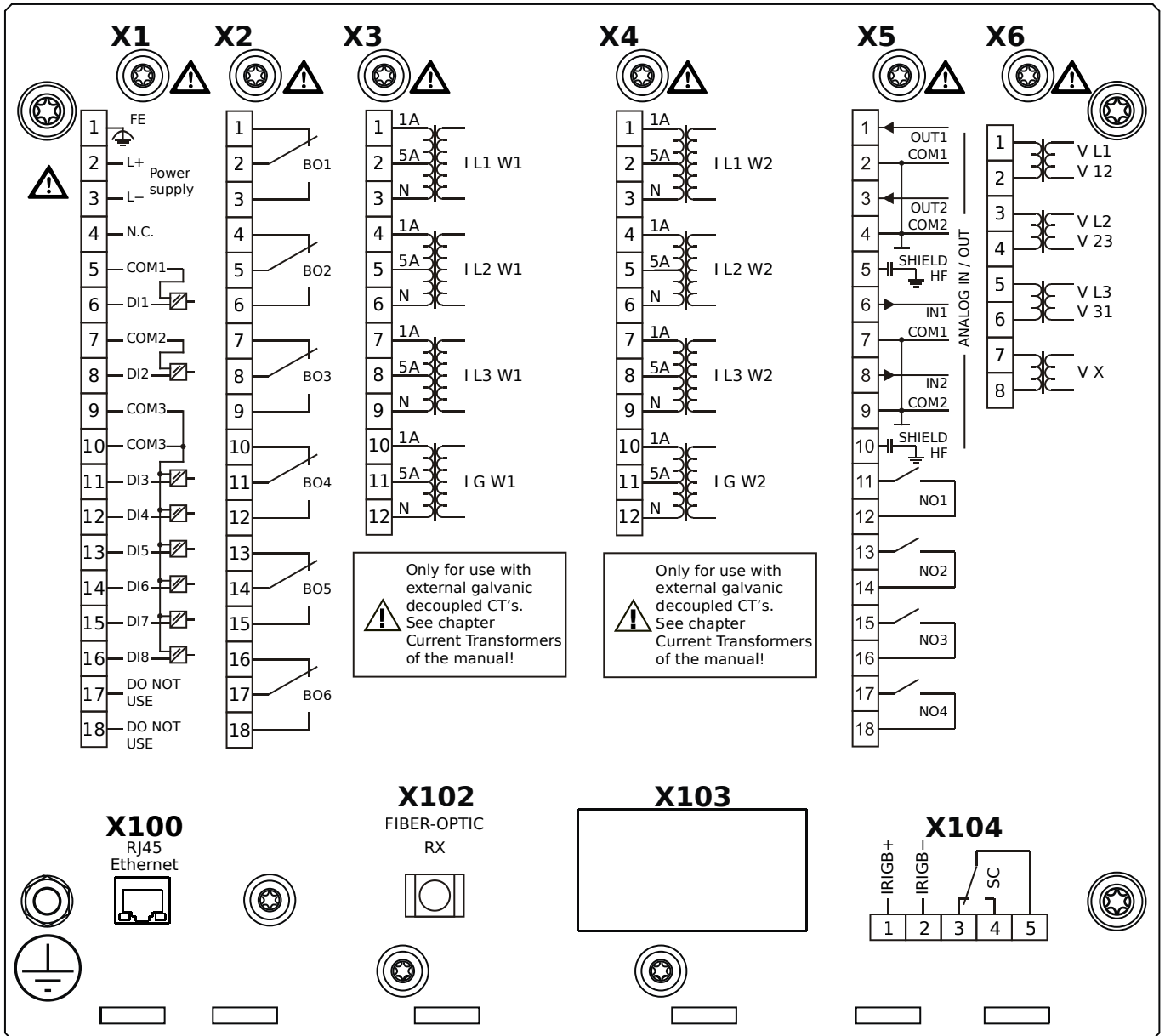
- X1** – DI8-X1: Wide-range power supply unit, incl. 2 non-grouped digital inputs and 6 grouped digital inputs
- X2** – OR-6: Assembly Group with 6 Relay Outputs
- X3** – TI-4: Standard ground current measuring card (for the neutral side of the differential protection)
- X4** – TI-4: Standard ground current measuring card (for the line side of the differential protection)
- X5** – AN I02-OR4: Assembly Group with 2 Analog Inputs, 2 Analog Outputs and 4 Output Relays
- X6** – TU: Card with 4 voltage transformer measuring inputs
- X102** – Universal Resistance-Temperature Detector (URTD) input, Fiber optics interface, ST Connector
- X103** – RS485, D-SUB
- X104** – IRIG-B00X, incl. System Contact (Supervision Contact)

MCDGV4-2B0HHA



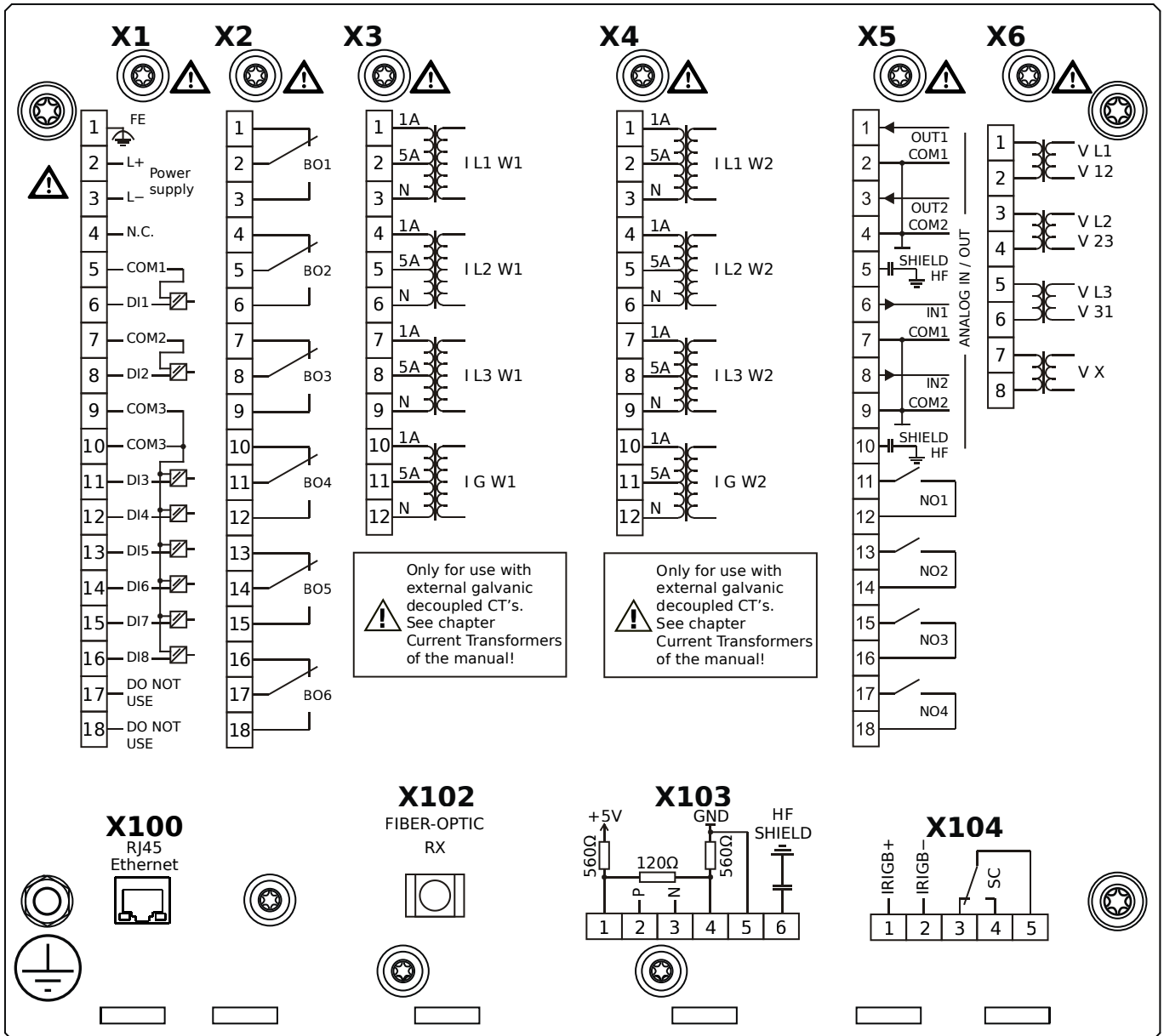
- X1** – DI8-X1: Wide-range power supply unit, incl. 2 non-grouped digital inputs and 6 grouped digital inputs
- X2** – OR-6: Assembly Group with 6 Relay Outputs
- X3** – TI-4: Standard ground current measuring card (for the neutral side of the differential protection)
- X4** – TI-4: Standard ground current measuring card (for the line side of the differential protection)
- X5** – AN I02-OR4: Assembly Group with 2 Analog Inputs, 2 Analog Outputs and 4 Output Relays
- X6** – TU: Card with 4 voltage transformer measuring inputs
- X100** – Ethernet interface, 100 Mbit/s, RJ45
- X102** – Universal Resistance-Temperature Detector (URTD) input, Fiber optics interface, ST Connector
- X104** – IRIG-B00X, incl. System Contact (Supervision Contact)

MCDGV4-2B0HHB



- X1** – DI8-X1: Wide-range power supply unit, incl. 2 non-grouped digital inputs and 6 grouped digital inputs
- X2** – OR-6: Assembly Group with 6 Relay Outputs
- X3** – TI-4: Standard ground current measuring card (for the neutral side of the differential protection)
- X4** – TI-4: Standard ground current measuring card (for the line side of the differential protection)
- X5** – AN I02-OR4: Assembly Group with 2 Analog Inputs, 2 Analog Outputs and 4 Output Relays
- X6** – TU: Card with 4 voltage transformer measuring inputs
- X100** – Ethernet interface, 100 Mbit/s, RJ45
- X102** – Universal Resistance-Temperature Detector (URTD) input, Fiber optics interface, ST Connector
- X104** – IRIG-B00X, incl. System Contact (Supervision Contact)

MCDGV4-2B0HIA



X1 – DI8-X1: Wide-range power supply unit, incl. 2 non-grouped digital inputs and 6 grouped digital inputs

X2 – OR-6: Assembly Group with 6 Relay Outputs

X3 – TI-4: Standard ground current measuring card (for the neutral side of the differential protection)

X4 – TI-4: Standard ground current measuring card (for the line side of the differential protection)

X5 – AN I02-OR4: Assembly Group with 2 Analog Inputs, 2 Analog Outputs and 4 Output Relays

X6 – TU: Card with 4 voltage transformer measuring inputs

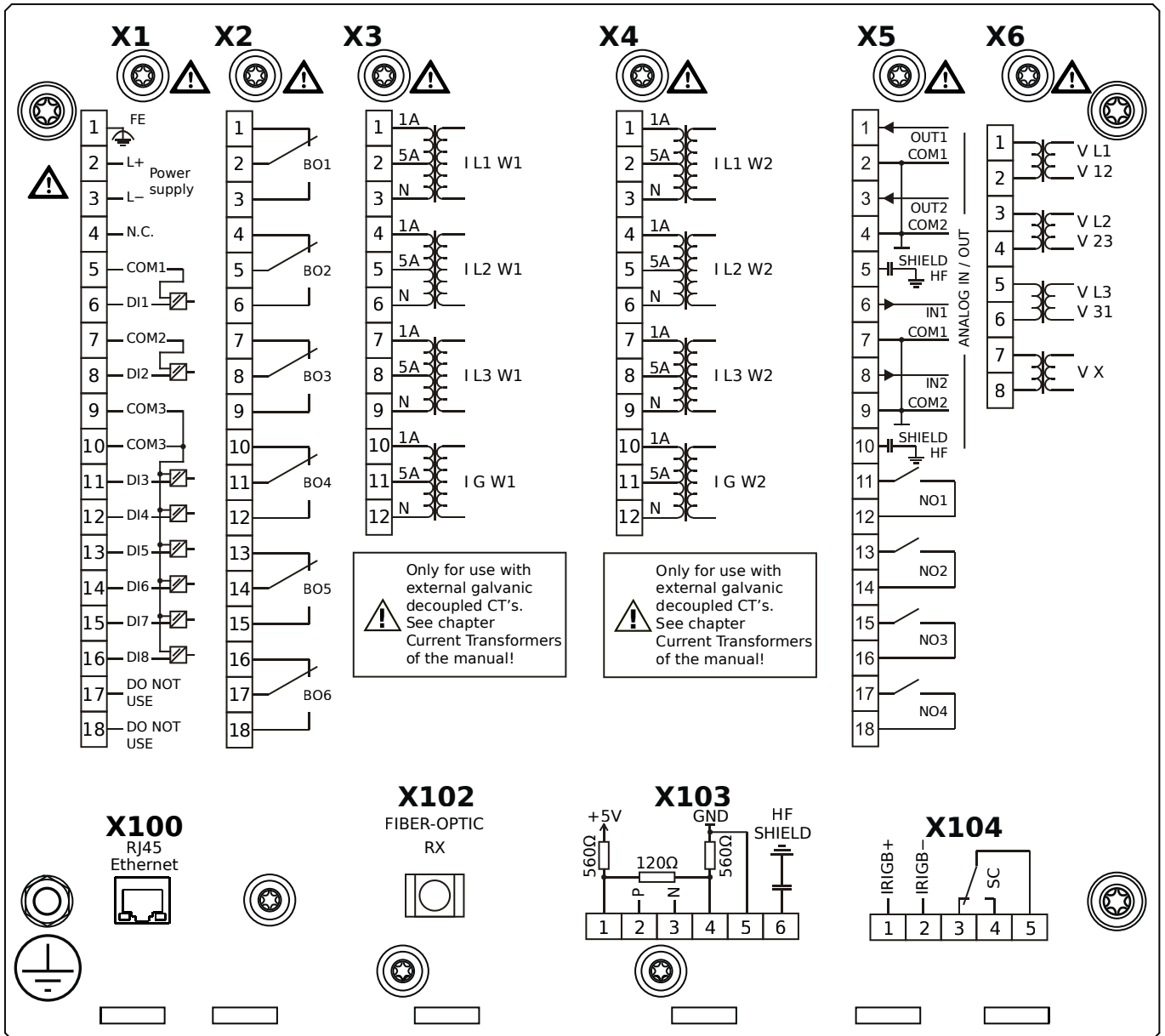
X100 – Ethernet interface, 100 Mbit/s, RJ45

X102 – Universal Resistance-Temperature Detector (URTD) input, Fiber optics interface, ST Connector

X103 – RS485, Terminals

X104 – IRIG-B00X, incl. System Contact (Supervision Contact)

MCDGV4-2B0HIB



X1 – DI8-X1: Wide-range power supply unit, incl. 2 non-grouped digital inputs and 6 grouped digital inputs

X2 – OR-6: Assembly Group with 6 Relay Outputs

X3 – TI-4: Standard ground current measuring card (for the neutral side of the differential protection)

X4 – TI-4: Standard ground current measuring card (for the line side of the differential protection)

X5 – AN I02-OR4: Assembly Group with 2 Analog Inputs, 2 Analog Outputs and 4 Output Relays

X6 – TU: Card with 4 voltage transformer measuring inputs

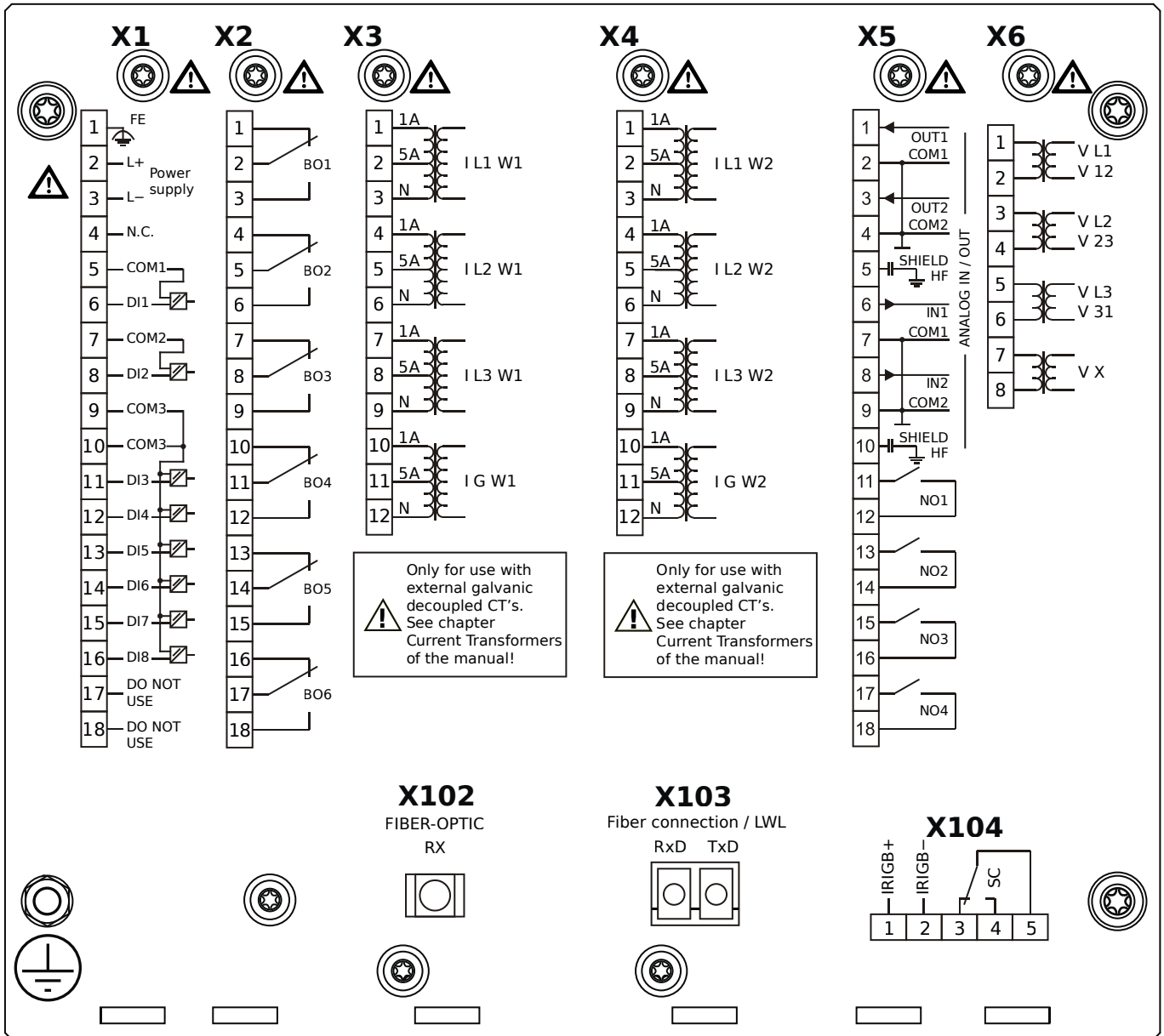
X100 – Ethernet interface, 100 Mbit/s, RJ45

X102 – Universal Resistance-Temperature Detector (URTD) input, Fiber optics interface, ST Connector

X103 – RS485, Terminals

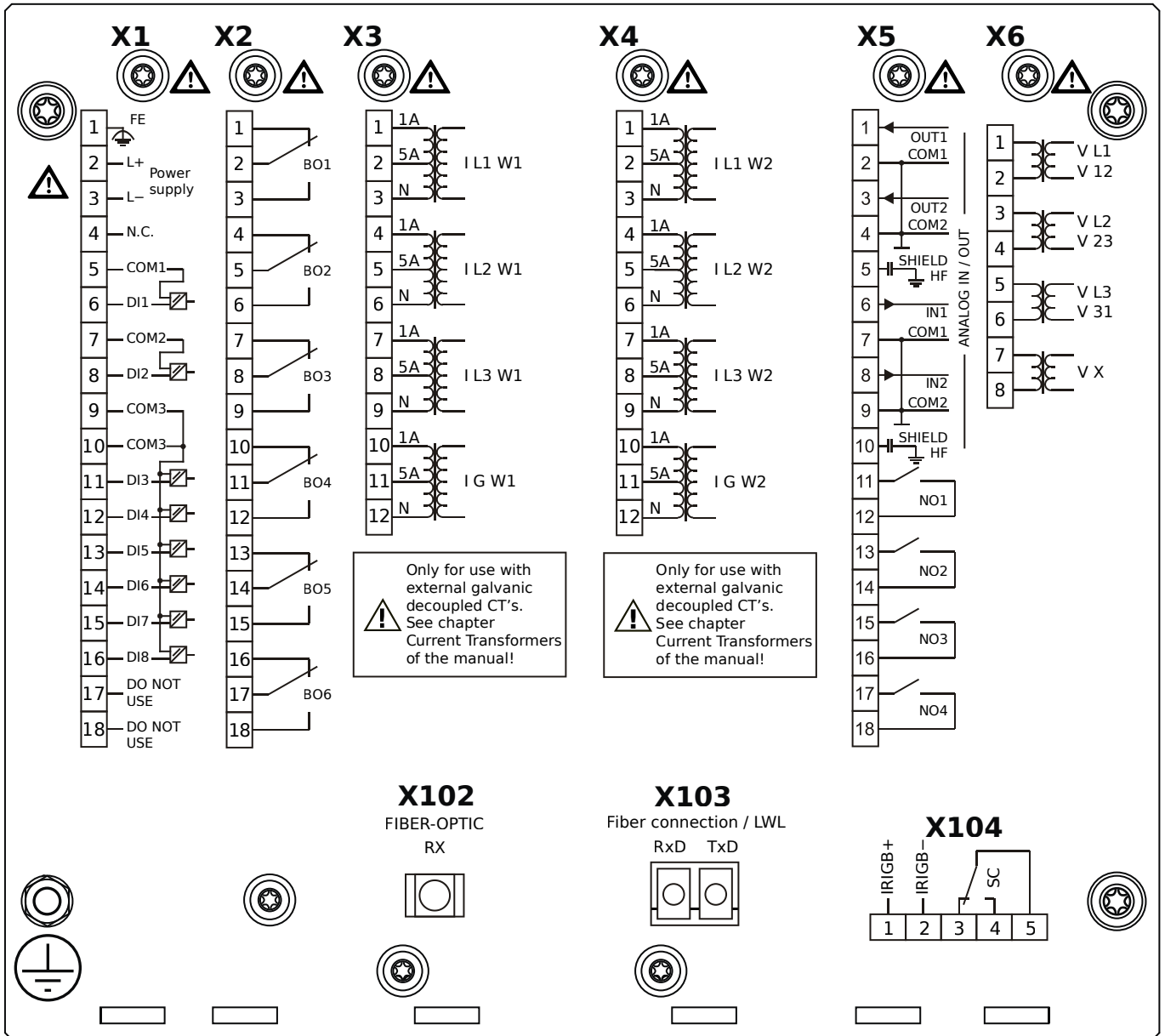
X104 – IRIG-B00X, incl. System Contact (Supervision Contact)

MCDGV4-2B0HKA



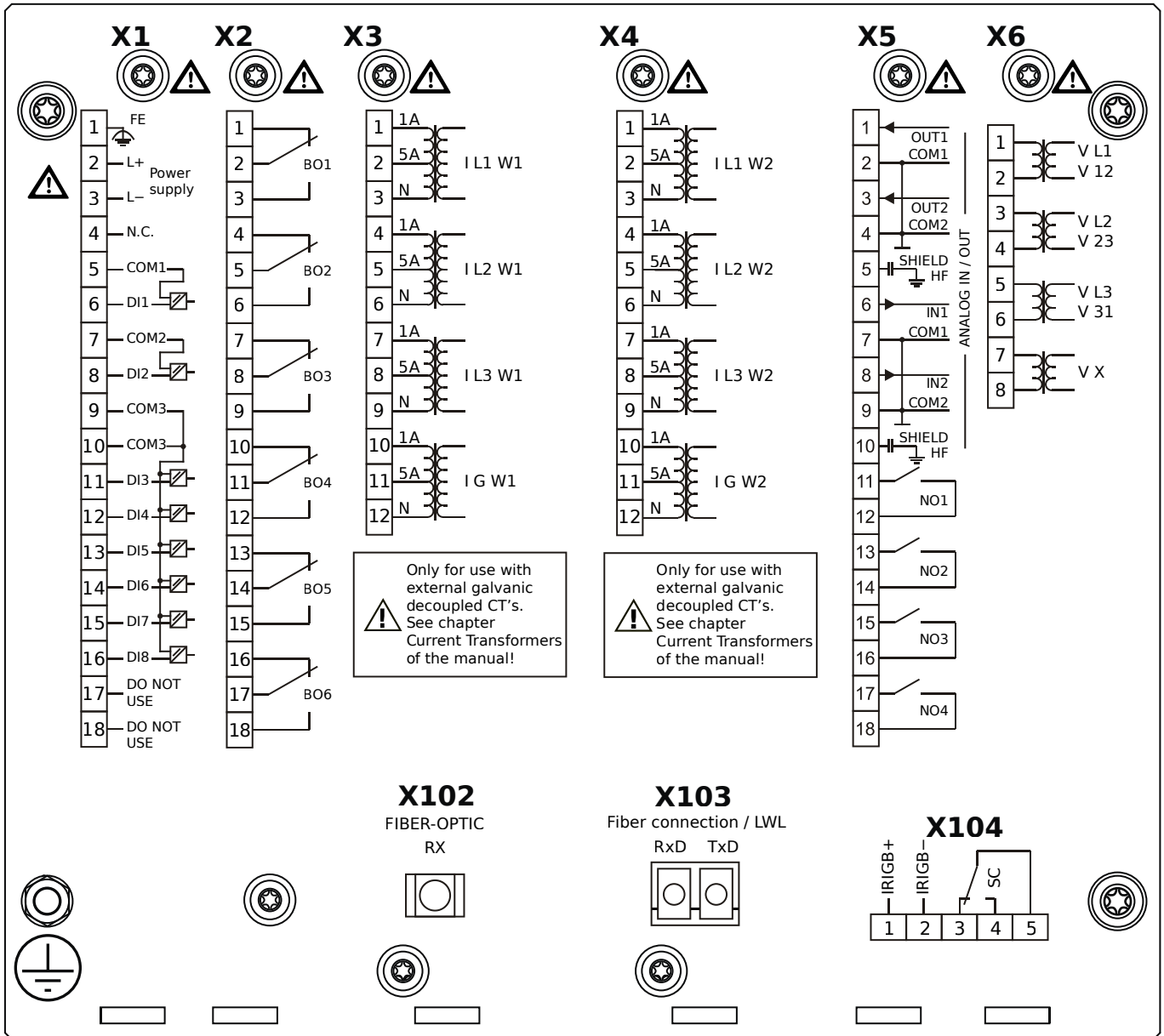
- X1** – DI8-X1: Wide-range power supply unit, incl. 2 non-grouped digital inputs and 6 grouped digital inputs
- X2** – OR-6: Assembly Group with 6 Relay Outputs
- X3** – TI-4: Standard ground current measuring card (for the neutral side of the differential protection)
- X4** – TI-4: Standard ground current measuring card (for the line side of the differential protection)
- X5** – AN I02-OR4: Assembly Group with 2 Analog Inputs, 2 Analog Outputs and 4 Output Relays
- X6** – TU: Card with 4 voltage transformer measuring inputs
- X102** – Universal Resistance-Temperature Detector (URTD) input, Fiber optics interface, ST Connector
- X103** – Fiber optics interface, LC Connector
- X104** – IRIG-B00X, incl. System Contact (Supervision Contact)

MCDGV4-2B0HKB



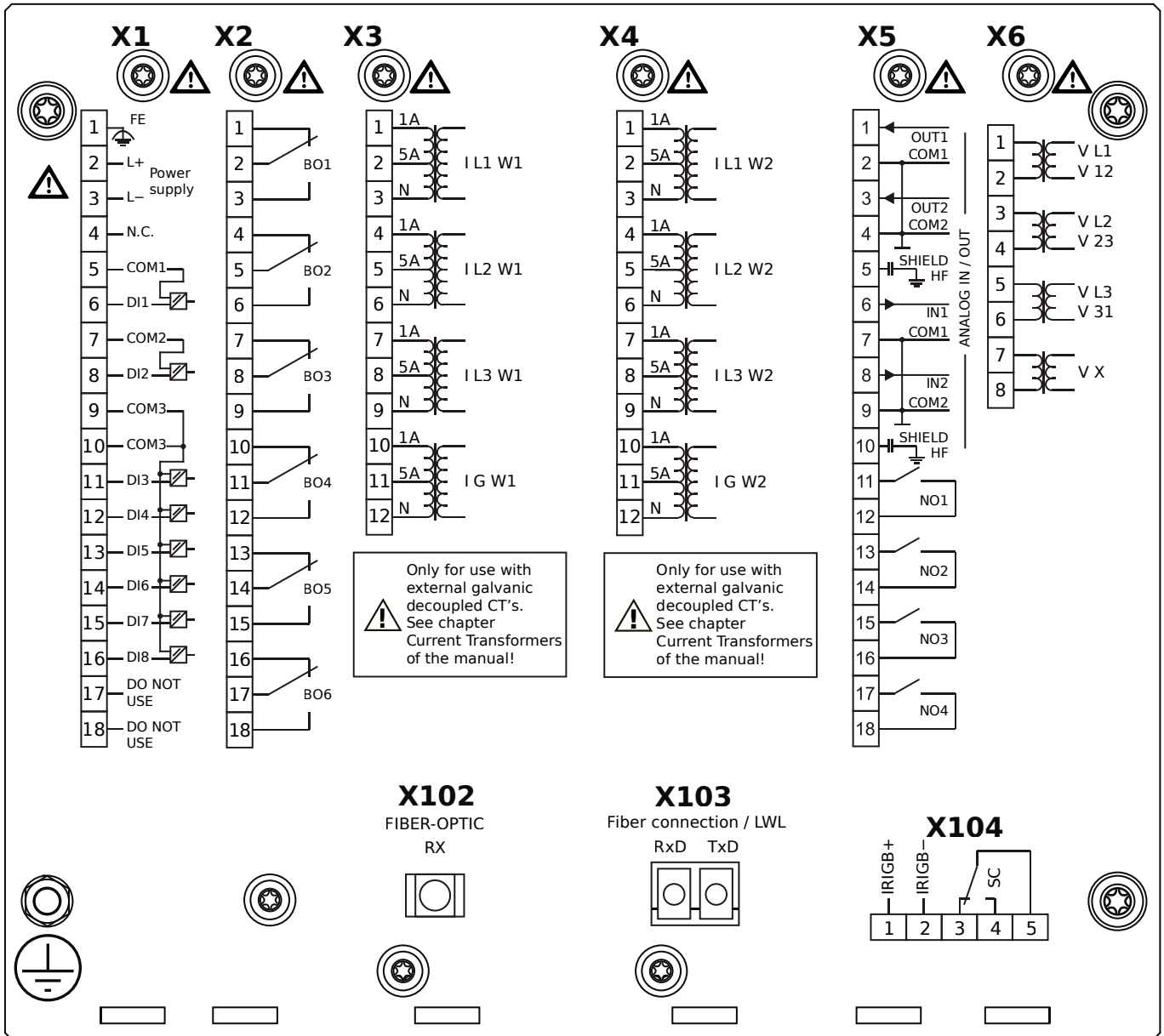
- X1** – DI8-X1: Wide-range power supply unit, incl. 2 non-grouped digital inputs and 6 grouped digital inputs
- X2** – OR-6: Assembly Group with 6 Relay Outputs
- X3** – TI-4: Standard ground current measuring card (for the neutral side of the differential protection)
- X4** – TI-4: Standard ground current measuring card (for the line side of the differential protection)
- X5** – AN I02-OR4: Assembly Group with 2 Analog Inputs, 2 Analog Outputs and 4 Output Relays
- X6** – TU: Card with 4 voltage transformer measuring inputs
- X102** – Universal Resistance-Temperature Detector (URTD) input, Fiber optics interface, ST Connector
- X103** – Fiber optics interface, LC Connector
- X104** – IRIG-B00X, incl. System Contact (Supervision Contact)

MCDGV4-2B0HLA



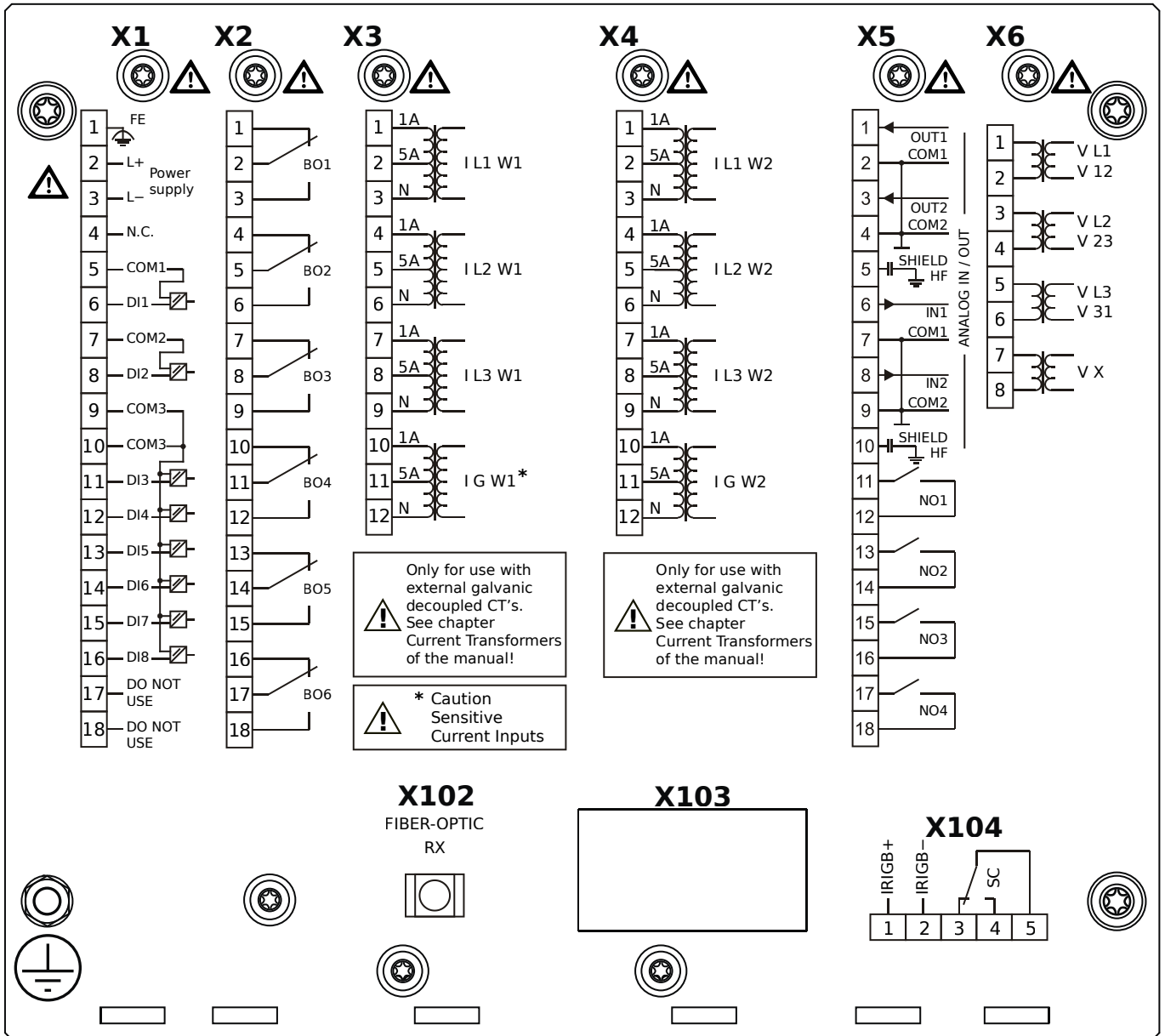
- X1** – DI8-X1: Wide-range power supply unit, incl. 2 non-grouped digital inputs and 6 grouped digital inputs
- X2** – OR-6: Assembly Group with 6 Relay Outputs
- X3** – TI-4: Standard ground current measuring card (for the neutral side of the differential protection)
- X4** – TI-4: Standard ground current measuring card (for the line side of the differential protection)
- X5** – AN I02-OR4: Assembly Group with 2 Analog Inputs, 2 Analog Outputs and 4 Output Relays
- X6** – TU: Card with 4 voltage transformer measuring inputs
- X102** – Universal Resistance-Temperature Detector (URTD) input, Fiber optics interface, ST Connector
- X103** – Fiber optics interface, LC Connector
- X104** – IRIG-B00X, incl. System Contact (Supervision Contact)

MCDGV4-2B0HLB



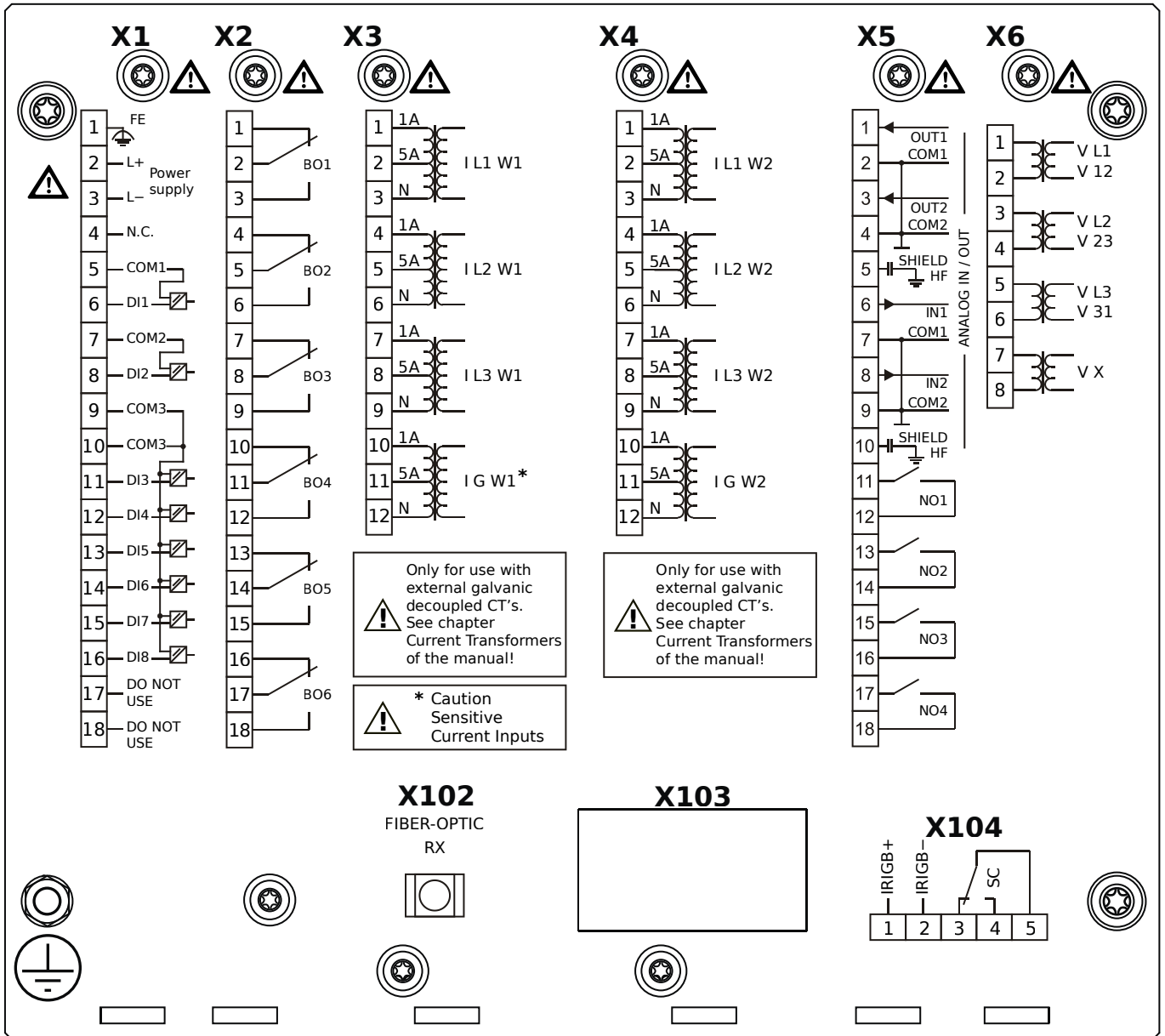
- X1** – DI8-X1: Wide-range power supply unit, incl. 2 non-grouped digital inputs and 6 grouped digital inputs
- X2** – OR-6: Assembly Group with 6 Relay Outputs
- X3** – TI-4: Standard ground current measuring card (for the neutral side of the differential protection)
- X4** – TI-4: Standard ground current measuring card (for the line side of the differential protection)
- X5** – AN I02-OR4: Assembly Group with 2 Analog Inputs, 2 Analog Outputs and 4 Output Relays
- X6** – TU: Card with 4 voltage transformer measuring inputs
- X102** – Universal Resistance-Temperature Detector (URTD) input, Fiber optics interface, ST Connector
- X103** – Fiber optics interface, LC Connector
- X104** – IRIG-B00X, incl. System Contact (Supervision Contact)

MCDGV4-2B1AAA



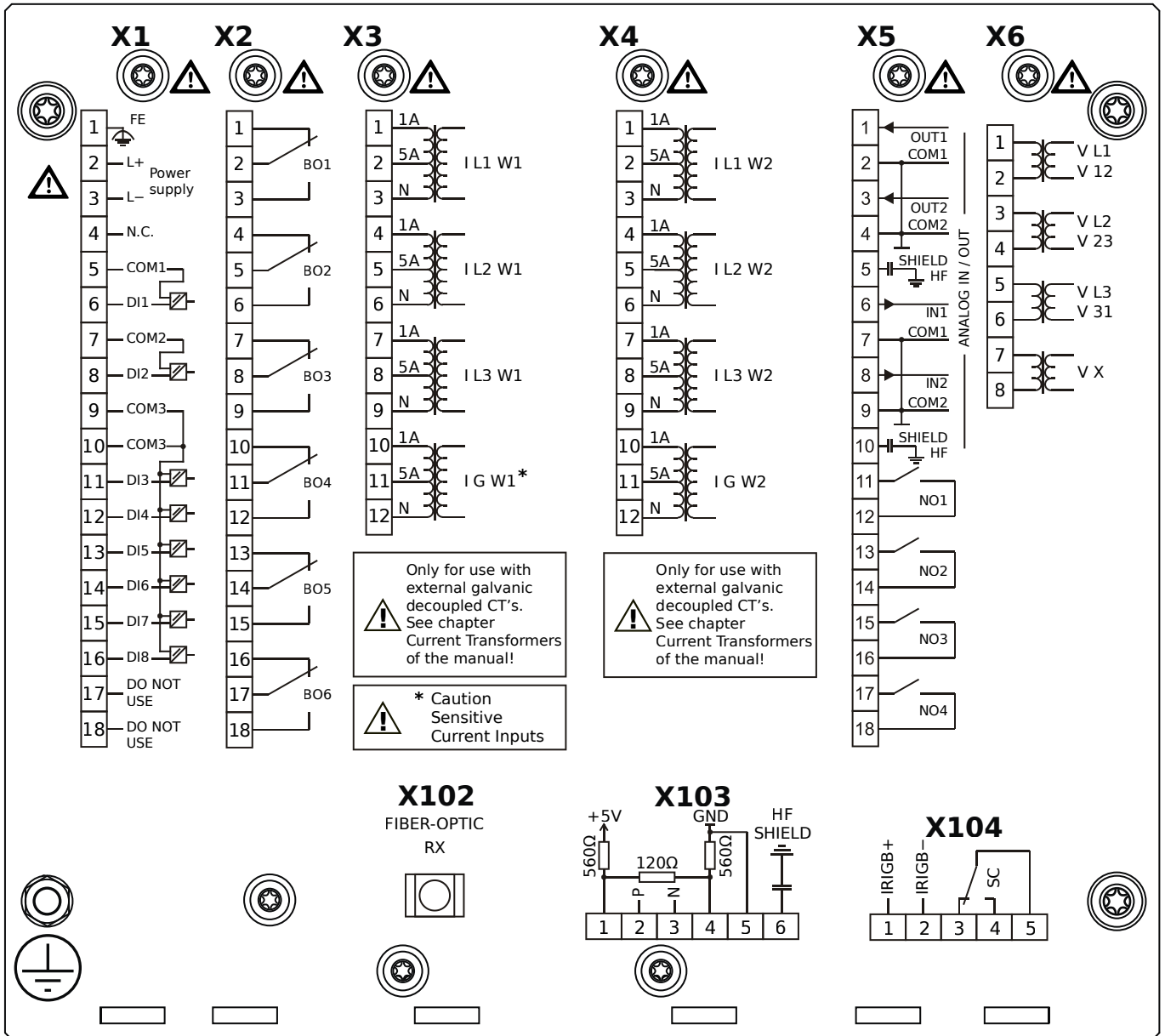
- X1** – DI8-X1: Wide-range power supply unit, incl. 2 non-grouped digital inputs and 6 grouped digital inputs
- X2** – OR-6: Assembly Group with 6 Relay Outputs
- X3** – TIS-4: Sensitive Ground current measuring card (for the neutral side of the differential protection)
- X4** – TI-4: Standard ground current measuring card (for the line side of the differential protection)
- X5** – AN I02-OR4: Assembly Group with 2 Analog Inputs, 2 Analog Outputs and 4 Output Relays
- X6** – TU: Card with 4 voltage transformer measuring inputs
- X102** – Universal Resistance-Temperature Detector (URTD) input, Fiber optics interface, ST Connector
- X104** – IRIG-B00X, incl. System Contact (Supervision Contact)

MCDGV4-2B1AAB



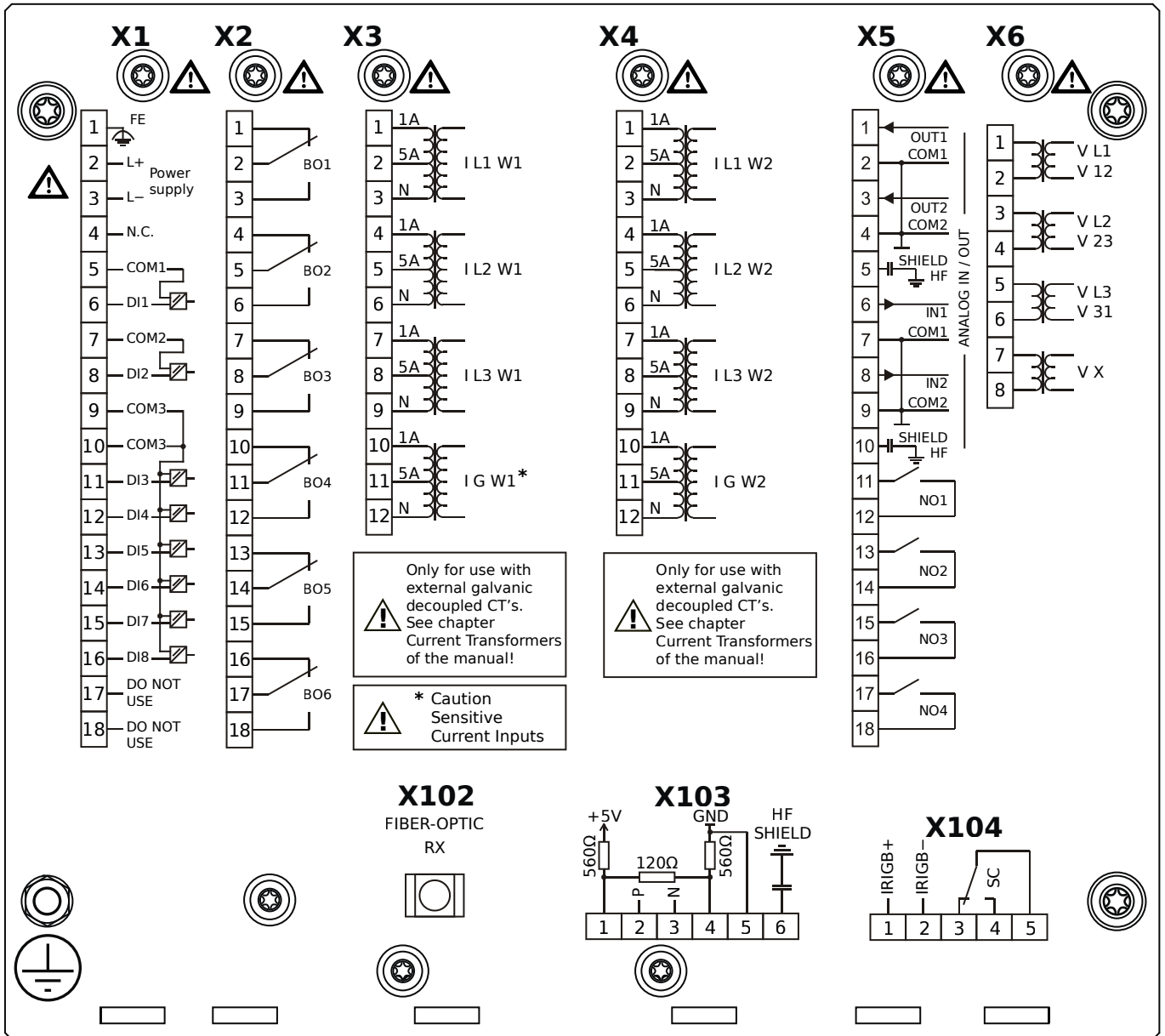
- X1** – DI8-X1: Wide-range power supply unit, incl. 2 non-grouped digital inputs and 6 grouped digital inputs
- X2** – OR-6: Assembly Group with 6 Relay Outputs
- X3** – TIS-4: Sensitive Ground current measuring card (for the neutral side of the differential protection)
- X4** – TI-4: Standard ground current measuring card (for the line side of the differential protection)
- X5** – AN I02-OR4: Assembly Group with 2 Analog Inputs, 2 Analog Outputs and 4 Output Relays
- X6** – TU: Card with 4 voltage transformer measuring inputs
- X102** – Universal Resistance-Temperature Detector (URTD) input, Fiber optics interface, ST Connector
- X104** – IRIG-B00X, incl. System Contact (Supervision Contact)

MCDGV4-2B1ABA



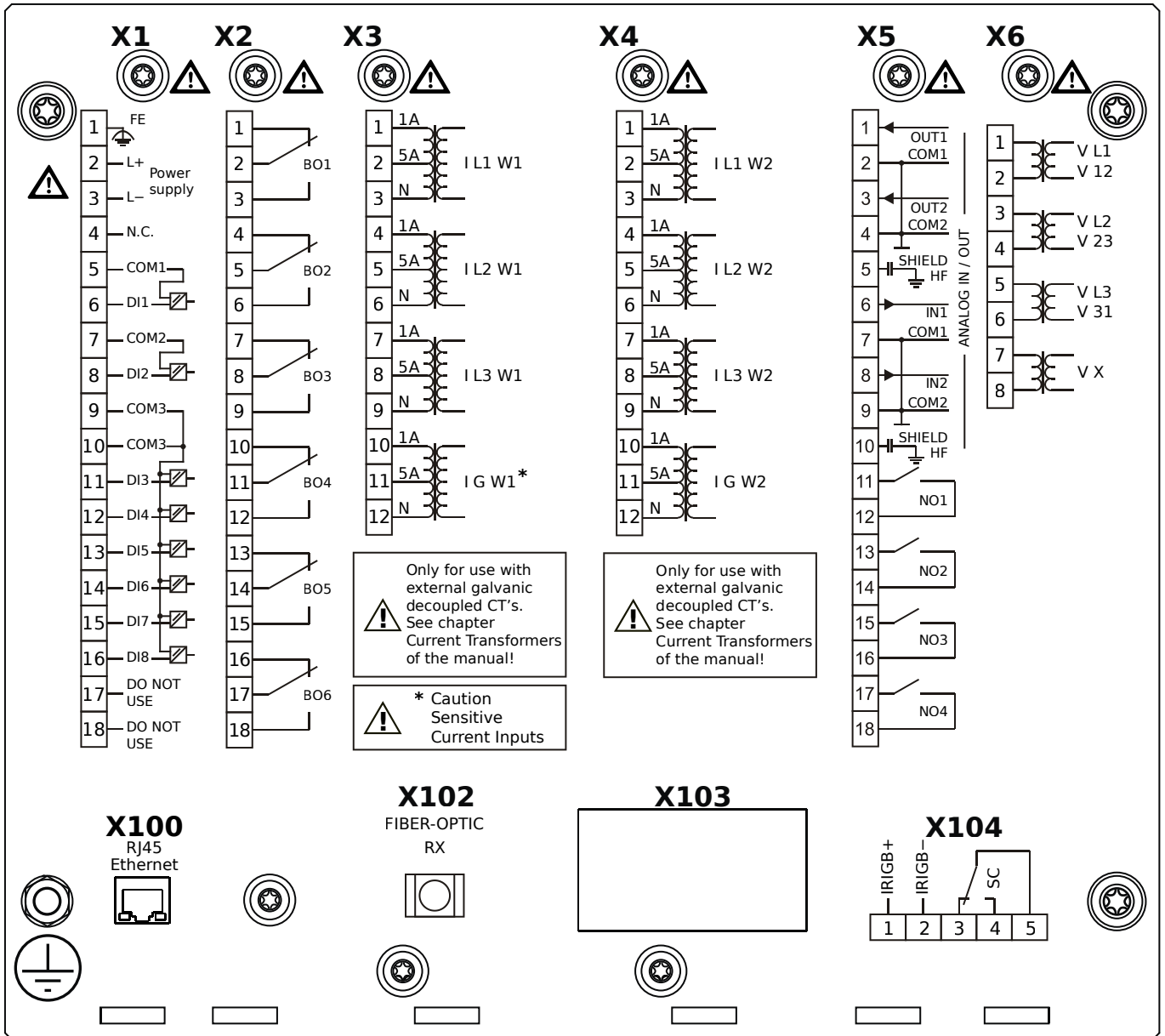
- X1** – DI8-X1: Wide-range power supply unit, incl. 2 non-grouped digital inputs and 6 grouped digital inputs
- X2** – OR-6: Assembly Group with 6 Relay Outputs
- X3** – TIS-4: Sensitive Ground current measuring card (for the neutral side of the differential protection)
- X4** – TI-4: Standard ground current measuring card (for the line side of the differential protection)
- X5** – AN I02-OR4: Assembly Group with 2 Analog Inputs, 2 Analog Outputs and 4 Output Relays
- X6** – TU: Card with 4 voltage transformer measuring inputs
- X102** – Universal Resistance-Temperature Detector (URTD) input, Fiber optics interface, ST Connector
- X103** – RS485, Terminals
- X104** – IRIG-B00X, incl. System Contact (Supervision Contact)

MCDGV4-2B1ABB



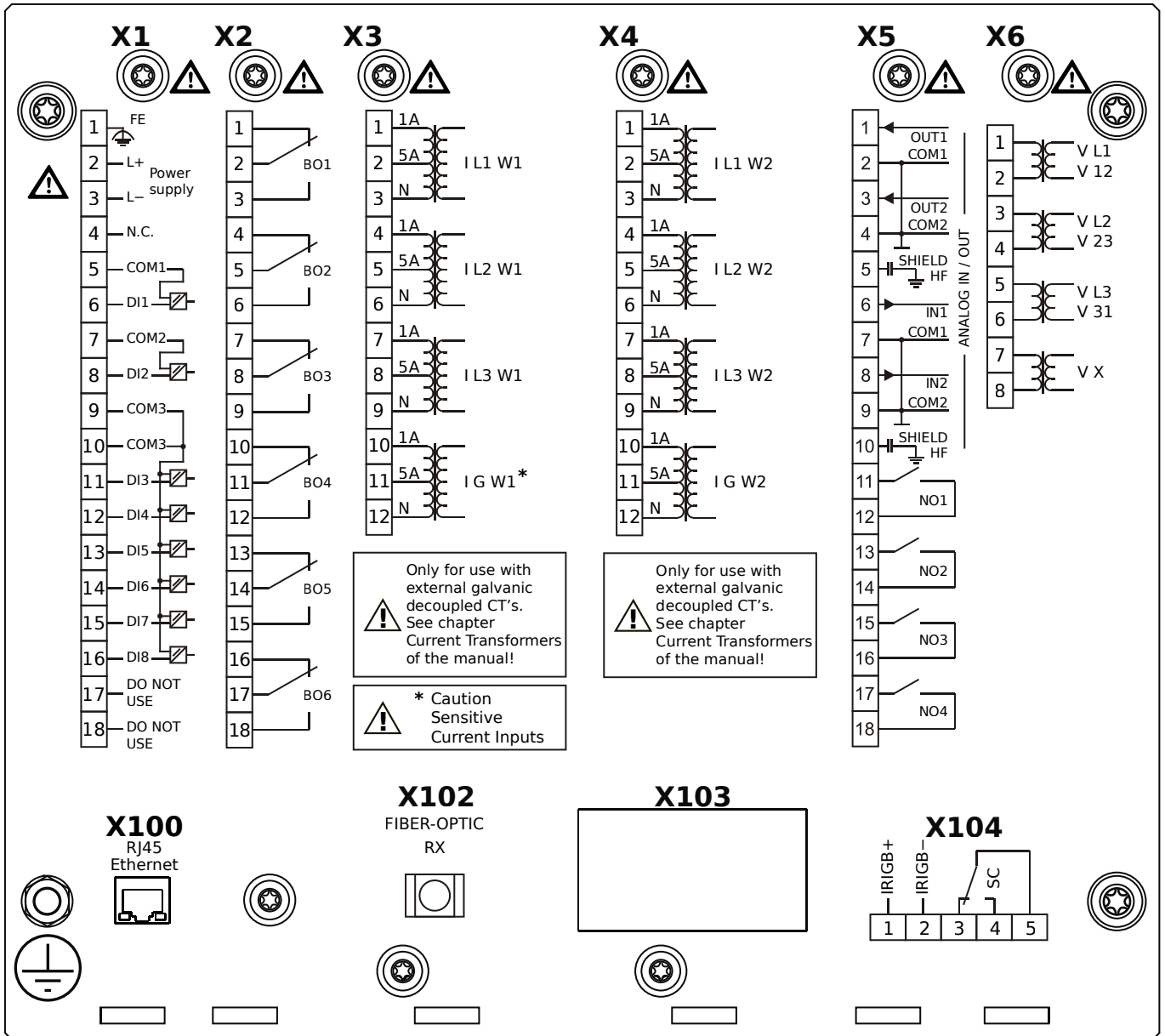
- X1** – DI8-X1: Wide-range power supply unit, incl. 2 non-grouped digital inputs and 6 grouped digital inputs
- X2** – OR-6: Assembly Group with 6 Relay Outputs
- X3** – TIS-4: Sensitive Ground current measuring card (for the neutral side of the differential protection)
- X4** – TI-4: Standard ground current measuring card (for the line side of the differential protection)
- X5** – AN I02-OR4: Assembly Group with 2 Analog Inputs, 2 Analog Outputs and 4 Output Relays
- X6** – TU: Card with 4 voltage transformer measuring inputs
- X102** – Universal Resistance-Temperature Detector (URTD) input, Fiber optics interface, ST Connector
- X103** – RS485, Terminals
- X104** – IRIG-B00X, incl. System Contact (Supervision Contact)

MCDGV4-2B1ACA



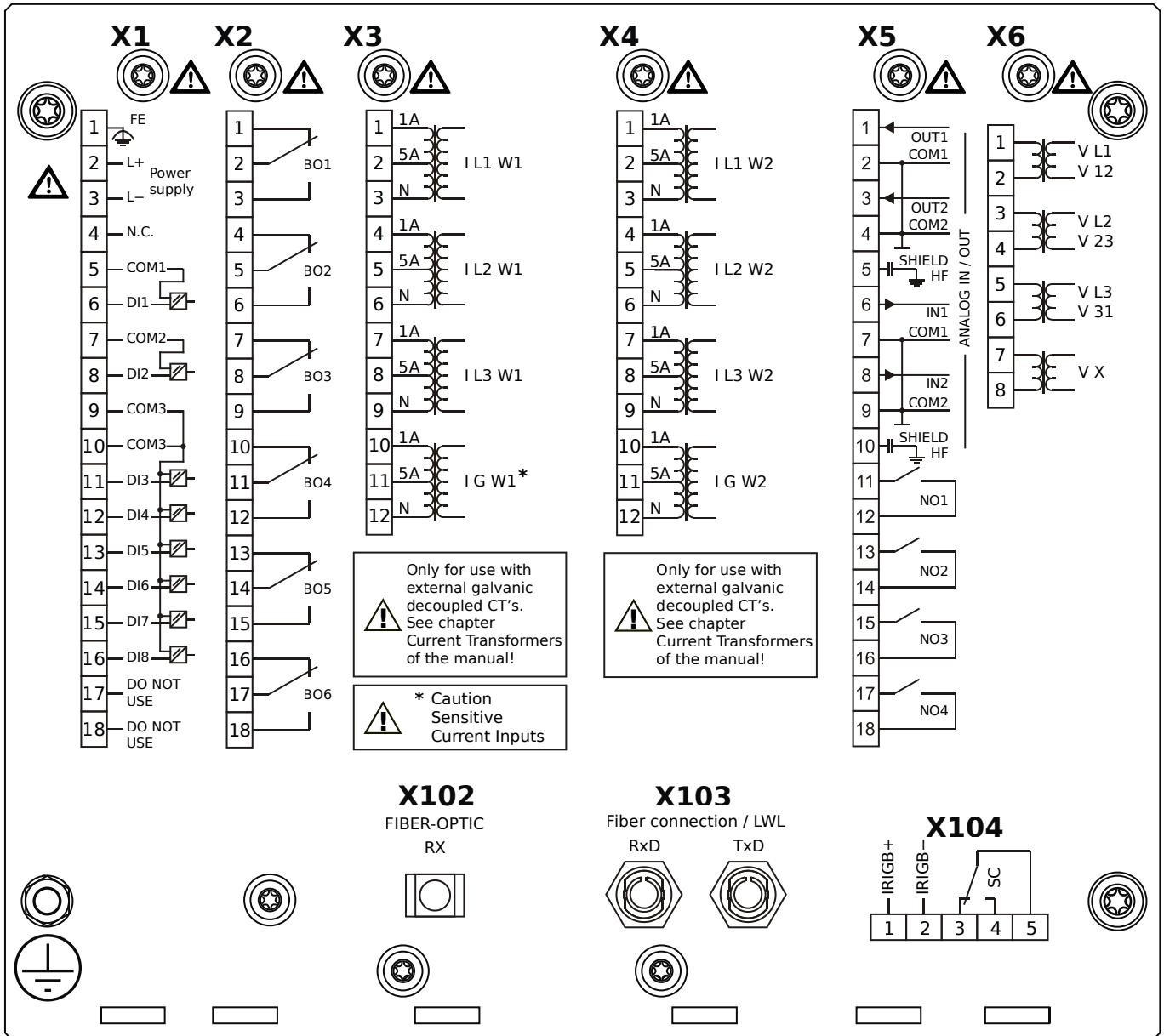
- X1** – DI8-X1: Wide-range power supply unit, incl. 2 non-grouped digital inputs and 6 grouped digital inputs
- X2** – OR-6: Assembly Group with 6 Relay Outputs
- X3** – TIS-4: Sensitive Ground current measuring card (for the neutral side of the differential protection)
- X4** – TI-4: Standard ground current measuring card (for the line side of the differential protection)
- X5** – AN I02-OR4: Assembly Group with 2 Analog Inputs, 2 Analog Outputs and 4 Output Relays
- X6** – TU: Card with 4 voltage transformer measuring inputs
- X100** – Ethernet interface, 100 Mbit/s, RJ45
- X102** – Universal Resistance-Temperature Detector (URTD) input, Fiber optics interface, ST Connector
- X104** – IRIG-B00X, incl. System Contact (Supervision Contact)

MCDGV4-2B1ACB



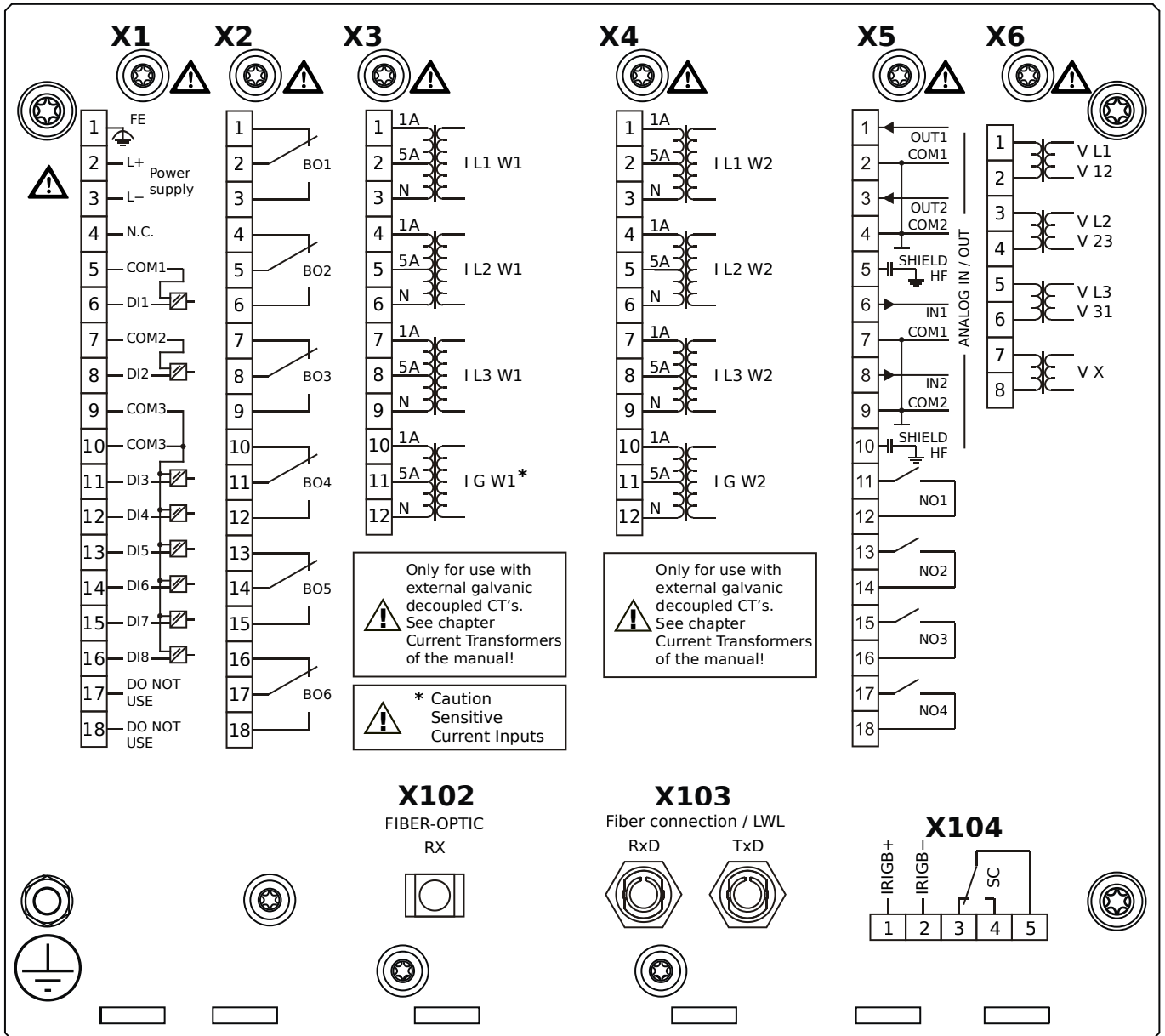
- X1** – DI8-X1: Wide-range power supply unit, incl. 2 non-grouped digital inputs and 6 grouped digital inputs
- X2** – OR-6: Assembly Group with 6 Relay Outputs
- X3** – TIS-4: Sensitive Ground current measuring card (for the neutral side of the differential protection)
- X4** – TI-4: Standard ground current measuring card (for the line side of the differential protection)
- X5** – AN I02-OR4: Assembly Group with 2 Analog Inputs, 2 Analog Outputs and 4 Output Relays
- X6** – TU: Card with 4 voltage transformer measuring inputs
- X100** – Ethernet interface, 100 Mbit/s, RJ45
- X102** – Universal Resistance-Temperature Detector (URTD) input, Fiber optics interface, ST Connector
- X104** – IRIG-B00X, incl. System Contact (Supervision Contact)

MCDGV4-2B1ADA



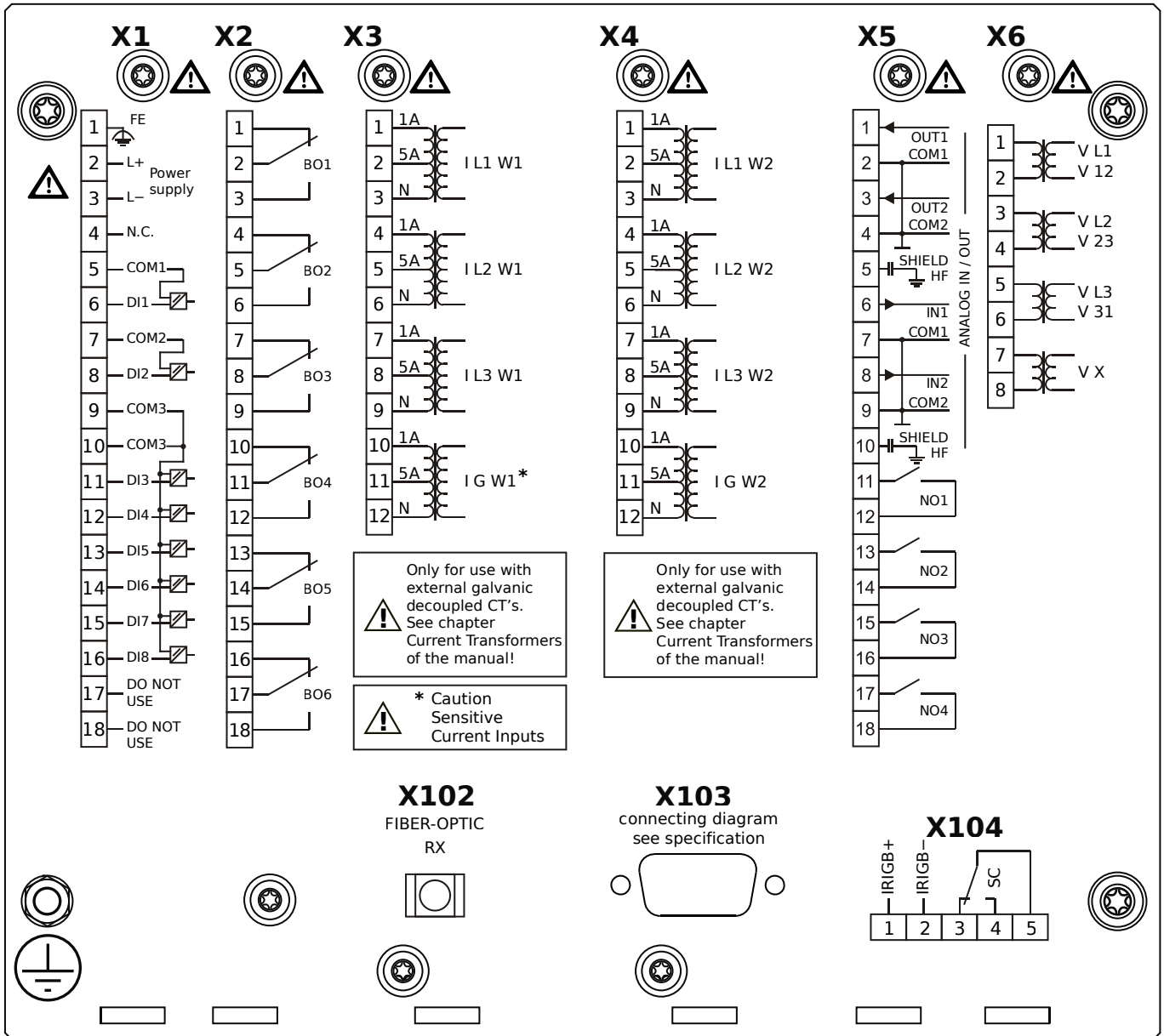
- X1** – DI8-X1: Wide-range power supply unit, incl. 2 non-grouped digital inputs and 6 grouped digital inputs
- X2** – OR-6: Assembly Group with 6 Relay Outputs
- X3** – TIS-4: Sensitive Ground current measuring card (for the neutral side of the differential protection)
- X4** – TI-4: Standard ground current measuring card (for the line side of the differential protection)
- X5** – AN I02-OR4: Assembly Group with 2 Analog Inputs, 2 Analog Outputs and 4 Output Relays
- X6** – TU: Card with 4 voltage transformer measuring inputs
- X102** – Universal Resistance-Temperature Detector (URTD) input, Fiber optics interface, ST Connector
- X103** – Fiber optics interface, ST Connector
- X104** – IRIG-B00X, incl. System Contact (Supervision Contact)

MCDGV4-2B1ADB



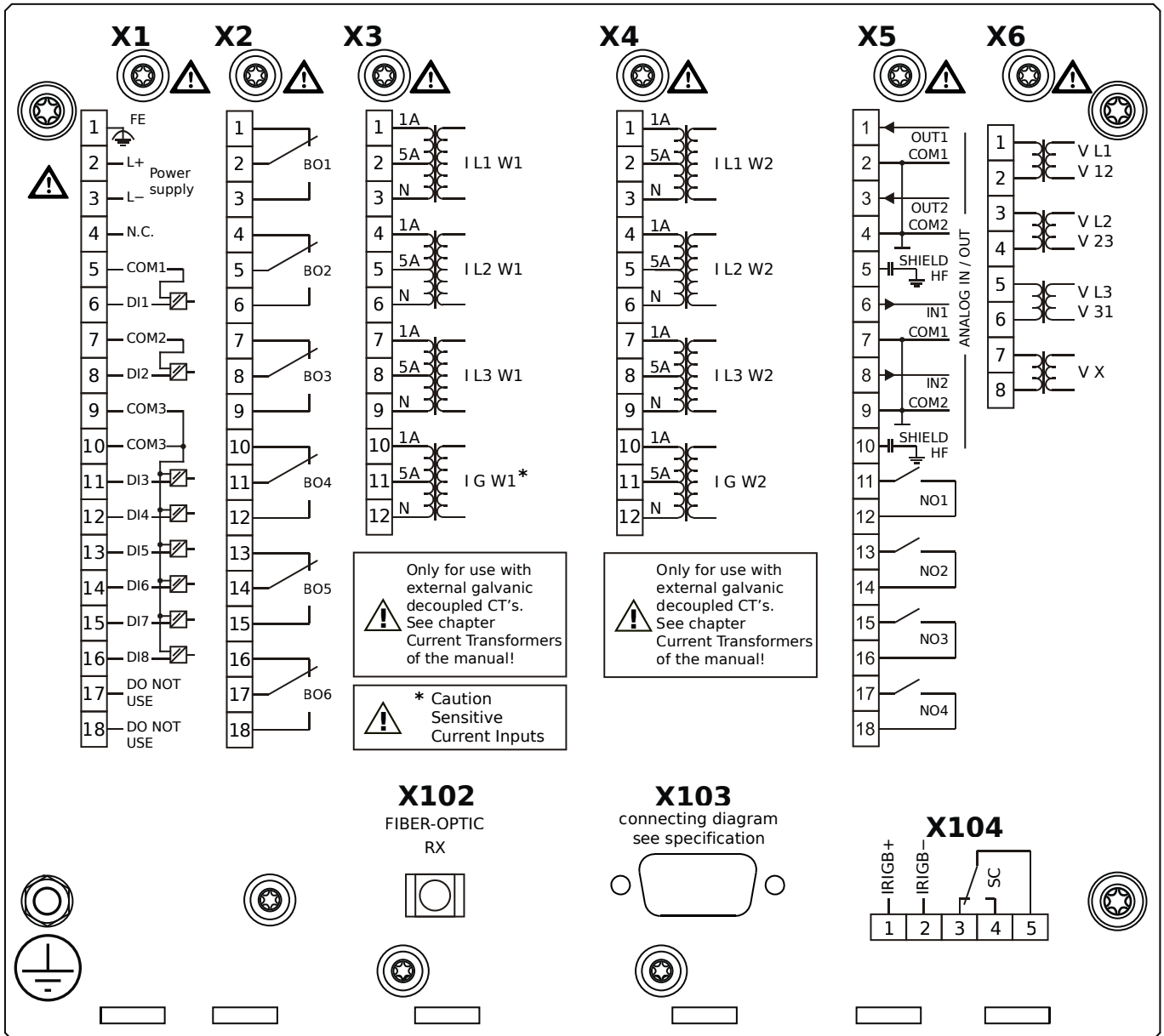
- X1** – DI8-X1: Wide-range power supply unit, incl. 2 non-grouped digital inputs and 6 grouped digital inputs
- X2** – OR-6: Assembly Group with 6 Relay Outputs
- X3** – TIS-4: Sensitive Ground current measuring card (for the neutral side of the differential protection)
- X4** – TI-4: Standard ground current measuring card (for the line side of the differential protection)
- X5** – AN I02-OR4: Assembly Group with 2 Analog Inputs, 2 Analog Outputs and 4 Output Relays
- X6** – TU: Card with 4 voltage transformer measuring inputs
- X102** – Universal Resistance-Temperature Detector (URTD) input, Fiber optics interface, ST Connector
- X103** – Fiber optics interface, ST Connector
- X104** – IRIG-B00X, incl. System Contact (Supervision Contact)

MCDGV4-2B1AEA



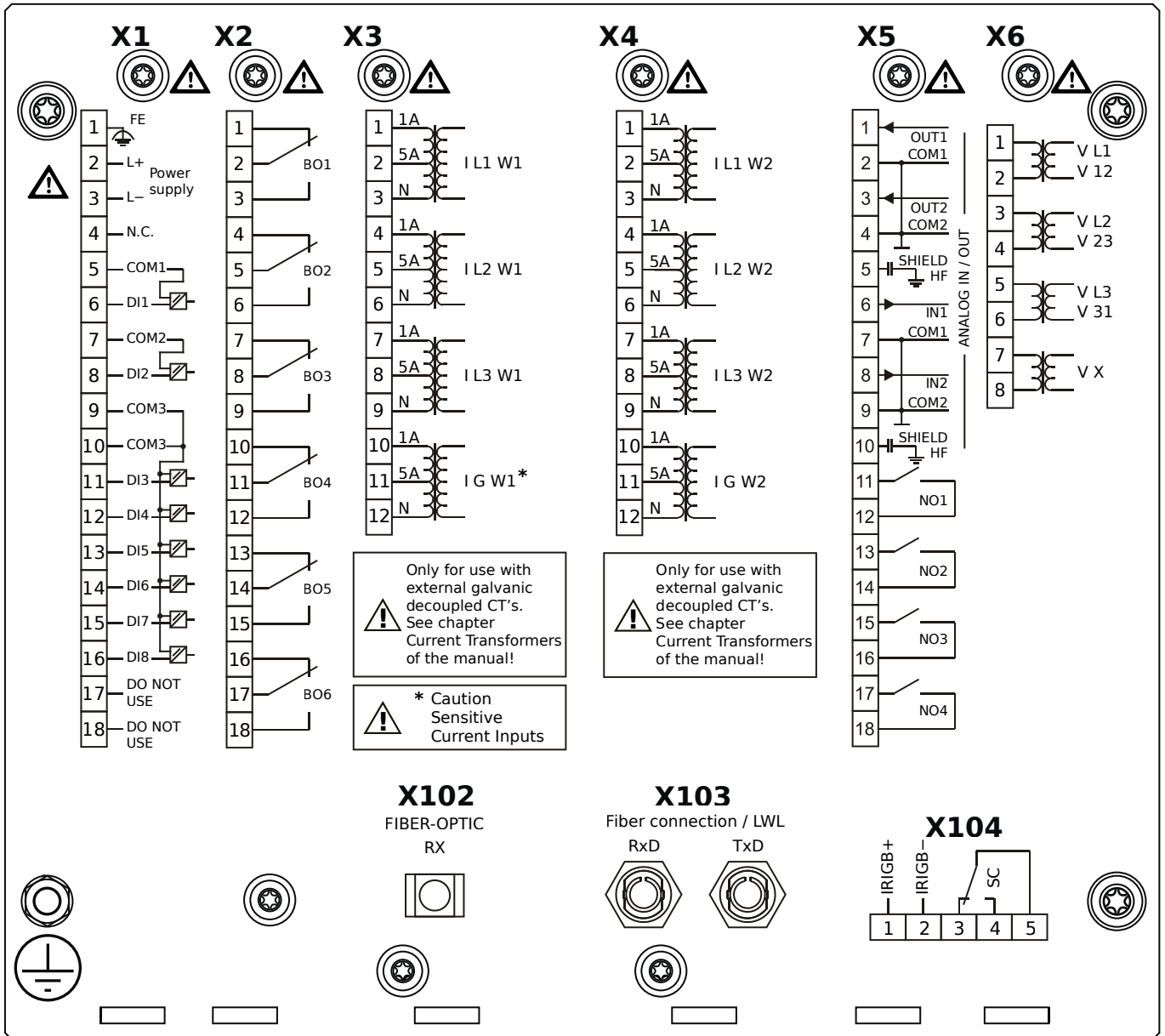
- X1** – DI8-X1: Wide-range power supply unit, incl. 2 non-grouped digital inputs and 6 grouped digital inputs
- X2** – OR-6: Assembly Group with 6 Relay Outputs
- X3** – TIS-4: Sensitive Ground current measuring card (for the neutral side of the differential protection)
- X4** – TI-4: Standard ground current measuring card (for the line side of the differential protection)
- X5** – AN I02-OR4: Assembly Group with 2 Analog Inputs, 2 Analog Outputs and 4 Output Relays
- X6** – TU: Card with 4 voltage transformer measuring inputs
- X102** – Universal Resistance-Temperature Detector (URTD) input, Fiber optics interface, ST Connector
- X103** – RS485, D-SUB
- X104** – IRIG-B00X, incl. System Contact (Supervision Contact)

MCDGV4-2B1AEB



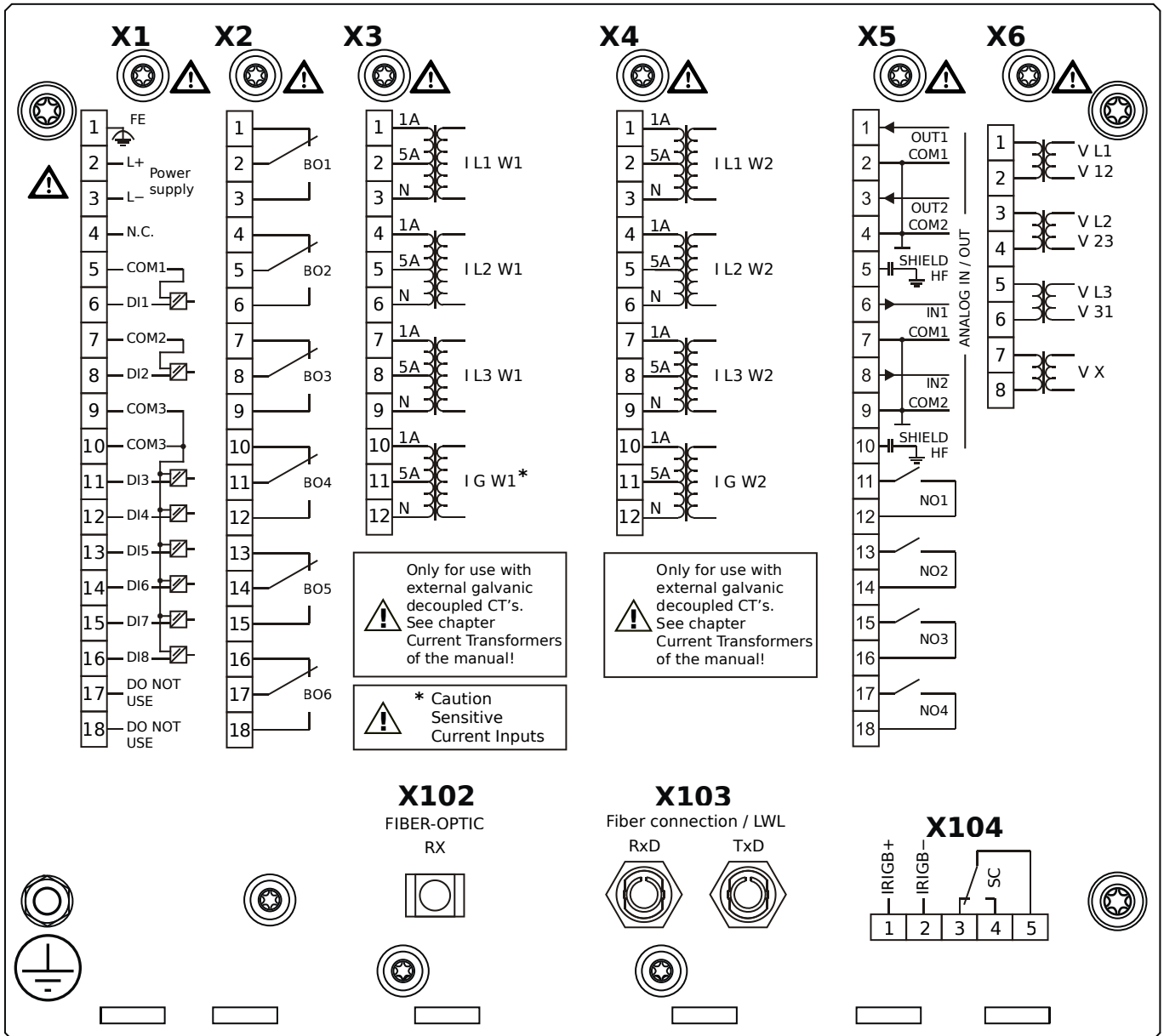
- X1** – DI8-X1: Wide-range power supply unit, incl. 2 non-grouped digital inputs and 6 grouped digital inputs
- X2** – OR-6: Assembly Group with 6 Relay Outputs
- X3** – TIS-4: Sensitive Ground current measuring card (for the neutral side of the differential protection)
- X4** – TI-4: Standard ground current measuring card (for the line side of the differential protection)
- X5** – AN I02-OR4: Assembly Group with 2 Analog Inputs, 2 Analog Outputs and 4 Output Relays
- X6** – TU: Card with 4 voltage transformer measuring inputs
- X102** – Universal Resistance-Temperature Detector (URTD) input, Fiber optics interface, ST Connector
- X103** – RS485, D-SUB
- X104** – IRIG-B00X, incl. System Contact (Supervision Contact)

MCDGV4-2B1AFA



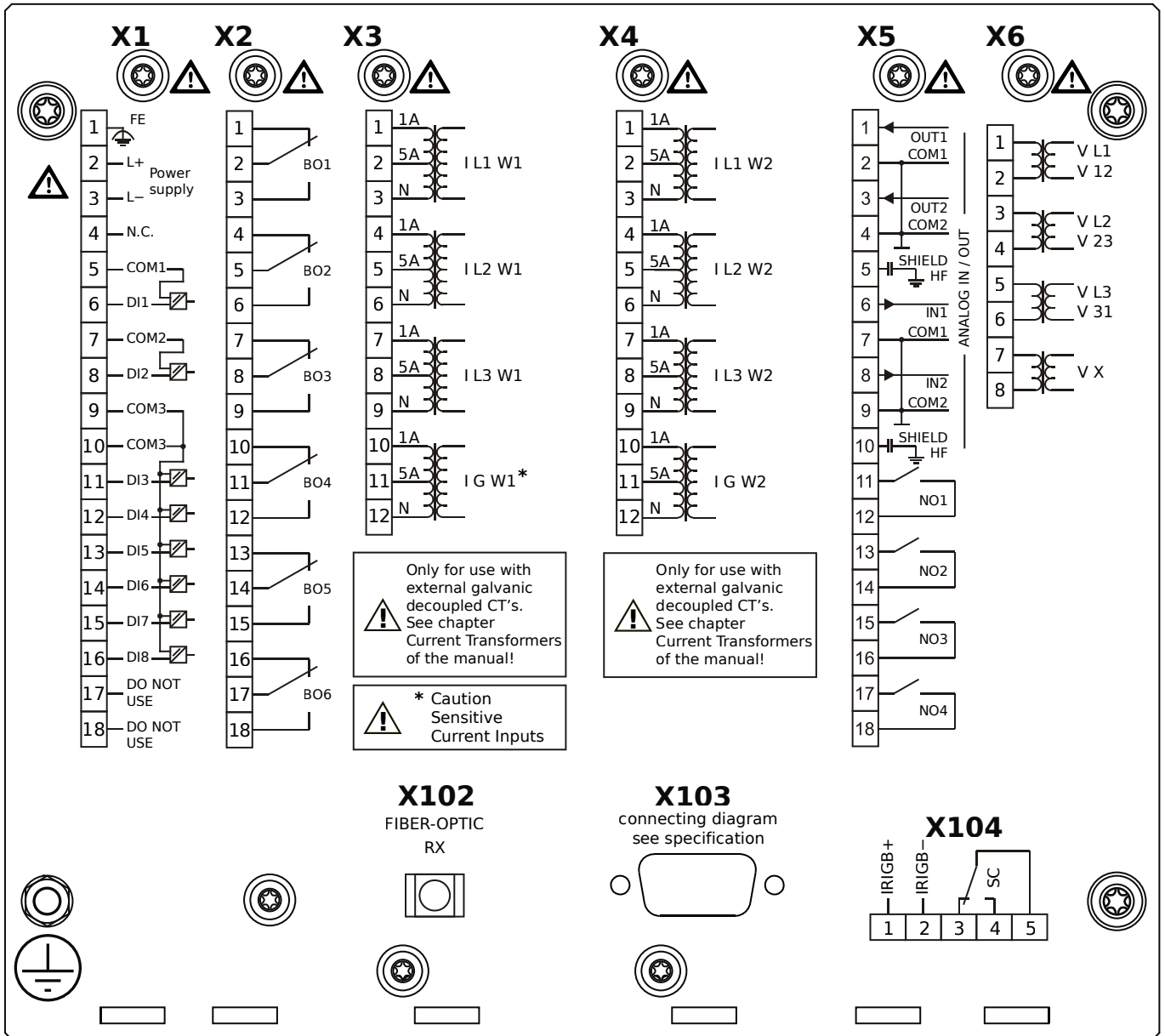
- X1** – DI8-X1: Wide-range power supply unit, incl. 2 non-grouped digital inputs and 6 grouped digital inputs
- X2** – OR-6: Assembly Group with 6 Relay Outputs
- X3** – TIS-4: Sensitive Ground current measuring card (for the neutral side of the differential protection)
- X4** – TI-4: Standard ground current measuring card (for the line side of the differential protection)
- X5** – AN I02-OR4: Assembly Group with 2 Analog Inputs, 2 Analog Outputs and 4 Output Relays
- X6** – TU: Card with 4 voltage transformer measuring inputs
- X102** – Universal Resistance-Temperature Detector (URTD) input, Fiber optics interface, ST Connector
- X103** – Fiber optics interface, ST Connector
- X104** – IRIG-B00X, incl. System Contact (Supervision Contact)

MCDGV4-2B1AFB



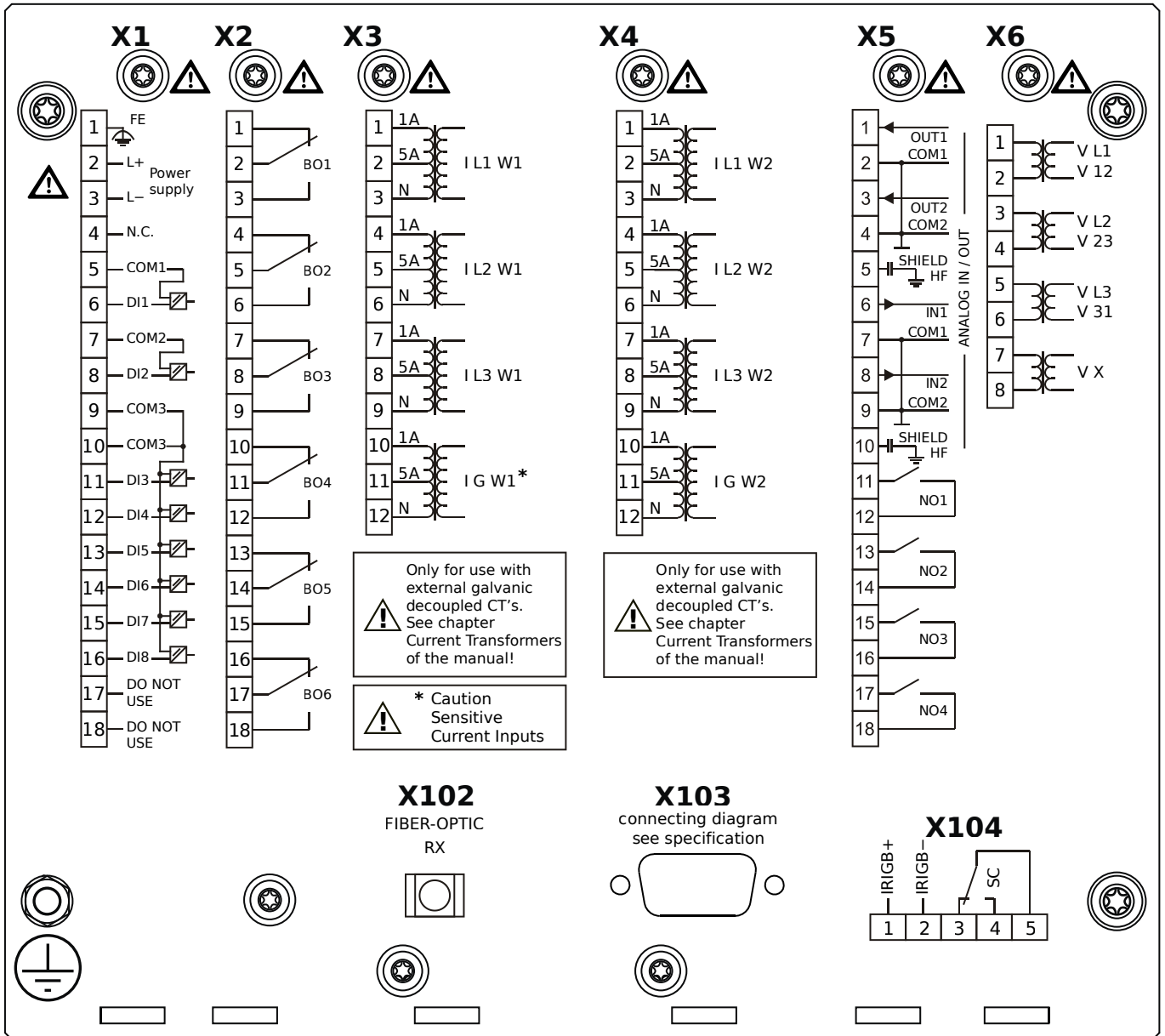
- X1** – DI8-X1: Wide-range power supply unit, incl. 2 non-grouped digital inputs and 6 grouped digital inputs
- X2** – OR-6: Assembly Group with 6 Relay Outputs
- X3** – TIS-4: Sensitive Ground current measuring card (for the neutral side of the differential protection)
- X4** – TI-4: Standard ground current measuring card (for the line side of the differential protection)
- X5** – AN I02-OR4: Assembly Group with 2 Analog Inputs, 2 Analog Outputs and 4 Output Relays
- X6** – TU: Card with 4 voltage transformer measuring inputs
- X102** – Universal Resistance-Temperature Detector (URTD) input, Fiber optics interface, ST Connector
- X103** – Fiber optics interface, ST Connector
- X104** – IRIG-B00X, incl. System Contact (Supervision Contact)

MCDGV4-2B1AGA



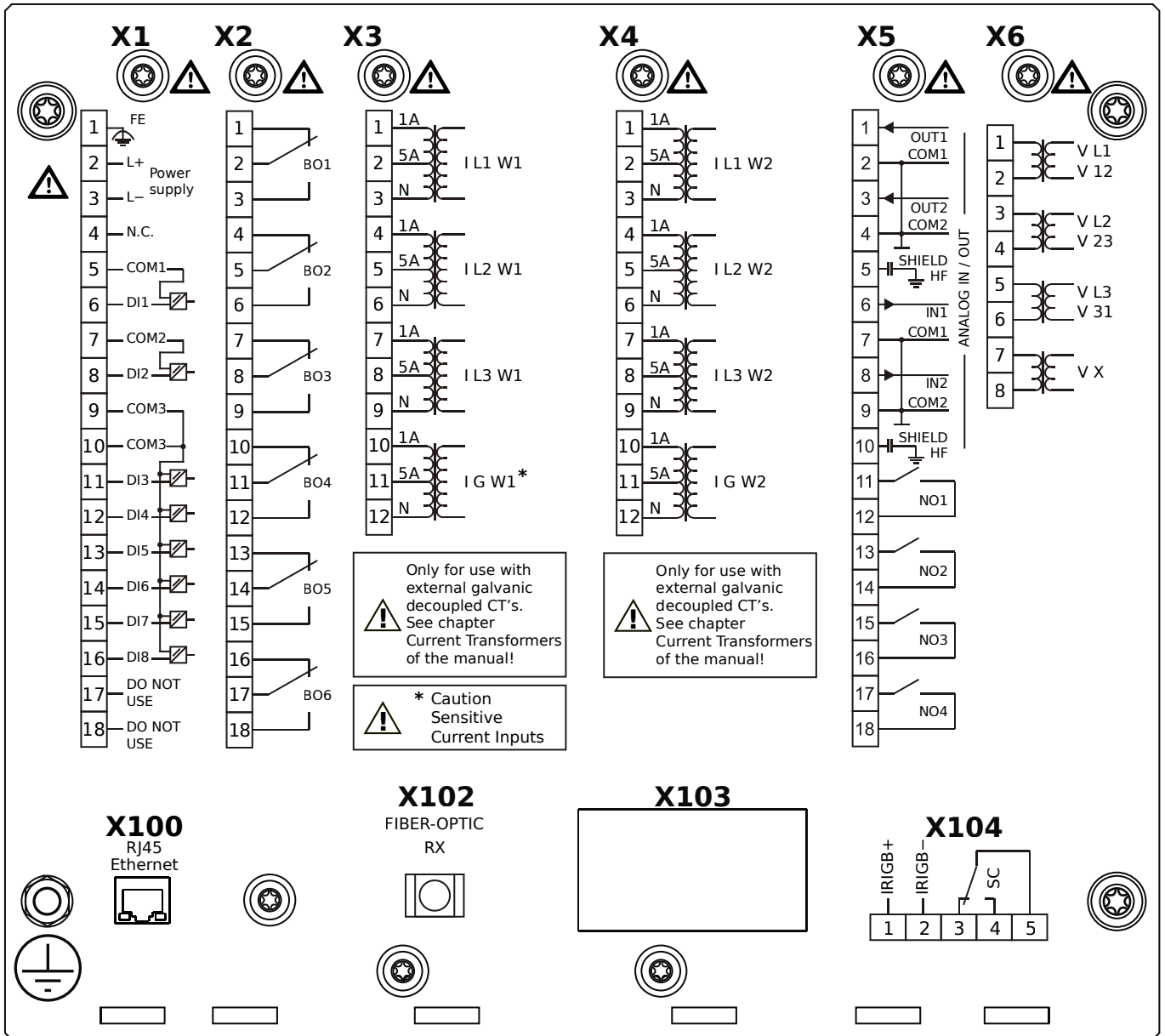
- X1** – DI8-X1: Wide-range power supply unit, incl. 2 non-grouped digital inputs and 6 grouped digital inputs
- X2** – OR-6: Assembly Group with 6 Relay Outputs
- X3** – TIS-4: Sensitive Ground current measuring card (for the neutral side of the differential protection)
- X4** – TI-4: Standard ground current measuring card (for the line side of the differential protection)
- X5** – AN I02-OR4: Assembly Group with 2 Analog Inputs, 2 Analog Outputs and 4 Output Relays
- X6** – TU: Card with 4 voltage transformer measuring inputs
- X102** – Universal Resistance-Temperature Detector (URTD) input, Fiber optics interface, ST Connector
- X103** – RS485, D-SUB
- X104** – IRIG-B00X, incl. System Contact (Supervision Contact)

MCDGV4-2B1AGB



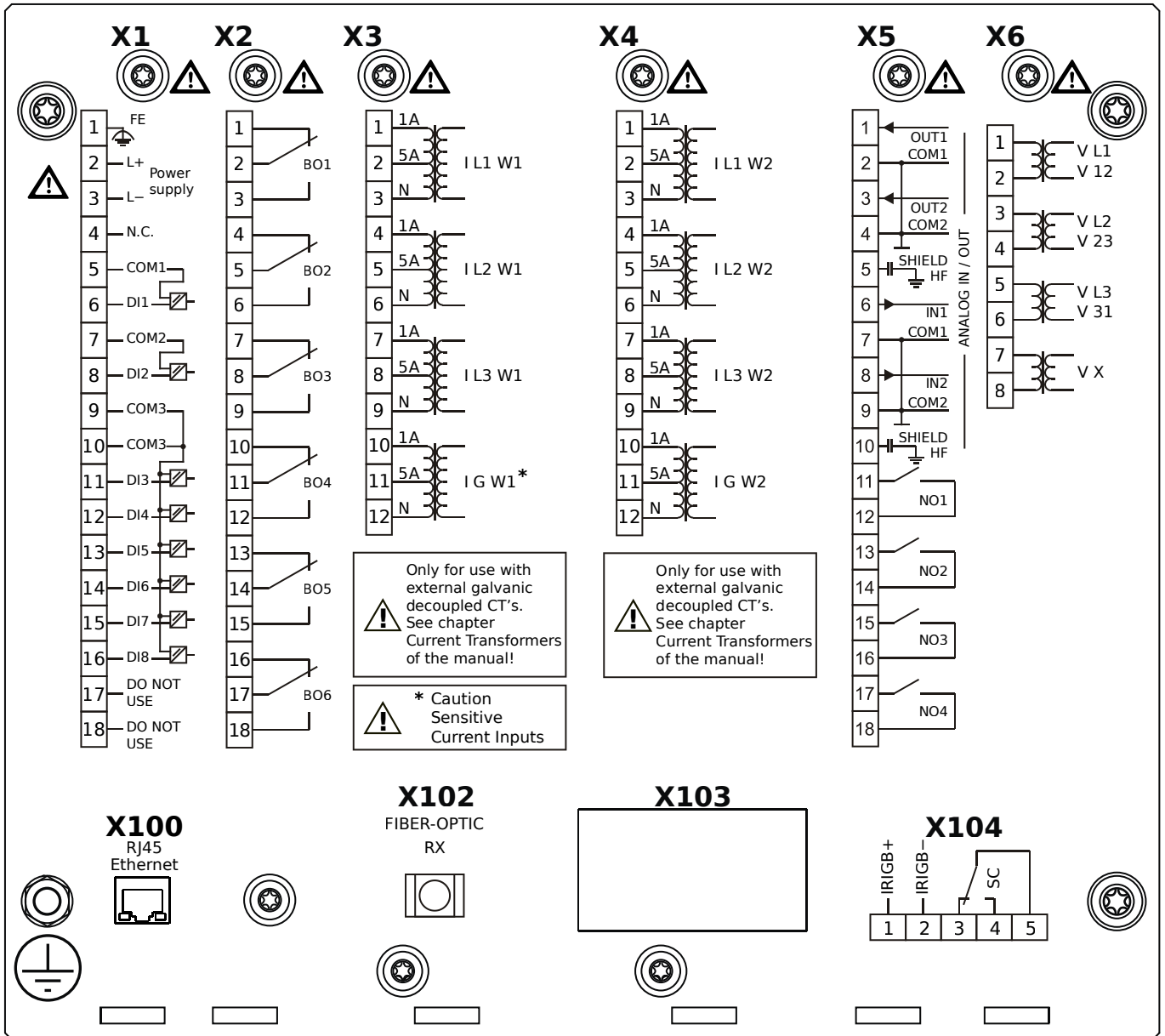
- X1** – DI8-X1: Wide-range power supply unit, incl. 2 non-grouped digital inputs and 6 grouped digital inputs
- X2** – OR-6: Assembly Group with 6 Relay Outputs
- X3** – TIS-4: Sensitive Ground current measuring card (for the neutral side of the differential protection)
- X4** – TI-4: Standard ground current measuring card (for the line side of the differential protection)
- X5** – AN I02-OR4: Assembly Group with 2 Analog Inputs, 2 Analog Outputs and 4 Output Relays
- X6** – TU: Card with 4 voltage transformer measuring inputs
- X102** – Universal Resistance-Temperature Detector (URTD) input, Fiber optics interface, ST Connector
- X103** – RS485, D-SUB
- X104** – IRIG-B00X, incl. System Contact (Supervision Contact)

MCDGV4-2B1AHA



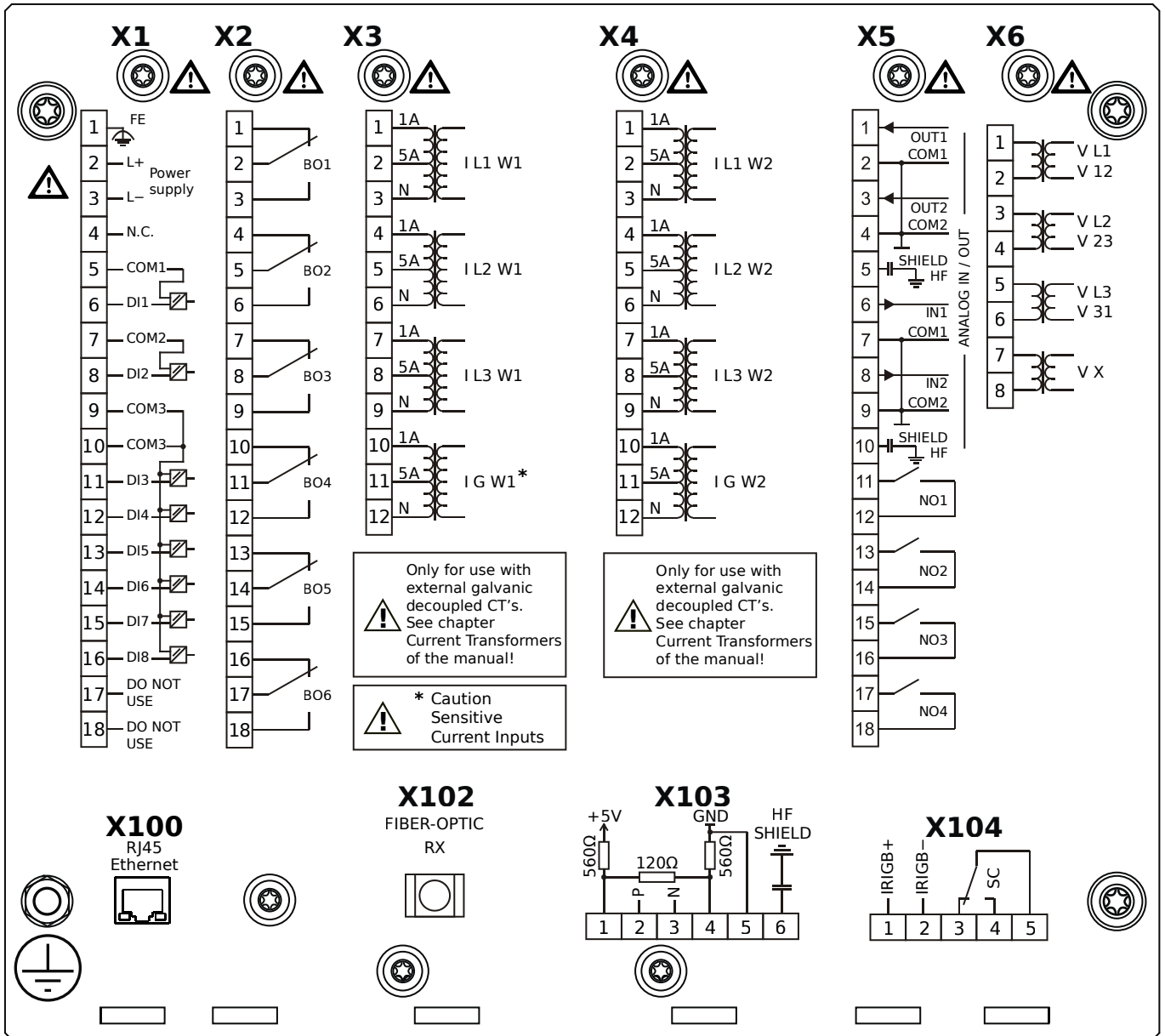
- X1** – DI8-X1: Wide-range power supply unit, incl. 2 non-grouped digital inputs and 6 grouped digital inputs
- X2** – OR-6: Assembly Group with 6 Relay Outputs
- X3** – TIS-4: Sensitive Ground current measuring card (for the neutral side of the differential protection)
- X4** – TI-4: Standard ground current measuring card (for the line side of the differential protection)
- X5** – AN I02-OR4: Assembly Group with 2 Analog Inputs, 2 Analog Outputs and 4 Output Relays
- X6** – TU: Card with 4 voltage transformer measuring inputs
- X100** – Ethernet interface, 100 Mbit/s, RJ45
- X102** – Universal Resistance-Temperature Detector (URTD) input, Fiber optics interface, ST Connector
- X104** – IRIG-B00X, incl. System Contact (Supervision Contact)

MCDGV4-2B1AHB



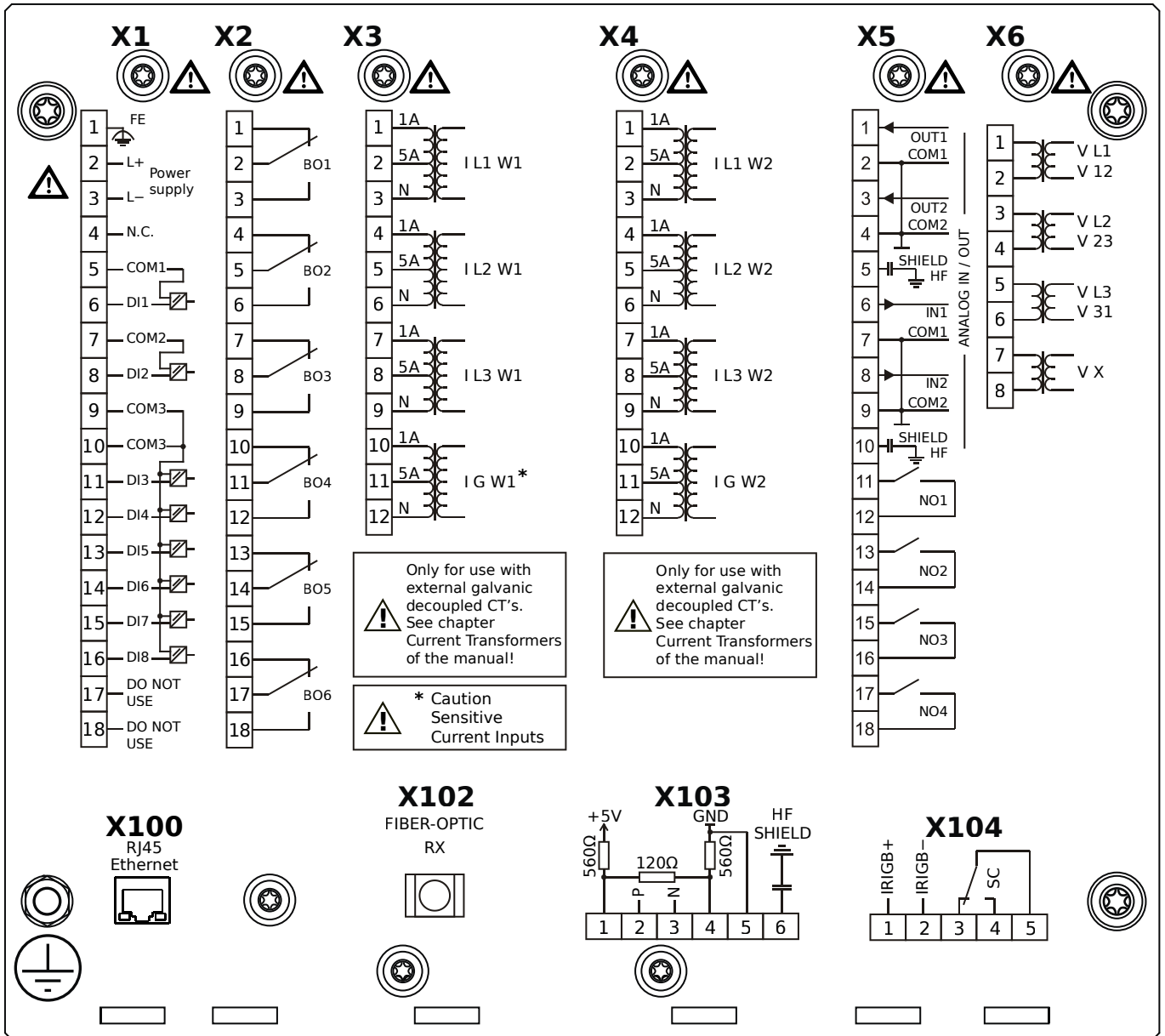
- X1** – DI8-X1: Wide-range power supply unit, incl. 2 non-grouped digital inputs and 6 grouped digital inputs
- X2** – OR-6: Assembly Group with 6 Relay Outputs
- X3** – TIS-4: Sensitive Ground current measuring card (for the neutral side of the differential protection)
- X4** – TI-4: Standard ground current measuring card (for the line side of the differential protection)
- X5** – AN I02-OR4: Assembly Group with 2 Analog Inputs, 2 Analog Outputs and 4 Output Relays
- X6** – TU: Card with 4 voltage transformer measuring inputs
- X100** – Ethernet interface, 100 Mbit/s, RJ45
- X102** – Universal Resistance-Temperature Detector (URTD) input, Fiber optics interface, ST Connector
- X104** – IRIG-B00X, incl. System Contact (Supervision Contact)

MCDGV4-2B1AIA



- X1** – DI8-X1: Wide-range power supply unit, incl. 2 non-grouped digital inputs and 6 grouped digital inputs
- X2** – OR-6: Assembly Group with 6 Relay Outputs
- X3** – TIS-4: Sensitive Ground current measuring card (for the neutral side of the differential protection)
- X4** – TI-4: Standard ground current measuring card (for the line side of the differential protection)
- X5** – AN I02-OR4: Assembly Group with 2 Analog Inputs, 2 Analog Outputs and 4 Output Relays
- X6** – TU: Card with 4 voltage transformer measuring inputs
- X100** – Ethernet interface, 100 Mbit/s, RJ45
- X102** – Universal Resistance-Temperature Detector (URTD) input, Fiber optics interface, ST Connector
- X103** – RS485, Terminals
- X104** – IRIG-B00X, incl. System Contact (Supervision Contact)

MCDGV4-2B1AIB



X1 – DI8-X1: Wide-range power supply unit, incl. 2 non-grouped digital inputs and 6 grouped digital inputs

X2 – OR-6: Assembly Group with 6 Relay Outputs

X3 – TIS-4: Sensitive Ground current measuring card (for the neutral side of the differential protection)

X4 – TI-4: Standard ground current measuring card (for the line side of the differential protection)

X5 – AN I02-OR4: Assembly Group with 2 Analog Inputs, 2 Analog Outputs and 4 Output Relays

X6 – TU: Card with 4 voltage transformer measuring inputs

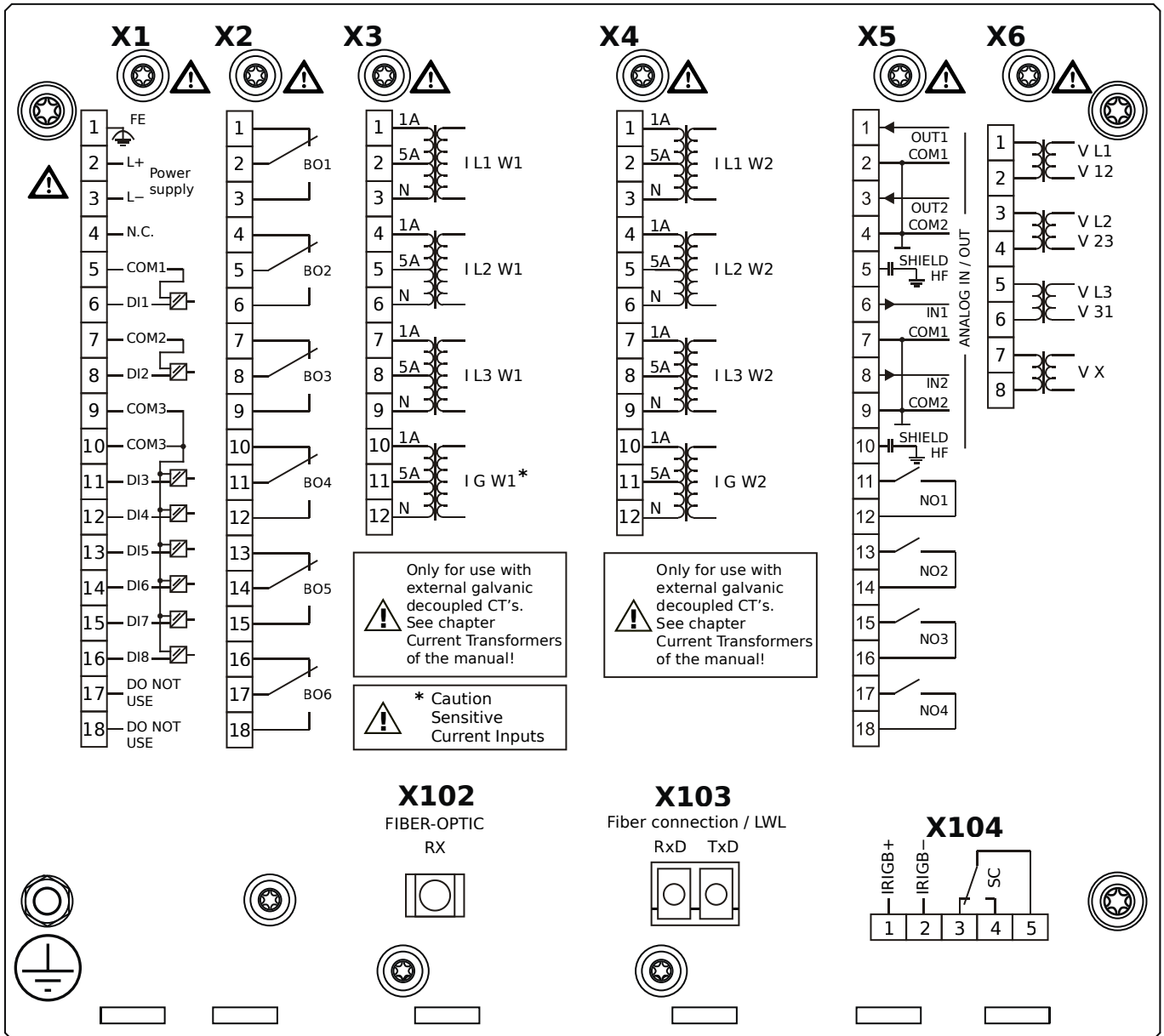
X100 – Ethernet interface, 100 Mbit/s, RJ45

X102 – Universal Resistance-Temperature Detector (URTD) input, Fiber optics interface, ST Connector

X103 – RS485, Terminals

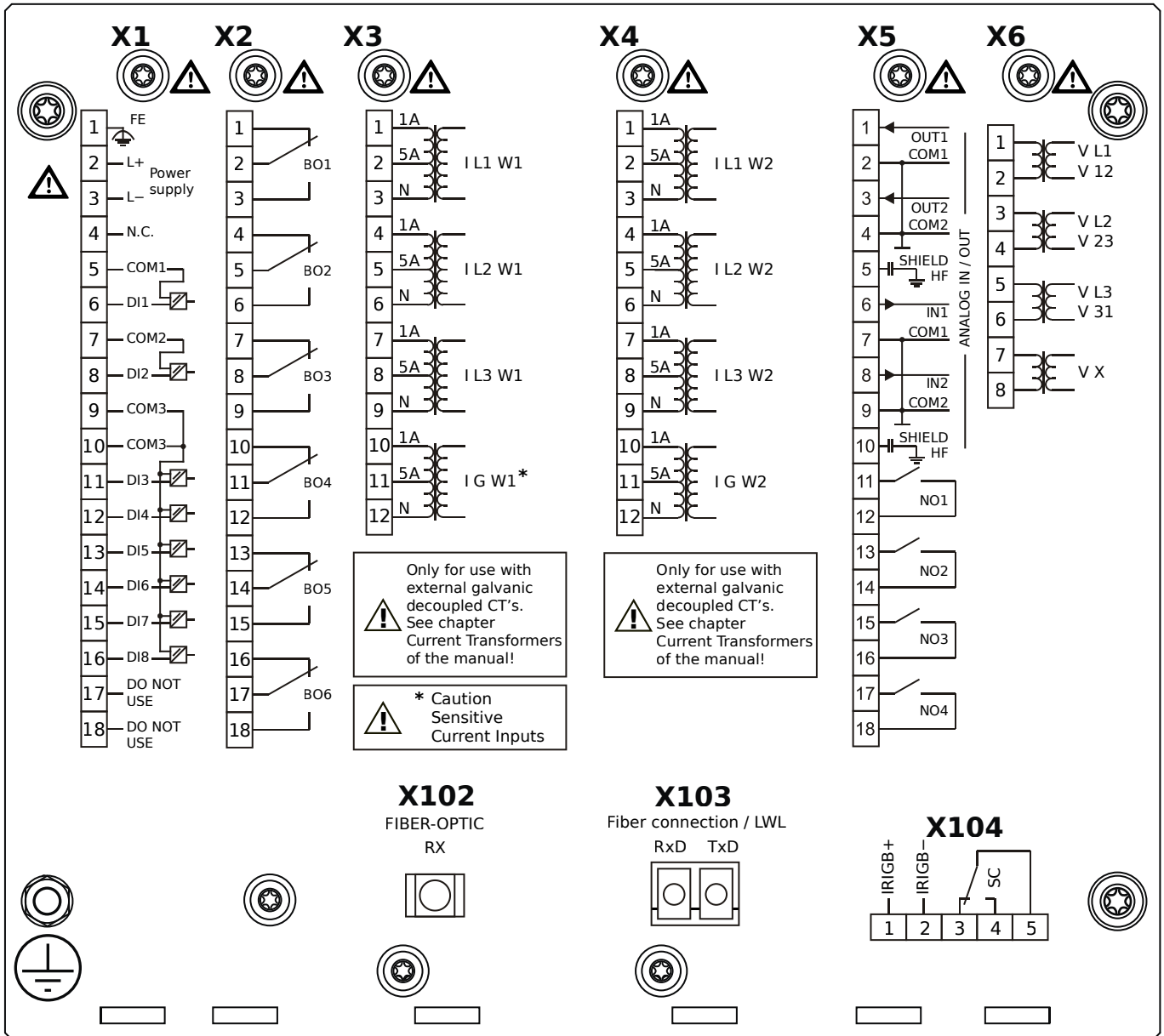
X104 – IRIG-B00X, incl. System Contact (Supervision Contact)

MCDGV4-2B1AKA



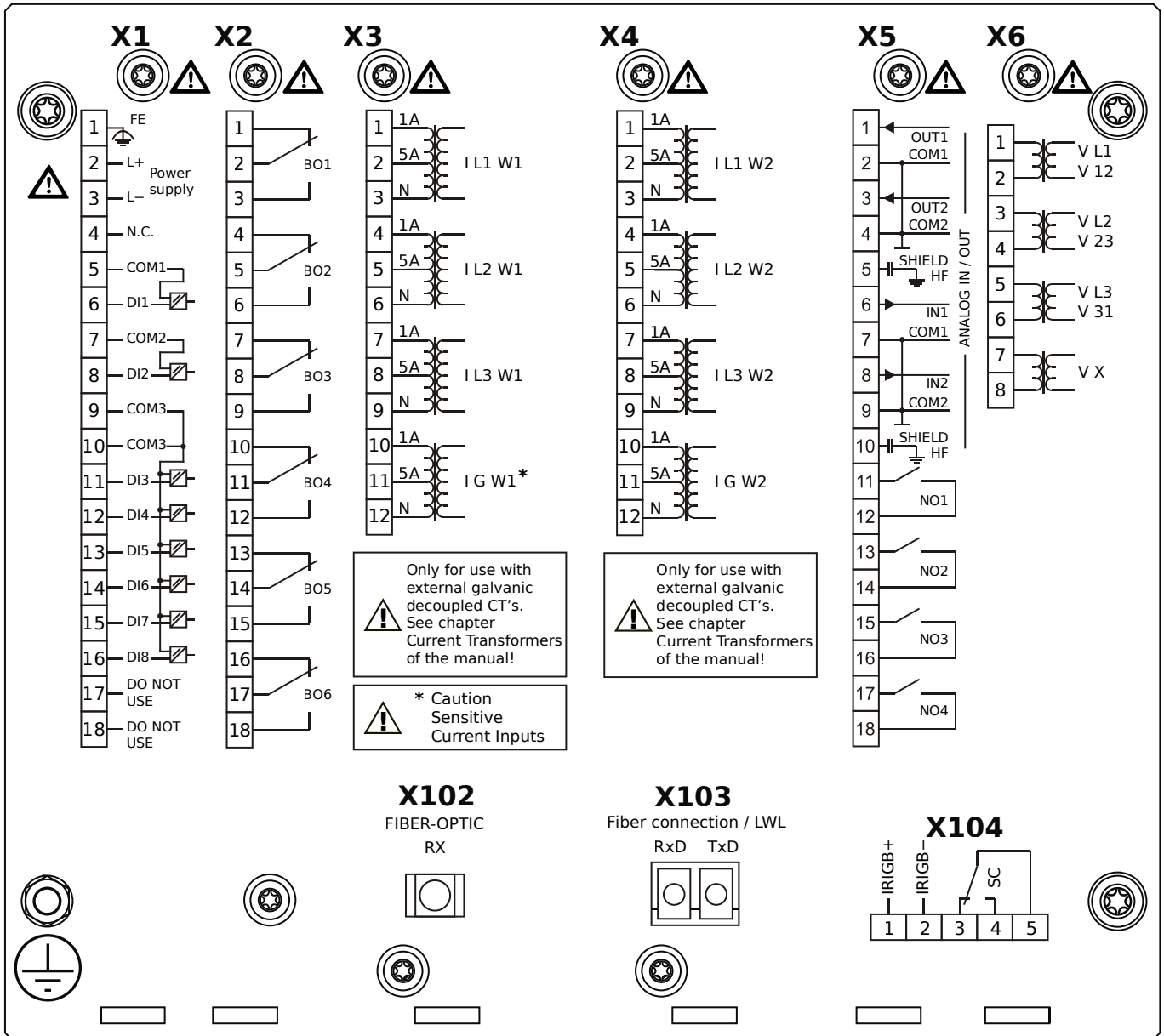
- X1** – DI8-X1: Wide-range power supply unit, incl. 2 non-grouped digital inputs and 6 grouped digital inputs
- X2** – OR-6: Assembly Group with 6 Relay Outputs
- X3** – TIS-4: Sensitive Ground current measuring card (for the neutral side of the differential protection)
- X4** – TI-4: Standard ground current measuring card (for the line side of the differential protection)
- X5** – AN I02-OR4: Assembly Group with 2 Analog Inputs, 2 Analog Outputs and 4 Output Relays
- X6** – TU: Card with 4 voltage transformer measuring inputs
- X102** – Universal Resistance-Temperature Detector (URTD) input, Fiber optics interface, ST Connector
- X103** – Fiber optics interface, LC Connector
- X104** – IRIG-B00X, incl. System Contact (Supervision Contact)

MCDGV4-2B1AKB



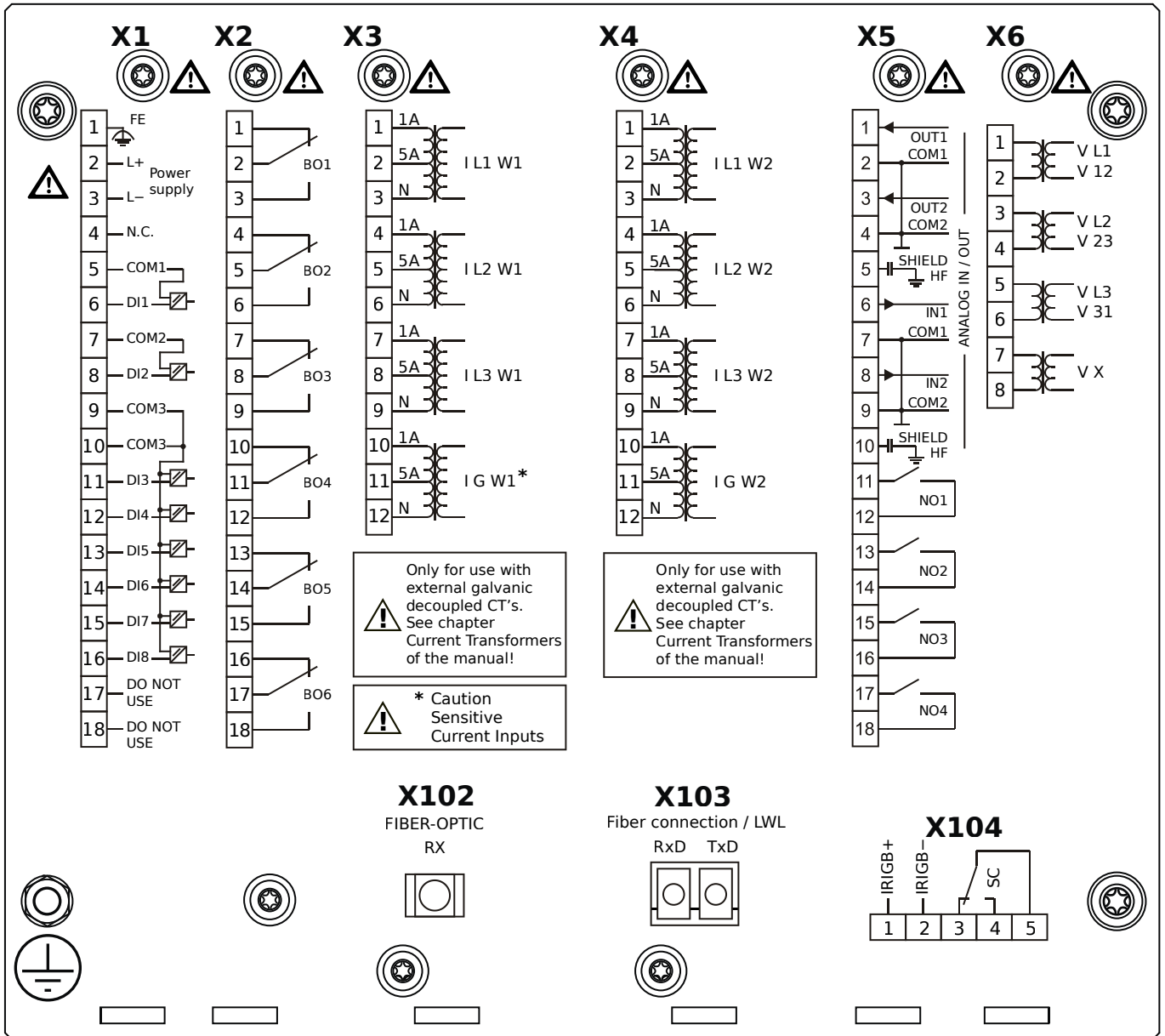
- X1** – DI8-X1: Wide-range power supply unit, incl. 2 non-grouped digital inputs and 6 grouped digital inputs
- X2** – OR-6: Assembly Group with 6 Relay Outputs
- X3** – TIS-4: Sensitive Ground current measuring card (for the neutral side of the differential protection)
- X4** – TI-4: Standard ground current measuring card (for the line side of the differential protection)
- X5** – AN I02-OR4: Assembly Group with 2 Analog Inputs, 2 Analog Outputs and 4 Output Relays
- X6** – TU: Card with 4 voltage transformer measuring inputs
- X102** – Universal Resistance-Temperature Detector (URTD) input, Fiber optics interface, ST Connector
- X103** – Fiber optics interface, LC Connector
- X104** – IRIG-B00X, incl. System Contact (Supervision Contact)

MCDGV4-2B1ALA



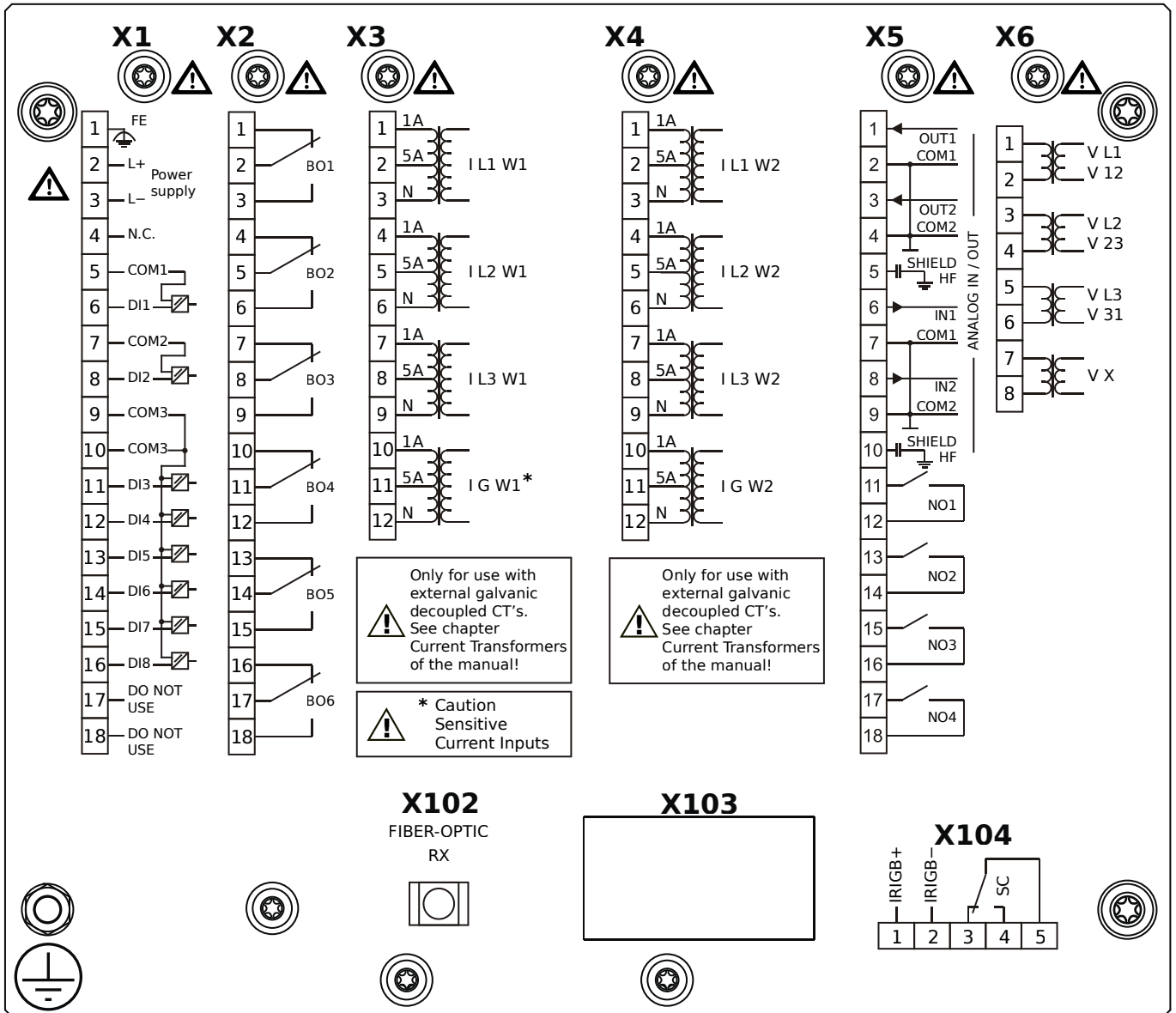
- X1** – DI8-X1: Wide-range power supply unit, incl. 2 non-grouped digital inputs and 6 grouped digital inputs
- X2** – OR-6: Assembly Group with 6 Relay Outputs
- X3** – TIS-4: Sensitive Ground current measuring card (for the neutral side of the differential protection)
- X4** – TI-4: Standard ground current measuring card (for the line side of the differential protection)
- X5** – AN I02-OR4: Assembly Group with 2 Analog Inputs, 2 Analog Outputs and 4 Output Relays
- X6** – TU: Card with 4 voltage transformer measuring inputs
- X102** – Universal Resistance-Temperature Detector (URTD) input, Fiber optics interface, ST Connector
- X103** – Fiber optics interface, LC Connector
- X104** – IRIG-B00X, incl. System Contact (Supervision Contact)

MCDGV4-2B1ALB



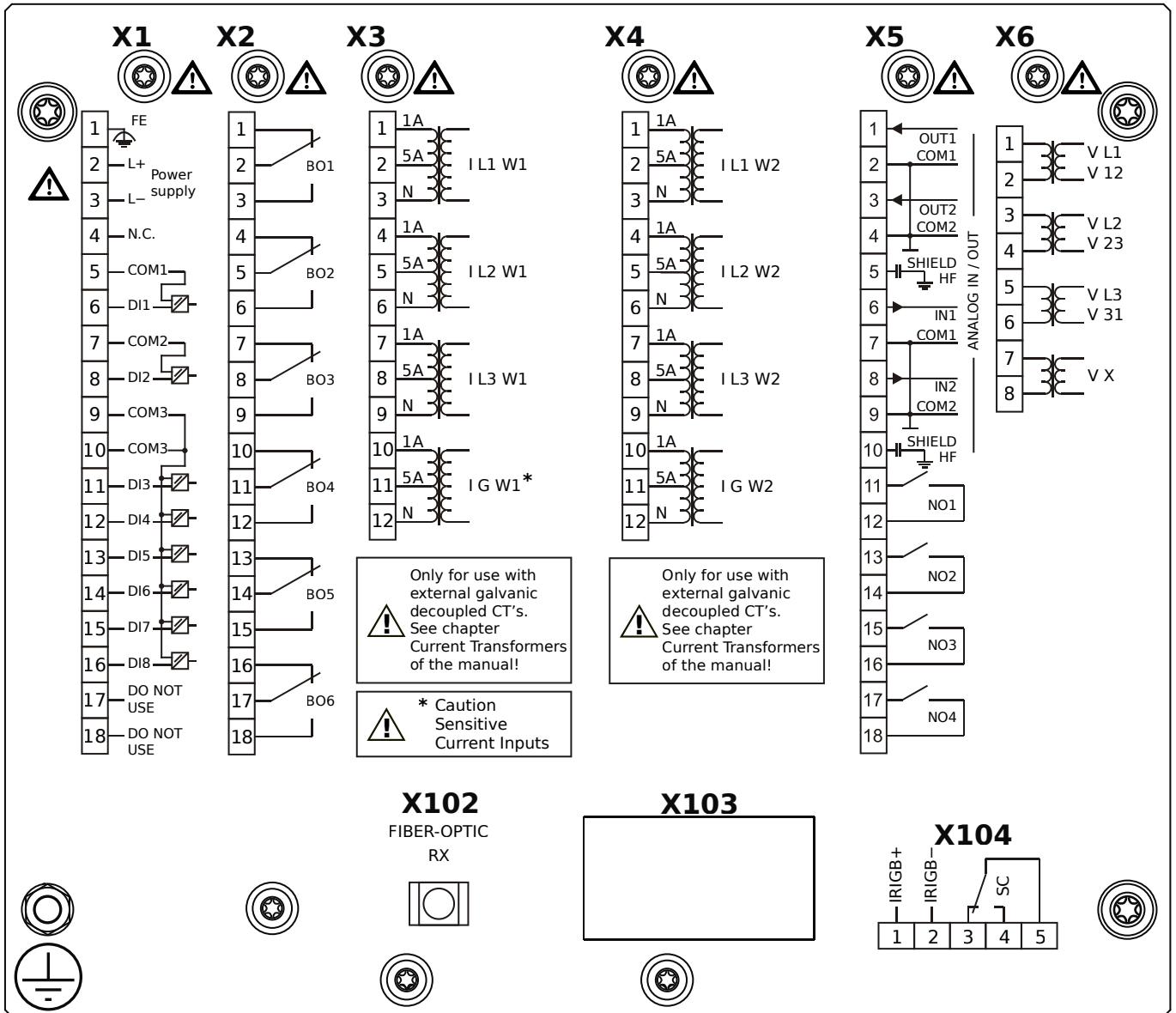
- X1** – DI8-X1: Wide-range power supply unit, incl. 2 non-grouped digital inputs and 6 grouped digital inputs
- X2** – OR-6: Assembly Group with 6 Relay Outputs
- X3** – TIS-4: Sensitive Ground current measuring card (for the neutral side of the differential protection)
- X4** – TI-4: Standard ground current measuring card (for the line side of the differential protection)
- X5** – AN I02-OR4: Assembly Group with 2 Analog Inputs, 2 Analog Outputs and 4 Output Relays
- X6** – TU: Card with 4 voltage transformer measuring inputs
- X102** – Universal Resistance-Temperature Detector (URTD) input, Fiber optics interface, ST Connector
- X103** – Fiber optics interface, LC Connector
- X104** – IRIG-B00X, incl. System Contact (Supervision Contact)

MCDGV4-2B1BAA



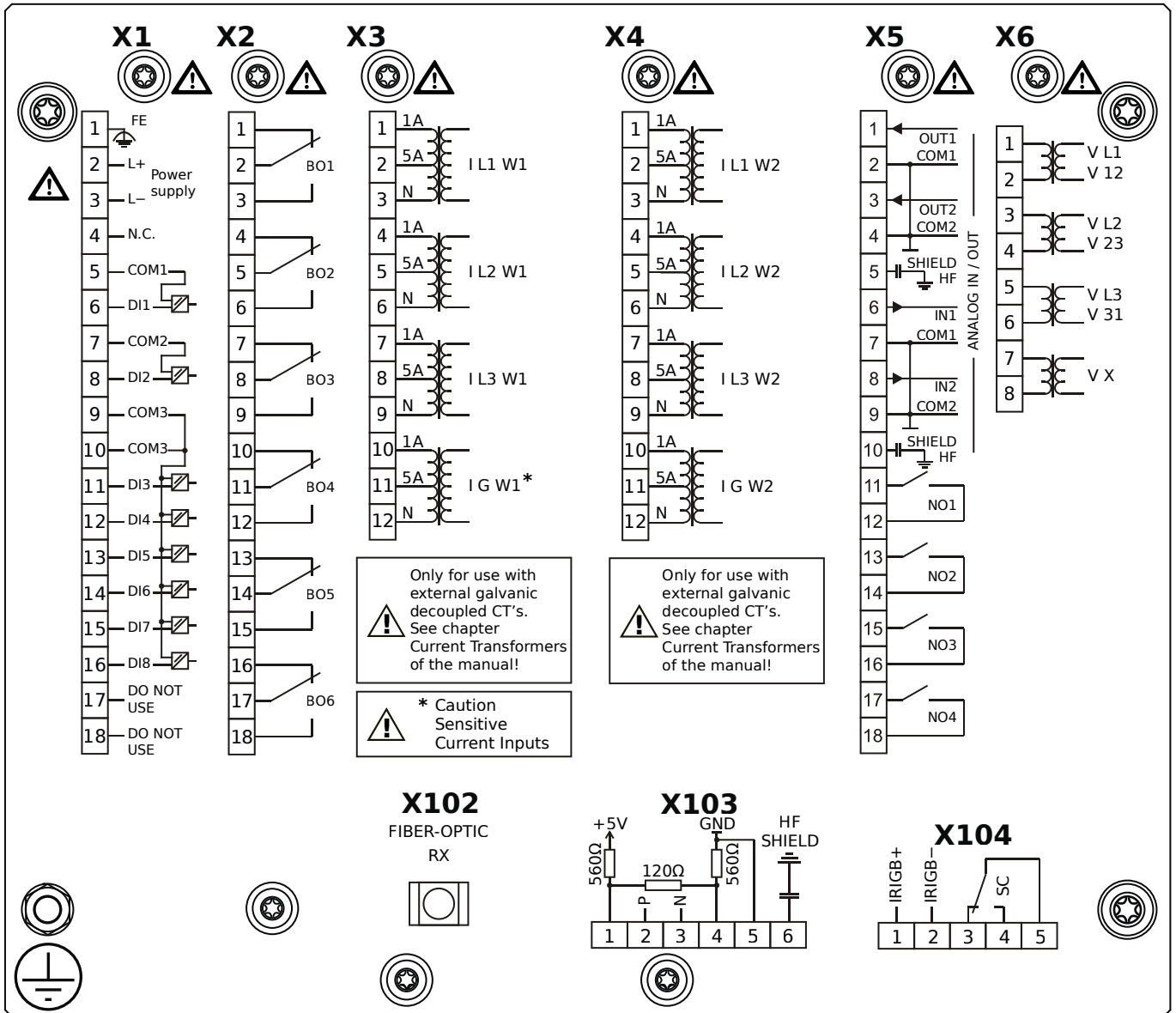
- X1** – DI8-X1: Wide-range power supply unit, incl. 2 non-grouped digital inputs and 6 grouped digital inputs
- X2** – OR-6: Assembly Group with 6 Relay Outputs
- X3** – TIS-4: Sensitive Ground current measuring card (for the neutral side of the differential protection)
- X4** – TI-4: Standard ground current measuring card (for the line side of the differential protection)
- X5** – AN I02-OR4: Assembly Group with 2 Analog Inputs, 2 Analog Outputs and 4 Output Relays
- X6** – TU: Card with 4 voltage transformer measuring inputs
- X102** – Universal Resistance-Temperature Detector (URTD) input, Fiber optics interface, ST Connector
- X104** – IRIG-B00X, incl. System Contact (Supervision Contact)

MCDGV4-2B1BAB



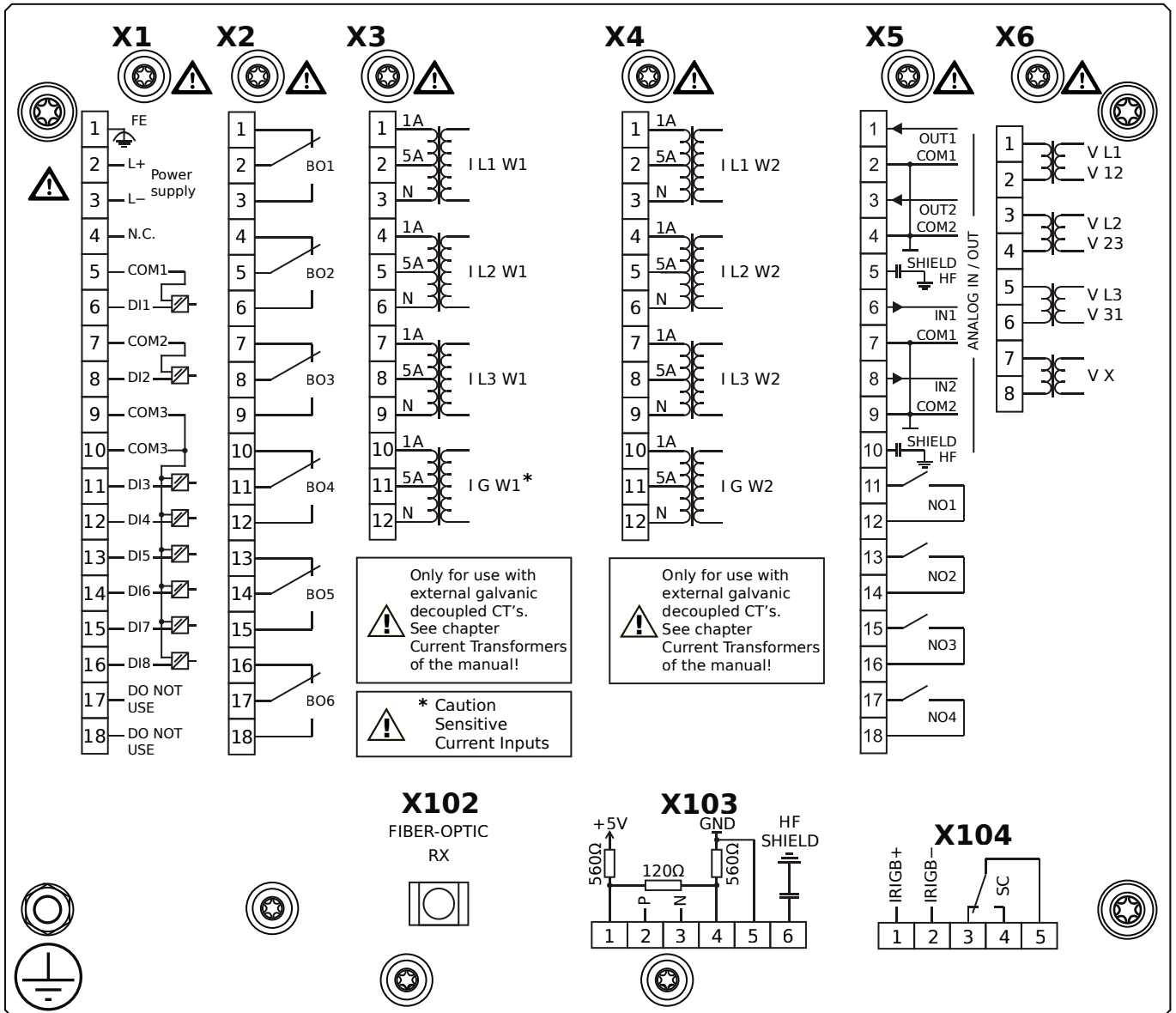
- X1** – DI8-X1: Wide-range power supply unit, incl. 2 non-grouped digital inputs and 6 grouped digital inputs
- X2** – OR-6: Assembly Group with 6 Relay Outputs
- X3** – TIS-4: Sensitive Ground current measuring card (for the neutral side of the differential protection)
- X4** – TI-4: Standard ground current measuring card (for the line side of the differential protection)
- X5** – AN I02-OR4: Assembly Group with 2 Analog Inputs, 2 Analog Outputs and 4 Output Relays
- X6** – TU: Card with 4 voltage transformer measuring inputs
- X102** – Universal Resistance-Temperature Detector (URTD) input, Fiber optics interface, ST Connector
- X104** – IRIG-B00X, incl. System Contact (Supervision Contact)

MCDGV4-2B1BBA



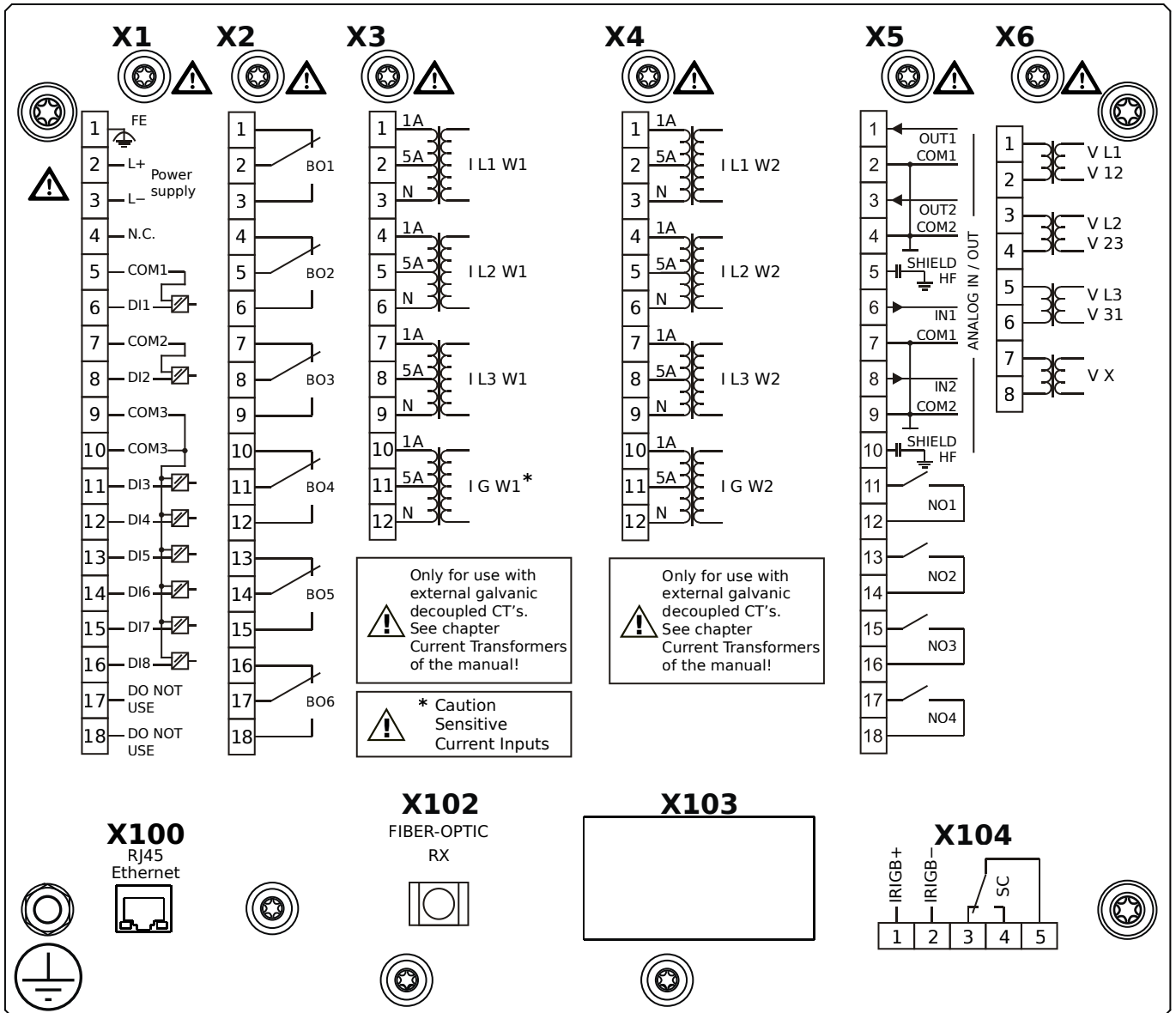
- X1** – DI8-X1: Wide-range power supply unit, incl. 2 non-grouped digital inputs and 6 grouped digital inputs
- X2** – OR-6: Assembly Group with 6 Relay Outputs
- X3** – TIS-4: Sensitive Ground current measuring card (for the neutral side of the differential protection)
- X4** – TI-4: Standard ground current measuring card (for the line side of the differential protection)
- X5** – AN I02-OR4: Assembly Group with 2 Analog Inputs, 2 Analog Outputs and 4 Output Relays
- X6** – TU: Card with 4 voltage transformer measuring inputs
- X102** – Universal Resistance-Temperature Detector (URTD) input, Fiber optics interface, ST Connector
- X103** – RS485, Terminals
- X104** – IRIG-B00X, incl. System Contact (Supervision Contact)

MCDGV4-2B1BBB



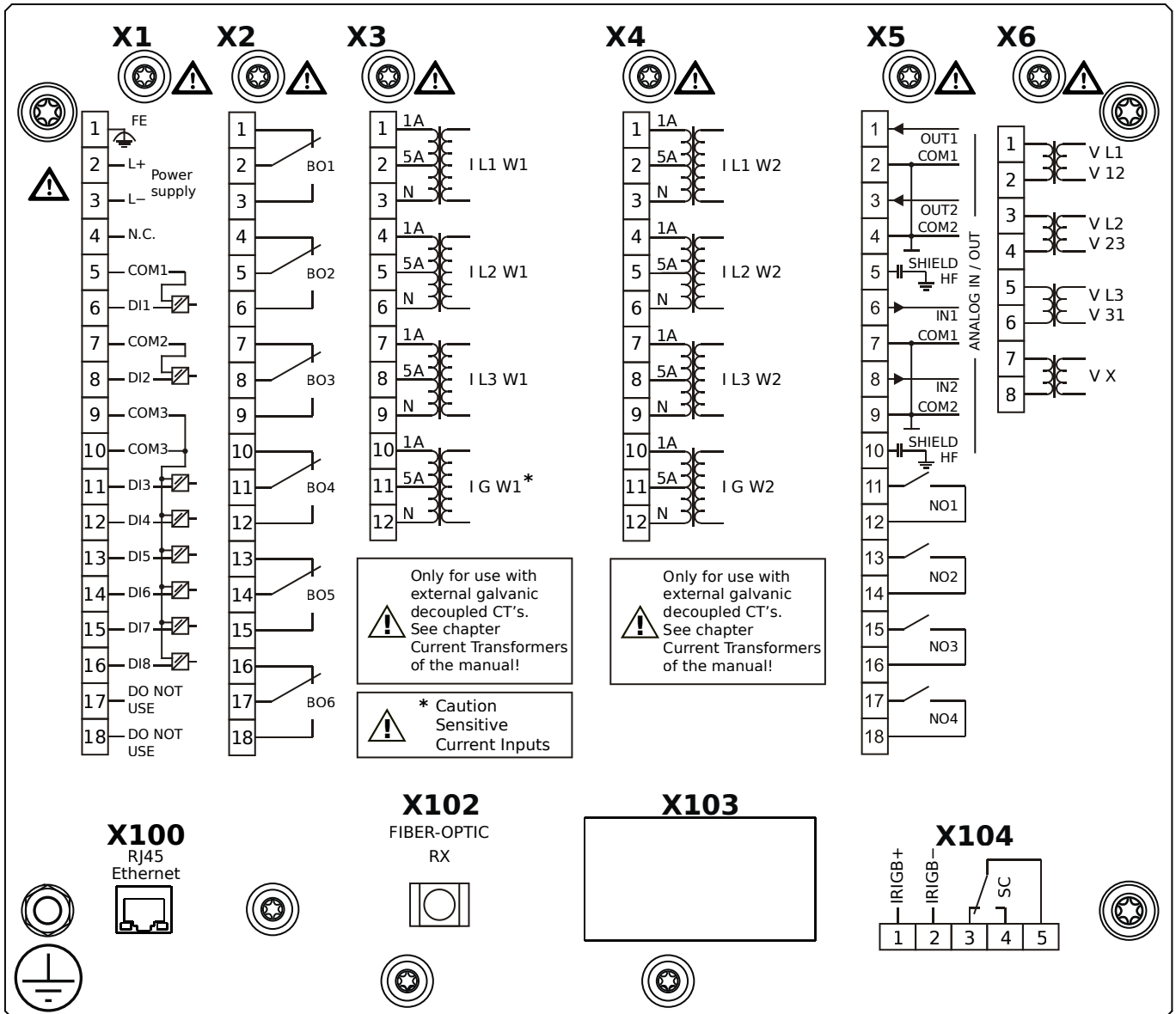
- X1** – DI8-X1: Wide-range power supply unit, incl. 2 non-grouped digital inputs and 6 grouped digital inputs
- X2** – OR-6: Assembly Group with 6 Relay Outputs
- X3** – TIS-4: Sensitive Ground current measuring card (for the neutral side of the differential protection)
- X4** – TI-4: Standard ground current measuring card (for the line side of the differential protection)
- X5** – AN I02-OR4: Assembly Group with 2 Analog Inputs, 2 Analog Outputs and 4 Output Relays
- X6** – TU: Card with 4 voltage transformer measuring inputs
- X102** – Universal Resistance-Temperature Detector (URTD) input, Fiber optics interface, ST Connector
- X103** – RS485, Terminals
- X104** – IRIG-B00X, incl. System Contact (Supervision Contact)

MCDGV4-2B1BCA



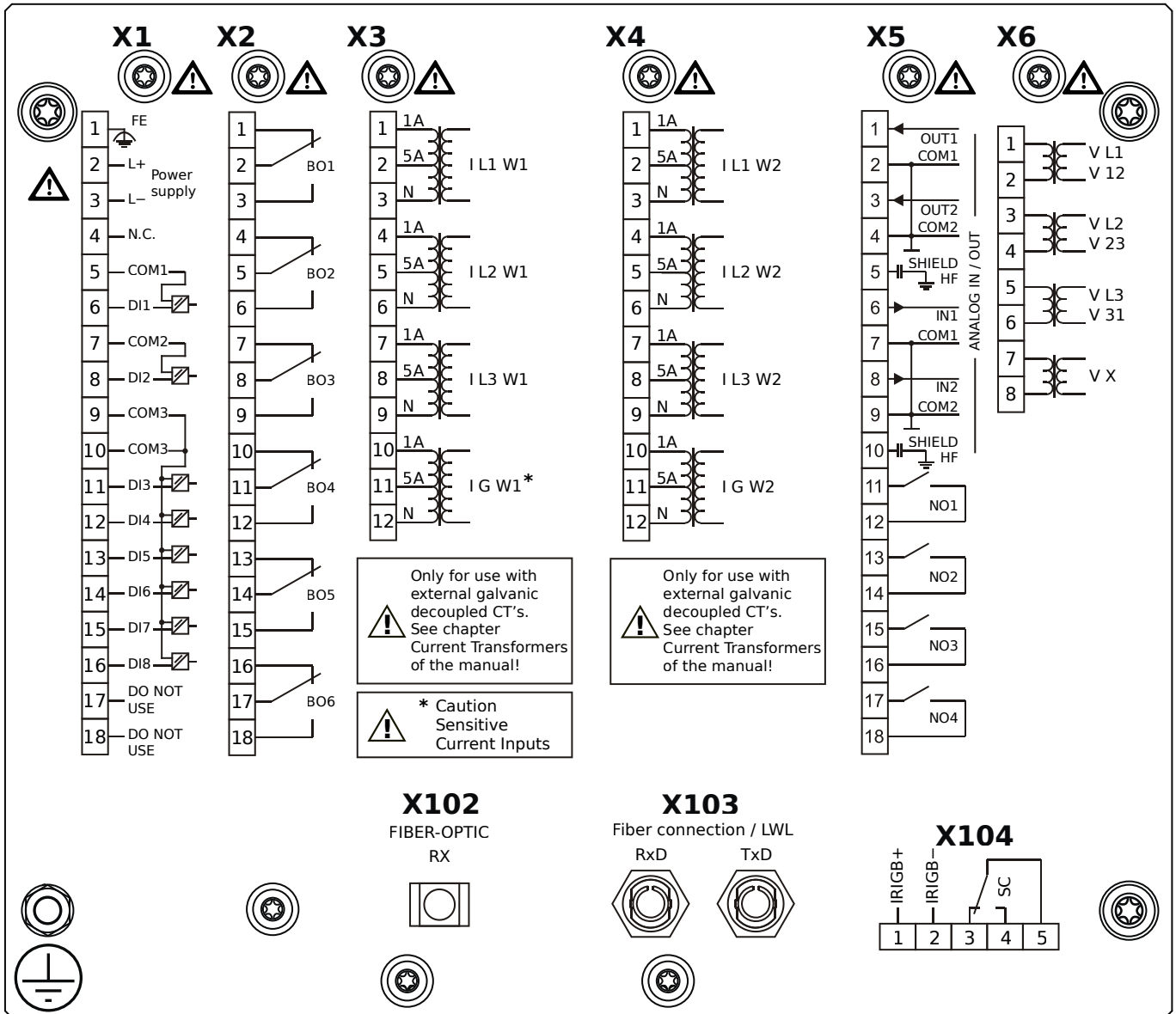
- X1** – DI8-X1: Wide-range power supply unit, incl. 2 non-grouped digital inputs and 6 grouped digital inputs
- X2** – OR-6: Assembly Group with 6 Relay Outputs
- X3** – TIS-4: Sensitive Ground current measuring card (for the neutral side of the differential protection)
- X4** – TI-4: Standard ground current measuring card (for the line side of the differential protection)
- X5** – AN I02-OR4: Assembly Group with 2 Analog Inputs, 2 Analog Outputs and 4 Output Relays
- X6** – TU: Card with 4 voltage transformer measuring inputs
- X100** – Ethernet interface, 100 Mbit/s, RJ45
- X102** – Universal Resistance-Temperature Detector (URTD) input, Fiber optics interface, ST Connector
- X104** – IRIG-B00X, incl. System Contact (Supervision Contact)

MCDGV4-2B1BCB



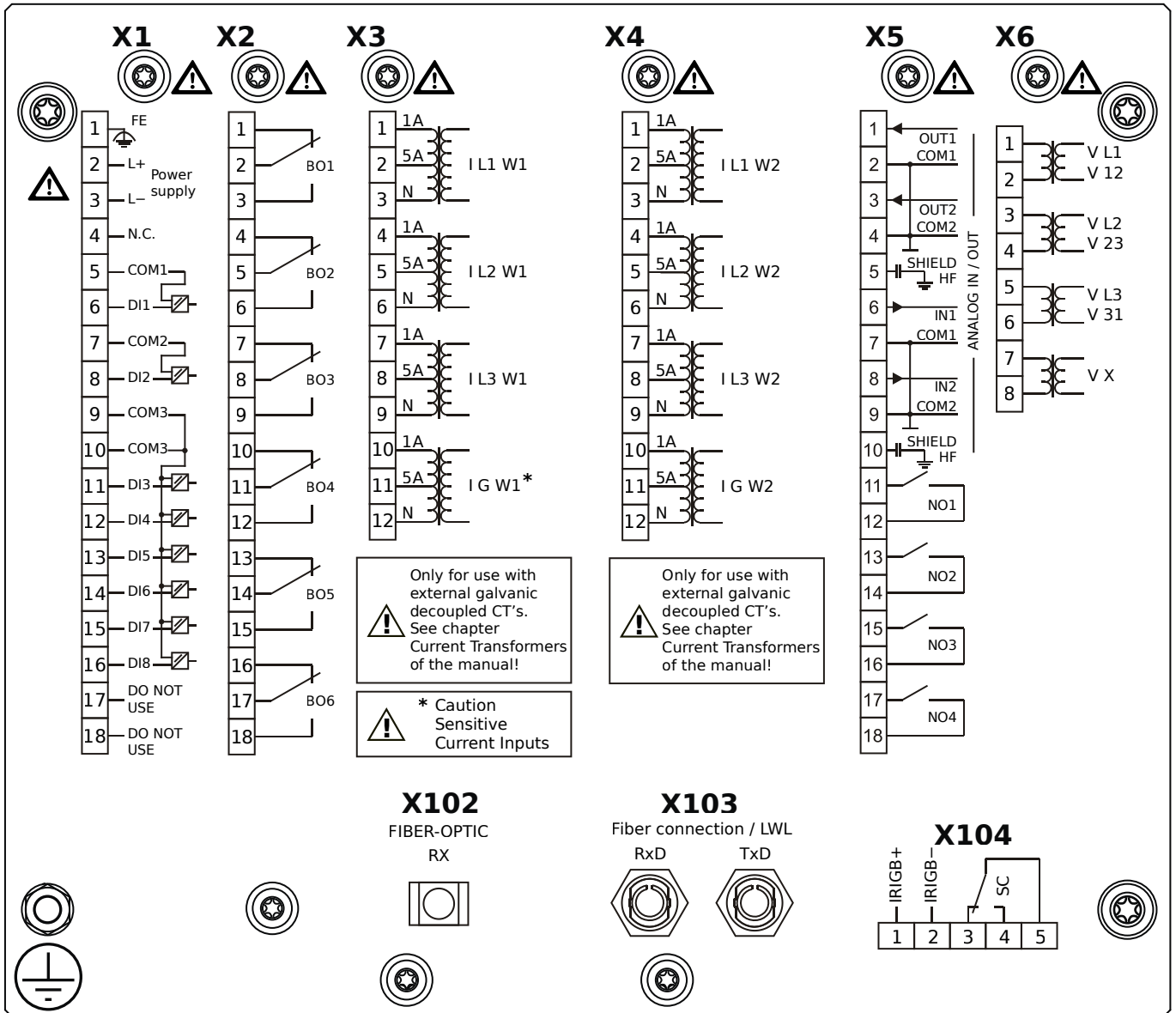
- X1** – DI8-X1: Wide-range power supply unit, incl. 2 non-grouped digital inputs and 6 grouped digital inputs
- X2** – OR-6: Assembly Group with 6 Relay Outputs
- X3** – TIS-4: Sensitive Ground current measuring card (for the neutral side of the differential protection)
- X4** – TI-4: Standard ground current measuring card (for the line side of the differential protection)
- X5** – AN I02-OR4: Assembly Group with 2 Analog Inputs, 2 Analog Outputs and 4 Output Relays
- X6** – TU: Card with 4 voltage transformer measuring inputs
- X100** – Ethernet interface, 100 Mbit/s, RJ45
- X102** – Universal Resistance-Temperature Detector (URTD) input, Fiber optics interface, ST Connector
- X104** – IRIG-B00X, incl. System Contact (Supervision Contact)

MCDGV4-2B1BDA



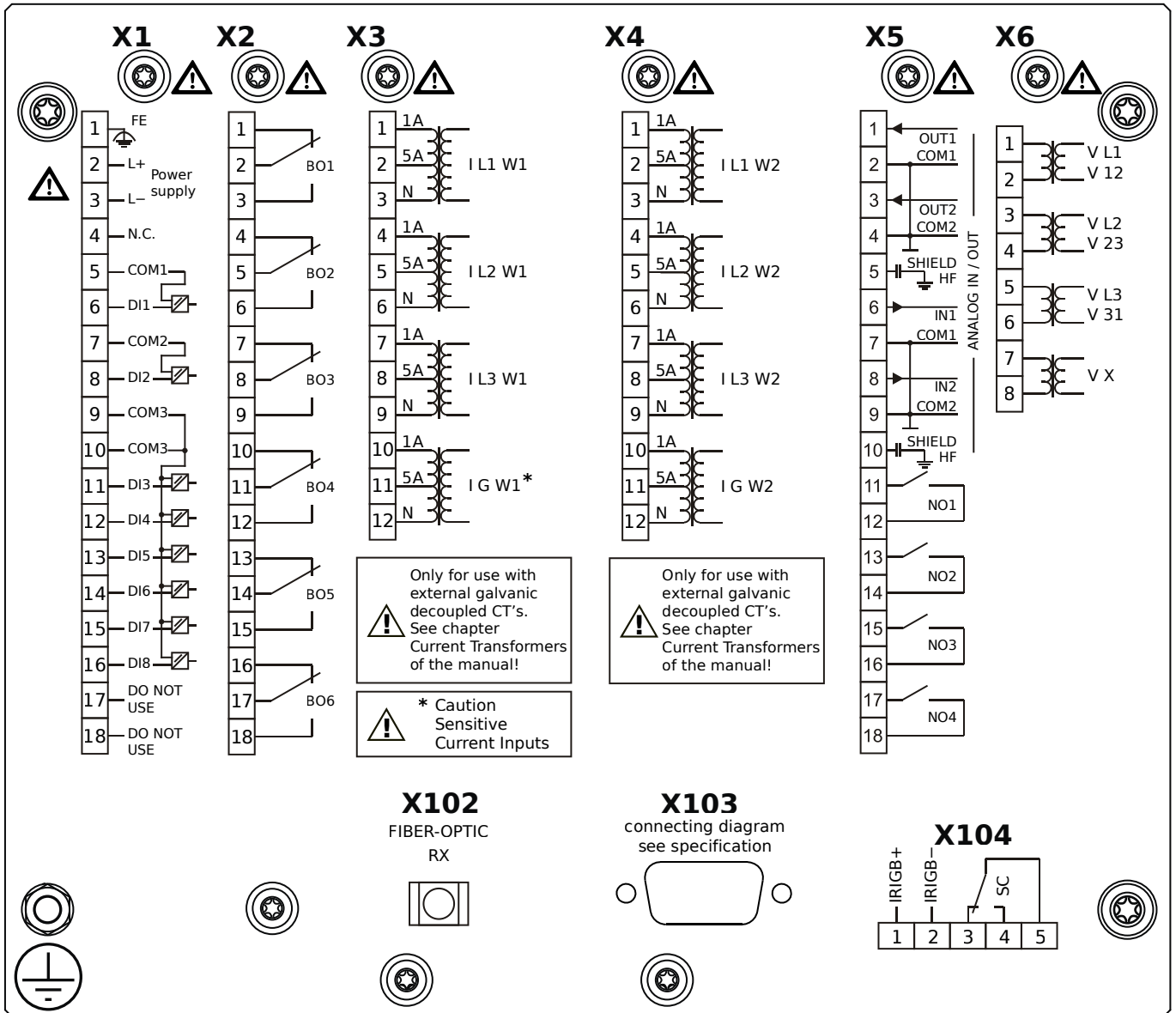
- X1** – DI8-X1: Wide-range power supply unit, incl. 2 non-grouped digital inputs and 6 grouped digital inputs
- X2** – OR-6: Assembly Group with 6 Relay Outputs
- X3** – TIS-4: Sensitive Ground current measuring card (for the neutral side of the differential protection)
- X4** – TI-4: Standard ground current measuring card (for the line side of the differential protection)
- X5** – AN I02-OR4: Assembly Group with 2 Analog Inputs, 2 Analog Outputs and 4 Output Relays
- X6** – TU: Card with 4 voltage transformer measuring inputs
- X102** – Universal Resistance-Temperature Detector (URTD) input, Fiber optics interface, ST Connector
- X103** – Fiber optics interface, ST Connector
- X104** – IRIG-B00X, incl. System Contact (Supervision Contact)

MCDGV4-2B1BDB



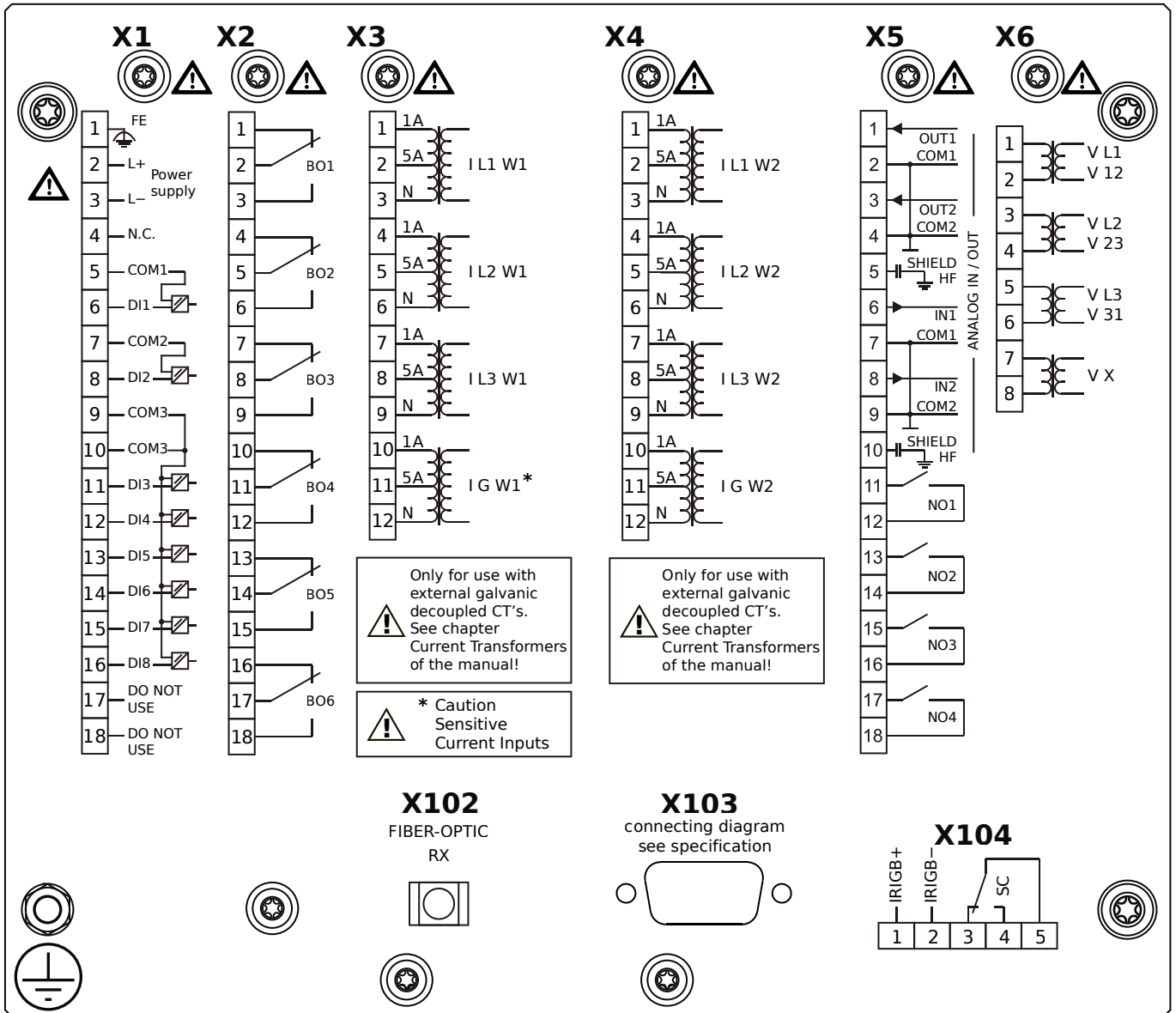
- X1** – DI8-X1: Wide-range power supply unit, incl. 2 non-grouped digital inputs and 6 grouped digital inputs
- X2** – OR-6: Assembly Group with 6 Relay Outputs
- X3** – TIS-4: Sensitive Ground current measuring card (for the neutral side of the differential protection)
- X4** – TI-4: Standard ground current measuring card (for the line side of the differential protection)
- X5** – AN I02-OR4: Assembly Group with 2 Analog Inputs, 2 Analog Outputs and 4 Output Relays
- X6** – TU: Card with 4 voltage transformer measuring inputs
- X102** – Universal Resistance-Temperature Detector (URTD) input, Fiber optics interface, ST Connector
- X103** – Fiber optics interface, ST Connector
- X104** – IRIG-B00X, incl. System Contact (Supervision Contact)

MCDGV4-2B1BEA



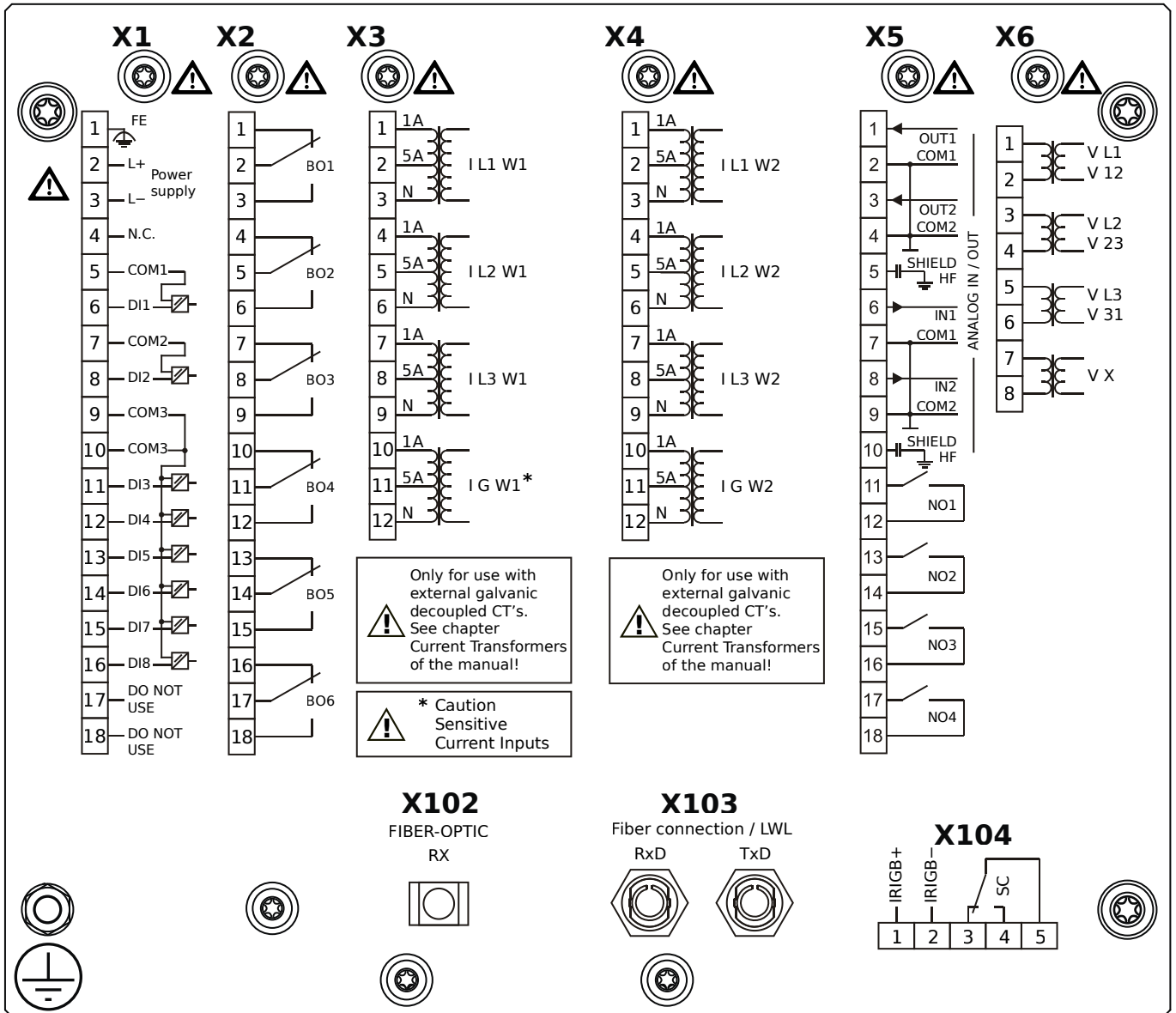
- X1** – DI8-X1: Wide-range power supply unit, incl. 2 non-grouped digital inputs and 6 grouped digital inputs
- X2** – OR-6: Assembly Group with 6 Relay Outputs
- X3** – TIS-4: Sensitive Ground current measuring card (for the neutral side of the differential protection)
- X4** – TI-4: Standard ground current measuring card (for the line side of the differential protection)
- X5** – AN I02-OR4: Assembly Group with 2 Analog Inputs, 2 Analog Outputs and 4 Output Relays
- X6** – TU: Card with 4 voltage transformer measuring inputs
- X102** – Universal Resistance-Temperature Detector (URTD) input, Fiber optics interface, ST Connector
- X103** – RS485, D-SUB
- X104** – IRIG-B00X, incl. System Contact (Supervision Contact)

MCDGV4-2B1BEB



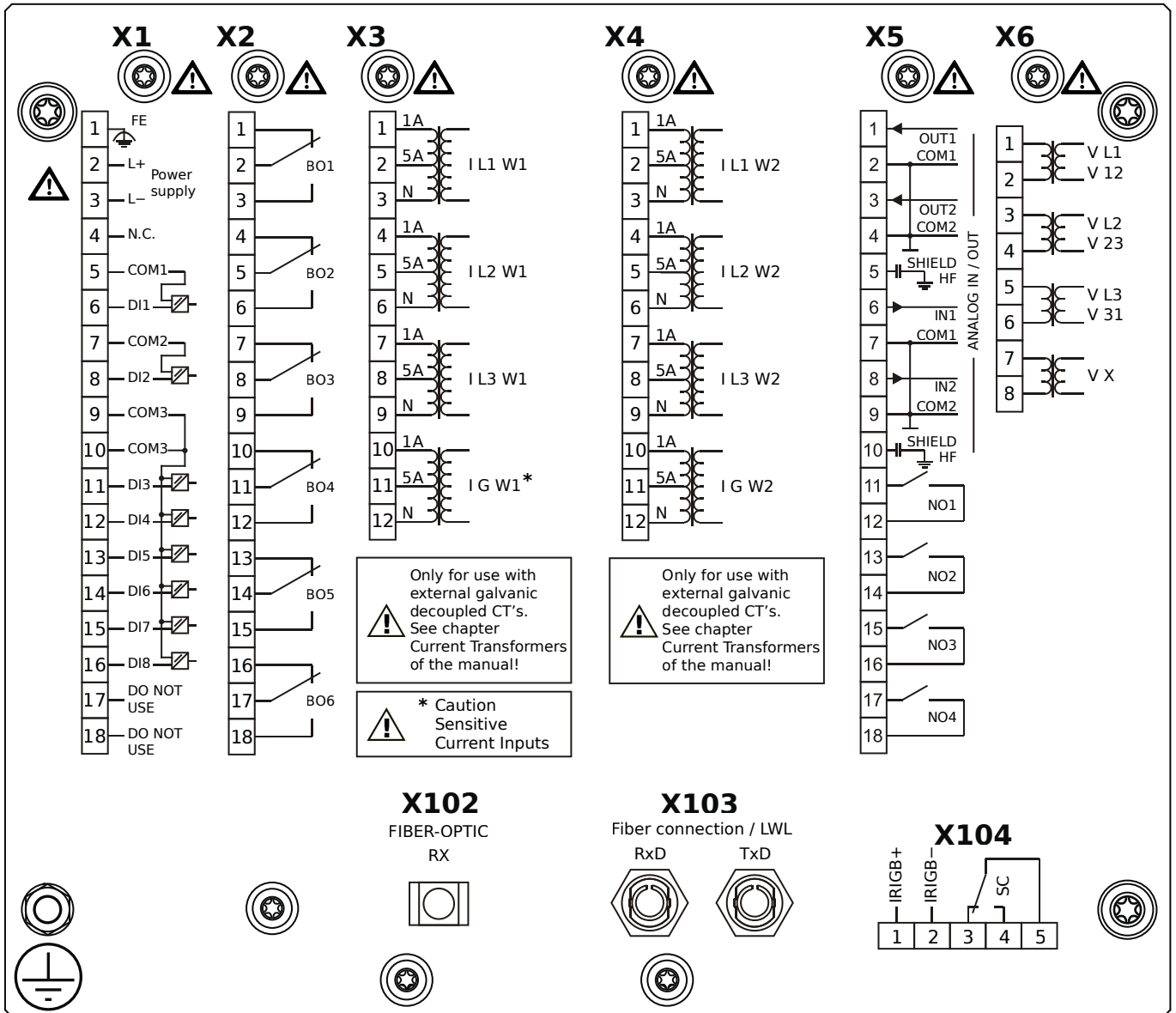
- X1** – DI8-X1: Wide-range power supply unit, incl. 2 non-grouped digital inputs and 6 grouped digital inputs
- X2** – OR-6: Assembly Group with 6 Relay Outputs
- X3** – TIS-4: Sensitive Ground current measuring card (for the neutral side of the differential protection)
- X4** – TI-4: Standard ground current measuring card (for the line side of the differential protection)
- X5** – AN I02-OR4: Assembly Group with 2 Analog Inputs, 2 Analog Outputs and 4 Output Relays
- X6** – TU: Card with 4 voltage transformer measuring inputs
- X102** – Universal Resistance-Temperature Detector (URTD) input, Fiber optics interface, ST Connector
- X103** – RS485, D-SUB
- X104** – IRIG-B00X, incl. System Contact (Supervision Contact)

MCDGV4-2B1BFA



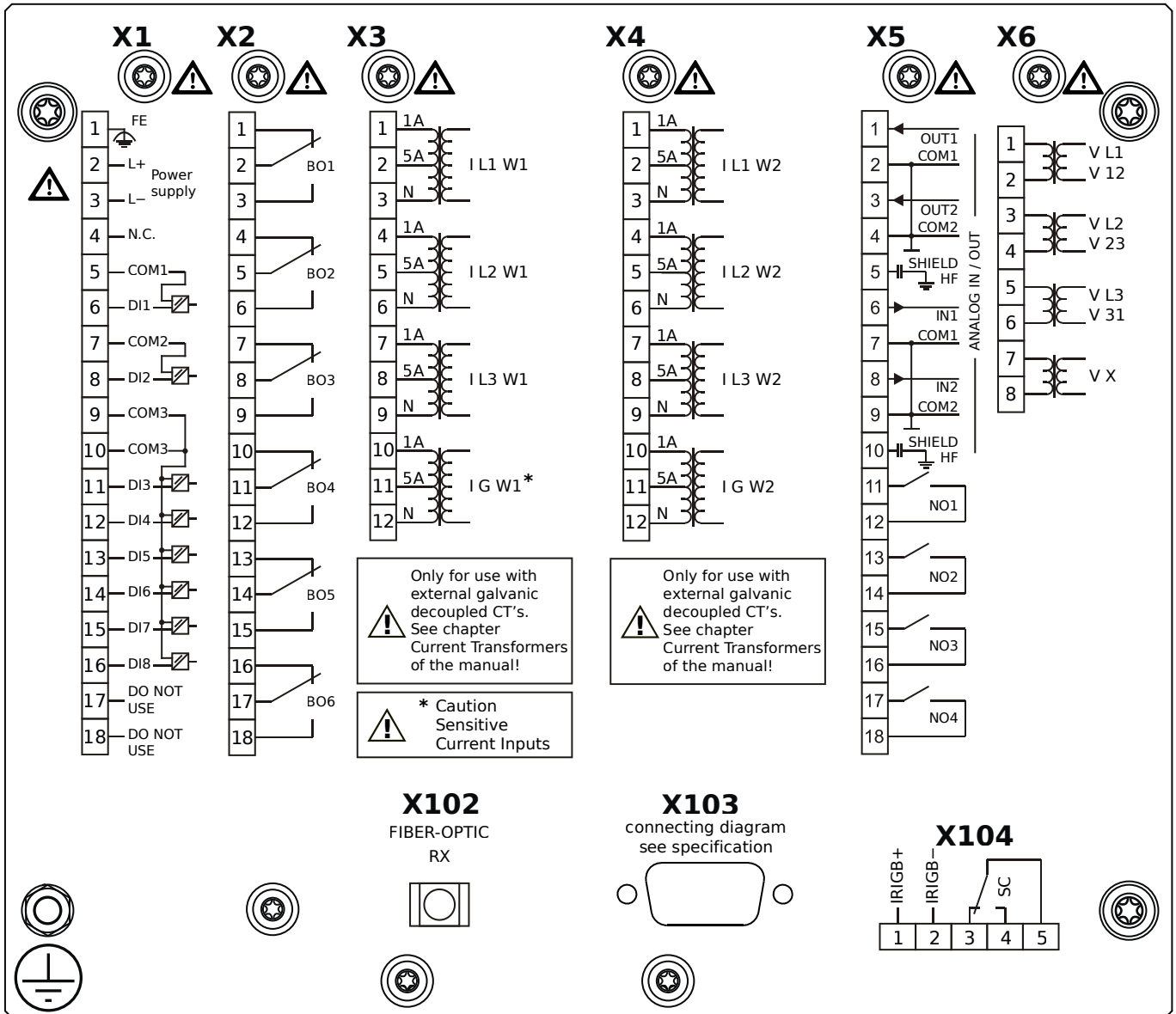
- X1** – DI8-X1: Wide-range power supply unit, incl. 2 non-grouped digital inputs and 6 grouped digital inputs
- X2** – OR-6: Assembly Group with 6 Relay Outputs
- X3** – TIS-4: Sensitive Ground current measuring card (for the neutral side of the differential protection)
- X4** – TI-4: Standard ground current measuring card (for the line side of the differential protection)
- X5** – AN I02-OR4: Assembly Group with 2 Analog Inputs, 2 Analog Outputs and 4 Output Relays
- X6** – TU: Card with 4 voltage transformer measuring inputs
- X102** – Universal Resistance-Temperature Detector (URTD) input, Fiber optics interface, ST Connector
- X103** – Fiber optics interface, ST Connector
- X104** – IRIG-B00X, incl. System Contact (Supervision Contact)

MCDGV4-2B1BFB



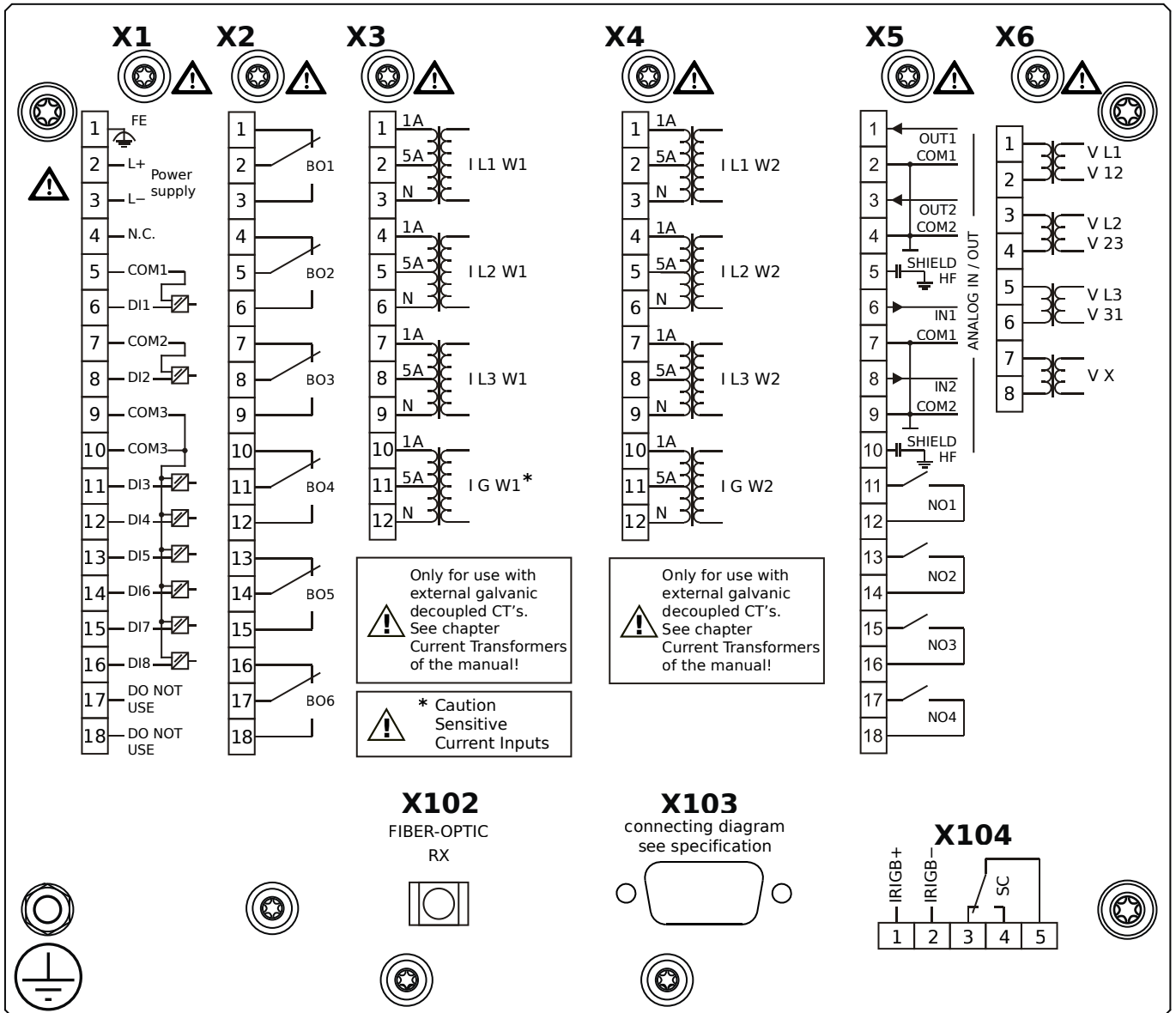
- X1** – DI8-X1: Wide-range power supply unit, incl. 2 non-grouped digital inputs and 6 grouped digital inputs
- X2** – OR-6: Assembly Group with 6 Relay Outputs
- X3** – TIS-4: Sensitive Ground current measuring card (for the neutral side of the differential protection)
- X4** – TI-4: Standard ground current measuring card (for the line side of the differential protection)
- X5** – AN I02-OR4: Assembly Group with 2 Analog Inputs, 2 Analog Outputs and 4 Output Relays
- X6** – TU: Card with 4 voltage transformer measuring inputs
- X102** – Universal Resistance-Temperature Detector (URTD) input, Fiber optics interface, ST Connector
- X103** – Fiber optics interface, ST Connector
- X104** – IRIG-B00X, incl. System Contact (Supervision Contact)

MCDGV4-2B1BGA



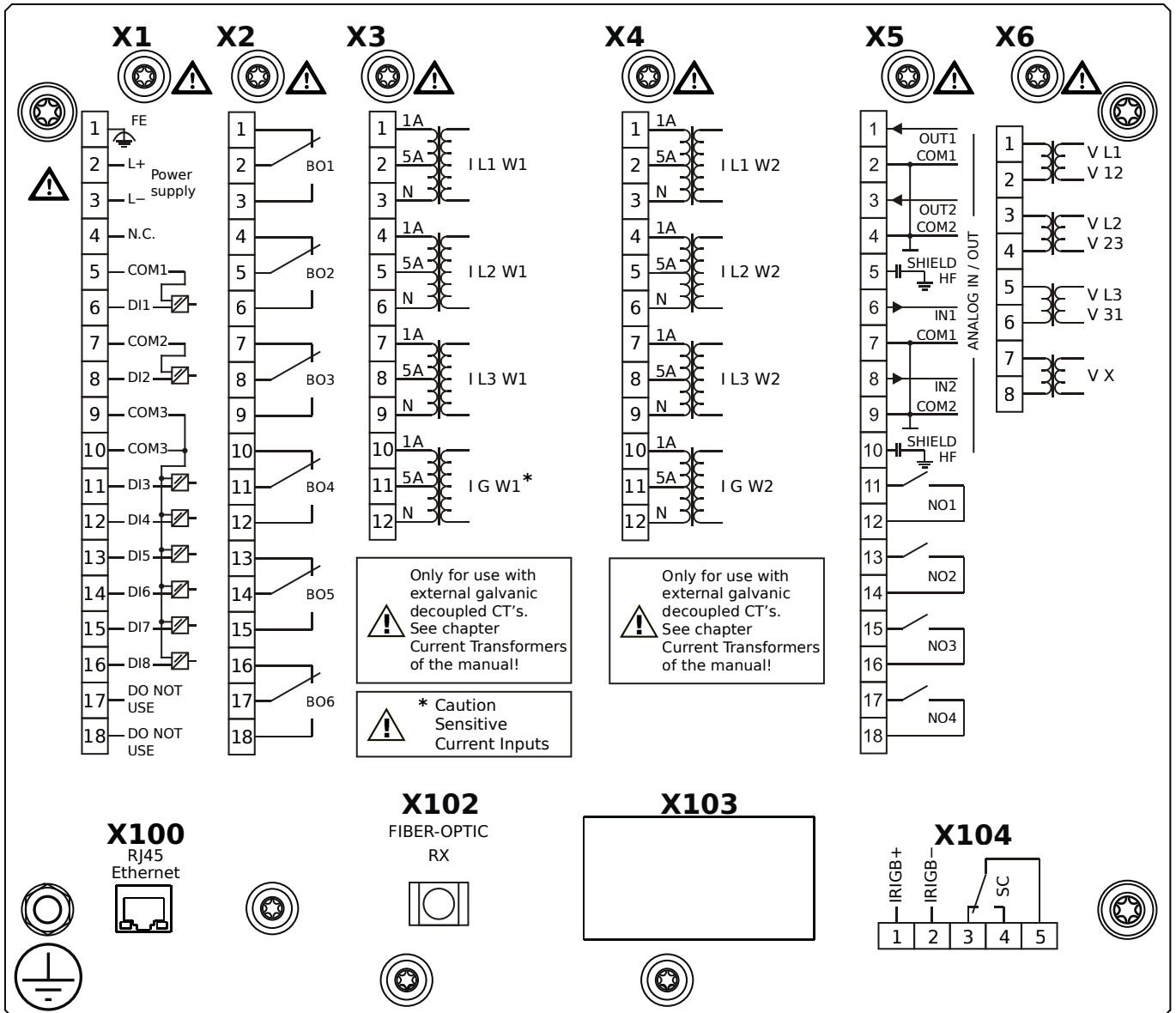
- X1** – DI8-X1: Wide-range power supply unit, incl. 2 non-grouped digital inputs and 6 grouped digital inputs
- X2** – OR-6: Assembly Group with 6 Relay Outputs
- X3** – TIS-4: Sensitive Ground current measuring card (for the neutral side of the differential protection)
- X4** – TI-4: Standard ground current measuring card (for the line side of the differential protection)
- X5** – AN I02-OR4: Assembly Group with 2 Analog Inputs, 2 Analog Outputs and 4 Output Relays
- X6** – TU: Card with 4 voltage transformer measuring inputs
- X102** – Universal Resistance-Temperature Detector (URTD) input, Fiber optics interface, ST Connector
- X103** – RS485, D-SUB
- X104** – IRIG-B00X, incl. System Contact (Supervision Contact)

MCDGV4-2B1BGB



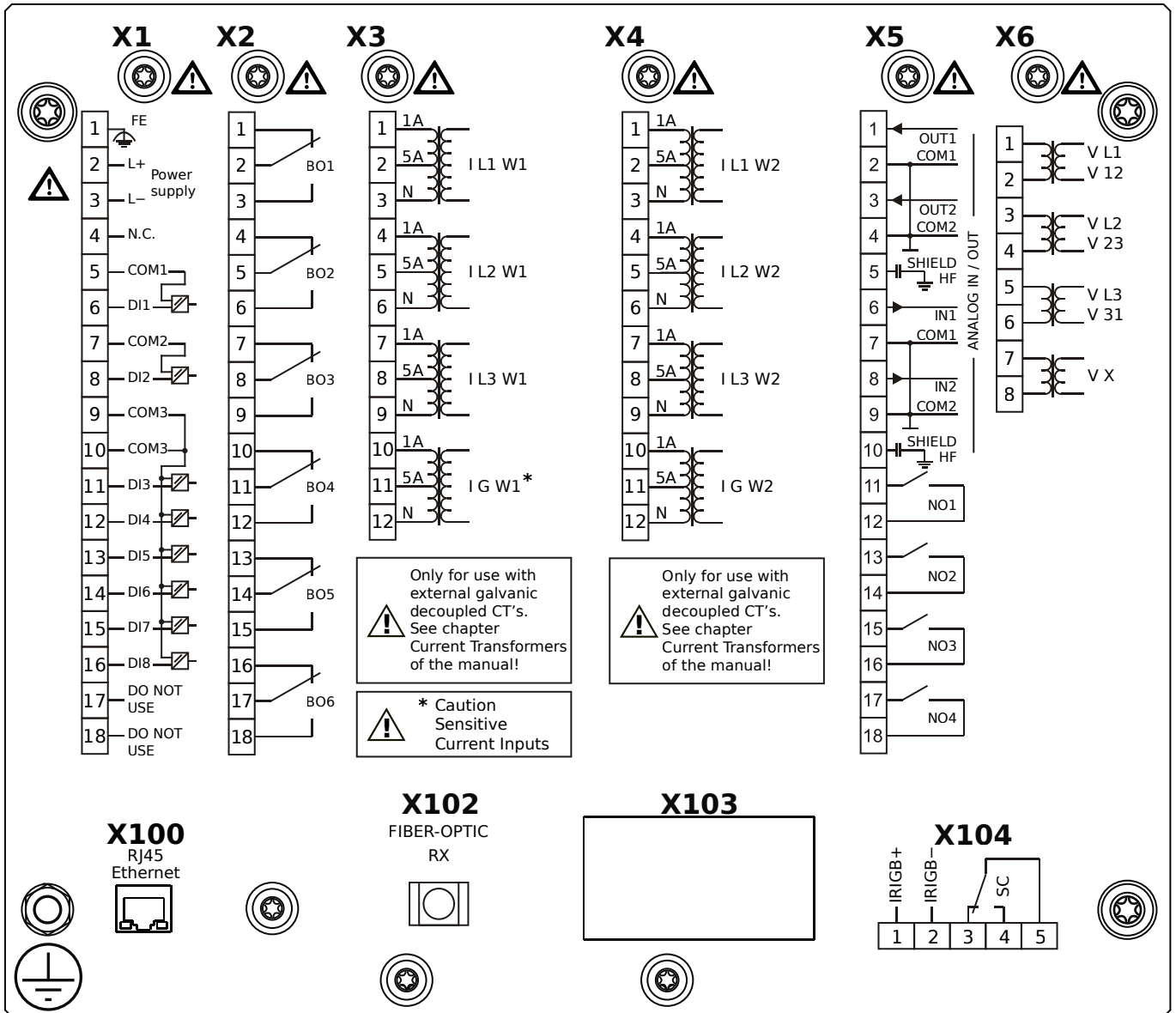
- X1** – DI8-X1: Wide-range power supply unit, incl. 2 non-grouped digital inputs and 6 grouped digital inputs
- X2** – OR-6: Assembly Group with 6 Relay Outputs
- X3** – TIS-4: Sensitive Ground current measuring card (for the neutral side of the differential protection)
- X4** – TI-4: Standard ground current measuring card (for the line side of the differential protection)
- X5** – AN I02-OR4: Assembly Group with 2 Analog Inputs, 2 Analog Outputs and 4 Output Relays
- X6** – TU: Card with 4 voltage transformer measuring inputs
- X102** – Universal Resistance-Temperature Detector (URTD) input, Fiber optics interface, ST Connector
- X103** – RS485, D-SUB
- X104** – IRIG-B00X, incl. System Contact (Supervision Contact)

MCDGV4-2B1BHA



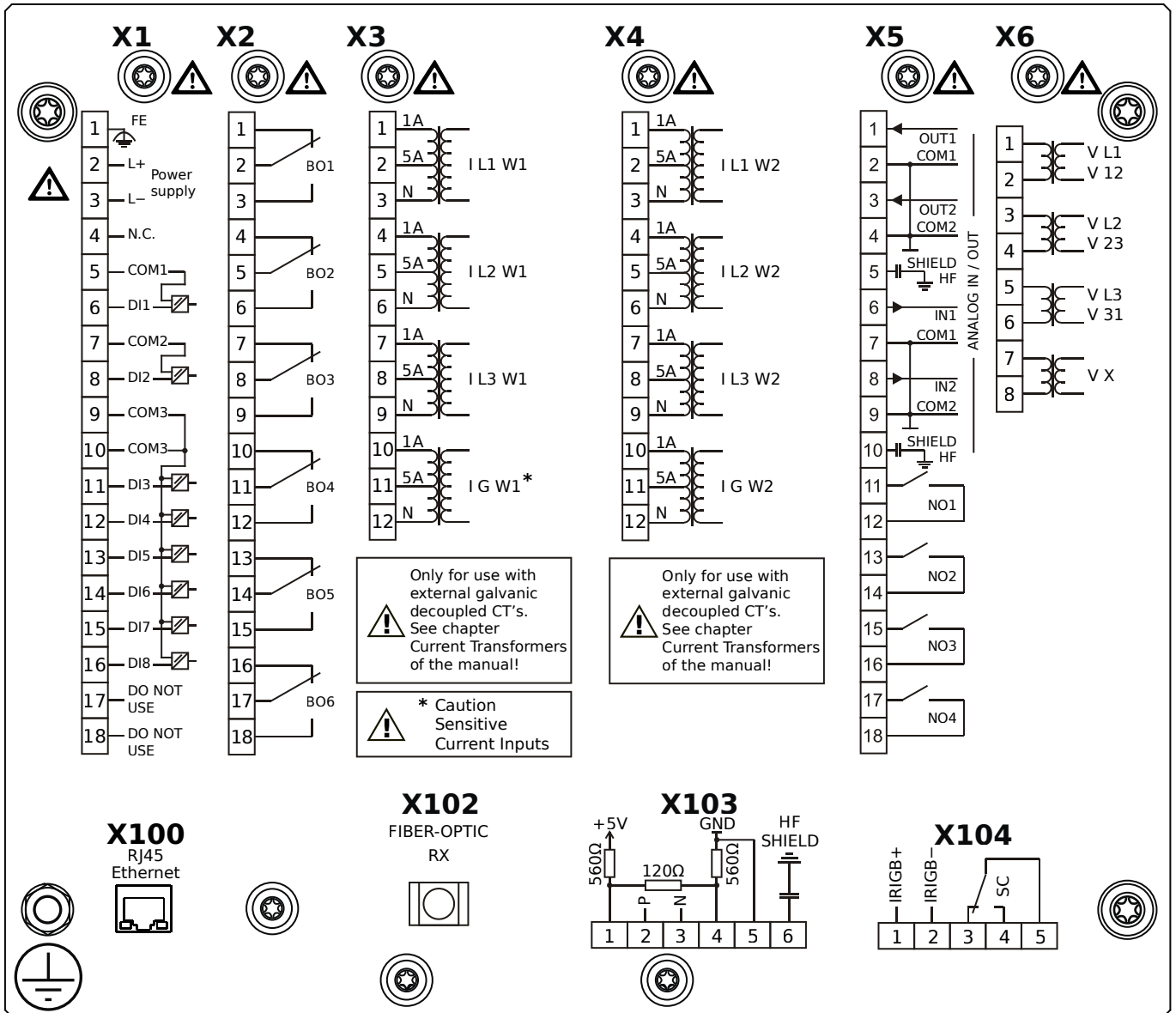
- X1** – DI8-X1: Wide-range power supply unit, incl. 2 non-grouped digital inputs and 6 grouped digital inputs
- X2** – OR-6: Assembly Group with 6 Relay Outputs
- X3** – TIS-4: Sensitive Ground current measuring card (for the neutral side of the differential protection)
- X4** – TI-4: Standard ground current measuring card (for the line side of the differential protection)
- X5** – AN I02-OR4: Assembly Group with 2 Analog Inputs, 2 Analog Outputs and 4 Output Relays
- X6** – TU: Card with 4 voltage transformer measuring inputs
- X100** – Ethernet interface, 100 Mbit/s, RJ45
- X102** – Universal Resistance-Temperature Detector (URTD) input, Fiber optics interface, ST Connector
- X104** – IRIG-B00X, incl. System Contact (Supervision Contact)

MCDGV4-2B1BHB



- X1** – DI8-X1: Wide-range power supply unit, incl. 2 non-grouped digital inputs and 6 grouped digital inputs
- X2** – OR-6: Assembly Group with 6 Relay Outputs
- X3** – TIS-4: Sensitive Ground current measuring card (for the neutral side of the differential protection)
- X4** – TI-4: Standard ground current measuring card (for the line side of the differential protection)
- X5** – AN I02-OR4: Assembly Group with 2 Analog Inputs, 2 Analog Outputs and 4 Output Relays
- X6** – TU: Card with 4 voltage transformer measuring inputs
- X100** – Ethernet interface, 100 Mbit/s, RJ45
- X102** – Universal Resistance-Temperature Detector (URTD) input, Fiber optics interface, ST Connector
- X104** – IRIG-B00X, incl. System Contact (Supervision Contact)

MCDGV4-2B1BIA



X1 – DI8-X1: Wide-range power supply unit, incl. 2 non-grouped digital inputs and 6 grouped digital inputs

X2 – OR-6: Assembly Group with 6 Relay Outputs

X3 – TIS-4: Sensitive Ground current measuring card (for the neutral side of the differential protection)

X4 – TI-4: Standard ground current measuring card (for the line side of the differential protection)

X5 – AN I02-OR4: Assembly Group with 2 Analog Inputs, 2 Analog Outputs and 4 Output Relays

X6 – TU: Card with 4 voltage transformer measuring inputs

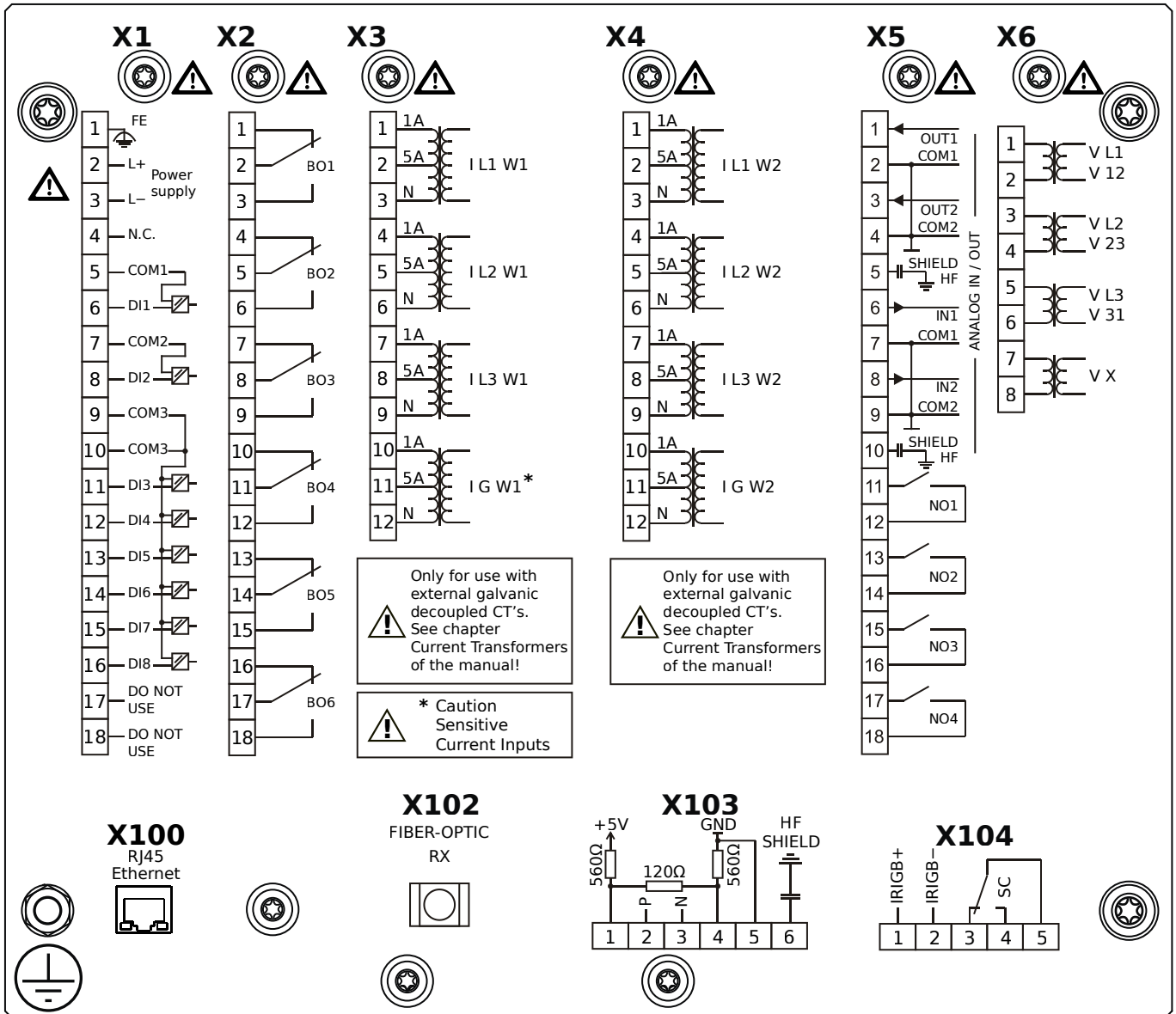
X100 – Ethernet interface, 100 Mbit/s, RJ45

X102 – Universal Resistance-Temperature Detector (URTD) input, Fiber optics interface, ST Connector

X103 – RS485, Terminals

X104 – IRIG-B00X, incl. System Contact (Supervision Contact)

MCDGV4-2B1BIB



X1 – DI8-X1: Wide-range power supply unit, incl. 2 non-grouped digital inputs and 6 grouped digital inputs

X2 – OR-6: Assembly Group with 6 Relay Outputs

X3 – TIS-4: Sensitive Ground current measuring card (for the neutral side of the differential protection)

X4 – TI-4: Standard ground current measuring card (for the line side of the differential protection)

X5 – AN I02-OR4: Assembly Group with 2 Analog Inputs, 2 Analog Outputs and 4 Output Relays

X6 – TU: Card with 4 voltage transformer measuring inputs

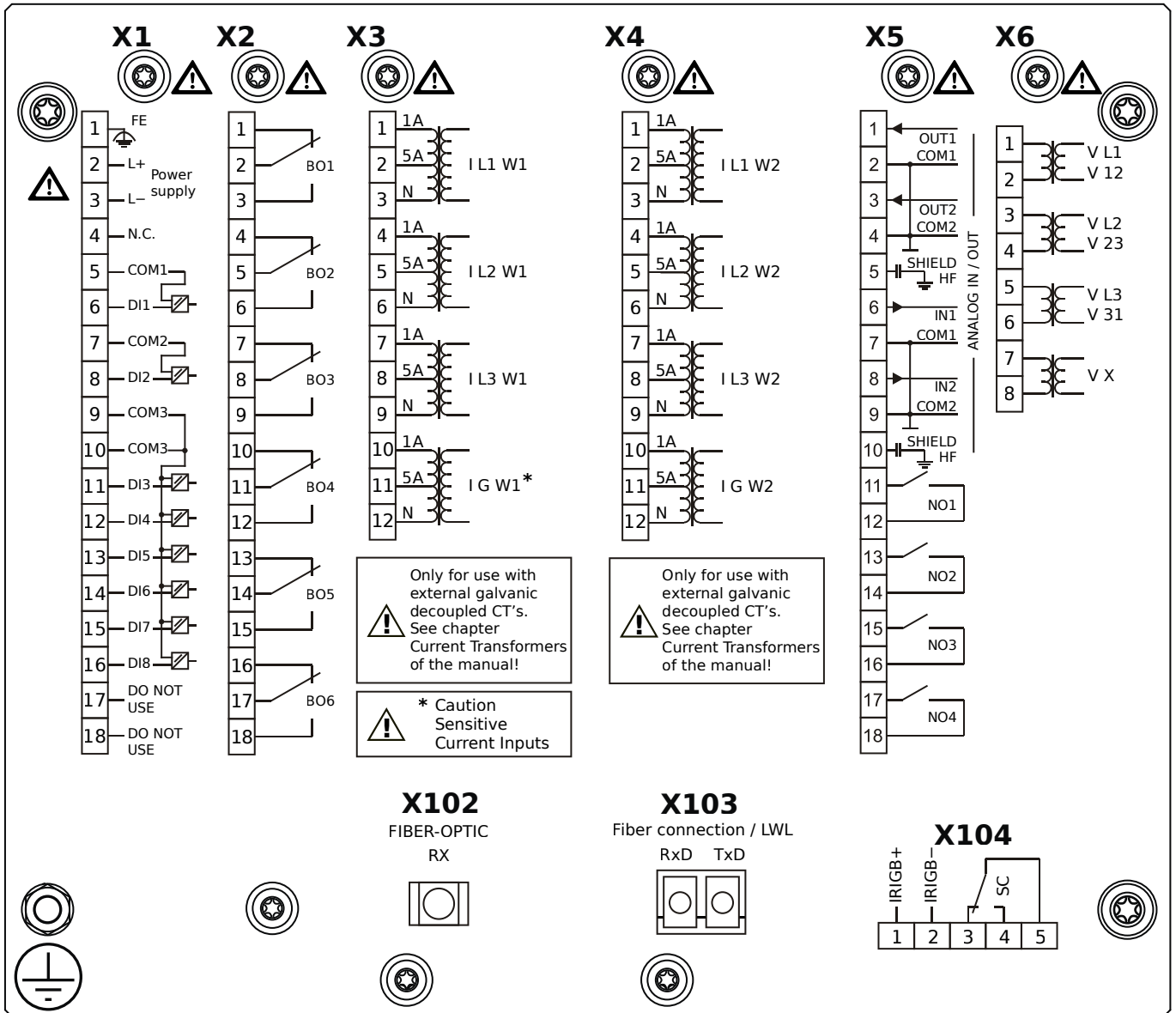
X100 – Ethernet interface, 100 Mbit/s, RJ45

X102 – Universal Resistance-Temperature Detector (URTD) input, Fiber optics interface, ST Connector

X103 – RS485, Terminals

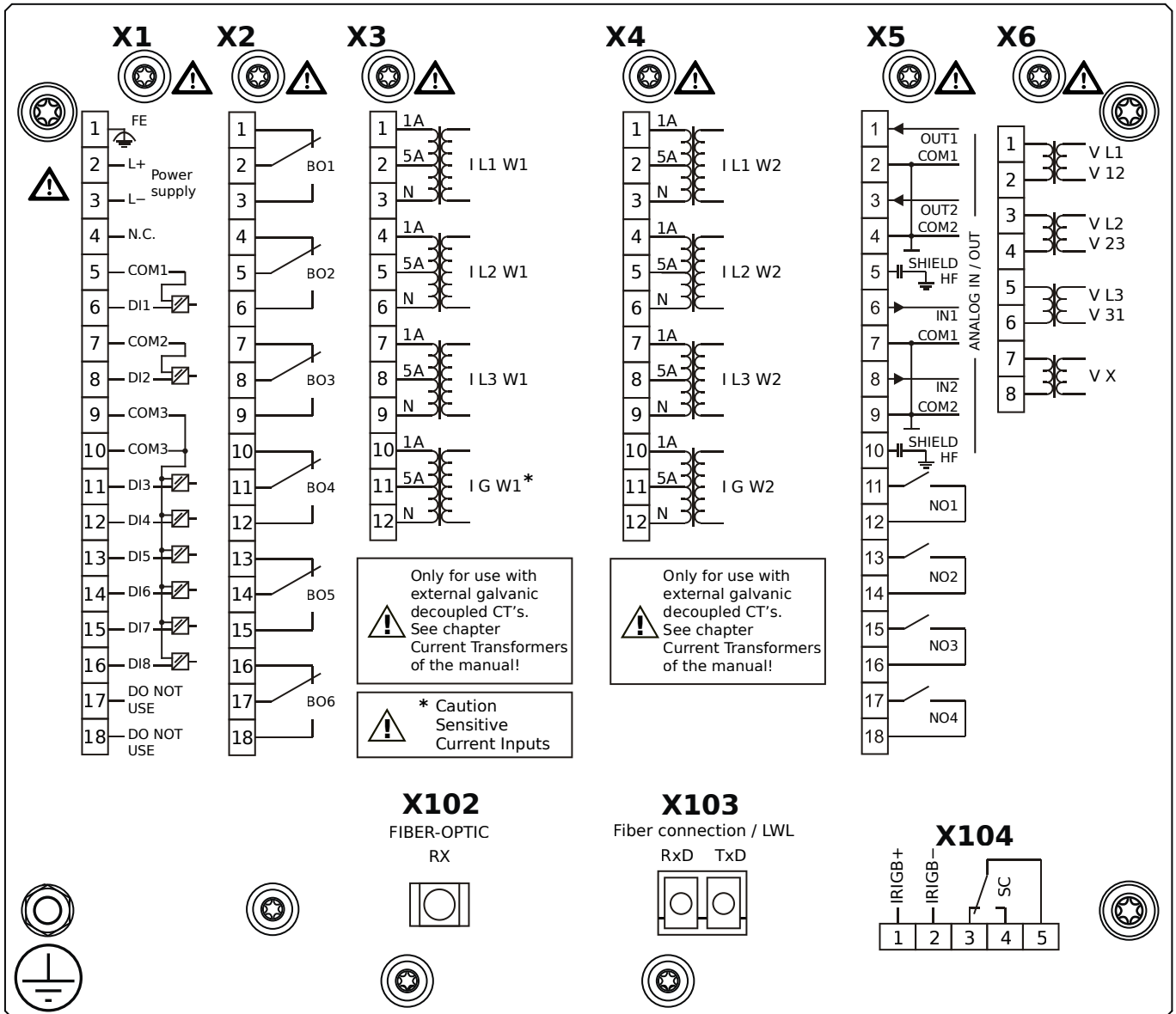
X104 – IRIG-B00X, incl. System Contact (Supervision Contact)

MCDGV4-2B1BKA



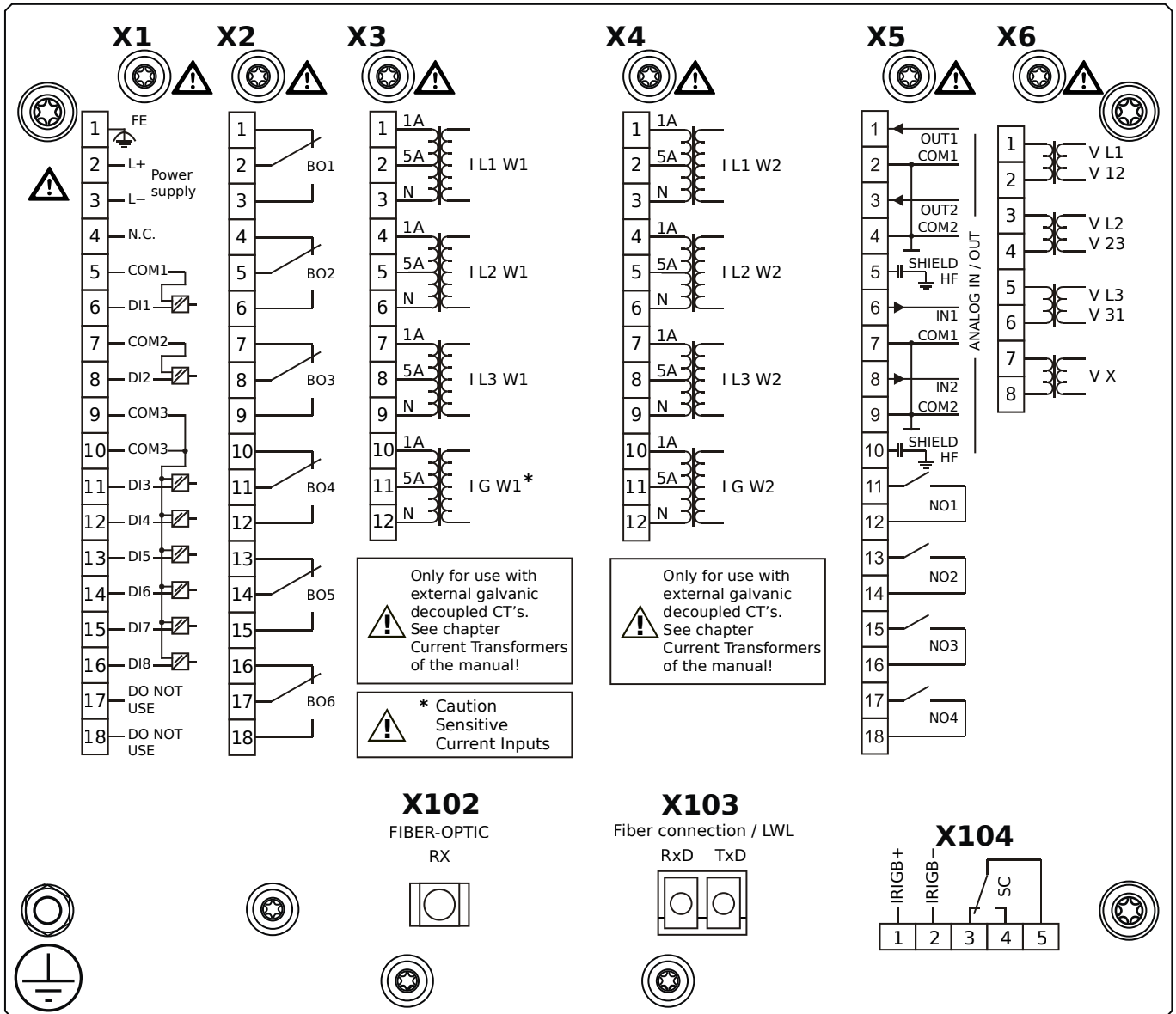
- X1** – DI8-X1: Wide-range power supply unit, incl. 2 non-grouped digital inputs and 6 grouped digital inputs
- X2** – OR-6: Assembly Group with 6 Relay Outputs
- X3** – TIS-4: Sensitive Ground current measuring card (for the neutral side of the differential protection)
- X4** – TI-4: Standard ground current measuring card (for the line side of the differential protection)
- X5** – AN I02-OR4: Assembly Group with 2 Analog Inputs, 2 Analog Outputs and 4 Output Relays
- X6** – TU: Card with 4 voltage transformer measuring inputs
- X102** – Universal Resistance-Temperature Detector (URTD) input, Fiber optics interface, ST Connector
- X103** – Fiber optics interface, LC Connector
- X104** – IRIG-B00X, incl. System Contact (Supervision Contact)

MCDGV4-2B1BKB



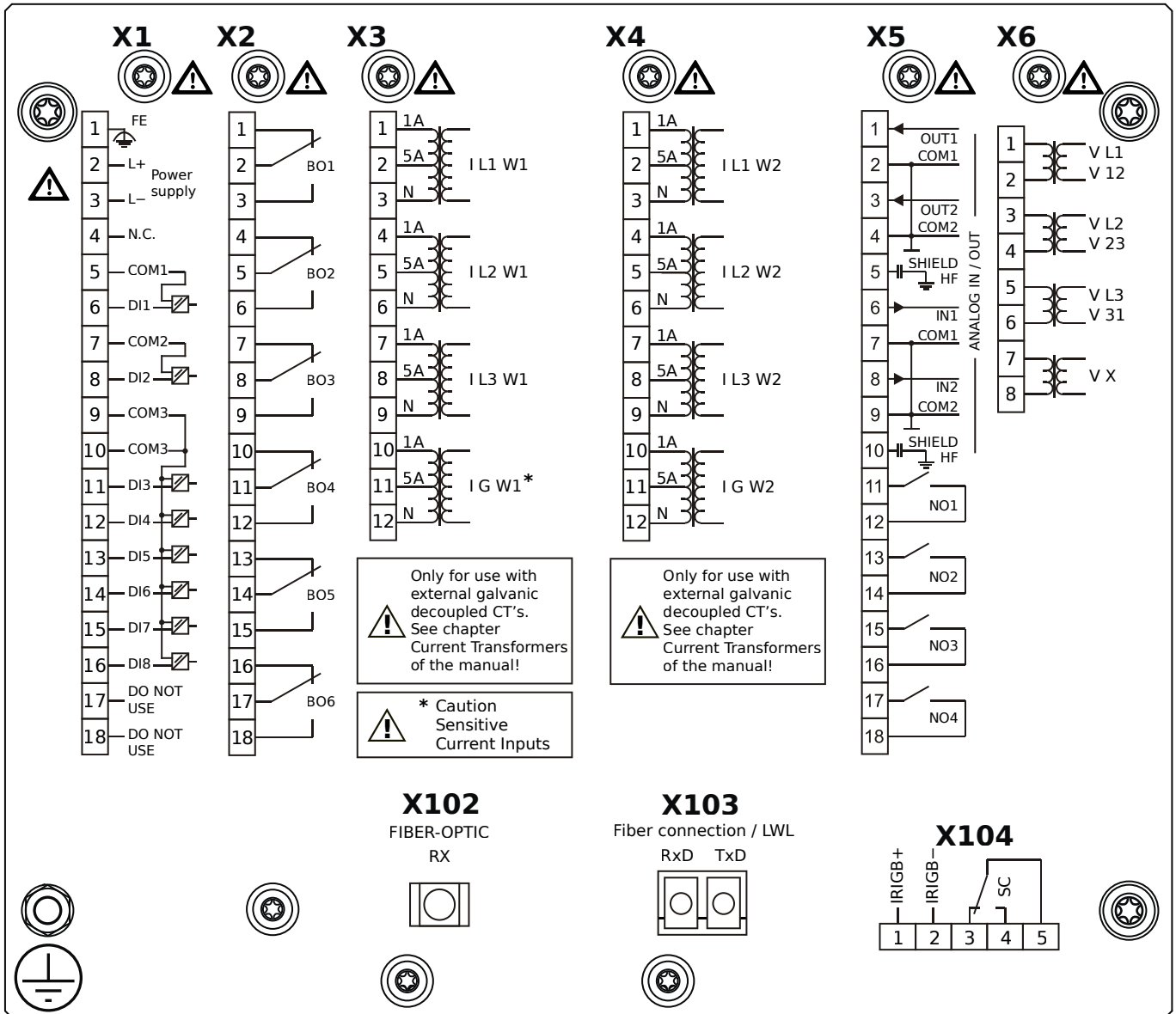
- X1** – DI8-X1: Wide-range power supply unit, incl. 2 non-grouped digital inputs and 6 grouped digital inputs
- X2** – OR-6: Assembly Group with 6 Relay Outputs
- X3** – TIS-4: Sensitive Ground current measuring card (for the neutral side of the differential protection)
- X4** – TI-4: Standard ground current measuring card (for the line side of the differential protection)
- X5** – AN I02-OR4: Assembly Group with 2 Analog Inputs, 2 Analog Outputs and 4 Output Relays
- X6** – TU: Card with 4 voltage transformer measuring inputs
- X102** – Universal Resistance-Temperature Detector (URTD) input, Fiber optics interface, ST Connector
- X103** – Fiber optics interface, LC Connector
- X104** – IRIG-B00X, incl. System Contact (Supervision Contact)

MCDGV4-2B1BLA



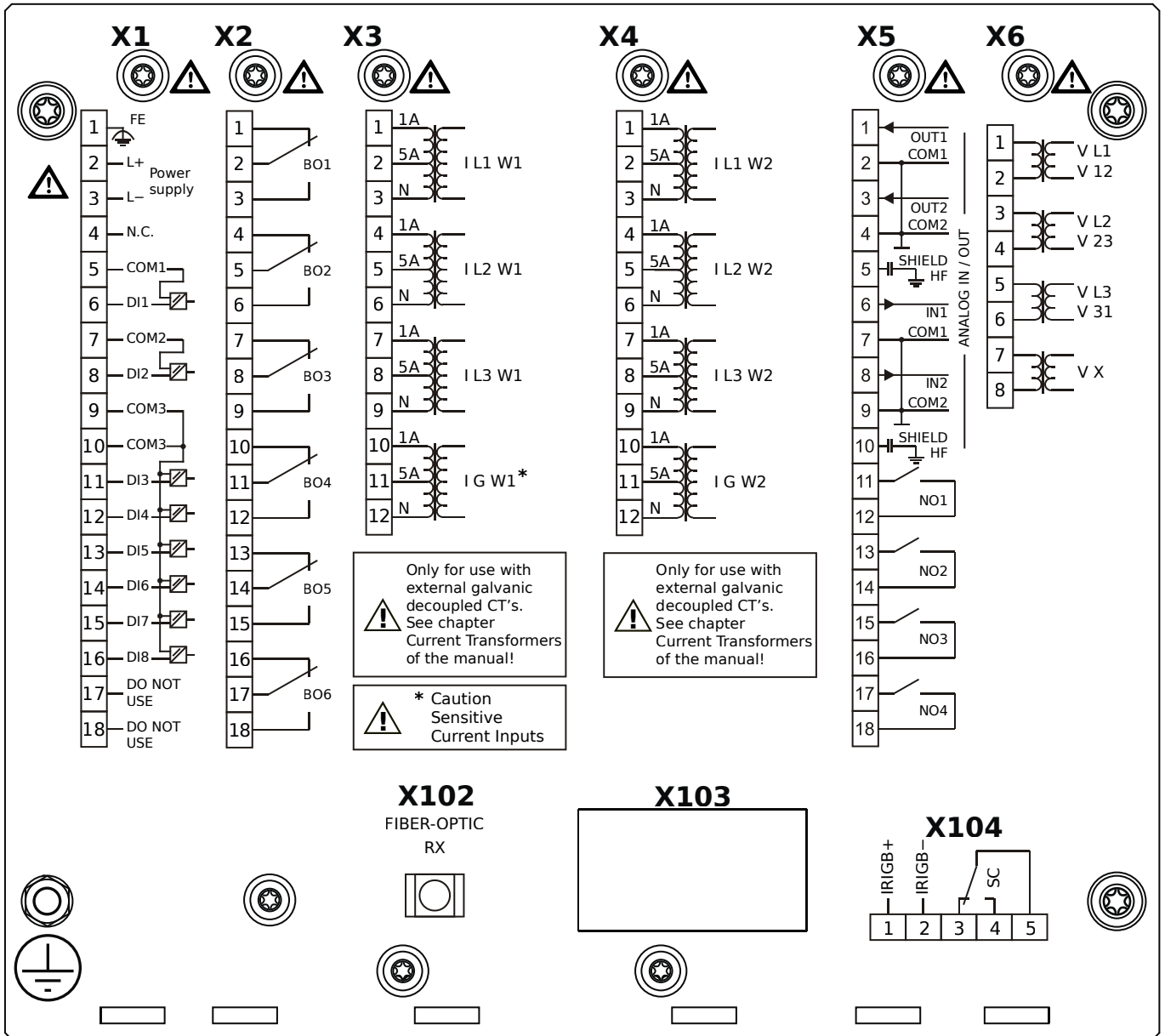
- X1** – DI8-X1: Wide-range power supply unit, incl. 2 non-grouped digital inputs and 6 grouped digital inputs
- X2** – OR-6: Assembly Group with 6 Relay Outputs
- X3** – TIS-4: Sensitive Ground current measuring card (for the neutral side of the differential protection)
- X4** – TI-4: Standard ground current measuring card (for the line side of the differential protection)
- X5** – AN I02-OR4: Assembly Group with 2 Analog Inputs, 2 Analog Outputs and 4 Output Relays
- X6** – TU: Card with 4 voltage transformer measuring inputs
- X102** – Universal Resistance-Temperature Detector (URTD) input, Fiber optics interface, ST Connector
- X103** – Fiber optics interface, LC Connector
- X104** – IRIG-B00X, incl. System Contact (Supervision Contact)

MCDGV4-2B1BLB



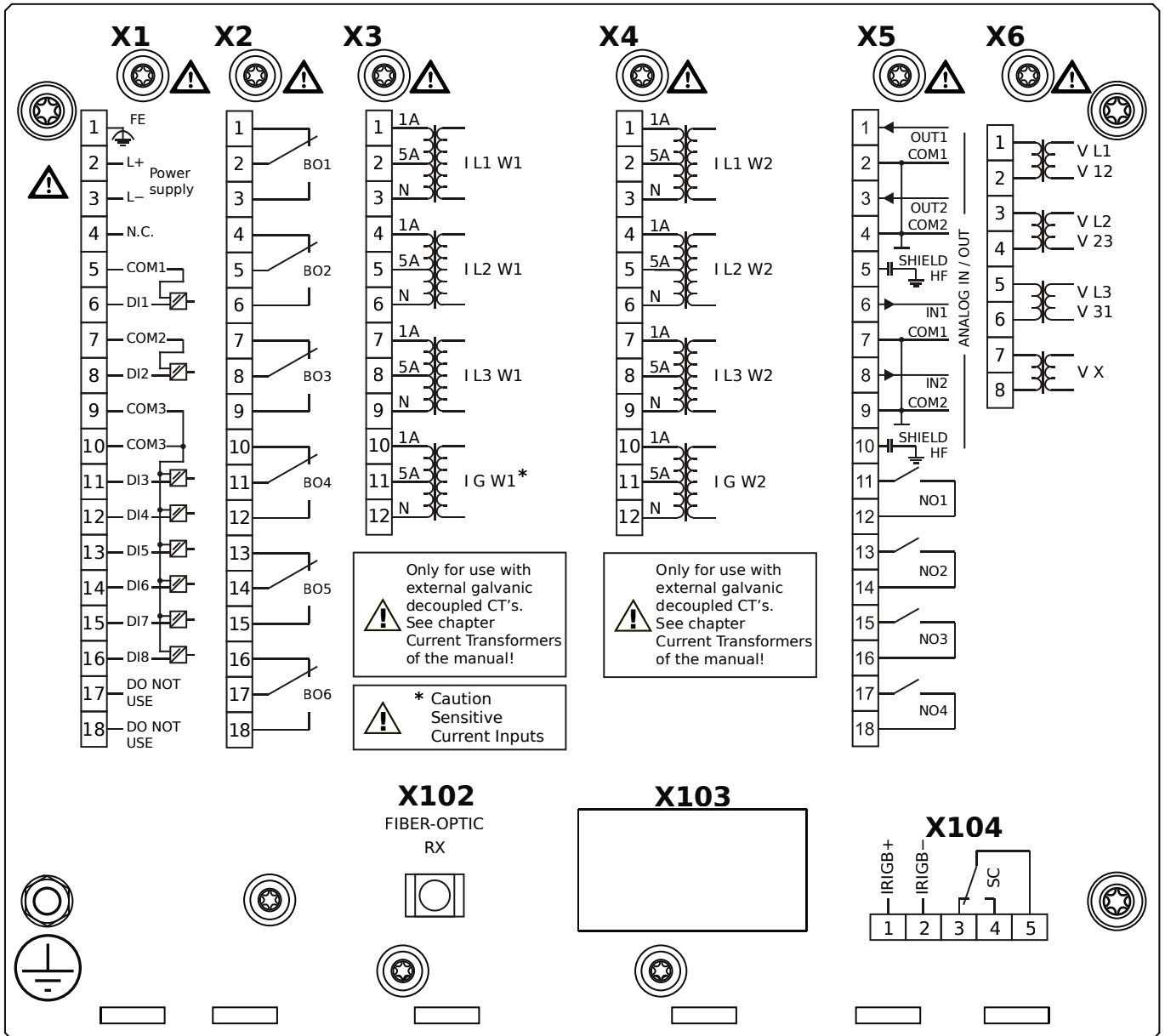
- X1** – DI8-X1: Wide-range power supply unit, incl. 2 non-grouped digital inputs and 6 grouped digital inputs
- X2** – OR-6: Assembly Group with 6 Relay Outputs
- X3** – TIS-4: Sensitive Ground current measuring card (for the neutral side of the differential protection)
- X4** – TI-4: Standard ground current measuring card (for the line side of the differential protection)
- X5** – AN I02-OR4: Assembly Group with 2 Analog Inputs, 2 Analog Outputs and 4 Output Relays
- X6** – TU: Card with 4 voltage transformer measuring inputs
- X102** – Universal Resistance-Temperature Detector (URTD) input, Fiber optics interface, ST Connector
- X103** – Fiber optics interface, LC Connector
- X104** – IRIG-B00X, incl. System Contact (Supervision Contact)

MCDGV4-2B1HAA



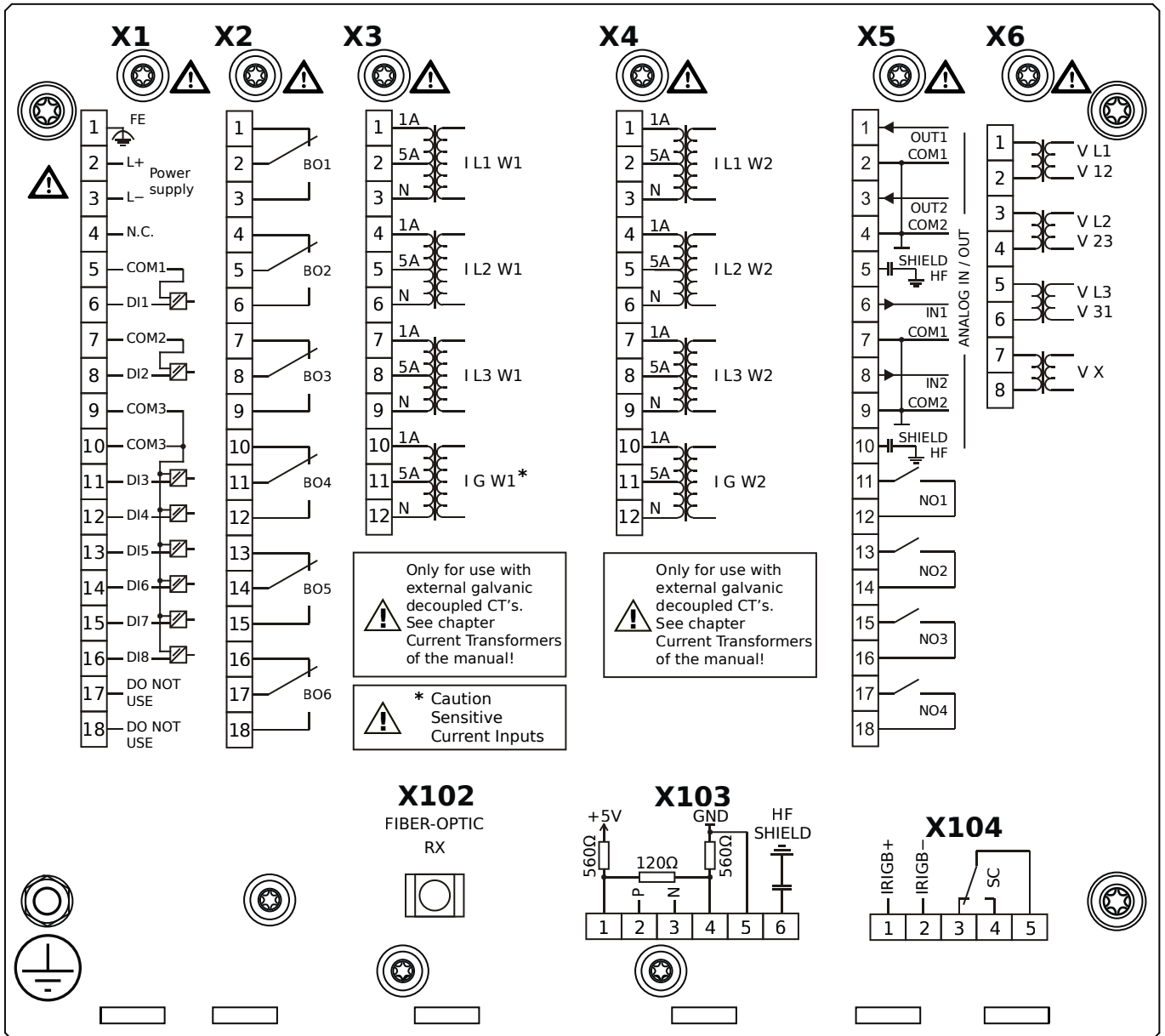
- X1** – DI8-X1: Wide-range power supply unit, incl. 2 non-grouped digital inputs and 6 grouped digital inputs
- X2** – OR-6: Assembly Group with 6 Relay Outputs
- X3** – TIS-4: Sensitive Ground current measuring card (for the neutral side of the differential protection)
- X4** – TI-4: Standard ground current measuring card (for the line side of the differential protection)
- X5** – AN I02-OR4: Assembly Group with 2 Analog Inputs, 2 Analog Outputs and 4 Output Relays
- X6** – TU: Card with 4 voltage transformer measuring inputs
- X102** – Universal Resistance-Temperature Detector (URTD) input, Fiber optics interface, ST Connector
- X104** – IRIG-B00X, incl. System Contact (Supervision Contact)

MCDGV4-2B1HAB



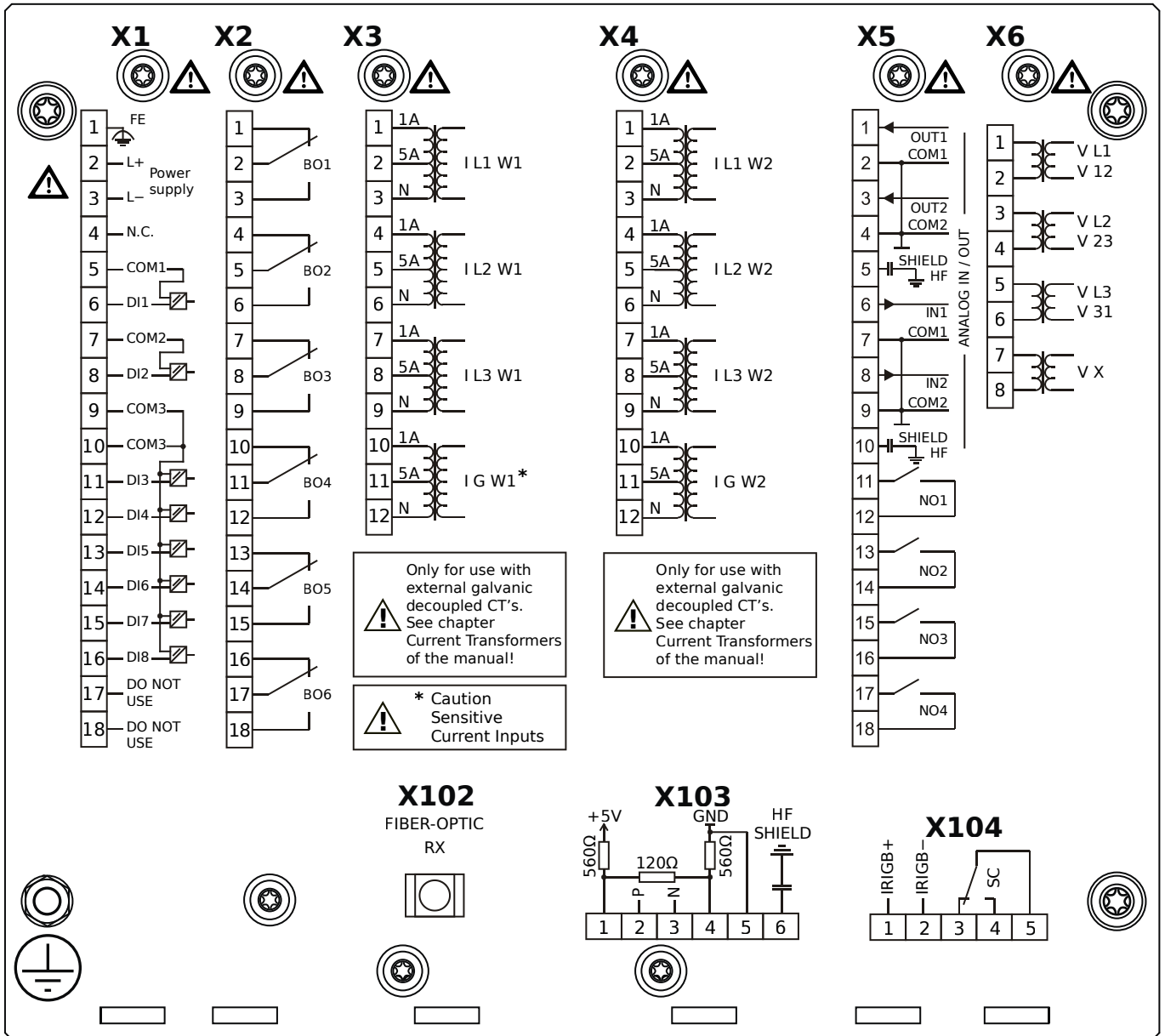
- X1** – DI8-X1: Wide-range power supply unit, incl. 2 non-grouped digital inputs and 6 grouped digital inputs
- X2** – OR-6: Assembly Group with 6 Relay Outputs
- X3** – TIS-4: Sensitive Ground current measuring card (for the neutral side of the differential protection)
- X4** – TI-4: Standard ground current measuring card (for the line side of the differential protection)
- X5** – AN I02-OR4: Assembly Group with 2 Analog Inputs, 2 Analog Outputs and 4 Output Relays
- X6** – TU: Card with 4 voltage transformer measuring inputs
- X102** – Universal Resistance-Temperature Detector (URTD) input, Fiber optics interface, ST Connector
- X104** – IRIG-B00X, incl. System Contact (Supervision Contact)

MCDGV4-2B1HBA



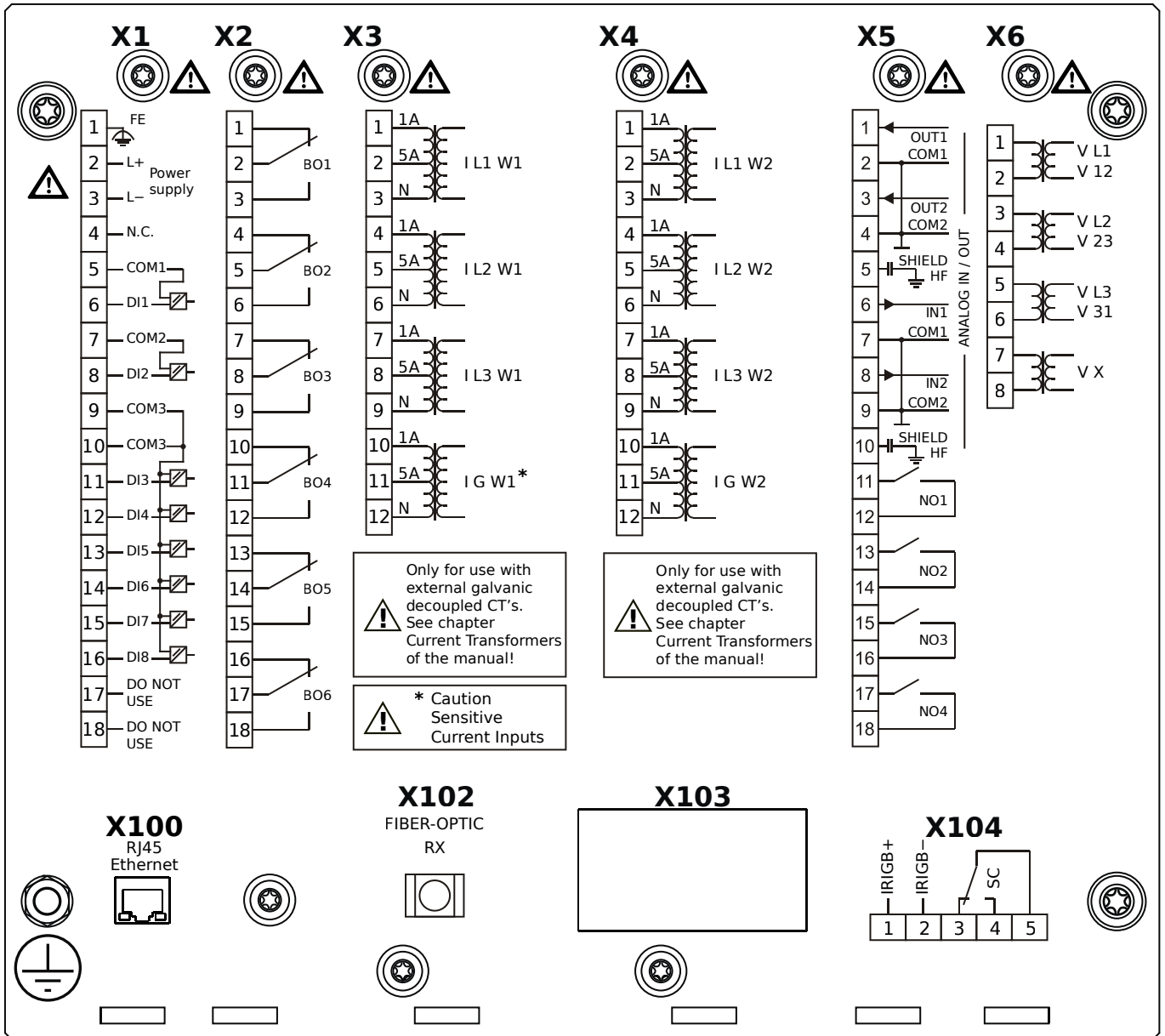
- X1** – DI8-X1: Wide-range power supply unit, incl. 2 non-grouped digital inputs and 6 grouped digital inputs
- X2** – OR-6: Assembly Group with 6 Relay Outputs
- X3** – TIS-4: Sensitive Ground current measuring card (for the neutral side of the differential protection)
- X4** – TI-4: Standard ground current measuring card (for the line side of the differential protection)
- X5** – AN I02-OR4: Assembly Group with 2 Analog Inputs, 2 Analog Outputs and 4 Output Relays
- X6** – TU: Card with 4 voltage transformer measuring inputs
- X102** – Universal Resistance-Temperature Detector (URTD) input, Fiber optics interface, ST Connector
- X103** – RS485, Terminals
- X104** – IRIG-B00X, incl. System Contact (Supervision Contact)

MCDGV4-2B1HBB



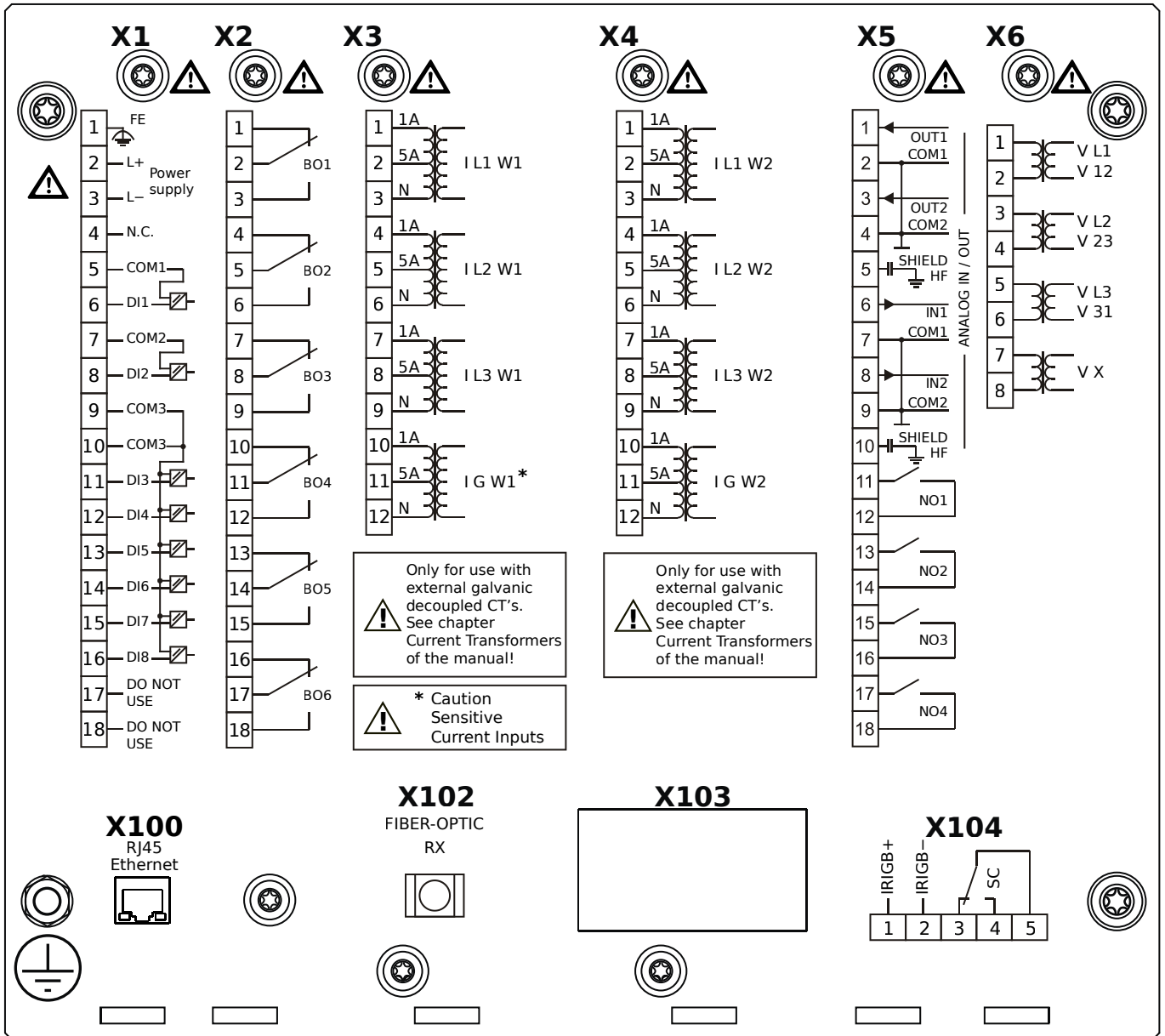
- X1** – DI8-X1: Wide-range power supply unit, incl. 2 non-grouped digital inputs and 6 grouped digital inputs
- X2** – OR-6: Assembly Group with 6 Relay Outputs
- X3** – TIS-4: Sensitive Ground current measuring card (for the neutral side of the differential protection)
- X4** – TI-4: Standard ground current measuring card (for the line side of the differential protection)
- X5** – AN I02-OR4: Assembly Group with 2 Analog Inputs, 2 Analog Outputs and 4 Output Relays
- X6** – TU: Card with 4 voltage transformer measuring inputs
- X102** – Universal Resistance-Temperature Detector (URTD) input, Fiber optics interface, ST Connector
- X103** – RS485, Terminals
- X104** – IRIG-B00X, incl. System Contact (Supervision Contact)

MCDGV4-2B1HCA



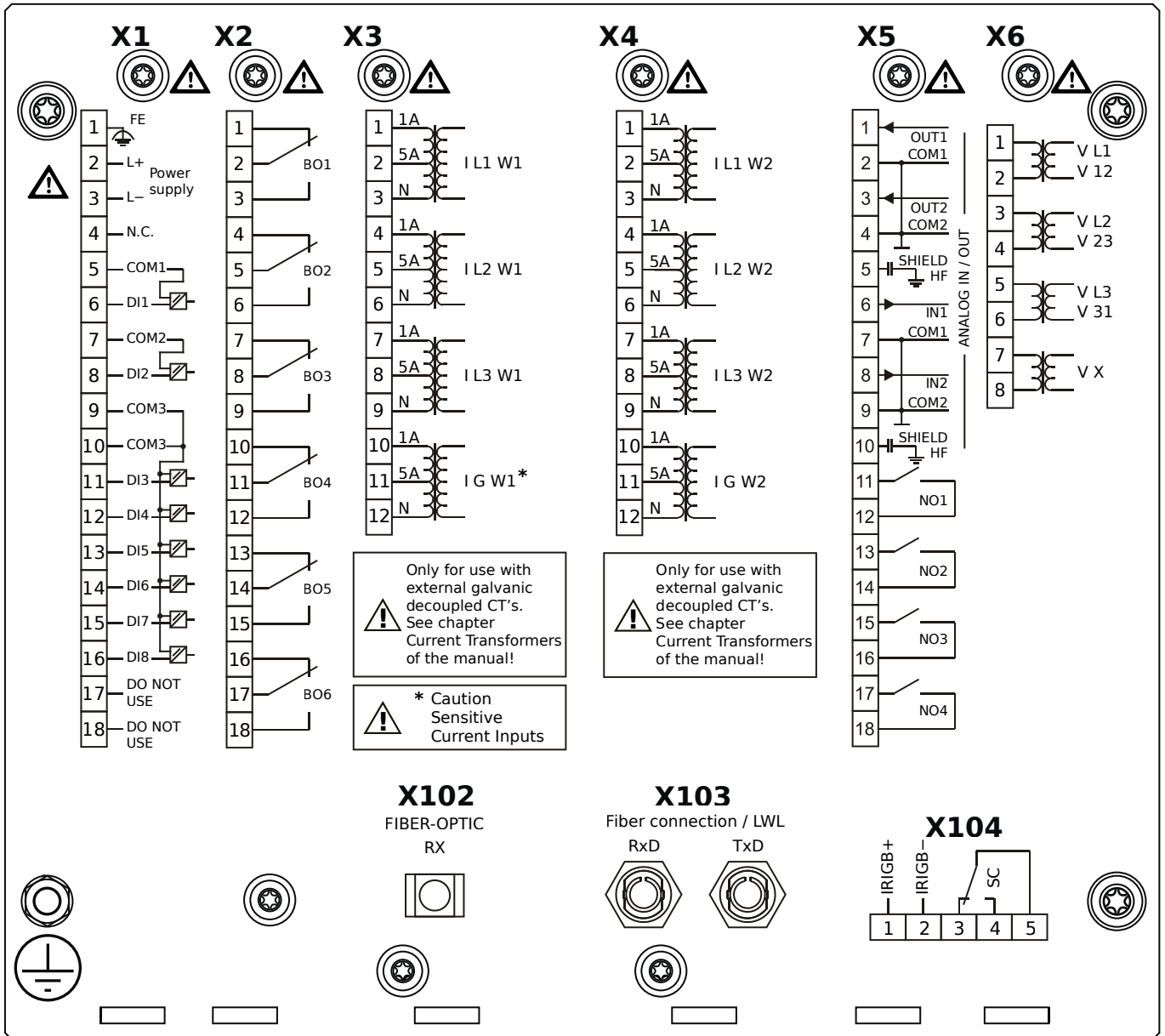
- X1** – DI8-X1: Wide-range power supply unit, incl. 2 non-grouped digital inputs and 6 grouped digital inputs
- X2** – OR-6: Assembly Group with 6 Relay Outputs
- X3** – TIS-4: Sensitive Ground current measuring card (for the neutral side of the differential protection)
- X4** – TI-4: Standard ground current measuring card (for the line side of the differential protection)
- X5** – AN I02-OR4: Assembly Group with 2 Analog Inputs, 2 Analog Outputs and 4 Output Relays
- X6** – TU: Card with 4 voltage transformer measuring inputs
- X100** – Ethernet interface, 100 Mbit/s, RJ45
- X102** – Universal Resistance-Temperature Detector (URTD) input, Fiber optics interface, ST Connector
- X104** – IRIG-B00X, incl. System Contact (Supervision Contact)

MCDGV4-2B1HCB



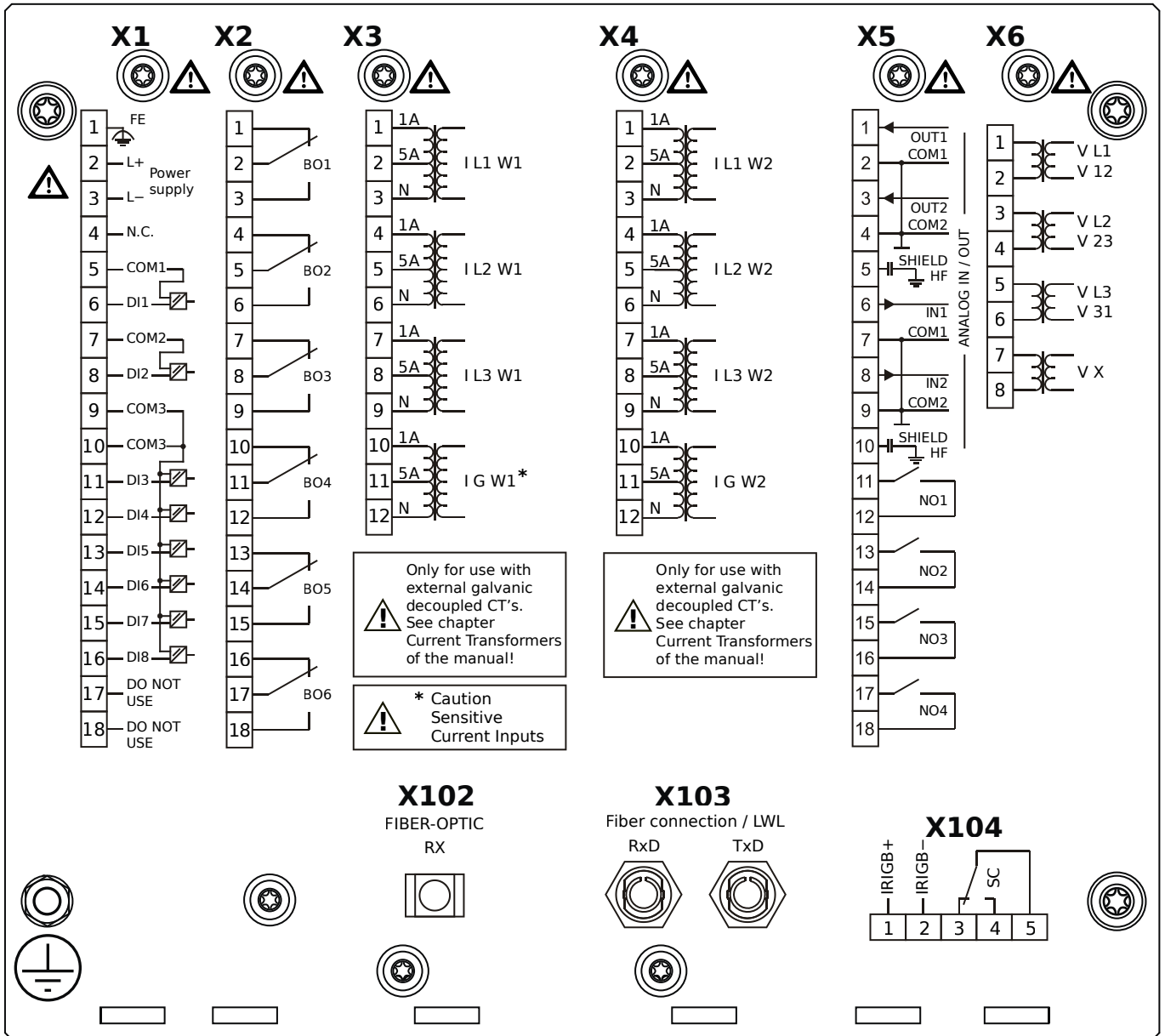
- X1** – DI8-X1: Wide-range power supply unit, incl. 2 non-grouped digital inputs and 6 grouped digital inputs
- X2** – OR-6: Assembly Group with 6 Relay Outputs
- X3** – TIS-4: Sensitive Ground current measuring card (for the neutral side of the differential protection)
- X4** – TI-4: Standard ground current measuring card (for the line side of the differential protection)
- X5** – AN I02-OR4: Assembly Group with 2 Analog Inputs, 2 Analog Outputs and 4 Output Relays
- X6** – TU: Card with 4 voltage transformer measuring inputs
- X100** – Ethernet interface, 100 Mbit/s, RJ45
- X102** – Universal Resistance-Temperature Detector (URTD) input, Fiber optics interface, ST Connector
- X104** – IRIG-B00X, incl. System Contact (Supervision Contact)

MCDGV4-2B1HDA



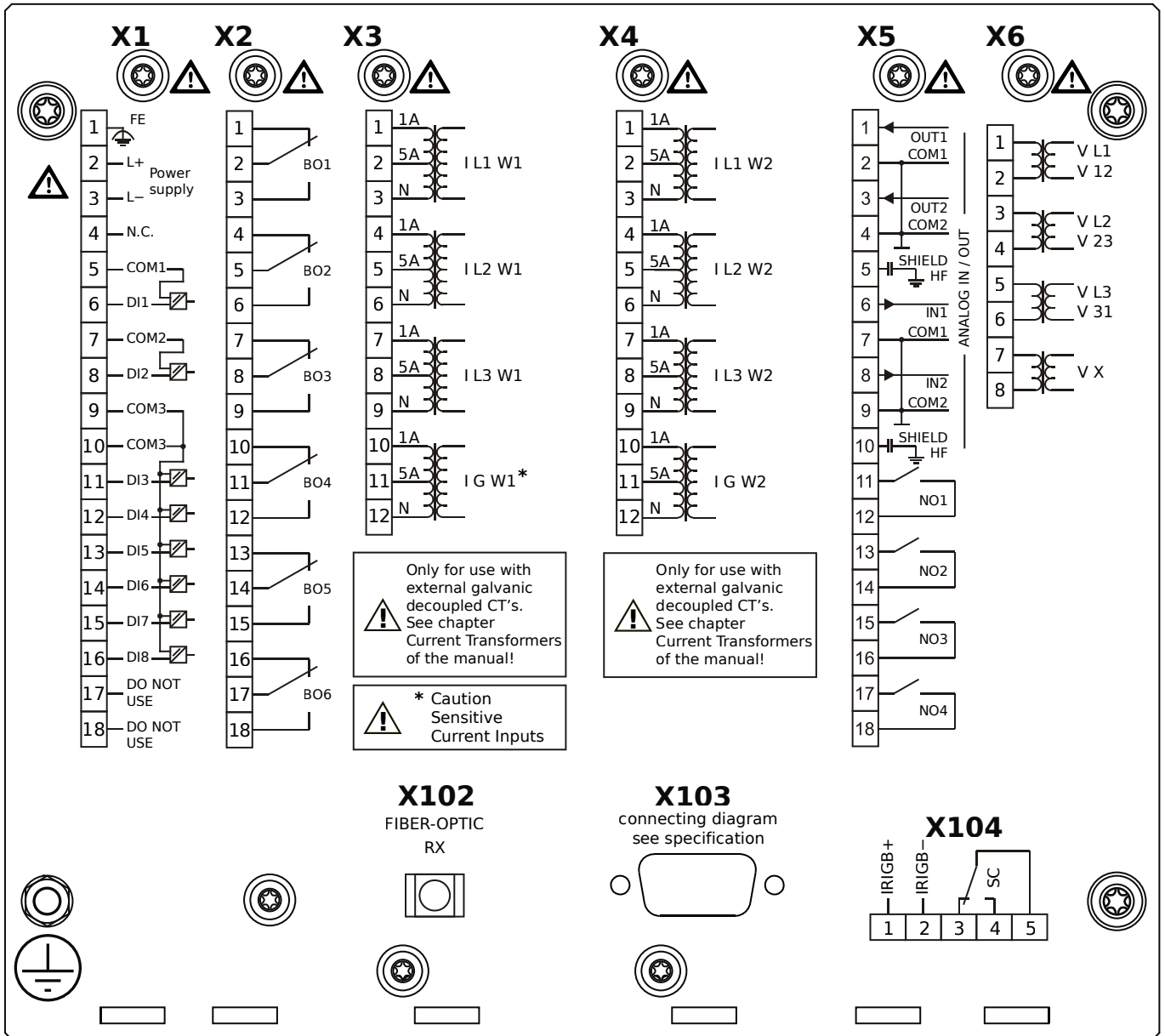
- X1** – DI8-X1: Wide-range power supply unit, incl. 2 non-grouped digital inputs and 6 grouped digital inputs
- X2** – OR-6: Assembly Group with 6 Relay Outputs
- X3** – TIS-4: Sensitive Ground current measuring card (for the neutral side of the differential protection)
- X4** – TI-4: Standard ground current measuring card (for the line side of the differential protection)
- X5** – AN I02-OR4: Assembly Group with 2 Analog Inputs, 2 Analog Outputs and 4 Output Relays
- X6** – TU: Card with 4 voltage transformer measuring inputs
- X102** – Universal Resistance-Temperature Detector (URTD) input, Fiber optics interface, ST Connector
- X103** – Fiber optics interface, ST Connector
- X104** – IRIG-B00X, incl. System Contact (Supervision Contact)

MCDGV4-2B1HDB



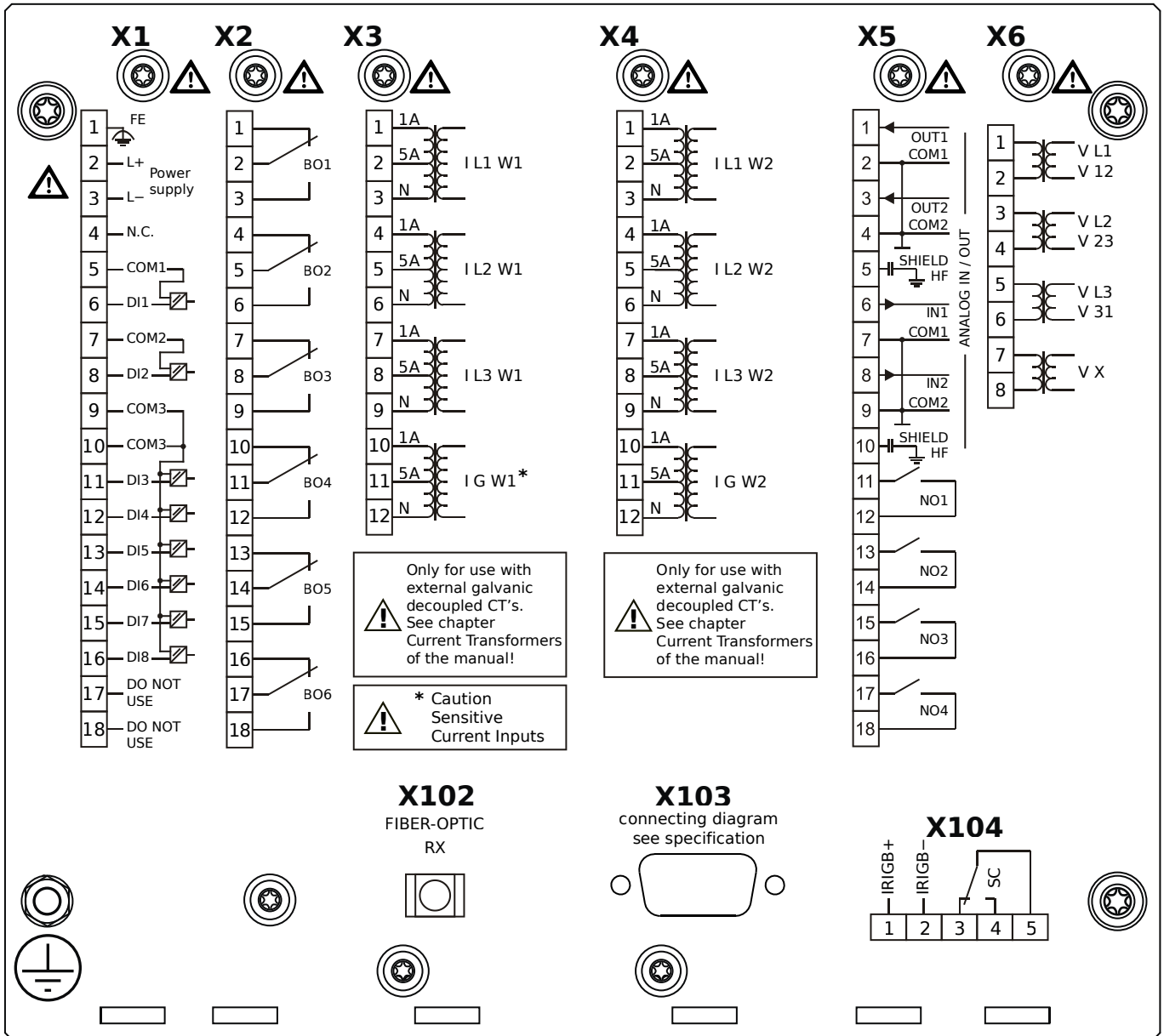
- X1** – DI8-X1: Wide-range power supply unit, incl. 2 non-grouped digital inputs and 6 grouped digital inputs
- X2** – OR-6: Assembly Group with 6 Relay Outputs
- X3** – TIS-4: Sensitive Ground current measuring card (for the neutral side of the differential protection)
- X4** – TI-4: Standard ground current measuring card (for the line side of the differential protection)
- X5** – AN I02-OR4: Assembly Group with 2 Analog Inputs, 2 Analog Outputs and 4 Output Relays
- X6** – TU: Card with 4 voltage transformer measuring inputs
- X102** – Universal Resistance-Temperature Detector (URTD) input, Fiber optics interface, ST Connector
- X103** – Fiber optics interface, ST Connector
- X104** – IRIG-B00X, incl. System Contact (Supervision Contact)

MCDGV4-2B1HEA



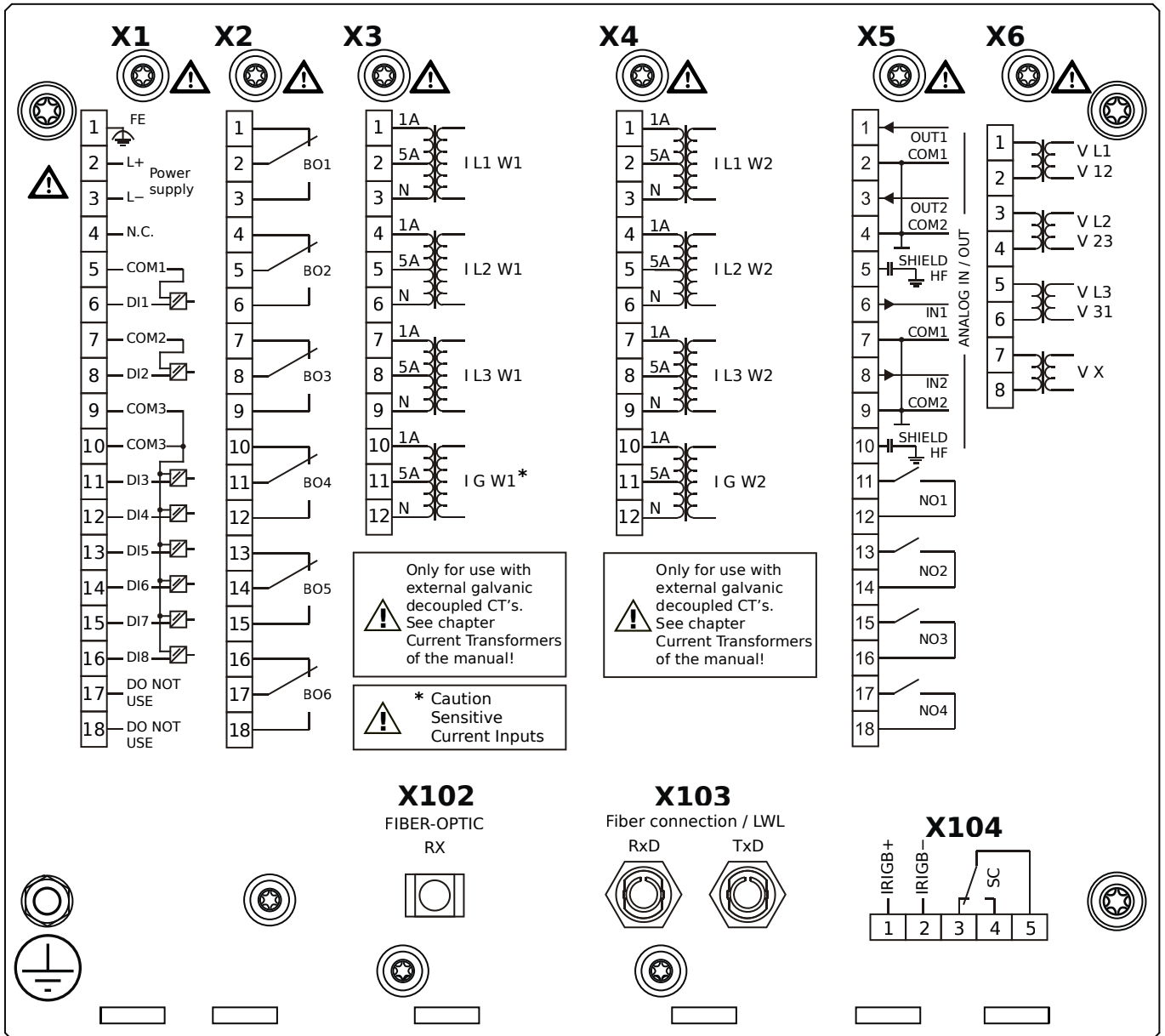
- X1** – DI8-X1: Wide-range power supply unit, incl. 2 non-grouped digital inputs and 6 grouped digital inputs
- X2** – OR-6: Assembly Group with 6 Relay Outputs
- X3** – TIS-4: Sensitive Ground current measuring card (for the neutral side of the differential protection)
- X4** – TI-4: Standard ground current measuring card (for the line side of the differential protection)
- X5** – AN I02-OR4: Assembly Group with 2 Analog Inputs, 2 Analog Outputs and 4 Output Relays
- X6** – TU: Card with 4 voltage transformer measuring inputs
- X102** – Universal Resistance-Temperature Detector (URTD) input, Fiber optics interface, ST Connector
- X103** – RS485, D-SUB
- X104** – IRIG-B00X, incl. System Contact (Supervision Contact)

MCDGV4-2B1HEB



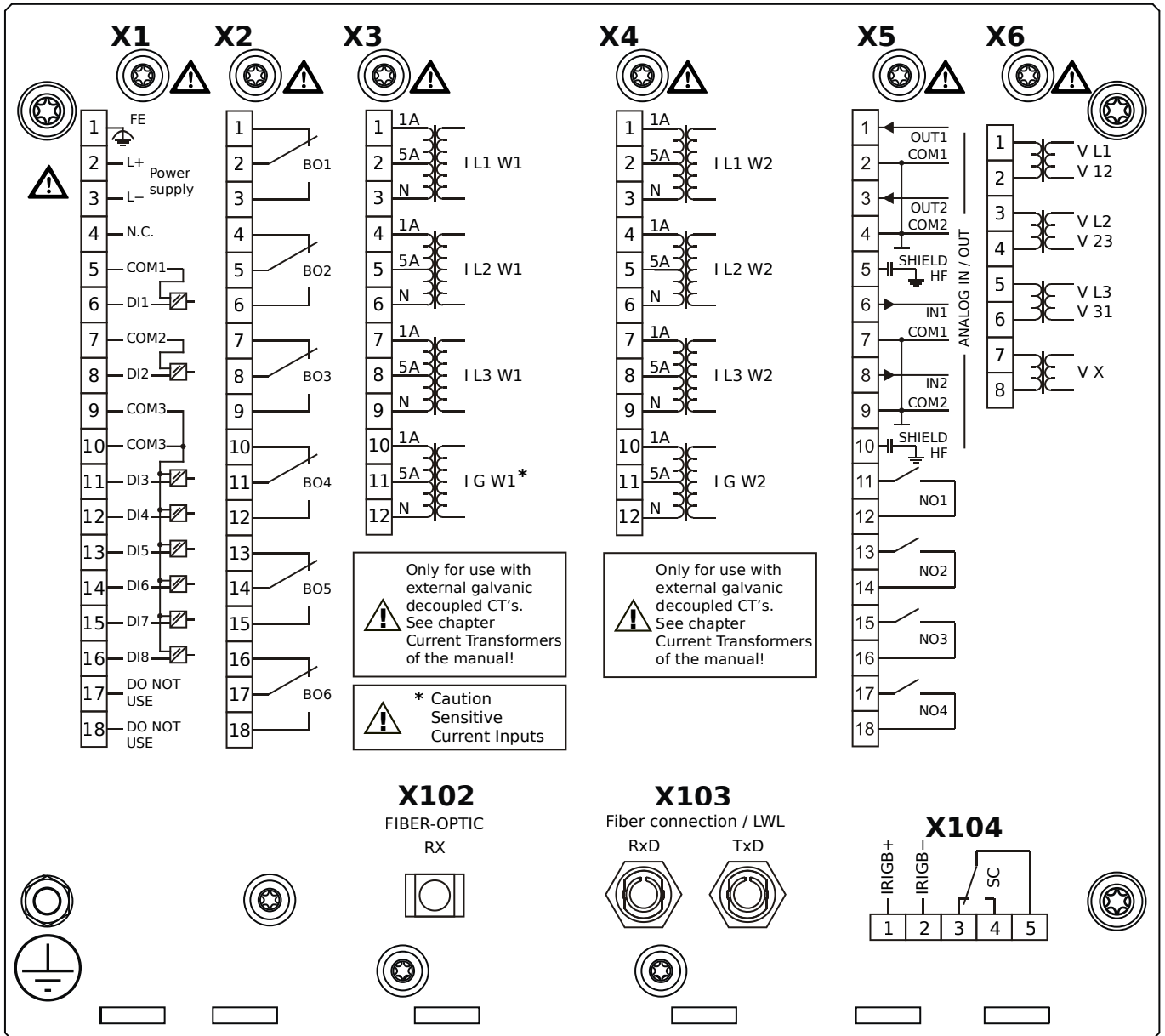
- X1** – DI8-X1: Wide-range power supply unit, incl. 2 non-grouped digital inputs and 6 grouped digital inputs
- X2** – OR-6: Assembly Group with 6 Relay Outputs
- X3** – TIS-4: Sensitive Ground current measuring card (for the neutral side of the differential protection)
- X4** – TI-4: Standard ground current measuring card (for the line side of the differential protection)
- X5** – AN I02-OR4: Assembly Group with 2 Analog Inputs, 2 Analog Outputs and 4 Output Relays
- X6** – TU: Card with 4 voltage transformer measuring inputs
- X102** – Universal Resistance-Temperature Detector (URTD) input, Fiber optics interface, ST Connector
- X103** – RS485, D-SUB
- X104** – IRIG-B00X, incl. System Contact (Supervision Contact)

MCDGV4-2B1HFA



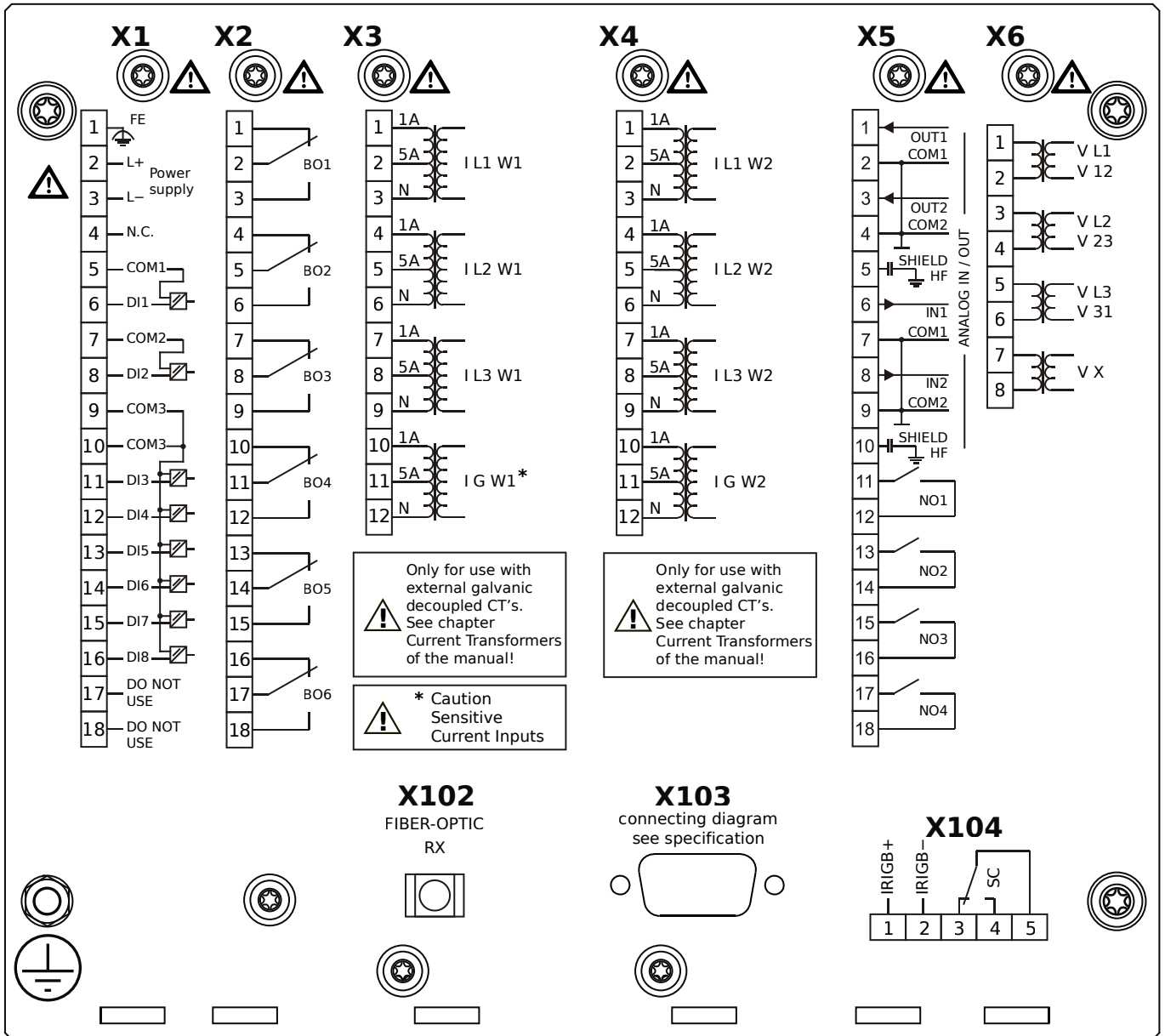
- X1** – DI8-X1: Wide-range power supply unit, incl. 2 non-grouped digital inputs and 6 grouped digital inputs
- X2** – OR-6: Assembly Group with 6 Relay Outputs
- X3** – TIS-4: Sensitive Ground current measuring card (for the neutral side of the differential protection)
- X4** – TI-4: Standard ground current measuring card (for the line side of the differential protection)
- X5** – AN I02-OR4: Assembly Group with 2 Analog Inputs, 2 Analog Outputs and 4 Output Relays
- X6** – TU: Card with 4 voltage transformer measuring inputs
- X102** – Universal Resistance-Temperature Detector (URTD) input, Fiber optics interface, ST Connector
- X103** – Fiber optics interface, ST Connector
- X104** – IRIG-B00X, incl. System Contact (Supervision Contact)

MCDGV4-2B1HFB



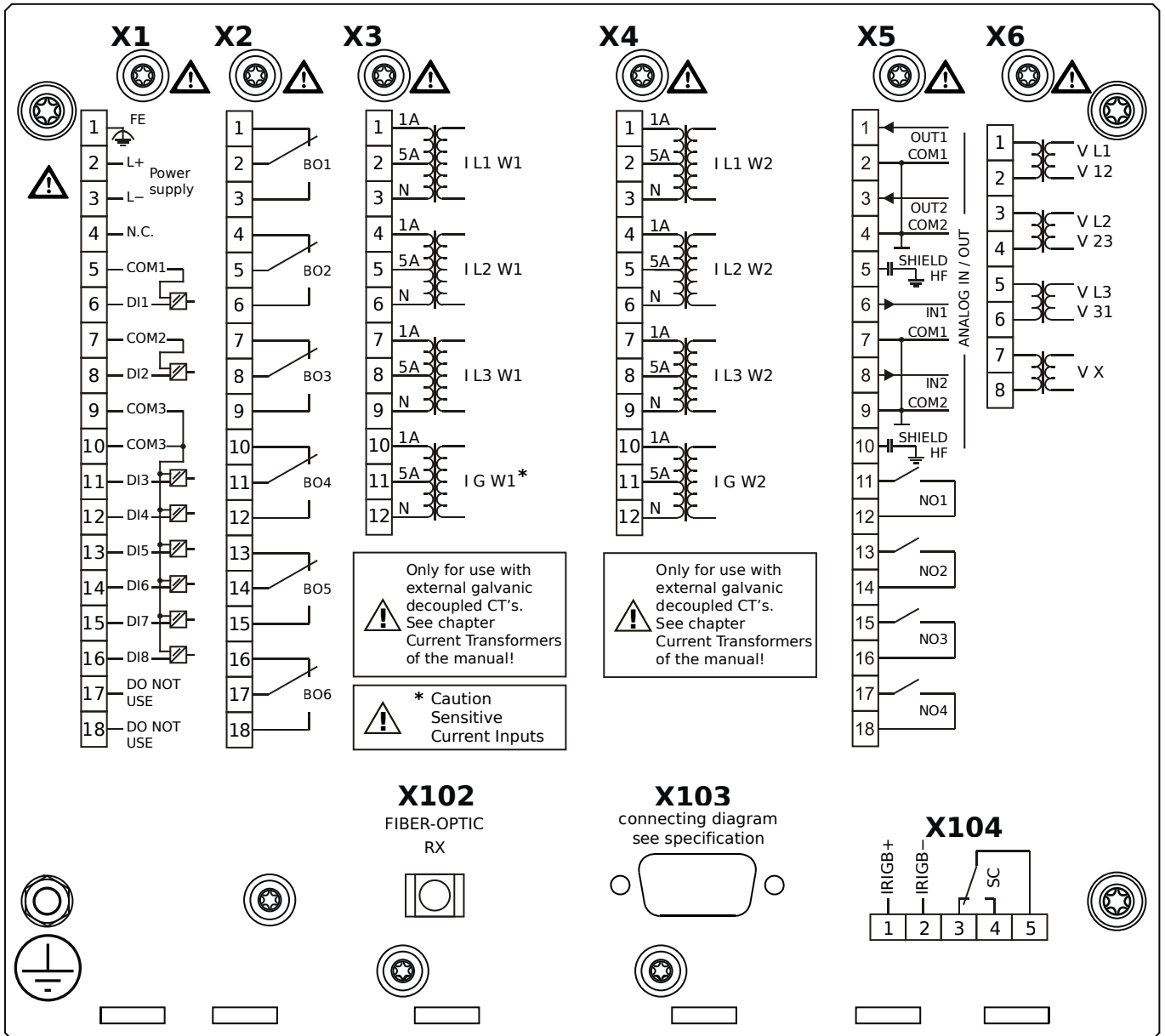
- X1** – DI8-X1: Wide-range power supply unit, incl. 2 non-grouped digital inputs and 6 grouped digital inputs
- X2** – OR-6: Assembly Group with 6 Relay Outputs
- X3** – TIS-4: Sensitive Ground current measuring card (for the neutral side of the differential protection)
- X4** – TI-4: Standard ground current measuring card (for the line side of the differential protection)
- X5** – AN I02-OR4: Assembly Group with 2 Analog Inputs, 2 Analog Outputs and 4 Output Relays
- X6** – TU: Card with 4 voltage transformer measuring inputs
- X102** – Universal Resistance-Temperature Detector (URTD) input, Fiber optics interface, ST Connector
- X103** – Fiber optics interface, ST Connector
- X104** – IRIG-B00X, incl. System Contact (Supervision Contact)

MCDGV4-2B1HGA



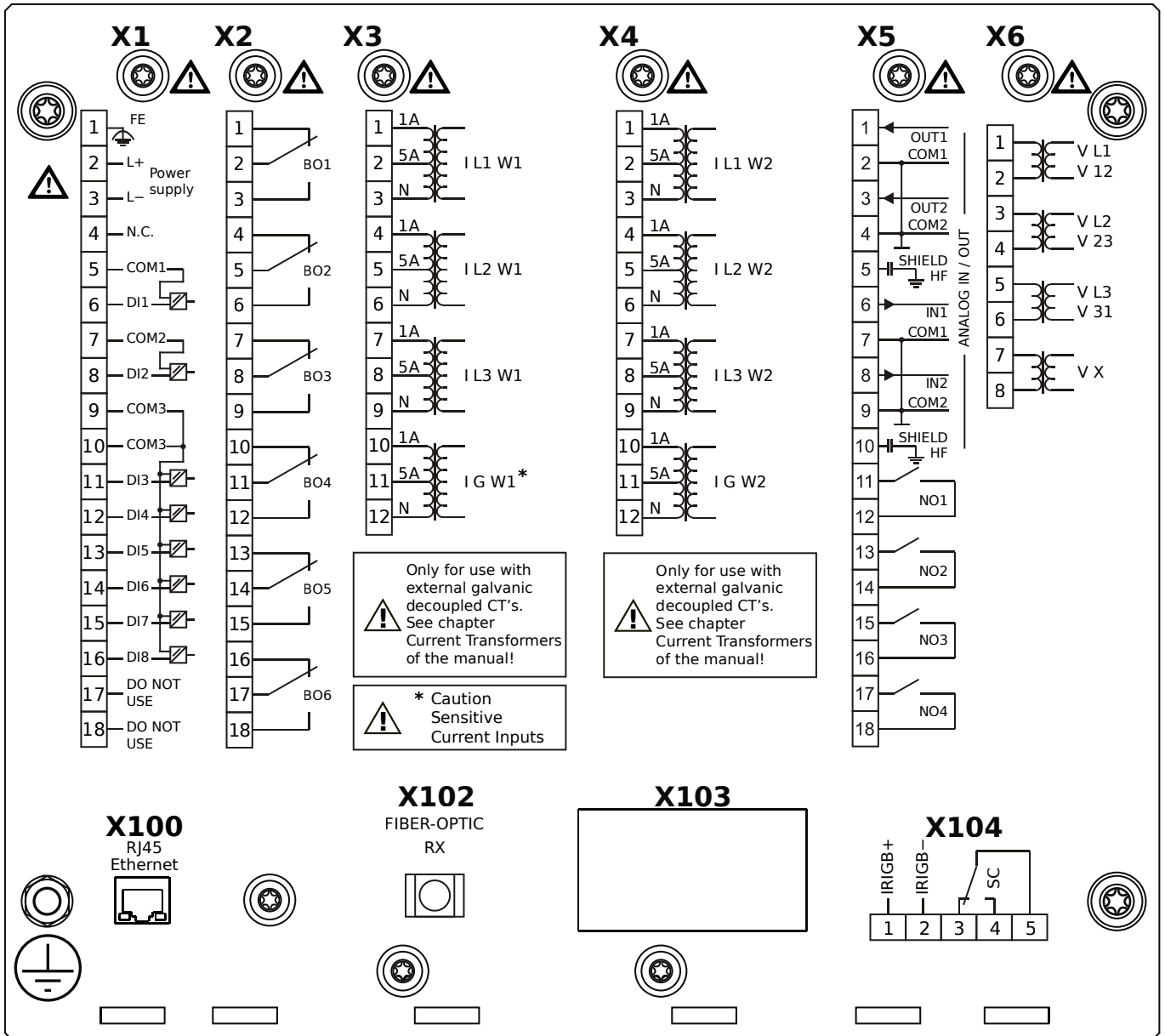
- X1** – DI8-X1: Wide-range power supply unit, incl. 2 non-grouped digital inputs and 6 grouped digital inputs
- X2** – OR-6: Assembly Group with 6 Relay Outputs
- X3** – TIS-4: Sensitive Ground current measuring card (for the neutral side of the differential protection)
- X4** – TI-4: Standard ground current measuring card (for the line side of the differential protection)
- X5** – AN I02-OR4: Assembly Group with 2 Analog Inputs, 2 Analog Outputs and 4 Output Relays
- X6** – TU: Card with 4 voltage transformer measuring inputs
- X102** – Universal Resistance-Temperature Detector (URTD) input, Fiber optics interface, ST Connector
- X103** – RS485, D-SUB
- X104** – IRIG-B00X, incl. System Contact (Supervision Contact)

MCDGV4-2B1HGB



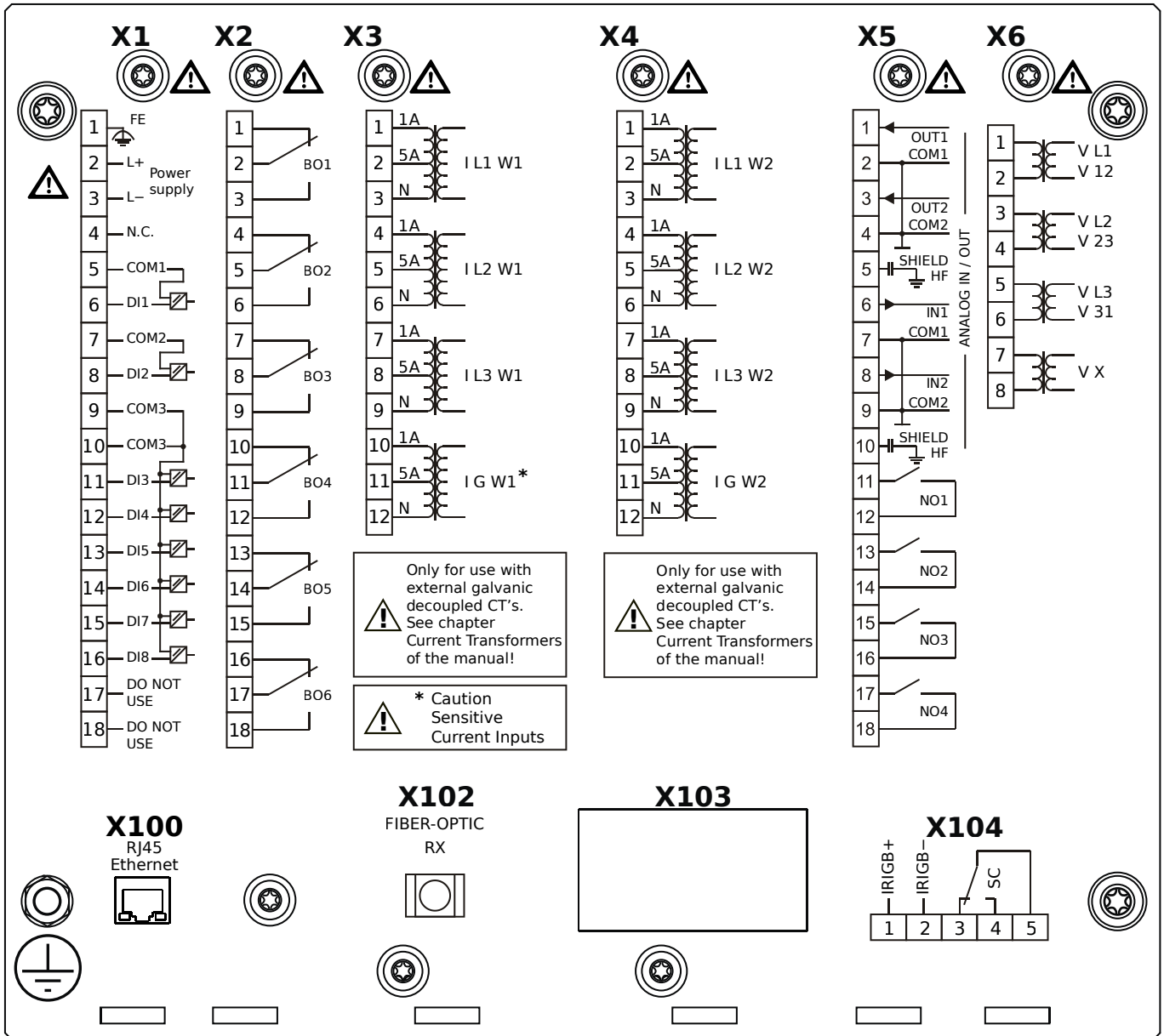
- X1** – DI8-X1: Wide-range power supply unit, incl. 2 non-grouped digital inputs and 6 grouped digital inputs
- X2** – OR-6: Assembly Group with 6 Relay Outputs
- X3** – TIS-4: Sensitive Ground current measuring card (for the neutral side of the differential protection)
- X4** – TI-4: Standard ground current measuring card (for the line side of the differential protection)
- X5** – AN I02-OR4: Assembly Group with 2 Analog Inputs, 2 Analog Outputs and 4 Output Relays
- X6** – TU: Card with 4 voltage transformer measuring inputs
- X102** – Universal Resistance-Temperature Detector (URTD) input, Fiber optics interface, ST Connector
- X103** – RS485, D-SUB
- X104** – IRIG-B00X, incl. System Contact (Supervision Contact)

MCDGV4-2B1HHA



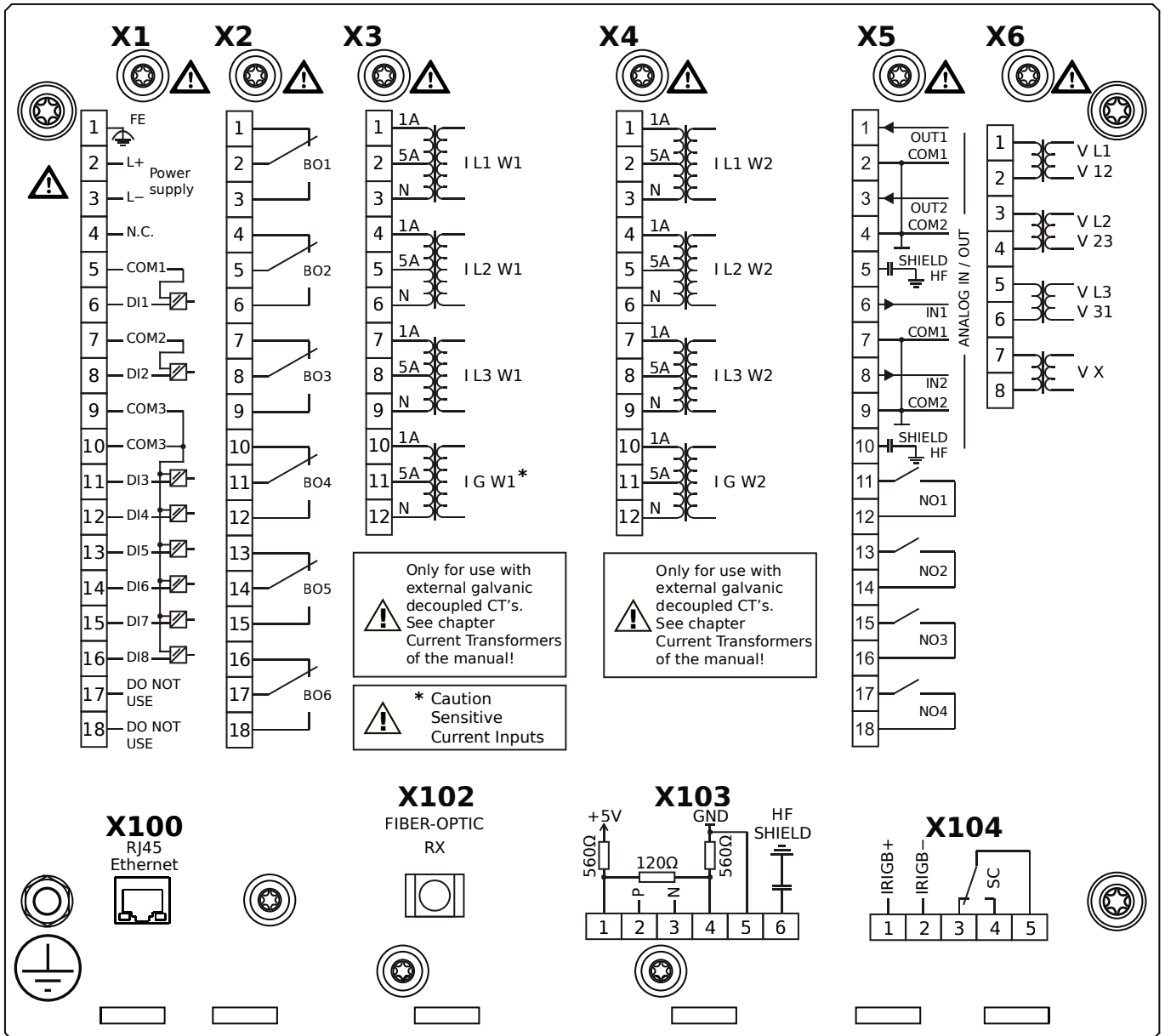
- X1** – DI8-X1: Wide-range power supply unit, incl. 2 non-grouped digital inputs and 6 grouped digital inputs
- X2** – OR-6: Assembly Group with 6 Relay Outputs
- X3** – TIS-4: Sensitive Ground current measuring card (for the neutral side of the differential protection)
- X4** – TI-4: Standard ground current measuring card (for the line side of the differential protection)
- X5** – AN I02-OR4: Assembly Group with 2 Analog Inputs, 2 Analog Outputs and 4 Output Relays
- X6** – TU: Card with 4 voltage transformer measuring inputs
- X100** – Ethernet interface, 100 Mbit/s, RJ45
- X102** – Universal Resistance-Temperature Detector (URTD) input, Fiber optics interface, ST Connector
- X104** – IRIG-B00X, incl. System Contact (Supervision Contact)

MCDGV4-2B1HHB



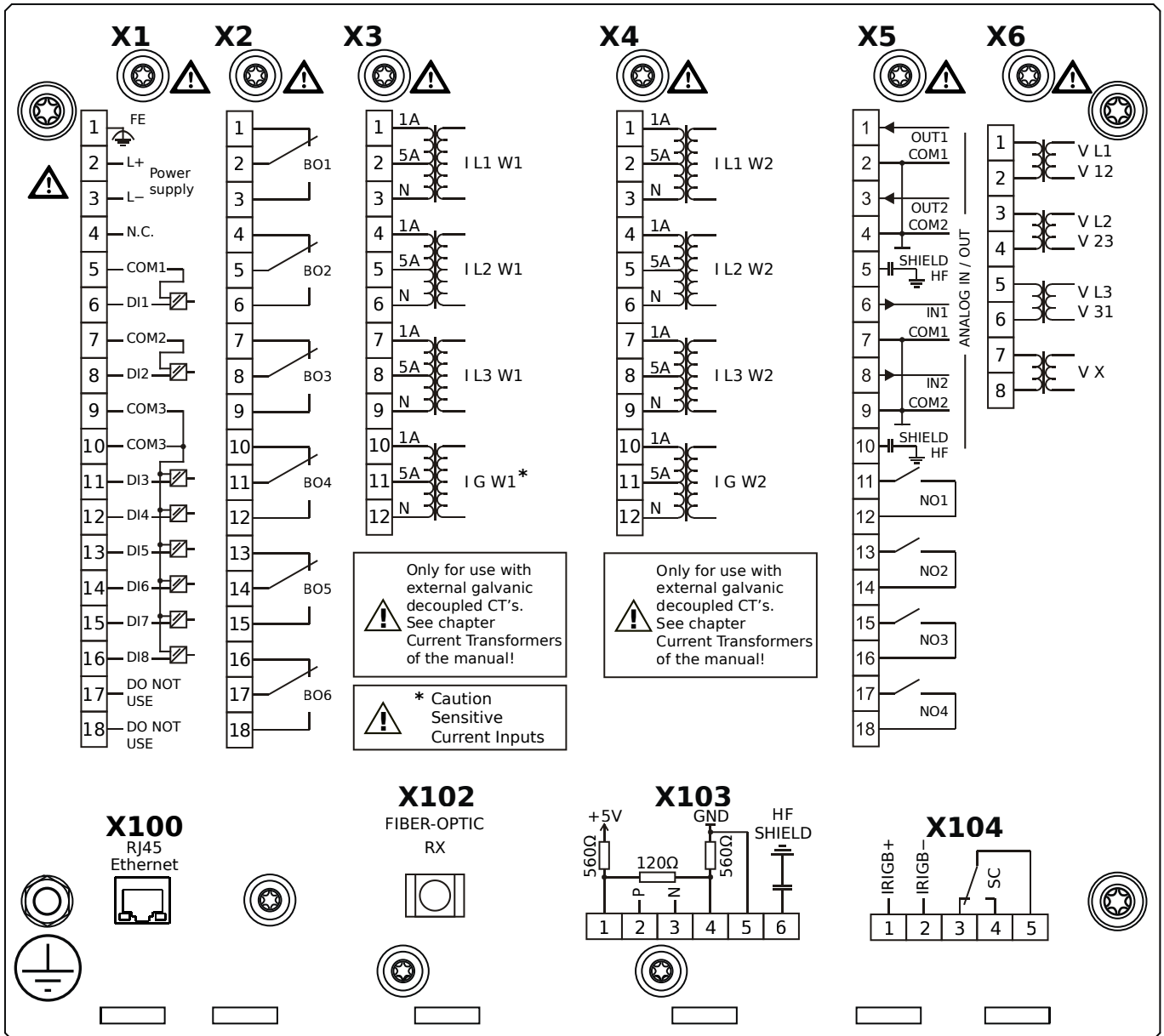
- X1** – DI8-X1: Wide-range power supply unit, incl. 2 non-grouped digital inputs and 6 grouped digital inputs
- X2** – OR-6: Assembly Group with 6 Relay Outputs
- X3** – TIS-4: Sensitive Ground current measuring card (for the neutral side of the differential protection)
- X4** – TI-4: Standard ground current measuring card (for the line side of the differential protection)
- X5** – AN I02-OR4: Assembly Group with 2 Analog Inputs, 2 Analog Outputs and 4 Output Relays
- X6** – TU: Card with 4 voltage transformer measuring inputs
- X100** – Ethernet interface, 100 Mbit/s, RJ45
- X102** – Universal Resistance-Temperature Detector (URTD) input, Fiber optics interface, ST Connector
- X104** – IRIG-B00X, incl. System Contact (Supervision Contact)

MCDGV4-2B1HIA



- X1** – DI8-X1: Wide-range power supply unit, incl. 2 non-grouped digital inputs and 6 grouped digital inputs
- X2** – OR-6: Assembly Group with 6 Relay Outputs
- X3** – TIS-4: Sensitive Ground current measuring card (for the neutral side of the differential protection)
- X4** – TI-4: Standard ground current measuring card (for the line side of the differential protection)
- X5** – AN I02-OR4: Assembly Group with 2 Analog Inputs, 2 Analog Outputs and 4 Output Relays
- X6** – TU: Card with 4 voltage transformer measuring inputs
- X100** – Ethernet interface, 100 Mbit/s, RJ45
- X102** – Universal Resistance-Temperature Detector (URTD) input, Fiber optics interface, ST Connector
- X103** – RS485, Terminals
- X104** – IRIG-B00X, incl. System Contact (Supervision Contact)

MCDGV4-2B1HIB



X1 – DI8-X1: Wide-range power supply unit, incl. 2 non-grouped digital inputs and 6 grouped digital inputs

X2 – OR-6: Assembly Group with 6 Relay Outputs

X3 – TIS-4: Sensitive Ground current measuring card (for the neutral side of the differential protection)

X4 – TI-4: Standard ground current measuring card (for the line side of the differential protection)

X5 – AN I02-OR4: Assembly Group with 2 Analog Inputs, 2 Analog Outputs and 4 Output Relays

X6 – TU: Card with 4 voltage transformer measuring inputs

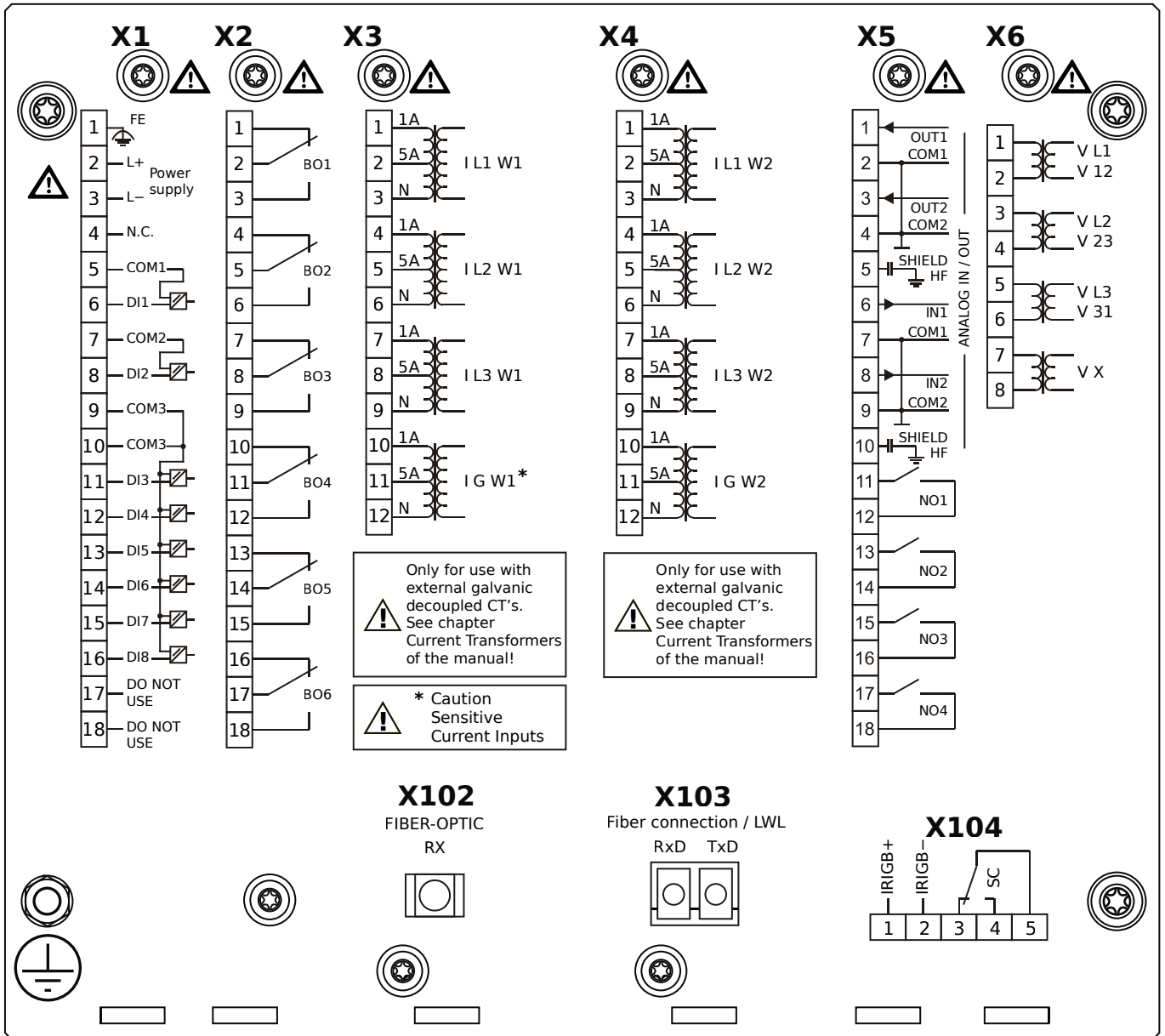
X100 – Ethernet interface, 100 Mbit/s, RJ45

X102 – Universal Resistance-Temperature Detector (URTD) input, Fiber optics interface, ST Connector

X103 – RS485, Terminals

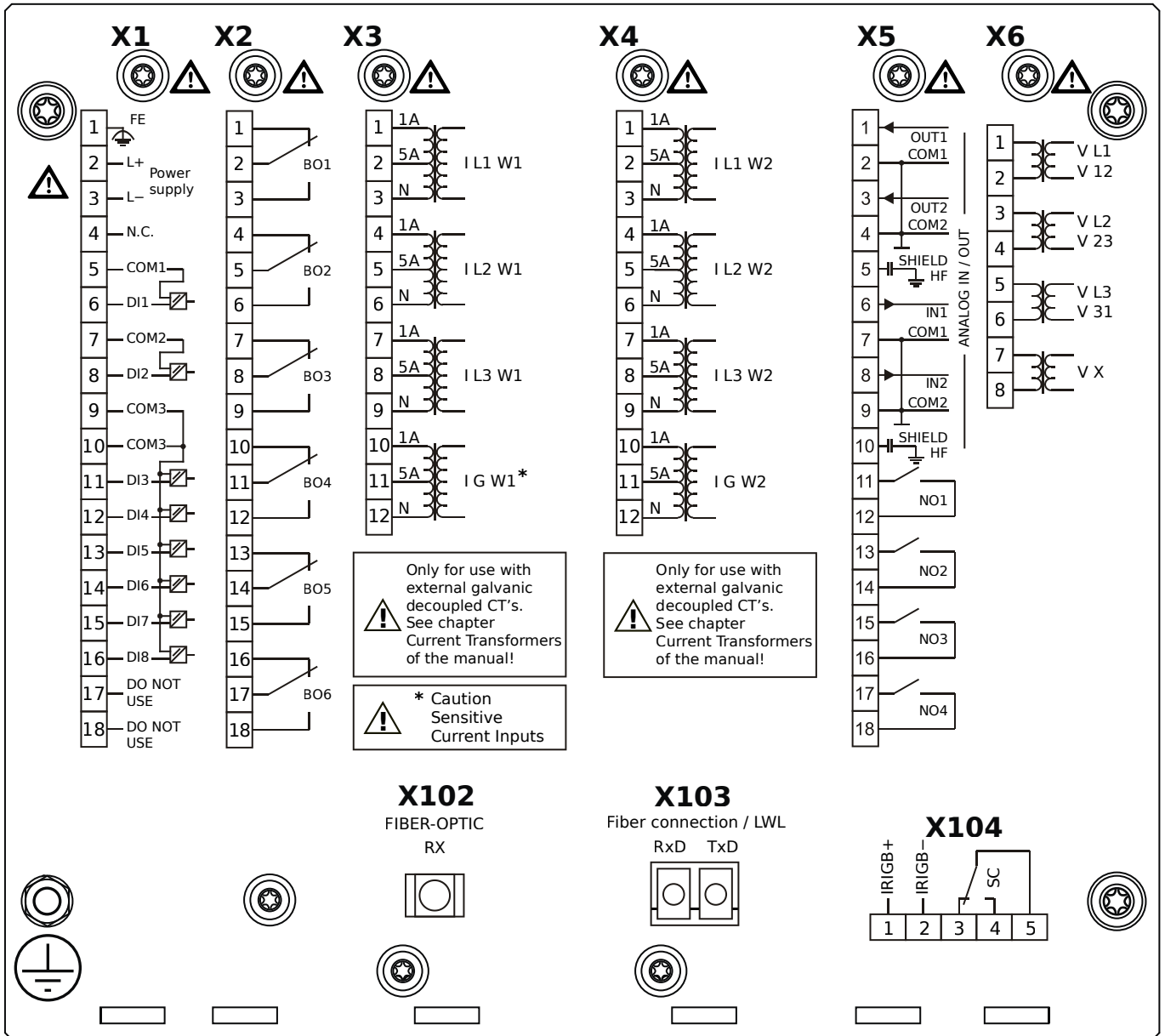
X104 – IRIG-B00X, incl. System Contact (Supervision Contact)

MCDGV4-2B1HKA



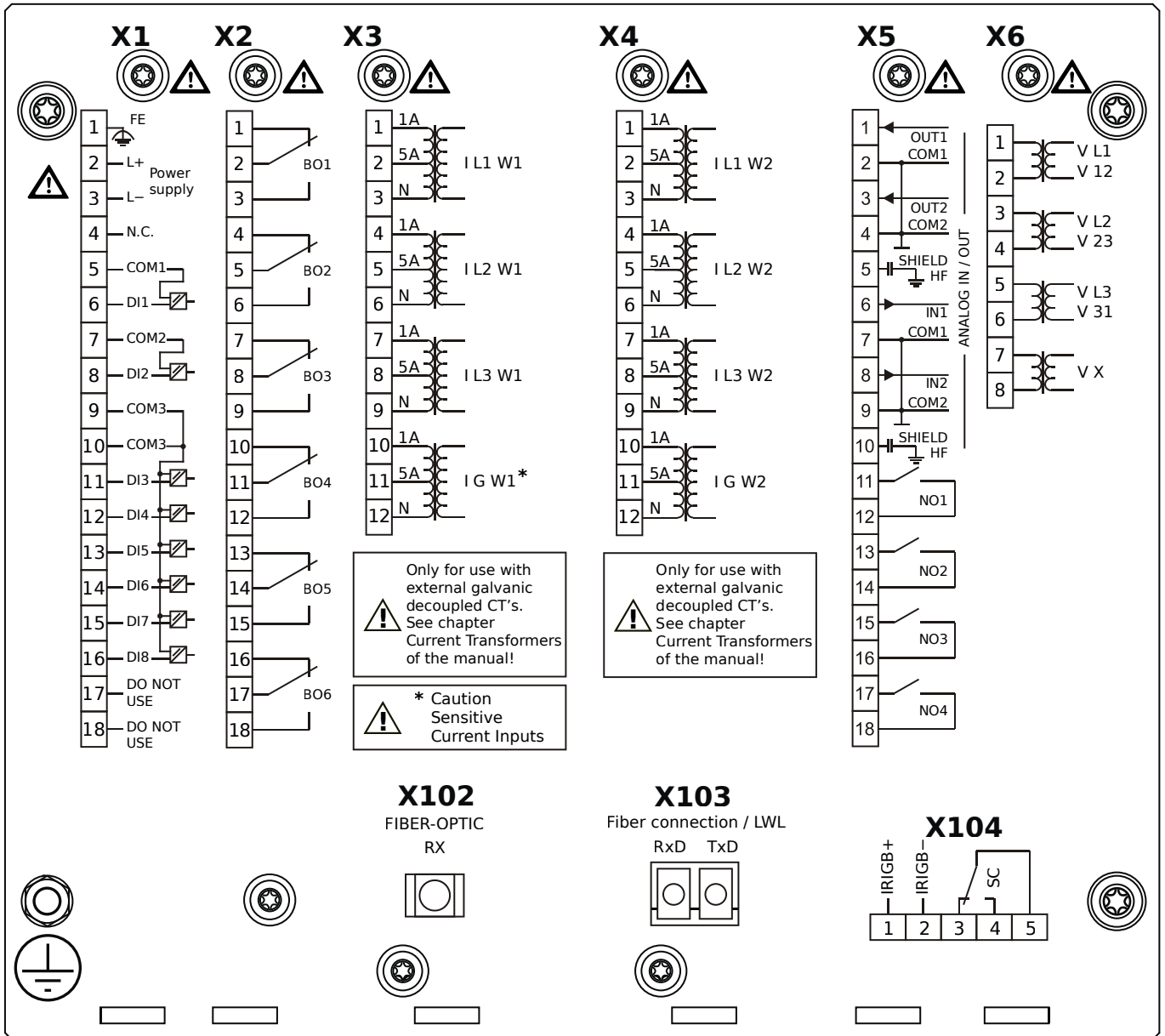
- X1** – DI8-X1: Wide-range power supply unit, incl. 2 non-grouped digital inputs and 6 grouped digital inputs
- X2** – OR-6: Assembly Group with 6 Relay Outputs
- X3** – TIS-4: Sensitive Ground current measuring card (for the neutral side of the differential protection)
- X4** – TI-4: Standard ground current measuring card (for the line side of the differential protection)
- X5** – AN I02-OR4: Assembly Group with 2 Analog Inputs, 2 Analog Outputs and 4 Output Relays
- X6** – TU: Card with 4 voltage transformer measuring inputs
- X102** – Universal Resistance-Temperature Detector (URTD) input, Fiber optics interface, ST Connector
- X103** – Fiber optics interface, LC Connector
- X104** – IRIG-B00X, incl. System Contact (Supervision Contact)

MCDGV4-2B1HKB



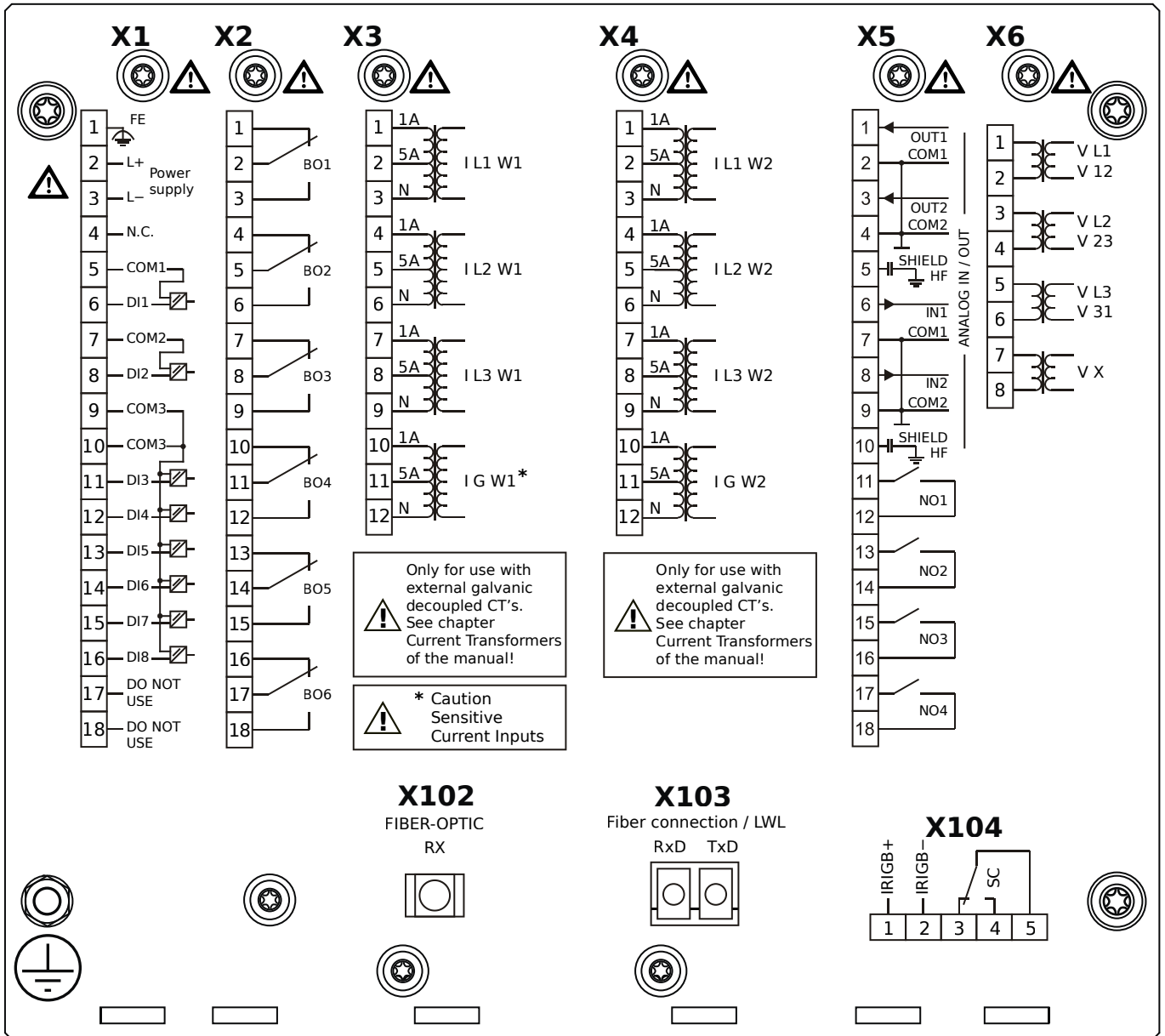
- X1** – DI8-X1: Wide-range power supply unit, incl. 2 non-grouped digital inputs and 6 grouped digital inputs
- X2** – OR-6: Assembly Group with 6 Relay Outputs
- X3** – TIS-4: Sensitive Ground current measuring card (for the neutral side of the differential protection)
- X4** – TI-4: Standard ground current measuring card (for the line side of the differential protection)
- X5** – AN I02-OR4: Assembly Group with 2 Analog Inputs, 2 Analog Outputs and 4 Output Relays
- X6** – TU: Card with 4 voltage transformer measuring inputs
- X102** – Universal Resistance-Temperature Detector (URTD) input, Fiber optics interface, ST Connector
- X103** – Fiber optics interface, LC Connector
- X104** – IRIG-B00X, incl. System Contact (Supervision Contact)

MCDGV4-2B1HLA



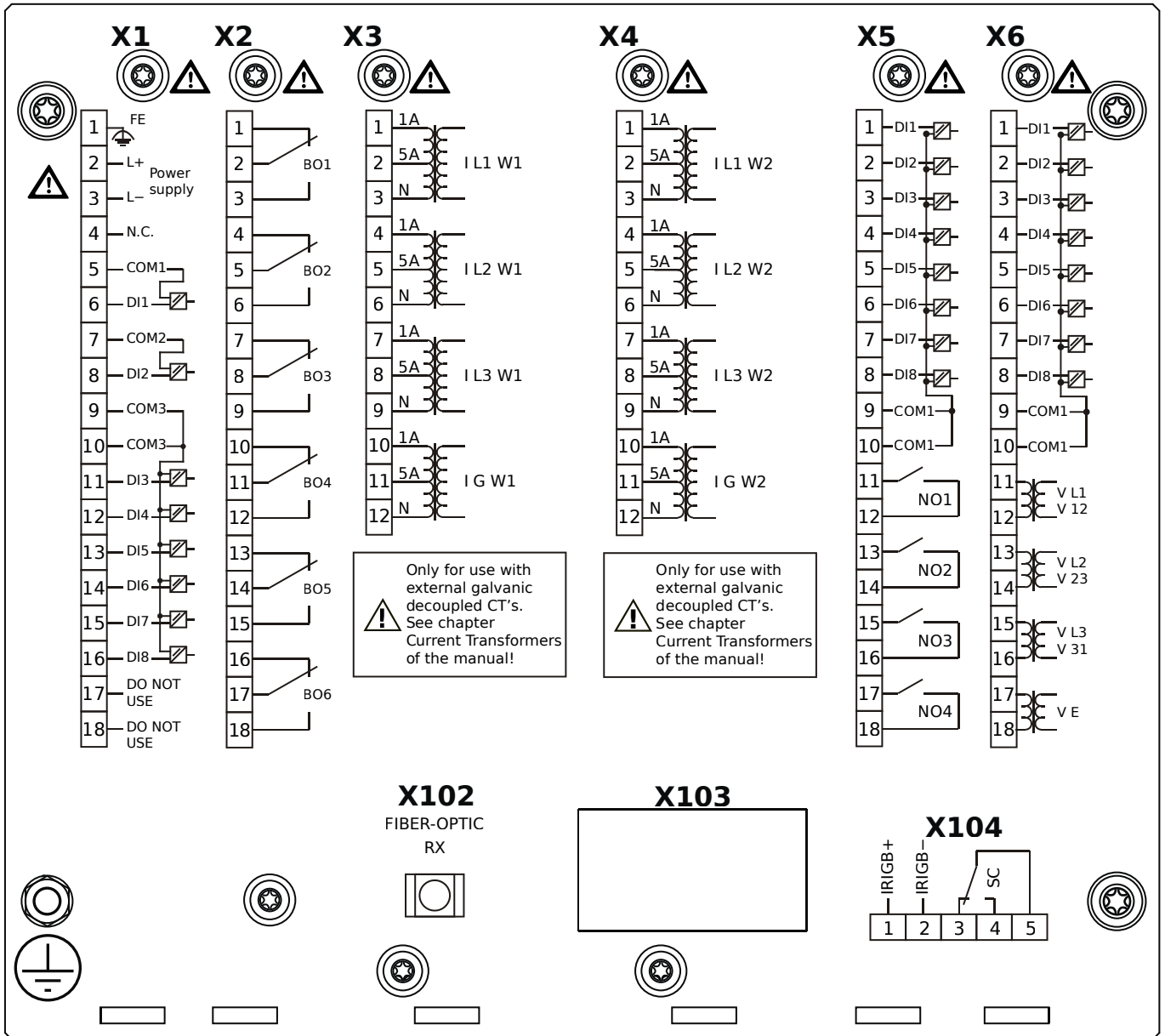
- X1** – DI8-X1: Wide-range power supply unit, incl. 2 non-grouped digital inputs and 6 grouped digital inputs
- X2** – OR-6: Assembly Group with 6 Relay Outputs
- X3** – TIS-4: Sensitive Ground current measuring card (for the neutral side of the differential protection)
- X4** – TI-4: Standard ground current measuring card (for the line side of the differential protection)
- X5** – AN I02-OR4: Assembly Group with 2 Analog Inputs, 2 Analog Outputs and 4 Output Relays
- X6** – TU: Card with 4 voltage transformer measuring inputs
- X102** – Universal Resistance-Temperature Detector (URTD) input, Fiber optics interface, ST Connector
- X103** – Fiber optics interface, LC Connector
- X104** – IRIG-B00X, incl. System Contact (Supervision Contact)

MCDGV4-2B1HLB



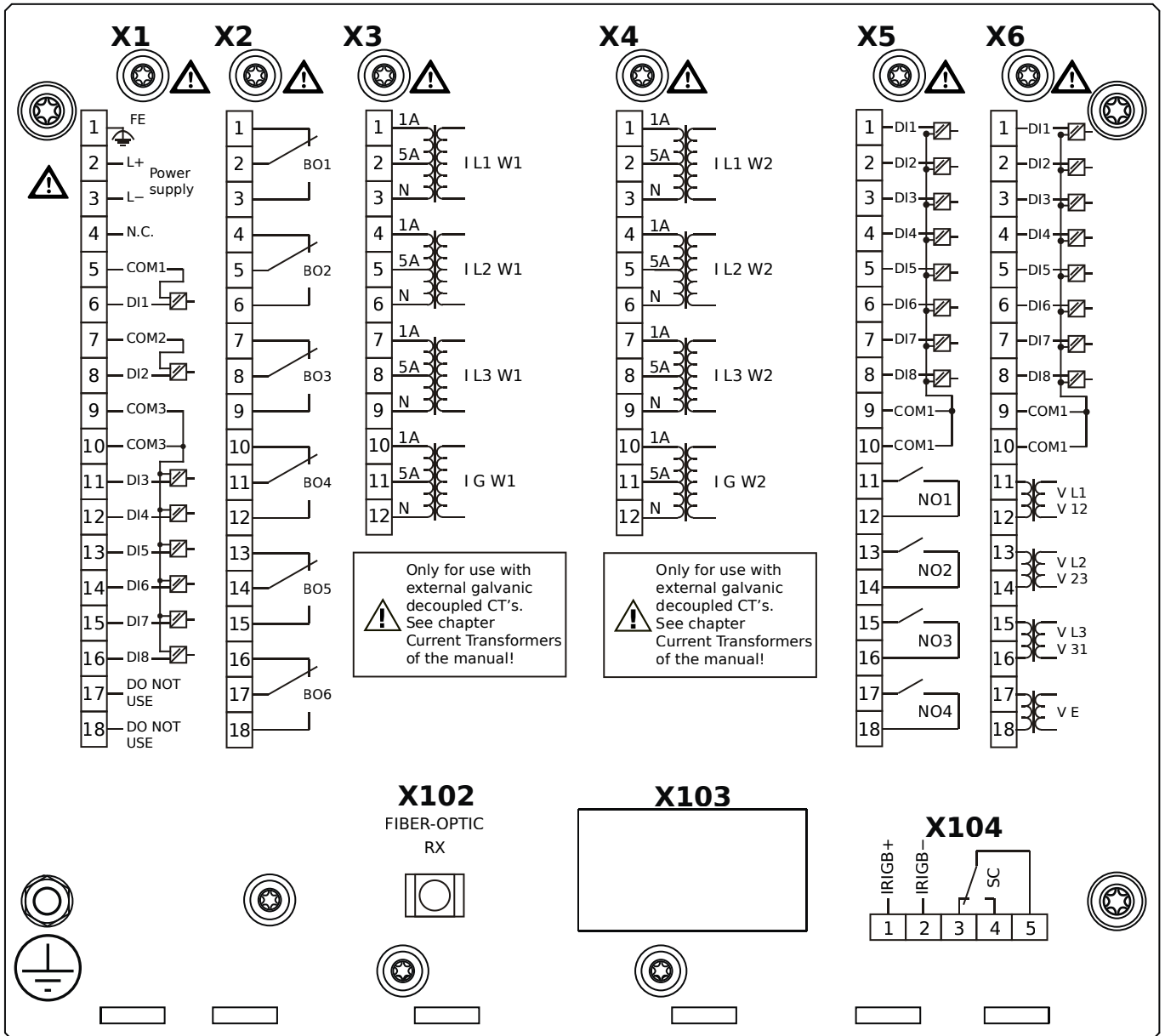
- X1** – DI8-X1: Wide-range power supply unit, incl. 2 non-grouped digital inputs and 6 grouped digital inputs
- X2** – OR-6: Assembly Group with 6 Relay Outputs
- X3** – TIS-4: Sensitive Ground current measuring card (for the neutral side of the differential protection)
- X4** – TI-4: Standard ground current measuring card (for the line side of the differential protection)
- X5** – AN I02-OR4: Assembly Group with 2 Analog Inputs, 2 Analog Outputs and 4 Output Relays
- X6** – TU: Card with 4 voltage transformer measuring inputs
- X102** – Universal Resistance-Temperature Detector (URTD) input, Fiber optics interface, ST Connector
- X103** – Fiber optics interface, LC Connector
- X104** – IRIG-B00X, incl. System Contact (Supervision Contact)

MCDGV4-2C0AAA



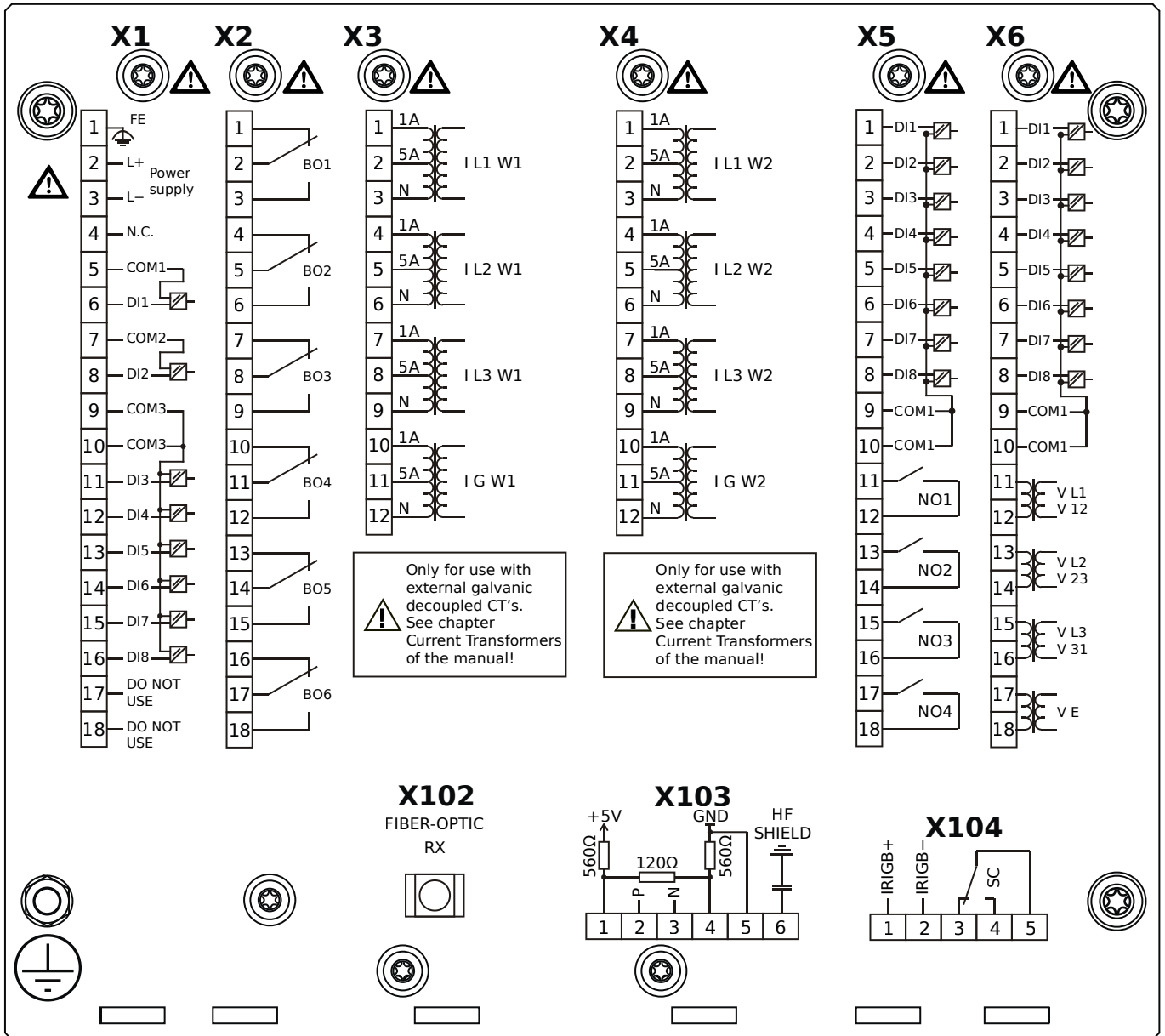
- X1** – DI8-X1: Wide-range power supply unit, incl. 2 non-grouped digital inputs and 6 grouped digital inputs
- X2** – OR-6: Assembly Group with 6 Relay Outputs
- X3** – TI-4: Standard ground current measuring card (for the neutral side of the differential protection)
- X4** – TI-4: Standard ground current measuring card (for the line side of the differential protection)
- X5** – DI8-OR4: Assembly Group with 8 Digital Inputs and 4 Output Relays
- X6** – U DI8: Voltage measuring assembly group with 8 Digital Inputs
- X102** – Universal Resistance-Temperature Detector (URTD) input, Fiber optics interface, ST Connector
- X104** – IRIG-B00X, incl. System Contact (Supervision Contact)

MCDGV4-2C0AAB



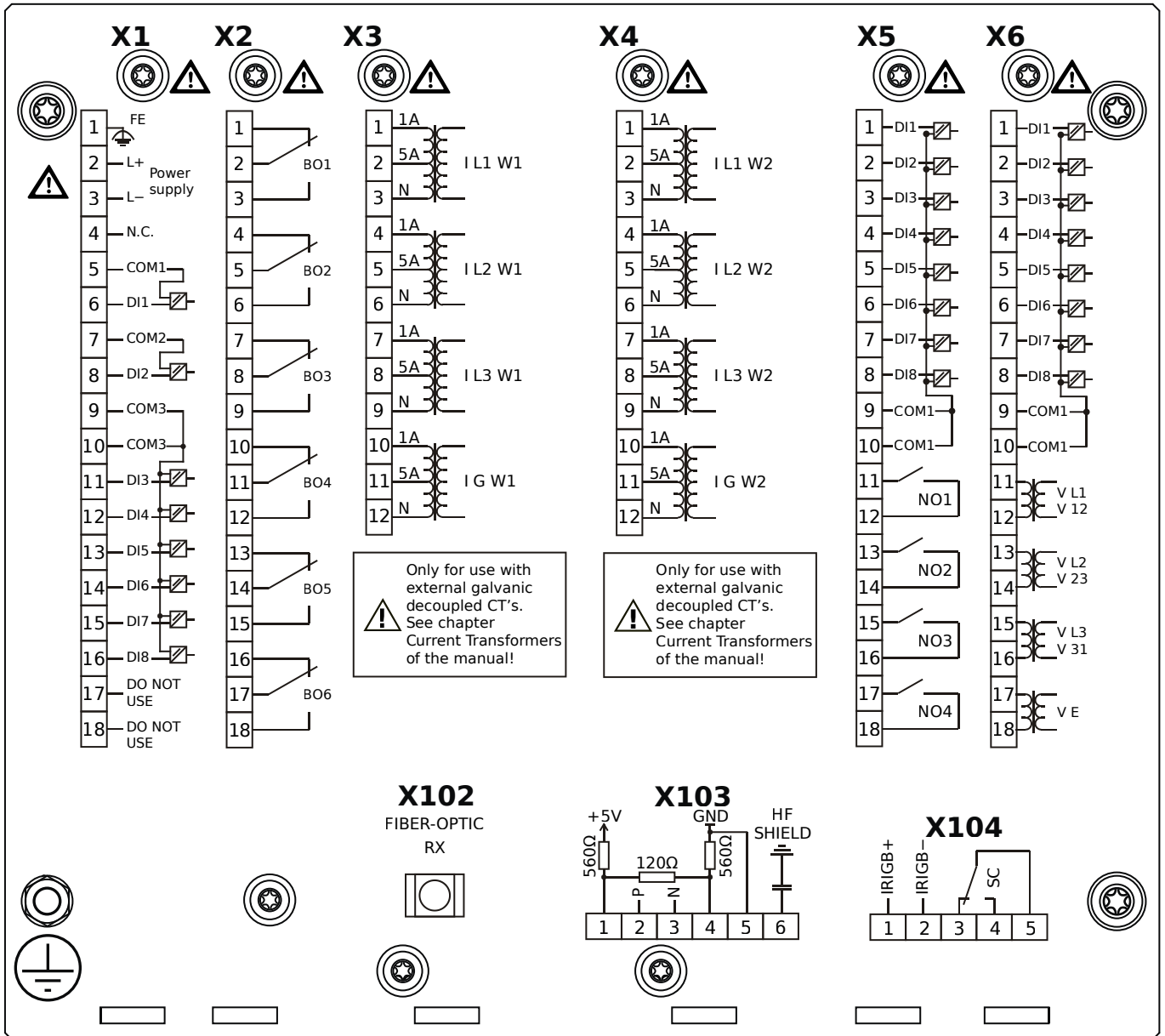
- X1** – DI8-X1: Wide-range power supply unit, incl. 2 non-grouped digital inputs and 6 grouped digital inputs
- X2** – OR-6: Assembly Group with 6 Relay Outputs
- X3** – TI-4: Standard ground current measuring card (for the neutral side of the differential protection)
- X4** – TI-4: Standard ground current measuring card (for the line side of the differential protection)
- X5** – DI8-OR4: Assembly Group with 8 Digital Inputs and 4 Output Relays
- X6** – U DI8: Voltage measuring assembly group with 8 Digital Inputs
- X102** – Universal Resistance-Temperature Detector (URTD) input, Fiber optics interface, ST Connector
- X104** – IRIG-B00X, incl. System Contact (Supervision Contact)

MCDGV4-2C0ABA



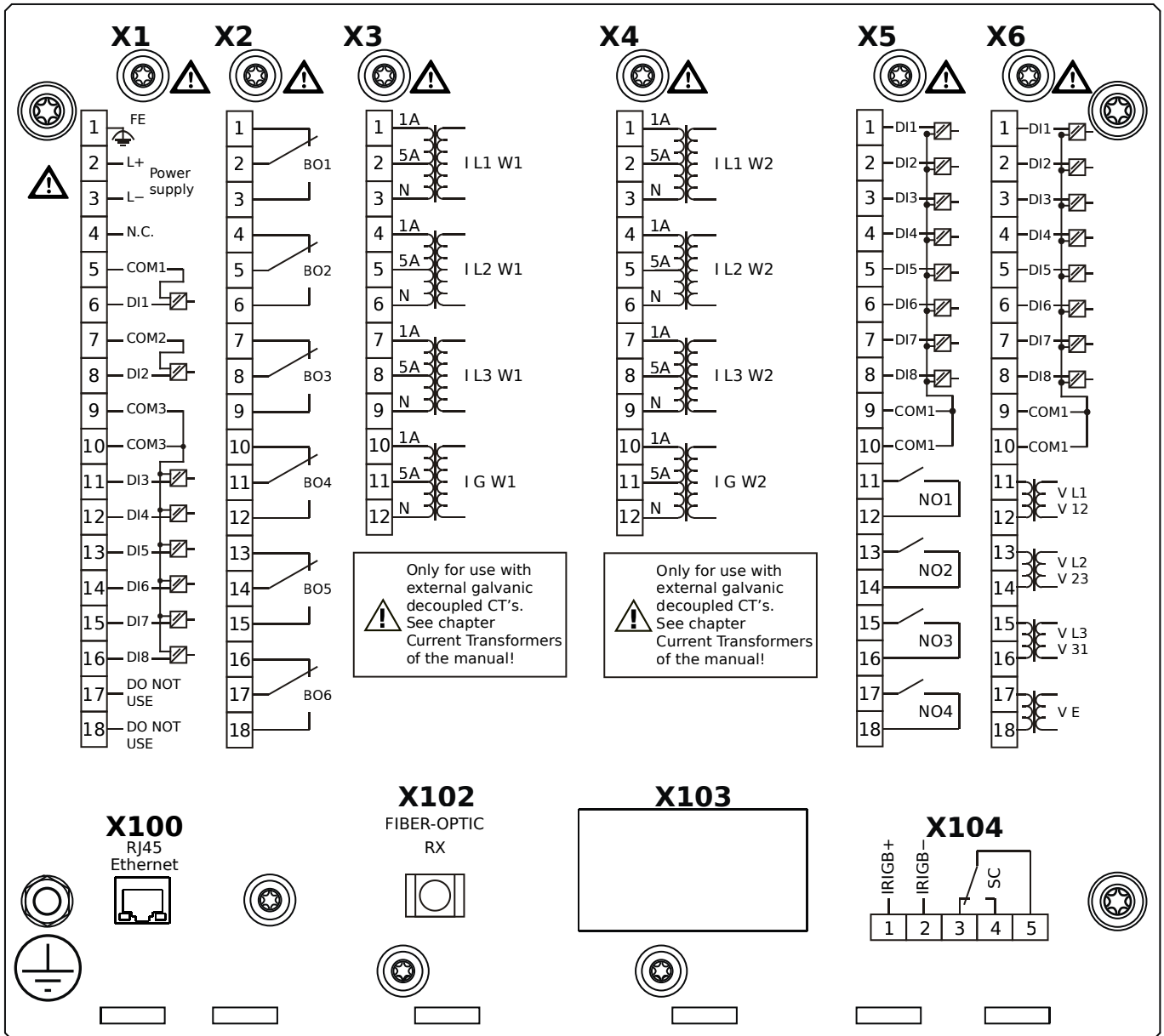
- X1** – DI8-X1: Wide-range power supply unit, incl. 2 non-grouped digital inputs and 6 grouped digital inputs
- X2** – OR-6: Assembly Group with 6 Relay Outputs
- X3** – TI-4: Standard ground current measuring card (for the neutral side of the differential protection)
- X4** – TI-4: Standard ground current measuring card (for the line side of the differential protection)
- X5** – DI8-OR4: Assembly Group with 8 Digital Inputs and 4 Output Relays
- X6** – U DI8: Voltage measuring assembly group with 8 Digital Inputs
- X102** – Universal Resistance-Temperature Detector (URTD) input, Fiber optics interface, ST Connector
- X103** – RS485, Terminals
- X104** – IRIG-B00X, incl. System Contact (Supervision Contact)

MCDGV4-2C0ABB



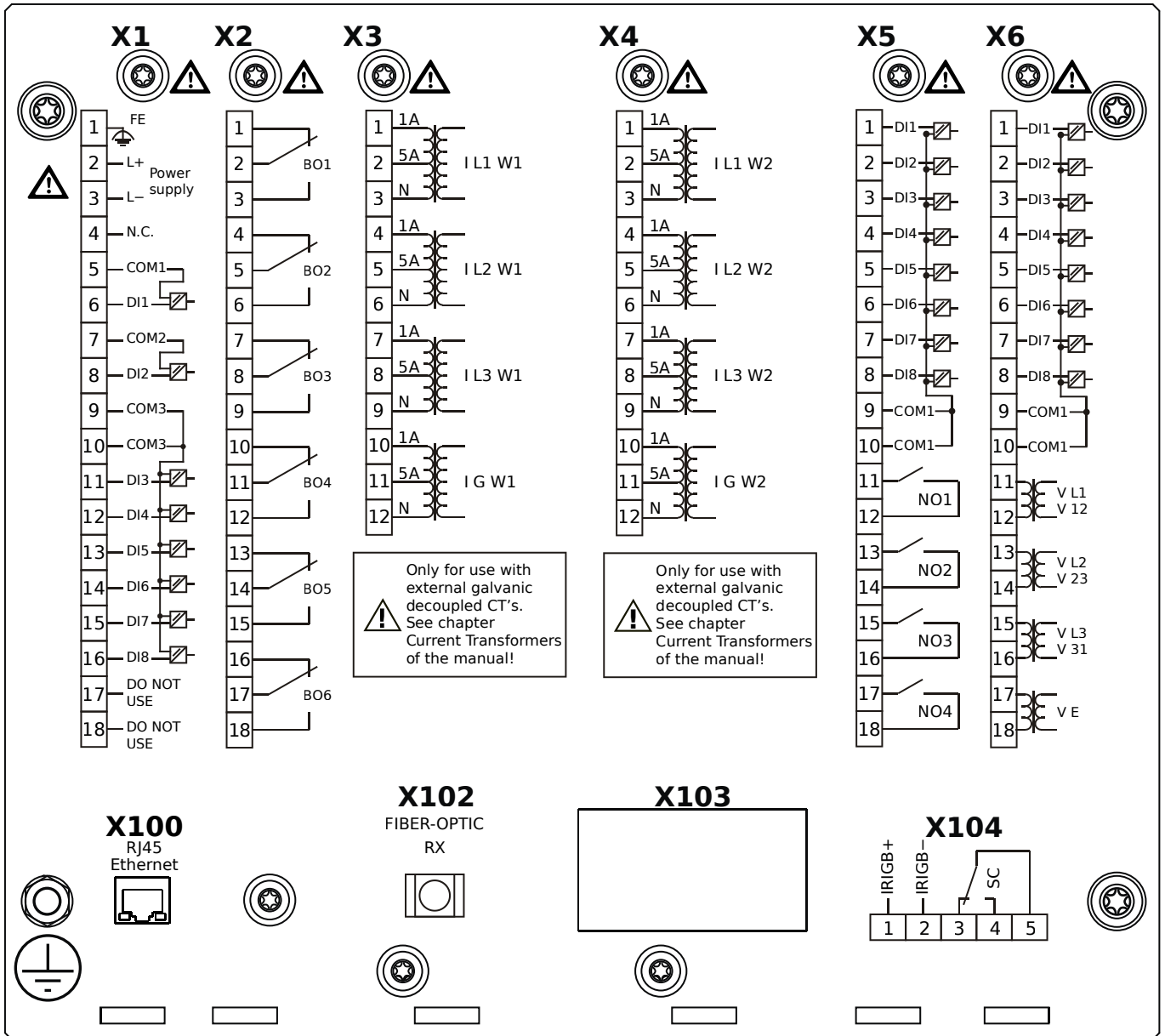
- X1** – DI8-X1: Wide-range power supply unit, incl. 2 non-grouped digital inputs and 6 grouped digital inputs
- X2** – OR-6: Assembly Group with 6 Relay Outputs
- X3** – TI-4: Standard ground current measuring card (for the neutral side of the differential protection)
- X4** – TI-4: Standard ground current measuring card (for the line side of the differential protection)
- X5** – DI8-OR4: Assembly Group with 8 Digital Inputs and 4 Output Relays
- X6** – U DI8: Voltage measuring assembly group with 8 Digital Inputs
- X102** – Universal Resistance-Temperature Detector (URTD) input, Fiber optics interface, ST Connector
- X103** – RS485, Terminals
- X104** – IRIG-B00X, incl. System Contact (Supervision Contact)

MCDGV4-2C0ACA



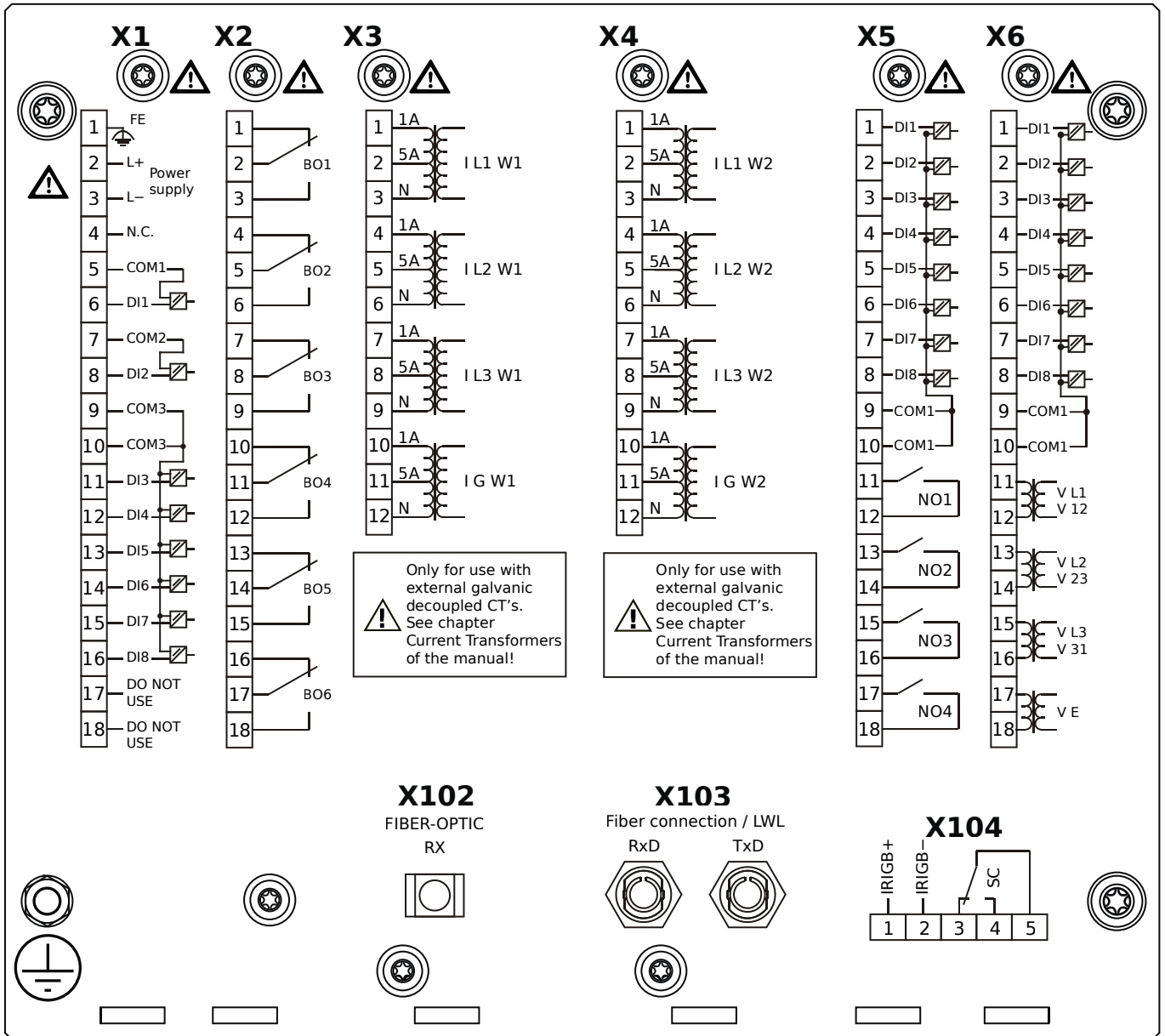
- X1** – DI8-X1: Wide-range power supply unit, incl. 2 non-grouped digital inputs and 6 grouped digital inputs
- X2** – OR-6: Assembly Group with 6 Relay Outputs
- X3** – TI-4: Standard ground current measuring card (for the neutral side of the differential protection)
- X4** – TI-4: Standard ground current measuring card (for the line side of the differential protection)
- X5** – DI8-OR4: Assembly Group with 8 Digital Inputs and 4 Output Relays
- X6** – U DI8: Voltage measuring assembly group with 8 Digital Inputs
- X100** – Ethernet interface, 100 Mbit/s, RJ45
- X102** – Universal Resistance-Temperature Detector (URTD) input, Fiber optics interface, ST Connector
- X104** – IRIG-B00X, incl. System Contact (Supervision Contact)

MCDGV4-2C0ACB



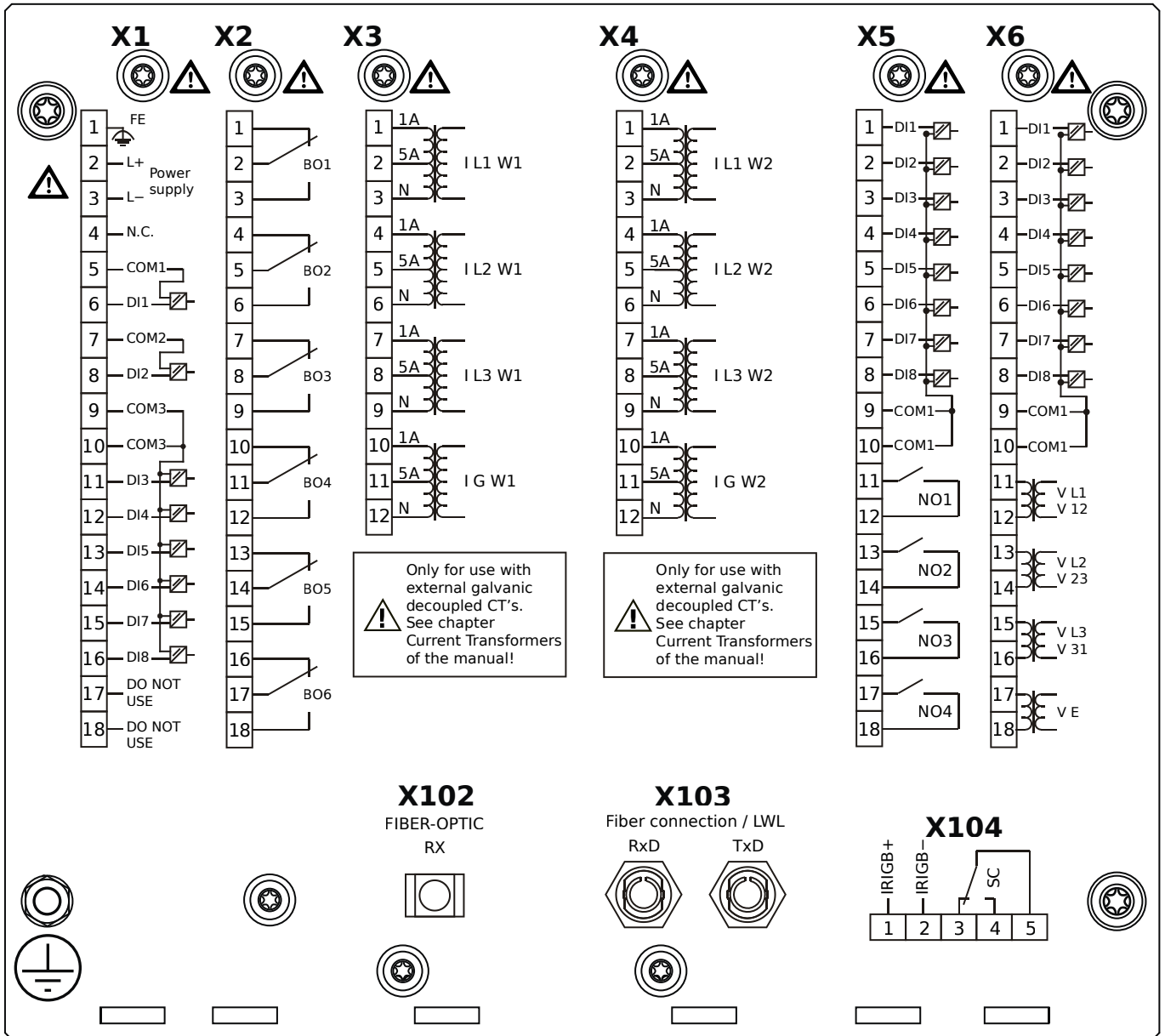
- X1** – DI8-X1: Wide-range power supply unit, incl. 2 non-grouped digital inputs and 6 grouped digital inputs
- X2** – OR-6: Assembly Group with 6 Relay Outputs
- X3** – TI-4: Standard ground current measuring card (for the neutral side of the differential protection)
- X4** – TI-4: Standard ground current measuring card (for the line side of the differential protection)
- X5** – DI8-OR4: Assembly Group with 8 Digital Inputs and 4 Output Relays
- X6** – U DI8: Voltage measuring assembly group with 8 Digital Inputs
- X100** – Ethernet interface, 100 Mbit/s, RJ45
- X102** – Universal Resistance-Temperature Detector (URTD) input, Fiber optics interface, ST Connector
- X104** – IRIG-B00X, incl. System Contact (Supervision Contact)

MCDGV4-2C0ADA



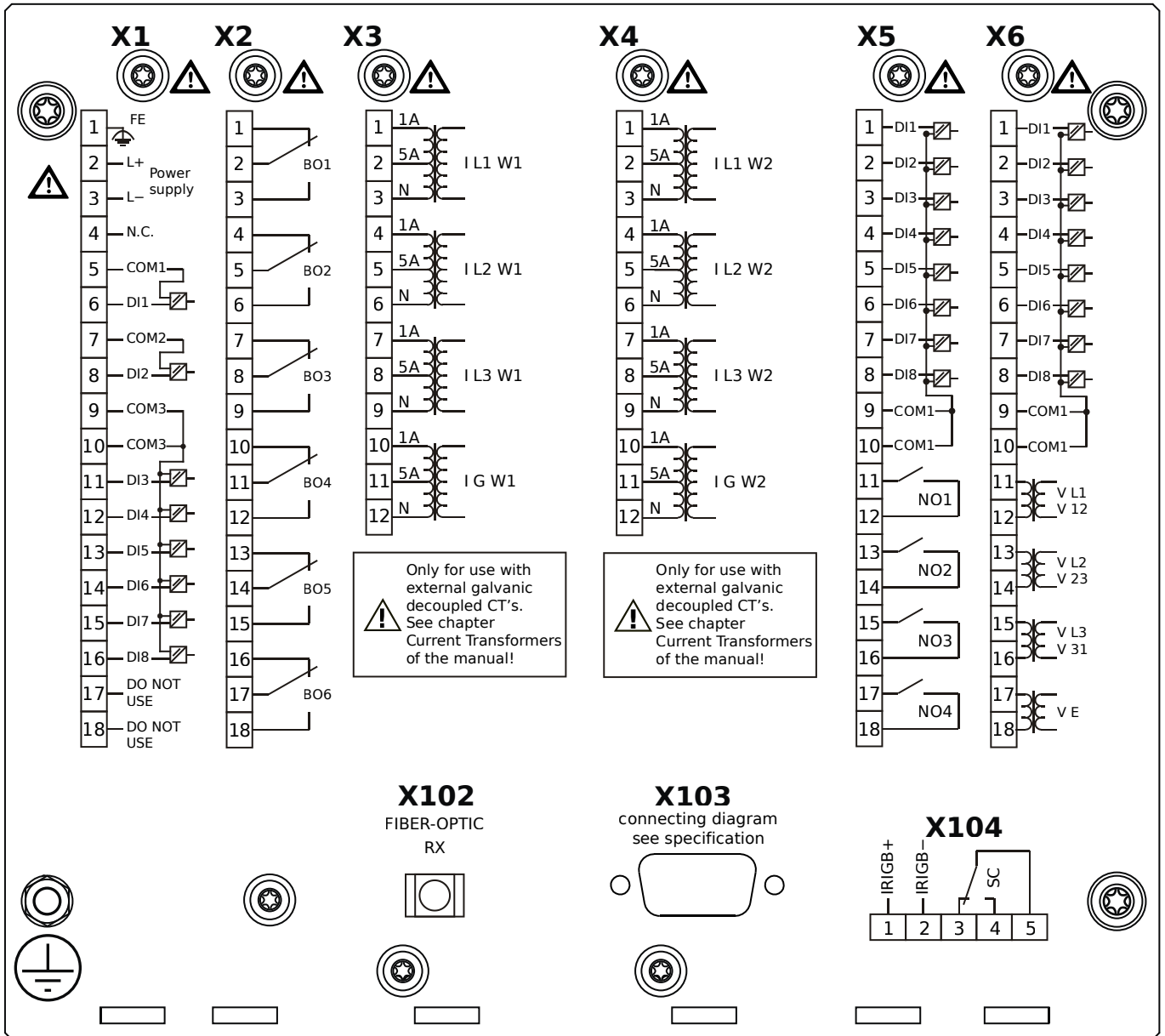
- X1** – DI8-X1: Wide-range power supply unit, incl. 2 non-grouped digital inputs and 6 grouped digital inputs
- X2** – OR-6: Assembly Group with 6 Relay Outputs
- X3** – TI-4: Standard ground current measuring card (for the neutral side of the differential protection)
- X4** – TI-4: Standard ground current measuring card (for the line side of the differential protection)
- X5** – DI8-OR4: Assembly Group with 8 Digital Inputs and 4 Output Relays
- X6** – U DI8: Voltage measuring assembly group with 8 Digital Inputs
- X102** – Universal Resistance-Temperature Detector (URTD) input, Fiber optics interface, ST Connector
- X103** – Fiber optics interface, ST Connector
- X104** – IRIG-B00X, incl. System Contact (Supervision Contact)

MCDGV4-2C0ADB



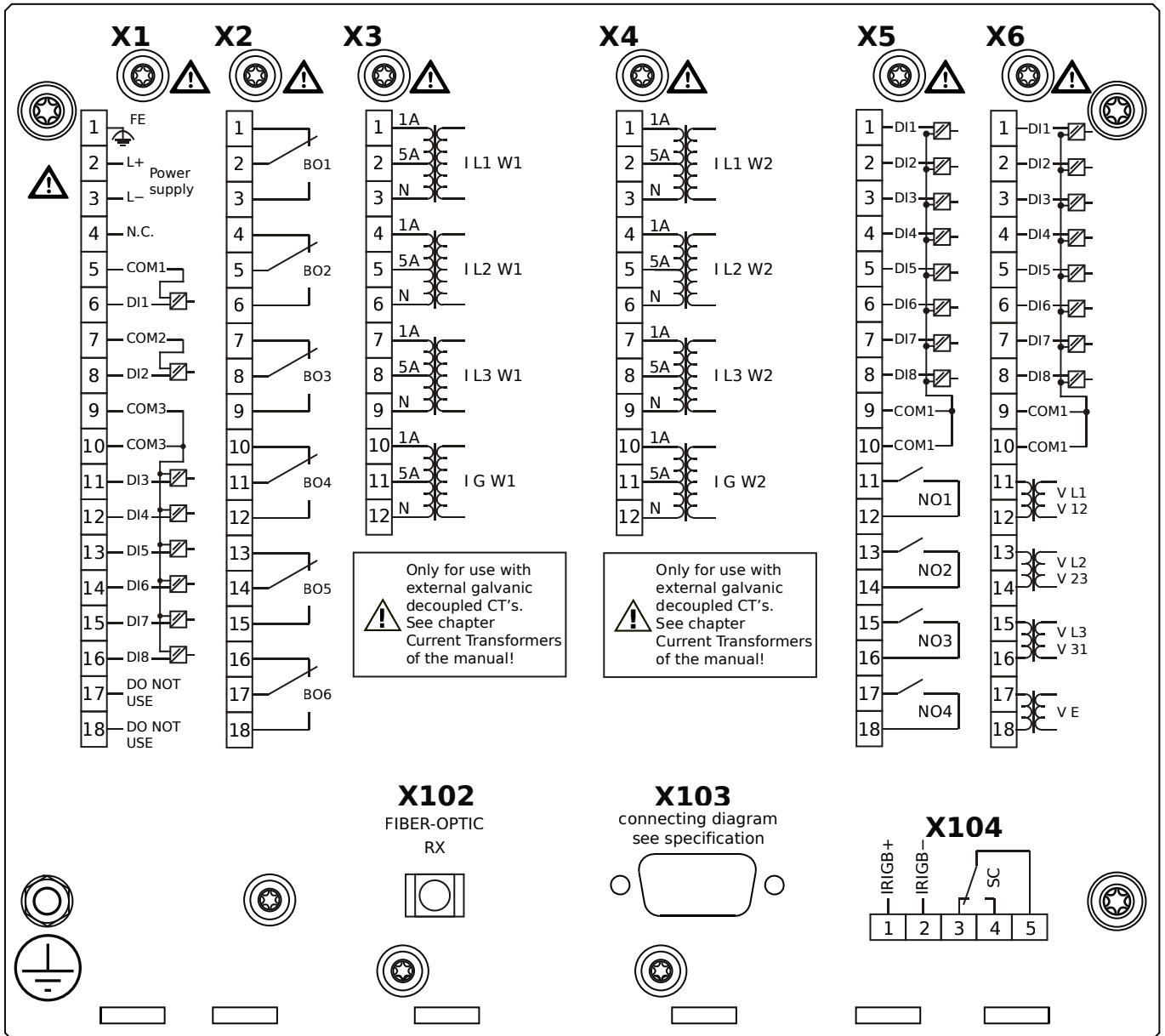
- X1** – DI8-X1: Wide-range power supply unit, incl. 2 non-grouped digital inputs and 6 grouped digital inputs
- X2** – OR-6: Assembly Group with 6 Relay Outputs
- X3** – TI-4: Standard ground current measuring card (for the neutral side of the differential protection)
- X4** – TI-4: Standard ground current measuring card (for the line side of the differential protection)
- X5** – DI8-OR4: Assembly Group with 8 Digital Inputs and 4 Output Relays
- X6** – U DI8: Voltage measuring assembly group with 8 Digital Inputs
- X102** – Universal Resistance-Temperature Detector (URTD) input, Fiber optics interface, ST Connector
- X103** – Fiber optics interface, ST Connector
- X104** – IRIG-B00X, incl. System Contact (Supervision Contact)

MCDGV4-2C0AEA



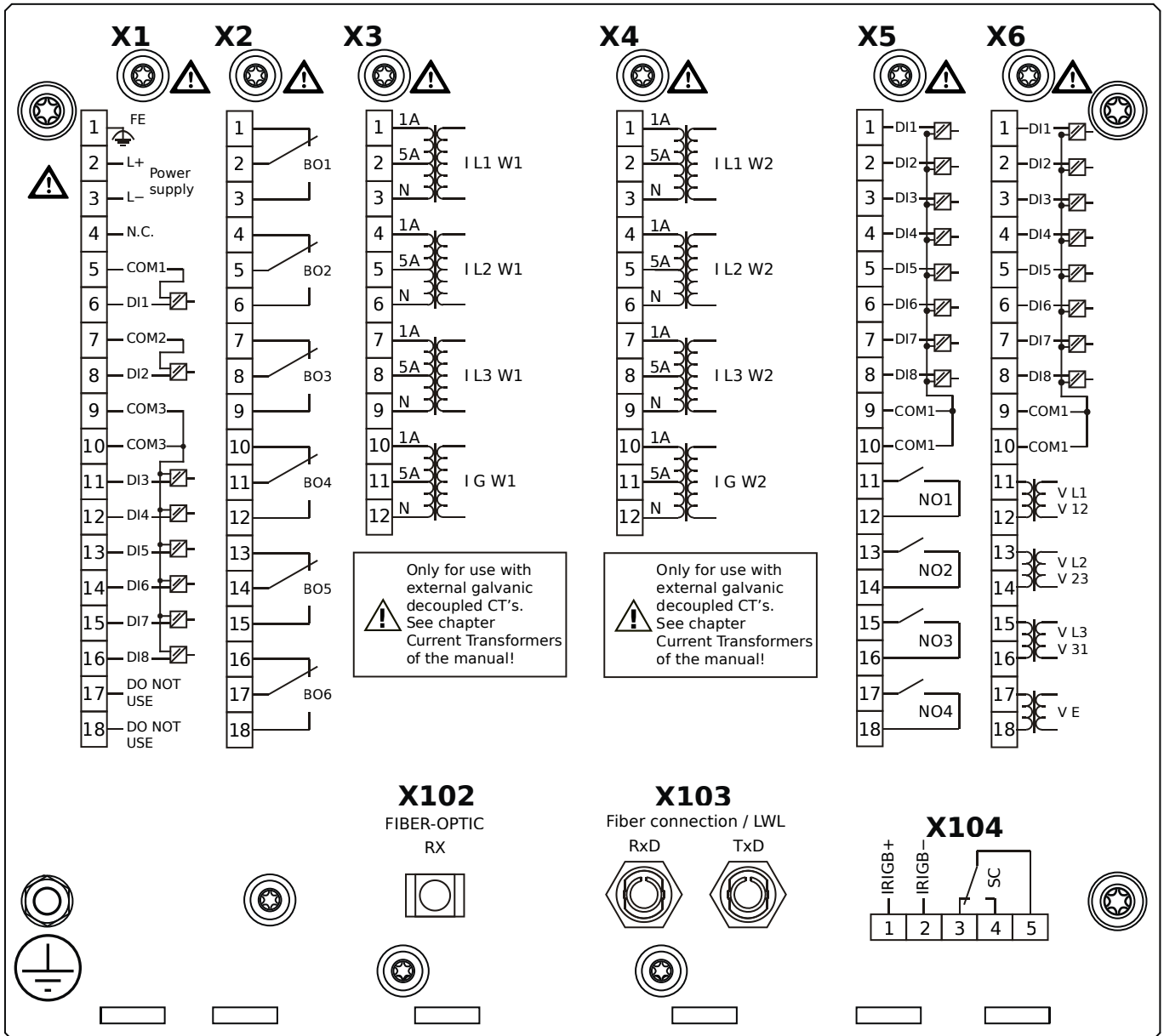
- X1** – DI8-X1: Wide-range power supply unit, incl. 2 non-grouped digital inputs and 6 grouped digital inputs
- X2** – OR-6: Assembly Group with 6 Relay Outputs
- X3** – TI-4: Standard ground current measuring card (for the neutral side of the differential protection)
- X4** – TI-4: Standard ground current measuring card (for the line side of the differential protection)
- X5** – DI8-OR4: Assembly Group with 8 Digital Inputs and 4 Output Relays
- X6** – U DI8: Voltage measuring assembly group with 8 Digital Inputs
- X102** – Universal Resistance-Temperature Detector (URTD) input, Fiber optics interface, ST Connector
- X103** – RS485, D-SUB
- X104** – IRIG-B00X, incl. System Contact (Supervision Contact)

MCDGV4-2C0AEB



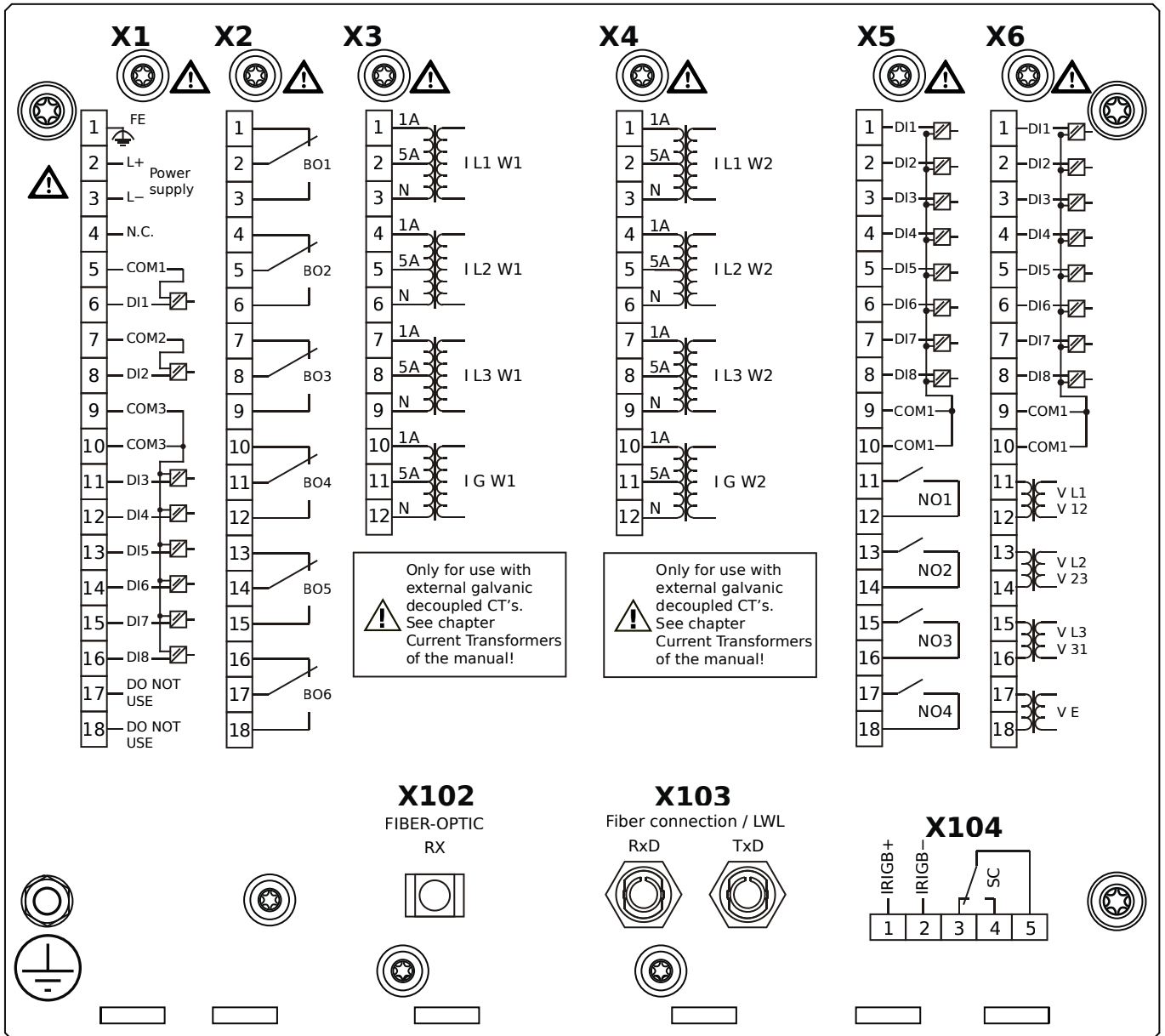
- X1** – DI8-X1: Wide-range power supply unit, incl. 2 non-grouped digital inputs and 6 grouped digital inputs
- X2** – OR-6: Assembly Group with 6 Relay Outputs
- X3** – TI-4: Standard ground current measuring card (for the neutral side of the differential protection)
- X4** – TI-4: Standard ground current measuring card (for the line side of the differential protection)
- X5** – DI8-OR4: Assembly Group with 8 Digital Inputs and 4 Output Relays
- X6** – U DI8: Voltage measuring assembly group with 8 Digital Inputs
- X102** – Universal Resistance-Temperature Detector (URTD) input, Fiber optics interface, ST Connector
- X103** – RS485, D-SUB
- X104** – IRIG-B00X, incl. System Contact (Supervision Contact)

MCDGV4-2C0AFA



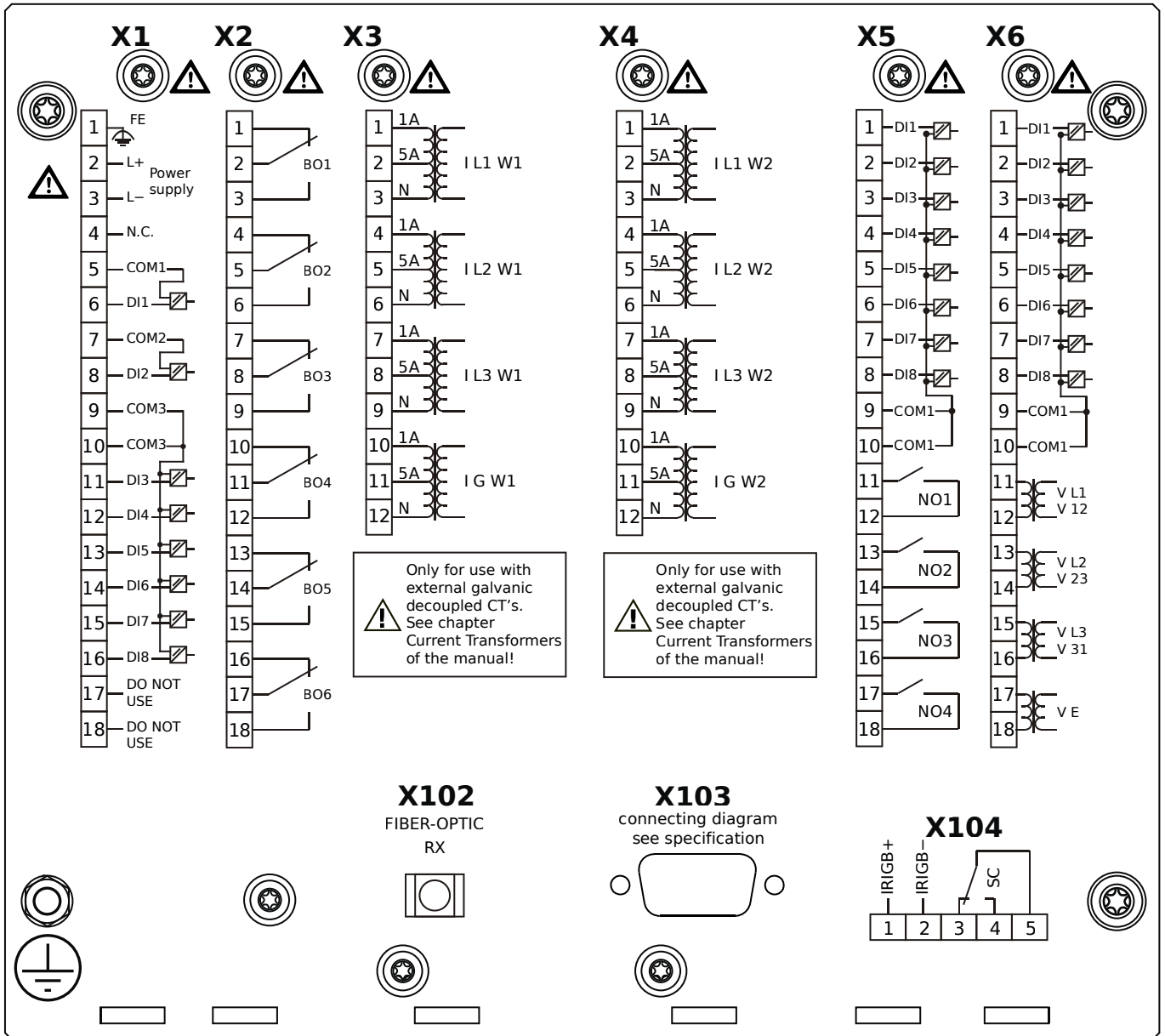
- X1** – DI8-X1: Wide-range power supply unit, incl. 2 non-grouped digital inputs and 6 grouped digital inputs
- X2** – OR-6: Assembly Group with 6 Relay Outputs
- X3** – TI-4: Standard ground current measuring card (for the neutral side of the differential protection)
- X4** – TI-4: Standard ground current measuring card (for the line side of the differential protection)
- X5** – DI8-OR4: Assembly Group with 8 Digital Inputs and 4 Output Relays
- X6** – U DI8: Voltage measuring assembly group with 8 Digital Inputs
- X102** – Universal Resistance-Temperature Detector (URTD) input, Fiber optics interface, ST Connector
- X103** – Fiber optics interface, ST Connector
- X104** – IRIG-B00X, incl. System Contact (Supervision Contact)

MCDGV4-2C0AFB



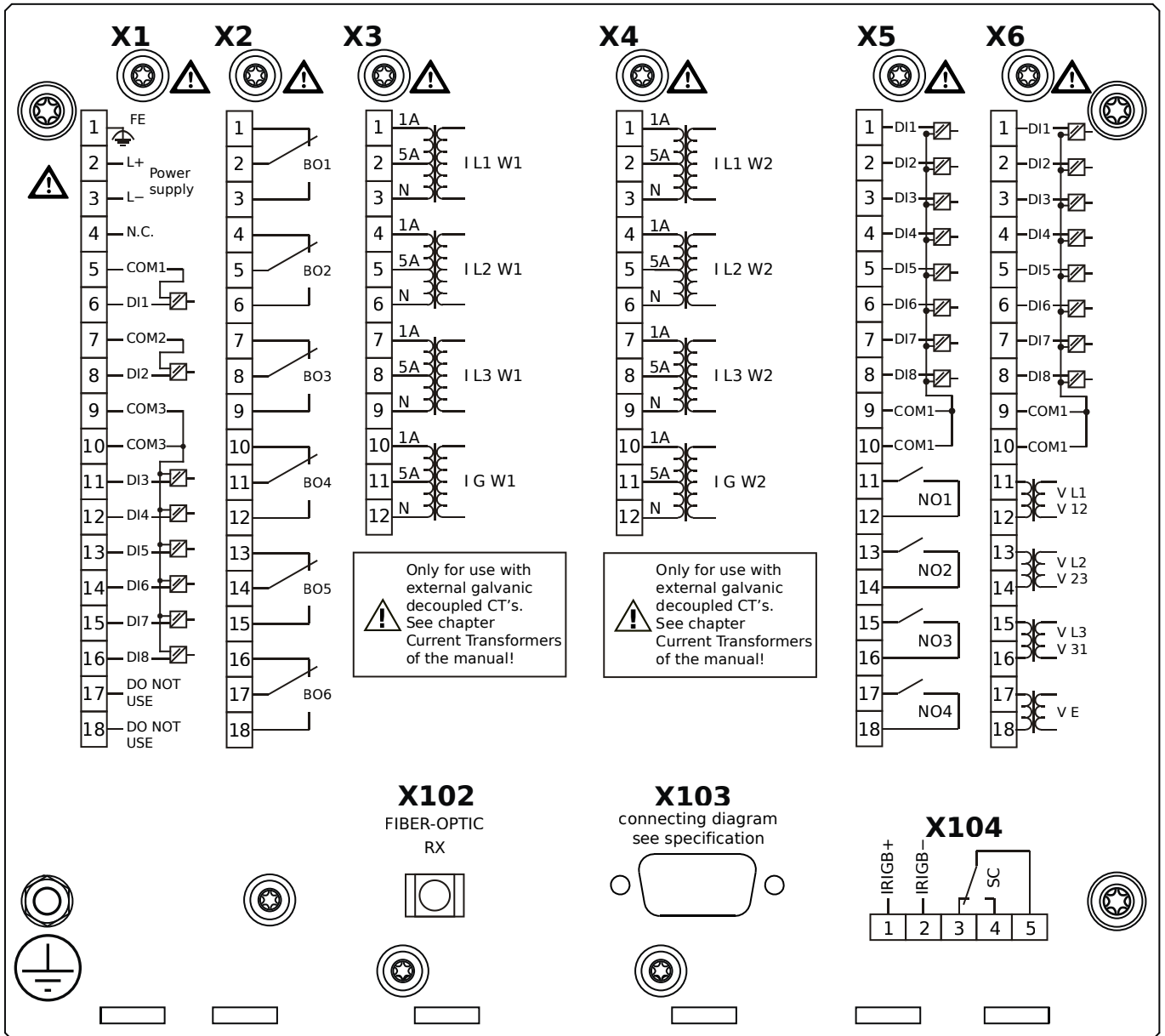
- X1** – DI8-X1: Wide-range power supply unit, incl. 2 non-grouped digital inputs and 6 grouped digital inputs
- X2** – OR-6: Assembly Group with 6 Relay Outputs
- X3** – TI-4: Standard ground current measuring card (for the neutral side of the differential protection)
- X4** – TI-4: Standard ground current measuring card (for the line side of the differential protection)
- X5** – DI8-OR4: Assembly Group with 8 Digital Inputs and 4 Output Relays
- X6** – U DI8: Voltage measuring assembly group with 8 Digital Inputs
- X102** – Universal Resistance-Temperature Detector (URTD) input, Fiber optics interface, ST Connector
- X103** – Fiber optics interface, ST Connector
- X104** – IRIG-B00X, incl. System Contact (Supervision Contact)

MCDGV4-2C0AGA



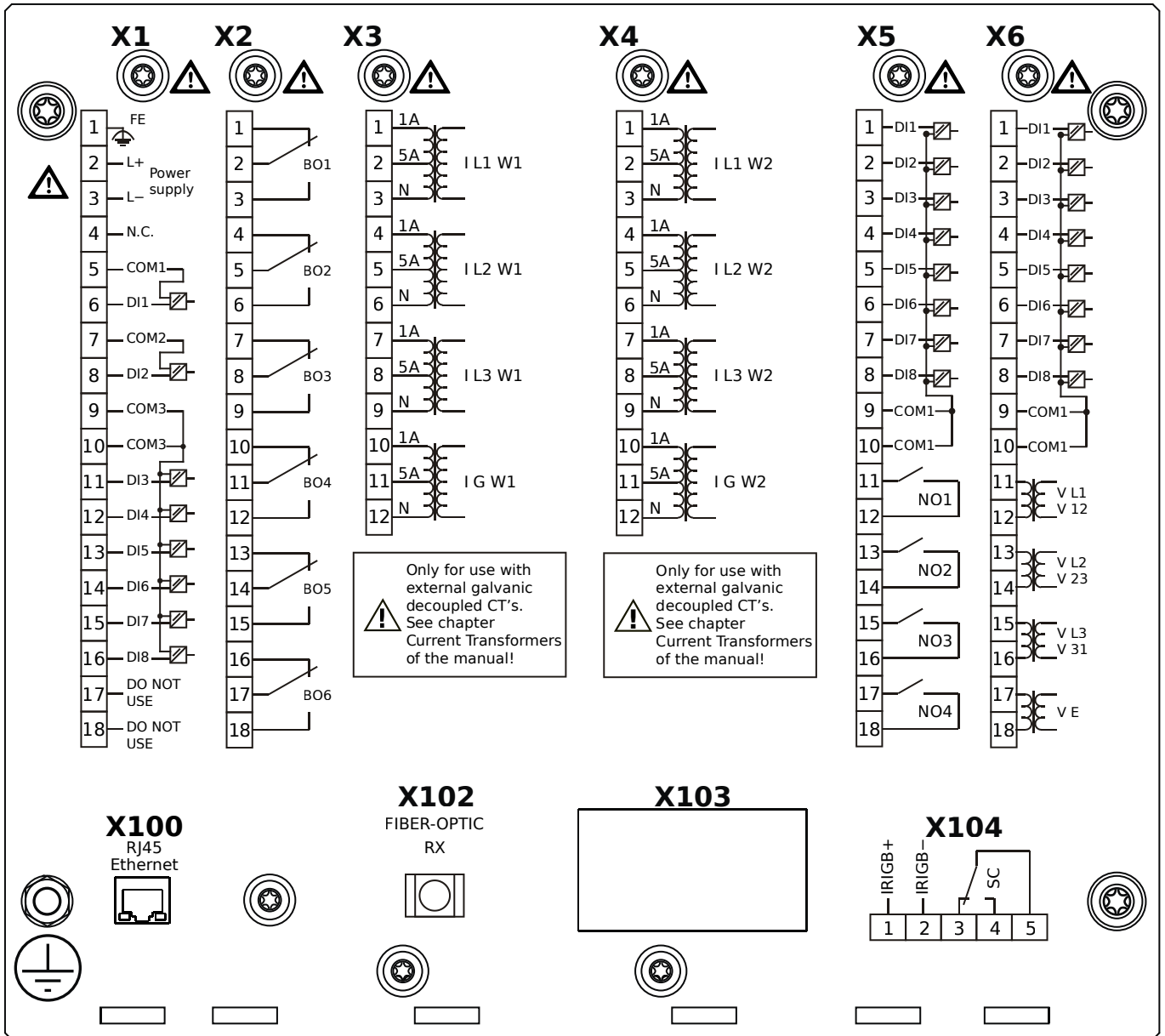
- X1** – DI8-X1: Wide-range power supply unit, incl. 2 non-grouped digital inputs and 6 grouped digital inputs
- X2** – OR-6: Assembly Group with 6 Relay Outputs
- X3** – TI-4: Standard ground current measuring card (for the neutral side of the differential protection)
- X4** – TI-4: Standard ground current measuring card (for the line side of the differential protection)
- X5** – DI8-OR4: Assembly Group with 8 Digital Inputs and 4 Output Relays
- X6** – U DI8: Voltage measuring assembly group with 8 Digital Inputs
- X102** – Universal Resistance-Temperature Detector (URTD) input, Fiber optics interface, ST Connector
- X103** – RS485, D-SUB
- X104** – IRIG-B00X, incl. System Contact (Supervision Contact)

MCDGV4-2C0AGB



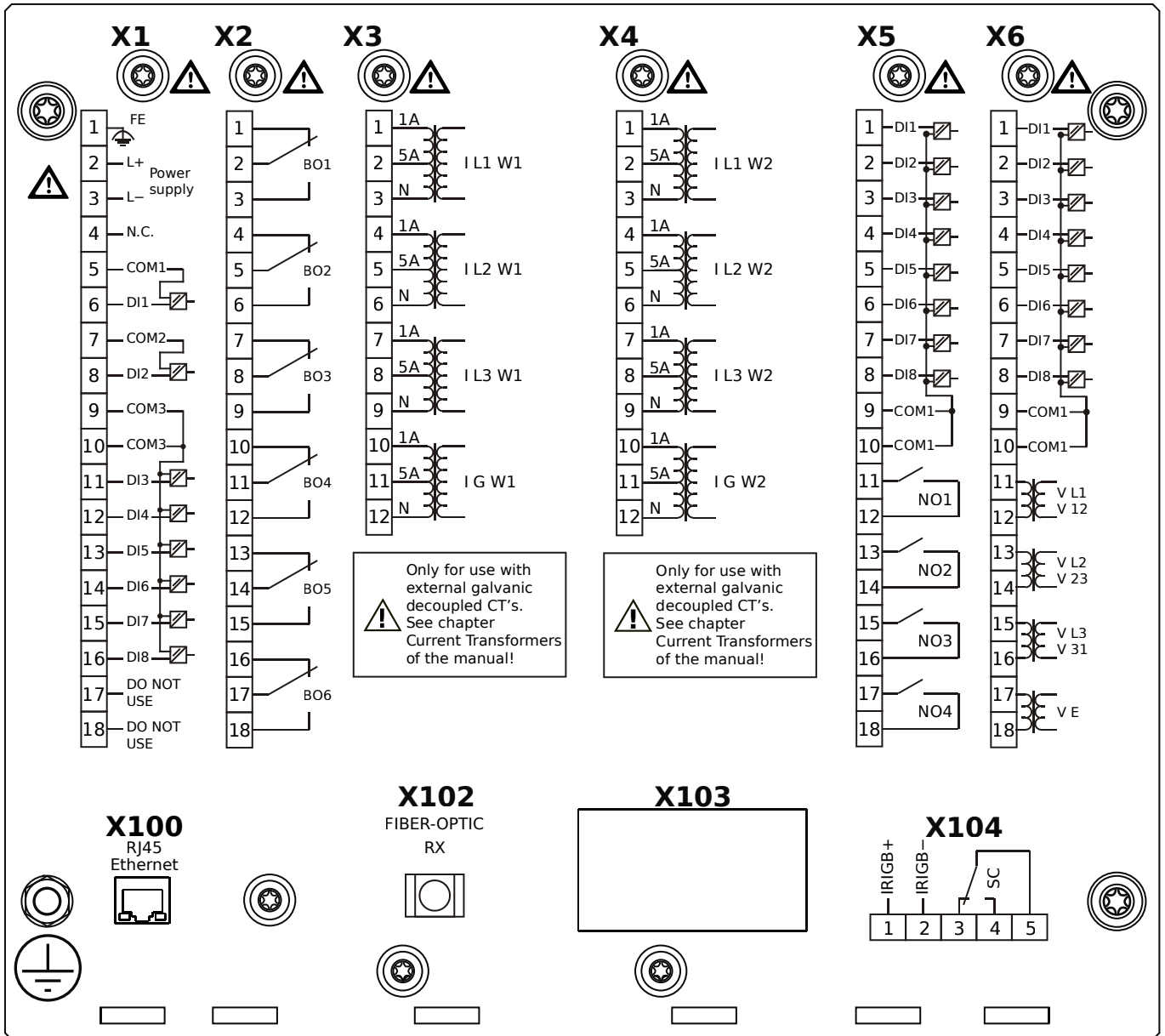
- X1** – DI8-X1: Wide-range power supply unit, incl. 2 non-grouped digital inputs and 6 grouped digital inputs
- X2** – OR-6: Assembly Group with 6 Relay Outputs
- X3** – TI-4: Standard ground current measuring card (for the neutral side of the differential protection)
- X4** – TI-4: Standard ground current measuring card (for the line side of the differential protection)
- X5** – DI8-OR4: Assembly Group with 8 Digital Inputs and 4 Output Relays
- X6** – U DI8: Voltage measuring assembly group with 8 Digital Inputs
- X102** – Universal Resistance-Temperature Detector (URTD) input, Fiber optics interface, ST Connector
- X103** – RS485, D-SUB
- X104** – IRIG-B00X, incl. System Contact (Supervision Contact)

MCDGV4-2C0AHA



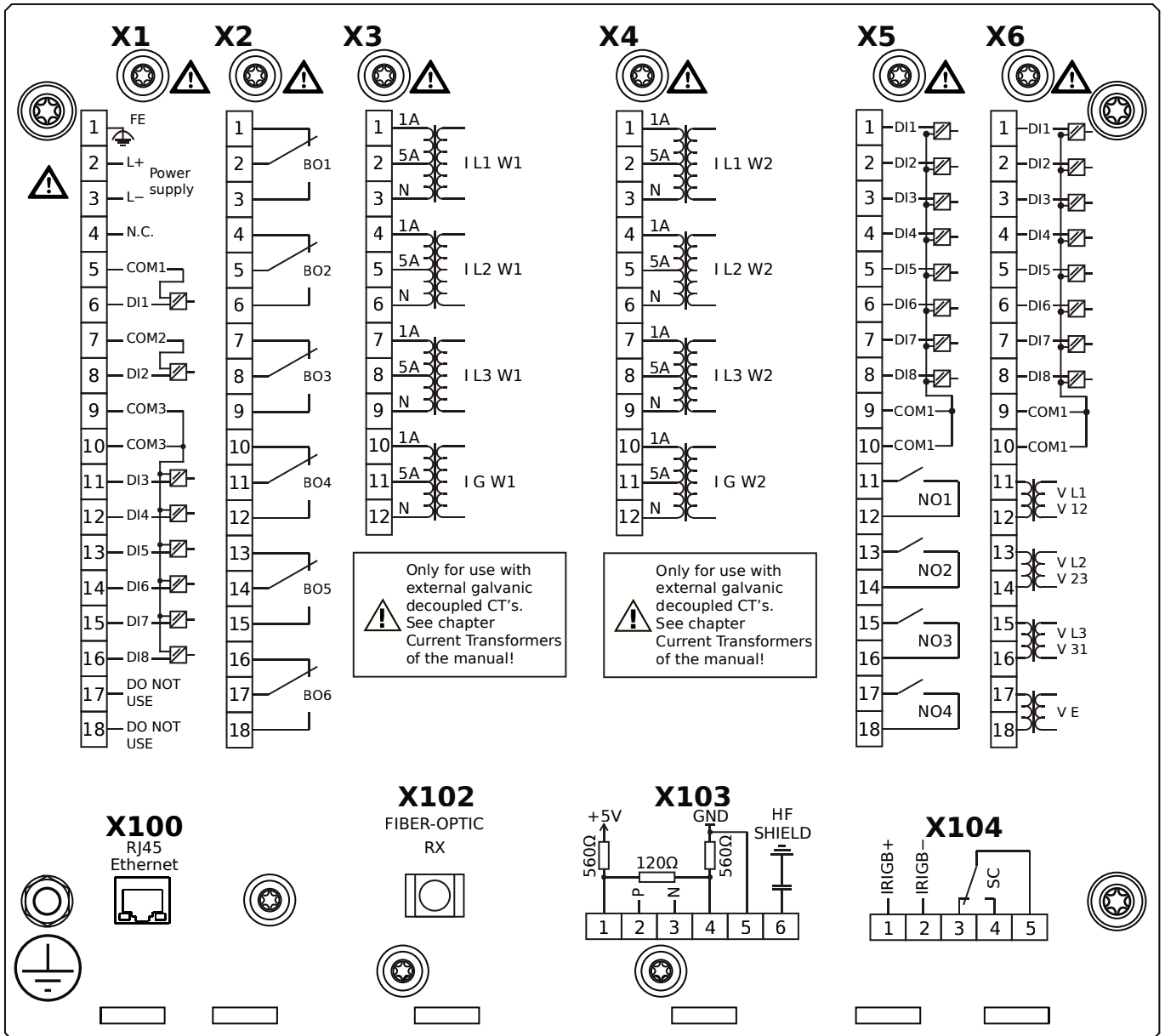
- X1** – DI8-X1: Wide-range power supply unit, incl. 2 non-grouped digital inputs and 6 grouped digital inputs
- X2** – OR-6: Assembly Group with 6 Relay Outputs
- X3** – TI-4: Standard ground current measuring card (for the neutral side of the differential protection)
- X4** – TI-4: Standard ground current measuring card (for the line side of the differential protection)
- X5** – DI8-OR4: Assembly Group with 8 Digital Inputs and 4 Output Relays
- X6** – U DI8: Voltage measuring assembly group with 8 Digital Inputs
- X100** – Ethernet interface, 100 Mbit/s, RJ45
- X102** – Universal Resistance-Temperature Detector (URTD) input, Fiber optics interface, ST Connector
- X104** – IRIG-B00X, incl. System Contact (Supervision Contact)

MCDGV4-2C0AHB



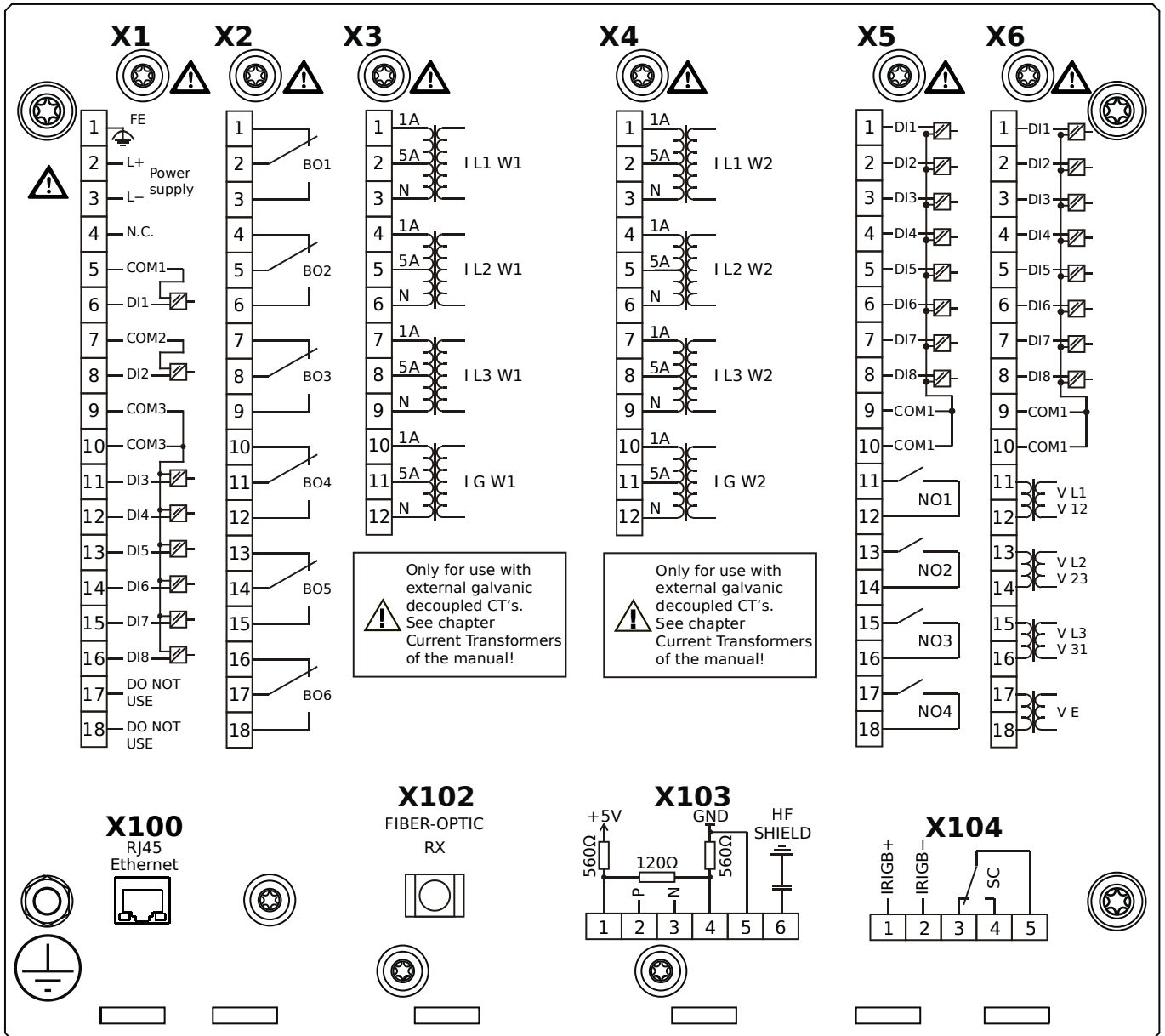
- X1** – DI8-X1: Wide-range power supply unit, incl. 2 non-grouped digital inputs and 6 grouped digital inputs
- X2** – OR-6: Assembly Group with 6 Relay Outputs
- X3** – TI-4: Standard ground current measuring card (for the neutral side of the differential protection)
- X4** – TI-4: Standard ground current measuring card (for the line side of the differential protection)
- X5** – DI8-OR4: Assembly Group with 8 Digital Inputs and 4 Output Relays
- X6** – U DI8: Voltage measuring assembly group with 8 Digital Inputs
- X100** – Ethernet interface, 100 Mbit/s, RJ45
- X102** – Universal Resistance-Temperature Detector (URTD) input, Fiber optics interface, ST Connector
- X104** – IRIG-B00X, incl. System Contact (Supervision Contact)

MCDGV4-2C0AIA



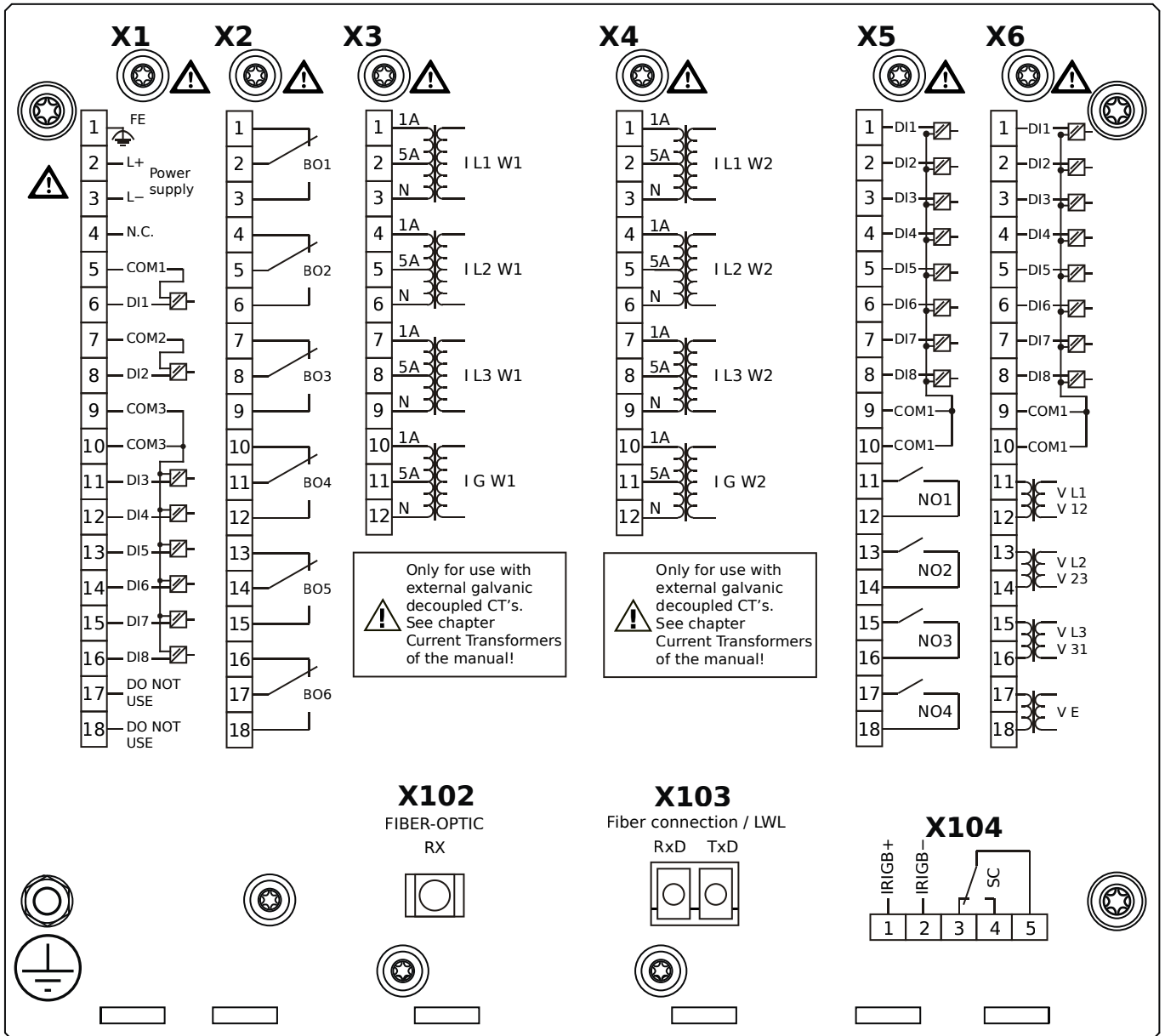
- X1** – DI8-X1: Wide-range power supply unit, incl. 2 non-grouped digital inputs and 6 grouped digital inputs
- X2** – OR-6: Assembly Group with 6 Relay Outputs
- X3** – TI-4: Standard ground current measuring card (for the neutral side of the differential protection)
- X4** – TI-4: Standard ground current measuring card (for the line side of the differential protection)
- X5** – DI8-OR4: Assembly Group with 8 Digital Inputs and 4 Output Relays
- X6** – U DI8: Voltage measuring assembly group with 8 Digital Inputs
- X100** – Ethernet interface, 100 Mbit/s, RJ45
- X102** – Universal Resistance-Temperature Detector (URTD) input, Fiber optics interface, ST Connector
- X103** – RS485, Terminals
- X104** – IRIG-B00X, incl. System Contact (Supervision Contact)

MCDGV4-2C0AIB



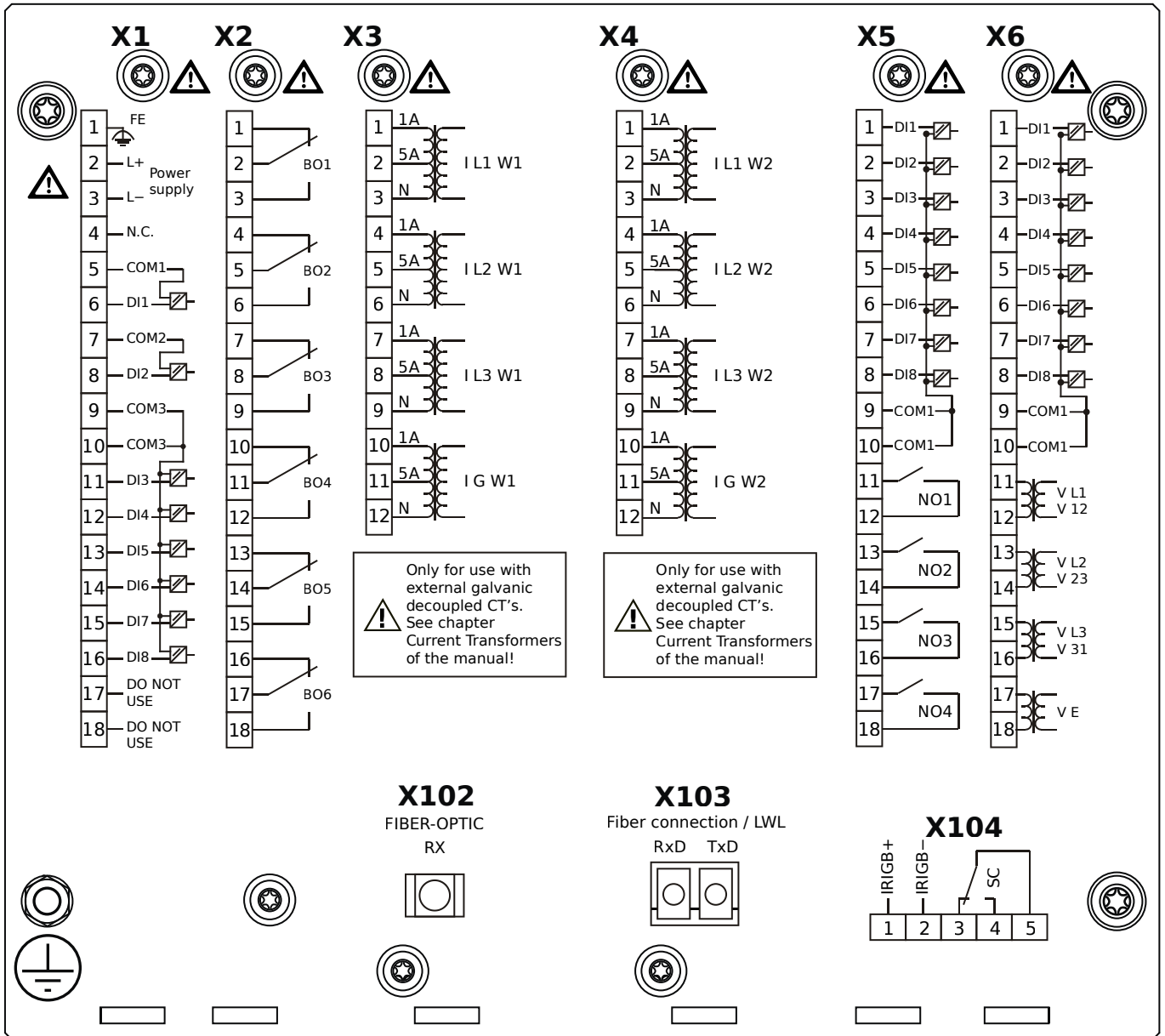
- X1** – DI8-X1: Wide-range power supply unit, incl. 2 non-grouped digital inputs and 6 grouped digital inputs
- X2** – OR-6: Assembly Group with 6 Relay Outputs
- X3** – TI-4: Standard ground current measuring card (for the neutral side of the differential protection)
- X4** – TI-4: Standard ground current measuring card (for the line side of the differential protection)
- X5** – DI8-OR4: Assembly Group with 8 Digital Inputs and 4 Output Relays
- X6** – U DI8: Voltage measuring assembly group with 8 Digital Inputs
- X100** – Ethernet interface, 100 Mbit/s, RJ45
- X102** – Universal Resistance-Temperature Detector (URTD) input, Fiber optics interface, ST Connector
- X103** – RS485, Terminals
- X104** – IRIG-B00X, incl. System Contact (Supervision Contact)

MCDGV4-2C0AKA



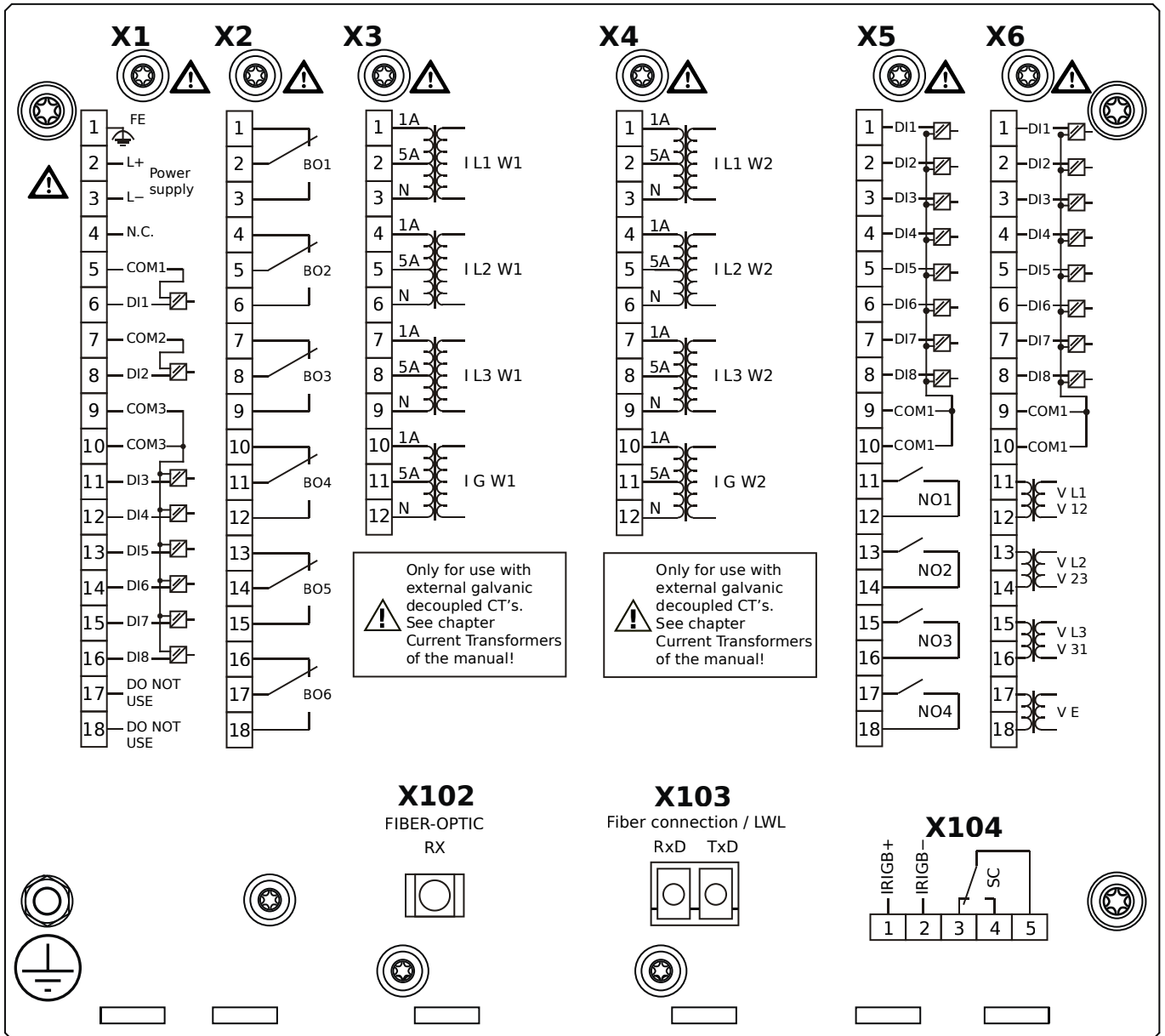
- X1** – DI8-X1: Wide-range power supply unit, incl. 2 non-grouped digital inputs and 6 grouped digital inputs
- X2** – OR-6: Assembly Group with 6 Relay Outputs
- X3** – TI-4: Standard ground current measuring card (for the neutral side of the differential protection)
- X4** – TI-4: Standard ground current measuring card (for the line side of the differential protection)
- X5** – DI8-OR4: Assembly Group with 8 Digital Inputs and 4 Output Relays
- X6** – U DI8: Voltage measuring assembly group with 8 Digital Inputs
- X102** – Universal Resistance-Temperature Detector (URTD) input, Fiber optics interface, ST Connector
- X103** – Fiber optics interface, LC Connector
- X104** – IRIG-B00X, incl. System Contact (Supervision Contact)

MCDGV4-2C0AKB



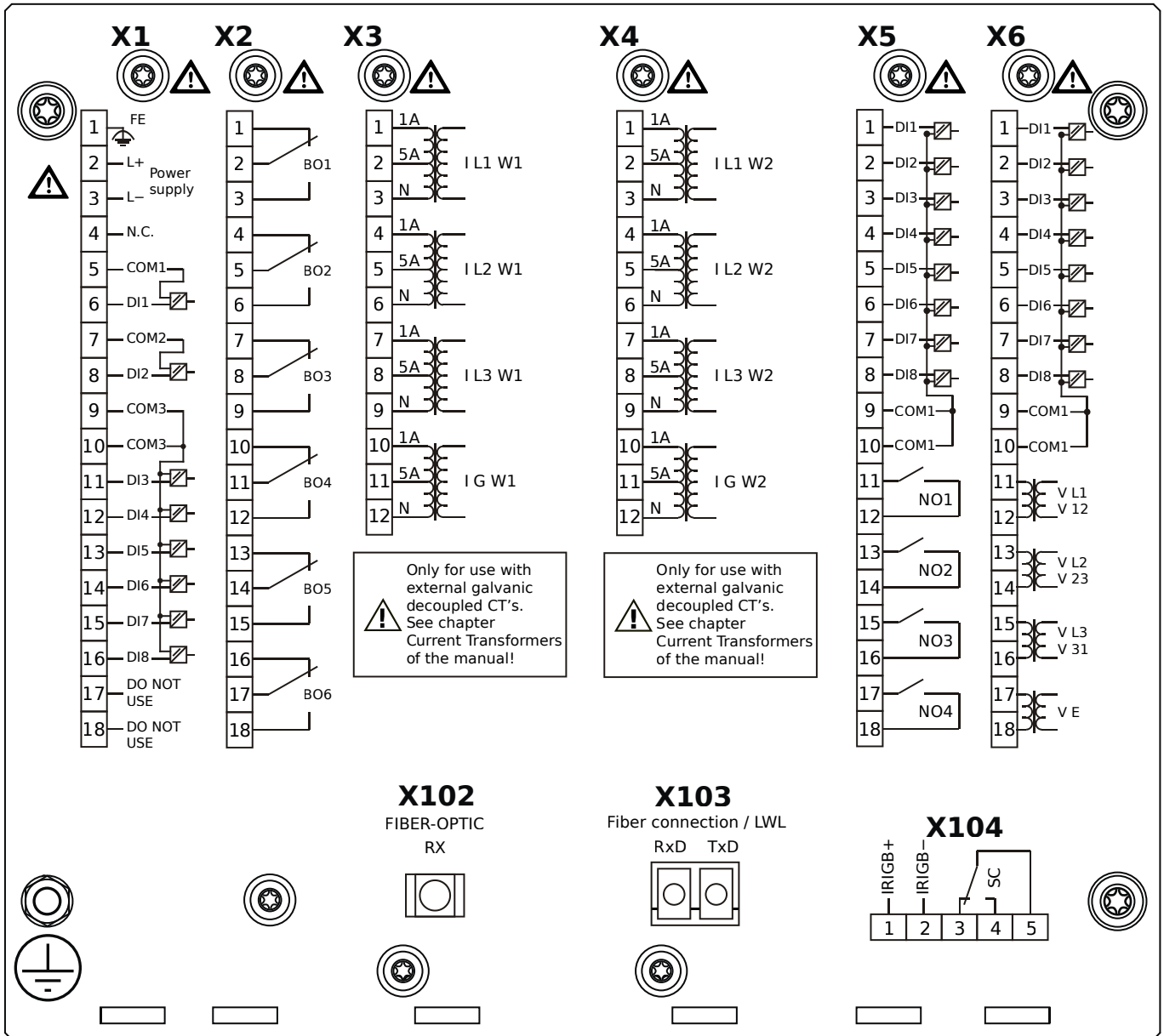
- X1** – DI8-X1: Wide-range power supply unit, incl. 2 non-grouped digital inputs and 6 grouped digital inputs
- X2** – OR-6: Assembly Group with 6 Relay Outputs
- X3** – TI-4: Standard ground current measuring card (for the neutral side of the differential protection)
- X4** – TI-4: Standard ground current measuring card (for the line side of the differential protection)
- X5** – DI8-OR4: Assembly Group with 8 Digital Inputs and 4 Output Relays
- X6** – U DI8: Voltage measuring assembly group with 8 Digital Inputs
- X102** – Universal Resistance-Temperature Detector (URTD) input, Fiber optics interface, ST Connector
- X103** – Fiber optics interface, LC Connector
- X104** – IRIG-B00X, incl. System Contact (Supervision Contact)

MCDGV4-2C0ALA



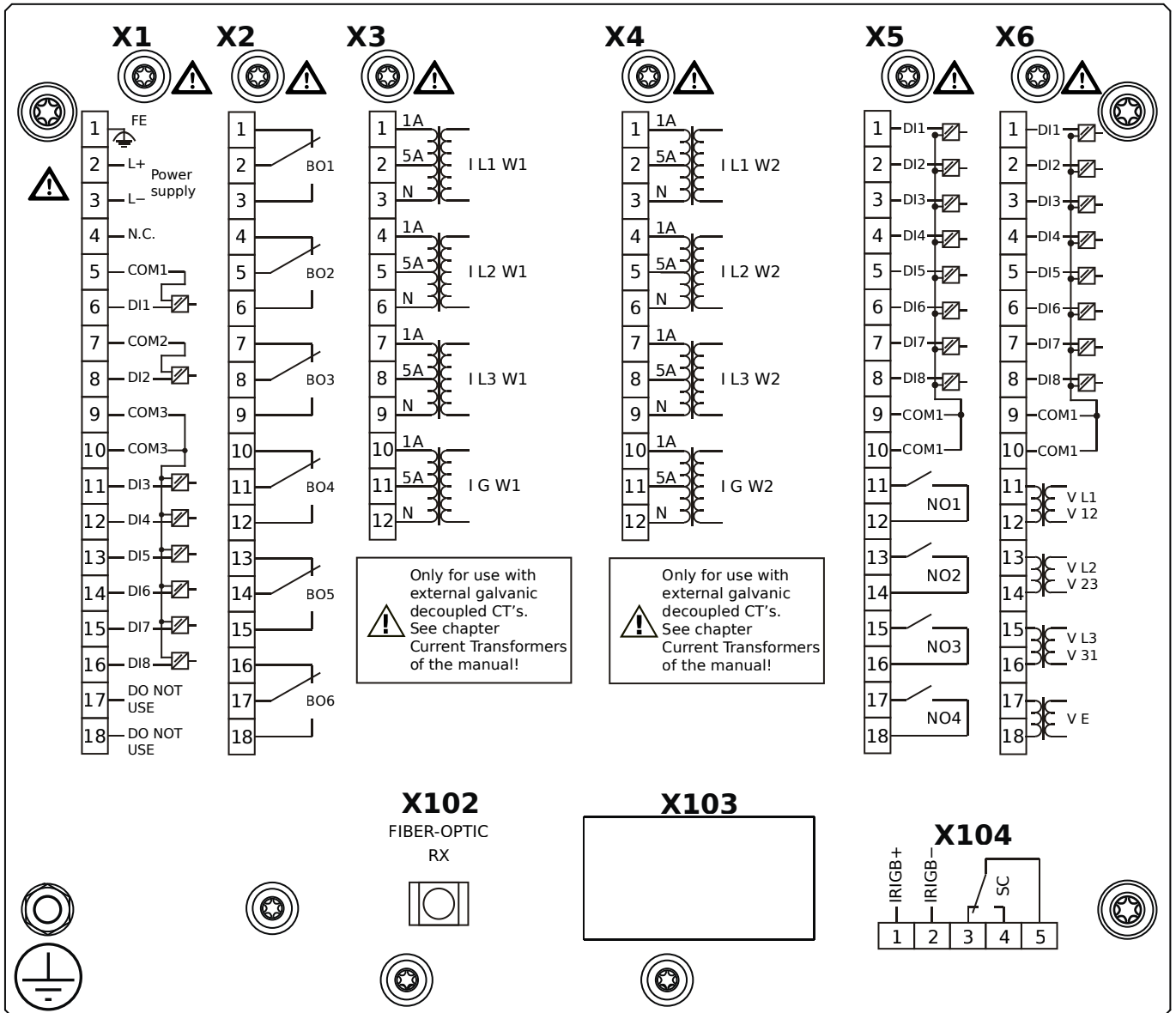
- X1** – DI8-X1: Wide-range power supply unit, incl. 2 non-grouped digital inputs and 6 grouped digital inputs
- X2** – OR-6: Assembly Group with 6 Relay Outputs
- X3** – TI-4: Standard ground current measuring card (for the neutral side of the differential protection)
- X4** – TI-4: Standard ground current measuring card (for the line side of the differential protection)
- X5** – DI8-OR4: Assembly Group with 8 Digital Inputs and 4 Output Relays
- X6** – U DI8: Voltage measuring assembly group with 8 Digital Inputs
- X102** – Universal Resistance-Temperature Detector (URTD) input, Fiber optics interface, ST Connector
- X103** – Fiber optics interface, LC Connector
- X104** – IRIG-B00X, incl. System Contact (Supervision Contact)

MCDGV4-2C0ALB



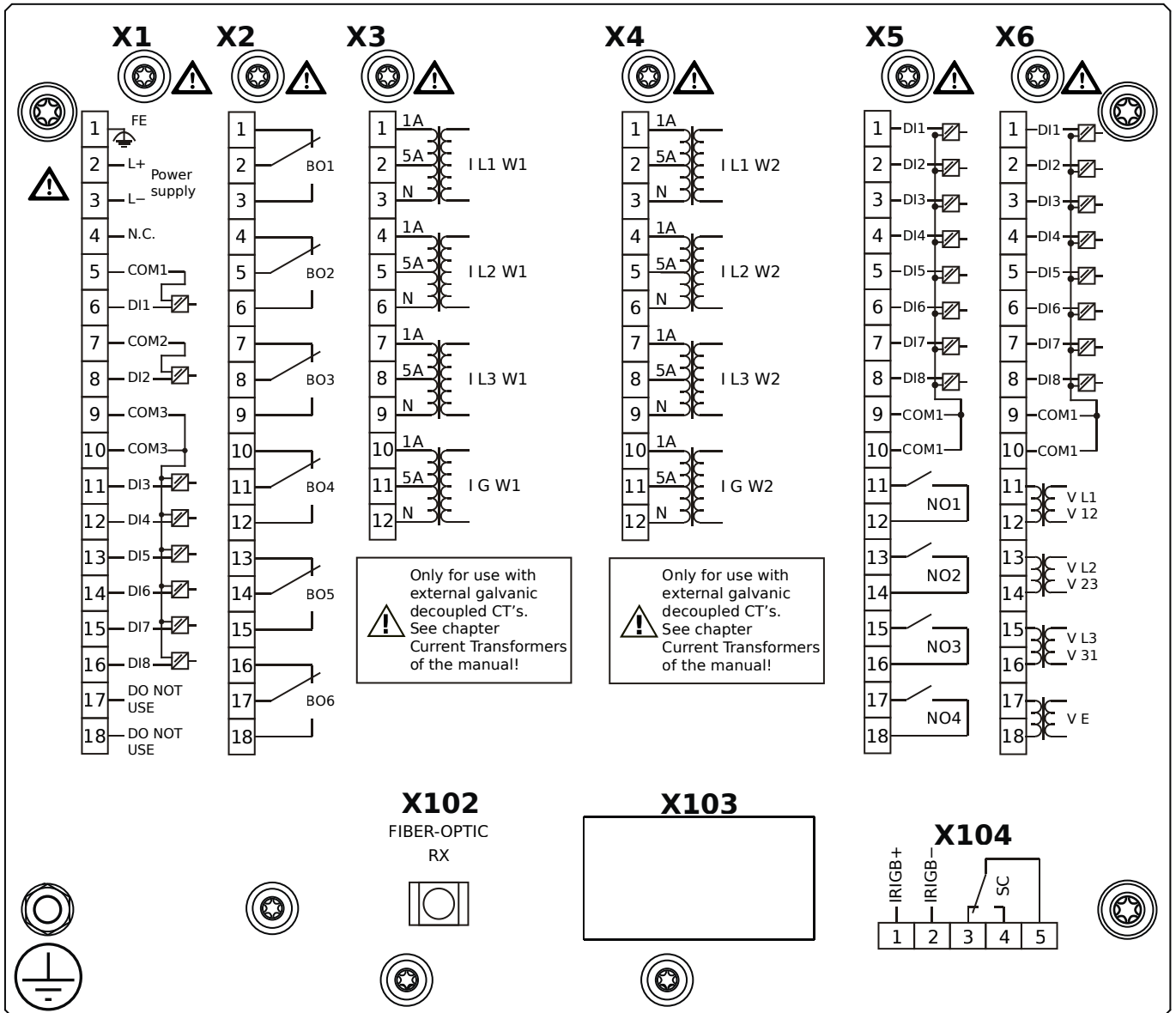
- X1** – DI8-X1: Wide-range power supply unit, incl. 2 non-grouped digital inputs and 6 grouped digital inputs
- X2** – OR-6: Assembly Group with 6 Relay Outputs
- X3** – TI-4: Standard ground current measuring card (for the neutral side of the differential protection)
- X4** – TI-4: Standard ground current measuring card (for the line side of the differential protection)
- X5** – DI8-OR4: Assembly Group with 8 Digital Inputs and 4 Output Relays
- X6** – U DI8: Voltage measuring assembly group with 8 Digital Inputs
- X102** – Universal Resistance-Temperature Detector (URTD) input, Fiber optics interface, ST Connector
- X103** – Fiber optics interface, LC Connector
- X104** – IRIG-B00X, incl. System Contact (Supervision Contact)

MCDGV4-2C0BAA



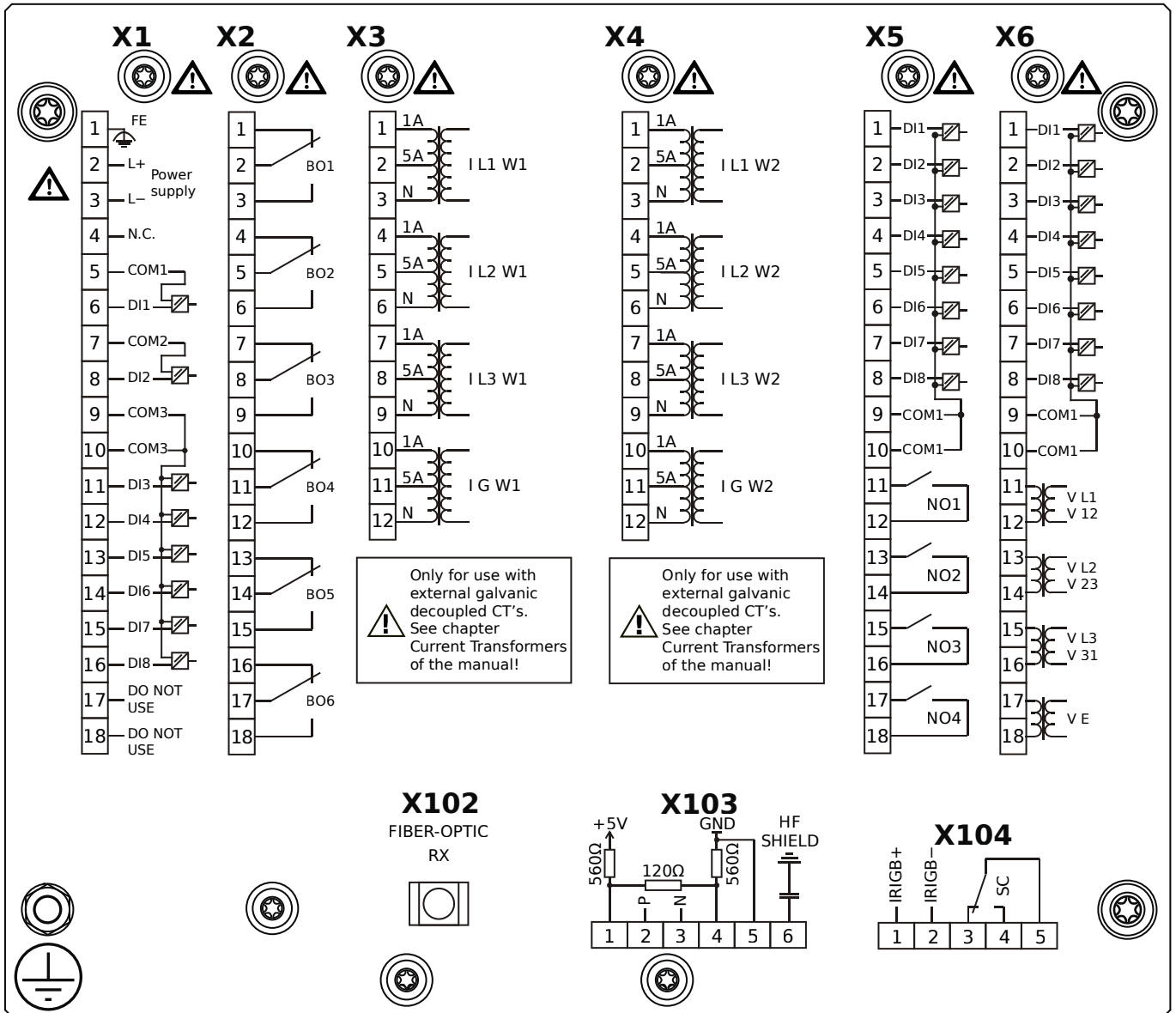
- X1** – DI8-X1: Wide-range power supply unit, incl. 2 non-grouped digital inputs and 6 grouped digital inputs
- X2** – OR-6: Assembly Group with 6 Relay Outputs
- X3** – TI-4: Standard ground current measuring card (for the neutral side of the differential protection)
- X4** – TI-4: Standard ground current measuring card (for the line side of the differential protection)
- X5** – DI8-OR4: Assembly Group with 8 Digital Inputs and 4 Output Relays
- X6** – U DI8: Voltage measuring assembly group with 8 Digital Inputs
- X102** – Universal Resistance-Temperature Detector (URTD) input, Fiber optics interface, ST Connector
- X104** – IRIG-B00X, incl. System Contact (Supervision Contact)

MCDGV4-2C0BAB



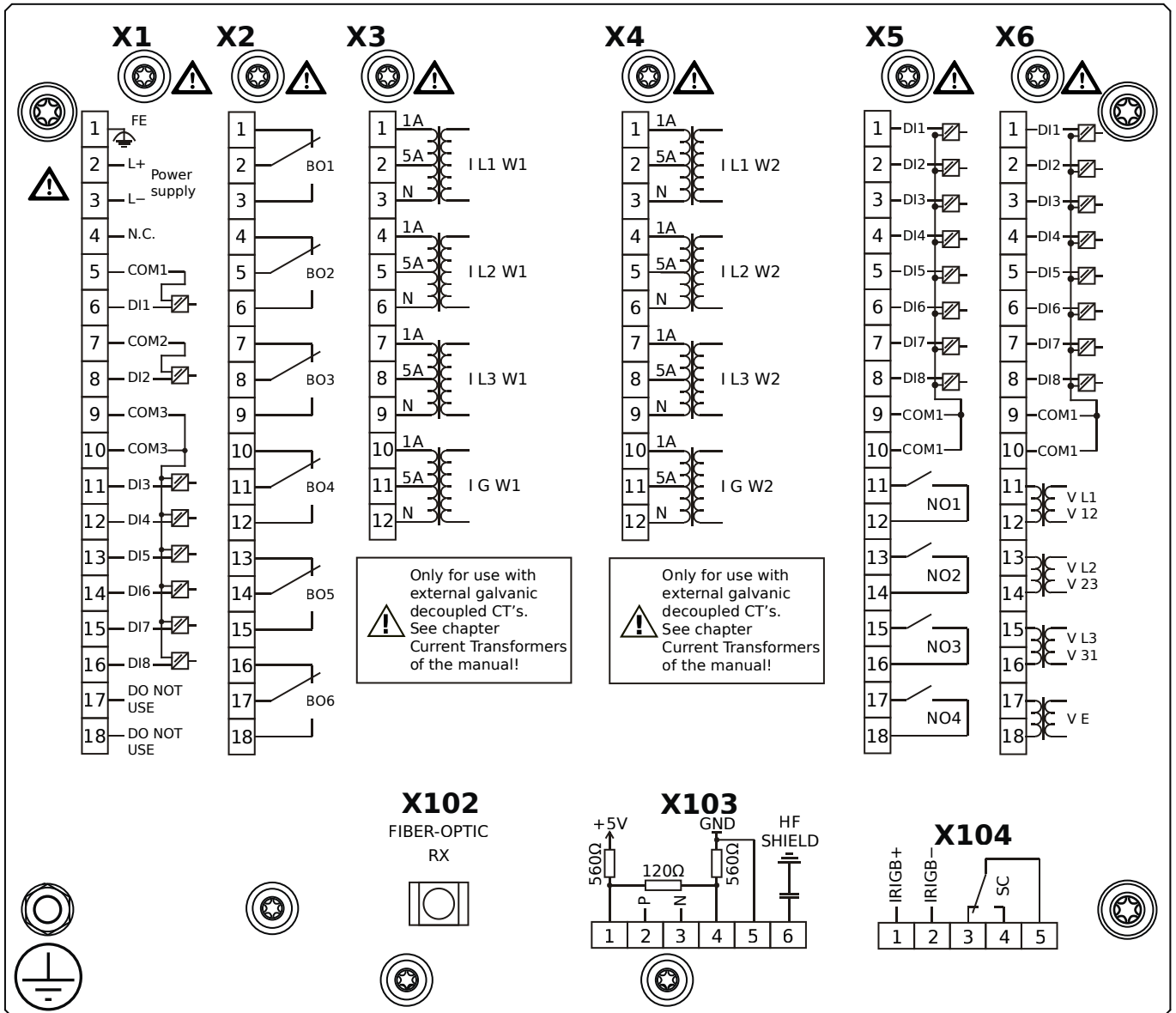
- X1** – DI8-X1: Wide-range power supply unit, incl. 2 non-grouped digital inputs and 6 grouped digital inputs
- X2** – OR-6: Assembly Group with 6 Relay Outputs
- X3** – TI-4: Standard ground current measuring card (for the neutral side of the differential protection)
- X4** – TI-4: Standard ground current measuring card (for the line side of the differential protection)
- X5** – DI8-OR4: Assembly Group with 8 Digital Inputs and 4 Output Relays
- X6** – U DI8: Voltage measuring assembly group with 8 Digital Inputs
- X102** – Universal Resistance-Temperature Detector (URTD) input, Fiber optics interface, ST Connector
- X104** – IRIG-B00X, incl. System Contact (Supervision Contact)

MCDGV4-2C0BBA



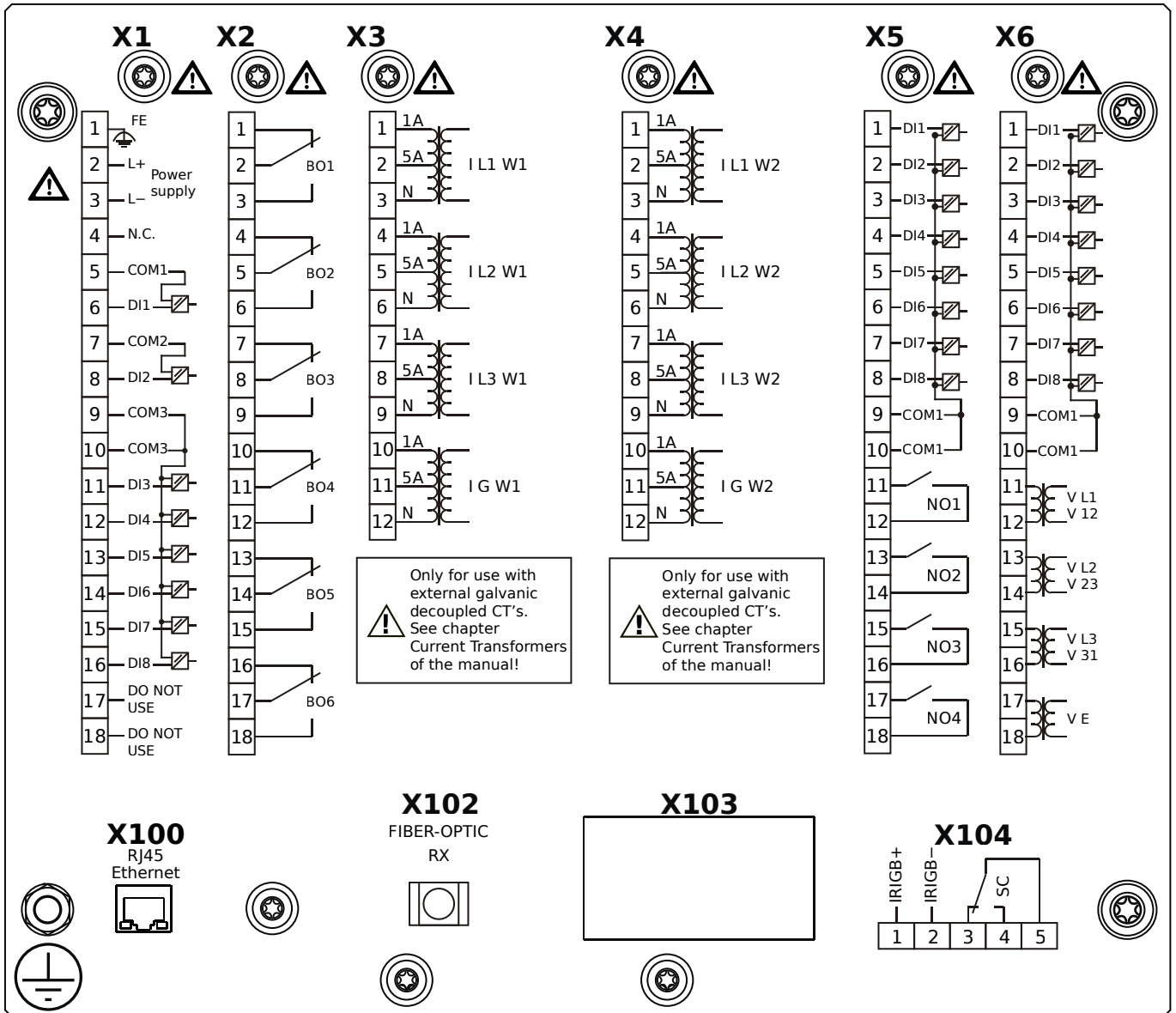
- X1** – DI8-X1: Wide-range power supply unit, incl. 2 non-grouped digital inputs and 6 grouped digital inputs
- X2** – OR-6: Assembly Group with 6 Relay Outputs
- X3** – TI-4: Standard ground current measuring card (for the neutral side of the differential protection)
- X4** – TI-4: Standard ground current measuring card (for the line side of the differential protection)
- X5** – DI8-OR4: Assembly Group with 8 Digital Inputs and 4 Output Relays
- X6** – U DI8: Voltage measuring assembly group with 8 Digital Inputs
- X102** – Universal Resistance-Temperature Detector (URTD) input, Fiber optics interface, ST Connector
- X103** – RS485, Terminals
- X104** – IRIG-B00X, incl. System Contact (Supervision Contact)

MCDGV4-2C0BBB



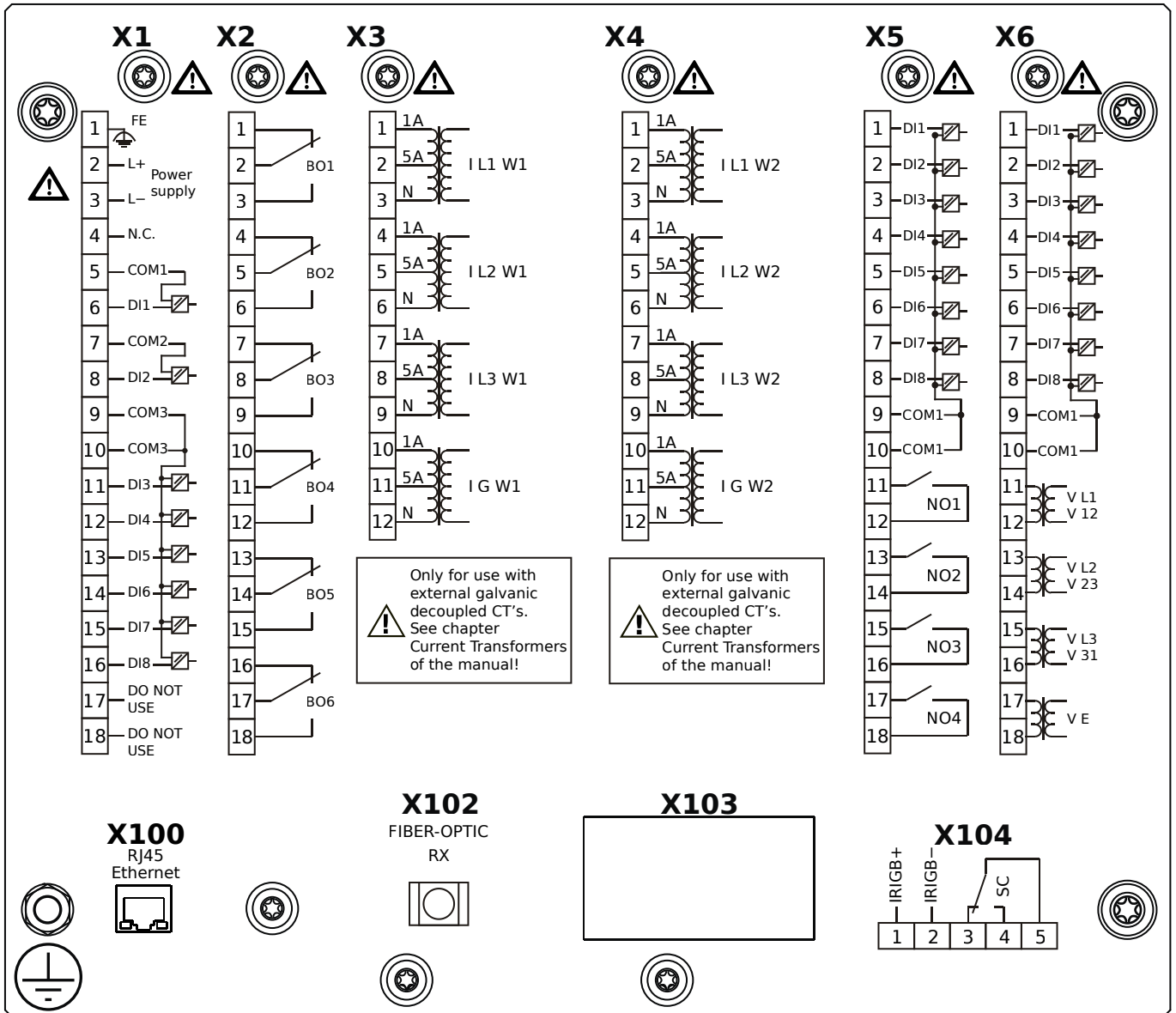
- X1** – DI8-X1: Wide-range power supply unit, incl. 2 non-grouped digital inputs and 6 grouped digital inputs
- X2** – OR-6: Assembly Group with 6 Relay Outputs
- X3** – TI-4: Standard ground current measuring card (for the neutral side of the differential protection)
- X4** – TI-4: Standard ground current measuring card (for the line side of the differential protection)
- X5** – DI8-OR4: Assembly Group with 8 Digital Inputs and 4 Output Relays
- X6** – U DI8: Voltage measuring assembly group with 8 Digital Inputs
- X102** – Universal Resistance-Temperature Detector (URTD) input, Fiber optics interface, ST Connector
- X103** – RS485, Terminals
- X104** – IRIG-B00X, incl. System Contact (Supervision Contact)

MCDGV4-2C0BCA



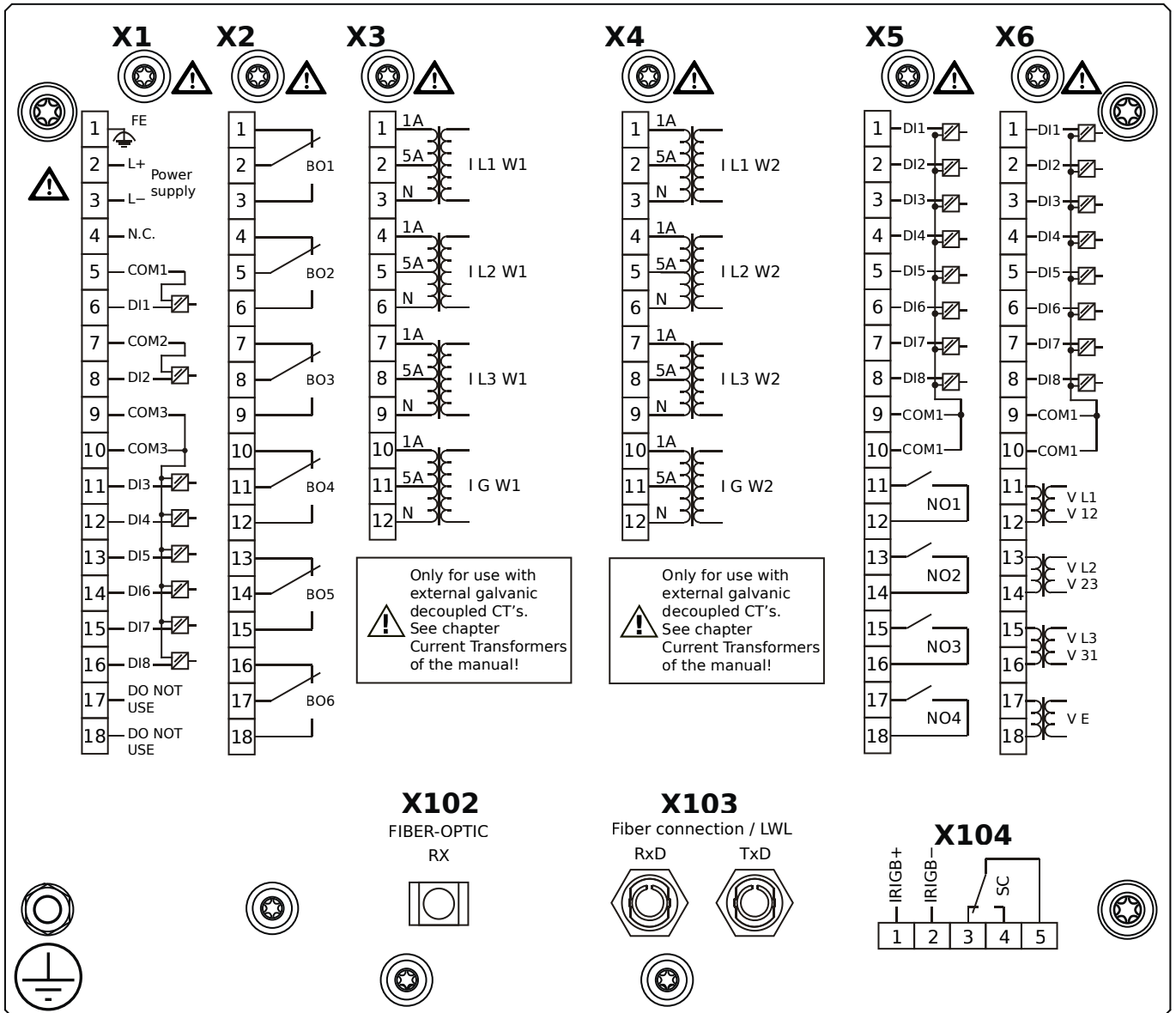
- X1** – DI8-X1: Wide-range power supply unit, incl. 2 non-grouped digital inputs and 6 grouped digital inputs
- X2** – OR-6: Assembly Group with 6 Relay Outputs
- X3** – TI-4: Standard ground current measuring card (for the neutral side of the differential protection)
- X4** – TI-4: Standard ground current measuring card (for the line side of the differential protection)
- X5** – DI8-OR4: Assembly Group with 8 Digital Inputs and 4 Output Relays
- X6** – U DI8: Voltage measuring assembly group with 8 Digital Inputs
- X100** – Ethernet interface, 100 Mbit/s, RJ45
- X102** – Universal Resistance-Temperature Detector (URTD) input, Fiber optics interface, ST Connector
- X104** – IRIG-B00X, incl. System Contact (Supervision Contact)

MCDGV4-2C0BCB



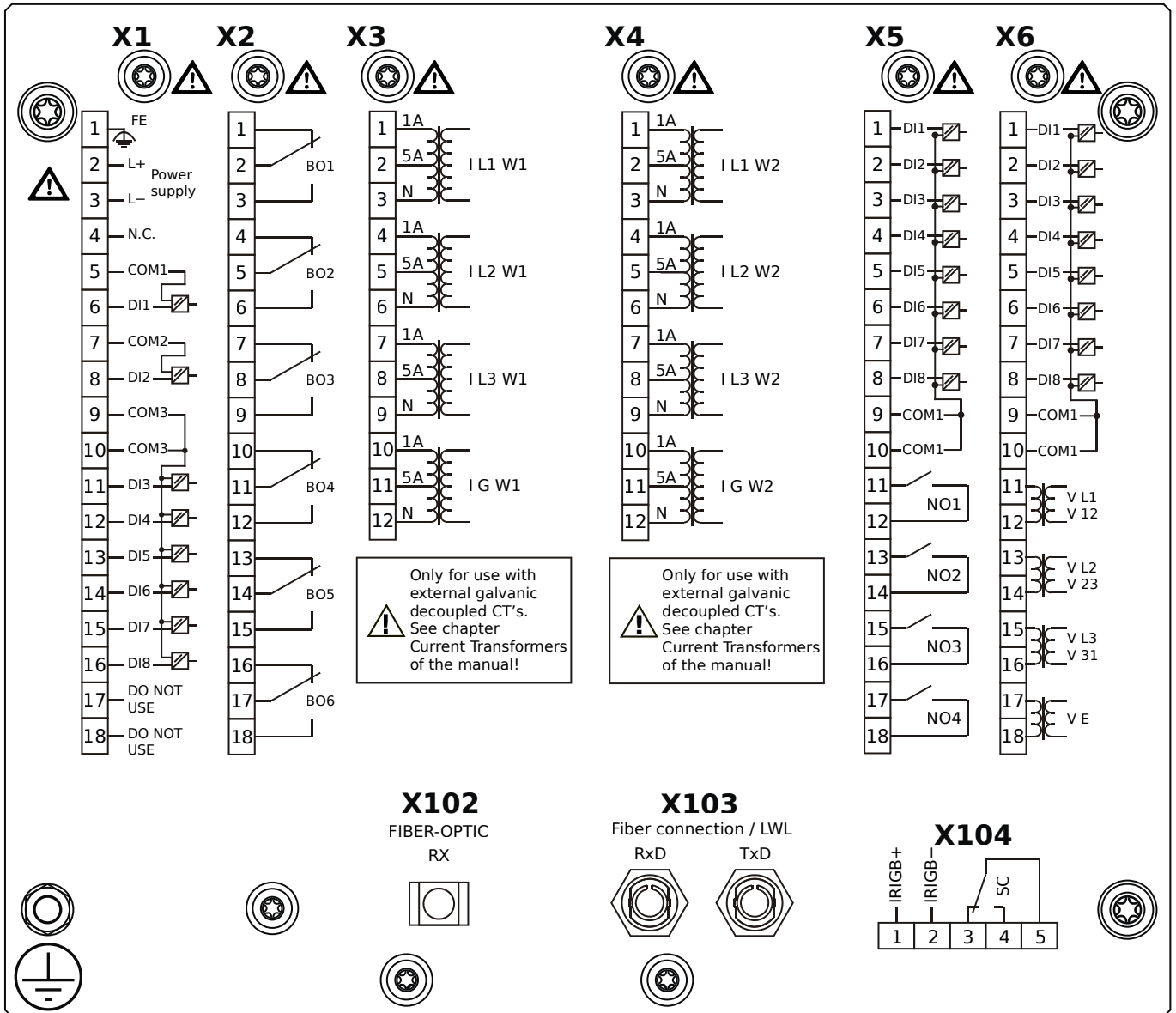
- X1** – DI8-X1: Wide-range power supply unit, incl. 2 non-grouped digital inputs and 6 grouped digital inputs
- X2** – OR-6: Assembly Group with 6 Relay Outputs
- X3** – TI-4: Standard ground current measuring card (for the neutral side of the differential protection)
- X4** – TI-4: Standard ground current measuring card (for the line side of the differential protection)
- X5** – DI8-OR4: Assembly Group with 8 Digital Inputs and 4 Output Relays
- X6** – U DI8: Voltage measuring assembly group with 8 Digital Inputs
- X100** – Ethernet interface, 100 Mbit/s, RJ45
- X102** – Universal Resistance-Temperature Detector (URTD) input, Fiber optics interface, ST Connector
- X104** – IRIG-B00X, incl. System Contact (Supervision Contact)

MCDGV4-2C0BDA



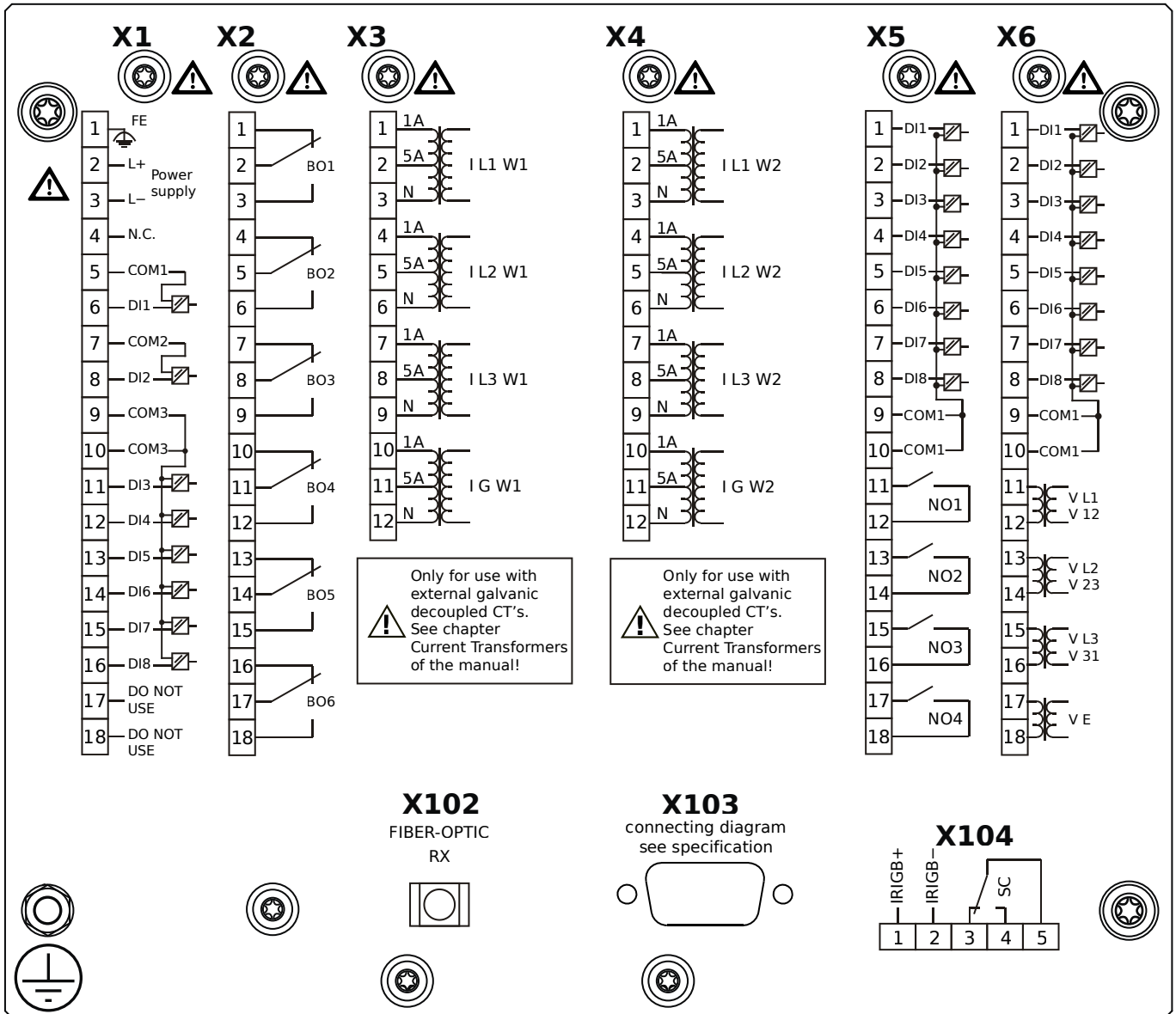
- X1** – DI8-X1: Wide-range power supply unit, incl. 2 non-grouped digital inputs and 6 grouped digital inputs
- X2** – OR-6: Assembly Group with 6 Relay Outputs
- X3** – TI-4: Standard ground current measuring card (for the neutral side of the differential protection)
- X4** – TI-4: Standard ground current measuring card (for the line side of the differential protection)
- X5** – DI8-OR4: Assembly Group with 8 Digital Inputs and 4 Output Relays
- X6** – U DI8: Voltage measuring assembly group with 8 Digital Inputs
- X102** – Universal Resistance-Temperature Detector (URTD) input, Fiber optics interface, ST Connector
- X103** – Fiber optics interface, ST Connector
- X104** – IRIG-B00X, incl. System Contact (Supervision Contact)

MCDGV4-2C0BDB



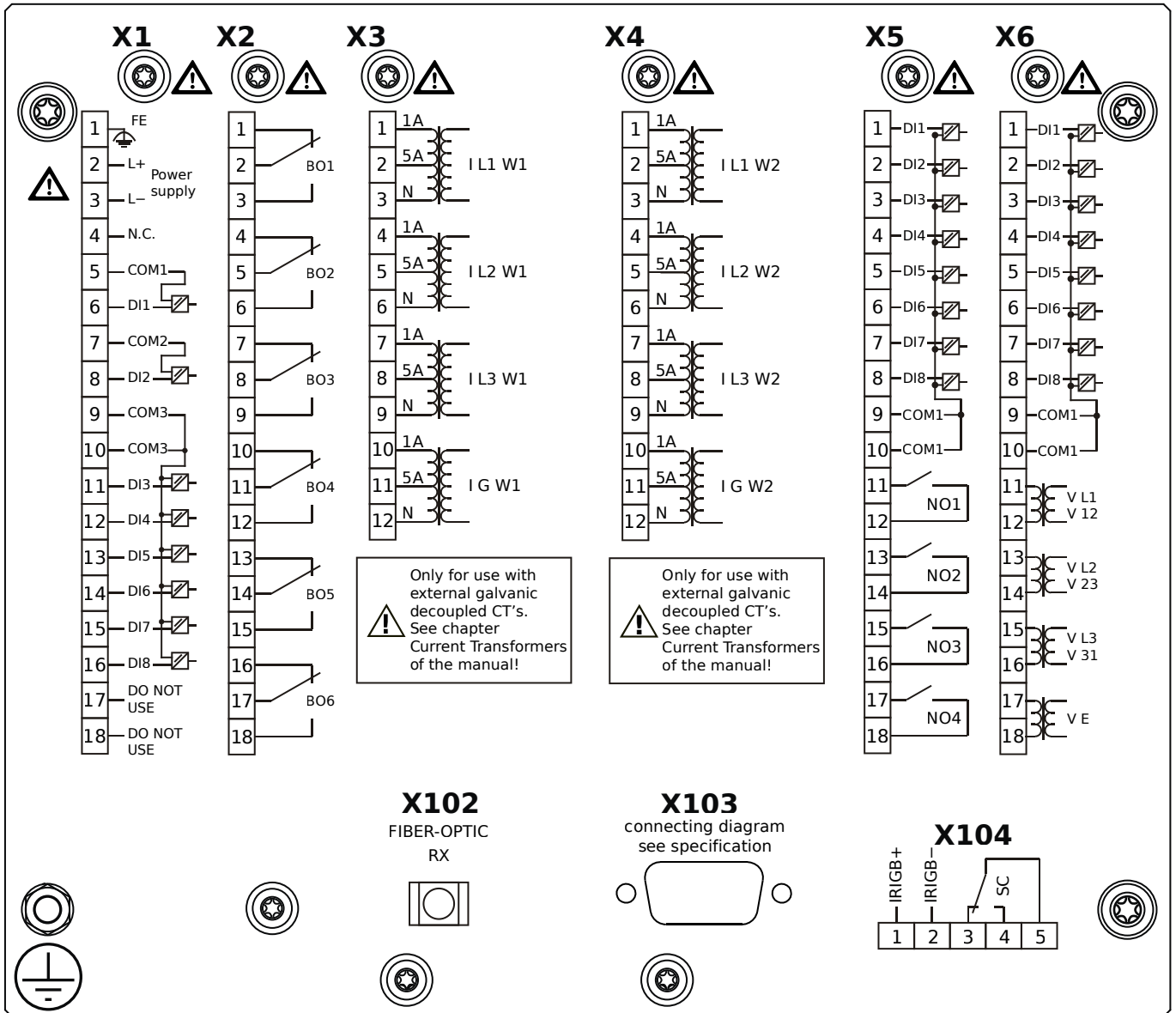
- X1** – DI8-X1: Wide-range power supply unit, incl. 2 non-grouped digital inputs and 6 grouped digital inputs
- X2** – OR-6: Assembly Group with 6 Relay Outputs
- X3** – TI-4: Standard ground current measuring card (for the neutral side of the differential protection)
- X4** – TI-4: Standard ground current measuring card (for the line side of the differential protection)
- X5** – DI8-OR4: Assembly Group with 8 Digital Inputs and 4 Output Relays
- X6** – U DI8: Voltage measuring assembly group with 8 Digital Inputs
- X102** – Universal Resistance-Temperature Detector (URTD) input, Fiber optics interface, ST Connector
- X103** – Fiber optics interface, ST Connector
- X104** – IRIG-B00X, incl. System Contact (Supervision Contact)

MCDGV4-2C0BEA



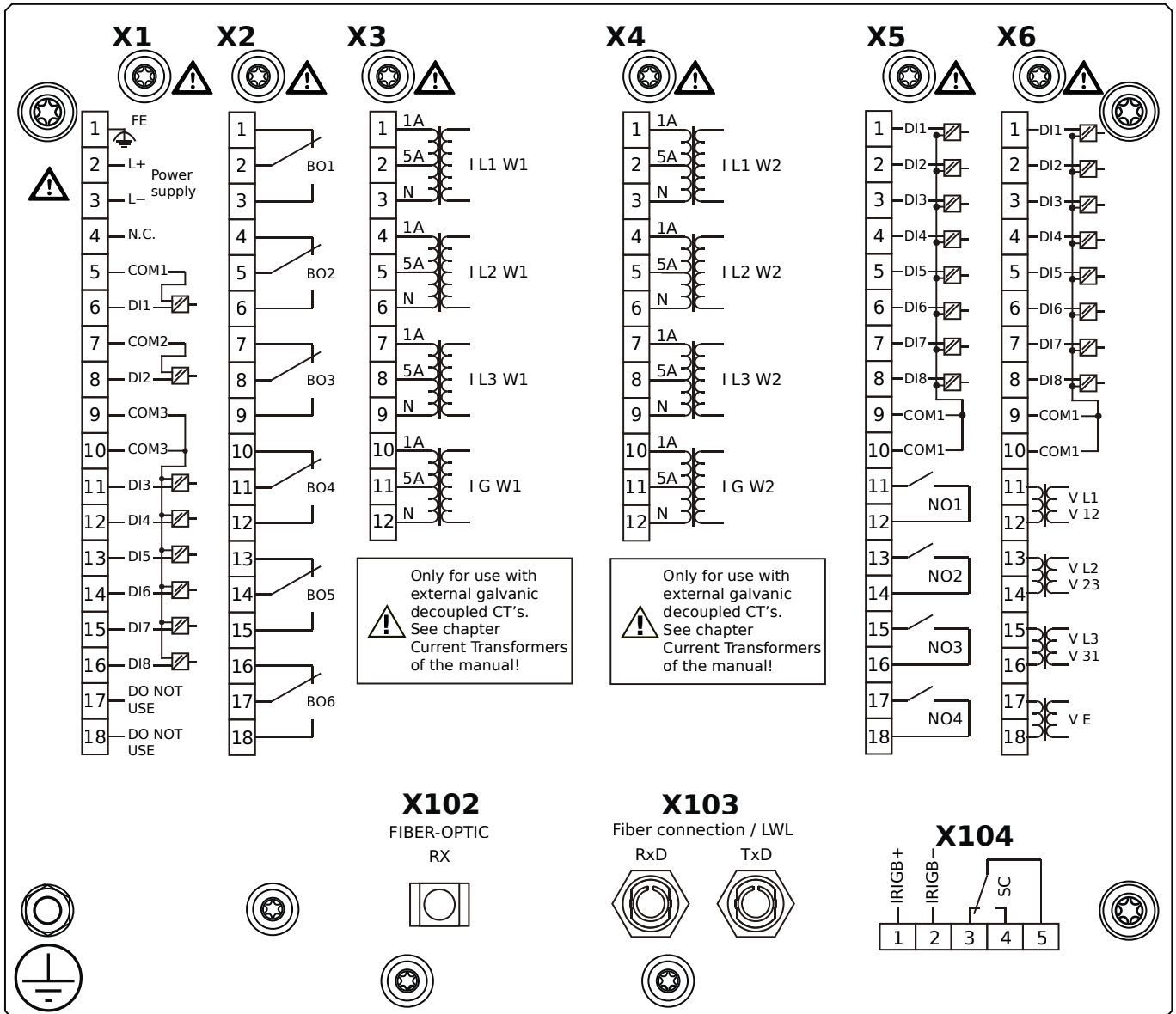
- X1** – DI8-X1: Wide-range power supply unit, incl. 2 non-grouped digital inputs and 6 grouped digital inputs
- X2** – OR-6: Assembly Group with 6 Relay Outputs
- X3** – TI-4: Standard ground current measuring card (for the neutral side of the differential protection)
- X4** – TI-4: Standard ground current measuring card (for the line side of the differential protection)
- X5** – DI8-OR4: Assembly Group with 8 Digital Inputs and 4 Output Relays
- X6** – U DI8: Voltage measuring assembly group with 8 Digital Inputs
- X102** – Universal Resistance-Temperature Detector (URTD) input, Fiber optics interface, ST Connector
- X103** – RS485, D-SUB
- X104** – IRIG-B00X, incl. System Contact (Supervision Contact)

MCDGV4-2C0BEB



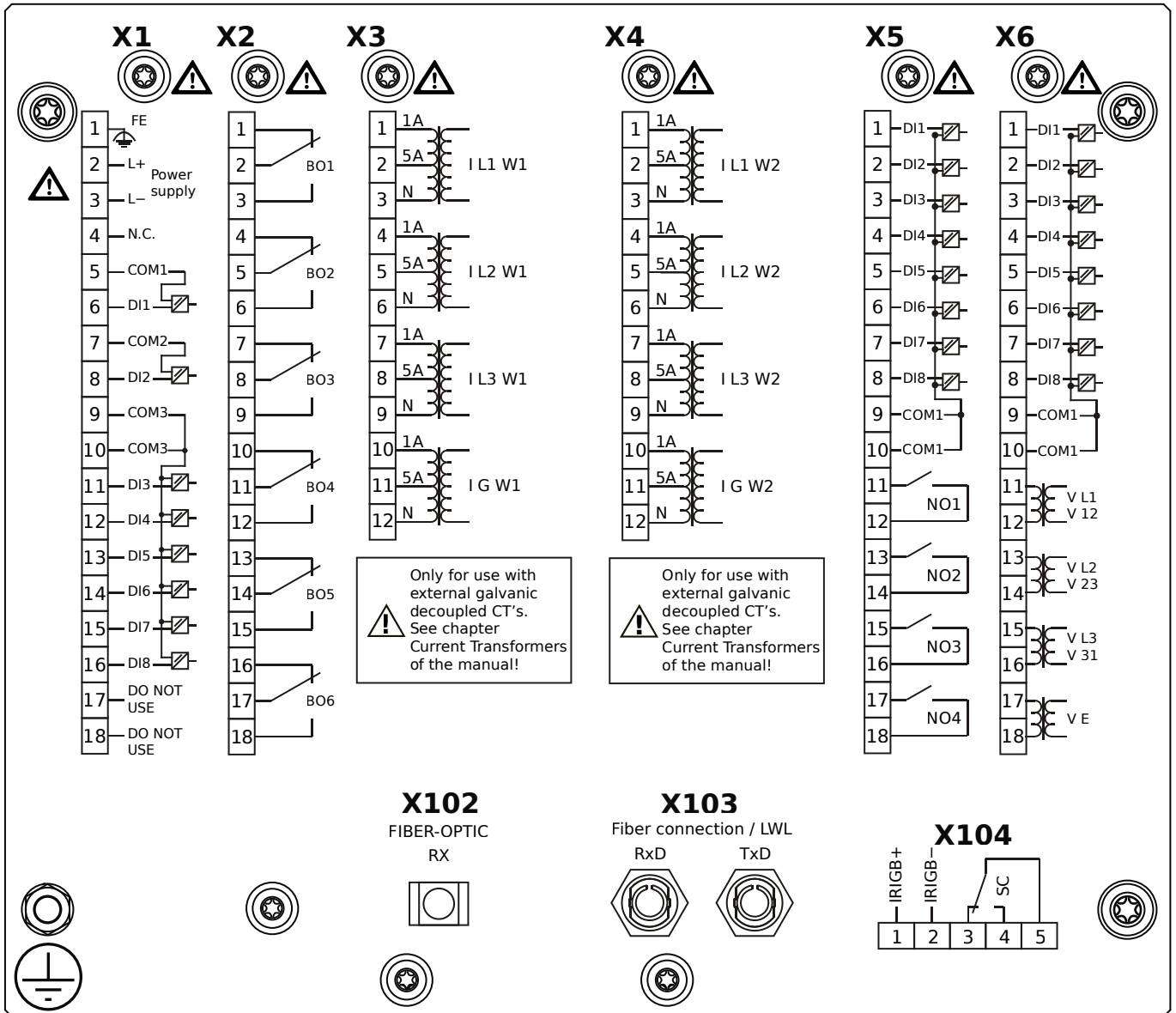
- X1** – DI8-X1: Wide-range power supply unit, incl. 2 non-grouped digital inputs and 6 grouped digital inputs
- X2** – OR-6: Assembly Group with 6 Relay Outputs
- X3** – TI-4: Standard ground current measuring card (for the neutral side of the differential protection)
- X4** – TI-4: Standard ground current measuring card (for the line side of the differential protection)
- X5** – DI8-OR4: Assembly Group with 8 Digital Inputs and 4 Output Relays
- X6** – U DI8: Voltage measuring assembly group with 8 Digital Inputs
- X102** – Universal Resistance-Temperature Detector (URTD) input, Fiber optics interface, ST Connector
- X103** – RS485, D-SUB
- X104** – IRIG-B00X, incl. System Contact (Supervision Contact)

MCDGV4-2C0BFA



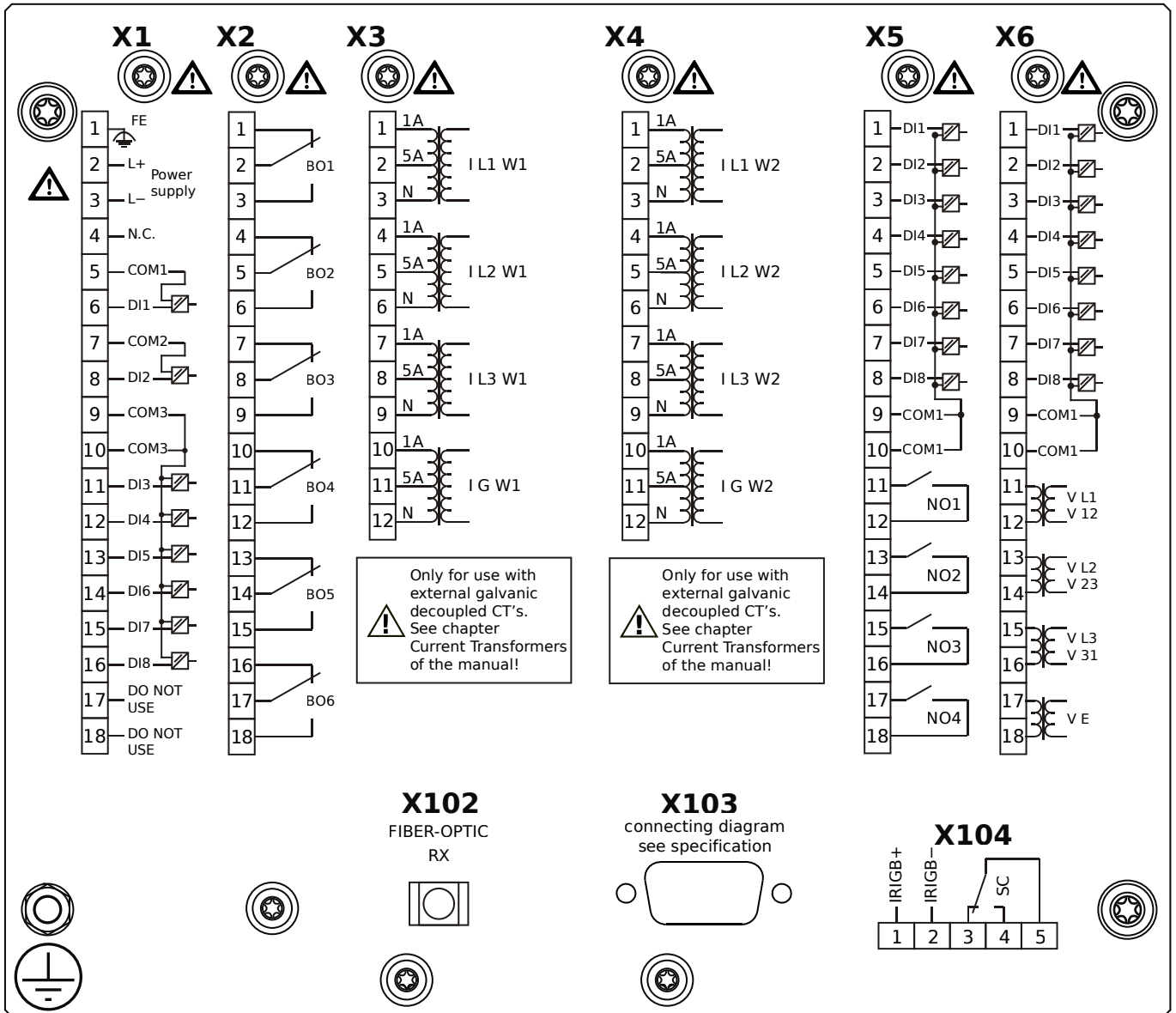
- X1** – DI8-X1: Wide-range power supply unit, incl. 2 non-grouped digital inputs and 6 grouped digital inputs
- X2** – OR-6: Assembly Group with 6 Relay Outputs
- X3** – TI-4: Standard ground current measuring card (for the neutral side of the differential protection)
- X4** – TI-4: Standard ground current measuring card (for the line side of the differential protection)
- X5** – DI8-OR4: Assembly Group with 8 Digital Inputs and 4 Output Relays
- X6** – U DI8: Voltage measuring assembly group with 8 Digital Inputs
- X102** – Universal Resistance-Temperature Detector (URTD) input, Fiber optics interface, ST Connector
- X103** – Fiber optics interface, ST Connector
- X104** – IRIG-B00X, incl. System Contact (Supervision Contact)

MCDGV4-2C0BFB



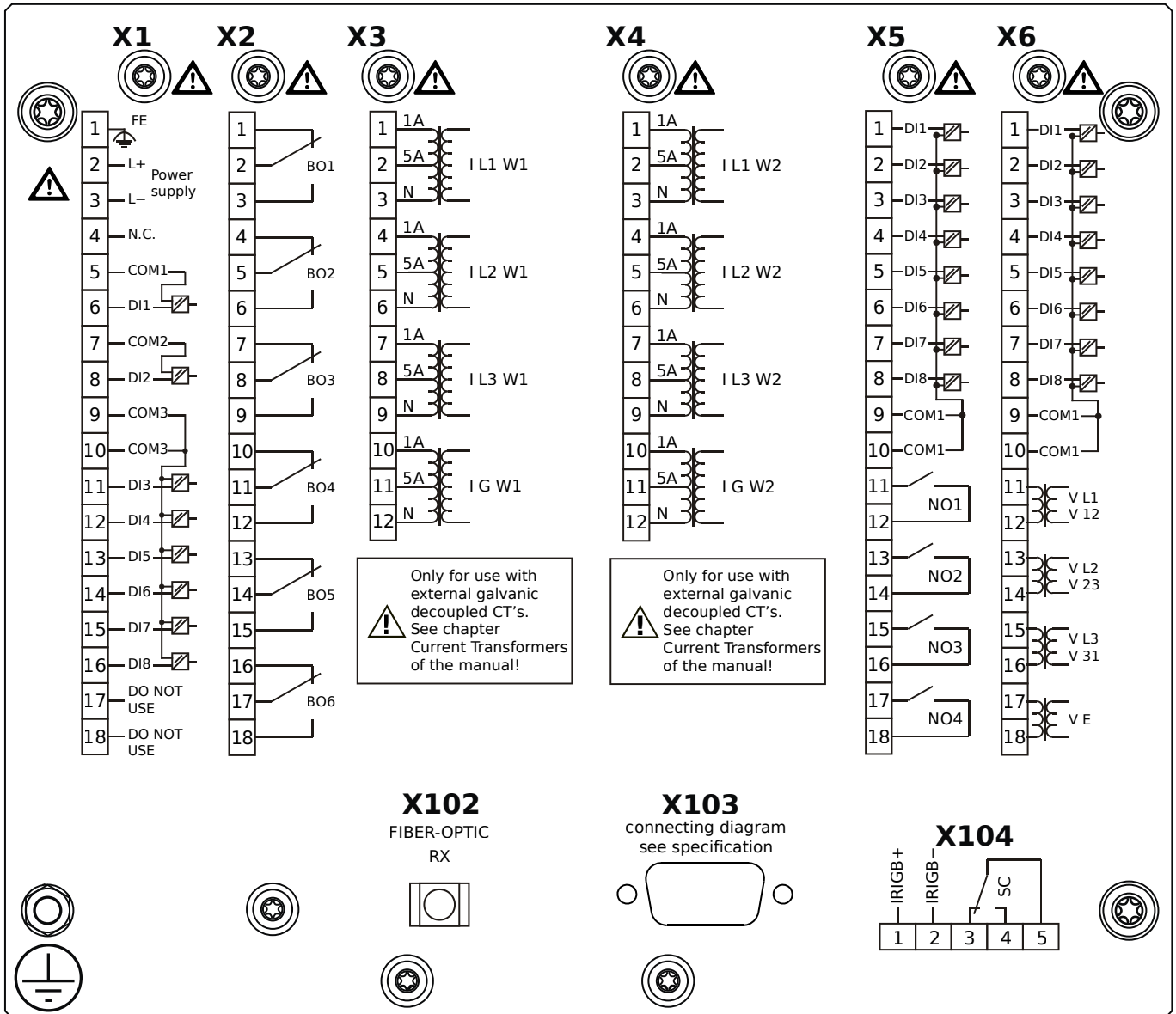
- X1** – DI8-X1: Wide-range power supply unit, incl. 2 non-grouped digital inputs and 6 grouped digital inputs
- X2** – OR-6: Assembly Group with 6 Relay Outputs
- X3** – TI-4: Standard ground current measuring card (for the neutral side of the differential protection)
- X4** – TI-4: Standard ground current measuring card (for the line side of the differential protection)
- X5** – DI8-OR4: Assembly Group with 8 Digital Inputs and 4 Output Relays
- X6** – U DI8: Voltage measuring assembly group with 8 Digital Inputs
- X102** – Universal Resistance-Temperature Detector (URTD) input, Fiber optics interface, ST Connector
- X103** – Fiber optics interface, ST Connector
- X104** – IRIG-B00X, incl. System Contact (Supervision Contact)

MCDGV4-2C0BGA



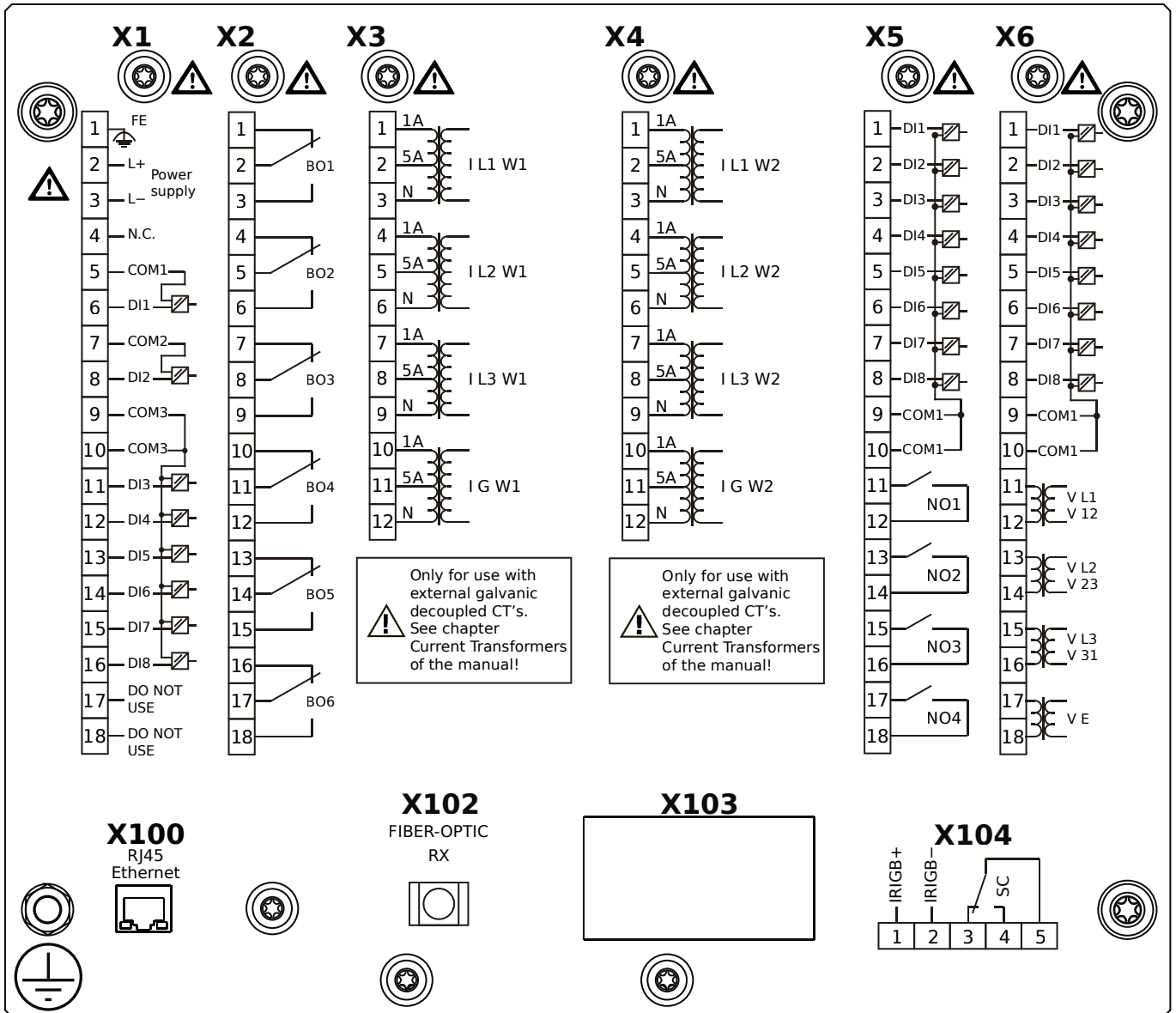
- X1** – DI8-X1: Wide-range power supply unit, incl. 2 non-grouped digital inputs and 6 grouped digital inputs
- X2** – OR-6: Assembly Group with 6 Relay Outputs
- X3** – TI-4: Standard ground current measuring card (for the neutral side of the differential protection)
- X4** – TI-4: Standard ground current measuring card (for the line side of the differential protection)
- X5** – DI8-OR4: Assembly Group with 8 Digital Inputs and 4 Output Relays
- X6** – U DI8: Voltage measuring assembly group with 8 Digital Inputs
- X102** – Universal Resistance-Temperature Detector (URTD) input, Fiber optics interface, ST Connector
- X103** – RS485, D-SUB
- X104** – IRIG-B00X, incl. System Contact (Supervision Contact)

MCDGV4-2C0BGB



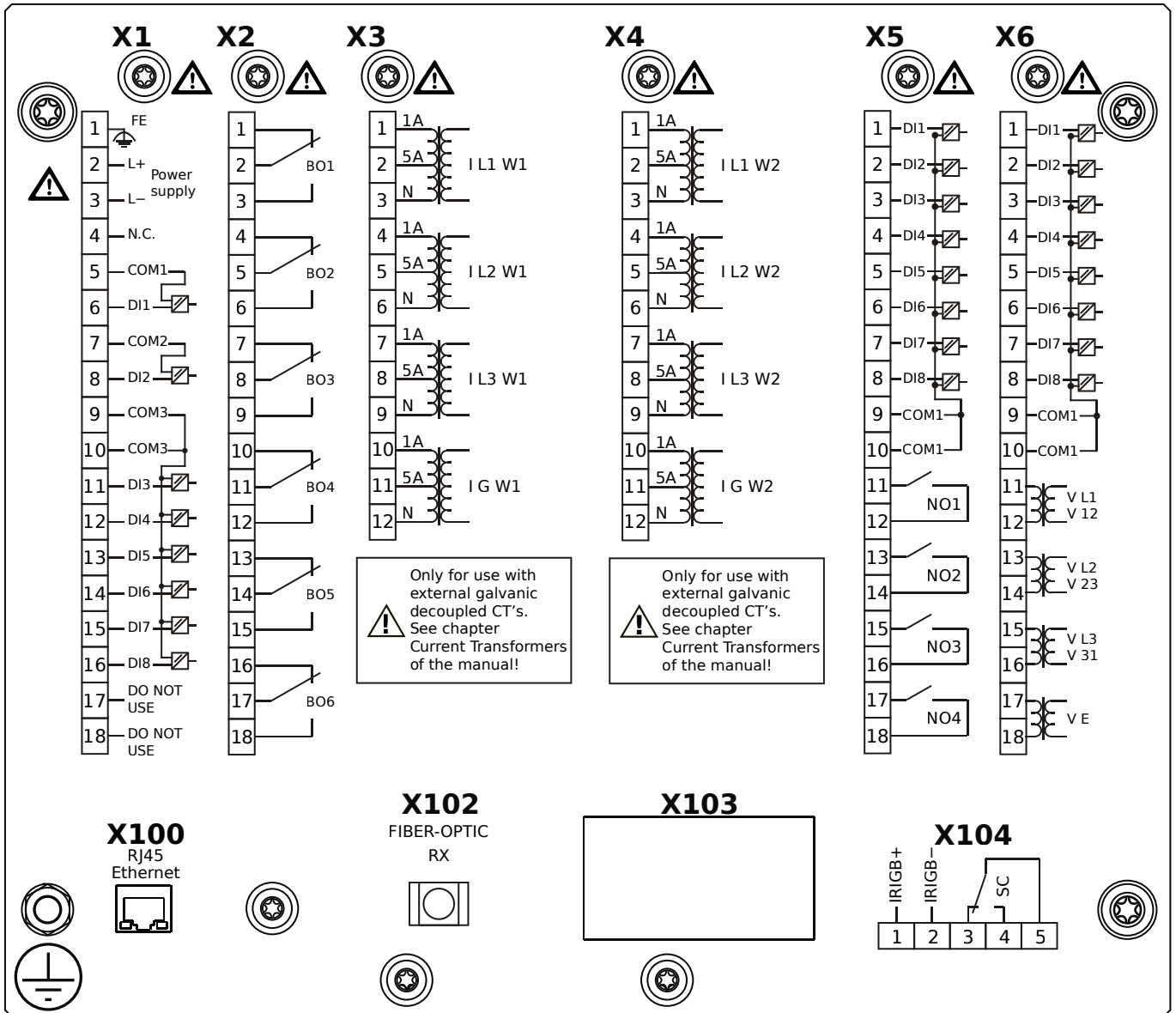
- X1** – DI8-X1: Wide-range power supply unit, incl. 2 non-grouped digital inputs and 6 grouped digital inputs
- X2** – OR-6: Assembly Group with 6 Relay Outputs
- X3** – TI-4: Standard ground current measuring card (for the neutral side of the differential protection)
- X4** – TI-4: Standard ground current measuring card (for the line side of the differential protection)
- X5** – DI8-OR4: Assembly Group with 8 Digital Inputs and 4 Output Relays
- X6** – U DI8: Voltage measuring assembly group with 8 Digital Inputs
- X102** – Universal Resistance-Temperature Detector (URTD) input, Fiber optics interface, ST Connector
- X103** – RS485, D-SUB
- X104** – IRIG-B00X, incl. System Contact (Supervision Contact)

MCDGV4-2C0BHA



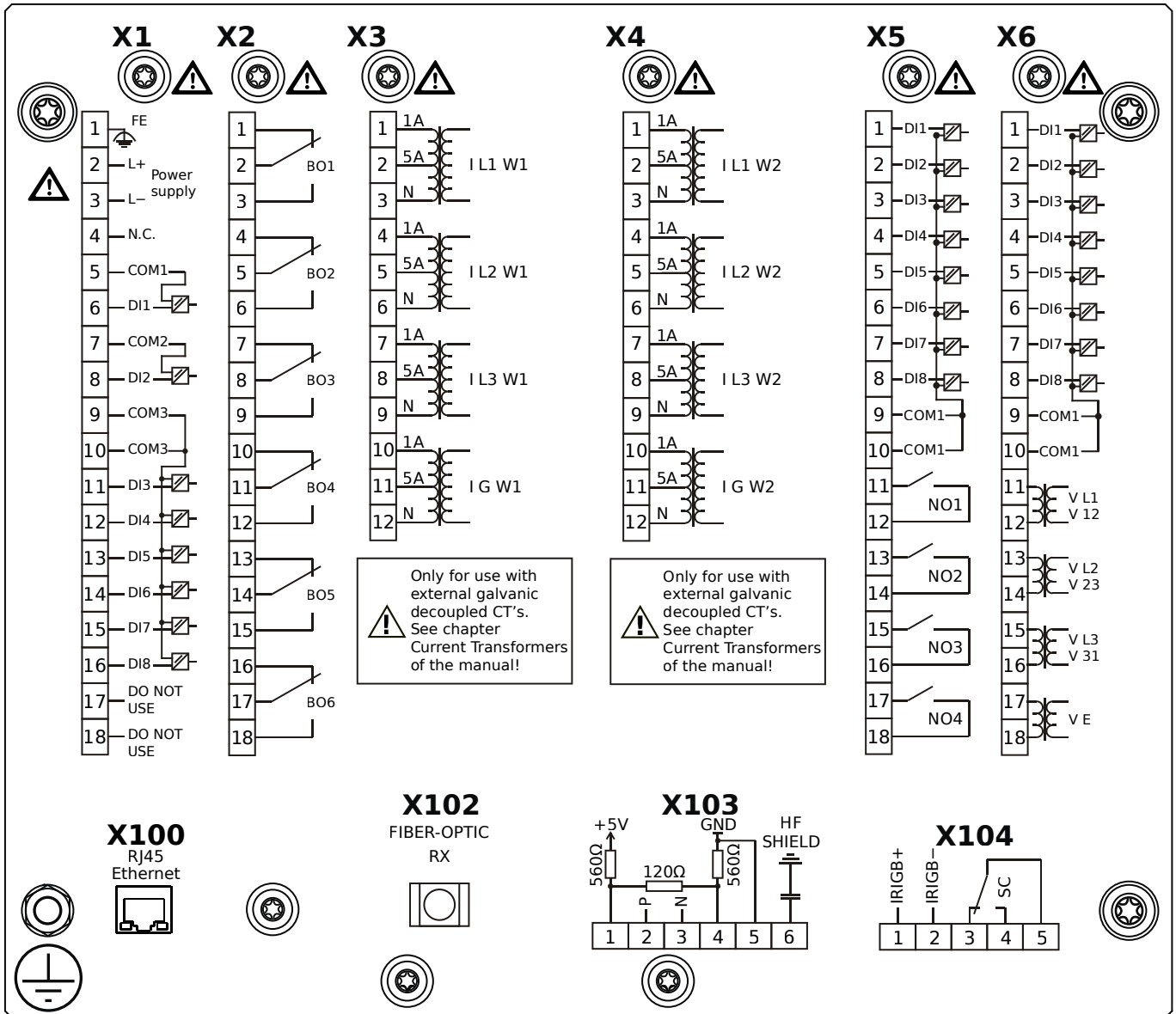
- X1** – DI8-X1: Wide-range power supply unit, incl. 2 non-grouped digital inputs and 6 grouped digital inputs
- X2** – OR-6: Assembly Group with 6 Relay Outputs
- X3** – TI-4: Standard ground current measuring card (for the neutral side of the differential protection)
- X4** – TI-4: Standard ground current measuring card (for the line side of the differential protection)
- X5** – DI8-OR4: Assembly Group with 8 Digital Inputs and 4 Output Relays
- X6** – U DI8: Voltage measuring assembly group with 8 Digital Inputs
- X100** – Ethernet interface, 100 Mbit/s, RJ45
- X102** – Universal Resistance-Temperature Detector (URTD) input, Fiber optics interface, ST Connector
- X104** – IRIG-B00X, incl. System Contact (Supervision Contact)

MCDGV4-2C0BHB



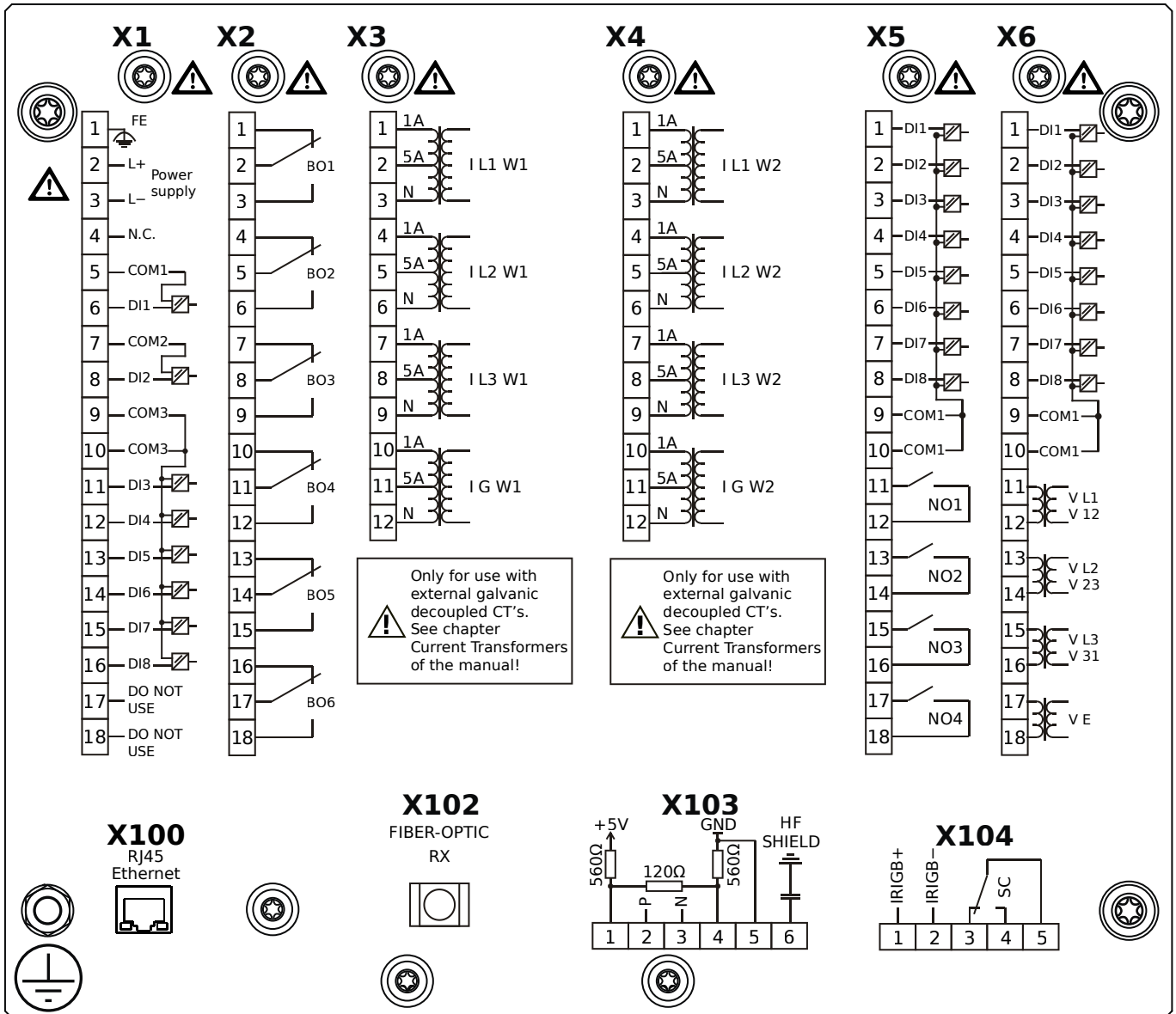
- X1** – DI8-X1: Wide-range power supply unit, incl. 2 non-grouped digital inputs and 6 grouped digital inputs
- X2** – OR-6: Assembly Group with 6 Relay Outputs
- X3** – TI-4: Standard ground current measuring card (for the neutral side of the differential protection)
- X4** – TI-4: Standard ground current measuring card (for the line side of the differential protection)
- X5** – DI8-OR4: Assembly Group with 8 Digital Inputs and 4 Output Relays
- X6** – U DI8: Voltage measuring assembly group with 8 Digital Inputs
- X100** – Ethernet interface, 100 Mbit/s, RJ45
- X102** – Universal Resistance-Temperature Detector (URTD) input, Fiber optics interface, ST Connector
- X104** – IRIG-B00X, incl. System Contact (Supervision Contact)

MCDGV4-2C0BIA



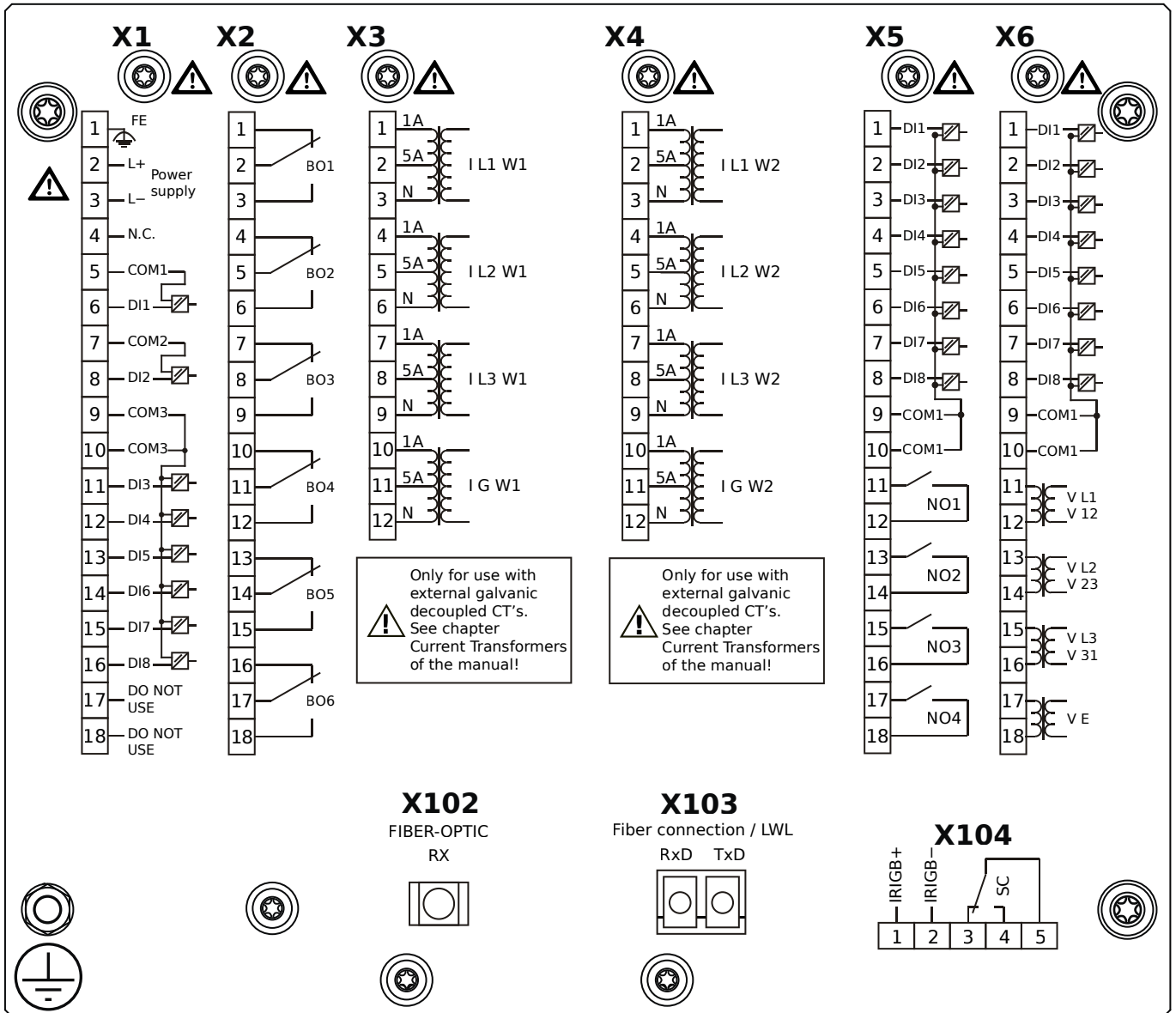
- X1** – DI8-X1: Wide-range power supply unit, incl. 2 non-grouped digital inputs and 6 grouped digital inputs
- X2** – OR-6: Assembly Group with 6 Relay Outputs
- X3** – TI-4: Standard ground current measuring card (for the neutral side of the differential protection)
- X4** – TI-4: Standard ground current measuring card (for the line side of the differential protection)
- X5** – DI8-OR4: Assembly Group with 8 Digital Inputs and 4 Output Relays
- X6** – U DI8: Voltage measuring assembly group with 8 Digital Inputs
- X100** – Ethernet interface, 100 Mbit/s, RJ45
- X102** – Universal Resistance-Temperature Detector (URTD) input, Fiber optics interface, ST Connector
- X103** – RS485, Terminals
- X104** – IRIG-B00X, incl. System Contact (Supervision Contact)

MCDGV4-2C0BIB



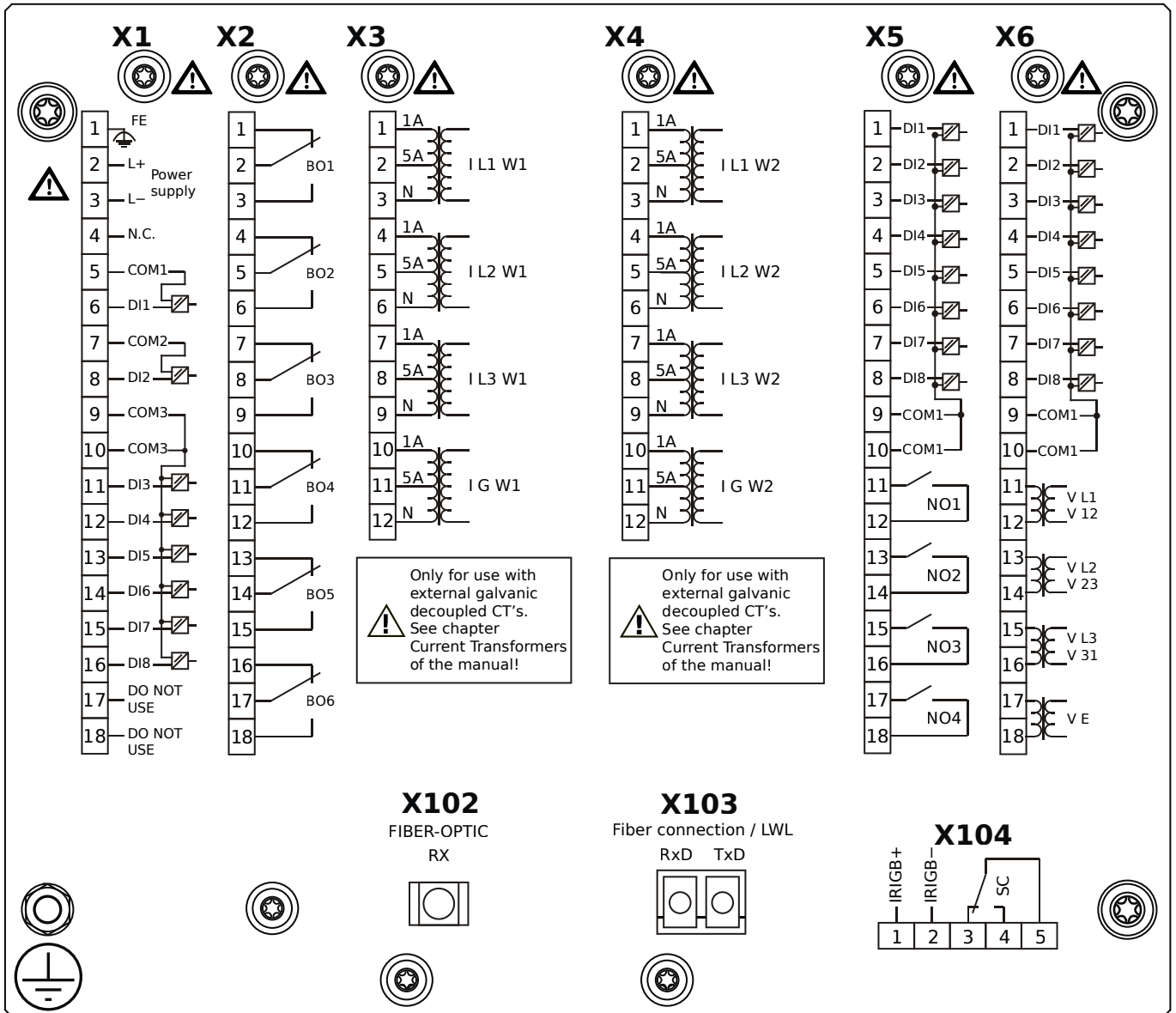
- X1** – DI8-X1: Wide-range power supply unit, incl. 2 non-grouped digital inputs and 6 grouped digital inputs
- X2** – OR-6: Assembly Group with 6 Relay Outputs
- X3** – TI-4: Standard ground current measuring card (for the neutral side of the differential protection)
- X4** – TI-4: Standard ground current measuring card (for the line side of the differential protection)
- X5** – DI8-OR4: Assembly Group with 8 Digital Inputs and 4 Output Relays
- X6** – U DI8: Voltage measuring assembly group with 8 Digital Inputs
- X100** – Ethernet interface, 100 Mbit/s, RJ45
- X102** – Universal Resistance-Temperature Detector (URTD) input, Fiber optics interface, ST Connector
- X103** – RS485, Terminals
- X104** – IRIG-B00X, incl. System Contact (Supervision Contact)

MCDGV4-2C0BKA



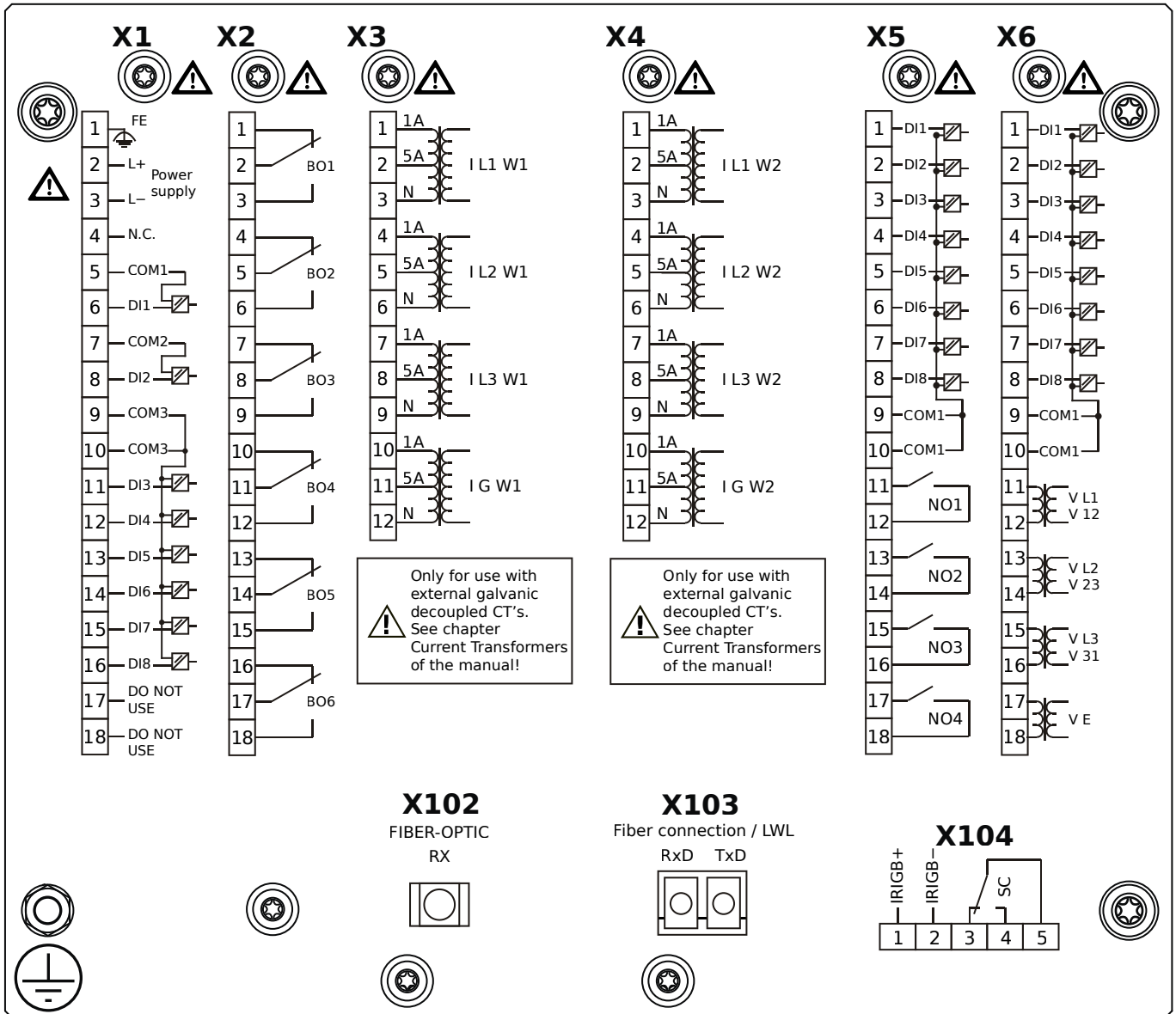
- X1** – DI8-X1: Wide-range power supply unit, incl. 2 non-grouped digital inputs and 6 grouped digital inputs
- X2** – OR-6: Assembly Group with 6 Relay Outputs
- X3** – TI-4: Standard ground current measuring card (for the neutral side of the differential protection)
- X4** – TI-4: Standard ground current measuring card (for the line side of the differential protection)
- X5** – DI8-OR4: Assembly Group with 8 Digital Inputs and 4 Output Relays
- X6** – U DI8: Voltage measuring assembly group with 8 Digital Inputs
- X102** – Universal Resistance-Temperature Detector (URTD) input, Fiber optics interface, ST Connector
- X103** – Fiber optics interface, LC Connector
- X104** – IRIG-B00X, incl. System Contact (Supervision Contact)

MCDGV4-2C0BKB



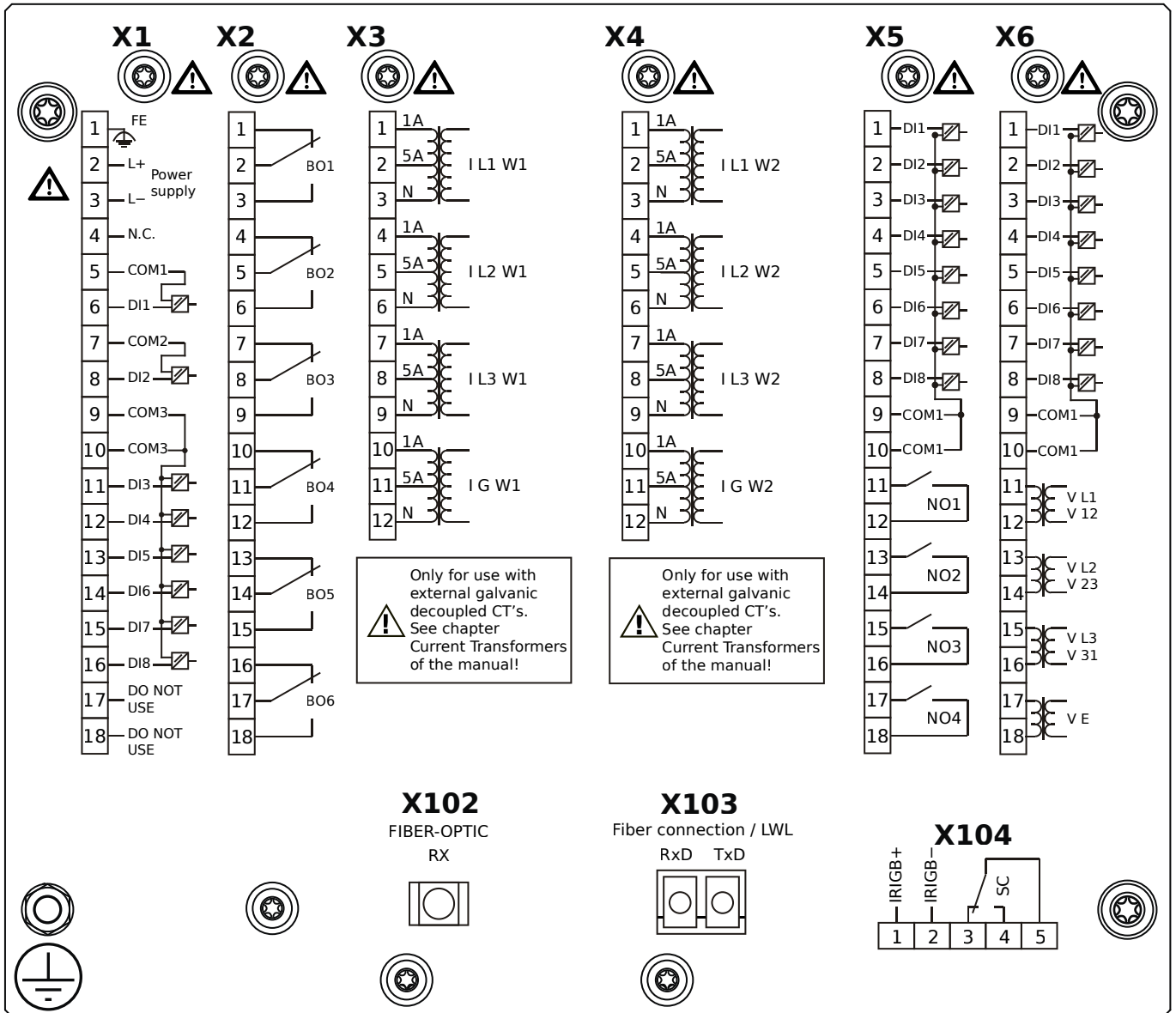
- X1** – DI8-X1: Wide-range power supply unit, incl. 2 non-grouped digital inputs and 6 grouped digital inputs
- X2** – OR-6: Assembly Group with 6 Relay Outputs
- X3** – TI-4: Standard ground current measuring card (for the neutral side of the differential protection)
- X4** – TI-4: Standard ground current measuring card (for the line side of the differential protection)
- X5** – DI8-OR4: Assembly Group with 8 Digital Inputs and 4 Output Relays
- X6** – U DI8: Voltage measuring assembly group with 8 Digital Inputs
- X102** – Universal Resistance-Temperature Detector (URTD) input, Fiber optics interface, ST Connector
- X103** – Fiber optics interface, LC Connector
- X104** – IRIG-B00X, incl. System Contact (Supervision Contact)

MCDGV4-2C0BLA



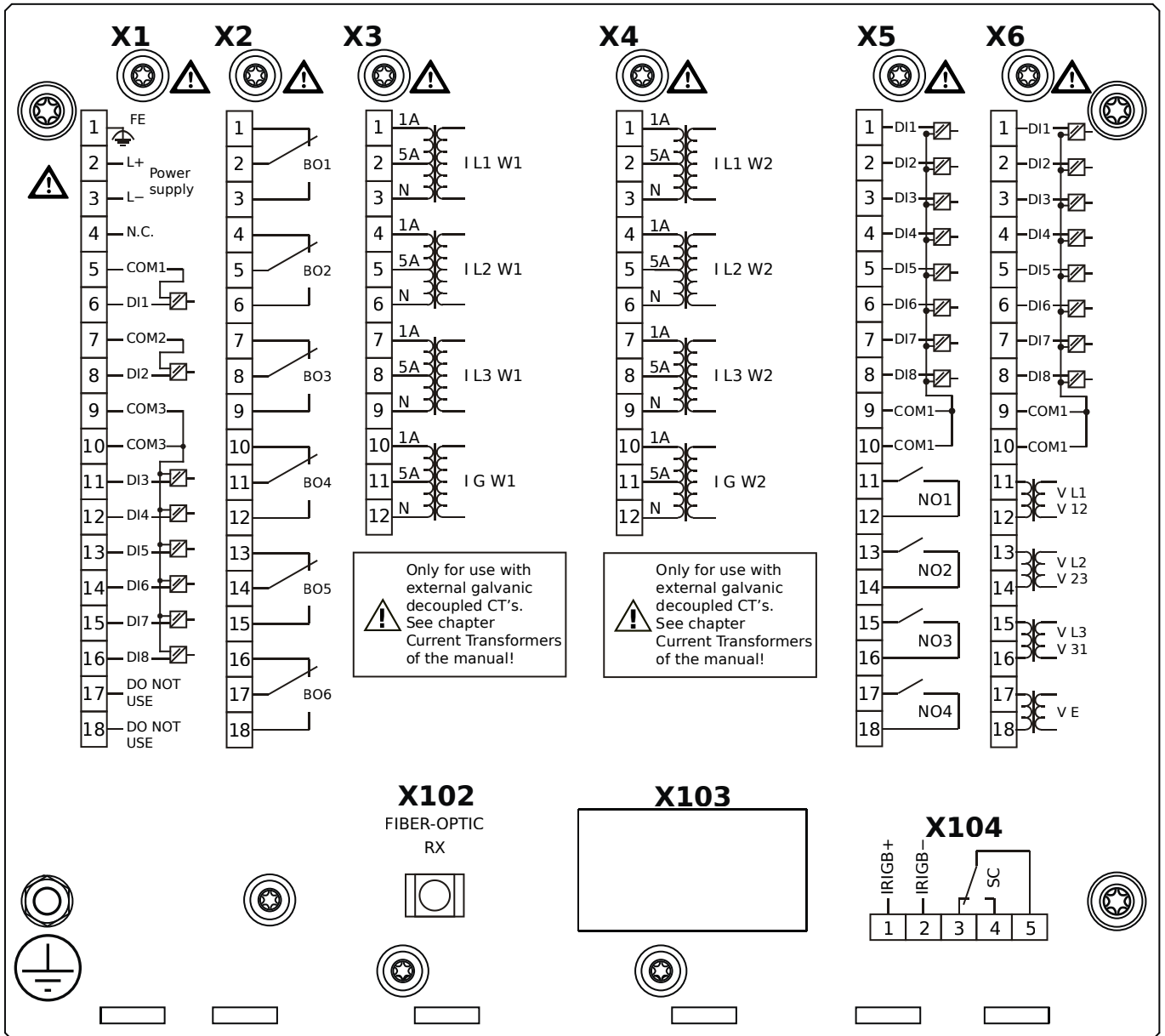
- X1** – DI8-X1: Wide-range power supply unit, incl. 2 non-grouped digital inputs and 6 grouped digital inputs
- X2** – OR-6: Assembly Group with 6 Relay Outputs
- X3** – TI-4: Standard ground current measuring card (for the neutral side of the differential protection)
- X4** – TI-4: Standard ground current measuring card (for the line side of the differential protection)
- X5** – DI8-OR4: Assembly Group with 8 Digital Inputs and 4 Output Relays
- X6** – U DI8: Voltage measuring assembly group with 8 Digital Inputs
- X102** – Universal Resistance-Temperature Detector (URTD) input, Fiber optics interface, ST Connector
- X103** – Fiber optics interface, LC Connector
- X104** – IRIG-B00X, incl. System Contact (Supervision Contact)

MCDGV4-2C0BLB



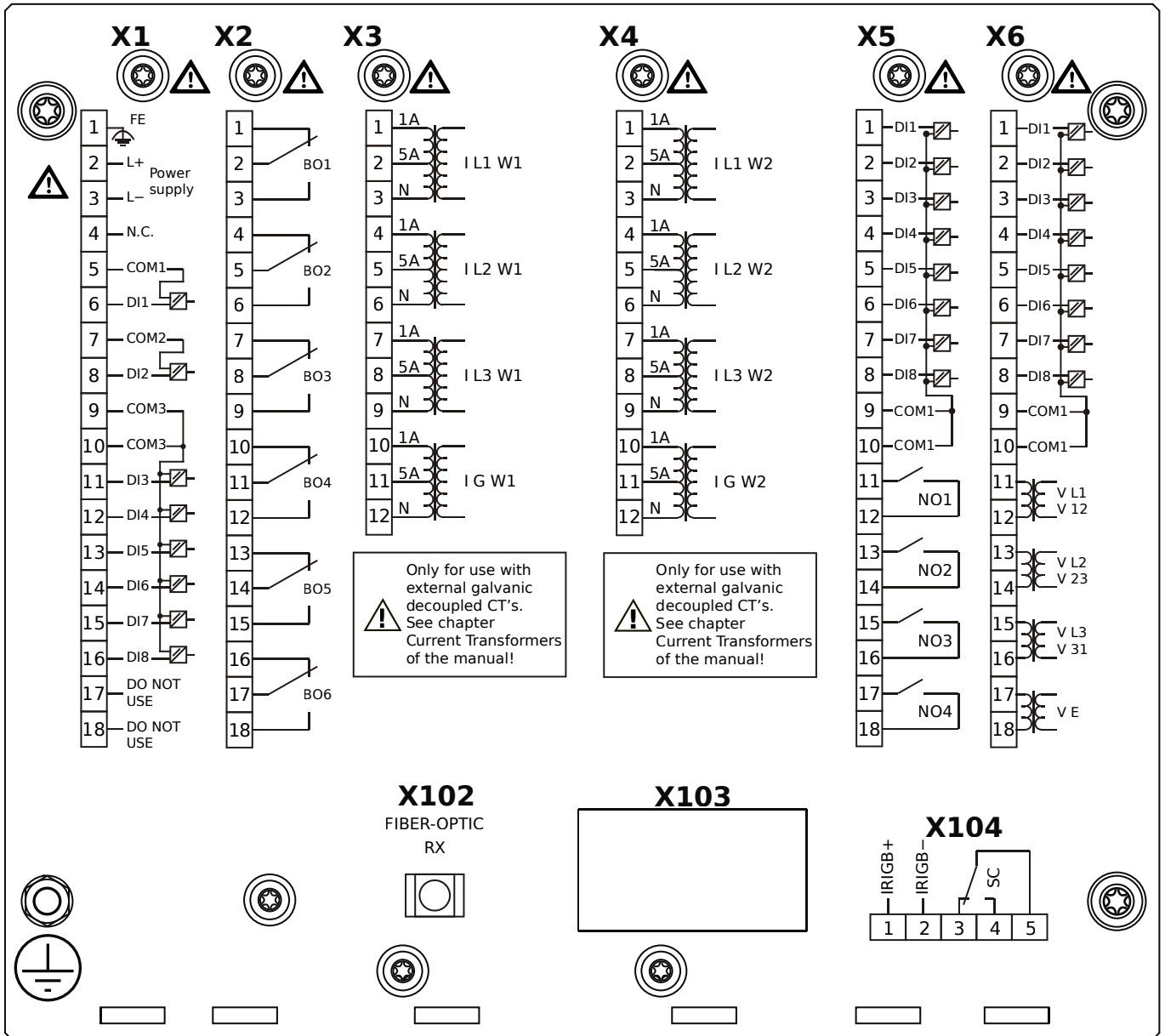
- X1** – DI8-X1: Wide-range power supply unit, incl. 2 non-grouped digital inputs and 6 grouped digital inputs
- X2** – OR-6: Assembly Group with 6 Relay Outputs
- X3** – TI-4: Standard ground current measuring card (for the neutral side of the differential protection)
- X4** – TI-4: Standard ground current measuring card (for the line side of the differential protection)
- X5** – DI8-OR4: Assembly Group with 8 Digital Inputs and 4 Output Relays
- X6** – U DI8: Voltage measuring assembly group with 8 Digital Inputs
- X102** – Universal Resistance-Temperature Detector (URTD) input, Fiber optics interface, ST Connector
- X103** – Fiber optics interface, LC Connector
- X104** – IRIG-B00X, incl. System Contact (Supervision Contact)

MCDGV4-2C0HAA



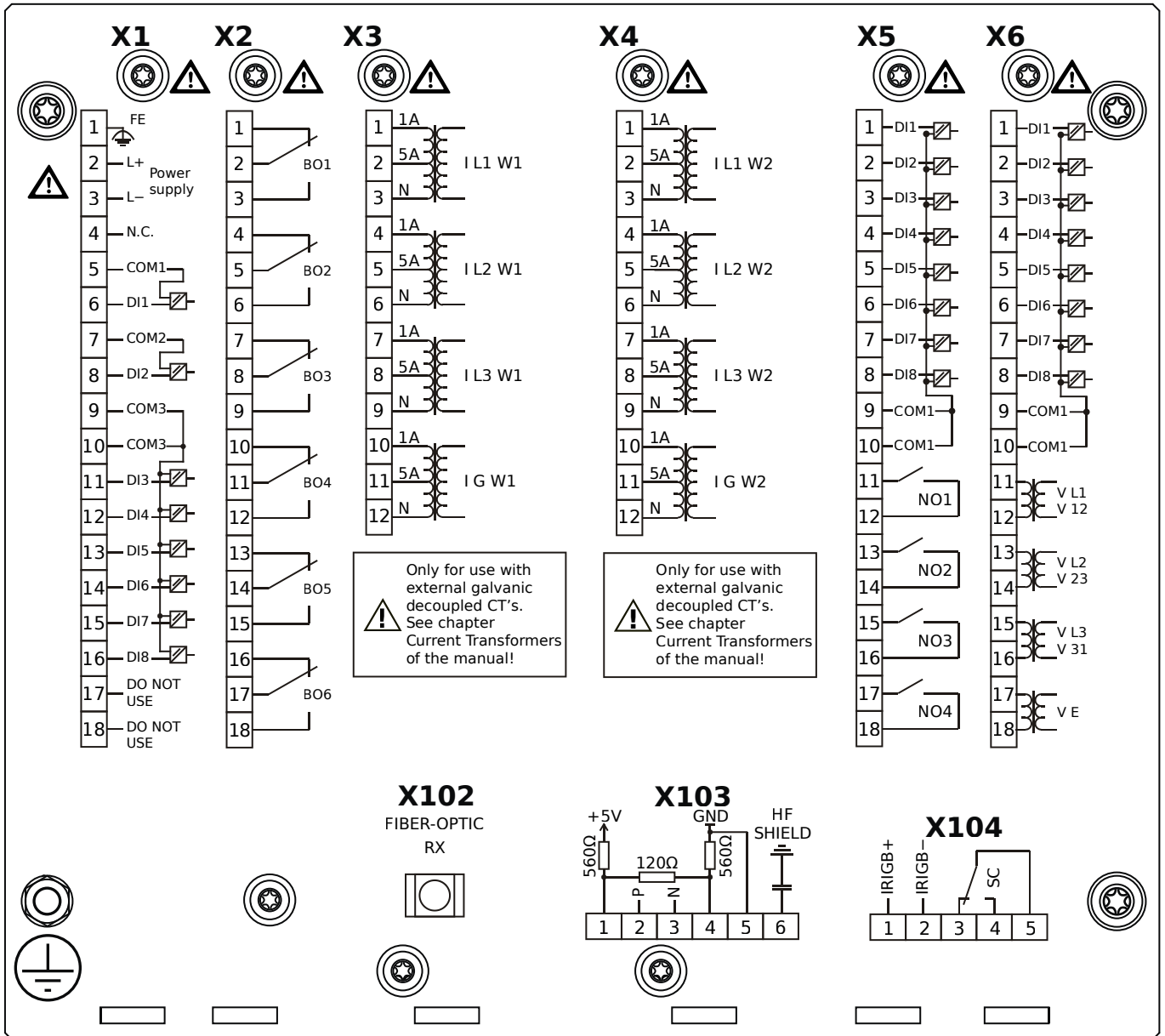
- X1** – DI8-X1: Wide-range power supply unit, incl. 2 non-grouped digital inputs and 6 grouped digital inputs
- X2** – OR-6: Assembly Group with 6 Relay Outputs
- X3** – TI-4: Standard ground current measuring card (for the neutral side of the differential protection)
- X4** – TI-4: Standard ground current measuring card (for the line side of the differential protection)
- X5** – DI8-OR4: Assembly Group with 8 Digital Inputs and 4 Output Relays
- X6** – U DI8: Voltage measuring assembly group with 8 Digital Inputs
- X102** – Universal Resistance-Temperature Detector (URTD) input, Fiber optics interface, ST Connector
- X104** – IRIG-B00X, incl. System Contact (Supervision Contact)

MCDGV4-2C0HAB



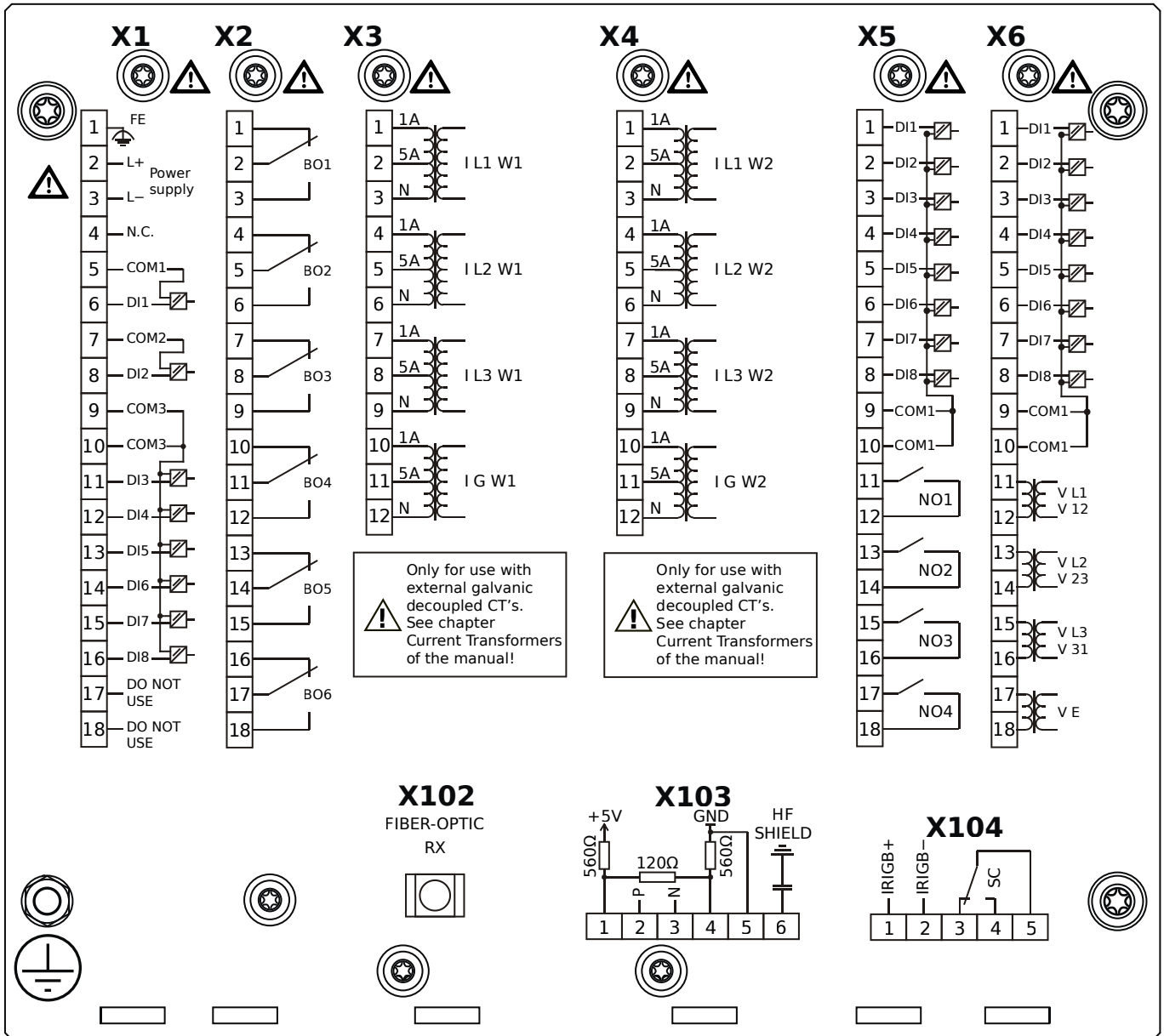
- X1** – DI8-X1: Wide-range power supply unit, incl. 2 non-grouped digital inputs and 6 grouped digital inputs
- X2** – OR-6: Assembly Group with 6 Relay Outputs
- X3** – TI-4: Standard ground current measuring card (for the neutral side of the differential protection)
- X4** – TI-4: Standard ground current measuring card (for the line side of the differential protection)
- X5** – DI8-OR4: Assembly Group with 8 Digital Inputs and 4 Output Relays
- X6** – U DI8: Voltage measuring assembly group with 8 Digital Inputs
- X102** – Universal Resistance-Temperature Detector (URTD) input, Fiber optics interface, ST Connector
- X104** – IRIG-B00X, incl. System Contact (Supervision Contact)

MCDGV4-2C0HBA



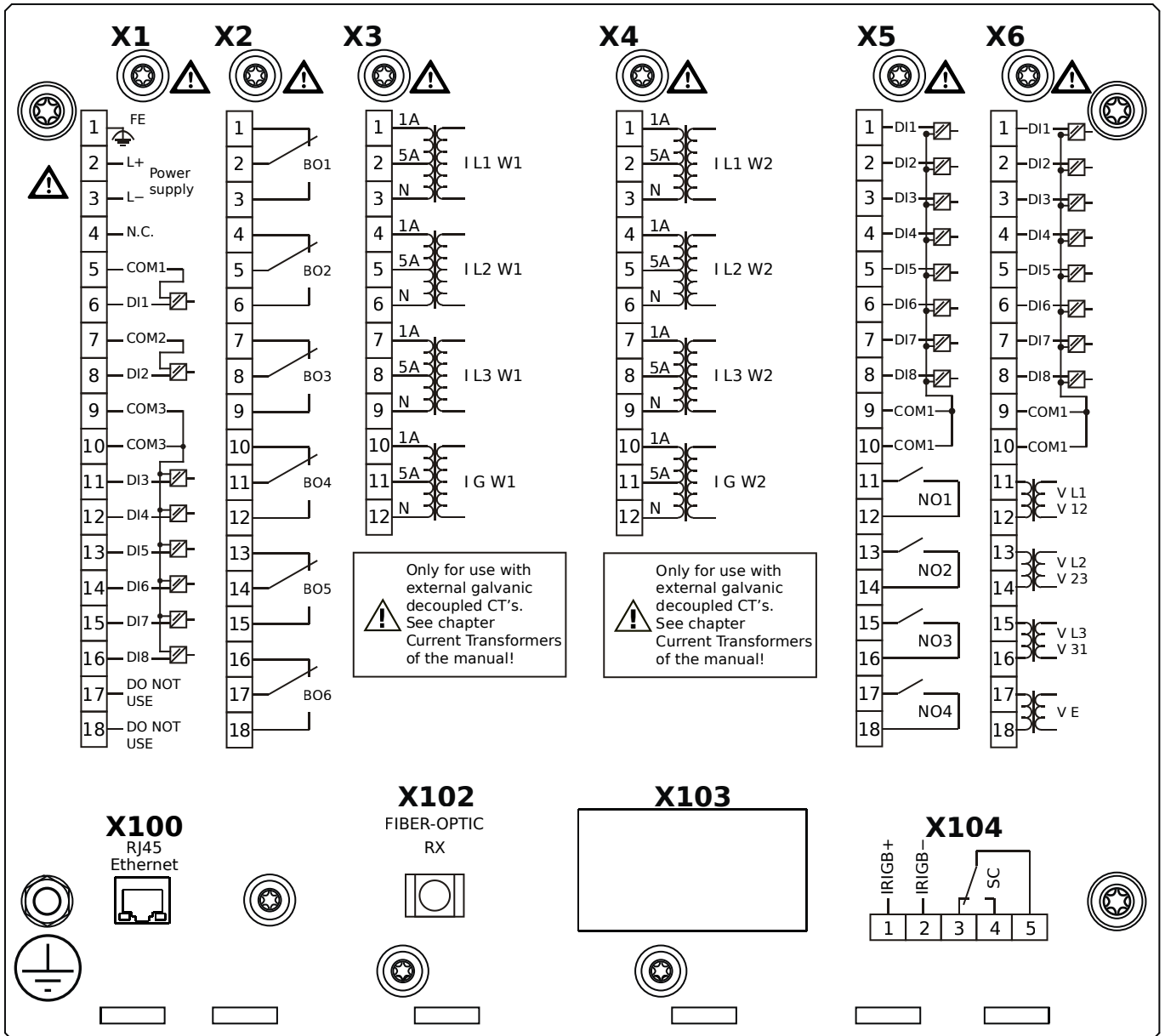
- X1** – DI8-X1: Wide-range power supply unit, incl. 2 non-grouped digital inputs and 6 grouped digital inputs
- X2** – OR-6: Assembly Group with 6 Relay Outputs
- X3** – TI-4: Standard ground current measuring card (for the neutral side of the differential protection)
- X4** – TI-4: Standard ground current measuring card (for the line side of the differential protection)
- X5** – DI8-OR4: Assembly Group with 8 Digital Inputs and 4 Output Relays
- X6** – U DI8: Voltage measuring assembly group with 8 Digital Inputs
- X102** – Universal Resistance-Temperature Detector (URTD) input, Fiber optics interface, ST Connector
- X103** – RS485, Terminals
- X104** – IRIG-B00X, incl. System Contact (Supervision Contact)

MCDGV4-2C0HBB



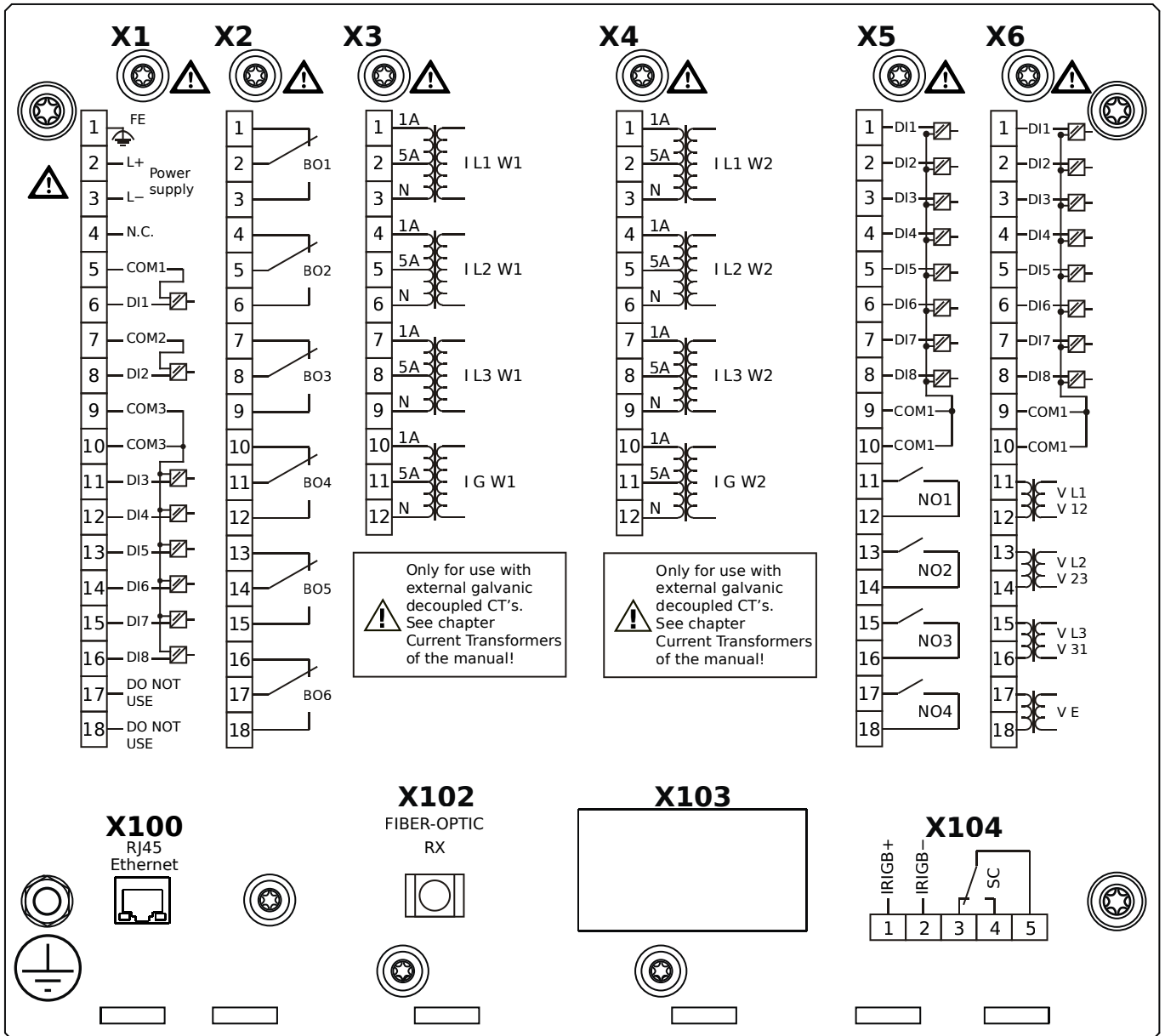
- X1** – DI8-X1: Wide-range power supply unit, incl. 2 non-grouped digital inputs and 6 grouped digital inputs
- X2** – OR-6: Assembly Group with 6 Relay Outputs
- X3** – TI-4: Standard ground current measuring card (for the neutral side of the differential protection)
- X4** – TI-4: Standard ground current measuring card (for the line side of the differential protection)
- X5** – DI8-OR4: Assembly Group with 8 Digital Inputs and 4 Output Relays
- X6** – U DI8: Voltage measuring assembly group with 8 Digital Inputs
- X102** – Universal Resistance-Temperature Detector (URTD) input, Fiber optics interface, ST Connector
- X103** – RS485, Terminals
- X104** – IRIG-B00X, incl. System Contact (Supervision Contact)

MCDGV4-2C0HCA



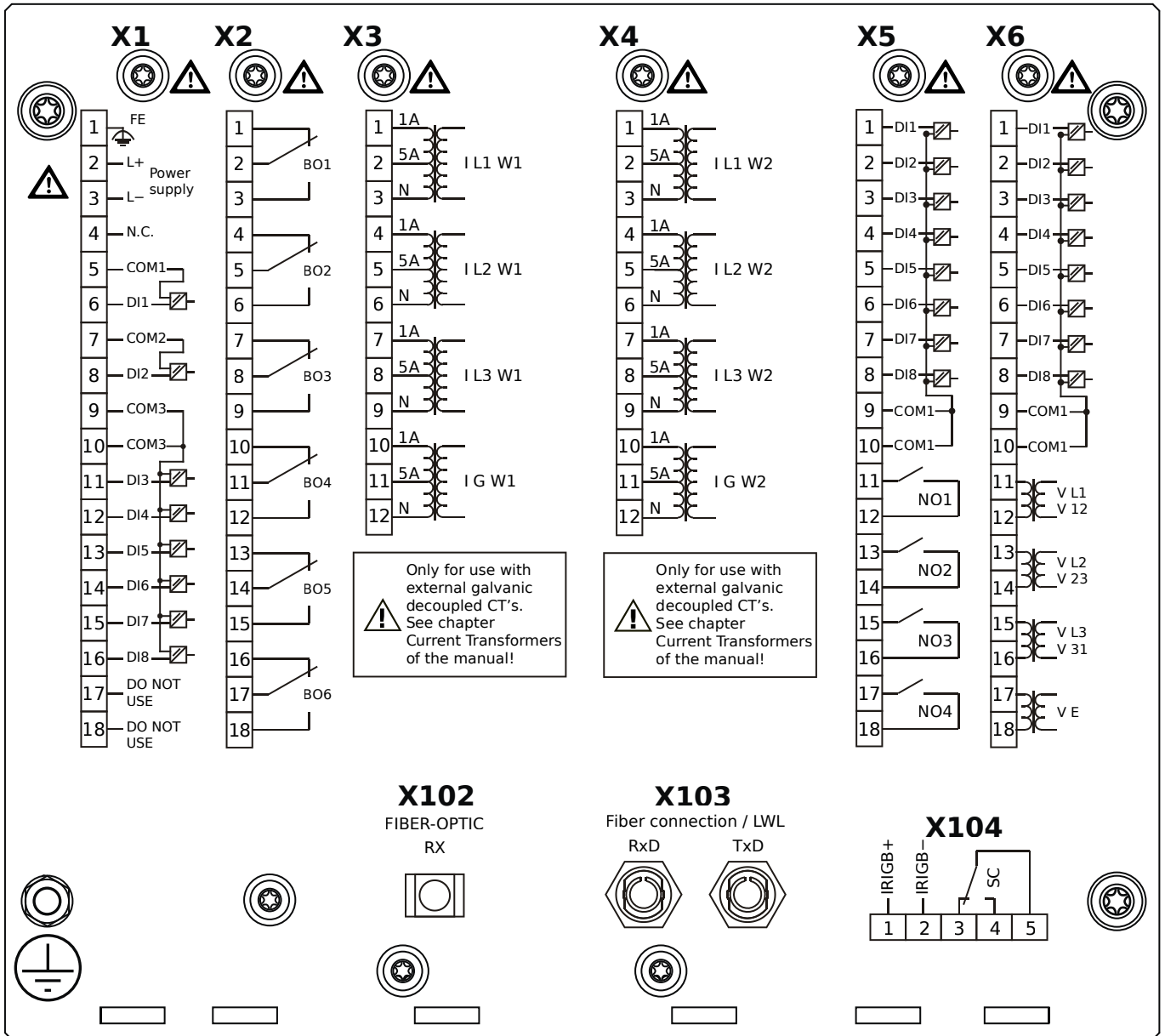
- X1** – DI8-X1: Wide-range power supply unit, incl. 2 non-grouped digital inputs and 6 grouped digital inputs
- X2** – OR-6: Assembly Group with 6 Relay Outputs
- X3** – TI-4: Standard ground current measuring card (for the neutral side of the differential protection)
- X4** – TI-4: Standard ground current measuring card (for the line side of the differential protection)
- X5** – DI8-OR4: Assembly Group with 8 Digital Inputs and 4 Output Relays
- X6** – U DI8: Voltage measuring assembly group with 8 Digital Inputs
- X100** – Ethernet interface, 100 Mbit/s, RJ45
- X102** – Universal Resistance-Temperature Detector (URTD) input, Fiber optics interface, ST Connector
- X104** – IRIG-B00X, incl. System Contact (Supervision Contact)

MCDGV4-2C0HCB



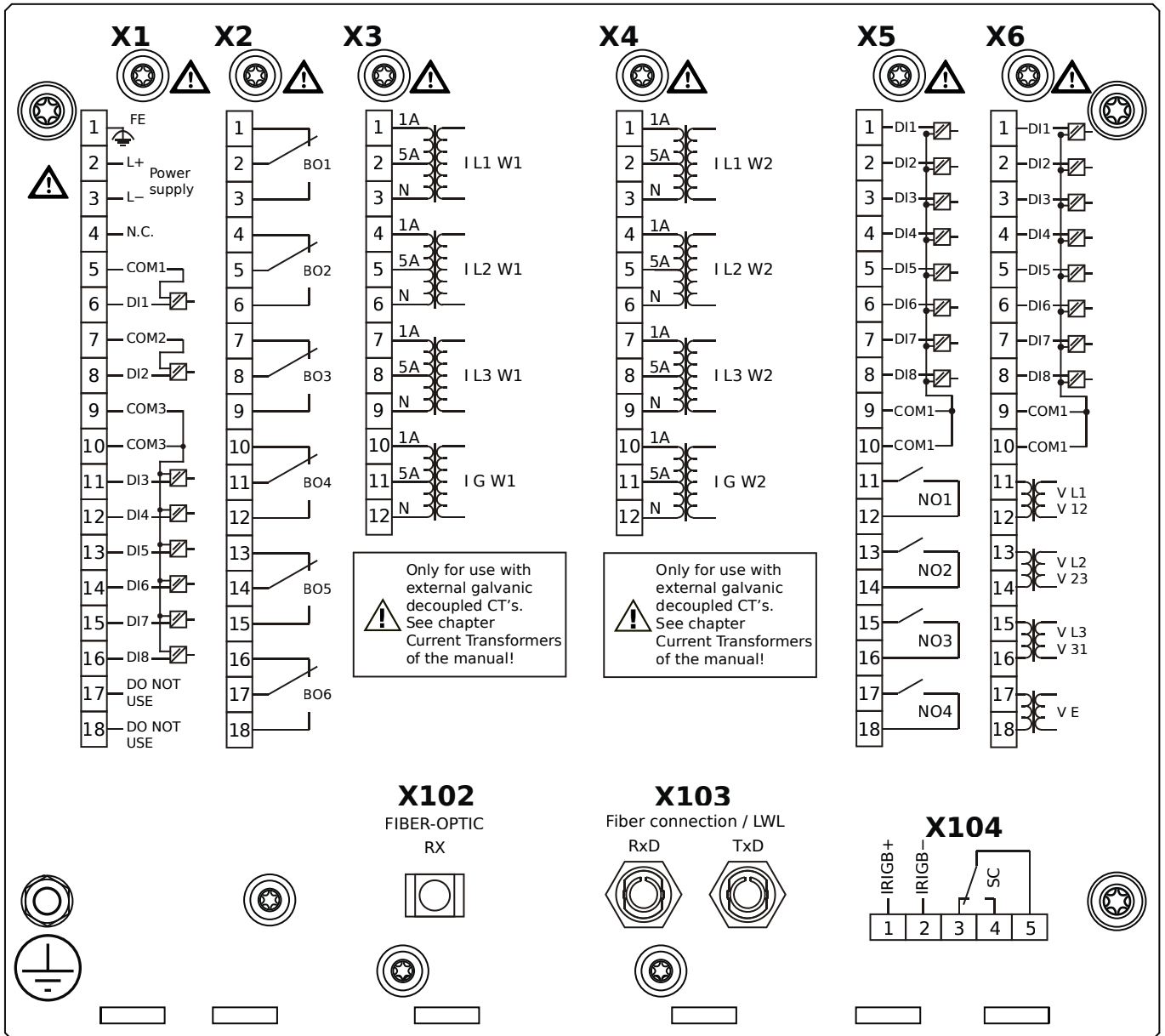
- X1** – DI8-X1: Wide-range power supply unit, incl. 2 non-grouped digital inputs and 6 grouped digital inputs
- X2** – OR-6: Assembly Group with 6 Relay Outputs
- X3** – TI-4: Standard ground current measuring card (for the neutral side of the differential protection)
- X4** – TI-4: Standard ground current measuring card (for the line side of the differential protection)
- X5** – DI8-OR4: Assembly Group with 8 Digital Inputs and 4 Output Relays
- X6** – U DI8: Voltage measuring assembly group with 8 Digital Inputs
- X100** – Ethernet interface, 100 Mbit/s, RJ45
- X102** – Universal Resistance-Temperature Detector (URTD) input, Fiber optics interface, ST Connector
- X104** – IRIG-B00X, incl. System Contact (Supervision Contact)

MCDGV4-2C0HDA



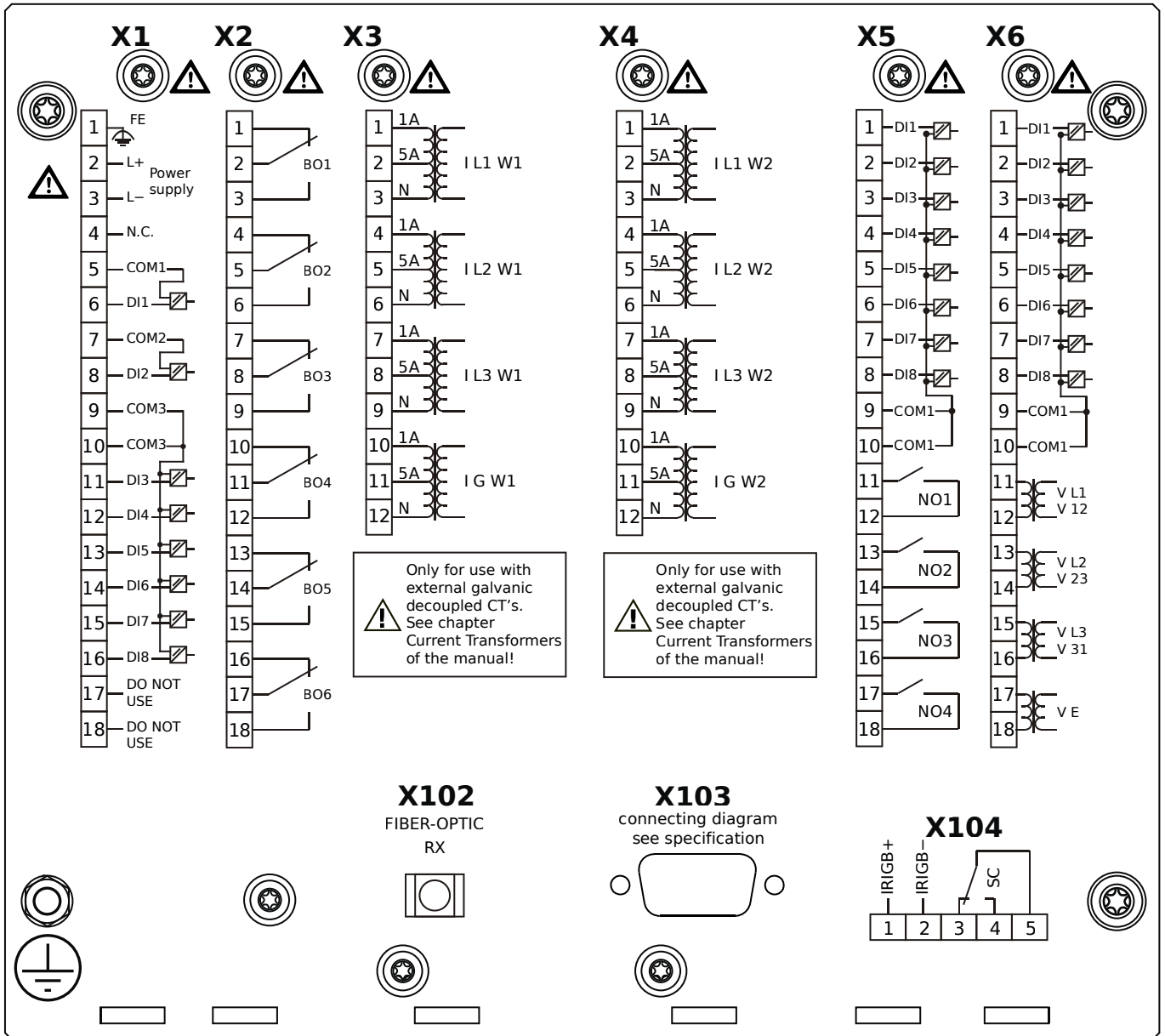
- X1** – DI8-X1: Wide-range power supply unit, incl. 2 non-grouped digital inputs and 6 grouped digital inputs
- X2** – OR-6: Assembly Group with 6 Relay Outputs
- X3** – TI-4: Standard ground current measuring card (for the neutral side of the differential protection)
- X4** – TI-4: Standard ground current measuring card (for the line side of the differential protection)
- X5** – DI8-OR4: Assembly Group with 8 Digital Inputs and 4 Output Relays
- X6** – U DI8: Voltage measuring assembly group with 8 Digital Inputs
- X102** – Universal Resistance-Temperature Detector (URTD) input, Fiber optics interface, ST Connector
- X103** – Fiber optics interface, ST Connector
- X104** – IRIG-B00X, incl. System Contact (Supervision Contact)

MCDGV4-2C0HDB



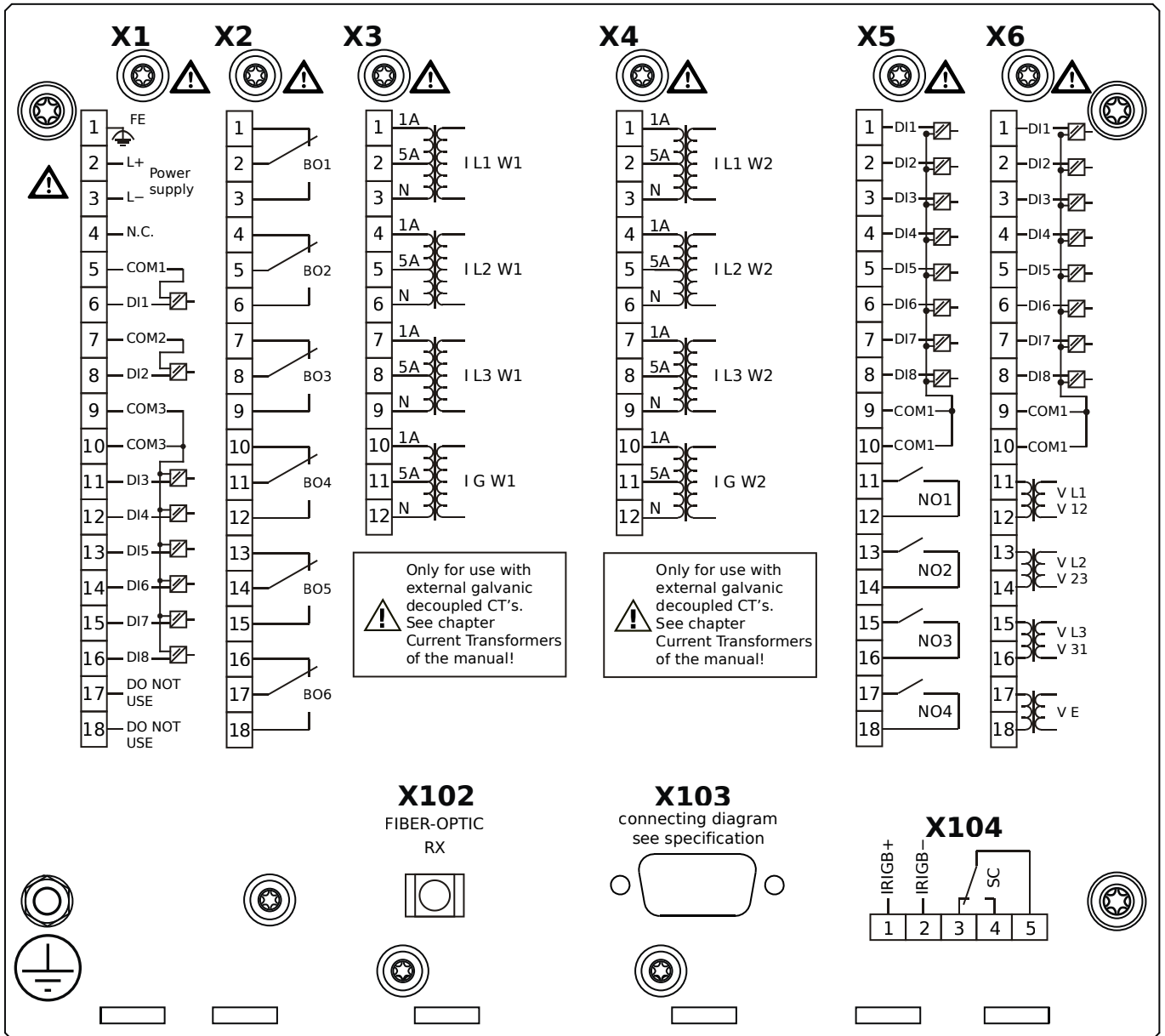
- X1** – DI8-X1: Wide-range power supply unit, incl. 2 non-grouped digital inputs and 6 grouped digital inputs
- X2** – OR-6: Assembly Group with 6 Relay Outputs
- X3** – TI-4: Standard ground current measuring card (for the neutral side of the differential protection)
- X4** – TI-4: Standard ground current measuring card (for the line side of the differential protection)
- X5** – DI8-OR4: Assembly Group with 8 Digital Inputs and 4 Output Relays
- X6** – U DI8: Voltage measuring assembly group with 8 Digital Inputs
- X102** – Universal Resistance-Temperature Detector (URTD) input, Fiber optics interface, ST Connector
- X103** – Fiber optics interface, ST Connector
- X104** – IRIG-B00X, incl. System Contact (Supervision Contact)

MCDGV4-2C0HEA



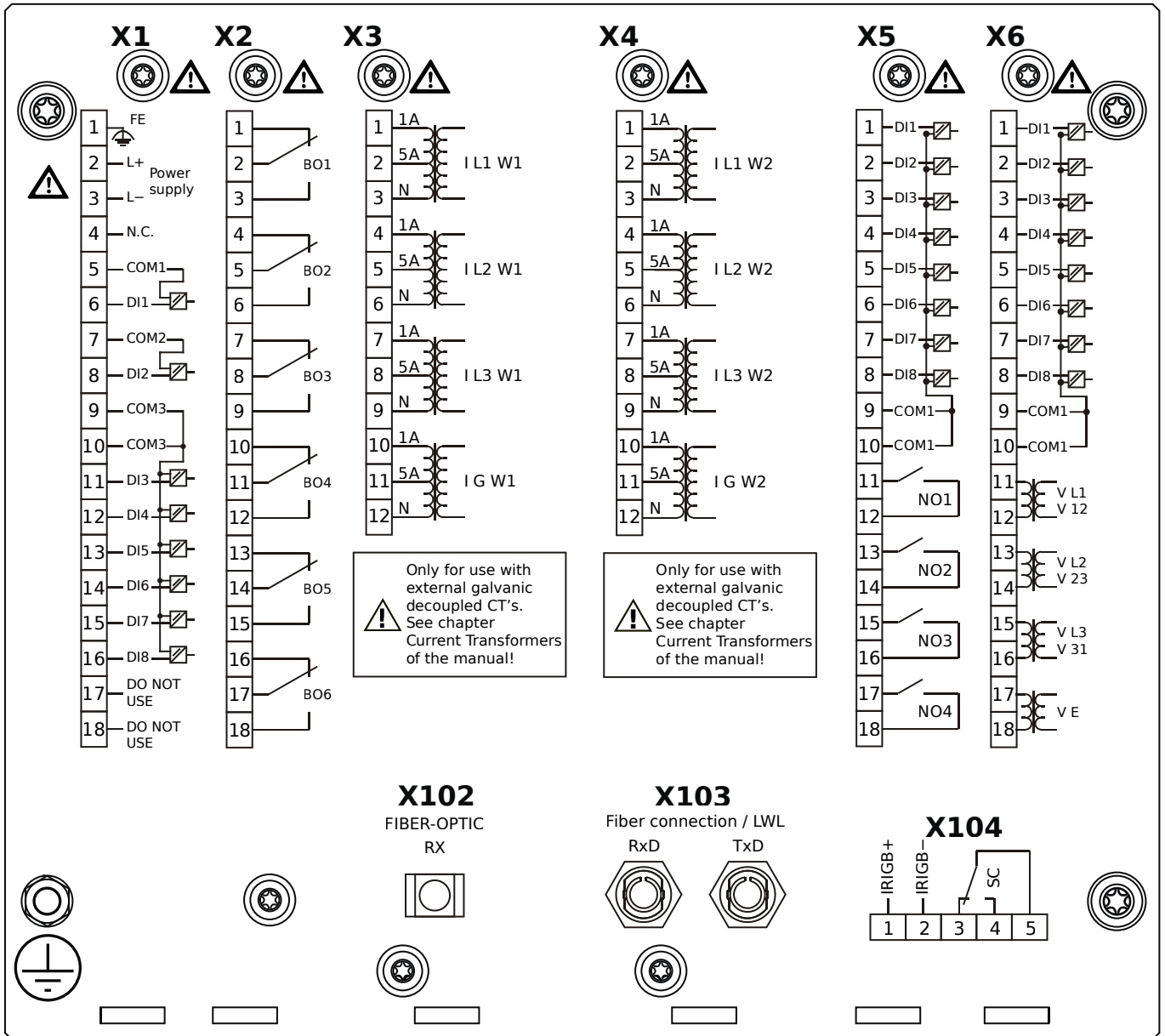
- X1** – DI8-X1: Wide-range power supply unit, incl. 2 non-grouped digital inputs and 6 grouped digital inputs
- X2** – OR-6: Assembly Group with 6 Relay Outputs
- X3** – TI-4: Standard ground current measuring card (for the neutral side of the differential protection)
- X4** – TI-4: Standard ground current measuring card (for the line side of the differential protection)
- X5** – DI8-OR4: Assembly Group with 8 Digital Inputs and 4 Output Relays
- X6** – U DI8: Voltage measuring assembly group with 8 Digital Inputs
- X102** – Universal Resistance-Temperature Detector (URTD) input, Fiber optics interface, ST Connector
- X103** – RS485, D-SUB
- X104** – IRIG-B00X, incl. System Contact (Supervision Contact)

MCDGV4-2C0HEB



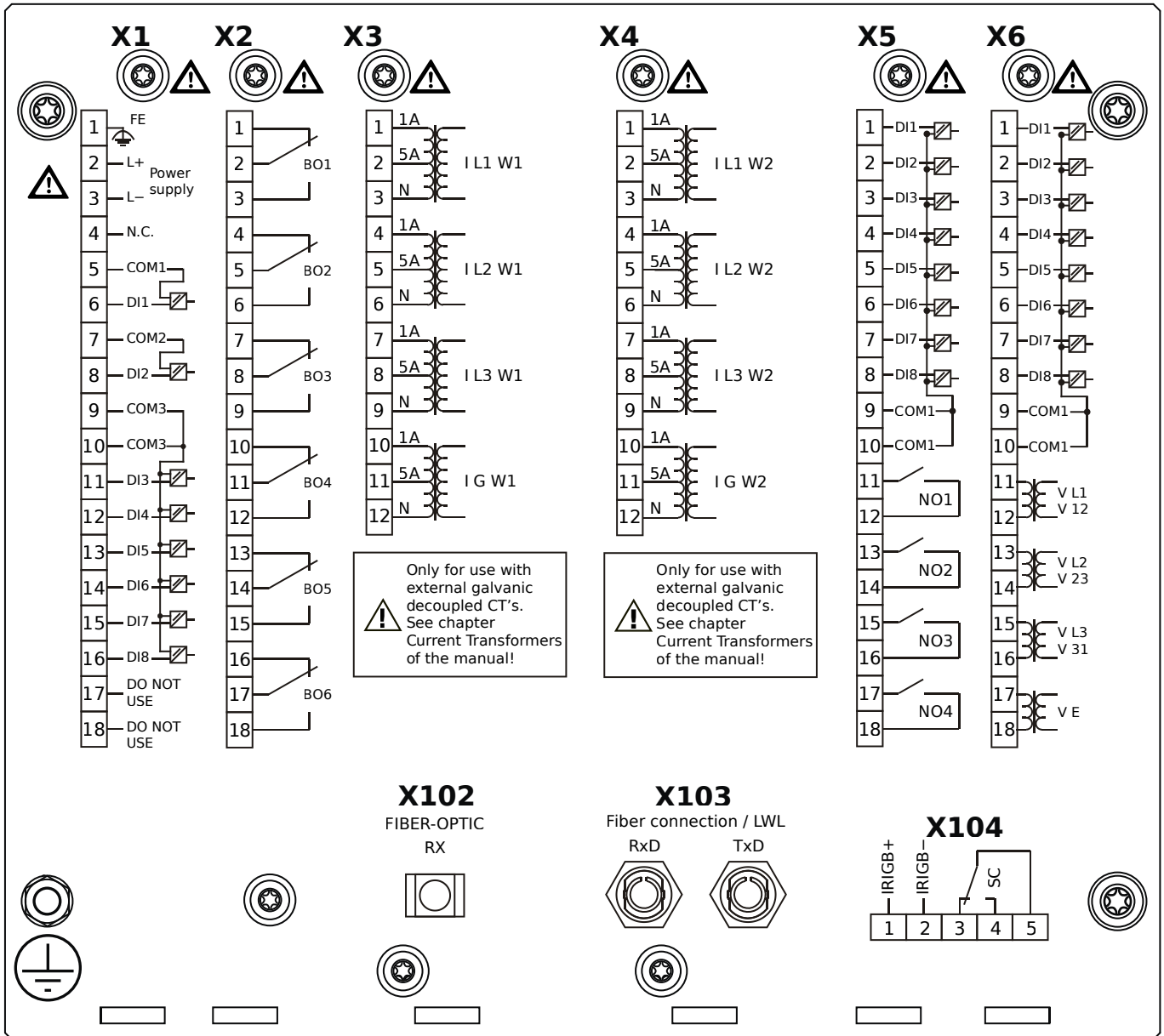
- X1** – DI8-X1: Wide-range power supply unit, incl. 2 non-grouped digital inputs and 6 grouped digital inputs
- X2** – OR-6: Assembly Group with 6 Relay Outputs
- X3** – TI-4: Standard ground current measuring card (for the neutral side of the differential protection)
- X4** – TI-4: Standard ground current measuring card (for the line side of the differential protection)
- X5** – DI8-OR4: Assembly Group with 8 Digital Inputs and 4 Output Relays
- X6** – U DI8: Voltage measuring assembly group with 8 Digital Inputs
- X102** – Universal Resistance-Temperature Detector (URTD) input, Fiber optics interface, ST Connector
- X103** – RS485, D-SUB
- X104** – IRIG-B00X, incl. System Contact (Supervision Contact)

MCDGV4-2C0HFA



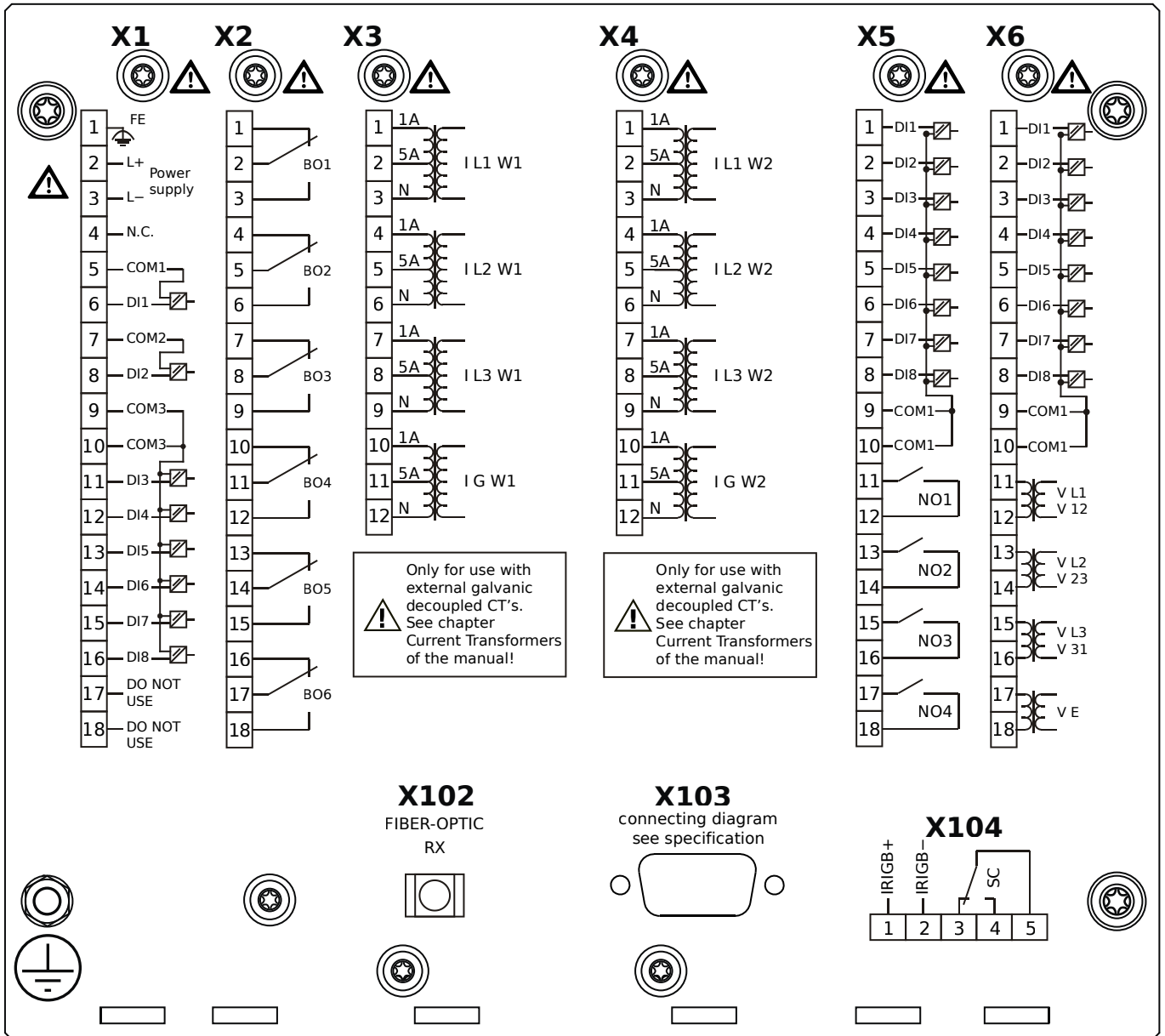
- X1** – DI8-X1: Wide-range power supply unit, incl. 2 non-grouped digital inputs and 6 grouped digital inputs
- X2** – OR-6: Assembly Group with 6 Relay Outputs
- X3** – TI-4: Standard ground current measuring card (for the neutral side of the differential protection)
- X4** – TI-4: Standard ground current measuring card (for the line side of the differential protection)
- X5** – DI8-OR4: Assembly Group with 8 Digital Inputs and 4 Output Relays
- X6** – U DI8: Voltage measuring assembly group with 8 Digital Inputs
- X102** – Universal Resistance-Temperature Detector (URTD) input, Fiber optics interface, ST Connector
- X103** – Fiber optics interface, ST Connector
- X104** – IRIG-B00X, incl. System Contact (Supervision Contact)

MCDGV4-2C0HFB



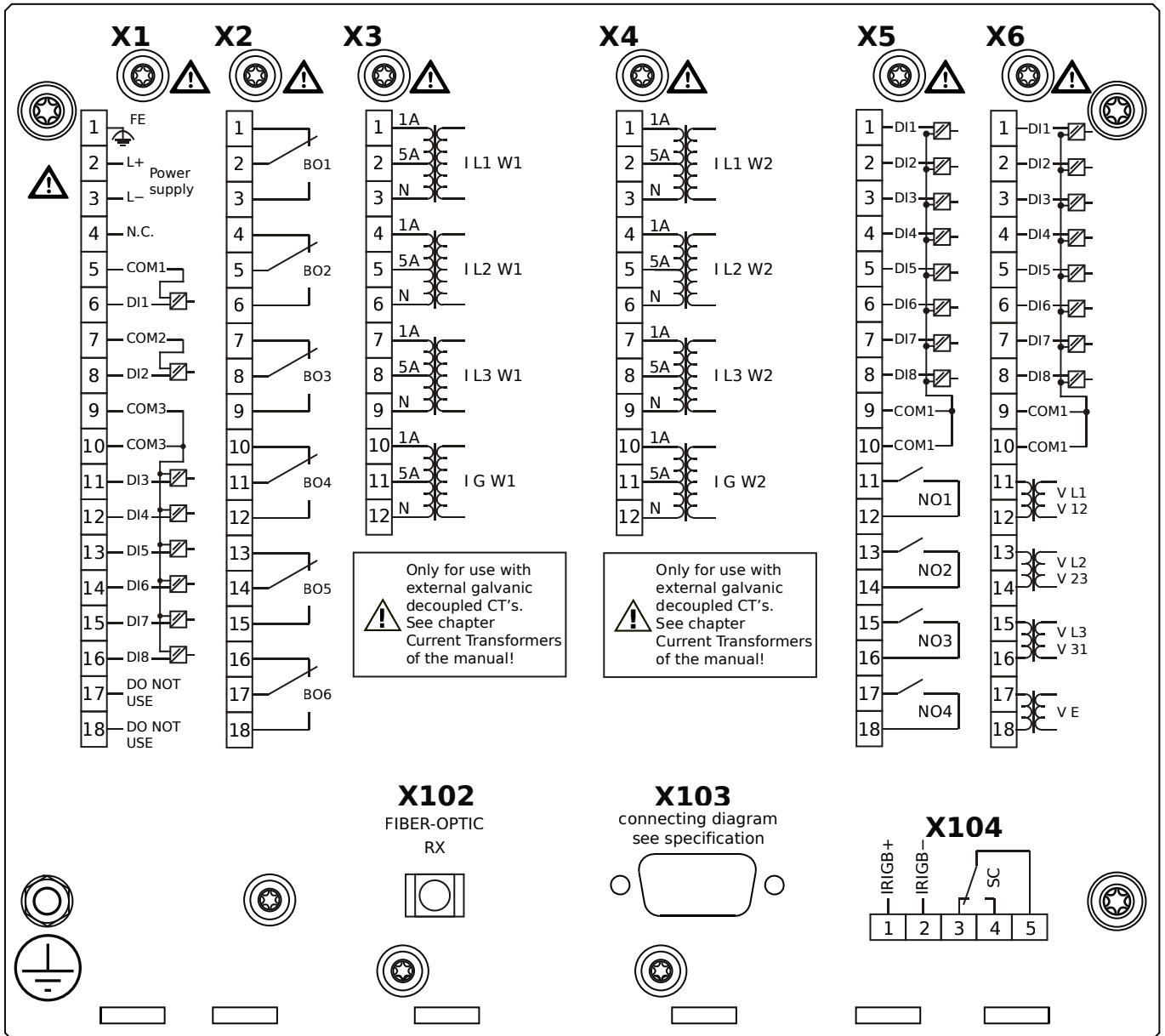
- X1** – DI8-X1: Wide-range power supply unit, incl. 2 non-grouped digital inputs and 6 grouped digital inputs
- X2** – OR-6: Assembly Group with 6 Relay Outputs
- X3** – TI-4: Standard ground current measuring card (for the neutral side of the differential protection)
- X4** – TI-4: Standard ground current measuring card (for the line side of the differential protection)
- X5** – DI8-OR4: Assembly Group with 8 Digital Inputs and 4 Output Relays
- X6** – U DI8: Voltage measuring assembly group with 8 Digital Inputs
- X102** – Universal Resistance-Temperature Detector (URTD) input, Fiber optics interface, ST Connector
- X103** – Fiber optics interface, ST Connector
- X104** – IRIG-B00X, incl. System Contact (Supervision Contact)

MCDGV4-2C0HGA



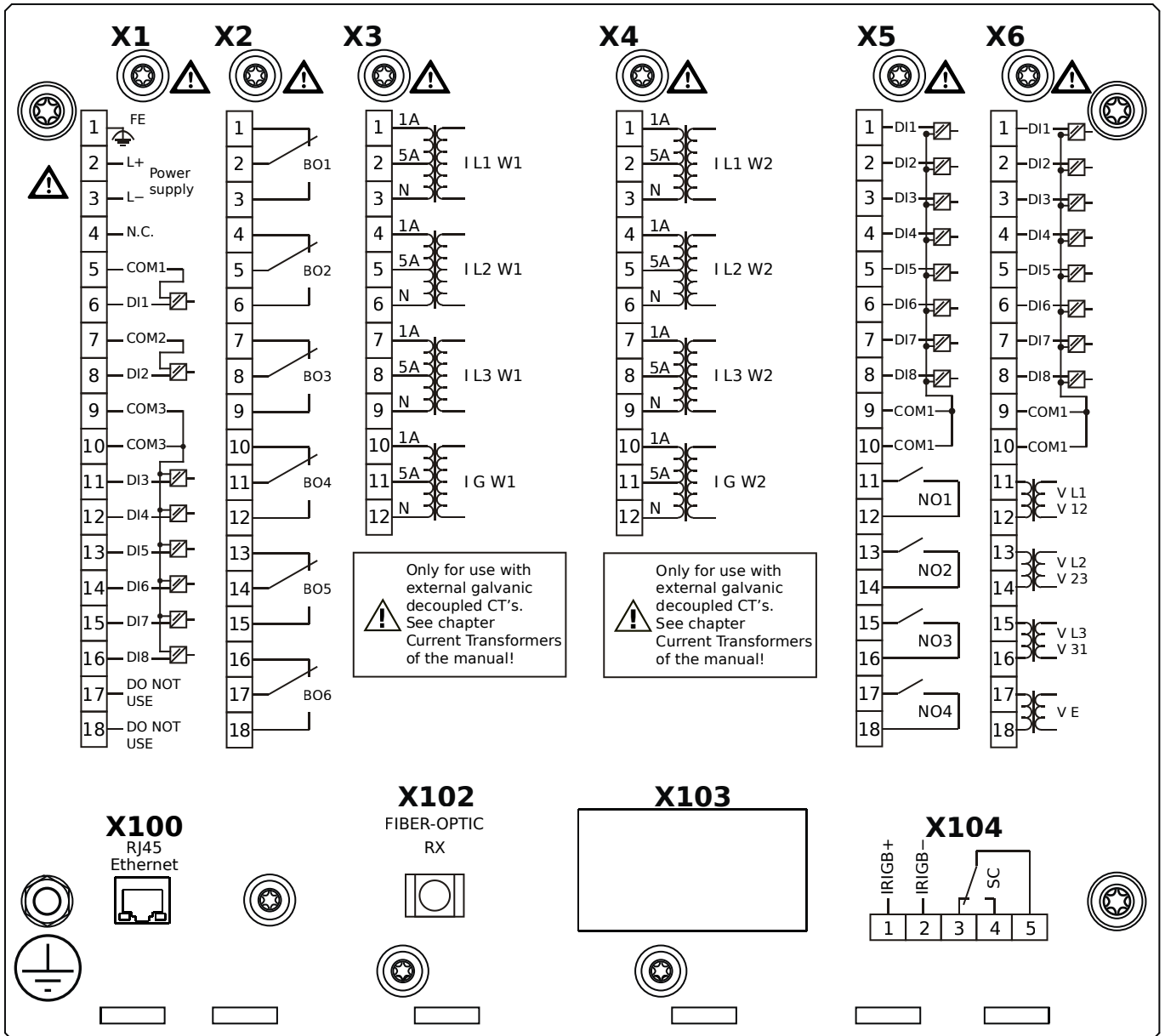
- X1** – DI8-X1: Wide-range power supply unit, incl. 2 non-grouped digital inputs and 6 grouped digital inputs
- X2** – OR-6: Assembly Group with 6 Relay Outputs
- X3** – TI-4: Standard ground current measuring card (for the neutral side of the differential protection)
- X4** – TI-4: Standard ground current measuring card (for the line side of the differential protection)
- X5** – DI8-OR4: Assembly Group with 8 Digital Inputs and 4 Output Relays
- X6** – U DI8: Voltage measuring assembly group with 8 Digital Inputs
- X102** – Universal Resistance-Temperature Detector (URTD) input, Fiber optics interface, ST Connector
- X103** – RS485, D-SUB
- X104** – IRIG-B00X, incl. System Contact (Supervision Contact)

MCDGV4-2C0HGB



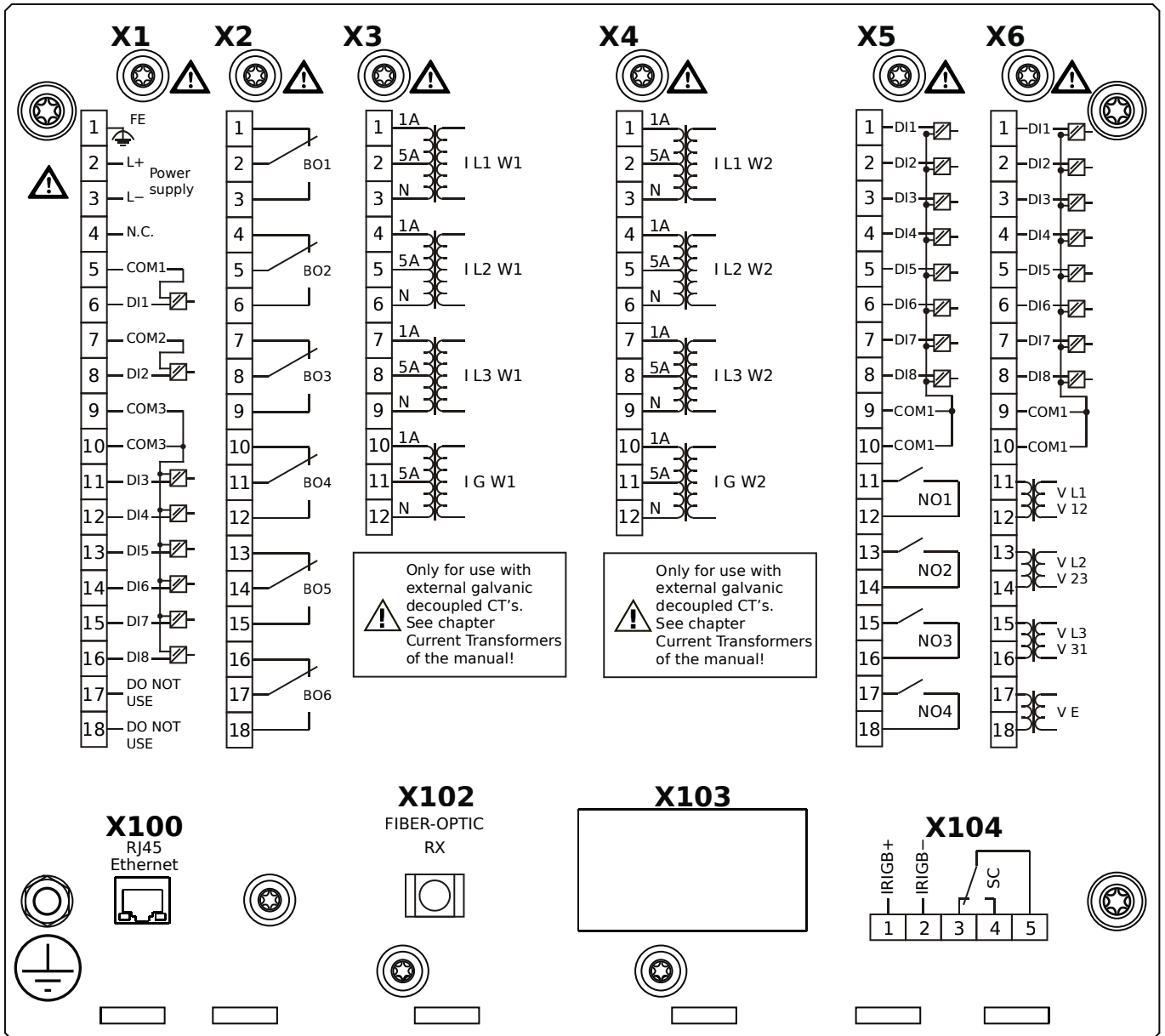
- X1** – DI8-X1: Wide-range power supply unit, incl. 2 non-grouped digital inputs and 6 grouped digital inputs
- X2** – OR-6: Assembly Group with 6 Relay Outputs
- X3** – TI-4: Standard ground current measuring card (for the neutral side of the differential protection)
- X4** – TI-4: Standard ground current measuring card (for the line side of the differential protection)
- X5** – DI8-OR4: Assembly Group with 8 Digital Inputs and 4 Output Relays
- X6** – U DI8: Voltage measuring assembly group with 8 Digital Inputs
- X102** – Universal Resistance-Temperature Detector (URTD) input, Fiber optics interface, ST Connector
- X103** – RS485, D-SUB
- X104** – IRIG-B00X, incl. System Contact (Supervision Contact)

MCDGV4-2C0HHA



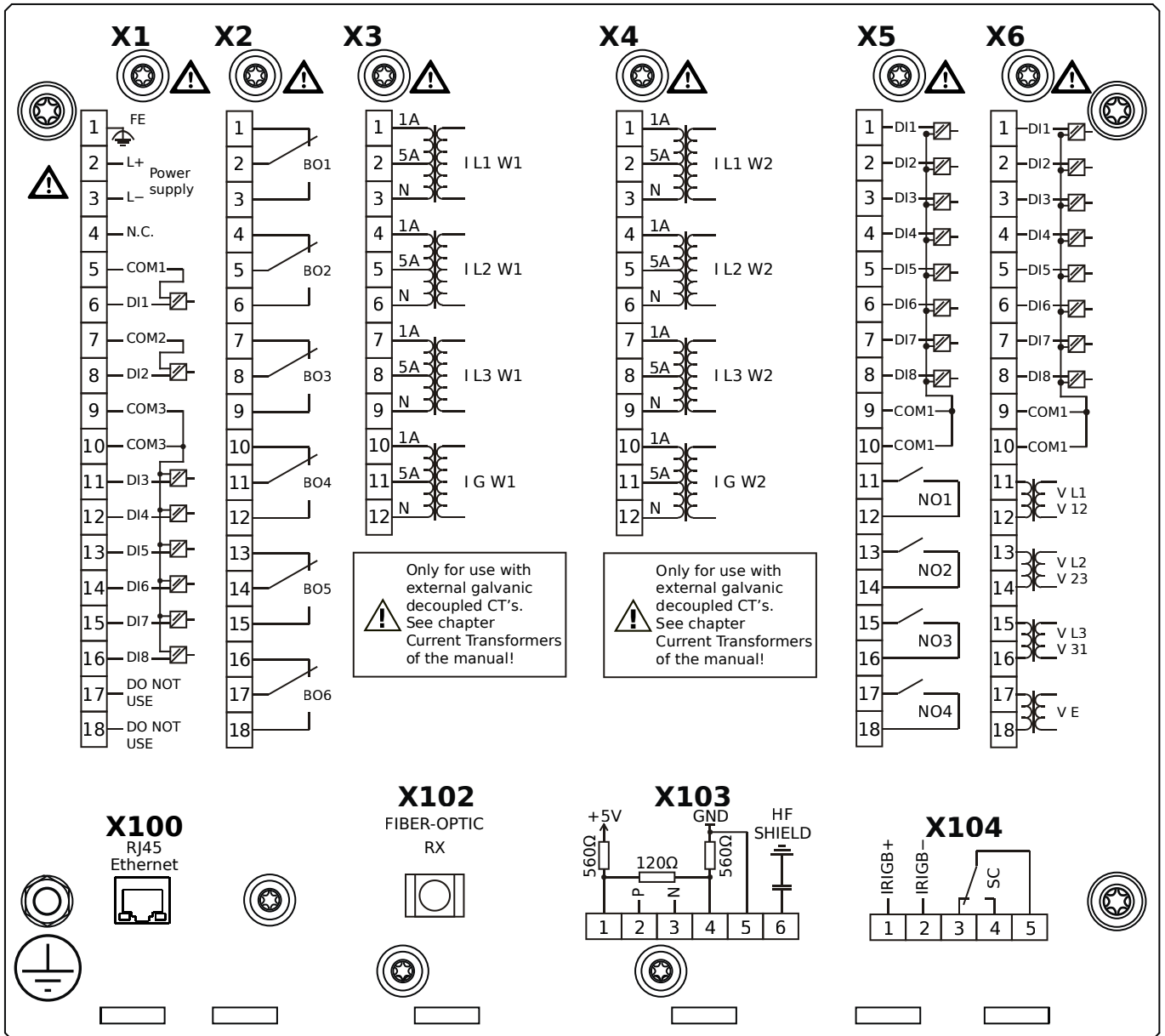
- X1** – DI8-X1: Wide-range power supply unit, incl. 2 non-grouped digital inputs and 6 grouped digital inputs
- X2** – OR-6: Assembly Group with 6 Relay Outputs
- X3** – TI-4: Standard ground current measuring card (for the neutral side of the differential protection)
- X4** – TI-4: Standard ground current measuring card (for the line side of the differential protection)
- X5** – DI8-OR4: Assembly Group with 8 Digital Inputs and 4 Output Relays
- X6** – U DI8: Voltage measuring assembly group with 8 Digital Inputs
- X100** – Ethernet interface, 100 Mbit/s, RJ45
- X102** – Universal Resistance-Temperature Detector (URTD) input, Fiber optics interface, ST Connector
- X104** – IRIG-B00X, incl. System Contact (Supervision Contact)

MCDGV4-2C0HHB



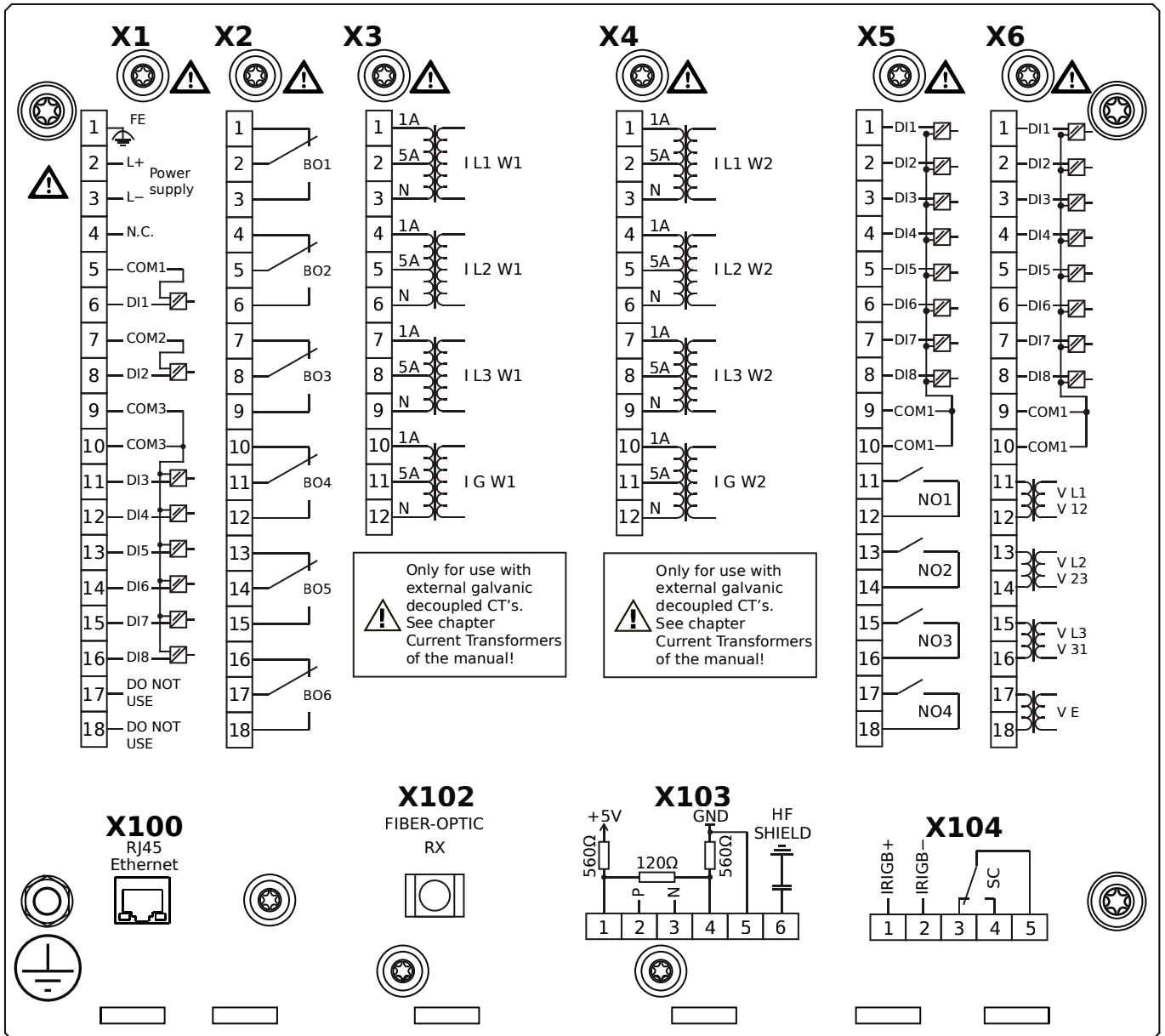
- X1** – DI8-X1: Wide-range power supply unit, incl. 2 non-grouped digital inputs and 6 grouped digital inputs
- X2** – OR-6: Assembly Group with 6 Relay Outputs
- X3** – TI-4: Standard ground current measuring card (for the neutral side of the differential protection)
- X4** – TI-4: Standard ground current measuring card (for the line side of the differential protection)
- X5** – DI8-OR4: Assembly Group with 8 Digital Inputs and 4 Output Relays
- X6** – U DI8: Voltage measuring assembly group with 8 Digital Inputs
- X100** – Ethernet interface, 100 Mbit/s, RJ45
- X102** – Universal Resistance-Temperature Detector (URTD) input, Fiber optics interface, ST Connector
- X104** – IRIG-B00X, incl. System Contact (Supervision Contact)

MCDGV4-2C0HIA



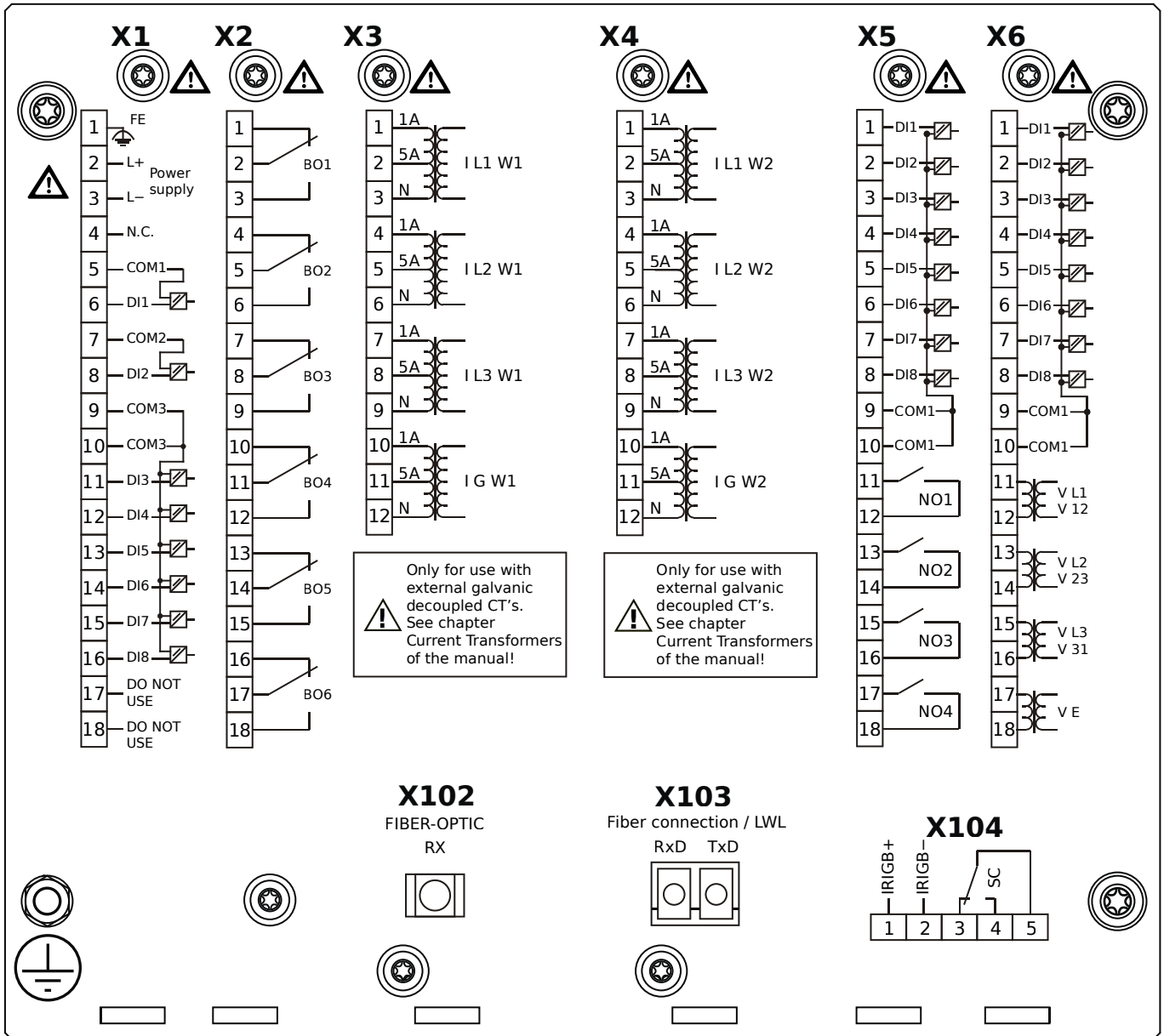
- X1** – DI8-X1: Wide-range power supply unit, incl. 2 non-grouped digital inputs and 6 grouped digital inputs
- X2** – OR-6: Assembly Group with 6 Relay Outputs
- X3** – TI-4: Standard ground current measuring card (for the neutral side of the differential protection)
- X4** – TI-4: Standard ground current measuring card (for the line side of the differential protection)
- X5** – DI8-OR4: Assembly Group with 8 Digital Inputs and 4 Output Relays
- X6** – U DI8: Voltage measuring assembly group with 8 Digital Inputs
- X100** – Ethernet interface, 100 Mbit/s, RJ45
- X102** – Universal Resistance-Temperature Detector (URTD) input, Fiber optics interface, ST Connector
- X103** – RS485, Terminals
- X104** – IRIG-B00X, incl. System Contact (Supervision Contact)

MCDGV4-2C0HIB



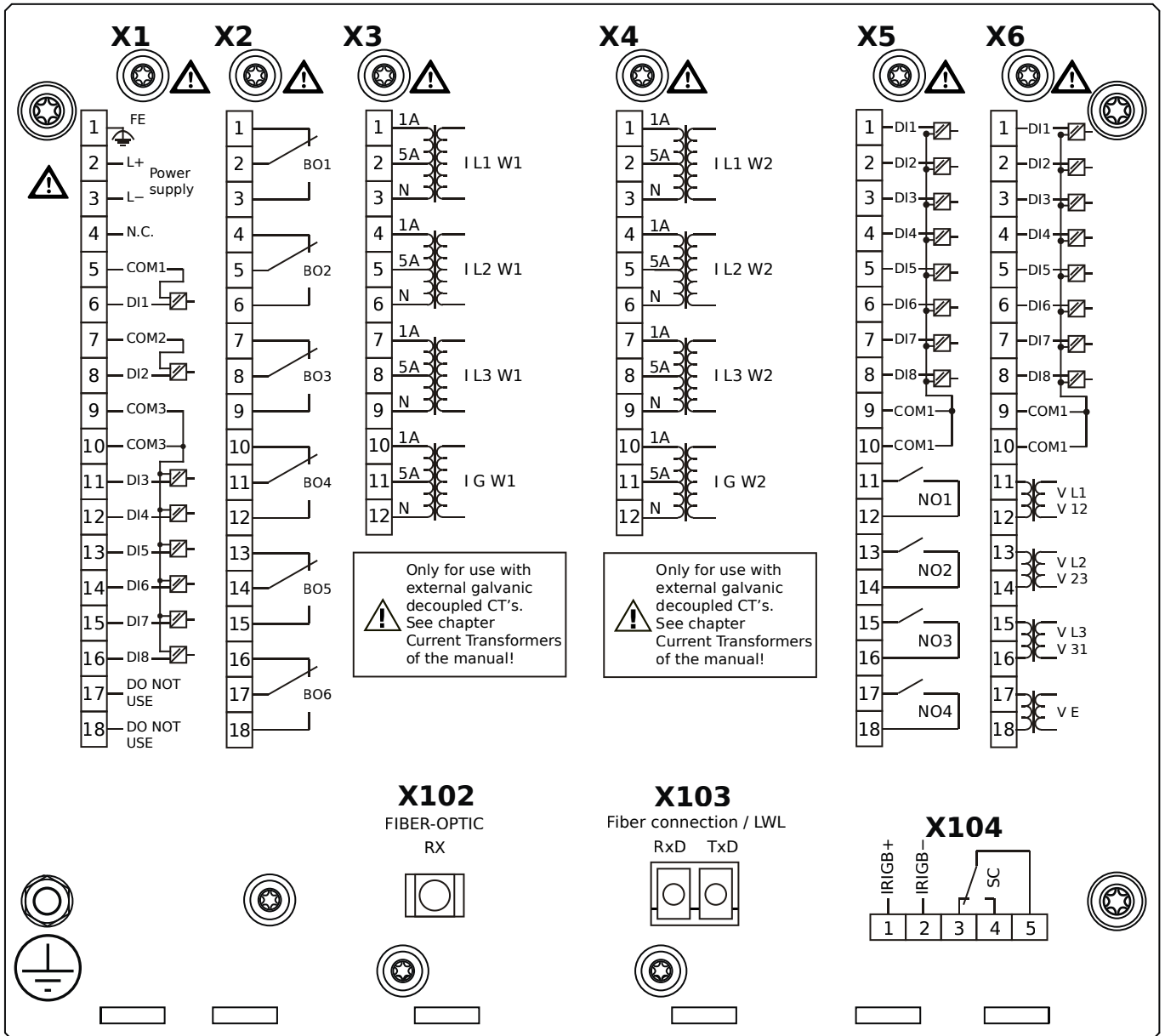
- X1** – DI8-X1: Wide-range power supply unit, incl. 2 non-grouped digital inputs and 6 grouped digital inputs
- X2** – OR-6: Assembly Group with 6 Relay Outputs
- X3** – TI-4: Standard ground current measuring card (for the neutral side of the differential protection)
- X4** – TI-4: Standard ground current measuring card (for the line side of the differential protection)
- X5** – DI8-OR4: Assembly Group with 8 Digital Inputs and 4 Output Relays
- X6** – U DI8: Voltage measuring assembly group with 8 Digital Inputs
- X100** – Ethernet interface, 100 Mbit/s, RJ45
- X102** – Universal Resistance-Temperature Detector (URTD) input, Fiber optics interface, ST Connector
- X103** – RS485, Terminals
- X104** – IRIG-B00X, incl. System Contact (Supervision Contact)

MCDGV4-2C0HKA



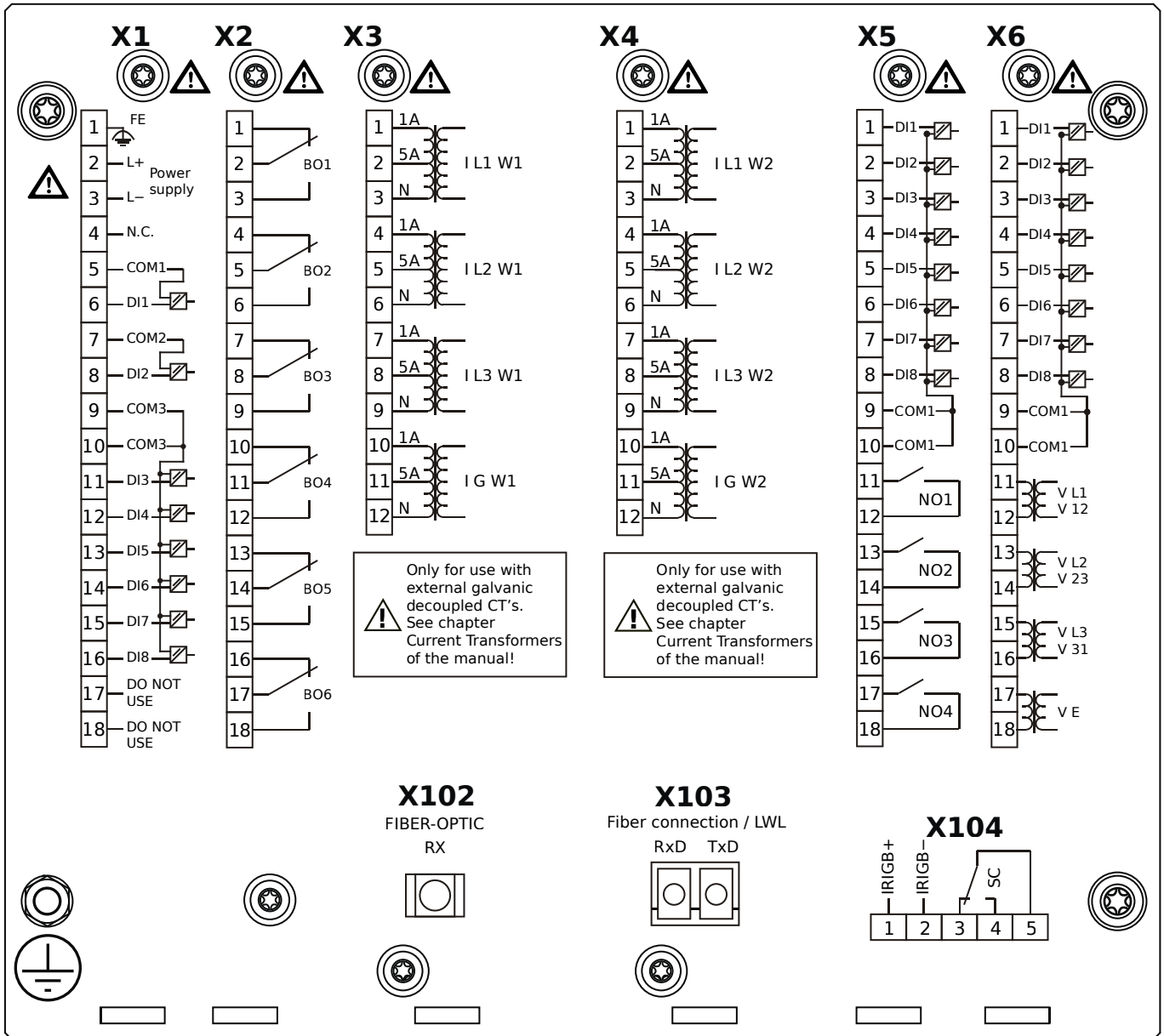
- X1** – DI8-X1: Wide-range power supply unit, incl. 2 non-grouped digital inputs and 6 grouped digital inputs
- X2** – OR-6: Assembly Group with 6 Relay Outputs
- X3** – TI-4: Standard ground current measuring card (for the neutral side of the differential protection)
- X4** – TI-4: Standard ground current measuring card (for the line side of the differential protection)
- X5** – DI8-OR4: Assembly Group with 8 Digital Inputs and 4 Output Relays
- X6** – U DI8: Voltage measuring assembly group with 8 Digital Inputs
- X102** – Universal Resistance-Temperature Detector (URTD) input, Fiber optics interface, ST Connector
- X103** – Fiber optics interface, LC Connector
- X104** – IRIG-B00X, incl. System Contact (Supervision Contact)

MCDGV4-2C0HKB



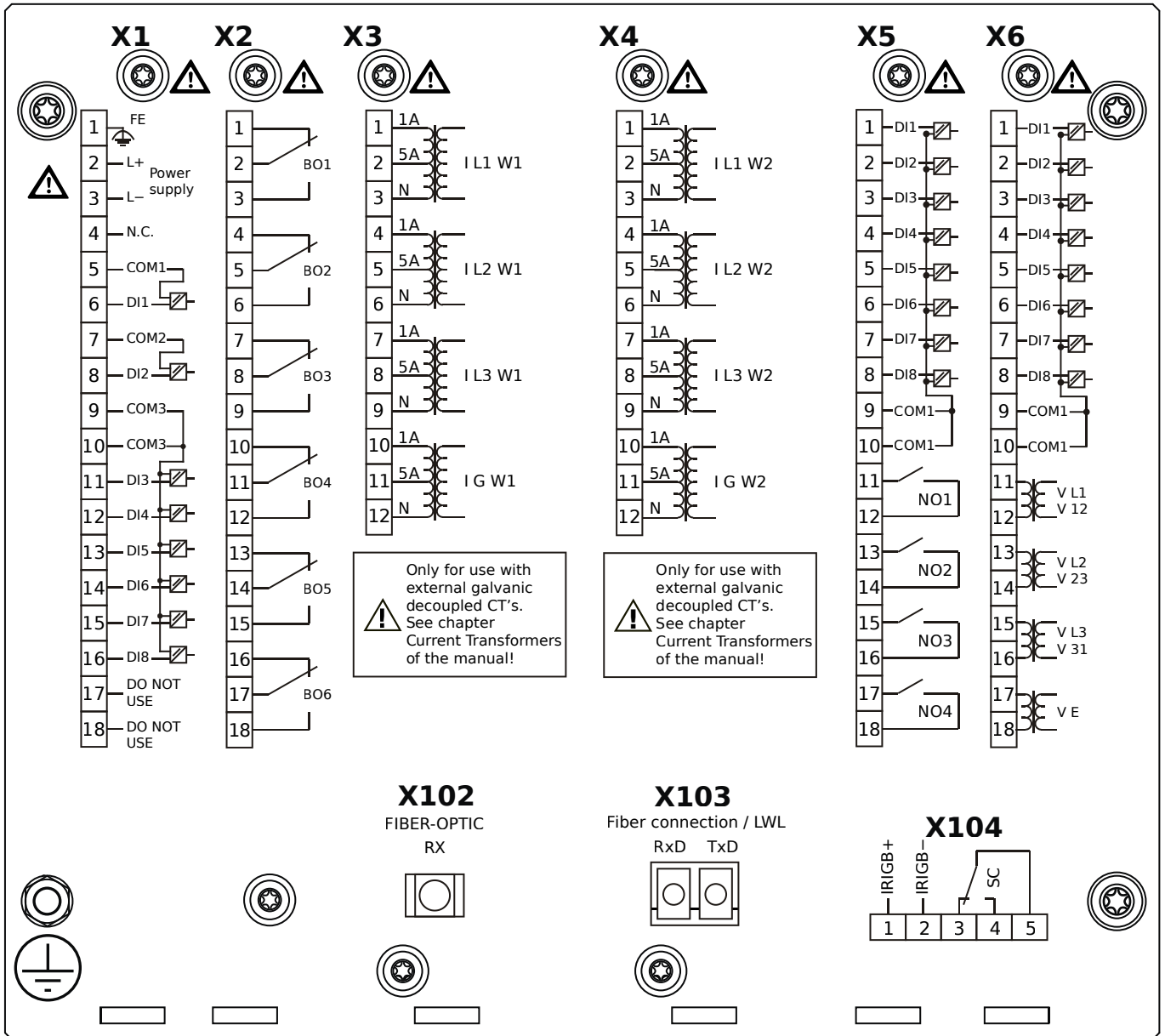
- X1** – DI8-X1: Wide-range power supply unit, incl. 2 non-grouped digital inputs and 6 grouped digital inputs
- X2** – OR-6: Assembly Group with 6 Relay Outputs
- X3** – TI-4: Standard ground current measuring card (for the neutral side of the differential protection)
- X4** – TI-4: Standard ground current measuring card (for the line side of the differential protection)
- X5** – DI8-OR4: Assembly Group with 8 Digital Inputs and 4 Output Relays
- X6** – U DI8: Voltage measuring assembly group with 8 Digital Inputs
- X102** – Universal Resistance-Temperature Detector (URTD) input, Fiber optics interface, ST Connector
- X103** – Fiber optics interface, LC Connector
- X104** – IRIG-B00X, incl. System Contact (Supervision Contact)

MCDGV4-2C0HLA



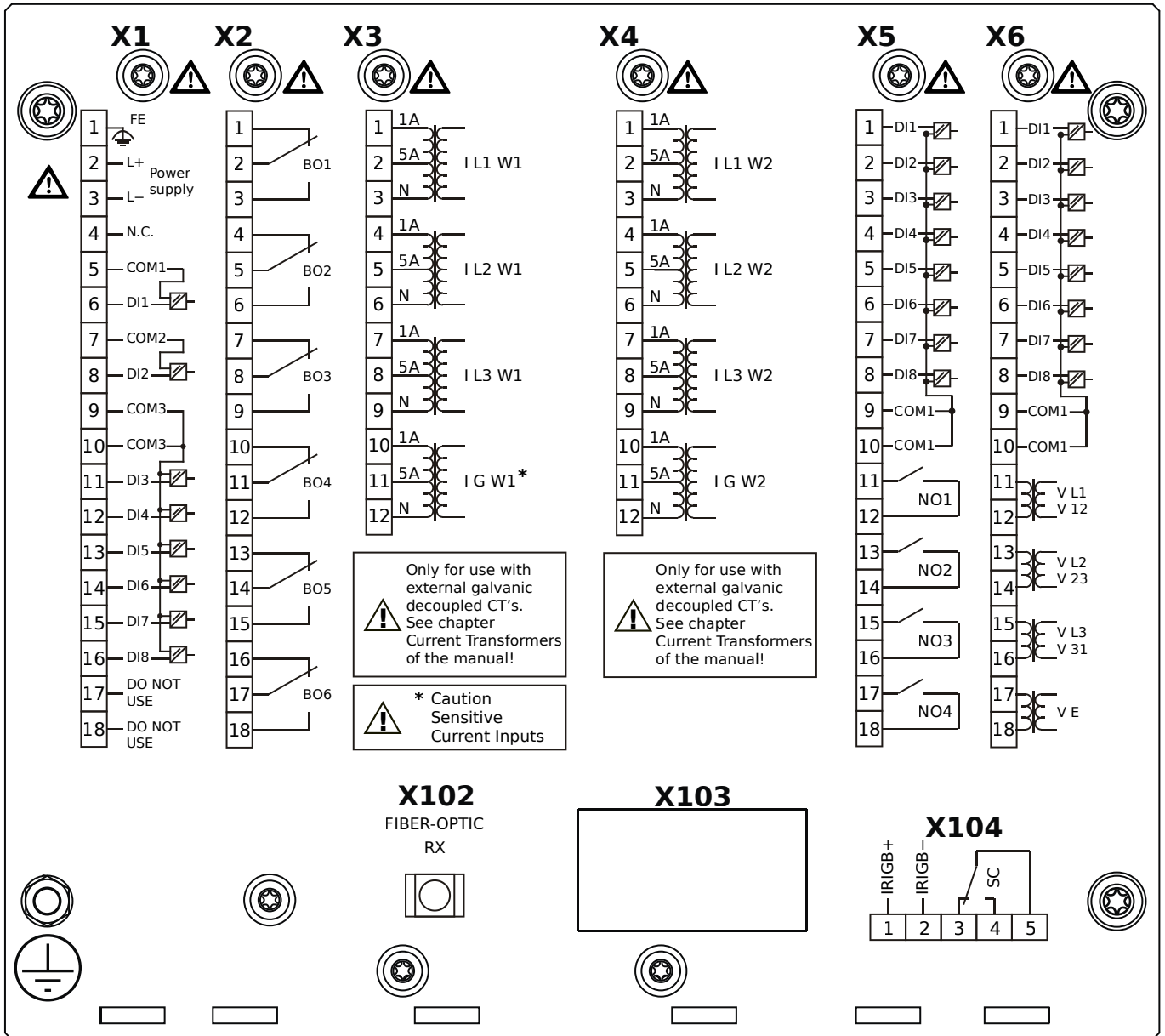
- X1** – DI8-X1: Wide-range power supply unit, incl. 2 non-grouped digital inputs and 6 grouped digital inputs
- X2** – OR-6: Assembly Group with 6 Relay Outputs
- X3** – TI-4: Standard ground current measuring card (for the neutral side of the differential protection)
- X4** – TI-4: Standard ground current measuring card (for the line side of the differential protection)
- X5** – DI8-OR4: Assembly Group with 8 Digital Inputs and 4 Output Relays
- X6** – U DI8: Voltage measuring assembly group with 8 Digital Inputs
- X102** – Universal Resistance-Temperature Detector (URTD) input, Fiber optics interface, ST Connector
- X103** – Fiber optics interface, LC Connector
- X104** – IRIG-B00X, incl. System Contact (Supervision Contact)

MCDGV4-2C0HLB



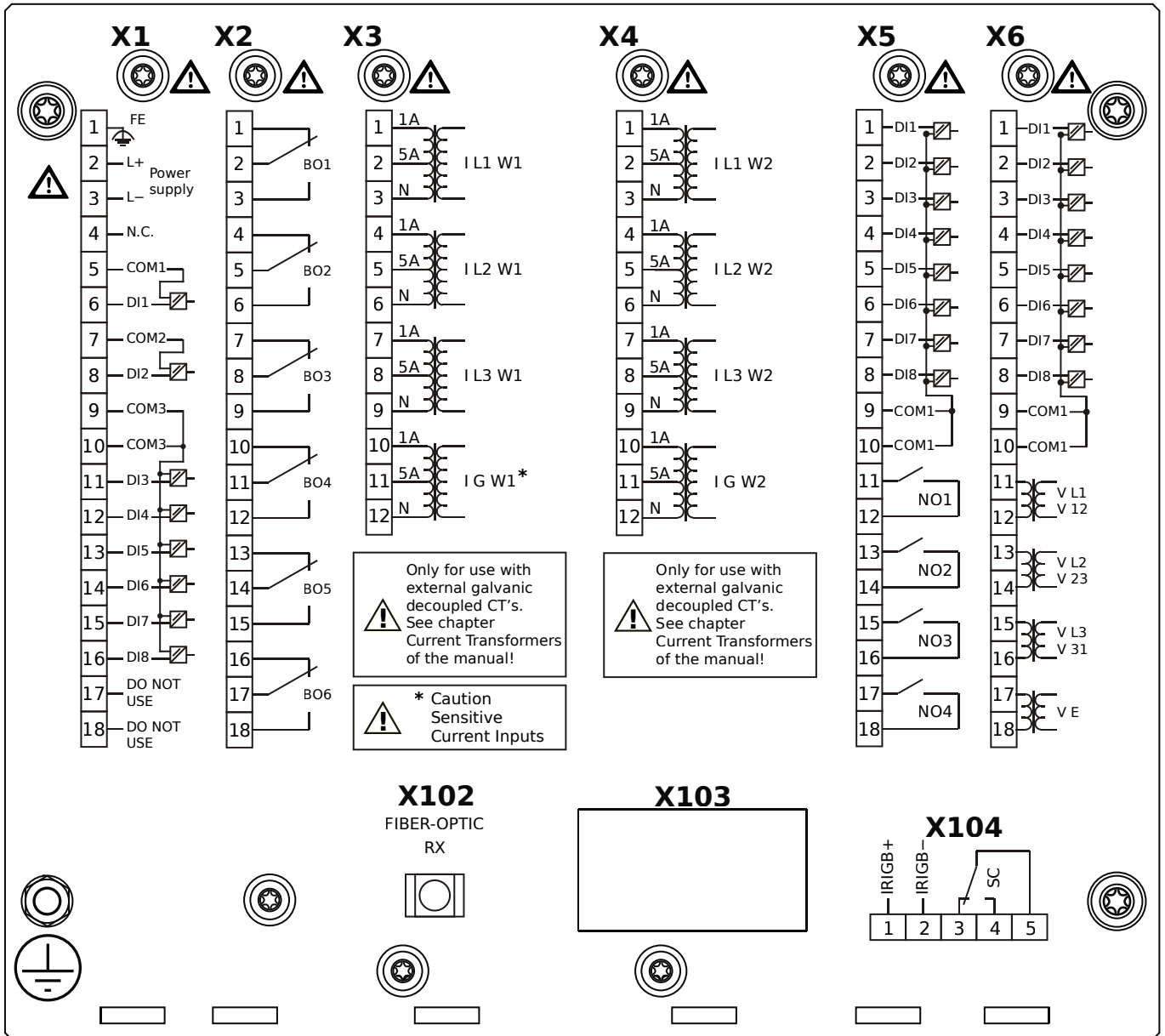
- X1** – DI8-X1: Wide-range power supply unit, incl. 2 non-grouped digital inputs and 6 grouped digital inputs
- X2** – OR-6: Assembly Group with 6 Relay Outputs
- X3** – TI-4: Standard ground current measuring card (for the neutral side of the differential protection)
- X4** – TI-4: Standard ground current measuring card (for the line side of the differential protection)
- X5** – DI8-OR4: Assembly Group with 8 Digital Inputs and 4 Output Relays
- X6** – U DI8: Voltage measuring assembly group with 8 Digital Inputs
- X102** – Universal Resistance-Temperature Detector (URTD) input, Fiber optics interface, ST Connector
- X103** – Fiber optics interface, LC Connector
- X104** – IRIG-B00X, incl. System Contact (Supervision Contact)

MCDGV4-2C1AAA



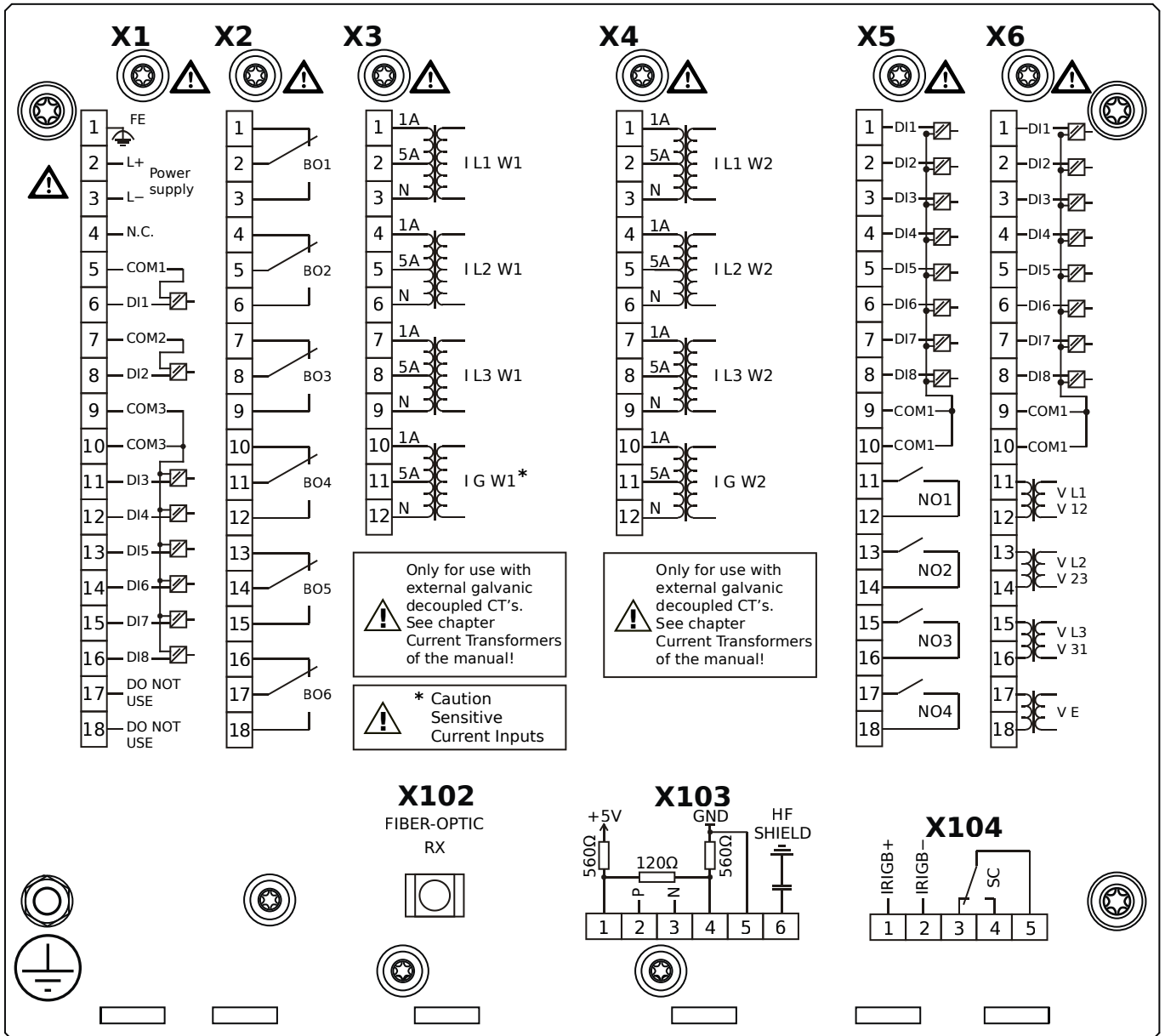
- X1** – DI8-X1: Wide-range power supply unit, incl. 2 non-grouped digital inputs and 6 grouped digital inputs
- X2** – OR-6: Assembly Group with 6 Relay Outputs
- X3** – TIS-4: Sensitive Ground current measuring card (for the neutral side of the differential protection)
- X4** – TI-4: Standard ground current measuring card (for the line side of the differential protection)
- X5** – DI8-OR4: Assembly Group with 8 Digital Inputs and 4 Output Relays
- X6** – U DI8: Voltage measuring assembly group with 8 Digital Inputs
- X102** – Universal Resistance-Temperature Detector (URTD) input, Fiber optics interface, ST Connector
- X104** – IRIG-B00X, incl. System Contact (Supervision Contact)

MCDGV4-2C1AAB



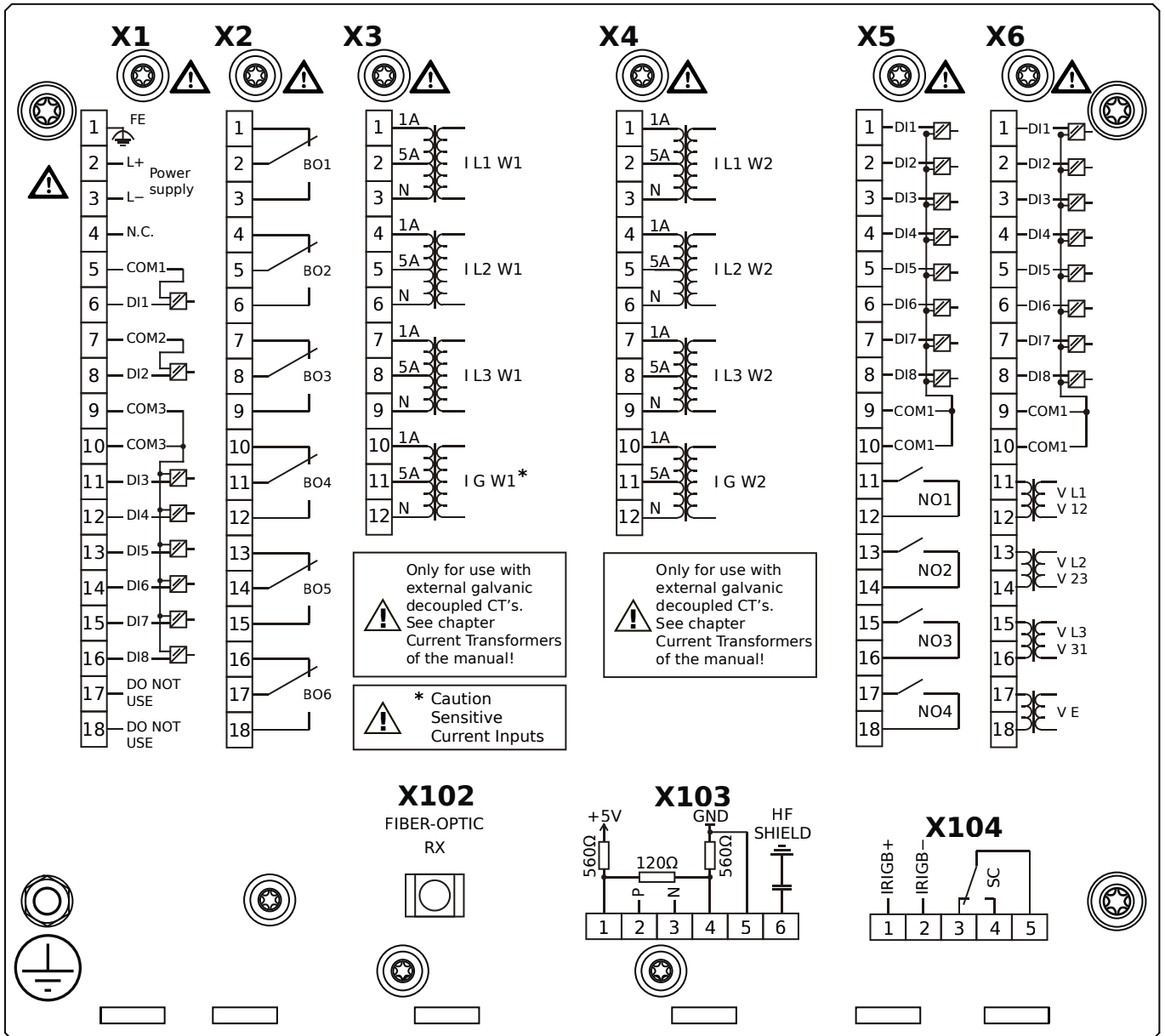
- X1** – DI8-X1: Wide-range power supply unit, incl. 2 non-grouped digital inputs and 6 grouped digital inputs
- X2** – OR-6: Assembly Group with 6 Relay Outputs
- X3** – TIS-4: Sensitive Ground current measuring card (for the neutral side of the differential protection)
- X4** – TI-4: Standard ground current measuring card (for the line side of the differential protection)
- X5** – DI8-OR4: Assembly Group with 8 Digital Inputs and 4 Output Relays
- X6** – U DI8: Voltage measuring assembly group with 8 Digital Inputs
- X102** – Universal Resistance-Temperature Detector (URTD) input, Fiber optics interface, ST Connector
- X104** – IRIG-B00X, incl. System Contact (Supervision Contact)

MCDGV4-2C1ABA



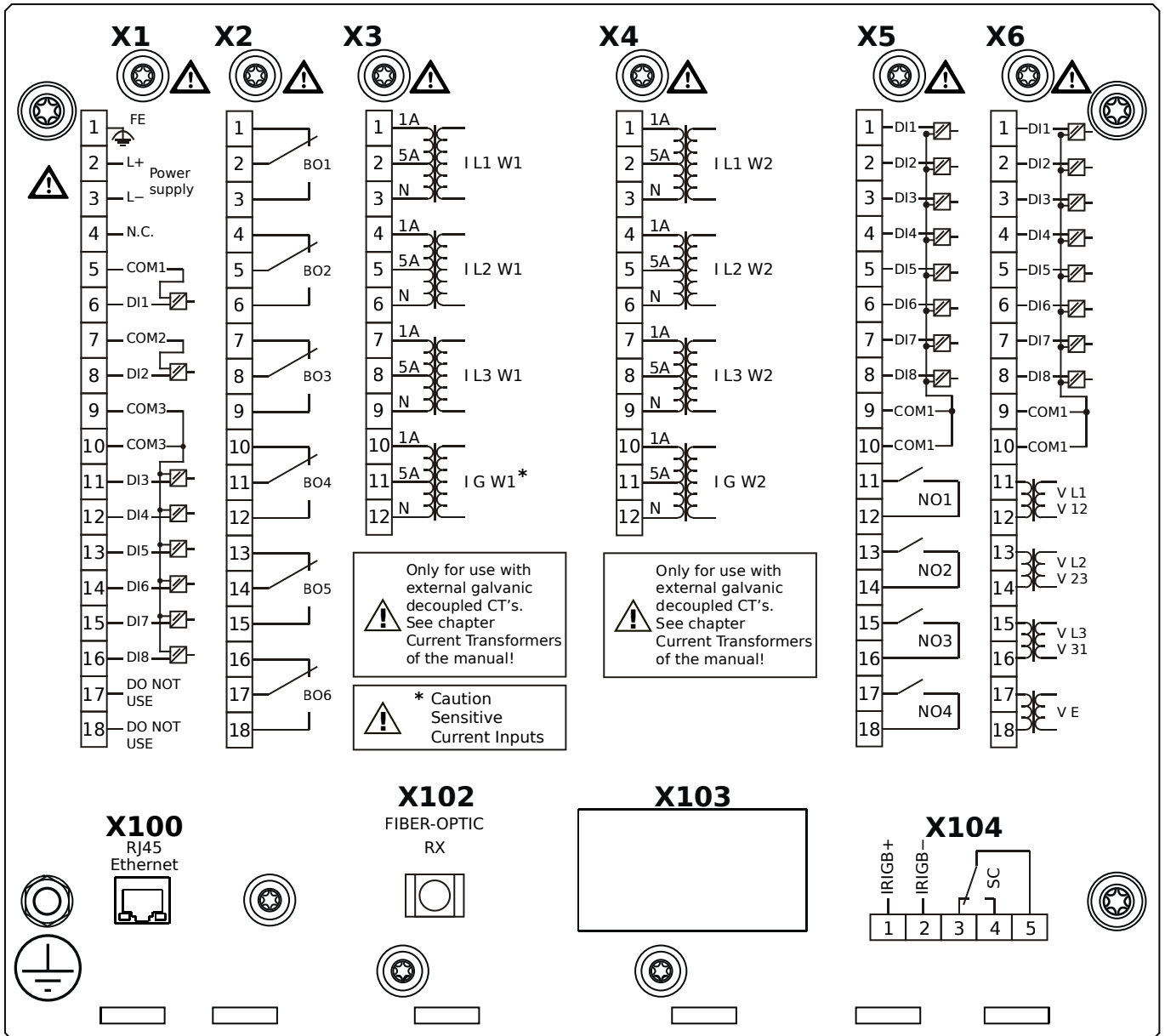
- X1** – DI8-X1: Wide-range power supply unit, incl. 2 non-grouped digital inputs and 6 grouped digital inputs
- X2** – OR-6: Assembly Group with 6 Relay Outputs
- X3** – TIS-4: Sensitive Ground current measuring card (for the neutral side of the differential protection)
- X4** – TI-4: Standard ground current measuring card (for the line side of the differential protection)
- X5** – DI8-OR4: Assembly Group with 8 Digital Inputs and 4 Output Relays
- X6** – U DI8: Voltage measuring assembly group with 8 Digital Inputs
- X102** – Universal Resistance-Temperature Detector (URTD) input, Fiber optics interface, ST Connector
- X103** – RS485, Terminals
- X104** – IRIG-B00X, incl. System Contact (Supervision Contact)

MCDGV4-2C1ABB



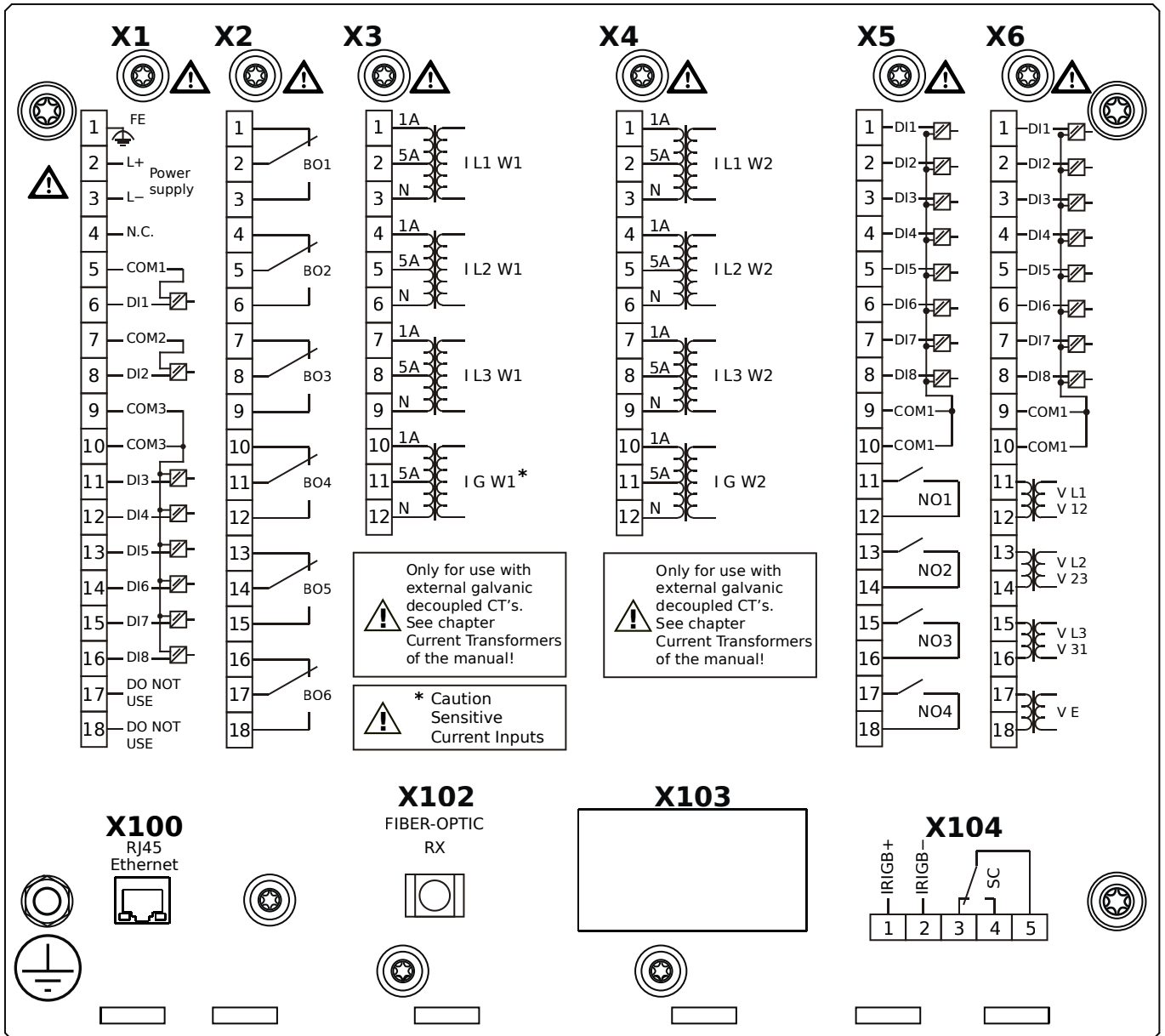
- X1** – DI8-X1: Wide-range power supply unit, incl. 2 non-grouped digital inputs and 6 grouped digital inputs
- X2** – OR-6: Assembly Group with 6 Relay Outputs
- X3** – TIS-4: Sensitive Ground current measuring card (for the neutral side of the differential protection)
- X4** – TI-4: Standard ground current measuring card (for the line side of the differential protection)
- X5** – DI8-OR4: Assembly Group with 8 Digital Inputs and 4 Output Relays
- X6** – U DI8: Voltage measuring assembly group with 8 Digital Inputs
- X102** – Universal Resistance-Temperature Detector (URTD) input, Fiber optics interface, ST Connector
- X103** – RS485, Terminals
- X104** – IRIG-B00X, incl. System Contact (Supervision Contact)

MCDGV4-2C1ACA



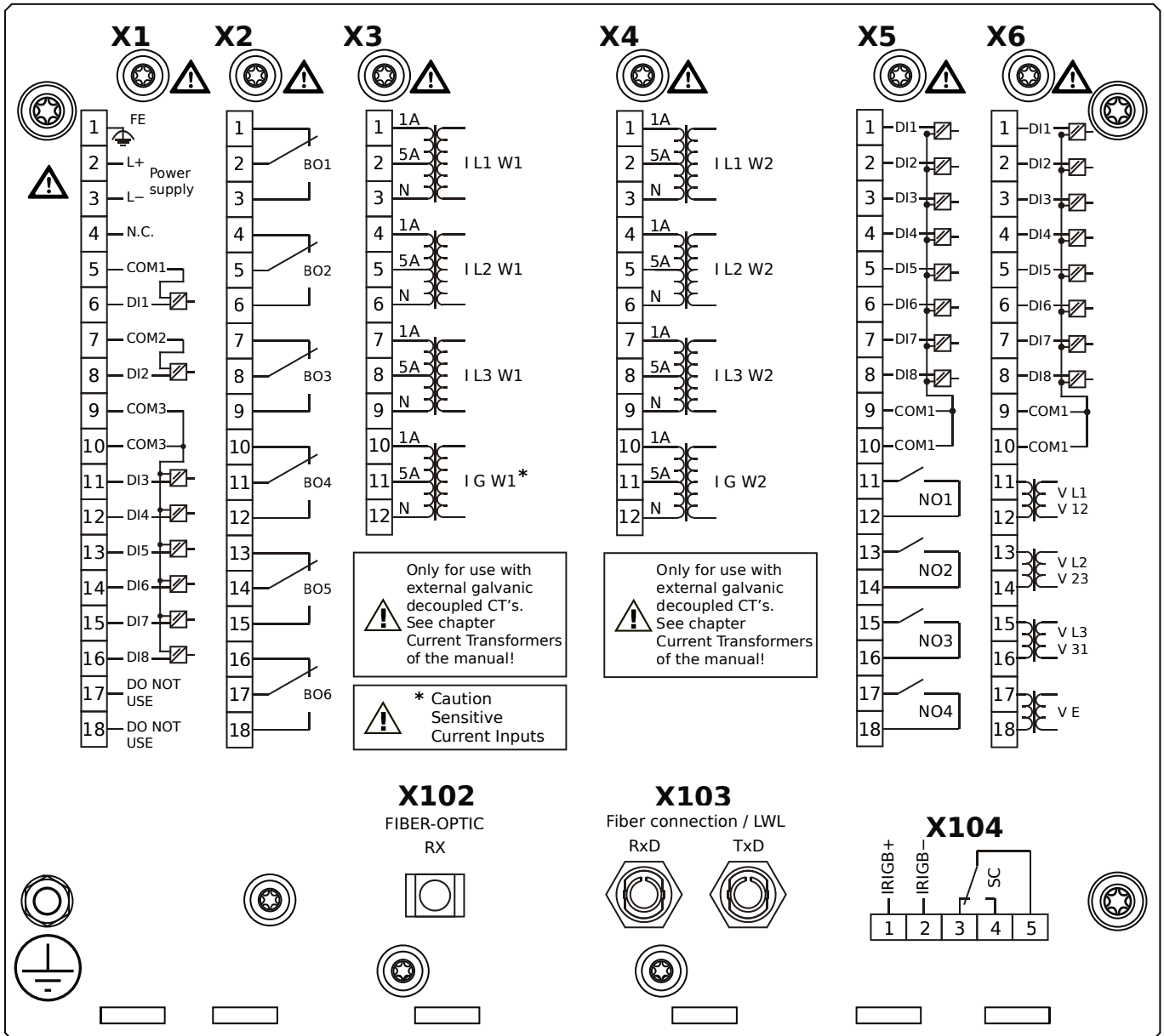
- X1** – DI8-X1: Wide-range power supply unit, incl. 2 non-grouped digital inputs and 6 grouped digital inputs
- X2** – OR-6: Assembly Group with 6 Relay Outputs
- X3** – TIS-4: Sensitive Ground current measuring card (for the neutral side of the differential protection)
- X4** – TI-4: Standard ground current measuring card (for the line side of the differential protection)
- X5** – DI8-OR4: Assembly Group with 8 Digital Inputs and 4 Output Relays
- X6** – U DI8: Voltage measuring assembly group with 8 Digital Inputs
- X100** – Ethernet interface, 100 Mbit/s, RJ45
- X102** – Universal Resistance-Temperature Detector (URTD) input, Fiber optics interface, ST Connector
- X104** – IRIG-B00X, incl. System Contact (Supervision Contact)

MCDGV4-2C1ACB



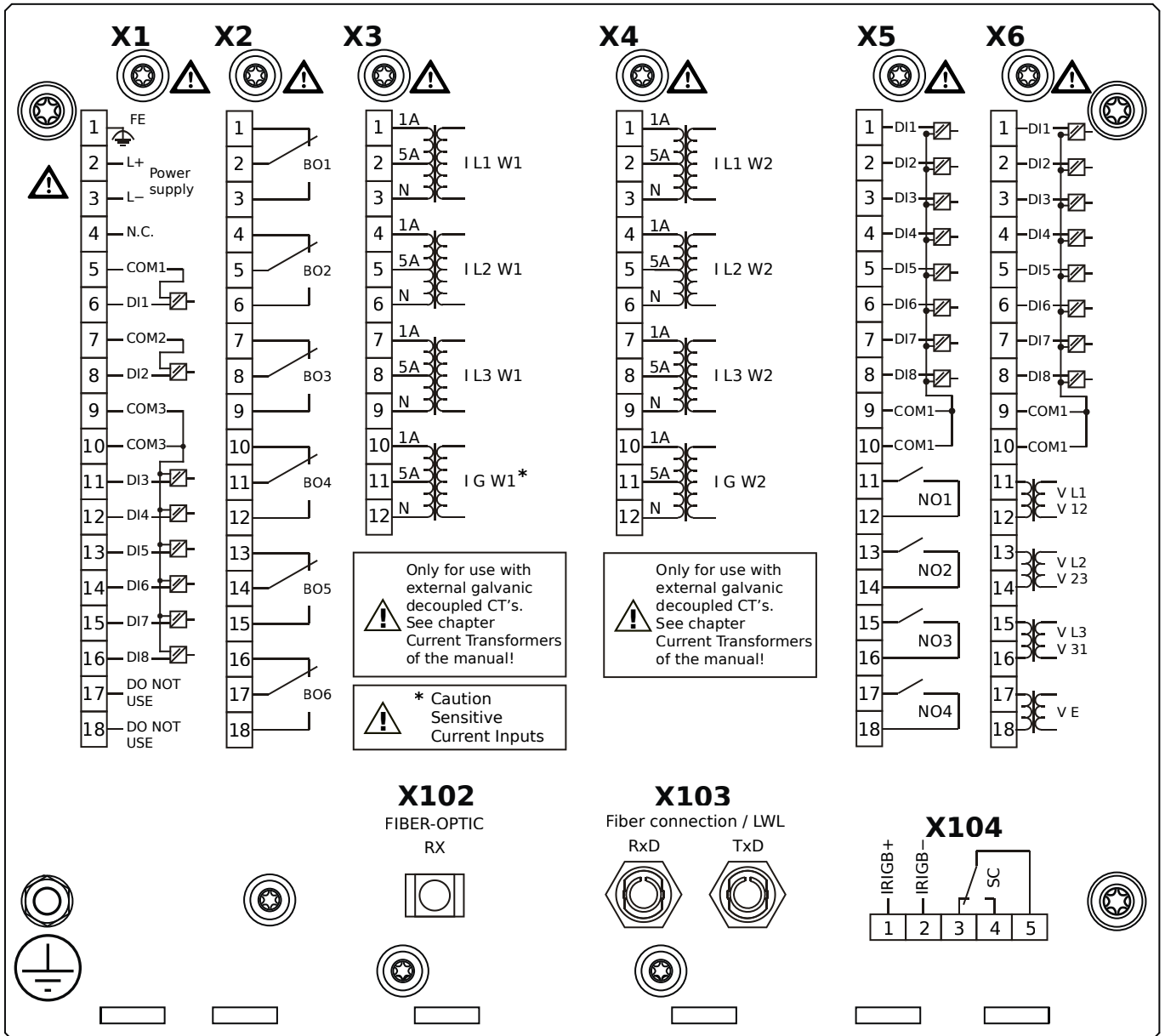
- X1** – DI8-X1: Wide-range power supply unit, incl. 2 non-grouped digital inputs and 6 grouped digital inputs
- X2** – OR-6: Assembly Group with 6 Relay Outputs
- X3** – TIS-4: Sensitive Ground current measuring card (for the neutral side of the differential protection)
- X4** – TI-4: Standard ground current measuring card (for the line side of the differential protection)
- X5** – DI8-OR4: Assembly Group with 8 Digital Inputs and 4 Output Relays
- X6** – U DI8: Voltage measuring assembly group with 8 Digital Inputs
- X100** – Ethernet interface, 100 Mbit/s, RJ45
- X102** – Universal Resistance-Temperature Detector (URTD) input, Fiber optics interface, ST Connector
- X104** – IRIG-B00X, incl. System Contact (Supervision Contact)

MCDGV4-2C1ADA



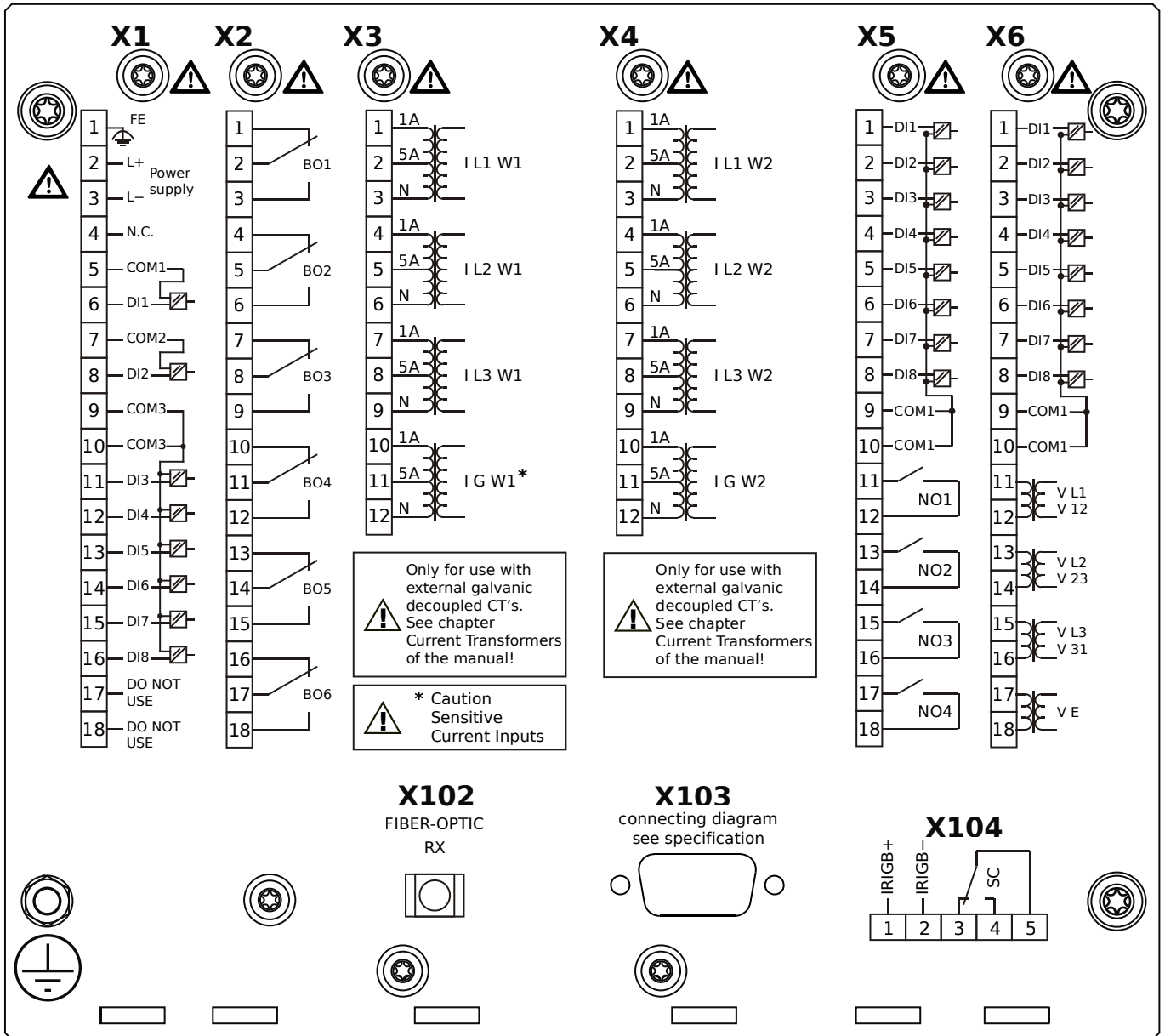
- X1** – DI8-X1: Wide-range power supply unit, incl. 2 non-grouped digital inputs and 6 grouped digital inputs
- X2** – OR-6: Assembly Group with 6 Relay Outputs
- X3** – TIS-4: Sensitive Ground current measuring card (for the neutral side of the differential protection)
- X4** – TI-4: Standard ground current measuring card (for the line side of the differential protection)
- X5** – DI8-OR4: Assembly Group with 8 Digital Inputs and 4 Output Relays
- X6** – U DI8: Voltage measuring assembly group with 8 Digital Inputs
- X102** – Universal Resistance-Temperature Detector (URTD) input, Fiber optics interface, ST Connector
- X103** – Fiber optics interface, ST Connector
- X104** – IRIG-B00X, incl. System Contact (Supervision Contact)

MCDGV4-2C1ADB



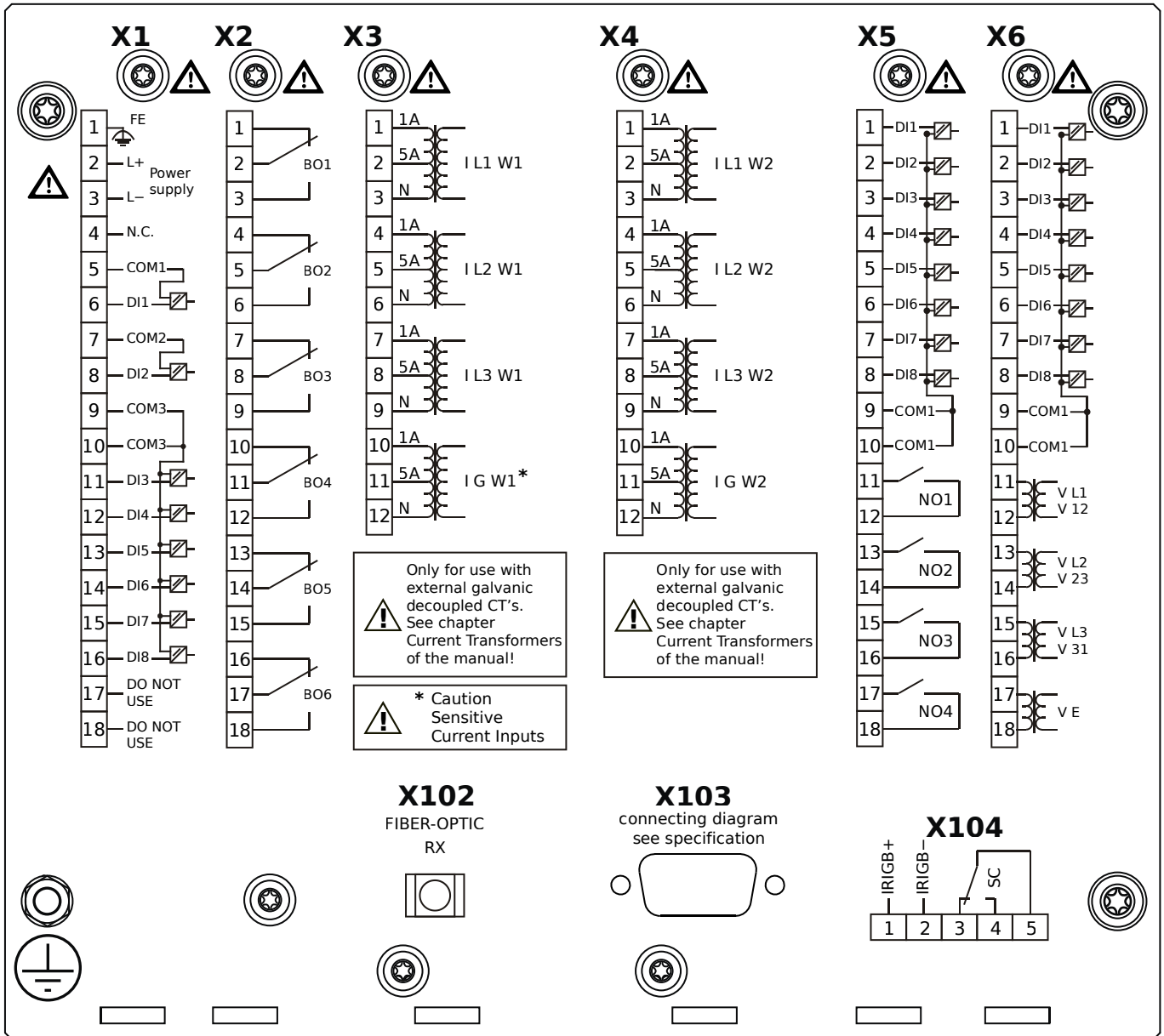
- X1** – DI8-X1: Wide-range power supply unit, incl. 2 non-grouped digital inputs and 6 grouped digital inputs
- X2** – OR-6: Assembly Group with 6 Relay Outputs
- X3** – TIS-4: Sensitive Ground current measuring card (for the neutral side of the differential protection)
- X4** – TI-4: Standard ground current measuring card (for the line side of the differential protection)
- X5** – DI8-OR4: Assembly Group with 8 Digital Inputs and 4 Output Relays
- X6** – U DI8: Voltage measuring assembly group with 8 Digital Inputs
- X102** – Universal Resistance-Temperature Detector (URTD) input, Fiber optics interface, ST Connector
- X103** – Fiber optics interface, ST Connector
- X104** – IRIG-B00X, incl. System Contact (Supervision Contact)

MCDGV4-2C1AEA



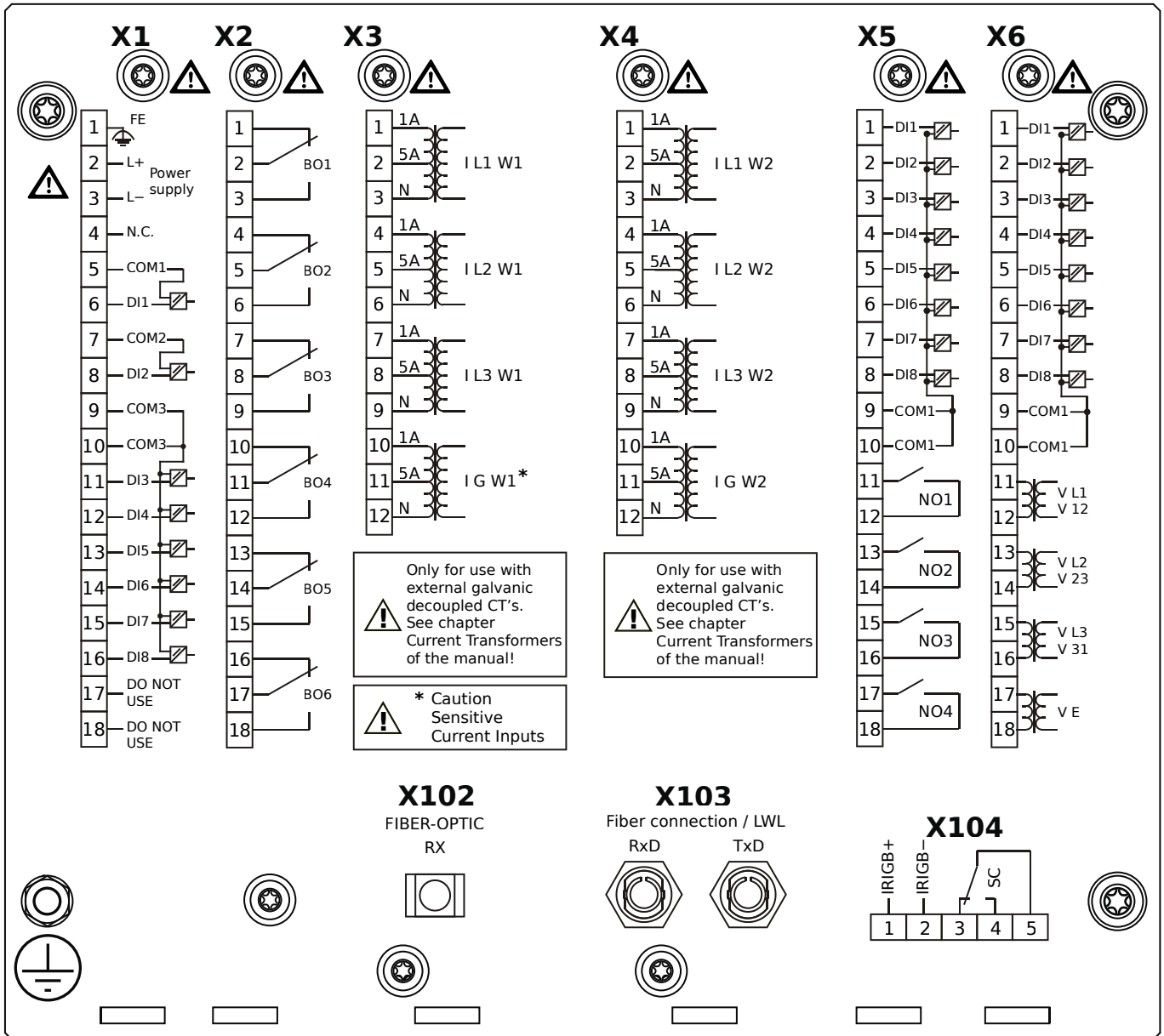
- X1** – DI8-X1: Wide-range power supply unit, incl. 2 non-grouped digital inputs and 6 grouped digital inputs
- X2** – OR-6: Assembly Group with 6 Relay Outputs
- X3** – TIS-4: Sensitive Ground current measuring card (for the neutral side of the differential protection)
- X4** – TI-4: Standard ground current measuring card (for the line side of the differential protection)
- X5** – DI8-OR4: Assembly Group with 8 Digital Inputs and 4 Output Relays
- X6** – U DI8: Voltage measuring assembly group with 8 Digital Inputs
- X102** – Universal Resistance-Temperature Detector (URTD) input, Fiber optics interface, ST Connector
- X103** – RS485, D-SUB
- X104** – IRIG-B00X, incl. System Contact (Supervision Contact)

MCDGV4-2C1AEB



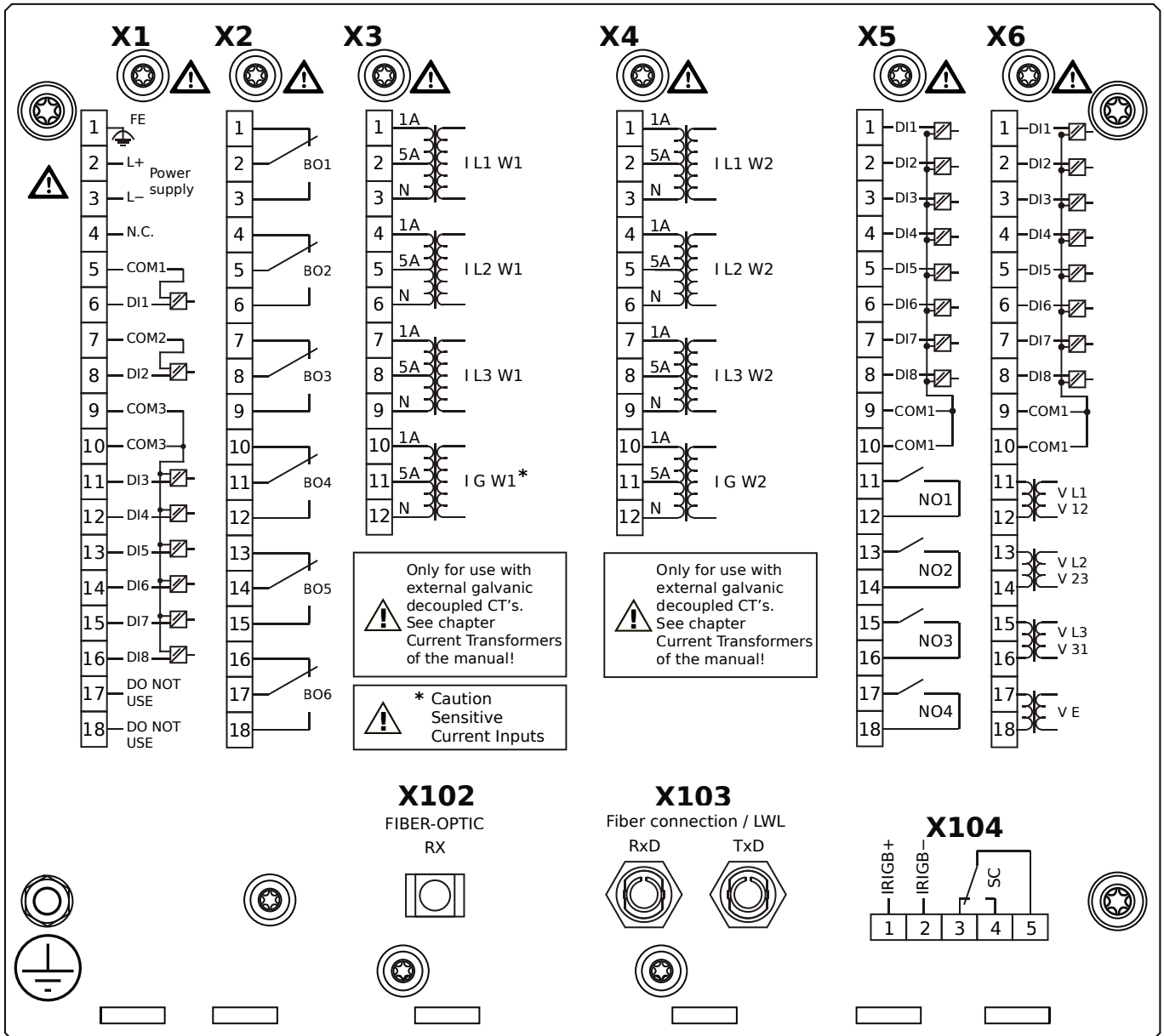
- X1** – DI8-X1: Wide-range power supply unit, incl. 2 non-grouped digital inputs and 6 grouped digital inputs
- X2** – OR-6: Assembly Group with 6 Relay Outputs
- X3** – TIS-4: Sensitive Ground current measuring card (for the neutral side of the differential protection)
- X4** – TI-4: Standard ground current measuring card (for the line side of the differential protection)
- X5** – DI8-OR4: Assembly Group with 8 Digital Inputs and 4 Output Relays
- X6** – U DI8: Voltage measuring assembly group with 8 Digital Inputs
- X102** – Universal Resistance-Temperature Detector (URTD) input, Fiber optics interface, ST Connector
- X103** – RS485, D-SUB
- X104** – IRIG-B00X, incl. System Contact (Supervision Contact)

MCDGV4-2C1AFA



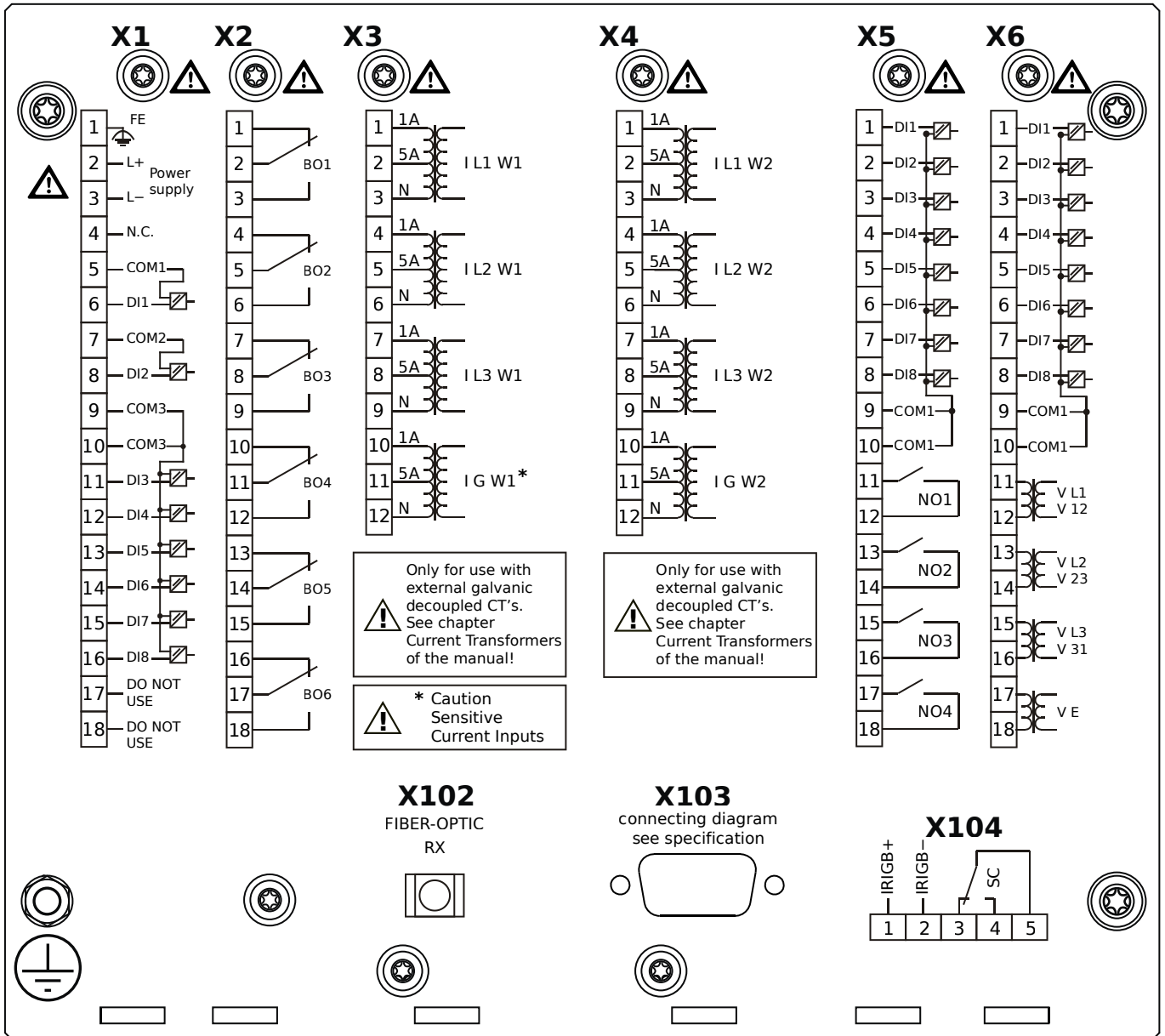
- X1** – DI8-X1: Wide-range power supply unit, incl. 2 non-grouped digital inputs and 6 grouped digital inputs
- X2** – OR-6: Assembly Group with 6 Relay Outputs
- X3** – TIS-4: Sensitive Ground current measuring card (for the neutral side of the differential protection)
- X4** – TI-4: Standard ground current measuring card (for the line side of the differential protection)
- X5** – DI8-OR4: Assembly Group with 8 Digital Inputs and 4 Output Relays
- X6** – U DI8: Voltage measuring assembly group with 8 Digital Inputs
- X102** – Universal Resistance-Temperature Detector (URTD) input, Fiber optics interface, ST Connector
- X103** – Fiber optics interface, ST Connector
- X104** – IRIG-B00X, incl. System Contact (Supervision Contact)

MCDGV4-2C1AFB



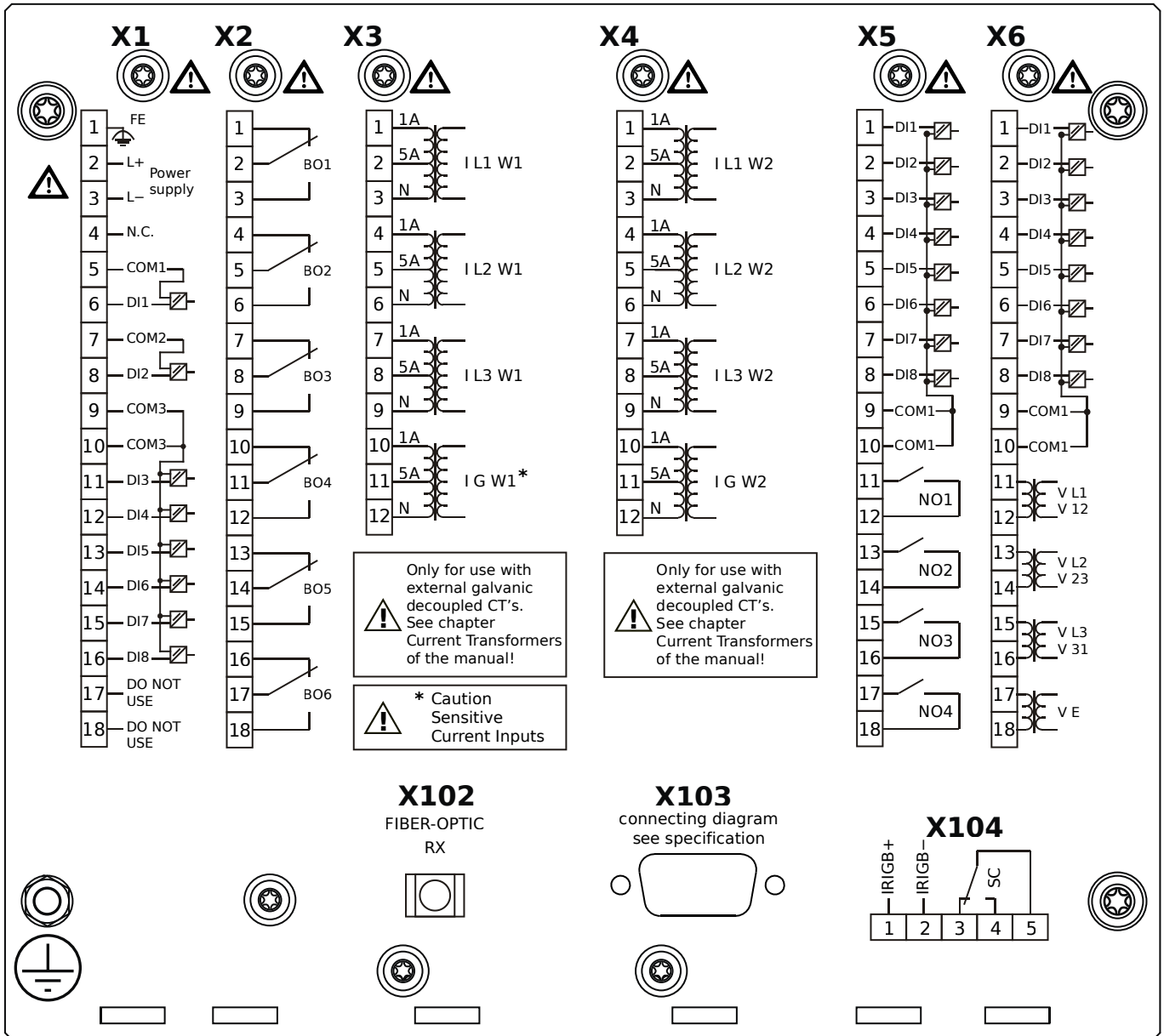
- X1** – DI8-X1: Wide-range power supply unit, incl. 2 non-grouped digital inputs and 6 grouped digital inputs
- X2** – OR-6: Assembly Group with 6 Relay Outputs
- X3** – TIS-4: Sensitive Ground current measuring card (for the neutral side of the differential protection)
- X4** – TI-4: Standard ground current measuring card (for the line side of the differential protection)
- X5** – DI8-OR4: Assembly Group with 8 Digital Inputs and 4 Output Relays
- X6** – U DI8: Voltage measuring assembly group with 8 Digital Inputs
- X102** – Universal Resistance-Temperature Detector (URTD) input, Fiber optics interface, ST Connector
- X103** – Fiber optics interface, ST Connector
- X104** – IRIG-B00X, incl. System Contact (Supervision Contact)

MCDGV4-2C1AGA



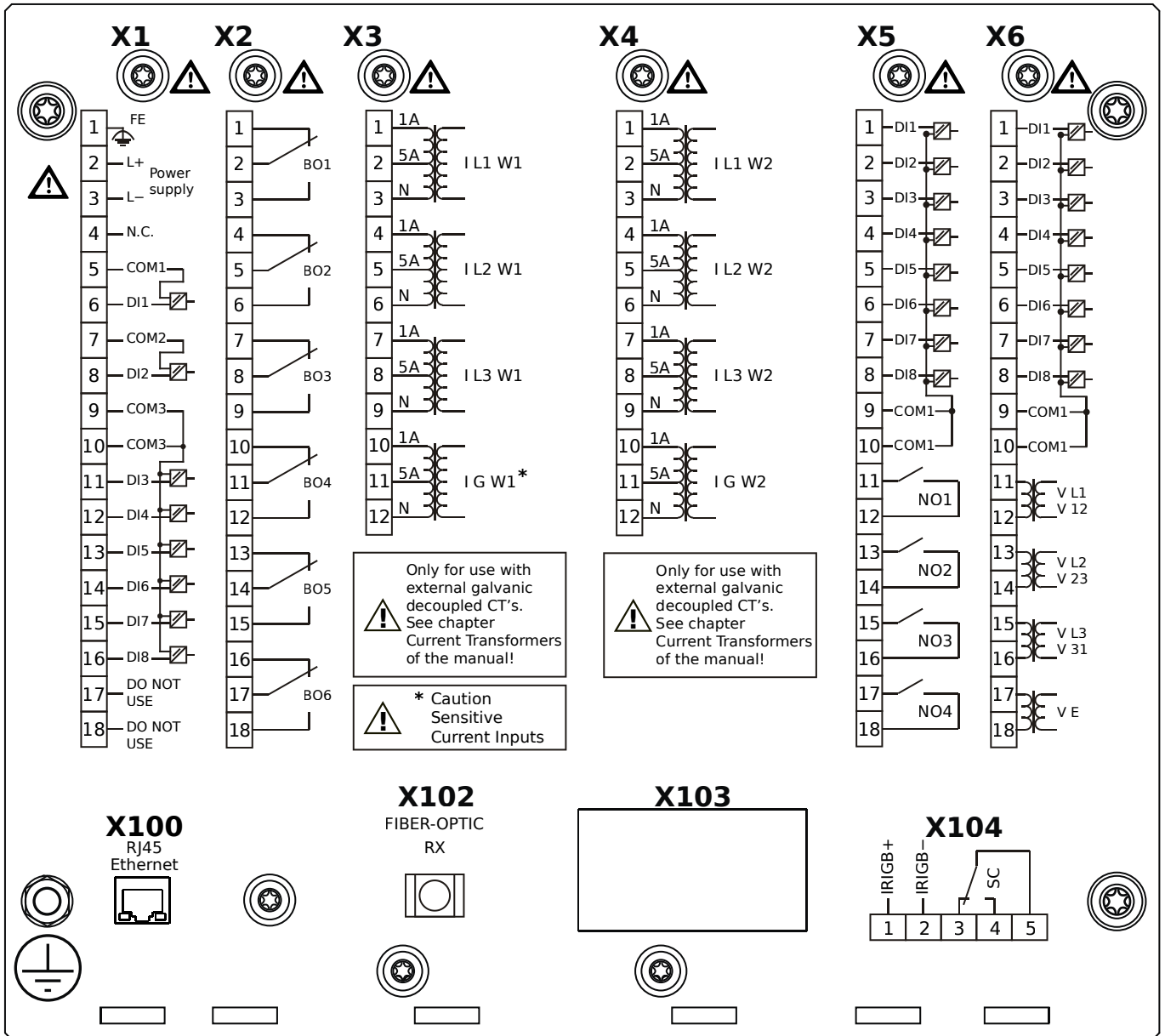
- X1** – DI8-X1: Wide-range power supply unit, incl. 2 non-grouped digital inputs and 6 grouped digital inputs
- X2** – OR-6: Assembly Group with 6 Relay Outputs
- X3** – TIS-4: Sensitive Ground current measuring card (for the neutral side of the differential protection)
- X4** – TI-4: Standard ground current measuring card (for the line side of the differential protection)
- X5** – DI8-OR4: Assembly Group with 8 Digital Inputs and 4 Output Relays
- X6** – U DI8: Voltage measuring assembly group with 8 Digital Inputs
- X102** – Universal Resistance-Temperature Detector (URTD) input, Fiber optics interface, ST Connector
- X103** – RS485, D-SUB
- X104** – IRIG-B00X, incl. System Contact (Supervision Contact)

MCDGV4-2C1AGB



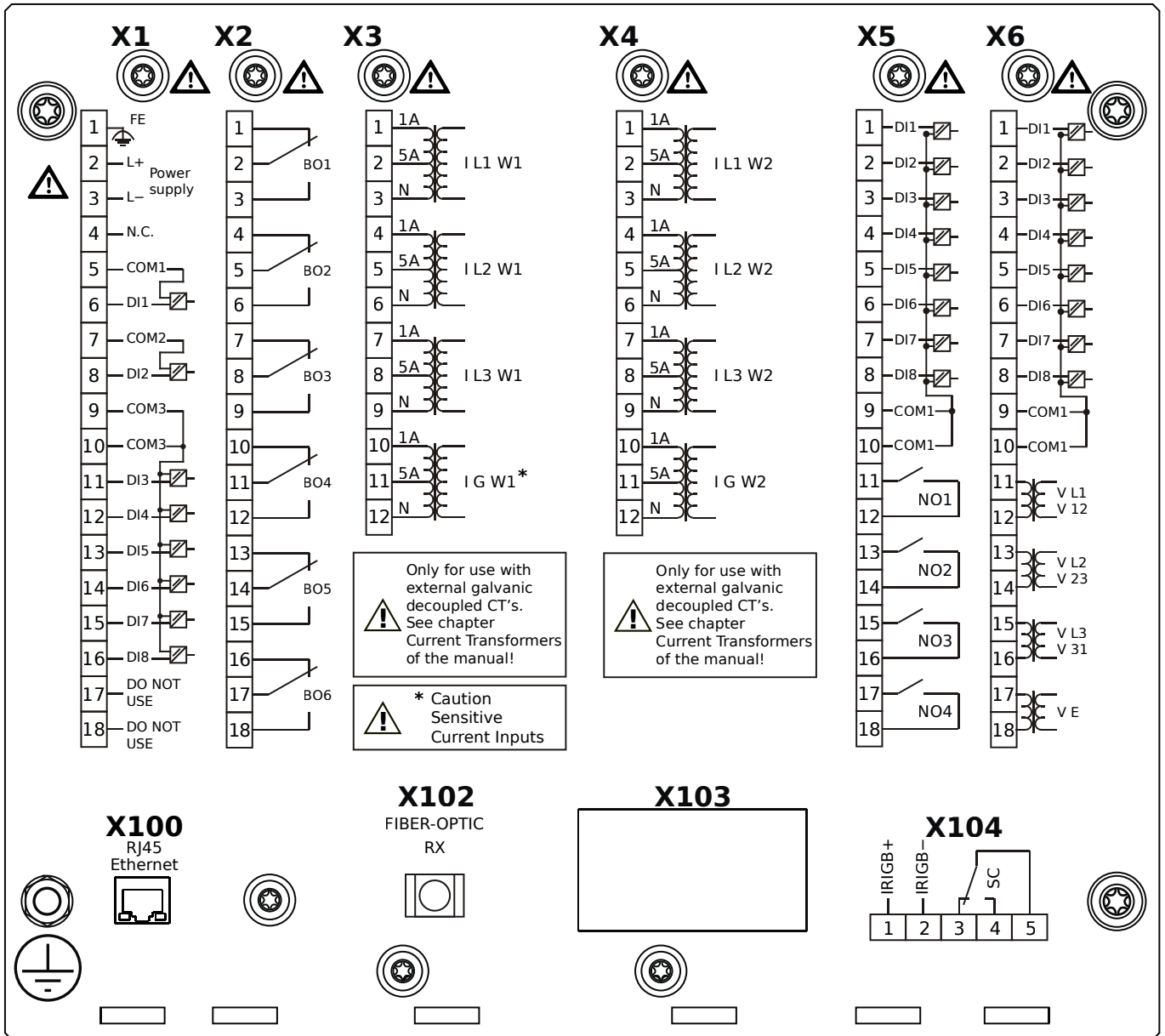
- X1** – DI8-X1: Wide-range power supply unit, incl. 2 non-grouped digital inputs and 6 grouped digital inputs
- X2** – OR-6: Assembly Group with 6 Relay Outputs
- X3** – TIS-4: Sensitive Ground current measuring card (for the neutral side of the differential protection)
- X4** – TI-4: Standard ground current measuring card (for the line side of the differential protection)
- X5** – DI8-OR4: Assembly Group with 8 Digital Inputs and 4 Output Relays
- X6** – U DI8: Voltage measuring assembly group with 8 Digital Inputs
- X102** – Universal Resistance-Temperature Detector (URTD) input, Fiber optics interface, ST Connector
- X103** – RS485, D-SUB
- X104** – IRIG-B00X, incl. System Contact (Supervision Contact)

MCDGV4-2C1AHA



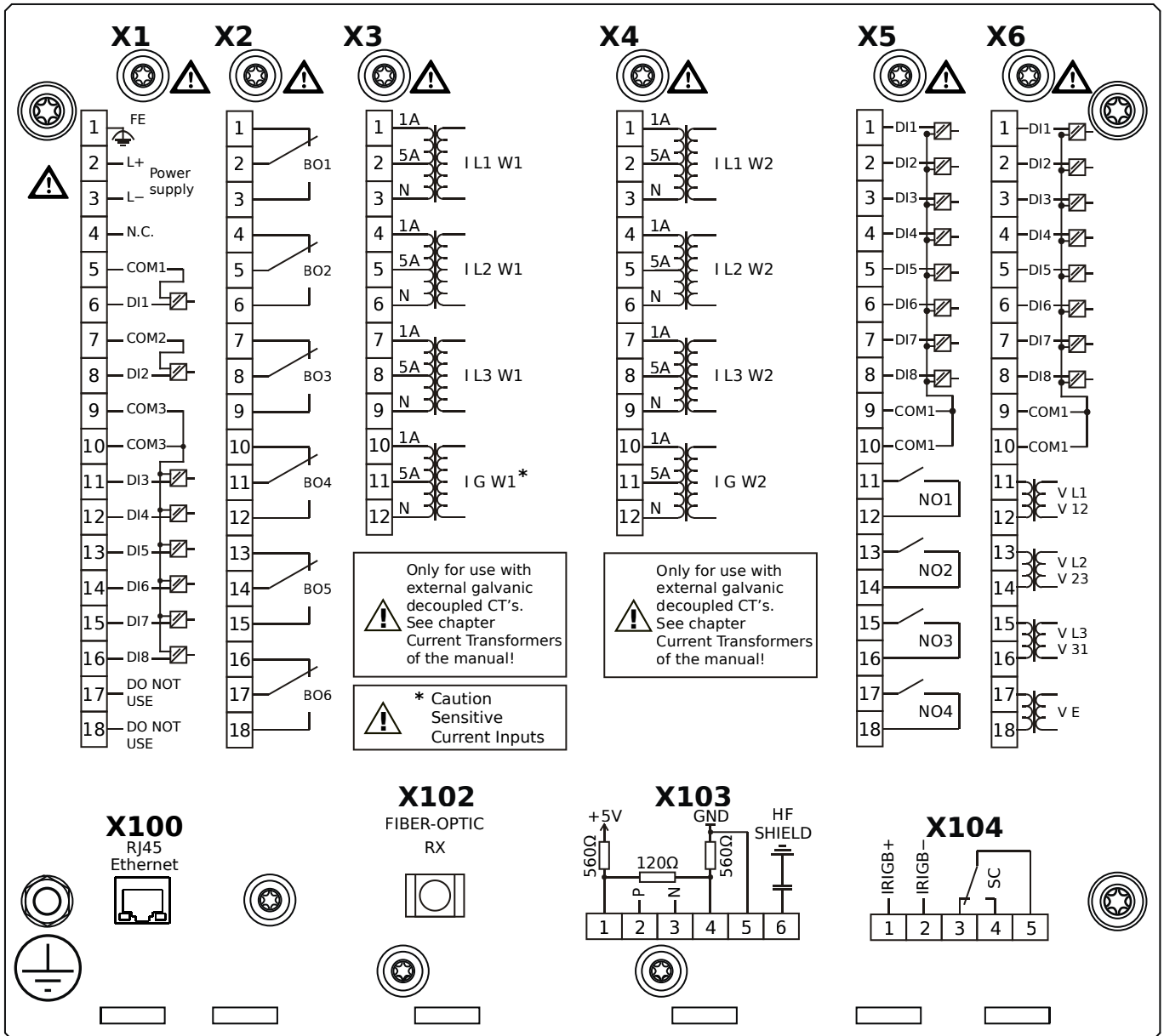
- X1** – DI8-X1: Wide-range power supply unit, incl. 2 non-grouped digital inputs and 6 grouped digital inputs
- X2** – OR-6: Assembly Group with 6 Relay Outputs
- X3** – TIS-4: Sensitive Ground current measuring card (for the neutral side of the differential protection)
- X4** – TI-4: Standard ground current measuring card (for the line side of the differential protection)
- X5** – DI8-OR4: Assembly Group with 8 Digital Inputs and 4 Output Relays
- X6** – U DI8: Voltage measuring assembly group with 8 Digital Inputs
- X100** – Ethernet interface, 100 Mbit/s, RJ45
- X102** – Universal Resistance-Temperature Detector (URTD) input, Fiber optics interface, ST Connector
- X104** – IRIG-B00X, incl. System Contact (Supervision Contact)

MCDGV4-2C1AHB



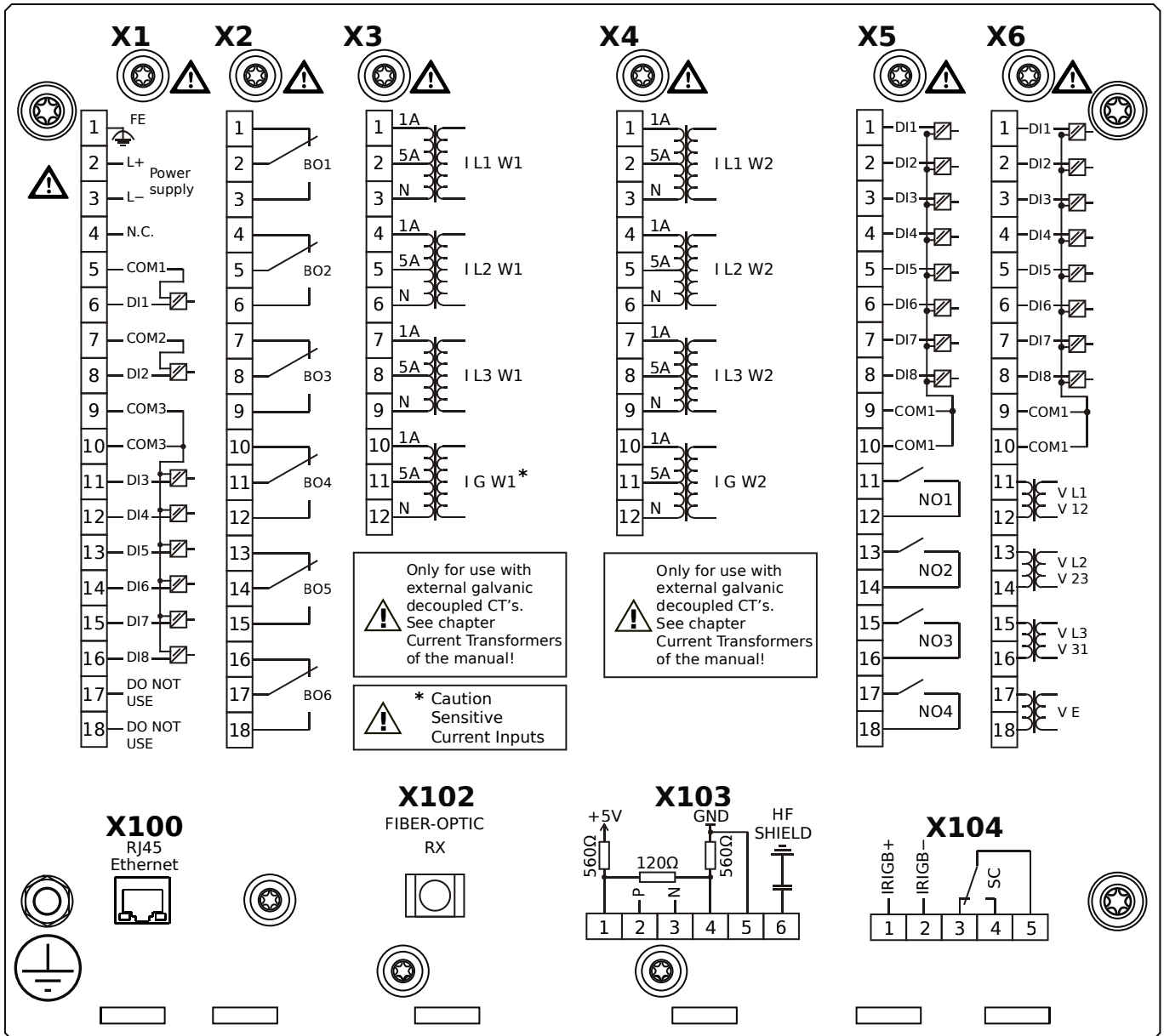
- X1** – DI8-X1: Wide-range power supply unit, incl. 2 non-grouped digital inputs and 6 grouped digital inputs
- X2** – OR-6: Assembly Group with 6 Relay Outputs
- X3** – TIS-4: Sensitive Ground current measuring card (for the neutral side of the differential protection)
- X4** – TI-4: Standard ground current measuring card (for the line side of the differential protection)
- X5** – DI8-OR4: Assembly Group with 8 Digital Inputs and 4 Output Relays
- X6** – U DI8: Voltage measuring assembly group with 8 Digital Inputs
- X100** – Ethernet interface, 100 Mbit/s, RJ45
- X102** – Universal Resistance-Temperature Detector (URTD) input, Fiber optics interface, ST Connector
- X104** – IRIG-B00X, incl. System Contact (Supervision Contact)

MCDGV4-2C1AIA



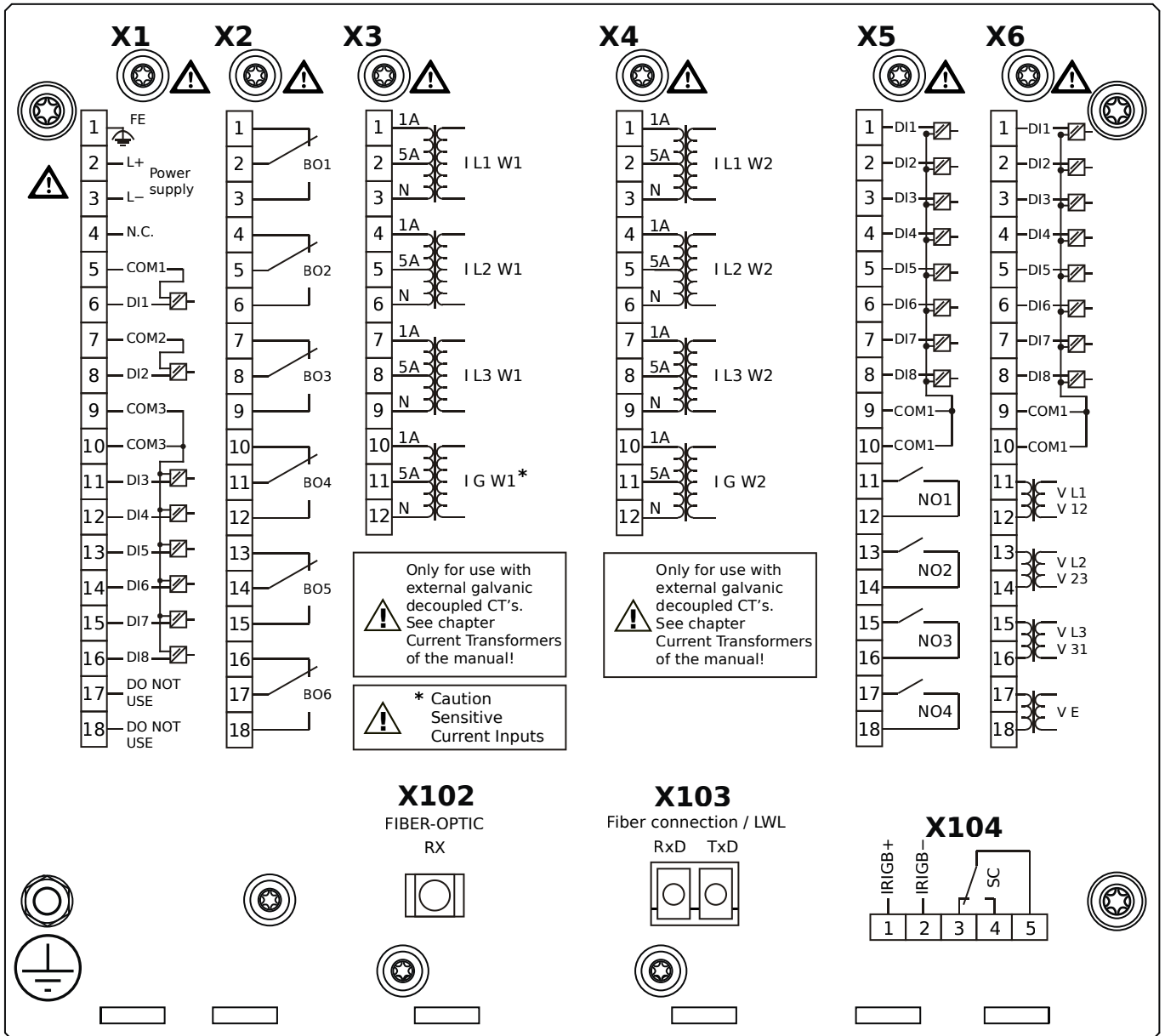
- X1** – DI8-X1: Wide-range power supply unit, incl. 2 non-grouped digital inputs and 6 grouped digital inputs
- X2** – OR-6: Assembly Group with 6 Relay Outputs
- X3** – TIS-4: Sensitive Ground current measuring card (for the neutral side of the differential protection)
- X4** – TI-4: Standard ground current measuring card (for the line side of the differential protection)
- X5** – DI8-OR4: Assembly Group with 8 Digital Inputs and 4 Output Relays
- X6** – U DI8: Voltage measuring assembly group with 8 Digital Inputs
- X100** – Ethernet interface, 100 Mbit/s, RJ45
- X102** – Universal Resistance-Temperature Detector (URTD) input, Fiber optics interface, ST Connector
- X103** – RS485, Terminals
- X104** – IRIG-B00X, incl. System Contact (Supervision Contact)

MCDGV4-2C1AIB



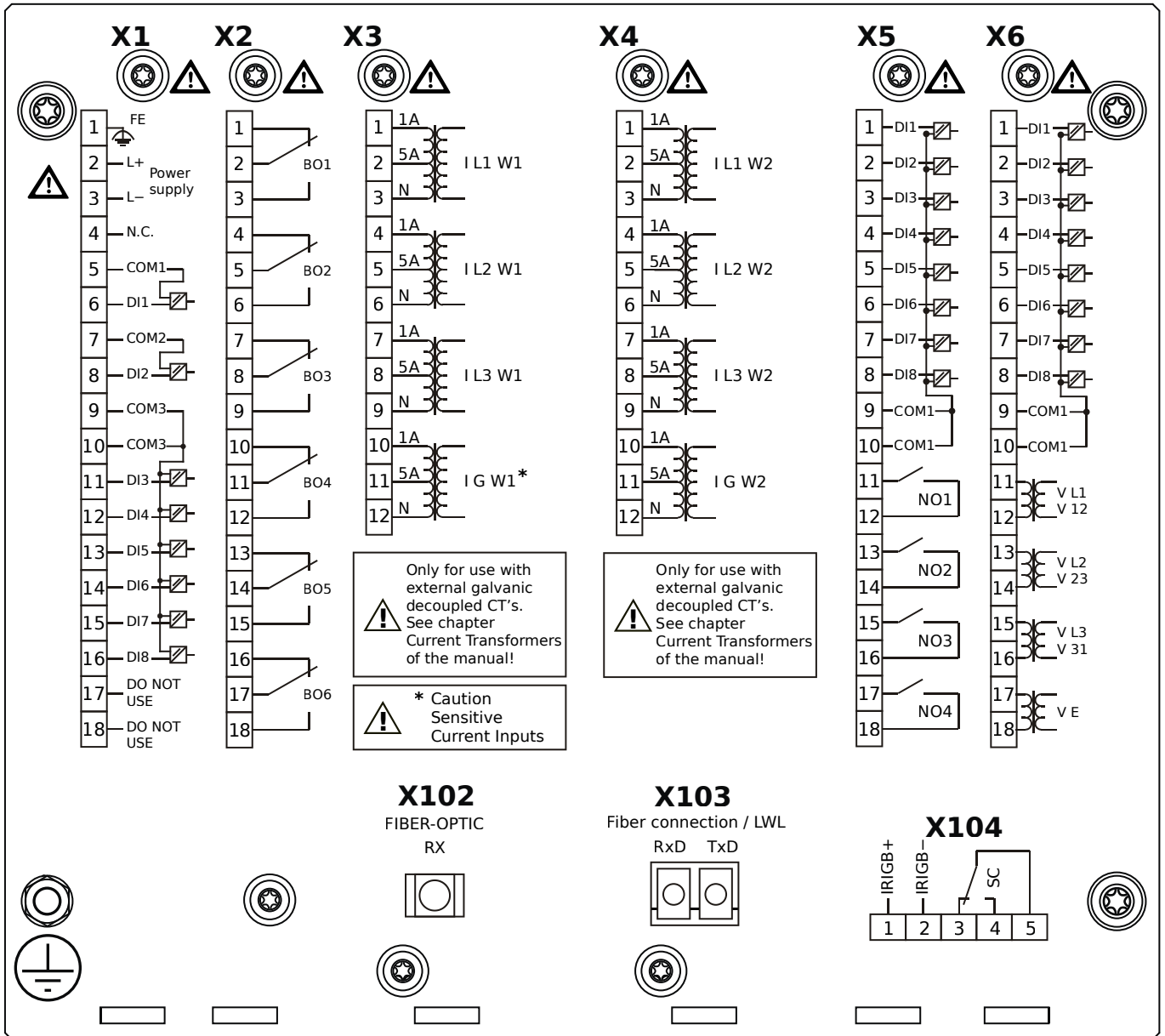
- X1** – DI8-X1: Wide-range power supply unit, incl. 2 non-grouped digital inputs and 6 grouped digital inputs
- X2** – OR-6: Assembly Group with 6 Relay Outputs
- X3** – TIS-4: Sensitive Ground current measuring card (for the neutral side of the differential protection)
- X4** – TI-4: Standard ground current measuring card (for the line side of the differential protection)
- X5** – DI8-OR4: Assembly Group with 8 Digital Inputs and 4 Output Relays
- X6** – U DI8: Voltage measuring assembly group with 8 Digital Inputs
- X100** – Ethernet interface, 100 Mbit/s, RJ45
- X102** – Universal Resistance-Temperature Detector (URTD) input, Fiber optics interface, ST Connector
- X103** – RS485, Terminals
- X104** – IRIG-B00X, incl. System Contact (Supervision Contact)

MCDGV4-2C1AKA



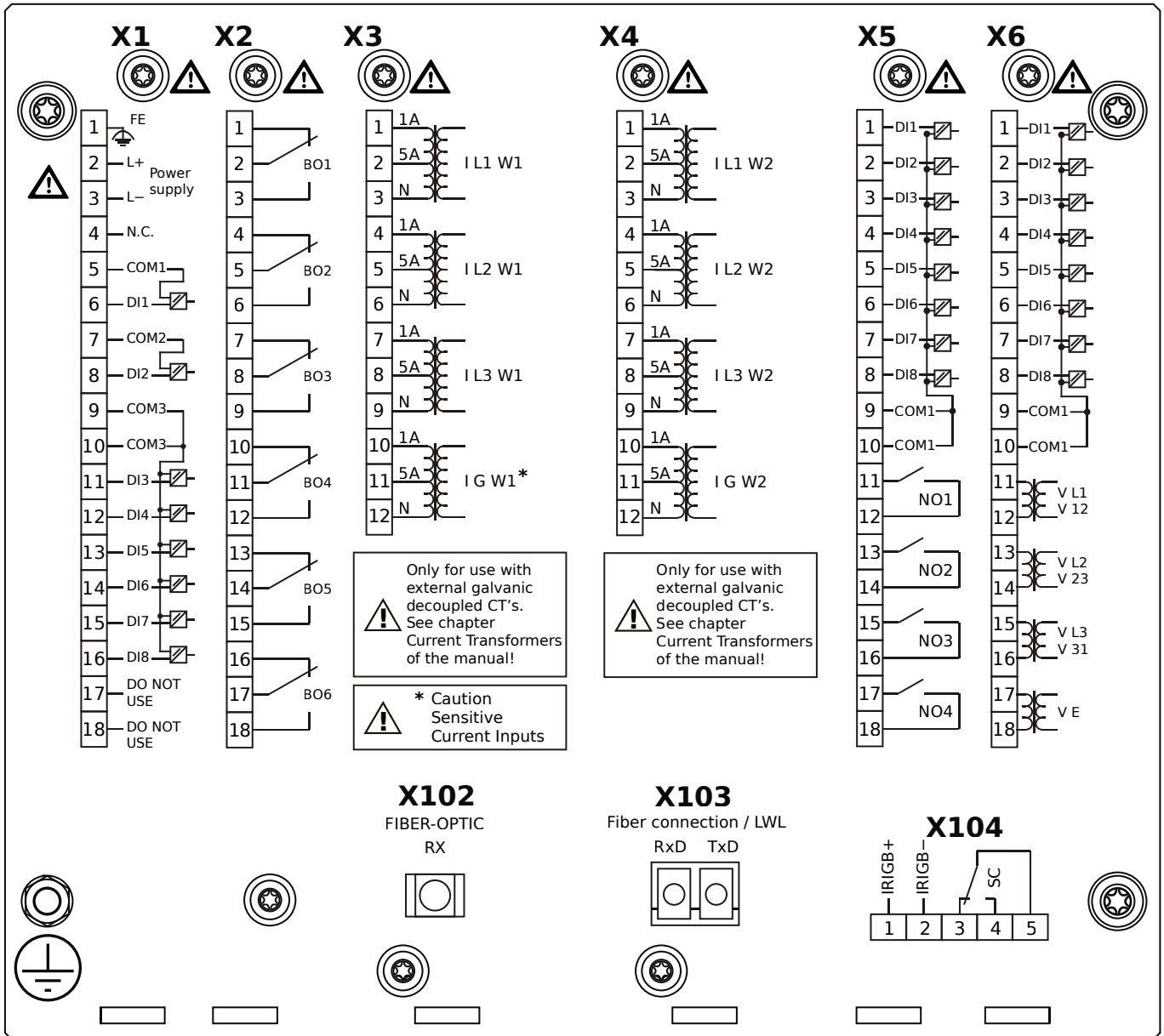
- X1** – DI8-X1: Wide-range power supply unit, incl. 2 non-grouped digital inputs and 6 grouped digital inputs
- X2** – OR-6: Assembly Group with 6 Relay Outputs
- X3** – TIS-4: Sensitive Ground current measuring card (for the neutral side of the differential protection)
- X4** – TI-4: Standard ground current measuring card (for the line side of the differential protection)
- X5** – DI8-OR4: Assembly Group with 8 Digital Inputs and 4 Output Relays
- X6** – U DI8: Voltage measuring assembly group with 8 Digital Inputs
- X102** – Universal Resistance-Temperature Detector (URTD) input, Fiber optics interface, ST Connector
- X103** – Fiber optics interface, LC Connector
- X104** – IRIG-B00X, incl. System Contact (Supervision Contact)

MCDGV4-2C1AKB



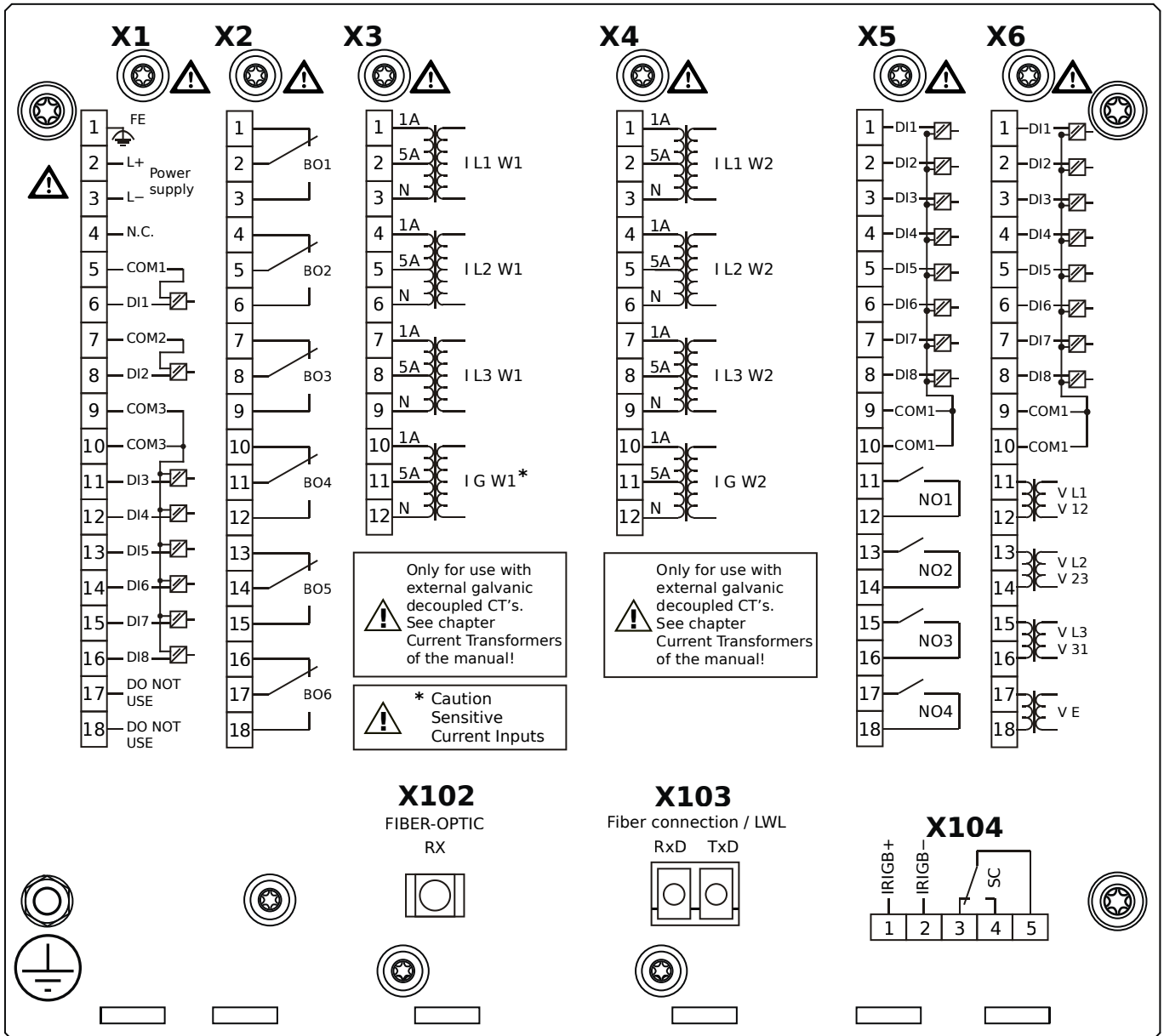
- X1** – DI8-X1: Wide-range power supply unit, incl. 2 non-grouped digital inputs and 6 grouped digital inputs
- X2** – OR-6: Assembly Group with 6 Relay Outputs
- X3** – TIS-4: Sensitive Ground current measuring card (for the neutral side of the differential protection)
- X4** – TI-4: Standard ground current measuring card (for the line side of the differential protection)
- X5** – DI8-OR4: Assembly Group with 8 Digital Inputs and 4 Output Relays
- X6** – U DI8: Voltage measuring assembly group with 8 Digital Inputs
- X102** – Universal Resistance-Temperature Detector (URTD) input, Fiber optics interface, ST Connector
- X103** – Fiber optics interface, LC Connector
- X104** – IRIG-B00X, incl. System Contact (Supervision Contact)

MCDGV4-2C1ALA



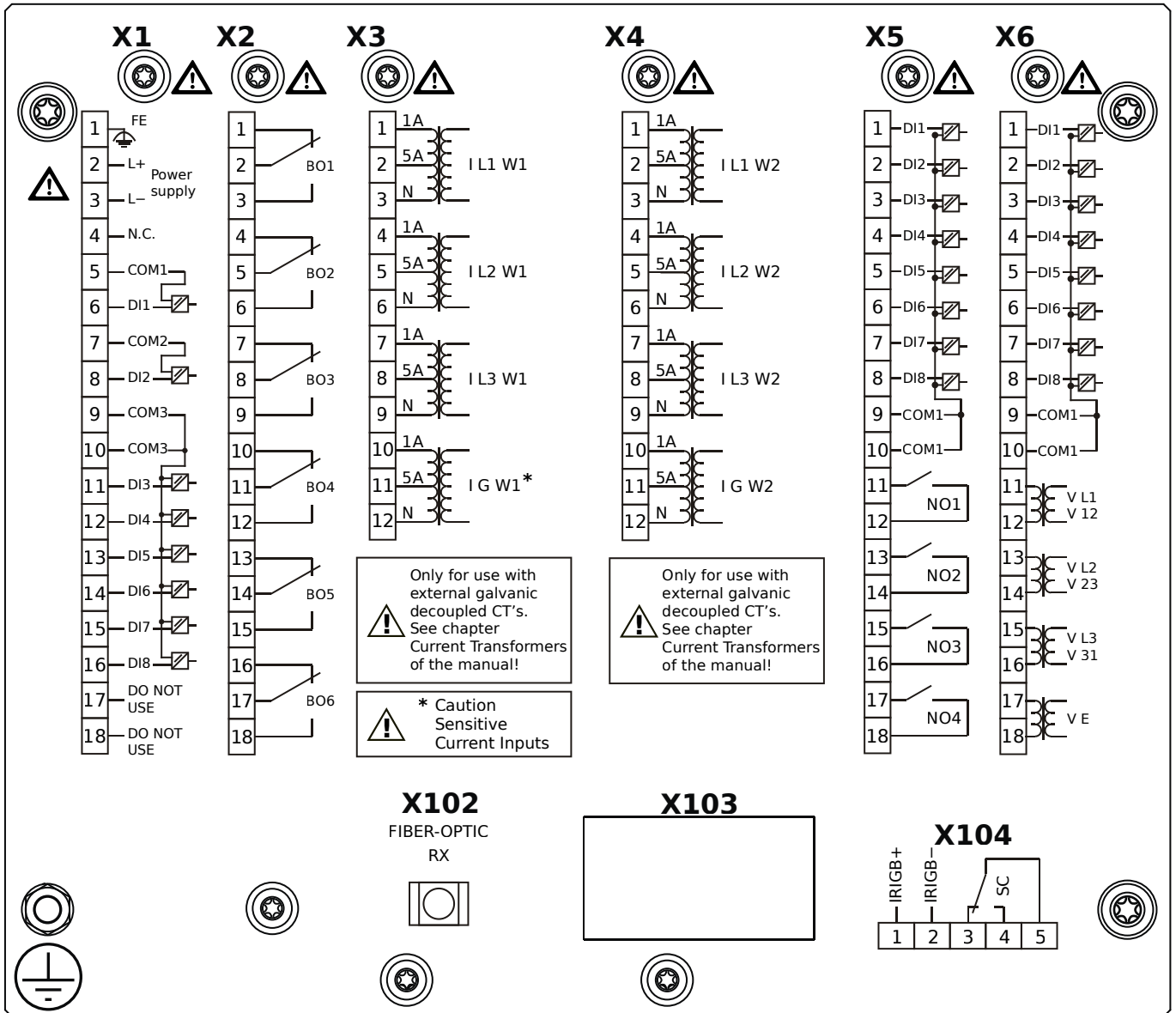
- X1** – DI8-X1: Wide-range power supply unit, incl. 2 non-grouped digital inputs and 6 grouped digital inputs
- X2** – OR-6: Assembly Group with 6 Relay Outputs
- X3** – TIS-4: Sensitive Ground current measuring card (for the neutral side of the differential protection)
- X4** – TI-4: Standard ground current measuring card (for the line side of the differential protection)
- X5** – DI8-OR4: Assembly Group with 8 Digital Inputs and 4 Output Relays
- X6** – U DI8: Voltage measuring assembly group with 8 Digital Inputs
- X102** – Universal Resistance-Temperature Detector (URTD) input, Fiber optics interface, ST Connector
- X103** – Fiber optics interface, LC Connector
- X104** – IRIG-B00X, incl. System Contact (Supervision Contact)

MCDGV4-2C1ALB



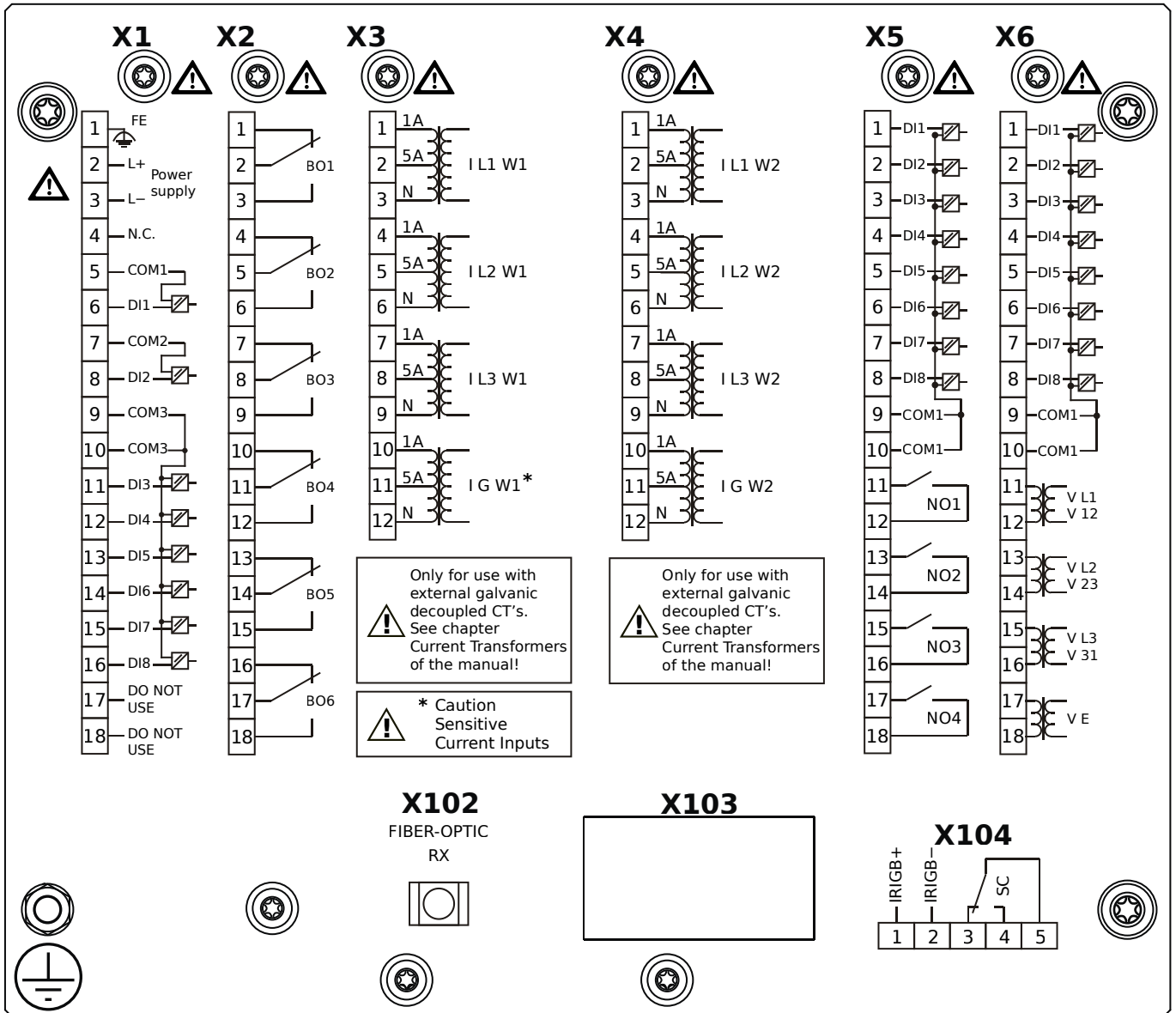
- X1** – DI8-X1: Wide-range power supply unit, incl. 2 non-grouped digital inputs and 6 grouped digital inputs
- X2** – OR-6: Assembly Group with 6 Relay Outputs
- X3** – TIS-4: Sensitive Ground current measuring card (for the neutral side of the differential protection)
- X4** – TI-4: Standard ground current measuring card (for the line side of the differential protection)
- X5** – DI8-OR4: Assembly Group with 8 Digital Inputs and 4 Output Relays
- X6** – U DI8: Voltage measuring assembly group with 8 Digital Inputs
- X102** – Universal Resistance-Temperature Detector (URTD) input, Fiber optics interface, ST Connector
- X103** – Fiber optics interface, LC Connector
- X104** – IRIG-B00X, incl. System Contact (Supervision Contact)

MCDGV4-2C1BAA



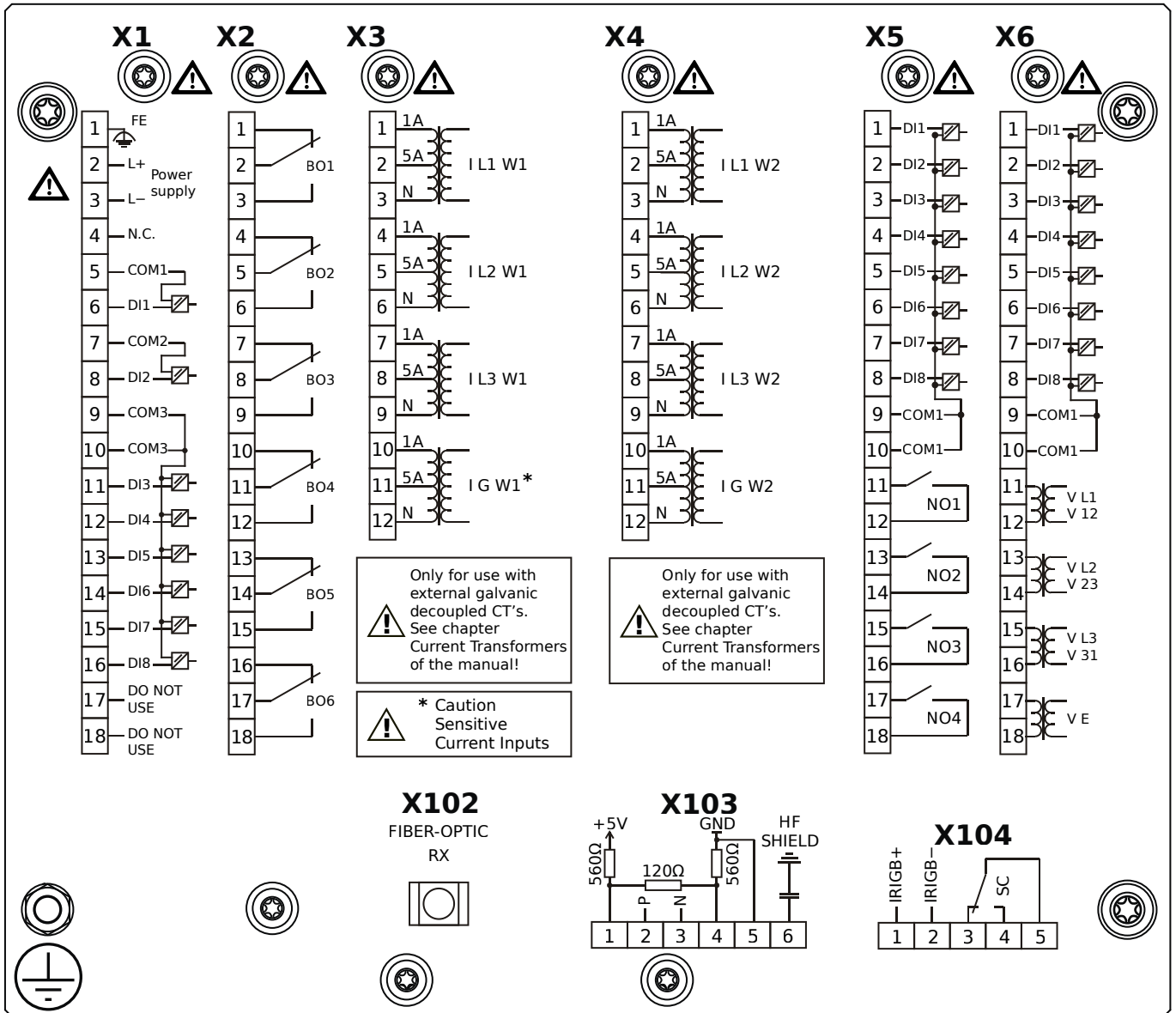
- X1** – DI8-X1: Wide-range power supply unit, incl. 2 non-grouped digital inputs and 6 grouped digital inputs
- X2** – OR-6: Assembly Group with 6 Relay Outputs
- X3** – TIS-4: Sensitive Ground current measuring card (for the neutral side of the differential protection)
- X4** – TI-4: Standard ground current measuring card (for the line side of the differential protection)
- X5** – DI8-OR4: Assembly Group with 8 Digital Inputs and 4 Output Relays
- X6** – U DI8: Voltage measuring assembly group with 8 Digital Inputs
- X102** – Universal Resistance-Temperature Detector (URTD) input, Fiber optics interface, ST Connector
- X104** – IRIG-B00X, incl. System Contact (Supervision Contact)

MCDGV4-2C1BAB



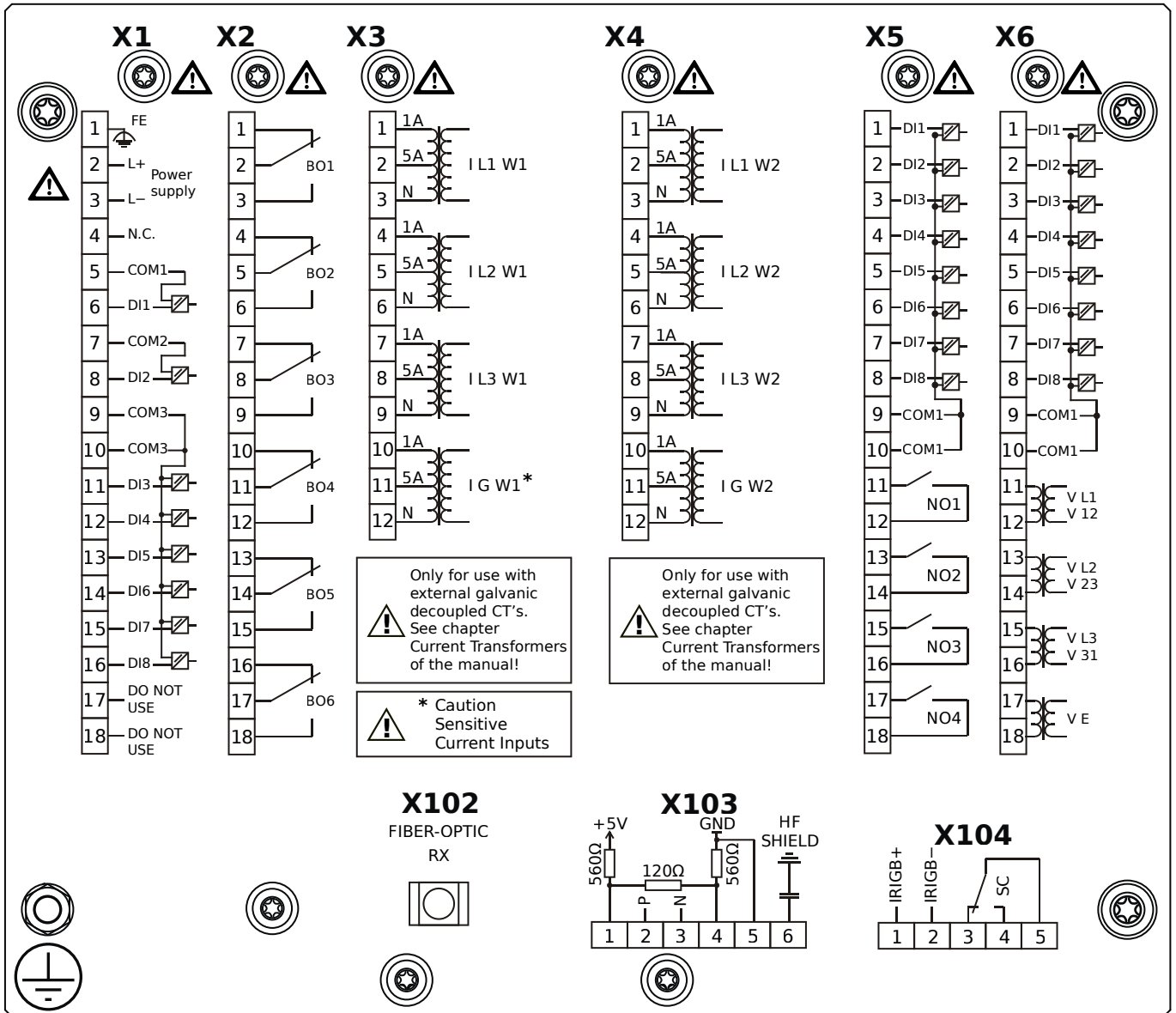
- X1** – DI8-X1: Wide-range power supply unit, incl. 2 non-grouped digital inputs and 6 grouped digital inputs
- X2** – OR-6: Assembly Group with 6 Relay Outputs
- X3** – TIS-4: Sensitive Ground current measuring card (for the neutral side of the differential protection)
- X4** – TI-4: Standard ground current measuring card (for the line side of the differential protection)
- X5** – DI8-OR4: Assembly Group with 8 Digital Inputs and 4 Output Relays
- X6** – U DI8: Voltage measuring assembly group with 8 Digital Inputs
- X102** – Universal Resistance-Temperature Detector (URTD) input, Fiber optics interface, ST Connector
- X104** – IRIG-B00X, incl. System Contact (Supervision Contact)

MCDGV4-2C1BBA



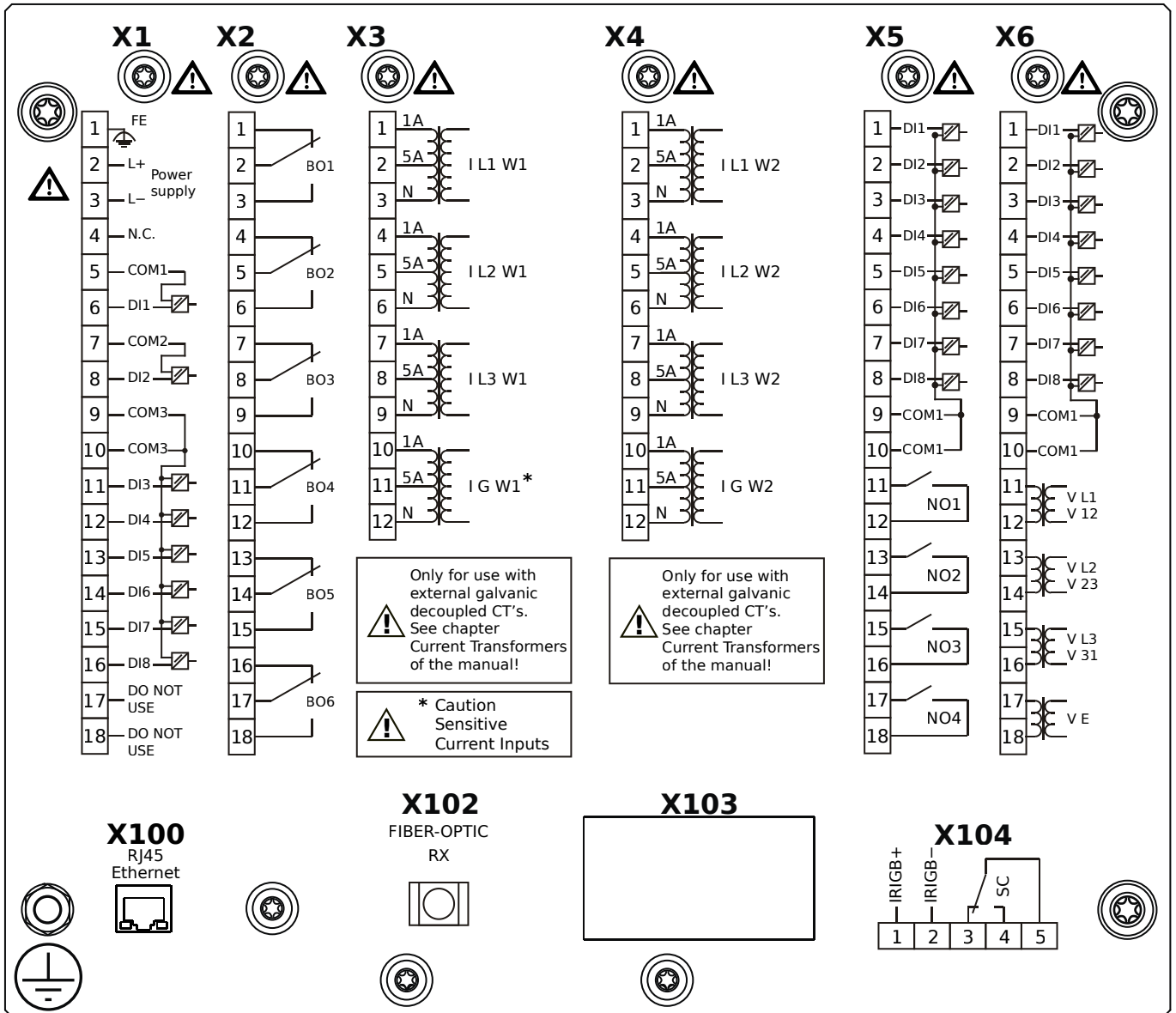
- X1** – DI8-X1: Wide-range power supply unit, incl. 2 non-grouped digital inputs and 6 grouped digital inputs
- X2** – OR-6: Assembly Group with 6 Relay Outputs
- X3** – TIS-4: Sensitive Ground current measuring card (for the neutral side of the differential protection)
- X4** – TI-4: Standard ground current measuring card (for the line side of the differential protection)
- X5** – DI8-OR4: Assembly Group with 8 Digital Inputs and 4 Output Relays
- X6** – U DI8: Voltage measuring assembly group with 8 Digital Inputs
- X102** – Universal Resistance-Temperature Detector (URTD) input, Fiber optics interface, ST Connector
- X103** – RS485, Terminals
- X104** – IRIG-B00X, incl. System Contact (Supervision Contact)

MCDGV4-2C1BBB



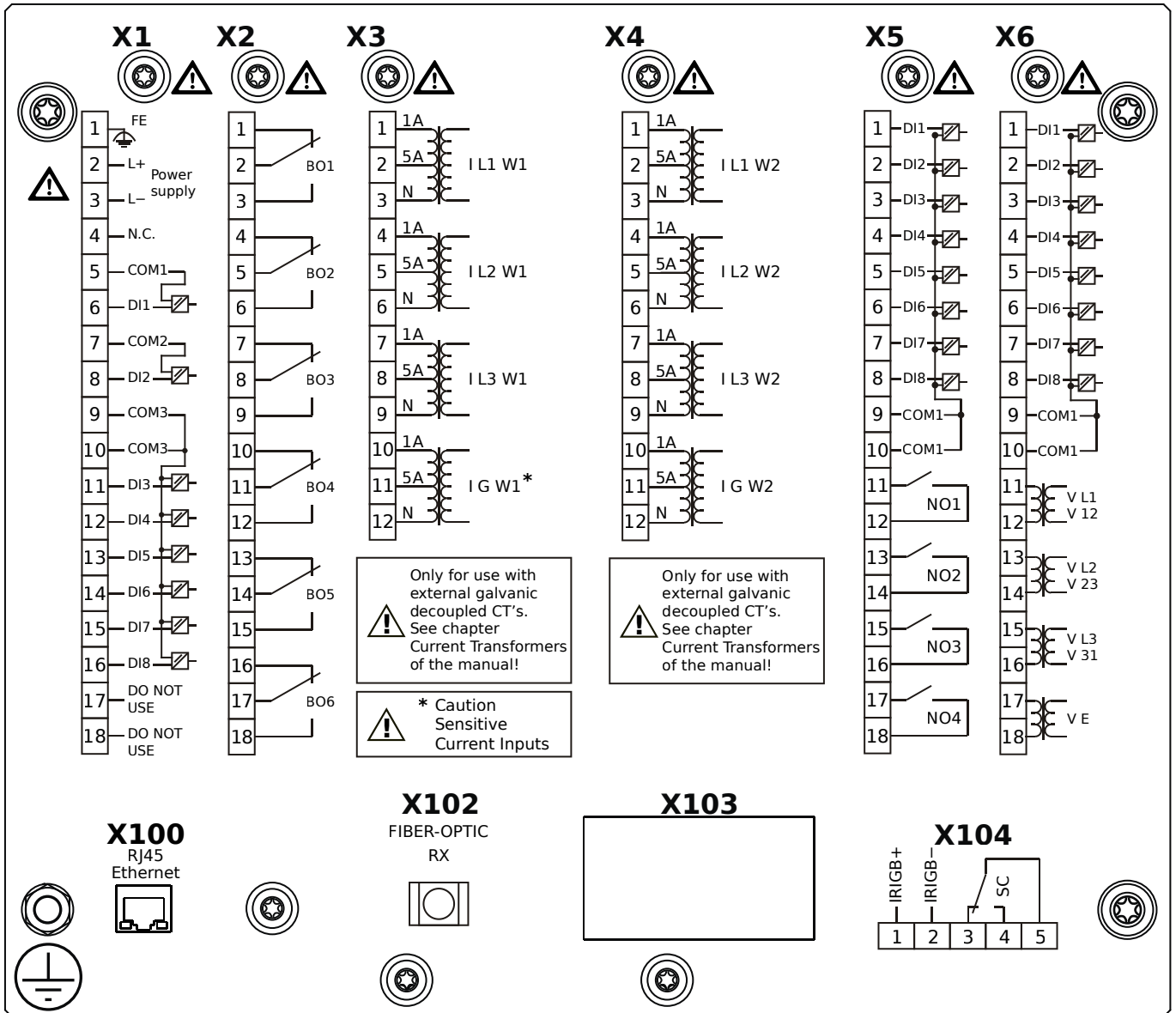
- X1** – DI8-X1: Wide-range power supply unit, incl. 2 non-grouped digital inputs and 6 grouped digital inputs
- X2** – OR-6: Assembly Group with 6 Relay Outputs
- X3** – TIS-4: Sensitive Ground current measuring card (for the neutral side of the differential protection)
- X4** – TI-4: Standard ground current measuring card (for the line side of the differential protection)
- X5** – DI8-OR4: Assembly Group with 8 Digital Inputs and 4 Output Relays
- X6** – U DI8: Voltage measuring assembly group with 8 Digital Inputs
- X102** – Universal Resistance-Temperature Detector (URTD) input, Fiber optics interface, ST Connector
- X103** – RS485, Terminals
- X104** – IRIG-B00X, incl. System Contact (Supervision Contact)

MCDGV4-2C1BCA



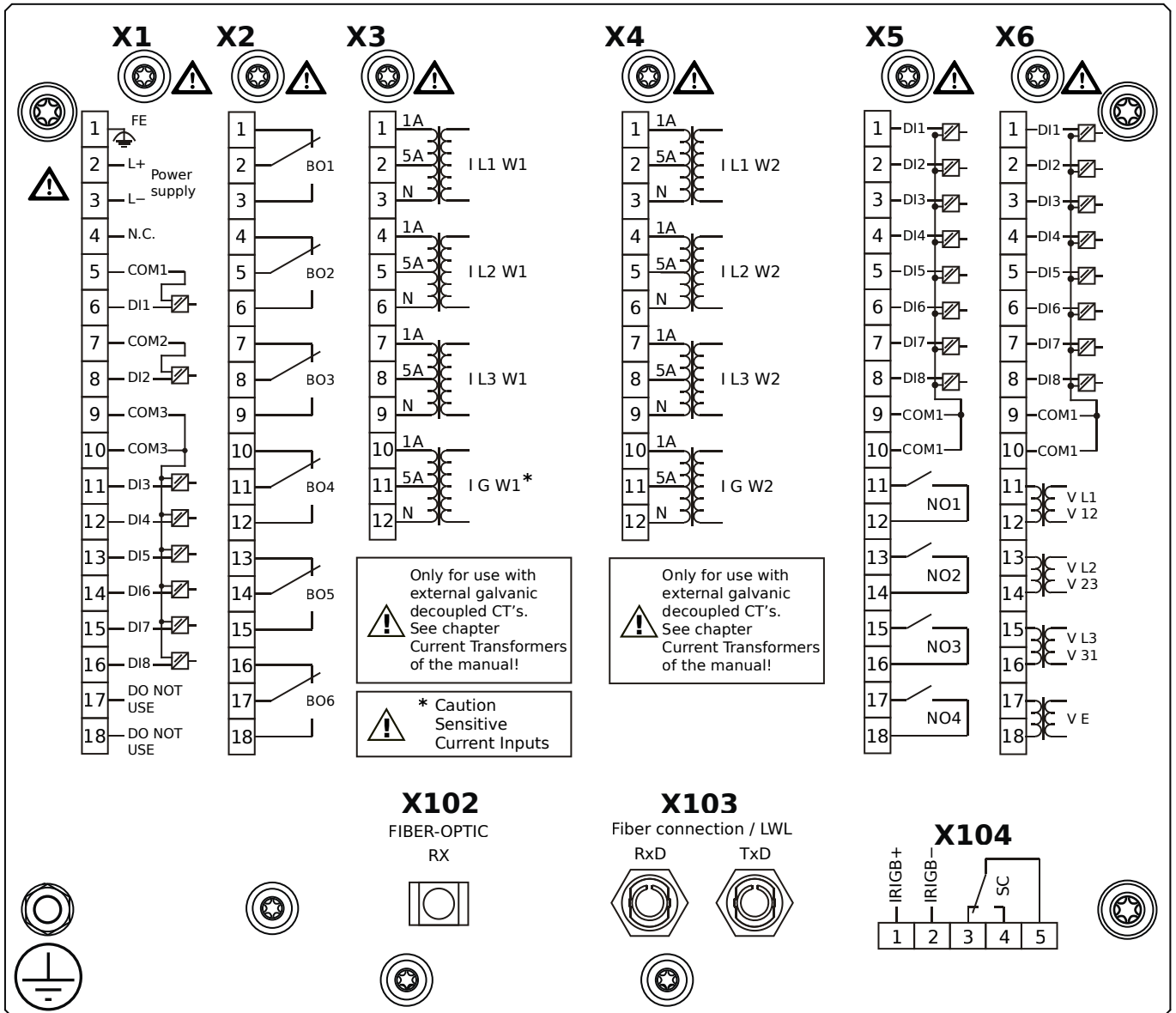
- X1** – DI8-X1: Wide-range power supply unit, incl. 2 non-grouped digital inputs and 6 grouped digital inputs
- X2** – OR-6: Assembly Group with 6 Relay Outputs
- X3** – TIS-4: Sensitive Ground current measuring card (for the neutral side of the differential protection)
- X4** – TI-4: Standard ground current measuring card (for the line side of the differential protection)
- X5** – DI8-OR4: Assembly Group with 8 Digital Inputs and 4 Output Relays
- X6** – U DI8: Voltage measuring assembly group with 8 Digital Inputs
- X100** – Ethernet interface, 100 Mbit/s, RJ45
- X102** – Universal Resistance-Temperature Detector (URTD) input, Fiber optics interface, ST Connector
- X104** – IRIG-B00X, incl. System Contact (Supervision Contact)

MCDGV4-2C1BCB



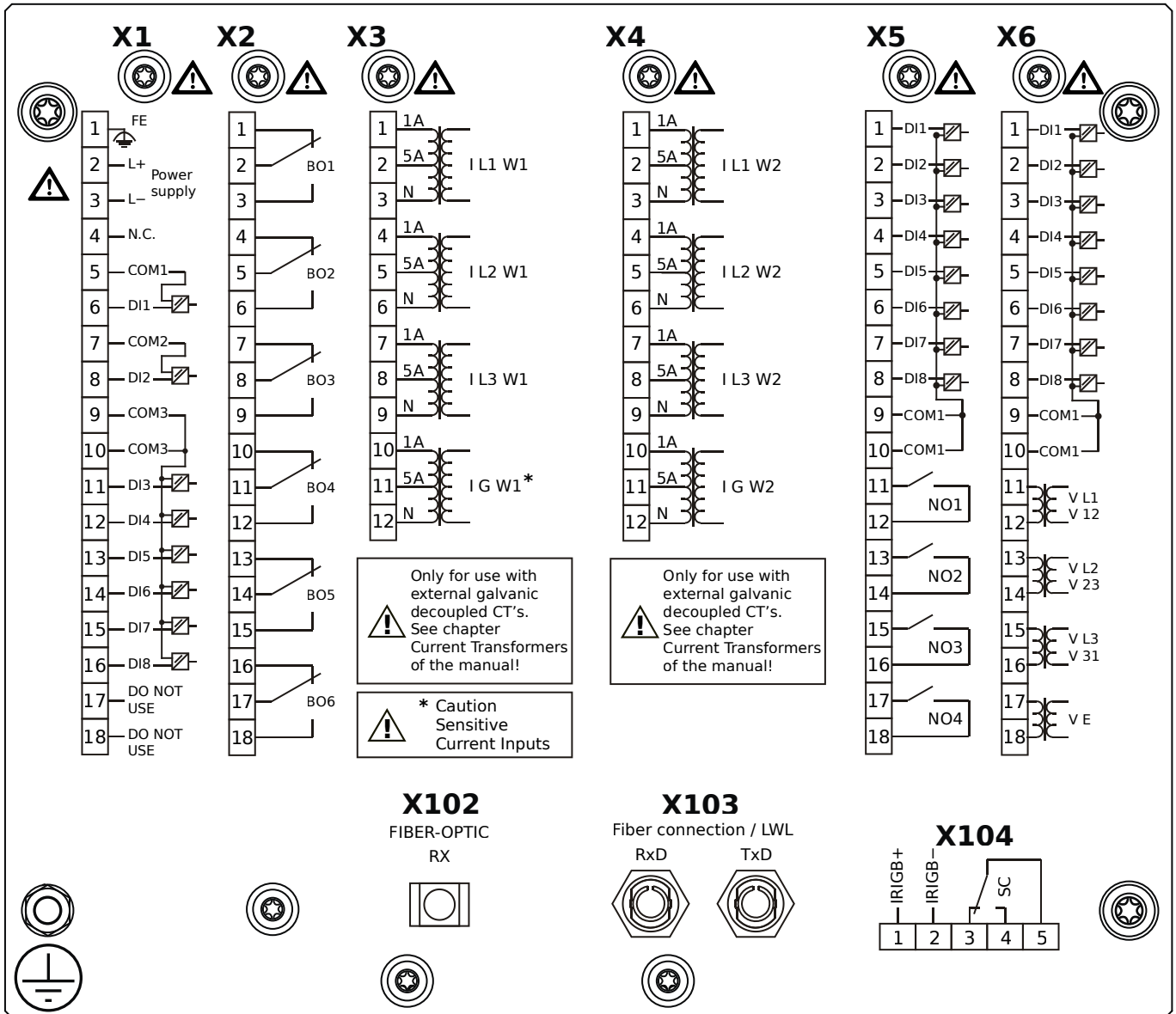
- X1** – DI8-X1: Wide-range power supply unit, incl. 2 non-grouped digital inputs and 6 grouped digital inputs
- X2** – OR-6: Assembly Group with 6 Relay Outputs
- X3** – TIS-4: Sensitive Ground current measuring card (for the neutral side of the differential protection)
- X4** – TI-4: Standard ground current measuring card (for the line side of the differential protection)
- X5** – DI8-OR4: Assembly Group with 8 Digital Inputs and 4 Output Relays
- X6** – U DI8: Voltage measuring assembly group with 8 Digital Inputs
- X100** – Ethernet interface, 100 Mbit/s, RJ45
- X102** – Universal Resistance-Temperature Detector (URTD) input, Fiber optics interface, ST Connector
- X104** – IRIG-B00X, incl. System Contact (Supervision Contact)

MCDGV4-2C1BDA



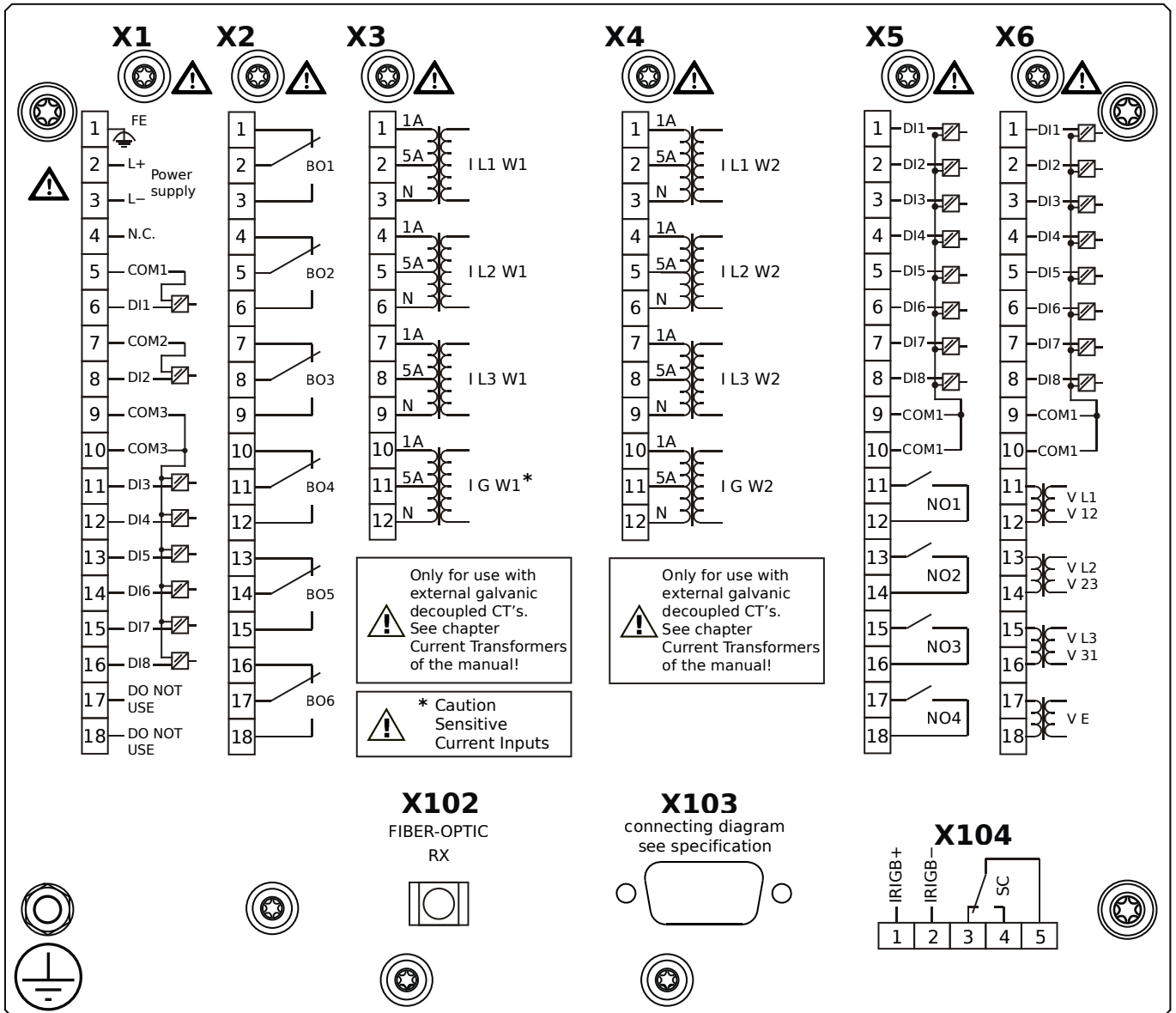
- X1** – DI8-X1: Wide-range power supply unit, incl. 2 non-grouped digital inputs and 6 grouped digital inputs
- X2** – OR-6: Assembly Group with 6 Relay Outputs
- X3** – TIS-4: Sensitive Ground current measuring card (for the neutral side of the differential protection)
- X4** – TI-4: Standard ground current measuring card (for the line side of the differential protection)
- X5** – DI8-OR4: Assembly Group with 8 Digital Inputs and 4 Output Relays
- X6** – U DI8: Voltage measuring assembly group with 8 Digital Inputs
- X102** – Universal Resistance-Temperature Detector (URTD) input, Fiber optics interface, ST Connector
- X103** – Fiber optics interface, ST Connector
- X104** – IRIG-B00X, incl. System Contact (Supervision Contact)

MCDGV4-2C1BDB



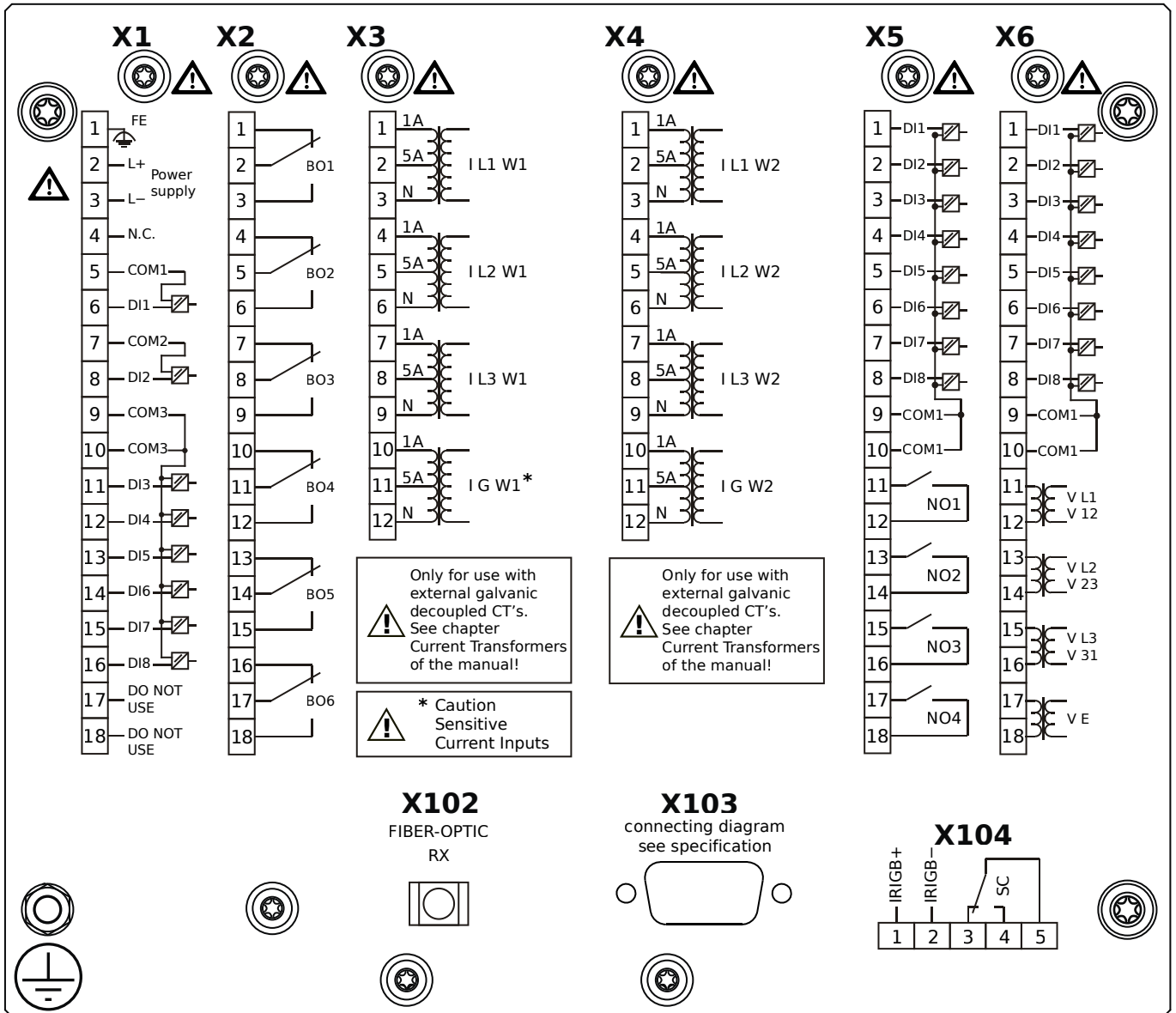
- X1** – DI8-X1: Wide-range power supply unit, incl. 2 non-grouped digital inputs and 6 grouped digital inputs
- X2** – OR-6: Assembly Group with 6 Relay Outputs
- X3** – TIS-4: Sensitive Ground current measuring card (for the neutral side of the differential protection)
- X4** – TI-4: Standard ground current measuring card (for the line side of the differential protection)
- X5** – DI8-OR4: Assembly Group with 8 Digital Inputs and 4 Output Relays
- X6** – U DI8: Voltage measuring assembly group with 8 Digital Inputs
- X102** – Universal Resistance-Temperature Detector (URTD) input, Fiber optics interface, ST Connector
- X103** – Fiber optics interface, ST Connector
- X104** – IRIG-B00X, incl. System Contact (Supervision Contact)

MCDGV4-2C1BEA



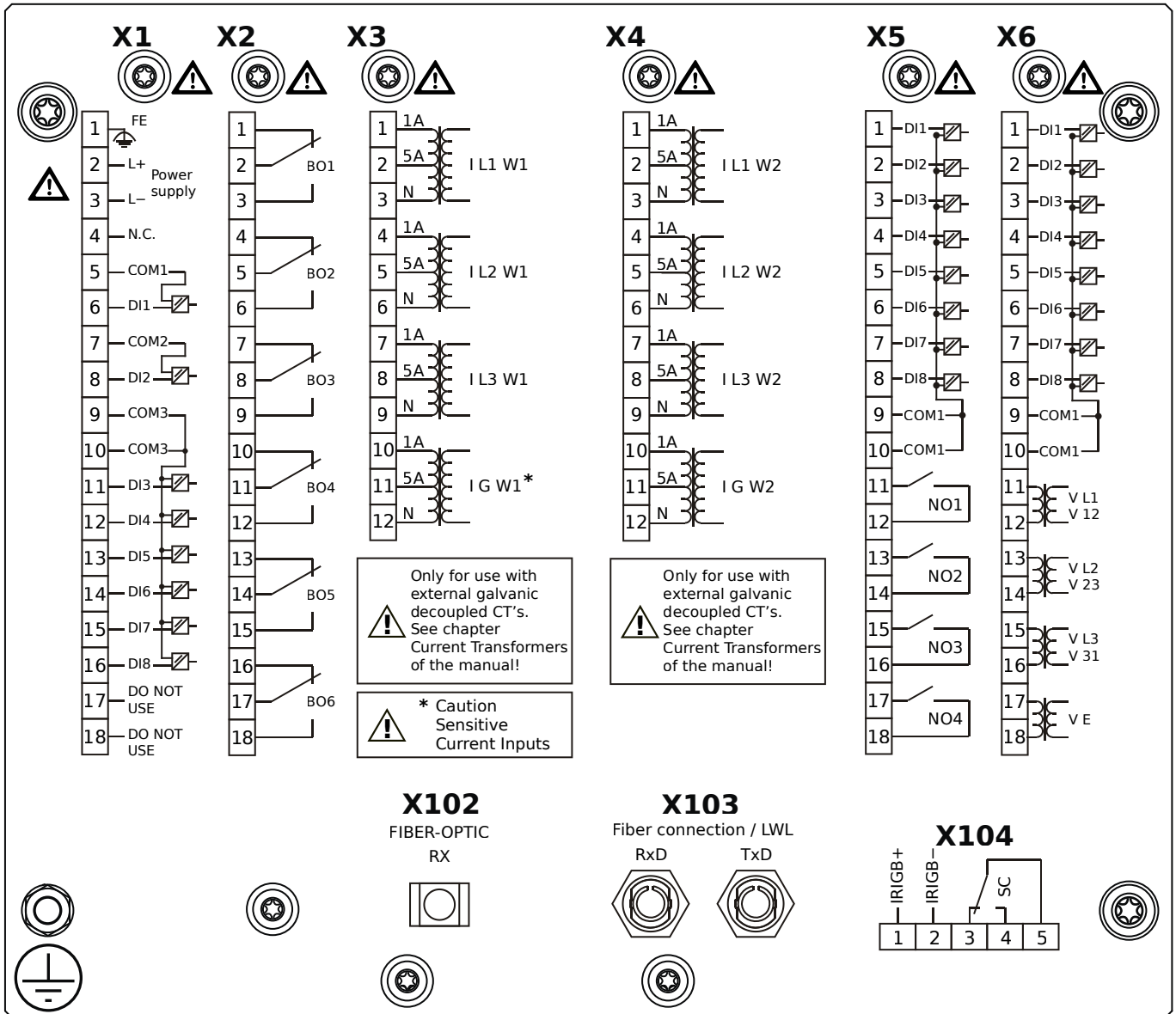
- X1** – DI8-X1: Wide-range power supply unit, incl. 2 non-grouped digital inputs and 6 grouped digital inputs
- X2** – OR-6: Assembly Group with 6 Relay Outputs
- X3** – TIS-4: Sensitive Ground current measuring card (for the neutral side of the differential protection)
- X4** – TI-4: Standard ground current measuring card (for the line side of the differential protection)
- X5** – DI8-OR4: Assembly Group with 8 Digital Inputs and 4 Output Relays
- X6** – U DI8: Voltage measuring assembly group with 8 Digital Inputs
- X102** – Universal Resistance-Temperature Detector (URTD) input, Fiber optics interface, ST Connector
- X103** – RS485, D-SUB
- X104** – IRIG-B00X, incl. System Contact (Supervision Contact)

MCDGV4-2C1BEB



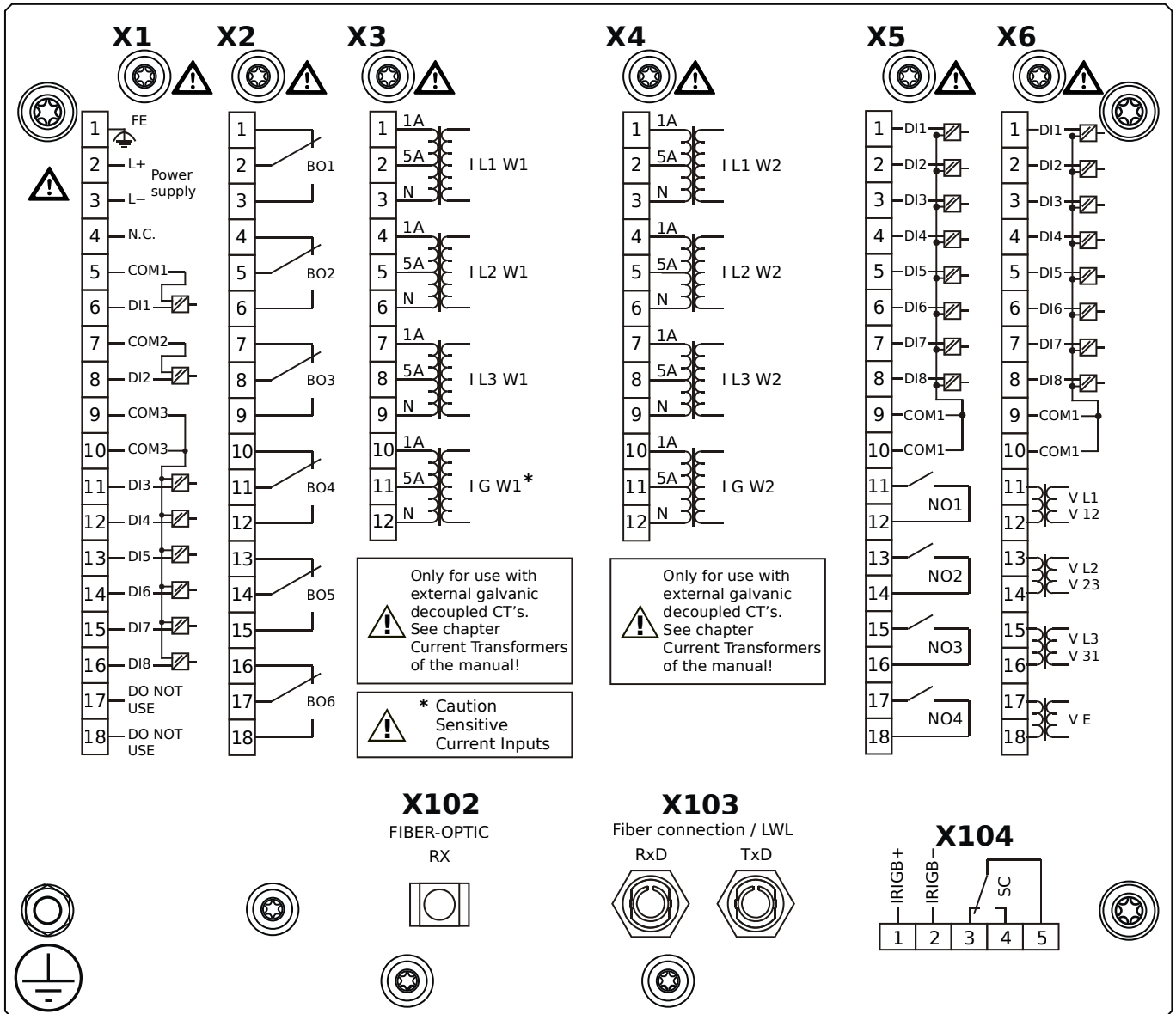
- X1** – DI8-X1: Wide-range power supply unit, incl. 2 non-grouped digital inputs and 6 grouped digital inputs
- X2** – OR-6: Assembly Group with 6 Relay Outputs
- X3** – TIS-4: Sensitive Ground current measuring card (for the neutral side of the differential protection)
- X4** – TI-4: Standard ground current measuring card (for the line side of the differential protection)
- X5** – DI8-OR4: Assembly Group with 8 Digital Inputs and 4 Output Relays
- X6** – U DI8: Voltage measuring assembly group with 8 Digital Inputs
- X102** – Universal Resistance-Temperature Detector (URTD) input, Fiber optics interface, ST Connector
- X103** – RS485, D-SUB
- X104** – IRIG-B00X, incl. System Contact (Supervision Contact)

MCDGV4-2C1BFA



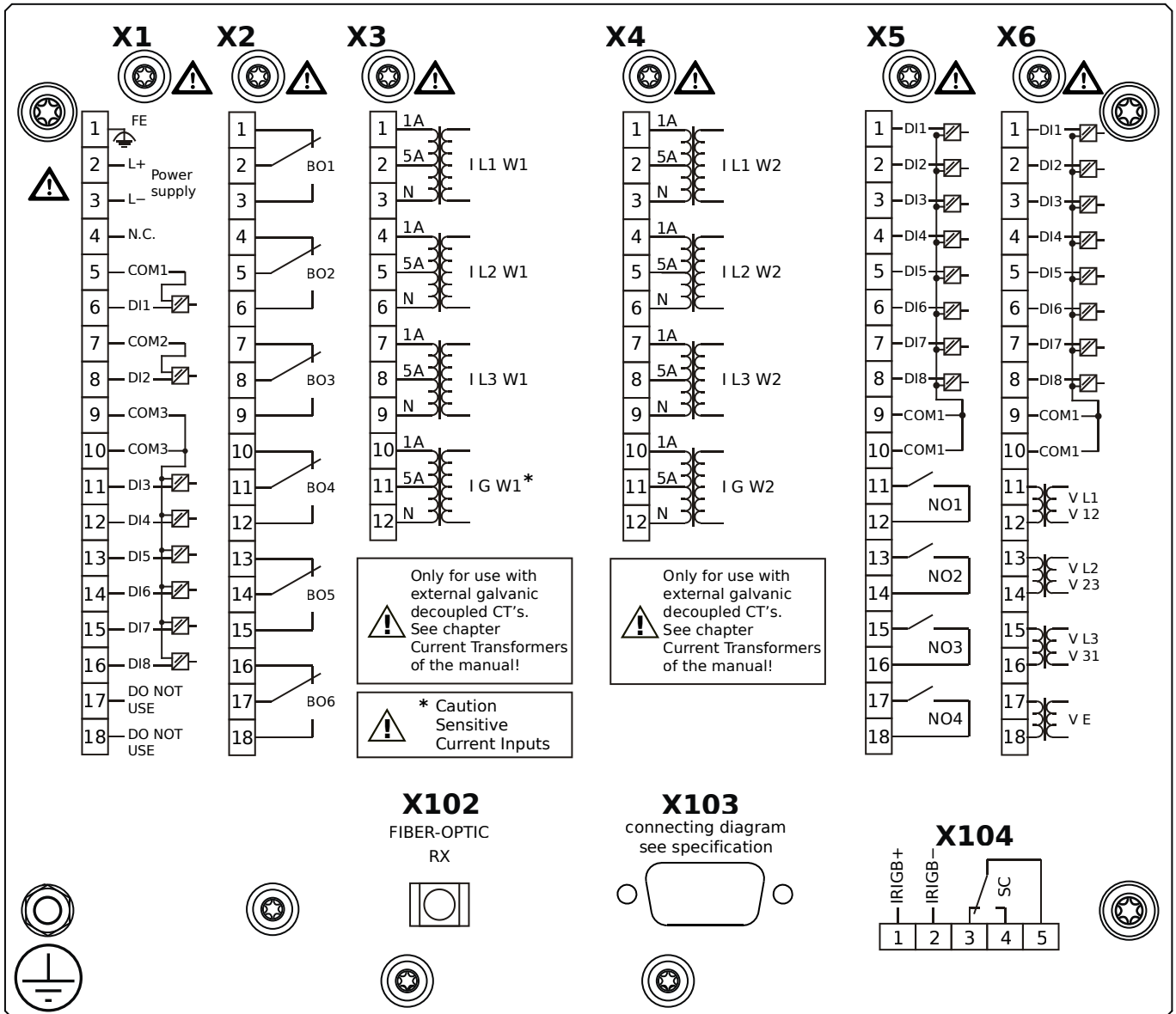
- X1** – DI8-X1: Wide-range power supply unit, incl. 2 non-grouped digital inputs and 6 grouped digital inputs
- X2** – OR-6: Assembly Group with 6 Relay Outputs
- X3** – TIS-4: Sensitive Ground current measuring card (for the neutral side of the differential protection)
- X4** – TI-4: Standard ground current measuring card (for the line side of the differential protection)
- X5** – DI8-OR4: Assembly Group with 8 Digital Inputs and 4 Output Relays
- X6** – U DI8: Voltage measuring assembly group with 8 Digital Inputs
- X102** – Universal Resistance-Temperature Detector (URTD) input, Fiber optics interface, ST Connector
- X103** – Fiber optics interface, ST Connector
- X104** – IRIG-B00X, incl. System Contact (Supervision Contact)

MCDGV4-2C1BFB



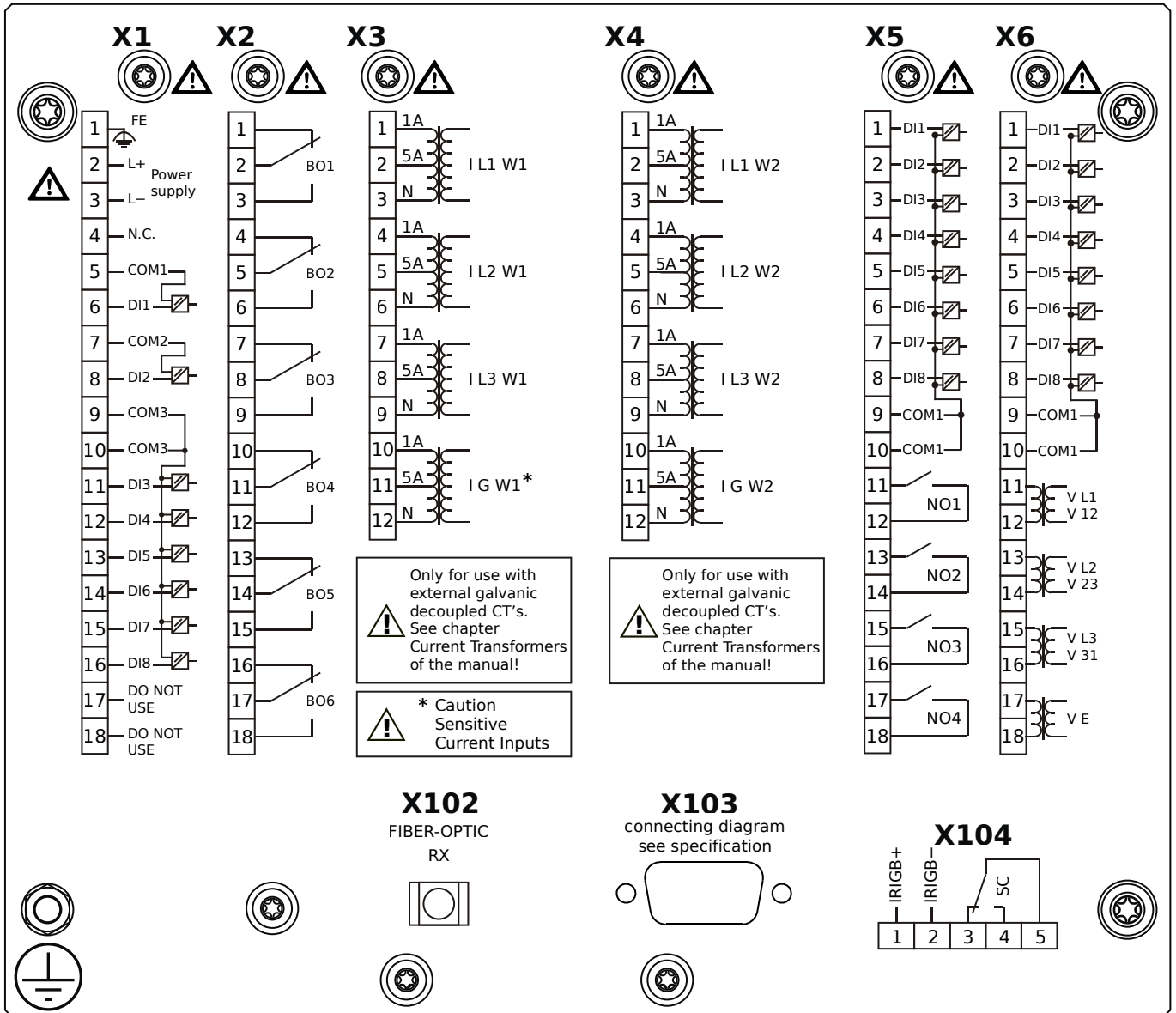
- X1** – DI8-X1: Wide-range power supply unit, incl. 2 non-grouped digital inputs and 6 grouped digital inputs
- X2** – OR-6: Assembly Group with 6 Relay Outputs
- X3** – TIS-4: Sensitive Ground current measuring card (for the neutral side of the differential protection)
- X4** – TI-4: Standard ground current measuring card (for the line side of the differential protection)
- X5** – DI8-OR4: Assembly Group with 8 Digital Inputs and 4 Output Relays
- X6** – U DI8: Voltage measuring assembly group with 8 Digital Inputs
- X102** – Universal Resistance-Temperature Detector (URTD) input, Fiber optics interface, ST Connector
- X103** – Fiber optics interface, ST Connector
- X104** – IRIG-B00X, incl. System Contact (Supervision Contact)

MCDGV4-2C1BGA



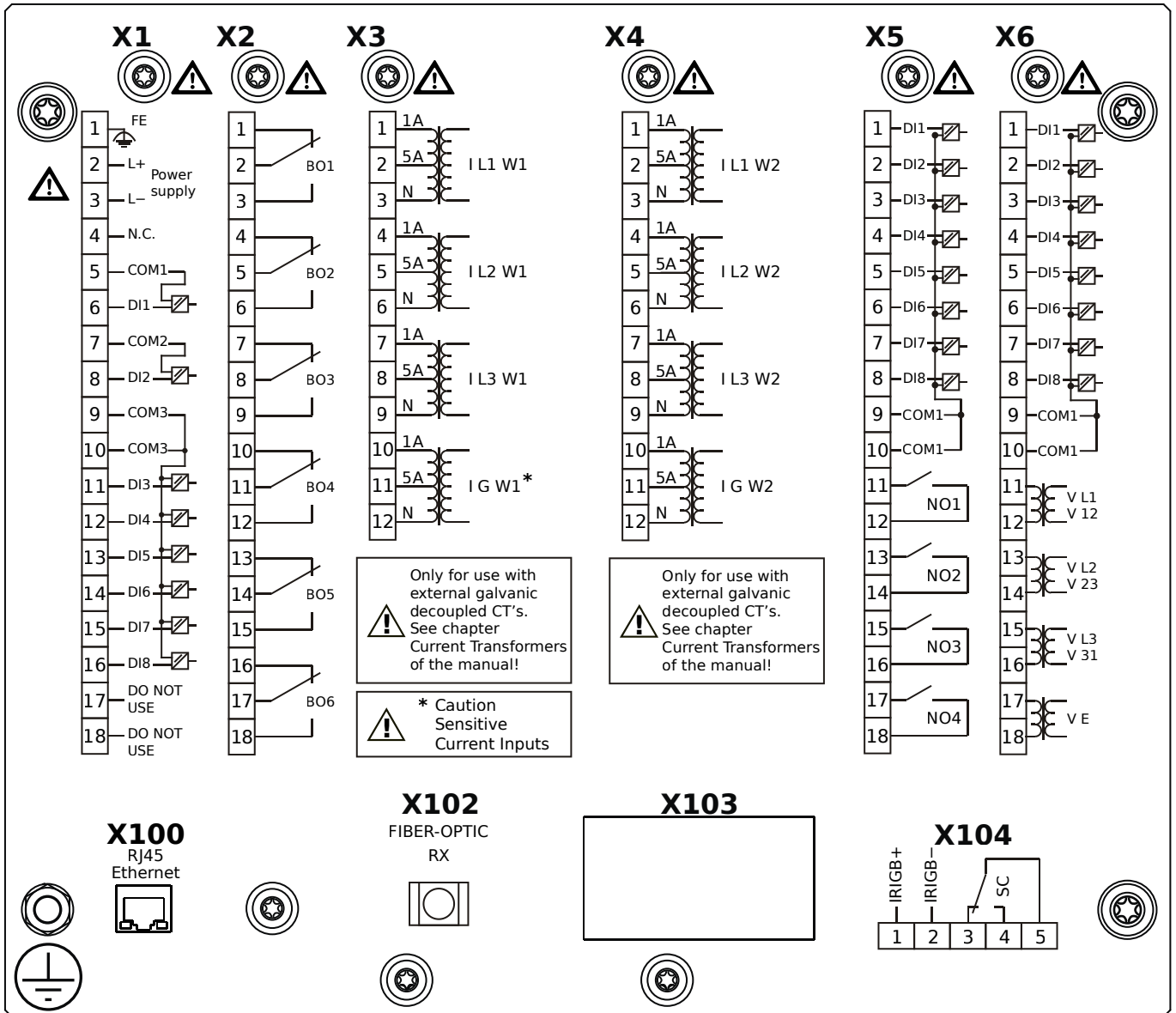
- X1** – DI8-X1: Wide-range power supply unit, incl. 2 non-grouped digital inputs and 6 grouped digital inputs
- X2** – OR-6: Assembly Group with 6 Relay Outputs
- X3** – TIS-4: Sensitive Ground current measuring card (for the neutral side of the differential protection)
- X4** – TI-4: Standard ground current measuring card (for the line side of the differential protection)
- X5** – DI8-OR4: Assembly Group with 8 Digital Inputs and 4 Output Relays
- X6** – U DI8: Voltage measuring assembly group with 8 Digital Inputs
- X102** – Universal Resistance-Temperature Detector (URTD) input, Fiber optics interface, ST Connector
- X103** – RS485, D-SUB
- X104** – IRIG-B00X, incl. System Contact (Supervision Contact)

MCDGV4-2C1BGB



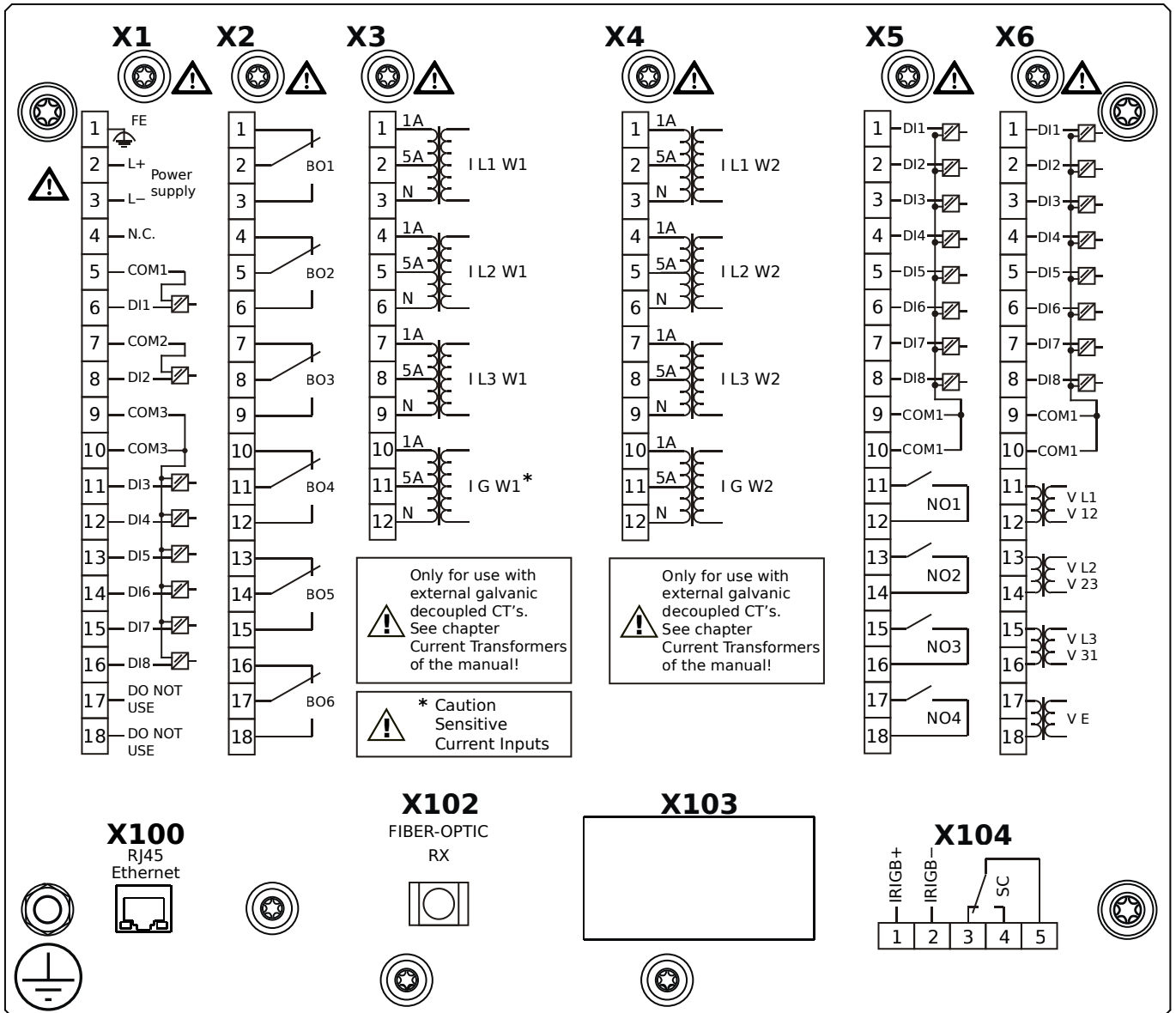
- X1** – DI8-X1: Wide-range power supply unit, incl. 2 non-grouped digital inputs and 6 grouped digital inputs
- X2** – OR-6: Assembly Group with 6 Relay Outputs
- X3** – TIS-4: Sensitive Ground current measuring card (for the neutral side of the differential protection)
- X4** – TI-4: Standard ground current measuring card (for the line side of the differential protection)
- X5** – DI8-OR4: Assembly Group with 8 Digital Inputs and 4 Output Relays
- X6** – U DI8: Voltage measuring assembly group with 8 Digital Inputs
- X102** – Universal Resistance-Temperature Detector (URTD) input, Fiber optics interface, ST Connector
- X103** – RS485, D-SUB
- X104** – IRIG-B00X, incl. System Contact (Supervision Contact)

MCDGV4-2C1BHA



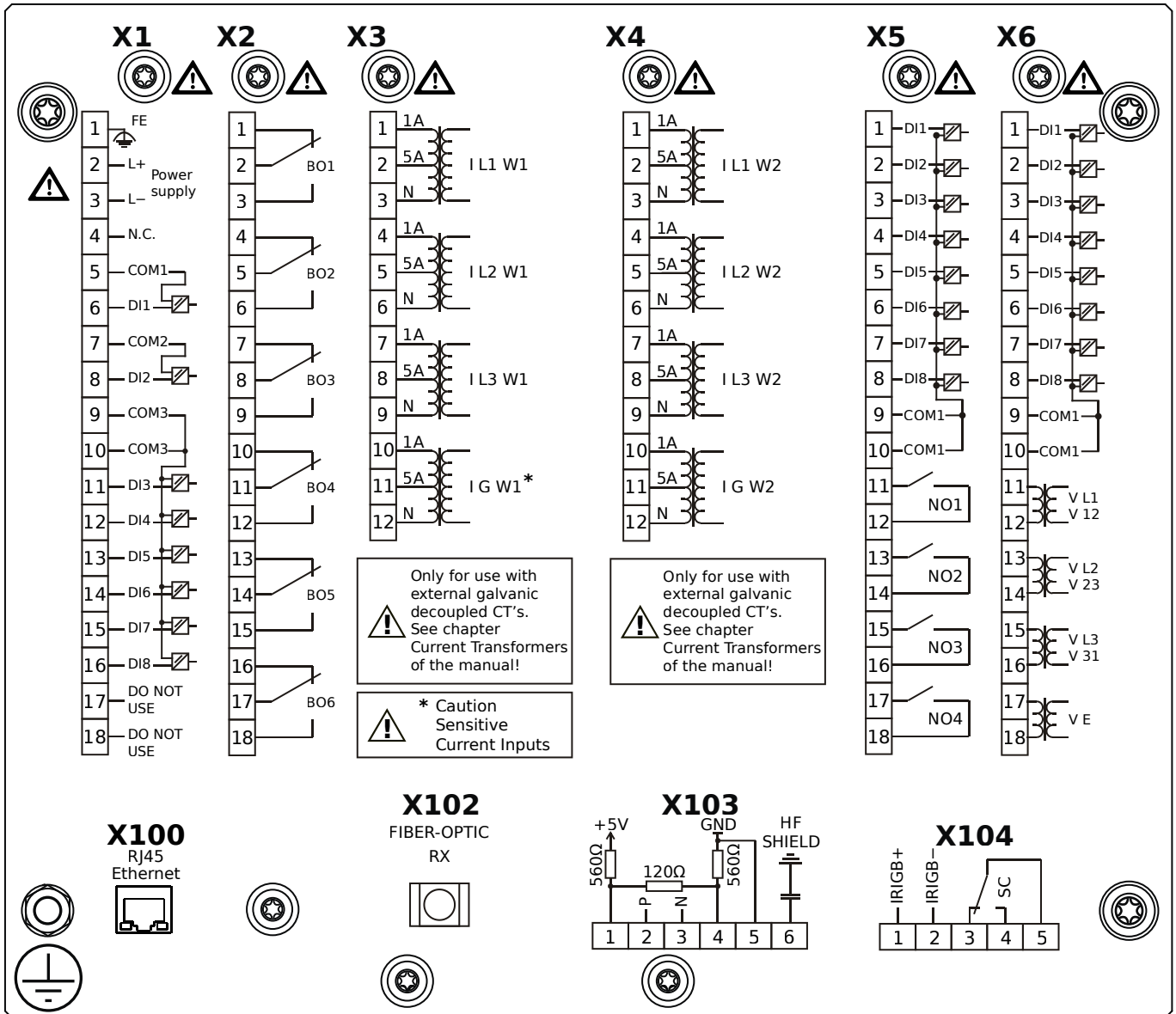
- X1** – DI8-X1: Wide-range power supply unit, incl. 2 non-grouped digital inputs and 6 grouped digital inputs
- X2** – OR-6: Assembly Group with 6 Relay Outputs
- X3** – TIS-4: Sensitive Ground current measuring card (for the neutral side of the differential protection)
- X4** – TI-4: Standard ground current measuring card (for the line side of the differential protection)
- X5** – DI8-OR4: Assembly Group with 8 Digital Inputs and 4 Output Relays
- X6** – U DI8: Voltage measuring assembly group with 8 Digital Inputs
- X100** – Ethernet interface, 100 Mbit/s, RJ45
- X102** – Universal Resistance-Temperature Detector (URTD) input, Fiber optics interface, ST Connector
- X104** – IRIG-B00X, incl. System Contact (Supervision Contact)

MCDGV4-2C1BHB



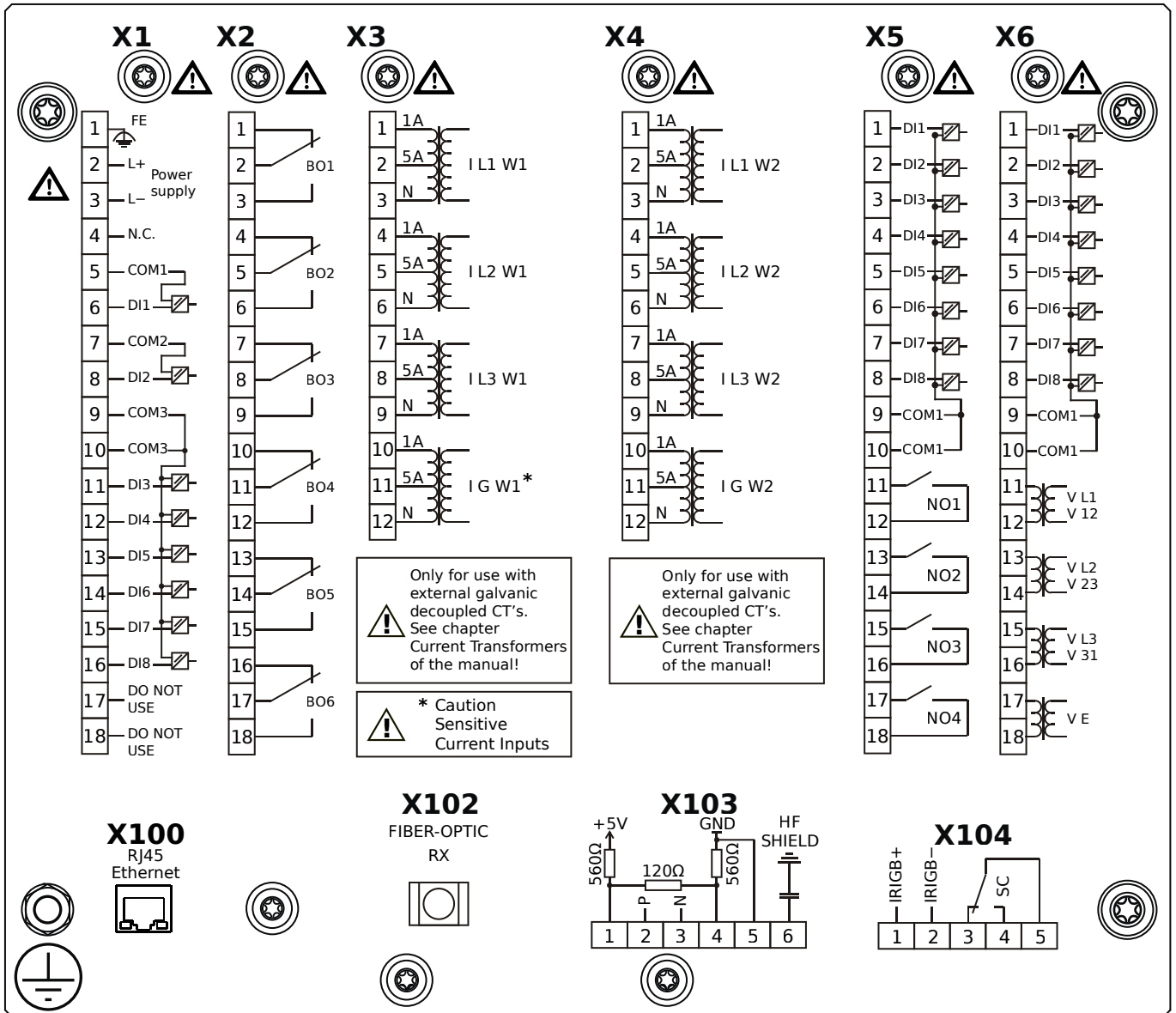
- X1** – DI8-X1: Wide-range power supply unit, incl. 2 non-grouped digital inputs and 6 grouped digital inputs
- X2** – OR-6: Assembly Group with 6 Relay Outputs
- X3** – TIS-4: Sensitive Ground current measuring card (for the neutral side of the differential protection)
- X4** – TI-4: Standard ground current measuring card (for the line side of the differential protection)
- X5** – DI8-OR4: Assembly Group with 8 Digital Inputs and 4 Output Relays
- X6** – U DI8: Voltage measuring assembly group with 8 Digital Inputs
- X100** – Ethernet interface, 100 Mbit/s, RJ45
- X102** – Universal Resistance-Temperature Detector (URTD) input, Fiber optics interface, ST Connector
- X104** – IRIG-B00X, incl. System Contact (Supervision Contact)

MCDGV4-2C1BIA



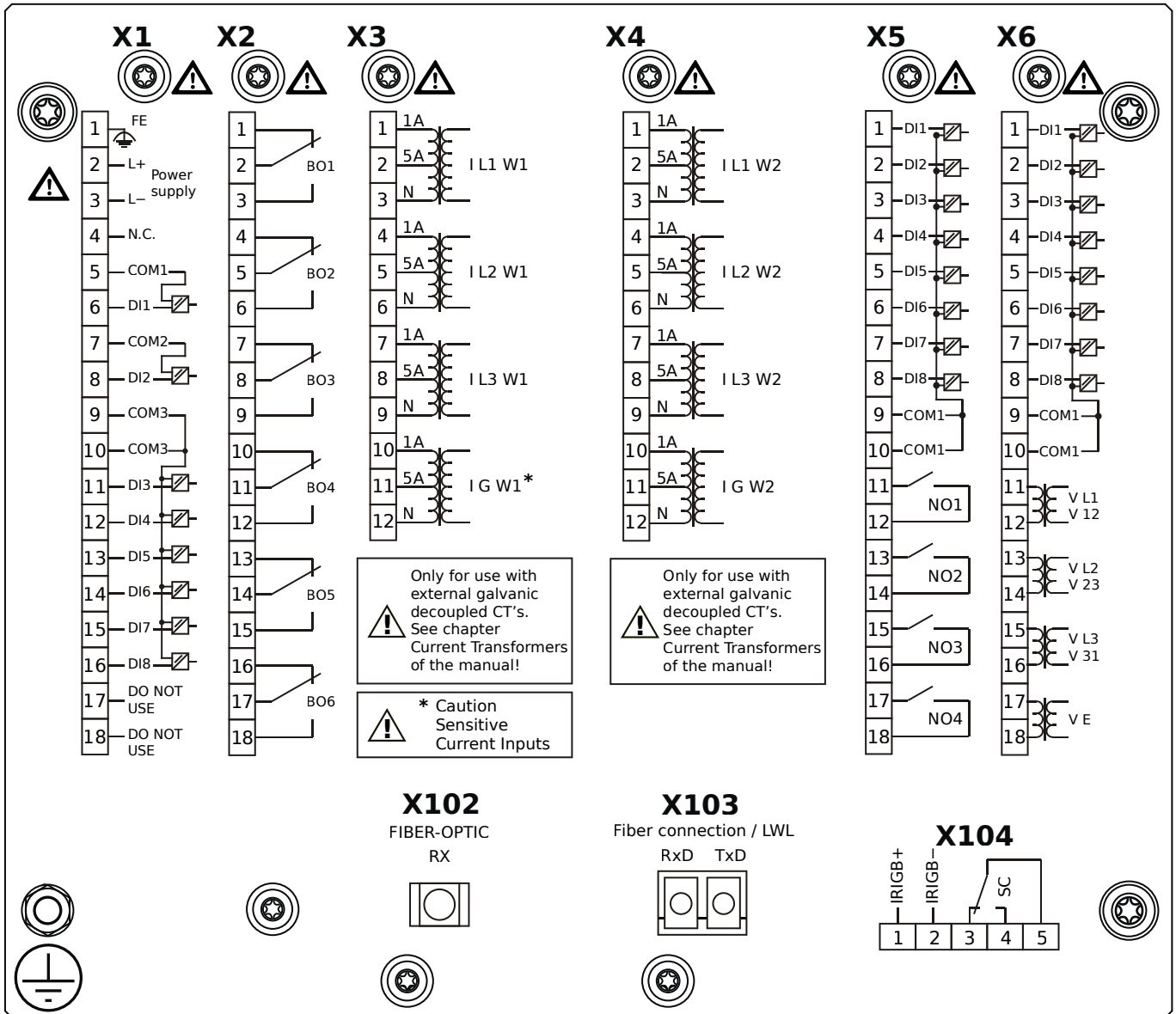
- X1** – DI8-X1: Wide-range power supply unit, incl. 2 non-grouped digital inputs and 6 grouped digital inputs
- X2** – OR-6: Assembly Group with 6 Relay Outputs
- X3** – TIS-4: Sensitive Ground current measuring card (for the neutral side of the differential protection)
- X4** – TI-4: Standard ground current measuring card (for the line side of the differential protection)
- X5** – DI8-OR4: Assembly Group with 8 Digital Inputs and 4 Output Relays
- X6** – U DI8: Voltage measuring assembly group with 8 Digital Inputs
- X100** – Ethernet interface, 100 Mbit/s, RJ45
- X102** – Universal Resistance-Temperature Detector (URTD) input, Fiber optics interface, ST Connector
- X103** – RS485, Terminals
- X104** – IRIG-B00X, incl. System Contact (Supervision Contact)

MCDGV4-2C1BIB



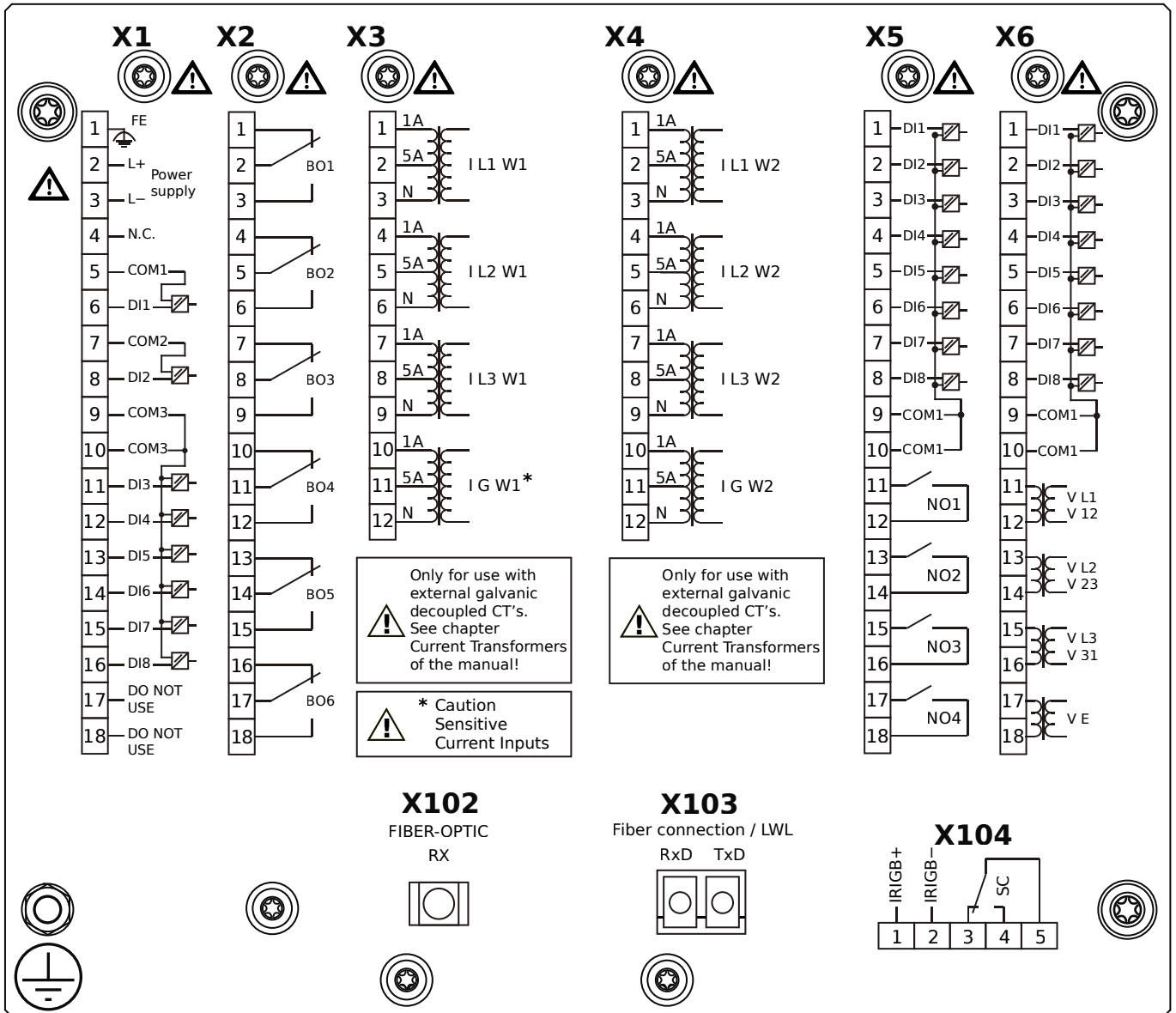
- X1** – DI8-X1: Wide-range power supply unit, incl. 2 non-grouped digital inputs and 6 grouped digital inputs
- X2** – OR-6: Assembly Group with 6 Relay Outputs
- X3** – TIS-4: Sensitive Ground current measuring card (for the neutral side of the differential protection)
- X4** – TI-4: Standard ground current measuring card (for the line side of the differential protection)
- X5** – DI8-OR4: Assembly Group with 8 Digital Inputs and 4 Output Relays
- X6** – U DI8: Voltage measuring assembly group with 8 Digital Inputs
- X100** – Ethernet interface, 100 Mbit/s, RJ45
- X102** – Universal Resistance-Temperature Detector (URTD) input, Fiber optics interface, ST Connector
- X103** – RS485, Terminals
- X104** – IRIG-B00X, incl. System Contact (Supervision Contact)

MCDGV4-2C1BKA



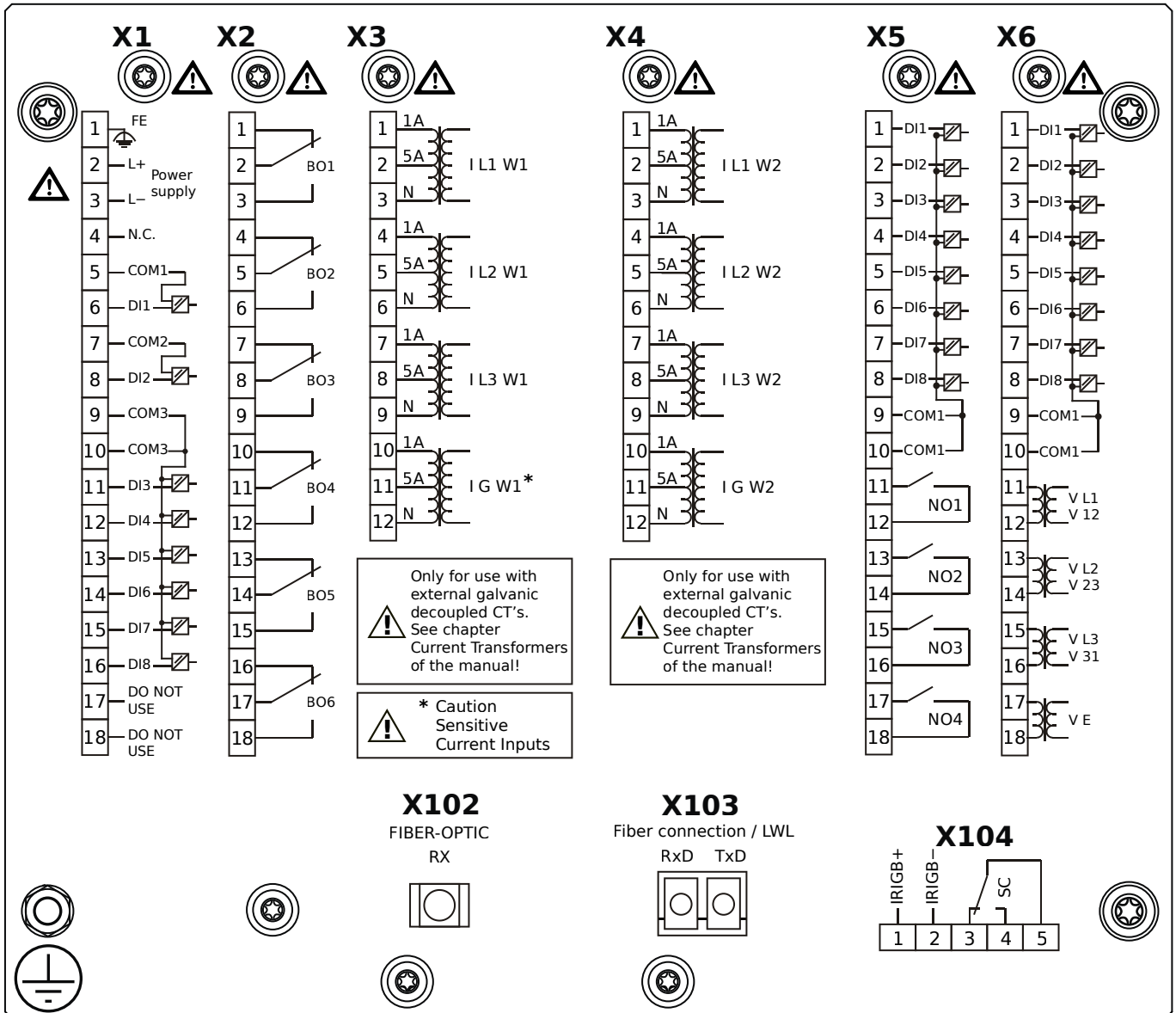
- X1** – DI8-X1: Wide-range power supply unit, incl. 2 non-grouped digital inputs and 6 grouped digital inputs
- X2** – OR-6: Assembly Group with 6 Relay Outputs
- X3** – TIS-4: Sensitive Ground current measuring card (for the neutral side of the differential protection)
- X4** – TI-4: Standard ground current measuring card (for the line side of the differential protection)
- X5** – DI8-OR4: Assembly Group with 8 Digital Inputs and 4 Output Relays
- X6** – U DI8: Voltage measuring assembly group with 8 Digital Inputs
- X102** – Universal Resistance-Temperature Detector (URTD) input, Fiber optics interface, ST Connector
- X103** – Fiber optics interface, LC Connector
- X104** – IRIG-B00X, incl. System Contact (Supervision Contact)

MCDGV4-2C1BKB



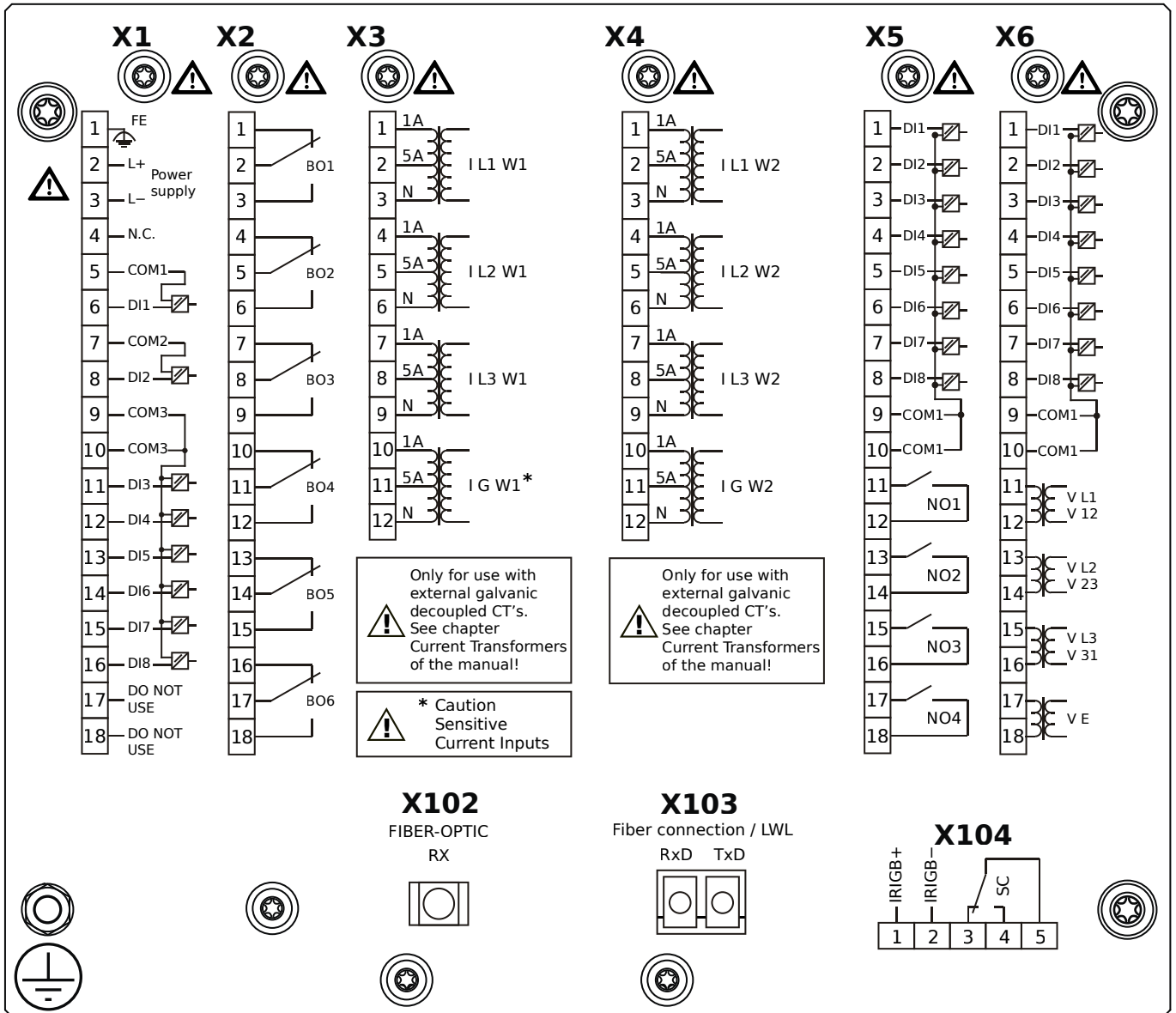
- X1** – DI8-X1: Wide-range power supply unit, incl. 2 non-grouped digital inputs and 6 grouped digital inputs
- X2** – OR-6: Assembly Group with 6 Relay Outputs
- X3** – TIS-4: Sensitive Ground current measuring card (for the neutral side of the differential protection)
- X4** – TI-4: Standard ground current measuring card (for the line side of the differential protection)
- X5** – DI8-OR4: Assembly Group with 8 Digital Inputs and 4 Output Relays
- X6** – U DI8: Voltage measuring assembly group with 8 Digital Inputs
- X102** – Universal Resistance-Temperature Detector (URTD) input, Fiber optics interface, ST Connector
- X103** – Fiber optics interface, LC Connector
- X104** – IRIG-B00X, incl. System Contact (Supervision Contact)

MCDGV4-2C1BLA



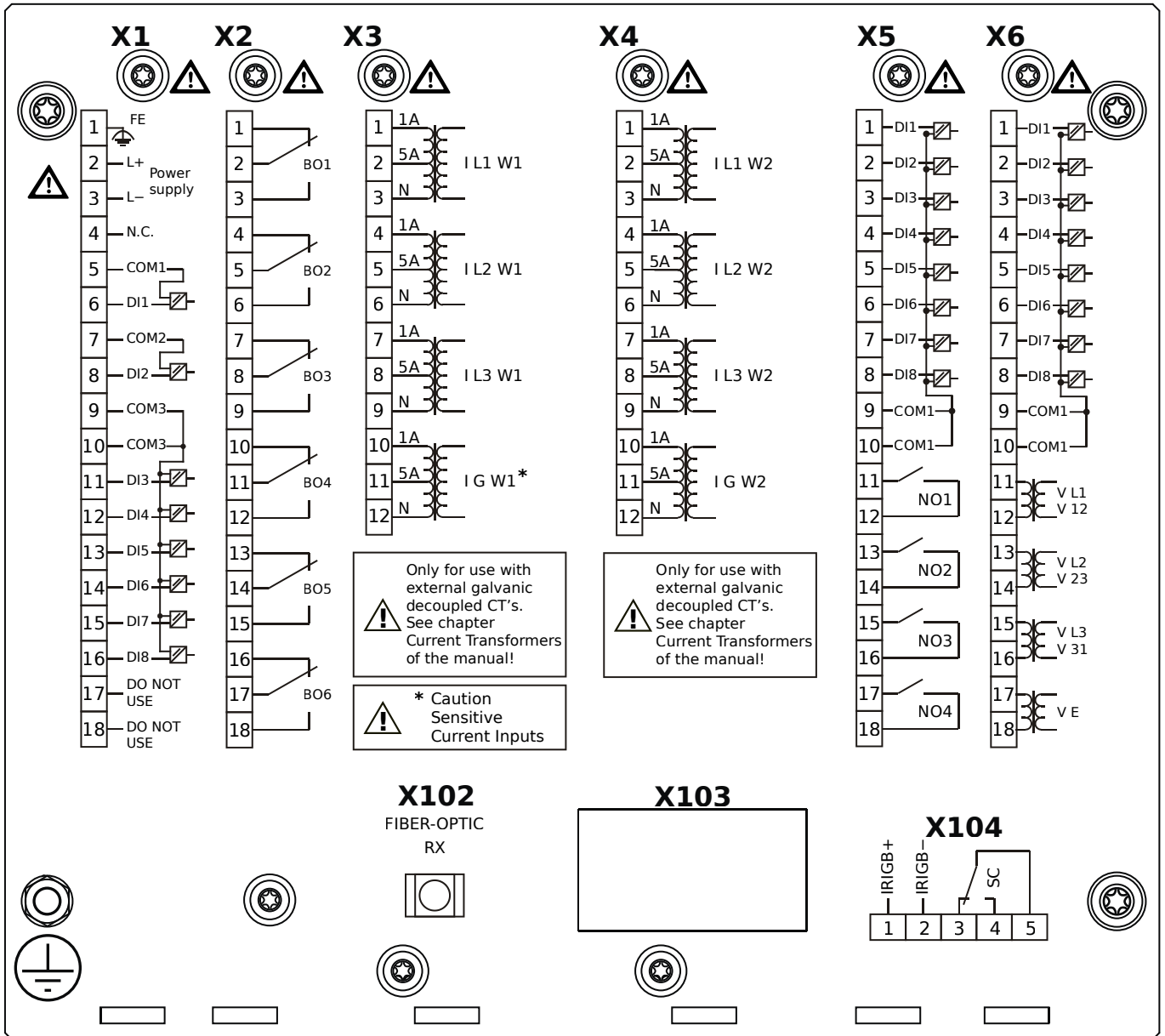
- X1** – DI8-X1: Wide-range power supply unit, incl. 2 non-grouped digital inputs and 6 grouped digital inputs
- X2** – OR-6: Assembly Group with 6 Relay Outputs
- X3** – TIS-4: Sensitive Ground current measuring card (for the neutral side of the differential protection)
- X4** – TI-4: Standard ground current measuring card (for the line side of the differential protection)
- X5** – DI8-OR4: Assembly Group with 8 Digital Inputs and 4 Output Relays
- X6** – U DI8: Voltage measuring assembly group with 8 Digital Inputs
- X102** – Universal Resistance-Temperature Detector (URTD) input, Fiber optics interface, ST Connector
- X103** – Fiber optics interface, LC Connector
- X104** – IRIG-B00X, incl. System Contact (Supervision Contact)

MCDGV4-2C1BLB



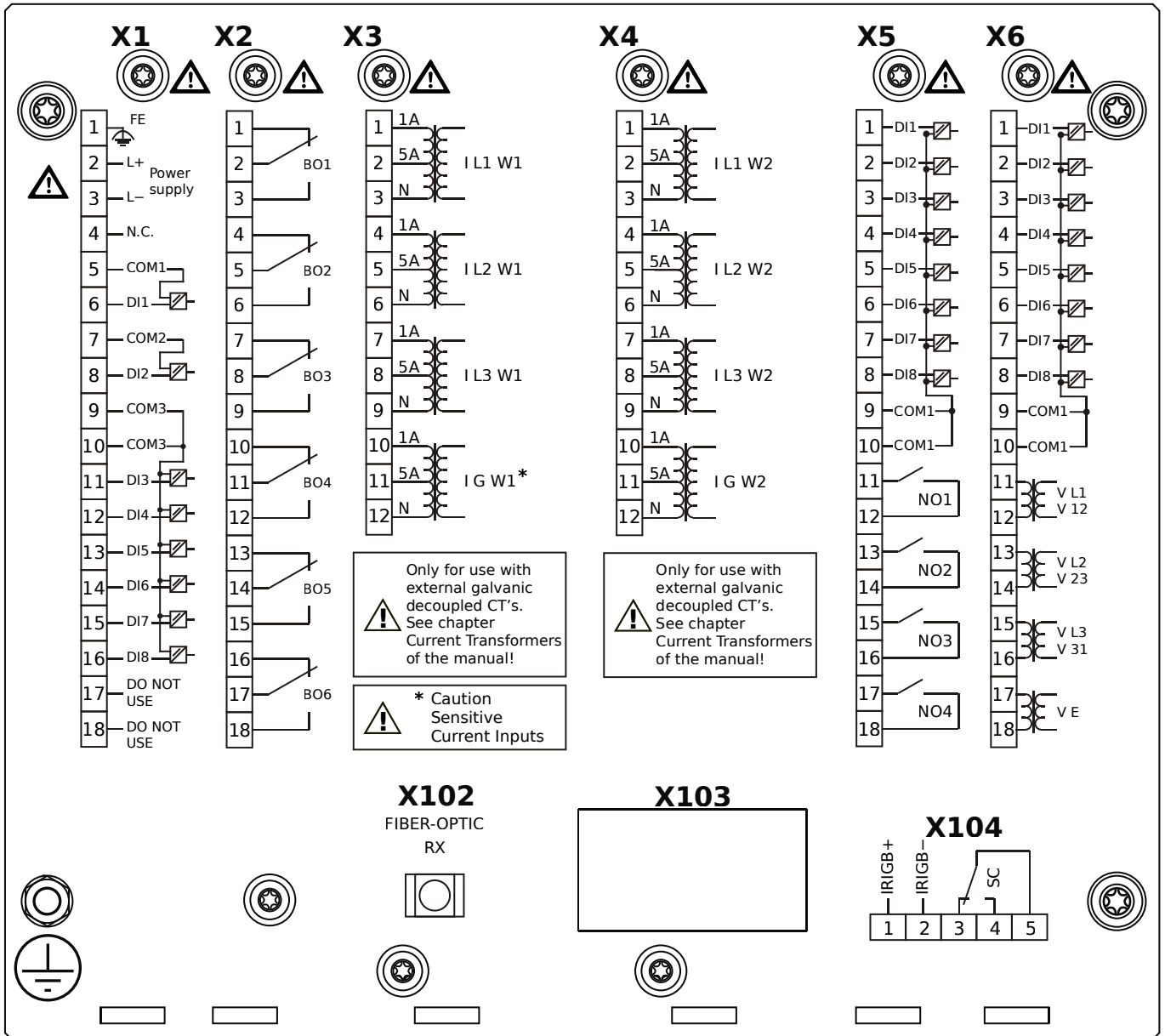
- X1** – DI8-X1: Wide-range power supply unit, incl. 2 non-grouped digital inputs and 6 grouped digital inputs
- X2** – OR-6: Assembly Group with 6 Relay Outputs
- X3** – TIS-4: Sensitive Ground current measuring card (for the neutral side of the differential protection)
- X4** – TI-4: Standard ground current measuring card (for the line side of the differential protection)
- X5** – DI8-OR4: Assembly Group with 8 Digital Inputs and 4 Output Relays
- X6** – U DI8: Voltage measuring assembly group with 8 Digital Inputs
- X102** – Universal Resistance-Temperature Detector (URTD) input, Fiber optics interface, ST Connector
- X103** – Fiber optics interface, LC Connector
- X104** – IRIG-B00X, incl. System Contact (Supervision Contact)

MCDGV4-2C1HAA



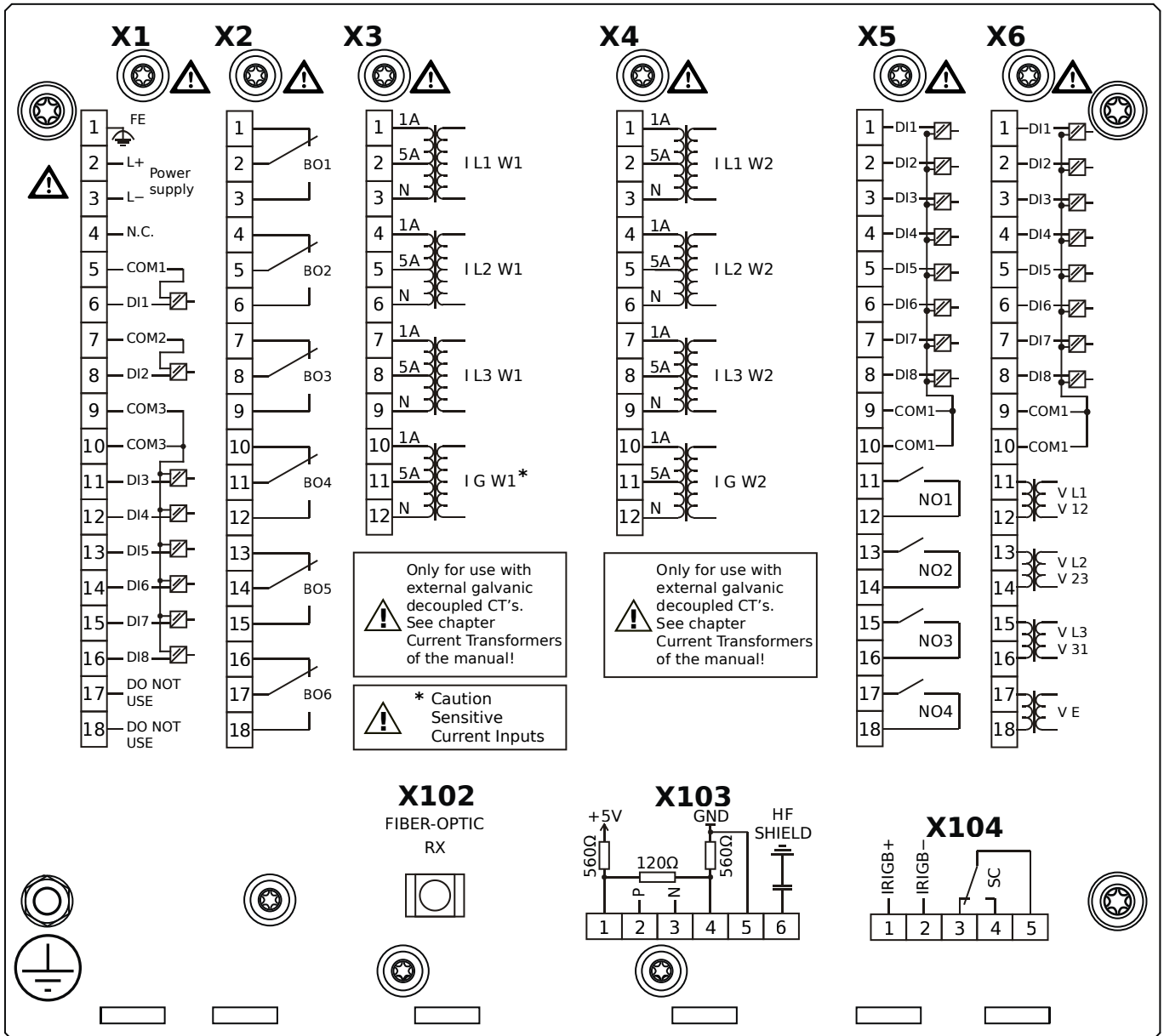
- X1** – DI8-X1: Wide-range power supply unit, incl. 2 non-grouped digital inputs and 6 grouped digital inputs
- X2** – OR-6: Assembly Group with 6 Relay Outputs
- X3** – TIS-4: Sensitive Ground current measuring card (for the neutral side of the differential protection)
- X4** – TI-4: Standard ground current measuring card (for the line side of the differential protection)
- X5** – DI8-OR4: Assembly Group with 8 Digital Inputs and 4 Output Relays
- X6** – U DI8: Voltage measuring assembly group with 8 Digital Inputs
- X102** – Universal Resistance-Temperature Detector (URTD) input, Fiber optics interface, ST Connector
- X104** – IRIG-B00X, incl. System Contact (Supervision Contact)

MCDGV4-2C1HAB



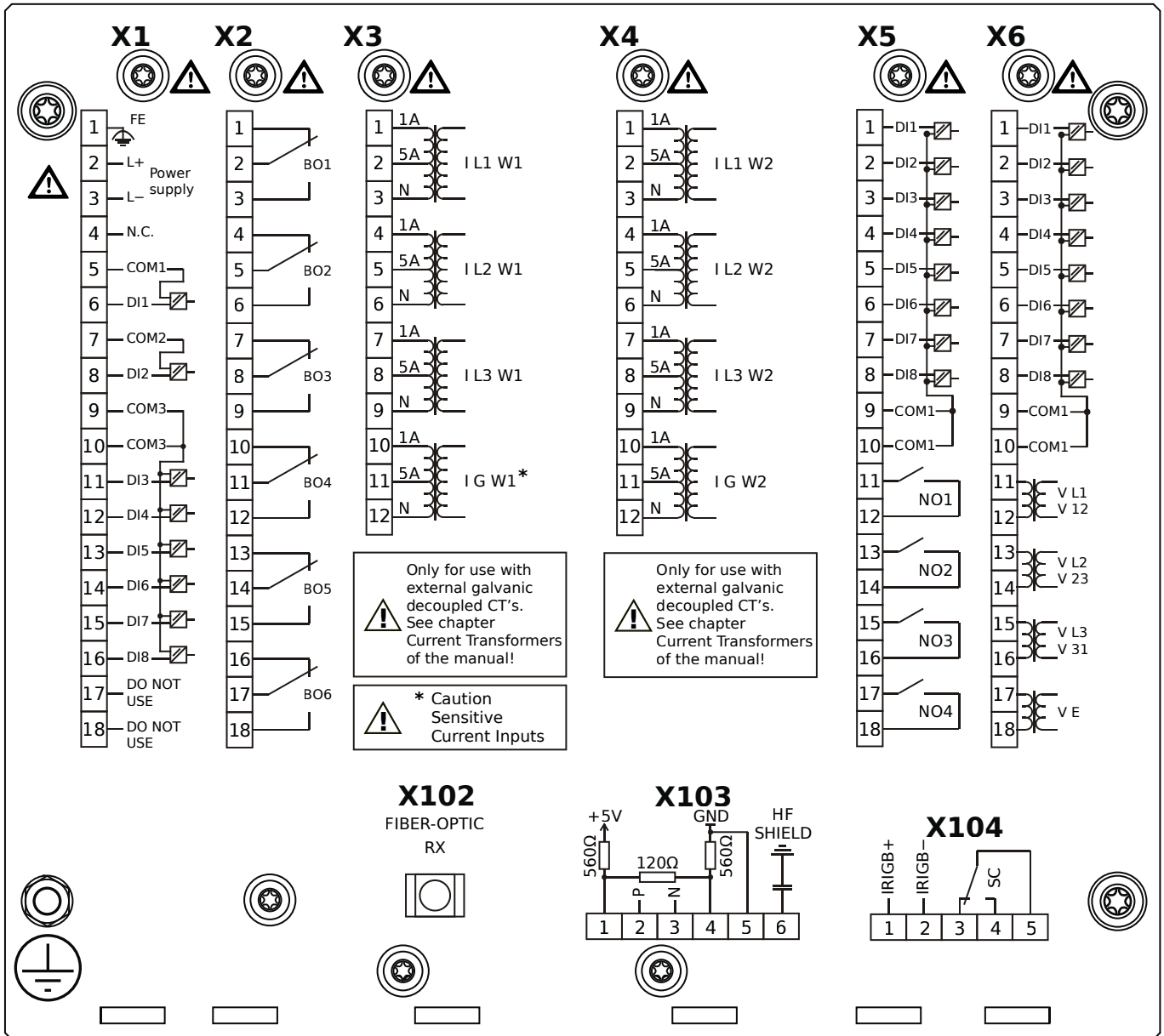
- X1** – DI8-X1: Wide-range power supply unit, incl. 2 non-grouped digital inputs and 6 grouped digital inputs
- X2** – OR-6: Assembly Group with 6 Relay Outputs
- X3** – TIS-4: Sensitive Ground current measuring card (for the neutral side of the differential protection)
- X4** – TI-4: Standard ground current measuring card (for the line side of the differential protection)
- X5** – DI8-OR4: Assembly Group with 8 Digital Inputs and 4 Output Relays
- X6** – U DI8: Voltage measuring assembly group with 8 Digital Inputs
- X102** – Universal Resistance-Temperature Detector (URTD) input, Fiber optics interface, ST Connector
- X104** – IRIG-B00X, incl. System Contact (Supervision Contact)

MCDGV4-2C1HBA



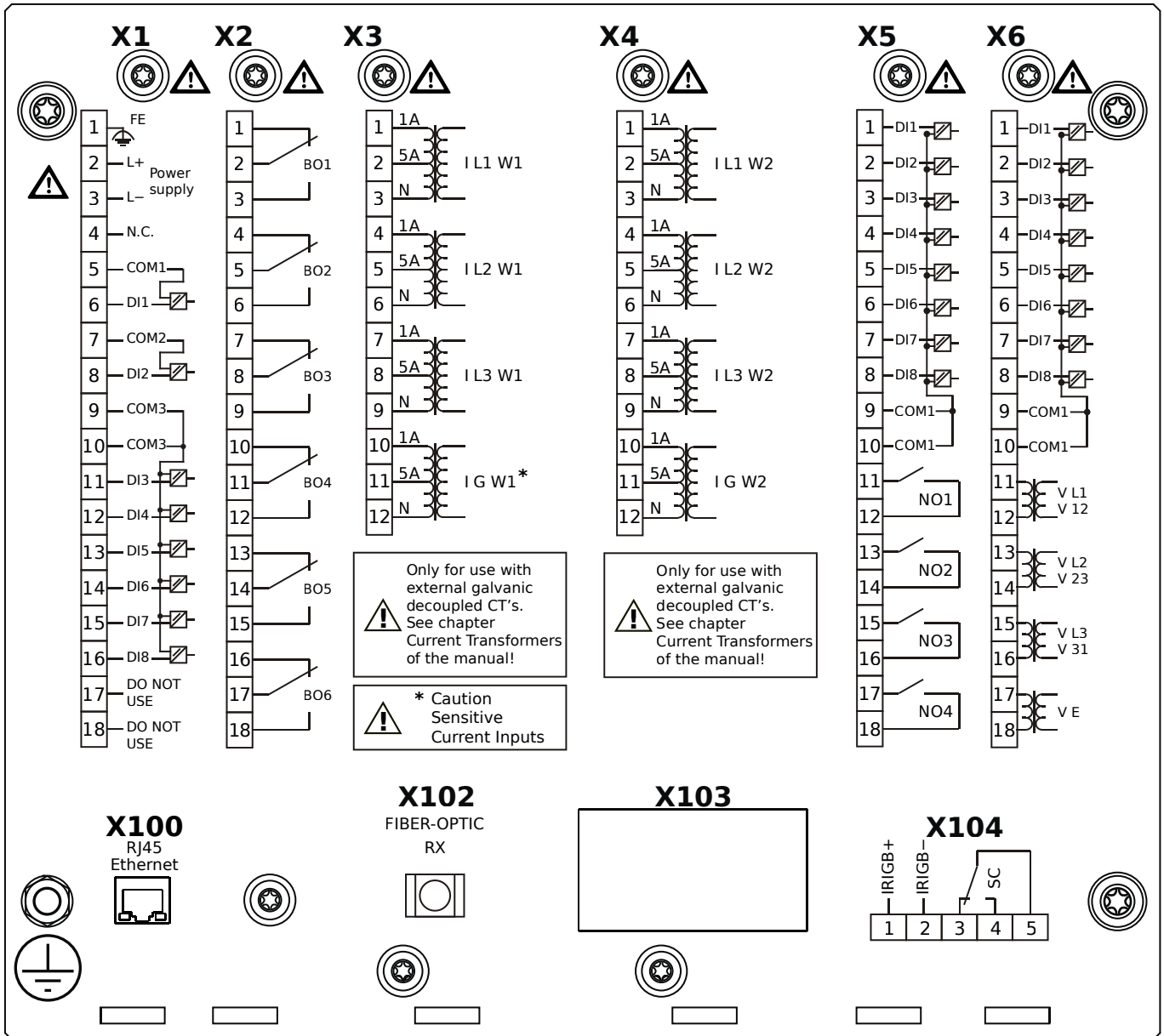
- X1** – DI8-X1: Wide-range power supply unit, incl. 2 non-grouped digital inputs and 6 grouped digital inputs
- X2** – OR-6: Assembly Group with 6 Relay Outputs
- X3** – TIS-4: Sensitive Ground current measuring card (for the neutral side of the differential protection)
- X4** – TI-4: Standard ground current measuring card (for the line side of the differential protection)
- X5** – DI8-OR4: Assembly Group with 8 Digital Inputs and 4 Output Relays
- X6** – U DI8: Voltage measuring assembly group with 8 Digital Inputs
- X102** – Universal Resistance-Temperature Detector (URTD) input, Fiber optics interface, ST Connector
- X103** – RS485, Terminals
- X104** – IRIG-B00X, incl. System Contact (Supervision Contact)

MCDGV4-2C1HBB



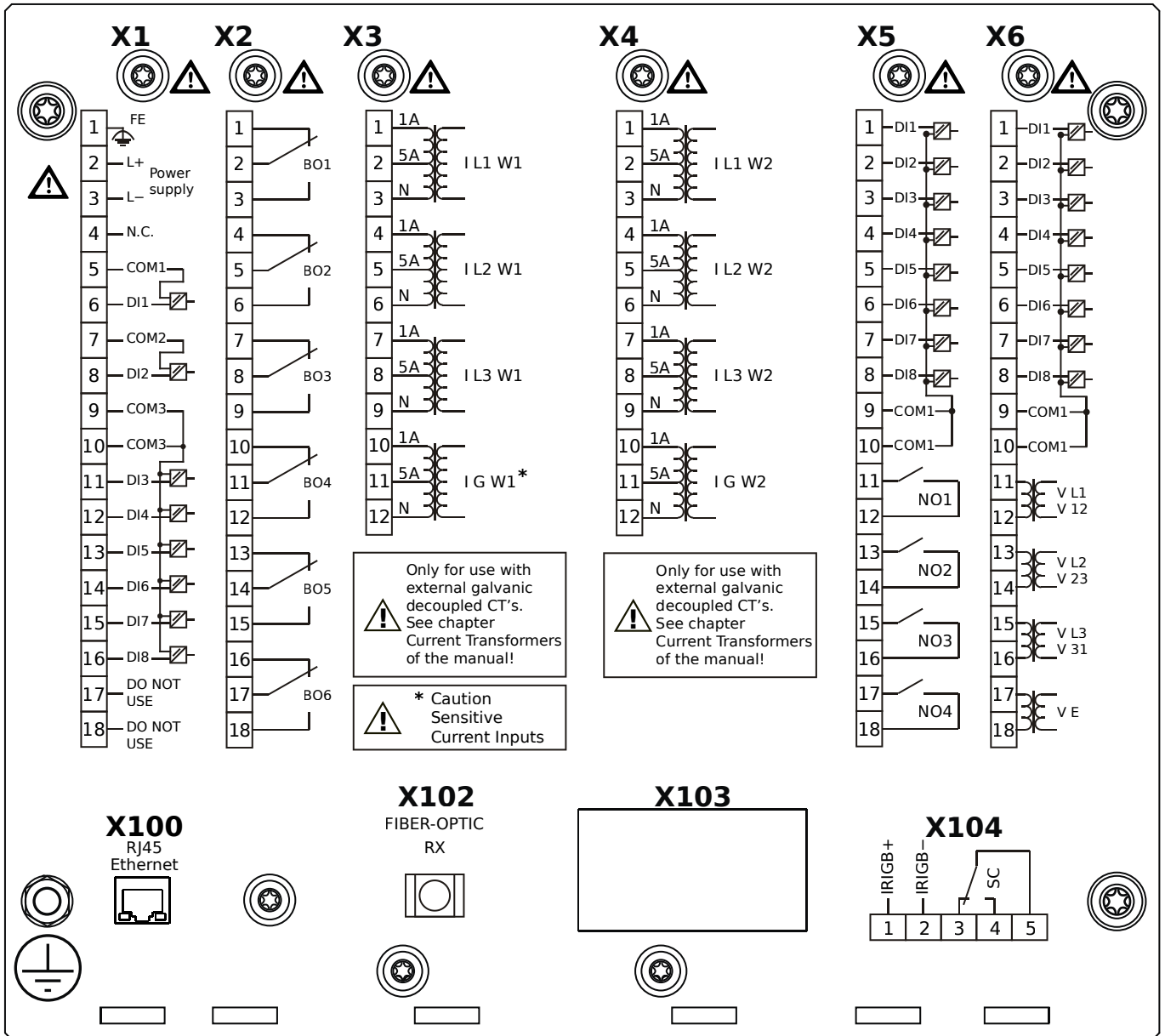
- X1** – DI8-X1: Wide-range power supply unit, incl. 2 non-grouped digital inputs and 6 grouped digital inputs
- X2** – OR-6: Assembly Group with 6 Relay Outputs
- X3** – TIS-4: Sensitive Ground current measuring card (for the neutral side of the differential protection)
- X4** – TI-4: Standard ground current measuring card (for the line side of the differential protection)
- X5** – DI8-OR4: Assembly Group with 8 Digital Inputs and 4 Output Relays
- X6** – U DI8: Voltage measuring assembly group with 8 Digital Inputs
- X102** – Universal Resistance-Temperature Detector (URTD) input, Fiber optics interface, ST Connector
- X103** – RS485, Terminals
- X104** – IRIG-B00X, incl. System Contact (Supervision Contact)

MCDGV4-2C1HCA



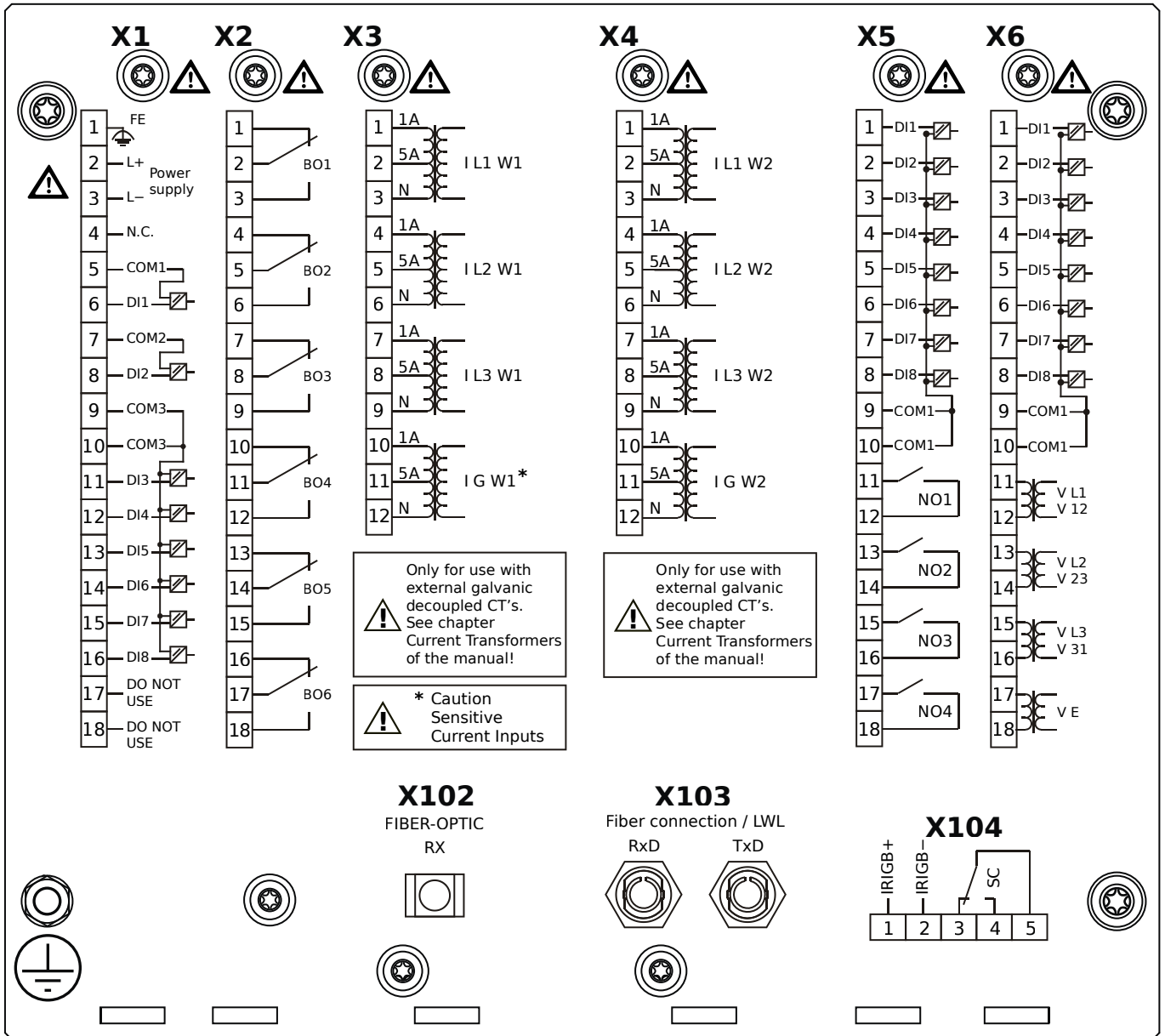
- X1** – DI8-X1: Wide-range power supply unit, incl. 2 non-grouped digital inputs and 6 grouped digital inputs
- X2** – OR-6: Assembly Group with 6 Relay Outputs
- X3** – TIS-4: Sensitive Ground current measuring card (for the neutral side of the differential protection)
- X4** – TI-4: Standard ground current measuring card (for the line side of the differential protection)
- X5** – DI8-OR4: Assembly Group with 8 Digital Inputs and 4 Output Relays
- X6** – U DI8: Voltage measuring assembly group with 8 Digital Inputs
- X100** – Ethernet interface, 100 Mbit/s, RJ45
- X102** – Universal Resistance-Temperature Detector (URTD) input, Fiber optics interface, ST Connector
- X104** – IRIG-B00X, incl. System Contact (Supervision Contact)

MCDGV4-2C1HCB



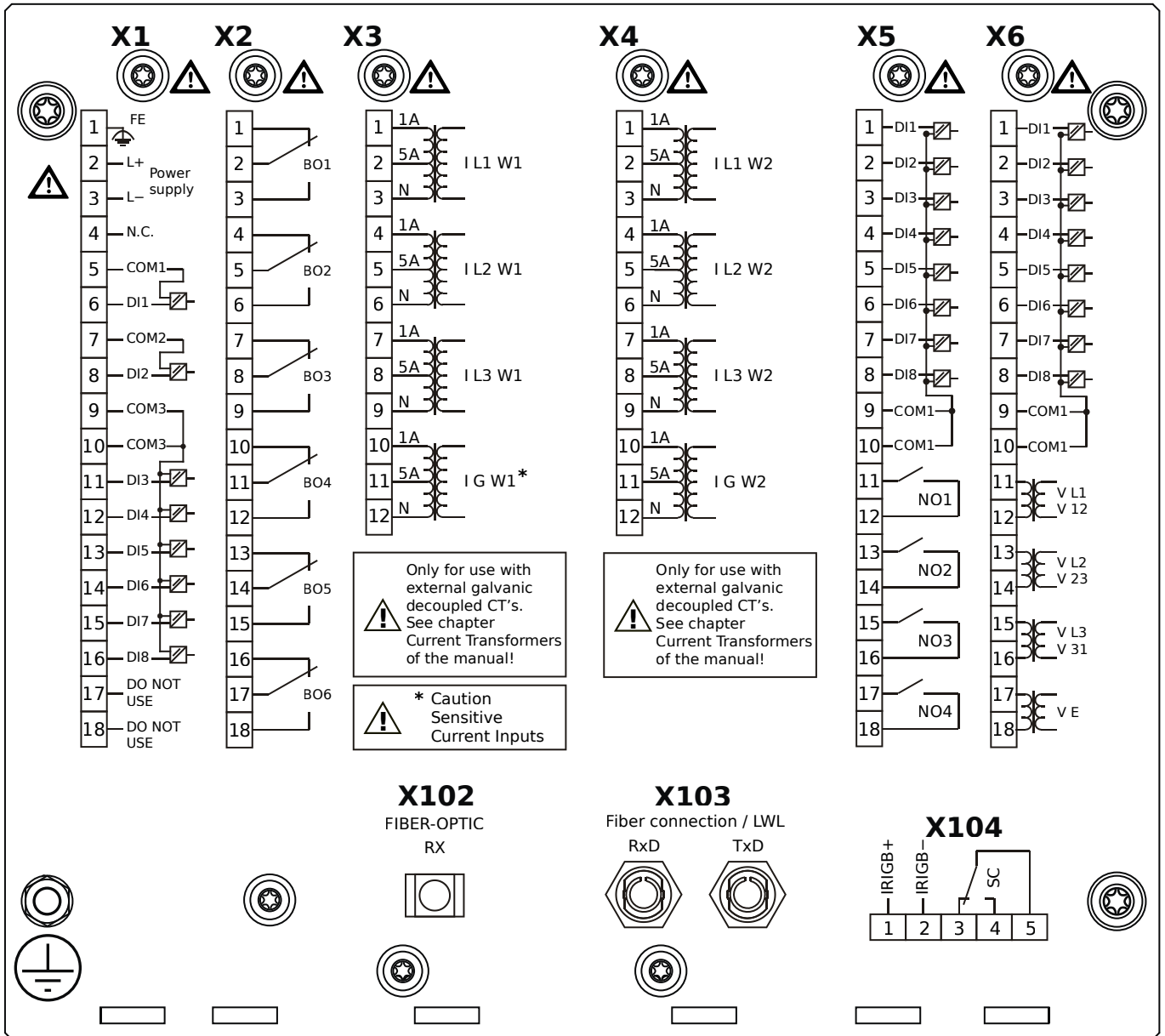
- X1** – DI8-X1: Wide-range power supply unit, incl. 2 non-grouped digital inputs and 6 grouped digital inputs
- X2** – OR-6: Assembly Group with 6 Relay Outputs
- X3** – TIS-4: Sensitive Ground current measuring card (for the neutral side of the differential protection)
- X4** – TI-4: Standard ground current measuring card (for the line side of the differential protection)
- X5** – DI8-OR4: Assembly Group with 8 Digital Inputs and 4 Output Relays
- X6** – U DI8: Voltage measuring assembly group with 8 Digital Inputs
- X100** – Ethernet interface, 100 Mbit/s, RJ45
- X102** – Universal Resistance-Temperature Detector (URTD) input, Fiber optics interface, ST Connector
- X104** – IRIG-B00X, incl. System Contact (Supervision Contact)

MCDGV4-2C1HDA



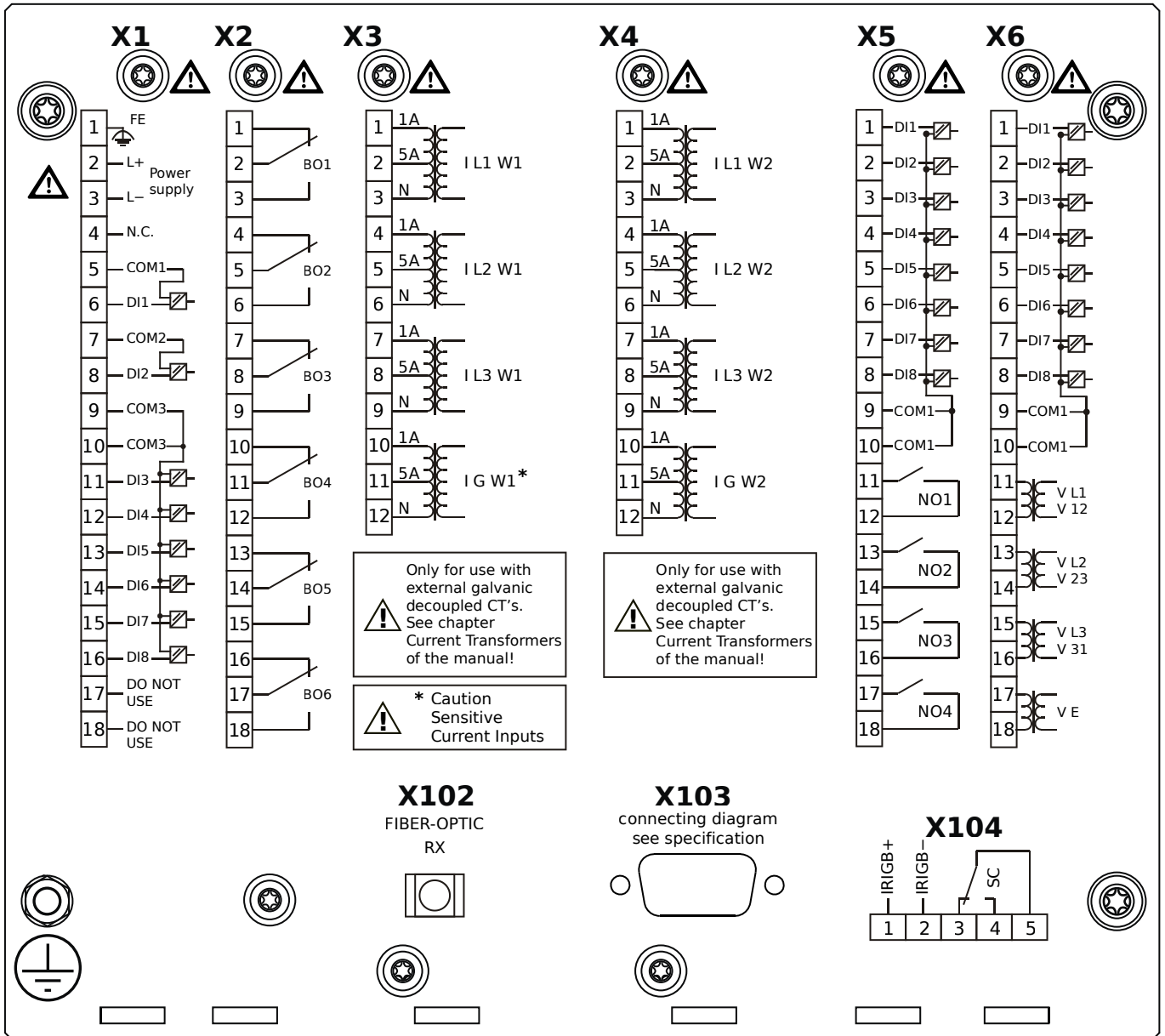
- X1** – DI8-X1: Wide-range power supply unit, incl. 2 non-grouped digital inputs and 6 grouped digital inputs
- X2** – OR-6: Assembly Group with 6 Relay Outputs
- X3** – TIS-4: Sensitive Ground current measuring card (for the neutral side of the differential protection)
- X4** – TI-4: Standard ground current measuring card (for the line side of the differential protection)
- X5** – DI8-OR4: Assembly Group with 8 Digital Inputs and 4 Output Relays
- X6** – U DI8: Voltage measuring assembly group with 8 Digital Inputs
- X102** – Universal Resistance-Temperature Detector (URTD) input, Fiber optics interface, ST Connector
- X103** – Fiber optics interface, ST Connector
- X104** – IRIG-B00X, incl. System Contact (Supervision Contact)

MCDGV4-2C1HDB



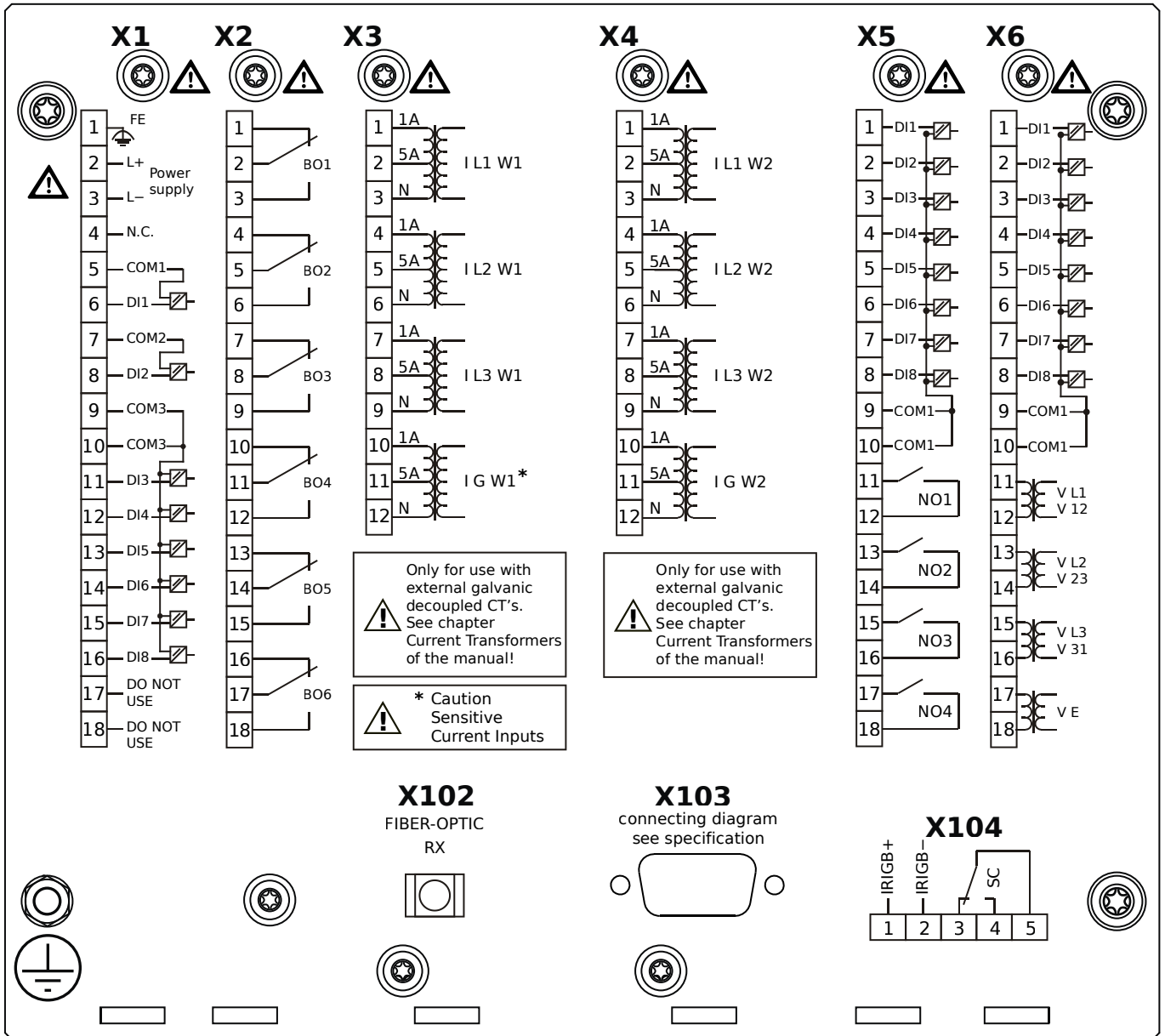
- X1** – DI8-X1: Wide-range power supply unit, incl. 2 non-grouped digital inputs and 6 grouped digital inputs
- X2** – OR-6: Assembly Group with 6 Relay Outputs
- X3** – TIS-4: Sensitive Ground current measuring card (for the neutral side of the differential protection)
- X4** – TI-4: Standard ground current measuring card (for the line side of the differential protection)
- X5** – DI8-OR4: Assembly Group with 8 Digital Inputs and 4 Output Relays
- X6** – U DI8: Voltage measuring assembly group with 8 Digital Inputs
- X102** – Universal Resistance-Temperature Detector (URTD) input, Fiber optics interface, ST Connector
- X103** – Fiber optics interface, ST Connector
- X104** – IRIG-B00X, incl. System Contact (Supervision Contact)

MCDGV4-2C1HEA



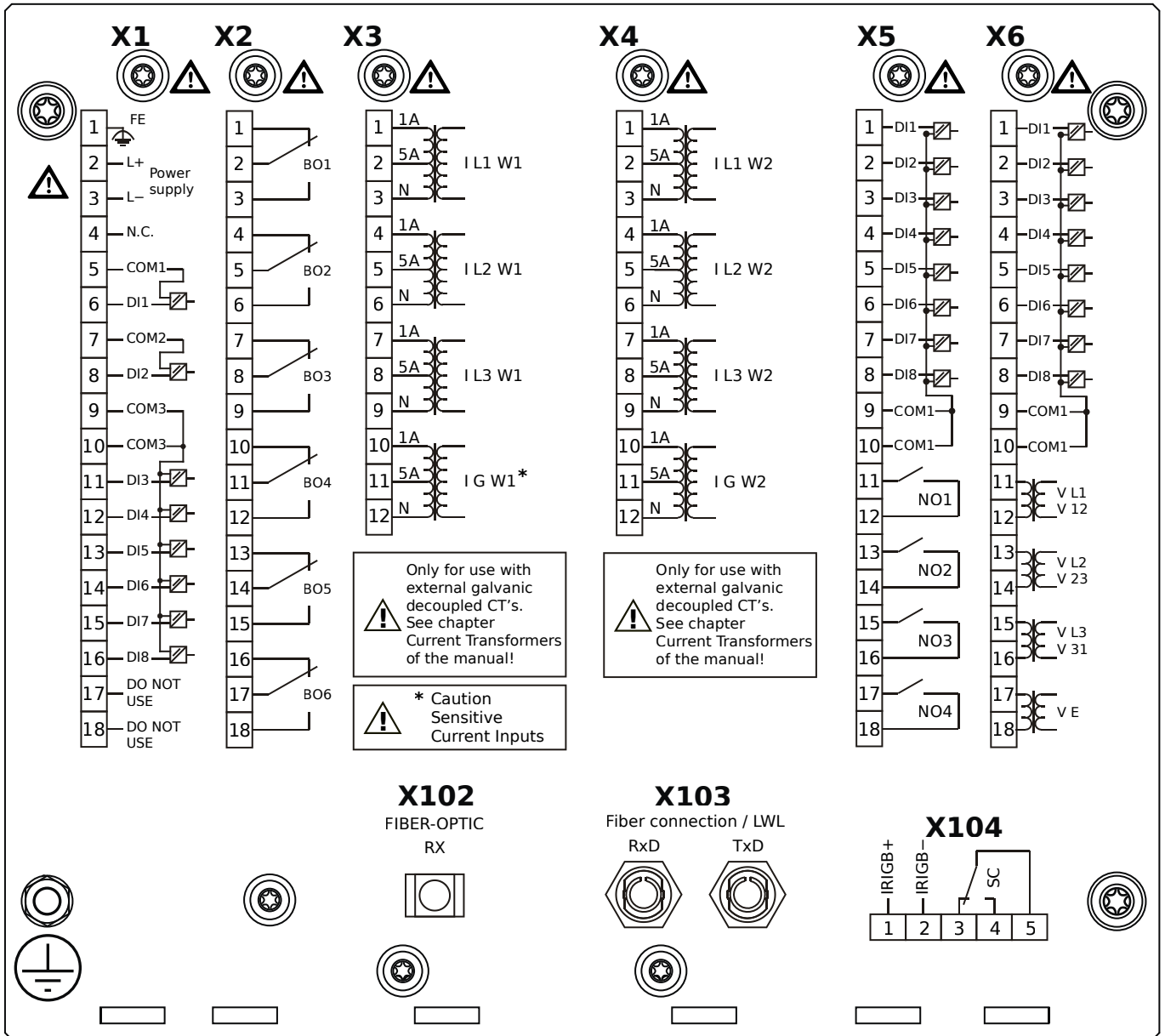
- X1** – DI8-X1: Wide-range power supply unit, incl. 2 non-grouped digital inputs and 6 grouped digital inputs
- X2** – OR-6: Assembly Group with 6 Relay Outputs
- X3** – TIS-4: Sensitive Ground current measuring card (for the neutral side of the differential protection)
- X4** – TI-4: Standard ground current measuring card (for the line side of the differential protection)
- X5** – DI8-OR4: Assembly Group with 8 Digital Inputs and 4 Output Relays
- X6** – U DI8: Voltage measuring assembly group with 8 Digital Inputs
- X102** – Universal Resistance-Temperature Detector (URTD) input, Fiber optics interface, ST Connector
- X103** – RS485, D-SUB
- X104** – IRIG-B00X, incl. System Contact (Supervision Contact)

MCDGV4-2C1HEB



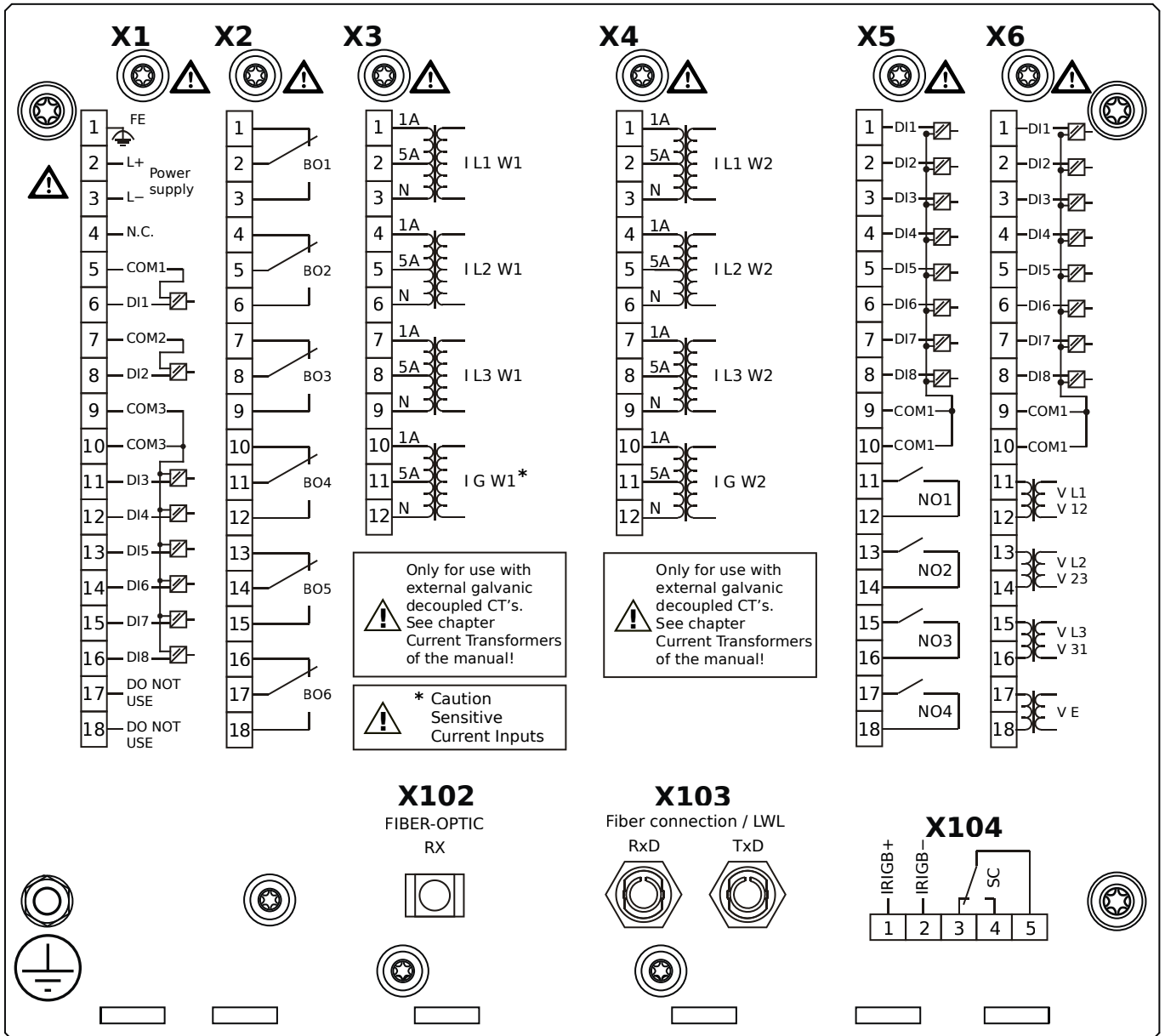
- X1** – DI8-X1: Wide-range power supply unit, incl. 2 non-grouped digital inputs and 6 grouped digital inputs
- X2** – OR-6: Assembly Group with 6 Relay Outputs
- X3** – TIS-4: Sensitive Ground current measuring card (for the neutral side of the differential protection)
- X4** – TI-4: Standard ground current measuring card (for the line side of the differential protection)
- X5** – DI8-OR4: Assembly Group with 8 Digital Inputs and 4 Output Relays
- X6** – U DI8: Voltage measuring assembly group with 8 Digital Inputs
- X102** – Universal Resistance-Temperature Detector (URTD) input, Fiber optics interface, ST Connector
- X103** – RS485, D-SUB
- X104** – IRIG-B00X, incl. System Contact (Supervision Contact)

MCDGV4-2C1HFA



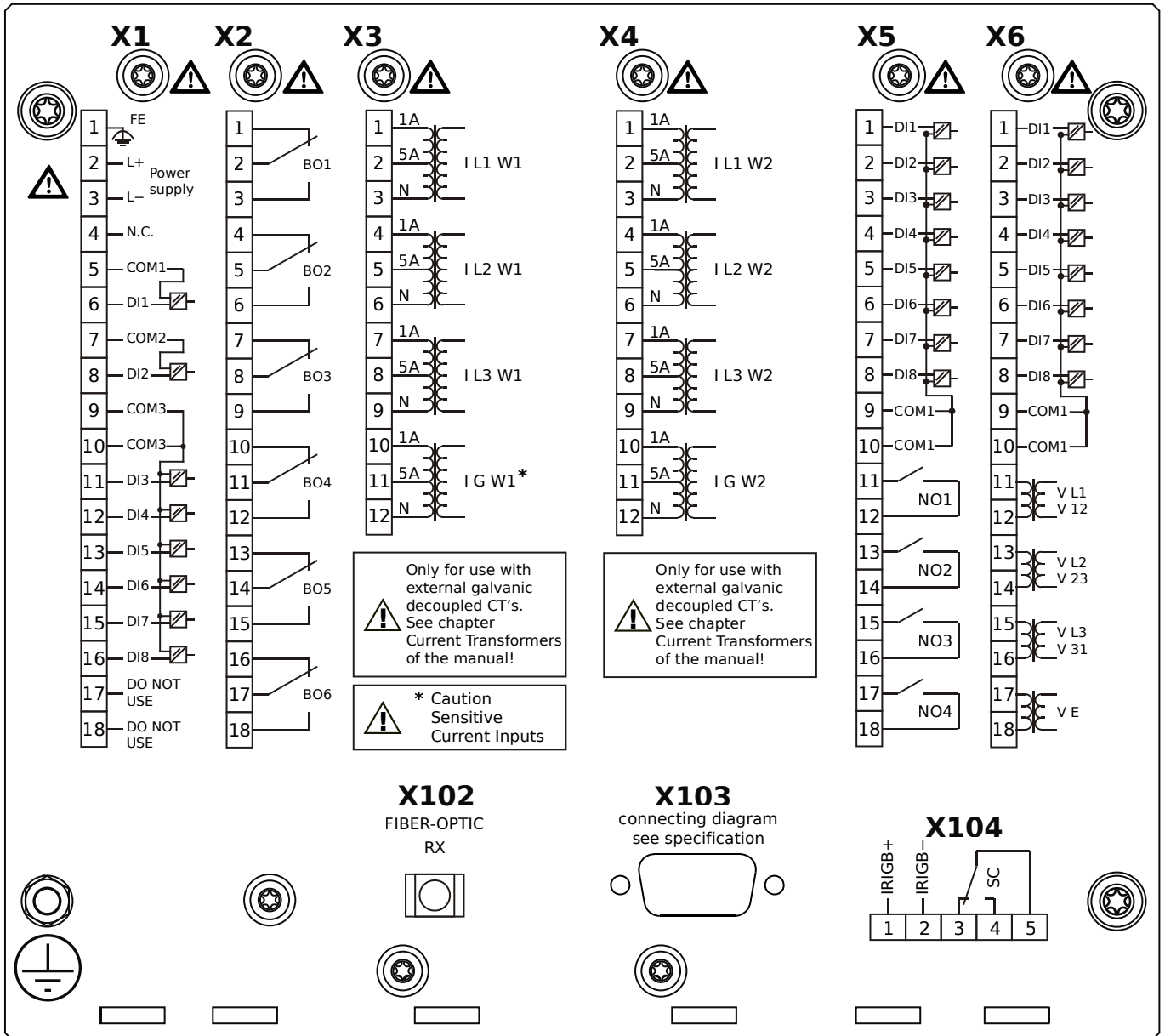
- X1** – DI8-X1: Wide-range power supply unit, incl. 2 non-grouped digital inputs and 6 grouped digital inputs
- X2** – OR-6: Assembly Group with 6 Relay Outputs
- X3** – TIS-4: Sensitive Ground current measuring card (for the neutral side of the differential protection)
- X4** – TI-4: Standard ground current measuring card (for the line side of the differential protection)
- X5** – DI8-OR4: Assembly Group with 8 Digital Inputs and 4 Output Relays
- X6** – U DI8: Voltage measuring assembly group with 8 Digital Inputs
- X102** – Universal Resistance-Temperature Detector (URTD) input, Fiber optics interface, ST Connector
- X103** – Fiber optics interface, ST Connector
- X104** – IRIG-B00X, incl. System Contact (Supervision Contact)

MCDGV4-2C1HFB



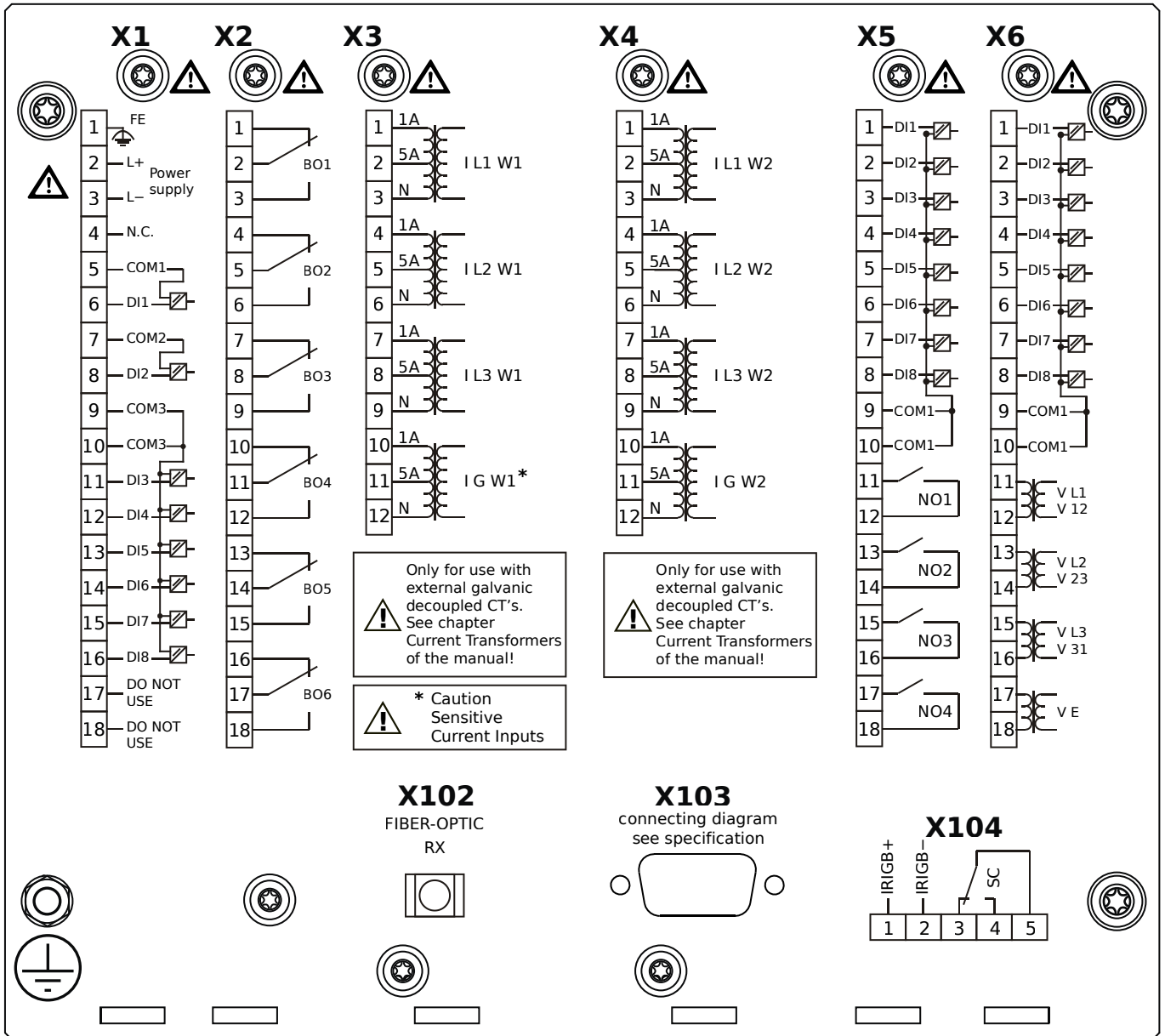
- X1** – DI8-X1: Wide-range power supply unit, incl. 2 non-grouped digital inputs and 6 grouped digital inputs
- X2** – OR-6: Assembly Group with 6 Relay Outputs
- X3** – TIS-4: Sensitive Ground current measuring card (for the neutral side of the differential protection)
- X4** – TI-4: Standard ground current measuring card (for the line side of the differential protection)
- X5** – DI8-OR4: Assembly Group with 8 Digital Inputs and 4 Output Relays
- X6** – U DI8: Voltage measuring assembly group with 8 Digital Inputs
- X102** – Universal Resistance-Temperature Detector (URTD) input, Fiber optics interface, ST Connector
- X103** – Fiber optics interface, ST Connector
- X104** – IRIG-B00X, incl. System Contact (Supervision Contact)

MCDGV4-2C1HGA



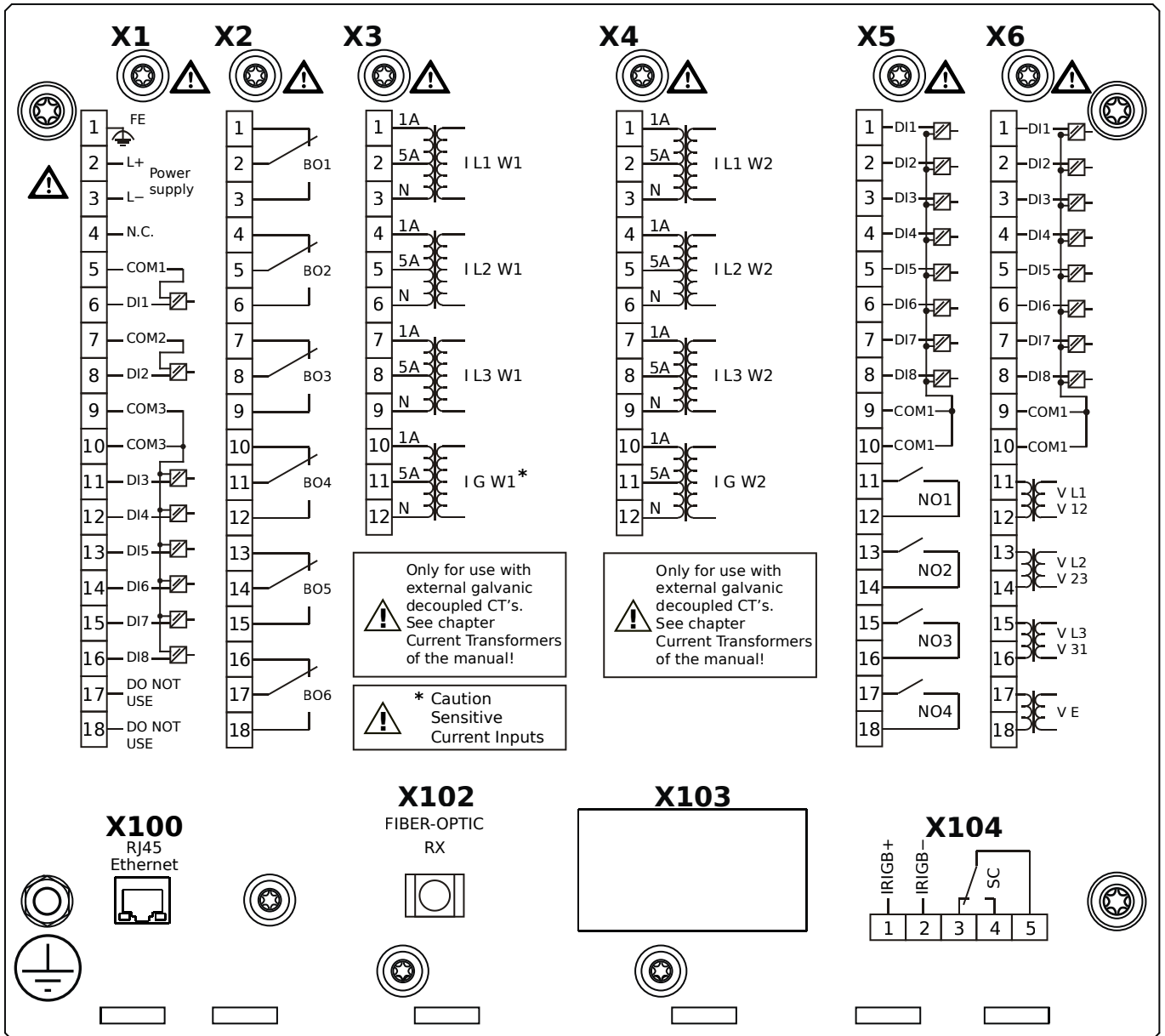
- X1** – DI8-X1: Wide-range power supply unit, incl. 2 non-grouped digital inputs and 6 grouped digital inputs
- X2** – OR-6: Assembly Group with 6 Relay Outputs
- X3** – TIS-4: Sensitive Ground current measuring card (for the neutral side of the differential protection)
- X4** – TI-4: Standard ground current measuring card (for the line side of the differential protection)
- X5** – DI8-OR4: Assembly Group with 8 Digital Inputs and 4 Output Relays
- X6** – U DI8: Voltage measuring assembly group with 8 Digital Inputs
- X102** – Universal Resistance-Temperature Detector (URTD) input, Fiber optics interface, ST Connector
- X103** – RS485, D-SUB
- X104** – IRIG-B00X, incl. System Contact (Supervision Contact)

MCDGV4-2C1HGB



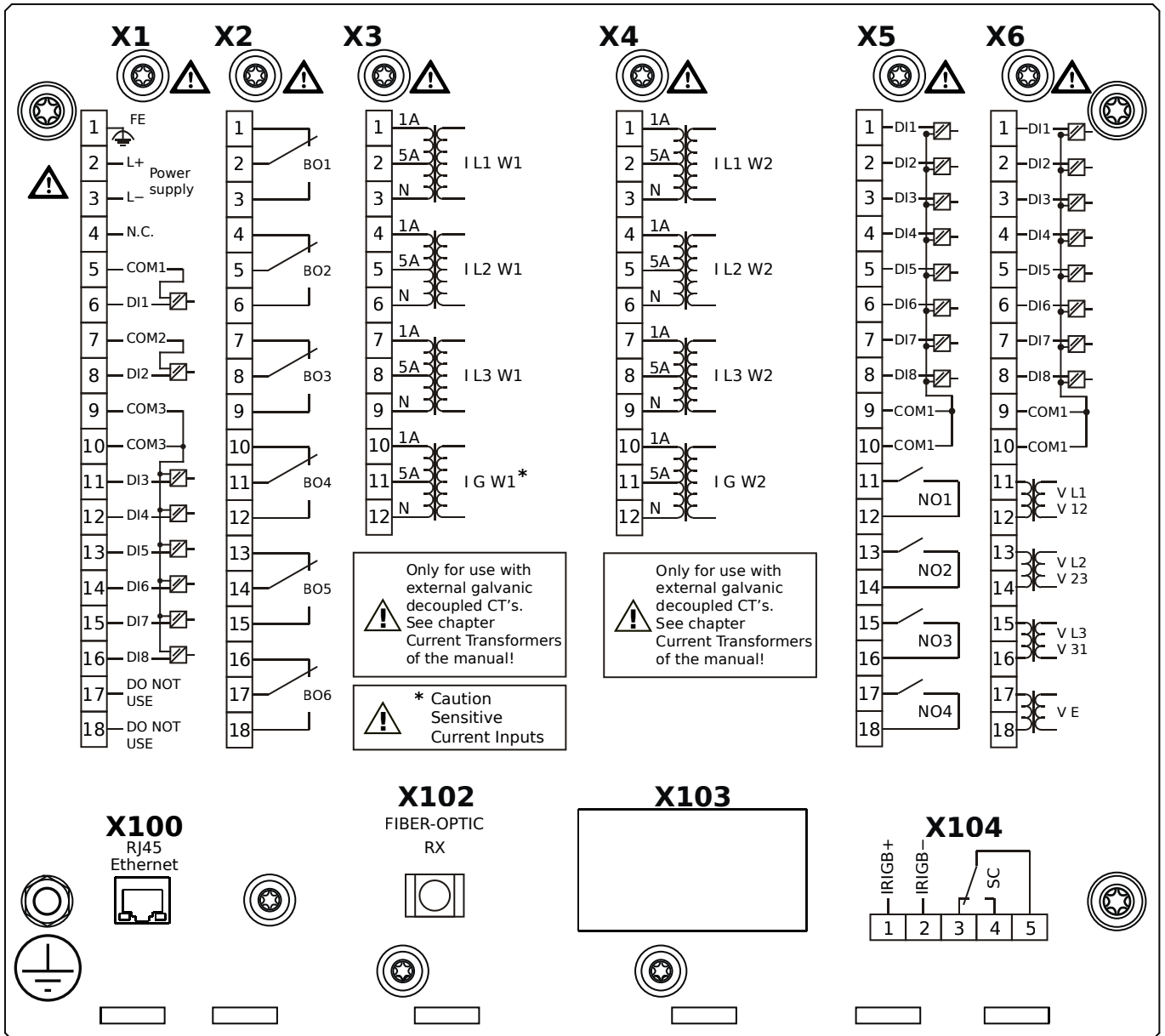
- X1** – DI8-X1: Wide-range power supply unit, incl. 2 non-grouped digital inputs and 6 grouped digital inputs
- X2** – OR-6: Assembly Group with 6 Relay Outputs
- X3** – TIS-4: Sensitive Ground current measuring card (for the neutral side of the differential protection)
- X4** – TI-4: Standard ground current measuring card (for the line side of the differential protection)
- X5** – DI8-OR4: Assembly Group with 8 Digital Inputs and 4 Output Relays
- X6** – U DI8: Voltage measuring assembly group with 8 Digital Inputs
- X102** – Universal Resistance-Temperature Detector (URTD) input, Fiber optics interface, ST Connector
- X103** – RS485, D-SUB
- X104** – IRIG-B00X, incl. System Contact (Supervision Contact)

MCDGV4-2C1HHA



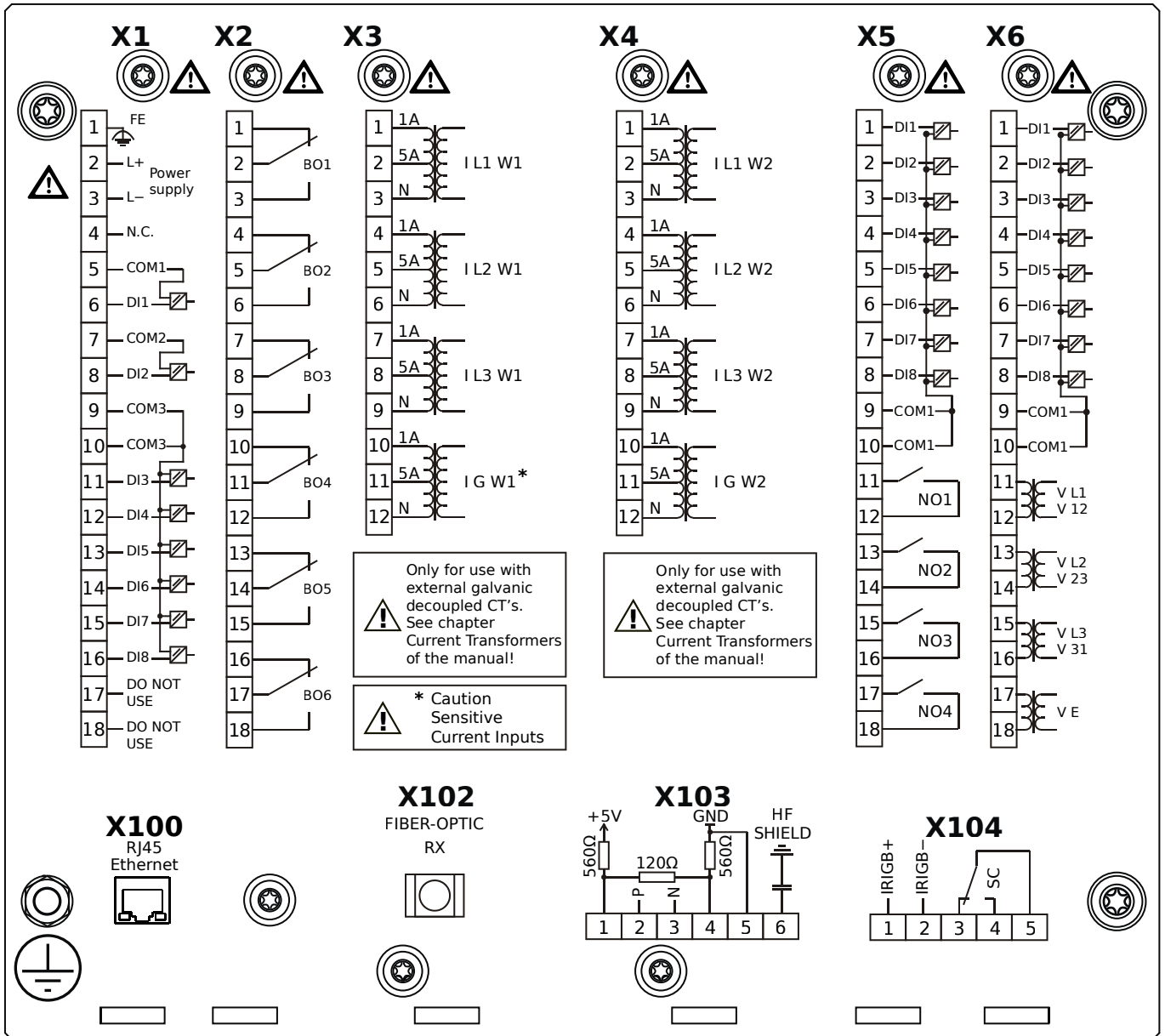
- X1** – DI8-X1: Wide-range power supply unit, incl. 2 non-grouped digital inputs and 6 grouped digital inputs
- X2** – OR-6: Assembly Group with 6 Relay Outputs
- X3** – TIS-4: Sensitive Ground current measuring card (for the neutral side of the differential protection)
- X4** – TI-4: Standard ground current measuring card (for the line side of the differential protection)
- X5** – DI8-OR4: Assembly Group with 8 Digital Inputs and 4 Output Relays
- X6** – U DI8: Voltage measuring assembly group with 8 Digital Inputs
- X100** – Ethernet interface, 100 Mbit/s, RJ45
- X102** – Universal Resistance-Temperature Detector (URTD) input, Fiber optics interface, ST Connector
- X104** – IRIG-B00X, incl. System Contact (Supervision Contact)

MCDGV4-2C1HHB



- X1** – DI8-X1: Wide-range power supply unit, incl. 2 non-grouped digital inputs and 6 grouped digital inputs
- X2** – OR-6: Assembly Group with 6 Relay Outputs
- X3** – TIS-4: Sensitive Ground current measuring card (for the neutral side of the differential protection)
- X4** – TI-4: Standard ground current measuring card (for the line side of the differential protection)
- X5** – DI8-OR4: Assembly Group with 8 Digital Inputs and 4 Output Relays
- X6** – U DI8: Voltage measuring assembly group with 8 Digital Inputs
- X100** – Ethernet interface, 100 Mbit/s, RJ45
- X102** – Universal Resistance-Temperature Detector (URTD) input, Fiber optics interface, ST Connector
- X104** – IRIG-B00X, incl. System Contact (Supervision Contact)

MCDGV4-2C1HIA



X1 – DI8-X1: Wide-range power supply unit, incl. 2 non-grouped digital inputs and 6 grouped digital inputs

X2 – OR-6: Assembly Group with 6 Relay Outputs

X3 – TIS-4: Sensitive Ground current measuring card (for the neutral side of the differential protection)

X4 – TI-4: Standard ground current measuring card (for the line side of the differential protection)

X5 – DI8-OR4: Assembly Group with 8 Digital Inputs and 4 Output Relays

X6 – U DI8: Voltage measuring assembly group with 8 Digital Inputs

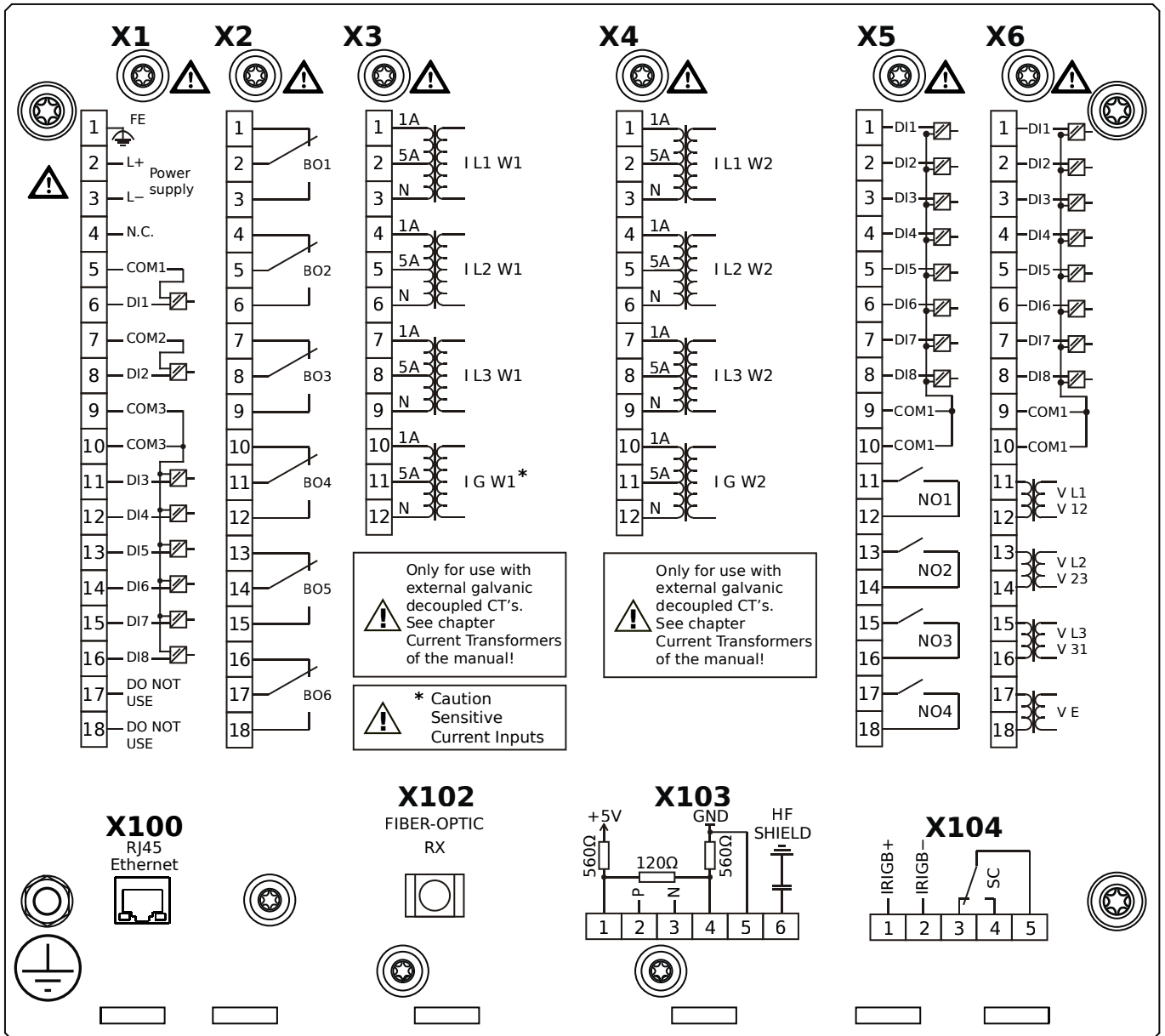
X100 – Ethernet interface, 100 Mbit/s, RJ45

X102 – Universal Resistance-Temperature Detector (URTD) input, Fiber optics interface, ST Connector

X103 – RS485, Terminals

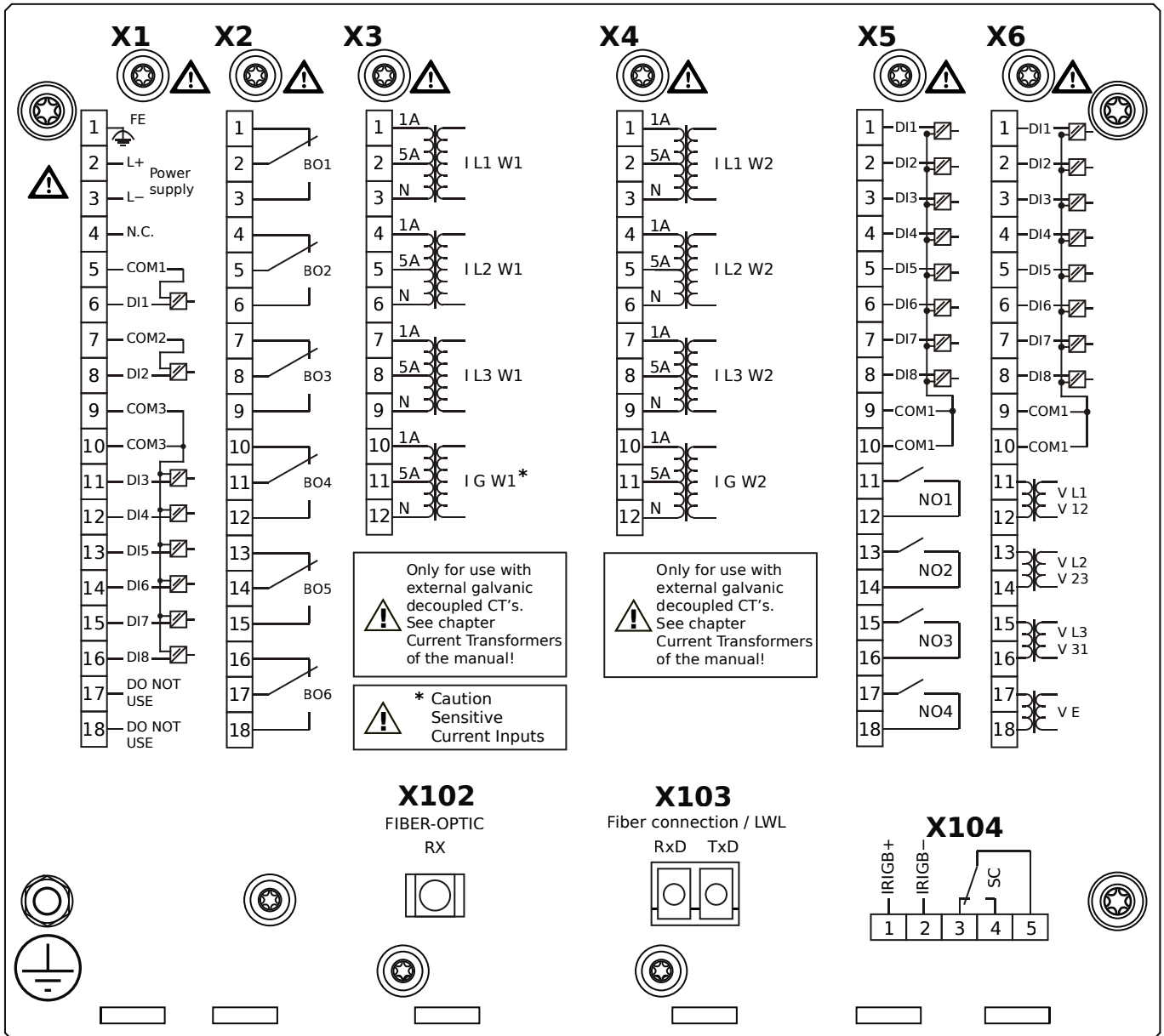
X104 – IRIG-B00X, incl. System Contact (Supervision Contact)

MCDGV4-2C1HIB



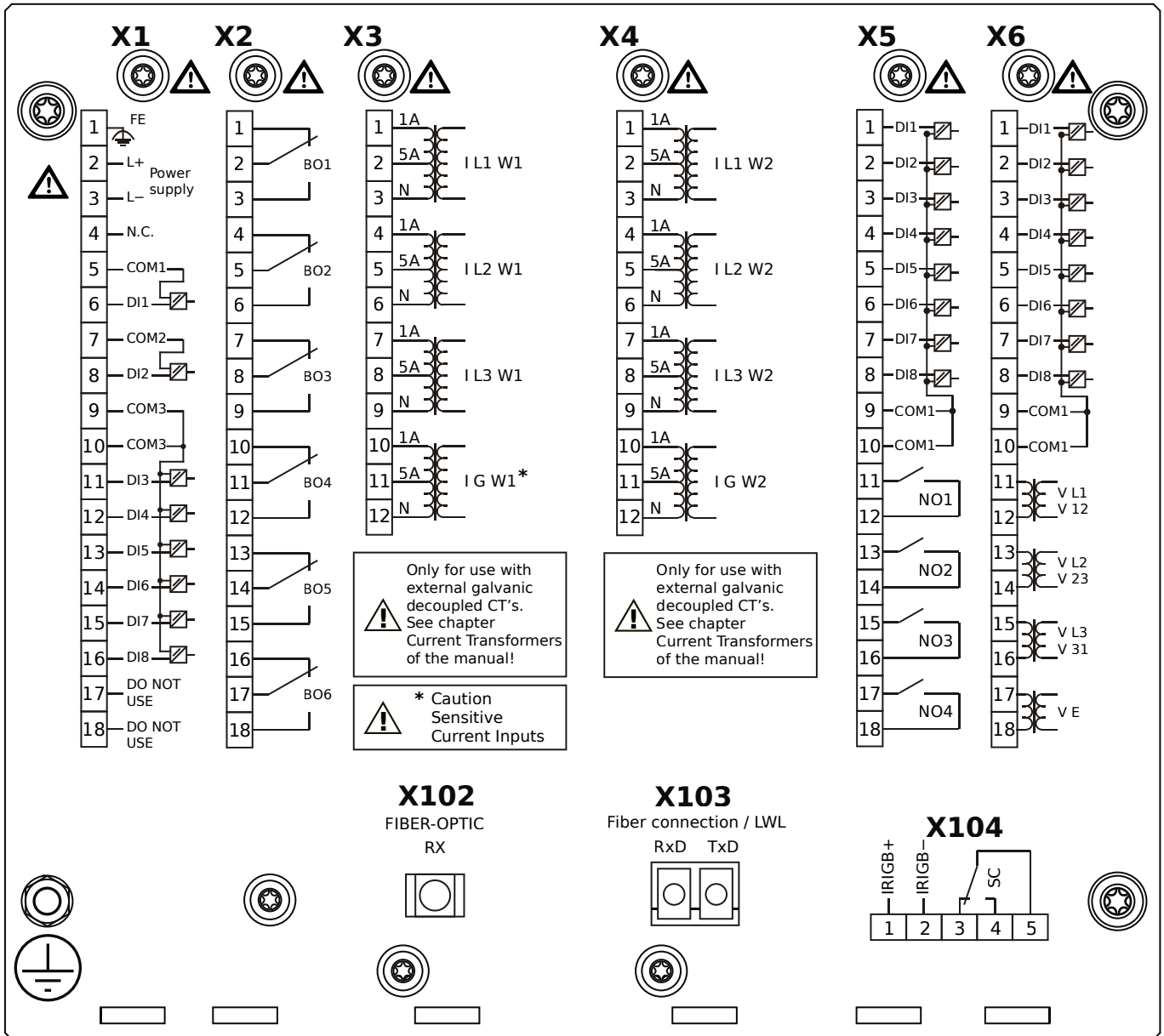
- X1** – DI8-X1: Wide-range power supply unit, incl. 2 non-grouped digital inputs and 6 grouped digital inputs
- X2** – OR-6: Assembly Group with 6 Relay Outputs
- X3** – TIS-4: Sensitive Ground current measuring card (for the neutral side of the differential protection)
- X4** – TI-4: Standard ground current measuring card (for the line side of the differential protection)
- X5** – DI8-OR4: Assembly Group with 8 Digital Inputs and 4 Output Relays
- X6** – U DI8: Voltage measuring assembly group with 8 Digital Inputs
- X100** – Ethernet interface, 100 Mbit/s, RJ45
- X102** – Universal Resistance-Temperature Detector (URTD) input, Fiber optics interface, ST Connector
- X103** – RS485, Terminals
- X104** – IRIG-B00X, incl. System Contact (Supervision Contact)

MCDGV4-2C1HKA



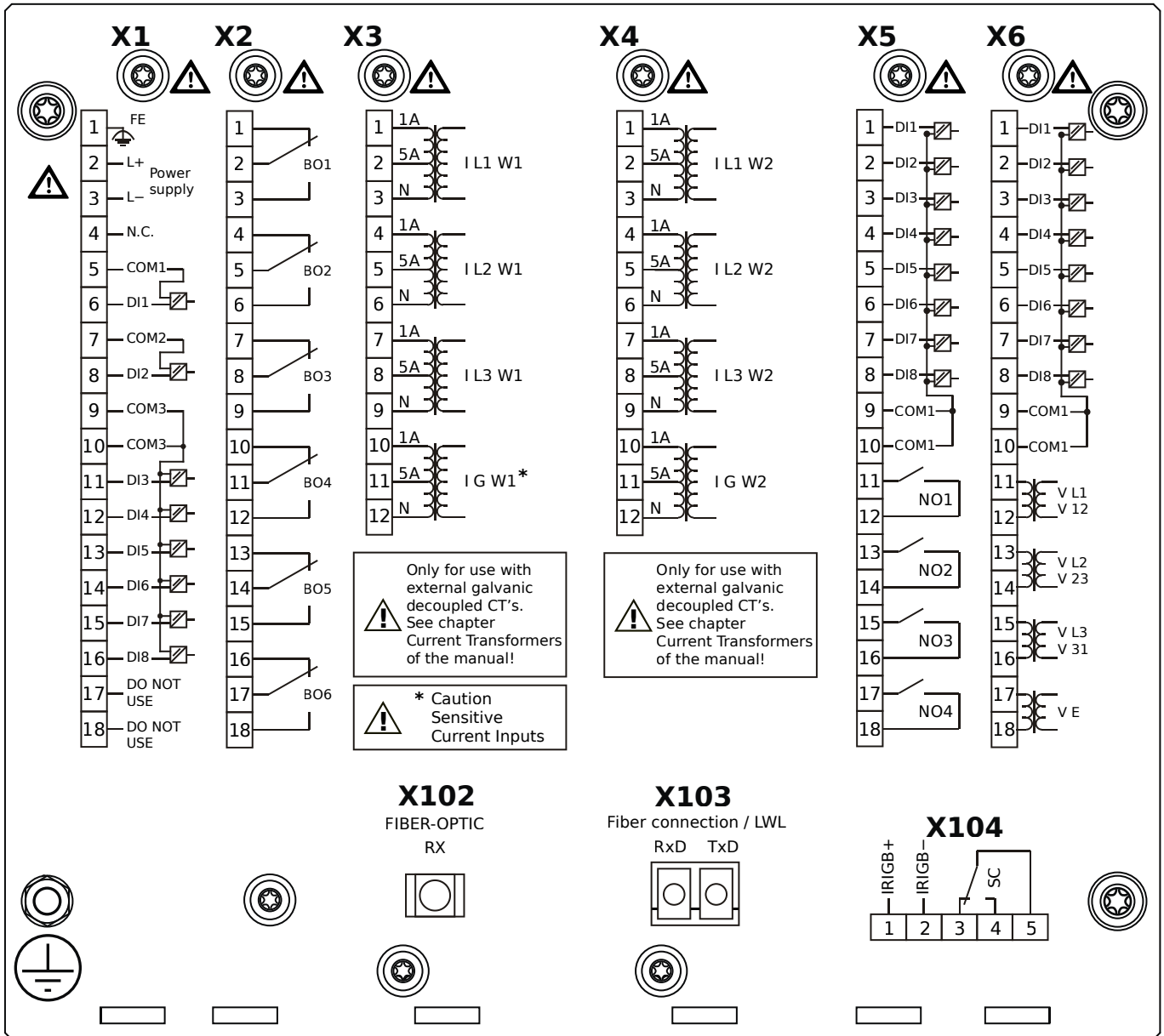
- X1** – DI8-X1: Wide-range power supply unit, incl. 2 non-grouped digital inputs and 6 grouped digital inputs
- X2** – OR-6: Assembly Group with 6 Relay Outputs
- X3** – TIS-4: Sensitive Ground current measuring card (for the neutral side of the differential protection)
- X4** – TI-4: Standard ground current measuring card (for the line side of the differential protection)
- X5** – DI8-OR4: Assembly Group with 8 Digital Inputs and 4 Output Relays
- X6** – U DI8: Voltage measuring assembly group with 8 Digital Inputs
- X102** – Universal Resistance-Temperature Detector (URTD) input, Fiber optics interface, ST Connector
- X103** – Fiber optics interface, LC Connector
- X104** – IRIG-B00X, incl. System Contact (Supervision Contact)

MCDGV4-2C1HKB



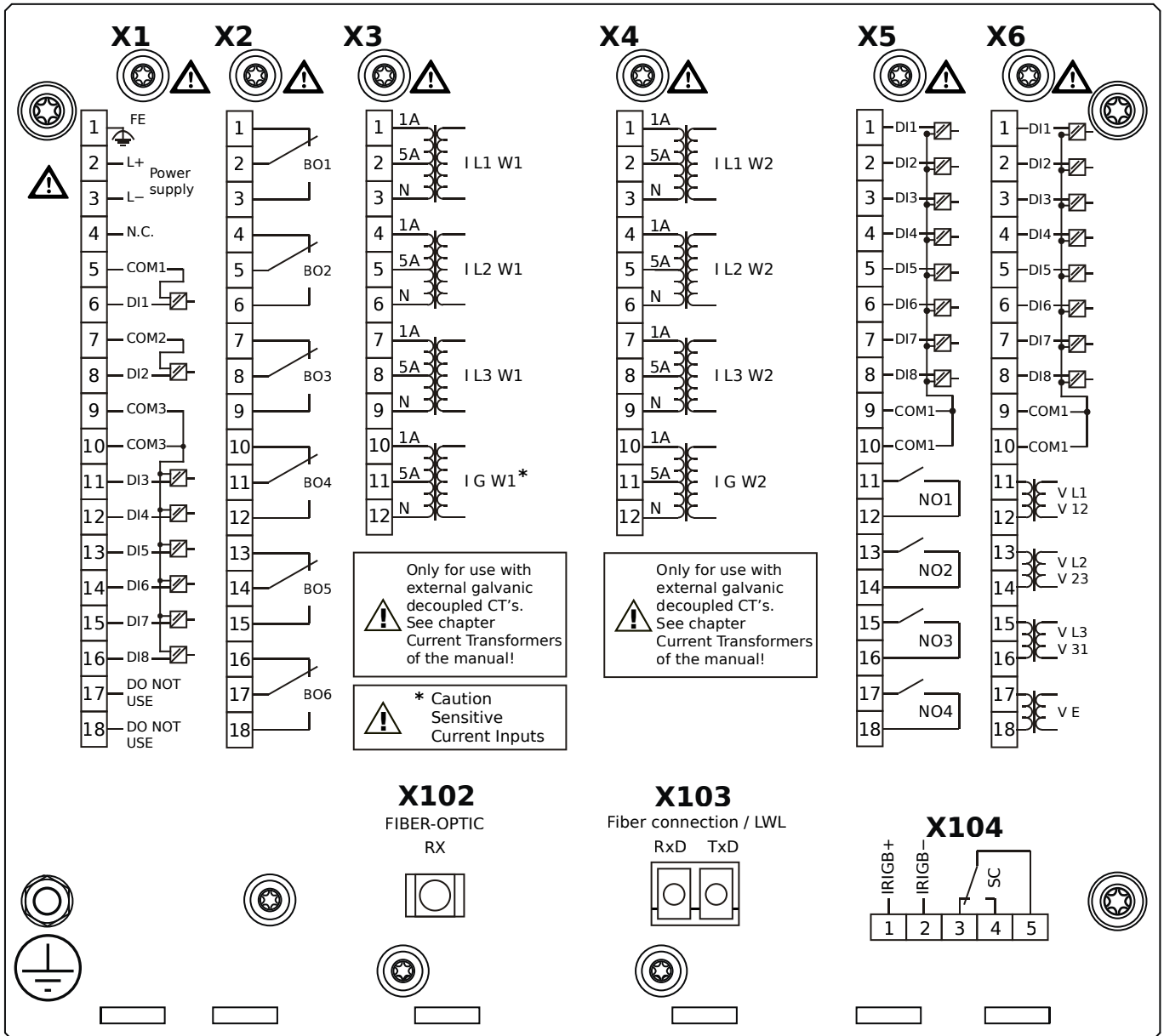
- X1** – DI8-X1: Wide-range power supply unit, incl. 2 non-grouped digital inputs and 6 grouped digital inputs
- X2** – OR-6: Assembly Group with 6 Relay Outputs
- X3** – TIS-4: Sensitive Ground current measuring card (for the neutral side of the differential protection)
- X4** – TI-4: Standard ground current measuring card (for the line side of the differential protection)
- X5** – DI8-OR4: Assembly Group with 8 Digital Inputs and 4 Output Relays
- X6** – U DI8: Voltage measuring assembly group with 8 Digital Inputs
- X102** – Universal Resistance-Temperature Detector (URTD) input, Fiber optics interface, ST Connector
- X103** – Fiber optics interface, LC Connector
- X104** – IRIG-B00X, incl. System Contact (Supervision Contact)

MCDGV4-2C1HLA



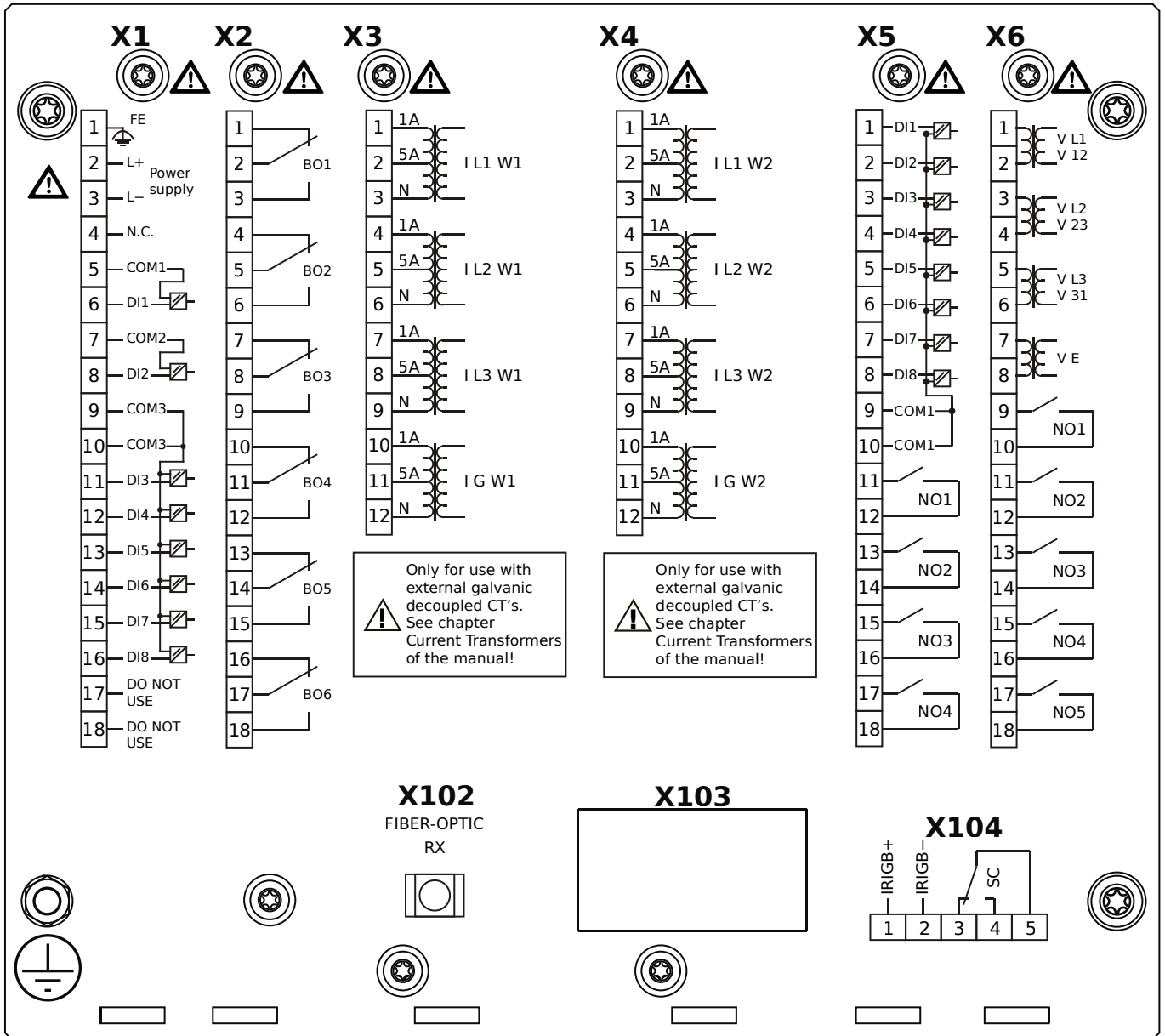
- X1** – DI8-X1: Wide-range power supply unit, incl. 2 non-grouped digital inputs and 6 grouped digital inputs
- X2** – OR-6: Assembly Group with 6 Relay Outputs
- X3** – TIS-4: Sensitive Ground current measuring card (for the neutral side of the differential protection)
- X4** – TI-4: Standard ground current measuring card (for the line side of the differential protection)
- X5** – DI8-OR4: Assembly Group with 8 Digital Inputs and 4 Output Relays
- X6** – U DI8: Voltage measuring assembly group with 8 Digital Inputs
- X102** – Universal Resistance-Temperature Detector (URTD) input, Fiber optics interface, ST Connector
- X103** – Fiber optics interface, LC Connector
- X104** – IRIG-B00X, incl. System Contact (Supervision Contact)

MCDGV4-2C1HLB



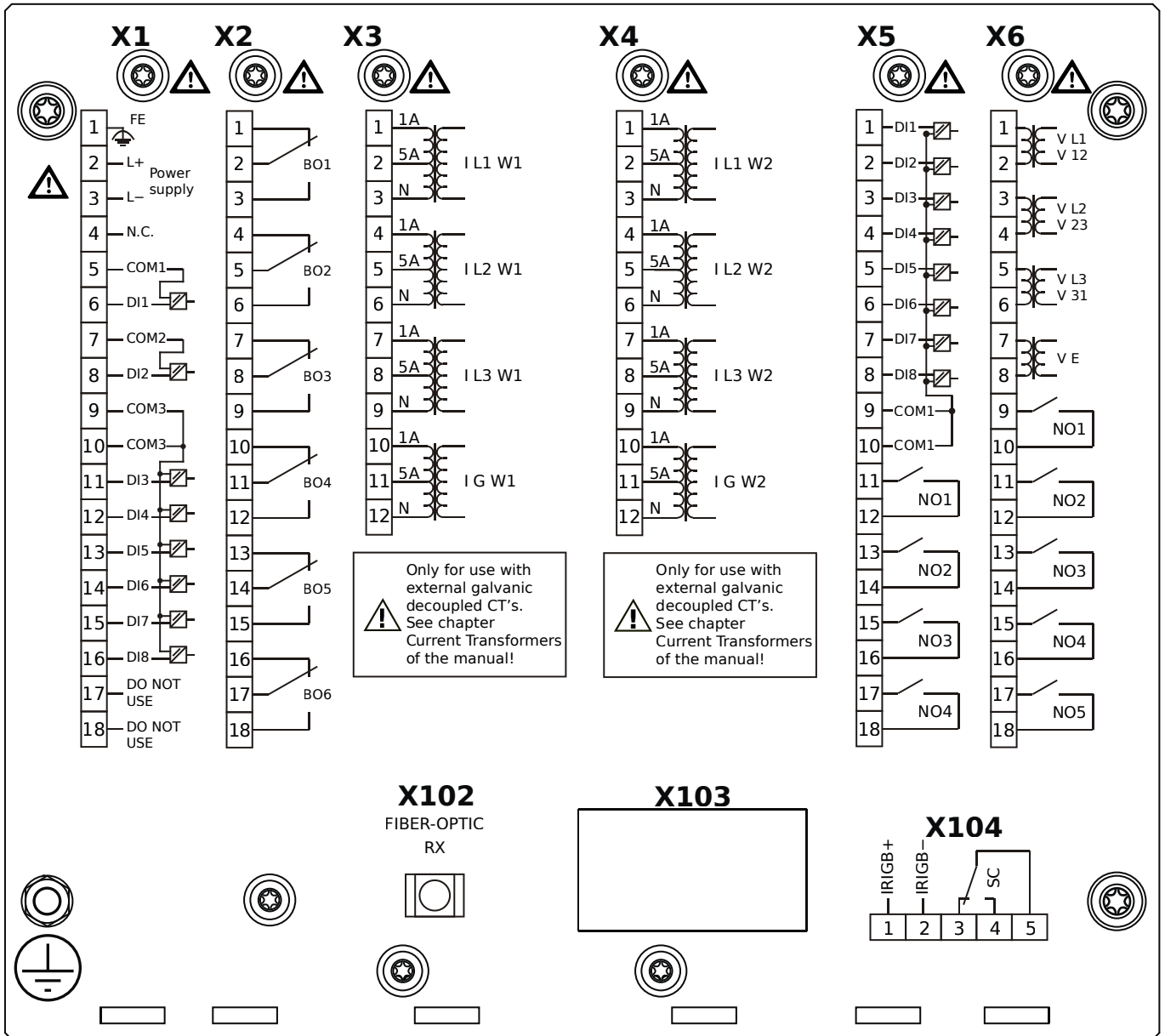
- X1** – DI8-X1: Wide-range power supply unit, incl. 2 non-grouped digital inputs and 6 grouped digital inputs
- X2** – OR-6: Assembly Group with 6 Relay Outputs
- X3** – TIS-4: Sensitive Ground current measuring card (for the neutral side of the differential protection)
- X4** – TI-4: Standard ground current measuring card (for the line side of the differential protection)
- X5** – DI8-OR4: Assembly Group with 8 Digital Inputs and 4 Output Relays
- X6** – U DI8: Voltage measuring assembly group with 8 Digital Inputs
- X102** – Universal Resistance-Temperature Detector (URTD) input, Fiber optics interface, ST Connector
- X103** – Fiber optics interface, LC Connector
- X104** – IRIG-B00X, incl. System Contact (Supervision Contact)

MCDGV4-2D0AAA



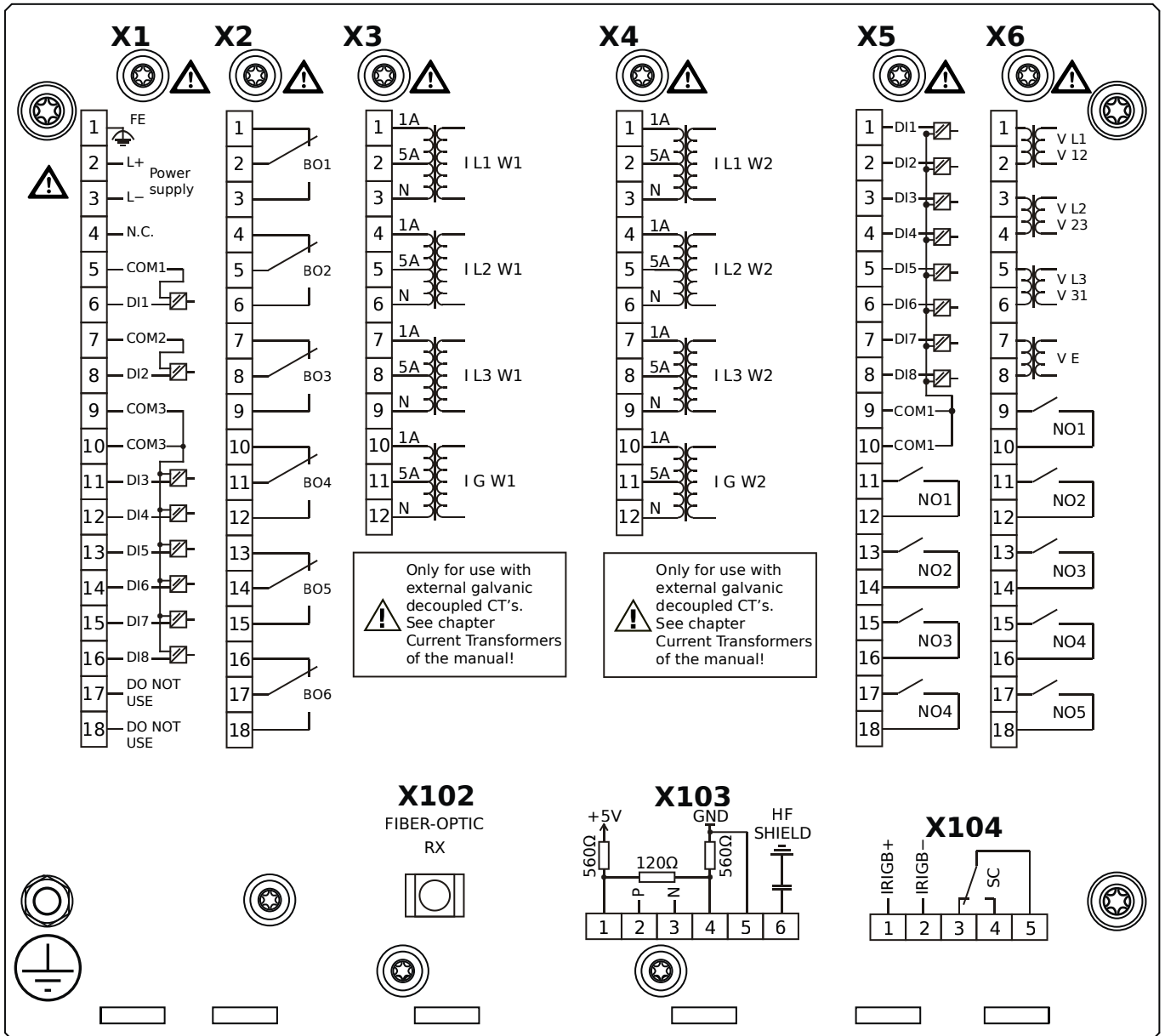
- X1** – DI8-X1: Wide-range power supply unit, incl. 2 non-grouped digital inputs and 6 grouped digital inputs
- X2** – OR-6: Assembly Group with 6 Relay Outputs
- X3** – TI-4: Standard ground current measuring card (for the neutral side of the differential protection)
- X4** – TI-4: Standard ground current measuring card (for the line side of the differential protection)
- X5** – DI8-OR4: Assembly Group with 8 Digital Inputs and 4 Output Relays
- X6** – U K4: Voltage measuring assembly group with 4 additional Relay Outputs (normally open)
- X102** – Universal Resistance-Temperature Detector (URTD) input, Fiber optics interface, ST Connector
- X104** – IRIG-B00X, incl. System Contact (Supervision Contact)

MCDGV4-2D0AAB



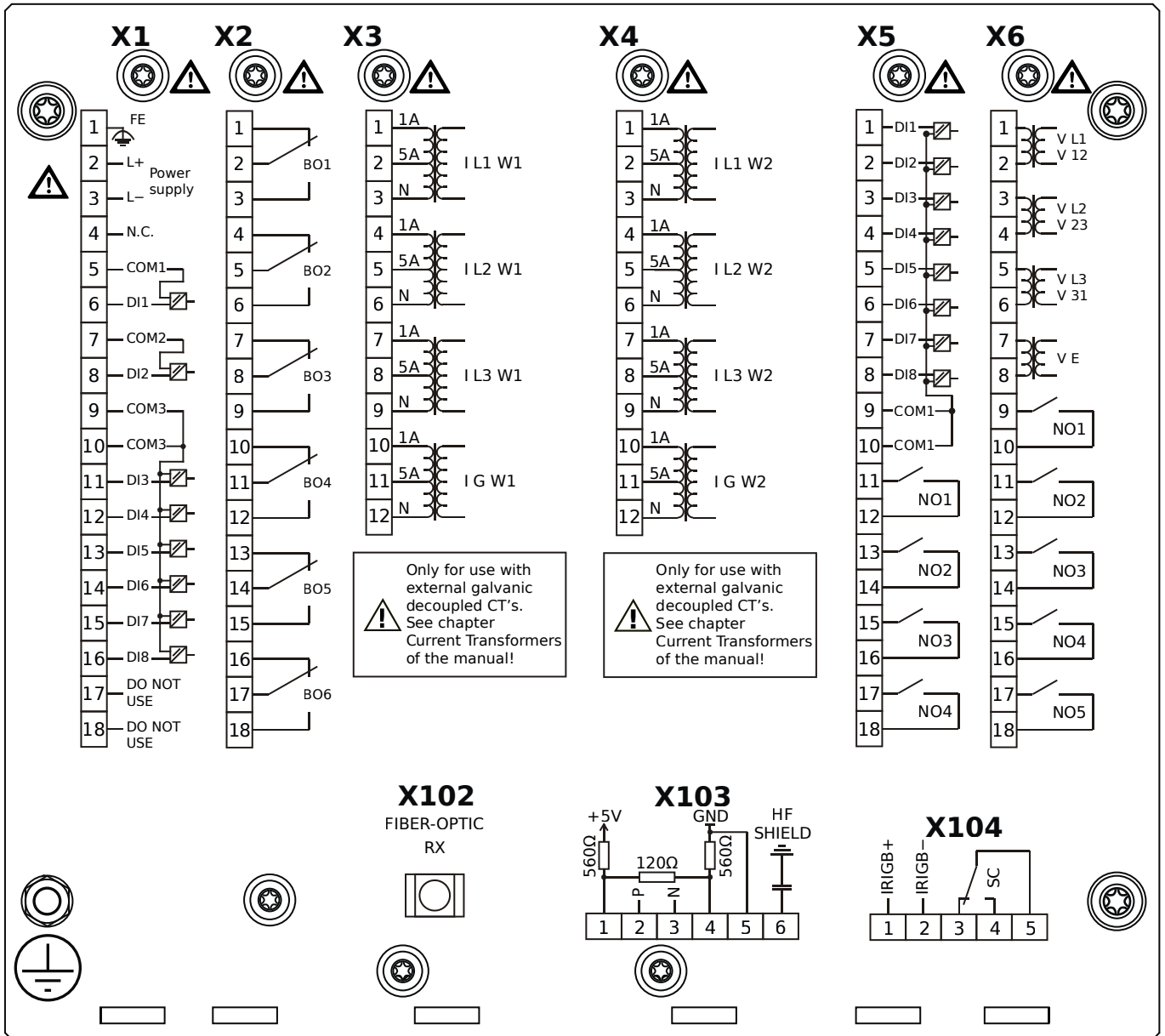
- X1** – DI8-X1: Wide-range power supply unit, incl. 2 non-grouped digital inputs and 6 grouped digital inputs
- X2** – OR-6: Assembly Group with 6 Relay Outputs
- X3** – TI-4: Standard ground current measuring card (for the neutral side of the differential protection)
- X4** – TI-4: Standard ground current measuring card (for the line side of the differential protection)
- X5** – DI8-OR4: Assembly Group with 8 Digital Inputs and 4 Output Relays
- X6** – U K4: Voltage measuring assembly group with 4 additional Relay Outputs (normally open)
- X102** – Universal Resistance-Temperature Detector (URTD) input, Fiber optics interface, ST Connector
- X104** – IRIG-B00X, incl. System Contact (Supervision Contact)

MCDGV4-2D0ABA



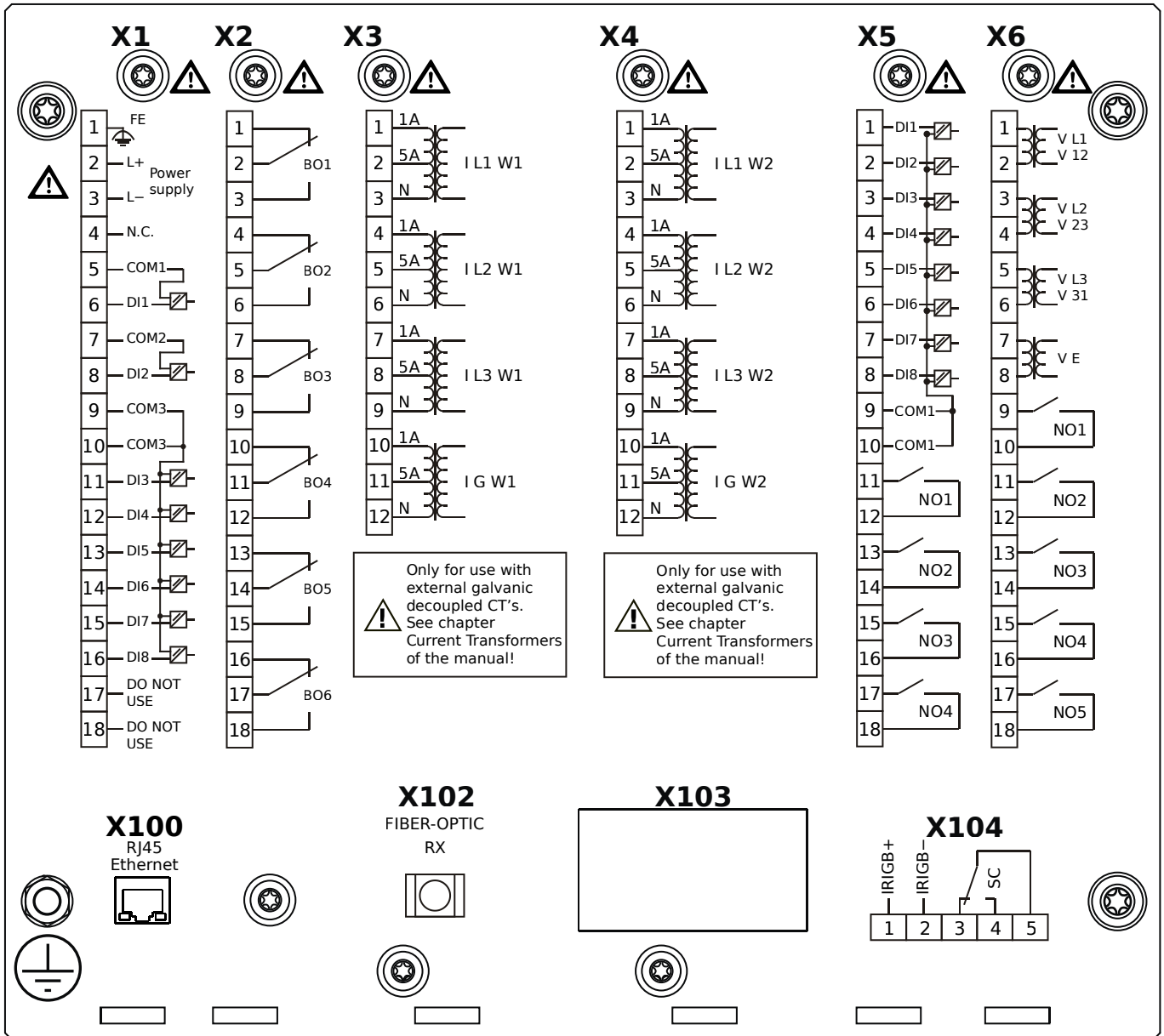
- X1** – DI8-X1: Wide-range power supply unit, incl. 2 non-grouped digital inputs and 6 grouped digital inputs
- X2** – OR-6: Assembly Group with 6 Relay Outputs
- X3** – TI-4: Standard ground current measuring card (for the neutral side of the differential protection)
- X4** – TI-4: Standard ground current measuring card (for the line side of the differential protection)
- X5** – DI8-OR4: Assembly Group with 8 Digital Inputs and 4 Output Relays
- X6** – U K4: Voltage measuring assembly group with 4 additional Relay Outputs (normally open)
- X102** – Universal Resistance-Temperature Detector (URTD) input, Fiber optics interface, ST Connector
- X103** – RS485, Terminals
- X104** – IRIG-B00X, incl. System Contact (Supervision Contact)

MCDGV4-2D0ABB



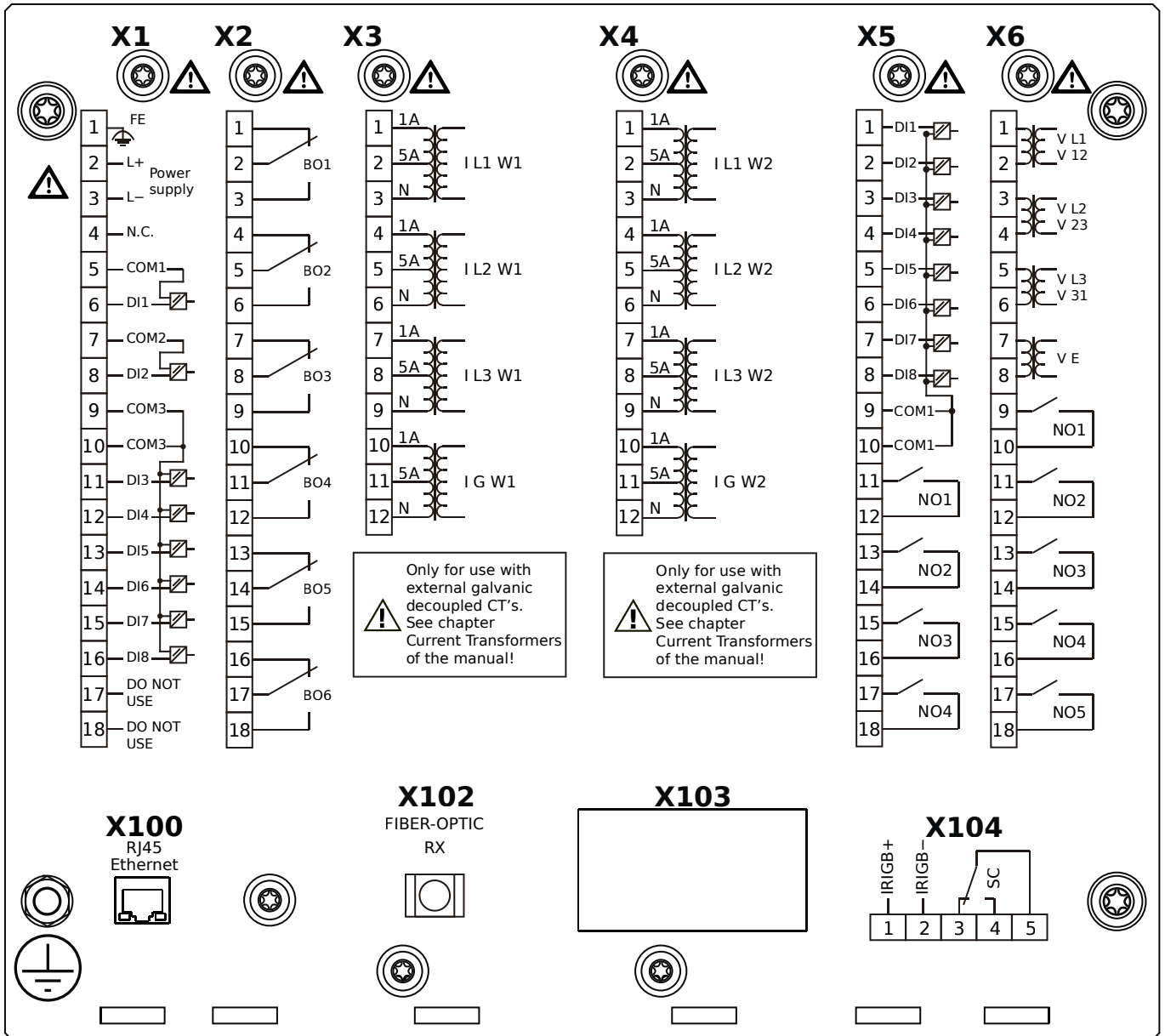
- X1** – DI8-X1: Wide-range power supply unit, incl. 2 non-grouped digital inputs and 6 grouped digital inputs
- X2** – OR-6: Assembly Group with 6 Relay Outputs
- X3** – TI-4: Standard ground current measuring card (for the neutral side of the differential protection)
- X4** – TI-4: Standard ground current measuring card (for the line side of the differential protection)
- X5** – DI8-OR4: Assembly Group with 8 Digital Inputs and 4 Output Relays
- X6** – U K4: Voltage measuring assembly group with 4 additional Relay Outputs (normally open)
- X102** – Universal Resistance-Temperature Detector (URTD) input, Fiber optics interface, ST Connector
- X103** – RS485, Terminals
- X104** – IRIG-B00X, incl. System Contact (Supervision Contact)

MCDGV4-2D0ACA



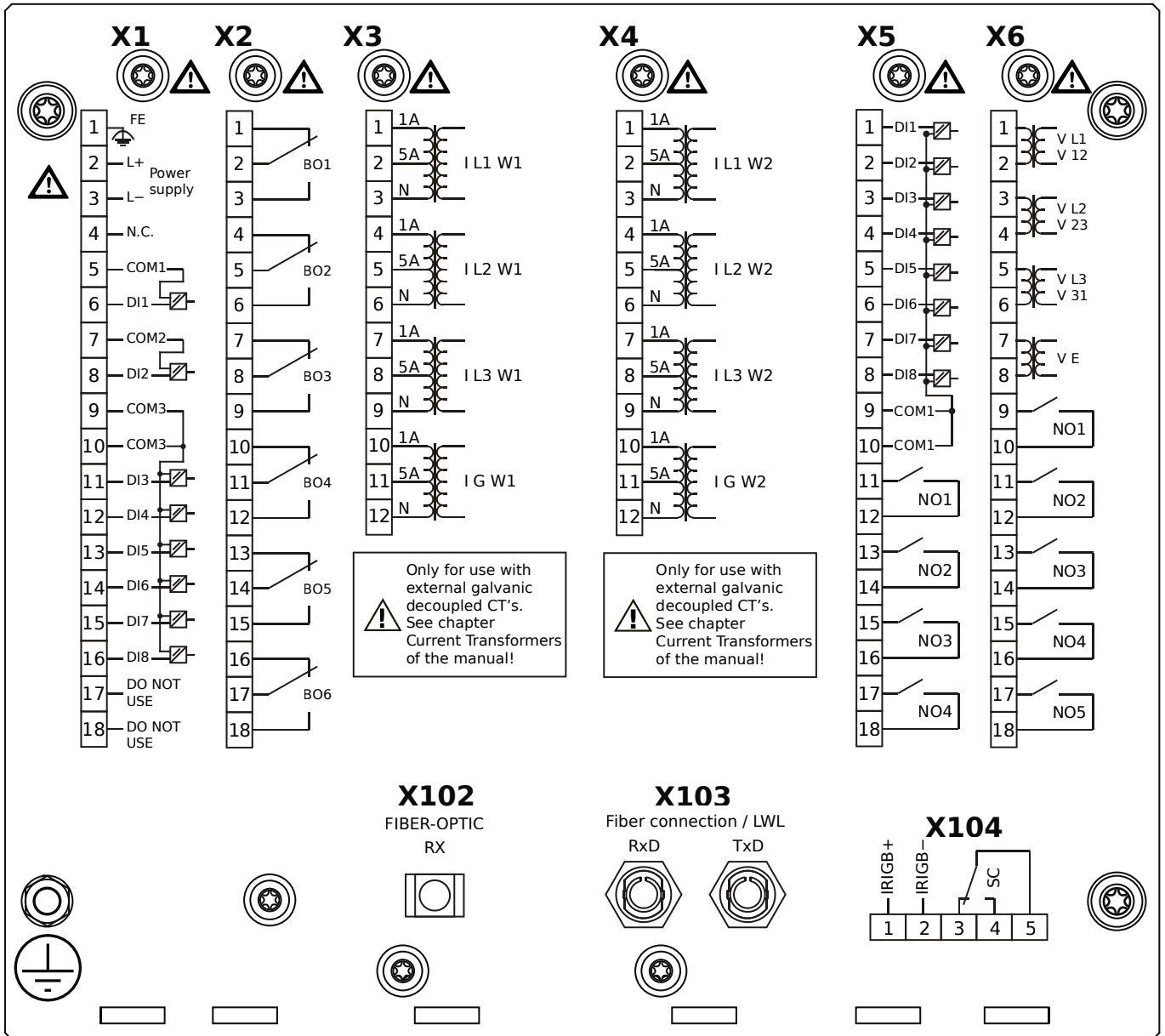
- X1** – DI8-X1: Wide-range power supply unit, incl. 2 non-grouped digital inputs and 6 grouped digital inputs
- X2** – OR-6: Assembly Group with 6 Relay Outputs
- X3** – TI-4: Standard ground current measuring card (for the neutral side of the differential protection)
- X4** – TI-4: Standard ground current measuring card (for the line side of the differential protection)
- X5** – DI8-OR4: Assembly Group with 8 Digital Inputs and 4 Output Relays
- X6** – U K4: Voltage measuring assembly group with 4 additional Relay Outputs (normally open)
- X100** – Ethernet interface, 100 Mbit/s, RJ45
- X102** – Universal Resistance-Temperature Detector (URTD) input, Fiber optics interface, ST Connector
- X104** – IRIG-B00X, incl. System Contact (Supervision Contact)

MCDGV4-2D0ACB



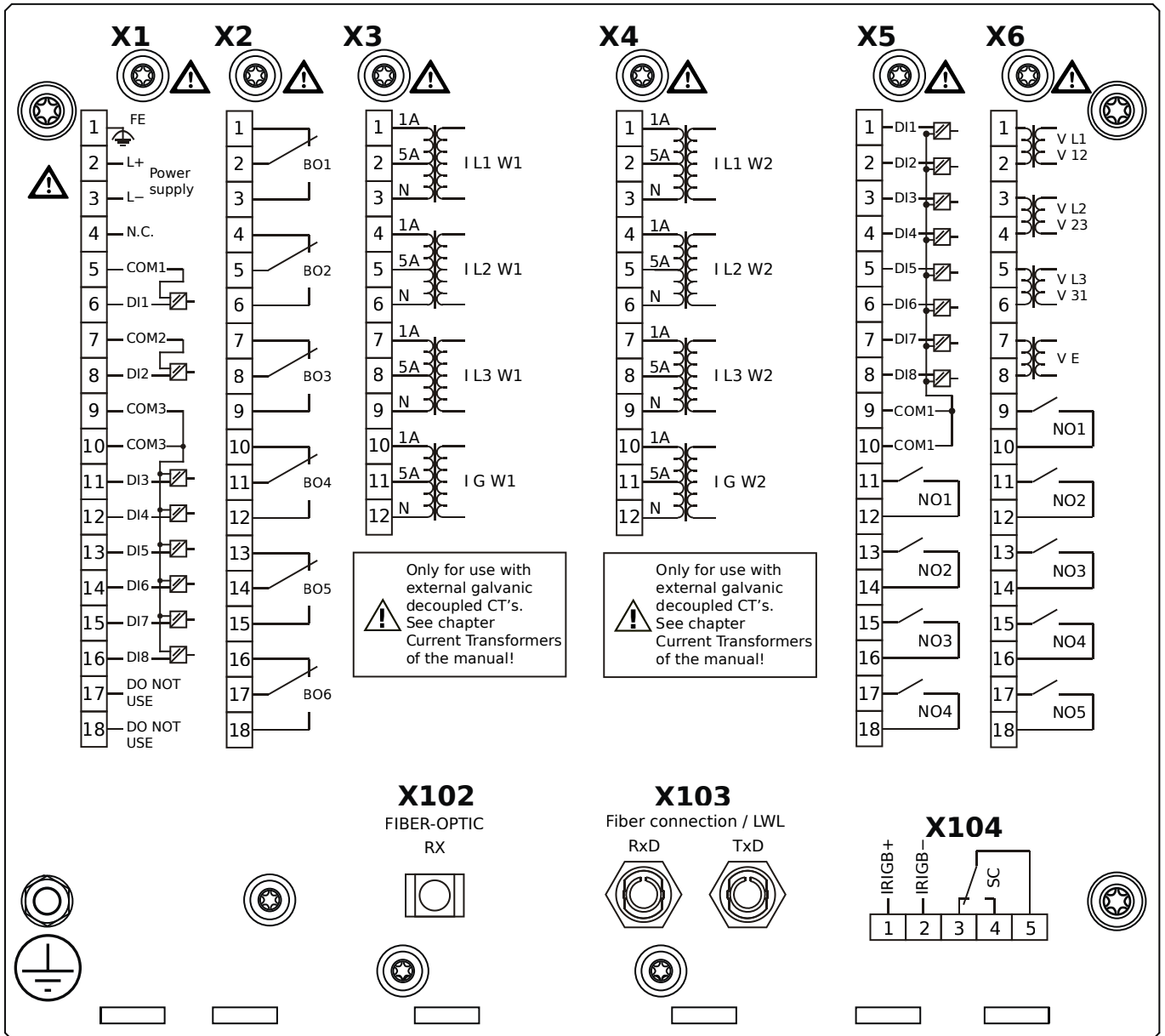
- X1** – DI8-X1: Wide-range power supply unit, incl. 2 non-grouped digital inputs and 6 grouped digital inputs
- X2** – OR-6: Assembly Group with 6 Relay Outputs
- X3** – TI-4: Standard ground current measuring card (for the neutral side of the differential protection)
- X4** – TI-4: Standard ground current measuring card (for the line side of the differential protection)
- X5** – DI8-OR4: Assembly Group with 8 Digital Inputs and 4 Output Relays
- X6** – U K4: Voltage measuring assembly group with 4 additional Relay Outputs (normally open)
- X100** – Ethernet interface, 100 Mbit/s, RJ45
- X102** – Universal Resistance-Temperature Detector (URTD) input, Fiber optics interface, ST Connector
- X104** – IRIG-B00X, incl. System Contact (Supervision Contact)

MCDGV4-2D0ADA



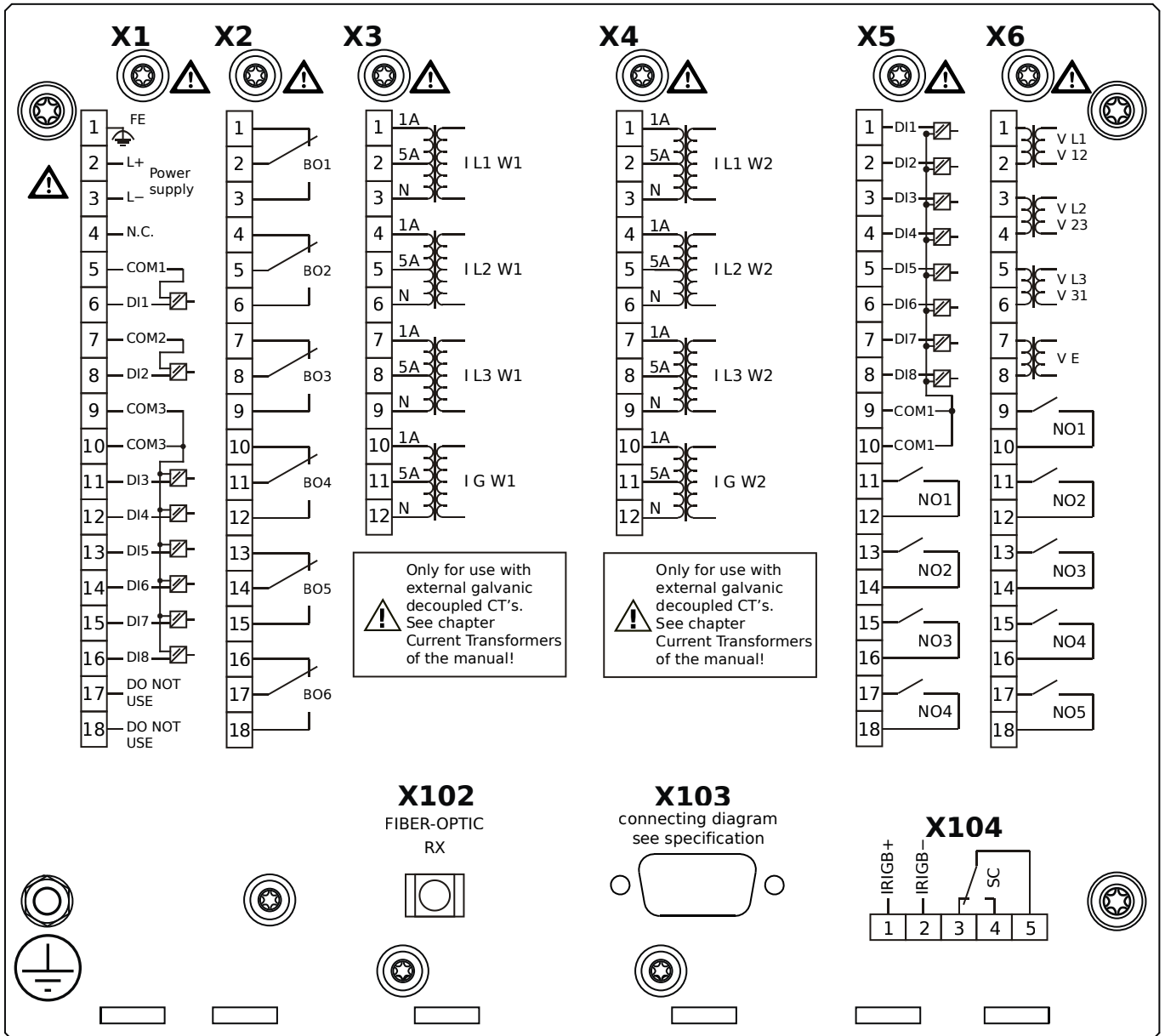
- X1** – DI8-X1: Wide-range power supply unit, incl. 2 non-grouped digital inputs and 6 grouped digital inputs
- X2** – OR-6: Assembly Group with 6 Relay Outputs
- X3** – TI-4: Standard ground current measuring card (for the neutral side of the differential protection)
- X4** – TI-4: Standard ground current measuring card (for the line side of the differential protection)
- X5** – DI8-OR4: Assembly Group with 8 Digital Inputs and 4 Output Relays
- X6** – U K4: Voltage measuring assembly group with 4 additional Relay Outputs (normally open)
- X102** – Universal Resistance-Temperature Detector (URTD) input, Fiber optics interface, ST Connector
- X103** – Fiber optics interface, ST Connector
- X104** – IRIG-B00X, incl. System Contact (Supervision Contact)

MCDGV4-2D0ADB



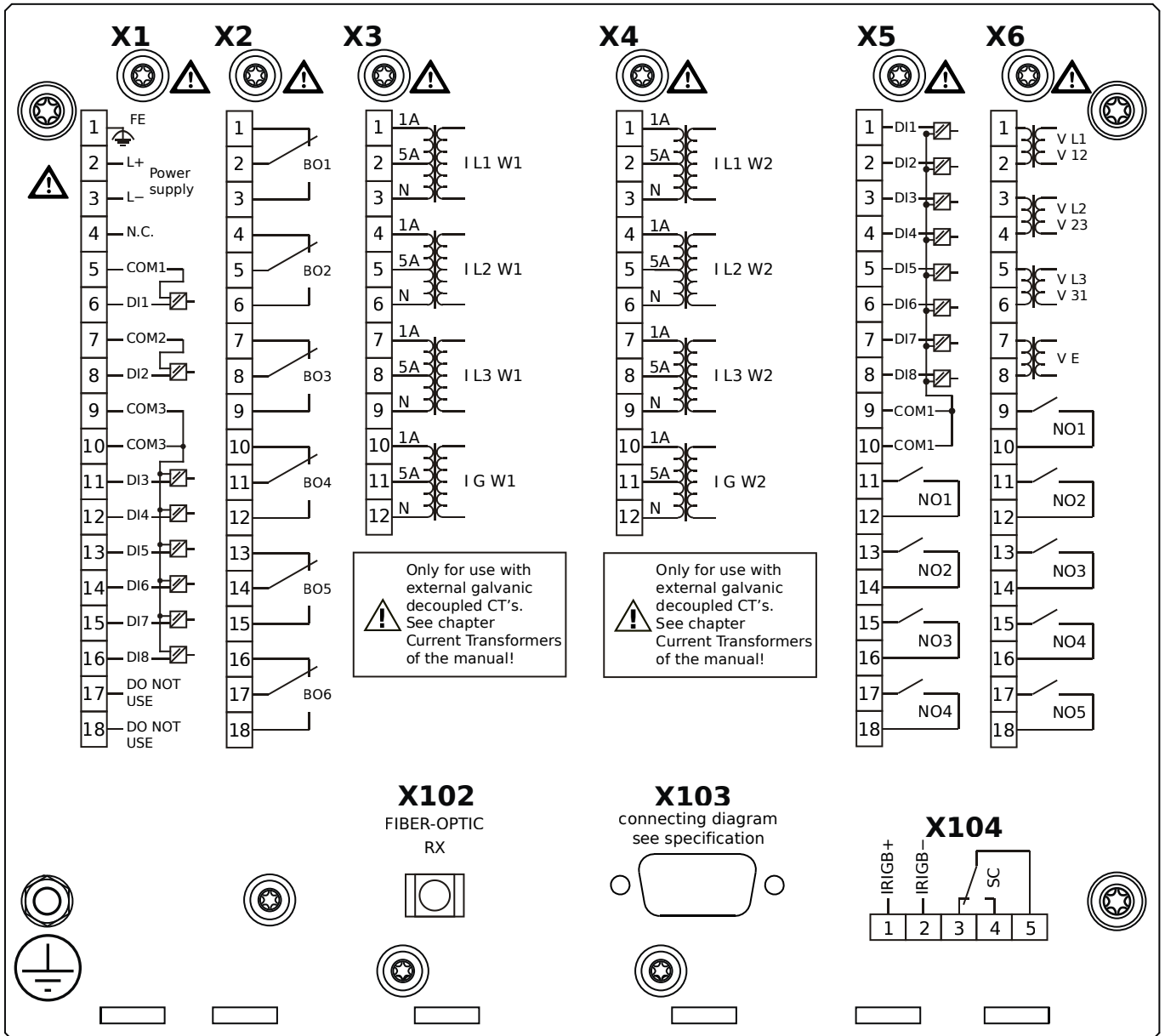
- X1** – DI8-X1: Wide-range power supply unit, incl. 2 non-grouped digital inputs and 6 grouped digital inputs
- X2** – OR-6: Assembly Group with 6 Relay Outputs
- X3** – TI-4: Standard ground current measuring card (for the neutral side of the differential protection)
- X4** – TI-4: Standard ground current measuring card (for the line side of the differential protection)
- X5** – DI8-OR4: Assembly Group with 8 Digital Inputs and 4 Output Relays
- X6** – U K4: Voltage measuring assembly group with 4 additional Relay Outputs (normally open)
- X102** – Universal Resistance-Temperature Detector (URTD) input, Fiber optics interface, ST Connector
- X103** – Fiber optics interface, ST Connector
- X104** – IRIG-B00X, incl. System Contact (Supervision Contact)

MCDGV4-2D0AEA



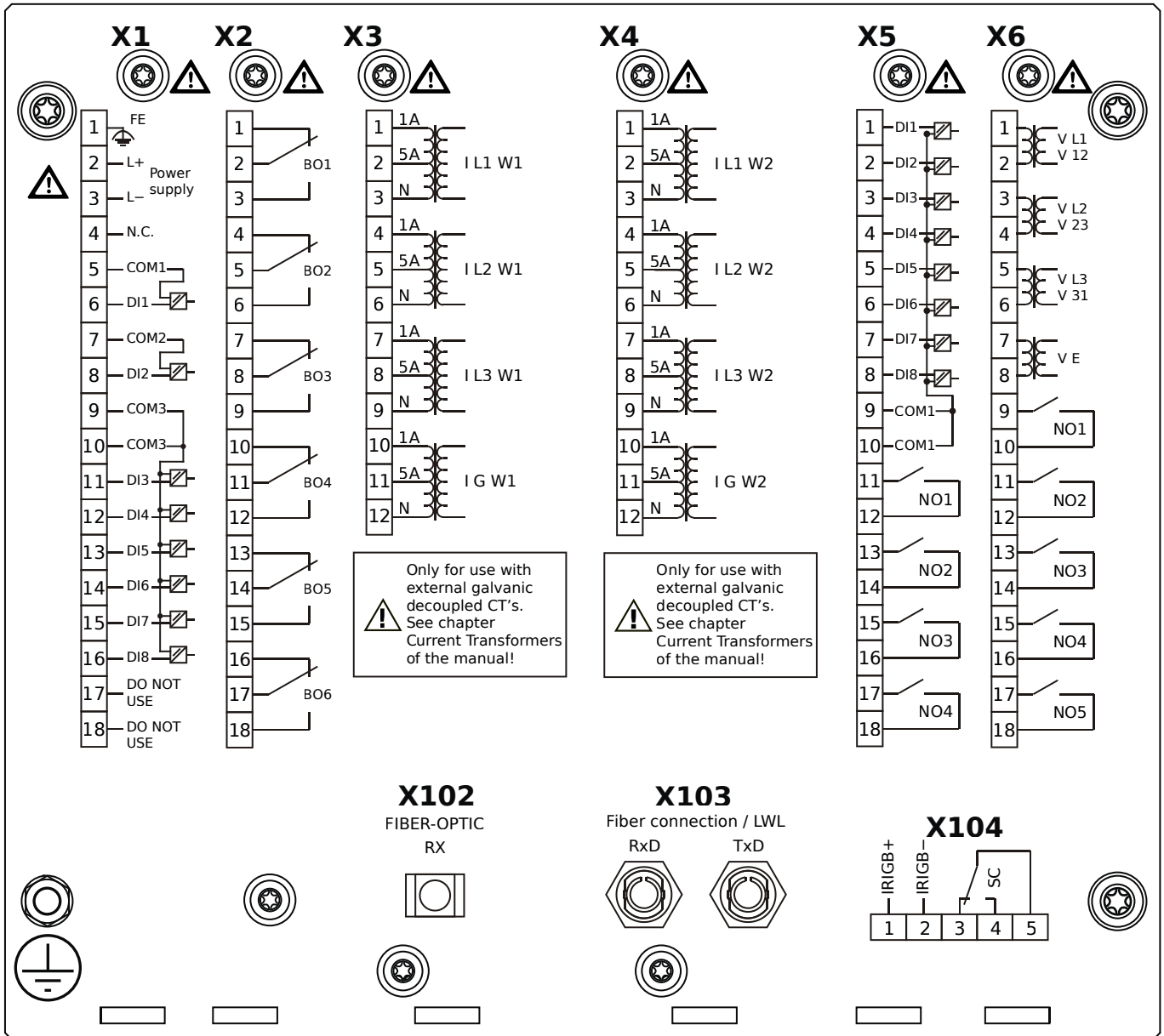
- X1** – DI8-X1: Wide-range power supply unit, incl. 2 non-grouped digital inputs and 6 grouped digital inputs
- X2** – OR-6: Assembly Group with 6 Relay Outputs
- X3** – TI-4: Standard ground current measuring card (for the neutral side of the differential protection)
- X4** – TI-4: Standard ground current measuring card (for the line side of the differential protection)
- X5** – DI8-OR4: Assembly Group with 8 Digital Inputs and 4 Output Relays
- X6** – U K4: Voltage measuring assembly group with 4 additional Relay Outputs (normally open)
- X102** – Universal Resistance-Temperature Detector (URTD) input, Fiber optics interface, ST Connector
- X103** – RS485, D-SUB
- X104** – IRIG-B00X, incl. System Contact (Supervision Contact)

MCDGV4-2D0AEB



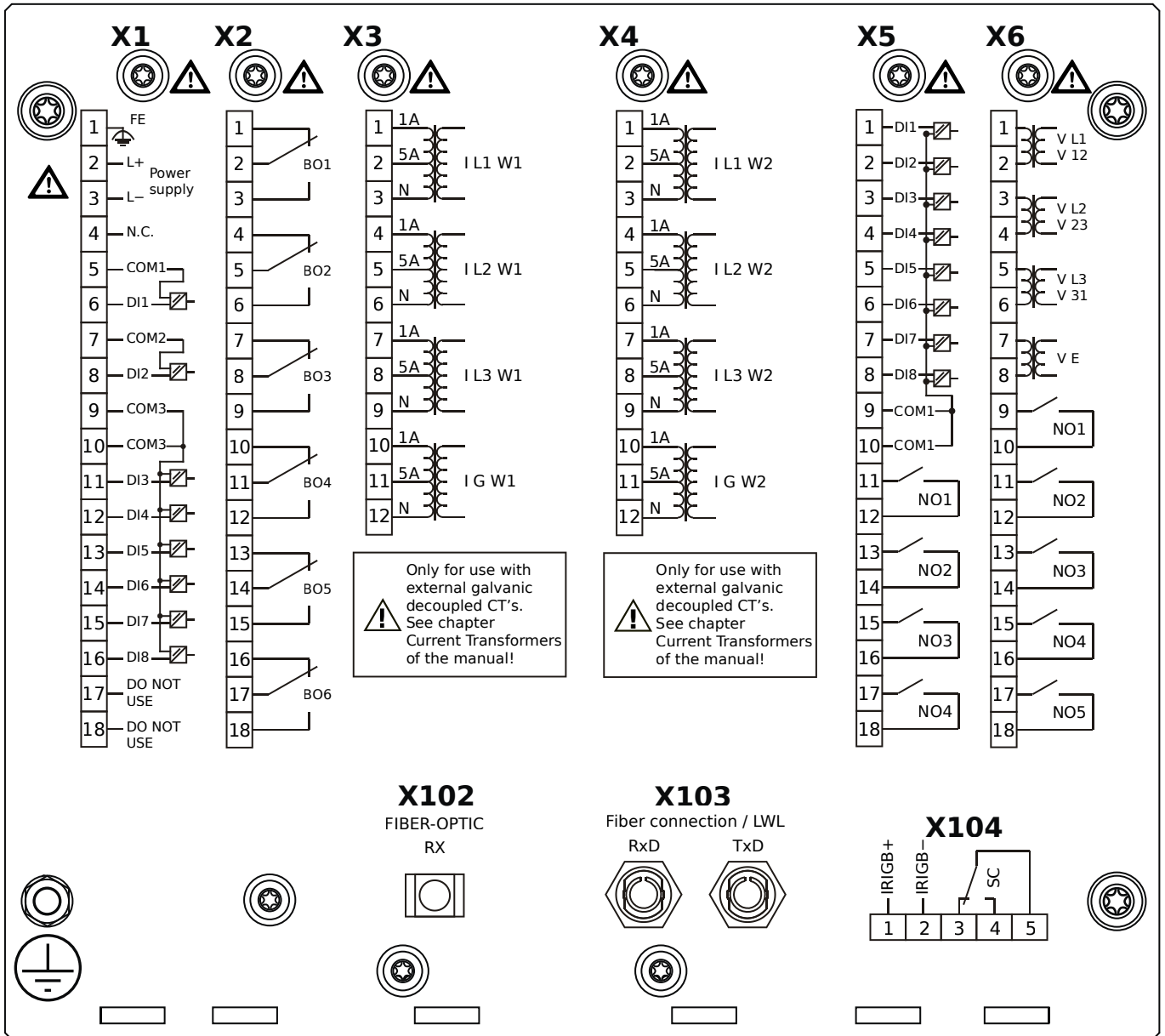
- X1** – DI8-X1: Wide-range power supply unit, incl. 2 non-grouped digital inputs and 6 grouped digital inputs
- X2** – OR-6: Assembly Group with 6 Relay Outputs
- X3** – TI-4: Standard ground current measuring card (for the neutral side of the differential protection)
- X4** – TI-4: Standard ground current measuring card (for the line side of the differential protection)
- X5** – DI8-OR4: Assembly Group with 8 Digital Inputs and 4 Output Relays
- X6** – U K4: Voltage measuring assembly group with 4 additional Relay Outputs (normally open)
- X102** – Universal Resistance-Temperature Detector (URTD) input, Fiber optics interface, ST Connector
- X103** – RS485, D-SUB
- X104** – IRIG-B00X, incl. System Contact (Supervision Contact)

MCDGV4-2D0AFA



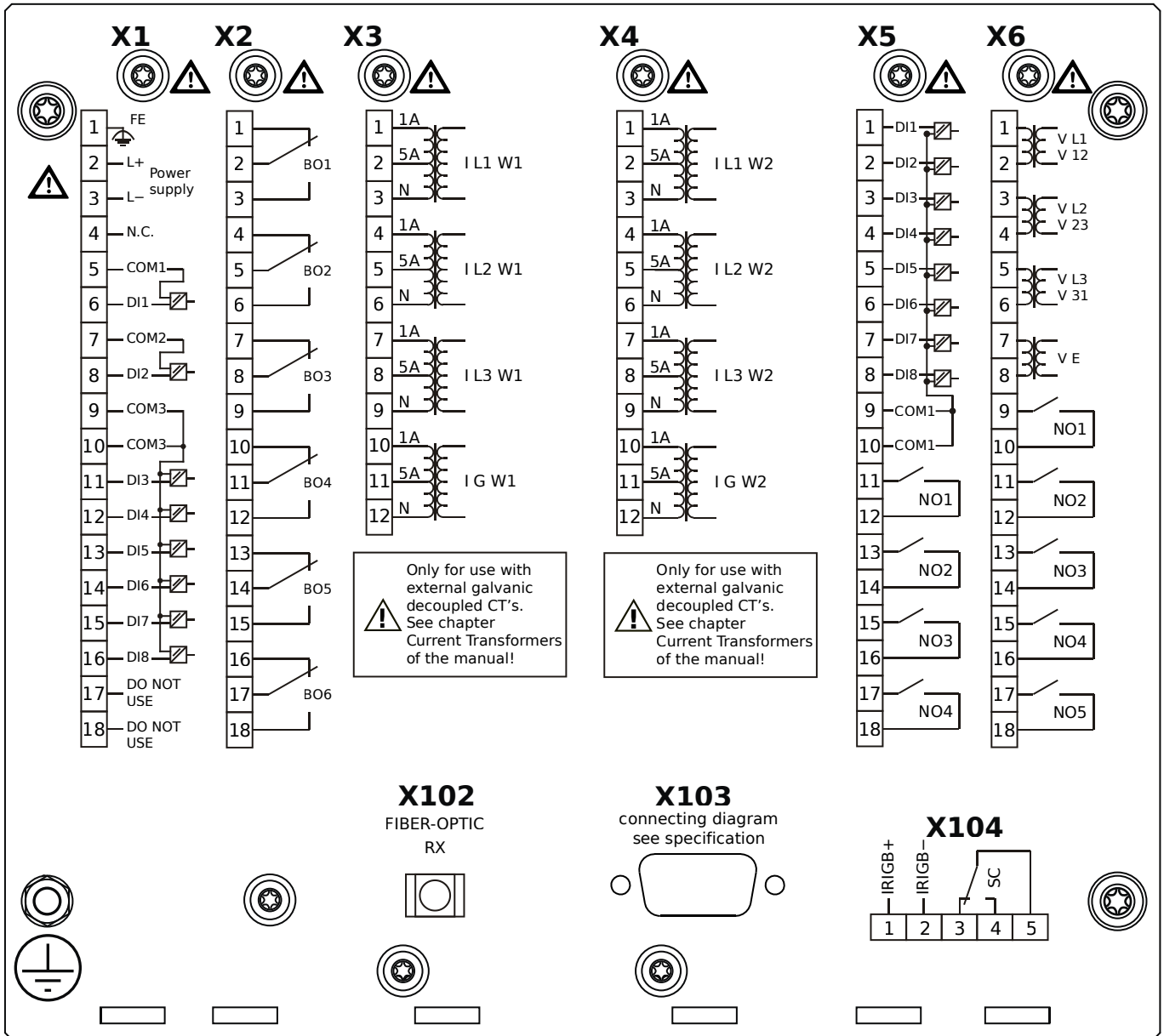
- X1** – DI8-X1: Wide-range power supply unit, incl. 2 non-grouped digital inputs and 6 grouped digital inputs
- X2** – OR-6: Assembly Group with 6 Relay Outputs
- X3** – TI-4: Standard ground current measuring card (for the neutral side of the differential protection)
- X4** – TI-4: Standard ground current measuring card (for the line side of the differential protection)
- X5** – DI8-OR4: Assembly Group with 8 Digital Inputs and 4 Output Relays
- X6** – U K4: Voltage measuring assembly group with 4 additional Relay Outputs (normally open)
- X102** – Universal Resistance-Temperature Detector (URTD) input, Fiber optics interface, ST Connector
- X103** – Fiber optics interface, ST Connector
- X104** – IRIG-B00X, incl. System Contact (Supervision Contact)

MCDGV4-2D0AFB



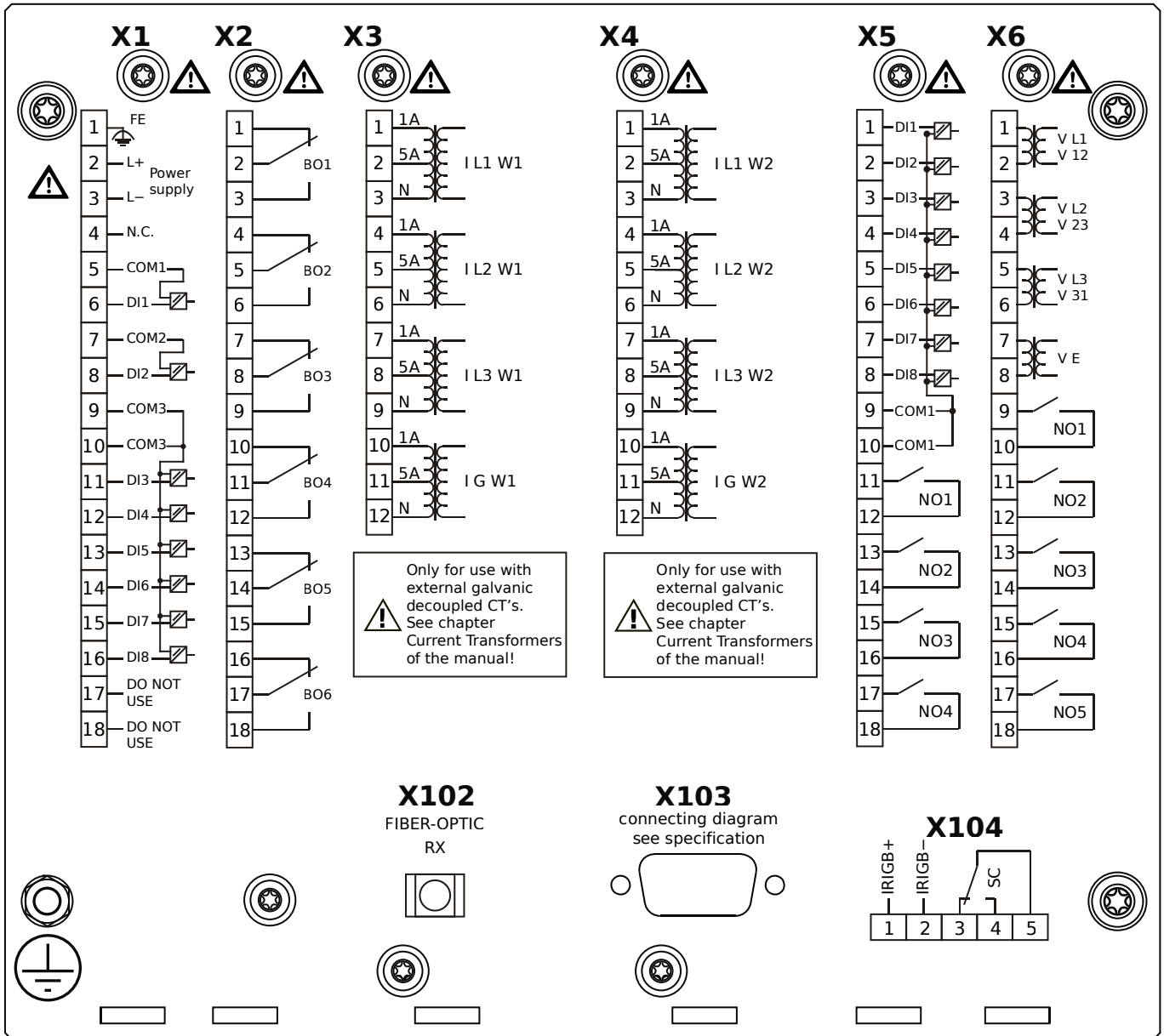
- X1** – DI8-X1: Wide-range power supply unit, incl. 2 non-grouped digital inputs and 6 grouped digital inputs
- X2** – OR-6: Assembly Group with 6 Relay Outputs
- X3** – TI-4: Standard ground current measuring card (for the neutral side of the differential protection)
- X4** – TI-4: Standard ground current measuring card (for the line side of the differential protection)
- X5** – DI8-OR4: Assembly Group with 8 Digital Inputs and 4 Output Relays
- X6** – U K4: Voltage measuring assembly group with 4 additional Relay Outputs (normally open)
- X102** – Universal Resistance-Temperature Detector (URTD) input, Fiber optics interface, ST Connector
- X103** – Fiber optics interface, ST Connector
- X104** – IRIG-B00X, incl. System Contact (Supervision Contact)

MCDGV4-2D0AGA



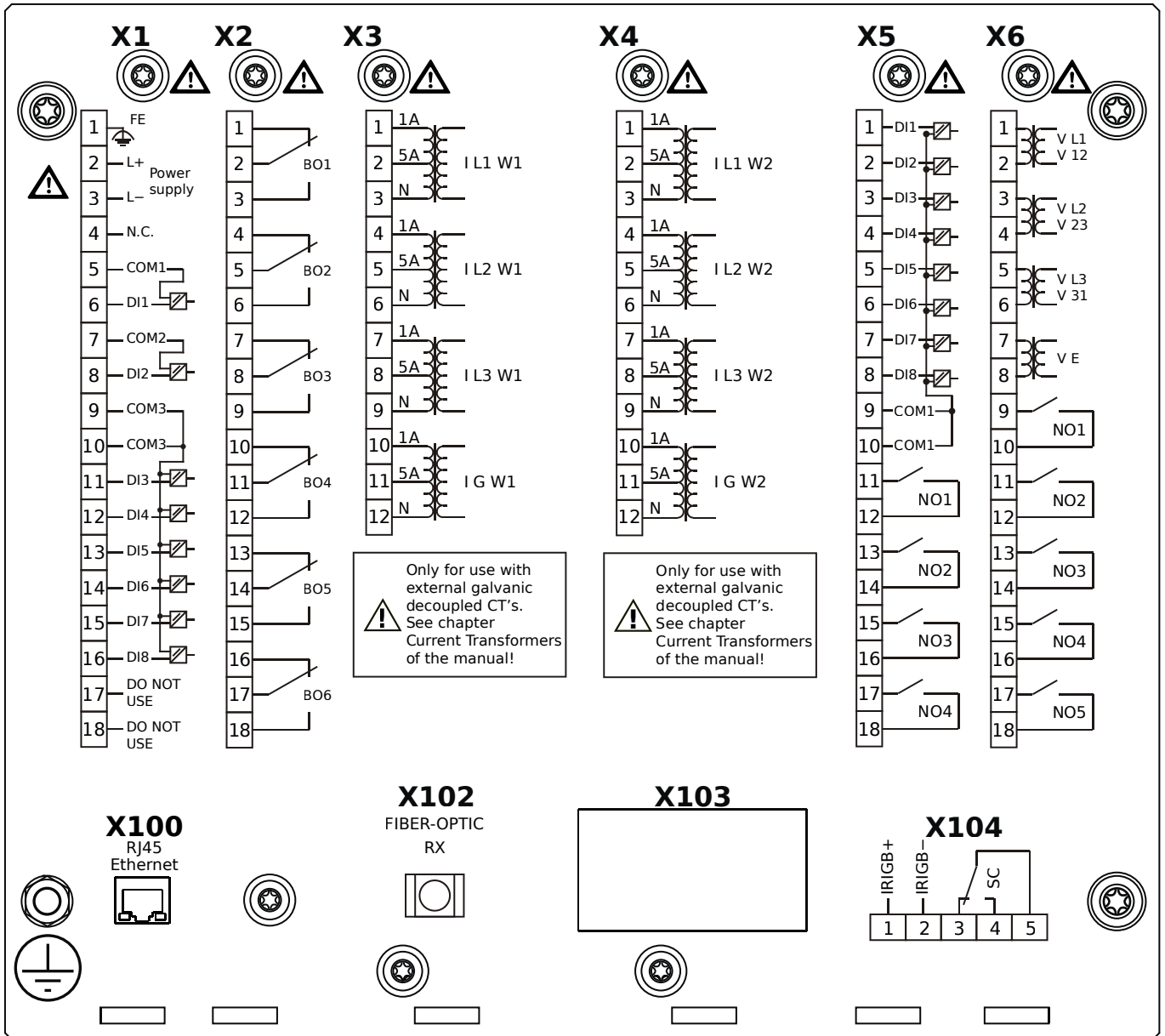
- X1** – DI8-X1: Wide-range power supply unit, incl. 2 non-grouped digital inputs and 6 grouped digital inputs
- X2** – OR-6: Assembly Group with 6 Relay Outputs
- X3** – TI-4: Standard ground current measuring card (for the neutral side of the differential protection)
- X4** – TI-4: Standard ground current measuring card (for the line side of the differential protection)
- X5** – DI8-OR4: Assembly Group with 8 Digital Inputs and 4 Output Relays
- X6** – U K4: Voltage measuring assembly group with 4 additional Relay Outputs (normally open)
- X102** – Universal Resistance-Temperature Detector (URTD) input, Fiber optics interface, ST Connector
- X103** – RS485, D-SUB
- X104** – IRIG-B00X, incl. System Contact (Supervision Contact)

MCDGV4-2D0AGB



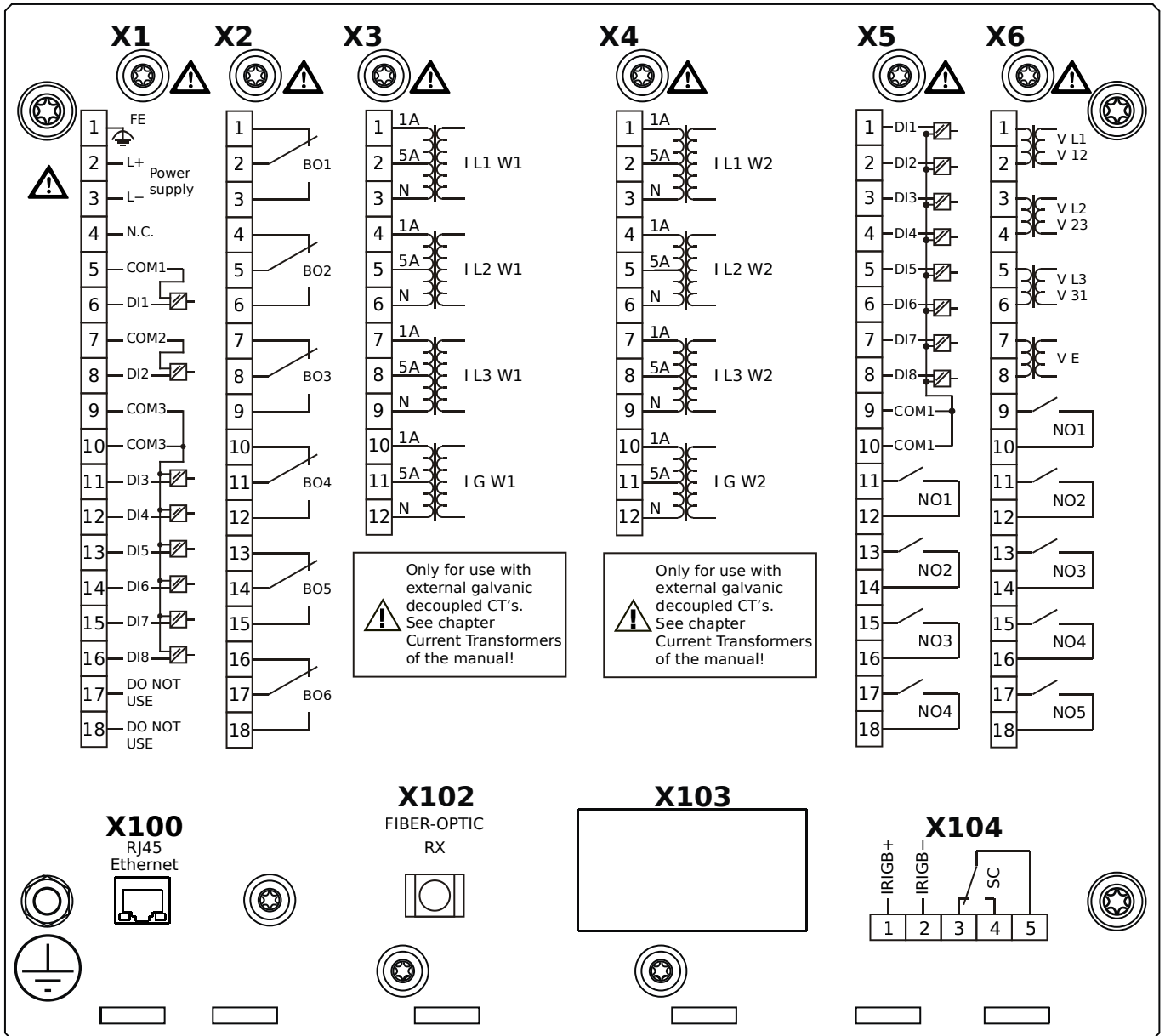
- X1** – DI8-X1: Wide-range power supply unit, incl. 2 non-grouped digital inputs and 6 grouped digital inputs
- X2** – OR-6: Assembly Group with 6 Relay Outputs
- X3** – TI-4: Standard ground current measuring card (for the neutral side of the differential protection)
- X4** – TI-4: Standard ground current measuring card (for the line side of the differential protection)
- X5** – DI8-OR4: Assembly Group with 8 Digital Inputs and 4 Output Relays
- X6** – U K4: Voltage measuring assembly group with 4 additional Relay Outputs (normally open)
- X102** – Universal Resistance-Temperature Detector (URTD) input, Fiber optics interface, ST Connector
- X103** – RS485, D-SUB
- X104** – IRIG-B00X, incl. System Contact (Supervision Contact)

MCDGV4-2D0AHA



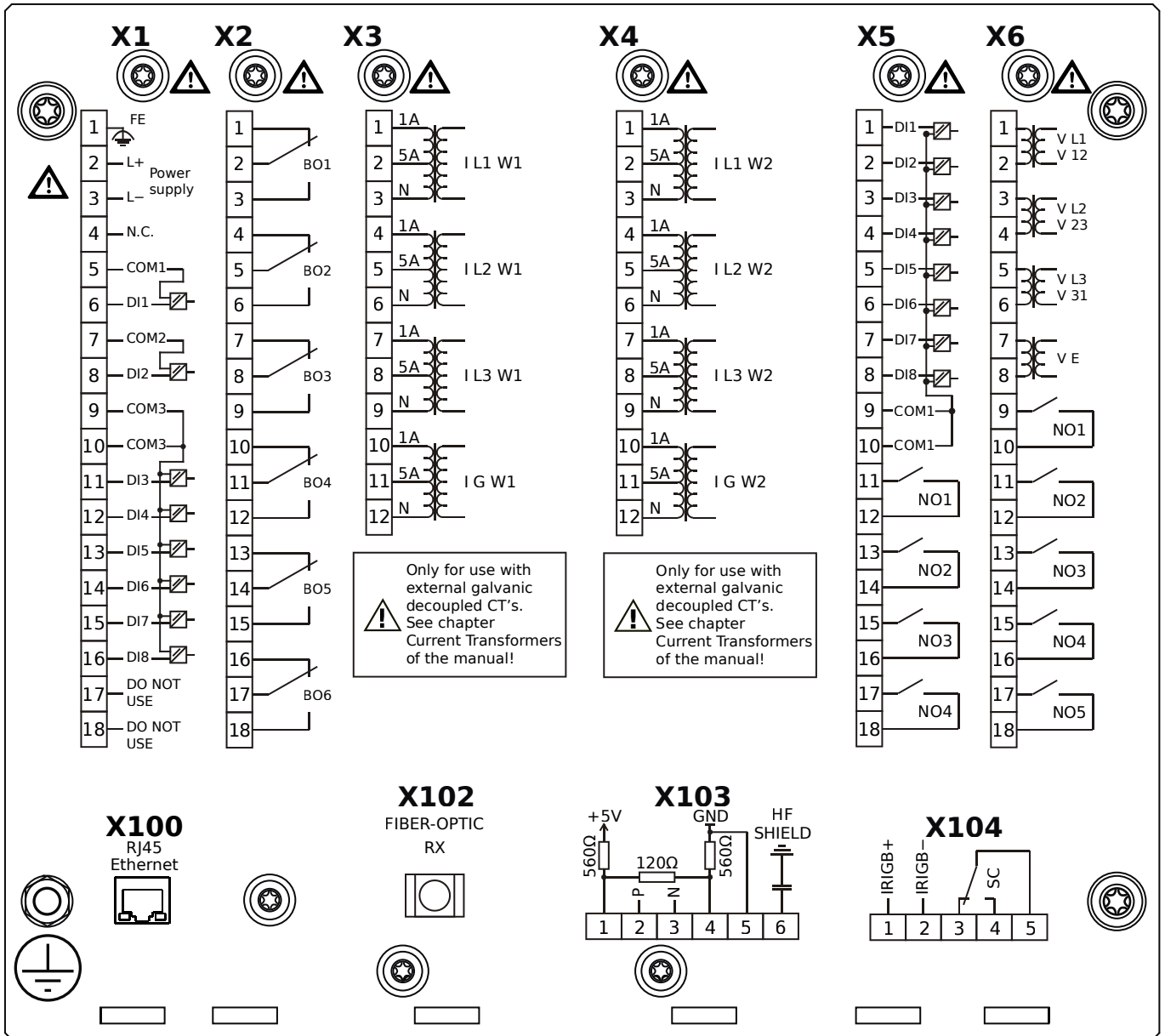
- X1** – DI8-X1: Wide-range power supply unit, incl. 2 non-grouped digital inputs and 6 grouped digital inputs
- X2** – OR-6: Assembly Group with 6 Relay Outputs
- X3** – TI-4: Standard ground current measuring card (for the neutral side of the differential protection)
- X4** – TI-4: Standard ground current measuring card (for the line side of the differential protection)
- X5** – DI8-OR4: Assembly Group with 8 Digital Inputs and 4 Output Relays
- X6** – U K4: Voltage measuring assembly group with 4 additional Relay Outputs (normally open)
- X100** – Ethernet interface, 100 Mbit/s, RJ45
- X102** – Universal Resistance-Temperature Detector (URTD) input, Fiber optics interface, ST Connector
- X104** – IRIG-B00X, incl. System Contact (Supervision Contact)

MCDGV4-2D0AHB



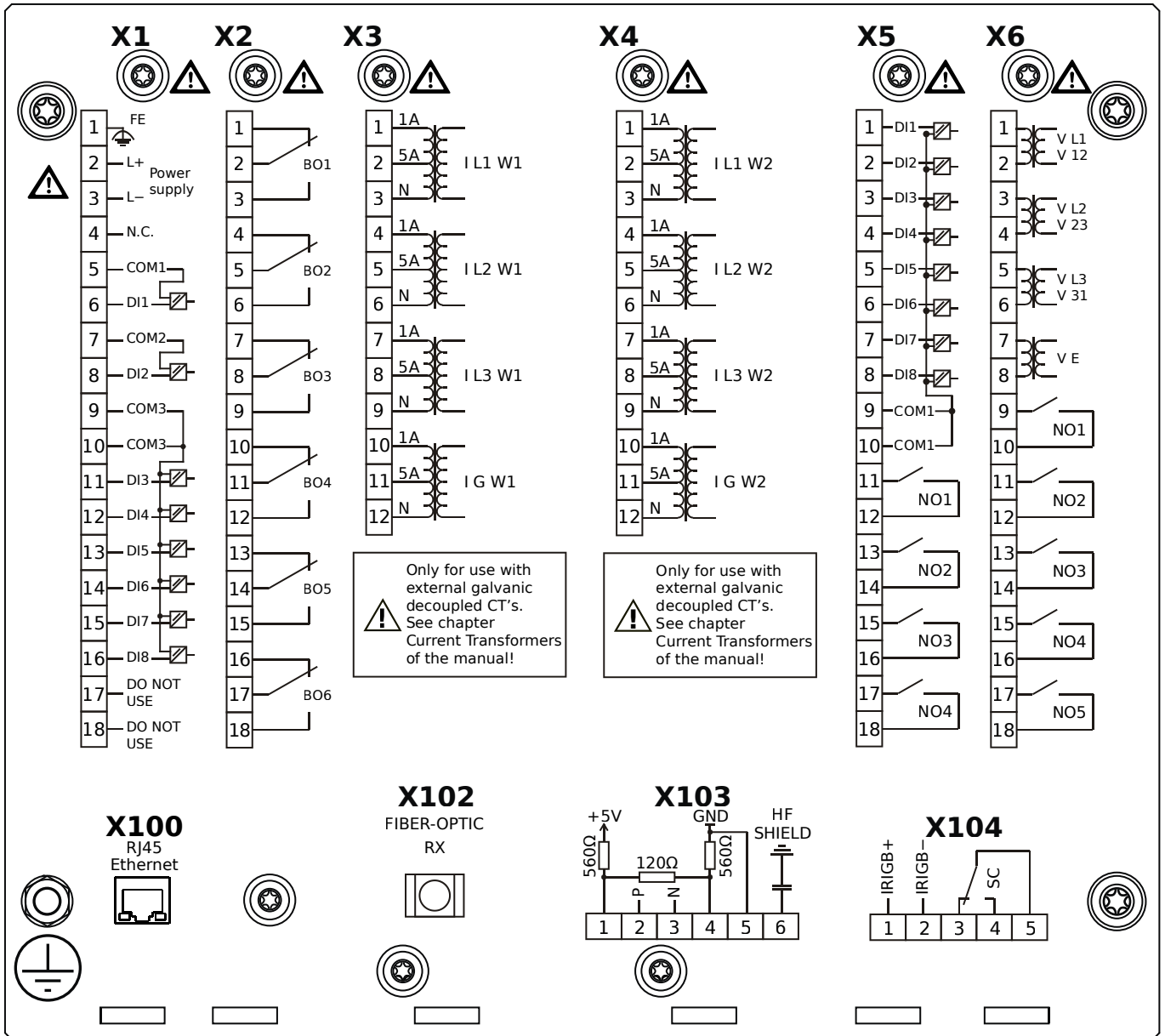
- X1** – DI8-X1: Wide-range power supply unit, incl. 2 non-grouped digital inputs and 6 grouped digital inputs
- X2** – OR-6: Assembly Group with 6 Relay Outputs
- X3** – TI-4: Standard ground current measuring card (for the neutral side of the differential protection)
- X4** – TI-4: Standard ground current measuring card (for the line side of the differential protection)
- X5** – DI8-OR4: Assembly Group with 8 Digital Inputs and 4 Output Relays
- X6** – U K4: Voltage measuring assembly group with 4 additional Relay Outputs (normally open)
- X100** – Ethernet interface, 100 Mbit/s, RJ45
- X102** – Universal Resistance-Temperature Detector (URTD) input, Fiber optics interface, ST Connector
- X104** – IRIG-B00X, incl. System Contact (Supervision Contact)

MCDGV4-2D0AIA



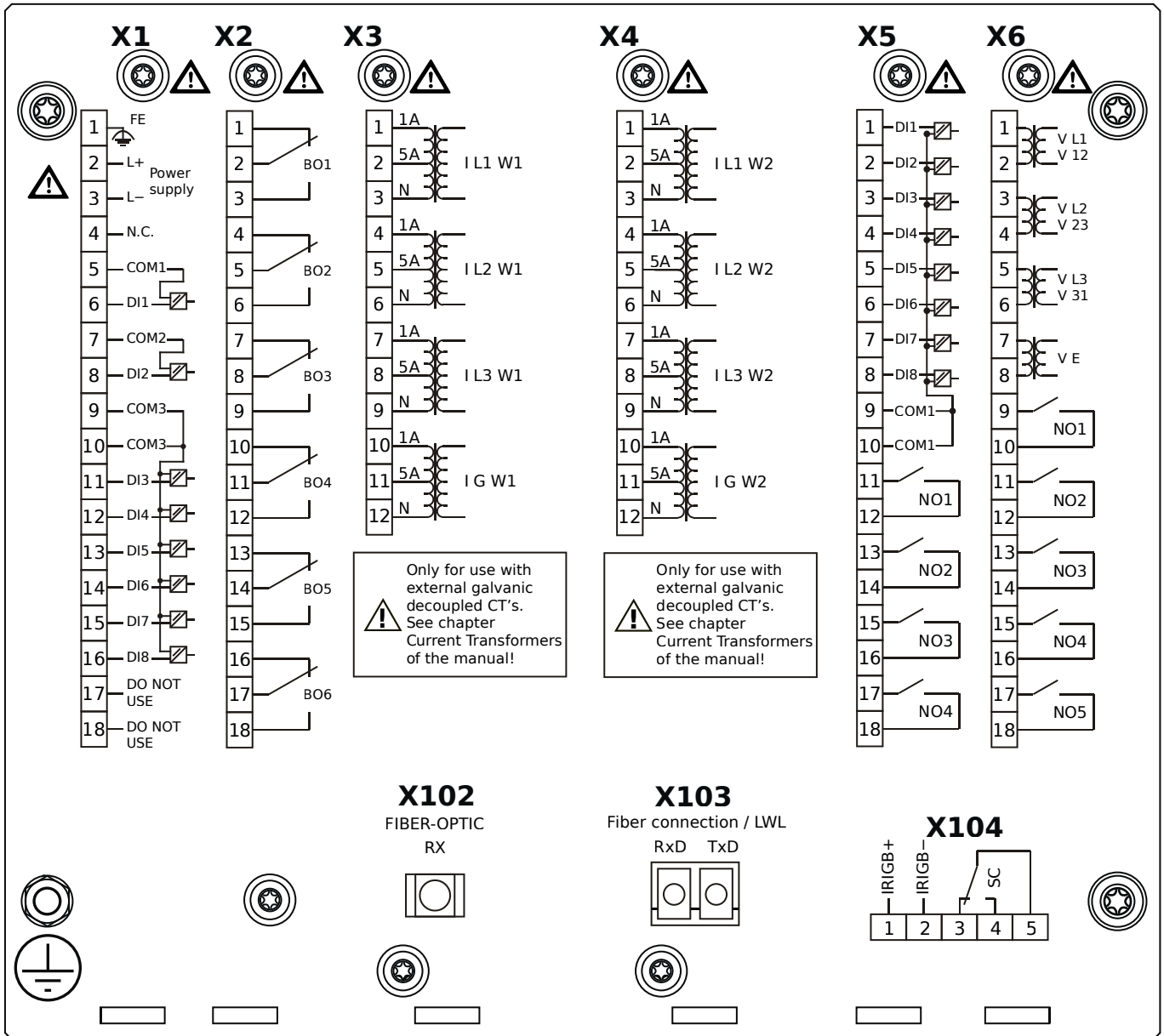
- X1** – DI8-X1: Wide-range power supply unit, incl. 2 non-grouped digital inputs and 6 grouped digital inputs
- X2** – OR-6: Assembly Group with 6 Relay Outputs
- X3** – TI-4: Standard ground current measuring card (for the neutral side of the differential protection)
- X4** – TI-4: Standard ground current measuring card (for the line side of the differential protection)
- X5** – DI8-OR4: Assembly Group with 8 Digital Inputs and 4 Output Relays
- X6** – U K4: Voltage measuring assembly group with 4 additional Relay Outputs (normally open)
- X100** – Ethernet interface, 100 Mbit/s, RJ45
- X102** – Universal Resistance-Temperature Detector (URTD) input, Fiber optics interface, ST Connector
- X103** – RS485, Terminals
- X104** – IRIG-B00X, incl. System Contact (Supervision Contact)

MCDGV4-2D0AIB



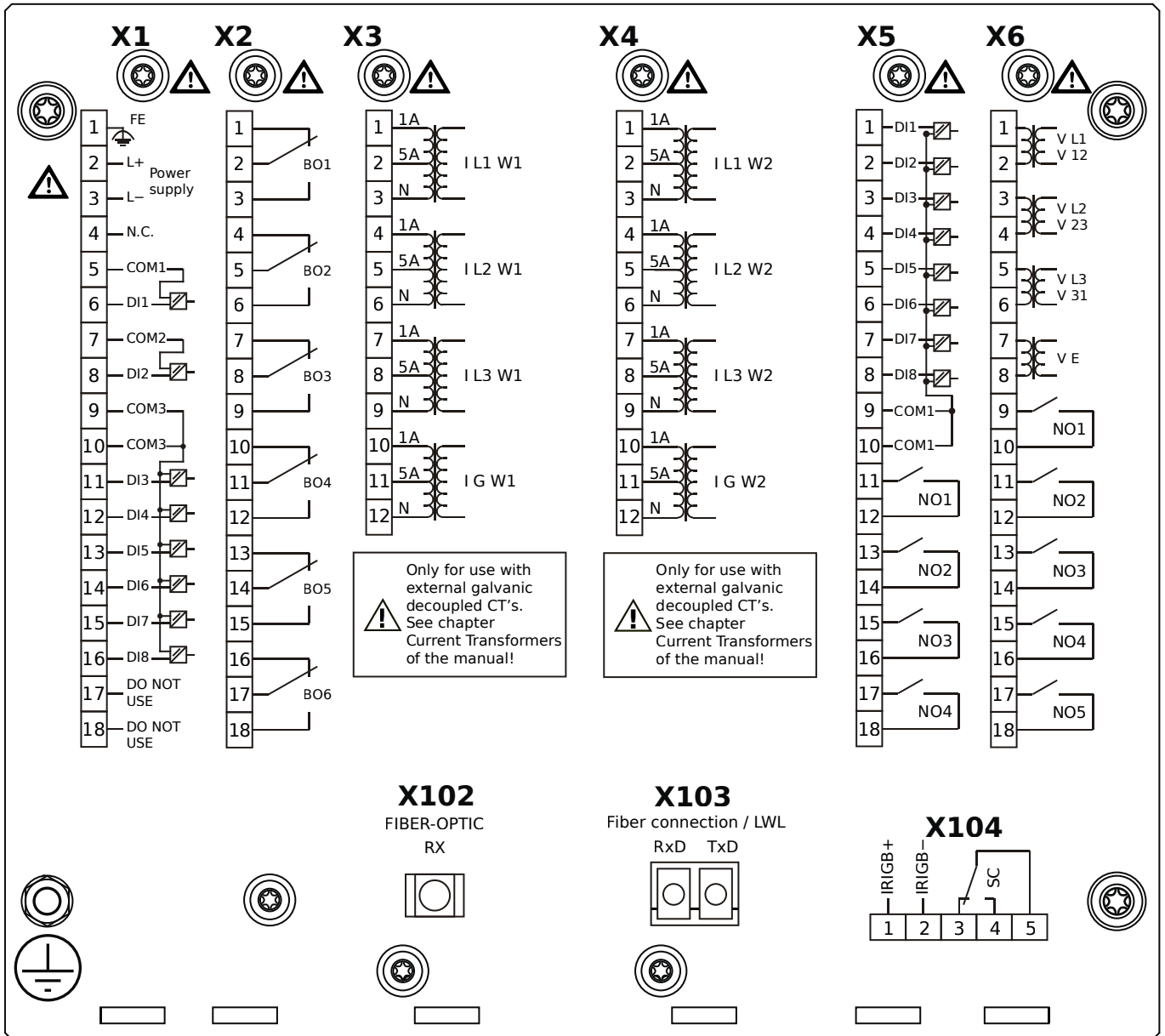
- X1** – DI8-X1: Wide-range power supply unit, incl. 2 non-grouped digital inputs and 6 grouped digital inputs
- X2** – OR-6: Assembly Group with 6 Relay Outputs
- X3** – TI-4: Standard ground current measuring card (for the neutral side of the differential protection)
- X4** – TI-4: Standard ground current measuring card (for the line side of the differential protection)
- X5** – DI8-OR4: Assembly Group with 8 Digital Inputs and 4 Output Relays
- X6** – U K4: Voltage measuring assembly group with 4 additional Relay Outputs (normally open)
- X100** – Ethernet interface, 100 Mbit/s, RJ45
- X102** – Universal Resistance-Temperature Detector (URTD) input, Fiber optics interface, ST Connector
- X103** – RS485, Terminals
- X104** – IRIG-B00X, incl. System Contact (Supervision Contact)

MCDGV4-2D0AKA



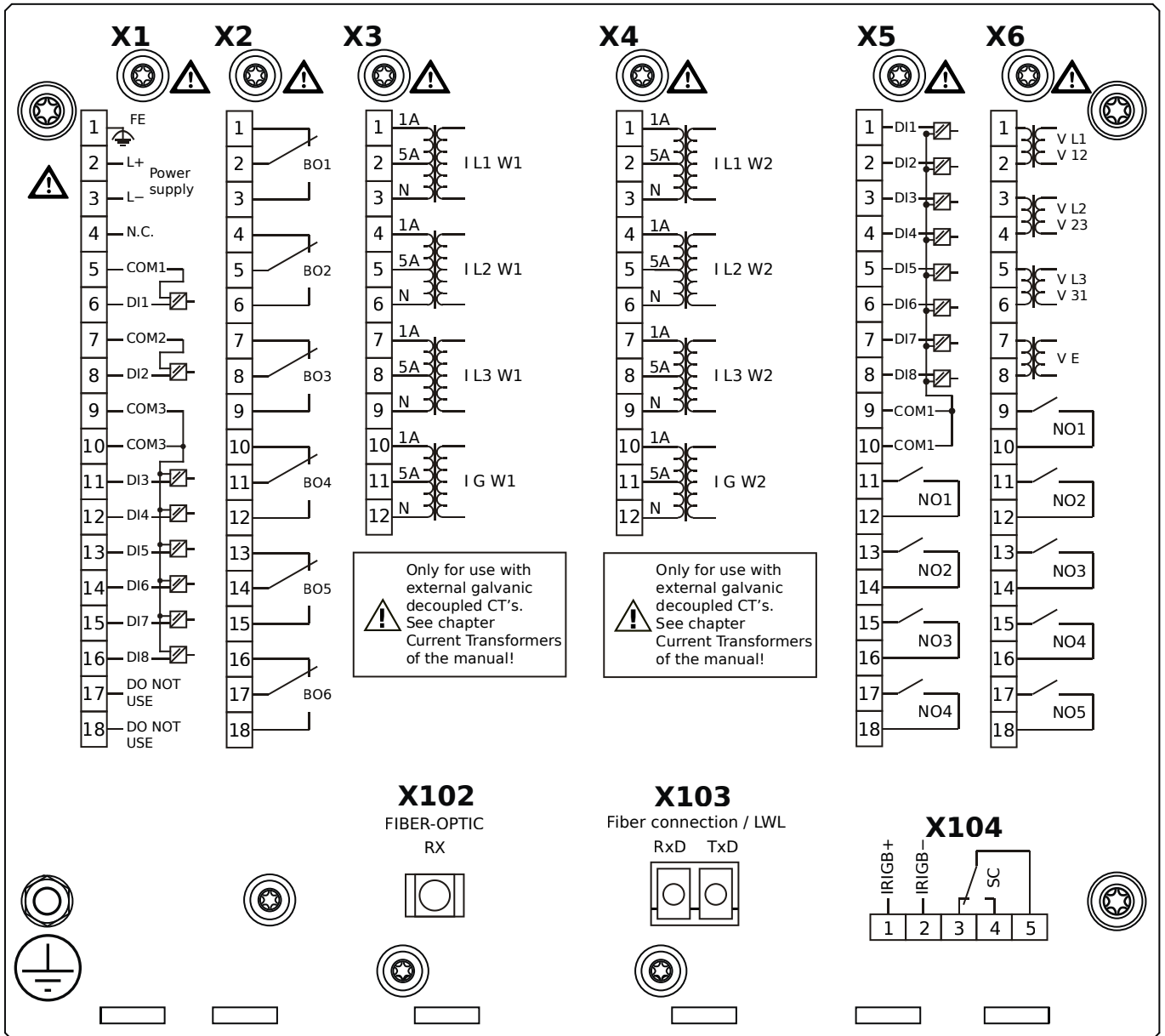
- X1** – DI8-X1: Wide-range power supply unit, incl. 2 non-grouped digital inputs and 6 grouped digital inputs
- X2** – OR-6: Assembly Group with 6 Relay Outputs
- X3** – TI-4: Standard ground current measuring card (for the neutral side of the differential protection)
- X4** – TI-4: Standard ground current measuring card (for the line side of the differential protection)
- X5** – DI8-OR4: Assembly Group with 8 Digital Inputs and 4 Output Relays
- X6** – U K4: Voltage measuring assembly group with 4 additional Relay Outputs (normally open)
- X102** – Universal Resistance-Temperature Detector (URTD) input, Fiber optics interface, ST Connector
- X103** – Fiber optics interface, LC Connector
- X104** – IRIG-B00X, incl. System Contact (Supervision Contact)

MCDGV4-2D0AKB



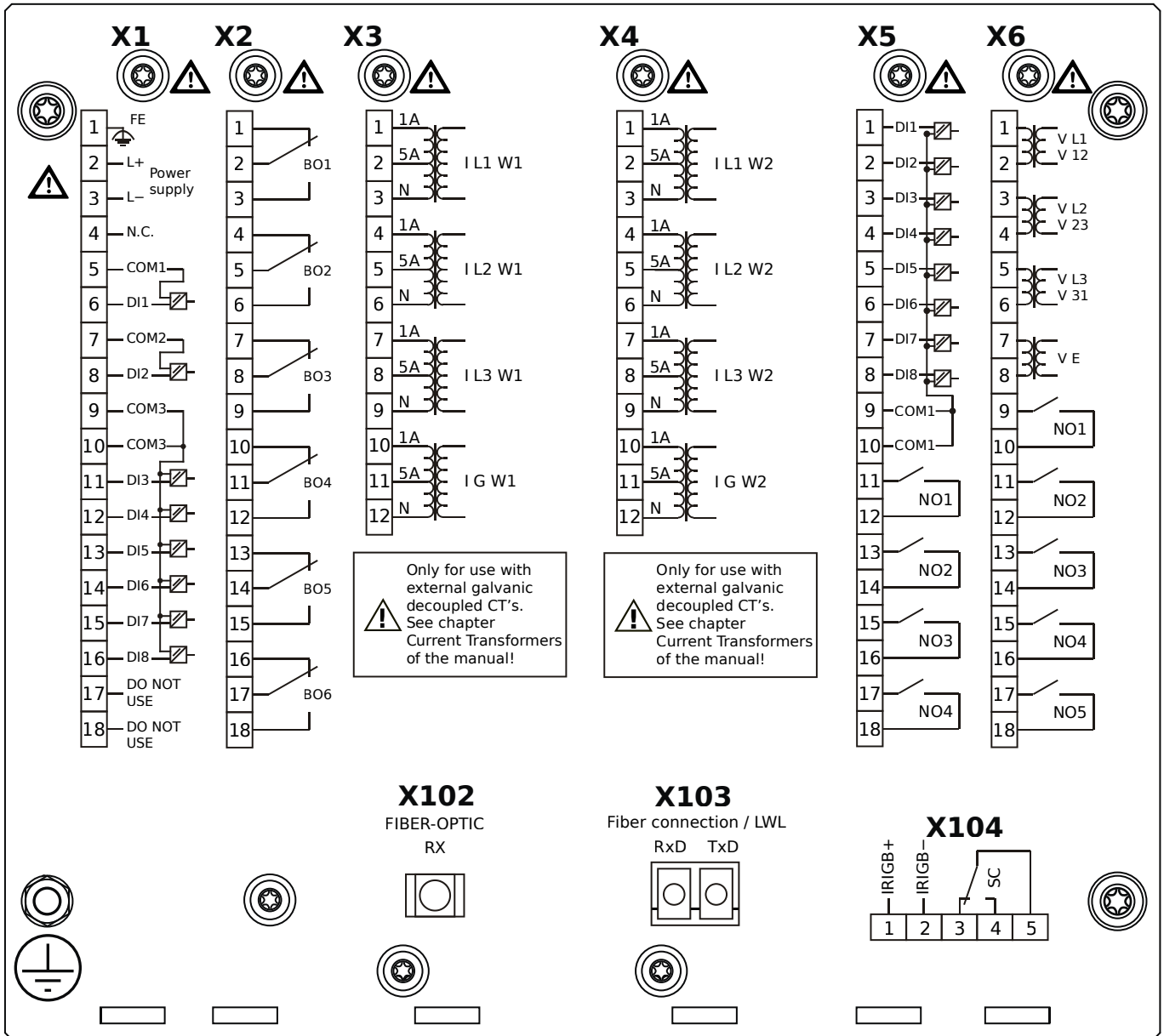
- X1** – DI8-X1: Wide-range power supply unit, incl. 2 non-grouped digital inputs and 6 grouped digital inputs
- X2** – OR-6: Assembly Group with 6 Relay Outputs
- X3** – TI-4: Standard ground current measuring card (for the neutral side of the differential protection)
- X4** – TI-4: Standard ground current measuring card (for the line side of the differential protection)
- X5** – DI8-OR4: Assembly Group with 8 Digital Inputs and 4 Output Relays
- X6** – U K4: Voltage measuring assembly group with 4 additional Relay Outputs (normally open)
- X102** – Universal Resistance-Temperature Detector (URTD) input, Fiber optics interface, ST Connector
- X103** – Fiber optics interface, LC Connector
- X104** – IRIG-B00X, incl. System Contact (Supervision Contact)

MCDGV4-2D0ALA



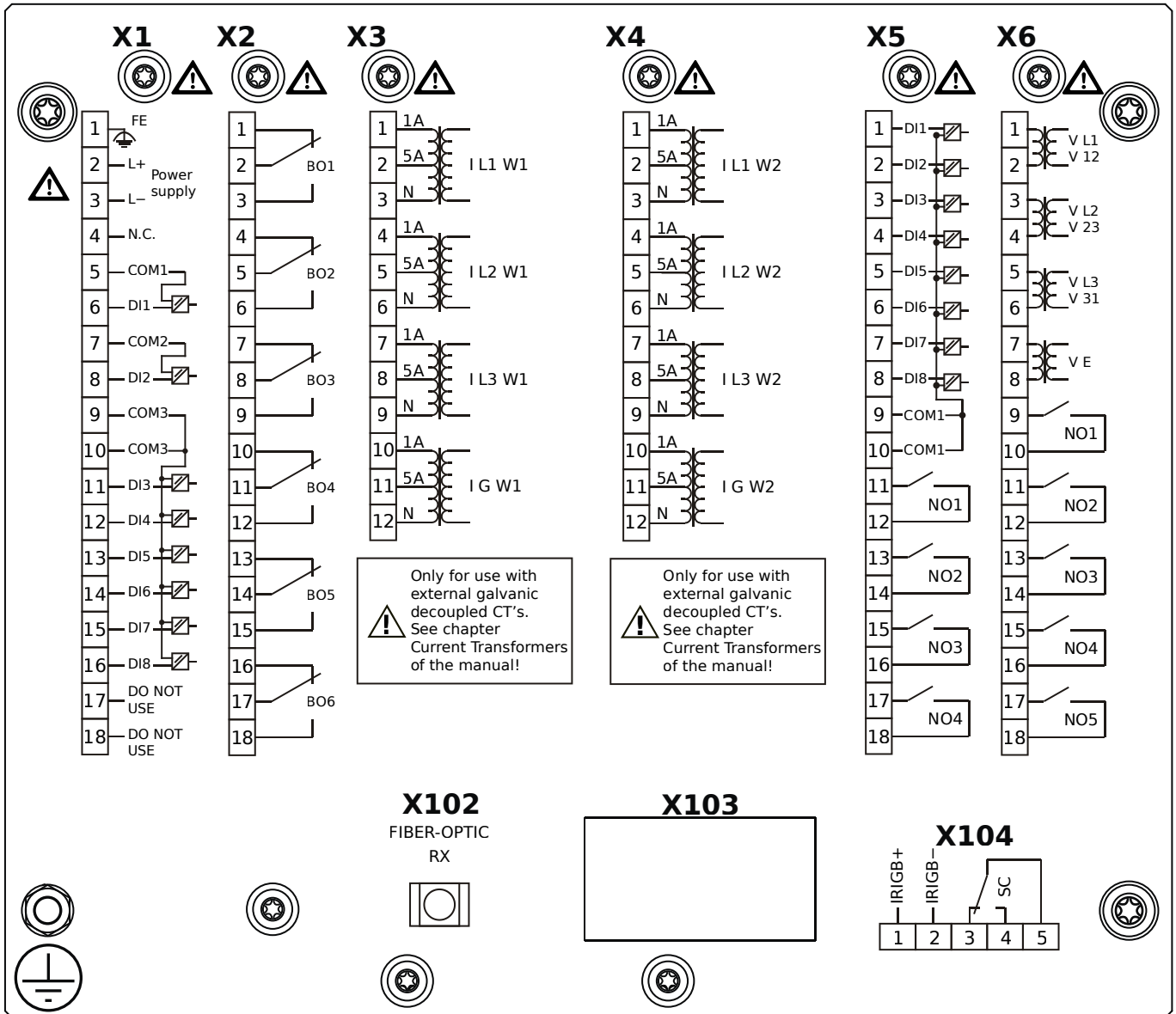
- X1** – DI8-X1: Wide-range power supply unit, incl. 2 non-grouped digital inputs and 6 grouped digital inputs
- X2** – OR-6: Assembly Group with 6 Relay Outputs
- X3** – TI-4: Standard ground current measuring card (for the neutral side of the differential protection)
- X4** – TI-4: Standard ground current measuring card (for the line side of the differential protection)
- X5** – DI8-OR4: Assembly Group with 8 Digital Inputs and 4 Output Relays
- X6** – U K4: Voltage measuring assembly group with 4 additional Relay Outputs (normally open)
- X102** – Universal Resistance-Temperature Detector (URTD) input, Fiber optics interface, ST Connector
- X103** – Fiber optics interface, LC Connector
- X104** – IRIG-B00X, incl. System Contact (Supervision Contact)

MCDGV4-2D0ALB



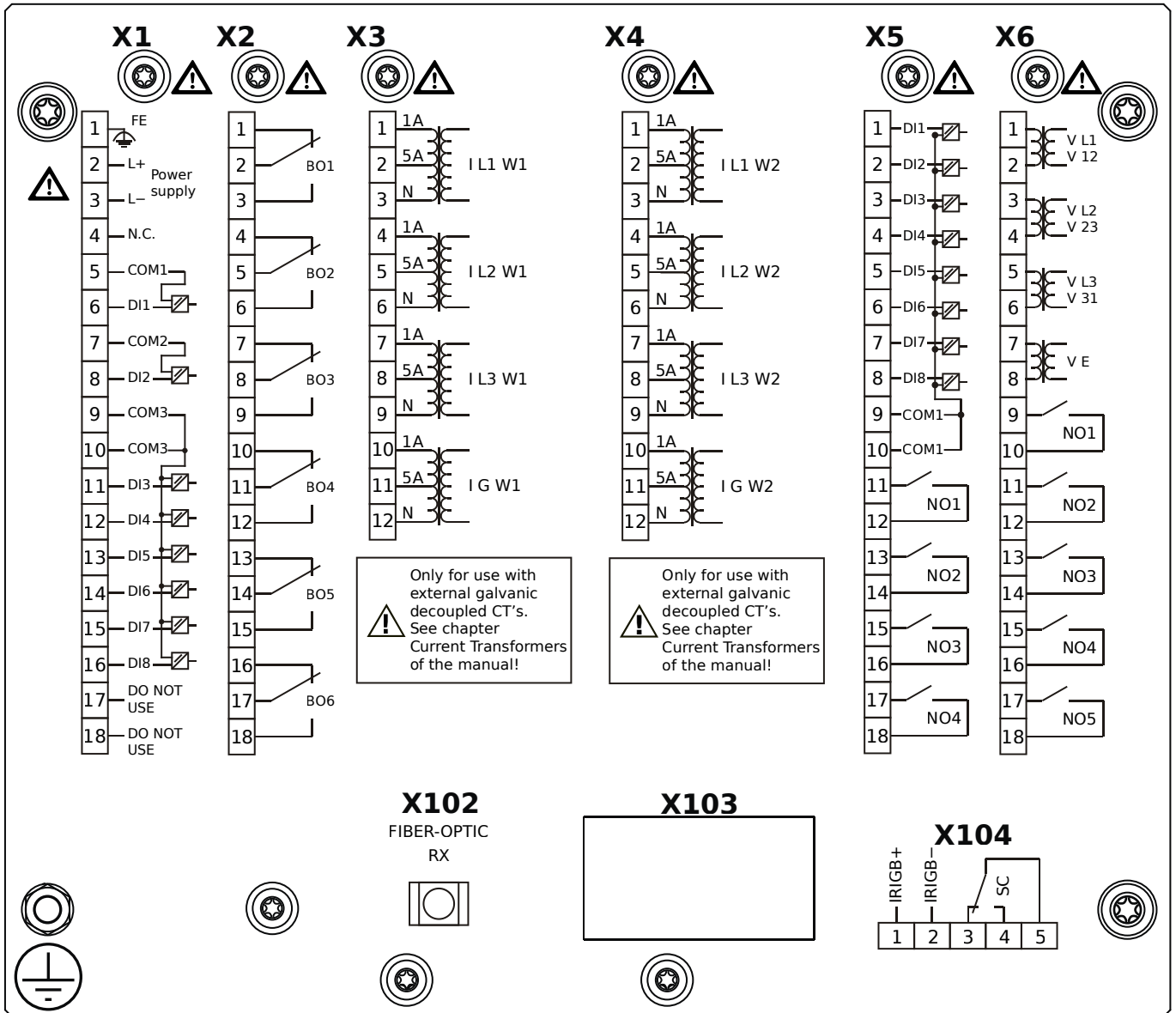
- X1** – DI8-X1: Wide-range power supply unit, incl. 2 non-grouped digital inputs and 6 grouped digital inputs
- X2** – OR-6: Assembly Group with 6 Relay Outputs
- X3** – TI-4: Standard ground current measuring card (for the neutral side of the differential protection)
- X4** – TI-4: Standard ground current measuring card (for the line side of the differential protection)
- X5** – DI8-OR4: Assembly Group with 8 Digital Inputs and 4 Output Relays
- X6** – U K4: Voltage measuring assembly group with 4 additional Relay Outputs (normally open)
- X102** – Universal Resistance-Temperature Detector (URTD) input, Fiber optics interface, ST Connector
- X103** – Fiber optics interface, LC Connector
- X104** – IRIG-B00X, incl. System Contact (Supervision Contact)

MCDGV4-2D0BAA



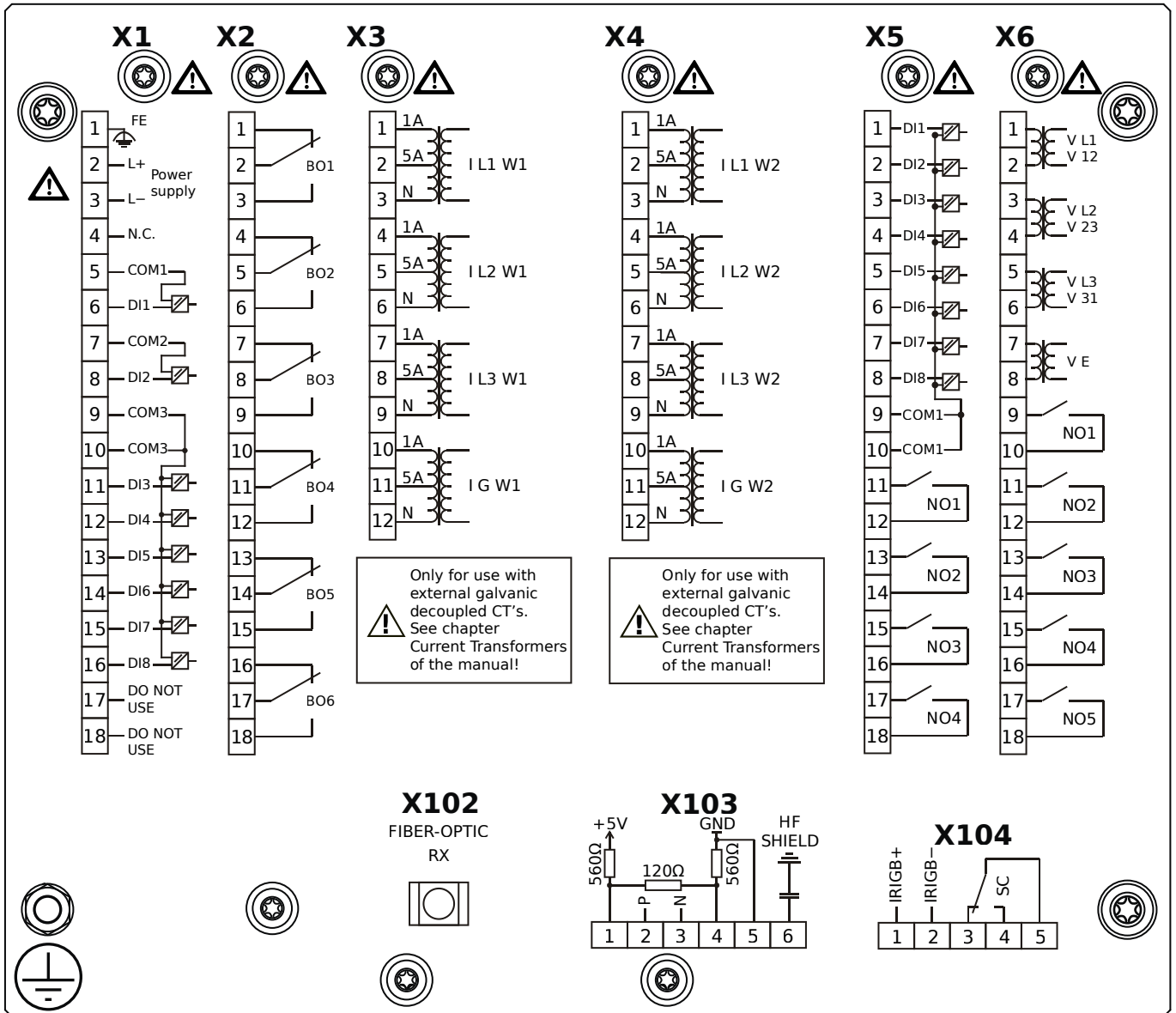
- X1** – DI8-X1: Wide-range power supply unit, incl. 2 non-grouped digital inputs and 6 grouped digital inputs
- X2** – OR-6: Assembly Group with 6 Relay Outputs
- X3** – TI-4: Standard ground current measuring card (for the neutral side of the differential protection)
- X4** – TI-4: Standard ground current measuring card (for the line side of the differential protection)
- X5** – DI8-OR4: Assembly Group with 8 Digital Inputs and 4 Output Relays
- X6** – U K4: Voltage measuring assembly group with 4 additional Relay Outputs (normally open)
- X102** – Universal Resistance-Temperature Detector (URTD) input, Fiber optics interface, ST Connector
- X104** – IRIG-B00X, incl. System Contact (Supervision Contact)

MCDGV4-2D0BAB



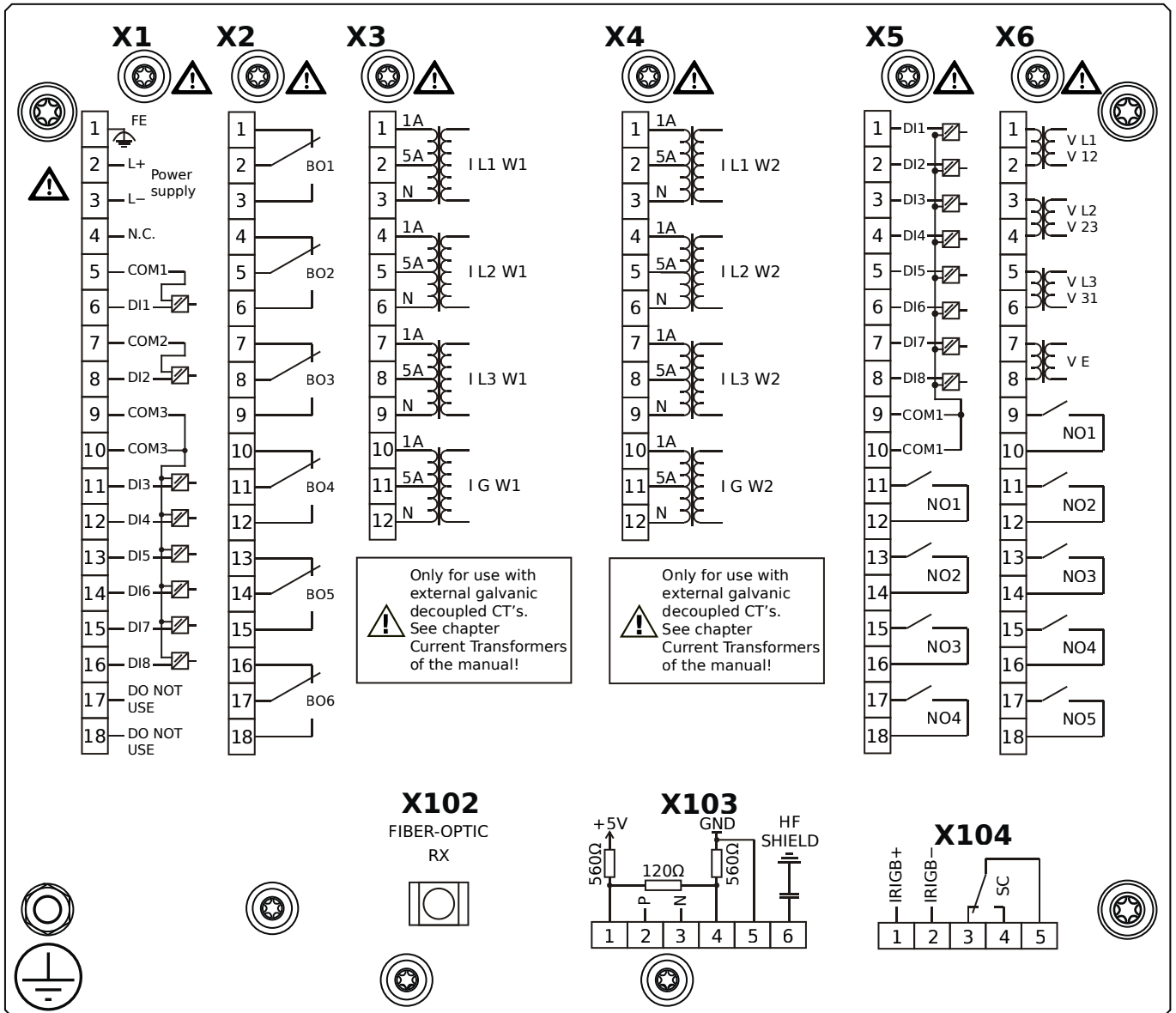
- X1** – DI8-X1: Wide-range power supply unit, incl. 2 non-grouped digital inputs and 6 grouped digital inputs
- X2** – OR-6: Assembly Group with 6 Relay Outputs
- X3** – TI-4: Standard ground current measuring card (for the neutral side of the differential protection)
- X4** – TI-4: Standard ground current measuring card (for the line side of the differential protection)
- X5** – DI8-OR4: Assembly Group with 8 Digital Inputs and 4 Output Relays
- X6** – U K4: Voltage measuring assembly group with 4 additional Relay Outputs (normally open)
- X102** – Universal Resistance-Temperature Detector (URTD) input, Fiber optics interface, ST Connector
- X104** – IRIG-B00X, incl. System Contact (Supervision Contact)

MCDGV4-2D0BBA



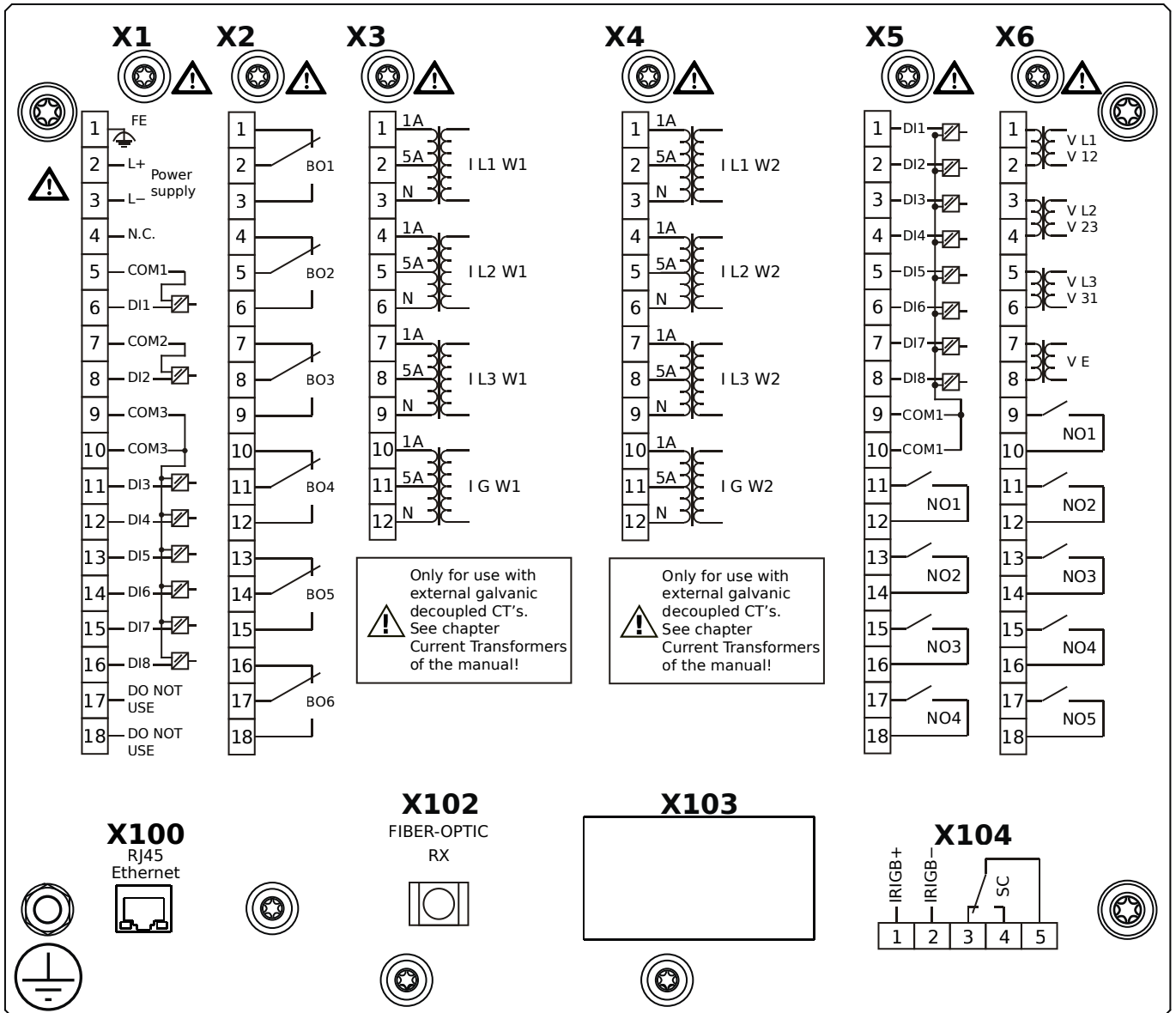
- X1** – DI8-X1: Wide-range power supply unit, incl. 2 non-grouped digital inputs and 6 grouped digital inputs
- X2** – OR-6: Assembly Group with 6 Relay Outputs
- X3** – TI-4: Standard ground current measuring card (for the neutral side of the differential protection)
- X4** – TI-4: Standard ground current measuring card (for the line side of the differential protection)
- X5** – DI8-OR4: Assembly Group with 8 Digital Inputs and 4 Output Relays
- X6** – U K4: Voltage measuring assembly group with 4 additional Relay Outputs (normally open)
- X102** – Universal Resistance-Temperature Detector (URTD) input, Fiber optics interface, ST Connector
- X103** – RS485, Terminals
- X104** – IRIG-B00X, incl. System Contact (Supervision Contact)

MCDGV4-2D0BBB



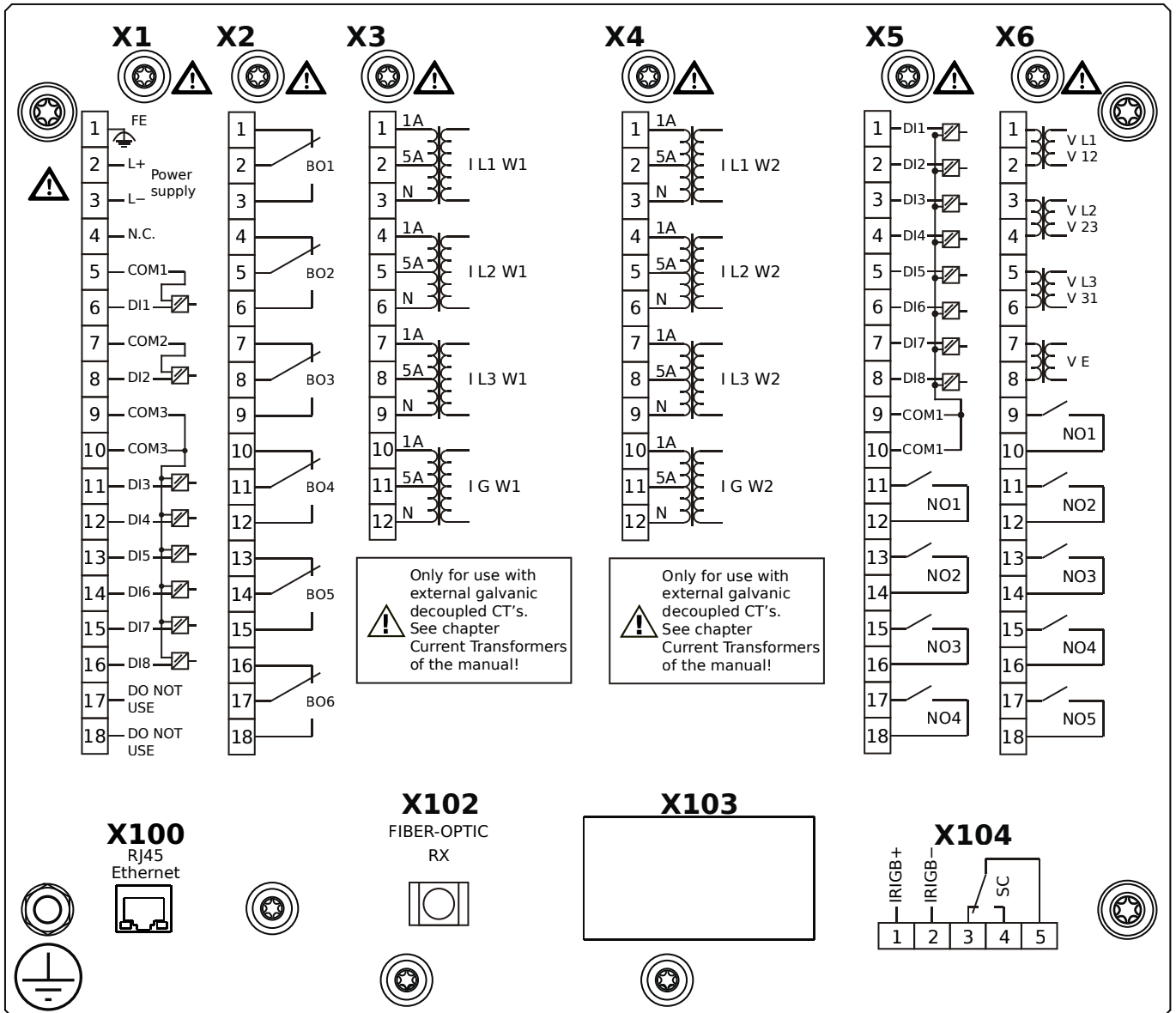
- X1** – DI8-X1: Wide-range power supply unit, incl. 2 non-grouped digital inputs and 6 grouped digital inputs
- X2** – OR-6: Assembly Group with 6 Relay Outputs
- X3** – TI-4: Standard ground current measuring card (for the neutral side of the differential protection)
- X4** – TI-4: Standard ground current measuring card (for the line side of the differential protection)
- X5** – DI8-OR4: Assembly Group with 8 Digital Inputs and 4 Output Relays
- X6** – U K4: Voltage measuring assembly group with 4 additional Relay Outputs (normally open)
- X102** – Universal Resistance-Temperature Detector (URTD) input, Fiber optics interface, ST Connector
- X103** – RS485, Terminals
- X104** – IRIG-B00X, incl. System Contact (Supervision Contact)

MCDGV4-2D0BCA



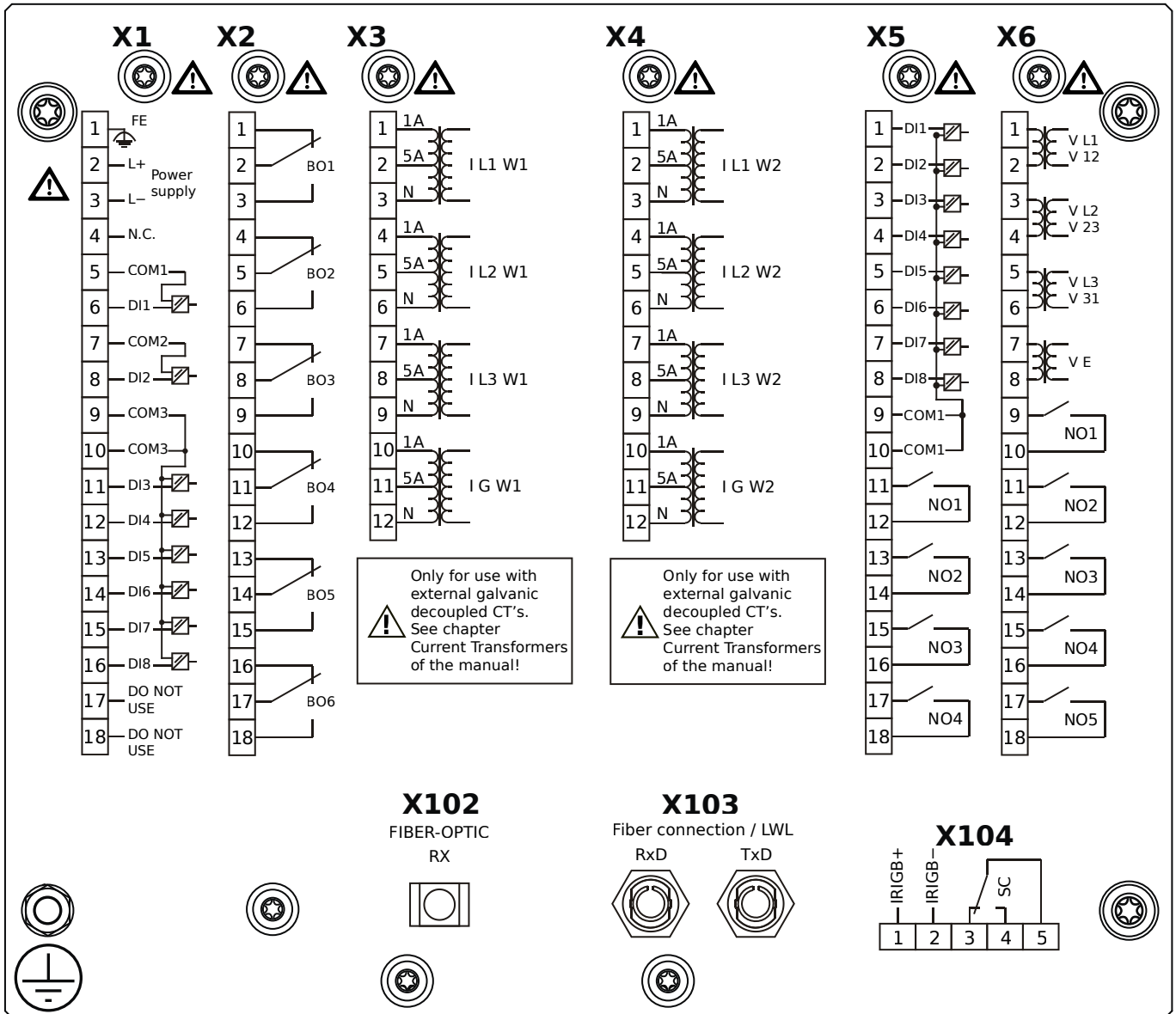
- X1** – DI8-X1: Wide-range power supply unit, incl. 2 non-grouped digital inputs and 6 grouped digital inputs
- X2** – OR-6: Assembly Group with 6 Relay Outputs
- X3** – TI-4: Standard ground current measuring card (for the neutral side of the differential protection)
- X4** – TI-4: Standard ground current measuring card (for the line side of the differential protection)
- X5** – DI8-OR4: Assembly Group with 8 Digital Inputs and 4 Output Relays
- X6** – U K4: Voltage measuring assembly group with 4 additional Relay Outputs (normally open)
- X100** – Ethernet interface, 100 Mbit/s, RJ45
- X102** – Universal Resistance-Temperature Detector (URTD) input, Fiber optics interface, ST Connector
- X104** – IRIG-B00X, incl. System Contact (Supervision Contact)

MCDGV4-2D0BCB



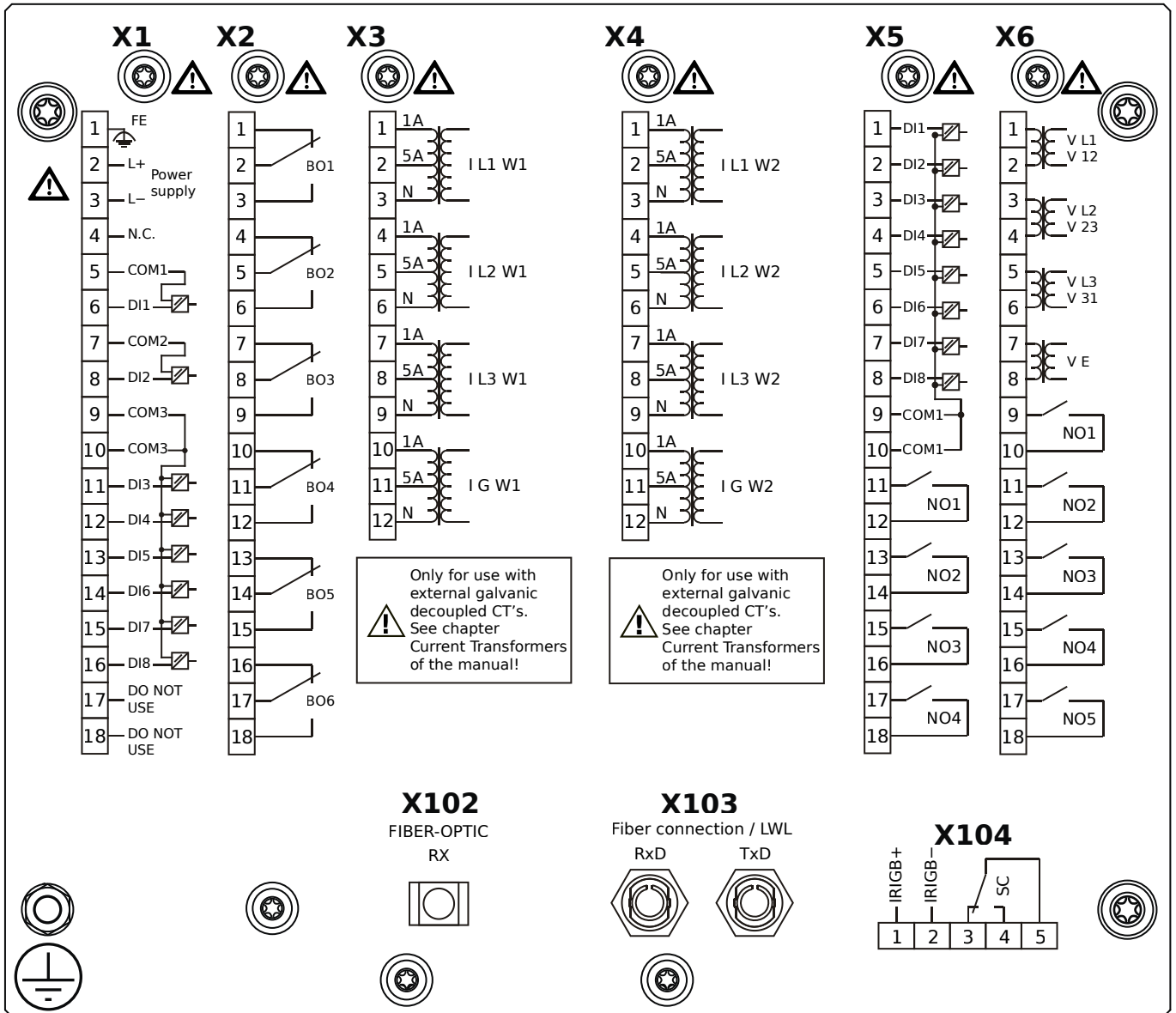
- X1** – DI8-X1: Wide-range power supply unit, incl. 2 non-grouped digital inputs and 6 grouped digital inputs
- X2** – OR-6: Assembly Group with 6 Relay Outputs
- X3** – TI-4: Standard ground current measuring card (for the neutral side of the differential protection)
- X4** – TI-4: Standard ground current measuring card (for the line side of the differential protection)
- X5** – DI8-OR4: Assembly Group with 8 Digital Inputs and 4 Output Relays
- X6** – U K4: Voltage measuring assembly group with 4 additional Relay Outputs (normally open)
- X100** – Ethernet interface, 100 Mbit/s, RJ45
- X102** – Universal Resistance-Temperature Detector (URTD) input, Fiber optics interface, ST Connector
- X104** – IRIG-B00X, incl. System Contact (Supervision Contact)

MCDGV4-2D0BDA



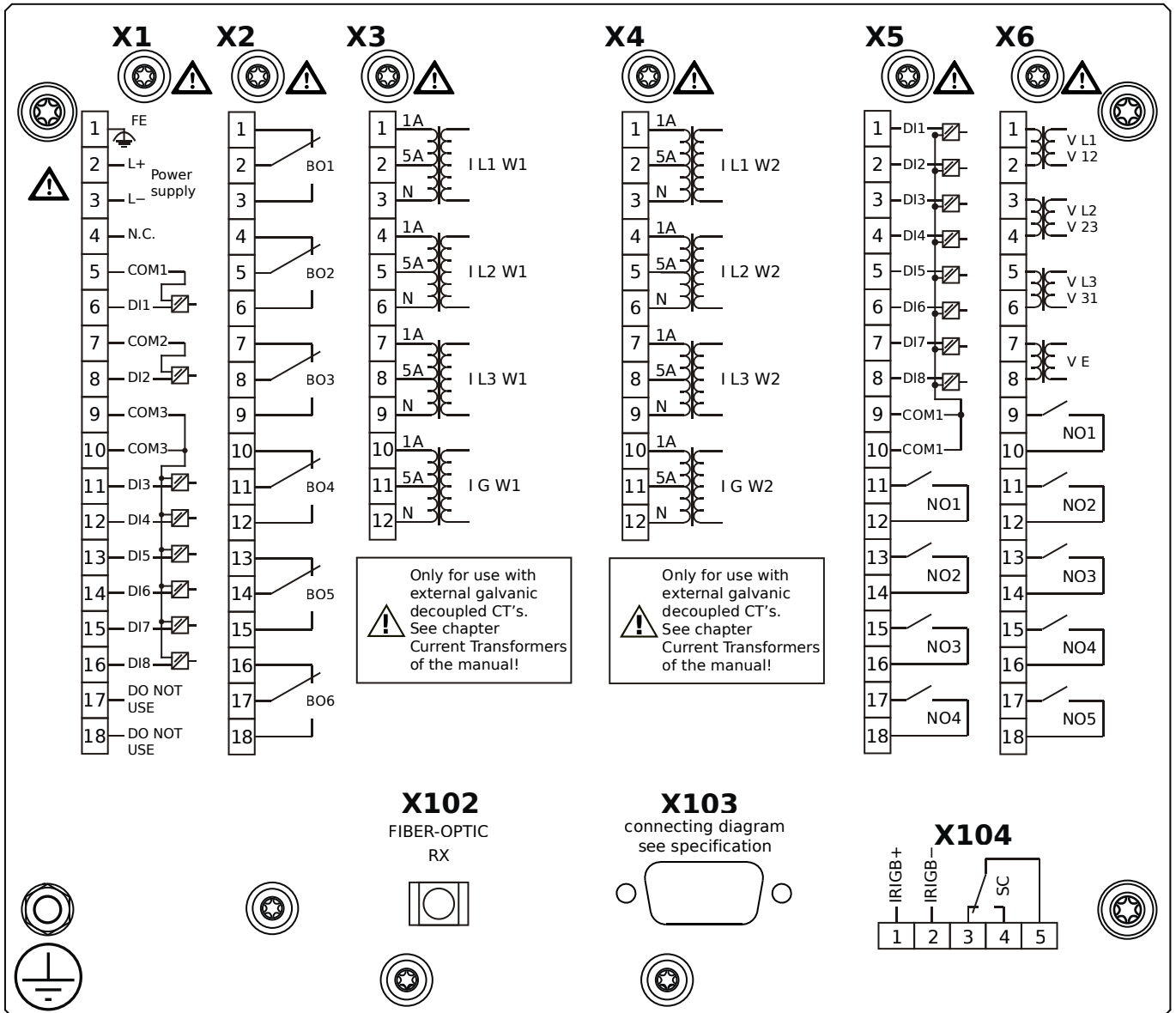
- X1** – DI8-X1: Wide-range power supply unit, incl. 2 non-grouped digital inputs and 6 grouped digital inputs
- X2** – OR-6: Assembly Group with 6 Relay Outputs
- X3** – TI-4: Standard ground current measuring card (for the neutral side of the differential protection)
- X4** – TI-4: Standard ground current measuring card (for the line side of the differential protection)
- X5** – DI8-OR4: Assembly Group with 8 Digital Inputs and 4 Output Relays
- X6** – U K4: Voltage measuring assembly group with 4 additional Relay Outputs (normally open)
- X102** – Universal Resistance-Temperature Detector (URTD) input, Fiber optics interface, ST Connector
- X103** – Fiber optics interface, ST Connector
- X104** – IRIG-B00X, incl. System Contact (Supervision Contact)

MCDGV4-2D0BDB



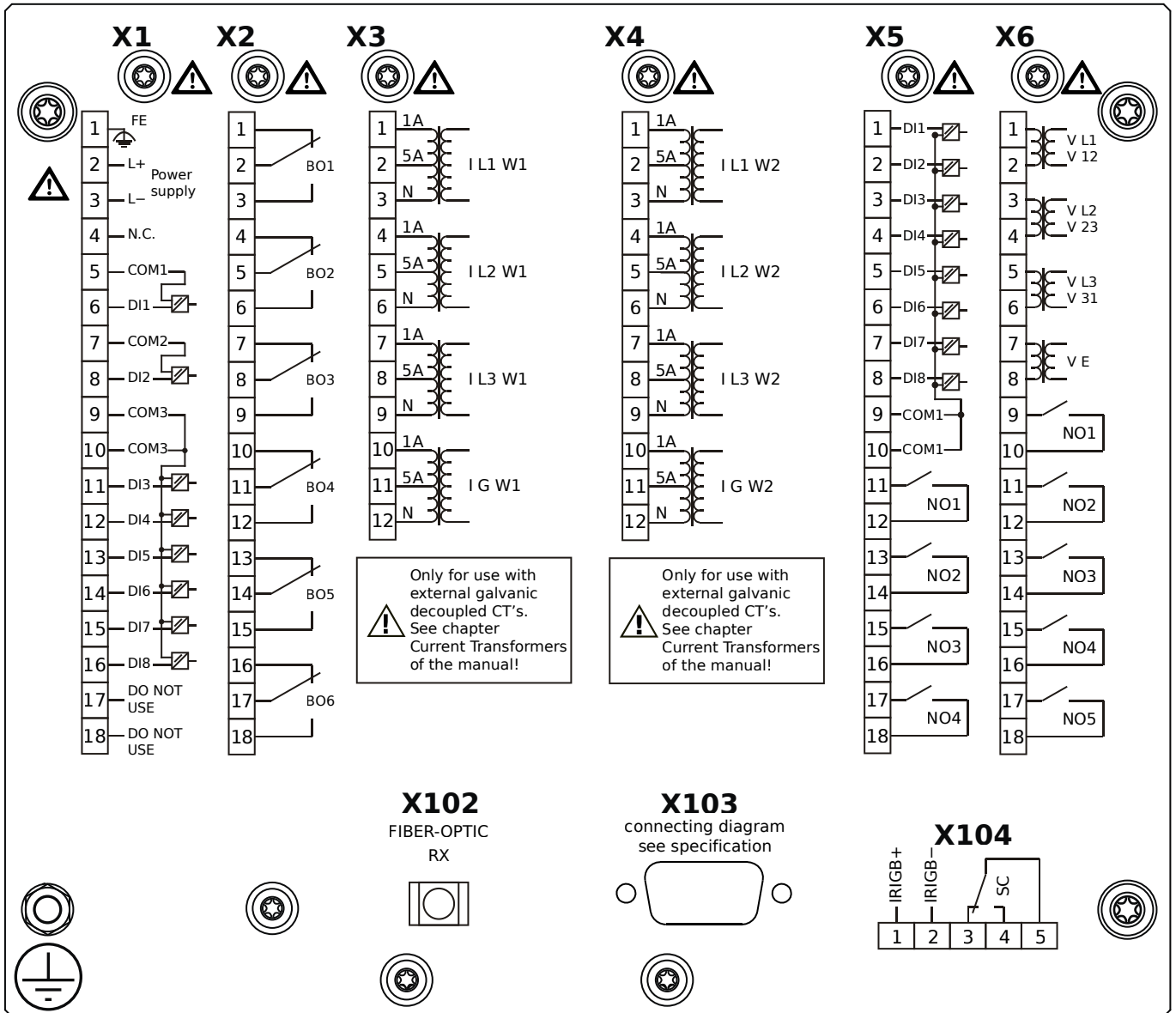
- X1** – DI8-X1: Wide-range power supply unit, incl. 2 non-grouped digital inputs and 6 grouped digital inputs
- X2** – OR-6: Assembly Group with 6 Relay Outputs
- X3** – TI-4: Standard ground current measuring card (for the neutral side of the differential protection)
- X4** – TI-4: Standard ground current measuring card (for the line side of the differential protection)
- X5** – DI8-OR4: Assembly Group with 8 Digital Inputs and 4 Output Relays
- X6** – U K4: Voltage measuring assembly group with 4 additional Relay Outputs (normally open)
- X102** – Universal Resistance-Temperature Detector (URTD) input, Fiber optics interface, ST Connector
- X103** – Fiber optics interface, ST Connector
- X104** – IRIG-B00X, incl. System Contact (Supervision Contact)

MCDGV4-2D0BEA



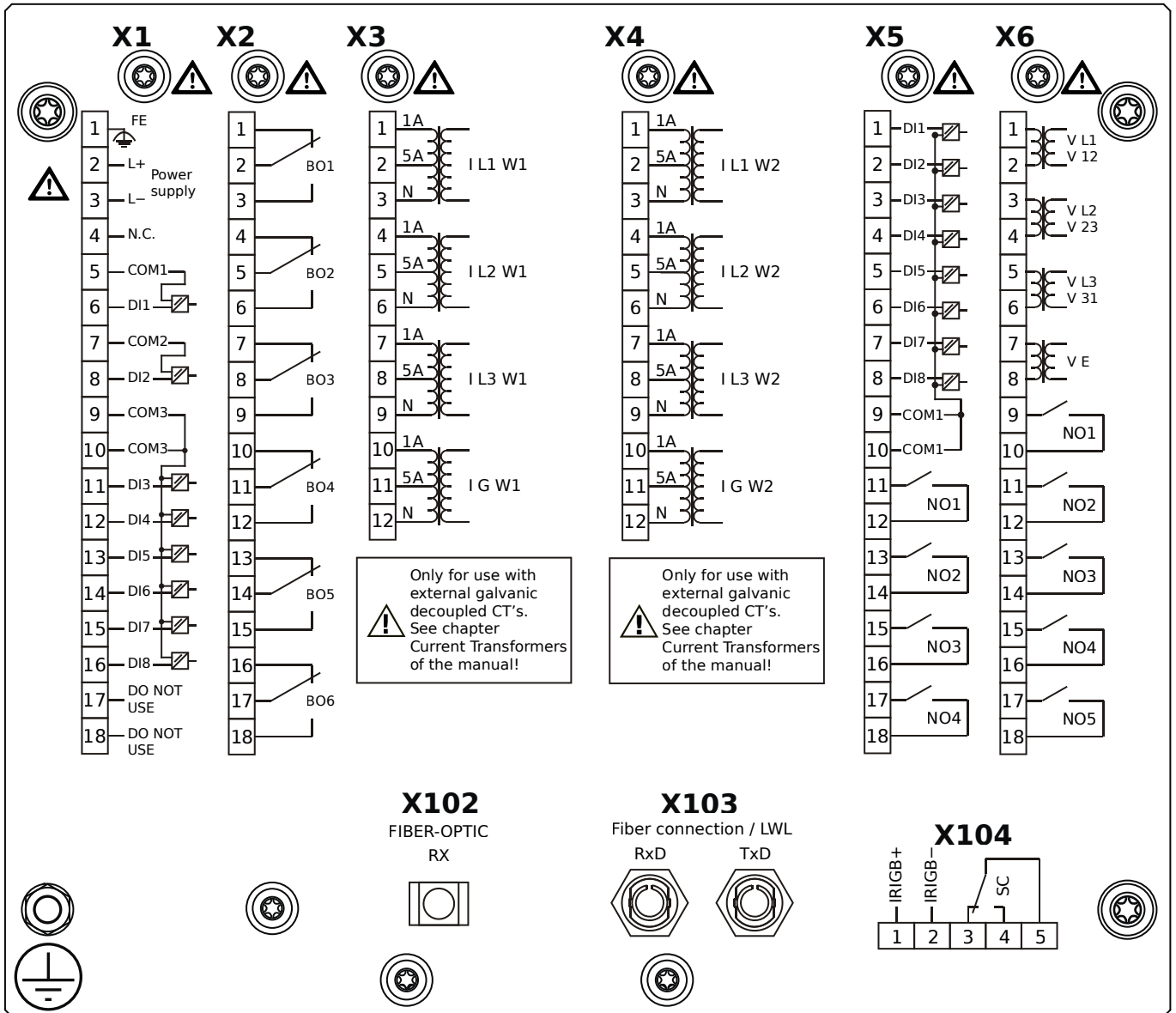
- X1** – DI8-X1: Wide-range power supply unit, incl. 2 non-grouped digital inputs and 6 grouped digital inputs
- X2** – OR-6: Assembly Group with 6 Relay Outputs
- X3** – TI-4: Standard ground current measuring card (for the neutral side of the differential protection)
- X4** – TI-4: Standard ground current measuring card (for the line side of the differential protection)
- X5** – DI8-OR4: Assembly Group with 8 Digital Inputs and 4 Output Relays
- X6** – U K4: Voltage measuring assembly group with 4 additional Relay Outputs (normally open)
- X102** – Universal Resistance-Temperature Detector (URTD) input, Fiber optics interface, ST Connector
- X103** – RS485, D-SUB
- X104** – IRIG-B00X, incl. System Contact (Supervision Contact)

MCDGV4-2D0BEB



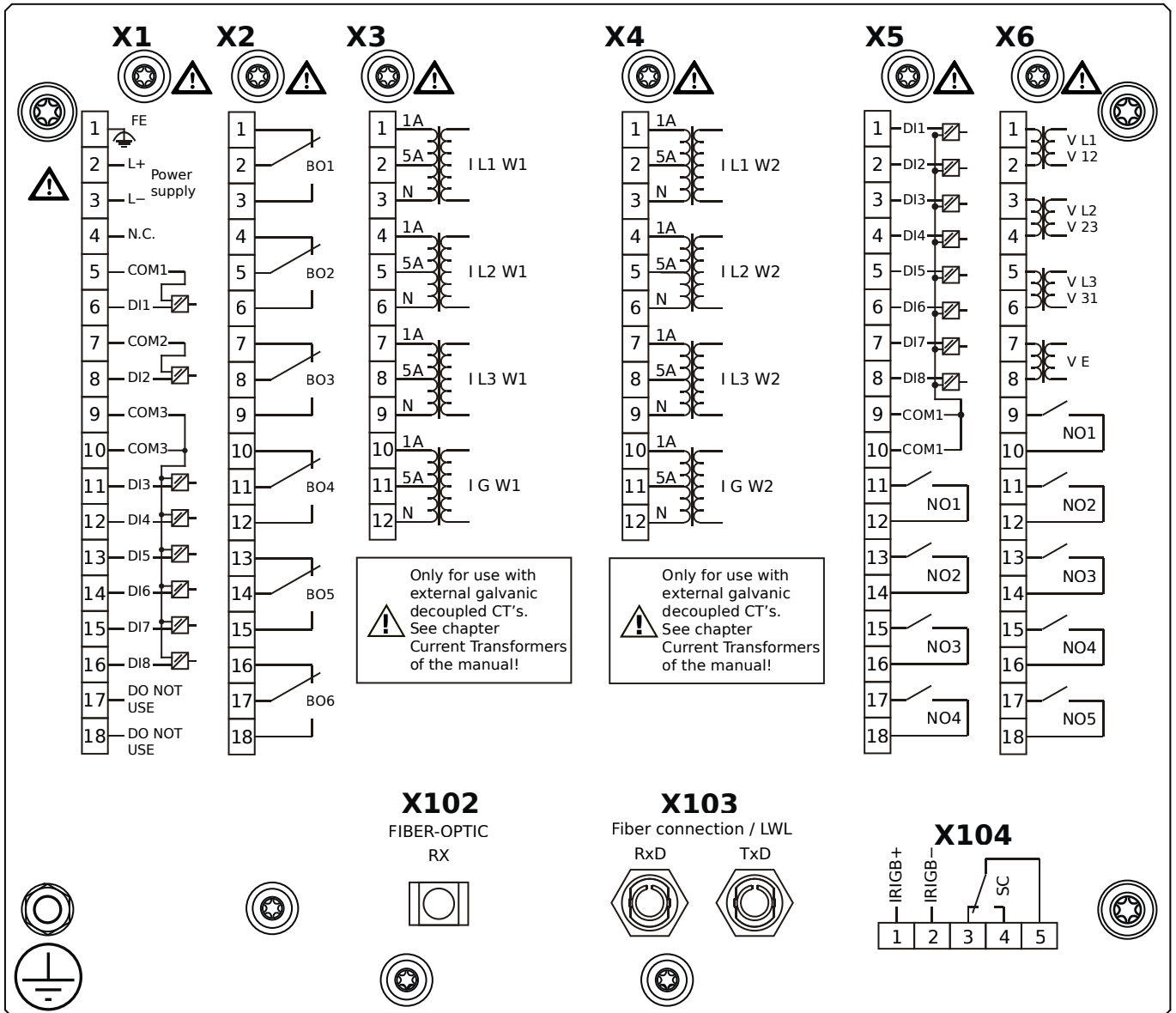
- X1** – DI8-X1: Wide-range power supply unit, incl. 2 non-grouped digital inputs and 6 grouped digital inputs
- X2** – OR-6: Assembly Group with 6 Relay Outputs
- X3** – TI-4: Standard ground current measuring card (for the neutral side of the differential protection)
- X4** – TI-4: Standard ground current measuring card (for the line side of the differential protection)
- X5** – DI8-OR4: Assembly Group with 8 Digital Inputs and 4 Output Relays
- X6** – U K4: Voltage measuring assembly group with 4 additional Relay Outputs (normally open)
- X102** – Universal Resistance-Temperature Detector (URTD) input, Fiber optics interface, ST Connector
- X103** – RS485, D-SUB
- X104** – IRIG-B00X, incl. System Contact (Supervision Contact)

MCDGV4-2D0BFA



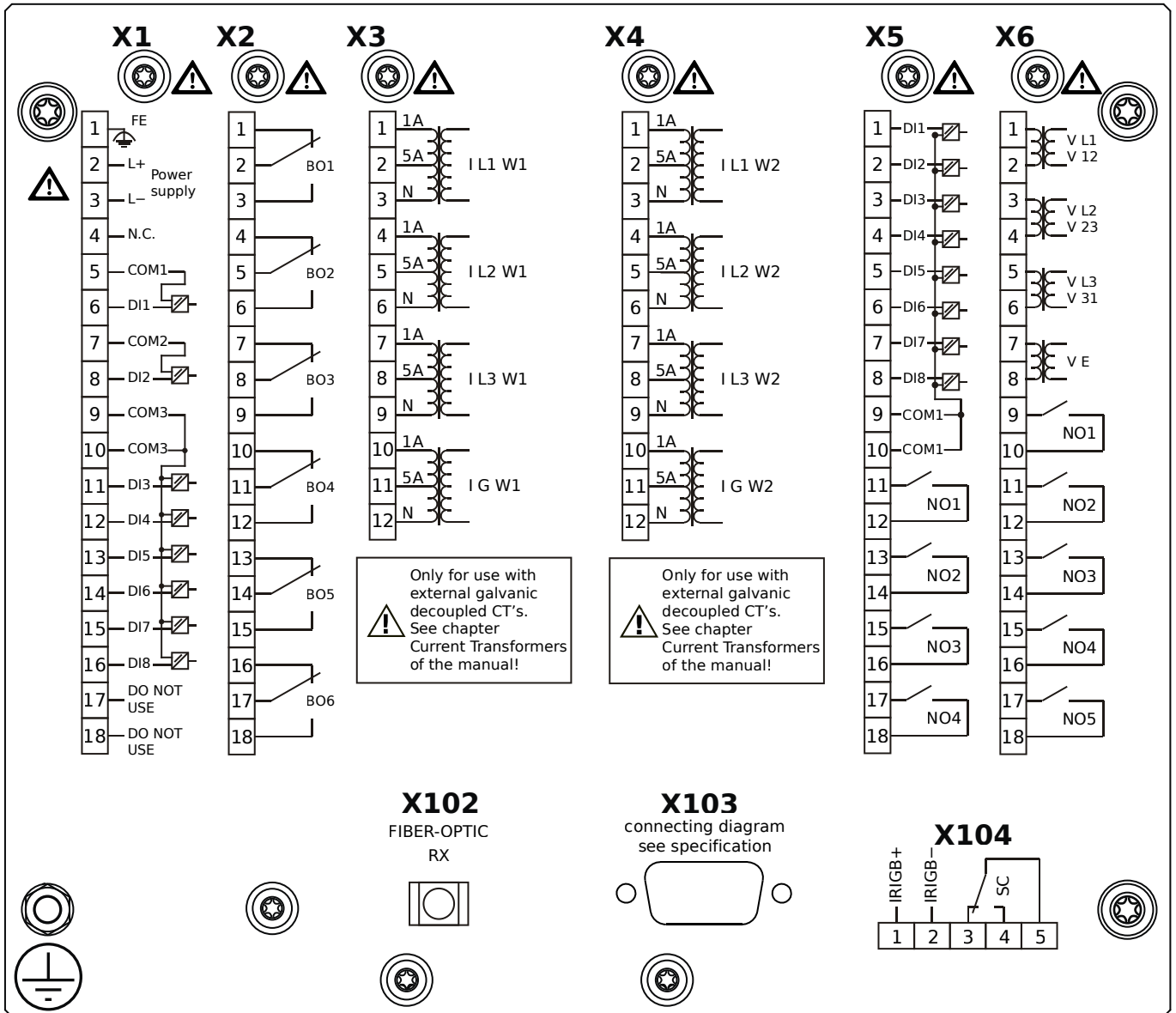
- X1** – DI8-X1: Wide-range power supply unit, incl. 2 non-grouped digital inputs and 6 grouped digital inputs
- X2** – OR-6: Assembly Group with 6 Relay Outputs
- X3** – TI-4: Standard ground current measuring card (for the neutral side of the differential protection)
- X4** – TI-4: Standard ground current measuring card (for the line side of the differential protection)
- X5** – DI8-OR4: Assembly Group with 8 Digital Inputs and 4 Output Relays
- X6** – U K4: Voltage measuring assembly group with 4 additional Relay Outputs (normally open)
- X102** – Universal Resistance-Temperature Detector (URTD) input, Fiber optics interface, ST Connector
- X103** – Fiber optics interface, ST Connector
- X104** – IRIG-B00X, incl. System Contact (Supervision Contact)

MCDGV4-2D0BFB



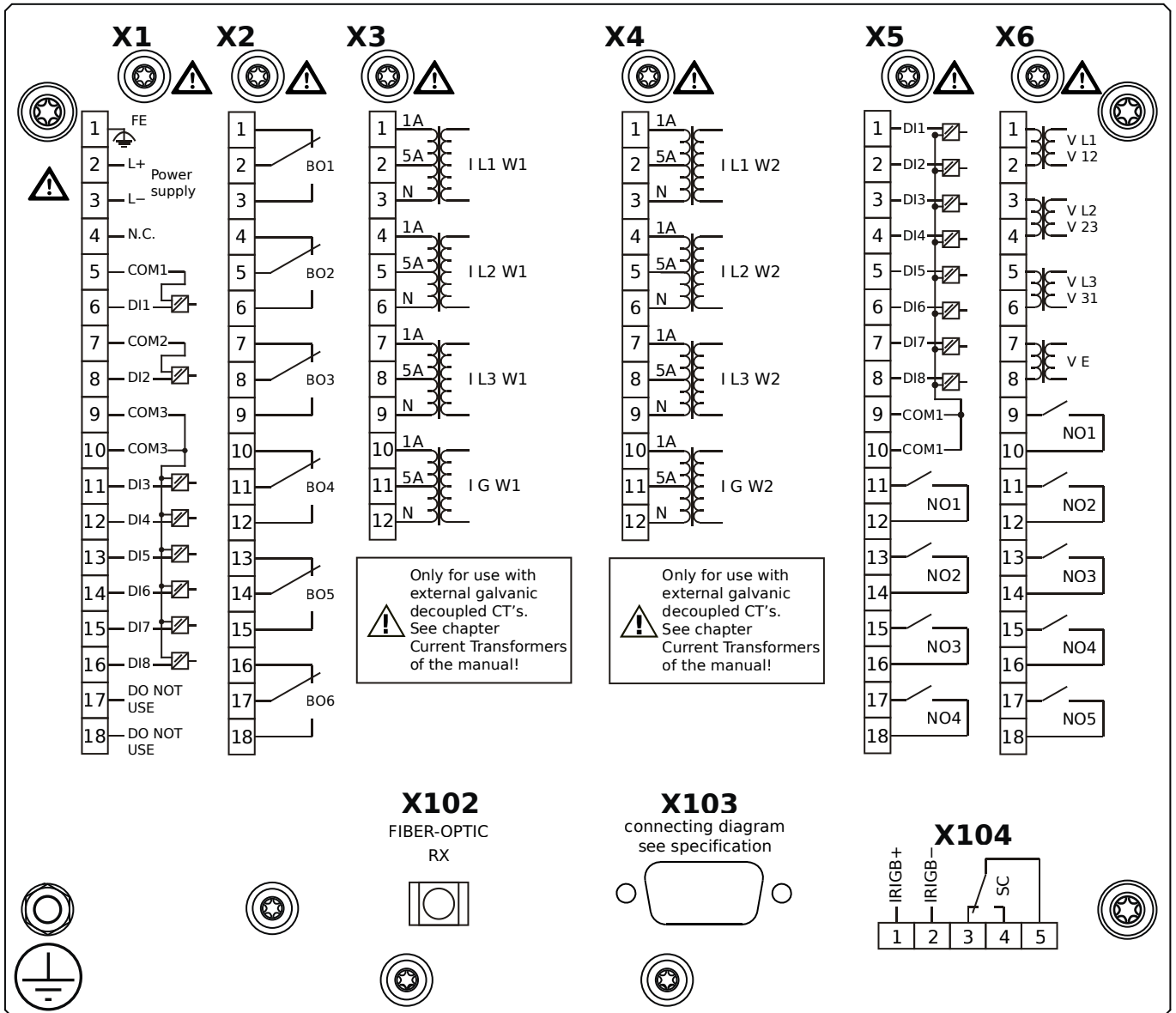
- X1** – DI8-X1: Wide-range power supply unit, incl. 2 non-grouped digital inputs and 6 grouped digital inputs
- X2** – OR-6: Assembly Group with 6 Relay Outputs
- X3** – TI-4: Standard ground current measuring card (for the neutral side of the differential protection)
- X4** – TI-4: Standard ground current measuring card (for the line side of the differential protection)
- X5** – DI8-OR4: Assembly Group with 8 Digital Inputs and 4 Output Relays
- X6** – U K4: Voltage measuring assembly group with 4 additional Relay Outputs (normally open)
- X102** – Universal Resistance-Temperature Detector (URTD) input, Fiber optics interface, ST Connector
- X103** – Fiber optics interface, ST Connector
- X104** – IRIG-B00X, incl. System Contact (Supervision Contact)

MCDGV4-2D0BGA



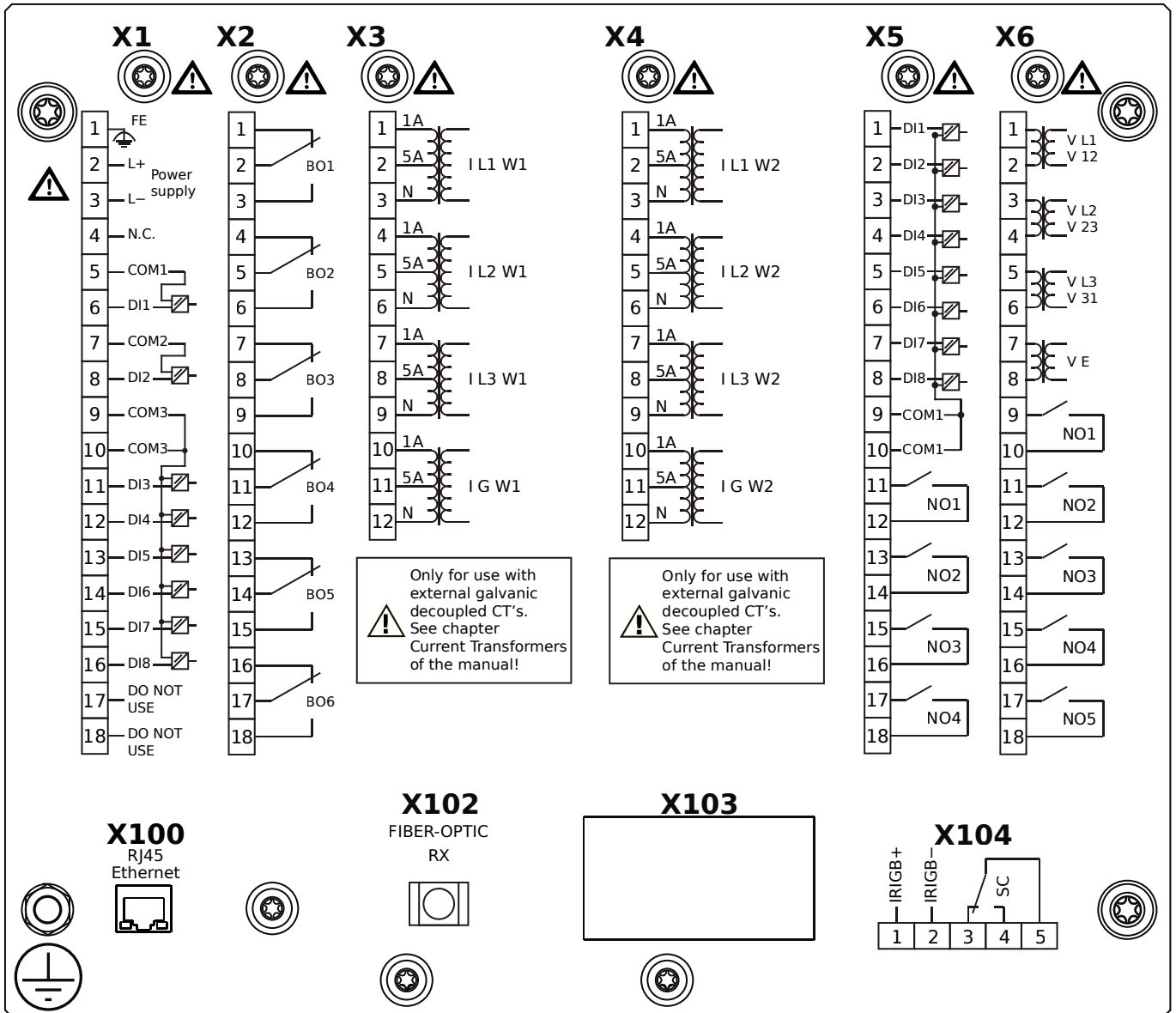
- X1** – DI8-X1: Wide-range power supply unit, incl. 2 non-grouped digital inputs and 6 grouped digital inputs
- X2** – OR-6: Assembly Group with 6 Relay Outputs
- X3** – TI-4: Standard ground current measuring card (for the neutral side of the differential protection)
- X4** – TI-4: Standard ground current measuring card (for the line side of the differential protection)
- X5** – DI8-OR4: Assembly Group with 8 Digital Inputs and 4 Output Relays
- X6** – U K4: Voltage measuring assembly group with 4 additional Relay Outputs (normally open)
- X102** – Universal Resistance-Temperature Detector (URTD) input, Fiber optics interface, ST Connector
- X103** – RS485, D-SUB
- X104** – IRIG-B00X, incl. System Contact (Supervision Contact)

MCDGV4-2D0BGB



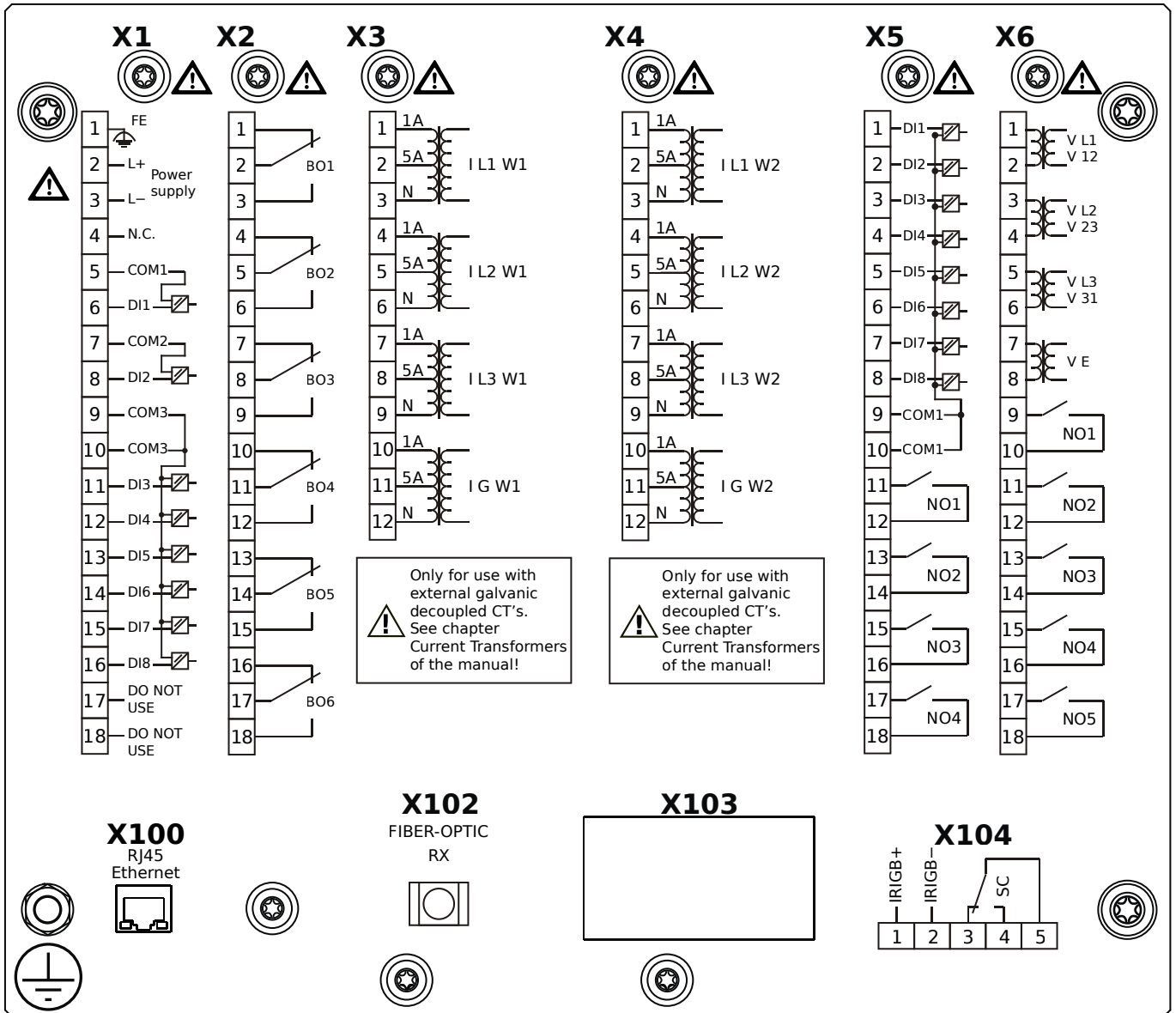
- X1** – DI8-X1: Wide-range power supply unit, incl. 2 non-grouped digital inputs and 6 grouped digital inputs
- X2** – OR-6: Assembly Group with 6 Relay Outputs
- X3** – TI-4: Standard ground current measuring card (for the neutral side of the differential protection)
- X4** – TI-4: Standard ground current measuring card (for the line side of the differential protection)
- X5** – DI8-OR4: Assembly Group with 8 Digital Inputs and 4 Output Relays
- X6** – U K4: Voltage measuring assembly group with 4 additional Relay Outputs (normally open)
- X102** – Universal Resistance-Temperature Detector (URTD) input, Fiber optics interface, ST Connector
- X103** – RS485, D-SUB
- X104** – IRIG-B00X, incl. System Contact (Supervision Contact)

MCDGV4-2D0BHA



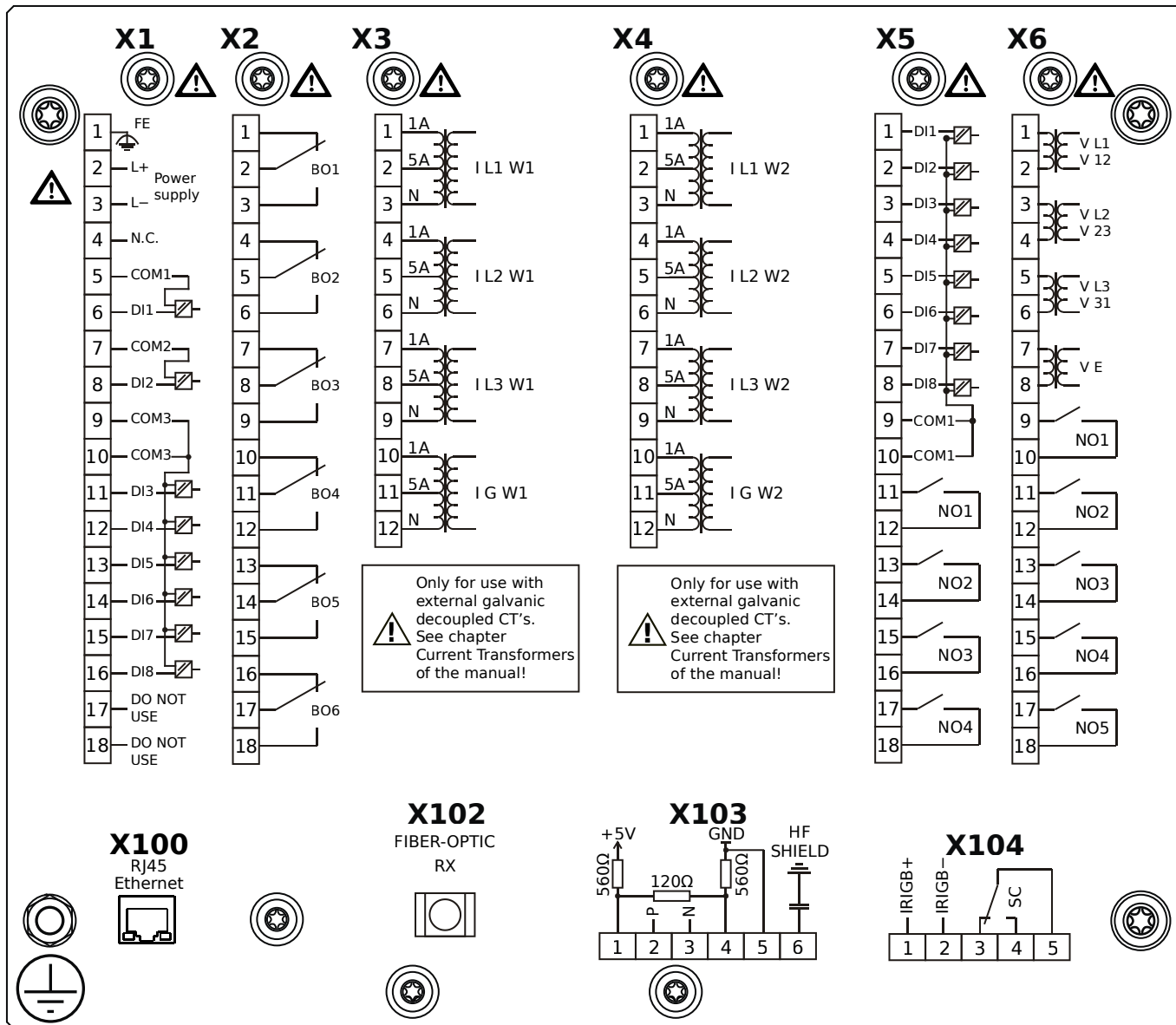
- X1** – DI8-X1: Wide-range power supply unit, incl. 2 non-grouped digital inputs and 6 grouped digital inputs
- X2** – OR-6: Assembly Group with 6 Relay Outputs
- X3** – TI-4: Standard ground current measuring card (for the neutral side of the differential protection)
- X4** – TI-4: Standard ground current measuring card (for the line side of the differential protection)
- X5** – DI8-OR4: Assembly Group with 8 Digital Inputs and 4 Output Relays
- X6** – U K4: Voltage measuring assembly group with 4 additional Relay Outputs (normally open)
- X100** – Ethernet interface, 100 Mbit/s, RJ45
- X102** – Universal Resistance-Temperature Detector (URTD) input, Fiber optics interface, ST Connector
- X104** – IRIG-B00X, incl. System Contact (Supervision Contact)

MCDGV4-2D0BHB



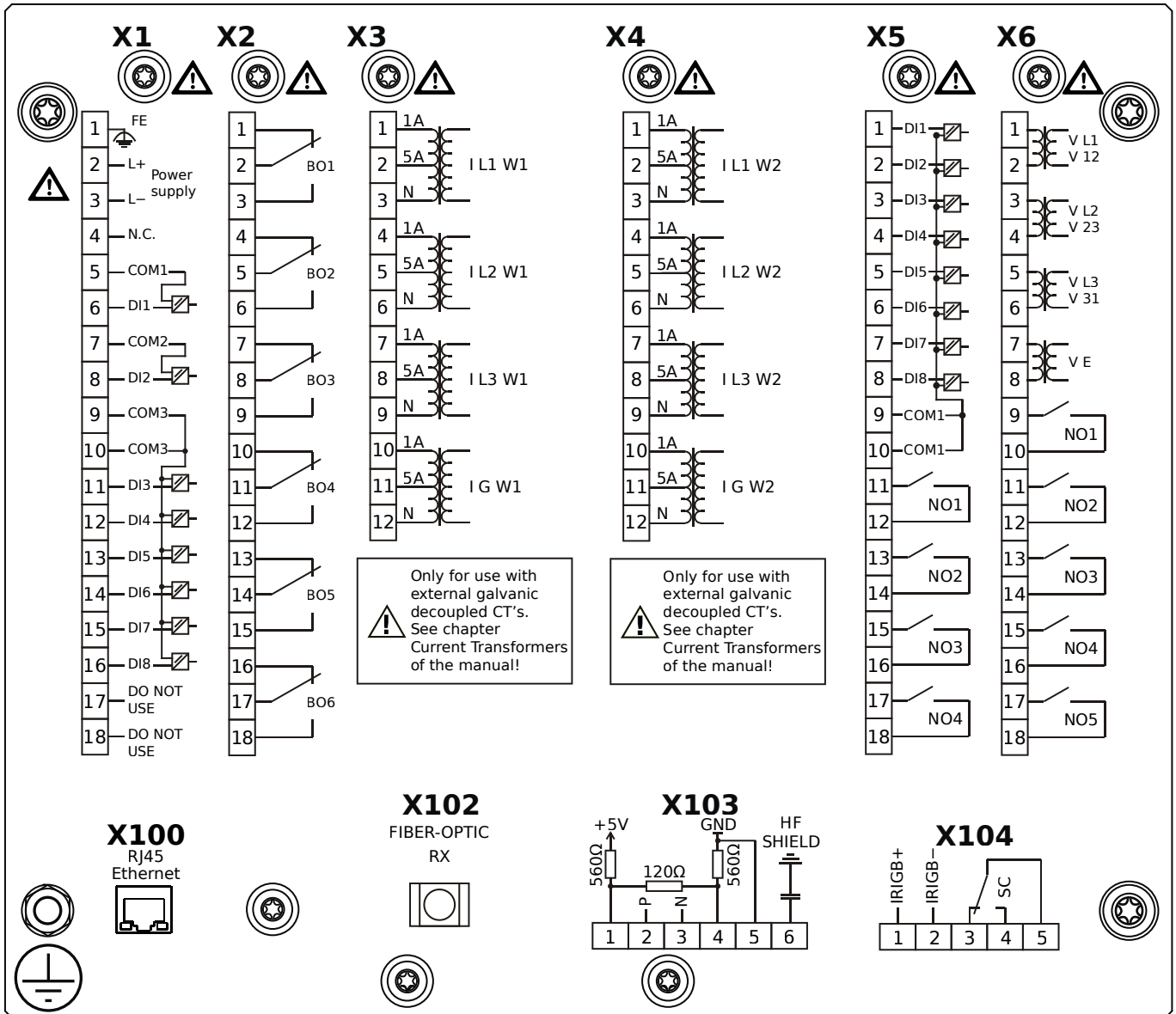
- X1** – DI8-X1: Wide-range power supply unit, incl. 2 non-grouped digital inputs and 6 grouped digital inputs
- X2** – OR-6: Assembly Group with 6 Relay Outputs
- X3** – TI-4: Standard ground current measuring card (for the neutral side of the differential protection)
- X4** – TI-4: Standard ground current measuring card (for the line side of the differential protection)
- X5** – DI8-OR4: Assembly Group with 8 Digital Inputs and 4 Output Relays
- X6** – U K4: Voltage measuring assembly group with 4 additional Relay Outputs (normally open)
- X100** – Ethernet interface, 100 Mbit/s, RJ45
- X102** – Universal Resistance-Temperature Detector (URTD) input, Fiber optics interface, ST Connector
- X104** – IRIG-B00X, incl. System Contact (Supervision Contact)

MCDGV4-2D0BIA



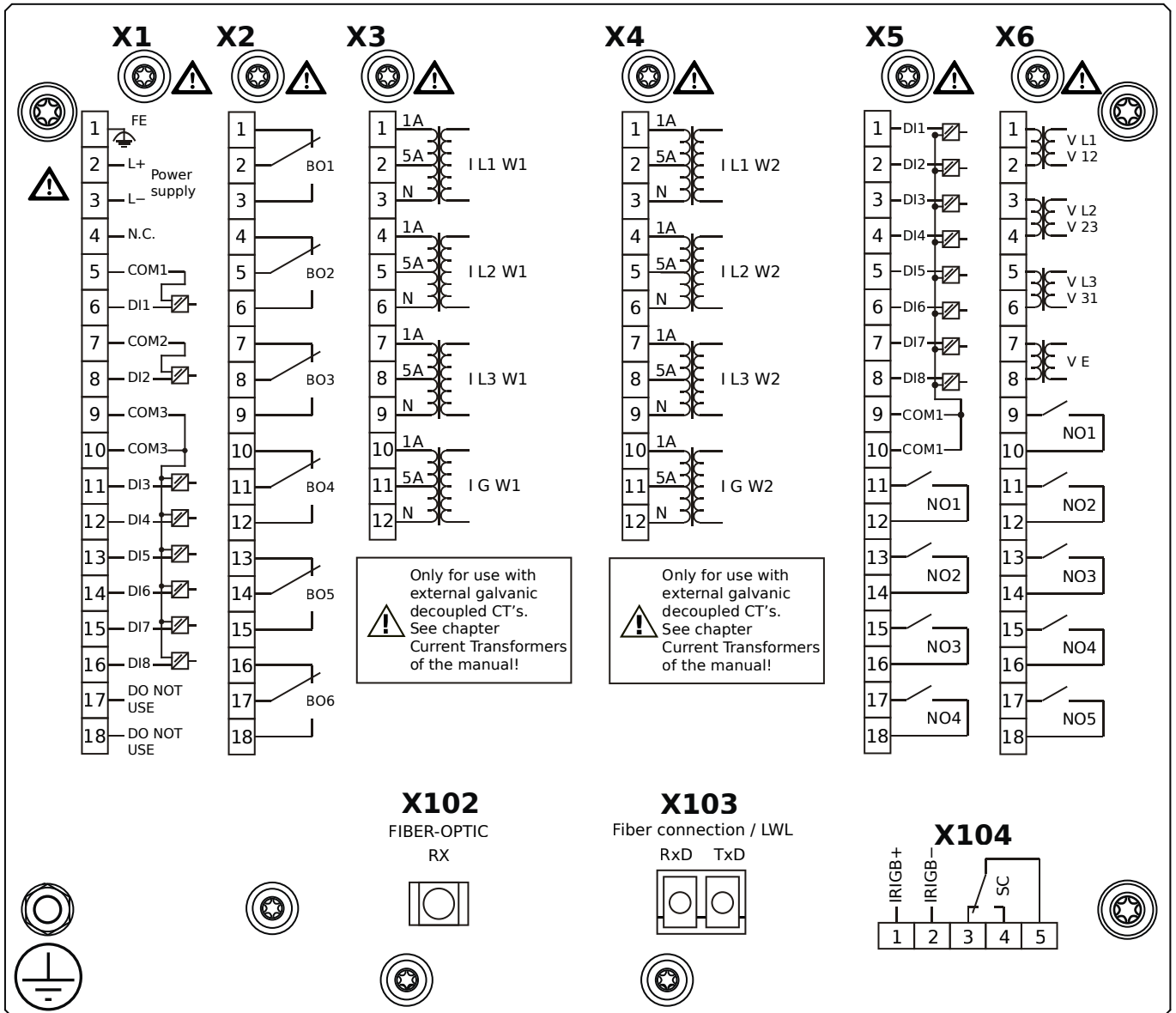
- X1** – DI8-X1: Wide-range power supply unit, incl. 2 non-grouped digital inputs and 6 grouped digital inputs
- X2** – OR-6: Assembly Group with 6 Relay Outputs
- X3** – TI-4: Standard ground current measuring card (for the neutral side of the differential protection)
- X4** – TI-4: Standard ground current measuring card (for the line side of the differential protection)
- X5** – DI8-OR4: Assembly Group with 8 Digital Inputs and 4 Output Relays
- X6** – U K4: Voltage measuring assembly group with 4 additional Relay Outputs (normally open)
- X100** – Ethernet interface, 100 Mbit/s, RJ45
- X102** – Universal Resistance-Temperature Detector (URTD) input, Fiber optics interface, ST Connector
- X103** – RS485, Terminals
- X104** – IRIG-B00X, incl. System Contact (Supervision Contact)

MCDGV4-2D0BIB



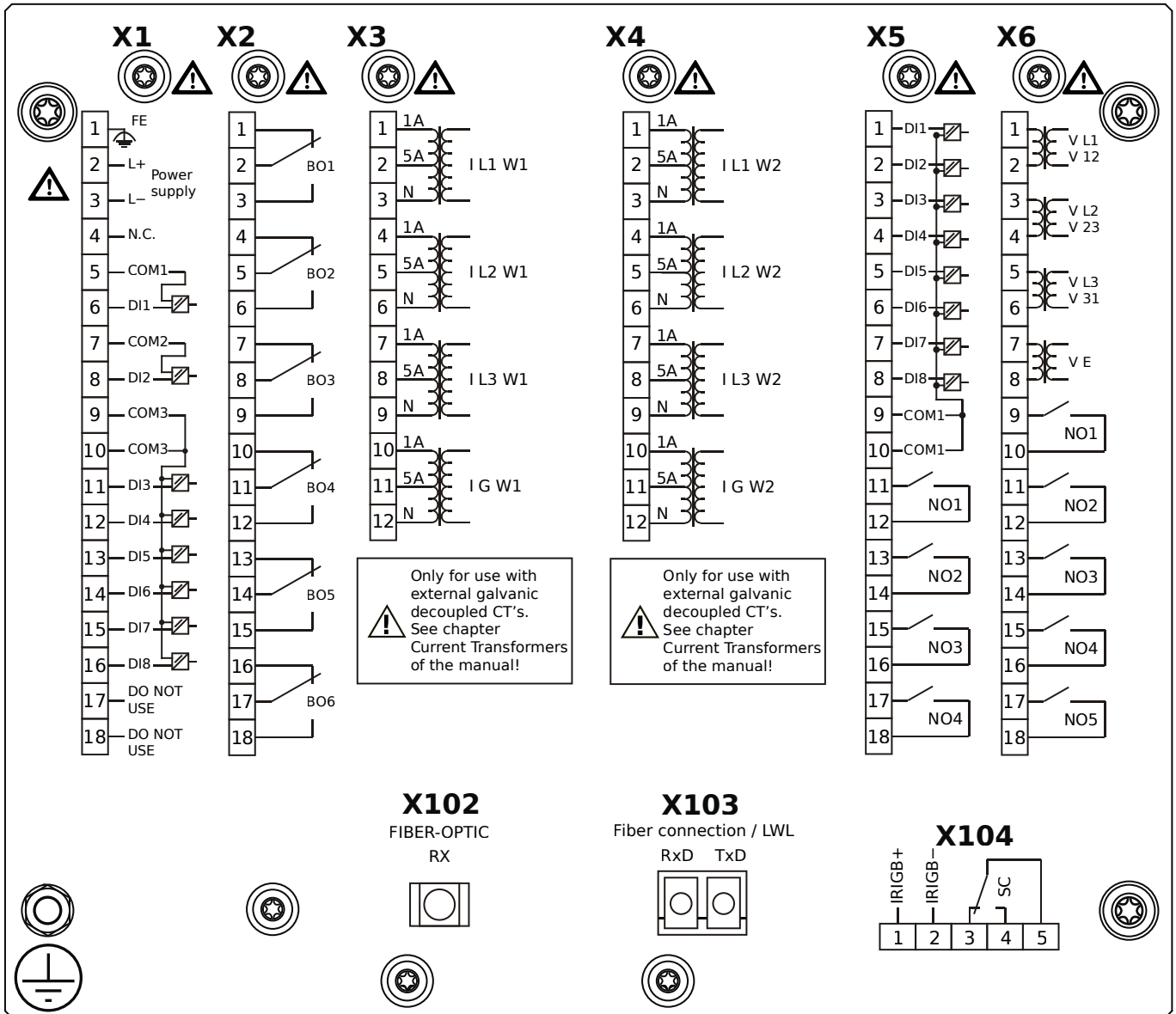
- X1** – DI8-X1: Wide-range power supply unit, incl. 2 non-grouped digital inputs and 6 grouped digital inputs
- X2** – OR-6: Assembly Group with 6 Relay Outputs
- X3** – TI-4: Standard ground current measuring card (for the neutral side of the differential protection)
- X4** – TI-4: Standard ground current measuring card (for the line side of the differential protection)
- X5** – DI8-OR4: Assembly Group with 8 Digital Inputs and 4 Output Relays
- X6** – U K4: Voltage measuring assembly group with 4 additional Relay Outputs (normally open)
- X100** – Ethernet interface, 100 Mbit/s, RJ45
- X102** – Universal Resistance-Temperature Detector (URTD) input, Fiber optics interface, ST Connector
- X103** – RS485, Terminals
- X104** – IRIG-B00X, incl. System Contact (Supervision Contact)

MCDGV4-2D0BKA



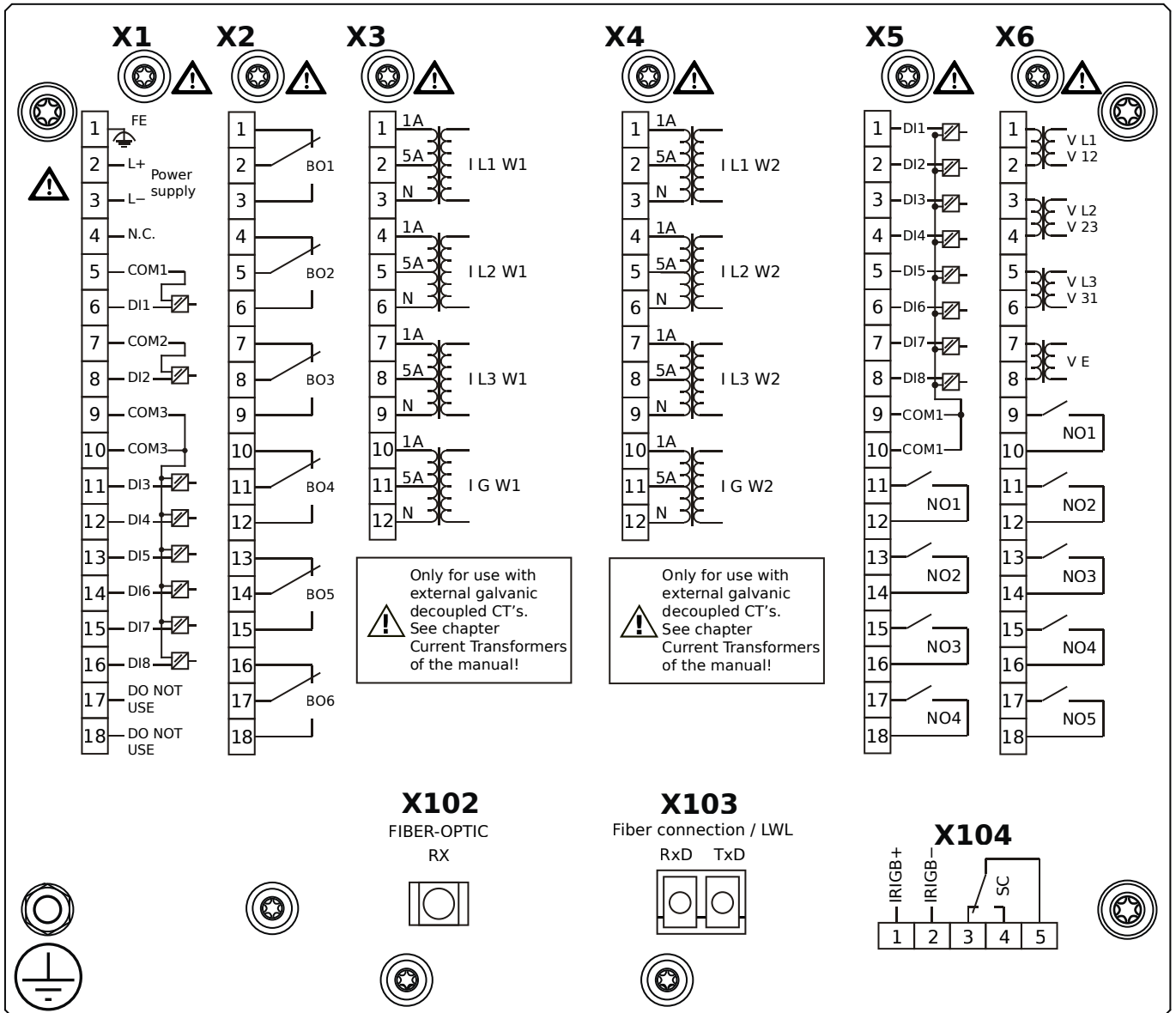
- X1** – DI8-X1: Wide-range power supply unit, incl. 2 non-grouped digital inputs and 6 grouped digital inputs
- X2** – OR-6: Assembly Group with 6 Relay Outputs
- X3** – TI-4: Standard ground current measuring card (for the neutral side of the differential protection)
- X4** – TI-4: Standard ground current measuring card (for the line side of the differential protection)
- X5** – DI8-OR4: Assembly Group with 8 Digital Inputs and 4 Output Relays
- X6** – U K4: Voltage measuring assembly group with 4 additional Relay Outputs (normally open)
- X102** – Universal Resistance-Temperature Detector (URTD) input, Fiber optics interface, ST Connector
- X103** – Fiber optics interface, LC Connector
- X104** – IRIG-B00X, incl. System Contact (Supervision Contact)

MCDGV4-2D0BKB



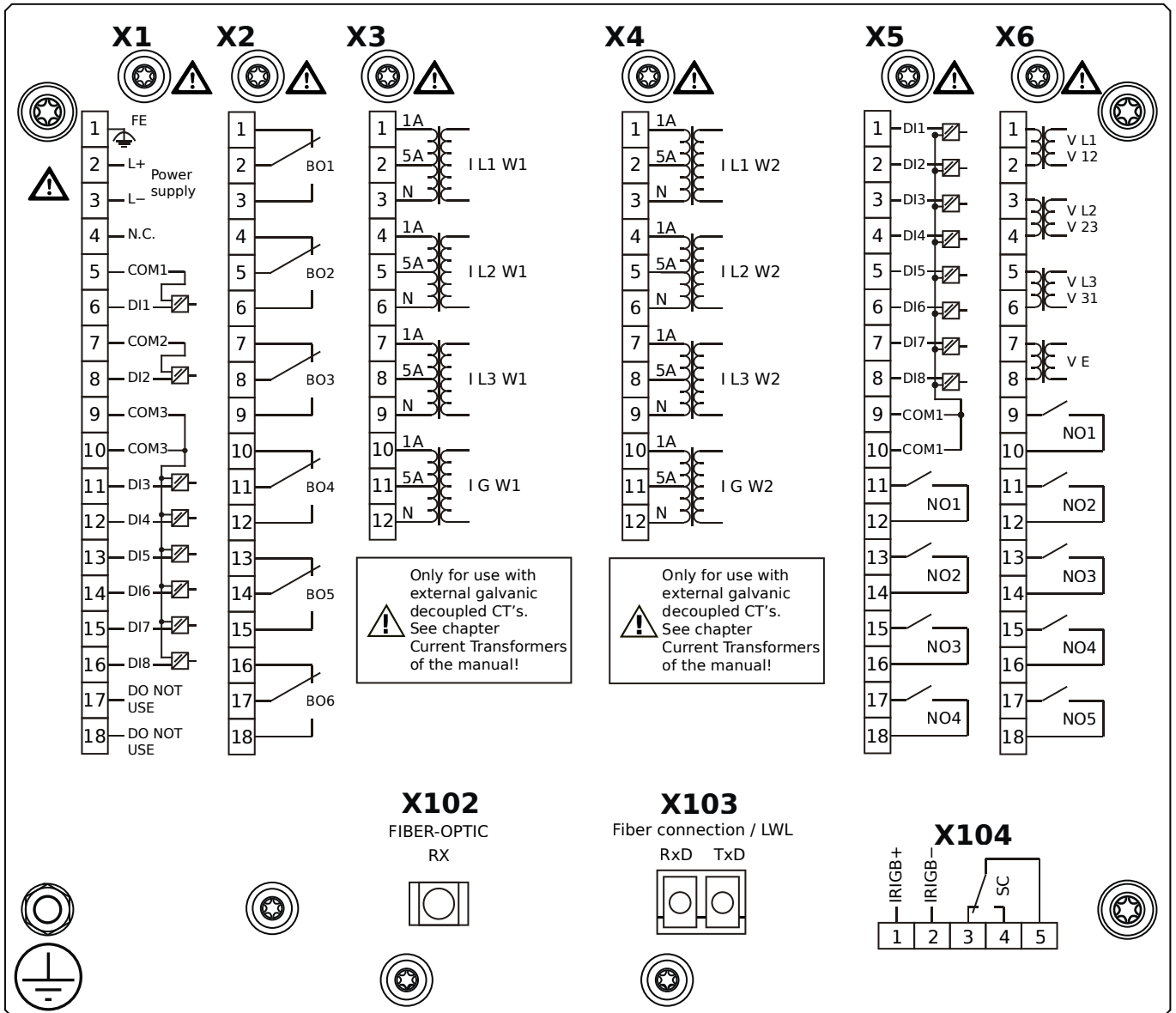
- X1** – DI8-X1: Wide-range power supply unit, incl. 2 non-grouped digital inputs and 6 grouped digital inputs
- X2** – OR-6: Assembly Group with 6 Relay Outputs
- X3** – TI-4: Standard ground current measuring card (for the neutral side of the differential protection)
- X4** – TI-4: Standard ground current measuring card (for the line side of the differential protection)
- X5** – DI8-OR4: Assembly Group with 8 Digital Inputs and 4 Output Relays
- X6** – U K4: Voltage measuring assembly group with 4 additional Relay Outputs (normally open)
- X102** – Universal Resistance-Temperature Detector (URTD) input, Fiber optics interface, ST Connector
- X103** – Fiber optics interface, LC Connector
- X104** – IRIG-B00X, incl. System Contact (Supervision Contact)

MCDGV4-2D0BLA



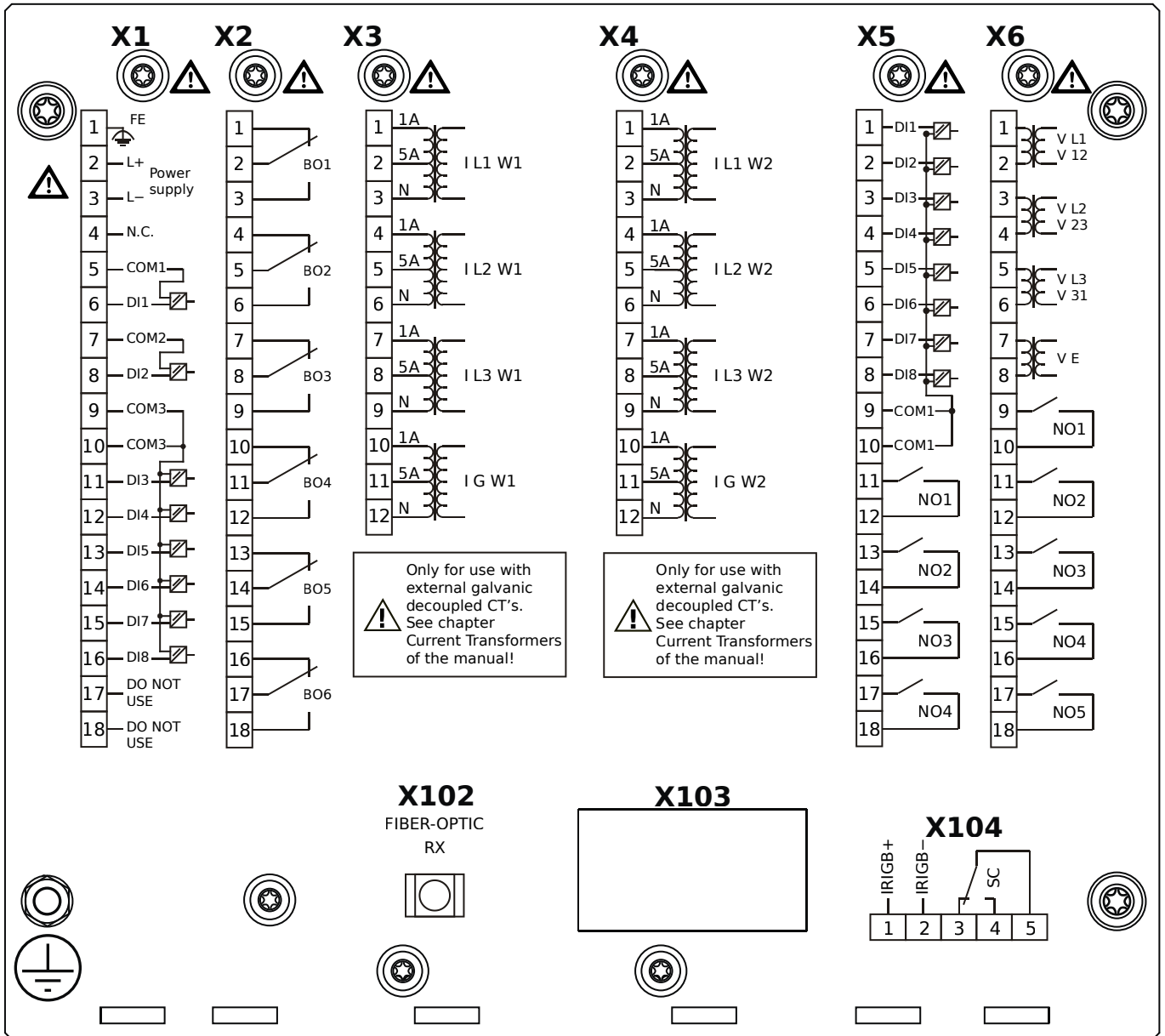
- X1** – DI8-X1: Wide-range power supply unit, incl. 2 non-grouped digital inputs and 6 grouped digital inputs
- X2** – OR-6: Assembly Group with 6 Relay Outputs
- X3** – TI-4: Standard ground current measuring card (for the neutral side of the differential protection)
- X4** – TI-4: Standard ground current measuring card (for the line side of the differential protection)
- X5** – DI8-OR4: Assembly Group with 8 Digital Inputs and 4 Output Relays
- X6** – U K4: Voltage measuring assembly group with 4 additional Relay Outputs (normally open)
- X102** – Universal Resistance-Temperature Detector (URTD) input, Fiber optics interface, ST Connector
- X103** – Fiber optics interface, LC Connector
- X104** – IRIG-B00X, incl. System Contact (Supervision Contact)

MCDGV4-2D0BLB



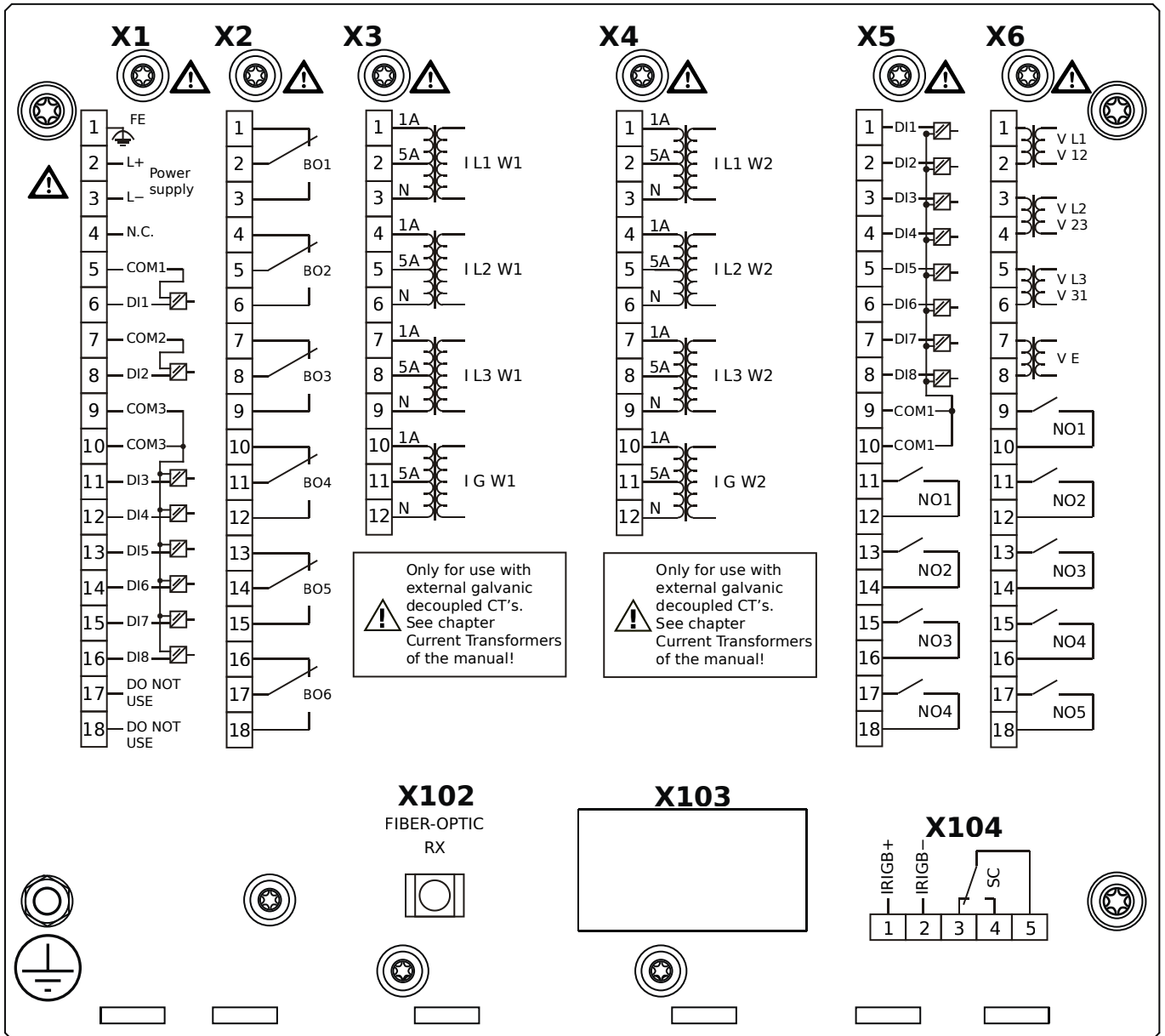
- X1** – DI8-X1: Wide-range power supply unit, incl. 2 non-grouped digital inputs and 6 grouped digital inputs
- X2** – OR-6: Assembly Group with 6 Relay Outputs
- X3** – TI-4: Standard ground current measuring card (for the neutral side of the differential protection)
- X4** – TI-4: Standard ground current measuring card (for the line side of the differential protection)
- X5** – DI8-OR4: Assembly Group with 8 Digital Inputs and 4 Output Relays
- X6** – U K4: Voltage measuring assembly group with 4 additional Relay Outputs (normally open)
- X102** – Universal Resistance-Temperature Detector (URTD) input, Fiber optics interface, ST Connector
- X103** – Fiber optics interface, LC Connector
- X104** – IRIG-B00X, incl. System Contact (Supervision Contact)

MCDGV4-2D0HAA



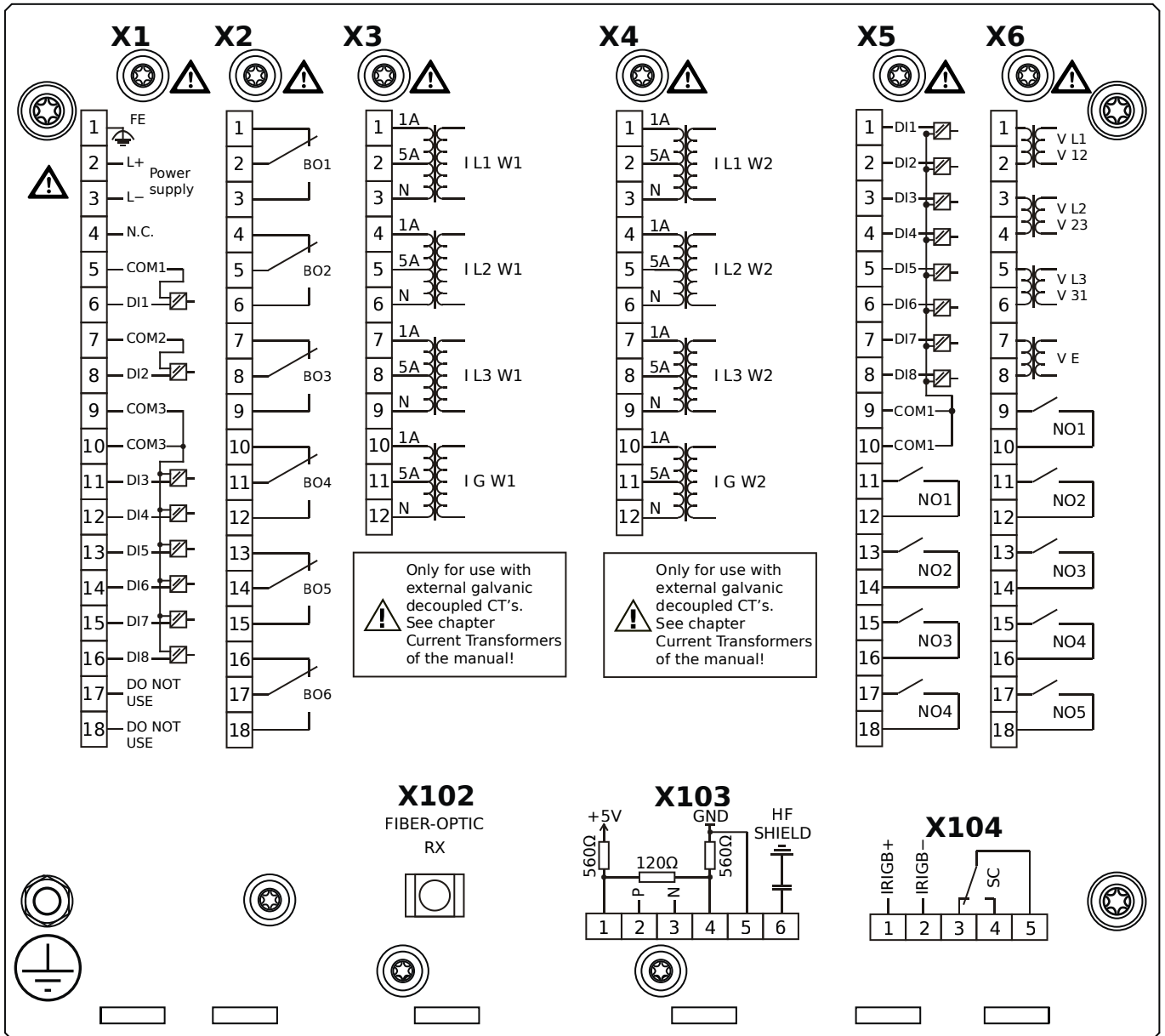
- X1** – DI8-X1: Wide-range power supply unit, incl. 2 non-grouped digital inputs and 6 grouped digital inputs
- X2** – OR-6: Assembly Group with 6 Relay Outputs
- X3** – TI-4: Standard ground current measuring card (for the neutral side of the differential protection)
- X4** – TI-4: Standard ground current measuring card (for the line side of the differential protection)
- X5** – DI8-OR4: Assembly Group with 8 Digital Inputs and 4 Output Relays
- X6** – U K4: Voltage measuring assembly group with 4 additional Relay Outputs (normally open)
- X102** – Universal Resistance-Temperature Detector (URTD) input, Fiber optics interface, ST Connector
- X104** – IRIG-B00X, incl. System Contact (Supervision Contact)

MCDGV4-2D0HAB



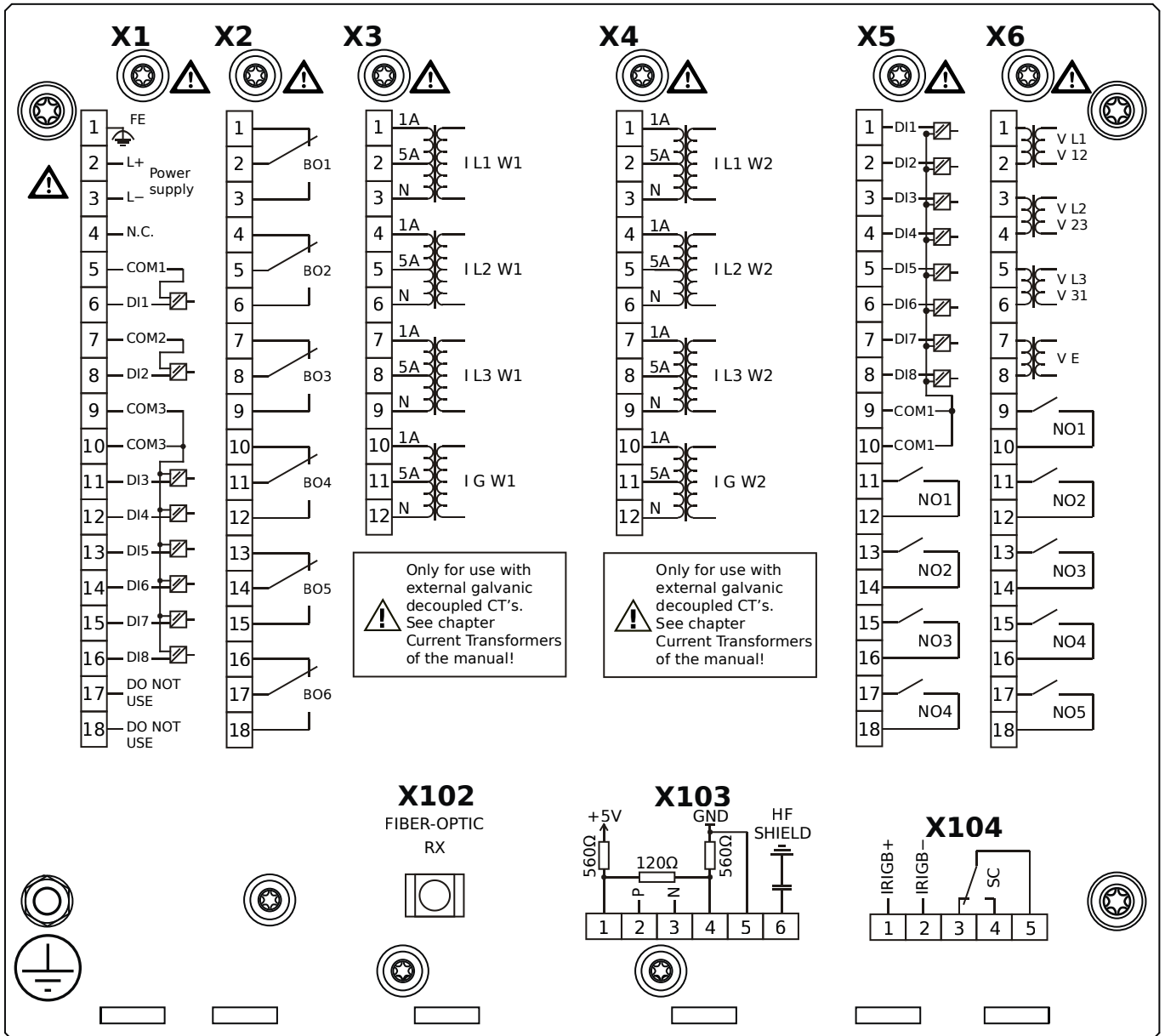
- X1** – DI8-X1: Wide-range power supply unit, incl. 2 non-grouped digital inputs and 6 grouped digital inputs
- X2** – OR-6: Assembly Group with 6 Relay Outputs
- X3** – TI-4: Standard ground current measuring card (for the neutral side of the differential protection)
- X4** – TI-4: Standard ground current measuring card (for the line side of the differential protection)
- X5** – DI8-OR4: Assembly Group with 8 Digital Inputs and 4 Output Relays
- X6** – U K4: Voltage measuring assembly group with 4 additional Relay Outputs (normally open)
- X102** – Universal Resistance-Temperature Detector (URTD) input, Fiber optics interface, ST Connector
- X104** – IRIG-B00X, incl. System Contact (Supervision Contact)

MCDGV4-2D0HBA



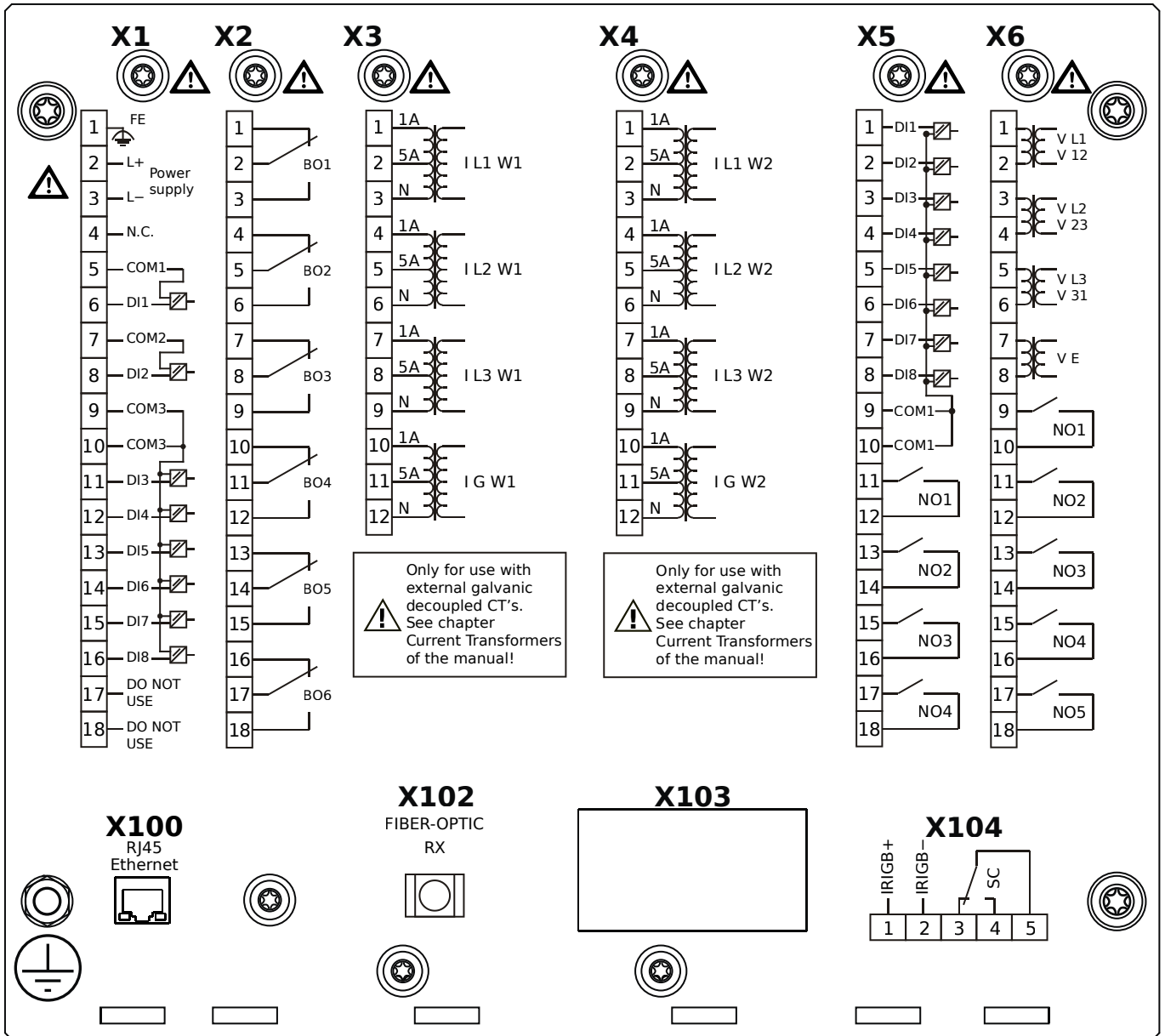
- X1** – DI8-X1: Wide-range power supply unit, incl. 2 non-grouped digital inputs and 6 grouped digital inputs
- X2** – OR-6: Assembly Group with 6 Relay Outputs
- X3** – TI-4: Standard ground current measuring card (for the neutral side of the differential protection)
- X4** – TI-4: Standard ground current measuring card (for the line side of the differential protection)
- X5** – DI8-OR4: Assembly Group with 8 Digital Inputs and 4 Output Relays
- X6** – U K4: Voltage measuring assembly group with 4 additional Relay Outputs (normally open)
- X102** – Universal Resistance-Temperature Detector (URTD) input, Fiber optics interface, ST Connector
- X103** – RS485, Terminals
- X104** – IRIG-B00X, incl. System Contact (Supervision Contact)

MCDGV4-2D0HBB



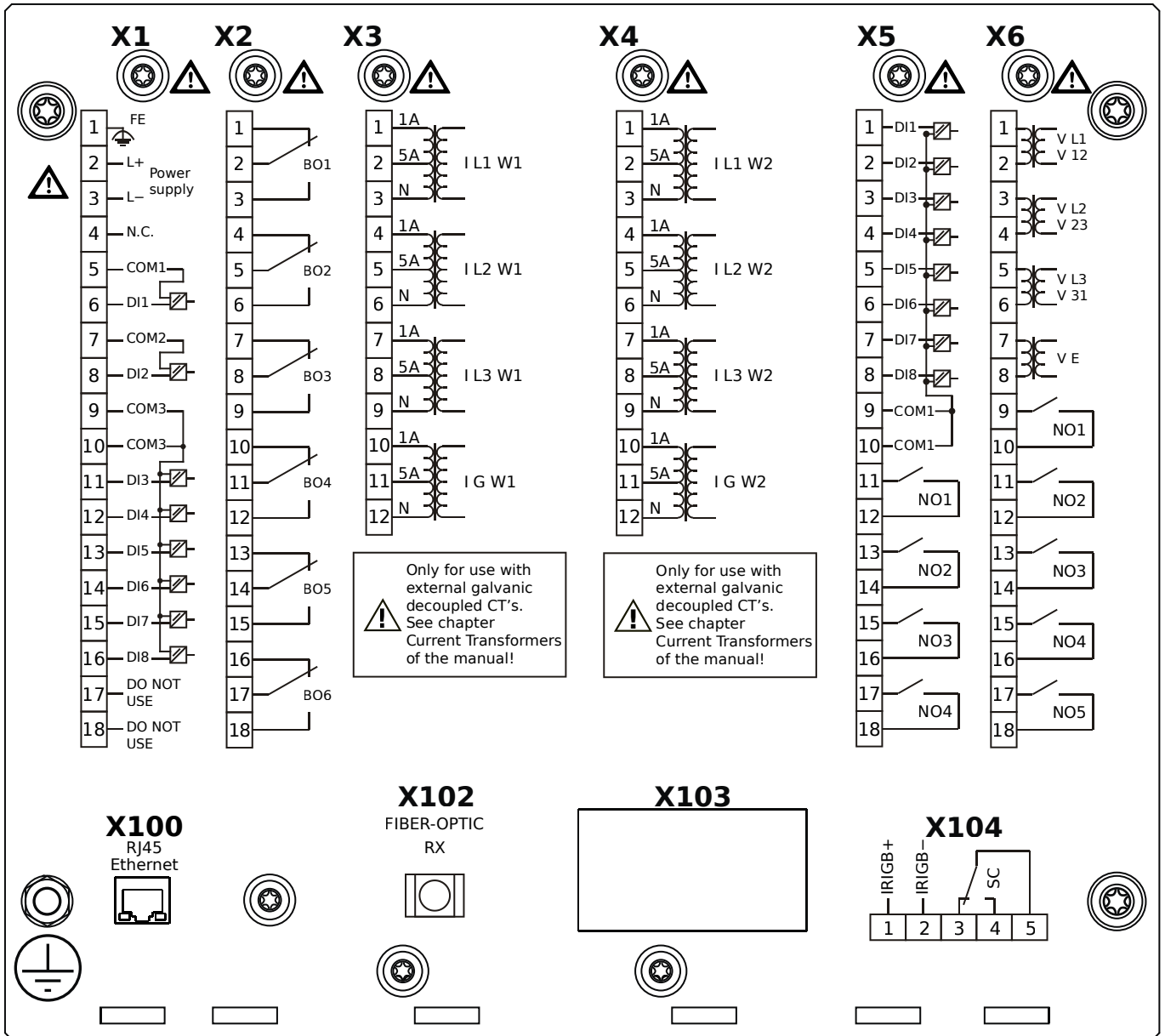
- X1** – DI8-X1: Wide-range power supply unit, incl. 2 non-grouped digital inputs and 6 grouped digital inputs
- X2** – OR-6: Assembly Group with 6 Relay Outputs
- X3** – TI-4: Standard ground current measuring card (for the neutral side of the differential protection)
- X4** – TI-4: Standard ground current measuring card (for the line side of the differential protection)
- X5** – DI8-OR4: Assembly Group with 8 Digital Inputs and 4 Output Relays
- X6** – U K4: Voltage measuring assembly group with 4 additional Relay Outputs (normally open)
- X102** – Universal Resistance-Temperature Detector (URTD) input, Fiber optics interface, ST Connector
- X103** – RS485, Terminals
- X104** – IRIG-B00X, incl. System Contact (Supervision Contact)

MCDGV4-2D0HCA



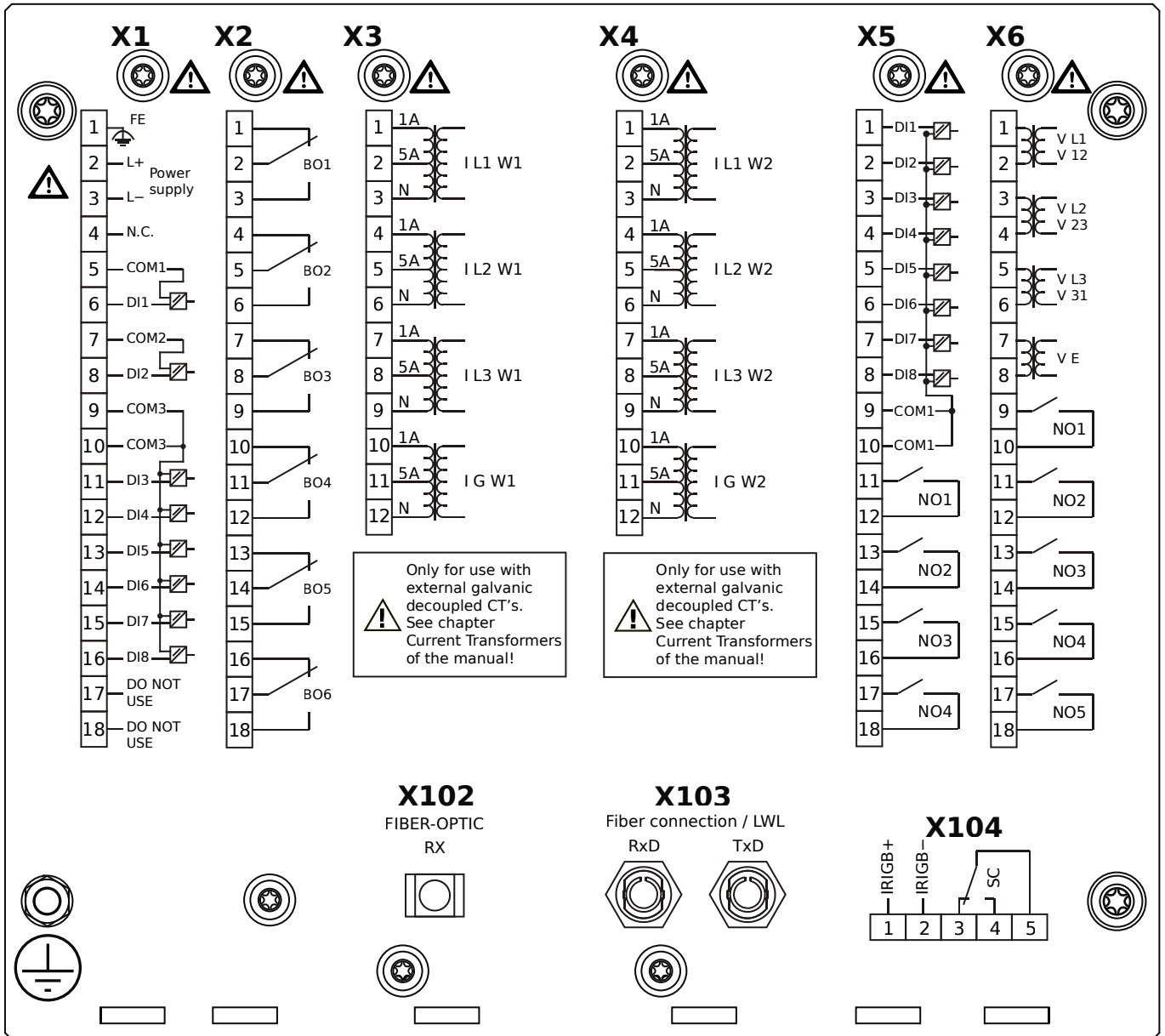
- X1** – DI8-X1: Wide-range power supply unit, incl. 2 non-grouped digital inputs and 6 grouped digital inputs
- X2** – OR-6: Assembly Group with 6 Relay Outputs
- X3** – TI-4: Standard ground current measuring card (for the neutral side of the differential protection)
- X4** – TI-4: Standard ground current measuring card (for the line side of the differential protection)
- X5** – DI8-OR4: Assembly Group with 8 Digital Inputs and 4 Output Relays
- X6** – U K4: Voltage measuring assembly group with 4 additional Relay Outputs (normally open)
- X100** – Ethernet interface, 100 Mbit/s, RJ45
- X102** – Universal Resistance-Temperature Detector (URTD) input, Fiber optics interface, ST Connector
- X104** – IRIG-B00X, incl. System Contact (Supervision Contact)

MCDGV4-2D0HCB



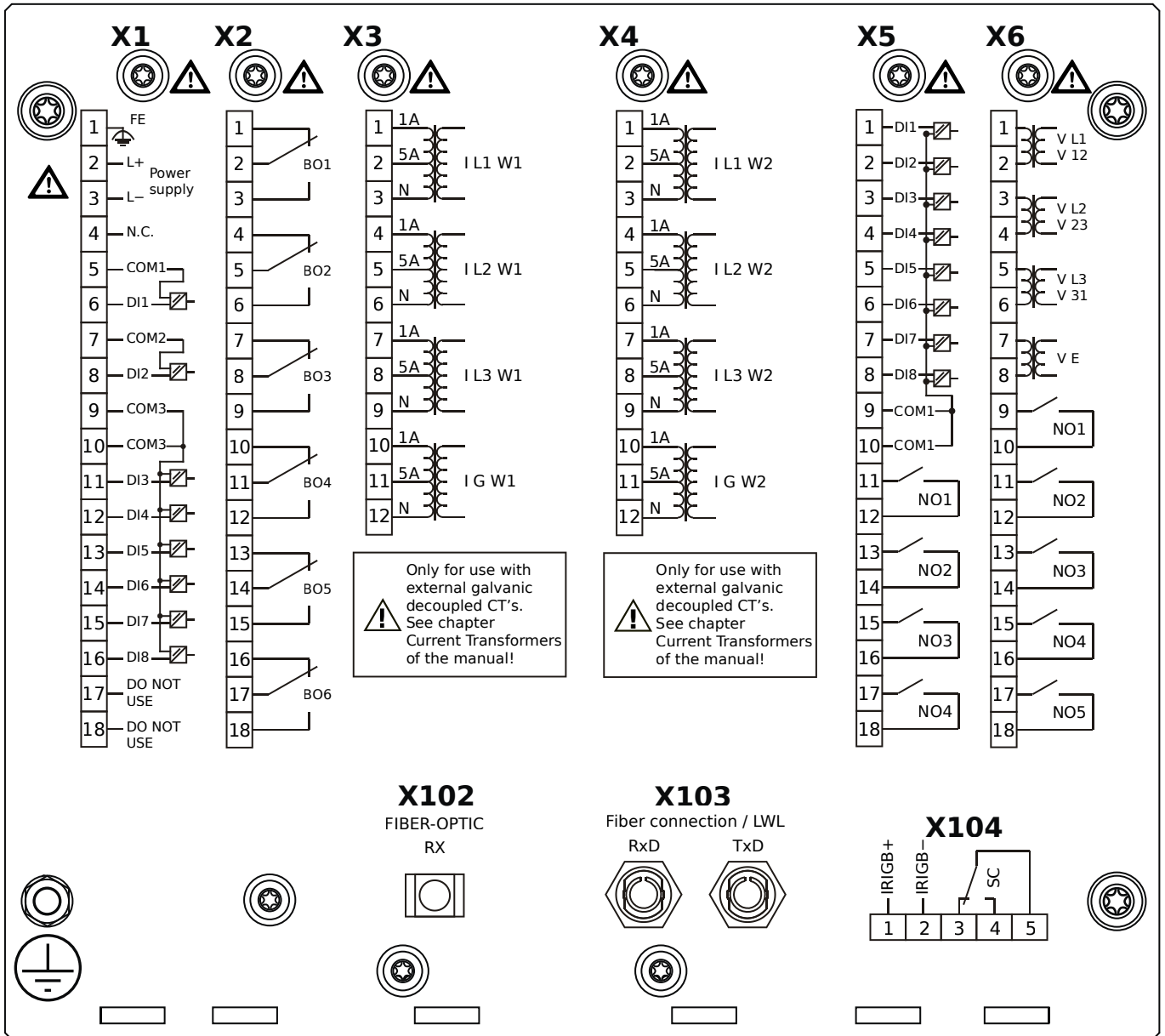
- X1** – DI8-X1: Wide-range power supply unit, incl. 2 non-grouped digital inputs and 6 grouped digital inputs
- X2** – OR-6: Assembly Group with 6 Relay Outputs
- X3** – TI-4: Standard ground current measuring card (for the neutral side of the differential protection)
- X4** – TI-4: Standard ground current measuring card (for the line side of the differential protection)
- X5** – DI8-OR4: Assembly Group with 8 Digital Inputs and 4 Output Relays
- X6** – U K4: Voltage measuring assembly group with 4 additional Relay Outputs (normally open)
- X100** – Ethernet interface, 100 Mbit/s, RJ45
- X102** – Universal Resistance-Temperature Detector (URTD) input, Fiber optics interface, ST Connector
- X104** – IRIG-B00X, incl. System Contact (Supervision Contact)

MCDGV4-2D0HDA



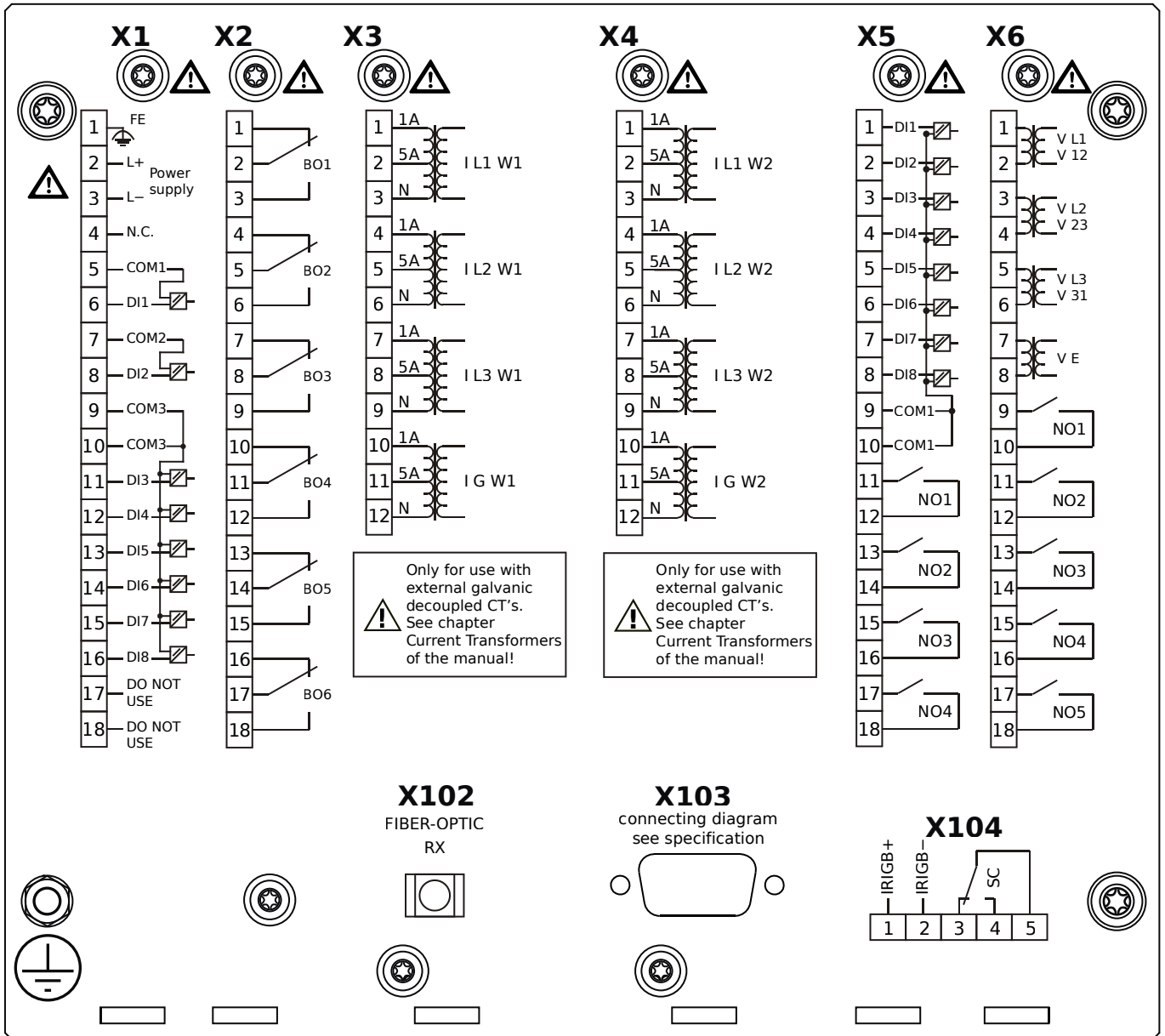
- X1** – DI8-X1: Wide-range power supply unit, incl. 2 non-grouped digital inputs and 6 grouped digital inputs
- X2** – OR-6: Assembly Group with 6 Relay Outputs
- X3** – TI-4: Standard ground current measuring card (for the neutral side of the differential protection)
- X4** – TI-4: Standard ground current measuring card (for the line side of the differential protection)
- X5** – DI8-OR4: Assembly Group with 8 Digital Inputs and 4 Output Relays
- X6** – U K4: Voltage measuring assembly group with 4 additional Relay Outputs (normally open)
- X102** – Universal Resistance-Temperature Detector (URTD) input, Fiber optics interface, ST Connector
- X103** – Fiber optics interface, ST Connector
- X104** – IRIG-B00X, incl. System Contact (Supervision Contact)

MCDGV4-2D0HDB



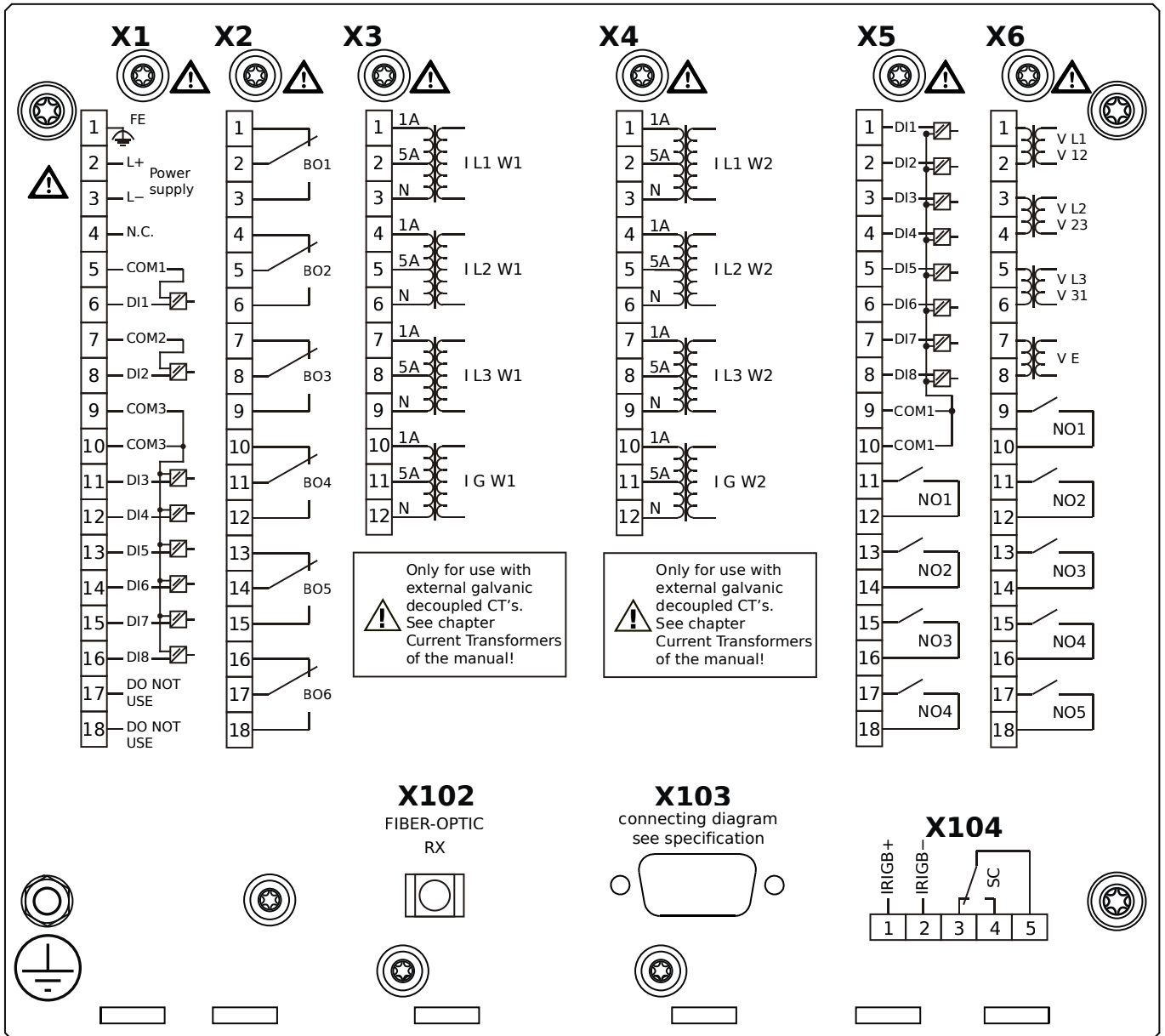
- X1** – DI8-X1: Wide-range power supply unit, incl. 2 non-grouped digital inputs and 6 grouped digital inputs
- X2** – OR-6: Assembly Group with 6 Relay Outputs
- X3** – TI-4: Standard ground current measuring card (for the neutral side of the differential protection)
- X4** – TI-4: Standard ground current measuring card (for the line side of the differential protection)
- X5** – DI8-OR4: Assembly Group with 8 Digital Inputs and 4 Output Relays
- X6** – U K4: Voltage measuring assembly group with 4 additional Relay Outputs (normally open)
- X102** – Universal Resistance-Temperature Detector (URTD) input, Fiber optics interface, ST Connector
- X103** – Fiber optics interface, ST Connector
- X104** – IRIG-B00X, incl. System Contact (Supervision Contact)

MCDGV4-2D0HEA



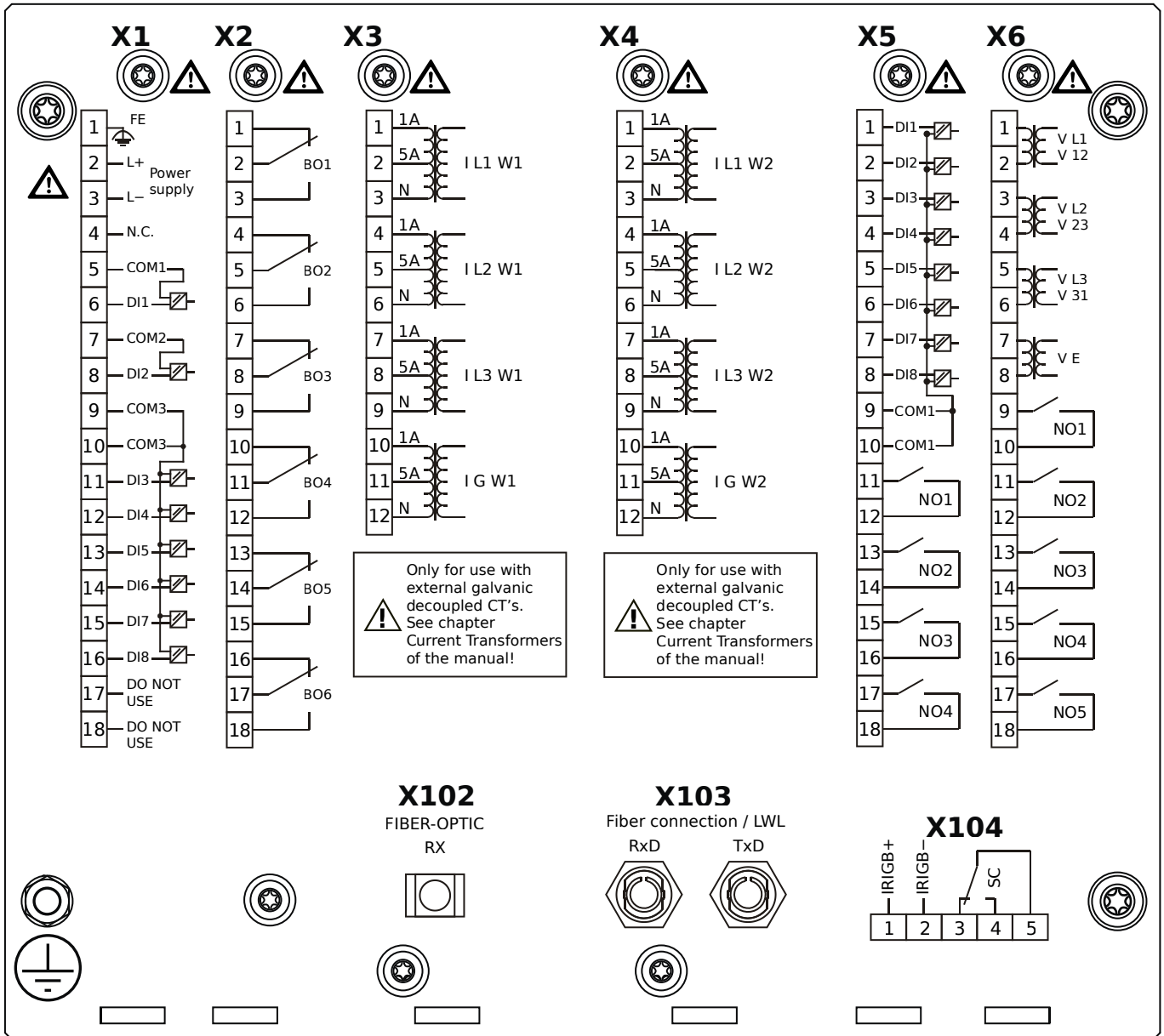
- X1** – DI8-X1: Wide-range power supply unit, incl. 2 non-grouped digital inputs and 6 grouped digital inputs
- X2** – OR-6: Assembly Group with 6 Relay Outputs
- X3** – TI-4: Standard ground current measuring card (for the neutral side of the differential protection)
- X4** – TI-4: Standard ground current measuring card (for the line side of the differential protection)
- X5** – DI8-OR4: Assembly Group with 8 Digital Inputs and 4 Output Relays
- X6** – U K4: Voltage measuring assembly group with 4 additional Relay Outputs (normally open)
- X102** – Universal Resistance-Temperature Detector (URTD) input, Fiber optics interface, ST Connector
- X103** – RS485, D-SUB
- X104** – IRIG-B00X, incl. System Contact (Supervision Contact)

MCDGV4-2D0HEB



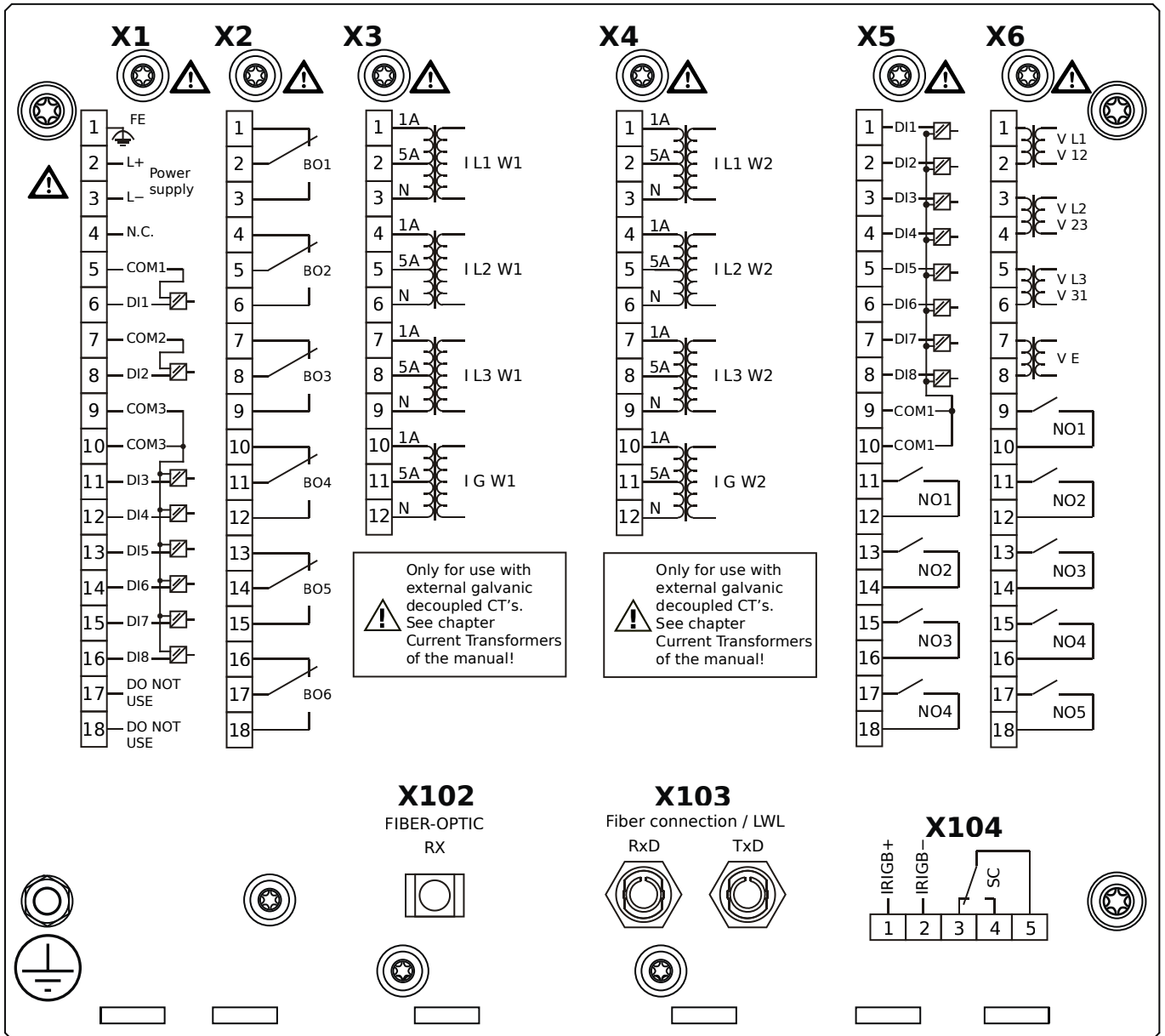
- X1** – DI8-X1: Wide-range power supply unit, incl. 2 non-grouped digital inputs and 6 grouped digital inputs
- X2** – OR-6: Assembly Group with 6 Relay Outputs
- X3** – TI-4: Standard ground current measuring card (for the neutral side of the differential protection)
- X4** – TI-4: Standard ground current measuring card (for the line side of the differential protection)
- X5** – DI8-OR4: Assembly Group with 8 Digital Inputs and 4 Output Relays
- X6** – U K4: Voltage measuring assembly group with 4 additional Relay Outputs (normally open)
- X102** – Universal Resistance-Temperature Detector (URTD) input, Fiber optics interface, ST Connector
- X103** – RS485, D-SUB
- X104** – IRIG-B00X, incl. System Contact (Supervision Contact)

MCDGV4-2D0HFA



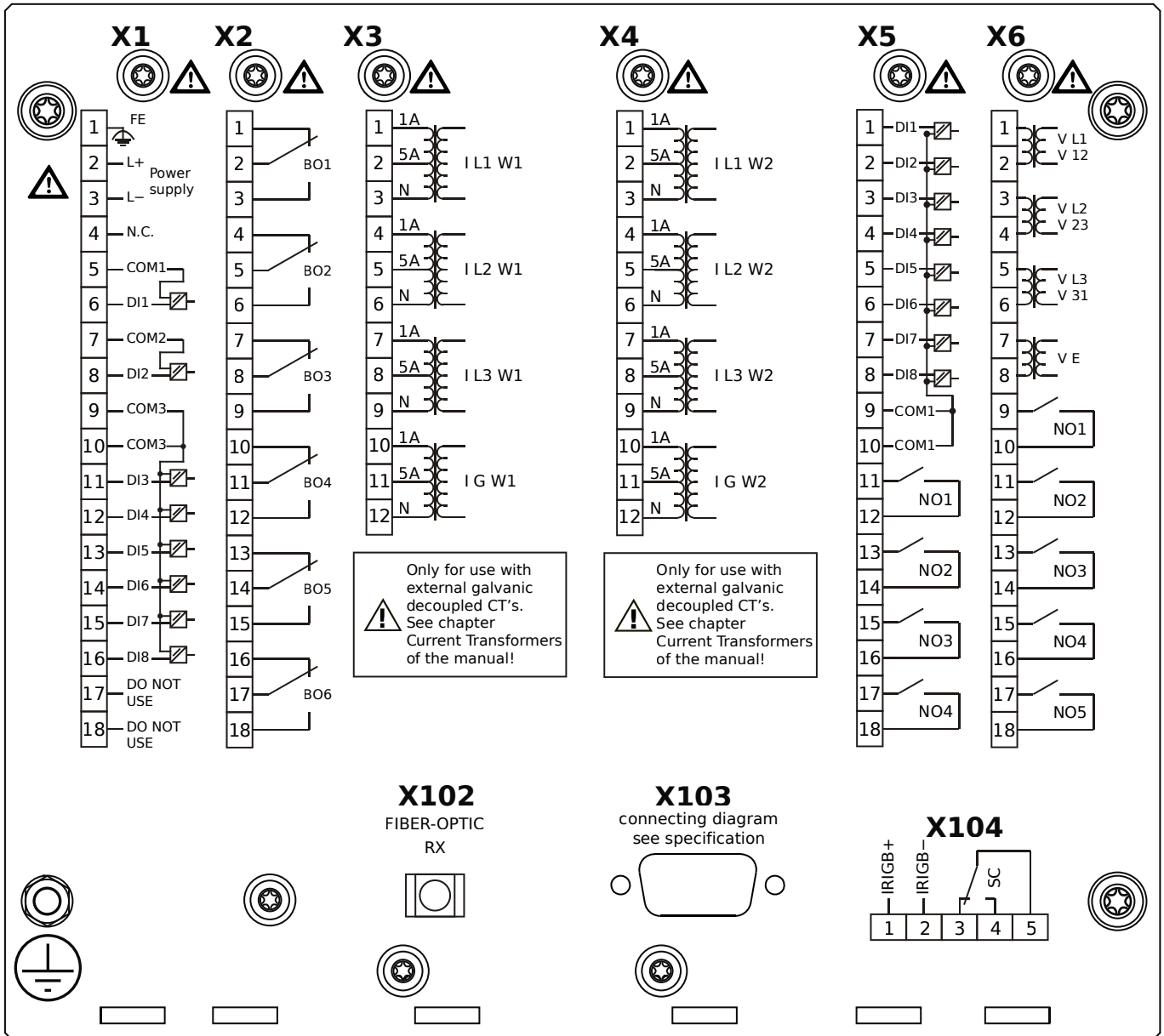
- X1** – DI8-X1: Wide-range power supply unit, incl. 2 non-grouped digital inputs and 6 grouped digital inputs
- X2** – OR-6: Assembly Group with 6 Relay Outputs
- X3** – TI-4: Standard ground current measuring card (for the neutral side of the differential protection)
- X4** – TI-4: Standard ground current measuring card (for the line side of the differential protection)
- X5** – DI8-OR4: Assembly Group with 8 Digital Inputs and 4 Output Relays
- X6** – U K4: Voltage measuring assembly group with 4 additional Relay Outputs (normally open)
- X102** – Universal Resistance-Temperature Detector (URTD) input, Fiber optics interface, ST Connector
- X103** – Fiber optics interface, ST Connector
- X104** – IRIG-B00X, incl. System Contact (Supervision Contact)

MCDGV4-2D0HFB



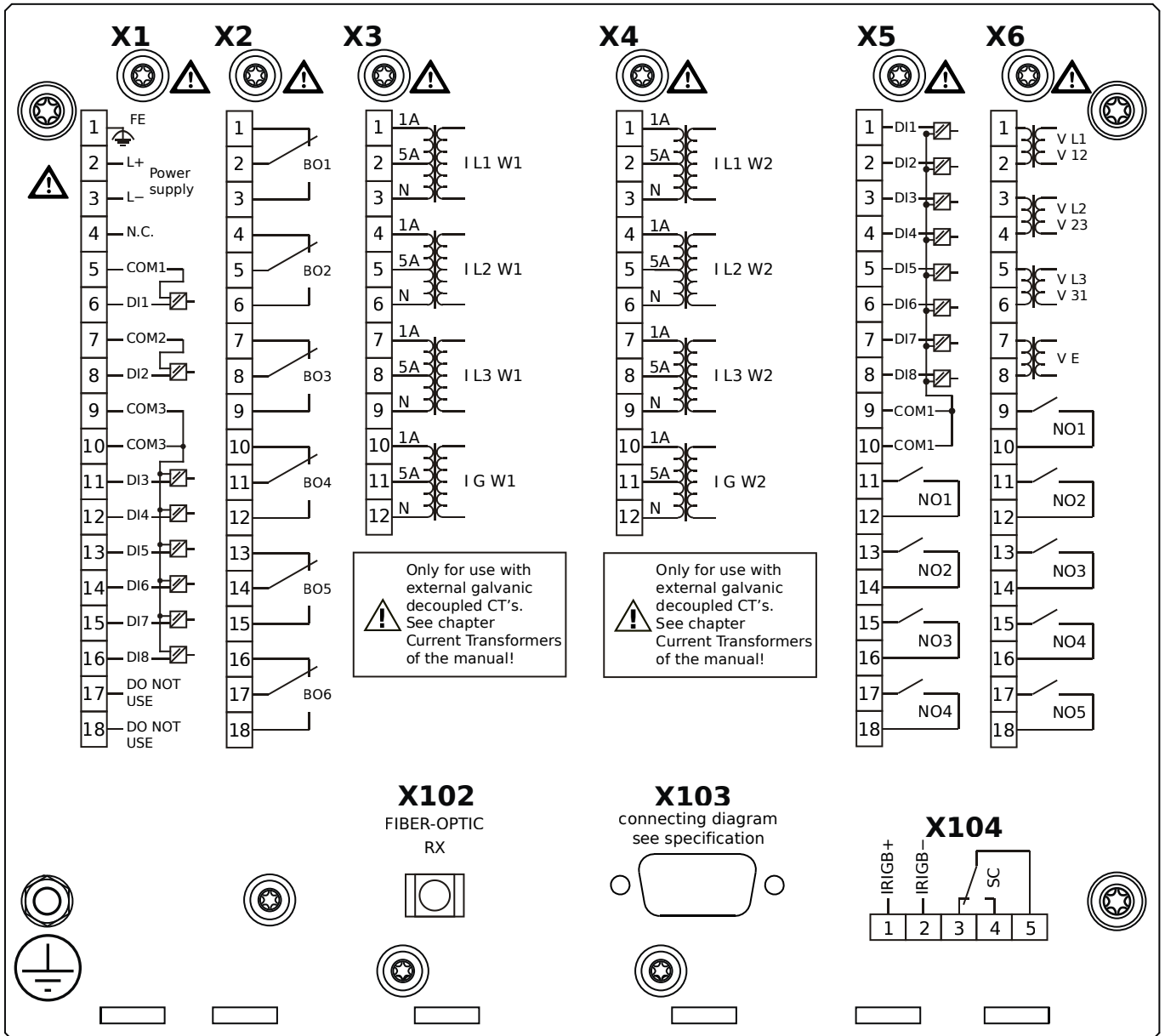
- X1** – DI8-X1: Wide-range power supply unit, incl. 2 non-grouped digital inputs and 6 grouped digital inputs
- X2** – OR-6: Assembly Group with 6 Relay Outputs
- X3** – TI-4: Standard ground current measuring card (for the neutral side of the differential protection)
- X4** – TI-4: Standard ground current measuring card (for the line side of the differential protection)
- X5** – DI8-OR4: Assembly Group with 8 Digital Inputs and 4 Output Relays
- X6** – U K4: Voltage measuring assembly group with 4 additional Relay Outputs (normally open)
- X102** – Universal Resistance-Temperature Detector (URTD) input, Fiber optics interface, ST Connector
- X103** – Fiber optics interface, ST Connector
- X104** – IRIG-B00X, incl. System Contact (Supervision Contact)

MCDGV4-2D0HGA



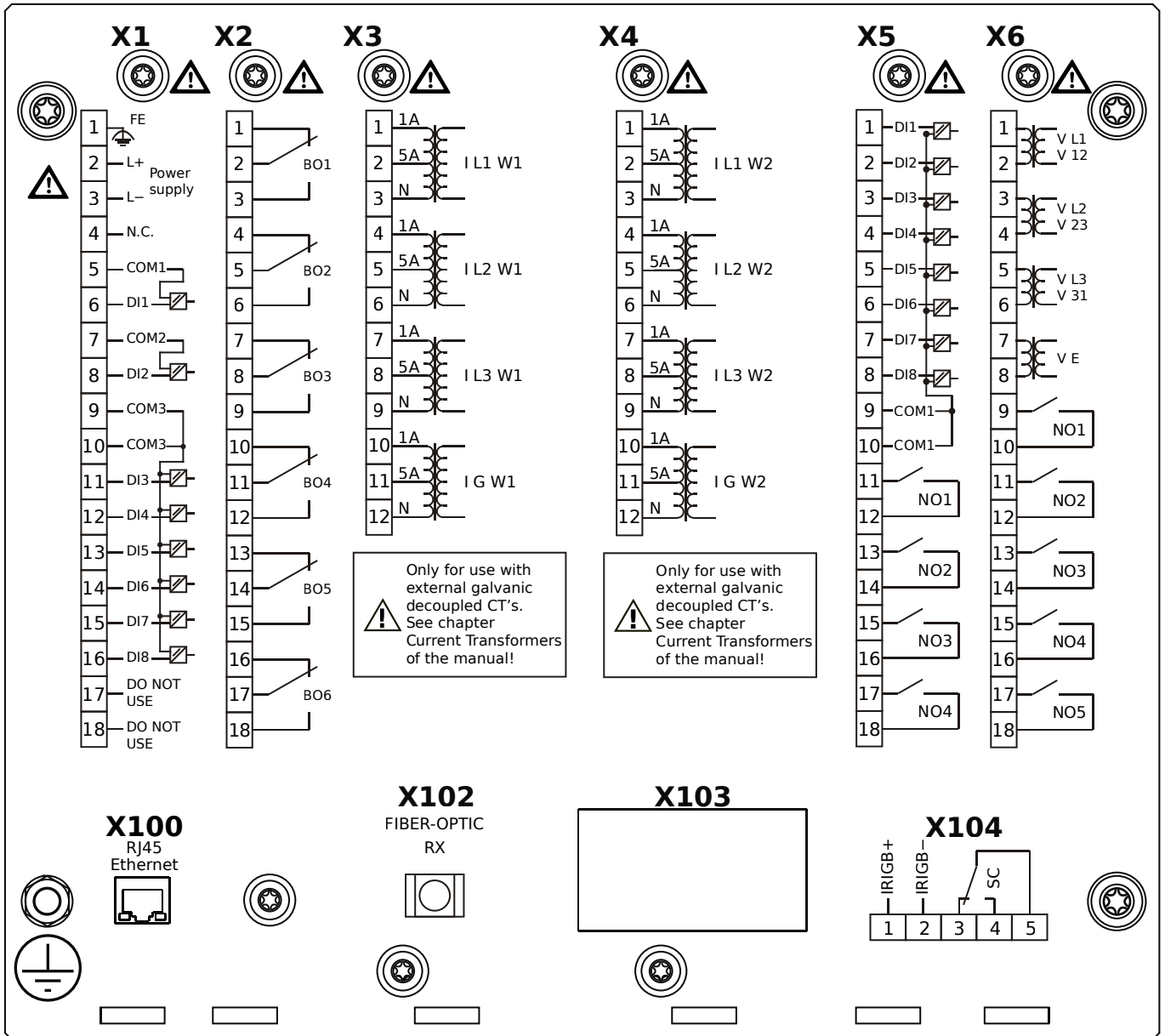
- X1** – DI8-X1: Wide-range power supply unit, incl. 2 non-grouped digital inputs and 6 grouped digital inputs
- X2** – OR-6: Assembly Group with 6 Relay Outputs
- X3** – TI-4: Standard ground current measuring card (for the neutral side of the differential protection)
- X4** – TI-4: Standard ground current measuring card (for the line side of the differential protection)
- X5** – DI8-OR4: Assembly Group with 8 Digital Inputs and 4 Output Relays
- X6** – U K4: Voltage measuring assembly group with 4 additional Relay Outputs (normally open)
- X102** – Universal Resistance-Temperature Detector (URTD) input, Fiber optics interface, ST Connector
- X103** – RS485, D-SUB
- X104** – IRIG-B00X, incl. System Contact (Supervision Contact)

MCDGV4-2D0HGB



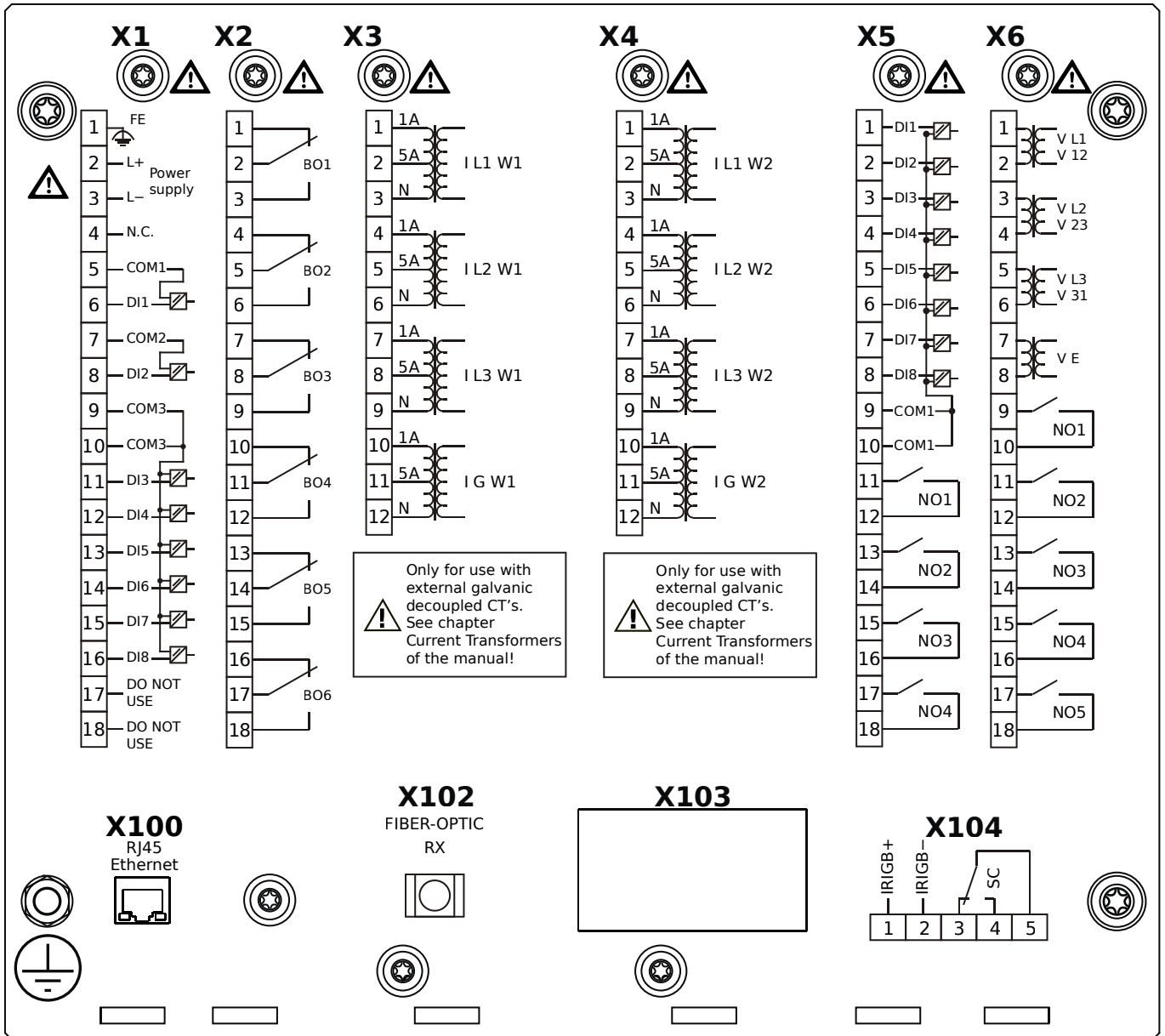
- X1** – DI8-X1: Wide-range power supply unit, incl. 2 non-grouped digital inputs and 6 grouped digital inputs
- X2** – OR-6: Assembly Group with 6 Relay Outputs
- X3** – TI-4: Standard ground current measuring card (for the neutral side of the differential protection)
- X4** – TI-4: Standard ground current measuring card (for the line side of the differential protection)
- X5** – DI8-OR4: Assembly Group with 8 Digital Inputs and 4 Output Relays
- X6** – U K4: Voltage measuring assembly group with 4 additional Relay Outputs (normally open)
- X102** – Universal Resistance-Temperature Detector (URTD) input, Fiber optics interface, ST Connector
- X103** – RS485, D-SUB
- X104** – IRIG-B00X, incl. System Contact (Supervision Contact)

MCDGV4-2D0HHA



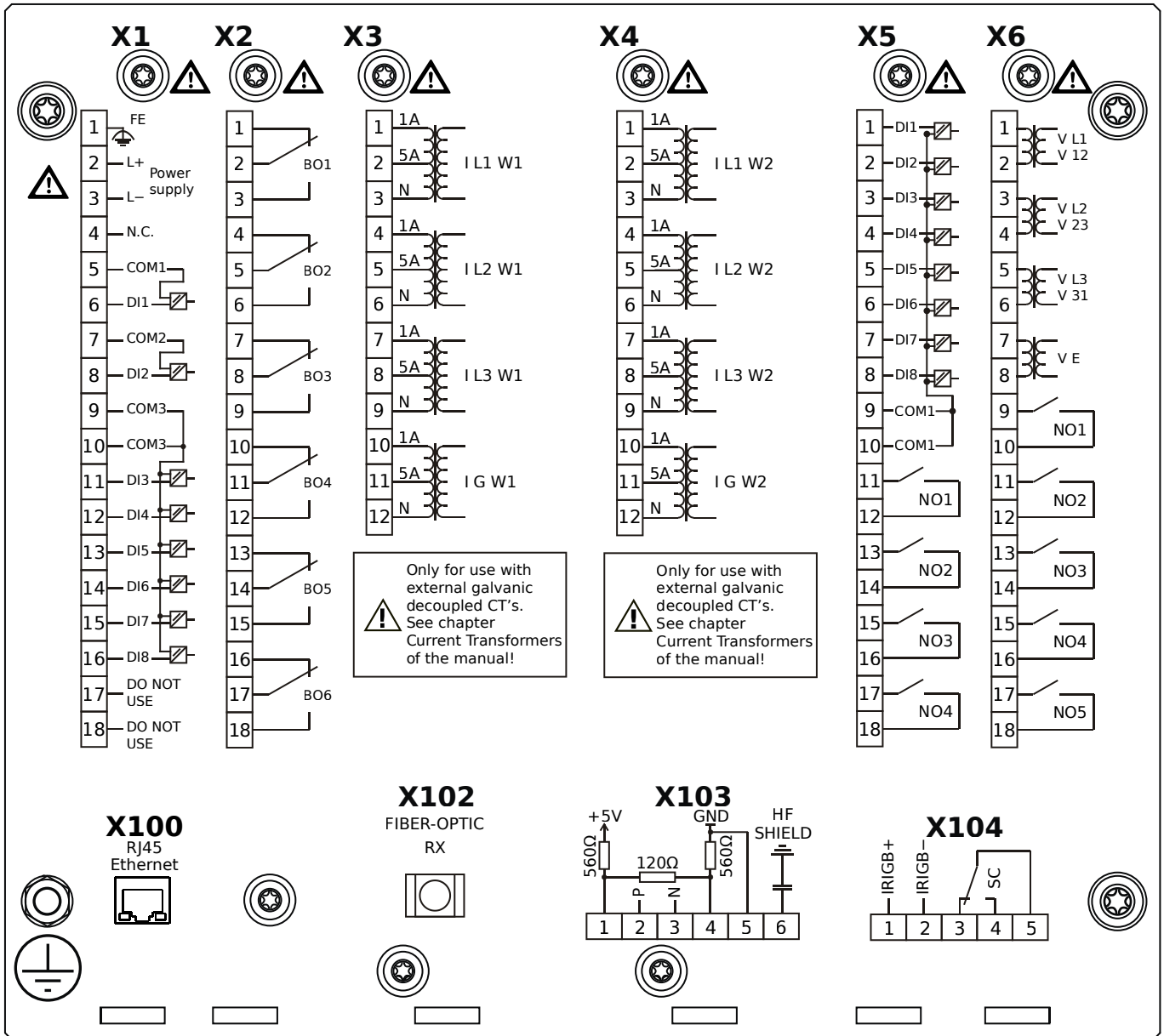
- X1** – DI8-X1: Wide-range power supply unit, incl. 2 non-grouped digital inputs and 6 grouped digital inputs
- X2** – OR-6: Assembly Group with 6 Relay Outputs
- X3** – TI-4: Standard ground current measuring card (for the neutral side of the differential protection)
- X4** – TI-4: Standard ground current measuring card (for the line side of the differential protection)
- X5** – DI8-OR4: Assembly Group with 8 Digital Inputs and 4 Output Relays
- X6** – U K4: Voltage measuring assembly group with 4 additional Relay Outputs (normally open)
- X100** – Ethernet interface, 100 Mbit/s, RJ45
- X102** – Universal Resistance-Temperature Detector (URTD) input, Fiber optics interface, ST Connector
- X104** – IRIG-B00X, incl. System Contact (Supervision Contact)

MCDGV4-2D0HHB



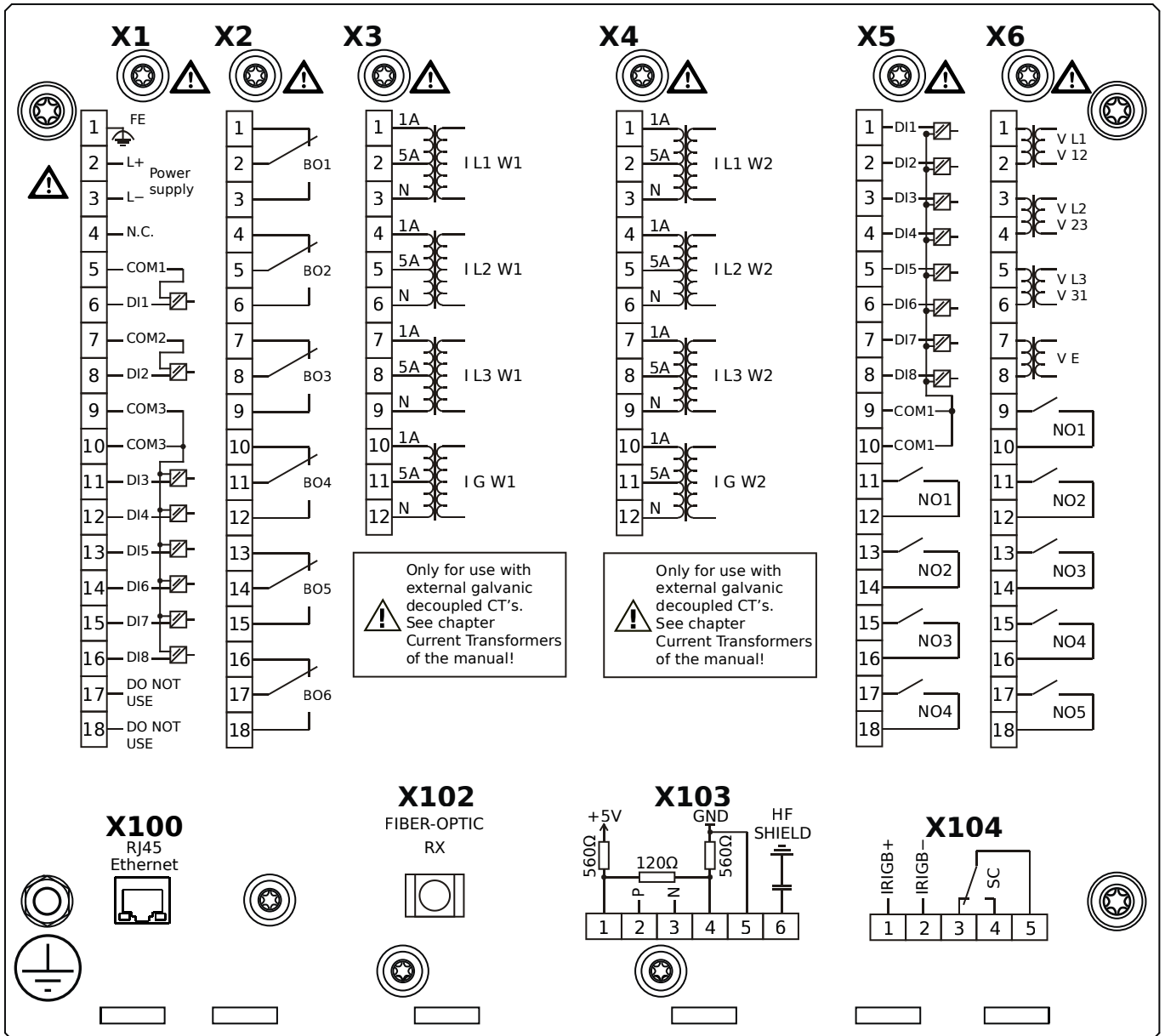
- X1** – DI8-X1: Wide-range power supply unit, incl. 2 non-grouped digital inputs and 6 grouped digital inputs
- X2** – OR-6: Assembly Group with 6 Relay Outputs
- X3** – TI-4: Standard ground current measuring card (for the neutral side of the differential protection)
- X4** – TI-4: Standard ground current measuring card (for the line side of the differential protection)
- X5** – DI8-OR4: Assembly Group with 8 Digital Inputs and 4 Output Relays
- X6** – U K4: Voltage measuring assembly group with 4 additional Relay Outputs (normally open)
- X100** – Ethernet interface, 100 Mbit/s, RJ45
- X102** – Universal Resistance-Temperature Detector (URTD) input, Fiber optics interface, ST Connector
- X104** – IRIG-B00X, incl. System Contact (Supervision Contact)

MCDGV4-2D0HIA



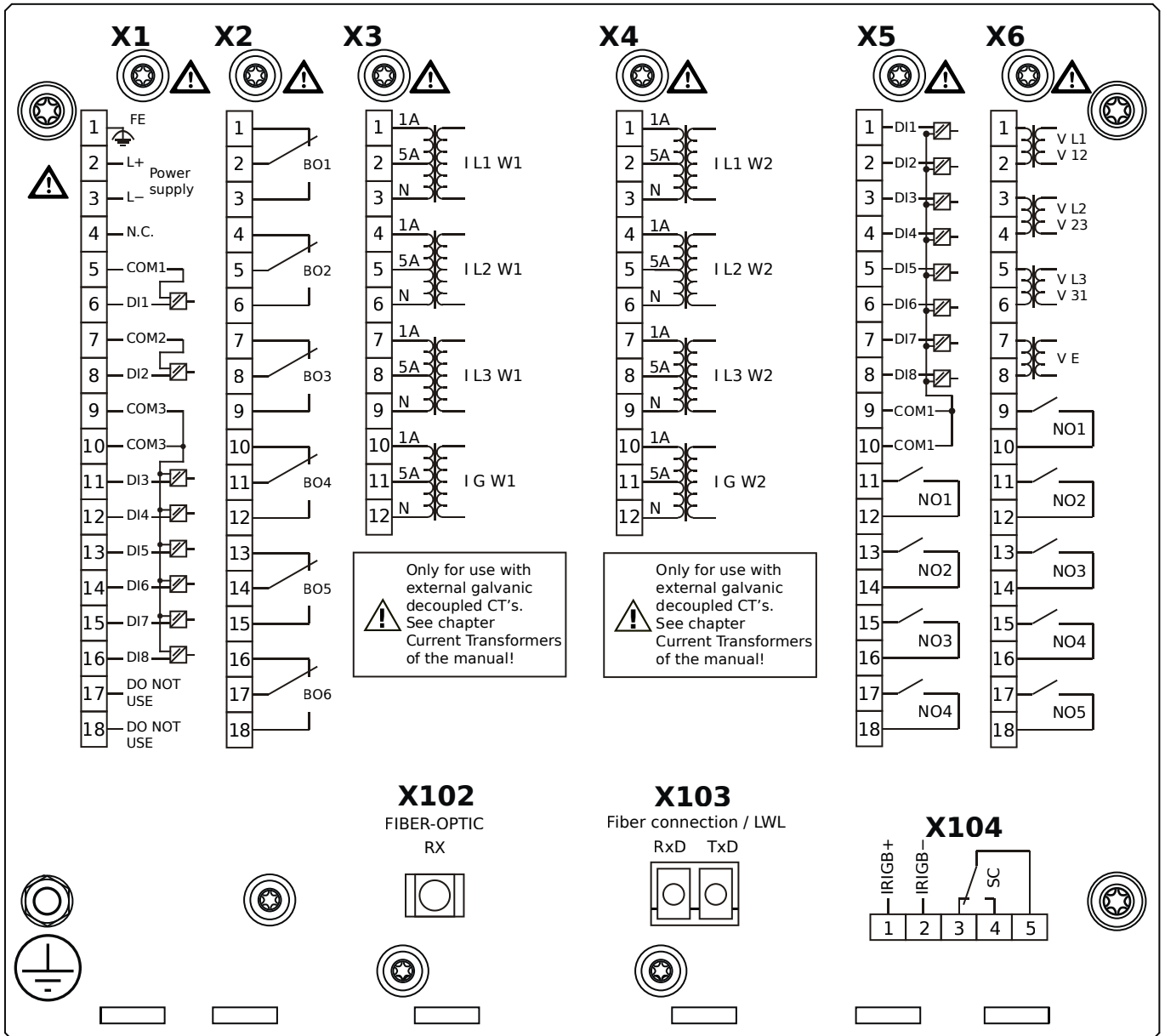
- X1** – DI8-X1: Wide-range power supply unit, incl. 2 non-grouped digital inputs and 6 grouped digital inputs
- X2** – OR-6: Assembly Group with 6 Relay Outputs
- X3** – TI-4: Standard ground current measuring card (for the neutral side of the differential protection)
- X4** – TI-4: Standard ground current measuring card (for the line side of the differential protection)
- X5** – DI8-OR4: Assembly Group with 8 Digital Inputs and 4 Output Relays
- X6** – U K4: Voltage measuring assembly group with 4 additional Relay Outputs (normally open)
- X100** – Ethernet interface, 100 Mbit/s, RJ45
- X102** – Universal Resistance-Temperature Detector (URTD) input, Fiber optics interface, ST Connector
- X103** – RS485, Terminals
- X104** – IRIG-B00X, incl. System Contact (Supervision Contact)

MCDGV4-2D0HIB



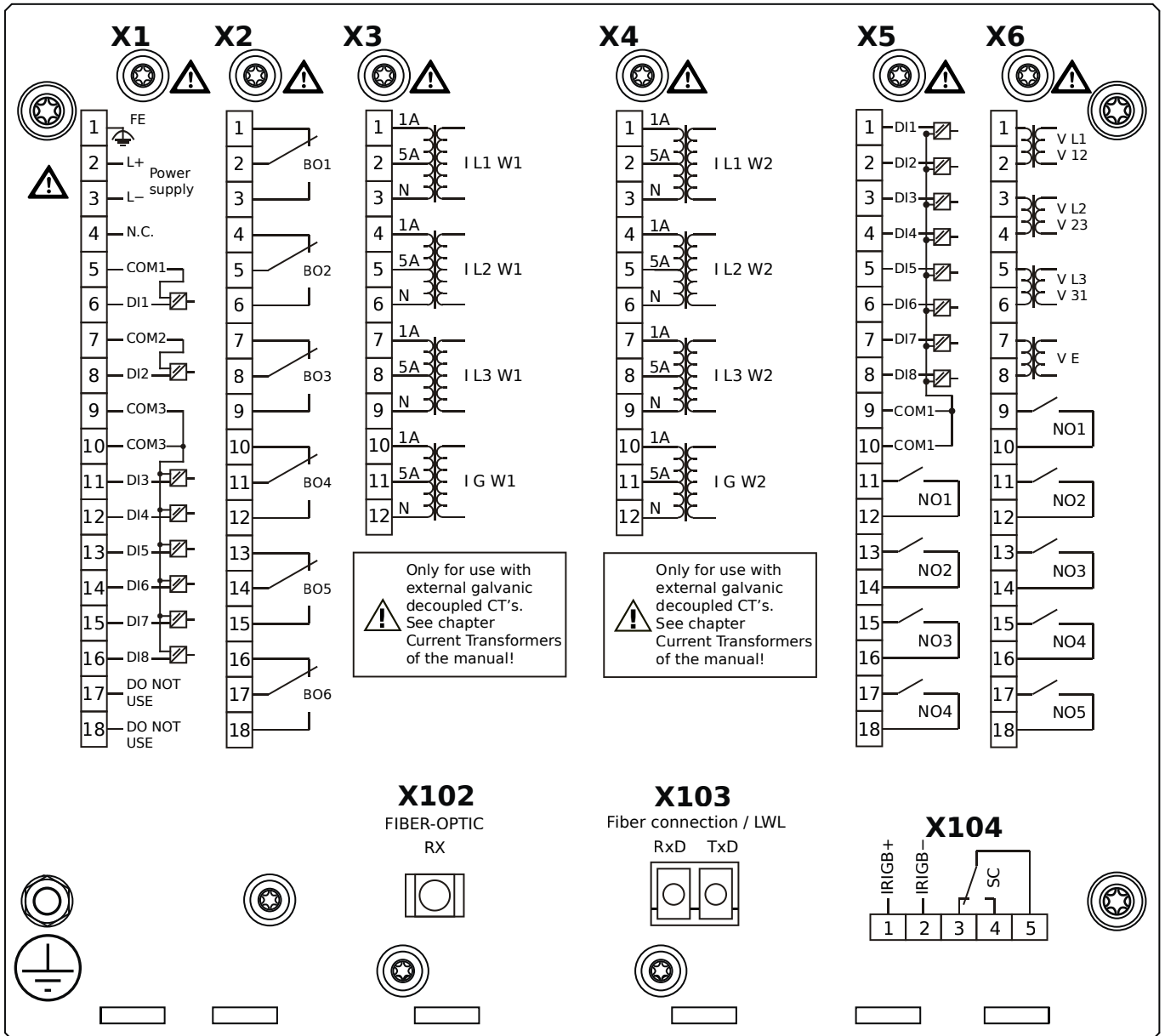
- X1** – DI8-X1: Wide-range power supply unit, incl. 2 non-grouped digital inputs and 6 grouped digital inputs
- X2** – OR-6: Assembly Group with 6 Relay Outputs
- X3** – TI-4: Standard ground current measuring card (for the neutral side of the differential protection)
- X4** – TI-4: Standard ground current measuring card (for the line side of the differential protection)
- X5** – DI8-OR4: Assembly Group with 8 Digital Inputs and 4 Output Relays
- X6** – U K4: Voltage measuring assembly group with 4 additional Relay Outputs (normally open)
- X100** – Ethernet interface, 100 Mbit/s, RJ45
- X102** – Universal Resistance-Temperature Detector (URTD) input, Fiber optics interface, ST Connector
- X103** – RS485, Terminals
- X104** – IRIG-B00X, incl. System Contact (Supervision Contact)

MCDGV4-2D0HKA



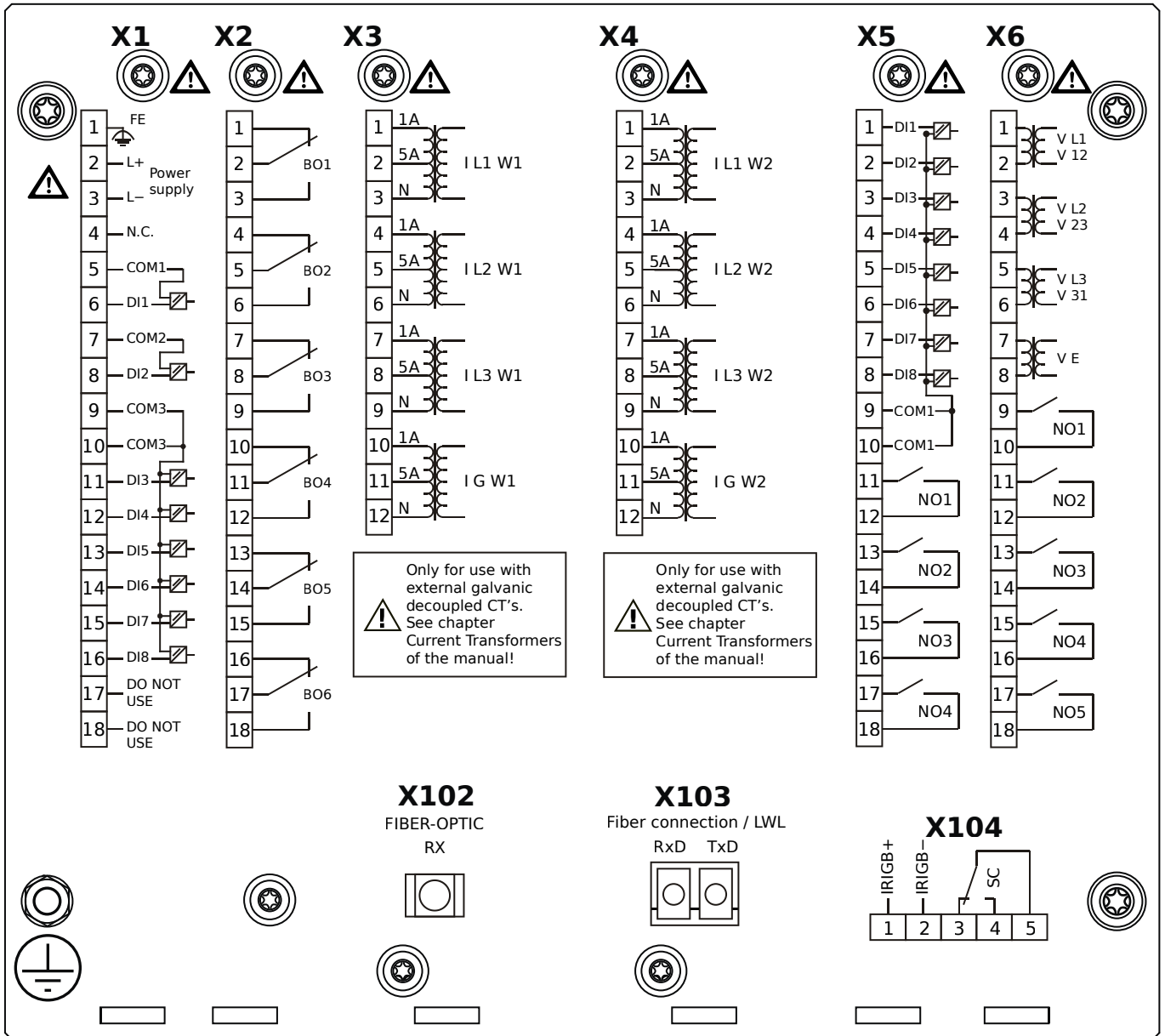
- X1** – DI8-X1: Wide-range power supply unit, incl. 2 non-grouped digital inputs and 6 grouped digital inputs
- X2** – OR-6: Assembly Group with 6 Relay Outputs
- X3** – TI-4: Standard ground current measuring card (for the neutral side of the differential protection)
- X4** – TI-4: Standard ground current measuring card (for the line side of the differential protection)
- X5** – DI8-OR4: Assembly Group with 8 Digital Inputs and 4 Output Relays
- X6** – U K4: Voltage measuring assembly group with 4 additional Relay Outputs (normally open)
- X102** – Universal Resistance-Temperature Detector (URTD) input, Fiber optics interface, ST Connector
- X103** – Fiber optics interface, LC Connector
- X104** – IRIG-B00X, incl. System Contact (Supervision Contact)

MCDGV4-2D0HKB



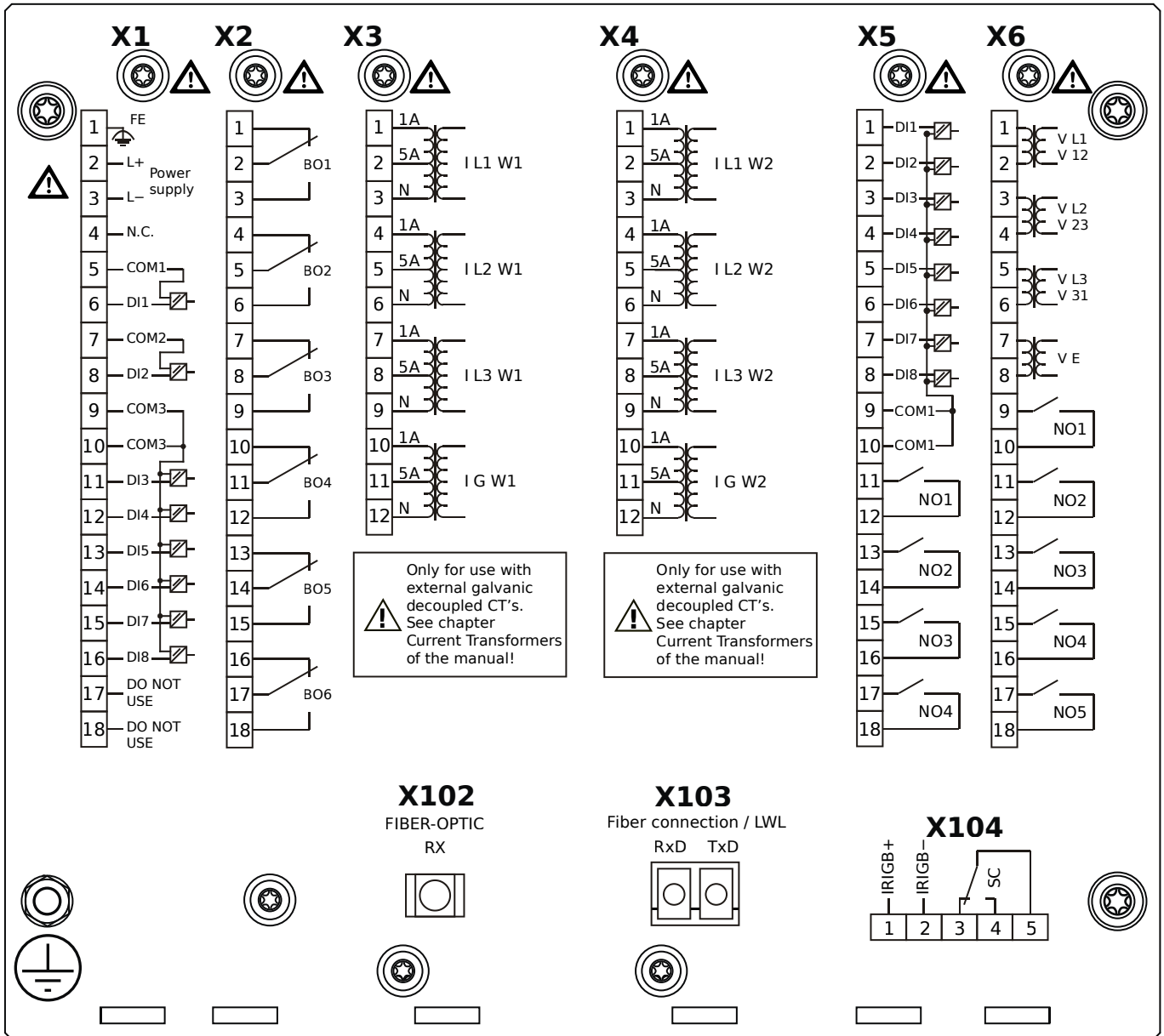
- X1** – DI8-X1: Wide-range power supply unit, incl. 2 non-grouped digital inputs and 6 grouped digital inputs
- X2** – OR-6: Assembly Group with 6 Relay Outputs
- X3** – TI-4: Standard ground current measuring card (for the neutral side of the differential protection)
- X4** – TI-4: Standard ground current measuring card (for the line side of the differential protection)
- X5** – DI8-OR4: Assembly Group with 8 Digital Inputs and 4 Output Relays
- X6** – U K4: Voltage measuring assembly group with 4 additional Relay Outputs (normally open)
- X102** – Universal Resistance-Temperature Detector (URTD) input, Fiber optics interface, ST Connector
- X103** – Fiber optics interface, LC Connector
- X104** – IRIG-B00X, incl. System Contact (Supervision Contact)

MCDGV4-2D0HLA



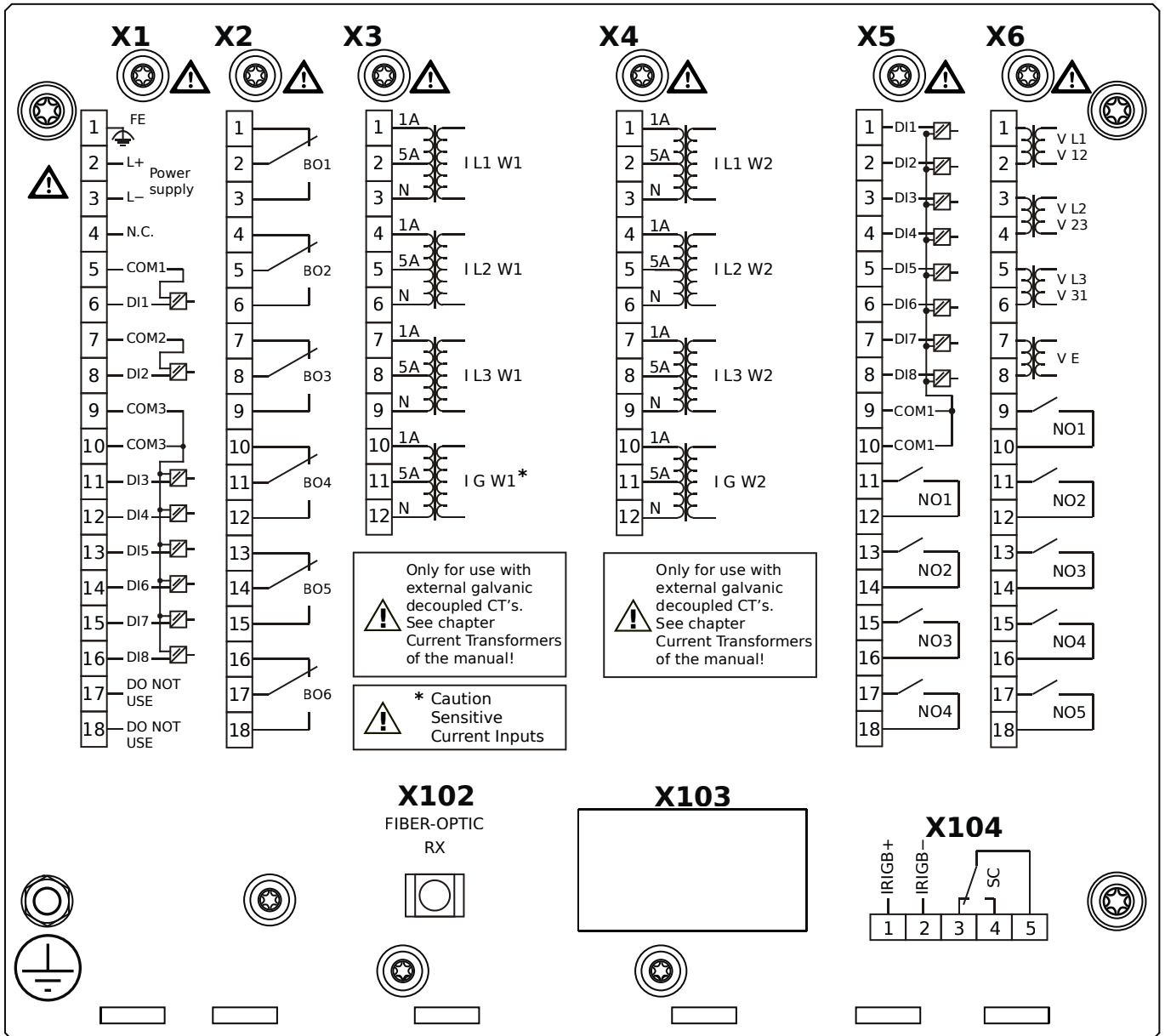
- X1** – DI8-X1: Wide-range power supply unit, incl. 2 non-grouped digital inputs and 6 grouped digital inputs
- X2** – OR-6: Assembly Group with 6 Relay Outputs
- X3** – TI-4: Standard ground current measuring card (for the neutral side of the differential protection)
- X4** – TI-4: Standard ground current measuring card (for the line side of the differential protection)
- X5** – DI8-OR4: Assembly Group with 8 Digital Inputs and 4 Output Relays
- X6** – U K4: Voltage measuring assembly group with 4 additional Relay Outputs (normally open)
- X102** – Universal Resistance-Temperature Detector (URTD) input, Fiber optics interface, ST Connector
- X103** – Fiber optics interface, LC Connector
- X104** – IRIG-B00X, incl. System Contact (Supervision Contact)

MCDGV4-2D0HLB



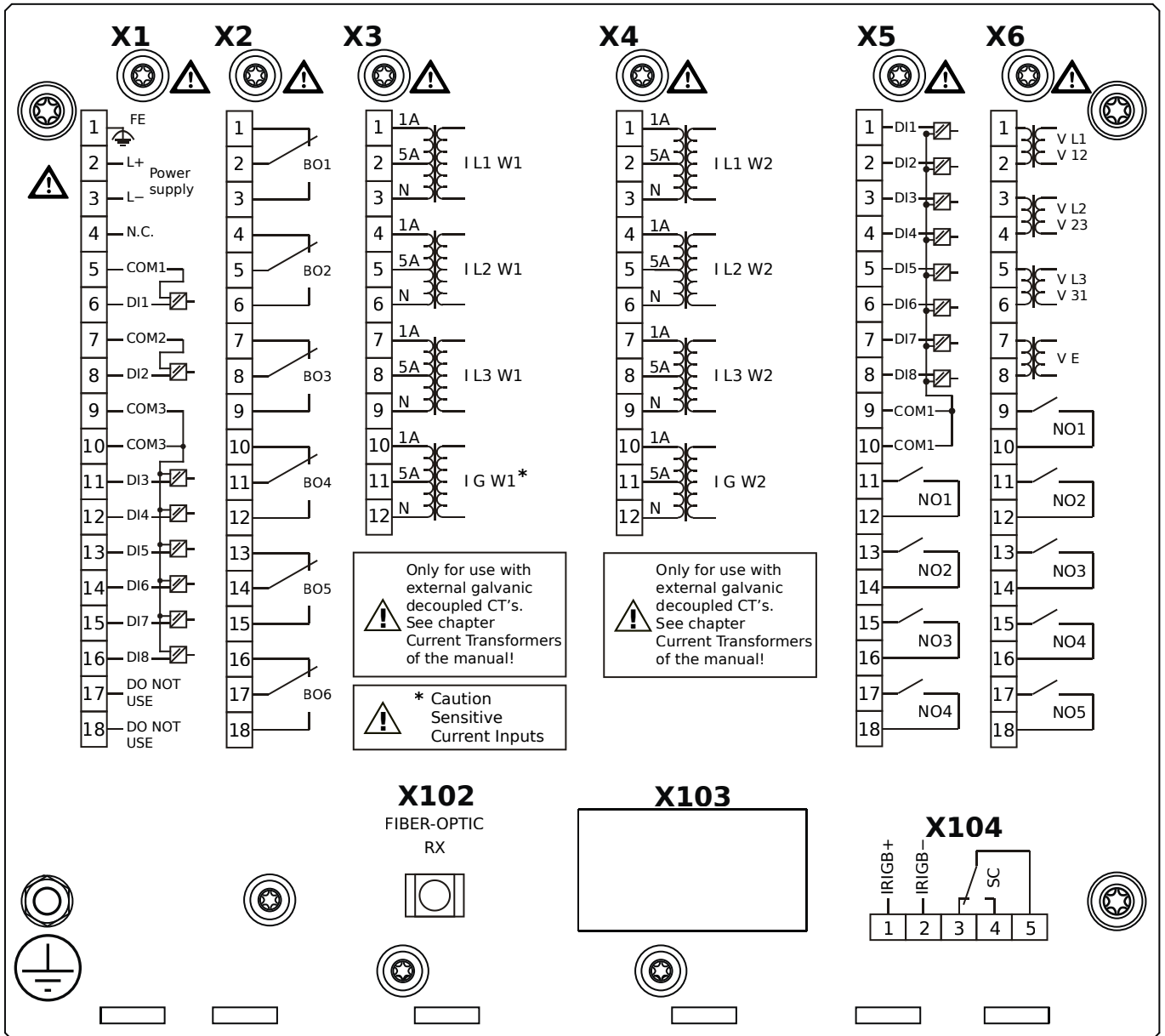
- X1** – DI8-X1: Wide-range power supply unit, incl. 2 non-grouped digital inputs and 6 grouped digital inputs
- X2** – OR-6: Assembly Group with 6 Relay Outputs
- X3** – TI-4: Standard ground current measuring card (for the neutral side of the differential protection)
- X4** – TI-4: Standard ground current measuring card (for the line side of the differential protection)
- X5** – DI8-OR4: Assembly Group with 8 Digital Inputs and 4 Output Relays
- X6** – U K4: Voltage measuring assembly group with 4 additional Relay Outputs (normally open)
- X102** – Universal Resistance-Temperature Detector (URTD) input, Fiber optics interface, ST Connector
- X103** – Fiber optics interface, LC Connector
- X104** – IRIG-B00X, incl. System Contact (Supervision Contact)

MCDGV4-2D1AAA



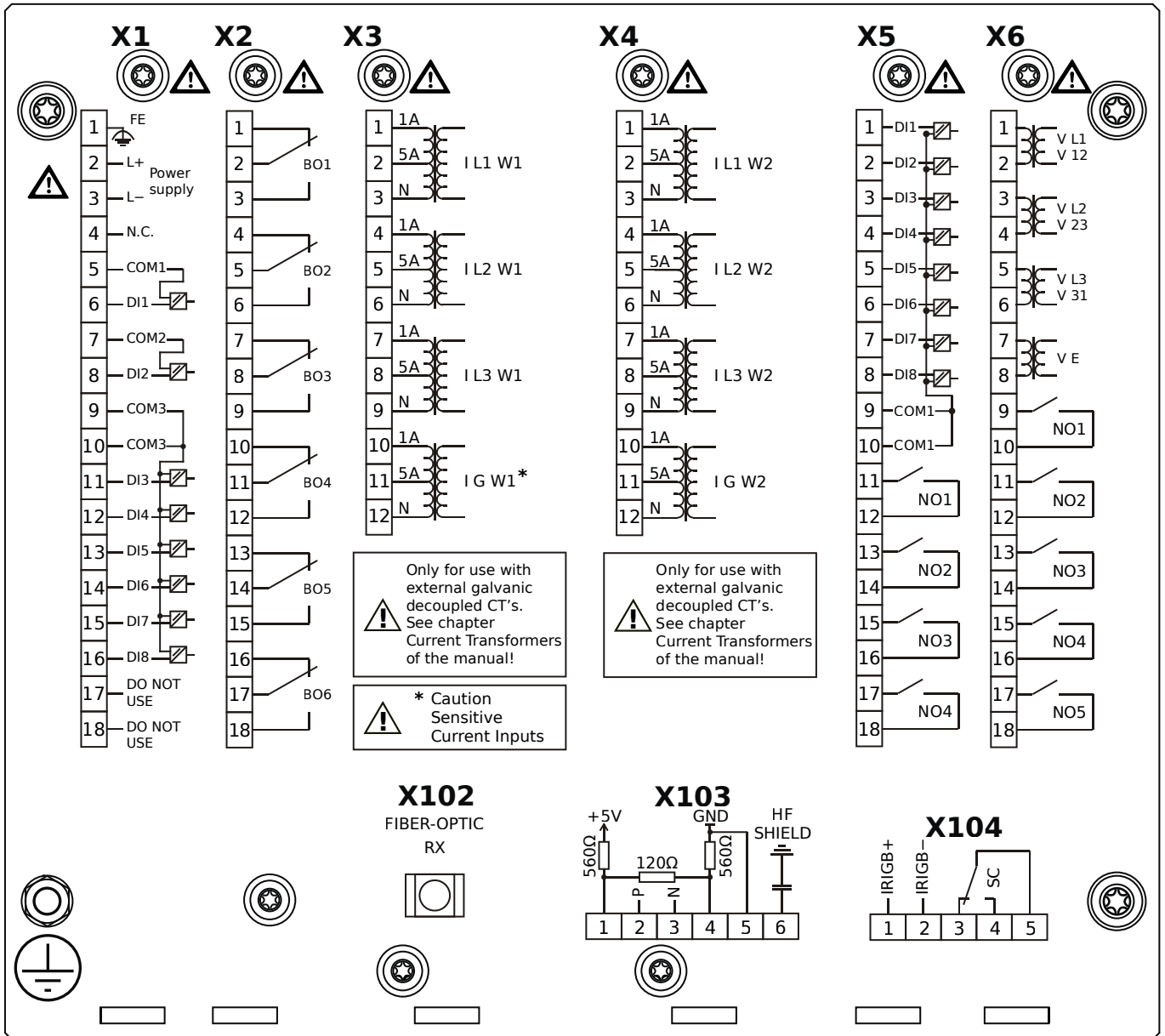
- X1** – DI8-X1: Wide-range power supply unit, incl. 2 non-grouped digital inputs and 6 grouped digital inputs
- X2** – OR-6: Assembly Group with 6 Relay Outputs
- X3** – TIS-4: Sensitive Ground current measuring card (for the neutral side of the differential protection)
- X4** – TI-4: Standard ground current measuring card (for the line side of the differential protection)
- X5** – DI8-OR4: Assembly Group with 8 Digital Inputs and 4 Output Relays
- X6** – U K4: Voltage measuring assembly group with 4 additional Relay Outputs (normally open)
- X102** – Universal Resistance-Temperature Detector (URTD) input, Fiber optics interface, ST Connector
- X104** – IRIG-B00X, incl. System Contact (Supervision Contact)

MCDGV4-2D1AAB



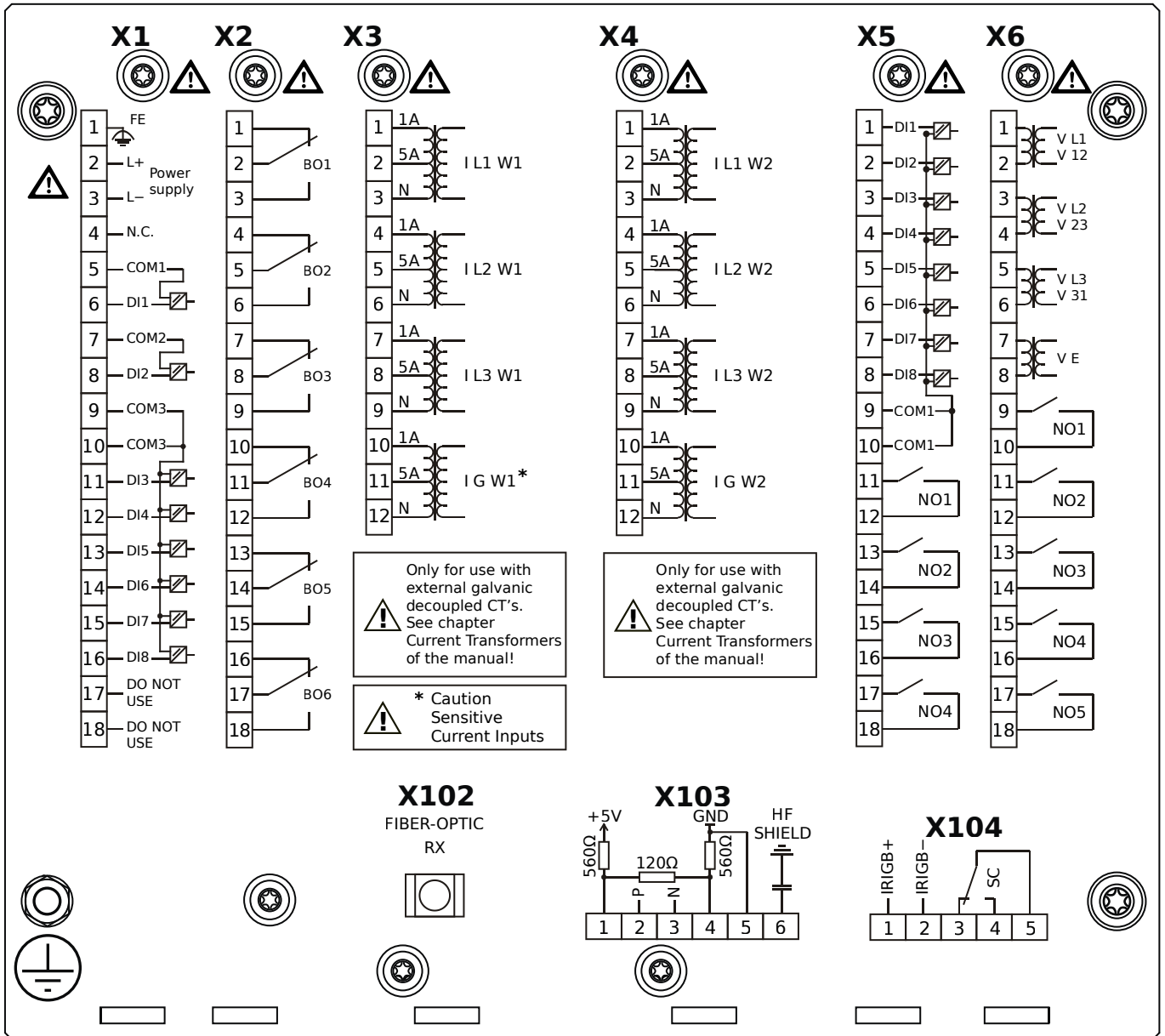
- X1** – DI8-X1: Wide-range power supply unit, incl. 2 non-grouped digital inputs and 6 grouped digital inputs
- X2** – OR-6: Assembly Group with 6 Relay Outputs
- X3** – TIS-4: Sensitive Ground current measuring card (for the neutral side of the differential protection)
- X4** – TI-4: Standard ground current measuring card (for the line side of the differential protection)
- X5** – DI8-OR4: Assembly Group with 8 Digital Inputs and 4 Output Relays
- X6** – U K4: Voltage measuring assembly group with 4 additional Relay Outputs (normally open)
- X102** – Universal Resistance-Temperature Detector (URTD) input, Fiber optics interface, ST Connector
- X104** – IRIG-B00X, incl. System Contact (Supervision Contact)

MCDGV4-2D1ABA



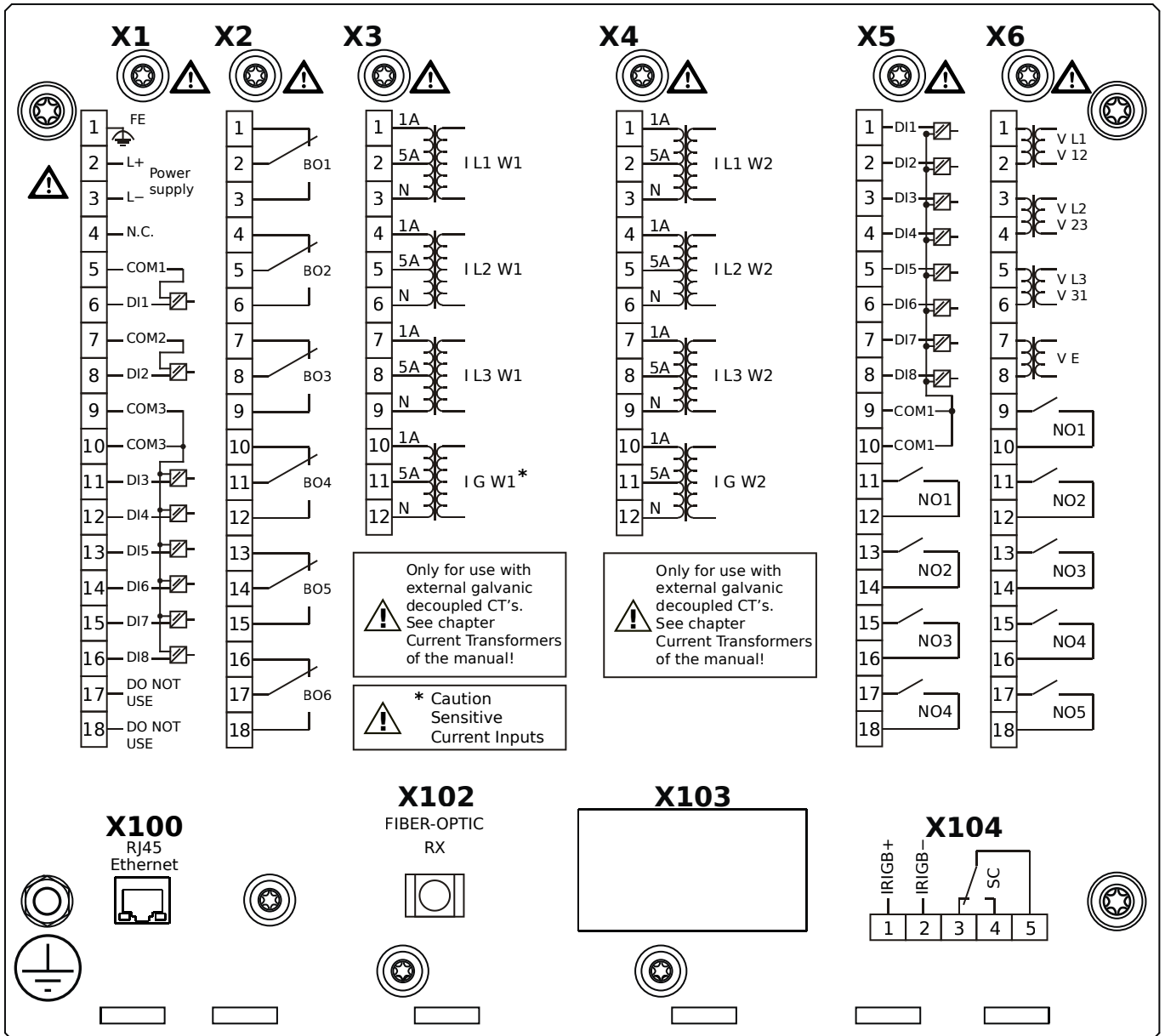
- X1** – DI8-X1: Wide-range power supply unit, incl. 2 non-grouped digital inputs and 6 grouped digital inputs
- X2** – OR-6: Assembly Group with 6 Relay Outputs
- X3** – TIS-4: Sensitive Ground current measuring card (for the neutral side of the differential protection)
- X4** – TI-4: Standard ground current measuring card (for the line side of the differential protection)
- X5** – DI8-OR4: Assembly Group with 8 Digital Inputs and 4 Output Relays
- X6** – U K4: Voltage measuring assembly group with 4 additional Relay Outputs (normally open)
- X102** – Universal Resistance-Temperature Detector (URTD) input, Fiber optics interface, ST Connector
- X103** – RS485, Terminals
- X104** – IRIG-B00X, incl. System Contact (Supervision Contact)

MCDGV4-2D1ABB



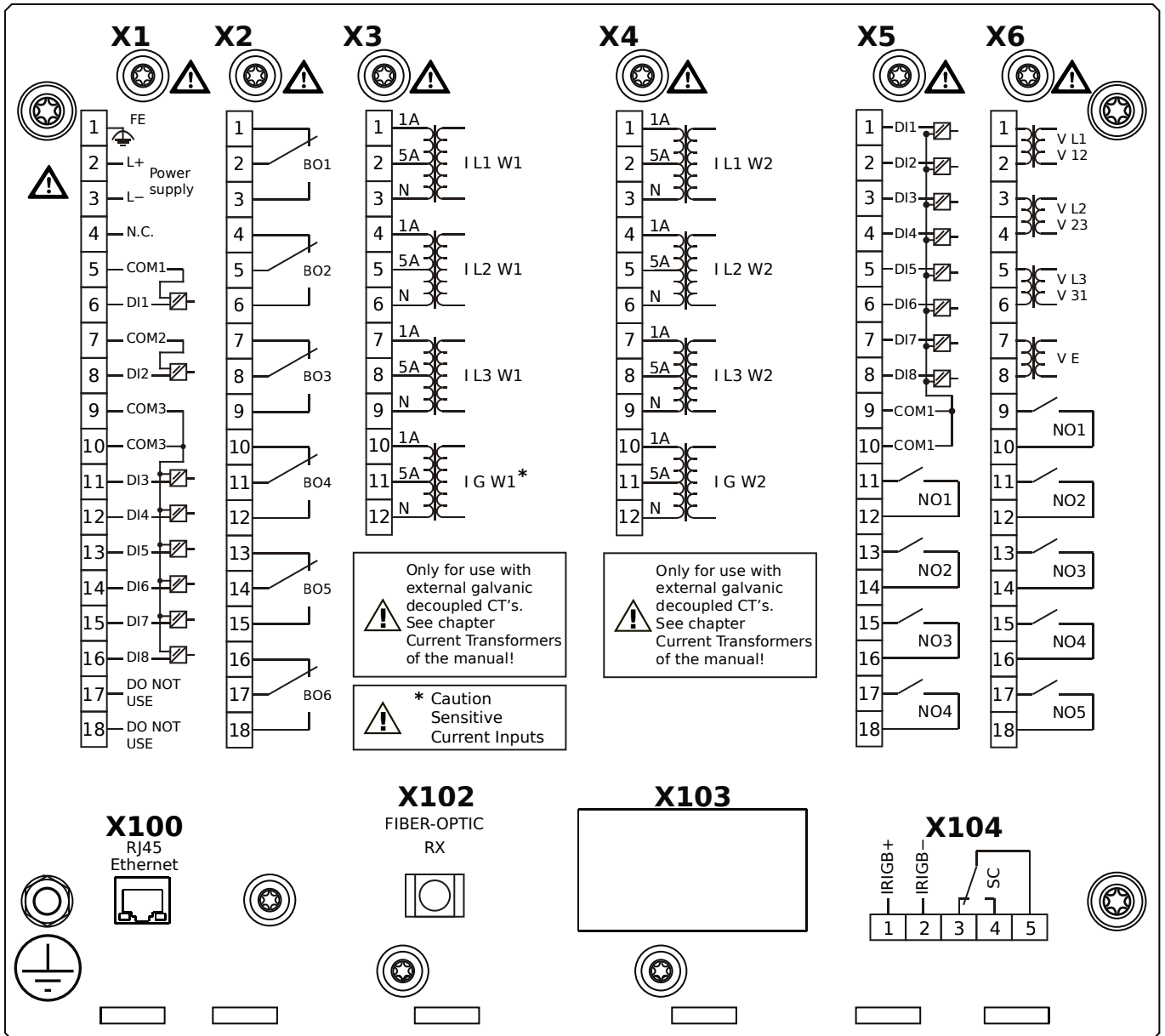
- X1** – DI8-X1: Wide-range power supply unit, incl. 2 non-grouped digital inputs and 6 grouped digital inputs
- X2** – OR-6: Assembly Group with 6 Relay Outputs
- X3** – TIS-4: Sensitive Ground current measuring card (for the neutral side of the differential protection)
- X4** – TI-4: Standard ground current measuring card (for the line side of the differential protection)
- X5** – DI8-OR4: Assembly Group with 8 Digital Inputs and 4 Output Relays
- X6** – U K4: Voltage measuring assembly group with 4 additional Relay Outputs (normally open)
- X102** – Universal Resistance-Temperature Detector (URTD) input, Fiber optics interface, ST Connector
- X103** – RS485, Terminals
- X104** – IRIG-B00X, incl. System Contact (Supervision Contact)

MCDGV4-2D1ACA



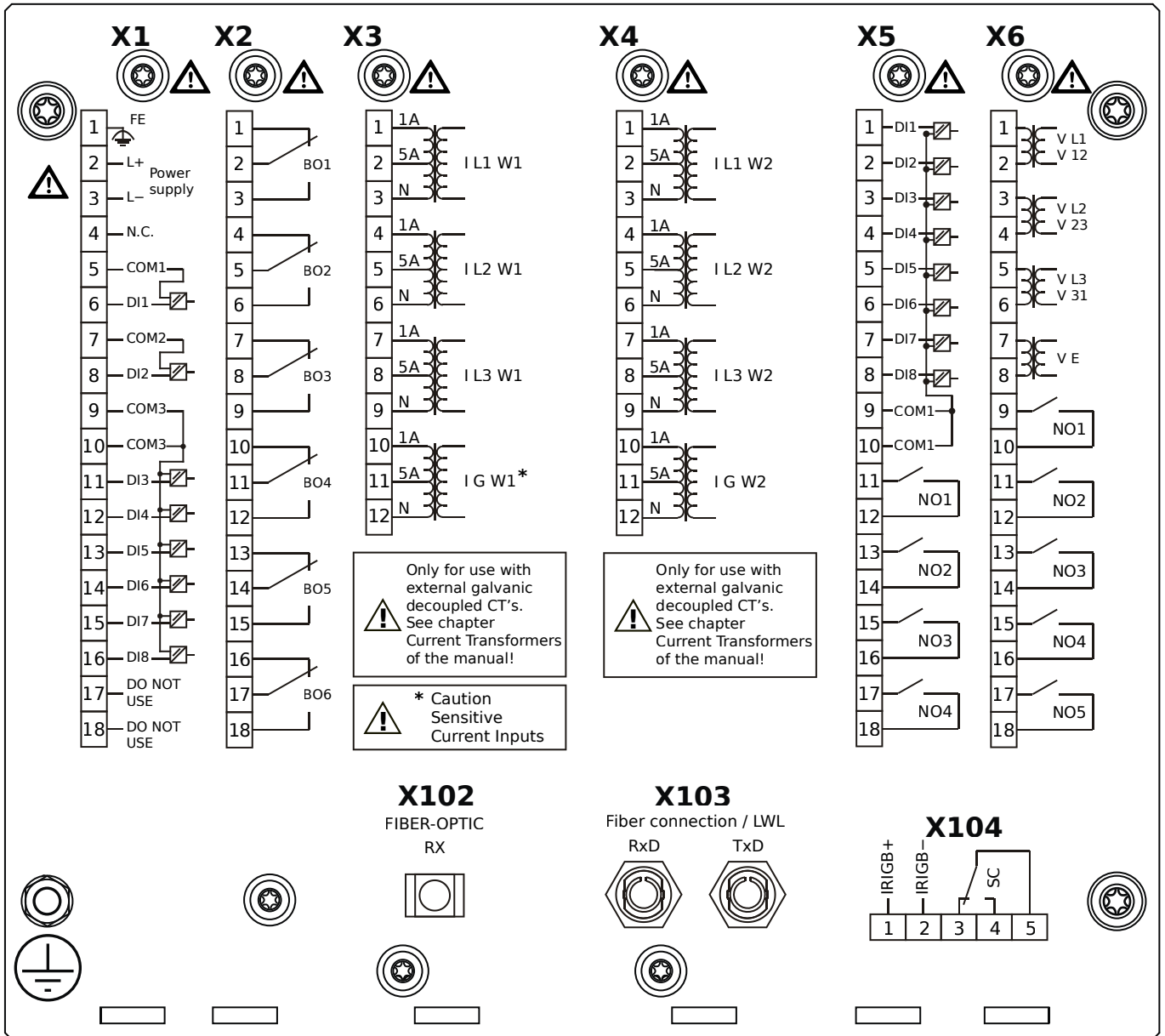
- X1** – DI8-X1: Wide-range power supply unit, incl. 2 non-grouped digital inputs and 6 grouped digital inputs
- X2** – OR-6: Assembly Group with 6 Relay Outputs
- X3** – TIS-4: Sensitive Ground current measuring card (for the neutral side of the differential protection)
- X4** – TI-4: Standard ground current measuring card (for the line side of the differential protection)
- X5** – DI8-OR4: Assembly Group with 8 Digital Inputs and 4 Output Relays
- X6** – U K4: Voltage measuring assembly group with 4 additional Relay Outputs (normally open)
- X100** – Ethernet interface, 100 Mbit/s, RJ45
- X102** – Universal Resistance-Temperature Detector (URTD) input, Fiber optics interface, ST Connector
- X104** – IRIG-B00X, incl. System Contact (Supervision Contact)

MCDGV4-2D1ACB



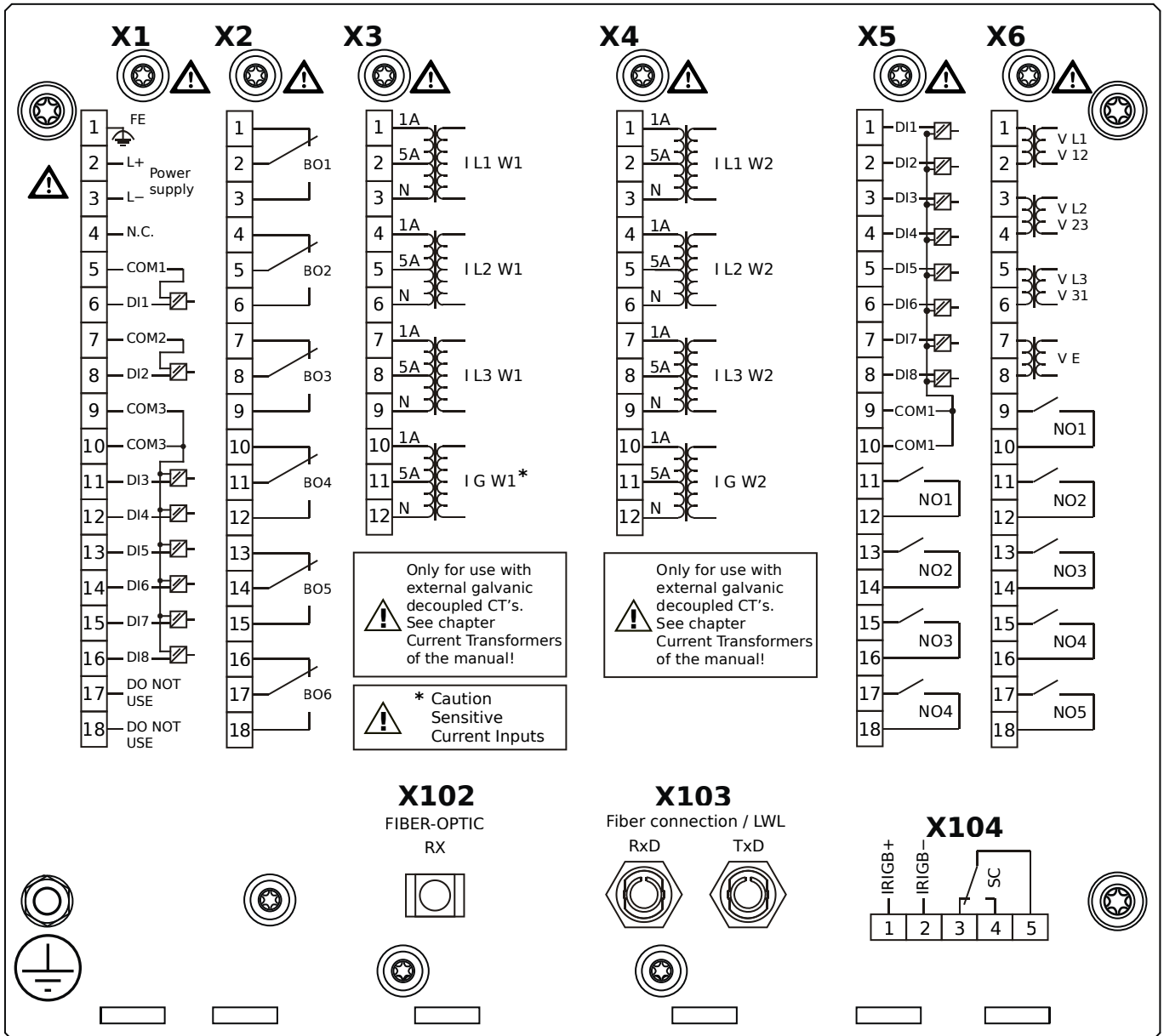
- X1** – DI8-X1: Wide-range power supply unit, incl. 2 non-grouped digital inputs and 6 grouped digital inputs
- X2** – OR-6: Assembly Group with 6 Relay Outputs
- X3** – TIS-4: Sensitive Ground current measuring card (for the neutral side of the differential protection)
- X4** – TI-4: Standard ground current measuring card (for the line side of the differential protection)
- X5** – DI8-OR4: Assembly Group with 8 Digital Inputs and 4 Output Relays
- X6** – U K4: Voltage measuring assembly group with 4 additional Relay Outputs (normally open)
- X100** – Ethernet interface, 100 Mbit/s, RJ45
- X102** – Universal Resistance-Temperature Detector (URTD) input, Fiber optics interface, ST Connector
- X104** – IRIG-B00X, incl. System Contact (Supervision Contact)

MCDGV4-2D1ADA



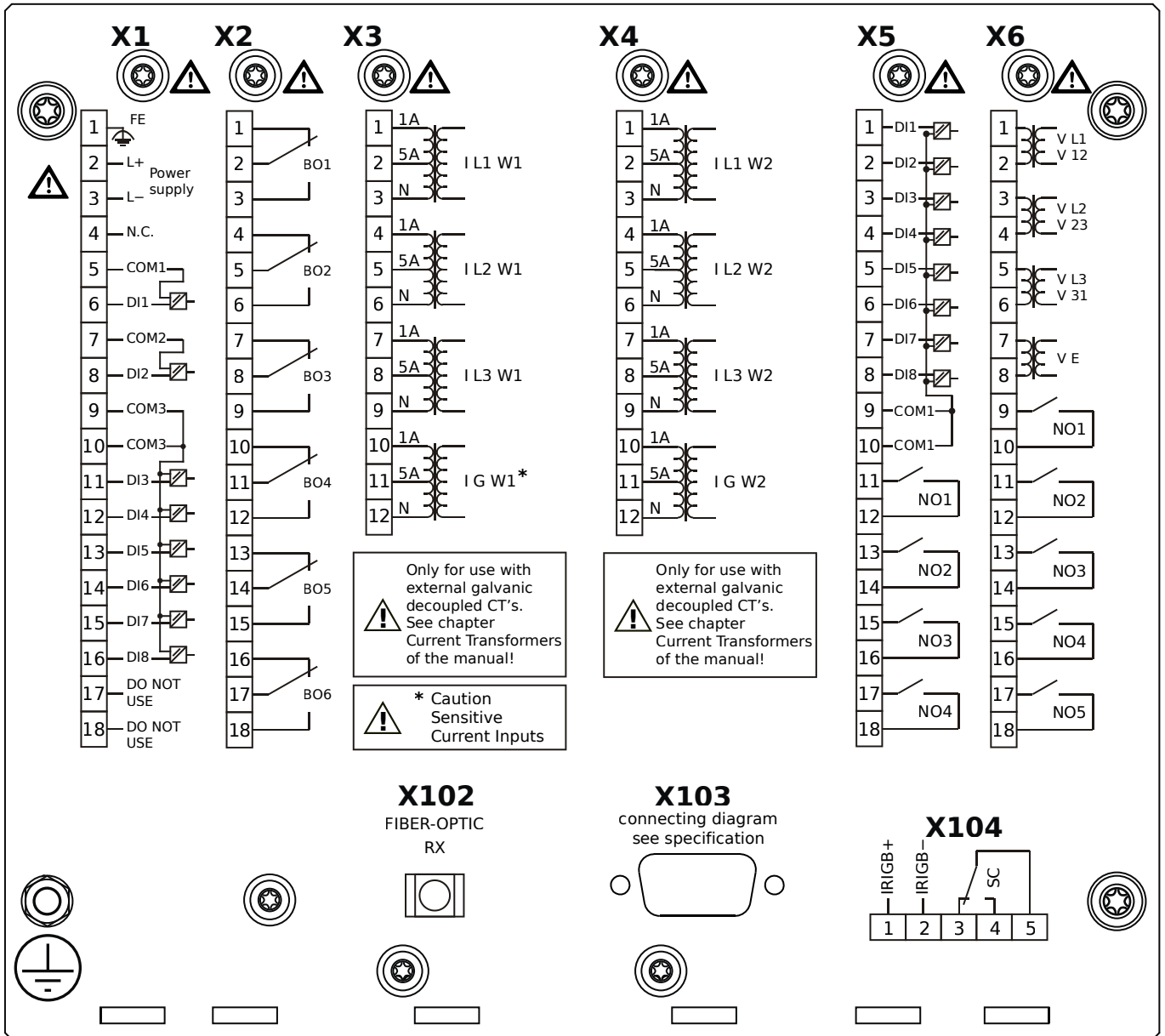
- X1** – DI8-X1: Wide-range power supply unit, incl. 2 non-grouped digital inputs and 6 grouped digital inputs
- X2** – OR-6: Assembly Group with 6 Relay Outputs
- X3** – TIS-4: Sensitive Ground current measuring card (for the neutral side of the differential protection)
- X4** – TI-4: Standard ground current measuring card (for the line side of the differential protection)
- X5** – DI8-OR4: Assembly Group with 8 Digital Inputs and 4 Output Relays
- X6** – U K4: Voltage measuring assembly group with 4 additional Relay Outputs (normally open)
- X102** – Universal Resistance-Temperature Detector (URTD) input, Fiber optics interface, ST Connector
- X103** – Fiber optics interface, ST Connector
- X104** – IRIG-B00X, incl. System Contact (Supervision Contact)

MCDGV4-2D1ADB



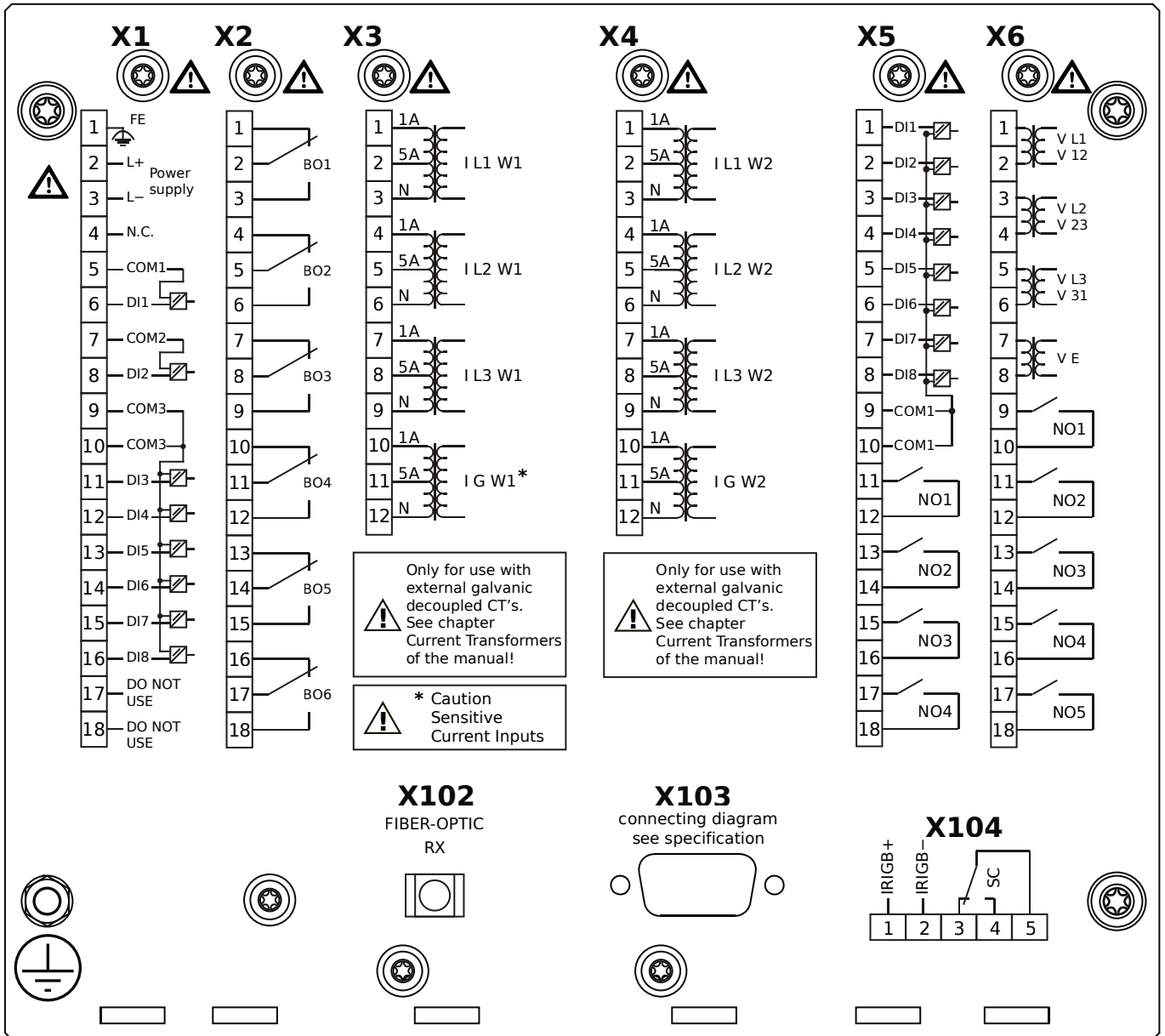
- X1** – DI8-X1: Wide-range power supply unit, incl. 2 non-grouped digital inputs and 6 grouped digital inputs
- X2** – OR-6: Assembly Group with 6 Relay Outputs
- X3** – TIS-4: Sensitive Ground current measuring card (for the neutral side of the differential protection)
- X4** – TI-4: Standard ground current measuring card (for the line side of the differential protection)
- X5** – DI8-OR4: Assembly Group with 8 Digital Inputs and 4 Output Relays
- X6** – U K4: Voltage measuring assembly group with 4 additional Relay Outputs (normally open)
- X102** – Universal Resistance-Temperature Detector (URTD) input, Fiber optics interface, ST Connector
- X103** – Fiber optics interface, ST Connector
- X104** – IRIG-B00X, incl. System Contact (Supervision Contact)

MCDGV4-2D1AEA



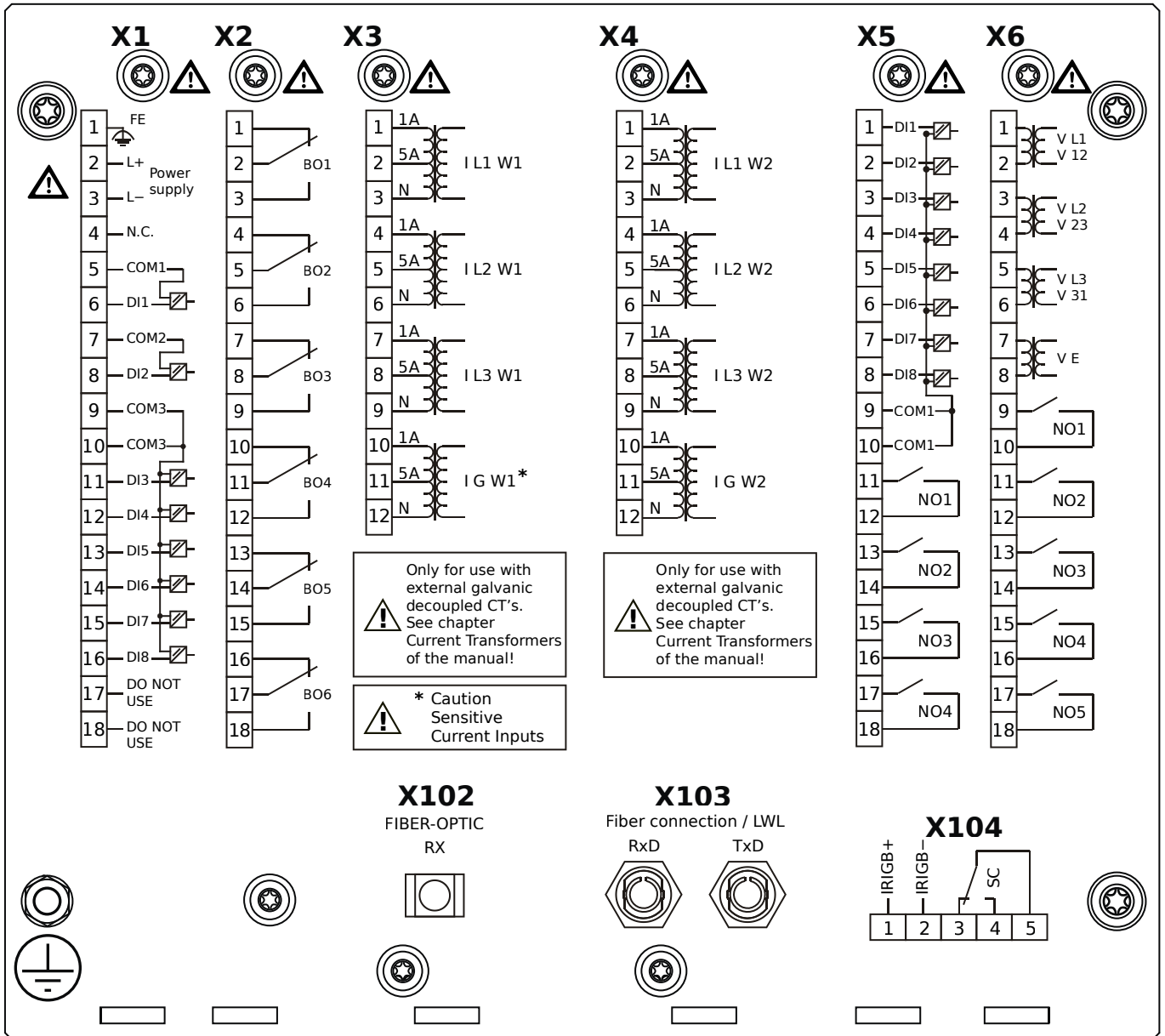
- X1** – DI8-X1: Wide-range power supply unit, incl. 2 non-grouped digital inputs and 6 grouped digital inputs
- X2** – OR-6: Assembly Group with 6 Relay Outputs
- X3** – TIS-4: Sensitive Ground current measuring card (for the neutral side of the differential protection)
- X4** – TI-4: Standard ground current measuring card (for the line side of the differential protection)
- X5** – DI8-OR4: Assembly Group with 8 Digital Inputs and 4 Output Relays
- X6** – U K4: Voltage measuring assembly group with 4 additional Relay Outputs (normally open)
- X102** – Universal Resistance-Temperature Detector (URTD) input, Fiber optics interface, ST Connector
- X103** – RS485, D-SUB
- X104** – IRIG-B00X, incl. System Contact (Supervision Contact)

MCDGV4-2D1AEB



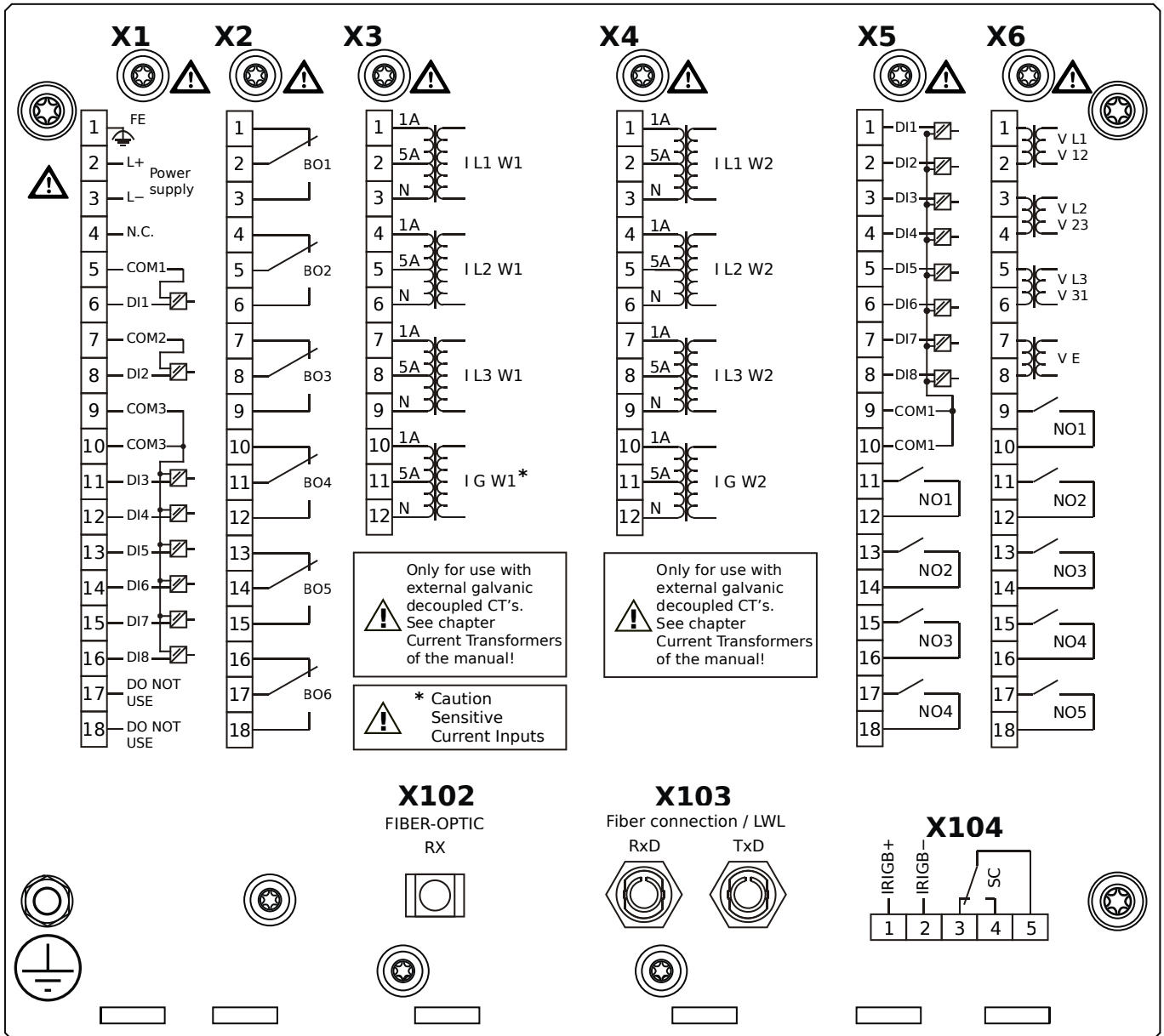
- X1** – DI8-X1: Wide-range power supply unit, incl. 2 non-grouped digital inputs and 6 grouped digital inputs
- X2** – OR-6: Assembly Group with 6 Relay Outputs
- X3** – TIS-4: Sensitive Ground current measuring card (for the neutral side of the differential protection)
- X4** – TI-4: Standard ground current measuring card (for the line side of the differential protection)
- X5** – DI8-OR4: Assembly Group with 8 Digital Inputs and 4 Output Relays
- X6** – U K4: Voltage measuring assembly group with 4 additional Relay Outputs (normally open)
- X102** – Universal Resistance-Temperature Detector (URTD) input, Fiber optics interface, ST Connector
- X103** – RS485, D-SUB
- X104** – IRIG-B00X, incl. System Contact (Supervision Contact)

MCDGV4-2D1AFA



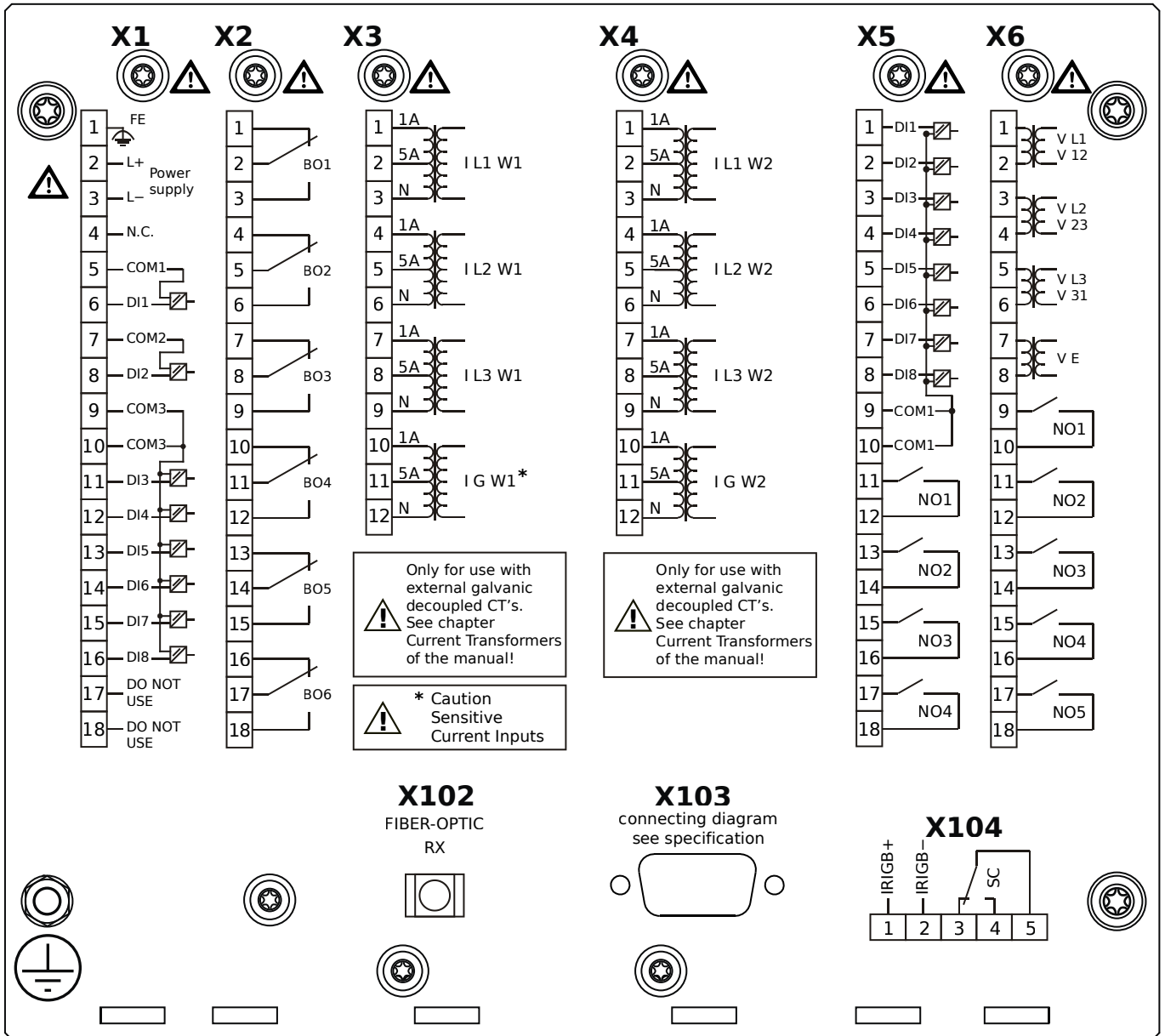
- X1** – DI8-X1: Wide-range power supply unit, incl. 2 non-grouped digital inputs and 6 grouped digital inputs
- X2** – OR-6: Assembly Group with 6 Relay Outputs
- X3** – TIS-4: Sensitive Ground current measuring card (for the neutral side of the differential protection)
- X4** – TI-4: Standard ground current measuring card (for the line side of the differential protection)
- X5** – DI8-OR4: Assembly Group with 8 Digital Inputs and 4 Output Relays
- X6** – U K4: Voltage measuring assembly group with 4 additional Relay Outputs (normally open)
- X102** – Universal Resistance-Temperature Detector (URTD) input, Fiber optics interface, ST Connector
- X103** – Fiber optics interface, ST Connector
- X104** – IRIG-B00X, incl. System Contact (Supervision Contact)

MCDGV4-2D1AFB



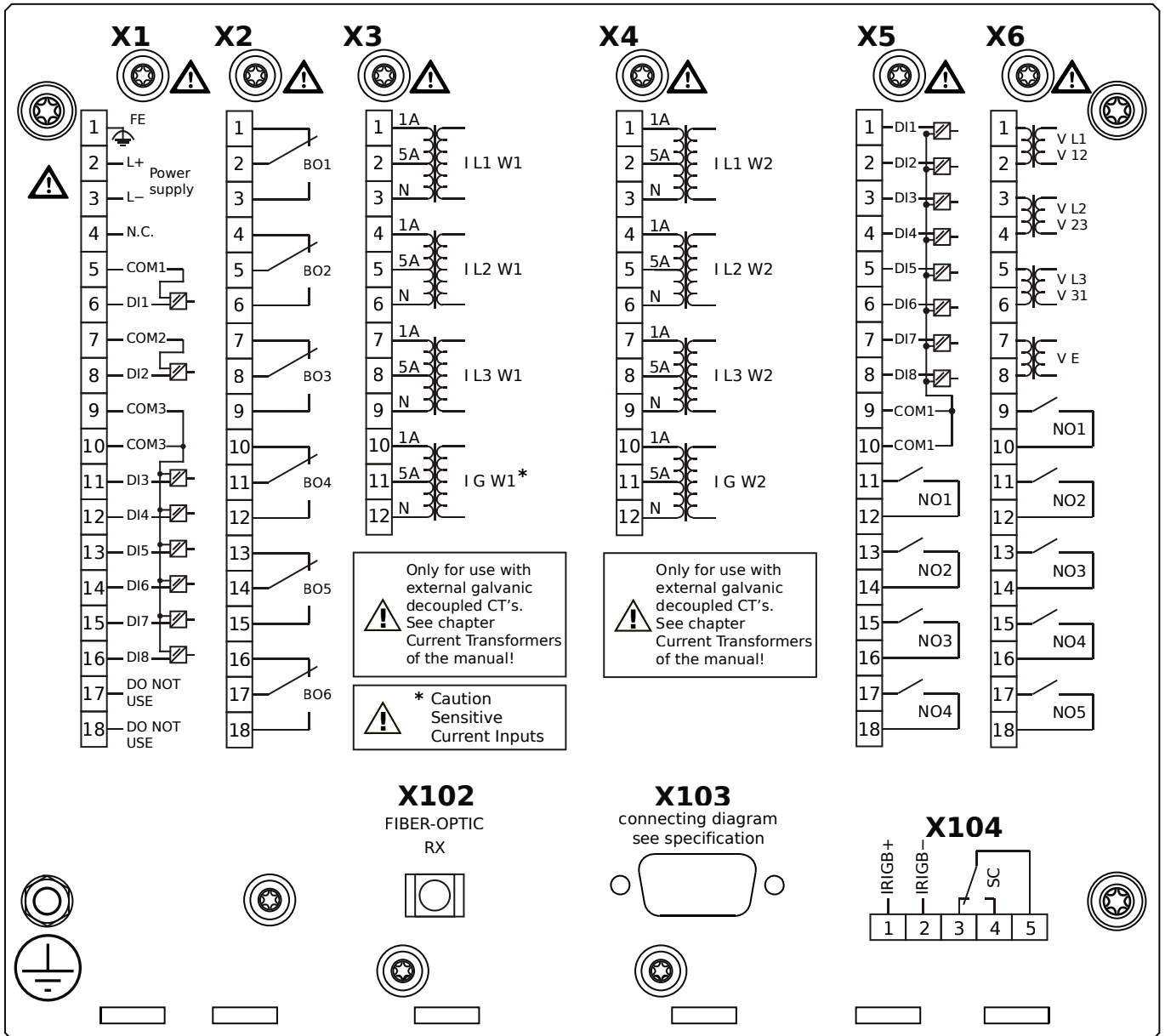
- X1** – DI8-X1: Wide-range power supply unit, incl. 2 non-grouped digital inputs and 6 grouped digital inputs
- X2** – OR-6: Assembly Group with 6 Relay Outputs
- X3** – TIS-4: Sensitive Ground current measuring card (for the neutral side of the differential protection)
- X4** – TI-4: Standard ground current measuring card (for the line side of the differential protection)
- X5** – DI8-OR4: Assembly Group with 8 Digital Inputs and 4 Output Relays
- X6** – U K4: Voltage measuring assembly group with 4 additional Relay Outputs (normally open)
- X102** – Universal Resistance-Temperature Detector (URTD) input, Fiber optics interface, ST Connector
- X103** – Fiber optics interface, ST Connector
- X104** – IRIG-B00X, incl. System Contact (Supervision Contact)

MCDGV4-2D1AGA



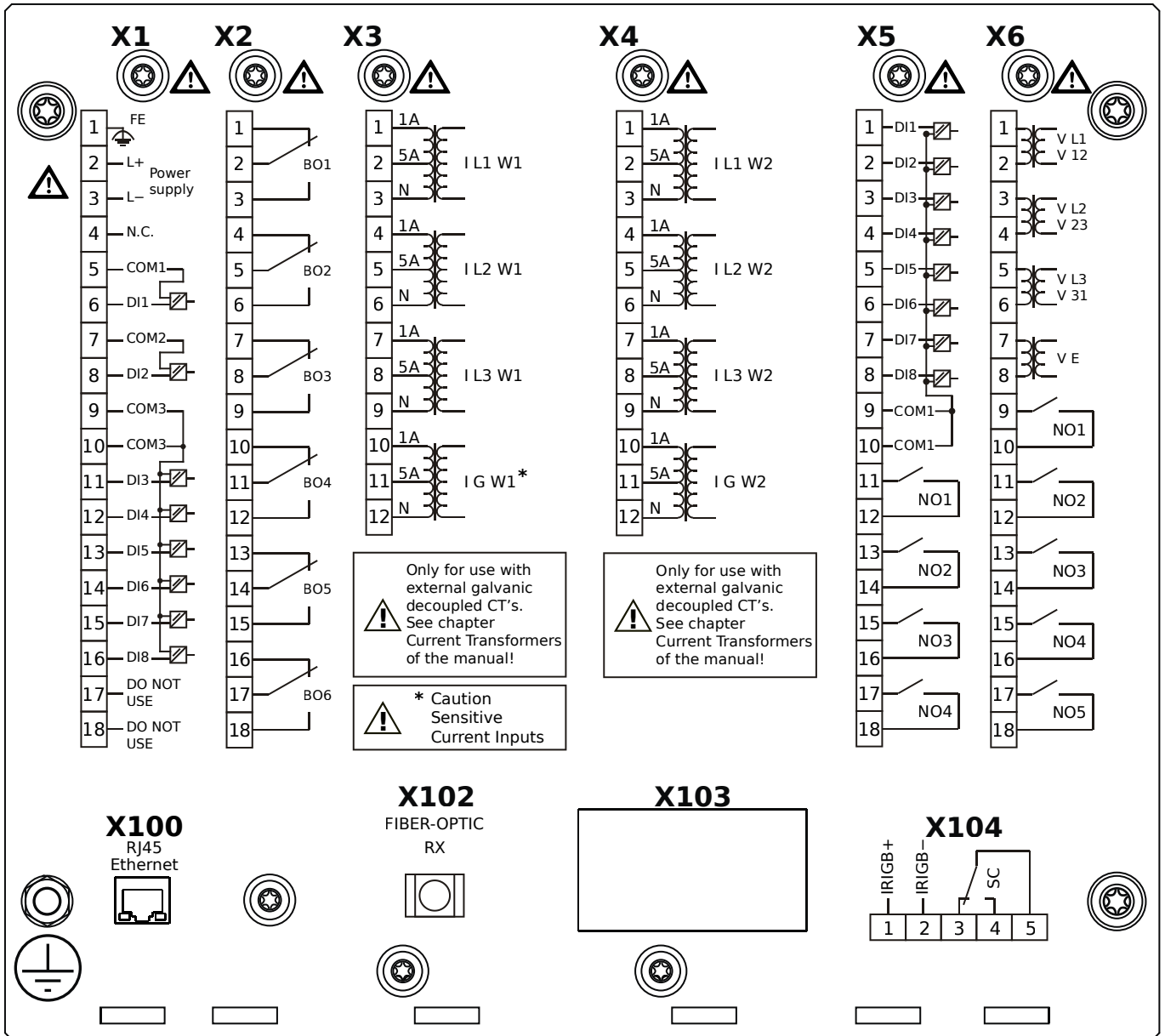
- X1** – DI8-X1: Wide-range power supply unit, incl. 2 non-grouped digital inputs and 6 grouped digital inputs
- X2** – OR-6: Assembly Group with 6 Relay Outputs
- X3** – TIS-4: Sensitive Ground current measuring card (for the neutral side of the differential protection)
- X4** – TI-4: Standard ground current measuring card (for the line side of the differential protection)
- X5** – DI8-OR4: Assembly Group with 8 Digital Inputs and 4 Output Relays
- X6** – U K4: Voltage measuring assembly group with 4 additional Relay Outputs (normally open)
- X102** – Universal Resistance-Temperature Detector (URTD) input, Fiber optics interface, ST Connector
- X103** – RS485, D-SUB
- X104** – IRIG-B00X, incl. System Contact (Supervision Contact)

MCDGV4-2D1AGB



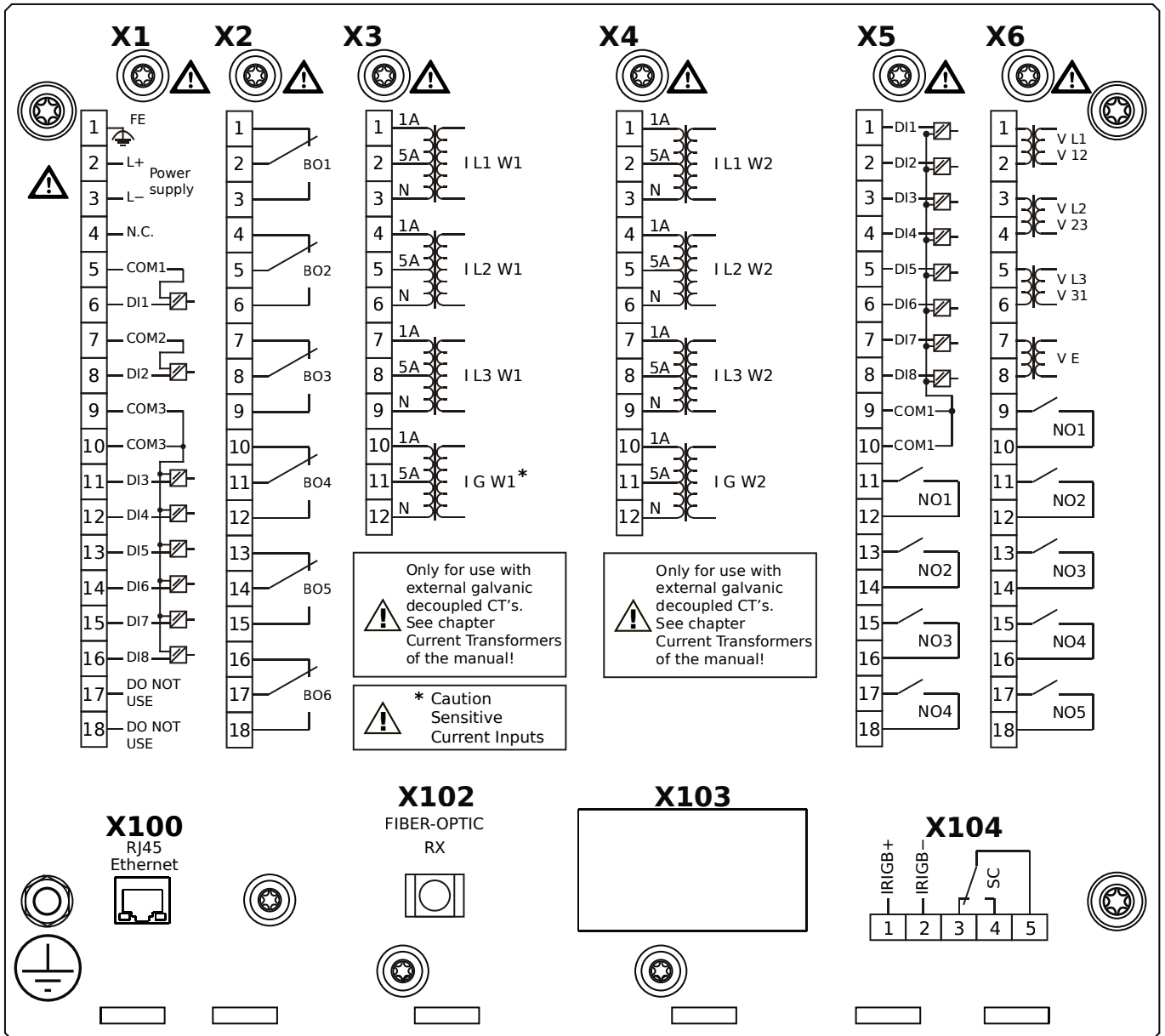
- X1** – DI8-X1: Wide-range power supply unit, incl. 2 non-grouped digital inputs and 6 grouped digital inputs
- X2** – OR-6: Assembly Group with 6 Relay Outputs
- X3** – TIS-4: Sensitive Ground current measuring card (for the neutral side of the differential protection)
- X4** – TI-4: Standard ground current measuring card (for the line side of the differential protection)
- X5** – DI8-OR4: Assembly Group with 8 Digital Inputs and 4 Output Relays
- X6** – U K4: Voltage measuring assembly group with 4 additional Relay Outputs (normally open)
- X102** – Universal Resistance-Temperature Detector (URTD) input, Fiber optics interface, ST Connector
- X103** – RS485, D-SUB
- X104** – IRIG-B00X, incl. System Contact (Supervision Contact)

MCDGV4-2D1AHA



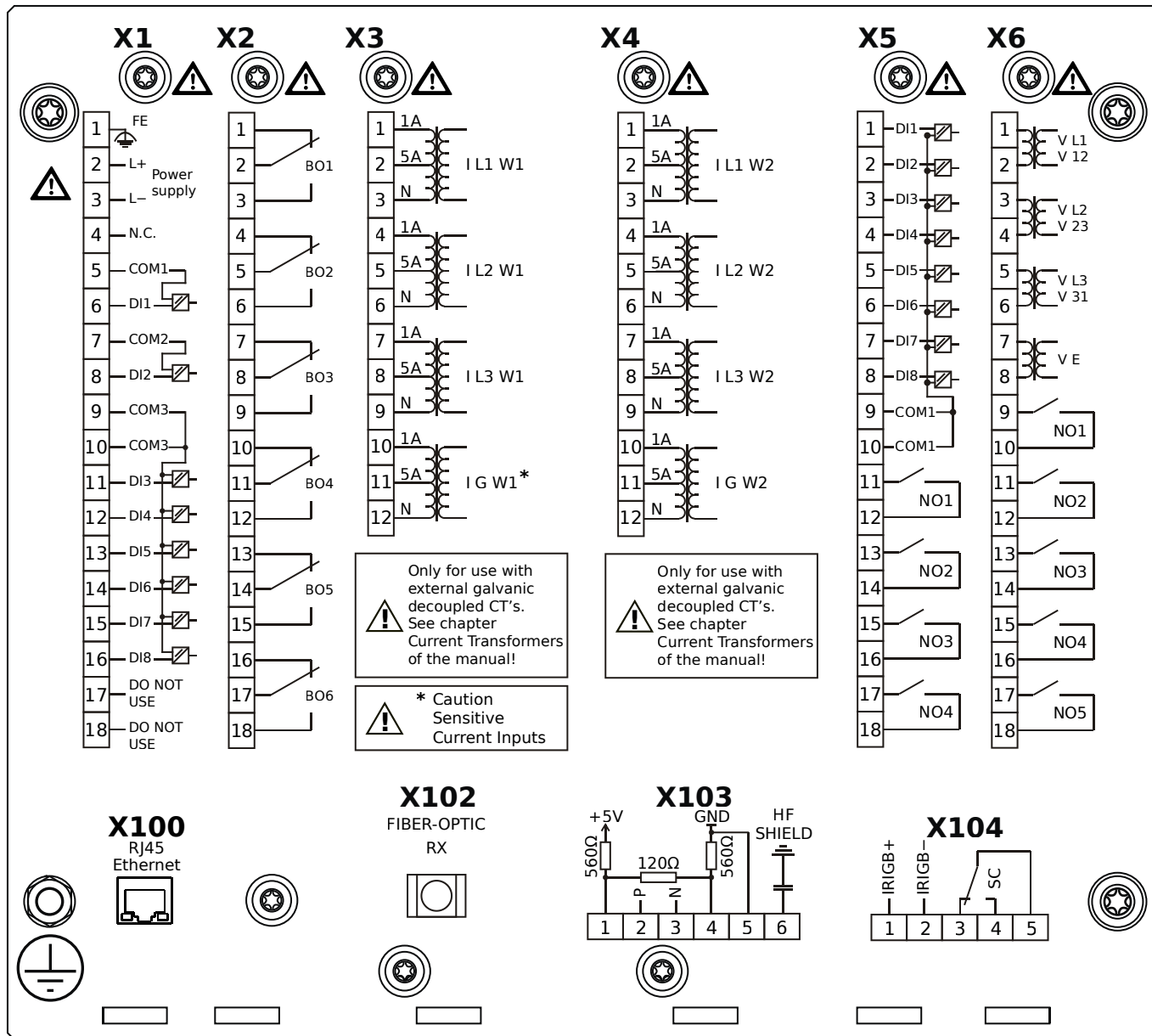
- X1** – DI8-X1: Wide-range power supply unit, incl. 2 non-grouped digital inputs and 6 grouped digital inputs
- X2** – OR-6: Assembly Group with 6 Relay Outputs
- X3** – TIS-4: Sensitive Ground current measuring card (for the neutral side of the differential protection)
- X4** – TI-4: Standard ground current measuring card (for the line side of the differential protection)
- X5** – DI8-OR4: Assembly Group with 8 Digital Inputs and 4 Output Relays
- X6** – U K4: Voltage measuring assembly group with 4 additional Relay Outputs (normally open)
- X100** – Ethernet interface, 100 Mbit/s, RJ45
- X102** – Universal Resistance-Temperature Detector (URTD) input, Fiber optics interface, ST Connector
- X104** – IRIG-B00X, incl. System Contact (Supervision Contact)

MCDGV4-2D1AHB



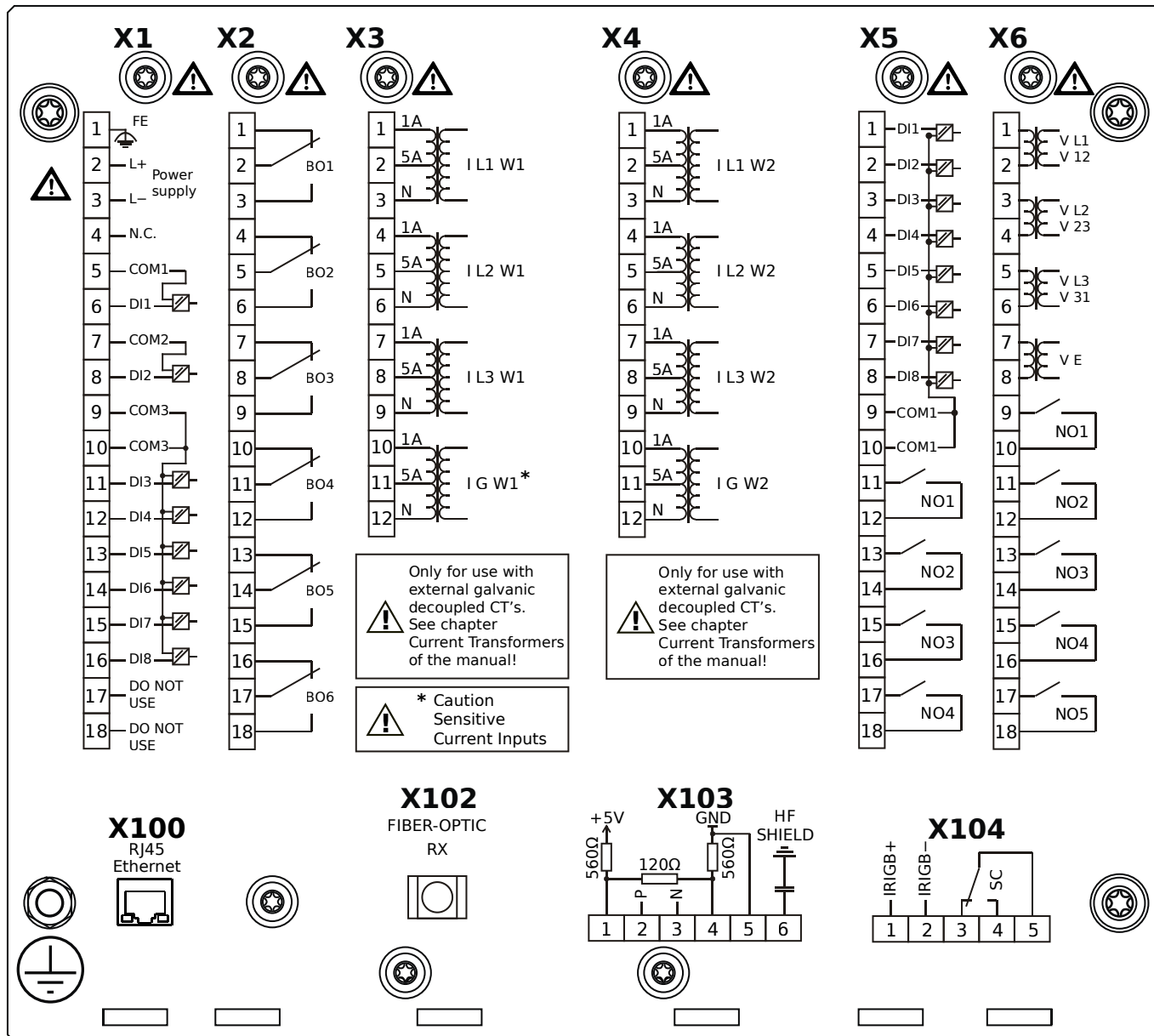
- X1** – DI8-X1: Wide-range power supply unit, incl. 2 non-grouped digital inputs and 6 grouped digital inputs
- X2** – OR-6: Assembly Group with 6 Relay Outputs
- X3** – TIS-4: Sensitive Ground current measuring card (for the neutral side of the differential protection)
- X4** – TI-4: Standard ground current measuring card (for the line side of the differential protection)
- X5** – DI8-OR4: Assembly Group with 8 Digital Inputs and 4 Output Relays
- X6** – U K4: Voltage measuring assembly group with 4 additional Relay Outputs (normally open)
- X100** – Ethernet interface, 100 Mbit/s, RJ45
- X102** – Universal Resistance-Temperature Detector (URTD) input, Fiber optics interface, ST Connector
- X104** – IRIG-B00X, incl. System Contact (Supervision Contact)

MCDGV4-2D1AIA



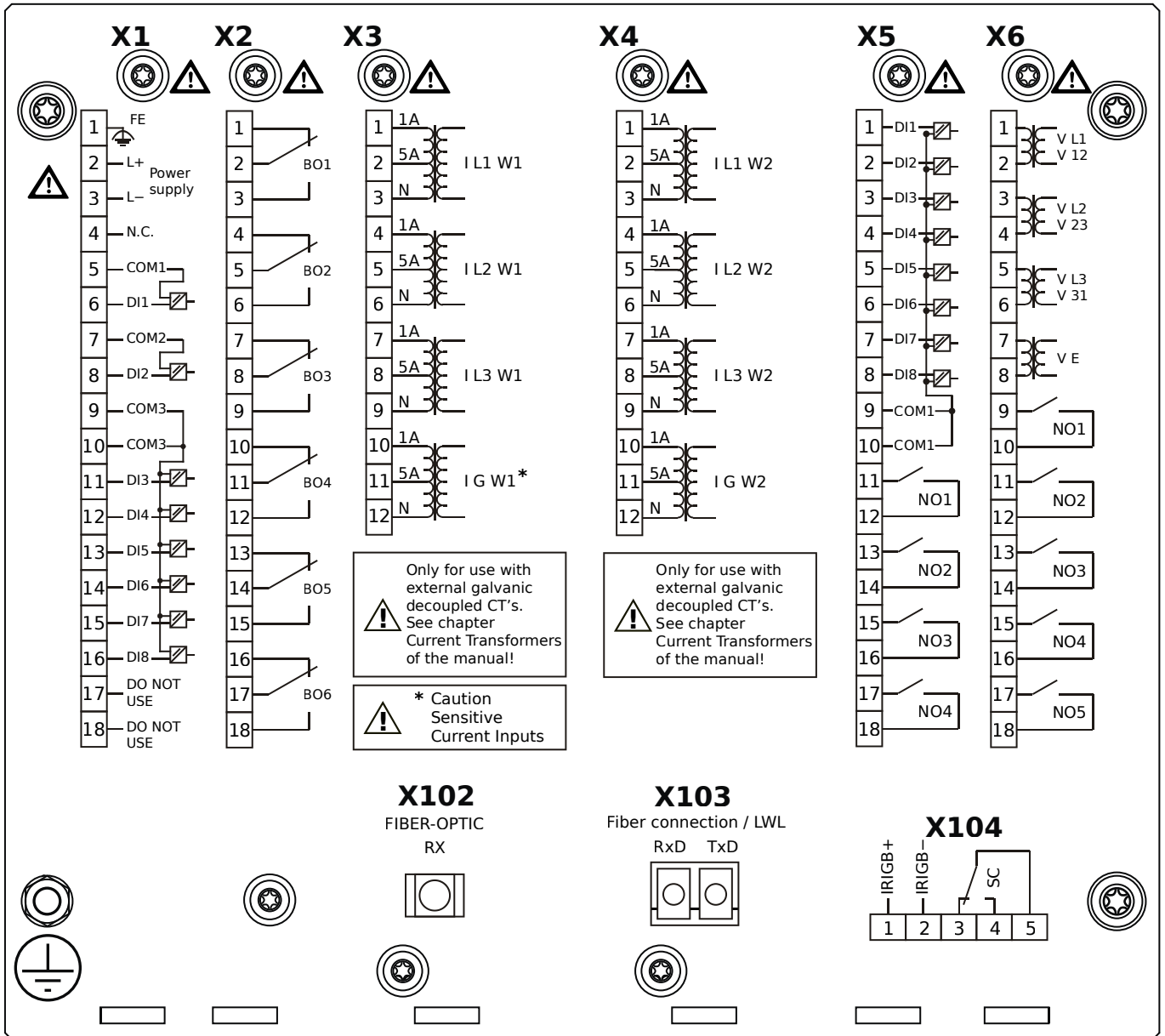
- X1** – DI8-X1: Wide-range power supply unit, incl. 2 non-grouped digital inputs and 6 grouped digital inputs
- X2** – OR-6: Assembly Group with 6 Relay Outputs
- X3** – TIS-4: Sensitive Ground current measuring card (for the neutral side of the differential protection)
- X4** – TI-4: Standard ground current measuring card (for the line side of the differential protection)
- X5** – DI8-OR4: Assembly Group with 8 Digital Inputs and 4 Output Relays
- X6** – U K4: Voltage measuring assembly group with 4 additional Relay Outputs (normally open)
- X100** – Ethernet interface, 100 Mbit/s, RJ45
- X102** – Universal Resistance-Temperature Detector (URTD) input, Fiber optics interface, ST Connector
- X103** – RS485, Terminals
- X104** – IRIG-B00X, incl. System Contact (Supervision Contact)

MCDGV4-2D1AIB



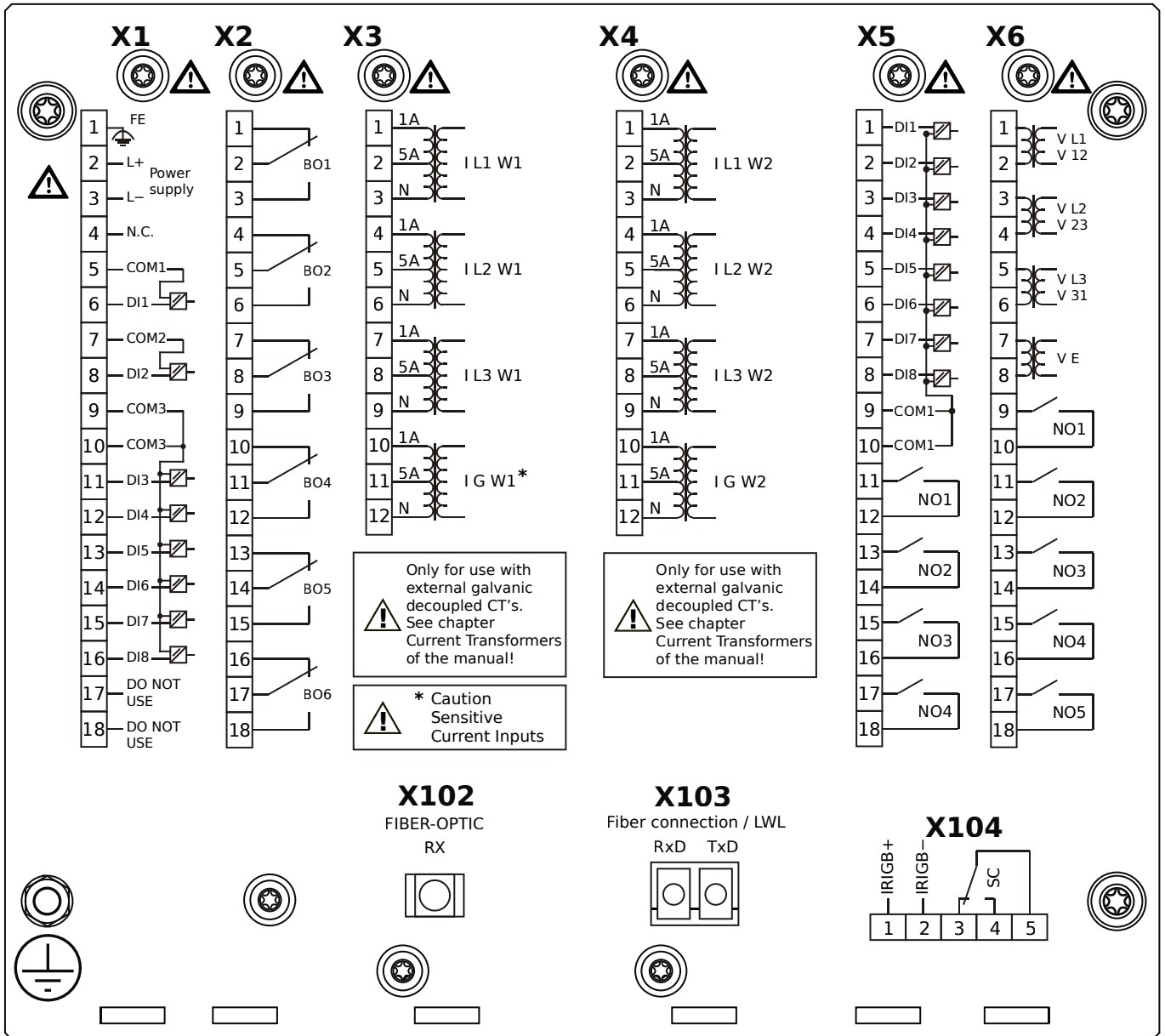
- X1** – DI8-X1: Wide-range power supply unit, incl. 2 non-grouped digital inputs and 6 grouped digital inputs
- X2** – OR-6: Assembly Group with 6 Relay Outputs
- X3** – TIS-4: Sensitive Ground current measuring card (for the neutral side of the differential protection)
- X4** – TI-4: Standard ground current measuring card (for the line side of the differential protection)
- X5** – DI8-OR4: Assembly Group with 8 Digital Inputs and 4 Output Relays
- X6** – U K4: Voltage measuring assembly group with 4 additional Relay Outputs (normally open)
- X100** – Ethernet interface, 100 Mbit/s, RJ45
- X102** – Universal Resistance-Temperature Detector (URTD) input, Fiber optics interface, ST Connector
- X103** – RS485, Terminals
- X104** – IRIG-B00X, incl. System Contact (Supervision Contact)

MCDGV4-2D1AKA



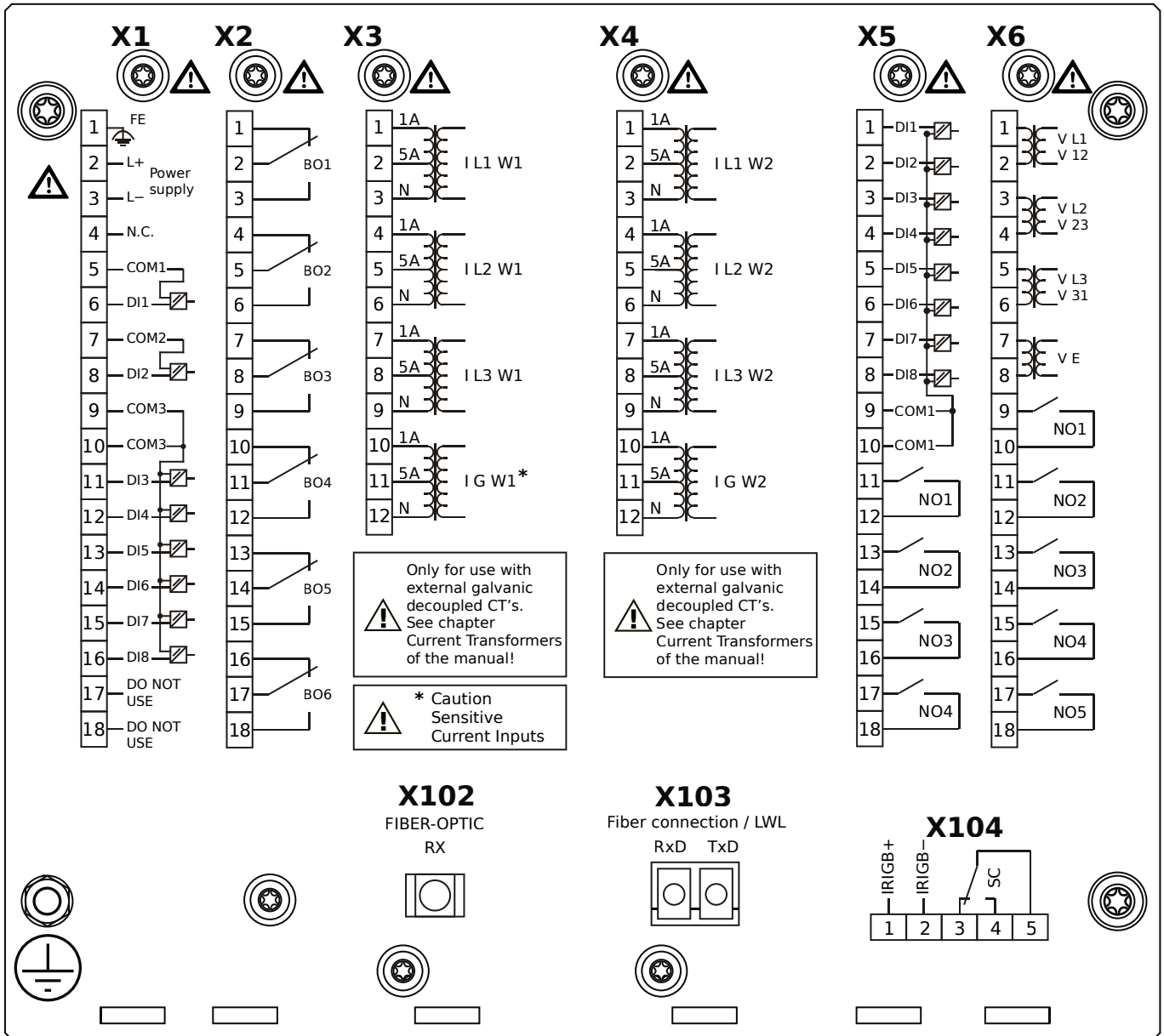
- X1** – DI8-X1: Wide-range power supply unit, incl. 2 non-grouped digital inputs and 6 grouped digital inputs
- X2** – OR-6: Assembly Group with 6 Relay Outputs
- X3** – TIS-4: Sensitive Ground current measuring card (for the neutral side of the differential protection)
- X4** – TI-4: Standard ground current measuring card (for the line side of the differential protection)
- X5** – DI8-OR4: Assembly Group with 8 Digital Inputs and 4 Output Relays
- X6** – U K4: Voltage measuring assembly group with 4 additional Relay Outputs (normally open)
- X102** – Universal Resistance-Temperature Detector (URTD) input, Fiber optics interface, ST Connector
- X103** – Fiber optics interface, LC Connector
- X104** – IRIG-B00X, incl. System Contact (Supervision Contact)

MCDGV4-2D1AKB



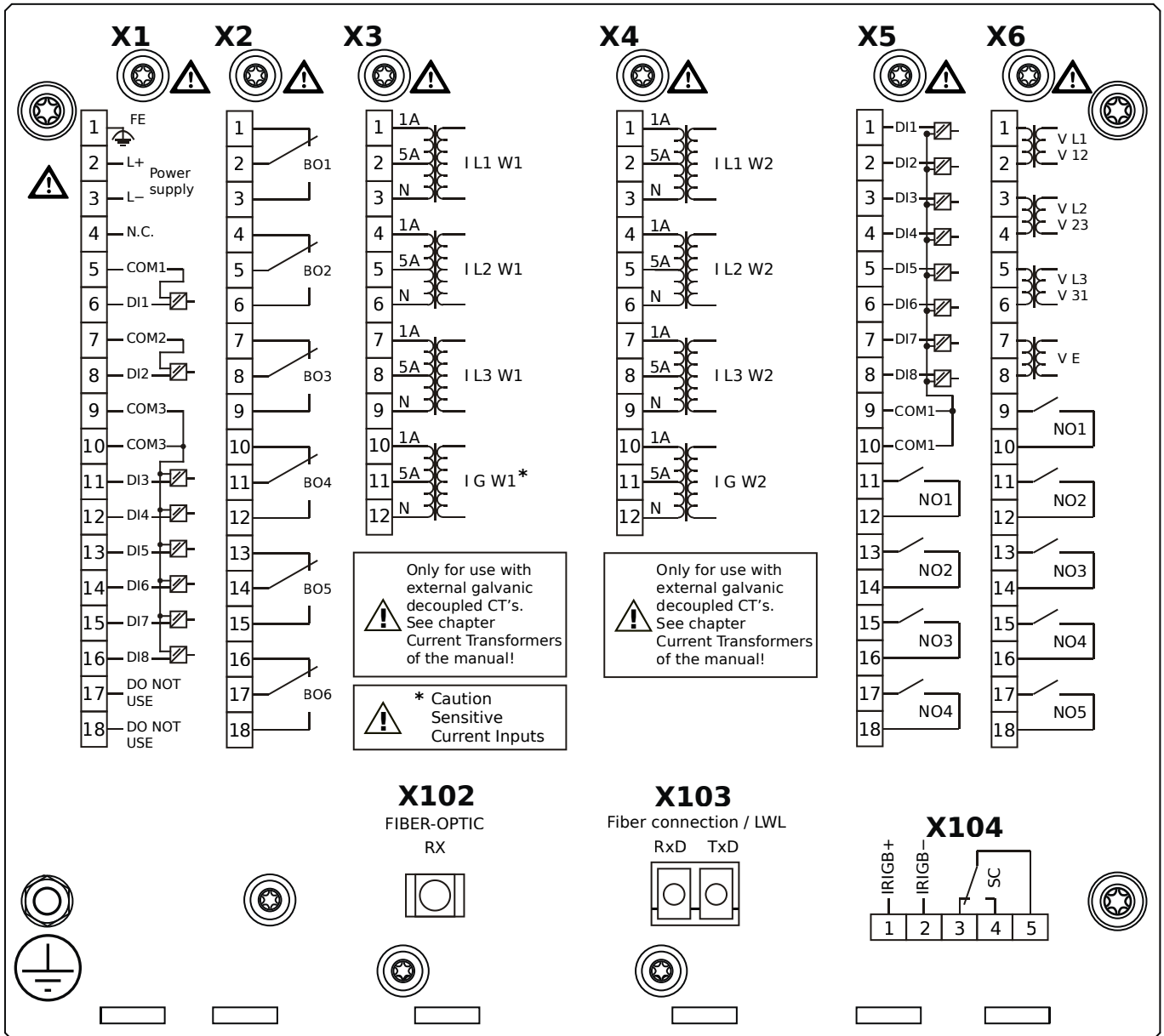
- X1** – DI8-X1: Wide-range power supply unit, incl. 2 non-grouped digital inputs and 6 grouped digital inputs
- X2** – OR-6: Assembly Group with 6 Relay Outputs
- X3** – TIS-4: Sensitive Ground current measuring card (for the neutral side of the differential protection)
- X4** – TI-4: Standard ground current measuring card (for the line side of the differential protection)
- X5** – DI8-OR4: Assembly Group with 8 Digital Inputs and 4 Output Relays
- X6** – U K4: Voltage measuring assembly group with 4 additional Relay Outputs (normally open)
- X102** – Universal Resistance-Temperature Detector (URTD) input, Fiber optics interface, ST Connector
- X103** – Fiber optics interface, LC Connector
- X104** – IRIG-B00X, incl. System Contact (Supervision Contact)

MCDGV4-2D1ALA



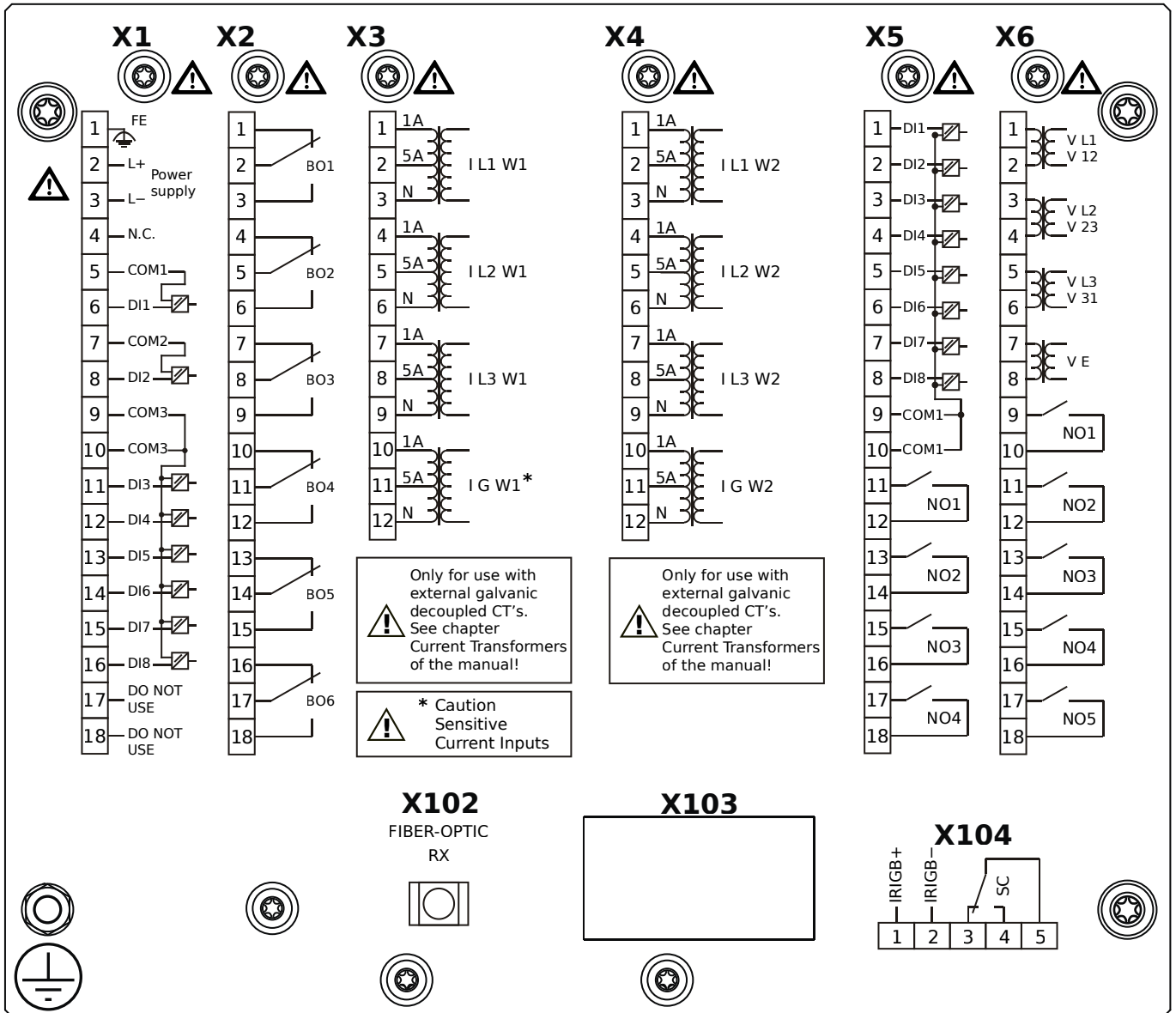
- X1** – DI8-X1: Wide-range power supply unit, incl. 2 non-grouped digital inputs and 6 grouped digital inputs
- X2** – OR-6: Assembly Group with 6 Relay Outputs
- X3** – TIS-4: Sensitive Ground current measuring card (for the neutral side of the differential protection)
- X4** – TI-4: Standard ground current measuring card (for the line side of the differential protection)
- X5** – DI8-OR4: Assembly Group with 8 Digital Inputs and 4 Output Relays
- X6** – U K4: Voltage measuring assembly group with 4 additional Relay Outputs (normally open)
- X102** – Universal Resistance-Temperature Detector (URTD) input, Fiber optics interface, ST Connector
- X103** – Fiber optics interface, LC Connector
- X104** – IRIG-B00X, incl. System Contact (Supervision Contact)

MCDGV4-2D1ALB



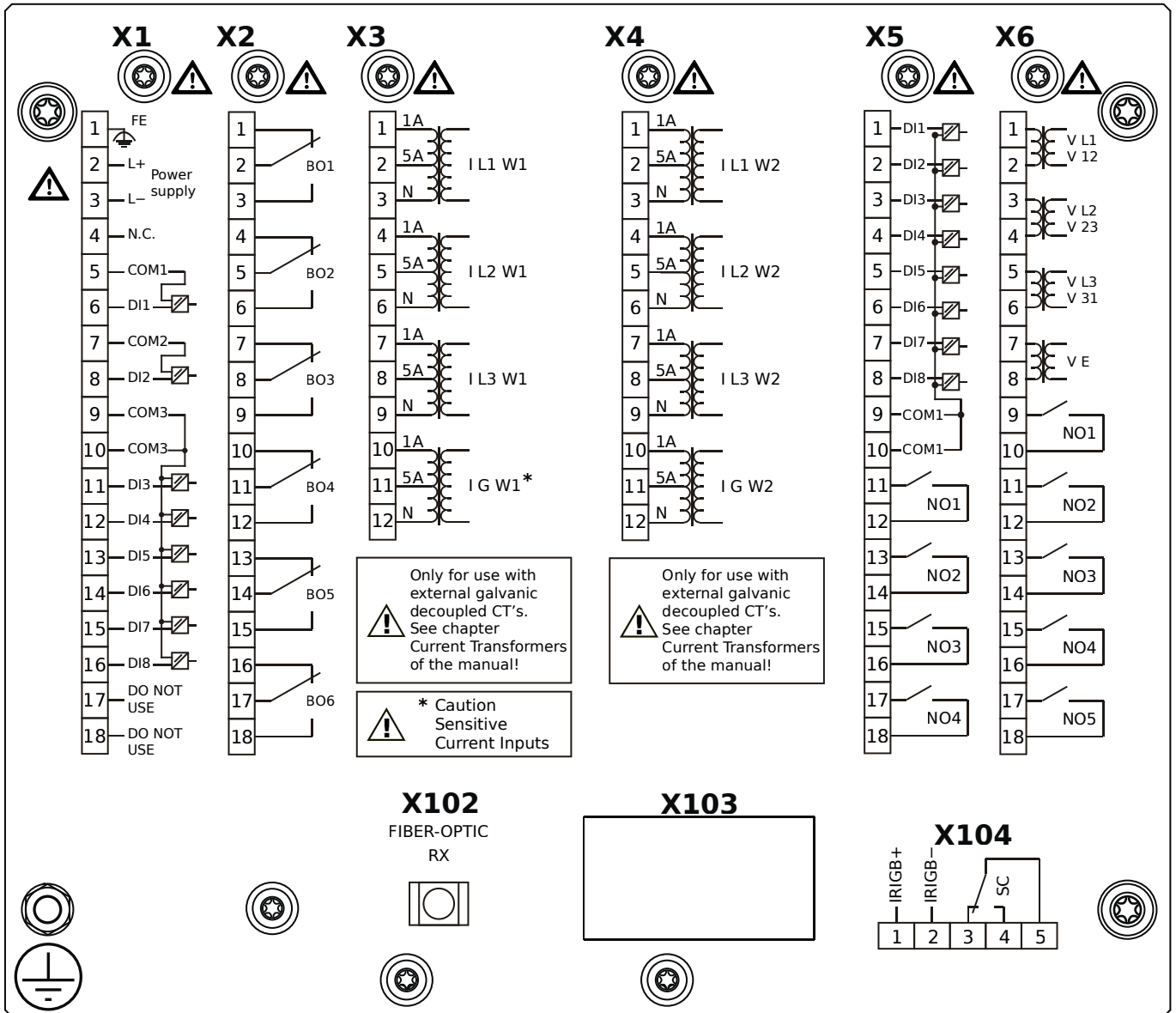
- X1** – DI8-X1: Wide-range power supply unit, incl. 2 non-grouped digital inputs and 6 grouped digital inputs
- X2** – OR-6: Assembly Group with 6 Relay Outputs
- X3** – TIS-4: Sensitive Ground current measuring card (for the neutral side of the differential protection)
- X4** – TI-4: Standard ground current measuring card (for the line side of the differential protection)
- X5** – DI8-OR4: Assembly Group with 8 Digital Inputs and 4 Output Relays
- X6** – U K4: Voltage measuring assembly group with 4 additional Relay Outputs (normally open)
- X102** – Universal Resistance-Temperature Detector (URTD) input, Fiber optics interface, ST Connector
- X103** – Fiber optics interface, LC Connector
- X104** – IRIG-B00X, incl. System Contact (Supervision Contact)

MCDGV4-2D1BAA



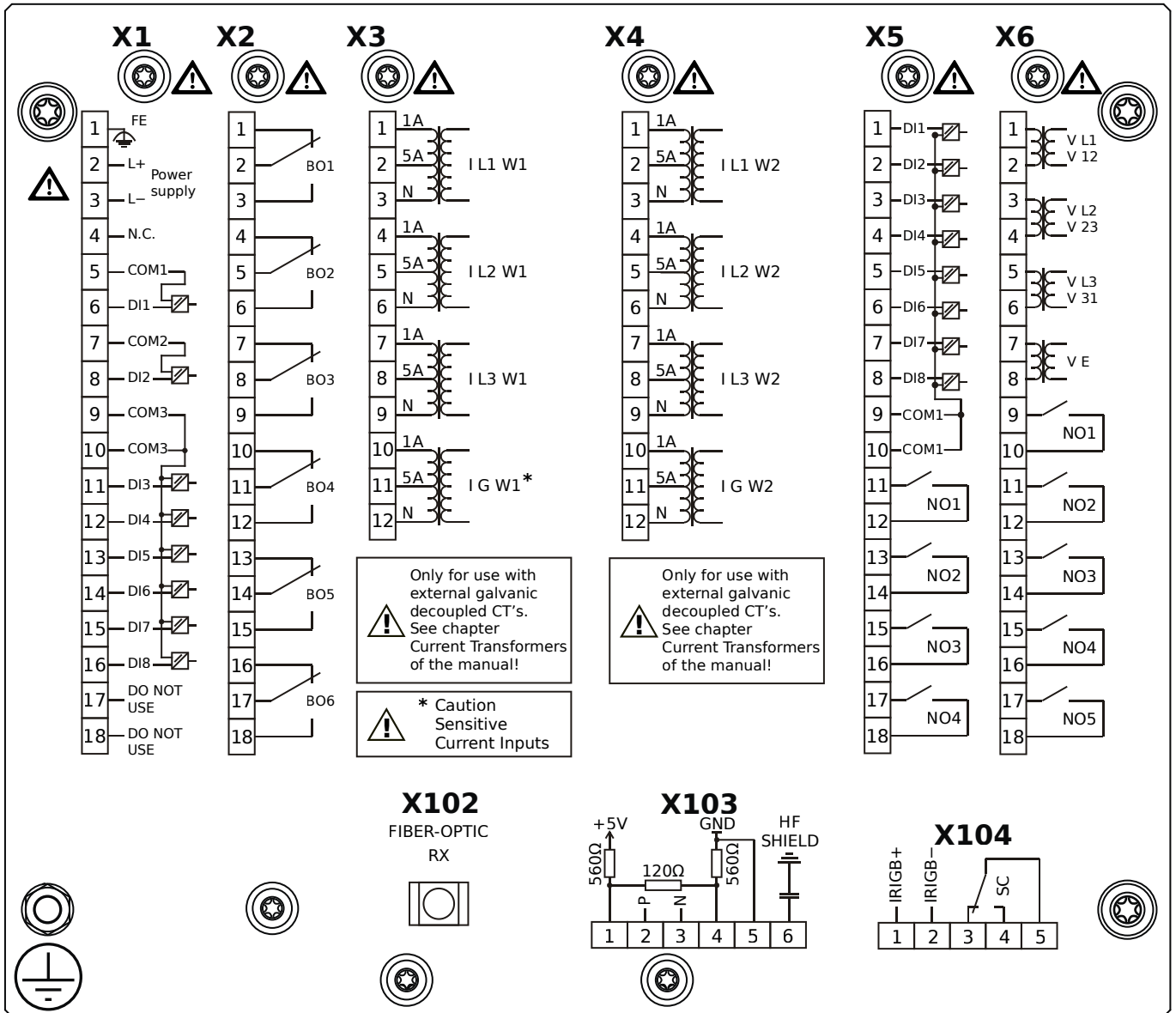
- X1** – DI8-X1: Wide-range power supply unit, incl. 2 non-grouped digital inputs and 6 grouped digital inputs
- X2** – OR-6: Assembly Group with 6 Relay Outputs
- X3** – TIS-4: Sensitive Ground current measuring card (for the neutral side of the differential protection)
- X4** – TI-4: Standard ground current measuring card (for the line side of the differential protection)
- X5** – DI8-OR4: Assembly Group with 8 Digital Inputs and 4 Output Relays
- X6** – U K4: Voltage measuring assembly group with 4 additional Relay Outputs (normally open)
- X102** – Universal Resistance-Temperature Detector (URTD) input, Fiber optics interface, ST Connector
- X104** – IRIG-B00X, incl. System Contact (Supervision Contact)

MCDGV4-2D1BAB



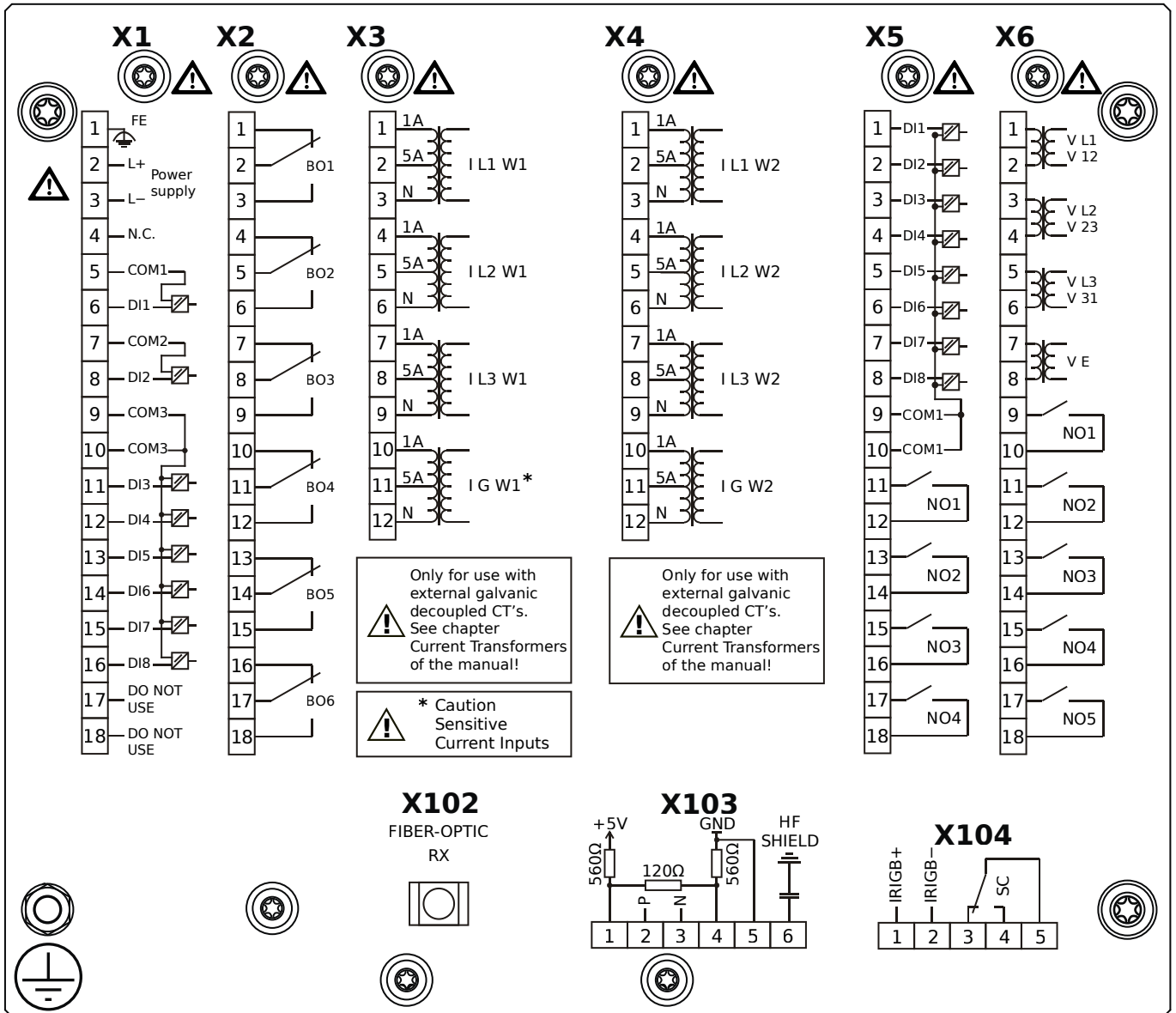
- X1** – DI8-X1: Wide-range power supply unit, incl. 2 non-grouped digital inputs and 6 grouped digital inputs
- X2** – OR-6: Assembly Group with 6 Relay Outputs
- X3** – TIS-4: Sensitive Ground current measuring card (for the neutral side of the differential protection)
- X4** – TI-4: Standard ground current measuring card (for the line side of the differential protection)
- X5** – DI8-OR4: Assembly Group with 8 Digital Inputs and 4 Output Relays
- X6** – U K4: Voltage measuring assembly group with 4 additional Relay Outputs (normally open)
- X102** – Universal Resistance-Temperature Detector (URTD) input, Fiber optics interface, ST Connector
- X104** – IRIG-B00X, incl. System Contact (Supervision Contact)

MCDGV4-2D1BBA



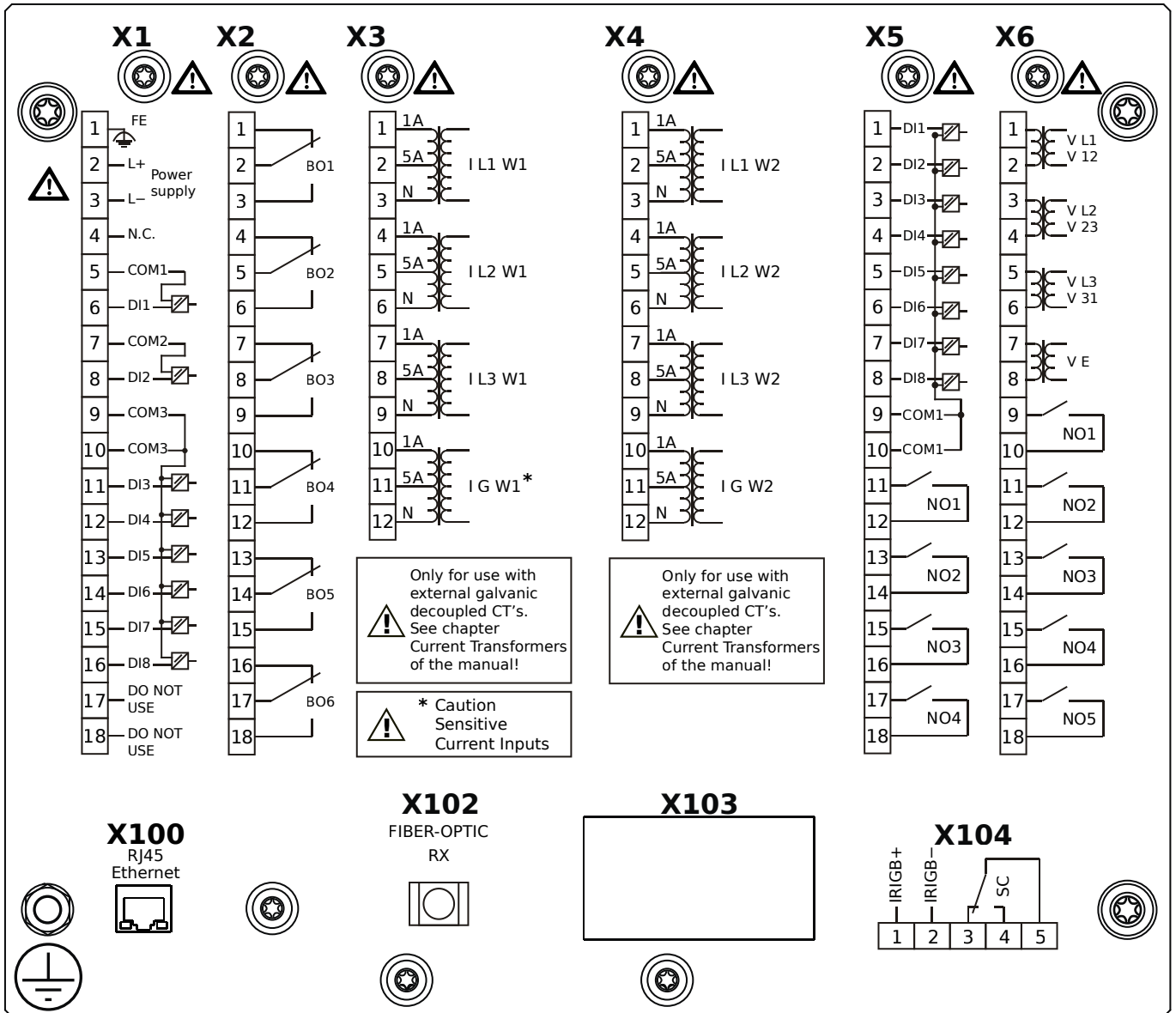
- X1** – DI8-X1: Wide-range power supply unit, incl. 2 non-grouped digital inputs and 6 grouped digital inputs
- X2** – OR-6: Assembly Group with 6 Relay Outputs
- X3** – TIS-4: Sensitive Ground current measuring card (for the neutral side of the differential protection)
- X4** – TI-4: Standard ground current measuring card (for the line side of the differential protection)
- X5** – DI8-OR4: Assembly Group with 8 Digital Inputs and 4 Output Relays
- X6** – U K4: Voltage measuring assembly group with 4 additional Relay Outputs (normally open)
- X102** – Universal Resistance-Temperature Detector (URTD) input, Fiber optics interface, ST Connector
- X103** – RS485, Terminals
- X104** – IRIG-B00X, incl. System Contact (Supervision Contact)

MCDGV4-2D1BBB



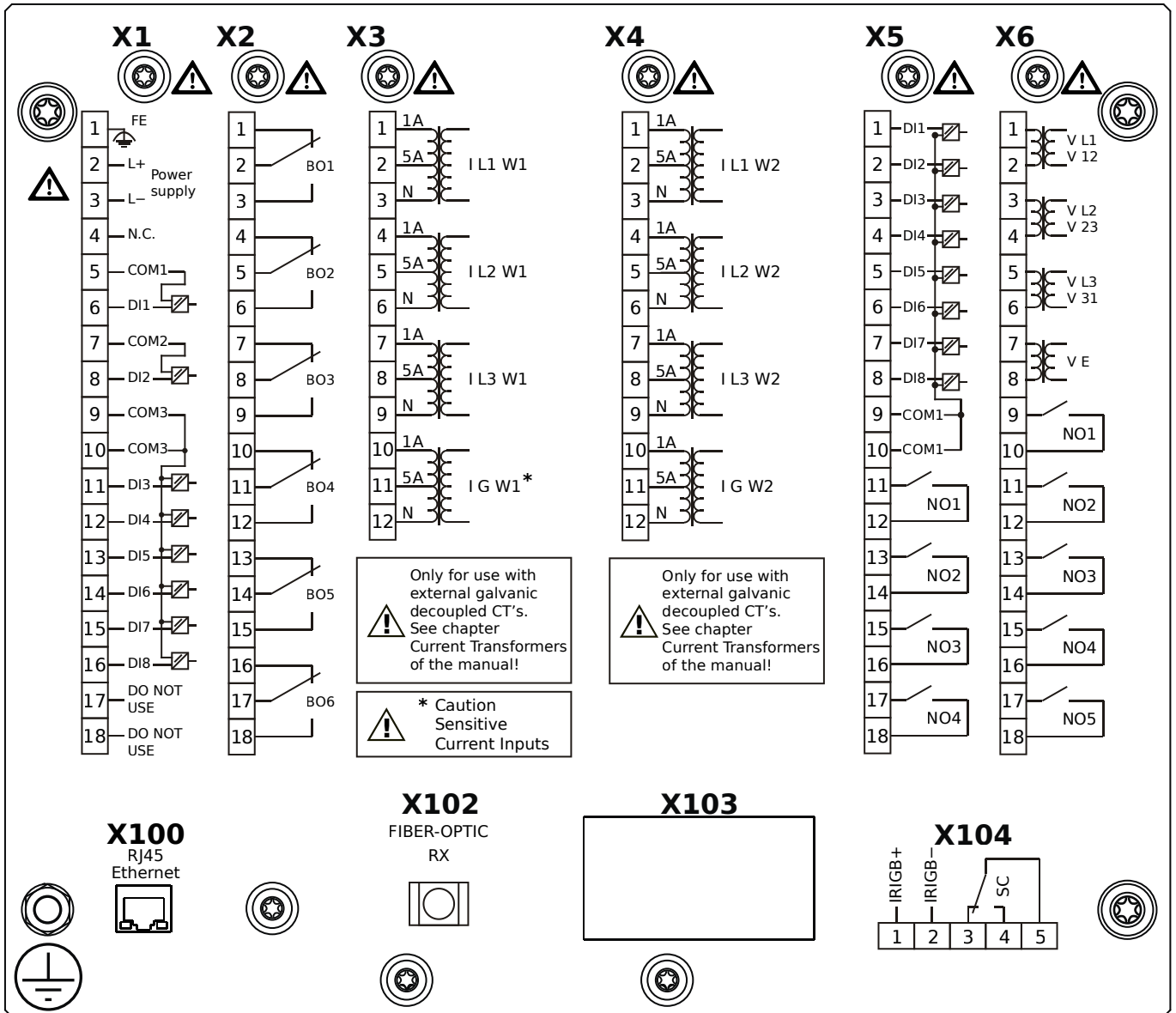
- X1** – DI8-X1: Wide-range power supply unit, incl. 2 non-grouped digital inputs and 6 grouped digital inputs
- X2** – OR-6: Assembly Group with 6 Relay Outputs
- X3** – TIS-4: Sensitive Ground current measuring card (for the neutral side of the differential protection)
- X4** – TI-4: Standard ground current measuring card (for the line side of the differential protection)
- X5** – DI8-OR4: Assembly Group with 8 Digital Inputs and 4 Output Relays
- X6** – U K4: Voltage measuring assembly group with 4 additional Relay Outputs (normally open)
- X102** – Universal Resistance-Temperature Detector (URTD) input, Fiber optics interface, ST Connector
- X103** – RS485, Terminals
- X104** – IRIG-B00X, incl. System Contact (Supervision Contact)

MCDGV4-2D1BCA



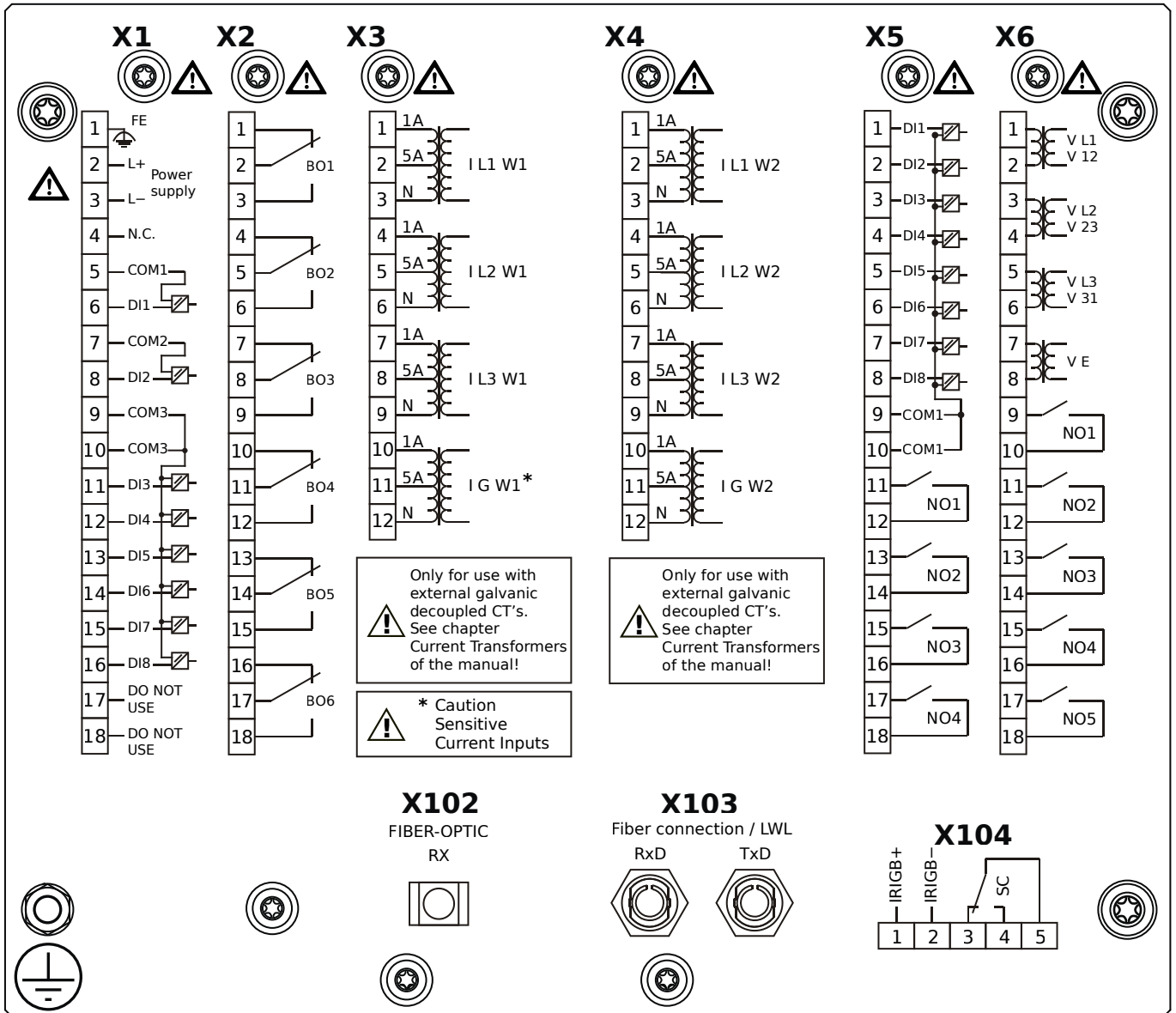
- X1** – DI8-X1: Wide-range power supply unit, incl. 2 non-grouped digital inputs and 6 grouped digital inputs
- X2** – OR-6: Assembly Group with 6 Relay Outputs
- X3** – TIS-4: Sensitive Ground current measuring card (for the neutral side of the differential protection)
- X4** – TI-4: Standard ground current measuring card (for the line side of the differential protection)
- X5** – DI8-OR4: Assembly Group with 8 Digital Inputs and 4 Output Relays
- X6** – U K4: Voltage measuring assembly group with 4 additional Relay Outputs (normally open)
- X100** – Ethernet interface, 100 Mbit/s, RJ45
- X102** – Universal Resistance-Temperature Detector (URTD) input, Fiber optics interface, ST Connector
- X104** – IRIG-B00X, incl. System Contact (Supervision Contact)

MCDGV4-2D1BCB



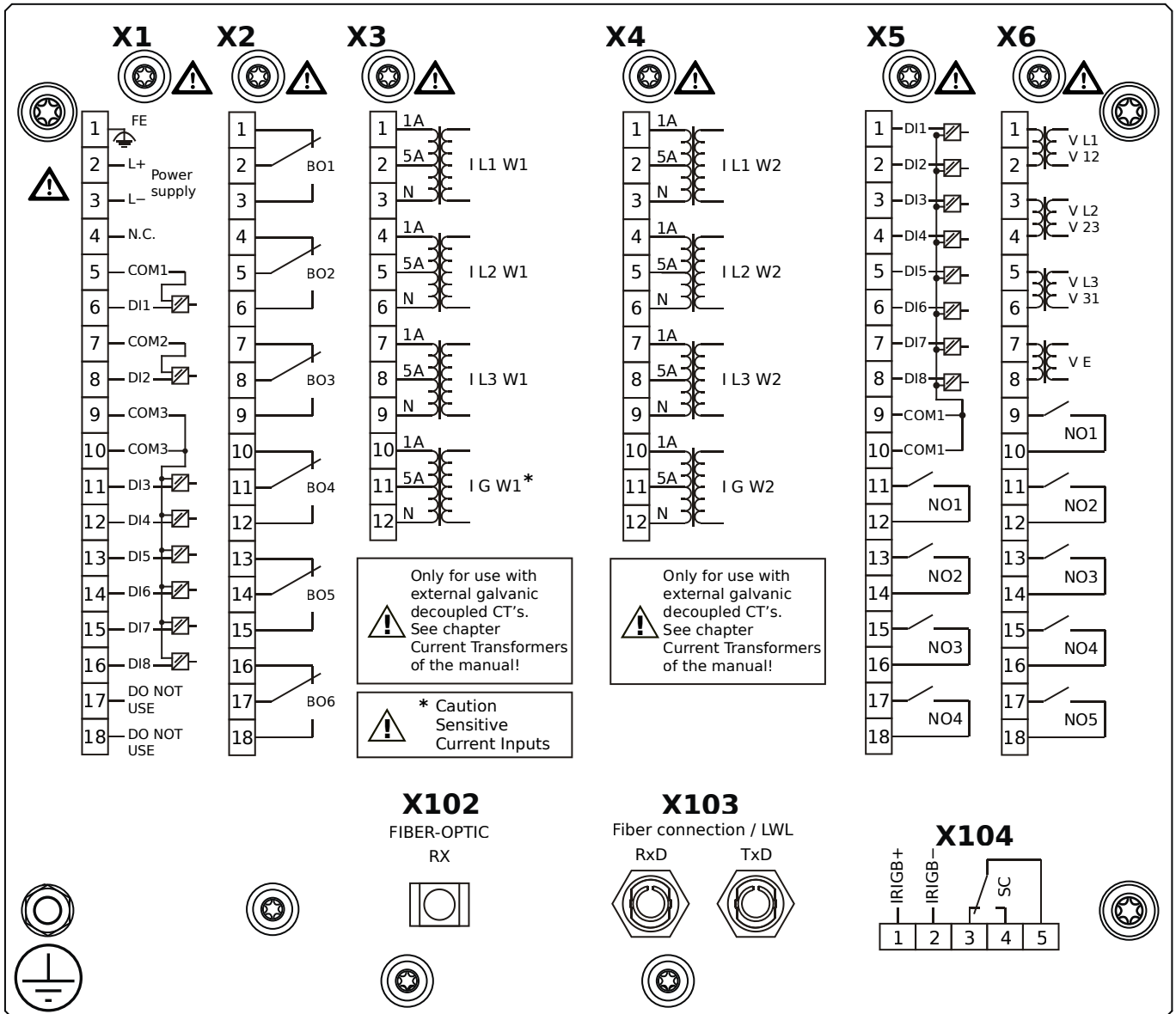
- X1** – DI8-X1: Wide-range power supply unit, incl. 2 non-grouped digital inputs and 6 grouped digital inputs
- X2** – OR-6: Assembly Group with 6 Relay Outputs
- X3** – TIS-4: Sensitive Ground current measuring card (for the neutral side of the differential protection)
- X4** – TI-4: Standard ground current measuring card (for the line side of the differential protection)
- X5** – DI8-OR4: Assembly Group with 8 Digital Inputs and 4 Output Relays
- X6** – U K4: Voltage measuring assembly group with 4 additional Relay Outputs (normally open)
- X100** – Ethernet interface, 100 Mbit/s, RJ45
- X102** – Universal Resistance-Temperature Detector (URTD) input, Fiber optics interface, ST Connector
- X104** – IRIG-B00X, incl. System Contact (Supervision Contact)

MCDGV4-2D1BDA



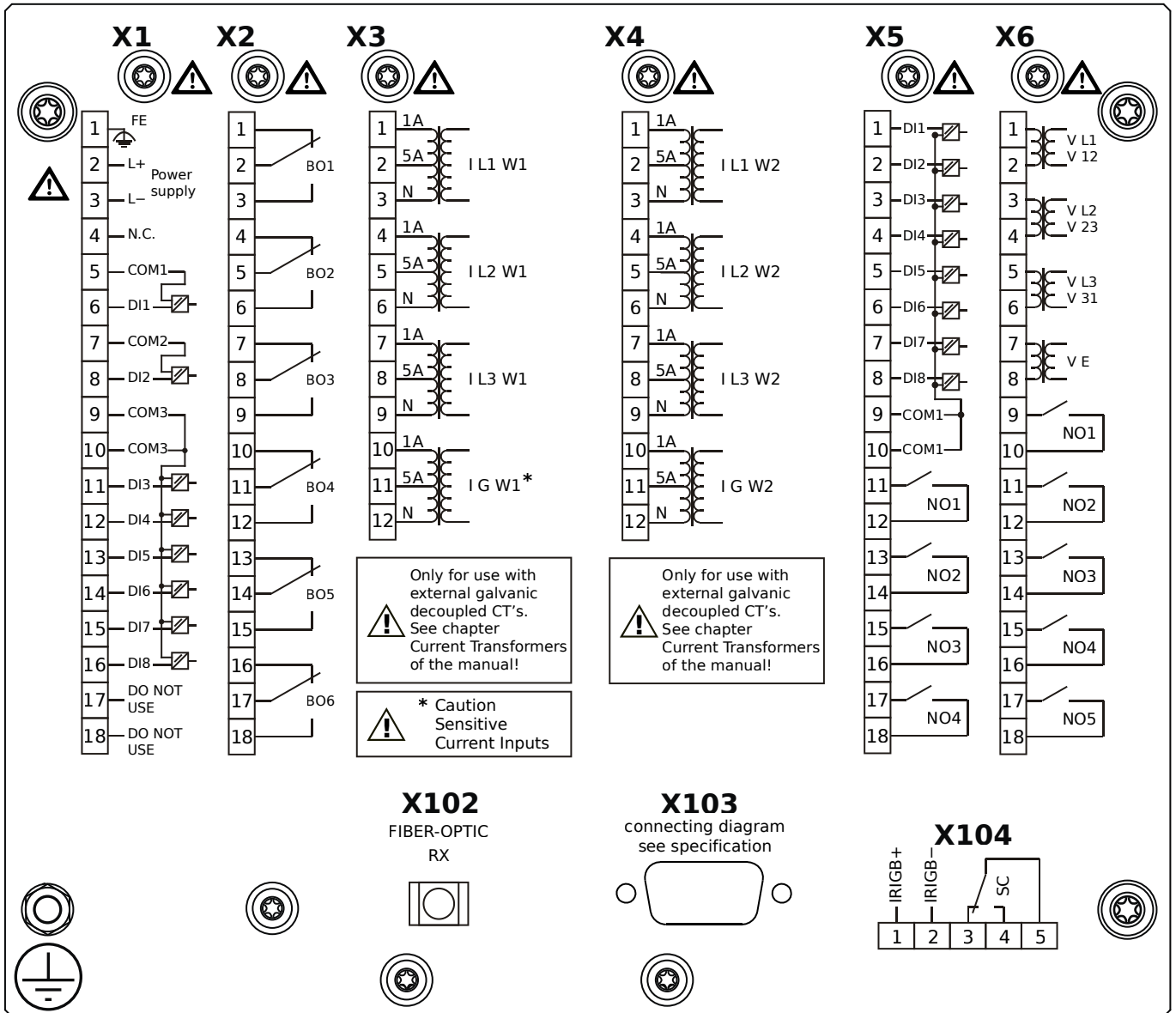
- X1** – DI8-X1: Wide-range power supply unit, incl. 2 non-grouped digital inputs and 6 grouped digital inputs
- X2** – OR-6: Assembly Group with 6 Relay Outputs
- X3** – TIS-4: Sensitive Ground current measuring card (for the neutral side of the differential protection)
- X4** – TI-4: Standard ground current measuring card (for the line side of the differential protection)
- X5** – DI8-OR4: Assembly Group with 8 Digital Inputs and 4 Output Relays
- X6** – U K4: Voltage measuring assembly group with 4 additional Relay Outputs (normally open)
- X102** – Universal Resistance-Temperature Detector (URTD) input, Fiber optics interface, ST Connector
- X103** – Fiber optics interface, ST Connector
- X104** – IRIG-B00X, incl. System Contact (Supervision Contact)

MCDGV4-2D1BDB



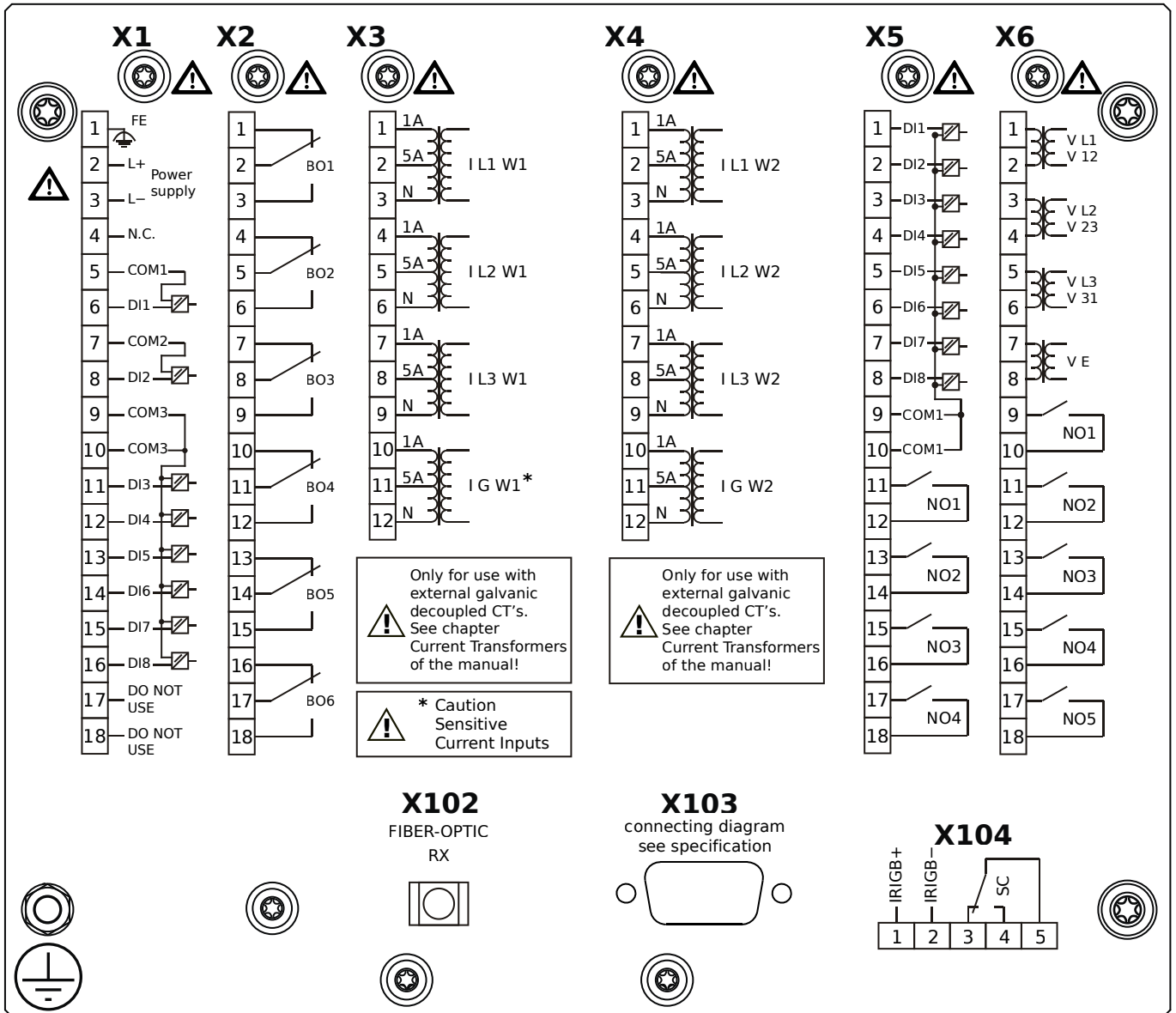
- X1** – DI8-X1: Wide-range power supply unit, incl. 2 non-grouped digital inputs and 6 grouped digital inputs
- X2** – OR-6: Assembly Group with 6 Relay Outputs
- X3** – TIS-4: Sensitive Ground current measuring card (for the neutral side of the differential protection)
- X4** – TI-4: Standard ground current measuring card (for the line side of the differential protection)
- X5** – DI8-OR4: Assembly Group with 8 Digital Inputs and 4 Output Relays
- X6** – U K4: Voltage measuring assembly group with 4 additional Relay Outputs (normally open)
- X102** – Universal Resistance-Temperature Detector (URTD) input, Fiber optics interface, ST Connector
- X103** – Fiber optics interface, ST Connector
- X104** – IRIG-B00X, incl. System Contact (Supervision Contact)

MCDGV4-2D1BEA



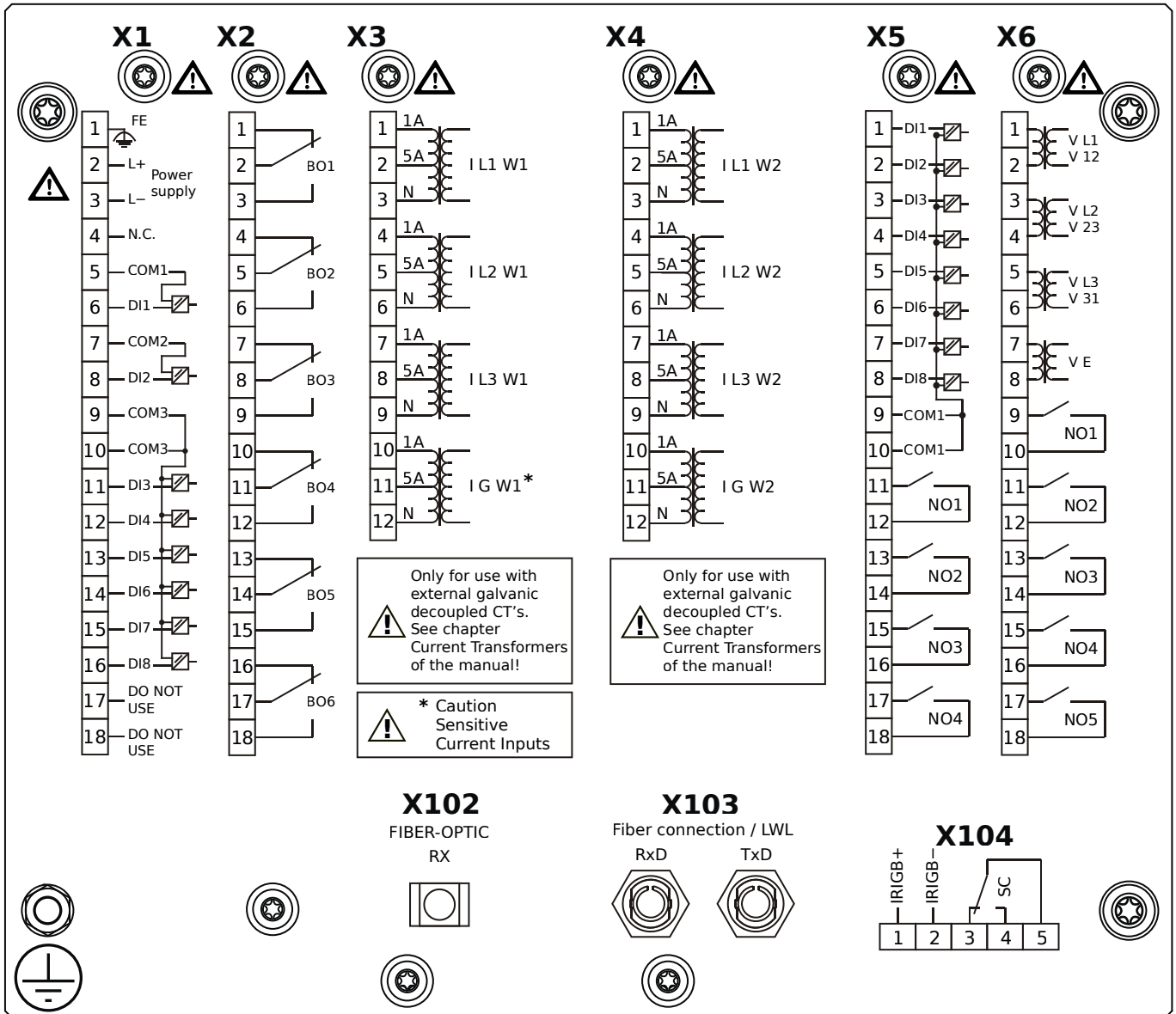
- X1** – DI8-X1: Wide-range power supply unit, incl. 2 non-grouped digital inputs and 6 grouped digital inputs
- X2** – OR-6: Assembly Group with 6 Relay Outputs
- X3** – TIS-4: Sensitive Ground current measuring card (for the neutral side of the differential protection)
- X4** – TI-4: Standard ground current measuring card (for the line side of the differential protection)
- X5** – DI8-OR4: Assembly Group with 8 Digital Inputs and 4 Output Relays
- X6** – U K4: Voltage measuring assembly group with 4 additional Relay Outputs (normally open)
- X102** – Universal Resistance-Temperature Detector (URTD) input, Fiber optics interface, ST Connector
- X103** – RS485, D-SUB
- X104** – IRIG-B00X, incl. System Contact (Supervision Contact)

MCDGV4-2D1BEB



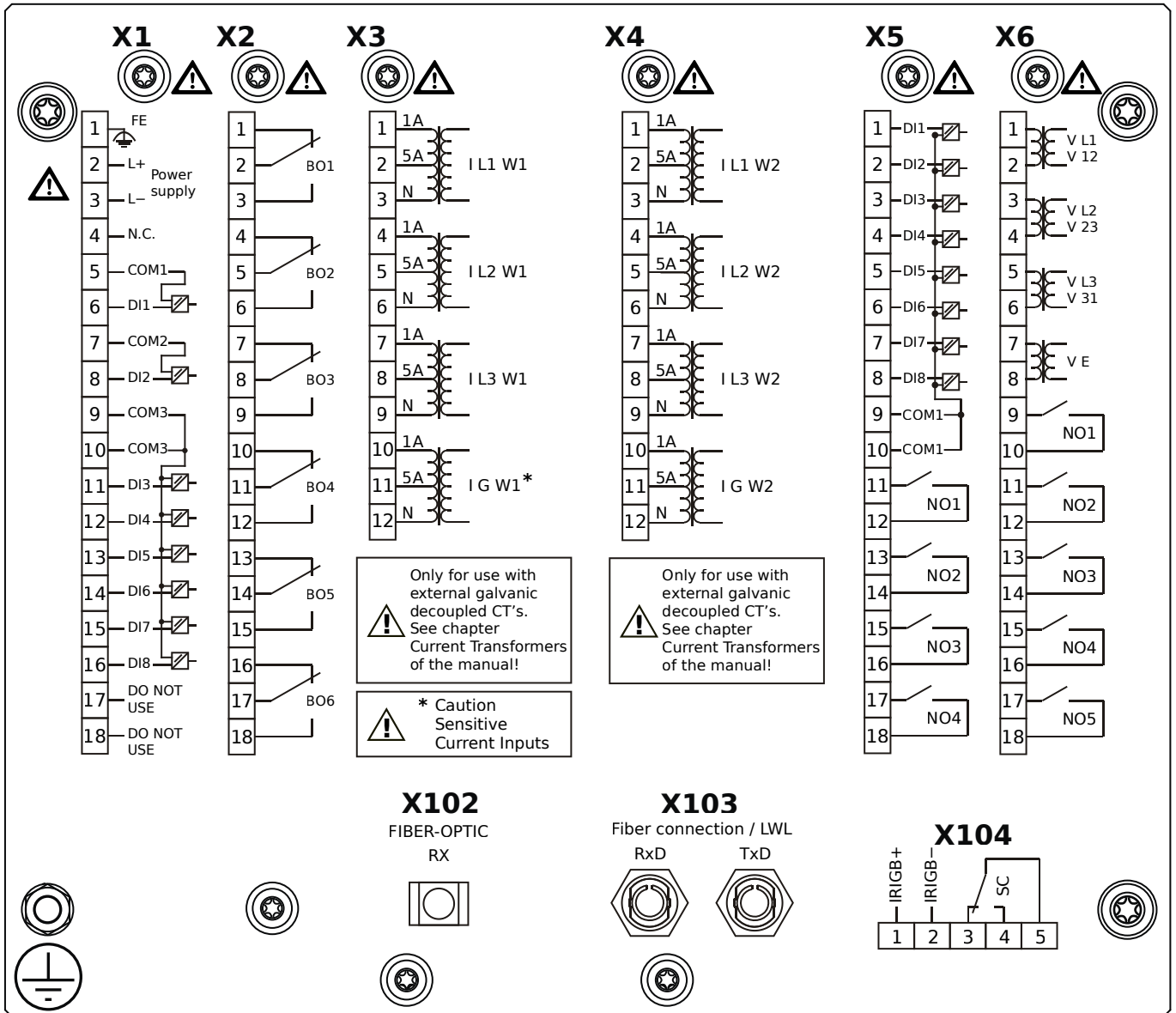
- X1** – DI8-X1: Wide-range power supply unit, incl. 2 non-grouped digital inputs and 6 grouped digital inputs
- X2** – OR-6: Assembly Group with 6 Relay Outputs
- X3** – TIS-4: Sensitive Ground current measuring card (for the neutral side of the differential protection)
- X4** – TI-4: Standard ground current measuring card (for the line side of the differential protection)
- X5** – DI8-OR4: Assembly Group with 8 Digital Inputs and 4 Output Relays
- X6** – U K4: Voltage measuring assembly group with 4 additional Relay Outputs (normally open)
- X102** – Universal Resistance-Temperature Detector (URTD) input, Fiber optics interface, ST Connector
- X103** – RS485, D-SUB
- X104** – IRIG-B00X, incl. System Contact (Supervision Contact)

MCDGV4-2D1BFA



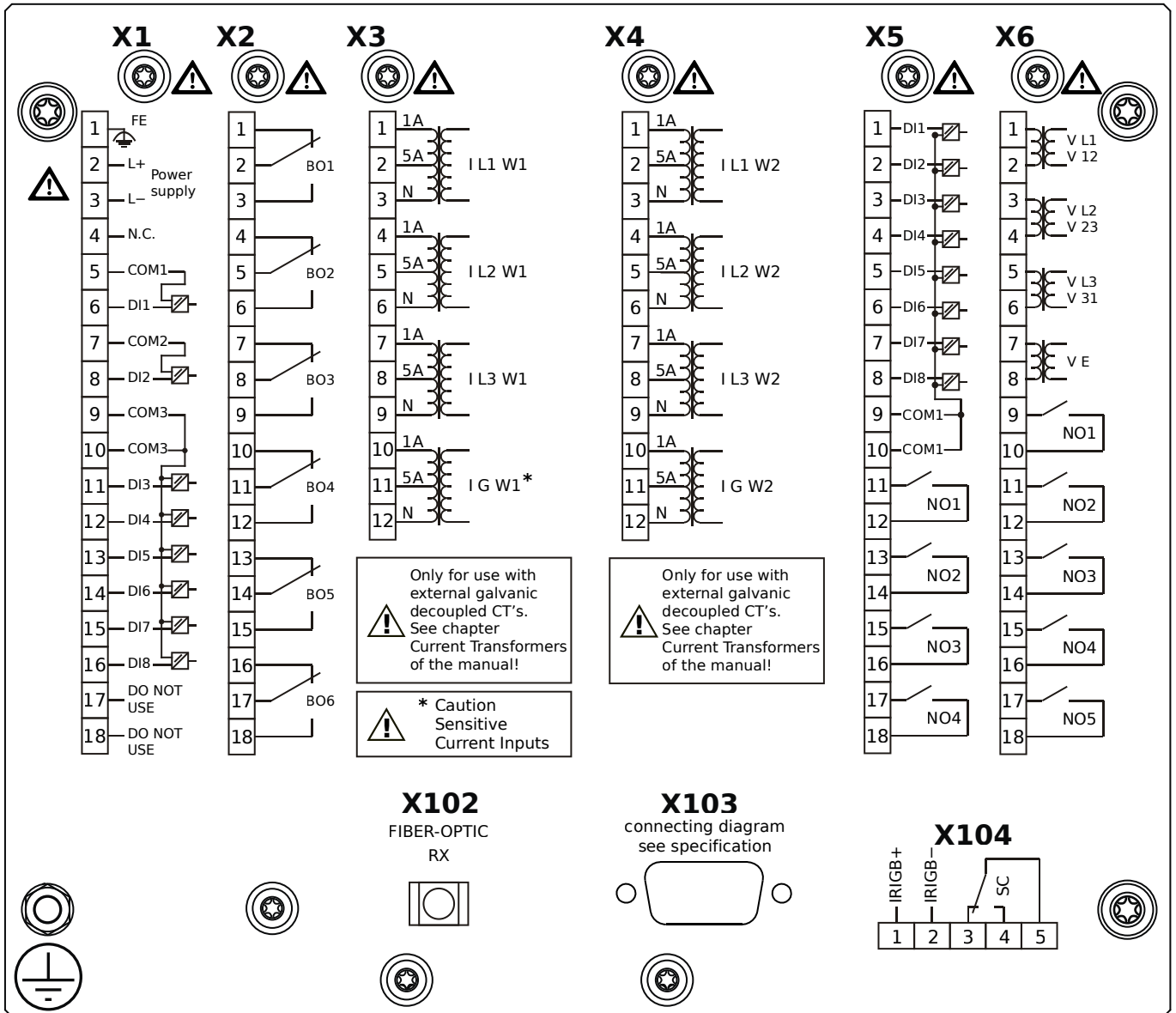
- X1** – DI8-X1: Wide-range power supply unit, incl. 2 non-grouped digital inputs and 6 grouped digital inputs
- X2** – OR-6: Assembly Group with 6 Relay Outputs
- X3** – TIS-4: Sensitive Ground current measuring card (for the neutral side of the differential protection)
- X4** – TI-4: Standard ground current measuring card (for the line side of the differential protection)
- X5** – DI8-OR4: Assembly Group with 8 Digital Inputs and 4 Output Relays
- X6** – U K4: Voltage measuring assembly group with 4 additional Relay Outputs (normally open)
- X102** – Universal Resistance-Temperature Detector (URTD) input, Fiber optics interface, ST Connector
- X103** – Fiber optics interface, ST Connector
- X104** – IRIG-B00X, incl. System Contact (Supervision Contact)

MCDGV4-2D1BFB



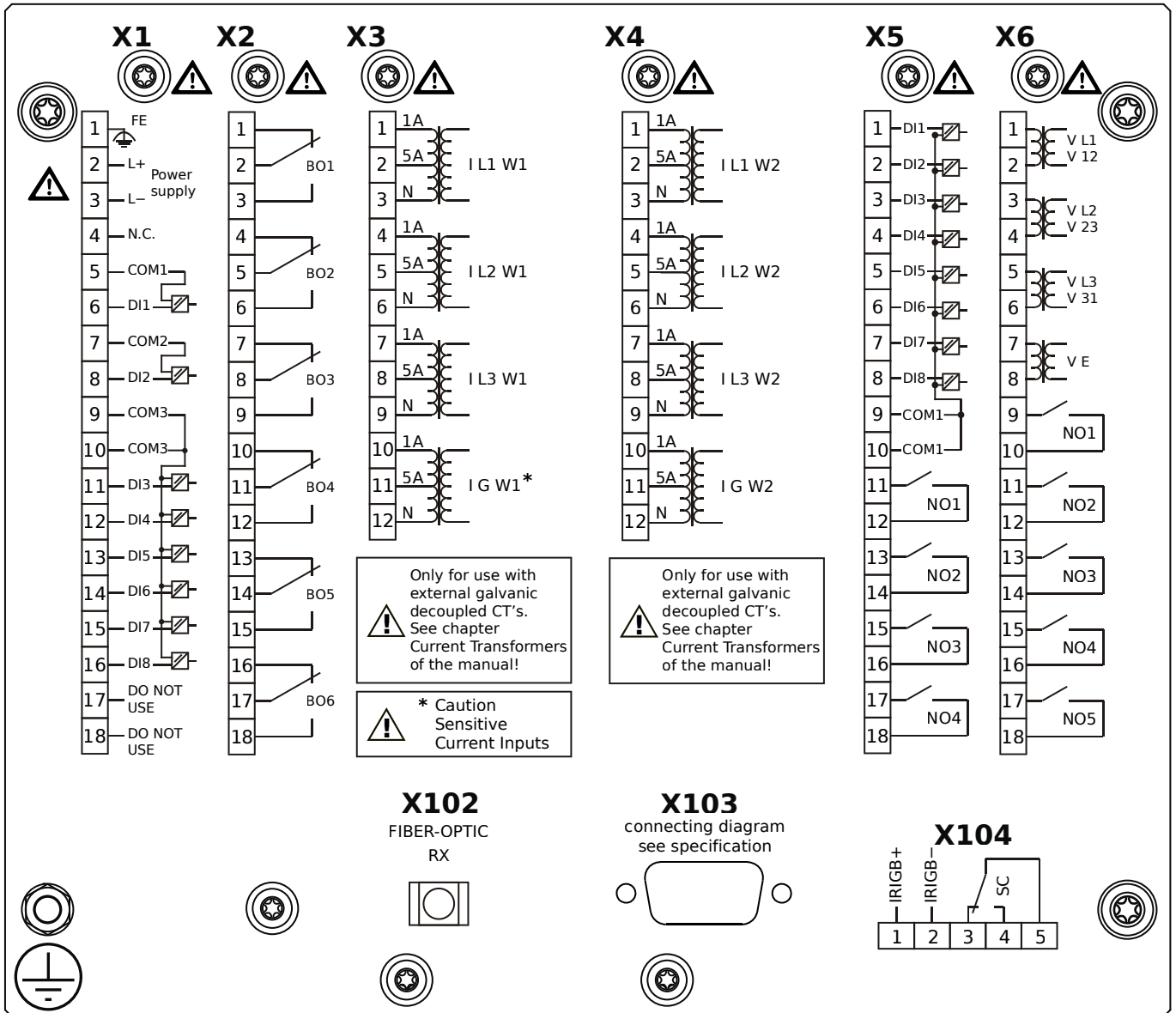
- X1** – DI8-X1: Wide-range power supply unit, incl. 2 non-grouped digital inputs and 6 grouped digital inputs
- X2** – OR-6: Assembly Group with 6 Relay Outputs
- X3** – TIS-4: Sensitive Ground current measuring card (for the neutral side of the differential protection)
- X4** – TI-4: Standard ground current measuring card (for the line side of the differential protection)
- X5** – DI8-OR4: Assembly Group with 8 Digital Inputs and 4 Output Relays
- X6** – U K4: Voltage measuring assembly group with 4 additional Relay Outputs (normally open)
- X102** – Universal Resistance-Temperature Detector (URTD) input, Fiber optics interface, ST Connector
- X103** – Fiber optics interface, ST Connector
- X104** – IRIG-B00X, incl. System Contact (Supervision Contact)

MCDGV4-2D1BGA



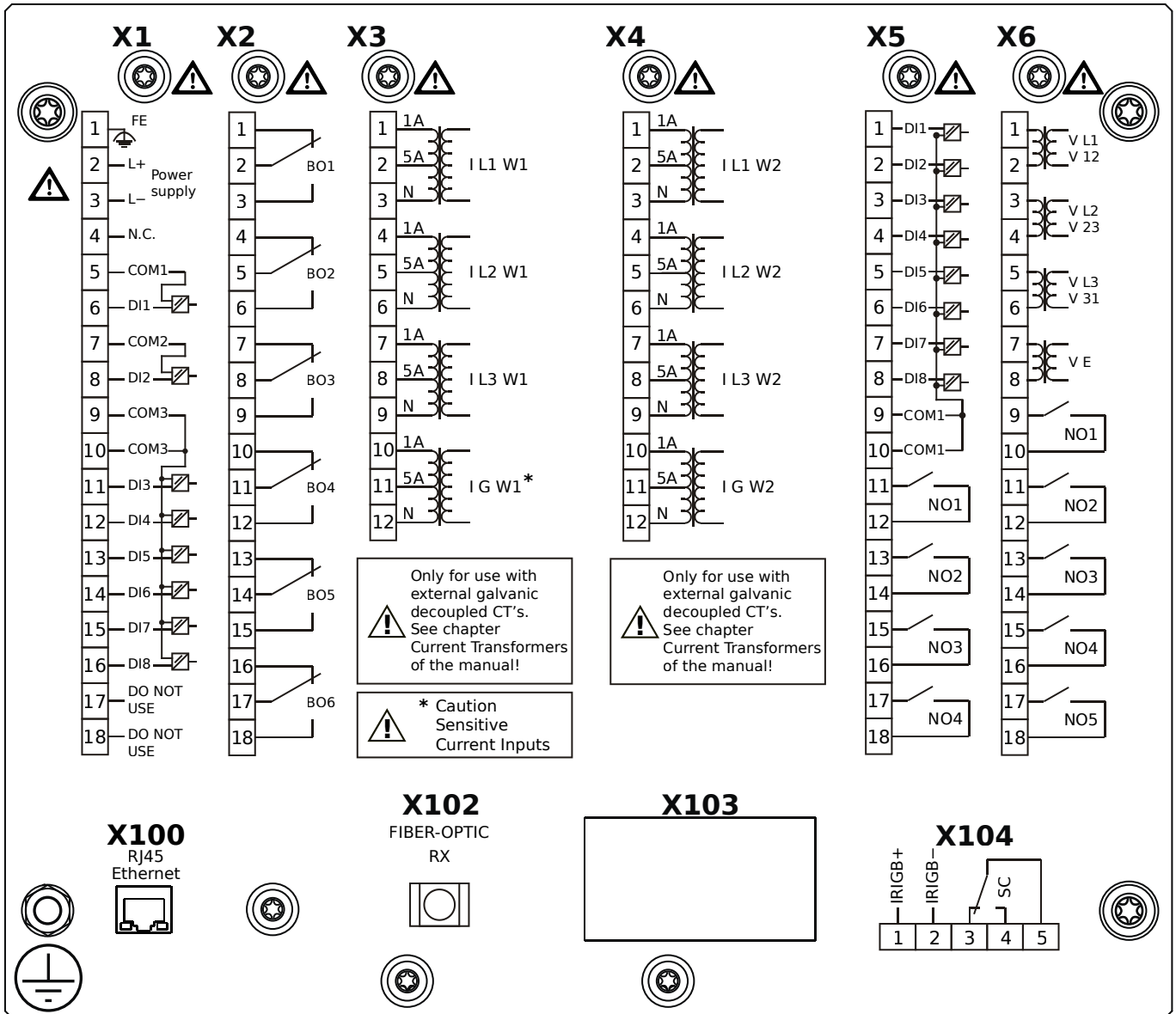
- X1** – DI8-X1: Wide-range power supply unit, incl. 2 non-grouped digital inputs and 6 grouped digital inputs
- X2** – OR-6: Assembly Group with 6 Relay Outputs
- X3** – TIS-4: Sensitive Ground current measuring card (for the neutral side of the differential protection)
- X4** – TI-4: Standard ground current measuring card (for the line side of the differential protection)
- X5** – DI8-OR4: Assembly Group with 8 Digital Inputs and 4 Output Relays
- X6** – U K4: Voltage measuring assembly group with 4 additional Relay Outputs (normally open)
- X102** – Universal Resistance-Temperature Detector (URTD) input, Fiber optics interface, ST Connector
- X103** – RS485, D-SUB
- X104** – IRIG-B00X, incl. System Contact (Supervision Contact)

MCDGV4-2D1BGB



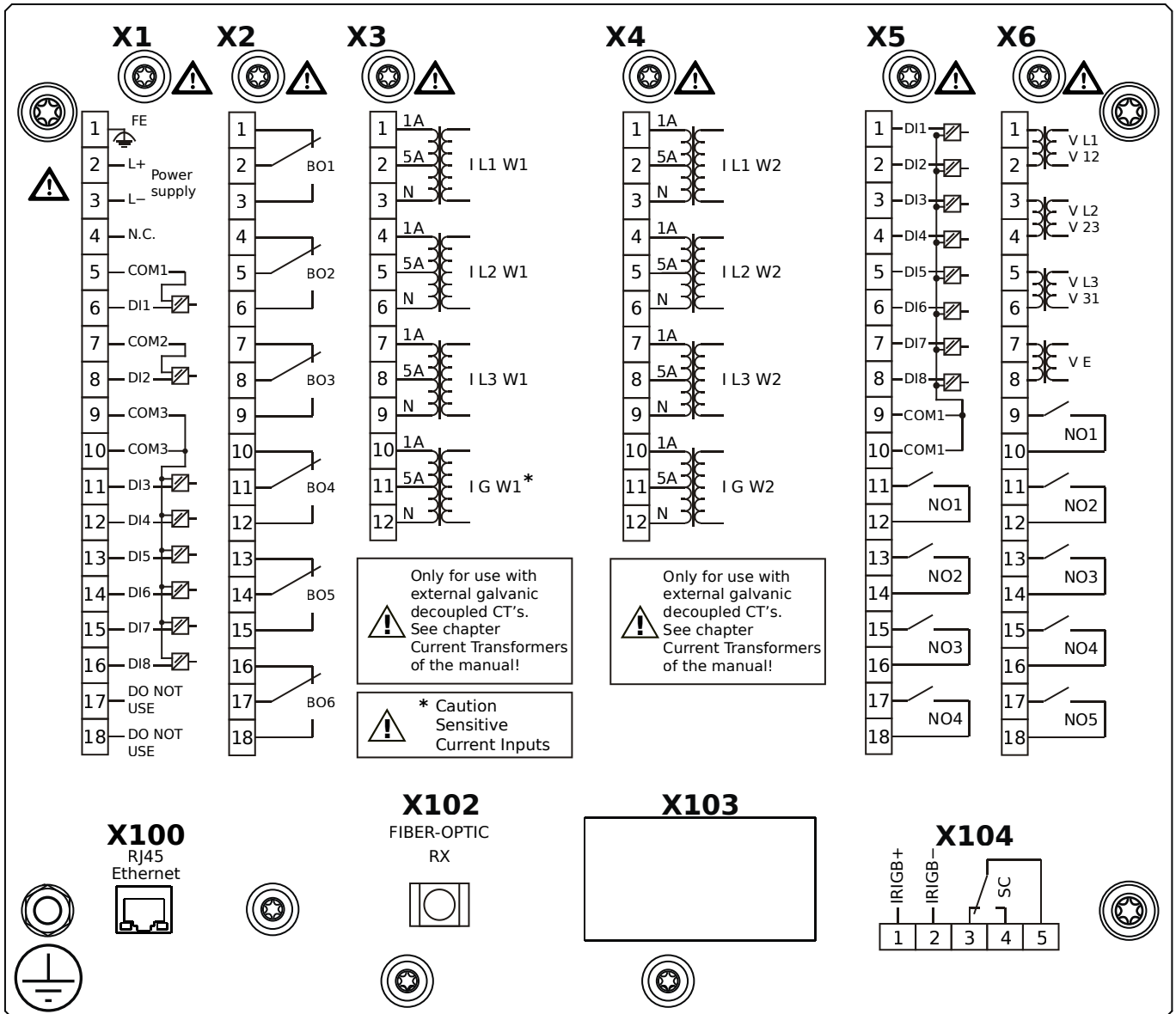
- X1** – DI8-X1: Wide-range power supply unit, incl. 2 non-grouped digital inputs and 6 grouped digital inputs
- X2** – OR-6: Assembly Group with 6 Relay Outputs
- X3** – TIS-4: Sensitive Ground current measuring card (for the neutral side of the differential protection)
- X4** – TI-4: Standard ground current measuring card (for the line side of the differential protection)
- X5** – DI8-OR4: Assembly Group with 8 Digital Inputs and 4 Output Relays
- X6** – U K4: Voltage measuring assembly group with 4 additional Relay Outputs (normally open)
- X102** – Universal Resistance-Temperature Detector (URTD) input, Fiber optics interface, ST Connector
- X103** – RS485, D-SUB
- X104** – IRIG-B00X, incl. System Contact (Supervision Contact)

MCDGV4-2D1BHA



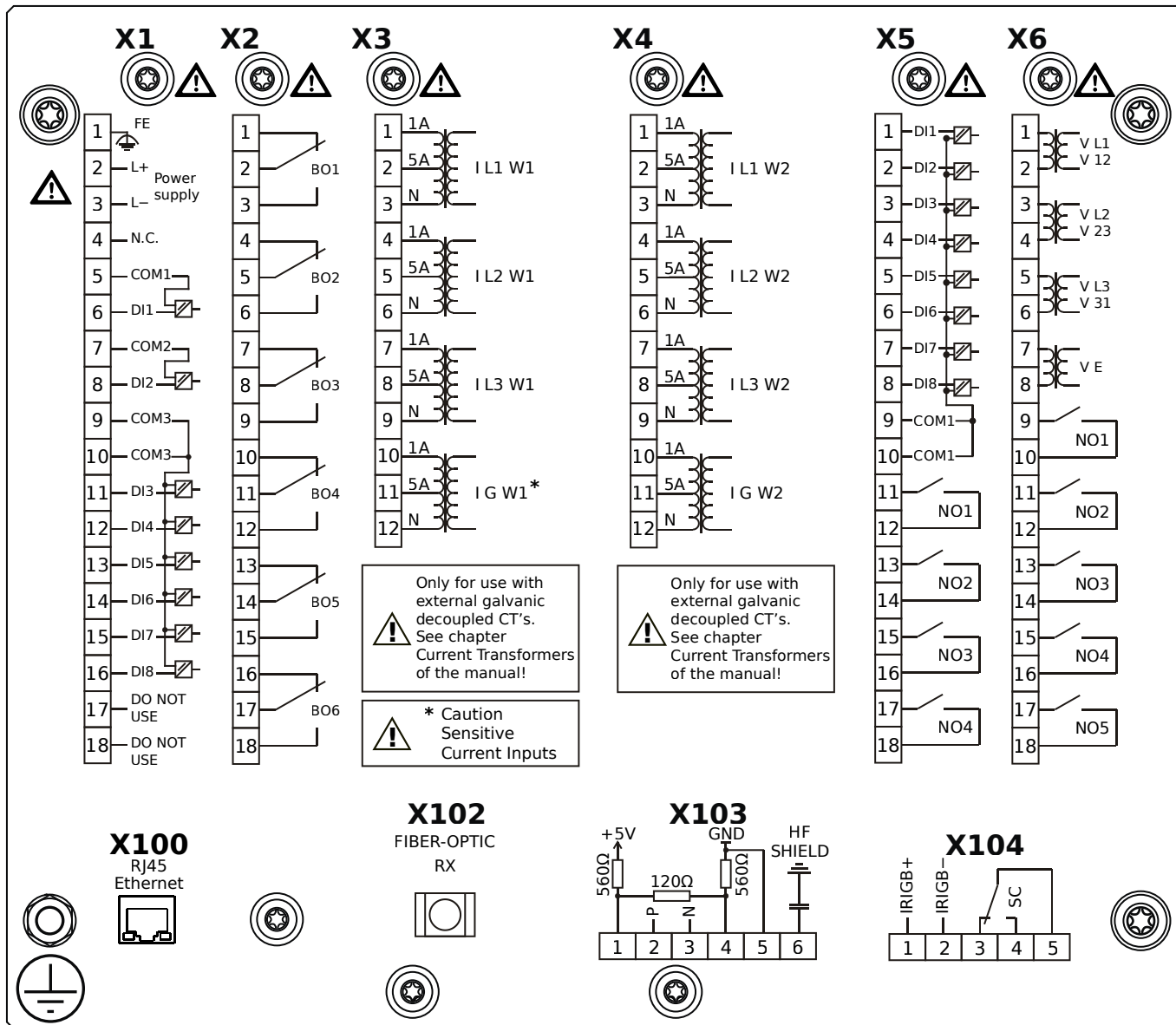
- X1** – DI8-X1: Wide-range power supply unit, incl. 2 non-grouped digital inputs and 6 grouped digital inputs
- X2** – OR-6: Assembly Group with 6 Relay Outputs
- X3** – TIS-4: Sensitive Ground current measuring card (for the neutral side of the differential protection)
- X4** – TI-4: Standard ground current measuring card (for the line side of the differential protection)
- X5** – DI8-OR4: Assembly Group with 8 Digital Inputs and 4 Output Relays
- X6** – U K4: Voltage measuring assembly group with 4 additional Relay Outputs (normally open)
- X100** – Ethernet interface, 100 Mbit/s, RJ45
- X102** – Universal Resistance-Temperature Detector (URTD) input, Fiber optics interface, ST Connector
- X104** – IRIG-B00X, incl. System Contact (Supervision Contact)

MCDGV4-2D1BHB



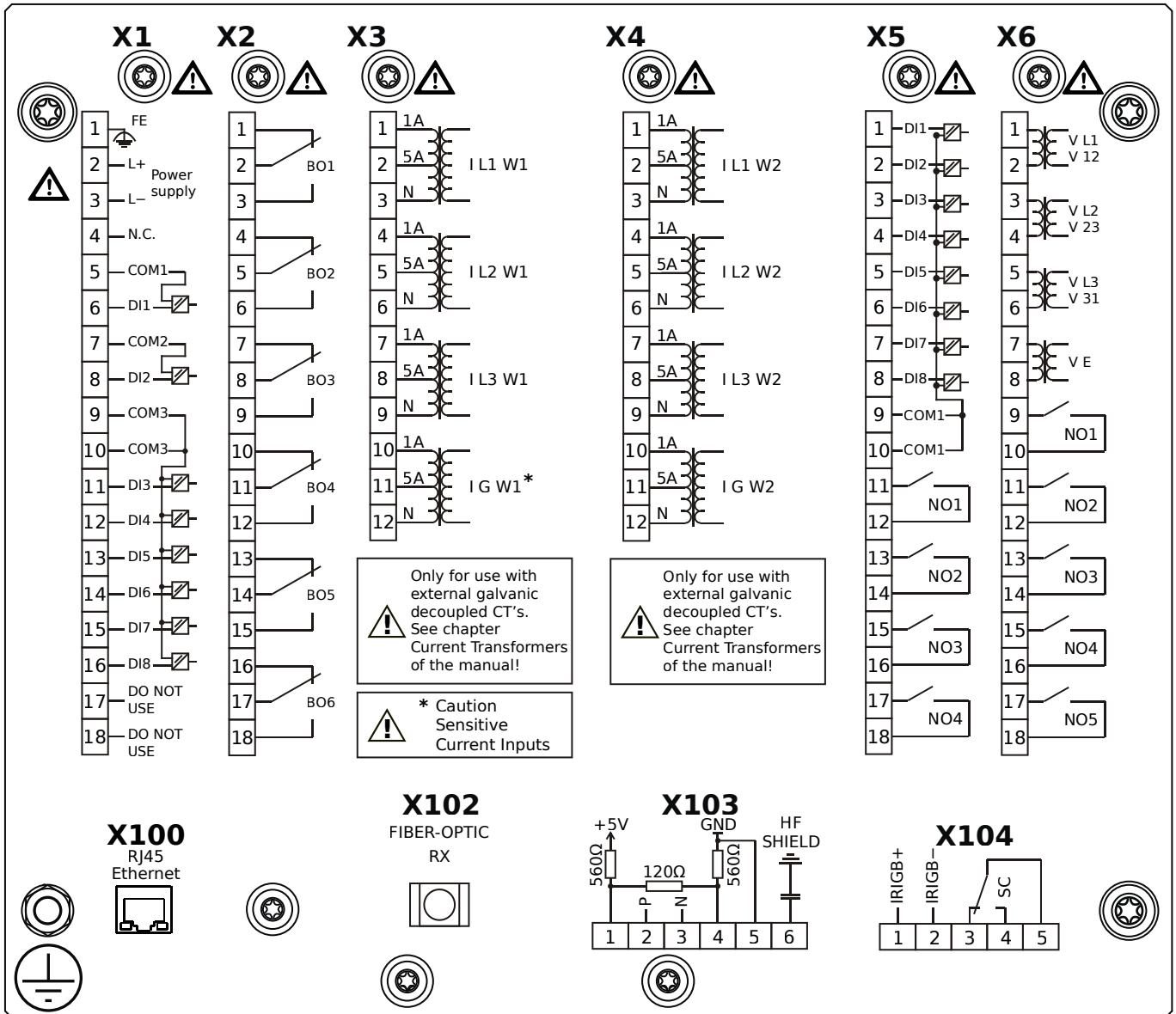
- X1** – DI8-X1: Wide-range power supply unit, incl. 2 non-grouped digital inputs and 6 grouped digital inputs
- X2** – OR-6: Assembly Group with 6 Relay Outputs
- X3** – TIS-4: Sensitive Ground current measuring card (for the neutral side of the differential protection)
- X4** – TI-4: Standard ground current measuring card (for the line side of the differential protection)
- X5** – DI8-OR4: Assembly Group with 8 Digital Inputs and 4 Output Relays
- X6** – U K4: Voltage measuring assembly group with 4 additional Relay Outputs (normally open)
- X100** – Ethernet interface, 100 Mbit/s, RJ45
- X102** – Universal Resistance-Temperature Detector (URTD) input, Fiber optics interface, ST Connector
- X104** – IRIG-B00X, incl. System Contact (Supervision Contact)

MCDGV4-2D1BIA



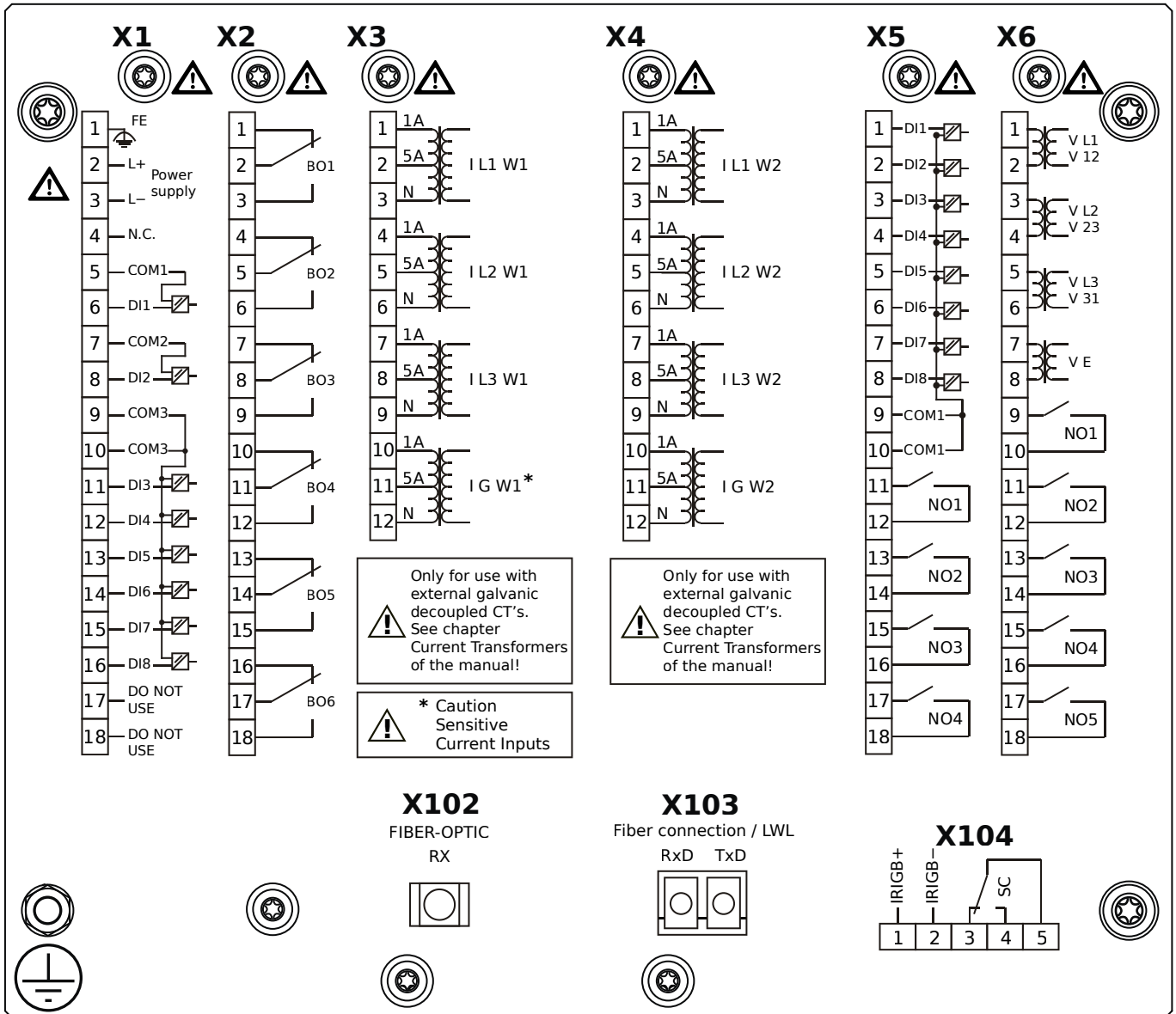
- X1** – DI8-X1: Wide-range power supply unit, incl. 2 non-grouped digital inputs and 6 grouped digital inputs
- X2** – OR-6: Assembly Group with 6 Relay Outputs
- X3** – TIS-4: Sensitive Ground current measuring card (for the neutral side of the differential protection)
- X4** – TI-4: Standard ground current measuring card (for the line side of the differential protection)
- X5** – DI8-OR4: Assembly Group with 8 Digital Inputs and 4 Output Relays
- X6** – U K4: Voltage measuring assembly group with 4 additional Relay Outputs (normally open)
- X100** – Ethernet interface, 100 Mbit/s, RJ45
- X102** – Universal Resistance-Temperature Detector (URTD) input, Fiber optics interface, ST Connector
- X103** – RS485, Terminals
- X104** – IRIG-B00X, incl. System Contact (Supervision Contact)

MCDGV4-2D1BIB



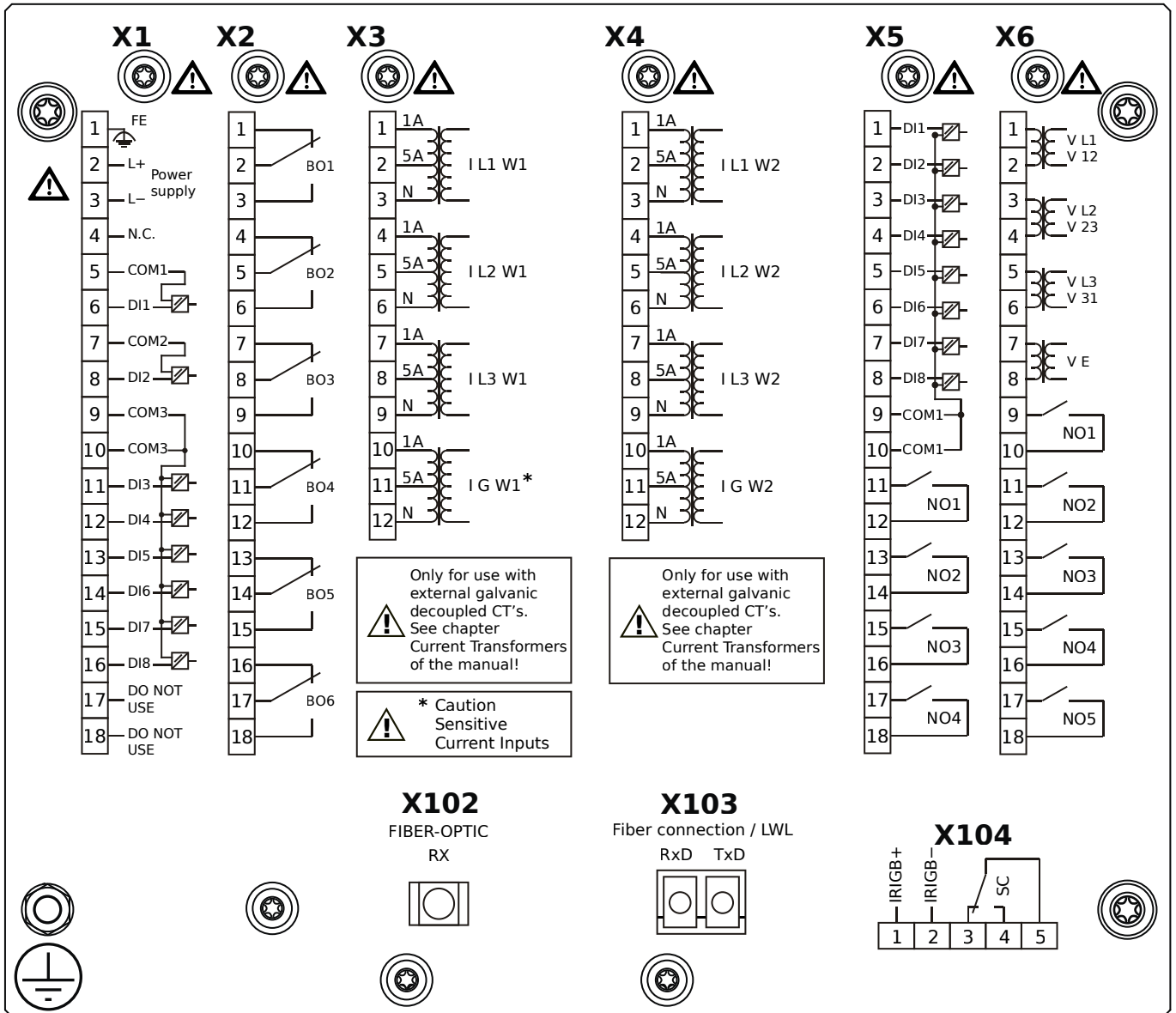
- X1** – DI8-X1: Wide-range power supply unit, incl. 2 non-grouped digital inputs and 6 grouped digital inputs
- X2** – OR-6: Assembly Group with 6 Relay Outputs
- X3** – TIS-4: Sensitive Ground current measuring card (for the neutral side of the differential protection)
- X4** – TI-4: Standard ground current measuring card (for the line side of the differential protection)
- X5** – DI8-OR4: Assembly Group with 8 Digital Inputs and 4 Output Relays
- X6** – U K4: Voltage measuring assembly group with 4 additional Relay Outputs (normally open)
- X100** – Ethernet interface, 100 Mbit/s, RJ45
- X102** – Universal Resistance-Temperature Detector (URTD) input, Fiber optics interface, ST Connector
- X103** – RS485, Terminals
- X104** – IRIG-B00X, incl. System Contact (Supervision Contact)

MCDGV4-2D1BKA



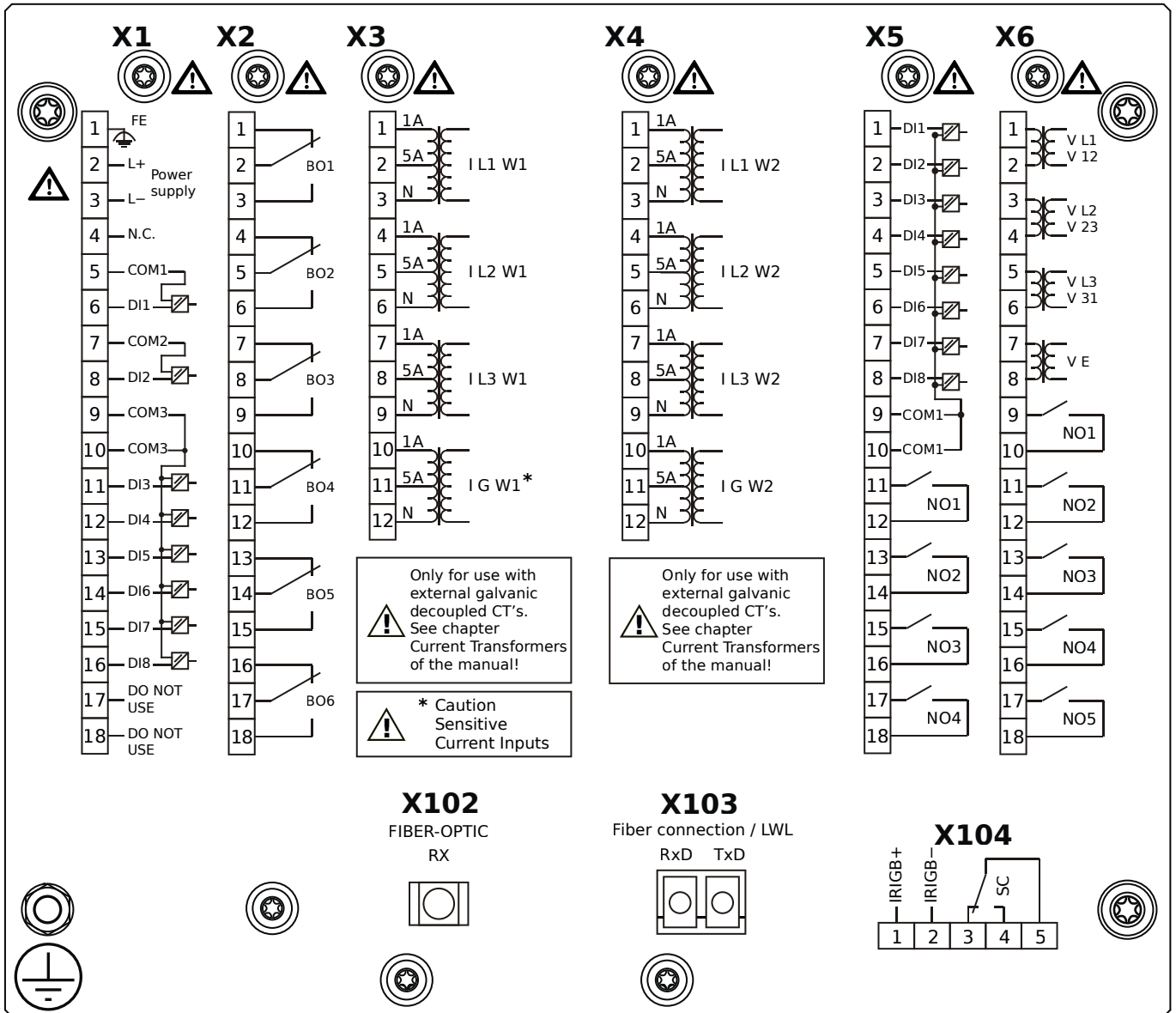
- X1** – DI8-X1: Wide-range power supply unit, incl. 2 non-grouped digital inputs and 6 grouped digital inputs
- X2** – OR-6: Assembly Group with 6 Relay Outputs
- X3** – TIS-4: Sensitive Ground current measuring card (for the neutral side of the differential protection)
- X4** – TI-4: Standard ground current measuring card (for the line side of the differential protection)
- X5** – DI8-OR4: Assembly Group with 8 Digital Inputs and 4 Output Relays
- X6** – U K4: Voltage measuring assembly group with 4 additional Relay Outputs (normally open)
- X102** – Universal Resistance-Temperature Detector (URTD) input, Fiber optics interface, ST Connector
- X103** – Fiber optics interface, LC Connector
- X104** – IRIG-B00X, incl. System Contact (Supervision Contact)

MCDGV4-2D1BKB



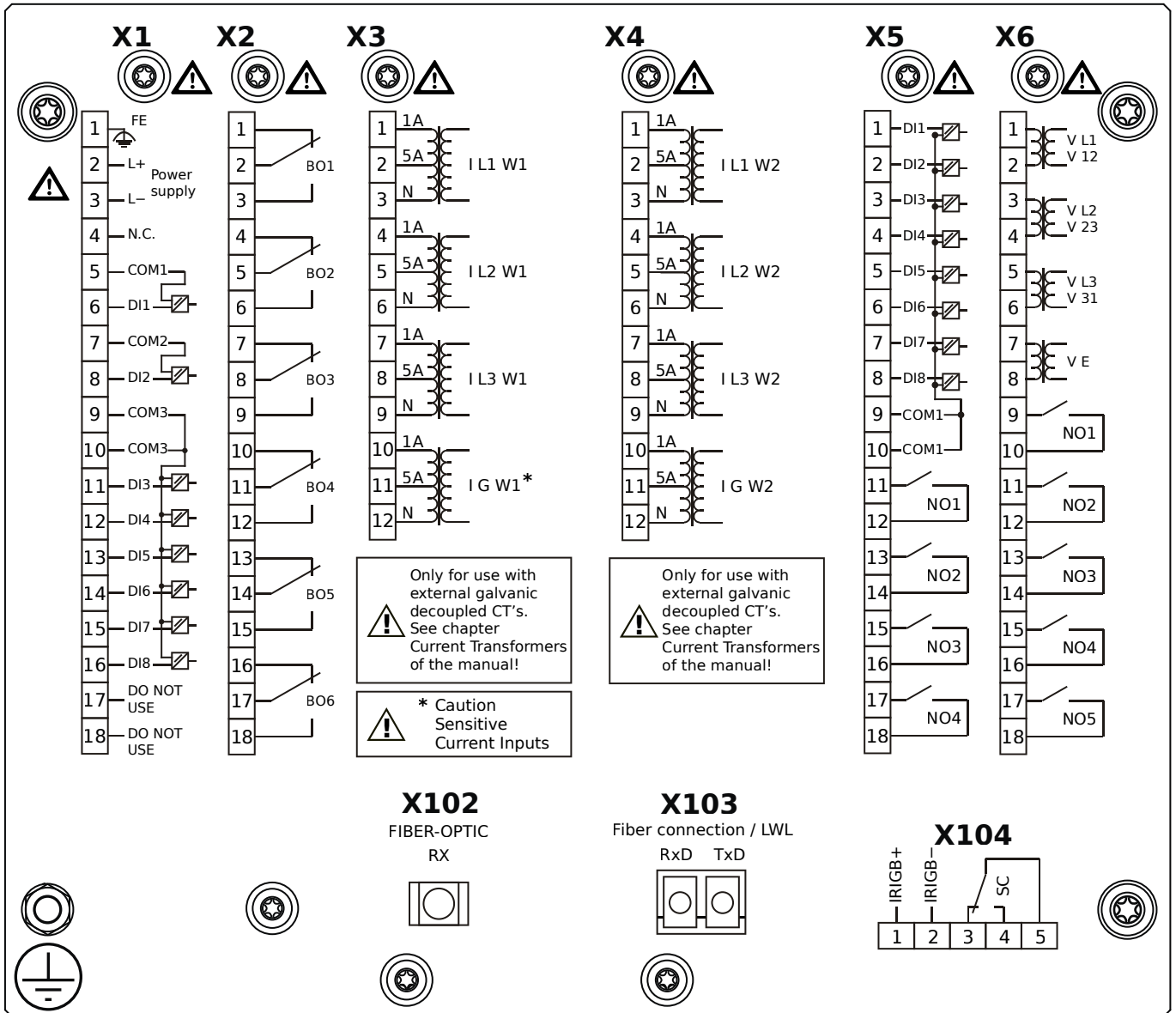
- X1** – DI8-X1: Wide-range power supply unit, incl. 2 non-grouped digital inputs and 6 grouped digital inputs
- X2** – OR-6: Assembly Group with 6 Relay Outputs
- X3** – TIS-4: Sensitive Ground current measuring card (for the neutral side of the differential protection)
- X4** – TI-4: Standard ground current measuring card (for the line side of the differential protection)
- X5** – DI8-OR4: Assembly Group with 8 Digital Inputs and 4 Output Relays
- X6** – U K4: Voltage measuring assembly group with 4 additional Relay Outputs (normally open)
- X102** – Universal Resistance-Temperature Detector (URTD) input, Fiber optics interface, ST Connector
- X103** – Fiber optics interface, LC Connector
- X104** – IRIG-B00X, incl. System Contact (Supervision Contact)

MCDGV4-2D1BLA



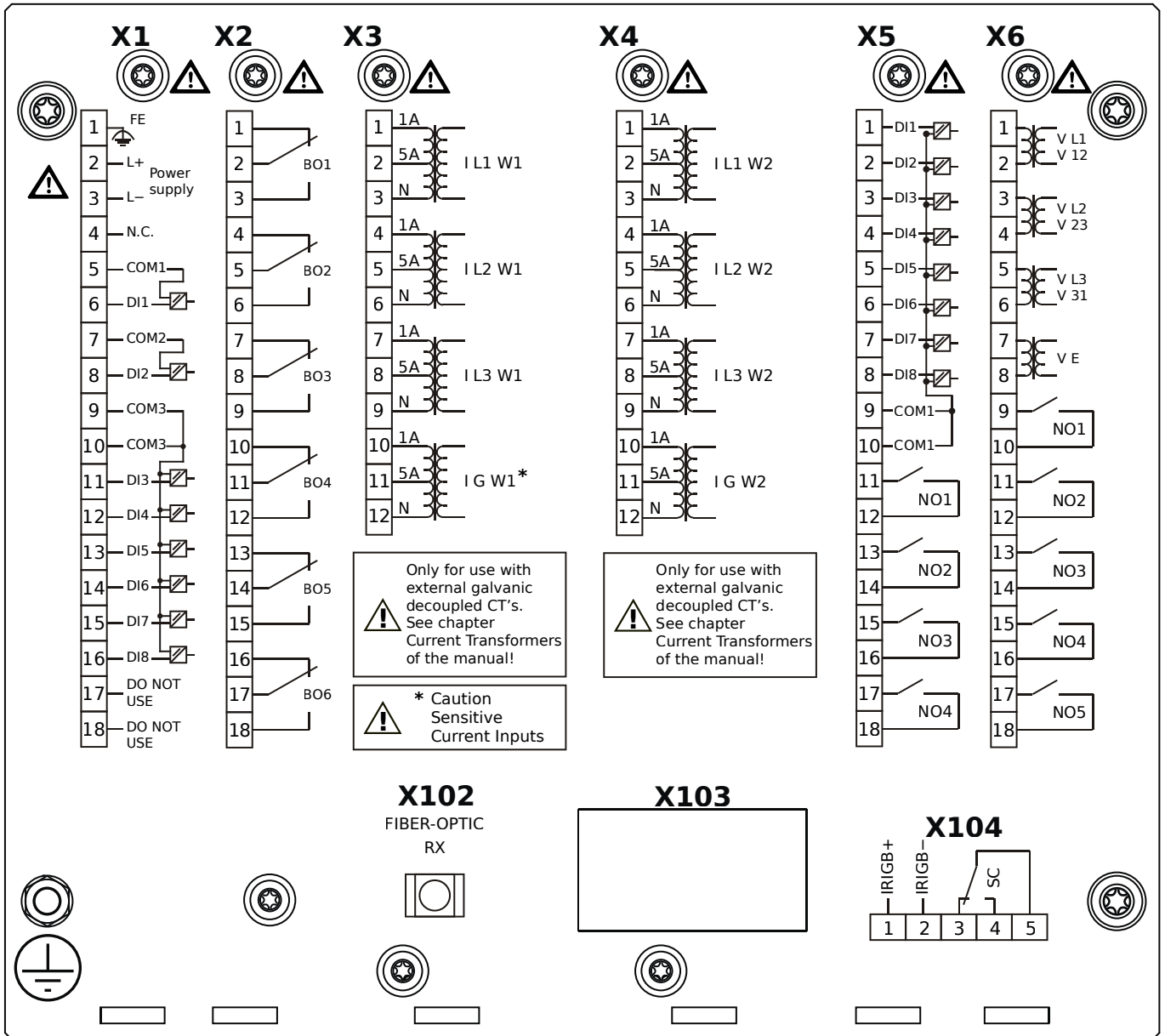
- X1** – DI8-X1: Wide-range power supply unit, incl. 2 non-grouped digital inputs and 6 grouped digital inputs
- X2** – OR-6: Assembly Group with 6 Relay Outputs
- X3** – TIS-4: Sensitive Ground current measuring card (for the neutral side of the differential protection)
- X4** – TI-4: Standard ground current measuring card (for the line side of the differential protection)
- X5** – DI8-OR4: Assembly Group with 8 Digital Inputs and 4 Output Relays
- X6** – U K4: Voltage measuring assembly group with 4 additional Relay Outputs (normally open)
- X102** – Universal Resistance-Temperature Detector (URTD) input, Fiber optics interface, ST Connector
- X103** – Fiber optics interface, LC Connector
- X104** – IRIG-B00X, incl. System Contact (Supervision Contact)

MCDGV4-2D1BLB



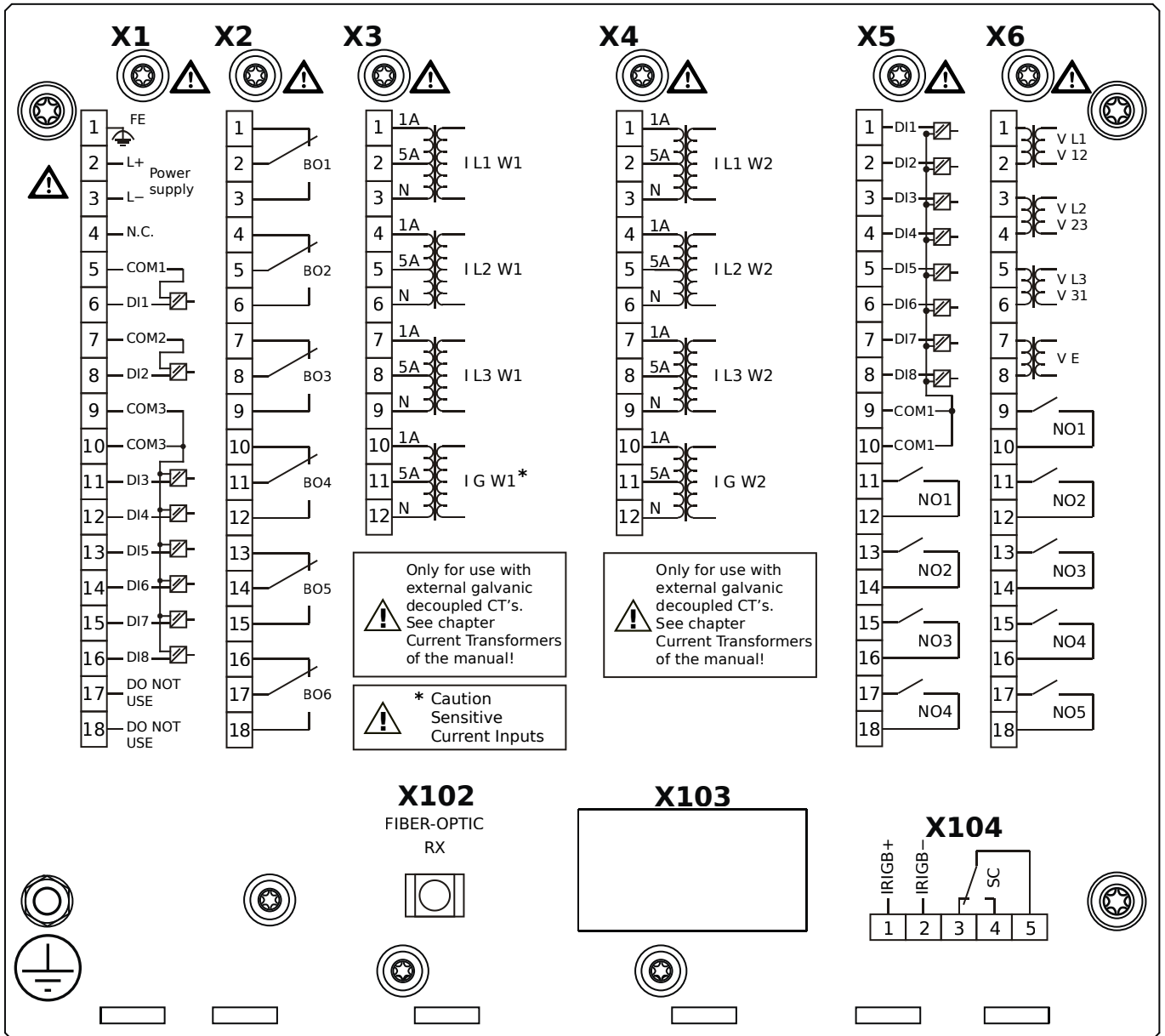
- X1** – DI8-X1: Wide-range power supply unit, incl. 2 non-grouped digital inputs and 6 grouped digital inputs
- X2** – OR-6: Assembly Group with 6 Relay Outputs
- X3** – TIS-4: Sensitive Ground current measuring card (for the neutral side of the differential protection)
- X4** – TI-4: Standard ground current measuring card (for the line side of the differential protection)
- X5** – DI8-OR4: Assembly Group with 8 Digital Inputs and 4 Output Relays
- X6** – U K4: Voltage measuring assembly group with 4 additional Relay Outputs (normally open)
- X102** – Universal Resistance-Temperature Detector (URTD) input, Fiber optics interface, ST Connector
- X103** – Fiber optics interface, LC Connector
- X104** – IRIG-B00X, incl. System Contact (Supervision Contact)

MCDGV4-2D1HAA



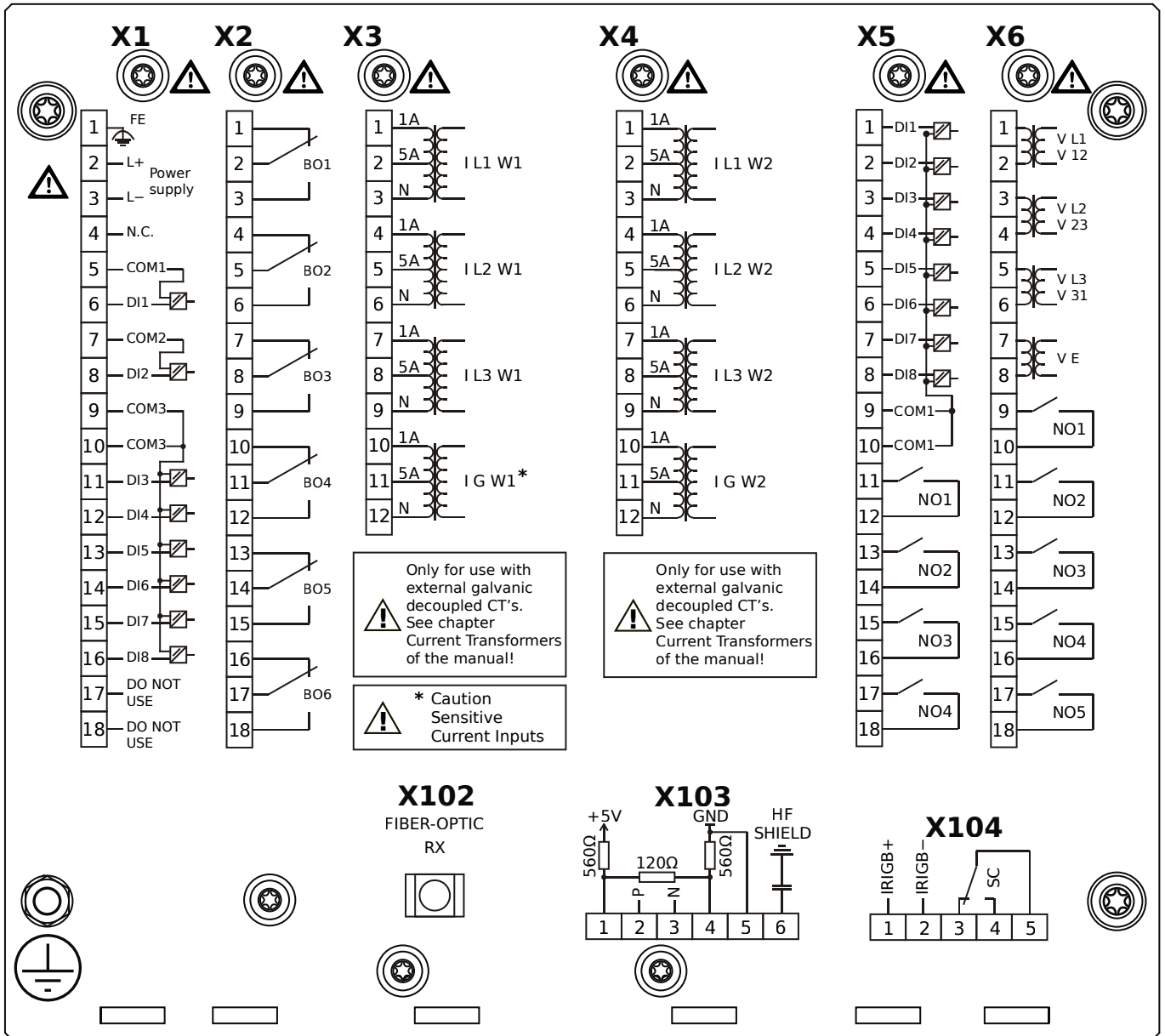
- X1** – DI8-X1: Wide-range power supply unit, incl. 2 non-grouped digital inputs and 6 grouped digital inputs
- X2** – OR-6: Assembly Group with 6 Relay Outputs
- X3** – TIS-4: Sensitive Ground current measuring card (for the neutral side of the differential protection)
- X4** – TI-4: Standard ground current measuring card (for the line side of the differential protection)
- X5** – DI8-OR4: Assembly Group with 8 Digital Inputs and 4 Output Relays
- X6** – U K4: Voltage measuring assembly group with 4 additional Relay Outputs (normally open)
- X102** – Universal Resistance-Temperature Detector (URTD) input, Fiber optics interface, ST Connector
- X104** – IRIG-B00X, incl. System Contact (Supervision Contact)

MCDGV4-2D1HAB



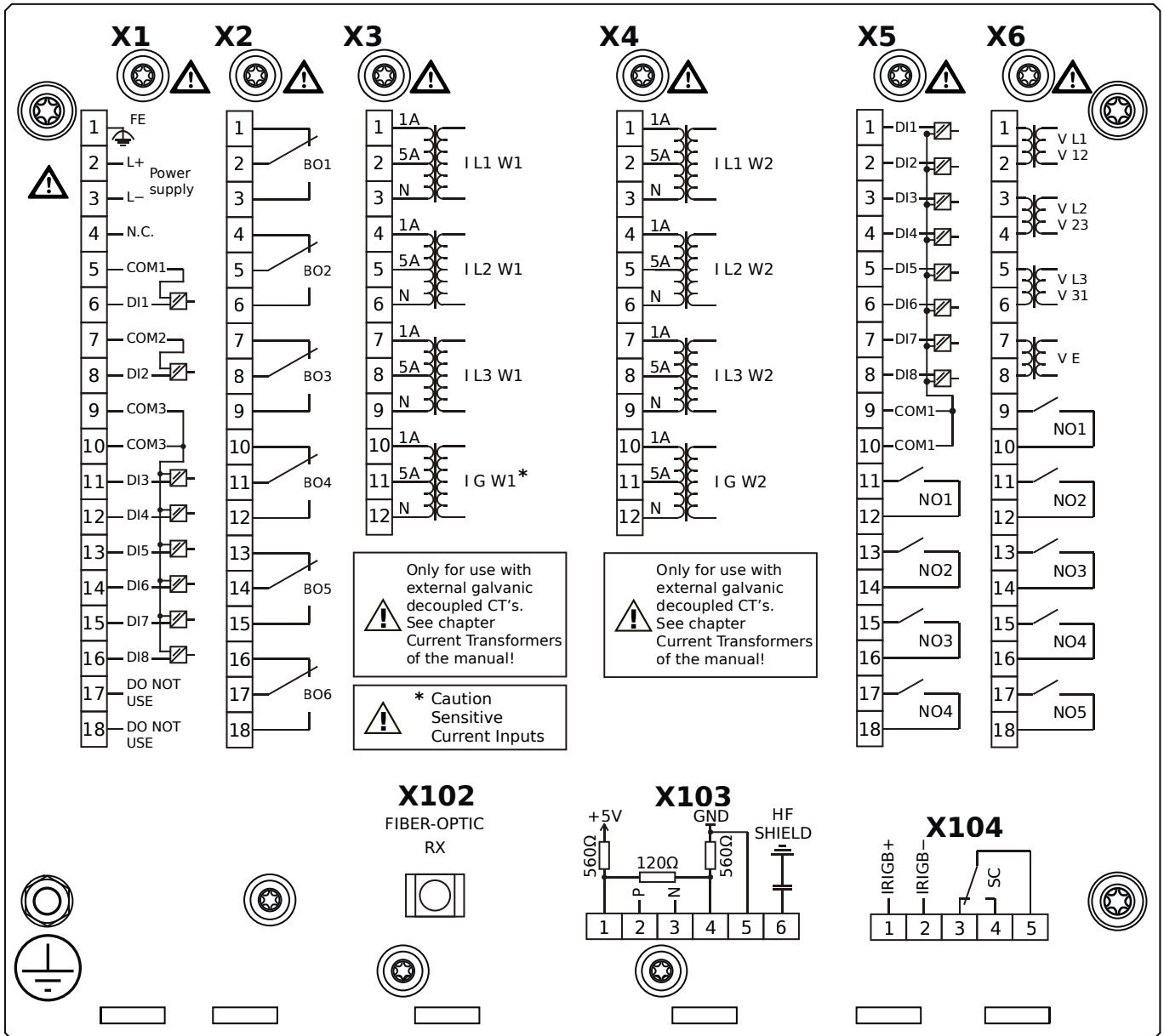
- X1** – DI8-X1: Wide-range power supply unit, incl. 2 non-grouped digital inputs and 6 grouped digital inputs
- X2** – OR-6: Assembly Group with 6 Relay Outputs
- X3** – TIS-4: Sensitive Ground current measuring card (for the neutral side of the differential protection)
- X4** – TI-4: Standard ground current measuring card (for the line side of the differential protection)
- X5** – DI8-OR4: Assembly Group with 8 Digital Inputs and 4 Output Relays
- X6** – U K4: Voltage measuring assembly group with 4 additional Relay Outputs (normally open)
- X102** – Universal Resistance-Temperature Detector (URTD) input, Fiber optics interface, ST Connector
- X104** – IRIG-B00X, incl. System Contact (Supervision Contact)

MCDGV4-2D1HBA



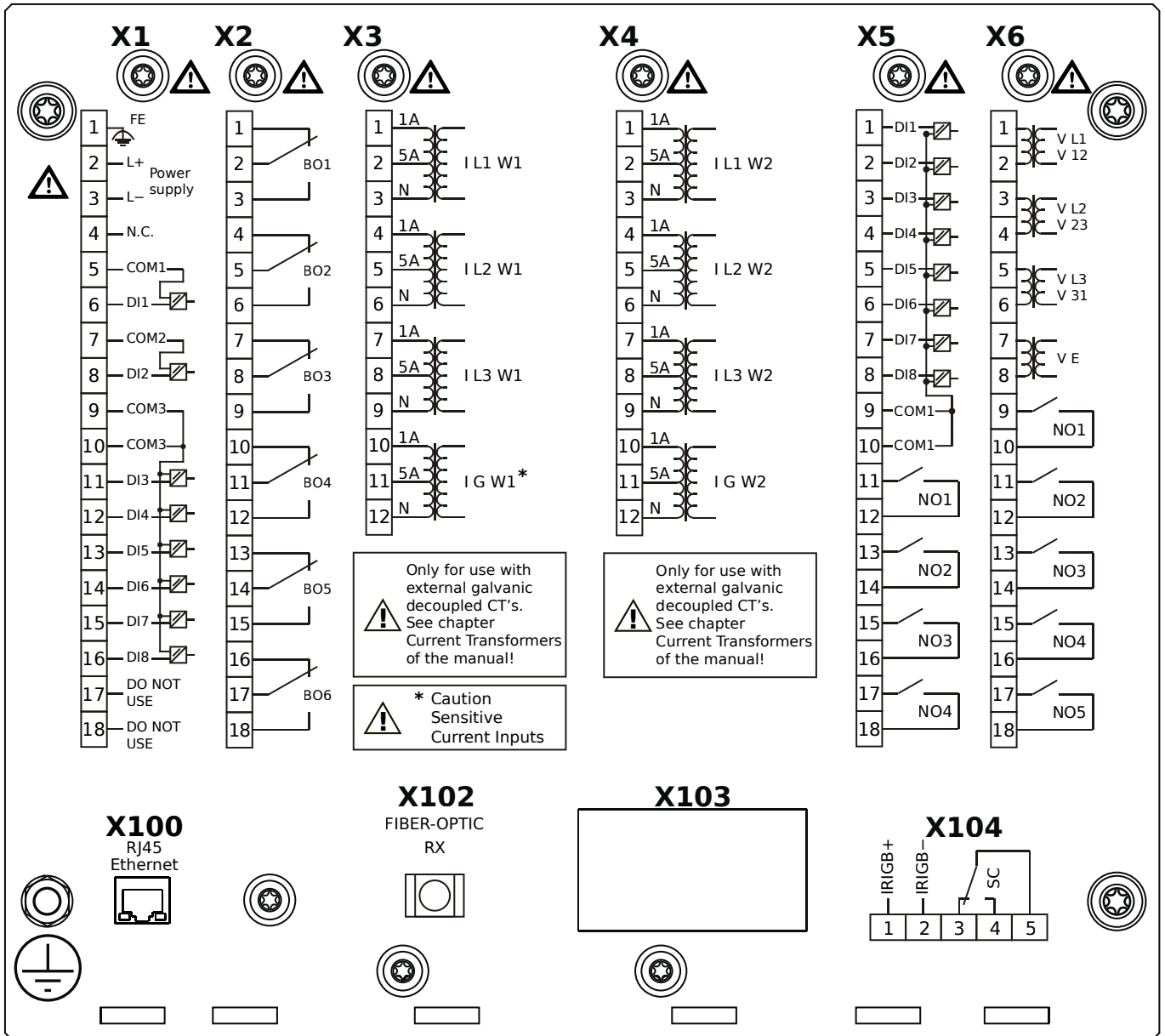
- X1** – DI8-X1: Wide-range power supply unit, incl. 2 non-grouped digital inputs and 6 grouped digital inputs
- X2** – OR-6: Assembly Group with 6 Relay Outputs
- X3** – TIS-4: Sensitive Ground current measuring card (for the neutral side of the differential protection)
- X4** – TI-4: Standard ground current measuring card (for the line side of the differential protection)
- X5** – DI8-OR4: Assembly Group with 8 Digital Inputs and 4 Output Relays
- X6** – U K4: Voltage measuring assembly group with 4 additional Relay Outputs (normally open)
- X102** – Universal Resistance-Temperature Detector (URTD) input, Fiber optics interface, ST Connector
- X103** – RS485, Terminals
- X104** – IRIG-B00X, incl. System Contact (Supervision Contact)

MCDGV4-2D1HBB



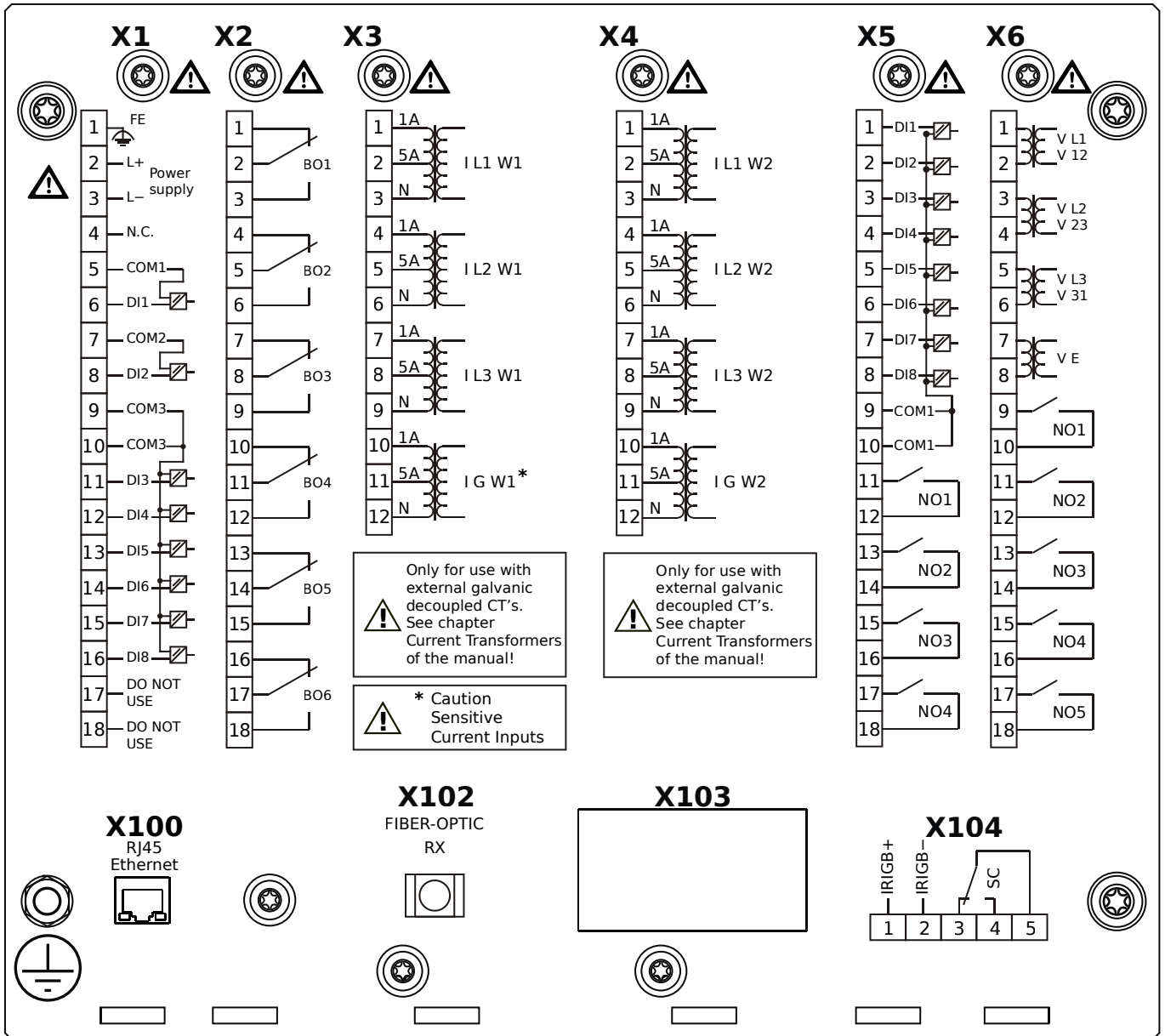
- X1** – DI8-X1: Wide-range power supply unit, incl. 2 non-grouped digital inputs and 6 grouped digital inputs
- X2** – OR-6: Assembly Group with 6 Relay Outputs
- X3** – TIS-4: Sensitive Ground current measuring card (for the neutral side of the differential protection)
- X4** – TI-4: Standard ground current measuring card (for the line side of the differential protection)
- X5** – DI8-OR4: Assembly Group with 8 Digital Inputs and 4 Output Relays
- X6** – U K4: Voltage measuring assembly group with 4 additional Relay Outputs (normally open)
- X102** – Universal Resistance-Temperature Detector (URTD) input, Fiber optics interface, ST Connector
- X103** – RS485, Terminals
- X104** – IRIG-B00X, incl. System Contact (Supervision Contact)

MCDGV4-2D1HCA



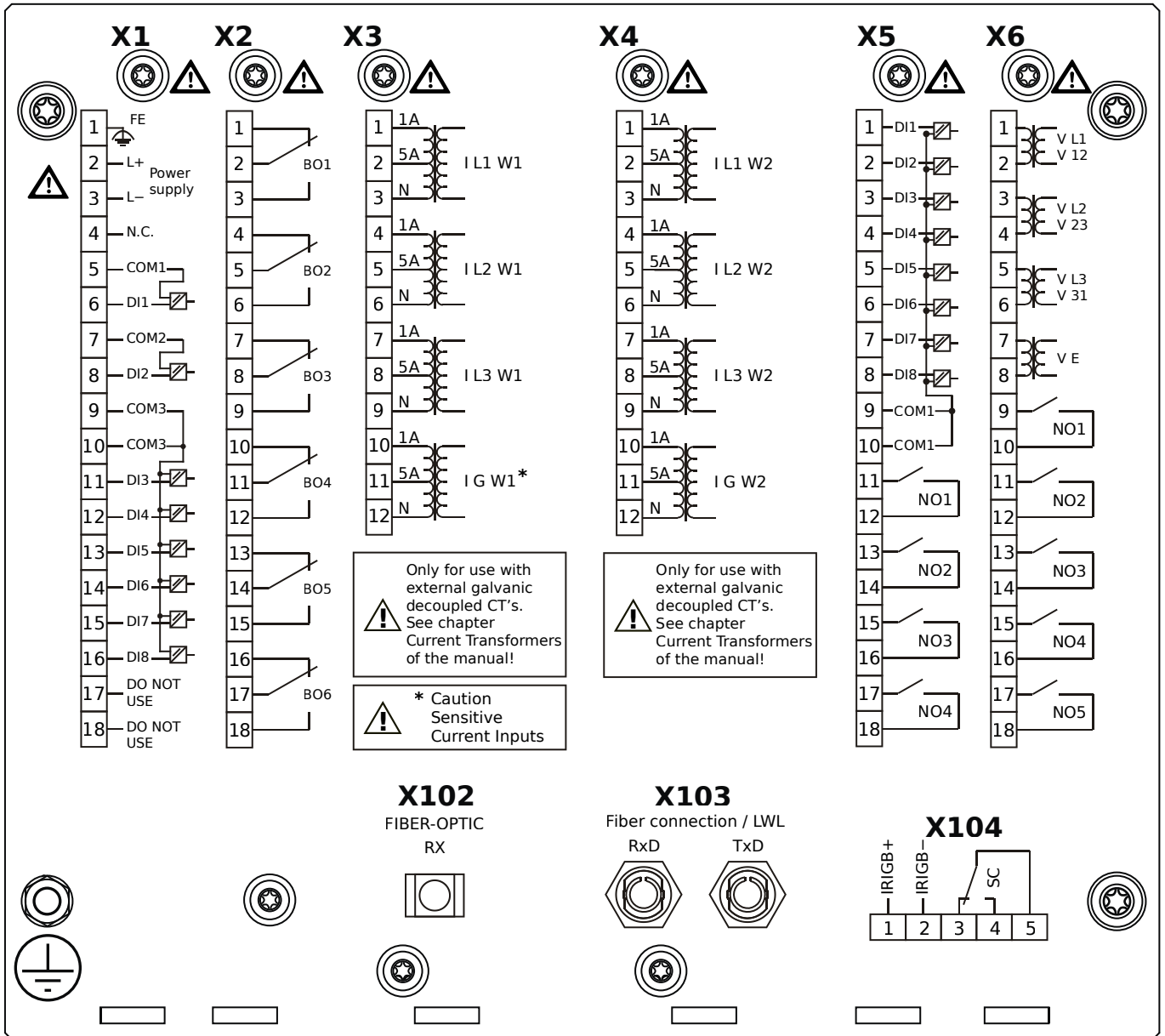
- X1** – DI8-X1: Wide-range power supply unit, incl. 2 non-grouped digital inputs and 6 grouped digital inputs
- X2** – OR-6: Assembly Group with 6 Relay Outputs
- X3** – TIS-4: Sensitive Ground current measuring card (for the neutral side of the differential protection)
- X4** – TI-4: Standard ground current measuring card (for the line side of the differential protection)
- X5** – DI8-OR4: Assembly Group with 8 Digital Inputs and 4 Output Relays
- X6** – U K4: Voltage measuring assembly group with 4 additional Relay Outputs (normally open)
- X100** – Ethernet interface, 100 Mbit/s, RJ45
- X102** – Universal Resistance-Temperature Detector (URTD) input, Fiber optics interface, ST Connector
- X104** – IRIG-B00X, incl. System Contact (Supervision Contact)

MCDGV4-2D1HCB



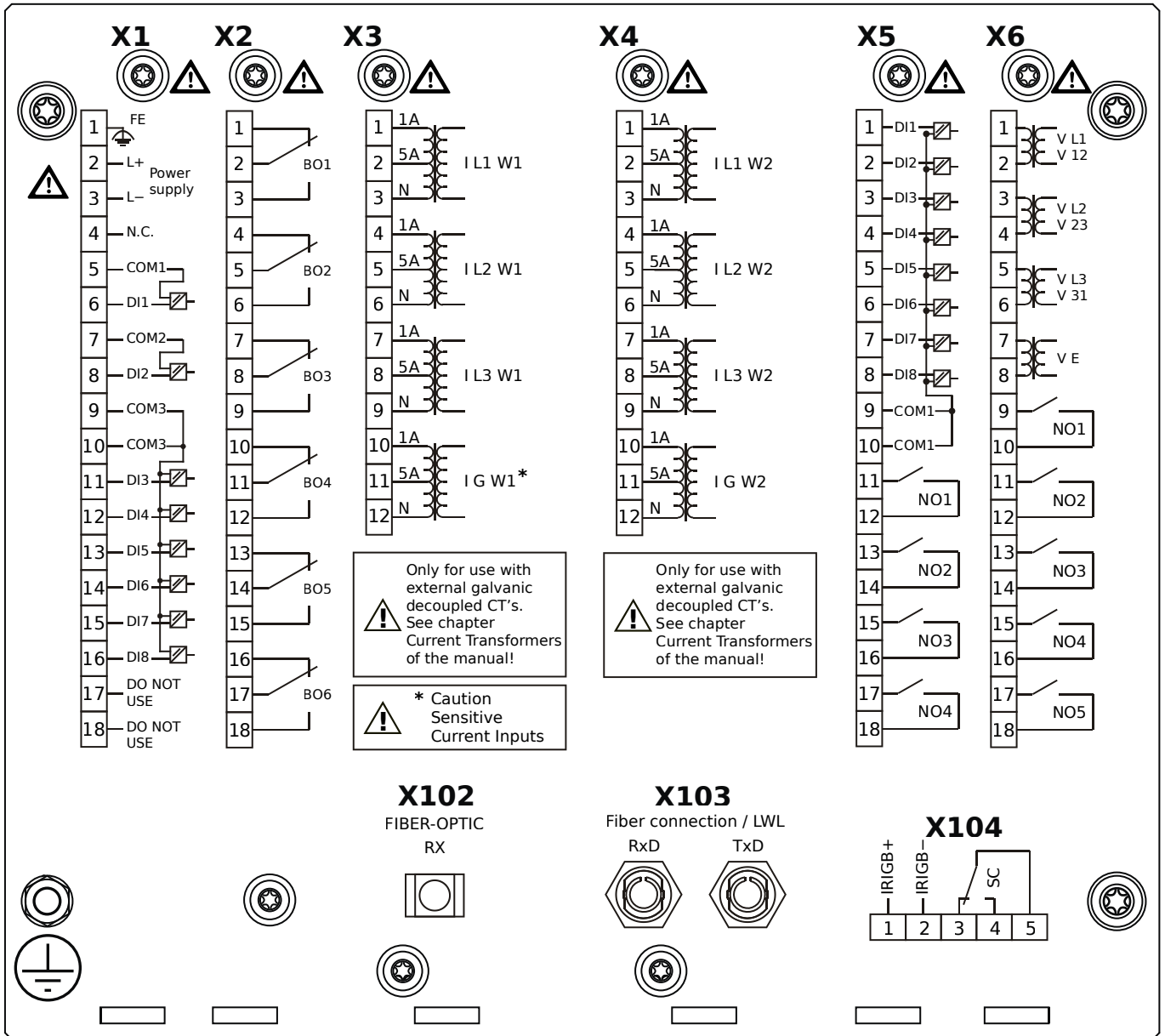
- X1** – DI8-X1: Wide-range power supply unit, incl. 2 non-grouped digital inputs and 6 grouped digital inputs
- X2** – OR-6: Assembly Group with 6 Relay Outputs
- X3** – TIS-4: Sensitive Ground current measuring card (for the neutral side of the differential protection)
- X4** – TI-4: Standard ground current measuring card (for the line side of the differential protection)
- X5** – DI8-OR4: Assembly Group with 8 Digital Inputs and 4 Output Relays
- X6** – U K4: Voltage measuring assembly group with 4 additional Relay Outputs (normally open)
- X100** – Ethernet interface, 100 Mbit/s, RJ45
- X102** – Universal Resistance-Temperature Detector (URTD) input, Fiber optics interface, ST Connector
- X104** – IRIG-B00X, incl. System Contact (Supervision Contact)

MCDGV4-2D1HDA



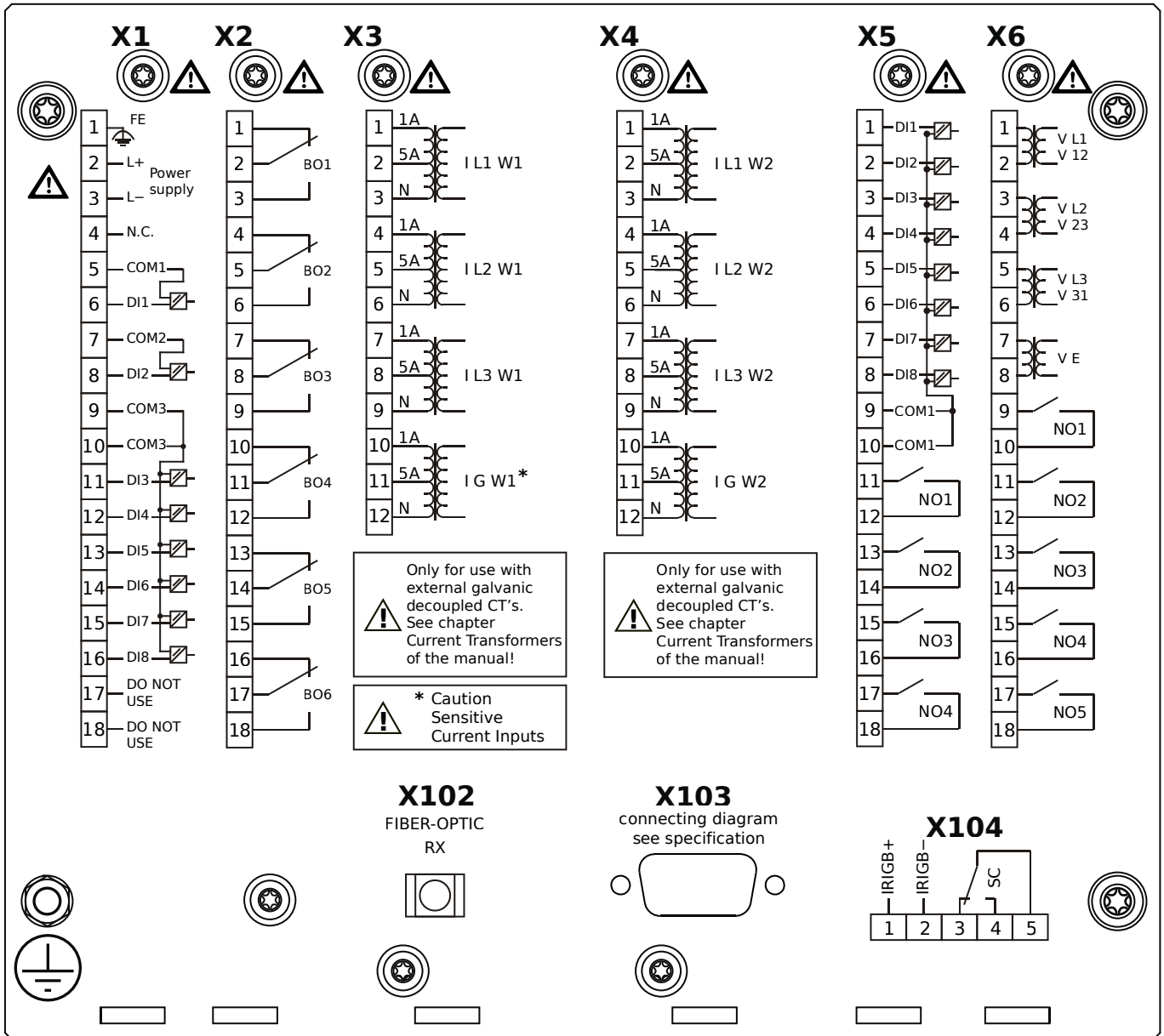
- X1** – DI8-X1: Wide-range power supply unit, incl. 2 non-grouped digital inputs and 6 grouped digital inputs
- X2** – OR-6: Assembly Group with 6 Relay Outputs
- X3** – TIS-4: Sensitive Ground current measuring card (for the neutral side of the differential protection)
- X4** – TI-4: Standard ground current measuring card (for the line side of the differential protection)
- X5** – DI8-OR4: Assembly Group with 8 Digital Inputs and 4 Output Relays
- X6** – U K4: Voltage measuring assembly group with 4 additional Relay Outputs (normally open)
- X102** – Universal Resistance-Temperature Detector (URTD) input, Fiber optics interface, ST Connector
- X103** – Fiber optics interface, ST Connector
- X104** – IRIG-B00X, incl. System Contact (Supervision Contact)

MCDGV4-2D1HDB



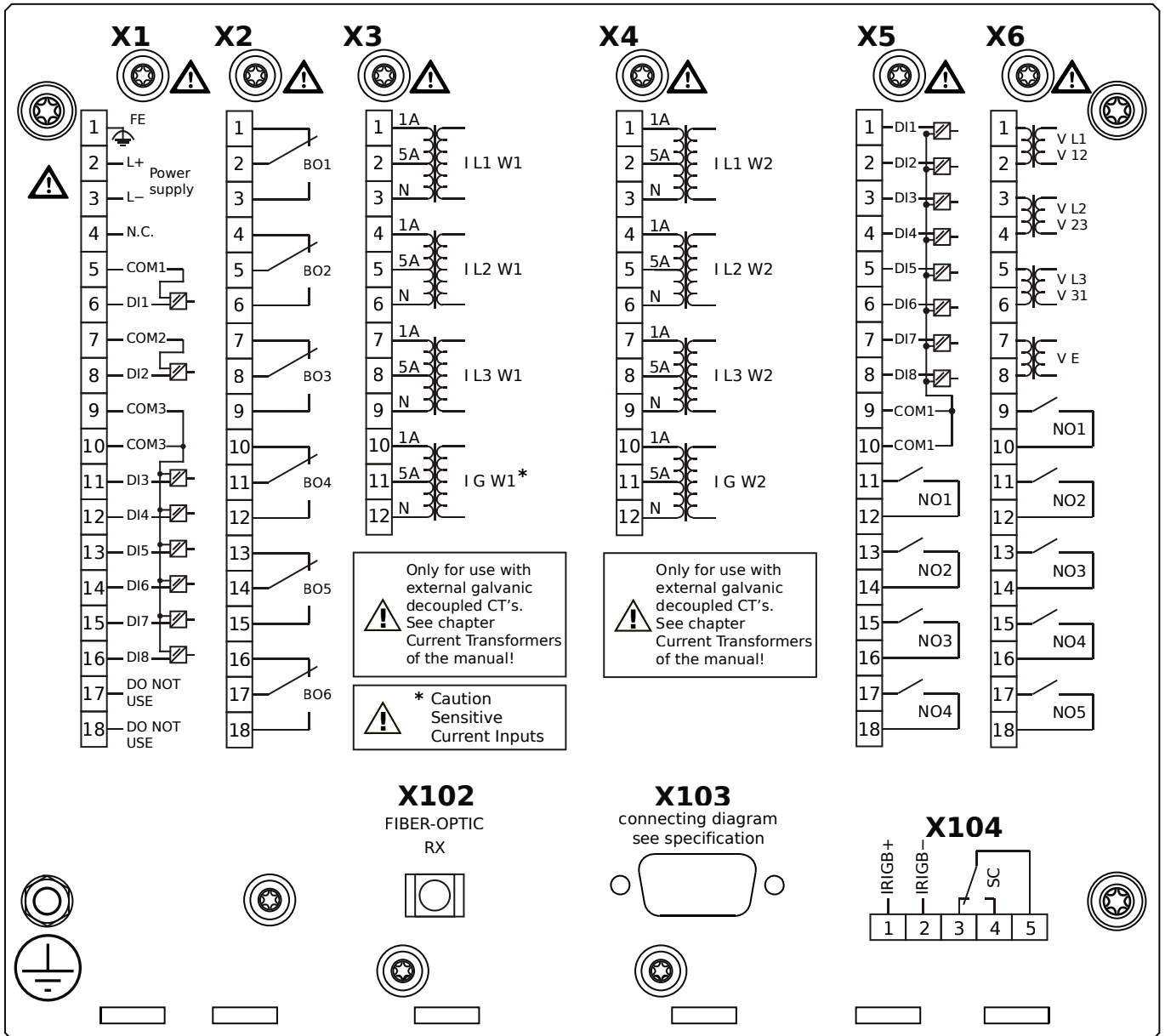
- X1** – DI8-X1: Wide-range power supply unit, incl. 2 non-grouped digital inputs and 6 grouped digital inputs
- X2** – OR-6: Assembly Group with 6 Relay Outputs
- X3** – TIS-4: Sensitive Ground current measuring card (for the neutral side of the differential protection)
- X4** – TI-4: Standard ground current measuring card (for the line side of the differential protection)
- X5** – DI8-OR4: Assembly Group with 8 Digital Inputs and 4 Output Relays
- X6** – U K4: Voltage measuring assembly group with 4 additional Relay Outputs (normally open)
- X102** – Universal Resistance-Temperature Detector (URTD) input, Fiber optics interface, ST Connector
- X103** – Fiber optics interface, ST Connector
- X104** – IRIG-B00X, incl. System Contact (Supervision Contact)

MCDGV4-2D1HEA



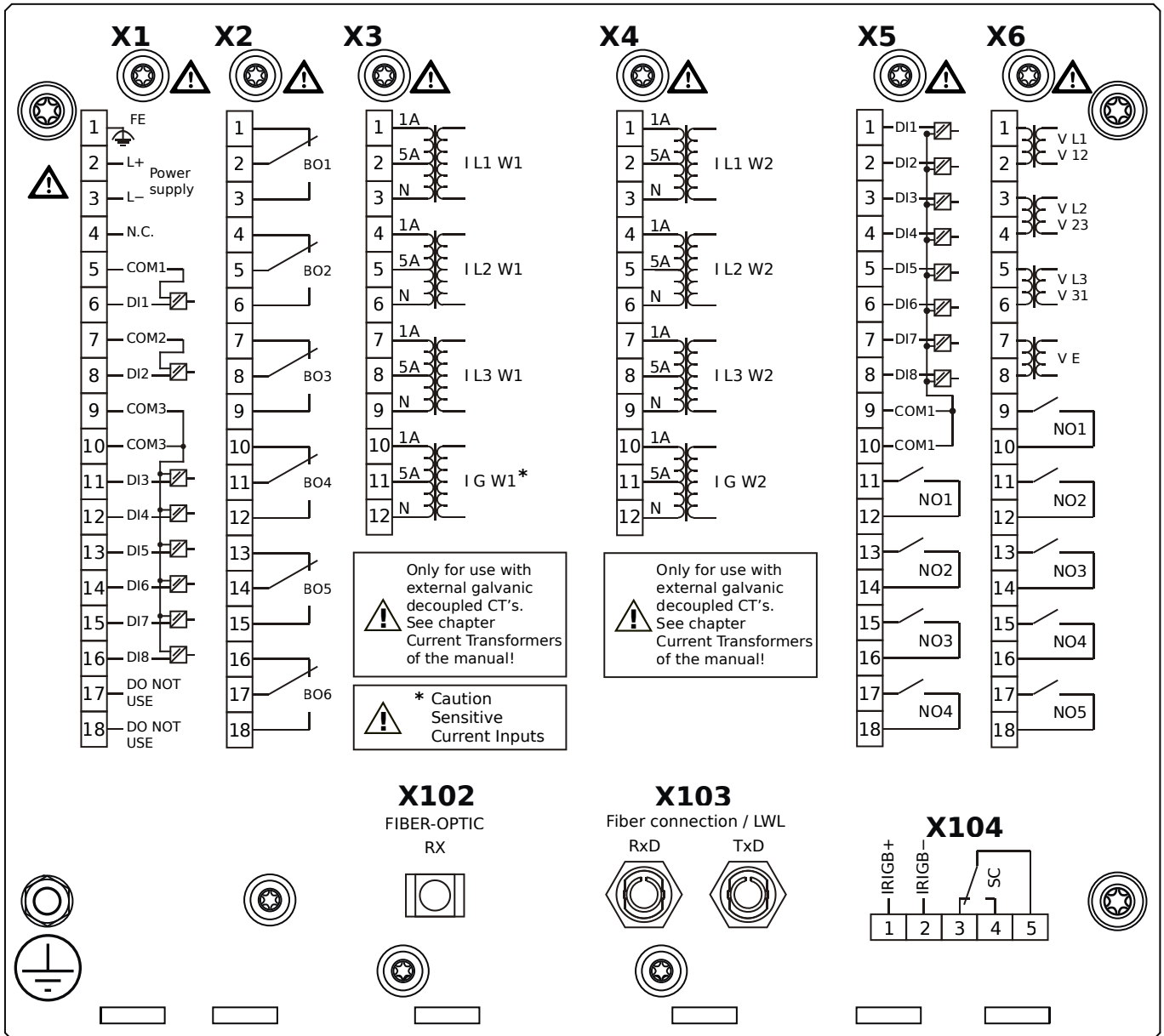
- X1** – DI8-X1: Wide-range power supply unit, incl. 2 non-grouped digital inputs and 6 grouped digital inputs
- X2** – OR-6: Assembly Group with 6 Relay Outputs
- X3** – TIS-4: Sensitive Ground current measuring card (for the neutral side of the differential protection)
- X4** – TI-4: Standard ground current measuring card (for the line side of the differential protection)
- X5** – DI8-OR4: Assembly Group with 8 Digital Inputs and 4 Output Relays
- X6** – U K4: Voltage measuring assembly group with 4 additional Relay Outputs (normally open)
- X102** – Universal Resistance-Temperature Detector (URTD) input, Fiber optics interface, ST Connector
- X103** – RS485, D-SUB
- X104** – IRIG-B00X, incl. System Contact (Supervision Contact)

MCDGV4-2D1HEB



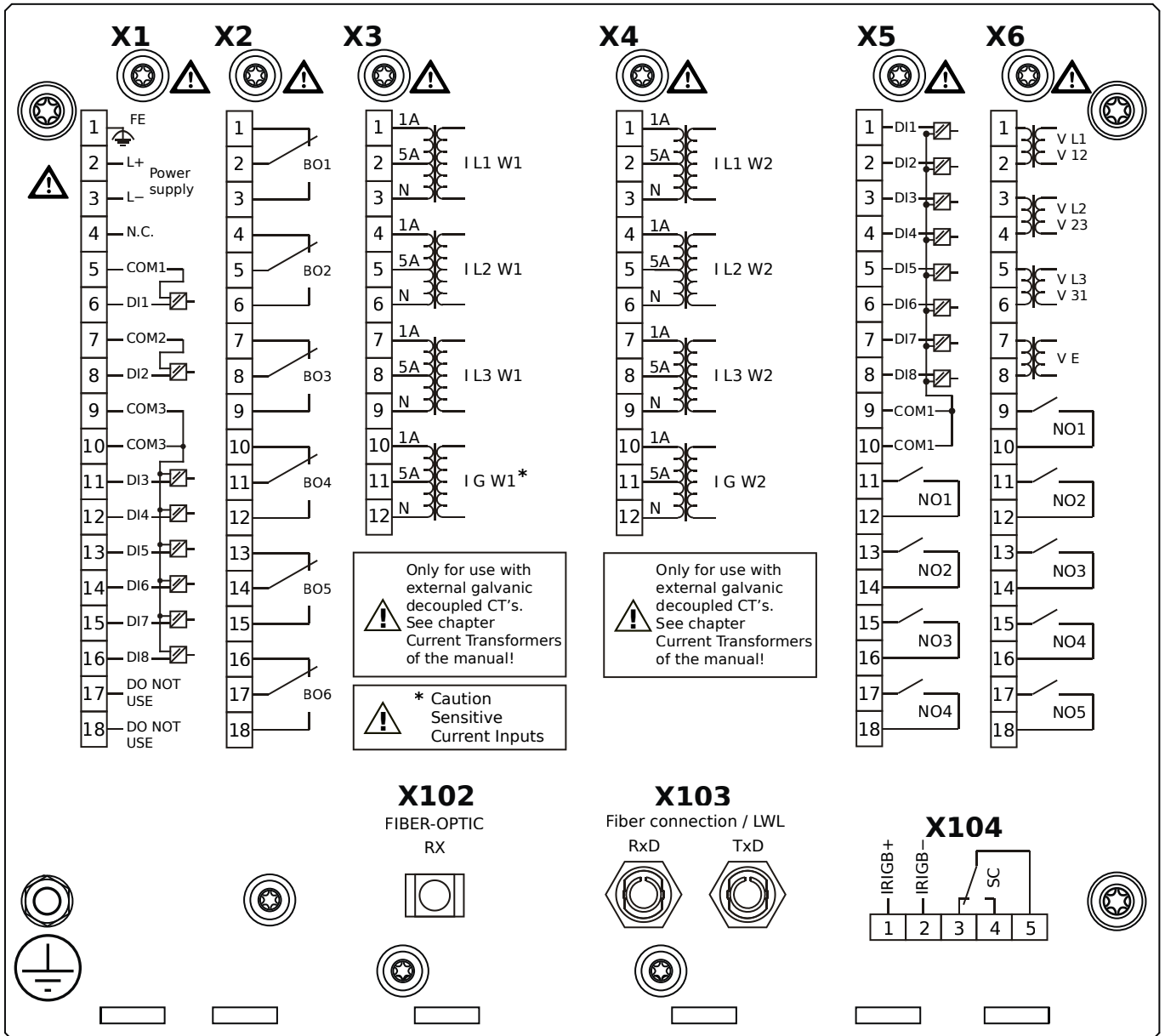
- X1** – DI8-X1: Wide-range power supply unit, incl. 2 non-grouped digital inputs and 6 grouped digital inputs
- X2** – OR-6: Assembly Group with 6 Relay Outputs
- X3** – TIS-4: Sensitive Ground current measuring card (for the neutral side of the differential protection)
- X4** – TI-4: Standard ground current measuring card (for the line side of the differential protection)
- X5** – DI8-OR4: Assembly Group with 8 Digital Inputs and 4 Output Relays
- X6** – U K4: Voltage measuring assembly group with 4 additional Relay Outputs (normally open)
- X102** – Universal Resistance-Temperature Detector (URTD) input, Fiber optics interface, ST Connector
- X103** – RS485, D-SUB
- X104** – IRIG-B00X, incl. System Contact (Supervision Contact)

MCDGV4-2D1HFA



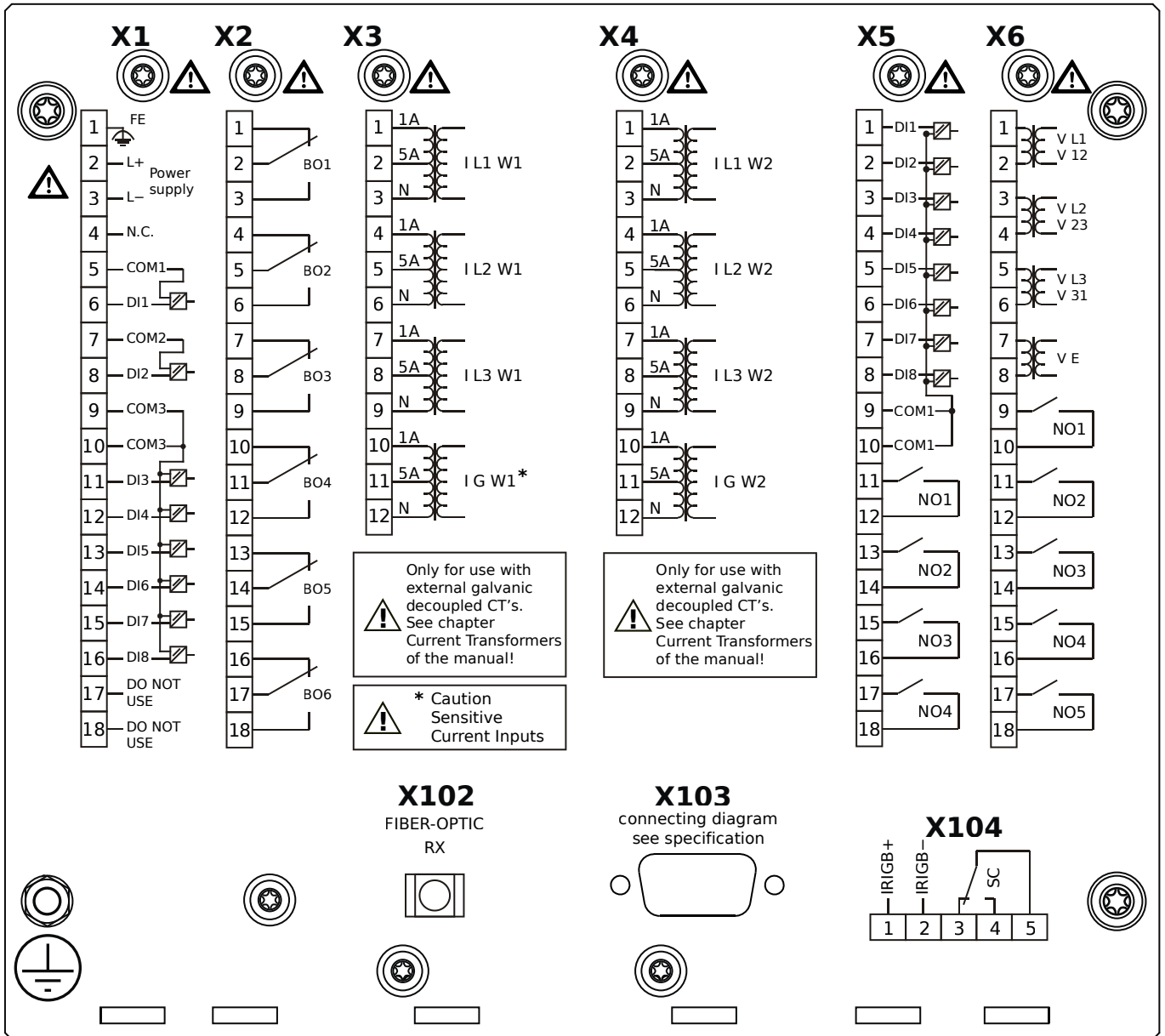
- X1** – DI8-X1: Wide-range power supply unit, incl. 2 non-grouped digital inputs and 6 grouped digital inputs
- X2** – OR-6: Assembly Group with 6 Relay Outputs
- X3** – TIS-4: Sensitive Ground current measuring card (for the neutral side of the differential protection)
- X4** – TI-4: Standard ground current measuring card (for the line side of the differential protection)
- X5** – DI8-OR4: Assembly Group with 8 Digital Inputs and 4 Output Relays
- X6** – U K4: Voltage measuring assembly group with 4 additional Relay Outputs (normally open)
- X102** – Universal Resistance-Temperature Detector (URTD) input, Fiber optics interface, ST Connector
- X103** – Fiber optics interface, ST Connector
- X104** – IRIG-B00X, incl. System Contact (Supervision Contact)

MCDGV4-2D1HFB



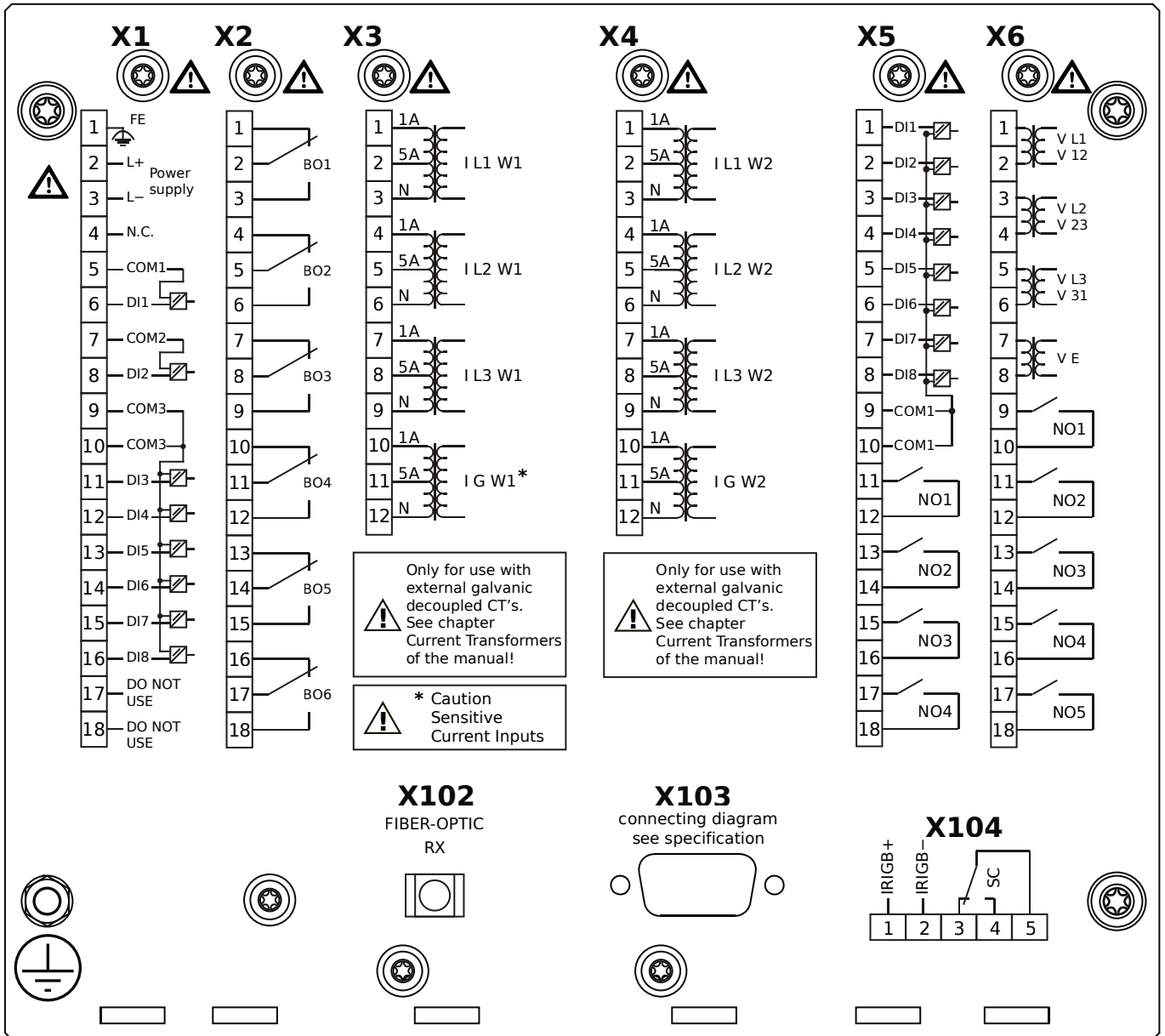
- X1** – DI8-X1: Wide-range power supply unit, incl. 2 non-grouped digital inputs and 6 grouped digital inputs
- X2** – OR-6: Assembly Group with 6 Relay Outputs
- X3** – TIS-4: Sensitive Ground current measuring card (for the neutral side of the differential protection)
- X4** – TI-4: Standard ground current measuring card (for the line side of the differential protection)
- X5** – DI8-OR4: Assembly Group with 8 Digital Inputs and 4 Output Relays
- X6** – U K4: Voltage measuring assembly group with 4 additional Relay Outputs (normally open)
- X102** – Universal Resistance-Temperature Detector (URTD) input, Fiber optics interface, ST Connector
- X103** – Fiber optics interface, ST Connector
- X104** – IRIG-B00X, incl. System Contact (Supervision Contact)

MCDGV4-2D1HGA



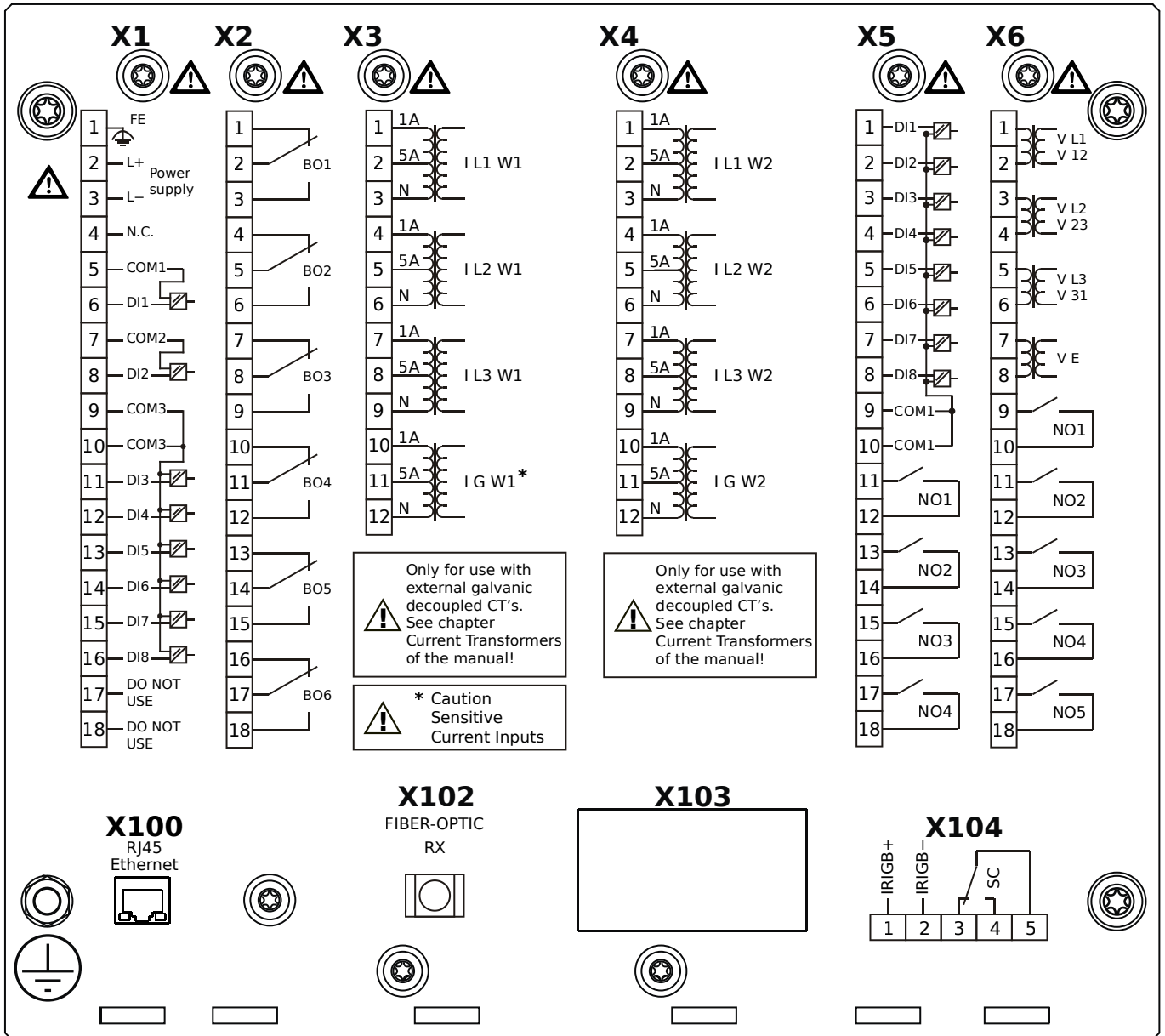
- X1** – DI8-X1: Wide-range power supply unit, incl. 2 non-grouped digital inputs and 6 grouped digital inputs
- X2** – OR-6: Assembly Group with 6 Relay Outputs
- X3** – TIS-4: Sensitive Ground current measuring card (for the neutral side of the differential protection)
- X4** – TI-4: Standard ground current measuring card (for the line side of the differential protection)
- X5** – DI8-OR4: Assembly Group with 8 Digital Inputs and 4 Output Relays
- X6** – U K4: Voltage measuring assembly group with 4 additional Relay Outputs (normally open)
- X102** – Universal Resistance-Temperature Detector (URTD) input, Fiber optics interface, ST Connector
- X103** – RS485, D-SUB
- X104** – IRIG-B00X, incl. System Contact (Supervision Contact)

MCDGV4-2D1HGB



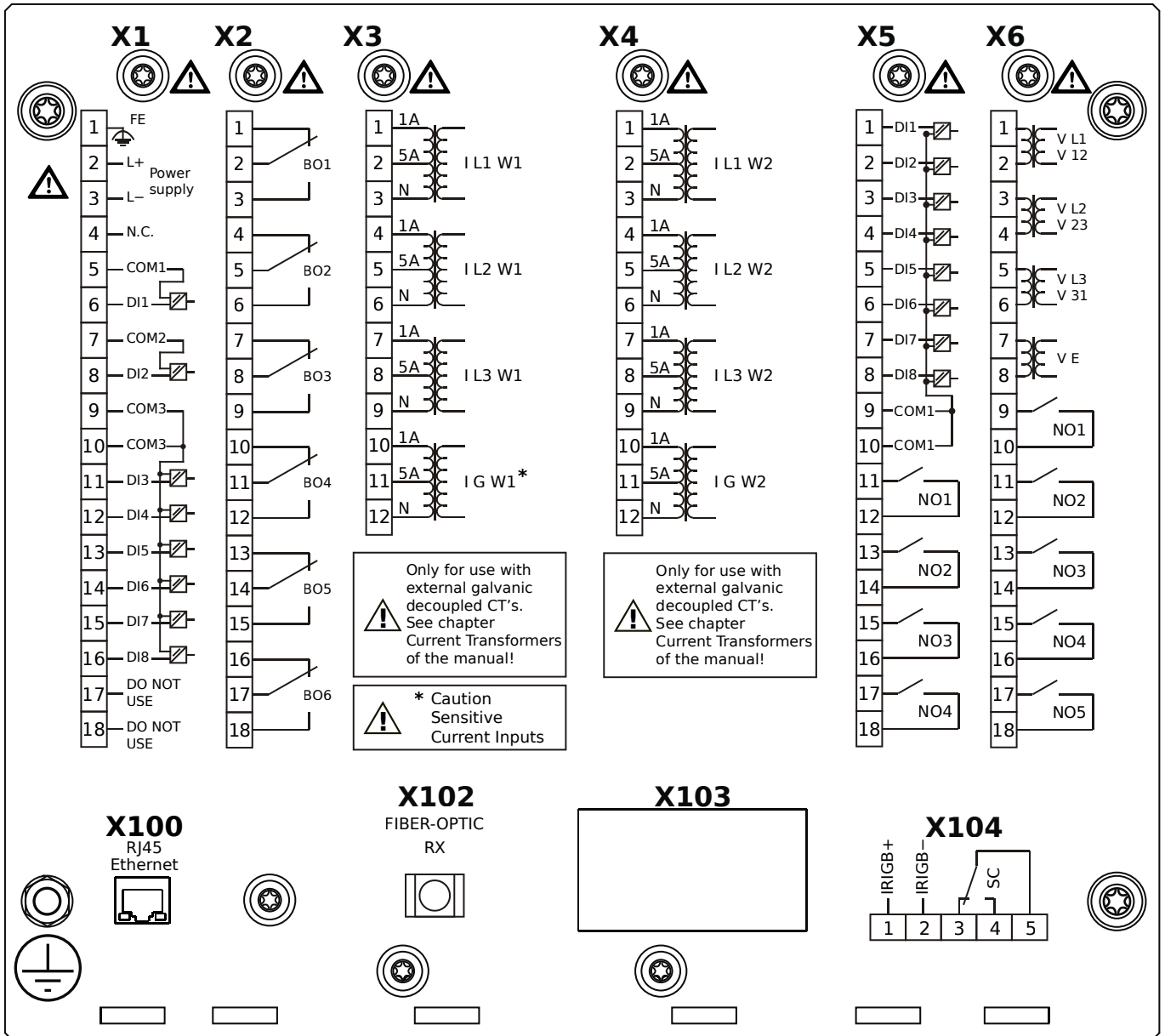
- X1** – DI8-X1: Wide-range power supply unit, incl. 2 non-grouped digital inputs and 6 grouped digital inputs
- X2** – OR-6: Assembly Group with 6 Relay Outputs
- X3** – TIS-4: Sensitive Ground current measuring card (for the neutral side of the differential protection)
- X4** – TI-4: Standard ground current measuring card (for the line side of the differential protection)
- X5** – DI8-OR4: Assembly Group with 8 Digital Inputs and 4 Output Relays
- X6** – U K4: Voltage measuring assembly group with 4 additional Relay Outputs (normally open)
- X102** – Universal Resistance-Temperature Detector (URTD) input, Fiber optics interface, ST Connector
- X103** – RS485, D-SUB
- X104** – IRIG-B00X, incl. System Contact (Supervision Contact)

MCDGV4-2D1HHA



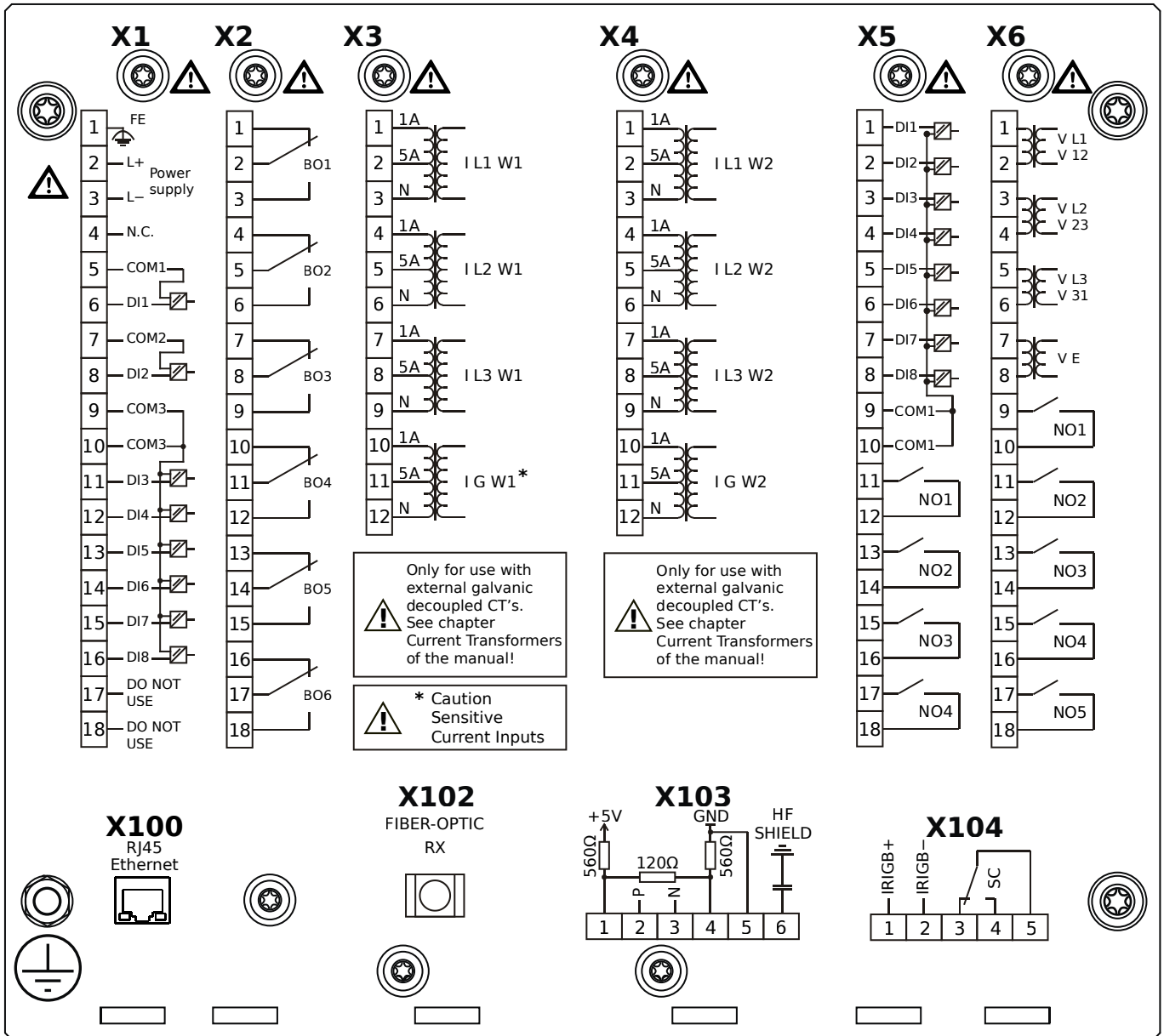
- X1** – DI8-X1: Wide-range power supply unit, incl. 2 non-grouped digital inputs and 6 grouped digital inputs
- X2** – OR-6: Assembly Group with 6 Relay Outputs
- X3** – TIS-4: Sensitive Ground current measuring card (for the neutral side of the differential protection)
- X4** – TI-4: Standard ground current measuring card (for the line side of the differential protection)
- X5** – DI8-OR4: Assembly Group with 8 Digital Inputs and 4 Output Relays
- X6** – U K4: Voltage measuring assembly group with 4 additional Relay Outputs (normally open)
- X100** – Ethernet interface, 100 Mbit/s, RJ45
- X102** – Universal Resistance-Temperature Detector (URTD) input, Fiber optics interface, ST Connector
- X104** – IRIG-B00X, incl. System Contact (Supervision Contact)

MCDGV4-2D1HHB



- X1** – DI8-X1: Wide-range power supply unit, incl. 2 non-grouped digital inputs and 6 grouped digital inputs
- X2** – OR-6: Assembly Group with 6 Relay Outputs
- X3** – TIS-4: Sensitive Ground current measuring card (for the neutral side of the differential protection)
- X4** – TI-4: Standard ground current measuring card (for the line side of the differential protection)
- X5** – DI8-OR4: Assembly Group with 8 Digital Inputs and 4 Output Relays
- X6** – U K4: Voltage measuring assembly group with 4 additional Relay Outputs (normally open)
- X100** – Ethernet interface, 100 Mbit/s, RJ45
- X102** – Universal Resistance-Temperature Detector (URTD) input, Fiber optics interface, ST Connector
- X104** – IRIG-B00X, incl. System Contact (Supervision Contact)

MCDGV4-2D1HIA



X1 – DI8-X1: Wide-range power supply unit, incl. 2 non-grouped digital inputs and 6 grouped digital inputs

X2 – OR-6: Assembly Group with 6 Relay Outputs

X3 – TIS-4: Sensitive Ground current measuring card (for the neutral side of the differential protection)

X4 – TI-4: Standard ground current measuring card (for the line side of the differential protection)

X5 – DI8-OR4: Assembly Group with 8 Digital Inputs and 4 Output Relays

X6 – U K4: Voltage measuring assembly group with 4 additional Relay Outputs (normally open)

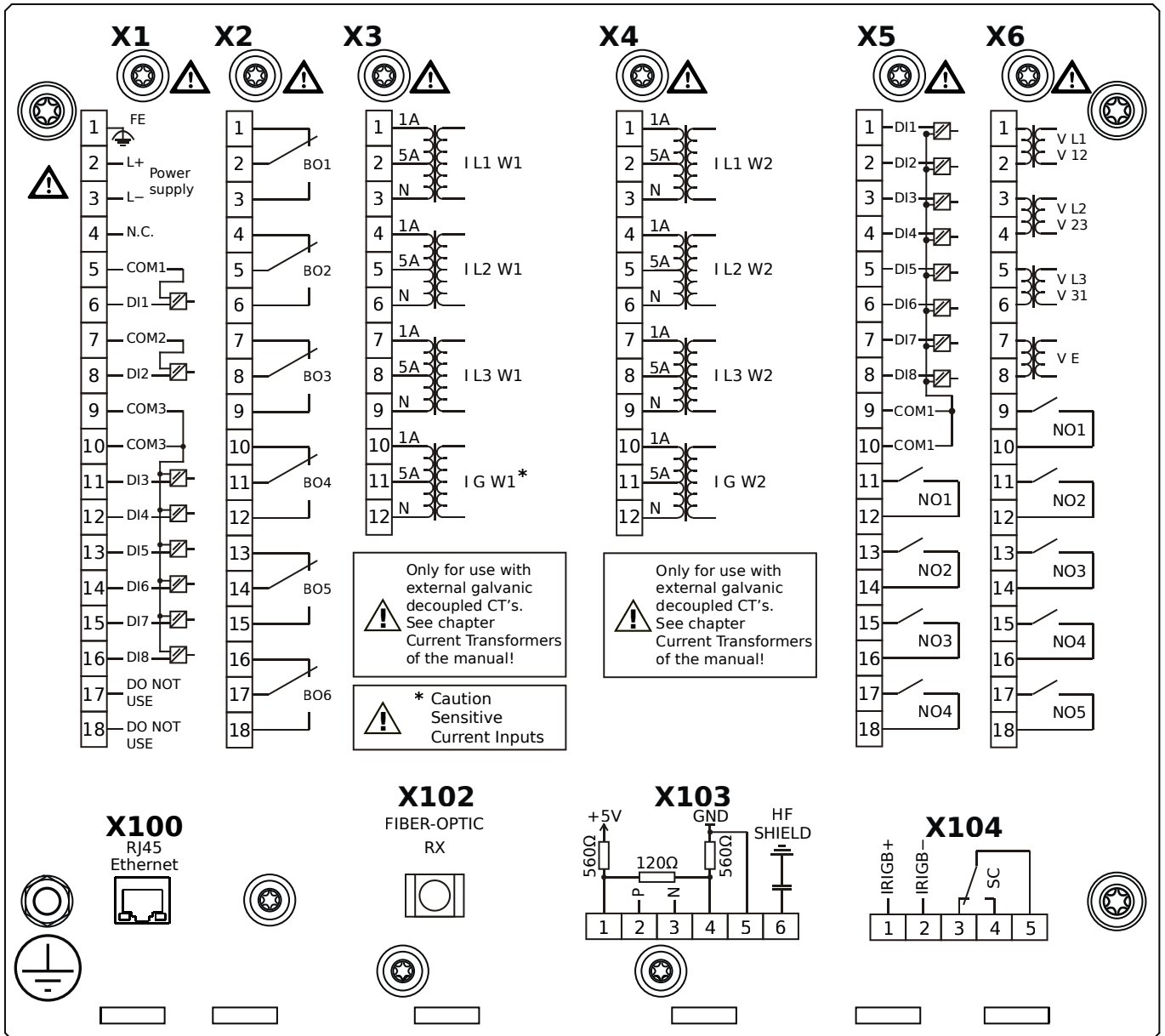
X100 – Ethernet interface, 100 Mbit/s, RJ45

X102 – Universal Resistance-Temperature Detector (URTD) input, Fiber optics interface, ST Connector

X103 – RS485, Terminals

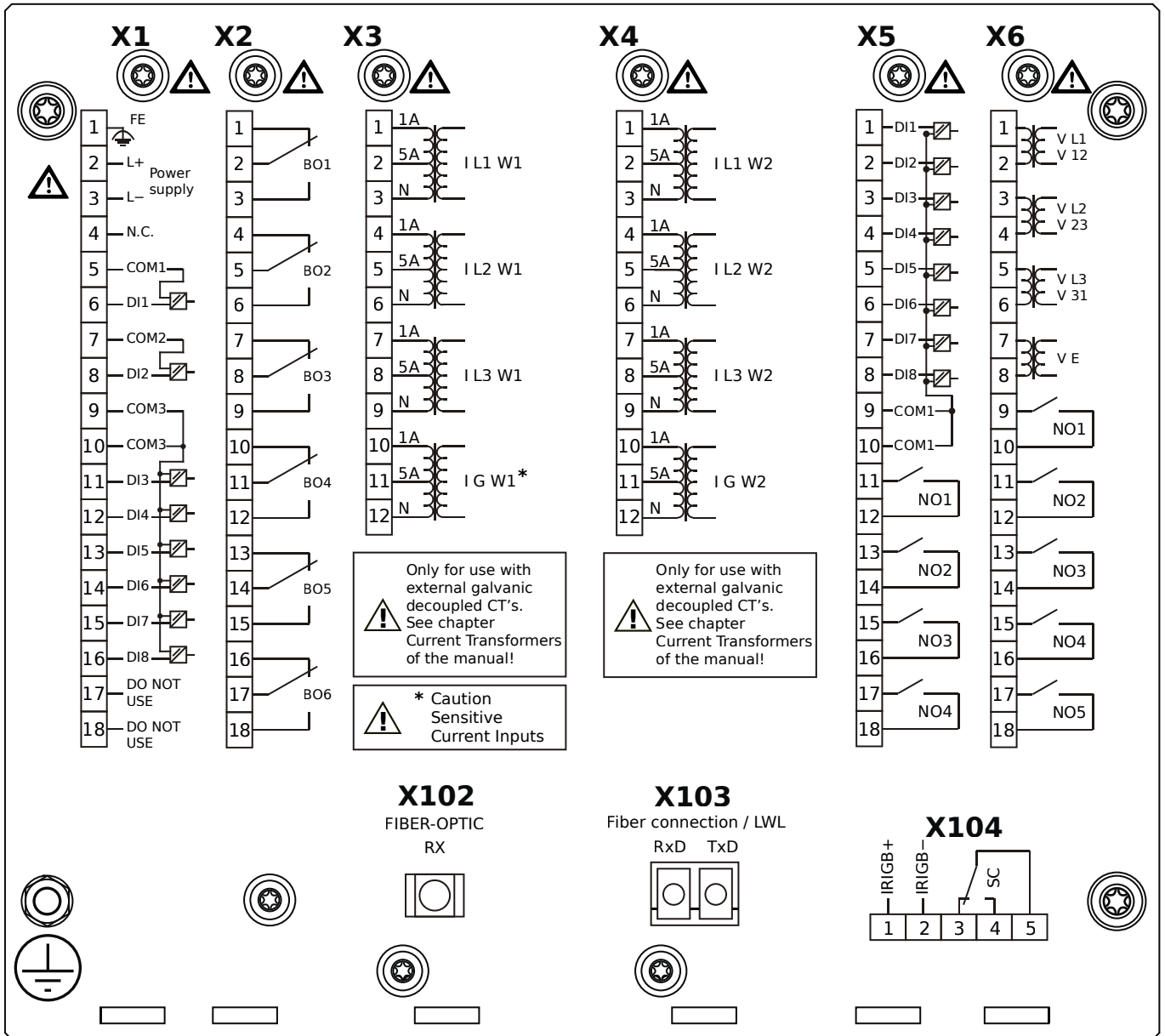
X104 – IRIG-B00X, incl. System Contact (Supervision Contact)

MCDGV4-2D1HIB



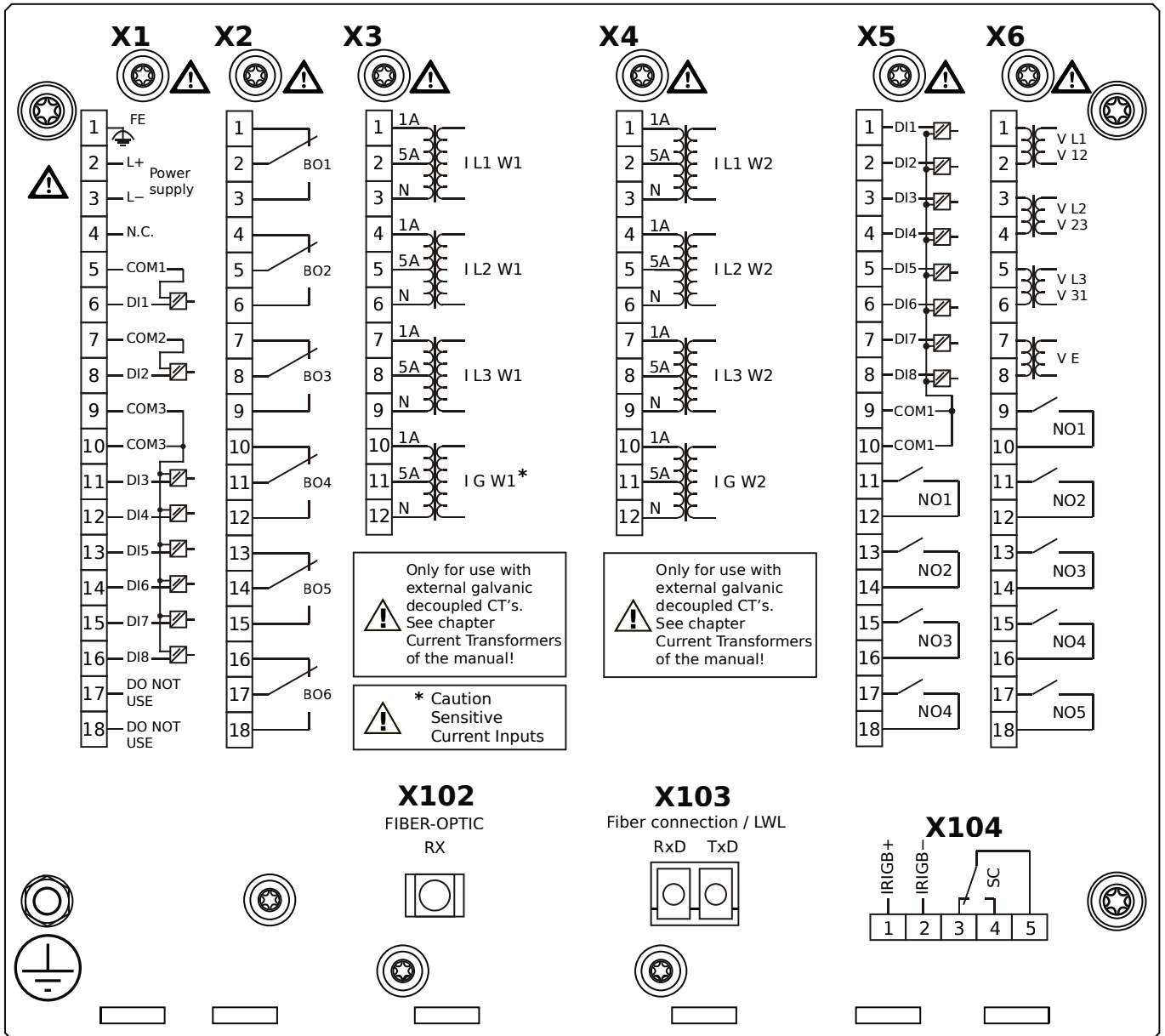
- X1** – DI8-X1: Wide-range power supply unit, incl. 2 non-grouped digital inputs and 6 grouped digital inputs
- X2** – OR-6: Assembly Group with 6 Relay Outputs
- X3** – TIS-4: Sensitive Ground current measuring card (for the neutral side of the differential protection)
- X4** – TI-4: Standard ground current measuring card (for the line side of the differential protection)
- X5** – DI8-OR4: Assembly Group with 8 Digital Inputs and 4 Output Relays
- X6** – U K4: Voltage measuring assembly group with 4 additional Relay Outputs (normally open)
- X100** – Ethernet interface, 100 Mbit/s, RJ45
- X102** – Universal Resistance-Temperature Detector (URTD) input, Fiber optics interface, ST Connector
- X103** – RS485, Terminals
- X104** – IRIG-B00X, incl. System Contact (Supervision Contact)

MCDGV4-2D1HKA



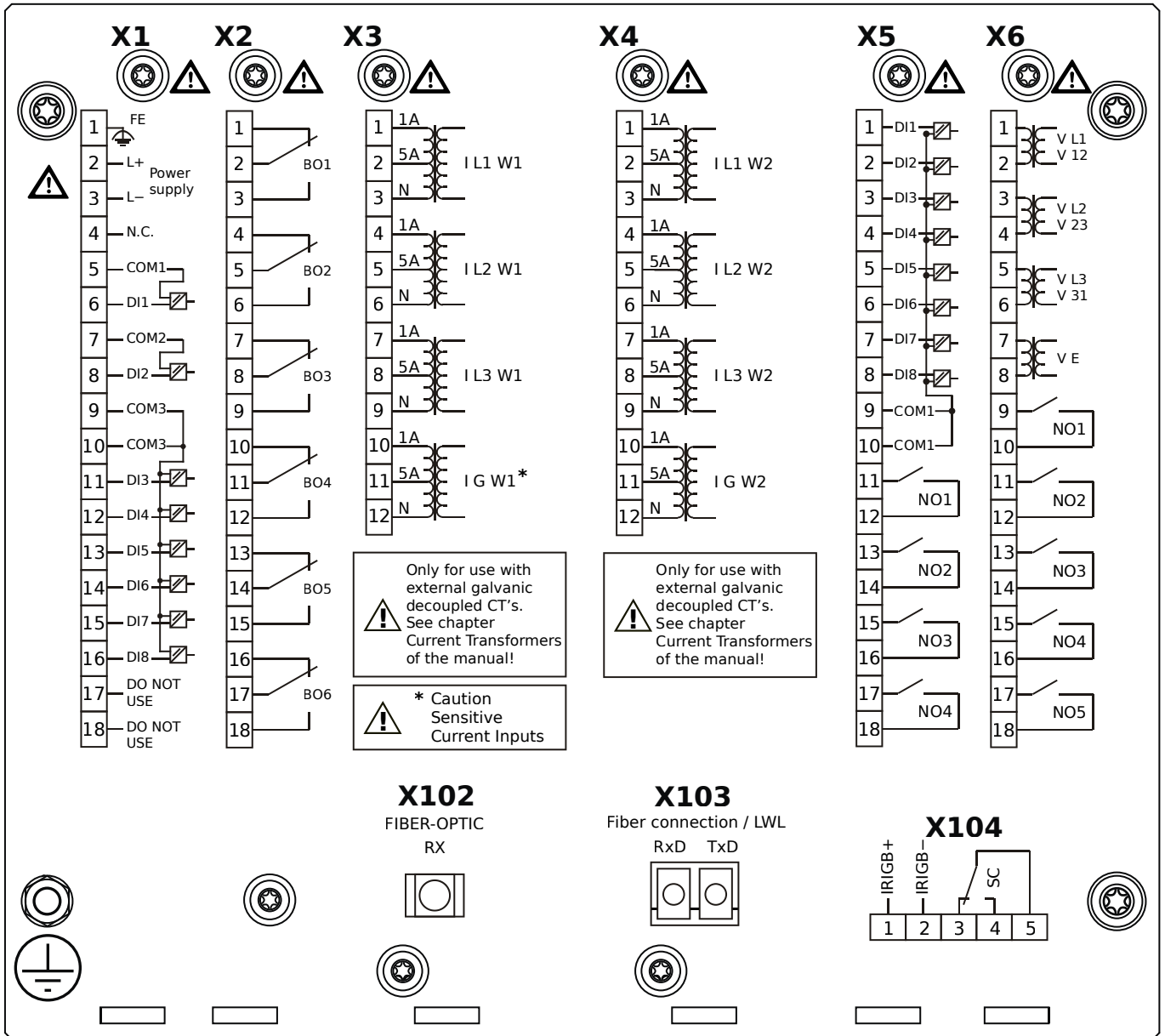
- X1** – DI8-X1: Wide-range power supply unit, incl. 2 non-grouped digital inputs and 6 grouped digital inputs
- X2** – OR-6: Assembly Group with 6 Relay Outputs
- X3** – TIS-4: Sensitive Ground current measuring card (for the neutral side of the differential protection)
- X4** – TI-4: Standard ground current measuring card (for the line side of the differential protection)
- X5** – DI8-OR4: Assembly Group with 8 Digital Inputs and 4 Output Relays
- X6** – U K4: Voltage measuring assembly group with 4 additional Relay Outputs (normally open)
- X102** – Universal Resistance-Temperature Detector (URTD) input, Fiber optics interface, ST Connector
- X103** – Fiber optics interface, LC Connector
- X104** – IRIG-B00X, incl. System Contact (Supervision Contact)

MCDGV4-2D1HKB



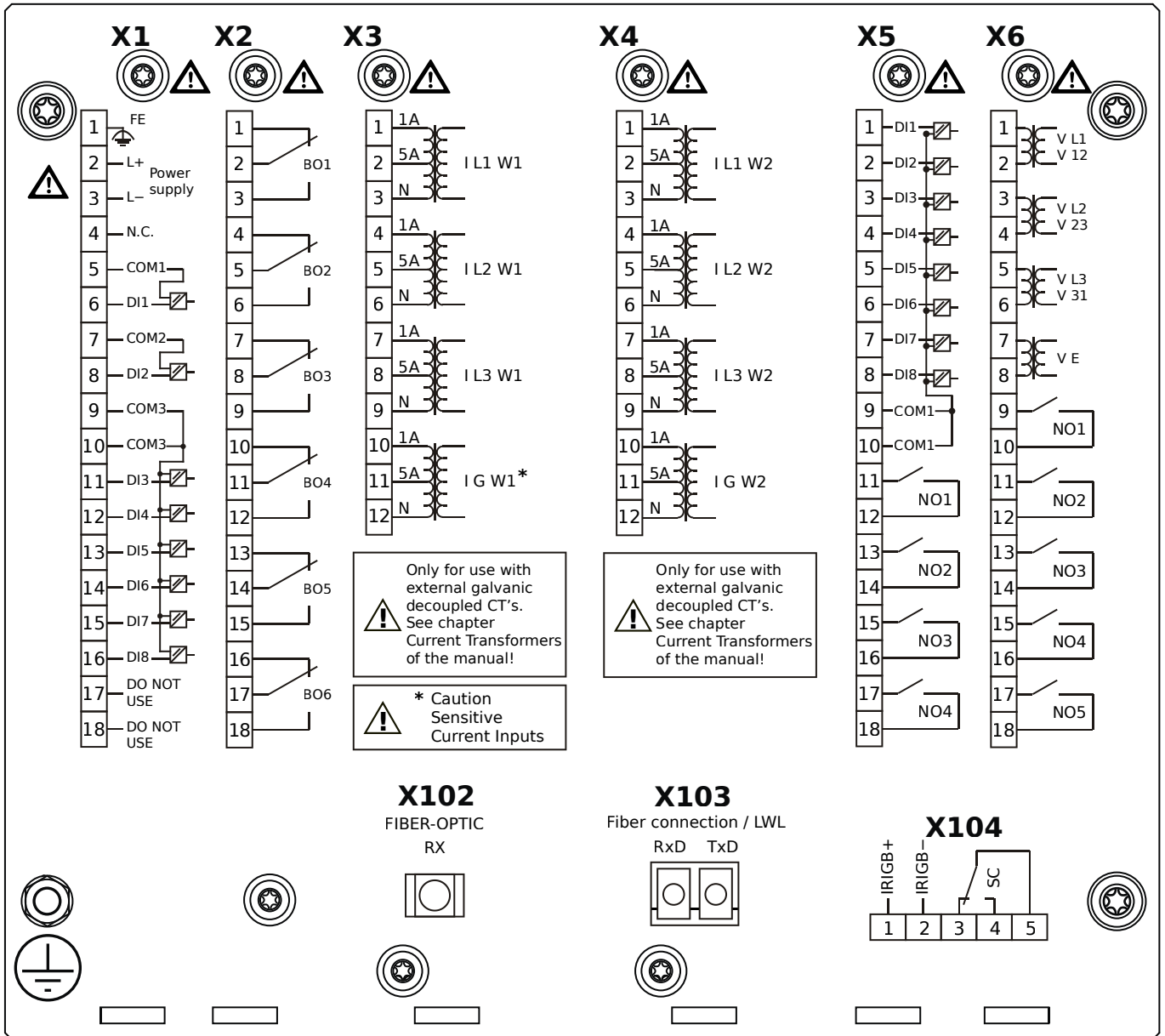
- X1** – DI8-X1: Wide-range power supply unit, incl. 2 non-grouped digital inputs and 6 grouped digital inputs
- X2** – OR-6: Assembly Group with 6 Relay Outputs
- X3** – TIS-4: Sensitive Ground current measuring card (for the neutral side of the differential protection)
- X4** – TI-4: Standard ground current measuring card (for the line side of the differential protection)
- X5** – DI8-OR4: Assembly Group with 8 Digital Inputs and 4 Output Relays
- X6** – U K4: Voltage measuring assembly group with 4 additional Relay Outputs (normally open)
- X102** – Universal Resistance-Temperature Detector (URTD) input, Fiber optics interface, ST Connector
- X103** – Fiber optics interface, LC Connector
- X104** – IRIG-B00X, incl. System Contact (Supervision Contact)

MCDGV4-2D1HLA



- X1** – DI8-X1: Wide-range power supply unit, incl. 2 non-grouped digital inputs and 6 grouped digital inputs
- X2** – OR-6: Assembly Group with 6 Relay Outputs
- X3** – TIS-4: Sensitive Ground current measuring card (for the neutral side of the differential protection)
- X4** – TI-4: Standard ground current measuring card (for the line side of the differential protection)
- X5** – DI8-OR4: Assembly Group with 8 Digital Inputs and 4 Output Relays
- X6** – U K4: Voltage measuring assembly group with 4 additional Relay Outputs (normally open)
- X102** – Universal Resistance-Temperature Detector (URTD) input, Fiber optics interface, ST Connector
- X103** – Fiber optics interface, LC Connector
- X104** – IRIG-B00X, incl. System Contact (Supervision Contact)

MCDGV4-2D1HLB



- X1** – DI8-X1: Wide-range power supply unit, incl. 2 non-grouped digital inputs and 6 grouped digital inputs
- X2** – OR-6: Assembly Group with 6 Relay Outputs
- X3** – TIS-4: Sensitive Ground current measuring card (for the neutral side of the differential protection)
- X4** – TI-4: Standard ground current measuring card (for the line side of the differential protection)
- X5** – DI8-OR4: Assembly Group with 8 Digital Inputs and 4 Output Relays
- X6** – U K4: Voltage measuring assembly group with 4 additional Relay Outputs (normally open)
- X102** – Universal Resistance-Temperature Detector (URTD) input, Fiber optics interface, ST Connector
- X103** – Fiber optics interface, LC Connector
- X104** – IRIG-B00X, incl. System Contact (Supervision Contact)