

**MCA4**

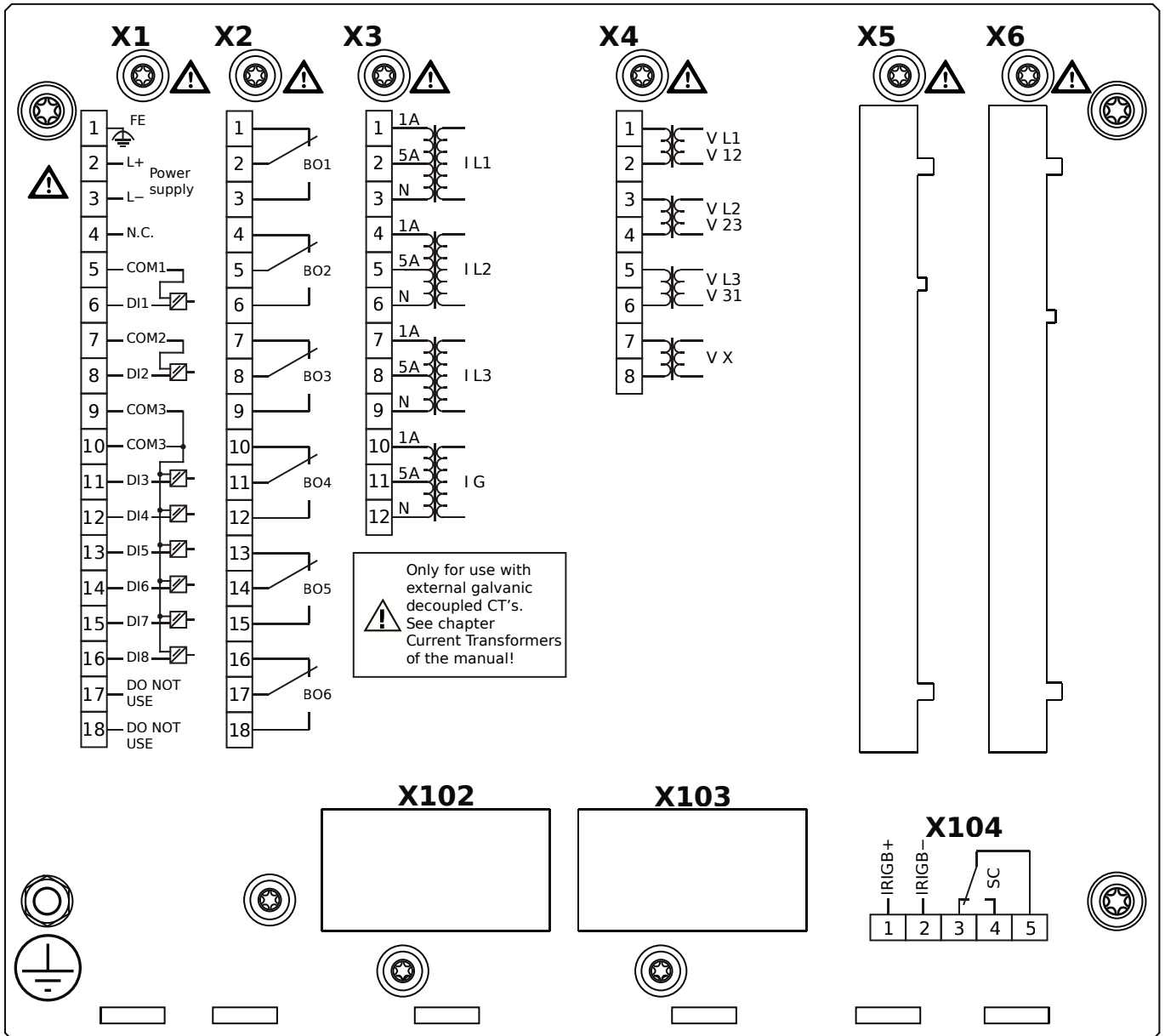
Software-Version: 3.4

DOK-WD-MCA4-2E

Revision: E

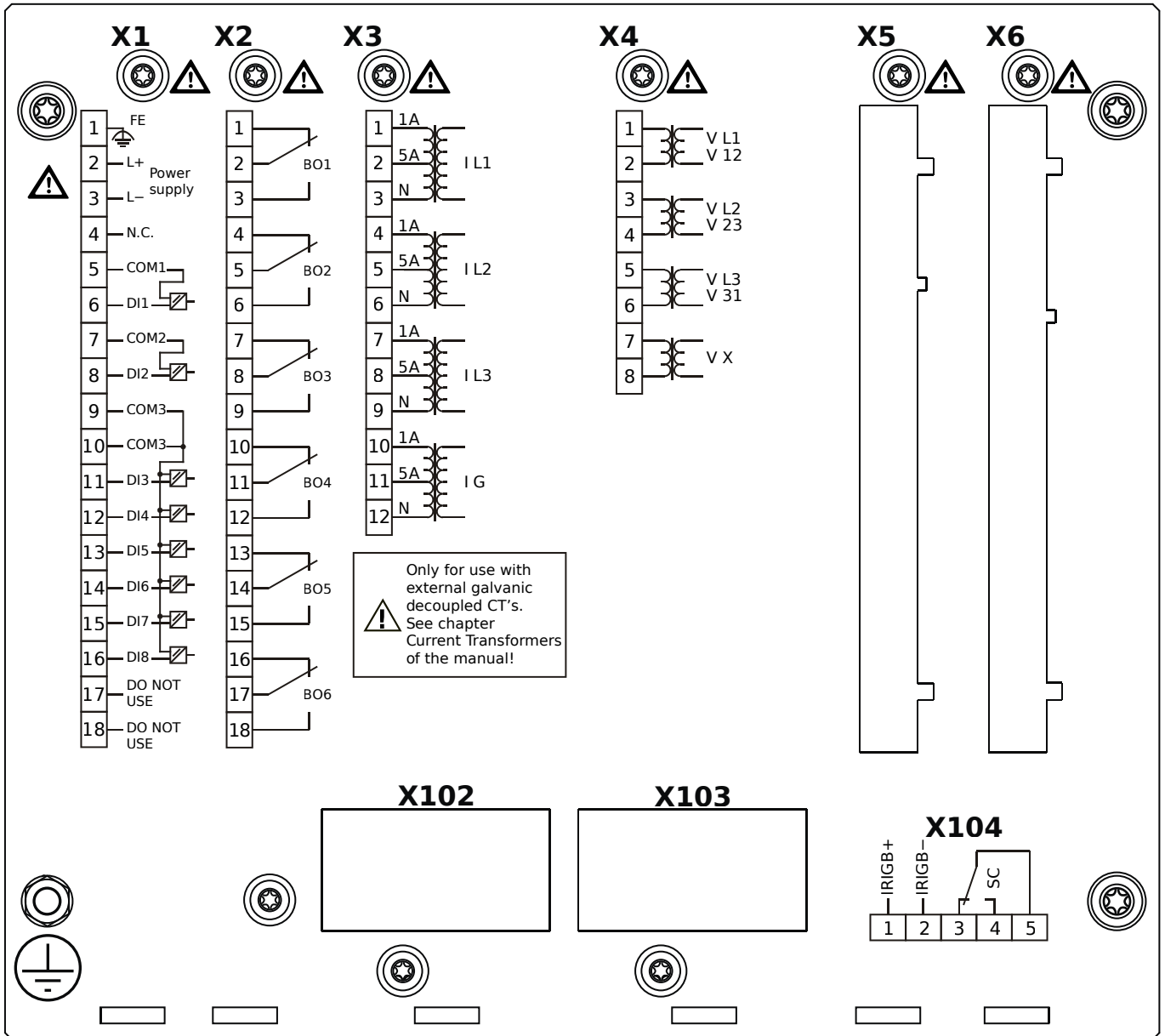
This document does not replace the Technical Manual.

# MCA4-2A0AAA



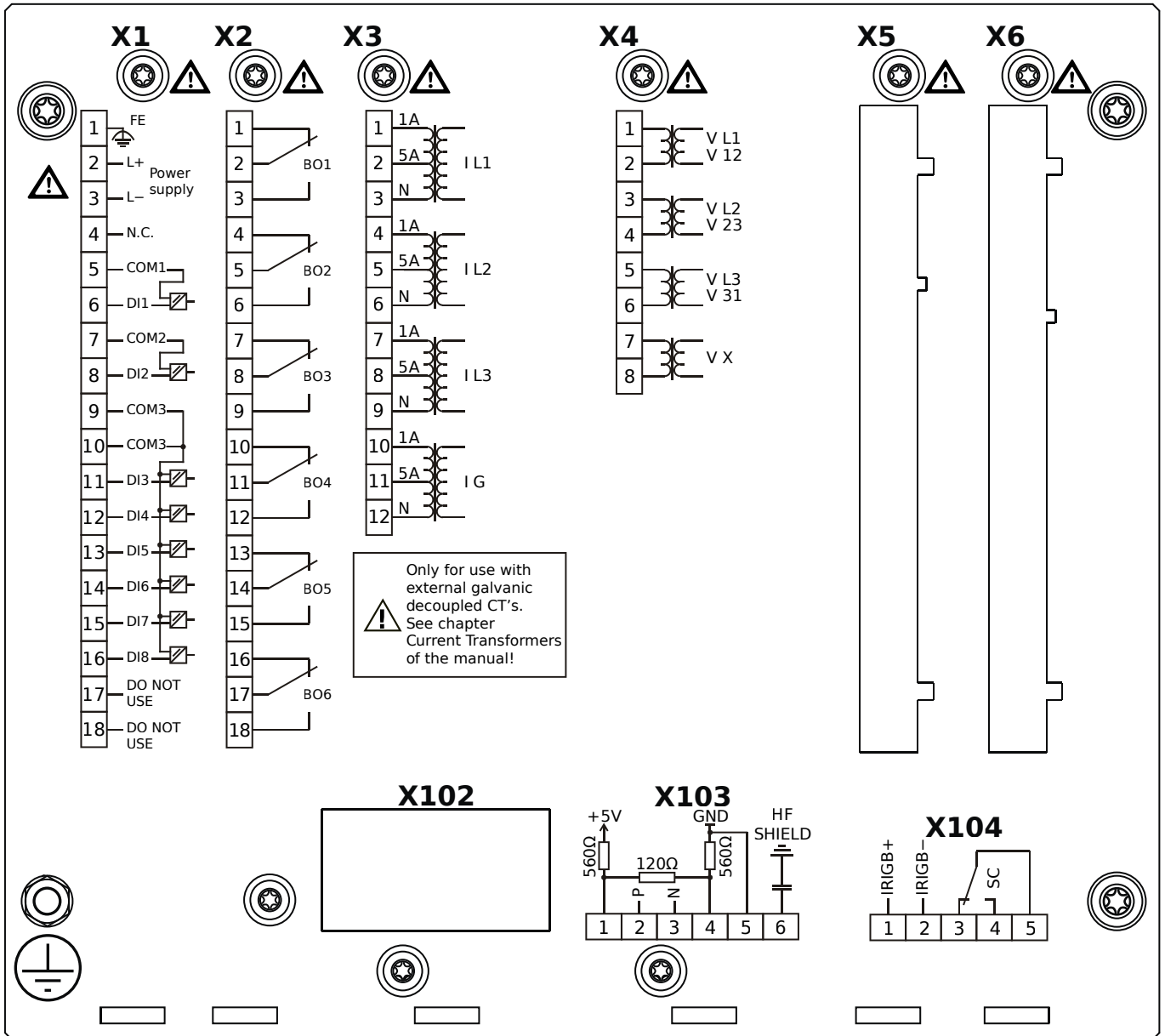
- X1** – DI8-X1: Wide-range power supply unit, incl. 2 non-grouped digital inputs and 6 grouped digital inputs
- X2** – OR-6: Assembly Group with 6 Relay Outputs
- X3** – TI-4: Standard current measuring card
- X4** – TU: Card with 4 voltage transformer measuring inputs
- X104** – IRIG-B00X, incl. System Contact (Supervision Contact)

# MCA4-2A0AAB



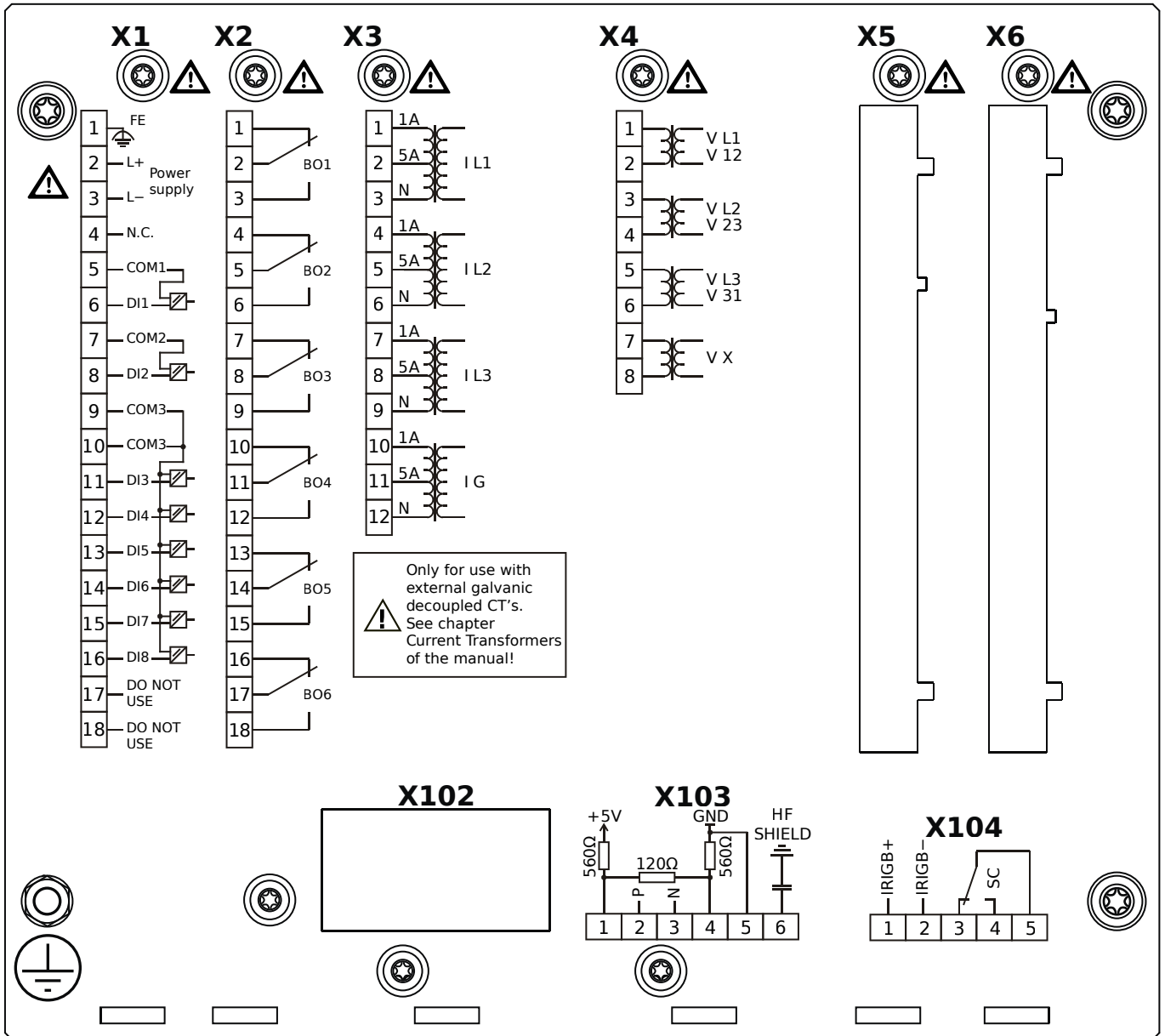
- X1** – DI8-X1: Wide-range power supply unit, incl. 2 non-grouped digital inputs and 6 grouped digital inputs
- X2** – OR-6: Assembly Group with 6 Relay Outputs
- X3** – TI-4: Standard current measuring card
- X4** – TU: Card with 4 voltage transformer measuring inputs
- X104** – IRIG-B00X, incl. System Contact (Supervision Contact)

# MCA4-2A0ABA



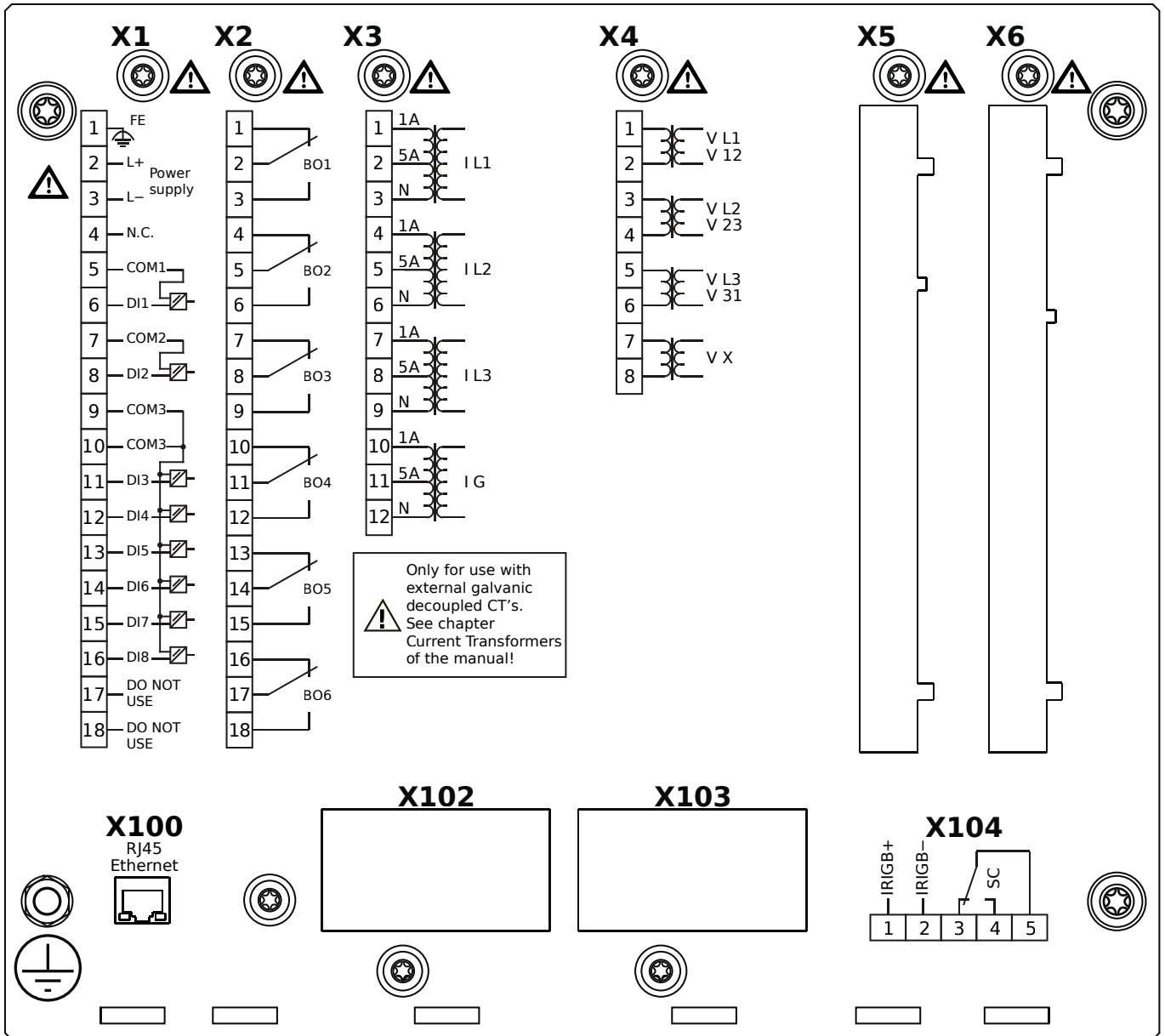
- X1** – DI8-X1: Wide-range power supply unit, incl. 2 non-grouped digital inputs and 6 grouped digital inputs
- X2** – OR-6: Assembly Group with 6 Relay Outputs
- X3** – TI-4: Standard current measuring card
- X4** – TU: Card with 4 voltage transformer measuring inputs
- X103** – Modbus RTU / IEC 60870-5-103 / DNP3.0 RTU, RS485, Terminals
- X104** – IRIG-B00X, incl. System Contact (Supervision Contact)

# MCA4-2A0ABB



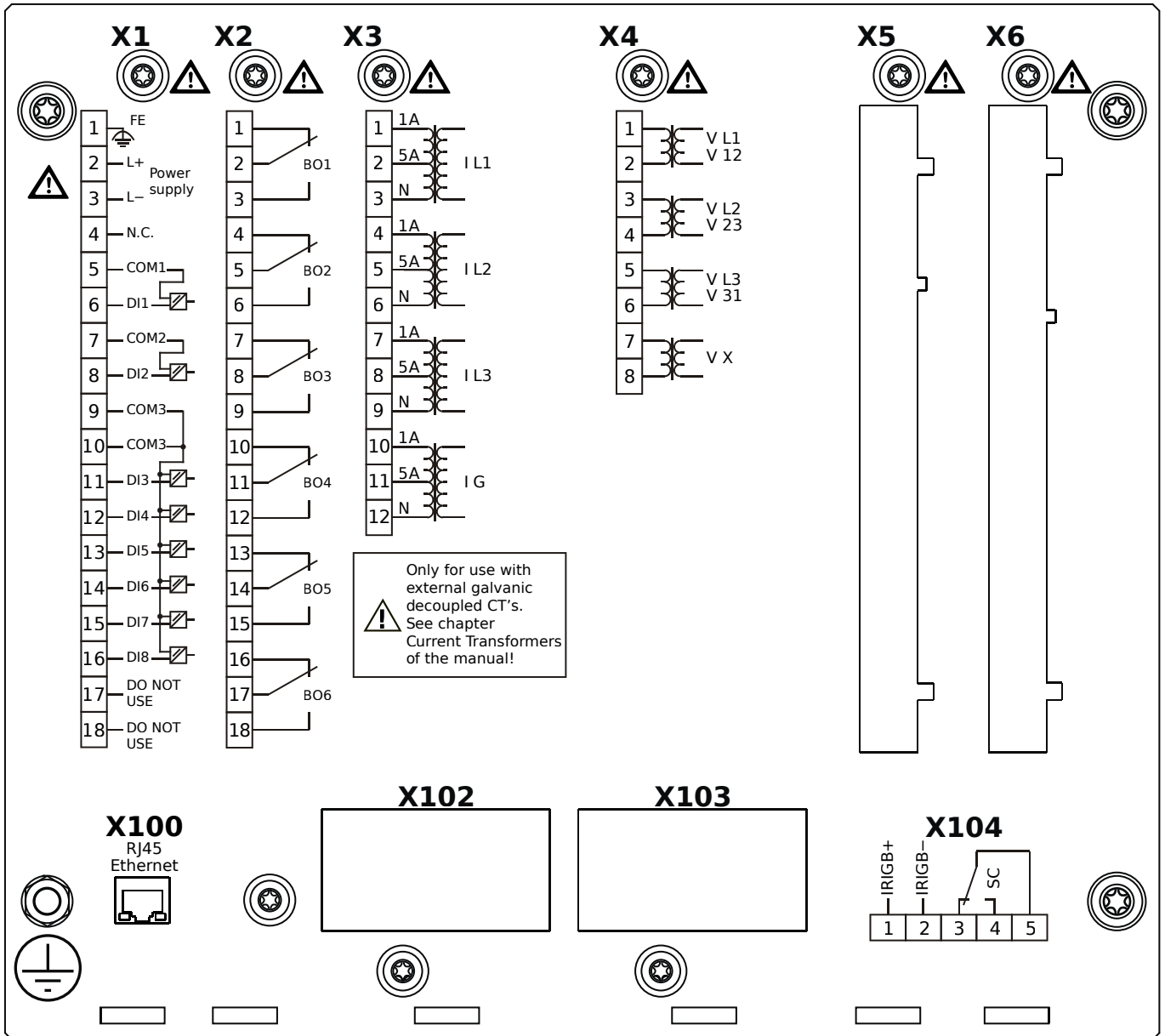
- X1** – DI8-X1: Wide-range power supply unit, incl. 2 non-grouped digital inputs and 6 grouped digital inputs
- X2** – OR-6: Assembly Group with 6 Relay Outputs
- X3** – TI-4: Standard current measuring card
- X4** – TU: Card with 4 voltage transformer measuring inputs
- X103** – Modbus RTU / IEC 60870-5-103 / DNP3.0 RTU, RS485, Terminals
- X104** – IRIG-B00X, incl. System Contact (Supervision Contact)

# MCA4-2A0ACA



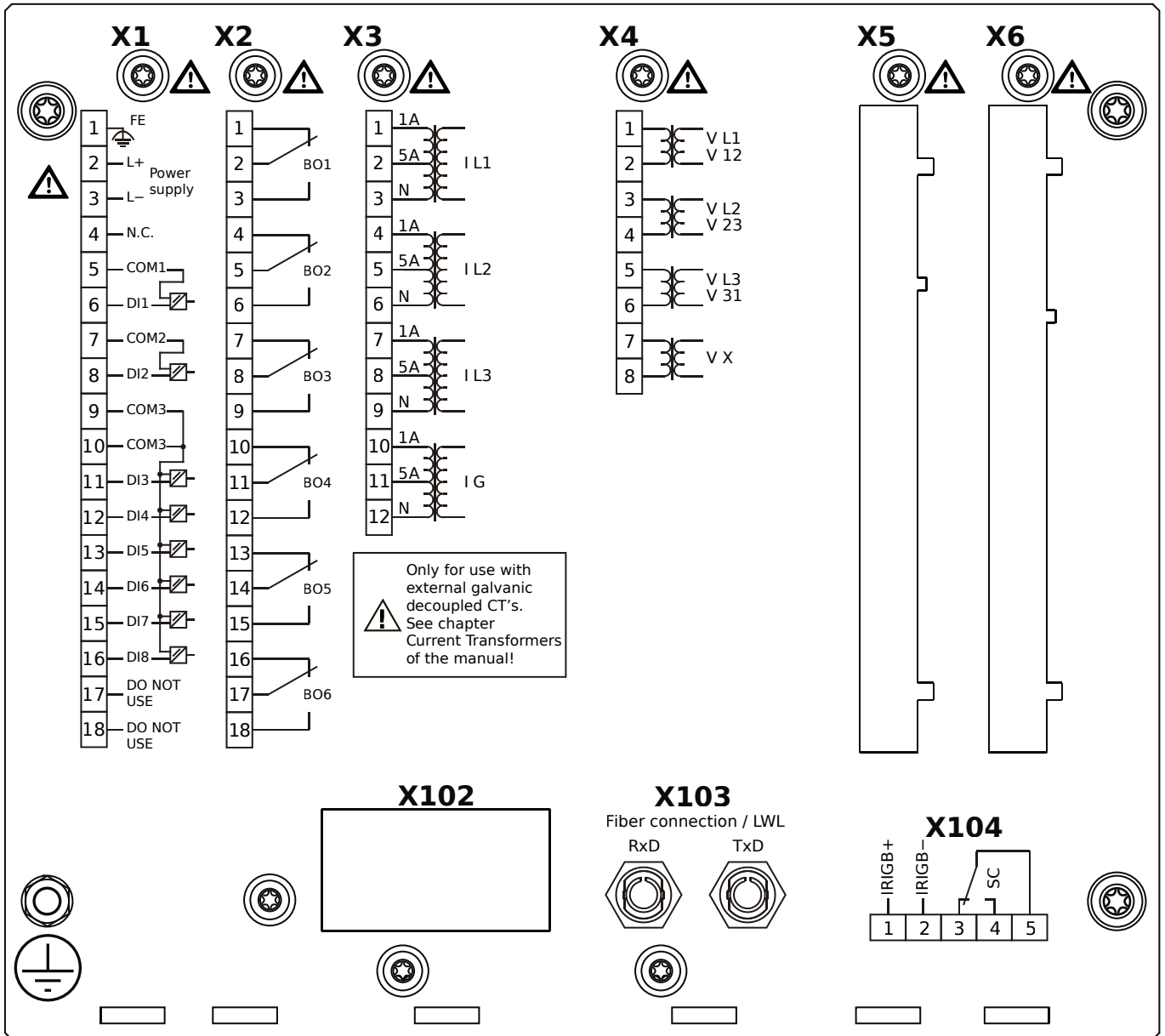
- X1** – DI8-X1: Wide-range power supply unit, incl. 2 non-grouped digital inputs and 6 grouped digital inputs
- X2** – OR-6: Assembly Group with 6 Relay Outputs
- X3** – TI-4: Standard current measuring card
- X4** – TU: Card with 4 voltage transformer measuring inputs
- X100** – Modbus TCP / DNP3.0 TCP/UDP, Ethernet interface, 100 Mbit/s, RJ45 (BASE100-FX)
- X104** – IRIG-B00X, incl. System Contact (Supervision Contact)

# MCA4-2A0ACB



- X1** – DI8-X1: Wide-range power supply unit, incl. 2 non-grouped digital inputs and 6 grouped digital inputs
- X2** – OR-6: Assembly Group with 6 Relay Outputs
- X3** – TI-4: Standard current measuring card
- X4** – TU: Card with 4 voltage transformer measuring inputs
- X100** – Modbus TCP / DNP3.0 TCP/UDP, Ethernet interface, 100 Mbit/s, RJ45 (BASE100-FX)
- X104** – IRIG-B00X, incl. System Contact (Supervision Contact)

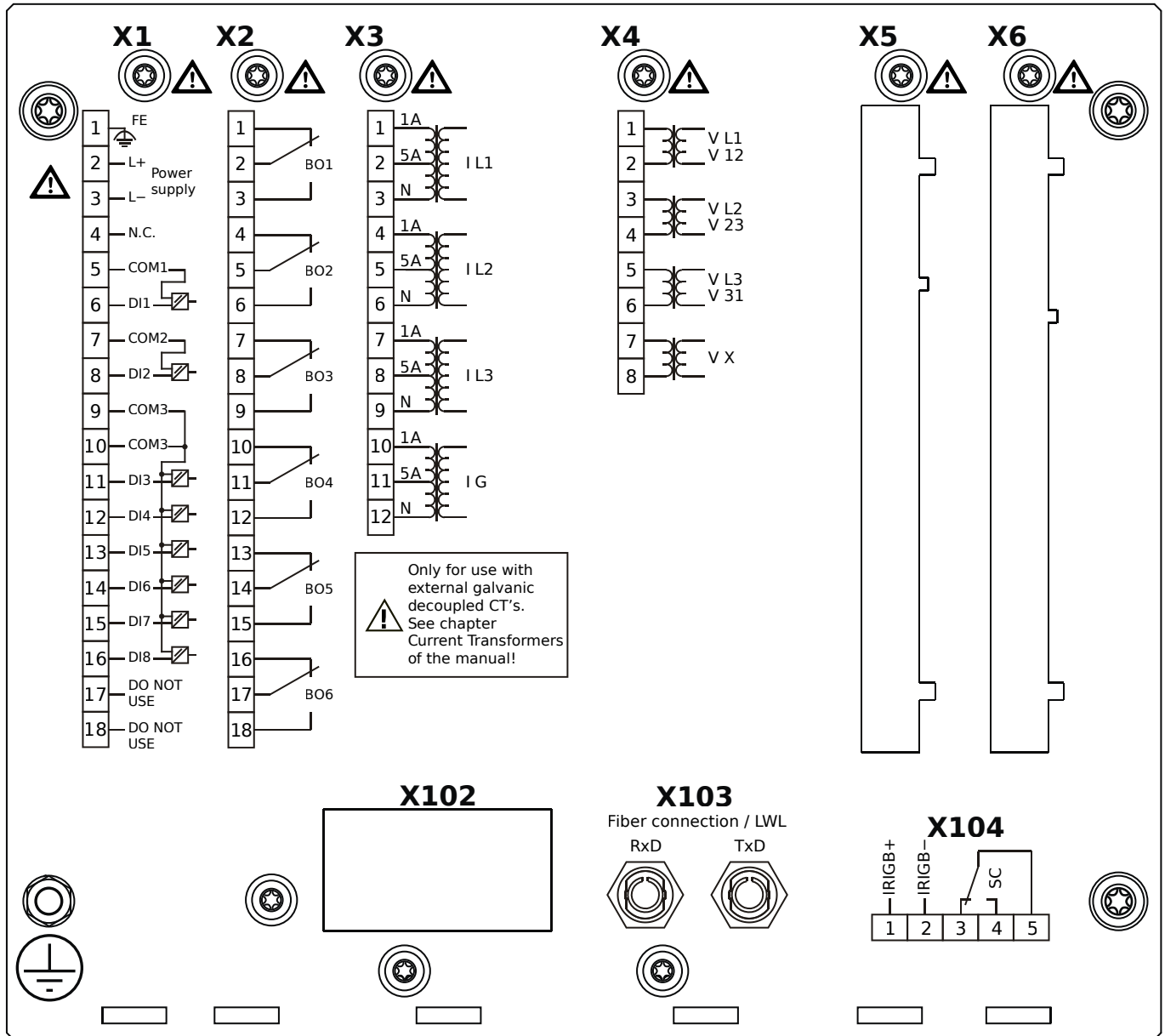
# MCA4-2A0ADA



- X1** – DI8-X1: Wide-range power supply unit, incl. 2 non-grouped digital inputs and 6 grouped digital inputs
- X2** – OR-6: Assembly Group with 6 Relay Outputs
- X3** – TI-4: Standard current measuring card
- X4** – TU: Card with 4 voltage transformer measuring inputs
- X103** – Profibus-DP, Fiber optics interface, ST Connector
- X104** – IRIG-B00X, incl. System Contact (Supervision Contact)

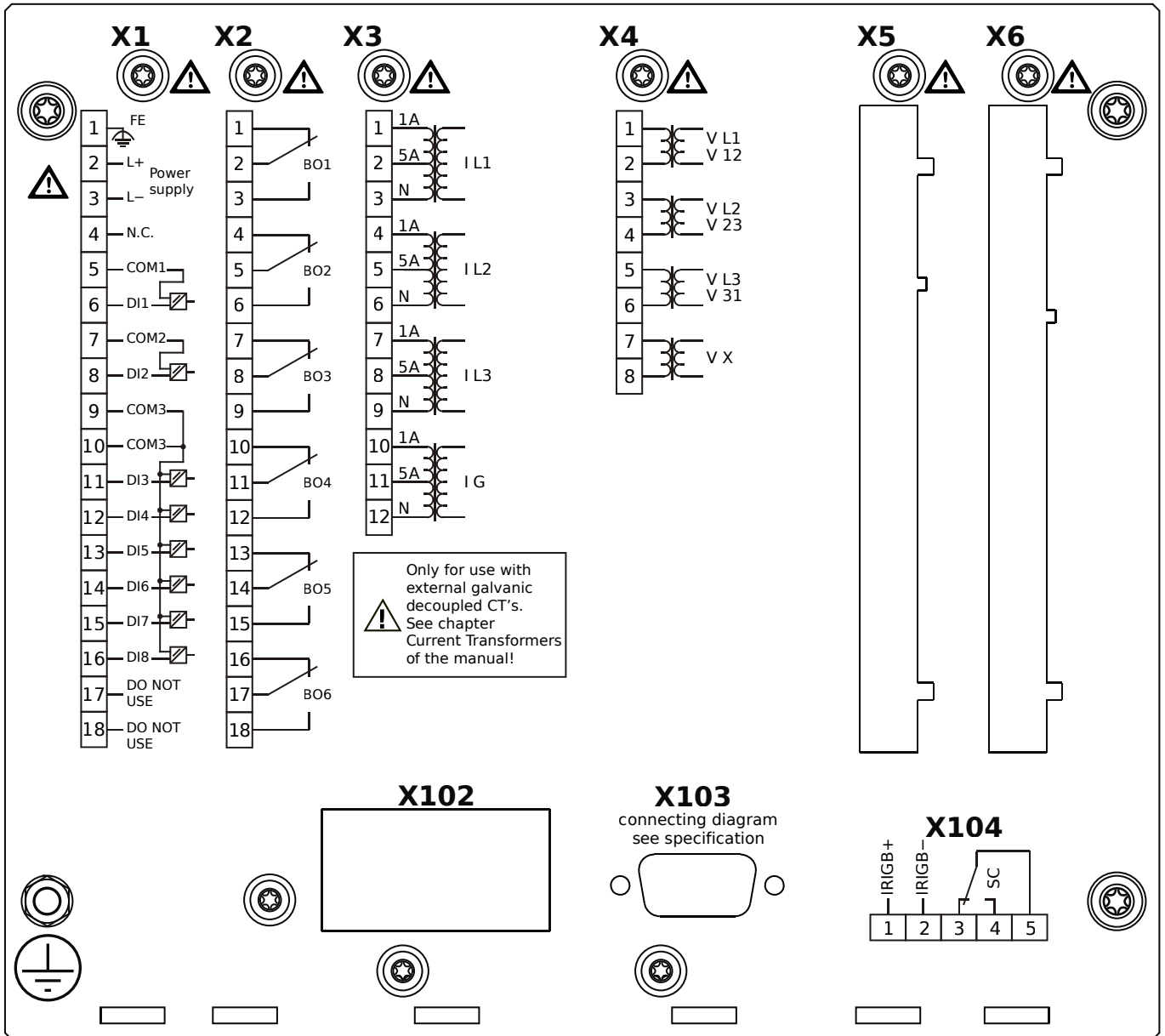


# MCA4-2A0ADB



- X1** – DI8-X1: Wide-range power supply unit, incl. 2 non-grouped digital inputs and 6 grouped digital inputs
- X2** – OR-6: Assembly Group with 6 Relay Outputs
- X3** – TI-4: Standard current measuring card
- X4** – TU: Card with 4 voltage transformer measuring inputs
- X103** – Profibus-DP, Fiber optics interface, ST Connector
- X104** – IRIG-B00X, incl. System Contact (Supervision Contact)

# MCA4-2A0AEA



**X1** – DI8-X1: Wide-range power supply unit, incl. 2 non-grouped digital inputs and 6 grouped digital inputs

**X2** – OR-6: Assembly Group with 6 Relay Outputs

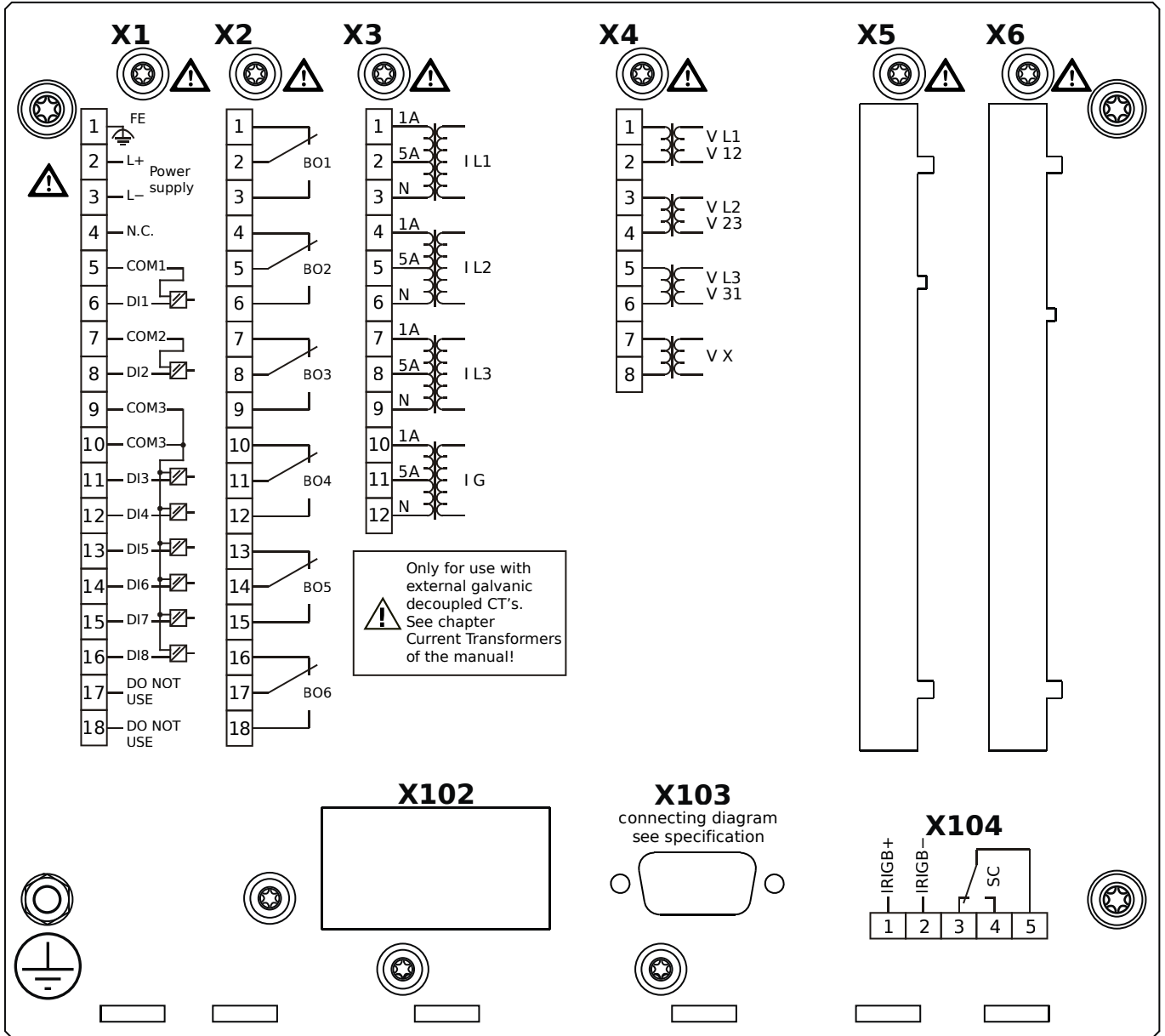
**X3** – TI-4: Standard current measuring card

**X4** – TU: Card with 4 voltage transformer measuring inputs

**X103** – Profibus-DP, RS485, D-SUB

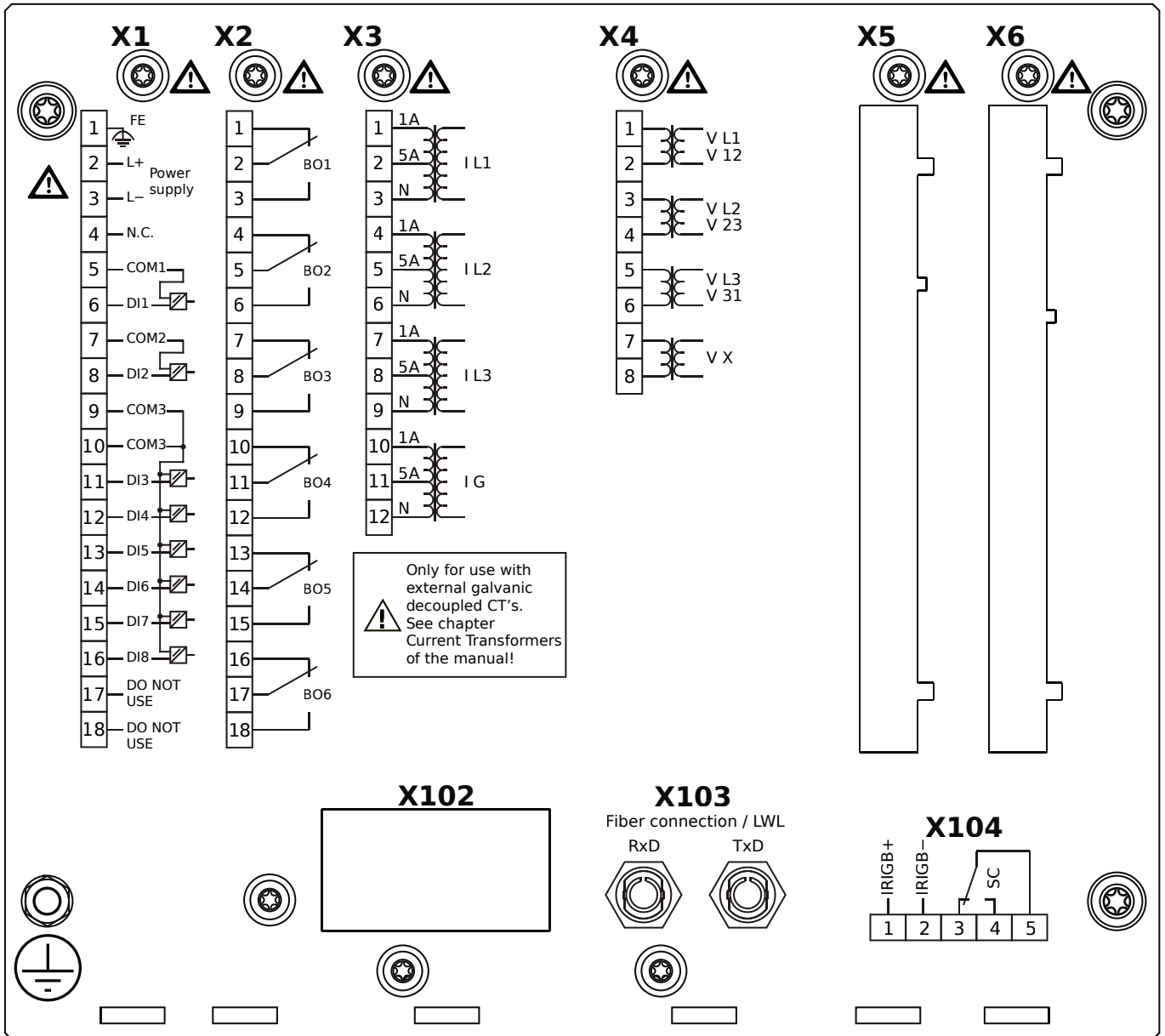
**X104** – IRIG-B00X, incl. System Contact (Supervision Contact)

# MCA4-2A0AEB



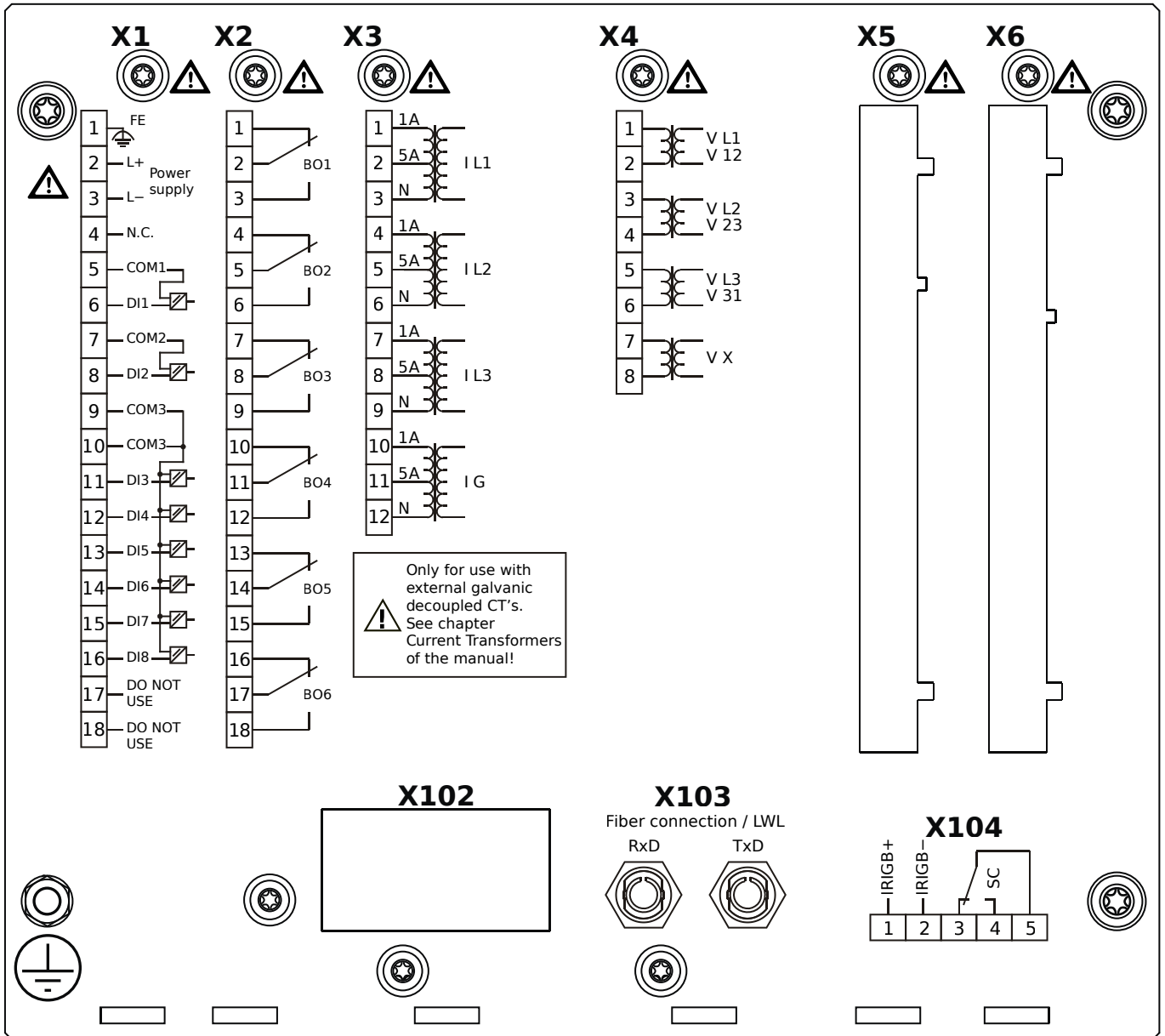
- X1** – DI8-X1: Wide-range power supply unit, incl. 2 non-grouped digital inputs and 6 grouped digital inputs
- X2** – OR-6: Assembly Group with 6 Relay Outputs
- X3** – TI-4: Standard current measuring card
- X4** – TU: Card with 4 voltage transformer measuring inputs
- X103** – Profibus-DP, RS485, D-SUB
- X104** – IRIG-B00X, incl. System Contact (Supervision Contact)

# MCA4-2A0AFA



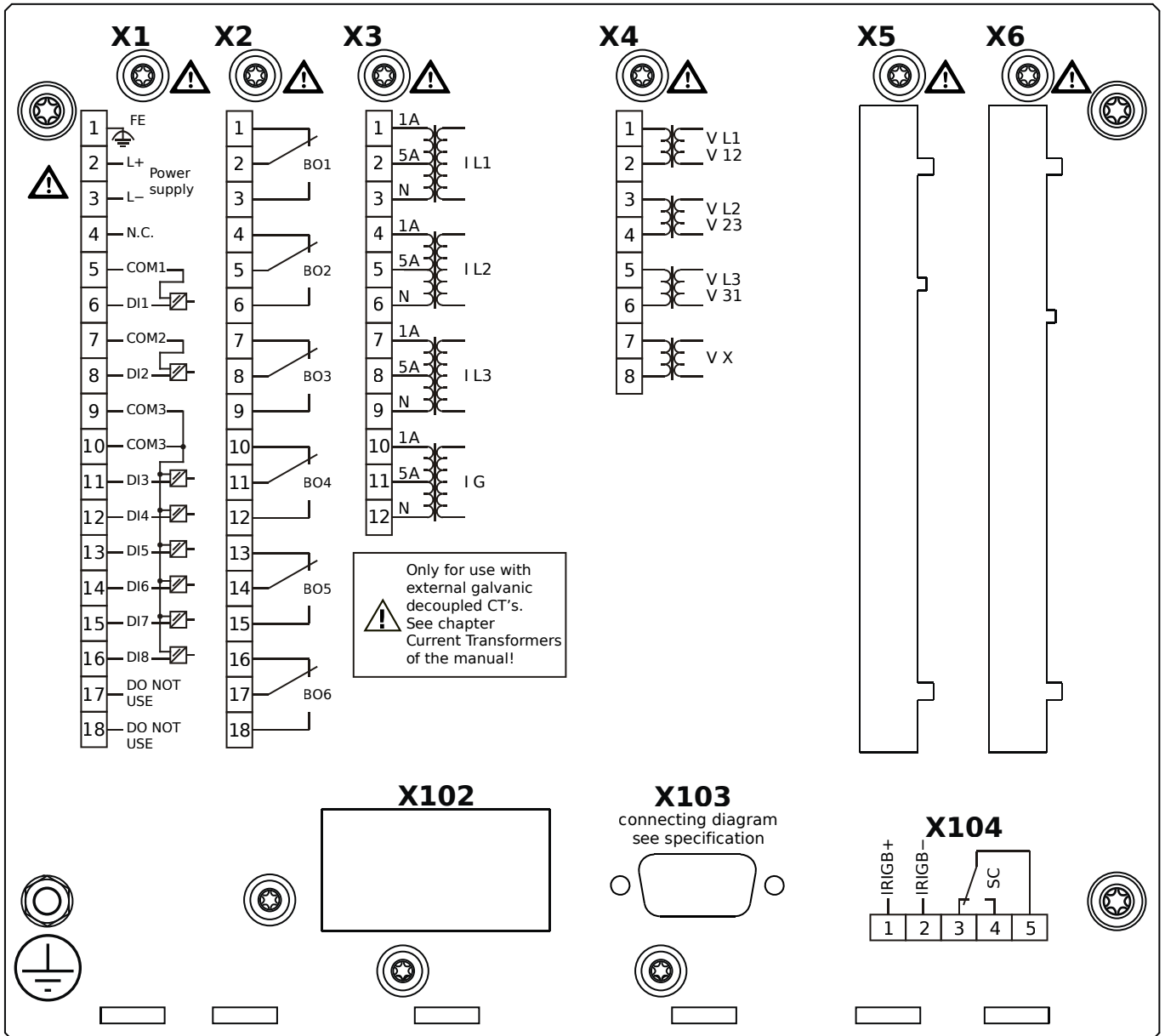
- X1** – DI8-X1: Wide-range power supply unit, incl. 2 non-grouped digital inputs and 6 grouped digital inputs
- X2** – OR-6: Assembly Group with 6 Relay Outputs
- X3** – TI-4: Standard current measuring card
- X4** – TU: Card with 4 voltage transformer measuring inputs
- X103** – Modbus RTU / IEC 60870-5-103 / DNP3.0 RTU, Fiber optics interface, ST Connector
- X104** – IRIG-B00X, incl. System Contact (Supervision Contact)

# MCA4-2A0AFB



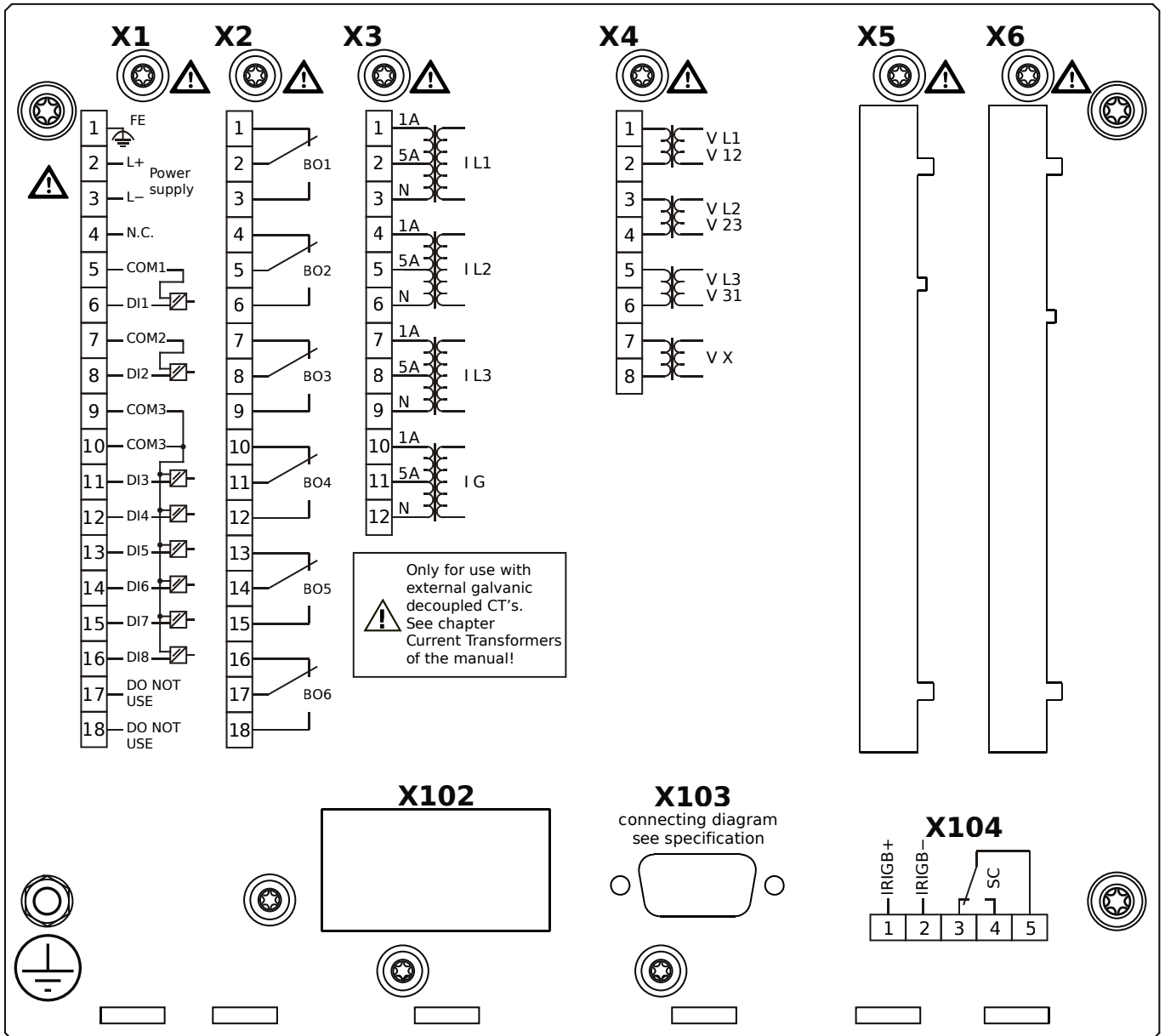
- X1** – DI8-X1: Wide-range power supply unit, incl. 2 non-grouped digital inputs and 6 grouped digital inputs
- X2** – OR-6: Assembly Group with 6 Relay Outputs
- X3** – TI-4: Standard current measuring card
- X4** – TU: Card with 4 voltage transformer measuring inputs
- X103** – Modbus RTU / IEC 60870-5-103 / DNP3.0 RTU, Fiber optics interface, ST Connector
- X104** – IRIG-B00X, incl. System Contact (Supervision Contact)

# MCA4-2A0AGA



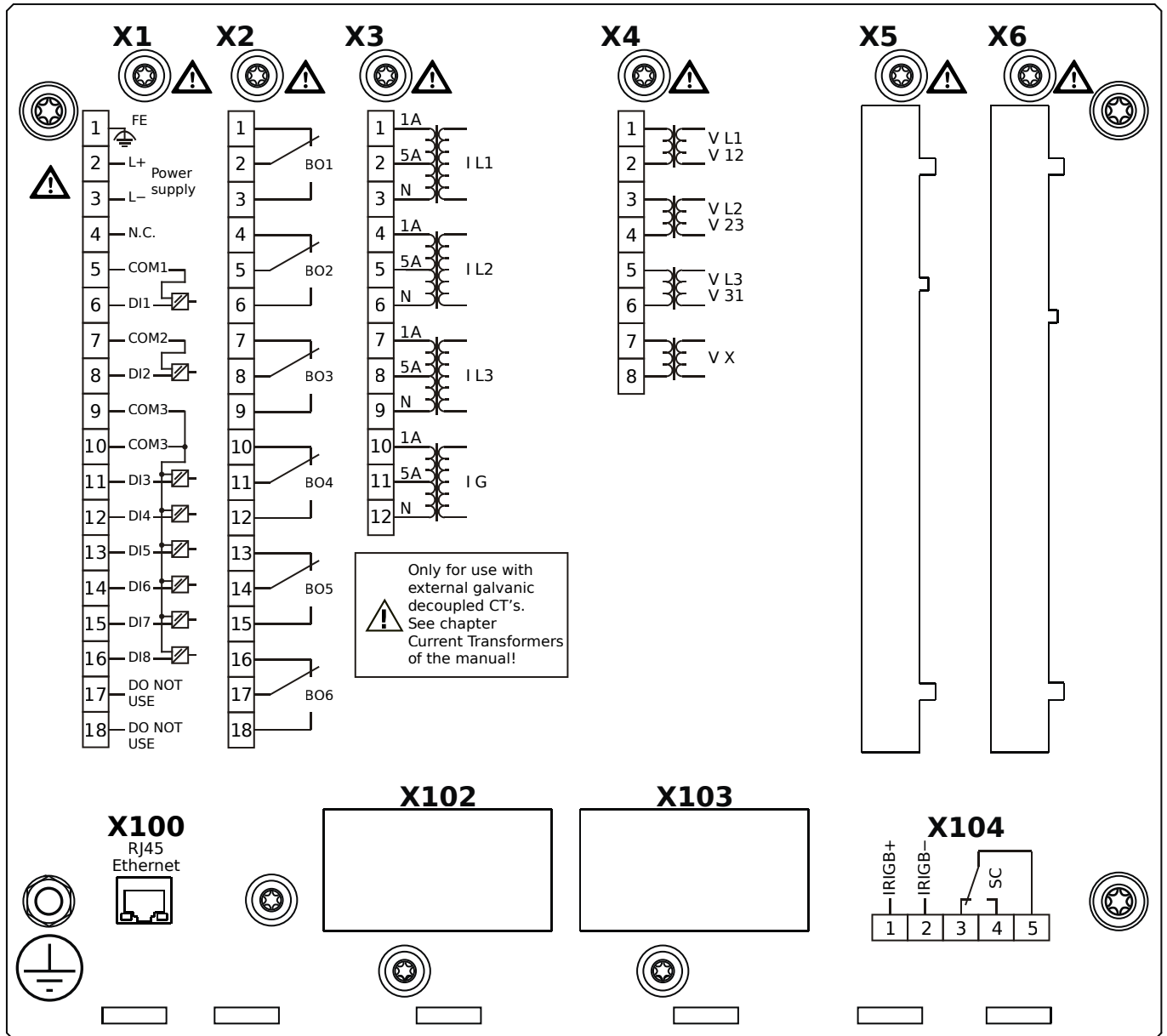
- X1** – DI8-X1: Wide-range power supply unit, incl. 2 non-grouped digital inputs and 6 grouped digital inputs
- X2** – OR-6: Assembly Group with 6 Relay Outputs
- X3** – TI-4: Standard current measuring card
- X4** – TU: Card with 4 voltage transformer measuring inputs
- X103** – Modbus RTU / IEC 60870-5-103 / DNP3.0 RTU, RS485, D-SUB
- X104** – IRIG-B00X, incl. System Contact (Supervision Contact)

# MCA4-2A0AGB



- X1** – DI8-X1: Wide-range power supply unit, incl. 2 non-grouped digital inputs and 6 grouped digital inputs
- X2** – OR-6: Assembly Group with 6 Relay Outputs
- X3** – TI-4: Standard current measuring card
- X4** – TU: Card with 4 voltage transformer measuring inputs
- X103** – Modbus RTU / IEC 60870-5-103 / DNP3.0 RTU, RS485, D-SUB
- X104** – IRIG-B00X, incl. System Contact (Supervision Contact)

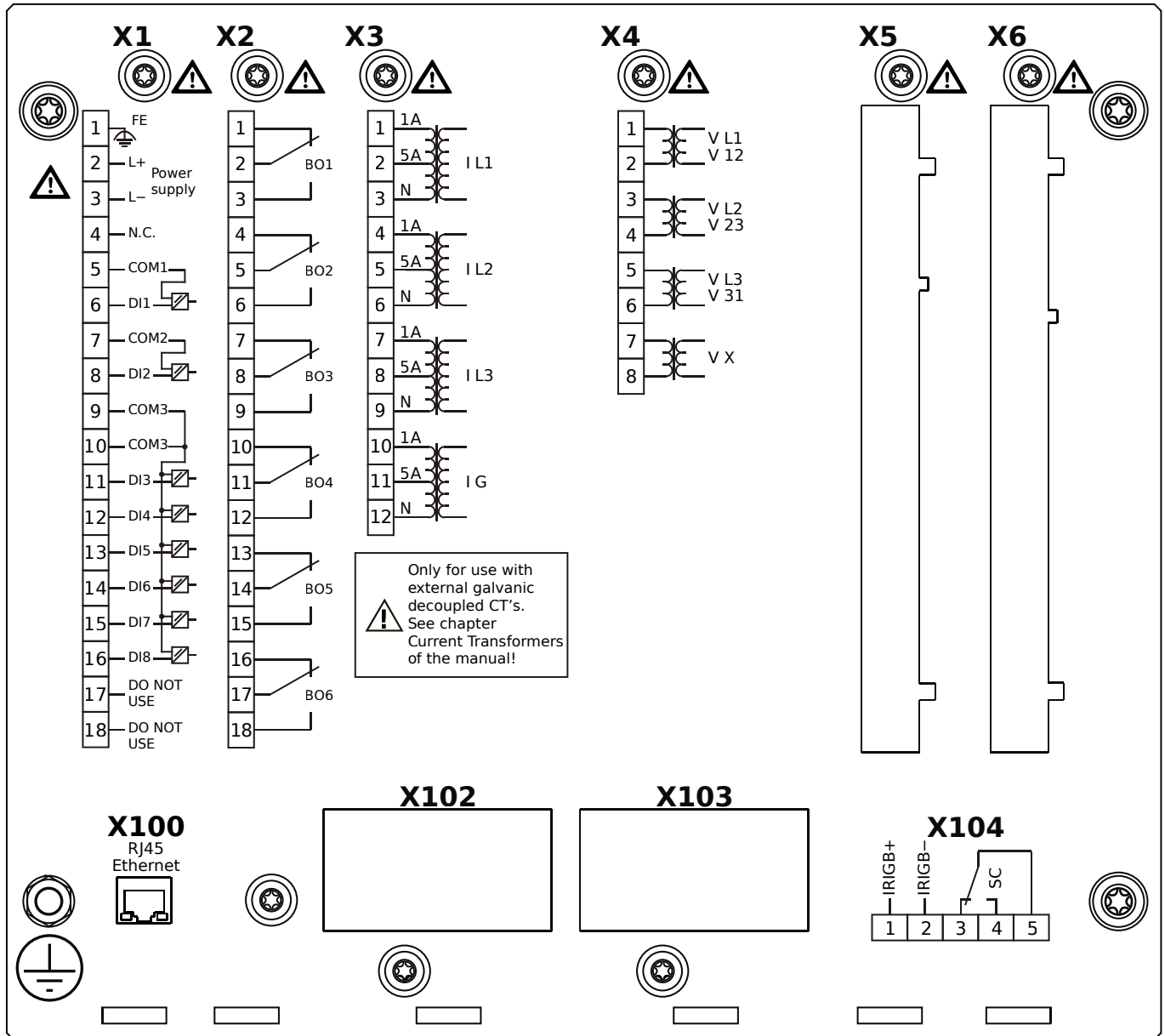
# MCA4-2A0AHA



- X1** – DI8-X1: Wide-range power supply unit, incl. 2 non-grouped digital inputs and 6 grouped digital inputs
- X2** – OR-6: Assembly Group with 6 Relay Outputs
- X3** – TI-4: Standard current measuring card
- X4** – TU: Card with 4 voltage transformer measuring inputs
- X100** – IEC 61850 / Modbus TCP / DNP3.0 TCP/UDP, Ethernet interface, 100 Mbit/s, RJ45 (BASE100-FX)
- X104** – IRIG-B00X, incl. System Contact (Supervision Contact)

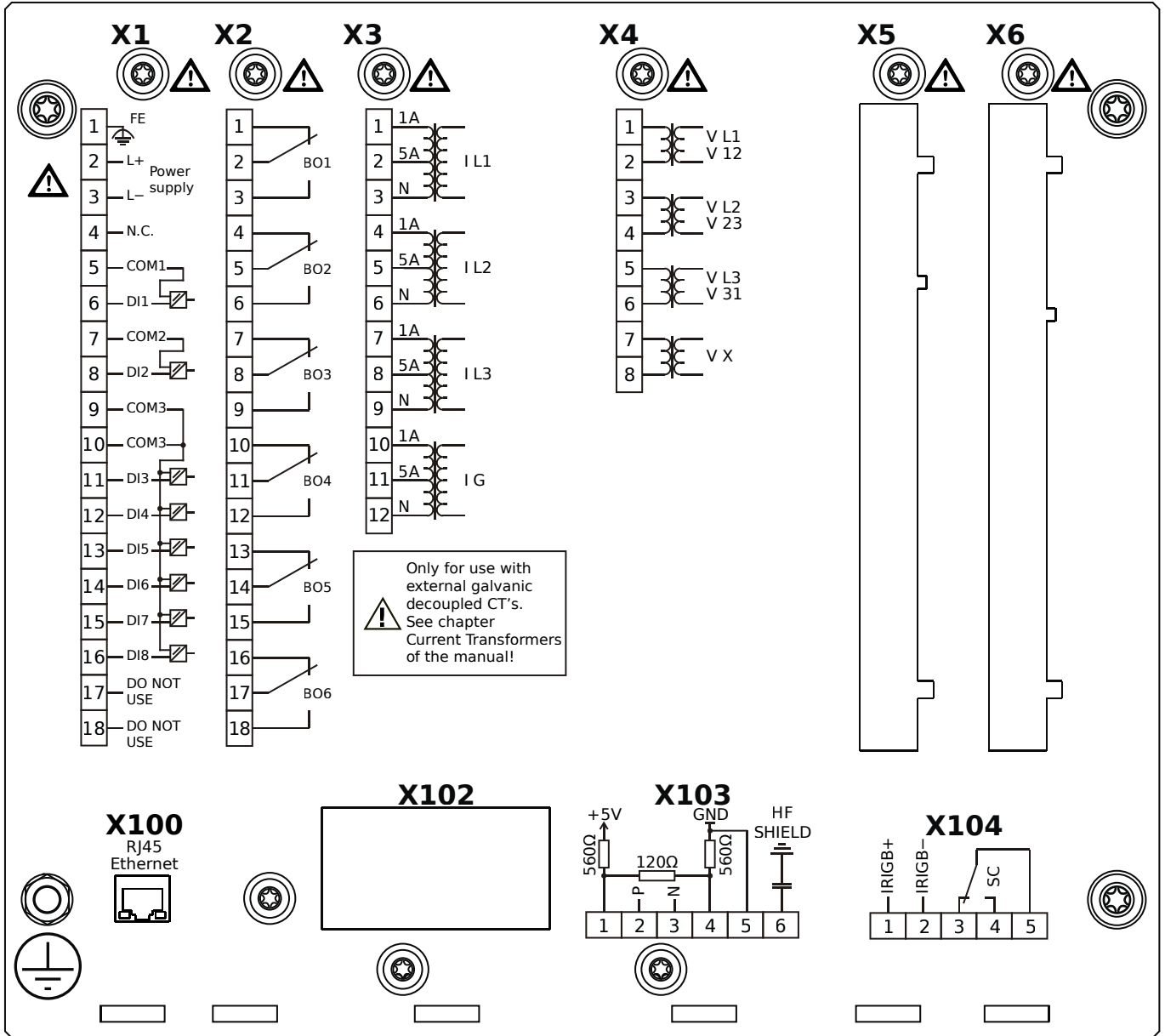


# MCA4-2A0AHB



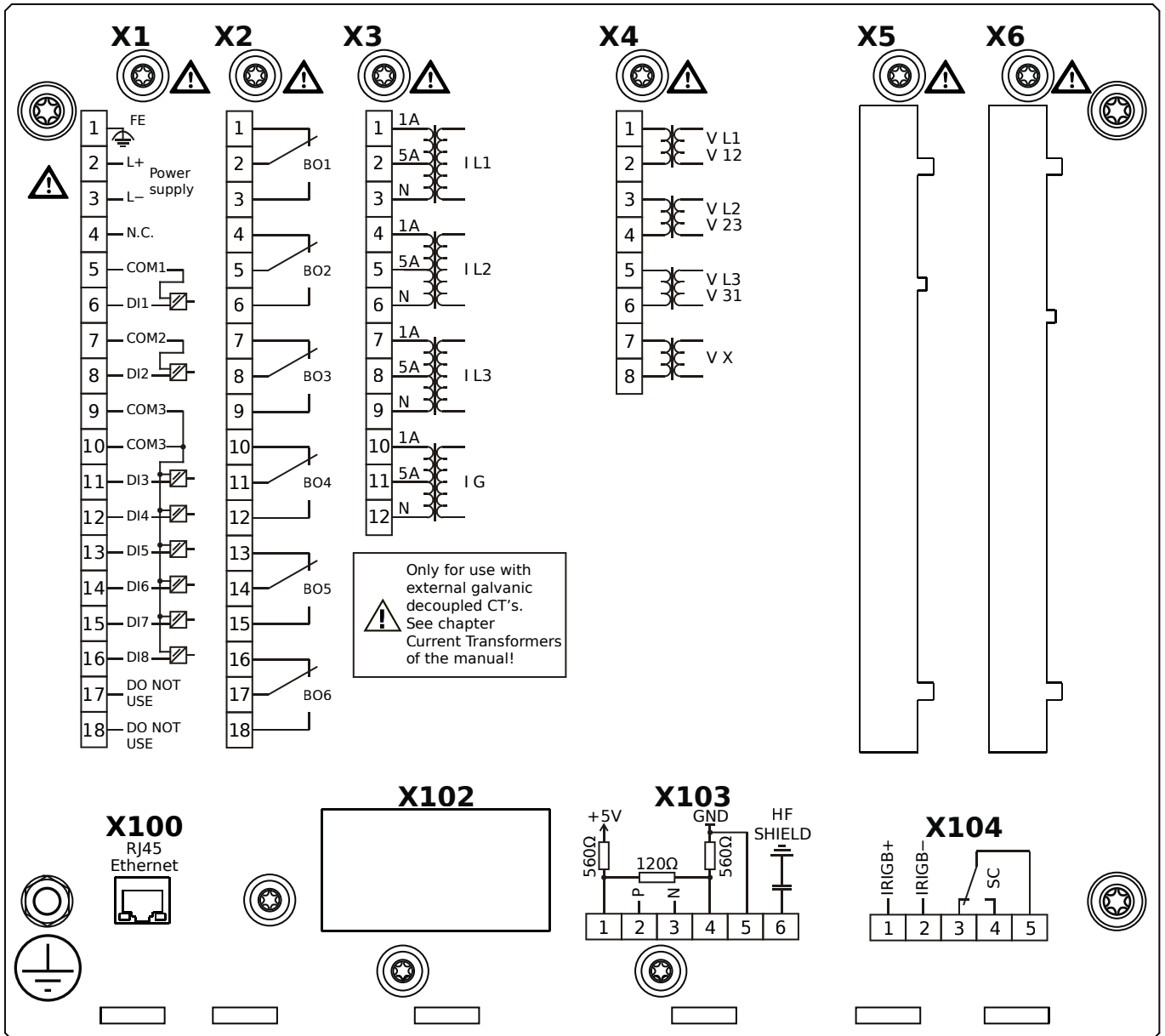
- X1** – DI8-X1: Wide-range power supply unit, incl. 2 non-grouped digital inputs and 6 grouped digital inputs
- X2** – OR-6: Assembly Group with 6 Relay Outputs
- X3** – TI-4: Standard current measuring card
- X4** – TU: Card with 4 voltage transformer measuring inputs
- X100** – IEC 61850 / Modbus TCP / DNP3.0 TCP/UDP, Ethernet interface, 100 Mbit/s, RJ45 (BASE100-FX)
- X104** – IRIG-B00X, incl. System Contact (Supervision Contact)

# MCA4-2A0AIA



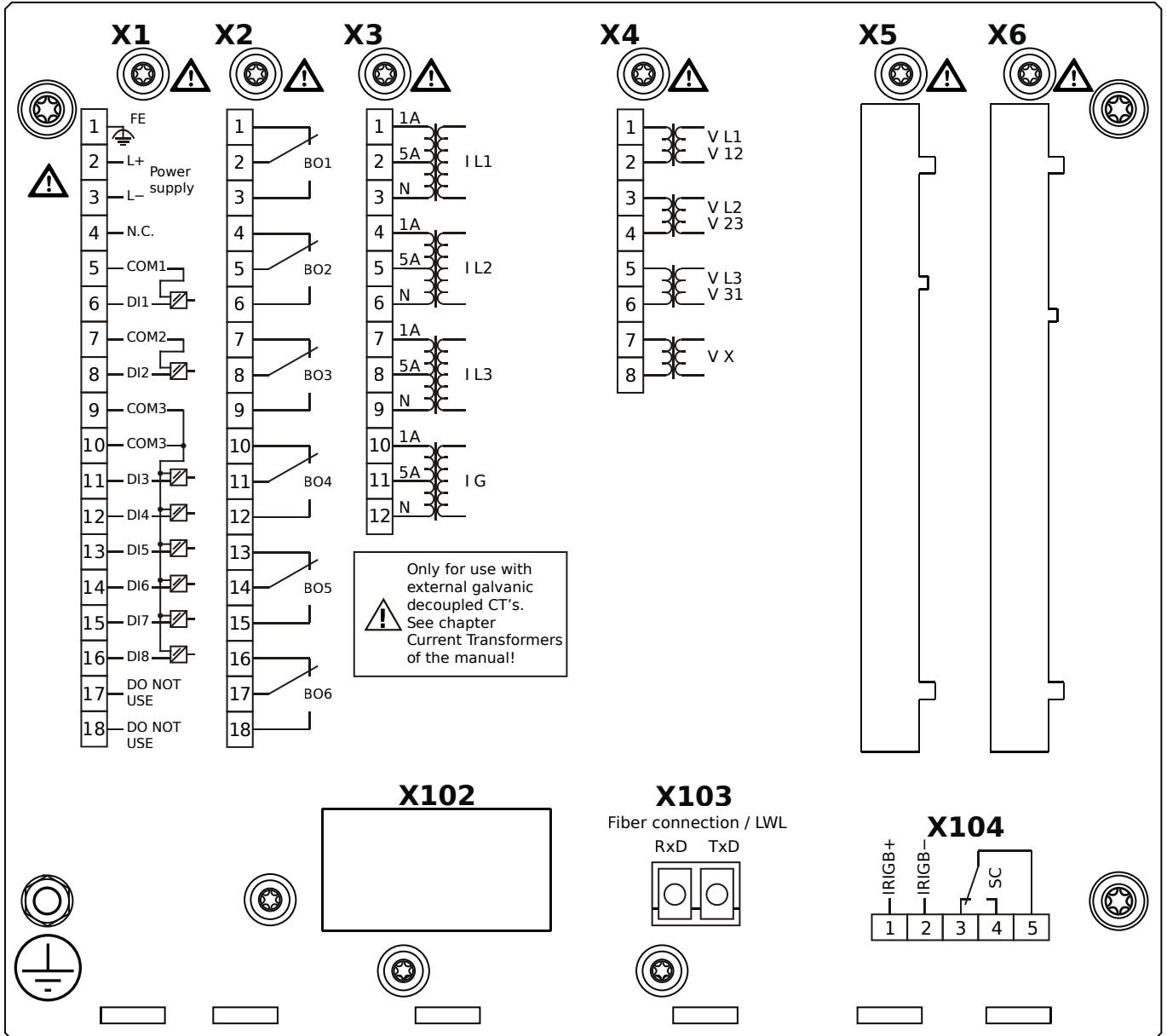
- X1** – DI8-X1: Wide-range power supply unit, incl. 2 non-grouped digital inputs and 6 grouped digital inputs
- X2** – OR-6: Assembly Group with 6 Relay Outputs
- X3** – TI-4: Standard current measuring card
- X4** – TU: Card with 4 voltage transformer measuring inputs
- X100** – Modbus TCP / DNP3.0 TCP/UDP, Ethernet interface, 100 Mbit/s, RJ45 (BASE100-FX)
- X103** – IEC 60870-5-103 / Modbus RTU / DNP3.0 RTU, RS485, Terminals
- X104** – IRIG-B00X, incl. System Contact (Supervision Contact)

# MCA4-2A0AIB



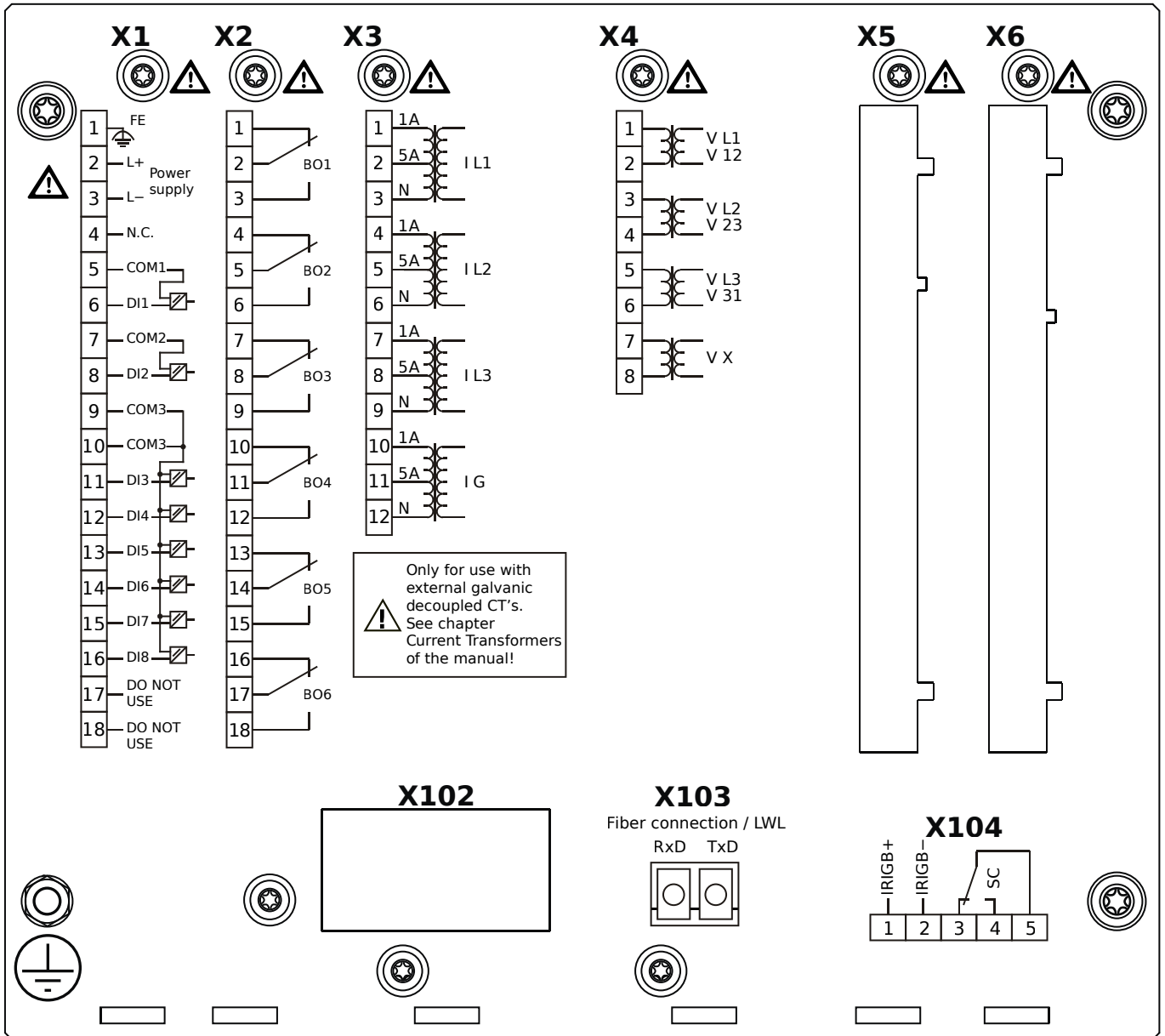
- X1** – DI8-X1: Wide-range power supply unit, incl. 2 non-grouped digital inputs and 6 grouped digital inputs
- X2** – OR-6: Assembly Group with 6 Relay Outputs
- X3** – TI-4: Standard current measuring card
- X4** – TU: Card with 4 voltage transformer measuring inputs
- X100** – Modbus TCP / DNP3.0 TCP/UDP, Ethernet interface, 100 Mbit/s, RJ45 (BASE100-FX)
- X103** – IEC 60870-5-103 / Modbus RTU / DNP3.0 RTU, RS485, Terminals
- X104** – IRIG-B00X, incl. System Contact (Supervision Contact)

# MCA4-2A0AKA



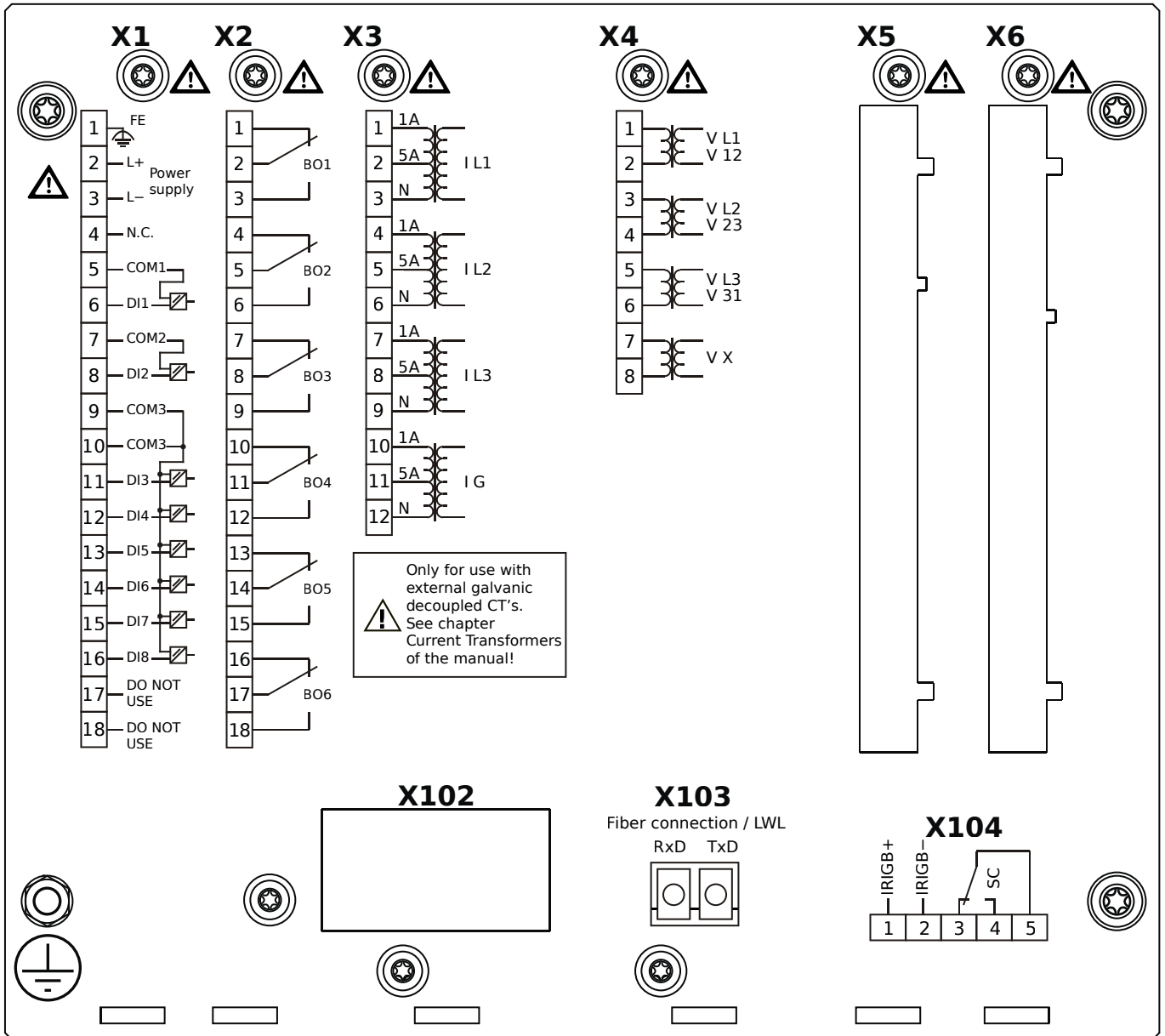
- X1** – DI8-X1: Wide-range power supply unit, incl. 2 non-grouped digital inputs and 6 grouped digital inputs
- X2** – OR-6: Assembly Group with 6 Relay Outputs
- X3** – TI-4: Standard current measuring card
- X4** – TU: Card with 4 voltage transformer measuring inputs
- X103** – IEC 61850 / Modbus TCP / DNP3.0 TCP/UDP, Fiber optics interface, LC Connector
- X104** – IRIG-B00X, incl. System Contact (Supervision Contact)

# MCA4-2A0AKB



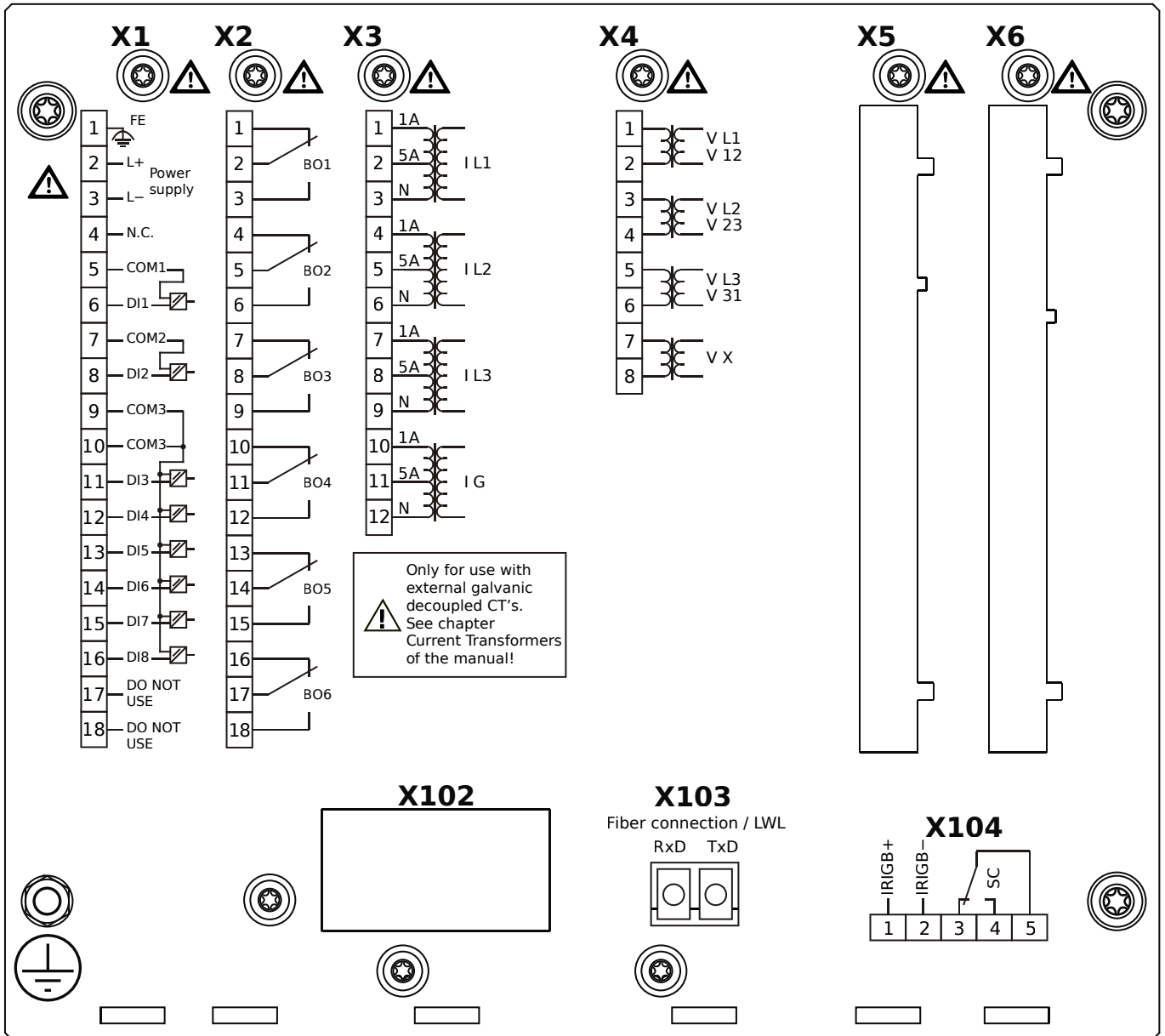
- X1** – DI8-X1: Wide-range power supply unit, incl. 2 non-grouped digital inputs and 6 grouped digital inputs
- X2** – OR-6: Assembly Group with 6 Relay Outputs
- X3** – TI-4: Standard current measuring card
- X4** – TU: Card with 4 voltage transformer measuring inputs
- X103** – IEC 61850 / Modbus TCP / DNP3.0 TCP/UDP, Fiber optics interface, LC Connector
- X104** – IRIG-B00X, incl. System Contact (Supervision Contact)

# MCA4-2A0ALA



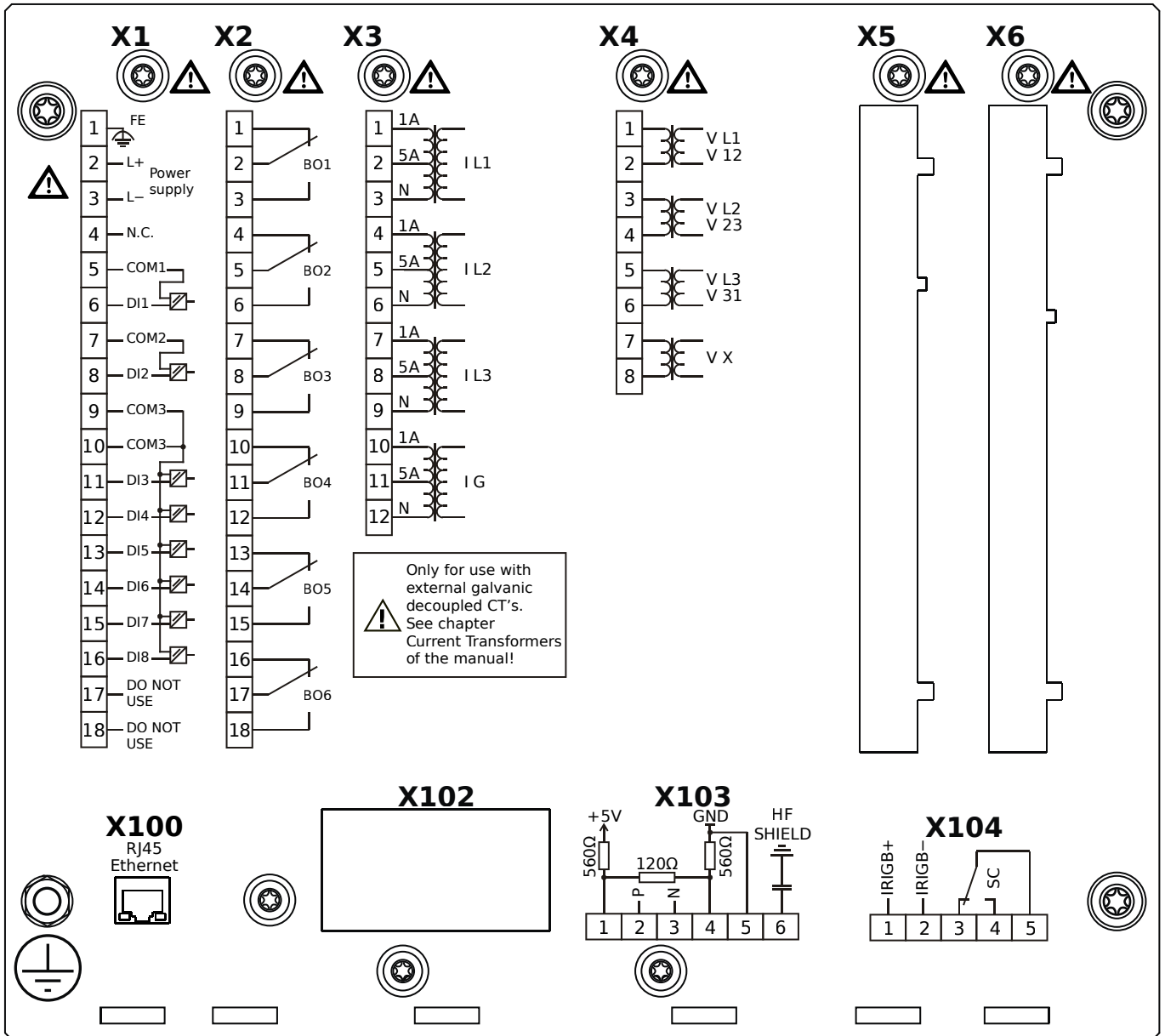
- X1** – DI8-X1: Wide-range power supply unit, incl. 2 non-grouped digital inputs and 6 grouped digital inputs
- X2** – OR-6: Assembly Group with 6 Relay Outputs
- X3** – TI-4: Standard current measuring card
- X4** – TU: Card with 4 voltage transformer measuring inputs
- X103** – Modbus TCP / DNP3.0 TCP/UDP, Fiber optics interface, LC Connector
- X104** – IRIG-B00X, incl. System Contact (Supervision Contact)

# MCA4-2A0ALB



- X1** – DI8-X1: Wide-range power supply unit, incl. 2 non-grouped digital inputs and 6 grouped digital inputs
- X2** – OR-6: Assembly Group with 6 Relay Outputs
- X3** – TI-4: Standard current measuring card
- X4** – TU: Card with 4 voltage transformer measuring inputs
- X103** – Modbus TCP / DNP3.0 TCP/UDP, Fiber optics interface, LC Connector
- X104** – IRIG-B00X, incl. System Contact (Supervision Contact)

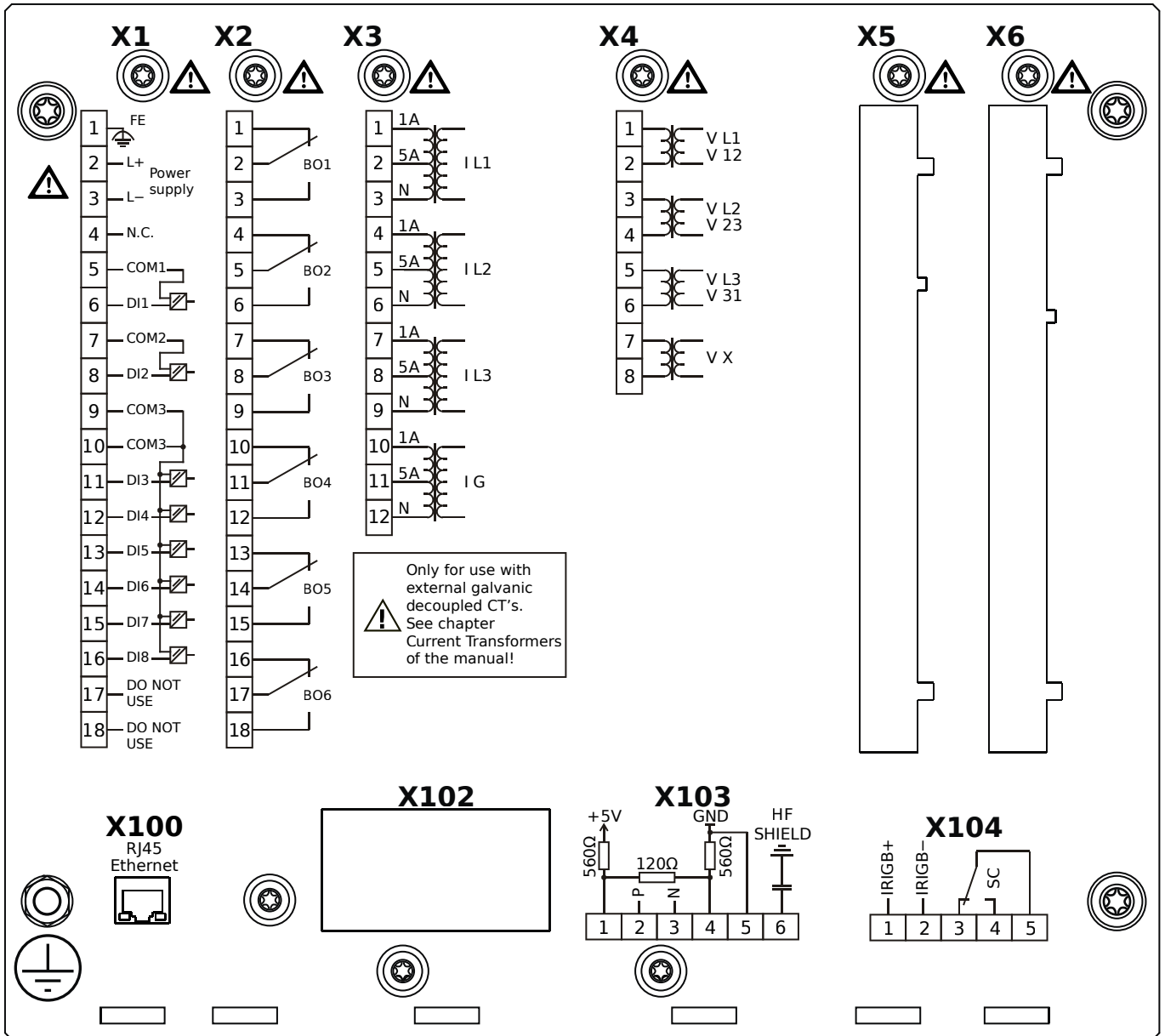
# MCA4-2A0ATA



- X1** – DI8-X1: Wide-range power supply unit, incl. 2 non-grouped digital inputs and 6 grouped digital inputs
- X2** – OR-6: Assembly Group with 6 Relay Outputs
- X3** – TI-4: Standard current measuring card
- X4** – TU: Card with 4 voltage transformer measuring inputs
- X100** – IEC 61850 / Modbus TCP / DNP3.0 TCP/UDP, Ethernet interface, 100 Mbit/s, RJ45 (BASE100-FX)
- X103** – IEC 60870-5-103 / Modbus RTU / DNP3.0 RTU, RS485, Terminals
- X104** – IRIG-B00X, incl. System Contact (Supervision Contact)

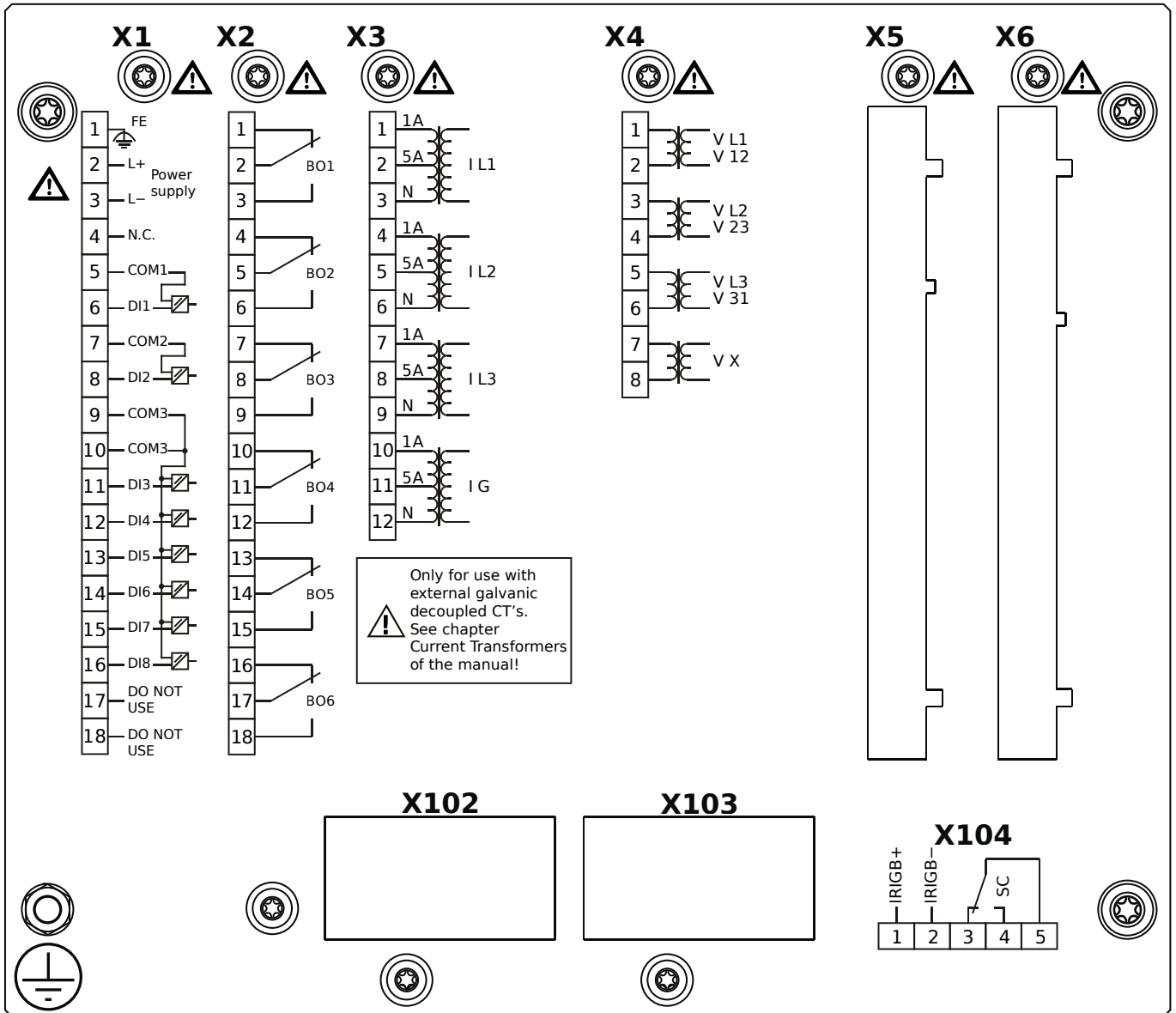


# MCA4-2A0ATB



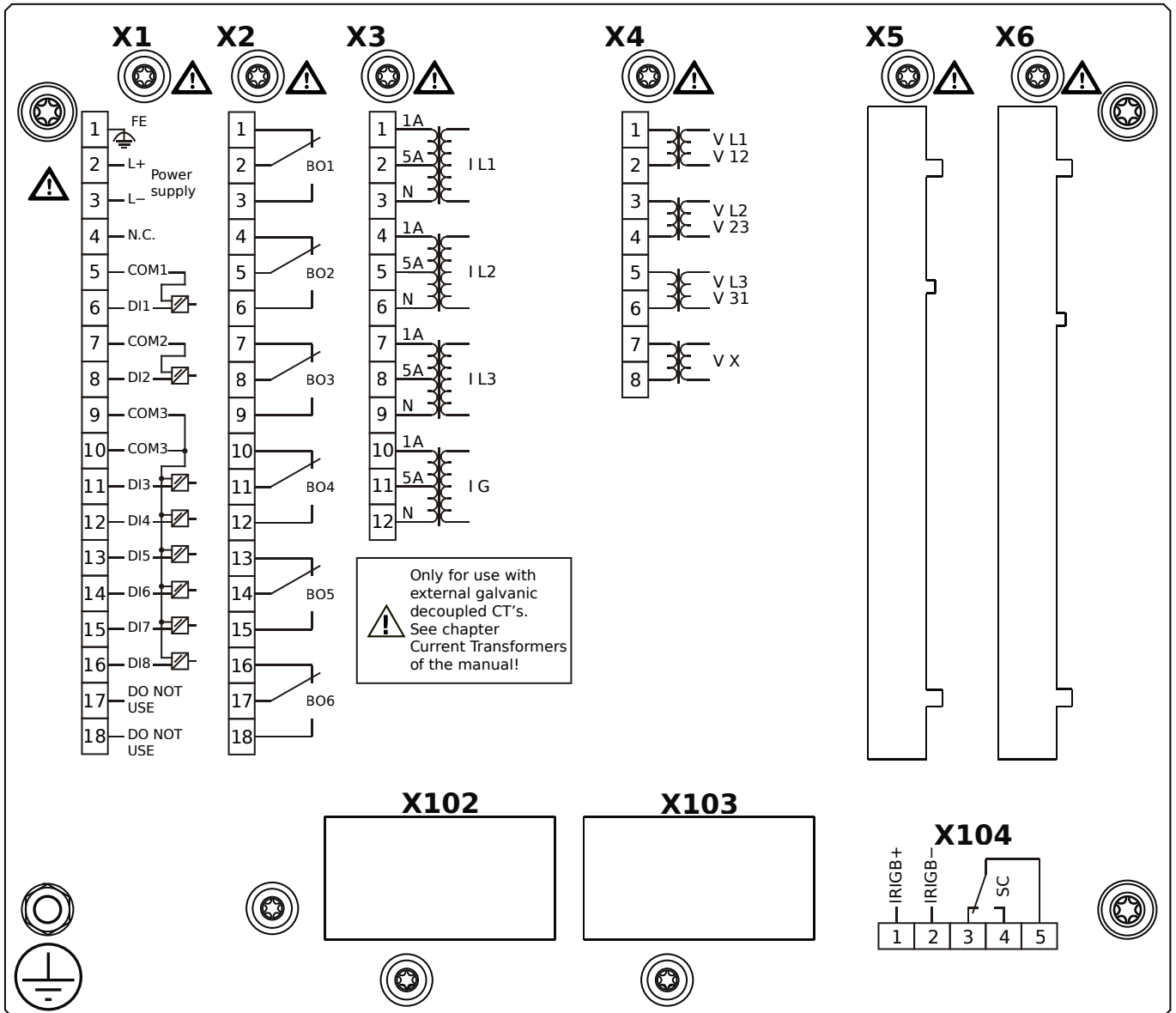
- X1** – DI8-X1: Wide-range power supply unit, incl. 2 non-grouped digital inputs and 6 grouped digital inputs
- X2** – OR-6: Assembly Group with 6 Relay Outputs
- X3** – TI-4: Standard current measuring card
- X4** – TU: Card with 4 voltage transformer measuring inputs
- X100** – IEC 61850 / Modbus TCP / DNP3.0 TCP/UDP, Ethernet interface, 100 Mbit/s, RJ45 (BASE100-FX)
- X103** – IEC 60870-5-103 / Modbus RTU / DNP3.0 RTU, RS485, Terminals
- X104** – IRIG-B00X, incl. System Contact (Supervision Contact)

# MCA4-2A0BAA



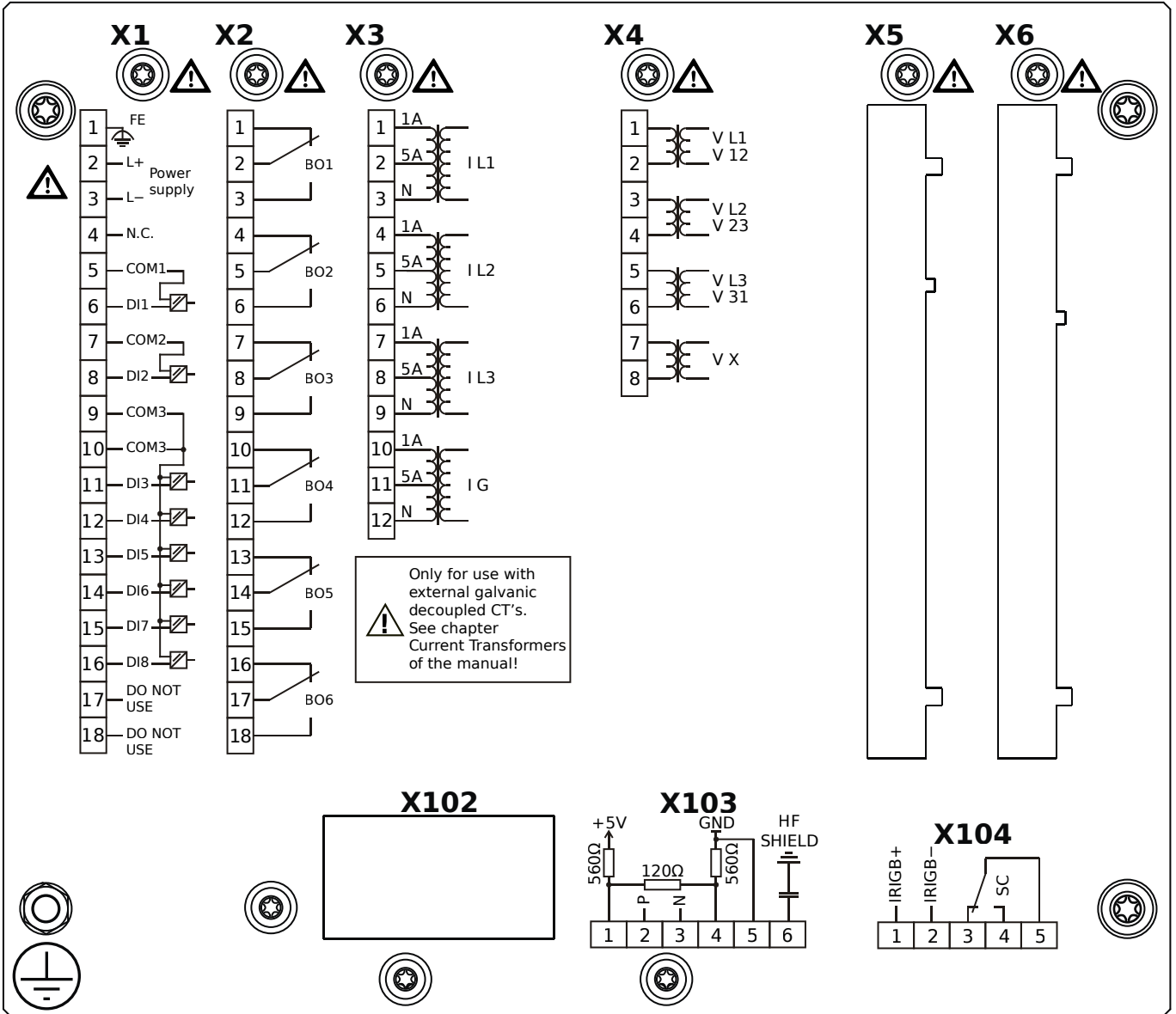
- X1** – DI8-X1: Wide-range power supply unit, incl. 2 non-grouped digital inputs and 6 grouped digital inputs
- X2** – OR-6: Assembly Group with 6 Relay Outputs
- X3** – TI-4: Standard current measuring card
- X4** – TU: Card with 4 voltage transformer measuring inputs
- X104** – IRIG-B00X, incl. System Contact (Supervision Contact)

# MCA4-2A0BAB



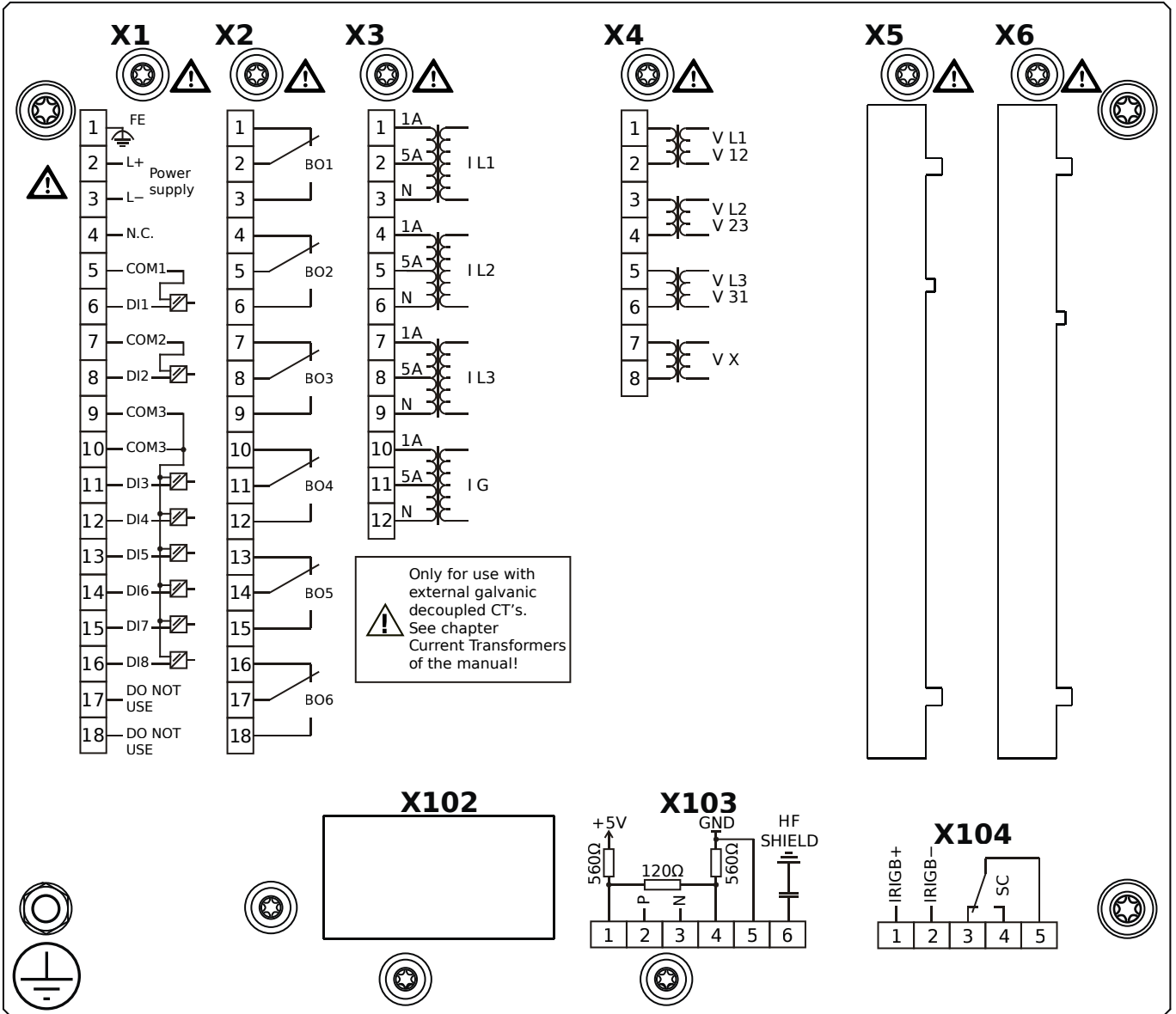
- X1** – DI8-X1: Wide-range power supply unit, incl. 2 non-grouped digital inputs and 6 grouped digital inputs
- X2** – OR-6: Assembly Group with 6 Relay Outputs
- X3** – TI-4: Standard current measuring card
- X4** – TU: Card with 4 voltage transformer measuring inputs
- X104** – IRIG-B00X, incl. System Contact (Supervision Contact)

# MCA4-2A0BBA



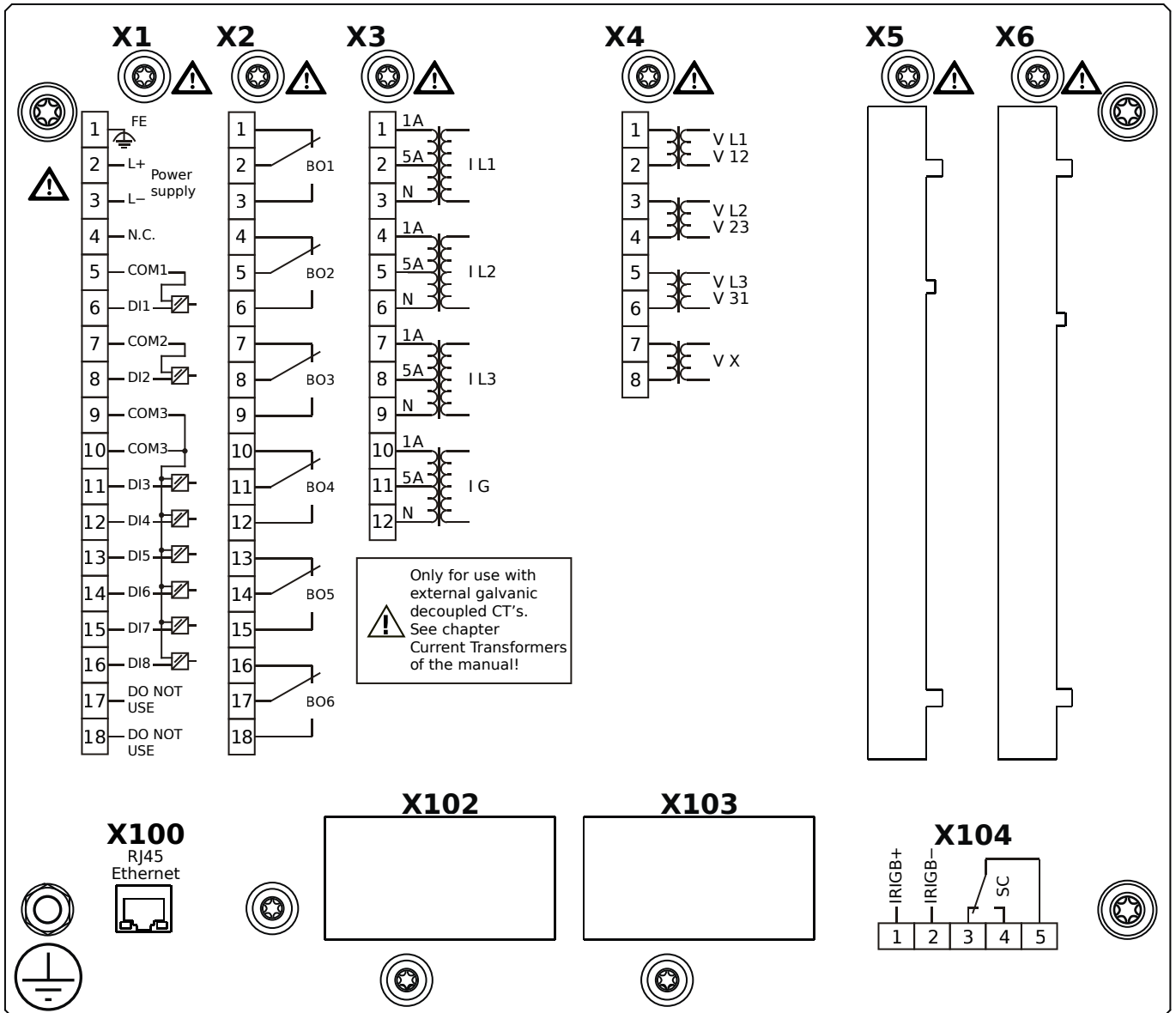
- X1** – DI8-X1: Wide-range power supply unit, incl. 2 non-grouped digital inputs and 6 grouped digital inputs
- X2** – OR-6: Assembly Group with 6 Relay Outputs
- X3** – TI-4: Standard current measuring card
- X4** – TU: Card with 4 voltage transformer measuring inputs
- X103** – Modbus RTU / IEC 60870-5-103 / DNP3.0 RTU, RS485, Terminals
- X104** – IRIG-B00X, incl. System Contact (Supervision Contact)

# MCA4-2A0BBB



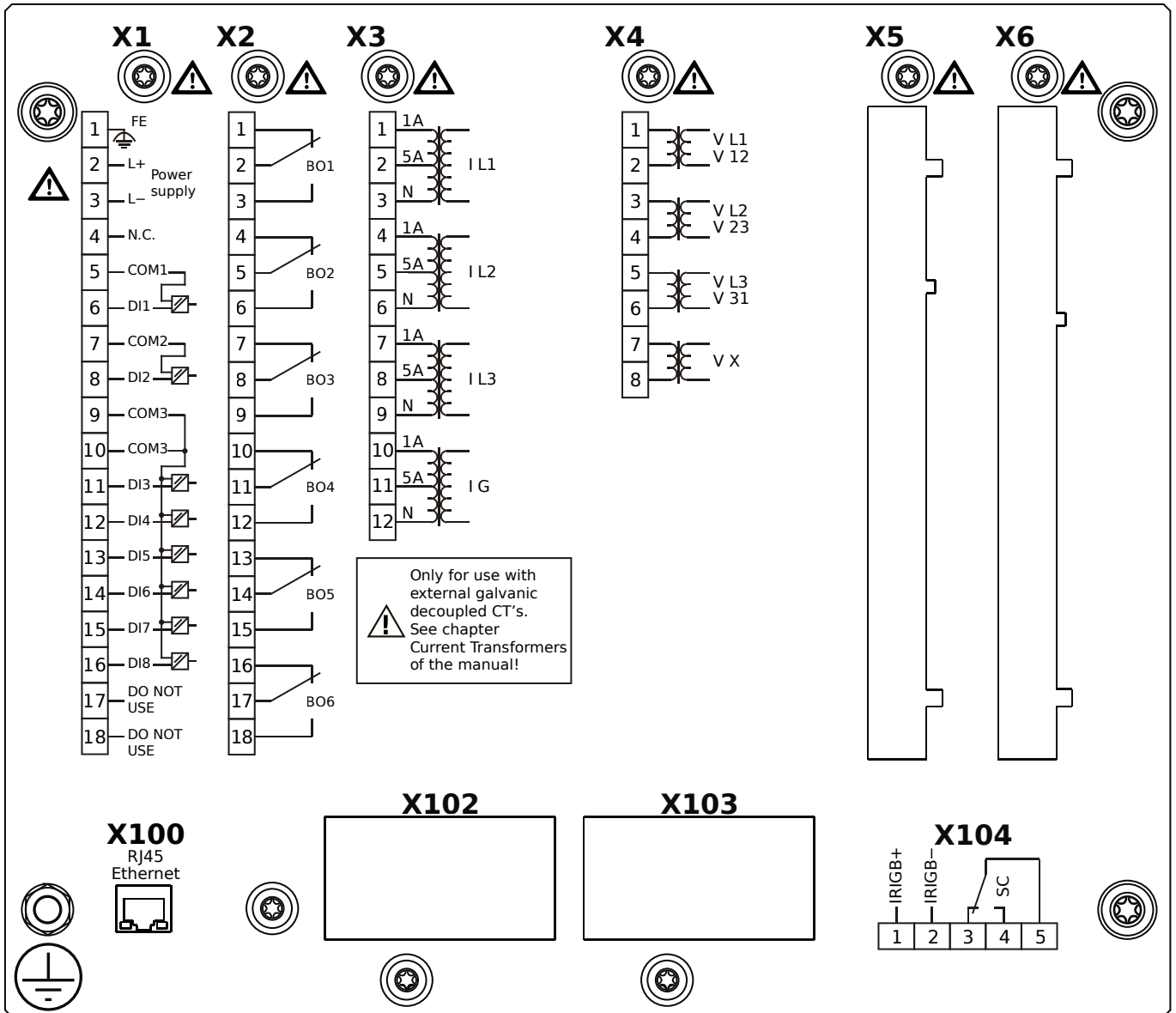
- X1** – DI8-X1: Wide-range power supply unit, incl. 2 non-grouped digital inputs and 6 grouped digital inputs
- X2** – OR-6: Assembly Group with 6 Relay Outputs
- X3** – TI-4: Standard current measuring card
- X4** – TU: Card with 4 voltage transformer measuring inputs
- X103** – Modbus RTU / IEC 60870-5-103 / DNP3.0 RTU, RS485, Terminals
- X104** – IRIG-B00X, incl. System Contact (Supervision Contact)

# MCA4-2A0BCA



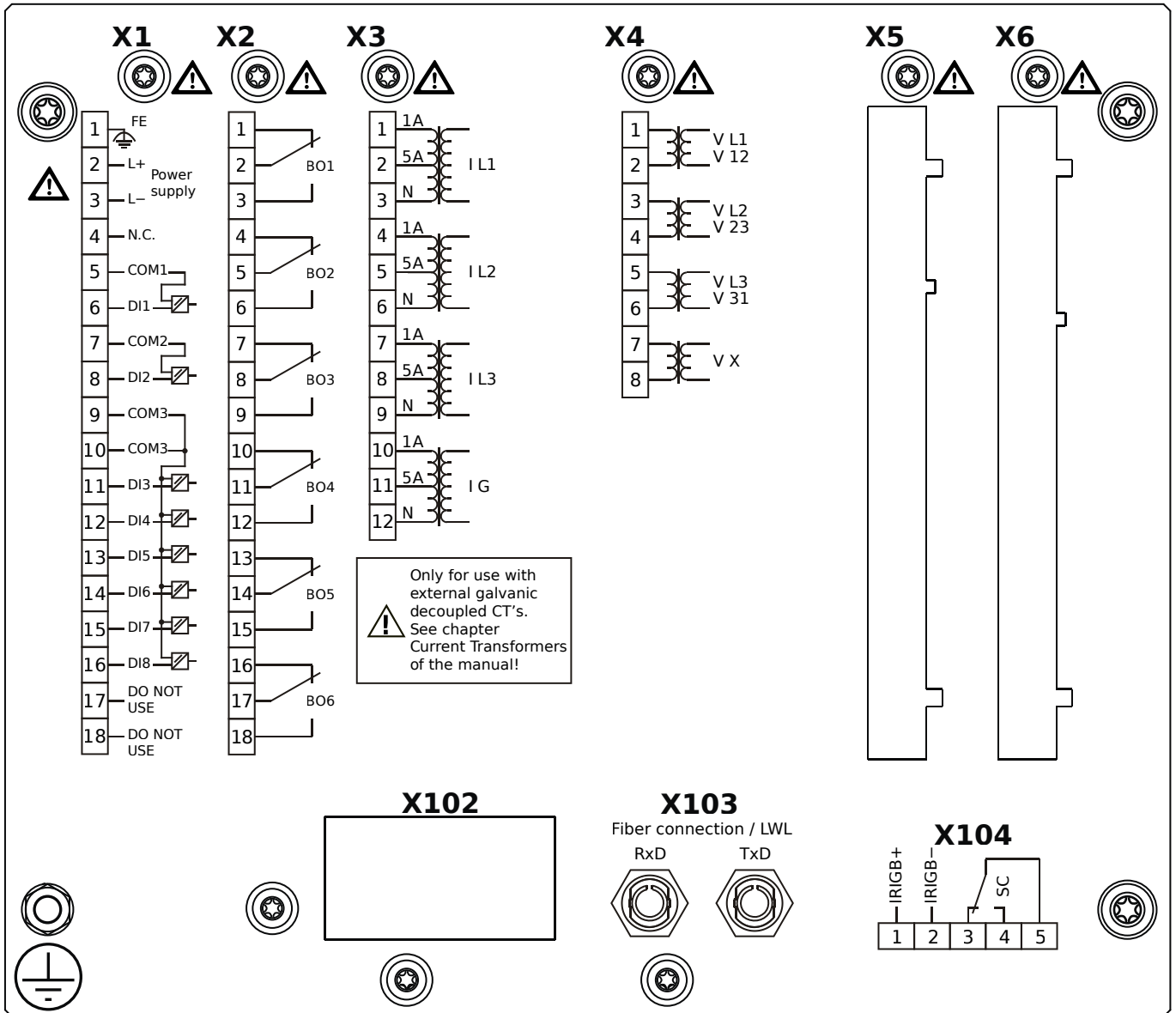
- X1** – DI8-X1: Wide-range power supply unit, incl. 2 non-grouped digital inputs and 6 grouped digital inputs
- X2** – OR-6: Assembly Group with 6 Relay Outputs
- X3** – TI-4: Standard current measuring card
- X4** – TU: Card with 4 voltage transformer measuring inputs
- X100** – Modbus TCP / DNP3.0 TCP/UDP, Ethernet interface, 100 Mbit/s, RJ45 (BASE100-FX)
- X104** – IRIG-B00X, incl. System Contact (Supervision Contact)

# MCA4-2A0BCB



- X1** – DI8-X1: Wide-range power supply unit, incl. 2 non-grouped digital inputs and 6 grouped digital inputs
- X2** – OR-6: Assembly Group with 6 Relay Outputs
- X3** – TI-4: Standard current measuring card
- X4** – TU: Card with 4 voltage transformer measuring inputs
- X100** – Modbus TCP / DNP3.0 TCP/UDP, Ethernet interface, 100 Mbit/s, RJ45 (BASE100-FX)
- X104** – IRIG-B00X, incl. System Contact (Supervision Contact)

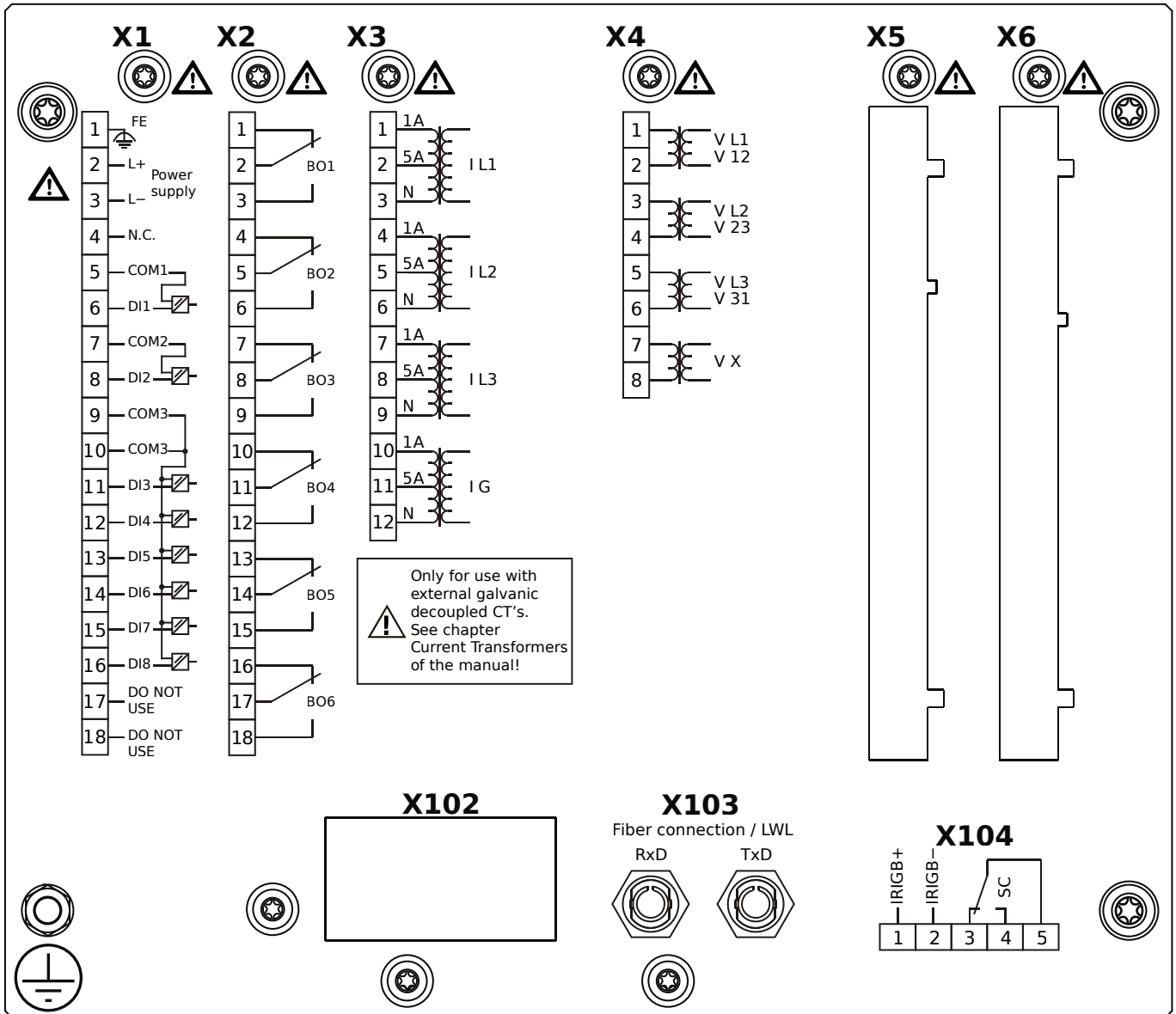
# MCA4-2A0BDA



- X1** – DI8-X1: Wide-range power supply unit, incl. 2 non-grouped digital inputs and 6 grouped digital inputs
- X2** – OR-6: Assembly Group with 6 Relay Outputs
- X3** – TI-4: Standard current measuring card
- X4** – TU: Card with 4 voltage transformer measuring inputs
- X103** – Profibus-DP, Fiber optics interface, ST Connector
- X104** – IRIG-B00X, incl. System Contact (Supervision Contact)

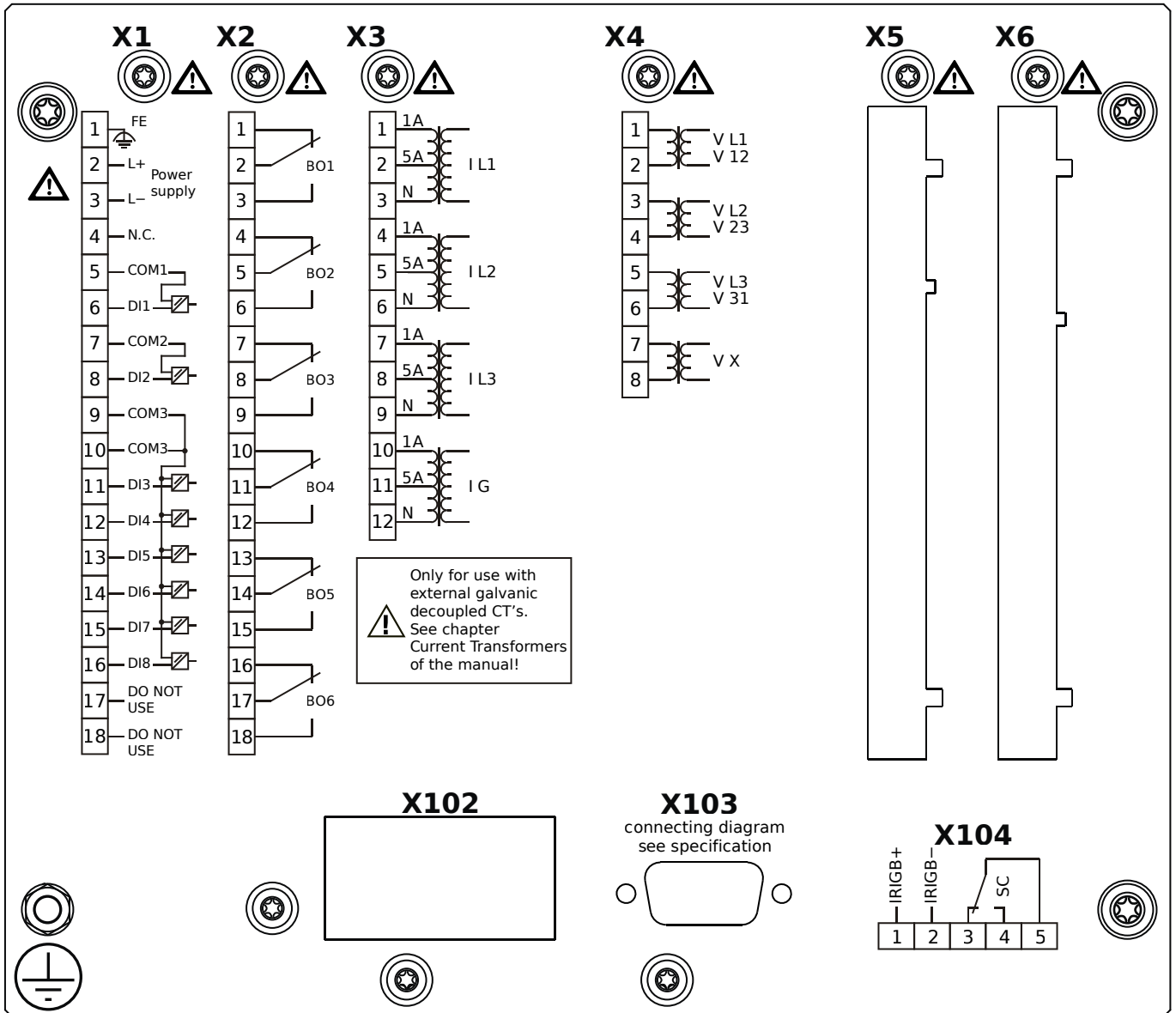


# MCA4-2A0BDB



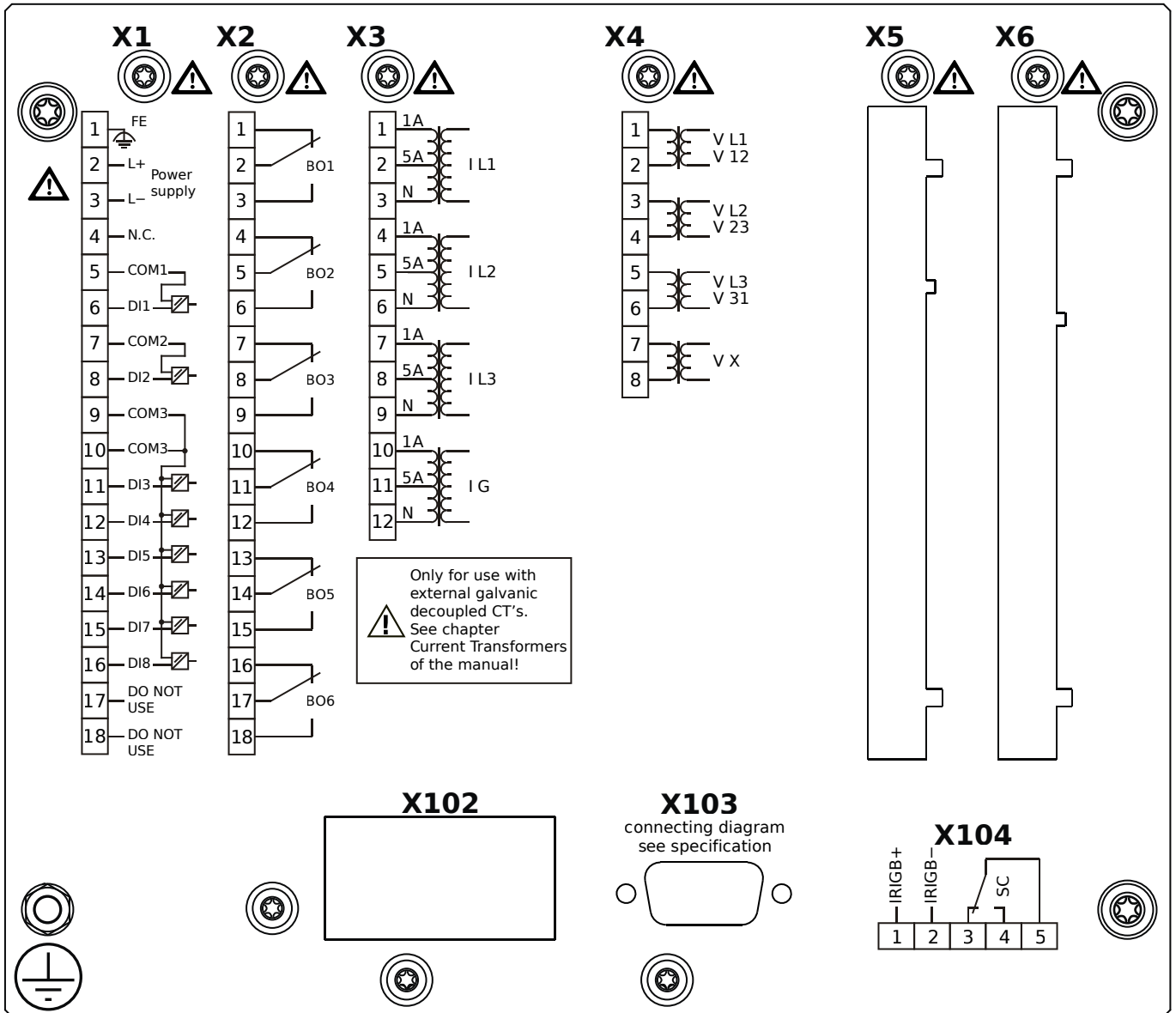
- X1** – DI8-X1: Wide-range power supply unit, incl. 2 non-grouped digital inputs and 6 grouped digital inputs
- X2** – OR-6: Assembly Group with 6 Relay Outputs
- X3** – TI-4: Standard current measuring card
- X4** – TU: Card with 4 voltage transformer measuring inputs
- X103** – Profibus-DP, Fiber optics interface, ST Connector
- X104** – IRIG-B00X, incl. System Contact (Supervision Contact)

# MCA4-2A0BEA



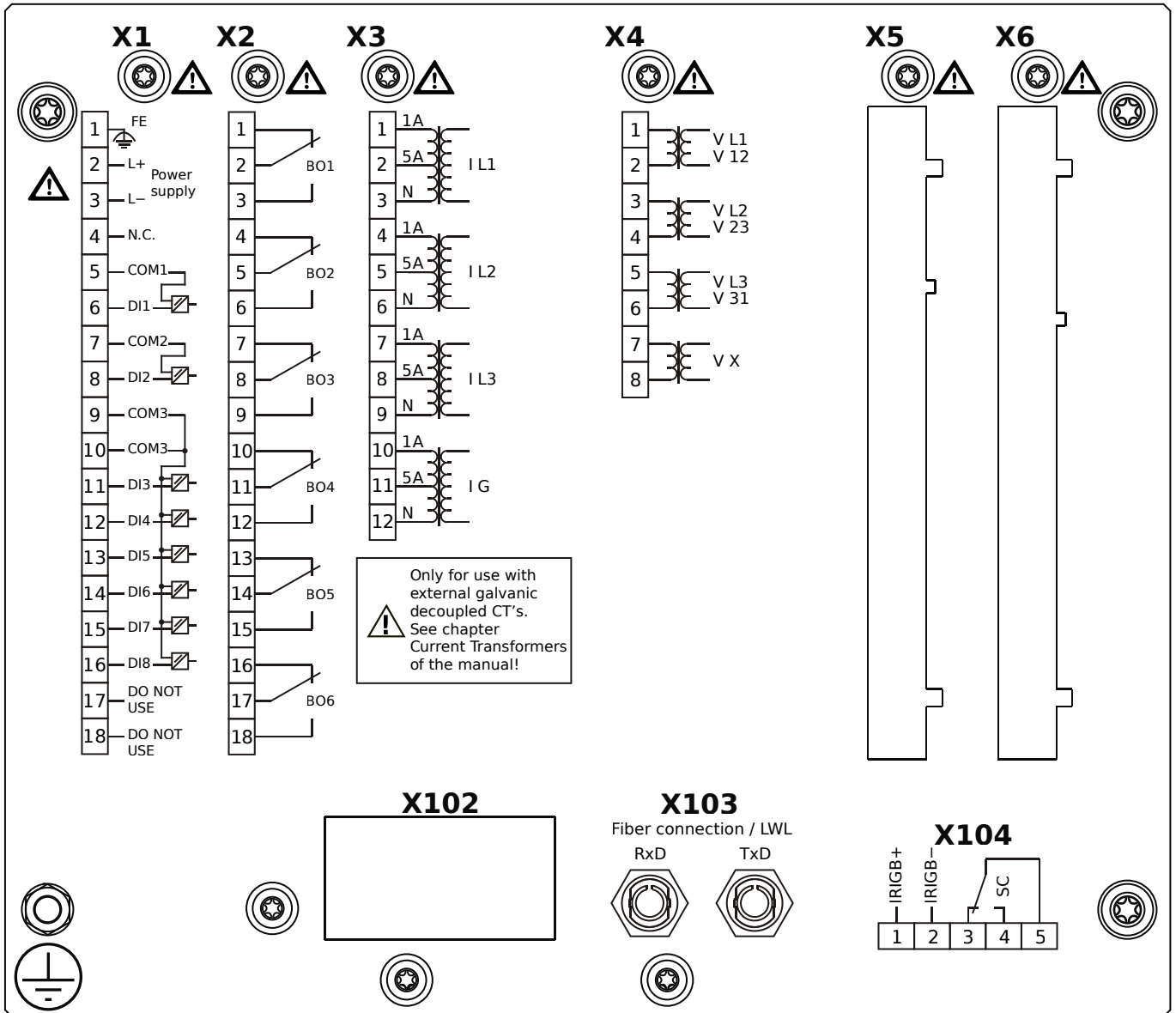
- X1** – DI8-X1: Wide-range power supply unit, incl. 2 non-grouped digital inputs and 6 grouped digital inputs
- X2** – OR-6: Assembly Group with 6 Relay Outputs
- X3** – TI-4: Standard current measuring card
- X4** – TU: Card with 4 voltage transformer measuring inputs
- X103** – Profibus-DP, RS485, D-SUB
- X104** – IRIG-B00X, incl. System Contact (Supervision Contact)

# MCA4-2A0BEB



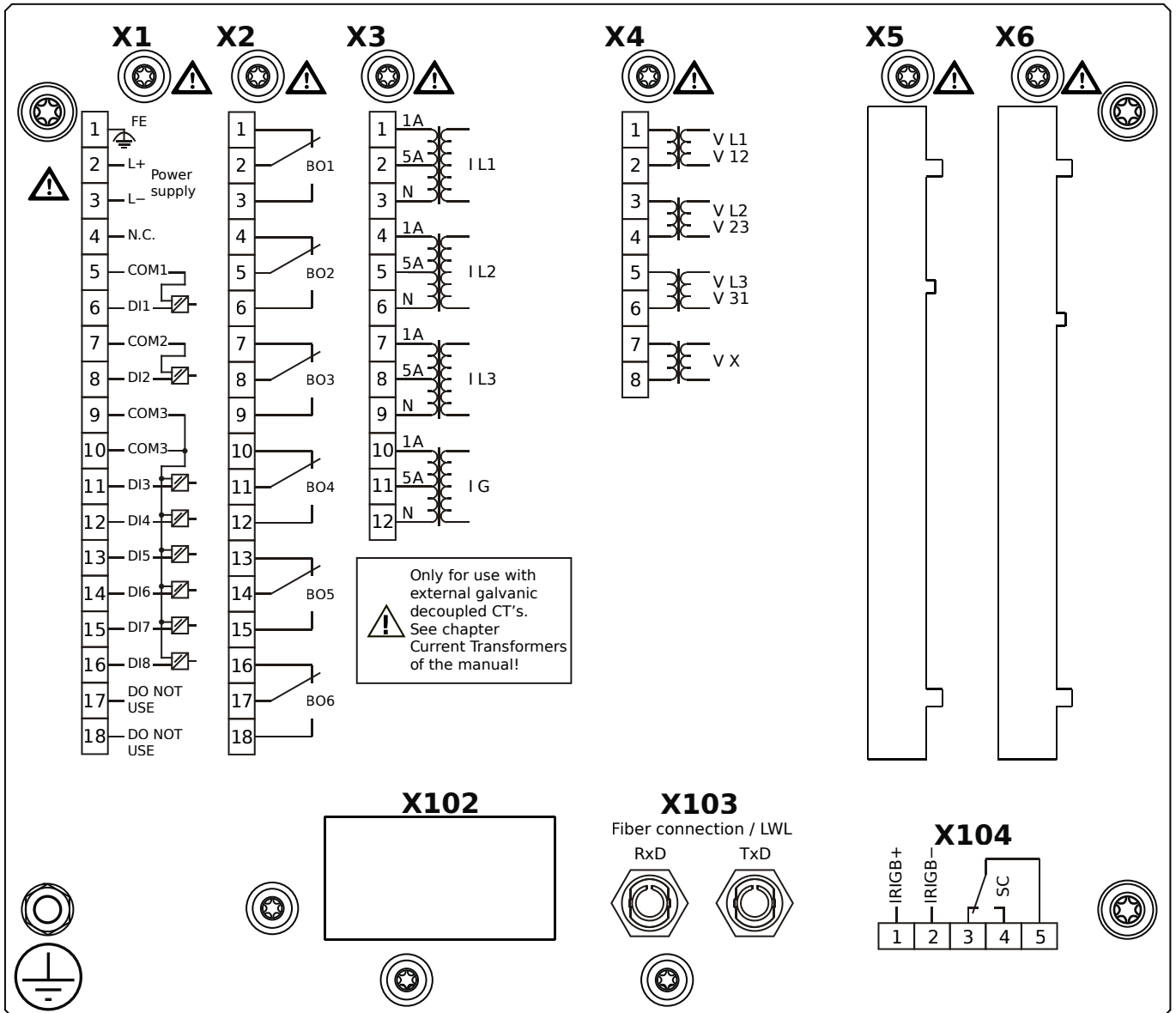
- X1** – DI8-X1: Wide-range power supply unit, incl. 2 non-grouped digital inputs and 6 grouped digital inputs
- X2** – OR-6: Assembly Group with 6 Relay Outputs
- X3** – TI-4: Standard current measuring card
- X4** – TU: Card with 4 voltage transformer measuring inputs
- X103** – Profibus-DP, RS485, D-SUB
- X104** – IRIG-B00X, incl. System Contact (Supervision Contact)

# MCA4-2A0BFA



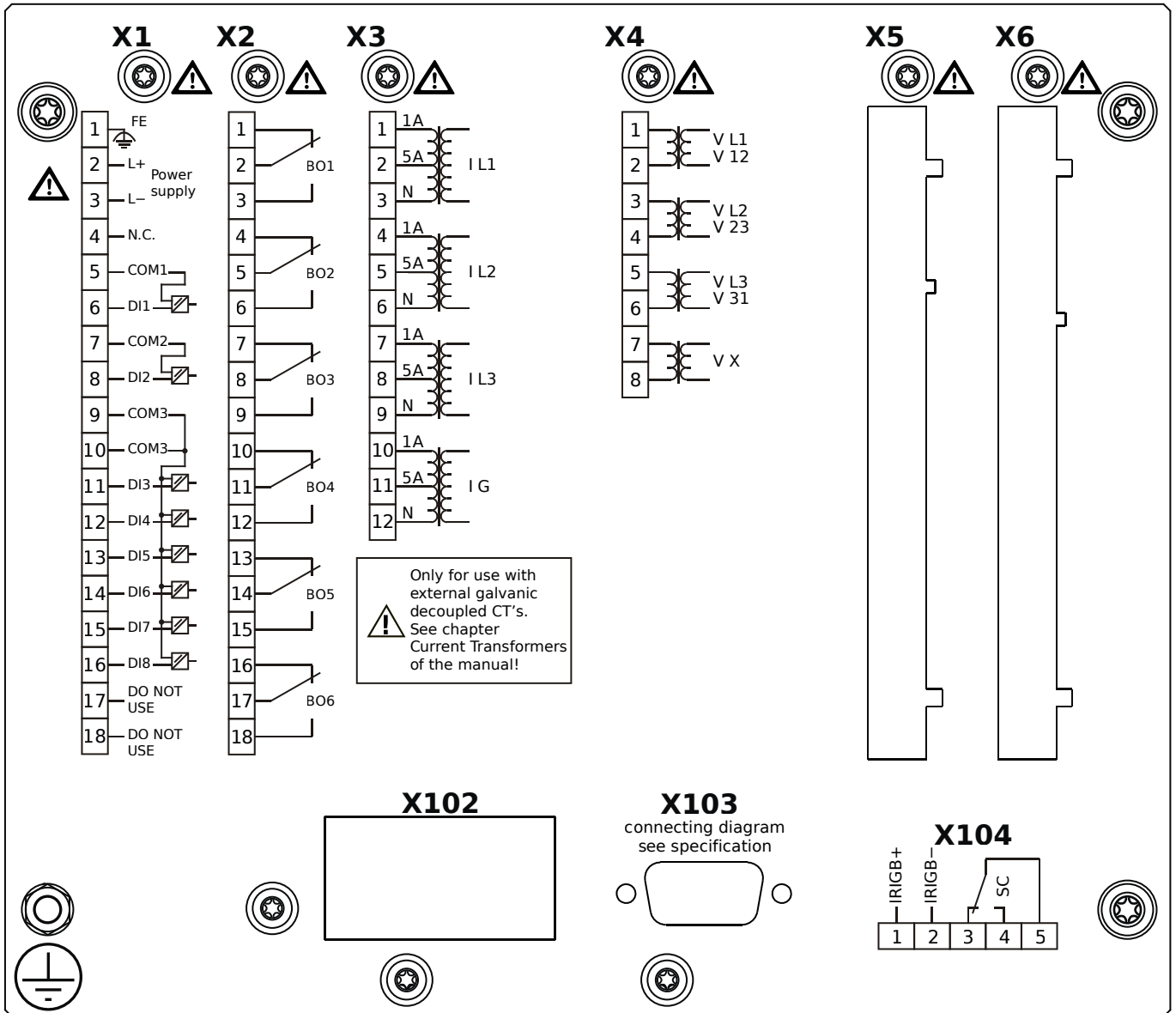
- X1** – DI8-X1: Wide-range power supply unit, incl. 2 non-grouped digital inputs and 6 grouped digital inputs
- X2** – OR-6: Assembly Group with 6 Relay Outputs
- X3** – TI-4: Standard current measuring card
- X4** – TU: Card with 4 voltage transformer measuring inputs
- X103** – Modbus RTU / IEC 60870-5-103 / DNP3.0 RTU, Fiber optics interface, ST Connector
- X104** – IRIG-B00X, incl. System Contact (Supervision Contact)

# MCA4-2A0BFB



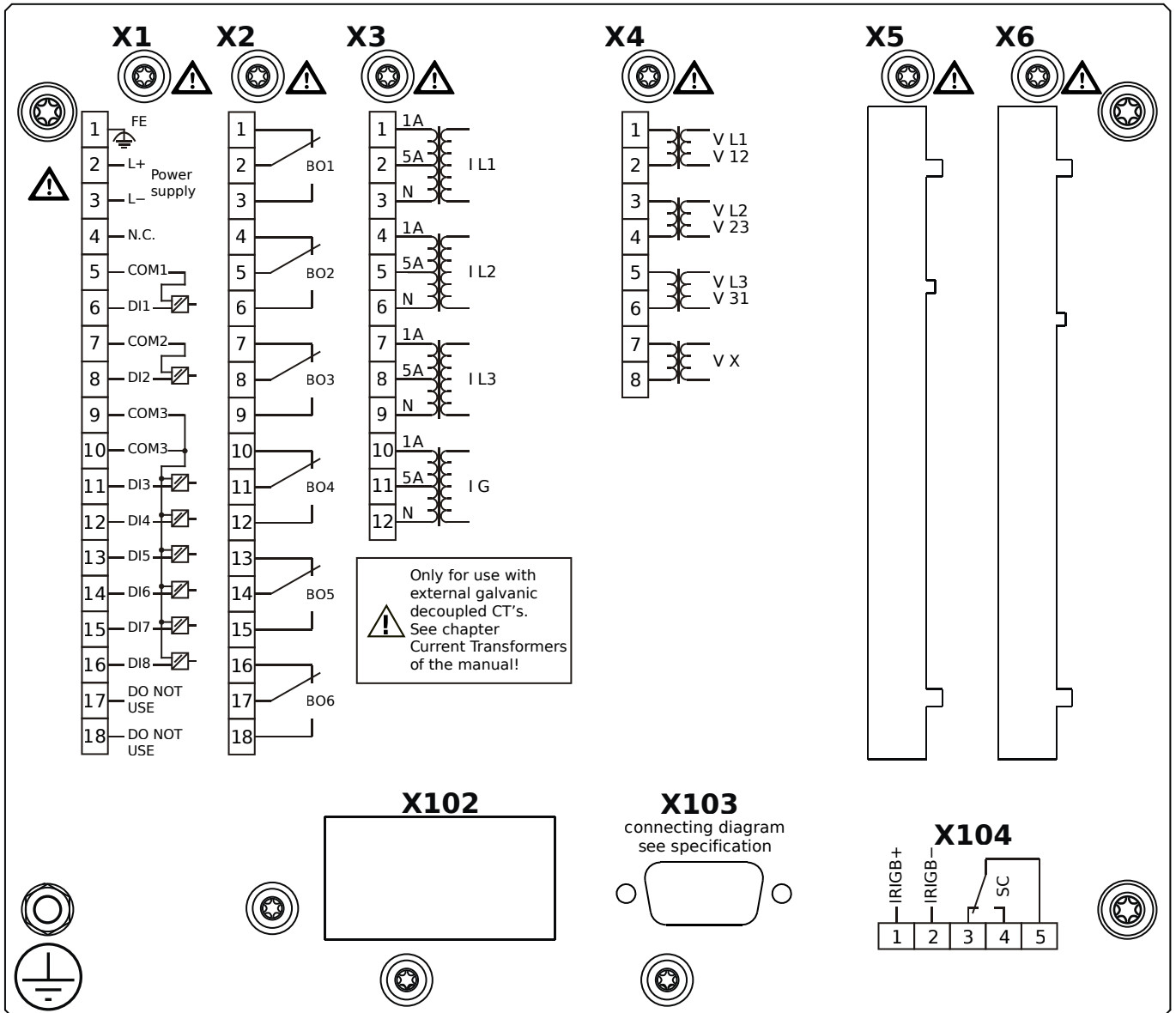
- X1** – DI8-X1: Wide-range power supply unit, incl. 2 non-grouped digital inputs and 6 grouped digital inputs
- X2** – OR-6: Assembly Group with 6 Relay Outputs
- X3** – TI-4: Standard current measuring card
- X4** – TU: Card with 4 voltage transformer measuring inputs
- X103** – Modbus RTU / IEC 60870-5-103 / DNP3.0 RTU, Fiber optics interface, ST Connector
- X104** – IRIG-B00X, incl. System Contact (Supervision Contact)

# MCA4-2A0BGA



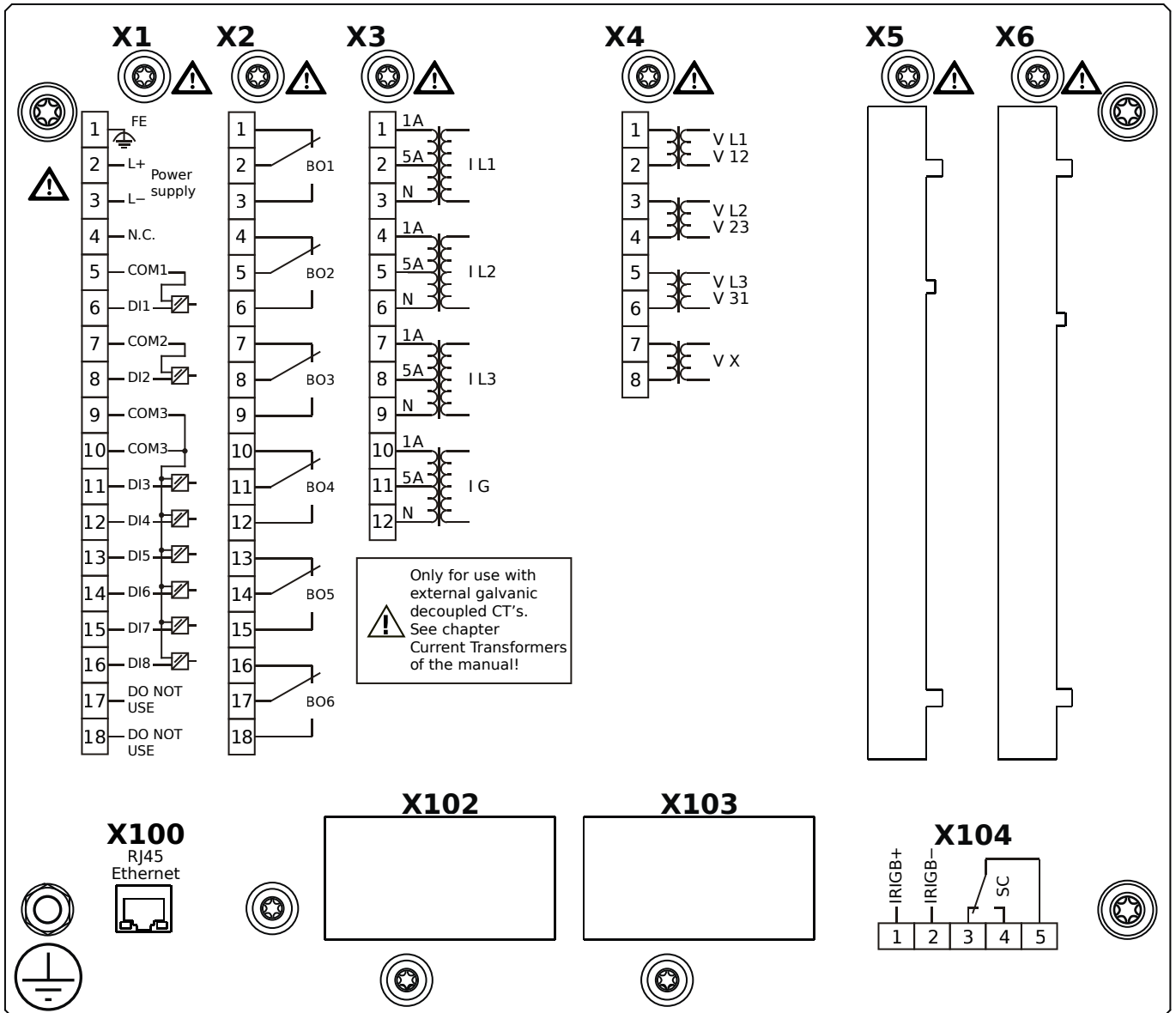
- X1** – DI8-X1: Wide-range power supply unit, incl. 2 non-grouped digital inputs and 6 grouped digital inputs
- X2** – OR-6: Assembly Group with 6 Relay Outputs
- X3** – TI-4: Standard current measuring card
- X4** – TU: Card with 4 voltage transformer measuring inputs
- X103** – Modbus RTU / IEC 60870-5-103 / DNP3.0 RTU, RS485, D-SUB
- X104** – IRIG-B00X, incl. System Contact (Supervision Contact)

# MCA4-2A0BGB



- X1** – DI8-X1: Wide-range power supply unit, incl. 2 non-grouped digital inputs and 6 grouped digital inputs
- X2** – OR-6: Assembly Group with 6 Relay Outputs
- X3** – TI-4: Standard current measuring card
- X4** – TU: Card with 4 voltage transformer measuring inputs
- X103** – Modbus RTU / IEC 60870-5-103 / DNP3.0 RTU, RS485, D-SUB
- X104** – IRIG-B00X, incl. System Contact (Supervision Contact)

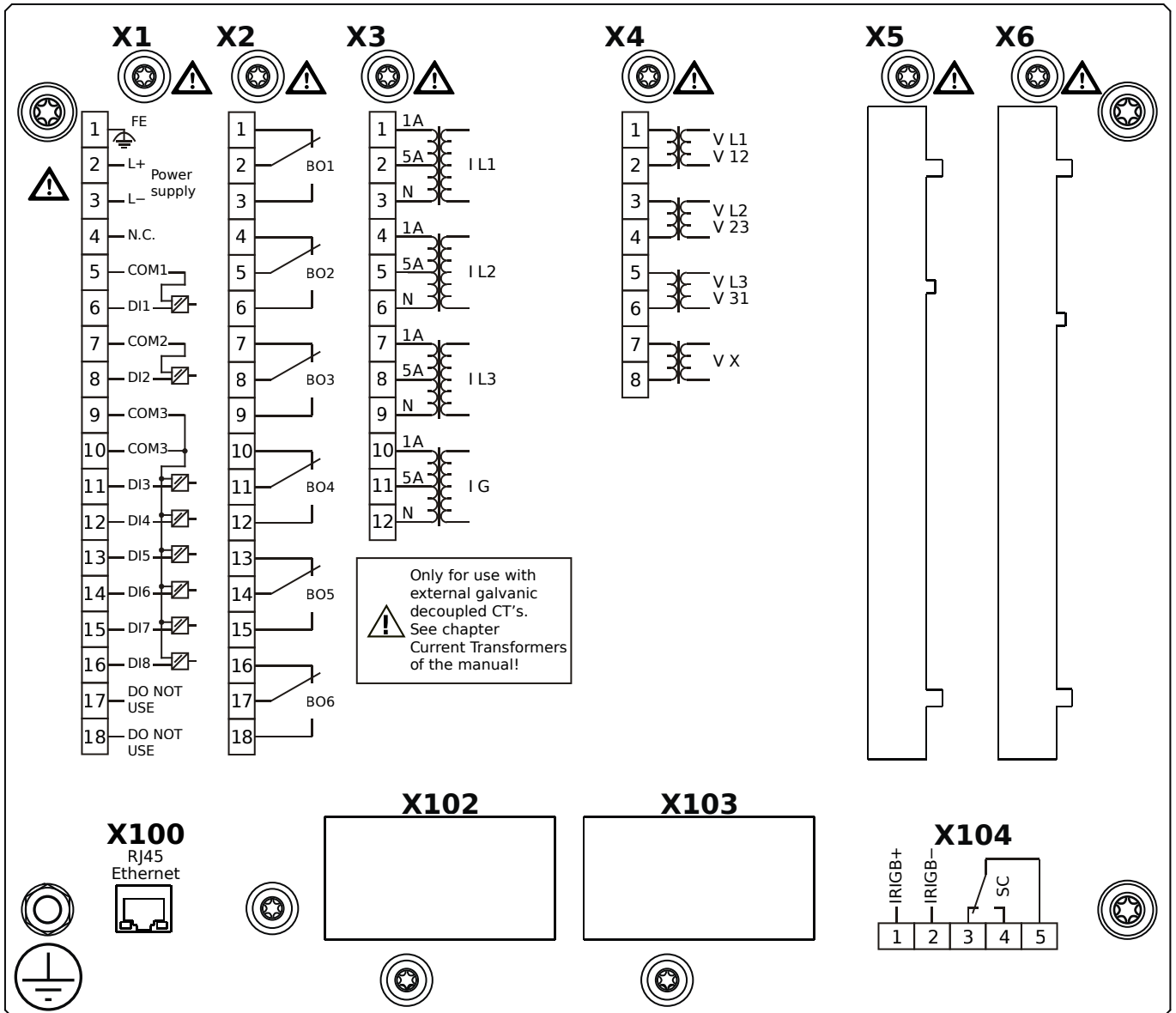
# MCA4-2A0BHA



- X1** – DI8-X1: Wide-range power supply unit, incl. 2 non-grouped digital inputs and 6 grouped digital inputs
- X2** – OR-6: Assembly Group with 6 Relay Outputs
- X3** – TI-4: Standard current measuring card
- X4** – TU: Card with 4 voltage transformer measuring inputs
- X100** – IEC 61850 / Modbus TCP / DNP3.0 TCP/UDP, Ethernet interface, 100 Mbit/s, RJ45 (BASE100-FX)
- X104** – IRIG-B00X, incl. System Contact (Supervision Contact)

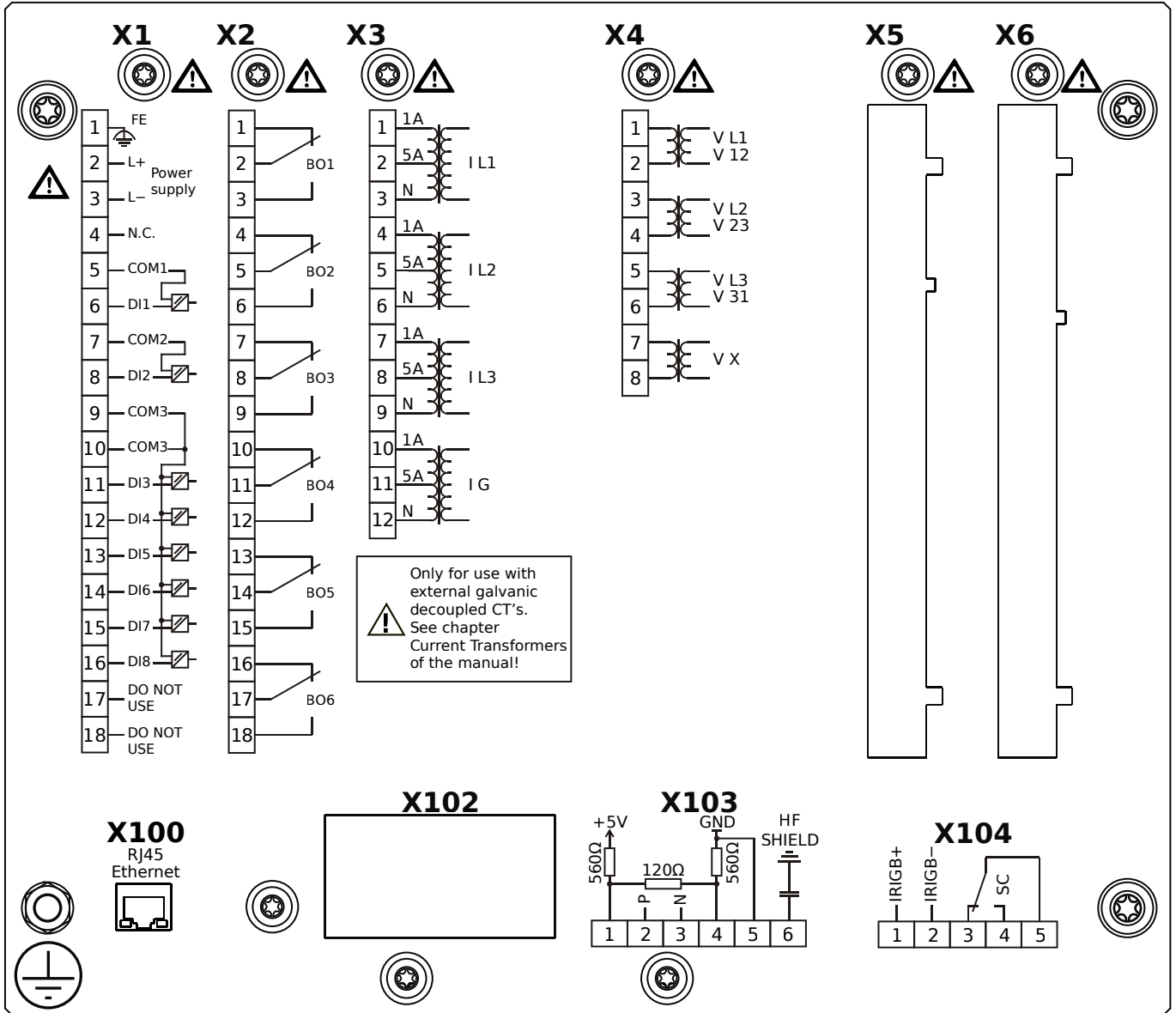


# MCA4-2A0BHB



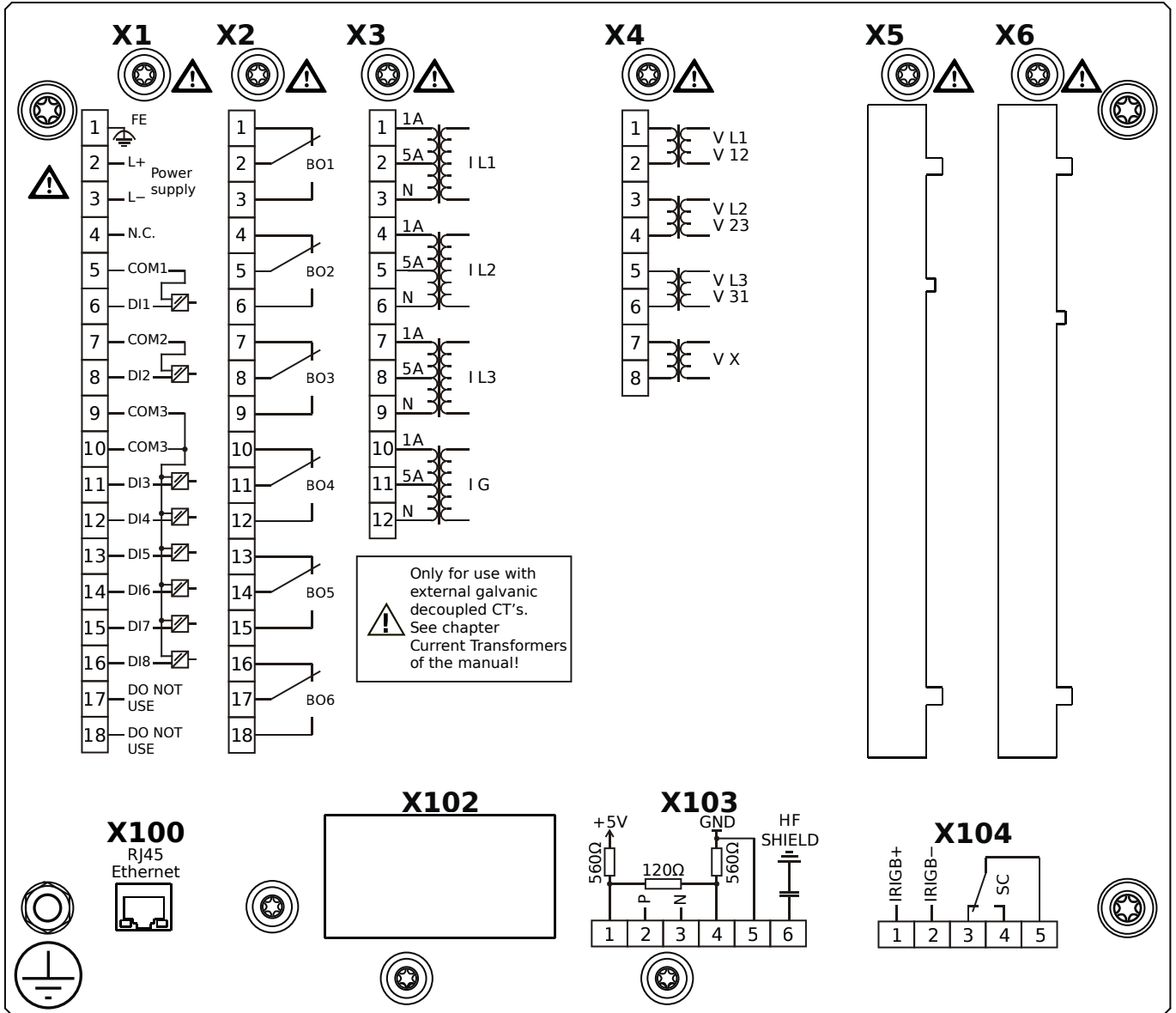
- X1** – DI8-X1: Wide-range power supply unit, incl. 2 non-grouped digital inputs and 6 grouped digital inputs
- X2** – OR-6: Assembly Group with 6 Relay Outputs
- X3** – TI-4: Standard current measuring card
- X4** – TU: Card with 4 voltage transformer measuring inputs
- X100** – IEC 61850 / Modbus TCP / DNP3.0 TCP/UDP, Ethernet interface, 100 Mbit/s, RJ45 (BASE100-FX)
- X104** – IRIG-B00X, incl. System Contact (Supervision Contact)

# MCA4-2A0BIA



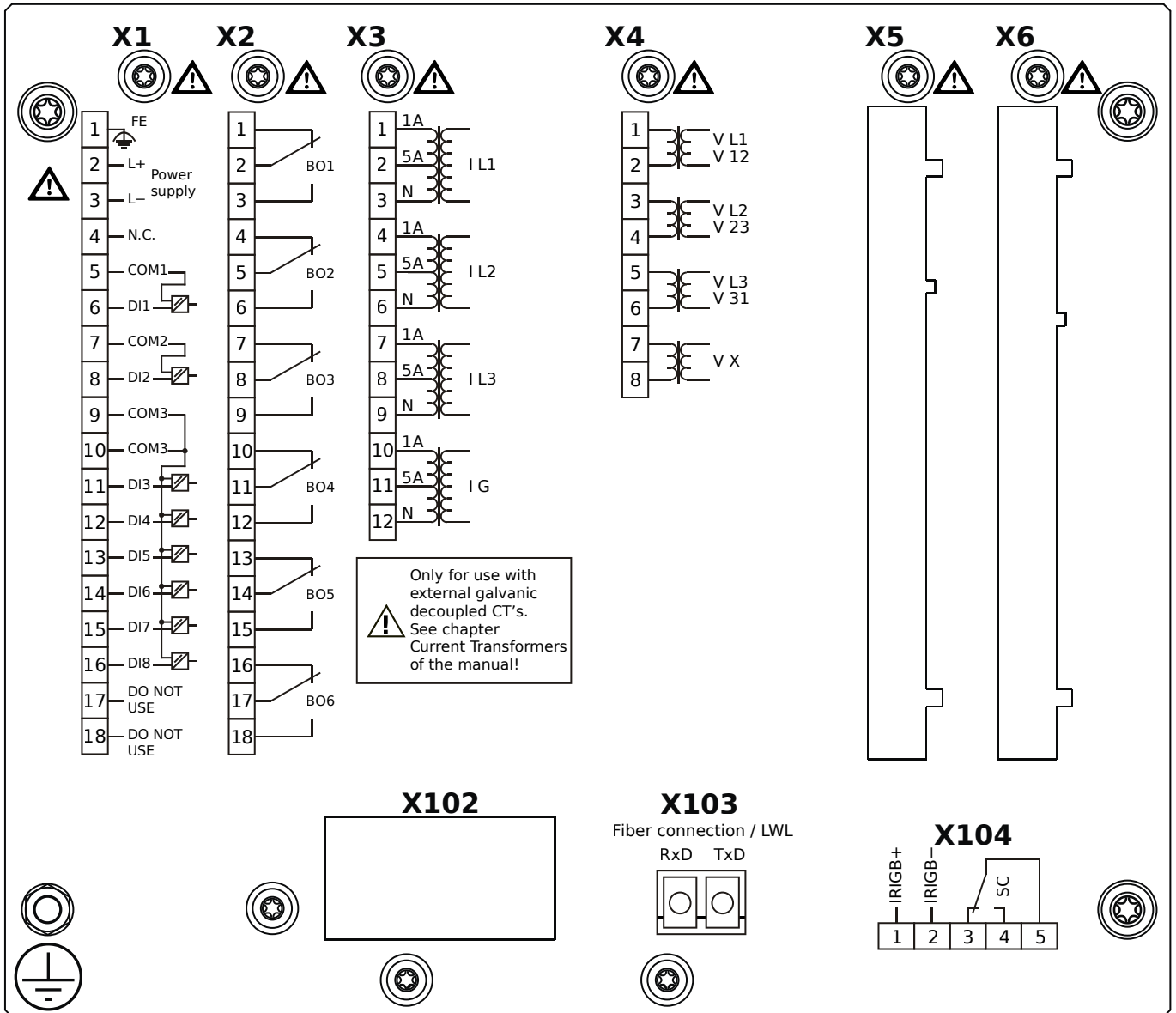
- X1** – DI8-X1: Wide-range power supply unit, incl. 2 non-grouped digital inputs and 6 grouped digital inputs
- X2** – OR-6: Assembly Group with 6 Relay Outputs
- X3** – TI-4: Standard current measuring card
- X4** – TU: Card with 4 voltage transformer measuring inputs
- X100** – Modbus TCP / DNP3.0 TCP/UDP, Ethernet interface, 100 Mbit/s, RJ45 (BASE100-FX)
- X103** – IEC 60870-5-103 / Modbus RTU / DNP3.0 RTU, RS485, Terminals
- X104** – IRIG-B00X, incl. System Contact (Supervision Contact)

# MCA4-2A0BIB



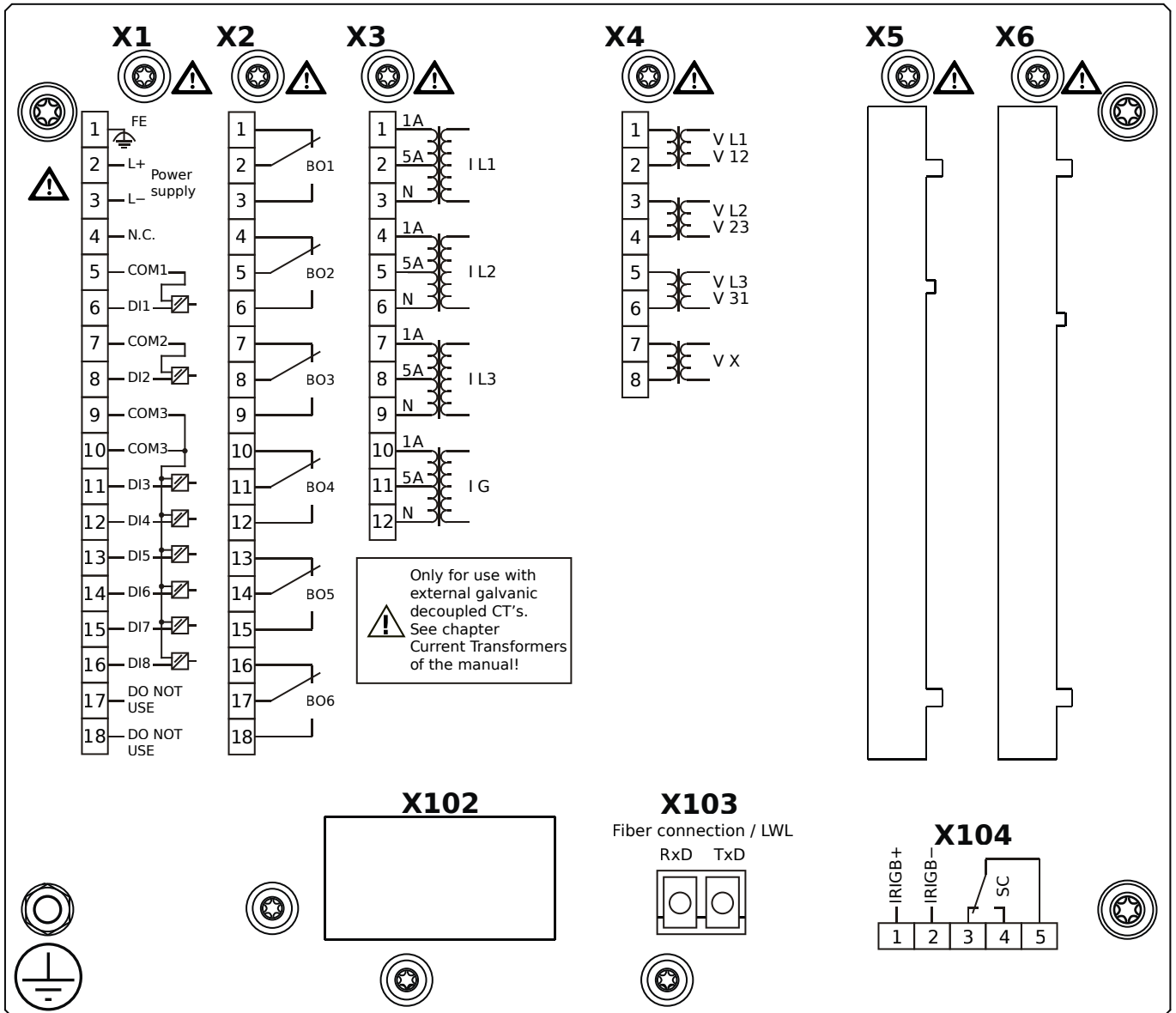
- X1** – DI8-X1: Wide-range power supply unit, incl. 2 non-grouped digital inputs and 6 grouped digital inputs
- X2** – OR-6: Assembly Group with 6 Relay Outputs
- X3** – TI-4: Standard current measuring card
- X4** – TU: Card with 4 voltage transformer measuring inputs
- X100** – Modbus TCP / DNP3.0 TCP/UDP, Ethernet interface, 100 Mbit/s, RJ45 (BASE100-FX)
- X103** – IEC 60870-5-103 / Modbus RTU / DNP3.0 RTU, RS485, Terminals
- X104** – IRIG-B00X, incl. System Contact (Supervision Contact)

# MCA4-2A0BKA



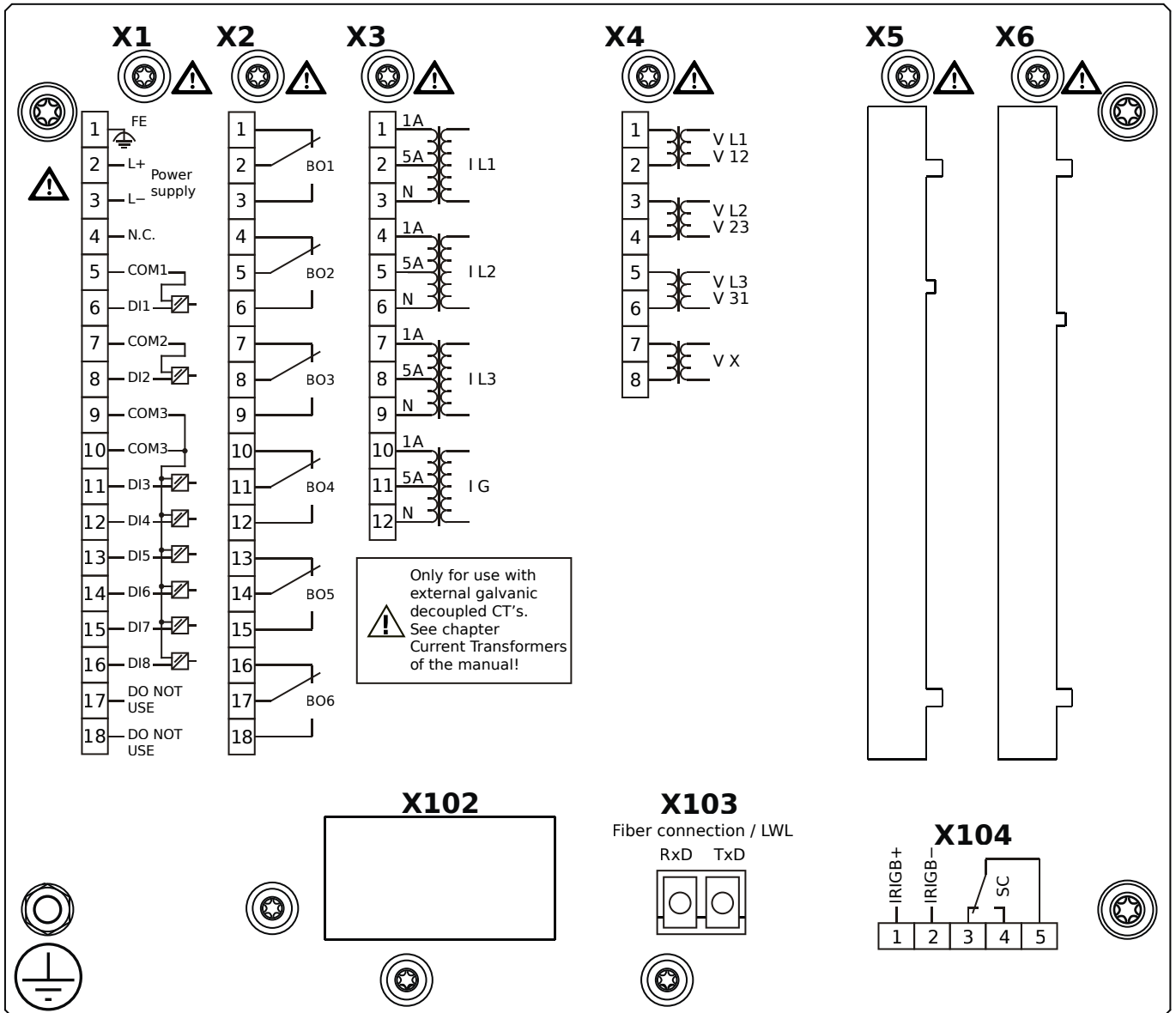
- X1** – DI8-X1: Wide-range power supply unit, incl. 2 non-grouped digital inputs and 6 grouped digital inputs
- X2** – OR-6: Assembly Group with 6 Relay Outputs
- X3** – TI-4: Standard current measuring card
- X4** – TU: Card with 4 voltage transformer measuring inputs
- X103** – IEC 61850 / Modbus TCP / DNP3.0 TCP/UDP, Fiber optics interface, LC Connector
- X104** – IRIG-B00X, incl. System Contact (Supervision Contact)

# MCA4-2A0BKB



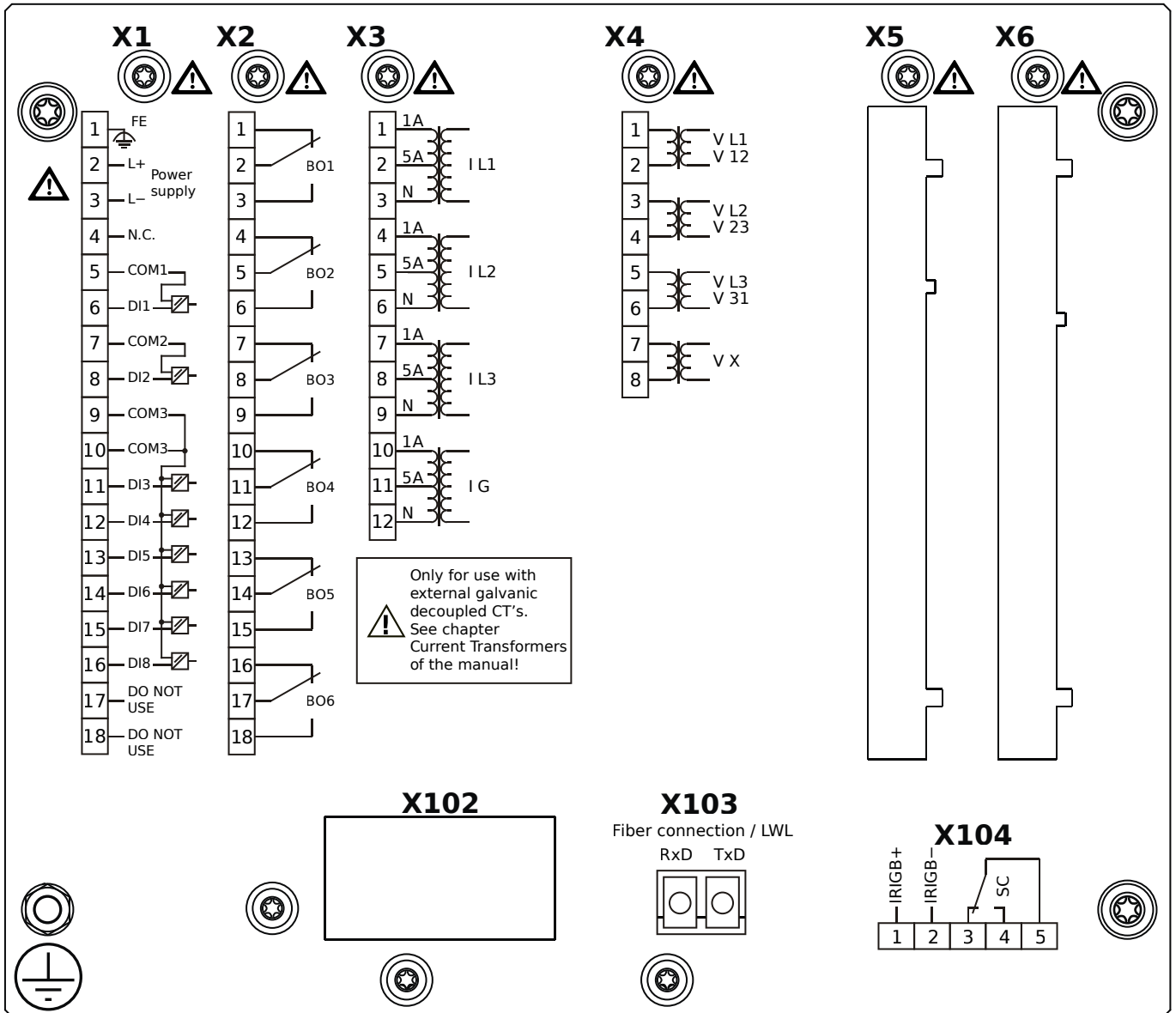
- X1** – DI8-X1: Wide-range power supply unit, incl. 2 non-grouped digital inputs and 6 grouped digital inputs
- X2** – OR-6: Assembly Group with 6 Relay Outputs
- X3** – TI-4: Standard current measuring card
- X4** – TU: Card with 4 voltage transformer measuring inputs
- X103** – IEC 61850 / Modbus TCP / DNP3.0 TCP/UDP, Fiber optics interface, LC Connector
- X104** – IRIG-B00X, incl. System Contact (Supervision Contact)

# MCA4-2A0BLA



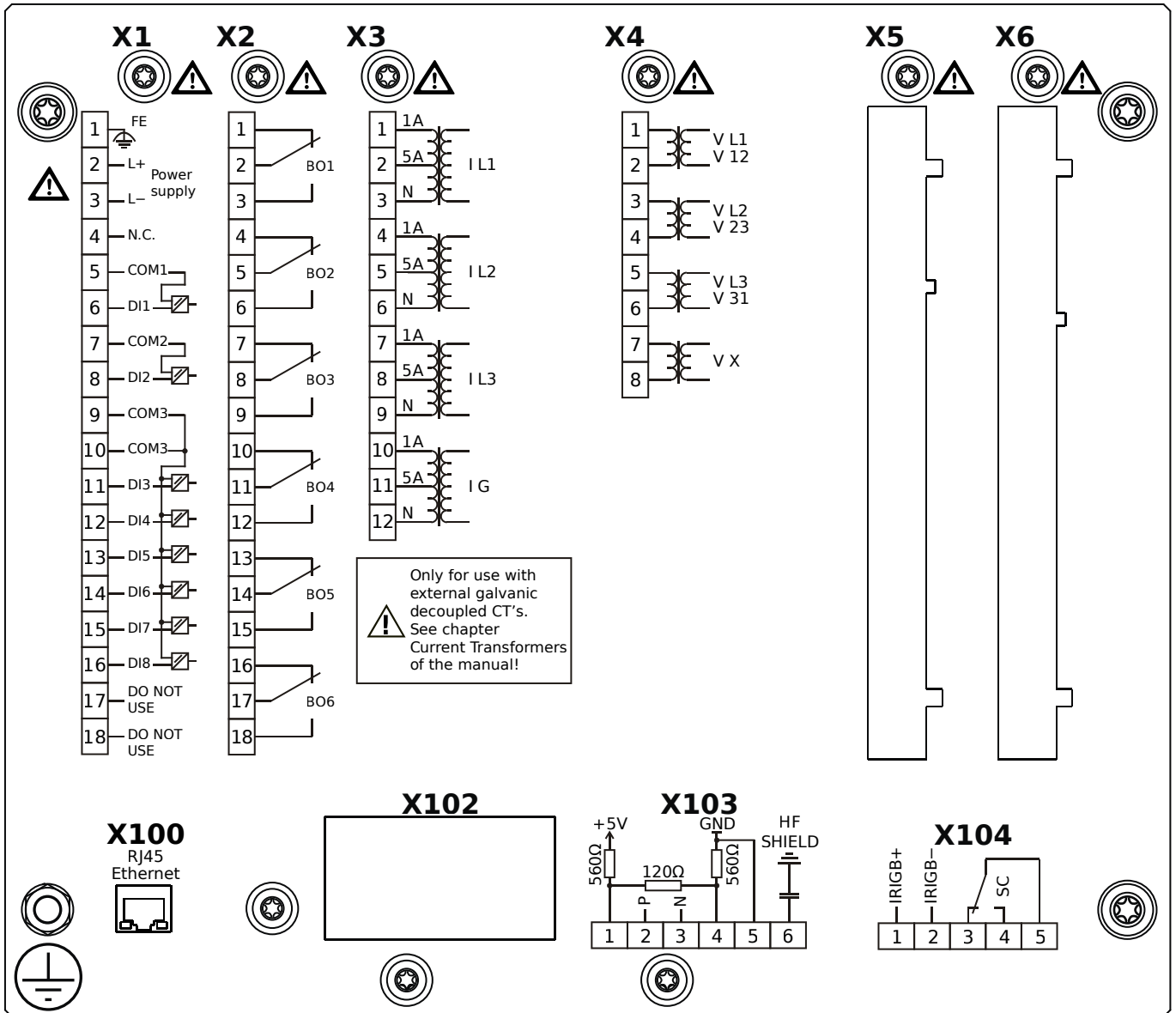
- X1** – DI8-X1: Wide-range power supply unit, incl. 2 non-grouped digital inputs and 6 grouped digital inputs
- X2** – OR-6: Assembly Group with 6 Relay Outputs
- X3** – TI-4: Standard current measuring card
- X4** – TU: Card with 4 voltage transformer measuring inputs
- X103** – Modbus TCP / DNP3.0 TCP/UDP, Fiber optics interface, LC Connector
- X104** – IRIG-B00X, incl. System Contact (Supervision Contact)

# MCA4-2A0BLB



- X1** – DI8-X1: Wide-range power supply unit, incl. 2 non-grouped digital inputs and 6 grouped digital inputs
- X2** – OR-6: Assembly Group with 6 Relay Outputs
- X3** – TI-4: Standard current measuring card
- X4** – TU: Card with 4 voltage transformer measuring inputs
- X103** – Modbus TCP / DNP3.0 TCP/UDP, Fiber optics interface, LC Connector
- X104** – IRIG-B00X, incl. System Contact (Supervision Contact)

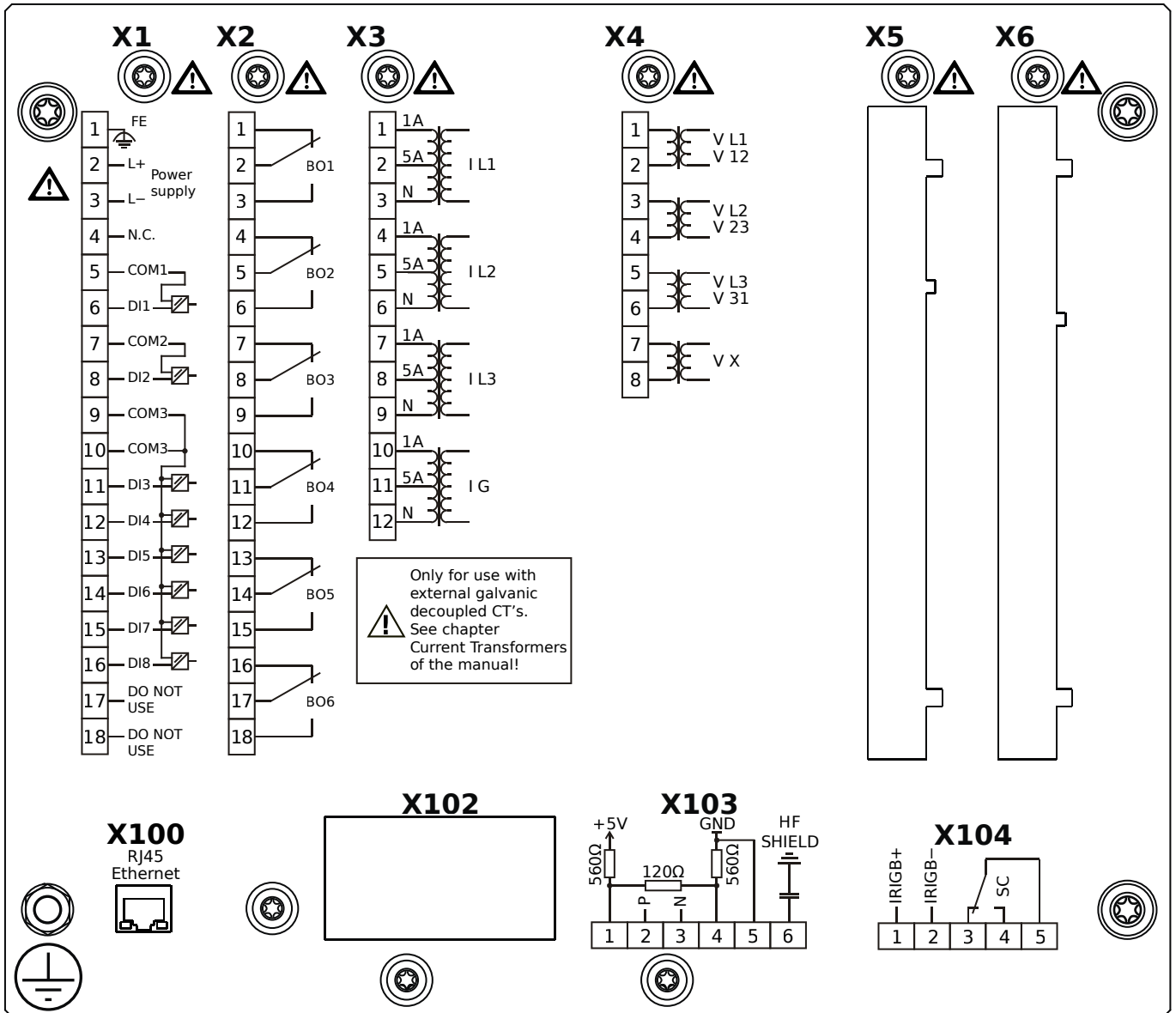
# MCA4-2A0BTA



- X1** – DI8-X1: Wide-range power supply unit, incl. 2 non-grouped digital inputs and 6 grouped digital inputs
- X2** – OR-6: Assembly Group with 6 Relay Outputs
- X3** – TI-4: Standard current measuring card
- X4** – TU: Card with 4 voltage transformer measuring inputs
- X100** – IEC 61850 / Modbus TCP / DNP3.0 TCP/UDP, Ethernet interface, 100 Mbit/s, RJ45 (BASE100-FX)
- X103** – IEC 60870-5-103 / Modbus RTU / DNP3.0 RTU, RS485, Terminals
- X104** – IRIG-B00X, incl. System Contact (Supervision Contact)

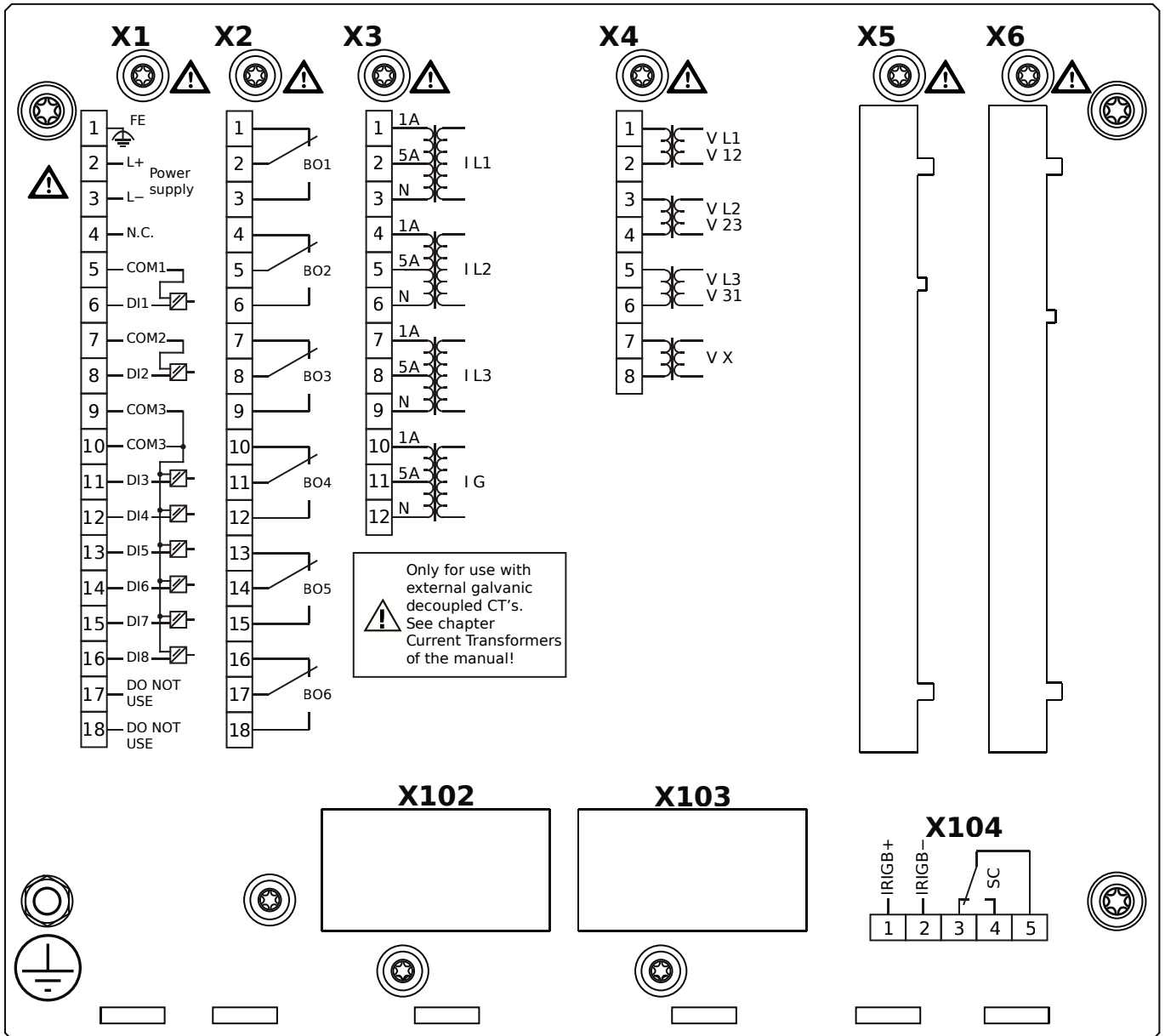


# MCA4-2A0BTB



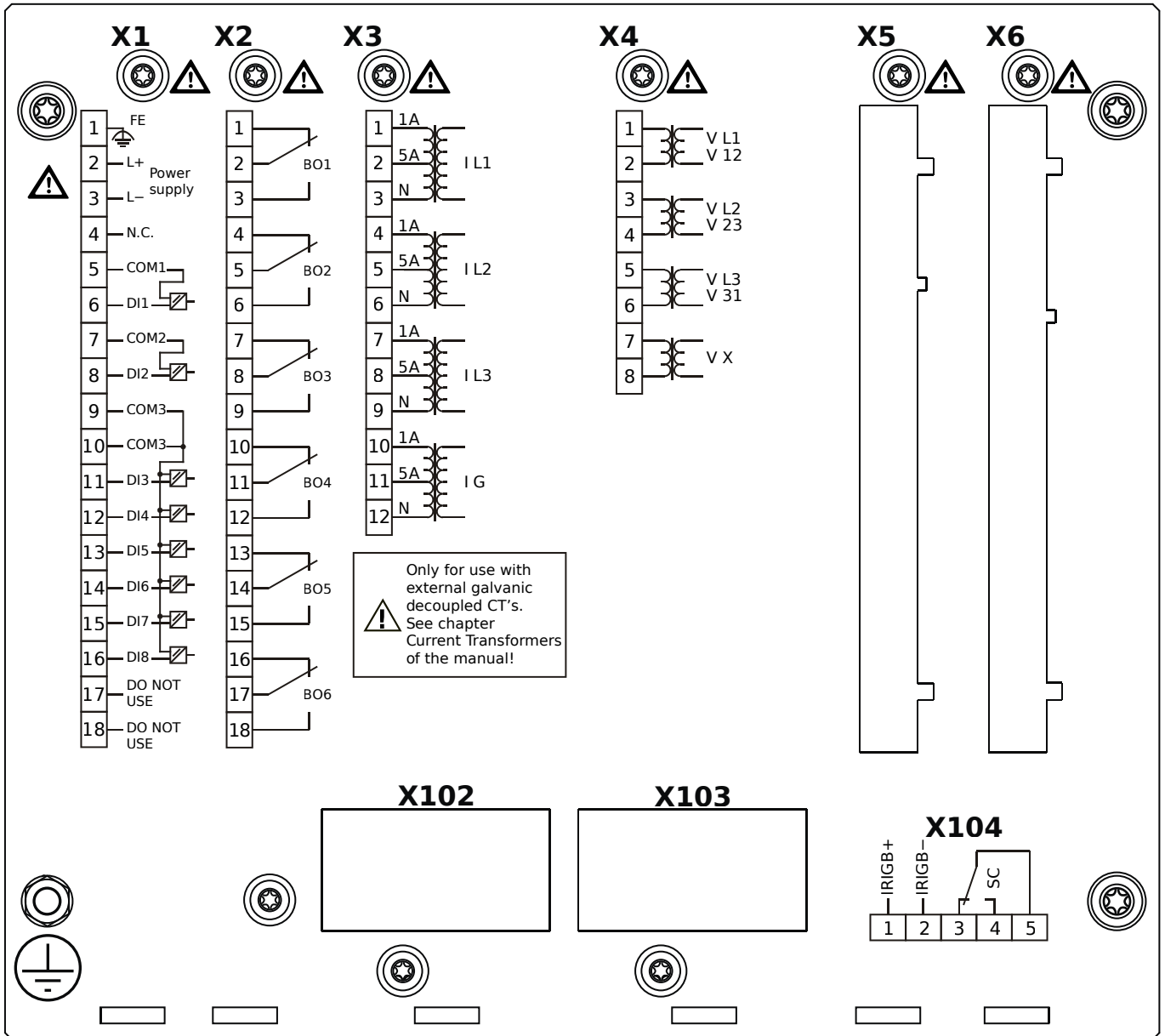
- X1** – DI8-X1: Wide-range power supply unit, incl. 2 non-grouped digital inputs and 6 grouped digital inputs
- X2** – OR-6: Assembly Group with 6 Relay Outputs
- X3** – TI-4: Standard current measuring card
- X4** – TU: Card with 4 voltage transformer measuring inputs
- X100** – IEC 61850 / Modbus TCP / DNP3.0 TCP/UDP, Ethernet interface, 100 Mbit/s, RJ45 (BASE100-FX)
- X103** – IEC 60870-5-103 / Modbus RTU / DNP3.0 RTU, RS485, Terminals
- X104** – IRIG-B00X, incl. System Contact (Supervision Contact)

# MCA4-2A0HAA



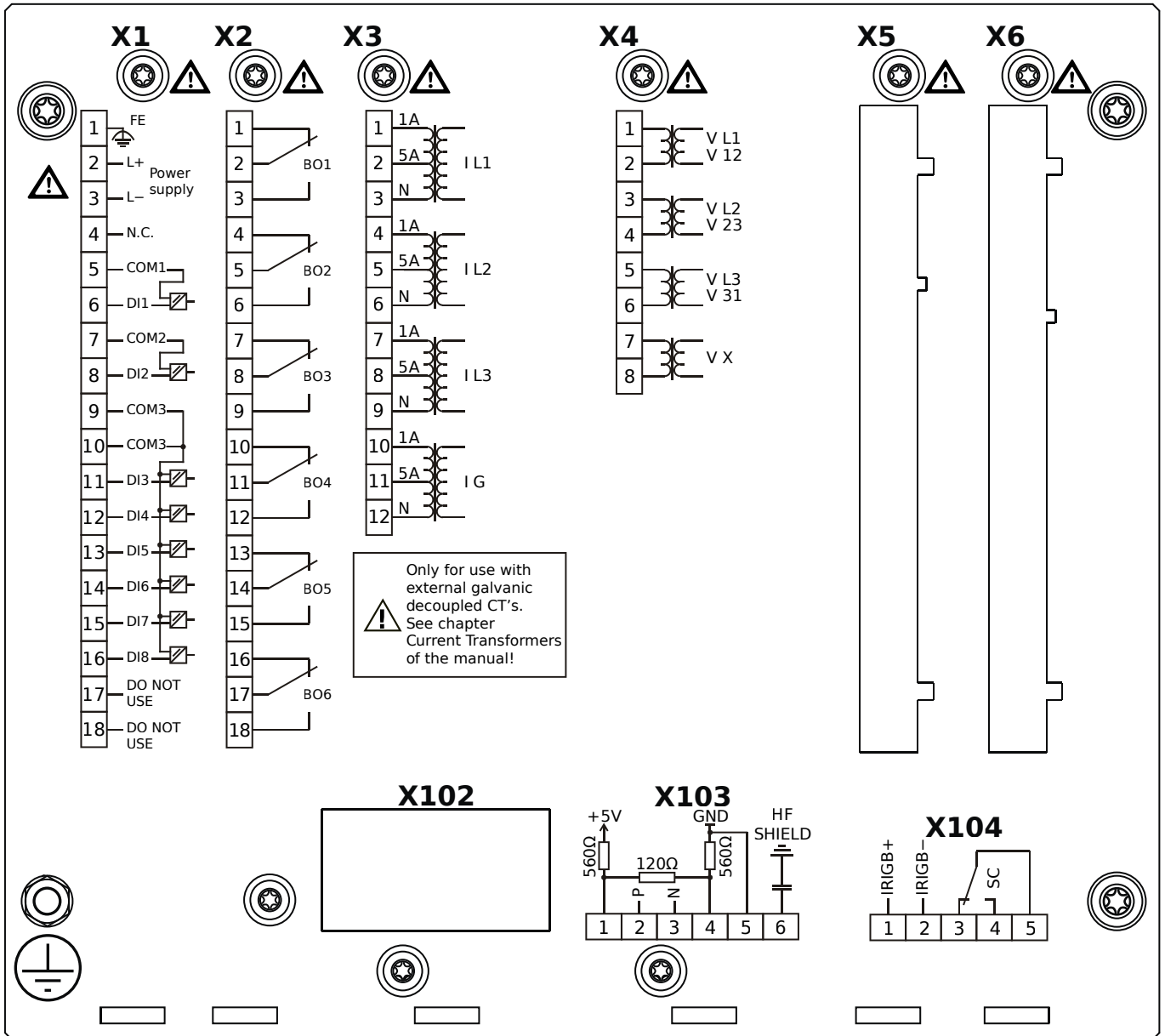
- X1** – DI8-X1: Wide-range power supply unit, incl. 2 non-grouped digital inputs and 6 grouped digital inputs
- X2** – OR-6: Assembly Group with 6 Relay Outputs
- X3** – TI-4: Standard current measuring card
- X4** – TU: Card with 4 voltage transformer measuring inputs
- X104** – IRIG-B00X, incl. System Contact (Supervision Contact)

# MCA4-2A0HAB



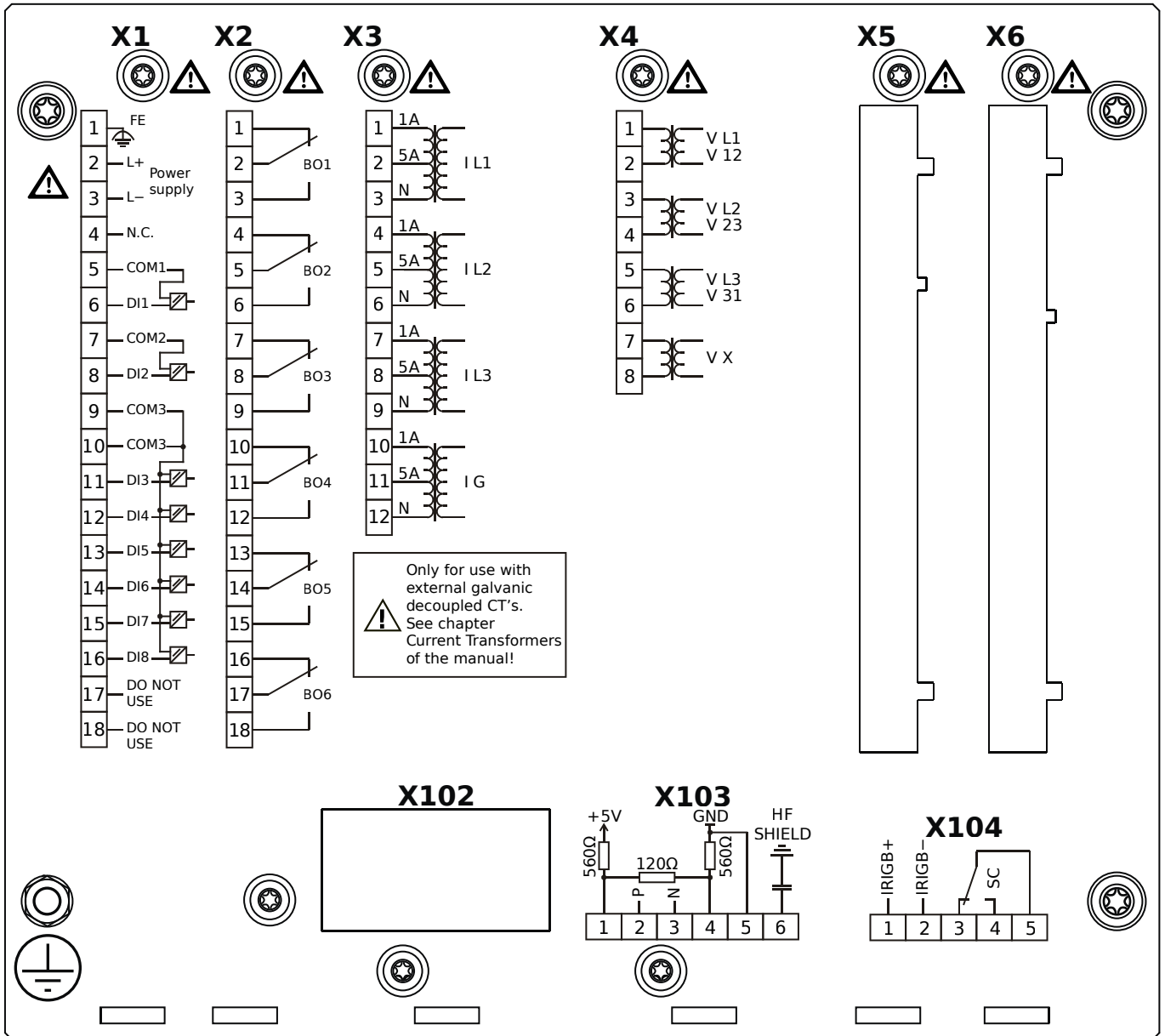
- X1** – DI8-X1: Wide-range power supply unit, incl. 2 non-grouped digital inputs and 6 grouped digital inputs
- X2** – OR-6: Assembly Group with 6 Relay Outputs
- X3** – TI-4: Standard current measuring card
- X4** – TU: Card with 4 voltage transformer measuring inputs
- X104** – IRIG-B00X, incl. System Contact (Supervision Contact)

# MCA4-2A0HBA



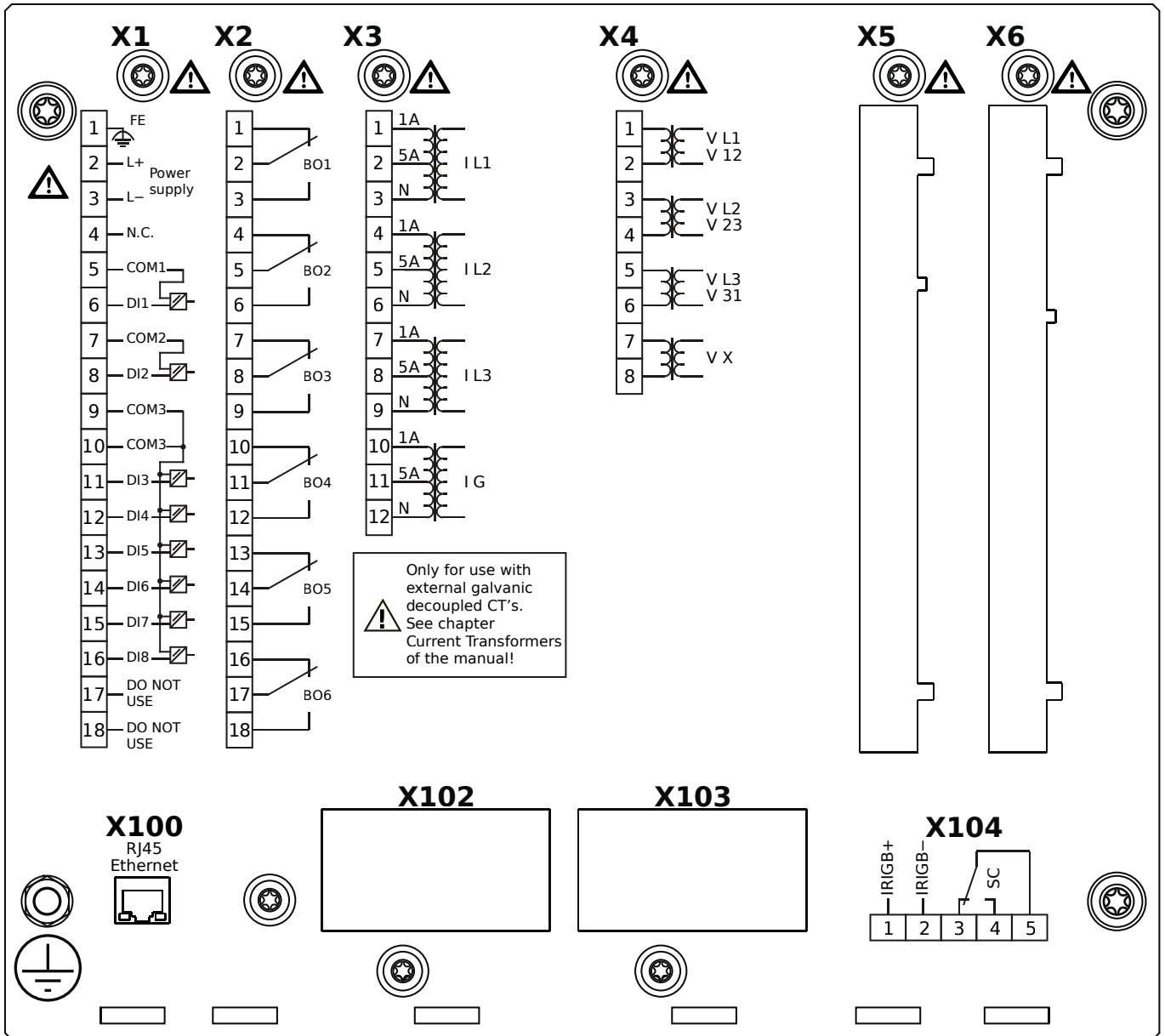
- X1** – DI8-X1: Wide-range power supply unit, incl. 2 non-grouped digital inputs and 6 grouped digital inputs
- X2** – OR-6: Assembly Group with 6 Relay Outputs
- X3** – TI-4: Standard current measuring card
- X4** – TU: Card with 4 voltage transformer measuring inputs
- X103** – Modbus RTU / IEC 60870-5-103 / DNP3.0 RTU, RS485, Terminals
- X104** – IRIG-B00X, incl. System Contact (Supervision Contact)

# MCA4-2A0HBB



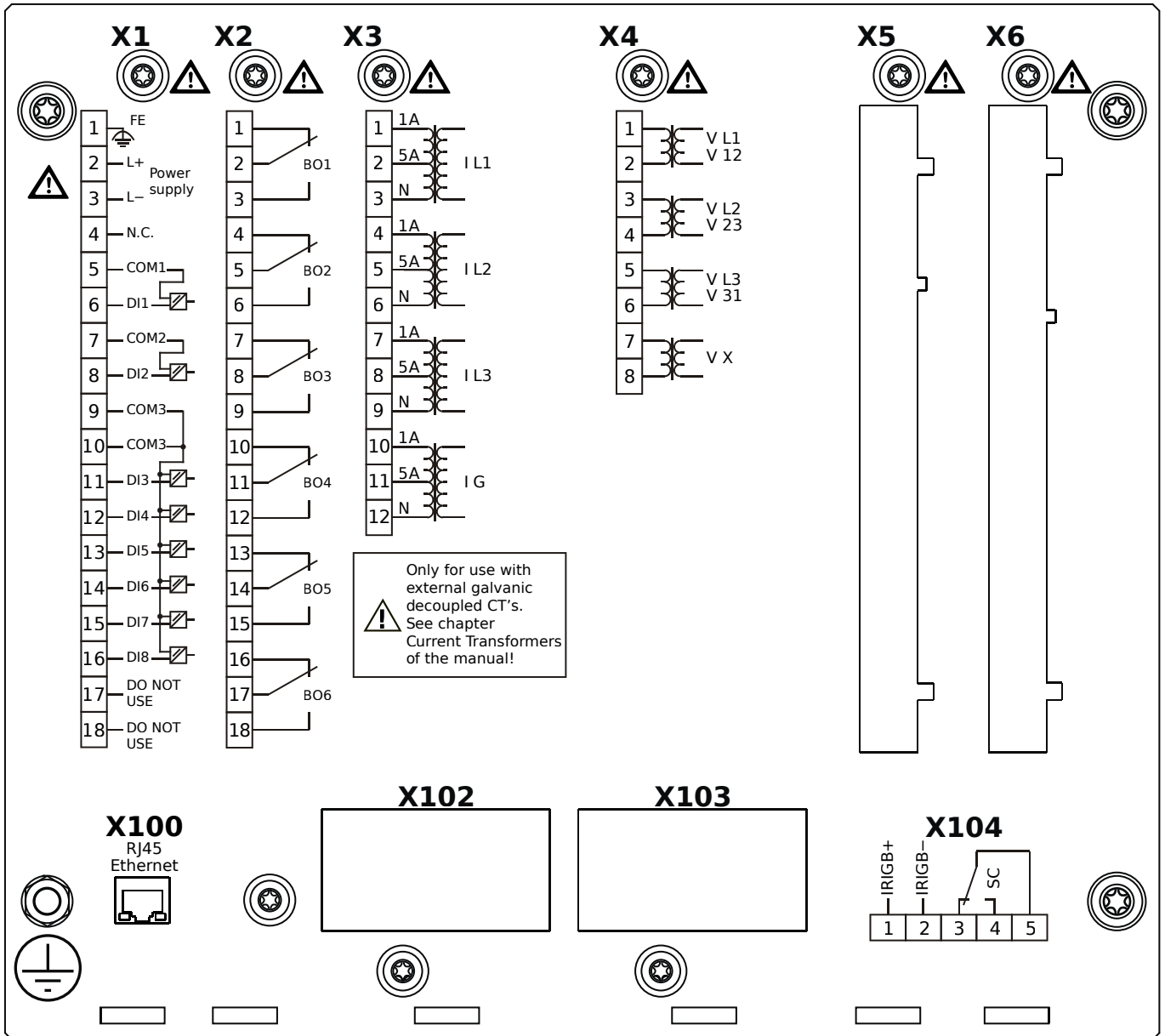
- X1** – DI8-X1: Wide-range power supply unit, incl. 2 non-grouped digital inputs and 6 grouped digital inputs
- X2** – OR-6: Assembly Group with 6 Relay Outputs
- X3** – TI-4: Standard current measuring card
- X4** – TU: Card with 4 voltage transformer measuring inputs
- X103** – Modbus RTU / IEC 60870-5-103 / DNP3.0 RTU, RS485, Terminals
- X104** – IRIG-B00X, incl. System Contact (Supervision Contact)

# MCA4-2A0HCA



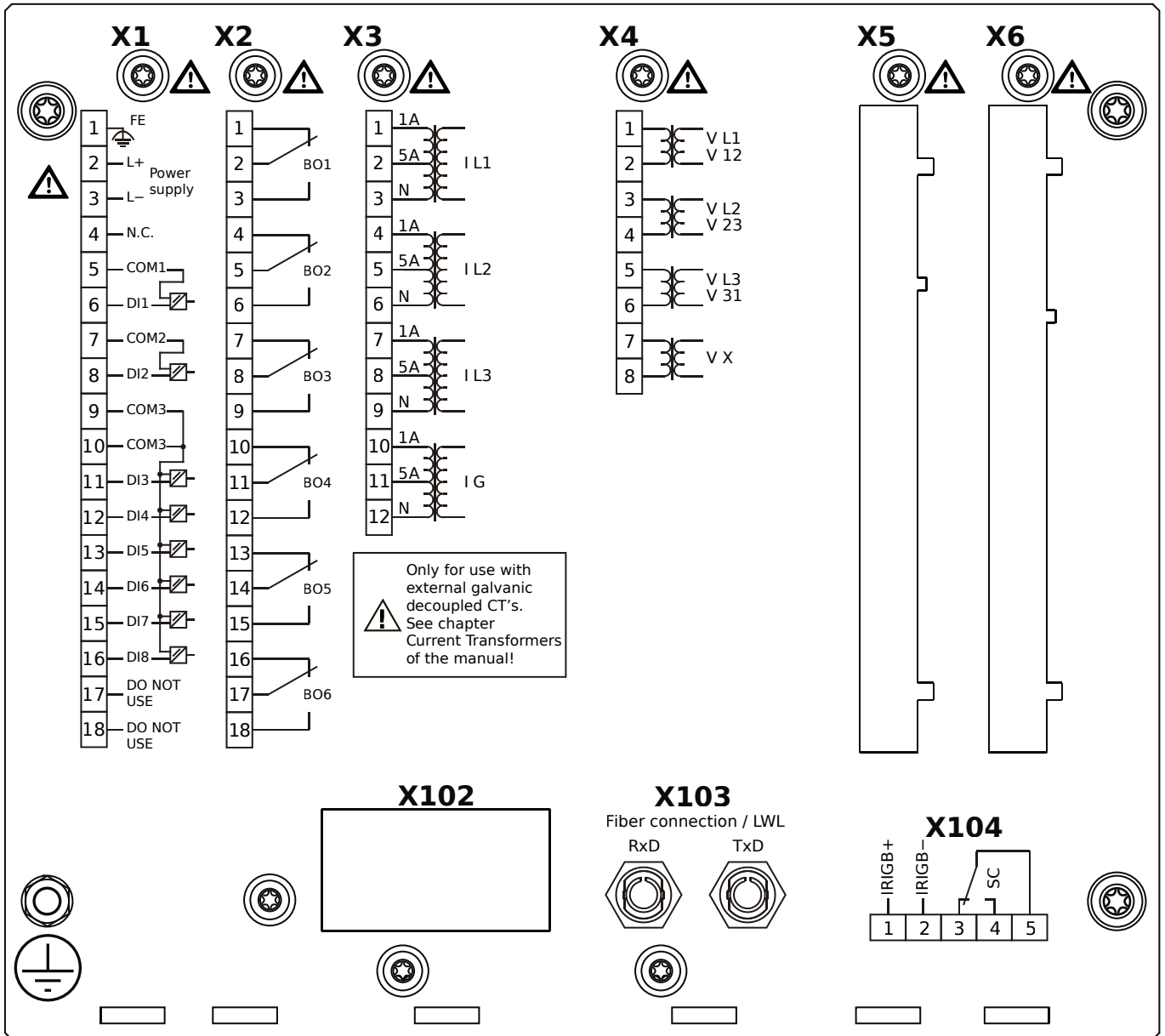
- X1** – DI8-X1: Wide-range power supply unit, incl. 2 non-grouped digital inputs and 6 grouped digital inputs
- X2** – OR-6: Assembly Group with 6 Relay Outputs
- X3** – TI-4: Standard current measuring card
- X4** – TU: Card with 4 voltage transformer measuring inputs
- X100** – Modbus TCP / DNP3.0 TCP/UDP, Ethernet interface, 100 Mbit/s, RJ45 (BASE100-FX)
- X104** – IRIG-B00X, incl. System Contact (Supervision Contact)

# MCA4-2A0HCB



- X1** – DI8-X1: Wide-range power supply unit, incl. 2 non-grouped digital inputs and 6 grouped digital inputs
- X2** – OR-6: Assembly Group with 6 Relay Outputs
- X3** – TI-4: Standard current measuring card
- X4** – TU: Card with 4 voltage transformer measuring inputs
- X100** – Modbus TCP / DNP3.0 TCP/UDP, Ethernet interface, 100 Mbit/s, RJ45 (BASE100-FX)
- X104** – IRIG-B00X, incl. System Contact (Supervision Contact)

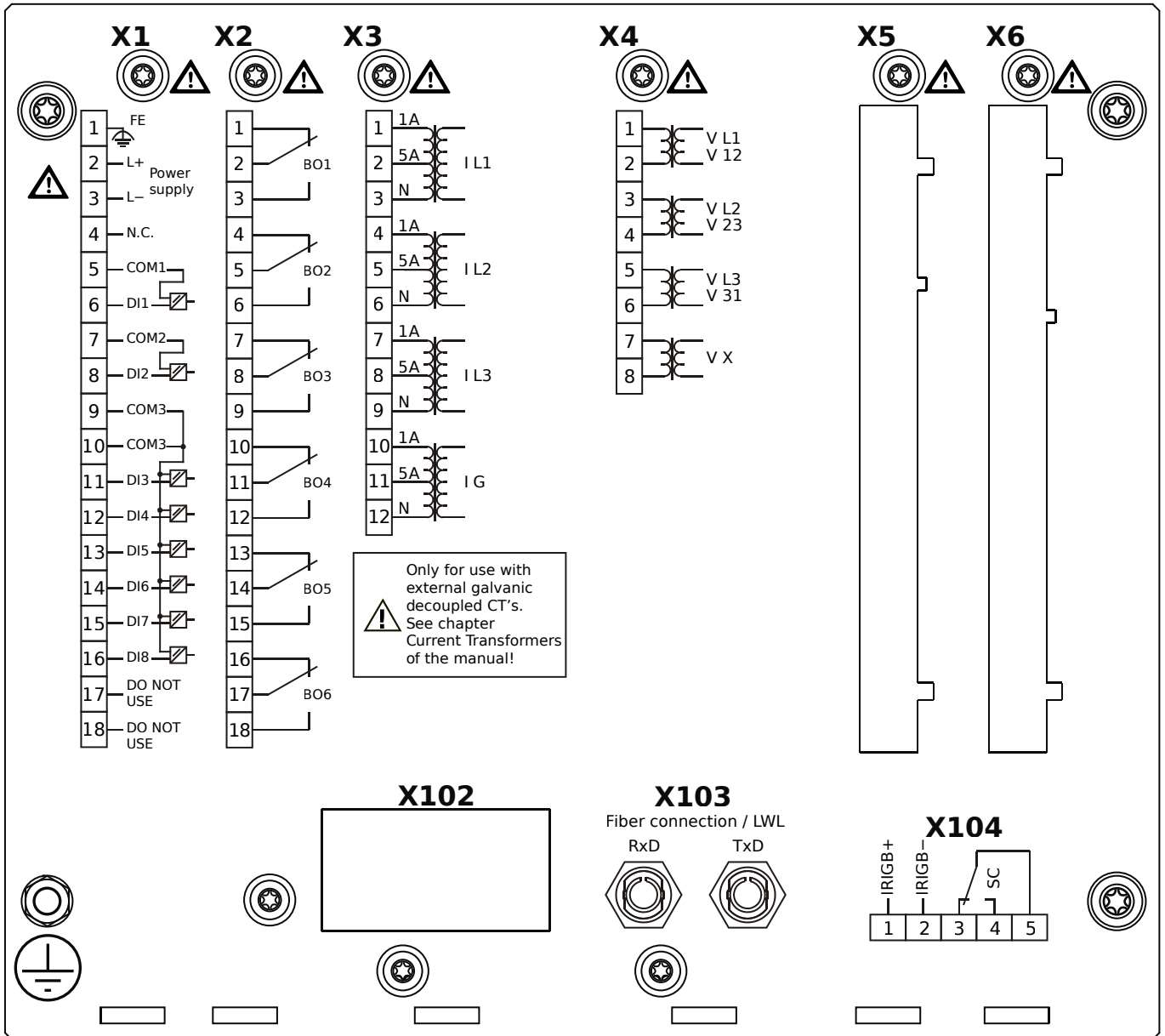
# MCA4-2A0HDA



- X1** – DI8-X1: Wide-range power supply unit, incl. 2 non-grouped digital inputs and 6 grouped digital inputs
- X2** – OR-6: Assembly Group with 6 Relay Outputs
- X3** – TI-4: Standard current measuring card
- X4** – TU: Card with 4 voltage transformer measuring inputs
- X103** – Profibus-DP, Fiber optics interface, ST Connector
- X104** – IRIG-B00X, incl. System Contact (Supervision Contact)

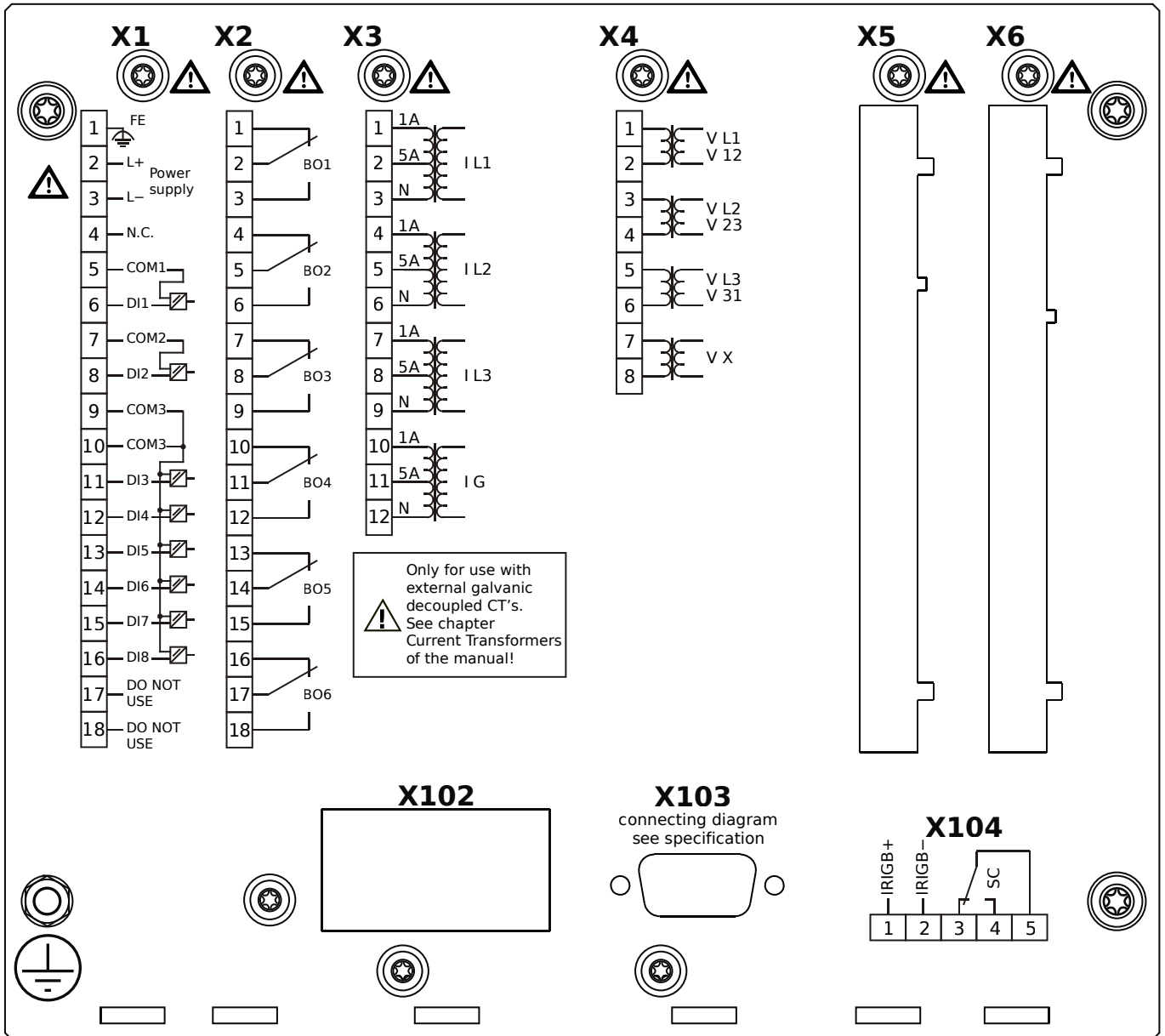


# MCA4-2A0HDB



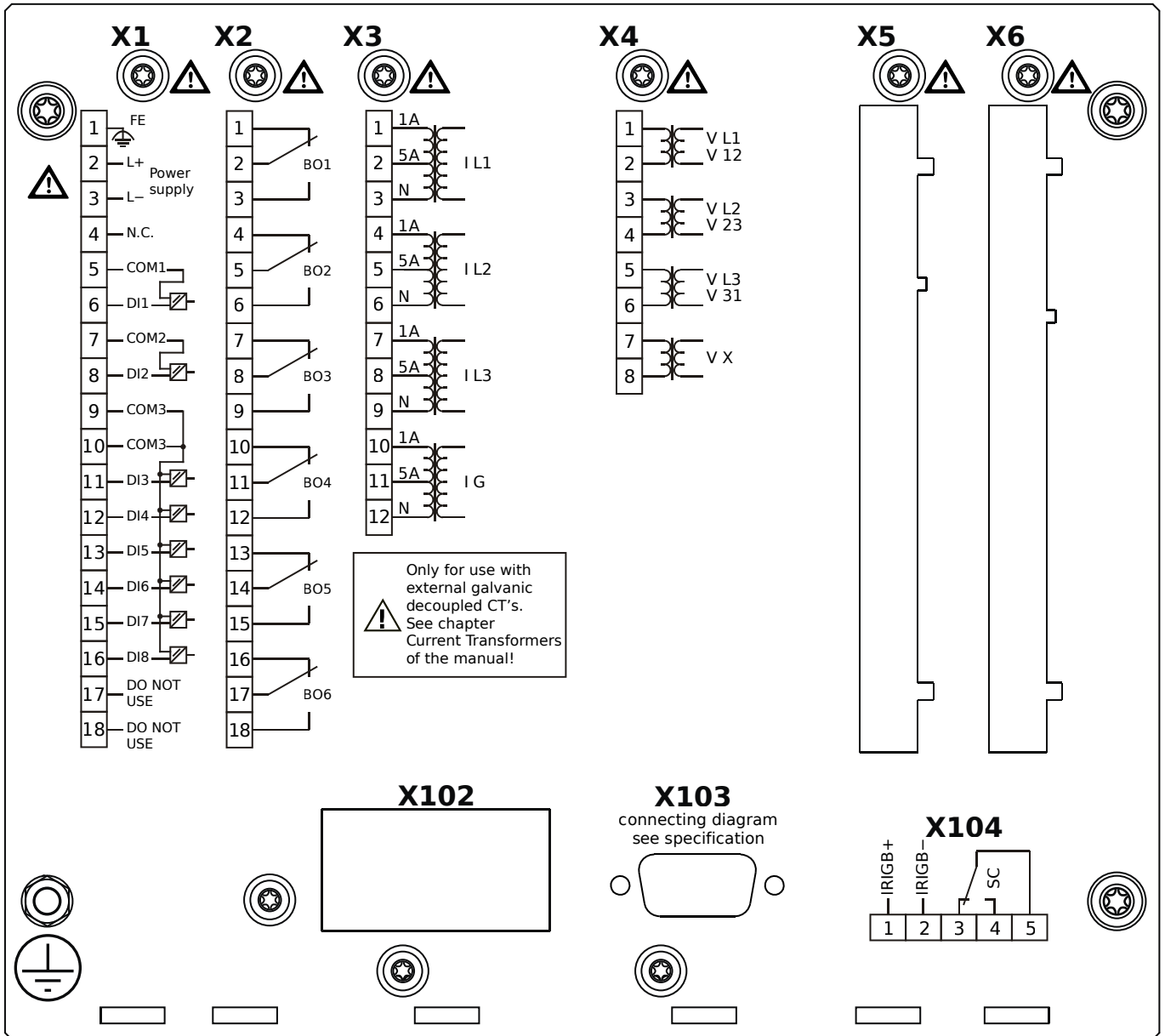
- X1** – DI8-X1: Wide-range power supply unit, incl. 2 non-grouped digital inputs and 6 grouped digital inputs
- X2** – OR-6: Assembly Group with 6 Relay Outputs
- X3** – TI-4: Standard current measuring card
- X4** – TU: Card with 4 voltage transformer measuring inputs
- X103** – Profibus-DP, Fiber optics interface, ST Connector
- X104** – IRIG-B00X, incl. System Contact (Supervision Contact)

# MCA4-2A0HEA



- X1** – DI8-X1: Wide-range power supply unit, incl. 2 non-grouped digital inputs and 6 grouped digital inputs
- X2** – OR-6: Assembly Group with 6 Relay Outputs
- X3** – TI-4: Standard current measuring card
- X4** – TU: Card with 4 voltage transformer measuring inputs
- X103** – Profibus-DP, RS485, D-SUB
- X104** – IRIG-B00X, incl. System Contact (Supervision Contact)

# MCA4-2A0HEB



**X1** – DI8-X1: Wide-range power supply unit, incl. 2 non-grouped digital inputs and 6 grouped digital inputs

**X2** – OR-6: Assembly Group with 6 Relay Outputs

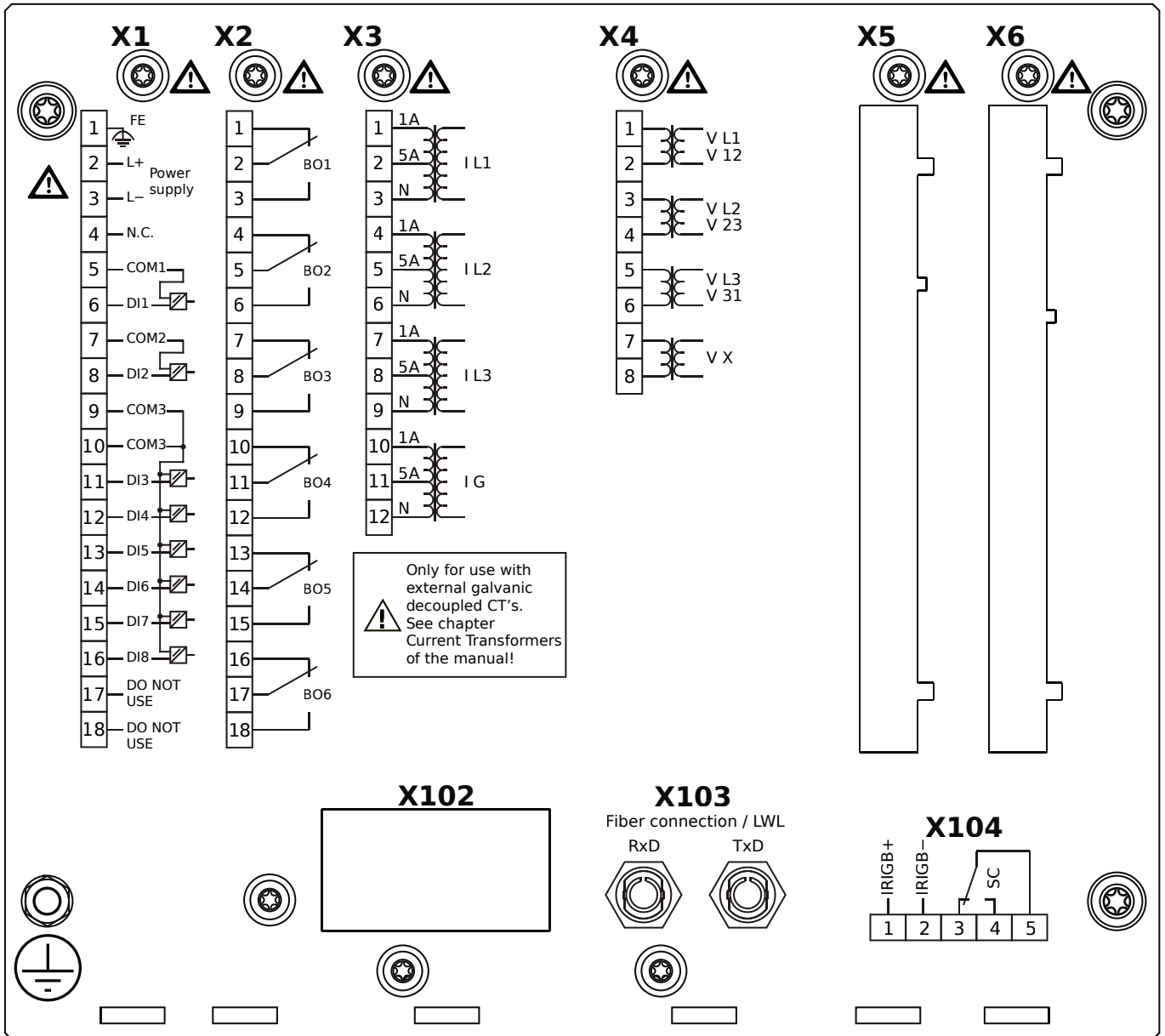
**X3** – TI-4: Standard current measuring card

**X4** – TU: Card with 4 voltage transformer measuring inputs

**X103** – Profibus-DP, RS485, D-SUB

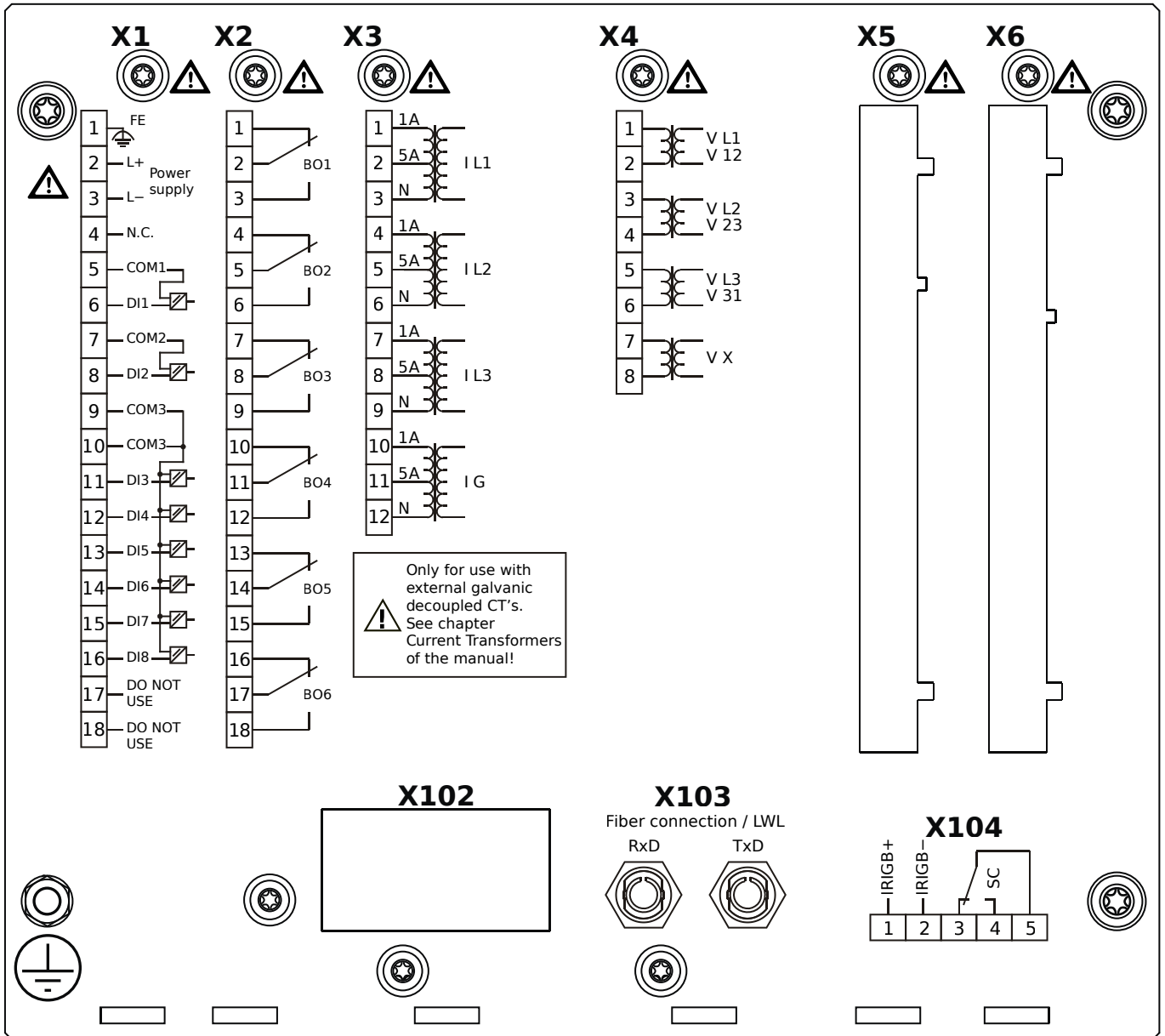
**X104** – IRIG-B00X, incl. System Contact (Supervision Contact)

# MCA4-2A0HFA



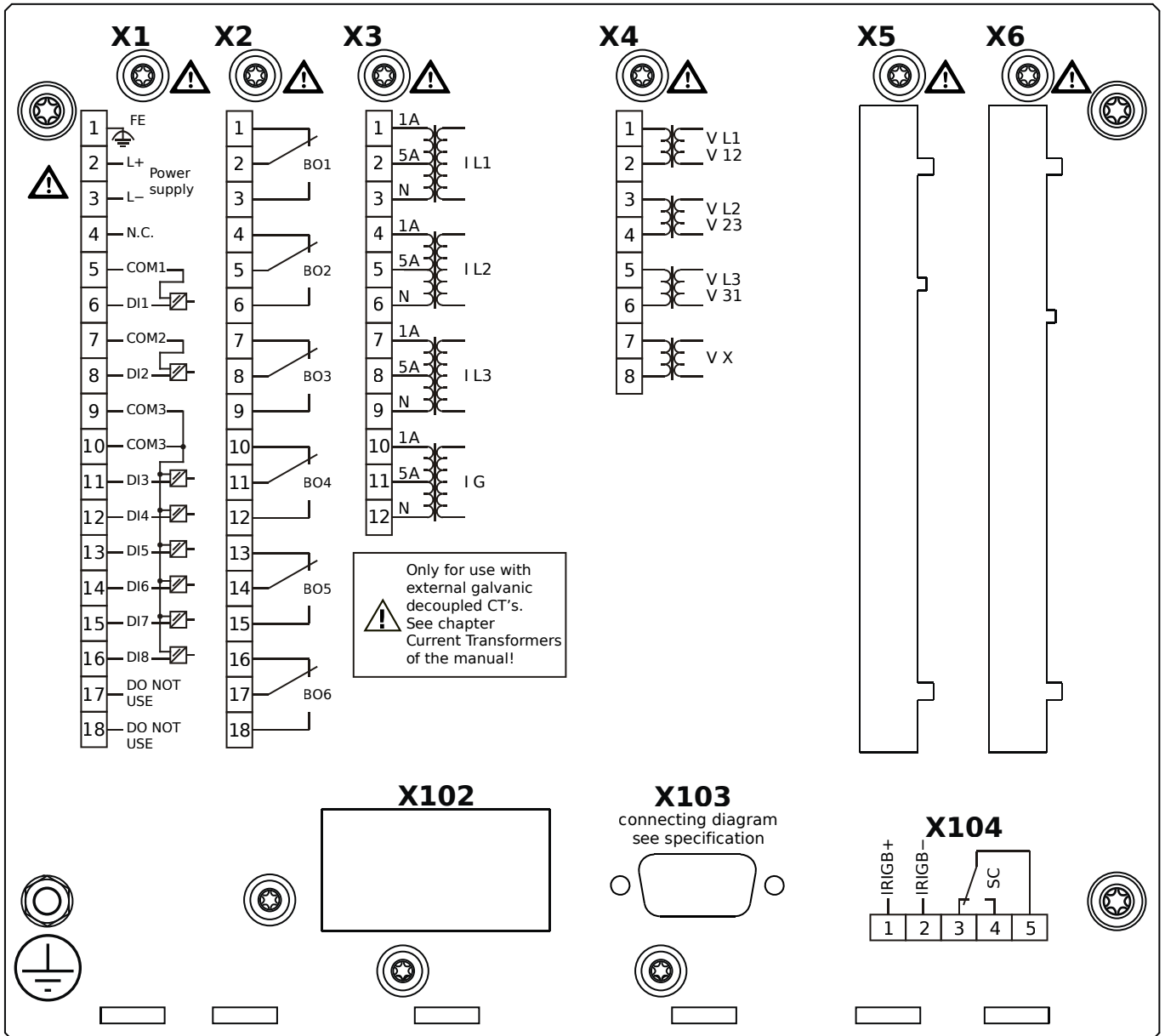
- X1** – DI8-X1: Wide-range power supply unit, incl. 2 non-grouped digital inputs and 6 grouped digital inputs
- X2** – OR-6: Assembly Group with 6 Relay Outputs
- X3** – TI-4: Standard current measuring card
- X4** – TU: Card with 4 voltage transformer measuring inputs
- X103** – Modbus RTU / IEC 60870-5-103 / DNP3.0 RTU, Fiber optics interface, ST Connector
- X104** – IRIG-B00X, incl. System Contact (Supervision Contact)

# MCA4-2A0HFB



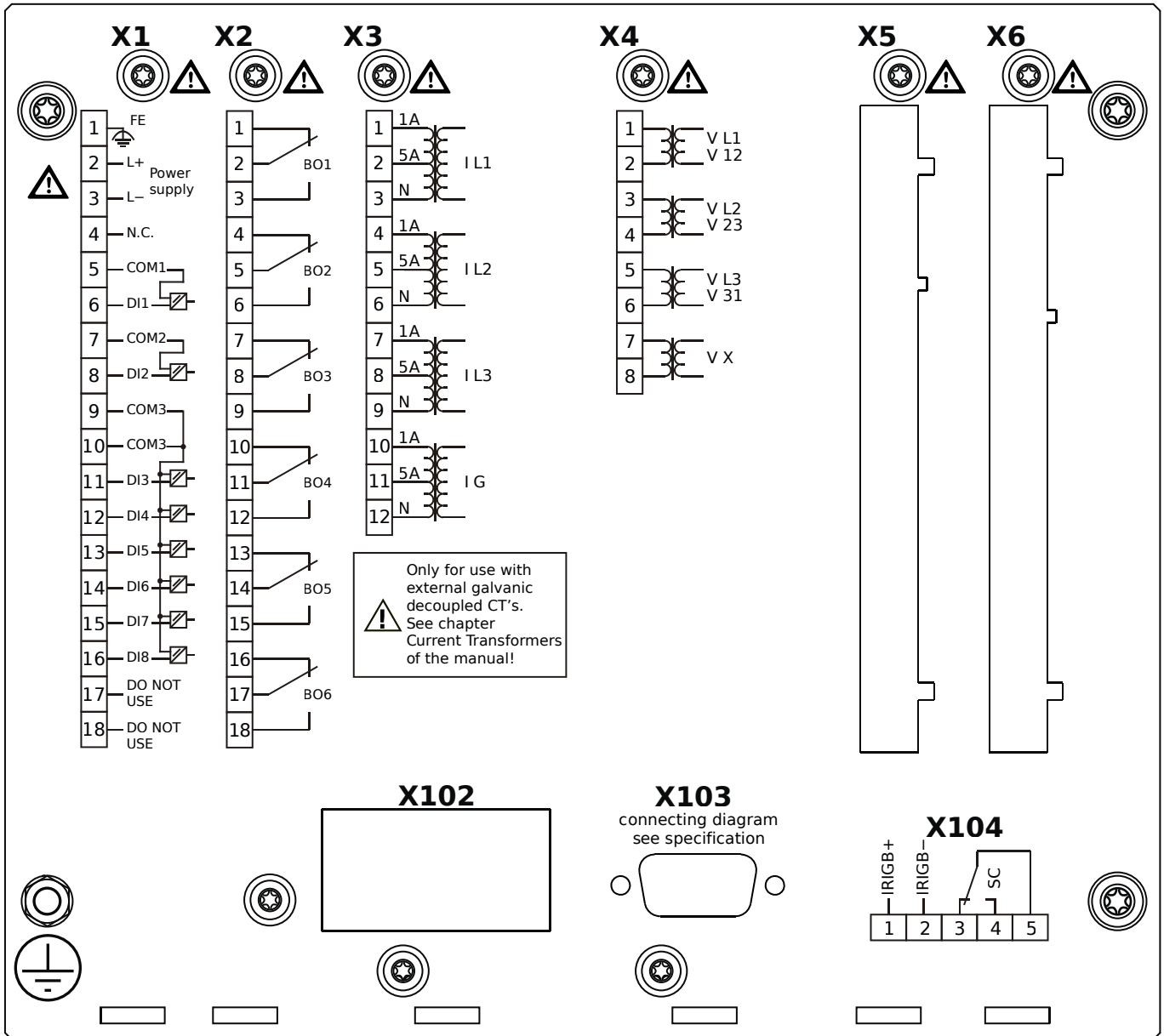
- X1** – DI8-X1: Wide-range power supply unit, incl. 2 non-grouped digital inputs and 6 grouped digital inputs
- X2** – OR-6: Assembly Group with 6 Relay Outputs
- X3** – TI-4: Standard current measuring card
- X4** – TU: Card with 4 voltage transformer measuring inputs
- X103** – Modbus RTU / IEC 60870-5-103 / DNP3.0 RTU, Fiber optics interface, ST Connector
- X104** – IRIG-B00X, incl. System Contact (Supervision Contact)

# MCA4-2A0HGA



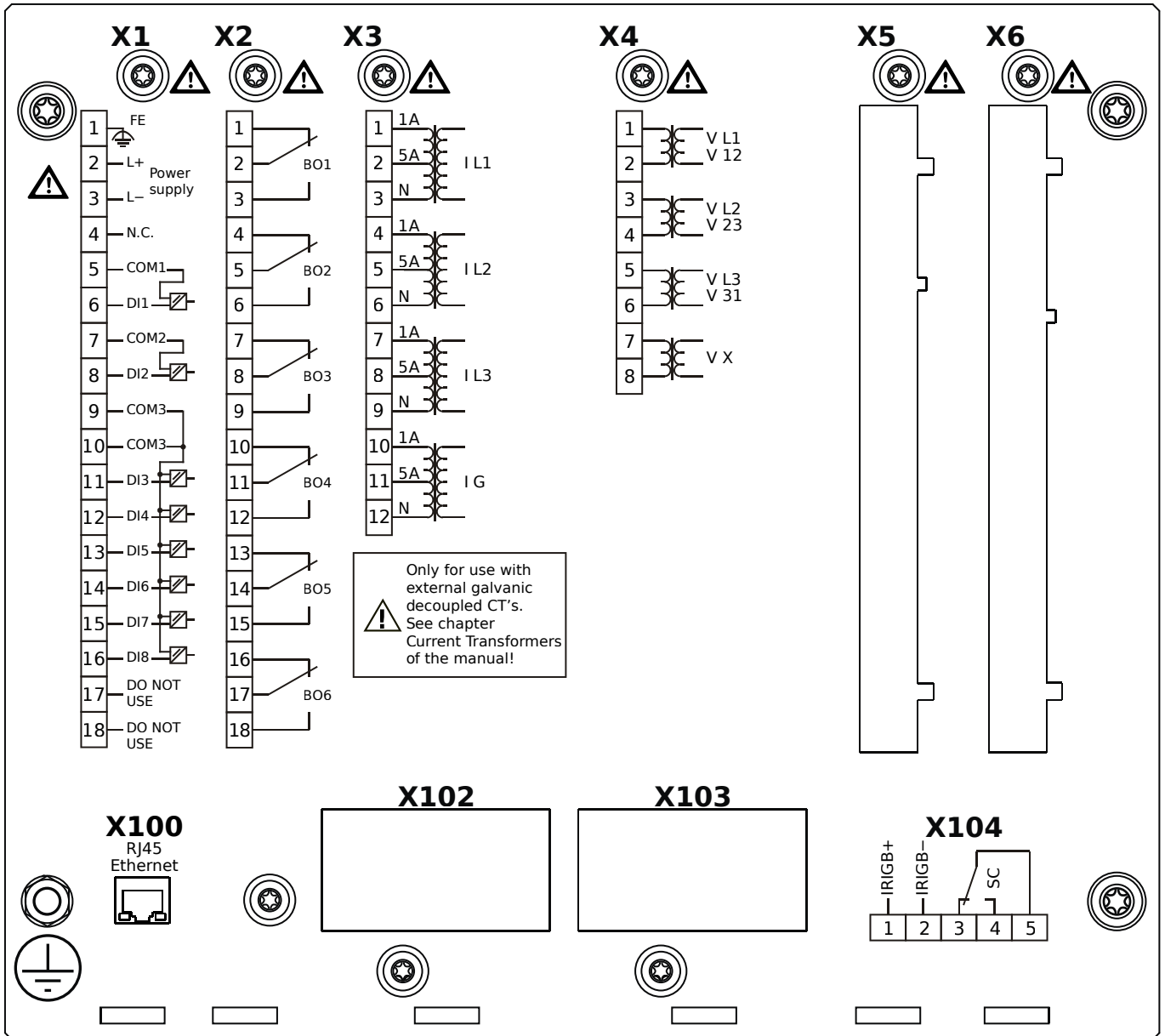
- X1** – DI8-X1: Wide-range power supply unit, incl. 2 non-grouped digital inputs and 6 grouped digital inputs
- X2** – OR-6: Assembly Group with 6 Relay Outputs
- X3** – TI-4: Standard current measuring card
- X4** – TU: Card with 4 voltage transformer measuring inputs
- X103** – Modbus RTU / IEC 60870-5-103 / DNP3.0 RTU, RS485, D-SUB
- X104** – IRIG-B00X, incl. System Contact (Supervision Contact)

# MCA4-2A0HGB



- X1** – DI8-X1: Wide-range power supply unit, incl. 2 non-grouped digital inputs and 6 grouped digital inputs
- X2** – OR-6: Assembly Group with 6 Relay Outputs
- X3** – TI-4: Standard current measuring card
- X4** – TU: Card with 4 voltage transformer measuring inputs
- X103** – Modbus RTU / IEC 60870-5-103 / DNP3.0 RTU, RS485, D-SUB
- X104** – IRIG-B00X, incl. System Contact (Supervision Contact)

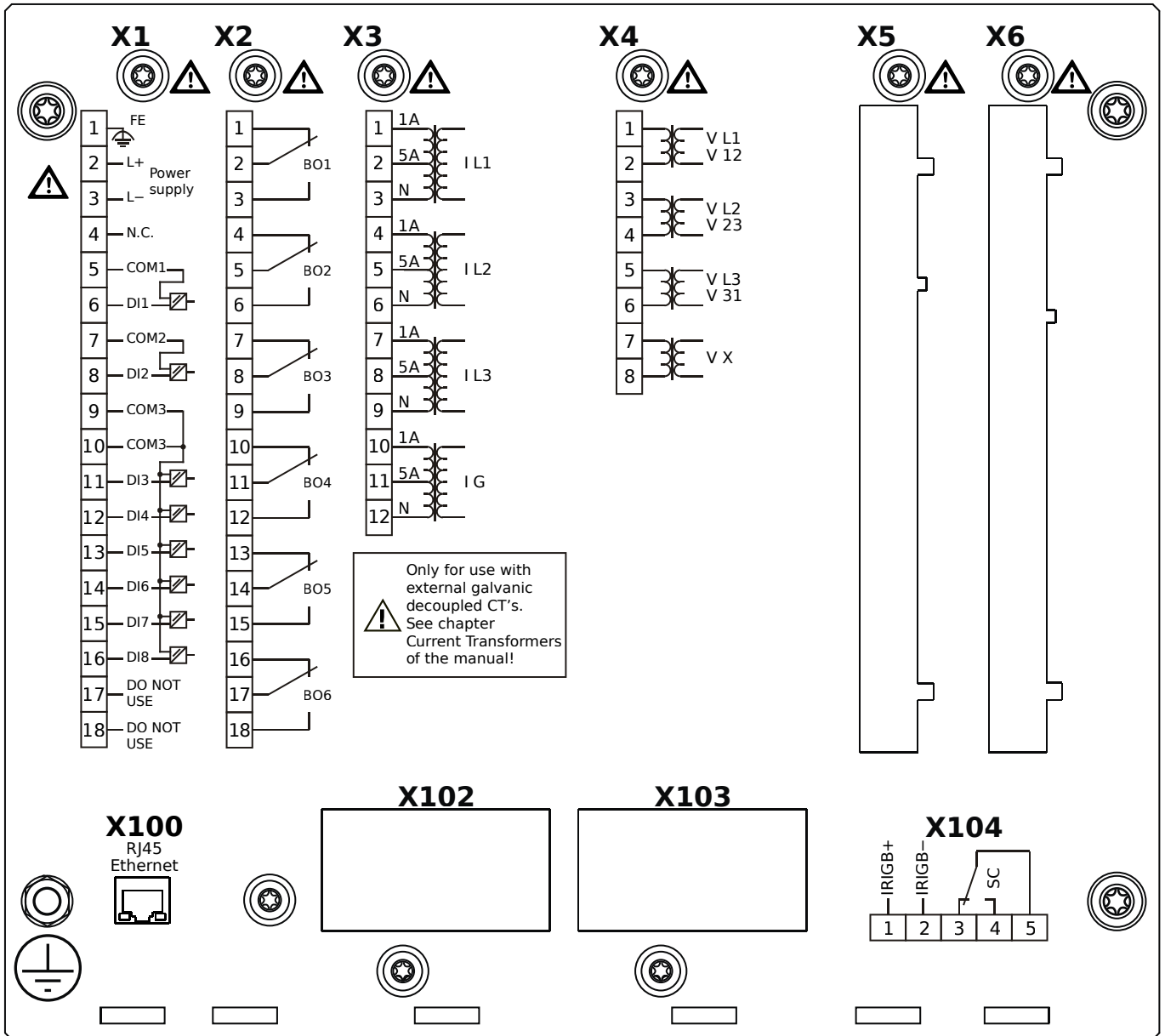
# MCA4-2A0HHA



- X1** – DI8-X1: Wide-range power supply unit, incl. 2 non-grouped digital inputs and 6 grouped digital inputs
- X2** – OR-6: Assembly Group with 6 Relay Outputs
- X3** – TI-4: Standard current measuring card
- X4** – TU: Card with 4 voltage transformer measuring inputs
- X100** – IEC 61850 / Modbus TCP / DNP3.0 TCP/UDP, Ethernet interface, 100 Mbit/s, RJ45 (BASE100-FX)
- X104** – IRIG-B00X, incl. System Contact (Supervision Contact)

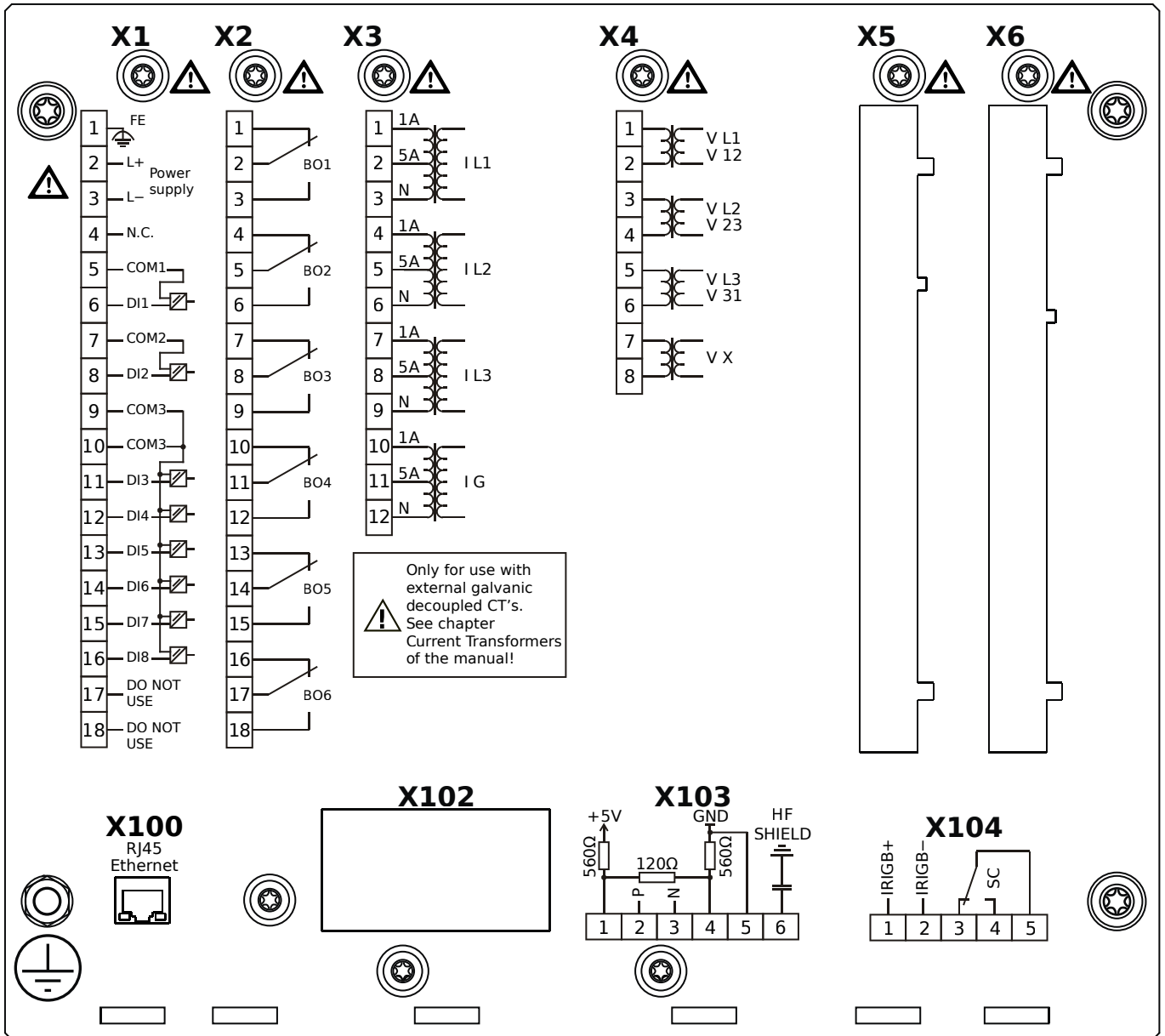


# MCA4-2A0HHB



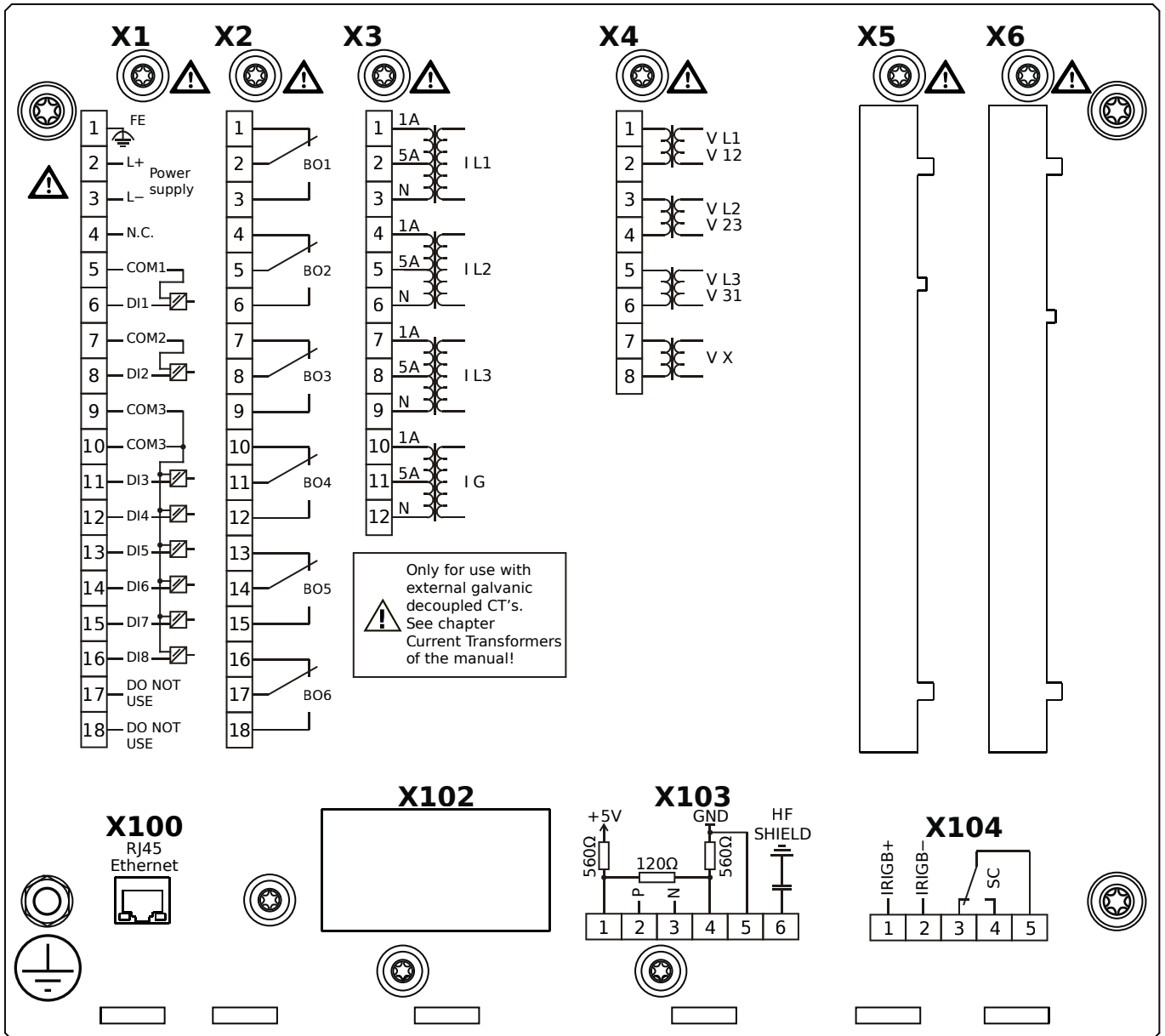
- X1** – DI8-X1: Wide-range power supply unit, incl. 2 non-grouped digital inputs and 6 grouped digital inputs
- X2** – OR-6: Assembly Group with 6 Relay Outputs
- X3** – TI-4: Standard current measuring card
- X4** – TU: Card with 4 voltage transformer measuring inputs
- X100** – IEC 61850 / Modbus TCP / DNP3.0 TCP/UDP, Ethernet interface, 100 Mbit/s, RJ45 (BASE100-FX)
- X104** – IRIG-B00X, incl. System Contact (Supervision Contact)

# MCA4-2A0HIA



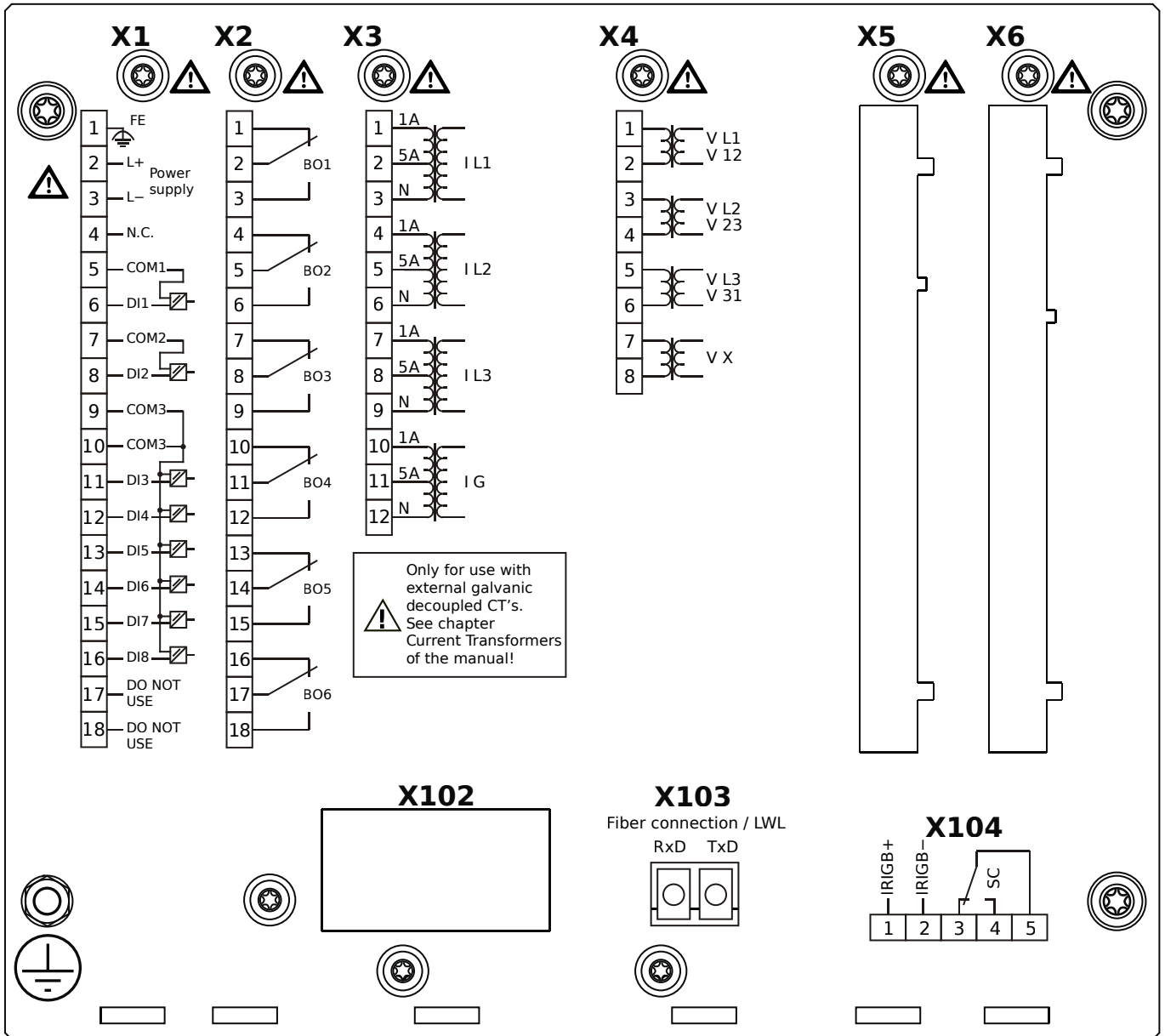
- X1** – DI8-X1: Wide-range power supply unit, incl. 2 non-grouped digital inputs and 6 grouped digital inputs
- X2** – OR-6: Assembly Group with 6 Relay Outputs
- X3** – TI-4: Standard current measuring card
- X4** – TU: Card with 4 voltage transformer measuring inputs
- X100** – Modbus TCP / DNP3.0 TCP/UDP, Ethernet interface, 100 Mbit/s, RJ45 (BASE100-FX)
- X103** – IEC 60870-5-103 / Modbus RTU / DNP3.0 RTU, RS485, Terminals
- X104** – IRIG-B00X, incl. System Contact (Supervision Contact)

# MCA4-2A0HIB



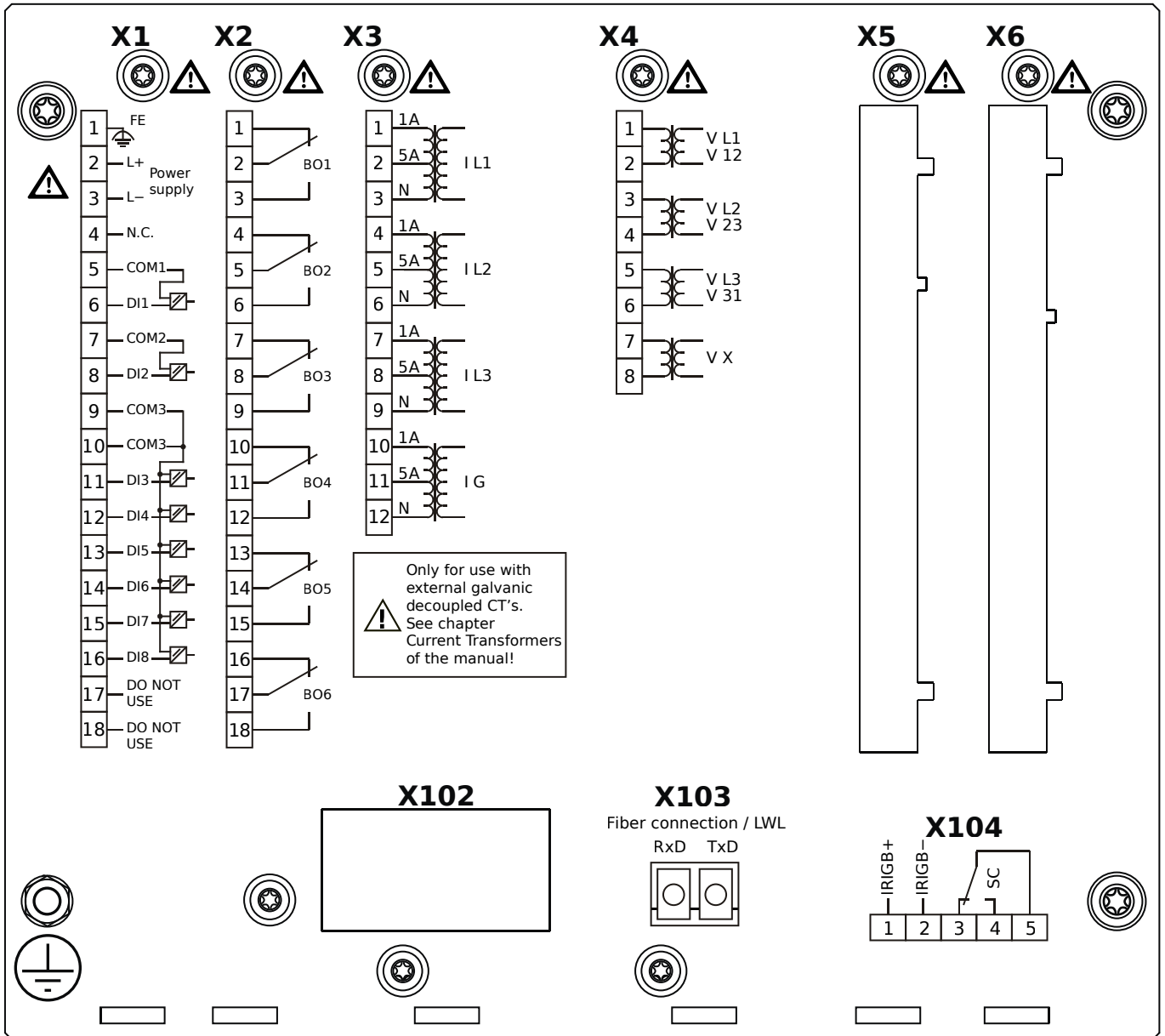
- X1** – DI8-X1: Wide-range power supply unit, incl. 2 non-grouped digital inputs and 6 grouped digital inputs
- X2** – OR-6: Assembly Group with 6 Relay Outputs
- X3** – TI-4: Standard current measuring card
- X4** – TU: Card with 4 voltage transformer measuring inputs
- X100** – Modbus TCP / DNP3.0 TCP/UDP, Ethernet interface, 100 Mbit/s, RJ45 (BASE100-FX)
- X103** – IEC 60870-5-103 / Modbus RTU / DNP3.0 RTU, RS485, Terminals
- X104** – IRIG-B00X, incl. System Contact (Supervision Contact)

# MCA4-2A0HKA



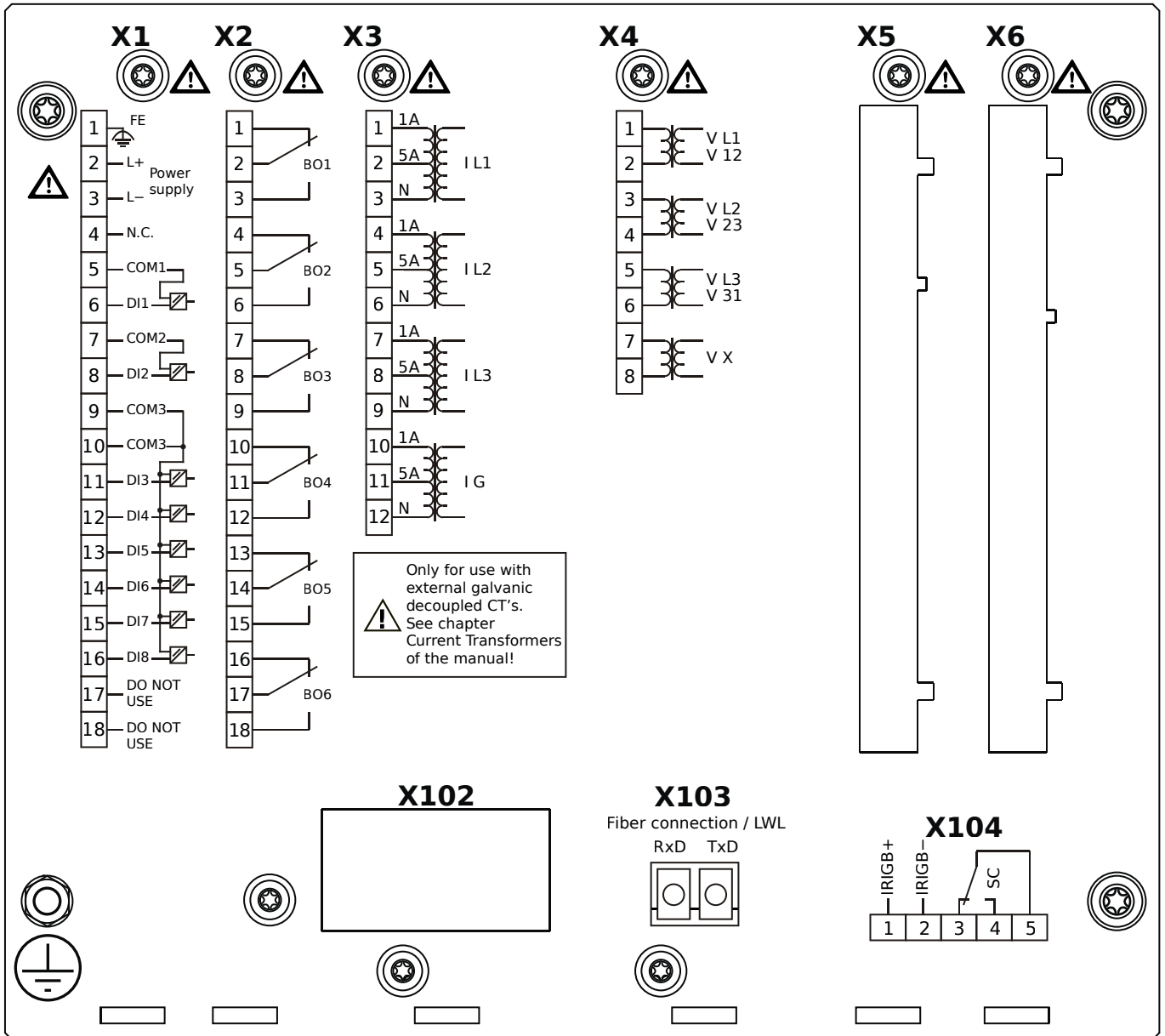
- X1** – DI8-X1: Wide-range power supply unit, incl. 2 non-grouped digital inputs and 6 grouped digital inputs
- X2** – OR-6: Assembly Group with 6 Relay Outputs
- X3** – TI-4: Standard current measuring card
- X4** – TU: Card with 4 voltage transformer measuring inputs
- X103** – IEC 61850 / Modbus TCP / DNP3.0 TCP/UDP, Fiber optics interface, LC Connector
- X104** – IRIG-B00X, incl. System Contact (Supervision Contact)

# MCA4-2A0HKB



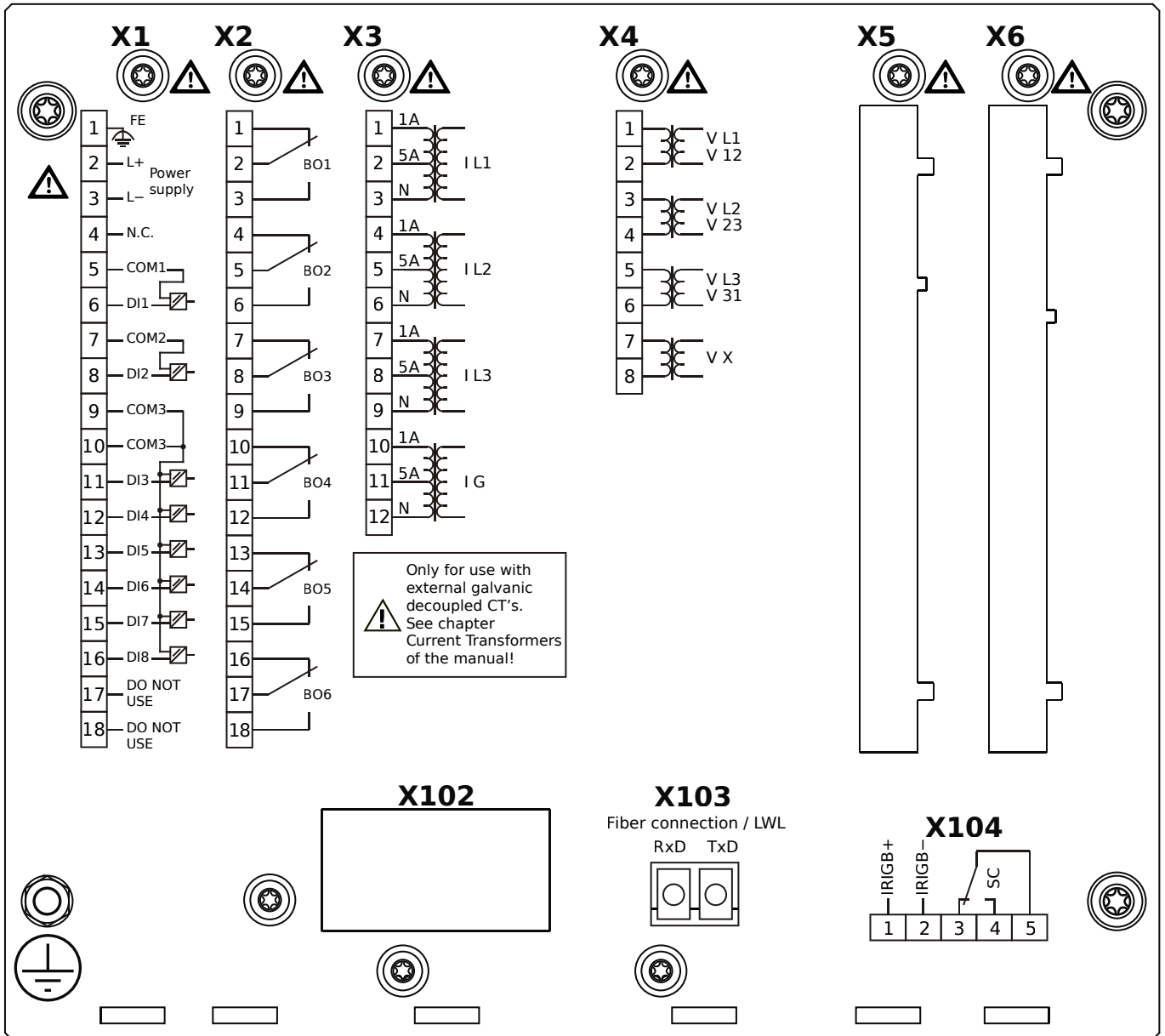
- X1** – DI8-X1: Wide-range power supply unit, incl. 2 non-grouped digital inputs and 6 grouped digital inputs
- X2** – OR-6: Assembly Group with 6 Relay Outputs
- X3** – TI-4: Standard current measuring card
- X4** – TU: Card with 4 voltage transformer measuring inputs
- X103** – IEC 61850 / Modbus TCP / DNP3.0 TCP/UDP, Fiber optics interface, LC Connector
- X104** – IRIG-B00X, incl. System Contact (Supervision Contact)

# MCA4-2A0HLA



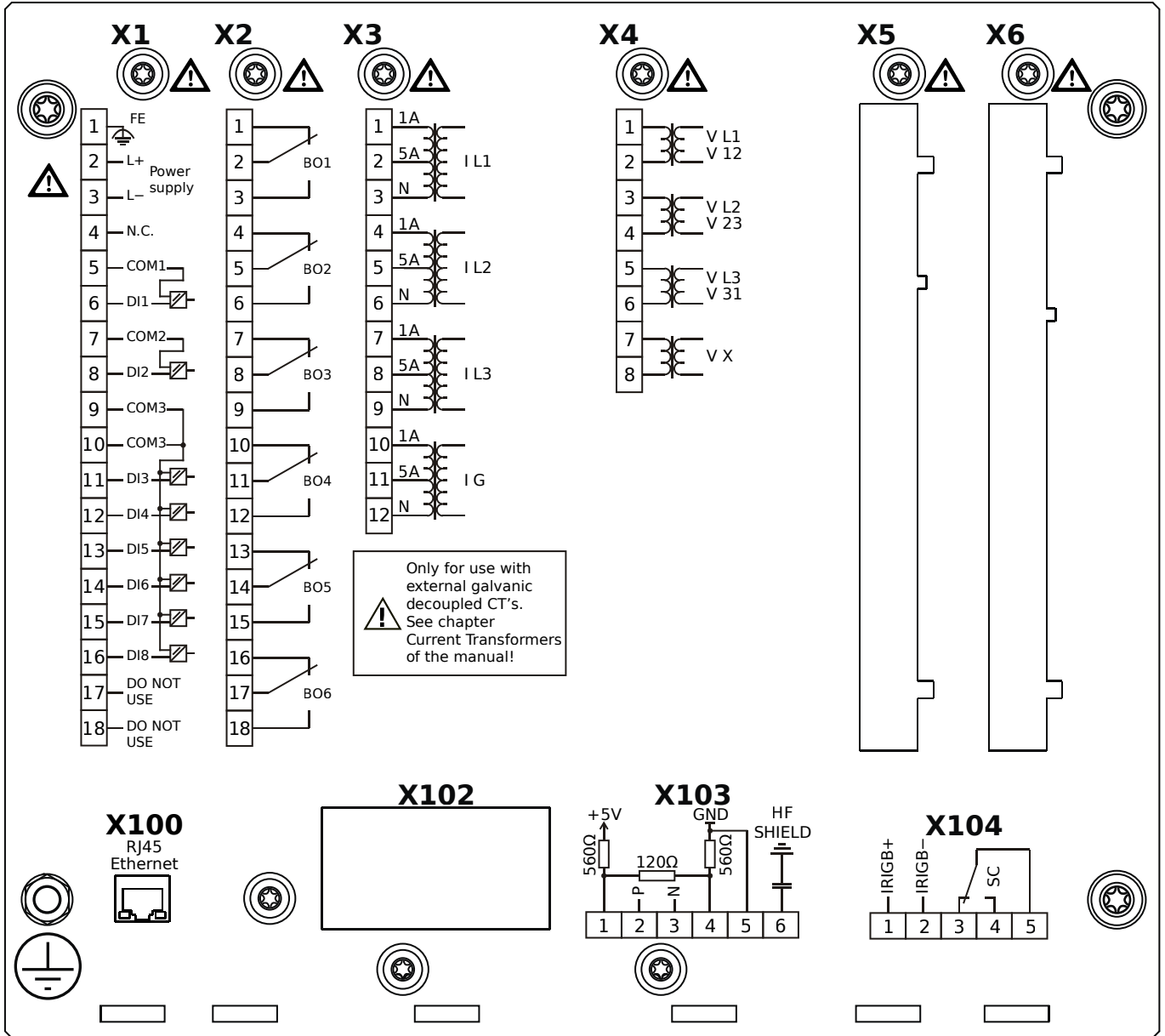
- X1** – DI8-X1: Wide-range power supply unit, incl. 2 non-grouped digital inputs and 6 grouped digital inputs
- X2** – OR-6: Assembly Group with 6 Relay Outputs
- X3** – TI-4: Standard current measuring card
- X4** – TU: Card with 4 voltage transformer measuring inputs
- X103** – Modbus TCP / DNP3.0 TCP/UDP, Fiber optics interface, LC Connector
- X104** – IRIG-B00X, incl. System Contact (Supervision Contact)

# MCA4-2A0HLB



- X1** – DI8-X1: Wide-range power supply unit, incl. 2 non-grouped digital inputs and 6 grouped digital inputs
- X2** – OR-6: Assembly Group with 6 Relay Outputs
- X3** – TI-4: Standard current measuring card
- X4** – TU: Card with 4 voltage transformer measuring inputs
- X103** – Modbus TCP / DNP3.0 TCP/UDP, Fiber optics interface, LC Connector
- X104** – IRIG-B00X, incl. System Contact (Supervision Contact)

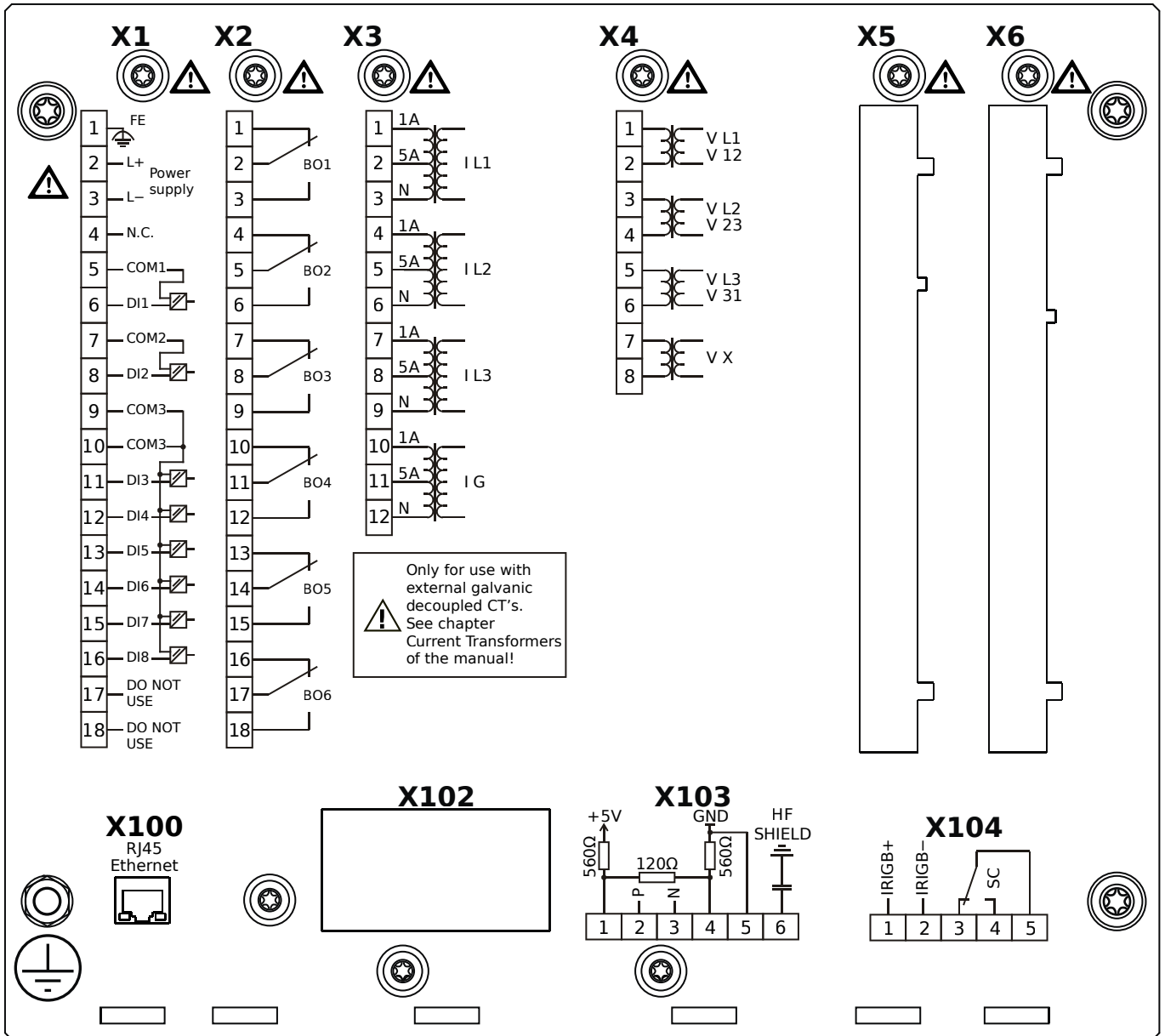
# MCA4-2A0HTA



- X1** – DI8-X1: Wide-range power supply unit, incl. 2 non-grouped digital inputs and 6 grouped digital inputs
- X2** – OR-6: Assembly Group with 6 Relay Outputs
- X3** – TI-4: Standard current measuring card
- X4** – TU: Card with 4 voltage transformer measuring inputs
- X100** – IEC 61850 / Modbus TCP / DNP3.0 TCP/UDP, Ethernet interface, 100 Mbit/s, RJ45 (BASE100-FX)
- X103** – IEC 60870-5-103 / Modbus RTU / DNP3.0 RTU, RS485, Terminals
- X104** – IRIG-B00X, incl. System Contact (Supervision Contact)

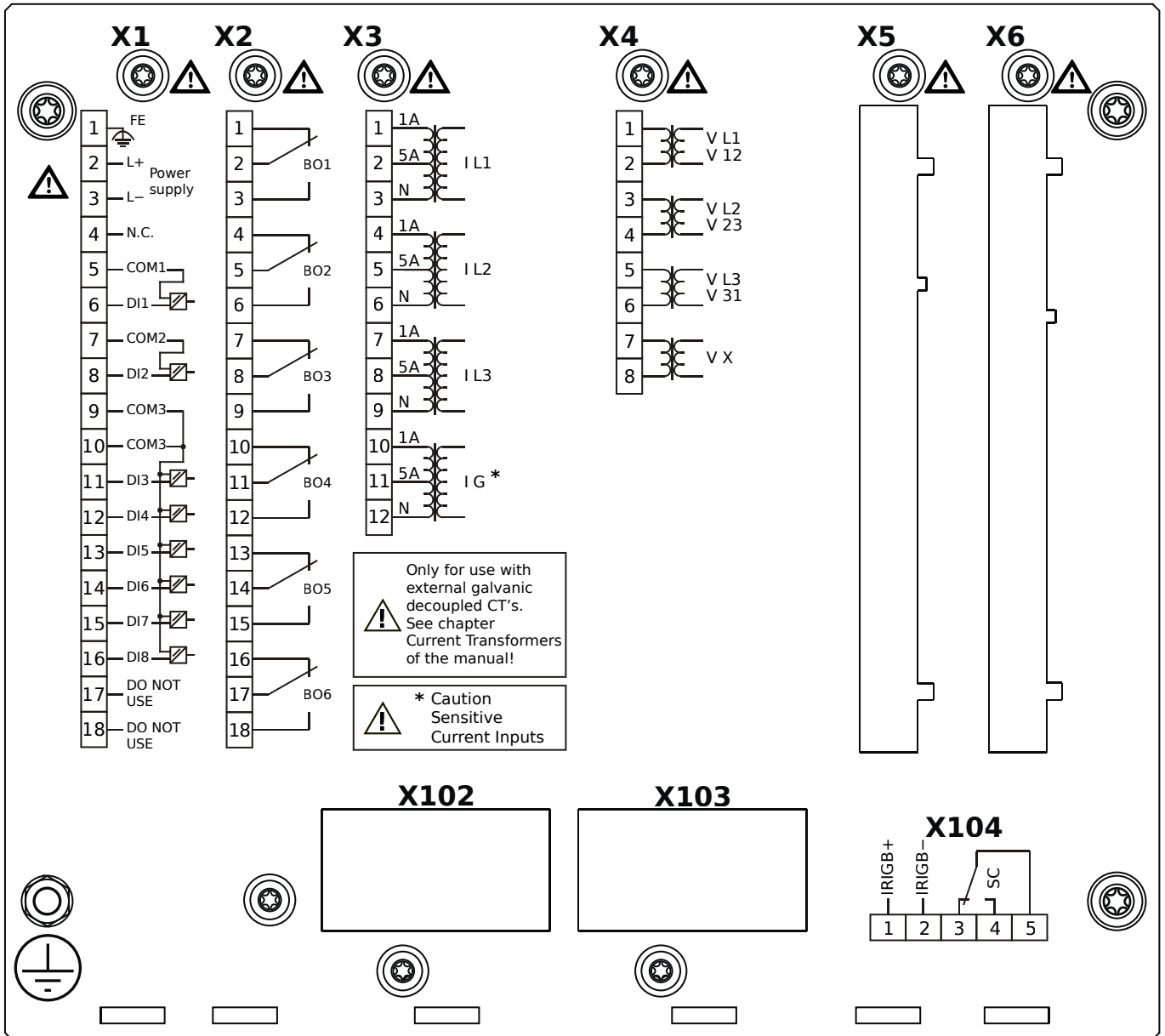


# MCA4-2A0HTB



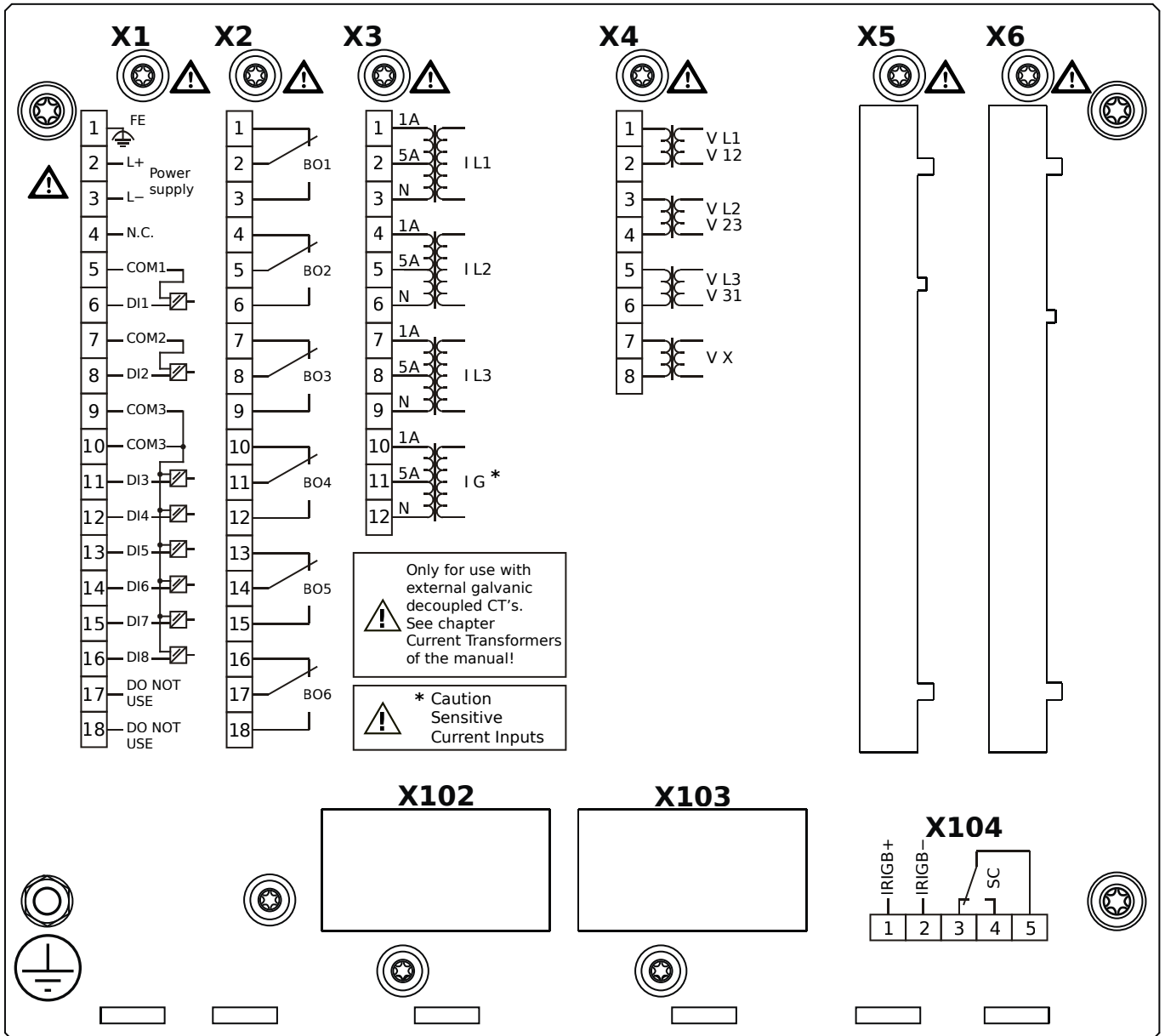
- X1** – DI8-X1: Wide-range power supply unit, incl. 2 non-grouped digital inputs and 6 grouped digital inputs
- X2** – OR-6: Assembly Group with 6 Relay Outputs
- X3** – TI-4: Standard current measuring card
- X4** – TU: Card with 4 voltage transformer measuring inputs
- X100** – IEC 61850 / Modbus TCP / DNP3.0 TCP/UDP, Ethernet interface, 100 Mbit/s, RJ45 (BASE100-FX)
- X103** – IEC 60870-5-103 / Modbus RTU / DNP3.0 RTU, RS485, Terminals
- X104** – IRIG-B00X, incl. System Contact (Supervision Contact)

# MCA4-2A1AAA



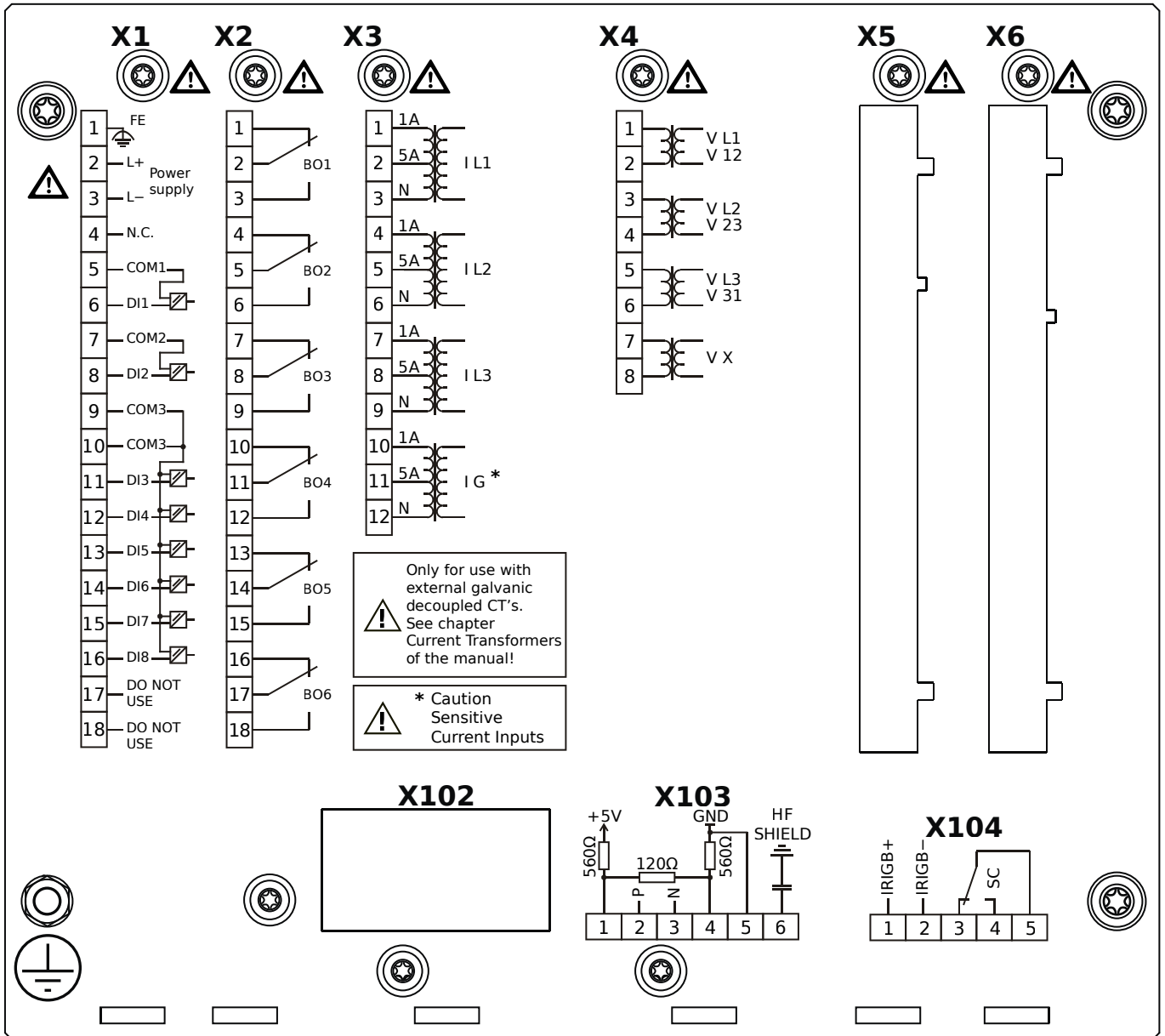
- X1** – DI8-X1: Wide-range power supply unit, incl. 2 non-grouped digital inputs and 6 grouped digital inputs
- X2** – OR-6: Assembly Group with 6 Relay Outputs
- X3** – TIs-4: Standard phase current measuring card and sensitive ground current measuring
- X4** – TU: Card with 4 voltage transformer measuring inputs
- X104** – IRIG-B00X, incl. System Contact (Supervision Contact)

# MCA4-2A1AAB



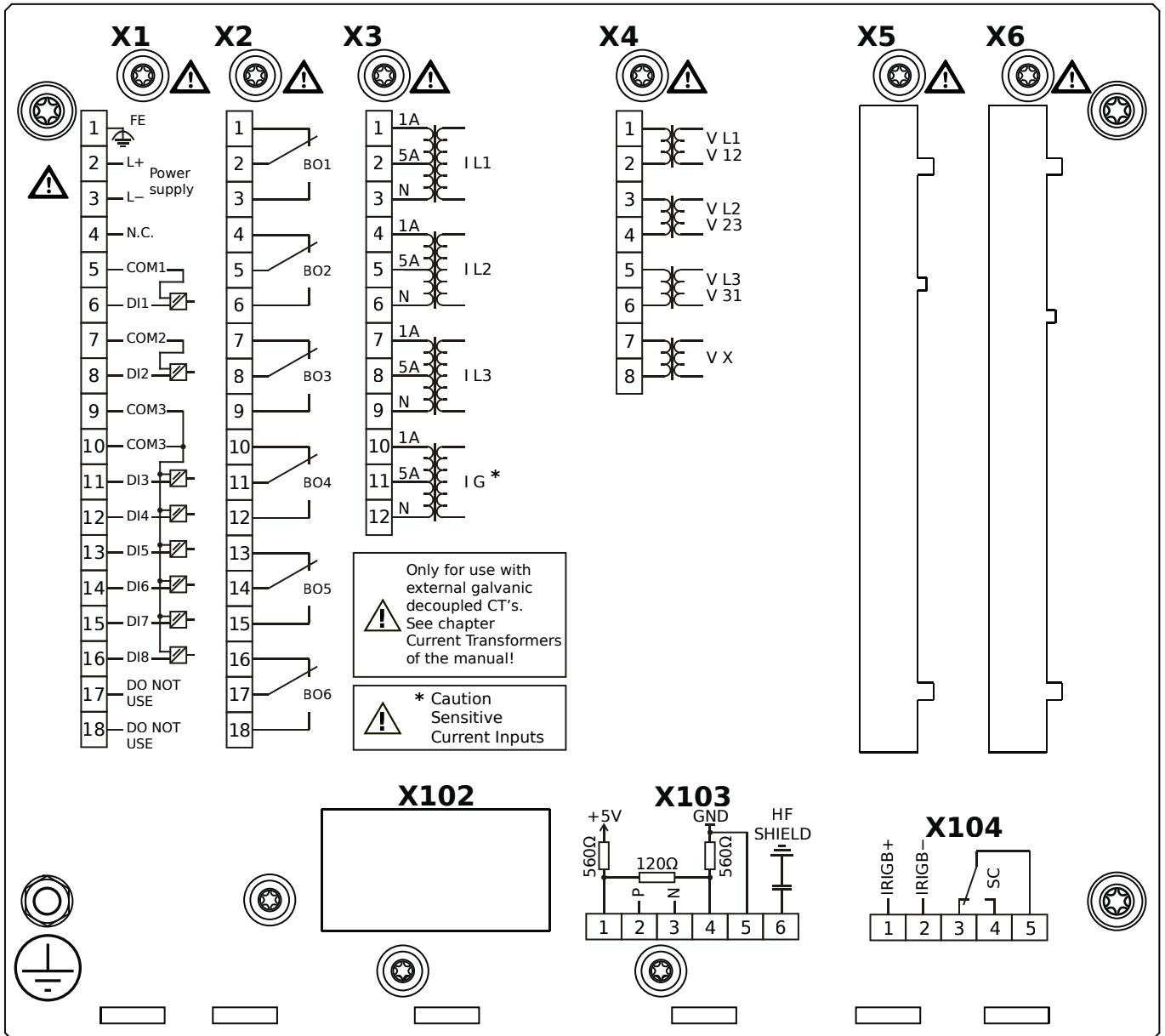
- X1** – DI8-X1: Wide-range power supply unit, incl. 2 non-grouped digital inputs and 6 grouped digital inputs
- X2** – OR-6: Assembly Group with 6 Relay Outputs
- X3** – TIs-4: Standard phase current measuring card and sensitive ground current measuring
- X4** – TU: Card with 4 voltage transformer measuring inputs
- X104** – IRIG-B00X, incl. System Contact (Supervision Contact)

# MCA4-2A1ABA



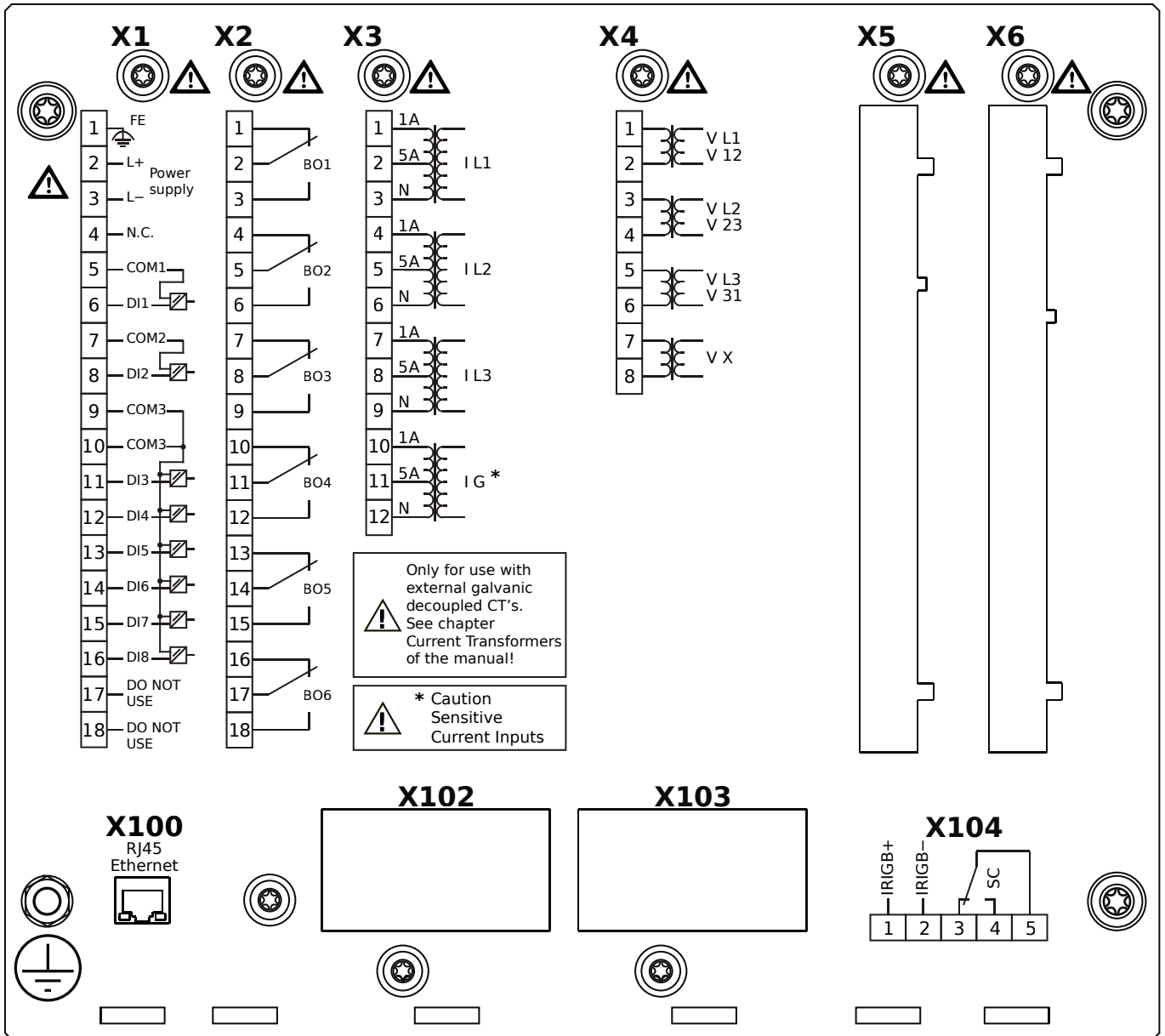
- X1** – DI8-X1: Wide-range power supply unit, incl. 2 non-grouped digital inputs and 6 grouped digital inputs
- X2** – OR-6: Assembly Group with 6 Relay Outputs
- X3** – TIs-4: Standard phase current measuring card and sensitive ground current measuring
- X4** – TU: Card with 4 voltage transformer measuring inputs
- X103** – Modbus RTU / IEC 60870-5-103 / DNP3.0 RTU, RS485, Terminals
- X104** – IRIG-B00X, incl. System Contact (Supervision Contact)

# MCA4-2A1ABB



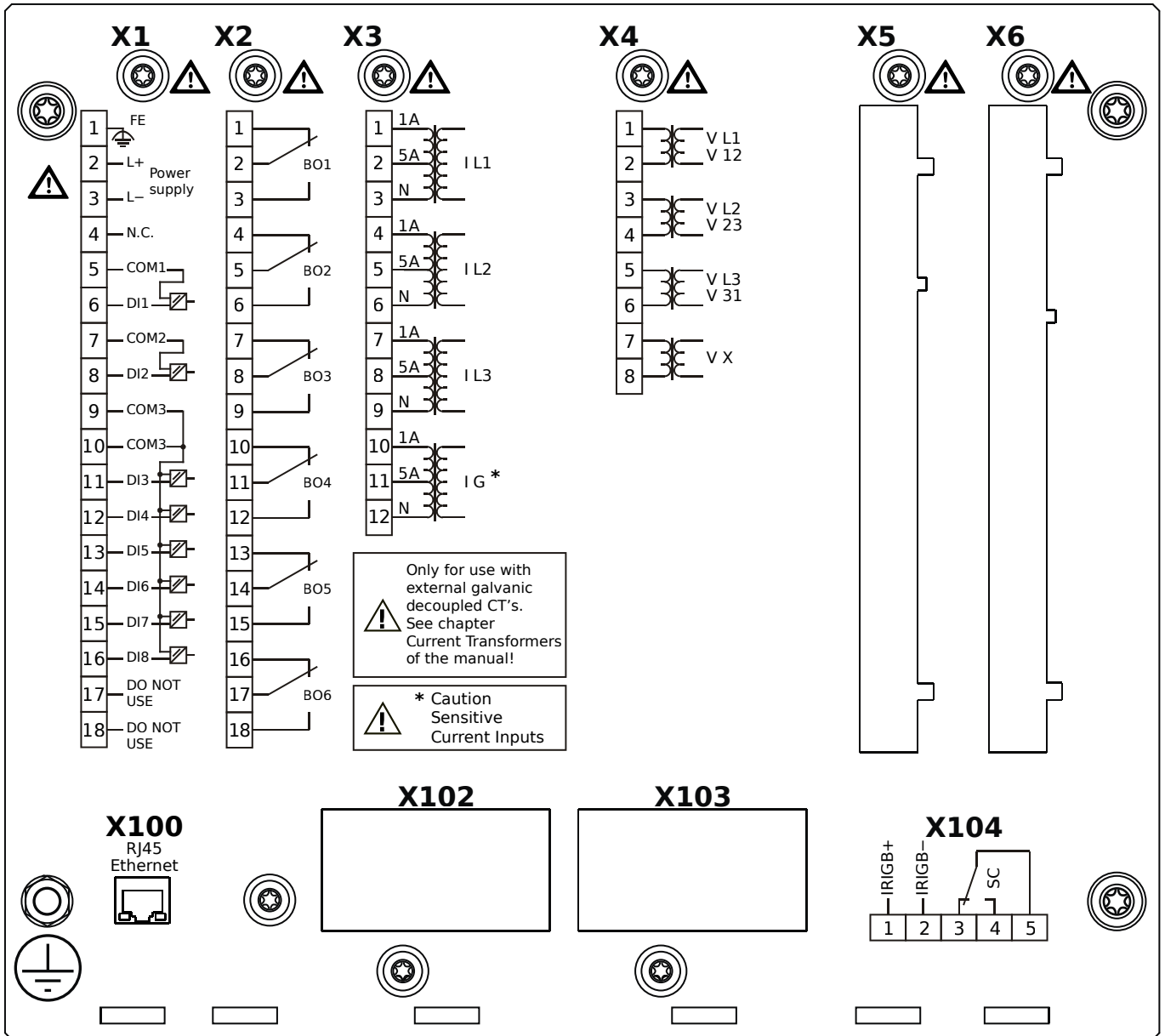
- X1** – DI8-X1: Wide-range power supply unit, incl. 2 non-grouped digital inputs and 6 grouped digital inputs
- X2** – OR-6: Assembly Group with 6 Relay Outputs
- X3** – TIs-4: Standard phase current measuring card and sensitive ground current measuring
- X4** – TU: Card with 4 voltage transformer measuring inputs
- X103** – Modbus RTU / IEC 60870-5-103 / DNP3.0 RTU, RS485, Terminals
- X104** – IRIG-B00X, incl. System Contact (Supervision Contact)

# MCA4-2A1ACA



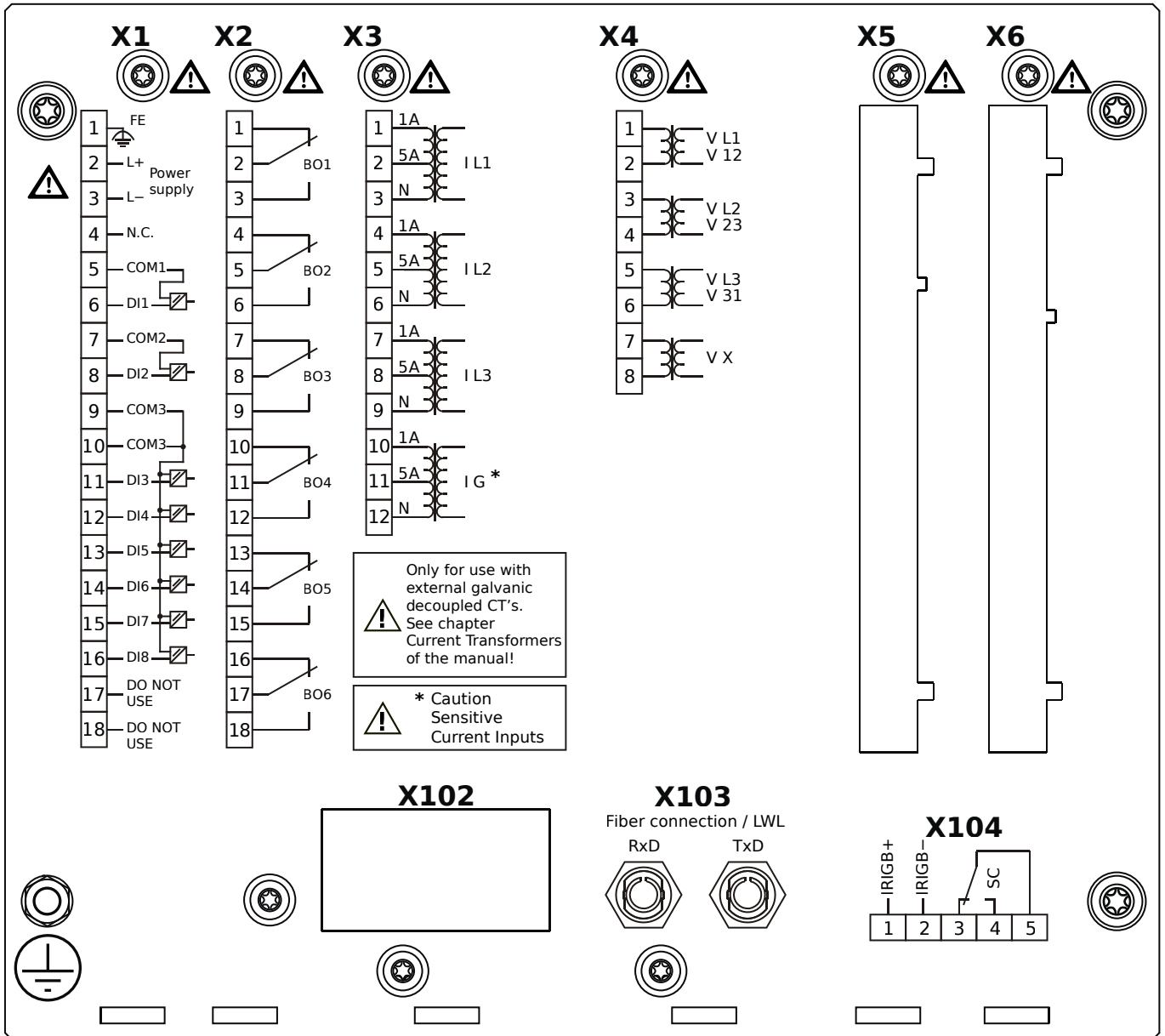
- X1** – DI8-X1: Wide-range power supply unit, incl. 2 non-grouped digital inputs and 6 grouped digital inputs
- X2** – OR-6: Assembly Group with 6 Relay Outputs
- X3** – TIs-4: Standard phase current measuring card and sensitive ground current measuring
- X4** – TU: Card with 4 voltage transformer measuring inputs
- X100** – Modbus TCP / DNP3.0 TCP/UDP, Ethernet interface, 100 Mbit/s, RJ45 (BASE100-FX)
- X104** – IRIG-B00X, incl. System Contact (Supervision Contact)

# MCA4-2A1ACB



- X1** – DI8-X1: Wide-range power supply unit, incl. 2 non-grouped digital inputs and 6 grouped digital inputs
- X2** – OR-6: Assembly Group with 6 Relay Outputs
- X3** – TIs-4: Standard phase current measuring card and sensitive ground current measuring
- X4** – TU: Card with 4 voltage transformer measuring inputs
- X100** – Modbus TCP / DNP3.0 TCP/UDP, Ethernet interface, 100 Mbit/s, RJ45 (BASE100-FX)
- X104** – IRIG-B00X, incl. System Contact (Supervision Contact)

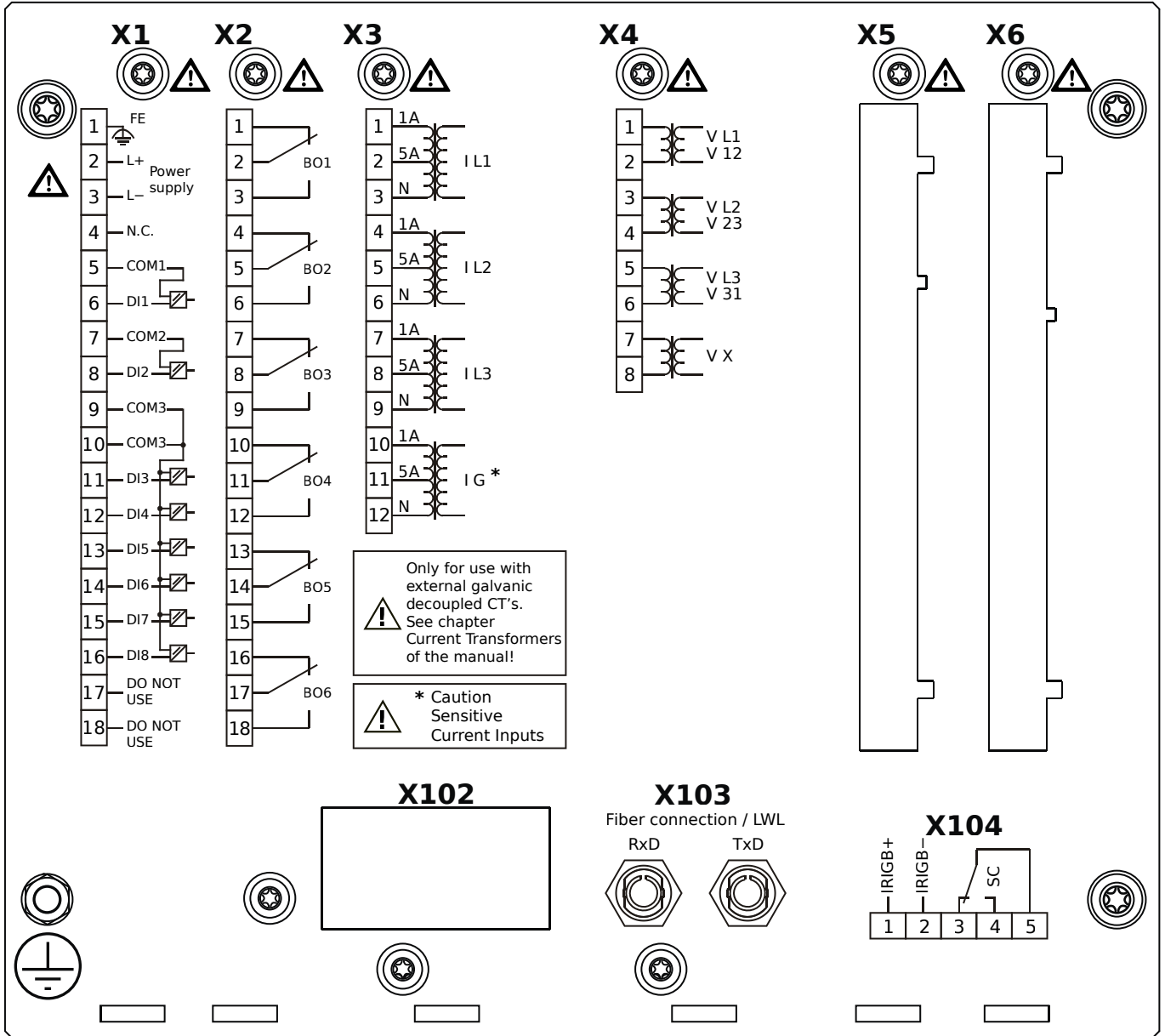
# MCA4-2A1ADA



- X1** – DI8-X1: Wide-range power supply unit, incl. 2 non-grouped digital inputs and 6 grouped digital inputs
- X2** – OR-6: Assembly Group with 6 Relay Outputs
- X3** – TIs-4: Standard phase current measuring card and sensitive ground current measuring
- X4** – TU: Card with 4 voltage transformer measuring inputs
- X103** – Profibus-DP, Fiber optics interface, ST Connector
- X104** – IRIG-B00X, incl. System Contact (Supervision Contact)

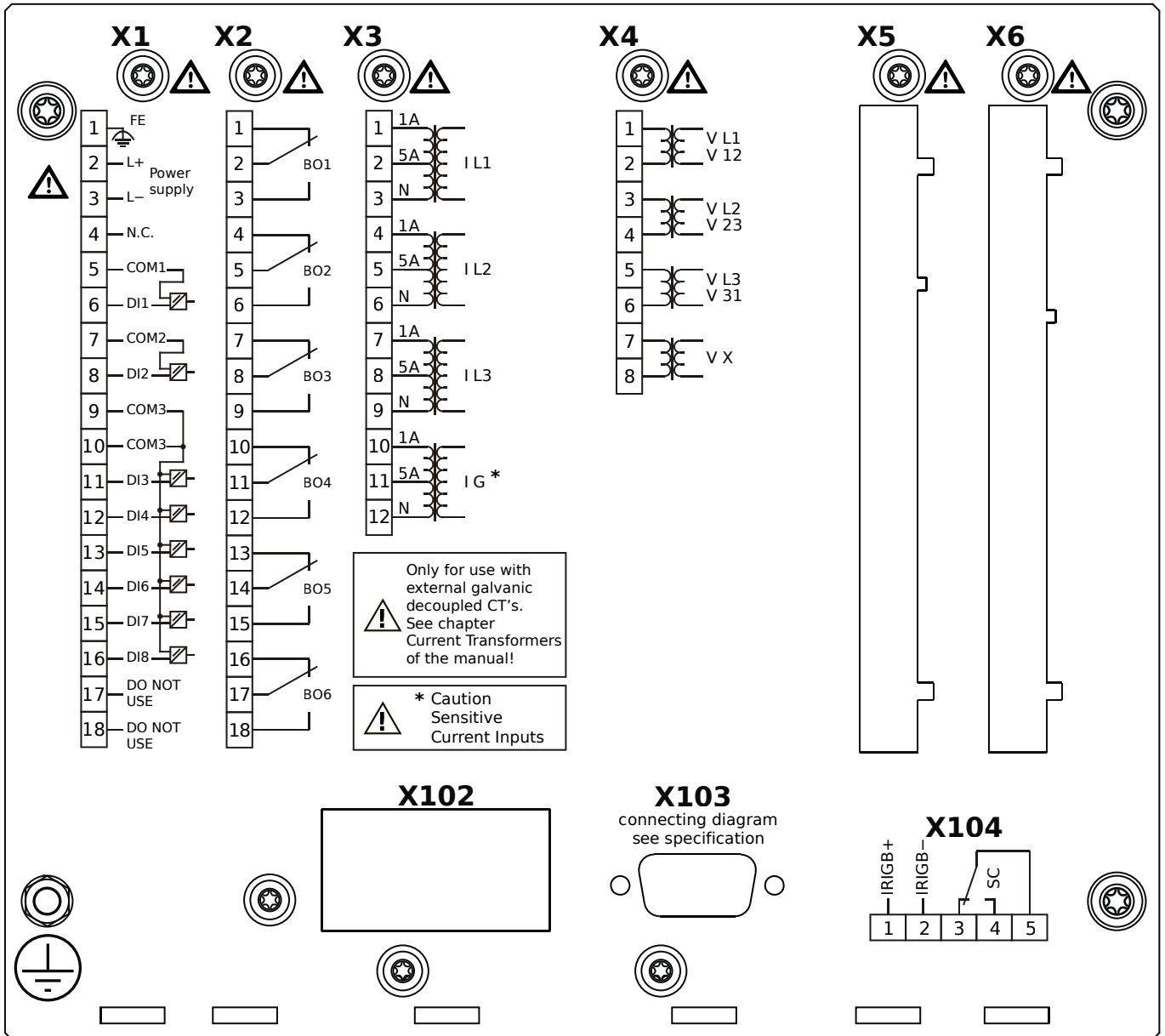


# MCA4-2A1ADB



- X1** – DI8-X1: Wide-range power supply unit, incl. 2 non-grouped digital inputs and 6 grouped digital inputs
- X2** – OR-6: Assembly Group with 6 Relay Outputs
- X3** – TIs-4: Standard phase current measuring card and sensitive ground current measuring
- X4** – TU: Card with 4 voltage transformer measuring inputs
- X103** – Profibus-DP, Fiber optics interface, ST Connector
- X104** – IRIG-B00X, incl. System Contact (Supervision Contact)

# MCA4-2A1AEA



**X1** – DI8-X1: Wide-range power supply unit, incl. 2 non-grouped digital inputs and 6 grouped digital inputs

**X2** – OR-6: Assembly Group with 6 Relay Outputs

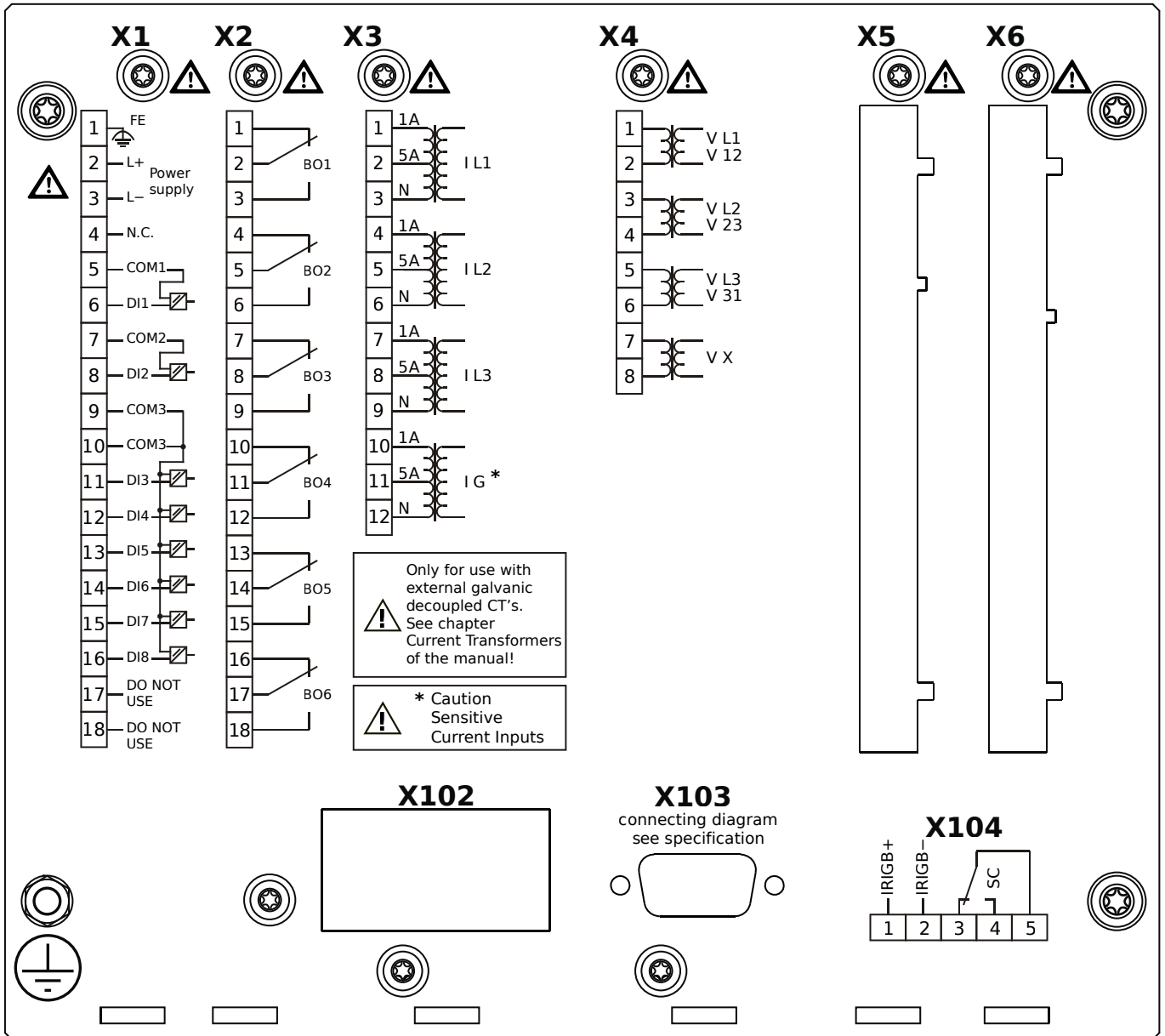
**X3** – TIs-4: Standard phase current measuring card and sensitive ground current measuring

**X4** – TU: Card with 4 voltage transformer measuring inputs

**X103** – Profibus-DP, RS485, D-SUB

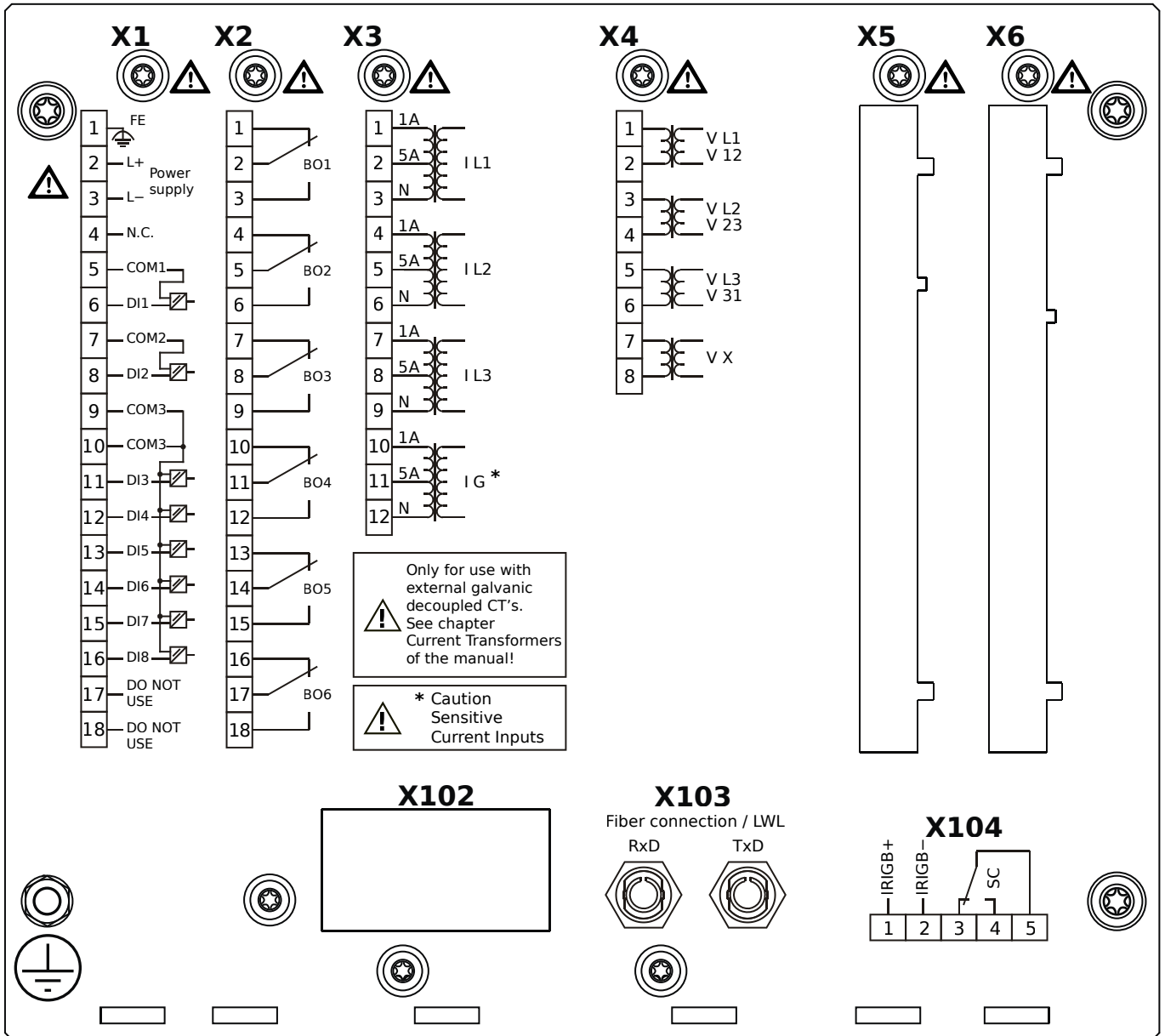
**X104** – IRIG-B00X, incl. System Contact (Supervision Contact)

# MCA4-2A1AEB



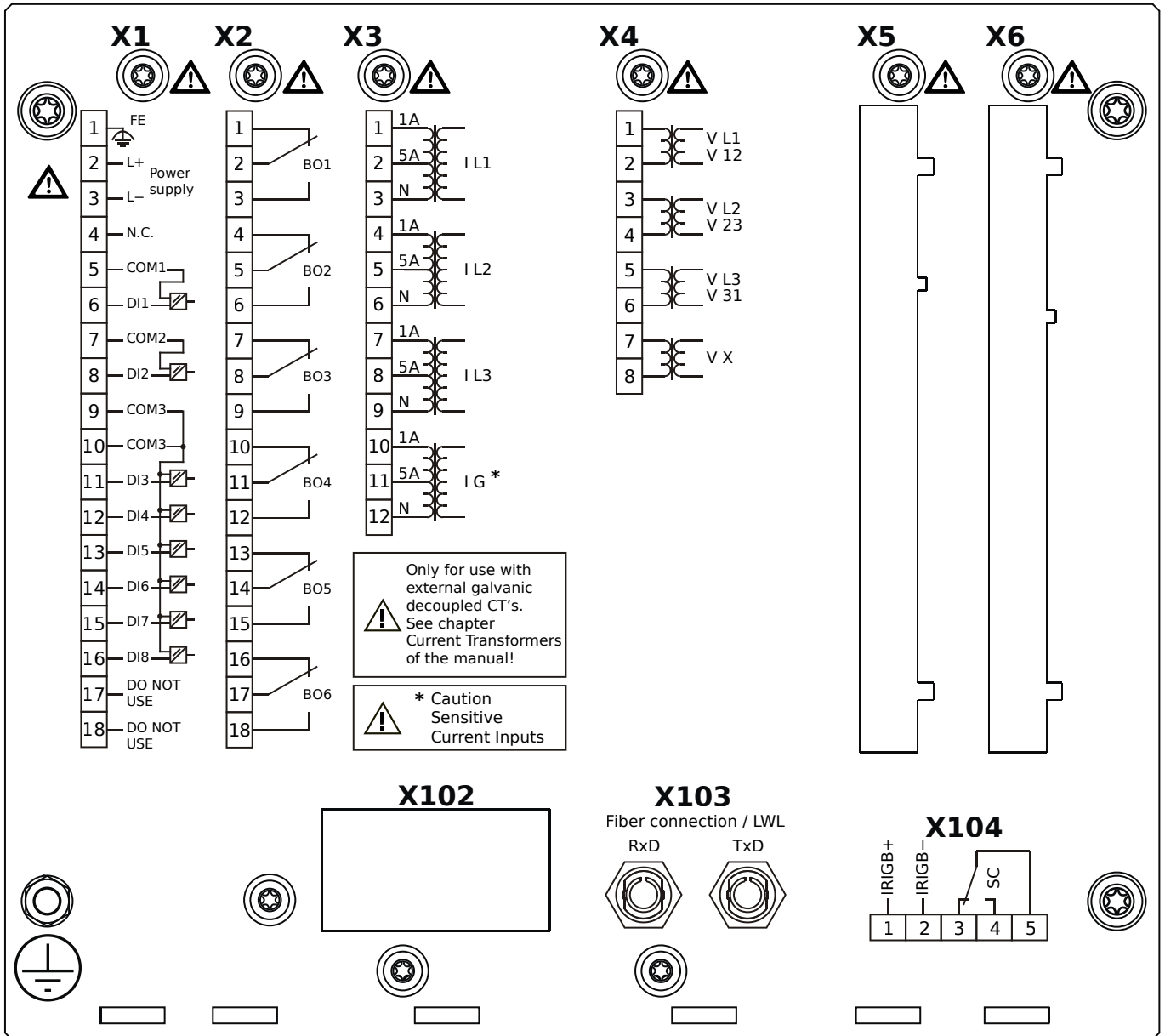
- X1** – DI8-X1: Wide-range power supply unit, incl. 2 non-grouped digital inputs and 6 grouped digital inputs
- X2** – OR-6: Assembly Group with 6 Relay Outputs
- X3** – TIs-4: Standard phase current measuring card and sensitive ground current measuring
- X4** – TU: Card with 4 voltage transformer measuring inputs
- X103** – Profibus-DP, RS485, D-SUB
- X104** – IRIG-B00X, incl. System Contact (Supervision Contact)

# MCA4-2A1AFA



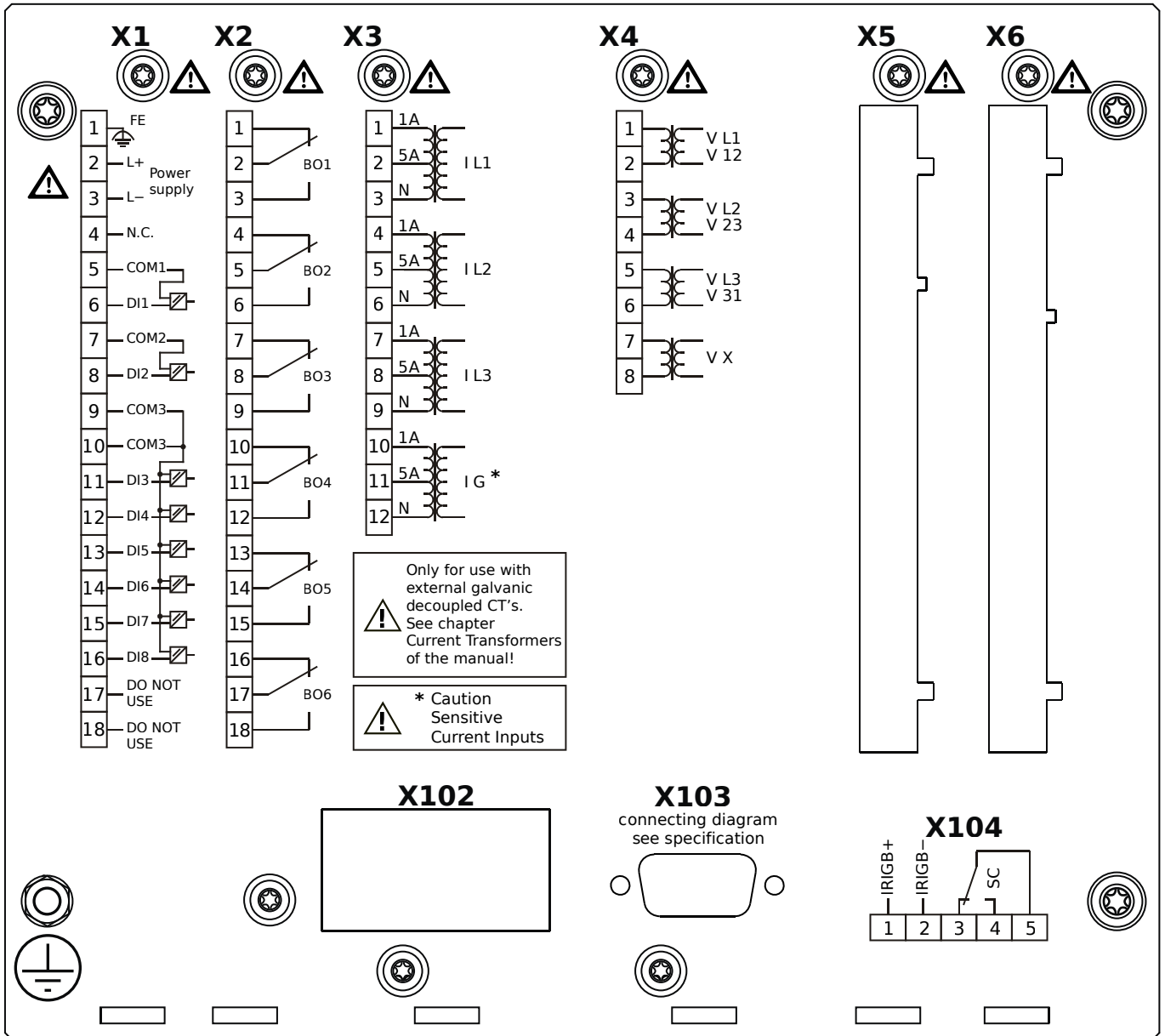
- X1** – DI8-X1: Wide-range power supply unit, incl. 2 non-grouped digital inputs and 6 grouped digital inputs
- X2** – OR-6: Assembly Group with 6 Relay Outputs
- X3** – TIs-4: Standard phase current measuring card and sensitive ground current measuring
- X4** – TU: Card with 4 voltage transformer measuring inputs
- X103** – Modbus RTU / IEC 60870-5-103 / DNP3.0 RTU, Fiber optics interface, ST Connector
- X104** – IRIG-B00X, incl. System Contact (Supervision Contact)

# MCA4-2A1AFB



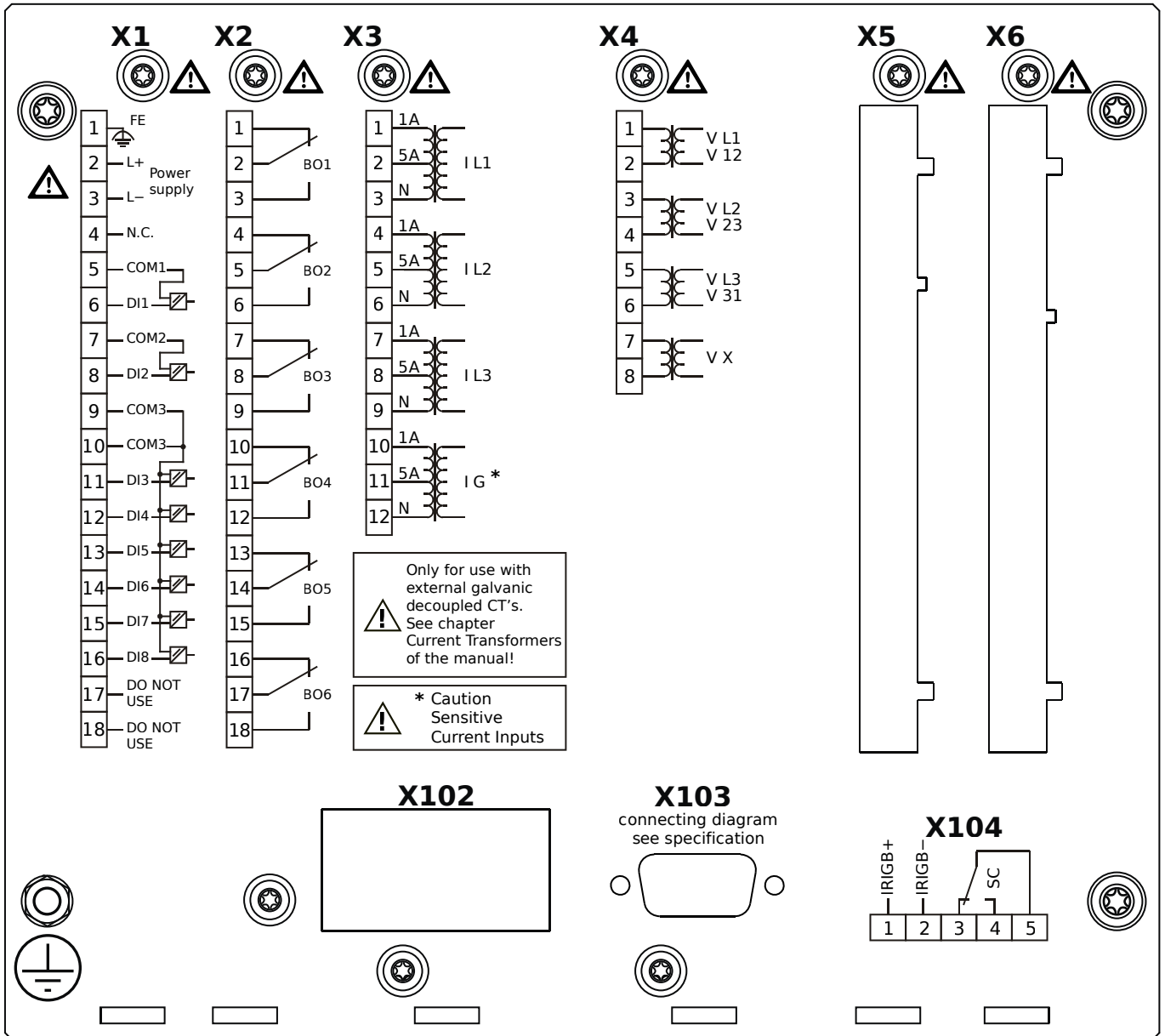
- X1** – DI8-X1: Wide-range power supply unit, incl. 2 non-grouped digital inputs and 6 grouped digital inputs
- X2** – OR-6: Assembly Group with 6 Relay Outputs
- X3** – TIs-4: Standard phase current measuring card and sensitive ground current measuring
- X4** – TU: Card with 4 voltage transformer measuring inputs
- X103** – Modbus RTU / IEC 60870-5-103 / DNP3.0 RTU, Fiber optics interface, ST Connector
- X104** – IRIG-B00X, incl. System Contact (Supervision Contact)

# MCA4-2A1AGA



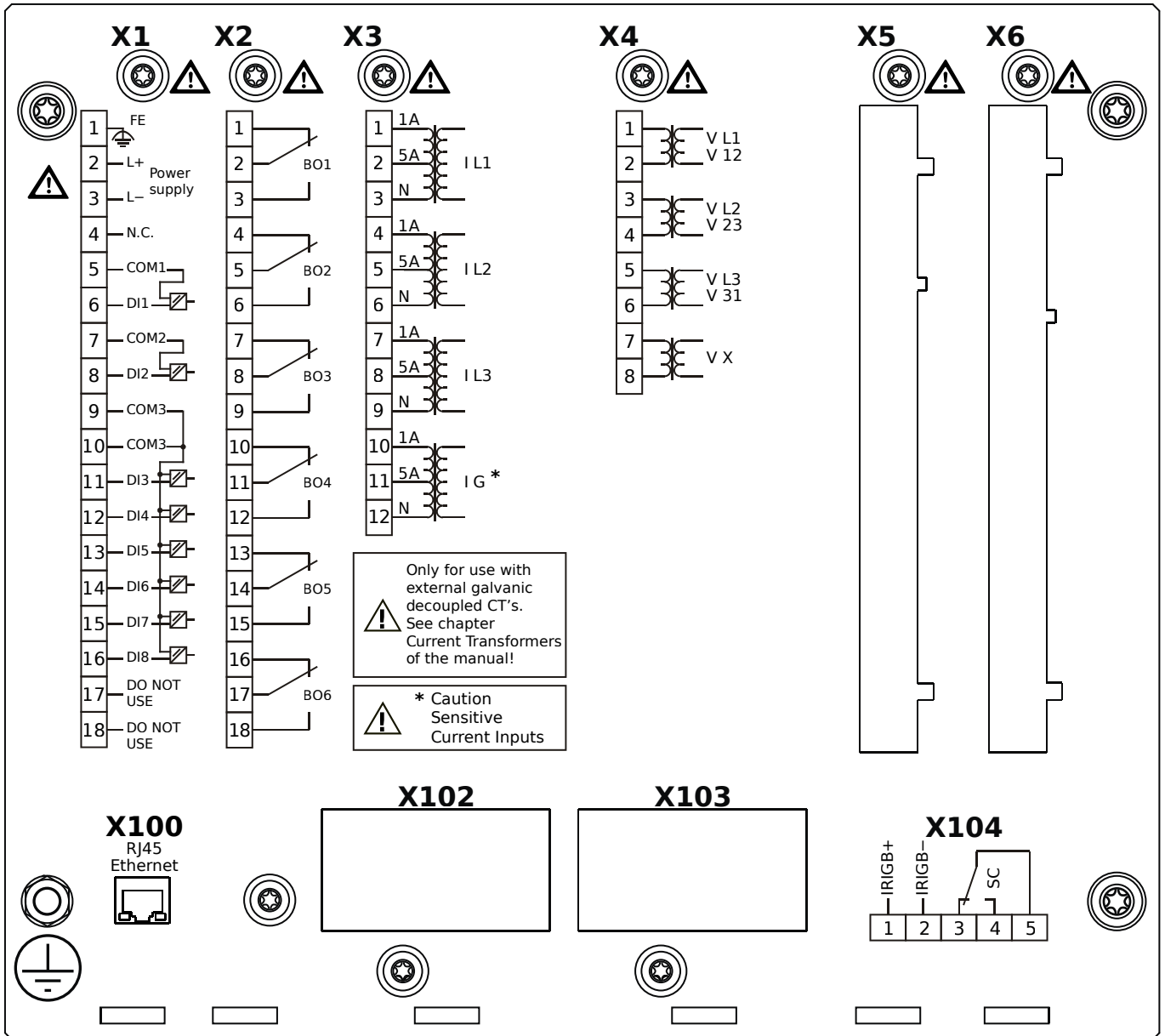
- X1** – DI8-X1: Wide-range power supply unit, incl. 2 non-grouped digital inputs and 6 grouped digital inputs
- X2** – OR-6: Assembly Group with 6 Relay Outputs
- X3** – TIs-4: Standard phase current measuring card and sensitive ground current measuring
- X4** – TU: Card with 4 voltage transformer measuring inputs
- X103** – Modbus RTU / IEC 60870-5-103 / DNP3.0 RTU, RS485, D-SUB
- X104** – IRIG-B00X, incl. System Contact (Supervision Contact)

# MCA4-2A1AGB



- X1** – DI8-X1: Wide-range power supply unit, incl. 2 non-grouped digital inputs and 6 grouped digital inputs
- X2** – OR-6: Assembly Group with 6 Relay Outputs
- X3** – TIs-4: Standard phase current measuring card and sensitive ground current measuring
- X4** – TU: Card with 4 voltage transformer measuring inputs
- X103** – Modbus RTU / IEC 60870-5-103 / DNP3.0 RTU, RS485, D-SUB
- X104** – IRIG-B00X, incl. System Contact (Supervision Contact)

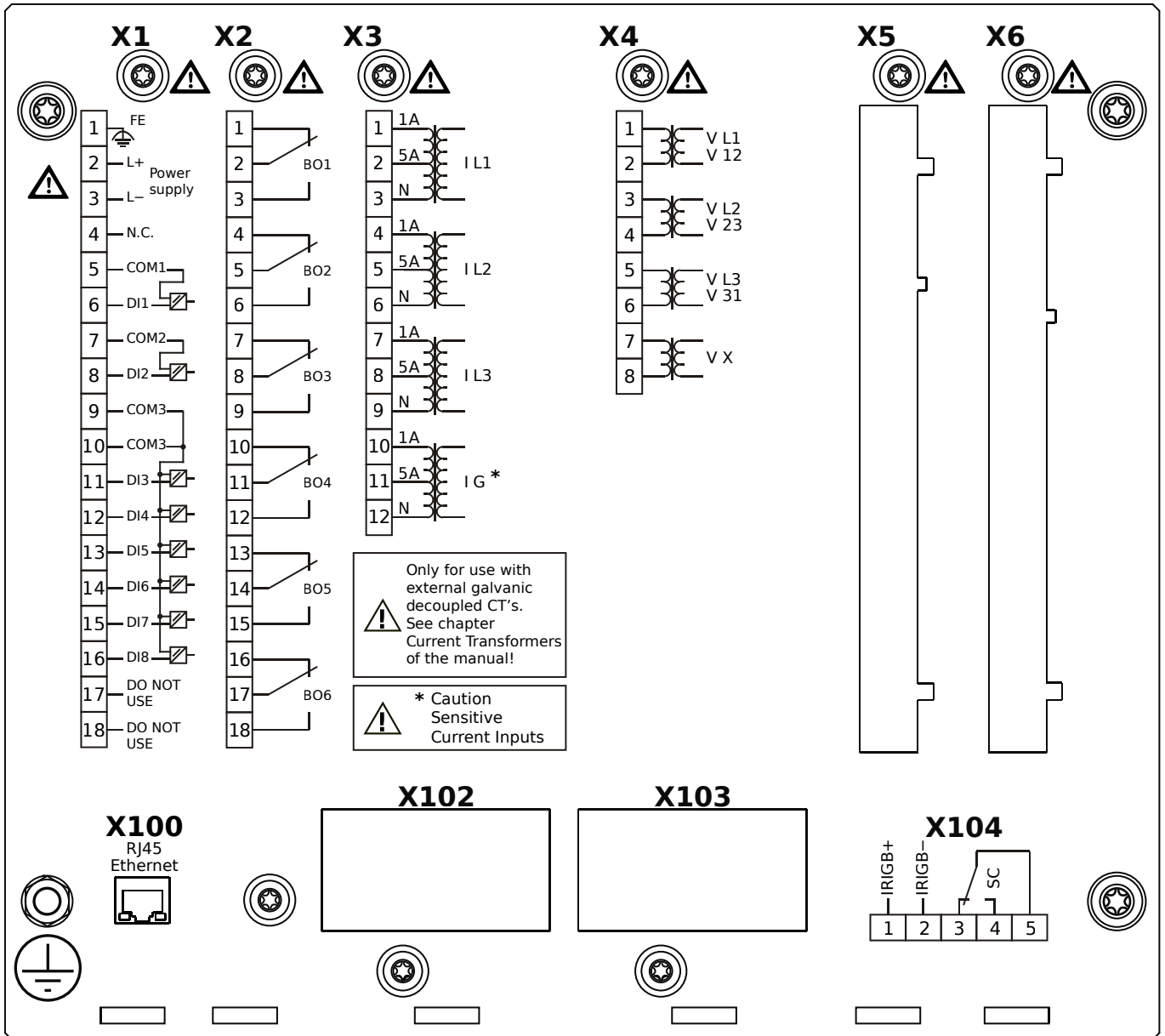
# MCA4-2A1AHA



- X1** – DI8-X1: Wide-range power supply unit, incl. 2 non-grouped digital inputs and 6 grouped digital inputs
- X2** – OR-6: Assembly Group with 6 Relay Outputs
- X3** – TIs-4: Standard phase current measuring card and sensitive ground current measuring
- X4** – TU: Card with 4 voltage transformer measuring inputs
- X100** – IEC 61850 / Modbus TCP / DNP3.0 TCP/UDP, Ethernet interface, 100 Mbit/s, RJ45 (BASE100-FX)
- X104** – IRIG-B00X, incl. System Contact (Supervision Contact)

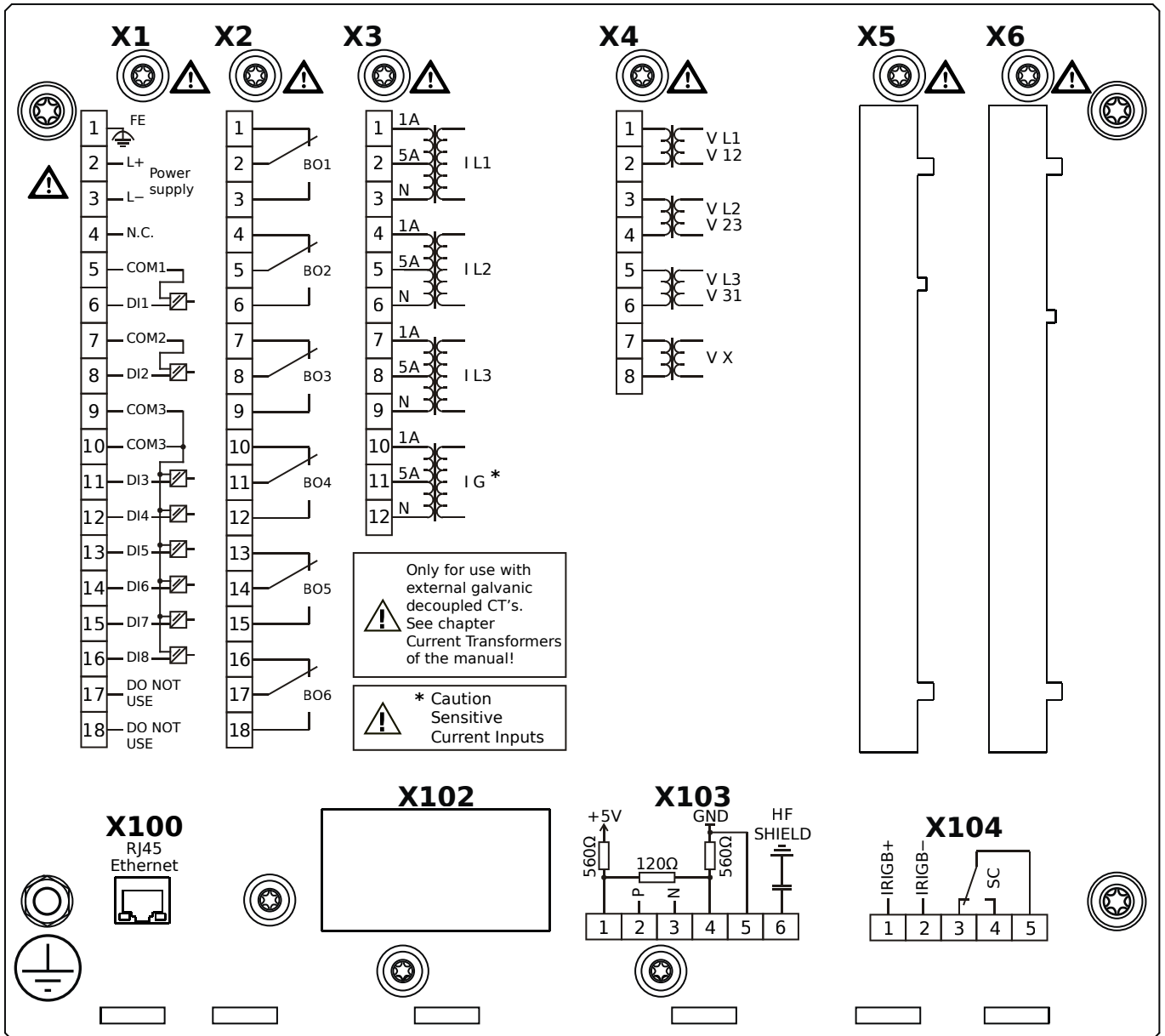


# MCA4-2A1AHB



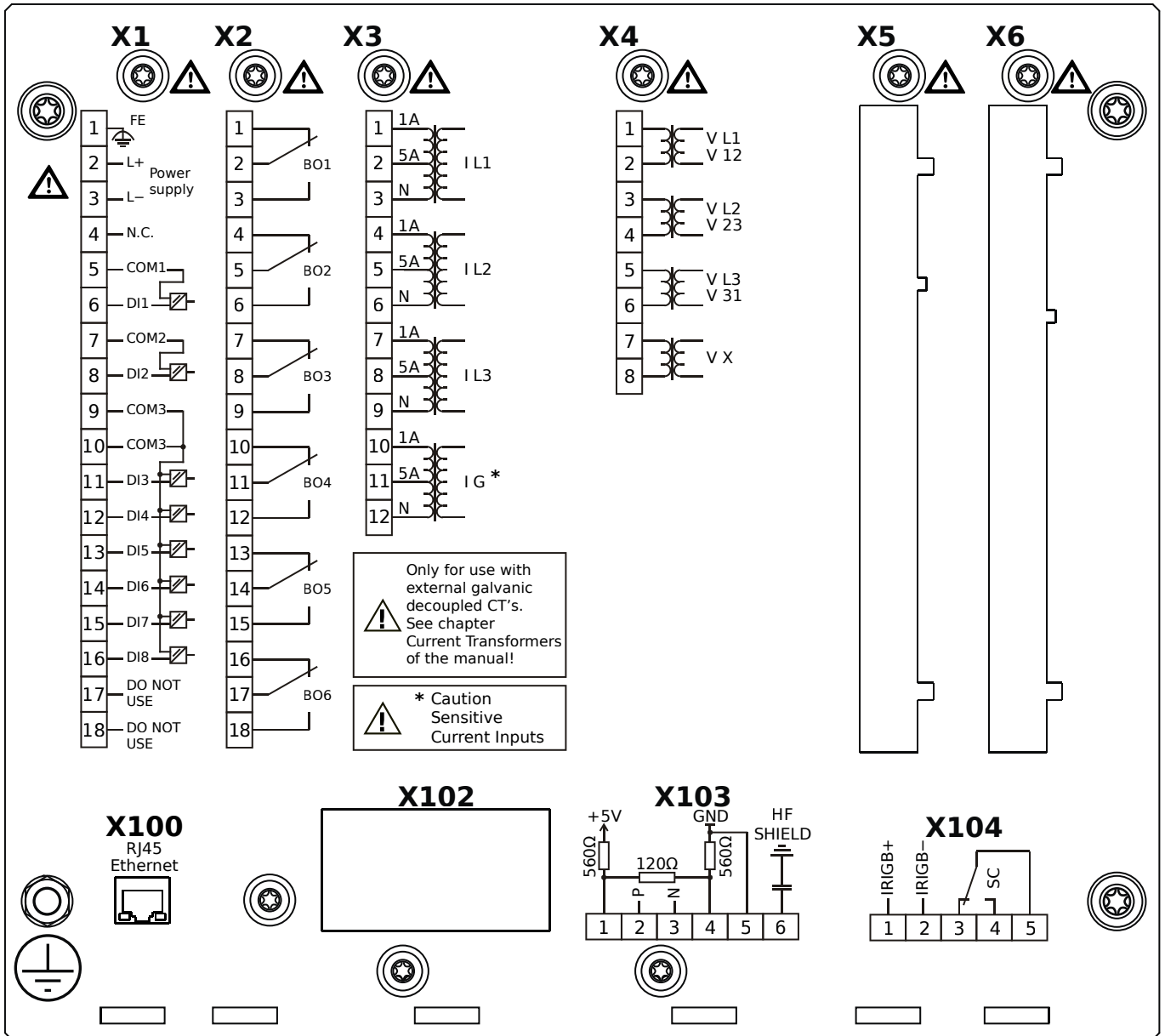
- X1** – DI8-X1: Wide-range power supply unit, incl. 2 non-grouped digital inputs and 6 grouped digital inputs
- X2** – OR-6: Assembly Group with 6 Relay Outputs
- X3** – TIs-4: Standard phase current measuring card and sensitive ground current measuring
- X4** – TU: Card with 4 voltage transformer measuring inputs
- X100** – IEC 61850 / Modbus TCP / DNP3.0 TCP/UDP, Ethernet interface, 100 Mbit/s, RJ45 (BASE100-FX)
- X104** – IRIG-B00X, incl. System Contact (Supervision Contact)

# MCA4-2A1AIA



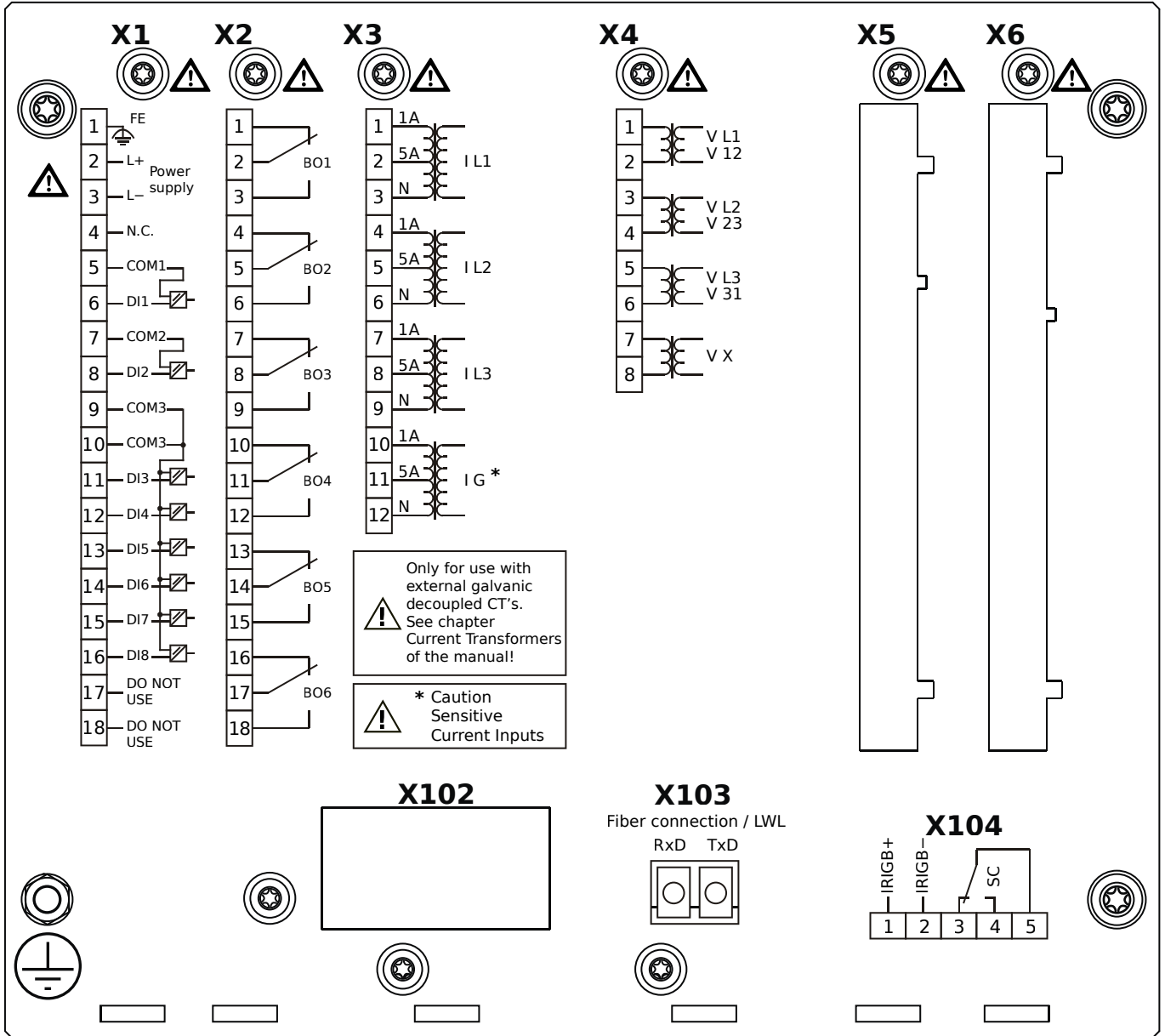
- X1** – DI8-X1: Wide-range power supply unit, incl. 2 non-grouped digital inputs and 6 grouped digital inputs
- X2** – OR-6: Assembly Group with 6 Relay Outputs
- X3** – TIs-4: Standard phase current measuring card and sensitive ground current measuring
- X4** – TU: Card with 4 voltage transformer measuring inputs
- X100** – Modbus TCP / DNP3.0 TCP/UDP, Ethernet interface, 100 Mbit/s, RJ45 (BASE100-FX)
- X103** – IEC 60870-5-103 / Modbus RTU / DNP3.0 RTU, RS485, Terminals
- X104** – IRIG-B00X, incl. System Contact (Supervision Contact)

# MCA4-2A1AIB



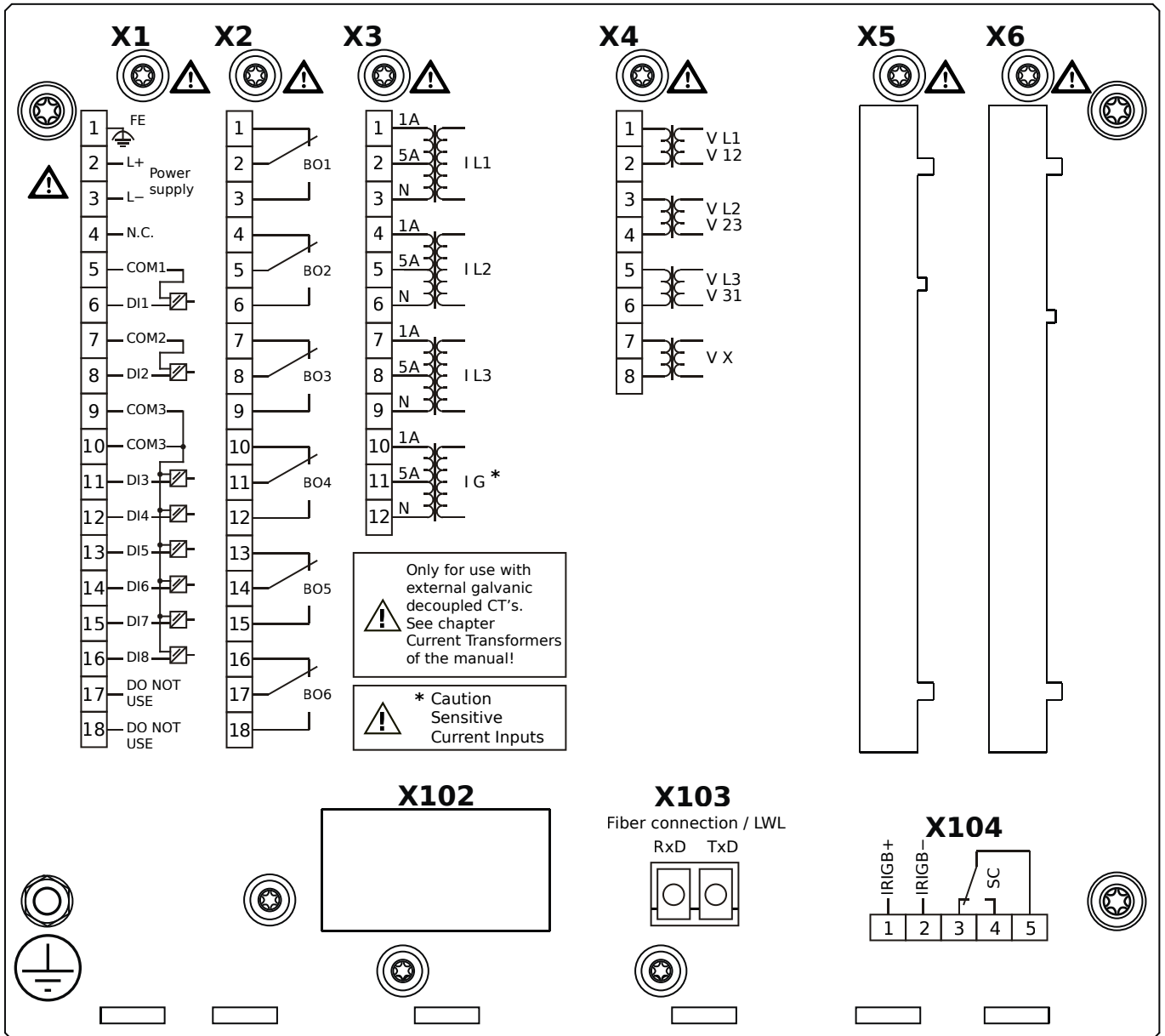
- X1** – DI8-X1: Wide-range power supply unit, incl. 2 non-grouped digital inputs and 6 grouped digital inputs
- X2** – OR-6: Assembly Group with 6 Relay Outputs
- X3** – TIs-4: Standard phase current measuring card and sensitive ground current measuring
- X4** – TU: Card with 4 voltage transformer measuring inputs
- X100** – Modbus TCP / DNP3.0 TCP/UDP, Ethernet interface, 100 Mbit/s, RJ45 (BASE100-FX)
- X103** – IEC 60870-5-103 / Modbus RTU / DNP3.0 RTU, RS485, Terminals
- X104** – IRIG-B00X, incl. System Contact (Supervision Contact)

# MCA4-2A1AKA



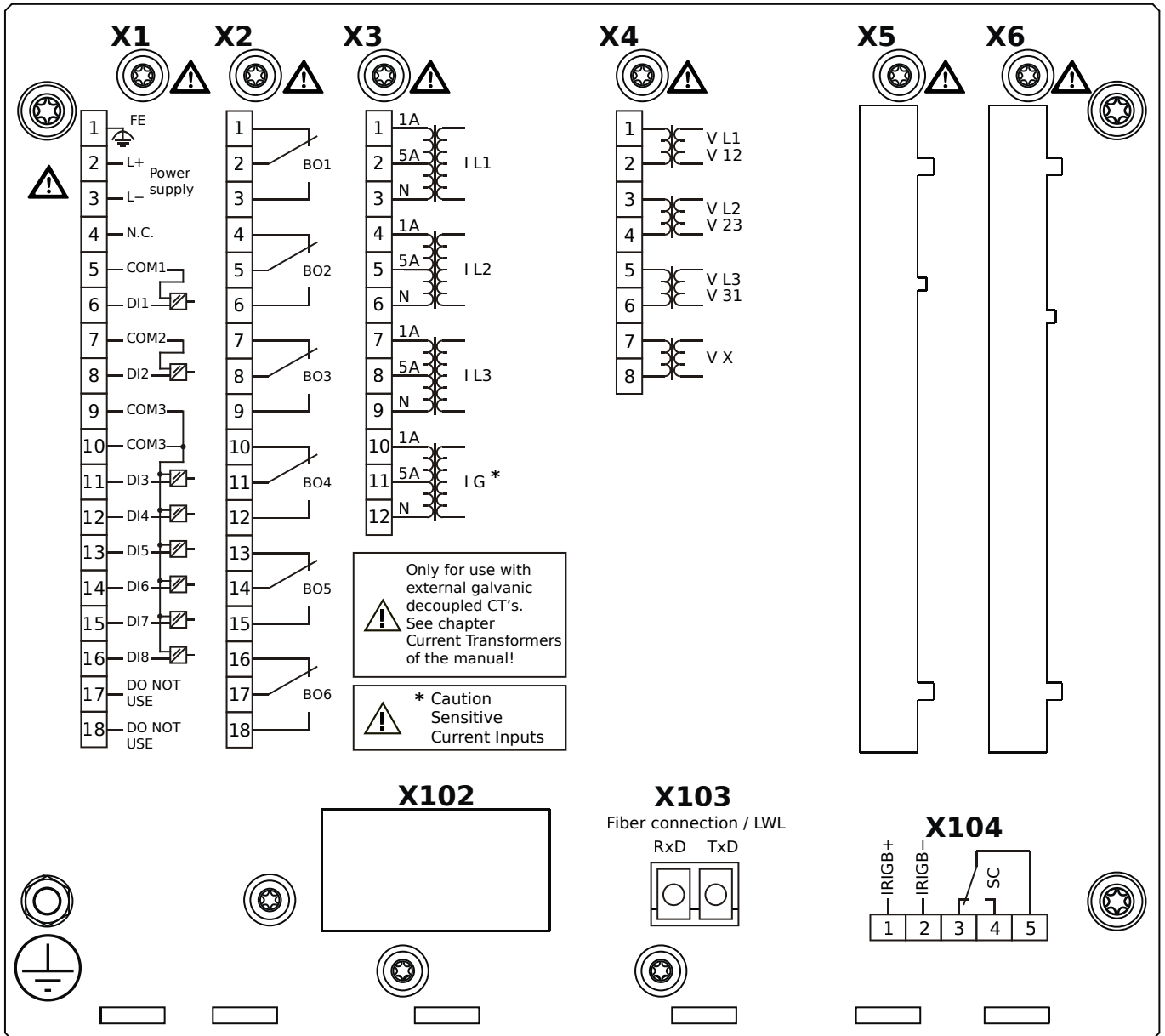
- X1** – DI8-X1: Wide-range power supply unit, incl. 2 non-grouped digital inputs and 6 grouped digital inputs
- X2** – OR-6: Assembly Group with 6 Relay Outputs
- X3** – TIs-4: Standard phase current measuring card and sensitive ground current measuring
- X4** – TU: Card with 4 voltage transformer measuring inputs
- X103** – IEC 61850 / Modbus TCP / DNP3.0 TCP/UDP, Fiber optics interface, LC Connector
- X104** – IRIG-B00X, incl. System Contact (Supervision Contact)

# MCA4-2A1AKB



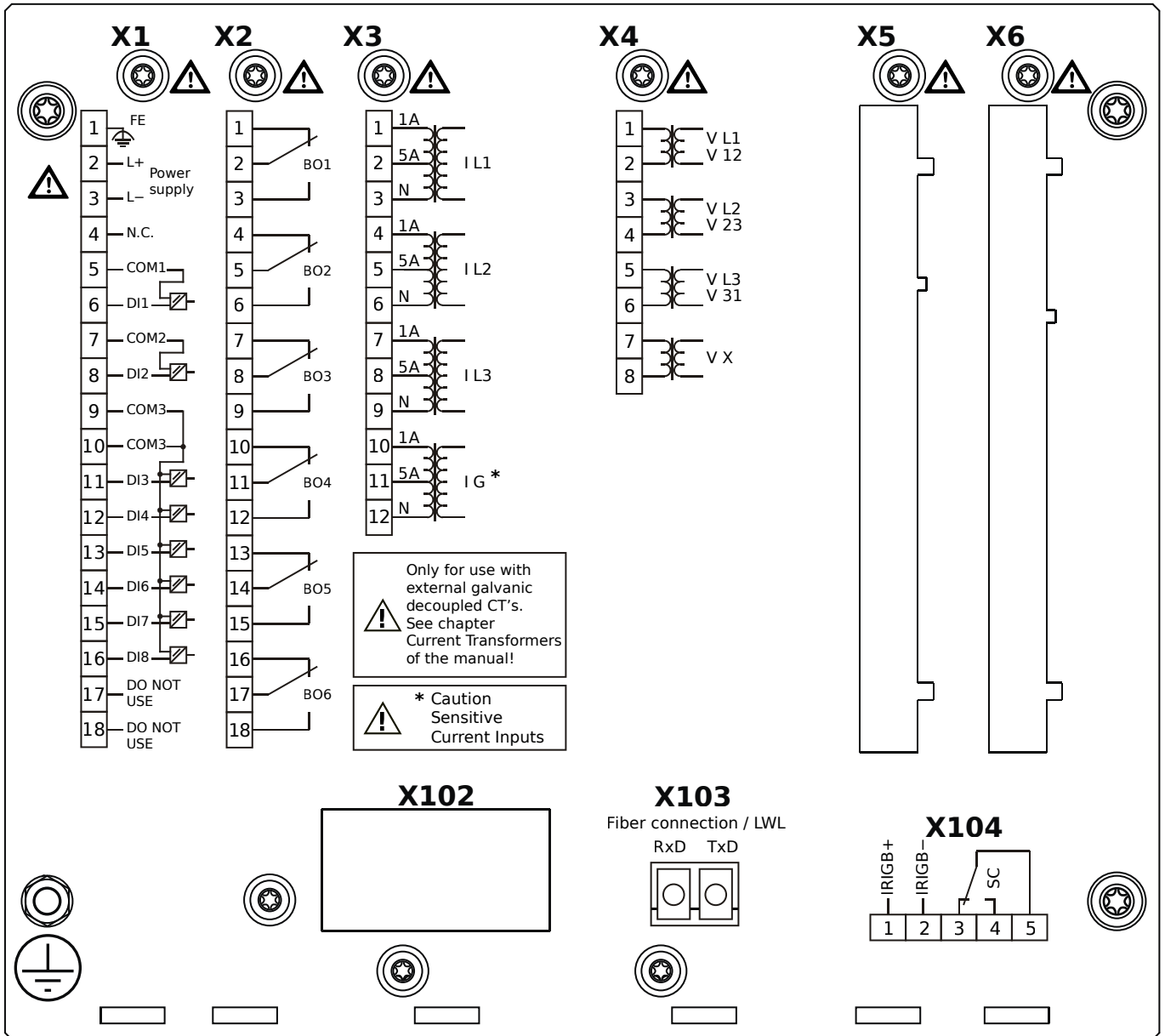
- X1** – DI8-X1: Wide-range power supply unit, incl. 2 non-grouped digital inputs and 6 grouped digital inputs
- X2** – OR-6: Assembly Group with 6 Relay Outputs
- X3** – TIs-4: Standard phase current measuring card and sensitive ground current measuring
- X4** – TU: Card with 4 voltage transformer measuring inputs
- X103** – IEC 61850 / Modbus TCP / DNP3.0 TCP/UDP, Fiber optics interface, LC Connector
- X104** – IRIG-B00X, incl. System Contact (Supervision Contact)

# MCA4-2A1ALA



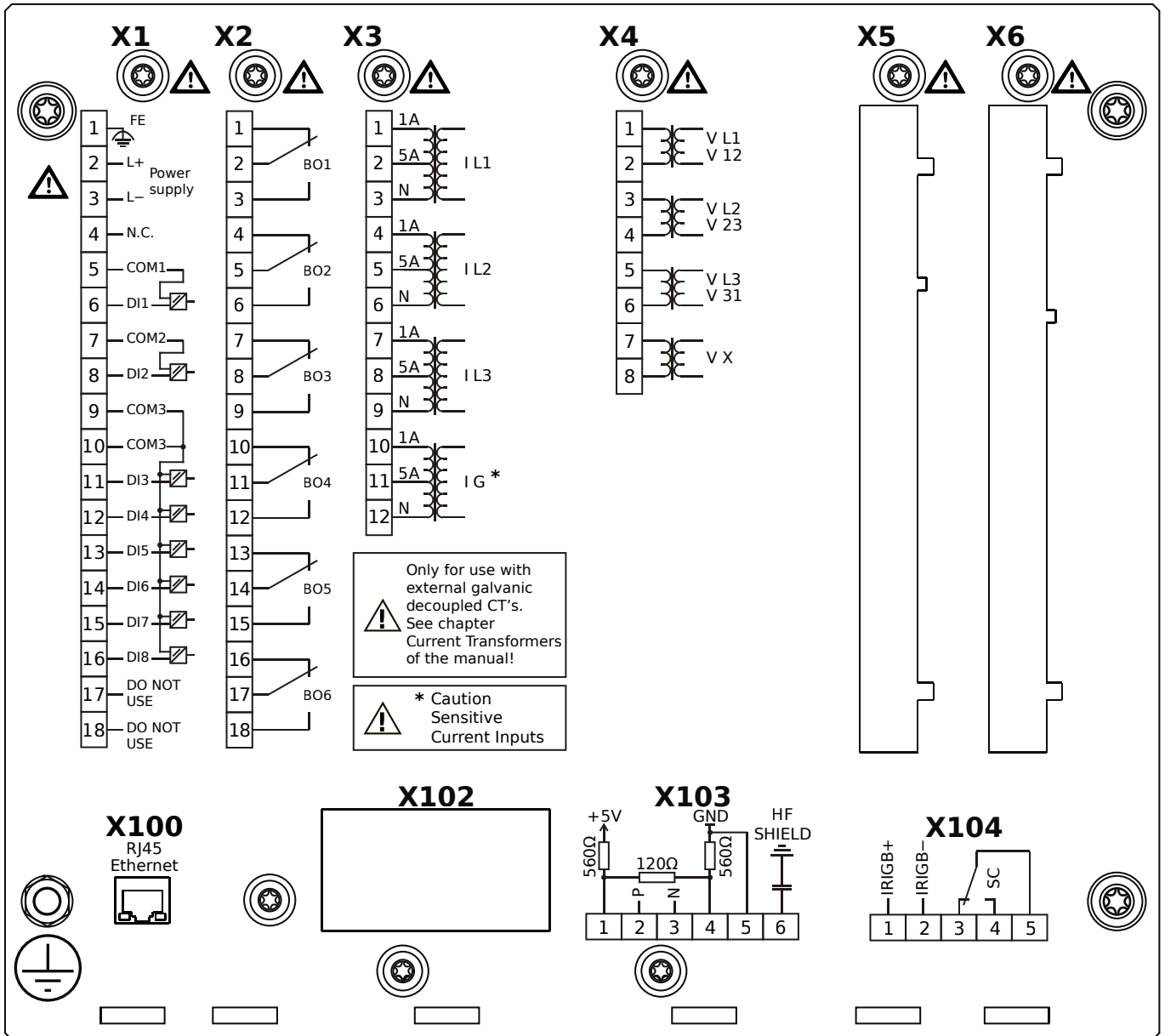
- X1** – DI8-X1: Wide-range power supply unit, incl. 2 non-grouped digital inputs and 6 grouped digital inputs
- X2** – OR-6: Assembly Group with 6 Relay Outputs
- X3** – TIs-4: Standard phase current measuring card and sensitive ground current measuring
- X4** – TU: Card with 4 voltage transformer measuring inputs
- X103** – Modbus TCP / DNP3.0 TCP/UDP, Fiber optics interface, LC Connector
- X104** – IRIG-B00X, incl. System Contact (Supervision Contact)

# MCA4-2A1ALB



- X1** – DI8-X1: Wide-range power supply unit, incl. 2 non-grouped digital inputs and 6 grouped digital inputs
- X2** – OR-6: Assembly Group with 6 Relay Outputs
- X3** – TIs-4: Standard phase current measuring card and sensitive ground current measuring
- X4** – TU: Card with 4 voltage transformer measuring inputs
- X103** – Modbus TCP / DNP3.0 TCP/UDP, Fiber optics interface, LC Connector
- X104** – IRIG-B00X, incl. System Contact (Supervision Contact)

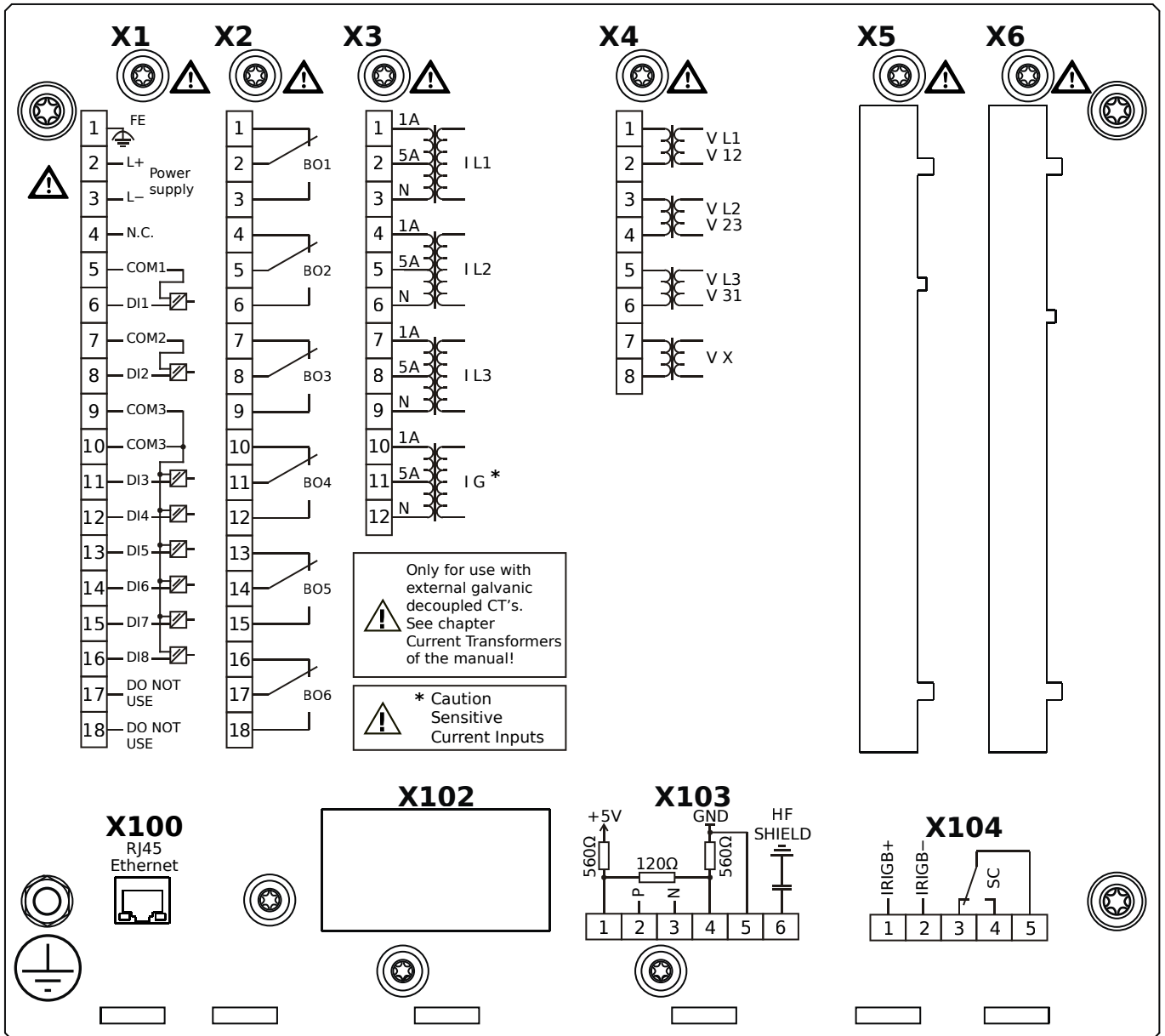
# MCA4-2A1ATA



- X1** – DI8-X1: Wide-range power supply unit, incl. 2 non-grouped digital inputs and 6 grouped digital inputs
- X2** – OR-6: Assembly Group with 6 Relay Outputs
- X3** – TIs-4: Standard phase current measuring card and sensitive ground current measuring
- X4** – TU: Card with 4 voltage transformer measuring inputs
- X100** – IEC 61850 / Modbus TCP / DNP3.0 TCP/UDP, Ethernet interface, 100 Mbit/s, RJ45 (BASE100-FX)
- X103** – IEC 60870-5-103 / Modbus RTU / DNP3.0 RTU, RS485, Terminals
- X104** – IRIG-B00X, incl. System Contact (Supervision Contact)

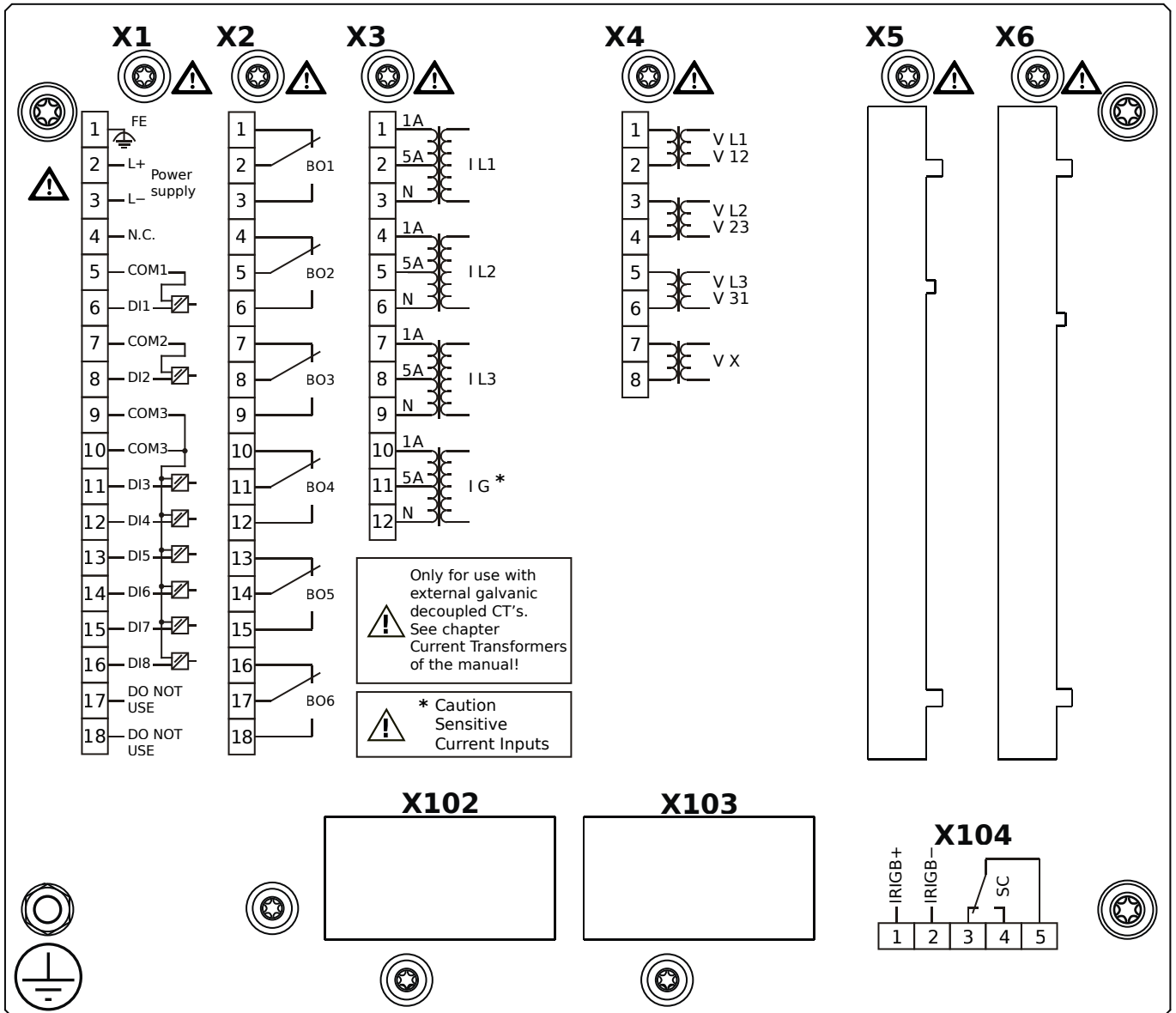


# MCA4-2A1ATB



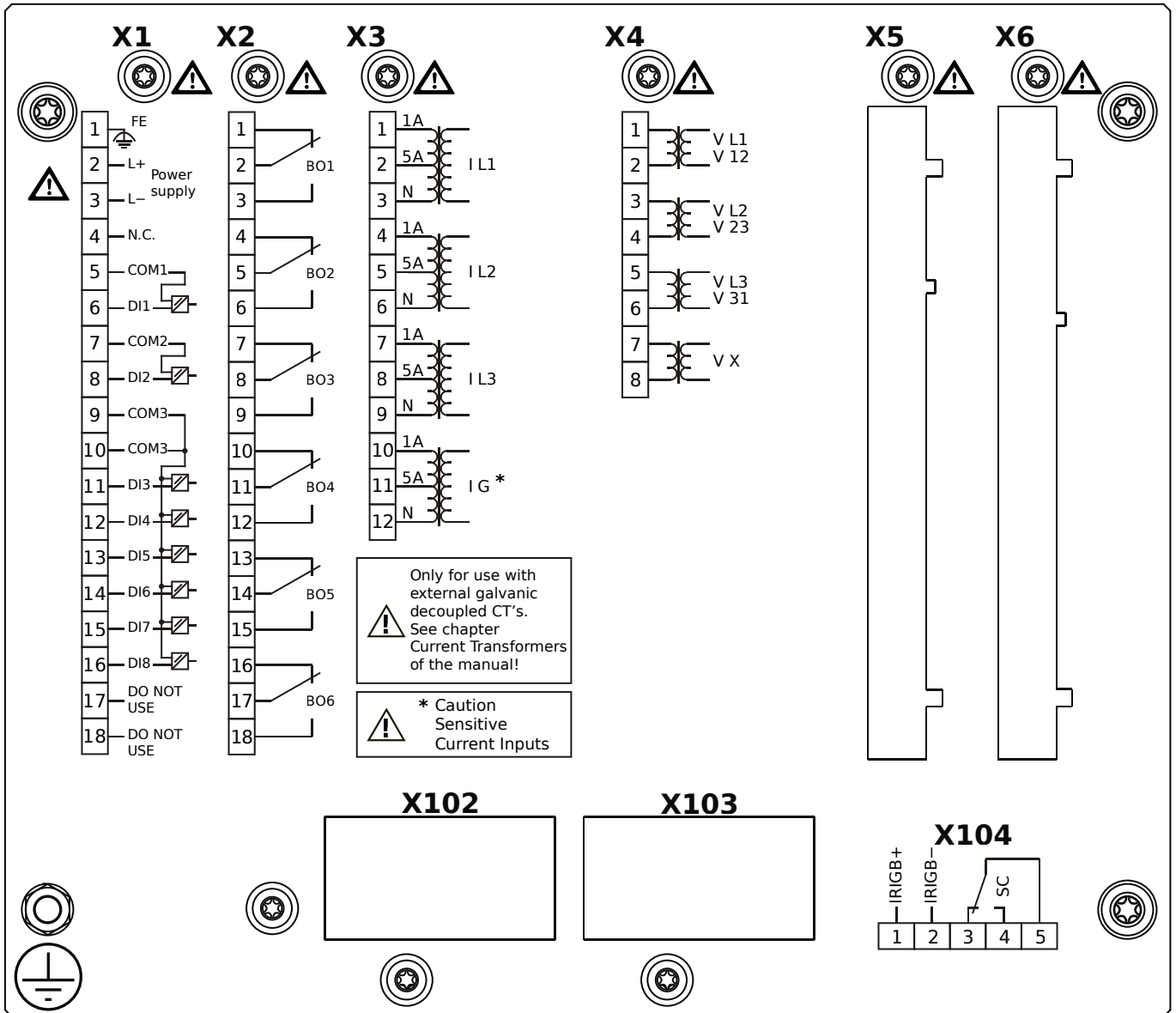
- X1** – DI8-X1: Wide-range power supply unit, incl. 2 non-grouped digital inputs and 6 grouped digital inputs
- X2** – OR-6: Assembly Group with 6 Relay Outputs
- X3** – TIs-4: Standard phase current measuring card and sensitive ground current measuring
- X4** – TU: Card with 4 voltage transformer measuring inputs
- X100** – IEC 61850 / Modbus TCP / DNP3.0 TCP/UDP, Ethernet interface, 100 Mbit/s, RJ45 (BASE100-FX)
- X103** – IEC 60870-5-103 / Modbus RTU / DNP3.0 RTU, RS485, Terminals
- X104** – IRIG-B00X, incl. System Contact (Supervision Contact)

# MCA4-2A1BAA



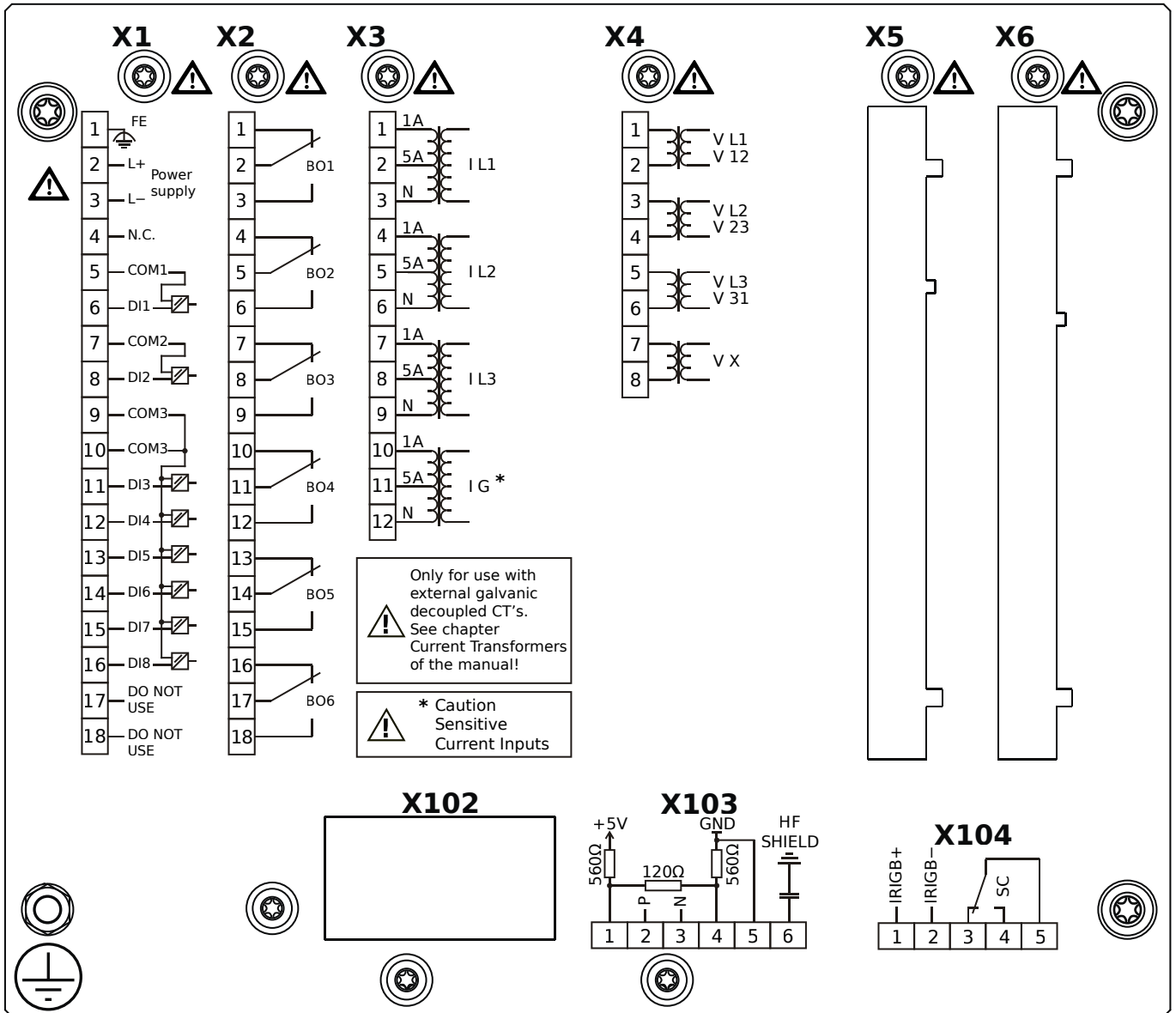
- X1** – DI8-X1: Wide-range power supply unit, incl. 2 non-grouped digital inputs and 6 grouped digital inputs
- X2** – OR-6: Assembly Group with 6 Relay Outputs
- X3** – TIs-4: Standard phase current measuring card and sensitive ground current measuring
- X4** – TU: Card with 4 voltage transformer measuring inputs
- X104** – IRIG-B00X, incl. System Contact (Supervision Contact)

# MCA4-2A1BAB



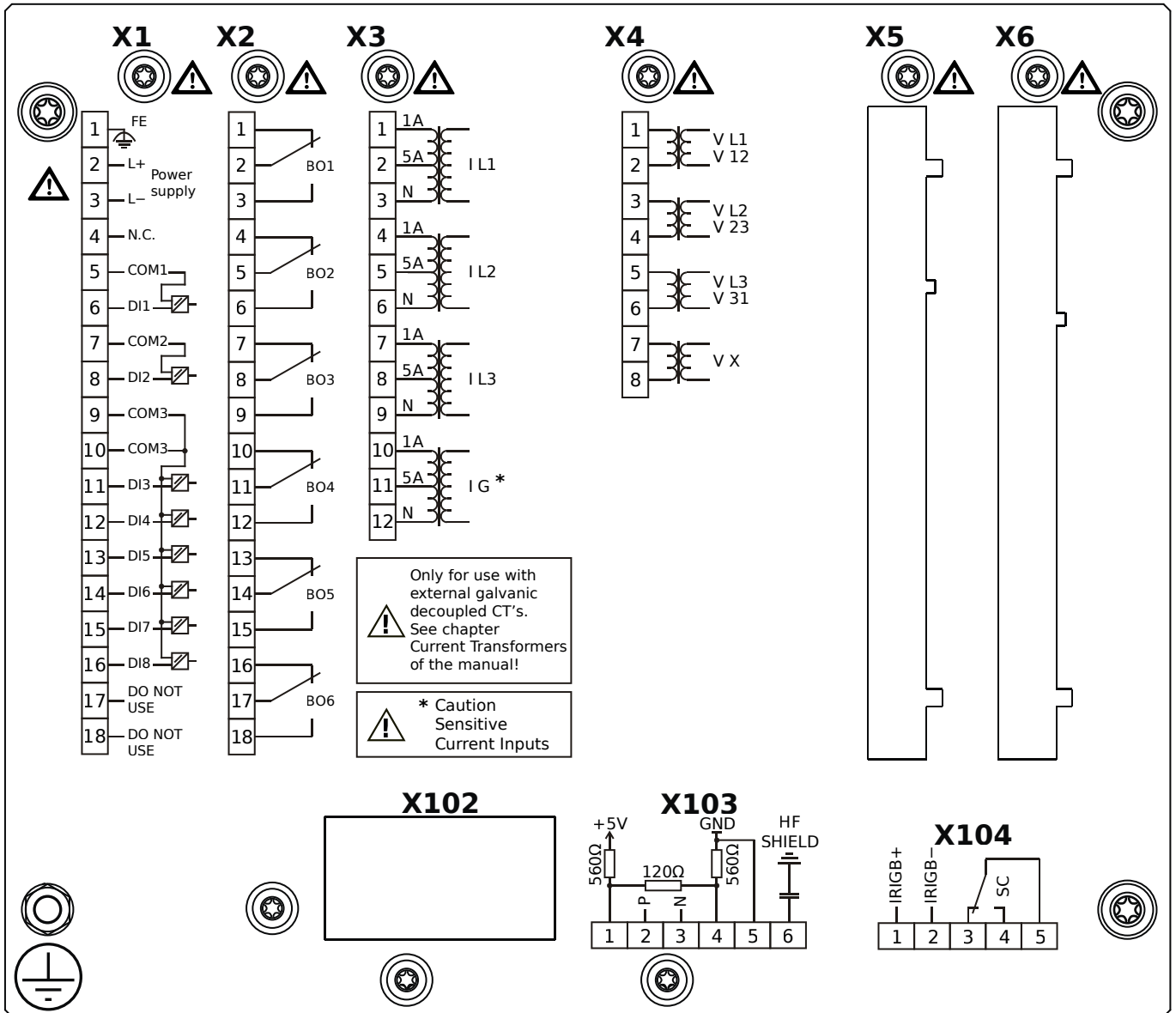
- X1** – DI8-X1: Wide-range power supply unit, incl. 2 non-grouped digital inputs and 6 grouped digital inputs
- X2** – OR-6: Assembly Group with 6 Relay Outputs
- X3** – TIs-4: Standard phase current measuring card and sensitive ground current measuring
- X4** – TU: Card with 4 voltage transformer measuring inputs
- X104** – IRIG-B00X, incl. System Contact (Supervision Contact)

# MCA4-2A1BBA



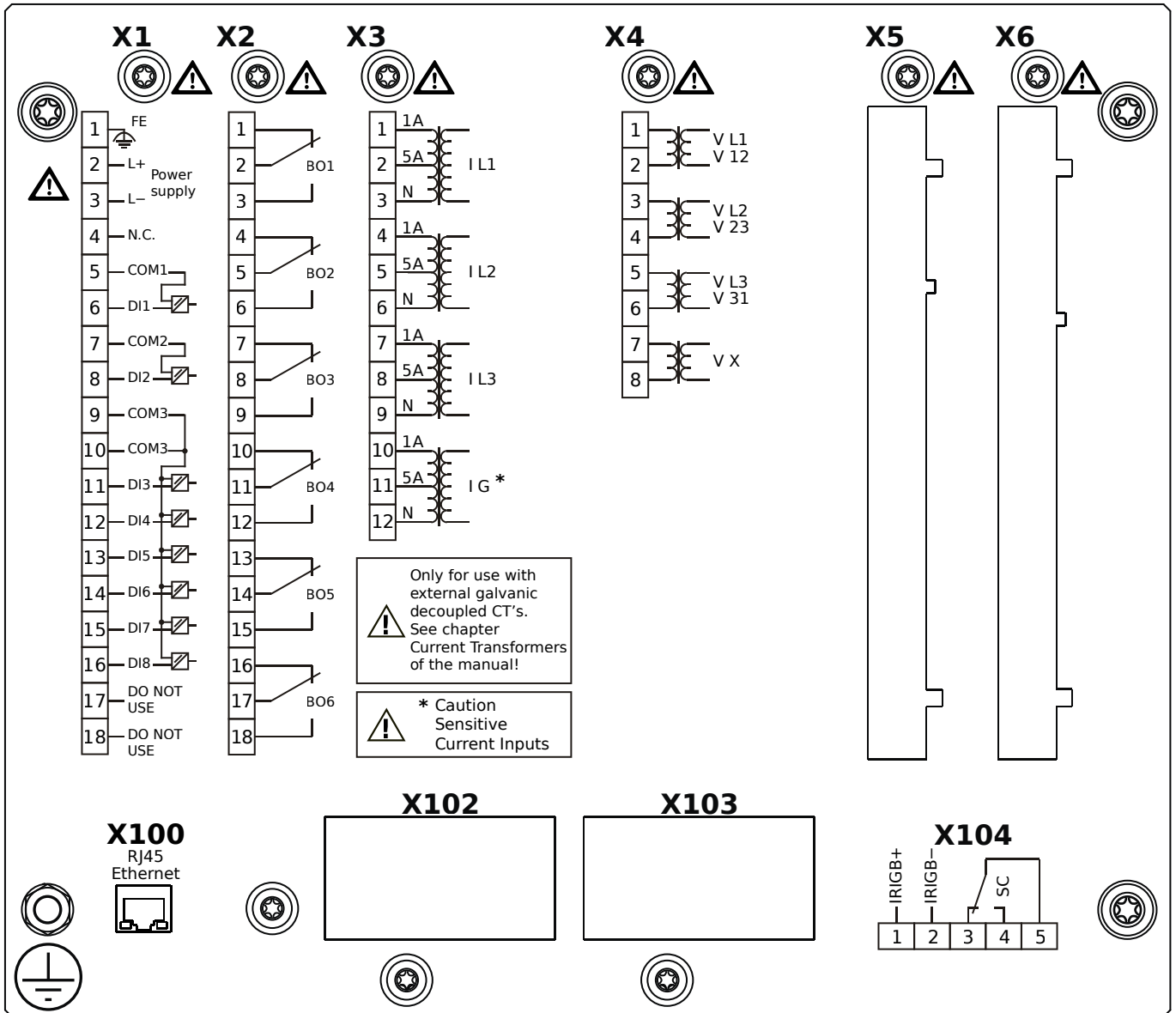
- X1** – DI8-X1: Wide-range power supply unit, incl. 2 non-grouped digital inputs and 6 grouped digital inputs
- X2** – OR-6: Assembly Group with 6 Relay Outputs
- X3** – TIs-4: Standard phase current measuring card and sensitive ground current measuring
- X4** – TU: Card with 4 voltage transformer measuring inputs
- X103** – Modbus RTU / IEC 60870-5-103 / DNP3.0 RTU, RS485, Terminals
- X104** – IRIG-B00X, incl. System Contact (Supervision Contact)

# MCA4-2A1BBB



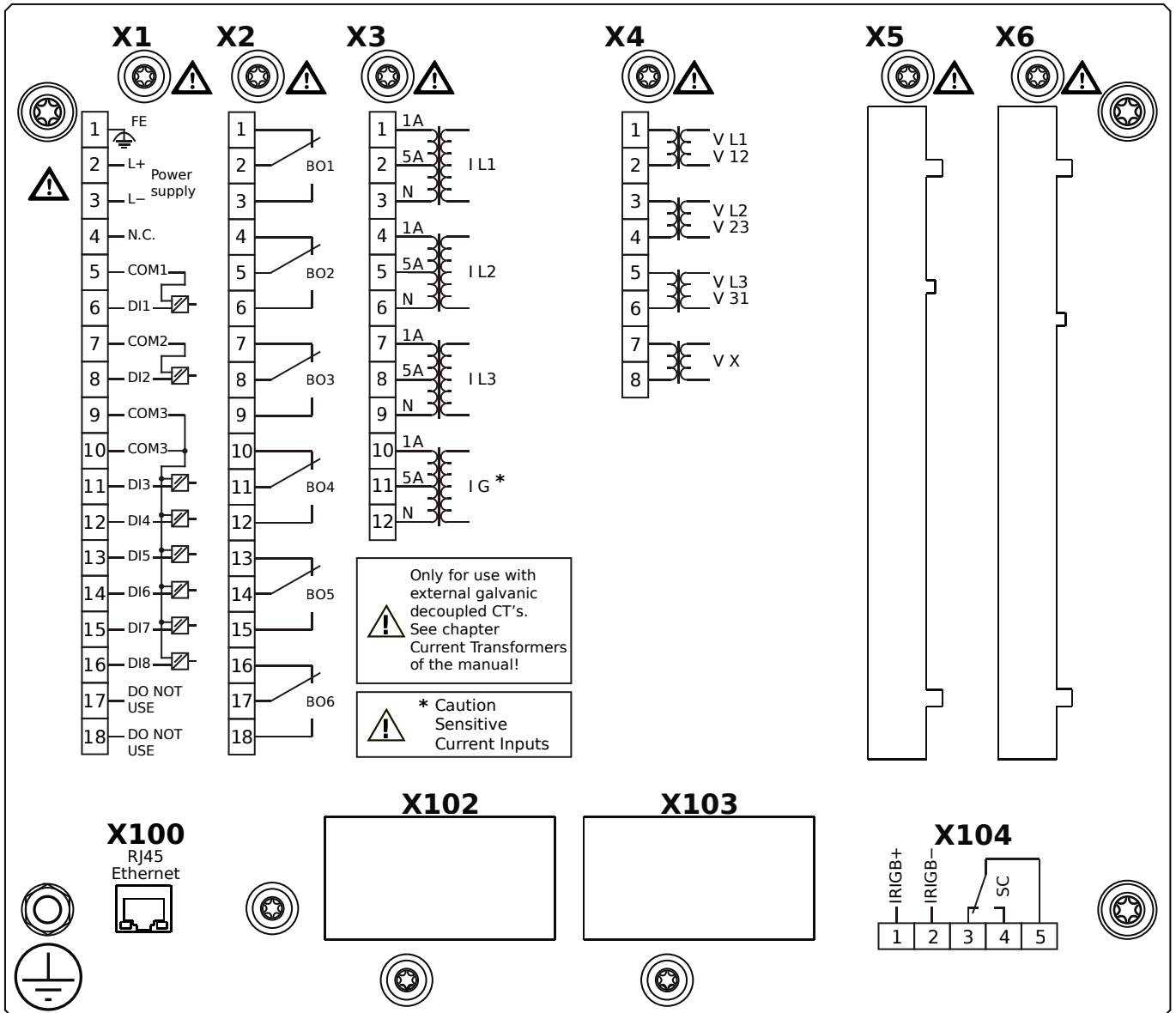
- X1** – DI8-X1: Wide-range power supply unit, incl. 2 non-grouped digital inputs and 6 grouped digital inputs
- X2** – OR-6: Assembly Group with 6 Relay Outputs
- X3** – TIs-4: Standard phase current measuring card and sensitive ground current measuring
- X4** – TU: Card with 4 voltage transformer measuring inputs
- X103** – Modbus RTU / IEC 60870-5-103 / DNP3.0 RTU, RS485, Terminals
- X104** – IRIG-B00X, incl. System Contact (Supervision Contact)

# MCA4-2A1BCA



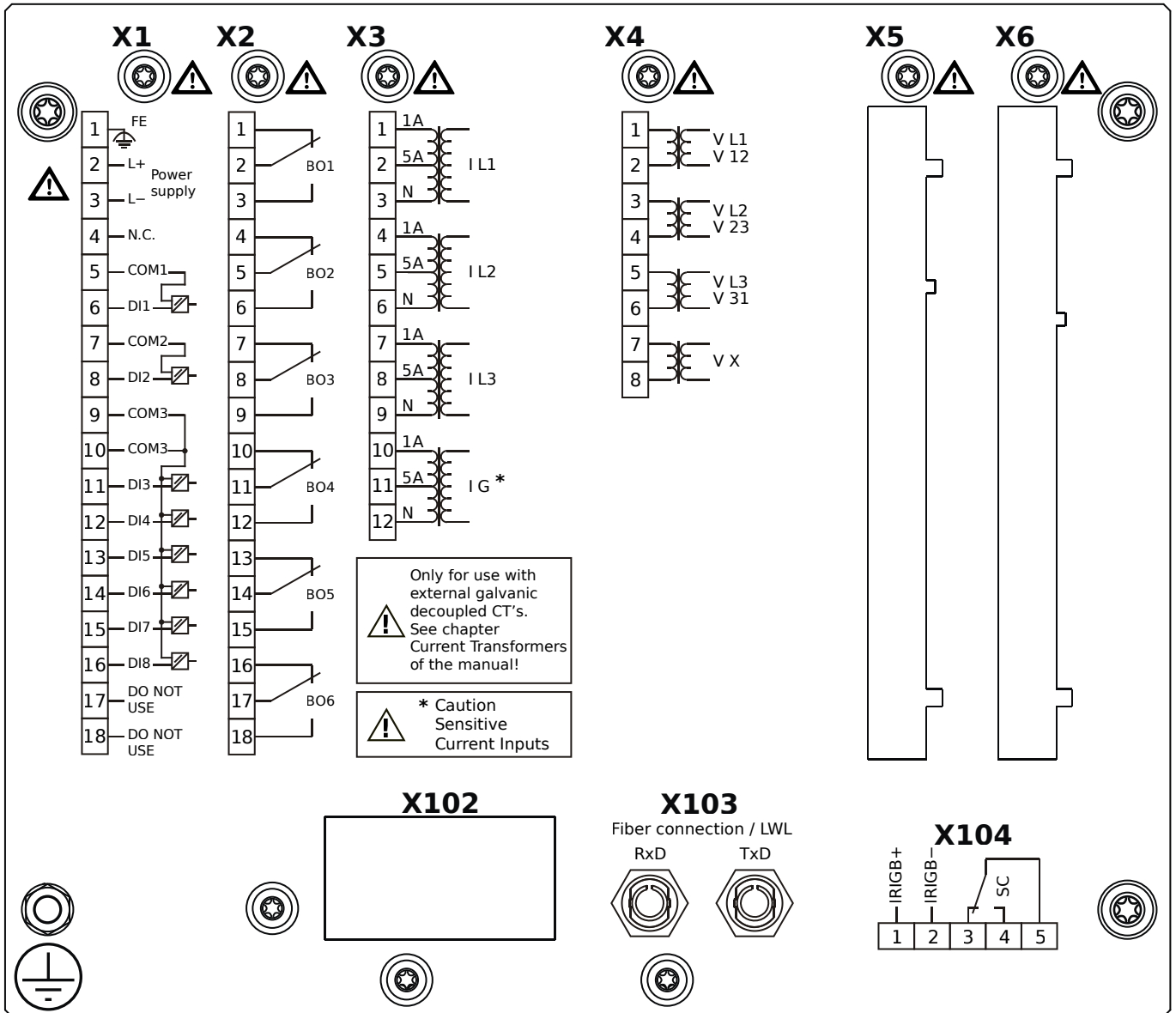
- X1** – DI8-X1: Wide-range power supply unit, incl. 2 non-grouped digital inputs and 6 grouped digital inputs
- X2** – OR-6: Assembly Group with 6 Relay Outputs
- X3** – TIs-4: Standard phase current measuring card and sensitive ground current measuring
- X4** – TU: Card with 4 voltage transformer measuring inputs
- X100** – Modbus TCP / DNP3.0 TCP/UDP, Ethernet interface, 100 Mbit/s, RJ45 (BASE100-FX)
- X104** – IRIG-B00X, incl. System Contact (Supervision Contact)

# MCA4-2A1BCB



- X1** – DI8-X1: Wide-range power supply unit, incl. 2 non-grouped digital inputs and 6 grouped digital inputs
- X2** – OR-6: Assembly Group with 6 Relay Outputs
- X3** – TIs-4: Standard phase current measuring card and sensitive ground current measuring
- X4** – TU: Card with 4 voltage transformer measuring inputs
- X100** – Modbus TCP / DNP3.0 TCP/UDP, Ethernet interface, 100 Mbit/s, RJ45 (BASE100-FX)
- X104** – IRIG-B00X, incl. System Contact (Supervision Contact)

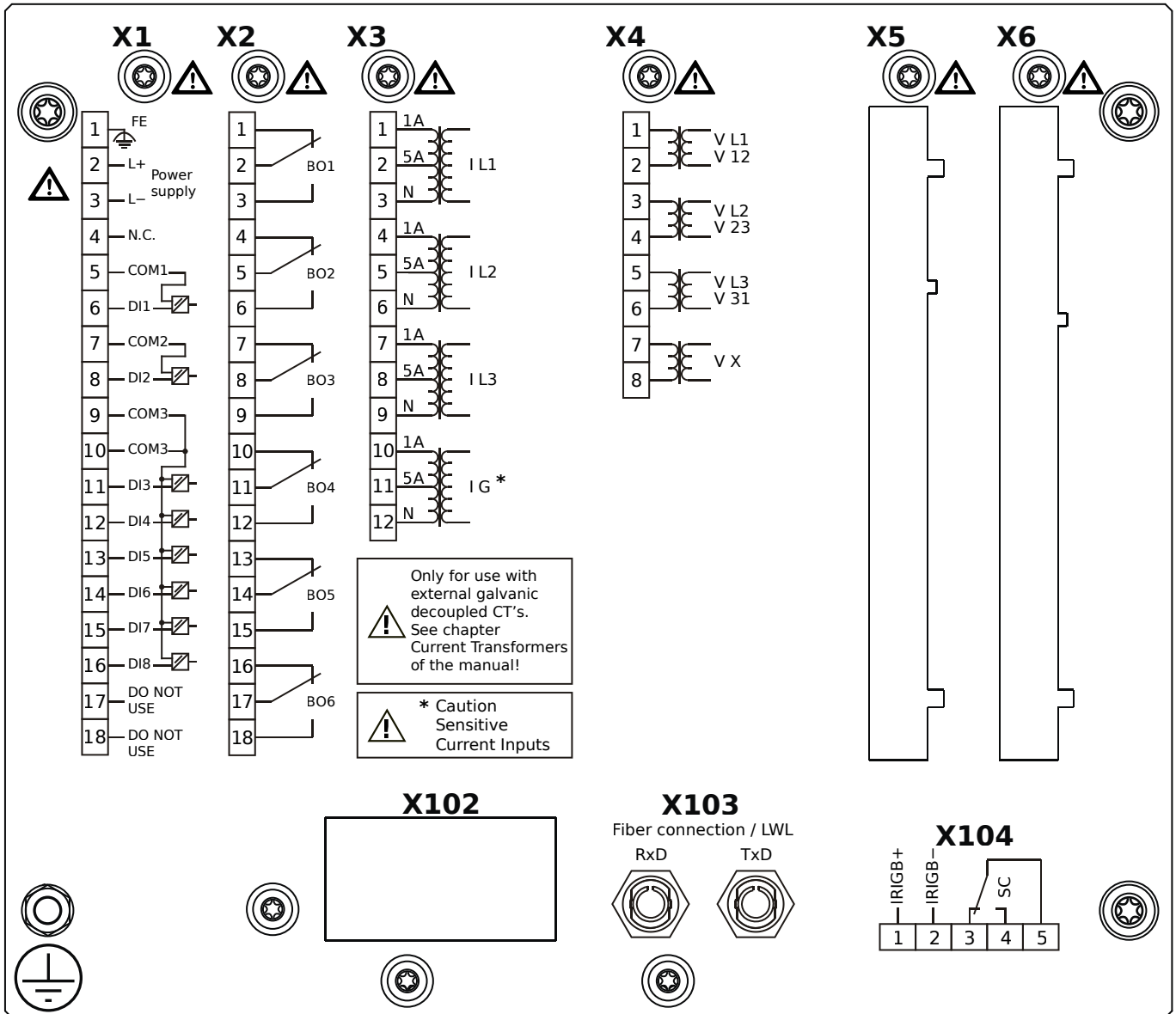
# MCA4-2A1BDA



- X1** – DI8-X1: Wide-range power supply unit, incl. 2 non-grouped digital inputs and 6 grouped digital inputs
- X2** – OR-6: Assembly Group with 6 Relay Outputs
- X3** – TIs-4: Standard phase current measuring card and sensitive ground current measuring
- X4** – TU: Card with 4 voltage transformer measuring inputs
- X103** – Profibus-DP, Fiber optics interface, ST Connector
- X104** – IRIG-B00X, incl. System Contact (Supervision Contact)

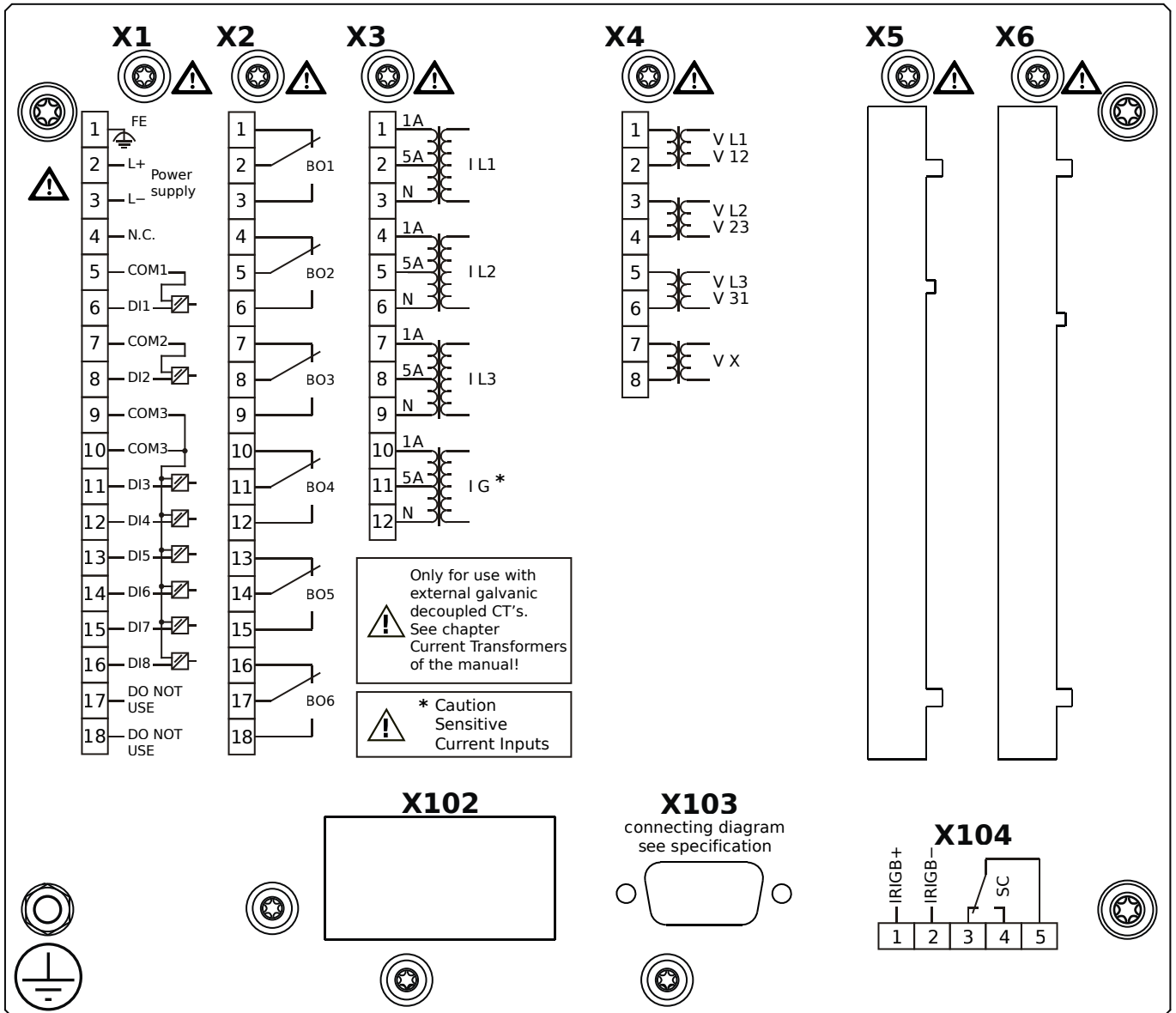


# MCA4-2A1BDB



- X1** – DI8-X1: Wide-range power supply unit, incl. 2 non-grouped digital inputs and 6 grouped digital inputs
- X2** – OR-6: Assembly Group with 6 Relay Outputs
- X3** – TIs-4: Standard phase current measuring card and sensitive ground current measuring
- X4** – TU: Card with 4 voltage transformer measuring inputs
- X103** – Profibus-DP, Fiber optics interface, ST Connector
- X104** – IRIG-B00X, incl. System Contact (Supervision Contact)

# MCA4-2A1BEA



**X1** – DI8-X1: Wide-range power supply unit, incl. 2 non-grouped digital inputs and 6 grouped digital inputs

**X2** – OR-6: Assembly Group with 6 Relay Outputs

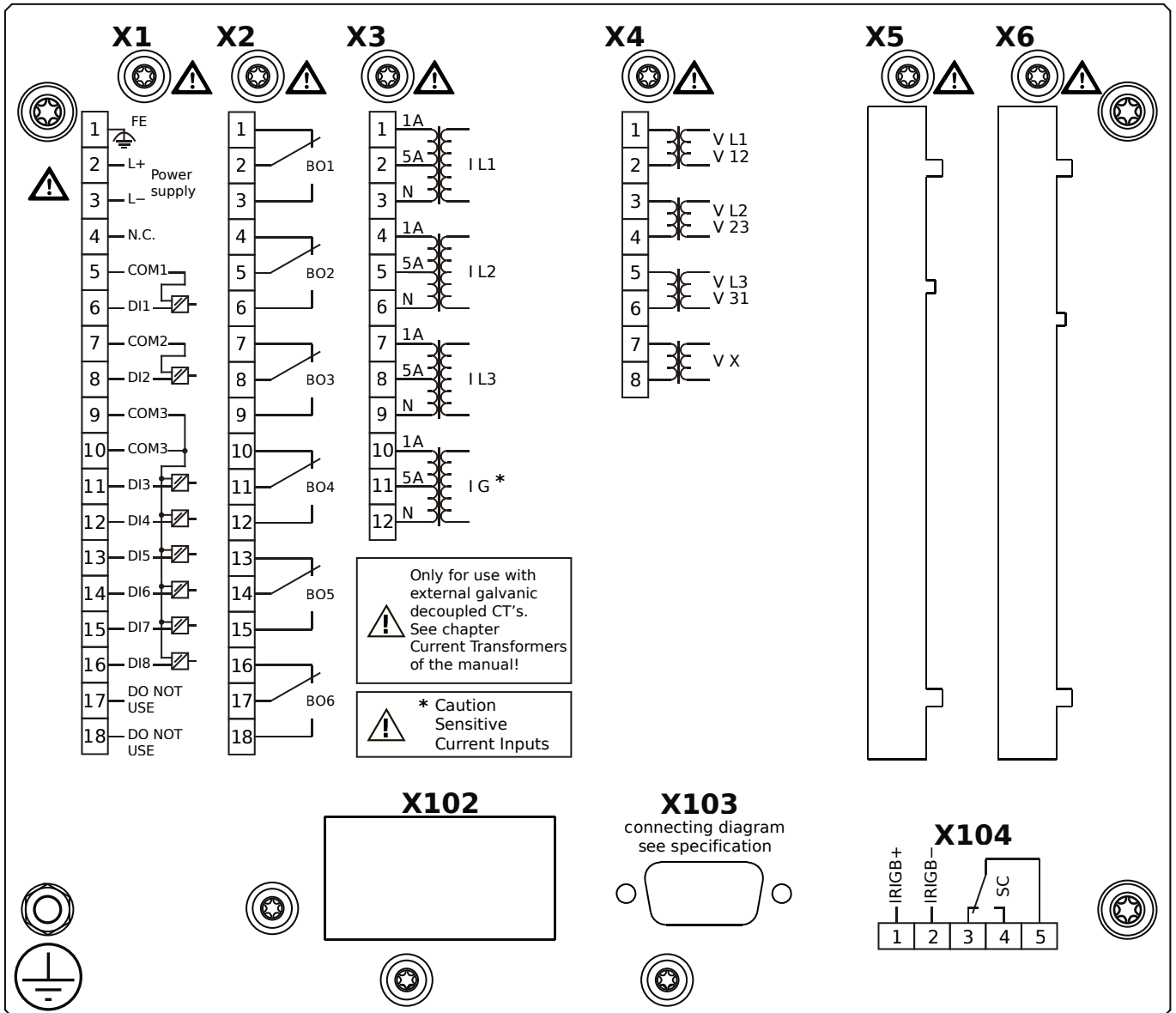
**X3** – TIs-4: Standard phase current measuring card and sensitive ground current measuring

**X4** – TU: Card with 4 voltage transformer measuring inputs

**X103** – Profibus-DP, RS485, D-SUB

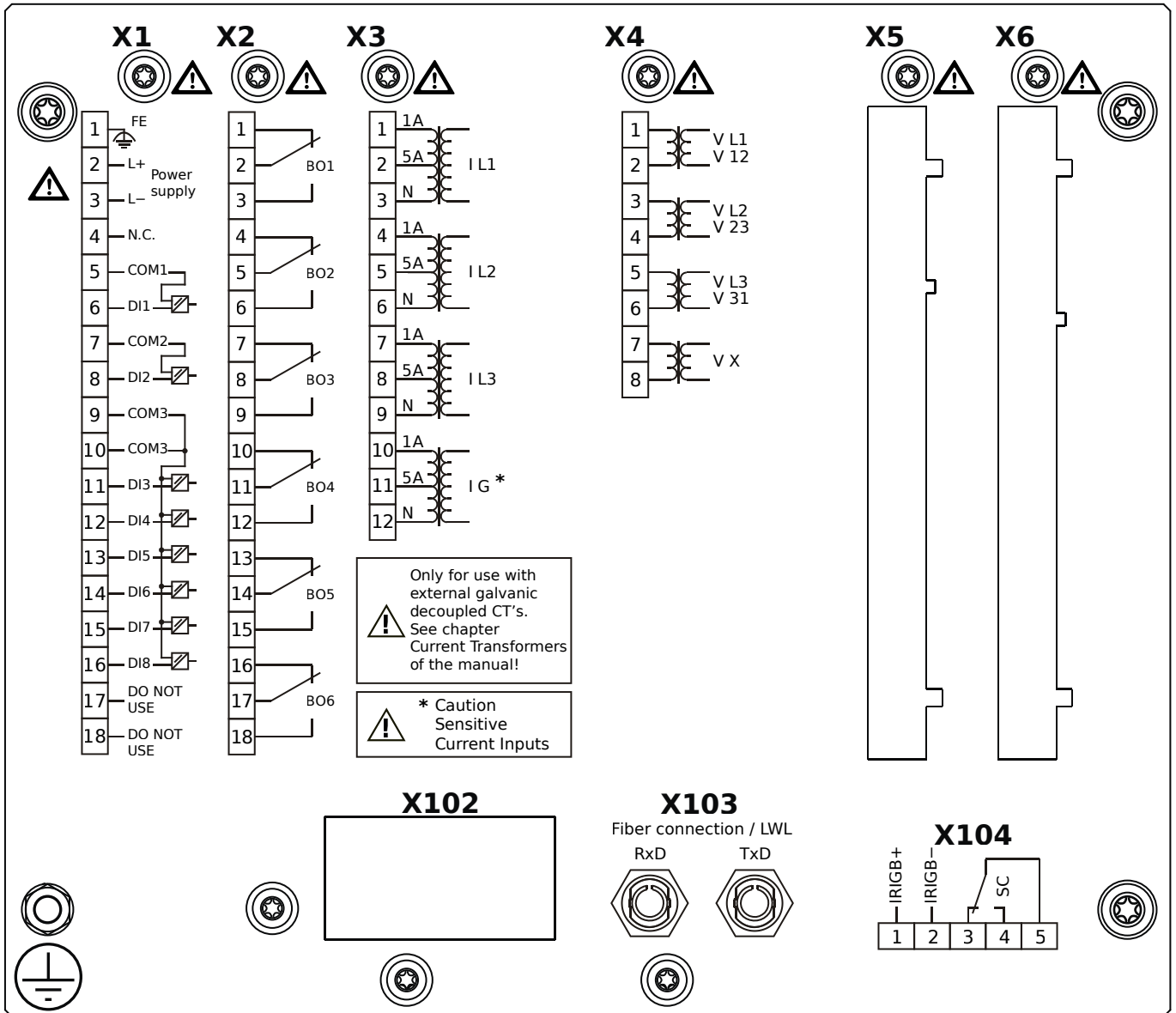
**X104** – IRIG-B00X, incl. System Contact (Supervision Contact)

# MCA4-2A1BEB



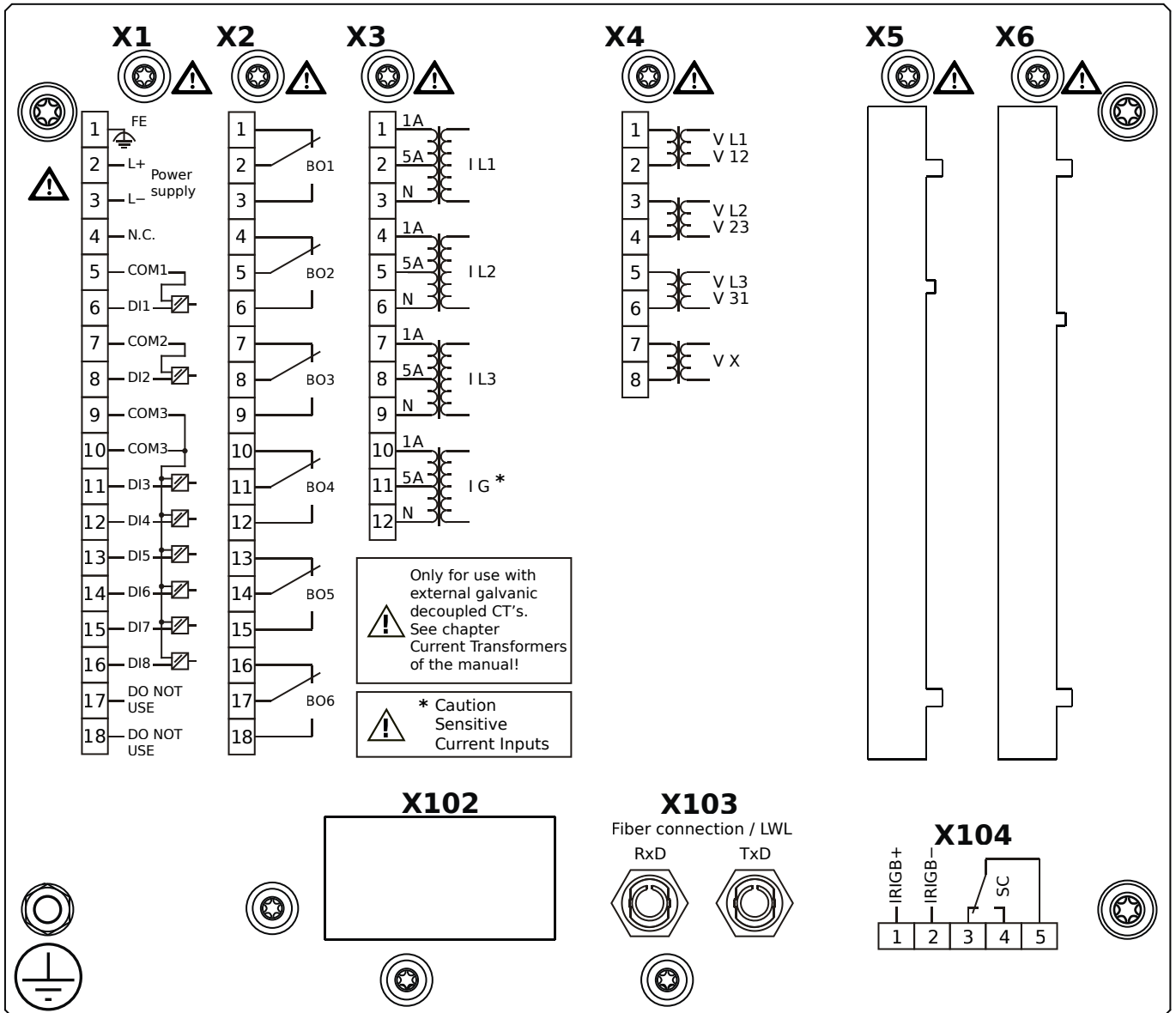
- X1** – DI8-X1: Wide-range power supply unit, incl. 2 non-grouped digital inputs and 6 grouped digital inputs
- X2** – OR-6: Assembly Group with 6 Relay Outputs
- X3** – TIs-4: Standard phase current measuring card and sensitive ground current measuring
- X4** – TU: Card with 4 voltage transformer measuring inputs
- X103** – Profibus-DP, RS485, D-SUB
- X104** – IRIG-B00X, incl. System Contact (Supervision Contact)

# MCA4-2A1BFA



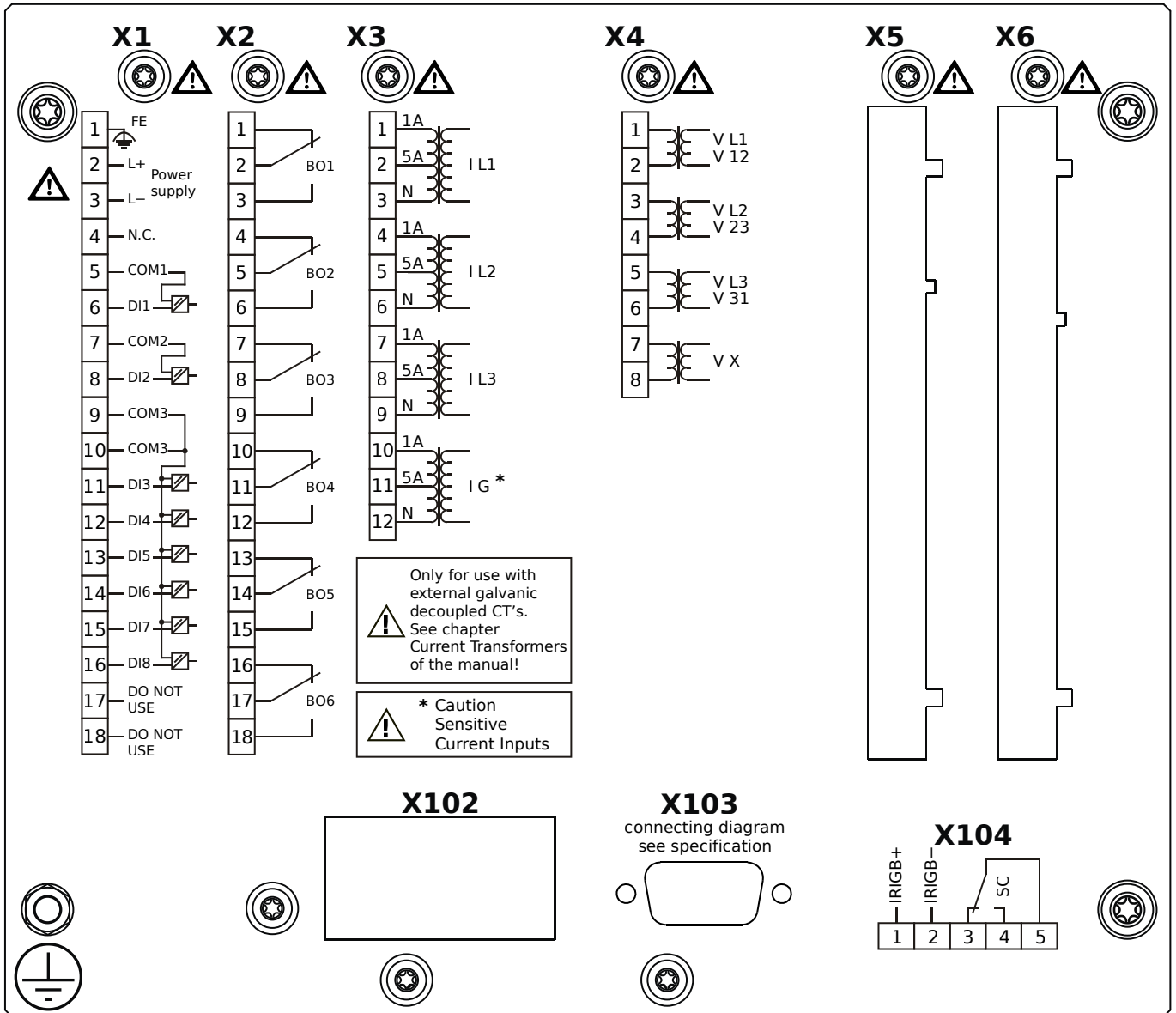
- X1** – DI8-X1: Wide-range power supply unit, incl. 2 non-grouped digital inputs and 6 grouped digital inputs
- X2** – OR-6: Assembly Group with 6 Relay Outputs
- X3** – TIs-4: Standard phase current measuring card and sensitive ground current measuring
- X4** – TU: Card with 4 voltage transformer measuring inputs
- X103** – Modbus RTU / IEC 60870-5-103 / DNP3.0 RTU, Fiber optics interface, ST Connector
- X104** – IRIG-B00X, incl. System Contact (Supervision Contact)

# MCA4-2A1BFB



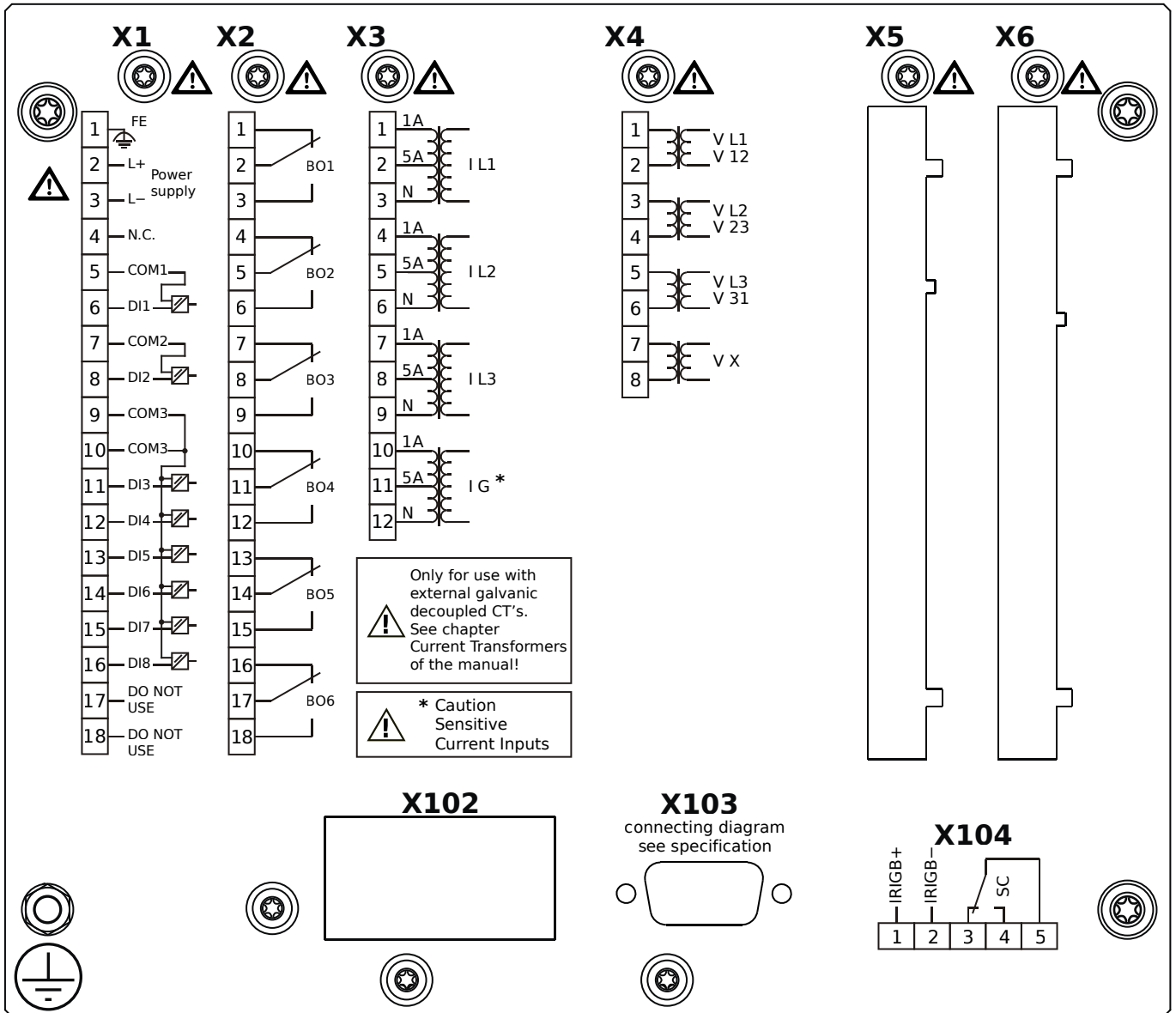
- X1** – DI8-X1: Wide-range power supply unit, incl. 2 non-grouped digital inputs and 6 grouped digital inputs
- X2** – OR-6: Assembly Group with 6 Relay Outputs
- X3** – TIs-4: Standard phase current measuring card and sensitive ground current measuring
- X4** – TU: Card with 4 voltage transformer measuring inputs
- X103** – Modbus RTU / IEC 60870-5-103 / DNP3.0 RTU, Fiber optics interface, ST Connector
- X104** – IRIG-B00X, incl. System Contact (Supervision Contact)

# MCA4-2A1BGA



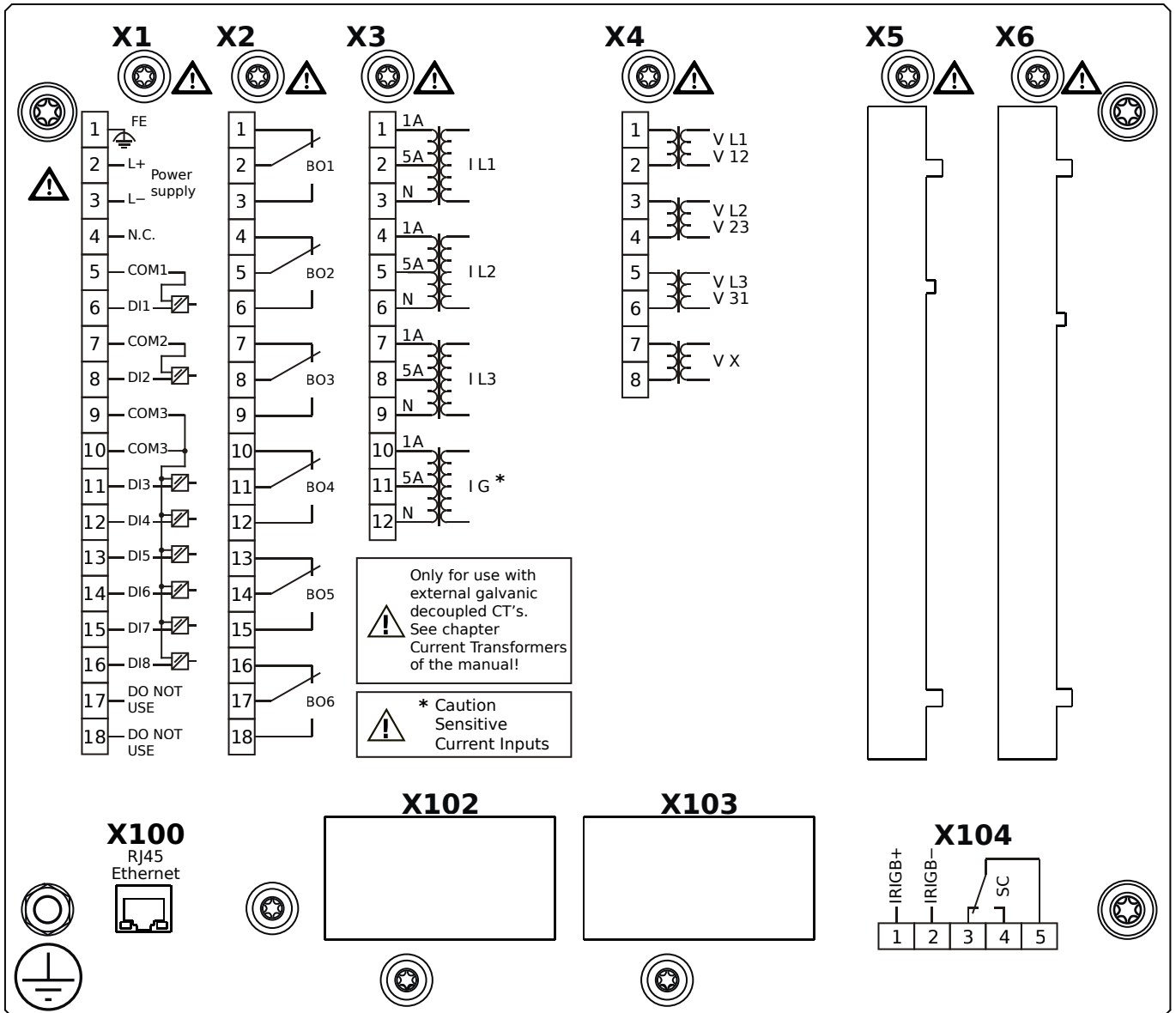
- X1** – DI8-X1: Wide-range power supply unit, incl. 2 non-grouped digital inputs and 6 grouped digital inputs
- X2** – OR-6: Assembly Group with 6 Relay Outputs
- X3** – TIs-4: Standard phase current measuring card and sensitive ground current measuring
- X4** – TU: Card with 4 voltage transformer measuring inputs
- X103** – Modbus RTU / IEC 60870-5-103 / DNP3.0 RTU, RS485, D-SUB
- X104** – IRIG-B00X, incl. System Contact (Supervision Contact)

# MCA4-2A1BGB



- X1** – DI8-X1: Wide-range power supply unit, incl. 2 non-grouped digital inputs and 6 grouped digital inputs
- X2** – OR-6: Assembly Group with 6 Relay Outputs
- X3** – TIs-4: Standard phase current measuring card and sensitive ground current measuring
- X4** – TU: Card with 4 voltage transformer measuring inputs
- X103** – Modbus RTU / IEC 60870-5-103 / DNP3.0 RTU, RS485, D-SUB
- X104** – IRIG-B00X, incl. System Contact (Supervision Contact)

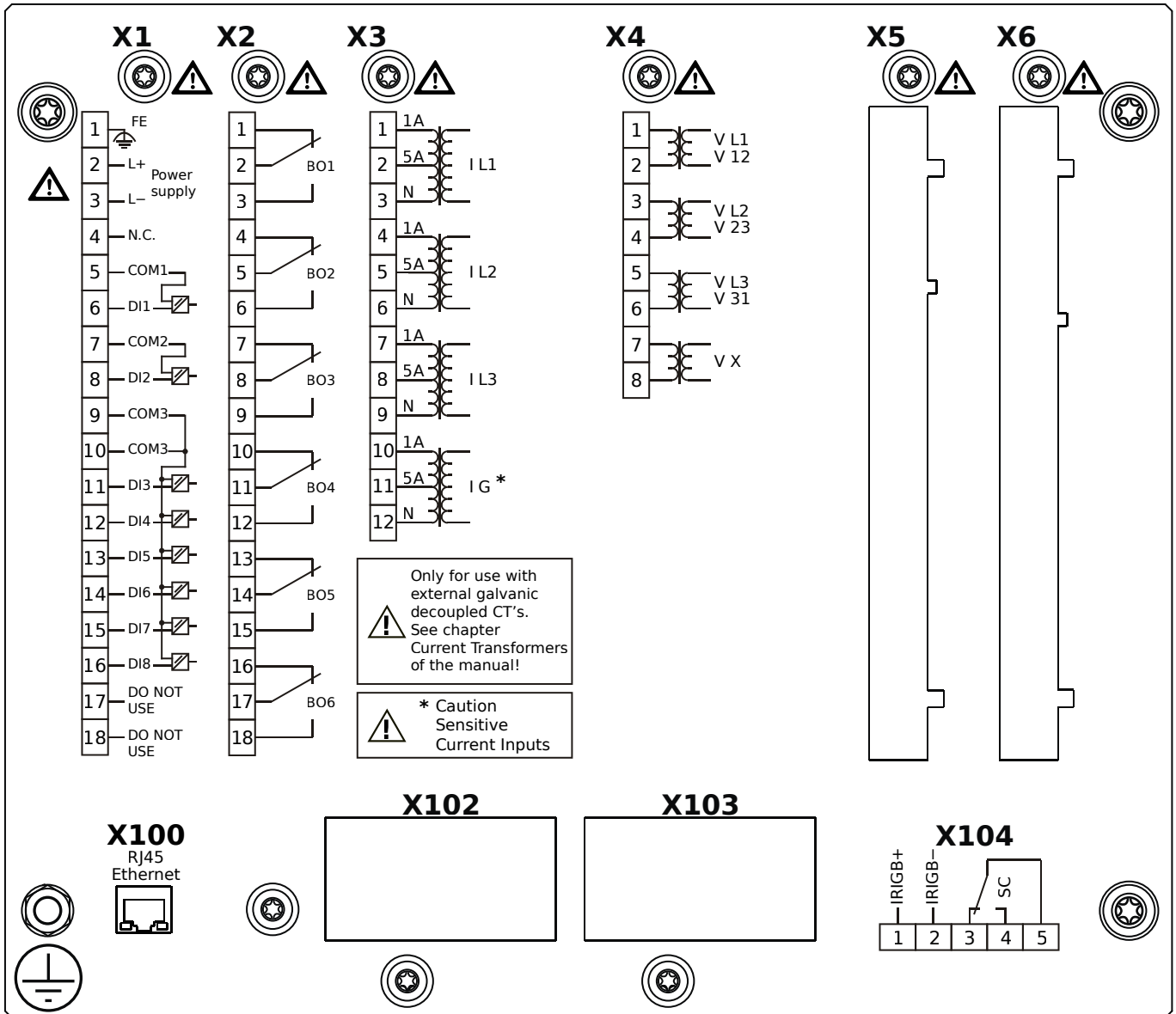
# MCA4-2A1BHA



- X1** – DI8-X1: Wide-range power supply unit, incl. 2 non-grouped digital inputs and 6 grouped digital inputs
- X2** – OR-6: Assembly Group with 6 Relay Outputs
- X3** – TIs-4: Standard phase current measuring card and sensitive ground current measuring
- X4** – TU: Card with 4 voltage transformer measuring inputs
- X100** – IEC 61850 / Modbus TCP / DNP3.0 TCP/UDP, Ethernet interface, 100 Mbit/s, RJ45 (BASE100-FX)
- X104** – IRIG-B00X, incl. System Contact (Supervision Contact)

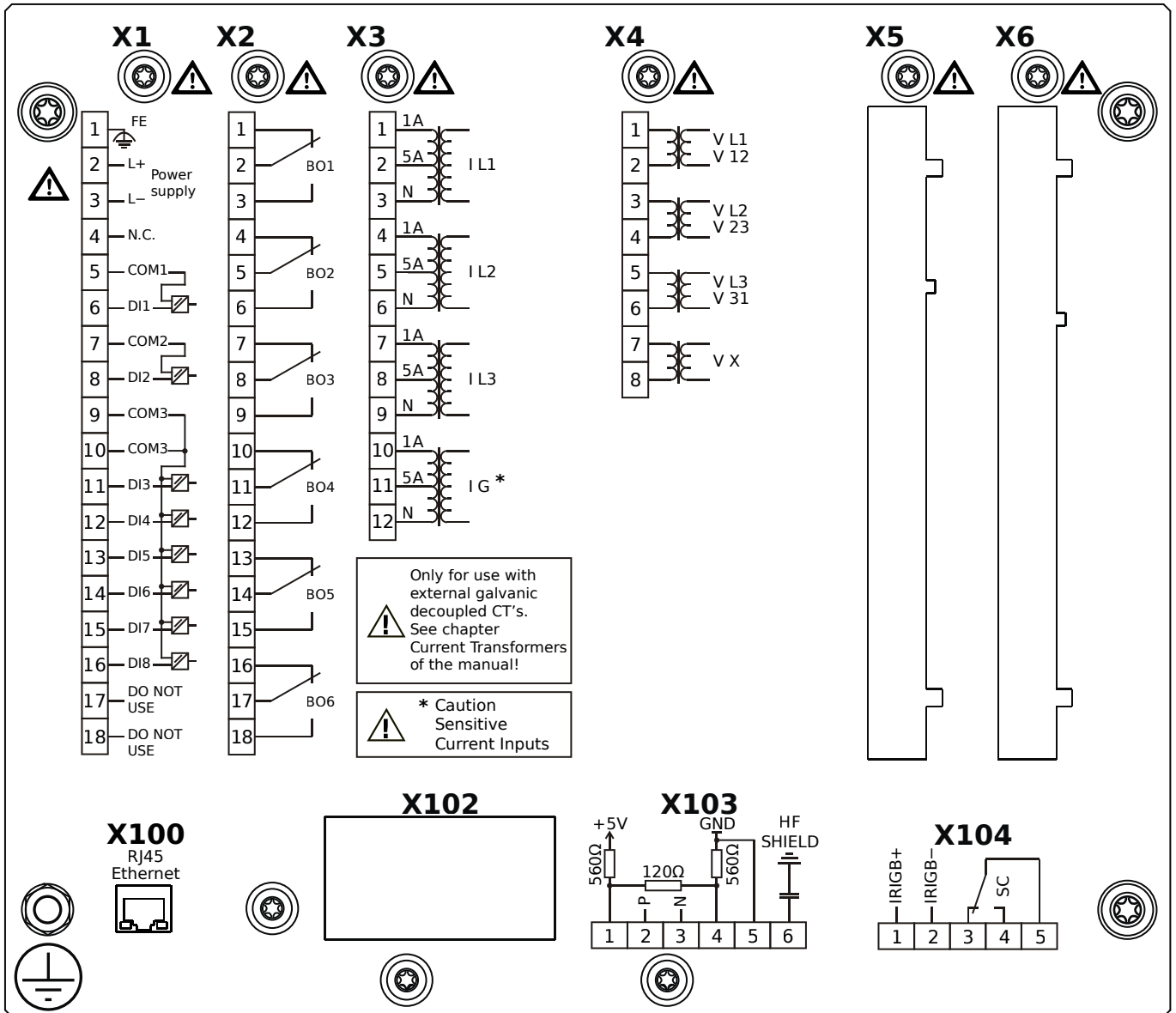


# MCA4-2A1BHB



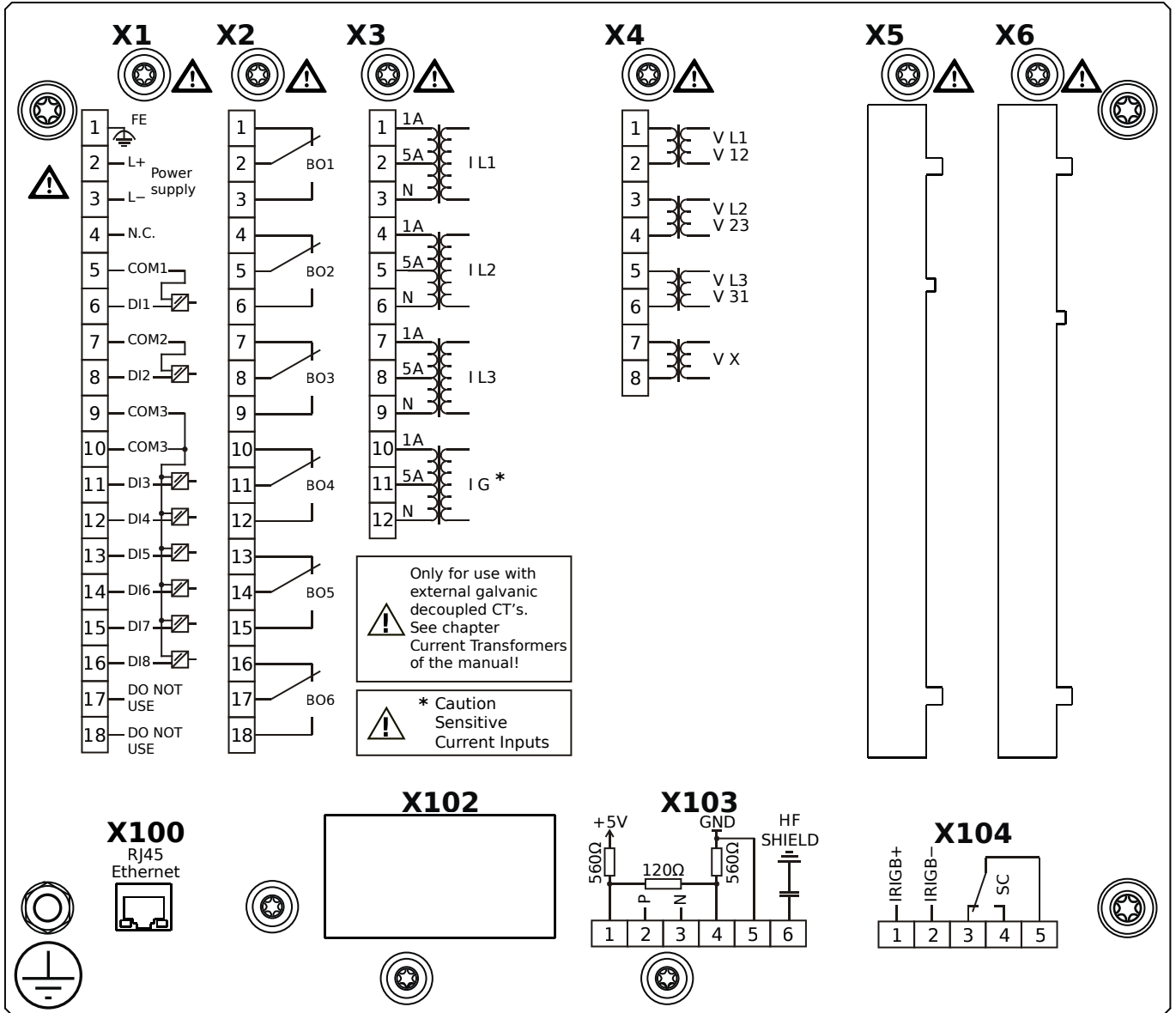
- X1** – DI8-X1: Wide-range power supply unit, incl. 2 non-grouped digital inputs and 6 grouped digital inputs
- X2** – OR-6: Assembly Group with 6 Relay Outputs
- X3** – TIs-4: Standard phase current measuring card and sensitive ground current measuring
- X4** – TU: Card with 4 voltage transformer measuring inputs
- X100** – IEC 61850 / Modbus TCP / DNP3.0 TCP/UDP, Ethernet interface, 100 Mbit/s, RJ45 (BASE100-FX)
- X104** – IRIG-B00X, incl. System Contact (Supervision Contact)

# MCA4-2A1BIA



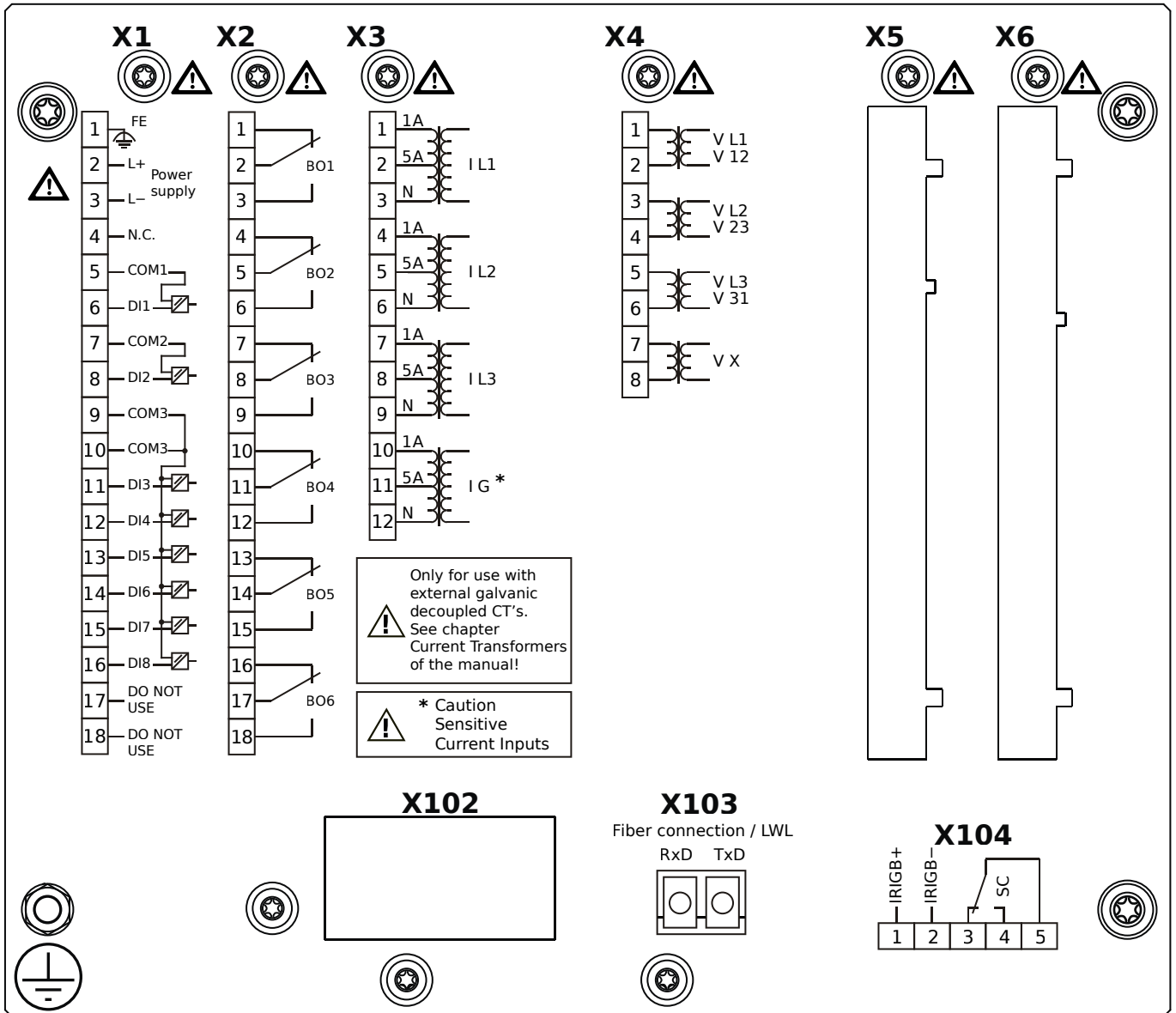
- X1** – DI8-X1: Wide-range power supply unit, incl. 2 non-grouped digital inputs and 6 grouped digital inputs
- X2** – OR-6: Assembly Group with 6 Relay Outputs
- X3** – TIs-4: Standard phase current measuring card and sensitive ground current measuring
- X4** – TU: Card with 4 voltage transformer measuring inputs
- X100** – Modbus TCP / DNP3.0 TCP/UDP, Ethernet interface, 100 Mbit/s, RJ45 (BASE100-FX)
- X103** – IEC 60870-5-103 / Modbus RTU / DNP3.0 RTU, RS485, Terminals
- X104** – IRIG-B00X, incl. System Contact (Supervision Contact)

# MCA4-2A1BIB



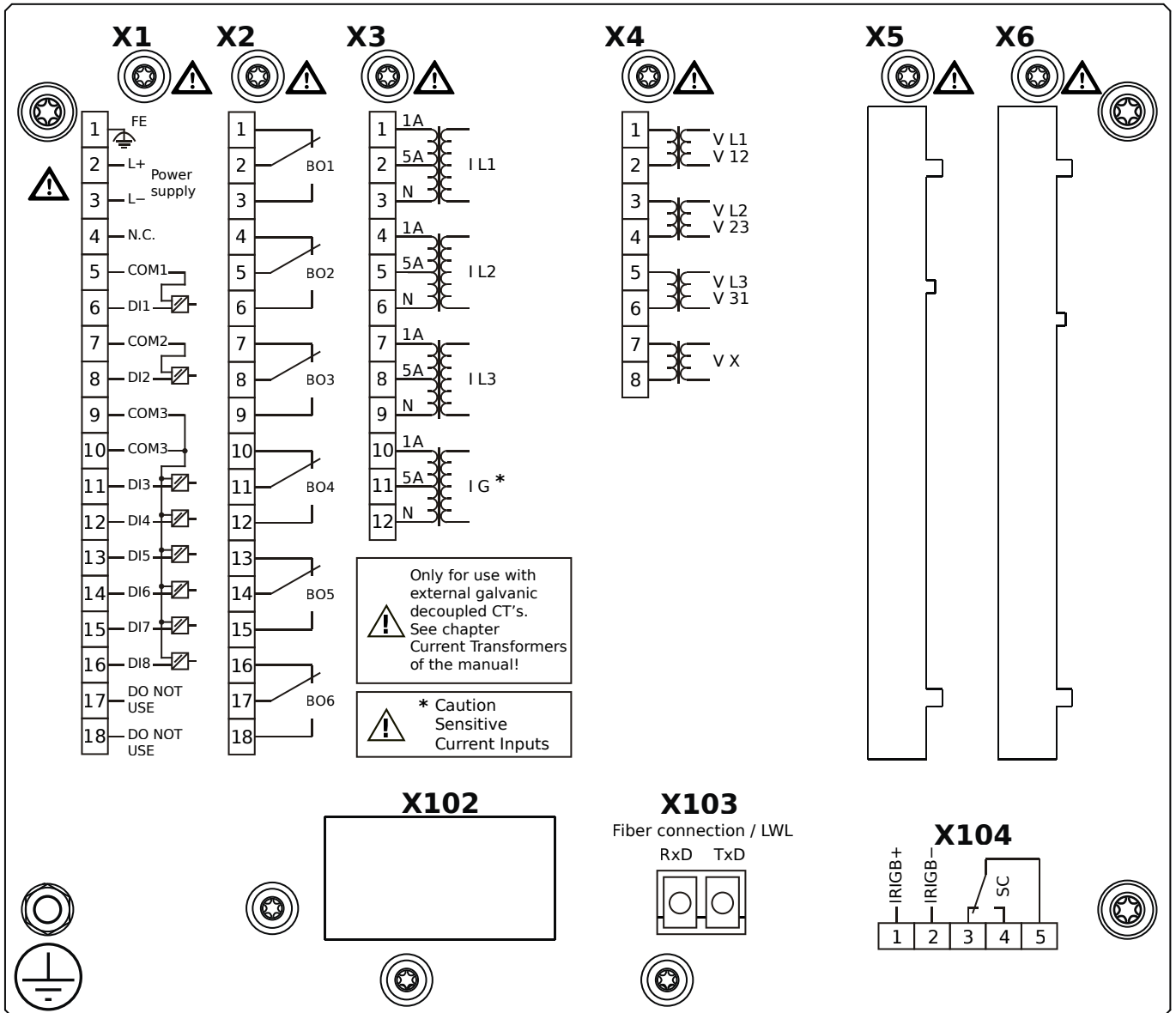
- X1** – DI8-X1: Wide-range power supply unit, incl. 2 non-grouped digital inputs and 6 grouped digital inputs
- X2** – OR-6: Assembly Group with 6 Relay Outputs
- X3** – TIs-4: Standard phase current measuring card and sensitive ground current measuring
- X4** – TU: Card with 4 voltage transformer measuring inputs
- X100** – Modbus TCP / DNP3.0 TCP/UDP, Ethernet interface, 100 Mbit/s, RJ45 (BASE100-FX)
- X103** – IEC 60870-5-103 / Modbus RTU / DNP3.0 RTU, RS485, Terminals
- X104** – IRIG-B00X, incl. System Contact (Supervision Contact)

# MCA4-2A1BKA



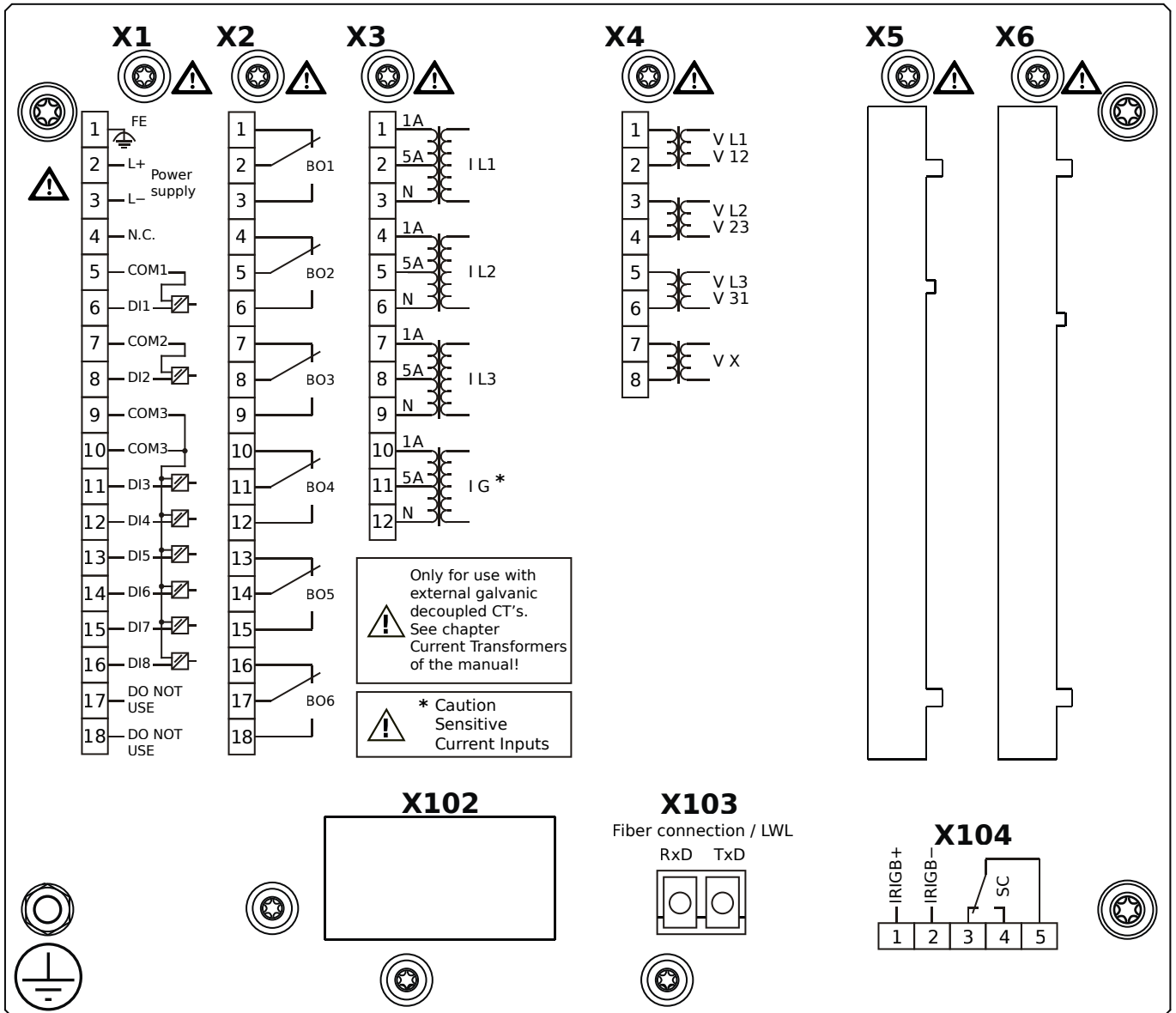
- X1** – DI8-X1: Wide-range power supply unit, incl. 2 non-grouped digital inputs and 6 grouped digital inputs
- X2** – OR-6: Assembly Group with 6 Relay Outputs
- X3** – TIs-4: Standard phase current measuring card and sensitive ground current measuring
- X4** – TU: Card with 4 voltage transformer measuring inputs
- X103** – IEC 61850 / Modbus TCP / DNP3.0 TCP/UDP, Fiber optics interface, LC Connector
- X104** – IRIG-B00X, incl. System Contact (Supervision Contact)

# MCA4-2A1BKB



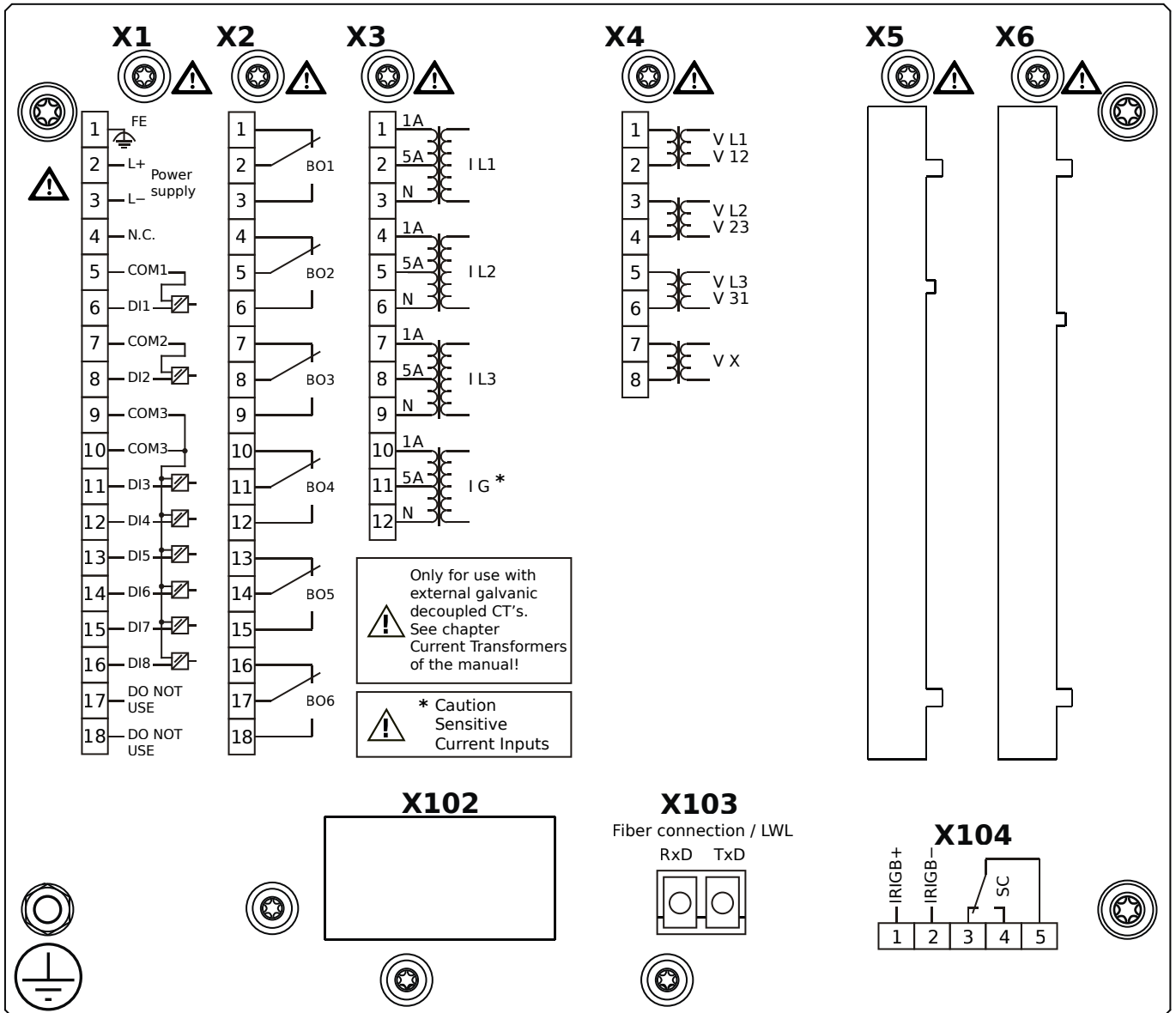
- X1** – DI8-X1: Wide-range power supply unit, incl. 2 non-grouped digital inputs and 6 grouped digital inputs
- X2** – OR-6: Assembly Group with 6 Relay Outputs
- X3** – TIs-4: Standard phase current measuring card and sensitive ground current measuring
- X4** – TU: Card with 4 voltage transformer measuring inputs
- X103** – IEC 61850 / Modbus TCP / DNP3.0 TCP/UDP, Fiber optics interface, LC Connector
- X104** – IRIG-B00X, incl. System Contact (Supervision Contact)

# MCA4-2A1BLA



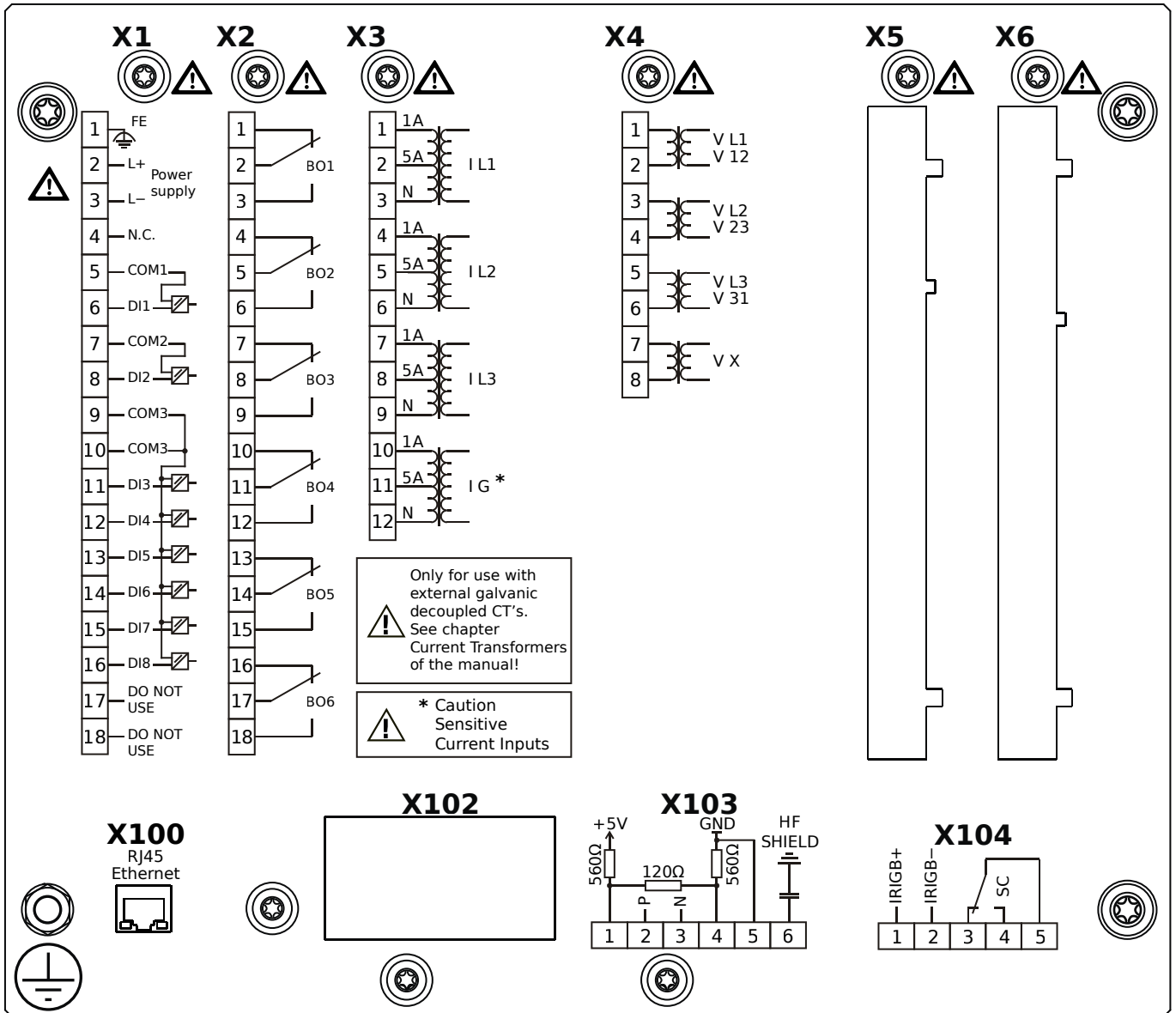
- X1** – DI8-X1: Wide-range power supply unit, incl. 2 non-grouped digital inputs and 6 grouped digital inputs
- X2** – OR-6: Assembly Group with 6 Relay Outputs
- X3** – TIs-4: Standard phase current measuring card and sensitive ground current measuring
- X4** – TU: Card with 4 voltage transformer measuring inputs
- X103** – Modbus TCP / DNP3.0 TCP/UDP, Fiber optics interface, LC Connector
- X104** – IRIG-B00X, incl. System Contact (Supervision Contact)

# MCA4-2A1BLB



- X1** – DI8-X1: Wide-range power supply unit, incl. 2 non-grouped digital inputs and 6 grouped digital inputs
- X2** – OR-6: Assembly Group with 6 Relay Outputs
- X3** – TIs-4: Standard phase current measuring card and sensitive ground current measuring
- X4** – TU: Card with 4 voltage transformer measuring inputs
- X103** – Modbus TCP / DNP3.0 TCP/UDP, Fiber optics interface, LC Connector
- X104** – IRIG-B00X, incl. System Contact (Supervision Contact)

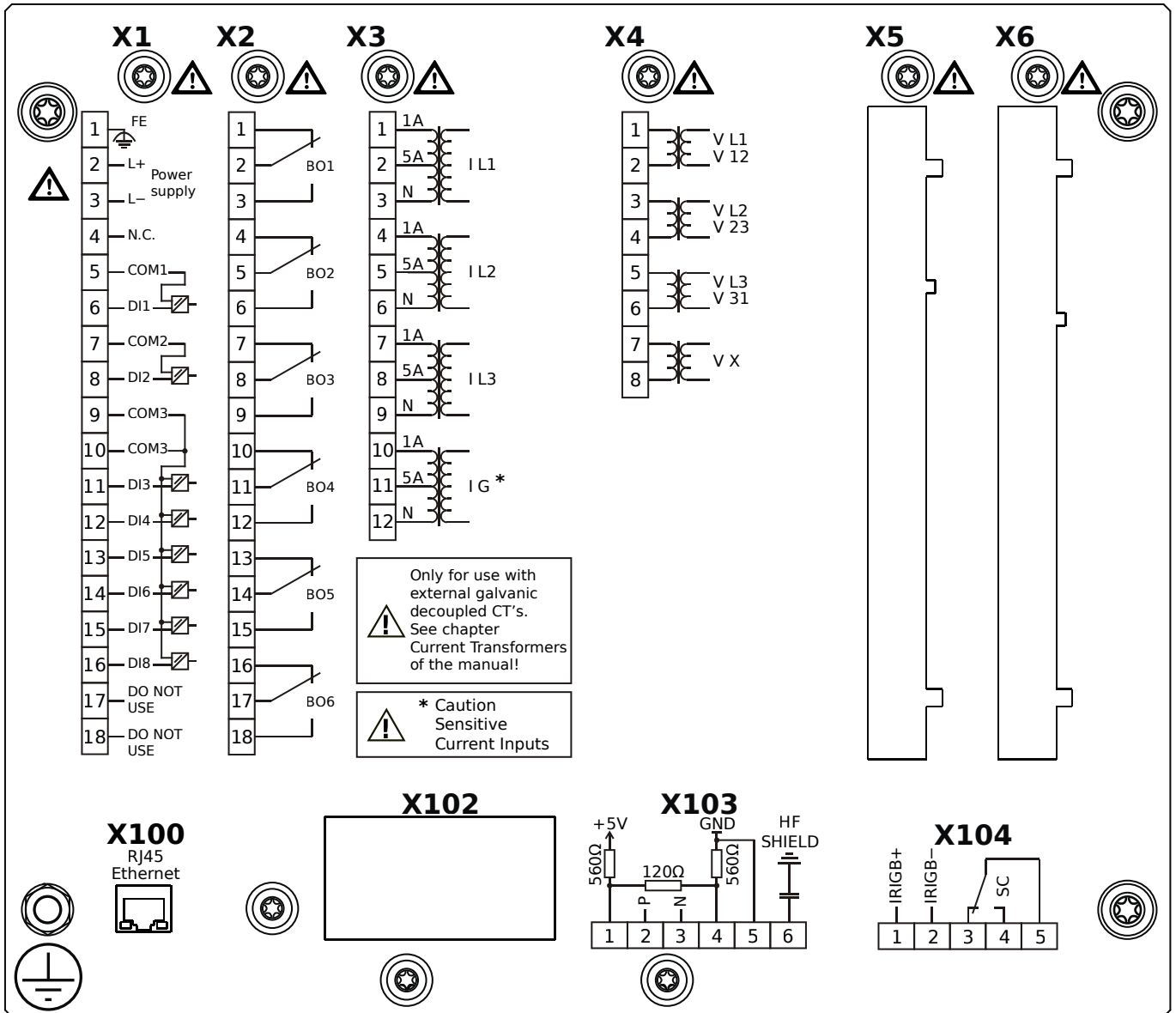
# MCA4-2A1BTA



- X1** – DI8-X1: Wide-range power supply unit, incl. 2 non-grouped digital inputs and 6 grouped digital inputs
- X2** – OR-6: Assembly Group with 6 Relay Outputs
- X3** – TIs-4: Standard phase current measuring card and sensitive ground current measuring
- X4** – TU: Card with 4 voltage transformer measuring inputs
- X100** – IEC 61850 / Modbus TCP / DNP3.0 TCP/UDP, Ethernet interface, 100 Mbit/s, RJ45 (BASE100-FX)
- X103** – IEC 60870-5-103 / Modbus RTU / DNP3.0 RTU, RS485, Terminals
- X104** – IRIG-B00X, incl. System Contact (Supervision Contact)

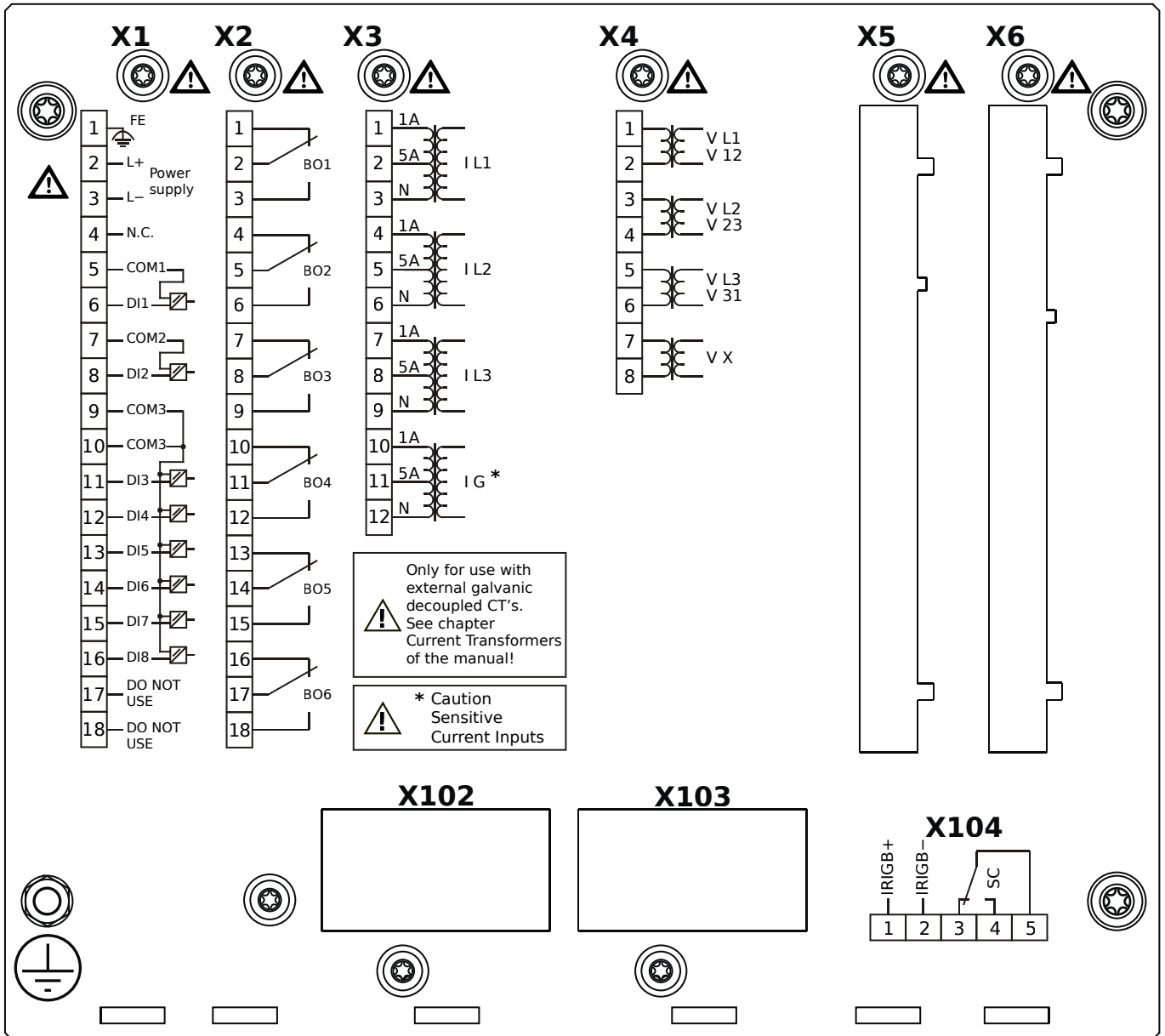


# MCA4-2A1BTB



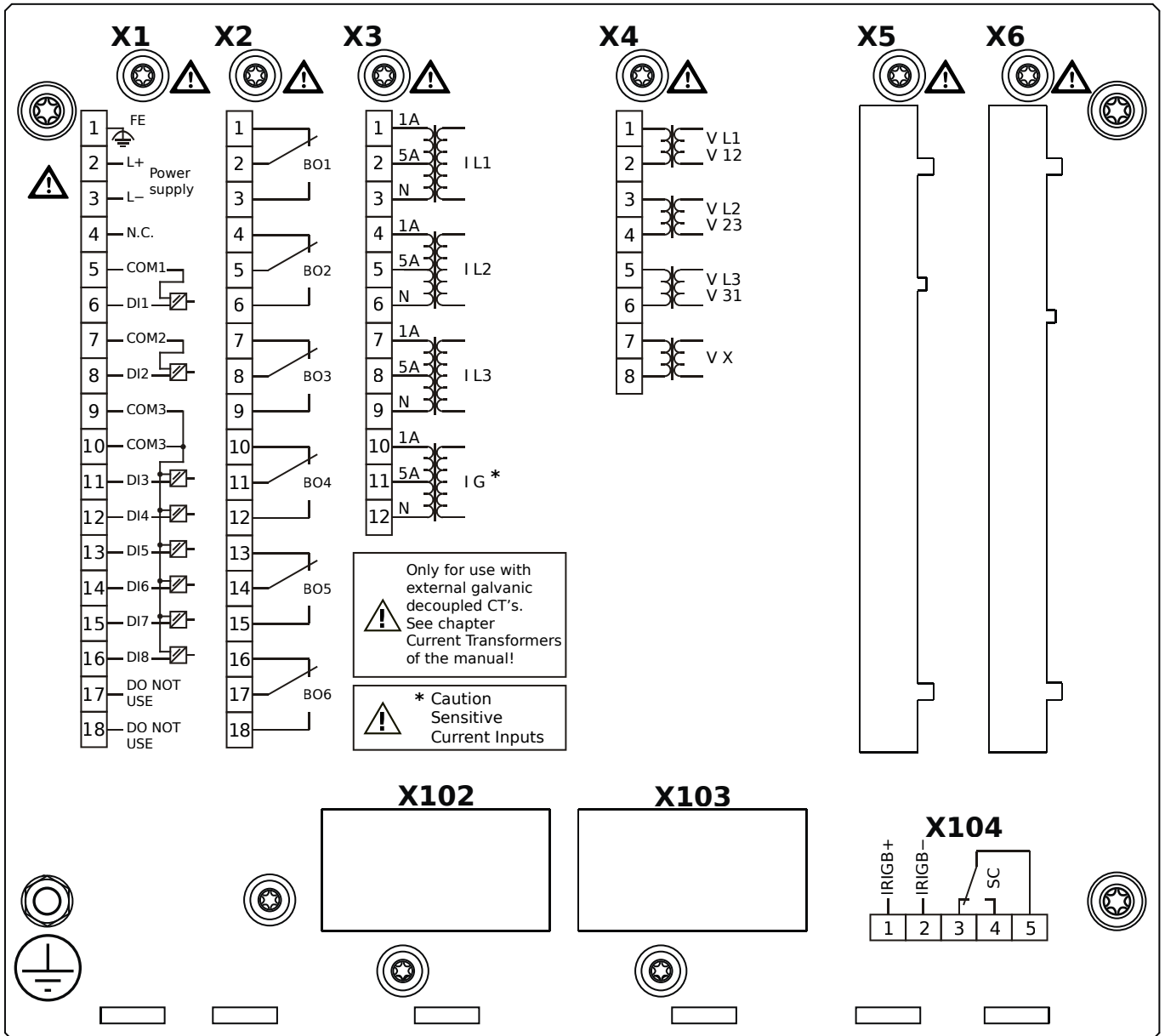
- X1** – DI8-X1: Wide-range power supply unit, incl. 2 non-grouped digital inputs and 6 grouped digital inputs
- X2** – OR-6: Assembly Group with 6 Relay Outputs
- X3** – TIs-4: Standard phase current measuring card and sensitive ground current measuring
- X4** – TU: Card with 4 voltage transformer measuring inputs
- X100** – IEC 61850 / Modbus TCP / DNP3.0 TCP/UDP, Ethernet interface, 100 Mbit/s, RJ45 (BASE100-FX)
- X103** – IEC 60870-5-103 / Modbus RTU / DNP3.0 RTU, RS485, Terminals
- X104** – IRIG-B00X, incl. System Contact (Supervision Contact)

# MCA4-2A1HAA



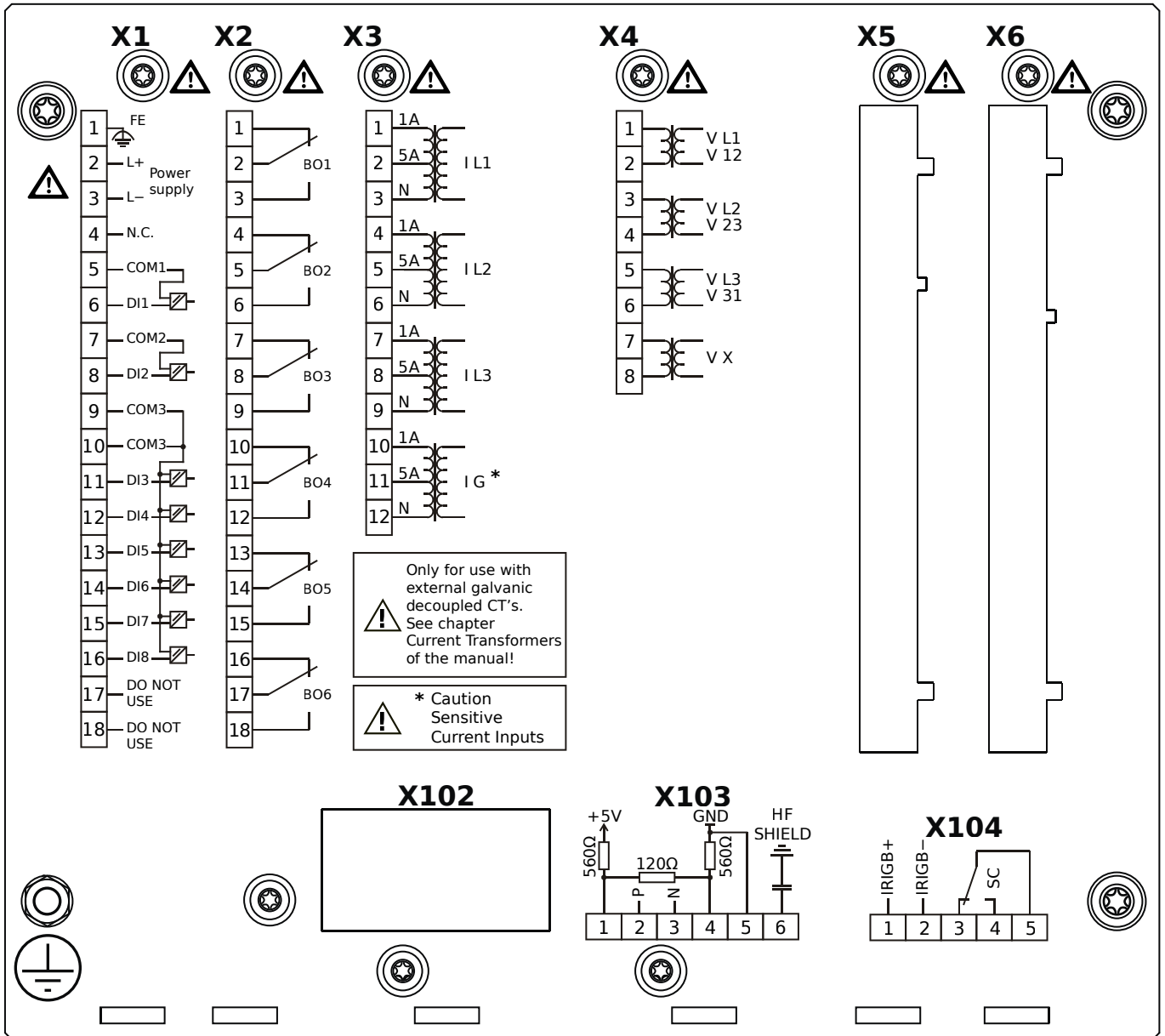
- X1** – DI8-X1: Wide-range power supply unit, incl. 2 non-grouped digital inputs and 6 grouped digital inputs
- X2** – OR-6: Assembly Group with 6 Relay Outputs
- X3** – TIs-4: Standard phase current measuring card and sensitive ground current measuring
- X4** – TU: Card with 4 voltage transformer measuring inputs
- X104** – IRIG-B00X, incl. System Contact (Supervision Contact)

# MCA4-2A1HAB



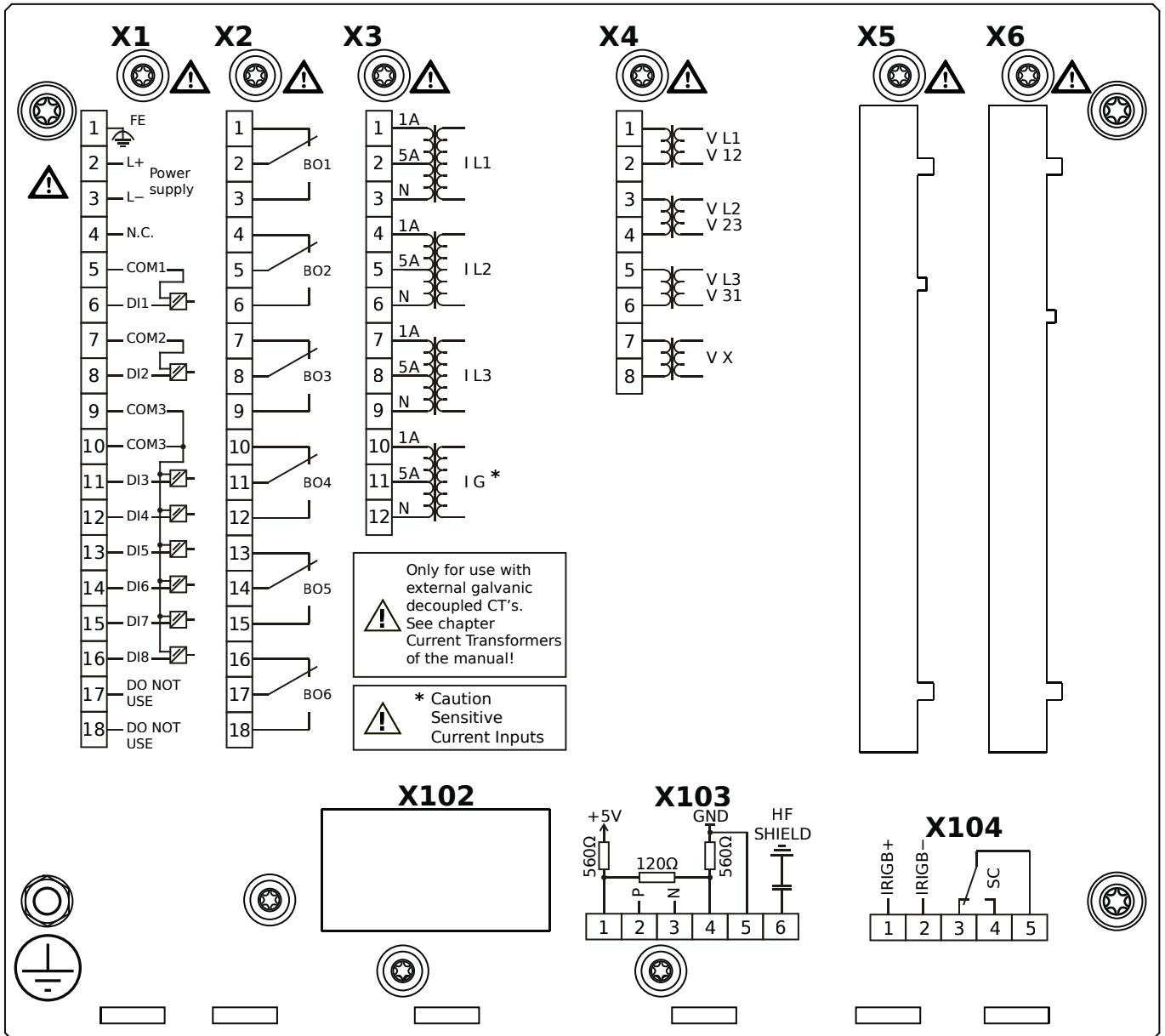
- X1** – DI8-X1: Wide-range power supply unit, incl. 2 non-grouped digital inputs and 6 grouped digital inputs
- X2** – OR-6: Assembly Group with 6 Relay Outputs
- X3** – TIs-4: Standard phase current measuring card and sensitive ground current measuring
- X4** – TU: Card with 4 voltage transformer measuring inputs
- X104** – IRIG-B00X, incl. System Contact (Supervision Contact)

# MCA4-2A1HBA



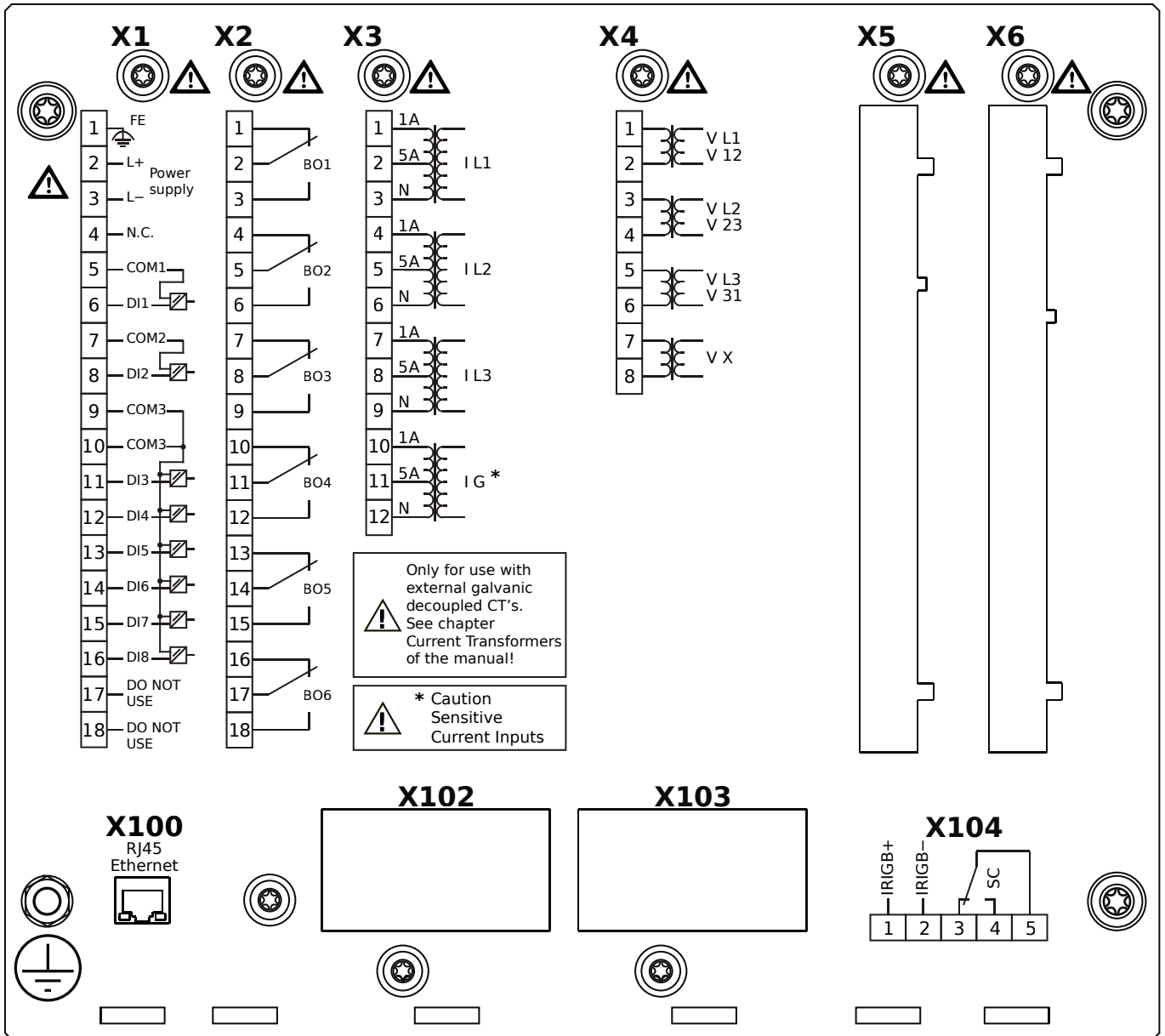
- X1** – DI8-X1: Wide-range power supply unit, incl. 2 non-grouped digital inputs and 6 grouped digital inputs
- X2** – OR-6: Assembly Group with 6 Relay Outputs
- X3** – TIs-4: Standard phase current measuring card and sensitive ground current measuring
- X4** – TU: Card with 4 voltage transformer measuring inputs
- X103** – Modbus RTU / IEC 60870-5-103 / DNP3.0 RTU, RS485, Terminals
- X104** – IRIG-B00X, incl. System Contact (Supervision Contact)

# MCA4-2A1HBB



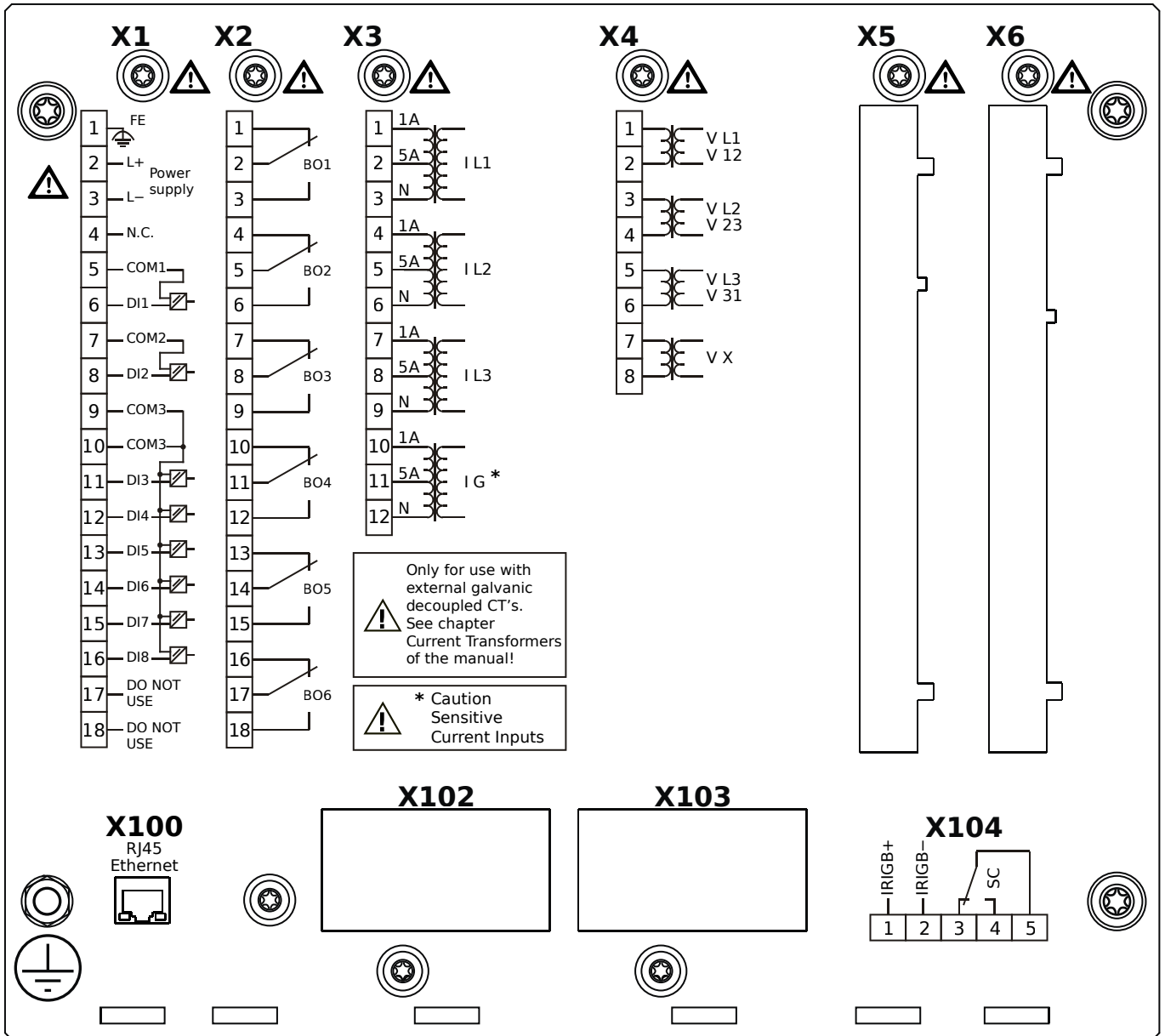
- X1** – DI8-X1: Wide-range power supply unit, incl. 2 non-grouped digital inputs and 6 grouped digital inputs
- X2** – OR-6: Assembly Group with 6 Relay Outputs
- X3** – TIs-4: Standard phase current measuring card and sensitive ground current measuring
- X4** – TU: Card with 4 voltage transformer measuring inputs
- X103** – Modbus RTU / IEC 60870-5-103 / DNP3.0 RTU, RS485, Terminals
- X104** – IRIG-B00X, incl. System Contact (Supervision Contact)

# MCA4-2A1HCA



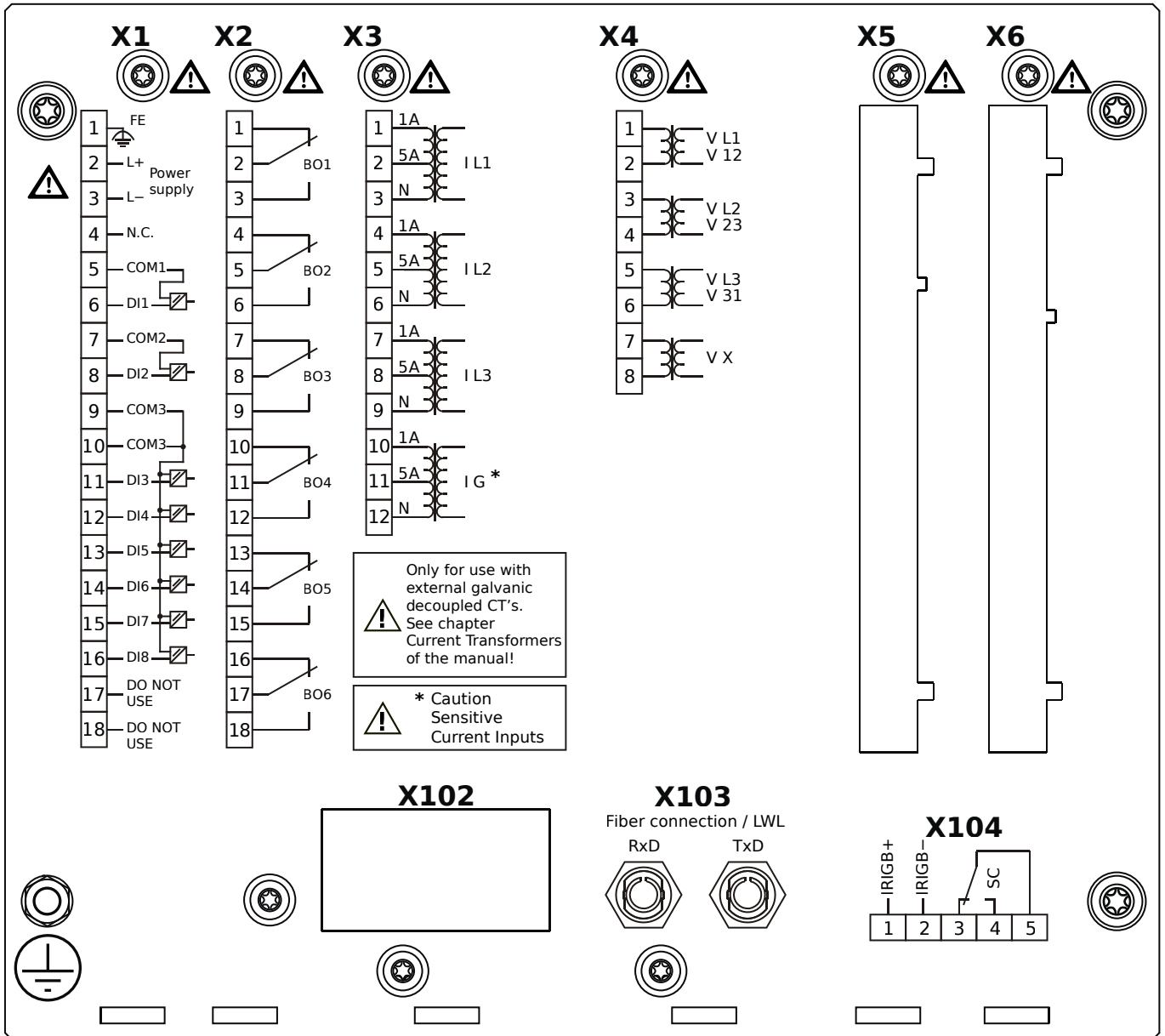
- X1** – DI8-X1: Wide-range power supply unit, incl. 2 non-grouped digital inputs and 6 grouped digital inputs
- X2** – OR-6: Assembly Group with 6 Relay Outputs
- X3** – TIs-4: Standard phase current measuring card and sensitive ground current measuring
- X4** – TU: Card with 4 voltage transformer measuring inputs
- X100** – Modbus TCP / DNP3.0 TCP/UDP, Ethernet interface, 100 Mbit/s, RJ45 (BASE100-FX)
- X104** – IRIG-B00X, incl. System Contact (Supervision Contact)

# MCA4-2A1HCB



- X1** – DI8-X1: Wide-range power supply unit, incl. 2 non-grouped digital inputs and 6 grouped digital inputs
- X2** – OR-6: Assembly Group with 6 Relay Outputs
- X3** – TIs-4: Standard phase current measuring card and sensitive ground current measuring
- X4** – TU: Card with 4 voltage transformer measuring inputs
- X100** – Modbus TCP / DNP3.0 TCP/UDP, Ethernet interface, 100 Mbit/s, RJ45 (BASE100-FX)
- X104** – IRIG-B00X, incl. System Contact (Supervision Contact)

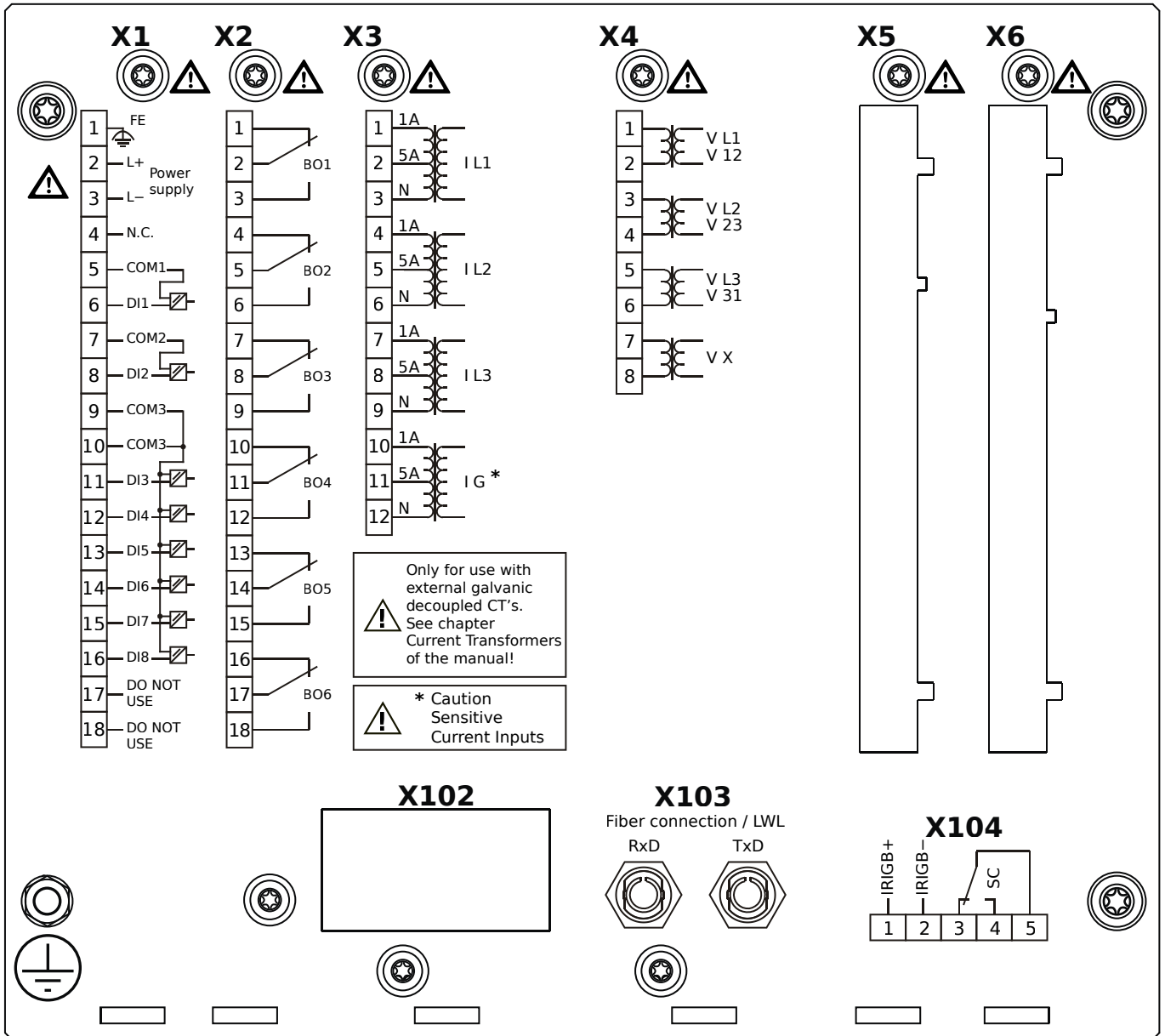
# MCA4-2A1HDA



- X1** – DI8-X1: Wide-range power supply unit, incl. 2 non-grouped digital inputs and 6 grouped digital inputs
- X2** – OR-6: Assembly Group with 6 Relay Outputs
- X3** – TIs-4: Standard phase current measuring card and sensitive ground current measuring
- X4** – TU: Card with 4 voltage transformer measuring inputs
- X103** – Profibus-DP, Fiber optics interface, ST Connector
- X104** – IRIG-B00X, incl. System Contact (Supervision Contact)

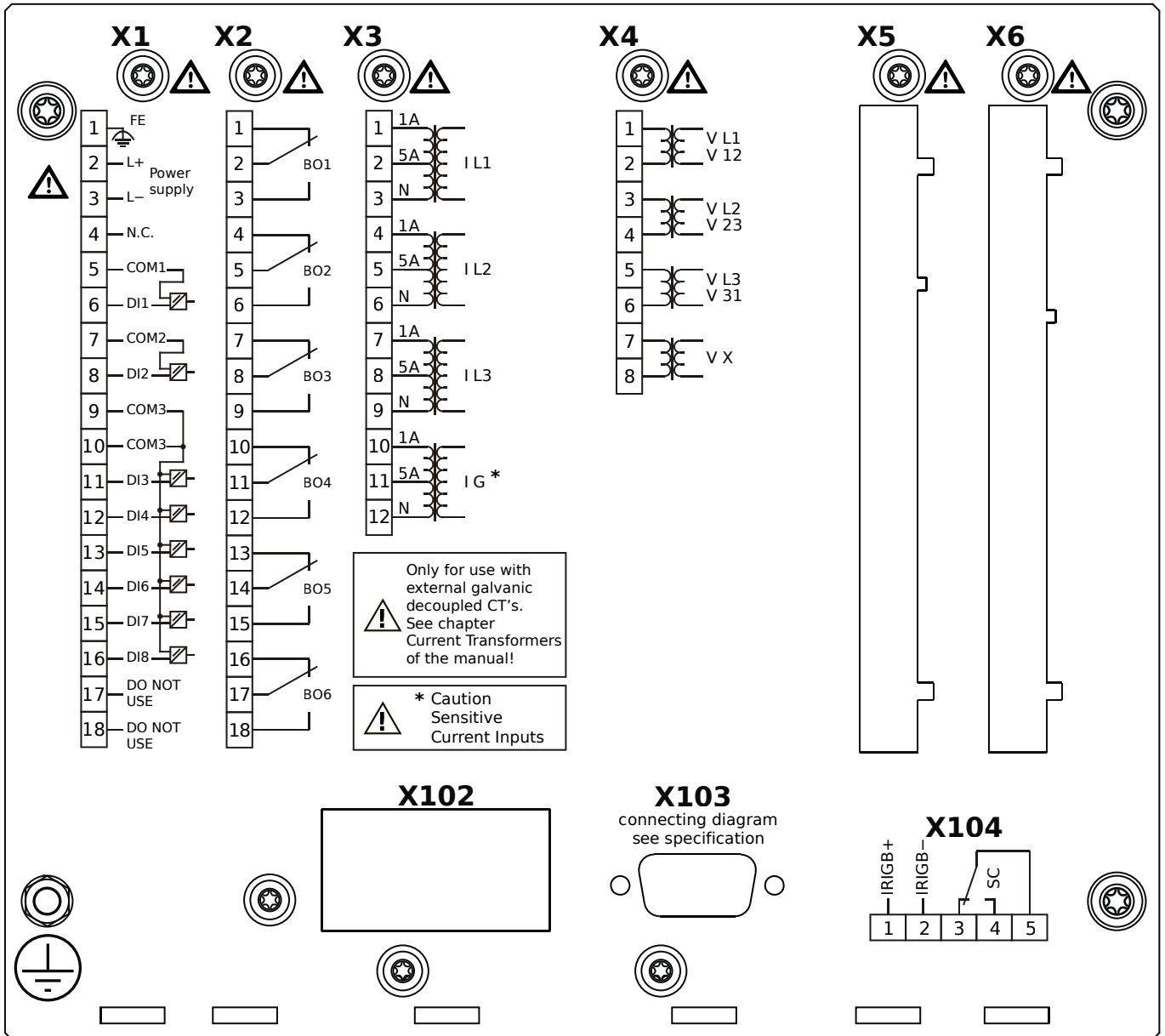


# MCA4-2A1HDB



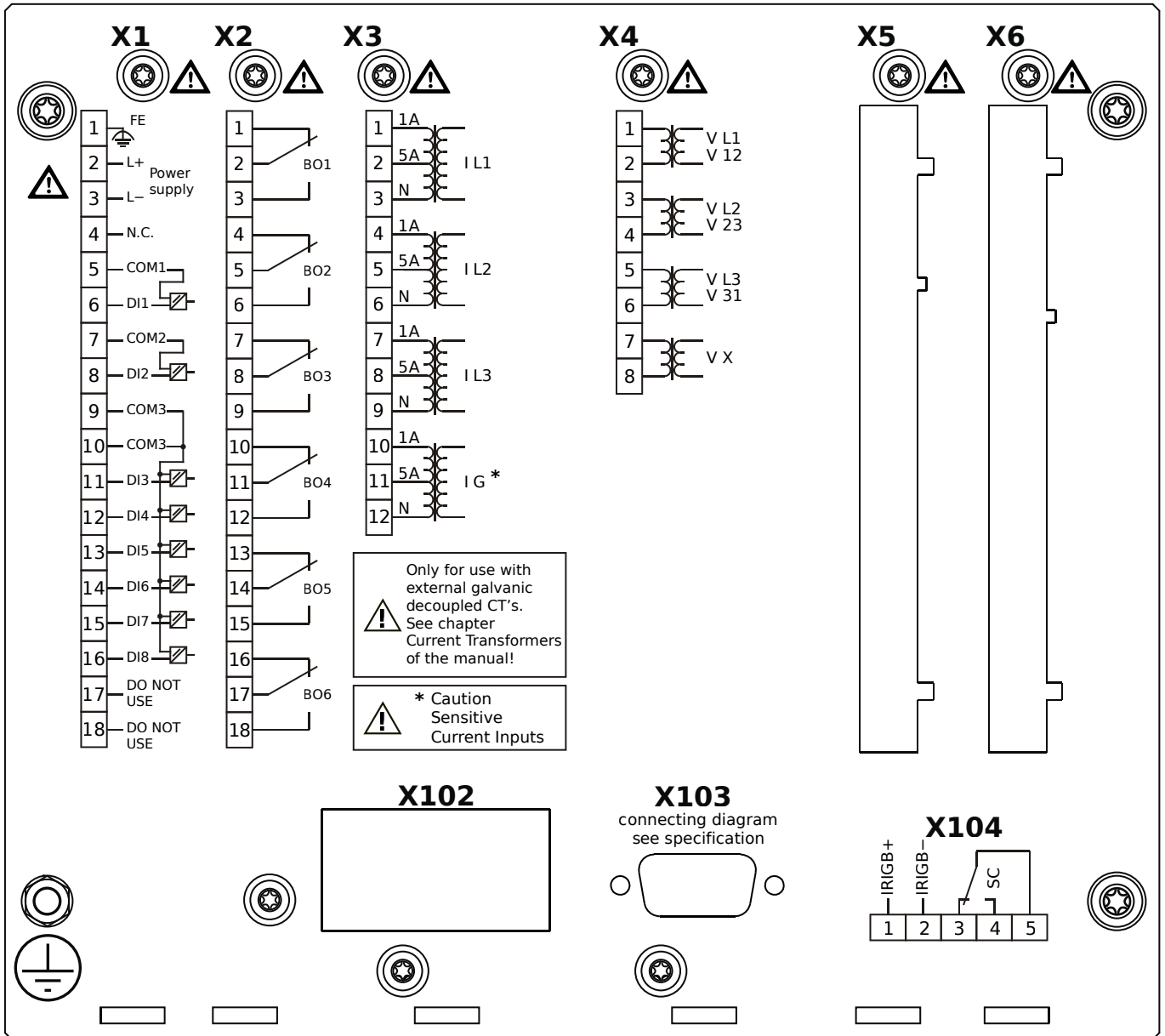
- X1** – DI8-X1: Wide-range power supply unit, incl. 2 non-grouped digital inputs and 6 grouped digital inputs
- X2** – OR-6: Assembly Group with 6 Relay Outputs
- X3** – TIs-4: Standard phase current measuring card and sensitive ground current measuring
- X4** – TU: Card with 4 voltage transformer measuring inputs
- X103** – Profibus-DP, Fiber optics interface, ST Connector
- X104** – IRIG-B00X, incl. System Contact (Supervision Contact)

# MCA4-2A1HEA



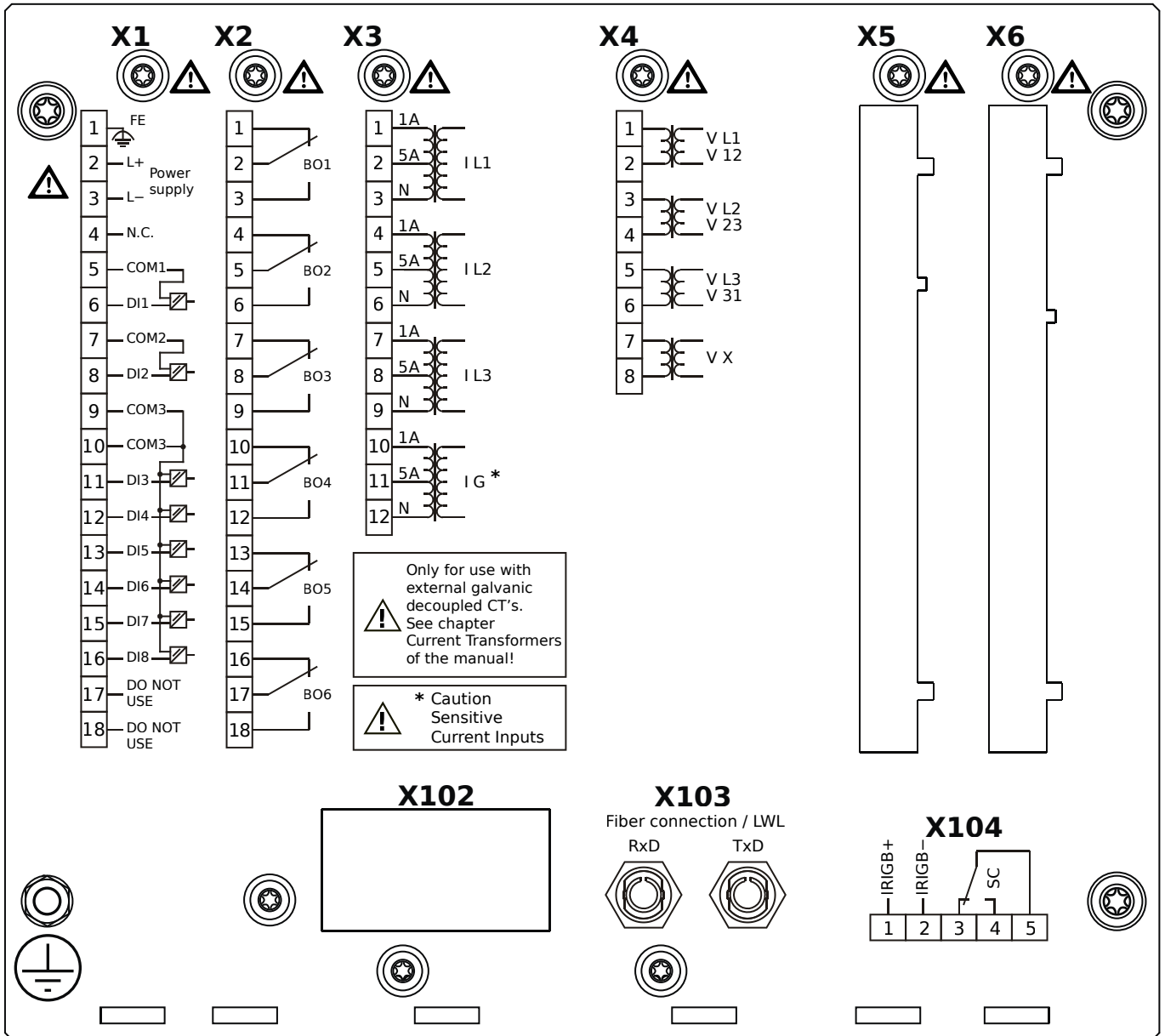
- X1** – DI8-X1: Wide-range power supply unit, incl. 2 non-grouped digital inputs and 6 grouped digital inputs
- X2** – OR-6: Assembly Group with 6 Relay Outputs
- X3** – TIs-4: Standard phase current measuring card and sensitive ground current measuring
- X4** – TU: Card with 4 voltage transformer measuring inputs
- X103** – Profibus-DP, RS485, D-SUB
- X104** – IRIG-B00X, incl. System Contact (Supervision Contact)

# MCA4-2A1HEB



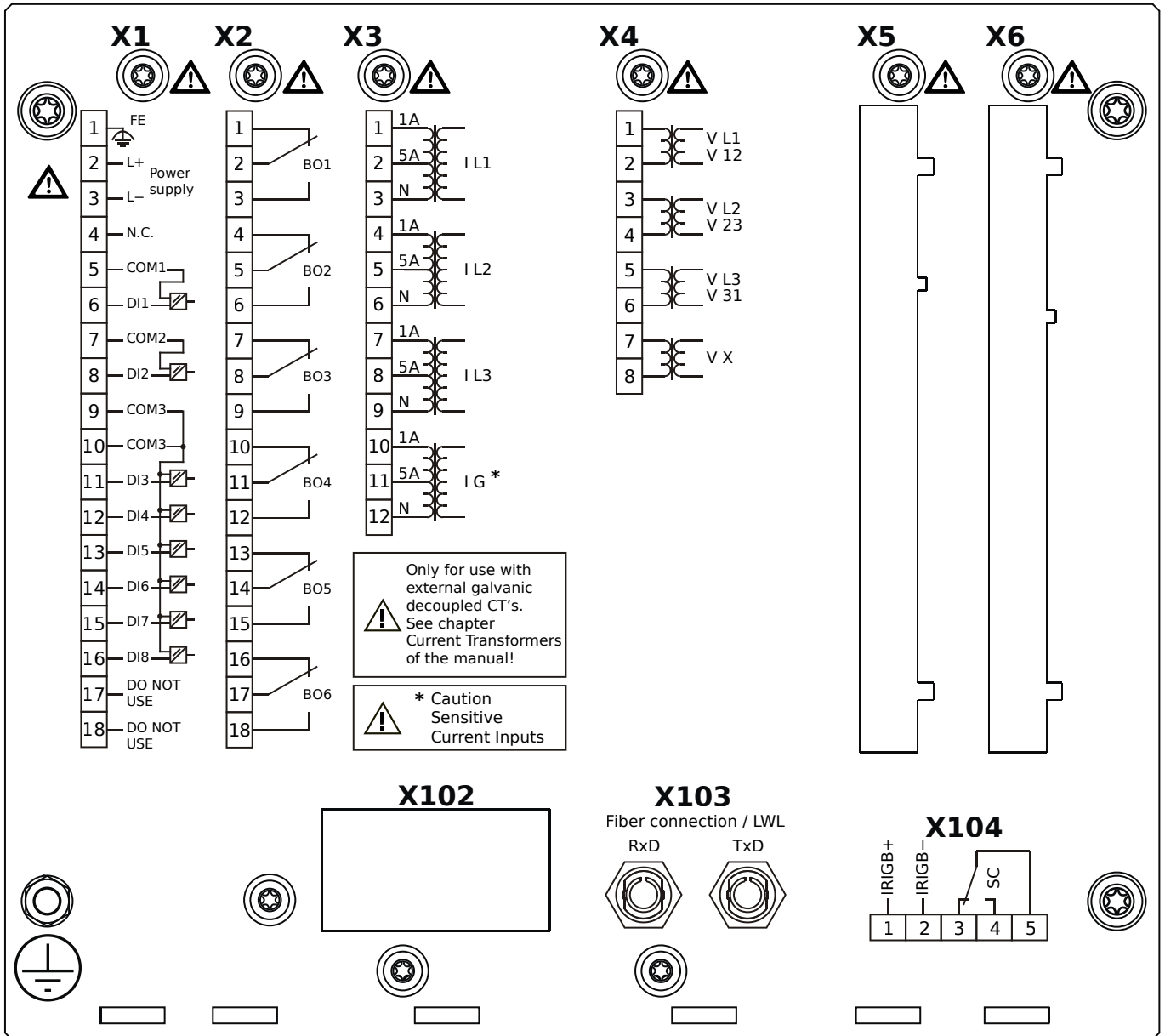
- X1** – DI8-X1: Wide-range power supply unit, incl. 2 non-grouped digital inputs and 6 grouped digital inputs
- X2** – OR-6: Assembly Group with 6 Relay Outputs
- X3** – TIs-4: Standard phase current measuring card and sensitive ground current measuring
- X4** – TU: Card with 4 voltage transformer measuring inputs
- X103** – Profibus-DP, RS485, D-SUB
- X104** – IRIG-B00X, incl. System Contact (Supervision Contact)

# MCA4-2A1HFA



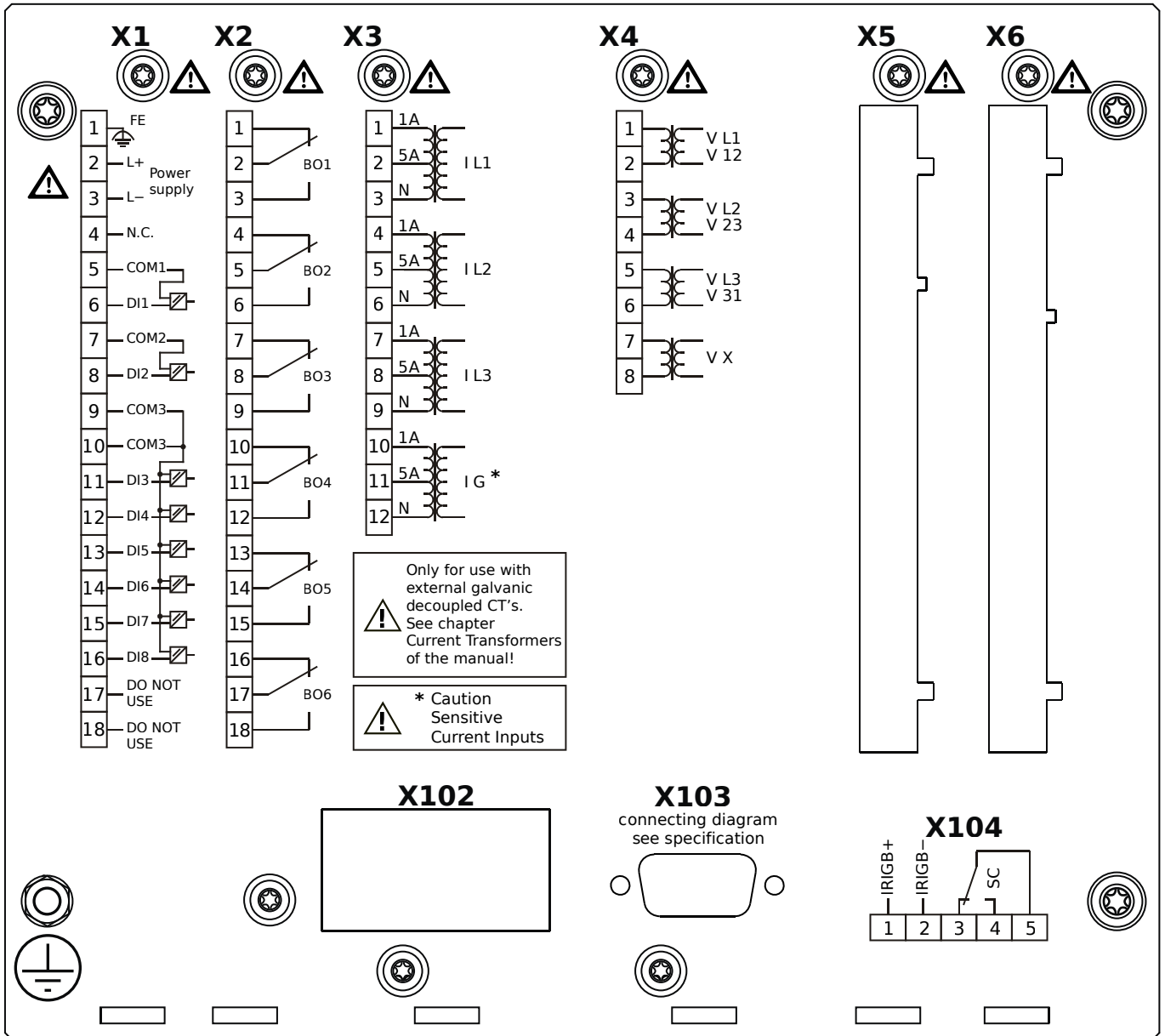
- X1** – DI8-X1: Wide-range power supply unit, incl. 2 non-grouped digital inputs and 6 grouped digital inputs
- X2** – OR-6: Assembly Group with 6 Relay Outputs
- X3** – TIs-4: Standard phase current measuring card and sensitive ground current measuring
- X4** – TU: Card with 4 voltage transformer measuring inputs
- X103** – Modbus RTU / IEC 60870-5-103 / DNP3.0 RTU, Fiber optics interface, ST Connector
- X104** – IRIG-B00X, incl. System Contact (Supervision Contact)

# MCA4-2A1HFB



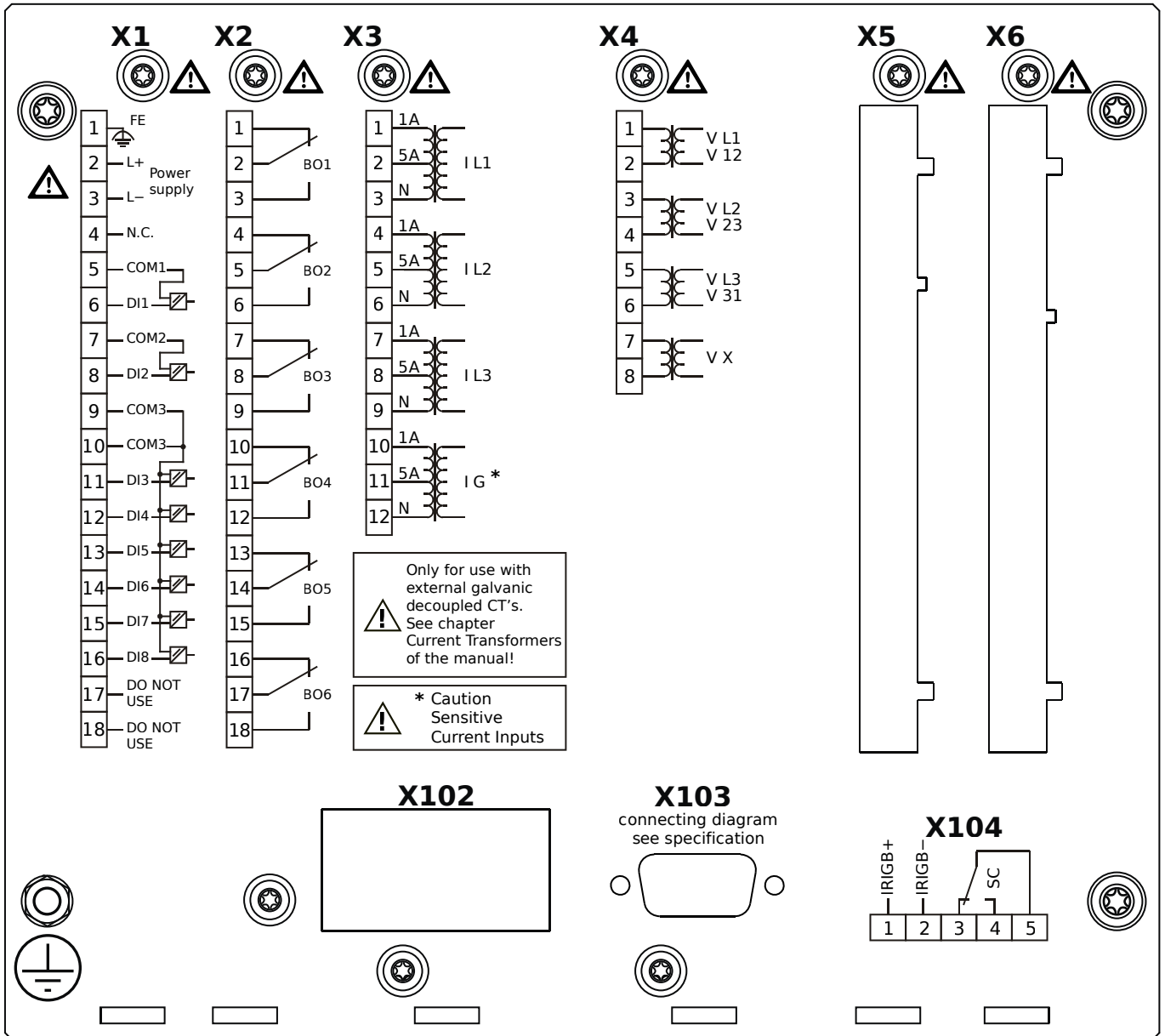
- X1** – DI8-X1: Wide-range power supply unit, incl. 2 non-grouped digital inputs and 6 grouped digital inputs
- X2** – OR-6: Assembly Group with 6 Relay Outputs
- X3** – TIs-4: Standard phase current measuring card and sensitive ground current measuring
- X4** – TU: Card with 4 voltage transformer measuring inputs
- X103** – Modbus RTU / IEC 60870-5-103 / DNP3.0 RTU, Fiber optics interface, ST Connector
- X104** – IRIG-B00X, incl. System Contact (Supervision Contact)

# MCA4-2A1HGA



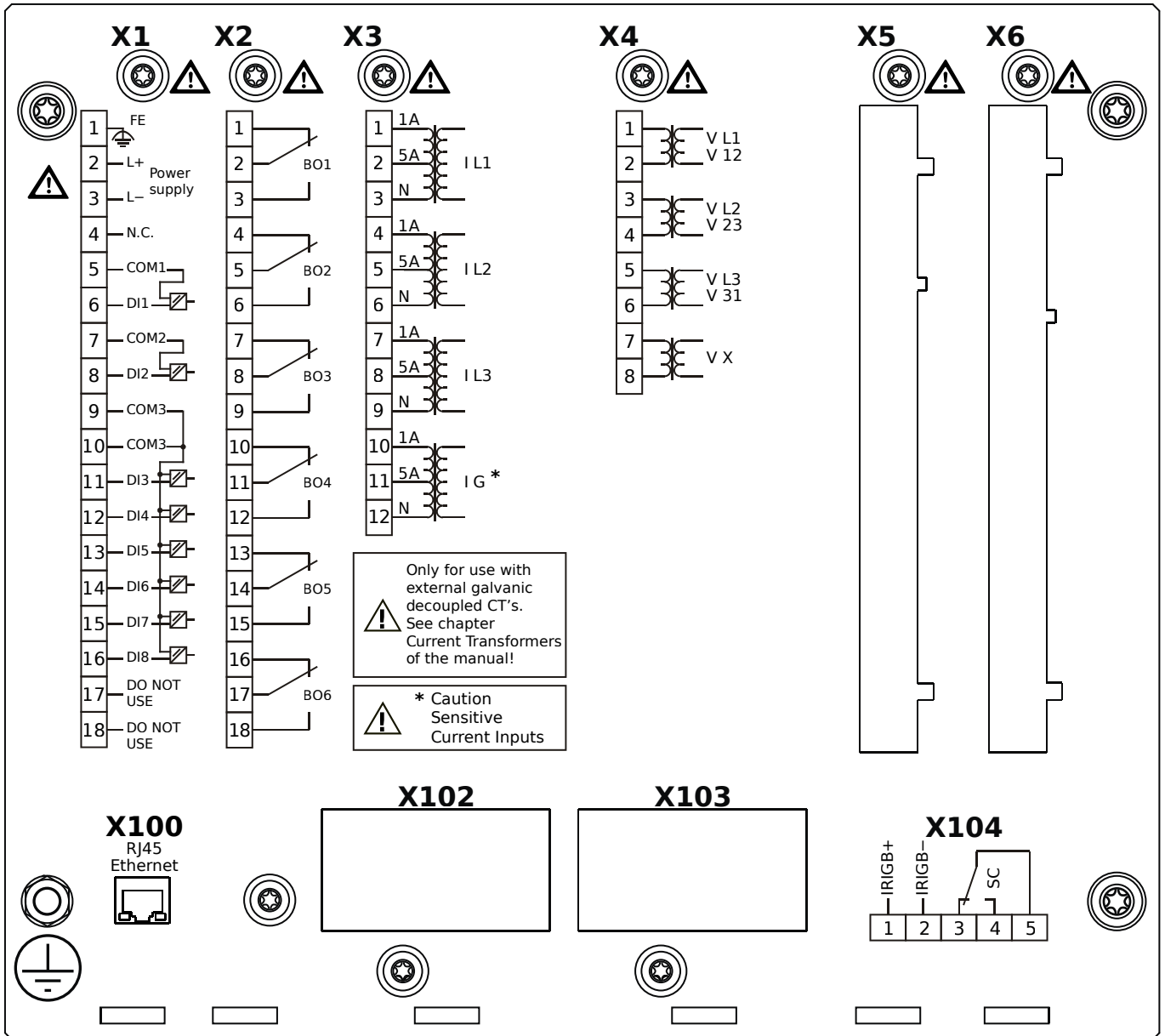
- X1** – DI8-X1: Wide-range power supply unit, incl. 2 non-grouped digital inputs and 6 grouped digital inputs
- X2** – OR-6: Assembly Group with 6 Relay Outputs
- X3** – TIs-4: Standard phase current measuring card and sensitive ground current measuring
- X4** – TU: Card with 4 voltage transformer measuring inputs
- X103** – Modbus RTU / IEC 60870-5-103 / DNP3.0 RTU, RS485, D-SUB
- X104** – IRIG-B00X, incl. System Contact (Supervision Contact)

# MCA4-2A1HGB



- X1** – DI8-X1: Wide-range power supply unit, incl. 2 non-grouped digital inputs and 6 grouped digital inputs
- X2** – OR-6: Assembly Group with 6 Relay Outputs
- X3** – TIs-4: Standard phase current measuring card and sensitive ground current measuring
- X4** – TU: Card with 4 voltage transformer measuring inputs
- X103** – Modbus RTU / IEC 60870-5-103 / DNP3.0 RTU, RS485, D-SUB
- X104** – IRIG-B00X, incl. System Contact (Supervision Contact)

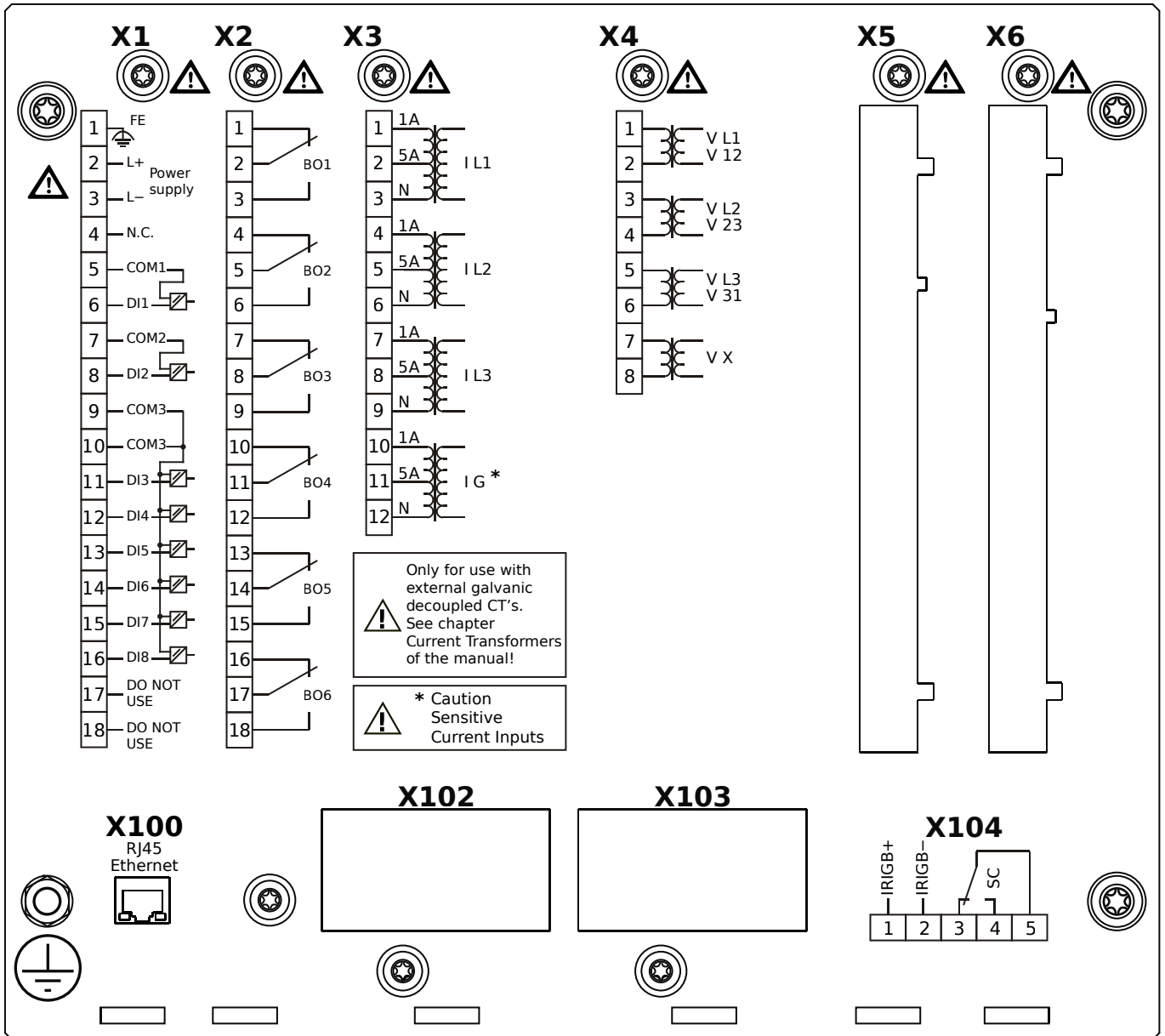
# MCA4-2A1HHA



- X1** – DI8-X1: Wide-range power supply unit, incl. 2 non-grouped digital inputs and 6 grouped digital inputs
- X2** – OR-6: Assembly Group with 6 Relay Outputs
- X3** – TIs-4: Standard phase current measuring card and sensitive ground current measuring
- X4** – TU: Card with 4 voltage transformer measuring inputs
- X100** – IEC 61850 / Modbus TCP / DNP3.0 TCP/UDP, Ethernet interface, 100 Mbit/s, RJ45 (BASE100-FX)
- X104** – IRIG-B00X, incl. System Contact (Supervision Contact)

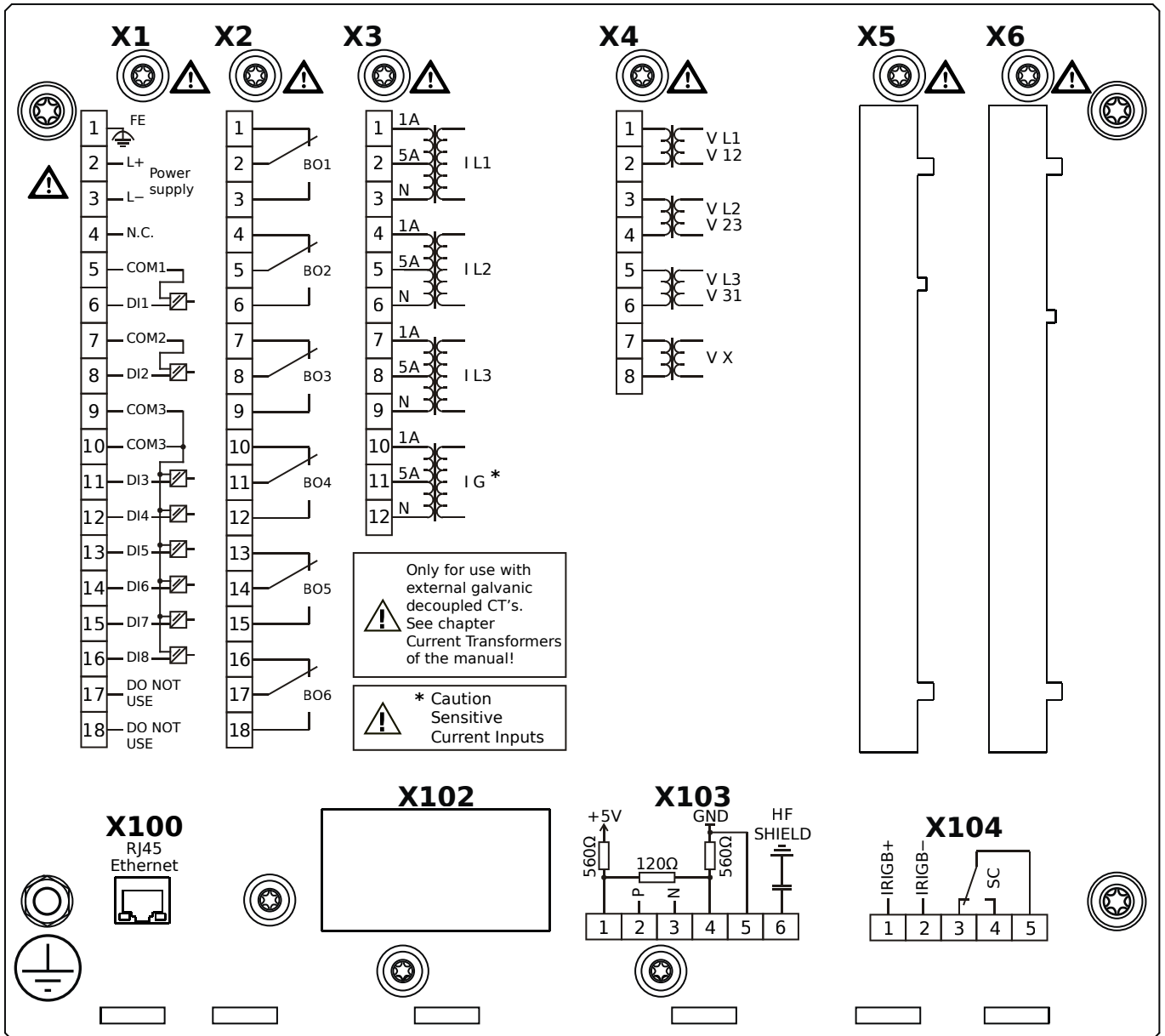


# MCA4-2A1HHB



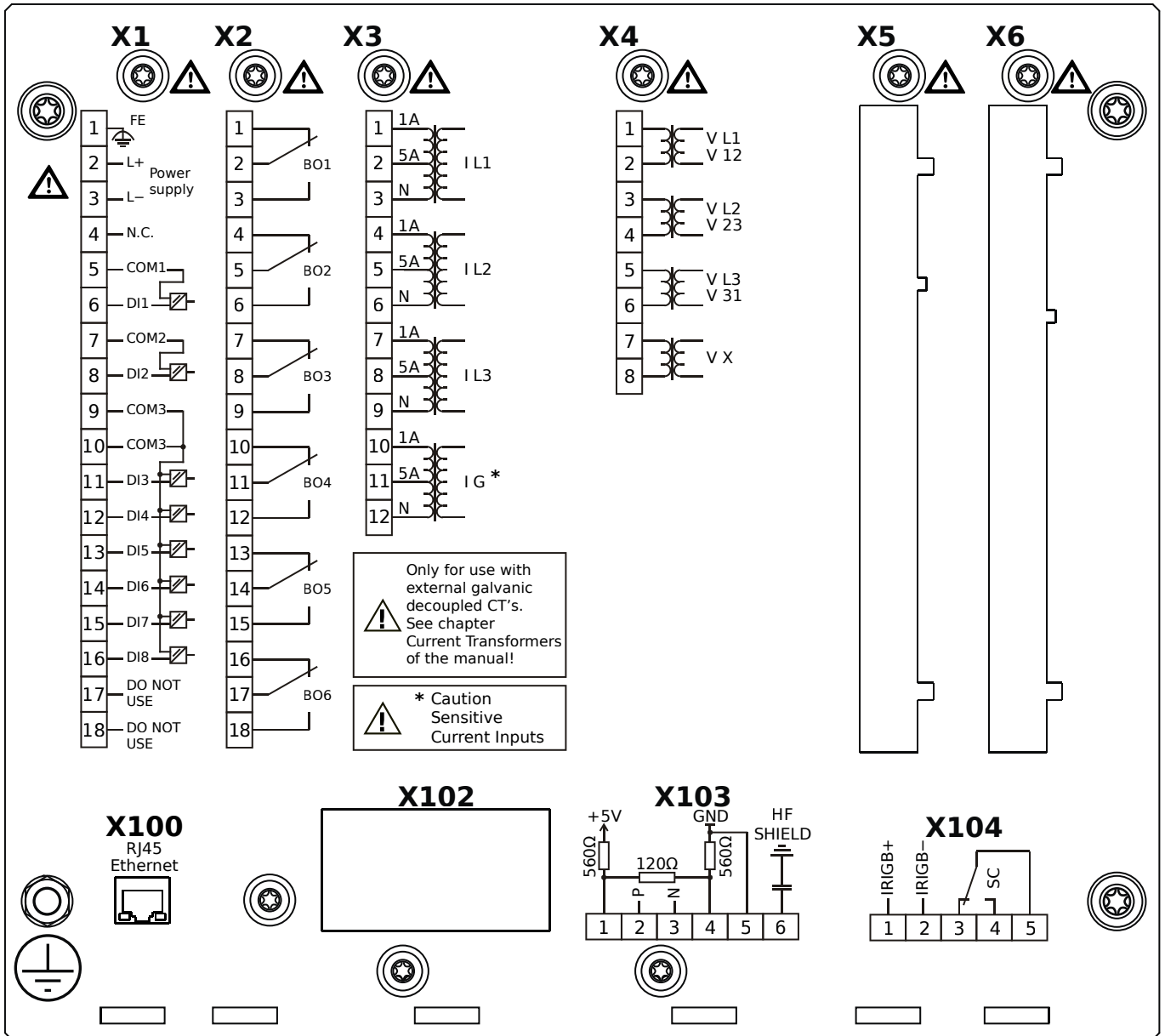
- X1** – DI8-X1: Wide-range power supply unit, incl. 2 non-grouped digital inputs and 6 grouped digital inputs
- X2** – OR-6: Assembly Group with 6 Relay Outputs
- X3** – TIs-4: Standard phase current measuring card and sensitive ground current measuring
- X4** – TU: Card with 4 voltage transformer measuring inputs
- X100** – IEC 61850 / Modbus TCP / DNP3.0 TCP/UDP, Ethernet interface, 100 Mbit/s, RJ45 (BASE100-FX)
- X104** – IRIG-B00X, incl. System Contact (Supervision Contact)

# MCA4-2A1HIA



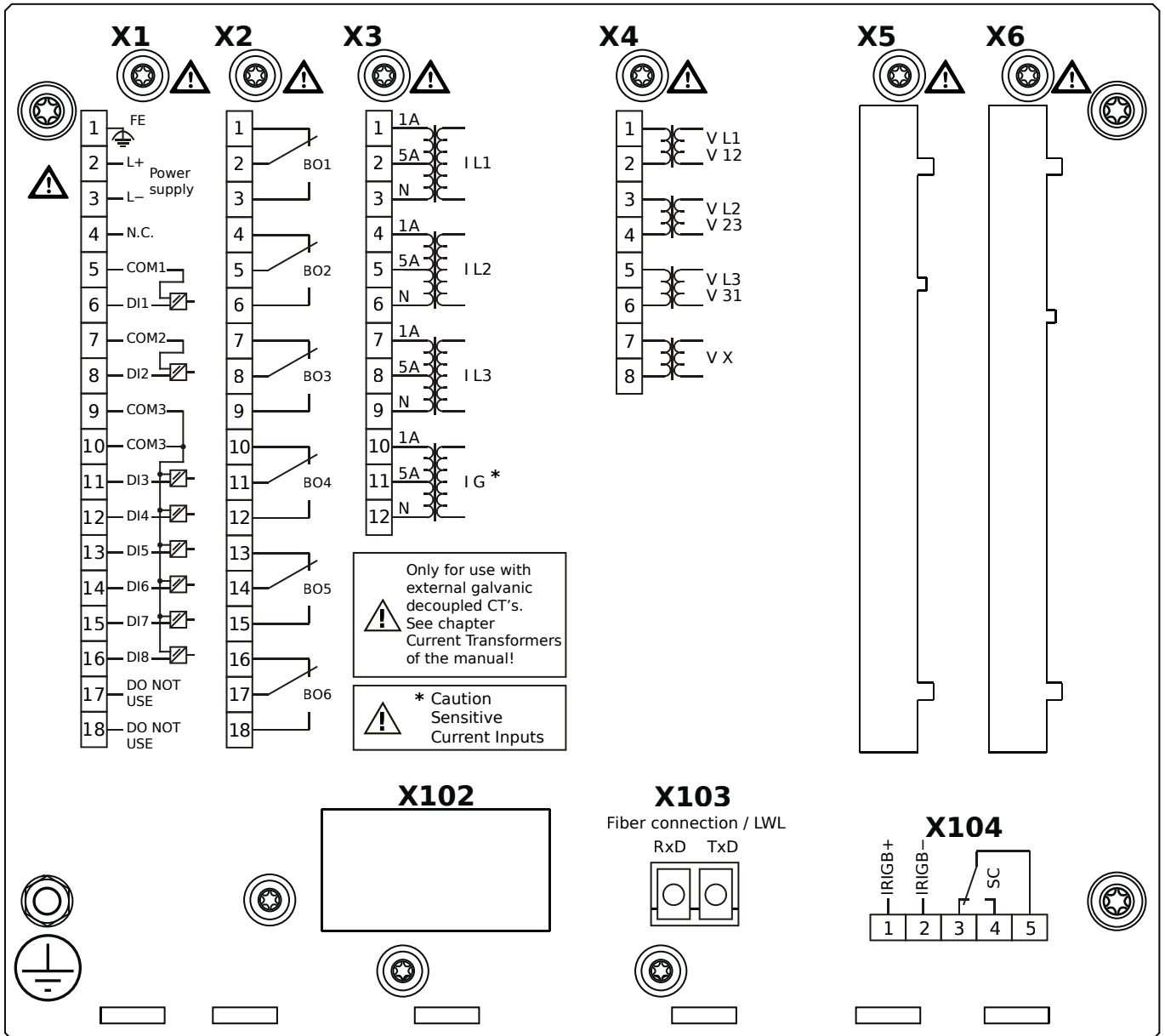
- X1** – DI8-X1: Wide-range power supply unit, incl. 2 non-grouped digital inputs and 6 grouped digital inputs
- X2** – OR-6: Assembly Group with 6 Relay Outputs
- X3** – TIs-4: Standard phase current measuring card and sensitive ground current measuring
- X4** – TU: Card with 4 voltage transformer measuring inputs
- X100** – Modbus TCP / DNP3.0 TCP/UDP, Ethernet interface, 100 Mbit/s, RJ45 (BASE100-FX)
- X103** – IEC 60870-5-103 / Modbus RTU / DNP3.0 RTU, RS485, Terminals
- X104** – IRIG-B00X, incl. System Contact (Supervision Contact)

# MCA4-2A1HIB



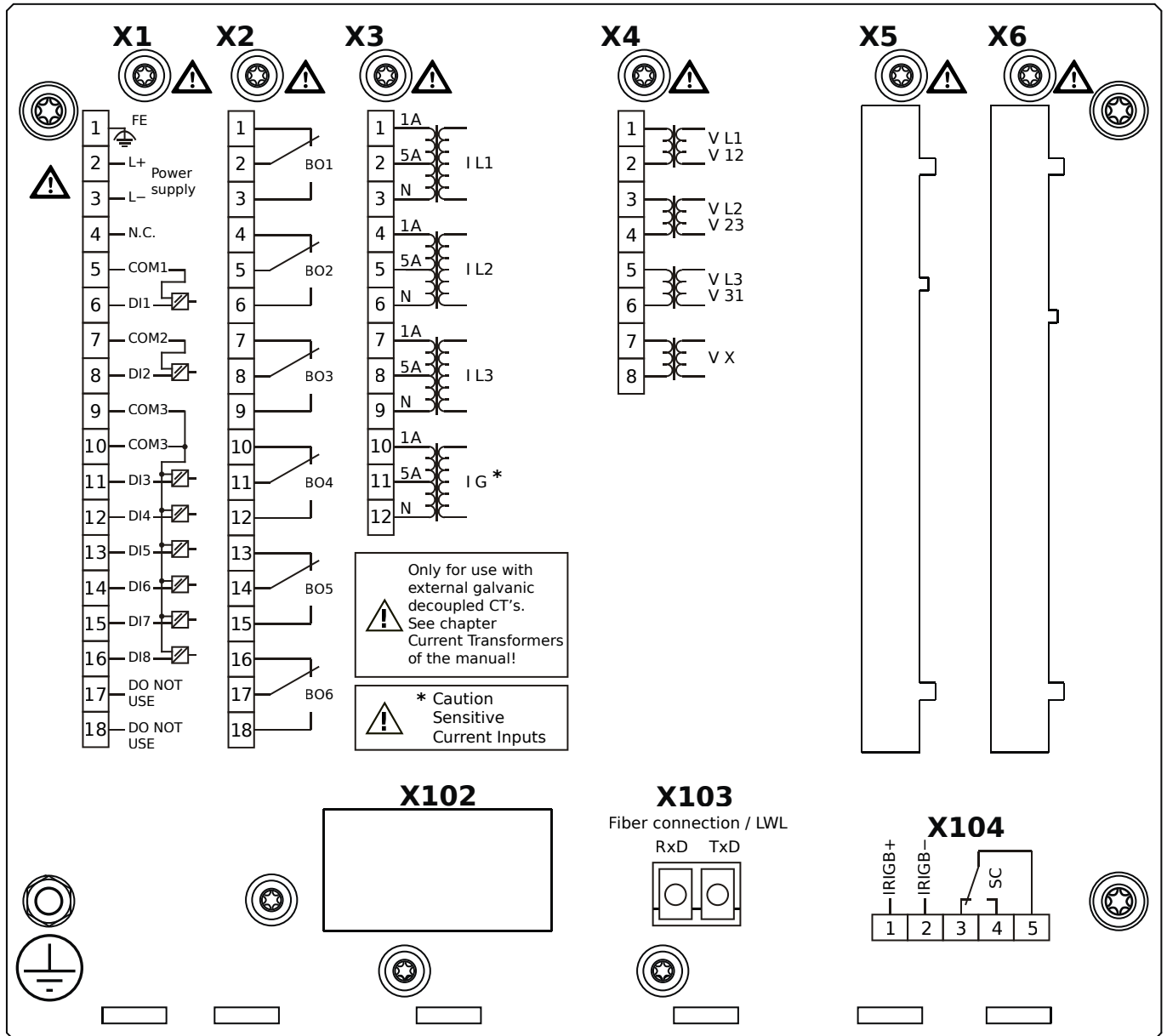
- X1** – DI8-X1: Wide-range power supply unit, incl. 2 non-grouped digital inputs and 6 grouped digital inputs
- X2** – OR-6: Assembly Group with 6 Relay Outputs
- X3** – TIs-4: Standard phase current measuring card and sensitive ground current measuring
- X4** – TU: Card with 4 voltage transformer measuring inputs
- X100** – Modbus TCP / DNP3.0 TCP/UDP, Ethernet interface, 100 Mbit/s, RJ45 (BASE100-FX)
- X103** – IEC 60870-5-103 / Modbus RTU / DNP3.0 RTU, RS485, Terminals
- X104** – IRIG-B00X, incl. System Contact (Supervision Contact)

# MCA4-2A1HKA



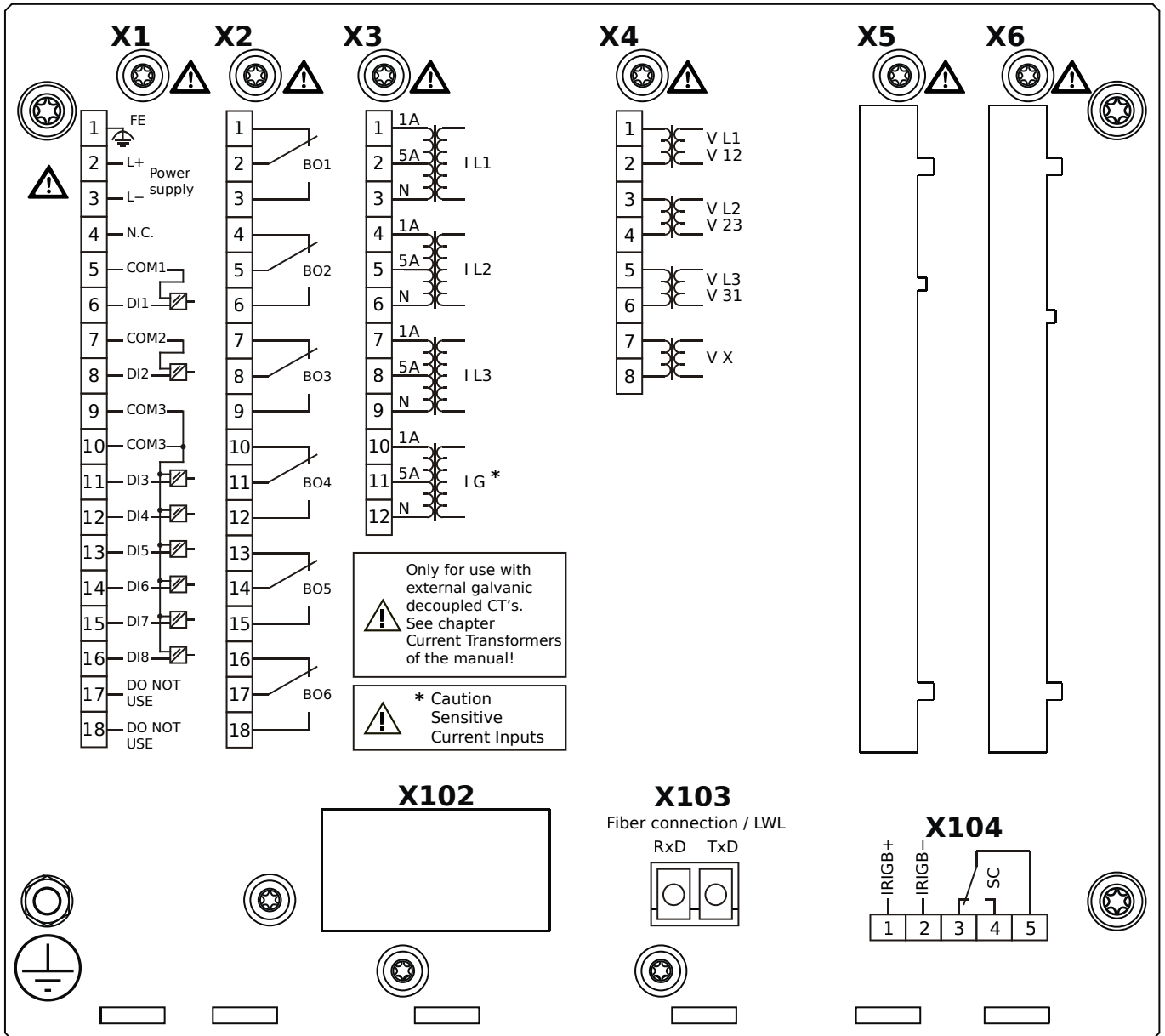
- X1** – DI8-X1: Wide-range power supply unit, incl. 2 non-grouped digital inputs and 6 grouped digital inputs
- X2** – OR-6: Assembly Group with 6 Relay Outputs
- X3** – TIs-4: Standard phase current measuring card and sensitive ground current measuring
- X4** – TU: Card with 4 voltage transformer measuring inputs
- X103** – IEC 61850 / Modbus TCP / DNP3.0 TCP/UDP, Fiber optics interface, LC Connector
- X104** – IRIG-B00X, incl. System Contact (Supervision Contact)

# MCA4-2A1HKB



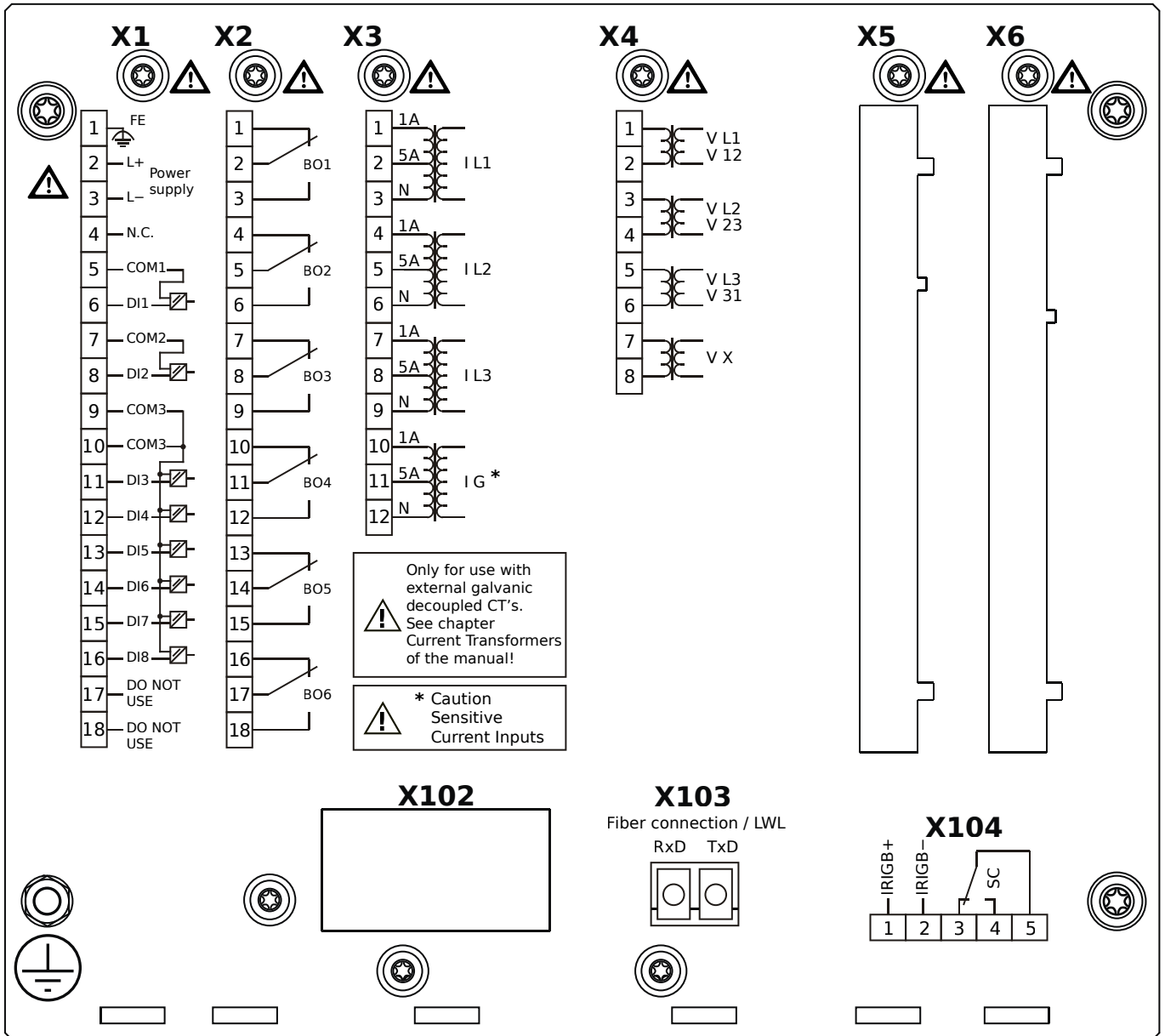
- X1** – DI8-X1: Wide-range power supply unit, incl. 2 non-grouped digital inputs and 6 grouped digital inputs
- X2** – OR-6: Assembly Group with 6 Relay Outputs
- X3** – TIs-4: Standard phase current measuring card and sensitive ground current measuring
- X4** – TU: Card with 4 voltage transformer measuring inputs
- X103** – IEC 61850 / Modbus TCP / DNP3.0 TCP/UDP, Fiber optics interface, LC Connector
- X104** – IRIG-B00X, incl. System Contact (Supervision Contact)

# MCA4-2A1HLA



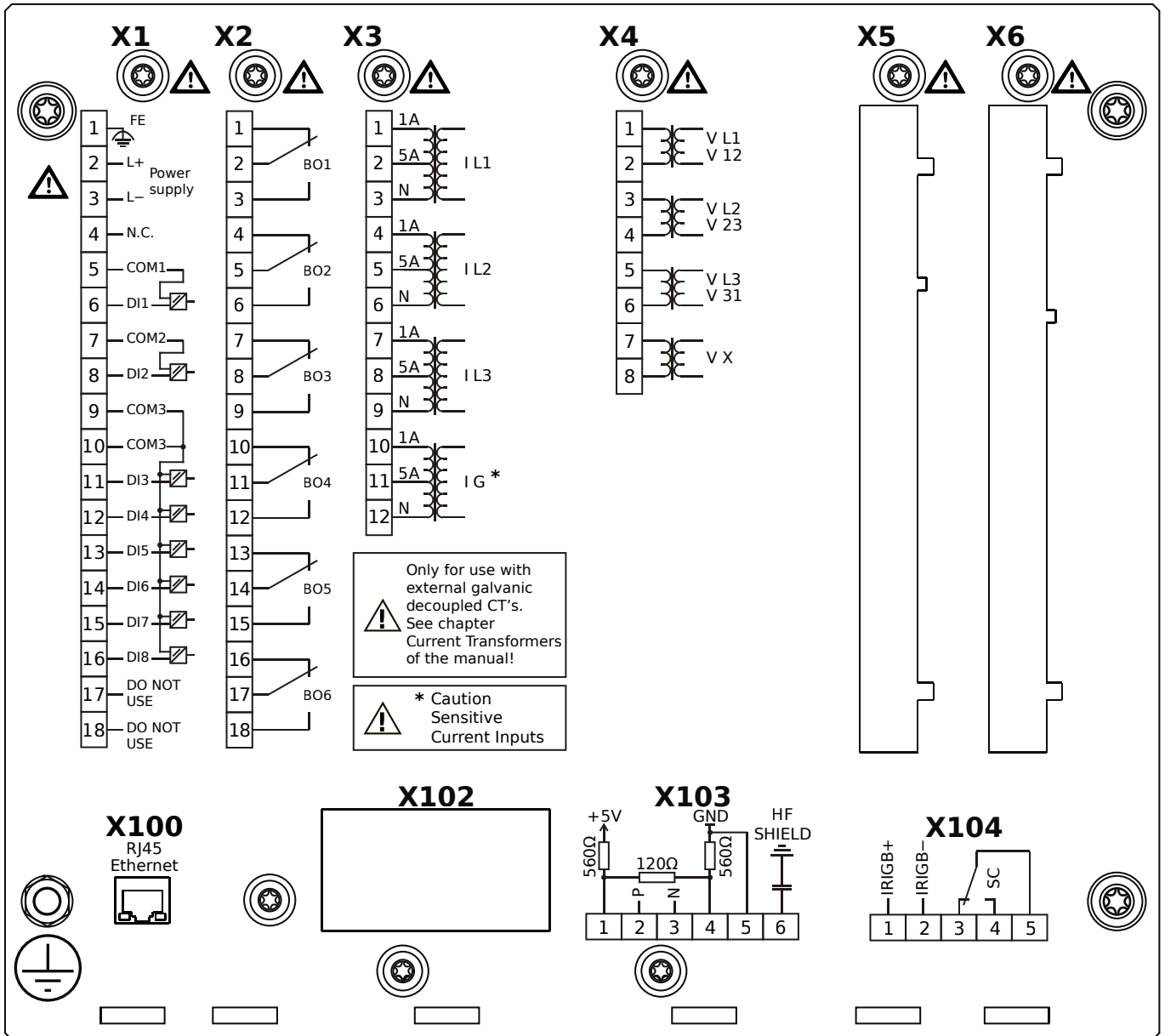
- X1** – DI8-X1: Wide-range power supply unit, incl. 2 non-grouped digital inputs and 6 grouped digital inputs
- X2** – OR-6: Assembly Group with 6 Relay Outputs
- X3** – TIs-4: Standard phase current measuring card and sensitive ground current measuring
- X4** – TU: Card with 4 voltage transformer measuring inputs
- X103** – Modbus TCP / DNP3.0 TCP/UDP, Fiber optics interface, LC Connector
- X104** – IRIG-B00X, incl. System Contact (Supervision Contact)

# MCA4-2A1HLB



- X1** – DI8-X1: Wide-range power supply unit, incl. 2 non-grouped digital inputs and 6 grouped digital inputs
- X2** – OR-6: Assembly Group with 6 Relay Outputs
- X3** – TIs-4: Standard phase current measuring card and sensitive ground current measuring
- X4** – TU: Card with 4 voltage transformer measuring inputs
- X103** – Modbus TCP / DNP3.0 TCP/UDP, Fiber optics interface, LC Connector
- X104** – IRIG-B00X, incl. System Contact (Supervision Contact)

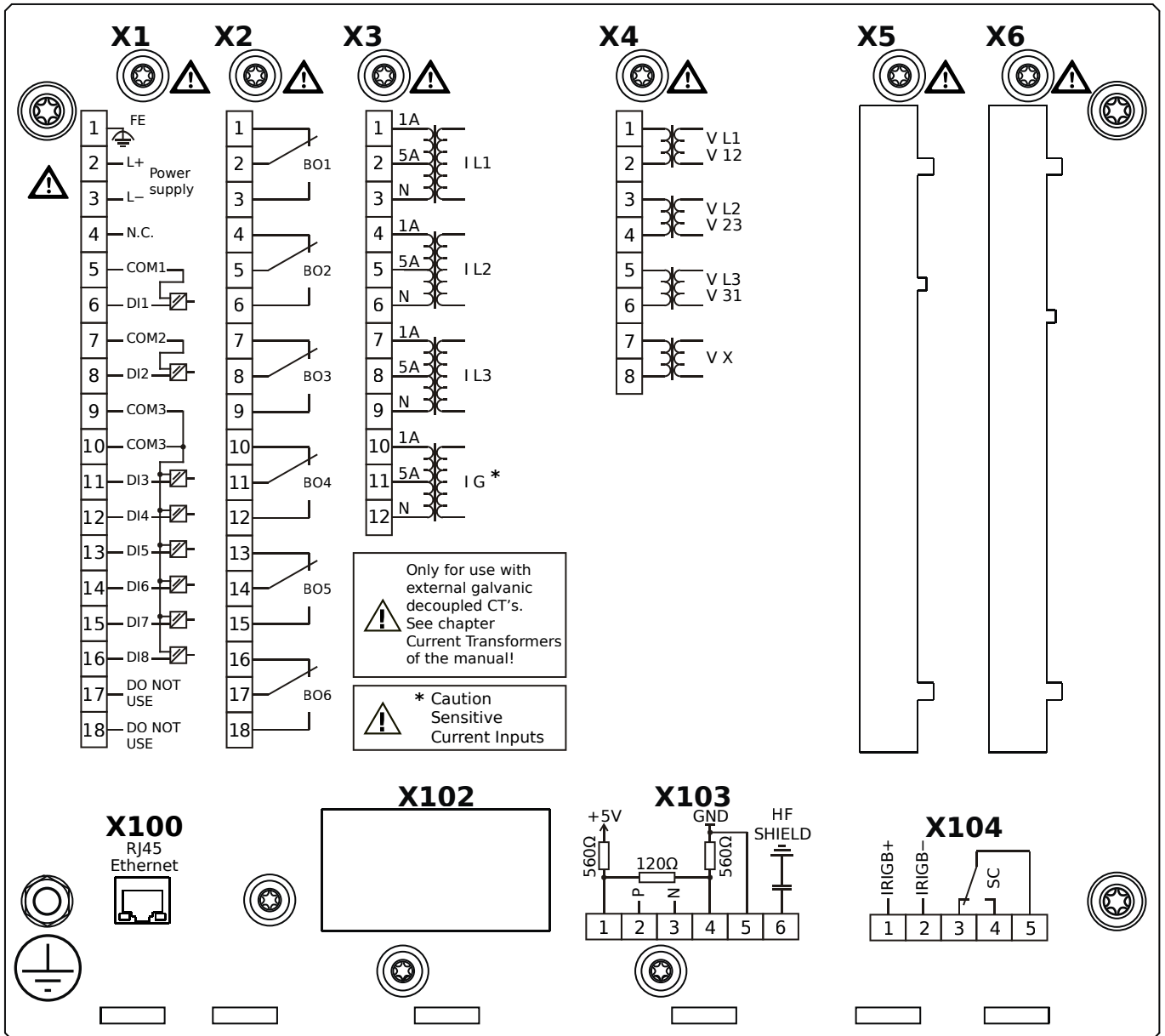
# MCA4-2A1HTA



- X1** – DI8-X1: Wide-range power supply unit, incl. 2 non-grouped digital inputs and 6 grouped digital inputs
- X2** – OR-6: Assembly Group with 6 Relay Outputs
- X3** – TIs-4: Standard phase current measuring card and sensitive ground current measuring
- X4** – TU: Card with 4 voltage transformer measuring inputs
- X100** – IEC 61850 / Modbus TCP / DNP3.0 TCP/UDP, Ethernet interface, 100 Mbit/s, RJ45 (BASE100-FX)
- X103** – IEC 60870-5-103 / Modbus RTU / DNP3.0 RTU, RS485, Terminals
- X104** – IRIG-B00X, incl. System Contact (Supervision Contact)

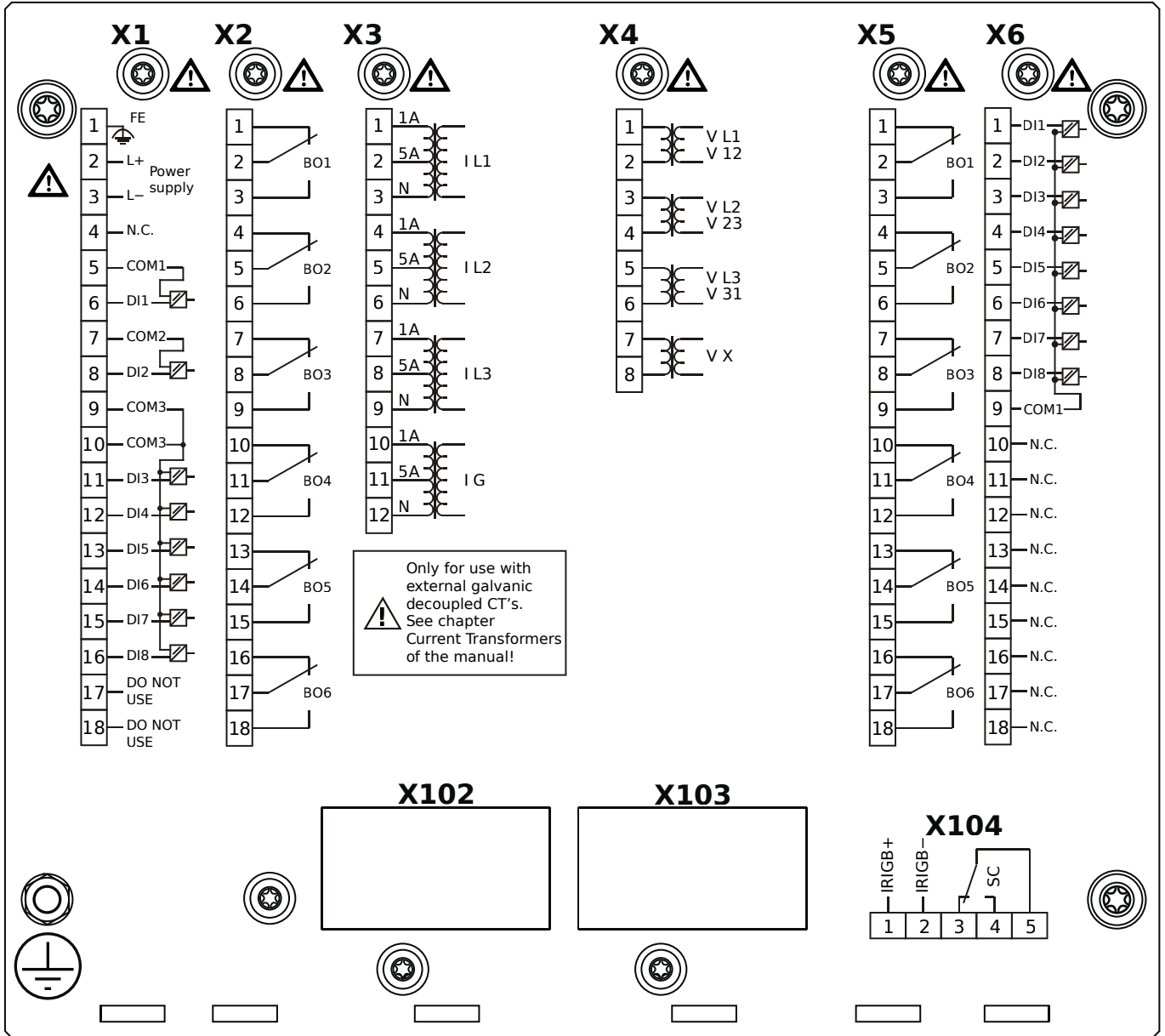


# MCA4-2A1HTB



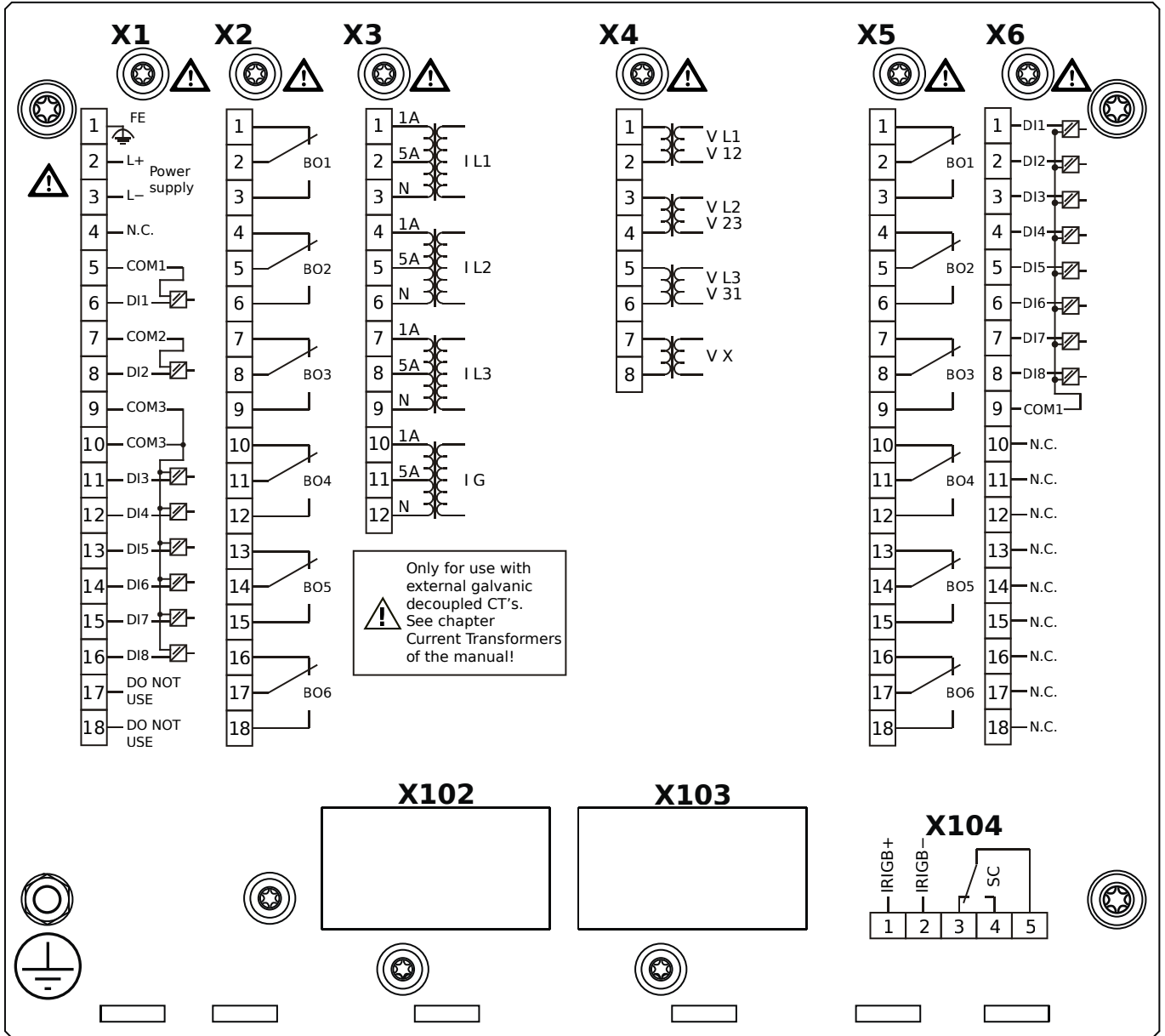
- X1** – DI8-X1: Wide-range power supply unit, incl. 2 non-grouped digital inputs and 6 grouped digital inputs
- X2** – OR-6: Assembly Group with 6 Relay Outputs
- X3** – TIs-4: Standard phase current measuring card and sensitive ground current measuring
- X4** – TU: Card with 4 voltage transformer measuring inputs
- X100** – IEC 61850 / Modbus TCP / DNP3.0 TCP/UDP, Ethernet interface, 100 Mbit/s, RJ45 (BASE100-FX)
- X103** – IEC 60870-5-103 / Modbus RTU / DNP3.0 RTU, RS485, Terminals
- X104** – IRIG-B00X, incl. System Contact (Supervision Contact)

# MCA4-2D0AAA



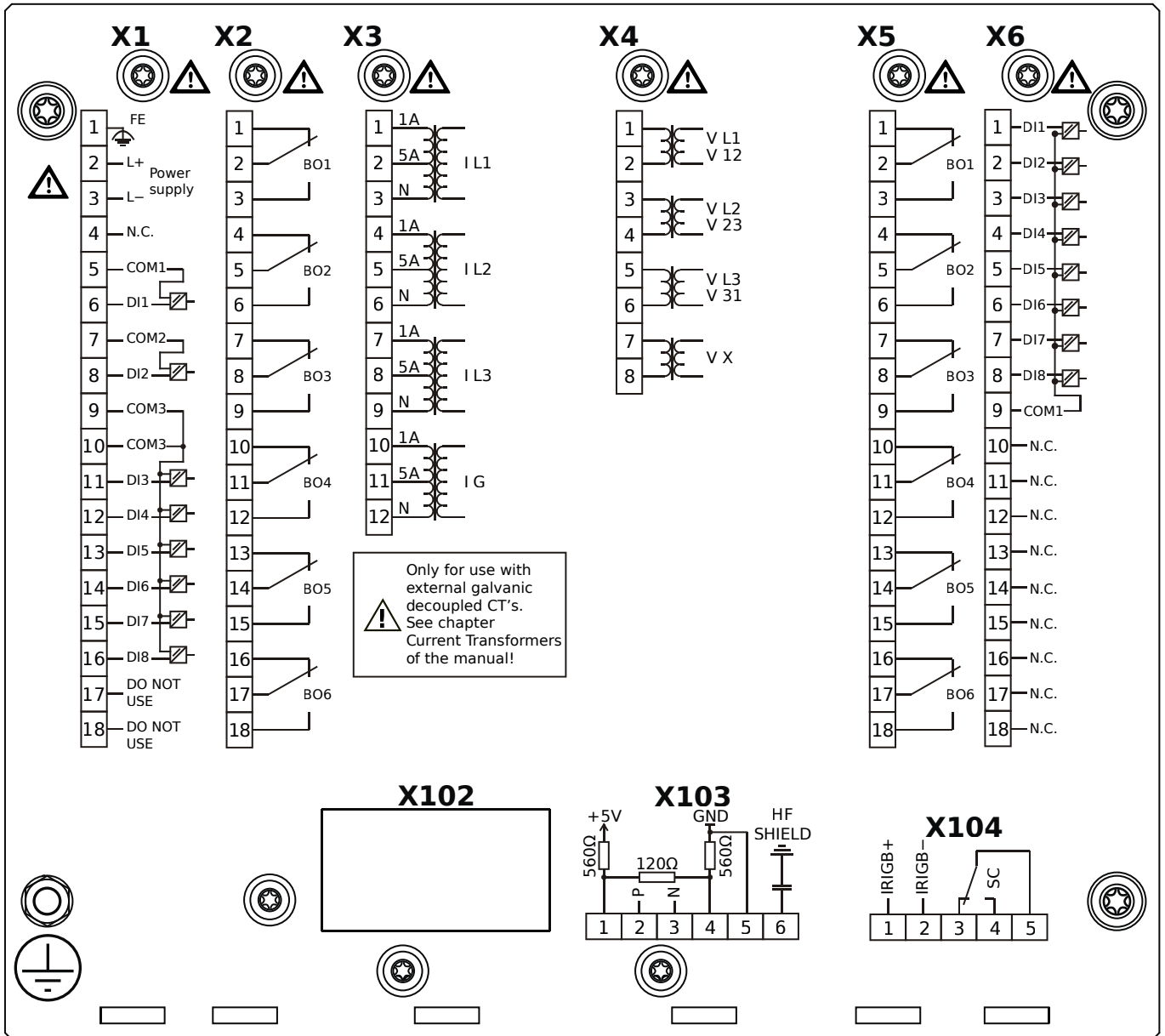
- X1** – DI8-X1: Wide-range power supply unit, incl. 2 non-grouped digital inputs and 6 grouped digital inputs
- X2** – OR-6: Assembly Group with 6 Relay Outputs
- X3** – TI-4: Standard current measuring card
- X4** – TU: Card with 4 voltage transformer measuring inputs
- X5** – OR-6: Assembly Group with 6 Relay Outputs
- X6** – DI8: Assembly Group with 8 Digital Inputs
- X104** – IRIG-B00X, incl. System Contact (Supervision Contact)

# MCA4-2D0AAB



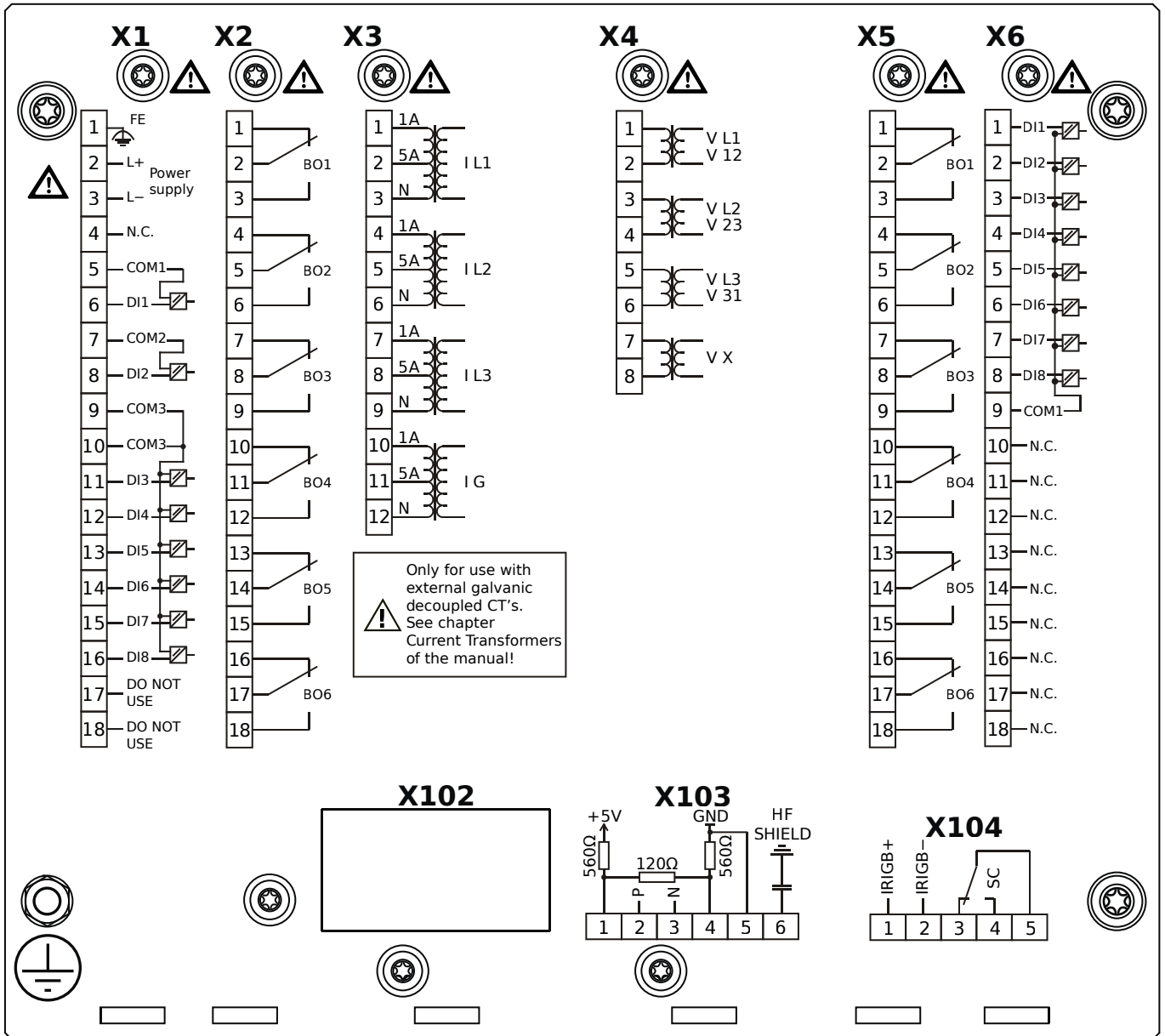
- X1** – DI8-X1: Wide-range power supply unit, incl. 2 non-grouped digital inputs and 6 grouped digital inputs
- X2** – OR-6: Assembly Group with 6 Relay Outputs
- X3** – TI-4: Standard current measuring card
- X4** – TU: Card with 4 voltage transformer measuring inputs
- X5** – OR-6: Assembly Group with 6 Relay Outputs
- X6** – DI8: Assembly Group with 8 Digital Inputs
- X104** – IRIG-B00X, incl. System Contact (Supervision Contact)

# MCA4-2D0ABA



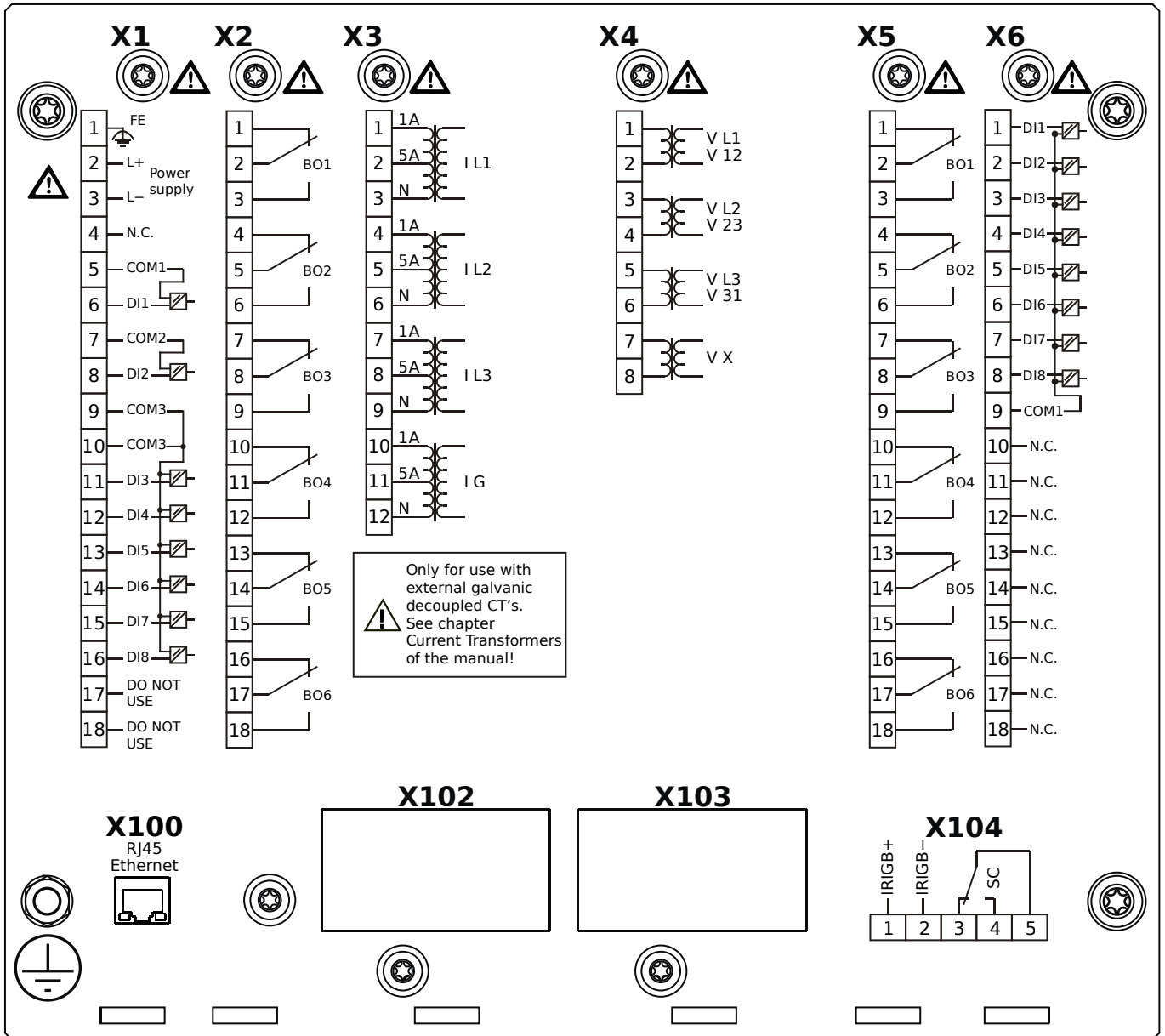
- X1** – DI8-X1: Wide-range power supply unit, incl. 2 non-grouped digital inputs and 6 grouped digital inputs
- X2** – OR-6: Assembly Group with 6 Relay Outputs
- X3** – TI-4: Standard current measuring card
- X4** – TU: Card with 4 voltage transformer measuring inputs
- X5** – OR-6: Assembly Group with 6 Relay Outputs
- X6** – DI8: Assembly Group with 8 Digital Inputs
- X103** – Modbus RTU / IEC 60870-5-103 / DNP3.0 RTU, RS485, Terminals
- X104** – IRIG-B00X, incl. System Contact (Supervision Contact)

# MCA4-2D0ABB



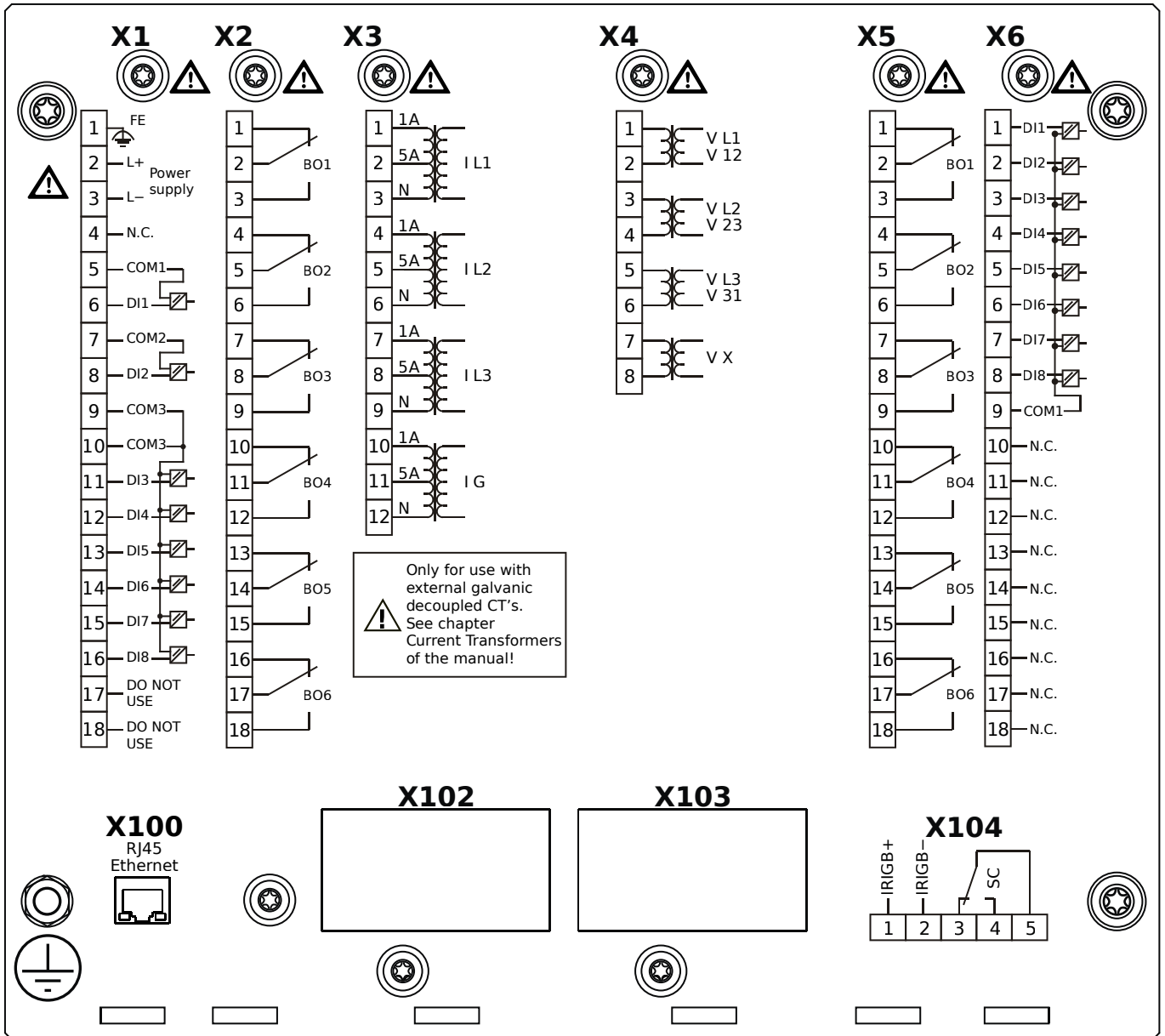
- X1** – DI8-X1: Wide-range power supply unit, incl. 2 non-grouped digital inputs and 6 grouped digital inputs
- X2** – OR-6: Assembly Group with 6 Relay Outputs
- X3** – TI-4: Standard current measuring card
- X4** – TU: Card with 4 voltage transformer measuring inputs
- X5** – OR-6: Assembly Group with 6 Relay Outputs
- X6** – DI8: Assembly Group with 8 Digital Inputs
- X103** – Modbus RTU / IEC 60870-5-103 / DNP3.0 RTU, RS485, Terminals
- X104** – IRIG-B00X, incl. System Contact (Supervision Contact)

# MCA4-2D0ACA



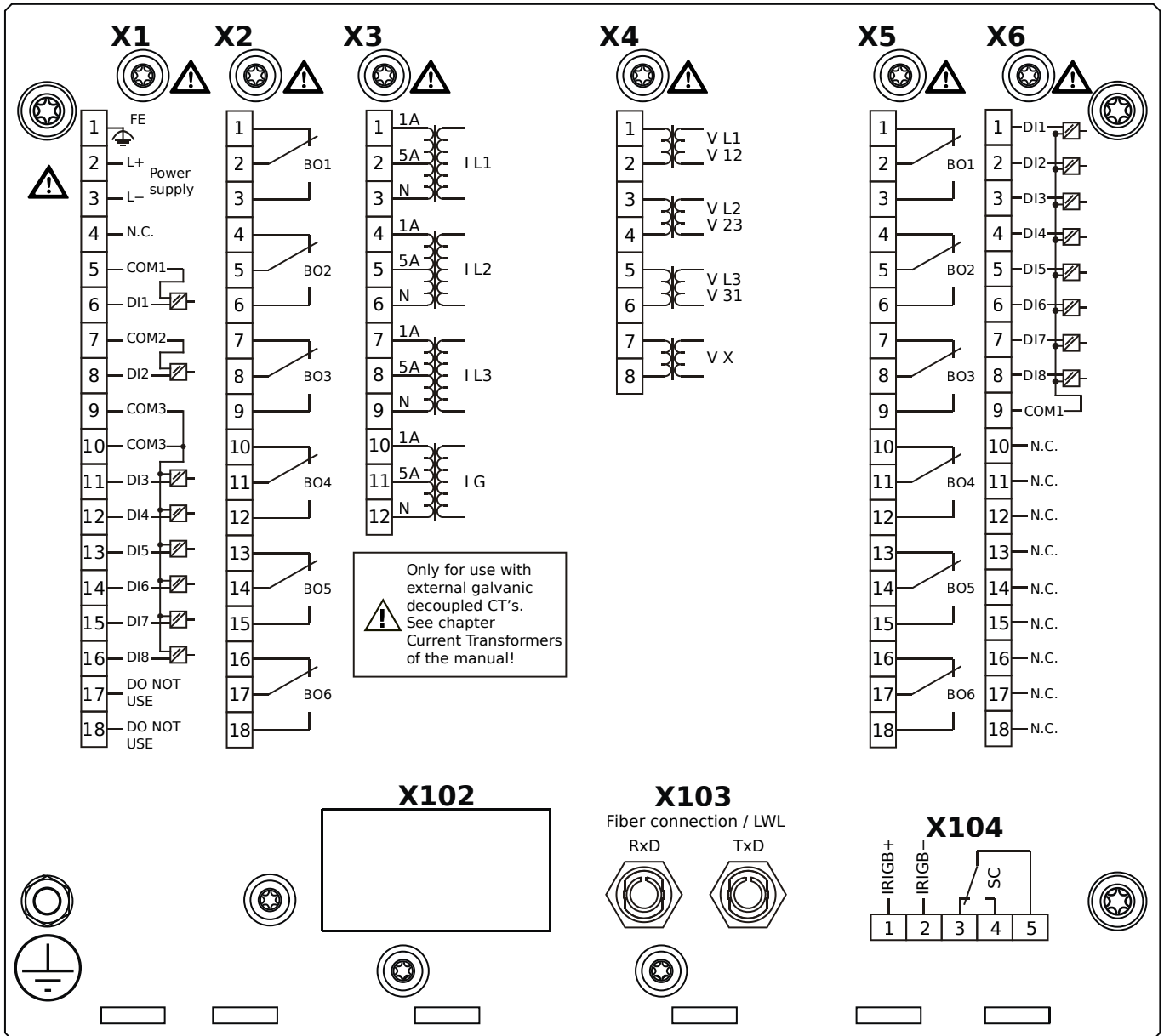
- X1** – DI8-X1: Wide-range power supply unit, incl. 2 non-grouped digital inputs and 6 grouped digital inputs
- X2** – OR-6: Assembly Group with 6 Relay Outputs
- X3** – TI-4: Standard current measuring card
- X4** – TU: Card with 4 voltage transformer measuring inputs
- X5** – OR-6: Assembly Group with 6 Relay Outputs
- X6** – DI8: Assembly Group with 8 Digital Inputs
- X100** – Modbus TCP / DNP3.0 TCP/UDP, Ethernet interface, 100 Mbit/s, RJ45 (BASE100-FX)
- X104** – IRIG-B00X, incl. System Contact (Supervision Contact)

# MCA4-2D0ACB



- X1** – DI8-X1: Wide-range power supply unit, incl. 2 non-grouped digital inputs and 6 grouped digital inputs
- X2** – OR-6: Assembly Group with 6 Relay Outputs
- X3** – TI-4: Standard current measuring card
- X4** – TU: Card with 4 voltage transformer measuring inputs
- X5** – OR-6: Assembly Group with 6 Relay Outputs
- X6** – DI8: Assembly Group with 8 Digital Inputs
- X100** – Modbus TCP / DNP3.0 TCP/UDP, Ethernet interface, 100 Mbit/s, RJ45 (BASE100-FX)
- X104** – IRIG-B00X, incl. System Contact (Supervision Contact)

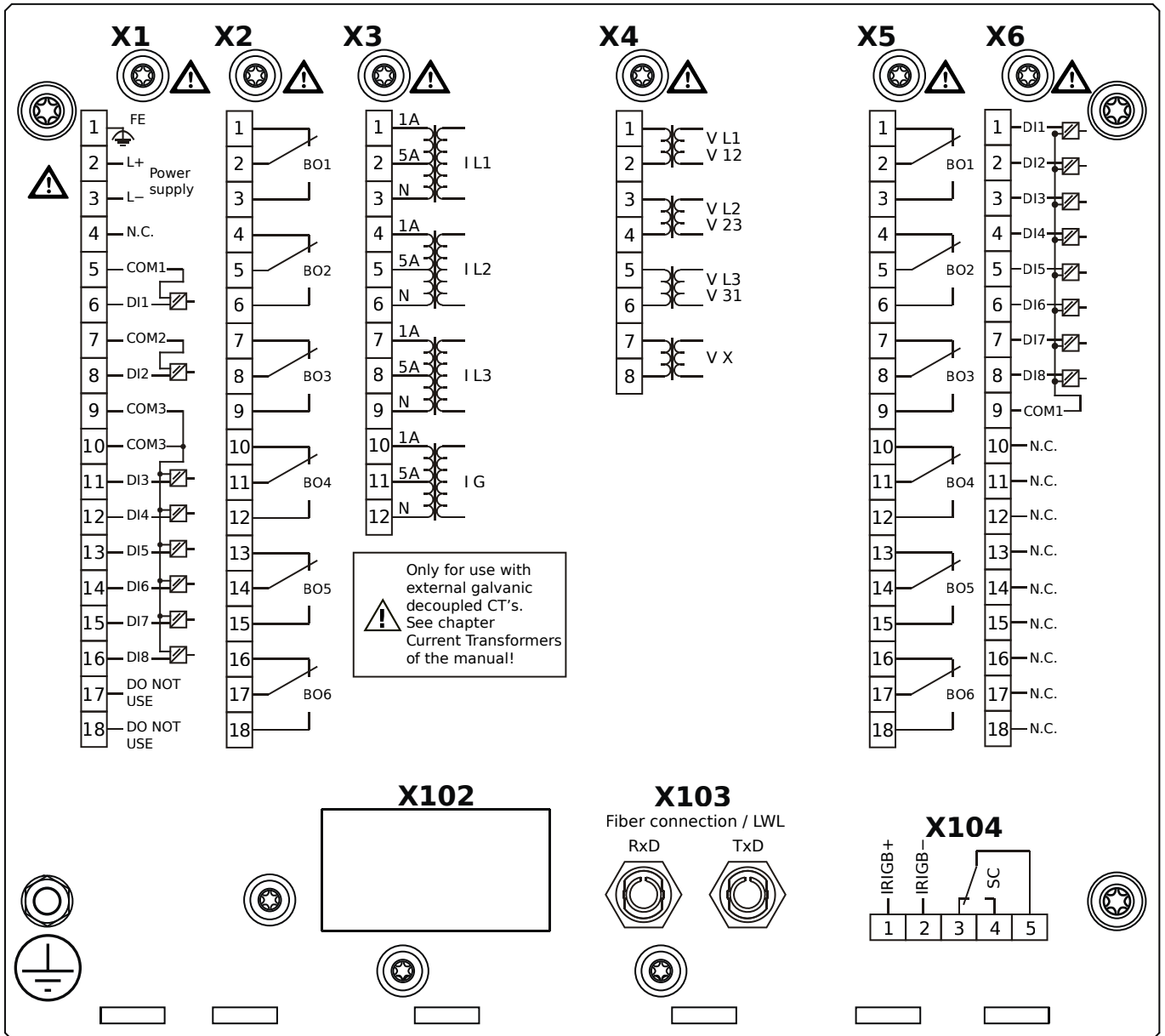
# MCA4-2D0ADA



- X1** – DI8-X1: Wide-range power supply unit, incl. 2 non-grouped digital inputs and 6 grouped digital inputs
- X2** – OR-6: Assembly Group with 6 Relay Outputs
- X3** – TI-4: Standard current measuring card
- X4** – TU: Card with 4 voltage transformer measuring inputs
- X5** – OR-6: Assembly Group with 6 Relay Outputs
- X6** – DI8: Assembly Group with 8 Digital Inputs
- X103** – Profibus-DP, Fiber optics interface, ST Connector
- X104** – IRIG-B00X, incl. System Contact (Supervision Contact)

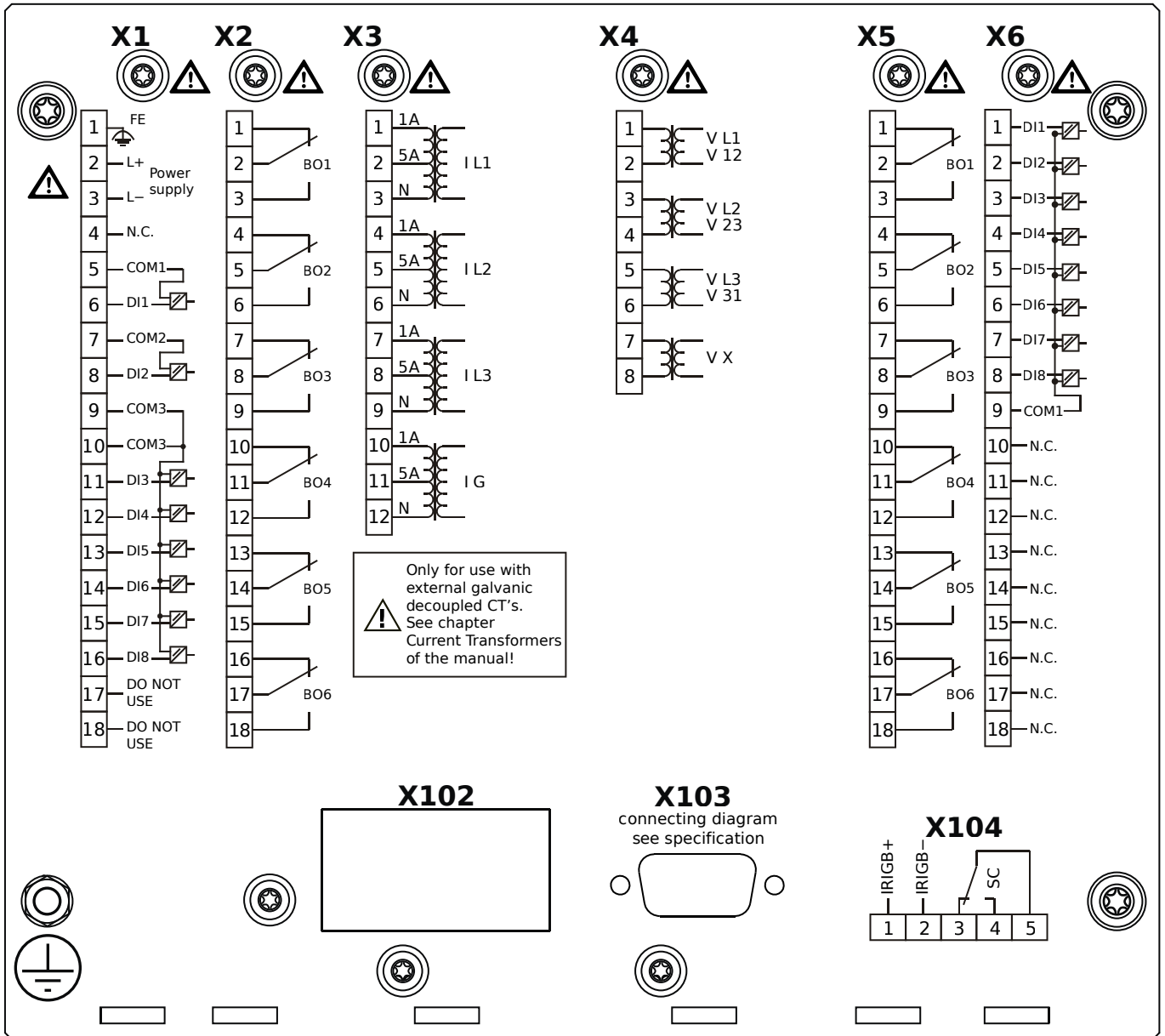


# MCA4-2D0ADB



- X1** – DI8-X1: Wide-range power supply unit, incl. 2 non-grouped digital inputs and 6 grouped digital inputs
- X2** – OR-6: Assembly Group with 6 Relay Outputs
- X3** – TI-4: Standard current measuring card
- X4** – TU: Card with 4 voltage transformer measuring inputs
- X5** – OR-6: Assembly Group with 6 Relay Outputs
- X6** – DI8: Assembly Group with 8 Digital Inputs
- X103** – Profibus-DP, Fiber optics interface, ST Connector
- X104** – IRIG-B00X, incl. System Contact (Supervision Contact)

# MCA4-2D0AEA



**X1** – DI8-X1: Wide-range power supply unit, incl. 2 non-grouped digital inputs and 6 grouped digital inputs

**X2** – OR-6: Assembly Group with 6 Relay Outputs

**X3** – TI-4: Standard current measuring card

**X4** – TU: Card with 4 voltage transformer measuring inputs

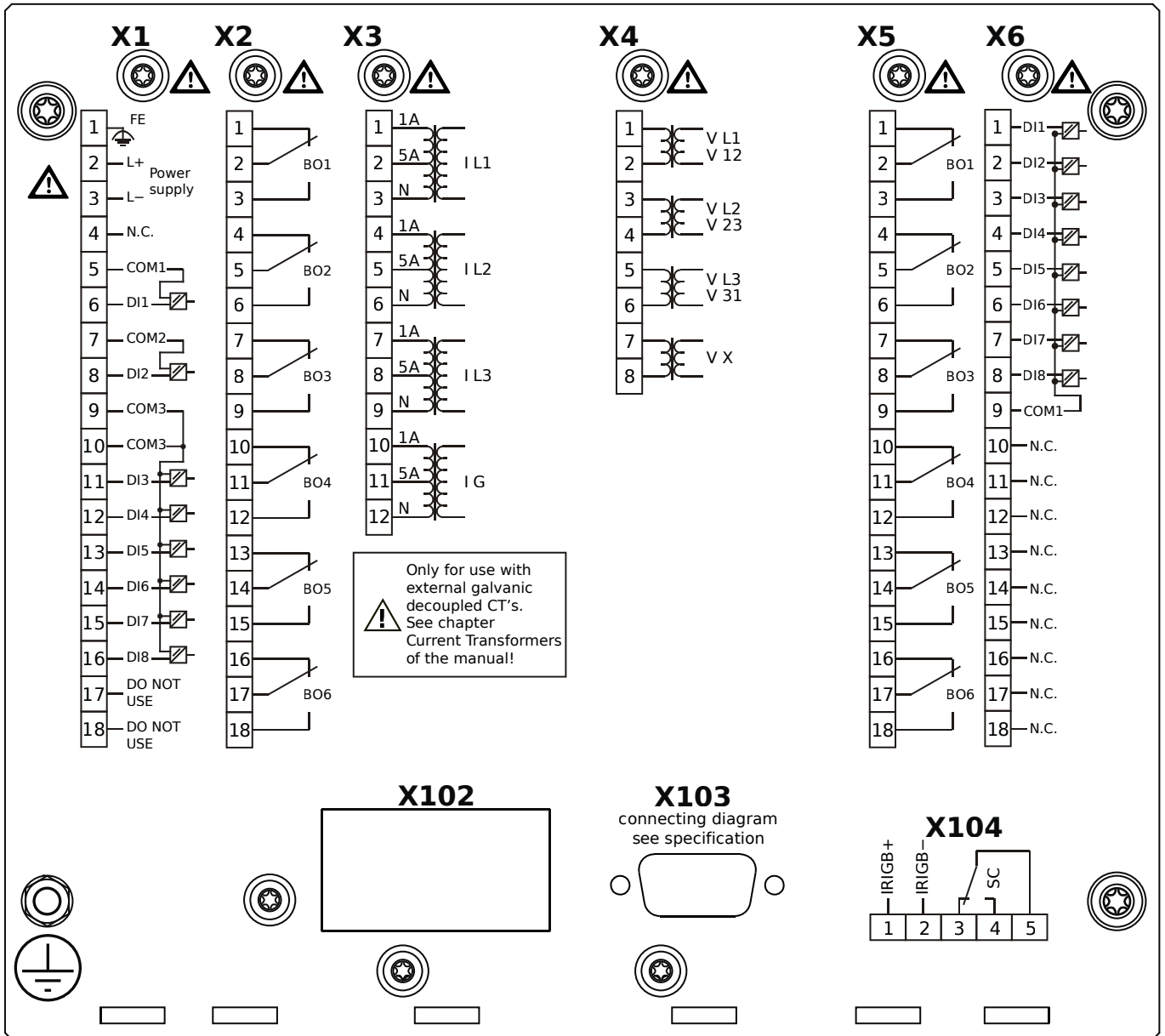
**X5** – OR-6: Assembly Group with 6 Relay Outputs

**X6** – DI8: Assembly Group with 8 Digital Inputs

**X103** – Profibus-DP, RS485, D-SUB

**X104** – IRIG-B00X, incl. System Contact (Supervision Contact)

# MCA4-2D0AEB



**X1** – DI8-X1: Wide-range power supply unit, incl. 2 non-grouped digital inputs and 6 grouped digital inputs

**X2** – OR-6: Assembly Group with 6 Relay Outputs

**X3** – TI-4: Standard current measuring card

**X4** – TU: Card with 4 voltage transformer measuring inputs

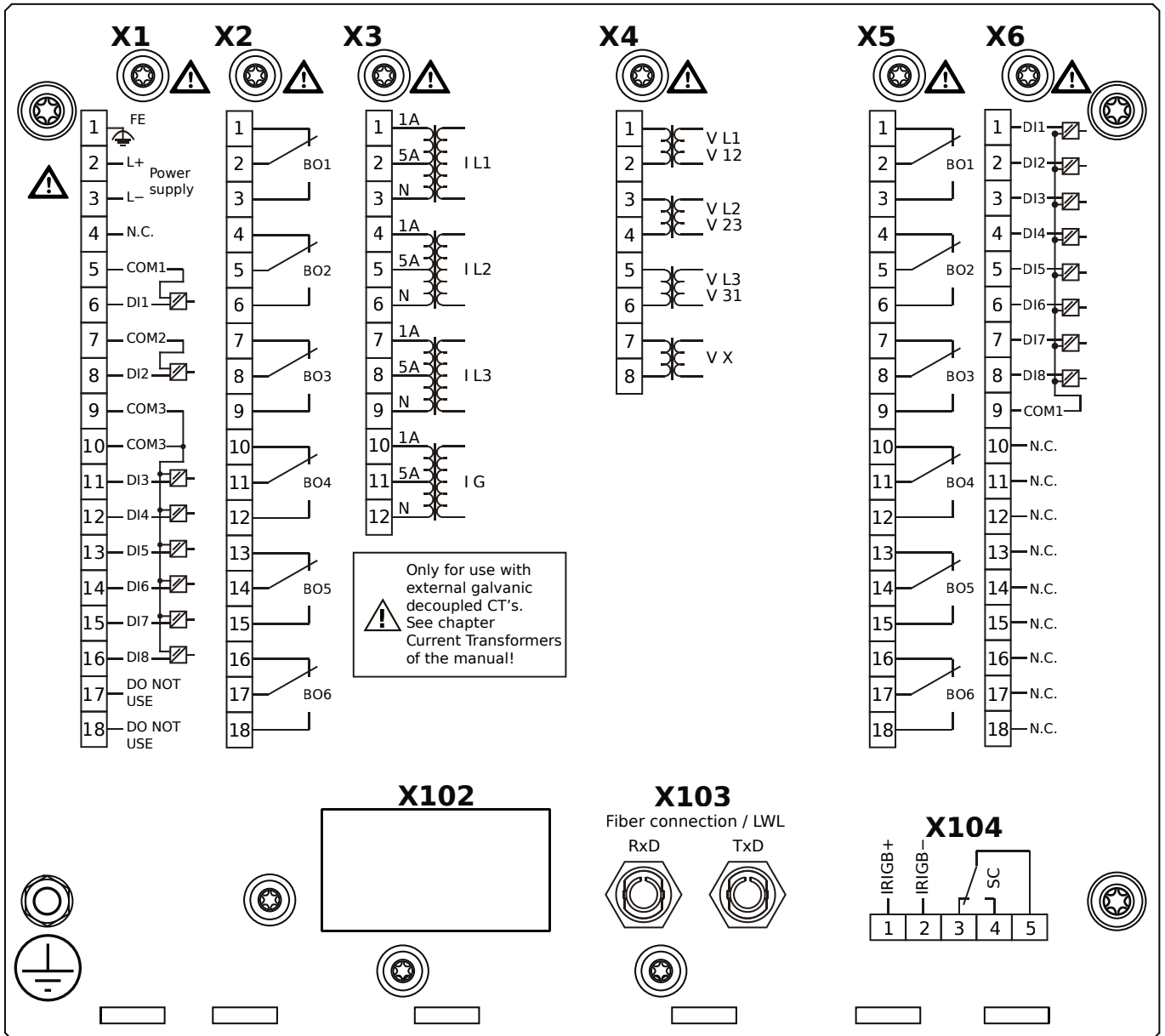
**X5** – OR-6: Assembly Group with 6 Relay Outputs

**X6** – DI8: Assembly Group with 8 Digital Inputs

**X103** – Profibus-DP, RS485, D-SUB

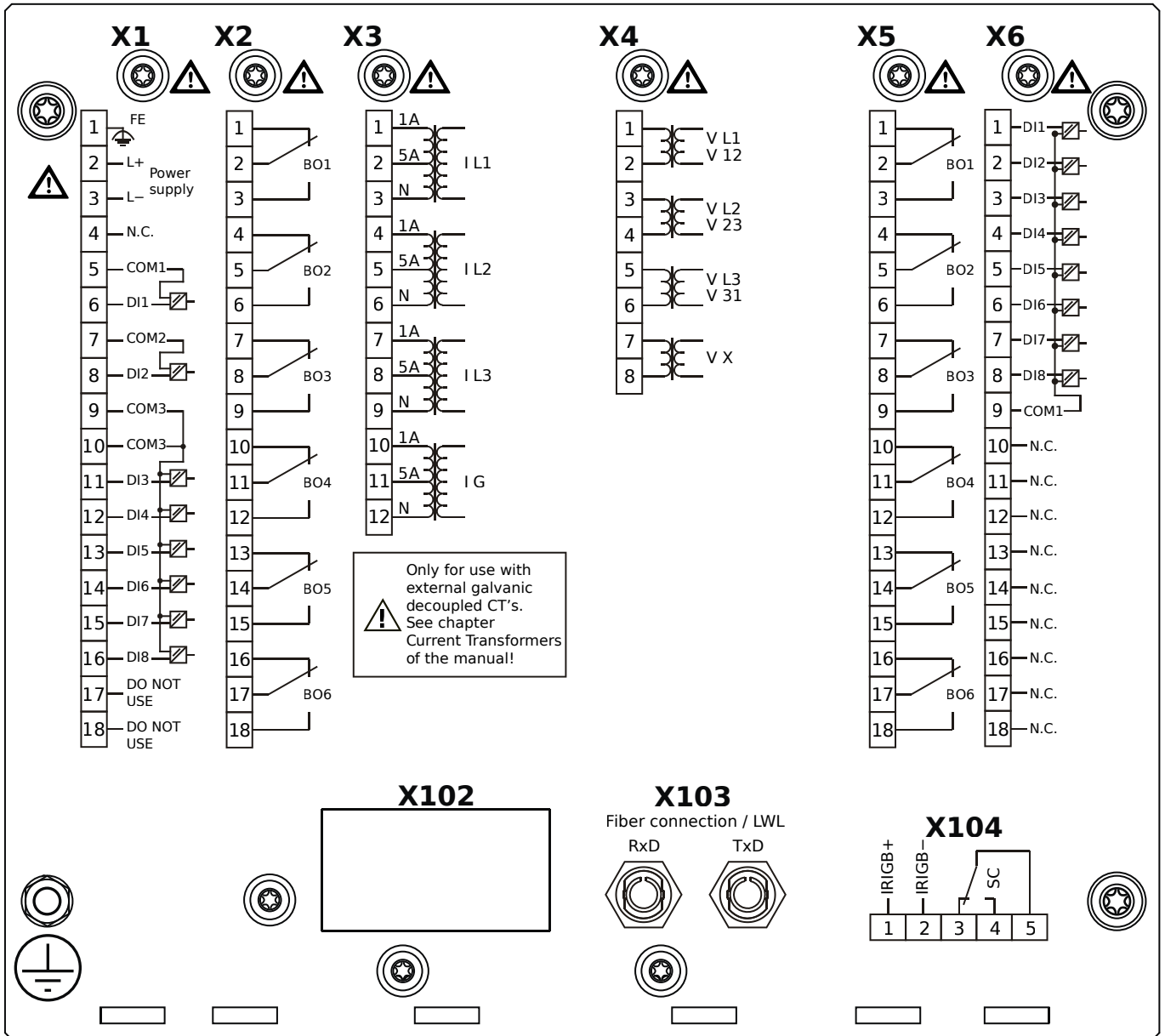
**X104** – IRIG-B00X, incl. System Contact (Supervision Contact)

# MCA4-2D0AFA



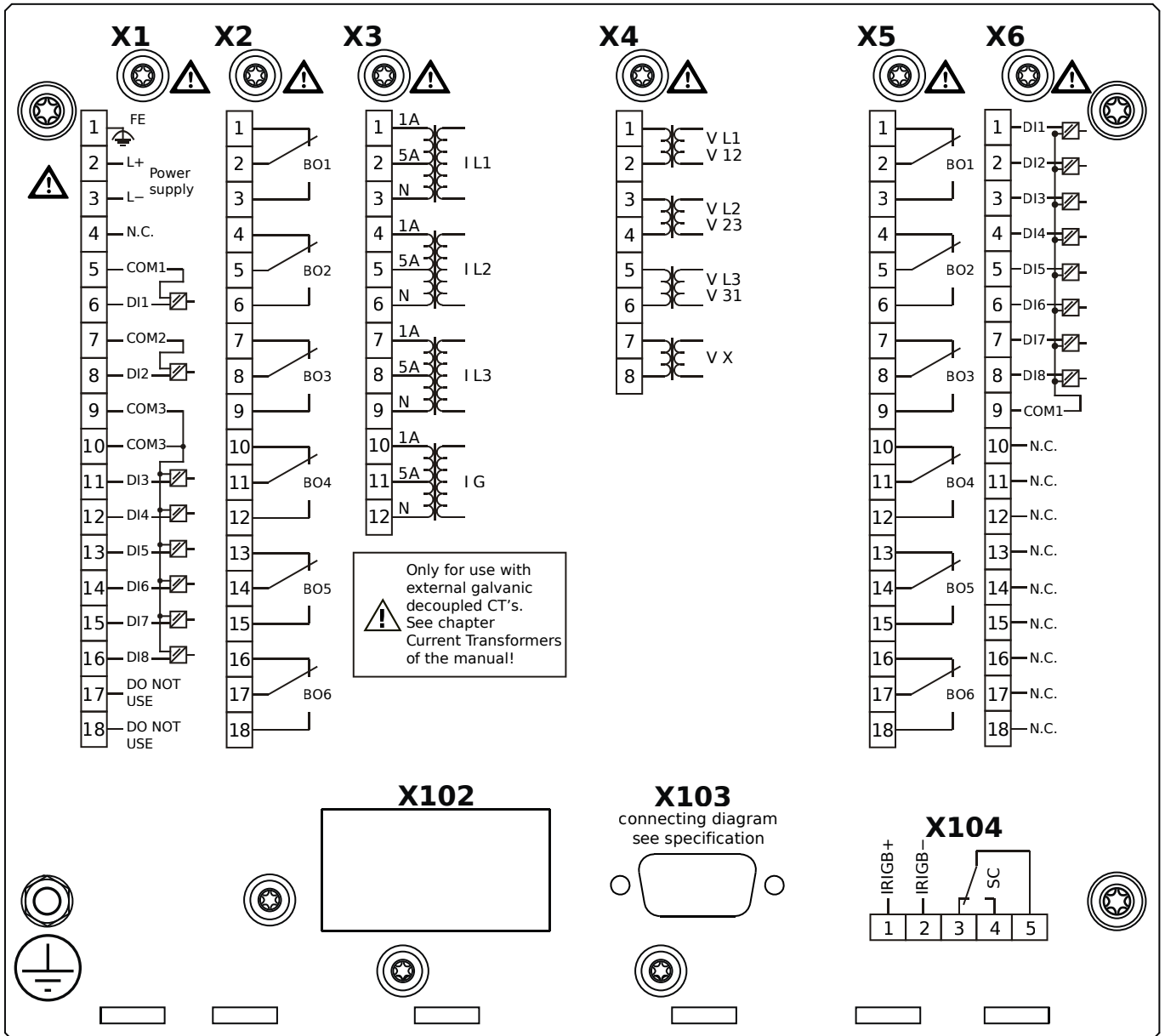
- X1** – DI8-X1: Wide-range power supply unit, incl. 2 non-grouped digital inputs and 6 grouped digital inputs
- X2** – OR-6: Assembly Group with 6 Relay Outputs
- X3** – TI-4: Standard current measuring card
- X4** – TU: Card with 4 voltage transformer measuring inputs
- X5** – OR-6: Assembly Group with 6 Relay Outputs
- X6** – DI8: Assembly Group with 8 Digital Inputs
- X103** – Modbus RTU / IEC 60870-5-103 / DNP3.0 RTU, Fiber optics interface, ST Connector
- X104** – IRIG-B00X, incl. System Contact (Supervision Contact)

# MCA4-2D0AFB



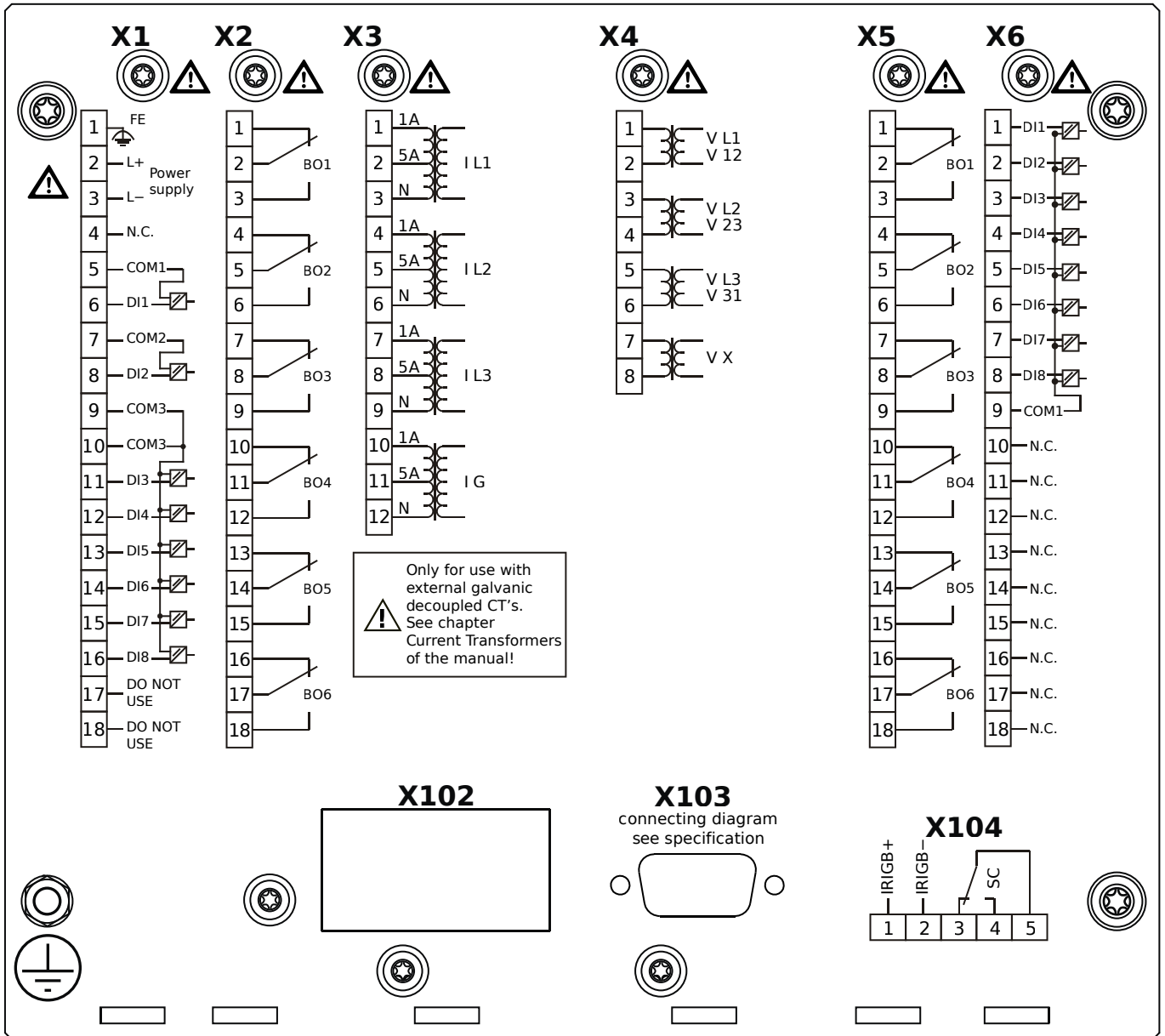
- X1** – DI8-X1: Wide-range power supply unit, incl. 2 non-grouped digital inputs and 6 grouped digital inputs
- X2** – OR-6: Assembly Group with 6 Relay Outputs
- X3** – TI-4: Standard current measuring card
- X4** – TU: Card with 4 voltage transformer measuring inputs
- X5** – OR-6: Assembly Group with 6 Relay Outputs
- X6** – DI8: Assembly Group with 8 Digital Inputs
- X103** – Modbus RTU / IEC 60870-5-103 / DNP3.0 RTU, Fiber optics interface, ST Connector
- X104** – IRIG-B00X, incl. System Contact (Supervision Contact)

# MCA4-2D0AGA



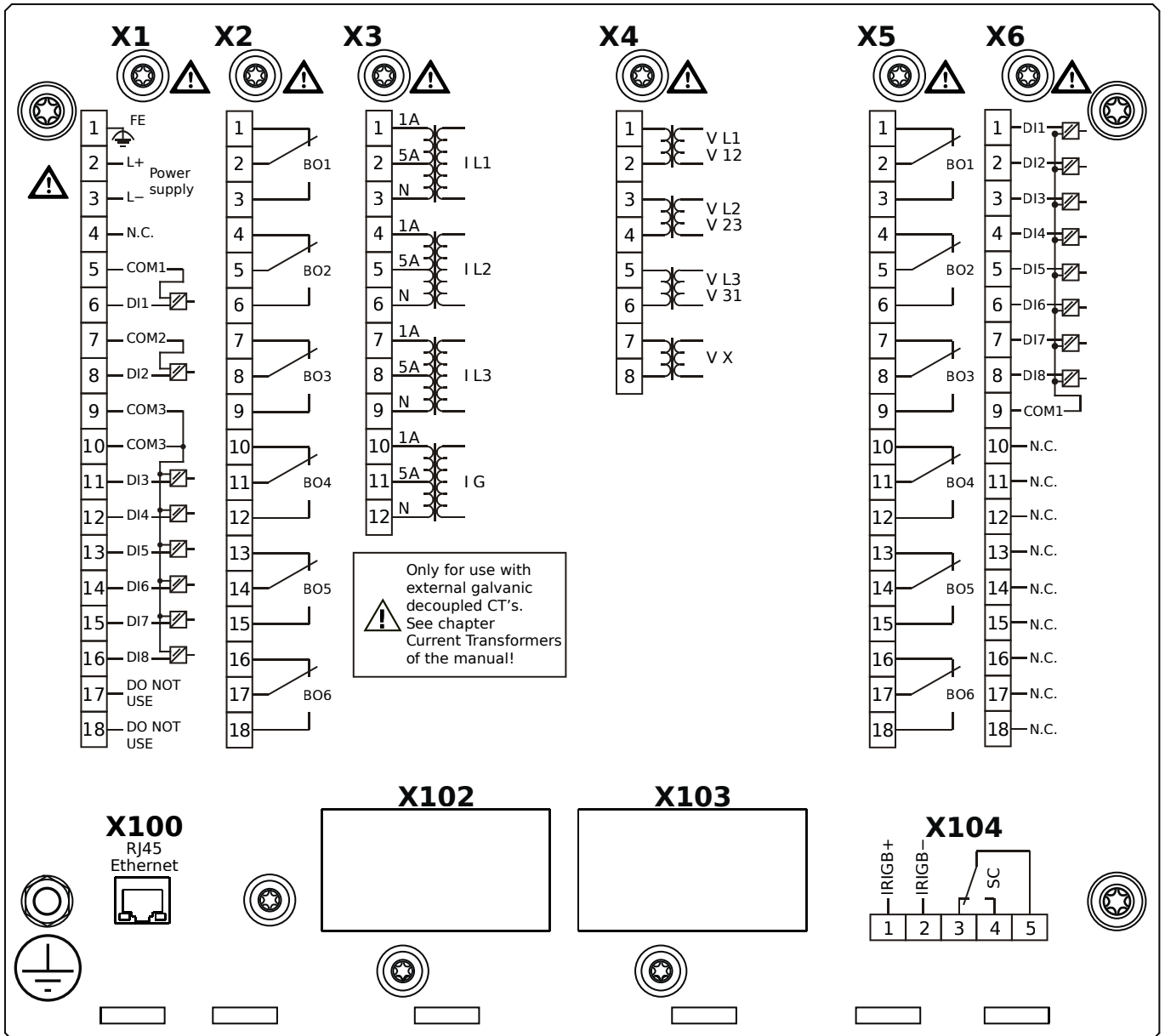
- X1** – DI8-X1: Wide-range power supply unit, incl. 2 non-grouped digital inputs and 6 grouped digital inputs
- X2** – OR-6: Assembly Group with 6 Relay Outputs
- X3** – TI-4: Standard current measuring card
- X4** – TU: Card with 4 voltage transformer measuring inputs
- X5** – OR-6: Assembly Group with 6 Relay Outputs
- X6** – DI8: Assembly Group with 8 Digital Inputs
- X103** – Modbus RTU / IEC 60870-5-103 / DNP3.0 RTU, RS485, D-SUB
- X104** – IRIG-B00X, incl. System Contact (Supervision Contact)

# MCA4-2D0AGB



- X1** – DI8-X1: Wide-range power supply unit, incl. 2 non-grouped digital inputs and 6 grouped digital inputs
- X2** – OR-6: Assembly Group with 6 Relay Outputs
- X3** – TI-4: Standard current measuring card
- X4** – TU: Card with 4 voltage transformer measuring inputs
- X5** – OR-6: Assembly Group with 6 Relay Outputs
- X6** – DI8: Assembly Group with 8 Digital Inputs
- X103** – Modbus RTU / IEC 60870-5-103 / DNP3.0 RTU, RS485, D-SUB
- X104** – IRIG-B00X, incl. System Contact (Supervision Contact)

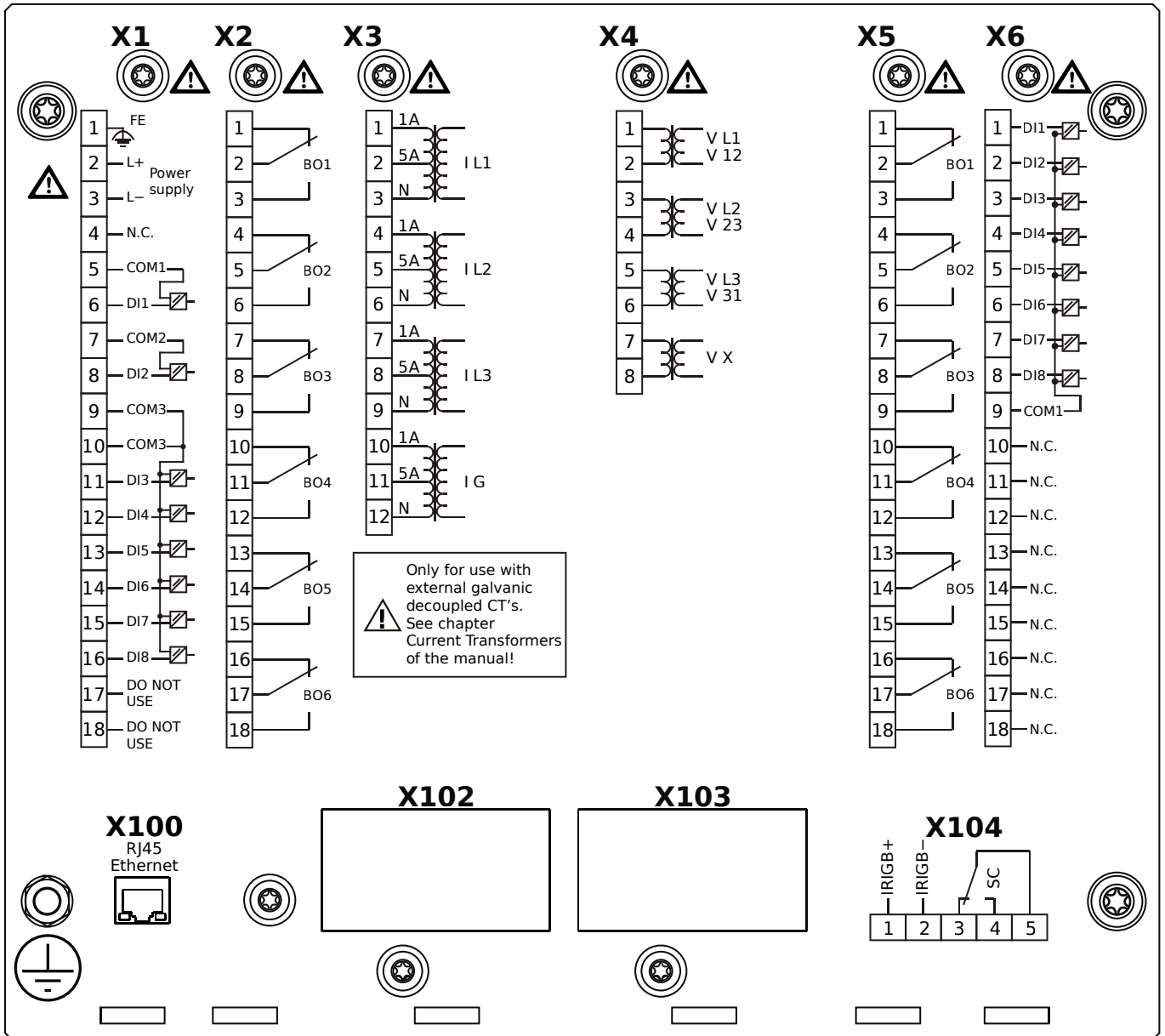
# MCA4-2D0AHA



- X1** – DI8-X1: Wide-range power supply unit, incl. 2 non-grouped digital inputs and 6 grouped digital inputs
- X2** – OR-6: Assembly Group with 6 Relay Outputs
- X3** – TI-4: Standard current measuring card
- X4** – TU: Card with 4 voltage transformer measuring inputs
- X5** – OR-6: Assembly Group with 6 Relay Outputs
- X6** – DI8: Assembly Group with 8 Digital Inputs
- X100** – IEC 61850 / Modbus TCP / DNP3.0 TCP/UDP, Ethernet interface, 100 Mbit/s, RJ45 (BASE100-FX)
- X104** – IRIG-B00X, incl. System Contact (Supervision Contact)

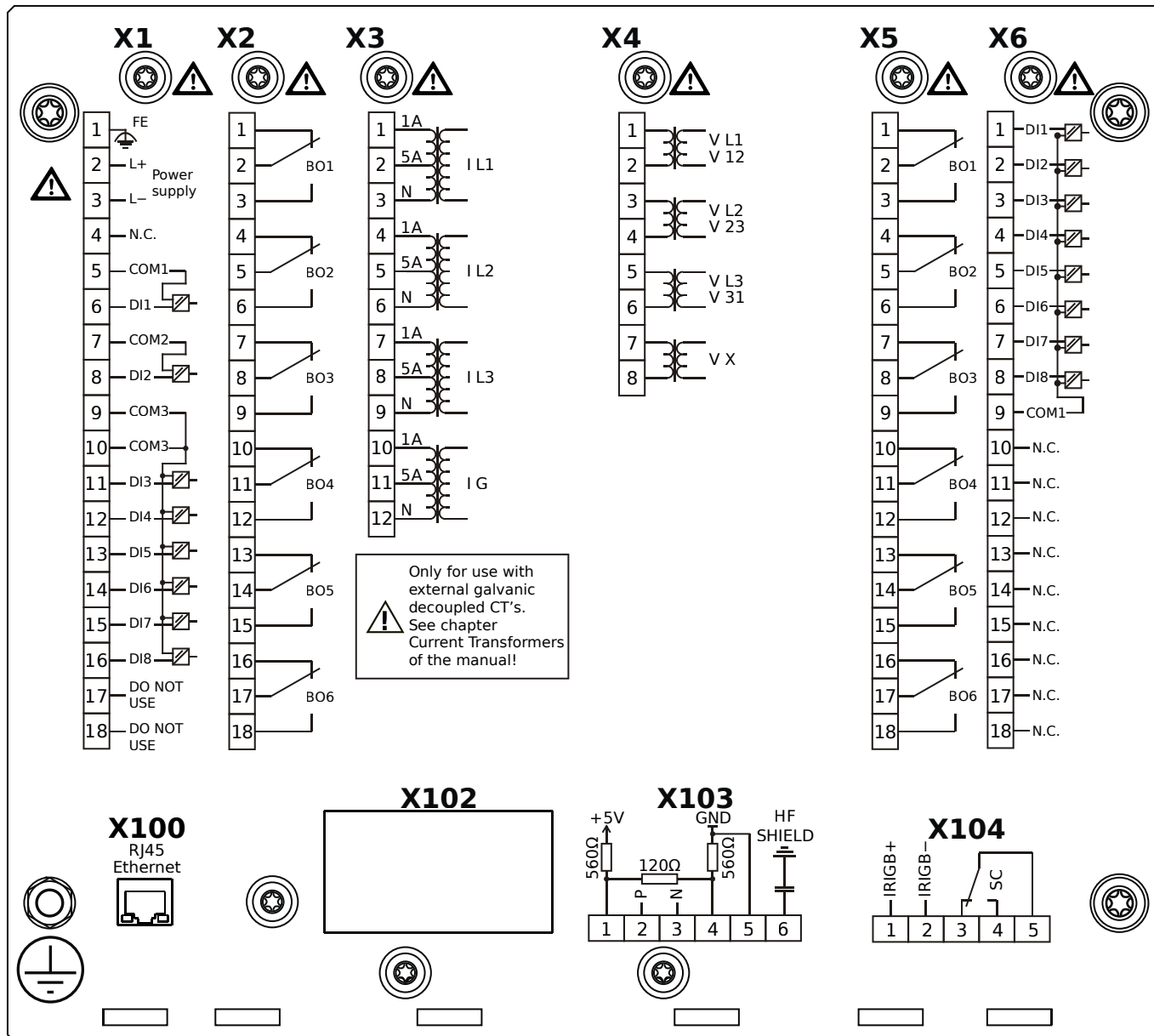


# MCA4-2D0AHB



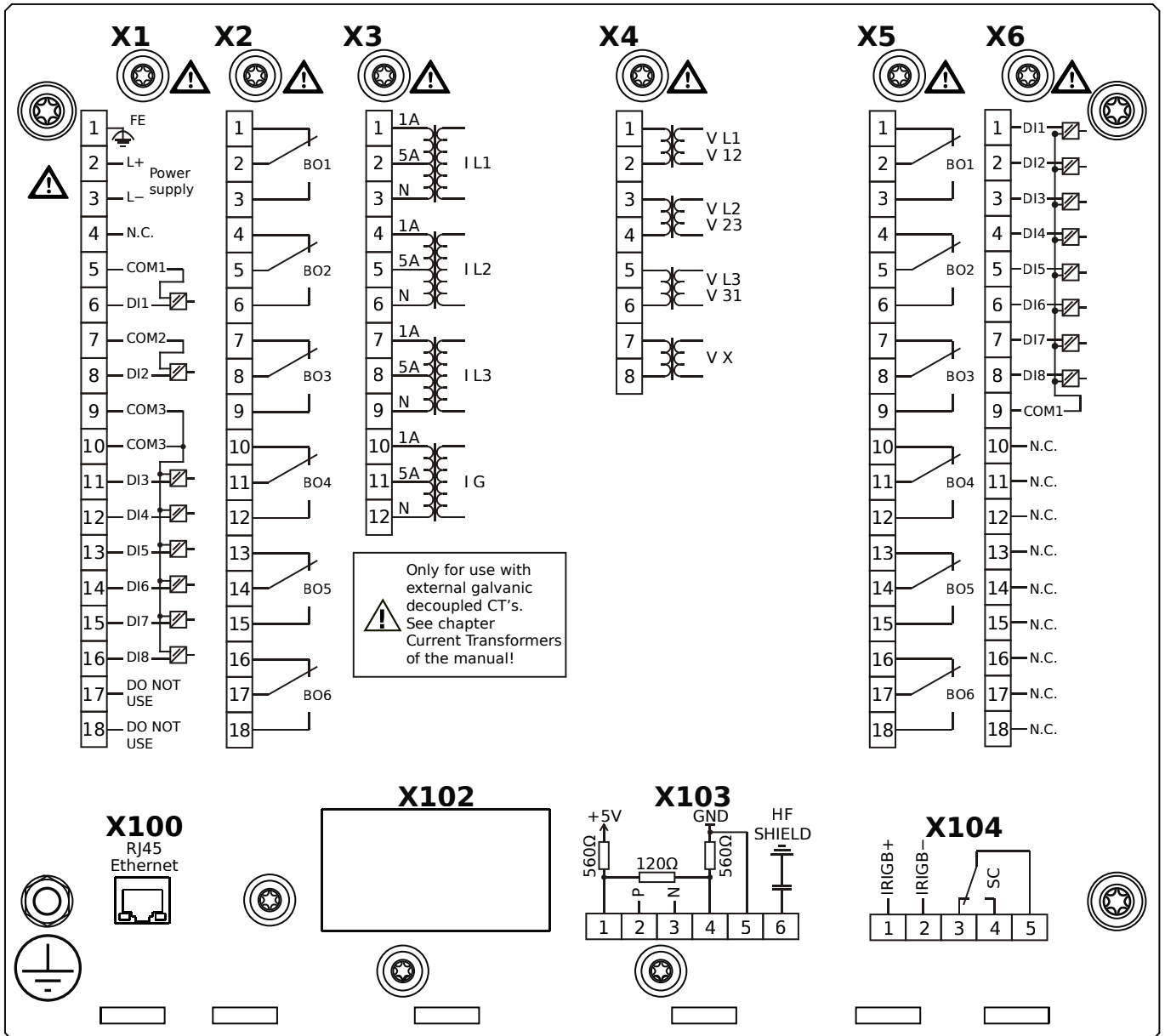
- X1** – DI8-X1: Wide-range power supply unit, incl. 2 non-grouped digital inputs and 6 grouped digital inputs
- X2** – OR-6: Assembly Group with 6 Relay Outputs
- X3** – TI-4: Standard current measuring card
- X4** – TU: Card with 4 voltage transformer measuring inputs
- X5** – OR-6: Assembly Group with 6 Relay Outputs
- X6** – DI8: Assembly Group with 8 Digital Inputs
- X100** – IEC 61850 / Modbus TCP / DNP3.0 TCP/UDP, Ethernet interface, 100 Mbit/s, RJ45 (BASE100-FX)
- X104** – IRIG-B00X, incl. System Contact (Supervision Contact)

# MCA4-2D0AIA



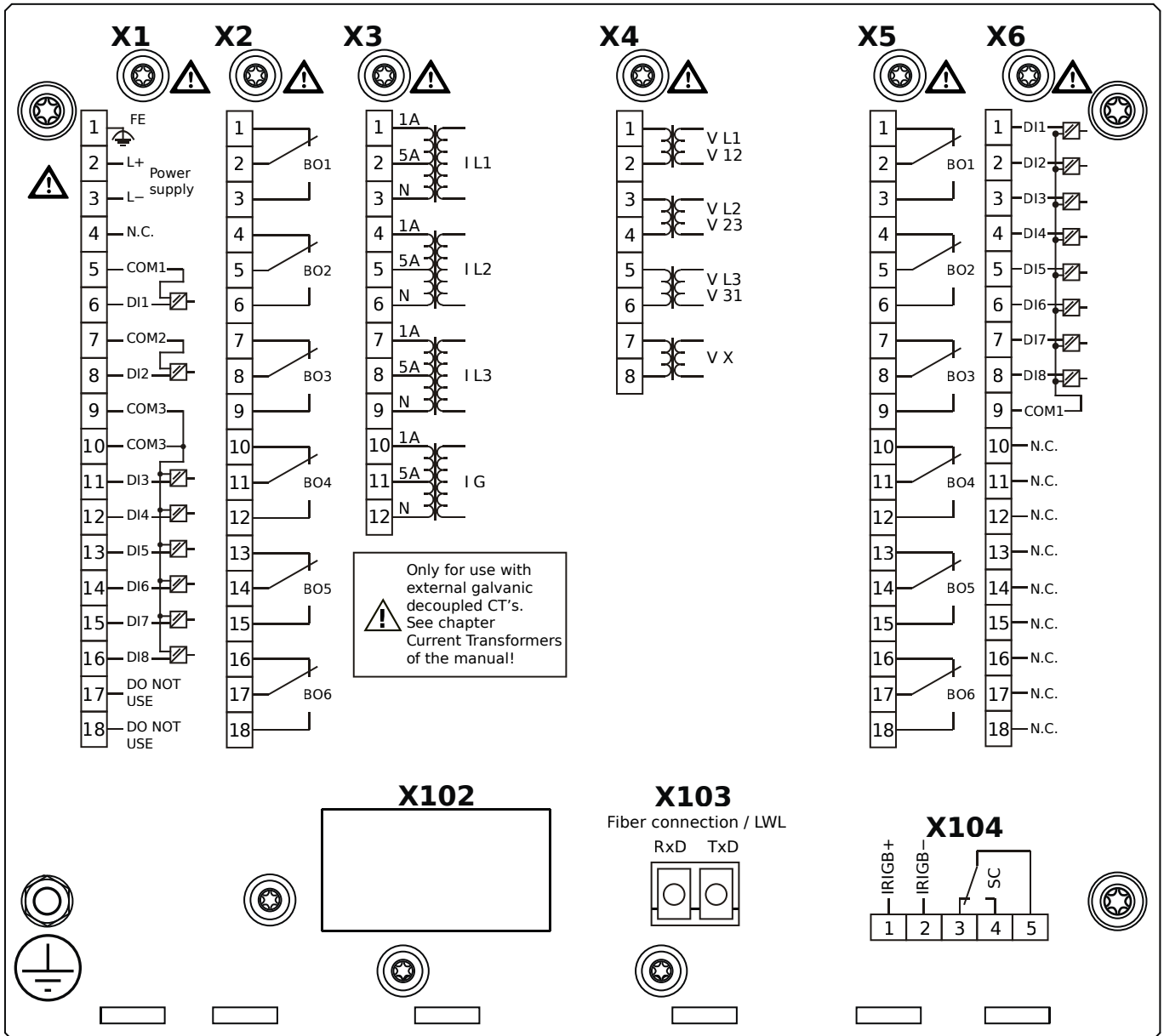
- X1** – DI8-X1: Wide-range power supply unit, incl. 2 non-grouped digital inputs and 6 grouped digital inputs
- X2** – OR-6: Assembly Group with 6 Relay Outputs
- X3** – TI-4: Standard current measuring card
- X4** – TU: Card with 4 voltage transformer measuring inputs
- X5** – OR-6: Assembly Group with 6 Relay Outputs
- X6** – DI8: Assembly Group with 8 Digital Inputs
- X100** – Modbus TCP / DNP3.0 TCP/UDP, Ethernet interface, 100 Mbit/s, RJ45 (BASE100-FX)
- X103** – IEC 60870-5-103 / Modbus RTU / DNP3.0 RTU, RS485, Terminals
- X104** – IRIG-B00X, incl. System Contact (Supervision Contact)

# MCA4-2D0AIB



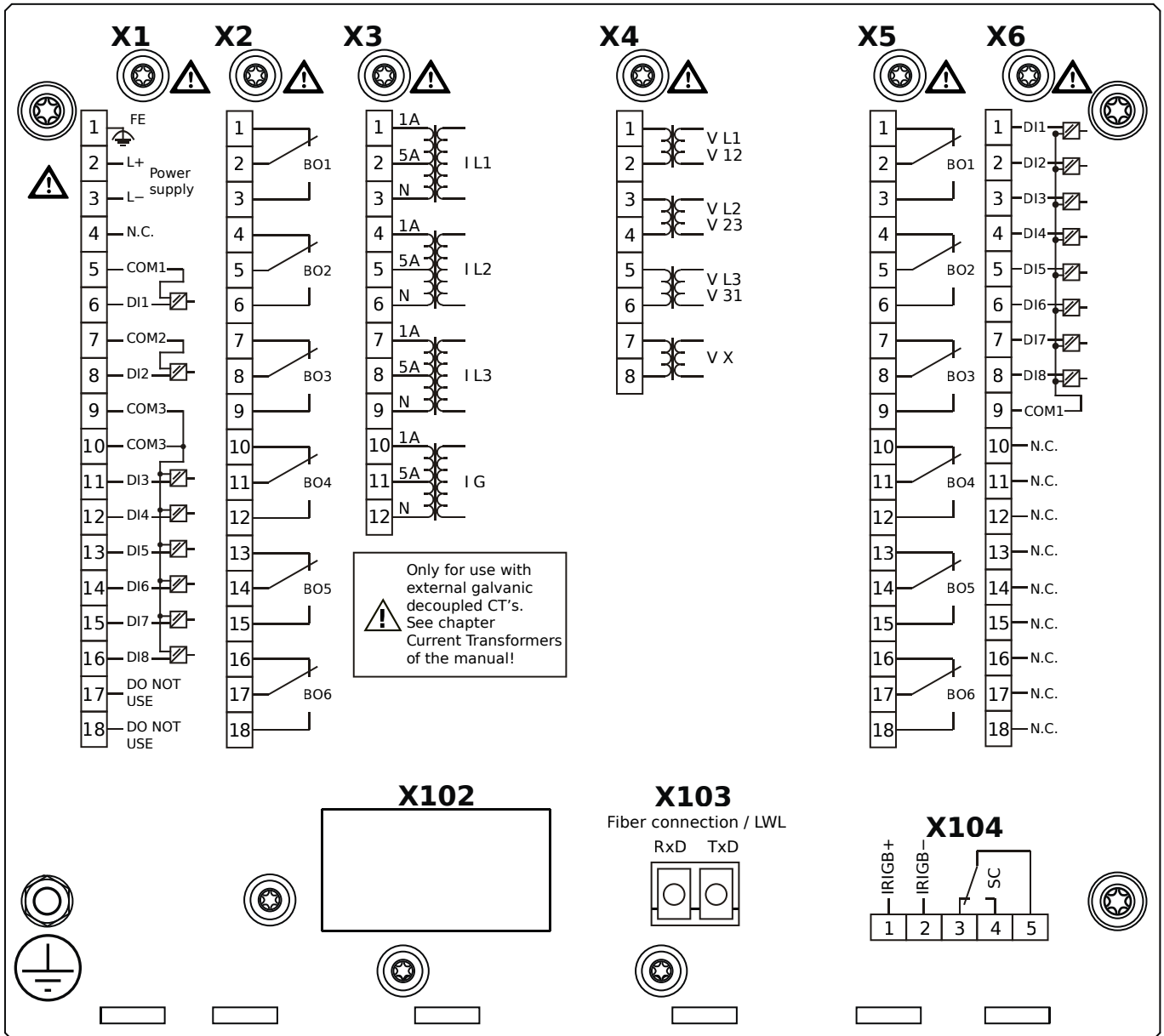
- X1** – DI8-X1: Wide-range power supply unit, incl. 2 non-grouped digital inputs and 6 grouped digital inputs
- X2** – OR-6: Assembly Group with 6 Relay Outputs
- X3** – TI-4: Standard current measuring card
- X4** – TU: Card with 4 voltage transformer measuring inputs
- X5** – OR-6: Assembly Group with 6 Relay Outputs
- X6** – DI8: Assembly Group with 8 Digital Inputs
- X100** – Modbus TCP / DNP3.0 TCP/UDP, Ethernet interface, 100 Mbit/s, RJ45 (BASE100-FX)
- X103** – IEC 60870-5-103 / Modbus RTU / DNP3.0 RTU, RS485, Terminals
- X104** – IRIG-B00X, incl. System Contact (Supervision Contact)

# MCA4-2D0AKA



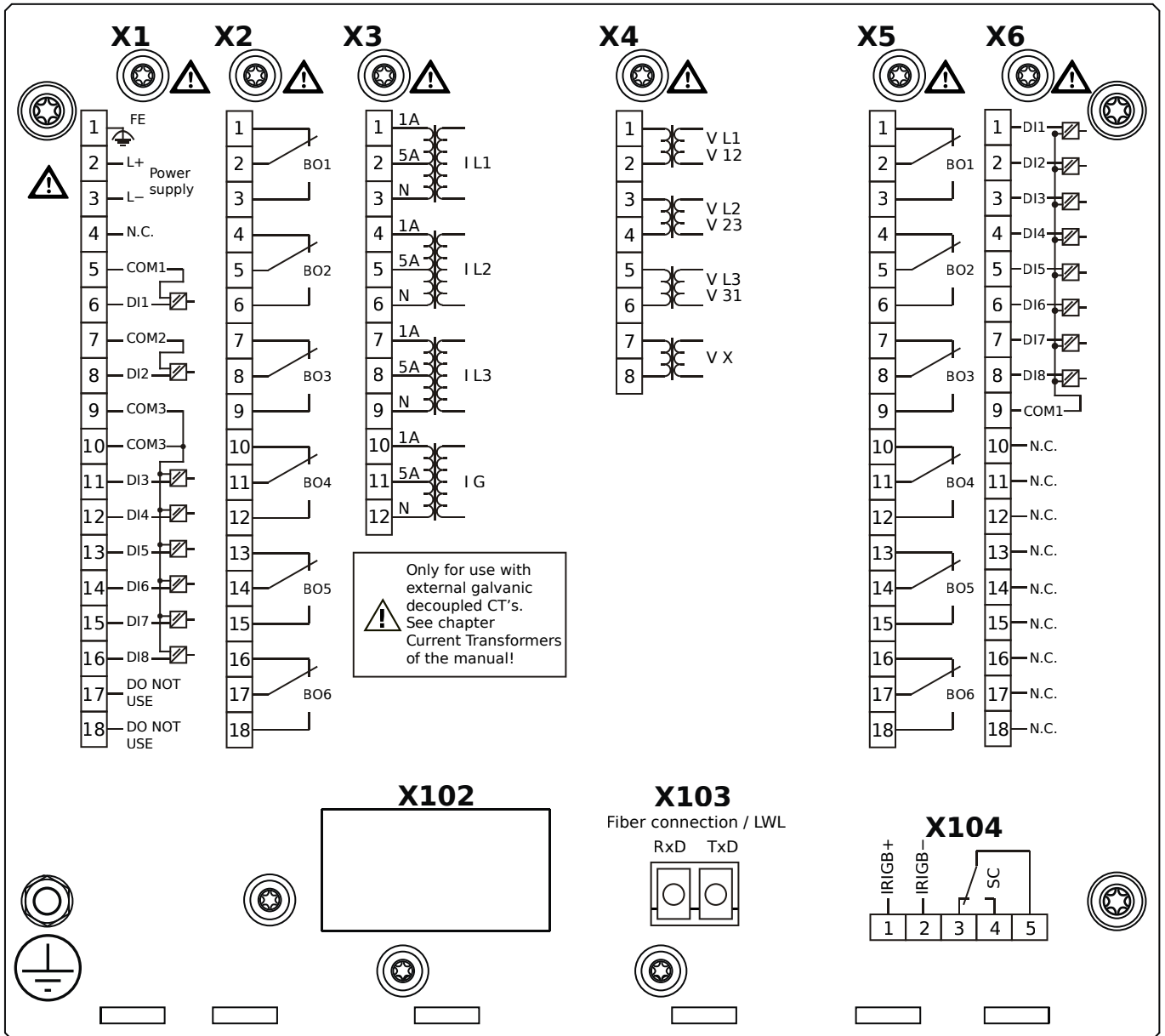
- X1** – DI8-X1: Wide-range power supply unit, incl. 2 non-grouped digital inputs and 6 grouped digital inputs
- X2** – OR-6: Assembly Group with 6 Relay Outputs
- X3** – TI-4: Standard current measuring card
- X4** – TU: Card with 4 voltage transformer measuring inputs
- X5** – OR-6: Assembly Group with 6 Relay Outputs
- X6** – DI8: Assembly Group with 8 Digital Inputs
- X103** – IEC 61850 / Modbus TCP / DNP3.0 TCP/UDP, Fiber optics interface, LC Connector
- X104** – IRIG-B00X, incl. System Contact (Supervision Contact)

# MCA4-2D0AKB



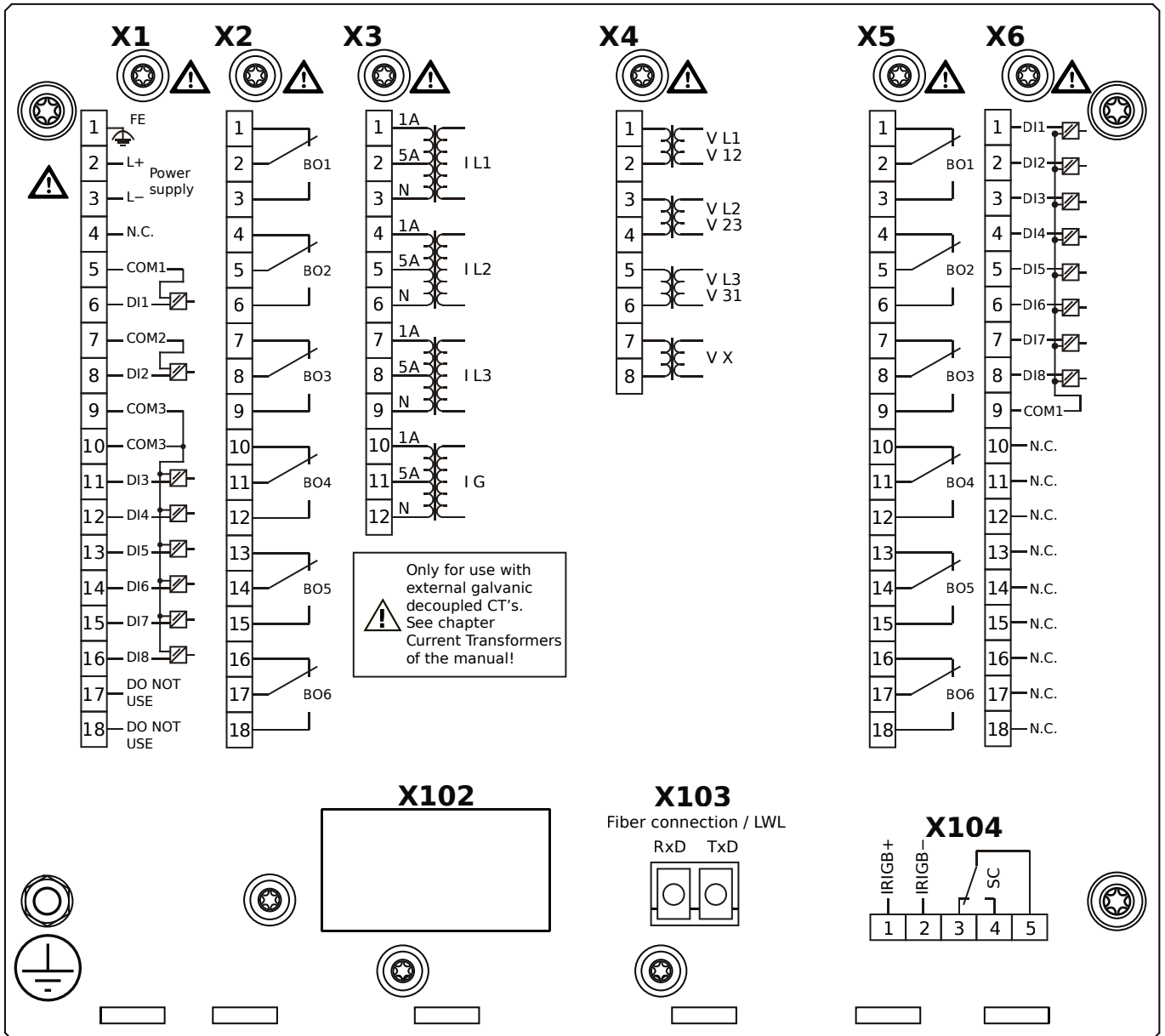
- X1** – DI8-X1: Wide-range power supply unit, incl. 2 non-grouped digital inputs and 6 grouped digital inputs
- X2** – OR-6: Assembly Group with 6 Relay Outputs
- X3** – TI-4: Standard current measuring card
- X4** – TU: Card with 4 voltage transformer measuring inputs
- X5** – OR-6: Assembly Group with 6 Relay Outputs
- X6** – DI8: Assembly Group with 8 Digital Inputs
- X103** – IEC 61850 / Modbus TCP / DNP3.0 TCP/UDP, Fiber optics interface, LC Connector
- X104** – IRIG-B00X, incl. System Contact (Supervision Contact)

# MCA4-2D0ALA



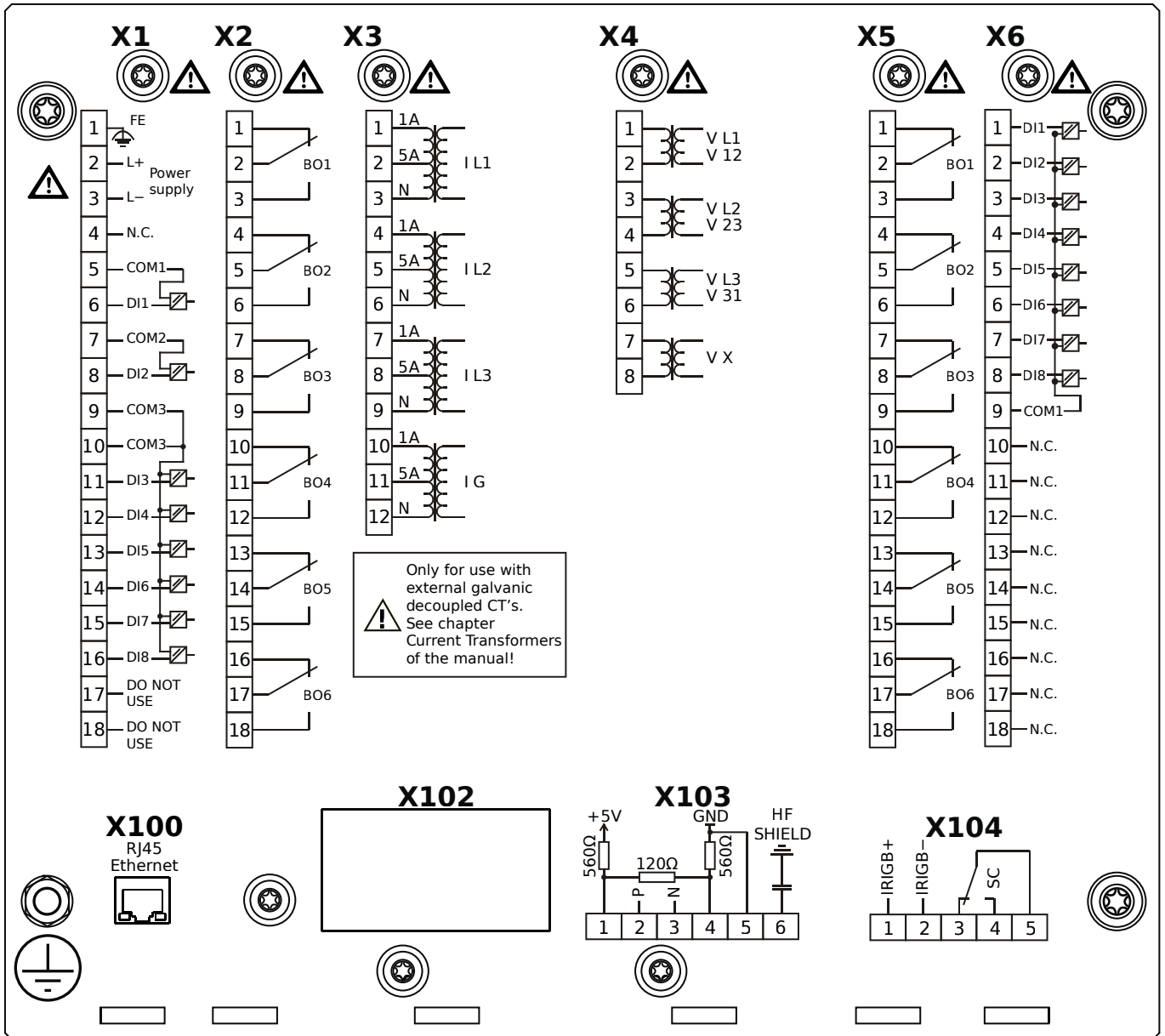
- X1** – DI8-X1: Wide-range power supply unit, incl. 2 non-grouped digital inputs and 6 grouped digital inputs
- X2** – OR-6: Assembly Group with 6 Relay Outputs
- X3** – TI-4: Standard current measuring card
- X4** – TU: Card with 4 voltage transformer measuring inputs
- X5** – OR-6: Assembly Group with 6 Relay Outputs
- X6** – DI8: Assembly Group with 8 Digital Inputs
- X103** – Modbus TCP / DNP3.0 TCP/UDP, Fiber optics interface, LC Connector
- X104** – IRIG-B00X, incl. System Contact (Supervision Contact)

# MCA4-2D0ALB



- X1** – DI8-X1: Wide-range power supply unit, incl. 2 non-grouped digital inputs and 6 grouped digital inputs
- X2** – OR-6: Assembly Group with 6 Relay Outputs
- X3** – TI-4: Standard current measuring card
- X4** – TU: Card with 4 voltage transformer measuring inputs
- X5** – OR-6: Assembly Group with 6 Relay Outputs
- X6** – DI8: Assembly Group with 8 Digital Inputs
- X103** – Modbus TCP / DNP3.0 TCP/UDP, Fiber optics interface, LC Connector
- X104** – IRIG-B00X, incl. System Contact (Supervision Contact)

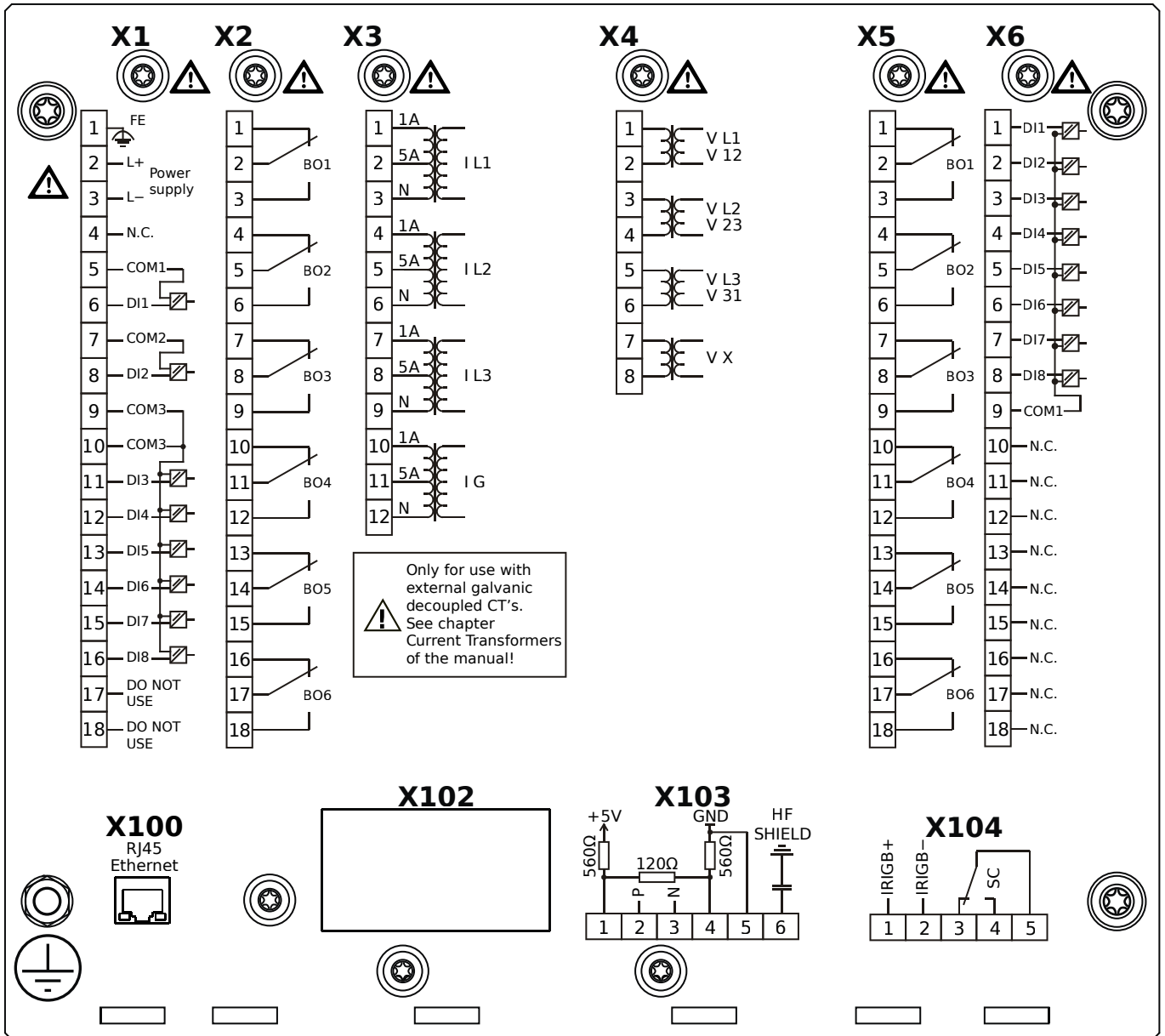
# MCA4-2D0ATA



- X1** – DI8-X1: Wide-range power supply unit, incl. 2 non-grouped digital inputs and 6 grouped digital inputs
- X2** – OR-6: Assembly Group with 6 Relay Outputs
- X3** – TI-4: Standard current measuring card
- X4** – TU: Card with 4 voltage transformer measuring inputs
- X5** – OR-6: Assembly Group with 6 Relay Outputs
- X6** – DI8: Assembly Group with 8 Digital Inputs
- X100** – IEC 61850 / Modbus TCP / DNP3.0 TCP/UDP, Ethernet interface, 100 Mbit/s, RJ45 (BASE100-FX)
- X103** – IEC 60870-5-103 / Modbus RTU / DNP3.0 RTU, RS485, Terminals
- X104** – IRIG-B00X, incl. System Contact (Supervision Contact)

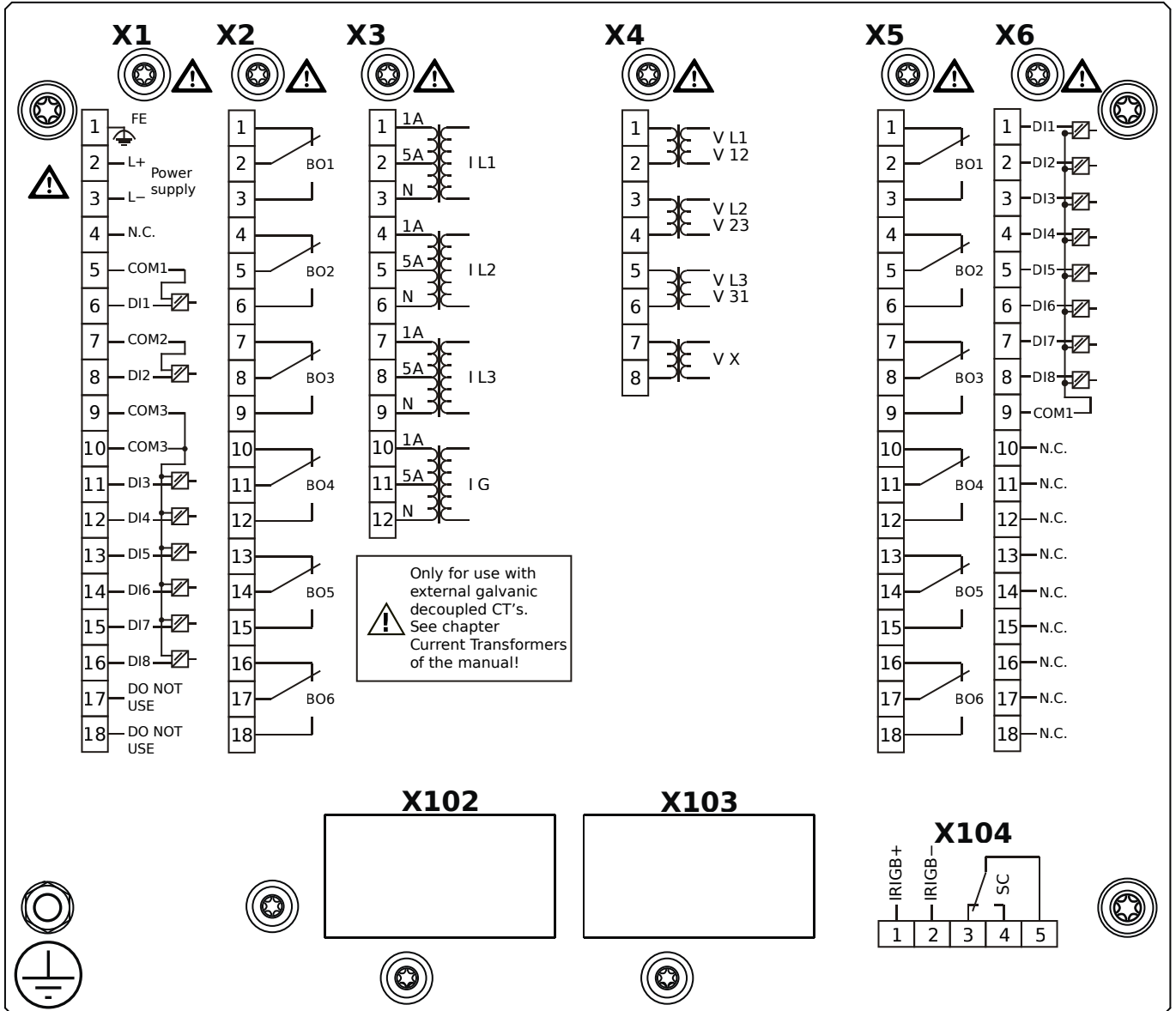


# MCA4-2D0ATB



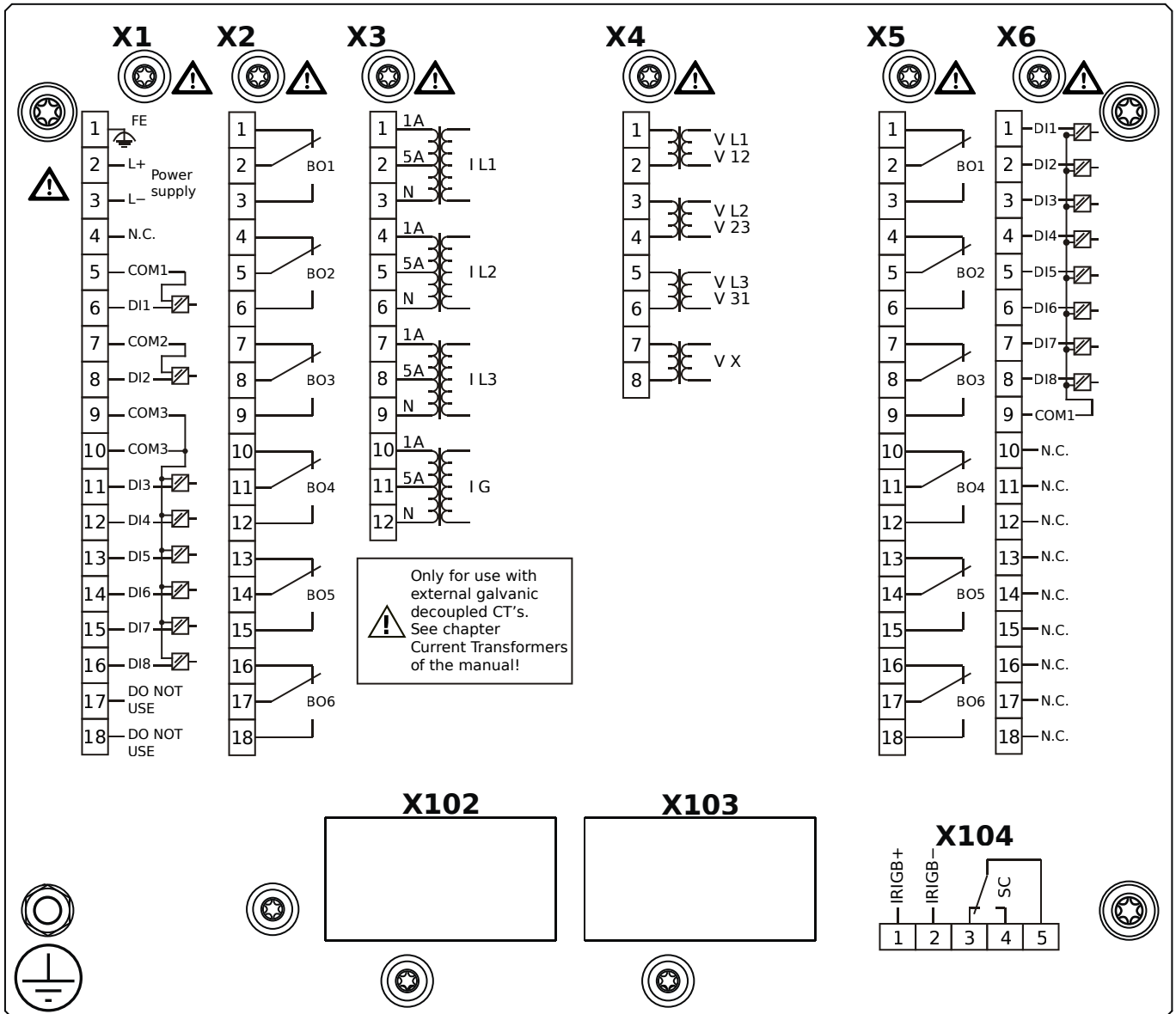
- X1** – DI8-X1: Wide-range power supply unit, incl. 2 non-grouped digital inputs and 6 grouped digital inputs
- X2** – OR-6: Assembly Group with 6 Relay Outputs
- X3** – TI-4: Standard current measuring card
- X4** – TU: Card with 4 voltage transformer measuring inputs
- X5** – OR-6: Assembly Group with 6 Relay Outputs
- X6** – DI8: Assembly Group with 8 Digital Inputs
- X100** – IEC 61850 / Modbus TCP / DNP3.0 TCP/UDP, Ethernet interface, 100 Mbit/s, RJ45 (BASE100-FX)
- X103** – IEC 60870-5-103 / Modbus RTU / DNP3.0 RTU, RS485, Terminals
- X104** – IRIG-B00X, incl. System Contact (Supervision Contact)

# MCA4-2D0BAA



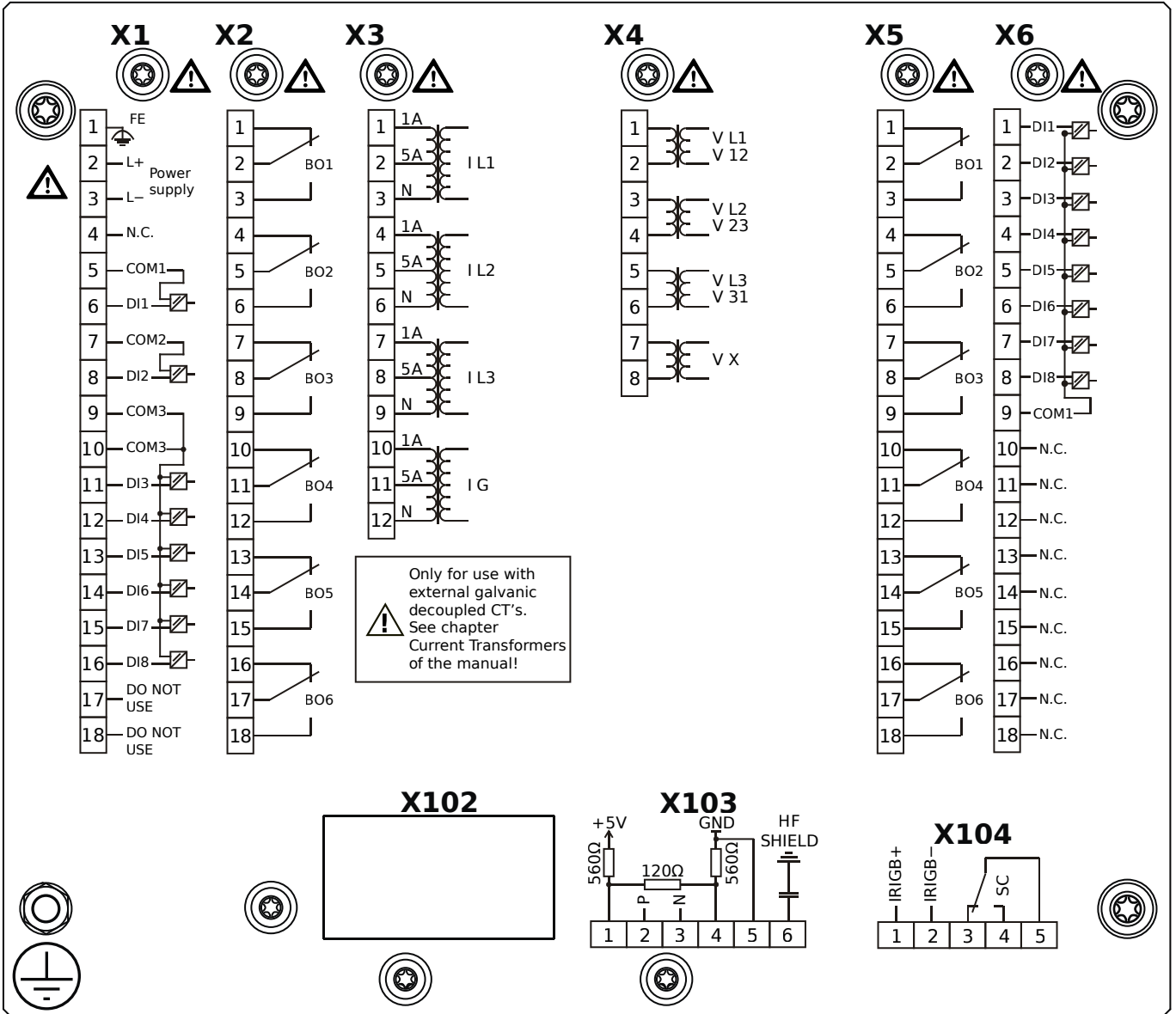
- X1** – DI8-X1: Wide-range power supply unit, incl. 2 non-grouped digital inputs and 6 grouped digital inputs
- X2** – OR-6: Assembly Group with 6 Relay Outputs
- X3** – TI-4: Standard current measuring card
- X4** – TU: Card with 4 voltage transformer measuring inputs
- X5** – OR-6: Assembly Group with 6 Relay Outputs
- X6** – DI8: Assembly Group with 8 Digital Inputs
- X104** – IRIG-B00X, incl. System Contact (Supervision Contact)

# MCA4-2D0BAB



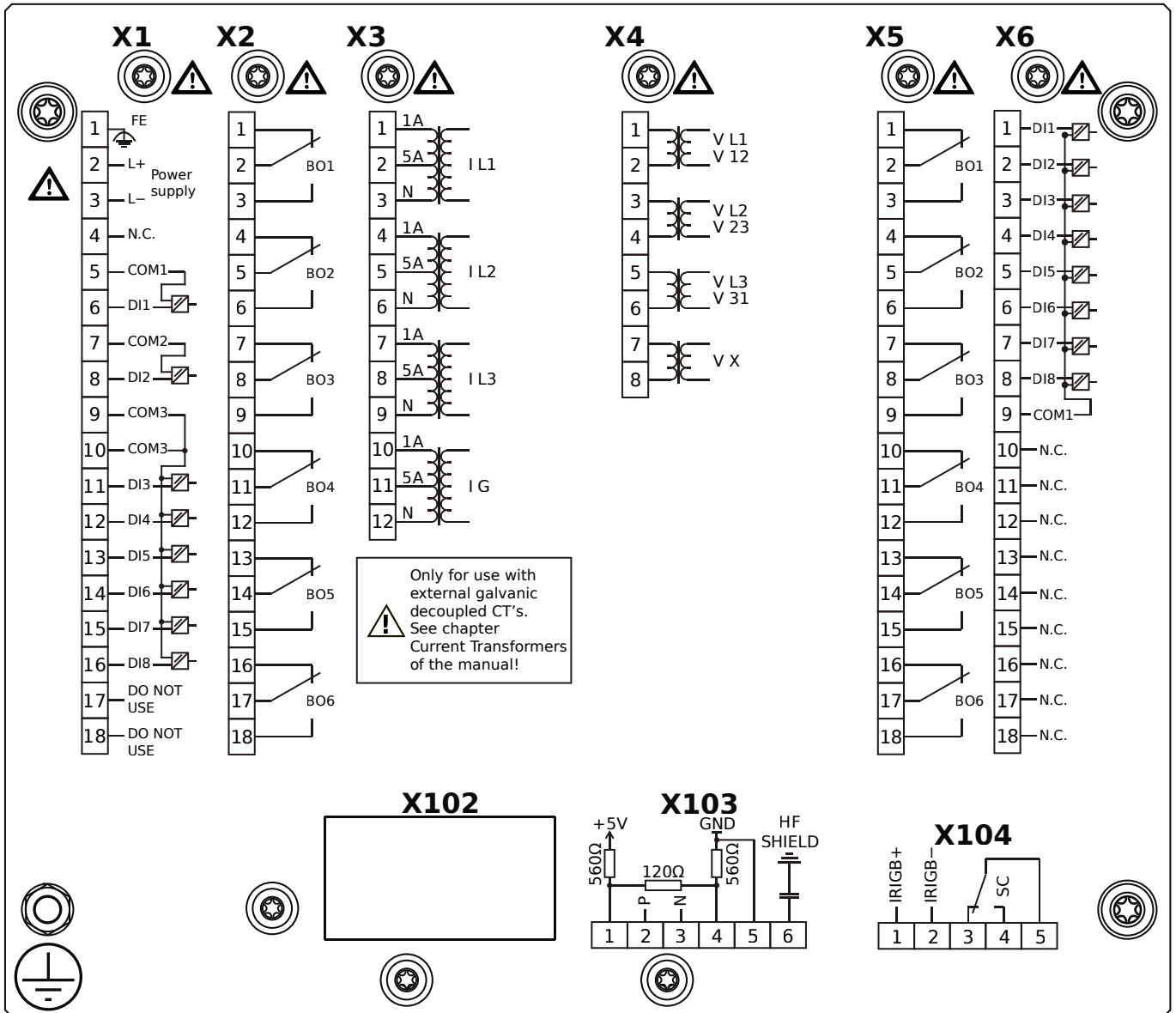
- X1** – DI8-X1: Wide-range power supply unit, incl. 2 non-grouped digital inputs and 6 grouped digital inputs
- X2** – OR-6: Assembly Group with 6 Relay Outputs
- X3** – TI-4: Standard current measuring card
- X4** – TU: Card with 4 voltage transformer measuring inputs
- X5** – OR-6: Assembly Group with 6 Relay Outputs
- X6** – DI8: Assembly Group with 8 Digital Inputs
- X104** – IRIG-B00X, incl. System Contact (Supervision Contact)

# MCA4-2D0BBA



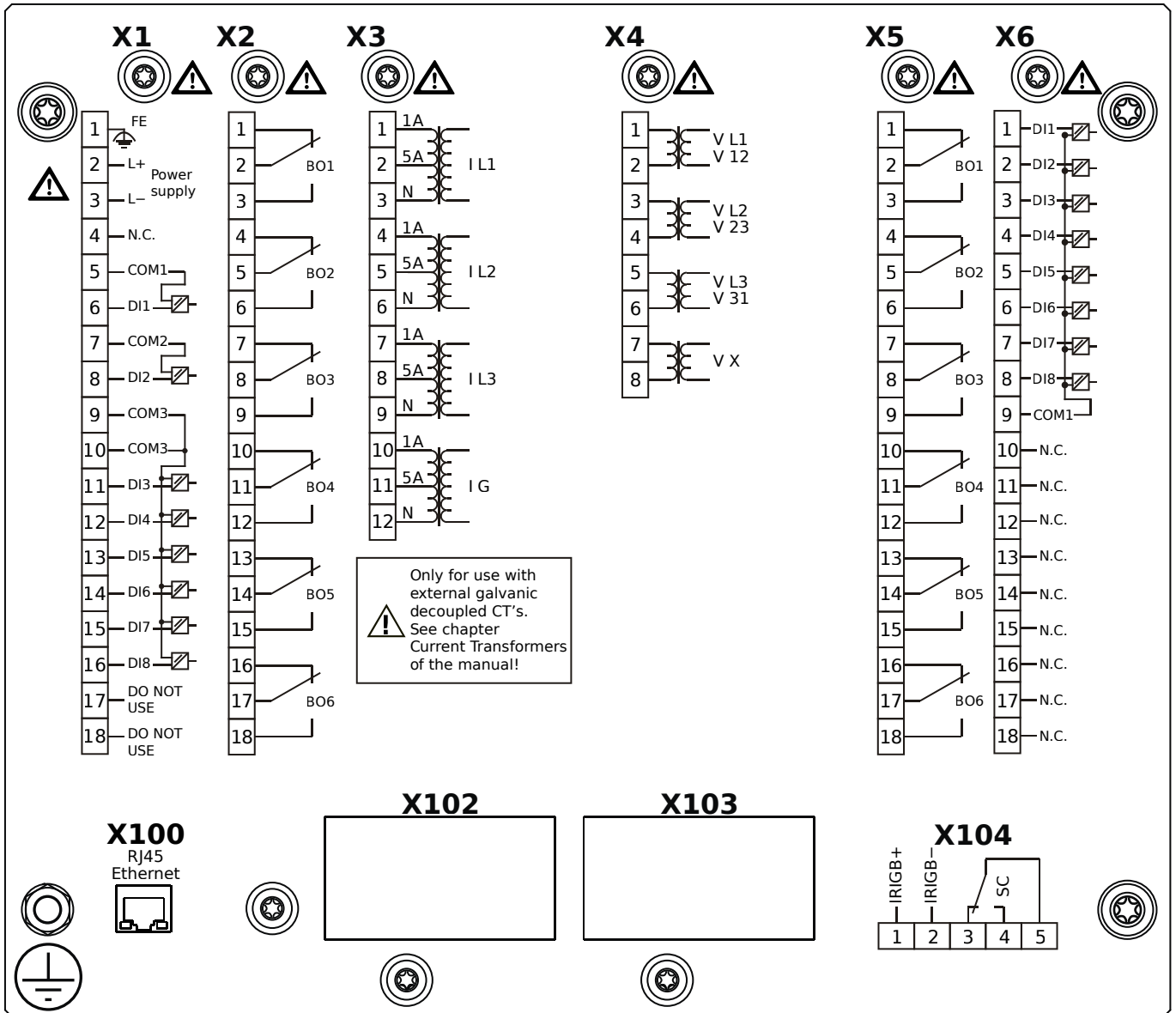
- X1** – DI8-X1: Wide-range power supply unit, incl. 2 non-grouped digital inputs and 6 grouped digital inputs
- X2** – OR-6: Assembly Group with 6 Relay Outputs
- X3** – TI-4: Standard current measuring card
- X4** – TU: Card with 4 voltage transformer measuring inputs
- X5** – OR-6: Assembly Group with 6 Relay Outputs
- X6** – DI8: Assembly Group with 8 Digital Inputs
- X103** – Modbus RTU / IEC 60870-5-103 / DNP3.0 RTU, RS485, Terminals
- X104** – IRIG-B00X, incl. System Contact (Supervision Contact)

# MCA4-2D0BBB



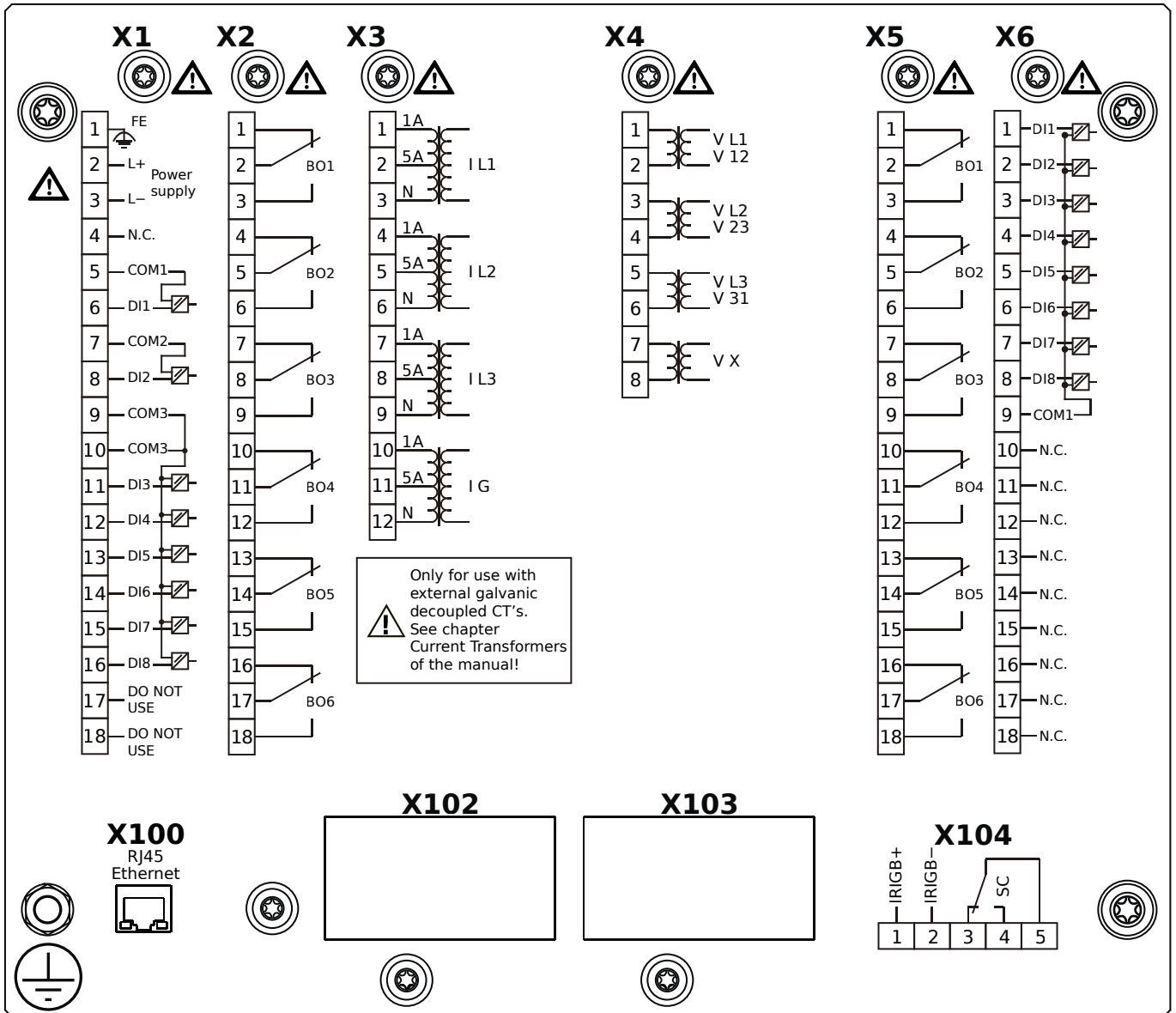
- X1** – DI8-X1: Wide-range power supply unit, incl. 2 non-grouped digital inputs and 6 grouped digital inputs
- X2** – OR-6: Assembly Group with 6 Relay Outputs
- X3** – TI-4: Standard current measuring card
- X4** – TU: Card with 4 voltage transformer measuring inputs
- X5** – OR-6: Assembly Group with 6 Relay Outputs
- X6** – DI8: Assembly Group with 8 Digital Inputs
- X103** – Modbus RTU / IEC 60870-5-103 / DNP3.0 RTU, RS485, Terminals
- X104** – IRIG-B00X, incl. System Contact (Supervision Contact)

# MCA4-2D0BCA



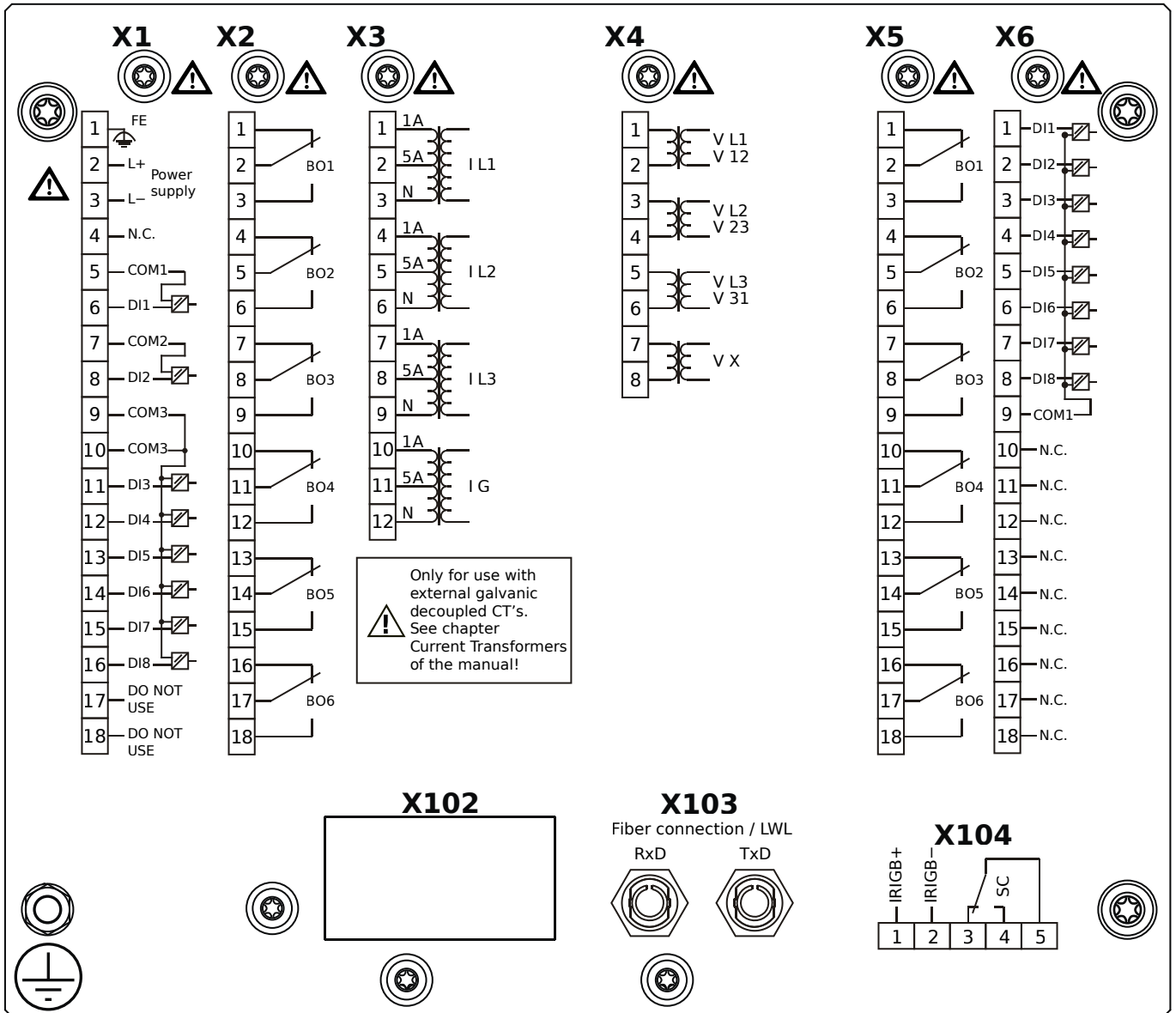
- X1** – DI8-X1: Wide-range power supply unit, incl. 2 non-grouped digital inputs and 6 grouped digital inputs
- X2** – OR-6: Assembly Group with 6 Relay Outputs
- X3** – TI-4: Standard current measuring card
- X4** – TU: Card with 4 voltage transformer measuring inputs
- X5** – OR-6: Assembly Group with 6 Relay Outputs
- X6** – DI8: Assembly Group with 8 Digital Inputs
- X100** – Modbus TCP / DNP3.0 TCP/UDP, Ethernet interface, 100 Mbit/s, RJ45 (BASE100-FX)
- X104** – IRIG-B00X, incl. System Contact (Supervision Contact)

# MCA4-2D0BCB



- X1** – DI8-X1: Wide-range power supply unit, incl. 2 non-grouped digital inputs and 6 grouped digital inputs
- X2** – OR-6: Assembly Group with 6 Relay Outputs
- X3** – TI-4: Standard current measuring card
- X4** – TU: Card with 4 voltage transformer measuring inputs
- X5** – OR-6: Assembly Group with 6 Relay Outputs
- X6** – DI8: Assembly Group with 8 Digital Inputs
- X100** – Modbus TCP / DNP3.0 TCP/UDP, Ethernet interface, 100 Mbit/s, RJ45 (BASE100-FX)
- X104** – IRIG-B00X, incl. System Contact (Supervision Contact)

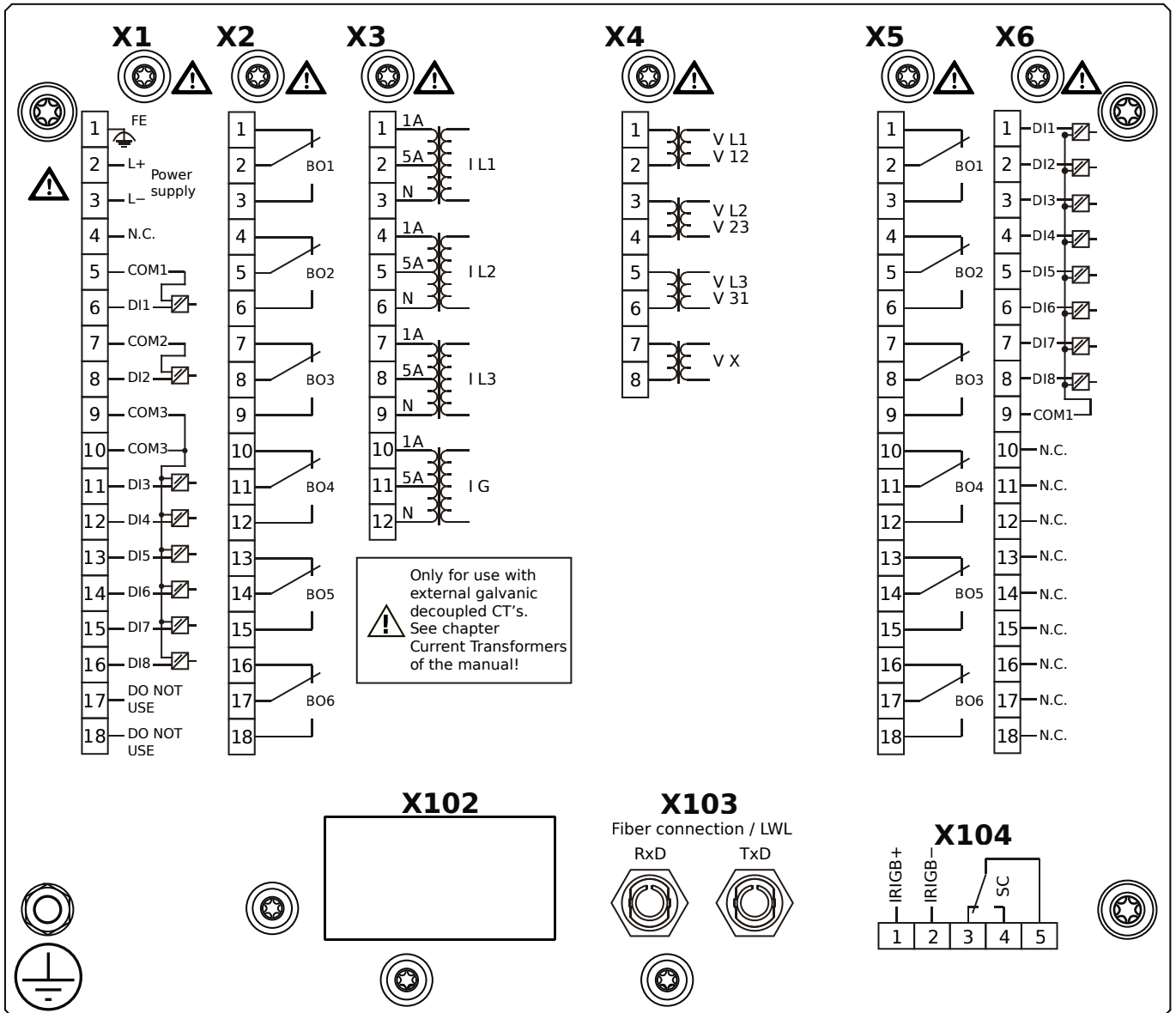
# MCA4-2D0BDA



- X1** – DI8-X1: Wide-range power supply unit, incl. 2 non-grouped digital inputs and 6 grouped digital inputs
- X2** – OR-6: Assembly Group with 6 Relay Outputs
- X3** – TI-4: Standard current measuring card
- X4** – TU: Card with 4 voltage transformer measuring inputs
- X5** – OR-6: Assembly Group with 6 Relay Outputs
- X6** – DI8: Assembly Group with 8 Digital Inputs
- X103** – Profibus-DP, Fiber optics interface, ST Connector
- X104** – IRIG-B00X, incl. System Contact (Supervision Contact)

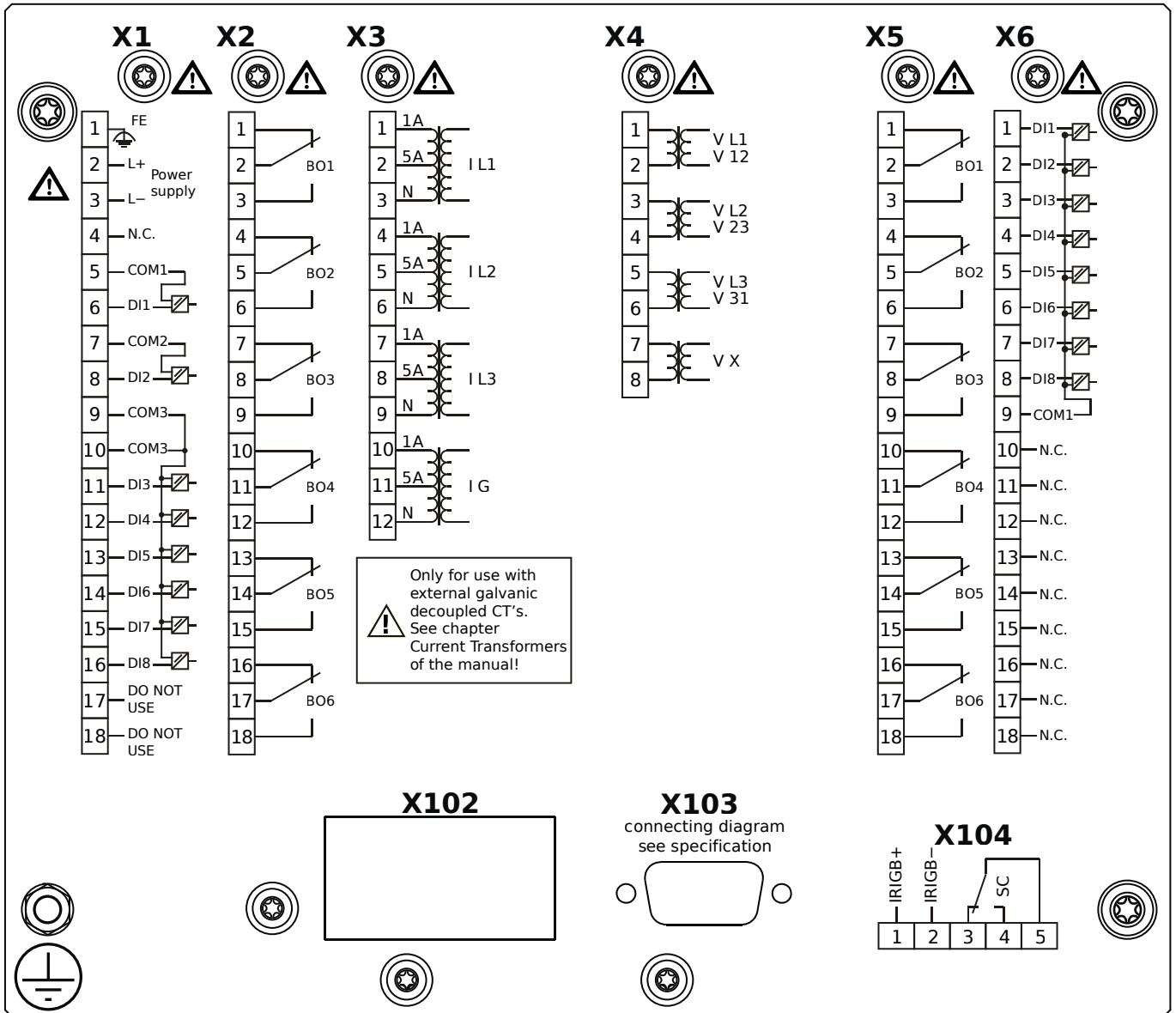


# MCA4-2D0BDB



- X1** – DI8-X1: Wide-range power supply unit, incl. 2 non-grouped digital inputs and 6 grouped digital inputs
- X2** – OR-6: Assembly Group with 6 Relay Outputs
- X3** – TI-4: Standard current measuring card
- X4** – TU: Card with 4 voltage transformer measuring inputs
- X5** – OR-6: Assembly Group with 6 Relay Outputs
- X6** – DI8: Assembly Group with 8 Digital Inputs
- X103** – Profibus-DP, Fiber optics interface, ST Connector
- X104** – IRIG-B00X, incl. System Contact (Supervision Contact)

# MCA4-2D0BEA



**X1** – DI8-X1: Wide-range power supply unit, incl. 2 non-grouped digital inputs and 6 grouped digital inputs

**X2** – OR-6: Assembly Group with 6 Relay Outputs

**X3** – TI-4: Standard current measuring card

**X4** – TU: Card with 4 voltage transformer measuring inputs

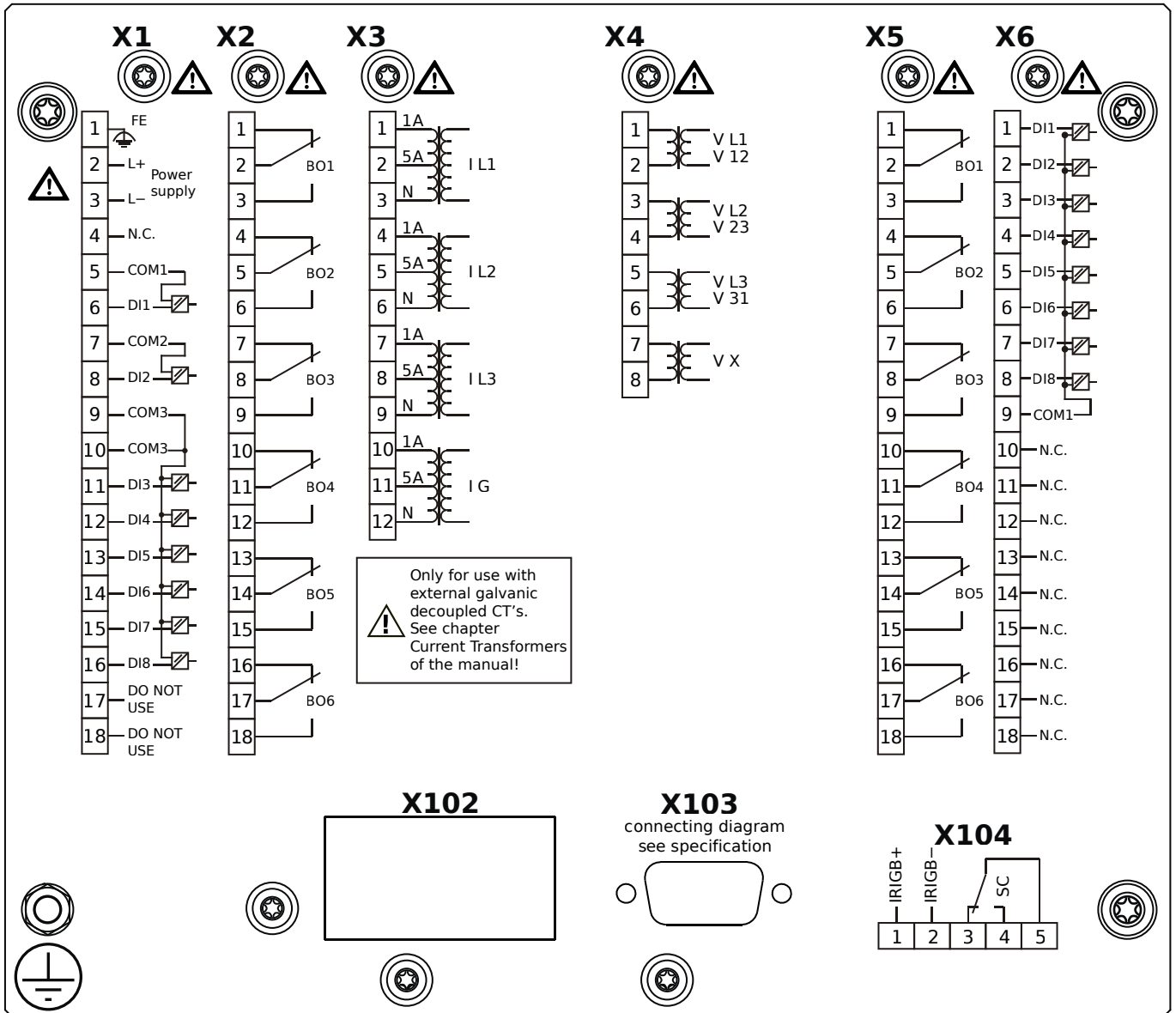
**X5** – OR-6: Assembly Group with 6 Relay Outputs

**X6** – DI8: Assembly Group with 8 Digital Inputs

**X103** – Profibus-DP, RS485, D-SUB

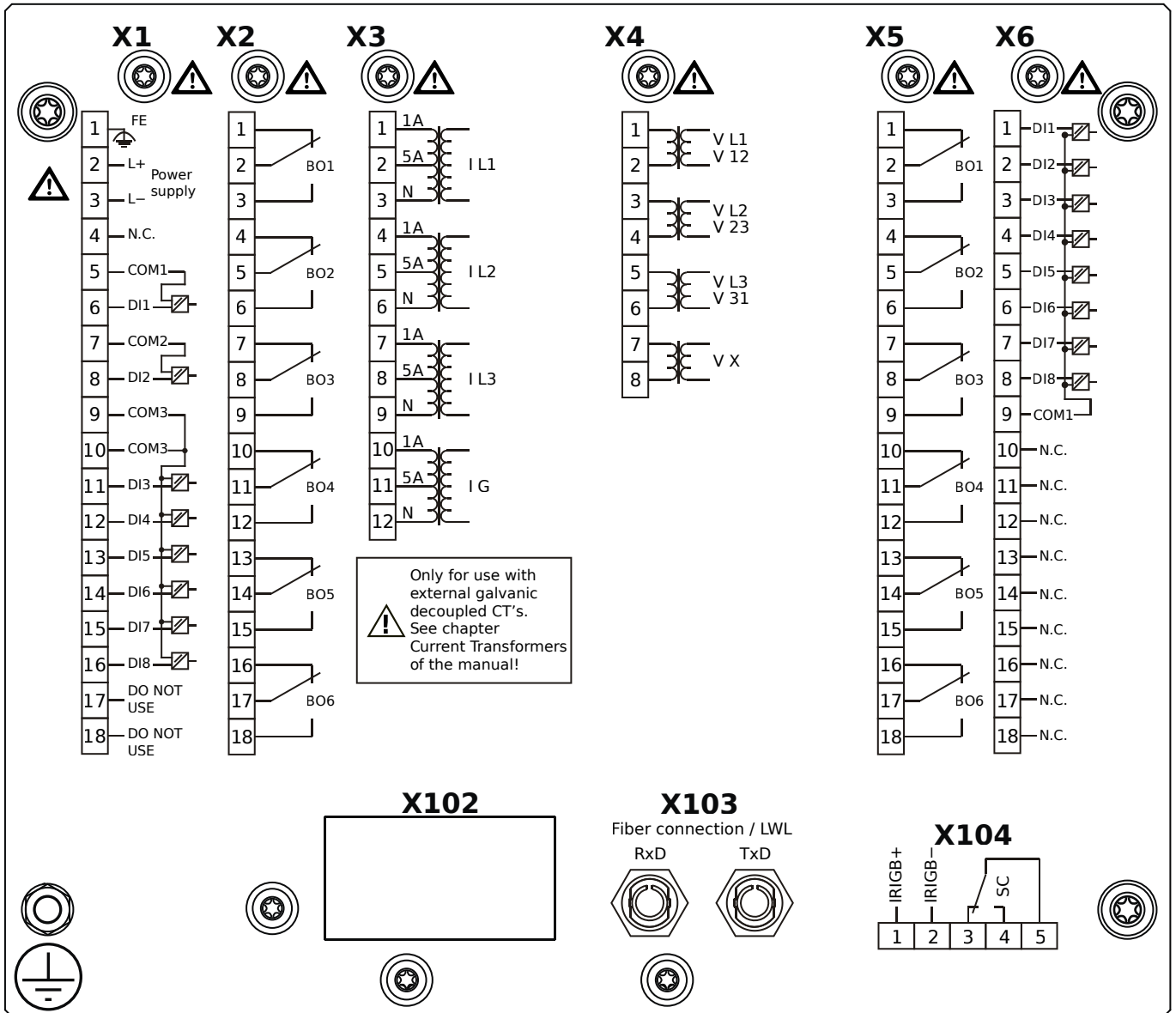
**X104** – IRIG-B00X, incl. System Contact (Supervision Contact)

# MCA4-2D0BEB



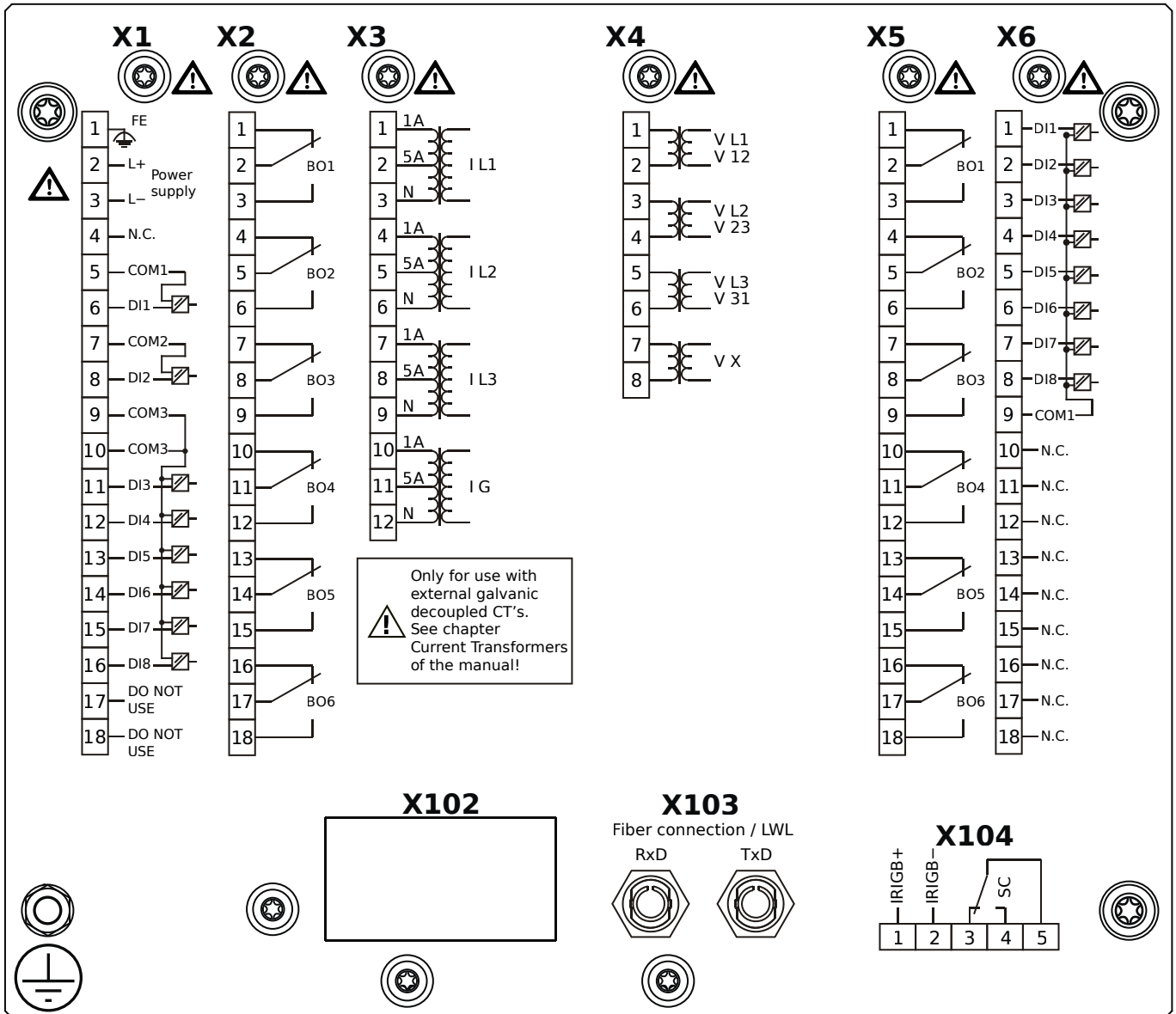
- X1** – DI8-X1: Wide-range power supply unit, incl. 2 non-grouped digital inputs and 6 grouped digital inputs
- X2** – OR-6: Assembly Group with 6 Relay Outputs
- X3** – TI-4: Standard current measuring card
- X4** – TU: Card with 4 voltage transformer measuring inputs
- X5** – OR-6: Assembly Group with 6 Relay Outputs
- X6** – DI8: Assembly Group with 8 Digital Inputs
- X103** – Profibus-DP, RS485, D-SUB
- X104** – IRIG-B00X, incl. System Contact (Supervision Contact)

# MCA4-2D0BFA



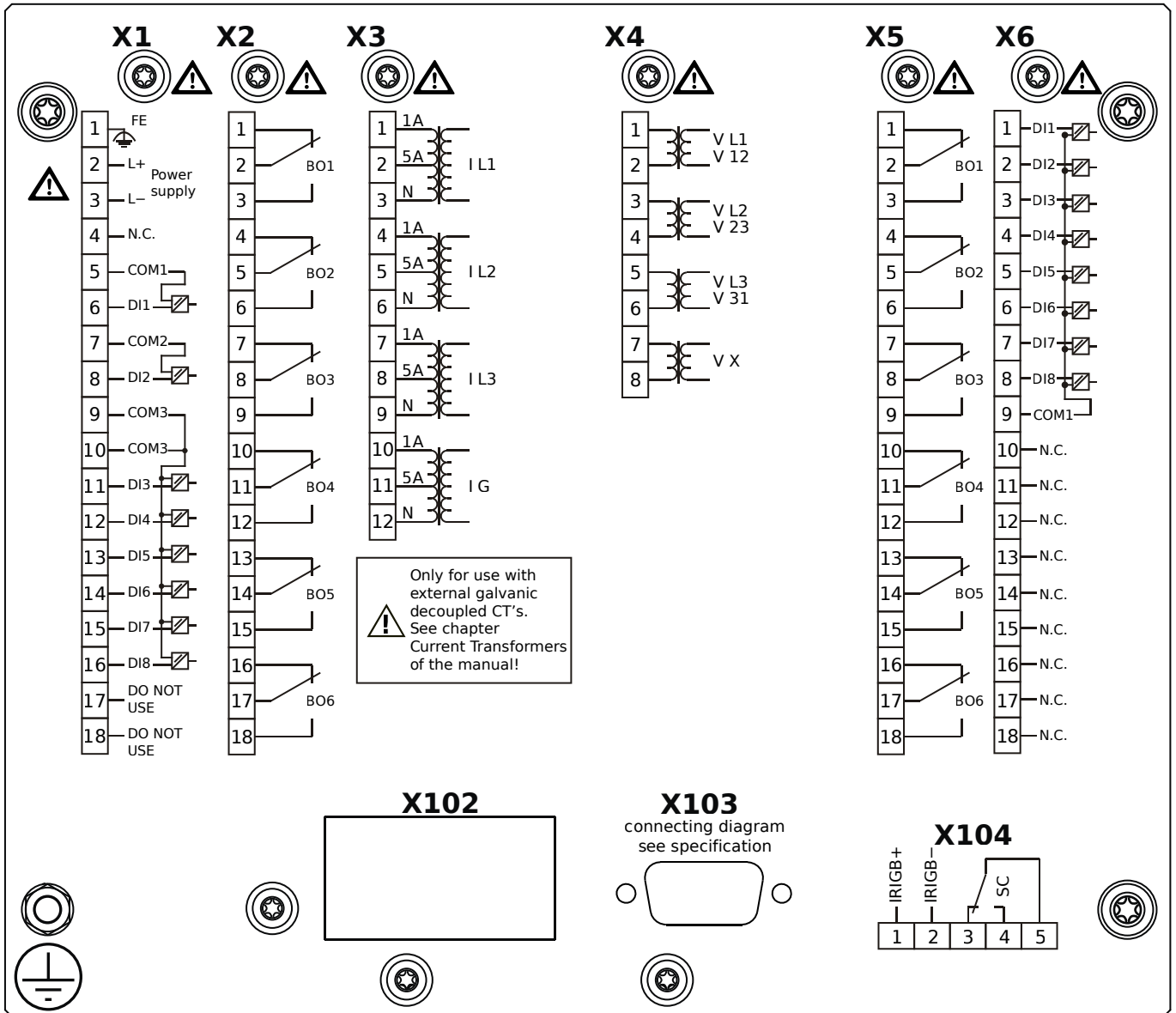
- X1** – DI8-X1: Wide-range power supply unit, incl. 2 non-grouped digital inputs and 6 grouped digital inputs
- X2** – OR-6: Assembly Group with 6 Relay Outputs
- X3** – TI-4: Standard current measuring card
- X4** – TU: Card with 4 voltage transformer measuring inputs
- X5** – OR-6: Assembly Group with 6 Relay Outputs
- X6** – DI8: Assembly Group with 8 Digital Inputs
- X103** – Modbus RTU / IEC 60870-5-103 / DNP3.0 RTU, Fiber optics interface, ST Connector
- X104** – IRIG-B00X, incl. System Contact (Supervision Contact)

# MCA4-2D0BFB



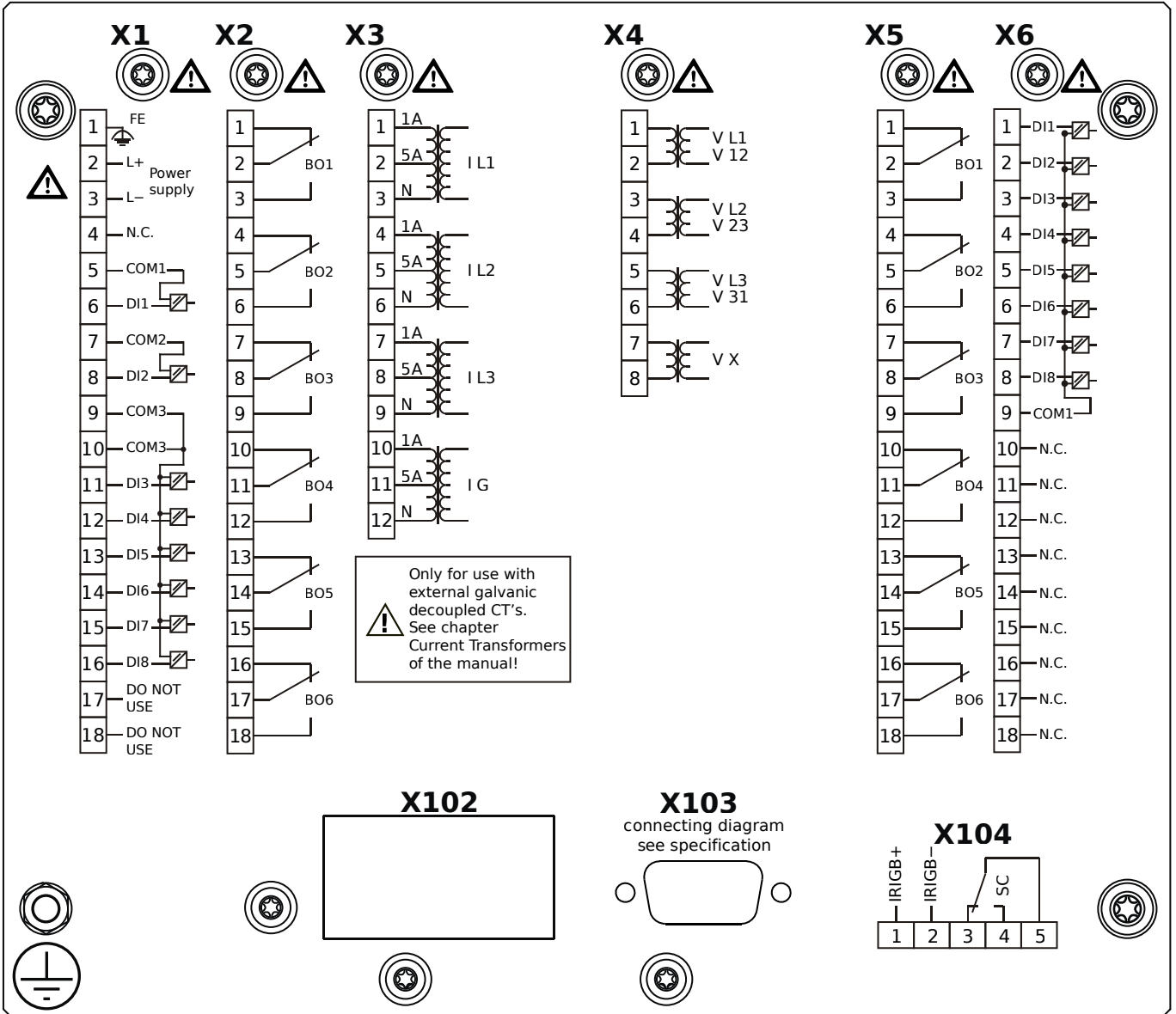
- X1** – DI8-X1: Wide-range power supply unit, incl. 2 non-grouped digital inputs and 6 grouped digital inputs
- X2** – OR-6: Assembly Group with 6 Relay Outputs
- X3** – TI-4: Standard current measuring card
- X4** – TU: Card with 4 voltage transformer measuring inputs
- X5** – OR-6: Assembly Group with 6 Relay Outputs
- X6** – DI8: Assembly Group with 8 Digital Inputs
- X103** – Modbus RTU / IEC 60870-5-103 / DNP3.0 RTU, Fiber optics interface, ST Connector
- X104** – IRIG-B00X, incl. System Contact (Supervision Contact)

# MCA4-2D0BGA



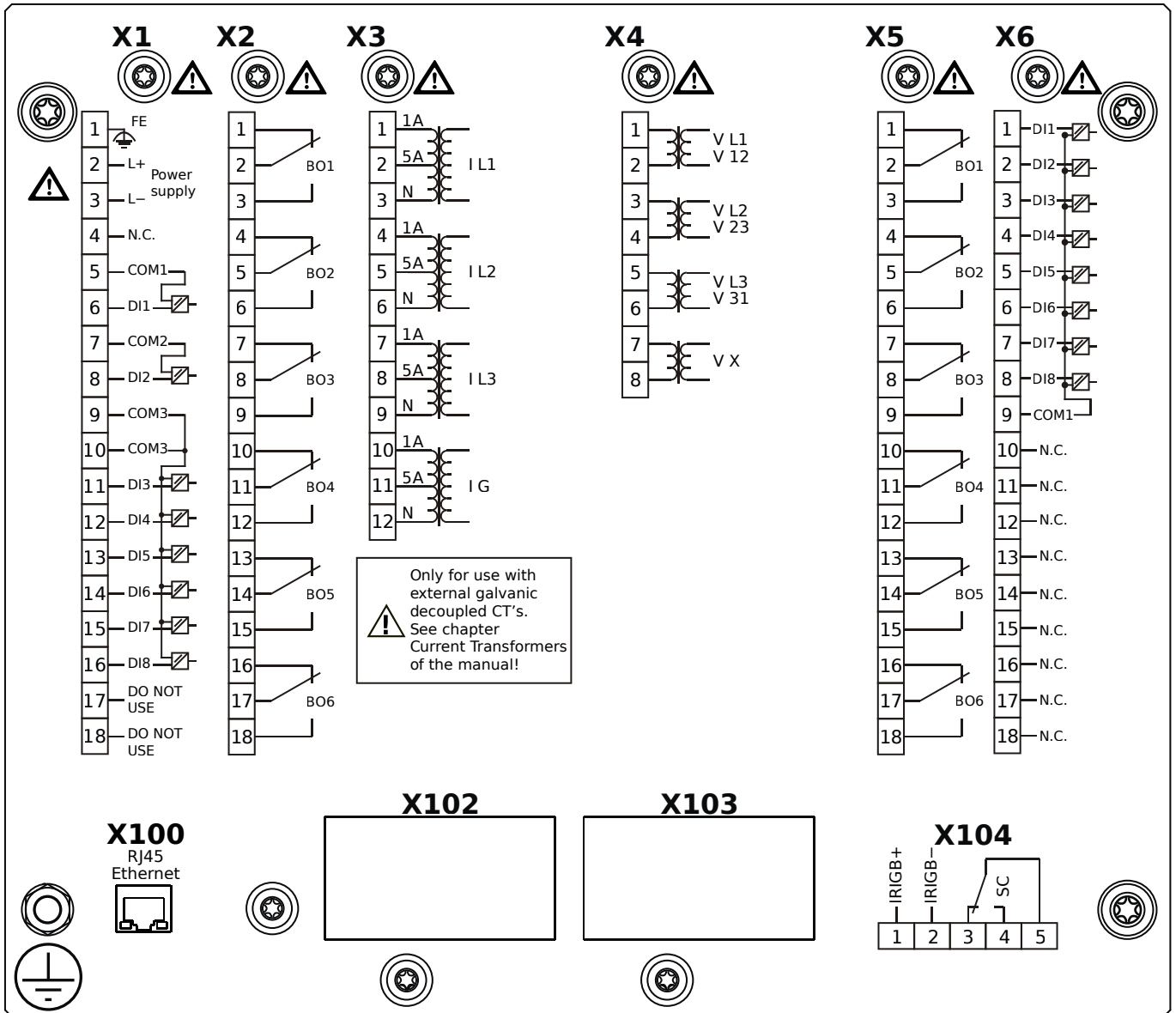
- X1** – DI8-X1: Wide-range power supply unit, incl. 2 non-grouped digital inputs and 6 grouped digital inputs
- X2** – OR-6: Assembly Group with 6 Relay Outputs
- X3** – TI-4: Standard current measuring card
- X4** – TU: Card with 4 voltage transformer measuring inputs
- X5** – OR-6: Assembly Group with 6 Relay Outputs
- X6** – DI8: Assembly Group with 8 Digital Inputs
- X103** – Modbus RTU / IEC 60870-5-103 / DNP3.0 RTU, RS485, D-SUB
- X104** – IRIG-B00X, incl. System Contact (Supervision Contact)

# MCA4-2D0BGB



- X1** – DI8-X1: Wide-range power supply unit, incl. 2 non-grouped digital inputs and 6 grouped digital inputs
- X2** – OR-6: Assembly Group with 6 Relay Outputs
- X3** – TI-4: Standard current measuring card
- X4** – TU: Card with 4 voltage transformer measuring inputs
- X5** – OR-6: Assembly Group with 6 Relay Outputs
- X6** – DI8: Assembly Group with 8 Digital Inputs
- X103** – Modbus RTU / IEC 60870-5-103 / DNP3.0 RTU, RS485, D-SUB
- X104** – IRIG-B00X, incl. System Contact (Supervision Contact)

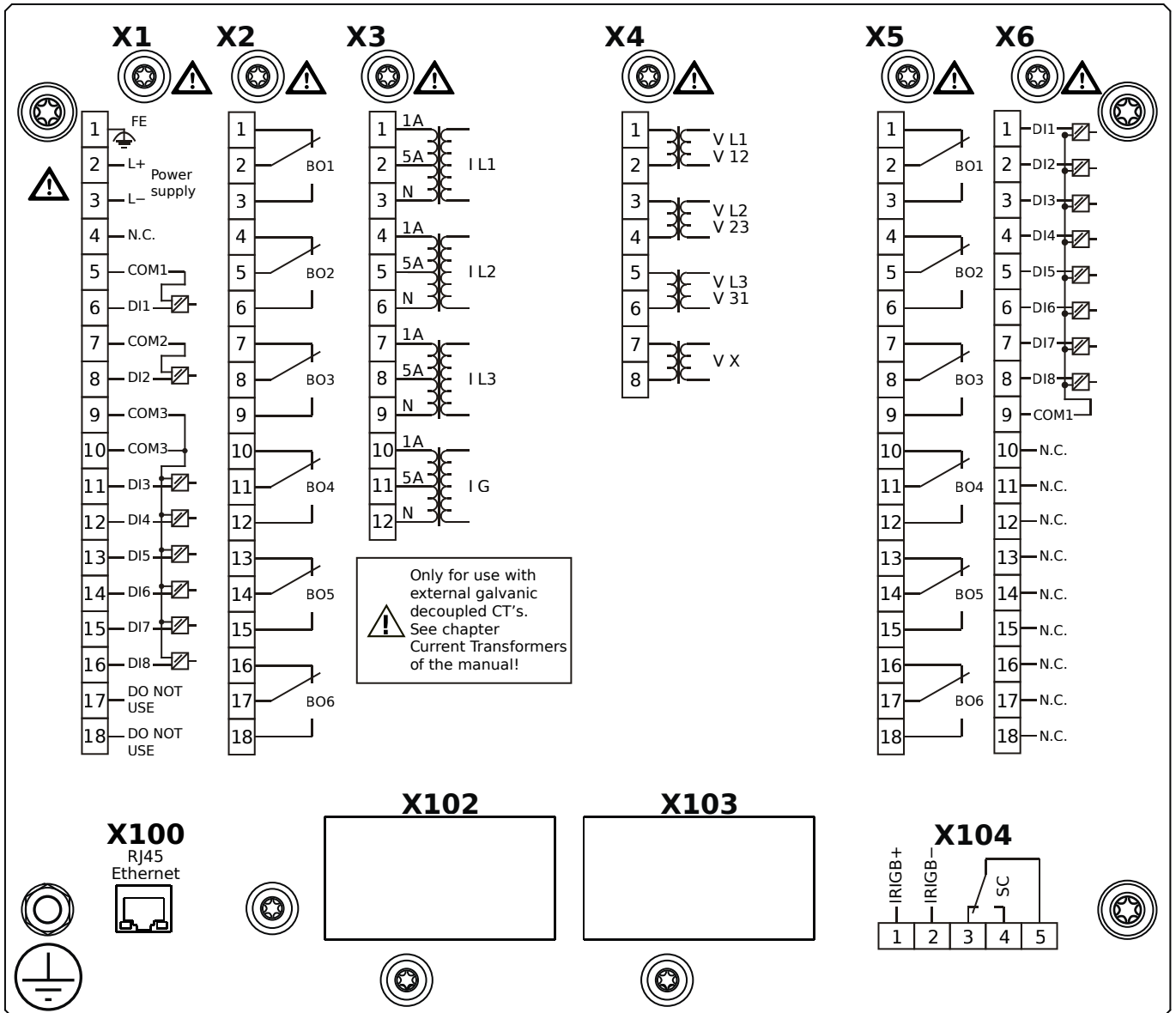
# MCA4-2D0BHA



- X1** – DI8-X1: Wide-range power supply unit, incl. 2 non-grouped digital inputs and 6 grouped digital inputs
- X2** – OR-6: Assembly Group with 6 Relay Outputs
- X3** – TI-4: Standard current measuring card
- X4** – TU: Card with 4 voltage transformer measuring inputs
- X5** – OR-6: Assembly Group with 6 Relay Outputs
- X6** – DI8: Assembly Group with 8 Digital Inputs
- X100** – IEC 61850 / Modbus TCP / DNP3.0 TCP/UDP, Ethernet interface, 100 Mbit/s, RJ45 (BASE100-FX)
- X104** – IRIG-B00X, incl. System Contact (Supervision Contact)

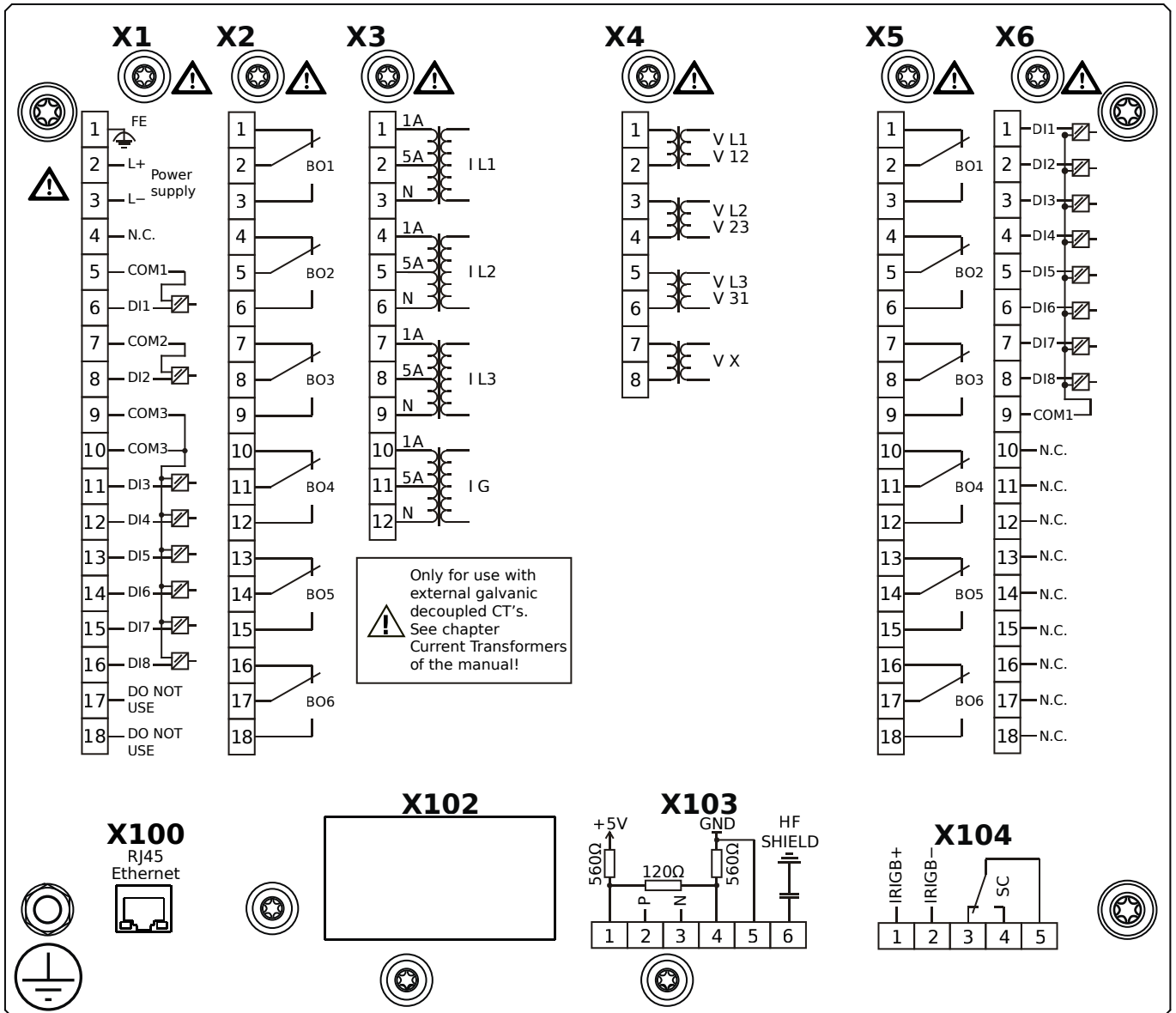


# MCA4-2D0BHB



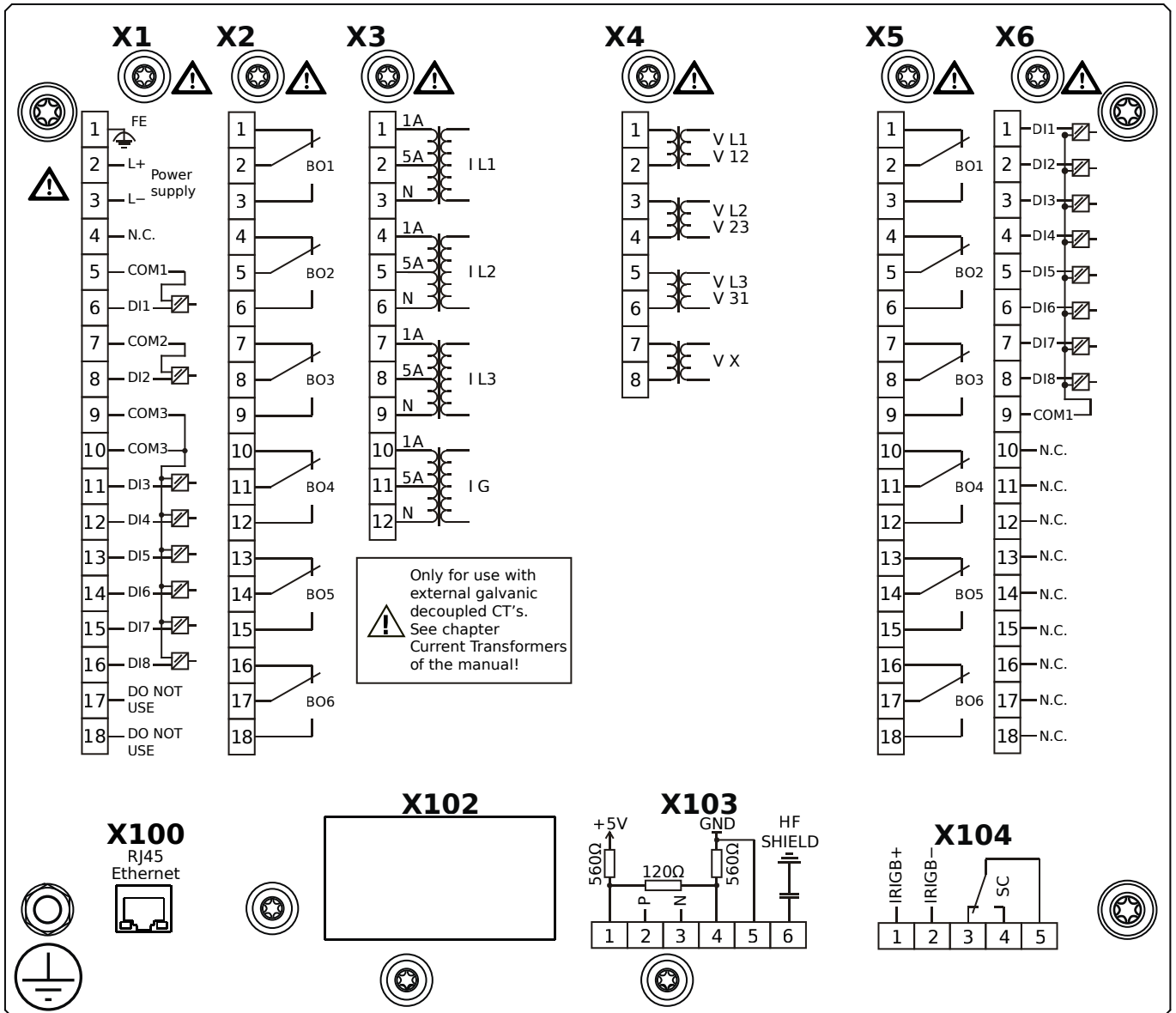
- X1** – DI8-X1: Wide-range power supply unit, incl. 2 non-grouped digital inputs and 6 grouped digital inputs
- X2** – OR-6: Assembly Group with 6 Relay Outputs
- X3** – TI-4: Standard current measuring card
- X4** – TU: Card with 4 voltage transformer measuring inputs
- X5** – OR-6: Assembly Group with 6 Relay Outputs
- X6** – DI8: Assembly Group with 8 Digital Inputs
- X100** – IEC 61850 / Modbus TCP / DNP3.0 TCP/UDP, Ethernet interface, 100 Mbit/s, RJ45 (BASE100-FX)
- X104** – IRIG-B00X, incl. System Contact (Supervision Contact)

# MCA4-2D0BIA



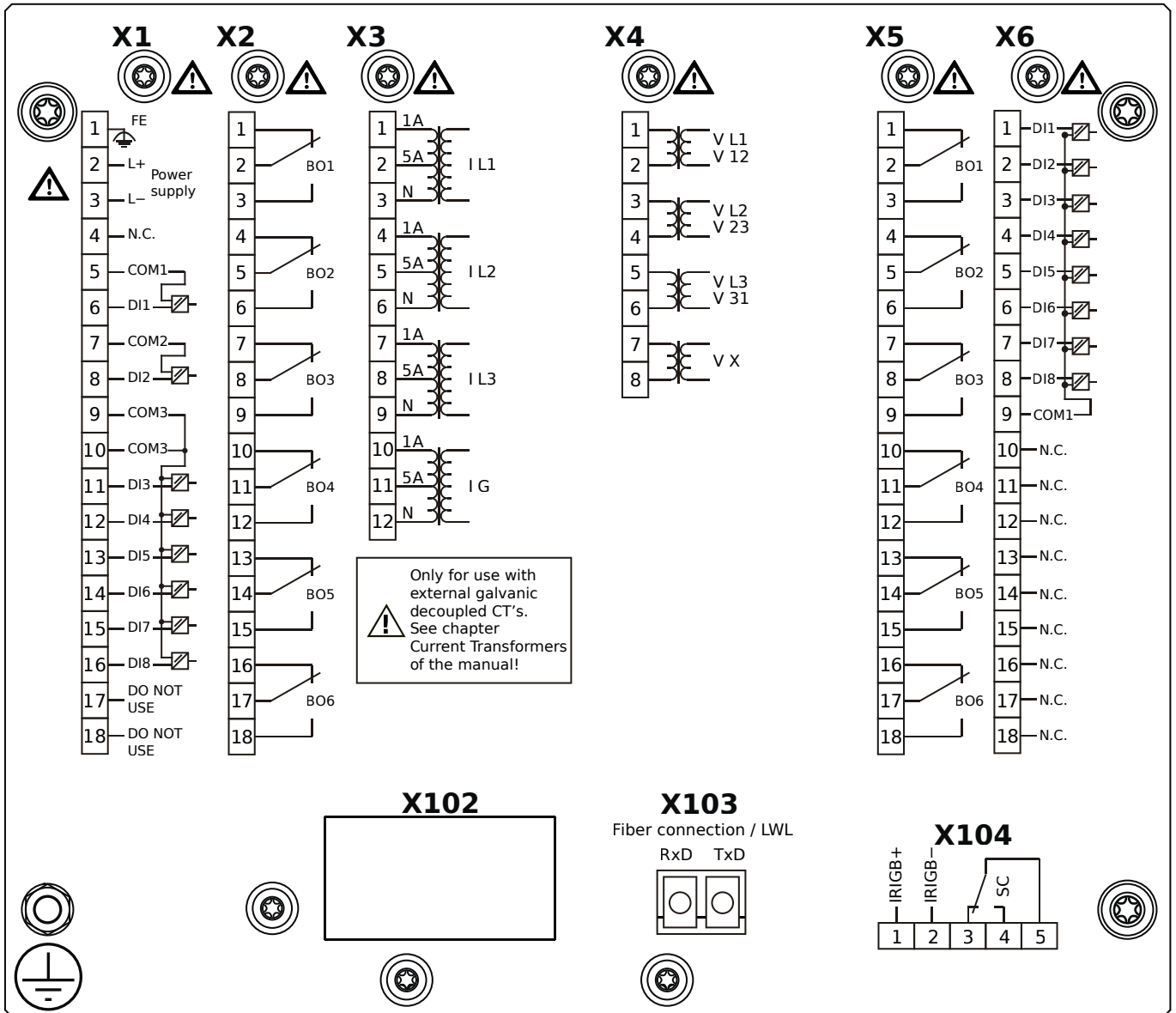
- X1** – DI8-X1: Wide-range power supply unit, incl. 2 non-grouped digital inputs and 6 grouped digital inputs
- X2** – OR-6: Assembly Group with 6 Relay Outputs
- X3** – TI-4: Standard current measuring card
- X4** – TU: Card with 4 voltage transformer measuring inputs
- X5** – OR-6: Assembly Group with 6 Relay Outputs
- X6** – DI8: Assembly Group with 8 Digital Inputs
- X100** – Modbus TCP / DNP3.0 TCP/UDP, Ethernet interface, 100 Mbit/s, RJ45 (BASE100-FX)
- X103** – IEC 60870-5-103 / Modbus RTU / DNP3.0 RTU, RS485, Terminals
- X104** – IRIG-B00X, incl. System Contact (Supervision Contact)

# MCA4-2D0BIB



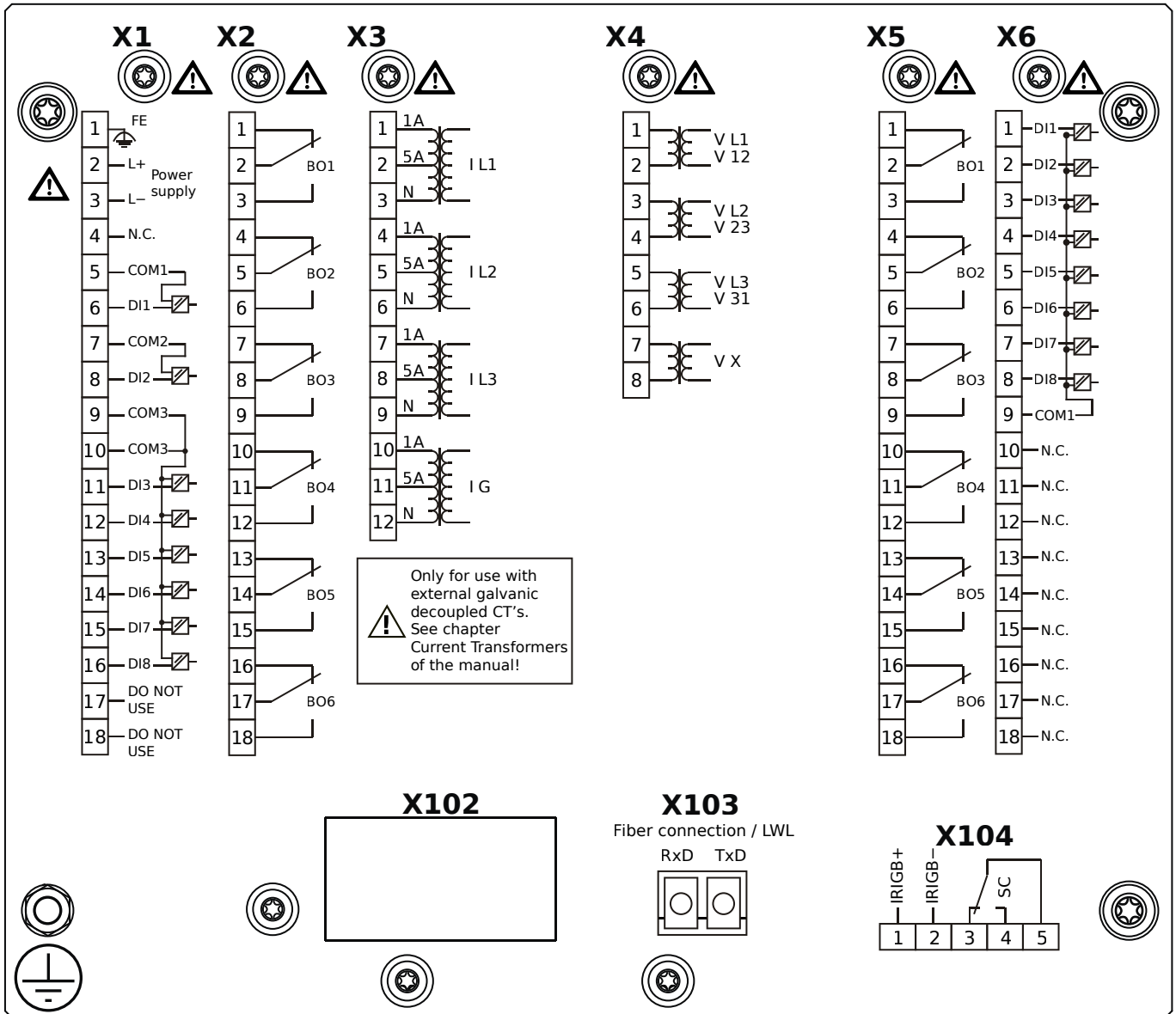
- X1** – DI8-X1: Wide-range power supply unit, incl. 2 non-grouped digital inputs and 6 grouped digital inputs
- X2** – OR-6: Assembly Group with 6 Relay Outputs
- X3** – TI-4: Standard current measuring card
- X4** – TU: Card with 4 voltage transformer measuring inputs
- X5** – OR-6: Assembly Group with 6 Relay Outputs
- X6** – DI8: Assembly Group with 8 Digital Inputs
- X100** – Modbus TCP / DNP3.0 TCP/UDP, Ethernet interface, 100 Mbit/s, RJ45 (BASE100-FX)
- X103** – IEC 60870-5-103 / Modbus RTU / DNP3.0 RTU, RS485, Terminals
- X104** – IRIG-B00X, incl. System Contact (Supervision Contact)

# MCA4-2D0BKA



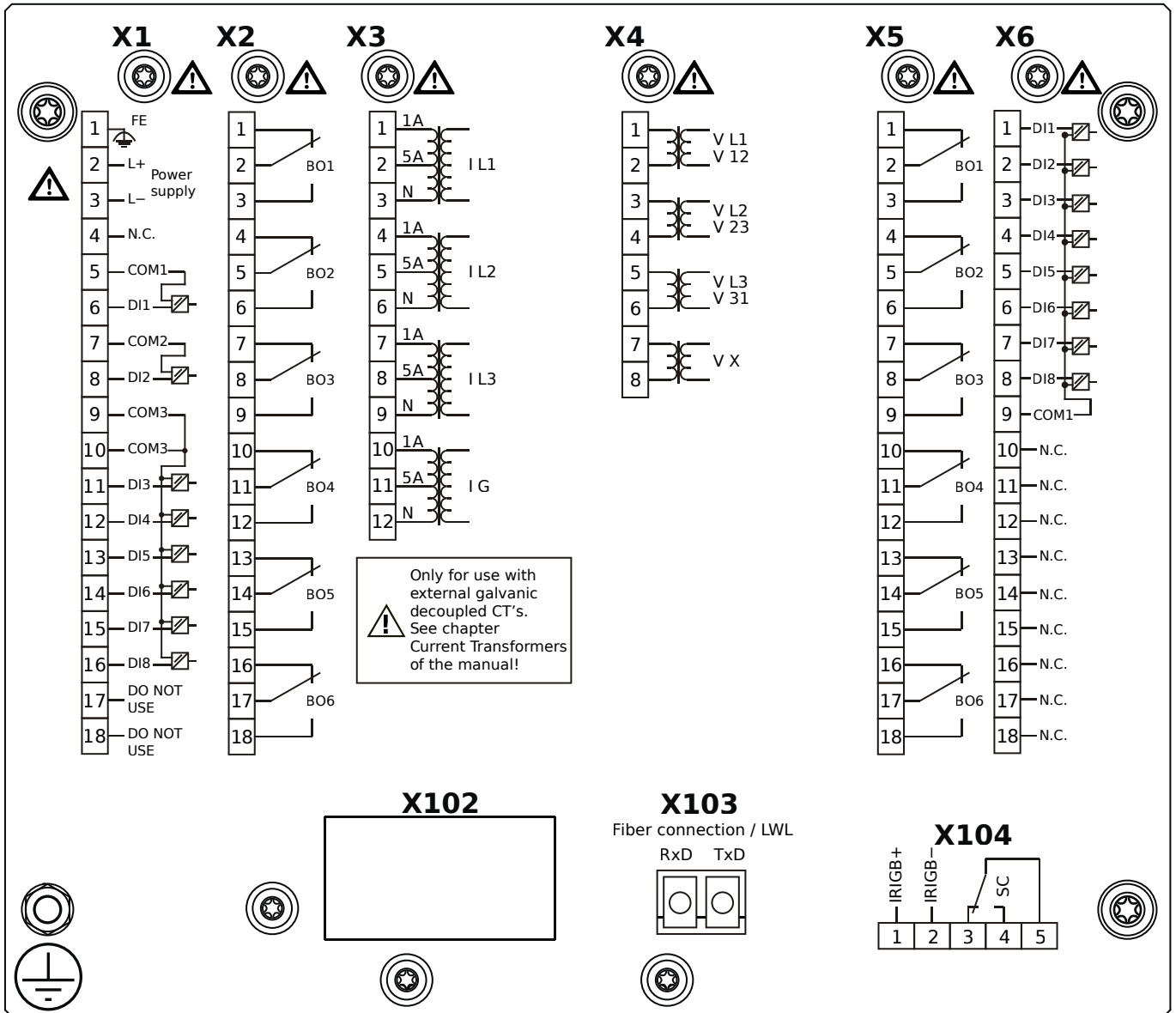
- X1** – DI8-X1: Wide-range power supply unit, incl. 2 non-grouped digital inputs and 6 grouped digital inputs
- X2** – OR-6: Assembly Group with 6 Relay Outputs
- X3** – TI-4: Standard current measuring card
- X4** – TU: Card with 4 voltage transformer measuring inputs
- X5** – OR-6: Assembly Group with 6 Relay Outputs
- X6** – DI8: Assembly Group with 8 Digital Inputs
- X103** – IEC 61850 / Modbus TCP / DNP3.0 TCP/UDP, Fiber optics interface, LC Connector
- X104** – IRIG-B00X, incl. System Contact (Supervision Contact)

# MCA4-2D0BKB



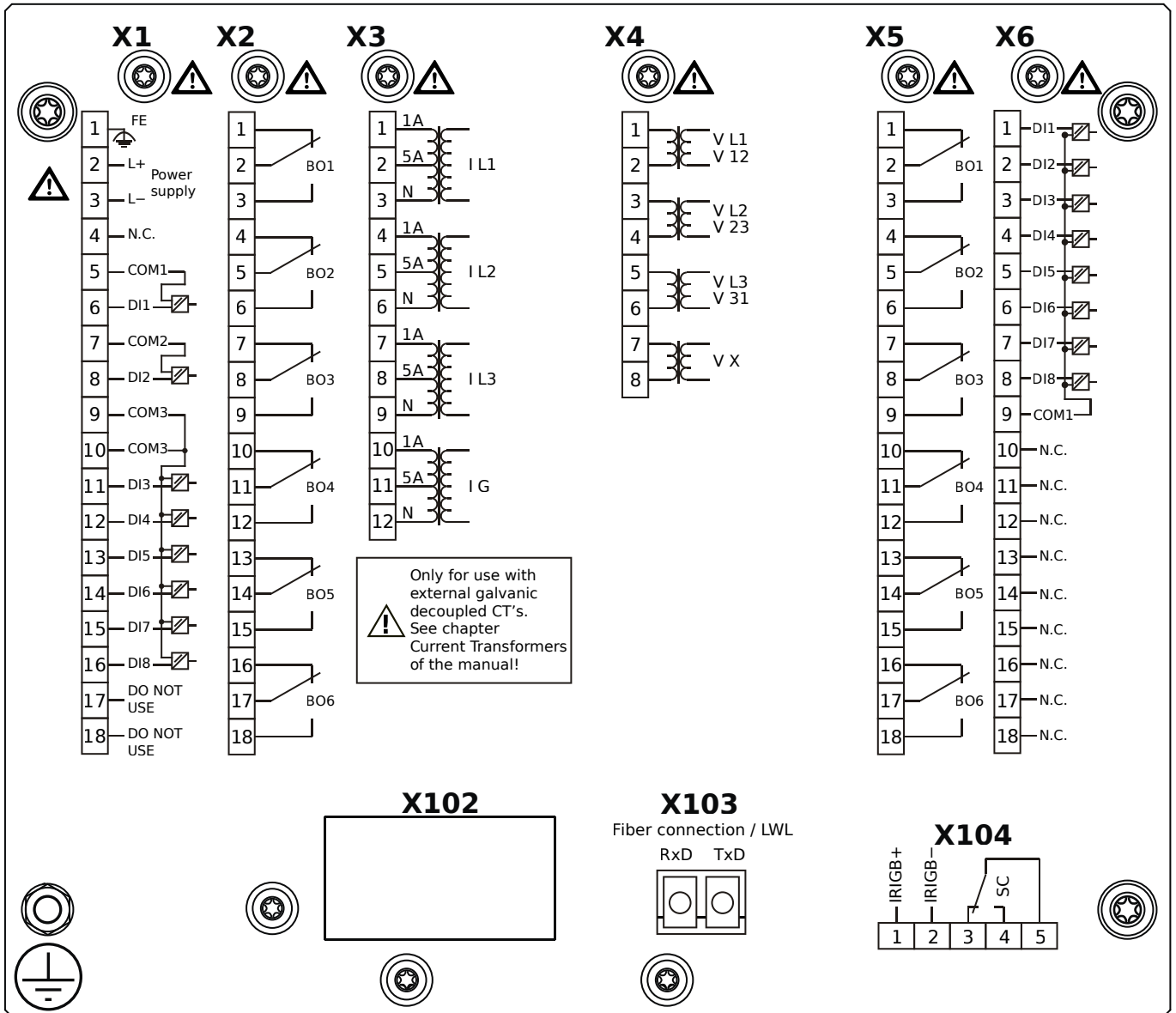
- X1** – DI8-X1: Wide-range power supply unit, incl. 2 non-grouped digital inputs and 6 grouped digital inputs
- X2** – OR-6: Assembly Group with 6 Relay Outputs
- X3** – TI-4: Standard current measuring card
- X4** – TU: Card with 4 voltage transformer measuring inputs
- X5** – OR-6: Assembly Group with 6 Relay Outputs
- X6** – DI8: Assembly Group with 8 Digital Inputs
- X103** – IEC 61850 / Modbus TCP / DNP3.0 TCP/UDP, Fiber optics interface, LC Connector
- X104** – IRIG-B00X, incl. System Contact (Supervision Contact)

# MCA4-2D0BLA



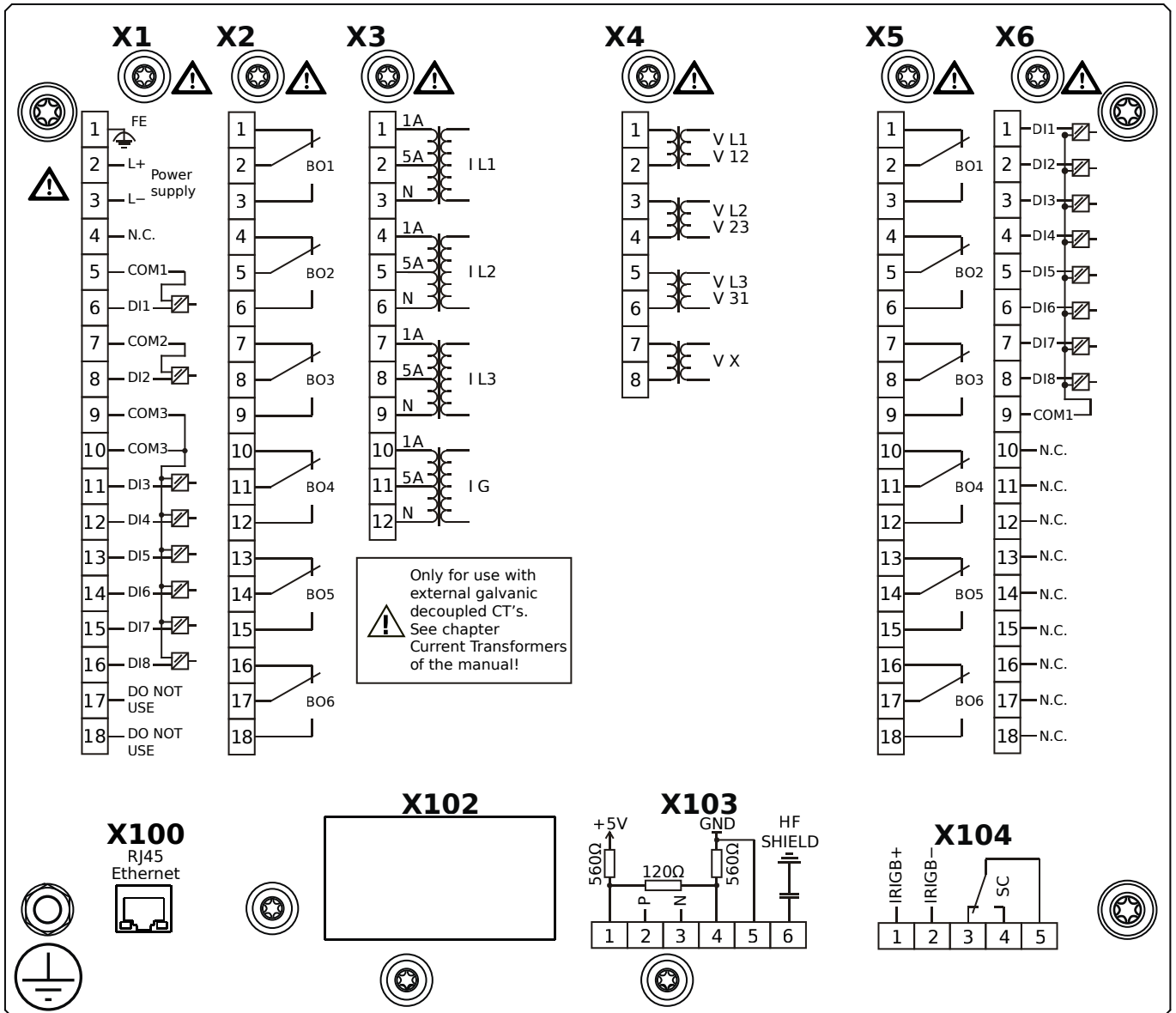
- X1** – DI8-X1: Wide-range power supply unit, incl. 2 non-grouped digital inputs and 6 grouped digital inputs
- X2** – OR-6: Assembly Group with 6 Relay Outputs
- X3** – TI-4: Standard current measuring card
- X4** – TU: Card with 4 voltage transformer measuring inputs
- X5** – OR-6: Assembly Group with 6 Relay Outputs
- X6** – DI8: Assembly Group with 8 Digital Inputs
- X103** – Modbus TCP / DNP3.0 TCP/UDP, Fiber optics interface, LC Connector
- X104** – IRIG-B00X, incl. System Contact (Supervision Contact)

# MCA4-2D0BLB



- X1** – DI8-X1: Wide-range power supply unit, incl. 2 non-grouped digital inputs and 6 grouped digital inputs
- X2** – OR-6: Assembly Group with 6 Relay Outputs
- X3** – TI-4: Standard current measuring card
- X4** – TU: Card with 4 voltage transformer measuring inputs
- X5** – OR-6: Assembly Group with 6 Relay Outputs
- X6** – DI8: Assembly Group with 8 Digital Inputs
- X103** – Modbus TCP / DNP3.0 TCP/UDP, Fiber optics interface, LC Connector
- X104** – IRIG-B00X, incl. System Contact (Supervision Contact)

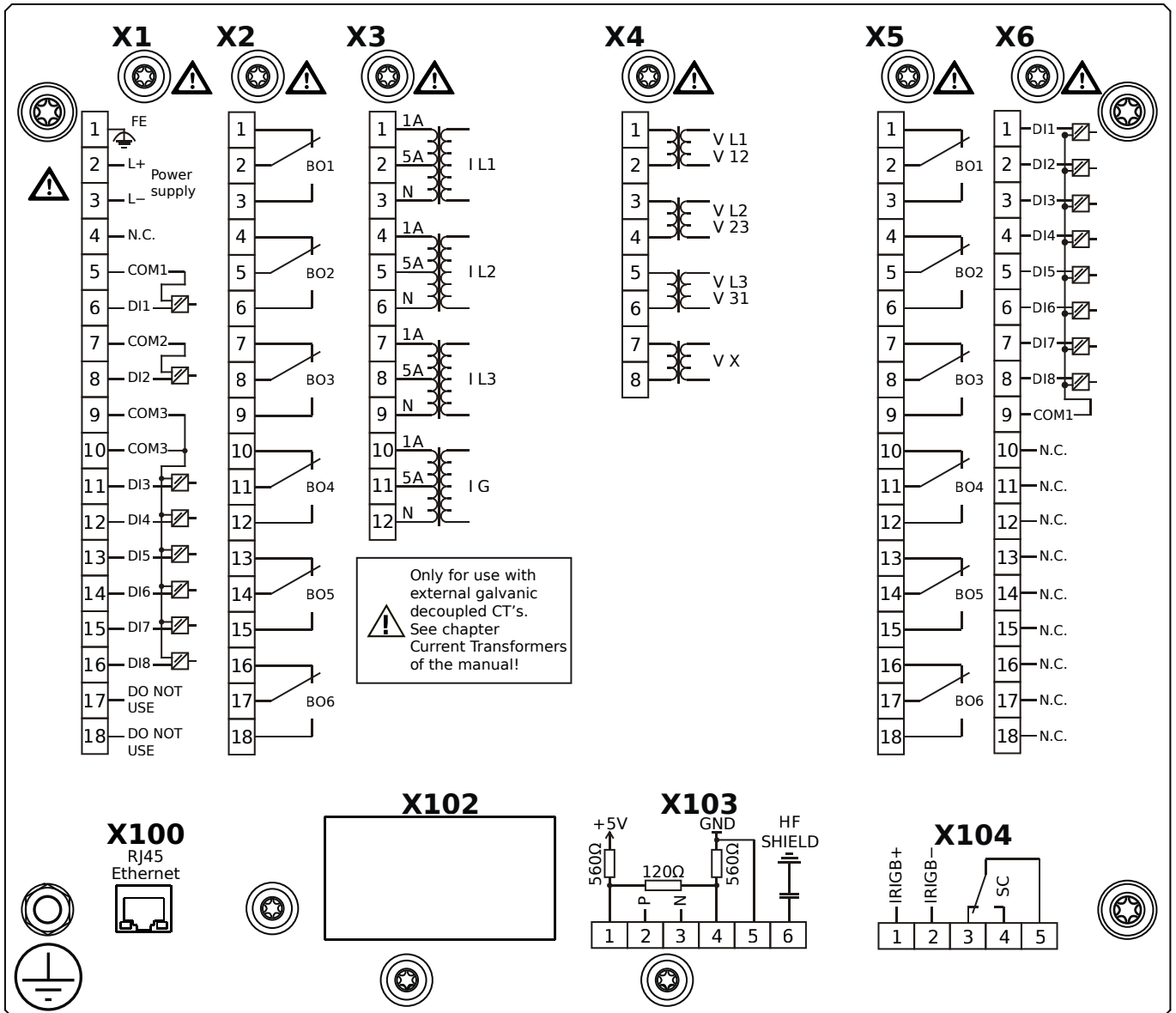
# MCA4-2D0BTA



- X1** – DI8-X1: Wide-range power supply unit, incl. 2 non-grouped digital inputs and 6 grouped digital inputs
- X2** – OR-6: Assembly Group with 6 Relay Outputs
- X3** – TI-4: Standard current measuring card
- X4** – TU: Card with 4 voltage transformer measuring inputs
- X5** – OR-6: Assembly Group with 6 Relay Outputs
- X6** – DI8: Assembly Group with 8 Digital Inputs
- X100** – IEC 61850 / Modbus TCP / DNP3.0 TCP/UDP, Ethernet interface, 100 Mbit/s, RJ45 (BASE100-FX)
- X103** – IEC 60870-5-103 / Modbus RTU / DNP3.0 RTU, RS485, Terminals
- X104** – IRIG-B00X, incl. System Contact (Supervision Contact)

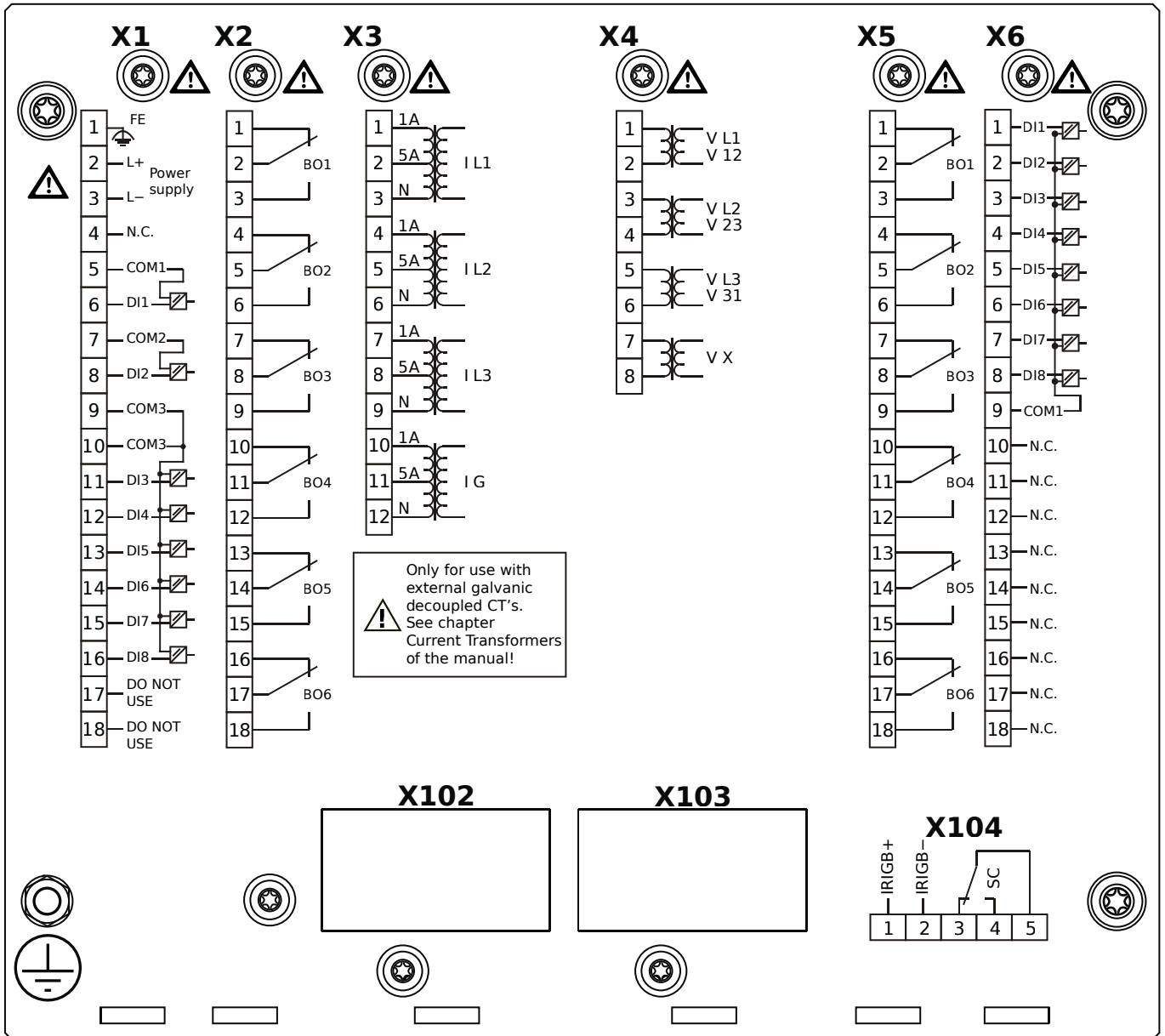


# MCA4-2D0BTB



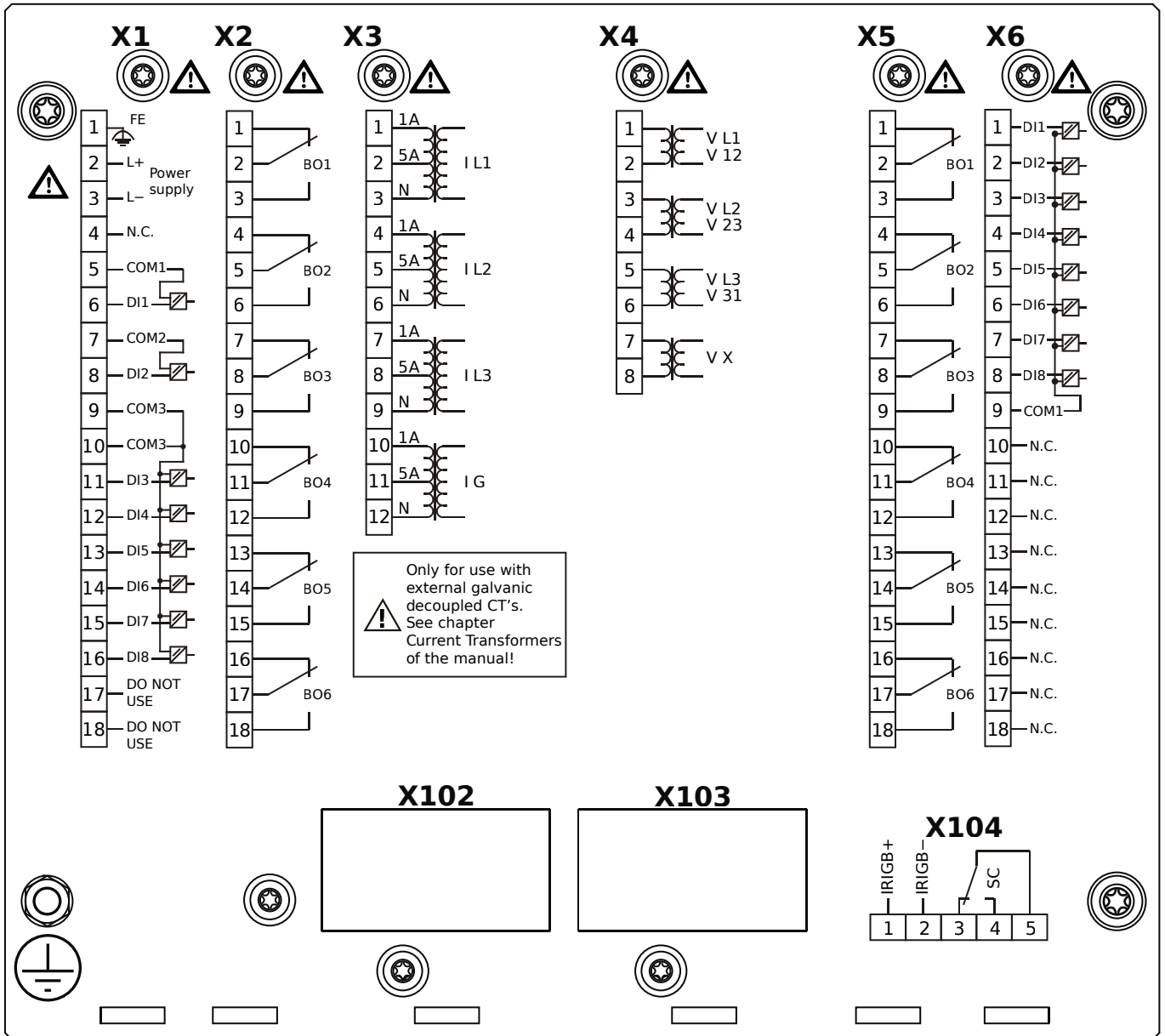
- X1** – DI8-X1: Wide-range power supply unit, incl. 2 non-grouped digital inputs and 6 grouped digital inputs
- X2** – OR-6: Assembly Group with 6 Relay Outputs
- X3** – TI-4: Standard current measuring card
- X4** – TU: Card with 4 voltage transformer measuring inputs
- X5** – OR-6: Assembly Group with 6 Relay Outputs
- X6** – DI8: Assembly Group with 8 Digital Inputs
- X100** – IEC 61850 / Modbus TCP / DNP3.0 TCP/UDP, Ethernet interface, 100 Mbit/s, RJ45 (BASE100-FX)
- X103** – IEC 60870-5-103 / Modbus RTU / DNP3.0 RTU, RS485, Terminals
- X104** – IRIG-B00X, incl. System Contact (Supervision Contact)

# MCA4-2D0HAA



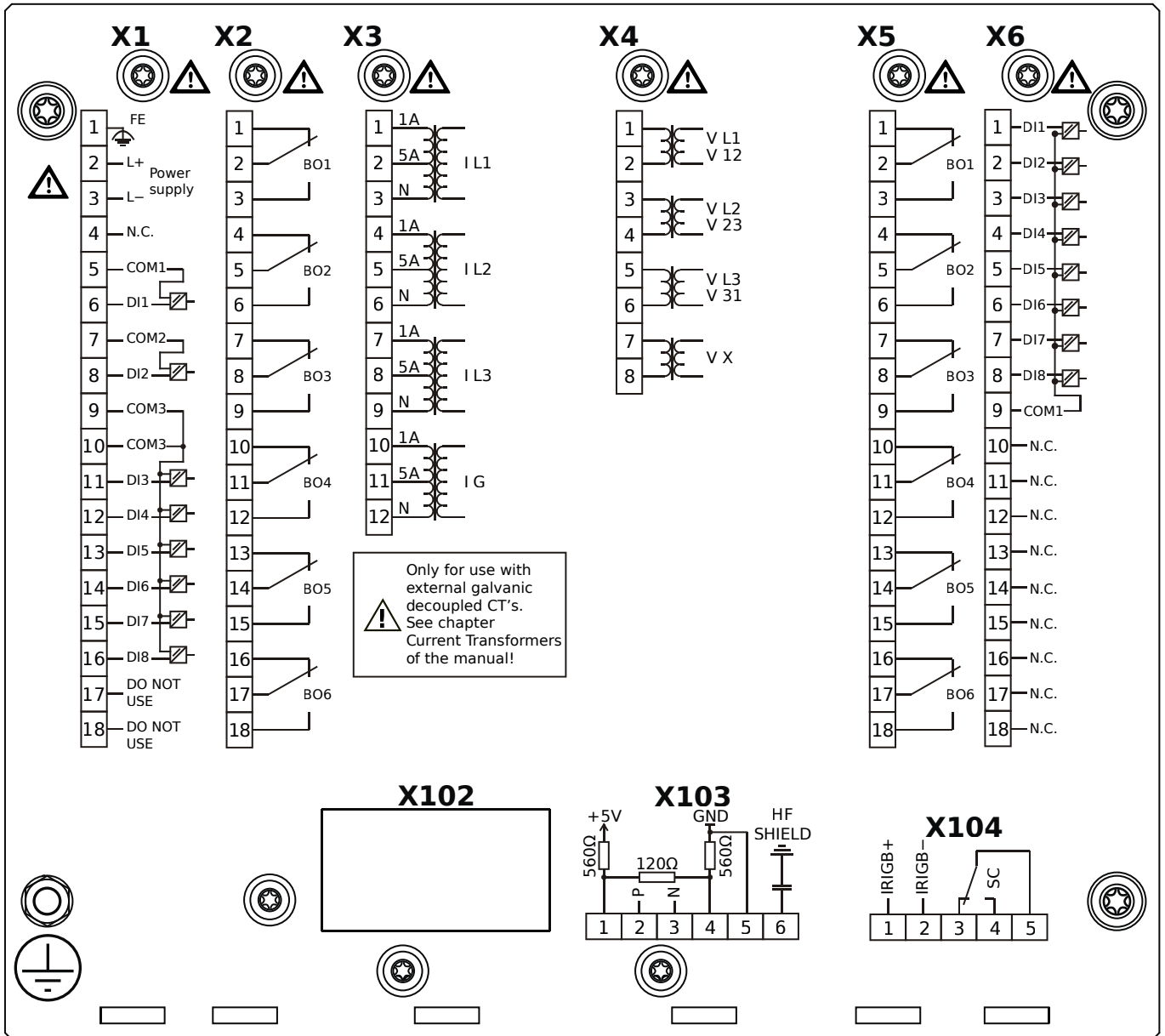
- X1** – DI8-X1: Wide-range power supply unit, incl. 2 non-grouped digital inputs and 6 grouped digital inputs
- X2** – OR-6: Assembly Group with 6 Relay Outputs
- X3** – TI-4: Standard current measuring card
- X4** – TU: Card with 4 voltage transformer measuring inputs
- X5** – OR-6: Assembly Group with 6 Relay Outputs
- X6** – DI8: Assembly Group with 8 Digital Inputs
- X104** – IRIG-B00X, incl. System Contact (Supervision Contact)

# MCA4-2D0HAB



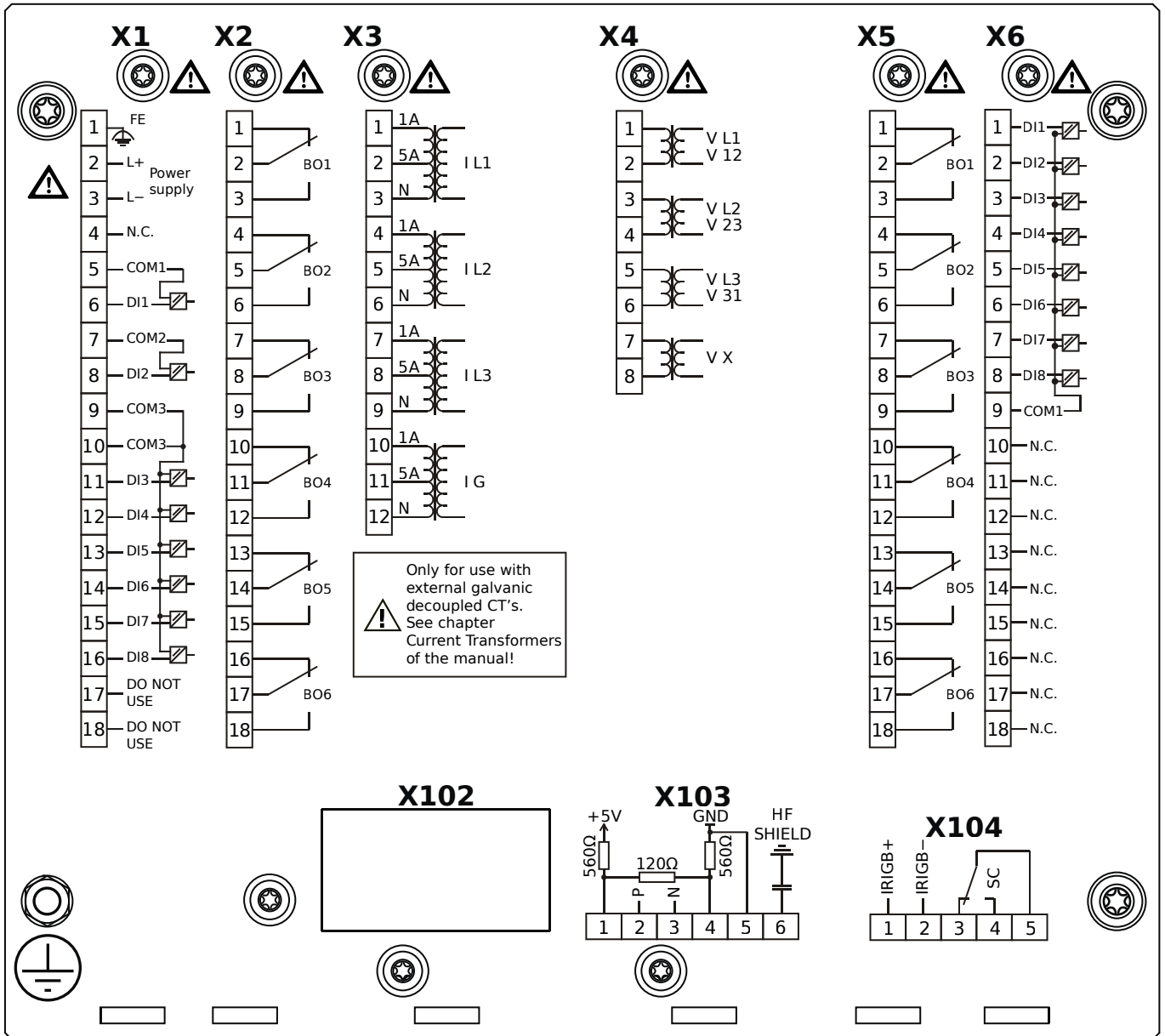
- X1** – DI8-X1: Wide-range power supply unit, incl. 2 non-grouped digital inputs and 6 grouped digital inputs
- X2** – OR-6: Assembly Group with 6 Relay Outputs
- X3** – TI-4: Standard current measuring card
- X4** – TU: Card with 4 voltage transformer measuring inputs
- X5** – OR-6: Assembly Group with 6 Relay Outputs
- X6** – DI8: Assembly Group with 8 Digital Inputs
- X104** – IRIG-B00X, incl. System Contact (Supervision Contact)

# MCA4-2D0HBA



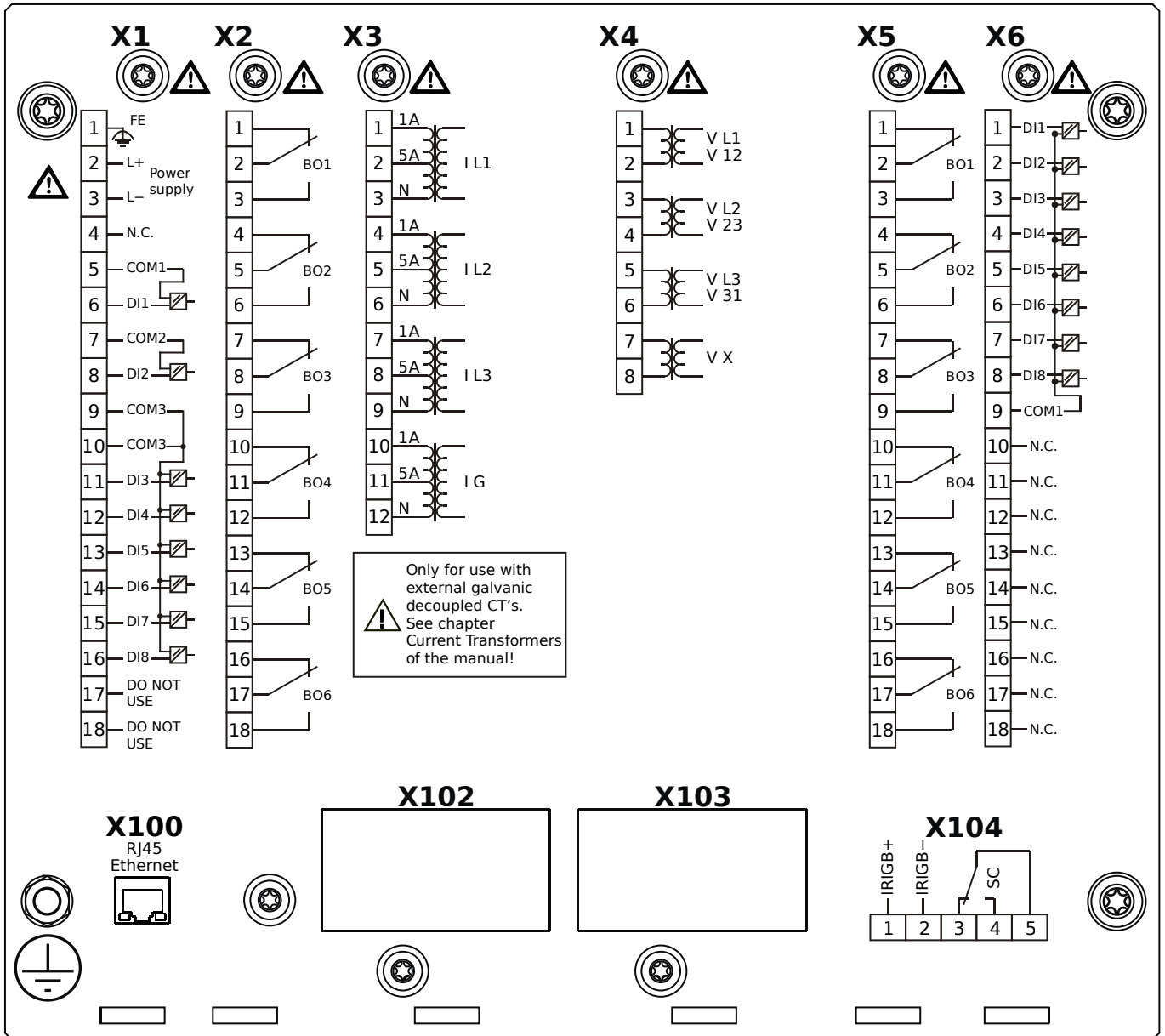
- X1** – DI8-X1: Wide-range power supply unit, incl. 2 non-grouped digital inputs and 6 grouped digital inputs
- X2** – OR-6: Assembly Group with 6 Relay Outputs
- X3** – TI-4: Standard current measuring card
- X4** – TU: Card with 4 voltage transformer measuring inputs
- X5** – OR-6: Assembly Group with 6 Relay Outputs
- X6** – DI8: Assembly Group with 8 Digital Inputs
- X103** – Modbus RTU / IEC 60870-5-103 / DNP3.0 RTU, RS485, Terminals
- X104** – IRIG-B00X, incl. System Contact (Supervision Contact)

# MCA4-2D0HBB



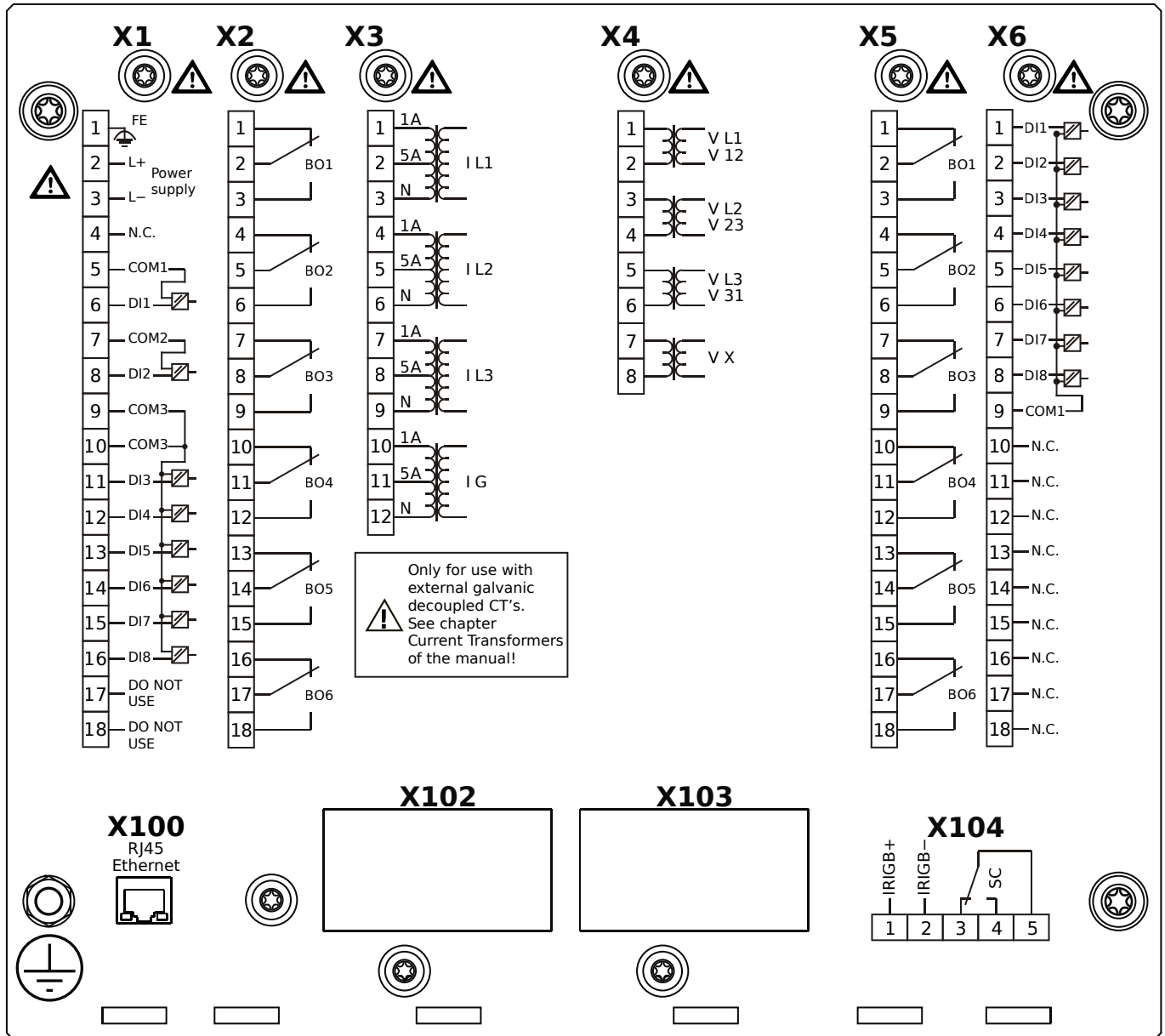
- X1** – DI8-X1: Wide-range power supply unit, incl. 2 non-grouped digital inputs and 6 grouped digital inputs
- X2** – OR-6: Assembly Group with 6 Relay Outputs
- X3** – TI-4: Standard current measuring card
- X4** – TU: Card with 4 voltage transformer measuring inputs
- X5** – OR-6: Assembly Group with 6 Relay Outputs
- X6** – DI8: Assembly Group with 8 Digital Inputs
- X103** – Modbus RTU / IEC 60870-5-103 / DNP3.0 RTU, RS485, Terminals
- X104** – IRIG-B00X, incl. System Contact (Supervision Contact)

# MCA4-2D0HCA



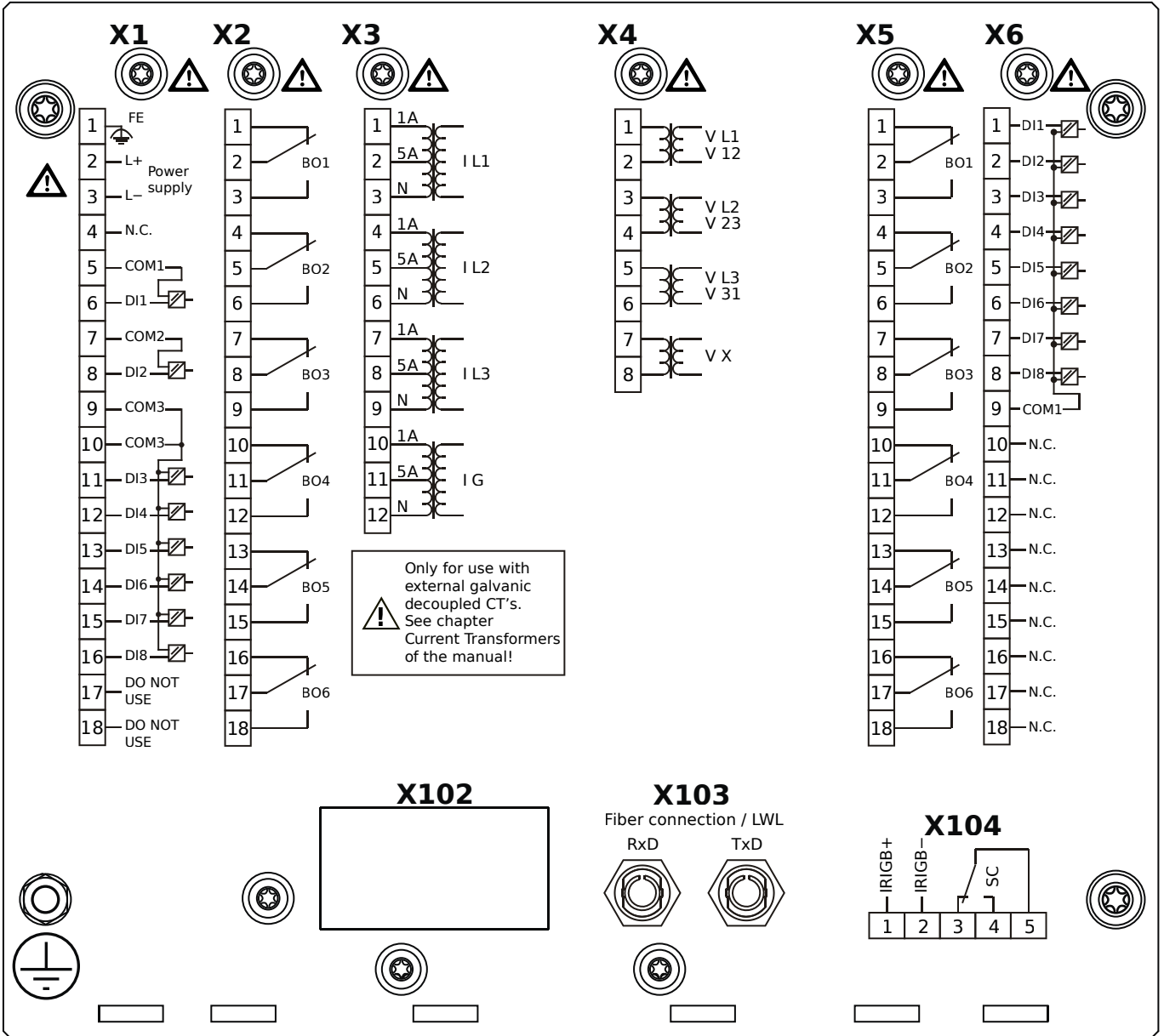
- X1** – DI8-X1: Wide-range power supply unit, incl. 2 non-grouped digital inputs and 6 grouped digital inputs
- X2** – OR-6: Assembly Group with 6 Relay Outputs
- X3** – TI-4: Standard current measuring card
- X4** – TU: Card with 4 voltage transformer measuring inputs
- X5** – OR-6: Assembly Group with 6 Relay Outputs
- X6** – DI8: Assembly Group with 8 Digital Inputs
- X100** – Modbus TCP / DNP3.0 TCP/UDP, Ethernet interface, 100 Mbit/s, RJ45 (BASE100-FX)
- X104** – IRIG-B00X, incl. System Contact (Supervision Contact)

# MCA4-2D0HCB



- X1** – DI8-X1: Wide-range power supply unit, incl. 2 non-grouped digital inputs and 6 grouped digital inputs
- X2** – OR-6: Assembly Group with 6 Relay Outputs
- X3** – TI-4: Standard current measuring card
- X4** – TU: Card with 4 voltage transformer measuring inputs
- X5** – OR-6: Assembly Group with 6 Relay Outputs
- X6** – DI8: Assembly Group with 8 Digital Inputs
- X100** – Modbus TCP / DNP3.0 TCP/UDP, Ethernet interface, 100 Mbit/s, RJ45 (BASE100-FX)
- X104** – IRIG-B00X, incl. System Contact (Supervision Contact)

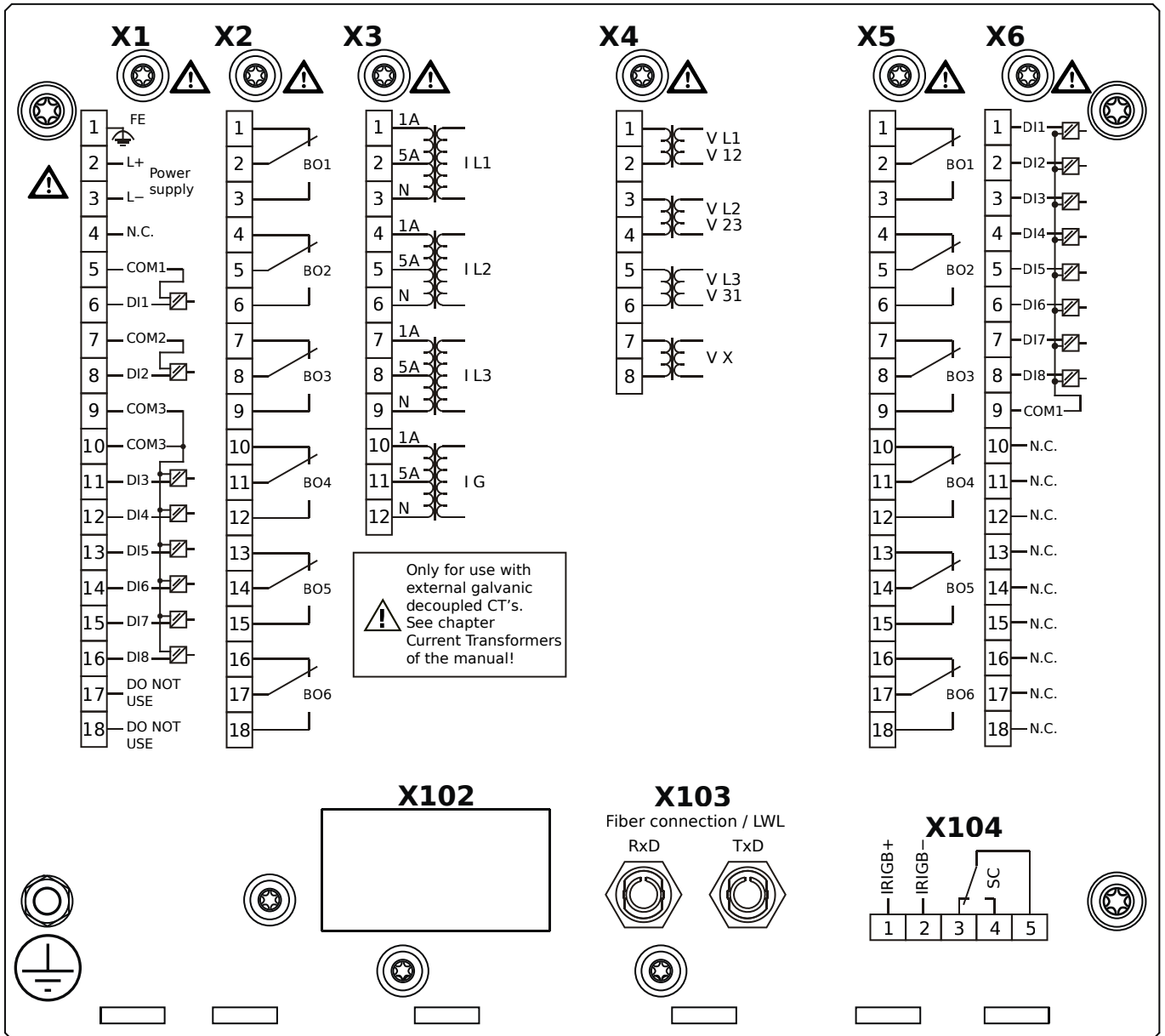
# MCA4-2D0HDA



- X1** – DI8-X1: Wide-range power supply unit, incl. 2 non-grouped digital inputs and 6 grouped digital inputs
- X2** – OR-6: Assembly Group with 6 Relay Outputs
- X3** – TI-4: Standard current measuring card
- X4** – TU: Card with 4 voltage transformer measuring inputs
- X5** – OR-6: Assembly Group with 6 Relay Outputs
- X6** – DI8: Assembly Group with 8 Digital Inputs
- X103** – Profibus-DP, Fiber optics interface, ST Connector
- X104** – IRIG-B00X, incl. System Contact (Supervision Contact)

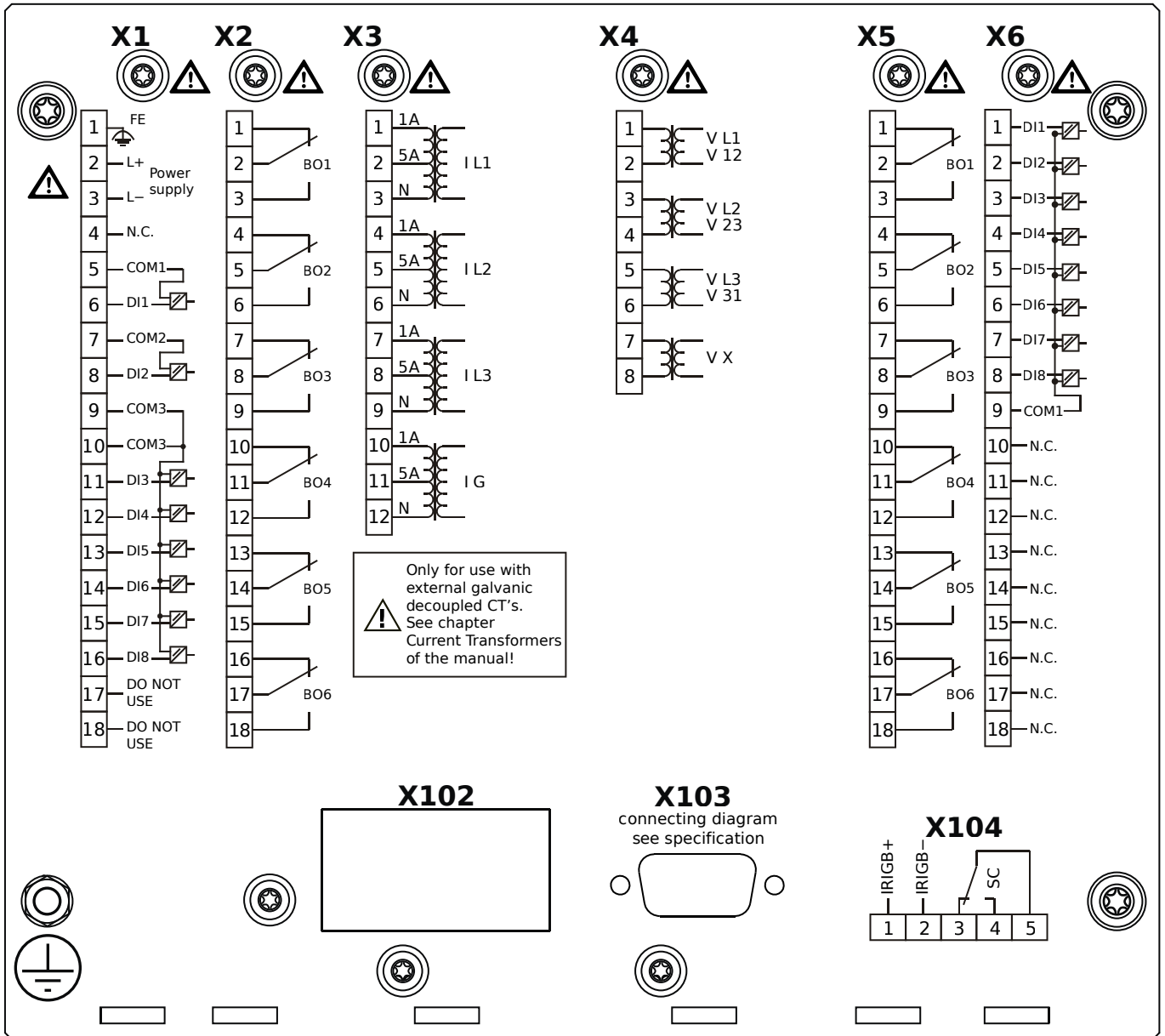


# MCA4-2D0HDB



- X1** – DI8-X1: Wide-range power supply unit, incl. 2 non-grouped digital inputs and 6 grouped digital inputs
- X2** – OR-6: Assembly Group with 6 Relay Outputs
- X3** – TI-4: Standard current measuring card
- X4** – TU: Card with 4 voltage transformer measuring inputs
- X5** – OR-6: Assembly Group with 6 Relay Outputs
- X6** – DI8: Assembly Group with 8 Digital Inputs
- X103** – Profibus-DP, Fiber optics interface, ST Connector
- X104** – IRIG-B00X, incl. System Contact (Supervision Contact)

# MCA4-2D0HEA



**X1** – DI8-X1: Wide-range power supply unit, incl. 2 non-grouped digital inputs and 6 grouped digital inputs

**X2** – OR-6: Assembly Group with 6 Relay Outputs

**X3** – TI-4: Standard current measuring card

**X4** – TU: Card with 4 voltage transformer measuring inputs

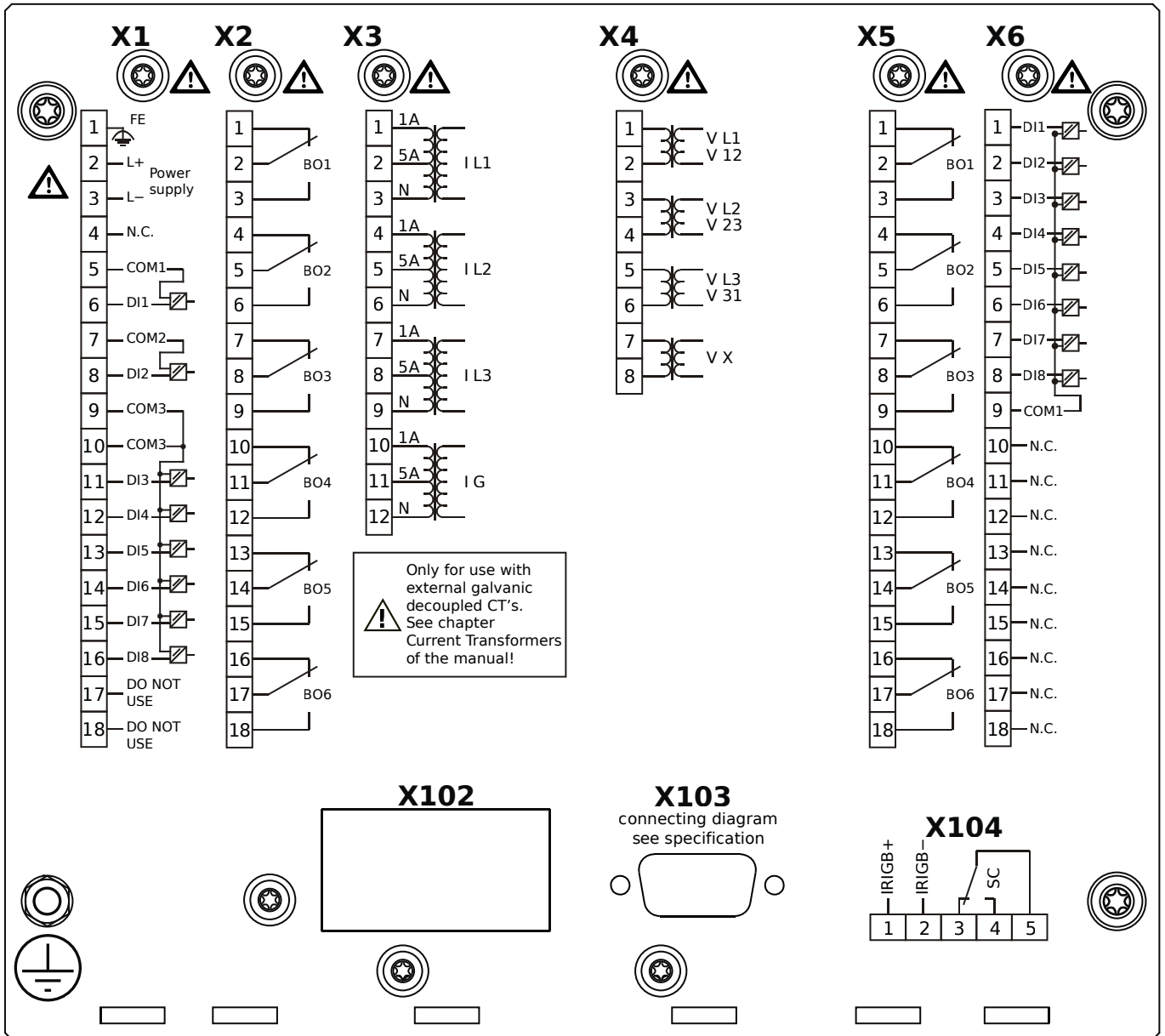
**X5** – OR-6: Assembly Group with 6 Relay Outputs

**X6** – DI8: Assembly Group with 8 Digital Inputs

**X103** – Profibus-DP, RS485, D-SUB

**X104** – IRIG-B00X, incl. System Contact (Supervision Contact)

# MCA4-2D0HEB



**X1** – DI8-X1: Wide-range power supply unit, incl. 2 non-grouped digital inputs and 6 grouped digital inputs

**X2** – OR-6: Assembly Group with 6 Relay Outputs

**X3** – TI-4: Standard current measuring card

**X4** – TU: Card with 4 voltage transformer measuring inputs

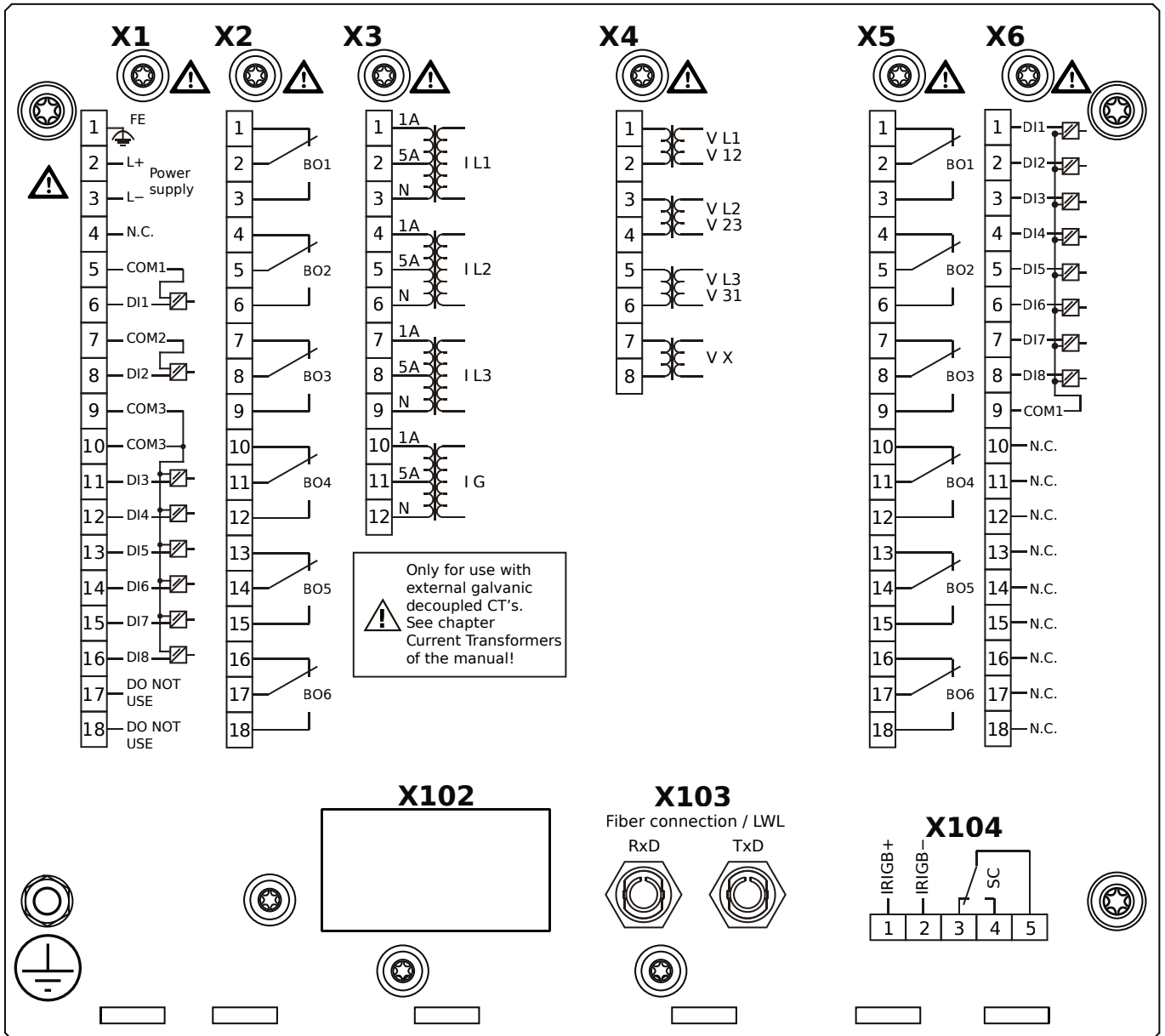
**X5** – OR-6: Assembly Group with 6 Relay Outputs

**X6** – DI8: Assembly Group with 8 Digital Inputs

**X103** – Profibus-DP, RS485, D-SUB

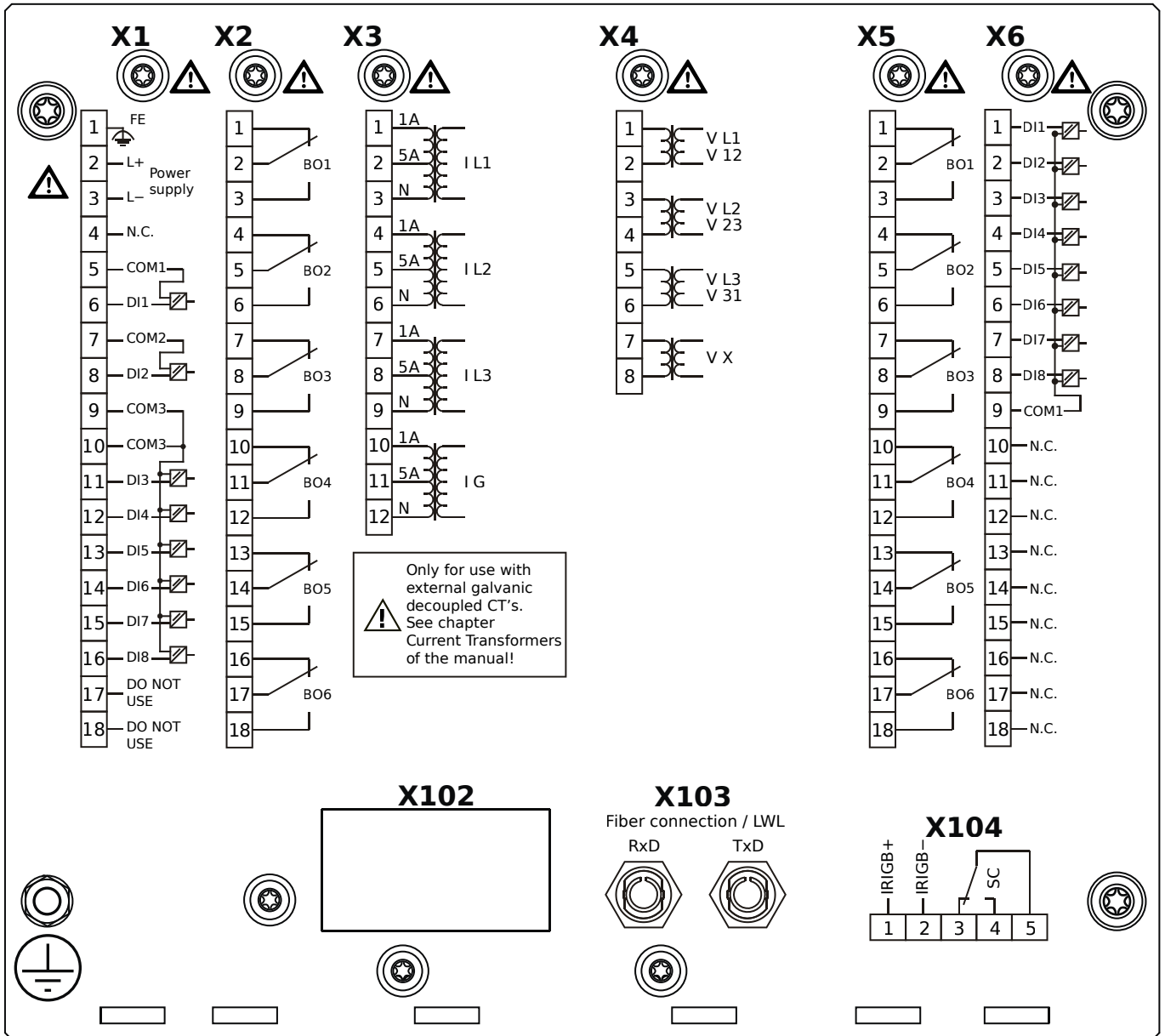
**X104** – IRIG-B00X, incl. System Contact (Supervision Contact)

# MCA4-2D0HFA



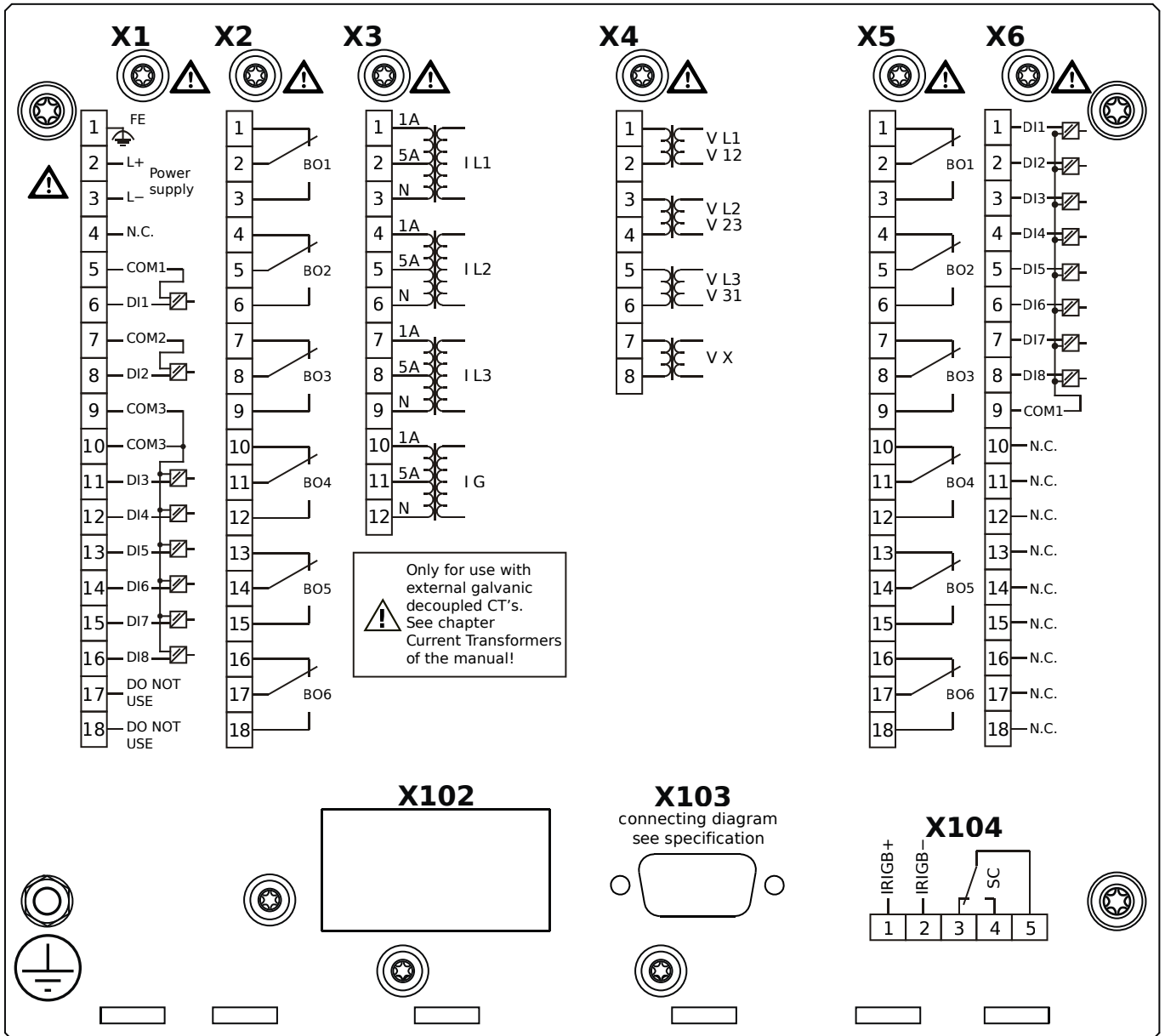
- X1** – DI8-X1: Wide-range power supply unit, incl. 2 non-grouped digital inputs and 6 grouped digital inputs
- X2** – OR-6: Assembly Group with 6 Relay Outputs
- X3** – TI-4: Standard current measuring card
- X4** – TU: Card with 4 voltage transformer measuring inputs
- X5** – OR-6: Assembly Group with 6 Relay Outputs
- X6** – DI8: Assembly Group with 8 Digital Inputs
- X103** – Modbus RTU / IEC 60870-5-103 / DNP3.0 RTU, Fiber optics interface, ST Connector
- X104** – IRIG-B00X, incl. System Contact (Supervision Contact)

# MCA4-2D0HFB



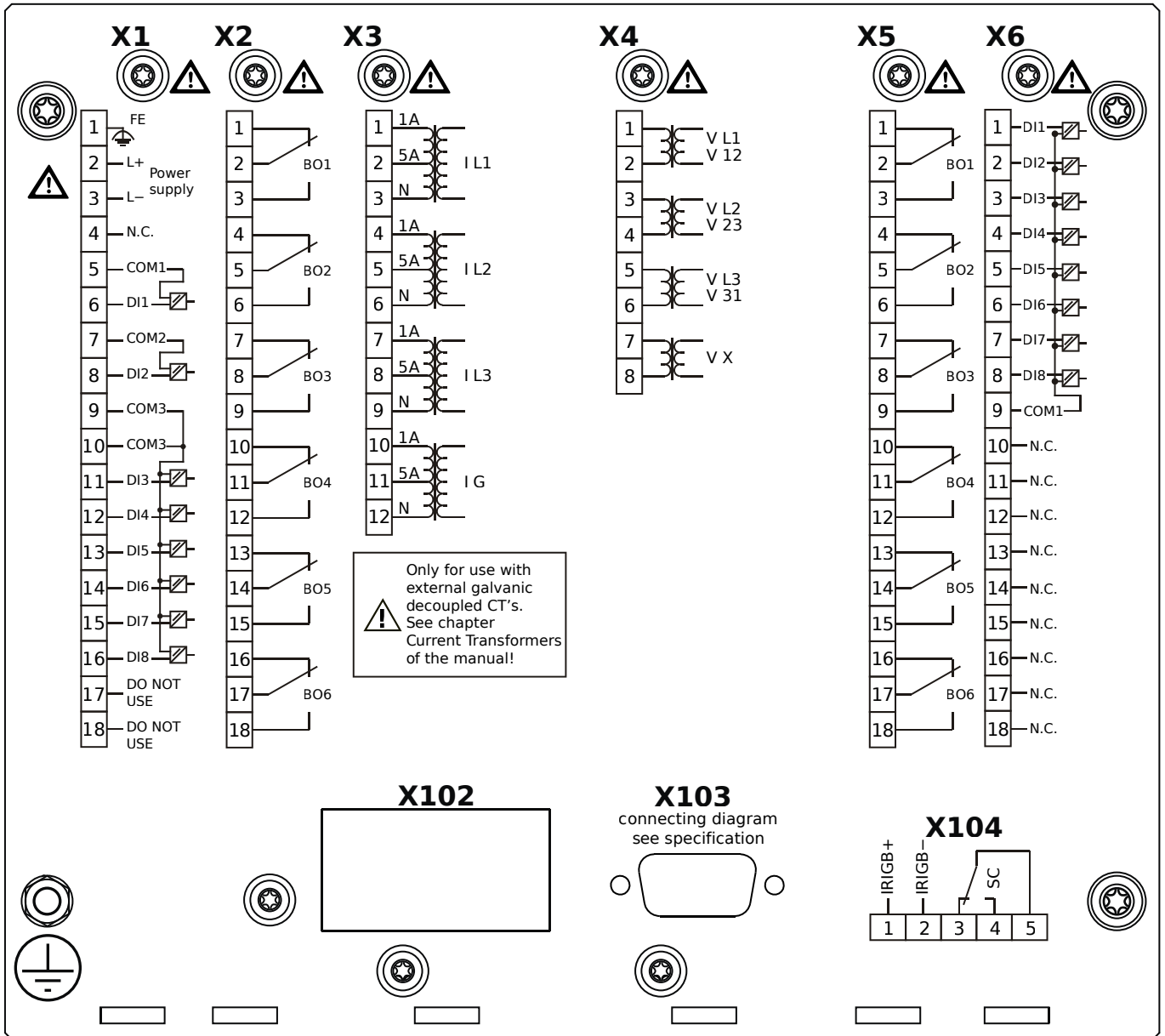
- X1** – DI8-X1: Wide-range power supply unit, incl. 2 non-grouped digital inputs and 6 grouped digital inputs
- X2** – OR-6: Assembly Group with 6 Relay Outputs
- X3** – TI-4: Standard current measuring card
- X4** – TU: Card with 4 voltage transformer measuring inputs
- X5** – OR-6: Assembly Group with 6 Relay Outputs
- X6** – DI8: Assembly Group with 8 Digital Inputs
- X103** – Modbus RTU / IEC 60870-5-103 / DNP3.0 RTU, Fiber optics interface, ST Connector
- X104** – IRIG-B00X, incl. System Contact (Supervision Contact)

# MCA4-2D0HGA



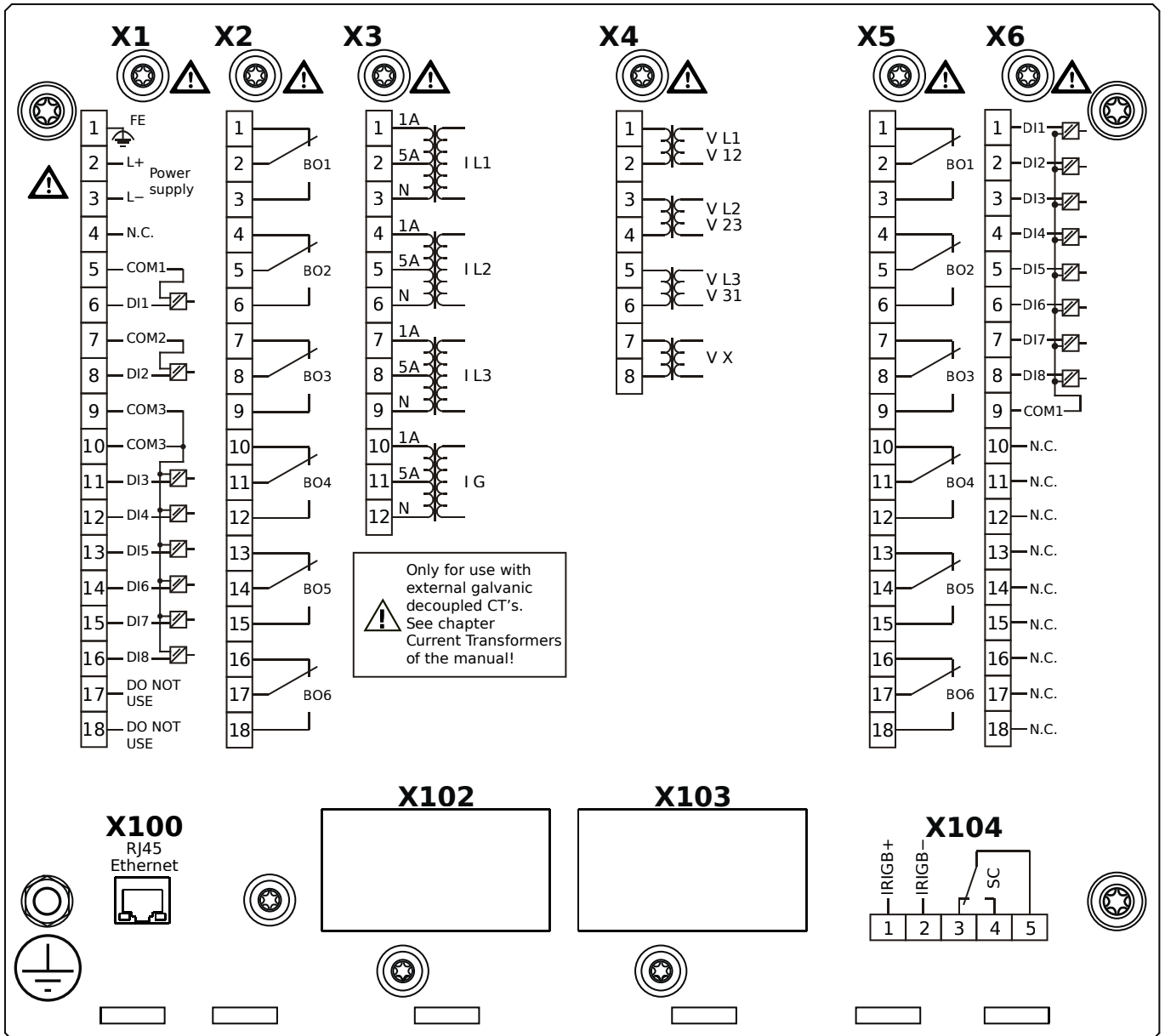
- X1** – DI8-X1: Wide-range power supply unit, incl. 2 non-grouped digital inputs and 6 grouped digital inputs
- X2** – OR-6: Assembly Group with 6 Relay Outputs
- X3** – TI-4: Standard current measuring card
- X4** – TU: Card with 4 voltage transformer measuring inputs
- X5** – OR-6: Assembly Group with 6 Relay Outputs
- X6** – DI8: Assembly Group with 8 Digital Inputs
- X103** – Modbus RTU / IEC 60870-5-103 / DNP3.0 RTU, RS485, D-SUB
- X104** – IRIG-B00X, incl. System Contact (Supervision Contact)

# MCA4-2D0HGB



- X1** – DI8-X1: Wide-range power supply unit, incl. 2 non-grouped digital inputs and 6 grouped digital inputs
- X2** – OR-6: Assembly Group with 6 Relay Outputs
- X3** – TI-4: Standard current measuring card
- X4** – TU: Card with 4 voltage transformer measuring inputs
- X5** – OR-6: Assembly Group with 6 Relay Outputs
- X6** – DI8: Assembly Group with 8 Digital Inputs
- X103** – Modbus RTU / IEC 60870-5-103 / DNP3.0 RTU, RS485, D-SUB
- X104** – IRIG-B00X, incl. System Contact (Supervision Contact)

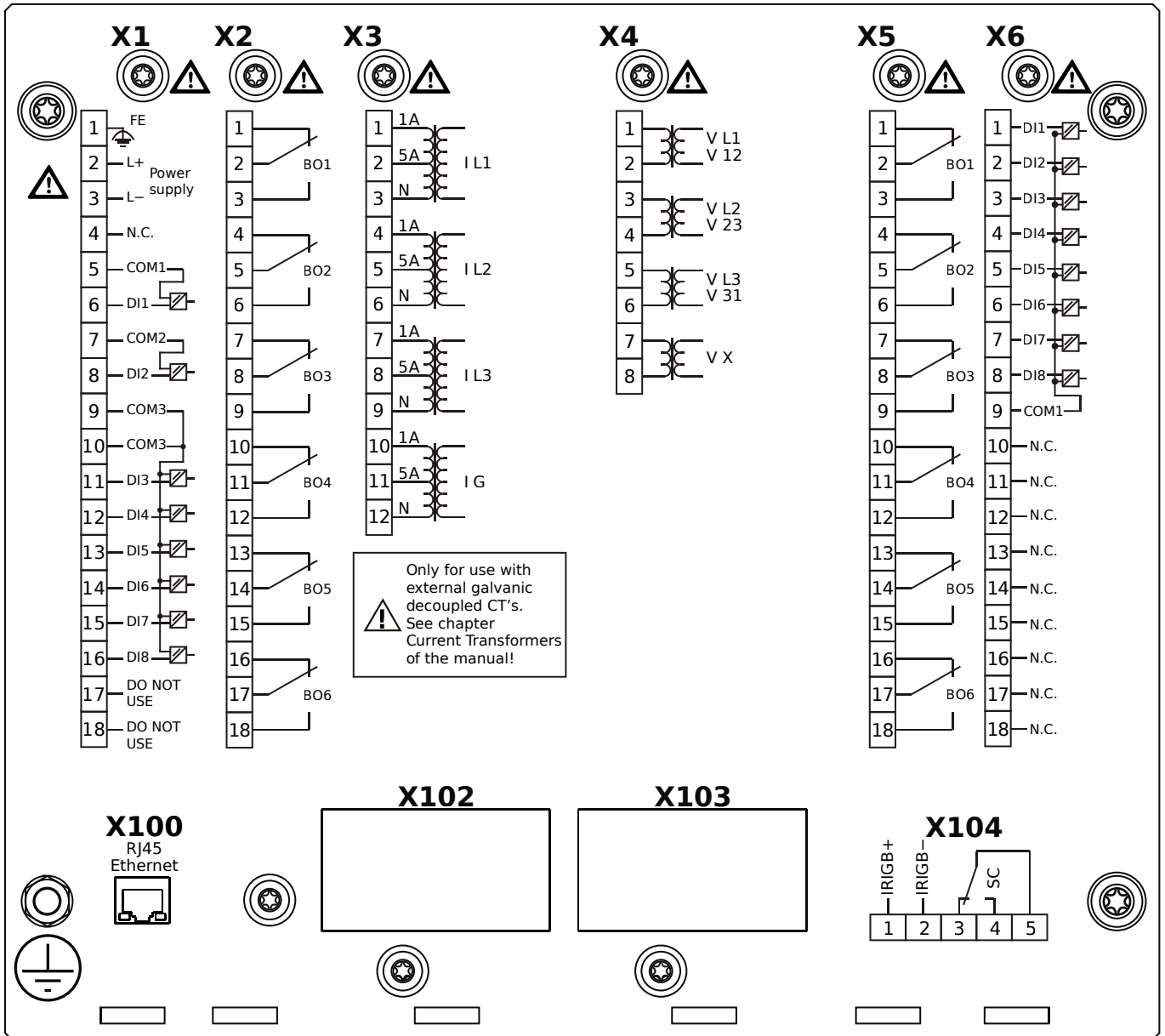
# MCA4-2D0HHA



- X1** – DI8-X1: Wide-range power supply unit, incl. 2 non-grouped digital inputs and 6 grouped digital inputs
- X2** – OR-6: Assembly Group with 6 Relay Outputs
- X3** – TI-4: Standard current measuring card
- X4** – TU: Card with 4 voltage transformer measuring inputs
- X5** – OR-6: Assembly Group with 6 Relay Outputs
- X6** – DI8: Assembly Group with 8 Digital Inputs
- X100** – IEC 61850 / Modbus TCP / DNP3.0 TCP/UDP, Ethernet interface, 100 Mbit/s, RJ45 (BASE100-FX)
- X104** – IRIG-B00X, incl. System Contact (Supervision Contact)

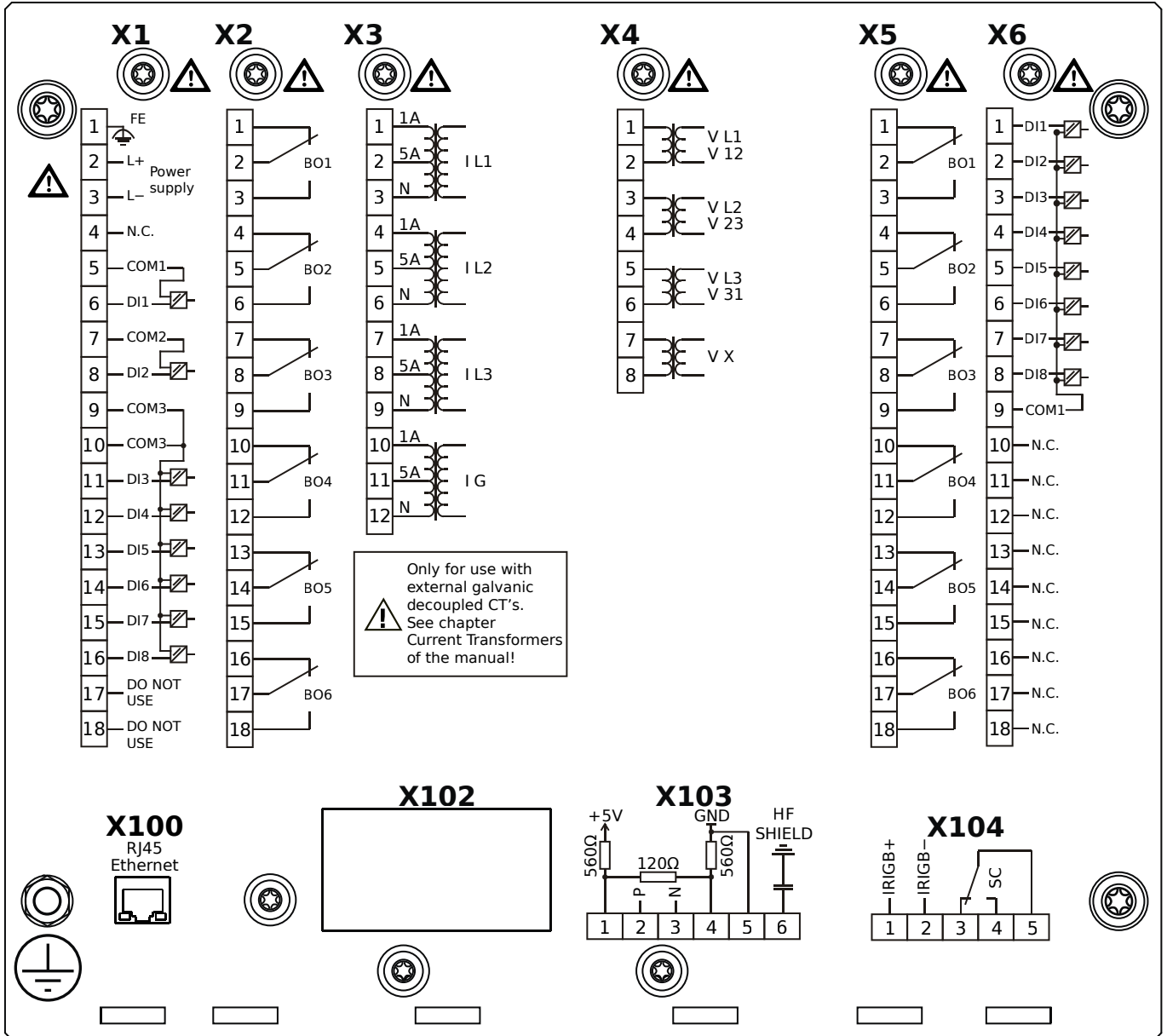


# MCA4-2D0HHB



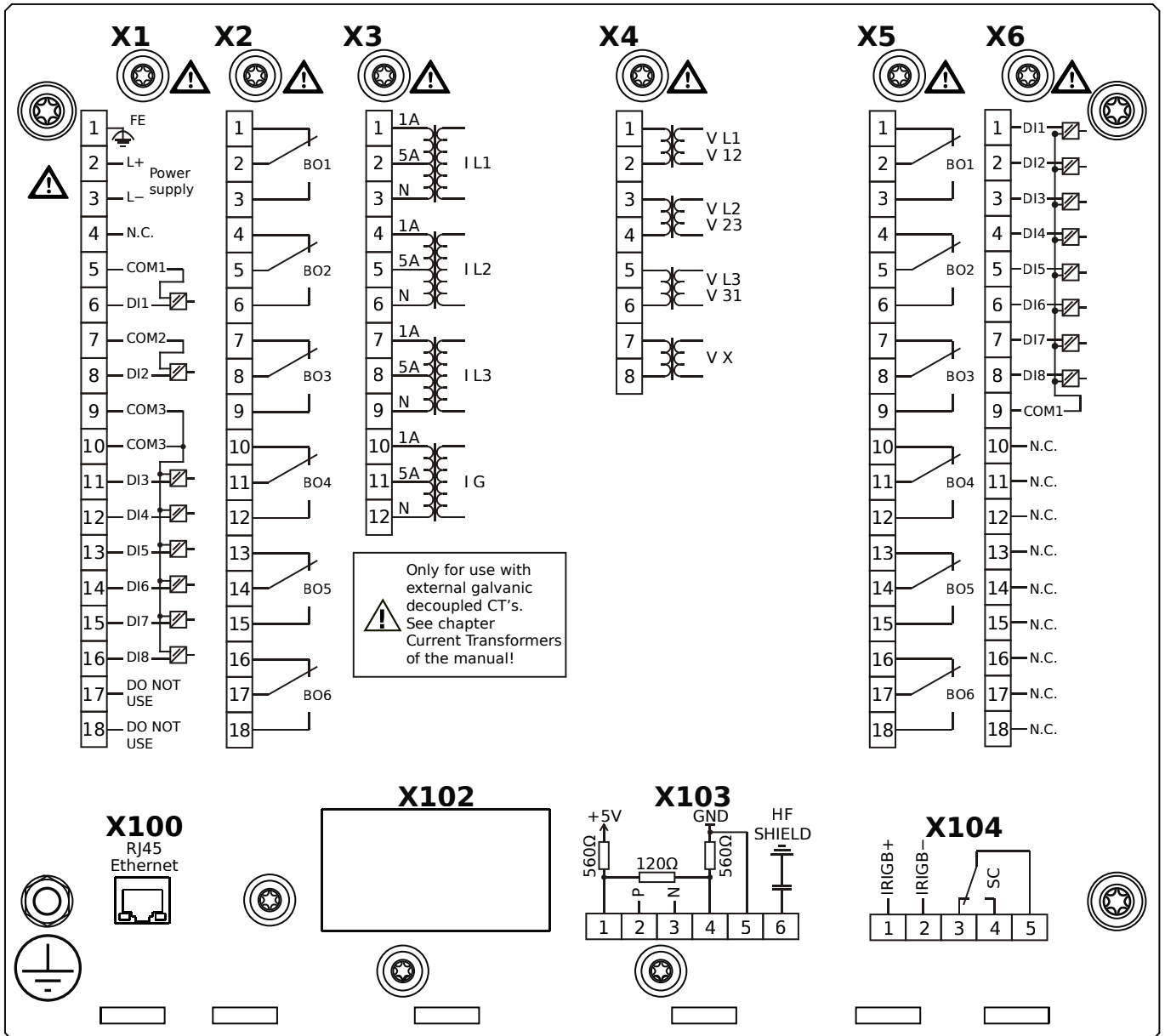
- X1** – DI8-X1: Wide-range power supply unit, incl. 2 non-grouped digital inputs and 6 grouped digital inputs
- X2** – OR-6: Assembly Group with 6 Relay Outputs
- X3** – TI-4: Standard current measuring card
- X4** – TU: Card with 4 voltage transformer measuring inputs
- X5** – OR-6: Assembly Group with 6 Relay Outputs
- X6** – DI8: Assembly Group with 8 Digital Inputs
- X100** – IEC 61850 / Modbus TCP / DNP3.0 TCP/UDP, Ethernet interface, 100 Mbit/s, RJ45 (BASE100-FX)
- X104** – IRIG-B00X, incl. System Contact (Supervision Contact)

# MCA4-2D0HIA



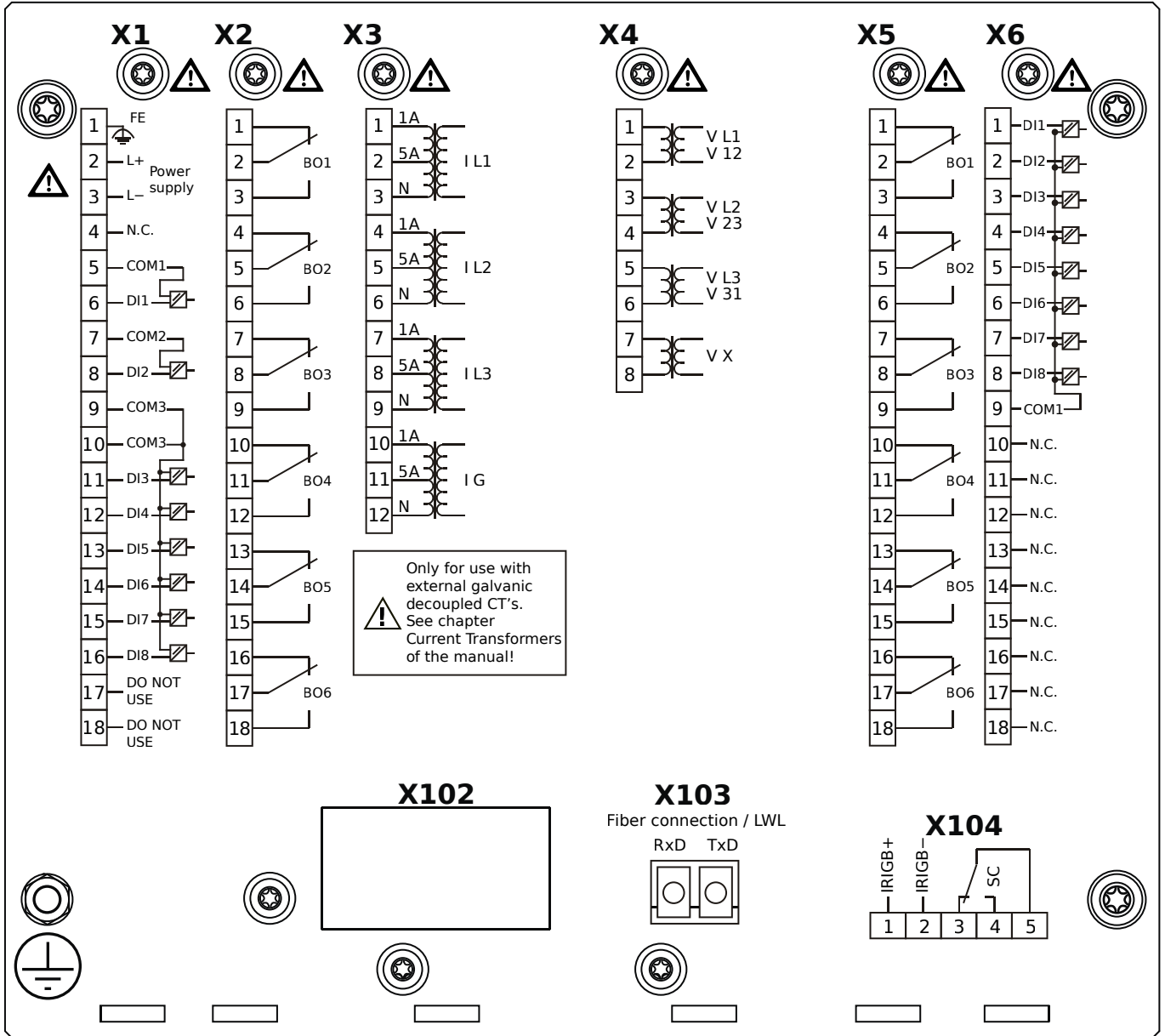
- X1** – DI8-X1: Wide-range power supply unit, incl. 2 non-grouped digital inputs and 6 grouped digital inputs
- X2** – OR-6: Assembly Group with 6 Relay Outputs
- X3** – TI-4: Standard current measuring card
- X4** – TU: Card with 4 voltage transformer measuring inputs
- X5** – OR-6: Assembly Group with 6 Relay Outputs
- X6** – DI8: Assembly Group with 8 Digital Inputs
- X100** – Modbus TCP / DNP3.0 TCP/UDP, Ethernet interface, 100 Mbit/s, RJ45 (BASE100-FX)
- X103** – IEC 60870-5-103 / Modbus RTU / DNP3.0 RTU, RS485, Terminals
- X104** – IRIG-B00X, incl. System Contact (Supervision Contact)

# MCA4-2D0HIB



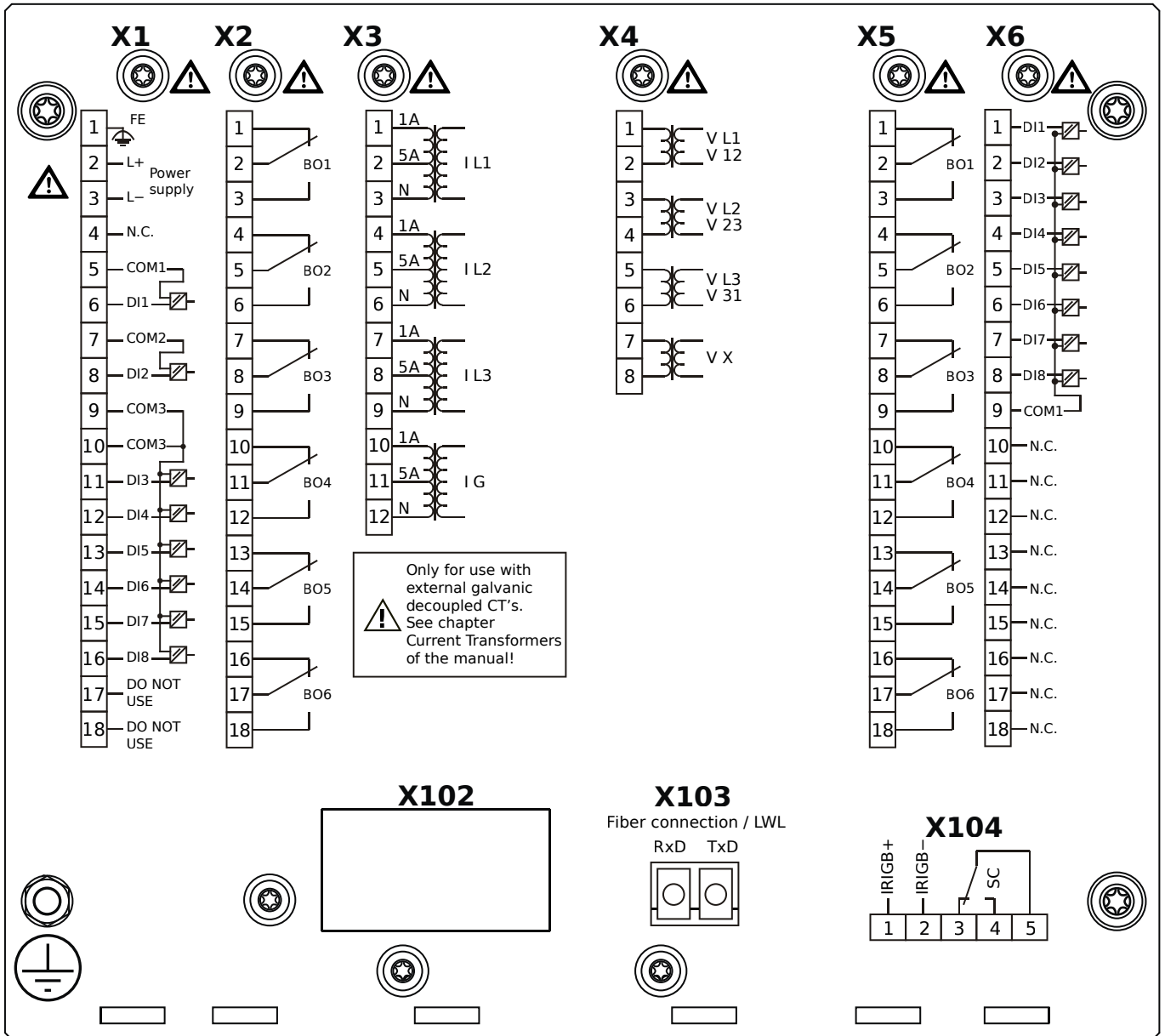
- X1** – DI8-X1: Wide-range power supply unit, incl. 2 non-grouped digital inputs and 6 grouped digital inputs
- X2** – OR-6: Assembly Group with 6 Relay Outputs
- X3** – TI-4: Standard current measuring card
- X4** – TU: Card with 4 voltage transformer measuring inputs
- X5** – OR-6: Assembly Group with 6 Relay Outputs
- X6** – DI8: Assembly Group with 8 Digital Inputs
- X100** – Modbus TCP / DNP3.0 TCP/UDP, Ethernet interface, 100 Mbit/s, RJ45 (BASE100-FX)
- X103** – IEC 60870-5-103 / Modbus RTU / DNP3.0 RTU, RS485, Terminals
- X104** – IRIG-B00X, incl. System Contact (Supervision Contact)

# MCA4-2D0HKA



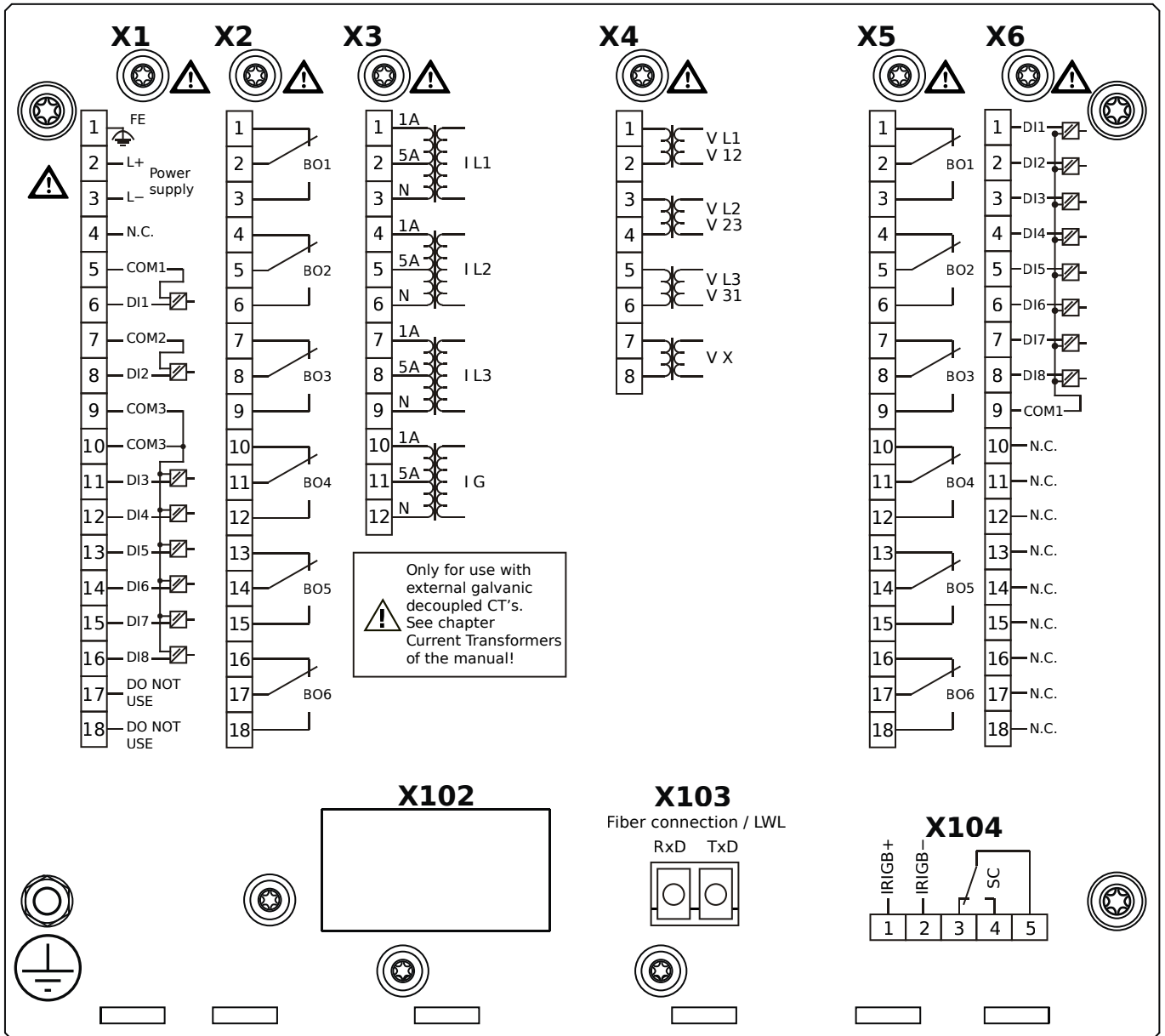
- X1** – DI8-X1: Wide-range power supply unit, incl. 2 non-grouped digital inputs and 6 grouped digital inputs
- X2** – OR-6: Assembly Group with 6 Relay Outputs
- X3** – TI-4: Standard current measuring card
- X4** – TU: Card with 4 voltage transformer measuring inputs
- X5** – OR-6: Assembly Group with 6 Relay Outputs
- X6** – DI8: Assembly Group with 8 Digital Inputs
- X103** – IEC 61850 / Modbus TCP / DNP3.0 TCP/UDP, Fiber optics interface, LC Connector
- X104** – IRIG-B00X, incl. System Contact (Supervision Contact)

# MCA4-2D0HKB



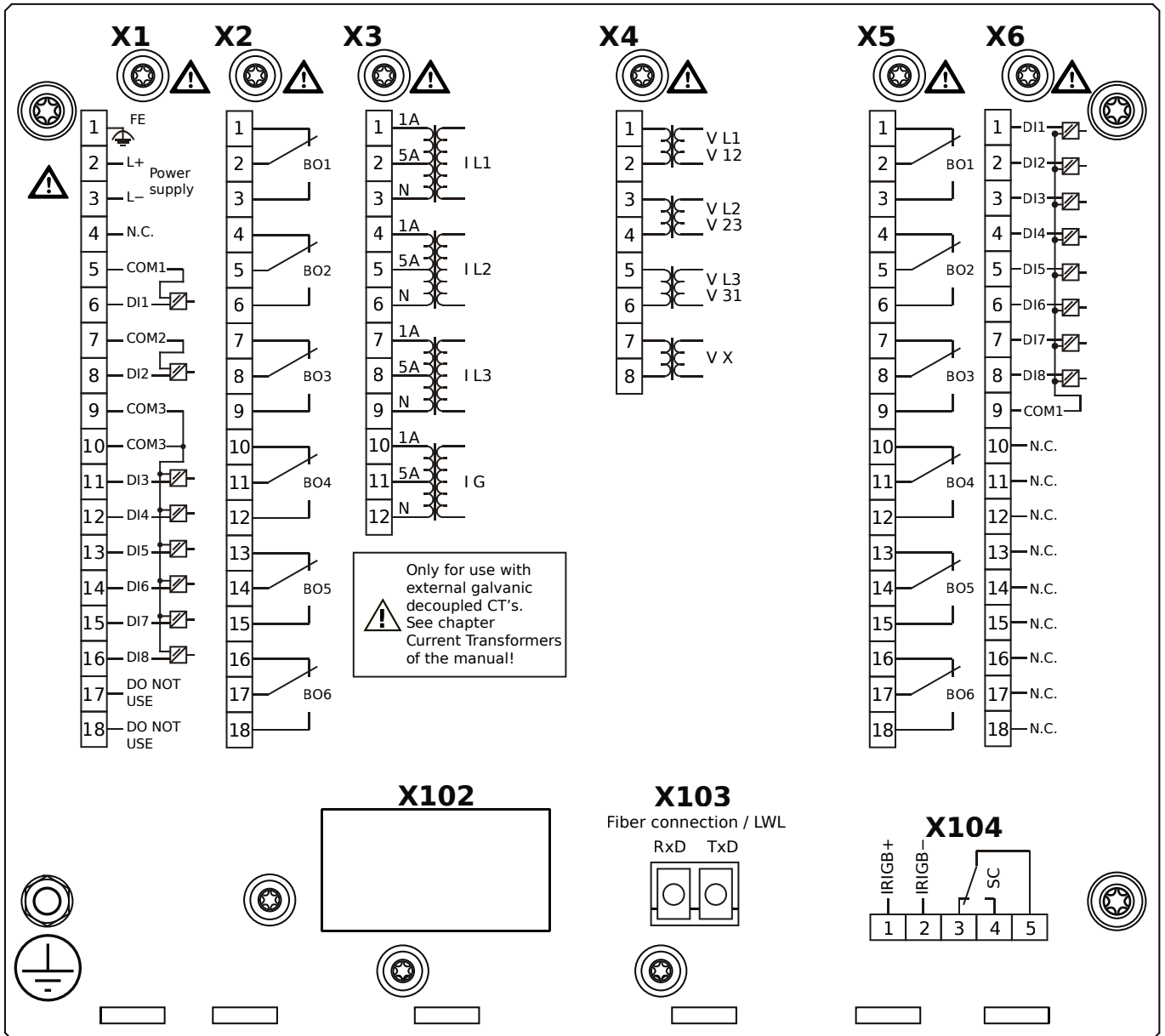
- X1** – DI8-X1: Wide-range power supply unit, incl. 2 non-grouped digital inputs and 6 grouped digital inputs
- X2** – OR-6: Assembly Group with 6 Relay Outputs
- X3** – TI-4: Standard current measuring card
- X4** – TU: Card with 4 voltage transformer measuring inputs
- X5** – OR-6: Assembly Group with 6 Relay Outputs
- X6** – DI8: Assembly Group with 8 Digital Inputs
- X103** – IEC 61850 / Modbus TCP / DNP3.0 TCP/UDP, Fiber optics interface, LC Connector
- X104** – IRIG-B00X, incl. System Contact (Supervision Contact)

# MCA4-2D0HLA



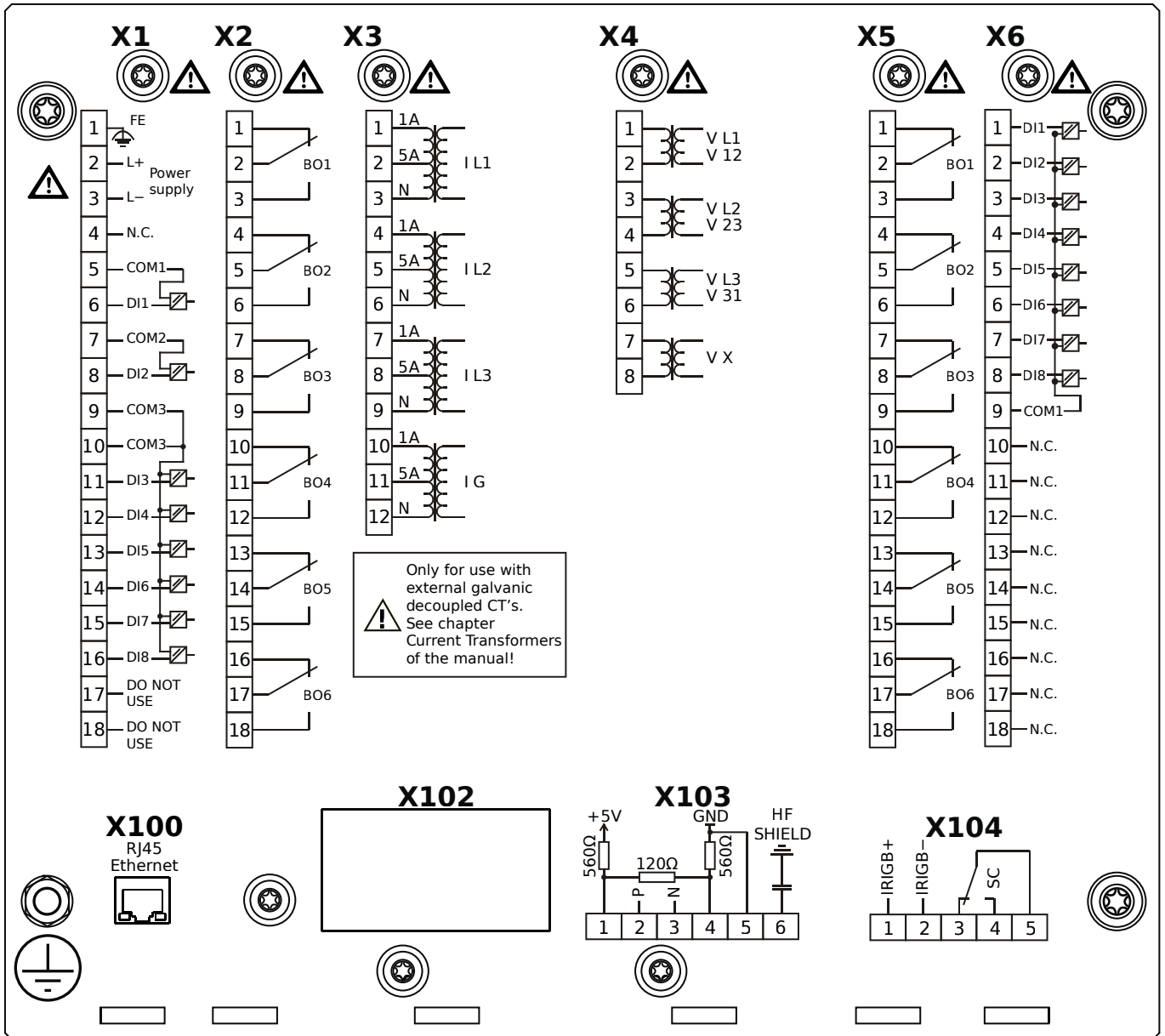
- X1** – DI8-X1: Wide-range power supply unit, incl. 2 non-grouped digital inputs and 6 grouped digital inputs
- X2** – OR-6: Assembly Group with 6 Relay Outputs
- X3** – TI-4: Standard current measuring card
- X4** – TU: Card with 4 voltage transformer measuring inputs
- X5** – OR-6: Assembly Group with 6 Relay Outputs
- X6** – DI8: Assembly Group with 8 Digital Inputs
- X103** – Modbus TCP / DNP3.0 TCP/UDP, Fiber optics interface, LC Connector
- X104** – IRIG-B00X, incl. System Contact (Supervision Contact)

# MCA4-2D0HLB



- X1** – DI8-X1: Wide-range power supply unit, incl. 2 non-grouped digital inputs and 6 grouped digital inputs
- X2** – OR-6: Assembly Group with 6 Relay Outputs
- X3** – TI-4: Standard current measuring card
- X4** – TU: Card with 4 voltage transformer measuring inputs
- X5** – OR-6: Assembly Group with 6 Relay Outputs
- X6** – DI8: Assembly Group with 8 Digital Inputs
- X103** – Modbus TCP / DNP3.0 TCP/UDP, Fiber optics interface, LC Connector
- X104** – IRIG-B00X, incl. System Contact (Supervision Contact)

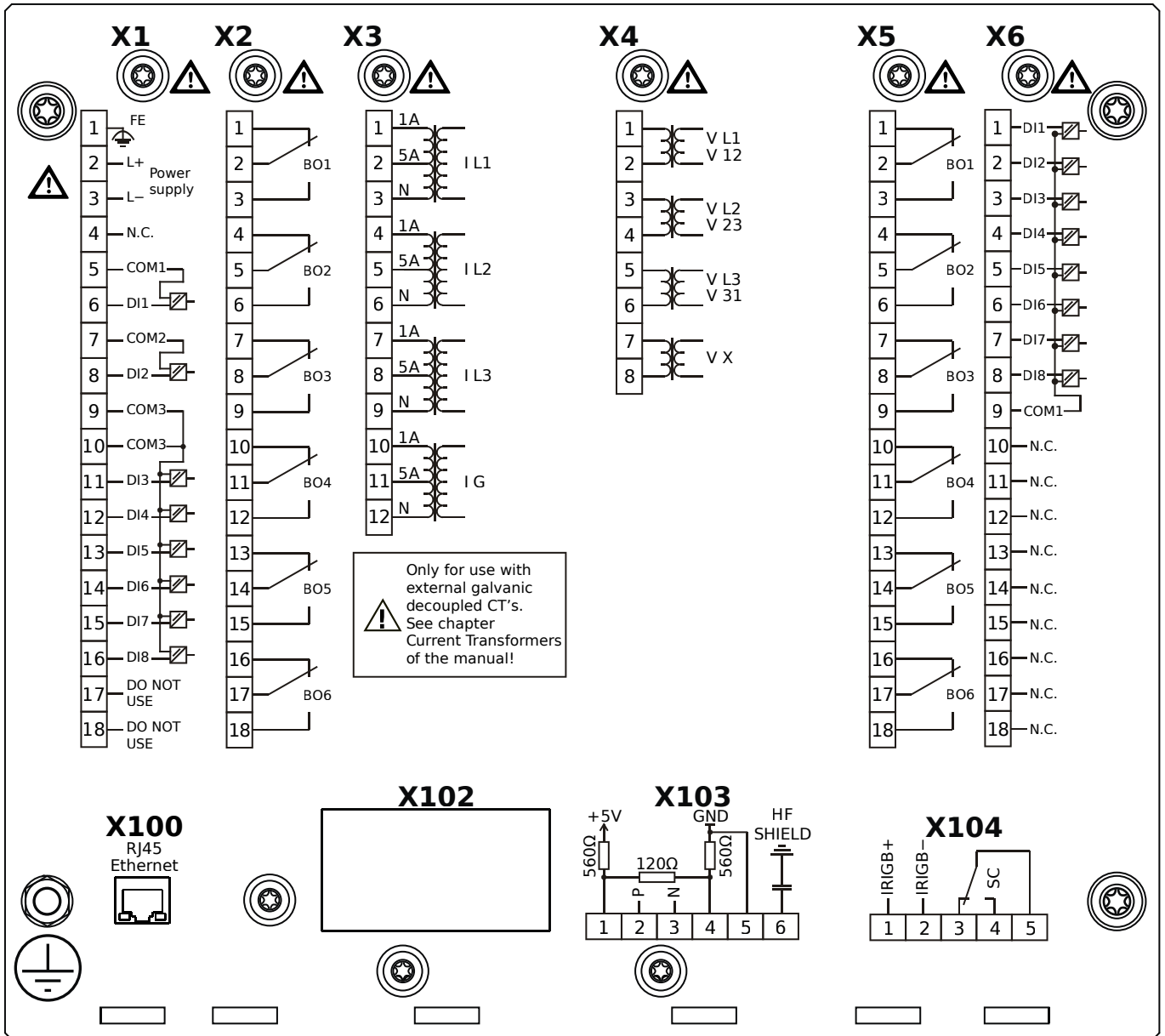
# MCA4-2D0HTA



- X1** – DI8-X1: Wide-range power supply unit, incl. 2 non-grouped digital inputs and 6 grouped digital inputs
- X2** – OR-6: Assembly Group with 6 Relay Outputs
- X3** – TI-4: Standard current measuring card
- X4** – TU: Card with 4 voltage transformer measuring inputs
- X5** – OR-6: Assembly Group with 6 Relay Outputs
- X6** – DI8: Assembly Group with 8 Digital Inputs
- X100** – IEC 61850 / Modbus TCP / DNP3.0 TCP/UDP, Ethernet interface, 100 Mbit/s, RJ45 (BASE100-FX)
- X103** – IEC 60870-5-103 / Modbus RTU / DNP3.0 RTU, RS485, Terminals
- X104** – IRIG-B00X, incl. System Contact (Supervision Contact)

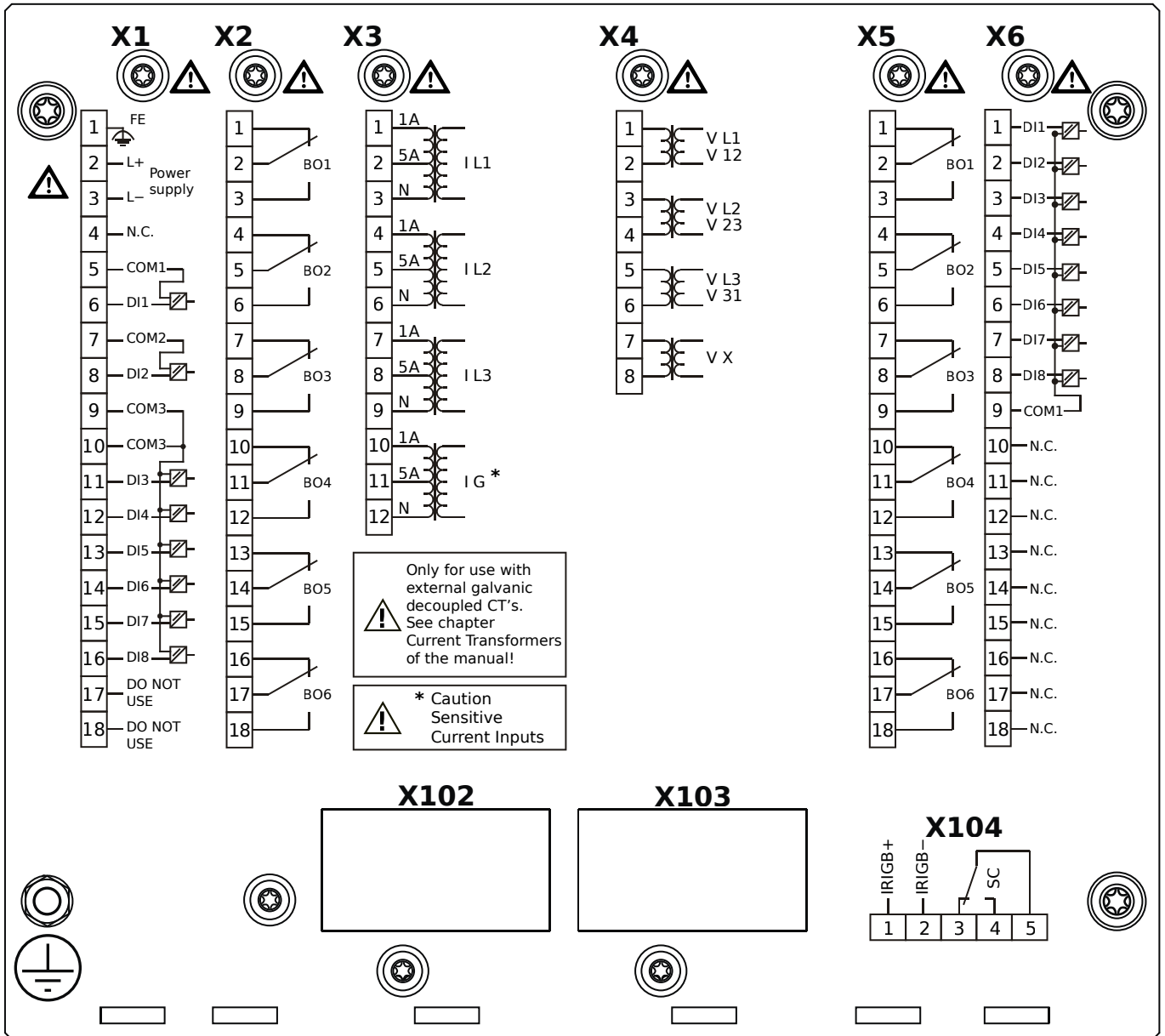


# MCA4-2D0HTB



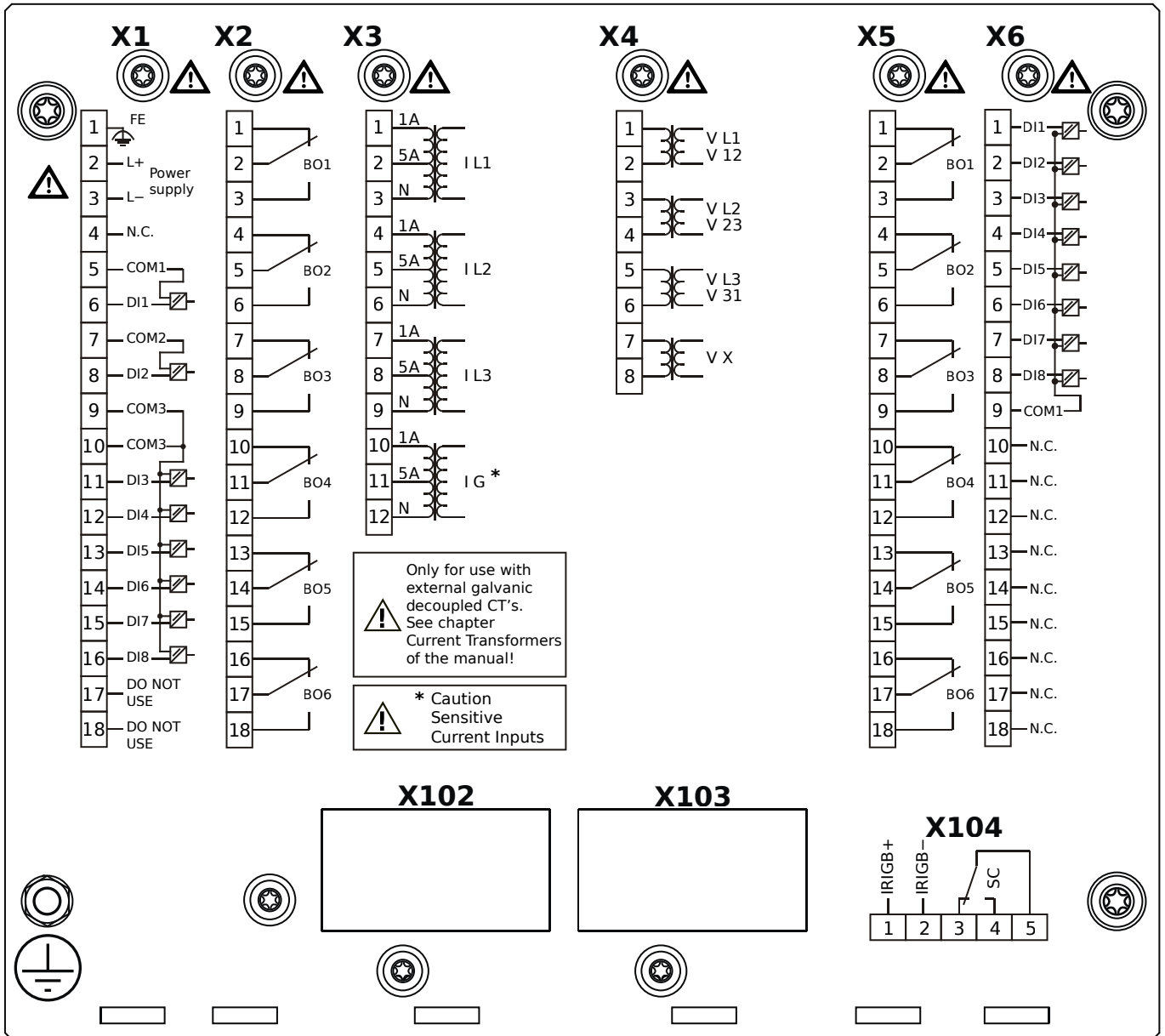
- X1** – DI8-X1: Wide-range power supply unit, incl. 2 non-grouped digital inputs and 6 grouped digital inputs
- X2** – OR-6: Assembly Group with 6 Relay Outputs
- X3** – TI-4: Standard current measuring card
- X4** – TU: Card with 4 voltage transformer measuring inputs
- X5** – OR-6: Assembly Group with 6 Relay Outputs
- X6** – DI8: Assembly Group with 8 Digital Inputs
- X100** – IEC 61850 / Modbus TCP / DNP3.0 TCP/UDP, Ethernet interface, 100 Mbit/s, RJ45 (BASE100-FX)
- X103** – IEC 60870-5-103 / Modbus RTU / DNP3.0 RTU, RS485, Terminals
- X104** – IRIG-B00X, incl. System Contact (Supervision Contact)

# MCA4-2D1AAA



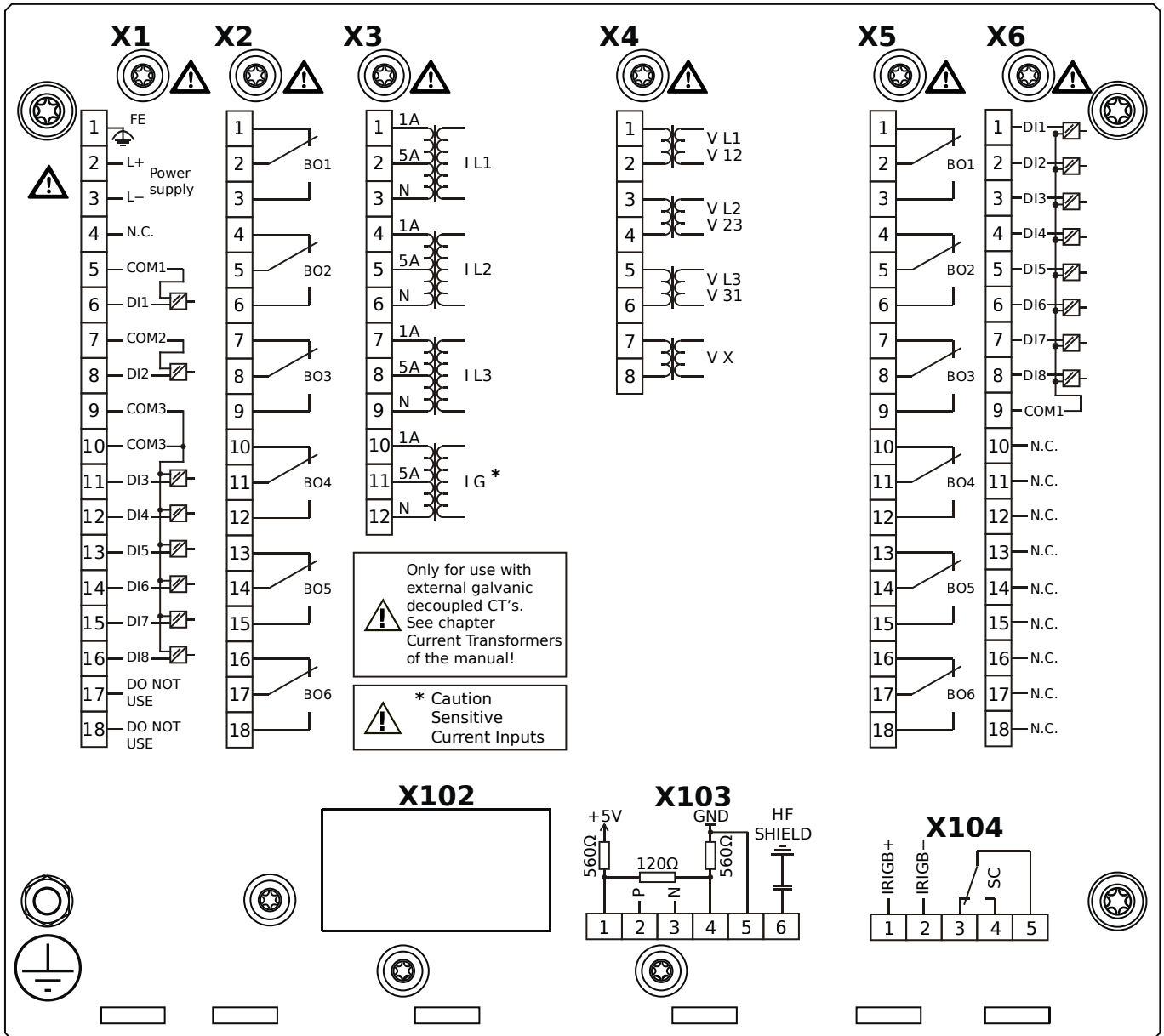
- X1** – DI8-X1: Wide-range power supply unit, incl. 2 non-grouped digital inputs and 6 grouped digital inputs
- X2** – OR-6: Assembly Group with 6 Relay Outputs
- X3** – TIs-4: Standard phase current measuring card and sensitive ground current measuring
- X4** – TU: Card with 4 voltage transformer measuring inputs
- X5** – OR-6: Assembly Group with 6 Relay Outputs
- X6** – DI8: Assembly Group with 8 Digital Inputs
- X104** – IRIG-B00X, incl. System Contact (Supervision Contact)

# MCA4-2D1AAB



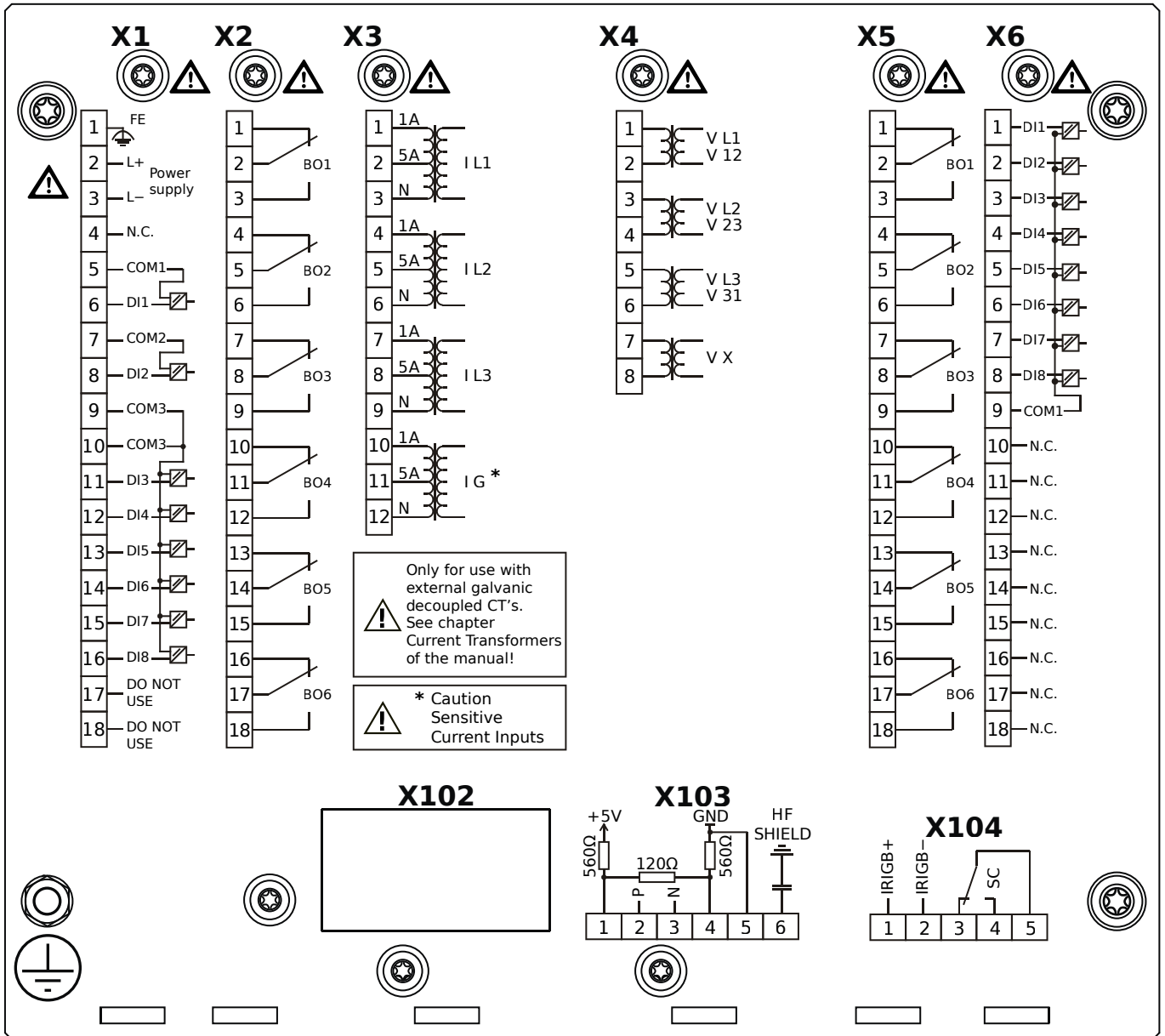
- X1** – DI8-X1: Wide-range power supply unit, incl. 2 non-grouped digital inputs and 6 grouped digital inputs
- X2** – OR-6: Assembly Group with 6 Relay Outputs
- X3** – TIs-4: Standard phase current measuring card and sensitive ground current measuring
- X4** – TU: Card with 4 voltage transformer measuring inputs
- X5** – OR-6: Assembly Group with 6 Relay Outputs
- X6** – DI8: Assembly Group with 8 Digital Inputs
- X104** – IRIG-B00X, incl. System Contact (Supervision Contact)

# MCA4-2D1ABA



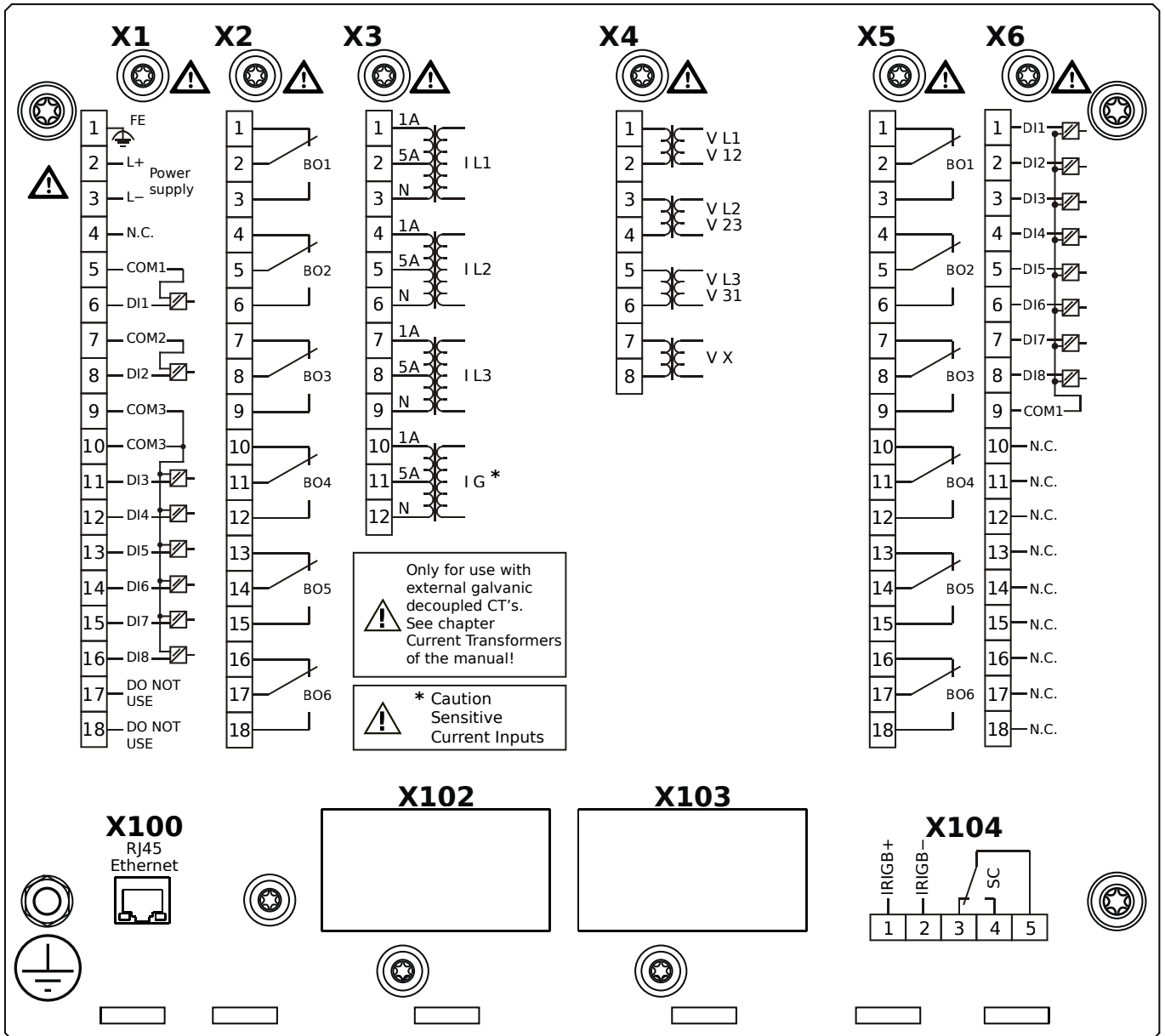
- X1** – DI8-X1: Wide-range power supply unit, incl. 2 non-grouped digital inputs and 6 grouped digital inputs
- X2** – OR-6: Assembly Group with 6 Relay Outputs
- X3** – TIs-4: Standard phase current measuring card and sensitive ground current measuring
- X4** – TU: Card with 4 voltage transformer measuring inputs
- X5** – OR-6: Assembly Group with 6 Relay Outputs
- X6** – DI8: Assembly Group with 8 Digital Inputs
- X103** – Modbus RTU / IEC 60870-5-103 / DNP3.0 RTU, RS485, Terminals
- X104** – IRIG-B00X, incl. System Contact (Supervision Contact)

# MCA4-2D1ABB



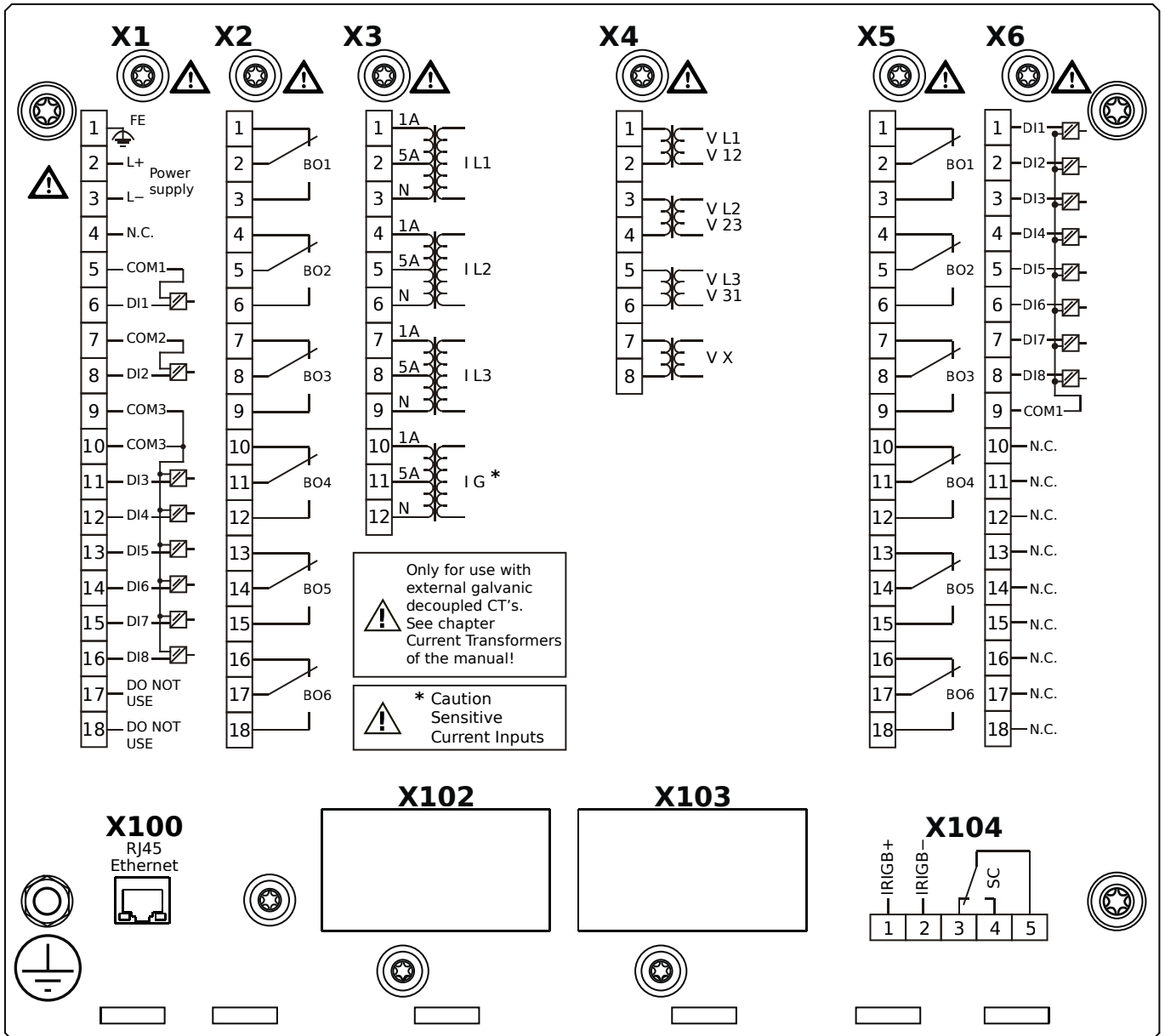
- X1** – DI8-X1: Wide-range power supply unit, incl. 2 non-grouped digital inputs and 6 grouped digital inputs
- X2** – OR-6: Assembly Group with 6 Relay Outputs
- X3** – TIs-4: Standard phase current measuring card and sensitive ground current measuring
- X4** – TU: Card with 4 voltage transformer measuring inputs
- X5** – OR-6: Assembly Group with 6 Relay Outputs
- X6** – DI8: Assembly Group with 8 Digital Inputs
- X103** – Modbus RTU / IEC 60870-5-103 / DNP3.0 RTU, RS485, Terminals
- X104** – IRIG-B00X, incl. System Contact (Supervision Contact)

# MCA4-2D1ACA



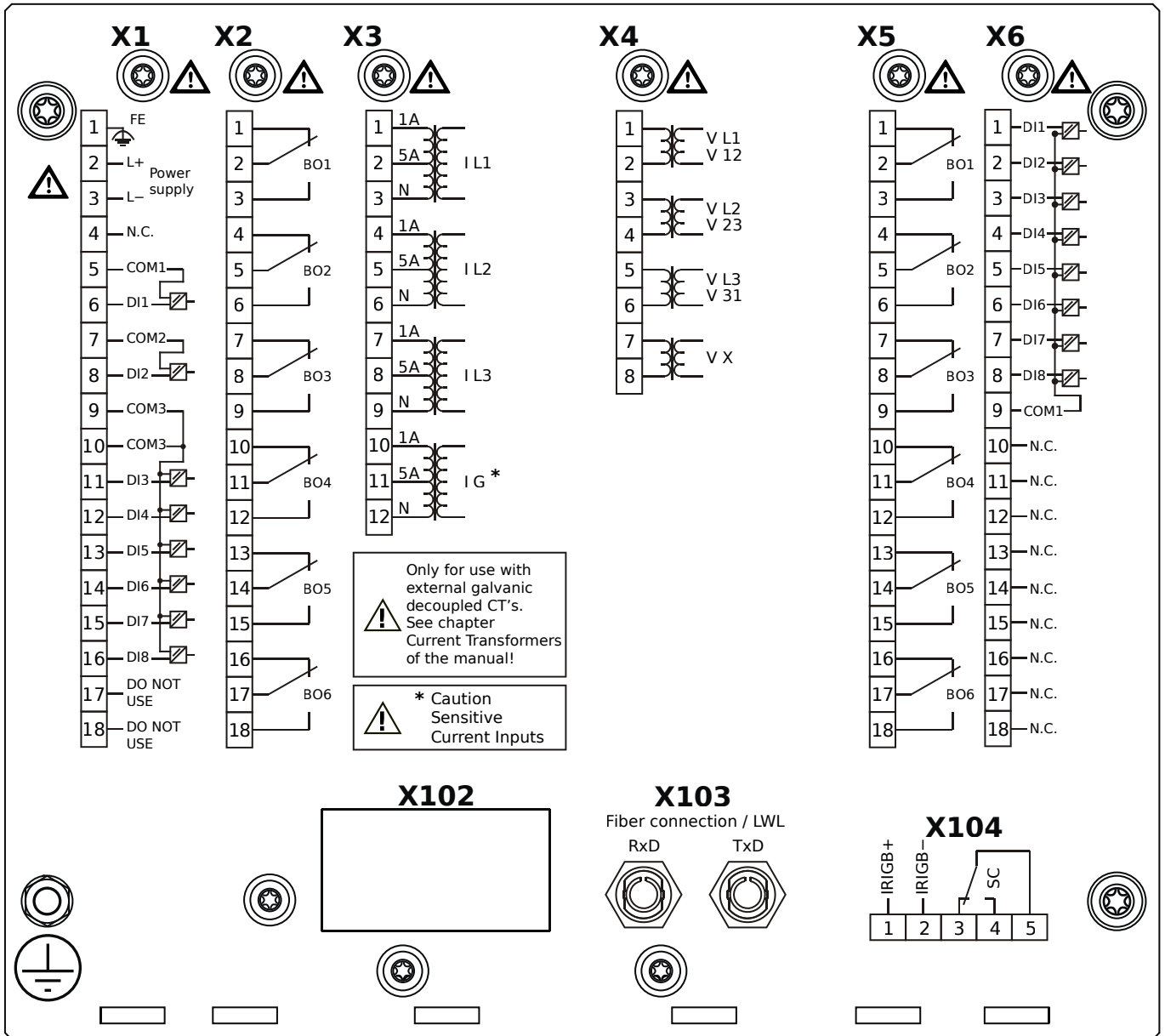
- X1** – DI8-X1: Wide-range power supply unit, incl. 2 non-grouped digital inputs and 6 grouped digital inputs
- X2** – OR-6: Assembly Group with 6 Relay Outputs
- X3** – TIs-4: Standard phase current measuring card and sensitive ground current measuring
- X4** – TU: Card with 4 voltage transformer measuring inputs
- X5** – OR-6: Assembly Group with 6 Relay Outputs
- X6** – DI8: Assembly Group with 8 Digital Inputs
- X100** – Modbus TCP / DNP3.0 TCP/UDP, Ethernet interface, 100 Mbit/s, RJ45 (BASE100-FX)
- X104** – IRIG-B00X, incl. System Contact (Supervision Contact)

# MCA4-2D1ACB



- X1** – DI8-X1: Wide-range power supply unit, incl. 2 non-grouped digital inputs and 6 grouped digital inputs
- X2** – OR-6: Assembly Group with 6 Relay Outputs
- X3** – TIs-4: Standard phase current measuring card and sensitive ground current measuring
- X4** – TU: Card with 4 voltage transformer measuring inputs
- X5** – OR-6: Assembly Group with 6 Relay Outputs
- X6** – DI8: Assembly Group with 8 Digital Inputs
- X100** – Modbus TCP / DNP3.0 TCP/UDP, Ethernet interface, 100 Mbit/s, RJ45 (BASE100-FX)
- X104** – IRIG-B00X, incl. System Contact (Supervision Contact)

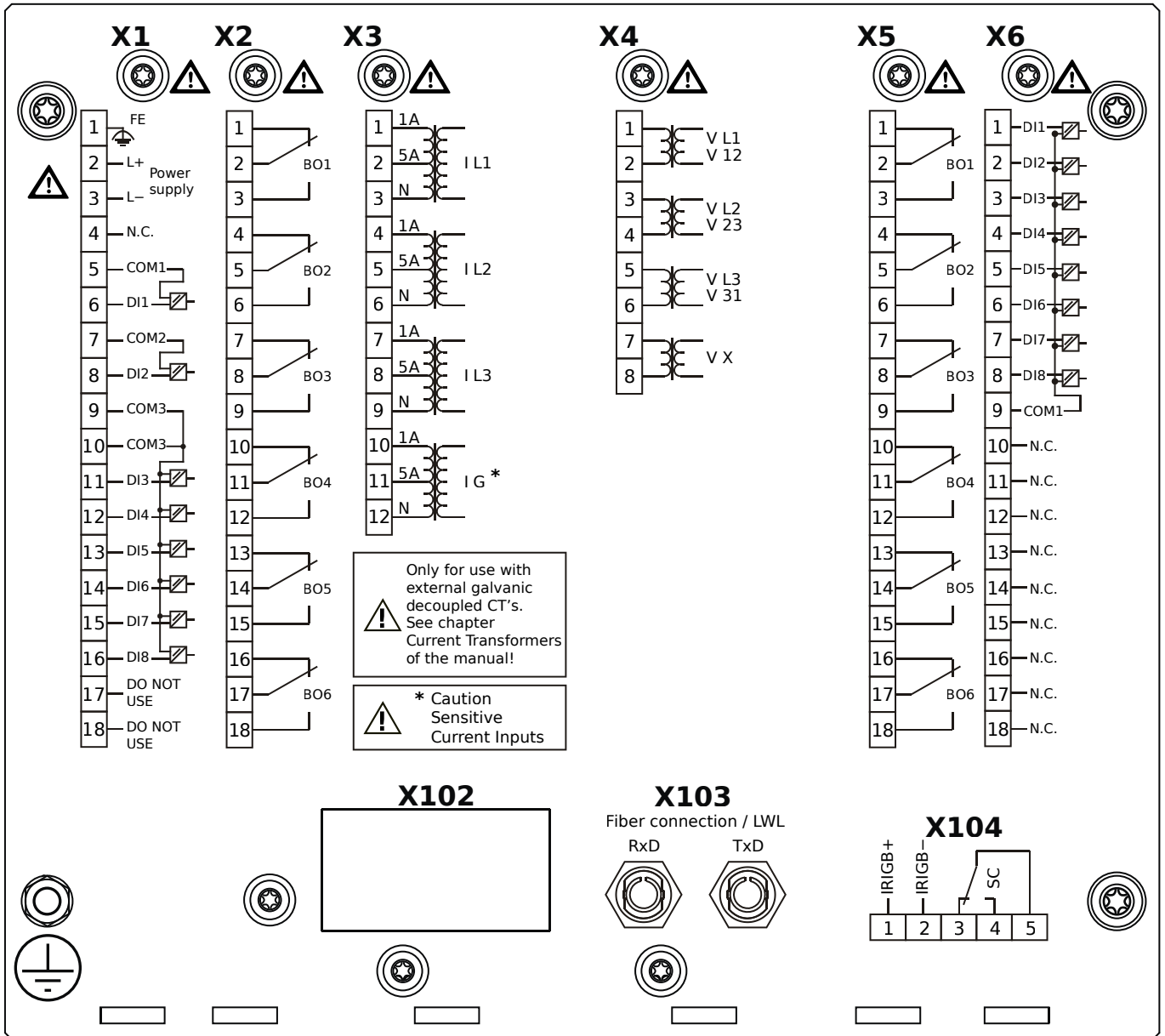
# MCA4-2D1ADA



- X1** – DI8-X1: Wide-range power supply unit, incl. 2 non-grouped digital inputs and 6 grouped digital inputs
- X2** – OR-6: Assembly Group with 6 Relay Outputs
- X3** – TIs-4: Standard phase current measuring card and sensitive ground current measuring
- X4** – TU: Card with 4 voltage transformer measuring inputs
- X5** – OR-6: Assembly Group with 6 Relay Outputs
- X6** – DI8: Assembly Group with 8 Digital Inputs
- X103** – Profibus-DP, Fiber optics interface, ST Connector
- X104** – IRIG-B00X, incl. System Contact (Supervision Contact)

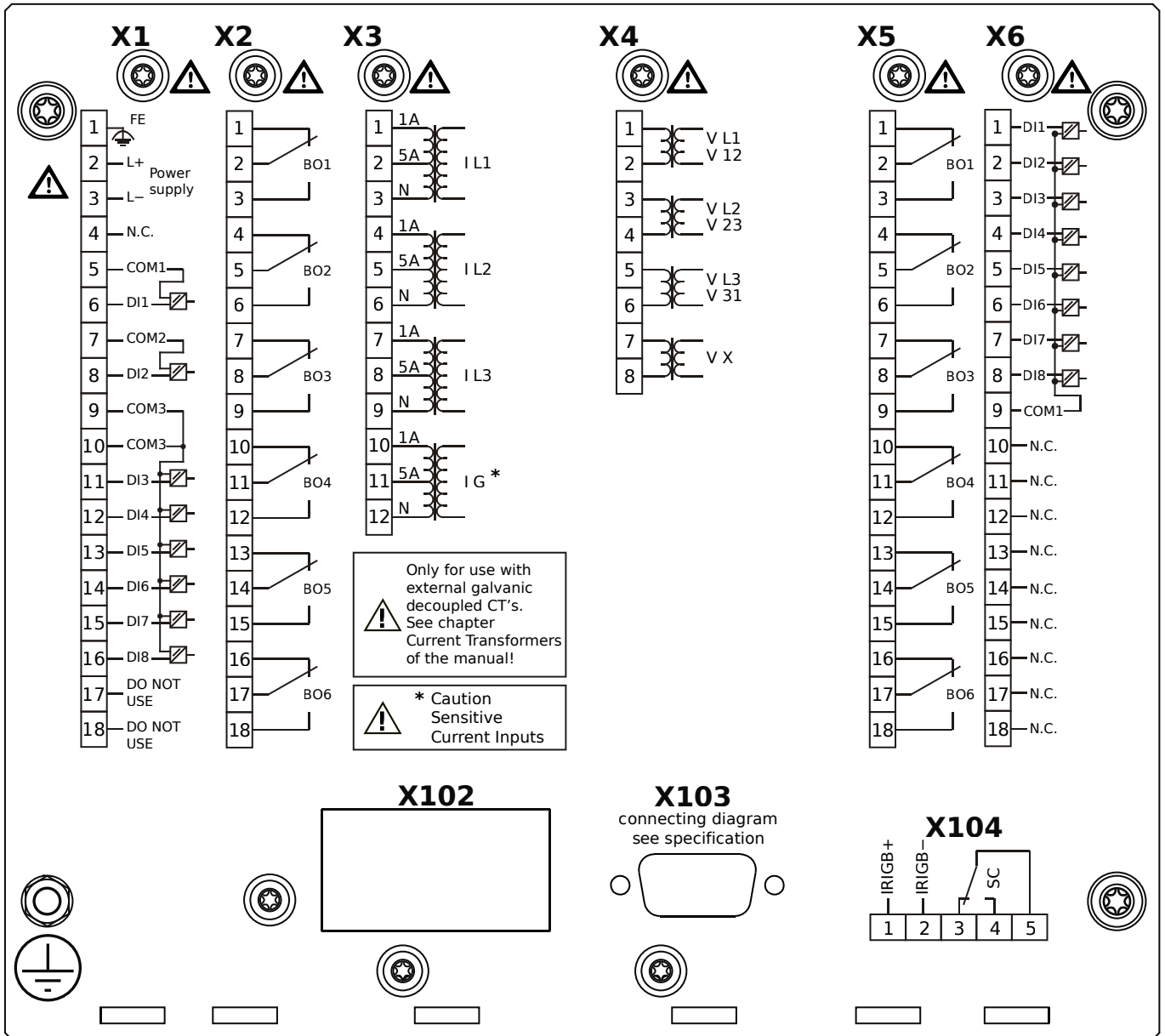


# MCA4-2D1ADB



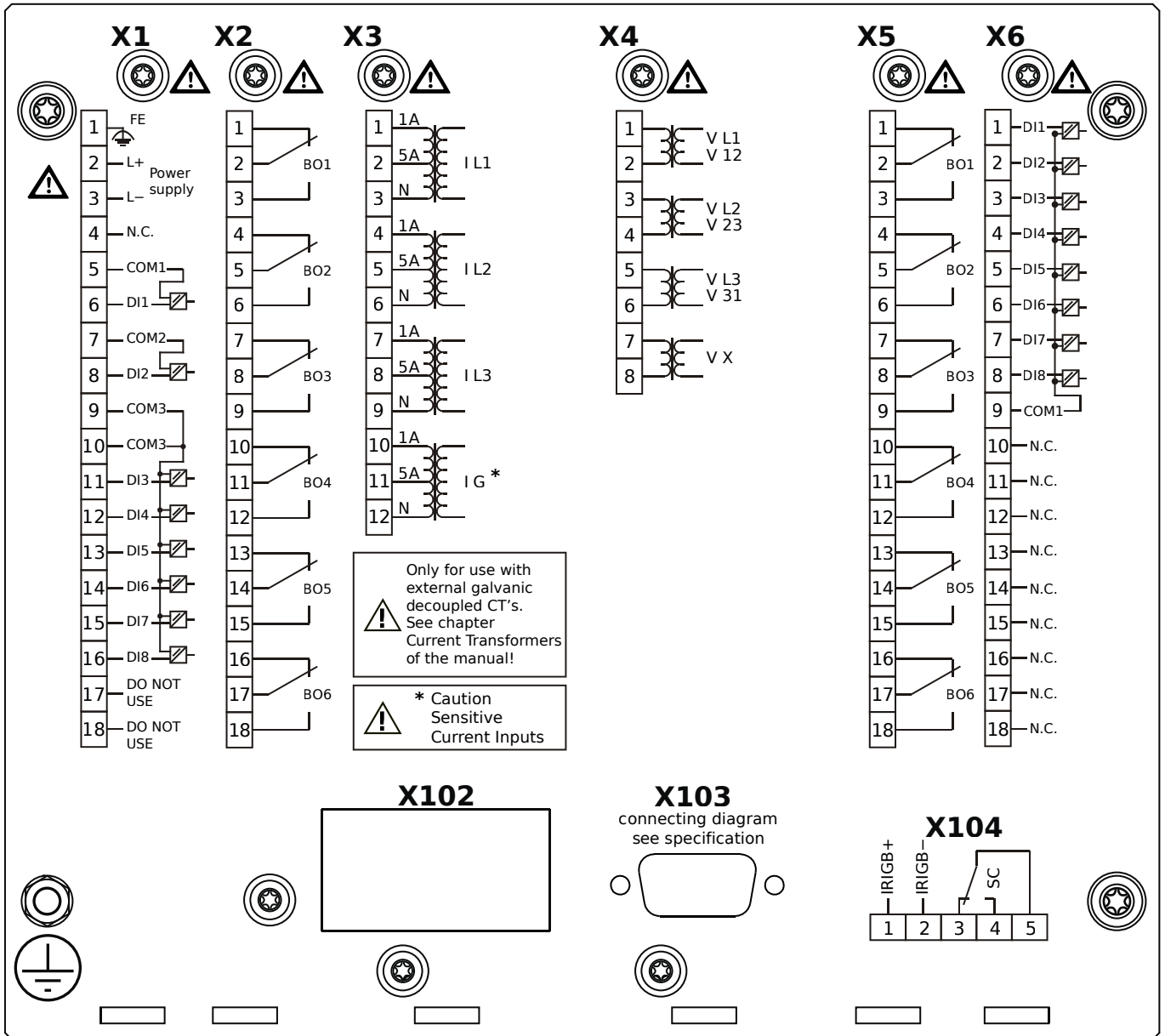
- X1** – DI8-X1: Wide-range power supply unit, incl. 2 non-grouped digital inputs and 6 grouped digital inputs
- X2** – OR-6: Assembly Group with 6 Relay Outputs
- X3** – TIs-4: Standard phase current measuring card and sensitive ground current measuring
- X4** – TU: Card with 4 voltage transformer measuring inputs
- X5** – OR-6: Assembly Group with 6 Relay Outputs
- X6** – DI8: Assembly Group with 8 Digital Inputs
- X103** – Profibus-DP, Fiber optics interface, ST Connector
- X104** – IRIG-B00X, incl. System Contact (Supervision Contact)

# MCA4-2D1AEA



- X1** – DI8-X1: Wide-range power supply unit, incl. 2 non-grouped digital inputs and 6 grouped digital inputs
- X2** – OR-6: Assembly Group with 6 Relay Outputs
- X3** – TIs-4: Standard phase current measuring card and sensitive ground current measuring
- X4** – TU: Card with 4 voltage transformer measuring inputs
- X5** – OR-6: Assembly Group with 6 Relay Outputs
- X6** – DI8: Assembly Group with 8 Digital Inputs
- X103** – Profibus-DP, RS485, D-SUB
- X104** – IRIG-B00X, incl. System Contact (Supervision Contact)

# MCA4-2D1AEB



**X1** – DI8-X1: Wide-range power supply unit, incl. 2 non-grouped digital inputs and 6 grouped digital inputs

**X2** – OR-6: Assembly Group with 6 Relay Outputs

**X3** – TIs-4: Standard phase current measuring card and sensitive ground current measuring

**X4** – TU: Card with 4 voltage transformer measuring inputs

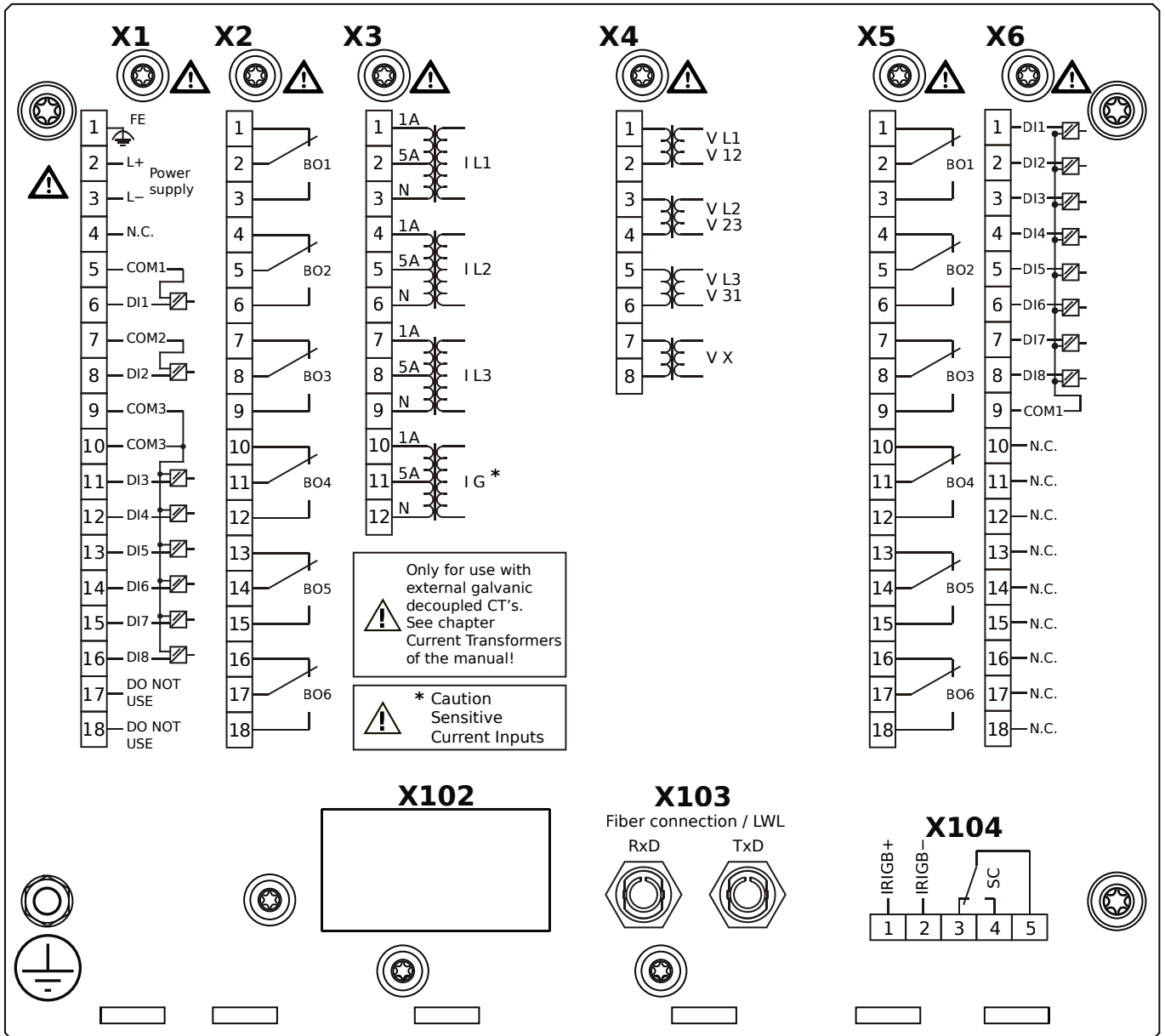
**X5** – OR-6: Assembly Group with 6 Relay Outputs

**X6** – DI8: Assembly Group with 8 Digital Inputs

**X103** – Profibus-DP, RS485, D-SUB

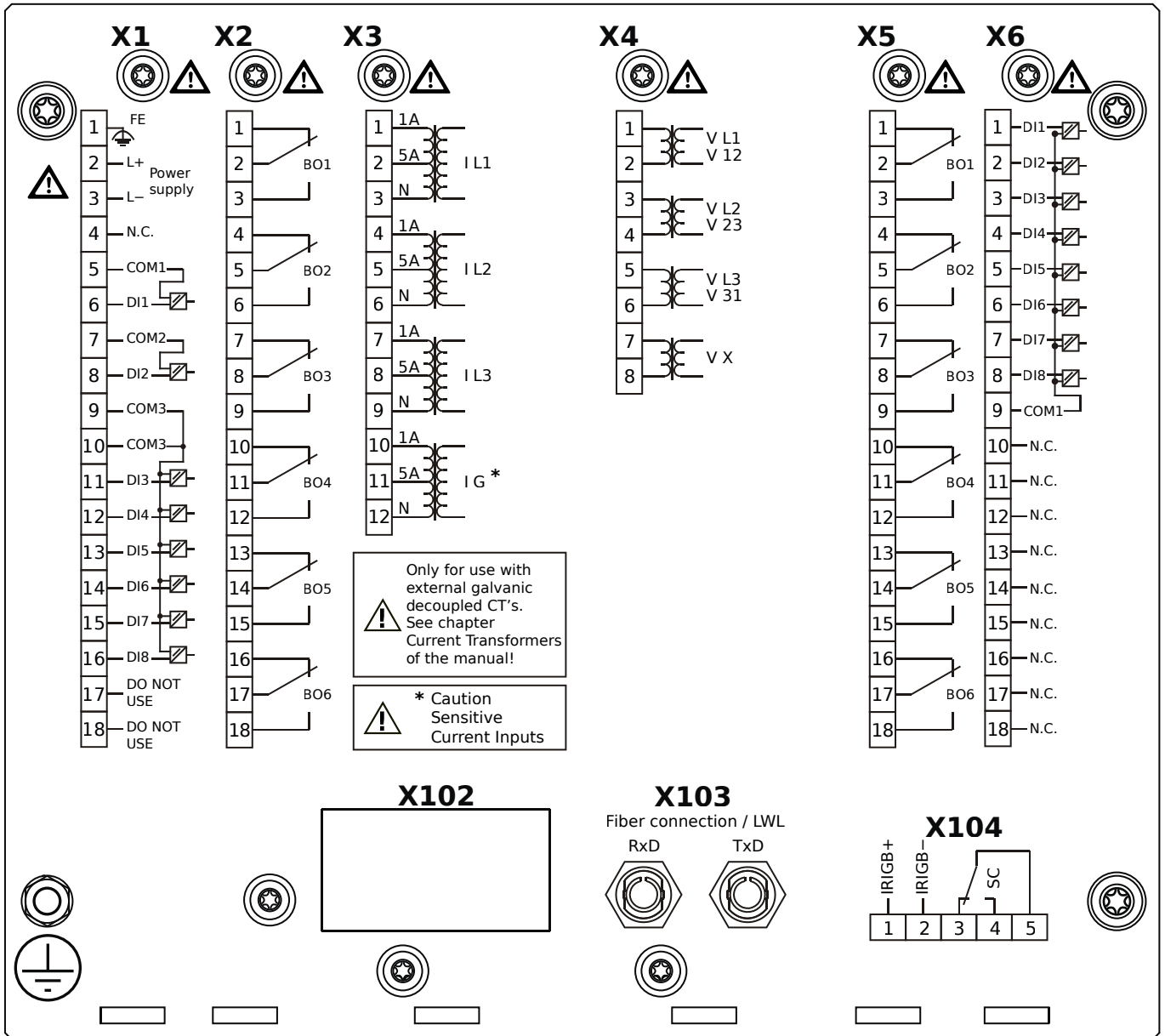
**X104** – IRIG-B00X, incl. System Contact (Supervision Contact)

# MCA4-2D1AFA



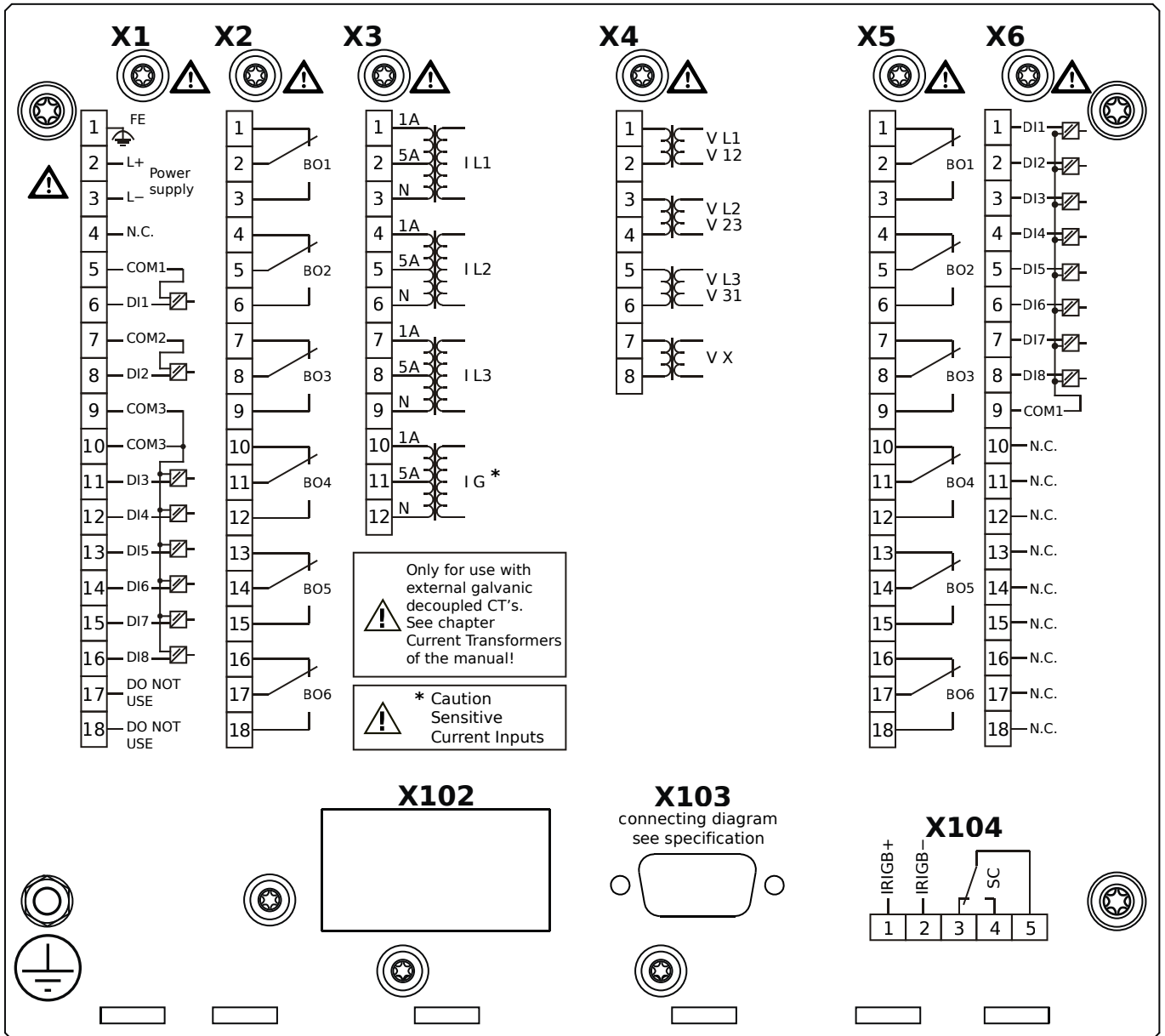
- X1** – DI8-X1: Wide-range power supply unit, incl. 2 non-grouped digital inputs and 6 grouped digital inputs
- X2** – OR-6: Assembly Group with 6 Relay Outputs
- X3** – TIs-4: Standard phase current measuring card and sensitive ground current measuring
- X4** – TU: Card with 4 voltage transformer measuring inputs
- X5** – OR-6: Assembly Group with 6 Relay Outputs
- X6** – DI8: Assembly Group with 8 Digital Inputs
- X103** – Modbus RTU / IEC 60870-5-103 / DNP3.0 RTU, Fiber optics interface, ST Connector
- X104** – IRIG-B00X, incl. System Contact (Supervision Contact)

# MCA4-2D1AFB



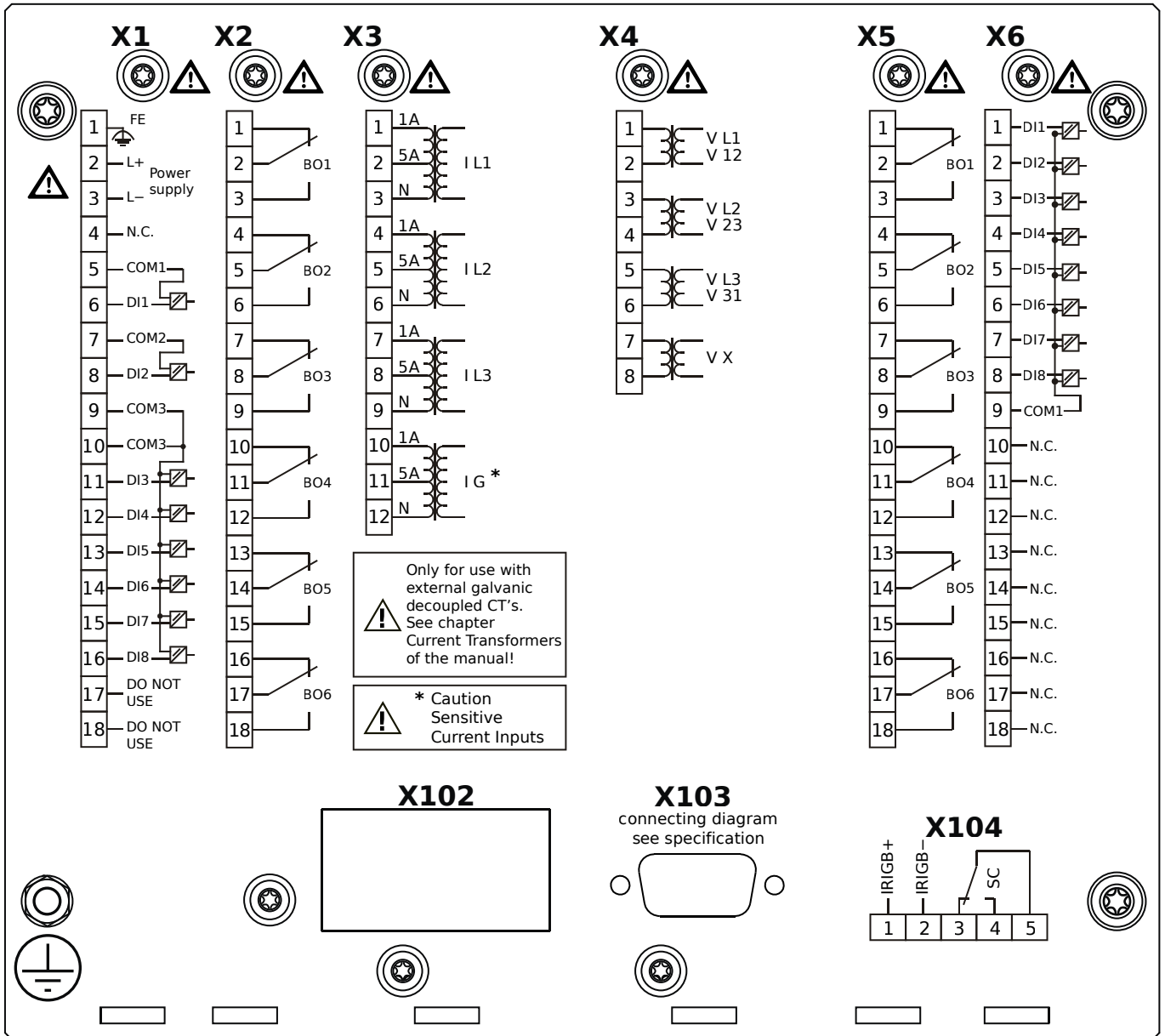
- X1** – DI8-X1: Wide-range power supply unit, incl. 2 non-grouped digital inputs and 6 grouped digital inputs
- X2** – OR-6: Assembly Group with 6 Relay Outputs
- X3** – TIs-4: Standard phase current measuring card and sensitive ground current measuring
- X4** – TU: Card with 4 voltage transformer measuring inputs
- X5** – OR-6: Assembly Group with 6 Relay Outputs
- X6** – DI8: Assembly Group with 8 Digital Inputs
- X103** – Modbus RTU / IEC 60870-5-103 / DNP3.0 RTU, Fiber optics interface, ST Connector
- X104** – IRIG-B00X, incl. System Contact (Supervision Contact)

# MCA4-2D1AGA



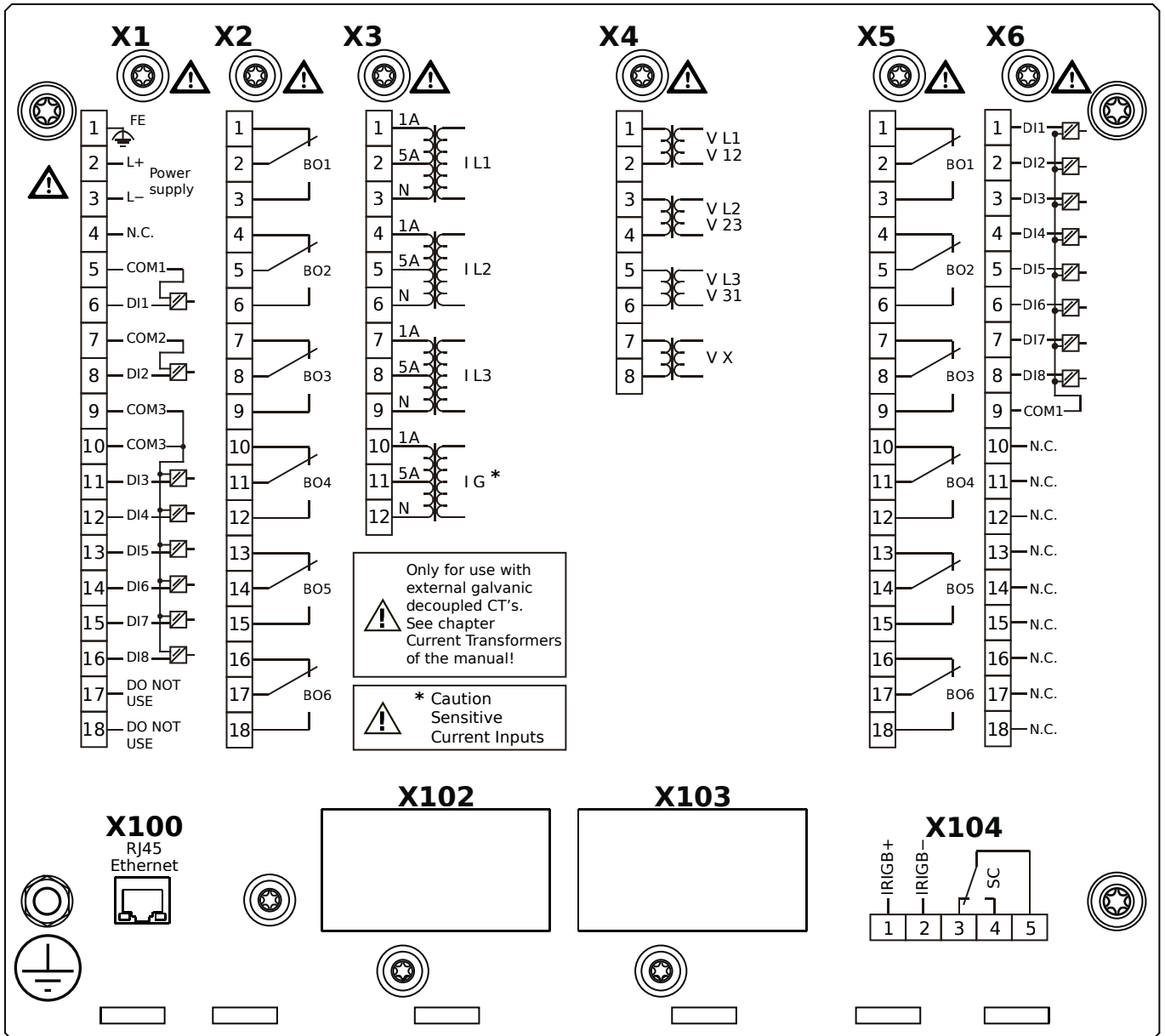
- X1** – DI8-X1: Wide-range power supply unit, incl. 2 non-grouped digital inputs and 6 grouped digital inputs
- X2** – OR-6: Assembly Group with 6 Relay Outputs
- X3** – TIs-4: Standard phase current measuring card and sensitive ground current measuring
- X4** – TU: Card with 4 voltage transformer measuring inputs
- X5** – OR-6: Assembly Group with 6 Relay Outputs
- X6** – DI8: Assembly Group with 8 Digital Inputs
- X103** – Modbus RTU / IEC 60870-5-103 / DNP3.0 RTU, RS485, D-SUB
- X104** – IRIG-B00X, incl. System Contact (Supervision Contact)

# MCA4-2D1AGB



- X1** – DI8-X1: Wide-range power supply unit, incl. 2 non-grouped digital inputs and 6 grouped digital inputs
- X2** – OR-6: Assembly Group with 6 Relay Outputs
- X3** – TIs-4: Standard phase current measuring card and sensitive ground current measuring
- X4** – TU: Card with 4 voltage transformer measuring inputs
- X5** – OR-6: Assembly Group with 6 Relay Outputs
- X6** – DI8: Assembly Group with 8 Digital Inputs
- X103** – Modbus RTU / IEC 60870-5-103 / DNP3.0 RTU, RS485, D-SUB
- X104** – IRIG-B00X, incl. System Contact (Supervision Contact)

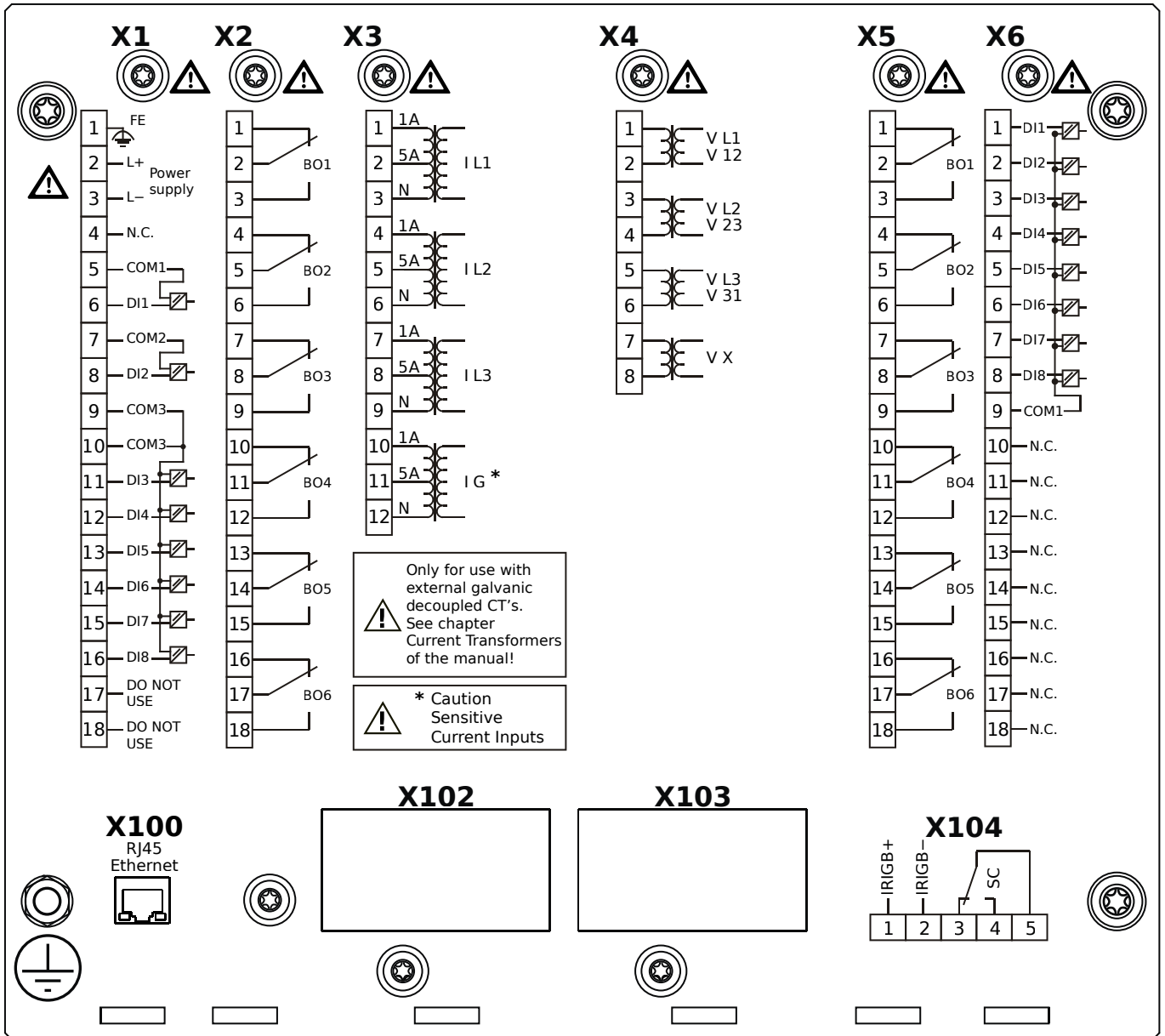
# MCA4-2D1AHA



- X1** – DI8-X1: Wide-range power supply unit, incl. 2 non-grouped digital inputs and 6 grouped digital inputs
- X2** – OR-6: Assembly Group with 6 Relay Outputs
- X3** – TIs-4: Standard phase current measuring card and sensitive ground current measuring
- X4** – TU: Card with 4 voltage transformer measuring inputs
- X5** – OR-6: Assembly Group with 6 Relay Outputs
- X6** – DI8: Assembly Group with 8 Digital Inputs
- X100** – IEC 61850 / Modbus TCP / DNP3.0 TCP/UDP, Ethernet interface, 100 Mbit/s, RJ45 (BASE100-FX)
- X104** – IRIG-B00X, incl. System Contact (Supervision Contact)

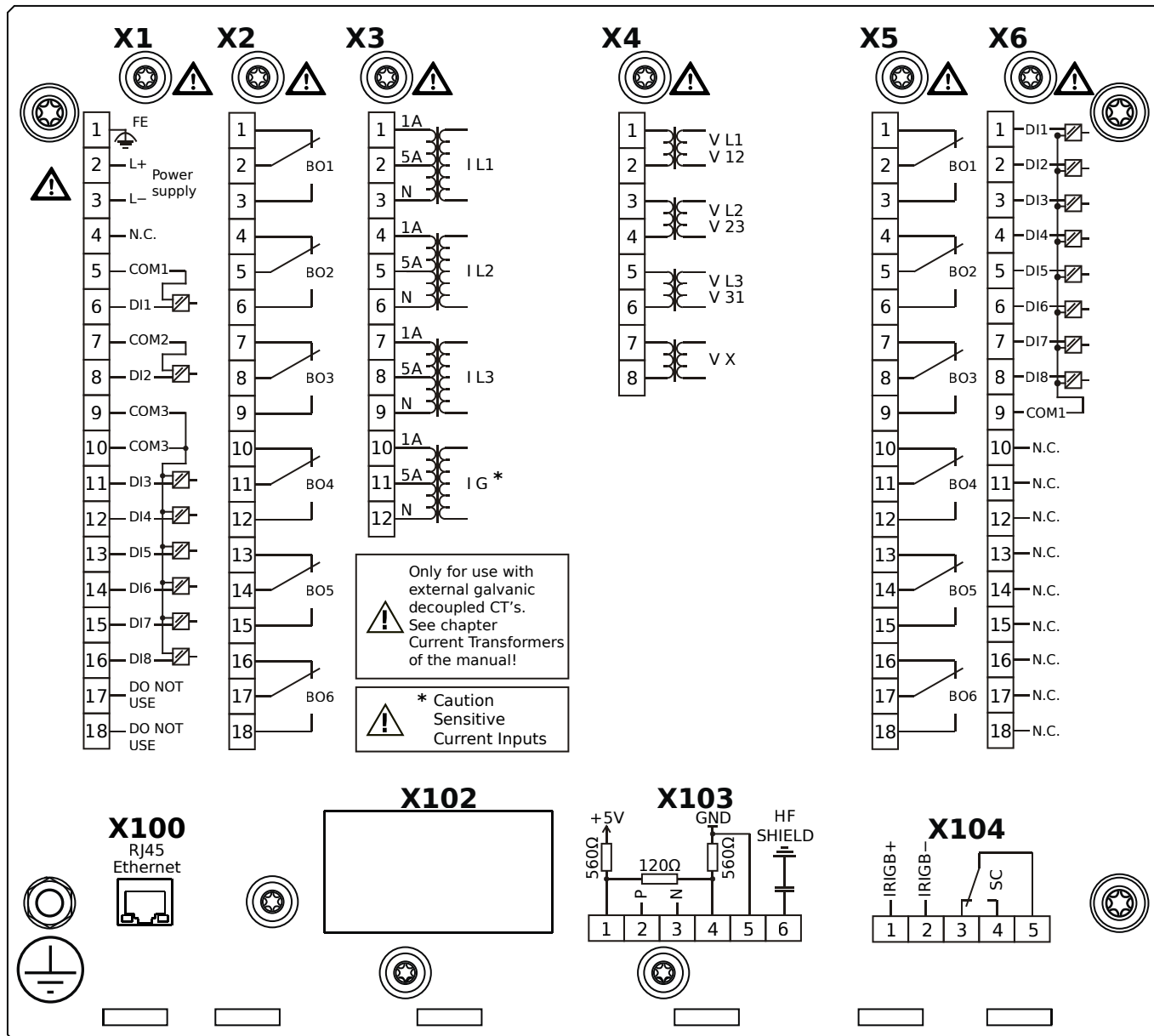


# MCA4-2D1AHB



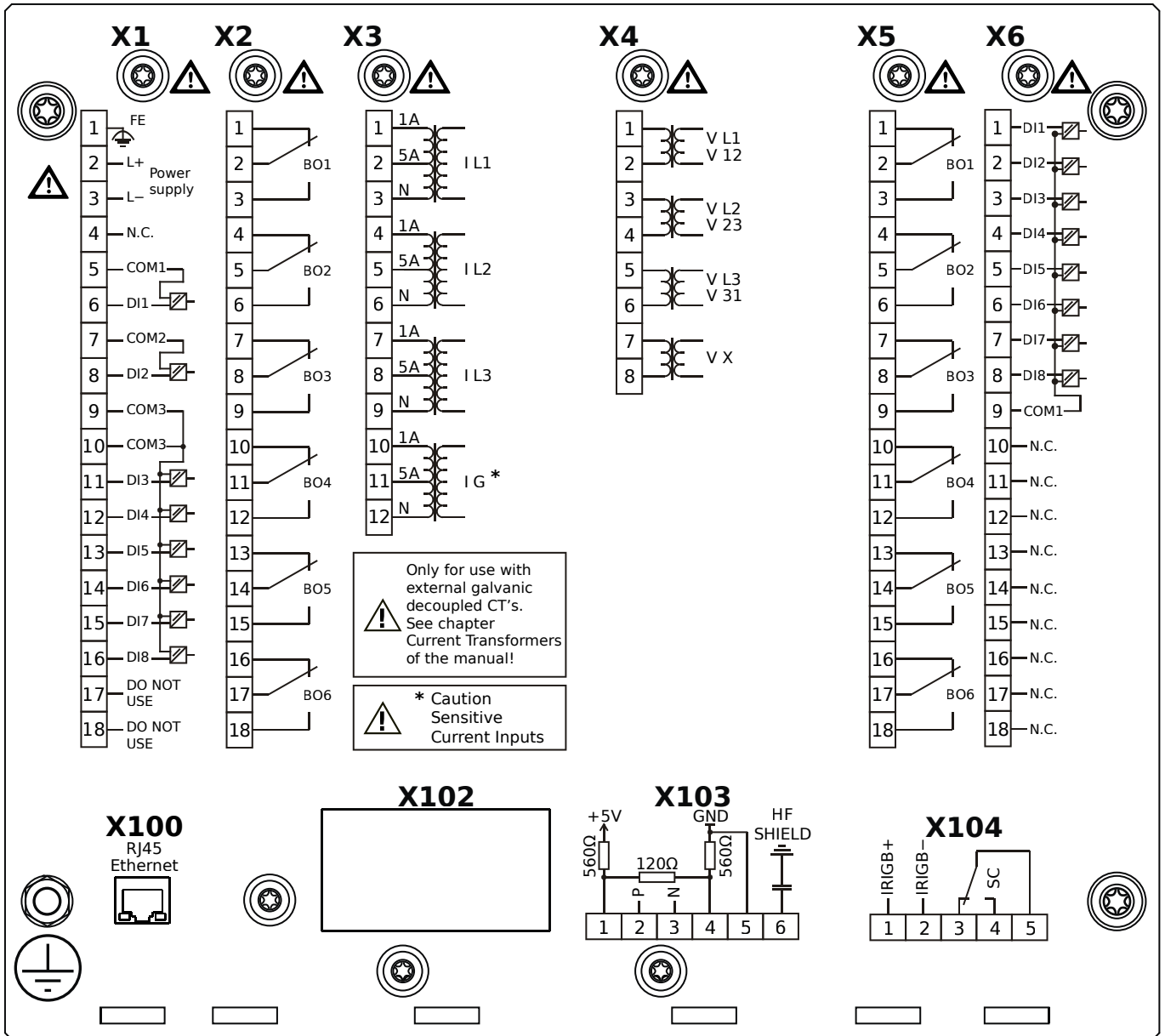
- X1** – DI8-X1: Wide-range power supply unit, incl. 2 non-grouped digital inputs and 6 grouped digital inputs
- X2** – OR-6: Assembly Group with 6 Relay Outputs
- X3** – TIs-4: Standard phase current measuring card and sensitive ground current measuring
- X4** – TU: Card with 4 voltage transformer measuring inputs
- X5** – OR-6: Assembly Group with 6 Relay Outputs
- X6** – DI8: Assembly Group with 8 Digital Inputs
- X100** – IEC 61850 / Modbus TCP / DNP3.0 TCP/UDP, Ethernet interface, 100 Mbit/s, RJ45 (BASE100-FX)
- X104** – IRIG-B00X, incl. System Contact (Supervision Contact)

# MCA4-2D1AIA



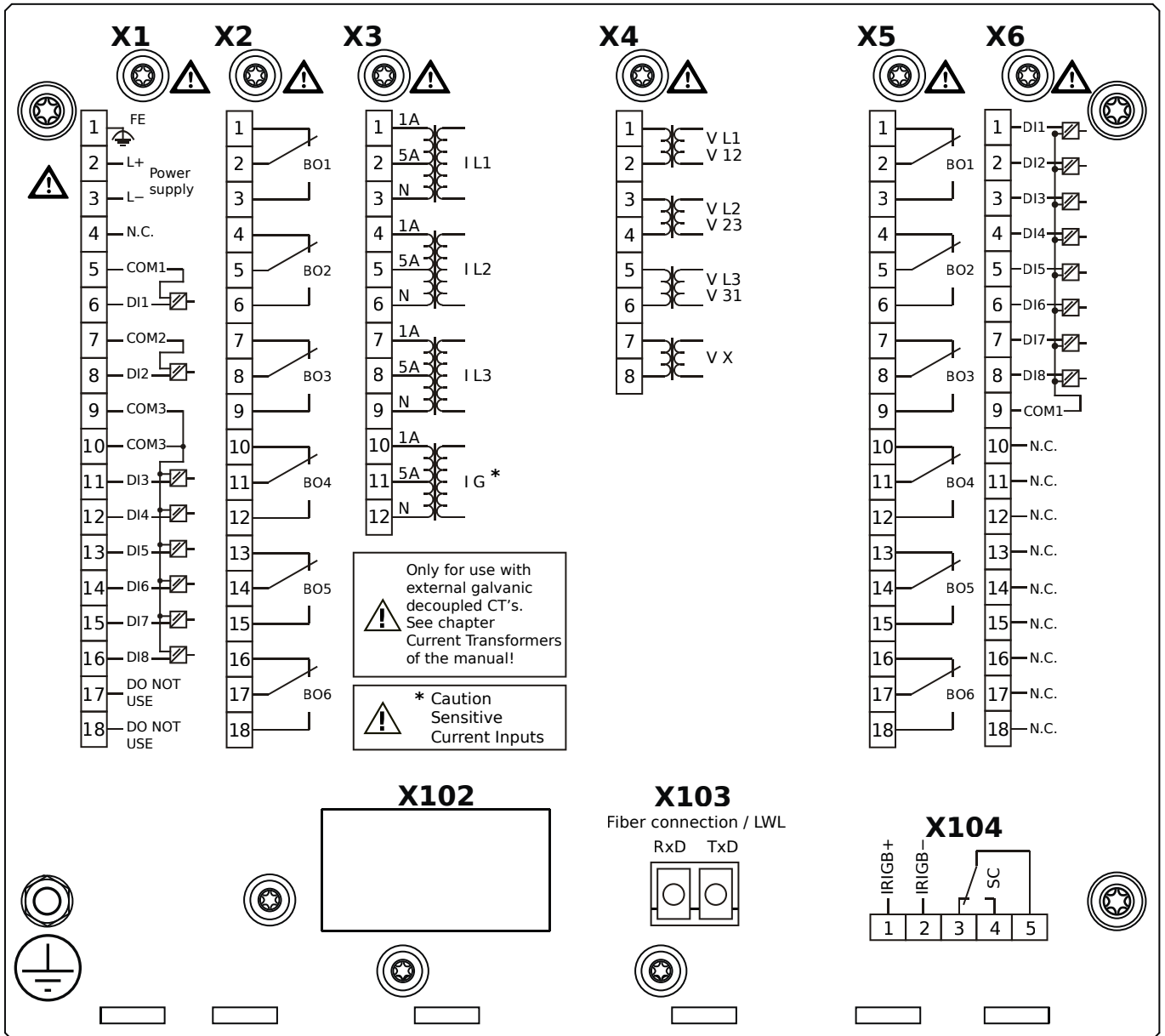
- X1** – DI8-X1: Wide-range power supply unit, incl. 2 non-grouped digital inputs and 6 grouped digital inputs
- X2** – OR-6: Assembly Group with 6 Relay Outputs
- X3** – TIs-4: Standard phase current measuring card and sensitive ground current measuring
- X4** – TU: Card with 4 voltage transformer measuring inputs
- X5** – OR-6: Assembly Group with 6 Relay Outputs
- X6** – DI8: Assembly Group with 8 Digital Inputs
- X100** – Modbus TCP / DNP3.0 TCP/UDP, Ethernet interface, 100 Mbit/s, RJ45 (BASE100-FX)
- X103** – IEC 60870-5-103 / Modbus RTU / DNP3.0 RTU, RS485, Terminals
- X104** – IRIG-B00X, incl. System Contact (Supervision Contact)

# MCA4-2D1AIB



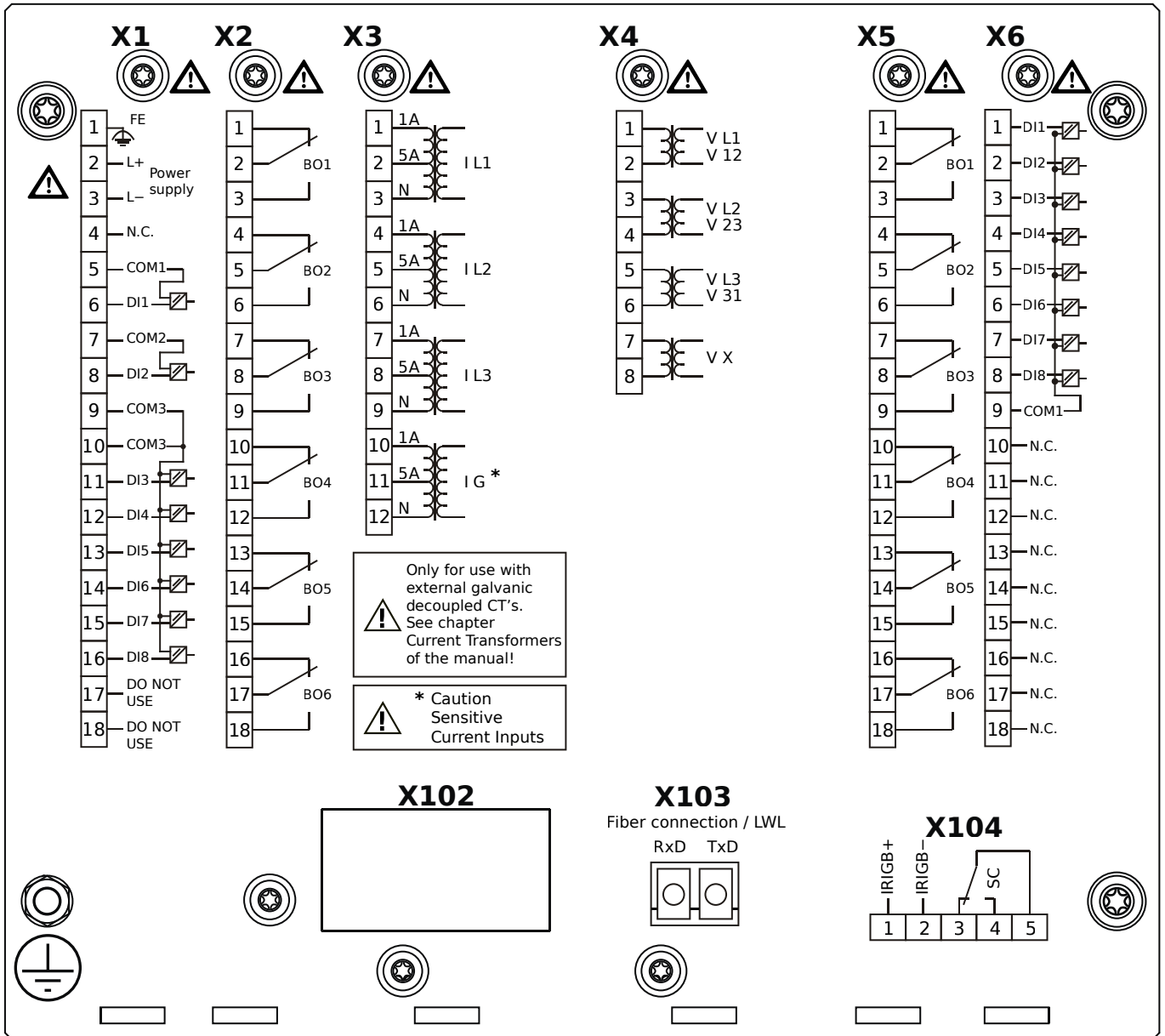
- X1** – DI8-X1: Wide-range power supply unit, incl. 2 non-grouped digital inputs and 6 grouped digital inputs
- X2** – OR-6: Assembly Group with 6 Relay Outputs
- X3** – TIs-4: Standard phase current measuring card and sensitive ground current measuring
- X4** – TU: Card with 4 voltage transformer measuring inputs
- X5** – OR-6: Assembly Group with 6 Relay Outputs
- X6** – DI8: Assembly Group with 8 Digital Inputs
- X100** – Modbus TCP / DNP3.0 TCP/UDP, Ethernet interface, 100 Mbit/s, RJ45 (BASE100-FX)
- X103** – IEC 60870-5-103 / Modbus RTU / DNP3.0 RTU, RS485, Terminals
- X104** – IRIG-B00X, incl. System Contact (Supervision Contact)

# MCA4-2D1AKA



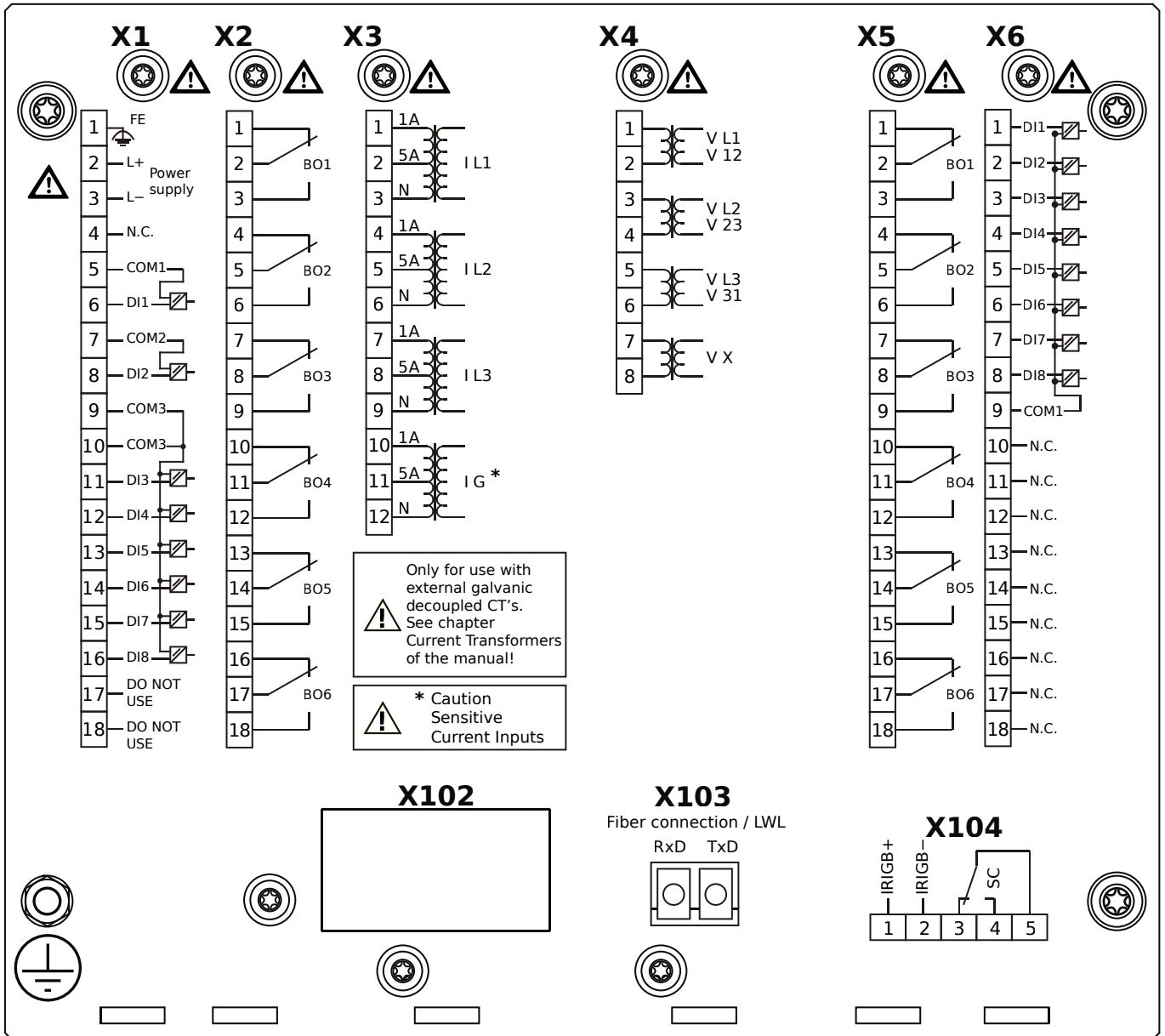
- X1** – DI8-X1: Wide-range power supply unit, incl. 2 non-grouped digital inputs and 6 grouped digital inputs
- X2** – OR-6: Assembly Group with 6 Relay Outputs
- X3** – TIs-4: Standard phase current measuring card and sensitive ground current measuring
- X4** – TU: Card with 4 voltage transformer measuring inputs
- X5** – OR-6: Assembly Group with 6 Relay Outputs
- X6** – DI8: Assembly Group with 8 Digital Inputs
- X103** – IEC 61850 / Modbus TCP / DNP3.0 TCP/UDP, Fiber optics interface, LC Connector
- X104** – IRIG-B00X, incl. System Contact (Supervision Contact)

# MCA4-2D1AKB



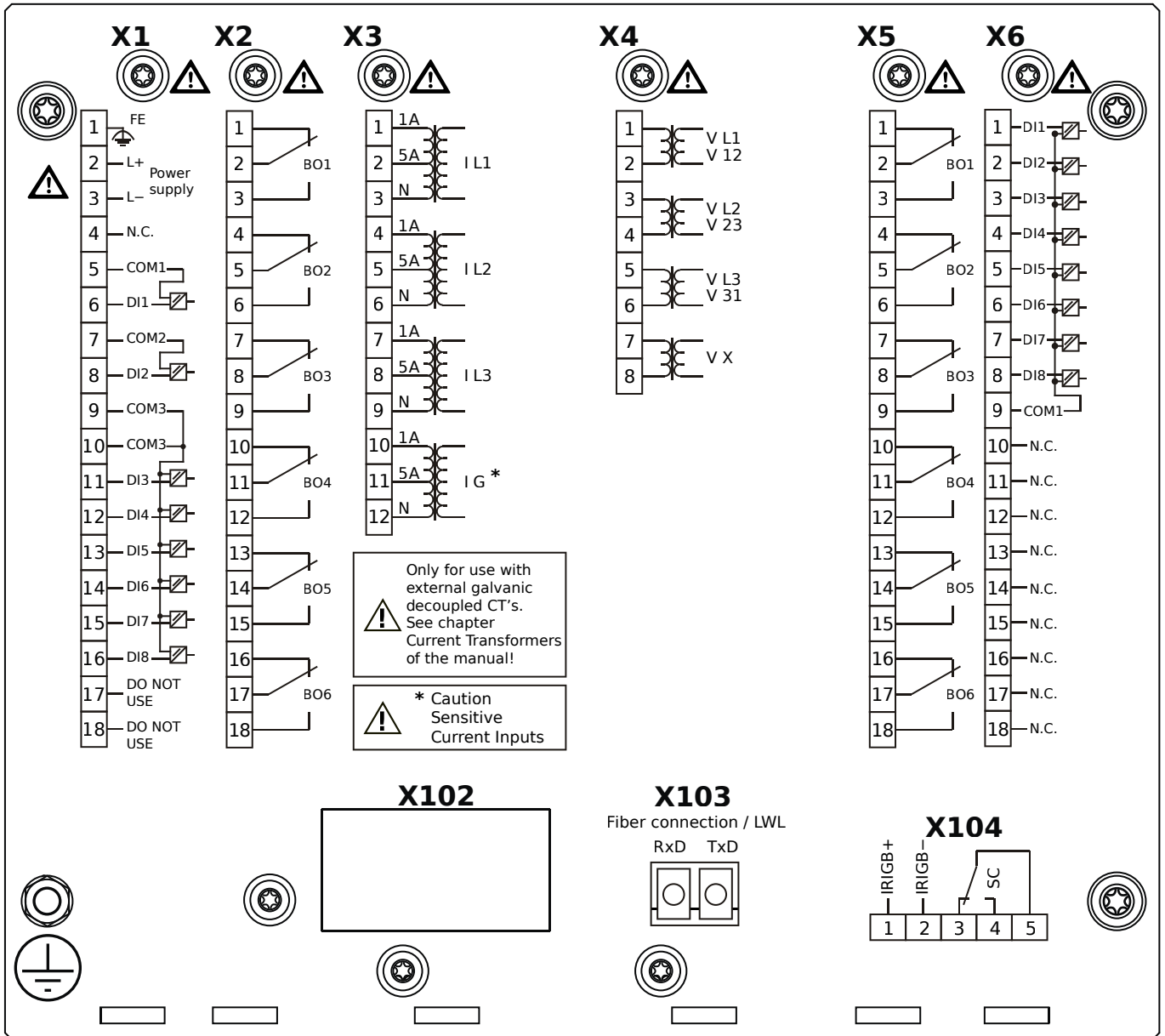
- X1** – DI8-X1: Wide-range power supply unit, incl. 2 non-grouped digital inputs and 6 grouped digital inputs
- X2** – OR-6: Assembly Group with 6 Relay Outputs
- X3** – TIs-4: Standard phase current measuring card and sensitive ground current measuring
- X4** – TU: Card with 4 voltage transformer measuring inputs
- X5** – OR-6: Assembly Group with 6 Relay Outputs
- X6** – DI8: Assembly Group with 8 Digital Inputs
- X103** – IEC 61850 / Modbus TCP / DNP3.0 TCP/UDP, Fiber optics interface, LC Connector
- X104** – IRIG-B00X, incl. System Contact (Supervision Contact)

# MCA4-2D1ALA



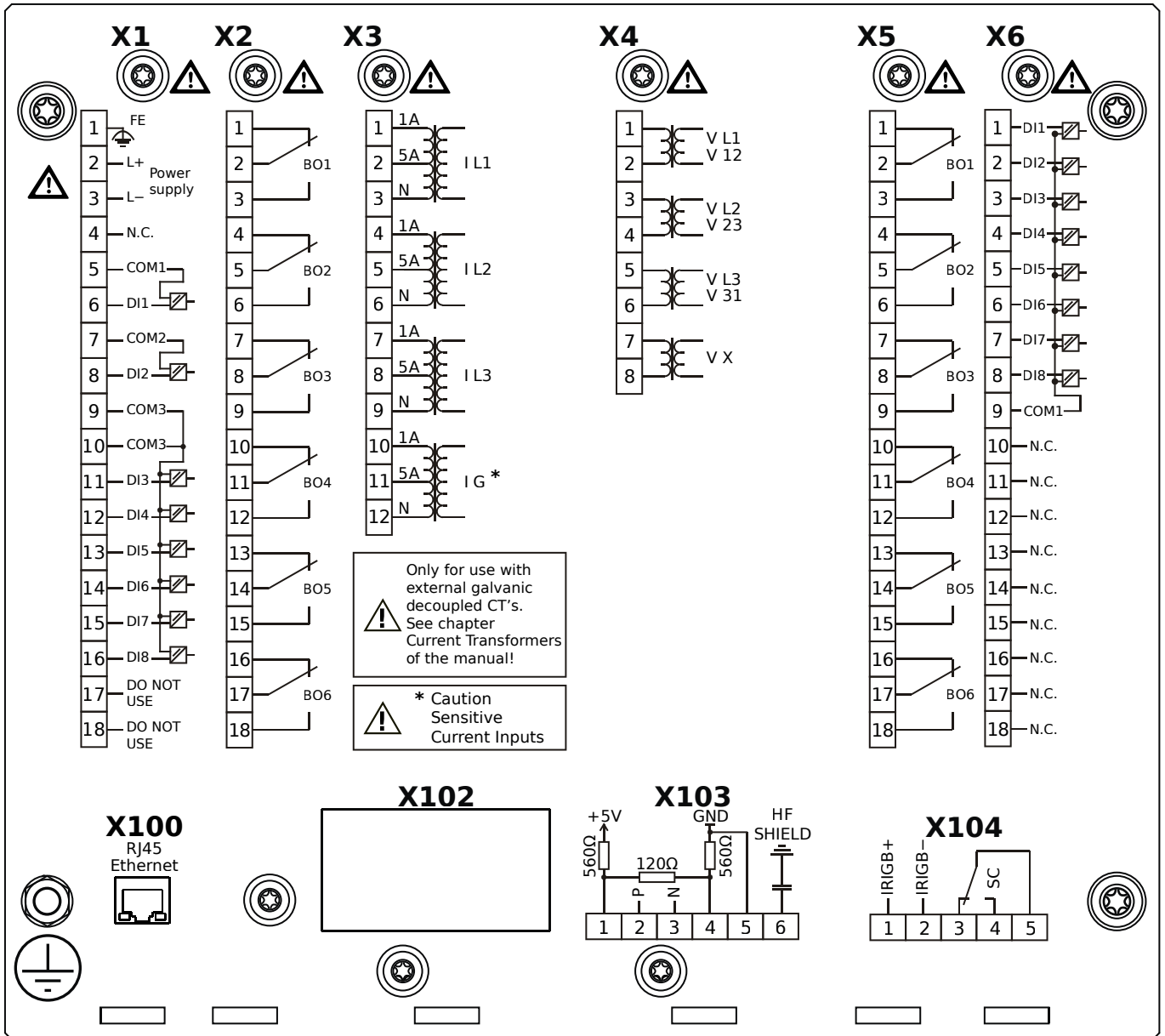
- X1** – DI8-X1: Wide-range power supply unit, incl. 2 non-grouped digital inputs and 6 grouped digital inputs
- X2** – OR-6: Assembly Group with 6 Relay Outputs
- X3** – TIs-4: Standard phase current measuring card and sensitive ground current measuring
- X4** – TU: Card with 4 voltage transformer measuring inputs
- X5** – OR-6: Assembly Group with 6 Relay Outputs
- X6** – DI8: Assembly Group with 8 Digital Inputs
- X103** – Modbus TCP / DNP3.0 TCP/UDP, Fiber optics interface, LC Connector
- X104** – IRIG-B00X, incl. System Contact (Supervision Contact)

# MCA4-2D1ALB



- X1** – DI8-X1: Wide-range power supply unit, incl. 2 non-grouped digital inputs and 6 grouped digital inputs
- X2** – OR-6: Assembly Group with 6 Relay Outputs
- X3** – TIs-4: Standard phase current measuring card and sensitive ground current measuring
- X4** – TU: Card with 4 voltage transformer measuring inputs
- X5** – OR-6: Assembly Group with 6 Relay Outputs
- X6** – DI8: Assembly Group with 8 Digital Inputs
- X103** – Modbus TCP / DNP3.0 TCP/UDP, Fiber optics interface, LC Connector
- X104** – IRIG-B00X, incl. System Contact (Supervision Contact)

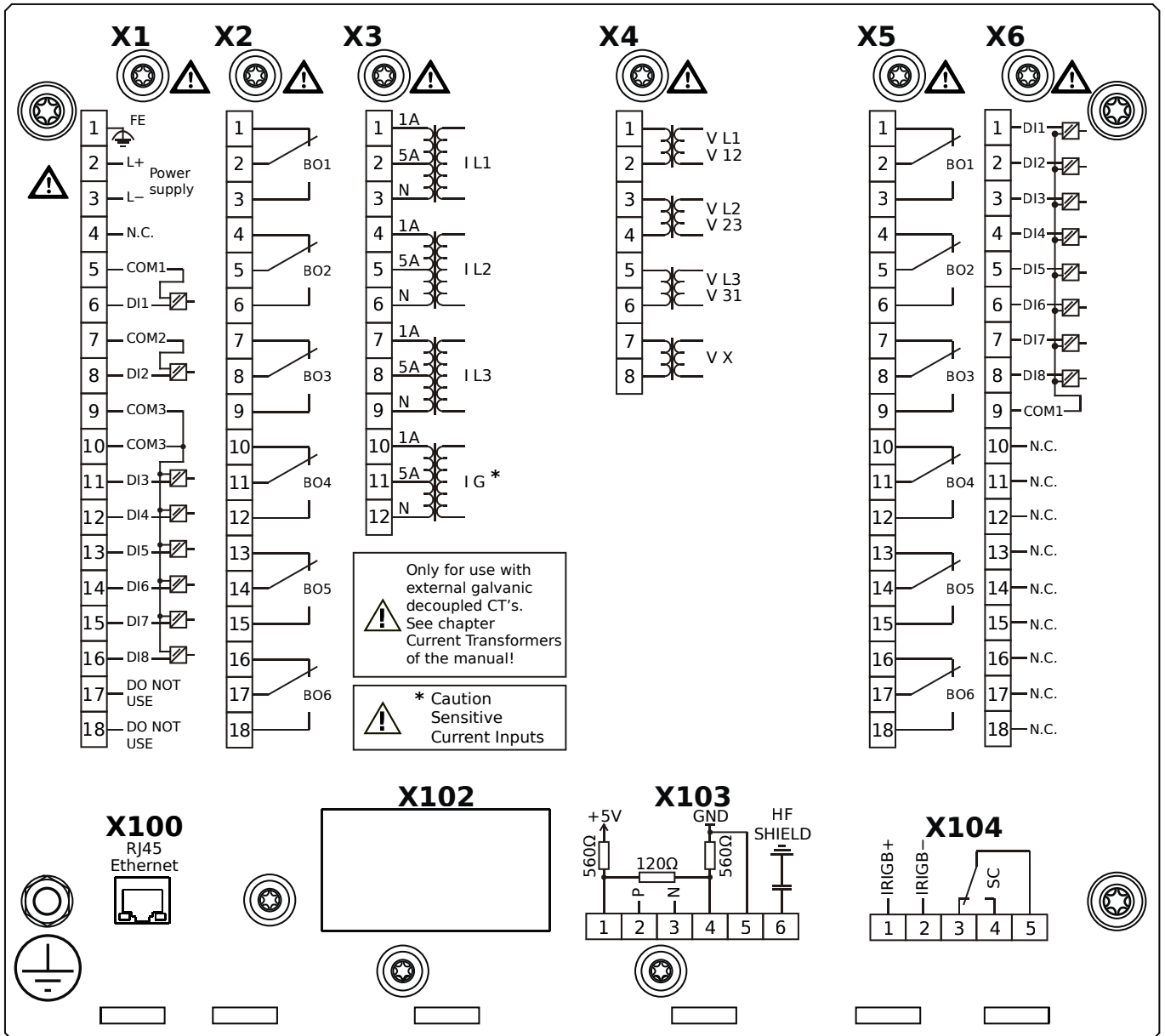
# MCA4-2D1ATA



- X1** – DI8-X1: Wide-range power supply unit, incl. 2 non-grouped digital inputs and 6 grouped digital inputs
- X2** – OR-6: Assembly Group with 6 Relay Outputs
- X3** – TIs-4: Standard phase current measuring card and sensitive ground current measuring
- X4** – TU: Card with 4 voltage transformer measuring inputs
- X5** – OR-6: Assembly Group with 6 Relay Outputs
- X6** – DI8: Assembly Group with 8 Digital Inputs
- X100** – IEC 61850 / Modbus TCP / DNP3.0 TCP/UDP, Ethernet interface, 100 Mbit/s, RJ45 (BASE100-FX)
- X103** – IEC 60870-5-103 / Modbus RTU / DNP3.0 RTU, RS485, Terminals
- X104** – IRIG-B00X, incl. System Contact (Supervision Contact)

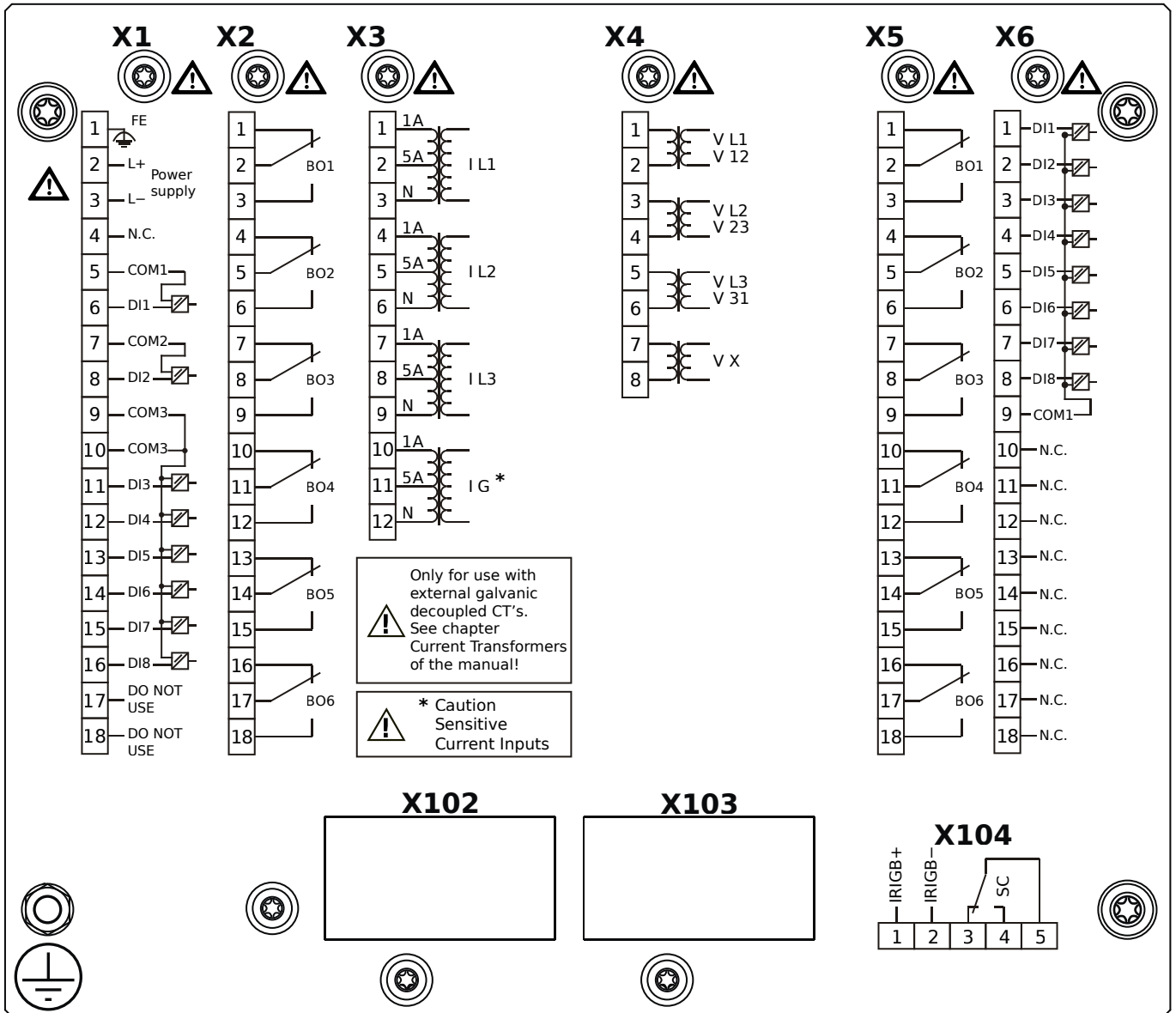


# MCA4-2D1ATB



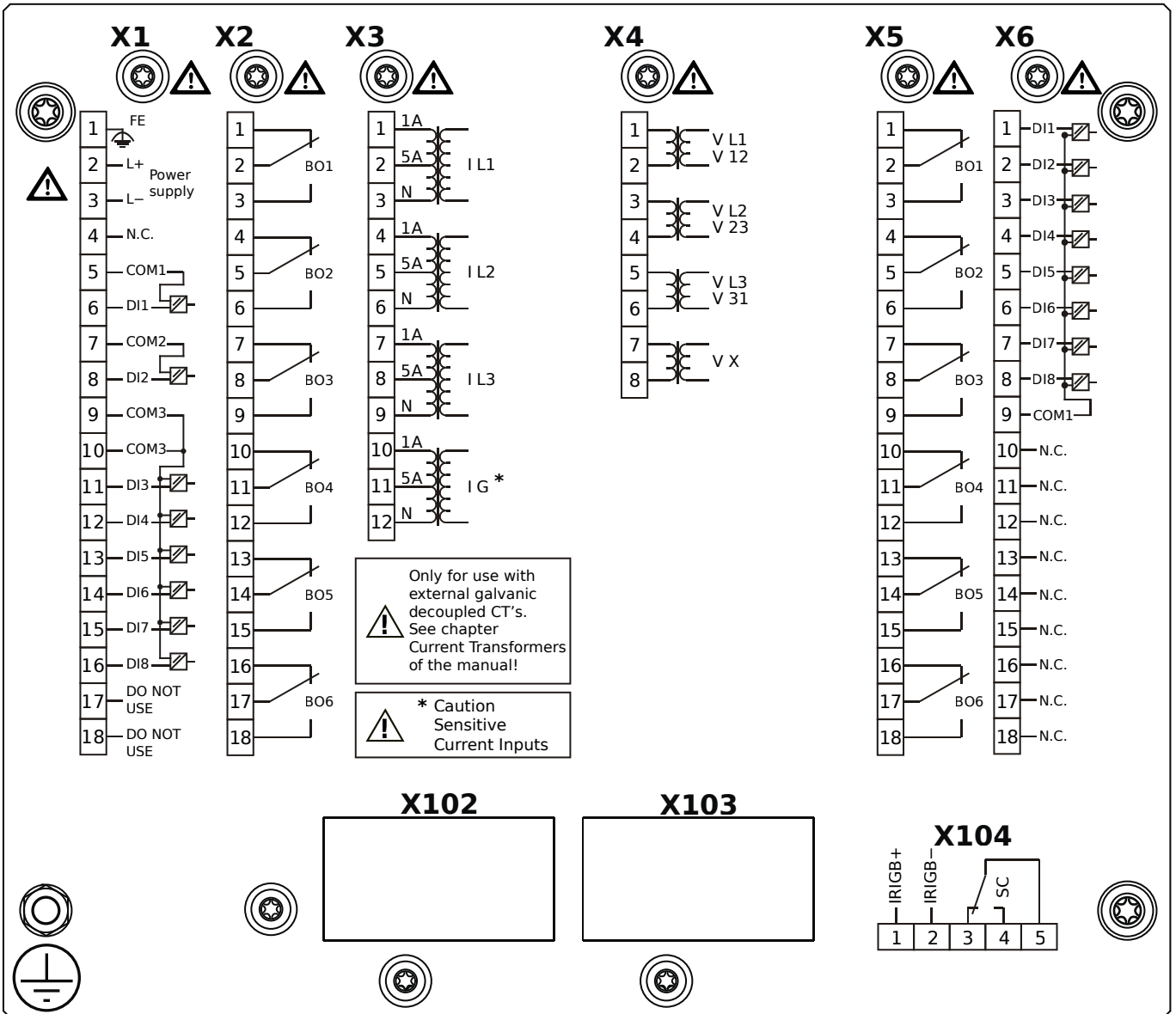
- X1** – DI8-X1: Wide-range power supply unit, incl. 2 non-grouped digital inputs and 6 grouped digital inputs
- X2** – OR-6: Assembly Group with 6 Relay Outputs
- X3** – TIs-4: Standard phase current measuring card and sensitive ground current measuring
- X4** – TU: Card with 4 voltage transformer measuring inputs
- X5** – OR-6: Assembly Group with 6 Relay Outputs
- X6** – DI8: Assembly Group with 8 Digital Inputs
- X100** – IEC 61850 / Modbus TCP / DNP3.0 TCP/UDP, Ethernet interface, 100 Mbit/s, RJ45 (BASE100-FX)
- X103** – IEC 60870-5-103 / Modbus RTU / DNP3.0 RTU, RS485, Terminals
- X104** – IRIG-B00X, incl. System Contact (Supervision Contact)

# MCA4-2D1BAA



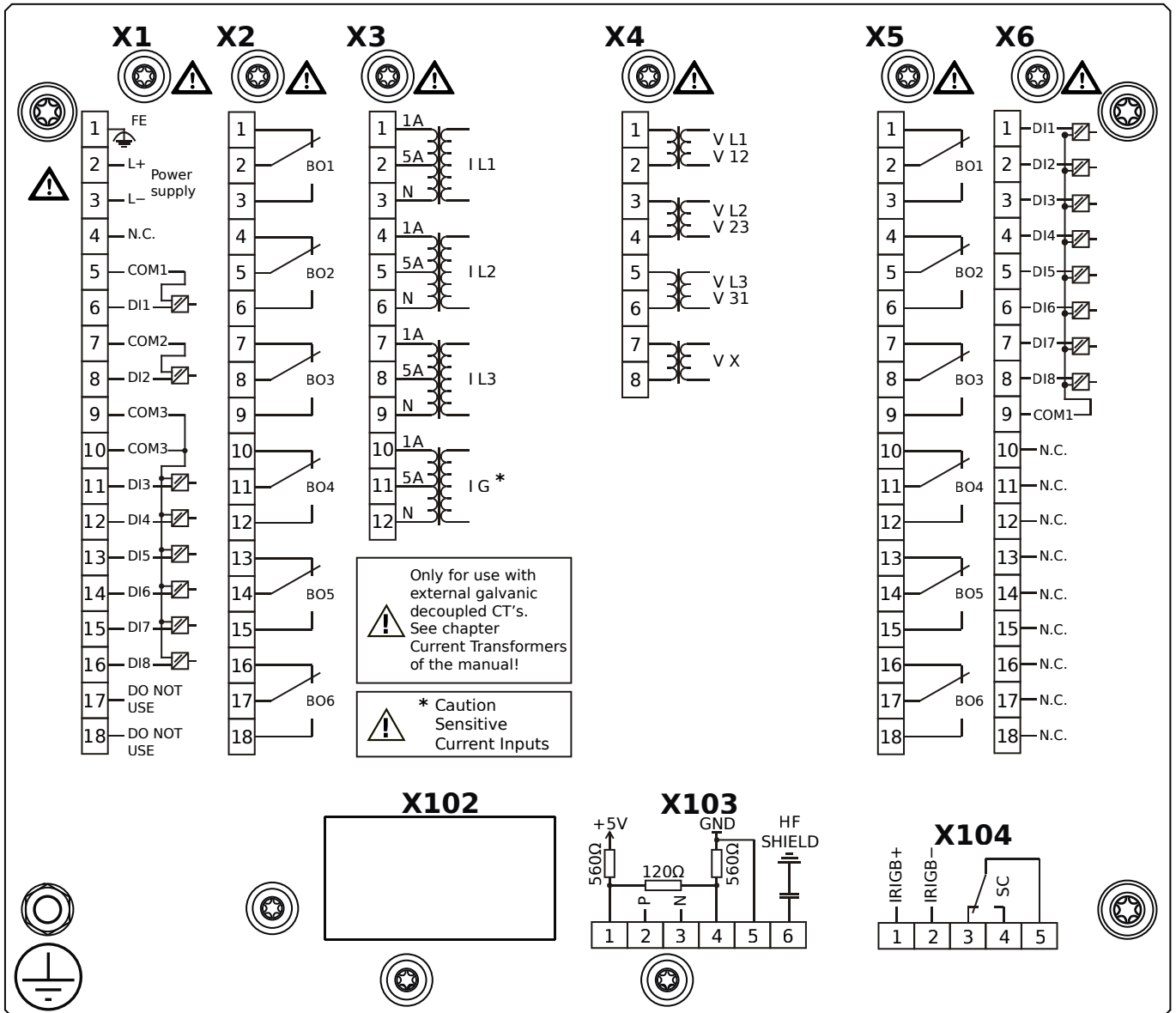
- X1** – DI8-X1: Wide-range power supply unit, incl. 2 non-grouped digital inputs and 6 grouped digital inputs
- X2** – OR-6: Assembly Group with 6 Relay Outputs
- X3** – TIs-4: Standard phase current measuring card and sensitive ground current measuring
- X4** – TU: Card with 4 voltage transformer measuring inputs
- X5** – OR-6: Assembly Group with 6 Relay Outputs
- X6** – DI8: Assembly Group with 8 Digital Inputs
- X104** – IRIG-B00X, incl. System Contact (Supervision Contact)

# MCA4-2D1BAB



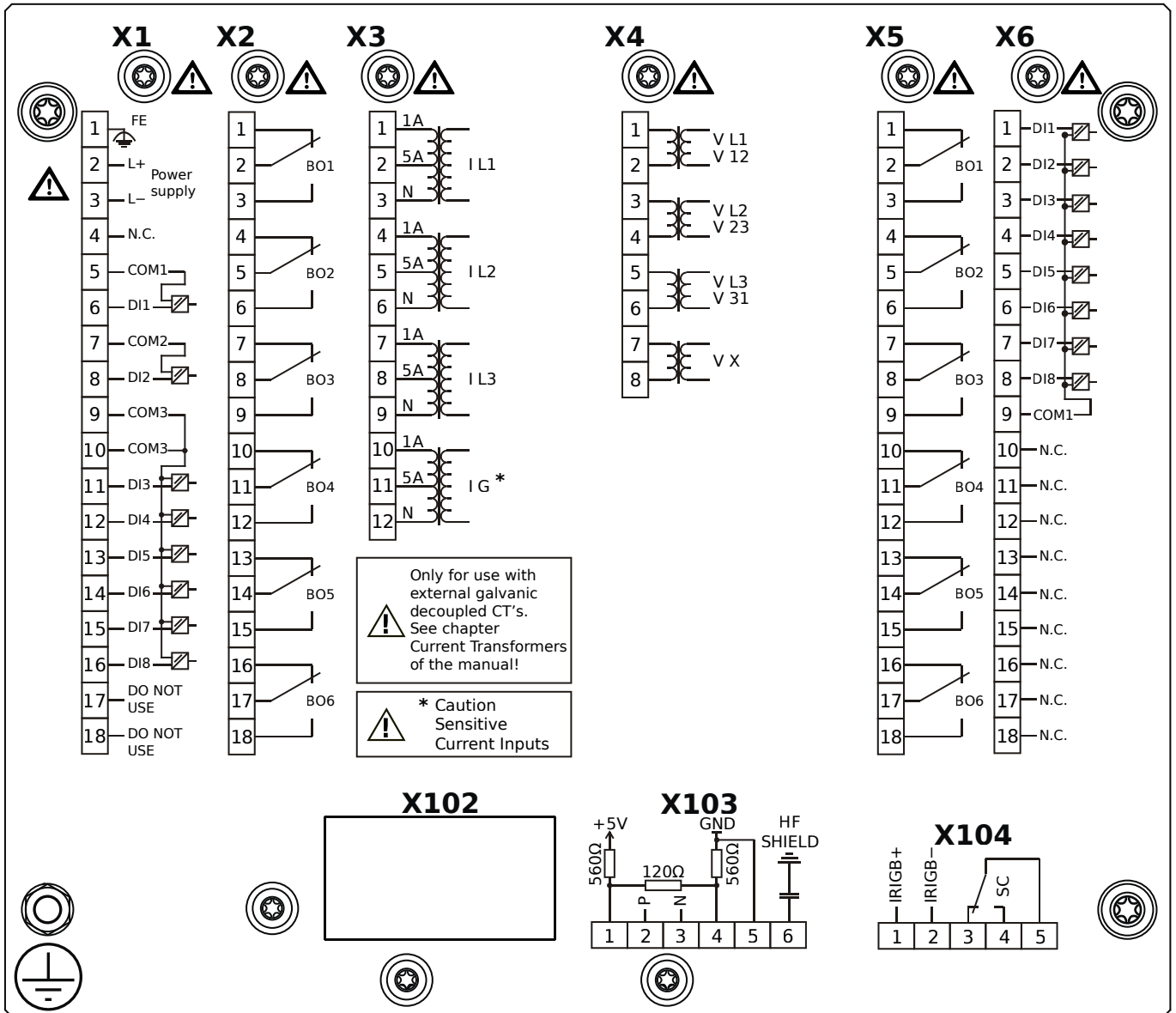
- X1** – DI8-X1: Wide-range power supply unit, incl. 2 non-grouped digital inputs and 6 grouped digital inputs
- X2** – OR-6: Assembly Group with 6 Relay Outputs
- X3** – TIs-4: Standard phase current measuring card and sensitive ground current measuring
- X4** – TU: Card with 4 voltage transformer measuring inputs
- X5** – OR-6: Assembly Group with 6 Relay Outputs
- X6** – DI8: Assembly Group with 8 Digital Inputs
- X104** – IRIG-B00X, incl. System Contact (Supervision Contact)

# MCA4-2D1BBA



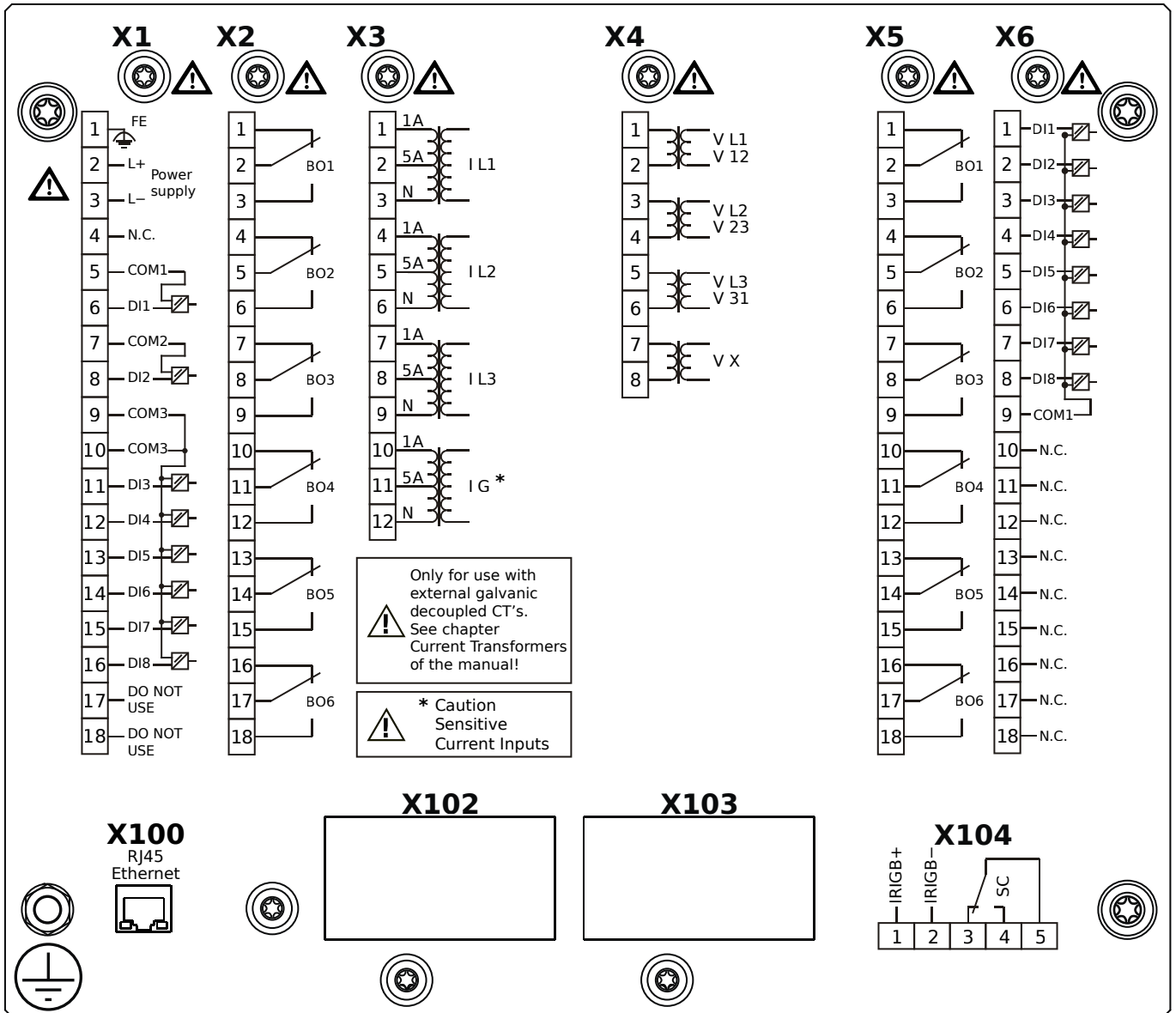
- X1** – DI8-X1: Wide-range power supply unit, incl. 2 non-grouped digital inputs and 6 grouped digital inputs
- X2** – OR-6: Assembly Group with 6 Relay Outputs
- X3** – TIs-4: Standard phase current measuring card and sensitive ground current measuring
- X4** – TU: Card with 4 voltage transformer measuring inputs
- X5** – OR-6: Assembly Group with 6 Relay Outputs
- X6** – DI8: Assembly Group with 8 Digital Inputs
- X103** – Modbus RTU / IEC 60870-5-103 / DNP3.0 RTU, RS485, Terminals
- X104** – IRIG-B00X, incl. System Contact (Supervision Contact)

# MCA4-2D1BBB



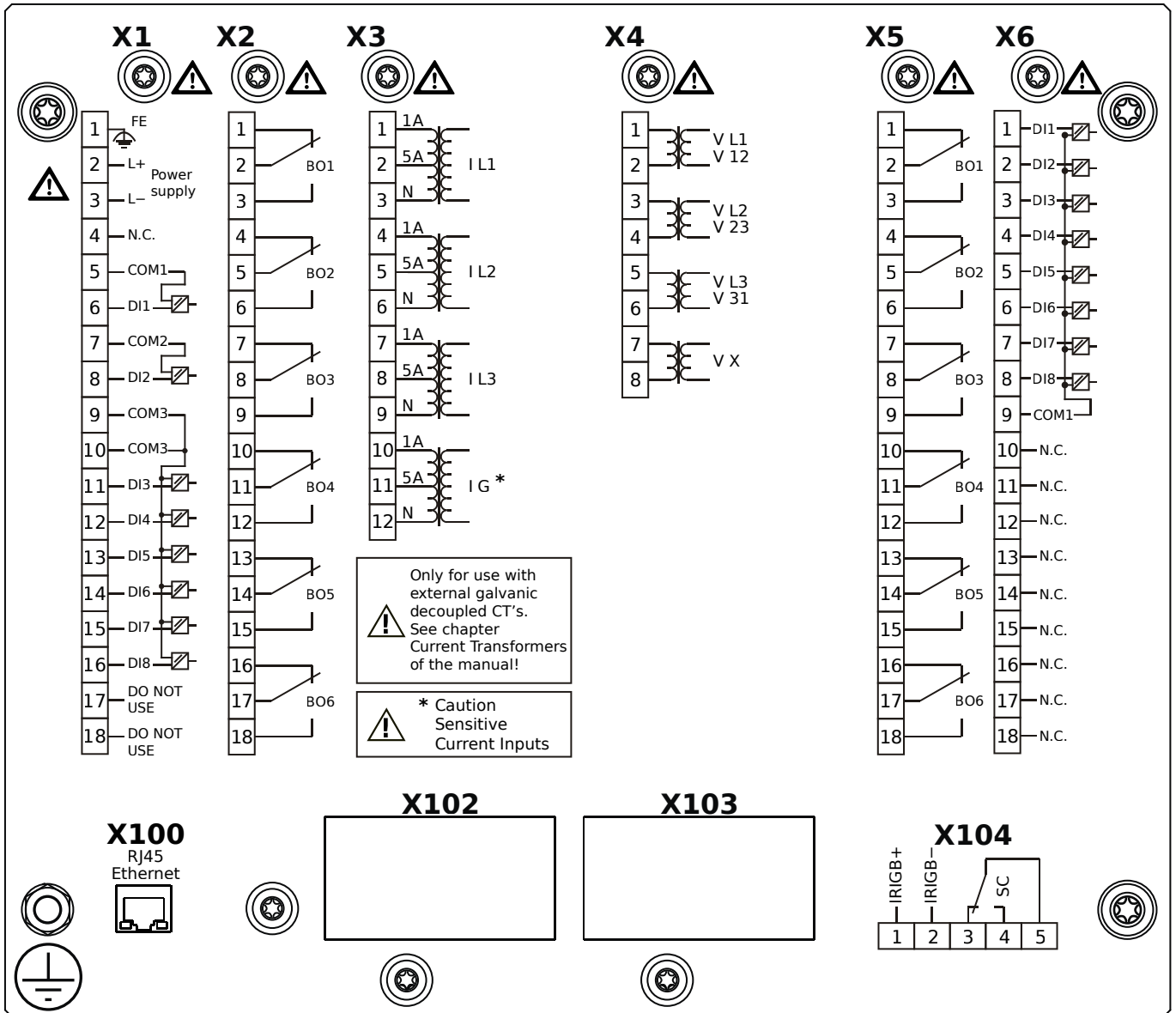
- X1** – DI8-X1: Wide-range power supply unit, incl. 2 non-grouped digital inputs and 6 grouped digital inputs
- X2** – OR-6: Assembly Group with 6 Relay Outputs
- X3** – TIs-4: Standard phase current measuring card and sensitive ground current measuring
- X4** – TU: Card with 4 voltage transformer measuring inputs
- X5** – OR-6: Assembly Group with 6 Relay Outputs
- X6** – DI8: Assembly Group with 8 Digital Inputs
- X103** – Modbus RTU / IEC 60870-5-103 / DNP3.0 RTU, RS485, Terminals
- X104** – IRIG-B00X, incl. System Contact (Supervision Contact)

# MCA4-2D1BCA



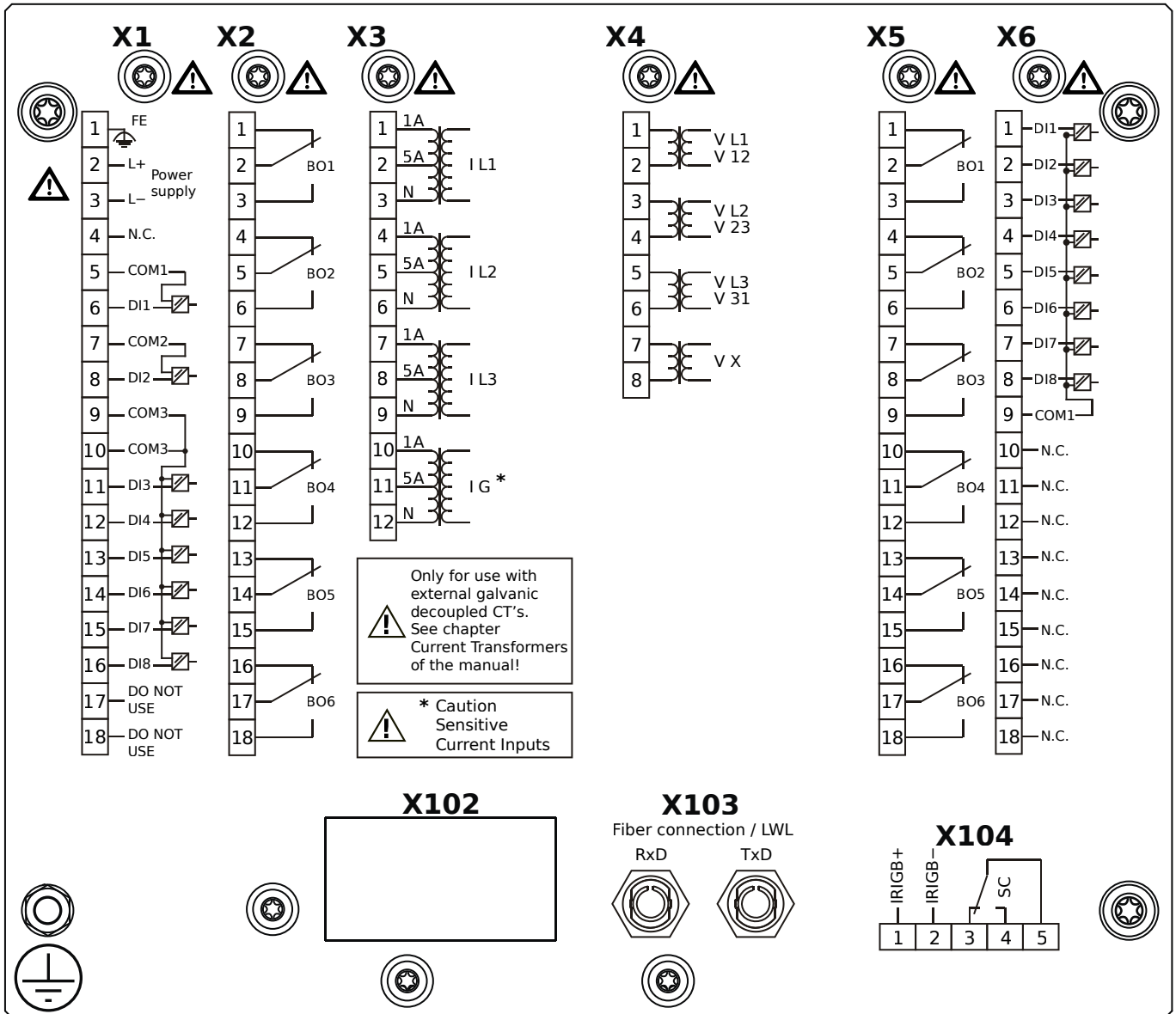
- X1** – DI8-X1: Wide-range power supply unit, incl. 2 non-grouped digital inputs and 6 grouped digital inputs
- X2** – OR-6: Assembly Group with 6 Relay Outputs
- X3** – TIs-4: Standard phase current measuring card and sensitive ground current measuring
- X4** – TU: Card with 4 voltage transformer measuring inputs
- X5** – OR-6: Assembly Group with 6 Relay Outputs
- X6** – DI8: Assembly Group with 8 Digital Inputs
- X100** – Modbus TCP / DNP3.0 TCP/UDP, Ethernet interface, 100 Mbit/s, RJ45 (BASE100-FX)
- X104** – IRIG-B00X, incl. System Contact (Supervision Contact)

# MCA4-2D1BCB



- X1** – DI8-X1: Wide-range power supply unit, incl. 2 non-grouped digital inputs and 6 grouped digital inputs
- X2** – OR-6: Assembly Group with 6 Relay Outputs
- X3** – TIs-4: Standard phase current measuring card and sensitive ground current measuring
- X4** – TU: Card with 4 voltage transformer measuring inputs
- X5** – OR-6: Assembly Group with 6 Relay Outputs
- X6** – DI8: Assembly Group with 8 Digital Inputs
- X100** – Modbus TCP / DNP3.0 TCP/UDP, Ethernet interface, 100 Mbit/s, RJ45 (BASE100-FX)
- X104** – IRIG-B00X, incl. System Contact (Supervision Contact)

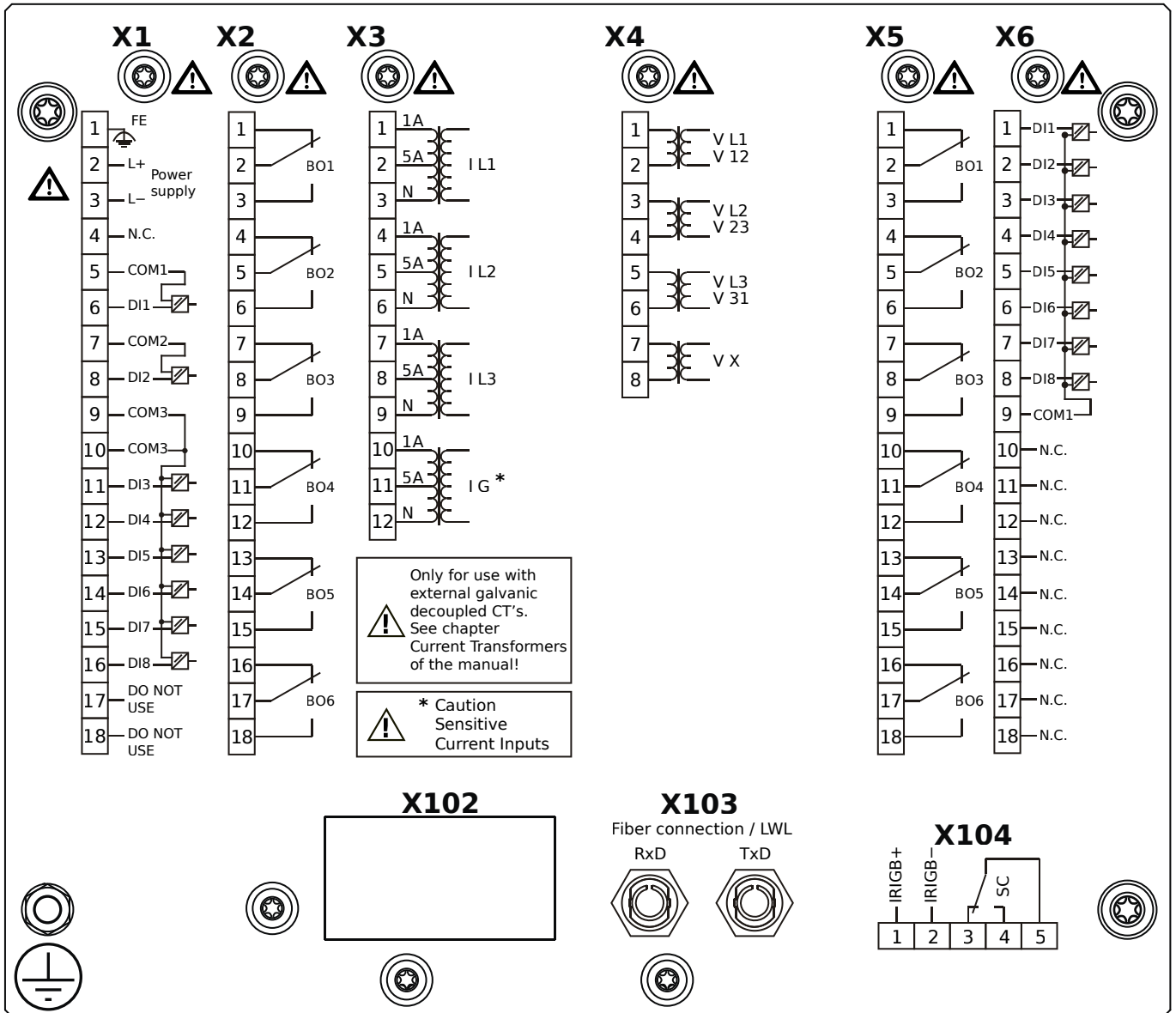
# MCA4-2D1BDA



- X1** – DI8-X1: Wide-range power supply unit, incl. 2 non-grouped digital inputs and 6 grouped digital inputs
- X2** – OR-6: Assembly Group with 6 Relay Outputs
- X3** – TIs-4: Standard phase current measuring card and sensitive ground current measuring
- X4** – TU: Card with 4 voltage transformer measuring inputs
- X5** – OR-6: Assembly Group with 6 Relay Outputs
- X6** – DI8: Assembly Group with 8 Digital Inputs
- X103** – Profibus-DP, Fiber optics interface, ST Connector
- X104** – IRIG-B00X, incl. System Contact (Supervision Contact)

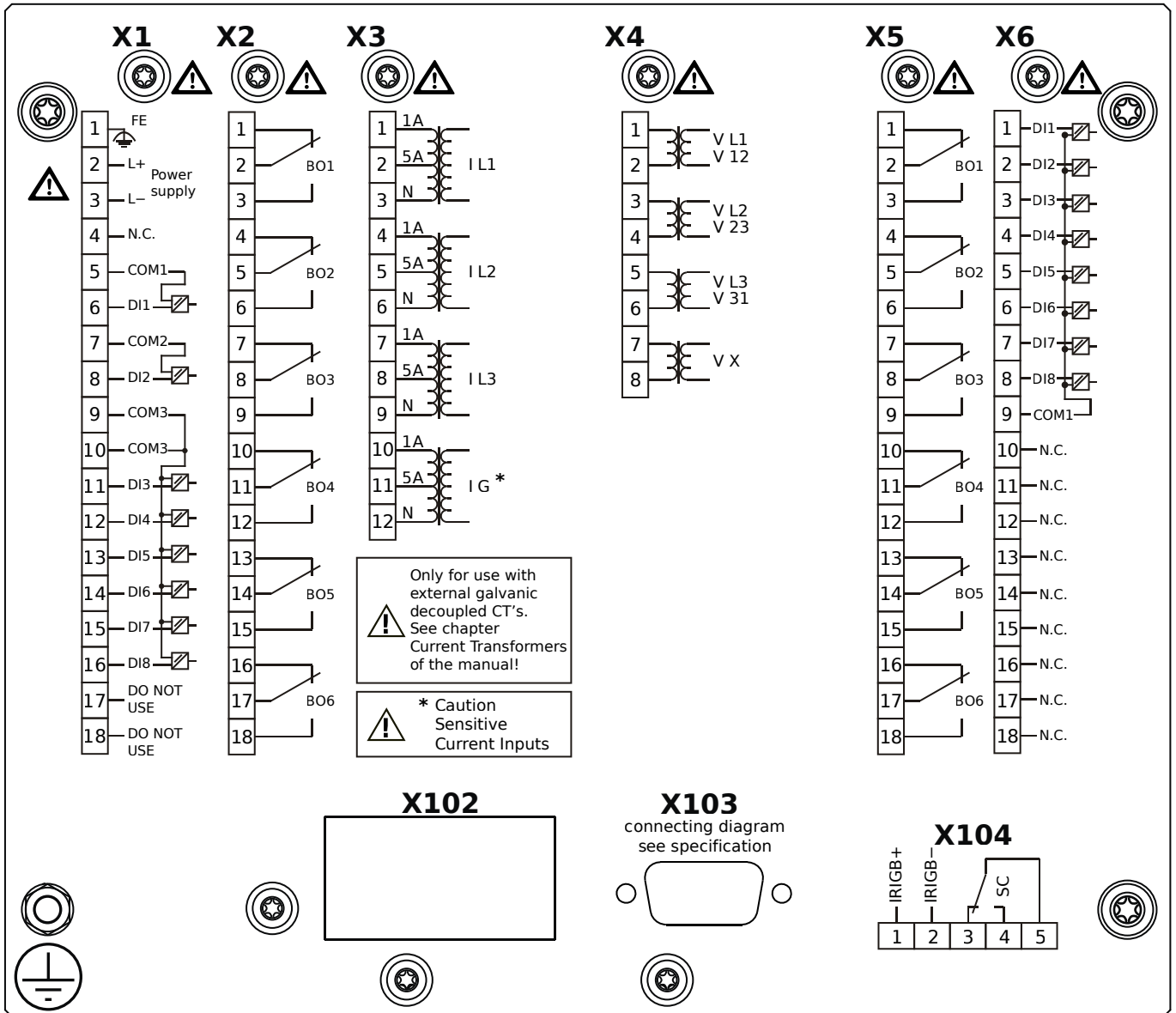


# MCA4-2D1BDB



- X1** – DI8-X1: Wide-range power supply unit, incl. 2 non-grouped digital inputs and 6 grouped digital inputs
- X2** – OR-6: Assembly Group with 6 Relay Outputs
- X3** – TIs-4: Standard phase current measuring card and sensitive ground current measuring
- X4** – TU: Card with 4 voltage transformer measuring inputs
- X5** – OR-6: Assembly Group with 6 Relay Outputs
- X6** – DI8: Assembly Group with 8 Digital Inputs
- X103** – Profibus-DP, Fiber optics interface, ST Connector
- X104** – IRIG-B00X, incl. System Contact (Supervision Contact)

# MCA4-2D1BEA



**X1** – DI8-X1: Wide-range power supply unit, incl. 2 non-grouped digital inputs and 6 grouped digital inputs

**X2** – OR-6: Assembly Group with 6 Relay Outputs

**X3** – TIs-4: Standard phase current measuring card and sensitive ground current measuring

**X4** – TU: Card with 4 voltage transformer measuring inputs

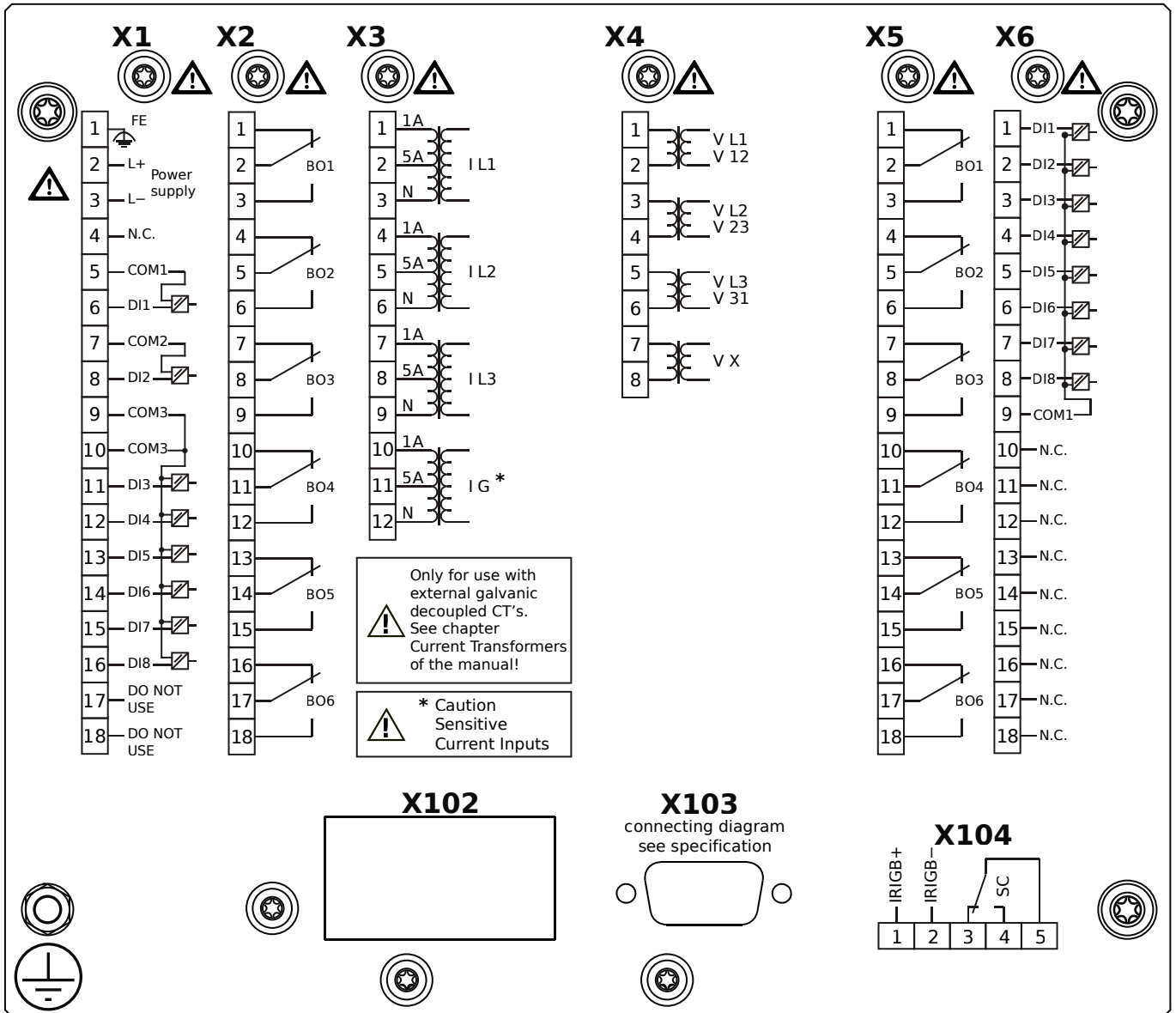
**X5** – OR-6: Assembly Group with 6 Relay Outputs

**X6** – DI8: Assembly Group with 8 Digital Inputs

**X103** – Profibus-DP, RS485, D-SUB

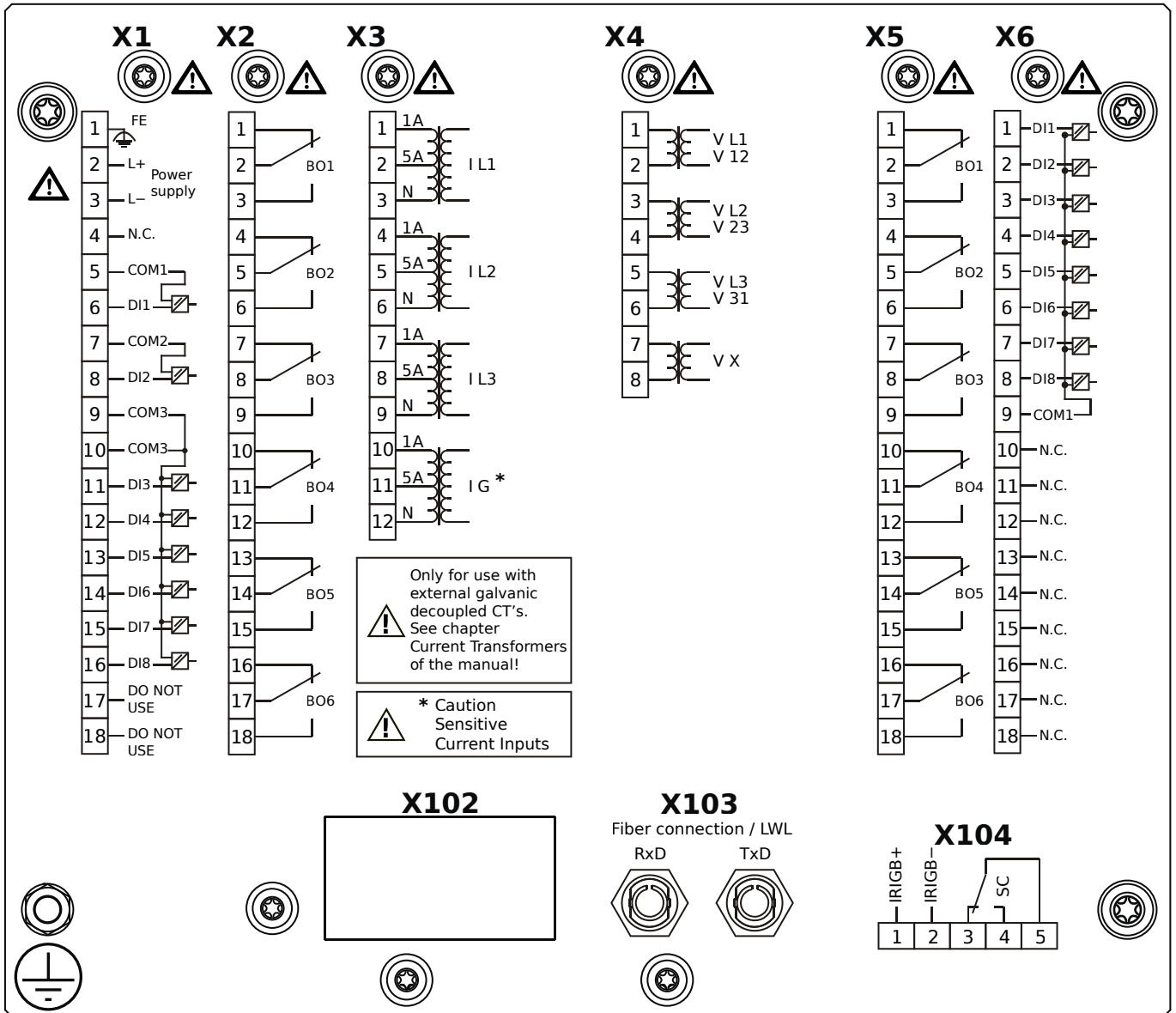
**X104** – IRIG-B00X, incl. System Contact (Supervision Contact)

# MCA4-2D1BEB



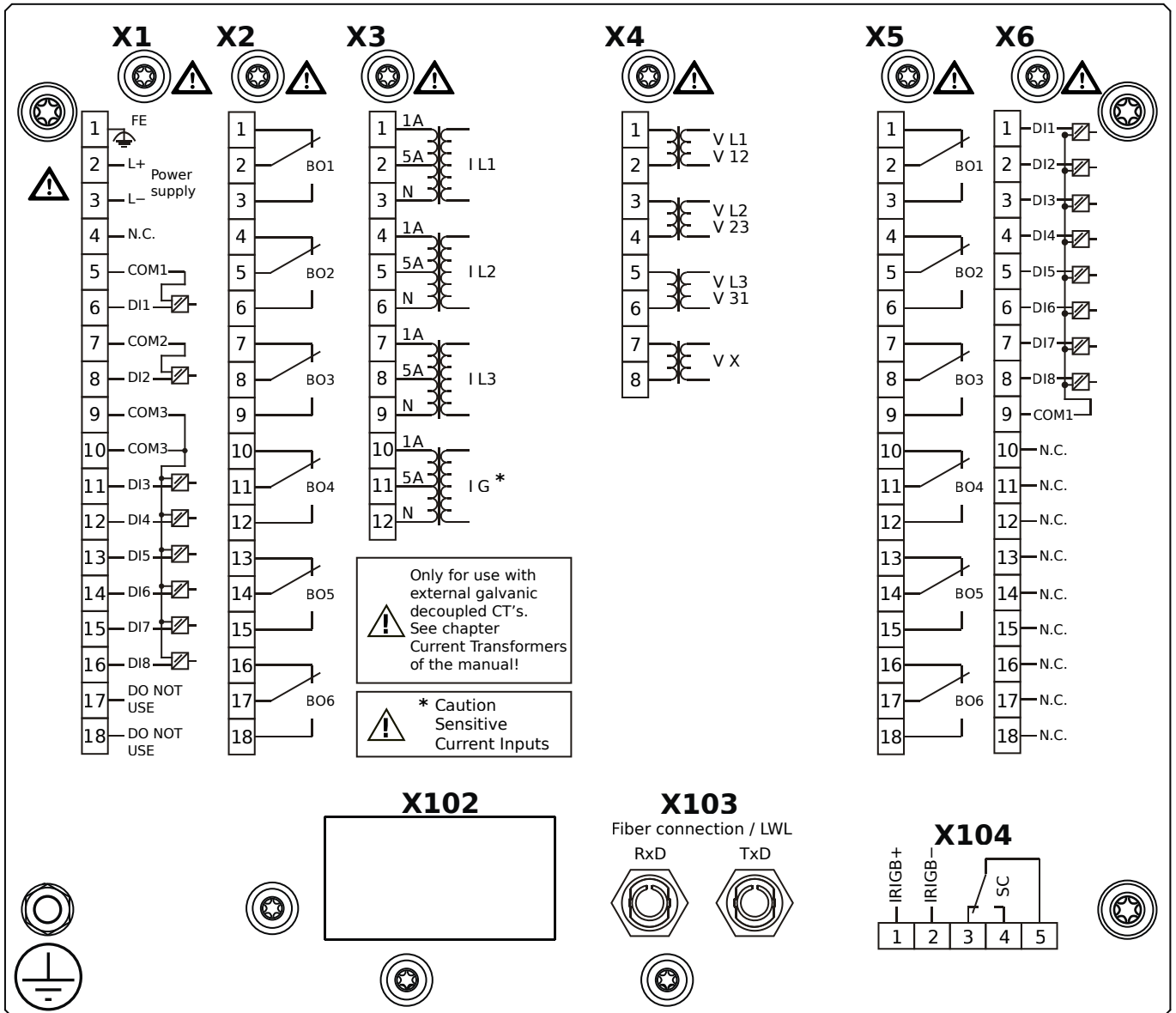
- X1** – DI8-X1: Wide-range power supply unit, incl. 2 non-grouped digital inputs and 6 grouped digital inputs
- X2** – OR-6: Assembly Group with 6 Relay Outputs
- X3** – TIs-4: Standard phase current measuring card and sensitive ground current measuring
- X4** – TU: Card with 4 voltage transformer measuring inputs
- X5** – OR-6: Assembly Group with 6 Relay Outputs
- X6** – DI8: Assembly Group with 8 Digital Inputs
- X103** – Profibus-DP, RS485, D-SUB
- X104** – IRIG-B00X, incl. System Contact (Supervision Contact)

# MCA4-2D1BFA



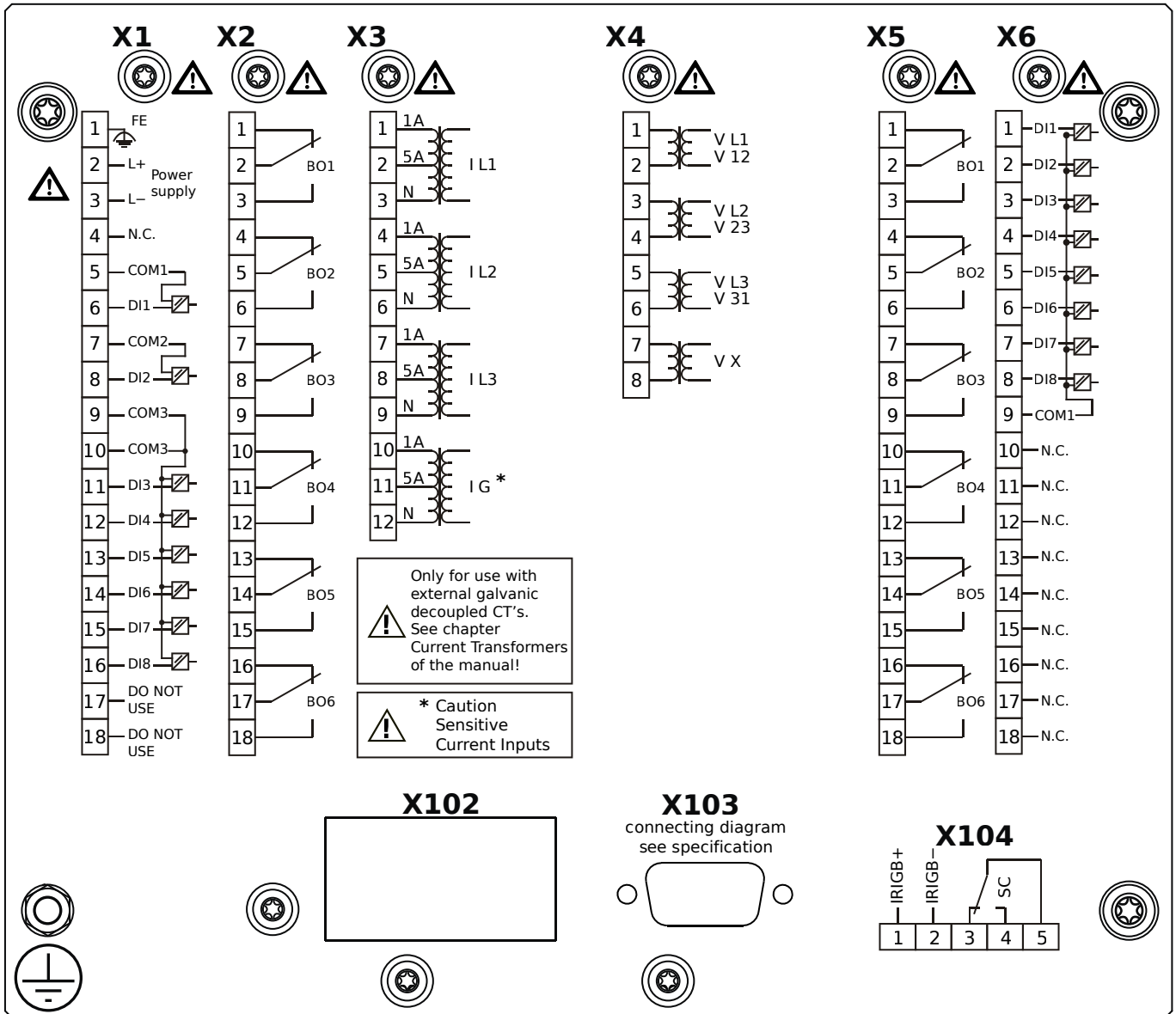
- X1** – DI8-X1: Wide-range power supply unit, incl. 2 non-grouped digital inputs and 6 grouped digital inputs
- X2** – OR-6: Assembly Group with 6 Relay Outputs
- X3** – TIs-4: Standard phase current measuring card and sensitive ground current measuring
- X4** – TU: Card with 4 voltage transformer measuring inputs
- X5** – OR-6: Assembly Group with 6 Relay Outputs
- X6** – DI8: Assembly Group with 8 Digital Inputs
- X103** – Modbus RTU / IEC 60870-5-103 / DNP3.0 RTU, Fiber optics interface, ST Connector
- X104** – IRIG-B00X, incl. System Contact (Supervision Contact)

# MCA4-2D1BFB



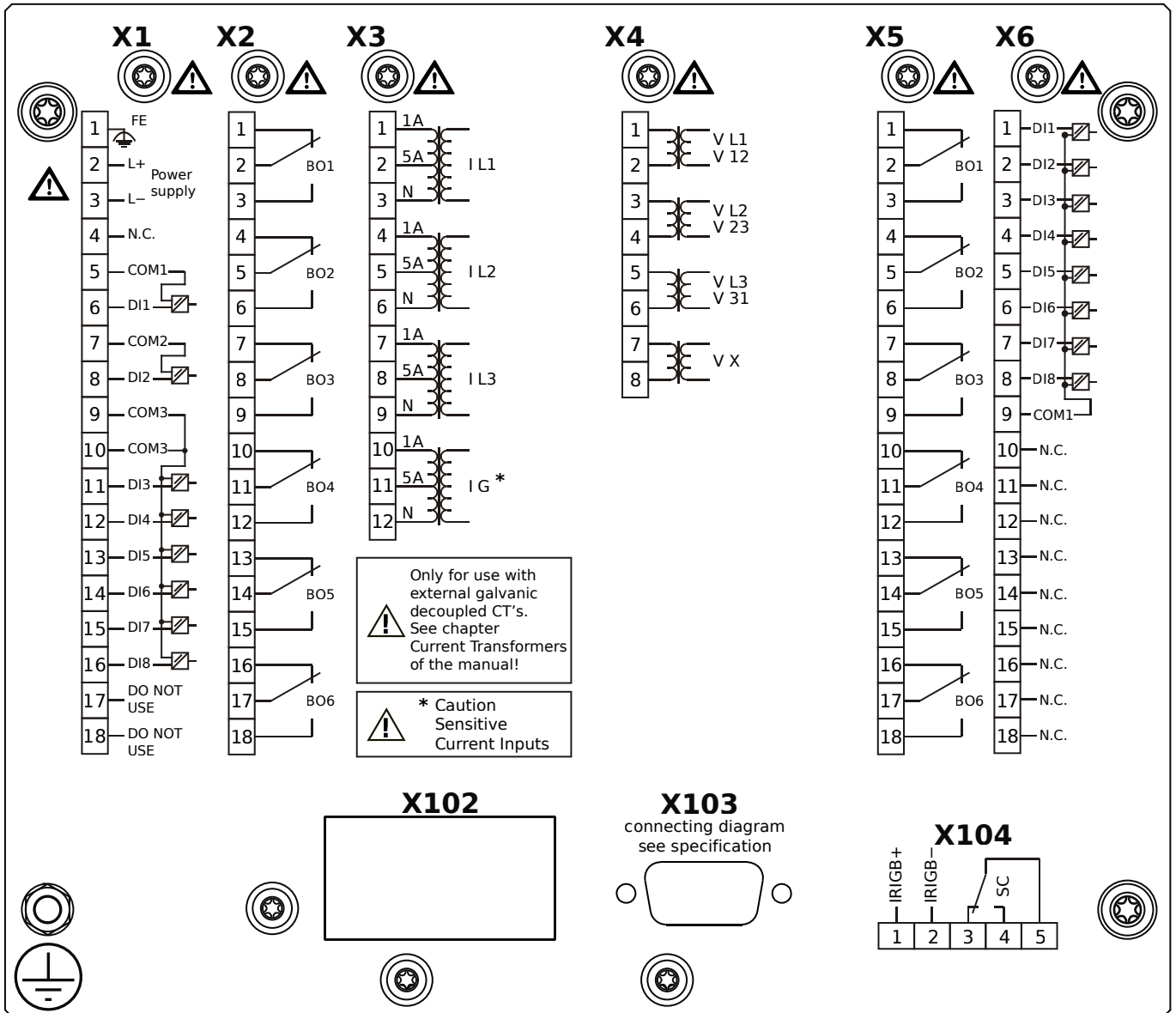
- X1** – DI8-X1: Wide-range power supply unit, incl. 2 non-grouped digital inputs and 6 grouped digital inputs
- X2** – OR-6: Assembly Group with 6 Relay Outputs
- X3** – TIs-4: Standard phase current measuring card and sensitive ground current measuring
- X4** – TU: Card with 4 voltage transformer measuring inputs
- X5** – OR-6: Assembly Group with 6 Relay Outputs
- X6** – DI8: Assembly Group with 8 Digital Inputs
- X103** – Modbus RTU / IEC 60870-5-103 / DNP3.0 RTU, Fiber optics interface, ST Connector
- X104** – IRIG-B00X, incl. System Contact (Supervision Contact)

# MCA4-2D1BGA



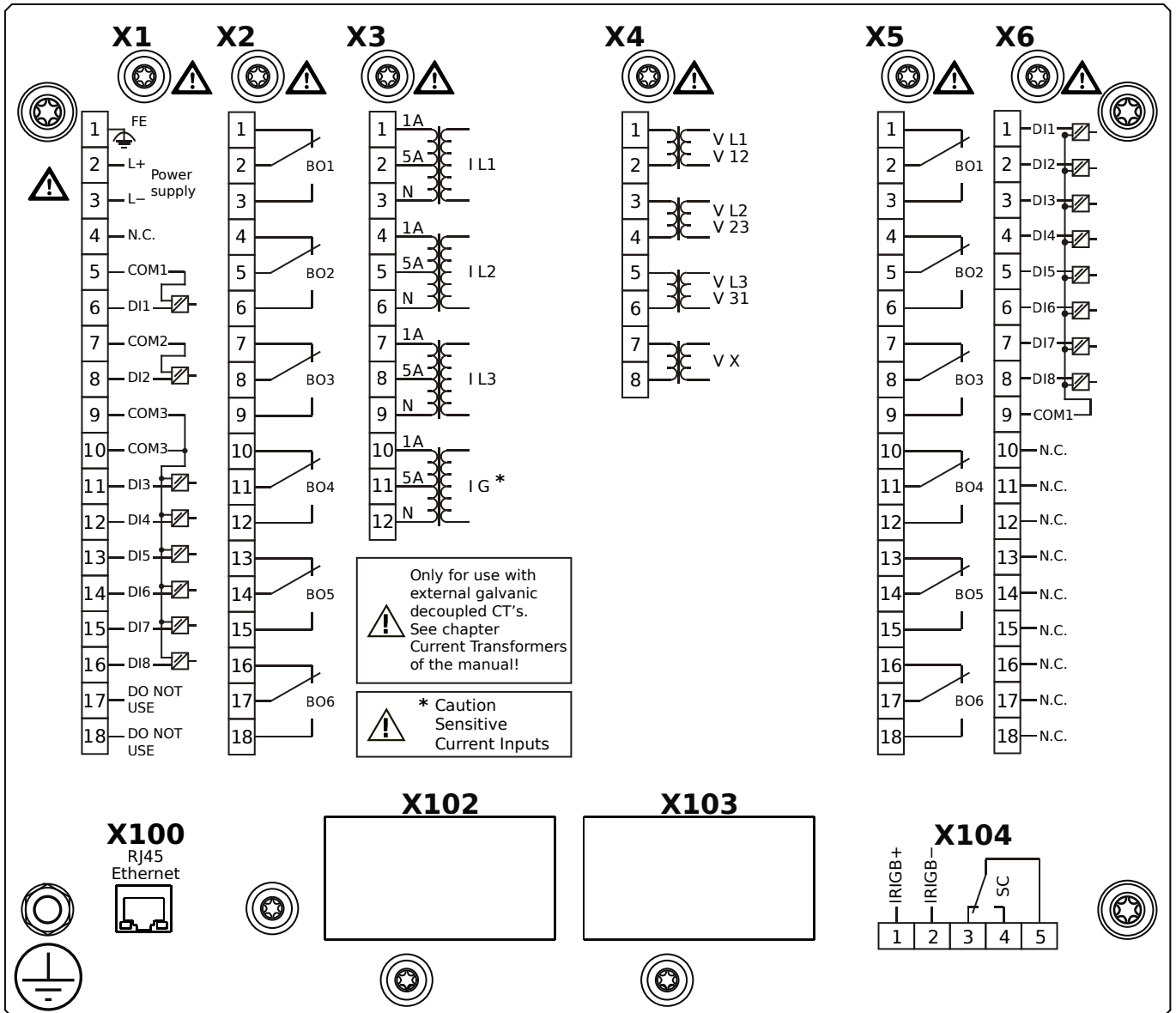
- X1** – DI8-X1: Wide-range power supply unit, incl. 2 non-grouped digital inputs and 6 grouped digital inputs
- X2** – OR-6: Assembly Group with 6 Relay Outputs
- X3** – TIs-4: Standard phase current measuring card and sensitive ground current measuring
- X4** – TU: Card with 4 voltage transformer measuring inputs
- X5** – OR-6: Assembly Group with 6 Relay Outputs
- X6** – DI8: Assembly Group with 8 Digital Inputs
- X103** – Modbus RTU / IEC 60870-5-103 / DNP3.0 RTU, RS485, D-SUB
- X104** – IRIG-B00X, incl. System Contact (Supervision Contact)

# MCA4-2D1BGB



- X1** – DI8-X1: Wide-range power supply unit, incl. 2 non-grouped digital inputs and 6 grouped digital inputs
- X2** – OR-6: Assembly Group with 6 Relay Outputs
- X3** – TIs-4: Standard phase current measuring card and sensitive ground current measuring
- X4** – TU: Card with 4 voltage transformer measuring inputs
- X5** – OR-6: Assembly Group with 6 Relay Outputs
- X6** – DI8: Assembly Group with 8 Digital Inputs
- X103** – Modbus RTU / IEC 60870-5-103 / DNP3.0 RTU, RS485, D-SUB
- X104** – IRIG-B00X, incl. System Contact (Supervision Contact)

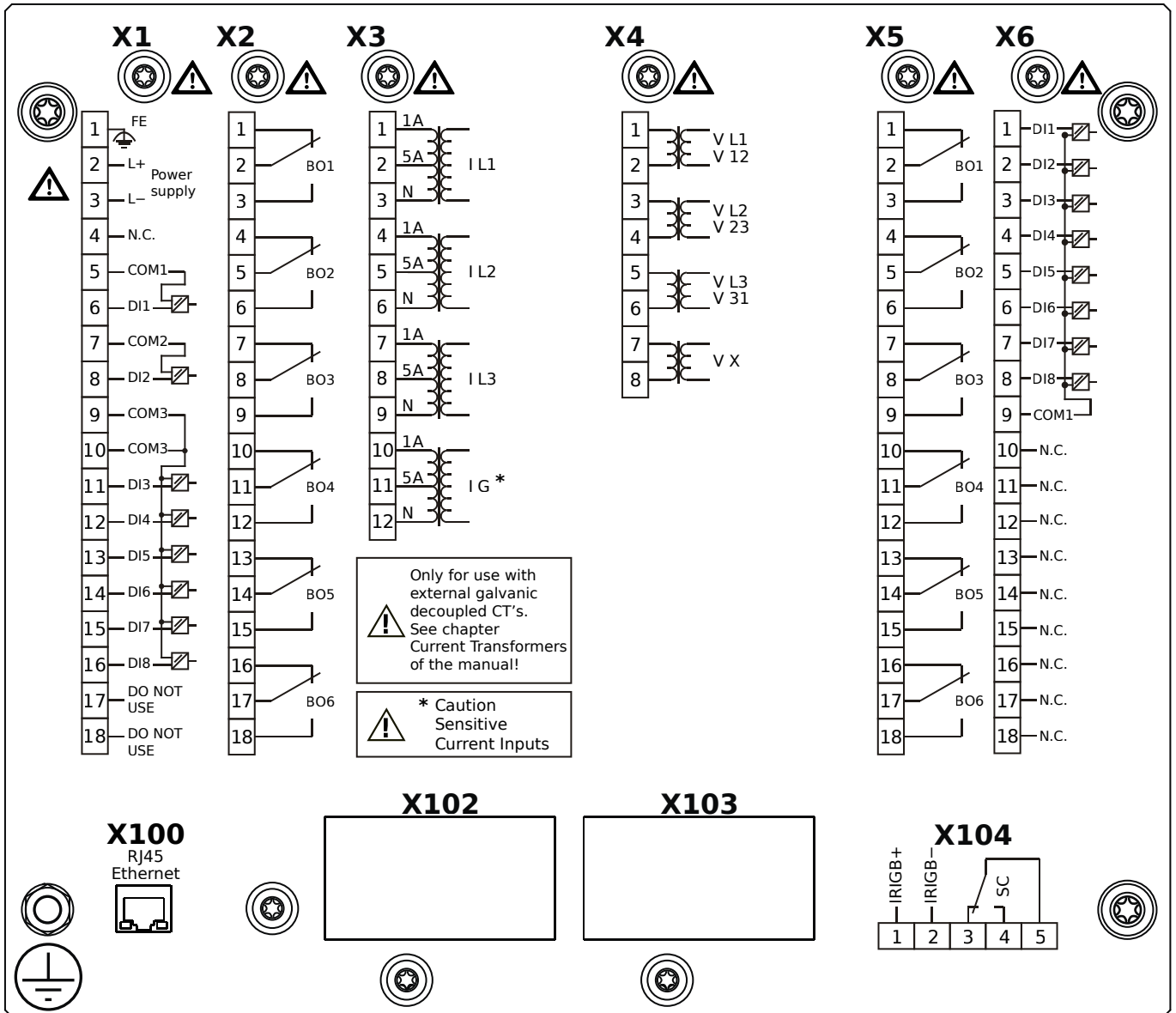
# MCA4-2D1BHA



- X1** – DI8-X1: Wide-range power supply unit, incl. 2 non-grouped digital inputs and 6 grouped digital inputs
- X2** – OR-6: Assembly Group with 6 Relay Outputs
- X3** – TIs-4: Standard phase current measuring card and sensitive ground current measuring
- X4** – TU: Card with 4 voltage transformer measuring inputs
- X5** – OR-6: Assembly Group with 6 Relay Outputs
- X6** – DI8: Assembly Group with 8 Digital Inputs
- X100** – IEC 61850 / Modbus TCP / DNP3.0 TCP/UDP, Ethernet interface, 100 Mbit/s, RJ45 (BASE100-FX)
- X104** – IRIG-B00X, incl. System Contact (Supervision Contact)

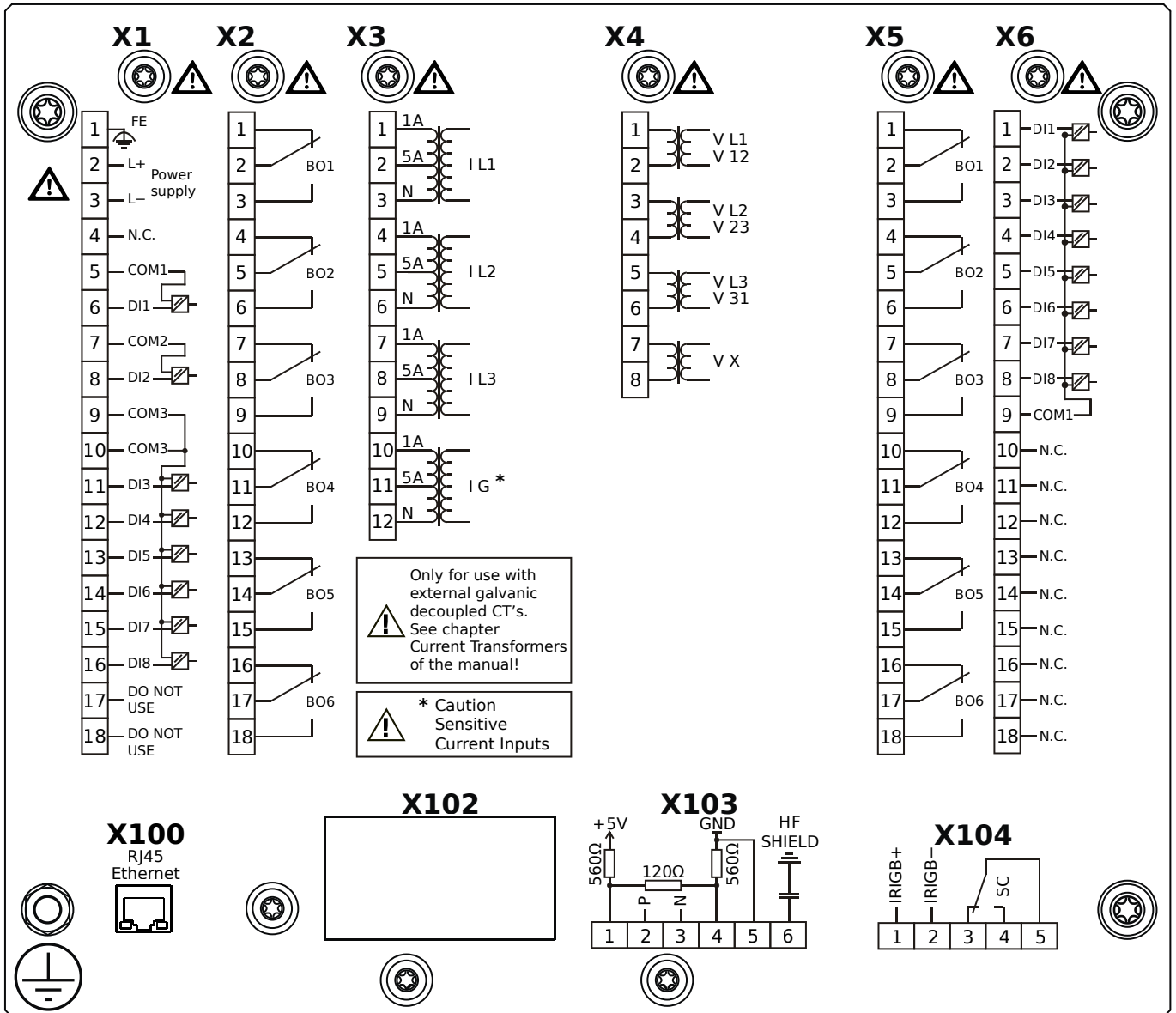


# MCA4-2D1BHB



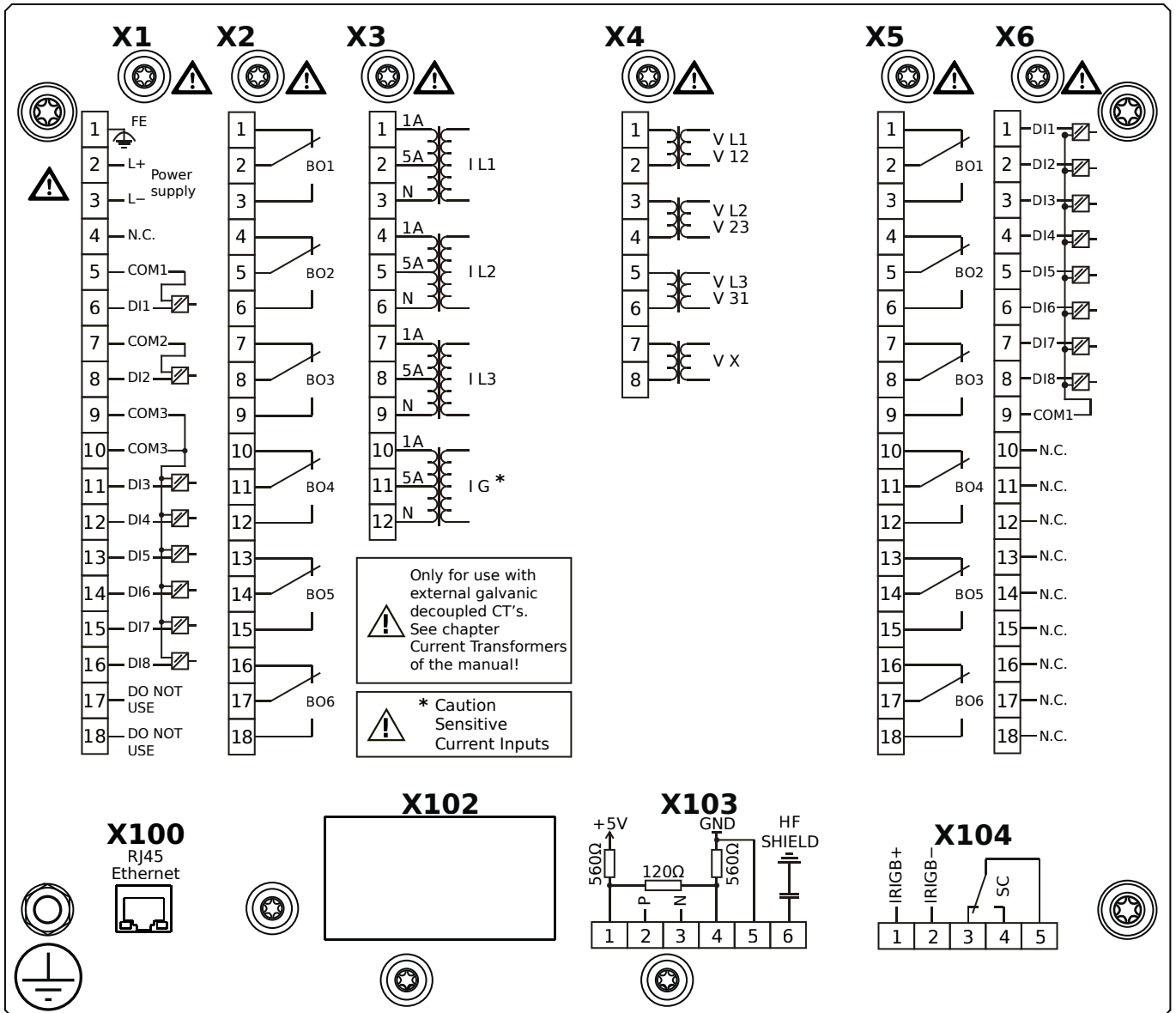
- X1** – DI8-X1: Wide-range power supply unit, incl. 2 non-grouped digital inputs and 6 grouped digital inputs
- X2** – OR-6: Assembly Group with 6 Relay Outputs
- X3** – TIs-4: Standard phase current measuring card and sensitive ground current measuring
- X4** – TU: Card with 4 voltage transformer measuring inputs
- X5** – OR-6: Assembly Group with 6 Relay Outputs
- X6** – DI8: Assembly Group with 8 Digital Inputs
- X100** – IEC 61850 / Modbus TCP / DNP3.0 TCP/UDP, Ethernet interface, 100 Mbit/s, RJ45 (BASE100-FX)
- X104** – IRIG-B00X, incl. System Contact (Supervision Contact)

# MCA4-2D1BIA



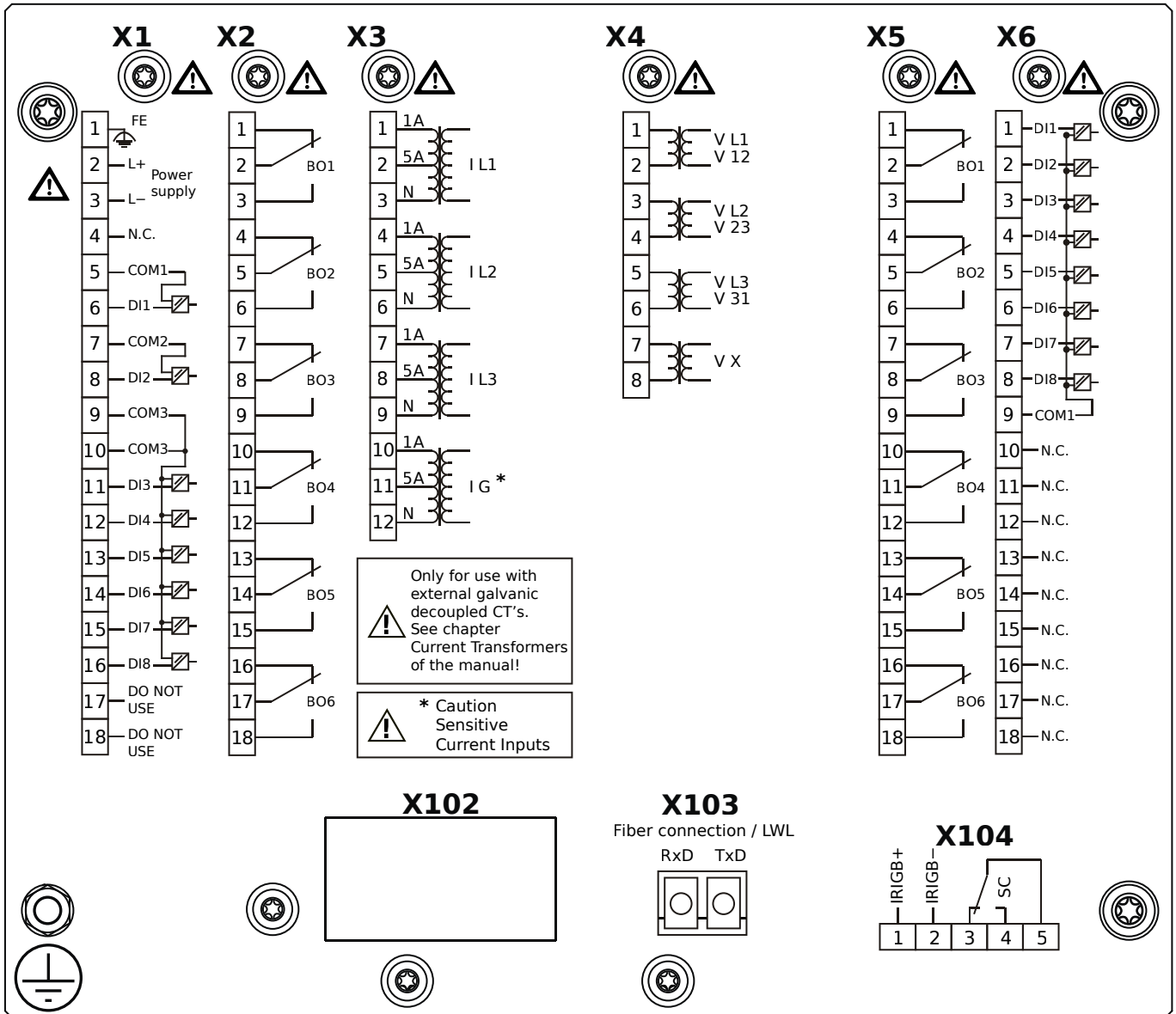
- X1** – DI8-X1: Wide-range power supply unit, incl. 2 non-grouped digital inputs and 6 grouped digital inputs
- X2** – OR-6: Assembly Group with 6 Relay Outputs
- X3** – TIs-4: Standard phase current measuring card and sensitive ground current measuring
- X4** – TU: Card with 4 voltage transformer measuring inputs
- X5** – OR-6: Assembly Group with 6 Relay Outputs
- X6** – DI8: Assembly Group with 8 Digital Inputs
- X100** – Modbus TCP / DNP3.0 TCP/UDP, Ethernet interface, 100 Mbit/s, RJ45 (BASE100-FX)
- X103** – IEC 60870-5-103 / Modbus RTU / DNP3.0 RTU, RS485, Terminals
- X104** – IRIG-B00X, incl. System Contact (Supervision Contact)

# MCA4-2D1BIB



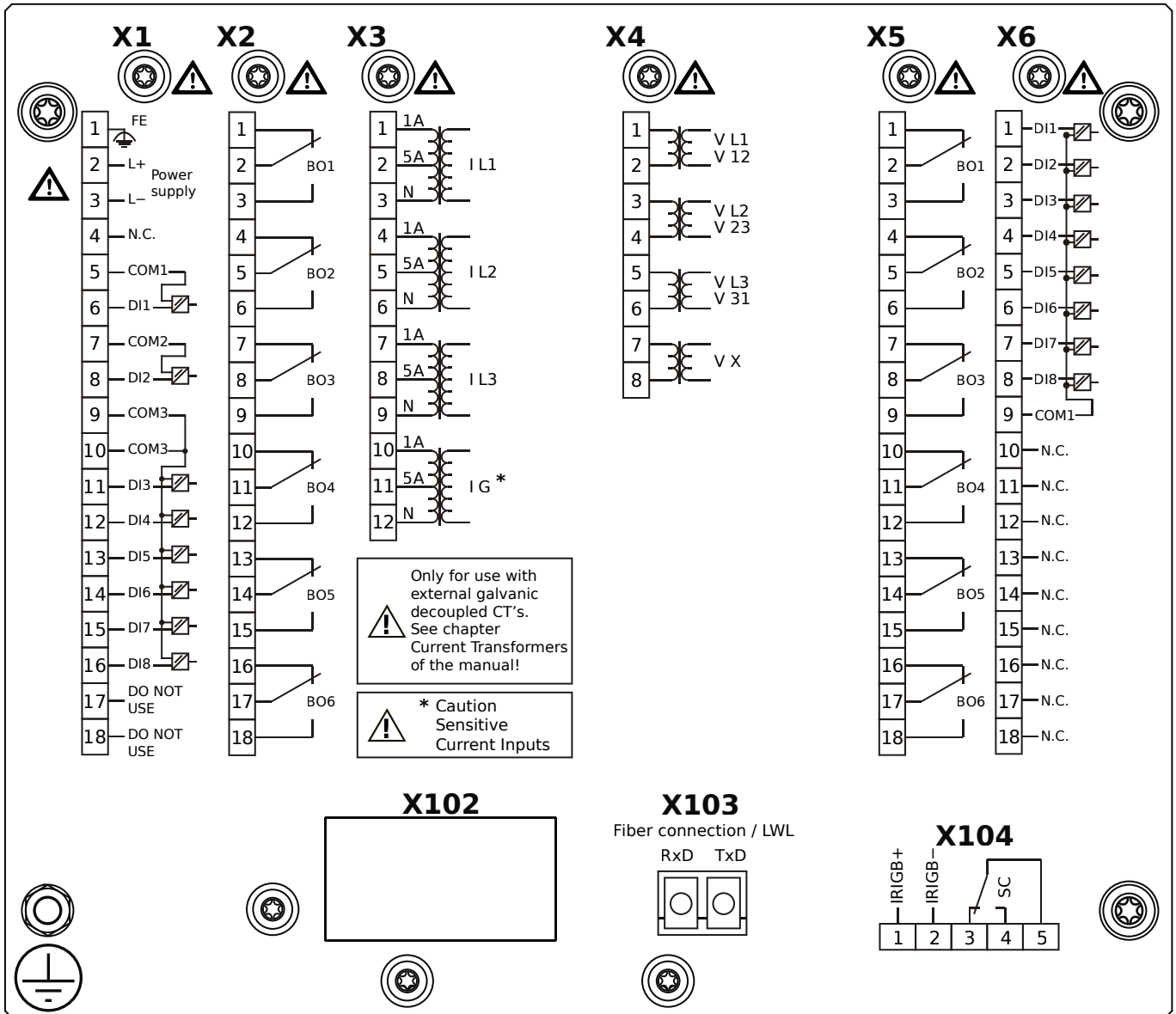
- X1** – DI8-X1: Wide-range power supply unit, incl. 2 non-grouped digital inputs and 6 grouped digital inputs
- X2** – OR-6: Assembly Group with 6 Relay Outputs
- X3** – TIs-4: Standard phase current measuring card and sensitive ground current measuring
- X4** – TU: Card with 4 voltage transformer measuring inputs
- X5** – OR-6: Assembly Group with 6 Relay Outputs
- X6** – DI8: Assembly Group with 8 Digital Inputs
- X100** – Modbus TCP / DNP3.0 TCP/UDP, Ethernet interface, 100 Mbit/s, RJ45 (BASE100-FX)
- X103** – IEC 60870-5-103 / Modbus RTU / DNP3.0 RTU, RS485, Terminals
- X104** – IRIG-B00X, incl. System Contact (Supervision Contact)

# MCA4-2D1BKA



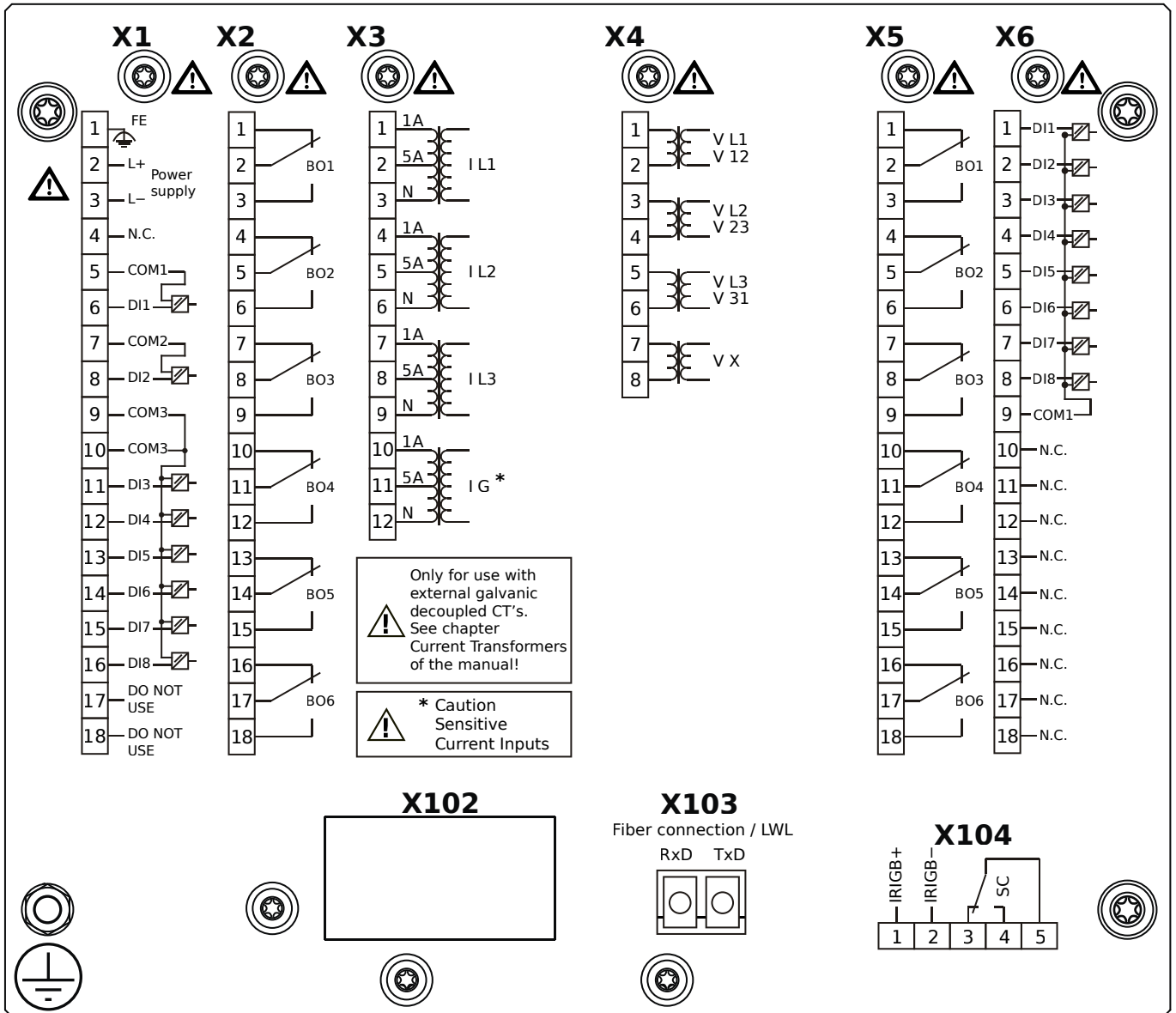
- X1** – DI8-X1: Wide-range power supply unit, incl. 2 non-grouped digital inputs and 6 grouped digital inputs
- X2** – OR-6: Assembly Group with 6 Relay Outputs
- X3** – TIs-4: Standard phase current measuring card and sensitive ground current measuring
- X4** – TU: Card with 4 voltage transformer measuring inputs
- X5** – OR-6: Assembly Group with 6 Relay Outputs
- X6** – DI8: Assembly Group with 8 Digital Inputs
- X103** – IEC 61850 / Modbus TCP / DNP3.0 TCP/UDP, Fiber optics interface, LC Connector
- X104** – IRIG-B00X, incl. System Contact (Supervision Contact)

# MCA4-2D1BKB



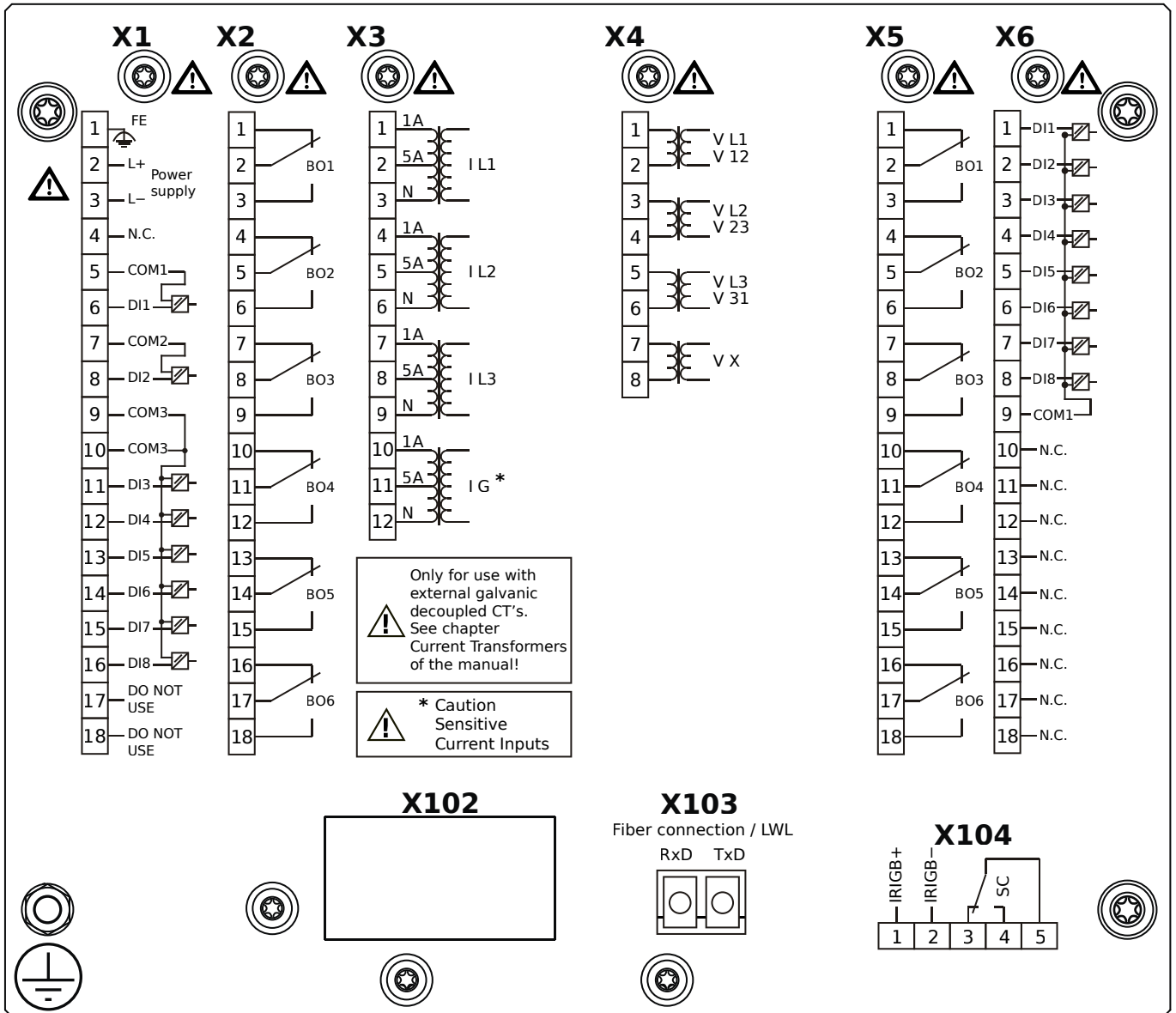
- X1** – DI8-X1: Wide-range power supply unit, incl. 2 non-grouped digital inputs and 6 grouped digital inputs
- X2** – OR-6: Assembly Group with 6 Relay Outputs
- X3** – TIs-4: Standard phase current measuring card and sensitive ground current measuring
- X4** – TU: Card with 4 voltage transformer measuring inputs
- X5** – OR-6: Assembly Group with 6 Relay Outputs
- X6** – DI8: Assembly Group with 8 Digital Inputs
- X103** – IEC 61850 / Modbus TCP / DNP3.0 TCP/UDP, Fiber optics interface, LC Connector
- X104** – IRIG-B00X, incl. System Contact (Supervision Contact)

# MCA4-2D1BLA



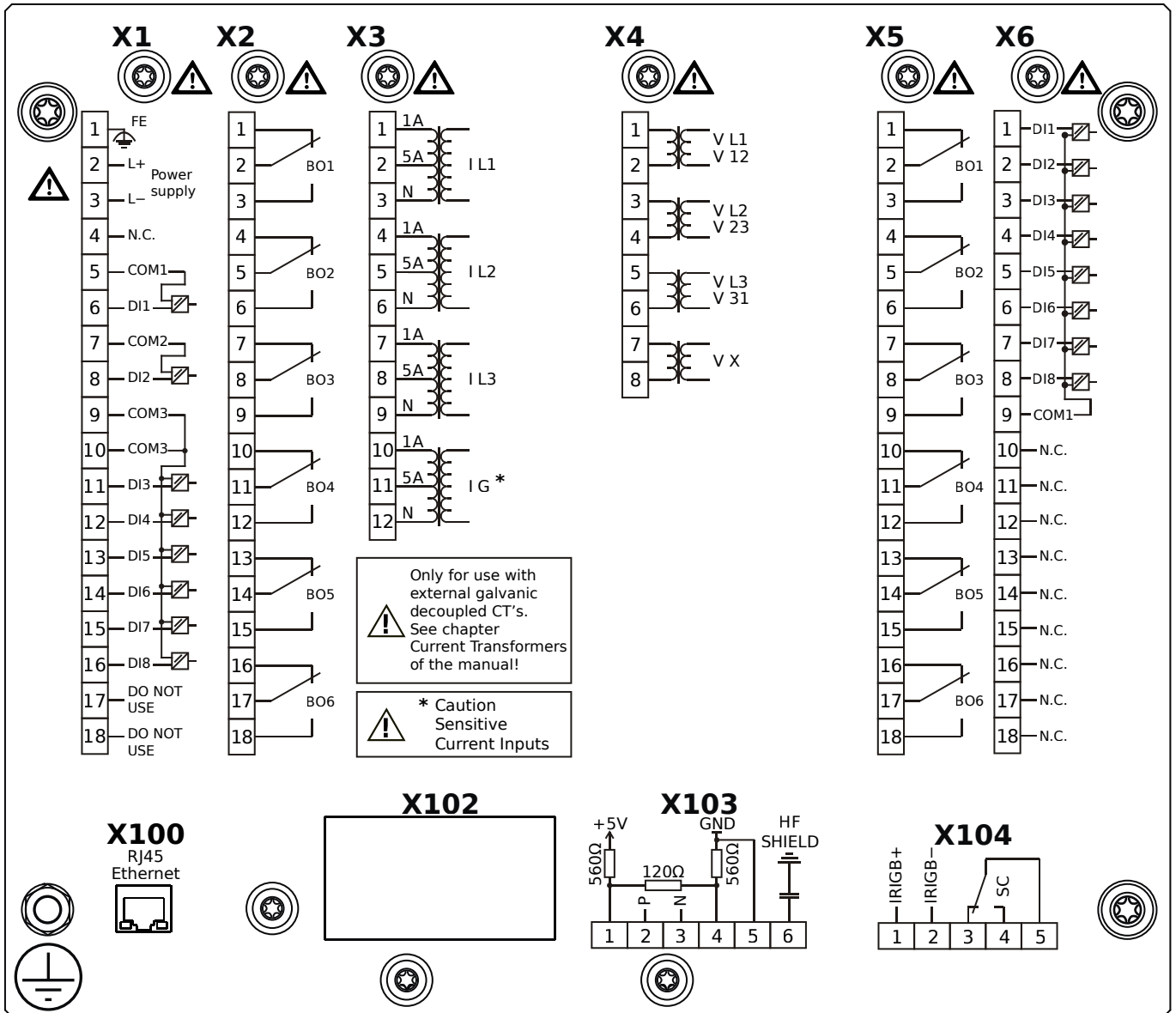
- X1** – DI8-X1: Wide-range power supply unit, incl. 2 non-grouped digital inputs and 6 grouped digital inputs
- X2** – OR-6: Assembly Group with 6 Relay Outputs
- X3** – TIs-4: Standard phase current measuring card and sensitive ground current measuring
- X4** – TU: Card with 4 voltage transformer measuring inputs
- X5** – OR-6: Assembly Group with 6 Relay Outputs
- X6** – DI8: Assembly Group with 8 Digital Inputs
- X103** – Modbus TCP / DNP3.0 TCP/UDP, Fiber optics interface, LC Connector
- X104** – IRIG-B00X, incl. System Contact (Supervision Contact)

# MCA4-2D1BLB



- X1** – DI8-X1: Wide-range power supply unit, incl. 2 non-grouped digital inputs and 6 grouped digital inputs
- X2** – OR-6: Assembly Group with 6 Relay Outputs
- X3** – TIs-4: Standard phase current measuring card and sensitive ground current measuring
- X4** – TU: Card with 4 voltage transformer measuring inputs
- X5** – OR-6: Assembly Group with 6 Relay Outputs
- X6** – DI8: Assembly Group with 8 Digital Inputs
- X103** – Modbus TCP / DNP3.0 TCP/UDP, Fiber optics interface, LC Connector
- X104** – IRIG-B00X, incl. System Contact (Supervision Contact)

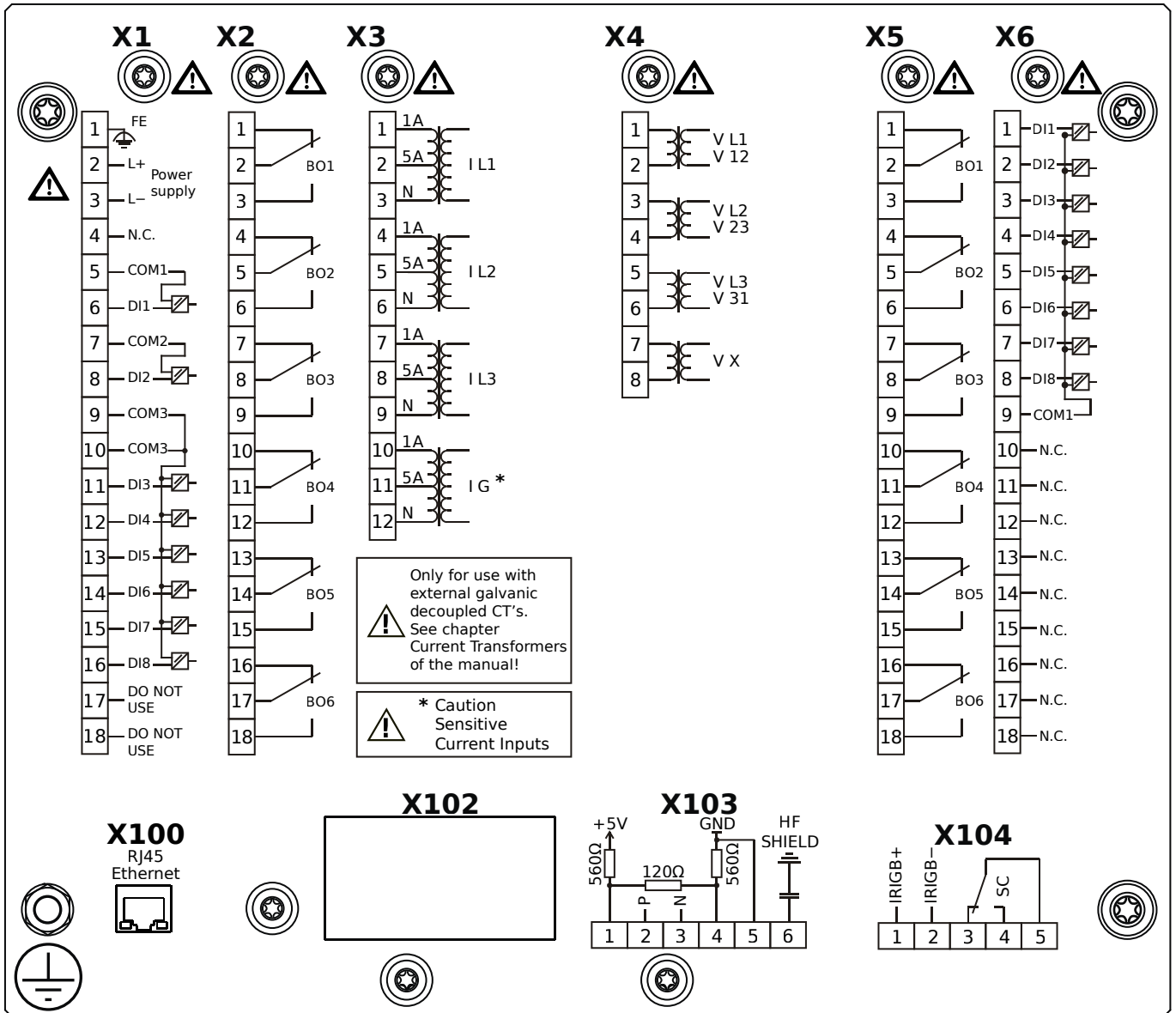
# MCA4-2D1BTA



- X1** – DI8-X1: Wide-range power supply unit, incl. 2 non-grouped digital inputs and 6 grouped digital inputs
- X2** – OR-6: Assembly Group with 6 Relay Outputs
- X3** – TIs-4: Standard phase current measuring card and sensitive ground current measuring
- X4** – TU: Card with 4 voltage transformer measuring inputs
- X5** – OR-6: Assembly Group with 6 Relay Outputs
- X6** – DI8: Assembly Group with 8 Digital Inputs
- X100** – IEC 61850 / Modbus TCP / DNP3.0 TCP/UDP, Ethernet interface, 100 Mbit/s, RJ45 (BASE100-FX)
- X103** – IEC 60870-5-103 / Modbus RTU / DNP3.0 RTU, RS485, Terminals
- X104** – IRIG-B00X, incl. System Contact (Supervision Contact)

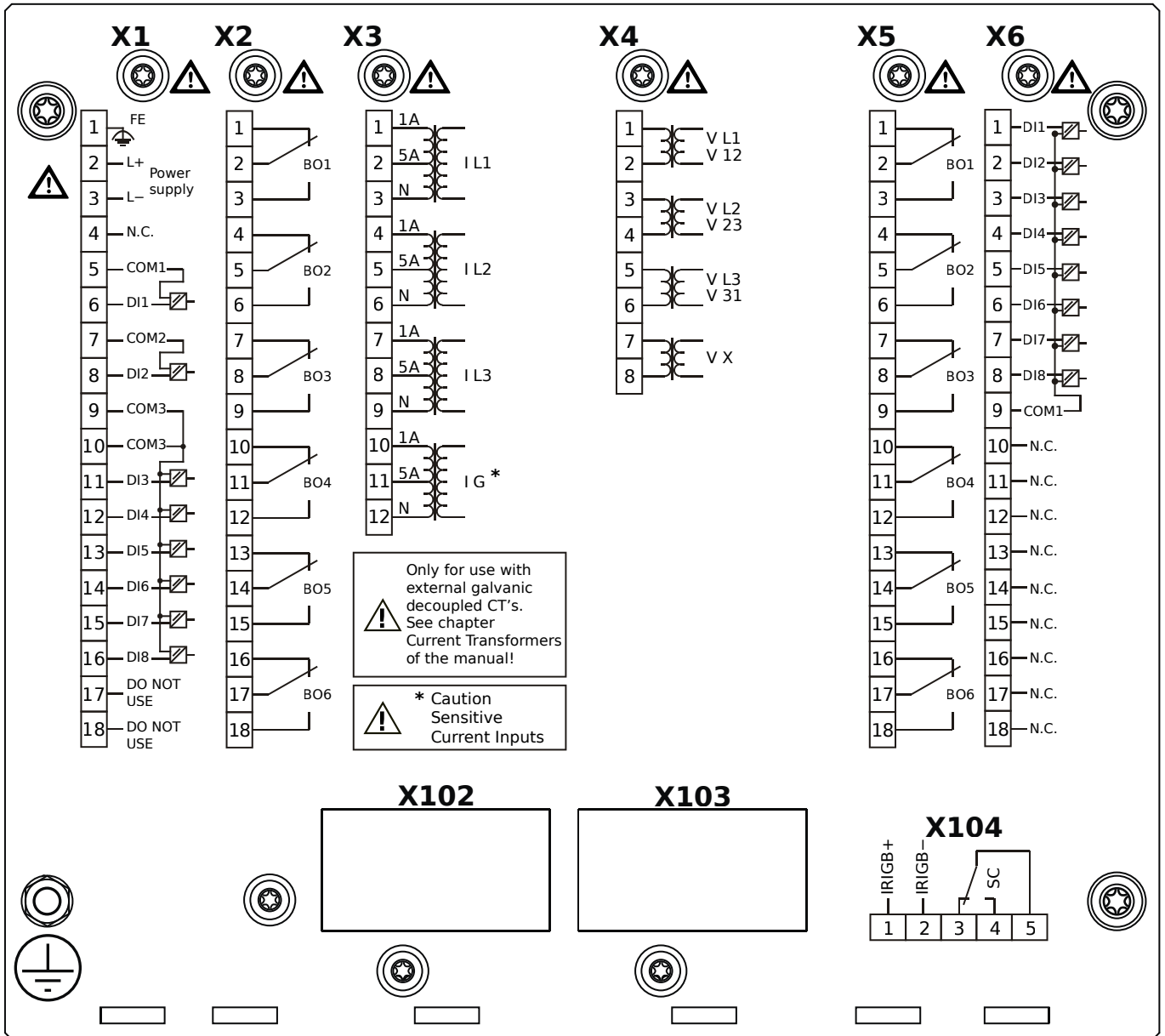


# MCA4-2D1BTB



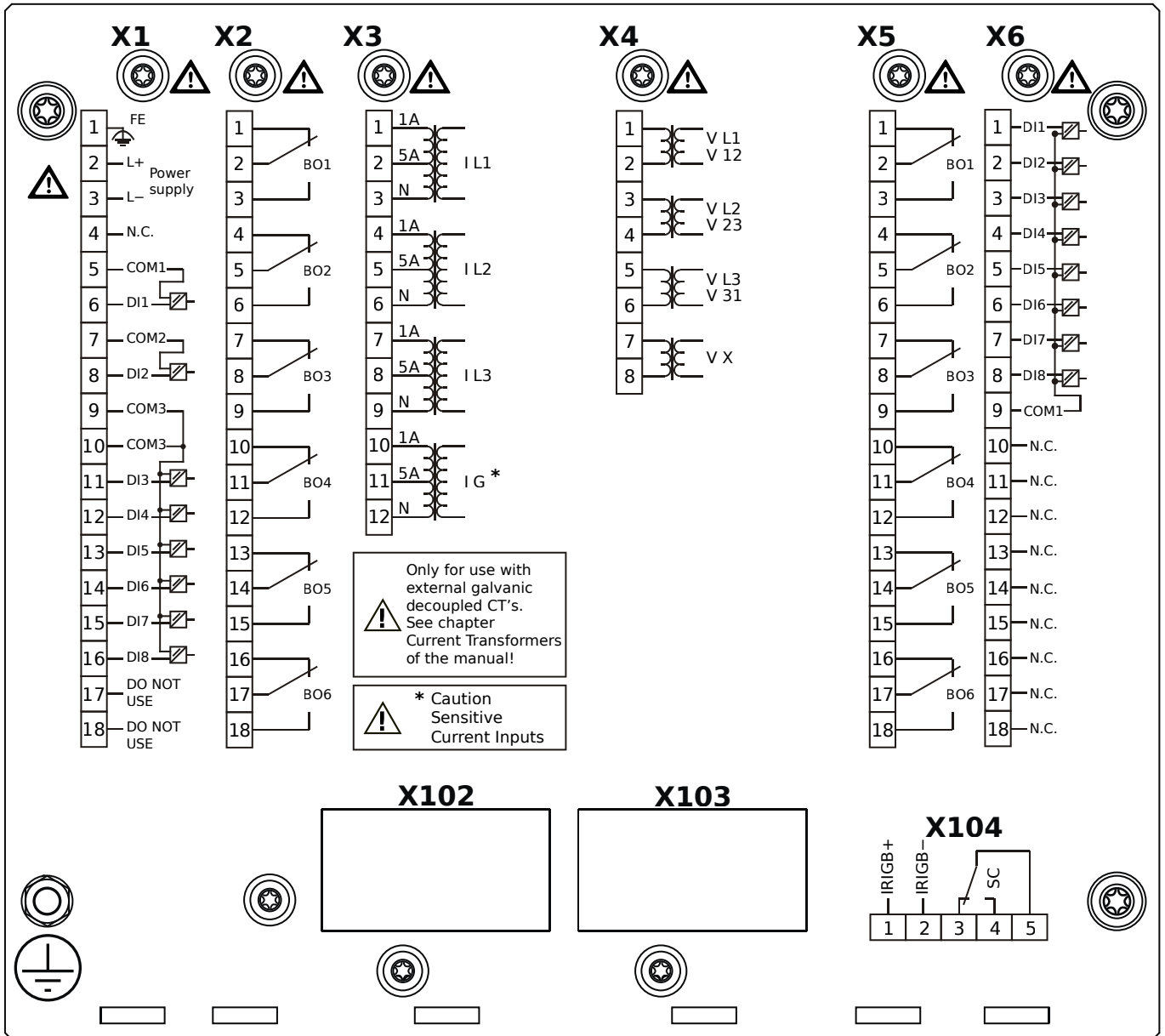
- X1** – DI8-X1: Wide-range power supply unit, incl. 2 non-grouped digital inputs and 6 grouped digital inputs
- X2** – OR-6: Assembly Group with 6 Relay Outputs
- X3** – TIs-4: Standard phase current measuring card and sensitive ground current measuring
- X4** – TU: Card with 4 voltage transformer measuring inputs
- X5** – OR-6: Assembly Group with 6 Relay Outputs
- X6** – DI8: Assembly Group with 8 Digital Inputs
- X100** – IEC 61850 / Modbus TCP / DNP3.0 TCP/UDP, Ethernet interface, 100 Mbit/s, RJ45 (BASE100-FX)
- X103** – IEC 60870-5-103 / Modbus RTU / DNP3.0 RTU, RS485, Terminals
- X104** – IRIG-B00X, incl. System Contact (Supervision Contact)

# MCA4-2D1HAA



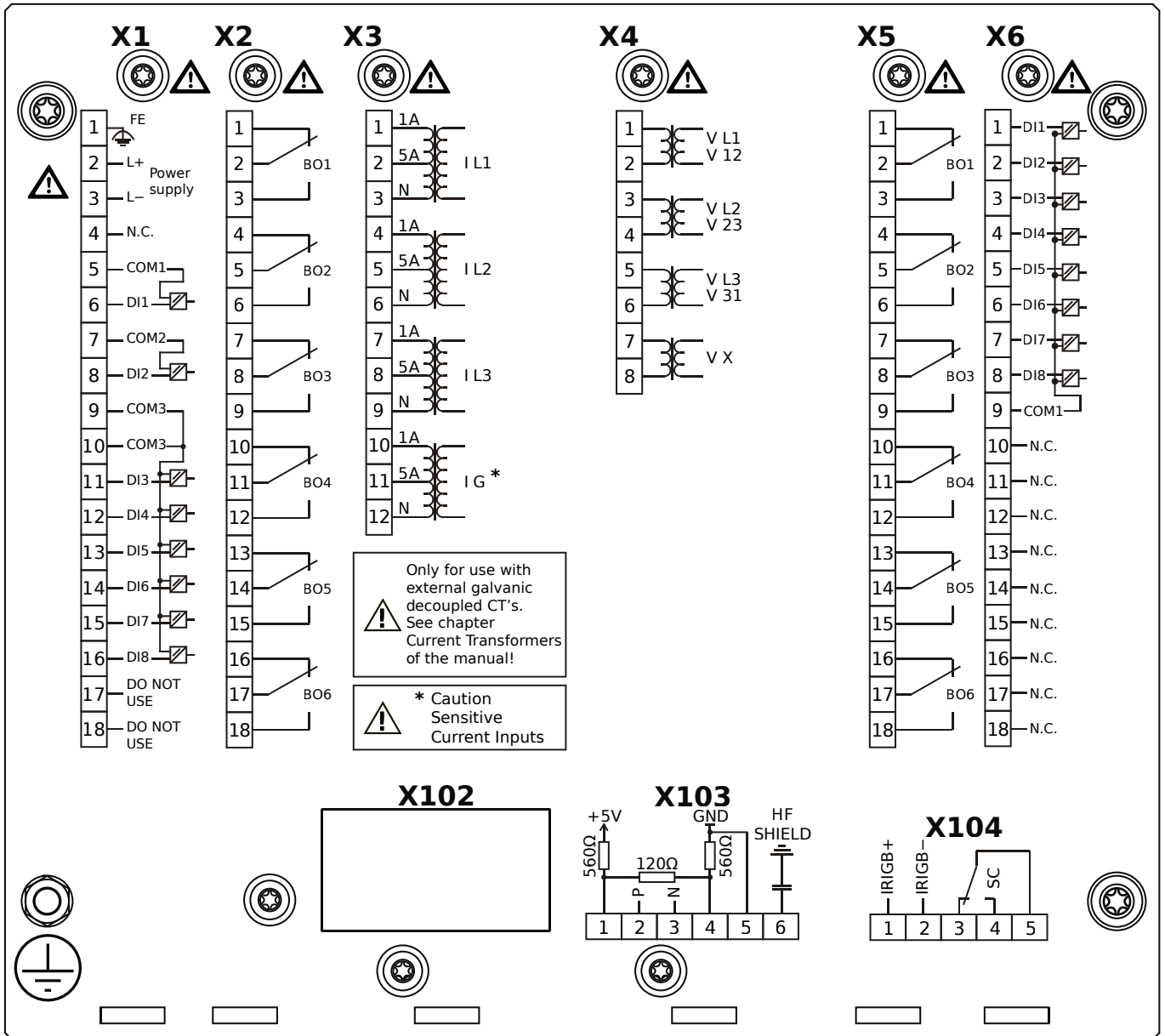
- X1** – DI8-X1: Wide-range power supply unit, incl. 2 non-grouped digital inputs and 6 grouped digital inputs
- X2** – OR-6: Assembly Group with 6 Relay Outputs
- X3** – TIs-4: Standard phase current measuring card and sensitive ground current measuring
- X4** – TU: Card with 4 voltage transformer measuring inputs
- X5** – OR-6: Assembly Group with 6 Relay Outputs
- X6** – DI8: Assembly Group with 8 Digital Inputs
- X104** – IRIG-B00X, incl. System Contact (Supervision Contact)

# MCA4-2D1HAB



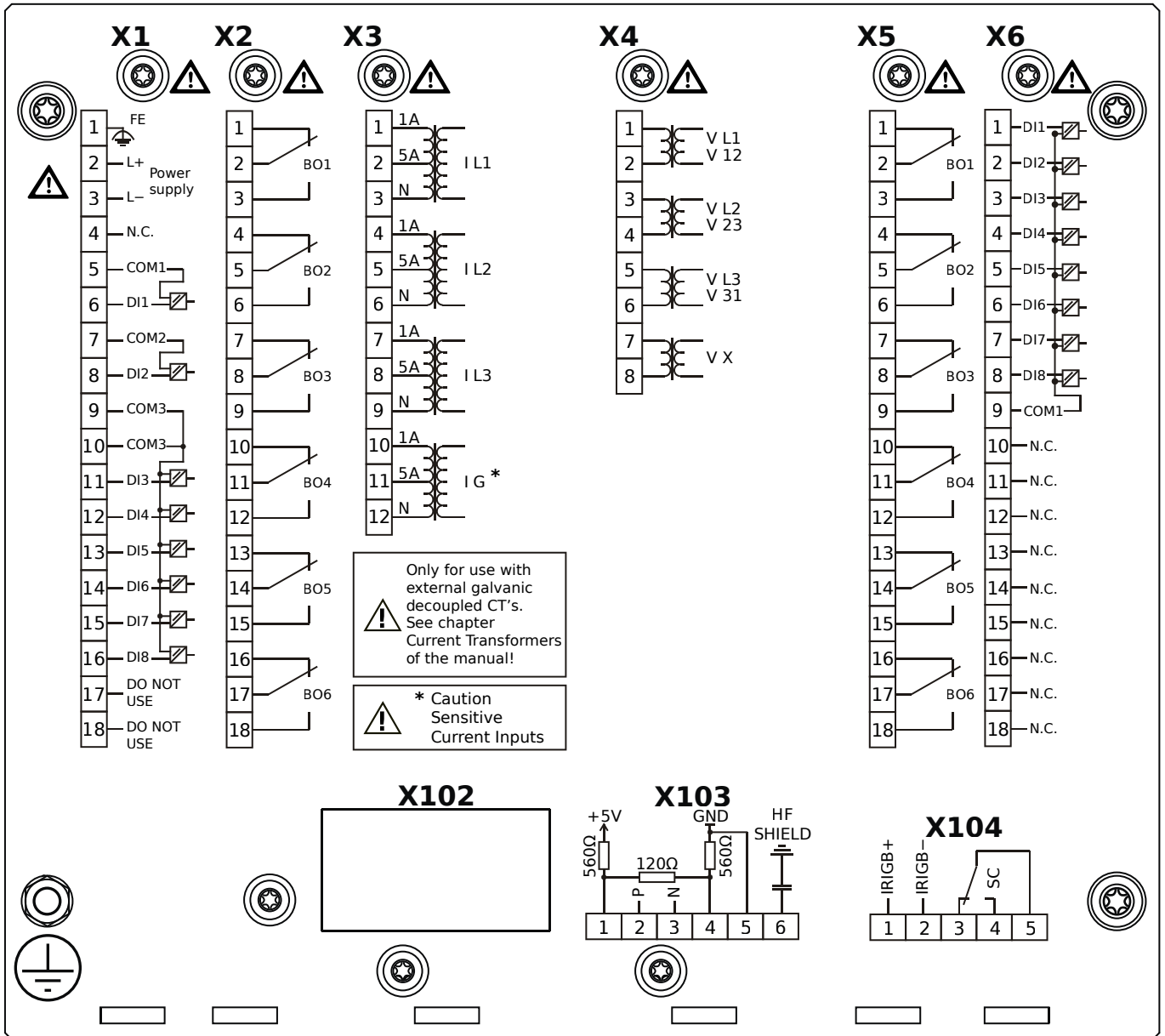
- X1** – DI8-X1: Wide-range power supply unit, incl. 2 non-grouped digital inputs and 6 grouped digital inputs
- X2** – OR-6: Assembly Group with 6 Relay Outputs
- X3** – TIs-4: Standard phase current measuring card and sensitive ground current measuring
- X4** – TU: Card with 4 voltage transformer measuring inputs
- X5** – OR-6: Assembly Group with 6 Relay Outputs
- X6** – DI8: Assembly Group with 8 Digital Inputs
- X104** – IRIG-B00X, incl. System Contact (Supervision Contact)

# MCA4-2D1HBA



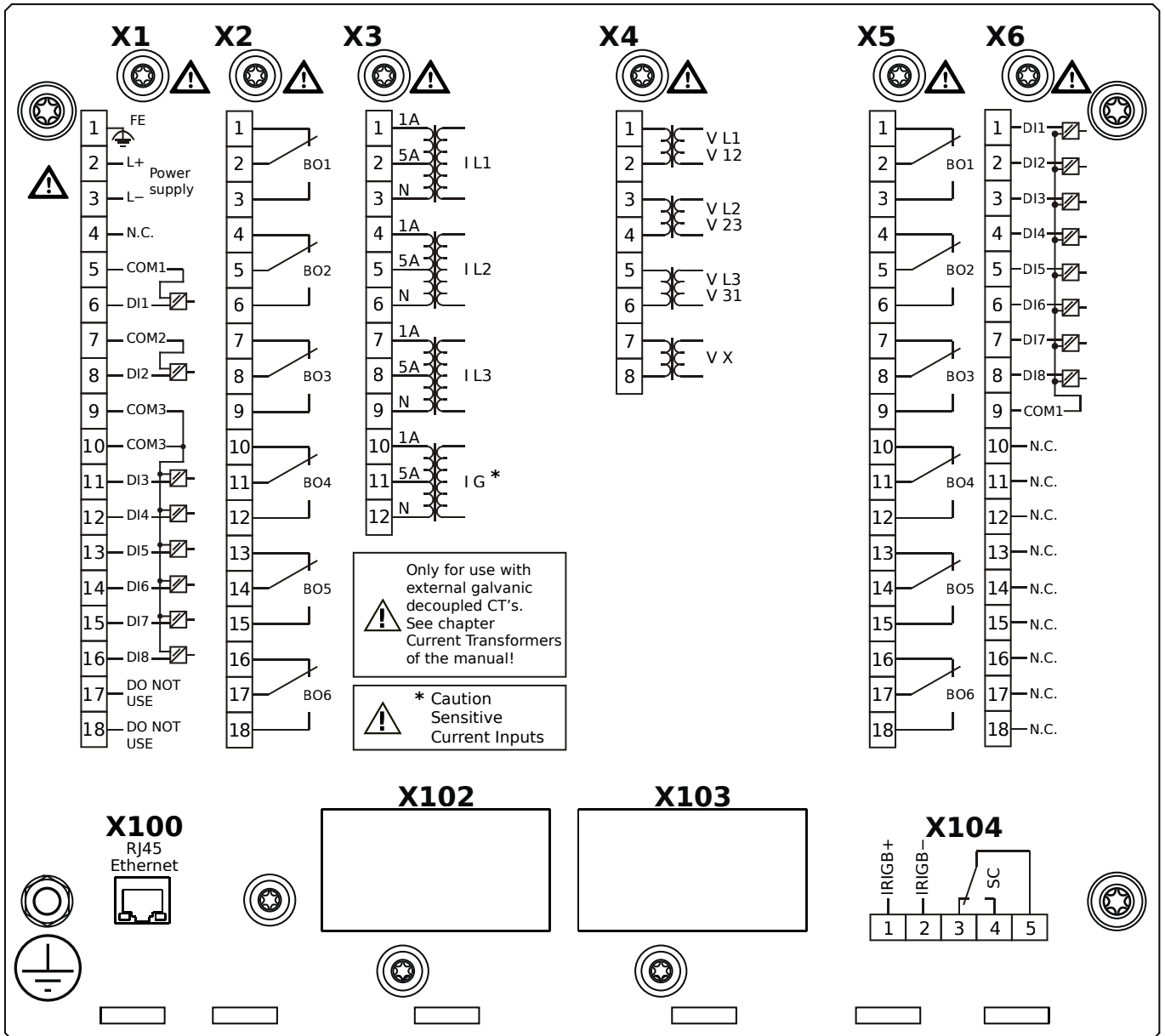
- X1** – DI8-X1: Wide-range power supply unit, incl. 2 non-grouped digital inputs and 6 grouped digital inputs
- X2** – OR-6: Assembly Group with 6 Relay Outputs
- X3** – TIs-4: Standard phase current measuring card and sensitive ground current measuring
- X4** – TU: Card with 4 voltage transformer measuring inputs
- X5** – OR-6: Assembly Group with 6 Relay Outputs
- X6** – DI8: Assembly Group with 8 Digital Inputs
- X103** – Modbus RTU / IEC 60870-5-103 / DNP3.0 RTU, RS485, Terminals
- X104** – IRIG-B00X, incl. System Contact (Supervision Contact)

# MCA4-2D1HBB



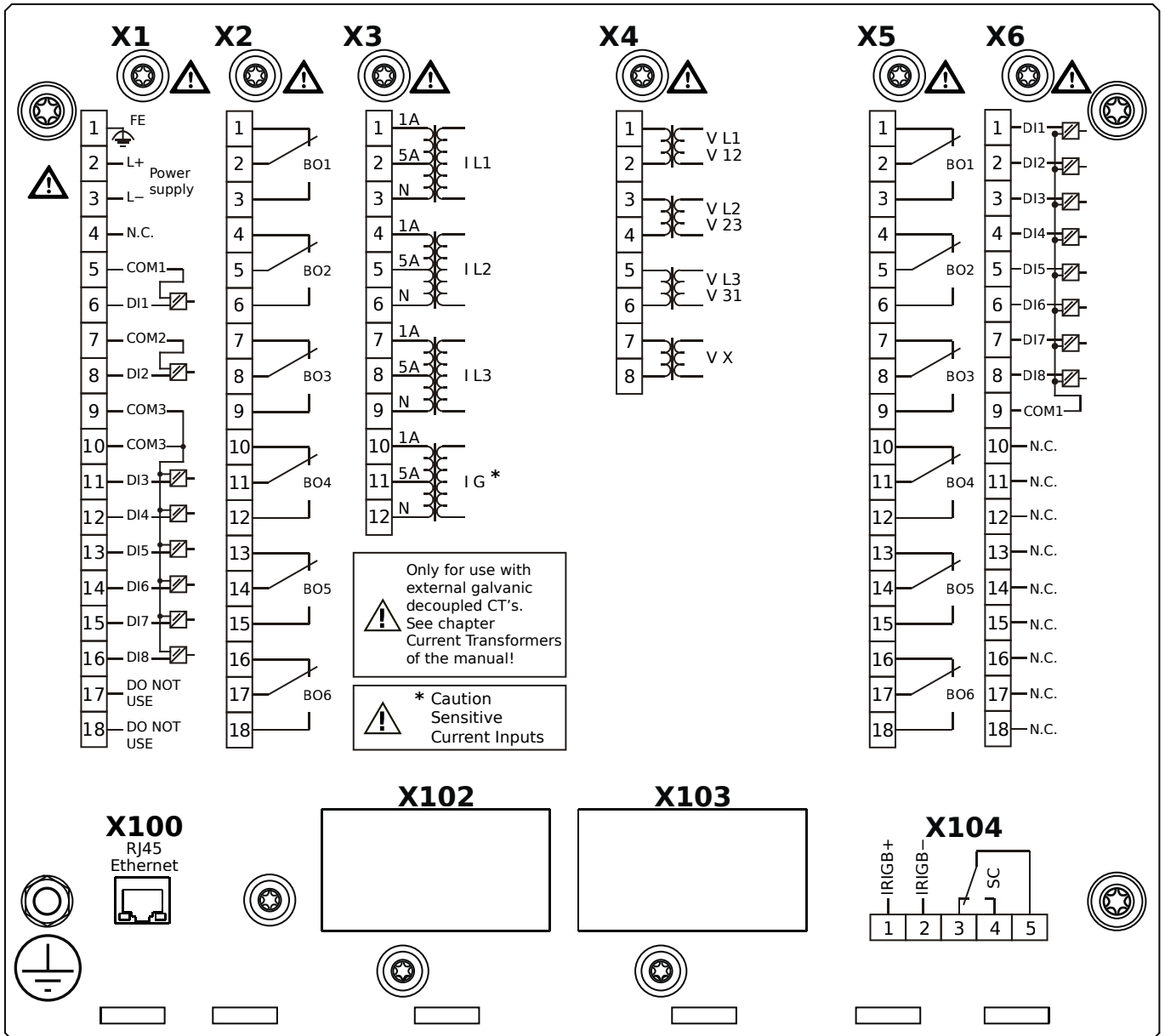
- X1** – DI8-X1: Wide-range power supply unit, incl. 2 non-grouped digital inputs and 6 grouped digital inputs
- X2** – OR-6: Assembly Group with 6 Relay Outputs
- X3** – TIs-4: Standard phase current measuring card and sensitive ground current measuring
- X4** – TU: Card with 4 voltage transformer measuring inputs
- X5** – OR-6: Assembly Group with 6 Relay Outputs
- X6** – DI8: Assembly Group with 8 Digital Inputs
- X103** – Modbus RTU / IEC 60870-5-103 / DNP3.0 RTU, RS485, Terminals
- X104** – IRIG-B00X, incl. System Contact (Supervision Contact)

# MCA4-2D1HCA



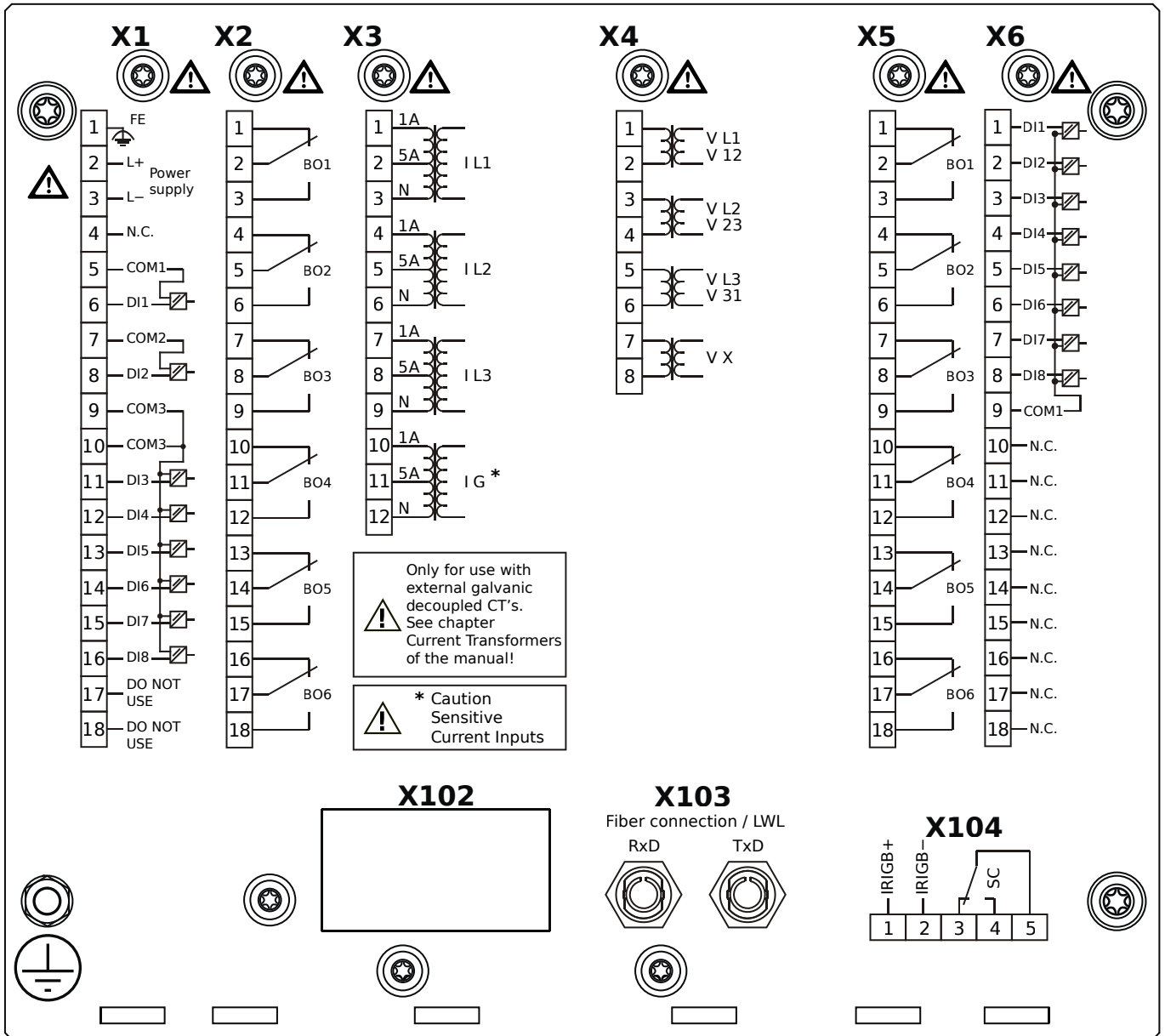
- X1** – DI8-X1: Wide-range power supply unit, incl. 2 non-grouped digital inputs and 6 grouped digital inputs
- X2** – OR-6: Assembly Group with 6 Relay Outputs
- X3** – TIs-4: Standard phase current measuring card and sensitive ground current measuring
- X4** – TU: Card with 4 voltage transformer measuring inputs
- X5** – OR-6: Assembly Group with 6 Relay Outputs
- X6** – DI8: Assembly Group with 8 Digital Inputs
- X100** – Modbus TCP / DNP3.0 TCP/UDP, Ethernet interface, 100 Mbit/s, RJ45 (BASE100-FX)
- X104** – IRIG-B00X, incl. System Contact (Supervision Contact)

# MCA4-2D1HCB



- X1** – DI8-X1: Wide-range power supply unit, incl. 2 non-grouped digital inputs and 6 grouped digital inputs
- X2** – OR-6: Assembly Group with 6 Relay Outputs
- X3** – TIs-4: Standard phase current measuring card and sensitive ground current measuring
- X4** – TU: Card with 4 voltage transformer measuring inputs
- X5** – OR-6: Assembly Group with 6 Relay Outputs
- X6** – DI8: Assembly Group with 8 Digital Inputs
- X100** – Modbus TCP / DNP3.0 TCP/UDP, Ethernet interface, 100 Mbit/s, RJ45 (BASE100-FX)
- X104** – IRIG-B00X, incl. System Contact (Supervision Contact)

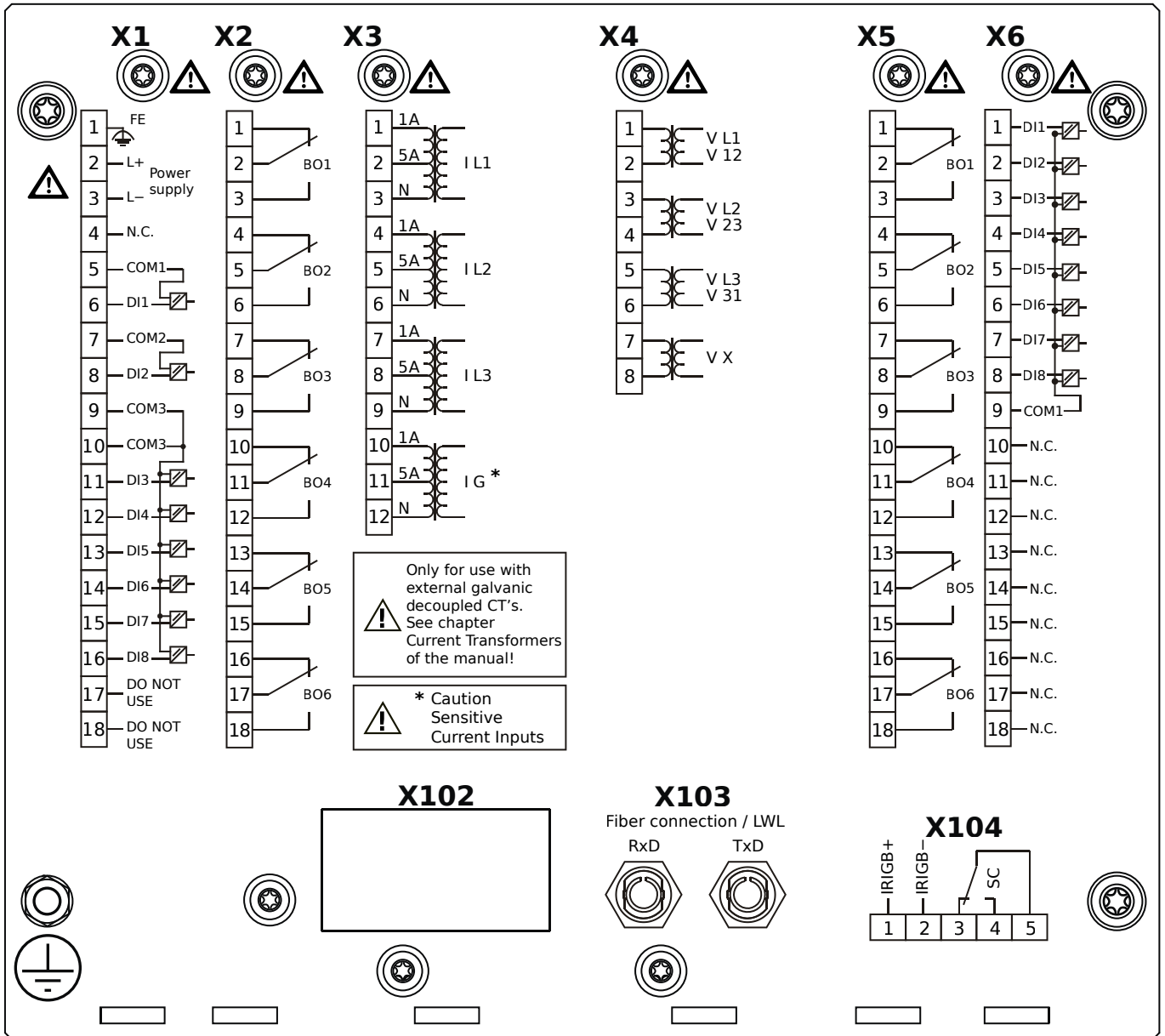
# MCA4-2D1HDA



- X1** – DI8-X1: Wide-range power supply unit, incl. 2 non-grouped digital inputs and 6 grouped digital inputs
- X2** – OR-6: Assembly Group with 6 Relay Outputs
- X3** – TI-4: Standard phase current measuring card and sensitive ground current measuring
- X4** – TU: Card with 4 voltage transformer measuring inputs
- X5** – OR-6: Assembly Group with 6 Relay Outputs
- X6** – DI8: Assembly Group with 8 Digital Inputs
- X103** – Profibus-DP, Fiber optics interface, ST Connector
- X104** – IRIG-B00X, incl. System Contact (Supervision Contact)

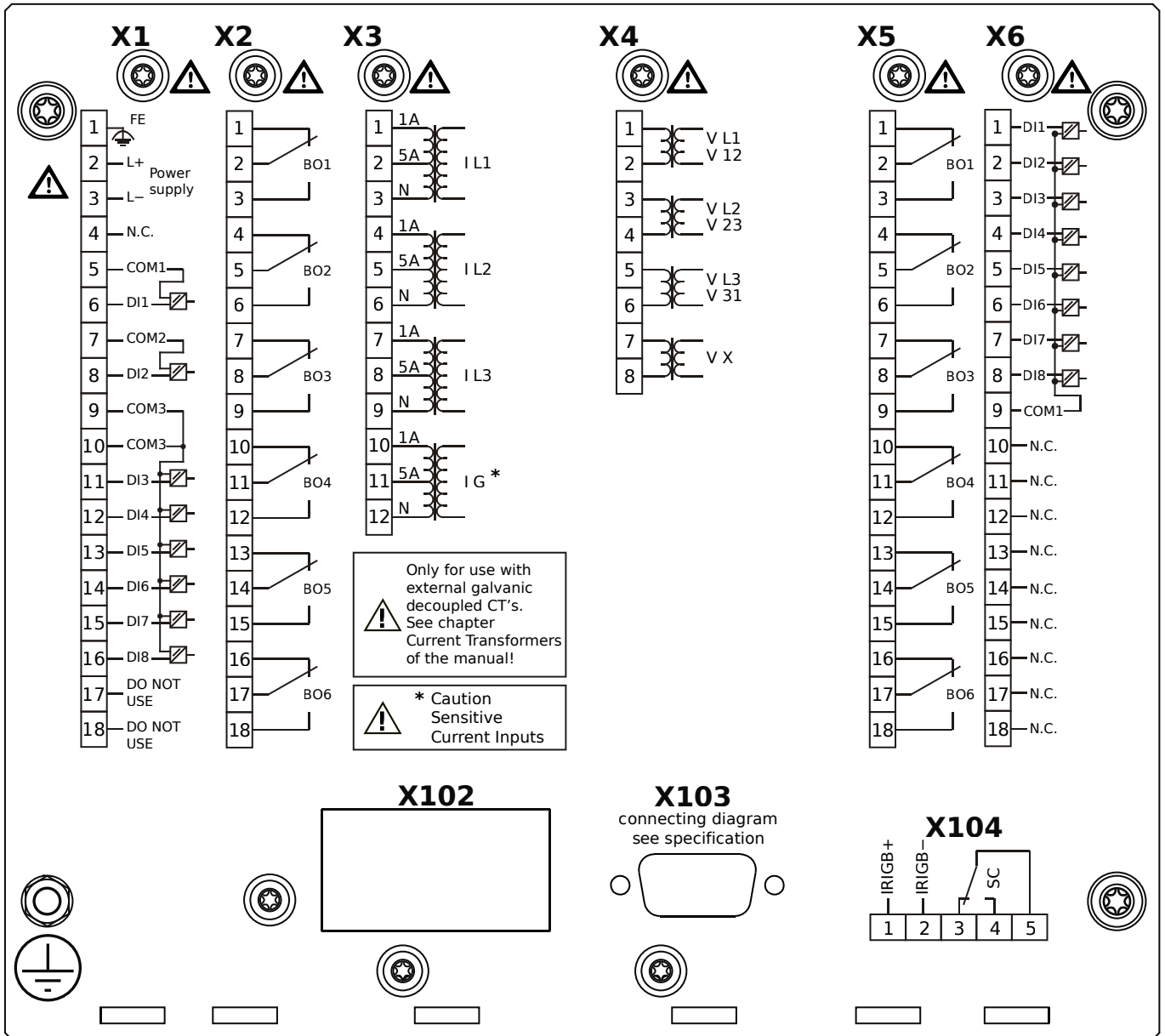


# MCA4-2D1HDB



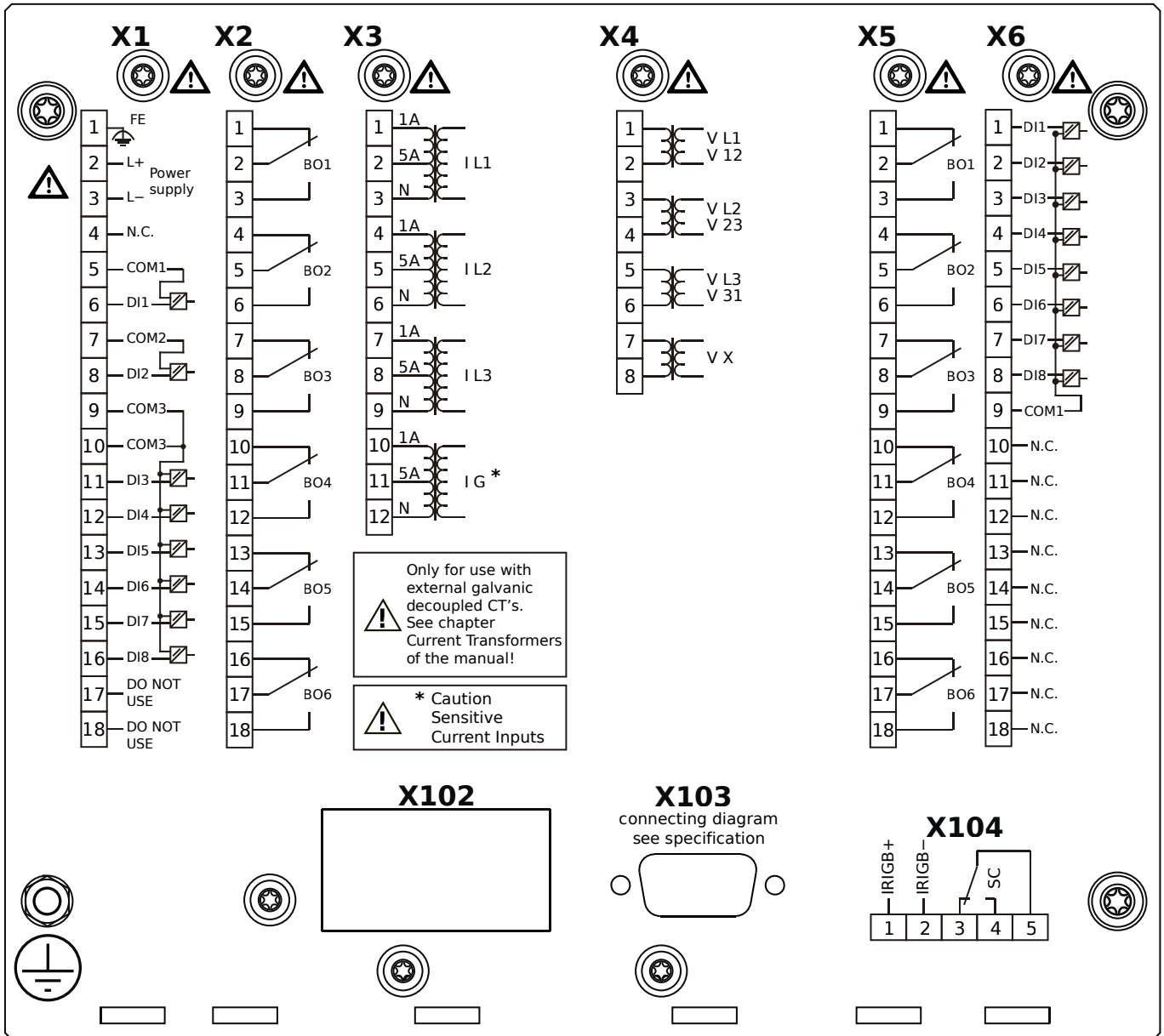
- X1** – DI8-X1: Wide-range power supply unit, incl. 2 non-grouped digital inputs and 6 grouped digital inputs
- X2** – OR-6: Assembly Group with 6 Relay Outputs
- X3** – TIs-4: Standard phase current measuring card and sensitive ground current measuring
- X4** – TU: Card with 4 voltage transformer measuring inputs
- X5** – OR-6: Assembly Group with 6 Relay Outputs
- X6** – DI8: Assembly Group with 8 Digital Inputs
- X103** – Profibus-DP, Fiber optics interface, ST Connector
- X104** – IRIG-B00X, incl. System Contact (Supervision Contact)

# MCA4-2D1HEA



- X1** – DI8-X1: Wide-range power supply unit, incl. 2 non-grouped digital inputs and 6 grouped digital inputs
- X2** – OR-6: Assembly Group with 6 Relay Outputs
- X3** – TIs-4: Standard phase current measuring card and sensitive ground current measuring
- X4** – TU: Card with 4 voltage transformer measuring inputs
- X5** – OR-6: Assembly Group with 6 Relay Outputs
- X6** – DI8: Assembly Group with 8 Digital Inputs
- X103** – Profibus-DP, RS485, D-SUB
- X104** – IRIG-B00X, incl. System Contact (Supervision Contact)

# MCA4-2D1HEB



**X1** – DI8-X1: Wide-range power supply unit, incl. 2 non-grouped digital inputs and 6 grouped digital inputs

**X2** – OR-6: Assembly Group with 6 Relay Outputs

**X3** – TIs-4: Standard phase current measuring card and sensitive ground current measuring

**X4** – TU: Card with 4 voltage transformer measuring inputs

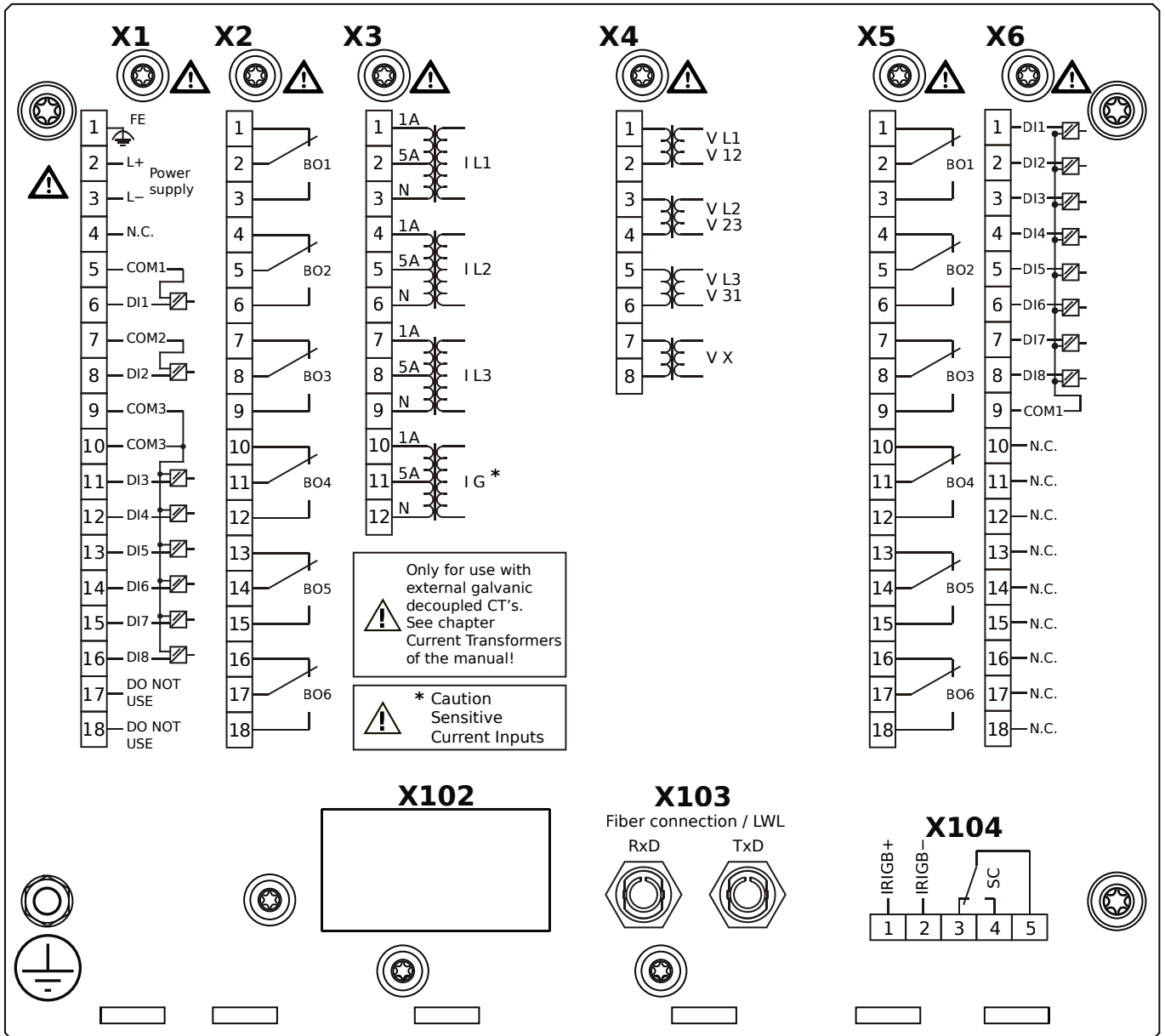
**X5** – OR-6: Assembly Group with 6 Relay Outputs

**X6** – DI8: Assembly Group with 8 Digital Inputs

**X103** – Profibus-DP, RS485, D-SUB

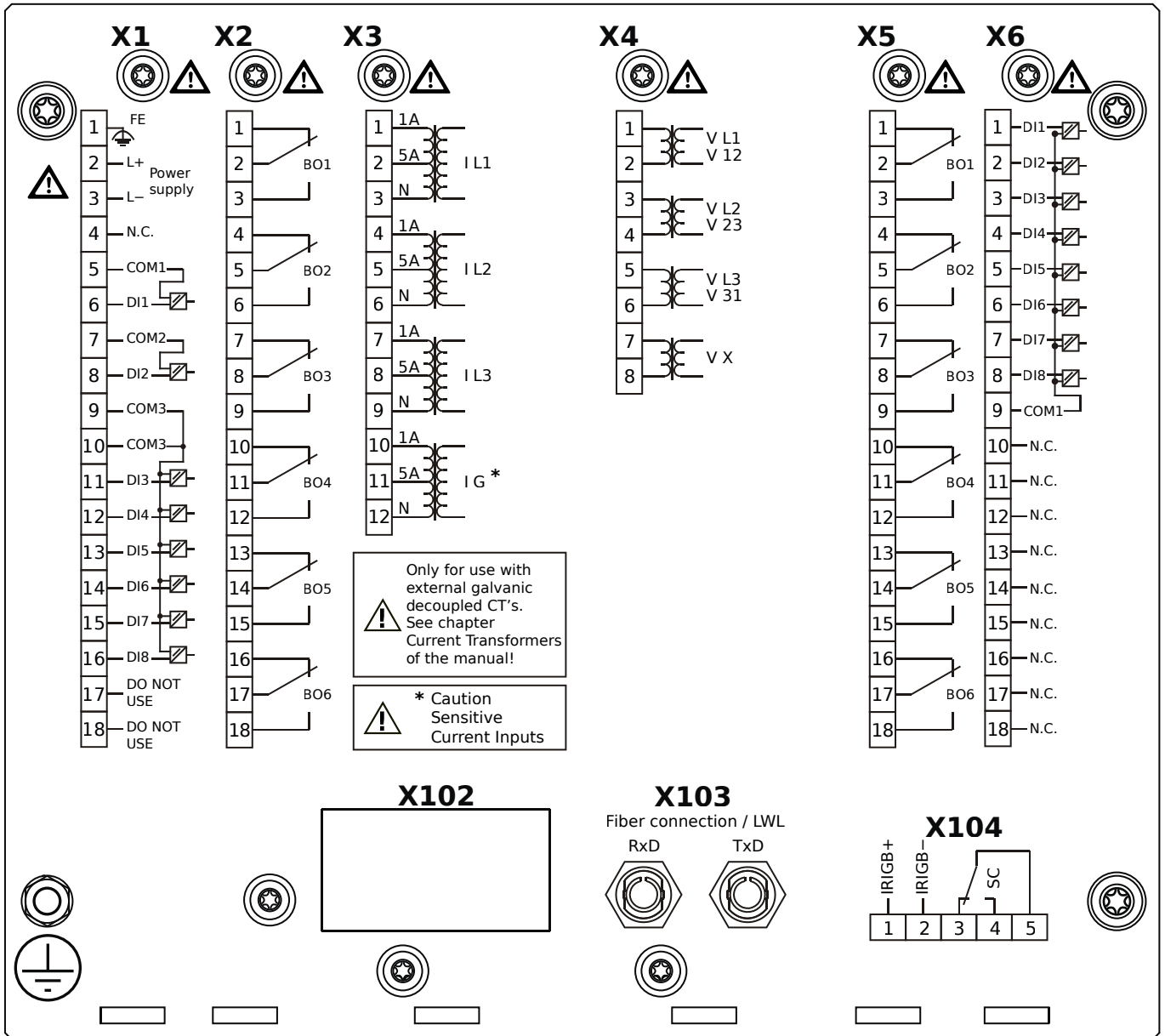
**X104** – IRIG-B00X, incl. System Contact (Supervision Contact)

# MCA4-2D1HFA



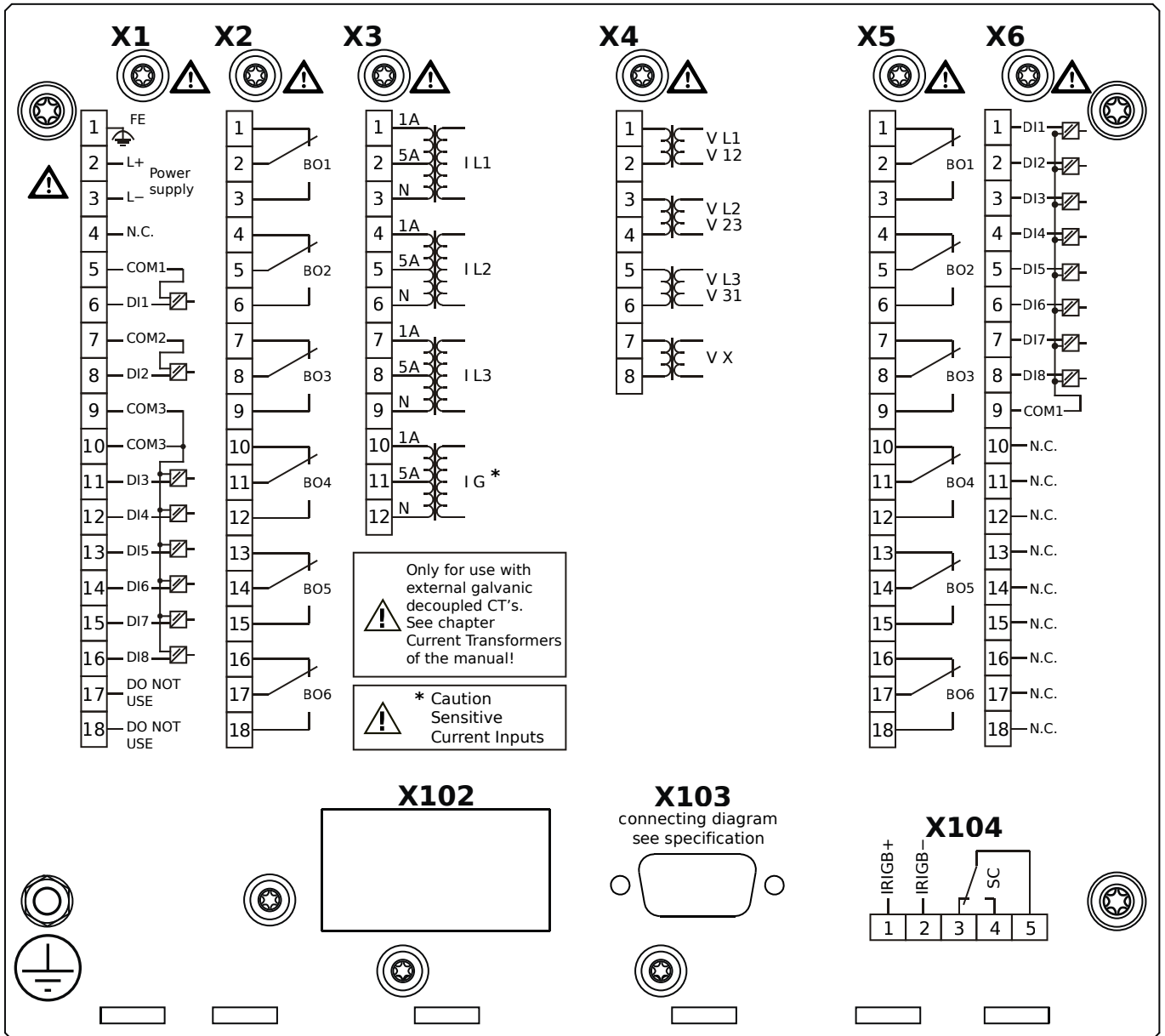
- X1** – DI8-X1: Wide-range power supply unit, incl. 2 non-grouped digital inputs and 6 grouped digital inputs
- X2** – OR-6: Assembly Group with 6 Relay Outputs
- X3** – TIs-4: Standard phase current measuring card and sensitive ground current measuring
- X4** – TU: Card with 4 voltage transformer measuring inputs
- X5** – OR-6: Assembly Group with 6 Relay Outputs
- X6** – DI8: Assembly Group with 8 Digital Inputs
- X103** – Modbus RTU / IEC 60870-5-103 / DNP3.0 RTU, Fiber optics interface, ST Connector
- X104** – IRIG-B00X, incl. System Contact (Supervision Contact)

# MCA4-2D1HFB



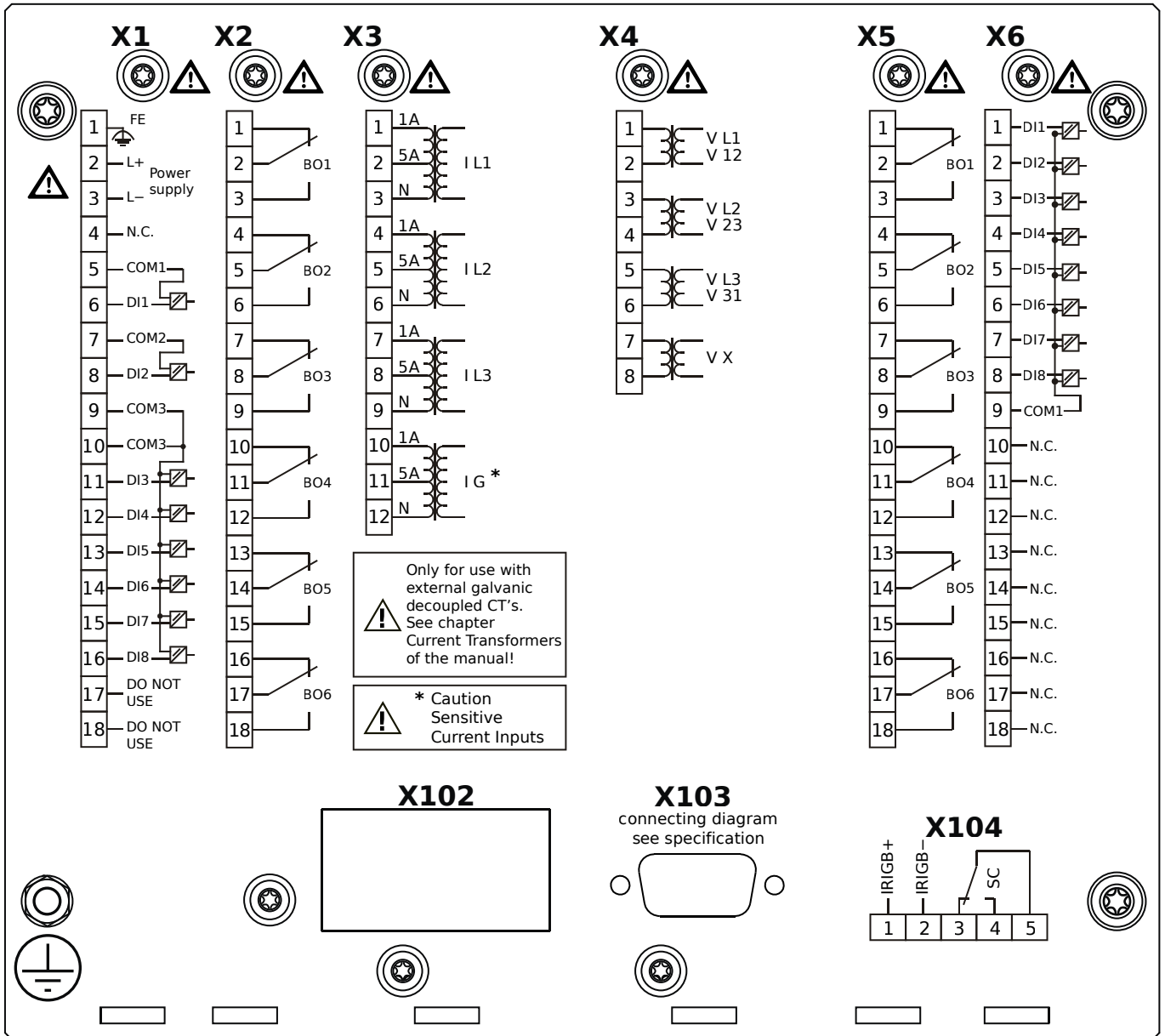
- X1** – DI8-X1: Wide-range power supply unit, incl. 2 non-grouped digital inputs and 6 grouped digital inputs
- X2** – OR-6: Assembly Group with 6 Relay Outputs
- X3** – TIs-4: Standard phase current measuring card and sensitive ground current measuring
- X4** – TU: Card with 4 voltage transformer measuring inputs
- X5** – OR-6: Assembly Group with 6 Relay Outputs
- X6** – DI8: Assembly Group with 8 Digital Inputs
- X103** – Modbus RTU / IEC 60870-5-103 / DNP3.0 RTU, Fiber optics interface, ST Connector
- X104** – IRIG-B00X, incl. System Contact (Supervision Contact)

# MCA4-2D1HGA



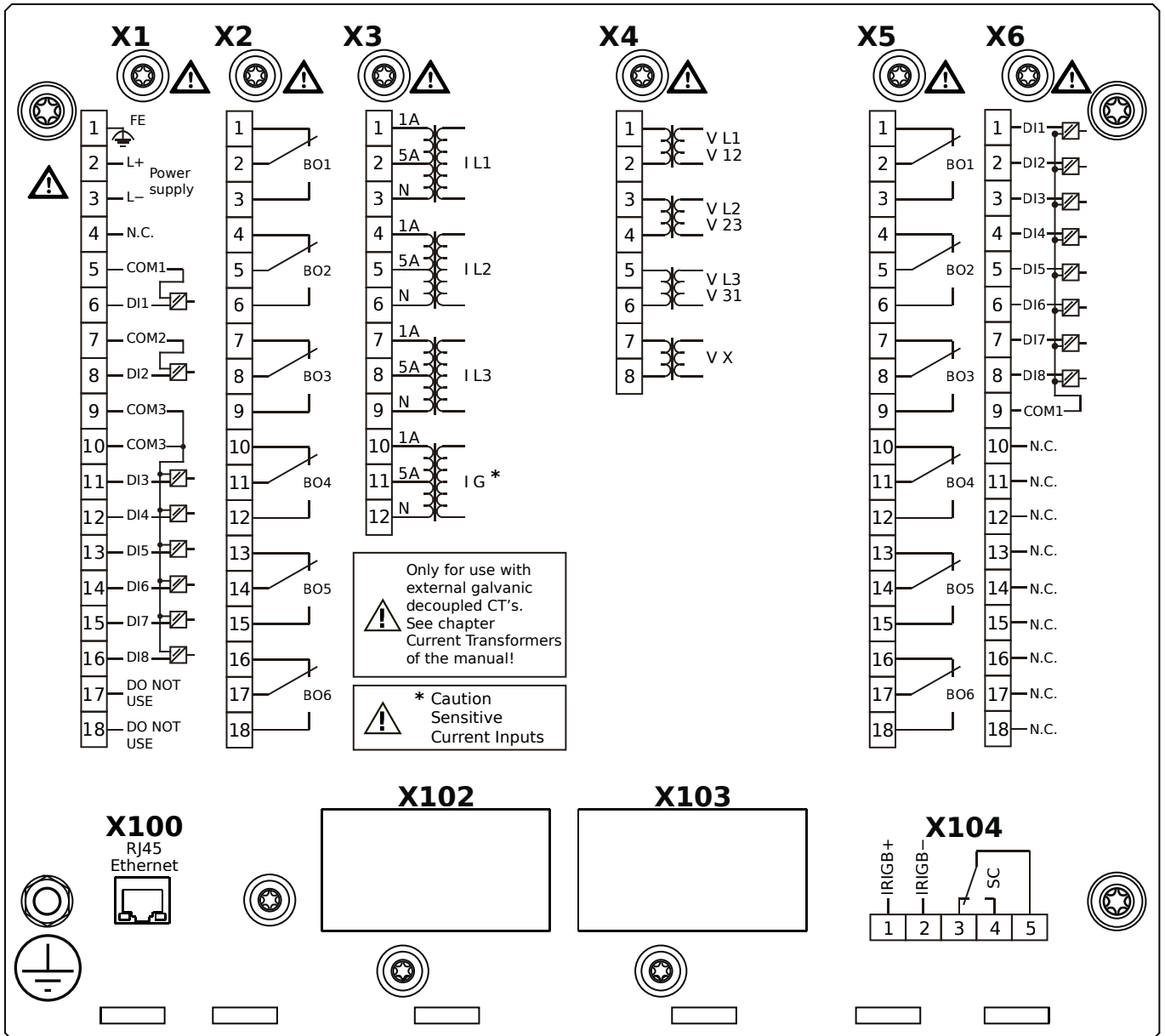
- X1** – DI8-X1: Wide-range power supply unit, incl. 2 non-grouped digital inputs and 6 grouped digital inputs
- X2** – OR-6: Assembly Group with 6 Relay Outputs
- X3** – TIs-4: Standard phase current measuring card and sensitive ground current measuring
- X4** – TU: Card with 4 voltage transformer measuring inputs
- X5** – OR-6: Assembly Group with 6 Relay Outputs
- X6** – DI8: Assembly Group with 8 Digital Inputs
- X103** – Modbus RTU / IEC 60870-5-103 / DNP3.0 RTU, RS485, D-SUB
- X104** – IRIG-B00X, incl. System Contact (Supervision Contact)

# MCA4-2D1HGB



- X1** – DI8-X1: Wide-range power supply unit, incl. 2 non-grouped digital inputs and 6 grouped digital inputs
- X2** – OR-6: Assembly Group with 6 Relay Outputs
- X3** – TIs-4: Standard phase current measuring card and sensitive ground current measuring
- X4** – TU: Card with 4 voltage transformer measuring inputs
- X5** – OR-6: Assembly Group with 6 Relay Outputs
- X6** – DI8: Assembly Group with 8 Digital Inputs
- X103** – Modbus RTU / IEC 60870-5-103 / DNP3.0 RTU, RS485, D-SUB
- X104** – IRIG-B00X, incl. System Contact (Supervision Contact)

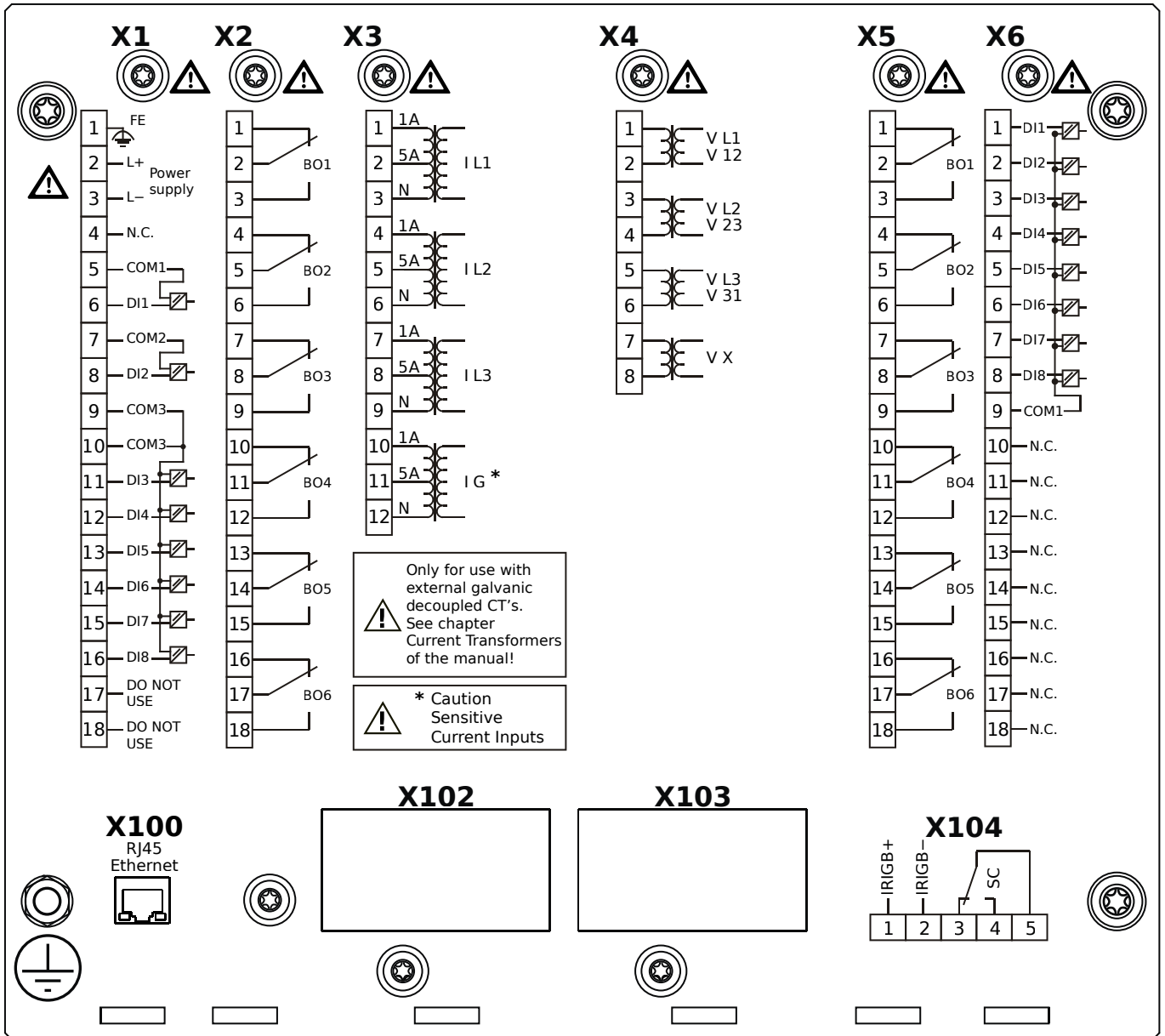
# MCA4-2D1HHA



- X1** – DI8-X1: Wide-range power supply unit, incl. 2 non-grouped digital inputs and 6 grouped digital inputs
- X2** – OR-6: Assembly Group with 6 Relay Outputs
- X3** – TIs-4: Standard phase current measuring card and sensitive ground current measuring
- X4** – TU: Card with 4 voltage transformer measuring inputs
- X5** – OR-6: Assembly Group with 6 Relay Outputs
- X6** – DI8: Assembly Group with 8 Digital Inputs
- X100** – IEC 61850 / Modbus TCP / DNP3.0 TCP/UDP, Ethernet interface, 100 Mbit/s, RJ45 (BASE100-FX)
- X104** – IRIG-B00X, incl. System Contact (Supervision Contact)

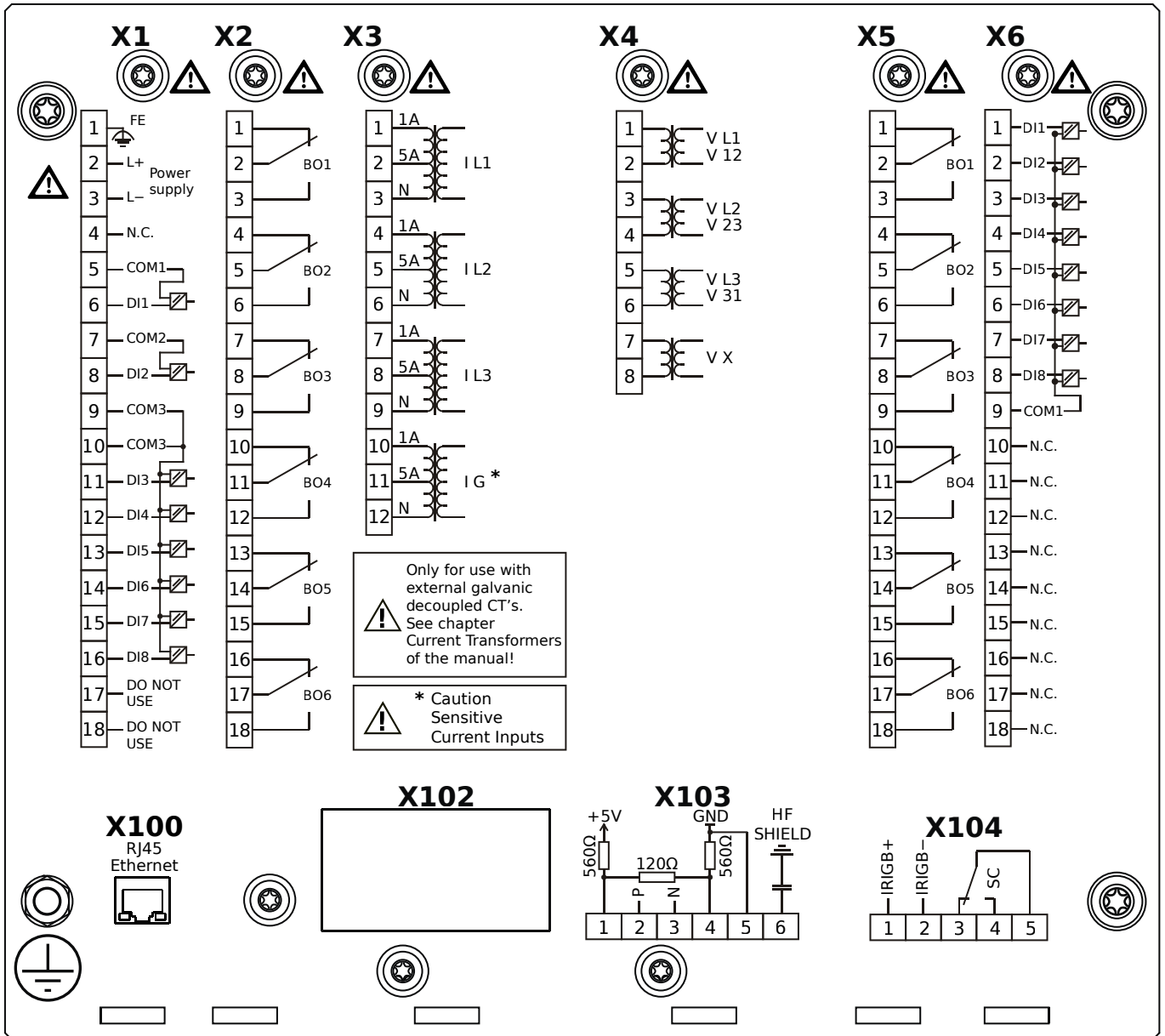


# MCA4-2D1HHB



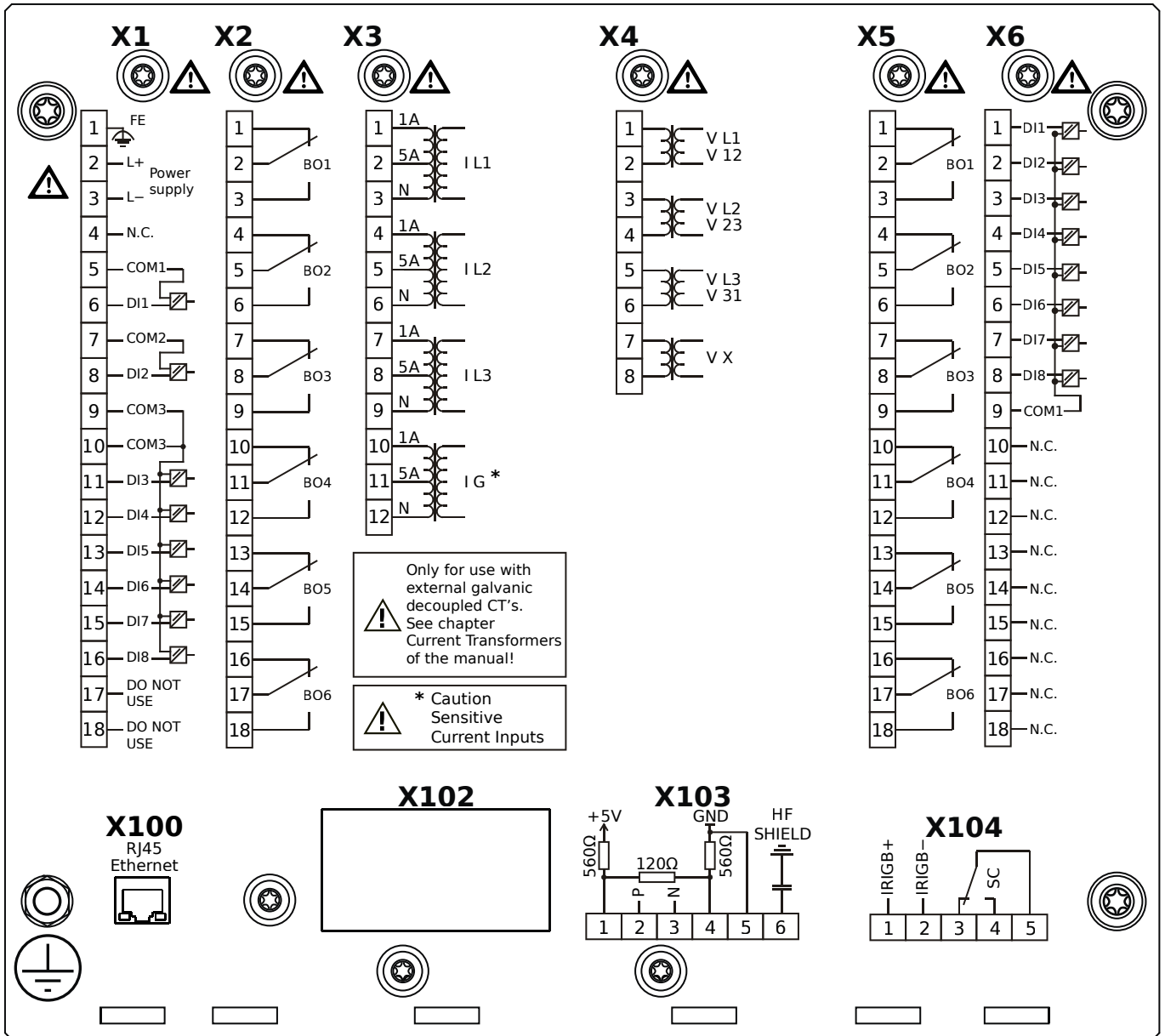
- X1** – DI8-X1: Wide-range power supply unit, incl. 2 non-grouped digital inputs and 6 grouped digital inputs
- X2** – OR-6: Assembly Group with 6 Relay Outputs
- X3** – TIs-4: Standard phase current measuring card and sensitive ground current measuring
- X4** – TU: Card with 4 voltage transformer measuring inputs
- X5** – OR-6: Assembly Group with 6 Relay Outputs
- X6** – DI8: Assembly Group with 8 Digital Inputs
- X100** – IEC 61850 / Modbus TCP / DNP3.0 TCP/UDP, Ethernet interface, 100 Mbit/s, RJ45 (BASE100-FX)
- X104** – IRIG-B00X, incl. System Contact (Supervision Contact)

# MCA4-2D1HIA



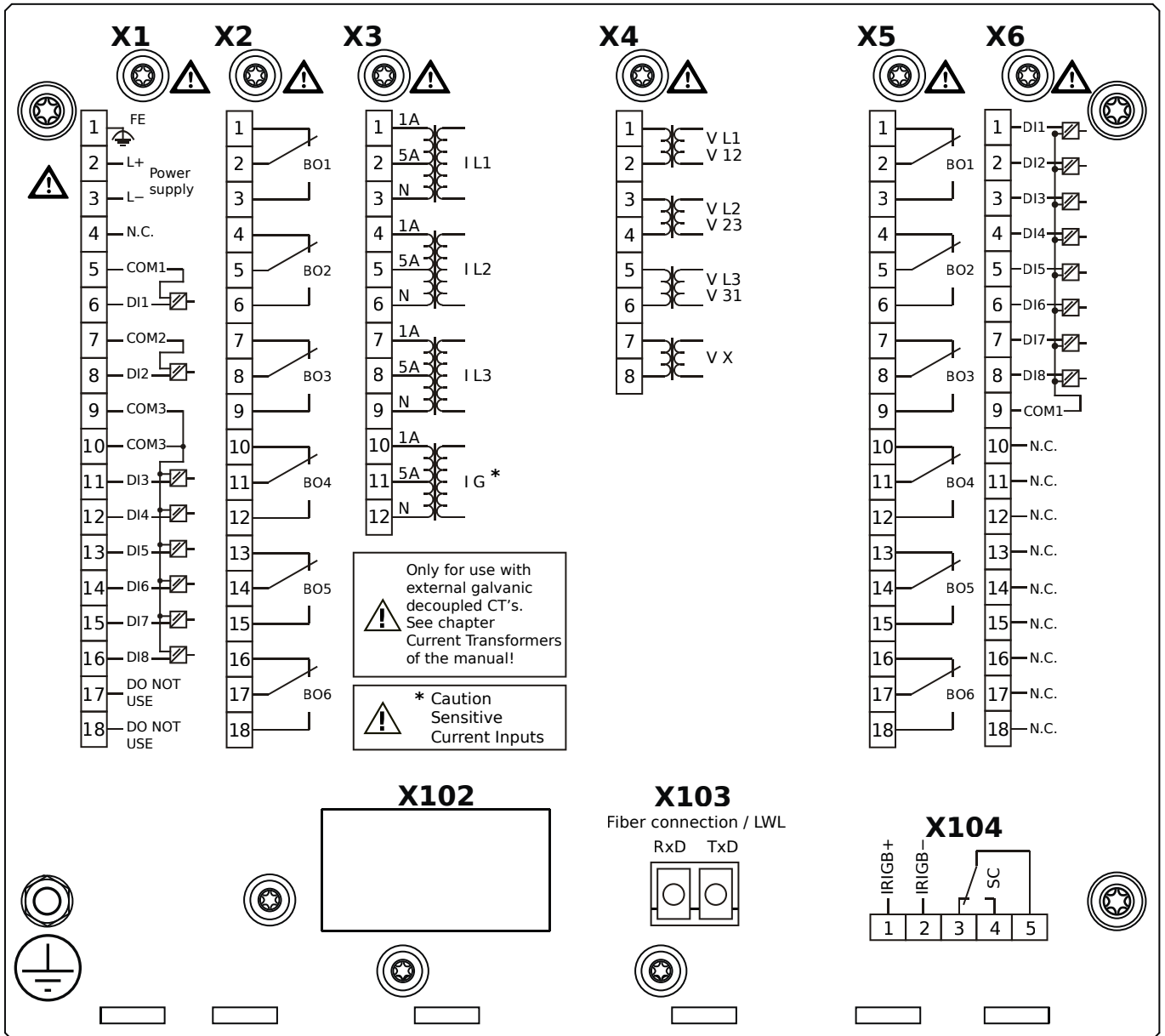
- X1** – DI8-X1: Wide-range power supply unit, incl. 2 non-grouped digital inputs and 6 grouped digital inputs
- X2** – OR-6: Assembly Group with 6 Relay Outputs
- X3** – TIs-4: Standard phase current measuring card and sensitive ground current measuring
- X4** – TU: Card with 4 voltage transformer measuring inputs
- X5** – OR-6: Assembly Group with 6 Relay Outputs
- X6** – DI8: Assembly Group with 8 Digital Inputs
- X100** – Modbus TCP / DNP3.0 TCP/UDP, Ethernet interface, 100 Mbit/s, RJ45 (BASE100-FX)
- X103** – IEC 60870-5-103 / Modbus RTU / DNP3.0 RTU, RS485, Terminals
- X104** – IRIG-B00X, incl. System Contact (Supervision Contact)

# MCA4-2D1HIB



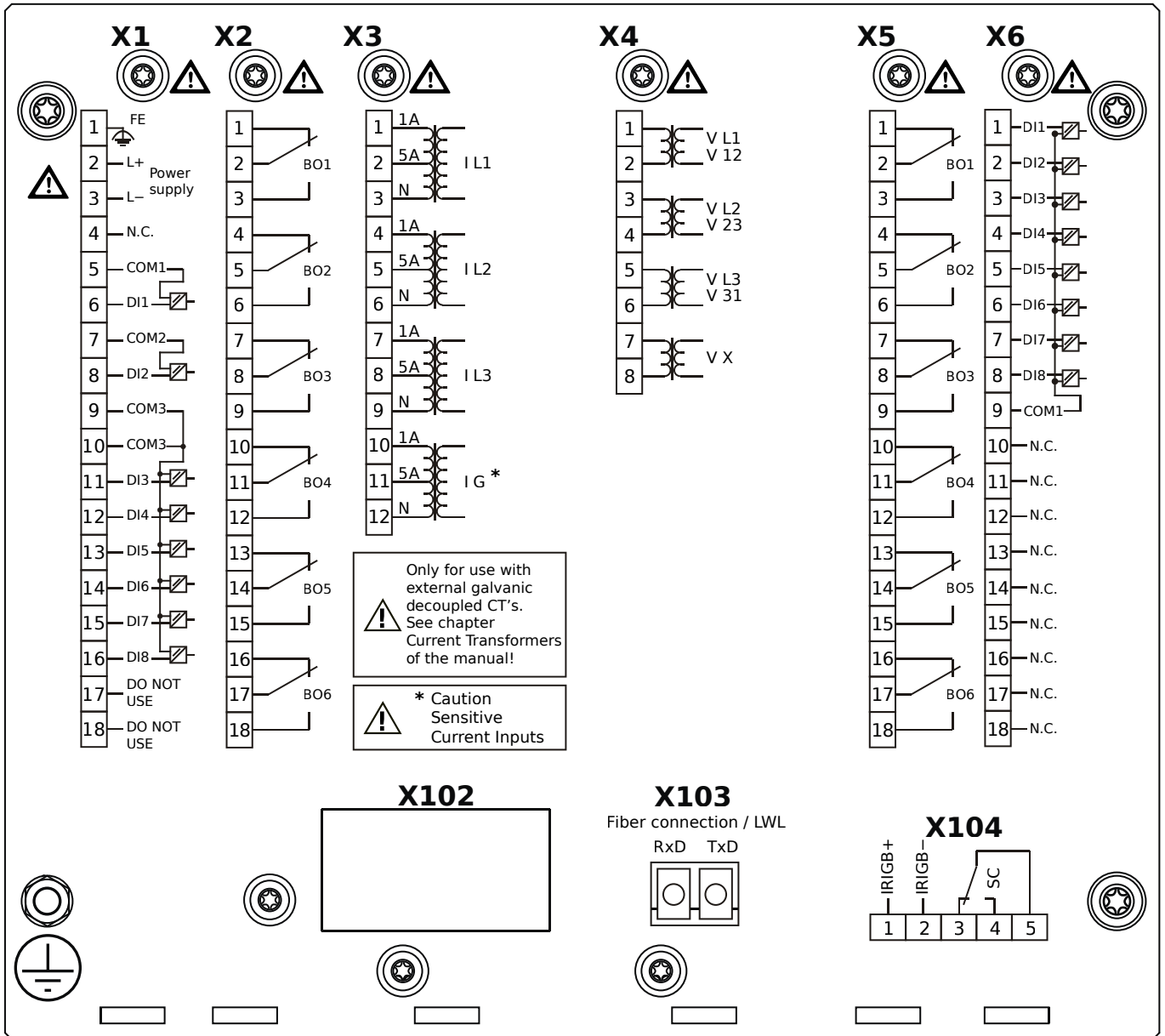
- X1** – DI8-X1: Wide-range power supply unit, incl. 2 non-grouped digital inputs and 6 grouped digital inputs
- X2** – OR-6: Assembly Group with 6 Relay Outputs
- X3** – TIs-4: Standard phase current measuring card and sensitive ground current measuring
- X4** – TU: Card with 4 voltage transformer measuring inputs
- X5** – OR-6: Assembly Group with 6 Relay Outputs
- X6** – DI8: Assembly Group with 8 Digital Inputs
- X100** – Modbus TCP / DNP3.0 TCP/UDP, Ethernet interface, 100 Mbit/s, RJ45 (BASE100-FX)
- X103** – IEC 60870-5-103 / Modbus RTU / DNP3.0 RTU, RS485, Terminals
- X104** – IRIG-B00X, incl. System Contact (Supervision Contact)

# MCA4-2D1HKA



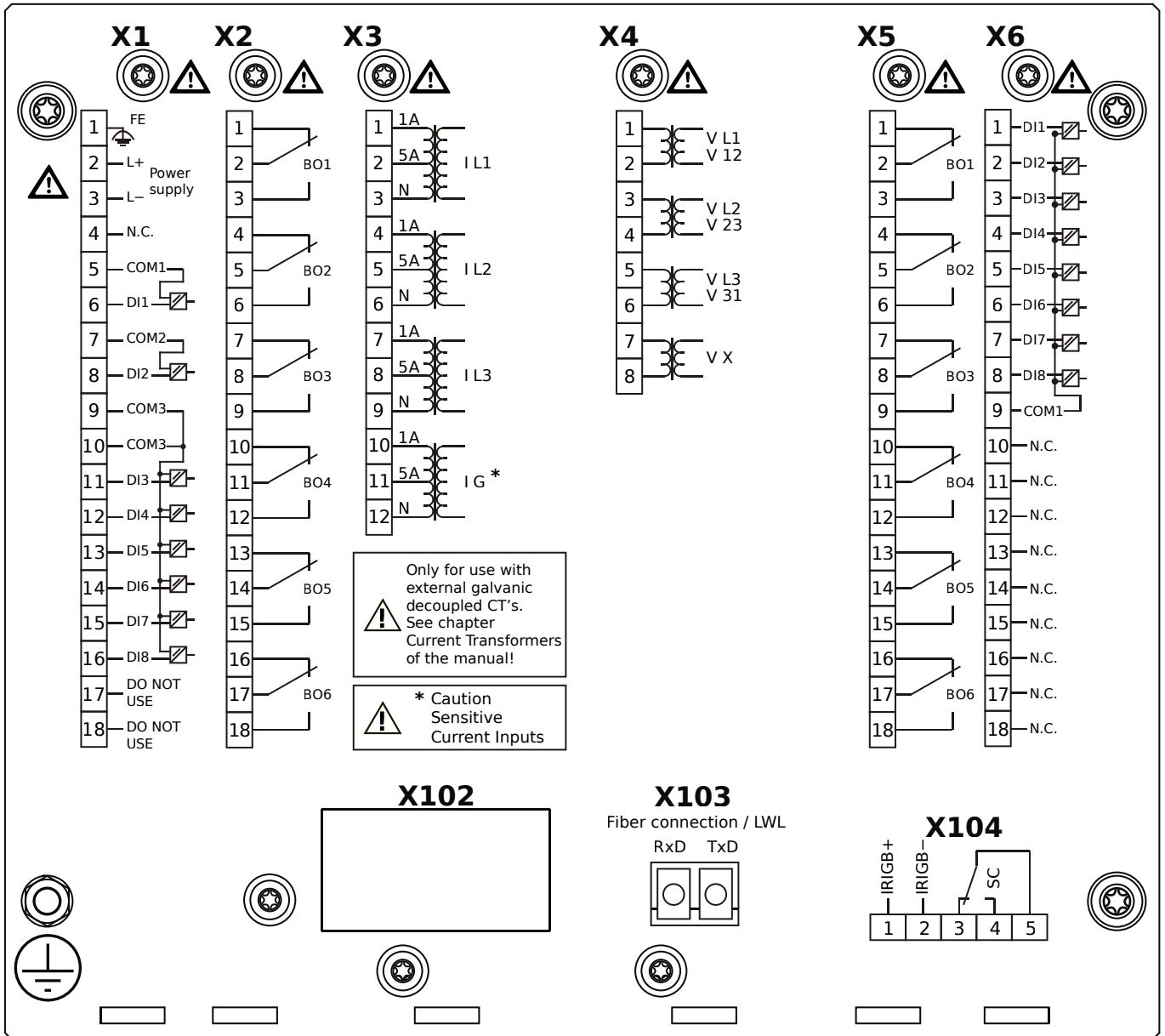
- X1** – DI8-X1: Wide-range power supply unit, incl. 2 non-grouped digital inputs and 6 grouped digital inputs
- X2** – OR-6: Assembly Group with 6 Relay Outputs
- X3** – TIs-4: Standard phase current measuring card and sensitive ground current measuring
- X4** – TU: Card with 4 voltage transformer measuring inputs
- X5** – OR-6: Assembly Group with 6 Relay Outputs
- X6** – DI8: Assembly Group with 8 Digital Inputs
- X103** – IEC 61850 / Modbus TCP / DNP3.0 TCP/UDP, Fiber optics interface, LC Connector
- X104** – IRIG-B00X, incl. System Contact (Supervision Contact)

# MCA4-2D1HKB



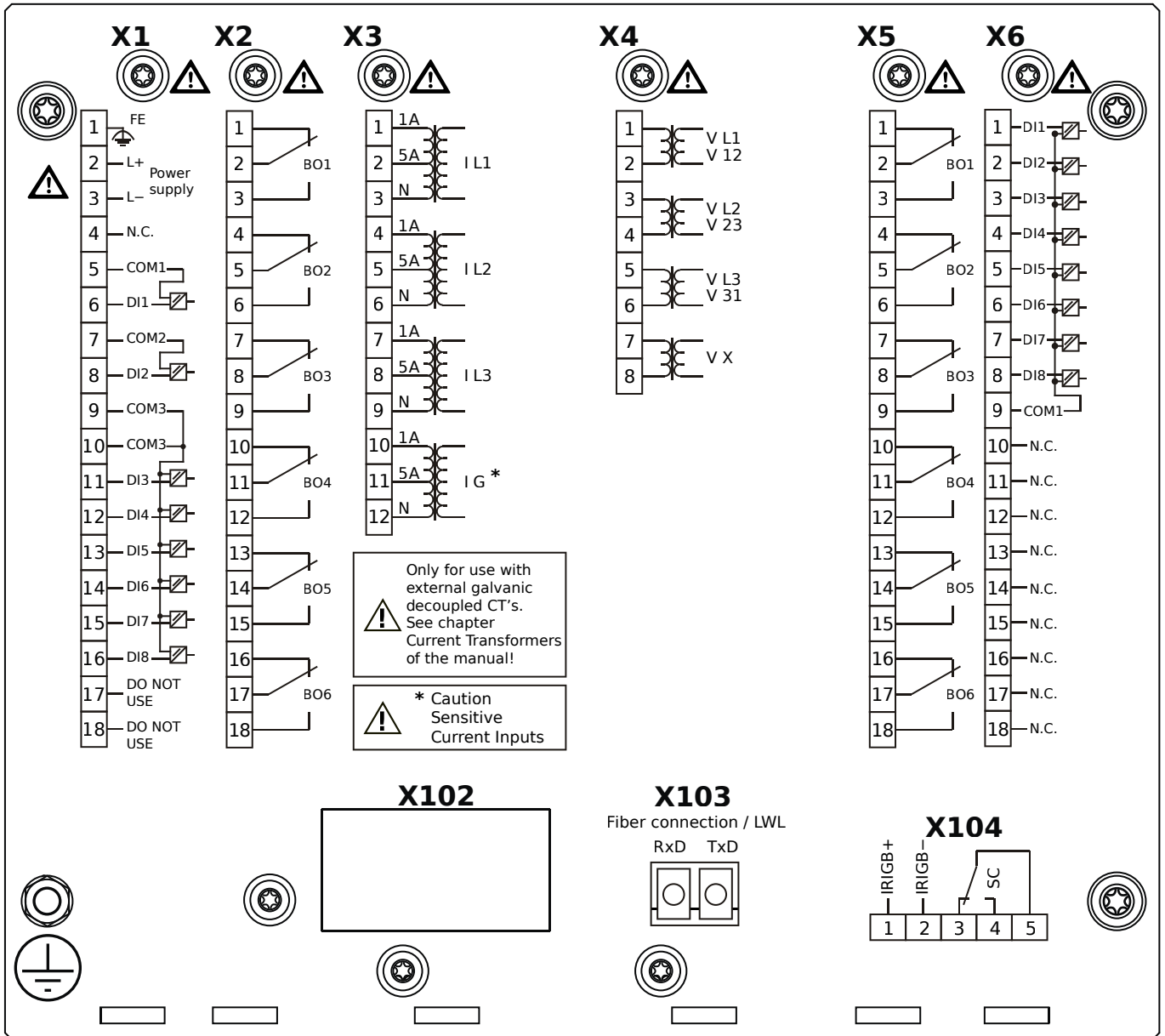
- X1** – DI8-X1: Wide-range power supply unit, incl. 2 non-grouped digital inputs and 6 grouped digital inputs
- X2** – OR-6: Assembly Group with 6 Relay Outputs
- X3** – TIs-4: Standard phase current measuring card and sensitive ground current measuring
- X4** – TU: Card with 4 voltage transformer measuring inputs
- X5** – OR-6: Assembly Group with 6 Relay Outputs
- X6** – DI8: Assembly Group with 8 Digital Inputs
- X103** – IEC 61850 / Modbus TCP / DNP3.0 TCP/UDP, Fiber optics interface, LC Connector
- X104** – IRIG-B00X, incl. System Contact (Supervision Contact)

# MCA4-2D1HLA



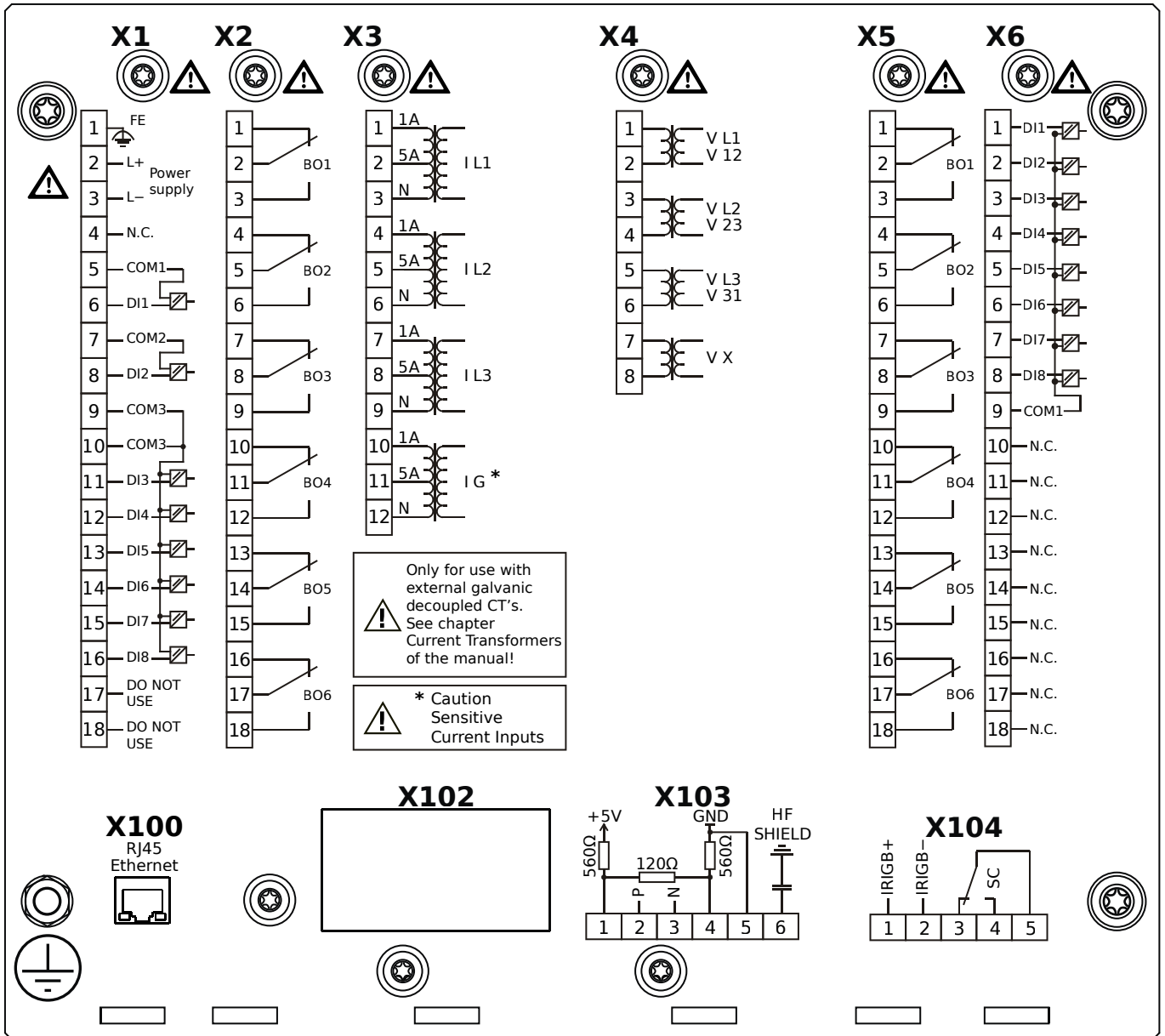
- X1** – DI8-X1: Wide-range power supply unit, incl. 2 non-grouped digital inputs and 6 grouped digital inputs
- X2** – OR-6: Assembly Group with 6 Relay Outputs
- X3** – TIs-4: Standard phase current measuring card and sensitive ground current measuring
- X4** – TU: Card with 4 voltage transformer measuring inputs
- X5** – OR-6: Assembly Group with 6 Relay Outputs
- X6** – DI8: Assembly Group with 8 Digital Inputs
- X103** – Modbus TCP / DNP3.0 TCP/UDP, Fiber optics interface, LC Connector
- X104** – IRIG-B00X, incl. System Contact (Supervision Contact)

# MCA4-2D1HLB



- X1** – DI8-X1: Wide-range power supply unit, incl. 2 non-grouped digital inputs and 6 grouped digital inputs
- X2** – OR-6: Assembly Group with 6 Relay Outputs
- X3** – TIs-4: Standard phase current measuring card and sensitive ground current measuring
- X4** – TU: Card with 4 voltage transformer measuring inputs
- X5** – OR-6: Assembly Group with 6 Relay Outputs
- X6** – DI8: Assembly Group with 8 Digital Inputs
- X103** – Modbus TCP / DNP3.0 TCP/UDP, Fiber optics interface, LC Connector
- X104** – IRIG-B00X, incl. System Contact (Supervision Contact)

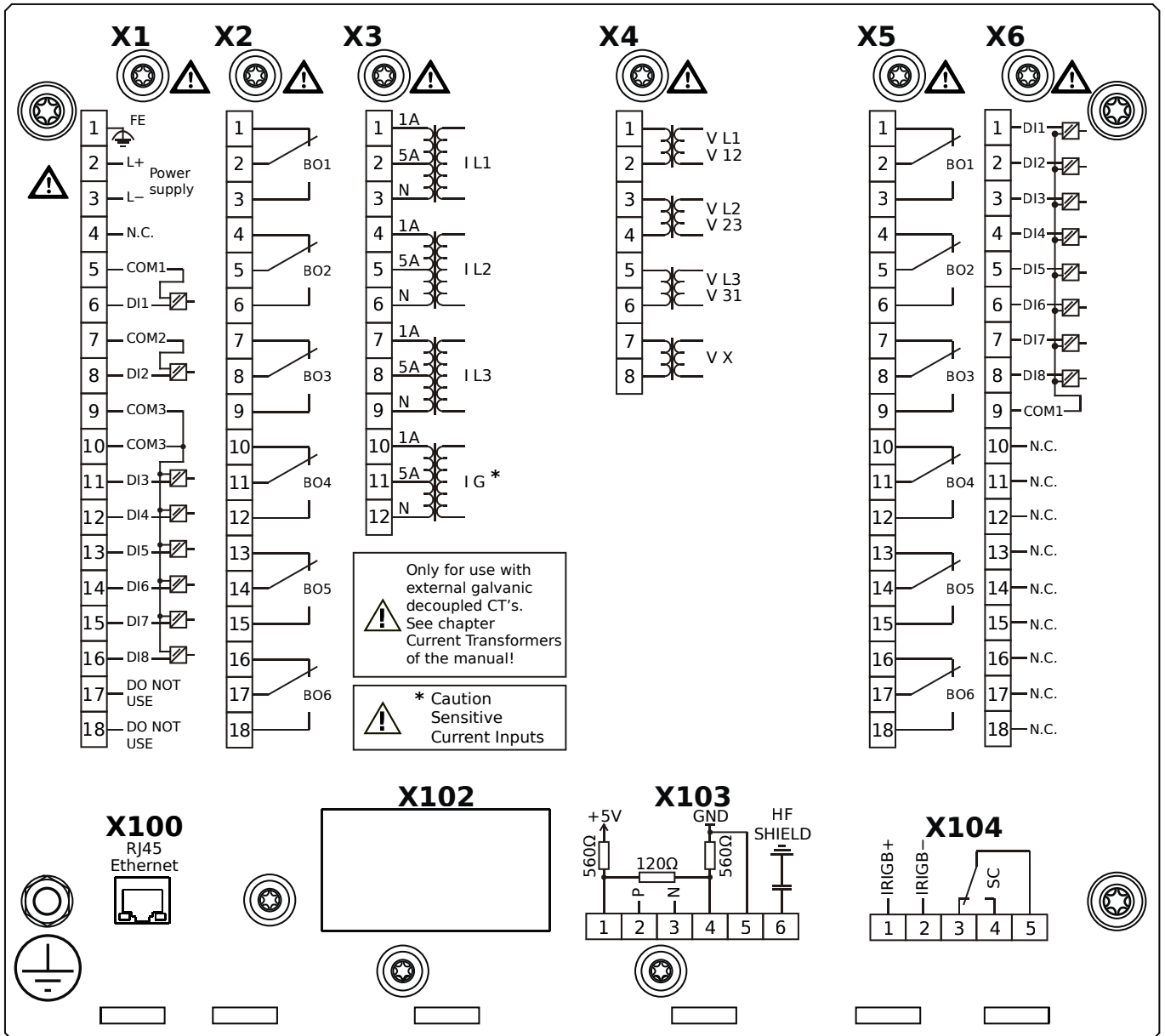
# MCA4-2D1HTA



- X1** – DI8-X1: Wide-range power supply unit, incl. 2 non-grouped digital inputs and 6 grouped digital inputs
- X2** – OR-6: Assembly Group with 6 Relay Outputs
- X3** – TIs-4: Standard phase current measuring card and sensitive ground current measuring
- X4** – TU: Card with 4 voltage transformer measuring inputs
- X5** – OR-6: Assembly Group with 6 Relay Outputs
- X6** – DI8: Assembly Group with 8 Digital Inputs
- X100** – IEC 61850 / Modbus TCP / DNP3.0 TCP/UDP, Ethernet interface, 100 Mbit/s, RJ45 (BASE100-FX)
- X103** – IEC 60870-5-103 / Modbus RTU / DNP3.0 RTU, RS485, Terminals
- X104** – IRIG-B00X, incl. System Contact (Supervision Contact)



# MCA4-2D1HTB



- X1** – DI8-X1: Wide-range power supply unit, incl. 2 non-grouped digital inputs and 6 grouped digital inputs
- X2** – OR-6: Assembly Group with 6 Relay Outputs
- X3** – TIs-4: Standard phase current measuring card and sensitive ground current measuring
- X4** – TU: Card with 4 voltage transformer measuring inputs
- X5** – OR-6: Assembly Group with 6 Relay Outputs
- X6** – DI8: Assembly Group with 8 Digital Inputs
- X100** – IEC 61850 / Modbus TCP / DNP3.0 TCP/UDP, Ethernet interface, 100 Mbit/s, RJ45 (BASE100-FX)
- X103** – IEC 60870-5-103 / Modbus RTU / DNP3.0 RTU, RS485, Terminals
- X104** – IRIG-B00X, incl. System Contact (Supervision Contact)