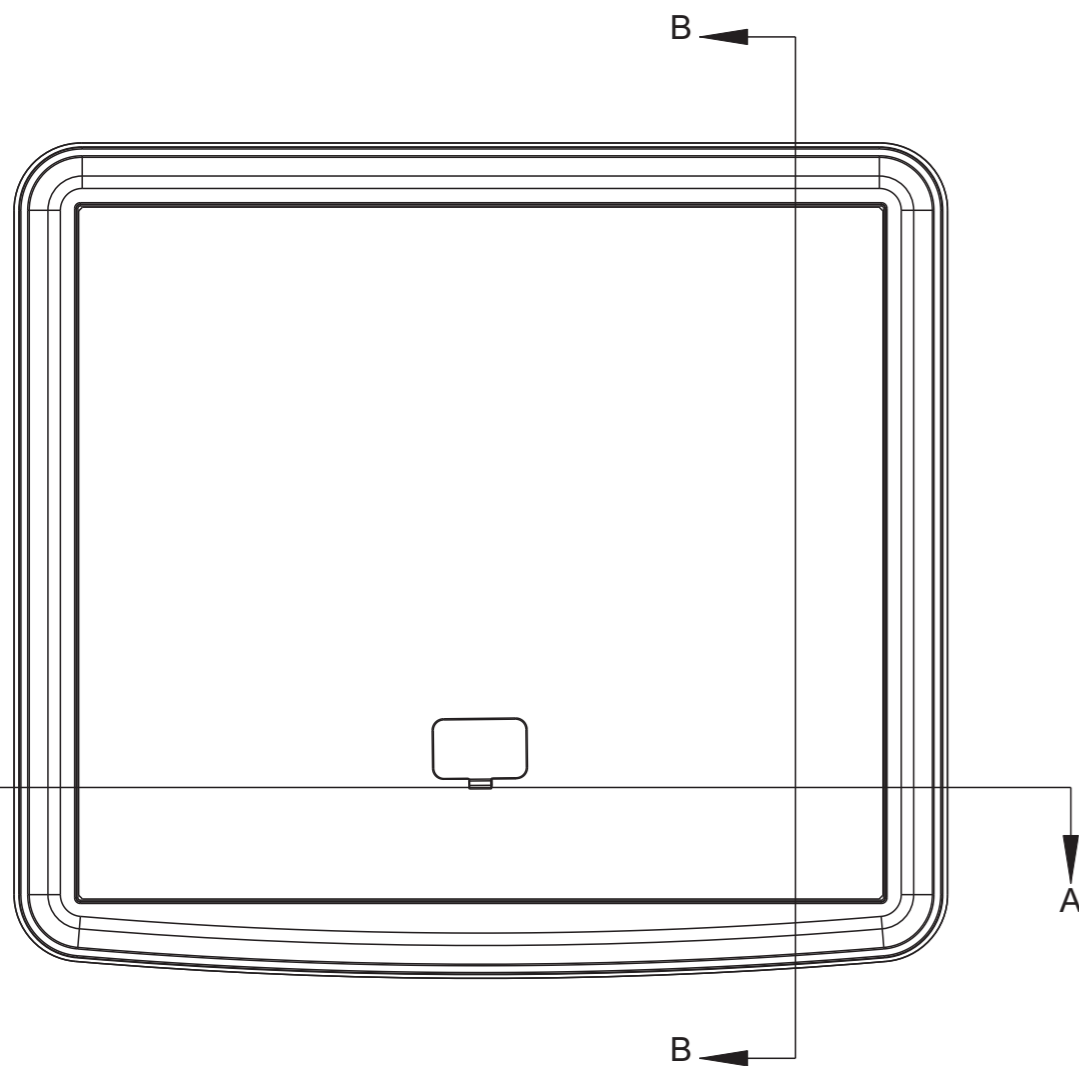
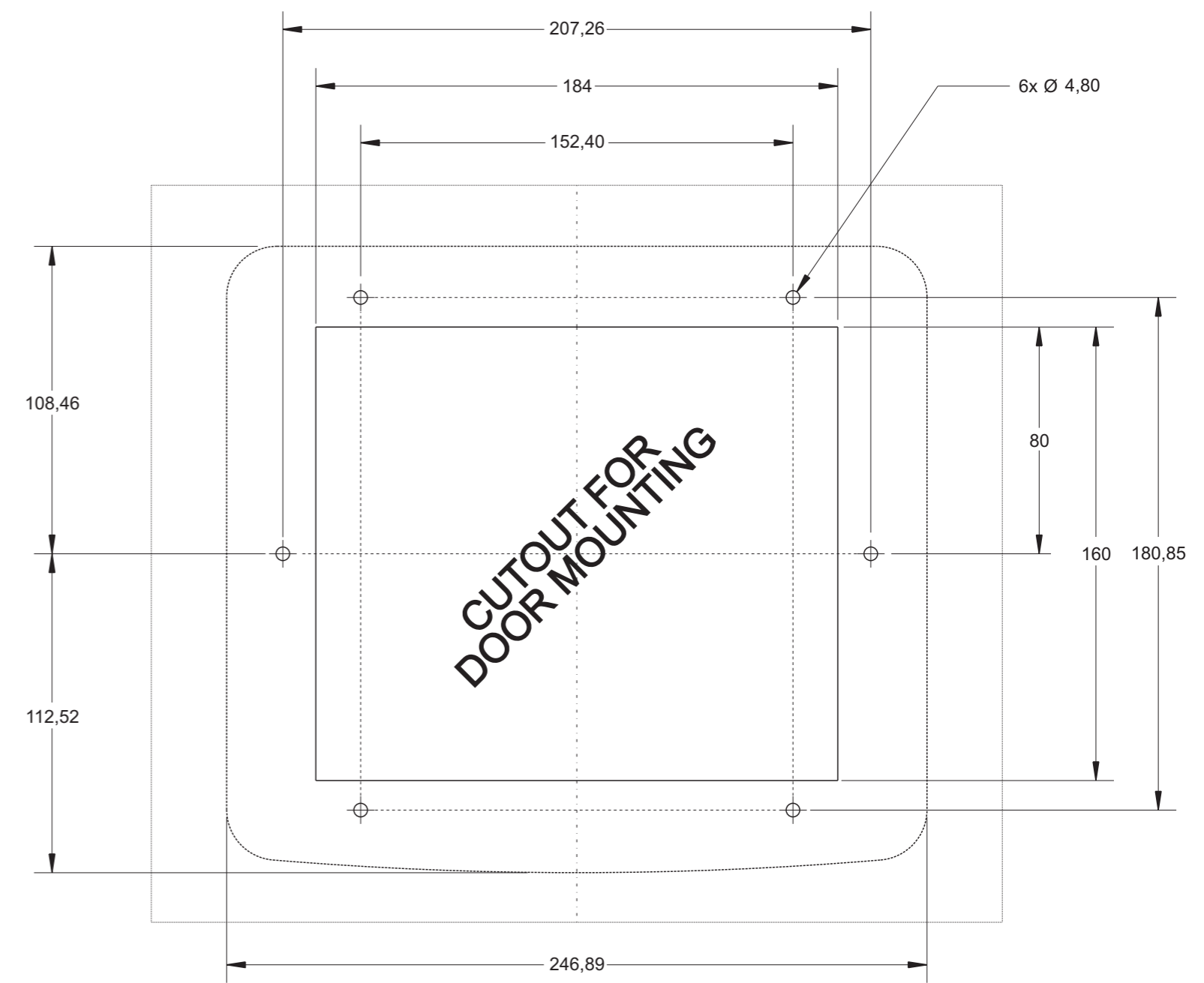
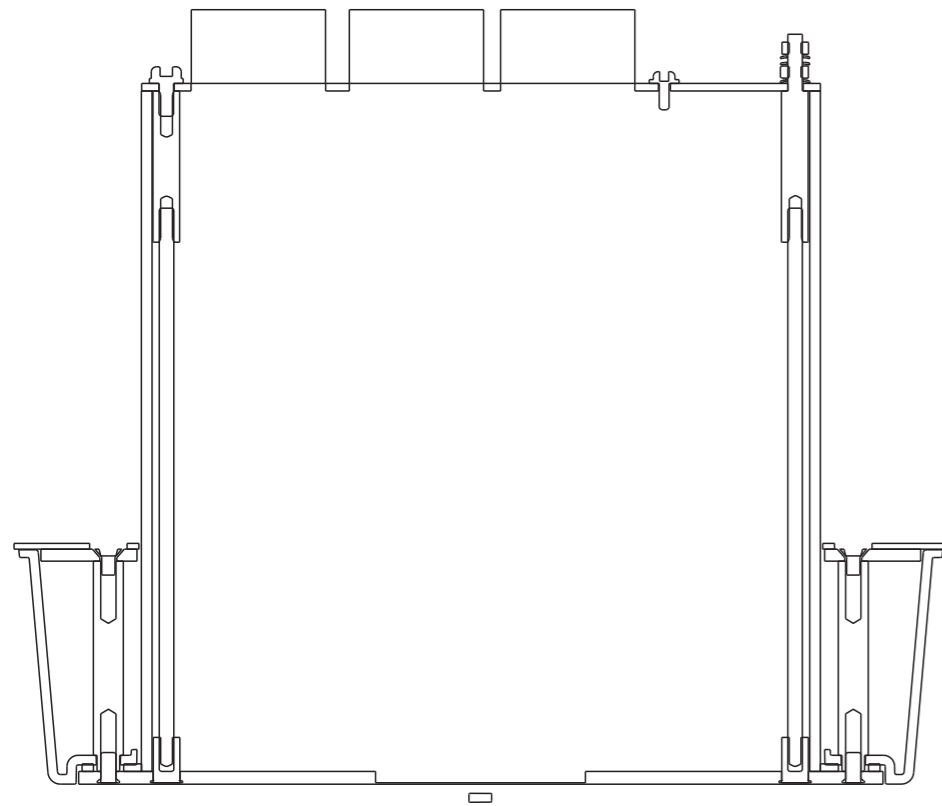


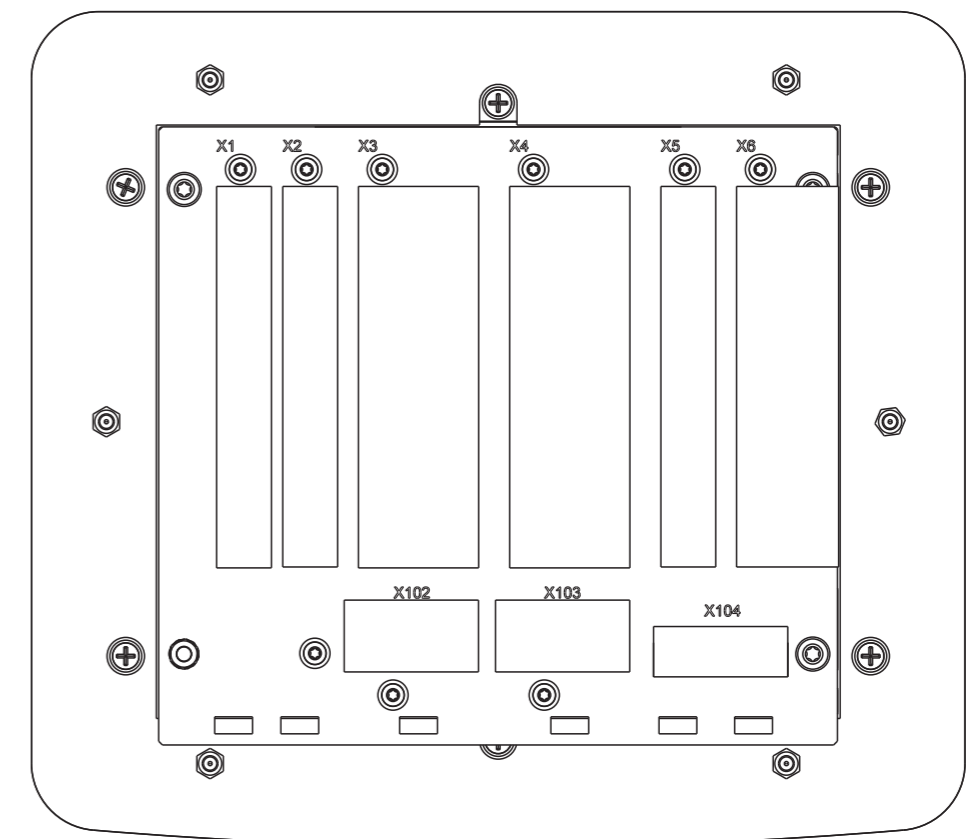
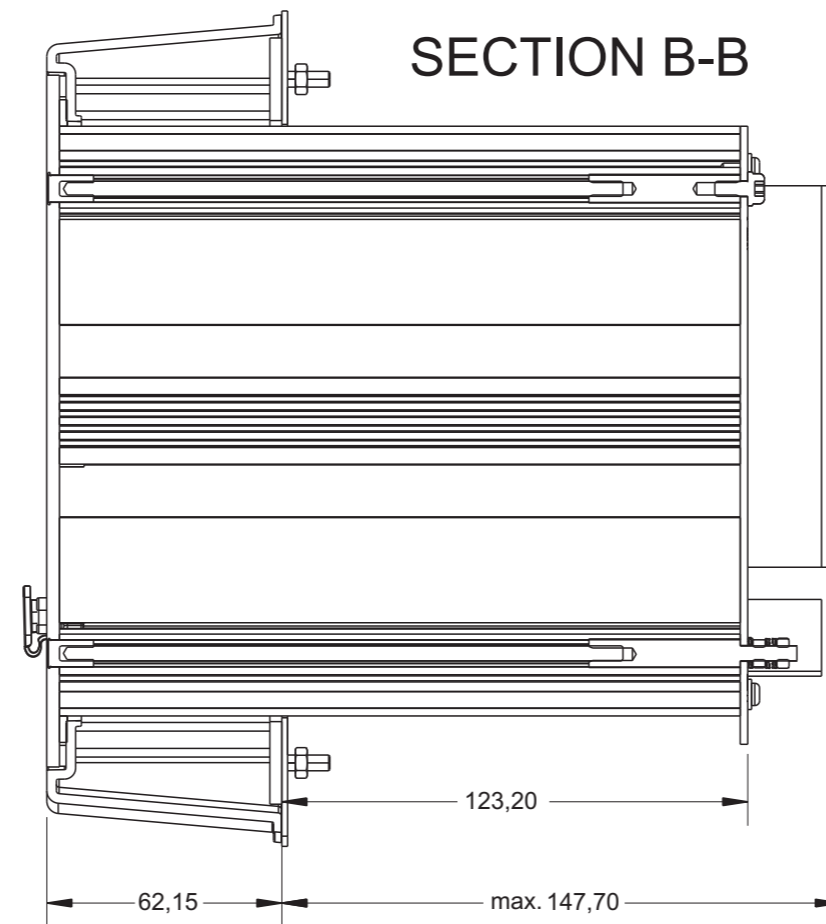
PROJECTION PANEL MOUNT

fastening torque for mounting parts max.1,7 Nm

SECTION A-A



SECTION B-B



fastening torque for mounting parts max.1,7 Nm