

MCA4

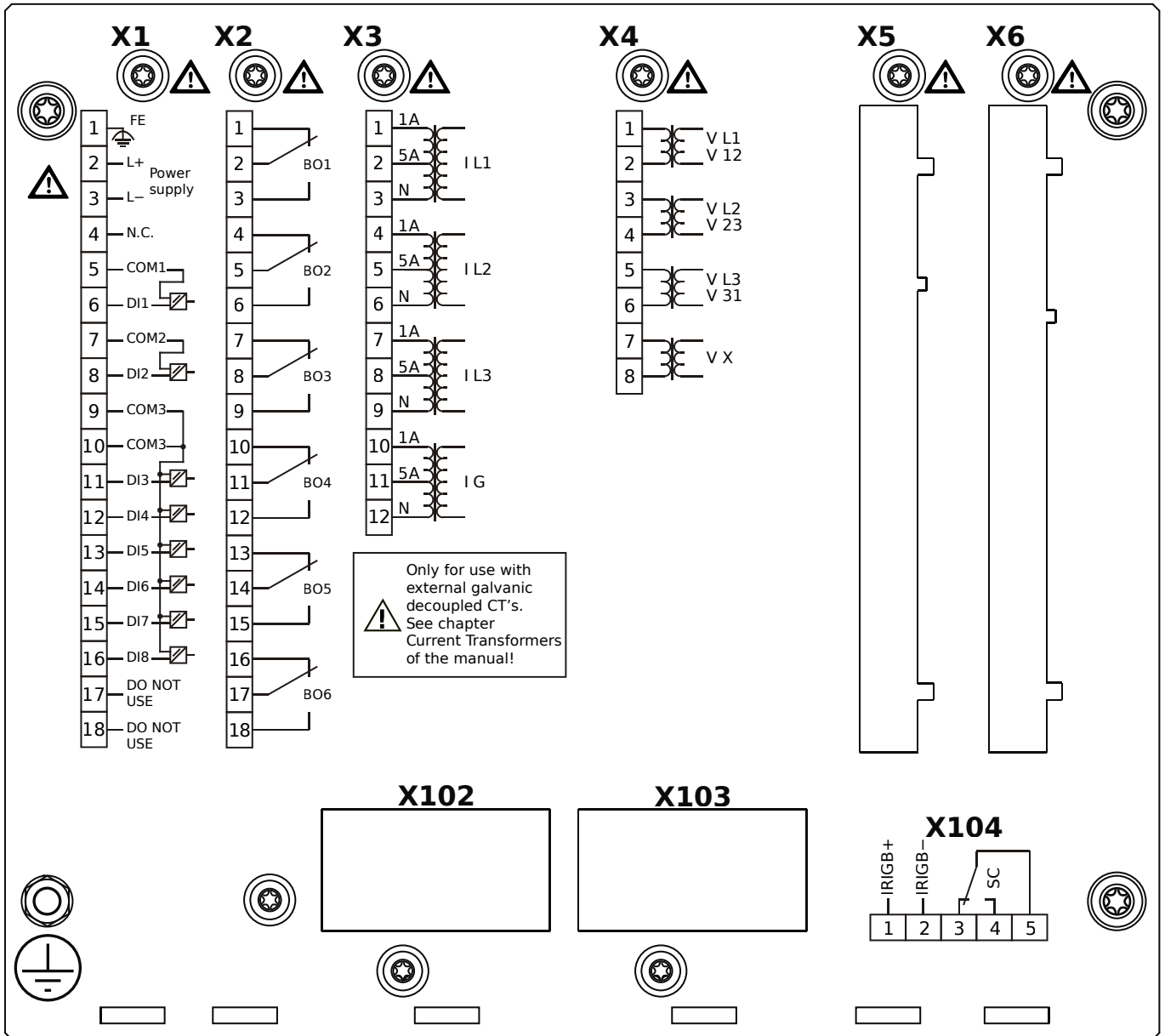
Software-Version: 3.6

MCA4-3.6-EN-WDG

English

This document does not replace the Technical Manual.

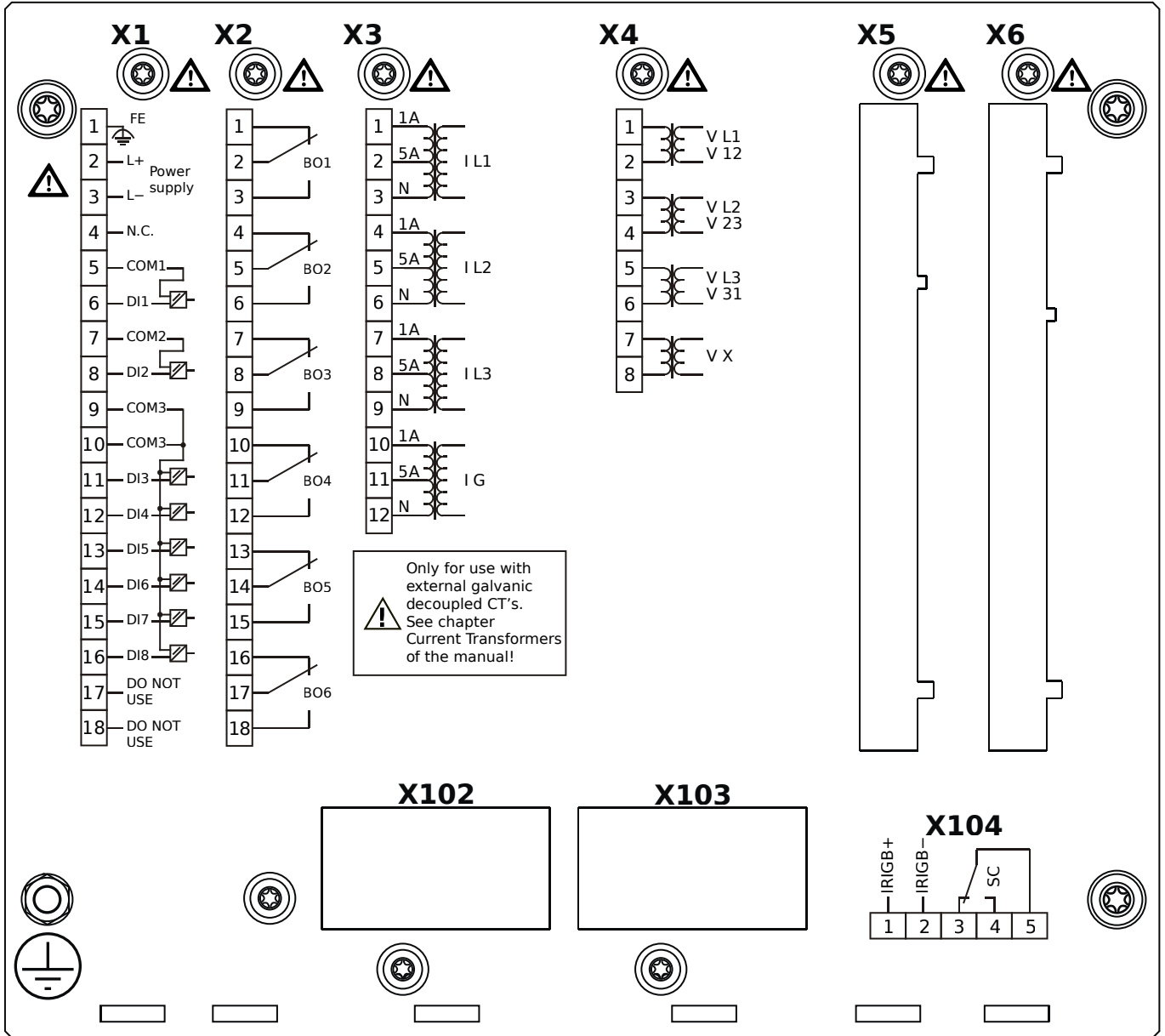
MCA4-2A0AAA



Housing B2, large display, door mounting

- X1** – DI8-X1: Wide-range power supply unit, incl. 2 non-grouped digital inputs and 6 grouped digital inputs
- X2** – OR6: Assembly Group with 6 Output Relays
- X3** – TI: Standard current measuring card
- X4** – TU: Card with 4 voltage transformer measuring inputs
- X104** – IRIG-B00X, incl. System Contact (Supervision Contact)

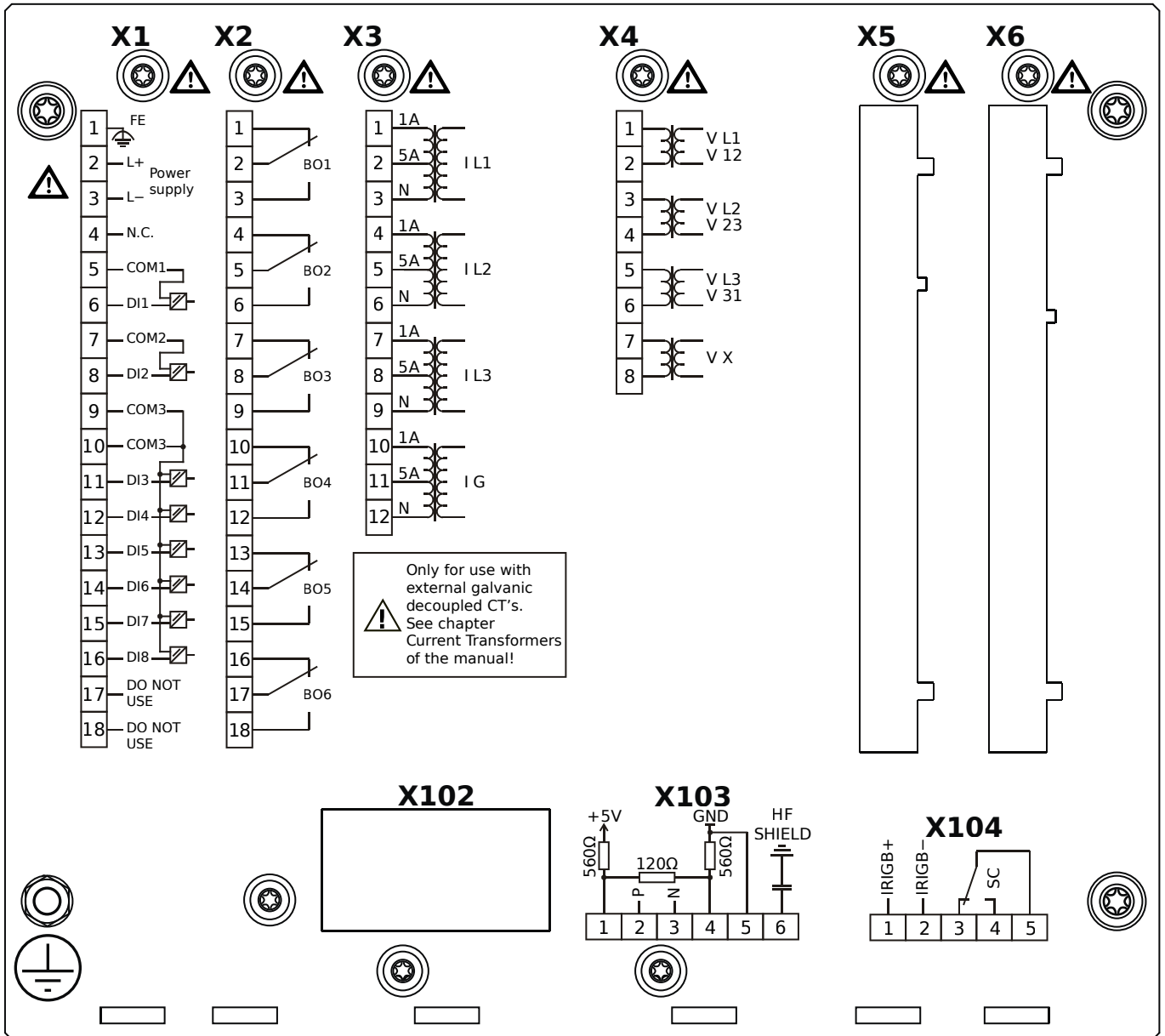
MCA4-2A0AAB



Housing B2, large display, door mounting

- X1** – DI8-X1: Wide-range power supply unit, incl. 2 non-grouped digital inputs and 6 grouped digital inputs
- X2** – OR6: Assembly Group with 6 Output Relays
- X3** – TI: Standard current measuring card
- X4** – TU: Card with 4 voltage transformer measuring inputs
- X104** – IRIG-B00X, incl. System Contact (Supervision Contact)

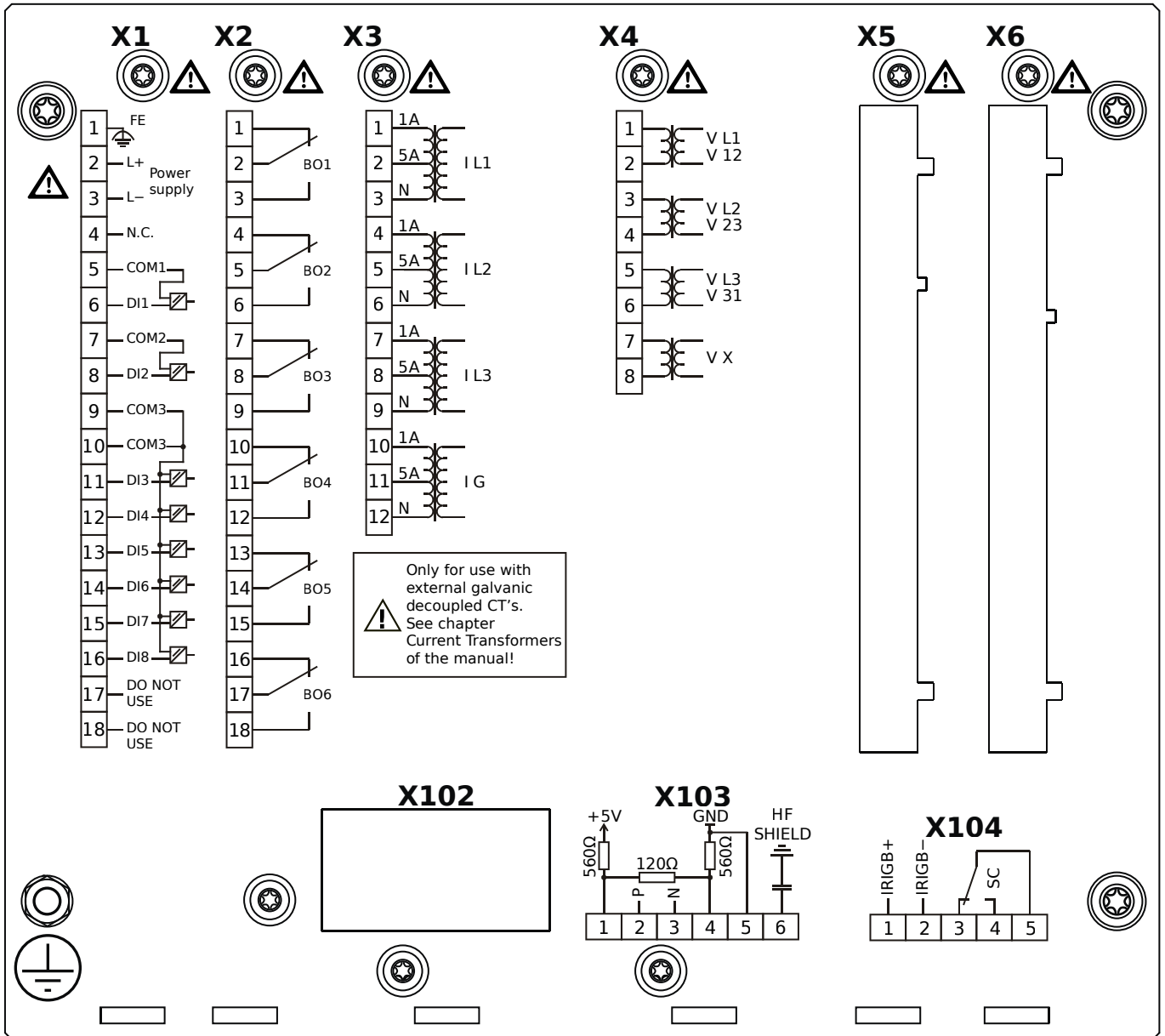
MCA4-2A0ABA



Housing B2, large display, door mounting

- X1** – DI8-X1: Wide-range power supply unit, incl. 2 non-grouped digital inputs and 6 grouped digital inputs
- X2** – OR6: Assembly Group with 6 Output Relays
- X3** – TI: Standard current measuring card
- X4** – TU: Card with 4 voltage transformer measuring inputs
- X103** – Modbus RTU / IEC 60870-5-103 / DNP3.0 RTU, RS485, Terminals
- X104** – IRIG-B00X, incl. System Contact (Supervision Contact)

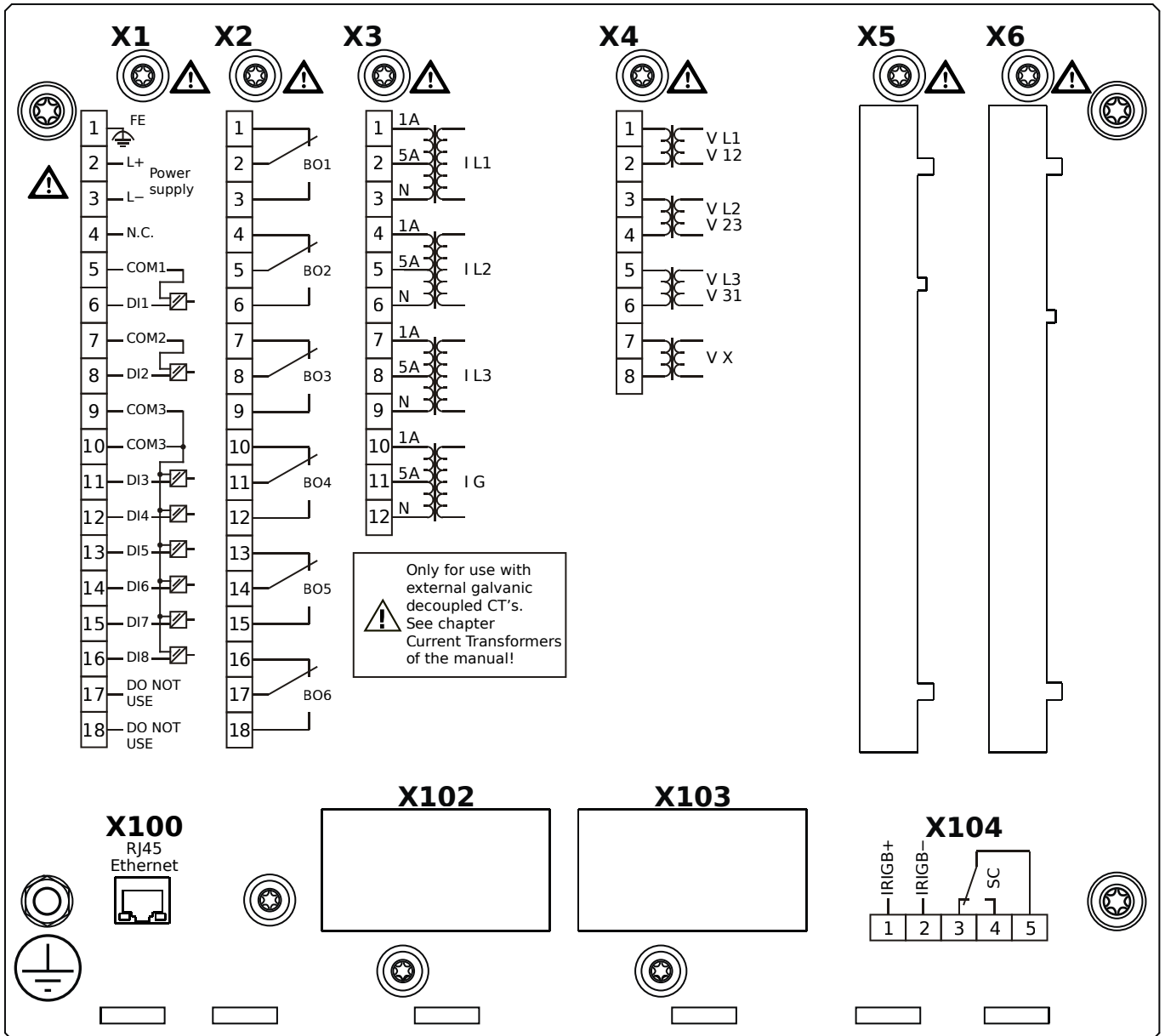
MCA4-2A0ABB



Housing B2, large display, door mounting

- X1** – DI8-X1: Wide-range power supply unit, incl. 2 non-grouped digital inputs and 6 grouped digital inputs
- X2** – OR6: Assembly Group with 6 Output Relays
- X3** – TI: Standard current measuring card
- X4** – TU: Card with 4 voltage transformer measuring inputs
- X103** – Modbus RTU / IEC 60870-5-103 / DNP3.0 RTU, RS485, Terminals
- X104** – IRIG-B00X, incl. System Contact (Supervision Contact)

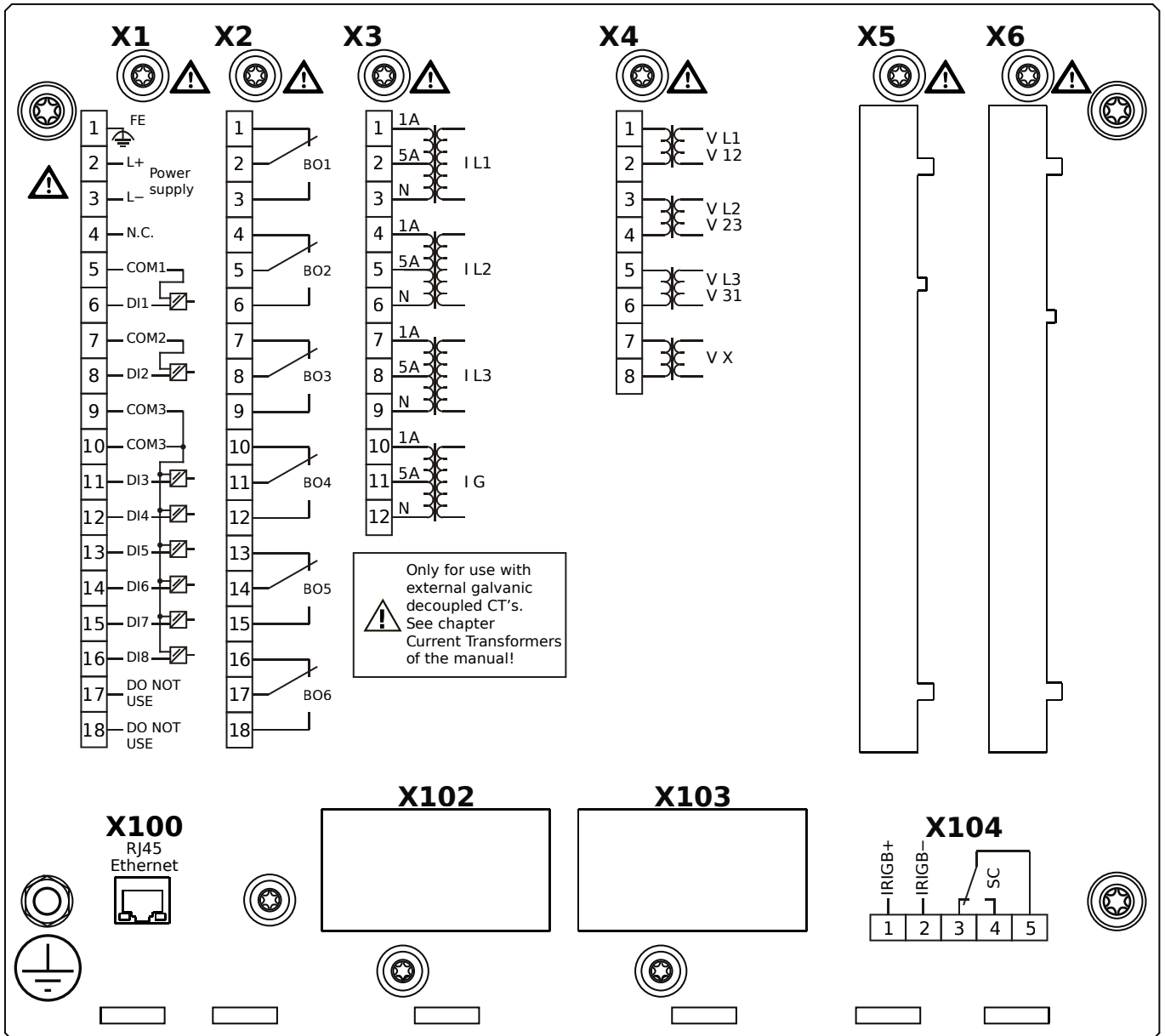
MCA4-2A0ACA



Housing B2, large display, door mounting

- X1** – DI8-X1: Wide-range power supply unit, incl. 2 non-grouped digital inputs and 6 grouped digital inputs
- X2** – OR6: Assembly Group with 6 Output Relays
- X3** – TI: Standard current measuring card
- X4** – TU: Card with 4 voltage transformer measuring inputs
- X100** – Modbus TCP / DNP3.0 TCP/UDP, Ethernet interface, 100 Mbit/s, RJ45 (BASE100-FX)
- X104** – IRIG-B00X, incl. System Contact (Supervision Contact)

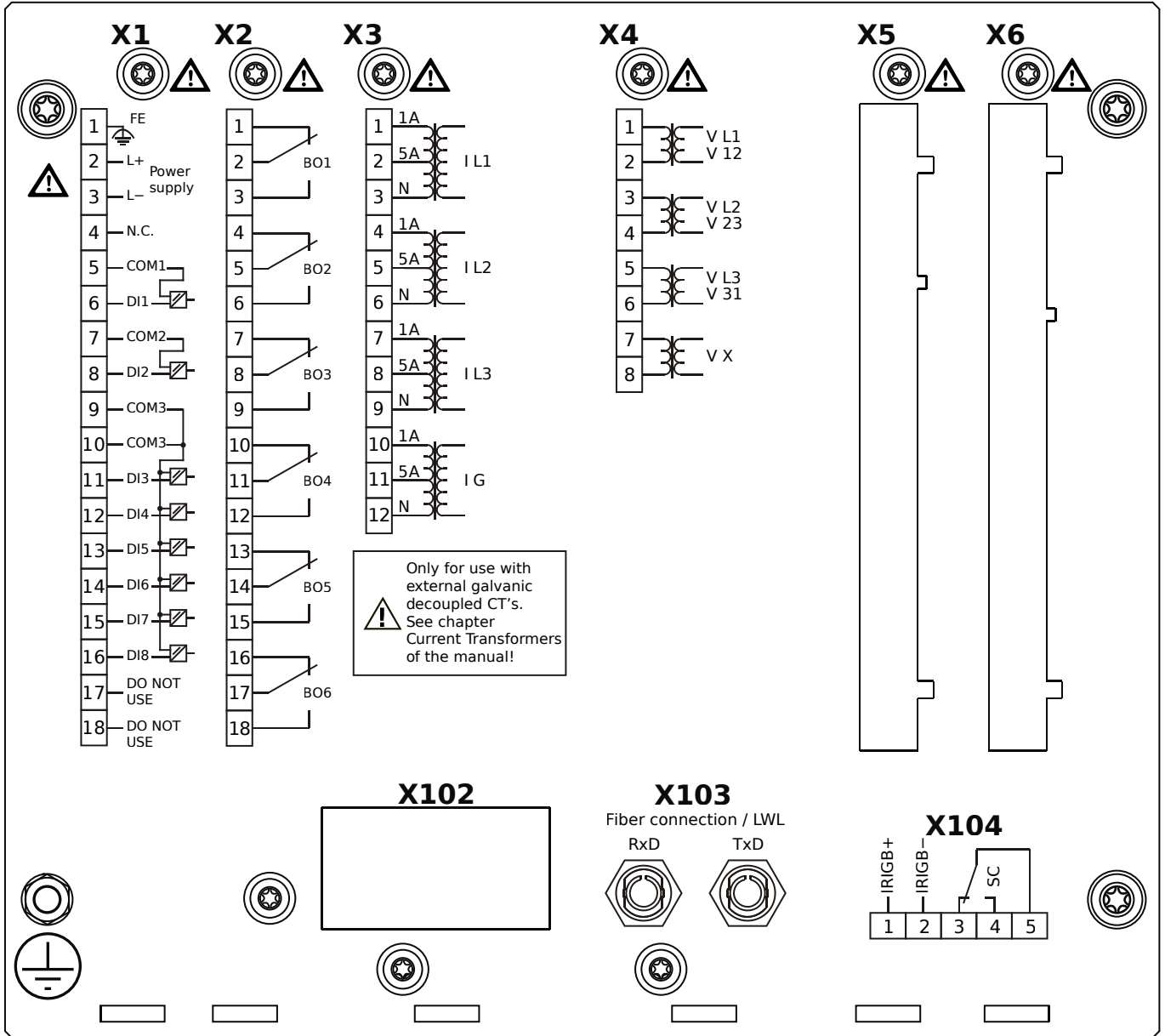
MCA4-2A0ACB



Housing B2, large display, door mounting

- X1** – DI8-X1: Wide-range power supply unit, incl. 2 non-grouped digital inputs and 6 grouped digital inputs
- X2** – OR6: Assembly Group with 6 Output Relays
- X3** – TI: Standard current measuring card
- X4** – TU: Card with 4 voltage transformer measuring inputs
- X100** – Modbus TCP / DNP3.0 TCP/UDP, Ethernet interface, 100 Mbit/s, RJ45 (BASE100-FX)
- X104** – IRIG-B00X, incl. System Contact (Supervision Contact)

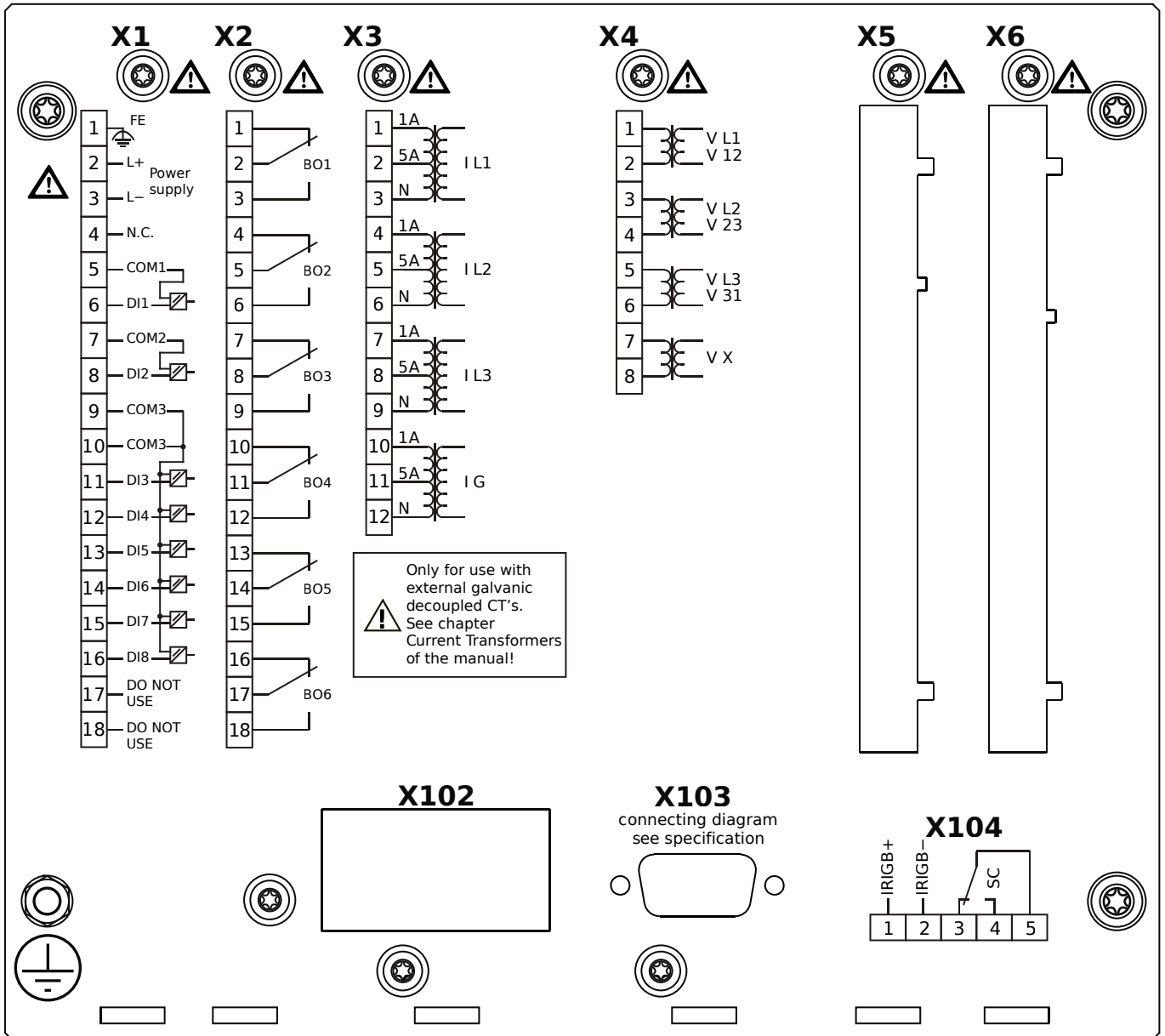
MCA4-2A0ADA



Housing B2, large display, door mounting

- X1** – DI8-X1: Wide-range power supply unit, incl. 2 non-grouped digital inputs and 6 grouped digital inputs
- X2** – OR6: Assembly Group with 6 Output Relays
- X3** – TI: Standard current measuring card
- X4** – TU: Card with 4 voltage transformer measuring inputs
- X103** – Profibus-DP, Fiber optics interface, ST Connector
- X104** – IRIG-B00X, incl. System Contact (Supervision Contact)

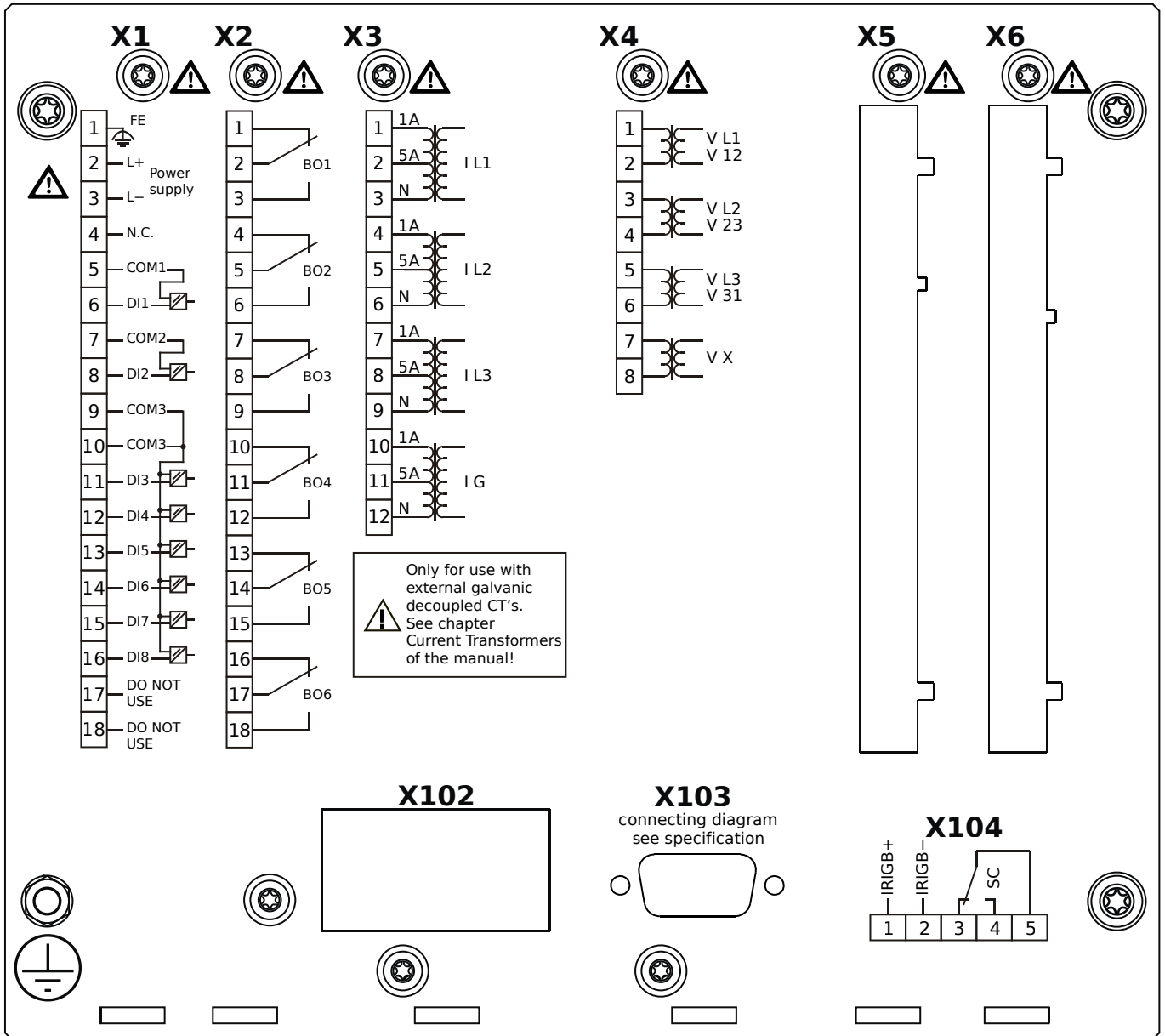
MCA4-2A0AEA



Housing B2, large display, door mounting

- X1** – DI8-X1: Wide-range power supply unit, incl. 2 non-grouped digital inputs and 6 grouped digital inputs
- X2** – OR6: Assembly Group with 6 Output Relays
- X3** – TI: Standard current measuring card
- X4** – TU: Card with 4 voltage transformer measuring inputs
- X103** – Profibus-DP, RS485, D-SUB
- X104** – IRIG-B00X, incl. System Contact (Supervision Contact)

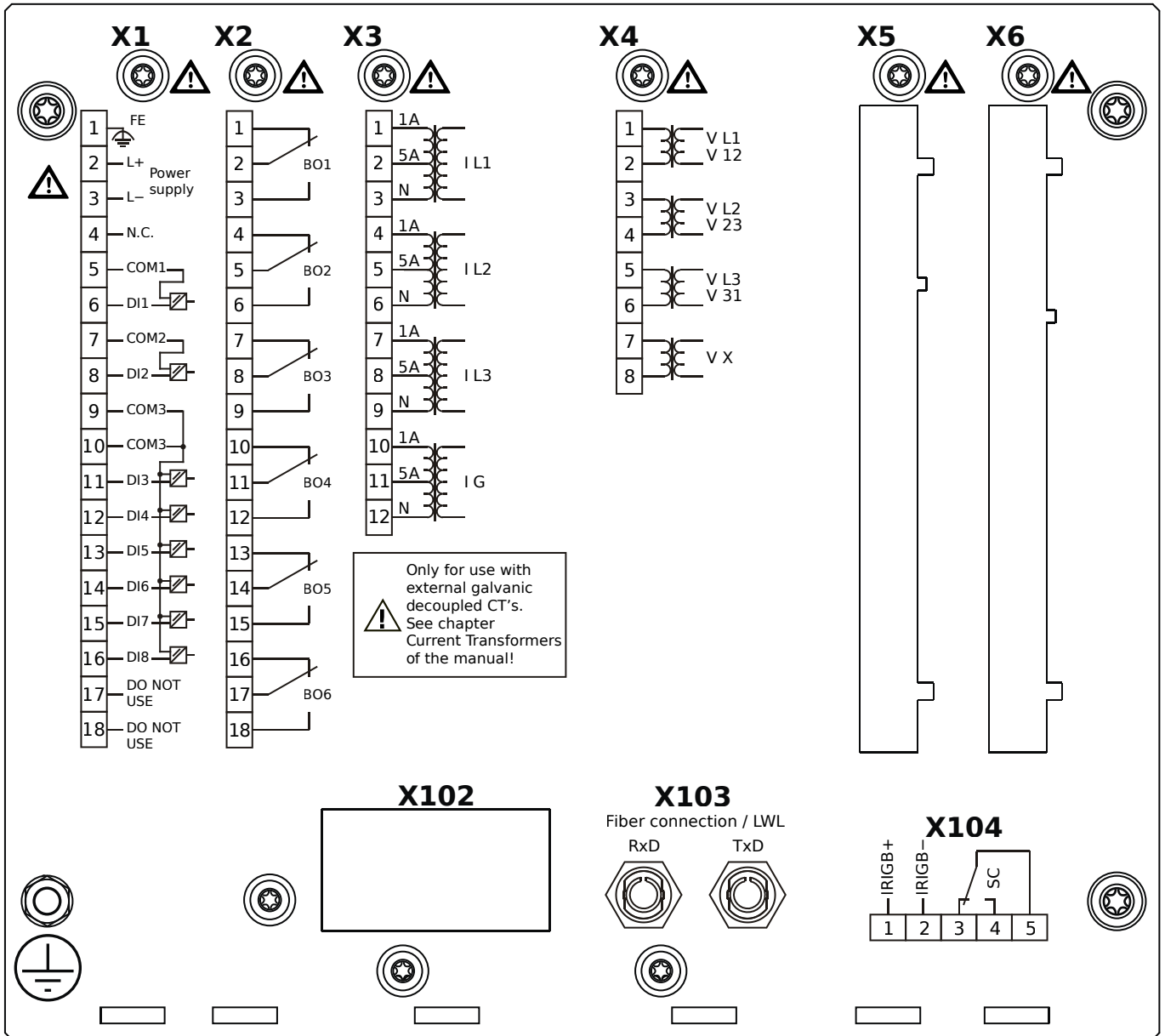
MCA4-2A0AEB



Housing B2, large display, door mounting

- X1** – DI8-X1: Wide-range power supply unit, incl. 2 non-grouped digital inputs and 6 grouped digital inputs
- X2** – OR6: Assembly Group with 6 Output Relays
- X3** – TI: Standard current measuring card
- X4** – TU: Card with 4 voltage transformer measuring inputs
- X103** – Profibus-DP, RS485, D-SUB
- X104** – IRIG-B00X, incl. System Contact (Supervision Contact)

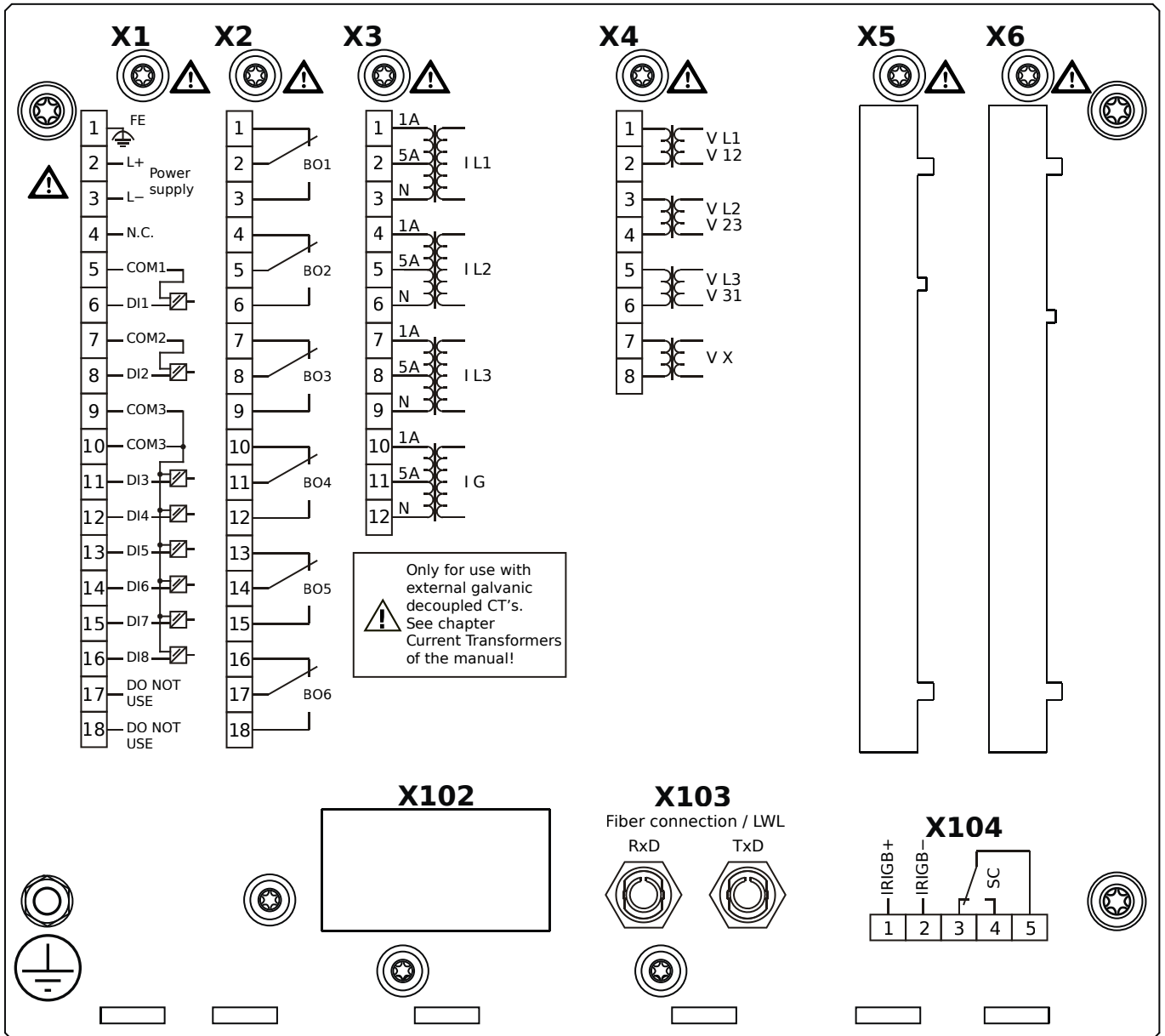
MCA4-2A0AFA



Housing B2, large display, door mounting

- X1** – DI8-X1: Wide-range power supply unit, incl. 2 non-grouped digital inputs and 6 grouped digital inputs
- X2** – OR6: Assembly Group with 6 Output Relays
- X3** – TI: Standard current measuring card
- X4** – TU: Card with 4 voltage transformer measuring inputs
- X103** – Modbus RTU / IEC 60870-5-103 / DNP3.0 RTU, Fiber optics interface, ST Connector
- X104** – IRIG-B00X, incl. System Contact (Supervision Contact)

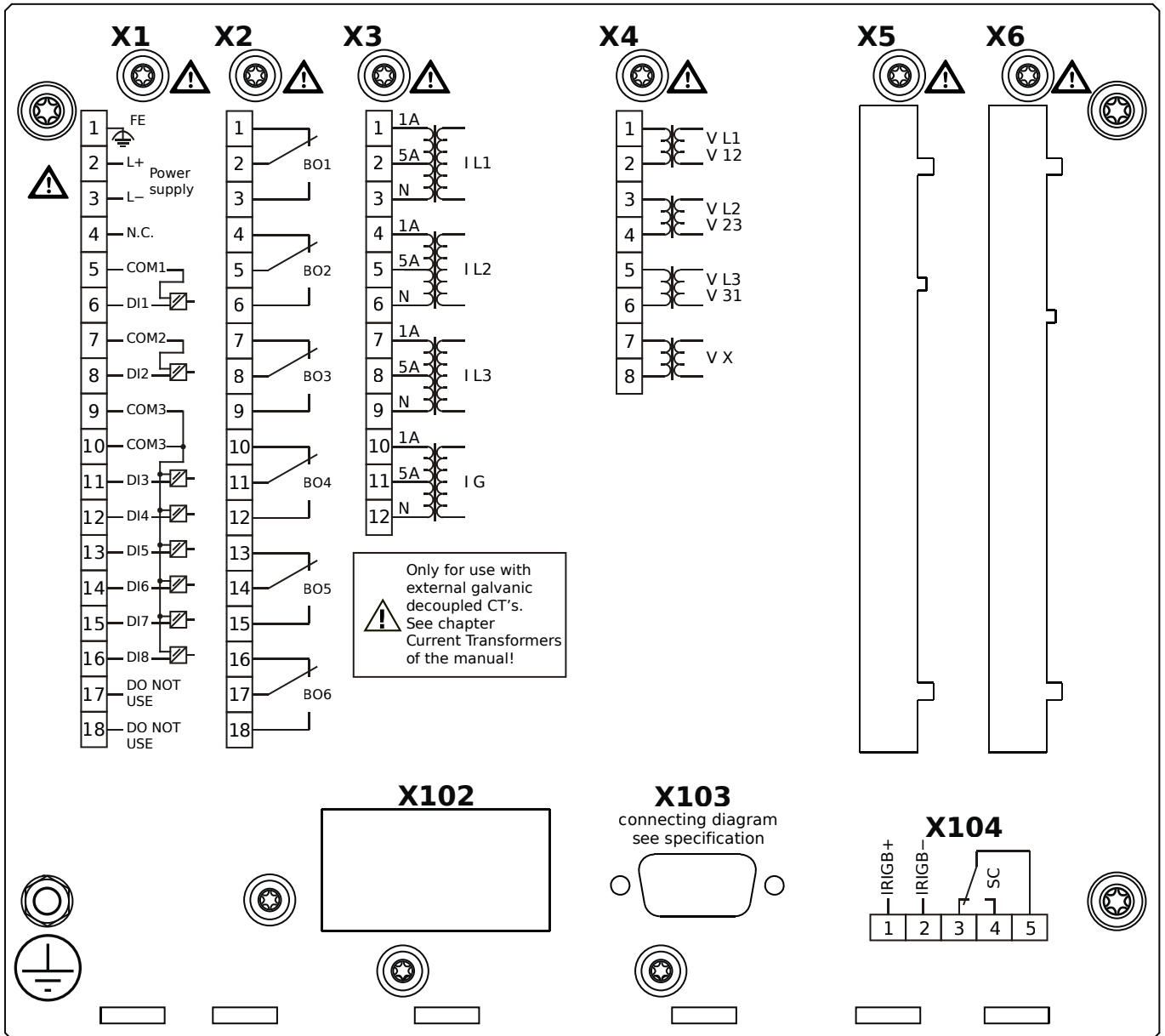
MCA4-2A0AFB



Housing B2, large display, door mounting

- X1** – DI8-X1: Wide-range power supply unit, incl. 2 non-grouped digital inputs and 6 grouped digital inputs
- X2** – OR6: Assembly Group with 6 Output Relays
- X3** – TI: Standard current measuring card
- X4** – TU: Card with 4 voltage transformer measuring inputs
- X103** – Modbus RTU / IEC 60870-5-103 / DNP3.0 RTU, Fiber optics interface, ST Connector
- X104** – IRIG-B00X, incl. System Contact (Supervision Contact)

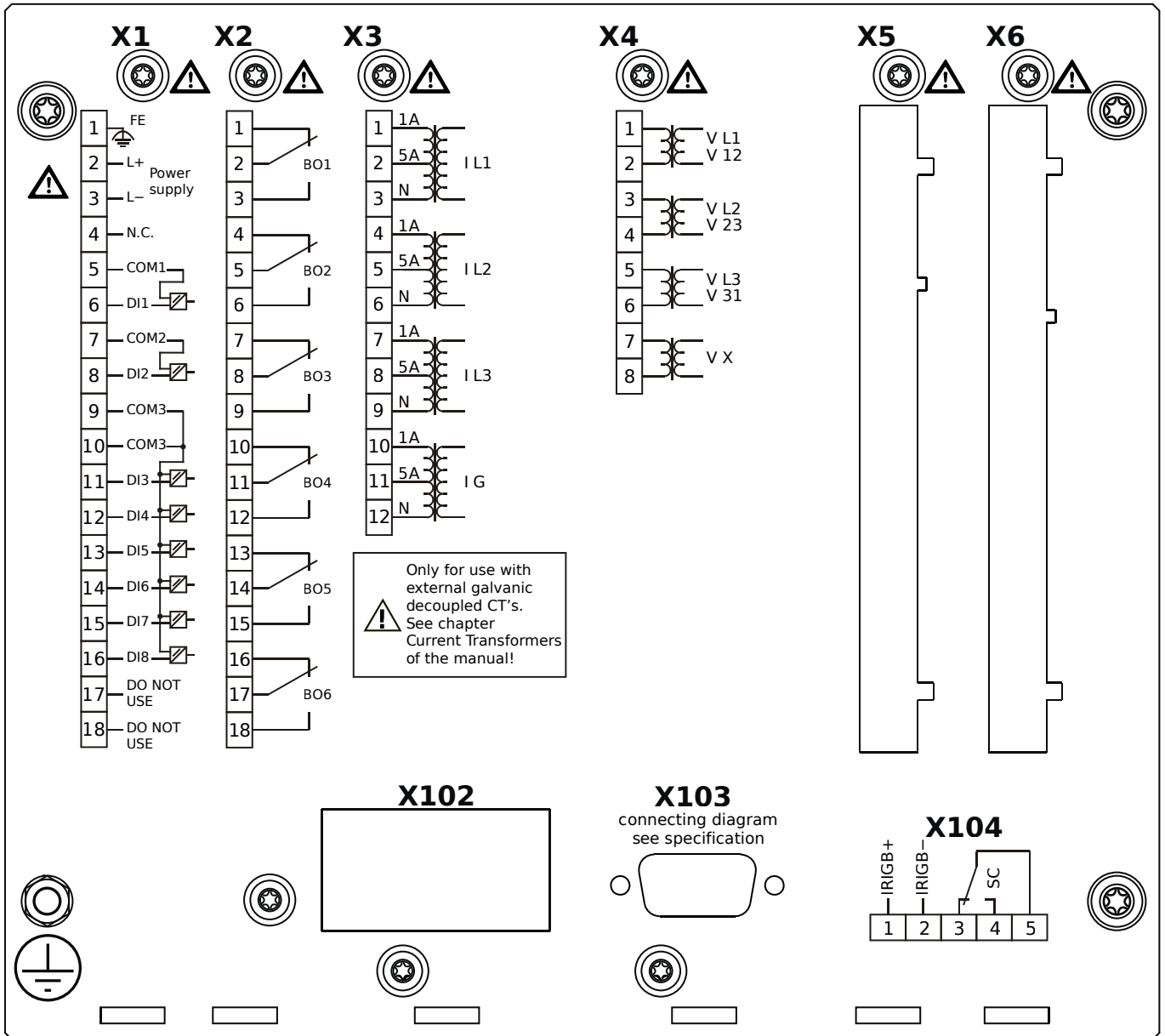
MCA4-2A0AGA



Housing B2, large display, door mounting

- X1** – DI8-X1: Wide-range power supply unit, incl. 2 non-grouped digital inputs and 6 grouped digital inputs
- X2** – OR6: Assembly Group with 6 Output Relays
- X3** – TI: Standard current measuring card
- X4** – TU: Card with 4 voltage transformer measuring inputs
- X103** – Modbus RTU / IEC 60870-5-103 / DNP3.0 RTU, RS485, D-SUB
- X104** – IRIG-B00X, incl. System Contact (Supervision Contact)

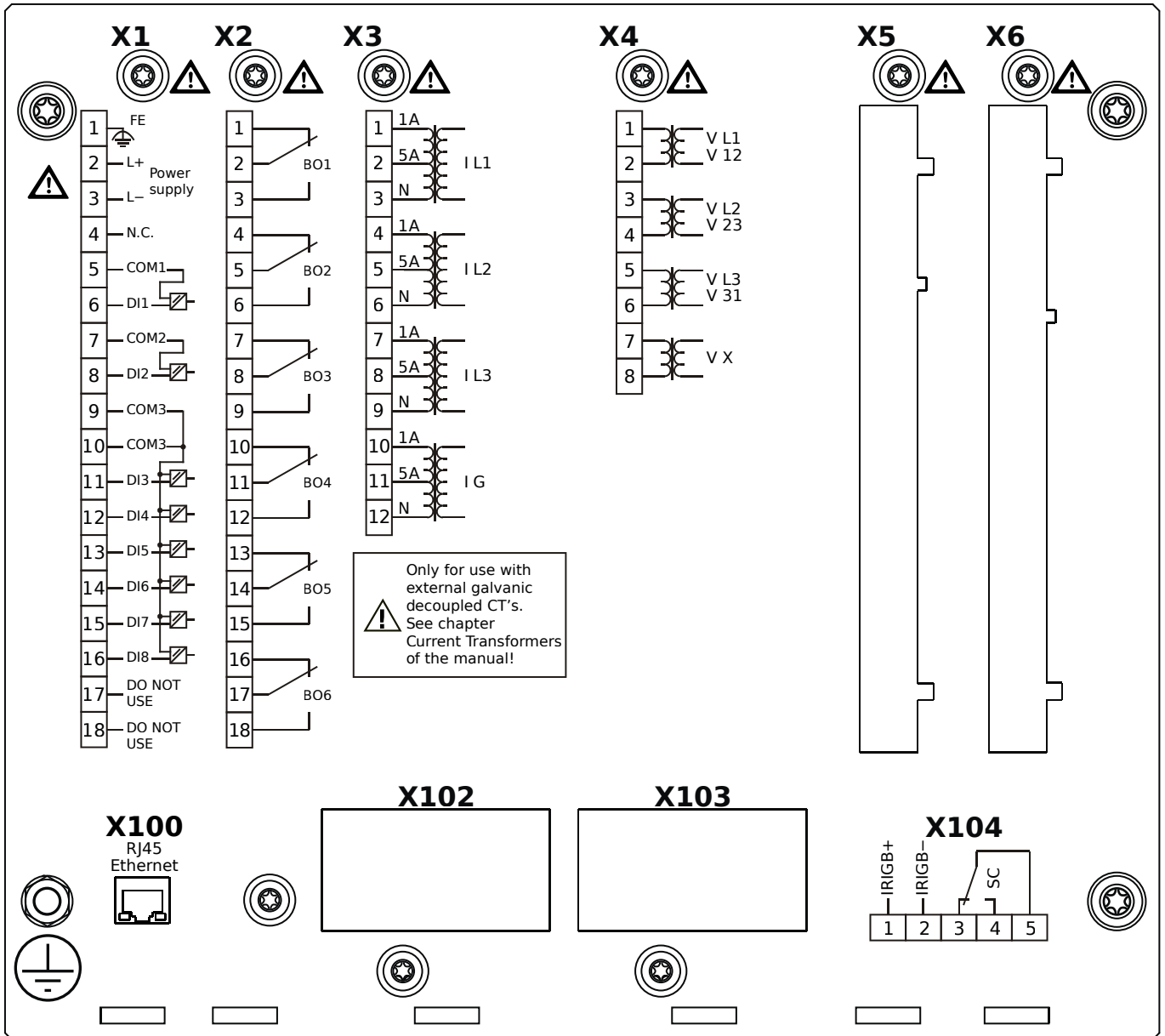
MCA4-2A0AGB



Housing B2, large display, door mounting

- X1** – DI8-X1: Wide-range power supply unit, incl. 2 non-grouped digital inputs and 6 grouped digital inputs
- X2** – OR6: Assembly Group with 6 Output Relays
- X3** – TI: Standard current measuring card
- X4** – TU: Card with 4 voltage transformer measuring inputs
- X103** – Modbus RTU / IEC 60870-5-103 / DNP3.0 RTU, RS485, D-SUB
- X104** – IRIG-B00X, incl. System Contact (Supervision Contact)

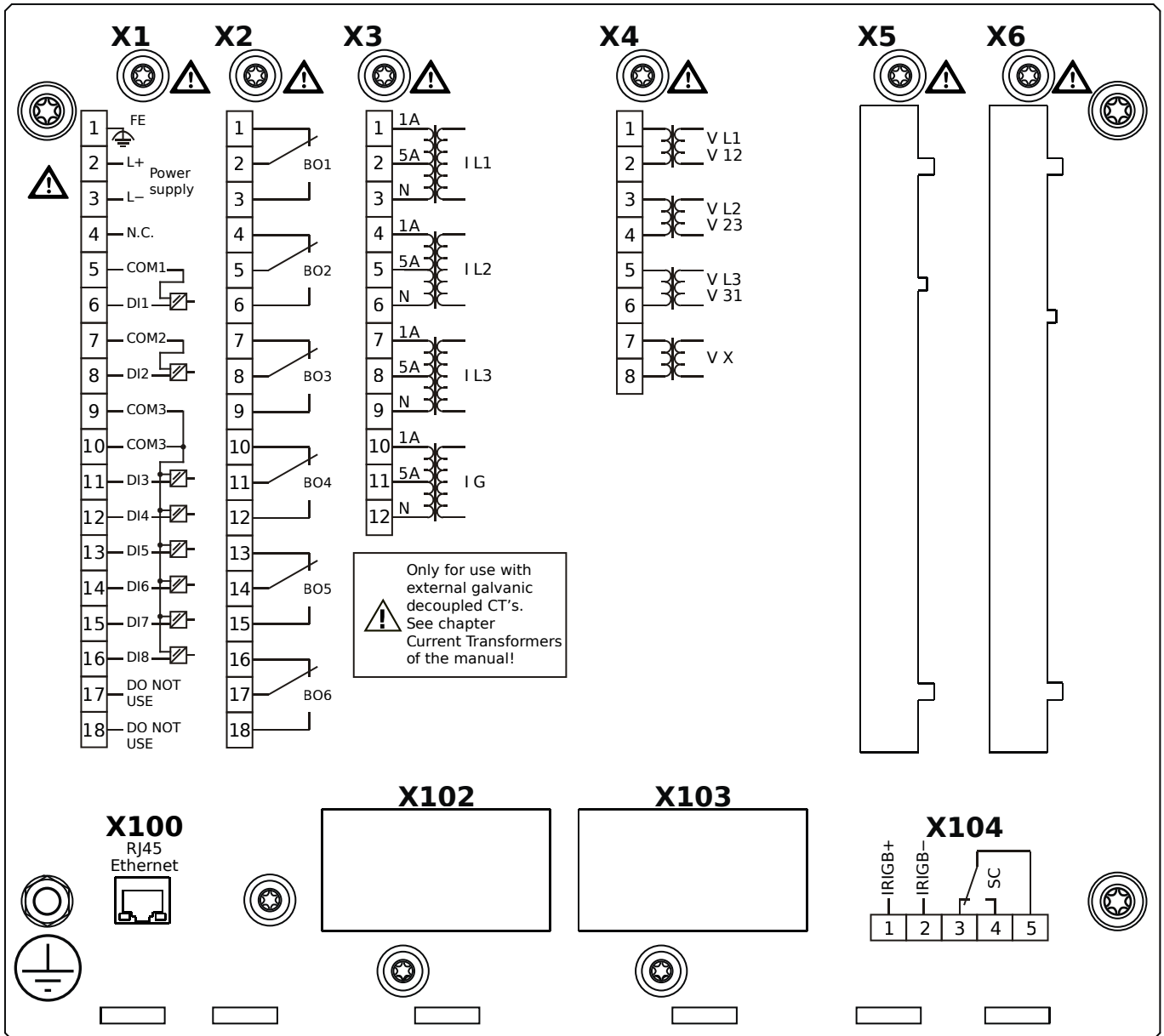
MCA4-2A0AHA



Housing B2, large display, door mounting

- X1** – DI8-X1: Wide-range power supply unit, incl. 2 non-grouped digital inputs and 6 grouped digital inputs
- X2** – OR6: Assembly Group with 6 Output Relays
- X3** – TI: Standard current measuring card
- X4** – TU: Card with 4 voltage transformer measuring inputs
- X100** – IEC 61850 / Modbus TCP / DNP3.0 TCP/UDP, Ethernet interface, 100 Mbit/s, RJ45 (BASE100-FX)
- X104** – IRIG-B00X, incl. System Contact (Supervision Contact)

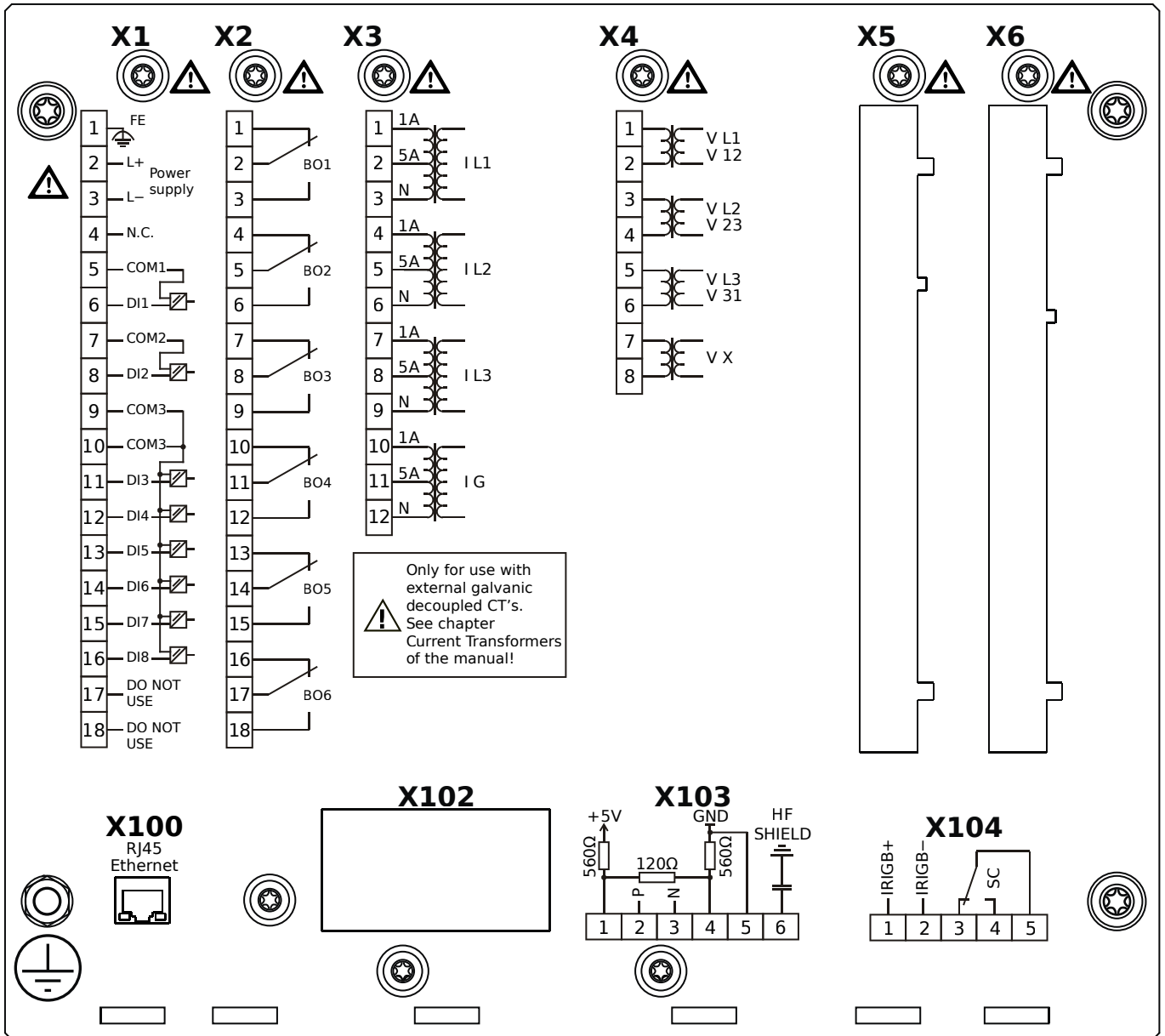
MCA4-2A0AHB



Housing B2, large display, door mounting

- X1** – DI8-X1: Wide-range power supply unit, incl. 2 non-grouped digital inputs and 6 grouped digital inputs
- X2** – OR6: Assembly Group with 6 Output Relays
- X3** – TI: Standard current measuring card
- X4** – TU: Card with 4 voltage transformer measuring inputs
- X100** – IEC 61850 / Modbus TCP / DNP3.0 TCP/UDP, Ethernet interface, 100 Mbit/s, RJ45 (BASE100-FX)
- X104** – IRIG-B00X, incl. System Contact (Supervision Contact)

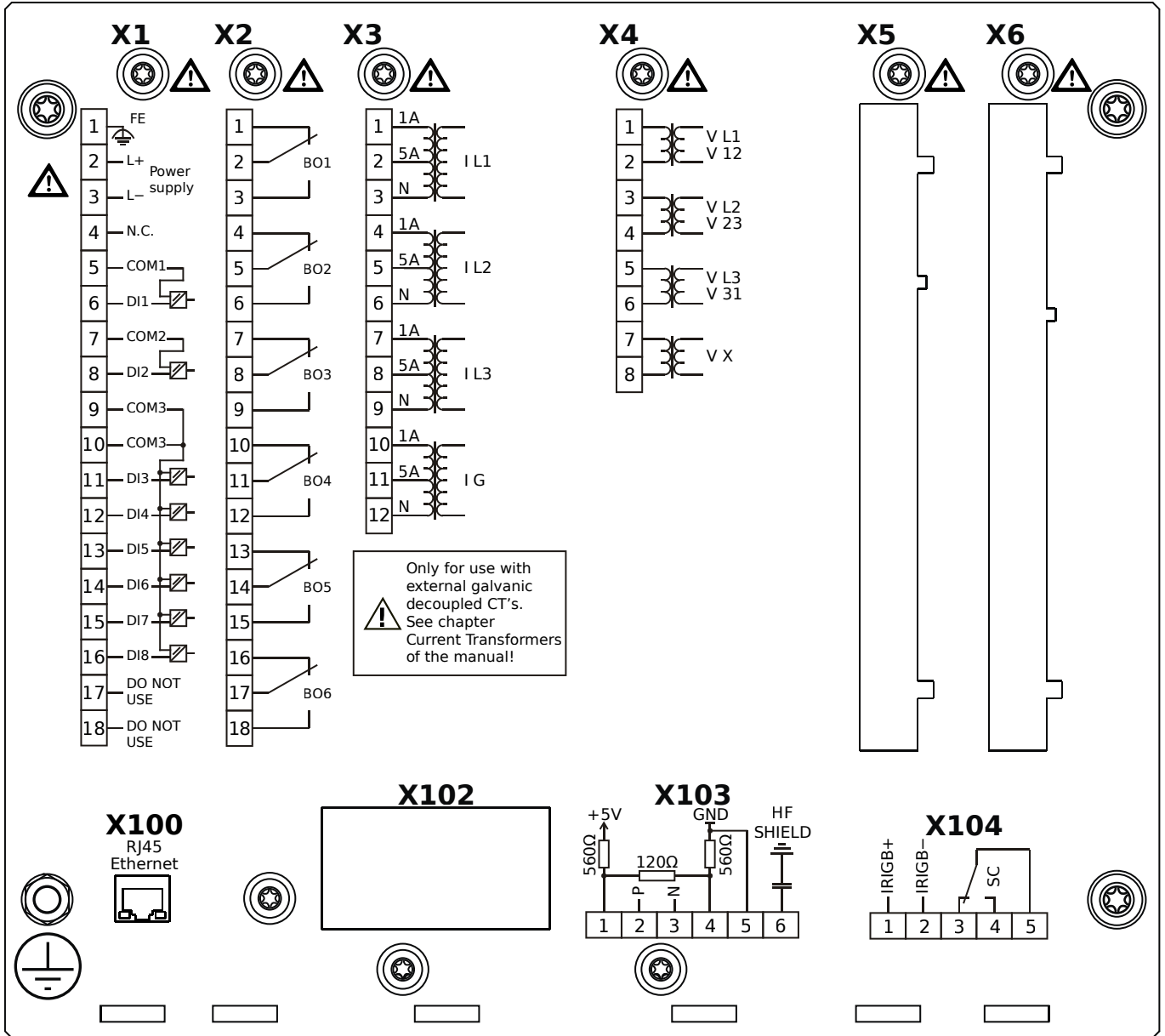
MCA4-2A0AIA



Housing B2, large display, door mounting

- X1** – DI8-X1: Wide-range power supply unit, incl. 2 non-grouped digital inputs and 6 grouped digital inputs
- X2** – OR6: Assembly Group with 6 Output Relays
- X3** – TI: Standard current measuring card
- X4** – TU: Card with 4 voltage transformer measuring inputs
- X100** – Modbus TCP / DNP3.0 TCP/UDP, Ethernet interface, 100 Mbit/s, RJ45 (BASE100-FX)
- X103** – IEC 60870-5-103 / Modbus RTU / DNP3.0 RTU, RS485, Terminals
- X104** – IRIG-B00X, incl. System Contact (Supervision Contact)

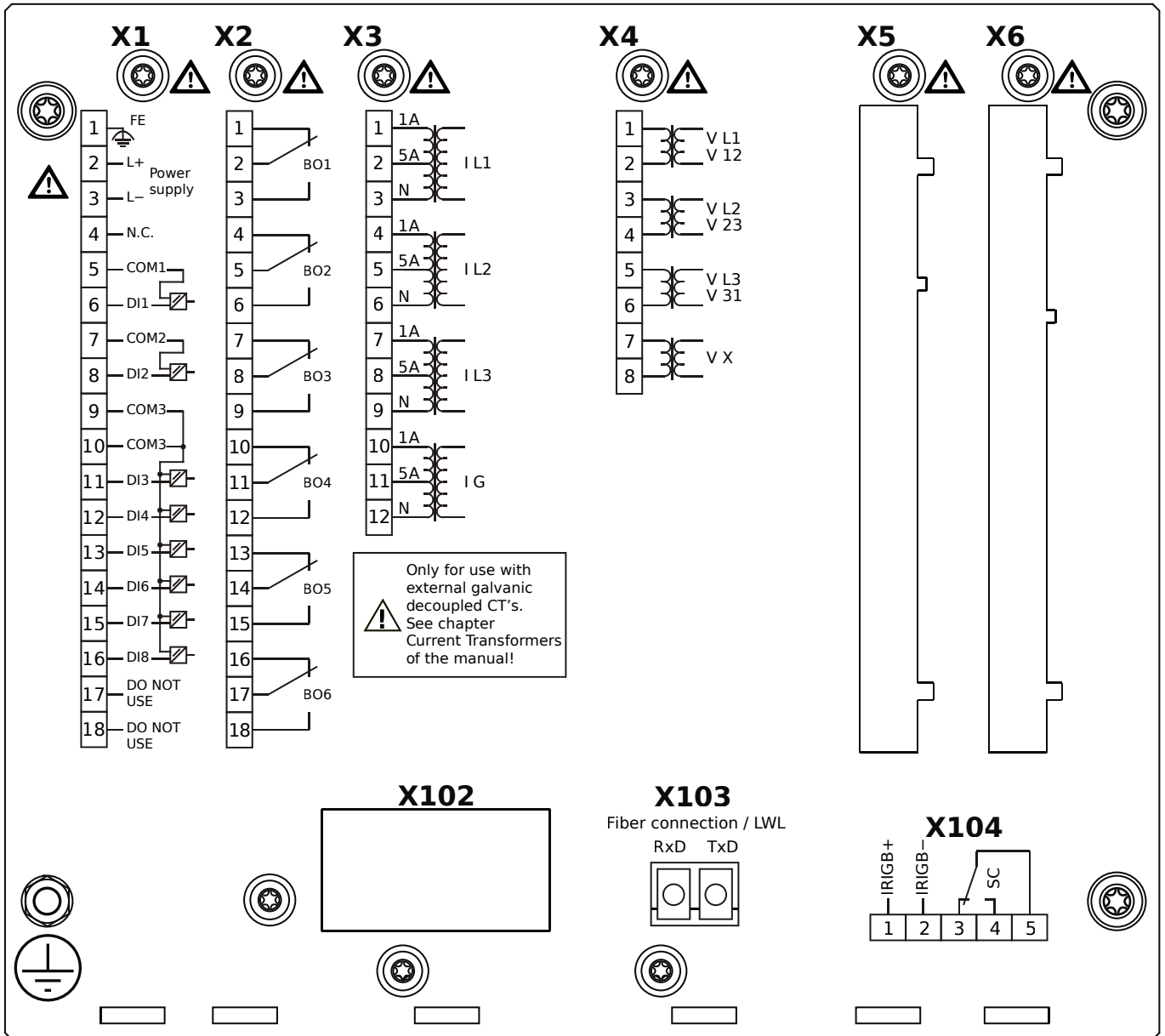
MCA4-2A0AIB



Housing B2, large display, door mounting

- X1** – DI8-X1: Wide-range power supply unit, incl. 2 non-grouped digital inputs and 6 grouped digital inputs
- X2** – OR6: Assembly Group with 6 Output Relays
- X3** – TI: Standard current measuring card
- X4** – TU: Card with 4 voltage transformer measuring inputs
- X100** – Modbus TCP / DNP3.0 TCP/UDP, Ethernet interface, 100 Mbit/s, RJ45 (BASE100-FX)
- X103** – IEC 60870-5-103 / Modbus RTU / DNP3.0 RTU, RS485, Terminals
- X104** – IRIG-B00X, incl. System Contact (Supervision Contact)

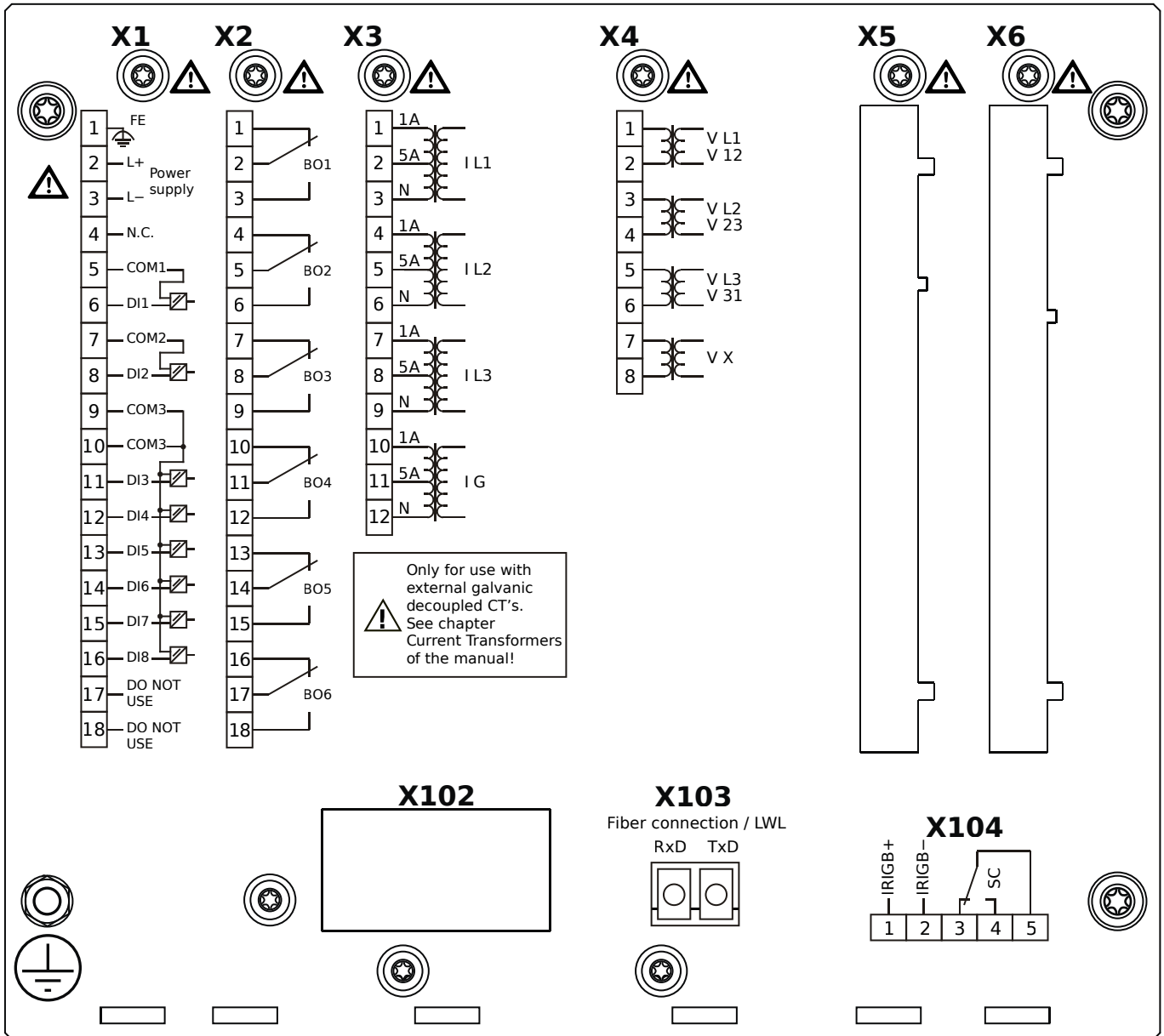
MCA4-2A0AKA



Housing B2, large display, door mounting

- X1** – DI8-X1: Wide-range power supply unit, incl. 2 non-grouped digital inputs and 6 grouped digital inputs
- X2** – OR6: Assembly Group with 6 Output Relays
- X3** – TI: Standard current measuring card
- X4** – TU: Card with 4 voltage transformer measuring inputs
- X103** – IEC 61850 / Modbus TCP / DNP3.0 TCP/UDP, Fiber optics interface, LC Connector
- X104** – IRIG-B00X, incl. System Contact (Supervision Contact)

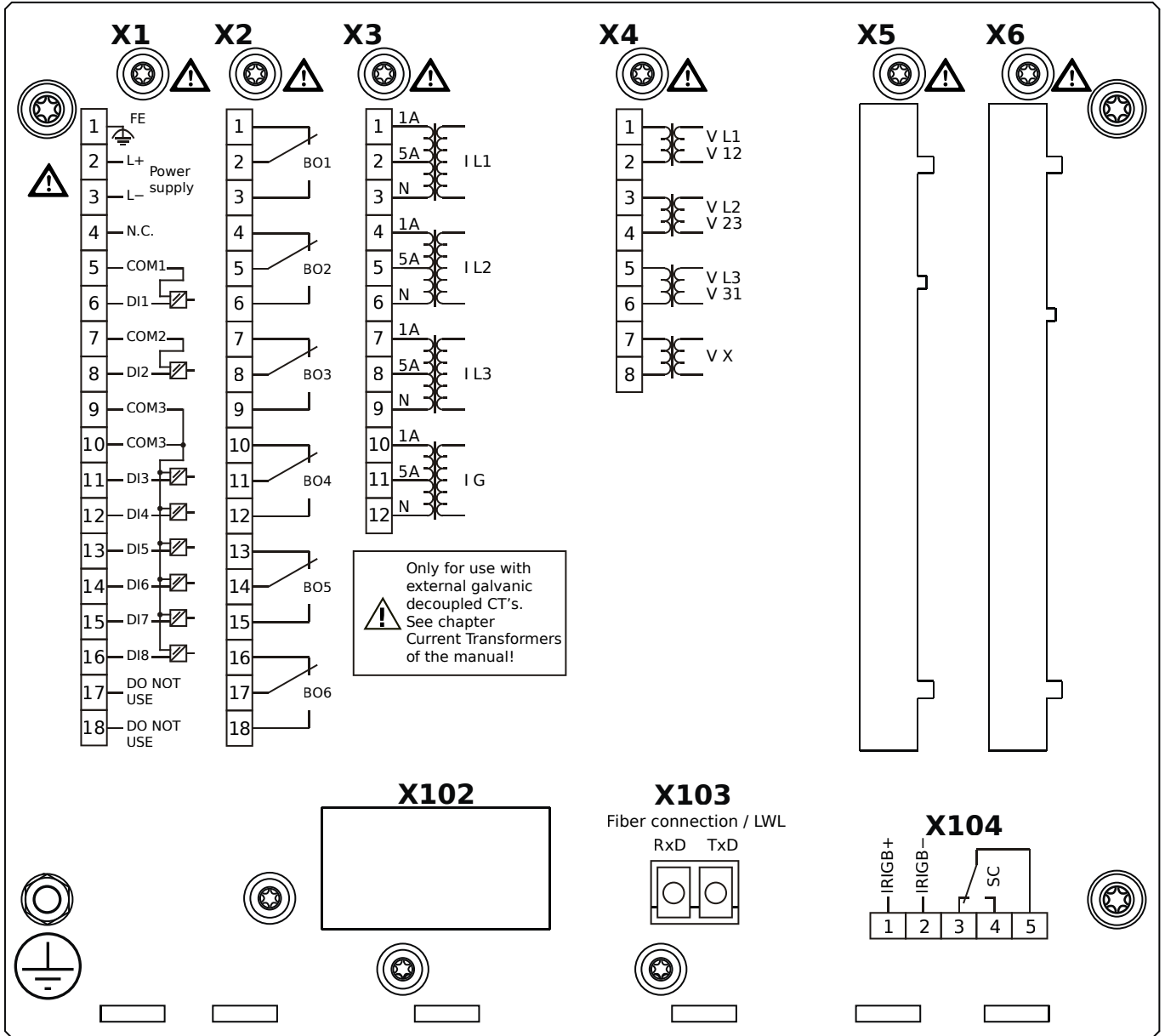
MCA4-2A0AKB



Housing B2, large display, door mounting

- X1** – DI8-X1: Wide-range power supply unit, incl. 2 non-grouped digital inputs and 6 grouped digital inputs
- X2** – OR6: Assembly Group with 6 Output Relays
- X3** – TI: Standard current measuring card
- X4** – TU: Card with 4 voltage transformer measuring inputs
- X103** – IEC 61850 / Modbus TCP / DNP3.0 TCP/UDP, Fiber optics interface, LC Connector
- X104** – IRIG-B00X, incl. System Contact (Supervision Contact)

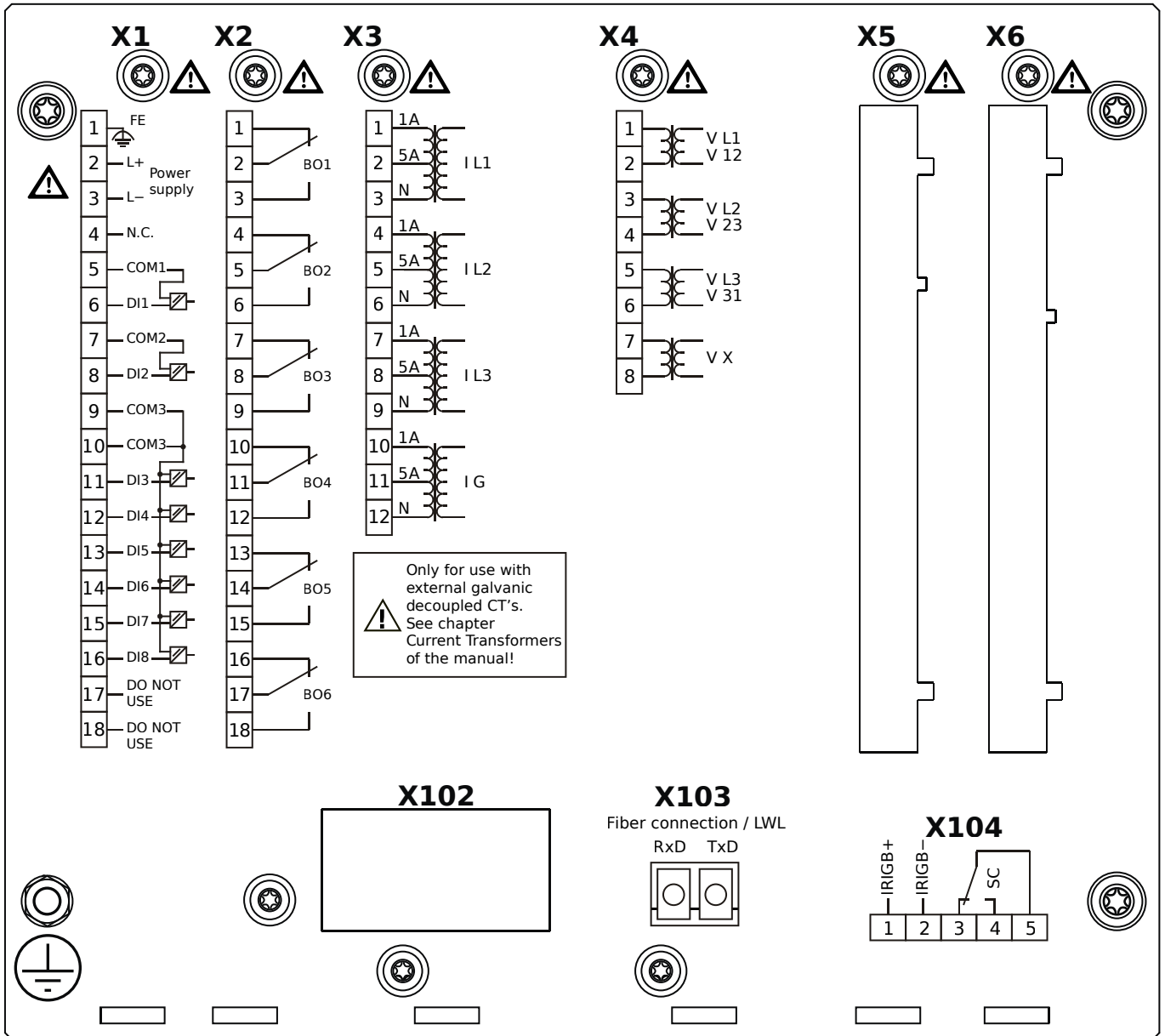
MCA4-2A0ALA



Housing B2, large display, door mounting

- X1** – DI8-X1: Wide-range power supply unit, incl. 2 non-grouped digital inputs and 6 grouped digital inputs
- X2** – OR6: Assembly Group with 6 Output Relays
- X3** – TI: Standard current measuring card
- X4** – TU: Card with 4 voltage transformer measuring inputs
- X103** – Modbus TCP / DNP3.0 TCP/UDP, Fiber optics interface, LC Connector
- X104** – IRIG-B00X, incl. System Contact (Supervision Contact)

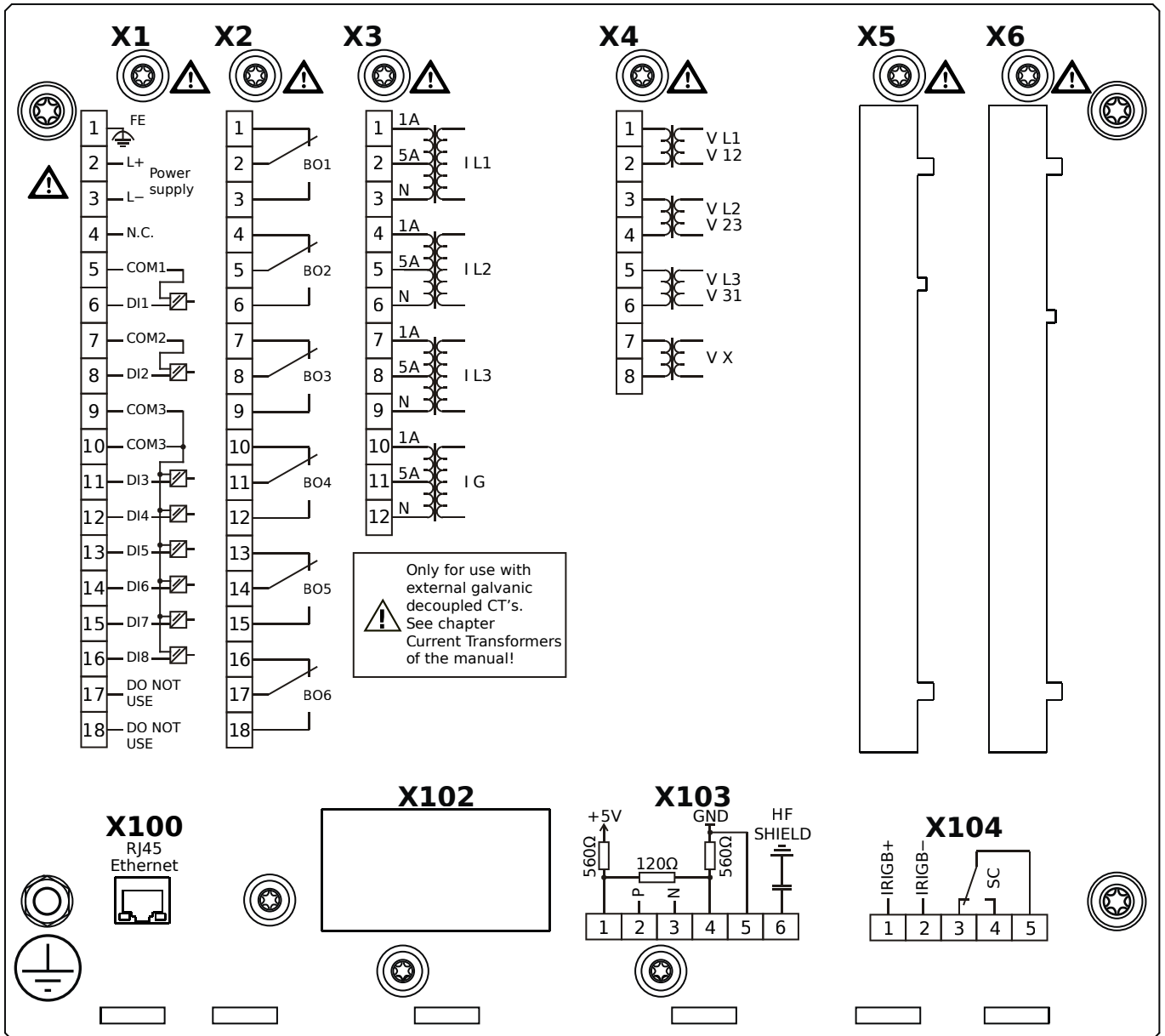
MCA4-2A0ALB



Housing B2, large display, door mounting

- X1** – DI8-X1: Wide-range power supply unit, incl. 2 non-grouped digital inputs and 6 grouped digital inputs
- X2** – OR6: Assembly Group with 6 Output Relays
- X3** – TI: Standard current measuring card
- X4** – TU: Card with 4 voltage transformer measuring inputs
- X103** – Modbus TCP / DNP3.0 TCP/UDP, Fiber optics interface, LC Connector
- X104** – IRIG-B00X, incl. System Contact (Supervision Contact)

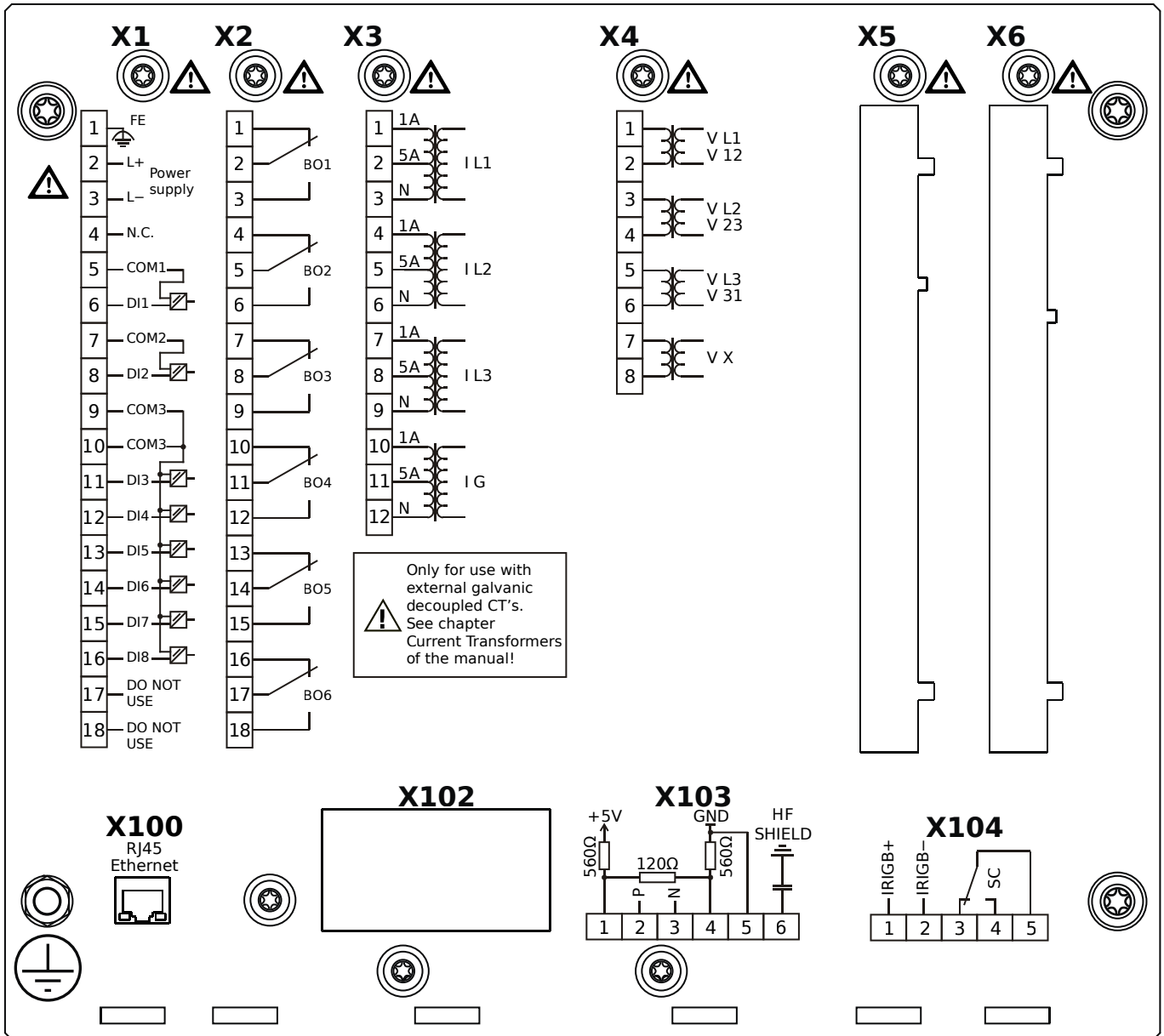
MCA4-2A0ATA



Housing B2, large display, door mounting

- X1** – DI8-X1: Wide-range power supply unit, incl. 2 non-grouped digital inputs and 6 grouped digital inputs
- X2** – OR6: Assembly Group with 6 Output Relays
- X3** – TI: Standard current measuring card
- X4** – TU: Card with 4 voltage transformer measuring inputs
- X100** – IEC 61850 / Modbus TCP / DNP3.0 TCP/UDP, Ethernet interface, 100 Mbit/s, RJ45 (BASE100-FX)
- X103** – IEC 60870-5-103 / Modbus RTU / DNP3.0 RTU, RS485, Terminals
- X104** – IRIG-B00X, incl. System Contact (Supervision Contact)

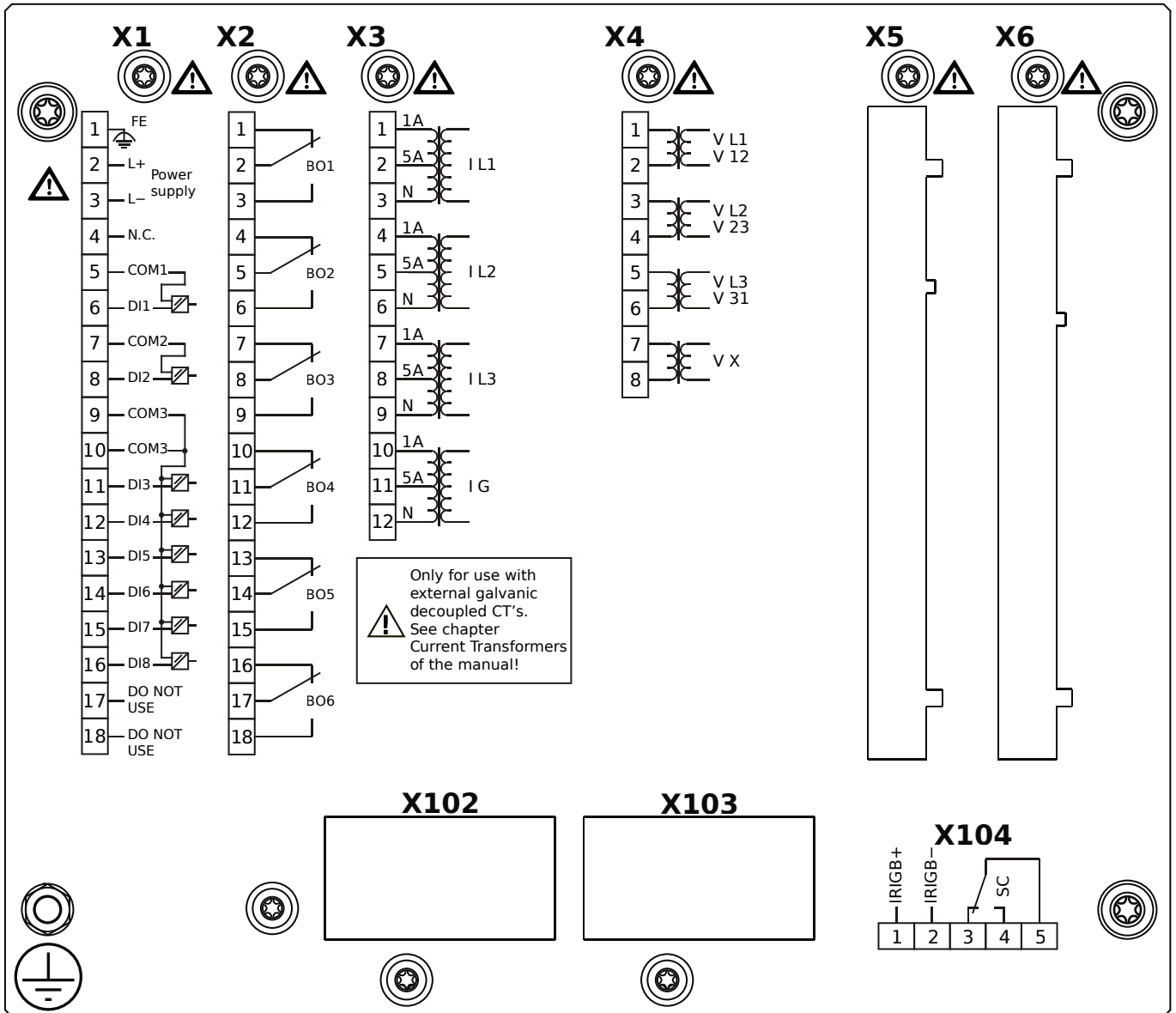
MCA4-2A0ATB



Housing B2, large display, door mounting

- X1** – DI8-X1: Wide-range power supply unit, incl. 2 non-grouped digital inputs and 6 grouped digital inputs
- X2** – OR6: Assembly Group with 6 Output Relays
- X3** – TI: Standard current measuring card
- X4** – TU: Card with 4 voltage transformer measuring inputs
- X100** – IEC 61850 / Modbus TCP / DNP3.0 TCP/UDP, Ethernet interface, 100 Mbit/s, RJ45 (BASE100-FX)
- X103** – IEC 60870-5-103 / Modbus RTU / DNP3.0 RTU, RS485, Terminals
- X104** – IRIG-B00X, incl. System Contact (Supervision Contact)

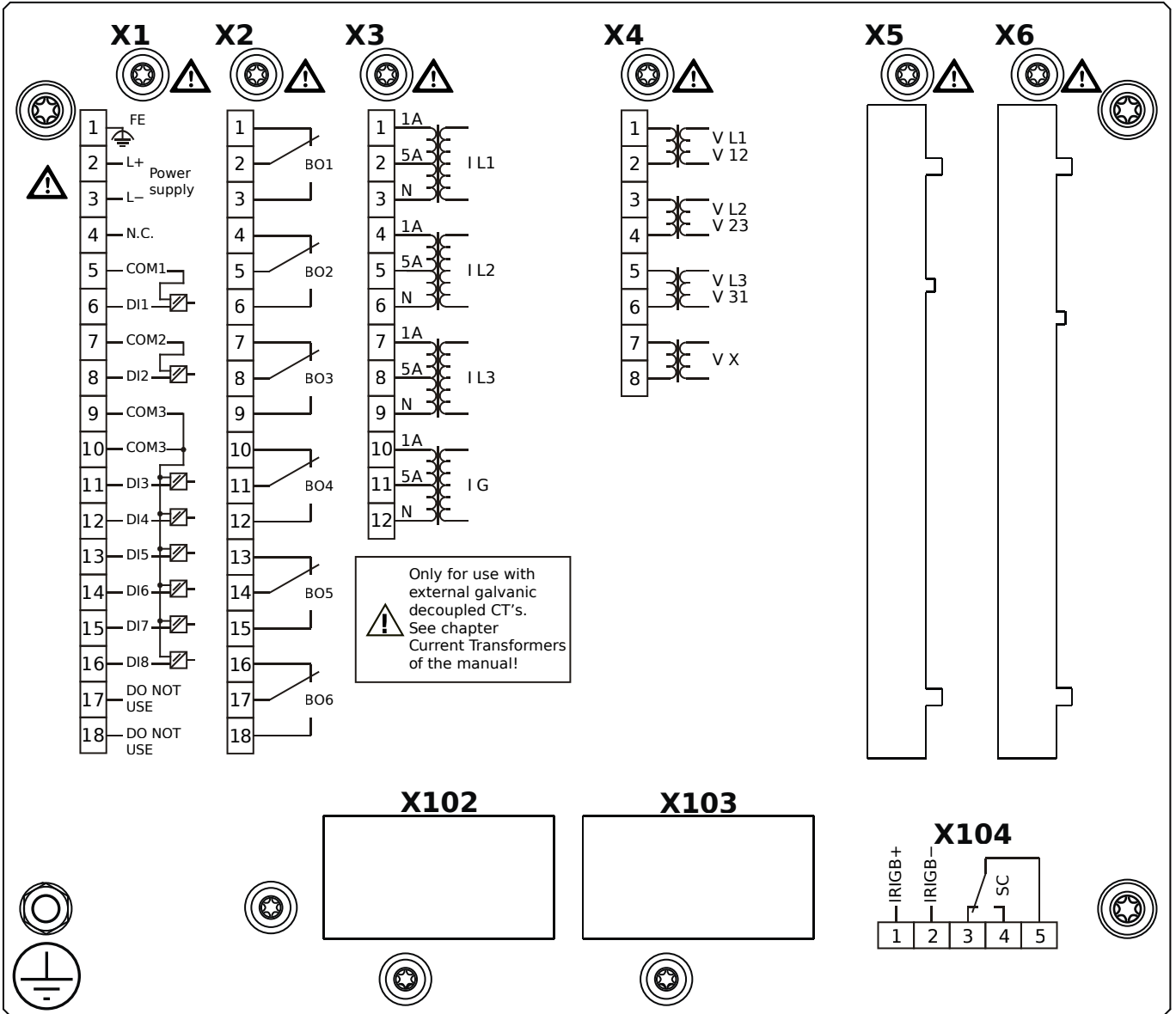
MCA4-2A0BAA



Housing B2, large display, door mounting 19" (flush mounting)

- X1** – DI8-X1: Wide-range power supply unit, incl. 2 non-grouped digital inputs and 6 grouped digital inputs
- X2** – OR6: Assembly Group with 6 Output Relays
- X3** – TI: Standard current measuring card
- X4** – TU: Card with 4 voltage transformer measuring inputs
- X104** – IRIG-B00X, incl. System Contact (Supervision Contact)

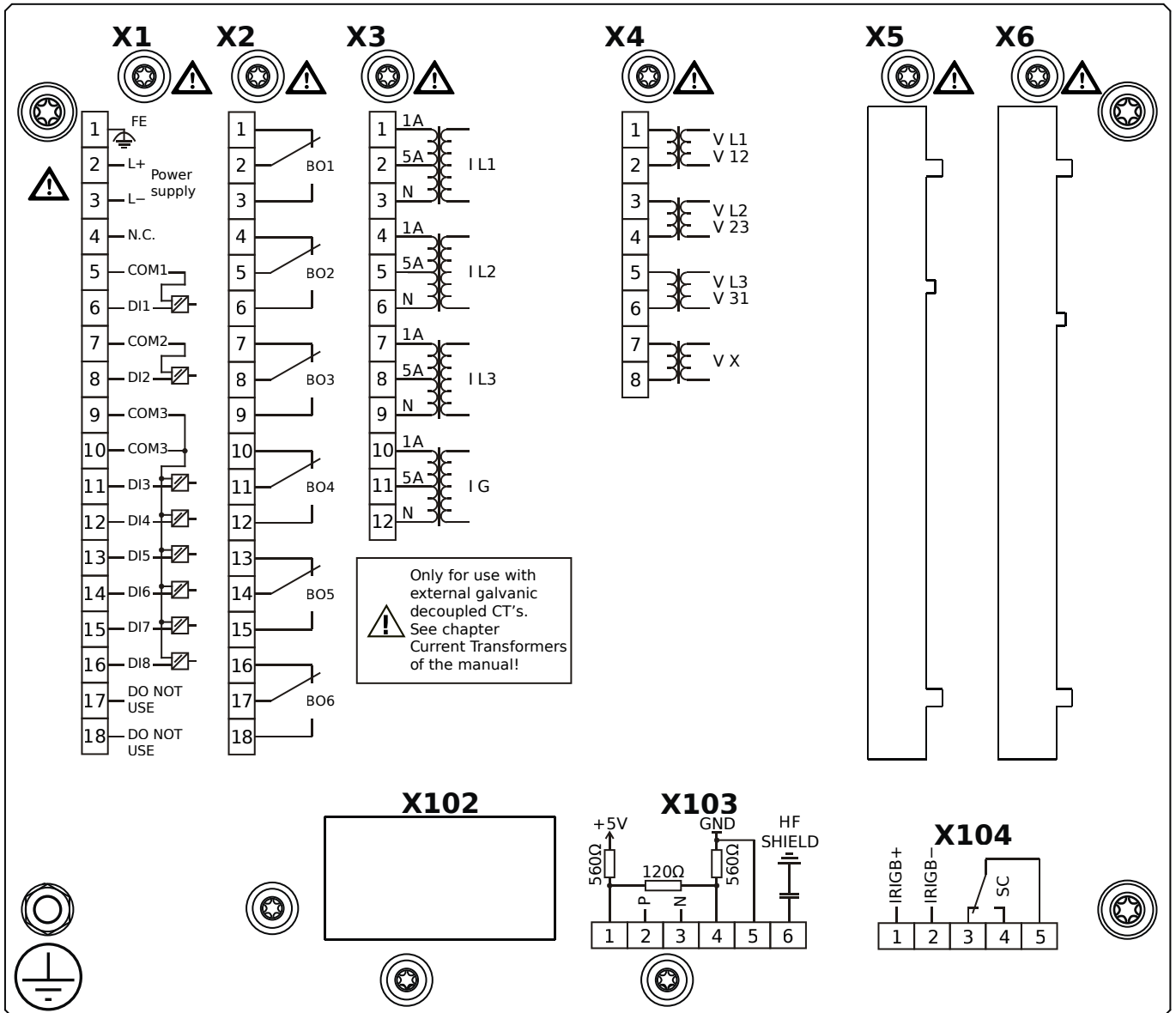
MCA4-2A0BAB



Housing B2, large display, door mounting 19" (flush mounting)

- X1** – DI8-X1: Wide-range power supply unit, incl. 2 non-grouped digital inputs and 6 grouped digital inputs
- X2** – OR6: Assembly Group with 6 Output Relays
- X3** – TI: Standard current measuring card
- X4** – TU: Card with 4 voltage transformer measuring inputs
- X104** – IRIG-B00X, incl. System Contact (Supervision Contact)

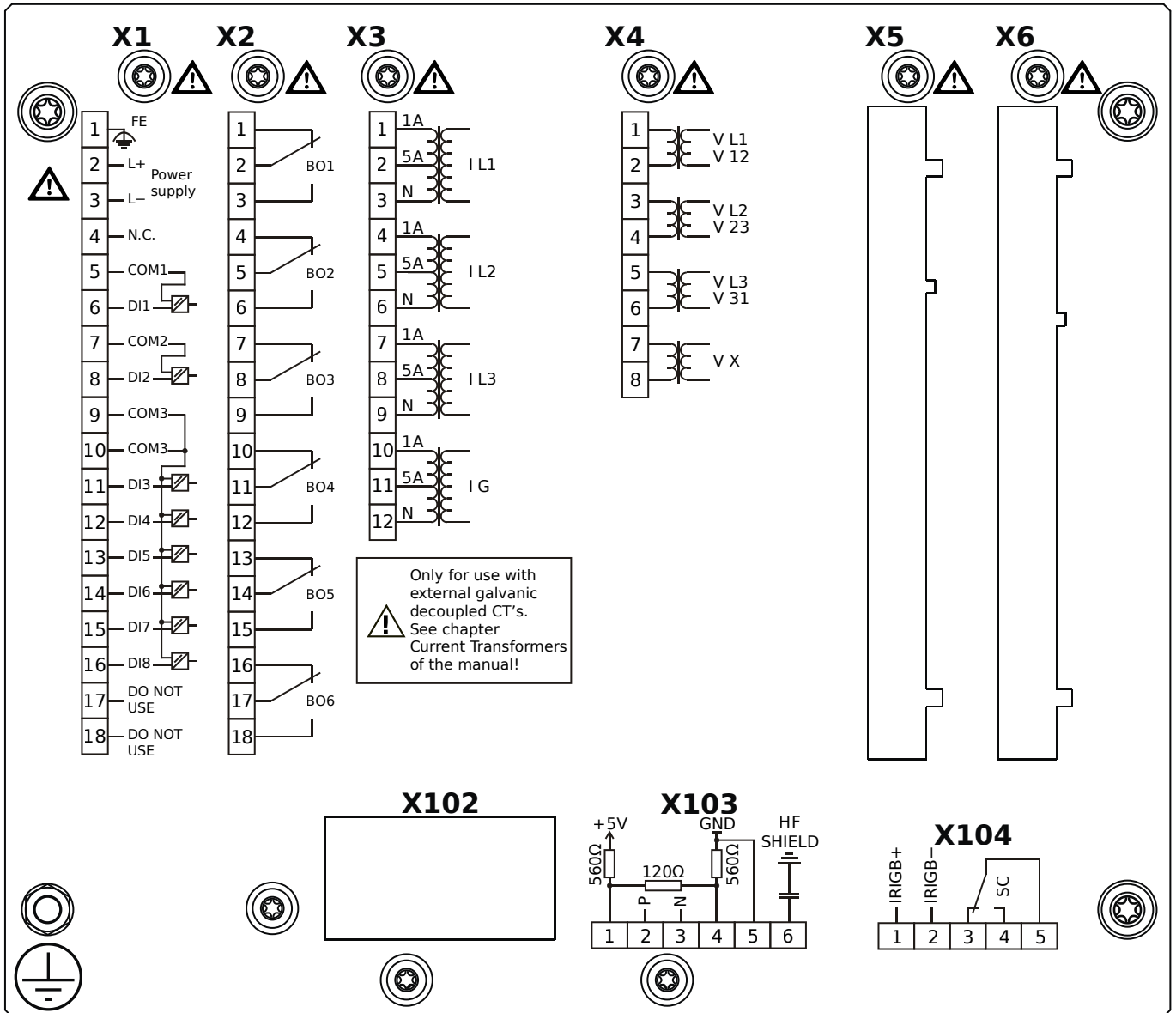
MCA4-2A0BBA



Housing B2, large display, door mounting 19" (flush mounting)

- X1** – DI8-X1: Wide-range power supply unit, incl. 2 non-grouped digital inputs and 6 grouped digital inputs
- X2** – OR6: Assembly Group with 6 Output Relays
- X3** – TI: Standard current measuring card
- X4** – TU: Card with 4 voltage transformer measuring inputs
- X103** – Modbus RTU / IEC 60870-5-103 / DNP3.0 RTU, RS485, Terminals
- X104** – IRIG-B00X, incl. System Contact (Supervision Contact)

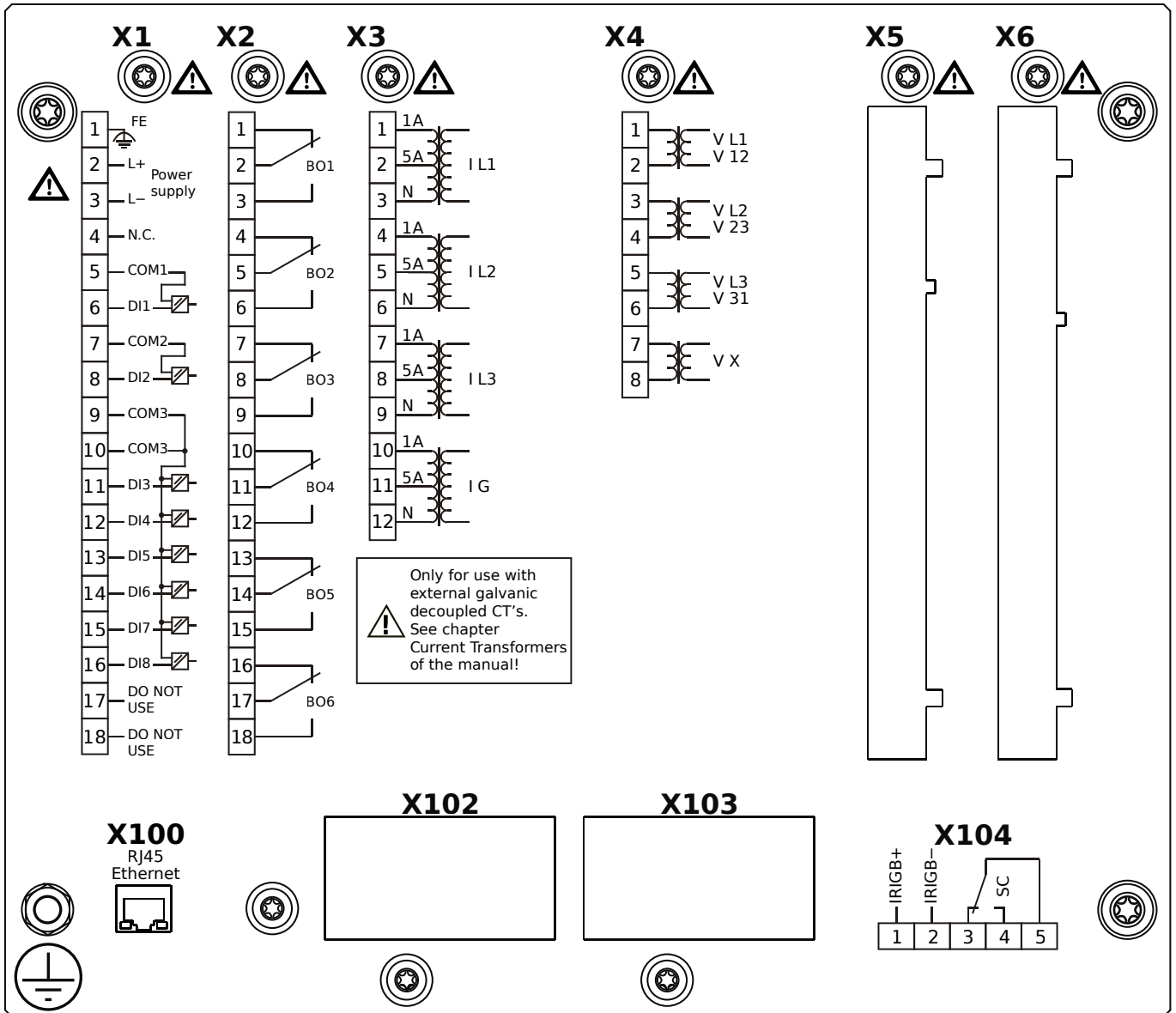
MCA4-2A0BBB



Housing B2, large display, door mounting 19" (flush mounting)

- X1** – DI8-X1: Wide-range power supply unit, incl. 2 non-grouped digital inputs and 6 grouped digital inputs
- X2** – OR6: Assembly Group with 6 Output Relays
- X3** – TI: Standard current measuring card
- X4** – TU: Card with 4 voltage transformer measuring inputs
- X103** – Modbus RTU / IEC 60870-5-103 / DNP3.0 RTU, RS485, Terminals
- X104** – IRIG-B00X, incl. System Contact (Supervision Contact)

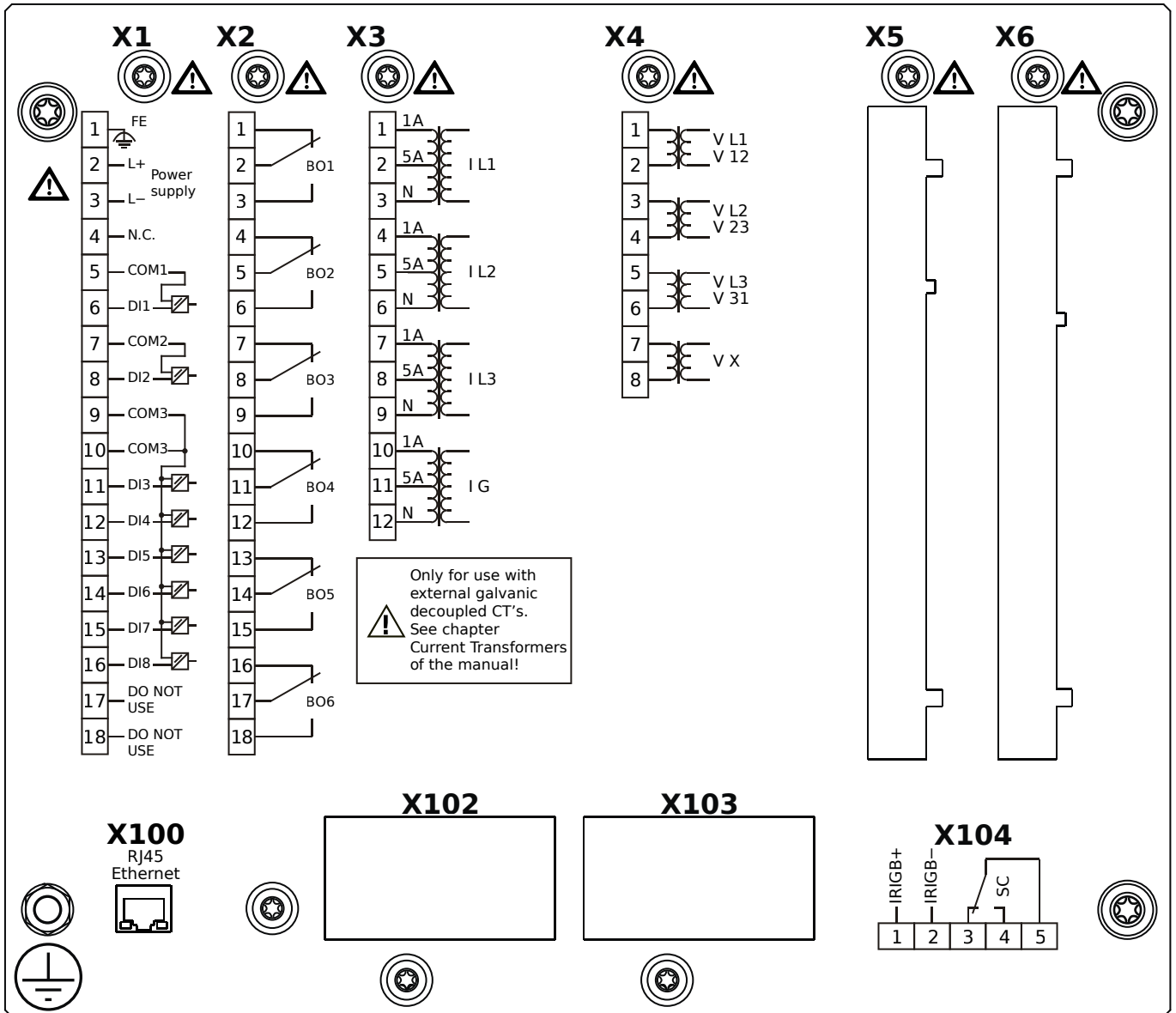
MCA4-2A0BCA



Housing B2, large display, door mounting 19" (flush mounting)

- X1** – DI8-X1: Wide-range power supply unit, incl. 2 non-grouped digital inputs and 6 grouped digital inputs
- X2** – OR6: Assembly Group with 6 Output Relays
- X3** – TI: Standard current measuring card
- X4** – TU: Card with 4 voltage transformer measuring inputs
- X100** – Modbus TCP / DNP3.0 TCP/UDP, Ethernet interface, 100 Mbit/s, RJ45 (BASE100-FX)
- X104** – IRIG-B00X, incl. System Contact (Supervision Contact)

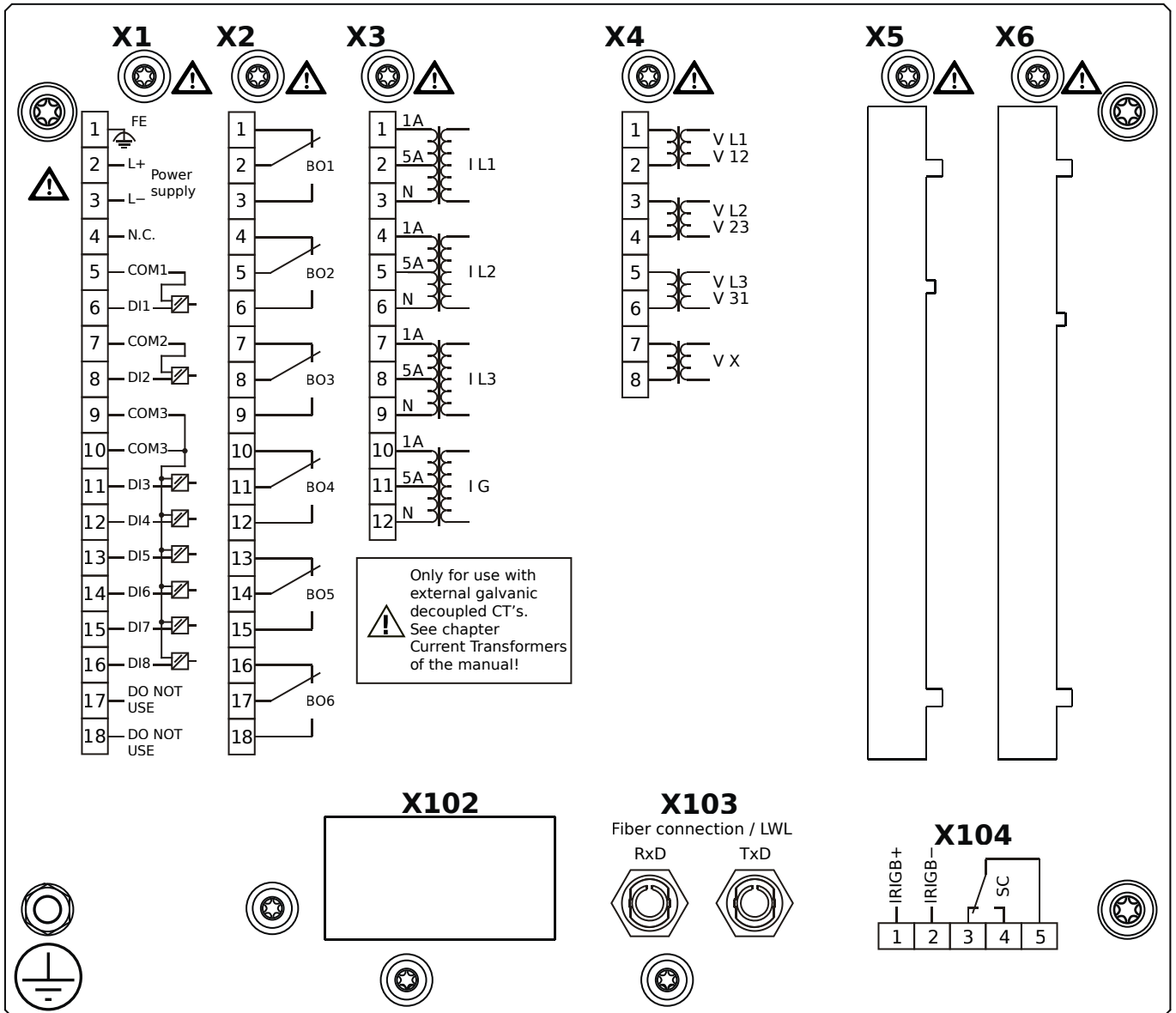
MCA4-2A0BCB



Housing B2, large display, door mounting 19" (flush mounting)

- X1** – DI8-X1: Wide-range power supply unit, incl. 2 non-grouped digital inputs and 6 grouped digital inputs
- X2** – OR6: Assembly Group with 6 Output Relays
- X3** – TI: Standard current measuring card
- X4** – TU: Card with 4 voltage transformer measuring inputs
- X100** – Modbus TCP / DNP3.0 TCP/UDP, Ethernet interface, 100 Mbit/s, RJ45 (BASE100-FX)
- X104** – IRIG-B00X, incl. System Contact (Supervision Contact)

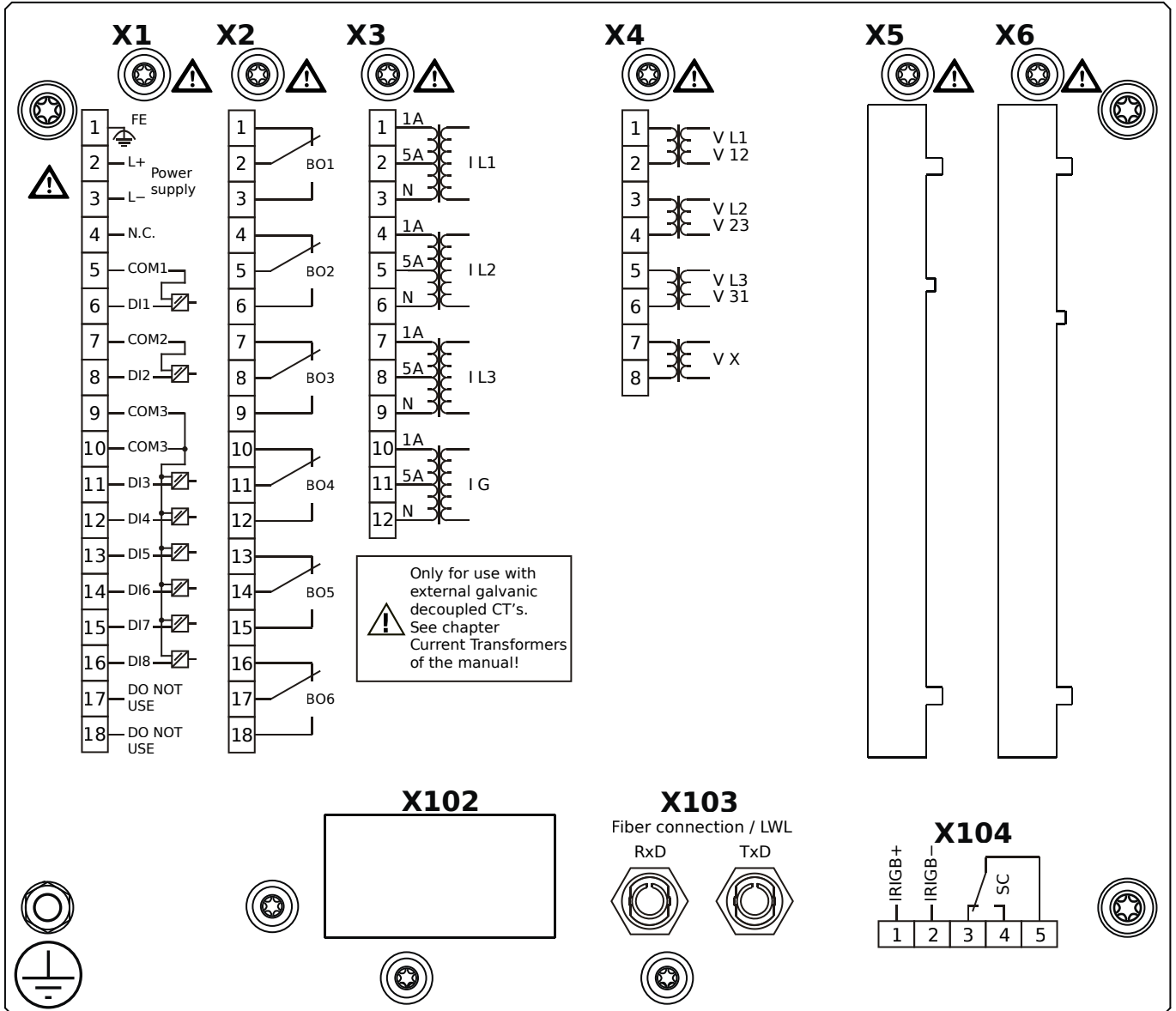
MCA4-2A0BDA



Housing B2, large display, door mounting 19" (flush mounting)

- X1** – DI8-X1: Wide-range power supply unit, incl. 2 non-grouped digital inputs and 6 grouped digital inputs
- X2** – OR6: Assembly Group with 6 Output Relays
- X3** – TI: Standard current measuring card
- X4** – TU: Card with 4 voltage transformer measuring inputs
- X103** – Profibus-DP, Fiber optics interface, ST Connector
- X104** – IRIG-B00X, incl. System Contact (Supervision Contact)

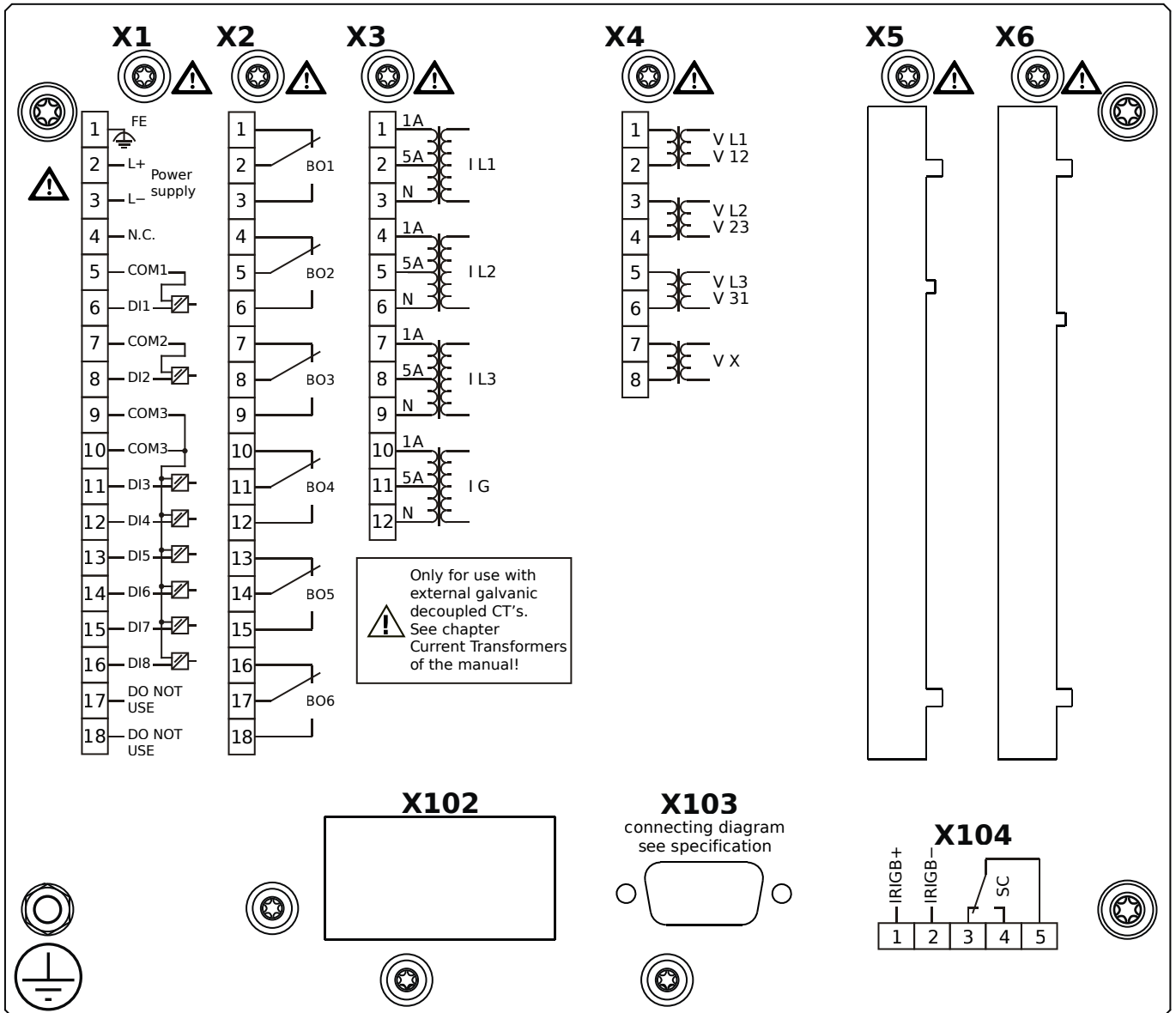
MCA4-2A0BDB



Housing B2, large display, door mounting 19" (flush mounting)

- X1** – DI8-X1: Wide-range power supply unit, incl. 2 non-grouped digital inputs and 6 grouped digital inputs
- X2** – OR6: Assembly Group with 6 Output Relays
- X3** – TI: Standard current measuring card
- X4** – TU: Card with 4 voltage transformer measuring inputs
- X103** – Profibus-DP, Fiber optics interface, ST Connector
- X104** – IRIG-B00X, incl. System Contact (Supervision Contact)

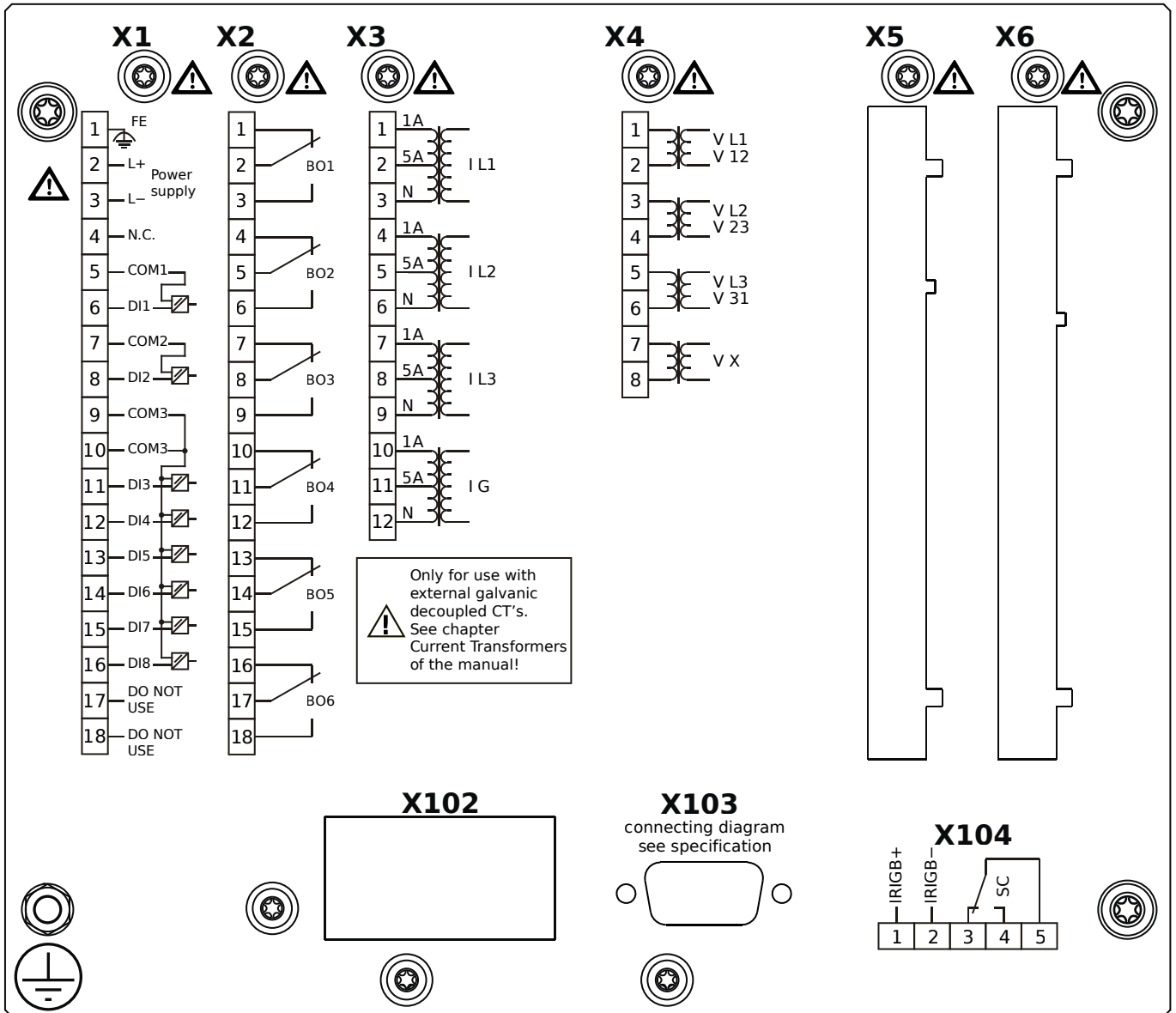
MCA4-2A0BEA



Housing B2, large display, door mounting 19" (flush mounting)

- X1** – DI8-X1: Wide-range power supply unit, incl. 2 non-grouped digital inputs and 6 grouped digital inputs
- X2** – OR6: Assembly Group with 6 Output Relays
- X3** – TI: Standard current measuring card
- X4** – TU: Card with 4 voltage transformer measuring inputs
- X103** – Profibus-DP, RS485, D-SUB
- X104** – IRIG-B00X, incl. System Contact (Supervision Contact)

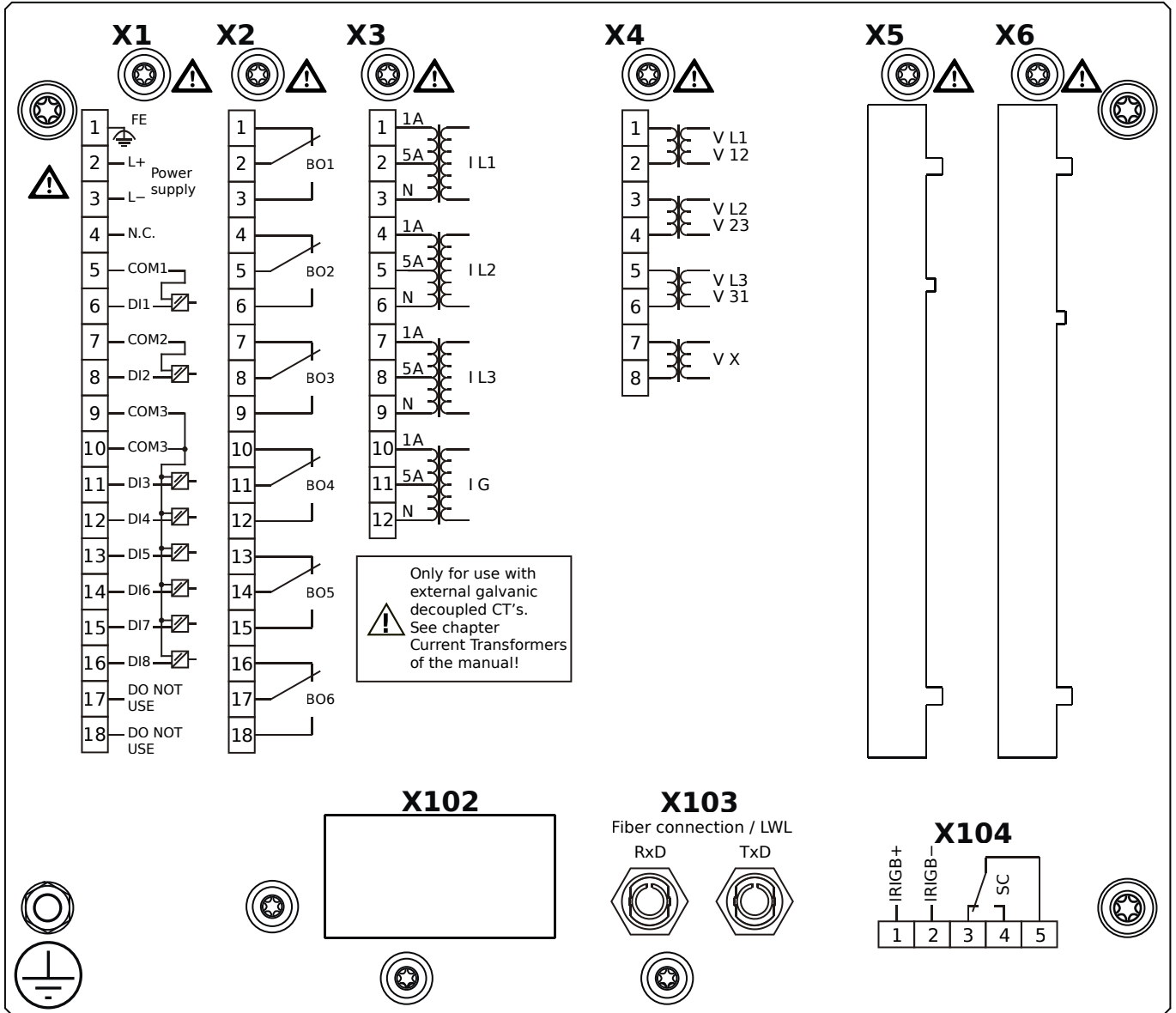
MCA4-2A0BEB



Housing B2, large display, door mounting 19" (flush mounting)

- X1** – DI8-X1: Wide-range power supply unit, incl. 2 non-grouped digital inputs and 6 grouped digital inputs
- X2** – OR6: Assembly Group with 6 Output Relays
- X3** – TI: Standard current measuring card
- X4** – TU: Card with 4 voltage transformer measuring inputs
- X103** – Profibus-DP, RS485, D-SUB
- X104** – IRIG-B00X, incl. System Contact (Supervision Contact)

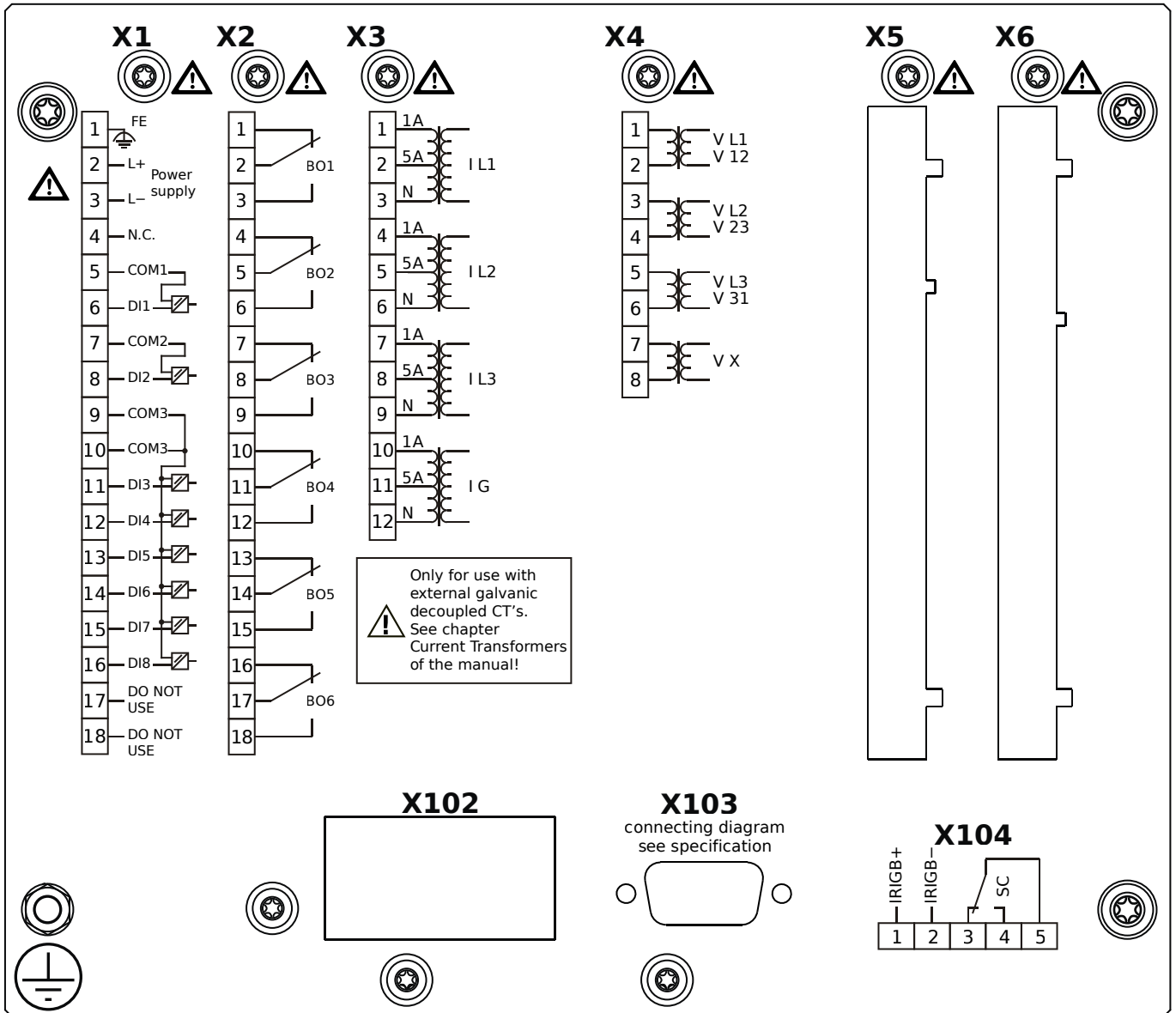
MCA4-2A0BFB



Housing B2, large display, door mounting 19" (flush mounting)

- X1** – DI8-X1: Wide-range power supply unit, incl. 2 non-grouped digital inputs and 6 grouped digital inputs
- X2** – OR6: Assembly Group with 6 Output Relays
- X3** – TI: Standard current measuring card
- X4** – TU: Card with 4 voltage transformer measuring inputs
- X103** – Modbus RTU / IEC 60870-5-103 / DNP3.0 RTU, Fiber optics interface, ST Connector
- X104** – IRIG-B00X, incl. System Contact (Supervision Contact)

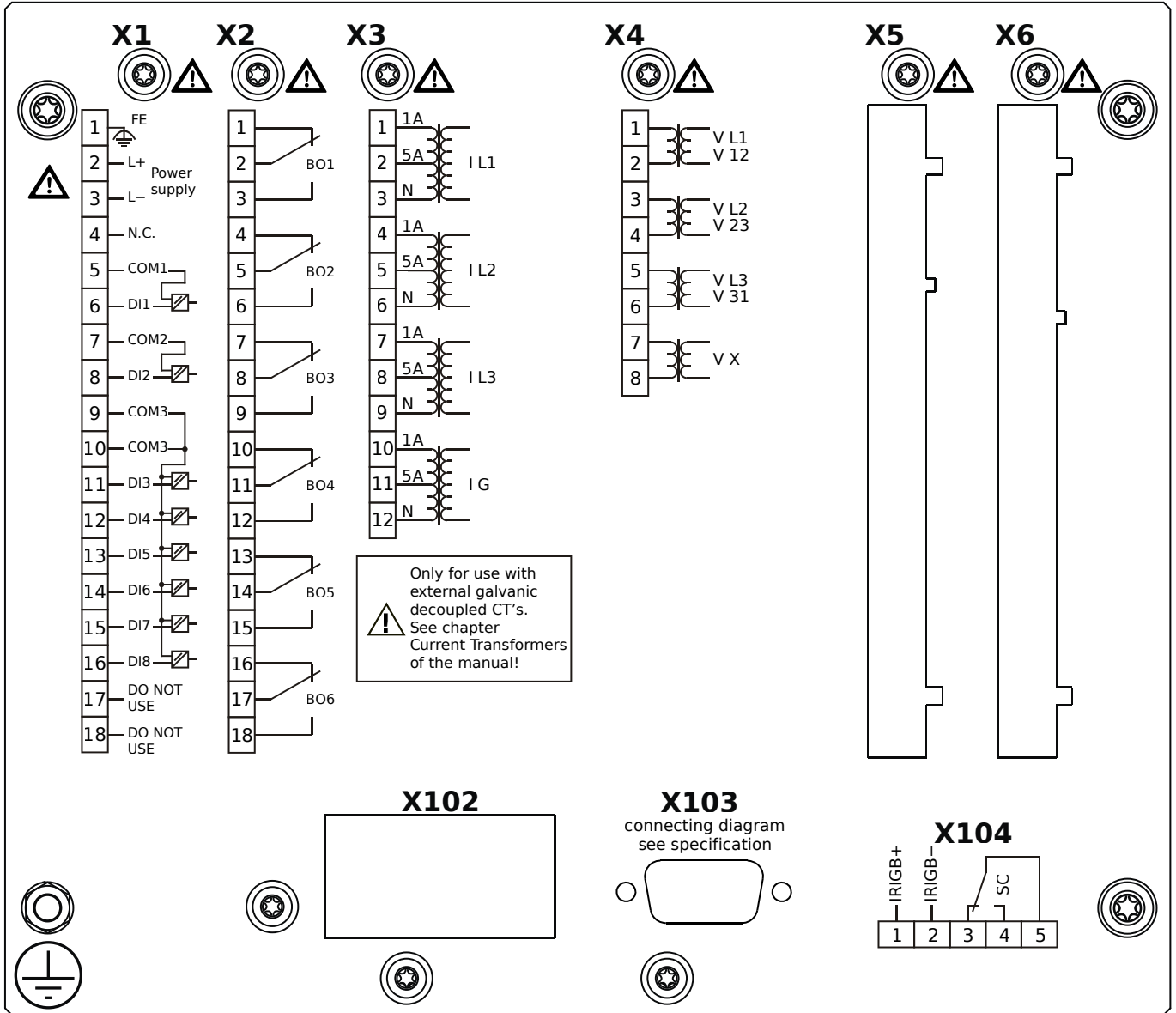
MCA4-2A0BGA



Housing B2, large display, door mounting 19" (flush mounting)

- X1** – DI8-X1: Wide-range power supply unit, incl. 2 non-grouped digital inputs and 6 grouped digital inputs
- X2** – OR6: Assembly Group with 6 Output Relays
- X3** – TI: Standard current measuring card
- X4** – TU: Card with 4 voltage transformer measuring inputs
- X103** – Modbus RTU / IEC 60870-5-103 / DNP3.0 RTU, RS485, D-SUB
- X104** – IRIG-B00X, incl. System Contact (Supervision Contact)

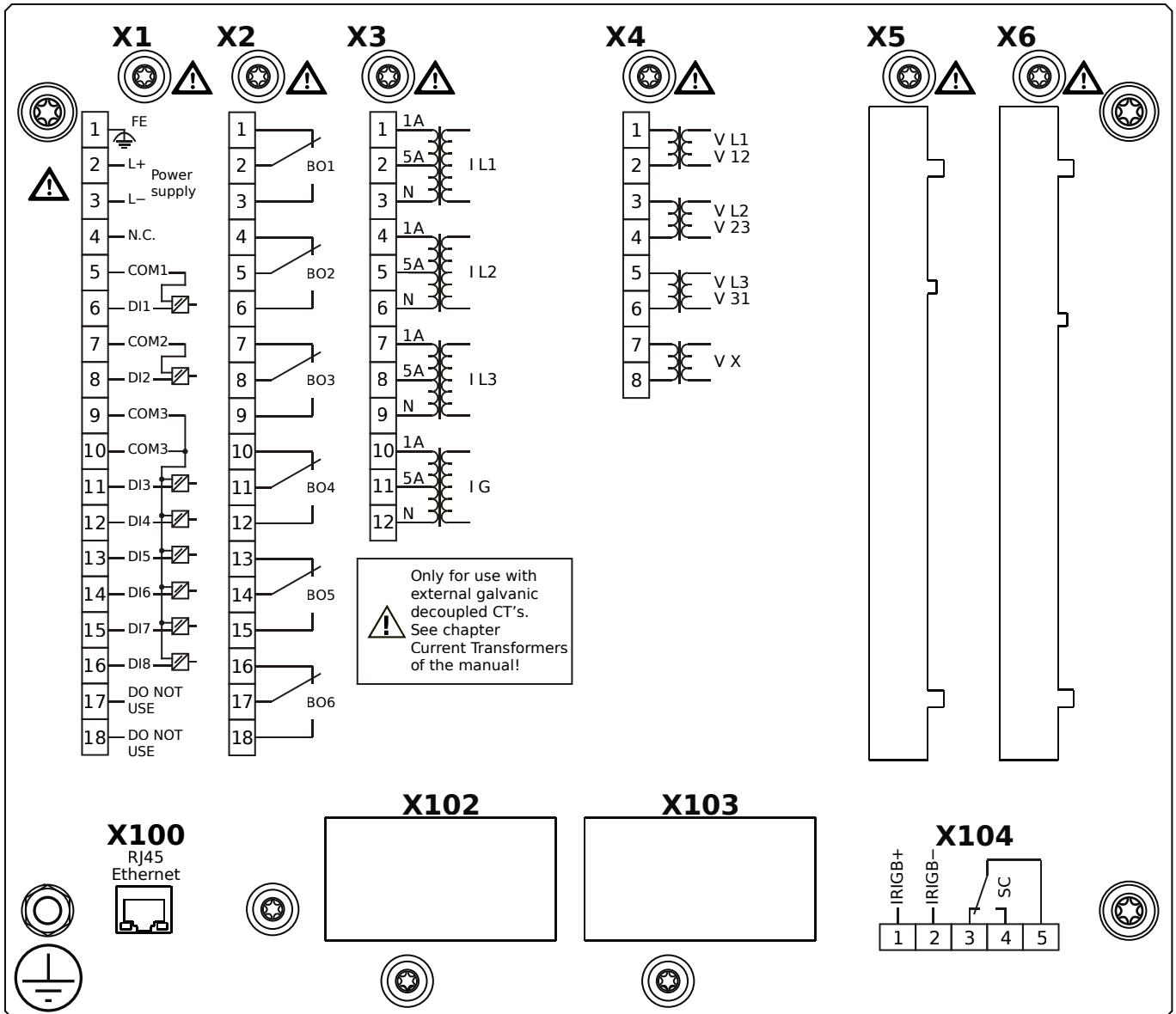
MCA4-2A0BGB



Housing B2, large display, door mounting 19" (flush mounting)

- X1** – DI8-X1: Wide-range power supply unit, incl. 2 non-grouped digital inputs and 6 grouped digital inputs
- X2** – OR6: Assembly Group with 6 Output Relays
- X3** – TI: Standard current measuring card
- X4** – TU: Card with 4 voltage transformer measuring inputs
- X103** – Modbus RTU / IEC 60870-5-103 / DNP3.0 RTU, RS485, D-SUB
- X104** – IRIG-B00X, incl. System Contact (Supervision Contact)

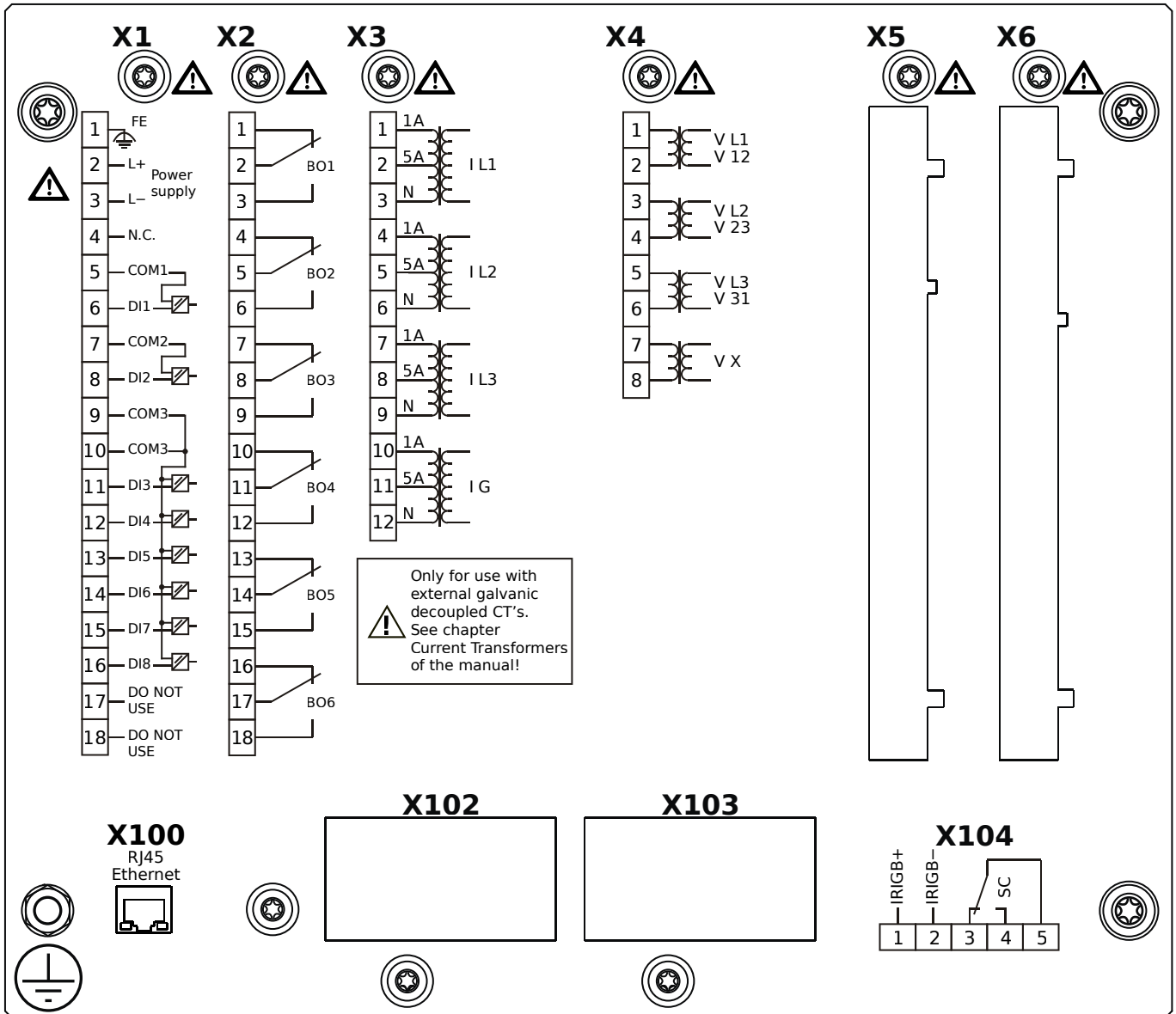
MCA4-2A0BHA



Housing B2, large display, door mounting 19" (flush mounting)

- X1** – DI8-X1: Wide-range power supply unit, incl. 2 non-grouped digital inputs and 6 grouped digital inputs
- X2** – OR6: Assembly Group with 6 Output Relays
- X3** – TI: Standard current measuring card
- X4** – TU: Card with 4 voltage transformer measuring inputs
- X100** – IEC 61850 / Modbus TCP / DNP3.0 TCP/UDP, Ethernet interface, 100 Mbit/s, RJ45 (BASE100-FX)
- X104** – IRIG-B00X, incl. System Contact (Supervision Contact)

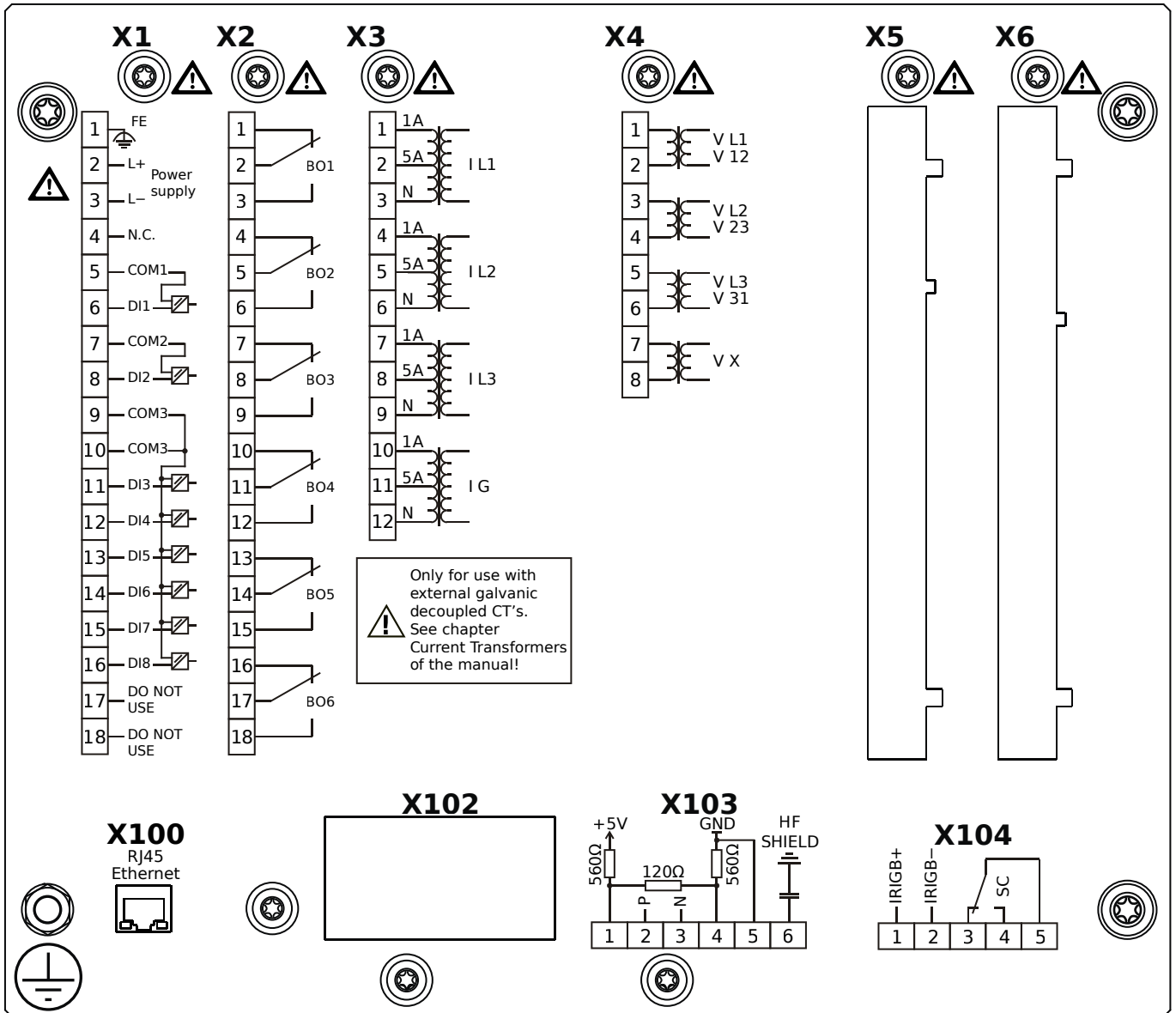
MCA4-2A0BHB



Housing B2, large display, door mounting 19" (flush mounting)

- X1** – DI8-X1: Wide-range power supply unit, incl. 2 non-grouped digital inputs and 6 grouped digital inputs
- X2** – OR6: Assembly Group with 6 Output Relays
- X3** – TI: Standard current measuring card
- X4** – TU: Card with 4 voltage transformer measuring inputs
- X100** – IEC 61850 / Modbus TCP / DNP3.0 TCP/UDP, Ethernet interface, 100 Mbit/s, RJ45 (BASE100-FX)
- X104** – IRIG-B00X, incl. System Contact (Supervision Contact)

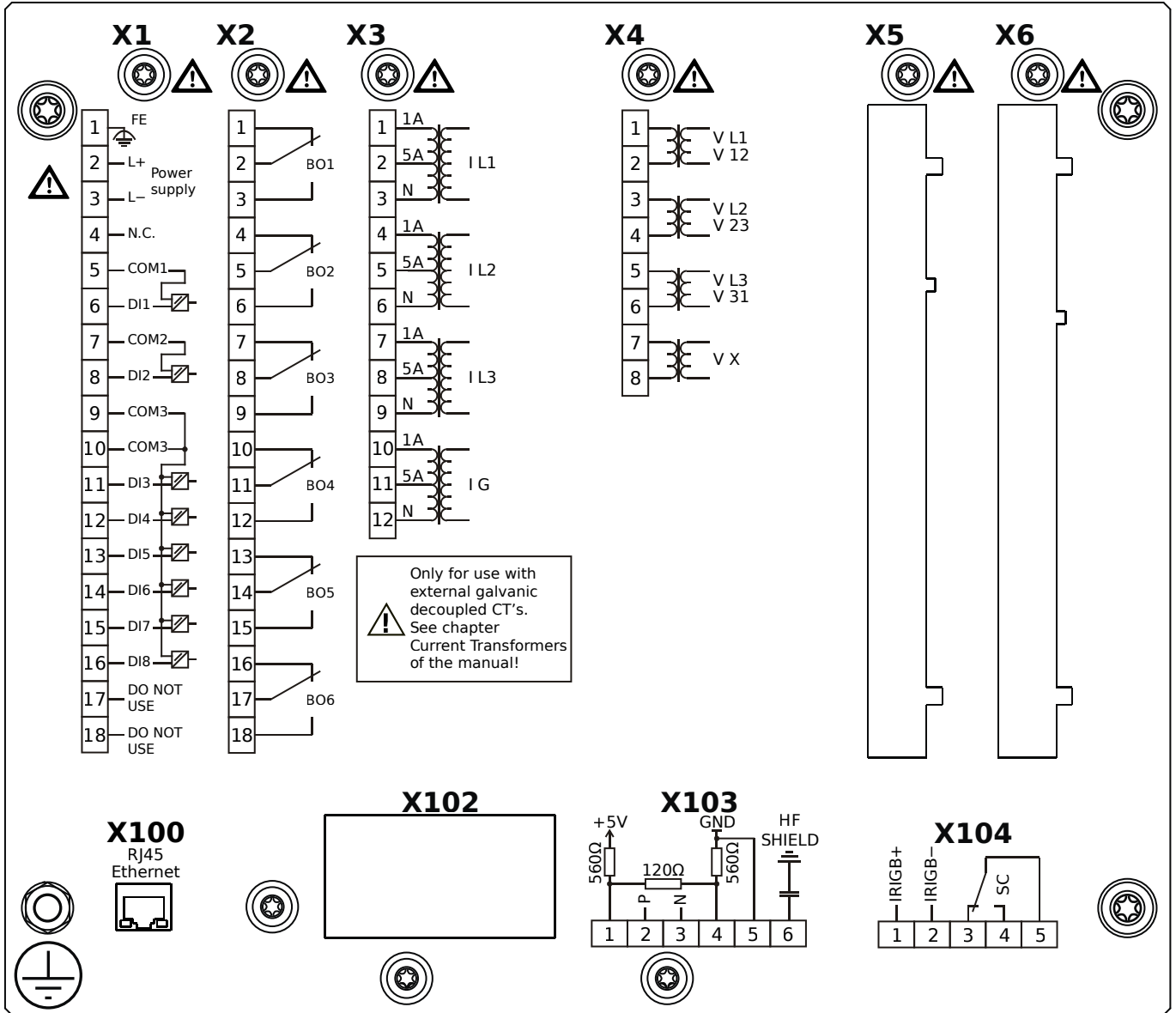
MCA4-2A0BIA



Housing B2, large display, door mounting 19" (flush mounting)

- X1** – DI8-X1: Wide-range power supply unit, incl. 2 non-grouped digital inputs and 6 grouped digital inputs
- X2** – OR6: Assembly Group with 6 Output Relays
- X3** – TI: Standard current measuring card
- X4** – TU: Card with 4 voltage transformer measuring inputs
- X100** – Modbus TCP / DNP3.0 TCP/UDP, Ethernet interface, 100 Mbit/s, RJ45 (BASE100-FX)
- X103** – IEC 60870-5-103 / Modbus RTU / DNP3.0 RTU, RS485, Terminals
- X104** – IRIG-B00X, incl. System Contact (Supervision Contact)

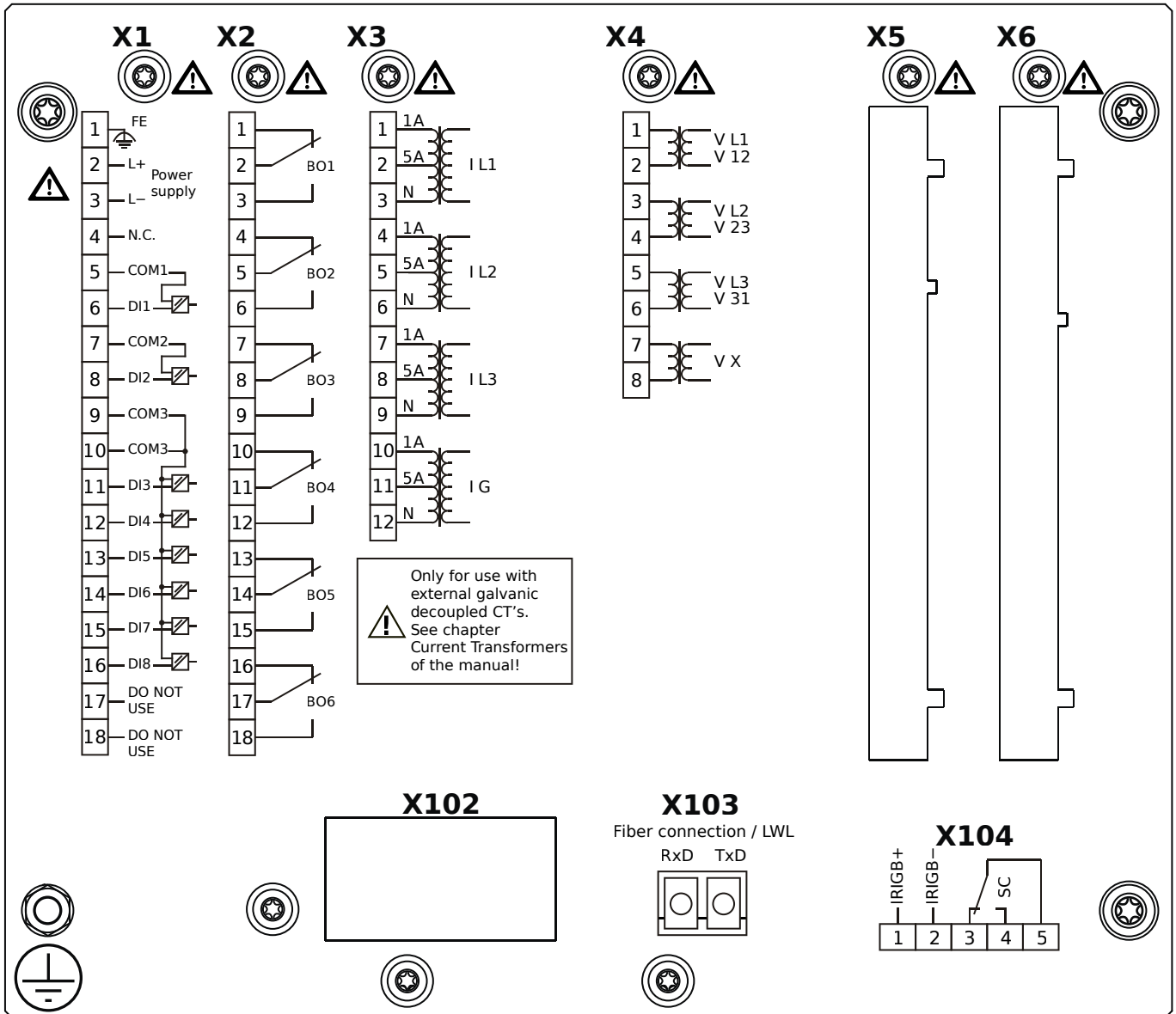
MCA4-2A0BIB



Housing B2, large display, door mounting 19" (flush mounting)

- X1** – DI8-X1: Wide-range power supply unit, incl. 2 non-grouped digital inputs and 6 grouped digital inputs
- X2** – OR6: Assembly Group with 6 Output Relays
- X3** – TI: Standard current measuring card
- X4** – TU: Card with 4 voltage transformer measuring inputs
- X100** – Modbus TCP / DNP3.0 TCP/UDP, Ethernet interface, 100 Mbit/s, RJ45 (BASE100-FX)
- X103** – IEC 60870-5-103 / Modbus RTU / DNP3.0 RTU, RS485, Terminals
- X104** – IRIG-B00X, incl. System Contact (Supervision Contact)

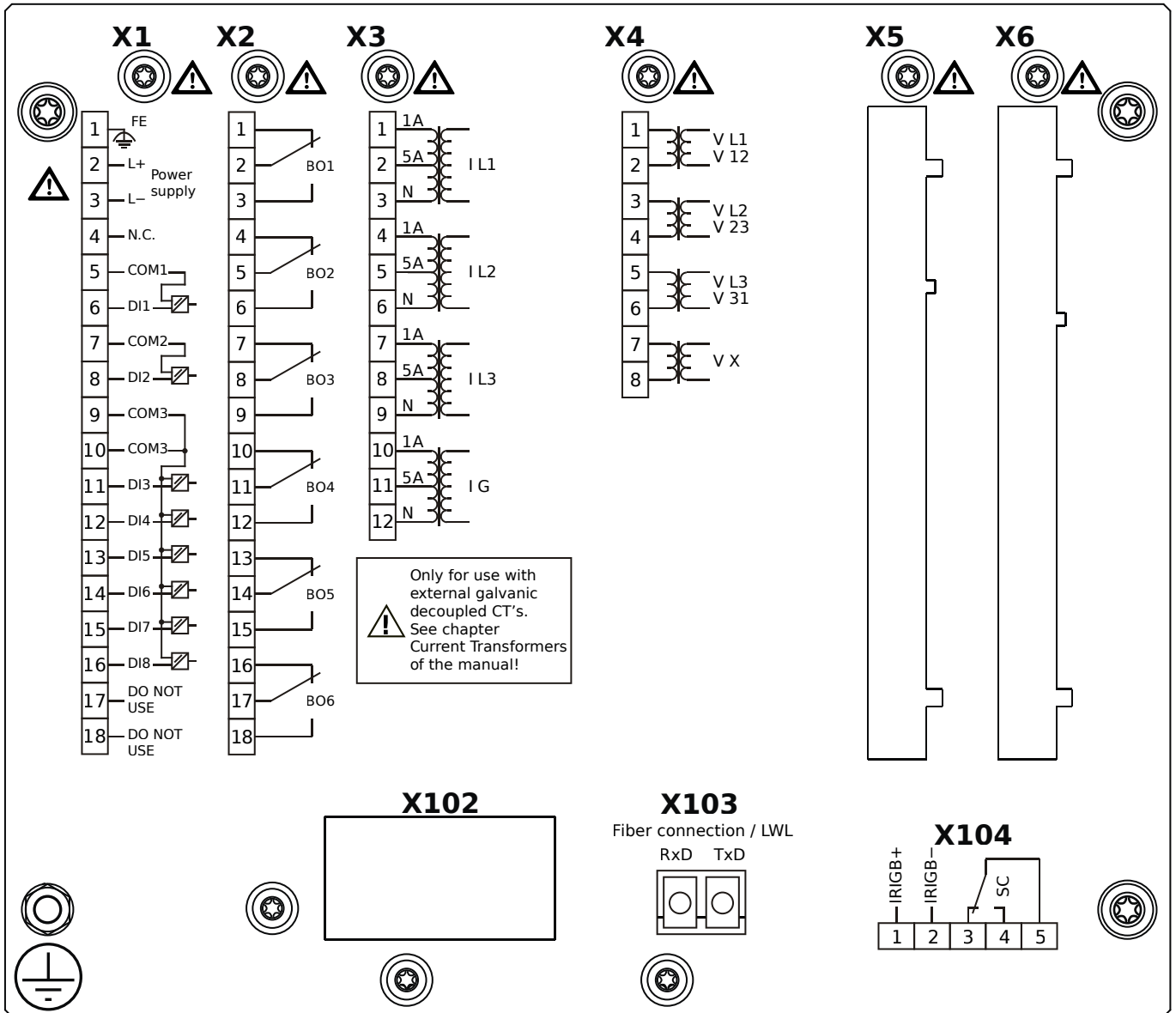
MCA4-2A0BKA



Housing B2, large display, door mounting 19" (flush mounting)

- X1** – DI8-X1: Wide-range power supply unit, incl. 2 non-grouped digital inputs and 6 grouped digital inputs
- X2** – OR6: Assembly Group with 6 Output Relays
- X3** – TI: Standard current measuring card
- X4** – TU: Card with 4 voltage transformer measuring inputs
- X103** – IEC 61850 / Modbus TCP / DNP3.0 TCP/UDP, Fiber optics interface, LC Connector
- X104** – IRIG-B00X, incl. System Contact (Supervision Contact)

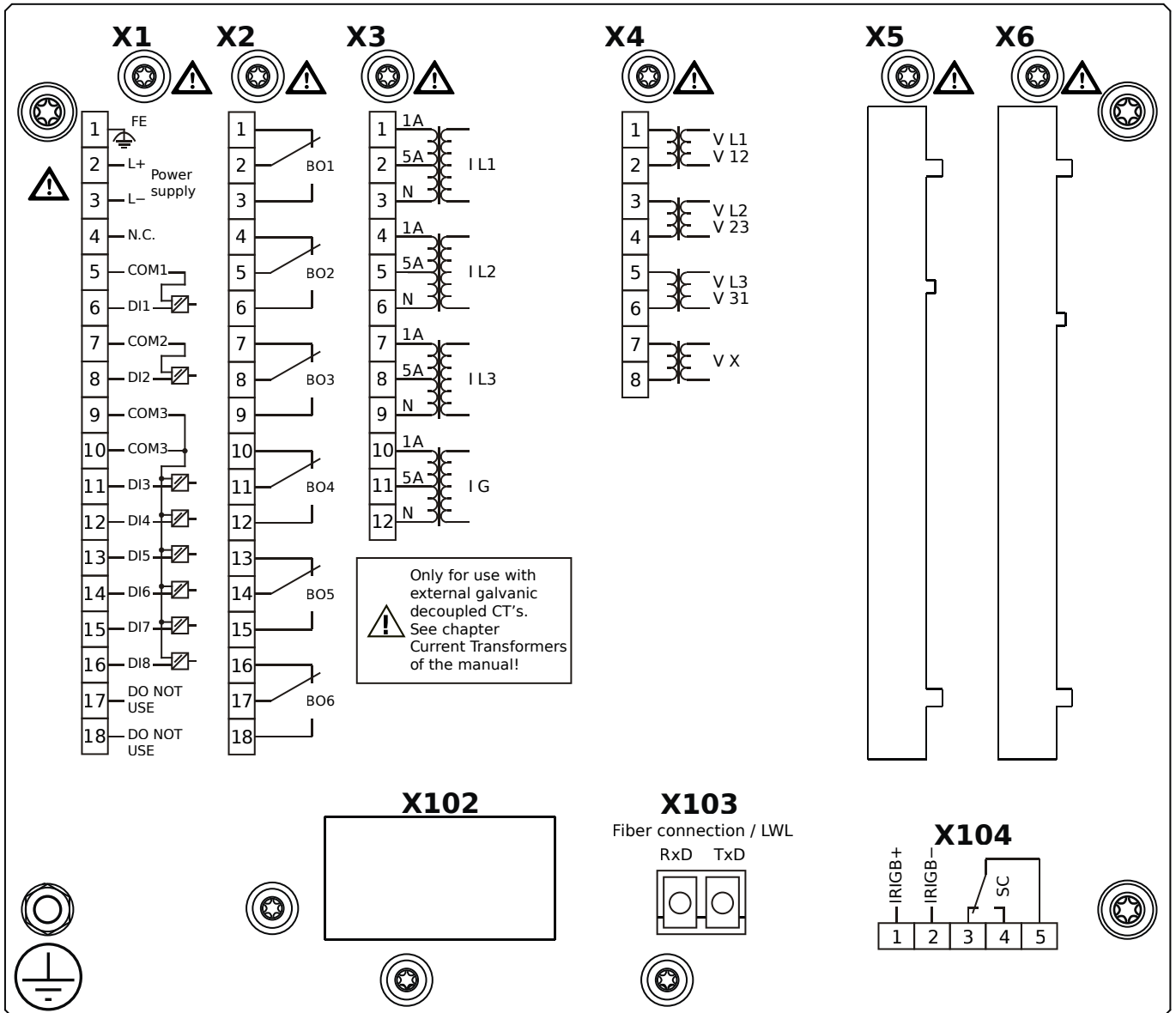
MCA4-2A0BKB



Housing B2, large display, door mounting 19" (flush mounting)

- X1** – DI8-X1: Wide-range power supply unit, incl. 2 non-grouped digital inputs and 6 grouped digital inputs
- X2** – OR6: Assembly Group with 6 Output Relays
- X3** – TI: Standard current measuring card
- X4** – TU: Card with 4 voltage transformer measuring inputs
- X103** – IEC 61850 / Modbus TCP / DNP3.0 TCP/UDP, Fiber optics interface, LC Connector
- X104** – IRIG-B00X, incl. System Contact (Supervision Contact)

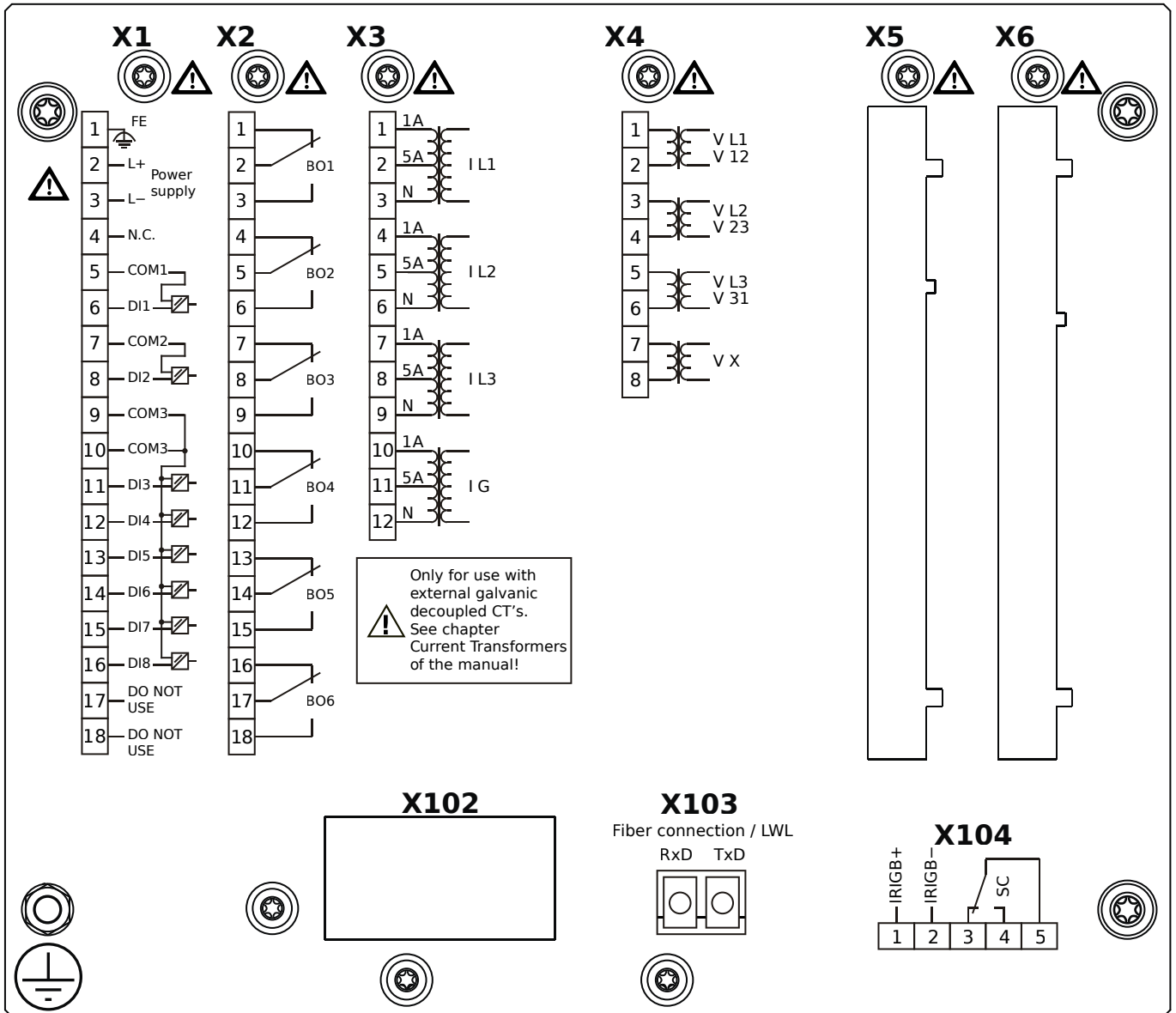
MCA4-2A0BLA



Housing B2, large display, door mounting 19" (flush mounting)

- X1** – DI8-X1: Wide-range power supply unit, incl. 2 non-grouped digital inputs and 6 grouped digital inputs
- X2** – OR6: Assembly Group with 6 Output Relays
- X3** – TI: Standard current measuring card
- X4** – TU: Card with 4 voltage transformer measuring inputs
- X103** – Modbus TCP / DNP3.0 TCP/UDP, Fiber optics interface, LC Connector
- X104** – IRIG-B00X, incl. System Contact (Supervision Contact)

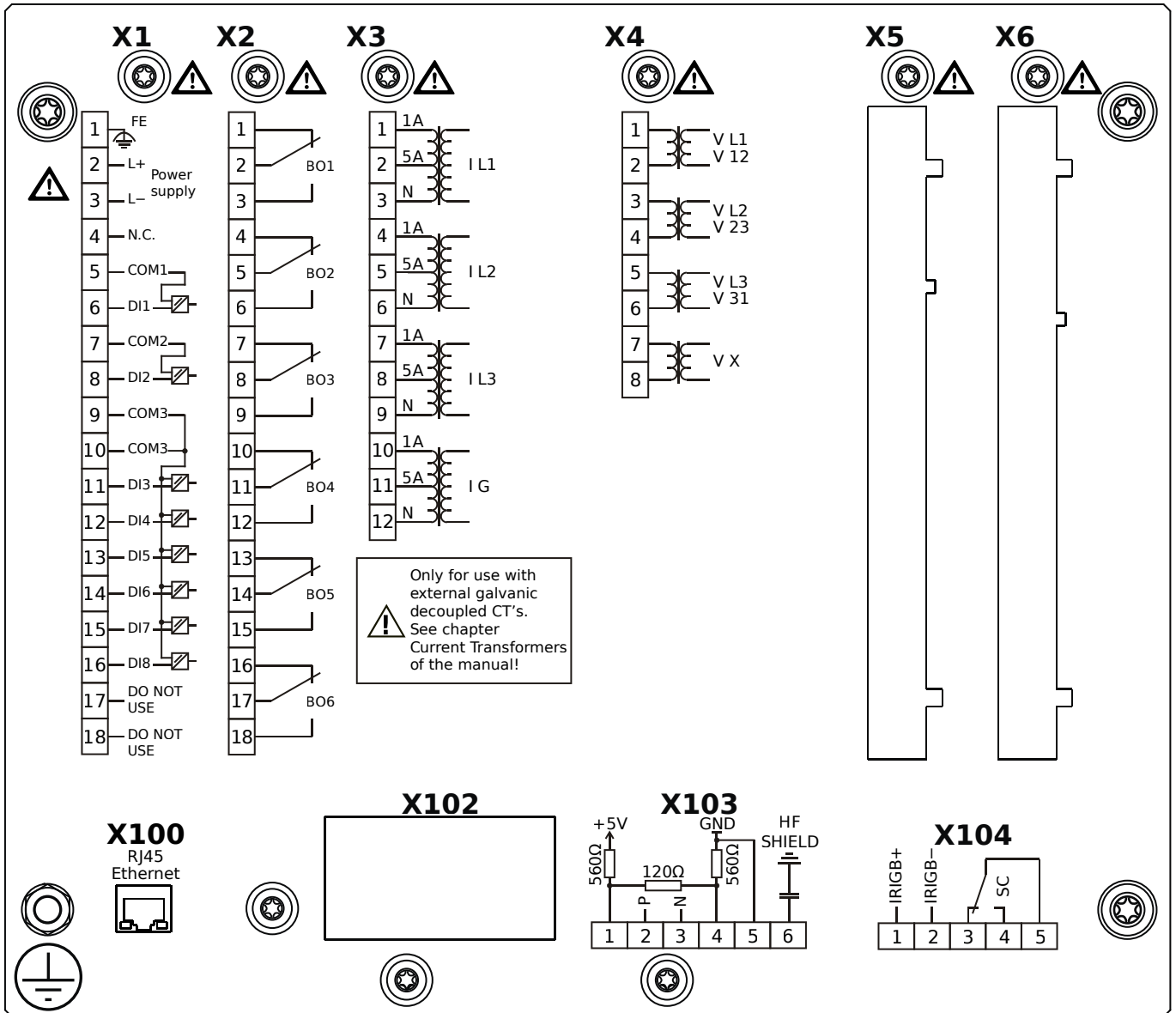
MCA4-2A0BLB



Housing B2, large display, door mounting 19" (flush mounting)

- X1** – DI8-X1: Wide-range power supply unit, incl. 2 non-grouped digital inputs and 6 grouped digital inputs
- X2** – OR6: Assembly Group with 6 Output Relays
- X3** – TI: Standard current measuring card
- X4** – TU: Card with 4 voltage transformer measuring inputs
- X103** – Modbus TCP / DNP3.0 TCP/UDP, Fiber optics interface, LC Connector
- X104** – IRIG-B00X, incl. System Contact (Supervision Contact)

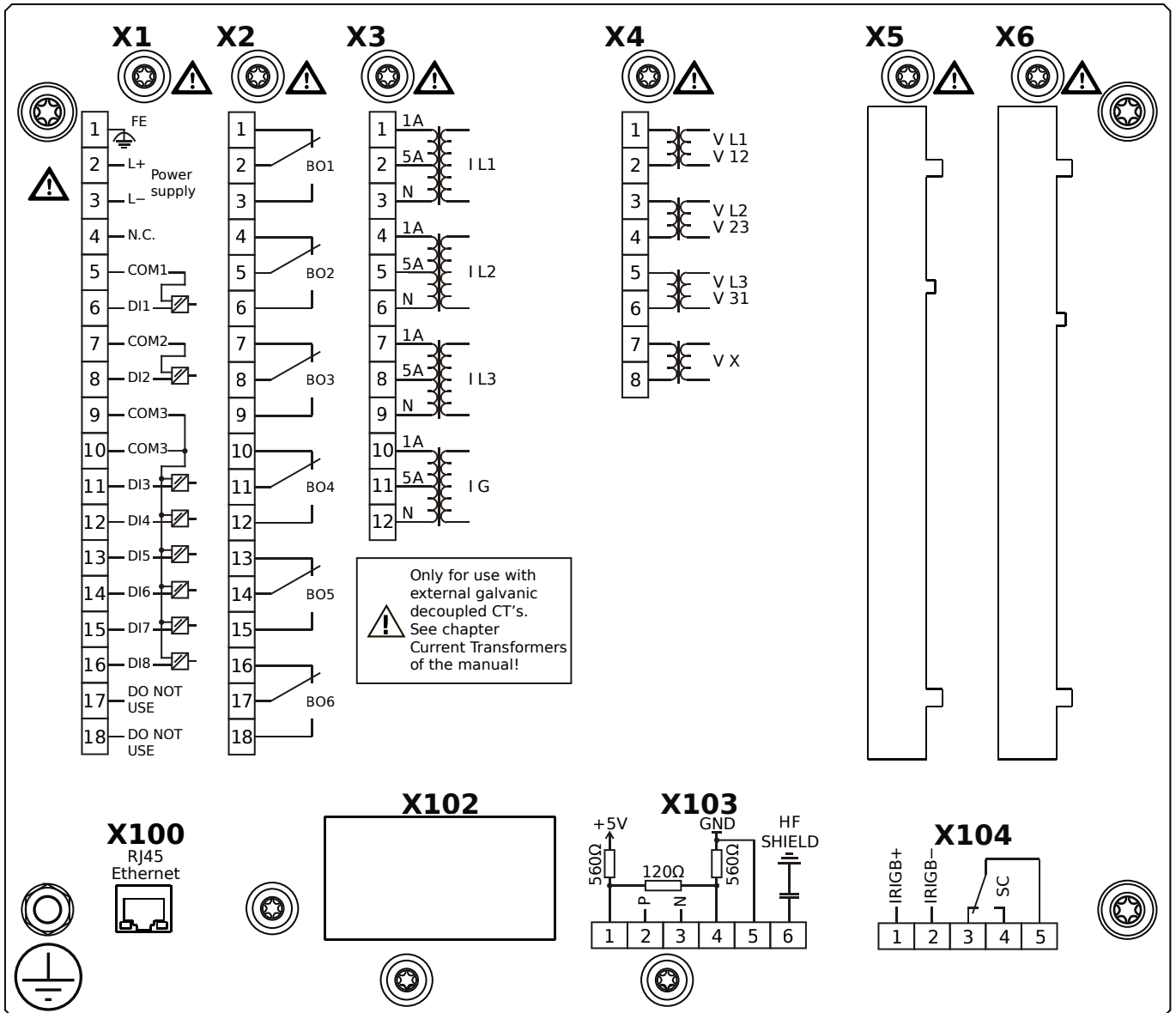
MCA4-2A0BTA



Housing B2, large display, door mounting 19" (flush mounting)

- X1** – DI8-X1: Wide-range power supply unit, incl. 2 non-grouped digital inputs and 6 grouped digital inputs
- X2** – OR6: Assembly Group with 6 Output Relays
- X3** – TI: Standard current measuring card
- X4** – TU: Card with 4 voltage transformer measuring inputs
- X100** – IEC 61850 / Modbus TCP / DNP3.0 TCP/UDP, Ethernet interface, 100 Mbit/s, RJ45 (BASE100-FX)
- X103** – IEC 60870-5-103 / Modbus RTU / DNP3.0 RTU, RS485, Terminals
- X104** – IRIG-B00X, incl. System Contact (Supervision Contact)

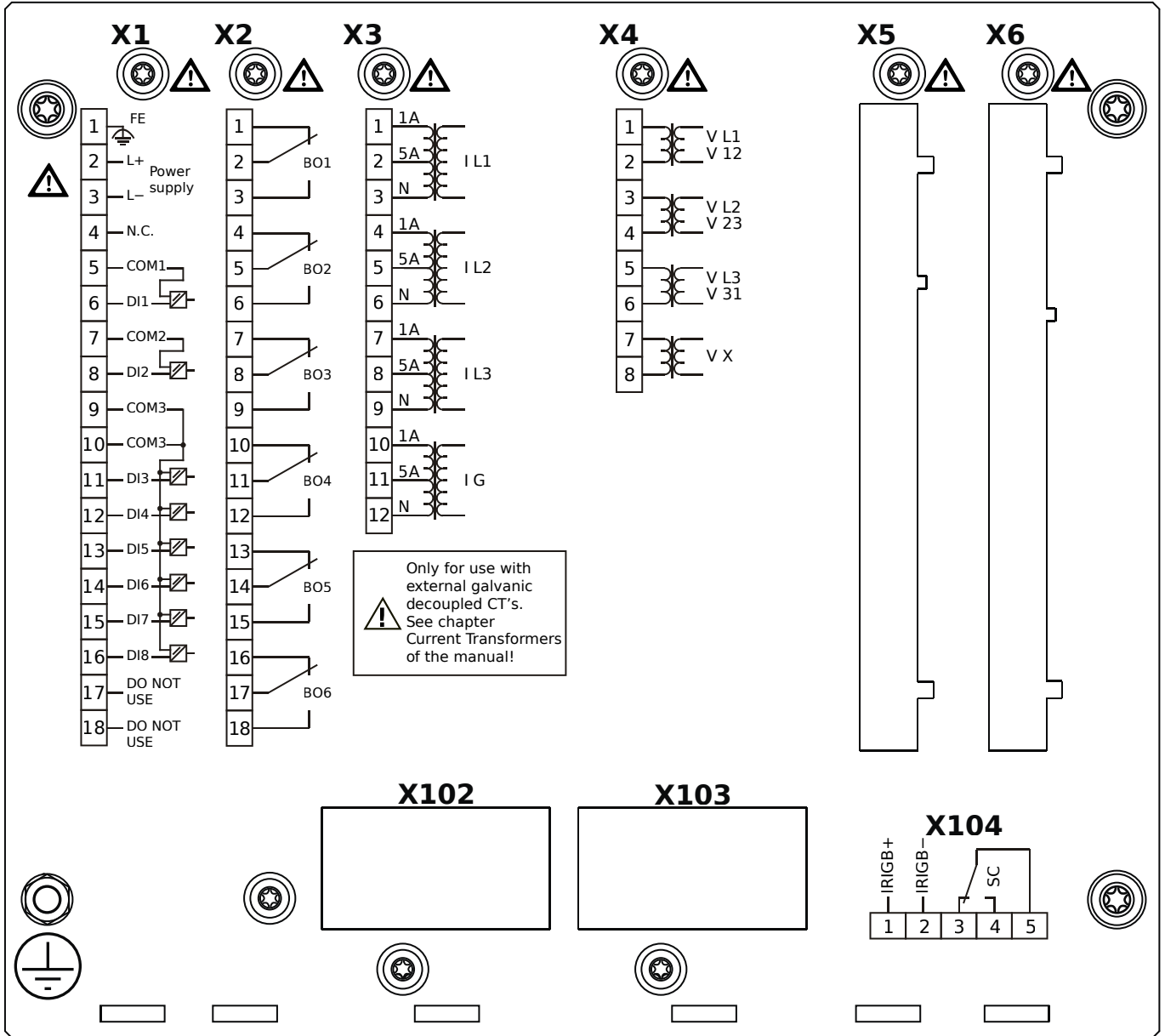
MCA4-2A0BTB



Housing B2, large display, door mounting 19" (flush mounting)

- X1** – DI8-X1: Wide-range power supply unit, incl. 2 non-grouped digital inputs and 6 grouped digital inputs
- X2** – OR6: Assembly Group with 6 Output Relays
- X3** – TI: Standard current measuring card
- X4** – TU: Card with 4 voltage transformer measuring inputs
- X100** – IEC 61850 / Modbus TCP / DNP3.0 TCP/UDP, Ethernet interface, 100 Mbit/s, RJ45 (BASE100-FX)
- X103** – IEC 60870-5-103 / Modbus RTU / DNP3.0 RTU, RS485, Terminals
- X104** – IRIG-B00X, incl. System Contact (Supervision Contact)

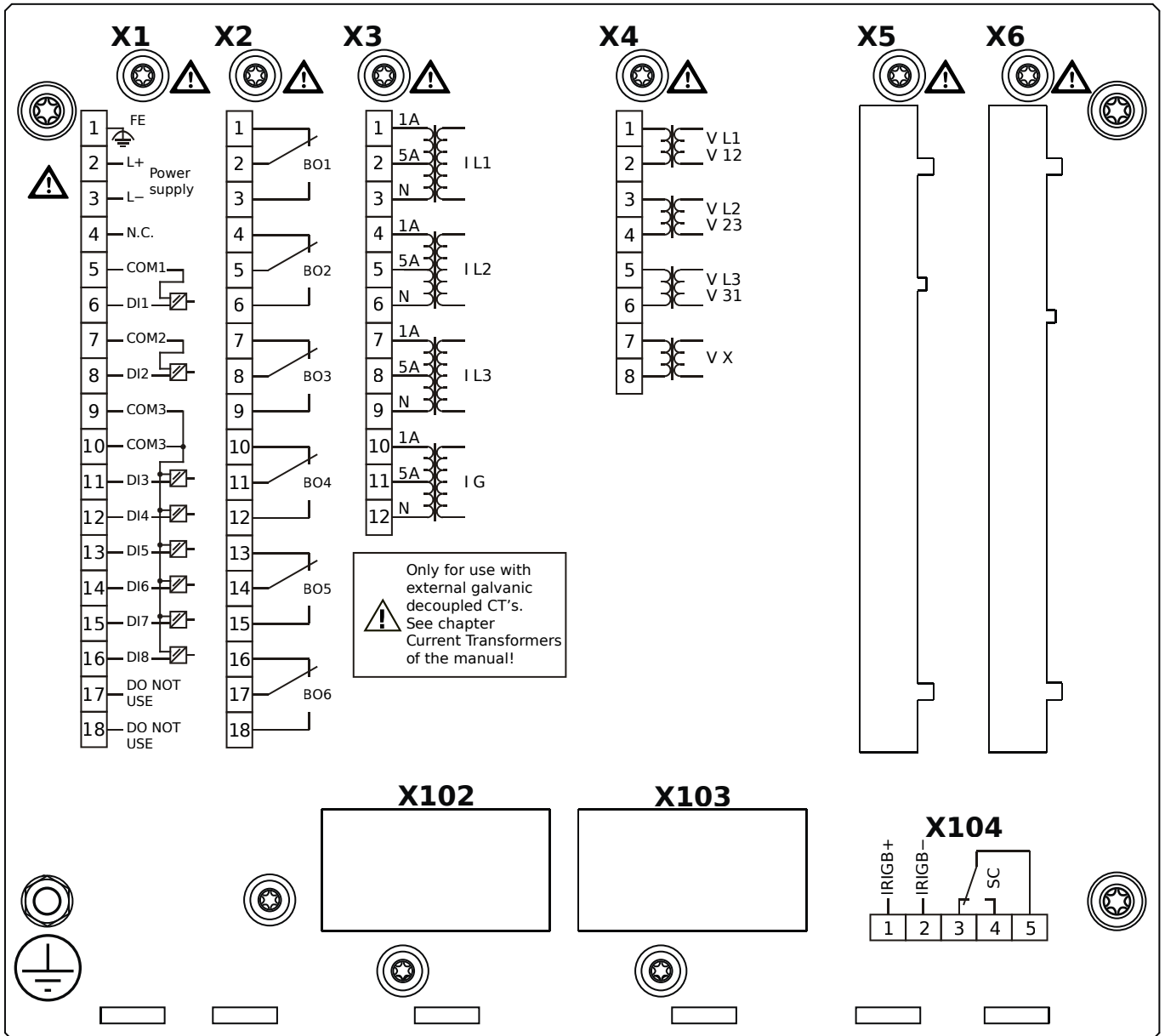
MCA4-2A0HAA



Housing B2, large display, door mounting

- X1** – DI8-X1: Wide-range power supply unit, incl. 2 non-grouped digital inputs and 6 grouped digital inputs
- X2** – OR6: Assembly Group with 6 Output Relays
- X3** – TI: Standard current measuring card
- X4** – TU: Card with 4 voltage transformer measuring inputs
- X104** – IRIG-B00X, incl. System Contact (Supervision Contact)

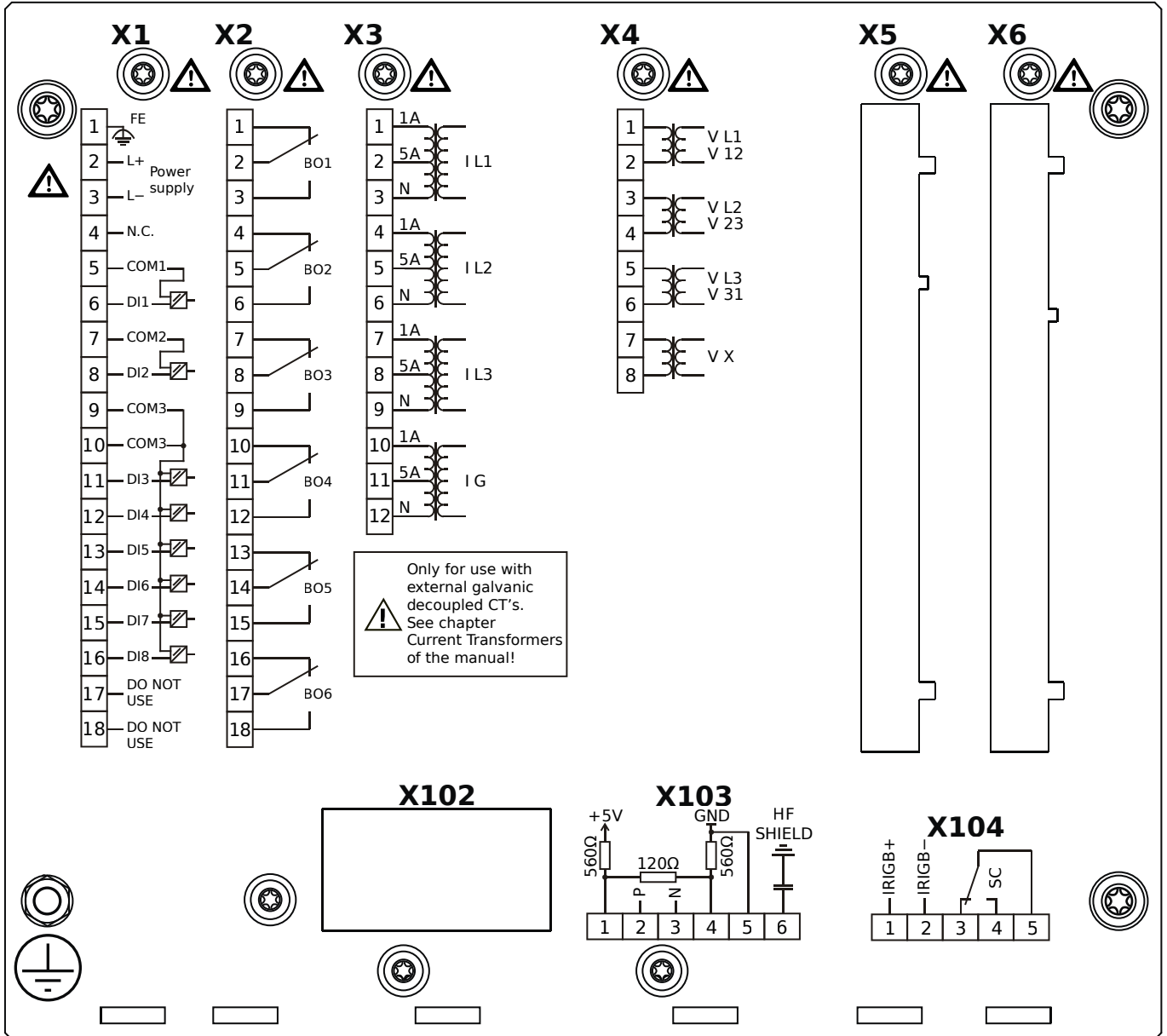
MCA4-2A0HAB



Housing B2, large display, door mounting

- X1** – DI8-X1: Wide-range power supply unit, incl. 2 non-grouped digital inputs and 6 grouped digital inputs
- X2** – OR6: Assembly Group with 6 Output Relays
- X3** – TI: Standard current measuring card
- X4** – TU: Card with 4 voltage transformer measuring inputs
- X104** – IRIG-B00X, incl. System Contact (Supervision Contact)

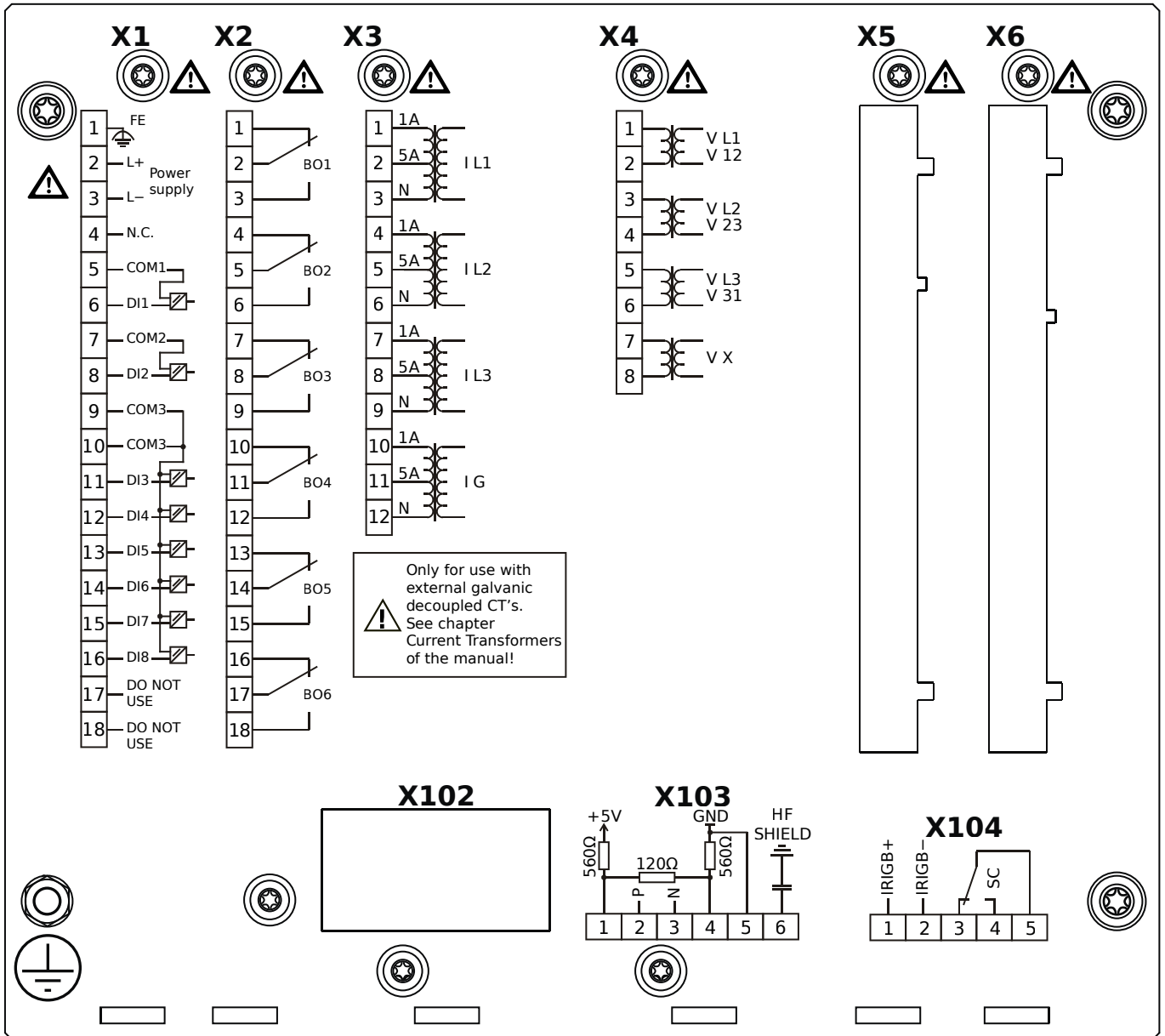
MCA4-2A0HBA



Housing B2, large display, door mounting

- X1** – DI8-X1: Wide-range power supply unit, incl. 2 non-grouped digital inputs and 6 grouped digital inputs
- X2** – OR6: Assembly Group with 6 Output Relays
- X3** – TI: Standard current measuring card
- X4** – TU: Card with 4 voltage transformer measuring inputs
- X103** – Modbus RTU / IEC 60870-5-103 / DNP3.0 RTU, RS485, Terminals
- X104** – IRIG-B00X, incl. System Contact (Supervision Contact)

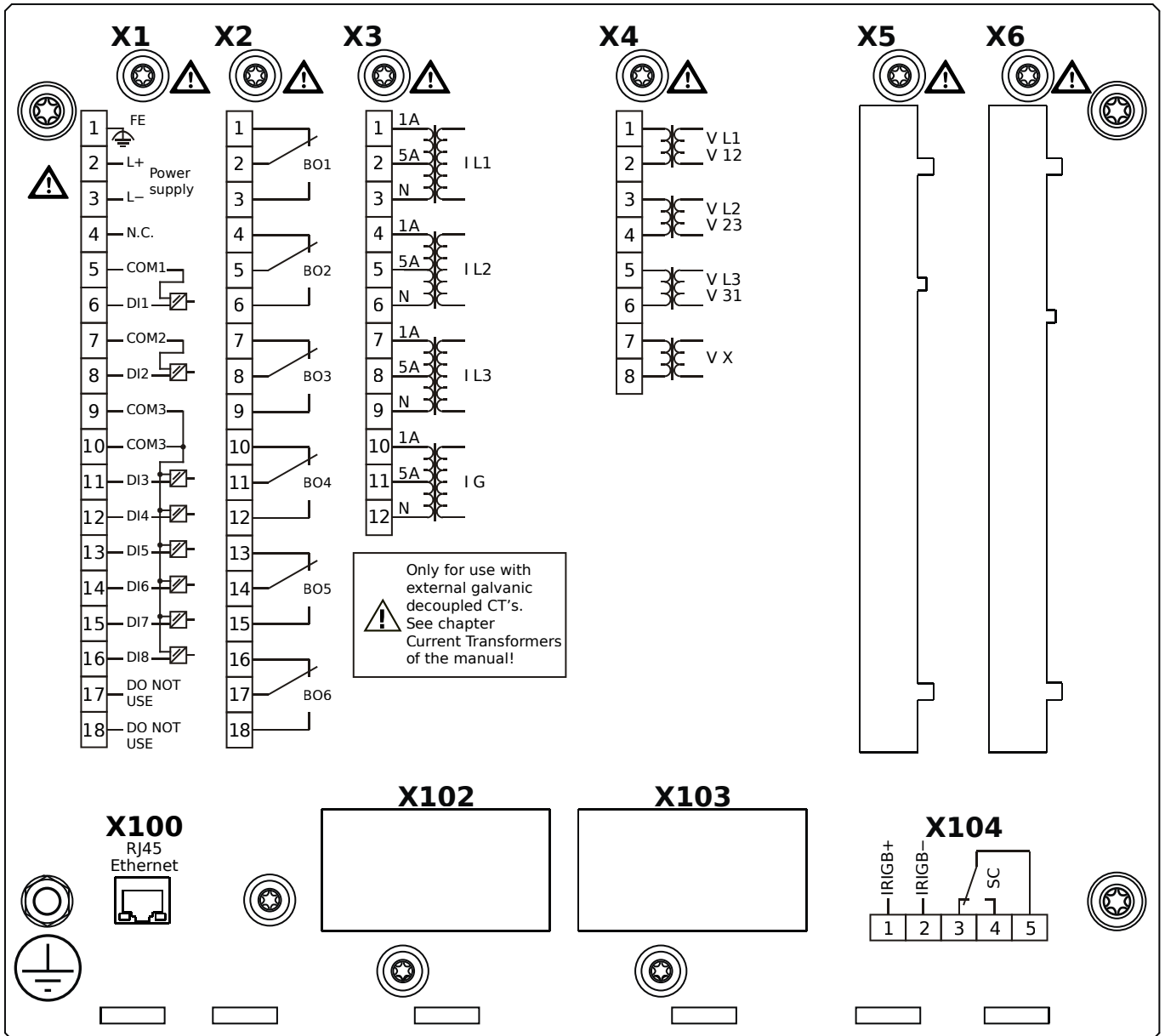
MCA4-2A0HBB



Housing B2, large display, door mounting

- X1** – DI8-X1: Wide-range power supply unit, incl. 2 non-grouped digital inputs and 6 grouped digital inputs
- X2** – OR6: Assembly Group with 6 Output Relays
- X3** – TI: Standard current measuring card
- X4** – TU: Card with 4 voltage transformer measuring inputs
- X103** – Modbus RTU / IEC 60870-5-103 / DNP3.0 RTU, RS485, Terminals
- X104** – IRIG-B00X, incl. System Contact (Supervision Contact)

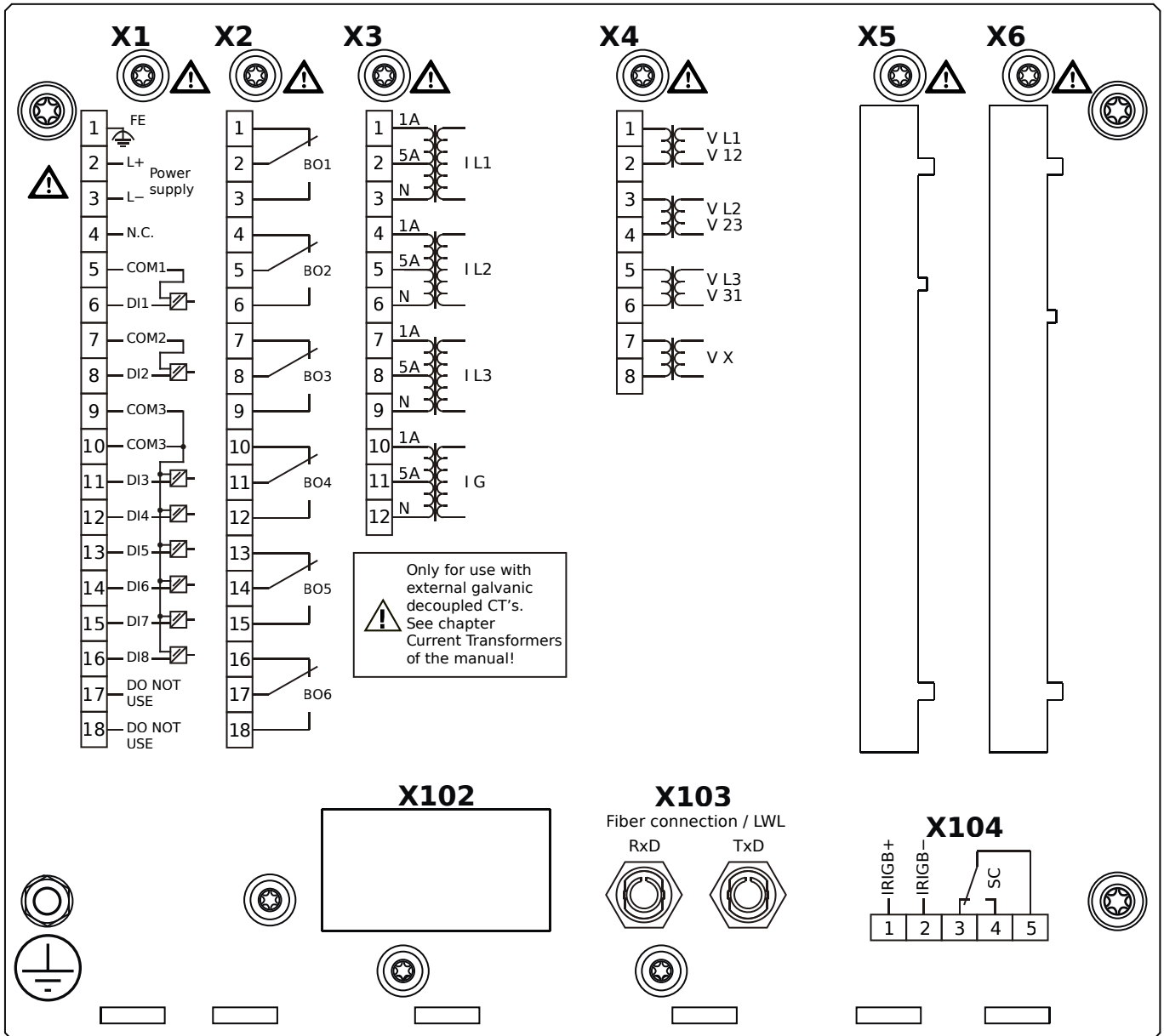
MCA4-2A0HCA



Housing B2, large display, door mounting

- X1** – DI8-X1: Wide-range power supply unit, incl. 2 non-grouped digital inputs and 6 grouped digital inputs
- X2** – OR6: Assembly Group with 6 Output Relays
- X3** – TI: Standard current measuring card
- X4** – TU: Card with 4 voltage transformer measuring inputs
- X100** – Modbus TCP / DNP3.0 TCP/UDP, Ethernet interface, 100 Mbit/s, RJ45 (BASE100-FX)
- X104** – IRIG-B00X, incl. System Contact (Supervision Contact)

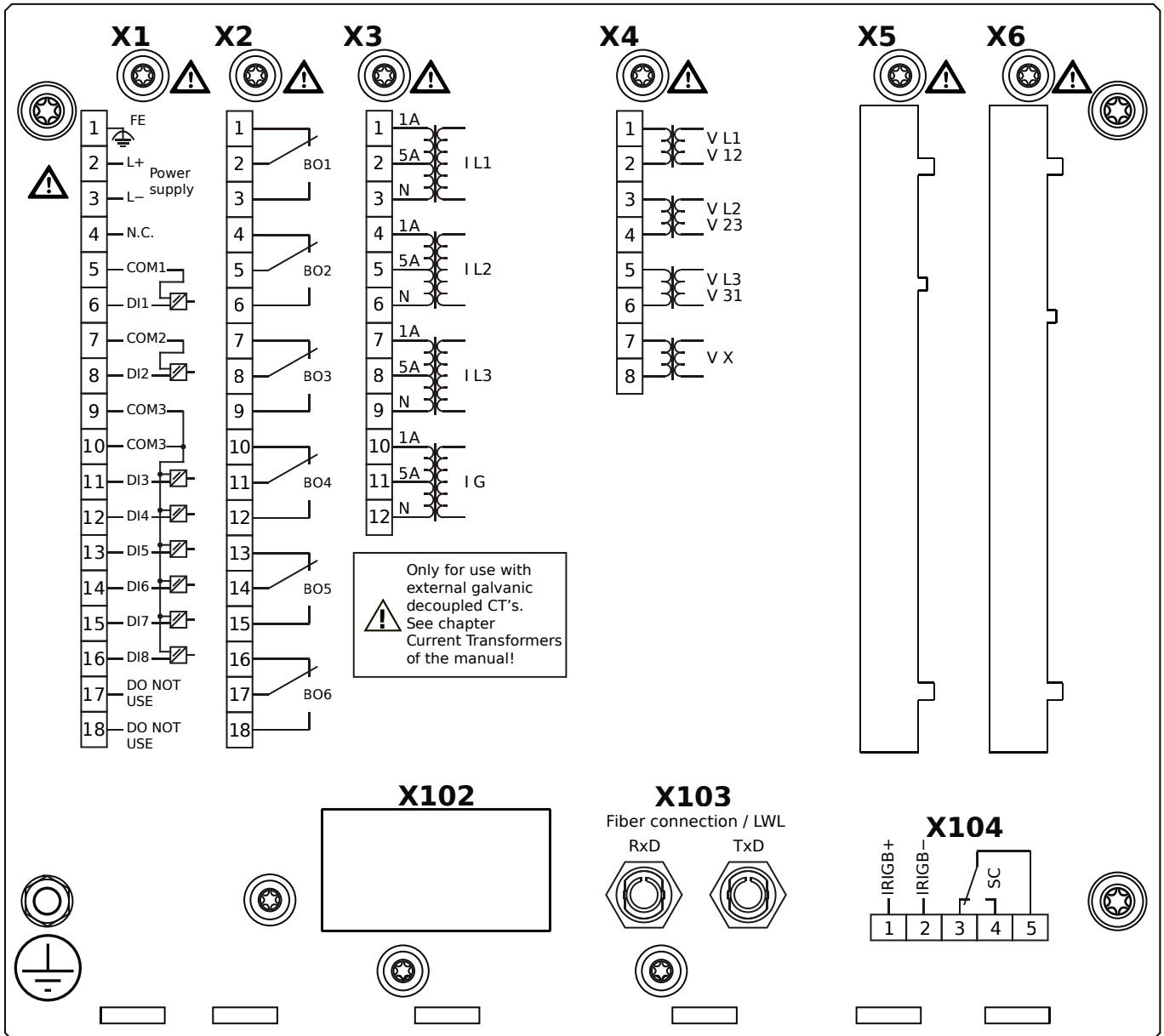
MCA4-2A0HDA



Housing B2, large display, door mounting

- X1** – DI8-X1: Wide-range power supply unit, incl. 2 non-grouped digital inputs and 6 grouped digital inputs
- X2** – OR6: Assembly Group with 6 Output Relays
- X3** – TI: Standard current measuring card
- X4** – TU: Card with 4 voltage transformer measuring inputs
- X103** – Profibus-DP, Fiber optics interface, ST Connector
- X104** – IRIG-B00X, incl. System Contact (Supervision Contact)

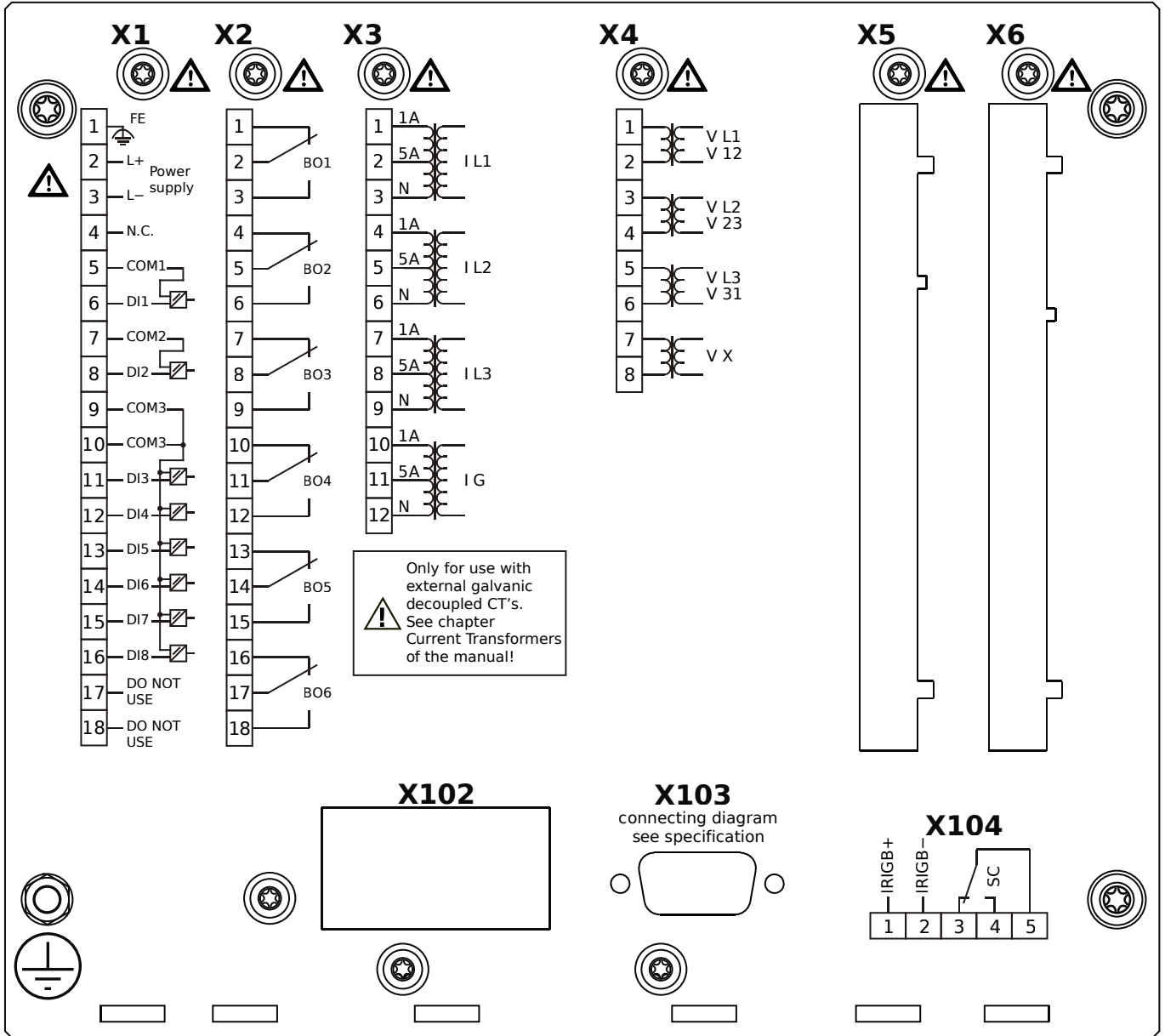
MCA4-2A0HDB



Housing B2, large display, door mounting

- X1** – DI8-X1: Wide-range power supply unit, incl. 2 non-grouped digital inputs and 6 grouped digital inputs
- X2** – OR6: Assembly Group with 6 Output Relays
- X3** – TI: Standard current measuring card
- X4** – TU: Card with 4 voltage transformer measuring inputs
- X103** – Profibus-DP, Fiber optics interface, ST Connector
- X104** – IRIG-B00X, incl. System Contact (Supervision Contact)

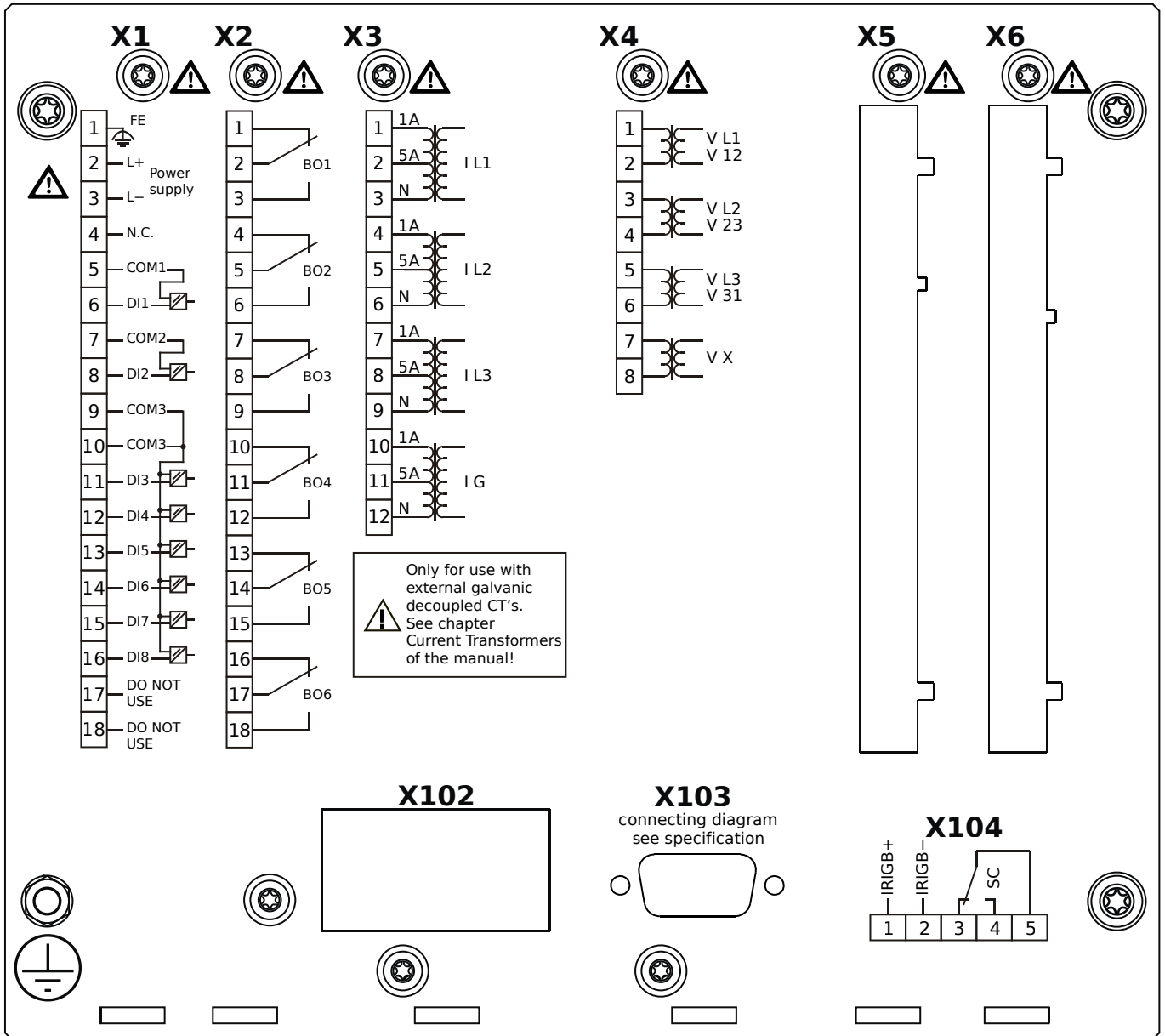
MCA4-2A0HEA



Housing B2, large display, door mounting

- X1** – DI8-X1: Wide-range power supply unit, incl. 2 non-grouped digital inputs and 6 grouped digital inputs
- X2** – OR6: Assembly Group with 6 Output Relays
- X3** – TI: Standard current measuring card
- X4** – TU: Card with 4 voltage transformer measuring inputs
- X103** – Profibus-DP, RS485, D-SUB
- X104** – IRIG-B00X, incl. System Contact (Supervision Contact)

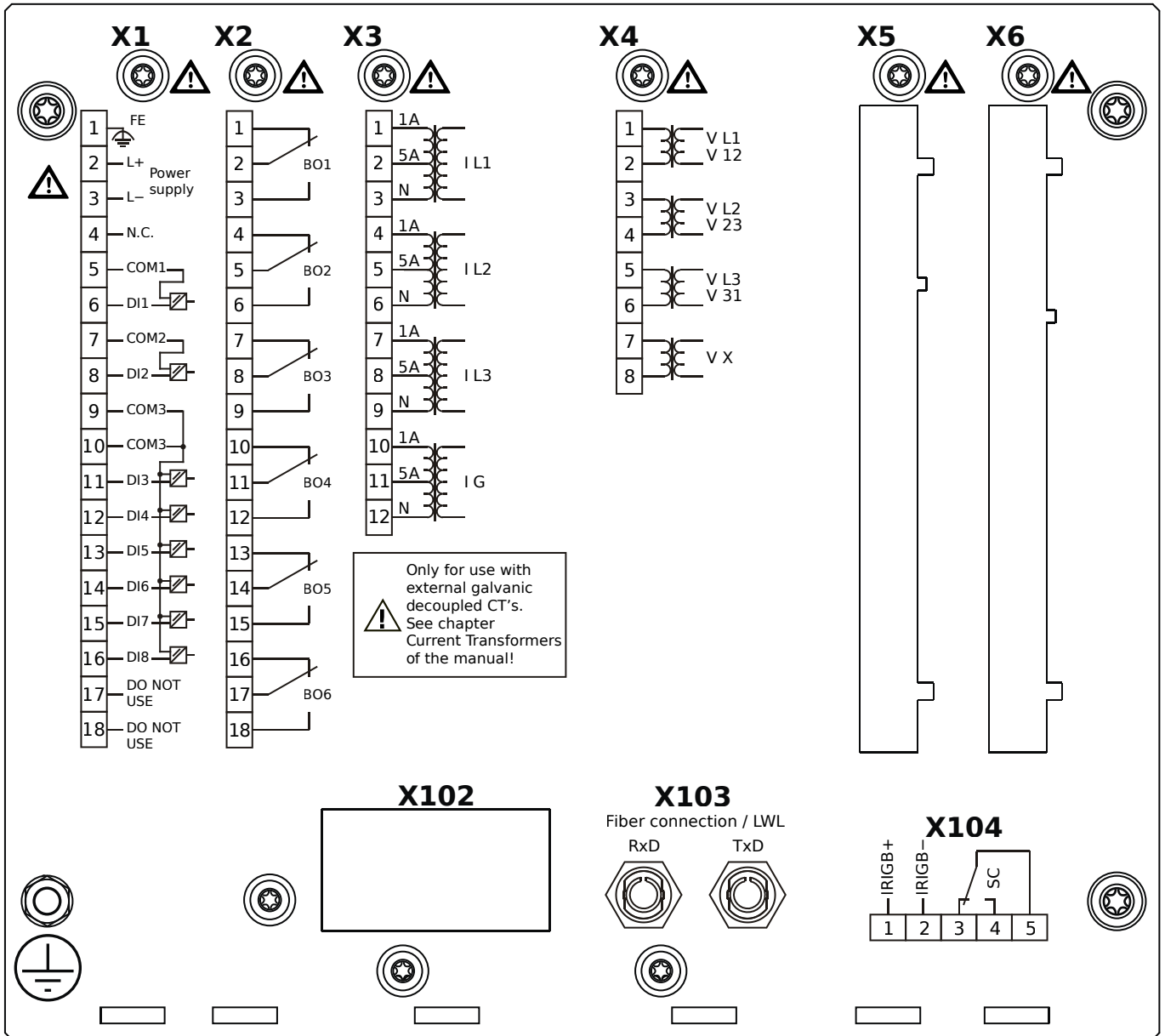
MCA4-2A0HEB



Housing B2, large display, door mounting

- X1** – DI8-X1: Wide-range power supply unit, incl. 2 non-grouped digital inputs and 6 grouped digital inputs
- X2** – OR6: Assembly Group with 6 Output Relays
- X3** – TI: Standard current measuring card
- X4** – TU: Card with 4 voltage transformer measuring inputs
- X103** – Profibus-DP, RS485, D-SUB
- X104** – IRIG-B00X, incl. System Contact (Supervision Contact)

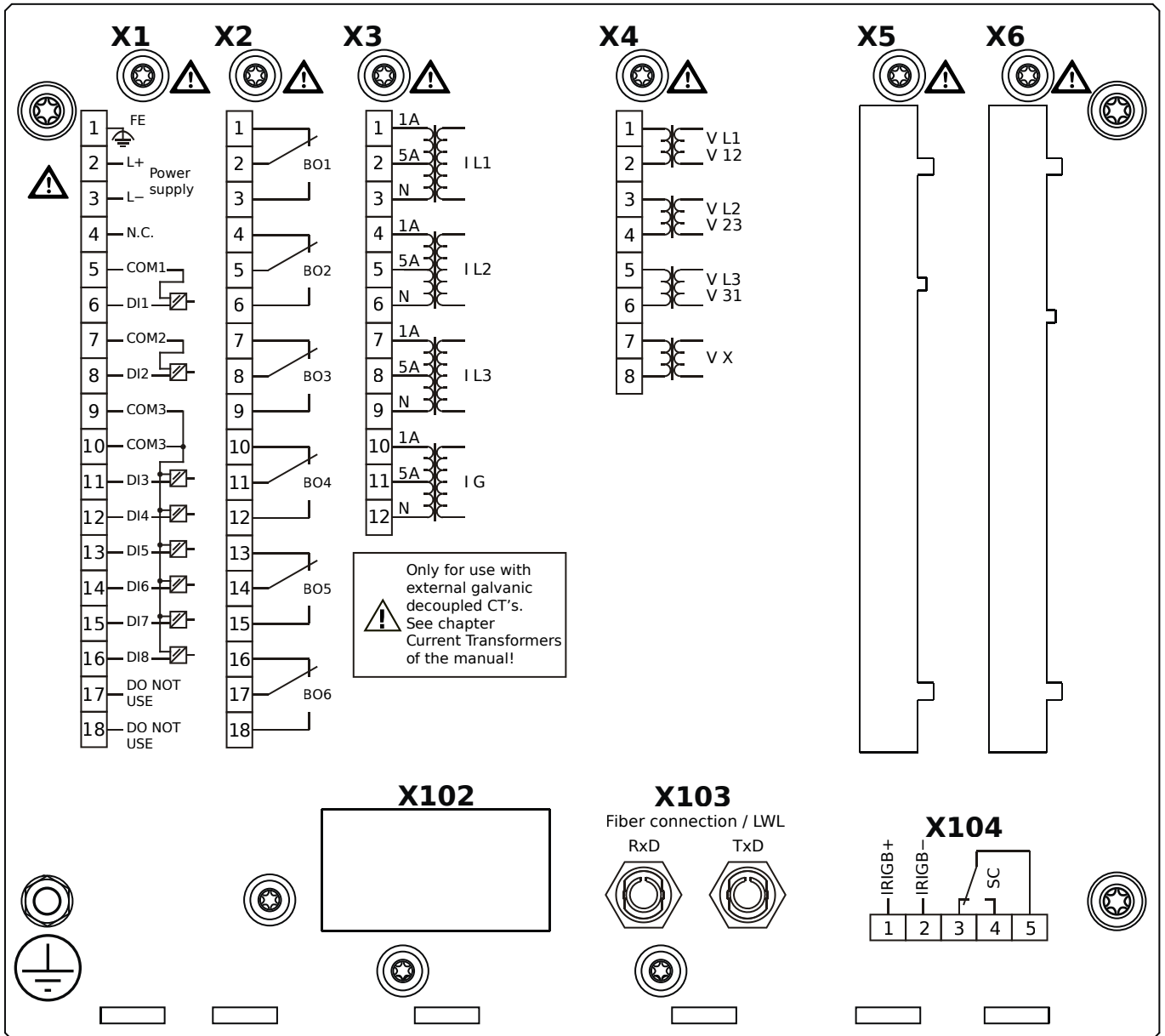
MCA4-2A0HFA



Housing B2, large display, door mounting

- X1** – DI8-X1: Wide-range power supply unit, incl. 2 non-grouped digital inputs and 6 grouped digital inputs
- X2** – OR6: Assembly Group with 6 Output Relays
- X3** – TI: Standard current measuring card
- X4** – TU: Card with 4 voltage transformer measuring inputs
- X103** – Modbus RTU / IEC 60870-5-103 / DNP3.0 RTU, Fiber optics interface, ST Connector
- X104** – IRIG-B00X, incl. System Contact (Supervision Contact)

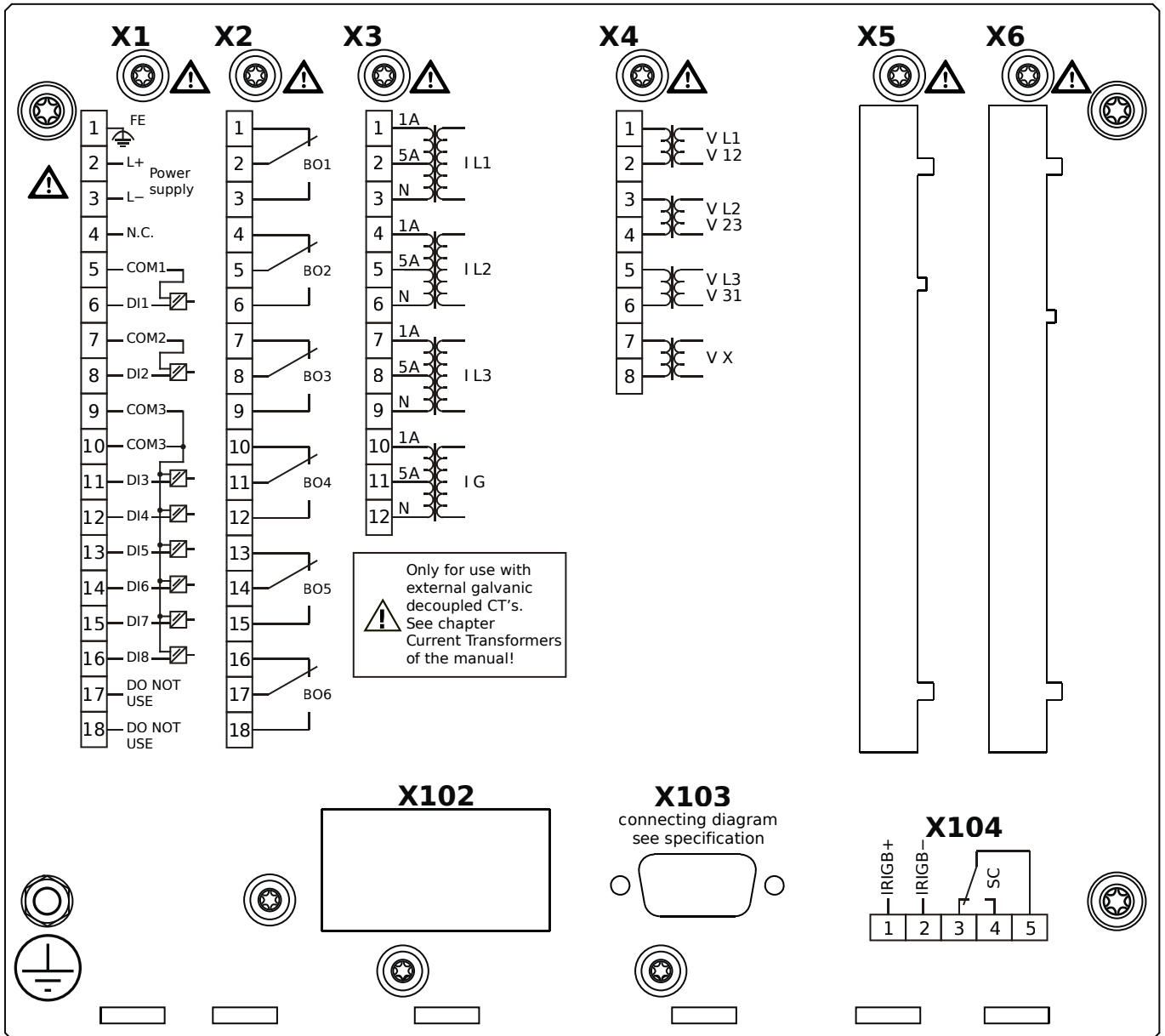
MCA4-2A0HFB



Housing B2, large display, door mounting

- X1** – DI8-X1: Wide-range power supply unit, incl. 2 non-grouped digital inputs and 6 grouped digital inputs
- X2** – OR6: Assembly Group with 6 Output Relays
- X3** – TI: Standard current measuring card
- X4** – TU: Card with 4 voltage transformer measuring inputs
- X103** – Modbus RTU / IEC 60870-5-103 / DNP3.0 RTU, Fiber optics interface, ST Connector
- X104** – IRIG-B00X, incl. System Contact (Supervision Contact)

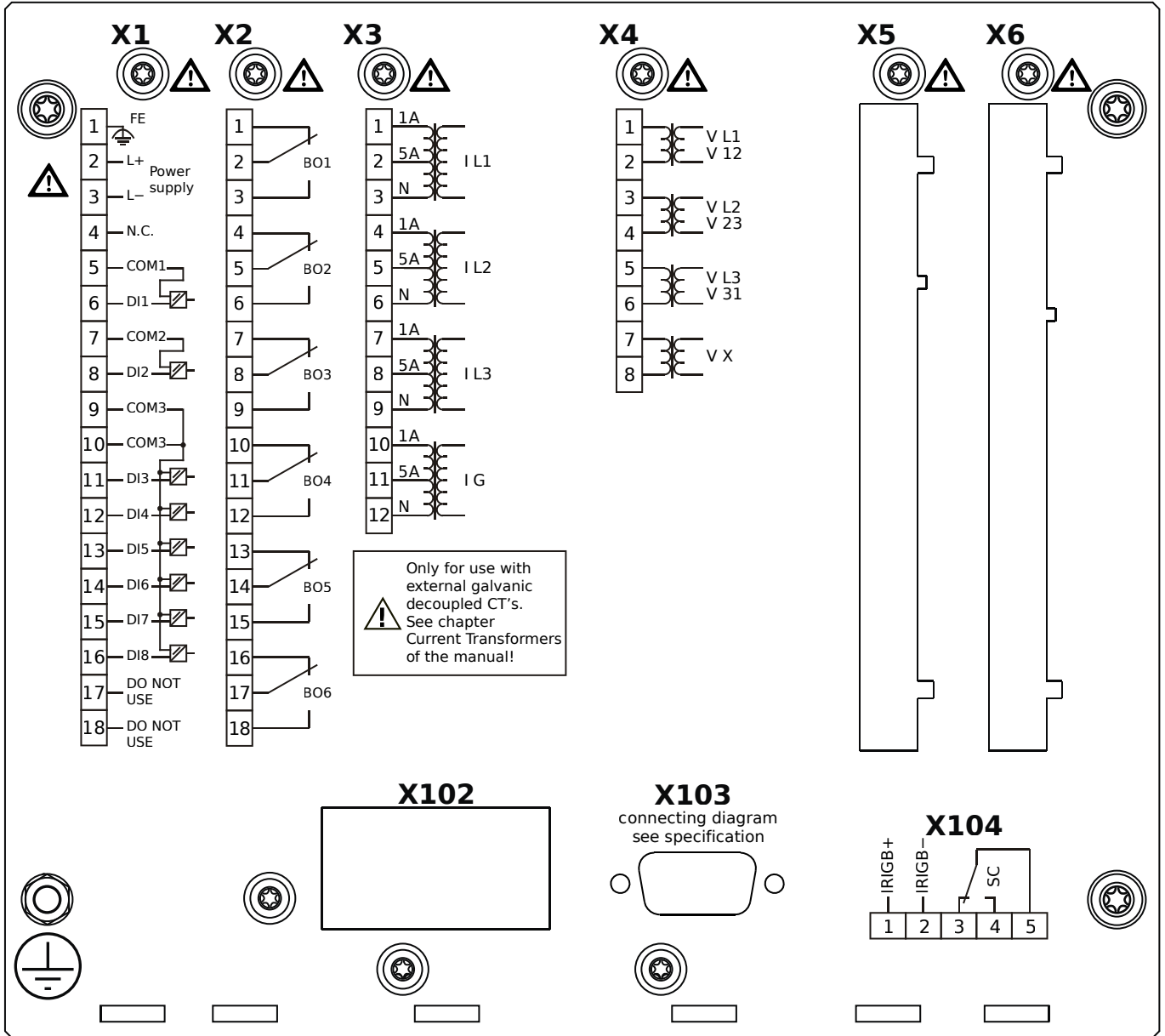
MCA4-2A0HGA



Housing B2, large display, door mounting

- X1** – DI8-X1: Wide-range power supply unit, incl. 2 non-grouped digital inputs and 6 grouped digital inputs
- X2** – OR6: Assembly Group with 6 Output Relays
- X3** – TI: Standard current measuring card
- X4** – TU: Card with 4 voltage transformer measuring inputs
- X103** – Modbus RTU / IEC 60870-5-103 / DNP3.0 RTU, RS485, D-SUB
- X104** – IRIG-B00X, incl. System Contact (Supervision Contact)

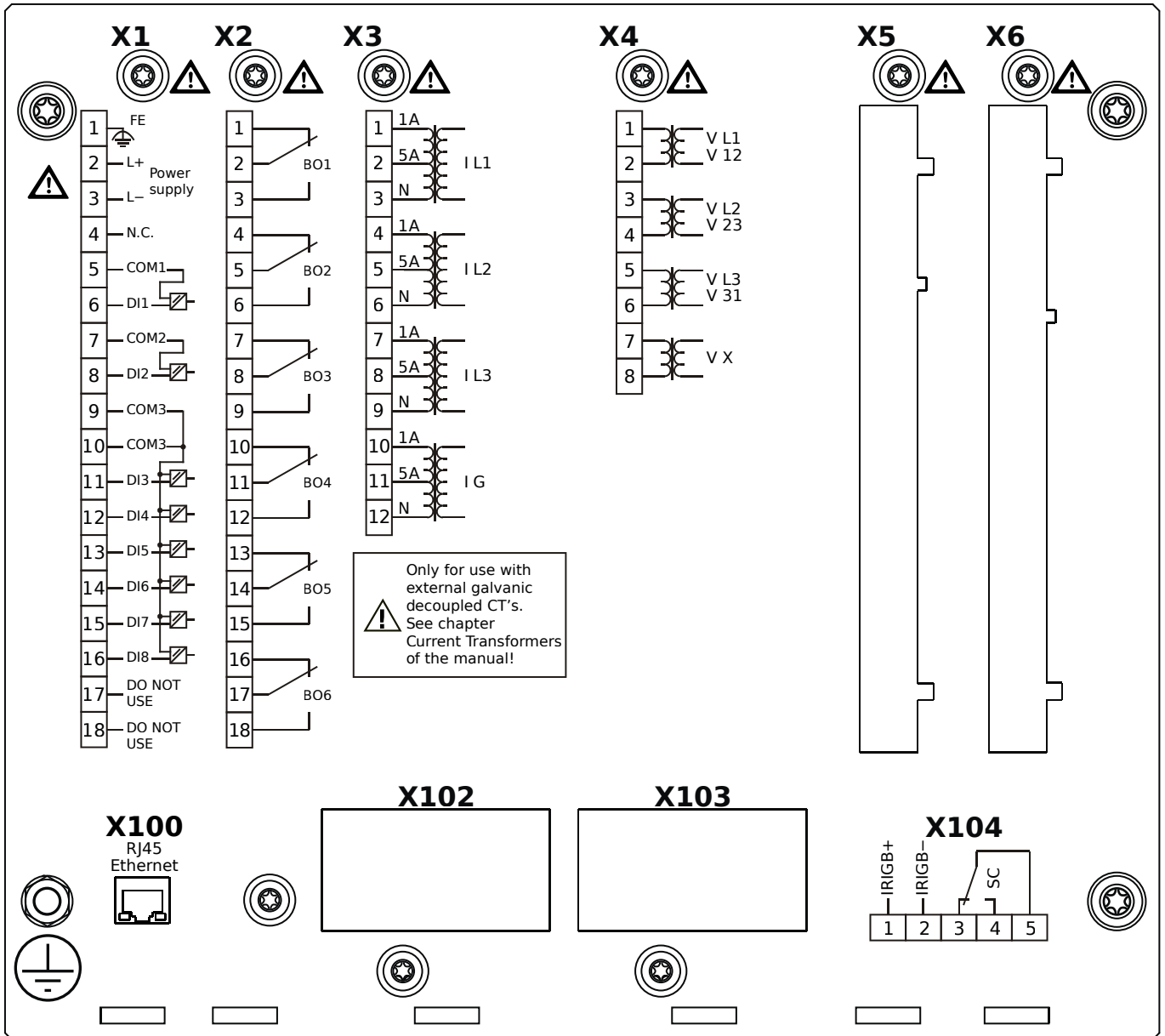
MCA4-2A0HGB



Housing B2, large display, door mounting

- X1** – DI8-X1: Wide-range power supply unit, incl. 2 non-grouped digital inputs and 6 grouped digital inputs
- X2** – OR6: Assembly Group with 6 Output Relays
- X3** – TI: Standard current measuring card
- X4** – TU: Card with 4 voltage transformer measuring inputs
- X103** – Modbus RTU / IEC 60870-5-103 / DNP3.0 RTU, RS485, D-SUB
- X104** – IRIG-B00X, incl. System Contact (Supervision Contact)

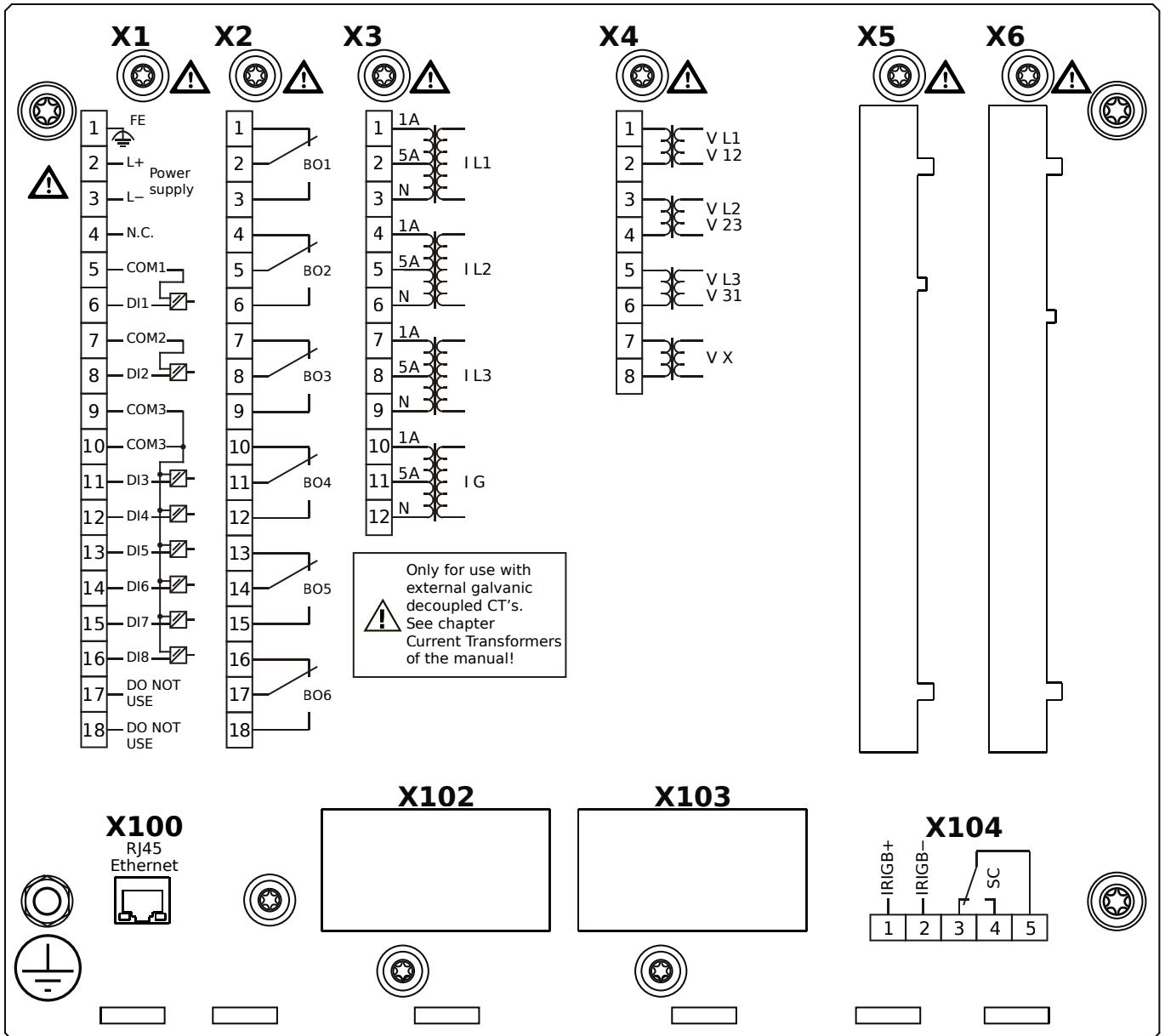
MCA4-2A0HHA



Housing B2, large display, door mounting

- X1** – DI8-X1: Wide-range power supply unit, incl. 2 non-grouped digital inputs and 6 grouped digital inputs
- X2** – OR6: Assembly Group with 6 Output Relays
- X3** – TI: Standard current measuring card
- X4** – TU: Card with 4 voltage transformer measuring inputs
- X100** – IEC 61850 / Modbus TCP / DNP3.0 TCP/UDP, Ethernet interface, 100 Mbit/s, RJ45 (BASE100-FX)
- X104** – IRIG-B00X, incl. System Contact (Supervision Contact)

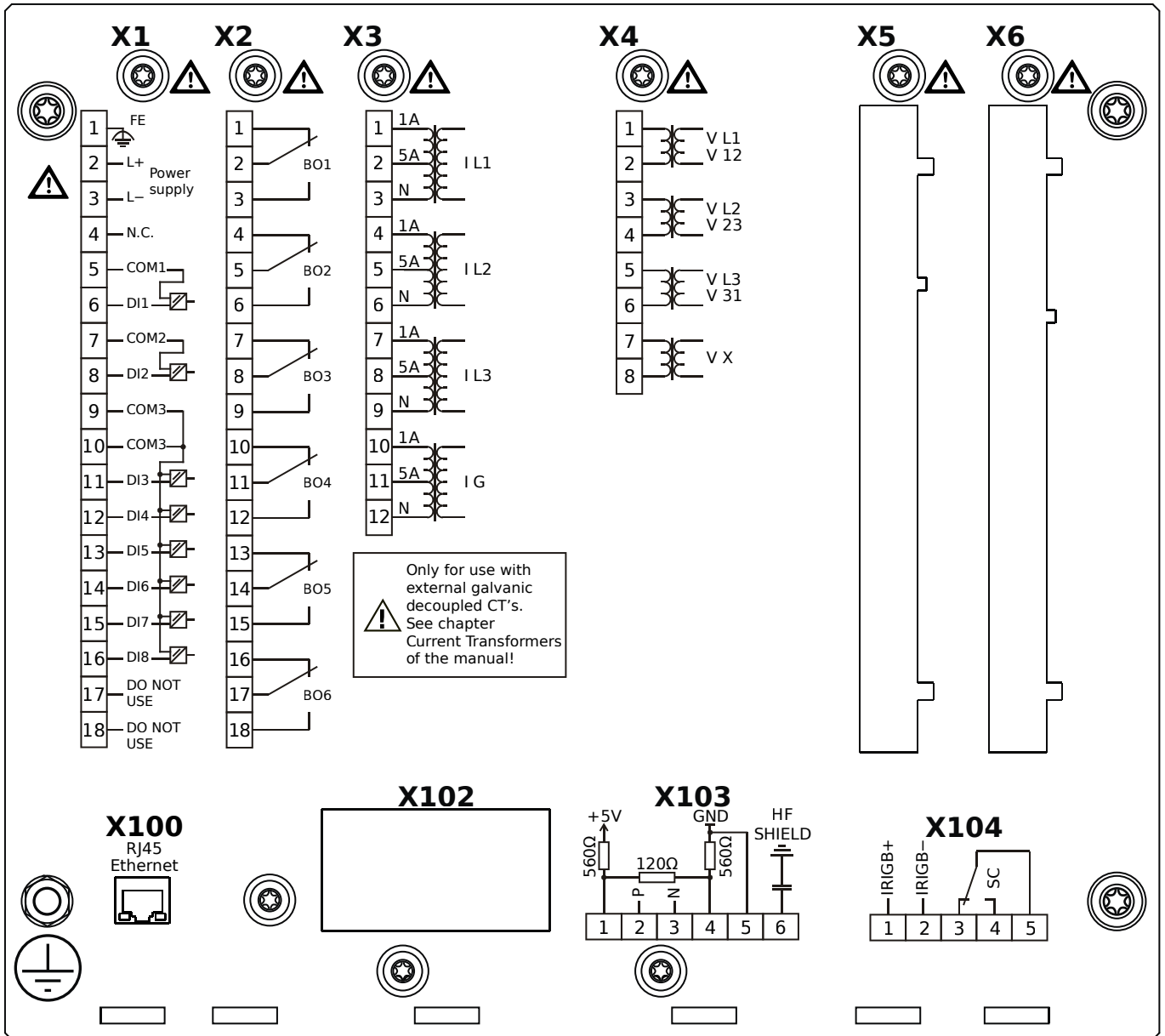
MCA4-2A0HHB



Housing B2, large display, door mounting

- X1** – DI8-X1: Wide-range power supply unit, incl. 2 non-grouped digital inputs and 6 grouped digital inputs
- X2** – OR6: Assembly Group with 6 Output Relays
- X3** – TI: Standard current measuring card
- X4** – TU: Card with 4 voltage transformer measuring inputs
- X100** – IEC 61850 / Modbus TCP / DNP3.0 TCP/UDP, Ethernet interface, 100 Mbit/s, RJ45 (BASE100-FX)
- X104** – IRIG-B00X, incl. System Contact (Supervision Contact)

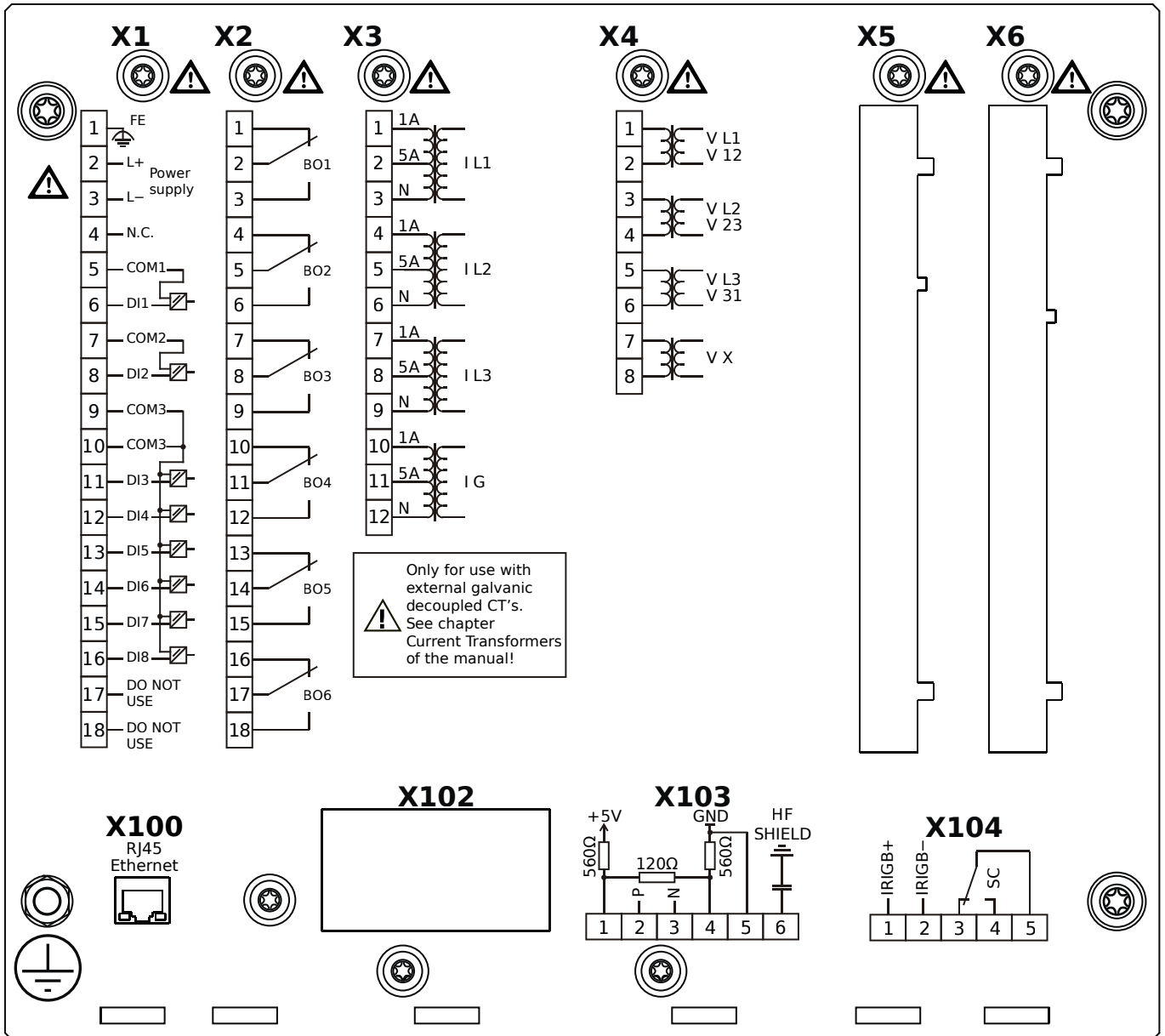
MCA4-2A0HIA



Housing B2, large display, door mounting

- X1** – DI8-X1: Wide-range power supply unit, incl. 2 non-grouped digital inputs and 6 grouped digital inputs
- X2** – OR6: Assembly Group with 6 Output Relays
- X3** – TI: Standard current measuring card
- X4** – TU: Card with 4 voltage transformer measuring inputs
- X100** – Modbus TCP / DNP3.0 TCP/UDP, Ethernet interface, 100 Mbit/s, RJ45 (BASE100-FX)
- X103** – IEC 60870-5-103 / Modbus RTU / DNP3.0 RTU, RS485, Terminals
- X104** – IRIG-B00X, incl. System Contact (Supervision Contact)

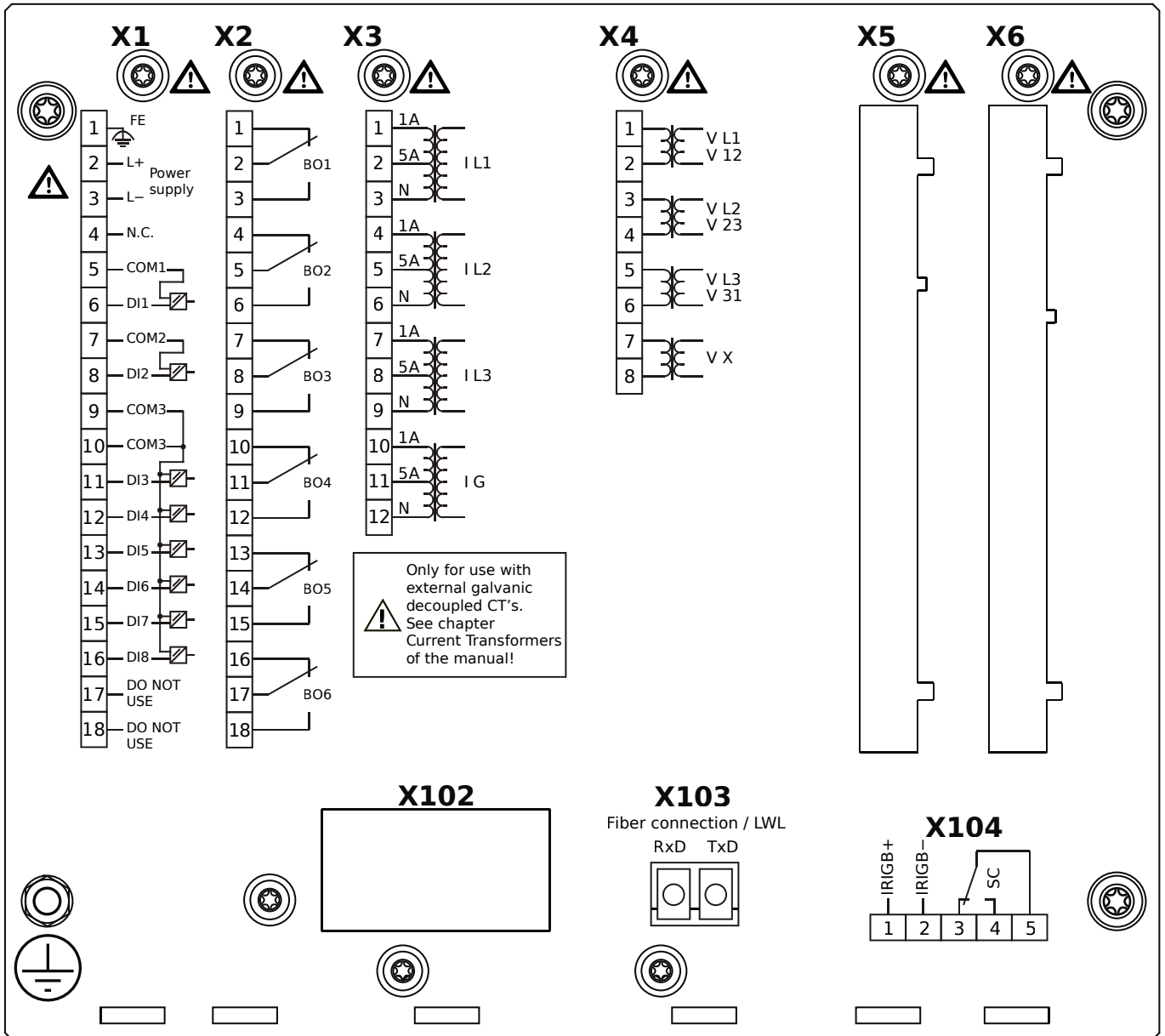
MCA4-2A0HIB



Housing B2, large display, door mounting

- X1** – DI8-X1: Wide-range power supply unit, incl. 2 non-grouped digital inputs and 6 grouped digital inputs
- X2** – OR6: Assembly Group with 6 Output Relays
- X3** – TI: Standard current measuring card
- X4** – TU: Card with 4 voltage transformer measuring inputs
- X100** – Modbus TCP / DNP3.0 TCP/UDP, Ethernet interface, 100 Mbit/s, RJ45 (BASE100-FX)
- X103** – IEC 60870-5-103 / Modbus RTU / DNP3.0 RTU, RS485, Terminals
- X104** – IRIG-B00X, incl. System Contact (Supervision Contact)

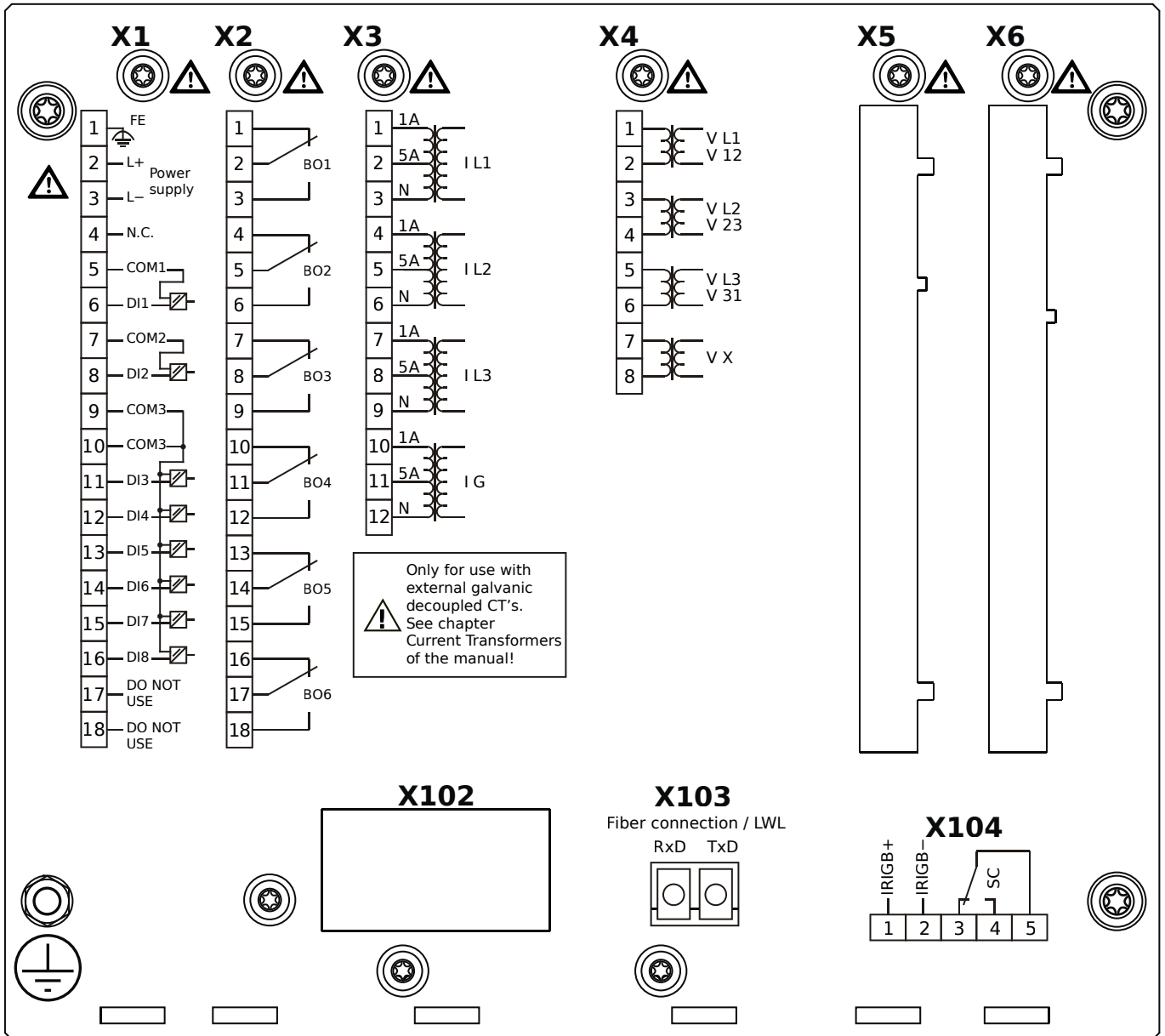
MCA4-2A0HKA



Housing B2, large display, door mounting

- X1** – DI8-X1: Wide-range power supply unit, incl. 2 non-grouped digital inputs and 6 grouped digital inputs
- X2** – OR6: Assembly Group with 6 Output Relays
- X3** – TI: Standard current measuring card
- X4** – TU: Card with 4 voltage transformer measuring inputs
- X103** – IEC 61850 / Modbus TCP / DNP3.0 TCP/UDP, Fiber optics interface, LC Connector
- X104** – IRIG-B00X, incl. System Contact (Supervision Contact)

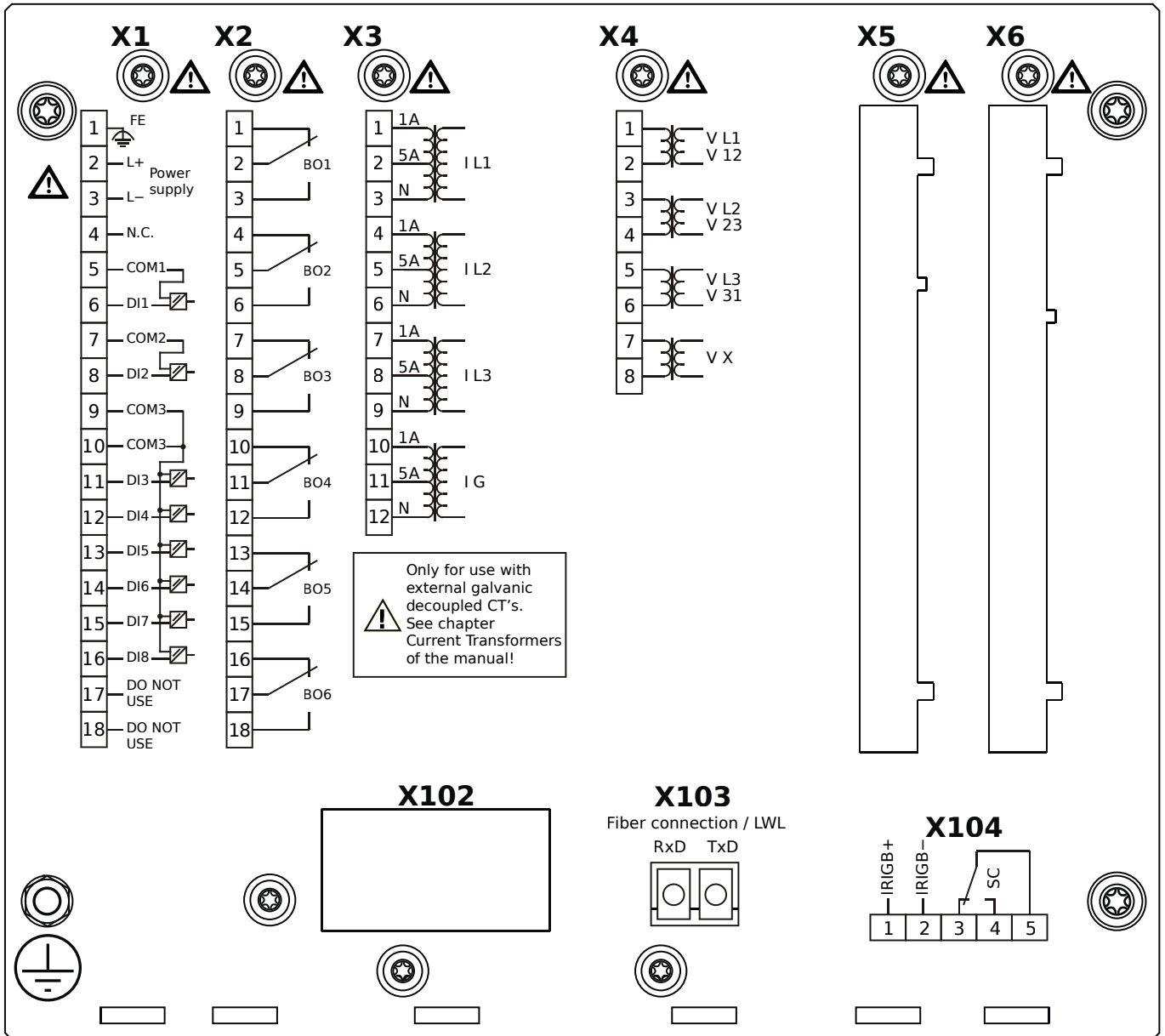
MCA4-2A0HKB



Housing B2, large display, door mounting

- X1** – DI8-X1: Wide-range power supply unit, incl. 2 non-grouped digital inputs and 6 grouped digital inputs
- X2** – OR6: Assembly Group with 6 Output Relays
- X3** – TI: Standard current measuring card
- X4** – TU: Card with 4 voltage transformer measuring inputs
- X103** – IEC 61850 / Modbus TCP / DNP3.0 TCP/UDP, Fiber optics interface, LC Connector
- X104** – IRIG-B00X, incl. System Contact (Supervision Contact)

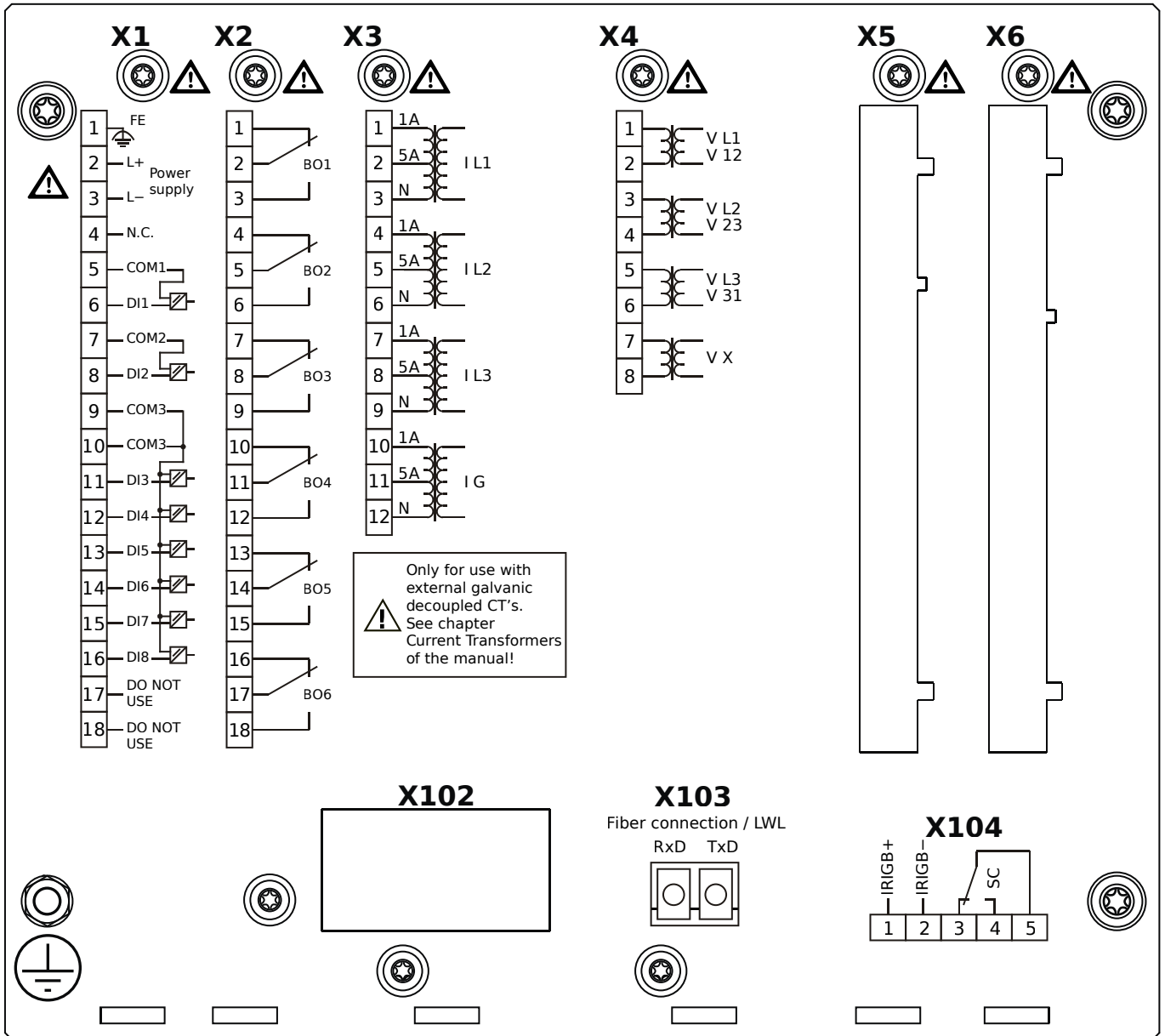
MCA4-2A0HLA



Housing B2, large display, door mounting

- X1** – DI8-X1: Wide-range power supply unit, incl. 2 non-grouped digital inputs and 6 grouped digital inputs
- X2** – OR6: Assembly Group with 6 Output Relays
- X3** – TI: Standard current measuring card
- X4** – TU: Card with 4 voltage transformer measuring inputs
- X103** – Modbus TCP / DNP3.0 TCP/UDP, Fiber optics interface, LC Connector
- X104** – IRIG-B00X, incl. System Contact (Supervision Contact)

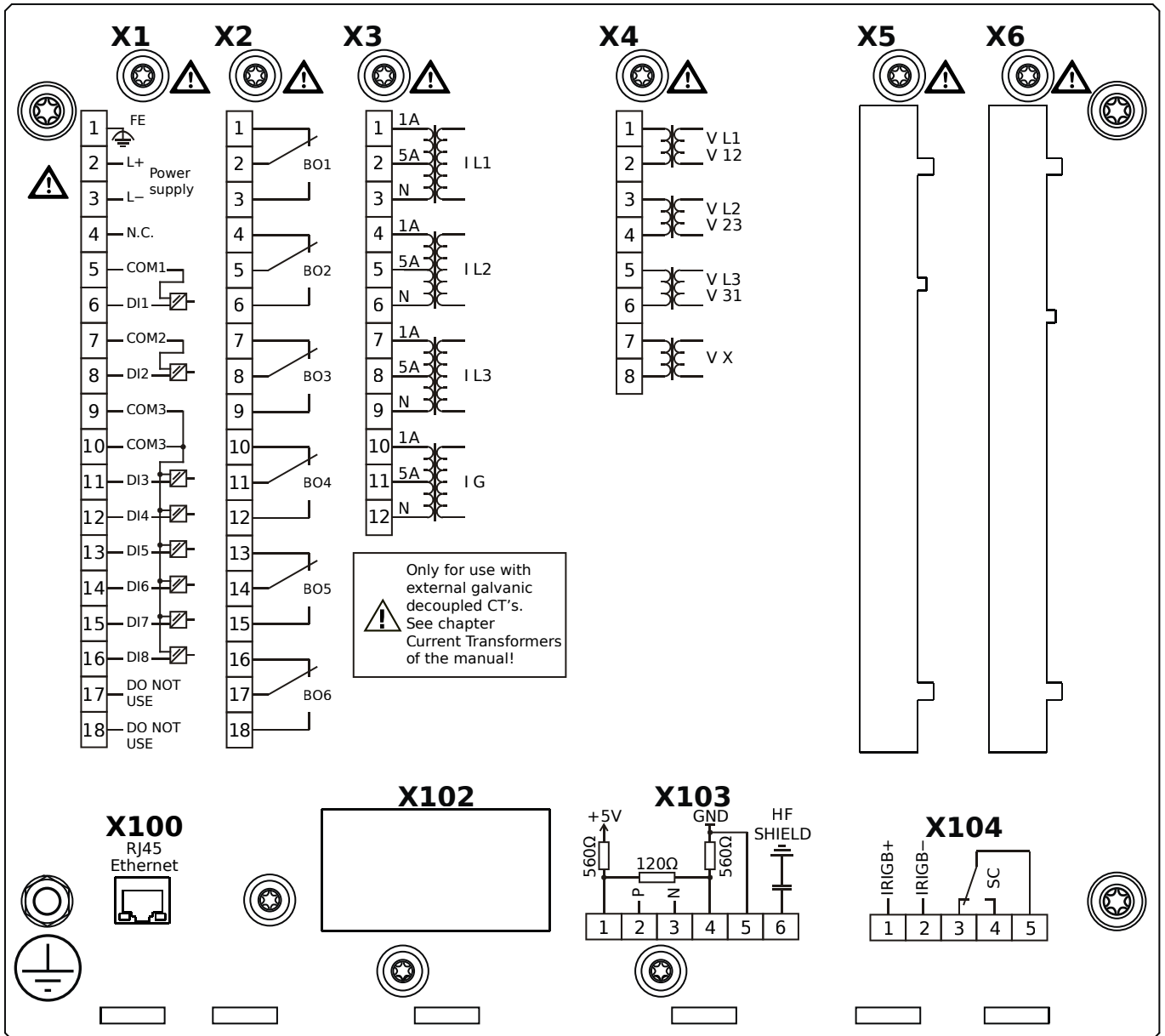
MCA4-2A0HLB



Housing B2, large display, door mounting

- X1** – DI8-X1: Wide-range power supply unit, incl. 2 non-grouped digital inputs and 6 grouped digital inputs
- X2** – OR6: Assembly Group with 6 Output Relays
- X3** – TI: Standard current measuring card
- X4** – TU: Card with 4 voltage transformer measuring inputs
- X103** – Modbus TCP / DNP3.0 TCP/UDP, Fiber optics interface, LC Connector
- X104** – IRIG-B00X, incl. System Contact (Supervision Contact)

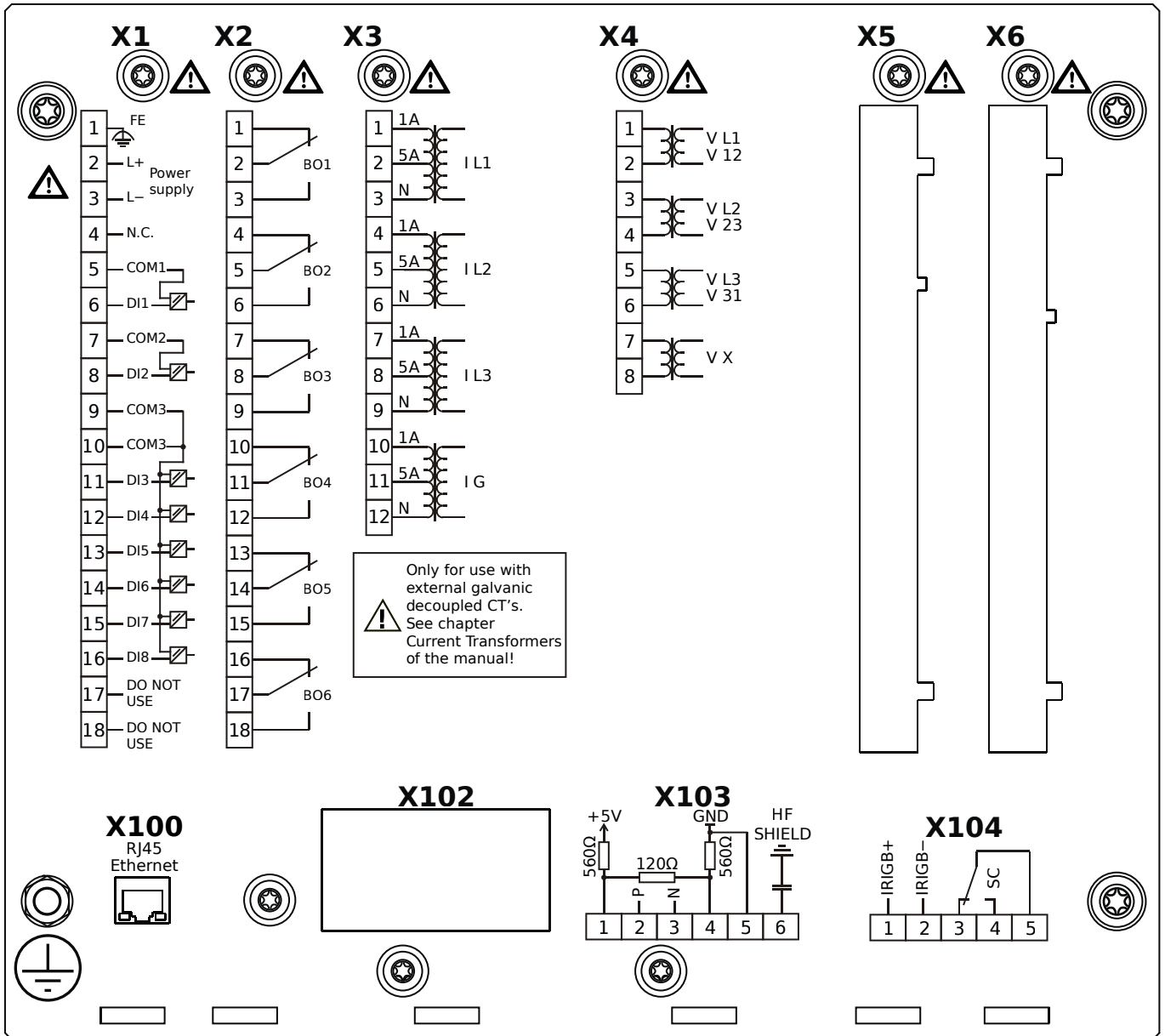
MCA4-2A0HTA



Housing B2, large display, door mounting

- X1** – DI8-X1: Wide-range power supply unit, incl. 2 non-grouped digital inputs and 6 grouped digital inputs
- X2** – OR6: Assembly Group with 6 Output Relays
- X3** – TI: Standard current measuring card
- X4** – TU: Card with 4 voltage transformer measuring inputs
- X100** – IEC 61850 / Modbus TCP / DNP3.0 TCP/UDP, Ethernet interface, 100 Mbit/s, RJ45 (BASE100-FX)
- X103** – IEC 60870-5-103 / Modbus RTU / DNP3.0 RTU, RS485, Terminals
- X104** – IRIG-B00X, incl. System Contact (Supervision Contact)

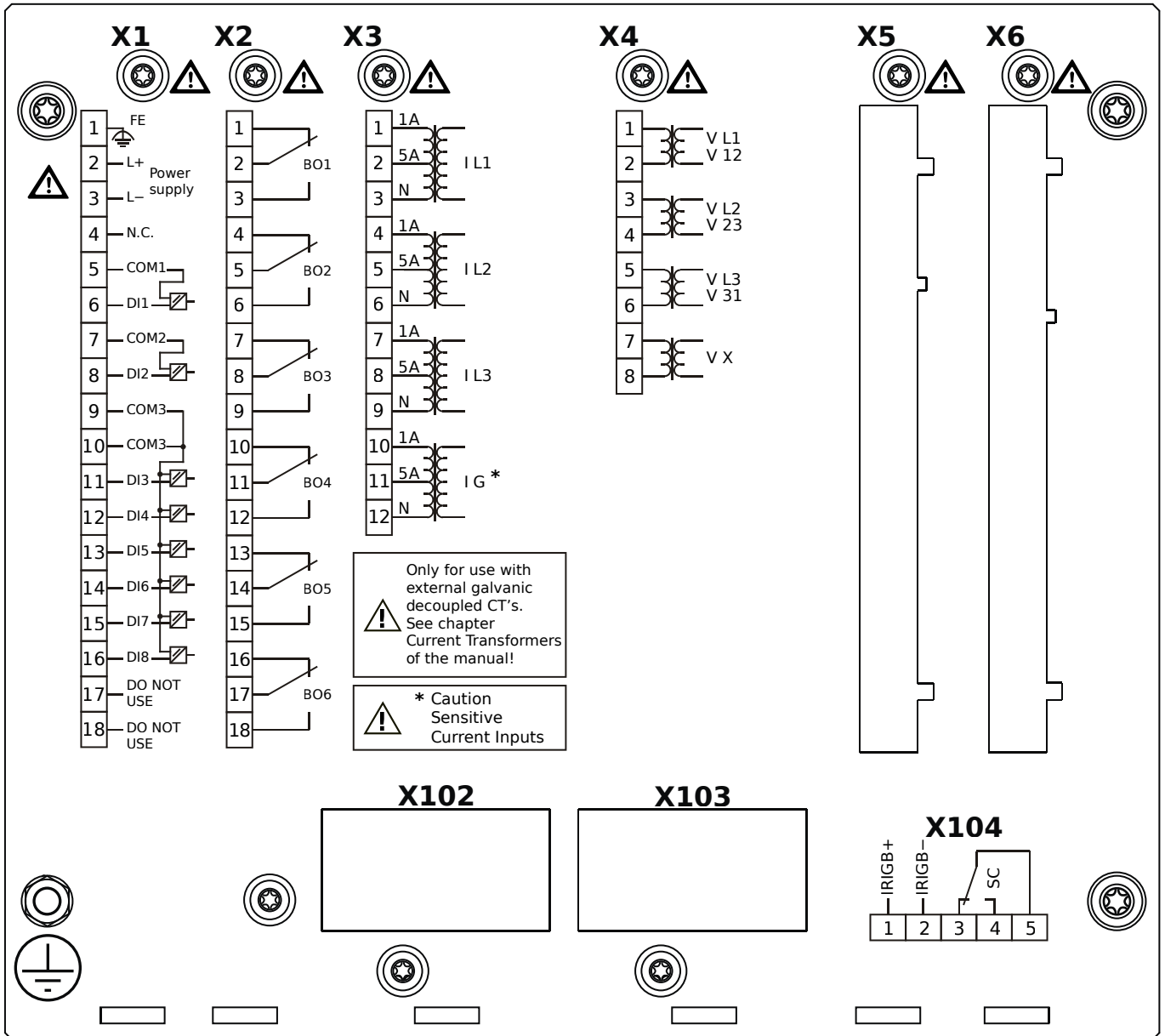
MCA4-2A0HTB



Housing B2, large display, door mounting

- X1** – DI8-X1: Wide-range power supply unit, incl. 2 non-grouped digital inputs and 6 grouped digital inputs
- X2** – OR6: Assembly Group with 6 Output Relays
- X3** – TI: Standard current measuring card
- X4** – TU: Card with 4 voltage transformer measuring inputs
- X100** – IEC 61850 / Modbus TCP / DNP3.0 TCP/UDP, Ethernet interface, 100 Mbit/s, RJ45 (BASE100-FX)
- X103** – IEC 60870-5-103 / Modbus RTU / DNP3.0 RTU, RS485, Terminals
- X104** – IRIG-B00X, incl. System Contact (Supervision Contact)

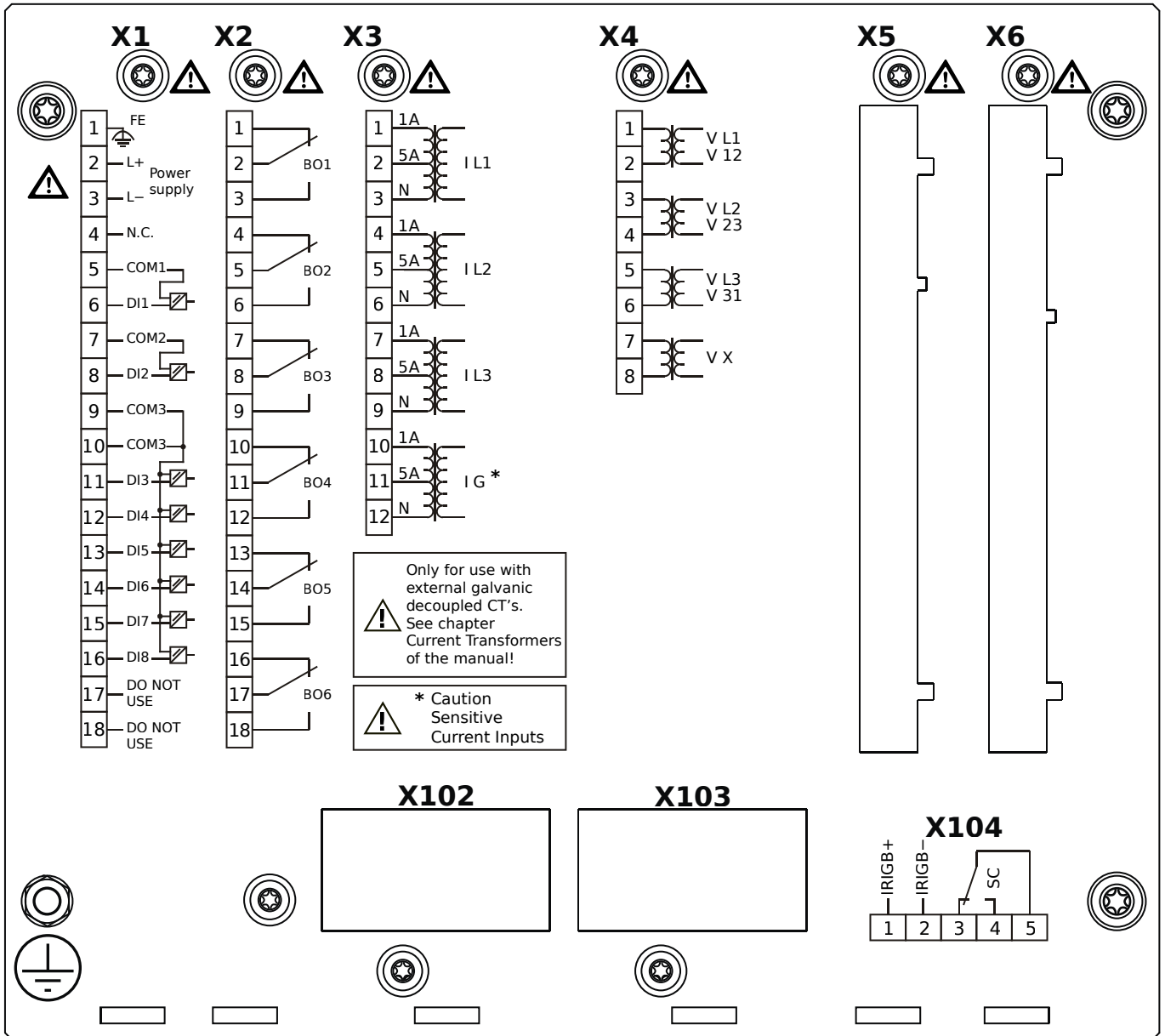
MCA4-2A1AAA



Housing B2, large display, door mounting

- X1** – DI8-X1: Wide-range power supply unit, incl. 2 non-grouped digital inputs and 6 grouped digital inputs
- X2** – OR6: Assembly Group with 6 Output Relays
- X3** – TIs: Standard phase current measuring card and sensitive ground current measuring
- X4** – TU: Card with 4 voltage transformer measuring inputs
- X104** – IRIG-B00X, incl. System Contact (Supervision Contact)

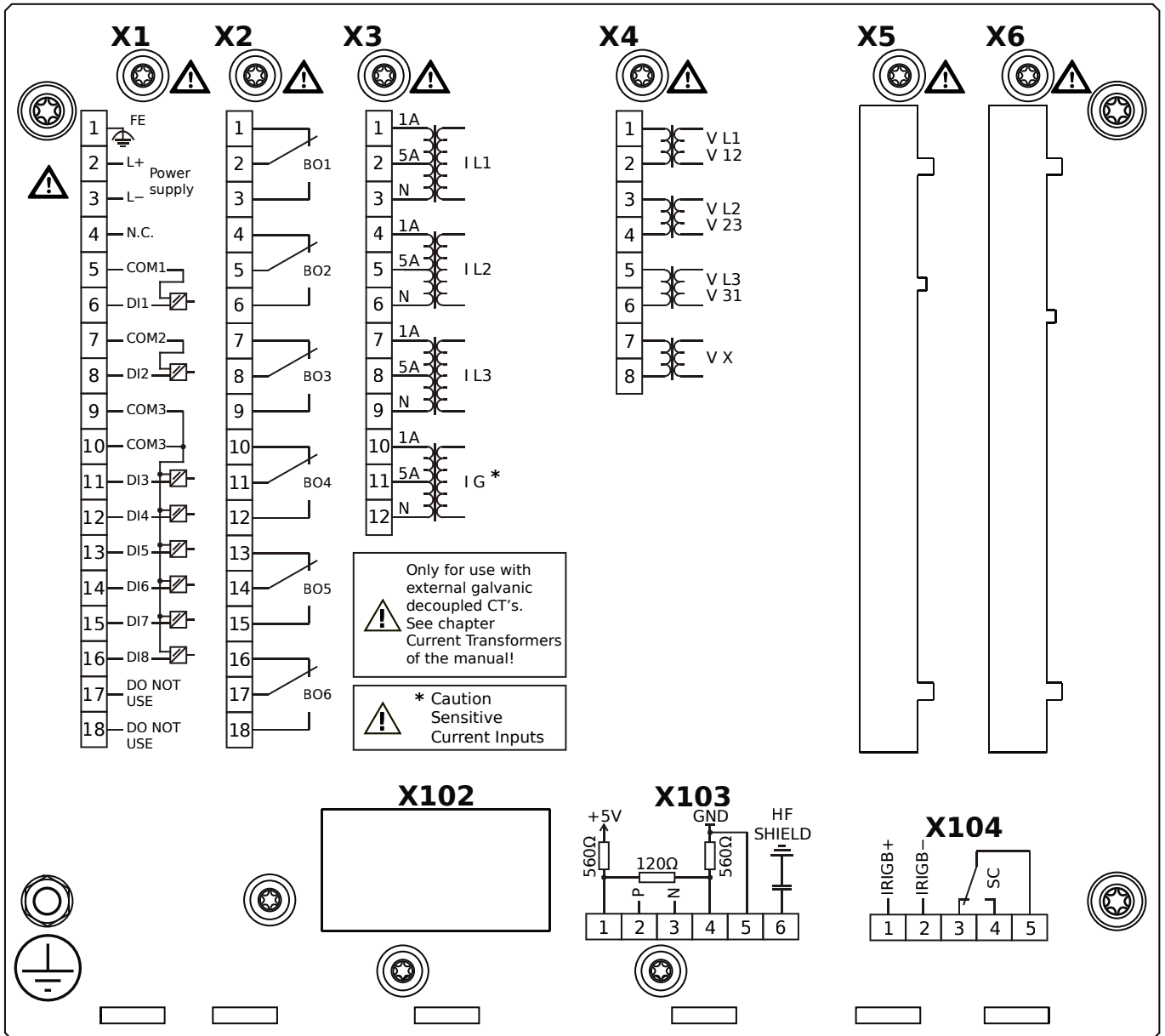
MCA4-2A1AAB



Housing B2, large display, door mounting

- X1** – DI8-X1: Wide-range power supply unit, incl. 2 non-grouped digital inputs and 6 grouped digital inputs
- X2** – OR6: Assembly Group with 6 Output Relays
- X3** – TIs: Standard phase current measuring card and sensitive ground current measuring
- X4** – TU: Card with 4 voltage transformer measuring inputs
- X104** – IRIG-B00X, incl. System Contact (Supervision Contact)

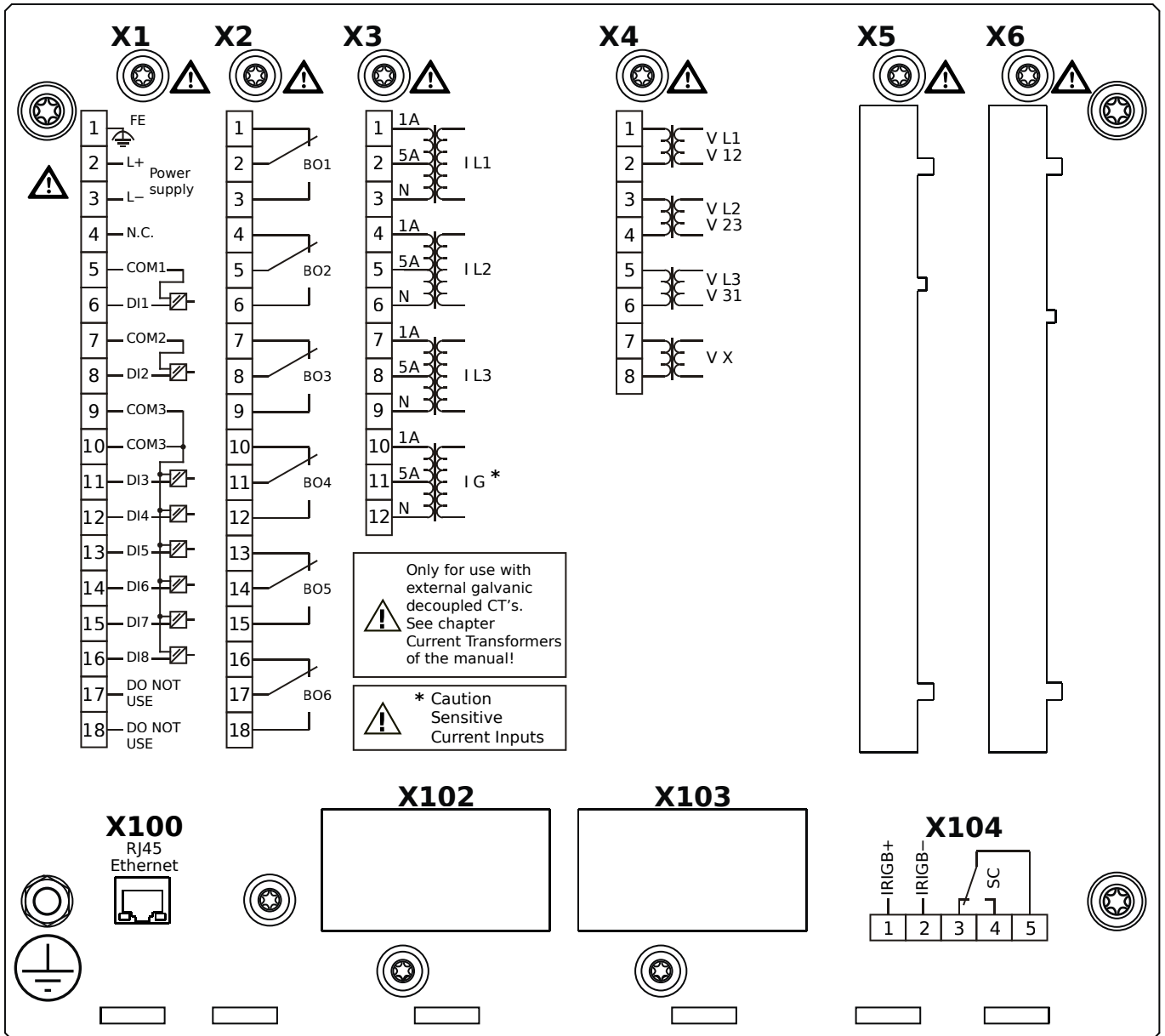
MCA4-2A1ABB



Housing B2, large display, door mounting

- X1** – DI8-X1: Wide-range power supply unit, incl. 2 non-grouped digital inputs and 6 grouped digital inputs
- X2** – OR6: Assembly Group with 6 Output Relays
- X3** – TIs: Standard phase current measuring card and sensitive ground current measuring
- X4** – TU: Card with 4 voltage transformer measuring inputs
- X103** – Modbus RTU / IEC 60870-5-103 / DNP3.0 RTU, RS485, Terminals
- X104** – IRIG-B00X, incl. System Contact (Supervision Contact)

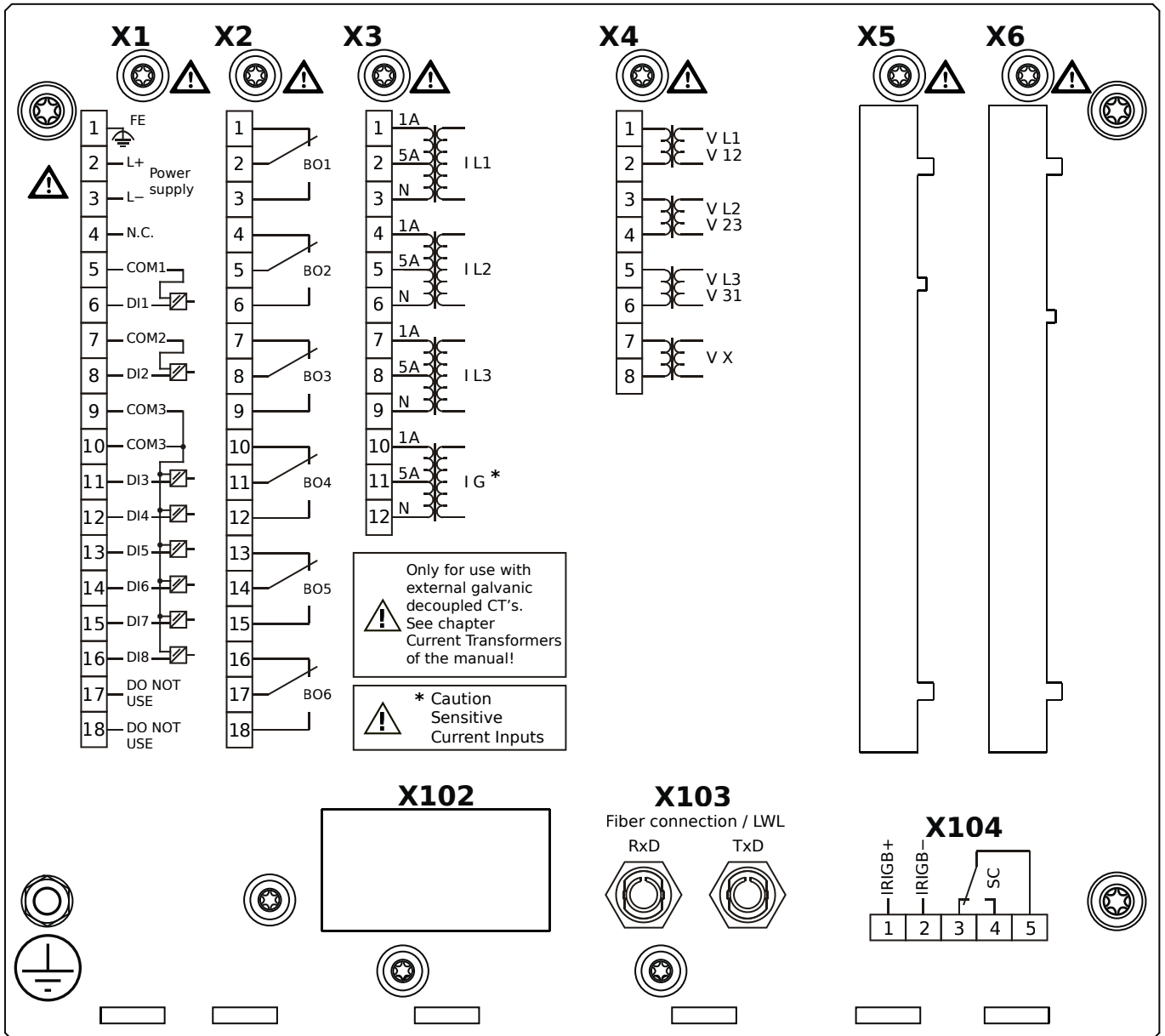
MCA4-2A1ACA



Housing B2, large display, door mounting

- X1** – DI8-X1: Wide-range power supply unit, incl. 2 non-grouped digital inputs and 6 grouped digital inputs
- X2** – OR6: Assembly Group with 6 Output Relays
- X3** – TIs: Standard phase current measuring card and sensitive ground current measuring
- X4** – TU: Card with 4 voltage transformer measuring inputs
- X100** – Modbus TCP / DNP3.0 TCP/UDP, Ethernet interface, 100 Mbit/s, RJ45 (BASE100-FX)
- X104** – IRIG-B00X, incl. System Contact (Supervision Contact)

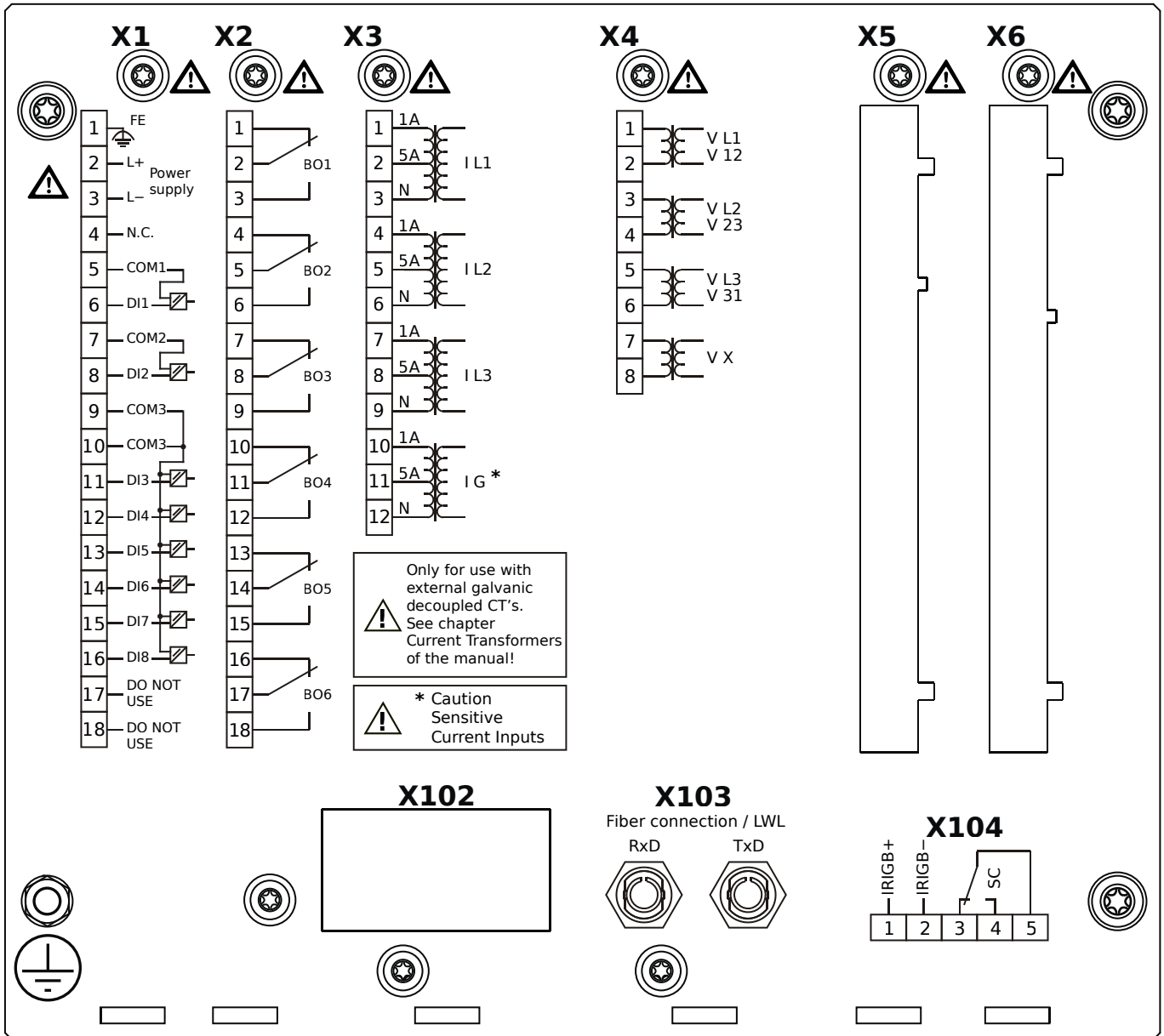
MCA4-2A1ADA



Housing B2, large display, door mounting

- X1** – DI8-X1: Wide-range power supply unit, incl. 2 non-grouped digital inputs and 6 grouped digital inputs
- X2** – OR6: Assembly Group with 6 Output Relays
- X3** – TIs: Standard phase current measuring card and sensitive ground current measuring
- X4** – TU: Card with 4 voltage transformer measuring inputs
- X103** – Profibus-DP, Fiber optics interface, ST Connector
- X104** – IRIG-B00X, incl. System Contact (Supervision Contact)

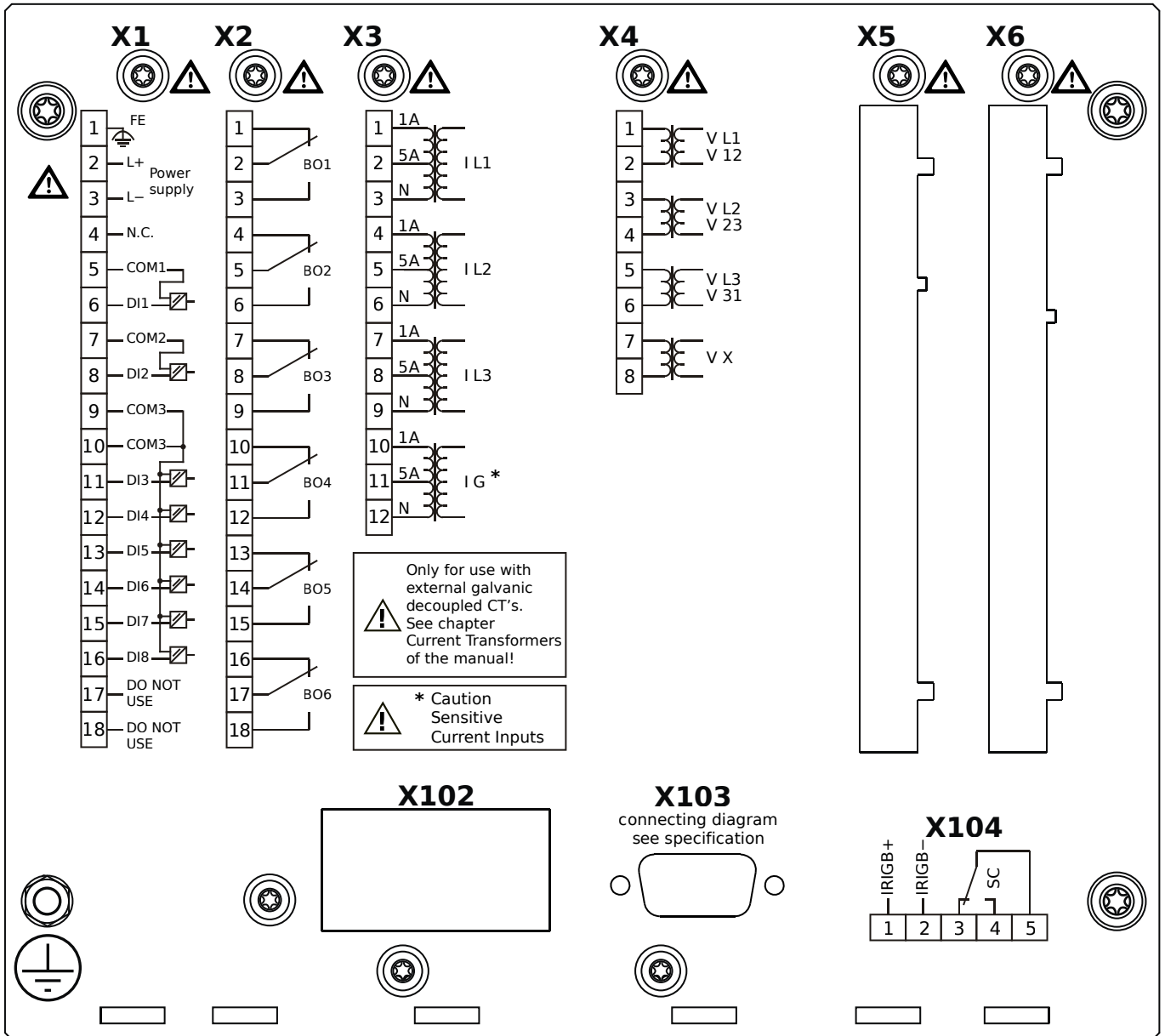
MCA4-2A1ADB



Housing B2, large display, door mounting

- X1** – DI8-X1: Wide-range power supply unit, incl. 2 non-grouped digital inputs and 6 grouped digital inputs
- X2** – OR6: Assembly Group with 6 Output Relays
- X3** – TIs: Standard phase current measuring card and sensitive ground current measuring
- X4** – TU: Card with 4 voltage transformer measuring inputs
- X103** – Profibus-DP, Fiber optics interface, ST Connector
- X104** – IRIG-B00X, incl. System Contact (Supervision Contact)

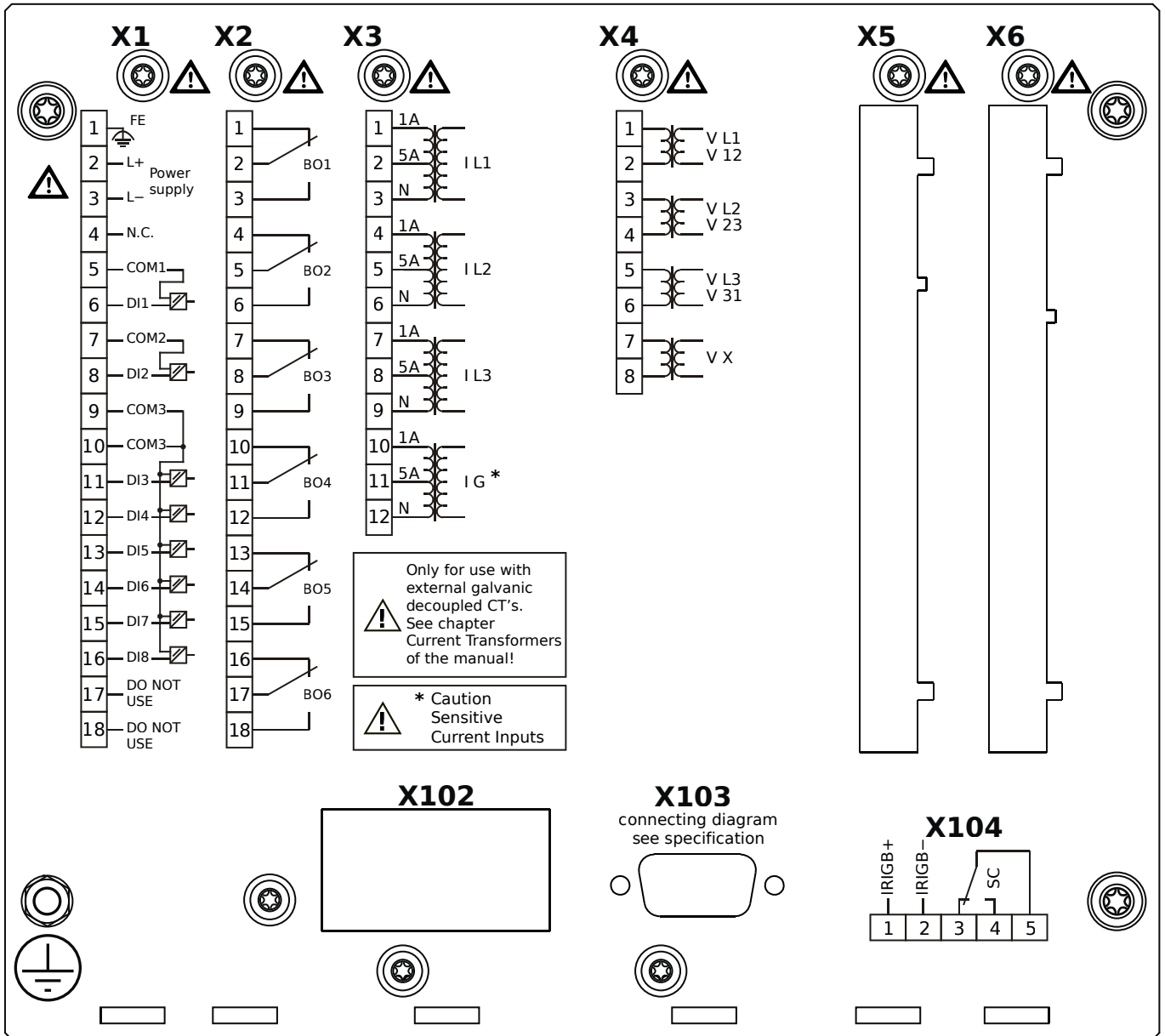
MCA4-2A1AEA



Housing B2, large display, door mounting

- X1** – DI8-X1: Wide-range power supply unit, incl. 2 non-grouped digital inputs and 6 grouped digital inputs
- X2** – OR6: Assembly Group with 6 Output Relays
- X3** – TIs: Standard phase current measuring card and sensitive ground current measuring
- X4** – TU: Card with 4 voltage transformer measuring inputs
- X103** – Profibus-DP, RS485, D-SUB
- X104** – IRIG-B00X, incl. System Contact (Supervision Contact)

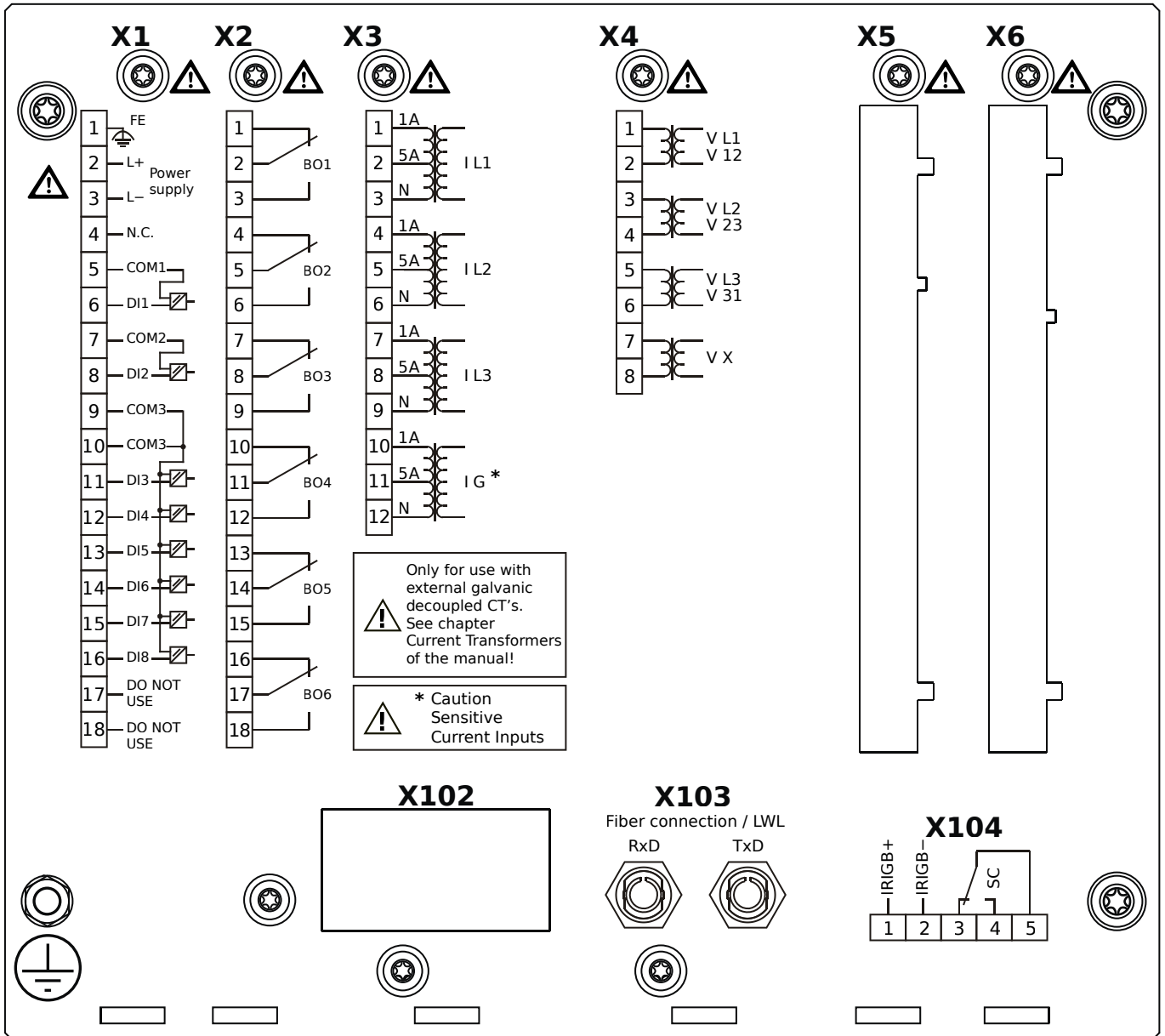
MCA4-2A1AEB



Housing B2, large display, door mounting

- X1** – DI8-X1: Wide-range power supply unit, incl. 2 non-grouped digital inputs and 6 grouped digital inputs
- X2** – OR6: Assembly Group with 6 Output Relays
- X3** – TIs: Standard phase current measuring card and sensitive ground current measuring
- X4** – TU: Card with 4 voltage transformer measuring inputs
- X103** – Profibus-DP, RS485, D-SUB
- X104** – IRIG-B00X, incl. System Contact (Supervision Contact)

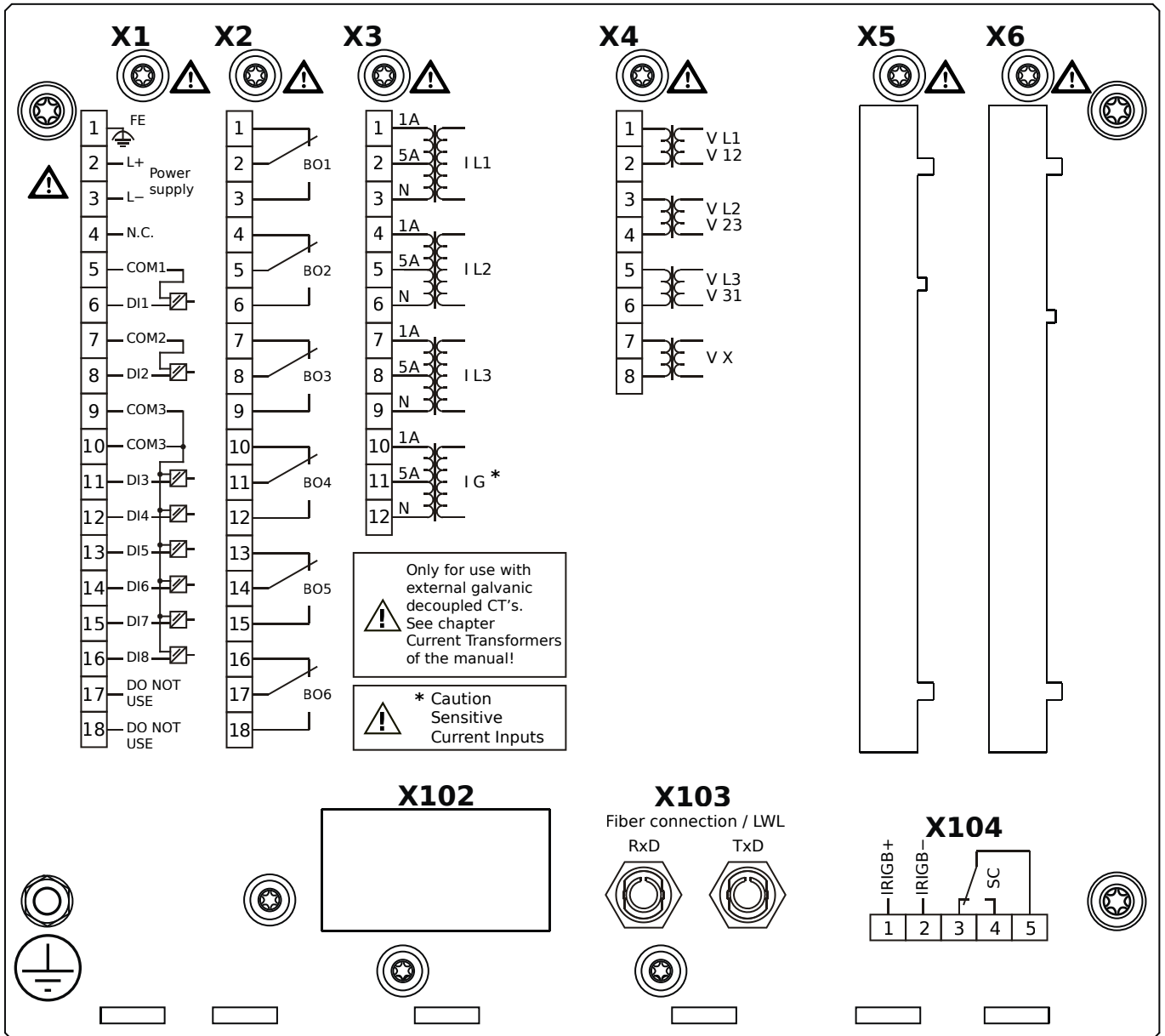
MCA4-2A1AFA



Housing B2, large display, door mounting

- X1** – DI8-X1: Wide-range power supply unit, incl. 2 non-grouped digital inputs and 6 grouped digital inputs
- X2** – OR6: Assembly Group with 6 Output Relays
- X3** – TIs: Standard phase current measuring card and sensitive ground current measuring
- X4** – TU: Card with 4 voltage transformer measuring inputs
- X103** – Modbus RTU / IEC 60870-5-103 / DNP3.0 RTU, Fiber optics interface, ST Connector
- X104** – IRIG-B00X, incl. System Contact (Supervision Contact)

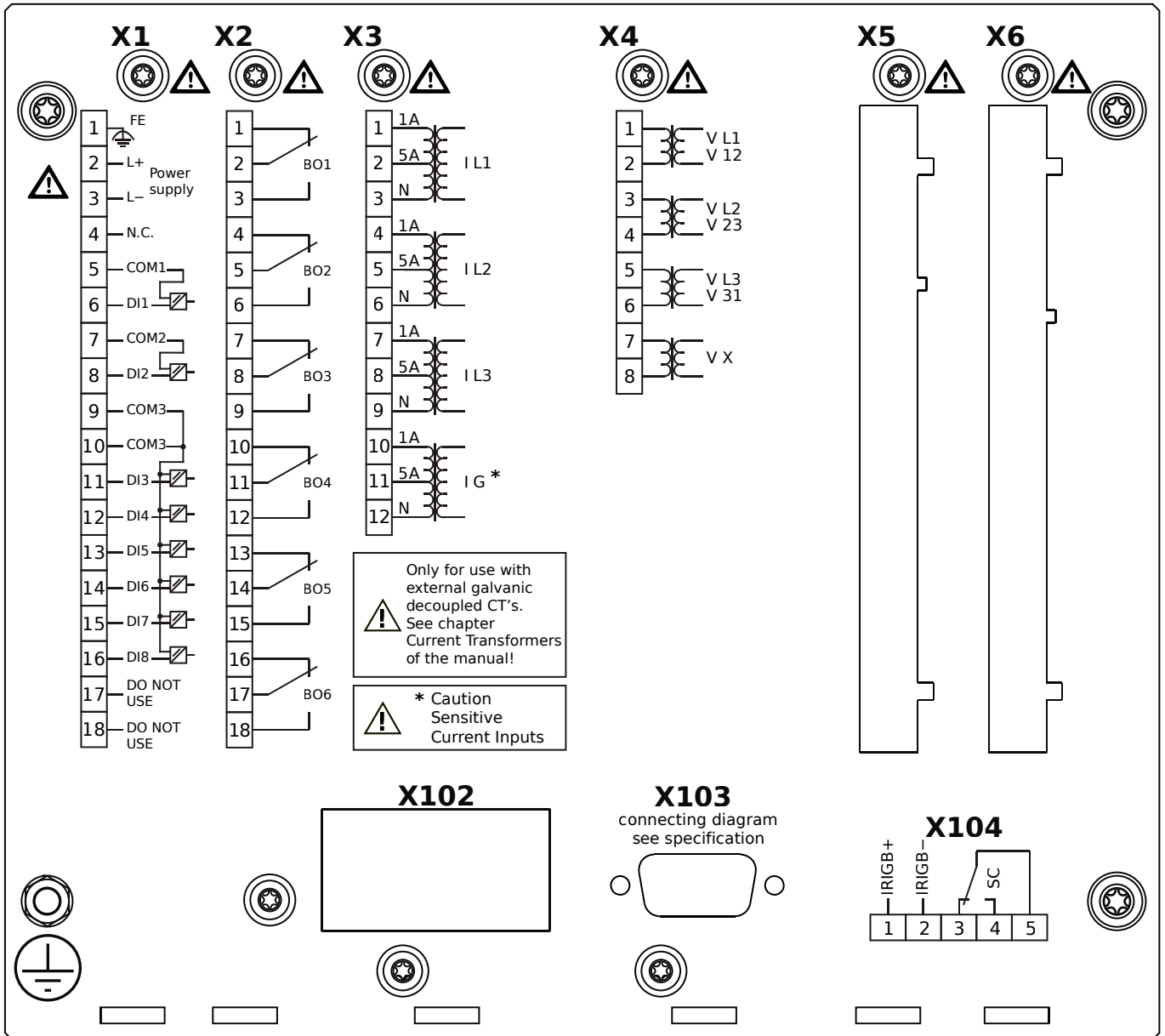
MCA4-2A1AFB



Housing B2, large display, door mounting

- X1** – DI8-X1: Wide-range power supply unit, incl. 2 non-grouped digital inputs and 6 grouped digital inputs
- X2** – OR6: Assembly Group with 6 Output Relays
- X3** – TIs: Standard phase current measuring card and sensitive ground current measuring
- X4** – TU: Card with 4 voltage transformer measuring inputs
- X103** – Modbus RTU / IEC 60870-5-103 / DNP3.0 RTU, Fiber optics interface, ST Connector
- X104** – IRIG-B00X, incl. System Contact (Supervision Contact)

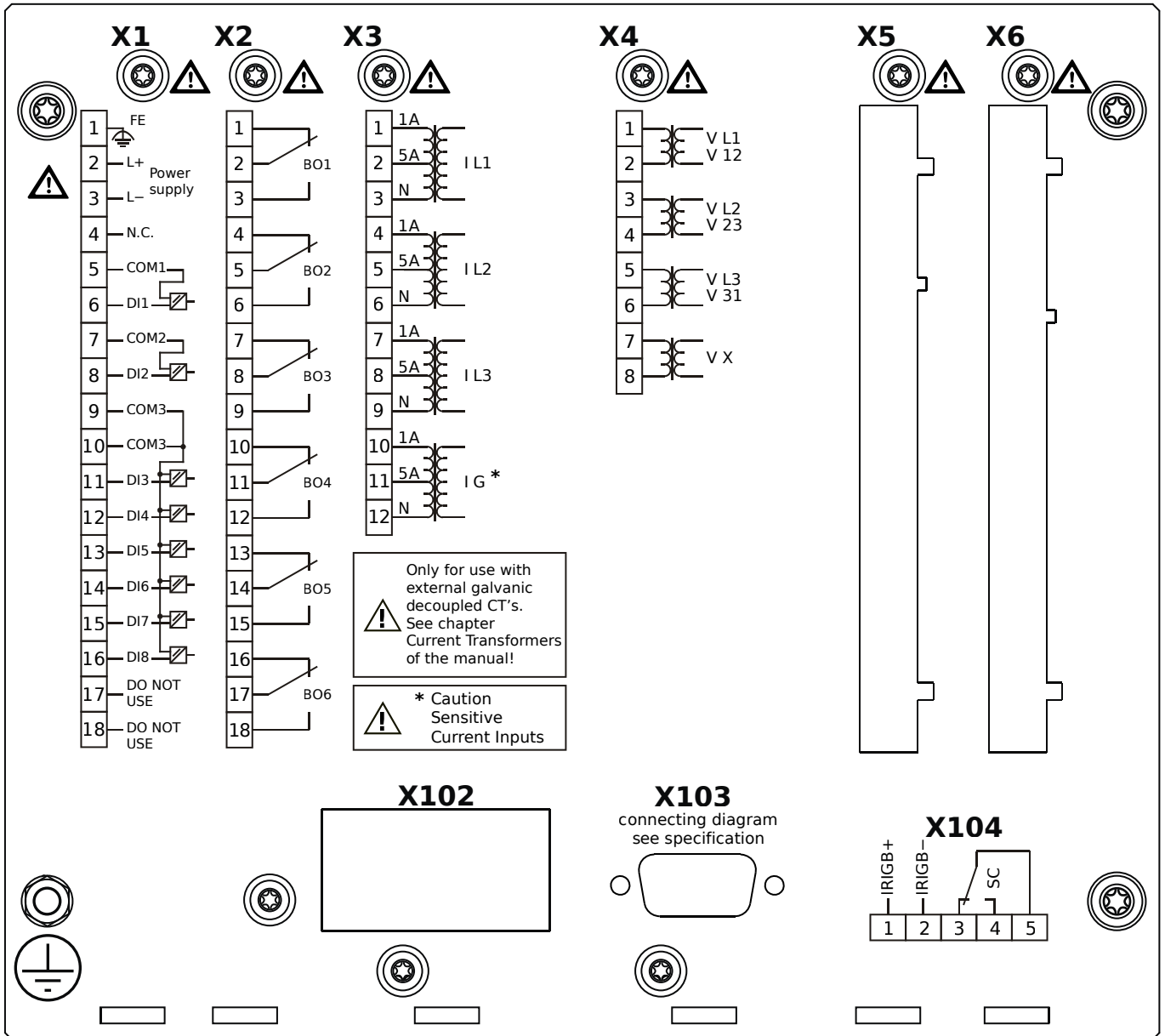
MCA4-2A1AGA



Housing B2, large display, door mounting

- X1** – DI8-X1: Wide-range power supply unit, incl. 2 non-grouped digital inputs and 6 grouped digital inputs
- X2** – OR6: Assembly Group with 6 Output Relays
- X3** – TIs: Standard phase current measuring card and sensitive ground current measuring
- X4** – TU: Card with 4 voltage transformer measuring inputs
- X103** – Modbus RTU / IEC 60870-5-103 / DNP3.0 RTU, RS485, D-SUB
- X104** – IRIG-B00X, incl. System Contact (Supervision Contact)

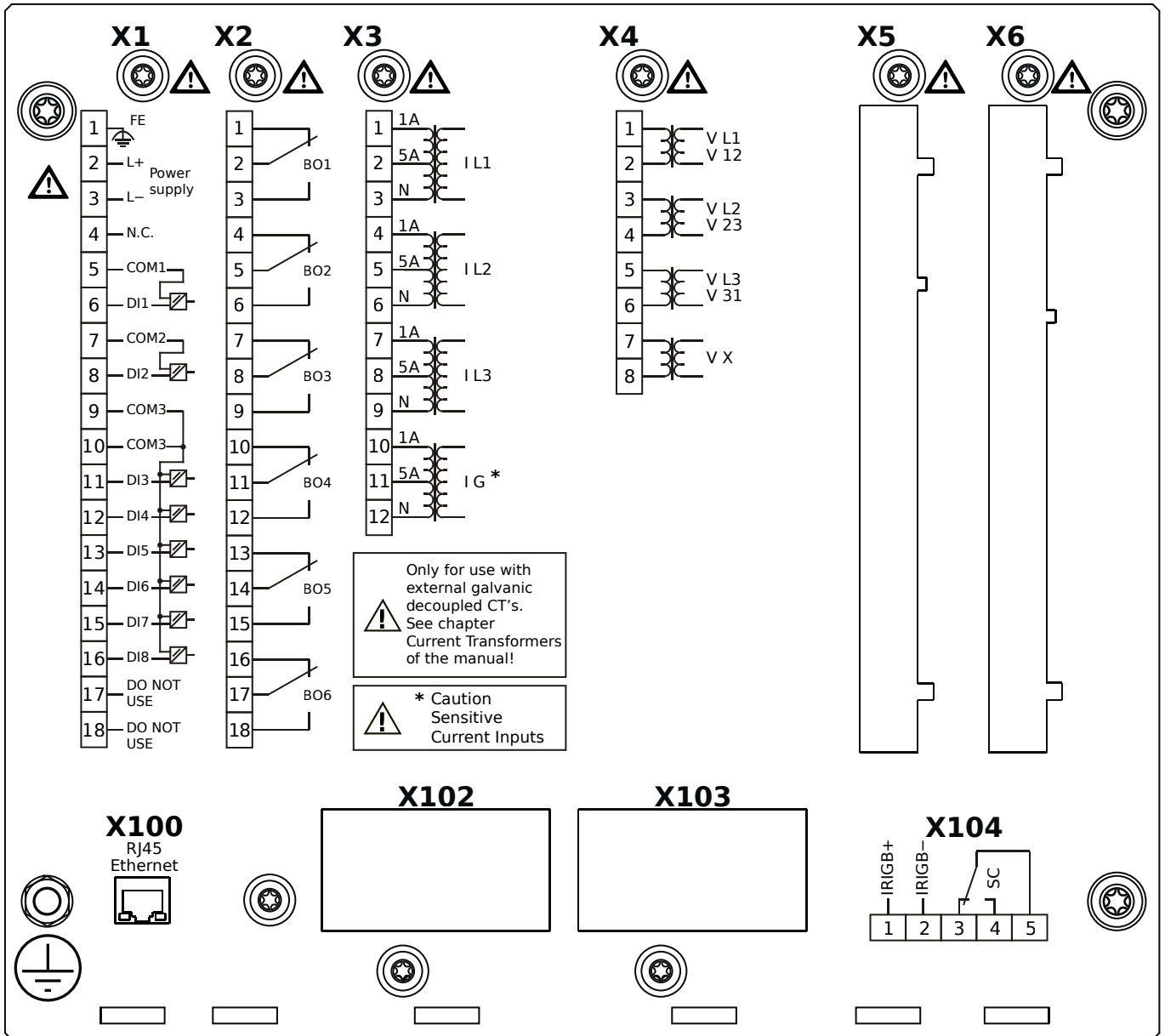
MCA4-2A1AGB



Housing B2, large display, door mounting

- X1** – DI8-X1: Wide-range power supply unit, incl. 2 non-grouped digital inputs and 6 grouped digital inputs
- X2** – OR6: Assembly Group with 6 Output Relays
- X3** – TIs: Standard phase current measuring card and sensitive ground current measuring
- X4** – TU: Card with 4 voltage transformer measuring inputs
- X103** – Modbus RTU / IEC 60870-5-103 / DNP3.0 RTU, RS485, D-SUB
- X104** – IRIG-B00X, incl. System Contact (Supervision Contact)

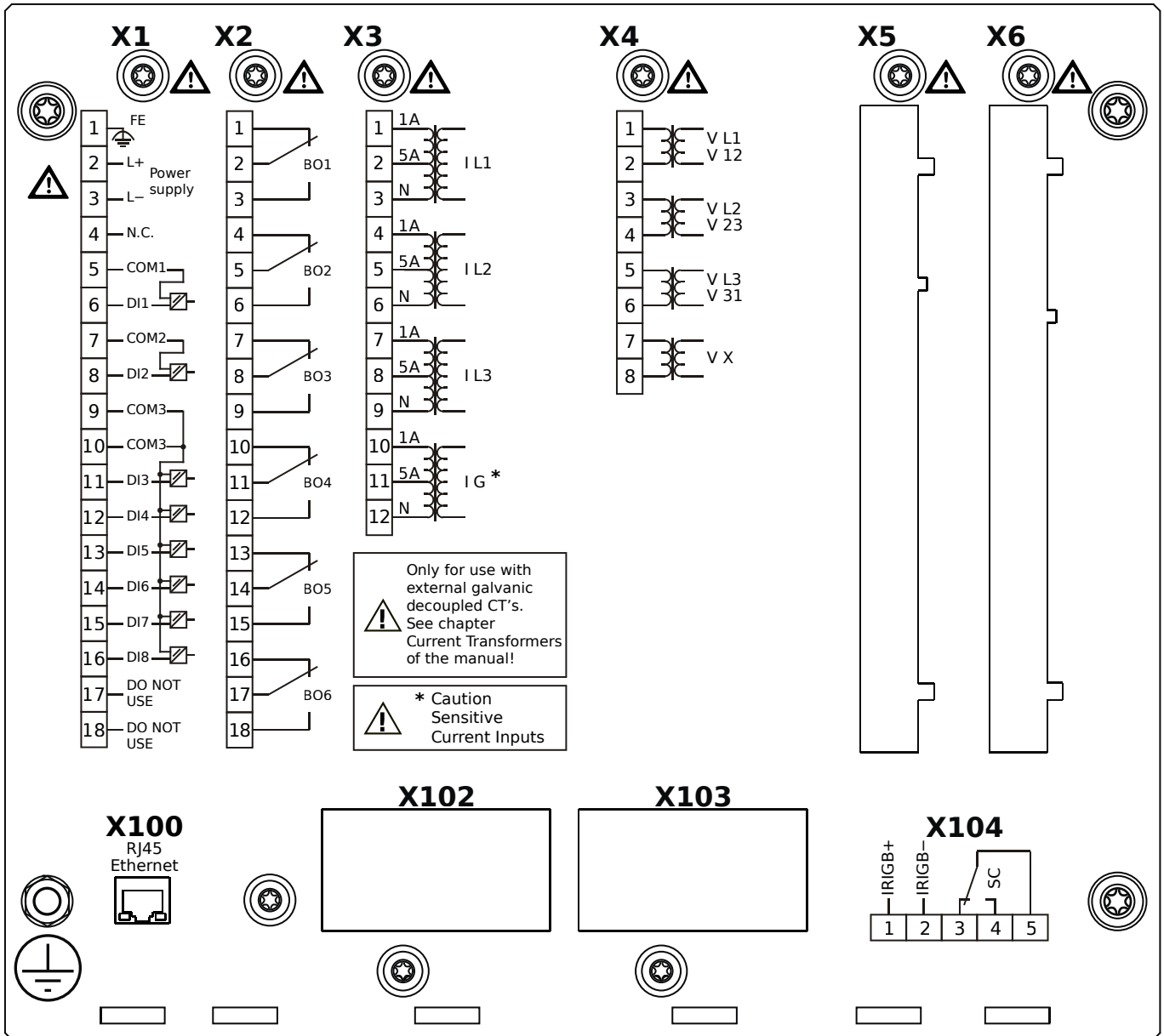
MCA4-2A1AHA



Housing B2, large display, door mounting

- X1** – DI8-X1: Wide-range power supply unit, incl. 2 non-grouped digital inputs and 6 grouped digital inputs
- X2** – OR6: Assembly Group with 6 Output Relays
- X3** – TIs: Standard phase current measuring card and sensitive ground current measuring
- X4** – TU: Card with 4 voltage transformer measuring inputs
- X100** – IEC 61850 / Modbus TCP / DNP3.0 TCP/UDP, Ethernet interface, 100 Mbit/s, RJ45 (BASE100-FX)
- X104** – IRIG-B00X, incl. System Contact (Supervision Contact)

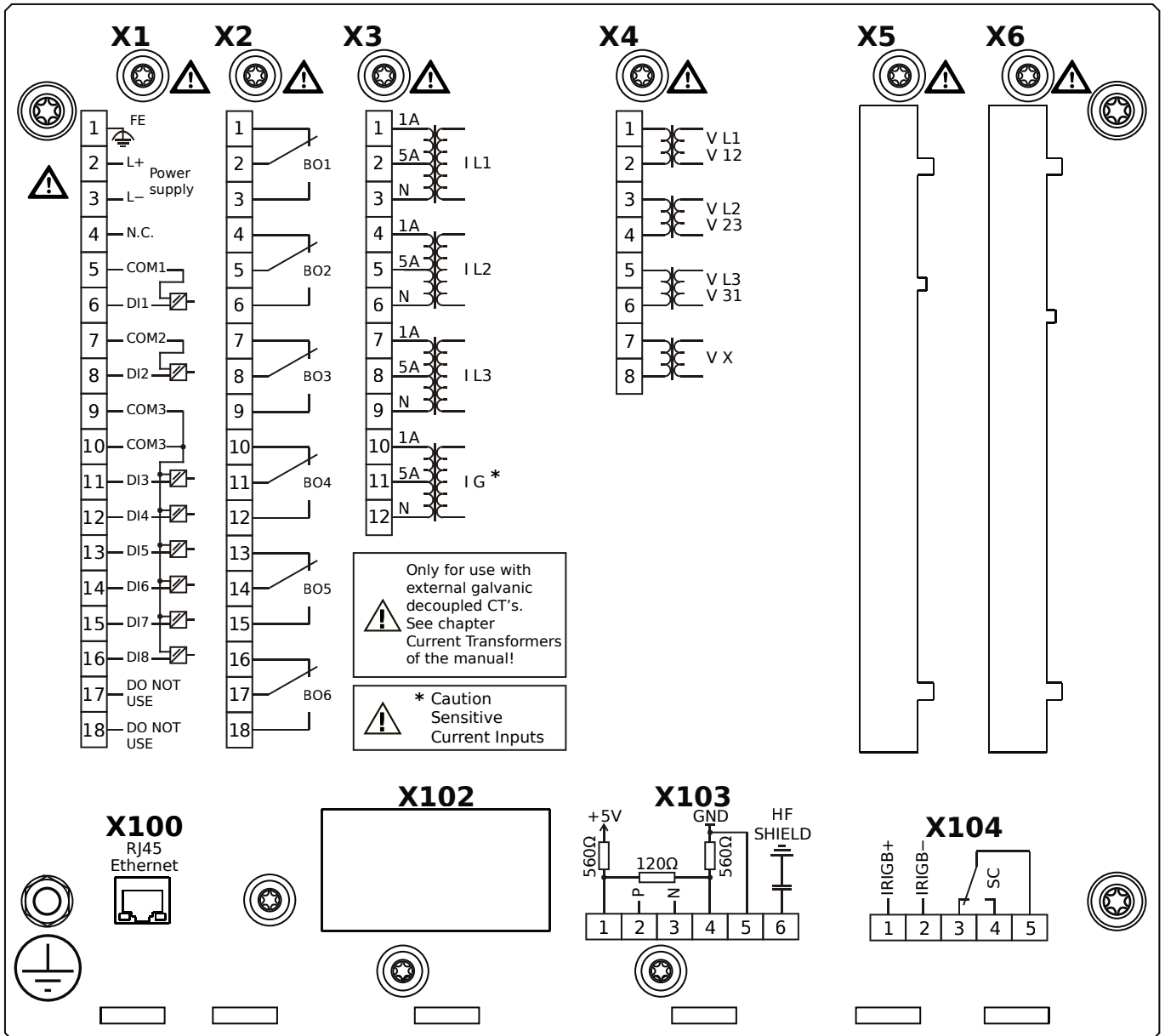
MCA4-2A1AHB



Housing B2, large display, door mounting

- X1** – DI8-X1: Wide-range power supply unit, incl. 2 non-grouped digital inputs and 6 grouped digital inputs
- X2** – OR6: Assembly Group with 6 Output Relays
- X3** – TIs: Standard phase current measuring card and sensitive ground current measuring
- X4** – TU: Card with 4 voltage transformer measuring inputs
- X100** – IEC 61850 / Modbus TCP / DNP3.0 TCP/UDP, Ethernet interface, 100 Mbit/s, RJ45 (BASE100-FX)
- X104** – IRIG-B00X, incl. System Contact (Supervision Contact)

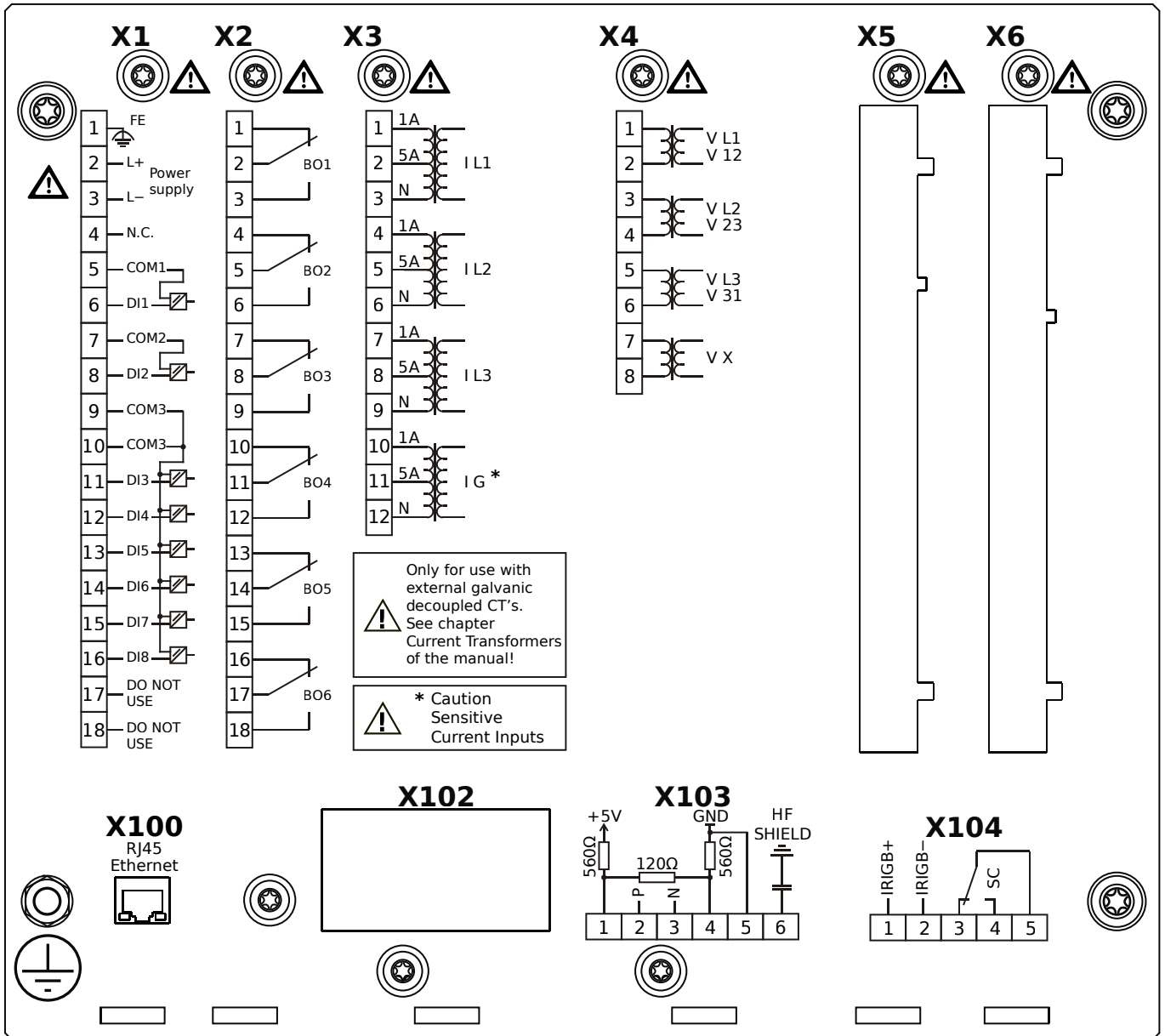
MCA4-2A1AIA



Housing B2, large display, door mounting

- X1** – DI8-X1: Wide-range power supply unit, incl. 2 non-grouped digital inputs and 6 grouped digital inputs
- X2** – OR6: Assembly Group with 6 Output Relays
- X3** – TIs: Standard phase current measuring card and sensitive ground current measuring
- X4** – TU: Card with 4 voltage transformer measuring inputs
- X100** – Modbus TCP / DNP3.0 TCP/UDP, Ethernet interface, 100 Mbit/s, RJ45 (BASE100-FX)
- X103** – IEC 60870-5-103 / Modbus RTU / DNP3.0 RTU, RS485, Terminals
- X104** – IRIG-B00X, incl. System Contact (Supervision Contact)

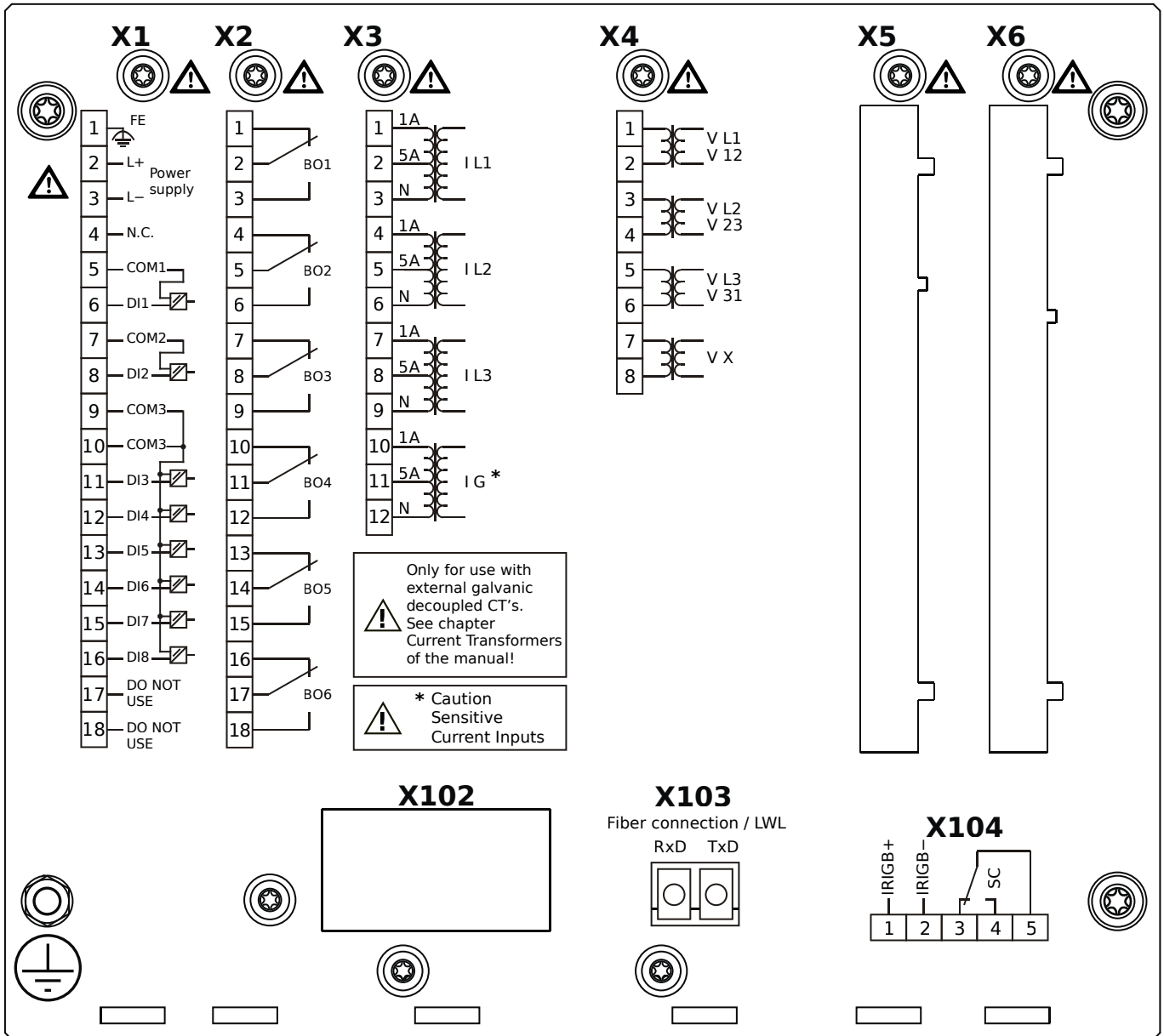
MCA4-2A1AIB



Housing B2, large display, door mounting

- X1** – DI8-X1: Wide-range power supply unit, incl. 2 non-grouped digital inputs and 6 grouped digital inputs
- X2** – OR6: Assembly Group with 6 Output Relays
- X3** – TIs: Standard phase current measuring card and sensitive ground current measuring
- X4** – TU: Card with 4 voltage transformer measuring inputs
- X100** – Modbus TCP / DNP3.0 TCP/UDP, Ethernet interface, 100 Mbit/s, RJ45 (BASE100-FX)
- X103** – IEC 60870-5-103 / Modbus RTU / DNP3.0 RTU, RS485, Terminals
- X104** – IRIG-B00X, incl. System Contact (Supervision Contact)

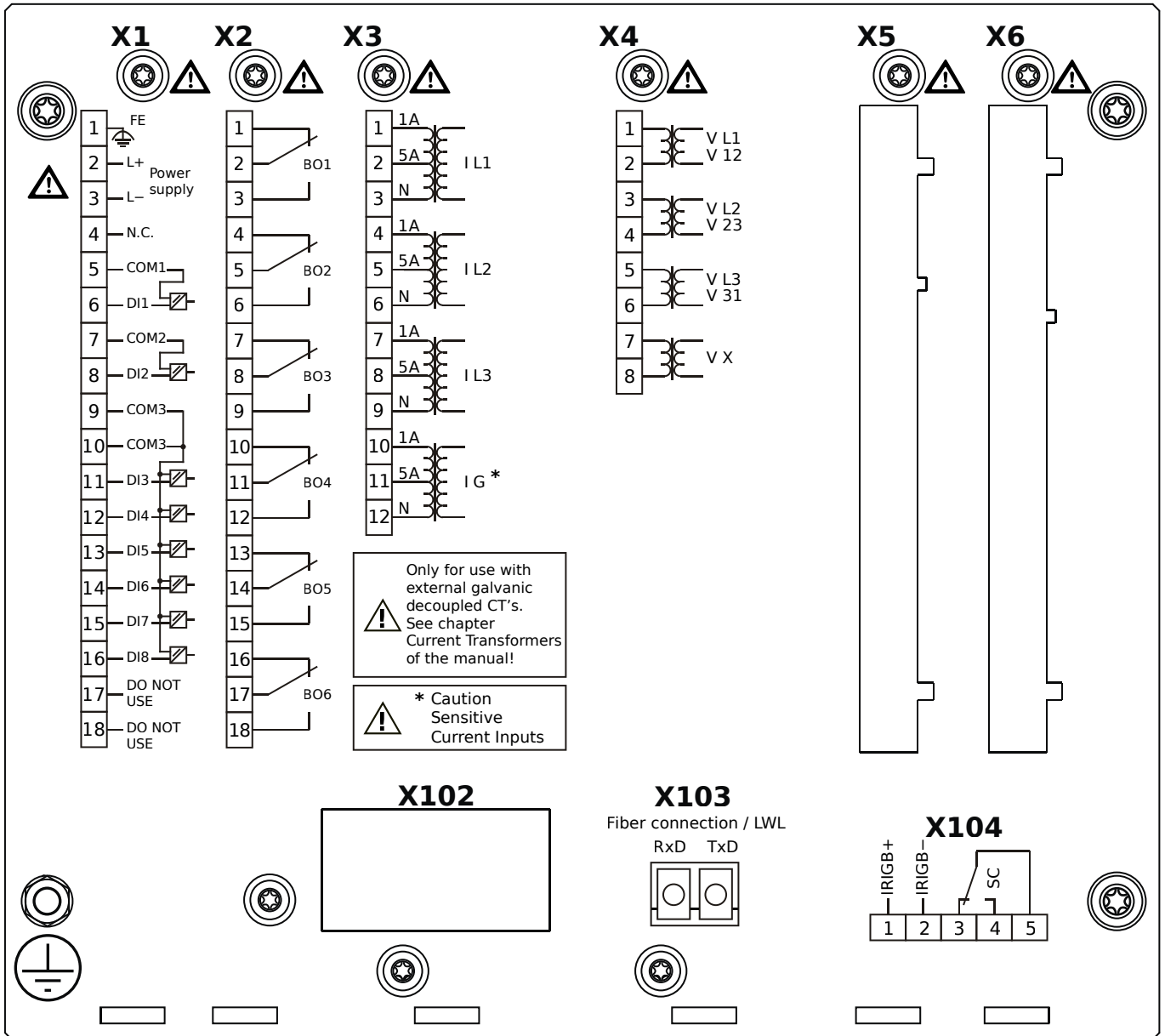
MCA4-2A1AKA



Housing B2, large display, door mounting

- X1** – DI8-X1: Wide-range power supply unit, incl. 2 non-grouped digital inputs and 6 grouped digital inputs
- X2** – OR6: Assembly Group with 6 Output Relays
- X3** – TIs: Standard phase current measuring card and sensitive ground current measuring
- X4** – TU: Card with 4 voltage transformer measuring inputs
- X103** – IEC 61850 / Modbus TCP / DNP3.0 TCP/UDP, Fiber optics interface, LC Connector
- X104** – IRIG-B00X, incl. System Contact (Supervision Contact)

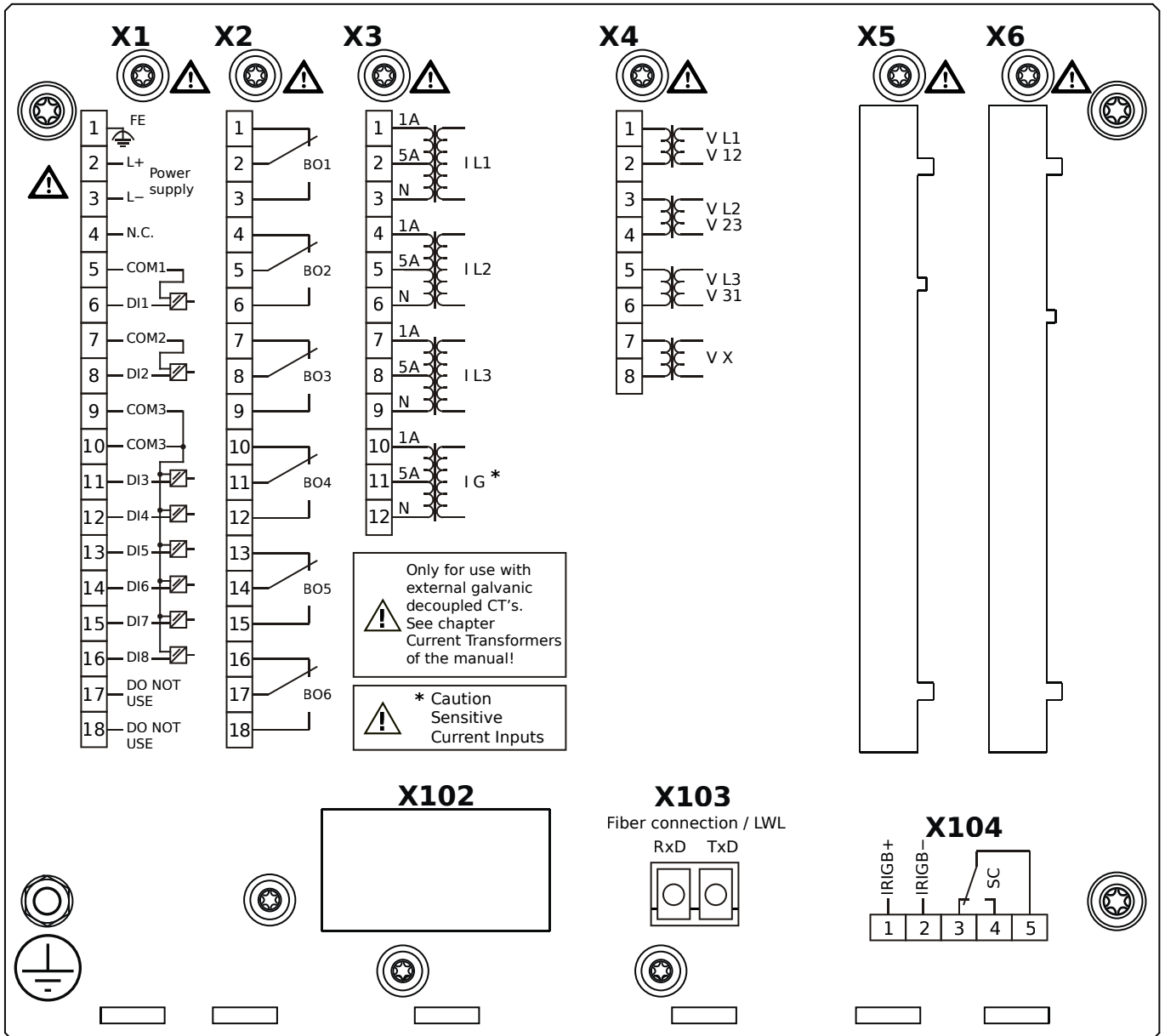
MCA4-2A1AKB



Housing B2, large display, door mounting

- X1** – DI8-X1: Wide-range power supply unit, incl. 2 non-grouped digital inputs and 6 grouped digital inputs
- X2** – OR6: Assembly Group with 6 Output Relays
- X3** – TIs: Standard phase current measuring card and sensitive ground current measuring
- X4** – TU: Card with 4 voltage transformer measuring inputs
- X103** – IEC 61850 / Modbus TCP / DNP3.0 TCP/UDP, Fiber optics interface, LC Connector
- X104** – IRIG-B00X, incl. System Contact (Supervision Contact)

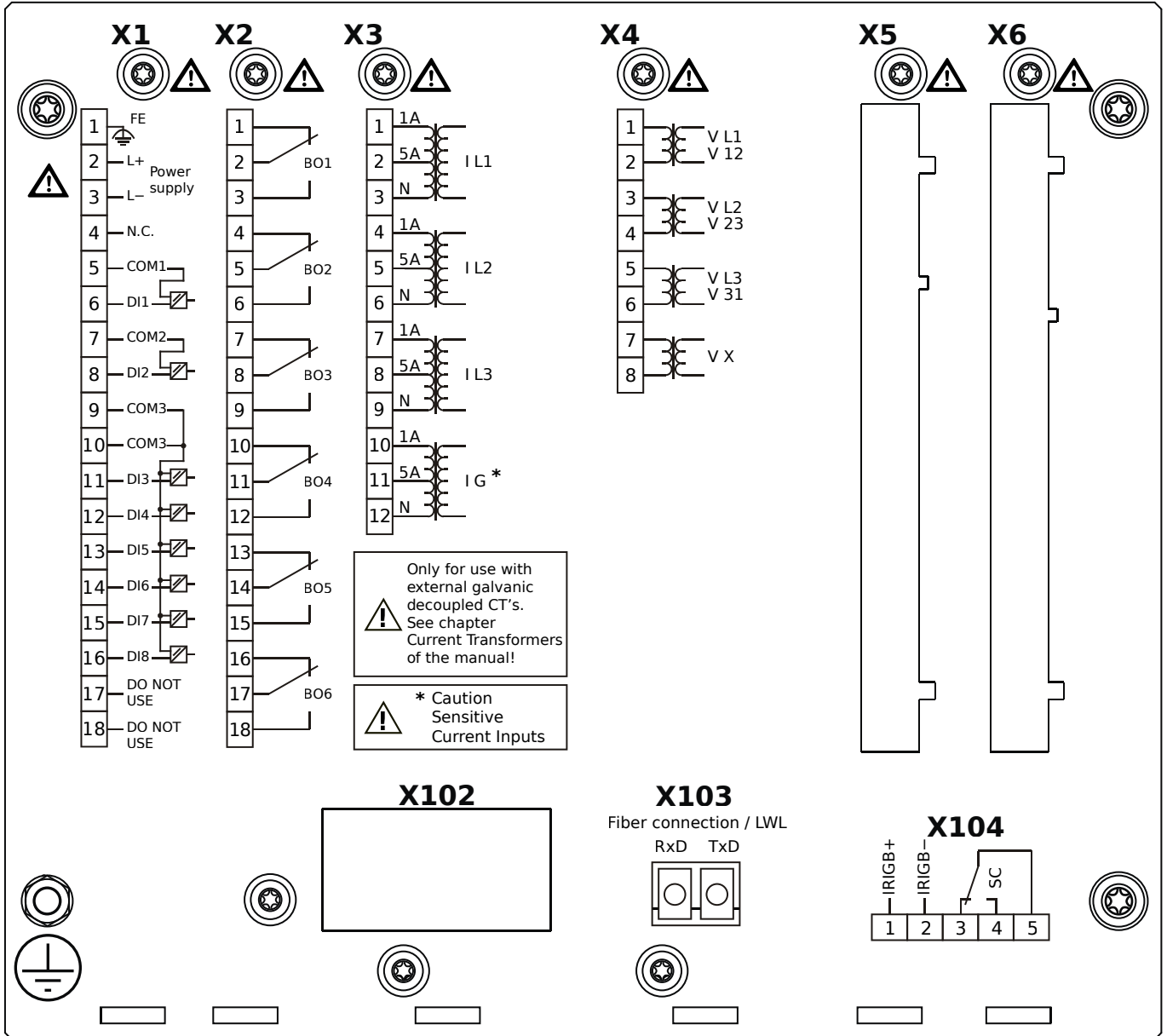
MCA4-2A1ALA



Housing B2, large display, door mounting

- X1** – DI8-X1: Wide-range power supply unit, incl. 2 non-grouped digital inputs and 6 grouped digital inputs
- X2** – OR6: Assembly Group with 6 Output Relays
- X3** – TIs: Standard phase current measuring card and sensitive ground current measuring
- X4** – TU: Card with 4 voltage transformer measuring inputs
- X103** – Modbus TCP / DNP3.0 TCP/UDP, Fiber optics interface, LC Connector
- X104** – IRIG-B00X, incl. System Contact (Supervision Contact)

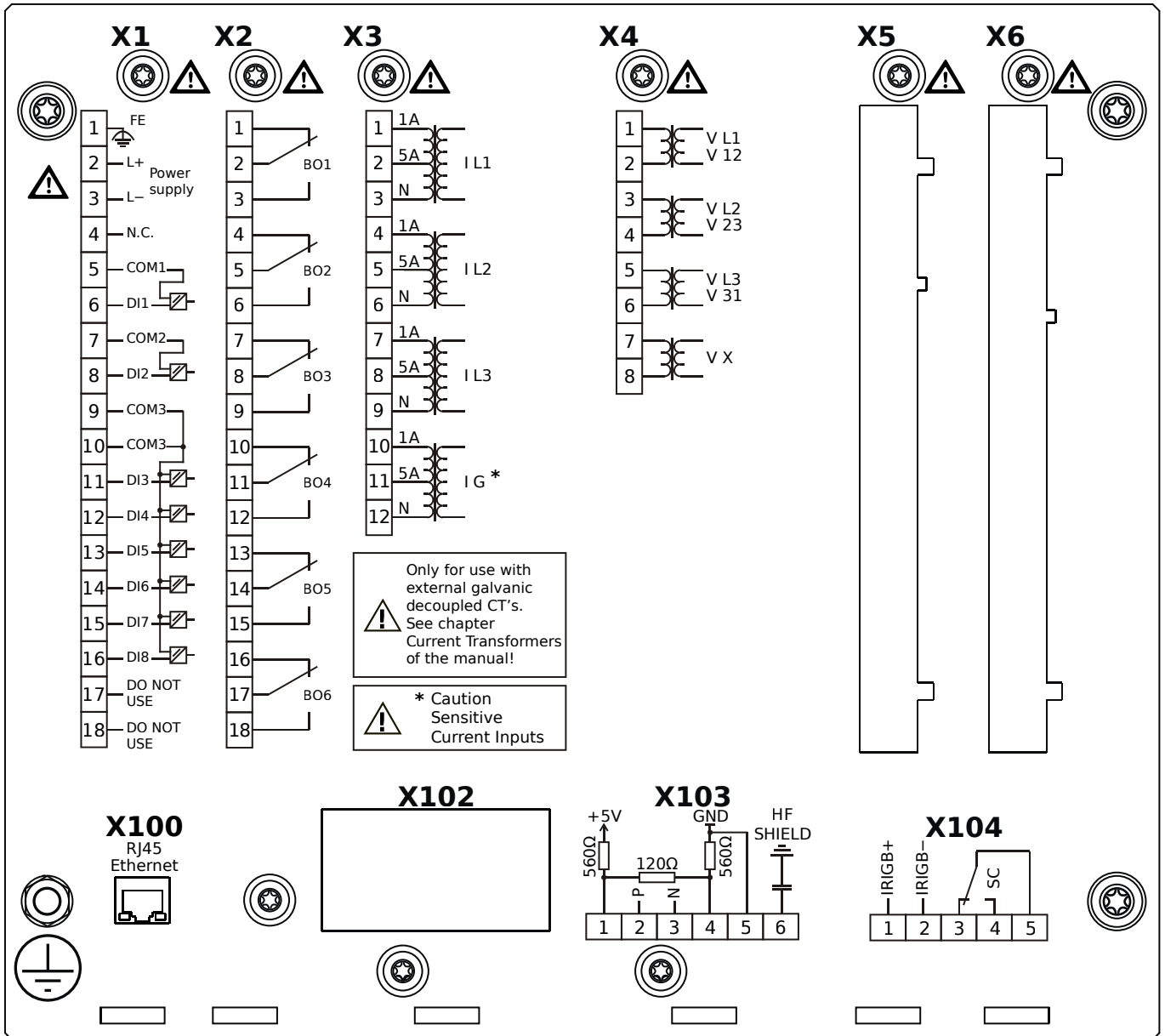
MCA4-2A1ALB



Housing B2, large display, door mounting

- X1** – DI8-X1: Wide-range power supply unit, incl. 2 non-grouped digital inputs and 6 grouped digital inputs
- X2** – OR6: Assembly Group with 6 Output Relays
- X3** – TIs: Standard phase current measuring card and sensitive ground current measuring
- X4** – TU: Card with 4 voltage transformer measuring inputs
- X103** – Modbus TCP / DNP3.0 TCP/UDP, Fiber optics interface, LC Connector
- X104** – IRIG-B00X, incl. System Contact (Supervision Contact)

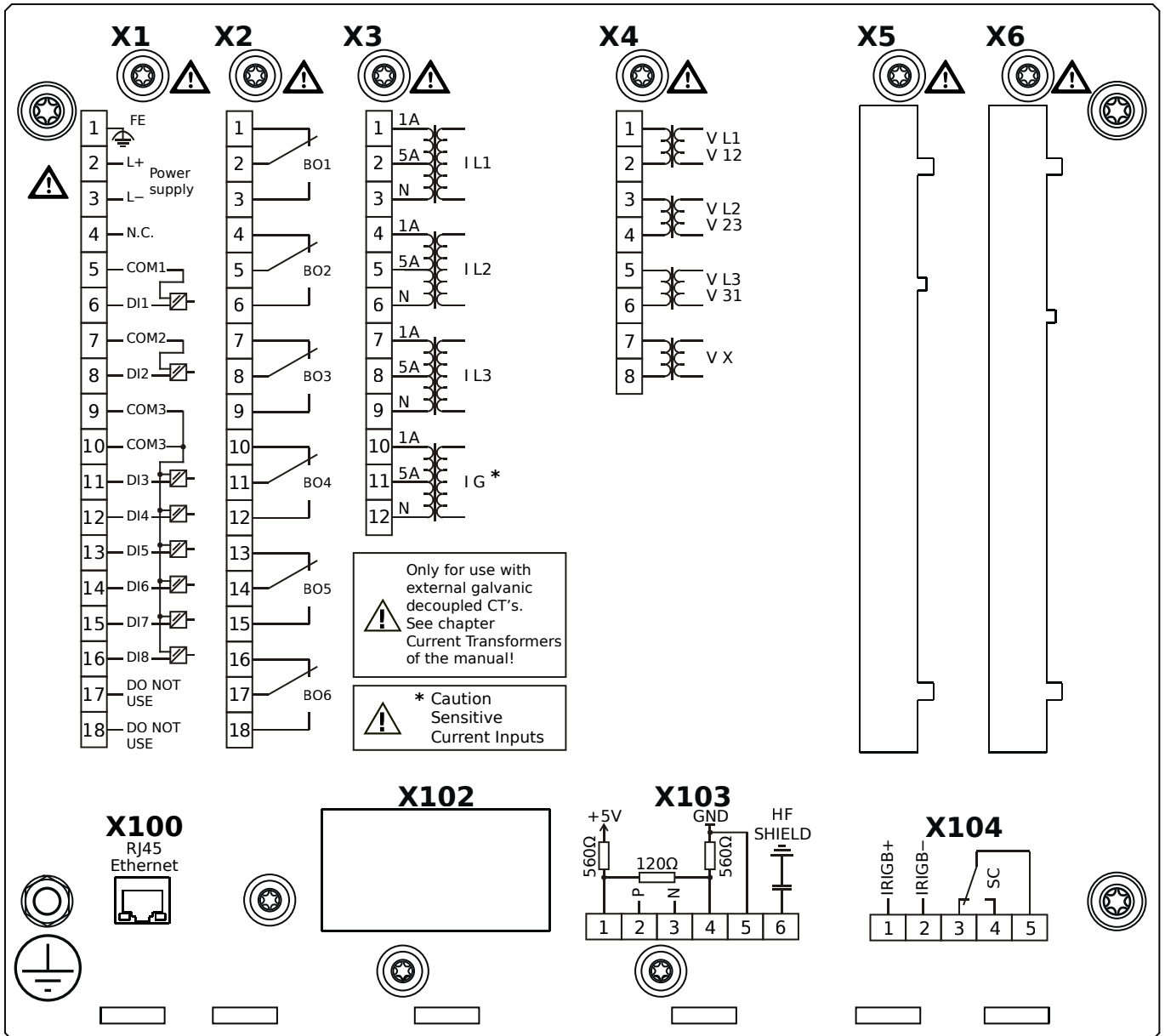
MCA4-2A1ATA



Housing B2, large display, door mounting

- X1** – DI8-X1: Wide-range power supply unit, incl. 2 non-grouped digital inputs and 6 grouped digital inputs
- X2** – OR6: Assembly Group with 6 Output Relays
- X3** – TIs: Standard phase current measuring card and sensitive ground current measuring
- X4** – TU: Card with 4 voltage transformer measuring inputs
- X100** – IEC 61850 / Modbus TCP / DNP3.0 TCP/UDP, Ethernet interface, 100 Mbit/s, RJ45 (BASE100-FX)
- X103** – IEC 60870-5-103 / Modbus RTU / DNP3.0 RTU, RS485, Terminals
- X104** – IRIG-B00X, incl. System Contact (Supervision Contact)

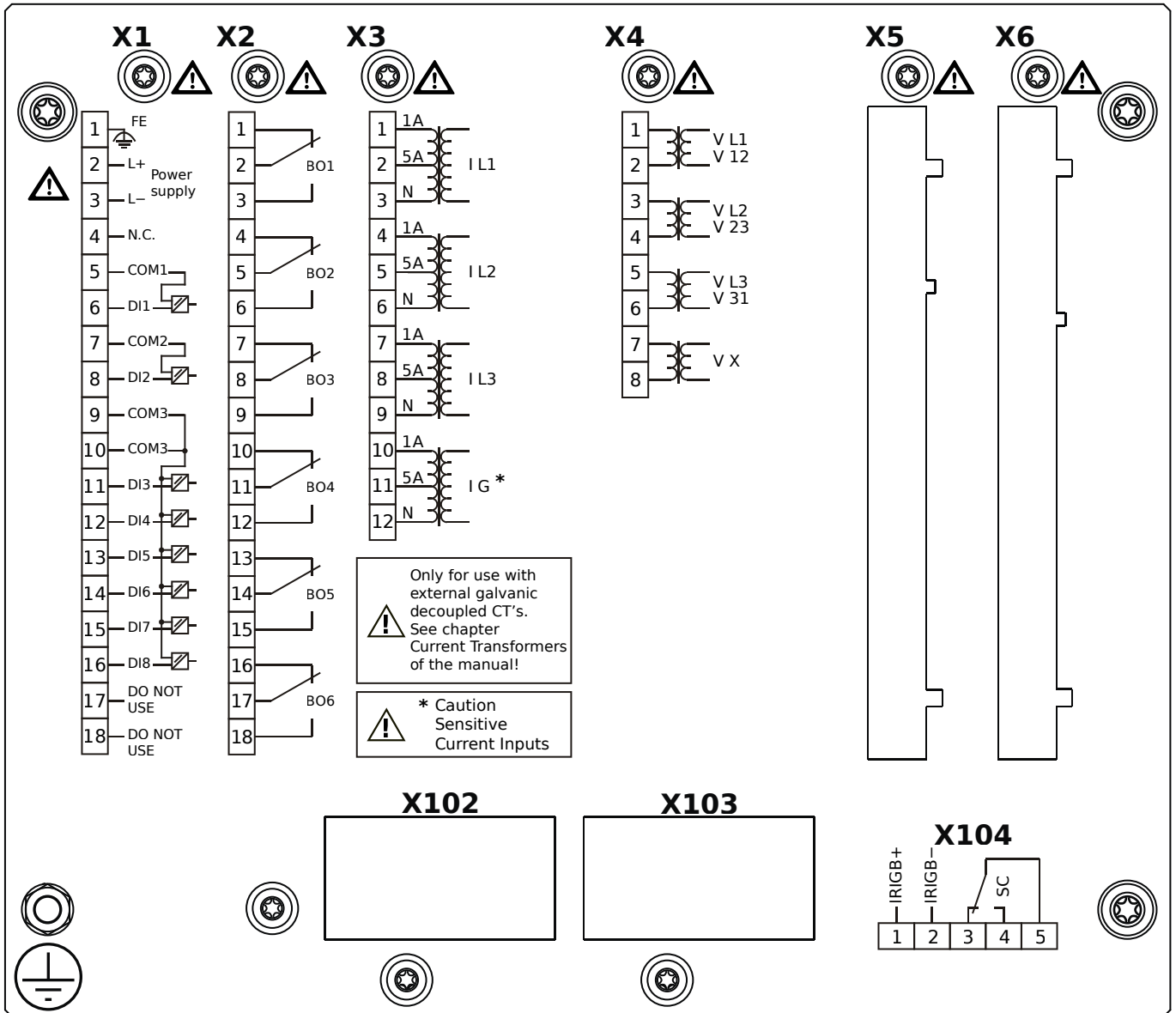
MCA4-2A1ATB



Housing B2, large display, door mounting

- X1** – DI8-X1: Wide-range power supply unit, incl. 2 non-grouped digital inputs and 6 grouped digital inputs
- X2** – OR6: Assembly Group with 6 Output Relays
- X3** – TIs: Standard phase current measuring card and sensitive ground current measuring
- X4** – TU: Card with 4 voltage transformer measuring inputs
- X100** – IEC 61850 / Modbus TCP / DNP3.0 TCP/UDP, Ethernet interface, 100 Mbit/s, RJ45 (BASE100-FX)
- X103** – IEC 60870-5-103 / Modbus RTU / DNP3.0 RTU, RS485, Terminals
- X104** – IRIG-B00X, incl. System Contact (Supervision Contact)

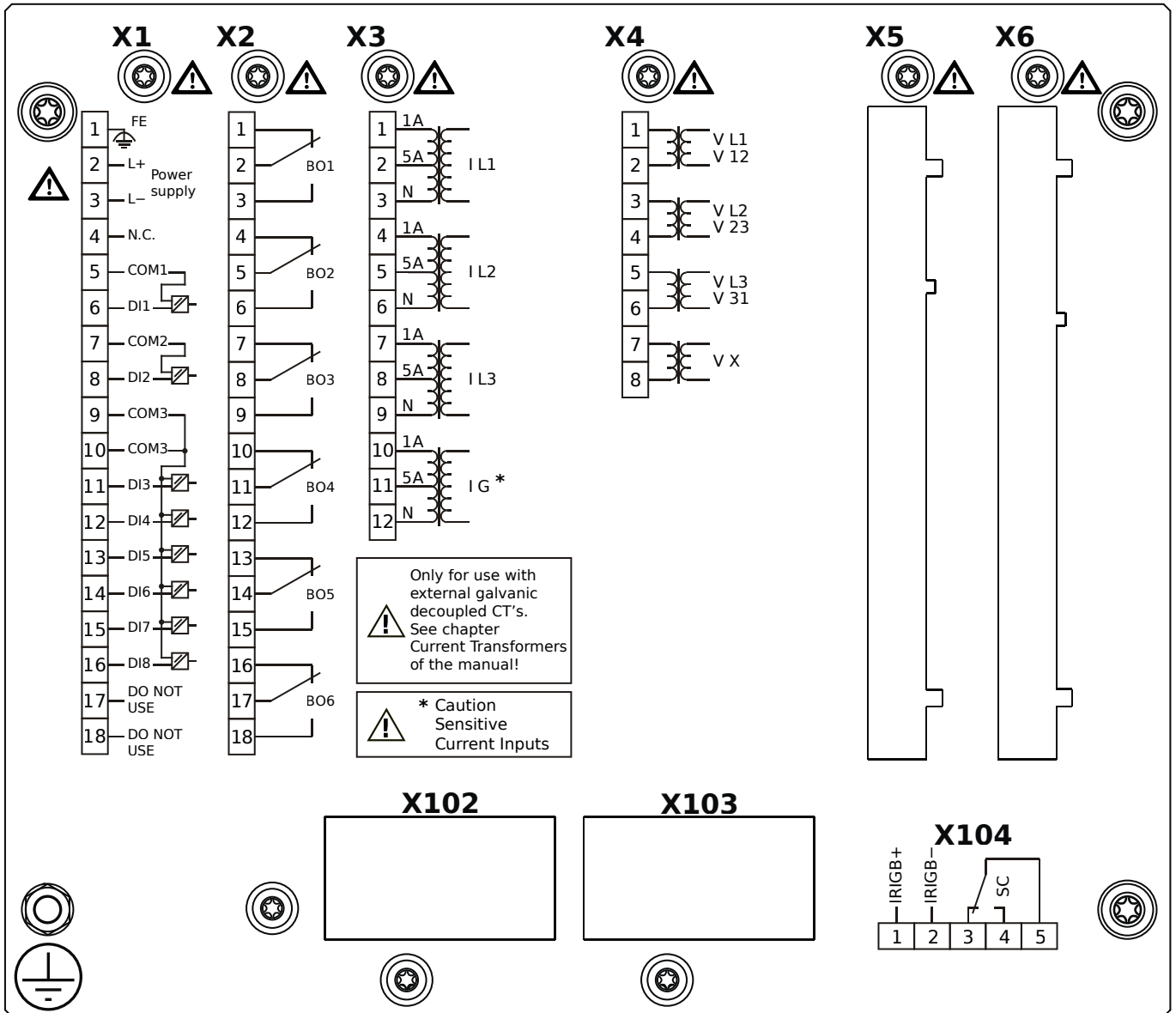
MCA4-2A1BAA



Housing B2, large display, door mounting 19" (flush mounting)

- X1** – DI8-X1: Wide-range power supply unit, incl. 2 non-grouped digital inputs and 6 grouped digital inputs
- X2** – OR6: Assembly Group with 6 Output Relays
- X3** – TIs: Standard phase current measuring card and sensitive ground current measuring
- X4** – TU: Card with 4 voltage transformer measuring inputs
- X104** – IRIG-B00X, incl. System Contact (Supervision Contact)

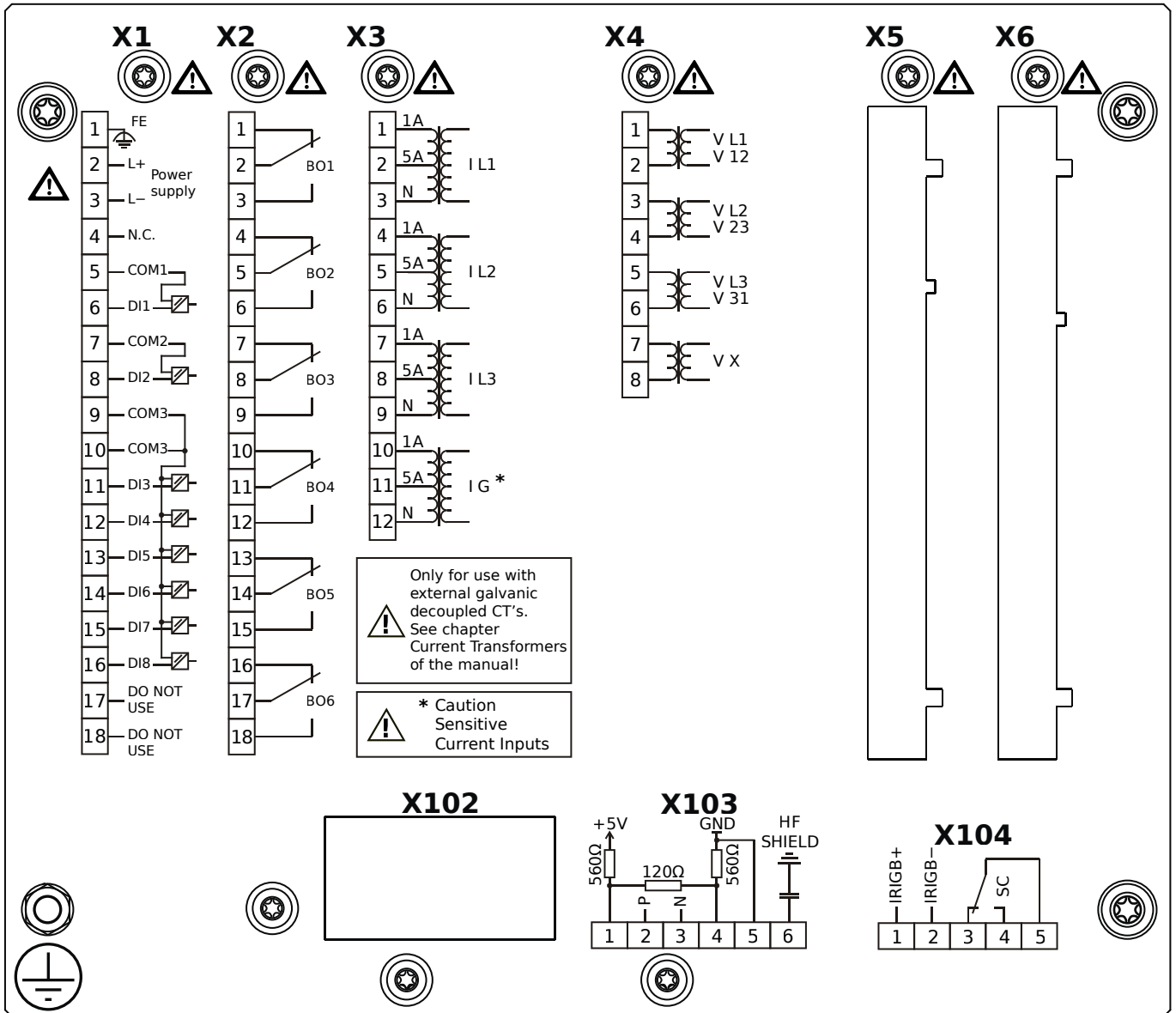
MCA4-2A1BAB



Housing B2, large display, door mounting 19" (flush mounting)

- X1** – DI8-X1: Wide-range power supply unit, incl. 2 non-grouped digital inputs and 6 grouped digital inputs
- X2** – OR6: Assembly Group with 6 Output Relays
- X3** – TIs: Standard phase current measuring card and sensitive ground current measuring
- X4** – TU: Card with 4 voltage transformer measuring inputs
- X104** – IRIG-B00X, incl. System Contact (Supervision Contact)

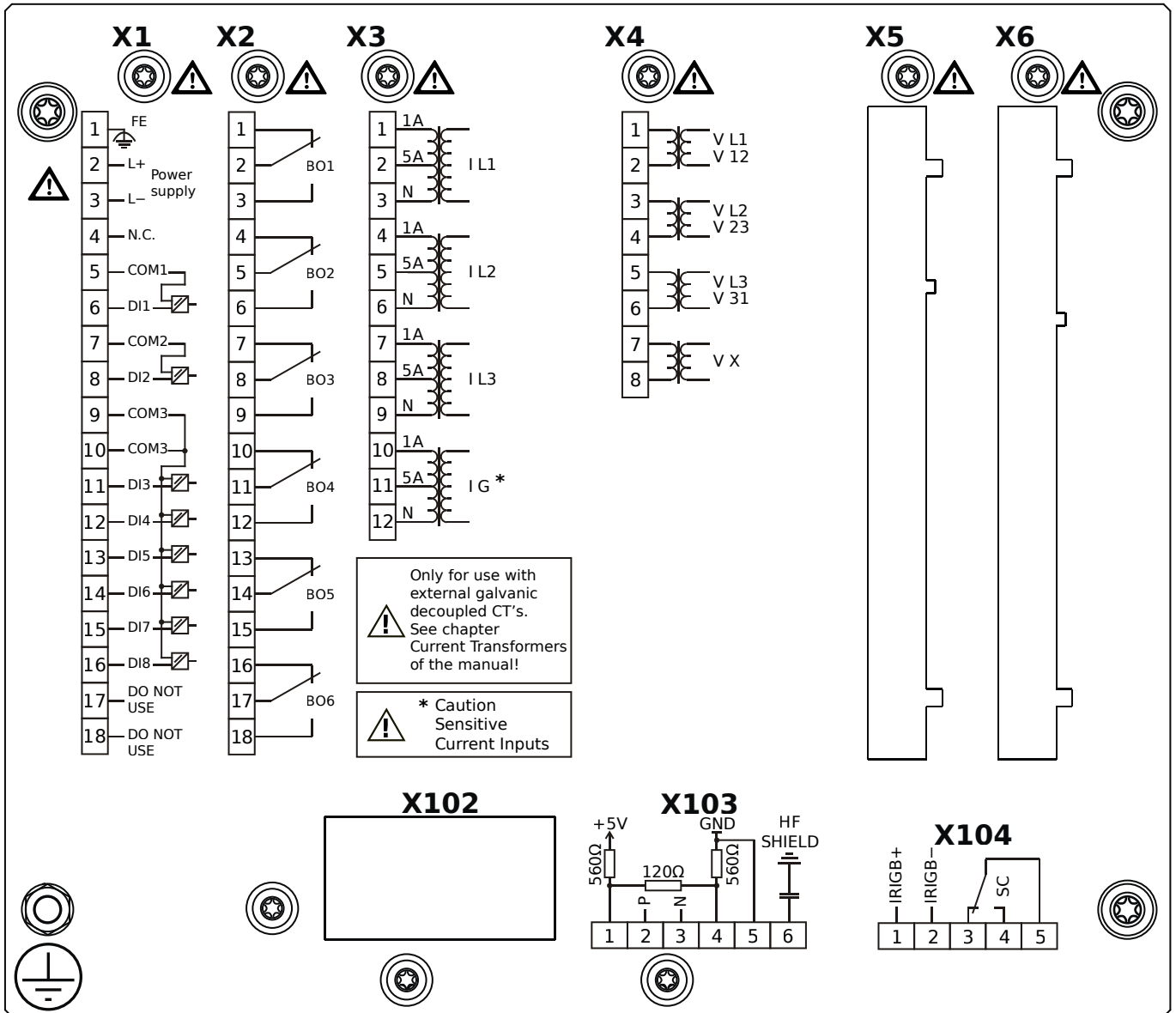
MCA4-2A1BBA



Housing B2, large display, door mounting 19" (flush mounting)

- X1** – DI8-X1: Wide-range power supply unit, incl. 2 non-grouped digital inputs and 6 grouped digital inputs
- X2** – OR6: Assembly Group with 6 Output Relays
- X3** – TIs: Standard phase current measuring card and sensitive ground current measuring
- X4** – TU: Card with 4 voltage transformer measuring inputs
- X103** – Modbus RTU / IEC 60870-5-103 / DNP3.0 RTU, RS485, Terminals
- X104** – IRIG-B00X, incl. System Contact (Supervision Contact)

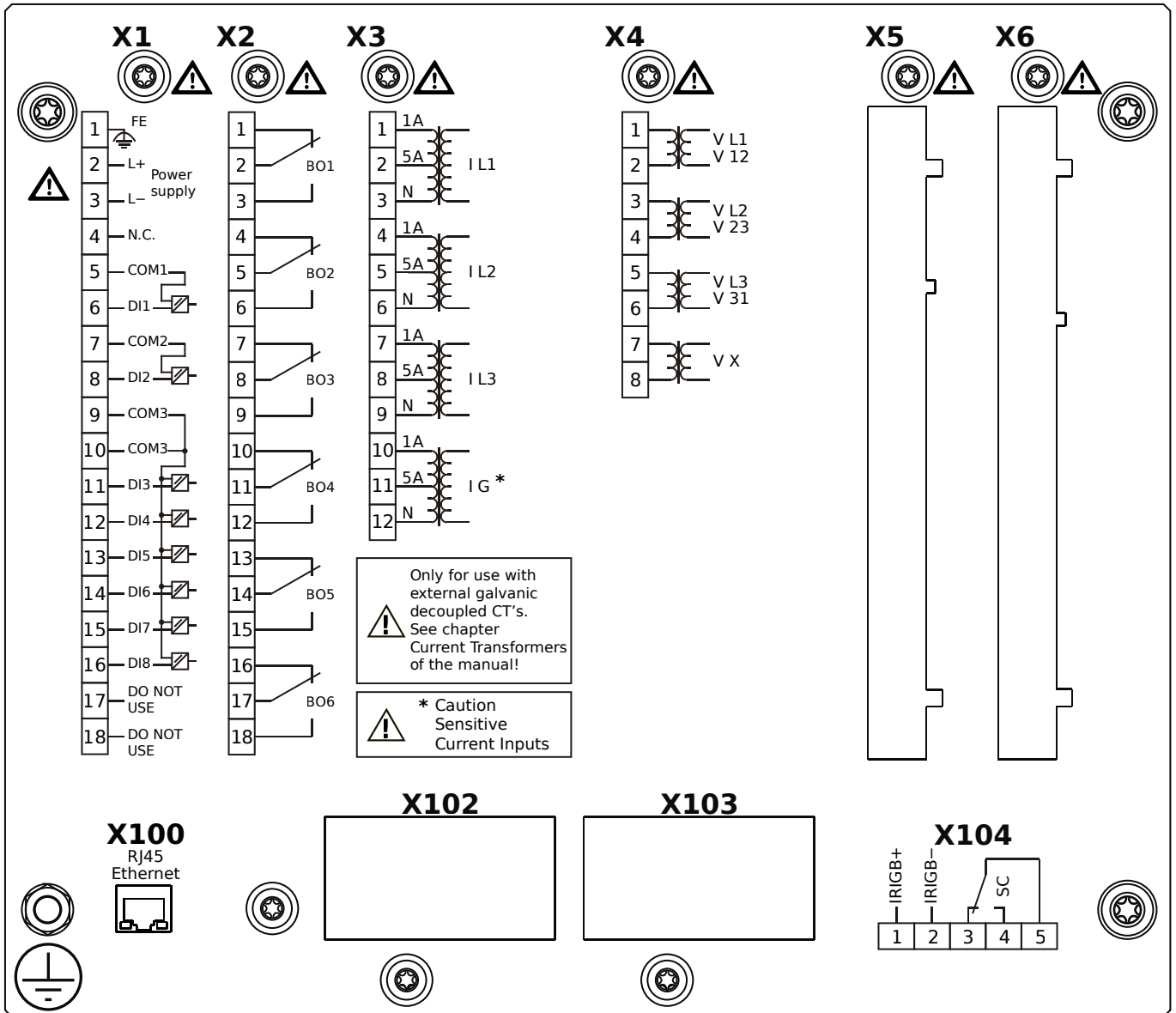
MCA4-2A1BBB



Housing B2, large display, door mounting 19" (flush mounting)

- X1** – DI8-X1: Wide-range power supply unit, incl. 2 non-grouped digital inputs and 6 grouped digital inputs
- X2** – OR6: Assembly Group with 6 Output Relays
- X3** – TIs: Standard phase current measuring card and sensitive ground current measuring
- X4** – TU: Card with 4 voltage transformer measuring inputs
- X103** – Modbus RTU / IEC 60870-5-103 / DNP3.0 RTU, RS485, Terminals
- X104** – IRIG-B00X, incl. System Contact (Supervision Contact)

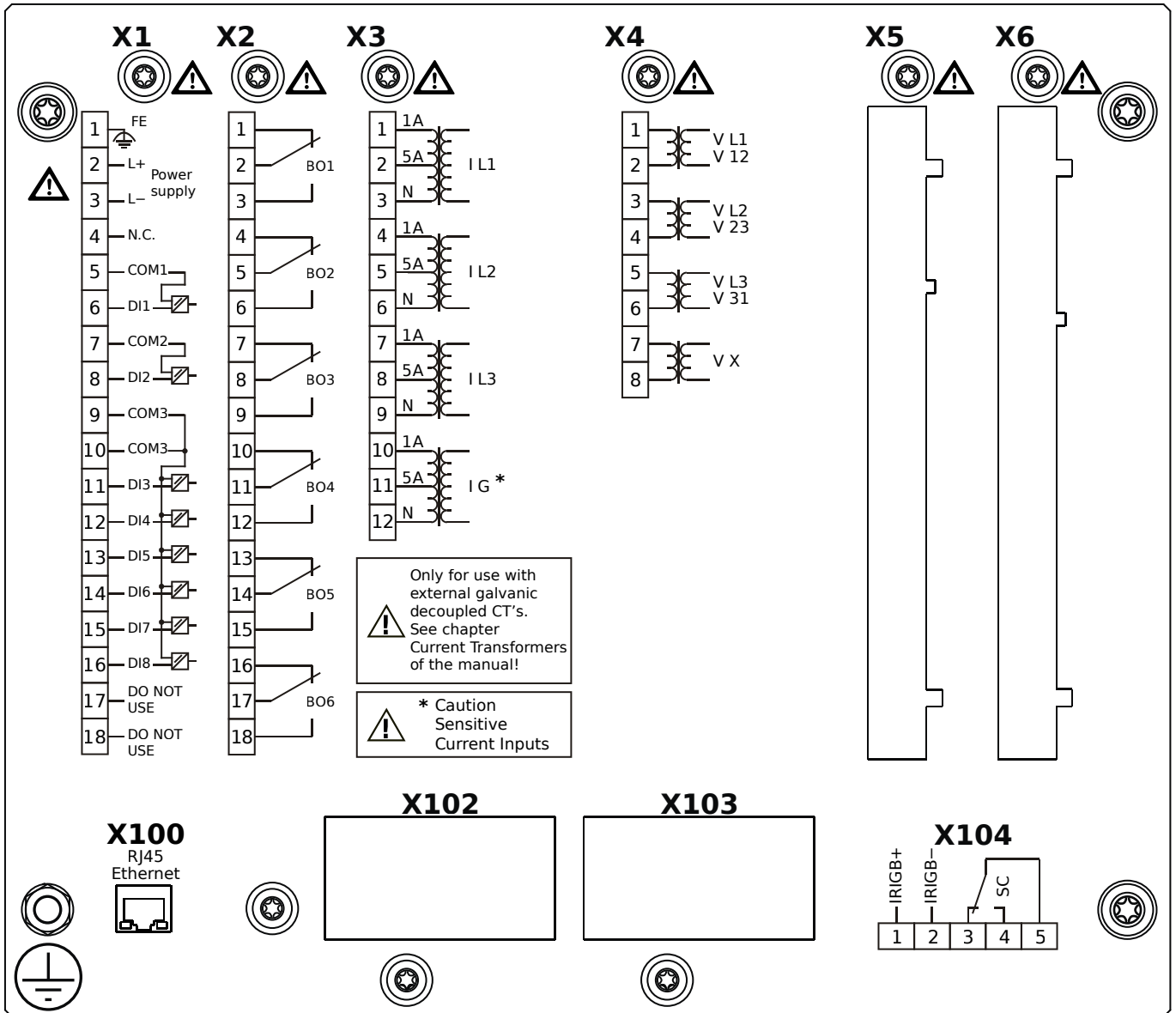
MCA4-2A1BCA



Housing B2, large display, door mounting 19" (flush mounting)

- X1** – DI8-X1: Wide-range power supply unit, incl. 2 non-grouped digital inputs and 6 grouped digital inputs
- X2** – OR6: Assembly Group with 6 Output Relays
- X3** – TIs: Standard phase current measuring card and sensitive ground current measuring
- X4** – TU: Card with 4 voltage transformer measuring inputs
- X100** – Modbus TCP / DNP3.0 TCP/UDP, Ethernet interface, 100 Mbit/s, RJ45 (BASE100-FX)
- X104** – IRIG-B00X, incl. System Contact (Supervision Contact)

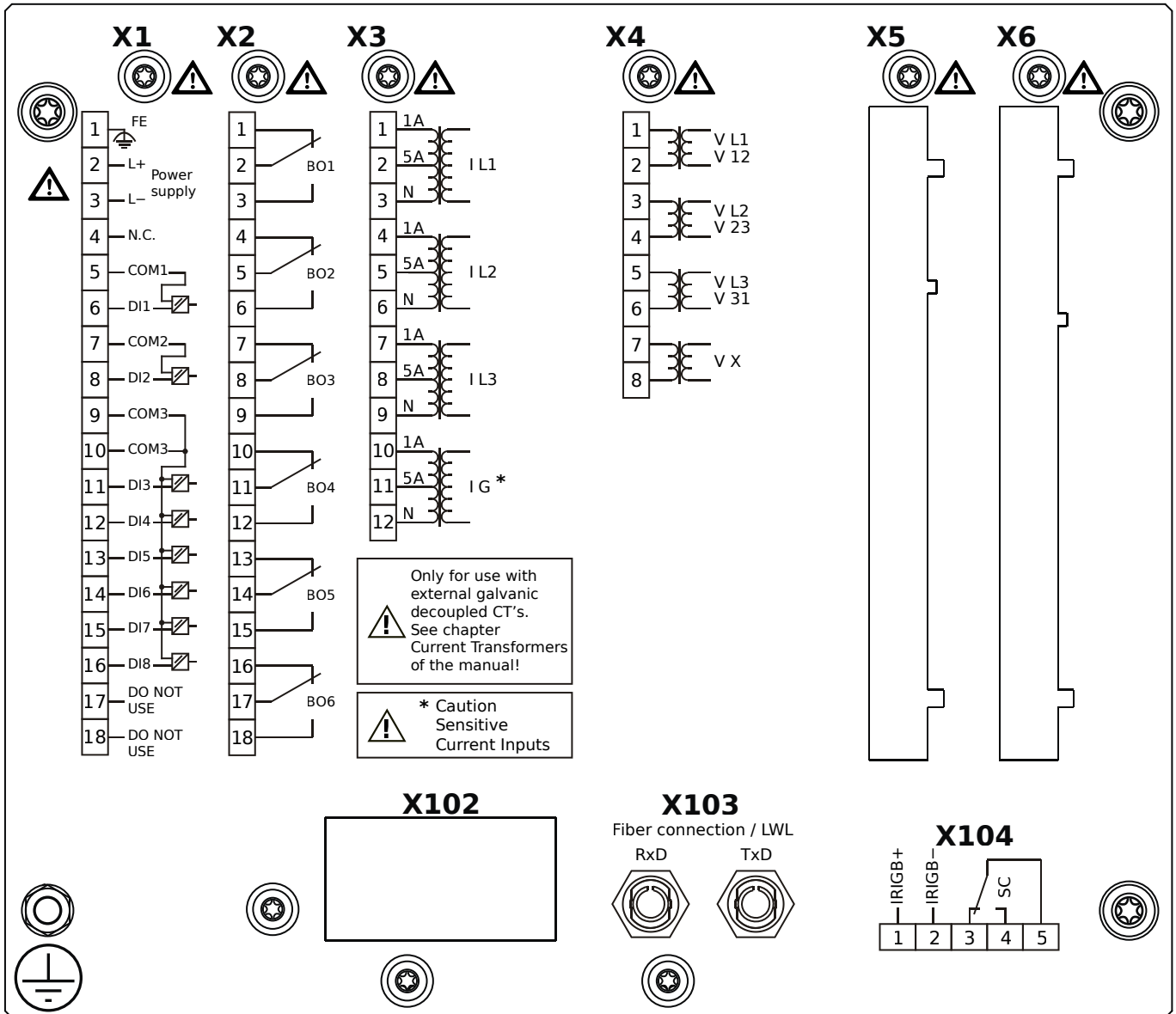
MCA4-2A1BCB



Housing B2, large display, door mounting 19" (flush mounting)

- X1** – DI8-X1: Wide-range power supply unit, incl. 2 non-grouped digital inputs and 6 grouped digital inputs
- X2** – OR6: Assembly Group with 6 Output Relays
- X3** – TIs: Standard phase current measuring card and sensitive ground current measuring
- X4** – TU: Card with 4 voltage transformer measuring inputs
- X100** – Modbus TCP / DNP3.0 TCP/UDP, Ethernet interface, 100 Mbit/s, RJ45 (BASE100-FX)
- X104** – IRIG-B00X, incl. System Contact (Supervision Contact)

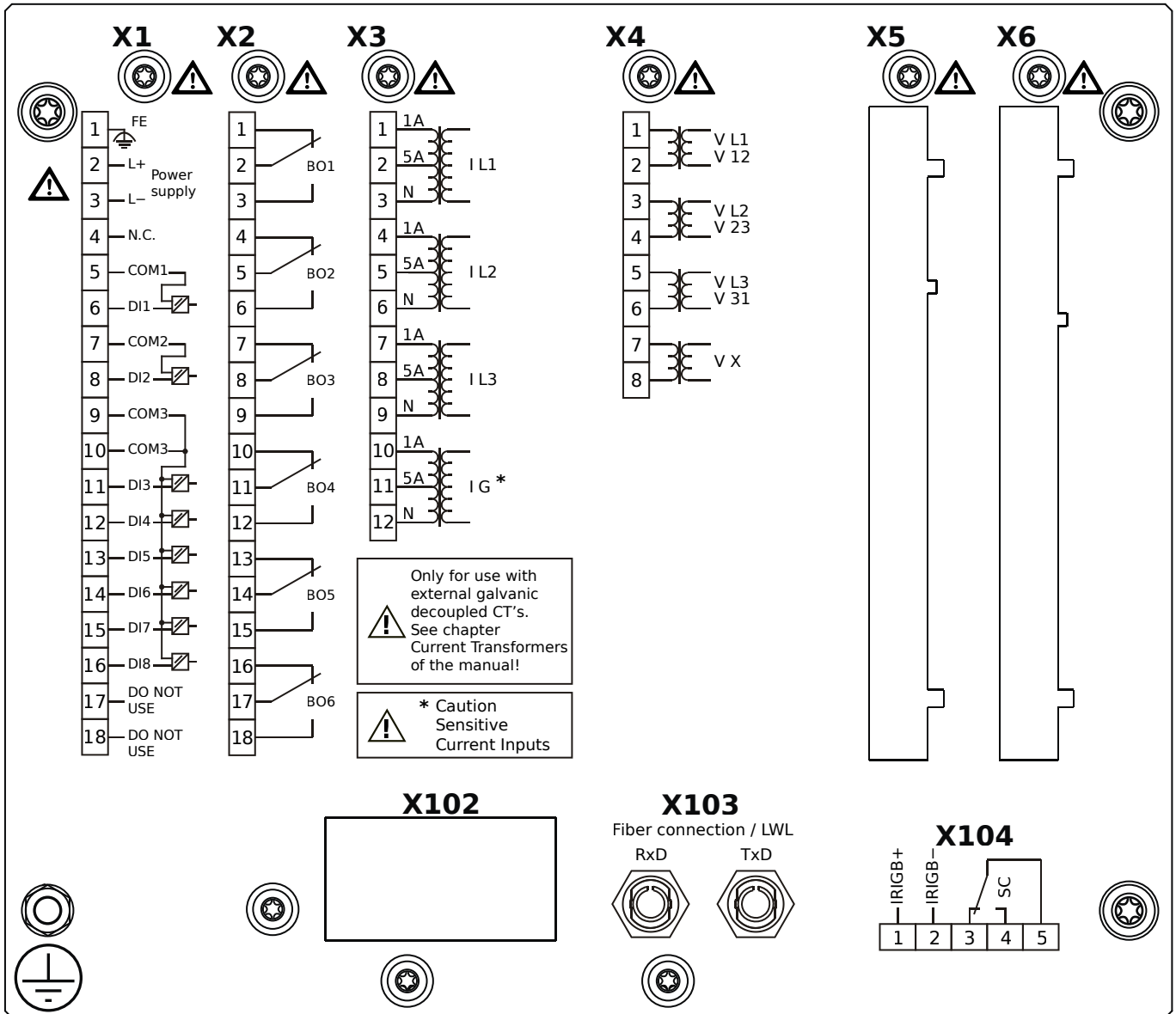
MCA4-2A1BDA



Housing B2, large display, door mounting 19" (flush mounting)

- X1** – DI8-X1: Wide-range power supply unit, incl. 2 non-grouped digital inputs and 6 grouped digital inputs
- X2** – OR6: Assembly Group with 6 Output Relays
- X3** – TIs: Standard phase current measuring card and sensitive ground current measuring
- X4** – TU: Card with 4 voltage transformer measuring inputs
- X103** – Profibus-DP, Fiber optics interface, ST Connector
- X104** – IRIG-B00X, incl. System Contact (Supervision Contact)

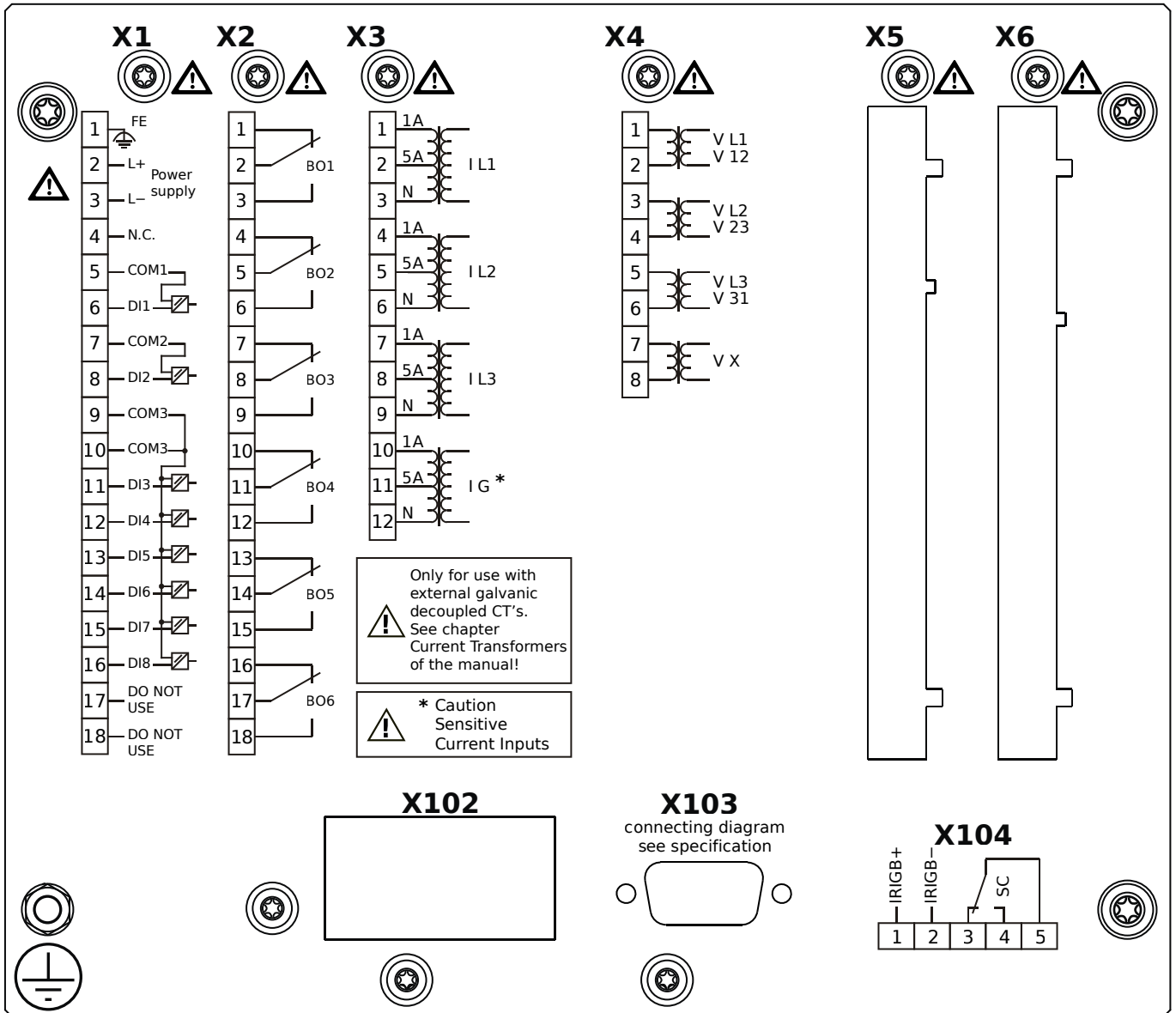
MCA4-2A1BDB



Housing B2, large display, door mounting 19" (flush mounting)

- X1** – DI8-X1: Wide-range power supply unit, incl. 2 non-grouped digital inputs and 6 grouped digital inputs
- X2** – OR6: Assembly Group with 6 Output Relays
- X3** – TIs: Standard phase current measuring card and sensitive ground current measuring
- X4** – TU: Card with 4 voltage transformer measuring inputs
- X103** – Profibus-DP, Fiber optics interface, ST Connector
- X104** – IRIG-B00X, incl. System Contact (Supervision Contact)

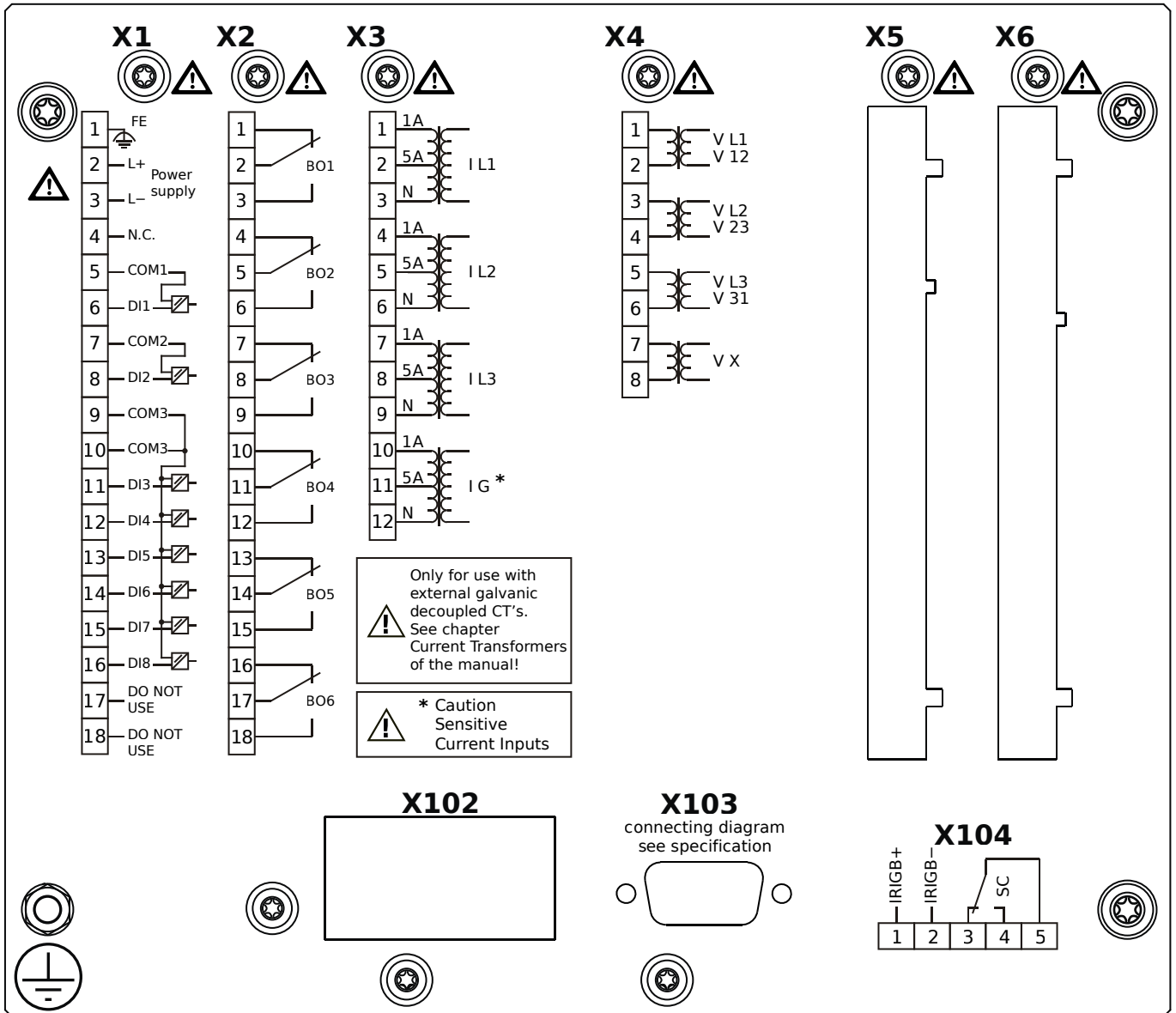
MCA4-2A1BEA



Housing B2, large display, door mounting 19" (flush mounting)

- X1** – DI8-X1: Wide-range power supply unit, incl. 2 non-grouped digital inputs and 6 grouped digital inputs
- X2** – OR6: Assembly Group with 6 Output Relays
- X3** – TIs: Standard phase current measuring card and sensitive ground current measuring
- X4** – TU: Card with 4 voltage transformer measuring inputs
- X103** – Profibus-DP, RS485, D-SUB
- X104** – IRIG-B00X, incl. System Contact (Supervision Contact)

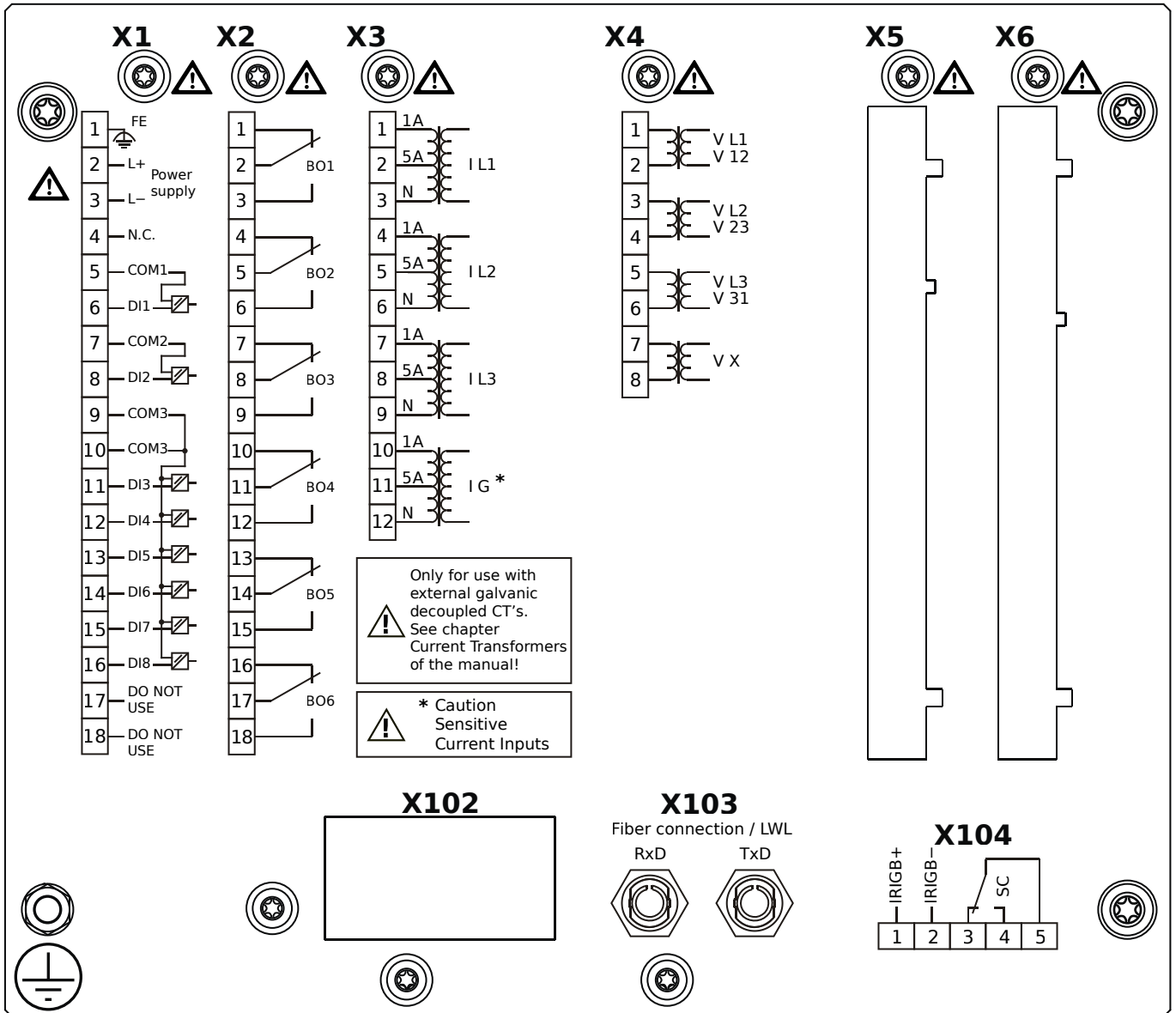
MCA4-2A1BEB



Housing B2, large display, door mounting 19" (flush mounting)

- X1** – DI8-X1: Wide-range power supply unit, incl. 2 non-grouped digital inputs and 6 grouped digital inputs
- X2** – OR6: Assembly Group with 6 Output Relays
- X3** – TIs: Standard phase current measuring card and sensitive ground current measuring
- X4** – TU: Card with 4 voltage transformer measuring inputs
- X103** – Profibus-DP, RS485, D-SUB
- X104** – IRIG-B00X, incl. System Contact (Supervision Contact)

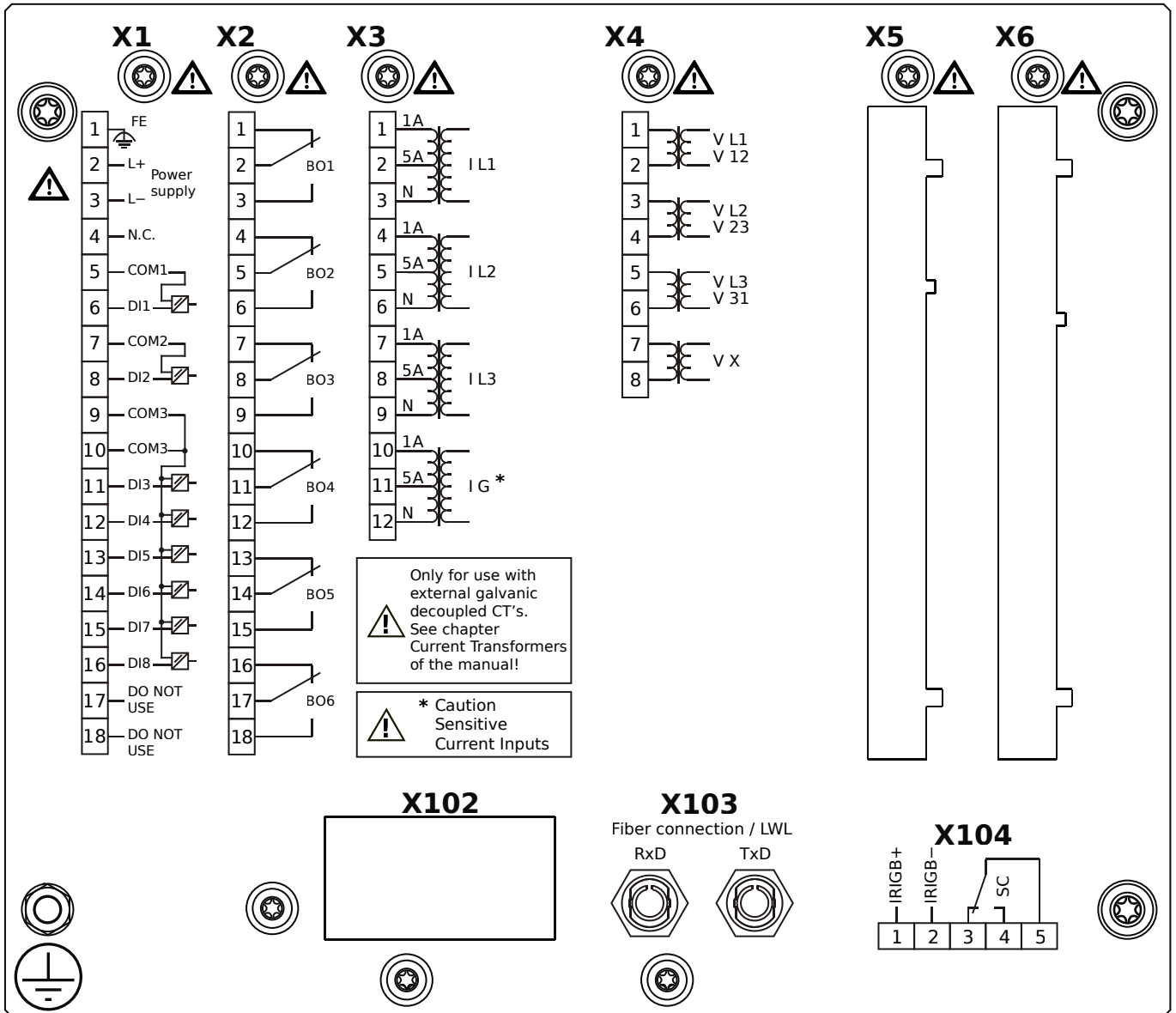
MCA4-2A1BFA



Housing B2, large display, door mounting 19" (flush mounting)

- X1** – DI8-X1: Wide-range power supply unit, incl. 2 non-grouped digital inputs and 6 grouped digital inputs
- X2** – OR6: Assembly Group with 6 Output Relays
- X3** – TIs: Standard phase current measuring card and sensitive ground current measuring
- X4** – TU: Card with 4 voltage transformer measuring inputs
- X103** – Modbus RTU / IEC 60870-5-103 / DNP3.0 RTU, Fiber optics interface, ST Connector
- X104** – IRIG-B00X, incl. System Contact (Supervision Contact)

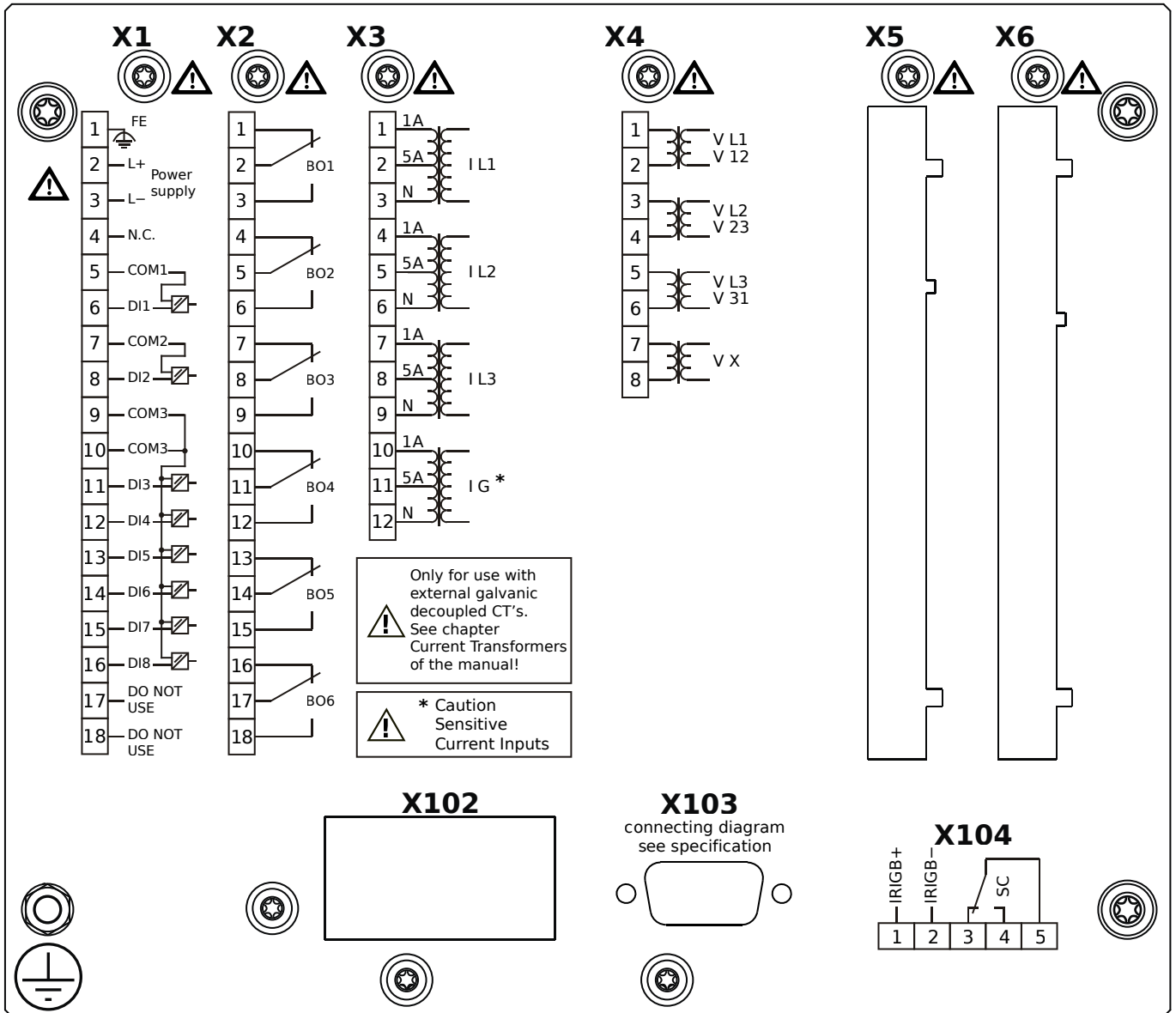
MCA4-2A1BFB



Housing B2, large display, door mounting 19" (flush mounting)

- X1** – DI8-X1: Wide-range power supply unit, incl. 2 non-grouped digital inputs and 6 grouped digital inputs
- X2** – OR6: Assembly Group with 6 Output Relays
- X3** – TIs: Standard phase current measuring card and sensitive ground current measuring
- X4** – TU: Card with 4 voltage transformer measuring inputs
- X103** – Modbus RTU / IEC 60870-5-103 / DNP3.0 RTU, Fiber optics interface, ST Connector
- X104** – IRIG-B00X, incl. System Contact (Supervision Contact)

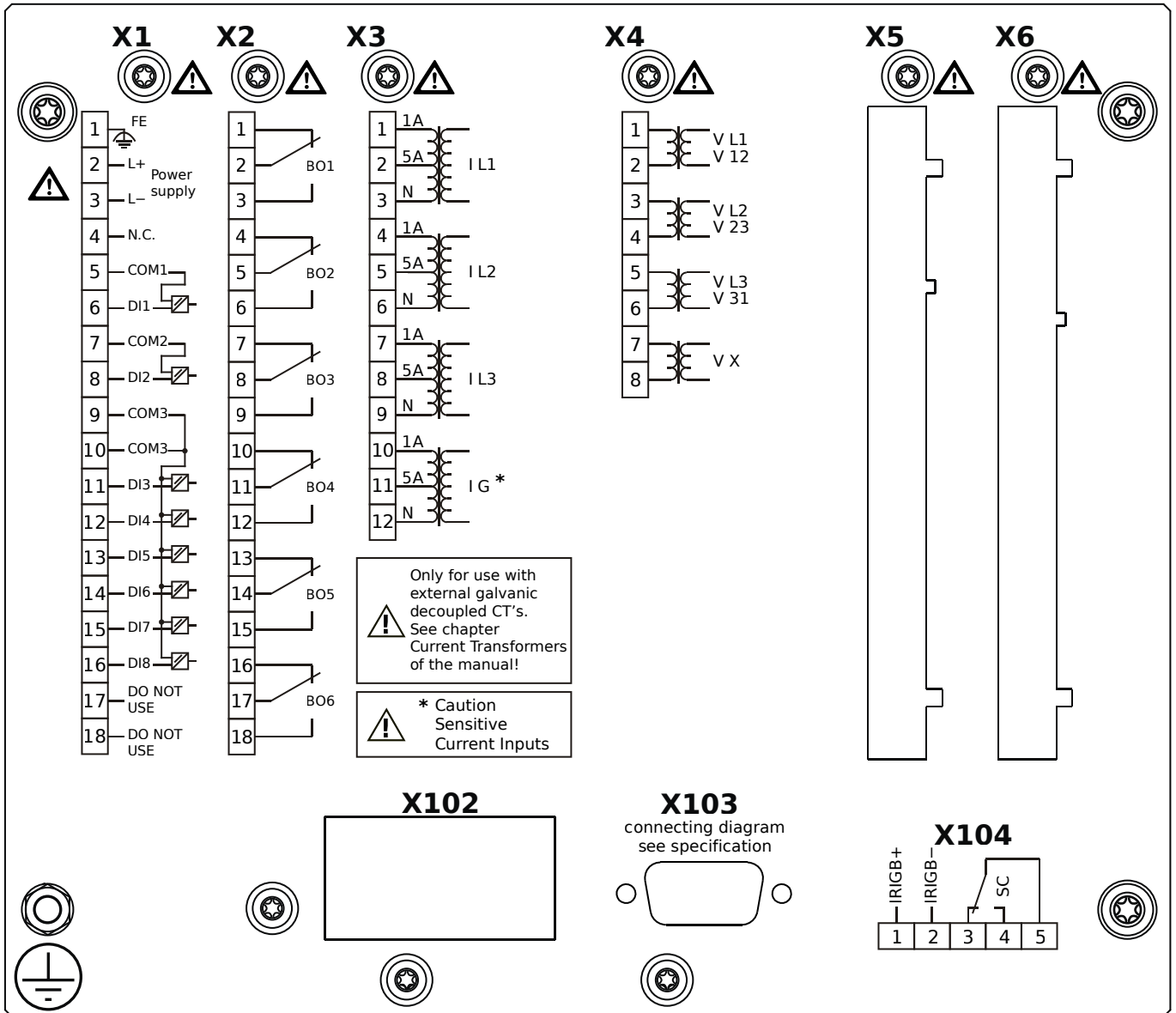
MCA4-2A1BGA



Housing B2, large display, door mounting 19" (flush mounting)

- X1** – DI8-X1: Wide-range power supply unit, incl. 2 non-grouped digital inputs and 6 grouped digital inputs
- X2** – OR6: Assembly Group with 6 Output Relays
- X3** – TIs: Standard phase current measuring card and sensitive ground current measuring
- X4** – TU: Card with 4 voltage transformer measuring inputs
- X103** – Modbus RTU / IEC 60870-5-103 / DNP3.0 RTU, RS485, D-SUB
- X104** – IRIG-B00X, incl. System Contact (Supervision Contact)

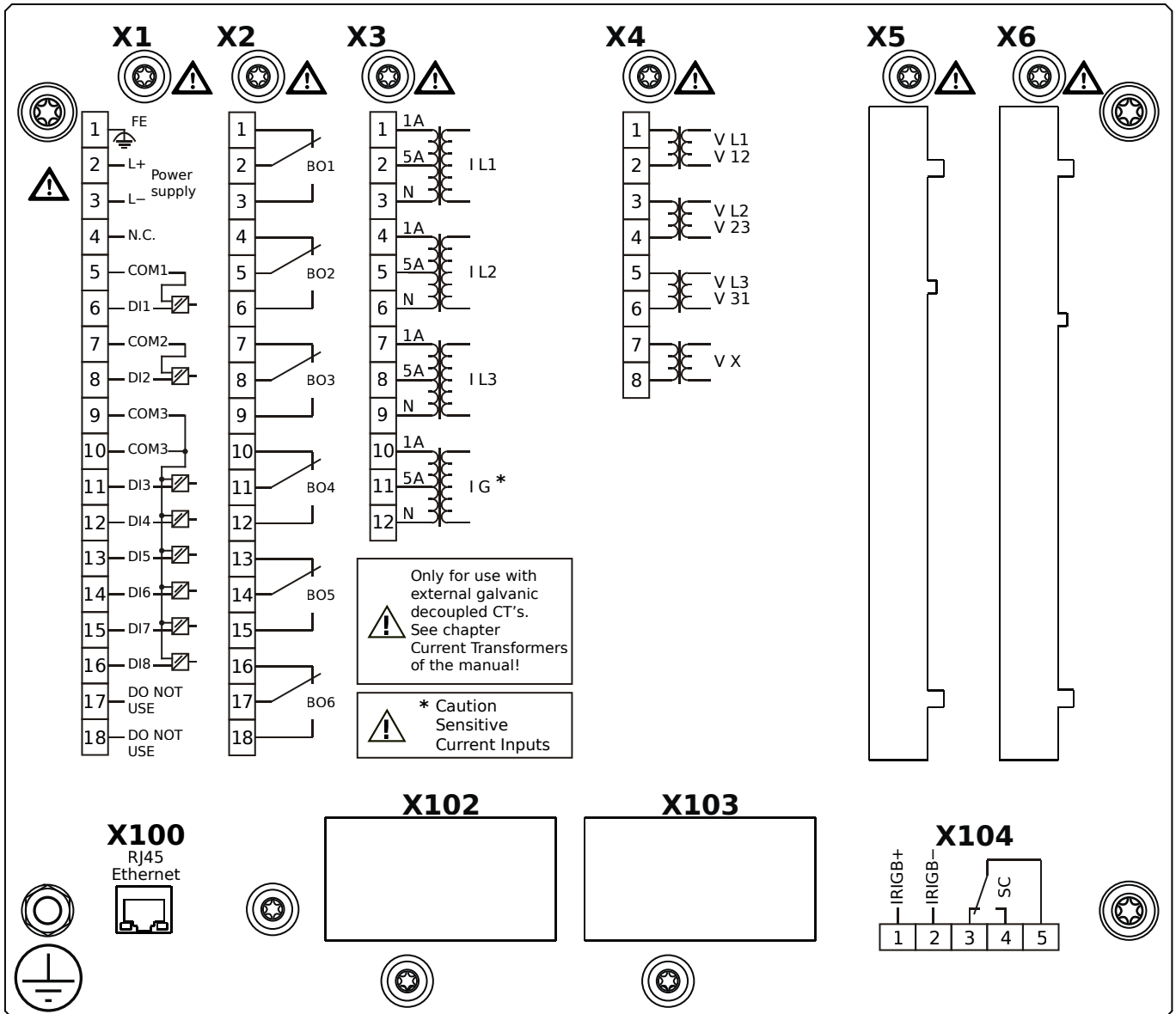
MCA4-2A1BGB



Housing B2, large display, door mounting 19" (flush mounting)

- X1** – DI8-X1: Wide-range power supply unit, incl. 2 non-grouped digital inputs and 6 grouped digital inputs
- X2** – OR6: Assembly Group with 6 Output Relays
- X3** – TIs: Standard phase current measuring card and sensitive ground current measuring
- X4** – TU: Card with 4 voltage transformer measuring inputs
- X103** – Modbus RTU / IEC 60870-5-103 / DNP3.0 RTU, RS485, D-SUB
- X104** – IRIG-B00X, incl. System Contact (Supervision Contact)

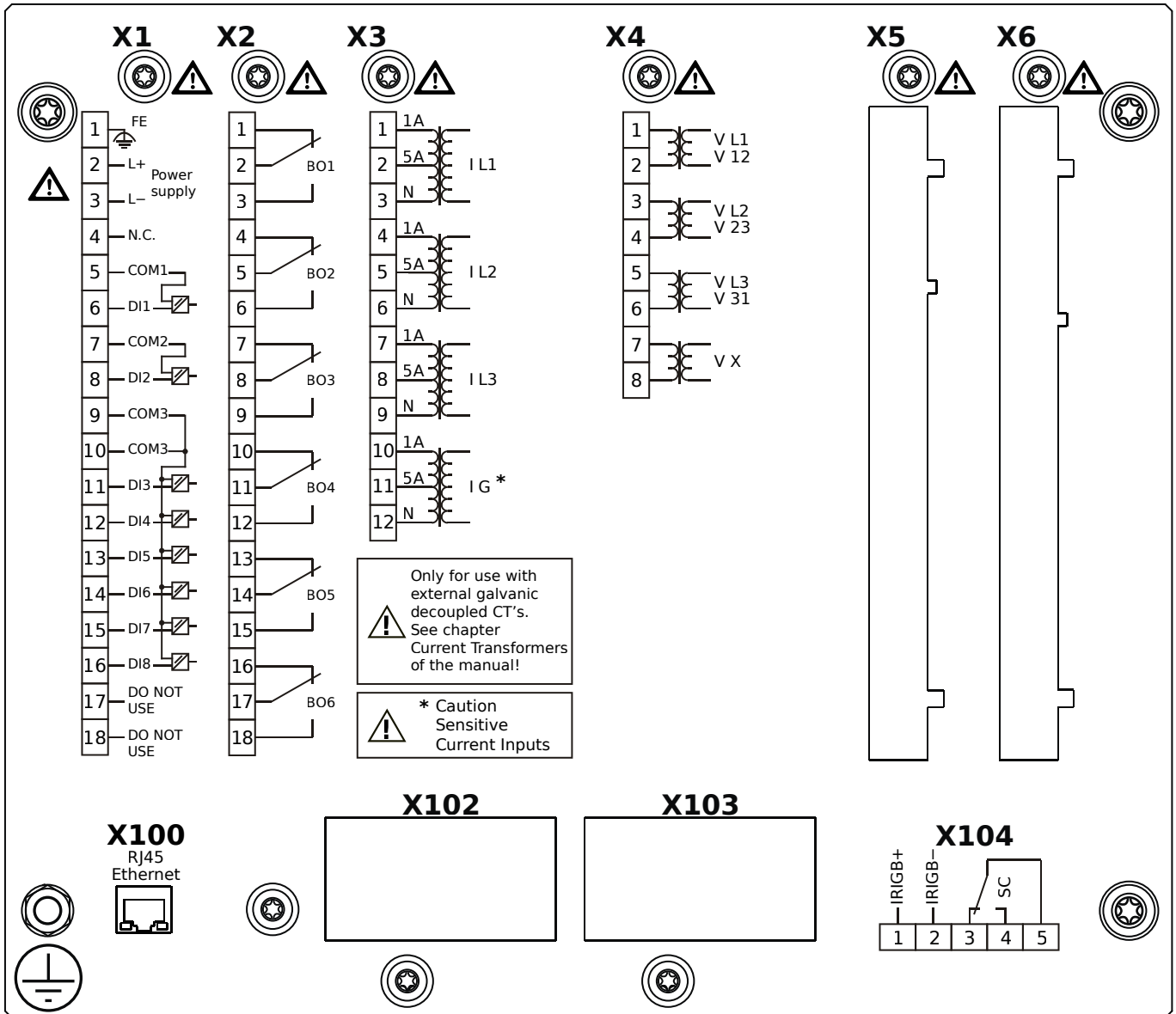
MCA4-2A1BHA



Housing B2, large display, door mounting 19" (flush mounting)

- X1** – DI8-X1: Wide-range power supply unit, incl. 2 non-grouped digital inputs and 6 grouped digital inputs
- X2** – OR6: Assembly Group with 6 Output Relays
- X3** – TIs: Standard phase current measuring card and sensitive ground current measuring
- X4** – TU: Card with 4 voltage transformer measuring inputs
- X100** – IEC 61850 / Modbus TCP / DNP3.0 TCP/UDP, Ethernet interface, 100 Mbit/s, RJ45 (BASE100-FX)
- X104** – IRIG-B00X, incl. System Contact (Supervision Contact)

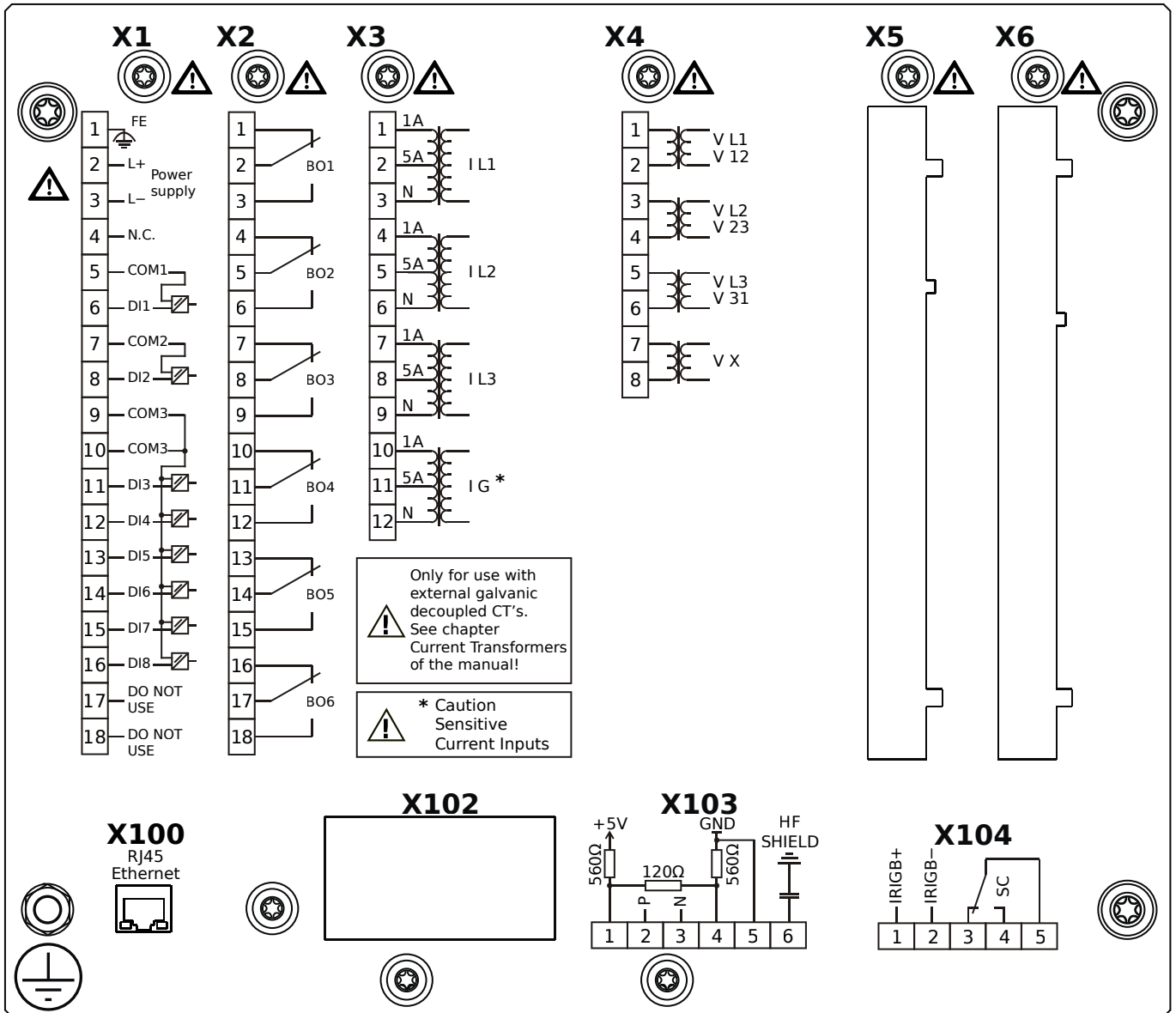
MCA4-2A1BHB



Housing B2, large display, door mounting 19" (flush mounting)

- X1** – DI8-X1: Wide-range power supply unit, incl. 2 non-grouped digital inputs and 6 grouped digital inputs
- X2** – OR6: Assembly Group with 6 Output Relays
- X3** – TIs: Standard phase current measuring card and sensitive ground current measuring
- X4** – TU: Card with 4 voltage transformer measuring inputs
- X100** – IEC 61850 / Modbus TCP / DNP3.0 TCP/UDP, Ethernet interface, 100 Mbit/s, RJ45 (BASE100-FX)
- X104** – IRIG-B00X, incl. System Contact (Supervision Contact)

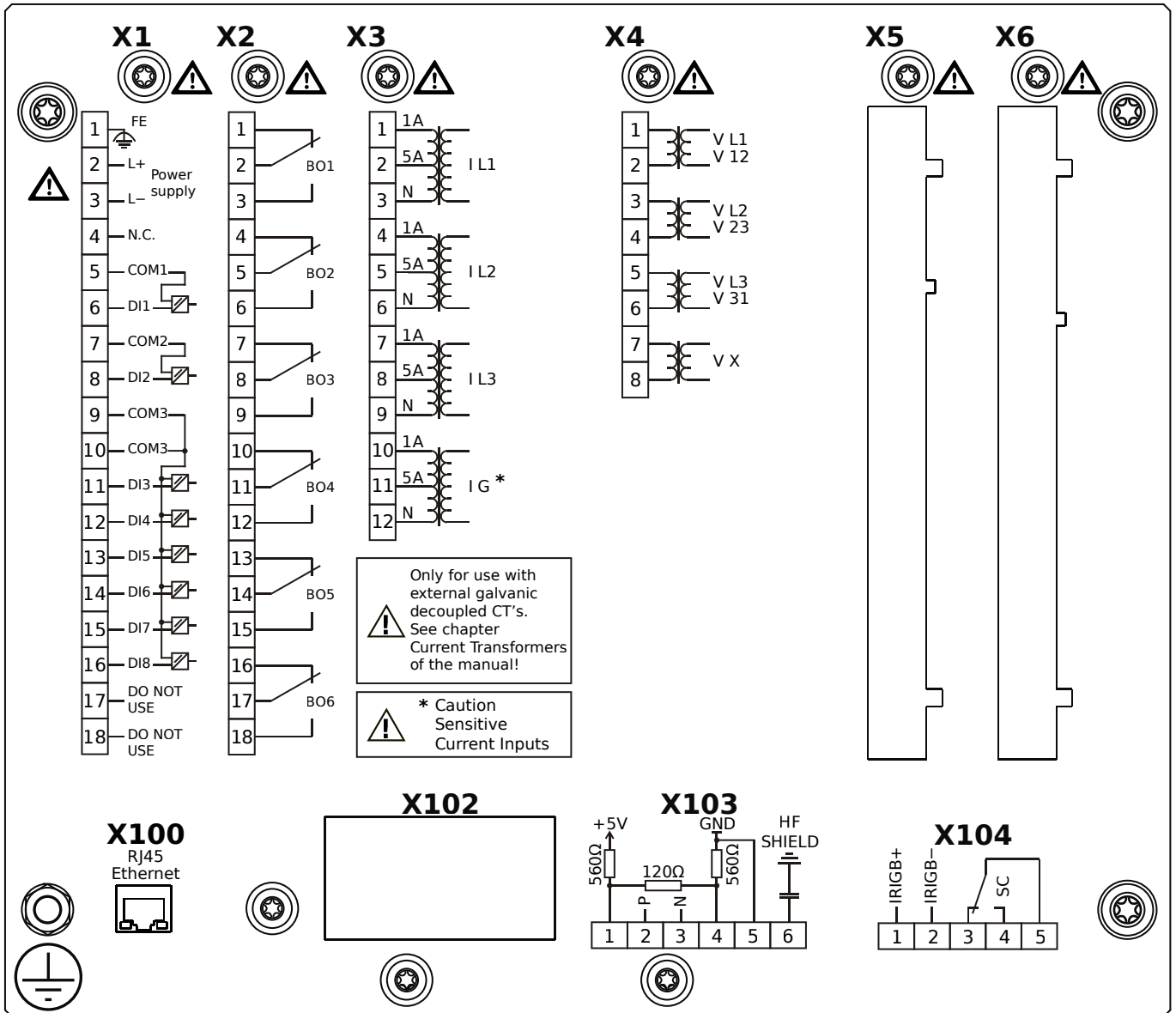
MCA4-2A1BIA



Housing B2, large display, door mounting 19" (flush mounting)

- X1** – DI8-X1: Wide-range power supply unit, incl. 2 non-grouped digital inputs and 6 grouped digital inputs
- X2** – OR6: Assembly Group with 6 Output Relays
- X3** – TIs: Standard phase current measuring card and sensitive ground current measuring
- X4** – TU: Card with 4 voltage transformer measuring inputs
- X100** – Modbus TCP / DNP3.0 TCP/UDP, Ethernet interface, 100 Mbit/s, RJ45 (BASE100-FX)
- X103** – IEC 60870-5-103 / Modbus RTU / DNP3.0 RTU, RS485, Terminals
- X104** – IRIG-B00X, incl. System Contact (Supervision Contact)

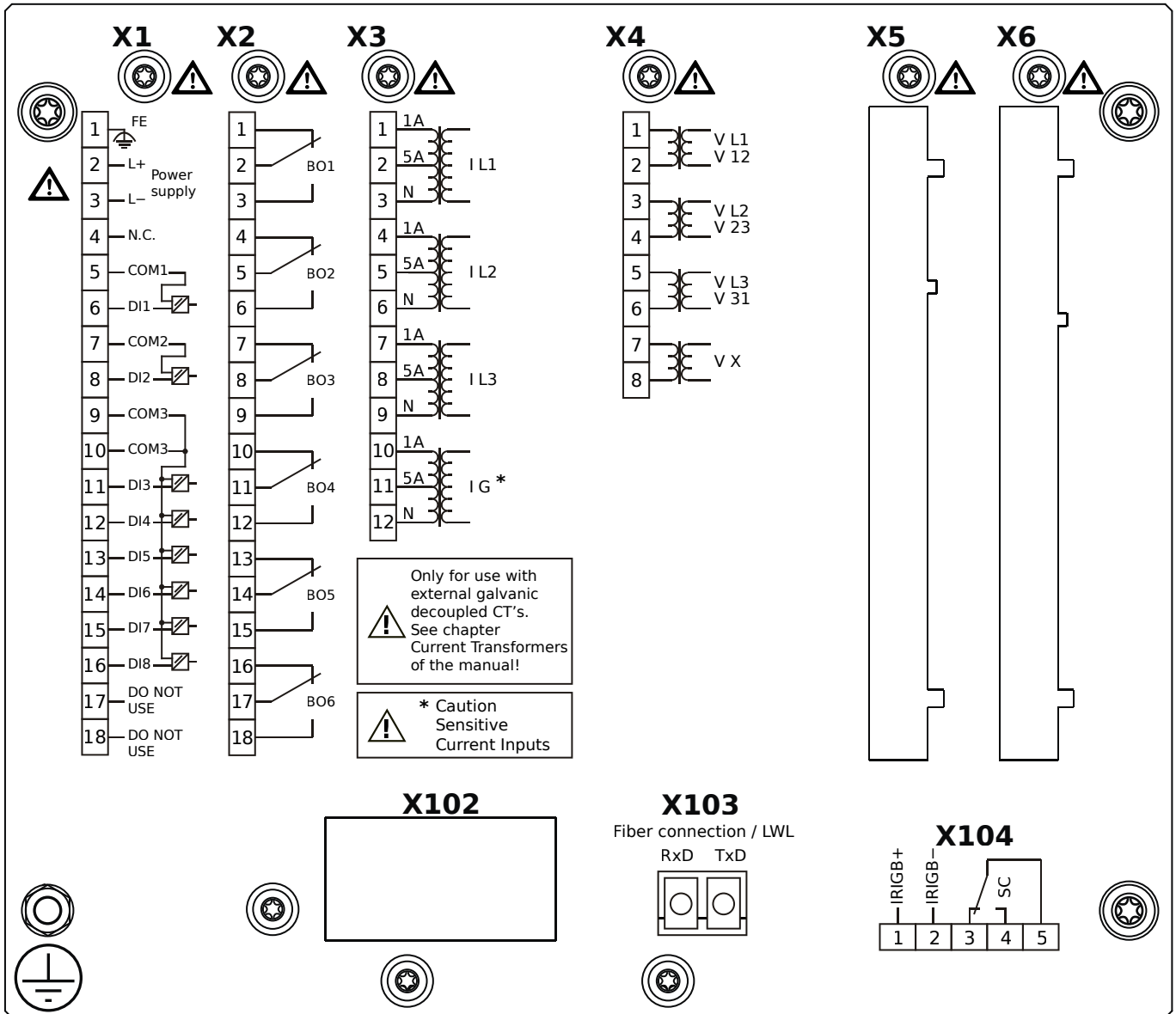
MCA4-2A1BIB



Housing B2, large display, door mounting 19" (flush mounting)

- X1** – DI8-X1: Wide-range power supply unit, incl. 2 non-grouped digital inputs and 6 grouped digital inputs
- X2** – OR6: Assembly Group with 6 Output Relays
- X3** – TIs: Standard phase current measuring card and sensitive ground current measuring
- X4** – TU: Card with 4 voltage transformer measuring inputs
- X100** – Modbus TCP / DNP3.0 TCP/UDP, Ethernet interface, 100 Mbit/s, RJ45 (BASE100-FX)
- X103** – IEC 60870-5-103 / Modbus RTU / DNP3.0 RTU, RS485, Terminals
- X104** – IRIG-B00X, incl. System Contact (Supervision Contact)

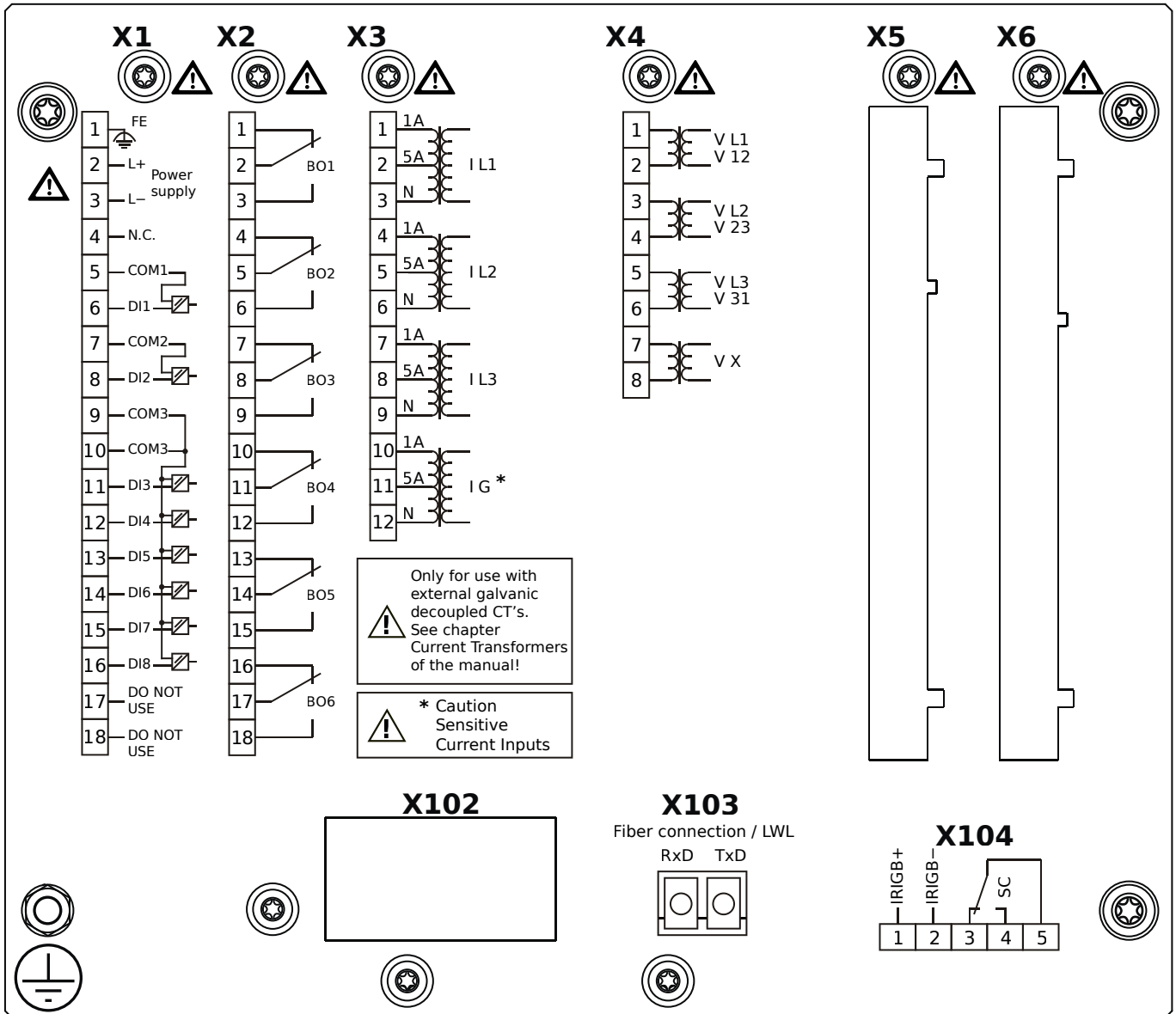
MCA4-2A1BKA



Housing B2, large display, door mounting 19" (flush mounting)

- X1** – DI8-X1: Wide-range power supply unit, incl. 2 non-grouped digital inputs and 6 grouped digital inputs
- X2** – OR6: Assembly Group with 6 Output Relays
- X3** – TIs: Standard phase current measuring card and sensitive ground current measuring
- X4** – TU: Card with 4 voltage transformer measuring inputs
- X103** – IEC 61850 / Modbus TCP / DNP3.0 TCP/UDP, Fiber optics interface, LC Connector
- X104** – IRIG-B00X, incl. System Contact (Supervision Contact)

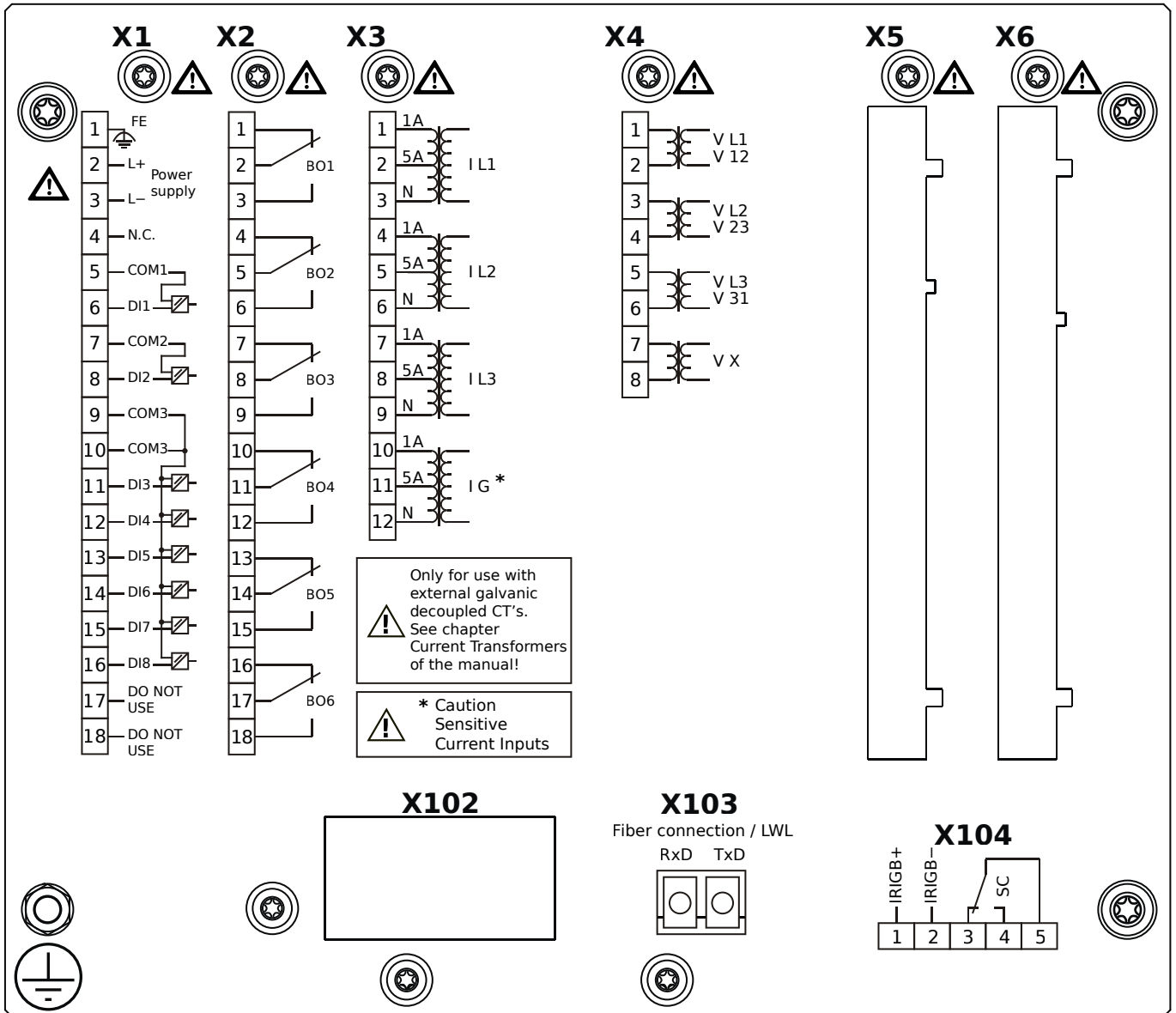
MCA4-2A1BKB



Housing B2, large display, door mounting 19" (flush mounting)

- X1** – DI8-X1: Wide-range power supply unit, incl. 2 non-grouped digital inputs and 6 grouped digital inputs
- X2** – OR6: Assembly Group with 6 Output Relays
- X3** – TIs: Standard phase current measuring card and sensitive ground current measuring
- X4** – TU: Card with 4 voltage transformer measuring inputs
- X103** – IEC 61850 / Modbus TCP / DNP3.0 TCP/UDP, Fiber optics interface, LC Connector
- X104** – IRIG-B00X, incl. System Contact (Supervision Contact)

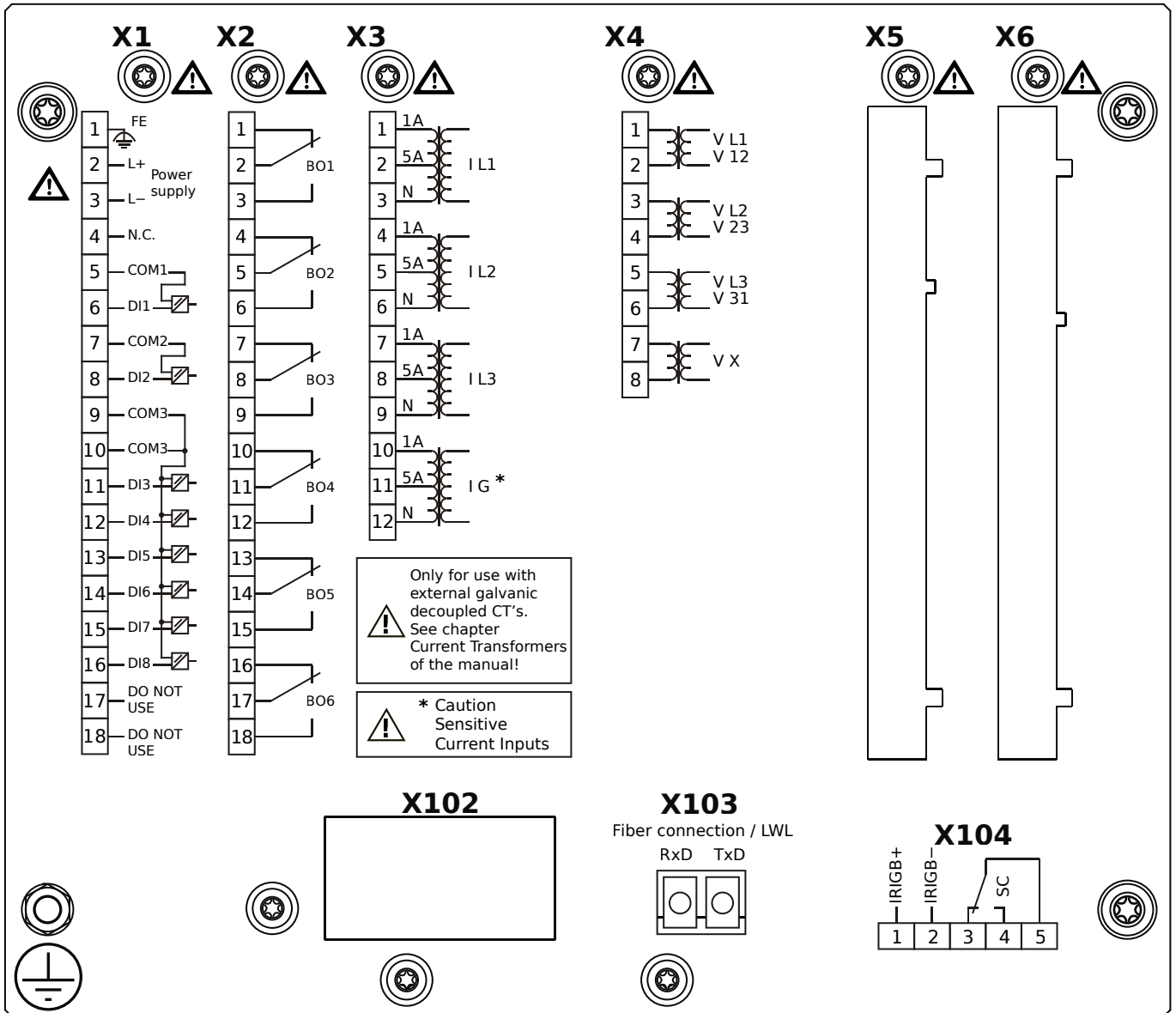
MCA4-2A1BLA



Housing B2, large display, door mounting 19" (flush mounting)

- X1** – DI8-X1: Wide-range power supply unit, incl. 2 non-grouped digital inputs and 6 grouped digital inputs
- X2** – OR6: Assembly Group with 6 Output Relays
- X3** – TIs: Standard phase current measuring card and sensitive ground current measuring
- X4** – TU: Card with 4 voltage transformer measuring inputs
- X103** – Modbus TCP / DNP3.0 TCP/UDP, Fiber optics interface, LC Connector
- X104** – IRIG-B00X, incl. System Contact (Supervision Contact)

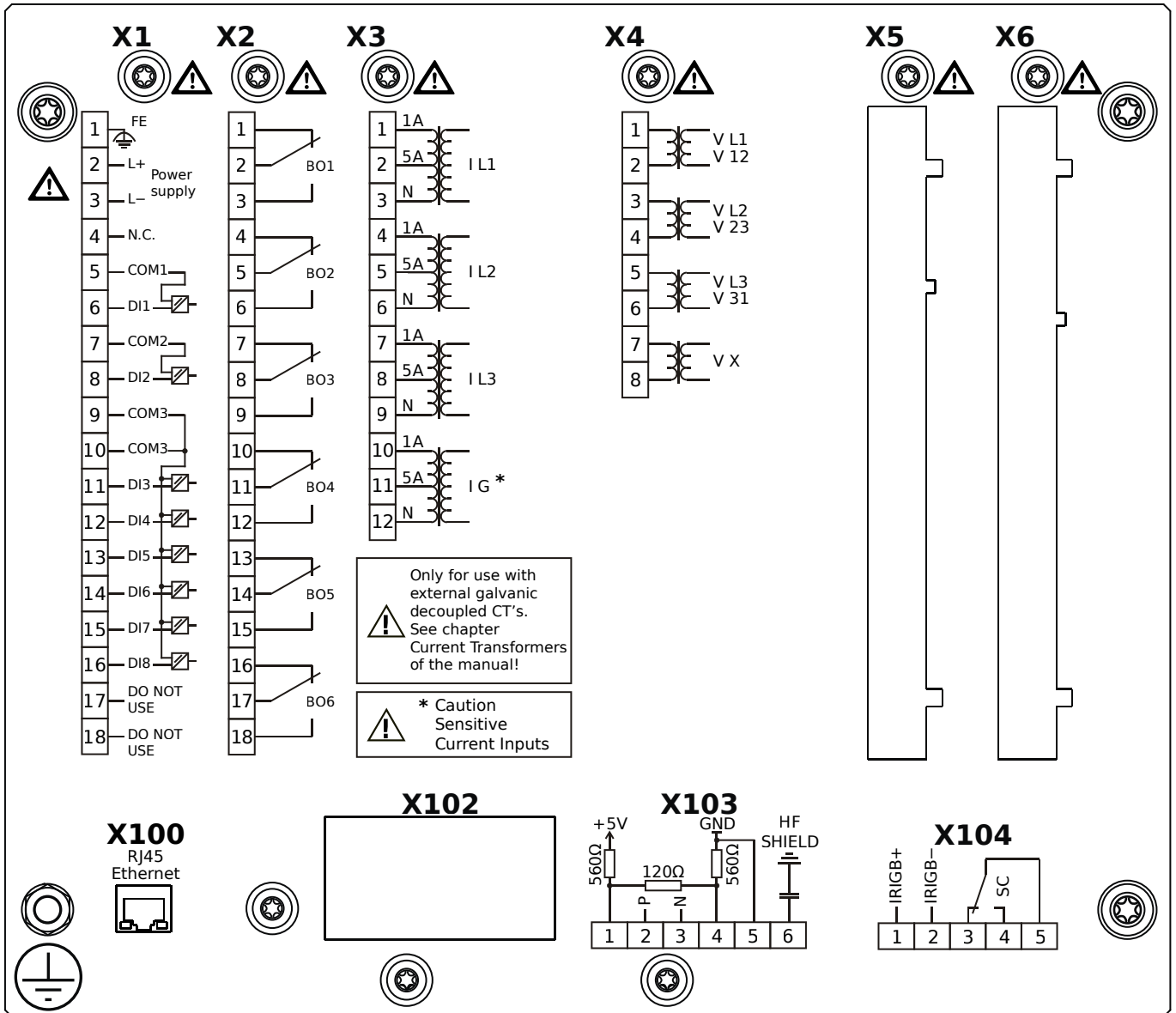
MCA4-2A1BLB



Housing B2, large display, door mounting 19" (flush mounting)

- X1** – DI8-X1: Wide-range power supply unit, incl. 2 non-grouped digital inputs and 6 grouped digital inputs
- X2** – OR6: Assembly Group with 6 Output Relays
- X3** – TIs: Standard phase current measuring card and sensitive ground current measuring
- X4** – TU: Card with 4 voltage transformer measuring inputs
- X103** – Modbus TCP / DNP3.0 TCP/UDP, Fiber optics interface, LC Connector
- X104** – IRIG-B00X, incl. System Contact (Supervision Contact)

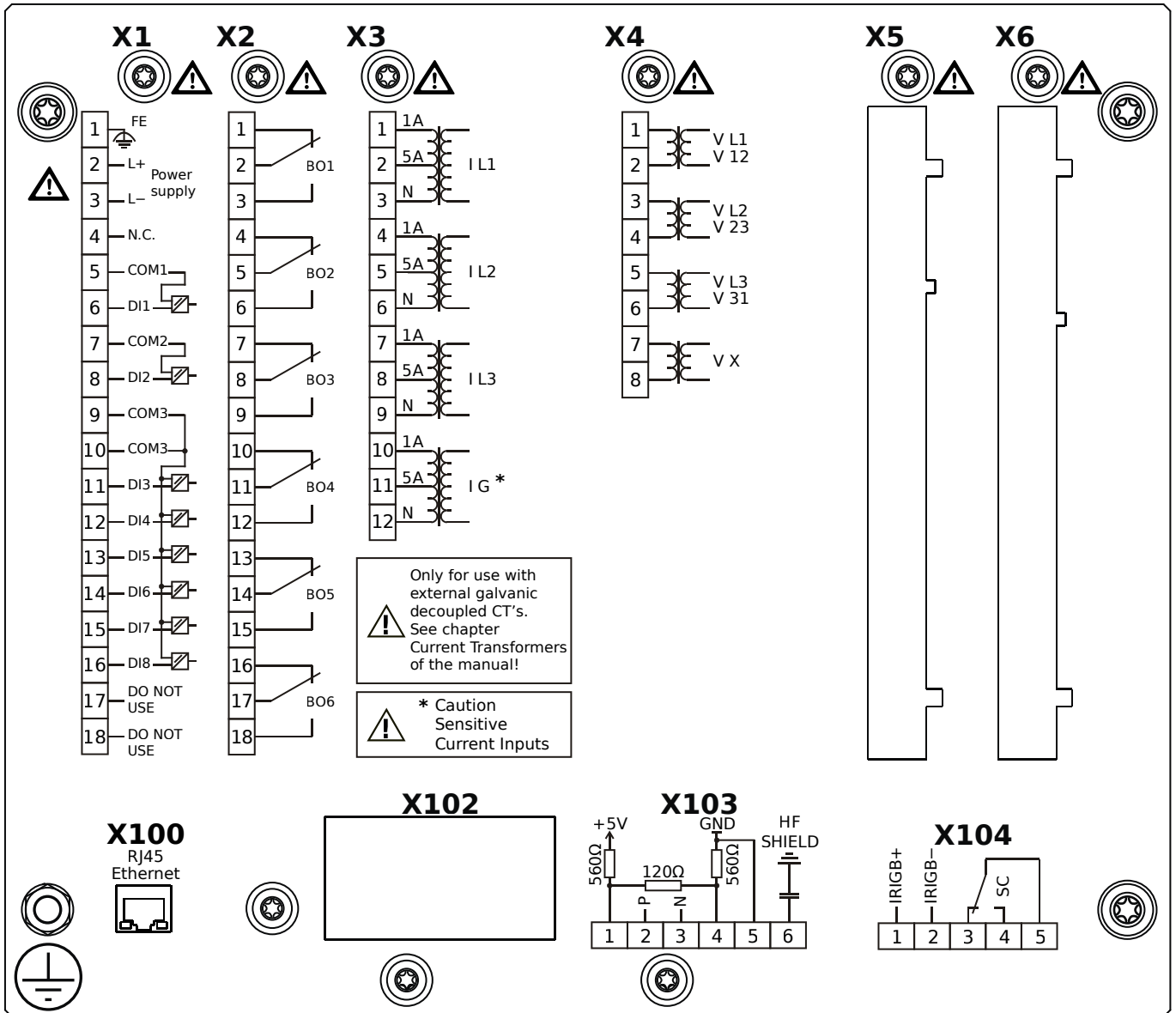
MCA4-2A1BTA



Housing B2, large display, door mounting 19" (flush mounting)

- X1** – DI8-X1: Wide-range power supply unit, incl. 2 non-grouped digital inputs and 6 grouped digital inputs
- X2** – OR6: Assembly Group with 6 Output Relays
- X3** – TIs: Standard phase current measuring card and sensitive ground current measuring
- X4** – TU: Card with 4 voltage transformer measuring inputs
- X100** – IEC 61850 / Modbus TCP / DNP3.0 TCP/UDP, Ethernet interface, 100 Mbit/s, RJ45 (BASE100-FX)
- X103** – IEC 60870-5-103 / Modbus RTU / DNP3.0 RTU, RS485, Terminals
- X104** – IRIG-B00X, incl. System Contact (Supervision Contact)

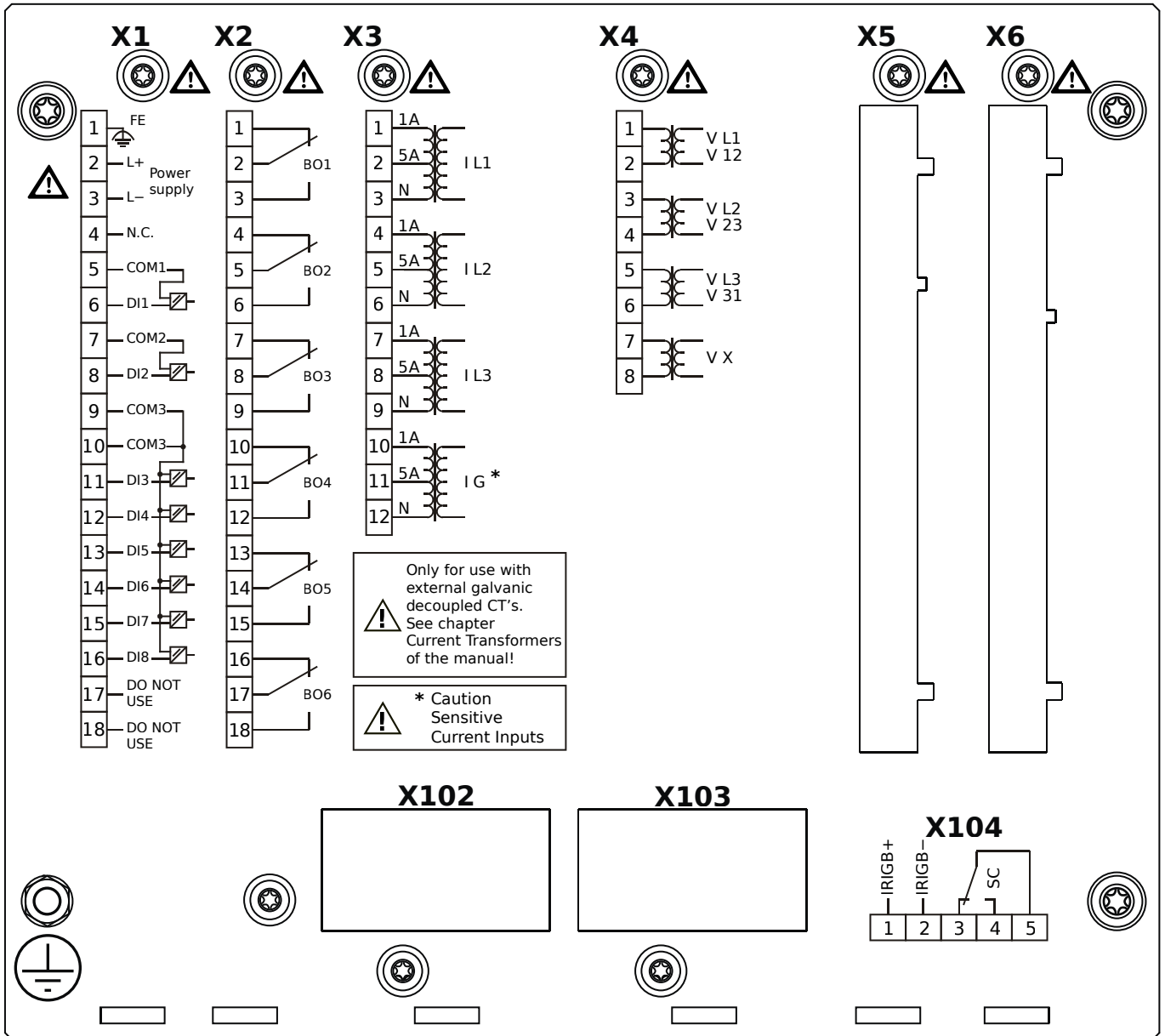
MCA4-2A1BTB



Housing B2, large display, door mounting 19" (flush mounting)

- X1** – DI8-X1: Wide-range power supply unit, incl. 2 non-grouped digital inputs and 6 grouped digital inputs
- X2** – OR6: Assembly Group with 6 Output Relays
- X3** – TIs: Standard phase current measuring card and sensitive ground current measuring
- X4** – TU: Card with 4 voltage transformer measuring inputs
- X100** – IEC 61850 / Modbus TCP / DNP3.0 TCP/UDP, Ethernet interface, 100 Mbit/s, RJ45 (BASE100-FX)
- X103** – IEC 60870-5-103 / Modbus RTU / DNP3.0 RTU, RS485, Terminals
- X104** – IRIG-B00X, incl. System Contact (Supervision Contact)

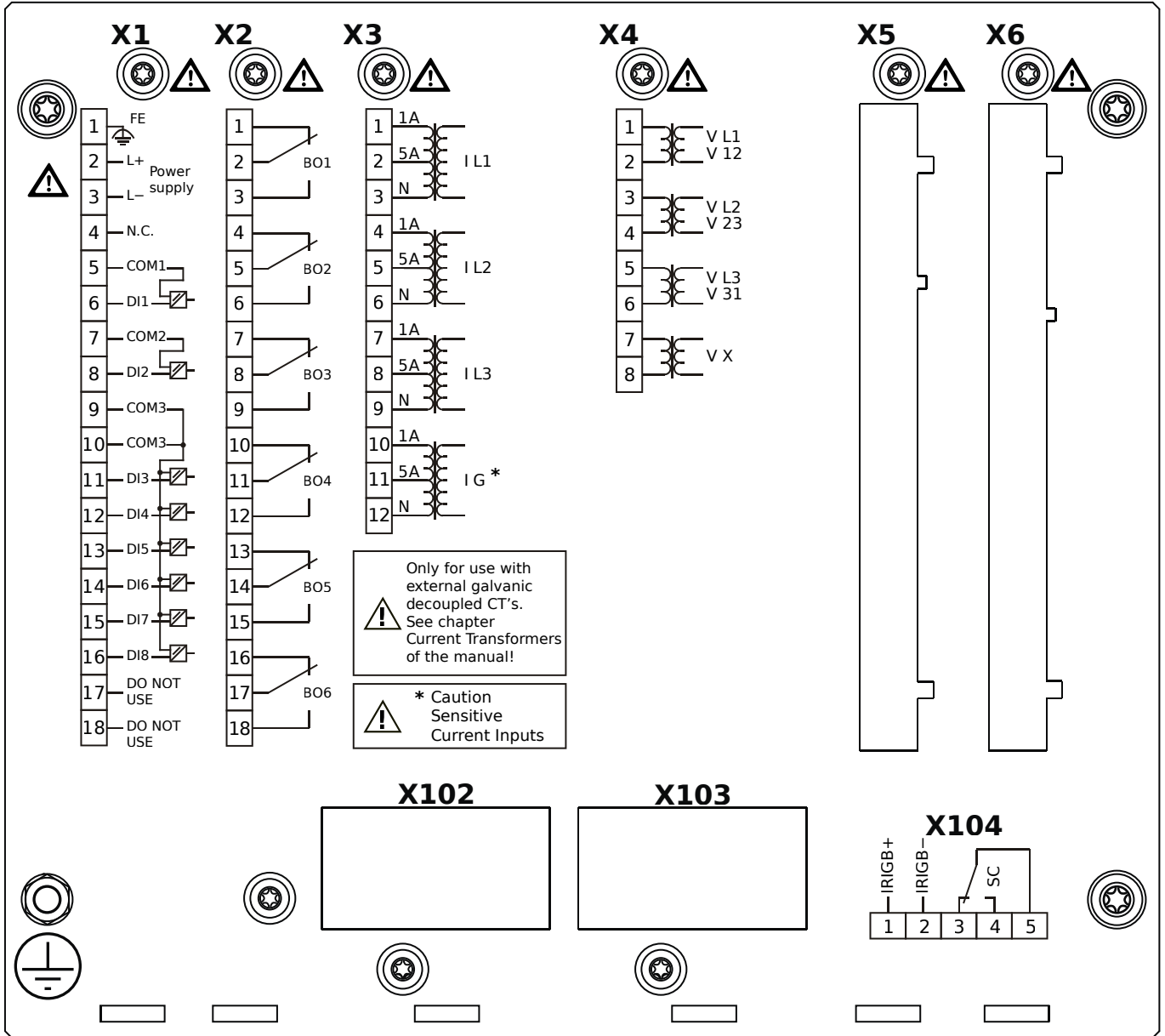
MCA4-2A1HAA



Housing B2, large display, door mounting

- X1** – DI8-X1: Wide-range power supply unit, incl. 2 non-grouped digital inputs and 6 grouped digital inputs
- X2** – OR6: Assembly Group with 6 Output Relays
- X3** – TIs: Standard phase current measuring card and sensitive ground current measuring
- X4** – TU: Card with 4 voltage transformer measuring inputs
- X104** – IRIG-B00X, incl. System Contact (Supervision Contact)

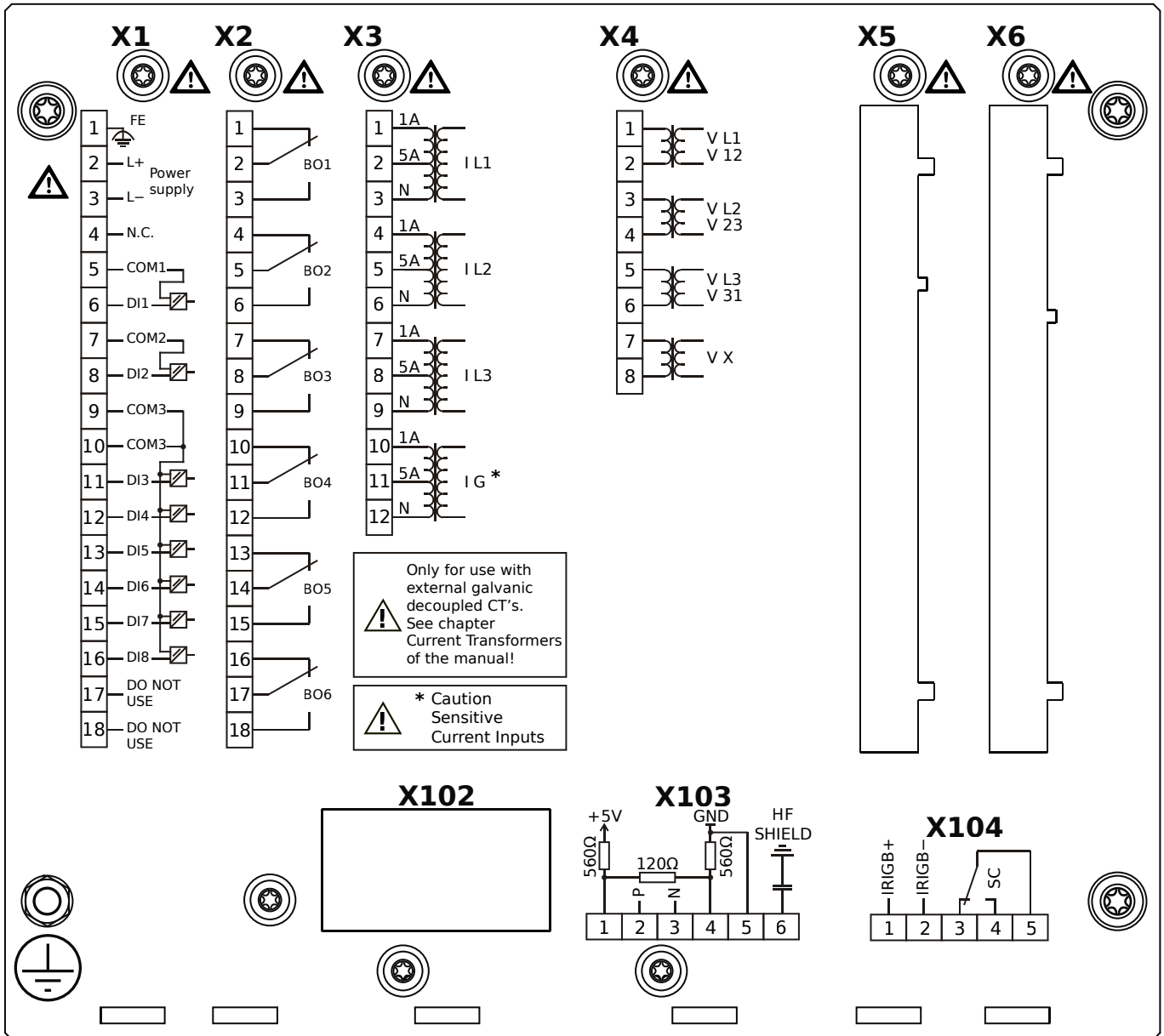
MCA4-2A1HAB



Housing B2, large display, door mounting

- X1** – DI8-X1: Wide-range power supply unit, incl. 2 non-grouped digital inputs and 6 grouped digital inputs
- X2** – OR6: Assembly Group with 6 Output Relays
- X3** – TIs: Standard phase current measuring card and sensitive ground current measuring
- X4** – TU: Card with 4 voltage transformer measuring inputs
- X104** – IRIG-B00X, incl. System Contact (Supervision Contact)

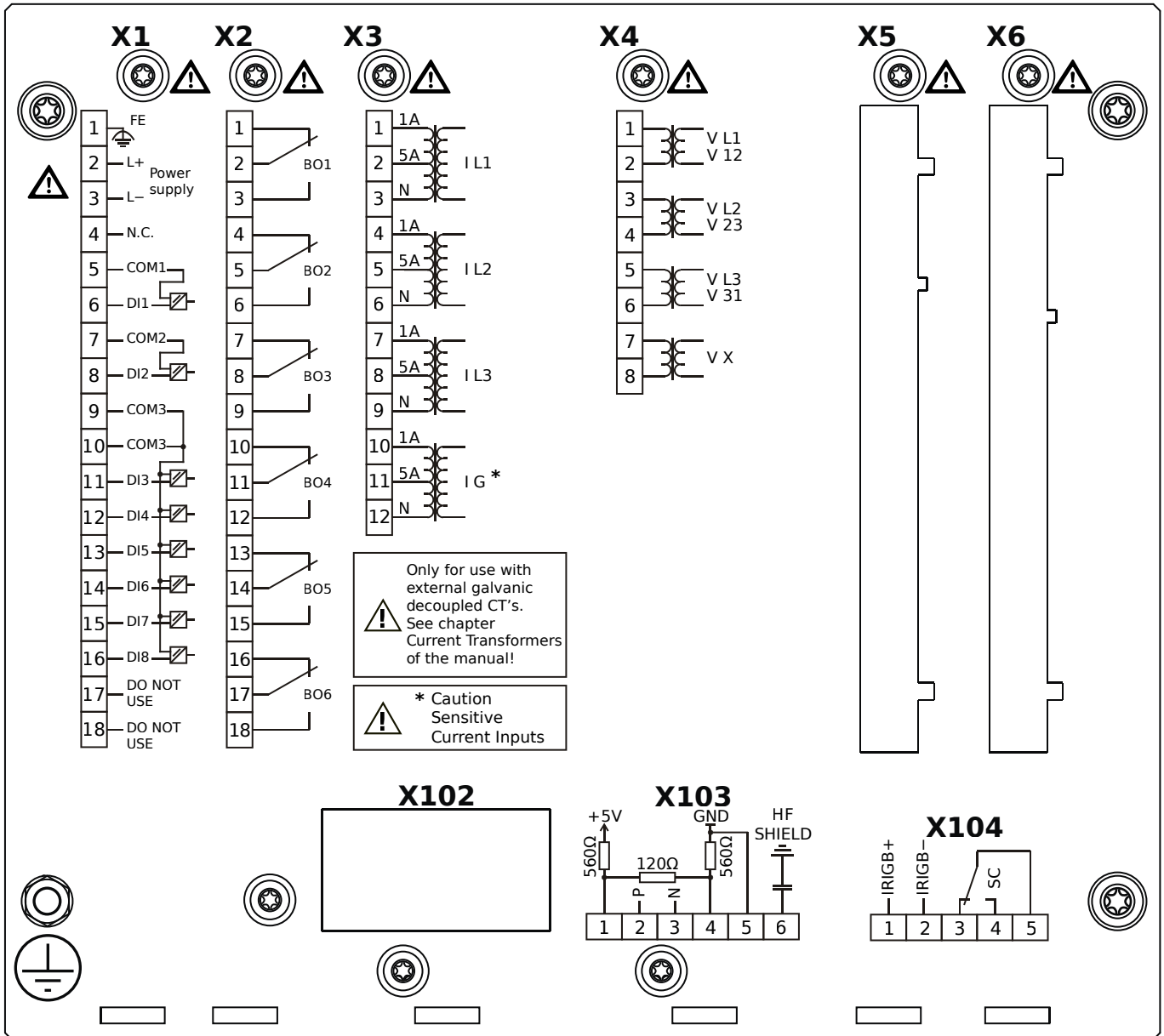
MCA4-2A1HBA



Housing B2, large display, door mounting

- X1** – DI8-X1: Wide-range power supply unit, incl. 2 non-grouped digital inputs and 6 grouped digital inputs
- X2** – OR6: Assembly Group with 6 Output Relays
- X3** – TIs: Standard phase current measuring card and sensitive ground current measuring
- X4** – TU: Card with 4 voltage transformer measuring inputs
- X103** – Modbus RTU / IEC 60870-5-103 / DNP3.0 RTU, RS485, Terminals
- X104** – IRIG-B00X, incl. System Contact (Supervision Contact)

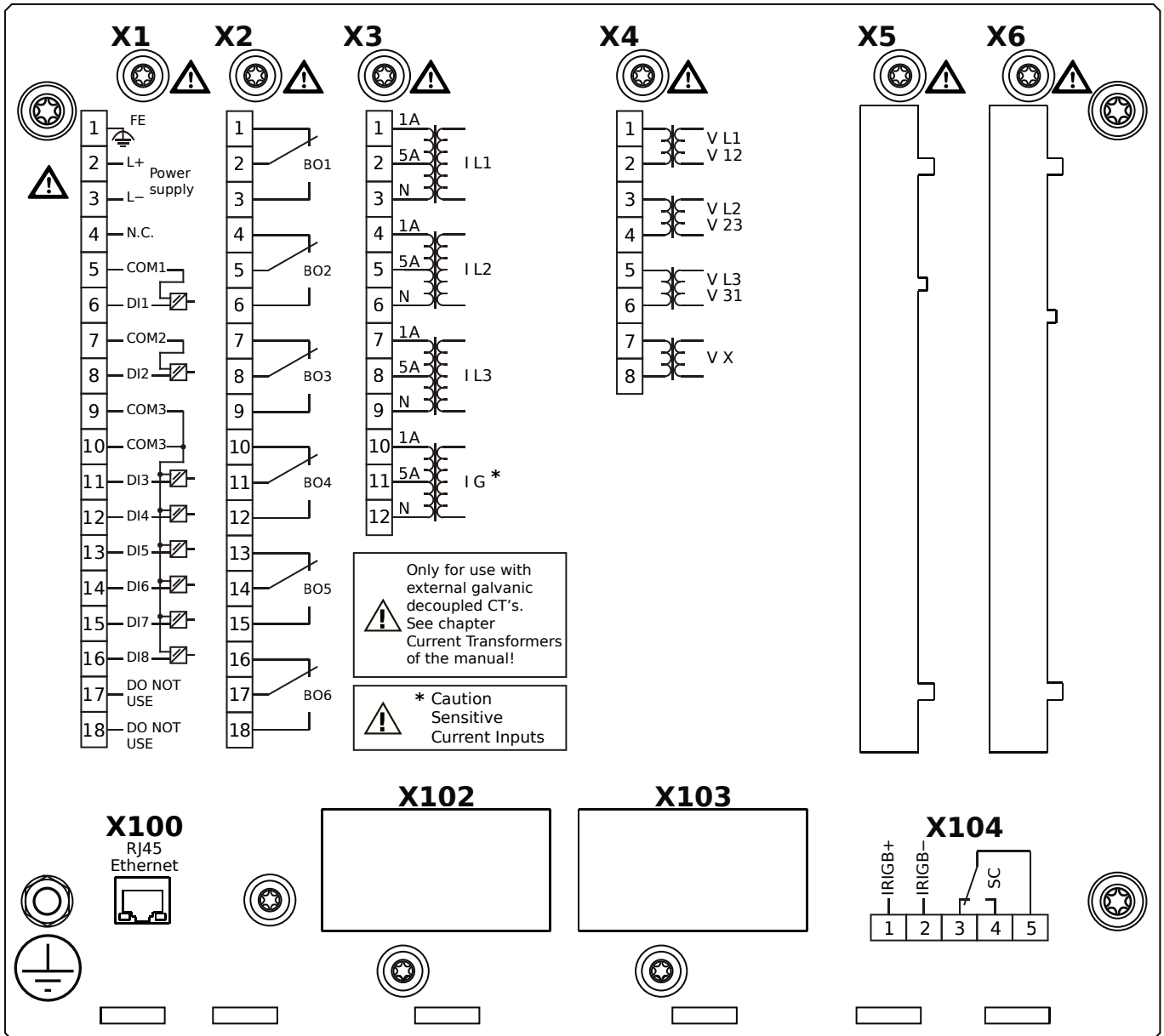
MCA4-2A1HBB



Housing B2, large display, door mounting

- X1** – DI8-X1: Wide-range power supply unit, incl. 2 non-grouped digital inputs and 6 grouped digital inputs
- X2** – OR6: Assembly Group with 6 Output Relays
- X3** – TIs: Standard phase current measuring card and sensitive ground current measuring
- X4** – TU: Card with 4 voltage transformer measuring inputs
- X103** – Modbus RTU / IEC 60870-5-103 / DNP3.0 RTU, RS485, Terminals
- X104** – IRIG-B00X, incl. System Contact (Supervision Contact)

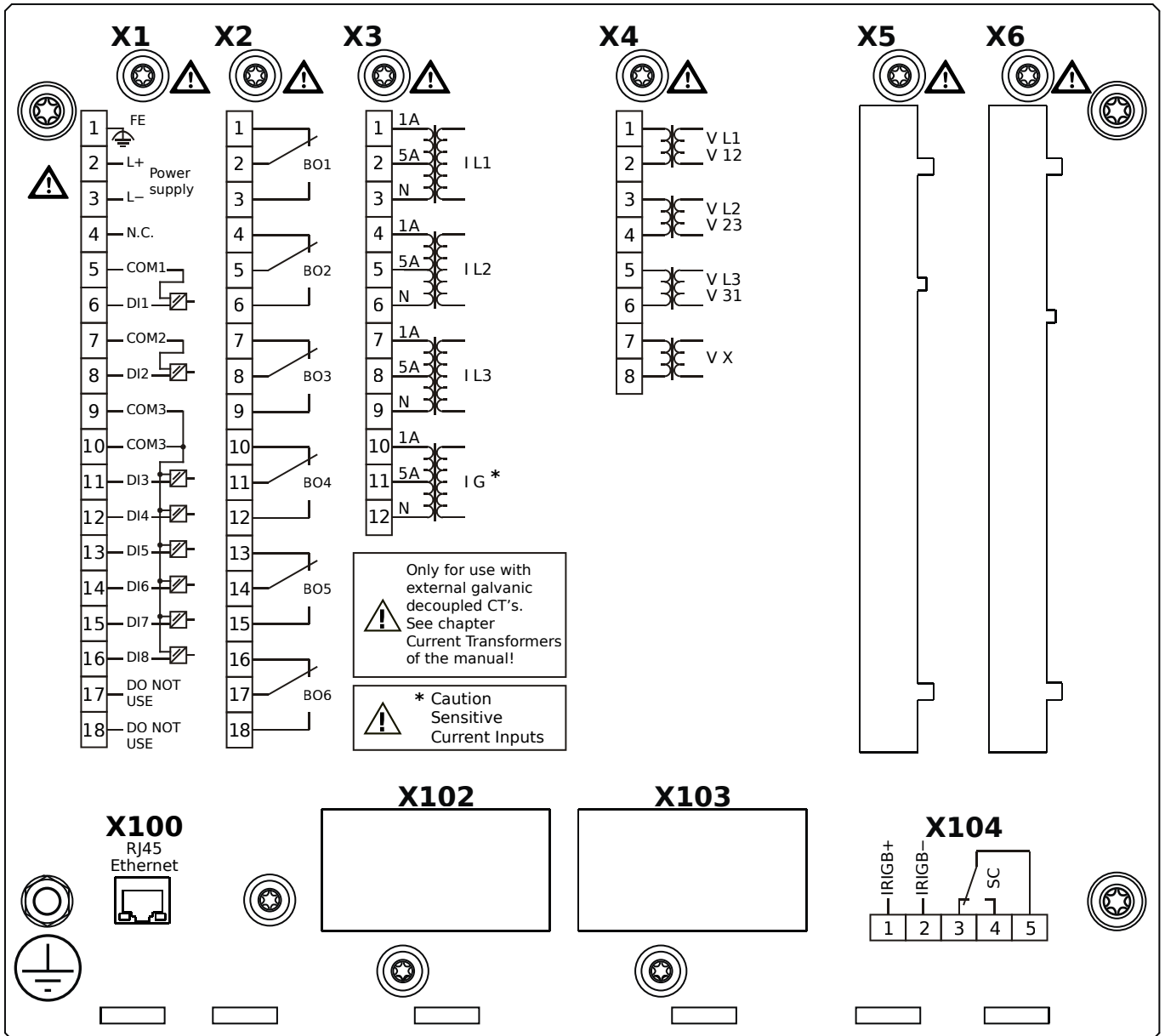
MCA4-2A1HCA



Housing B2, large display, door mounting

- X1** – DI8-X1: Wide-range power supply unit, incl. 2 non-grouped digital inputs and 6 grouped digital inputs
- X2** – OR6: Assembly Group with 6 Output Relays
- X3** – TIs: Standard phase current measuring card and sensitive ground current measuring
- X4** – TU: Card with 4 voltage transformer measuring inputs
- X100** – Modbus TCP / DNP3.0 TCP/UDP, Ethernet interface, 100 Mbit/s, RJ45 (BASE100-FX)
- X104** – IRIG-B00X, incl. System Contact (Supervision Contact)

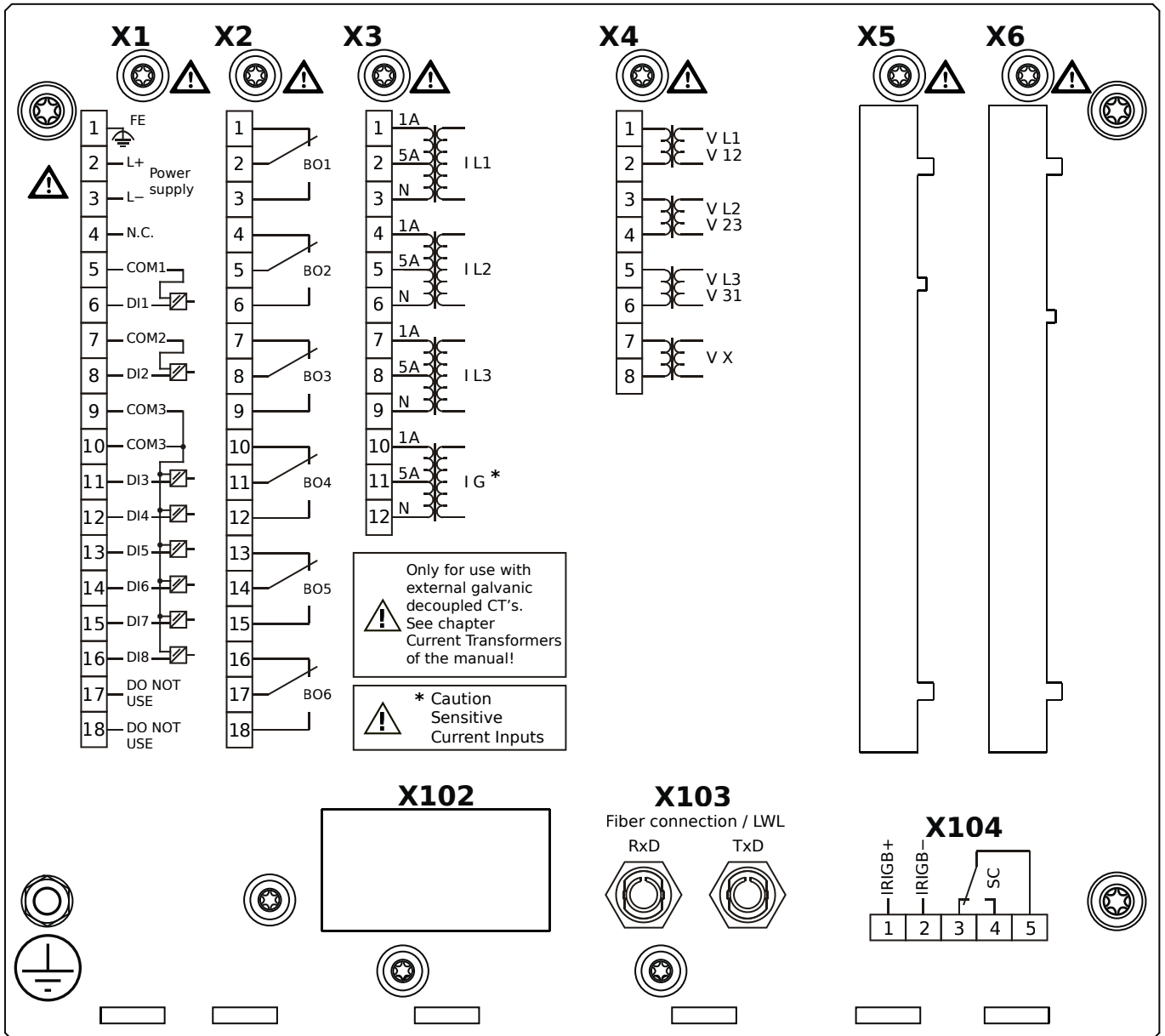
MCA4-2A1HCB



Housing B2, large display, door mounting

- X1** – DI8-X1: Wide-range power supply unit, incl. 2 non-grouped digital inputs and 6 grouped digital inputs
- X2** – OR6: Assembly Group with 6 Output Relays
- X3** – TIs: Standard phase current measuring card and sensitive ground current measuring
- X4** – TU: Card with 4 voltage transformer measuring inputs
- X100** – Modbus TCP / DNP3.0 TCP/UDP, Ethernet interface, 100 Mbit/s, RJ45 (BASE100-FX)
- X104** – IRIG-B00X, incl. System Contact (Supervision Contact)

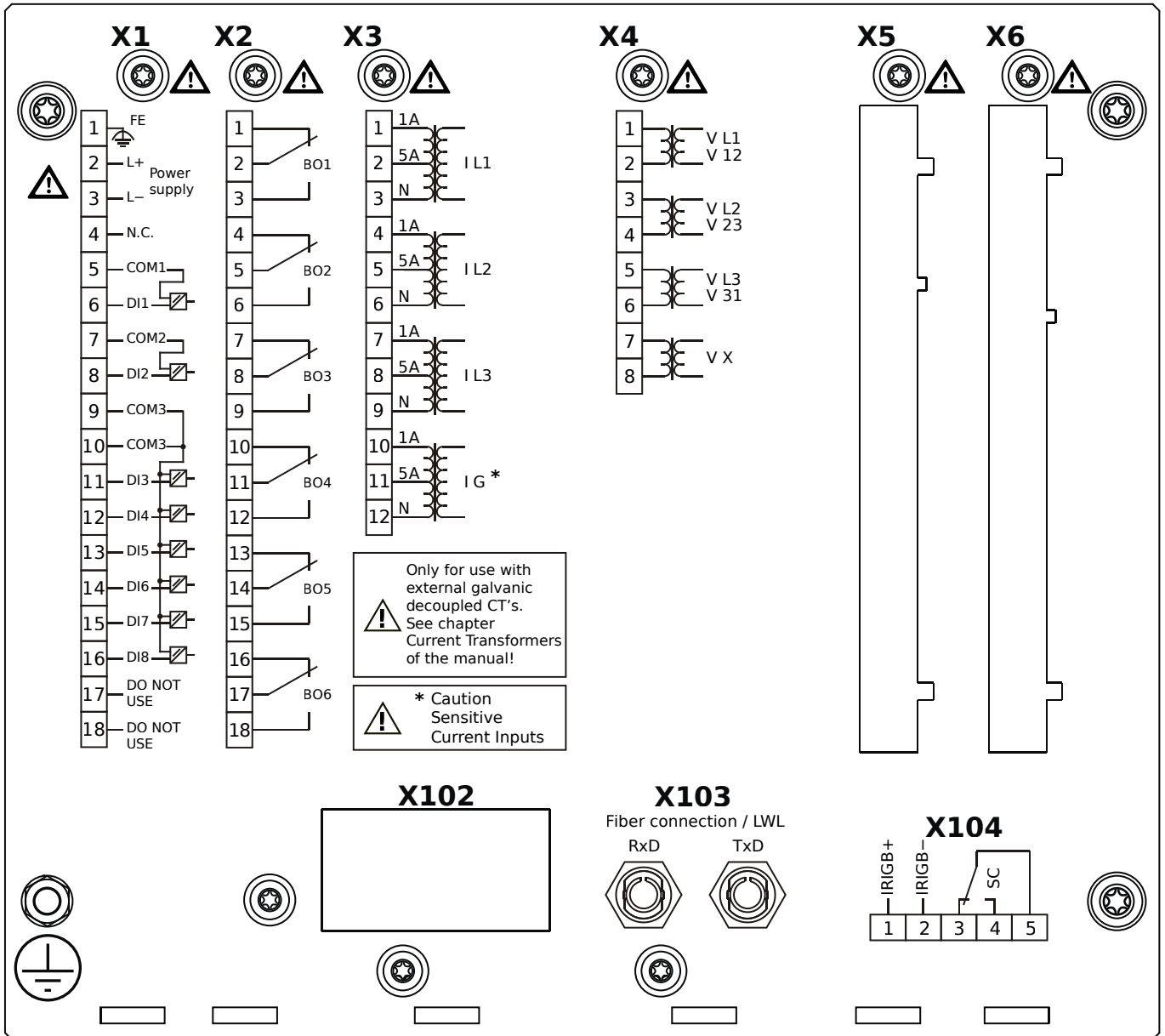
MCA4-2A1HDA



Housing B2, large display, door mounting

- X1** – DI8-X1: Wide-range power supply unit, incl. 2 non-grouped digital inputs and 6 grouped digital inputs
- X2** – OR6: Assembly Group with 6 Output Relays
- X3** – TIs: Standard phase current measuring card and sensitive ground current measuring
- X4** – TU: Card with 4 voltage transformer measuring inputs
- X103** – Profibus-DP, Fiber optics interface, ST Connector
- X104** – IRIG-B00X, incl. System Contact (Supervision Contact)

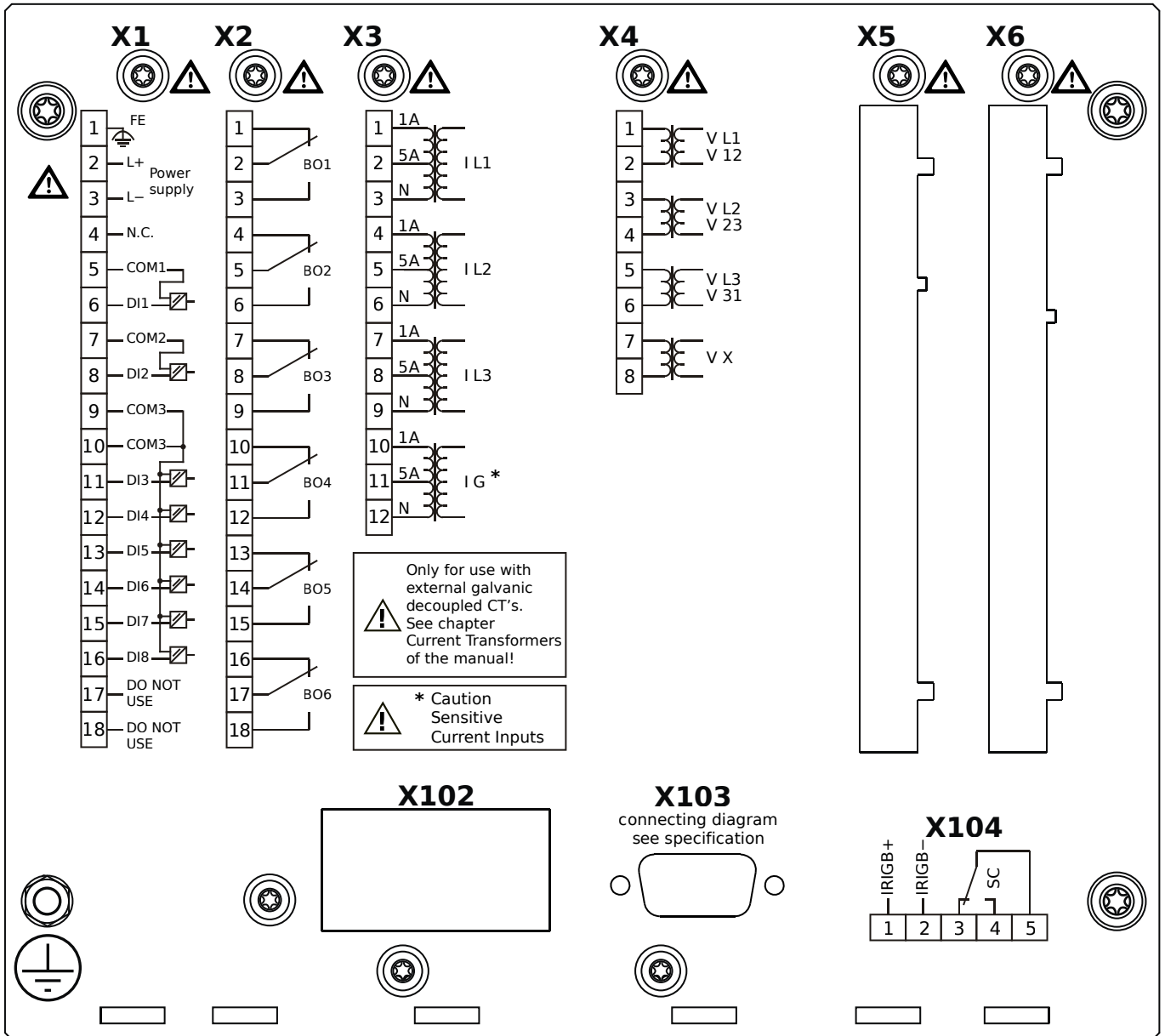
MCA4-2A1HDB



Housing B2, large display, door mounting

- X1** – DI8-X1: Wide-range power supply unit, incl. 2 non-grouped digital inputs and 6 grouped digital inputs
- X2** – OR6: Assembly Group with 6 Output Relays
- X3** – TIs: Standard phase current measuring card and sensitive ground current measuring
- X4** – TU: Card with 4 voltage transformer measuring inputs
- X103** – Profibus-DP, Fiber optics interface, ST Connector
- X104** – IRIG-B00X, incl. System Contact (Supervision Contact)

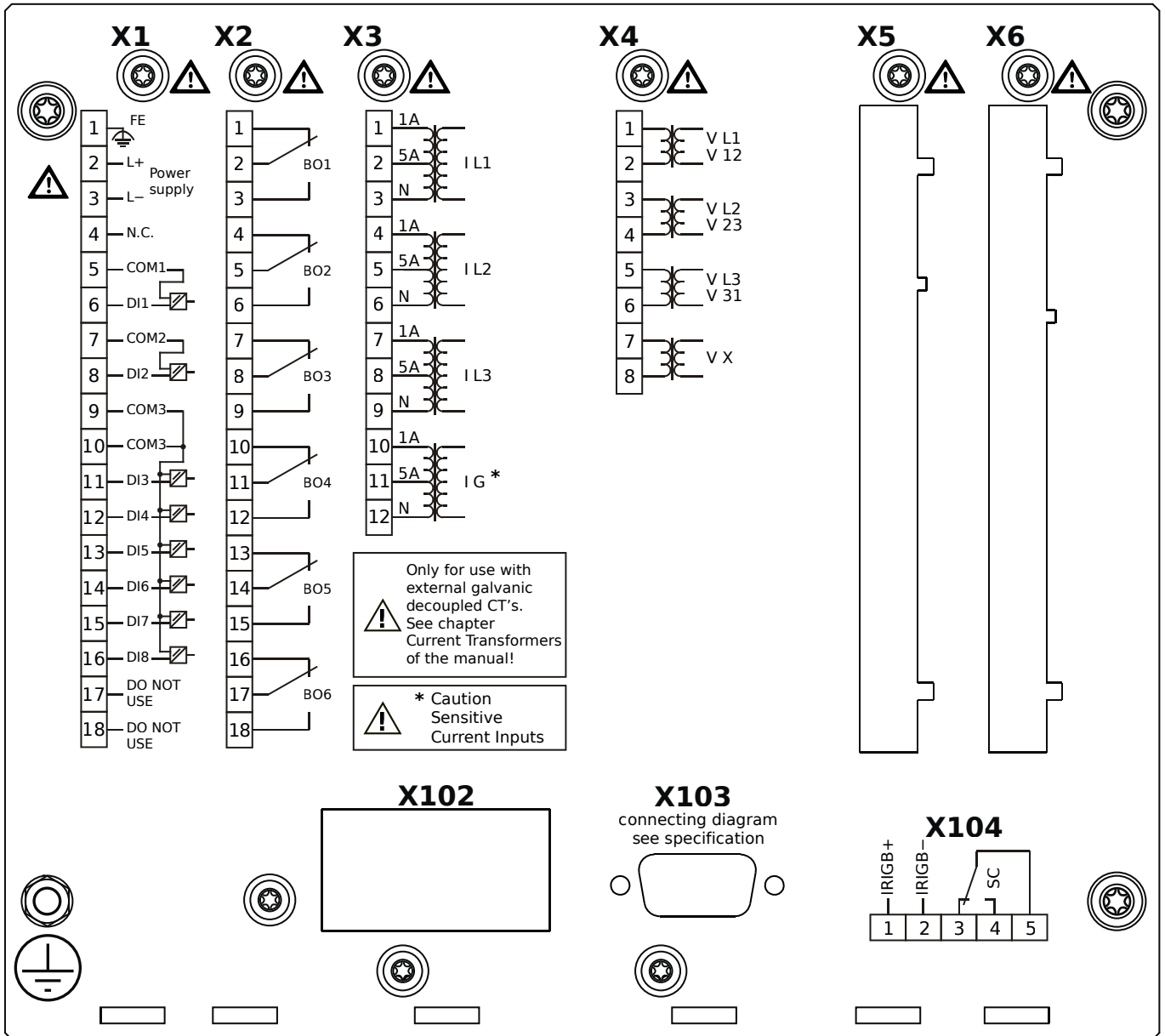
MCA4-2A1HEA



Housing B2, large display, door mounting

- X1** – DI8-X1: Wide-range power supply unit, incl. 2 non-grouped digital inputs and 6 grouped digital inputs
- X2** – OR6: Assembly Group with 6 Output Relays
- X3** – TIs: Standard phase current measuring card and sensitive ground current measuring
- X4** – TU: Card with 4 voltage transformer measuring inputs
- X103** – Profibus-DP, RS485, D-SUB
- X104** – IRIG-B00X, incl. System Contact (Supervision Contact)

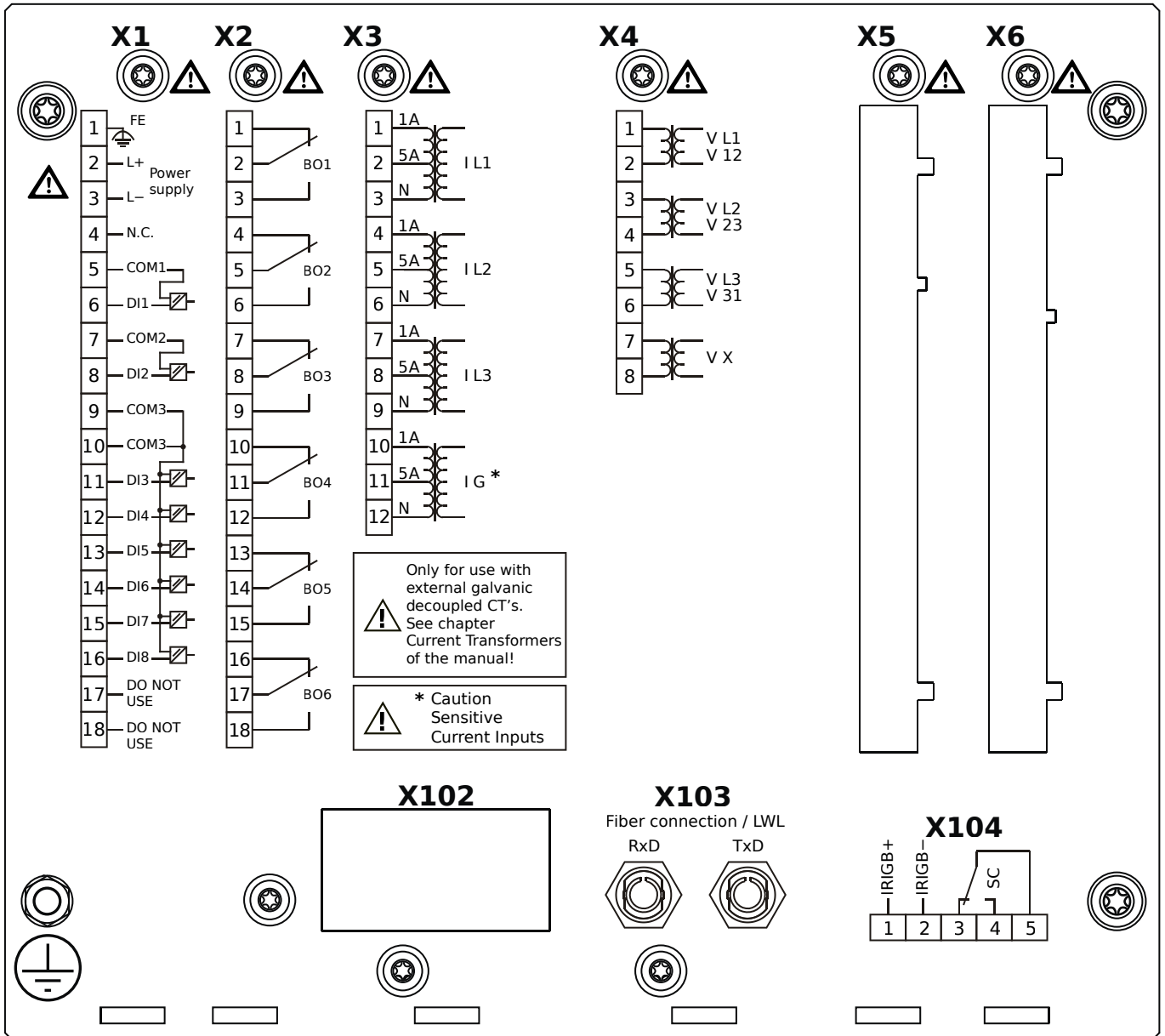
MCA4-2A1HEB



Housing B2, large display, door mounting

- X1** – DI8-X1: Wide-range power supply unit, incl. 2 non-grouped digital inputs and 6 grouped digital inputs
- X2** – OR6: Assembly Group with 6 Output Relays
- X3** – TIs: Standard phase current measuring card and sensitive ground current measuring
- X4** – TU: Card with 4 voltage transformer measuring inputs
- X103** – Profibus-DP, RS485, D-SUB
- X104** – IRIG-B00X, incl. System Contact (Supervision Contact)

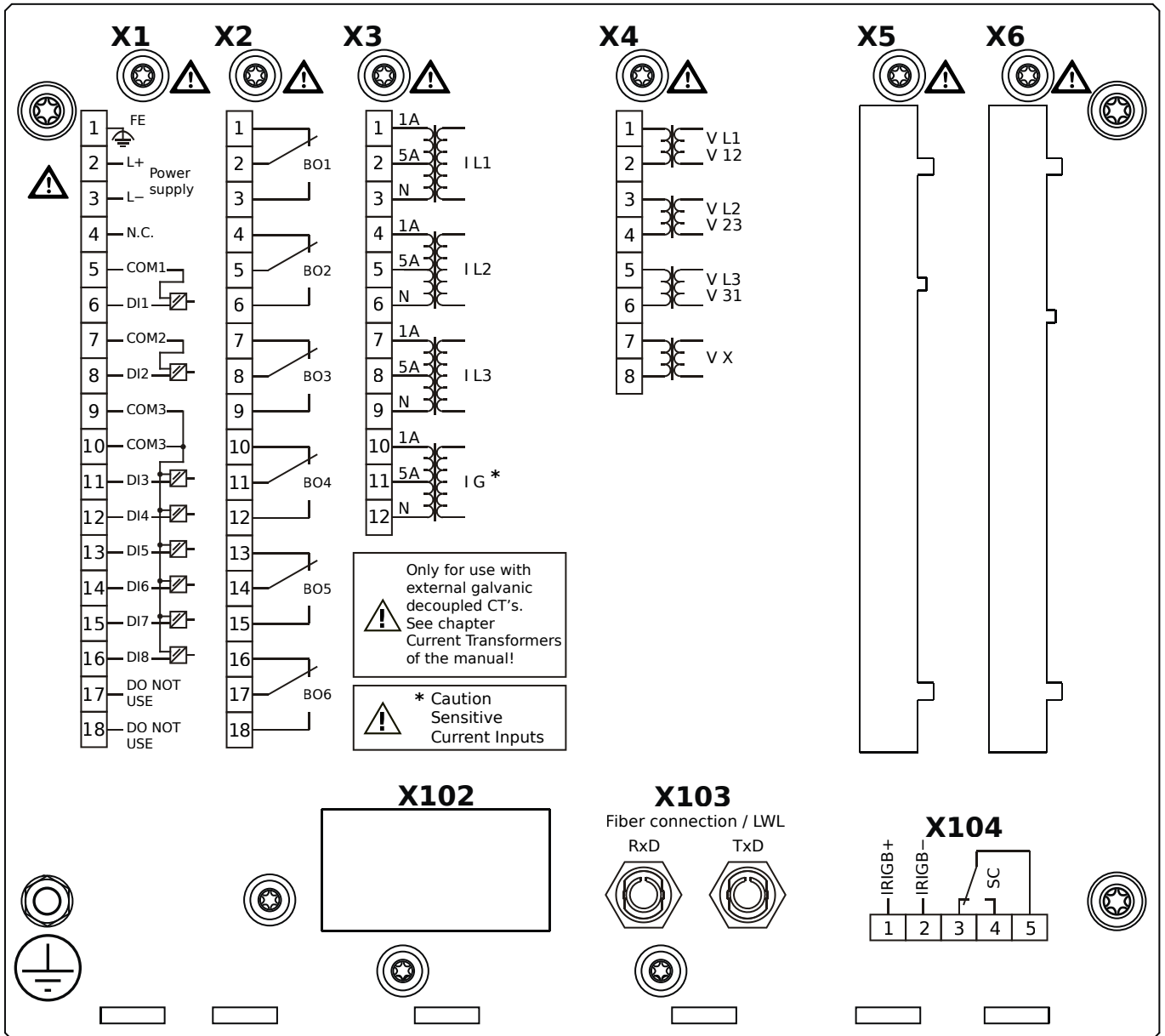
MCA4-2A1HFA



Housing B2, large display, door mounting

- X1** – DI8-X1: Wide-range power supply unit, incl. 2 non-grouped digital inputs and 6 grouped digital inputs
- X2** – OR6: Assembly Group with 6 Output Relays
- X3** – TIs: Standard phase current measuring card and sensitive ground current measuring
- X4** – TU: Card with 4 voltage transformer measuring inputs
- X103** – Modbus RTU / IEC 60870-5-103 / DNP3.0 RTU, Fiber optics interface, ST Connector
- X104** – IRIG-B00X, incl. System Contact (Supervision Contact)

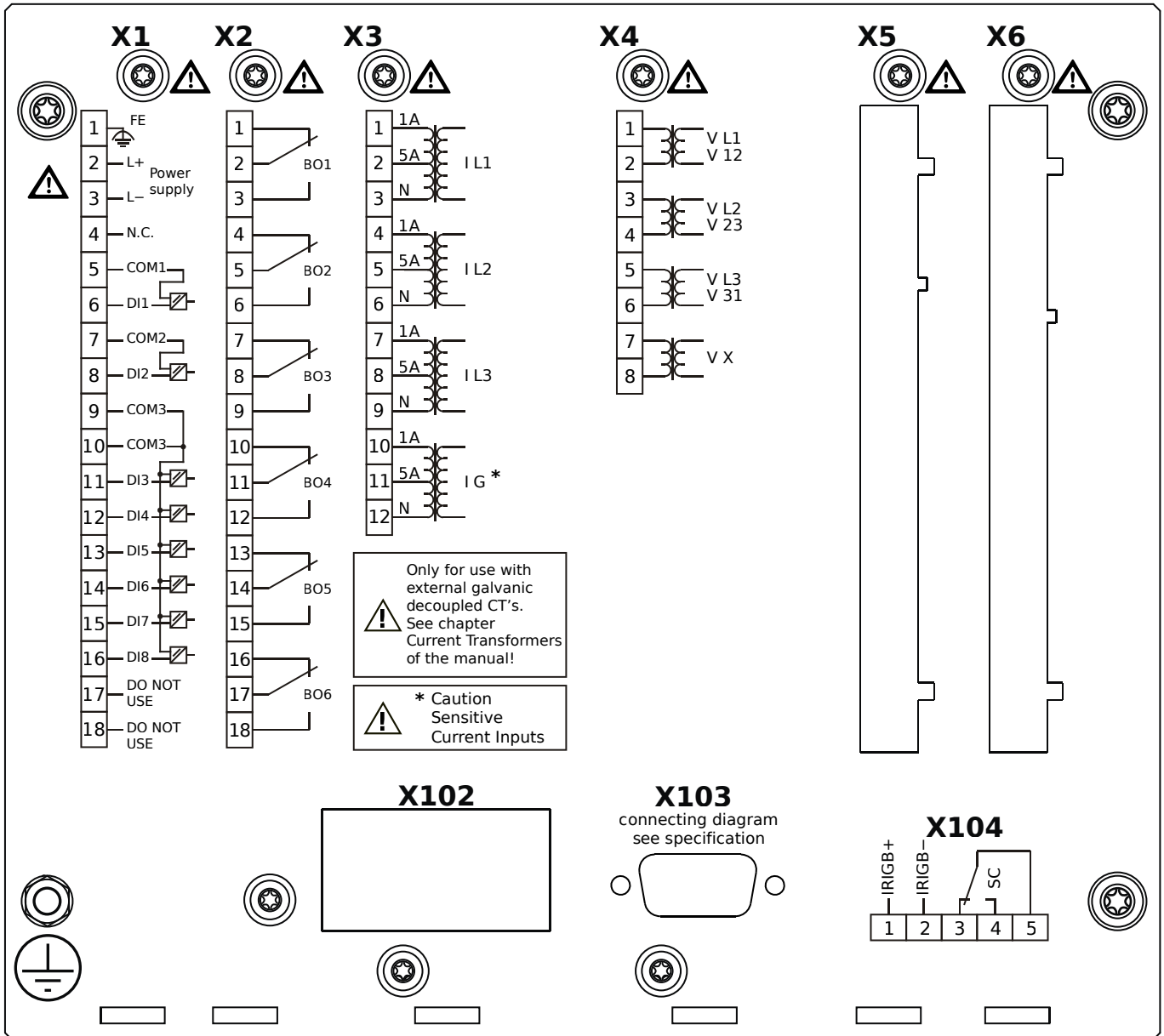
MCA4-2A1HFB



Housing B2, large display, door mounting

- X1** – DI8-X1: Wide-range power supply unit, incl. 2 non-grouped digital inputs and 6 grouped digital inputs
- X2** – OR6: Assembly Group with 6 Output Relays
- X3** – TIs: Standard phase current measuring card and sensitive ground current measuring
- X4** – TU: Card with 4 voltage transformer measuring inputs
- X103** – Modbus RTU / IEC 60870-5-103 / DNP3.0 RTU, Fiber optics interface, ST Connector
- X104** – IRIG-B00X, incl. System Contact (Supervision Contact)

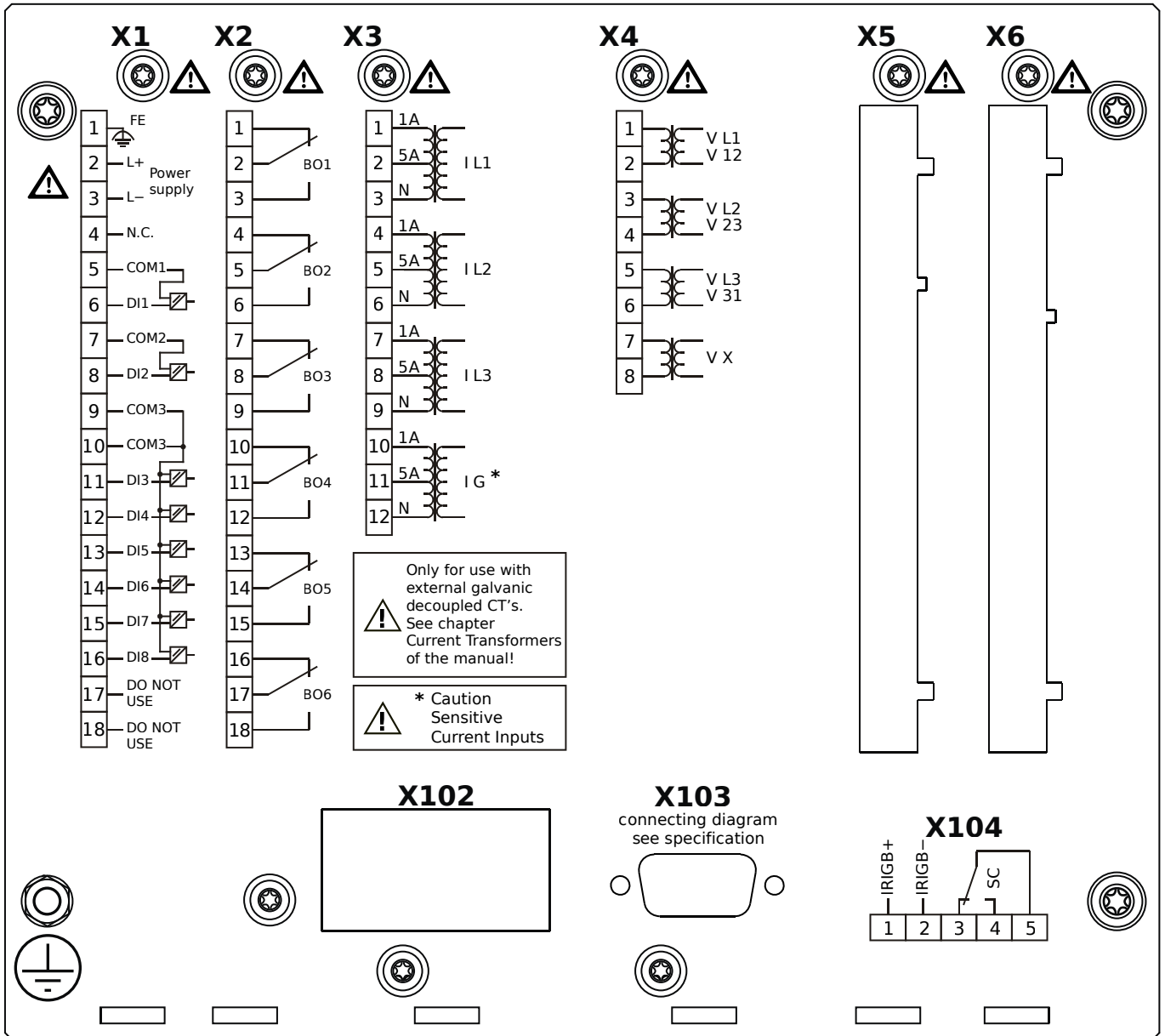
MCA4-2A1HGA



Housing B2, large display, door mounting

- X1** – DI8-X1: Wide-range power supply unit, incl. 2 non-grouped digital inputs and 6 grouped digital inputs
- X2** – OR6: Assembly Group with 6 Output Relays
- X3** – TIs: Standard phase current measuring card and sensitive ground current measuring
- X4** – TU: Card with 4 voltage transformer measuring inputs
- X103** – Modbus RTU / IEC 60870-5-103 / DNP3.0 RTU, RS485, D-SUB
- X104** – IRIG-B00X, incl. System Contact (Supervision Contact)

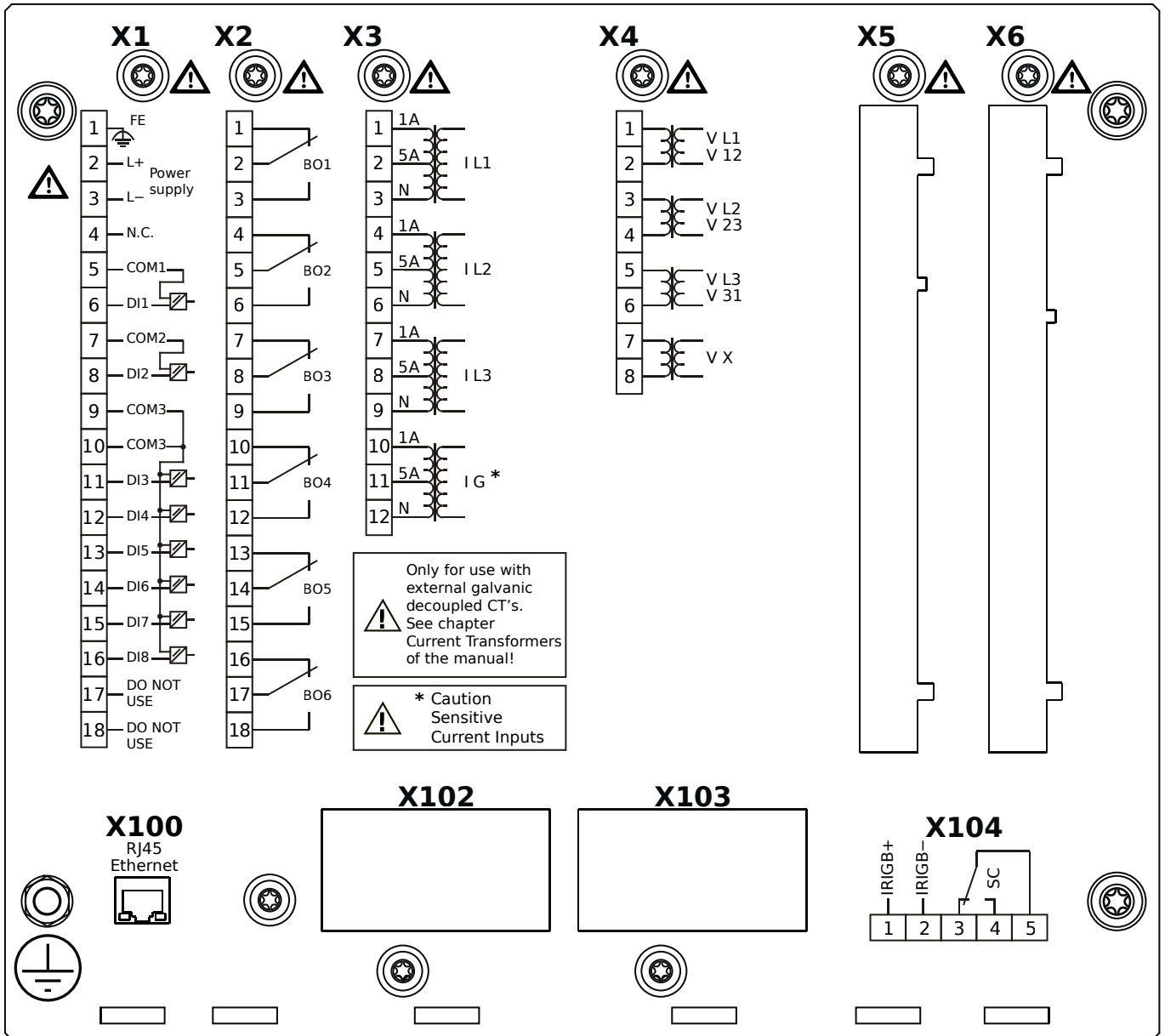
MCA4-2A1HGB



Housing B2, large display, door mounting

- X1** – DI8-X1: Wide-range power supply unit, incl. 2 non-grouped digital inputs and 6 grouped digital inputs
- X2** – OR6: Assembly Group with 6 Output Relays
- X3** – TIs: Standard phase current measuring card and sensitive ground current measuring
- X4** – TU: Card with 4 voltage transformer measuring inputs
- X103** – Modbus RTU / IEC 60870-5-103 / DNP3.0 RTU, RS485, D-SUB
- X104** – IRIG-B00X, incl. System Contact (Supervision Contact)

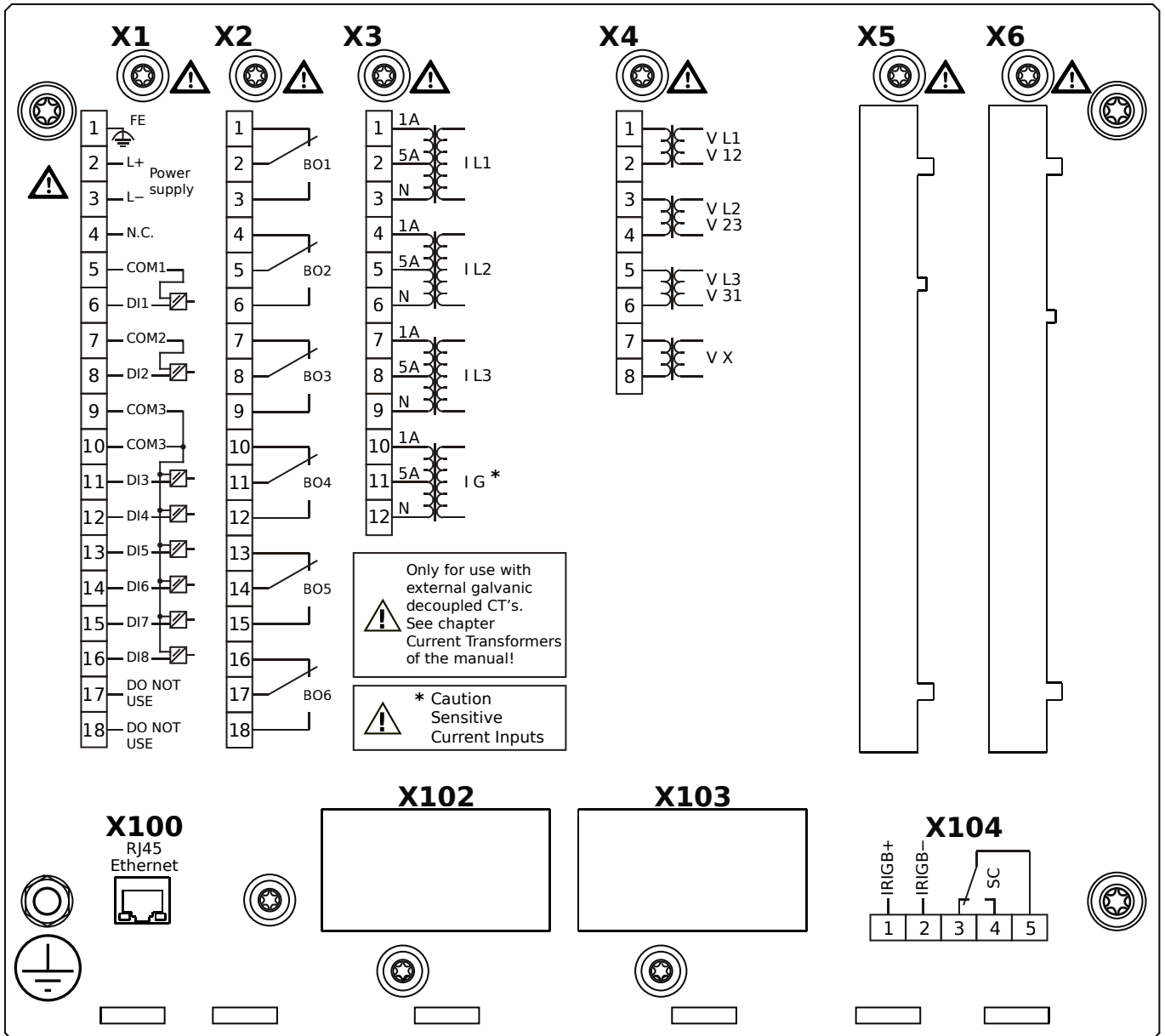
MCA4-2A1HHA



Housing B2, large display, door mounting

- X1** – DI8-X1: Wide-range power supply unit, incl. 2 non-grouped digital inputs and 6 grouped digital inputs
- X2** – OR6: Assembly Group with 6 Output Relays
- X3** – TIs: Standard phase current measuring card and sensitive ground current measuring
- X4** – TU: Card with 4 voltage transformer measuring inputs
- X100** – IEC 61850 / Modbus TCP / DNP3.0 TCP/UDP, Ethernet interface, 100 Mbit/s, RJ45 (BASE100-FX)
- X104** – IRIG-B00X, incl. System Contact (Supervision Contact)

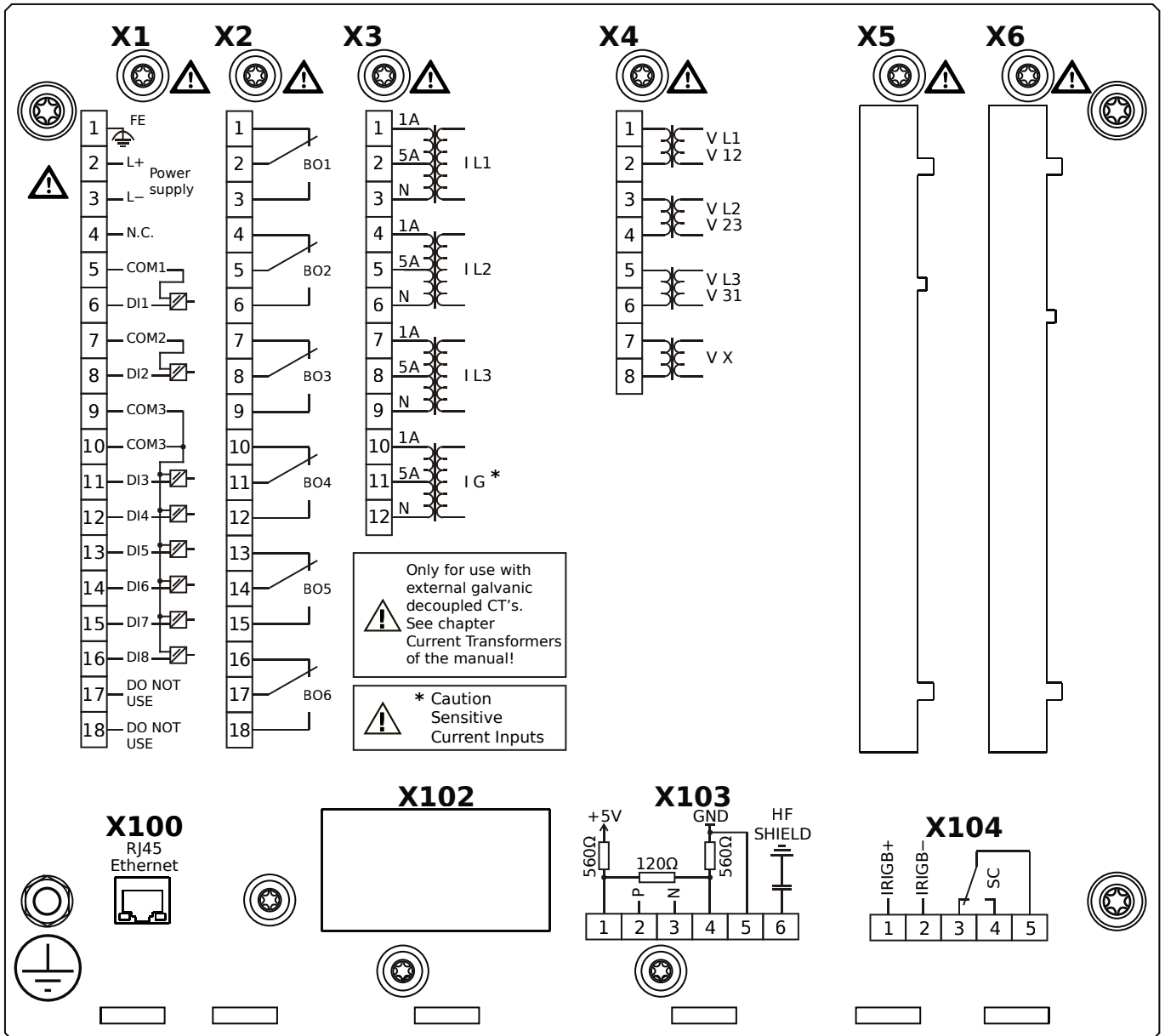
MCA4-2A1HHB



Housing B2, large display, door mounting

- X1** – DI8-X1: Wide-range power supply unit, incl. 2 non-grouped digital inputs and 6 grouped digital inputs
- X2** – OR6: Assembly Group with 6 Output Relays
- X3** – TIs: Standard phase current measuring card and sensitive ground current measuring
- X4** – TU: Card with 4 voltage transformer measuring inputs
- X100** – IEC 61850 / Modbus TCP / DNP3.0 TCP/UDP, Ethernet interface, 100 Mbit/s, RJ45 (BASE100-FX)
- X104** – IRIG-B00X, incl. System Contact (Supervision Contact)

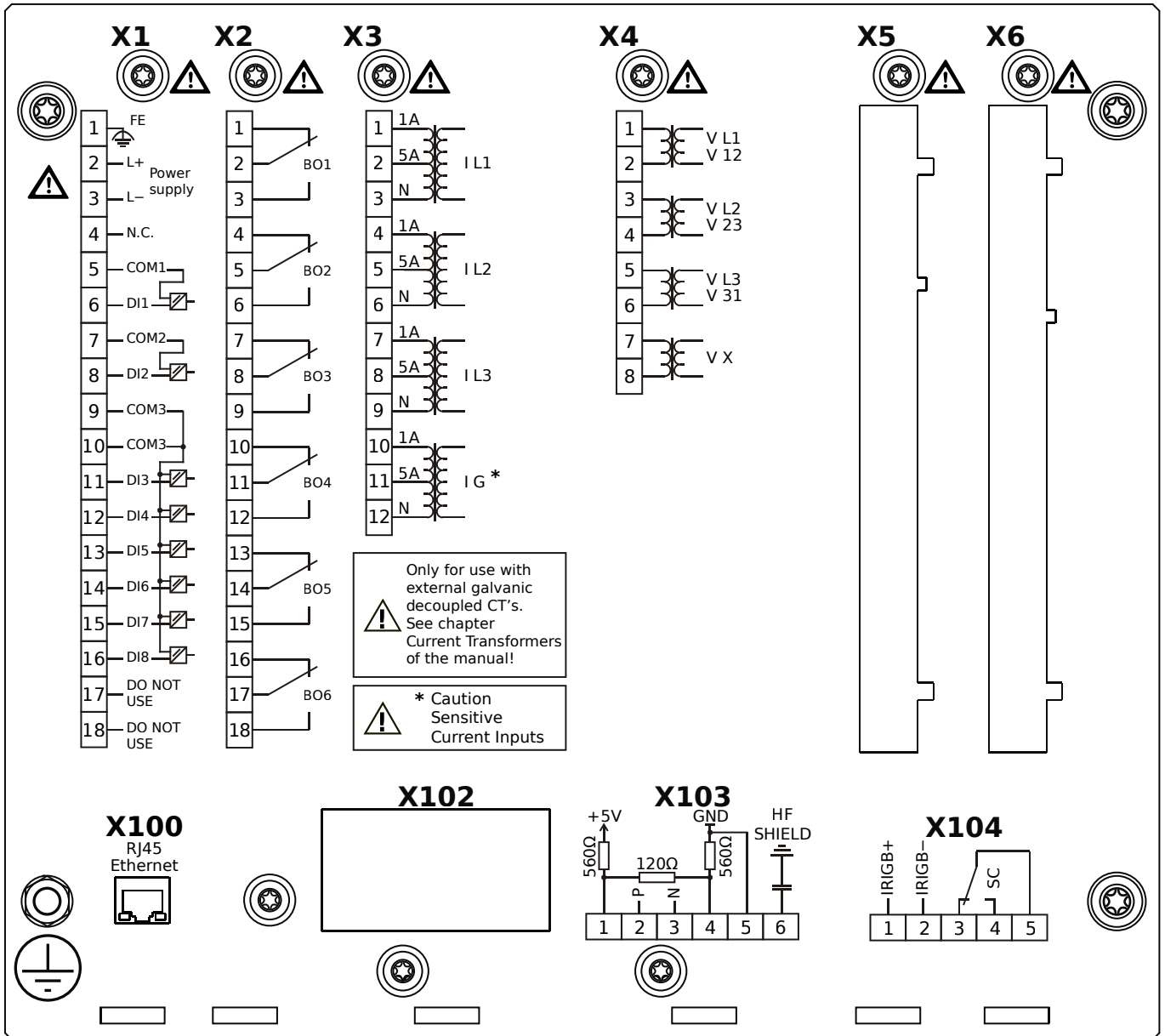
MCA4-2A1HIA



Housing B2, large display, door mounting

- X1** – DI8-X1: Wide-range power supply unit, incl. 2 non-grouped digital inputs and 6 grouped digital inputs
- X2** – OR6: Assembly Group with 6 Output Relays
- X3** – TIs: Standard phase current measuring card and sensitive ground current measuring
- X4** – TU: Card with 4 voltage transformer measuring inputs
- X100** – Modbus TCP / DNP3.0 TCP/UDP, Ethernet interface, 100 Mbit/s, RJ45 (BASE100-FX)
- X103** – IEC 60870-5-103 / Modbus RTU / DNP3.0 RTU, RS485, Terminals
- X104** – IRIG-B00X, incl. System Contact (Supervision Contact)

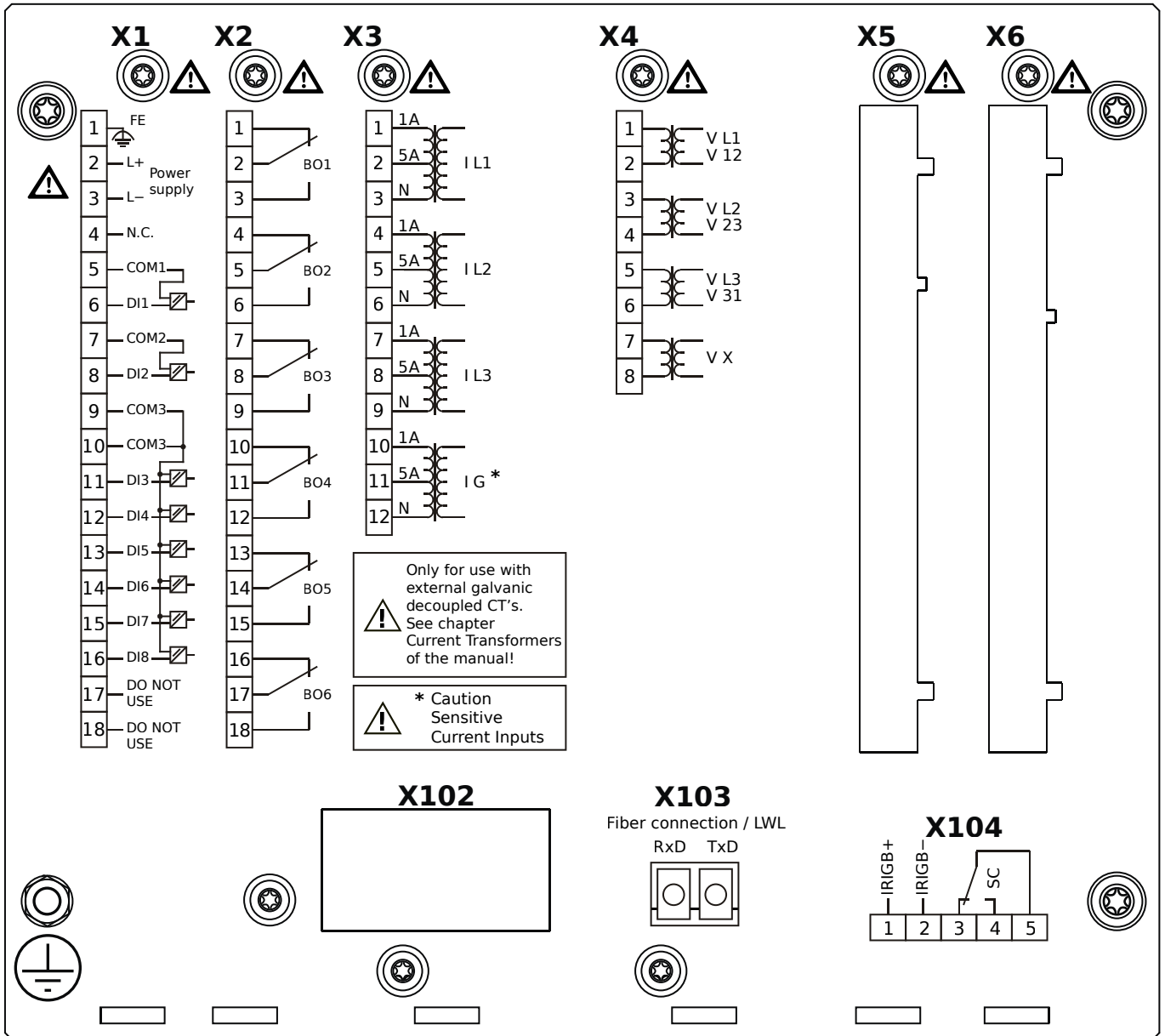
MCA4-2A1HIB



Housing B2, large display, door mounting

- X1** – DI8-X1: Wide-range power supply unit, incl. 2 non-grouped digital inputs and 6 grouped digital inputs
- X2** – OR6: Assembly Group with 6 Output Relays
- X3** – TIs: Standard phase current measuring card and sensitive ground current measuring
- X4** – TU: Card with 4 voltage transformer measuring inputs
- X100** – Modbus TCP / DNP3.0 TCP/UDP, Ethernet interface, 100 Mbit/s, RJ45 (BASE100-FX)
- X103** – IEC 60870-5-103 / Modbus RTU / DNP3.0 RTU, RS485, Terminals
- X104** – IRIG-B00X, incl. System Contact (Supervision Contact)

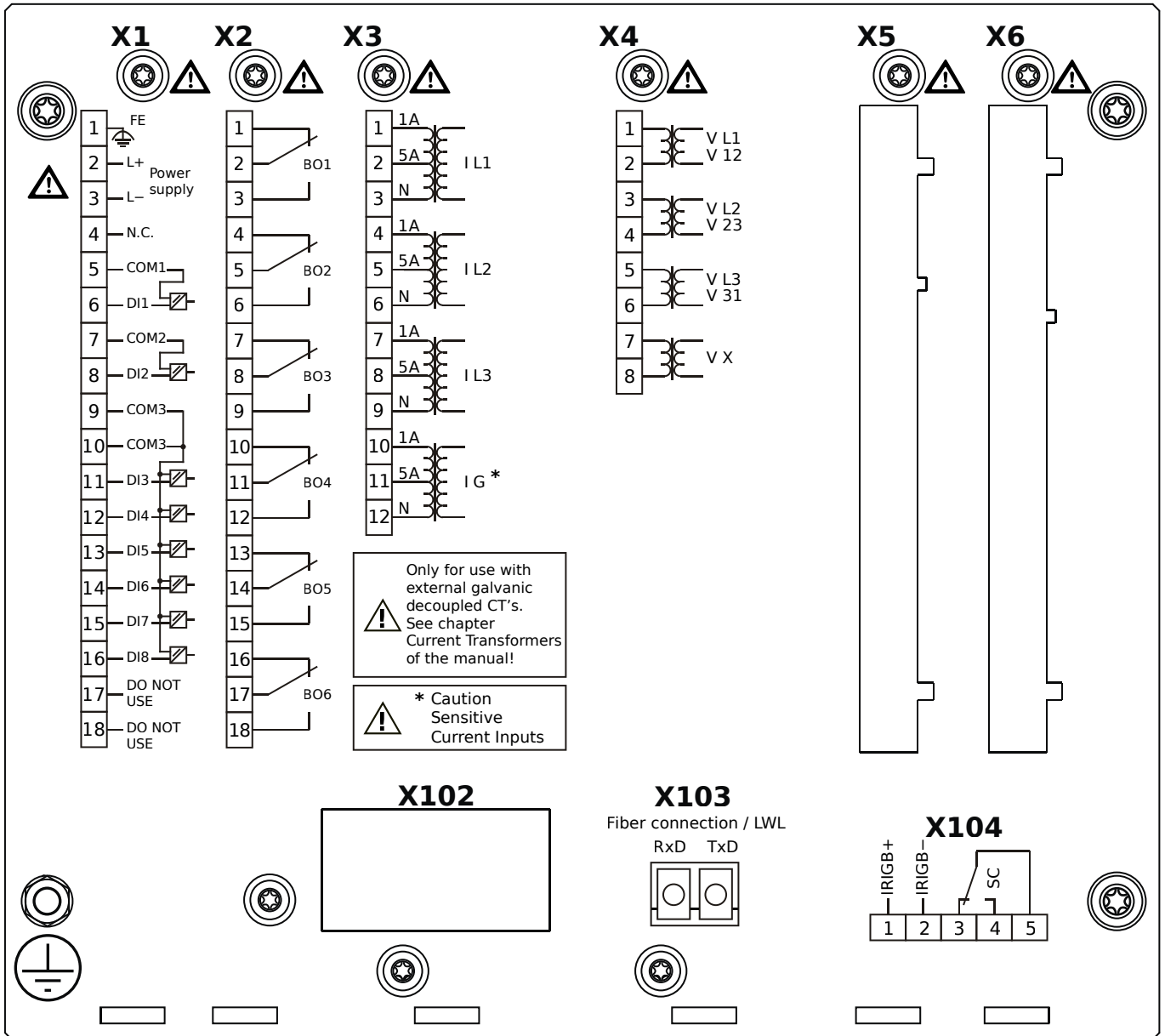
MCA4-2A1HKA



Housing B2, large display, door mounting

- X1** – DI8-X1: Wide-range power supply unit, incl. 2 non-grouped digital inputs and 6 grouped digital inputs
- X2** – OR6: Assembly Group with 6 Output Relays
- X3** – TIs: Standard phase current measuring card and sensitive ground current measuring
- X4** – TU: Card with 4 voltage transformer measuring inputs
- X103** – IEC 61850 / Modbus TCP / DNP3.0 TCP/UDP, Fiber optics interface, LC Connector
- X104** – IRIG-B00X, incl. System Contact (Supervision Contact)

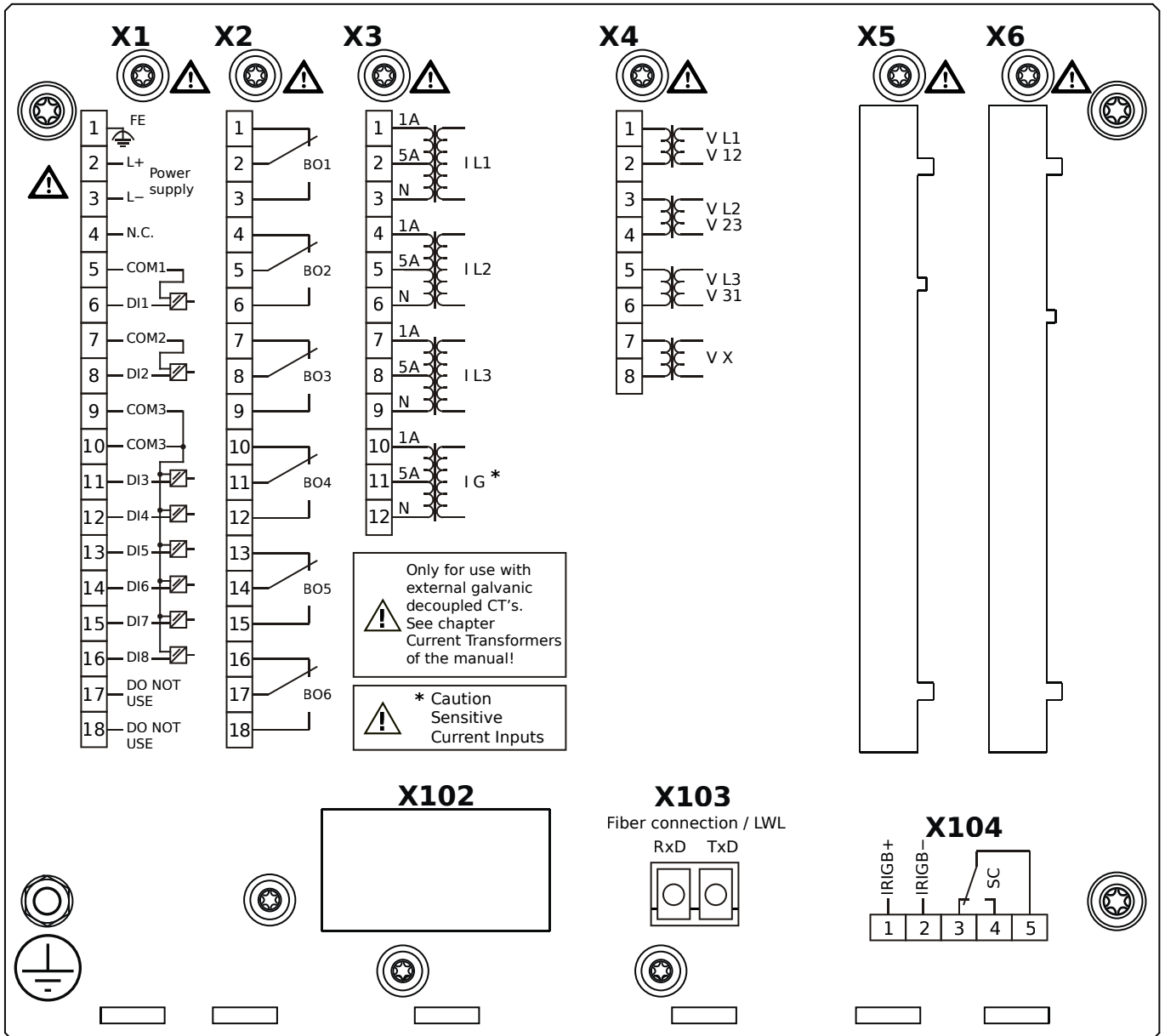
MCA4-2A1HKB



Housing B2, large display, door mounting

- X1** – DI8-X1: Wide-range power supply unit, incl. 2 non-grouped digital inputs and 6 grouped digital inputs
- X2** – OR6: Assembly Group with 6 Output Relays
- X3** – TIs: Standard phase current measuring card and sensitive ground current measuring
- X4** – TU: Card with 4 voltage transformer measuring inputs
- X103** – IEC 61850 / Modbus TCP / DNP3.0 TCP/UDP, Fiber optics interface, LC Connector
- X104** – IRIG-B00X, incl. System Contact (Supervision Contact)

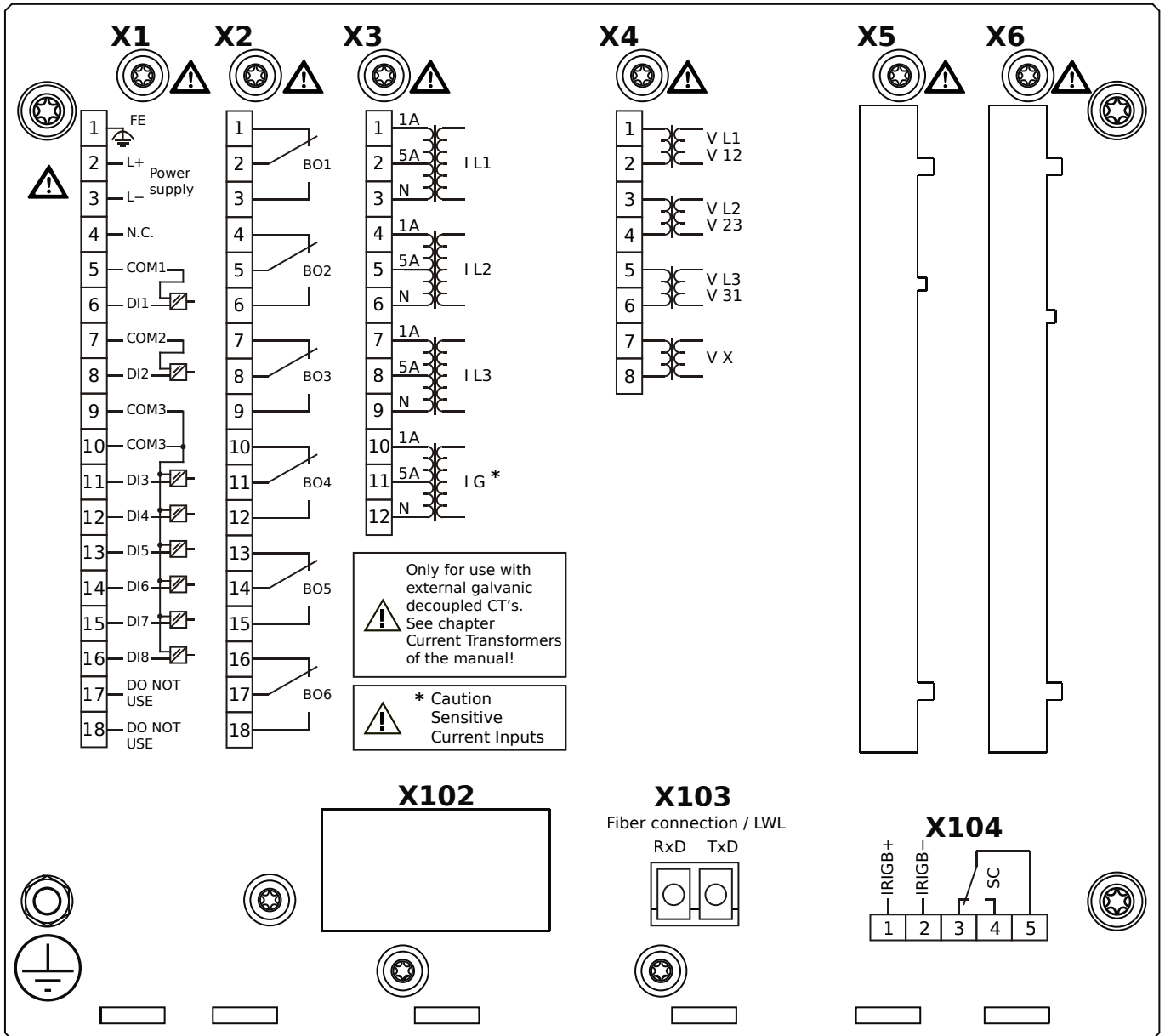
MCA4-2A1HLA



Housing B2, large display, door mounting

- X1** – DI8-X1: Wide-range power supply unit, incl. 2 non-grouped digital inputs and 6 grouped digital inputs
- X2** – OR6: Assembly Group with 6 Output Relays
- X3** – TIs: Standard phase current measuring card and sensitive ground current measuring
- X4** – TU: Card with 4 voltage transformer measuring inputs
- X103** – Modbus TCP / DNP3.0 TCP/UDP, Fiber optics interface, LC Connector
- X104** – IRIG-B00X, incl. System Contact (Supervision Contact)

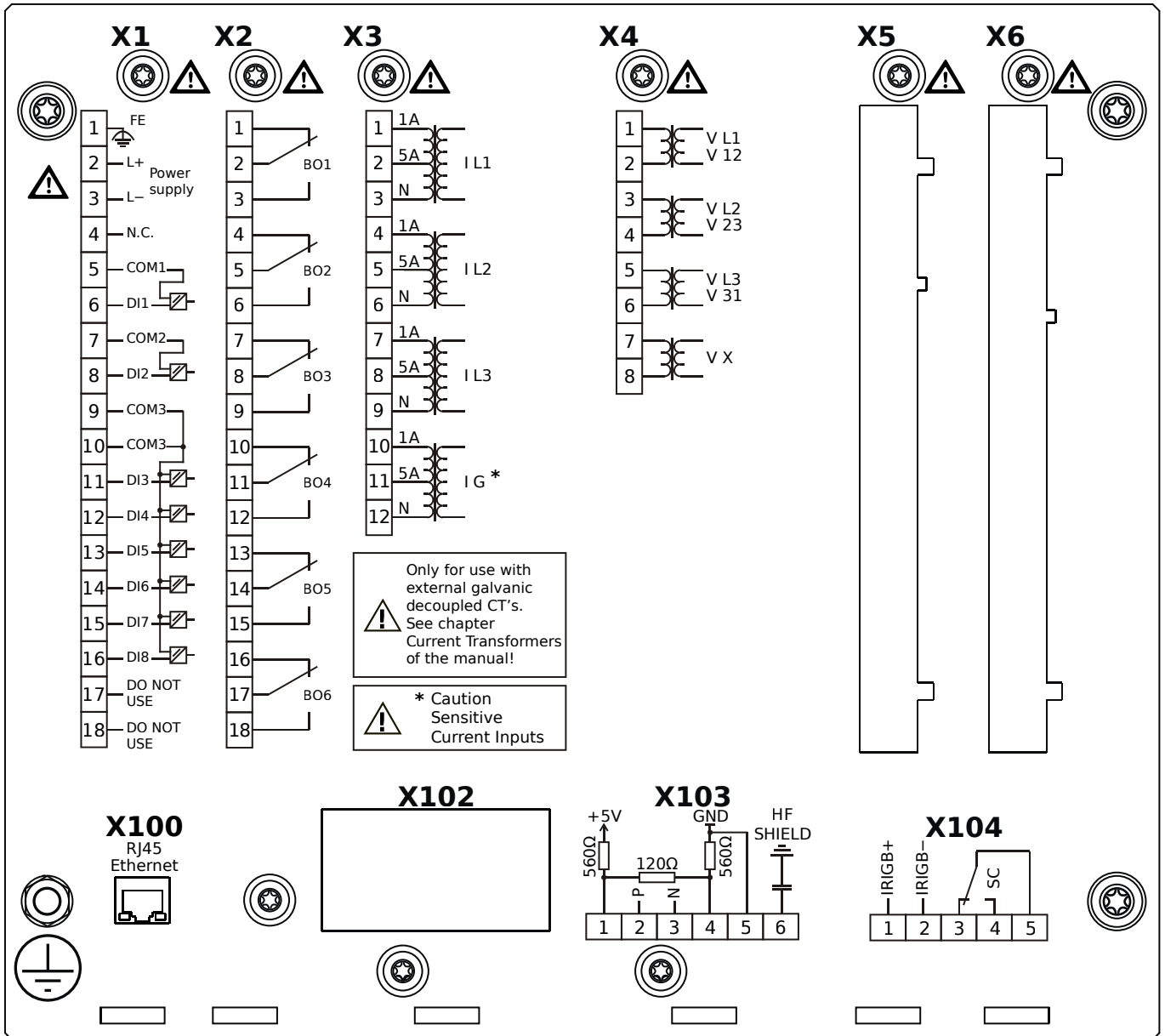
MCA4-2A1HLB



Housing B2, large display, door mounting

- X1** – DI8-X1: Wide-range power supply unit, incl. 2 non-grouped digital inputs and 6 grouped digital inputs
- X2** – OR6: Assembly Group with 6 Output Relays
- X3** – TIs: Standard phase current measuring card and sensitive ground current measuring
- X4** – TU: Card with 4 voltage transformer measuring inputs
- X103** – Modbus TCP / DNP3.0 TCP/UDP, Fiber optics interface, LC Connector
- X104** – IRIG-B00X, incl. System Contact (Supervision Contact)

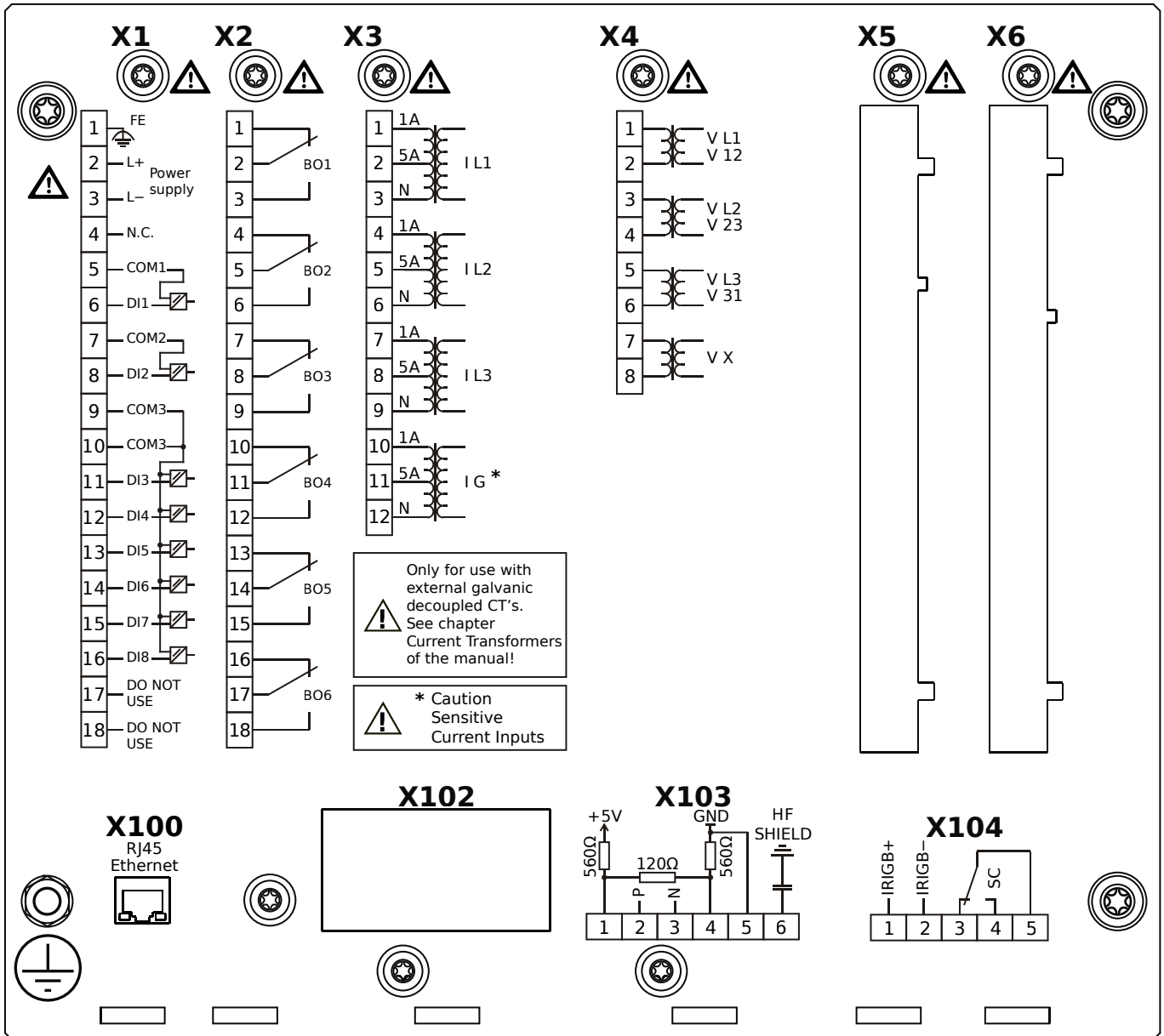
MCA4-2A1HTA



Housing B2, large display, door mounting

- X1** – DI8-X1: Wide-range power supply unit, incl. 2 non-grouped digital inputs and 6 grouped digital inputs
- X2** – OR6: Assembly Group with 6 Output Relays
- X3** – TIs: Standard phase current measuring card and sensitive ground current measuring
- X4** – TU: Card with 4 voltage transformer measuring inputs
- X100** – IEC 61850 / Modbus TCP / DNP3.0 TCP/UDP, Ethernet interface, 100 Mbit/s, RJ45 (BASE100-FX)
- X103** – IEC 60870-5-103 / Modbus RTU / DNP3.0 RTU, RS485, Terminals
- X104** – IRIG-B00X, incl. System Contact (Supervision Contact)

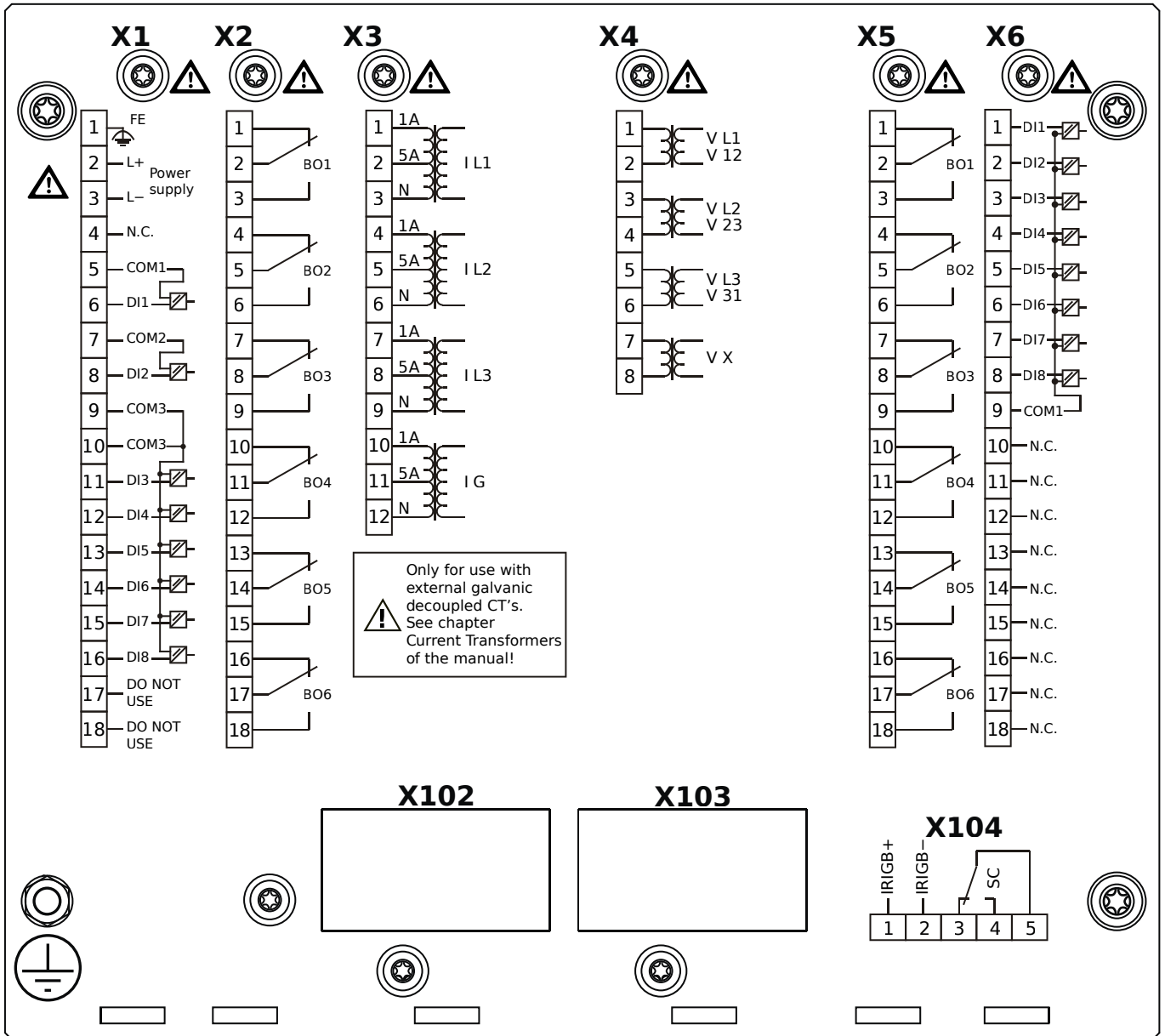
MCA4-2A1HTB



Housing B2, large display, door mounting

- X1** – DI8-X1: Wide-range power supply unit, incl. 2 non-grouped digital inputs and 6 grouped digital inputs
- X2** – OR6: Assembly Group with 6 Output Relays
- X3** – TIs: Standard phase current measuring card and sensitive ground current measuring
- X4** – TU: Card with 4 voltage transformer measuring inputs
- X100** – IEC 61850 / Modbus TCP / DNP3.0 TCP/UDP, Ethernet interface, 100 Mbit/s, RJ45 (BASE100-FX)
- X103** – IEC 60870-5-103 / Modbus RTU / DNP3.0 RTU, RS485, Terminals
- X104** – IRIG-B00X, incl. System Contact (Supervision Contact)

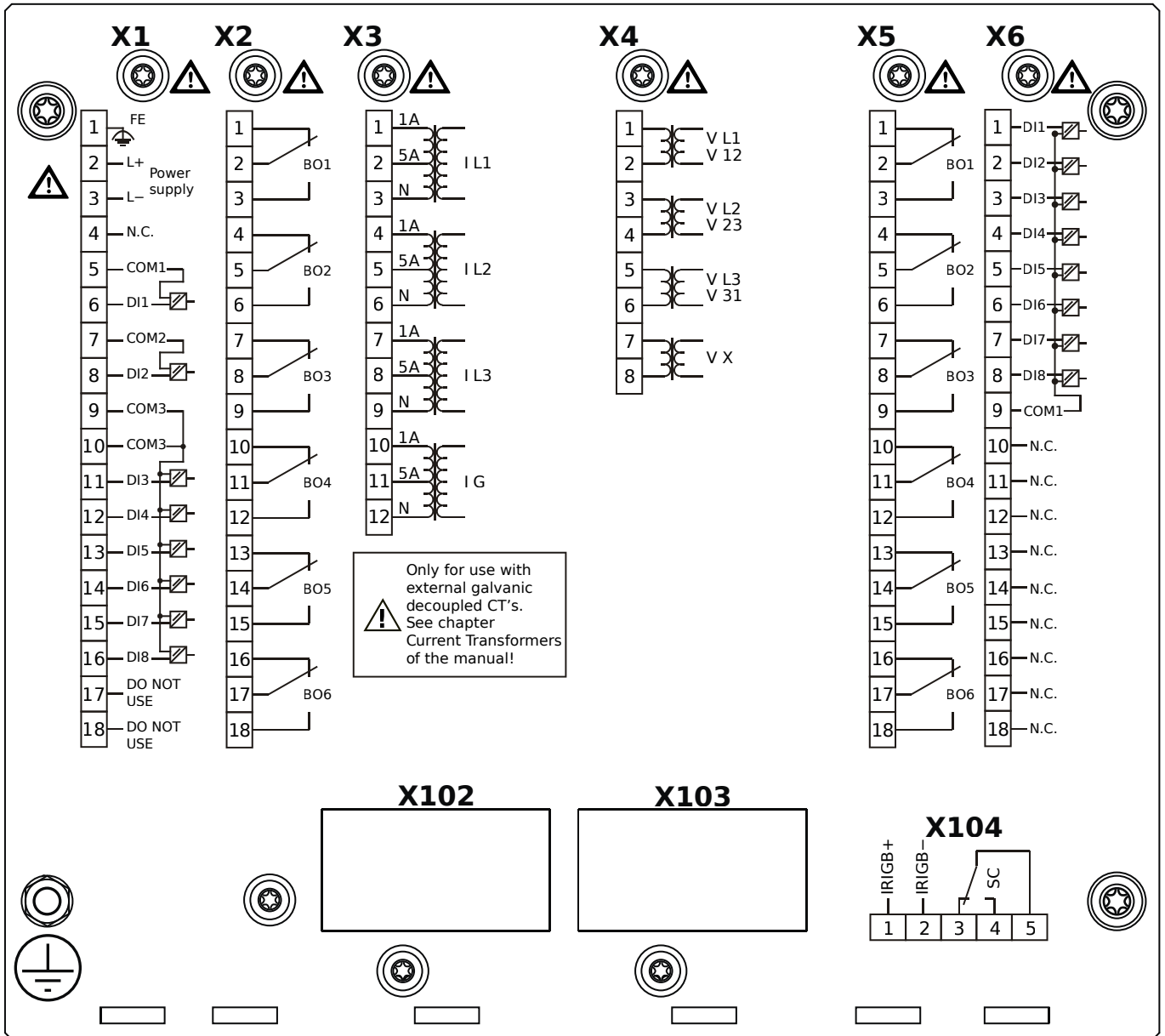
MCA4-2D0AAA



Housing B2, large display, door mounting

- X1** – DI8-X1: Wide-range power supply unit, incl. 2 non-grouped digital inputs and 6 grouped digital inputs
- X2** – OR6: Assembly Group with 6 Output Relays
- X3** – TI: Standard current measuring card
- X4** – TU: Card with 4 voltage transformer measuring inputs
- X5** – OR6: Assembly Group with 6 Output Relays
- X6** – DI8: Assembly Group with 8 Digital Inputs
- X104** – IRIG-B00X, incl. System Contact (Supervision Contact)

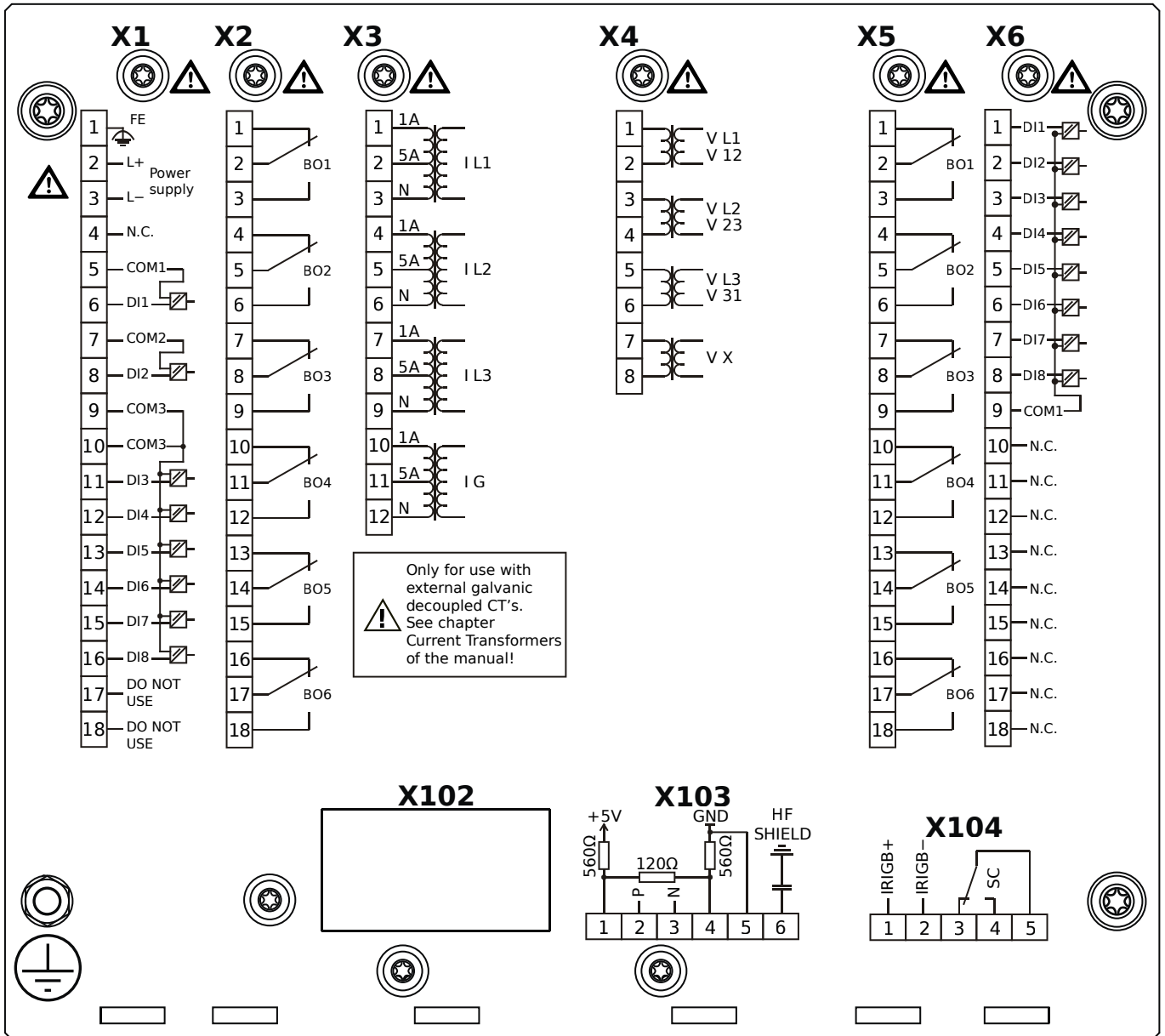
MCA4-2D0AAB



Housing B2, large display, door mounting

- X1** – DI8-X1: Wide-range power supply unit, incl. 2 non-grouped digital inputs and 6 grouped digital inputs
- X2** – OR6: Assembly Group with 6 Output Relays
- X3** – TI: Standard current measuring card
- X4** – TU: Card with 4 voltage transformer measuring inputs
- X5** – OR6: Assembly Group with 6 Output Relays
- X6** – DI8: Assembly Group with 8 Digital Inputs
- X104** – IRIG-B00X, incl. System Contact (Supervision Contact)

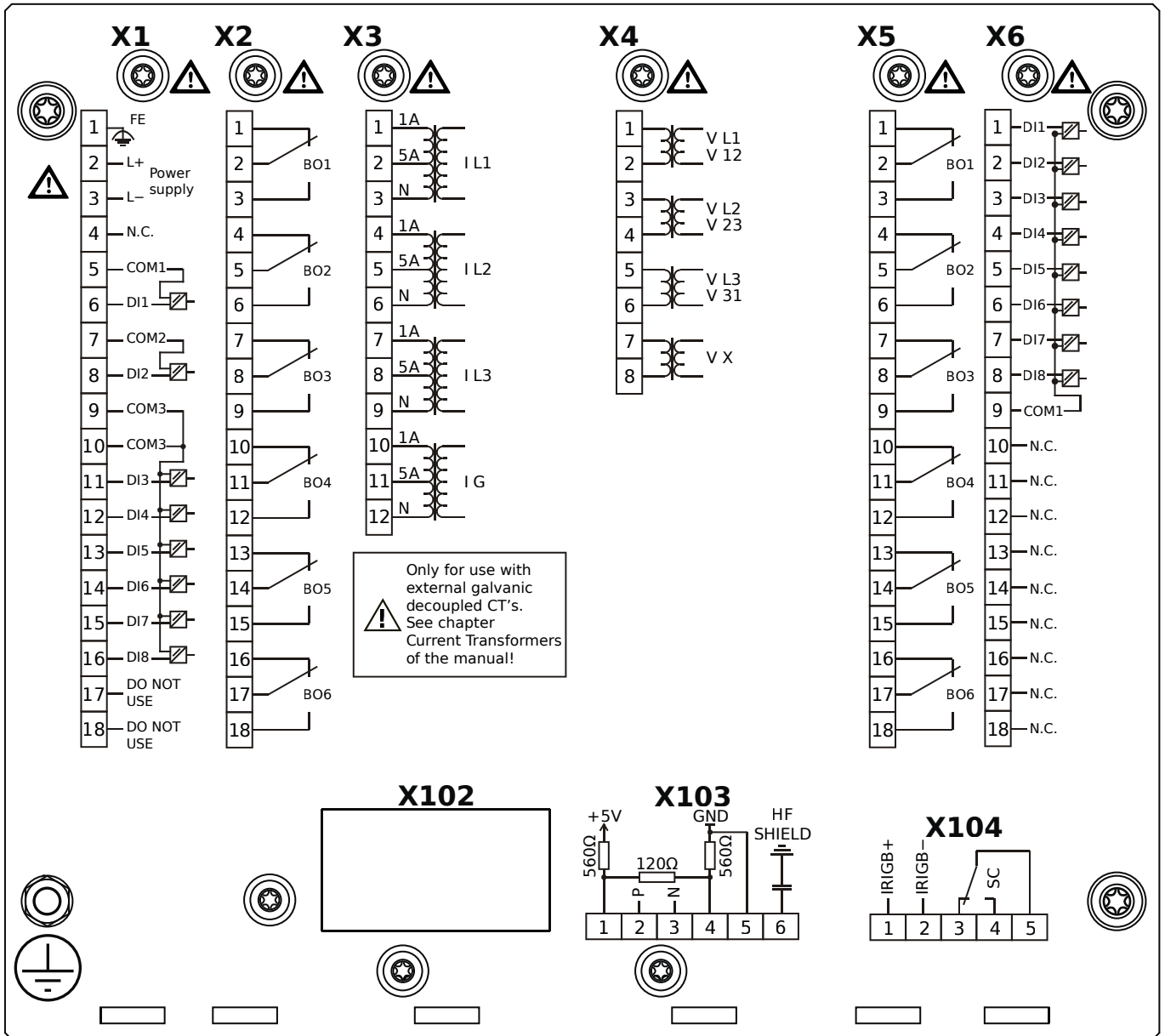
MCA4-2D0ABA



Housing B2, large display, door mounting

- X1** – DI8-X1: Wide-range power supply unit, incl. 2 non-grouped digital inputs and 6 grouped digital inputs
- X2** – OR6: Assembly Group with 6 Output Relays
- X3** – TI: Standard current measuring card
- X4** – TU: Card with 4 voltage transformer measuring inputs
- X5** – OR6: Assembly Group with 6 Output Relays
- X6** – DI8: Assembly Group with 8 Digital Inputs
- X103** – Modbus RTU / IEC 60870-5-103 / DNP3.0 RTU, RS485, Terminals
- X104** – IRIG-B00X, incl. System Contact (Supervision Contact)

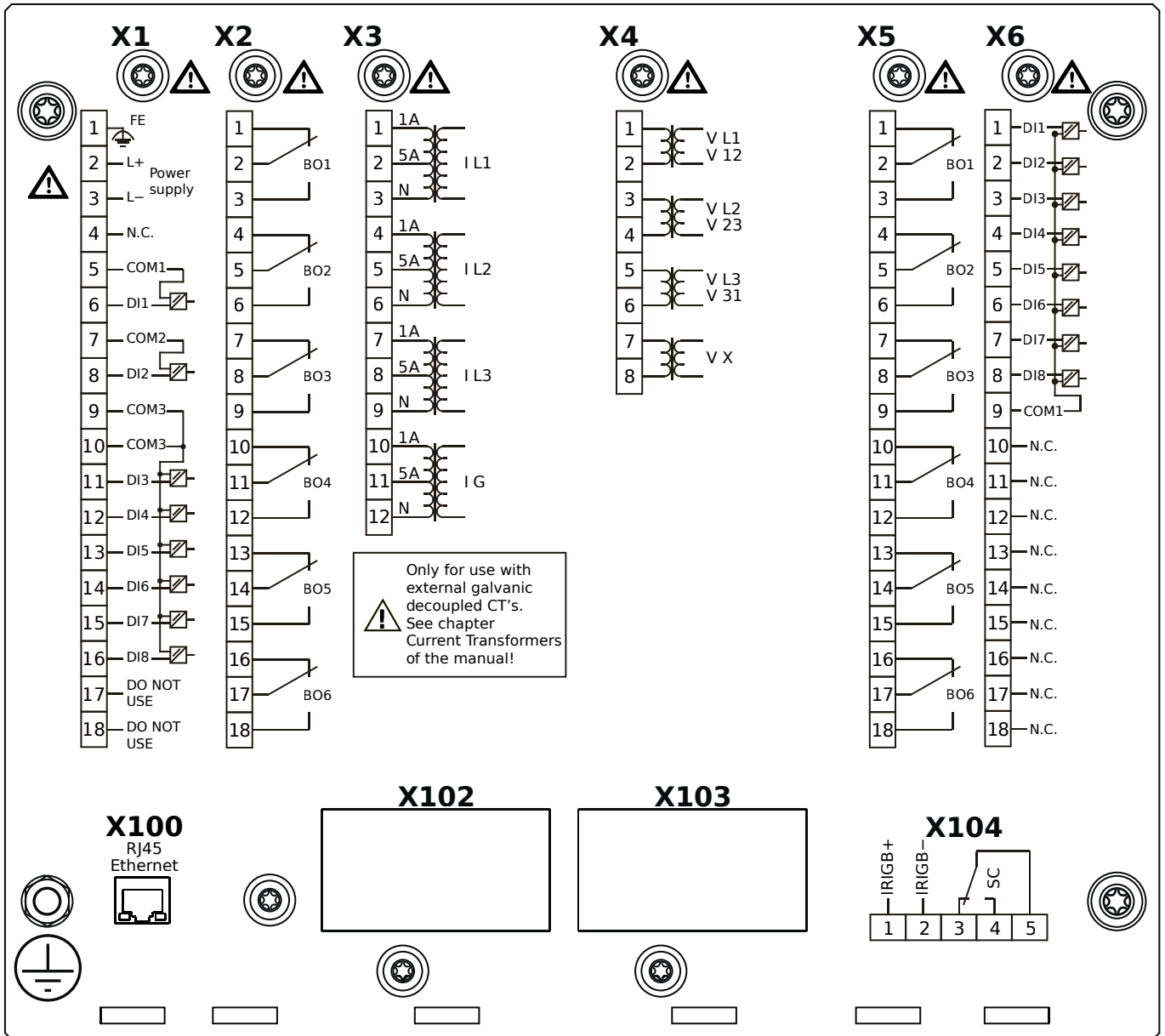
MCA4-2D0ABB



Housing B2, large display, door mounting

- X1** – DI8-X1: Wide-range power supply unit, incl. 2 non-grouped digital inputs and 6 grouped digital inputs
- X2** – OR6: Assembly Group with 6 Output Relays
- X3** – TI: Standard current measuring card
- X4** – TU: Card with 4 voltage transformer measuring inputs
- X5** – OR6: Assembly Group with 6 Output Relays
- X6** – DI8: Assembly Group with 8 Digital Inputs
- X103** – Modbus RTU / IEC 60870-5-103 / DNP3.0 RTU, RS485, Terminals
- X104** – IRIG-B00X, incl. System Contact (Supervision Contact)

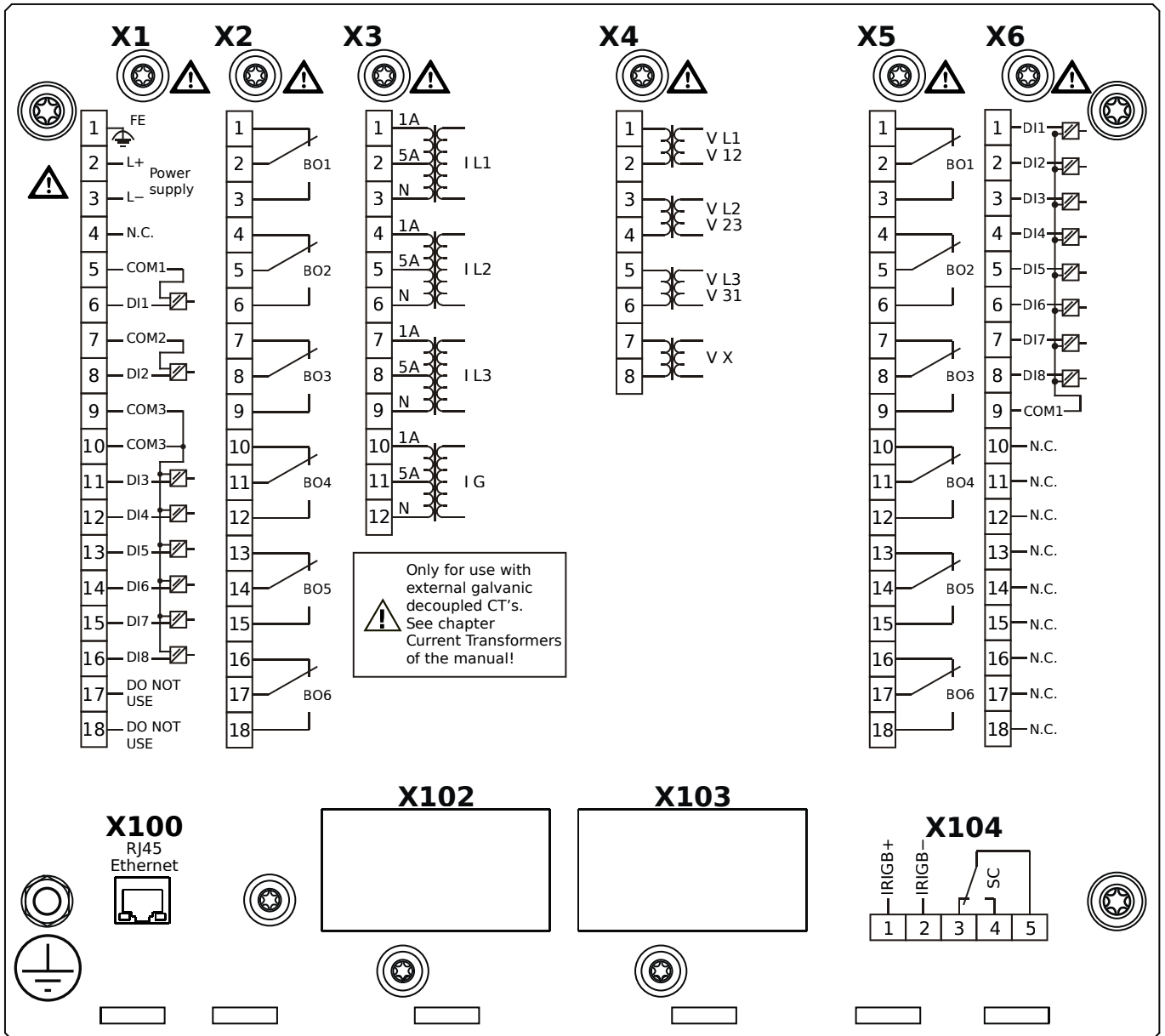
MCA4-2D0ACA



Housing B2, large display, door mounting

- X1** – DI8-X1: Wide-range power supply unit, incl. 2 non-grouped digital inputs and 6 grouped digital inputs
- X2** – OR6: Assembly Group with 6 Output Relays
- X3** – TI: Standard current measuring card
- X4** – TU: Card with 4 voltage transformer measuring inputs
- X5** – OR6: Assembly Group with 6 Output Relays
- X6** – DI8: Assembly Group with 8 Digital Inputs
- X100** – Modbus TCP / DNP3.0 TCP/UDP, Ethernet interface, 100 Mbit/s, RJ45 (BASE100-FX)
- X104** – IRIG-B00X, incl. System Contact (Supervision Contact)

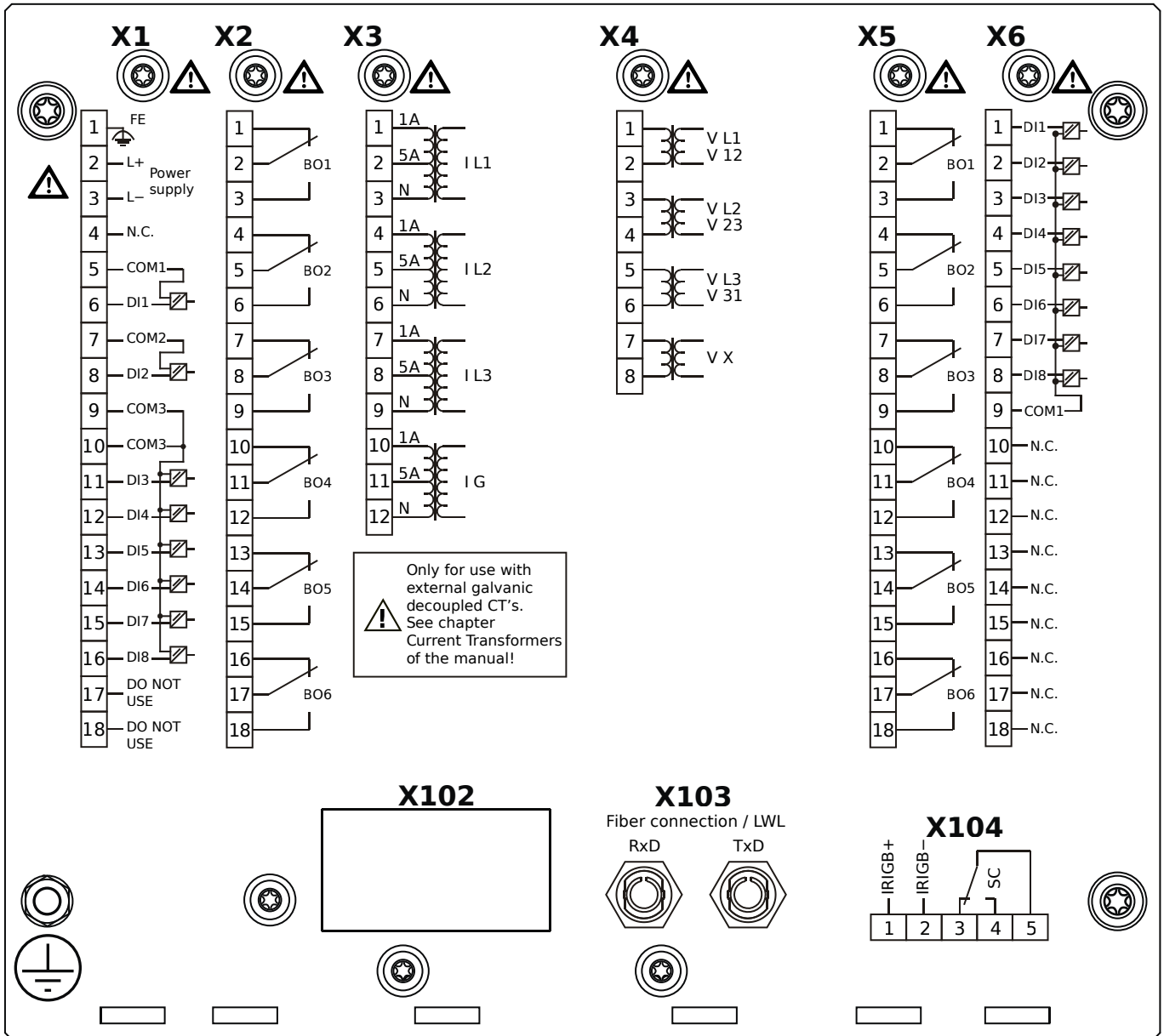
MCA4-2D0ACB



Housing B2, large display, door mounting

- X1** – DI8-X1: Wide-range power supply unit, incl. 2 non-grouped digital inputs and 6 grouped digital inputs
- X2** – OR6: Assembly Group with 6 Output Relays
- X3** – TI: Standard current measuring card
- X4** – TU: Card with 4 voltage transformer measuring inputs
- X5** – OR6: Assembly Group with 6 Output Relays
- X6** – DI8: Assembly Group with 8 Digital Inputs
- X100** – Modbus TCP / DNP3.0 TCP/UDP, Ethernet interface, 100 Mbit/s, RJ45 (BASE100-FX)
- X104** – IRIG-B00X, incl. System Contact (Supervision Contact)

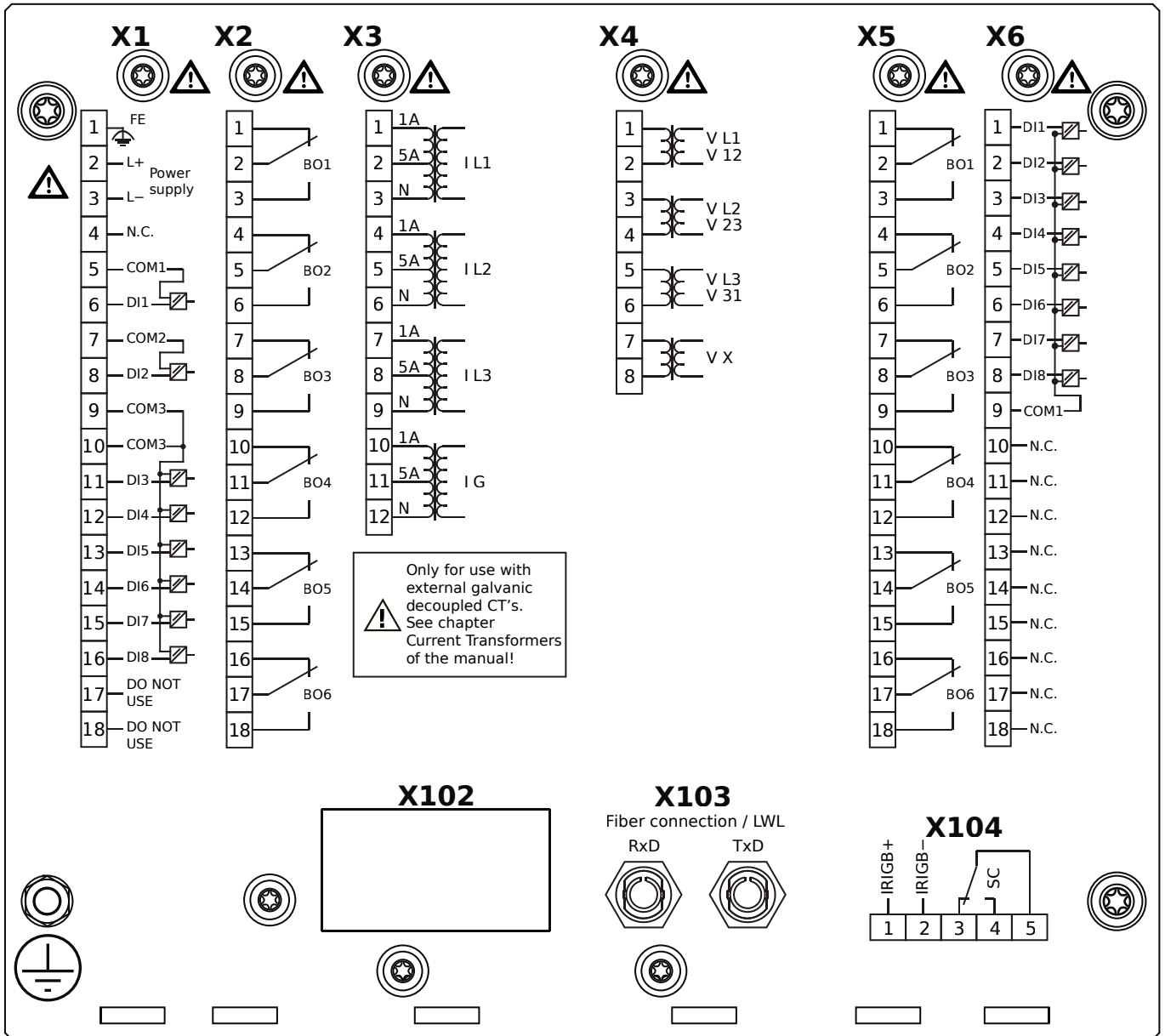
MCA4-2D0ADA



Housing B2, large display, door mounting

- X1** – DI8-X1: Wide-range power supply unit, incl. 2 non-grouped digital inputs and 6 grouped digital inputs
- X2** – OR6: Assembly Group with 6 Output Relays
- X3** – TI: Standard current measuring card
- X4** – TU: Card with 4 voltage transformer measuring inputs
- X5** – OR6: Assembly Group with 6 Output Relays
- X6** – DI8: Assembly Group with 8 Digital Inputs
- X103** – Profibus-DP, Fiber optics interface, ST Connector
- X104** – IRIG-B00X, incl. System Contact (Supervision Contact)

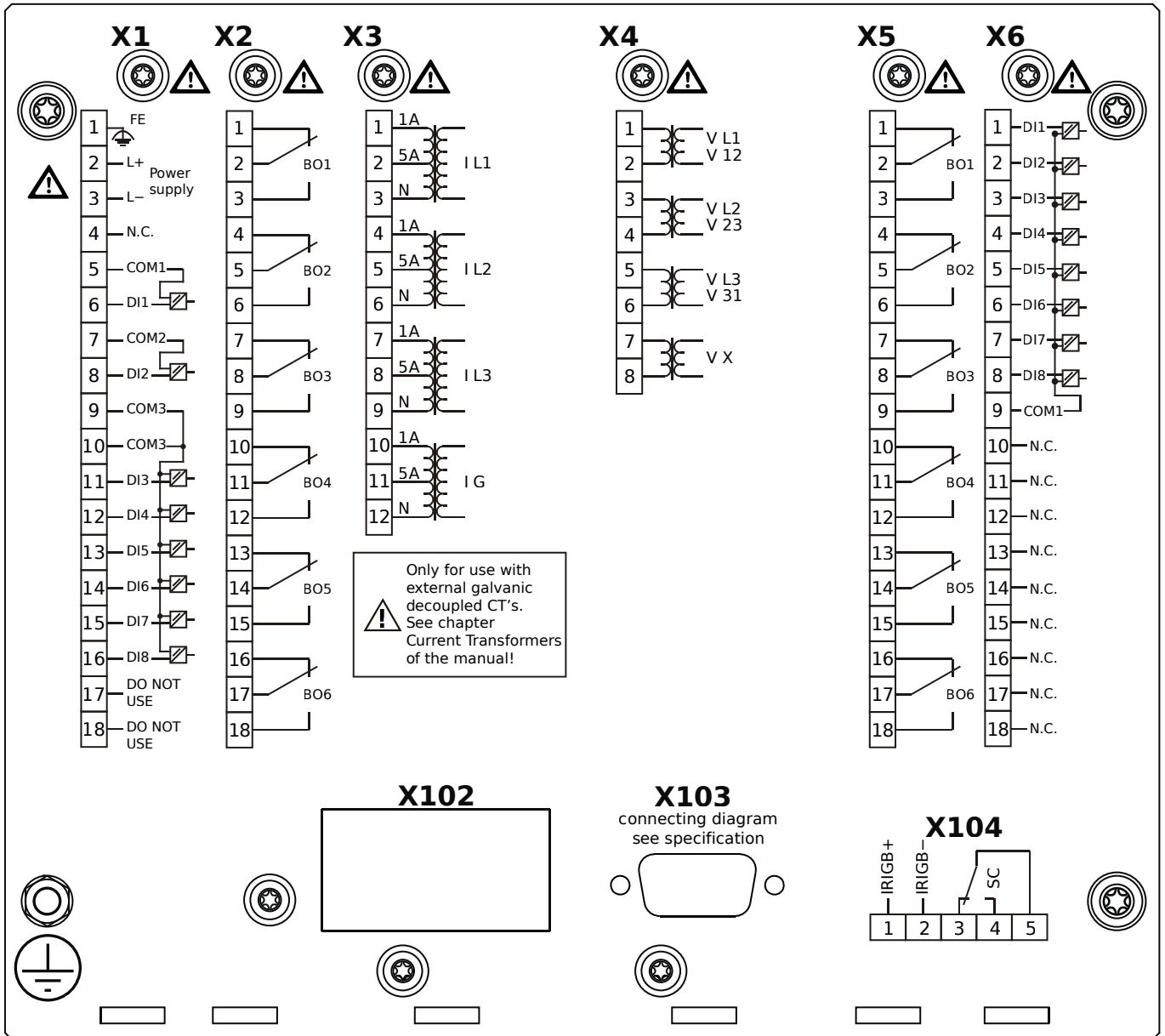
MCA4-2D0ADB



Housing B2, large display, door mounting

- X1** – DI8-X1: Wide-range power supply unit, incl. 2 non-grouped digital inputs and 6 grouped digital inputs
- X2** – OR6: Assembly Group with 6 Output Relays
- X3** – TI: Standard current measuring card
- X4** – TU: Card with 4 voltage transformer measuring inputs
- X5** – OR6: Assembly Group with 6 Output Relays
- X6** – DI8: Assembly Group with 8 Digital Inputs
- X103** – Profibus-DP, Fiber optics interface, ST Connector
- X104** – IRIG-B00X, incl. System Contact (Supervision Contact)

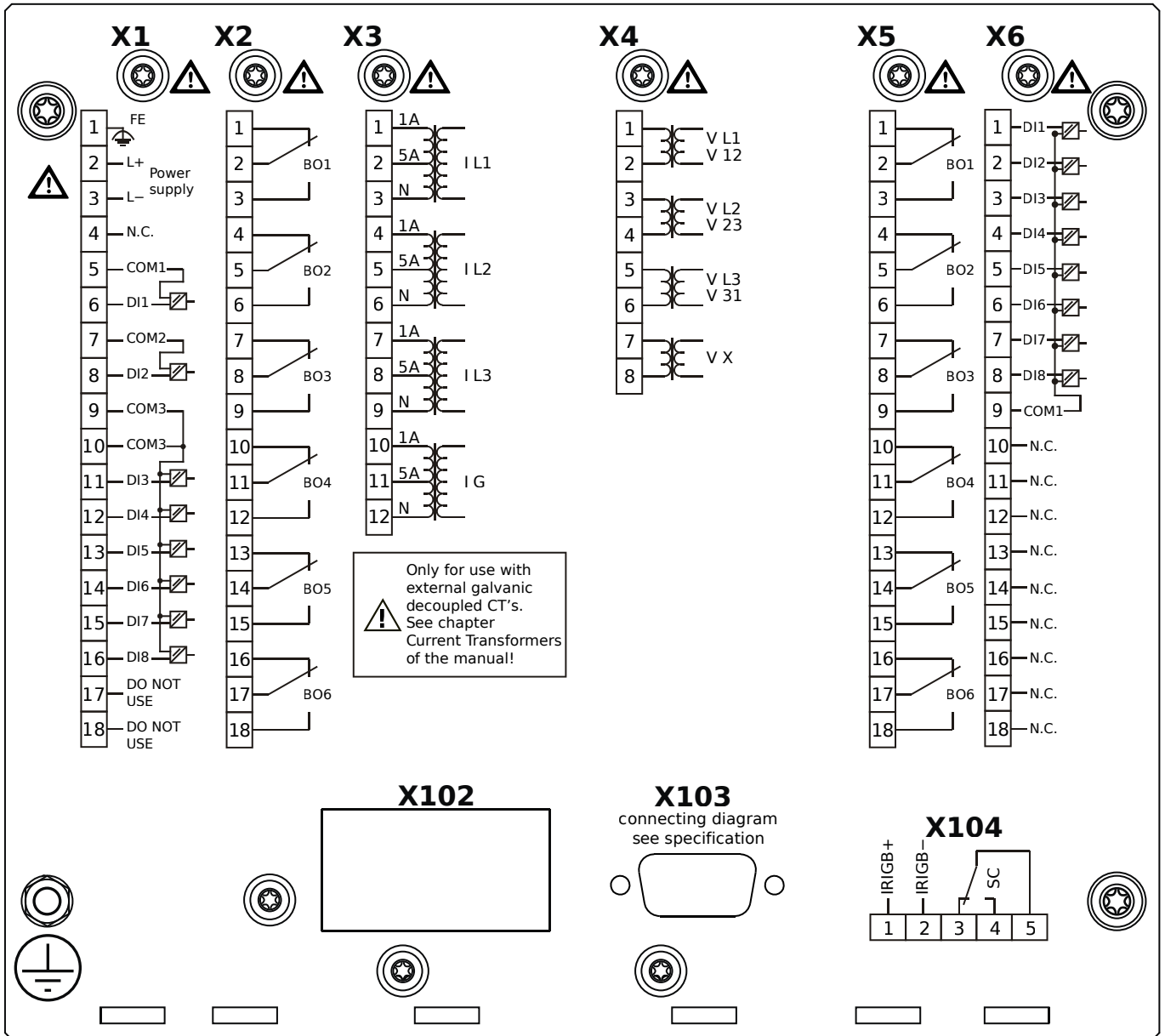
MCA4-2D0AEA



Housing B2, large display, door mounting

- X1** – DI8-X1: Wide-range power supply unit, incl. 2 non-grouped digital inputs and 6 grouped digital inputs
- X2** – OR6: Assembly Group with 6 Output Relays
- X3** – TI: Standard current measuring card
- X4** – TU: Card with 4 voltage transformer measuring inputs
- X5** – OR6: Assembly Group with 6 Output Relays
- X6** – DI8: Assembly Group with 8 Digital Inputs
- X103** – Profibus-DP, RS485, D-SUB
- X104** – IRIG-B00X, incl. System Contact (Supervision Contact)

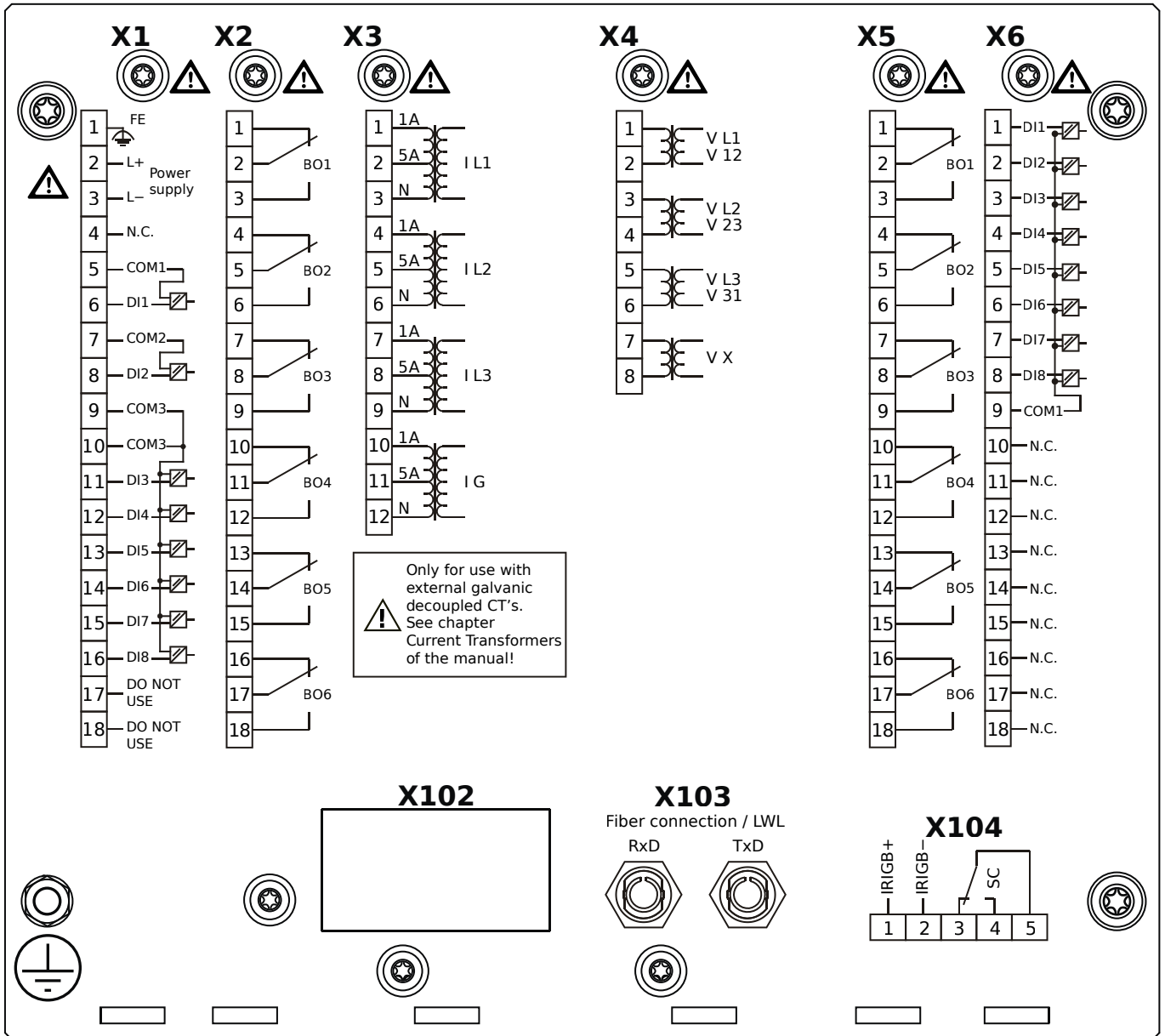
MCA4-2D0AEB



Housing B2, large display, door mounting

- X1** – DI8-X1: Wide-range power supply unit, incl. 2 non-grouped digital inputs and 6 grouped digital inputs
- X2** – OR6: Assembly Group with 6 Output Relays
- X3** – TI: Standard current measuring card
- X4** – TU: Card with 4 voltage transformer measuring inputs
- X5** – OR6: Assembly Group with 6 Output Relays
- X6** – DI8: Assembly Group with 8 Digital Inputs
- X103** – Profibus-DP, RS485, D-SUB
- X104** – IRIG-B00X, incl. System Contact (Supervision Contact)

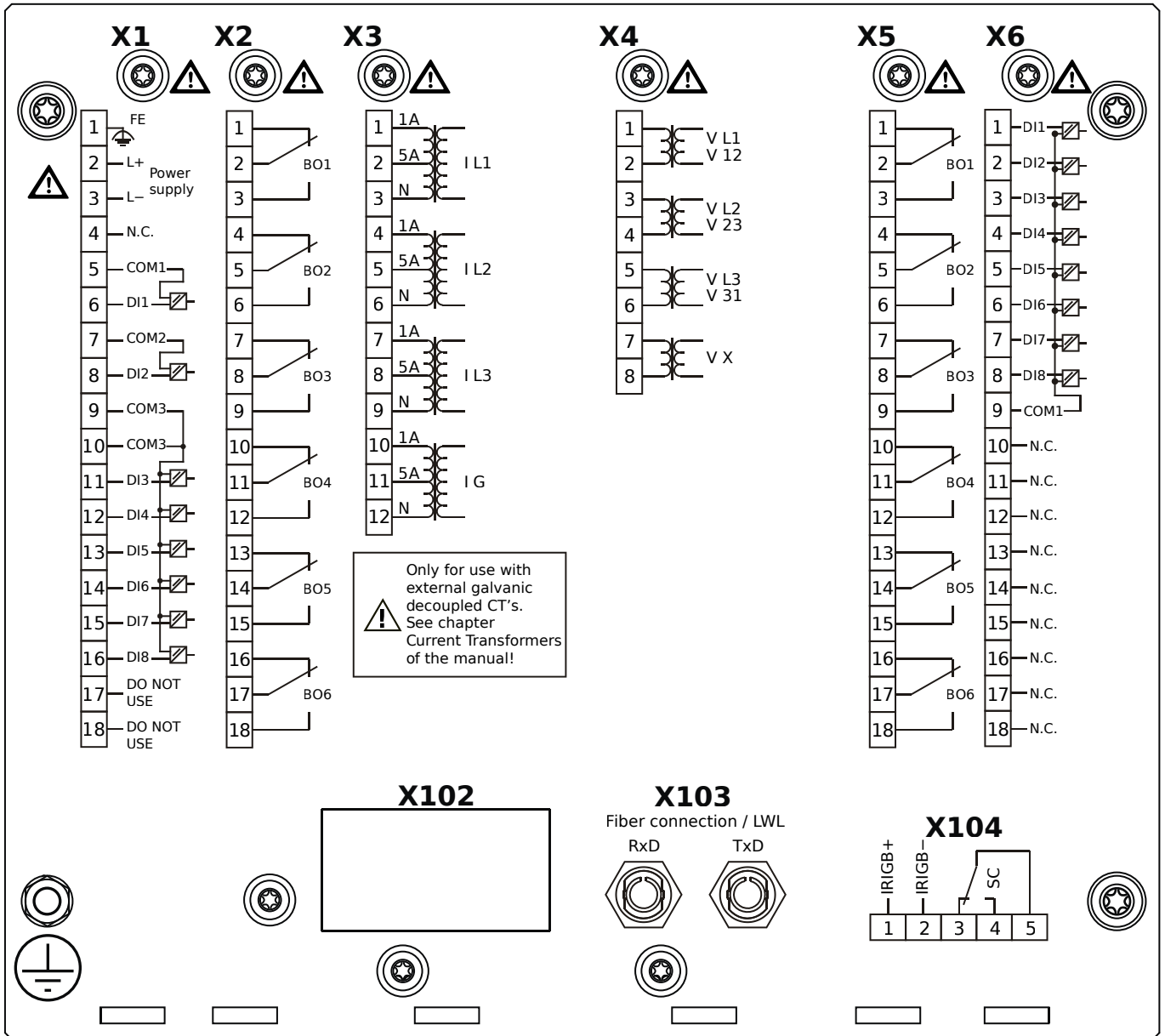
MCA4-2D0AFA



Housing B2, large display, door mounting

- X1** – DI8-X1: Wide-range power supply unit, incl. 2 non-grouped digital inputs and 6 grouped digital inputs
- X2** – OR6: Assembly Group with 6 Output Relays
- X3** – TI: Standard current measuring card
- X4** – TU: Card with 4 voltage transformer measuring inputs
- X5** – OR6: Assembly Group with 6 Output Relays
- X6** – DI8: Assembly Group with 8 Digital Inputs
- X103** – Modbus RTU / IEC 60870-5-103 / DNP3.0 RTU, Fiber optics interface, ST Connector
- X104** – IRIG-B00X, incl. System Contact (Supervision Contact)

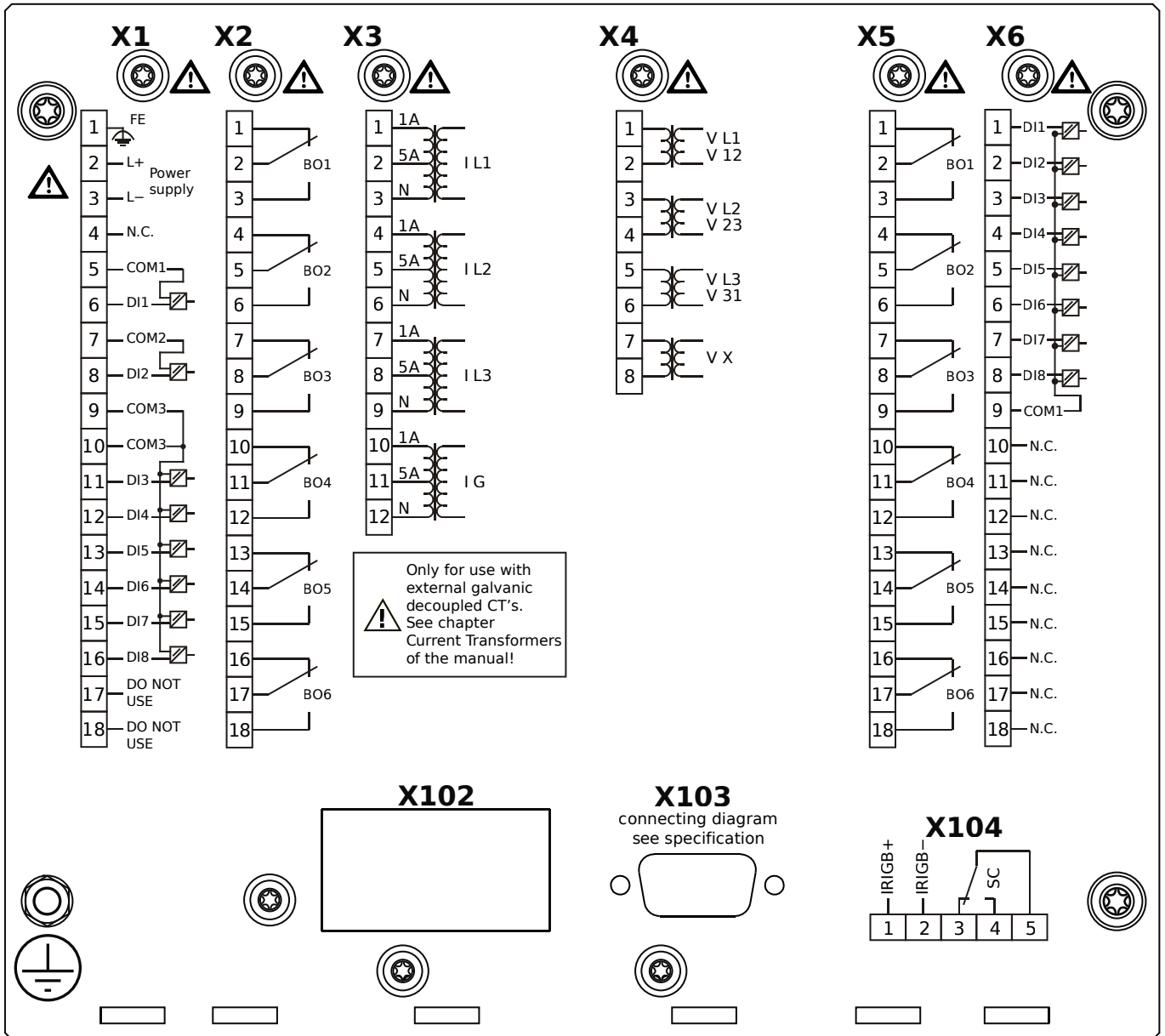
MCA4-2D0AFB



Housing B2, large display, door mounting

- X1** – DI8-X1: Wide-range power supply unit, incl. 2 non-grouped digital inputs and 6 grouped digital inputs
- X2** – OR6: Assembly Group with 6 Output Relays
- X3** – TI: Standard current measuring card
- X4** – TU: Card with 4 voltage transformer measuring inputs
- X5** – OR6: Assembly Group with 6 Output Relays
- X6** – DI8: Assembly Group with 8 Digital Inputs
- X103** – Modbus RTU / IEC 60870-5-103 / DNP3.0 RTU, Fiber optics interface, ST Connector
- X104** – IRIG-B00X, incl. System Contact (Supervision Contact)

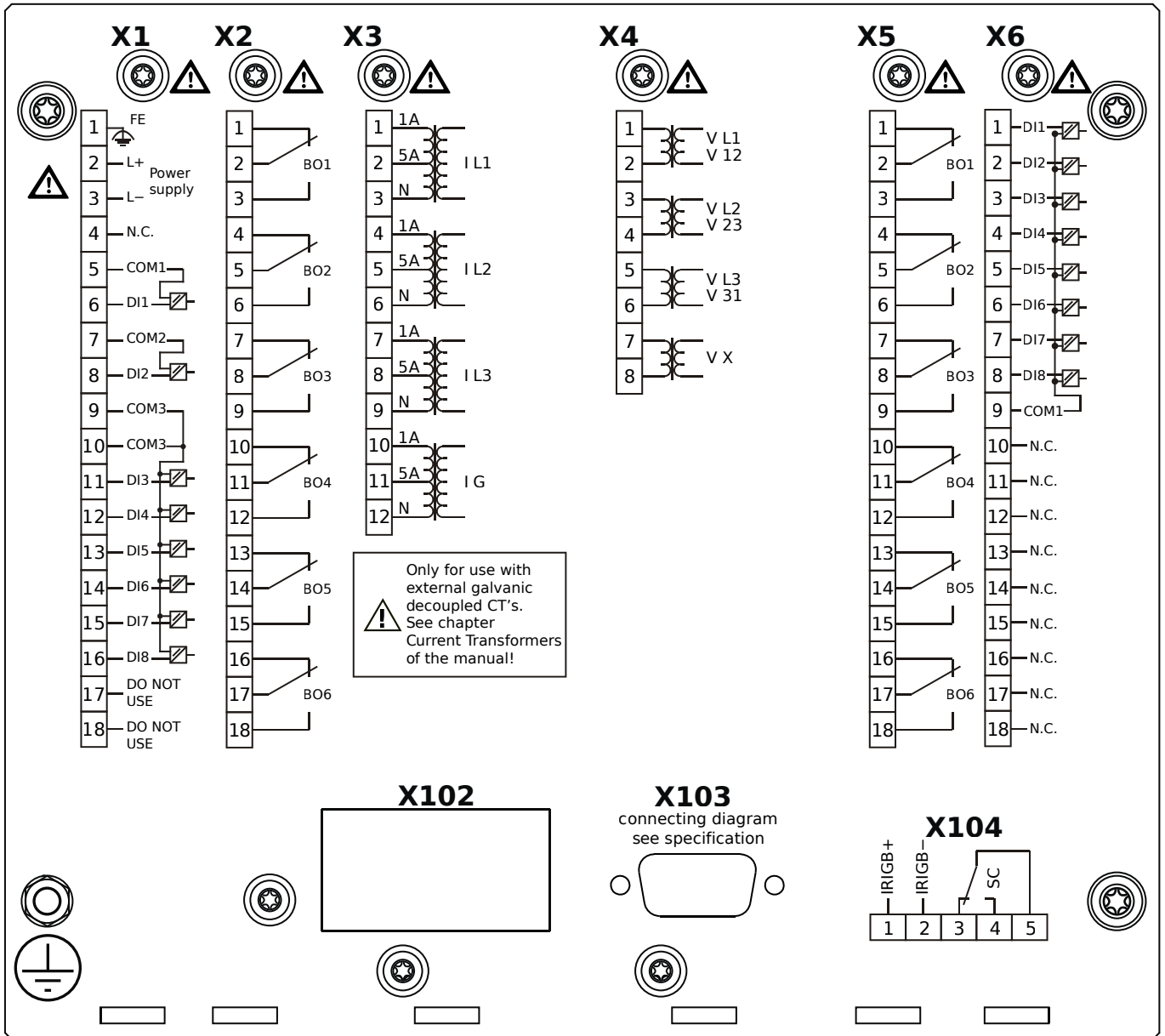
MCA4-2D0AGA



Housing B2, large display, door mounting

- X1** – DI8-X1: Wide-range power supply unit, incl. 2 non-grouped digital inputs and 6 grouped digital inputs
- X2** – OR6: Assembly Group with 6 Output Relays
- X3** – TI: Standard current measuring card
- X4** – TU: Card with 4 voltage transformer measuring inputs
- X5** – OR6: Assembly Group with 6 Output Relays
- X6** – DI8: Assembly Group with 8 Digital Inputs
- X103** – Modbus RTU / IEC 60870-5-103 / DNP3.0 RTU, RS485, D-SUB
- X104** – IRIG-B00X, incl. System Contact (Supervision Contact)

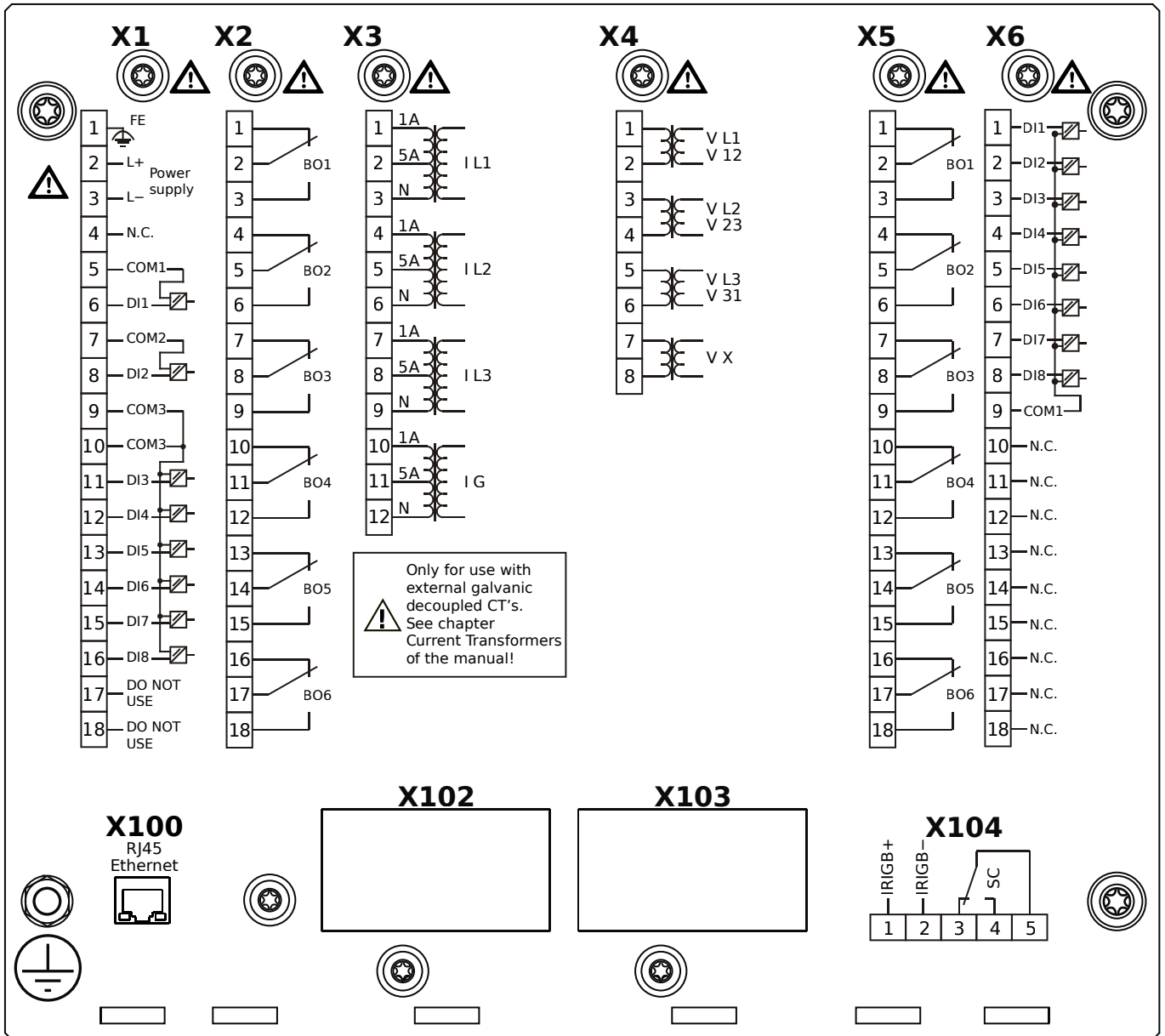
MCA4-2D0AGB



Housing B2, large display, door mounting

- X1** – DI8-X1: Wide-range power supply unit, incl. 2 non-grouped digital inputs and 6 grouped digital inputs
- X2** – OR6: Assembly Group with 6 Output Relays
- X3** – TI: Standard current measuring card
- X4** – TU: Card with 4 voltage transformer measuring inputs
- X5** – OR6: Assembly Group with 6 Output Relays
- X6** – DI8: Assembly Group with 8 Digital Inputs
- X103** – Modbus RTU / IEC 60870-5-103 / DNP3.0 RTU, RS485, D-SUB
- X104** – IRIG-B00X, incl. System Contact (Supervision Contact)

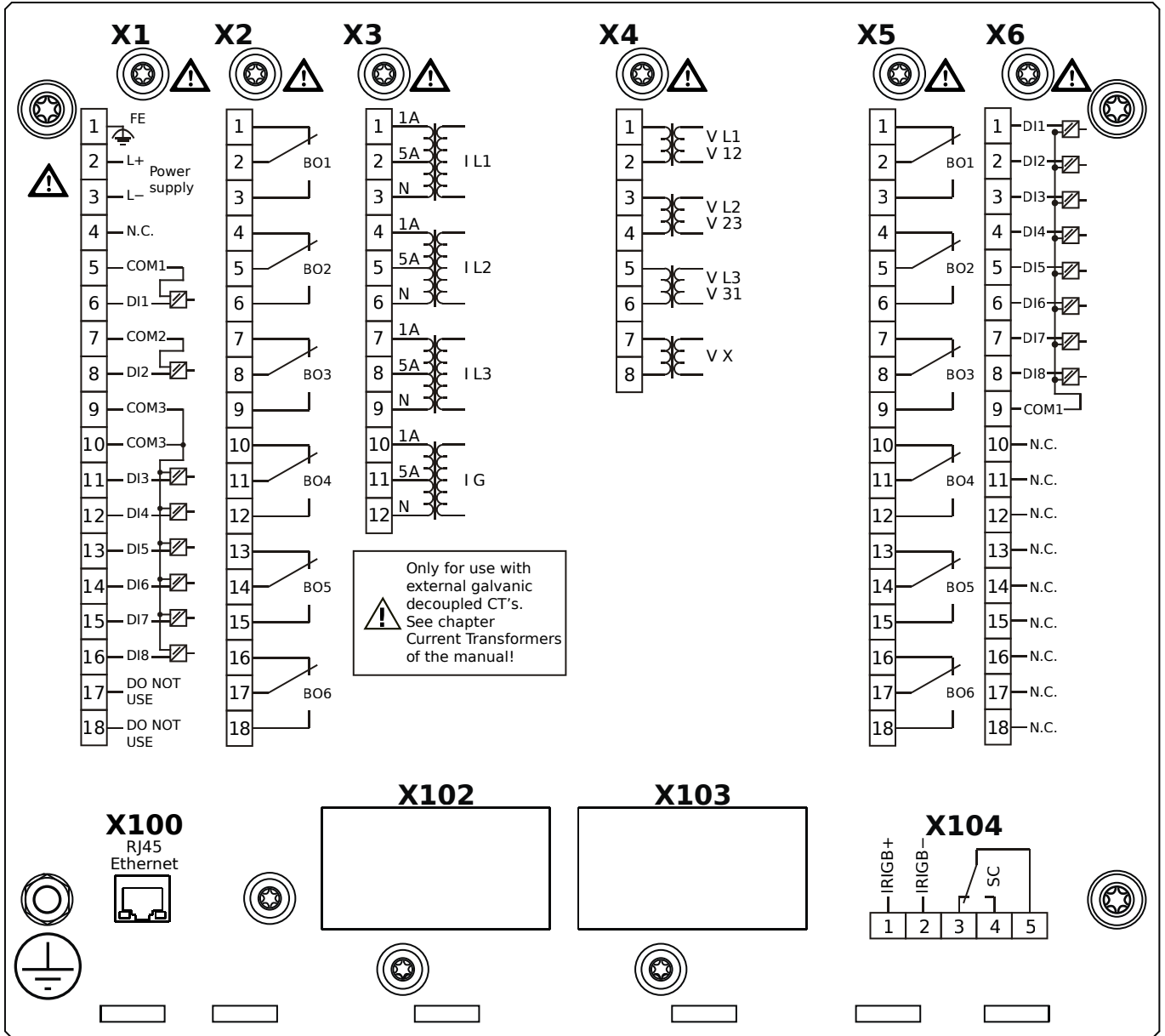
MCA4-2D0AHA



Housing B2, large display, door mounting

- X1** – DI8-X1: Wide-range power supply unit, incl. 2 non-grouped digital inputs and 6 grouped digital inputs
- X2** – OR6: Assembly Group with 6 Output Relays
- X3** – TI: Standard current measuring card
- X4** – TU: Card with 4 voltage transformer measuring inputs
- X5** – OR6: Assembly Group with 6 Output Relays
- X6** – DI8: Assembly Group with 8 Digital Inputs
- X100** – IEC 61850 / Modbus TCP / DNP3.0 TCP/UDP, Ethernet interface, 100 Mbit/s, RJ45 (BASE100-FX)
- X104** – IRIG-B00X, incl. System Contact (Supervision Contact)

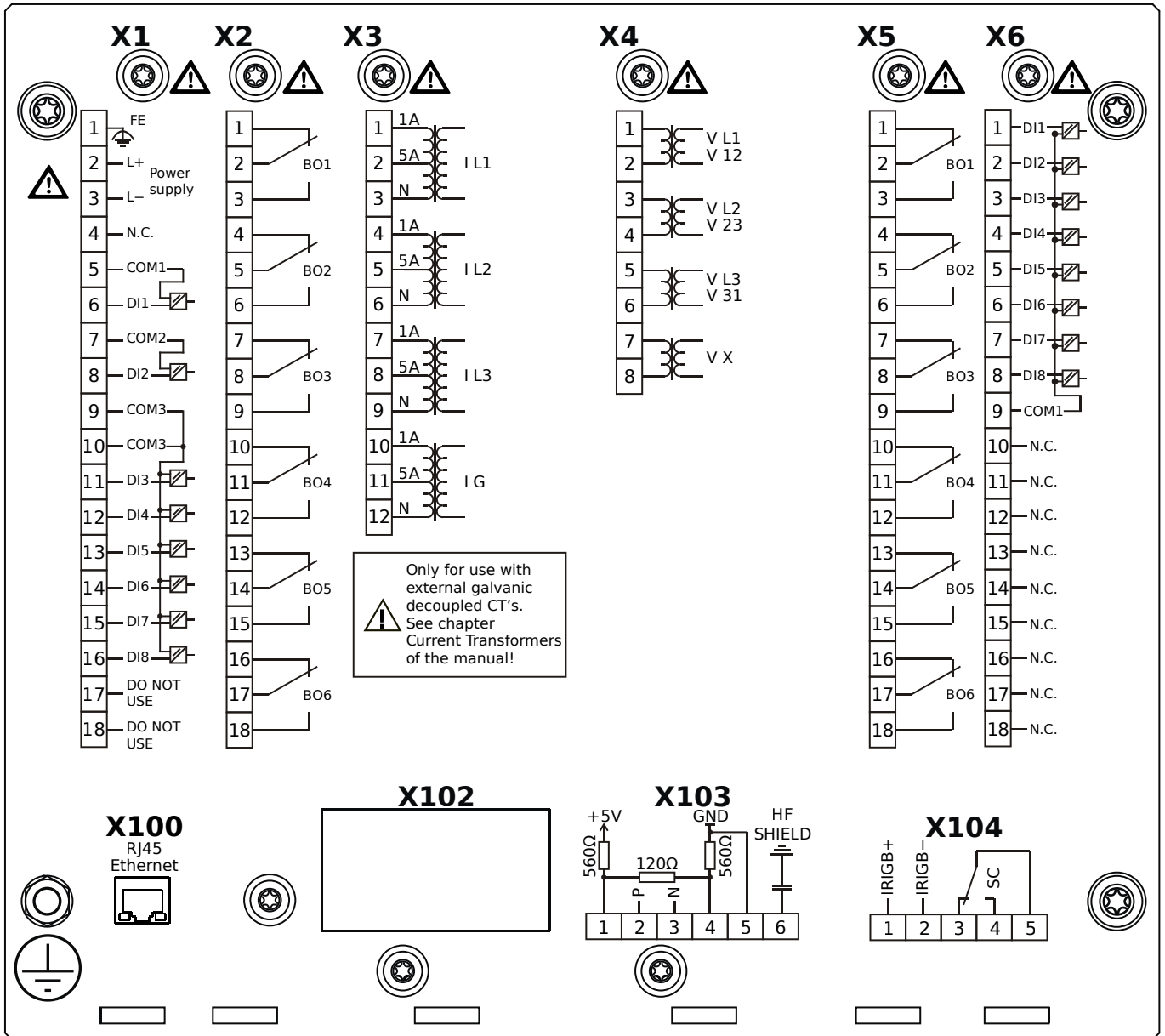
MCA4-2D0AHB



Housing B2, large display, door mounting

- X1** – DI8-X1: Wide-range power supply unit, incl. 2 non-grouped digital inputs and 6 grouped digital inputs
- X2** – OR6: Assembly Group with 6 Output Relays
- X3** – TI: Standard current measuring card
- X4** – TU: Card with 4 voltage transformer measuring inputs
- X5** – OR6: Assembly Group with 6 Output Relays
- X6** – DI8: Assembly Group with 8 Digital Inputs
- X100** – IEC 61850 / Modbus TCP / DNP3.0 TCP/UDP, Ethernet interface, 100 Mbit/s, RJ45 (BASE100-FX)
- X104** – IRIG-B00X, incl. System Contact (Supervision Contact)

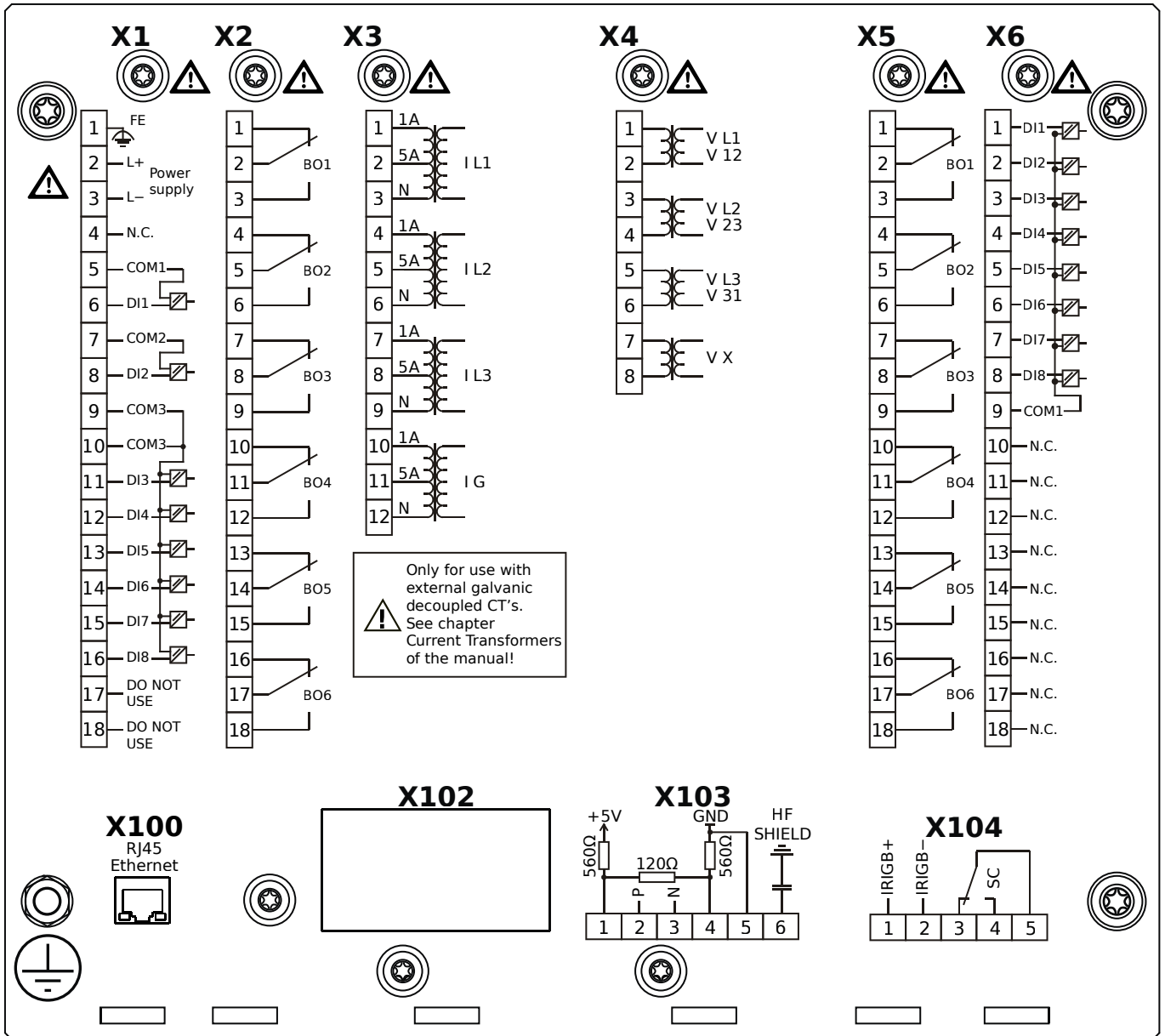
MCA4-2D0AIA



Housing B2, large display, door mounting

- X1** – DI8-X1: Wide-range power supply unit, incl. 2 non-grouped digital inputs and 6 grouped digital inputs
- X2** – OR6: Assembly Group with 6 Output Relays
- X3** – TI: Standard current measuring card
- X4** – TU: Card with 4 voltage transformer measuring inputs
- X5** – OR6: Assembly Group with 6 Output Relays
- X6** – DI8: Assembly Group with 8 Digital Inputs
- X100** – Modbus TCP / DNP3.0 TCP/UDP, Ethernet interface, 100 Mbit/s, RJ45 (BASE100-FX)
- X103** – IEC 60870-5-103 / Modbus RTU / DNP3.0 RTU, RS485, Terminals
- X104** – IRIG-B00X, incl. System Contact (Supervision Contact)

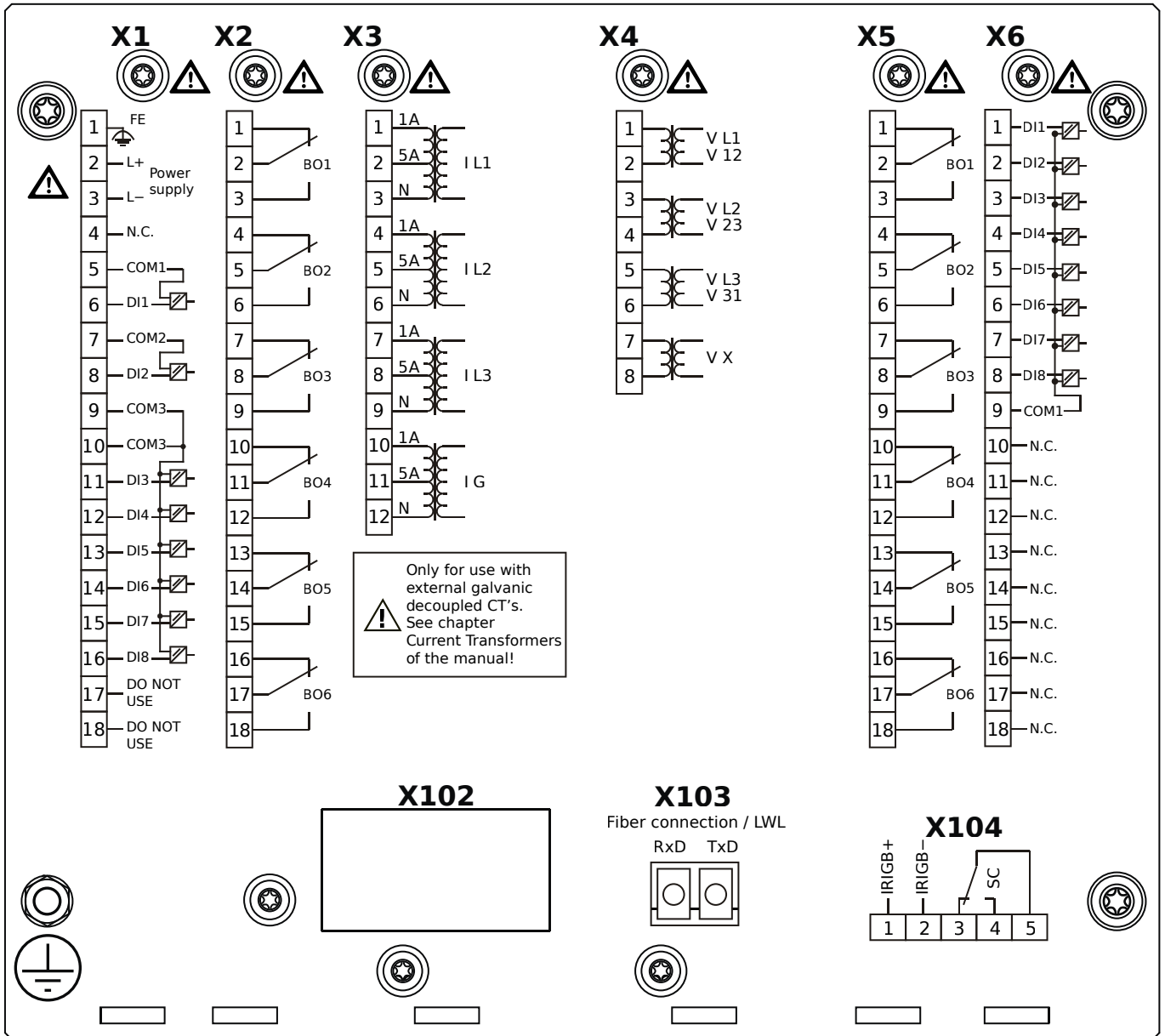
MCA4-2D0AIB



Housing B2, large display, door mounting

- X1** – DI8-X1: Wide-range power supply unit, incl. 2 non-grouped digital inputs and 6 grouped digital inputs
- X2** – OR6: Assembly Group with 6 Output Relays
- X3** – TI: Standard current measuring card
- X4** – TU: Card with 4 voltage transformer measuring inputs
- X5** – OR6: Assembly Group with 6 Output Relays
- X6** – DI8: Assembly Group with 8 Digital Inputs
- X100** – Modbus TCP / DNP3.0 TCP/UDP, Ethernet interface, 100 Mbit/s, RJ45 (BASE100-FX)
- X103** – IEC 60870-5-103 / Modbus RTU / DNP3.0 RTU, RS485, Terminals
- X104** – IRIG-B00X, incl. System Contact (Supervision Contact)

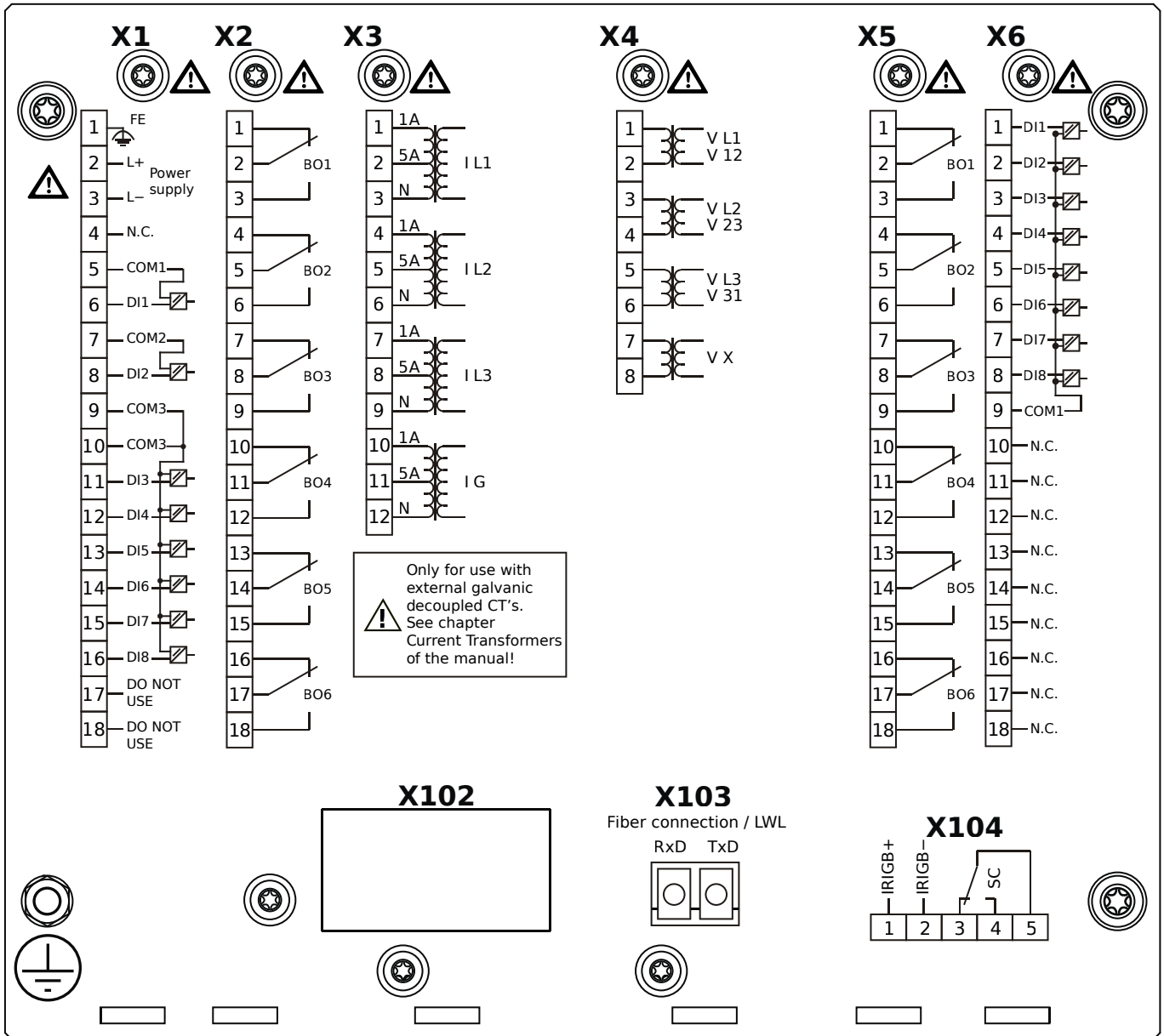
MCA4-2D0AKA



Housing B2, large display, door mounting

- X1** – DI8-X1: Wide-range power supply unit, incl. 2 non-grouped digital inputs and 6 grouped digital inputs
- X2** – OR6: Assembly Group with 6 Output Relays
- X3** – TI: Standard current measuring card
- X4** – TU: Card with 4 voltage transformer measuring inputs
- X5** – OR6: Assembly Group with 6 Output Relays
- X6** – DI8: Assembly Group with 8 Digital Inputs
- X103** – IEC 61850 / Modbus TCP / DNP3.0 TCP/UDP, Fiber optics interface, LC Connector
- X104** – IRIG-B00X, incl. System Contact (Supervision Contact)

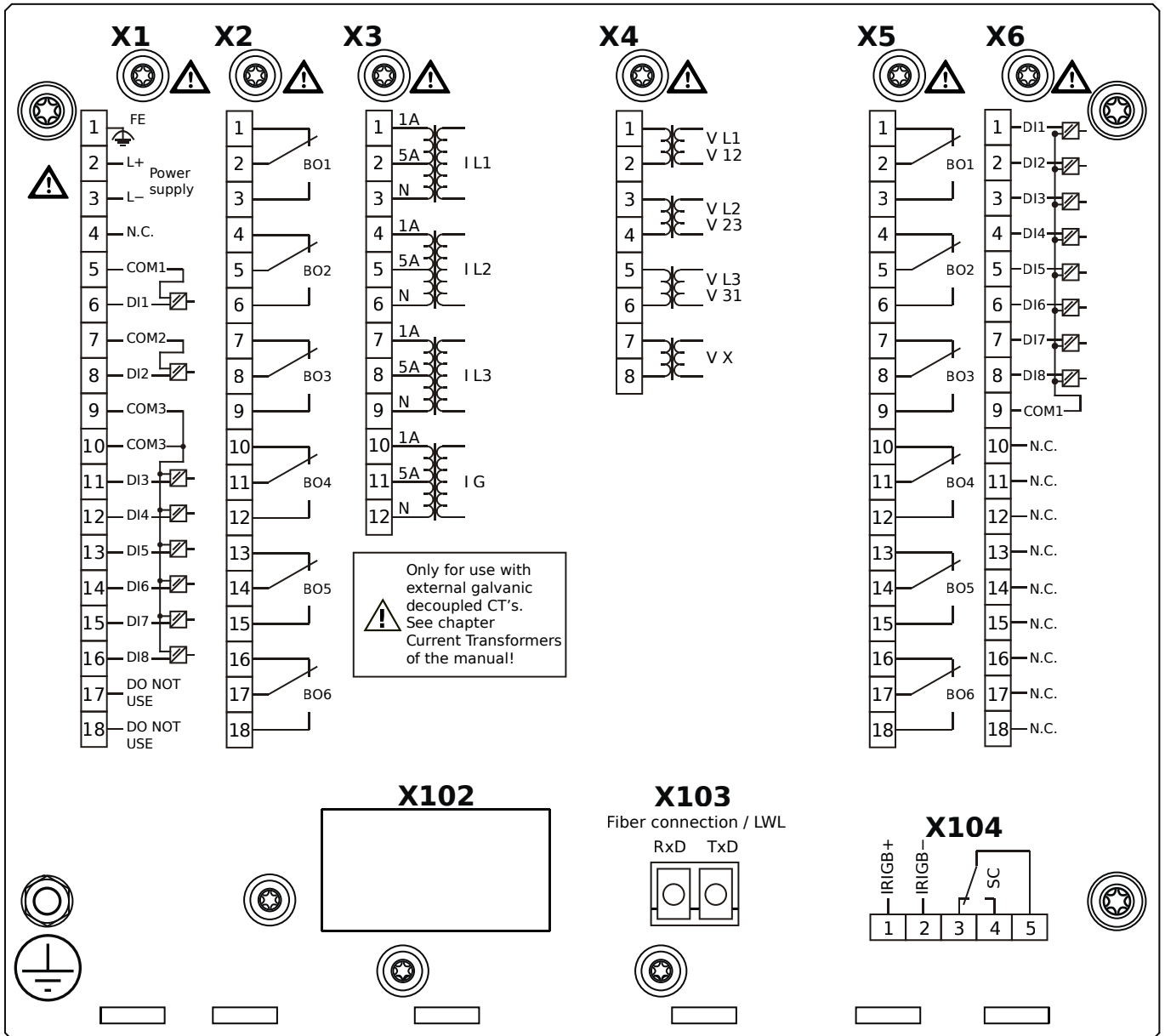
MCA4-2D0AKB



Housing B2, large display, door mounting

- X1** – DI8-X1: Wide-range power supply unit, incl. 2 non-grouped digital inputs and 6 grouped digital inputs
- X2** – OR6: Assembly Group with 6 Output Relays
- X3** – TI: Standard current measuring card
- X4** – TU: Card with 4 voltage transformer measuring inputs
- X5** – OR6: Assembly Group with 6 Output Relays
- X6** – DI8: Assembly Group with 8 Digital Inputs
- X103** – IEC 61850 / Modbus TCP / DNP3.0 TCP/UDP, Fiber optics interface, LC Connector
- X104** – IRIG-B00X, incl. System Contact (Supervision Contact)

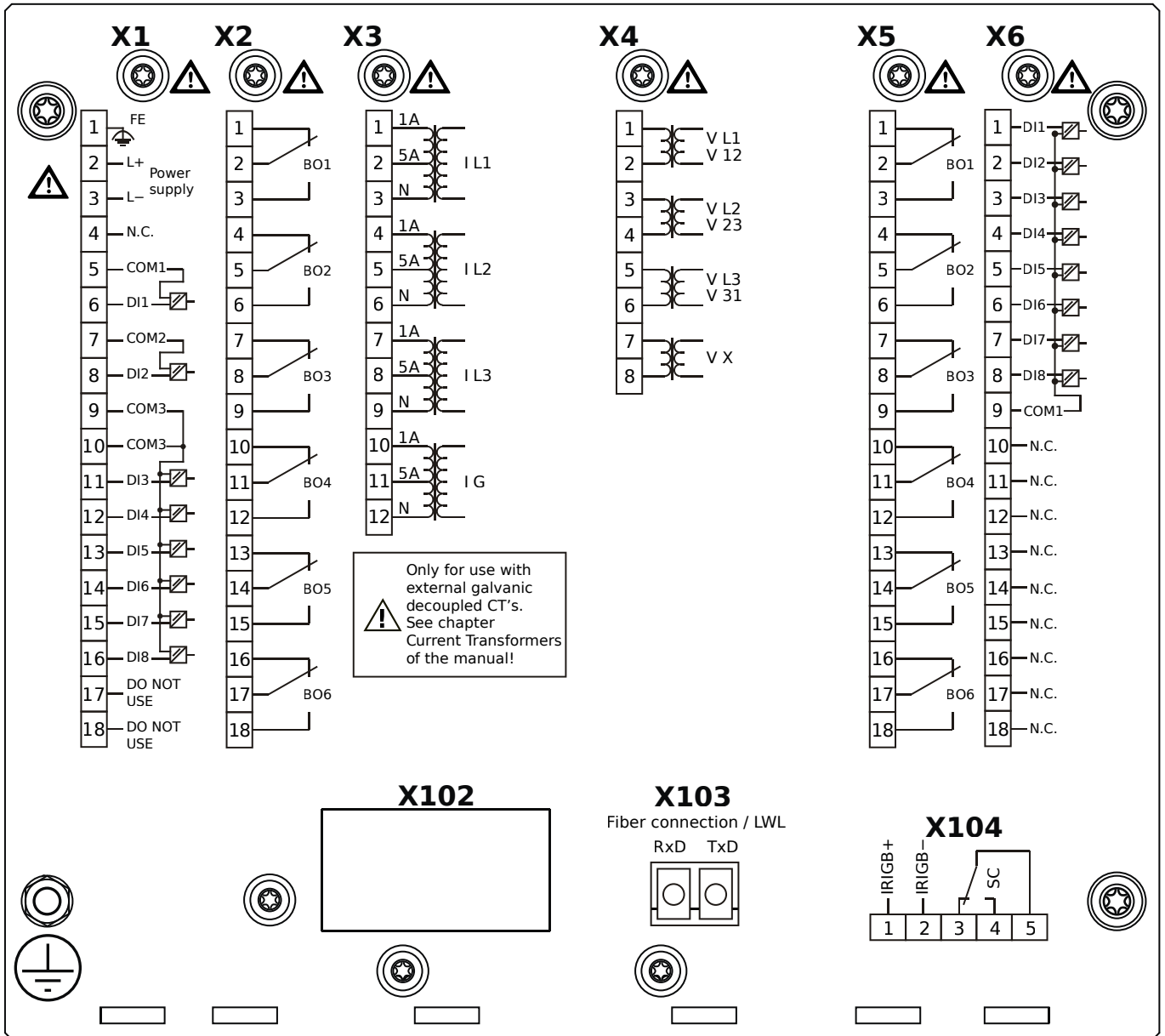
MCA4-2D0ALA



Housing B2, large display, door mounting

- X1** – DI8-X1: Wide-range power supply unit, incl. 2 non-grouped digital inputs and 6 grouped digital inputs
- X2** – OR6: Assembly Group with 6 Output Relays
- X3** – TI: Standard current measuring card
- X4** – TU: Card with 4 voltage transformer measuring inputs
- X5** – OR6: Assembly Group with 6 Output Relays
- X6** – DI8: Assembly Group with 8 Digital Inputs
- X103** – Modbus TCP / DNP3.0 TCP/UDP, Fiber optics interface, LC Connector
- X104** – IRIG-B00X, incl. System Contact (Supervision Contact)

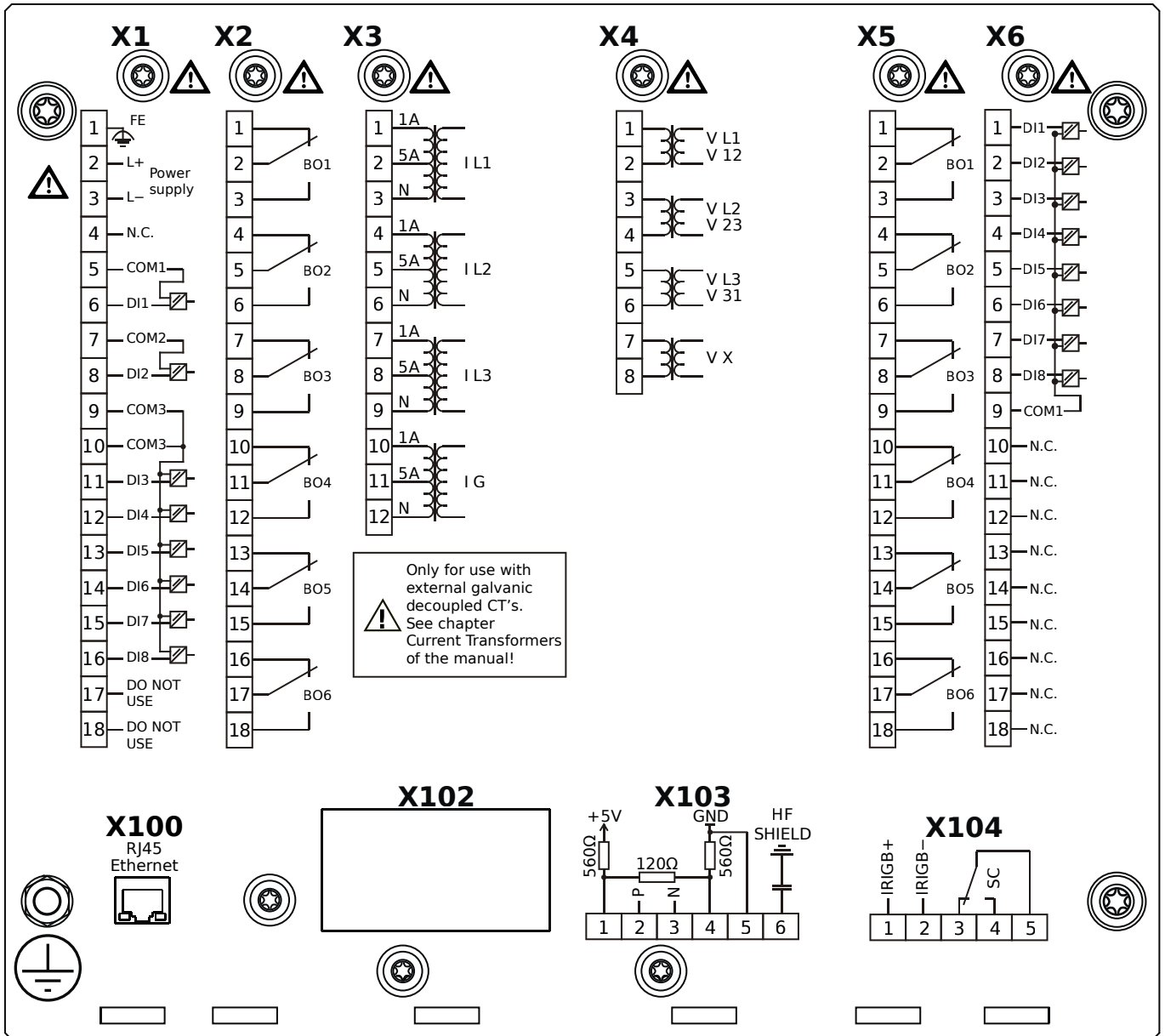
MCA4-2D0ALB



Housing B2, large display, door mounting

- X1** – DI8-X1: Wide-range power supply unit, incl. 2 non-grouped digital inputs and 6 grouped digital inputs
- X2** – OR6: Assembly Group with 6 Output Relays
- X3** – TI: Standard current measuring card
- X4** – TU: Card with 4 voltage transformer measuring inputs
- X5** – OR6: Assembly Group with 6 Output Relays
- X6** – DI8: Assembly Group with 8 Digital Inputs
- X103** – Modbus TCP / DNP3.0 TCP/UDP, Fiber optics interface, LC Connector
- X104** – IRIG-B00X, incl. System Contact (Supervision Contact)

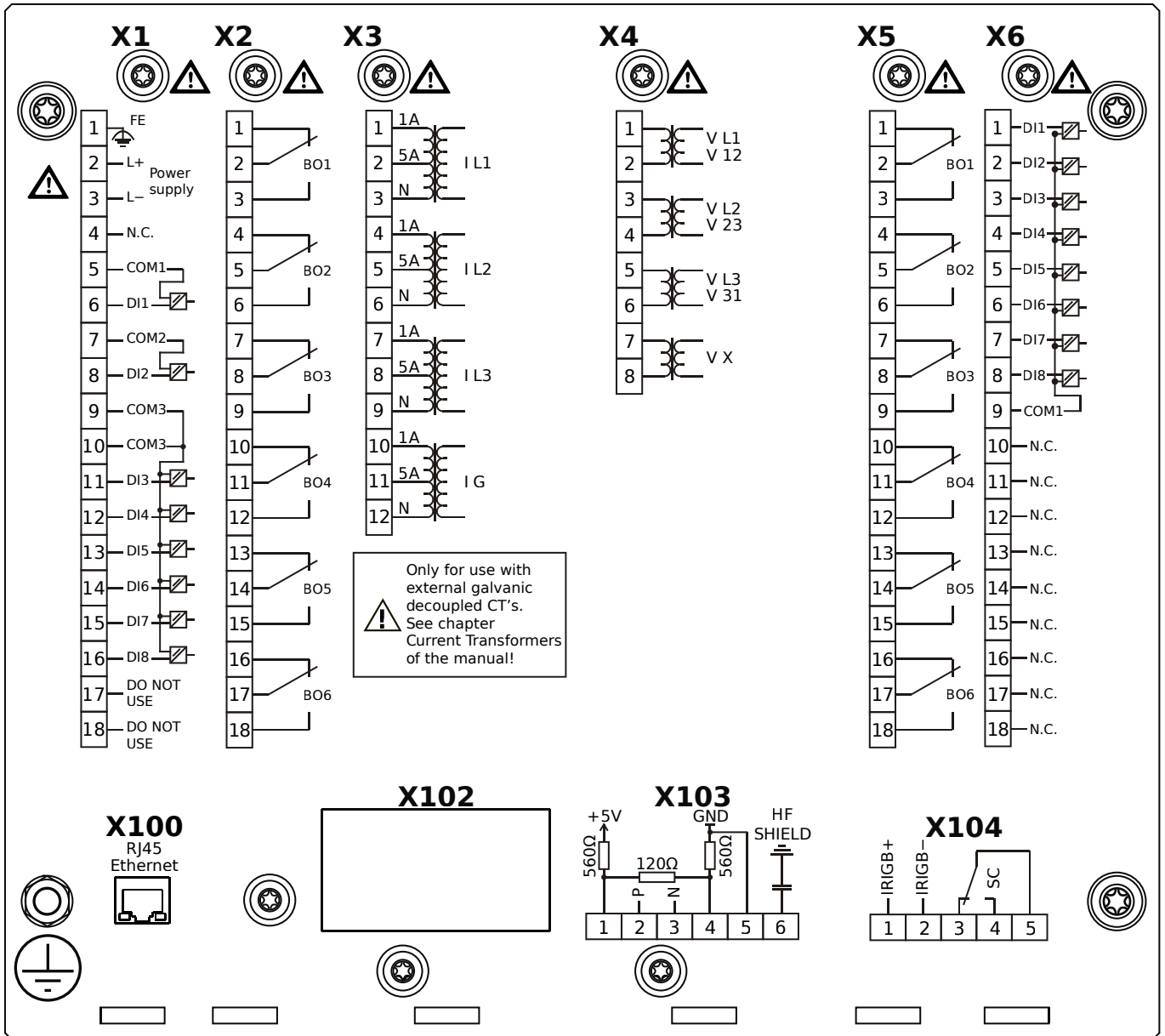
MCA4-2D0ATA



Housing B2, large display, door mounting

- X1** – DI8-X1: Wide-range power supply unit, incl. 2 non-grouped digital inputs and 6 grouped digital inputs
- X2** – OR6: Assembly Group with 6 Output Relays
- X3** – TI: Standard current measuring card
- X4** – TU: Card with 4 voltage transformer measuring inputs
- X5** – OR6: Assembly Group with 6 Output Relays
- X6** – DI8: Assembly Group with 8 Digital Inputs
- X100** – IEC 61850 / Modbus TCP / DNP3.0 TCP/UDP, Ethernet interface, 100 Mbit/s, RJ45 (BASE100-FX)
- X103** – IEC 60870-5-103 / Modbus RTU / DNP3.0 RTU, RS485, Terminals
- X104** – IRIG-B00X, incl. System Contact (Supervision Contact)

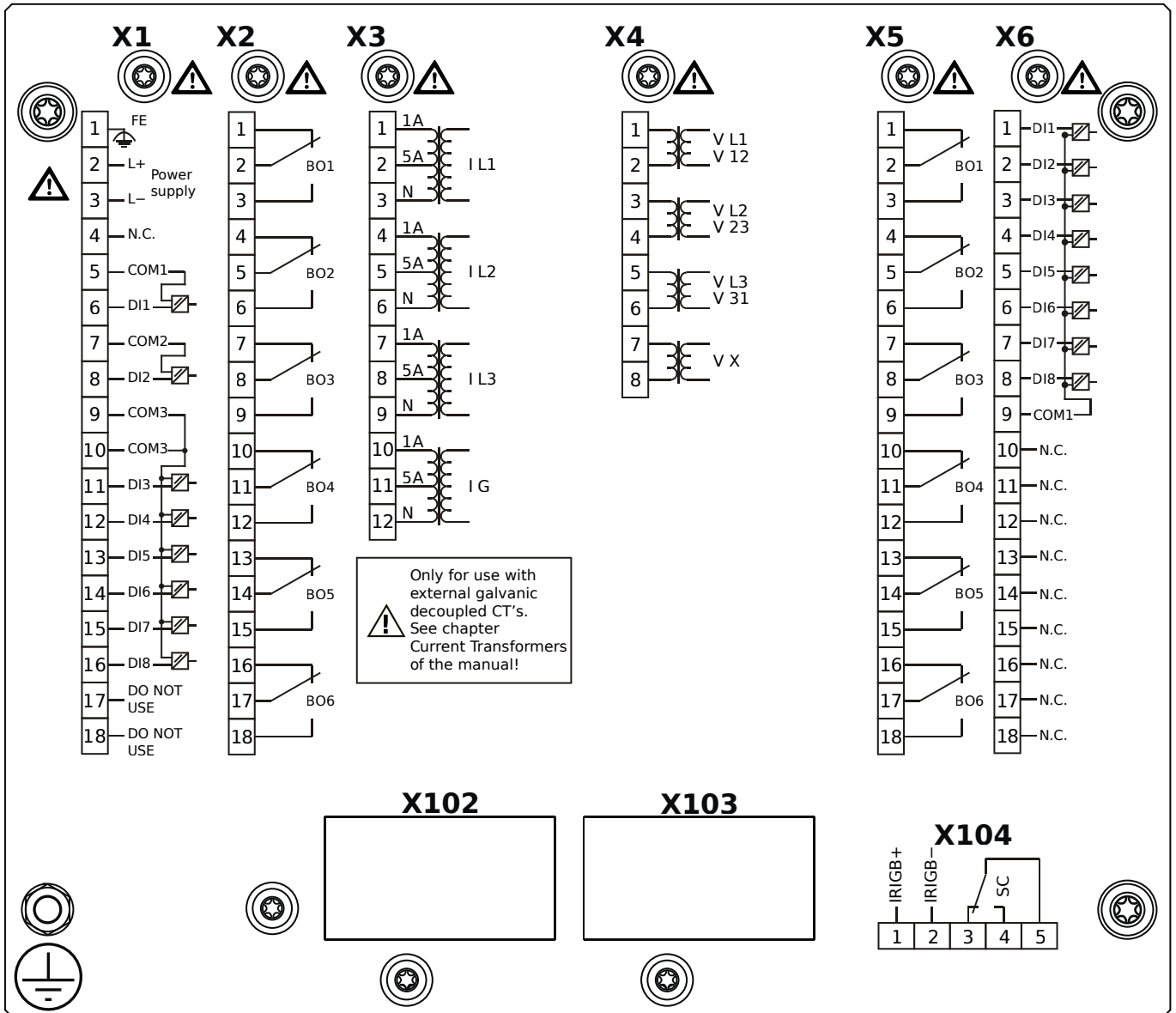
MCA4-2D0ATB



Housing B2, large display, door mounting

- X1** – DI8-X1: Wide-range power supply unit, incl. 2 non-grouped digital inputs and 6 grouped digital inputs
- X2** – OR6: Assembly Group with 6 Output Relays
- X3** – TI: Standard current measuring card
- X4** – TU: Card with 4 voltage transformer measuring inputs
- X5** – OR6: Assembly Group with 6 Output Relays
- X6** – DI8: Assembly Group with 8 Digital Inputs
- X100** – IEC 61850 / Modbus TCP / DNP3.0 TCP/UDP, Ethernet interface, 100 Mbit/s, RJ45 (BASE100-FX)
- X103** – IEC 60870-5-103 / Modbus RTU / DNP3.0 RTU, RS485, Terminals
- X104** – IRIG-B00X, incl. System Contact (Supervision Contact)

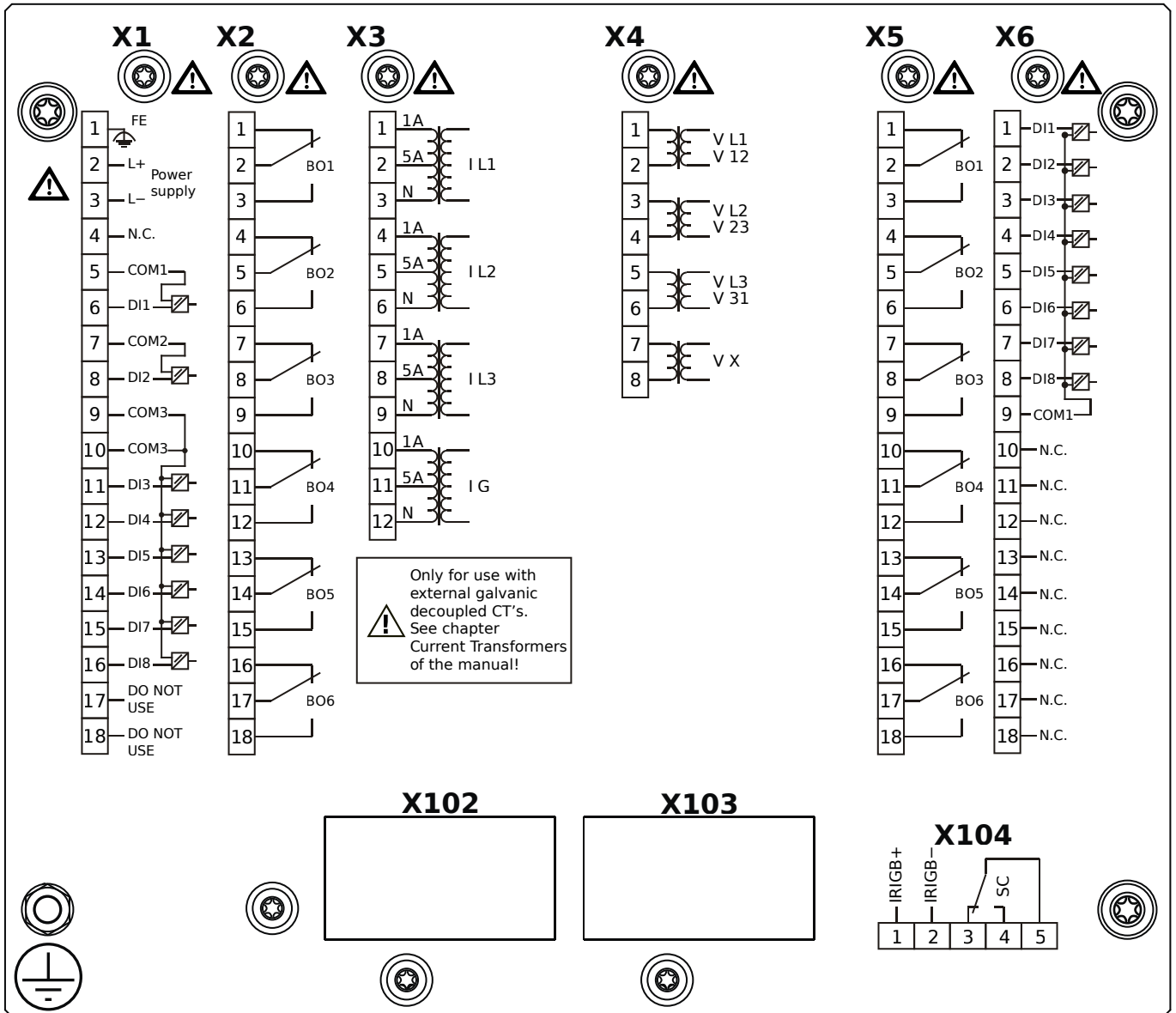
MCA4-2D0BAA



Housing B2, large display, door mounting 19" (flush mounting)

- X1** – DI8-X1: Wide-range power supply unit, incl. 2 non-grouped digital inputs and 6 grouped digital inputs
- X2** – OR6: Assembly Group with 6 Output Relays
- X3** – TI: Standard current measuring card
- X4** – TU: Card with 4 voltage transformer measuring inputs
- X5** – OR6: Assembly Group with 6 Output Relays
- X6** – DI8: Assembly Group with 8 Digital Inputs
- X104** – IRIG-B00X, incl. System Contact (Supervision Contact)

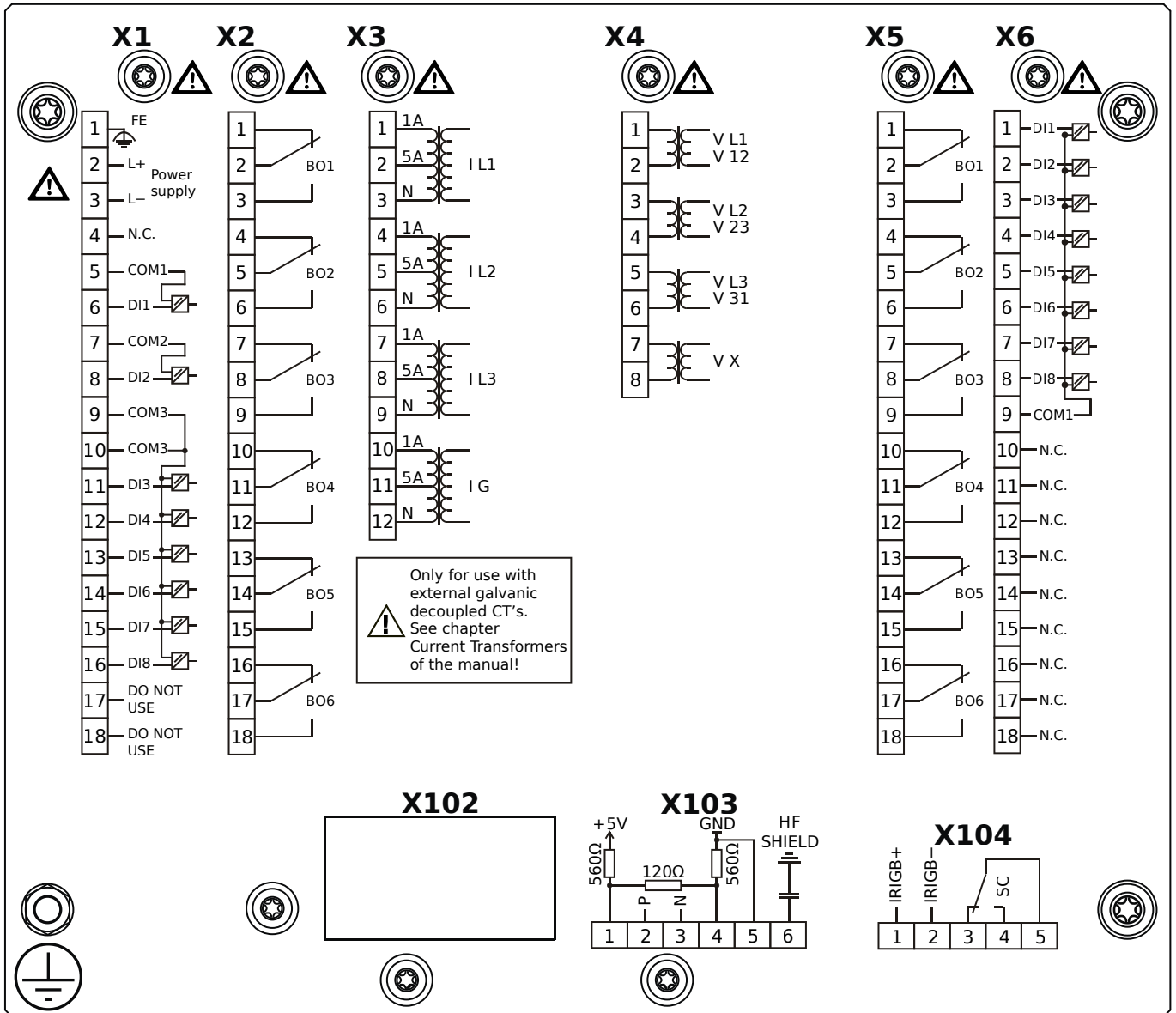
MCA4-2D0BAB



Housing B2, large display, door mounting 19" (flush mounting)

- X1** – DI8-X1: Wide-range power supply unit, incl. 2 non-grouped digital inputs and 6 grouped digital inputs
- X2** – OR6: Assembly Group with 6 Output Relays
- X3** – TI: Standard current measuring card
- X4** – TU: Card with 4 voltage transformer measuring inputs
- X5** – OR6: Assembly Group with 6 Output Relays
- X6** – DI8: Assembly Group with 8 Digital Inputs
- X104** – IRIG-B00X, incl. System Contact (Supervision Contact)

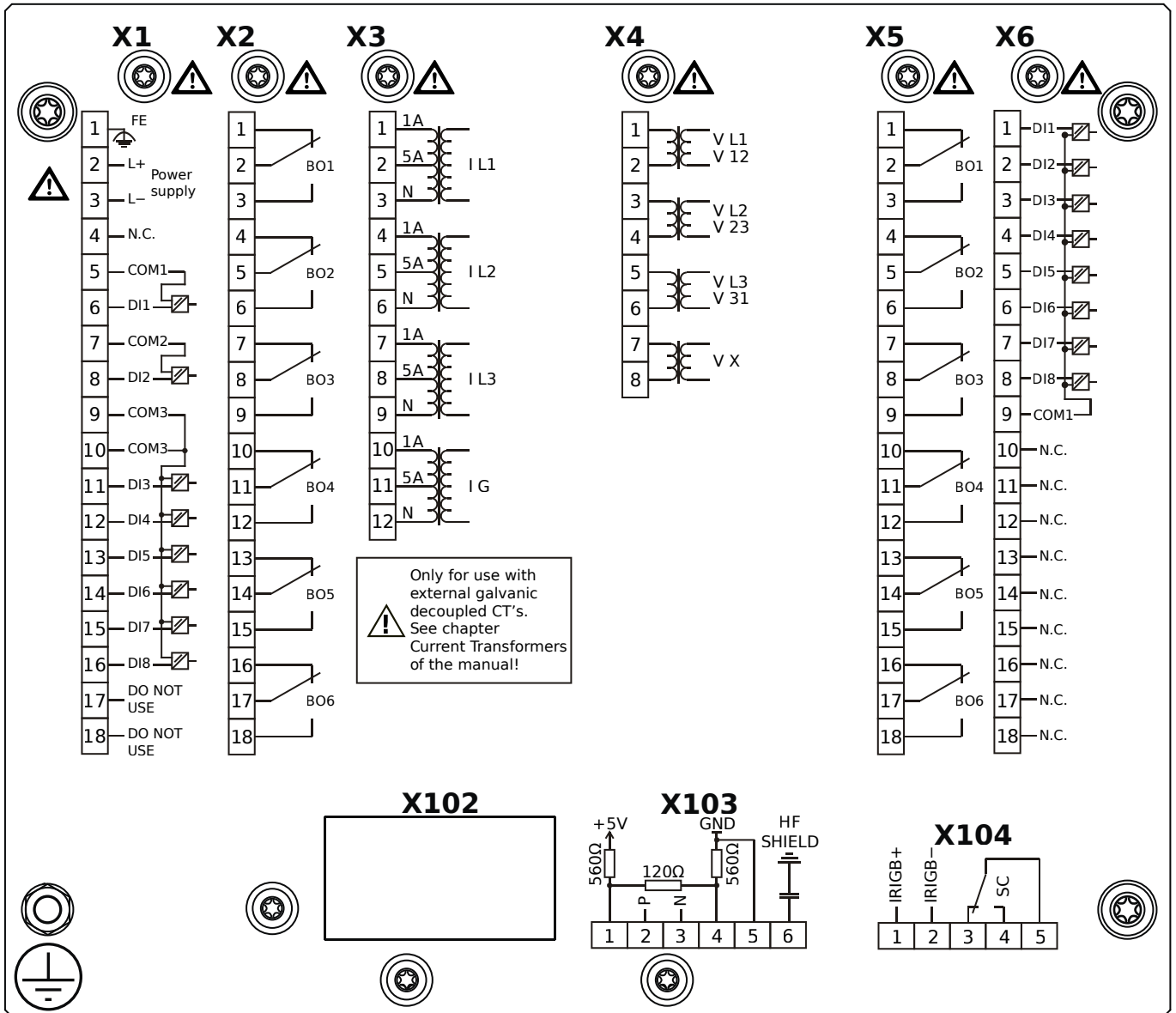
MCA4-2D0BBA



Housing B2, large display, door mounting 19" (flush mounting)

- X1** – DI8-X1: Wide-range power supply unit, incl. 2 non-grouped digital inputs and 6 grouped digital inputs
- X2** – OR6: Assembly Group with 6 Output Relays
- X3** – TI: Standard current measuring card
- X4** – TU: Card with 4 voltage transformer measuring inputs
- X5** – OR6: Assembly Group with 6 Output Relays
- X6** – DI8: Assembly Group with 8 Digital Inputs
- X103** – Modbus RTU / IEC 60870-5-103 / DNP3.0 RTU, RS485, Terminals
- X104** – IRIG-B00X, incl. System Contact (Supervision Contact)

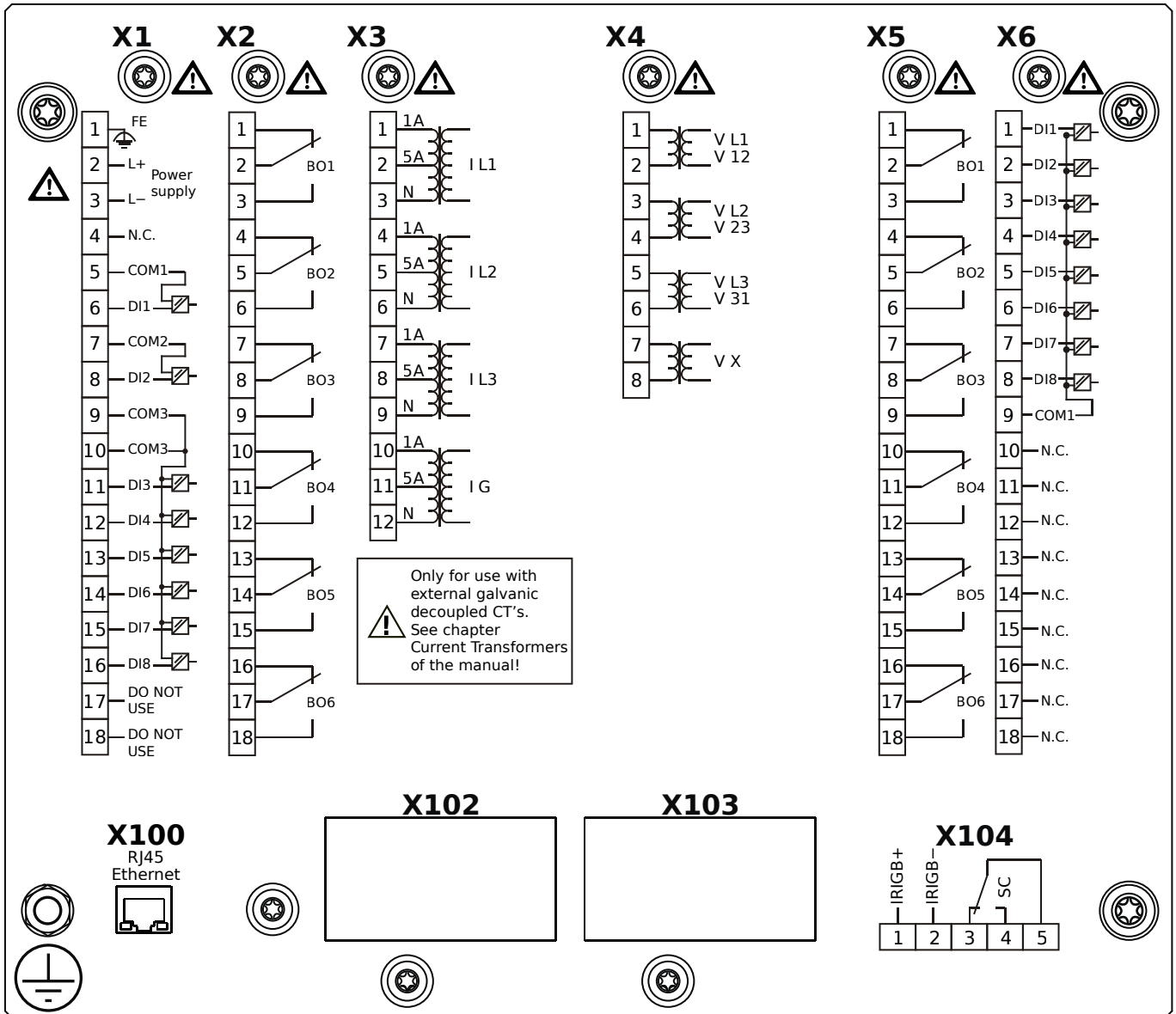
MCA4-2D0BBB



Housing B2, large display, door mounting 19" (flush mounting)

- X1** – DI8-X1: Wide-range power supply unit, incl. 2 non-grouped digital inputs and 6 grouped digital inputs
- X2** – OR6: Assembly Group with 6 Output Relays
- X3** – TI: Standard current measuring card
- X4** – TU: Card with 4 voltage transformer measuring inputs
- X5** – OR6: Assembly Group with 6 Output Relays
- X6** – DI8: Assembly Group with 8 Digital Inputs
- X103** – Modbus RTU / IEC 60870-5-103 / DNP3.0 RTU, RS485, Terminals
- X104** – IRIG-B00X, incl. System Contact (Supervision Contact)

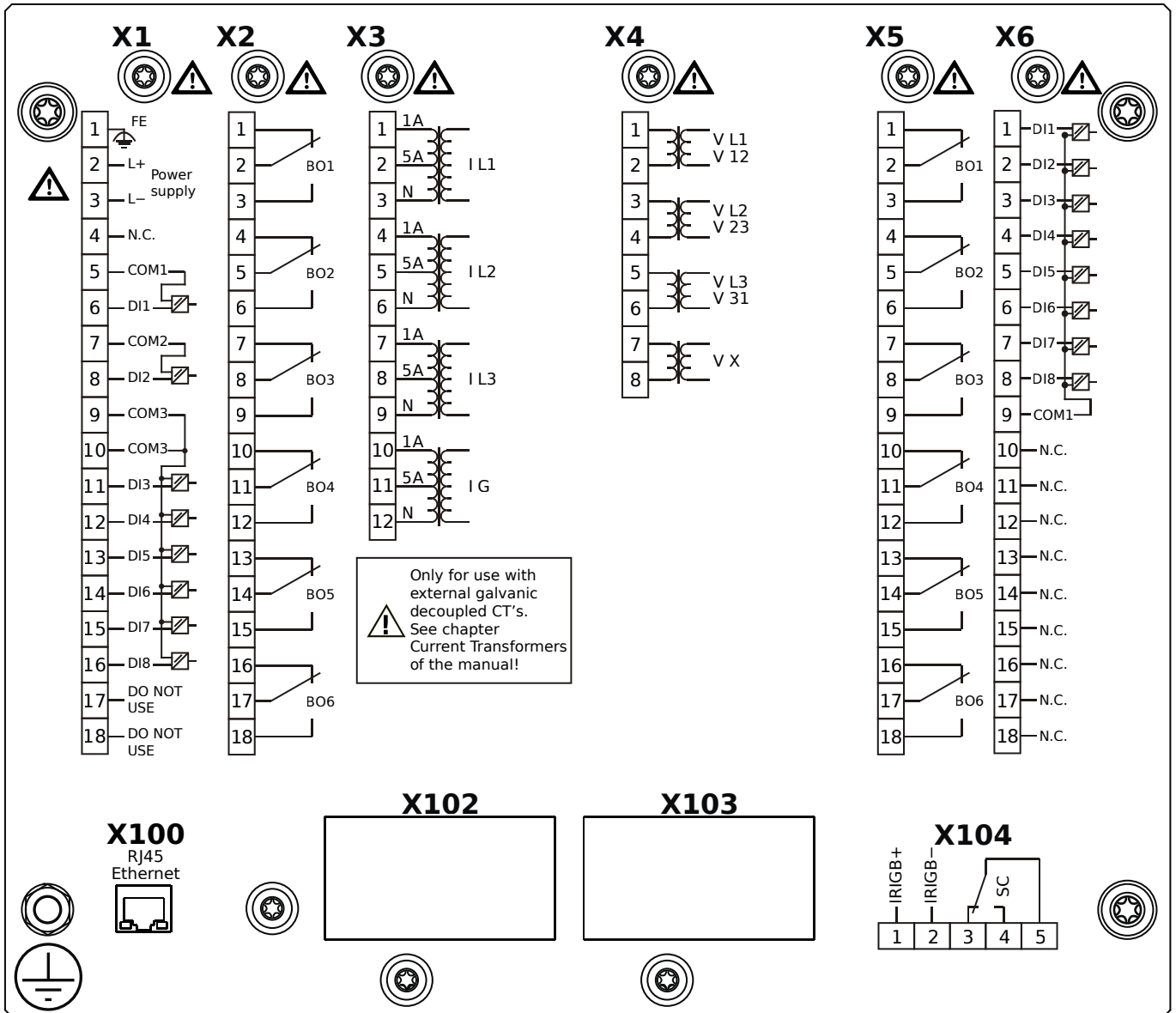
MCA4-2D0BCA



Housing B2, large display, door mounting 19" (flush mounting)

- X1** – DI8-X1: Wide-range power supply unit, incl. 2 non-grouped digital inputs and 6 grouped digital inputs
- X2** – OR6: Assembly Group with 6 Output Relays
- X3** – TI: Standard current measuring card
- X4** – TU: Card with 4 voltage transformer measuring inputs
- X5** – OR6: Assembly Group with 6 Output Relays
- X6** – DI8: Assembly Group with 8 Digital Inputs
- X100** – Modbus TCP / DNP3.0 TCP/UDP, Ethernet interface, 100 Mbit/s, RJ45 (BASE100-FX)
- X104** – IRIG-B00X, incl. System Contact (Supervision Contact)

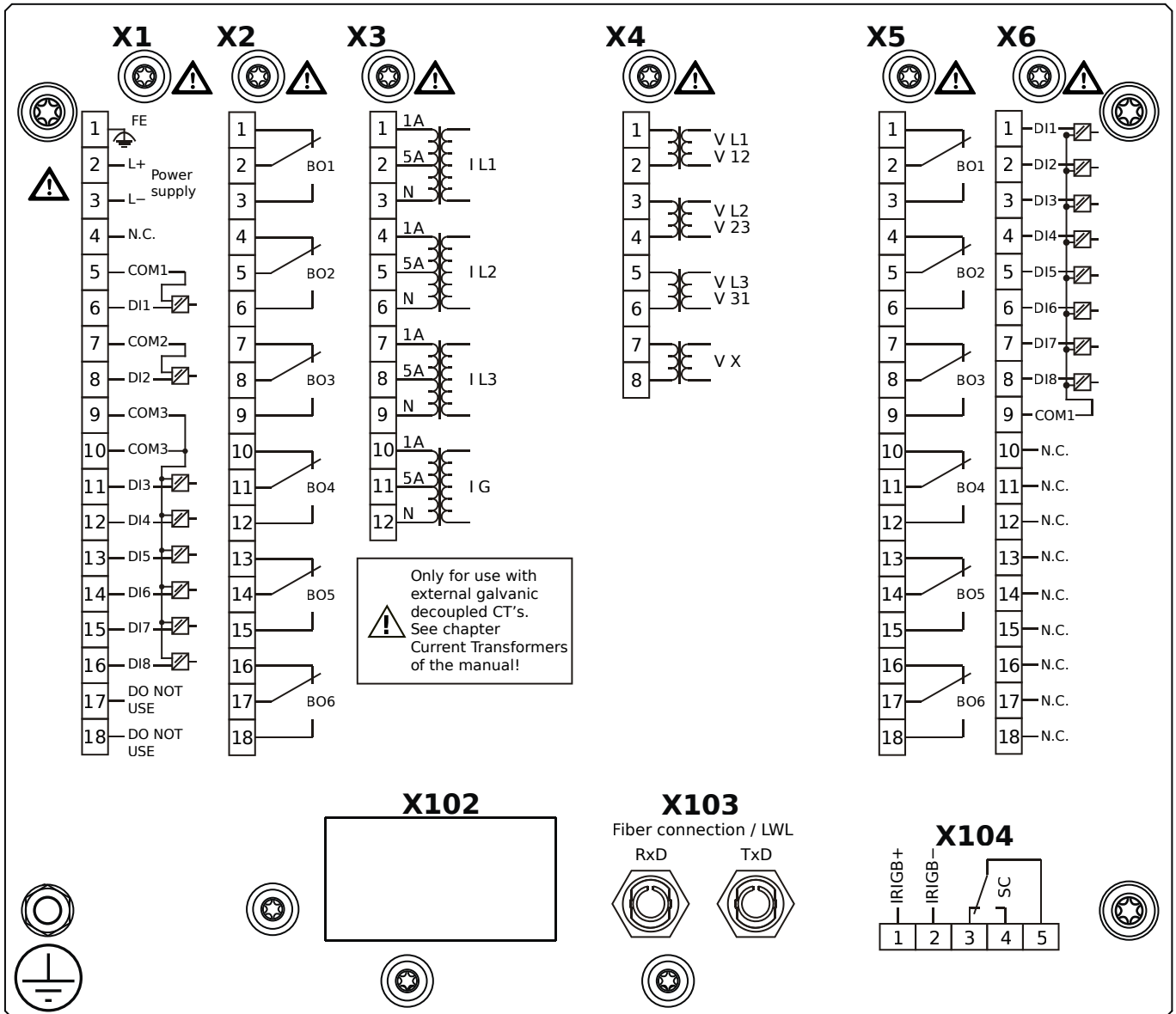
MCA4-2D0BCB



Housing B2, large display, door mounting 19" (flush mounting)

- X1** – DI8-X1: Wide-range power supply unit, incl. 2 non-grouped digital inputs and 6 grouped digital inputs
- X2** – OR6: Assembly Group with 6 Output Relays
- X3** – TI: Standard current measuring card
- X4** – TU: Card with 4 voltage transformer measuring inputs
- X5** – OR6: Assembly Group with 6 Output Relays
- X6** – DI8: Assembly Group with 8 Digital Inputs
- X100** – Modbus TCP / DNP3.0 TCP/UDP, Ethernet interface, 100 Mbit/s, RJ45 (BASE100-FX)
- X104** – IRIG-B00X, incl. System Contact (Supervision Contact)

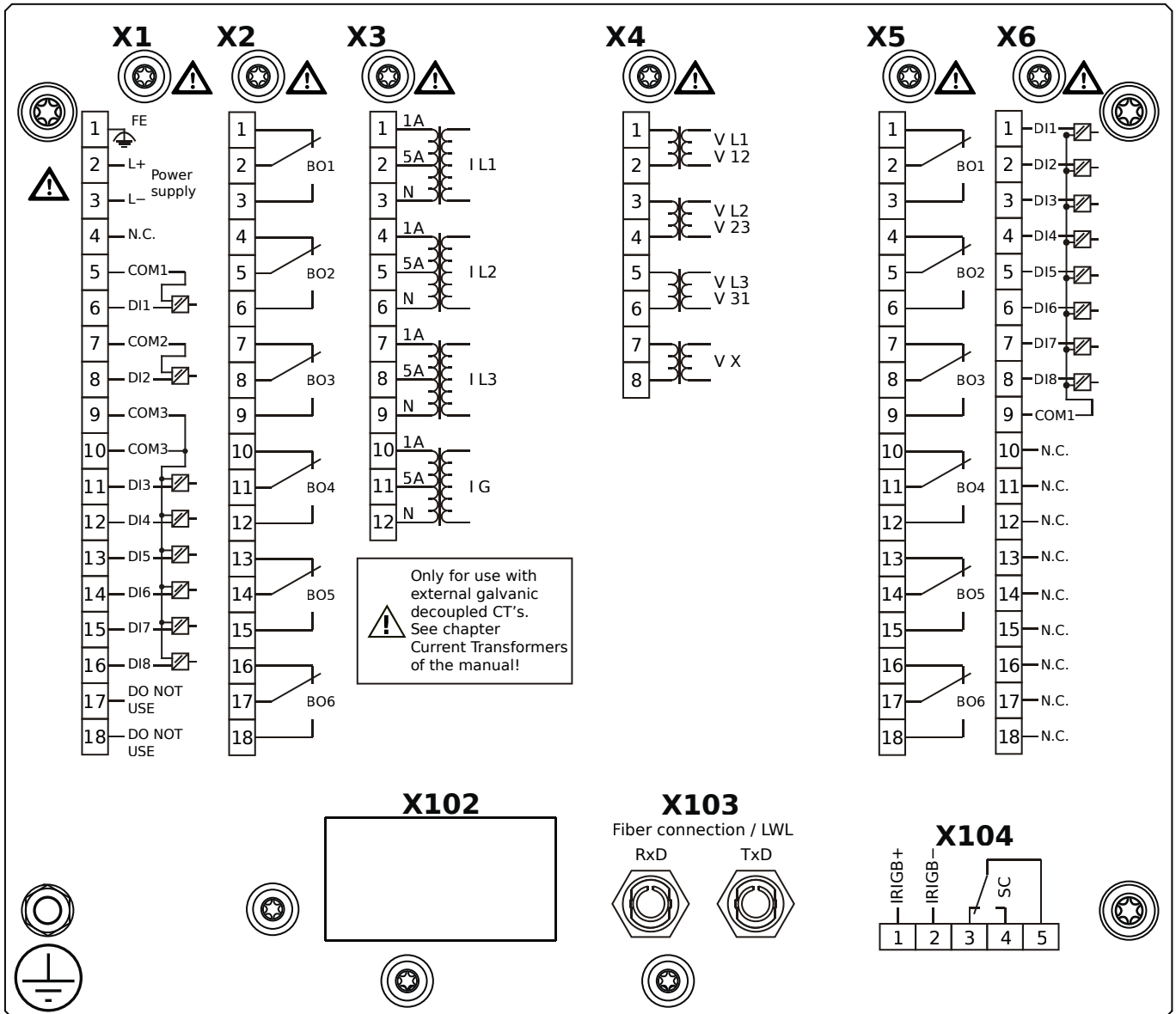
MCA4-2D0BDA



Housing B2, large display, door mounting 19" (flush mounting)

- X1** – DI8-X1: Wide-range power supply unit, incl. 2 non-grouped digital inputs and 6 grouped digital inputs
- X2** – OR6: Assembly Group with 6 Output Relays
- X3** – TI: Standard current measuring card
- X4** – TU: Card with 4 voltage transformer measuring inputs
- X5** – OR6: Assembly Group with 6 Output Relays
- X6** – DI8: Assembly Group with 8 Digital Inputs
- X103** – Profibus-DP, Fiber optics interface, ST Connector
- X104** – IRIG-B00X, incl. System Contact (Supervision Contact)

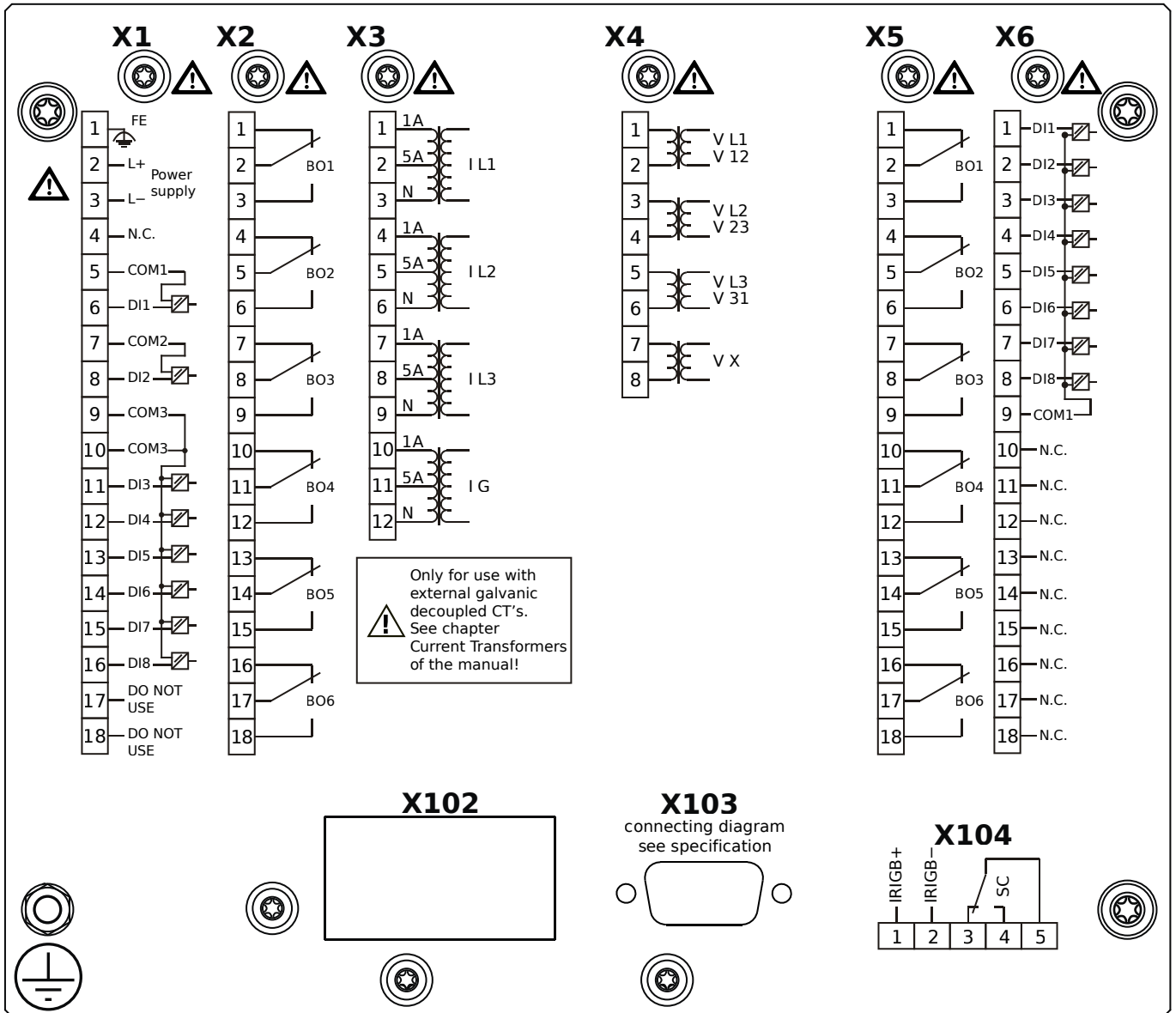
MCA4-2D0BDB



Housing B2, large display, door mounting 19" (flush mounting)

- X1** – DI8-X1: Wide-range power supply unit, incl. 2 non-grouped digital inputs and 6 grouped digital inputs
- X2** – OR6: Assembly Group with 6 Output Relays
- X3** – TI: Standard current measuring card
- X4** – TU: Card with 4 voltage transformer measuring inputs
- X5** – OR6: Assembly Group with 6 Output Relays
- X6** – DI8: Assembly Group with 8 Digital Inputs
- X103** – Profibus-DP, Fiber optics interface, ST Connector
- X104** – IRIG-B00X, incl. System Contact (Supervision Contact)

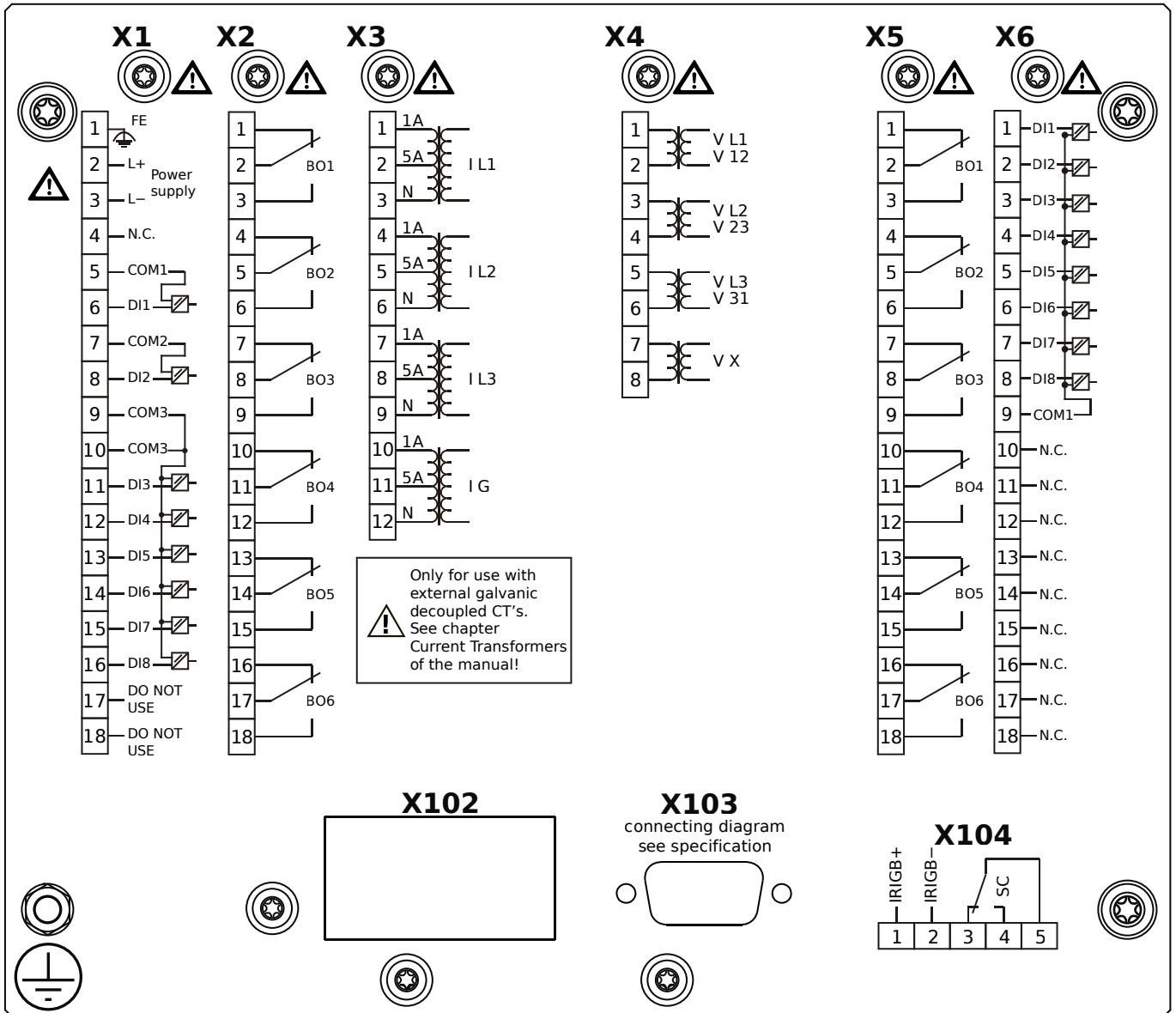
MCA4-2D0BEA



Housing B2, large display, door mounting 19" (flush mounting)

- X1** – DI8-X1: Wide-range power supply unit, incl. 2 non-grouped digital inputs and 6 grouped digital inputs
- X2** – OR6: Assembly Group with 6 Output Relays
- X3** – TI: Standard current measuring card
- X4** – TU: Card with 4 voltage transformer measuring inputs
- X5** – OR6: Assembly Group with 6 Output Relays
- X6** – DI8: Assembly Group with 8 Digital Inputs
- X103** – Profibus-DP, RS485, D-SUB
- X104** – IRIG-B00X, incl. System Contact (Supervision Contact)

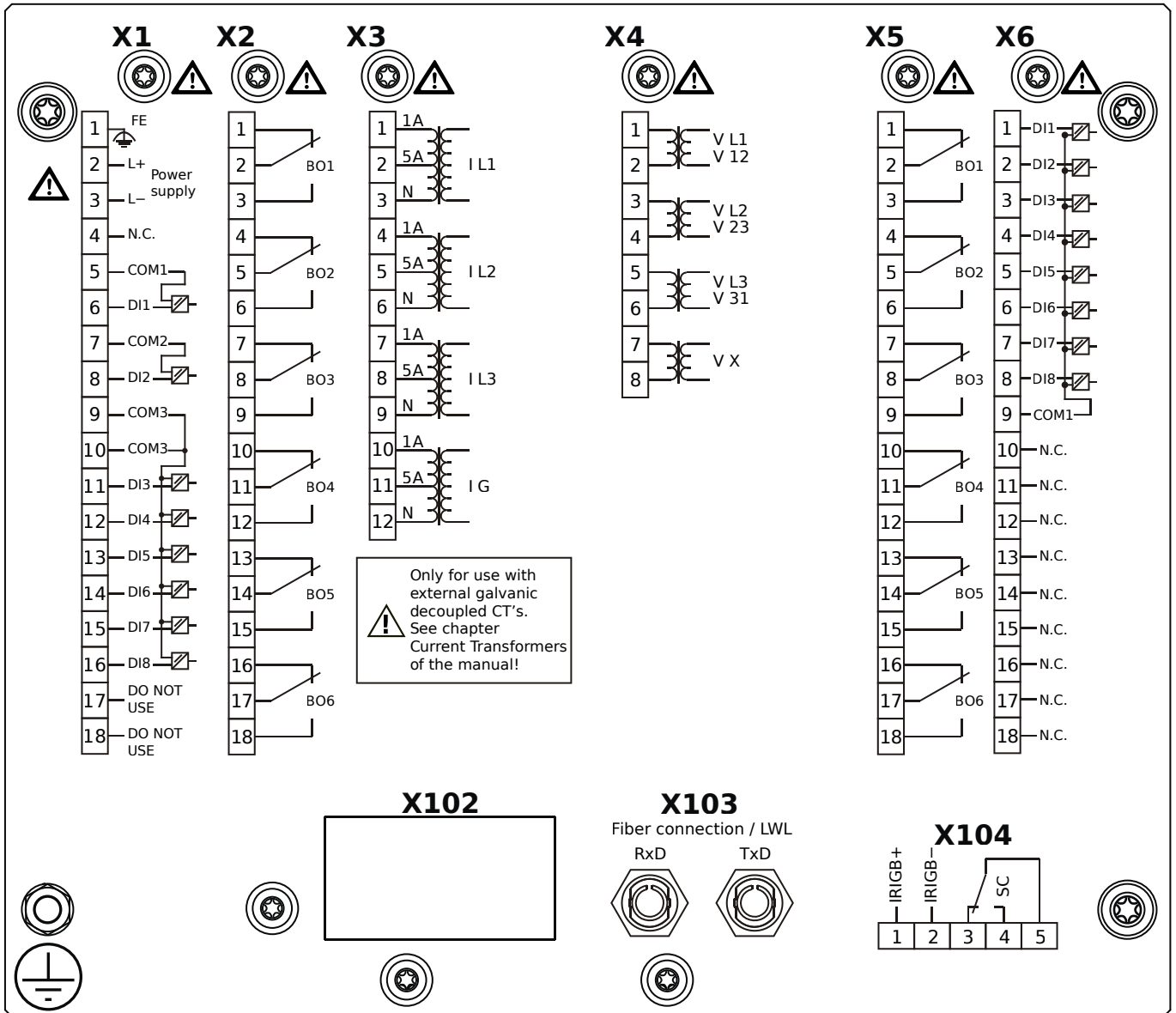
MCA4-2D0BEB



Housing B2, large display, door mounting 19" (flush mounting)

- X1** – DI8-X1: Wide-range power supply unit, incl. 2 non-grouped digital inputs and 6 grouped digital inputs
- X2** – OR6: Assembly Group with 6 Output Relays
- X3** – TI: Standard current measuring card
- X4** – TU: Card with 4 voltage transformer measuring inputs
- X5** – OR6: Assembly Group with 6 Output Relays
- X6** – DI8: Assembly Group with 8 Digital Inputs
- X103** – Profibus-DP, RS485, D-SUB
- X104** – IRIG-B00X, incl. System Contact (Supervision Contact)

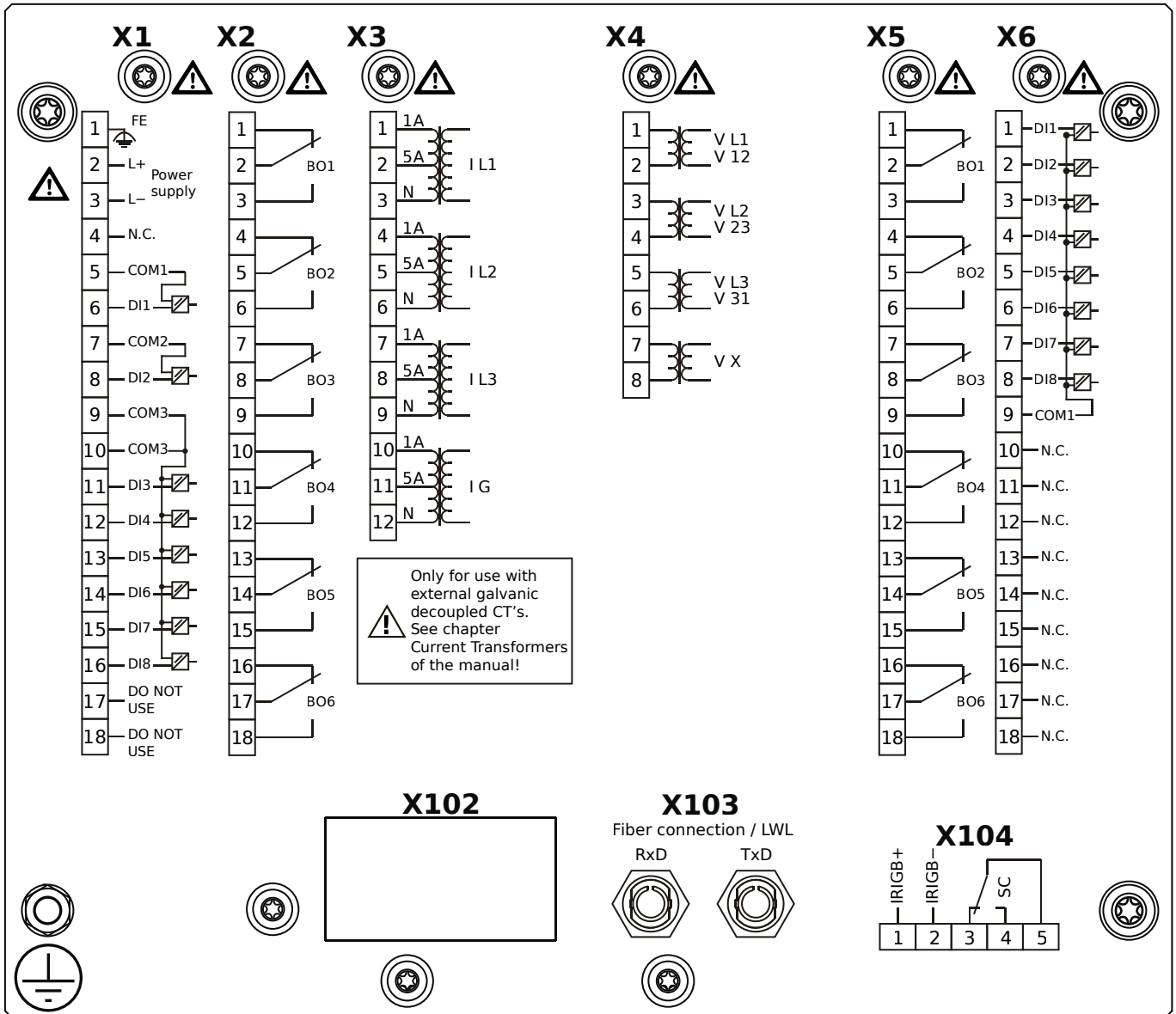
MCA4-2D0BFA



Housing B2, large display, door mounting 19" (flush mounting)

- X1** – DI8-X1: Wide-range power supply unit, incl. 2 non-grouped digital inputs and 6 grouped digital inputs
- X2** – OR6: Assembly Group with 6 Output Relays
- X3** – TI: Standard current measuring card
- X4** – TU: Card with 4 voltage transformer measuring inputs
- X5** – OR6: Assembly Group with 6 Output Relays
- X6** – DI8: Assembly Group with 8 Digital Inputs
- X103** – Modbus RTU / IEC 60870-5-103 / DNP3.0 RTU, Fiber optics interface, ST Connector
- X104** – IRIG-B00X, incl. System Contact (Supervision Contact)

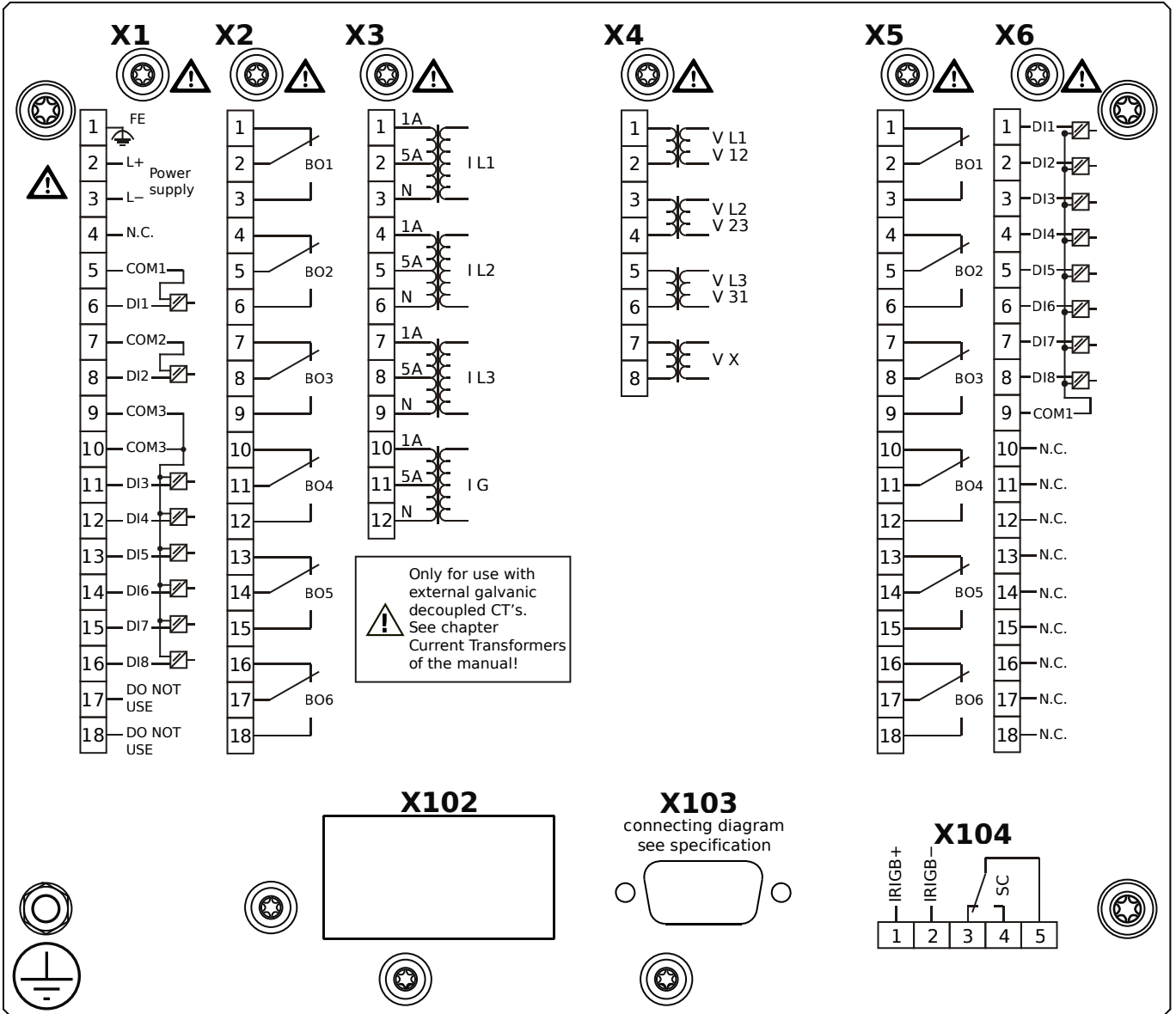
MCA4-2D0BFB



Housing B2, large display, door mounting 19" (flush mounting)

- X1** – DI8-X1: Wide-range power supply unit, incl. 2 non-grouped digital inputs and 6 grouped digital inputs
- X2** – OR6: Assembly Group with 6 Output Relays
- X3** – TI: Standard current measuring card
- X4** – TU: Card with 4 voltage transformer measuring inputs
- X5** – OR6: Assembly Group with 6 Output Relays
- X6** – DI8: Assembly Group with 8 Digital Inputs
- X103** – Modbus RTU / IEC 60870-5-103 / DNP3.0 RTU, Fiber optics interface, ST Connector
- X104** – IRIG-B00X, incl. System Contact (Supervision Contact)

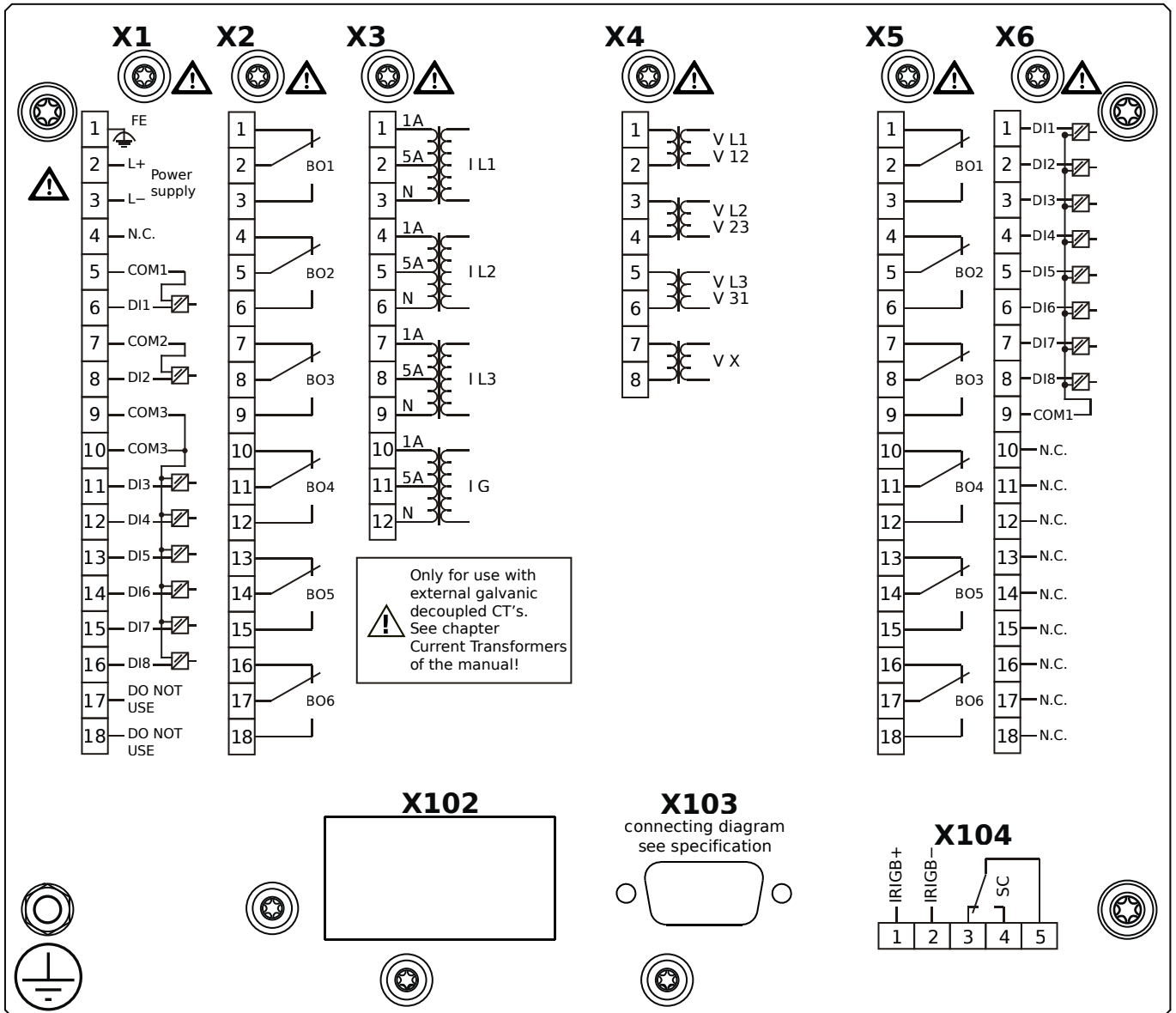
MCA4-2D0BGA



Housing B2, large display, door mounting 19" (flush mounting)

- X1** – DI8-X1: Wide-range power supply unit, incl. 2 non-grouped digital inputs and 6 grouped digital inputs
- X2** – OR6: Assembly Group with 6 Output Relays
- X3** – TI: Standard current measuring card
- X4** – TU: Card with 4 voltage transformer measuring inputs
- X5** – OR6: Assembly Group with 6 Output Relays
- X6** – DI8: Assembly Group with 8 Digital Inputs
- X103** – Modbus RTU / IEC 60870-5-103 / DNP3.0 RTU, RS485, D-SUB
- X104** – IRIG-B00X, incl. System Contact (Supervision Contact)

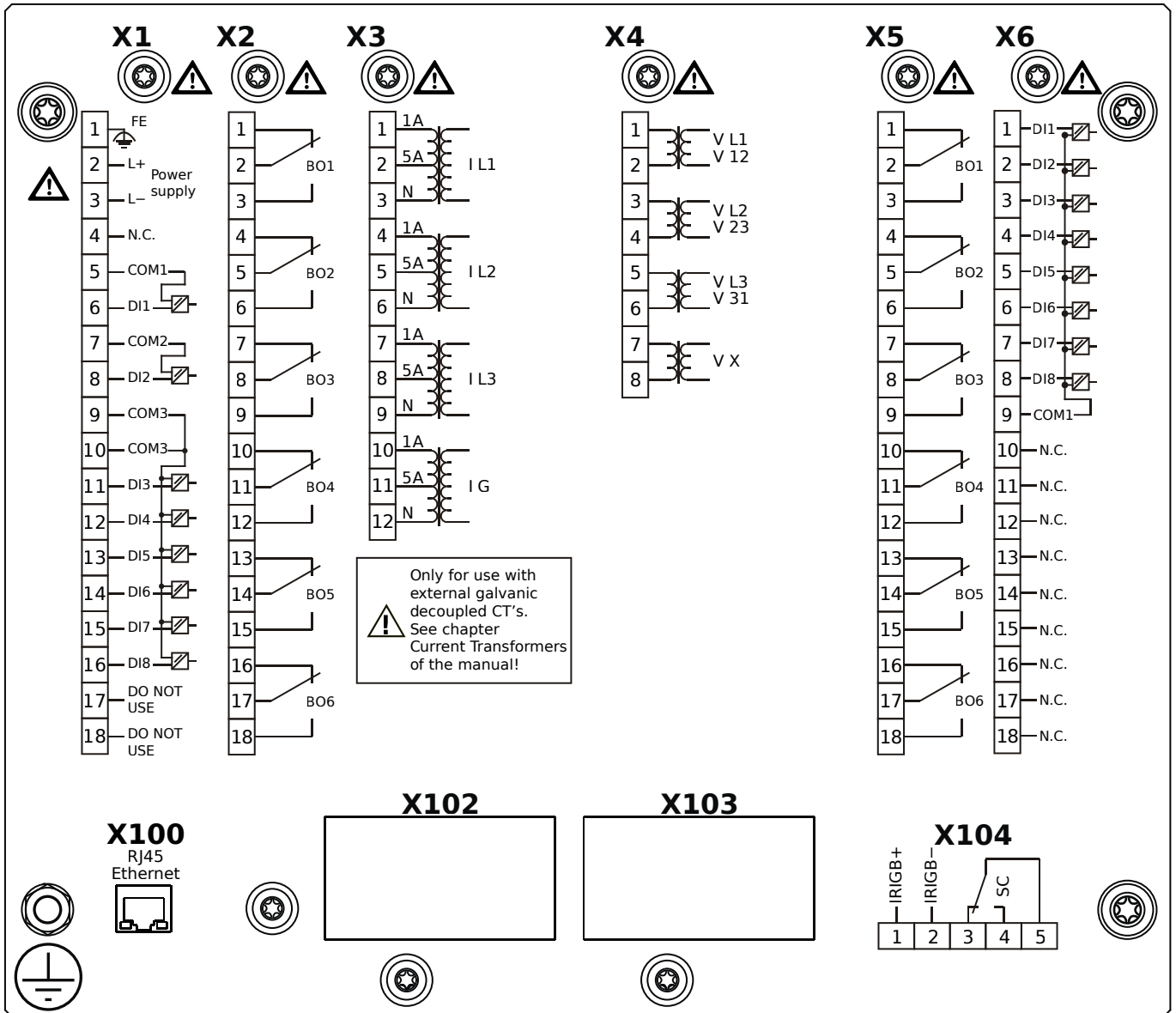
MCA4-2D0BGB



Housing B2, large display, door mounting 19" (flush mounting)

- X1** – DI8-X1: Wide-range power supply unit, incl. 2 non-grouped digital inputs and 6 grouped digital inputs
- X2** – OR6: Assembly Group with 6 Output Relays
- X3** – TI: Standard current measuring card
- X4** – TU: Card with 4 voltage transformer measuring inputs
- X5** – OR6: Assembly Group with 6 Output Relays
- X6** – DI8: Assembly Group with 8 Digital Inputs
- X103** – Modbus RTU / IEC 60870-5-103 / DNP3.0 RTU, RS485, D-SUB
- X104** – IRIG-B00X, incl. System Contact (Supervision Contact)

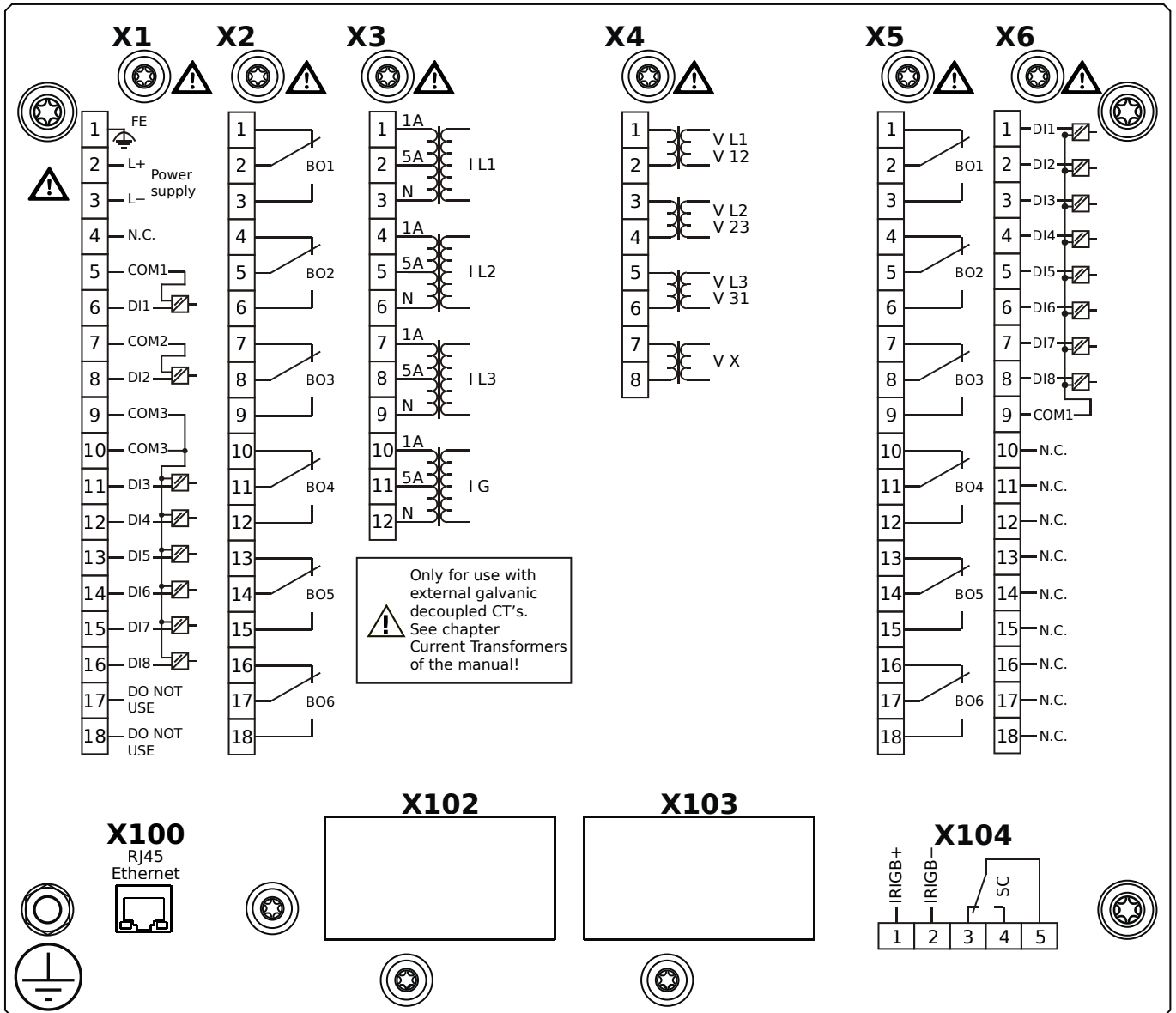
MCA4-2D0BHA



Housing B2, large display, door mounting 19" (flush mounting)

- X1** – DI8-X1: Wide-range power supply unit, incl. 2 non-grouped digital inputs and 6 grouped digital inputs
- X2** – OR6: Assembly Group with 6 Output Relays
- X3** – TI: Standard current measuring card
- X4** – TU: Card with 4 voltage transformer measuring inputs
- X5** – OR6: Assembly Group with 6 Output Relays
- X6** – DI8: Assembly Group with 8 Digital Inputs
- X100** – IEC 61850 / Modbus TCP / DNP3.0 TCP/UDP, Ethernet interface, 100 Mbit/s, RJ45 (BASE100-FX)
- X104** – IRIG-B00X, incl. System Contact (Supervision Contact)

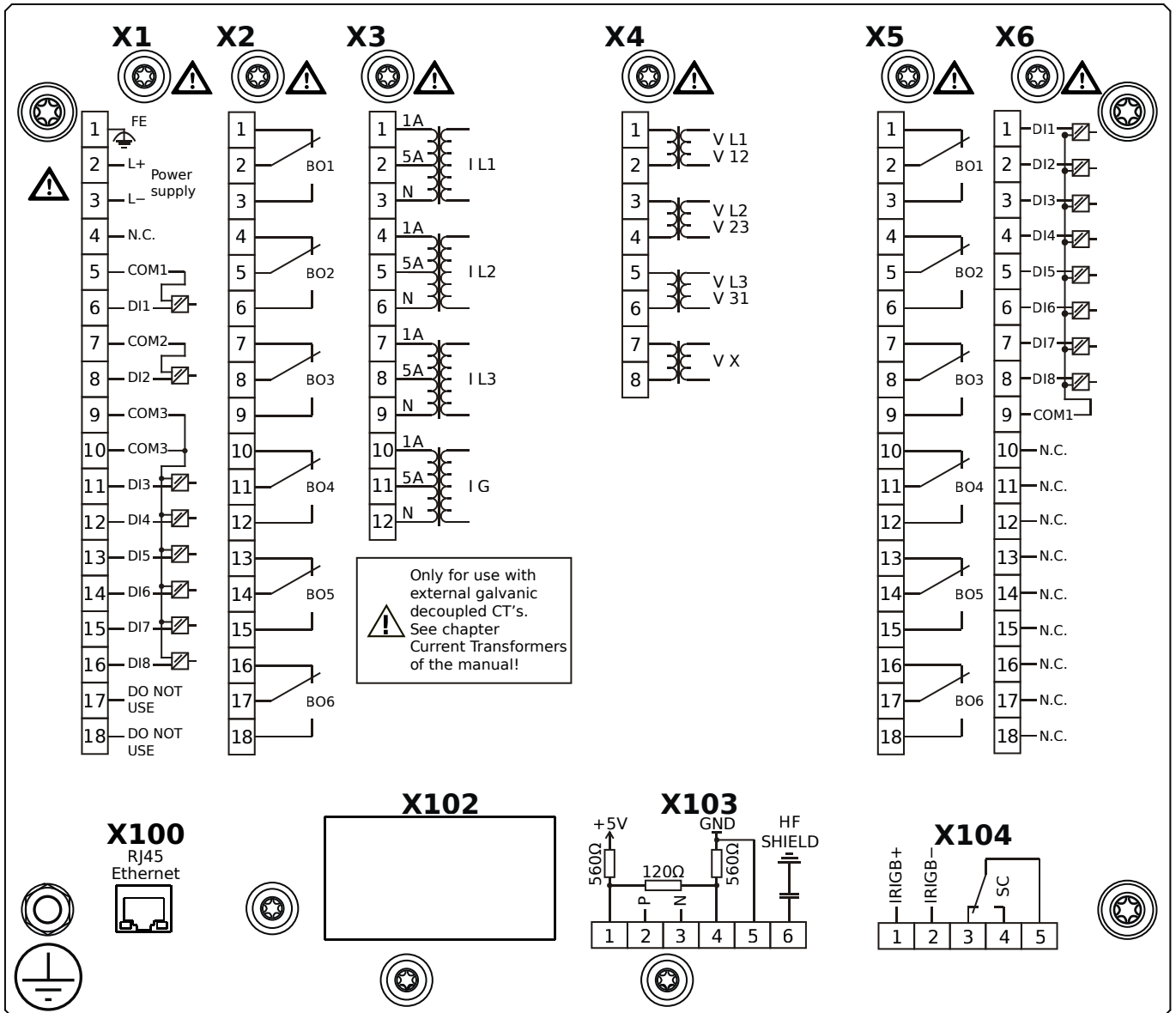
MCA4-2D0BHB



Housing B2, large display, door mounting 19" (flush mounting)

- X1** – DI8-X1: Wide-range power supply unit, incl. 2 non-grouped digital inputs and 6 grouped digital inputs
- X2** – OR6: Assembly Group with 6 Output Relays
- X3** – TI: Standard current measuring card
- X4** – TU: Card with 4 voltage transformer measuring inputs
- X5** – OR6: Assembly Group with 6 Output Relays
- X6** – DI8: Assembly Group with 8 Digital Inputs
- X100** – IEC 61850 / Modbus TCP / DNP3.0 TCP/UDP, Ethernet interface, 100 Mbit/s, RJ45 (BASE100-FX)
- X104** – IRIG-B00X, incl. System Contact (Supervision Contact)

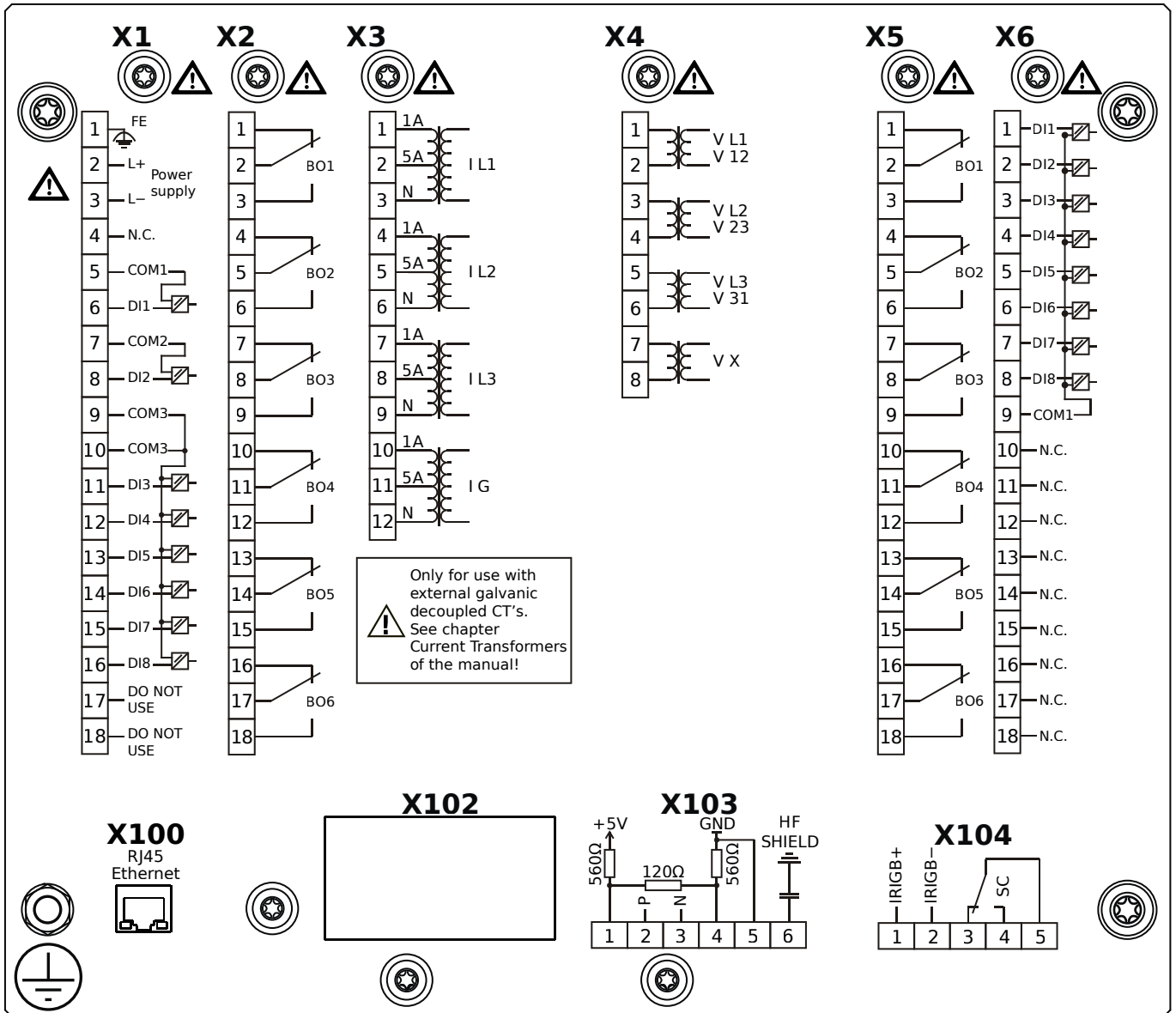
MCA4-2D0BIA



Housing B2, large display, door mounting 19" (flush mounting)

- X1** – DI8-X1: Wide-range power supply unit, incl. 2 non-grouped digital inputs and 6 grouped digital inputs
- X2** – OR6: Assembly Group with 6 Output Relays
- X3** – TI: Standard current measuring card
- X4** – TU: Card with 4 voltage transformer measuring inputs
- X5** – OR6: Assembly Group with 6 Output Relays
- X6** – DI8: Assembly Group with 8 Digital Inputs
- X100** – Modbus TCP / DNP3.0 TCP/UDP, Ethernet interface, 100 Mbit/s, RJ45 (BASE100-FX)
- X103** – IEC 60870-5-103 / Modbus RTU / DNP3.0 RTU, RS485, Terminals
- X104** – IRIG-B00X, incl. System Contact (Supervision Contact)

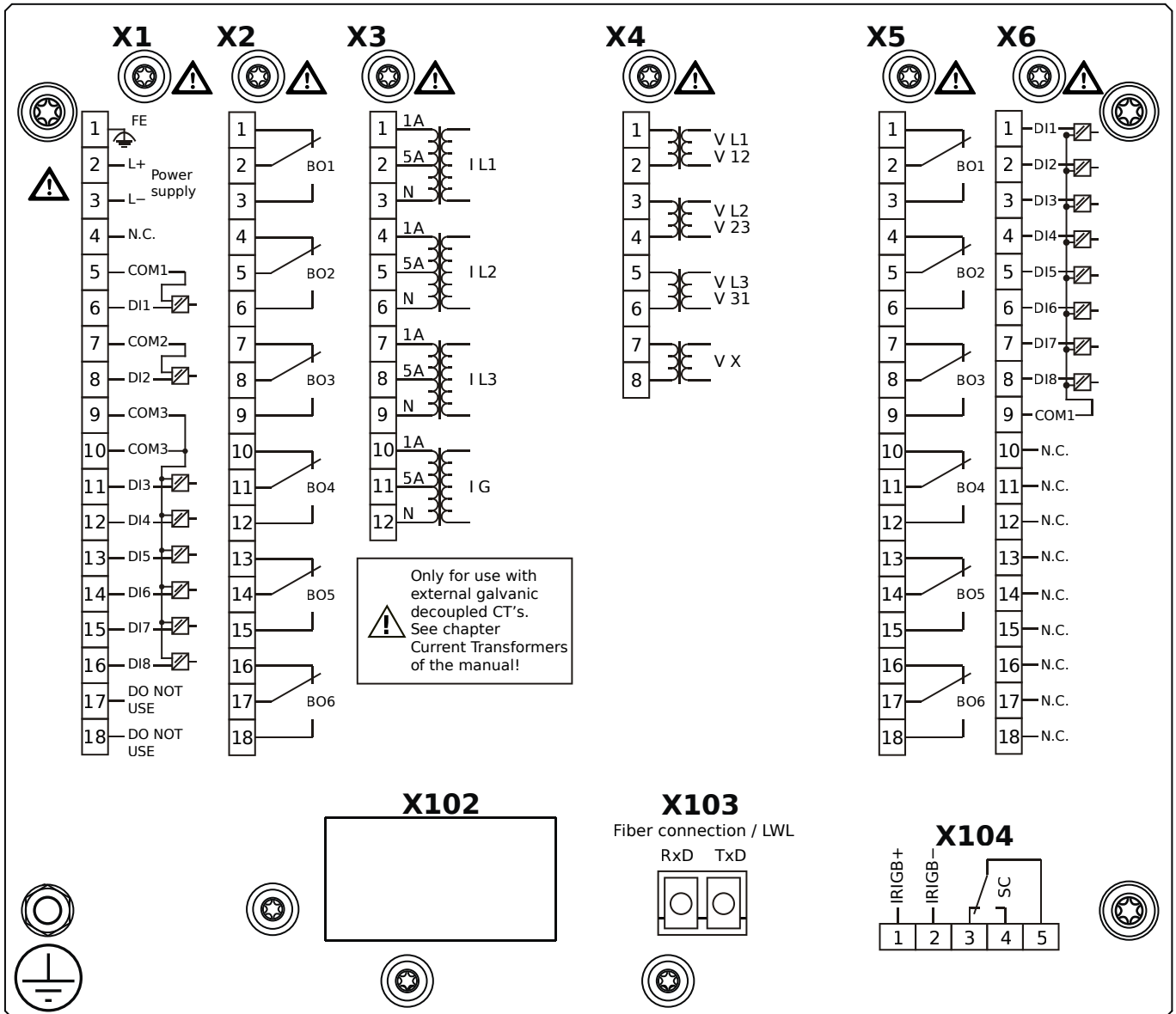
MCA4-2D0BIB



Housing B2, large display, door mounting 19" (flush mounting)

- X1** – DI8-X1: Wide-range power supply unit, incl. 2 non-grouped digital inputs and 6 grouped digital inputs
- X2** – OR6: Assembly Group with 6 Output Relays
- X3** – TI: Standard current measuring card
- X4** – TU: Card with 4 voltage transformer measuring inputs
- X5** – OR6: Assembly Group with 6 Output Relays
- X6** – DI8: Assembly Group with 8 Digital Inputs
- X100** – Modbus TCP / DNP3.0 TCP/UDP, Ethernet interface, 100 Mbit/s, RJ45 (BASE100-FX)
- X103** – IEC 60870-5-103 / Modbus RTU / DNP3.0 RTU, RS485, Terminals
- X104** – IRIG-B00X, incl. System Contact (Supervision Contact)

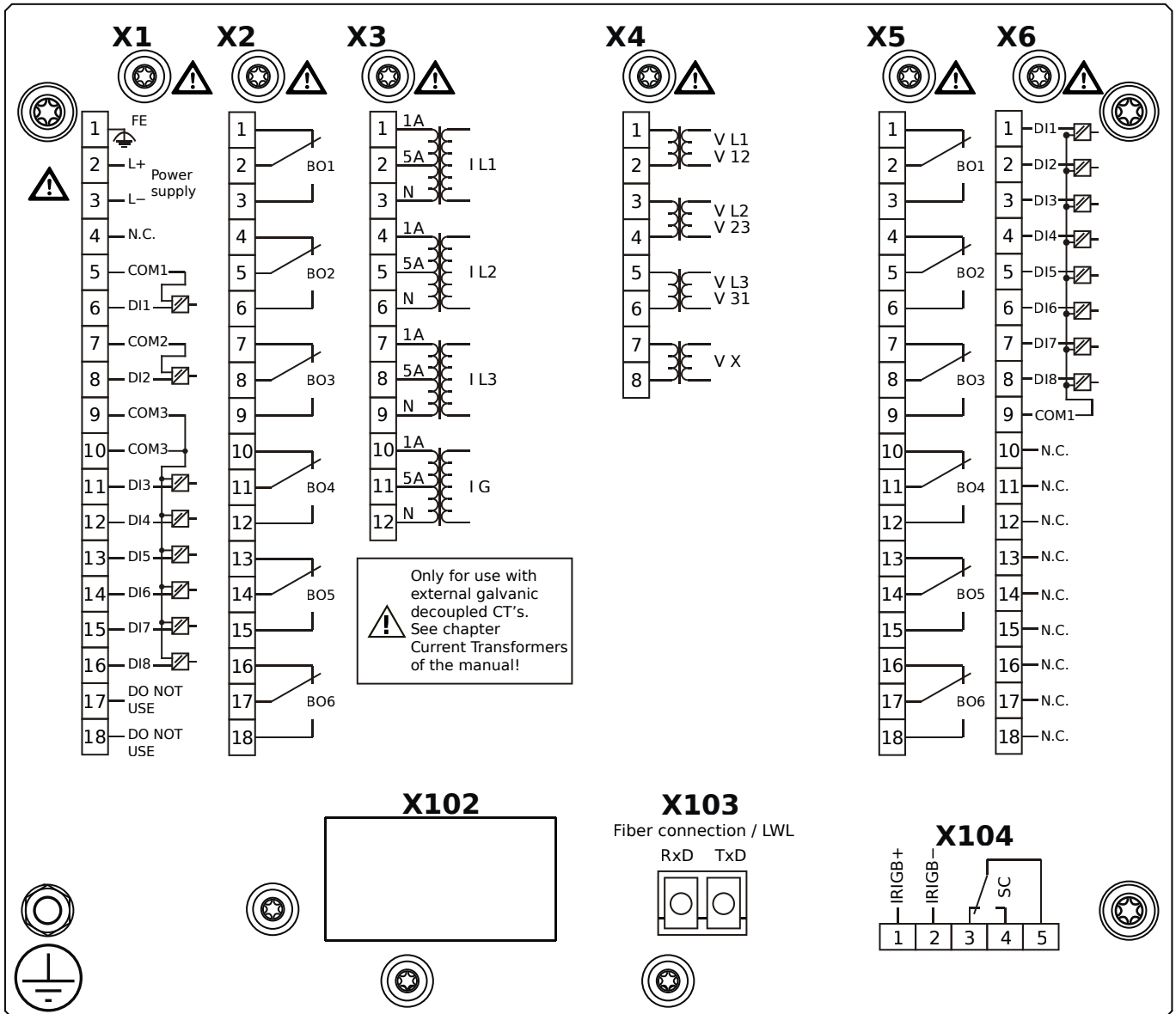
MCA4-2D0BKA



Housing B2, large display, door mounting 19" (flush mounting)

- X1** – DI8-X1: Wide-range power supply unit, incl. 2 non-grouped digital inputs and 6 grouped digital inputs
- X2** – OR6: Assembly Group with 6 Output Relays
- X3** – TI: Standard current measuring card
- X4** – TU: Card with 4 voltage transformer measuring inputs
- X5** – OR6: Assembly Group with 6 Output Relays
- X6** – DI8: Assembly Group with 8 Digital Inputs
- X103** – IEC 61850 / Modbus TCP / DNP3.0 TCP/UDP, Fiber optics interface, LC Connector
- X104** – IRIG-B00X, incl. System Contact (Supervision Contact)

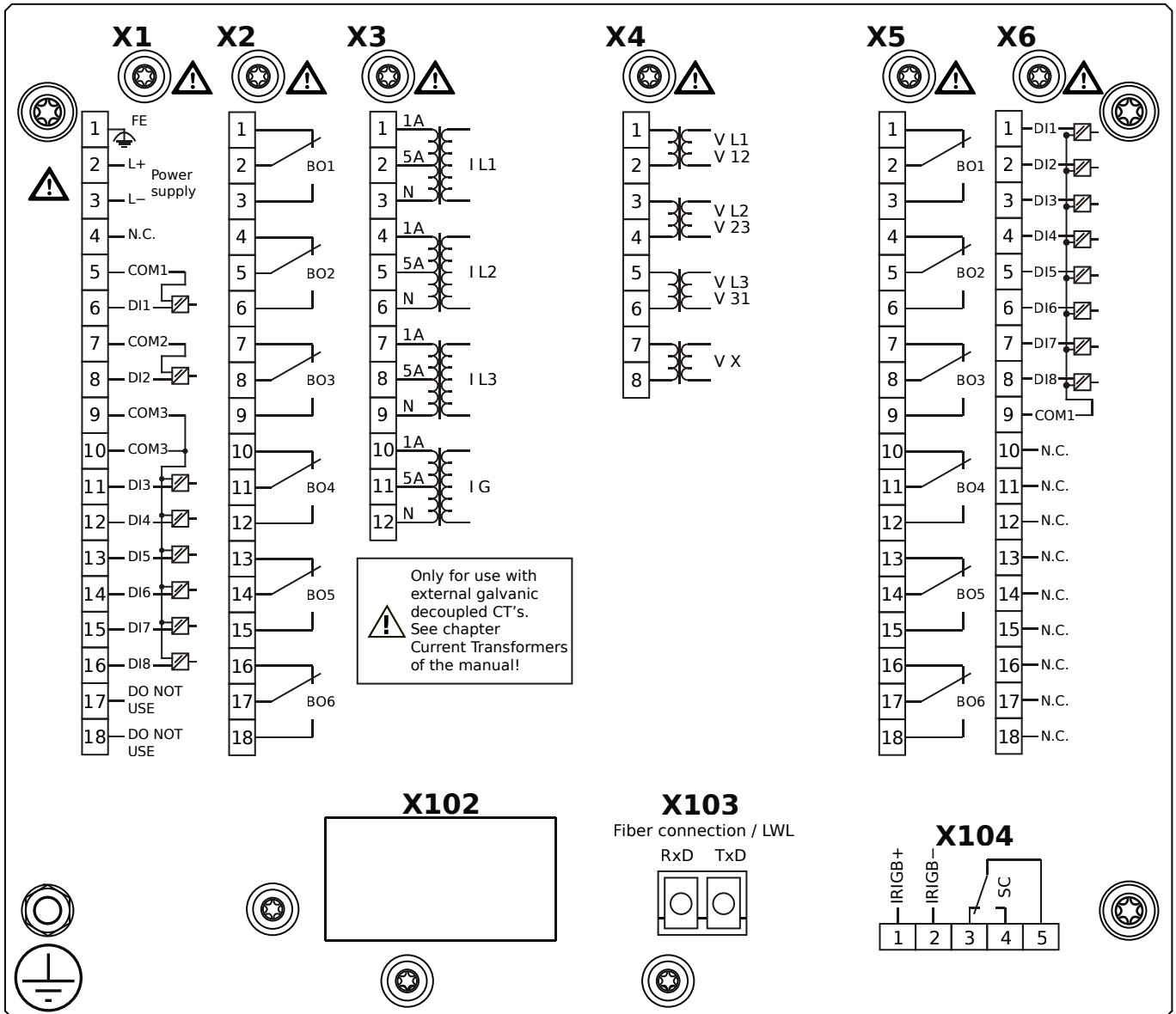
MCA4-2D0BKB



Housing B2, large display, door mounting 19" (flush mounting)

- X1** – DI8-X1: Wide-range power supply unit, incl. 2 non-grouped digital inputs and 6 grouped digital inputs
- X2** – OR6: Assembly Group with 6 Output Relays
- X3** – TI: Standard current measuring card
- X4** – TU: Card with 4 voltage transformer measuring inputs
- X5** – OR6: Assembly Group with 6 Output Relays
- X6** – DI8: Assembly Group with 8 Digital Inputs
- X103** – IEC 61850 / Modbus TCP / DNP3.0 TCP/UDP, Fiber optics interface, LC Connector
- X104** – IRIG-B00X, incl. System Contact (Supervision Contact)

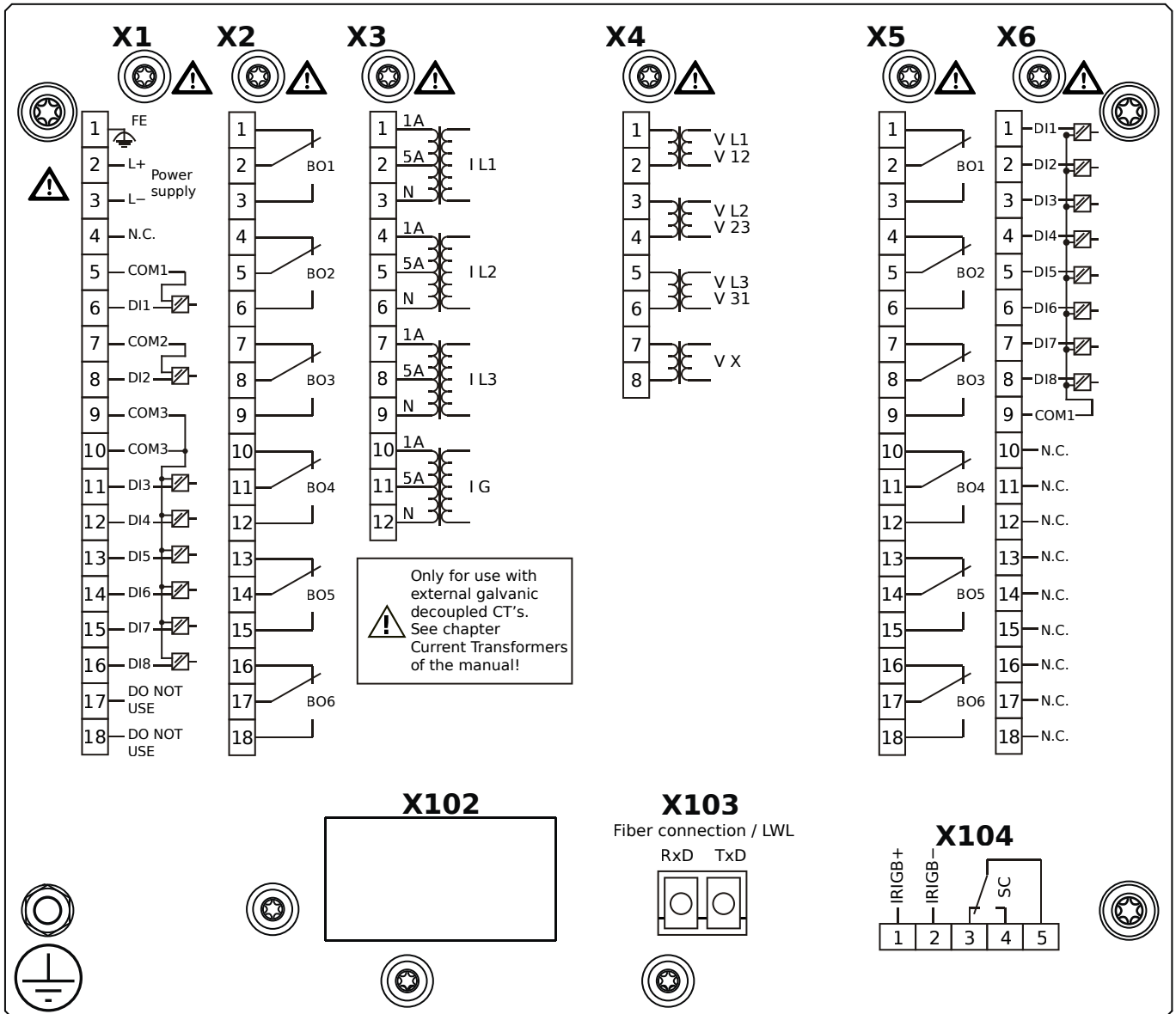
MCA4-2D0BLA



Housing B2, large display, door mounting 19" (flush mounting)

- X1** – DI8-X1: Wide-range power supply unit, incl. 2 non-grouped digital inputs and 6 grouped digital inputs
- X2** – OR6: Assembly Group with 6 Output Relays
- X3** – TI: Standard current measuring card
- X4** – TU: Card with 4 voltage transformer measuring inputs
- X5** – OR6: Assembly Group with 6 Output Relays
- X6** – DI8: Assembly Group with 8 Digital Inputs
- X103** – Modbus TCP / DNP3.0 TCP/UDP, Fiber optics interface, LC Connector
- X104** – IRIG-B00X, incl. System Contact (Supervision Contact)

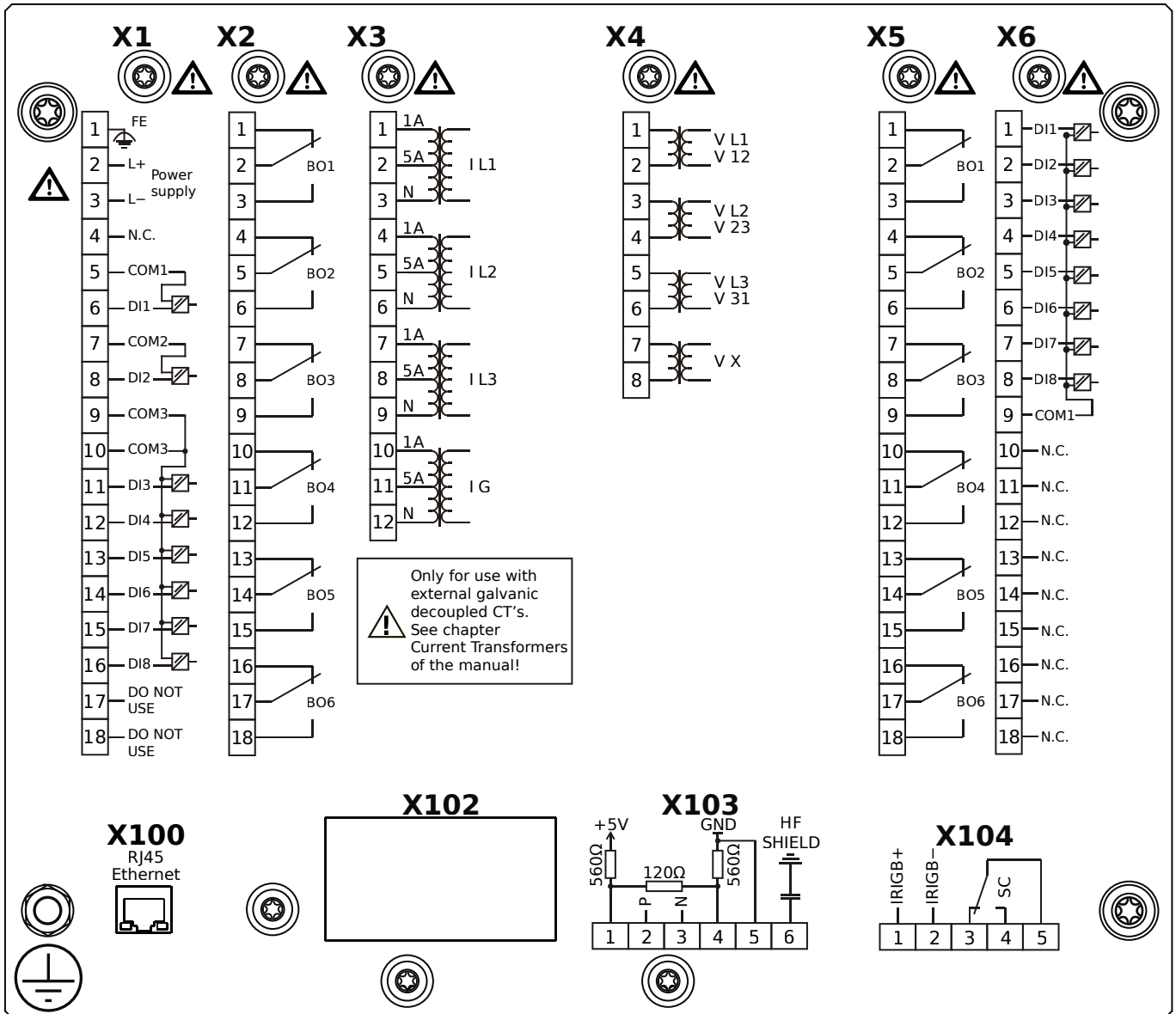
MCA4-2D0BLB



Housing B2, large display, door mounting 19" (flush mounting)

- X1** – DI8-X1: Wide-range power supply unit, incl. 2 non-grouped digital inputs and 6 grouped digital inputs
- X2** – OR6: Assembly Group with 6 Output Relays
- X3** – TI: Standard current measuring card
- X4** – TU: Card with 4 voltage transformer measuring inputs
- X5** – OR6: Assembly Group with 6 Output Relays
- X6** – DI8: Assembly Group with 8 Digital Inputs
- X103** – Modbus TCP / DNP3.0 TCP/UDP, Fiber optics interface, LC Connector
- X104** – IRIG-B00X, incl. System Contact (Supervision Contact)

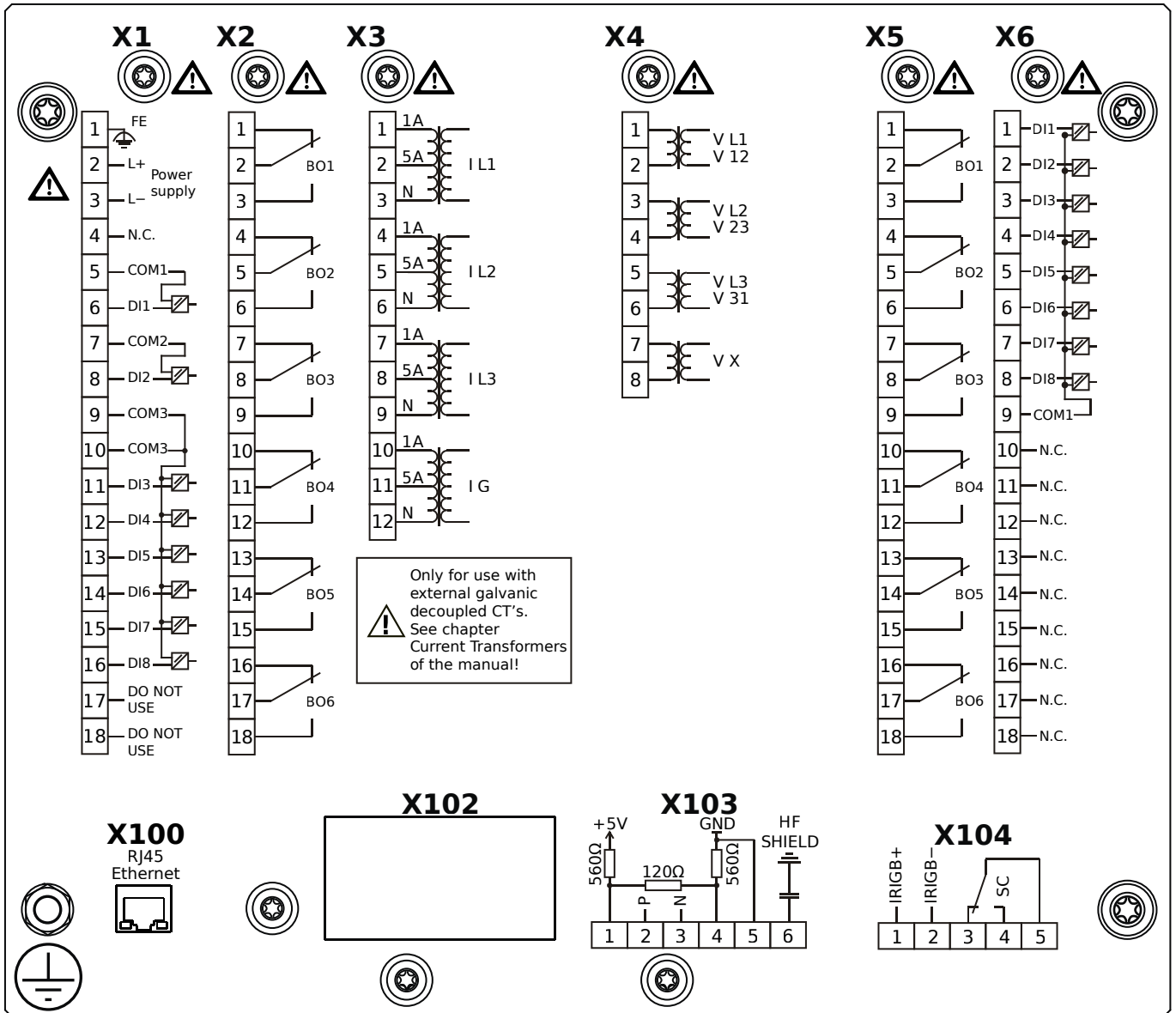
MCA4-2D0BTA



Housing B2, large display, door mounting 19" (flush mounting)

- X1** – DI8-X1: Wide-range power supply unit, incl. 2 non-grouped digital inputs and 6 grouped digital inputs
- X2** – OR6: Assembly Group with 6 Output Relays
- X3** – TI: Standard current measuring card
- X4** – TU: Card with 4 voltage transformer measuring inputs
- X5** – OR6: Assembly Group with 6 Output Relays
- X6** – DI8: Assembly Group with 8 Digital Inputs
- X100** – IEC 61850 / Modbus TCP / DNP3.0 TCP/UDP, Ethernet interface, 100 Mbit/s, RJ45 (BASE100-FX)
- X103** – IEC 60870-5-103 / Modbus RTU / DNP3.0 RTU, RS485, Terminals
- X104** – IRIG-B00X, incl. System Contact (Supervision Contact)

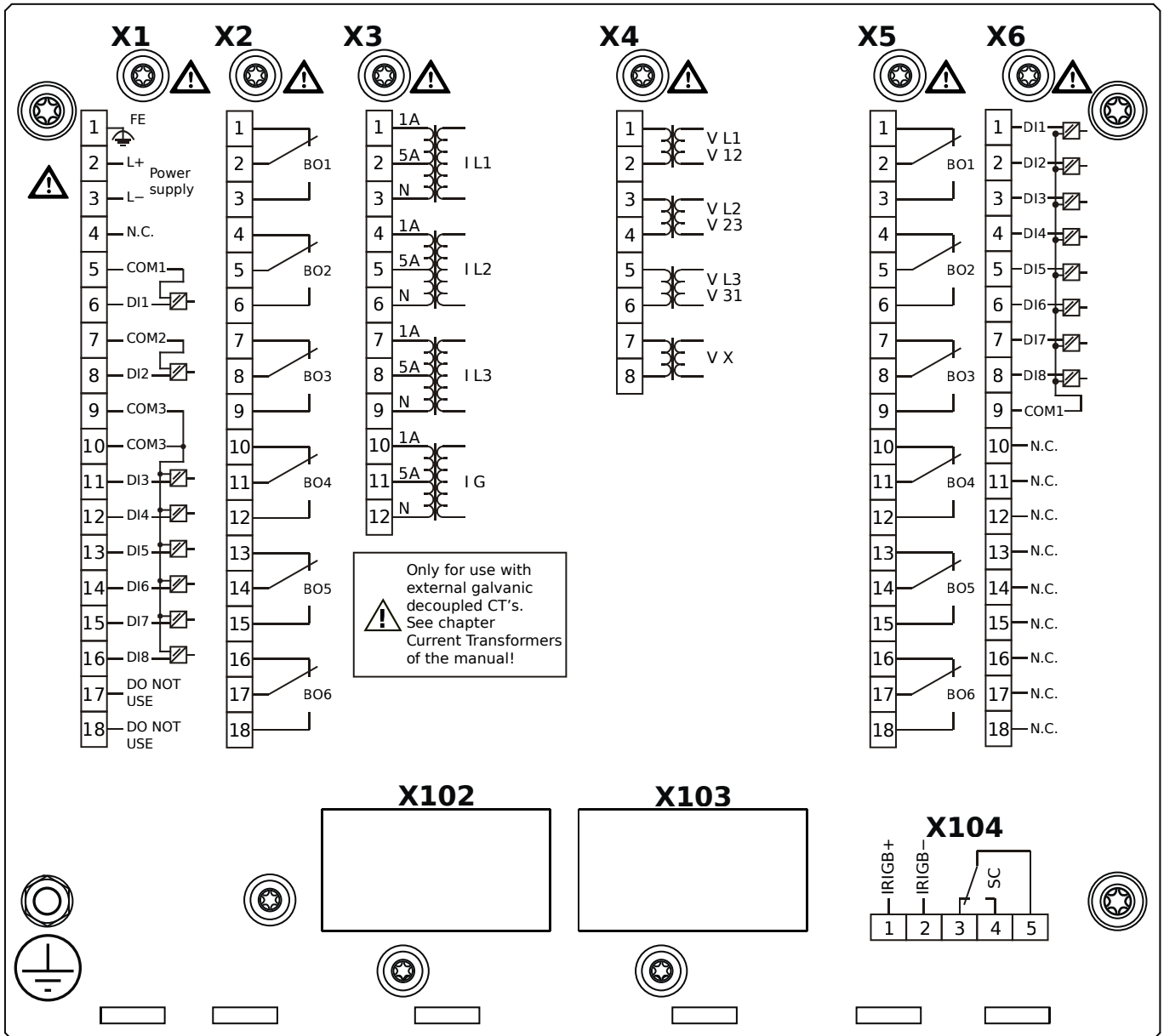
MCA4-2D0BTB



Housing B2, large display, door mounting 19" (flush mounting)

- X1** – DI8-X1: Wide-range power supply unit, incl. 2 non-grouped digital inputs and 6 grouped digital inputs
- X2** – OR6: Assembly Group with 6 Output Relays
- X3** – TI: Standard current measuring card
- X4** – TU: Card with 4 voltage transformer measuring inputs
- X5** – OR6: Assembly Group with 6 Output Relays
- X6** – DI8: Assembly Group with 8 Digital Inputs
- X100** – IEC 61850 / Modbus TCP / DNP3.0 TCP/UDP, Ethernet interface, 100 Mbit/s, RJ45 (BASE100-FX)
- X103** – IEC 60870-5-103 / Modbus RTU / DNP3.0 RTU, RS485, Terminals
- X104** – IRIG-B00X, incl. System Contact (Supervision Contact)

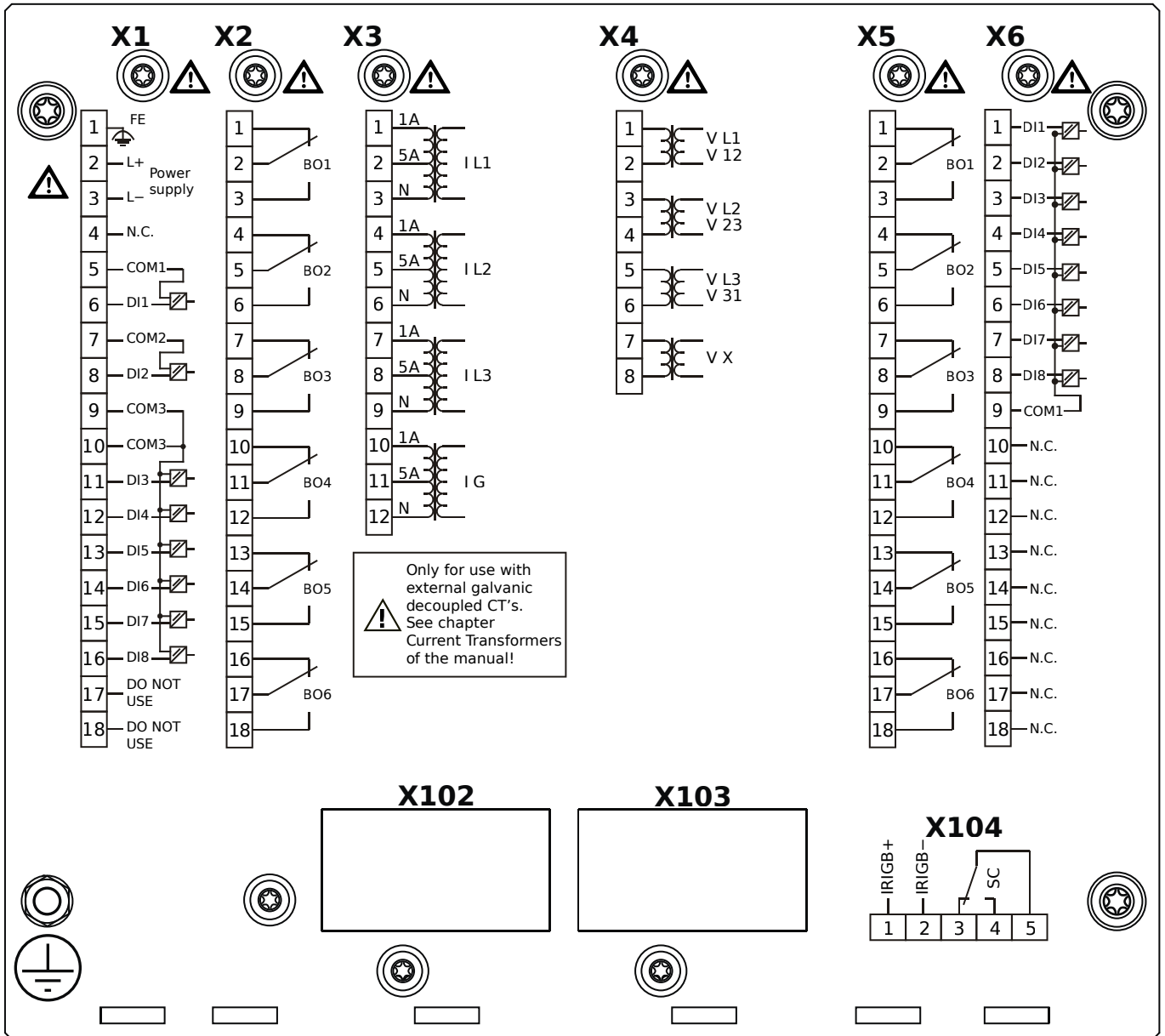
MCA4-2D0HAA



Housing B2, large display, door mounting

- X1** – DI8-X1: Wide-range power supply unit, incl. 2 non-grouped digital inputs and 6 grouped digital inputs
- X2** – OR6: Assembly Group with 6 Output Relays
- X3** – TI: Standard current measuring card
- X4** – TU: Card with 4 voltage transformer measuring inputs
- X5** – OR6: Assembly Group with 6 Output Relays
- X6** – DI8: Assembly Group with 8 Digital Inputs
- X104** – IRIG-B00X, incl. System Contact (Supervision Contact)

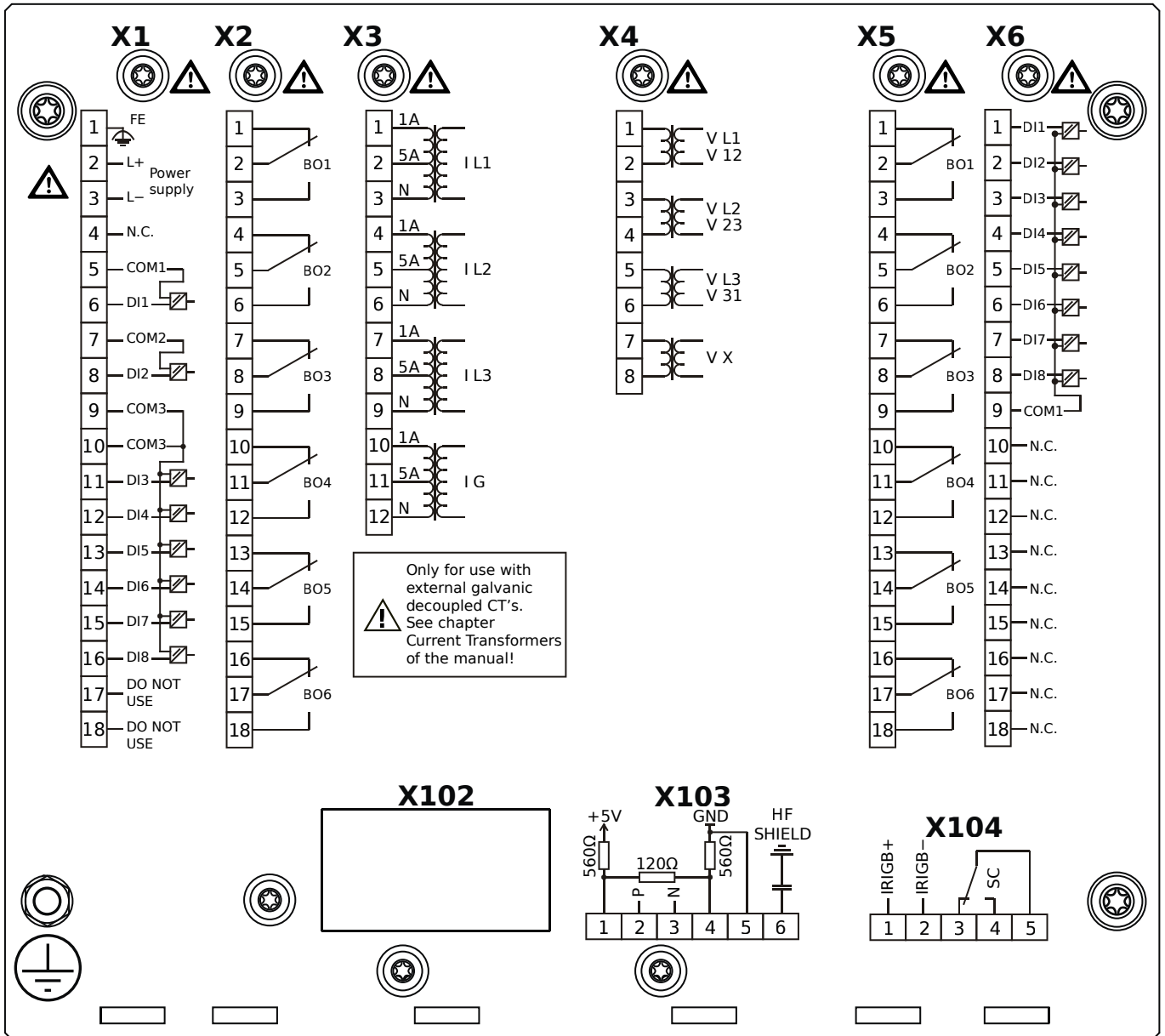
MCA4-2D0HAB



Housing B2, large display, door mounting

- X1** – DI8-X1: Wide-range power supply unit, incl. 2 non-grouped digital inputs and 6 grouped digital inputs
- X2** – OR6: Assembly Group with 6 Output Relays
- X3** – TI: Standard current measuring card
- X4** – TU: Card with 4 voltage transformer measuring inputs
- X5** – OR6: Assembly Group with 6 Output Relays
- X6** – DI8: Assembly Group with 8 Digital Inputs
- X104** – IRIG-B00X, incl. System Contact (Supervision Contact)

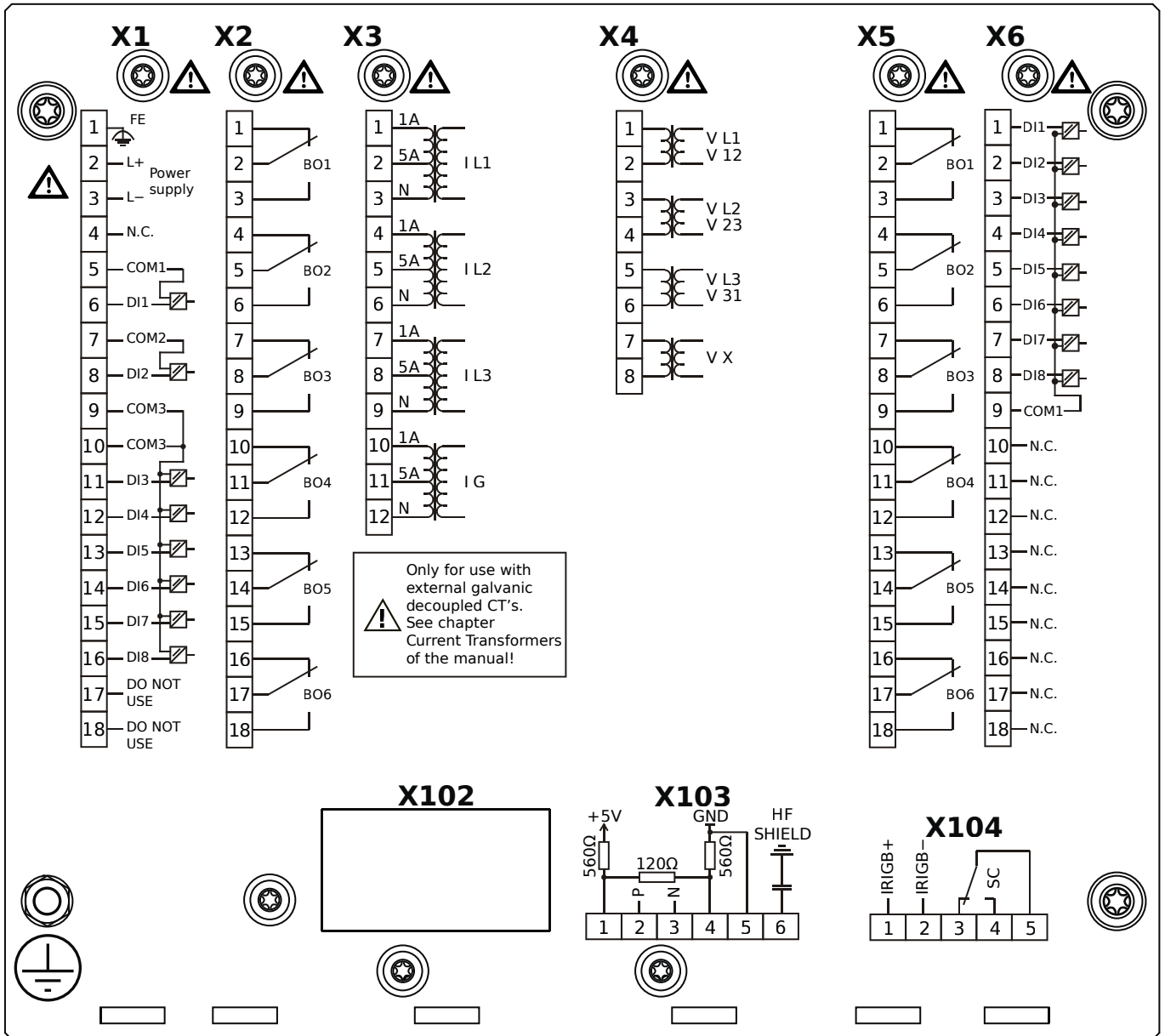
MCA4-2D0HBA



Housing B2, large display, door mounting

- X1** – DI8-X1: Wide-range power supply unit, incl. 2 non-grouped digital inputs and 6 grouped digital inputs
- X2** – OR6: Assembly Group with 6 Output Relays
- X3** – TI: Standard current measuring card
- X4** – TU: Card with 4 voltage transformer measuring inputs
- X5** – OR6: Assembly Group with 6 Output Relays
- X6** – DI8: Assembly Group with 8 Digital Inputs
- X103** – Modbus RTU / IEC 60870-5-103 / DNP3.0 RTU, RS485, Terminals
- X104** – IRIG-B00X, incl. System Contact (Supervision Contact)

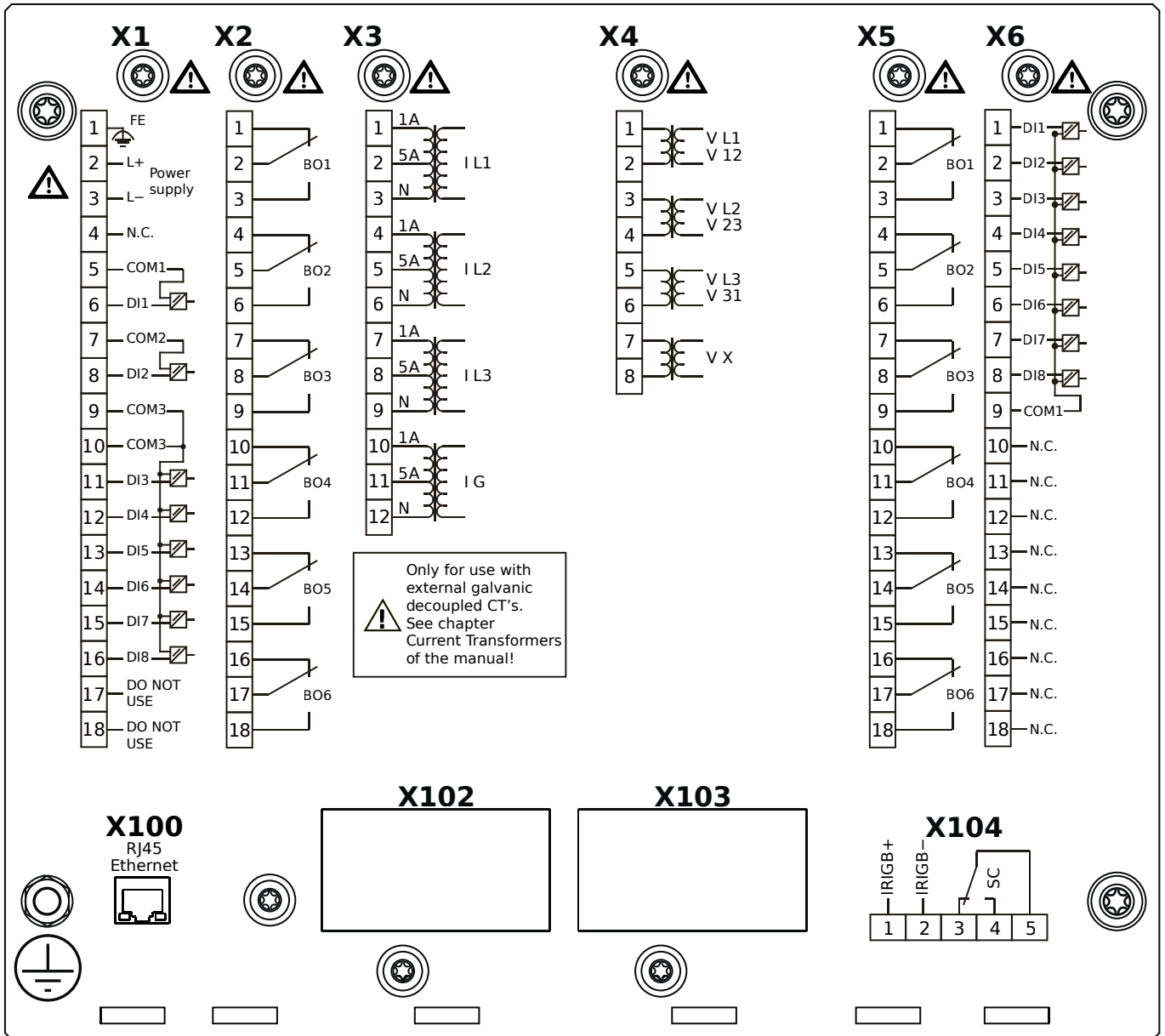
MCA4-2D0HBB



Housing B2, large display, door mounting

- X1** – DI8-X1: Wide-range power supply unit, incl. 2 non-grouped digital inputs and 6 grouped digital inputs
- X2** – OR6: Assembly Group with 6 Output Relays
- X3** – TI: Standard current measuring card
- X4** – TU: Card with 4 voltage transformer measuring inputs
- X5** – OR6: Assembly Group with 6 Output Relays
- X6** – DI8: Assembly Group with 8 Digital Inputs
- X103** – Modbus RTU / IEC 60870-5-103 / DNP3.0 RTU, RS485, Terminals
- X104** – IRIG-B00X, incl. System Contact (Supervision Contact)

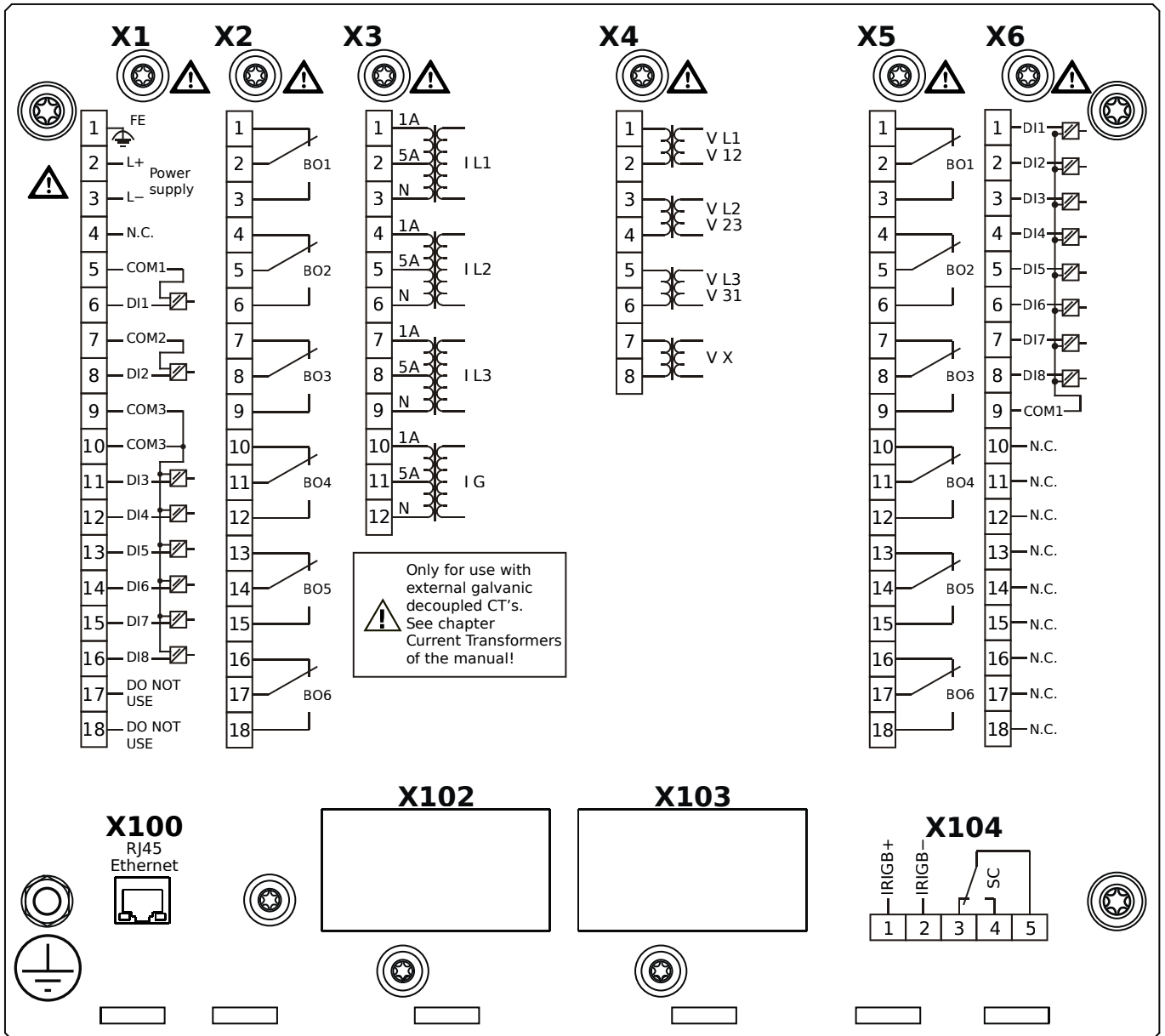
MCA4-2D0HCA



Housing B2, large display, door mounting

- X1** – DI8-X1: Wide-range power supply unit, incl. 2 non-grouped digital inputs and 6 grouped digital inputs
- X2** – OR6: Assembly Group with 6 Output Relays
- X3** – TI: Standard current measuring card
- X4** – TU: Card with 4 voltage transformer measuring inputs
- X5** – OR6: Assembly Group with 6 Output Relays
- X6** – DI8: Assembly Group with 8 Digital Inputs
- X100** – Modbus TCP / DNP3.0 TCP/UDP, Ethernet interface, 100 Mbit/s, RJ45 (BASE100-FX)
- X104** – IRIG-B00X, incl. System Contact (Supervision Contact)

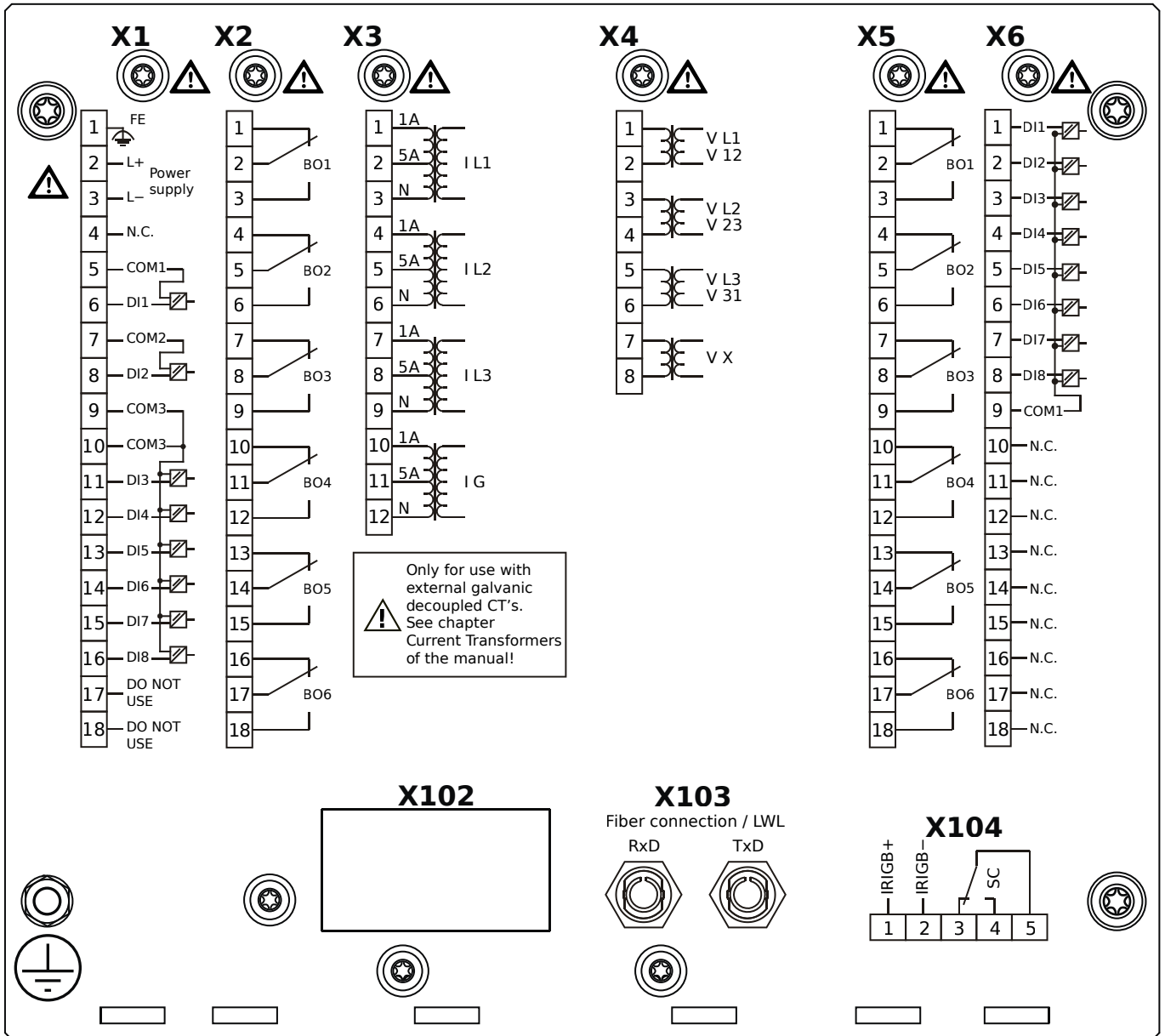
MCA4-2D0HCB



Housing B2, large display, door mounting

- X1** – DI8-X1: Wide-range power supply unit, incl. 2 non-grouped digital inputs and 6 grouped digital inputs
- X2** – OR6: Assembly Group with 6 Output Relays
- X3** – TI: Standard current measuring card
- X4** – TU: Card with 4 voltage transformer measuring inputs
- X5** – OR6: Assembly Group with 6 Output Relays
- X6** – DI8: Assembly Group with 8 Digital Inputs
- X100** – Modbus TCP / DNP3.0 TCP/UDP, Ethernet interface, 100 Mbit/s, RJ45 (BASE100-FX)
- X104** – IRIG-B00X, incl. System Contact (Supervision Contact)

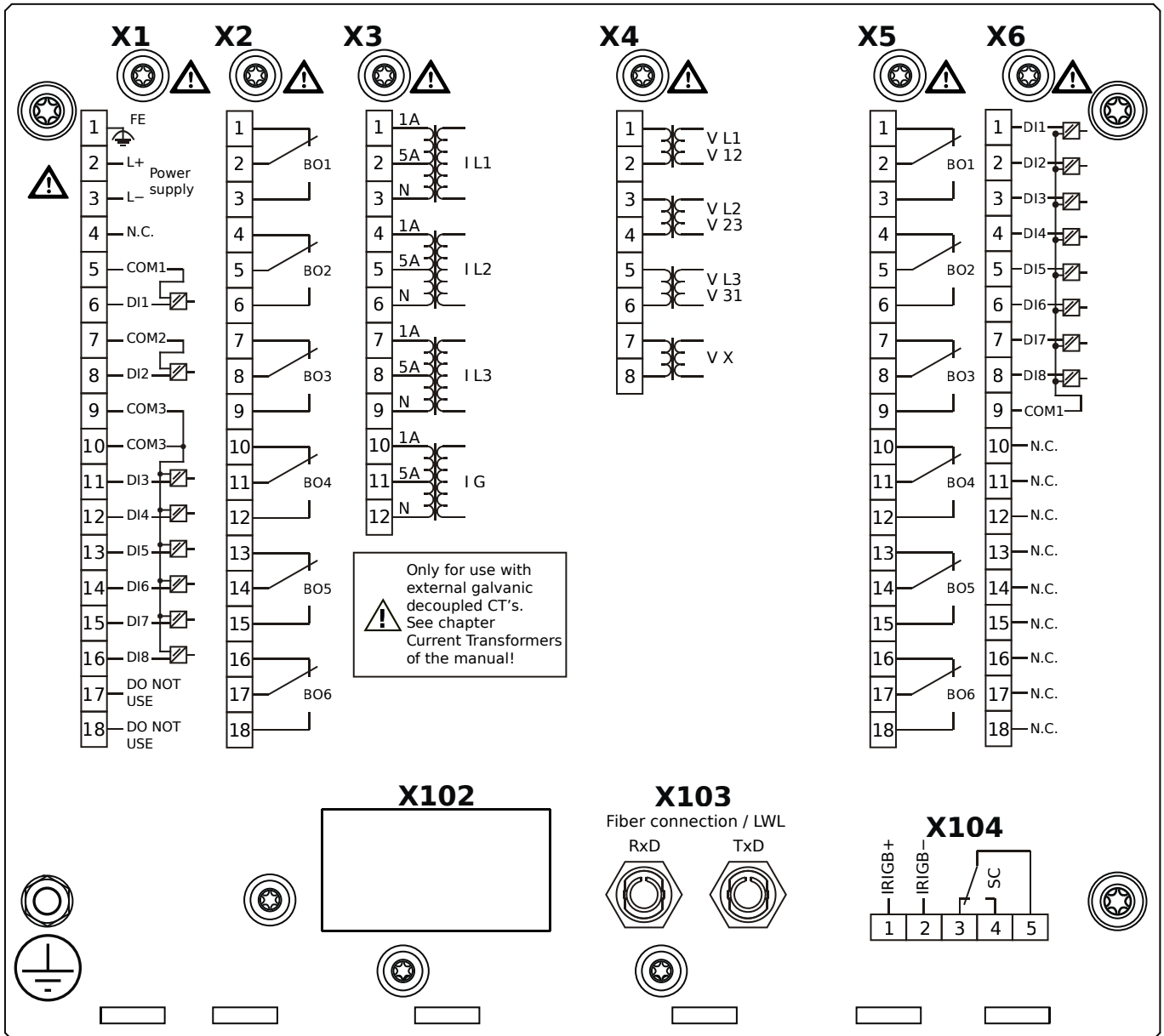
MCA4-2D0HDA



Housing B2, large display, door mounting

- X1** – DI8-X1: Wide-range power supply unit, incl. 2 non-grouped digital inputs and 6 grouped digital inputs
- X2** – OR6: Assembly Group with 6 Output Relays
- X3** – TI: Standard current measuring card
- X4** – TU: Card with 4 voltage transformer measuring inputs
- X5** – OR6: Assembly Group with 6 Output Relays
- X6** – DI8: Assembly Group with 8 Digital Inputs
- X103** – Profibus-DP, Fiber optics interface, ST Connector
- X104** – IRIG-B00X, incl. System Contact (Supervision Contact)

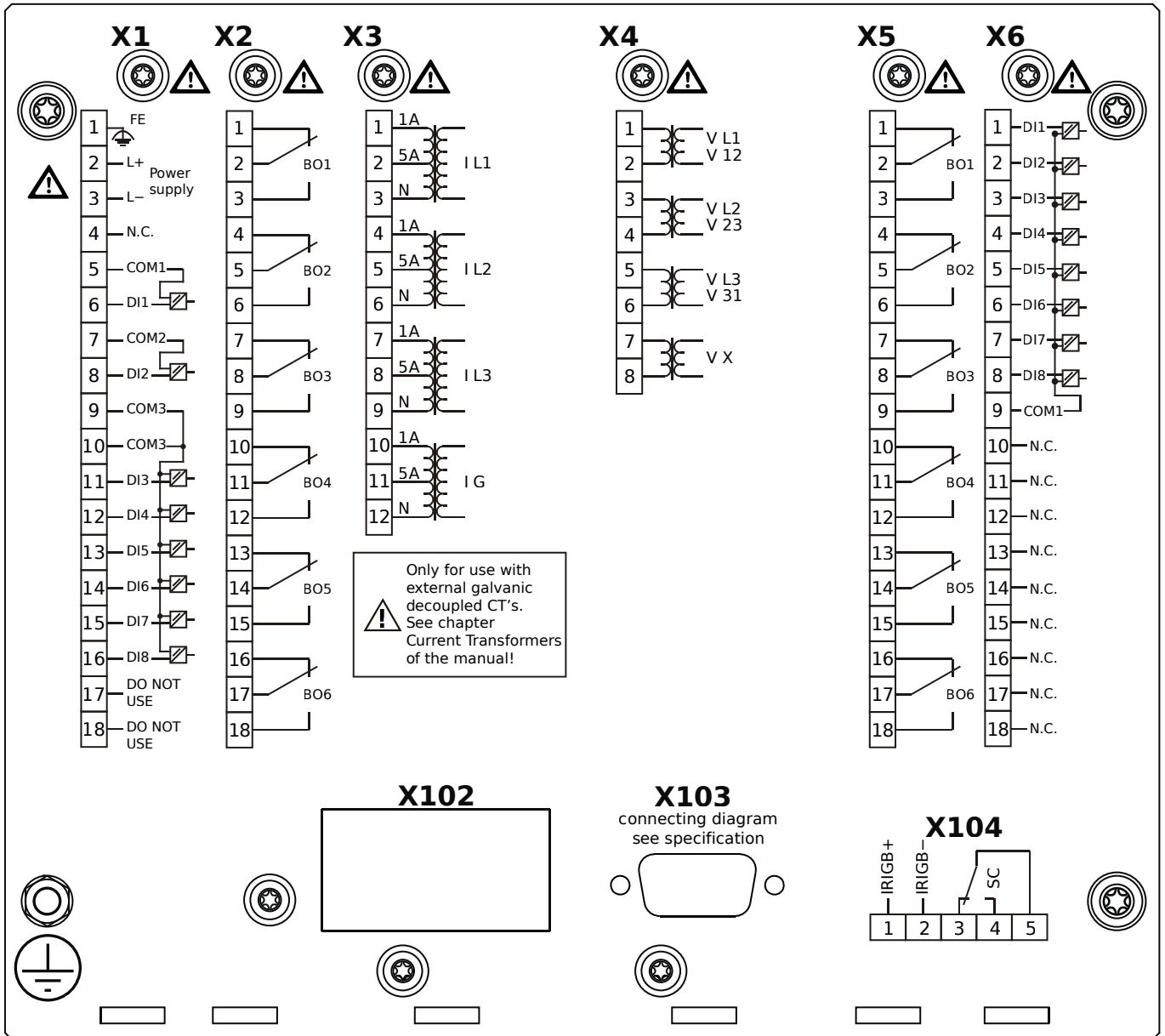
MCA4-2D0HDB



Housing B2, large display, door mounting

- X1** – DI8-X1: Wide-range power supply unit, incl. 2 non-grouped digital inputs and 6 grouped digital inputs
- X2** – OR6: Assembly Group with 6 Output Relays
- X3** – TI: Standard current measuring card
- X4** – TU: Card with 4 voltage transformer measuring inputs
- X5** – OR6: Assembly Group with 6 Output Relays
- X6** – DI8: Assembly Group with 8 Digital Inputs
- X103** – Profibus-DP, Fiber optics interface, ST Connector
- X104** – IRIG-B00X, incl. System Contact (Supervision Contact)

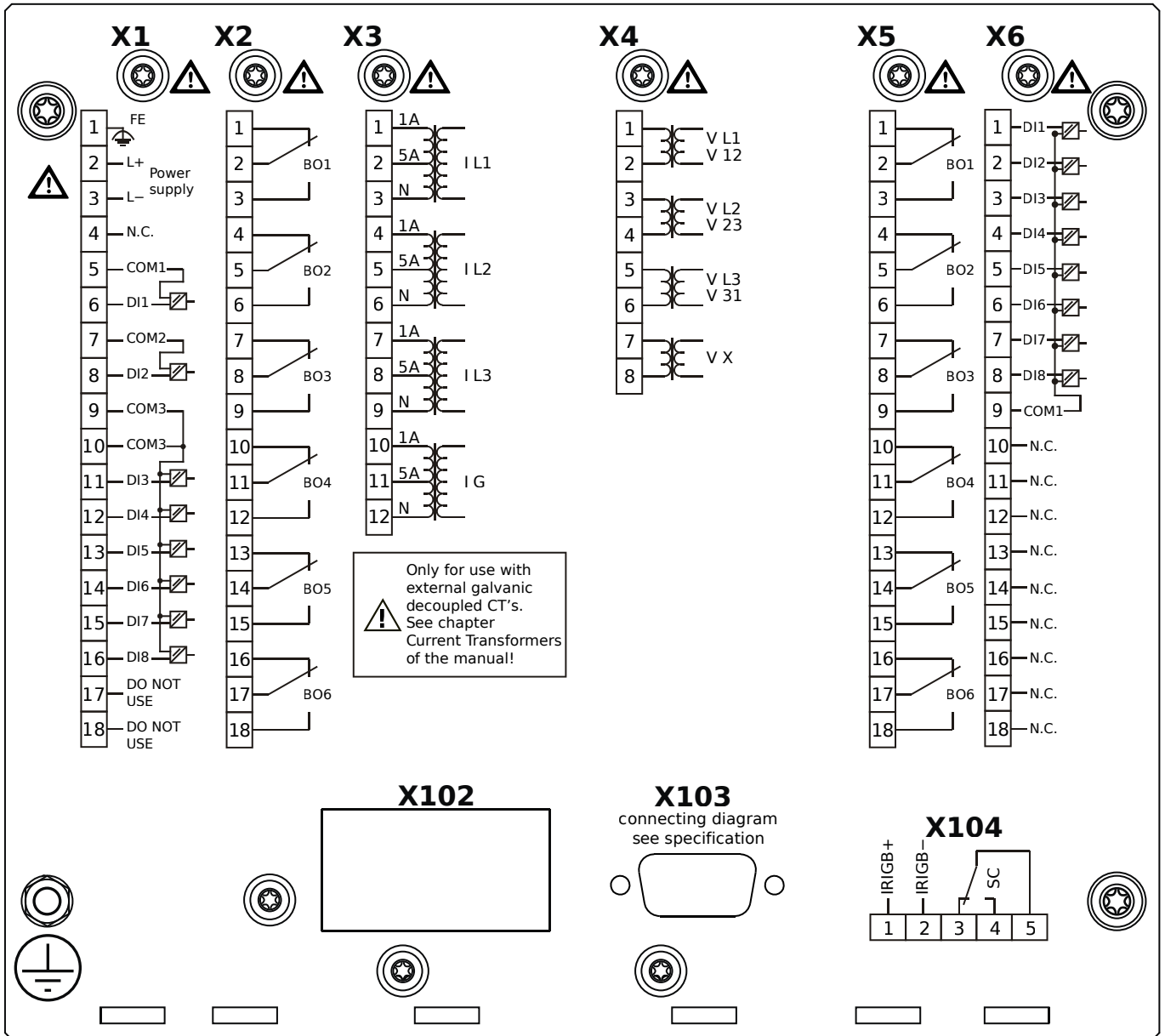
MCA4-2D0HEA



Housing B2, large display, door mounting

- X1** – DI8-X1: Wide-range power supply unit, incl. 2 non-grouped digital inputs and 6 grouped digital inputs
- X2** – OR6: Assembly Group with 6 Output Relays
- X3** – TI: Standard current measuring card
- X4** – TU: Card with 4 voltage transformer measuring inputs
- X5** – OR6: Assembly Group with 6 Output Relays
- X6** – DI8: Assembly Group with 8 Digital Inputs
- X103** – Profibus-DP, RS485, D-SUB
- X104** – IRIG-B00X, incl. System Contact (Supervision Contact)

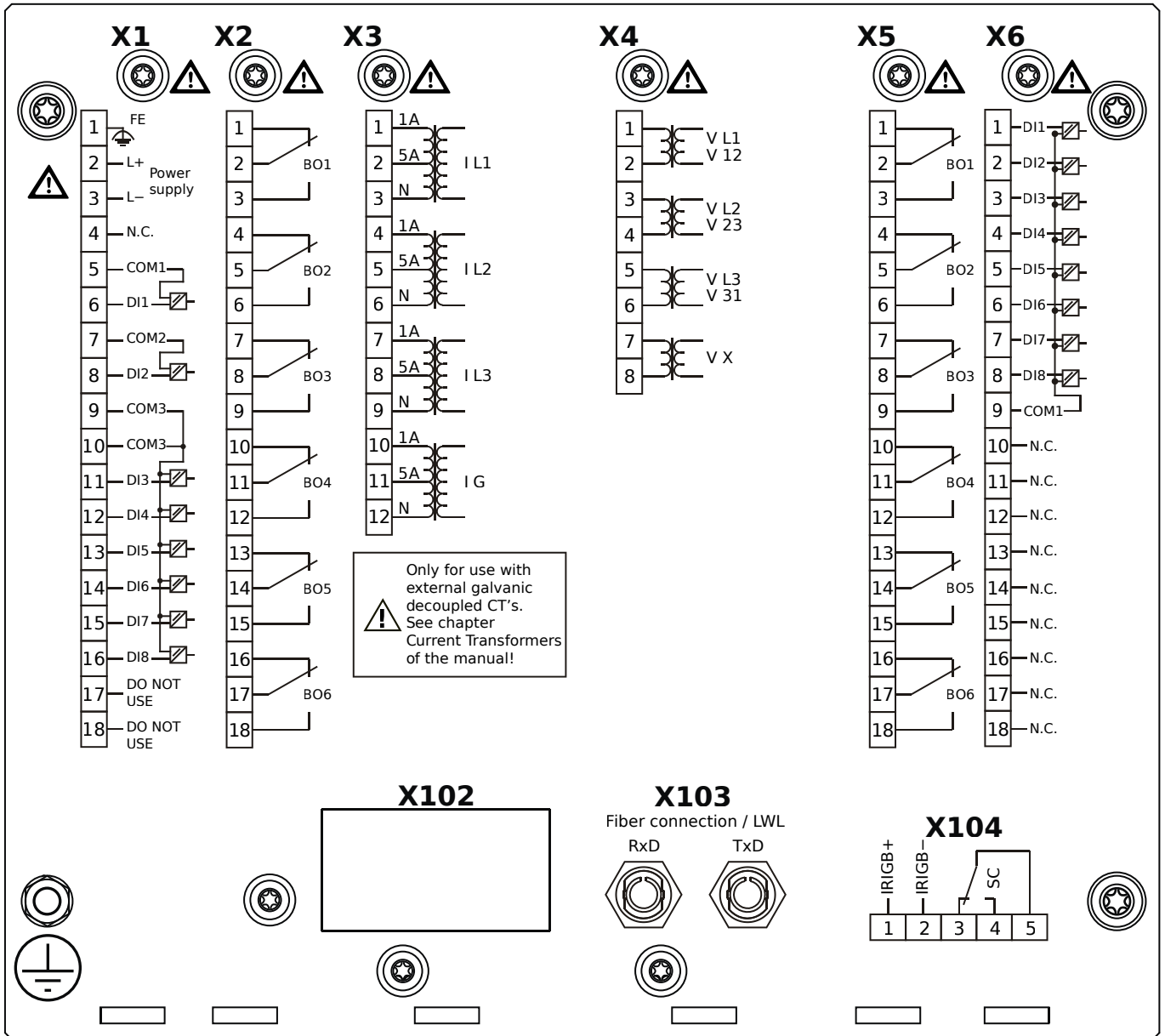
MCA4-2D0HEB



Housing B2, large display, door mounting

- X1** – DI8-X1: Wide-range power supply unit, incl. 2 non-grouped digital inputs and 6 grouped digital inputs
- X2** – OR6: Assembly Group with 6 Output Relays
- X3** – TI: Standard current measuring card
- X4** – TU: Card with 4 voltage transformer measuring inputs
- X5** – OR6: Assembly Group with 6 Output Relays
- X6** – DI8: Assembly Group with 8 Digital Inputs
- X103** – Profibus-DP, RS485, D-SUB
- X104** – IRIG-B00X, incl. System Contact (Supervision Contact)

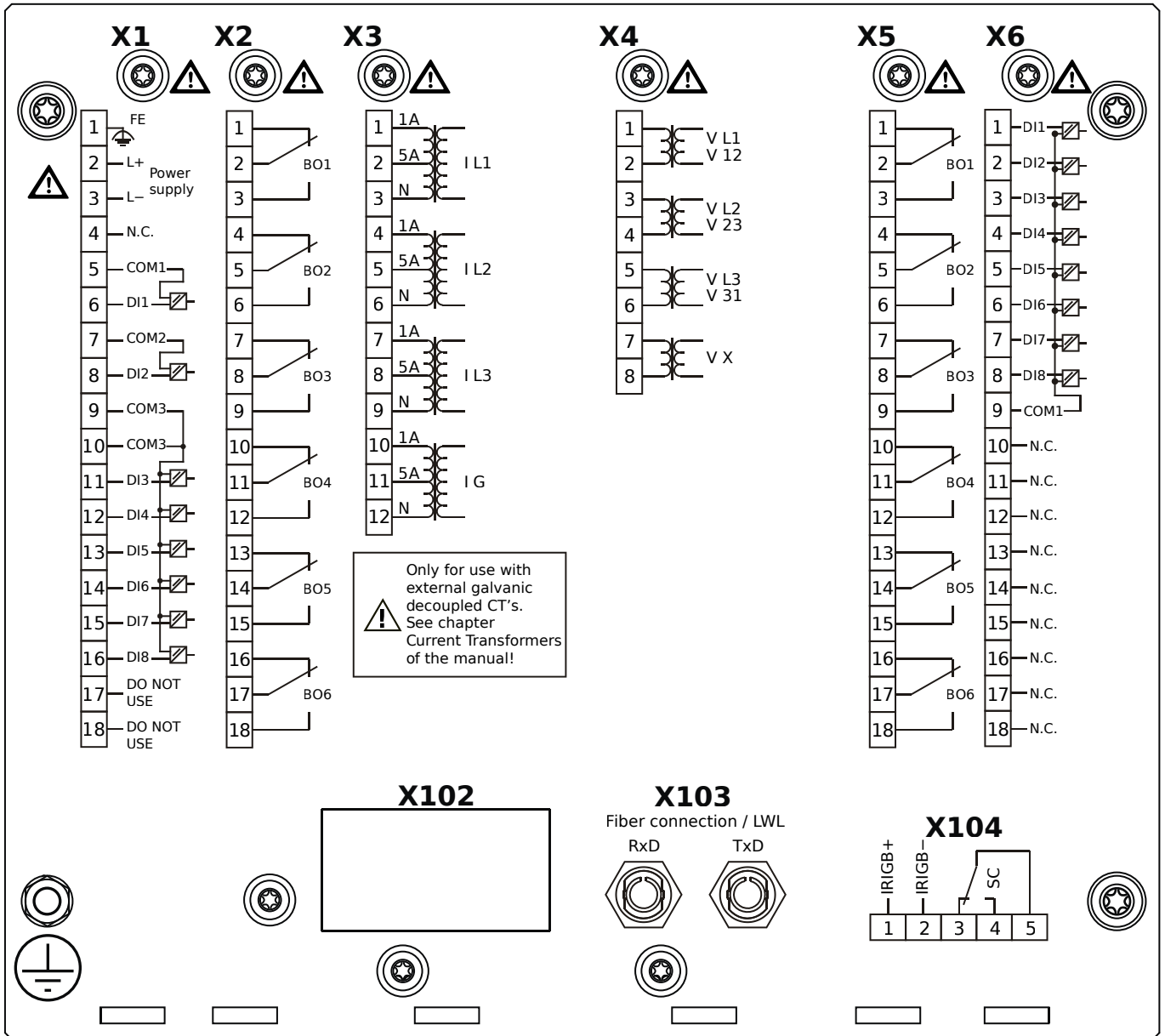
MCA4-2D0HFA



Housing B2, large display, door mounting

- X1** – DI8-X1: Wide-range power supply unit, incl. 2 non-grouped digital inputs and 6 grouped digital inputs
- X2** – OR6: Assembly Group with 6 Output Relays
- X3** – TI: Standard current measuring card
- X4** – TU: Card with 4 voltage transformer measuring inputs
- X5** – OR6: Assembly Group with 6 Output Relays
- X6** – DI8: Assembly Group with 8 Digital Inputs
- X103** – Modbus RTU / IEC 60870-5-103 / DNP3.0 RTU, Fiber optics interface, ST Connector
- X104** – IRIG-B00X, incl. System Contact (Supervision Contact)

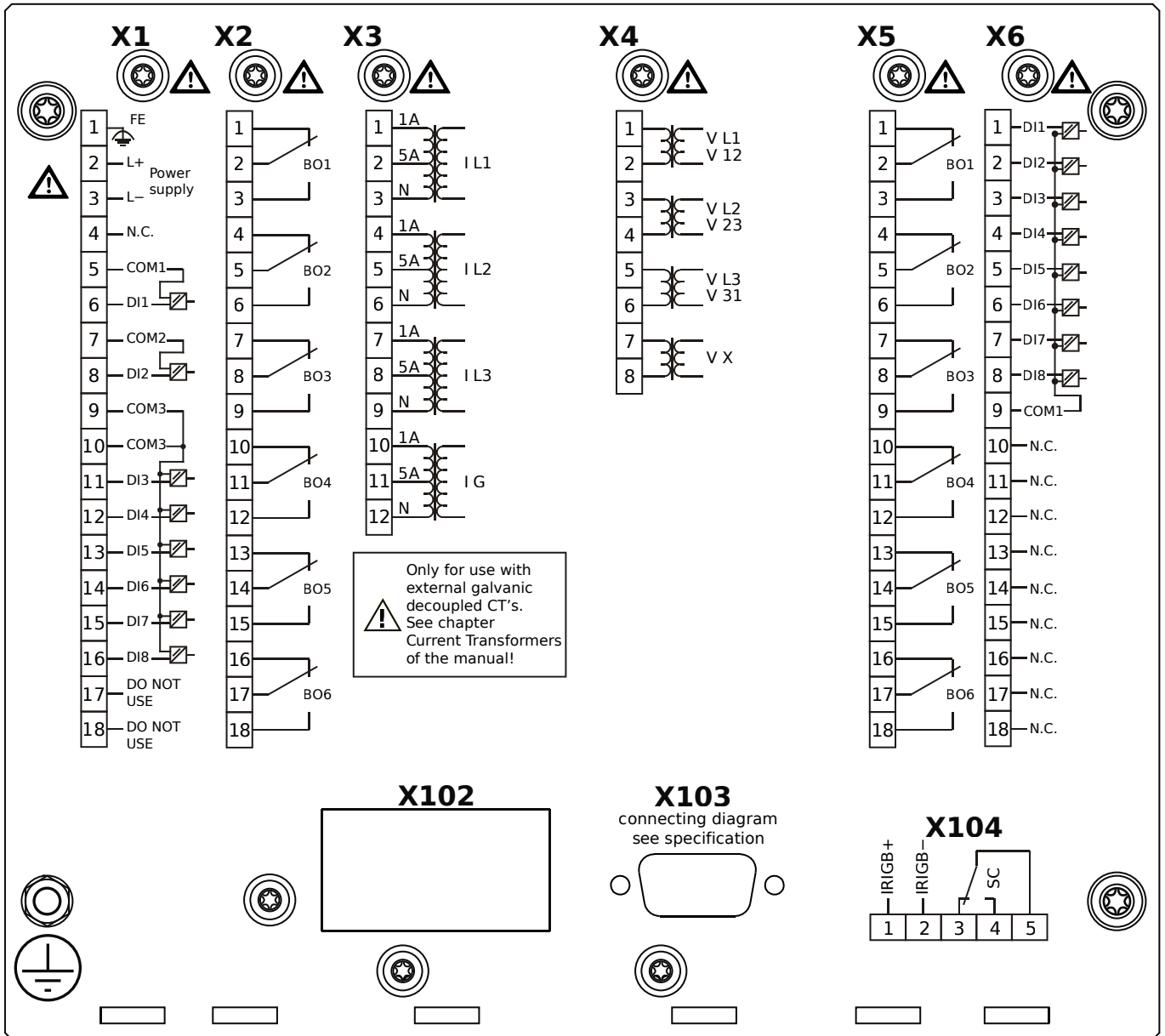
MCA4-2D0HFB



Housing B2, large display, door mounting

- X1** – DI8-X1: Wide-range power supply unit, incl. 2 non-grouped digital inputs and 6 grouped digital inputs
- X2** – OR6: Assembly Group with 6 Output Relays
- X3** – TI: Standard current measuring card
- X4** – TU: Card with 4 voltage transformer measuring inputs
- X5** – OR6: Assembly Group with 6 Output Relays
- X6** – DI8: Assembly Group with 8 Digital Inputs
- X103** – Modbus RTU / IEC 60870-5-103 / DNP3.0 RTU, Fiber optics interface, ST Connector
- X104** – IRIG-B00X, incl. System Contact (Supervision Contact)

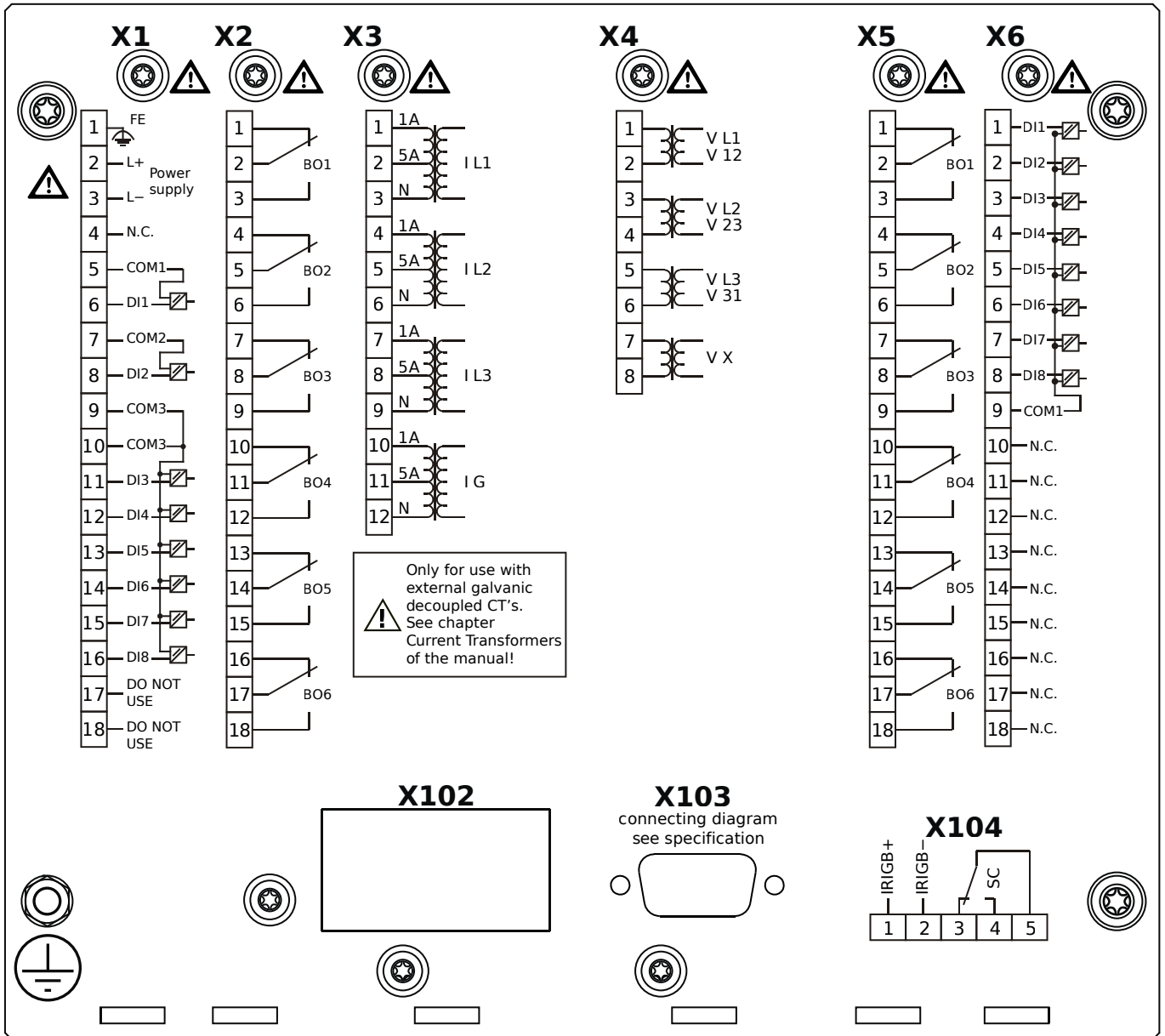
MCA4-2D0HGA



Housing B2, large display, door mounting

- X1** – DI8-X1: Wide-range power supply unit, incl. 2 non-grouped digital inputs and 6 grouped digital inputs
- X2** – OR6: Assembly Group with 6 Output Relays
- X3** – TI: Standard current measuring card
- X4** – TU: Card with 4 voltage transformer measuring inputs
- X5** – OR6: Assembly Group with 6 Output Relays
- X6** – DI8: Assembly Group with 8 Digital Inputs
- X103** – Modbus RTU / IEC 60870-5-103 / DNP3.0 RTU, RS485, D-SUB
- X104** – IRIG-B00X, incl. System Contact (Supervision Contact)

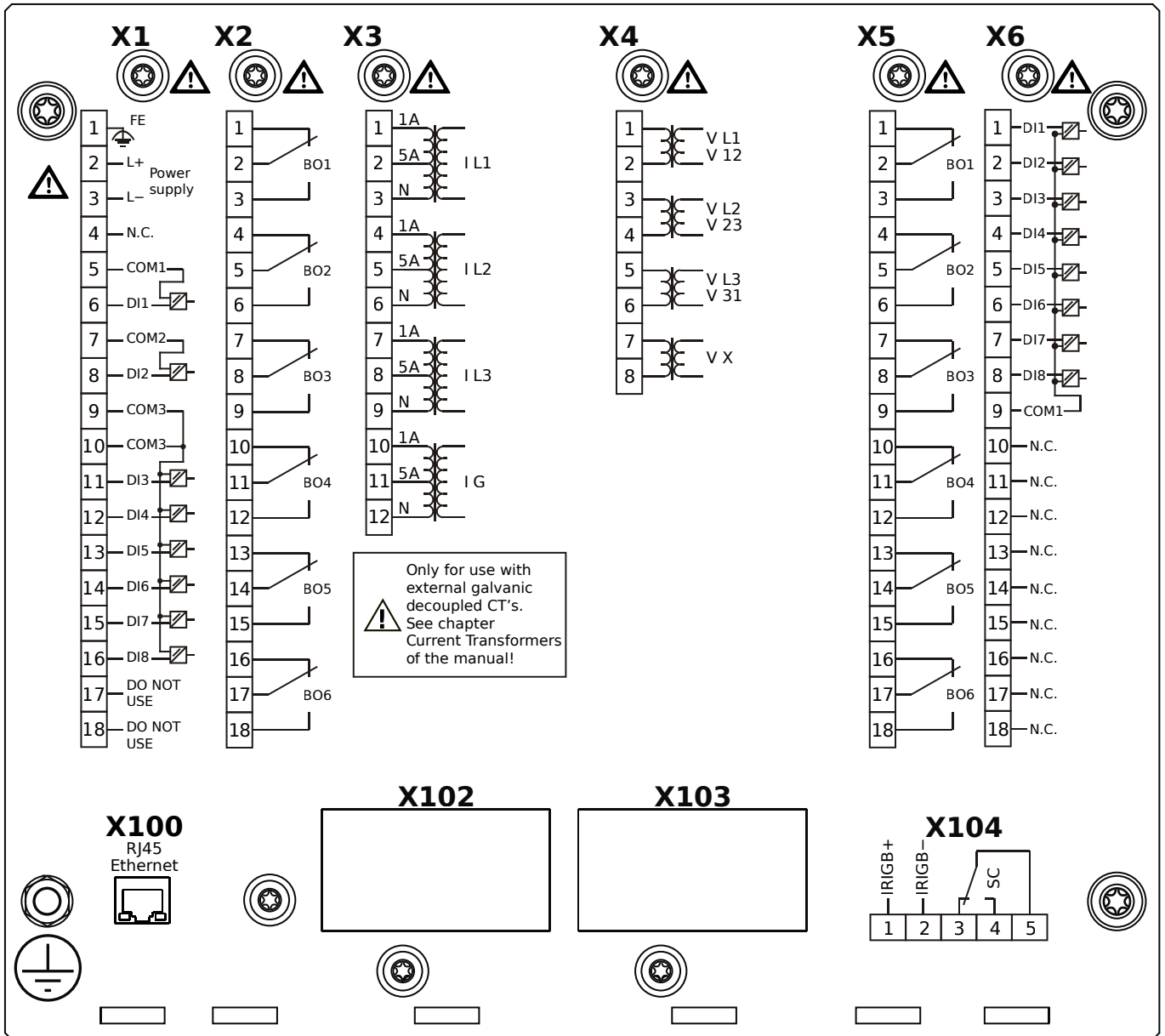
MCA4-2D0HGB



Housing B2, large display, door mounting

- X1** – DI8-X1: Wide-range power supply unit, incl. 2 non-grouped digital inputs and 6 grouped digital inputs
- X2** – OR6: Assembly Group with 6 Output Relays
- X3** – TI: Standard current measuring card
- X4** – TU: Card with 4 voltage transformer measuring inputs
- X5** – OR6: Assembly Group with 6 Output Relays
- X6** – DI8: Assembly Group with 8 Digital Inputs
- X103** – Modbus RTU / IEC 60870-5-103 / DNP3.0 RTU, RS485, D-SUB
- X104** – IRIG-B00X, incl. System Contact (Supervision Contact)

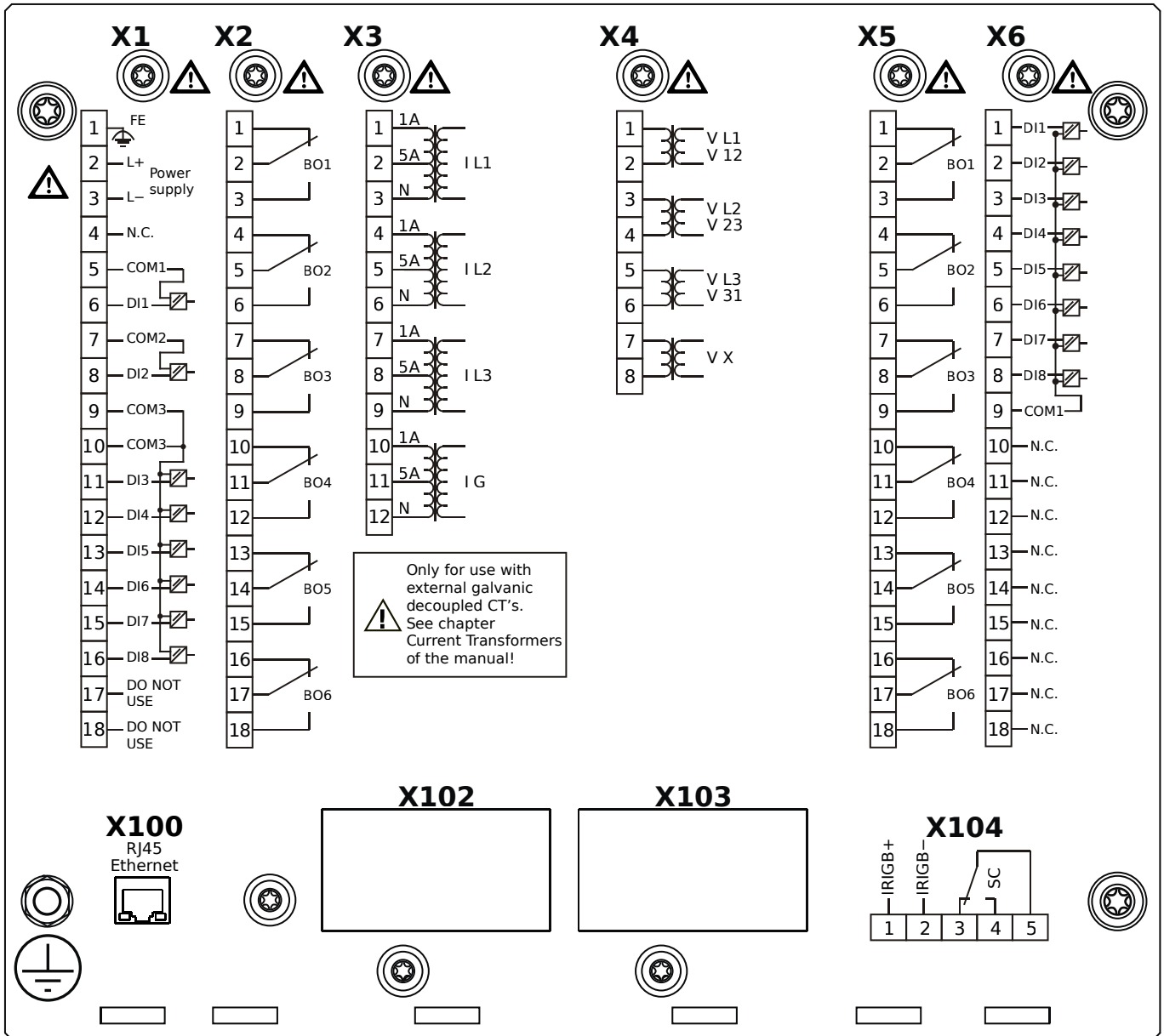
MCA4-2D0HHA



Housing B2, large display, door mounting

- X1** – DI8-X1: Wide-range power supply unit, incl. 2 non-grouped digital inputs and 6 grouped digital inputs
- X2** – OR6: Assembly Group with 6 Output Relays
- X3** – TI: Standard current measuring card
- X4** – TU: Card with 4 voltage transformer measuring inputs
- X5** – OR6: Assembly Group with 6 Output Relays
- X6** – DI8: Assembly Group with 8 Digital Inputs
- X100** – IEC 61850 / Modbus TCP / DNP3.0 TCP/UDP, Ethernet interface, 100 Mbit/s, RJ45 (BASE100-FX)
- X104** – IRIG-B00X, incl. System Contact (Supervision Contact)

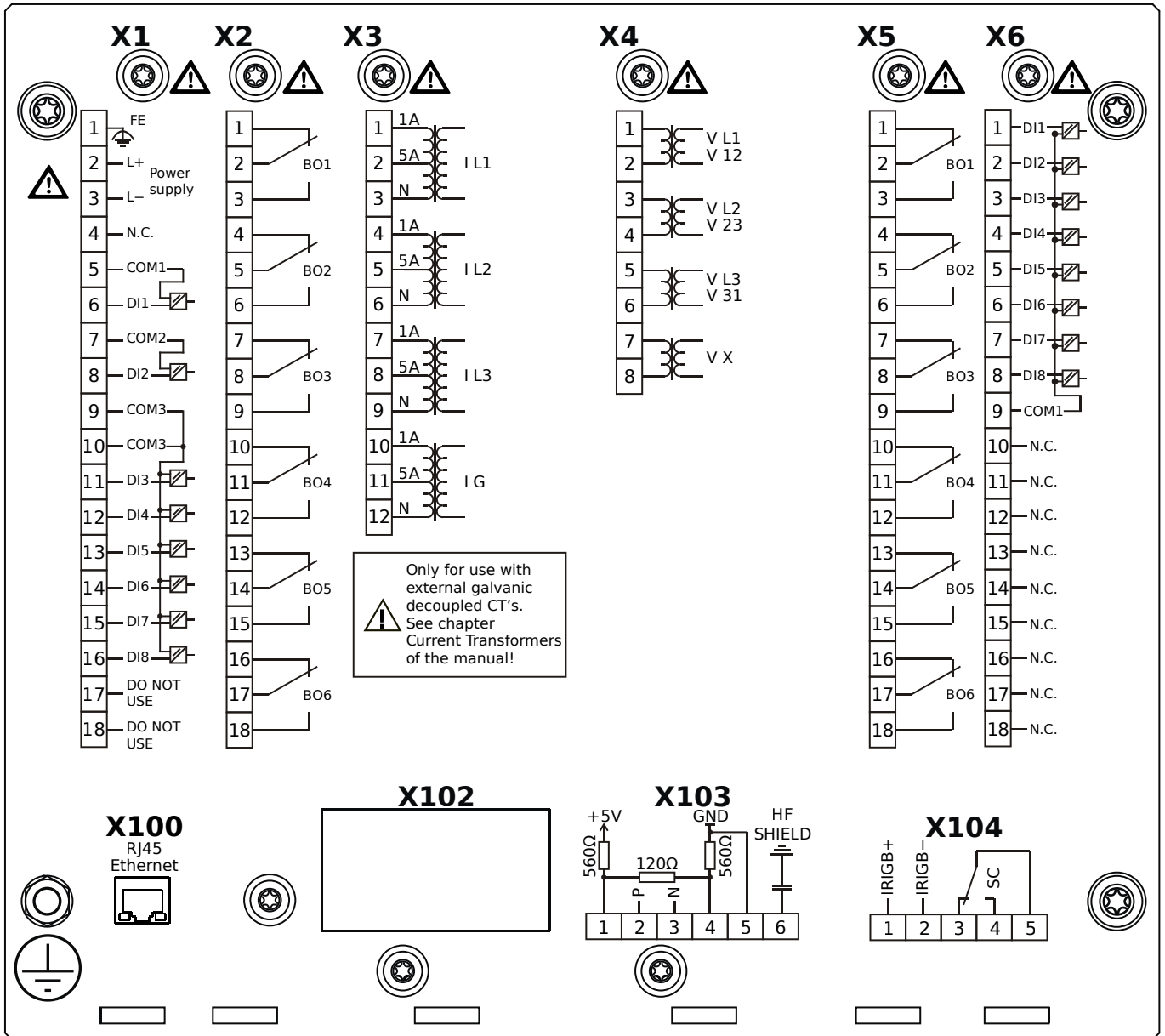
MCA4-2D0HHB



Housing B2, large display, door mounting

- X1** – DI8-X1: Wide-range power supply unit, incl. 2 non-grouped digital inputs and 6 grouped digital inputs
- X2** – OR6: Assembly Group with 6 Output Relays
- X3** – TI: Standard current measuring card
- X4** – TU: Card with 4 voltage transformer measuring inputs
- X5** – OR6: Assembly Group with 6 Output Relays
- X6** – DI8: Assembly Group with 8 Digital Inputs
- X100** – IEC 61850 / Modbus TCP / DNP3.0 TCP/UDP, Ethernet interface, 100 Mbit/s, RJ45 (BASE100-FX)
- X104** – IRIG-B00X, incl. System Contact (Supervision Contact)

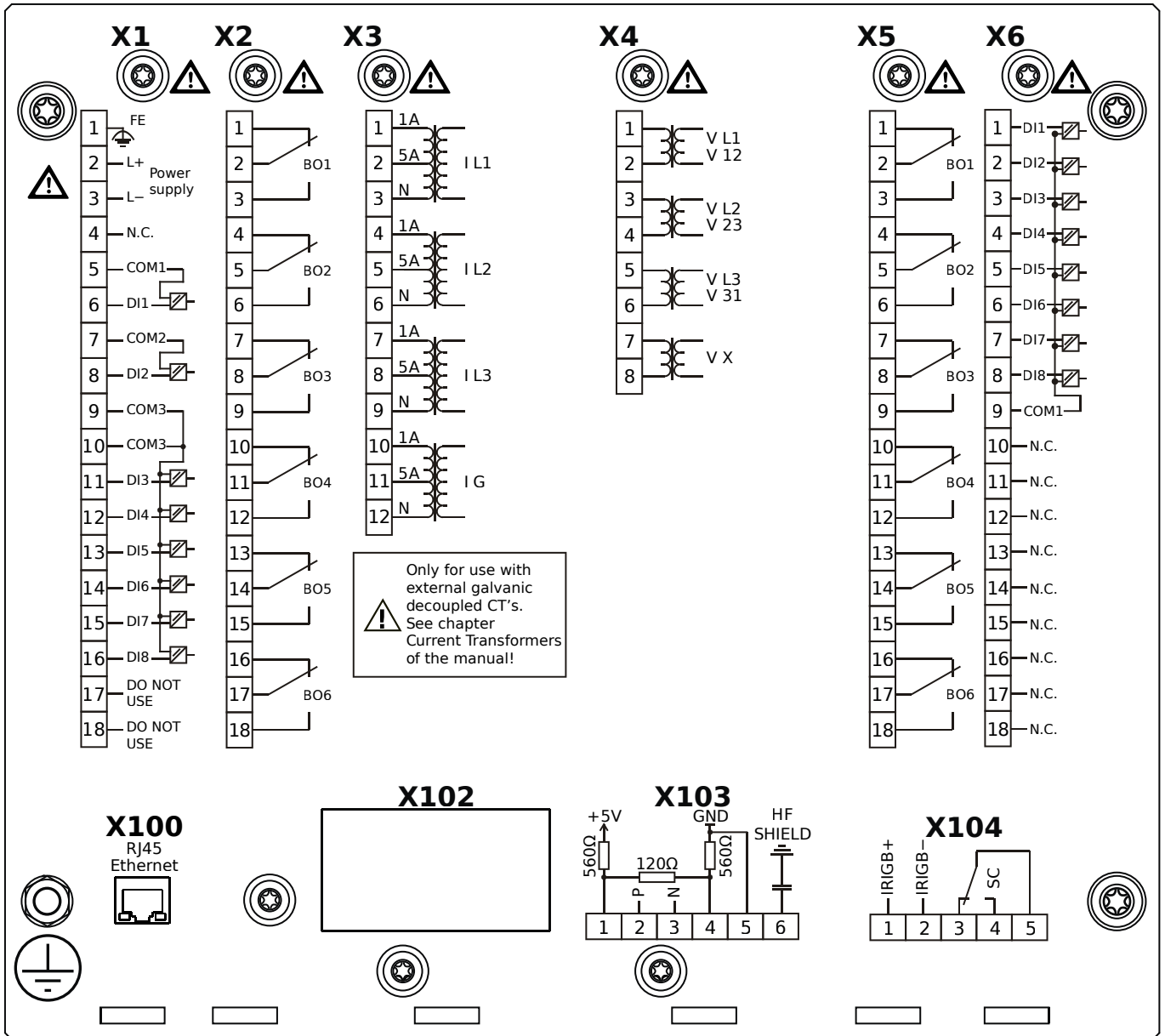
MCA4-2D0HIA



Housing B2, large display, door mounting

- X1** – DI8-X1: Wide-range power supply unit, incl. 2 non-grouped digital inputs and 6 grouped digital inputs
- X2** – OR6: Assembly Group with 6 Output Relays
- X3** – TI: Standard current measuring card
- X4** – TU: Card with 4 voltage transformer measuring inputs
- X5** – OR6: Assembly Group with 6 Output Relays
- X6** – DI8: Assembly Group with 8 Digital Inputs
- X100** – Modbus TCP / DNP3.0 TCP/UDP, Ethernet interface, 100 Mbit/s, RJ45 (BASE100-FX)
- X103** – IEC 60870-5-103 / Modbus RTU / DNP3.0 RTU, RS485, Terminals
- X104** – IRIG-B00X, incl. System Contact (Supervision Contact)

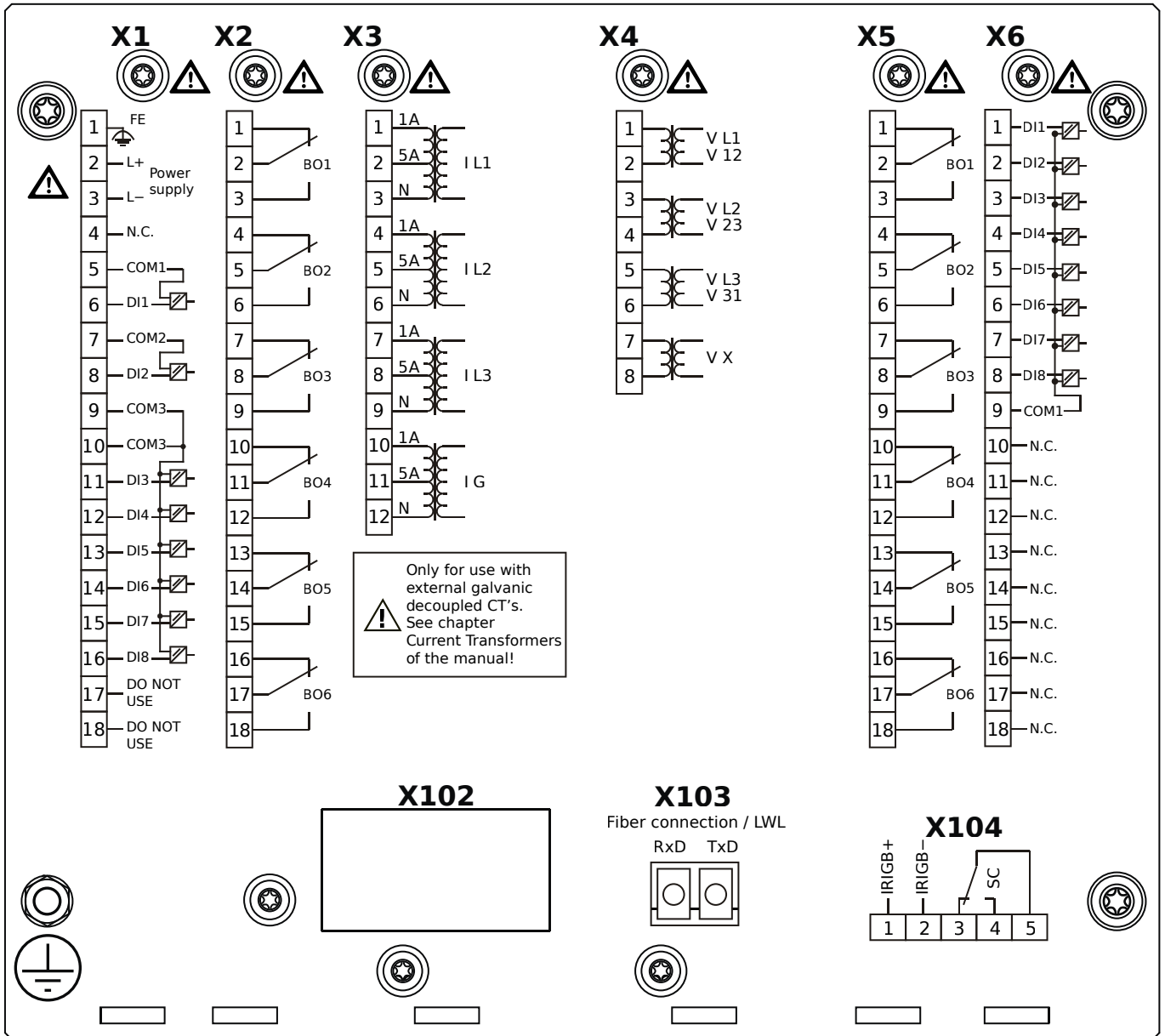
MCA4-2D0HIB



Housing B2, large display, door mounting

- X1** – DI8-X1: Wide-range power supply unit, incl. 2 non-grouped digital inputs and 6 grouped digital inputs
- X2** – OR6: Assembly Group with 6 Output Relays
- X3** – TI: Standard current measuring card
- X4** – TU: Card with 4 voltage transformer measuring inputs
- X5** – OR6: Assembly Group with 6 Output Relays
- X6** – DI8: Assembly Group with 8 Digital Inputs
- X100** – Modbus TCP / DNP3.0 TCP/UDP, Ethernet interface, 100 Mbit/s, RJ45 (BASE100-FX)
- X103** – IEC 60870-5-103 / Modbus RTU / DNP3.0 RTU, RS485, Terminals
- X104** – IRIG-B00X, incl. System Contact (Supervision Contact)

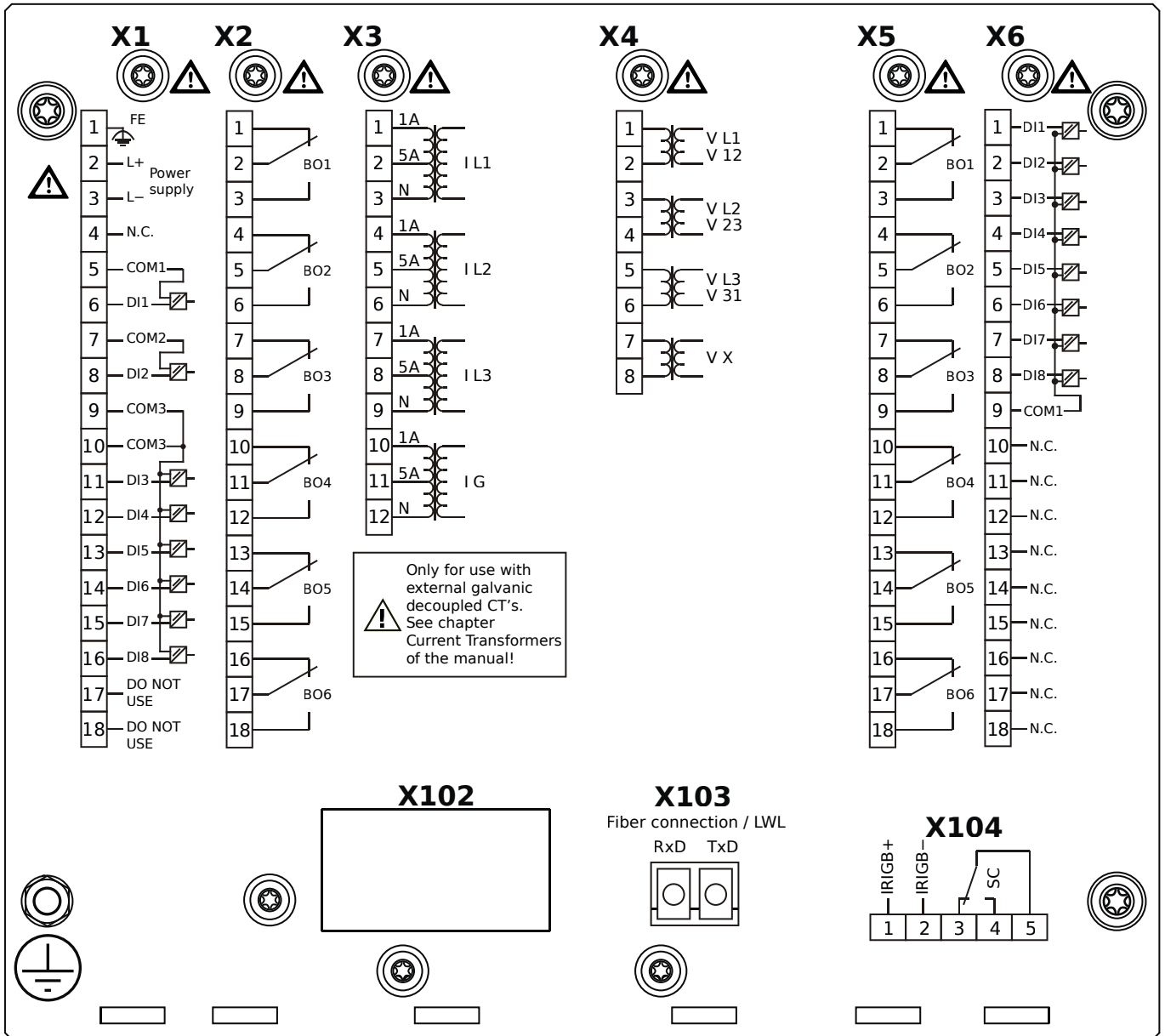
MCA4-2D0HKA



Housing B2, large display, door mounting

- X1** – DI8-X1: Wide-range power supply unit, incl. 2 non-grouped digital inputs and 6 grouped digital inputs
- X2** – OR6: Assembly Group with 6 Output Relays
- X3** – TI: Standard current measuring card
- X4** – TU: Card with 4 voltage transformer measuring inputs
- X5** – OR6: Assembly Group with 6 Output Relays
- X6** – DI8: Assembly Group with 8 Digital Inputs
- X103** – IEC 61850 / Modbus TCP / DNP3.0 TCP/UDP, Fiber optics interface, LC Connector
- X104** – IRIG-B00X, incl. System Contact (Supervision Contact)

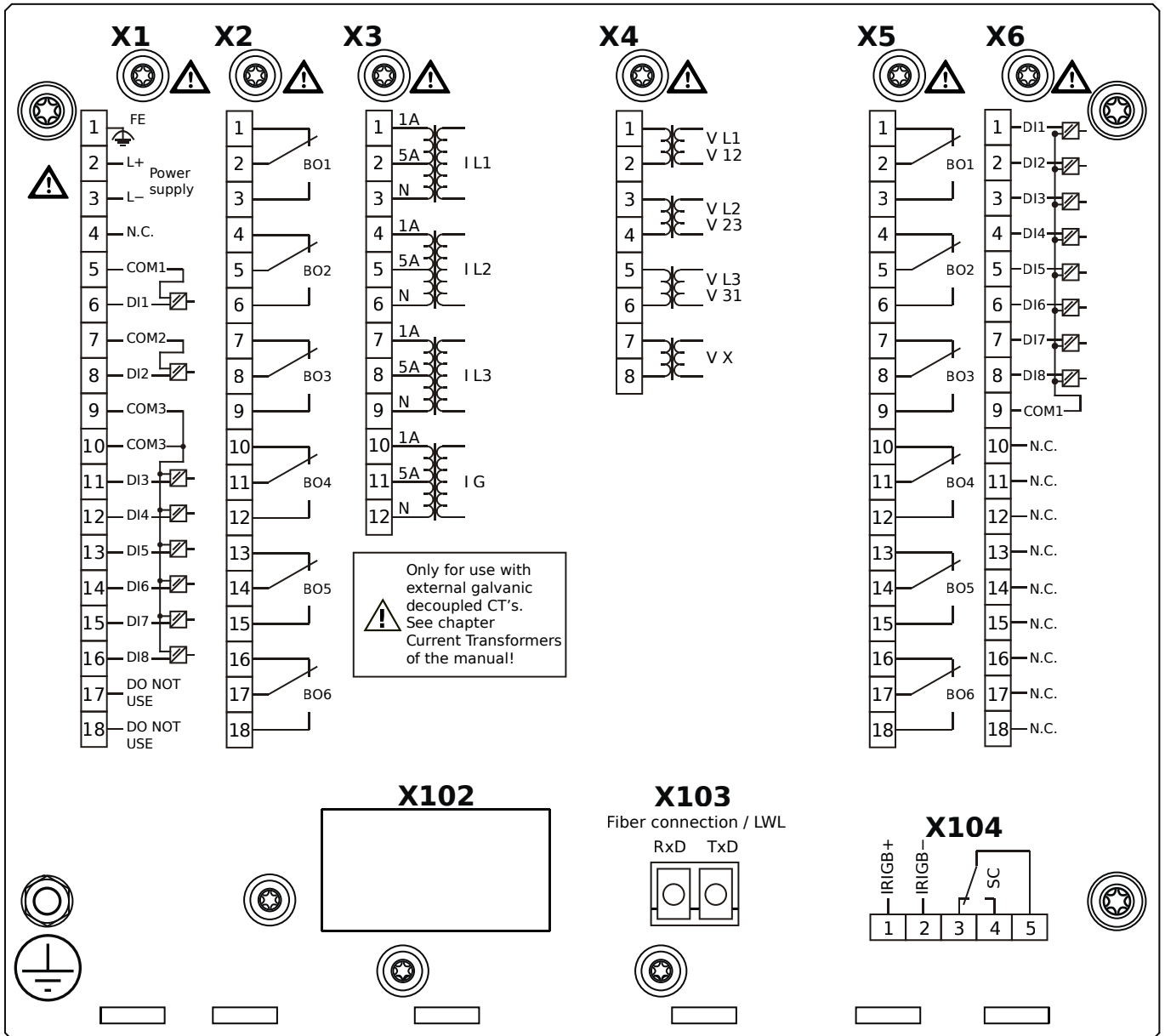
MCA4-2D0HKB



Housing B2, large display, door mounting

- X1** – DI8-X1: Wide-range power supply unit, incl. 2 non-grouped digital inputs and 6 grouped digital inputs
- X2** – OR6: Assembly Group with 6 Output Relays
- X3** – TI: Standard current measuring card
- X4** – TU: Card with 4 voltage transformer measuring inputs
- X5** – OR6: Assembly Group with 6 Output Relays
- X6** – DI8: Assembly Group with 8 Digital Inputs
- X103** – IEC 61850 / Modbus TCP / DNP3.0 TCP/UDP, Fiber optics interface, LC Connector
- X104** – IRIG-B00X, incl. System Contact (Supervision Contact)

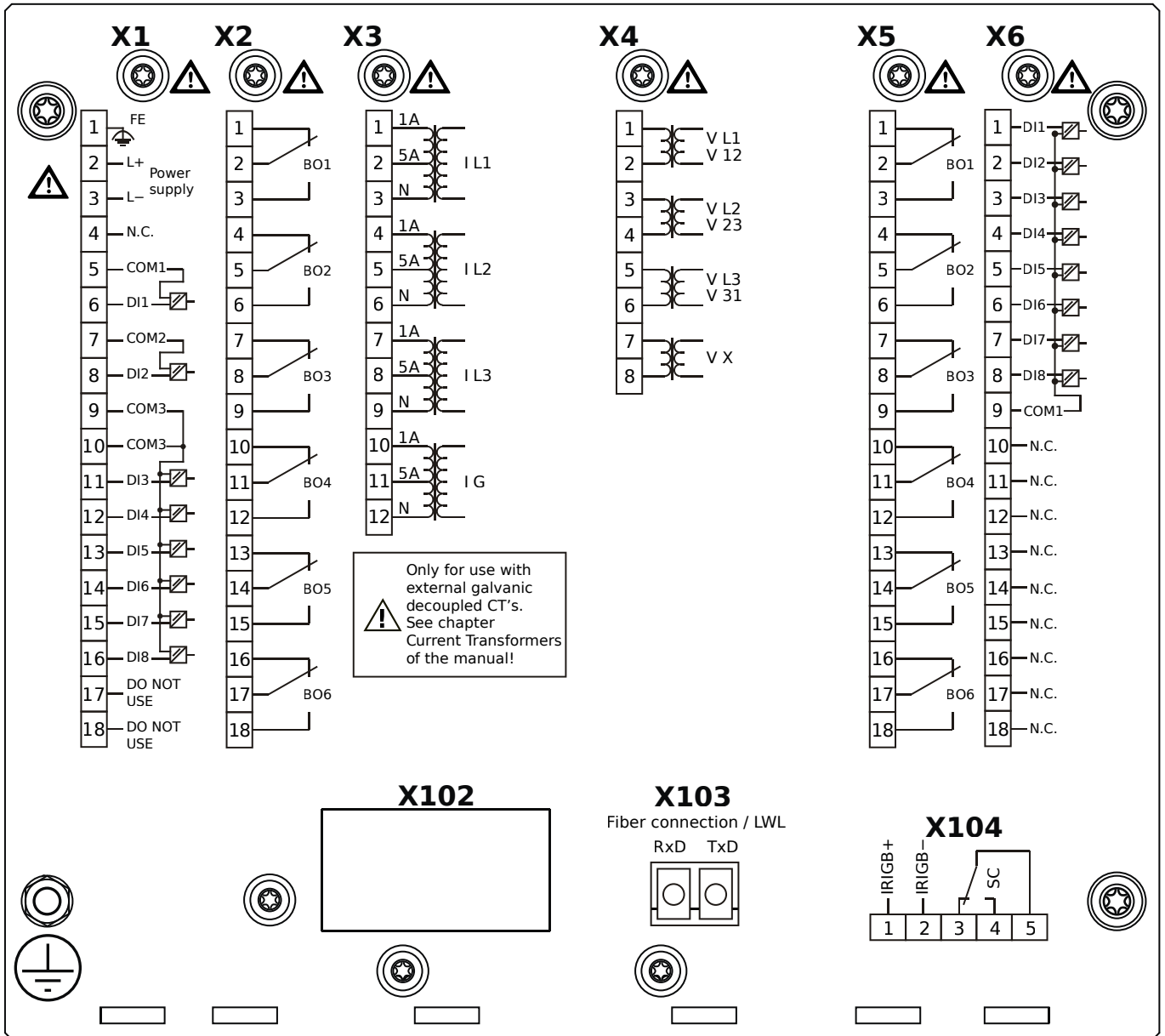
MCA4-2D0HLA



Housing B2, large display, door mounting

- X1** – DI8-X1: Wide-range power supply unit, incl. 2 non-grouped digital inputs and 6 grouped digital inputs
- X2** – OR6: Assembly Group with 6 Output Relays
- X3** – TI: Standard current measuring card
- X4** – TU: Card with 4 voltage transformer measuring inputs
- X5** – OR6: Assembly Group with 6 Output Relays
- X6** – DI8: Assembly Group with 8 Digital Inputs
- X103** – Modbus TCP / DNP3.0 TCP/UDP, Fiber optics interface, LC Connector
- X104** – IRIG-B00X, incl. System Contact (Supervision Contact)

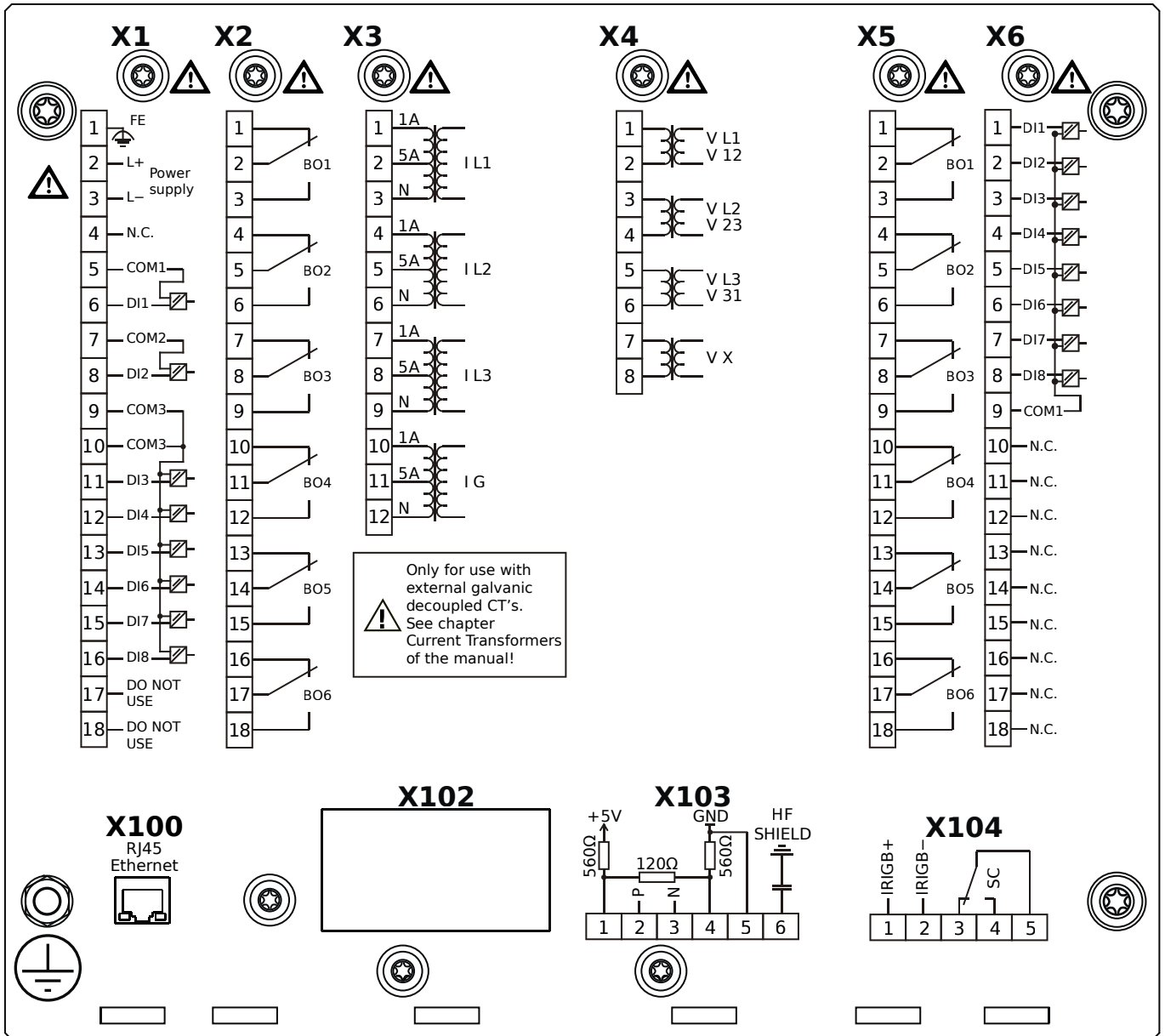
MCA4-2D0HLB



Housing B2, large display, door mounting

- X1** – DI8-X1: Wide-range power supply unit, incl. 2 non-grouped digital inputs and 6 grouped digital inputs
- X2** – OR6: Assembly Group with 6 Output Relays
- X3** – TI: Standard current measuring card
- X4** – TU: Card with 4 voltage transformer measuring inputs
- X5** – OR6: Assembly Group with 6 Output Relays
- X6** – DI8: Assembly Group with 8 Digital Inputs
- X103** – Modbus TCP / DNP3.0 TCP/UDP, Fiber optics interface, LC Connector
- X104** – IRIG-B00X, incl. System Contact (Supervision Contact)

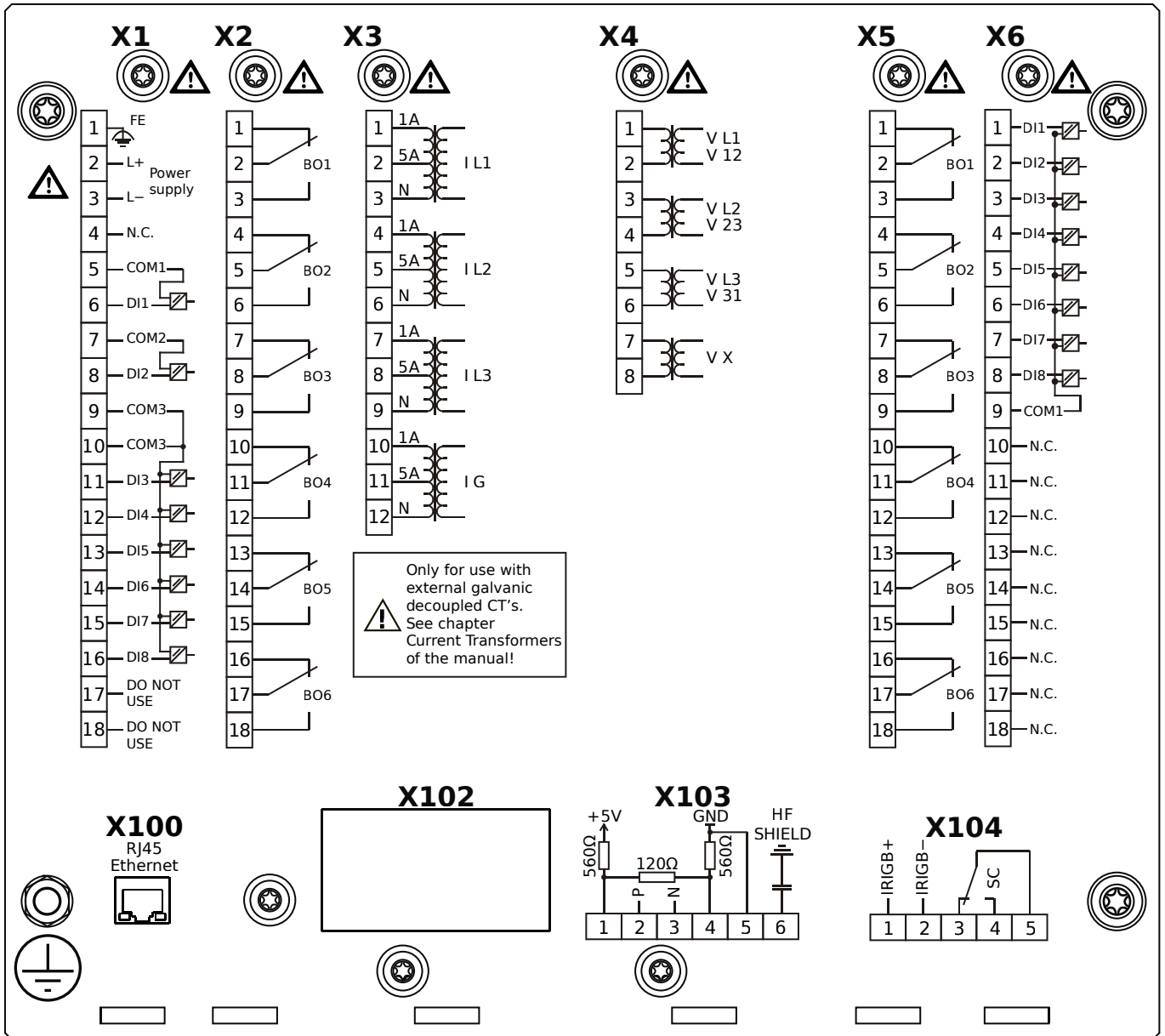
MCA4-2D0HTA



Housing B2, large display, door mounting

- X1** – DI8-X1: Wide-range power supply unit, incl. 2 non-grouped digital inputs and 6 grouped digital inputs
- X2** – OR6: Assembly Group with 6 Output Relays
- X3** – TI: Standard current measuring card
- X4** – TU: Card with 4 voltage transformer measuring inputs
- X5** – OR6: Assembly Group with 6 Output Relays
- X6** – DI8: Assembly Group with 8 Digital Inputs
- X100** – IEC 61850 / Modbus TCP / DNP3.0 TCP/UDP, Ethernet interface, 100 Mbit/s, RJ45 (BASE100-FX)
- X103** – IEC 60870-5-103 / Modbus RTU / DNP3.0 RTU, RS485, Terminals
- X104** – IRIG-B00X, incl. System Contact (Supervision Contact)

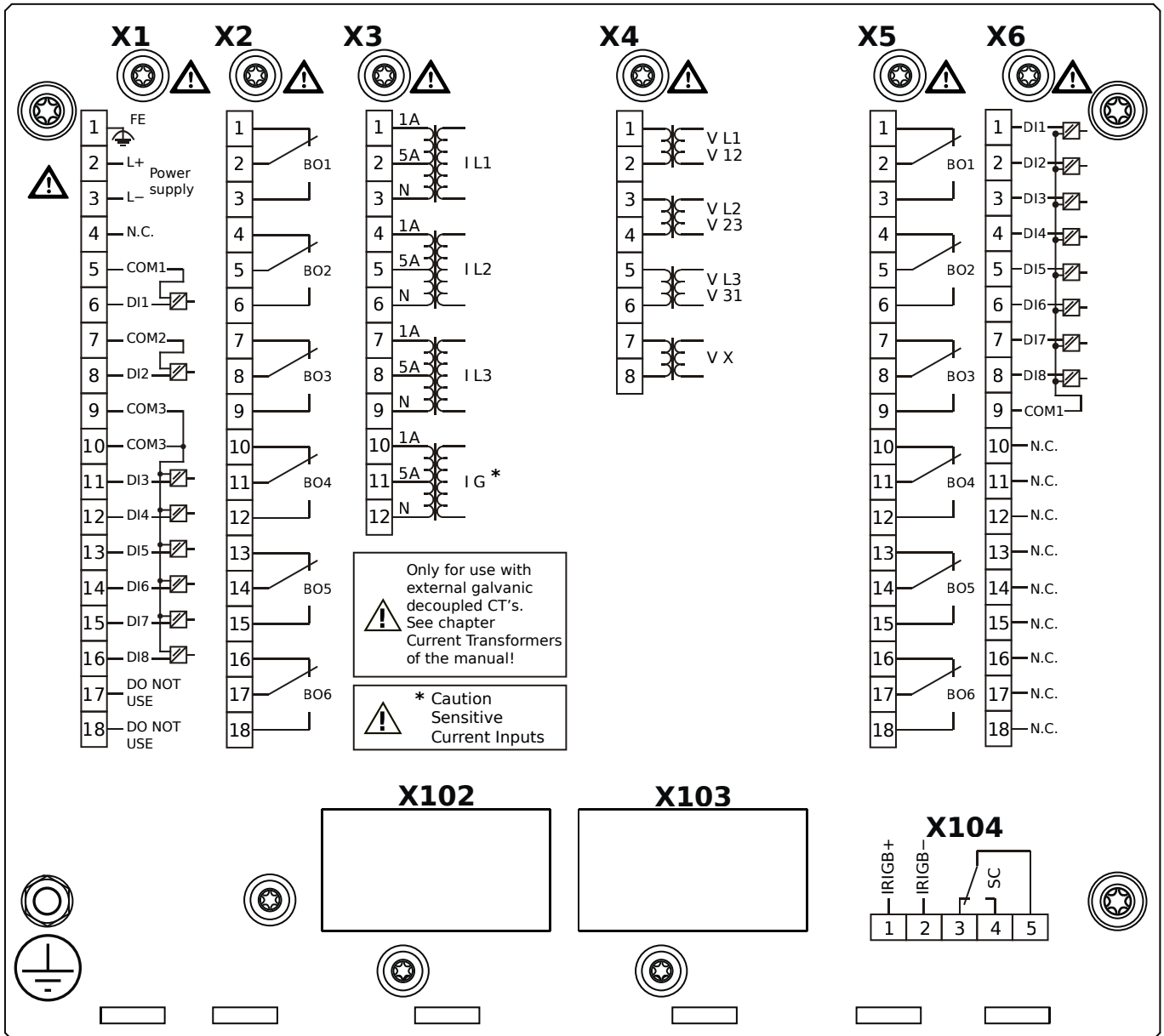
MCA4-2D0HTB



Housing B2, large display, door mounting

- X1** – DI8-X1: Wide-range power supply unit, incl. 2 non-grouped digital inputs and 6 grouped digital inputs
- X2** – OR6: Assembly Group with 6 Output Relays
- X3** – TI: Standard current measuring card
- X4** – TU: Card with 4 voltage transformer measuring inputs
- X5** – OR6: Assembly Group with 6 Output Relays
- X6** – DI8: Assembly Group with 8 Digital Inputs
- X100** – IEC 61850 / Modbus TCP / DNP3.0 TCP/UDP, Ethernet interface, 100 Mbit/s, RJ45 (BASE100-FX)
- X103** – IEC 60870-5-103 / Modbus RTU / DNP3.0 RTU, RS485, Terminals
- X104** – IRIG-B00X, incl. System Contact (Supervision Contact)

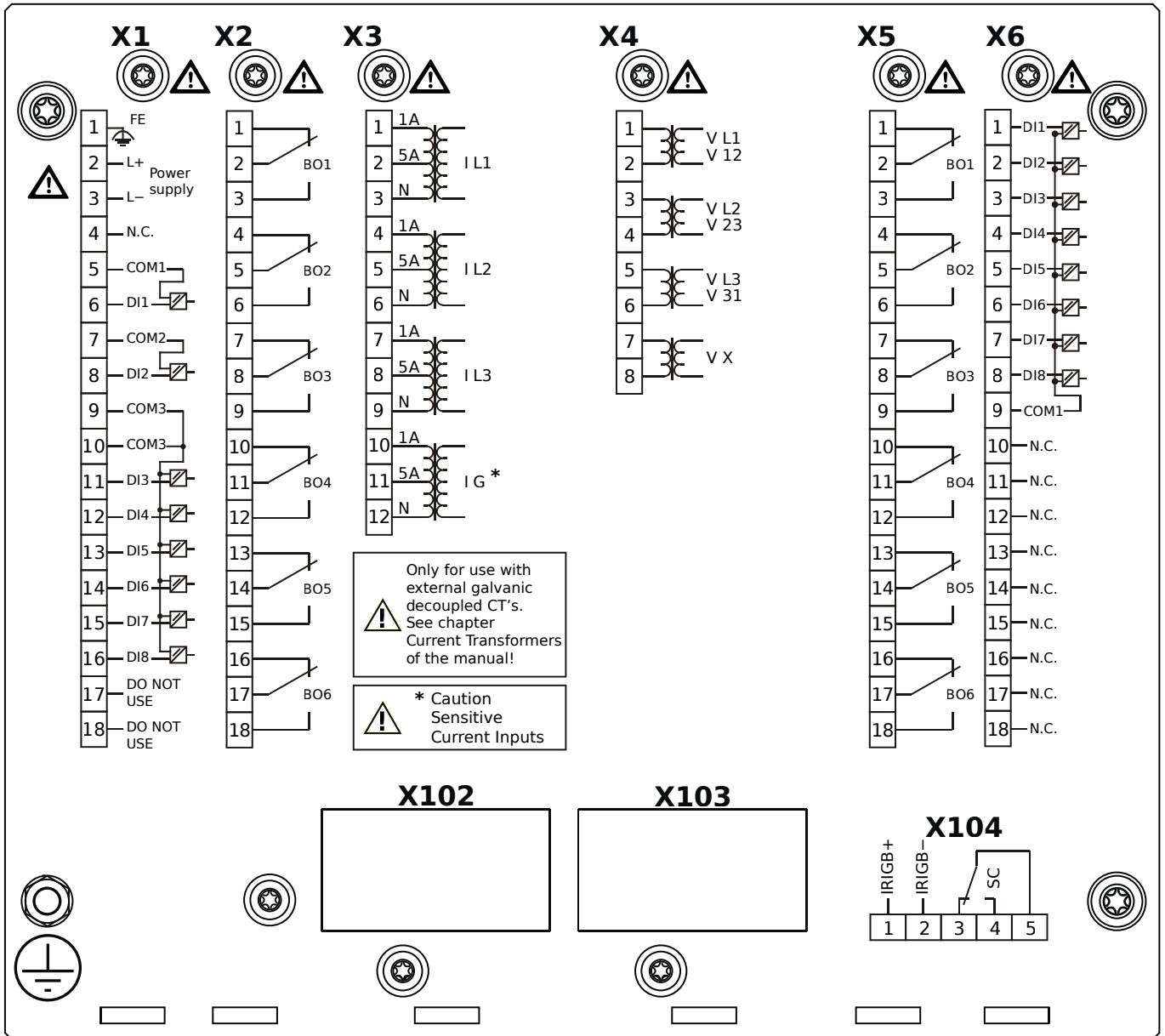
MCA4-2D1AAA



Housing B2, large display, door mounting

- X1** – DI8-X1: Wide-range power supply unit, incl. 2 non-grouped digital inputs and 6 grouped digital inputs
- X2** – OR6: Assembly Group with 6 Output Relays
- X3** – TIs: Standard phase current measuring card and sensitive ground current measuring
- X4** – TU: Card with 4 voltage transformer measuring inputs
- X5** – OR6: Assembly Group with 6 Output Relays
- X6** – DI8: Assembly Group with 8 Digital Inputs
- X104** – IRIG-B00X, incl. System Contact (Supervision Contact)

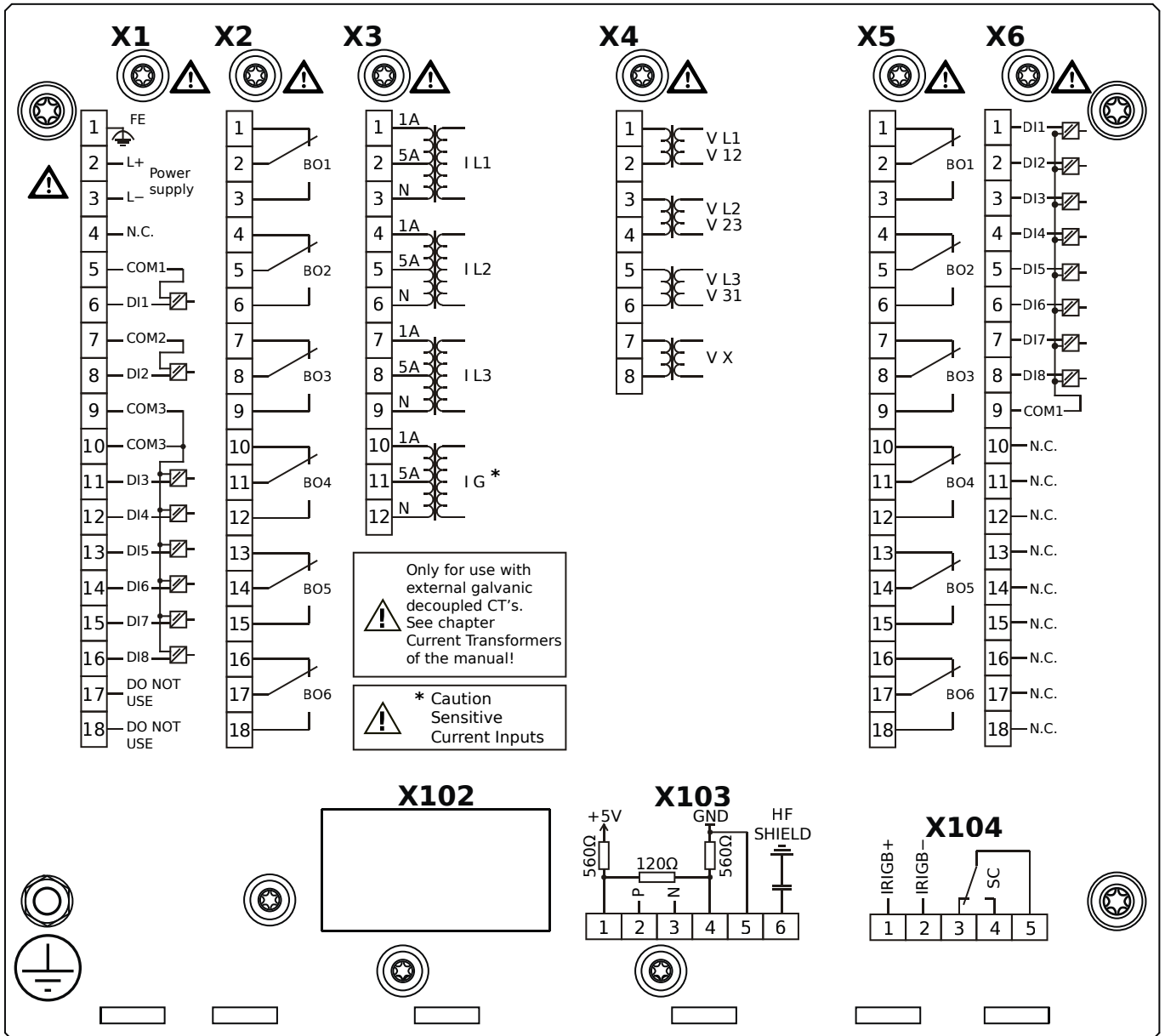
MCA4-2D1AAB



Housing B2, large display, door mounting

- X1** – DI8-X1: Wide-range power supply unit, incl. 2 non-grouped digital inputs and 6 grouped digital inputs
- X2** – OR6: Assembly Group with 6 Output Relays
- X3** – TIs: Standard phase current measuring card and sensitive ground current measuring
- X4** – TU: Card with 4 voltage transformer measuring inputs
- X5** – OR6: Assembly Group with 6 Output Relays
- X6** – DI8: Assembly Group with 8 Digital Inputs
- X104** – IRIG-B00X, incl. System Contact (Supervision Contact)

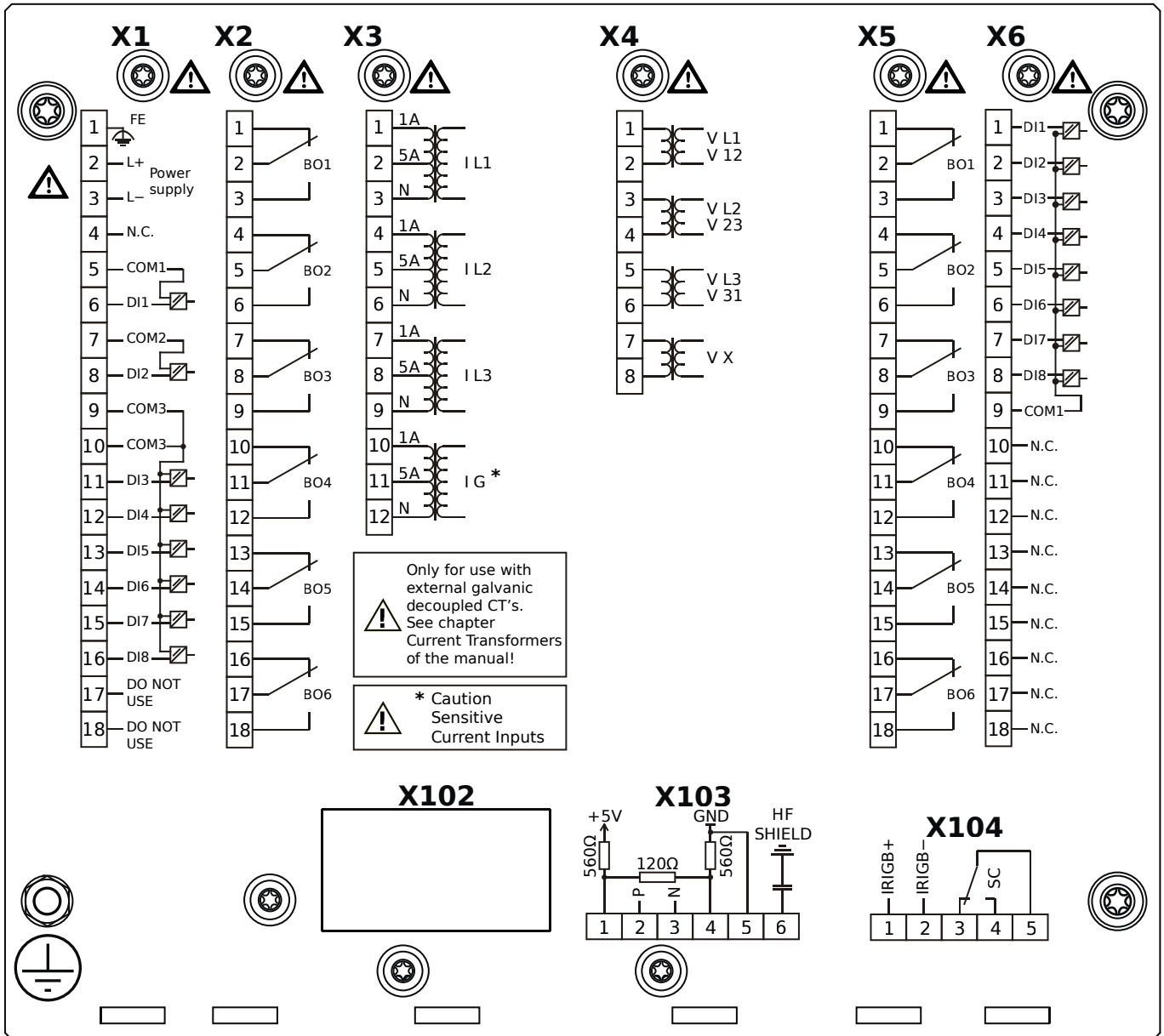
MCA4-2D1ABA



Housing B2, large display, door mounting

- X1** – DI8-X1: Wide-range power supply unit, incl. 2 non-grouped digital inputs and 6 grouped digital inputs
- X2** – OR6: Assembly Group with 6 Output Relays
- X3** – TIs: Standard phase current measuring card and sensitive ground current measuring
- X4** – TU: Card with 4 voltage transformer measuring inputs
- X5** – OR6: Assembly Group with 6 Output Relays
- X6** – DI8: Assembly Group with 8 Digital Inputs
- X103** – Modbus RTU / IEC 60870-5-103 / DNP3.0 RTU, RS485, Terminals
- X104** – IRIG-B00X, incl. System Contact (Supervision Contact)

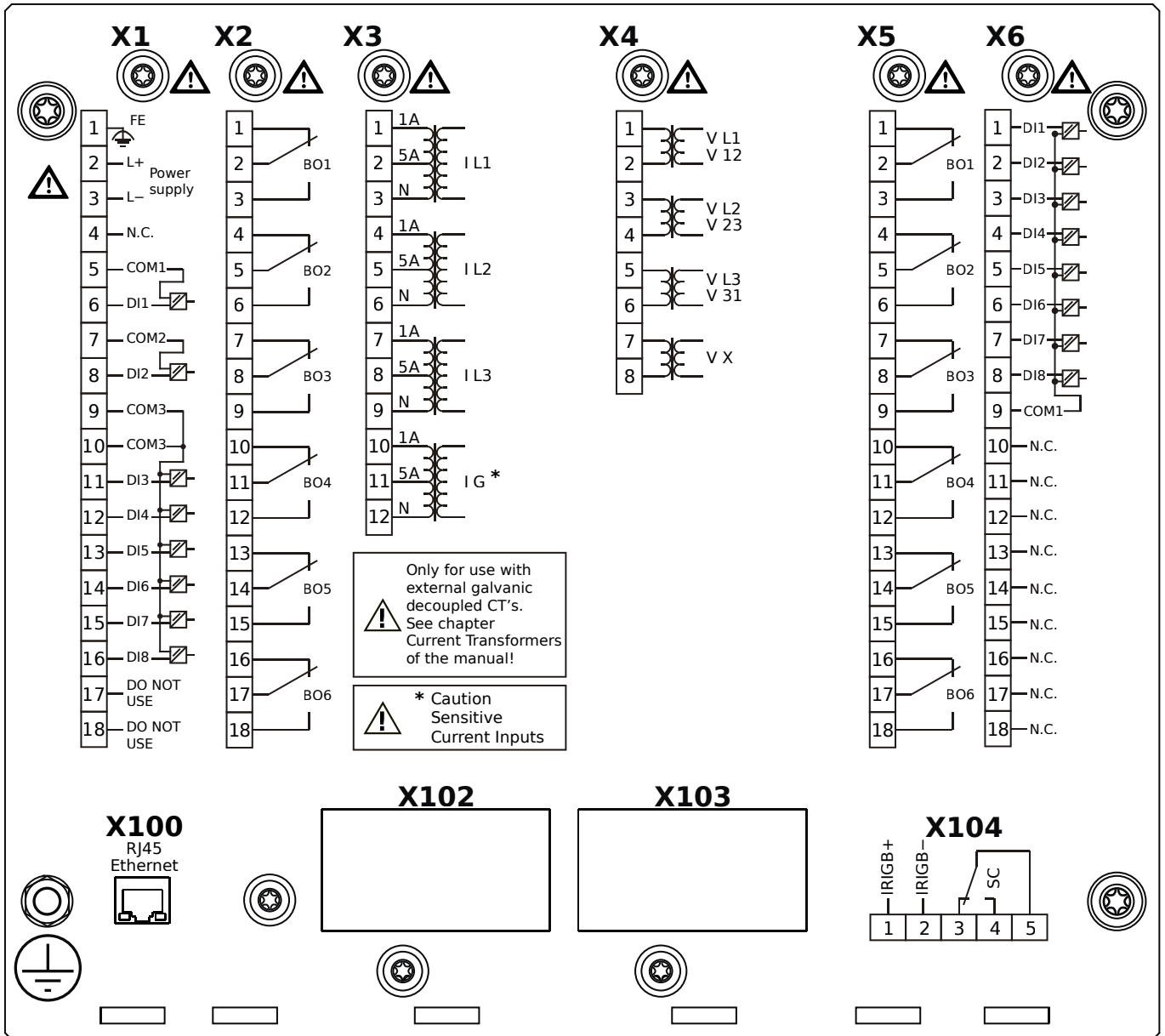
MCA4-2D1ABB



Housing B2, large display, door mounting

- X1** – DI8-X1: Wide-range power supply unit, incl. 2 non-grouped digital inputs and 6 grouped digital inputs
- X2** – OR6: Assembly Group with 6 Output Relays
- X3** – TIs: Standard phase current measuring card and sensitive ground current measuring
- X4** – TU: Card with 4 voltage transformer measuring inputs
- X5** – OR6: Assembly Group with 6 Output Relays
- X6** – DI8: Assembly Group with 8 Digital Inputs
- X103** – Modbus RTU / IEC 60870-5-103 / DNP3.0 RTU, RS485, Terminals
- X104** – IRIG-B00X, incl. System Contact (Supervision Contact)

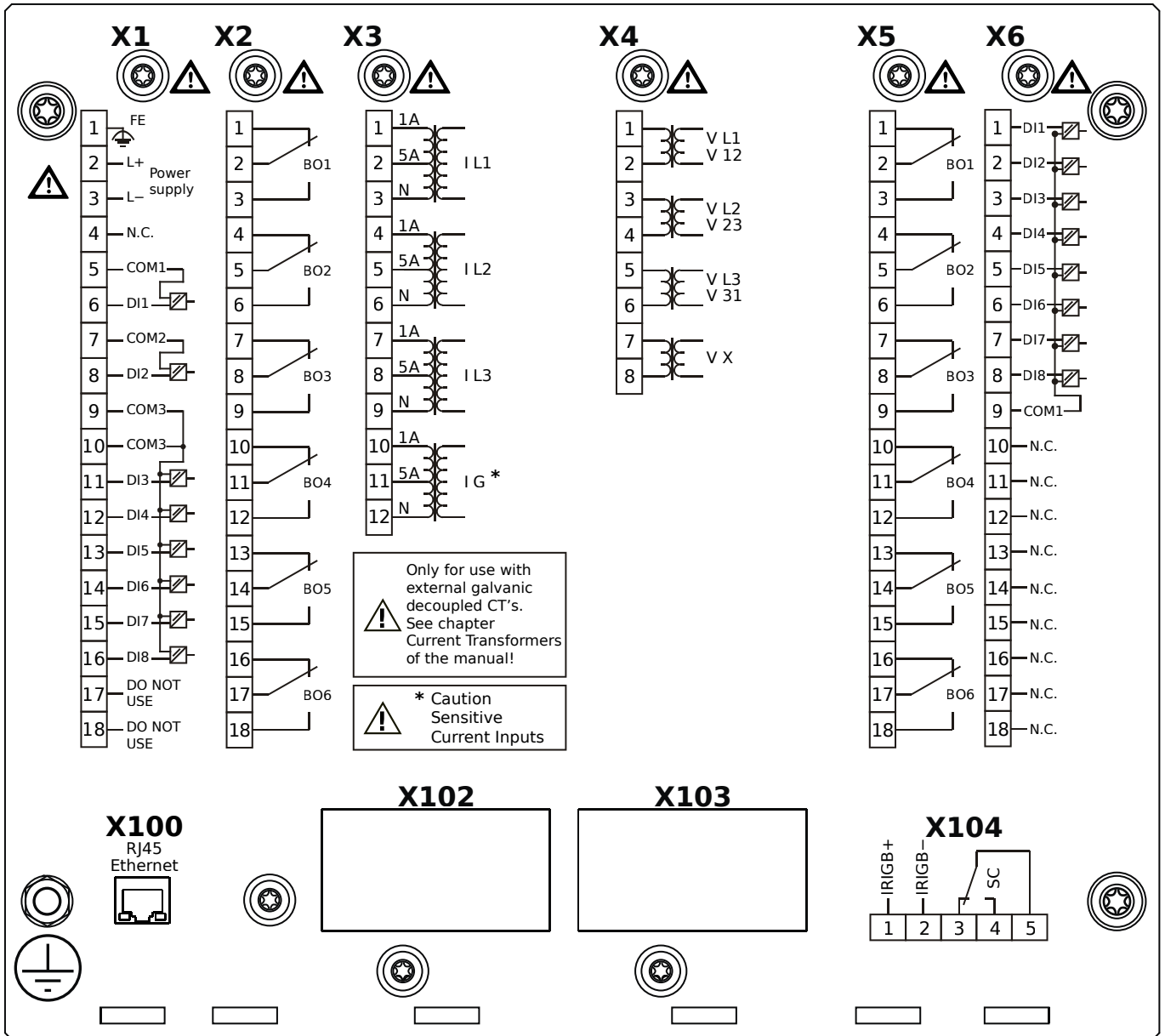
MCA4-2D1ACA



Housing B2, large display, door mounting

- X1** – DI8-X1: Wide-range power supply unit, incl. 2 non-grouped digital inputs and 6 grouped digital inputs
- X2** – OR6: Assembly Group with 6 Output Relays
- X3** – TIs: Standard phase current measuring card and sensitive ground current measuring
- X4** – TU: Card with 4 voltage transformer measuring inputs
- X5** – OR6: Assembly Group with 6 Output Relays
- X6** – DI8: Assembly Group with 8 Digital Inputs
- X100** – Modbus TCP / DNP3.0 TCP/UDP, Ethernet interface, 100 Mbit/s, RJ45 (BASE100-FX)
- X104** – IRIG-B00X, incl. System Contact (Supervision Contact)

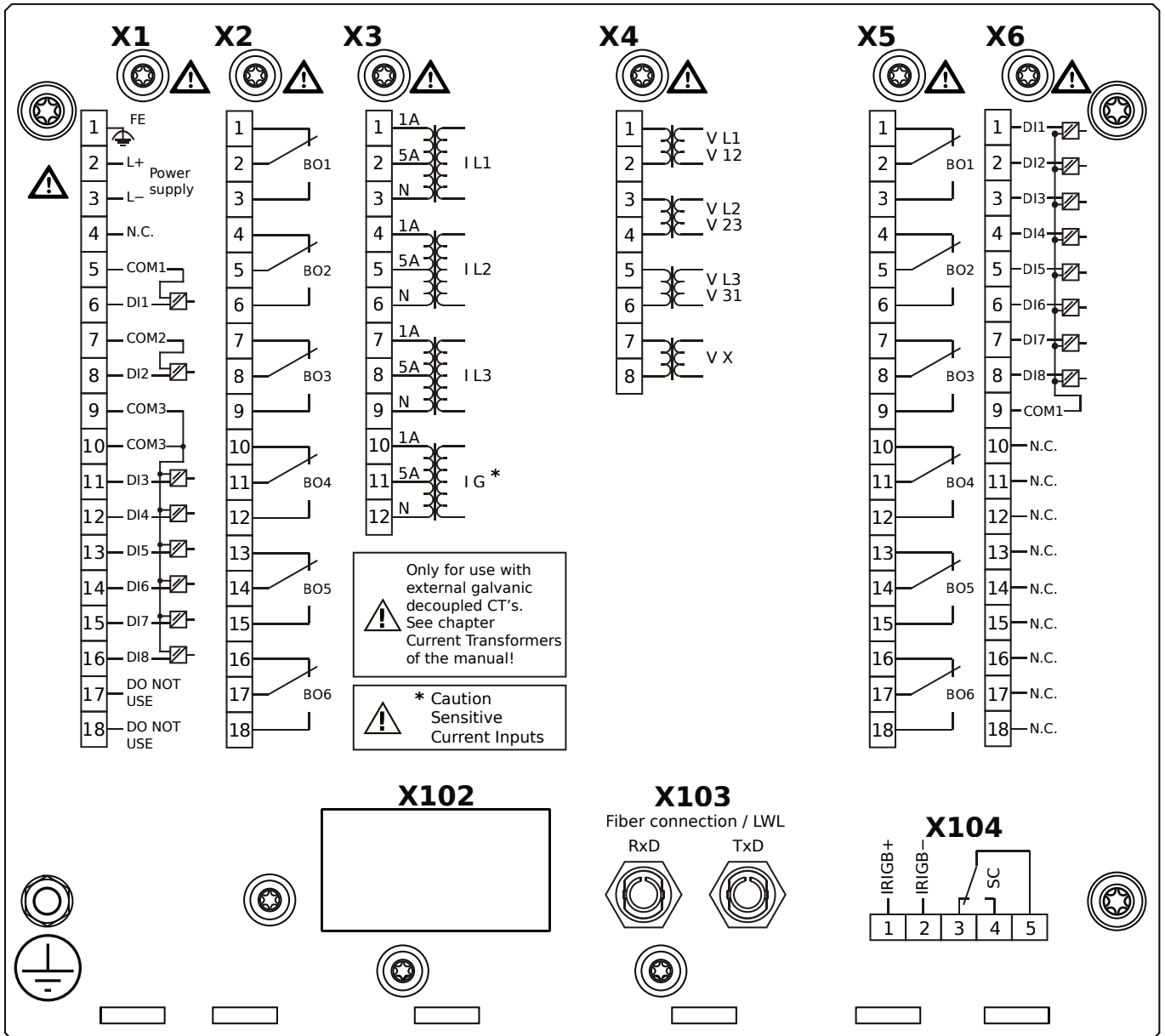
MCA4-2D1ACB



Housing B2, large display, door mounting

- X1** – DI8-X1: Wide-range power supply unit, incl. 2 non-grouped digital inputs and 6 grouped digital inputs
- X2** – OR6: Assembly Group with 6 Output Relays
- X3** – TIs: Standard phase current measuring card and sensitive ground current measuring
- X4** – TU: Card with 4 voltage transformer measuring inputs
- X5** – OR6: Assembly Group with 6 Output Relays
- X6** – DI8: Assembly Group with 8 Digital Inputs
- X100** – Modbus TCP / DNP3.0 TCP/UDP, Ethernet interface, 100 Mbit/s, RJ45 (BASE100-FX)
- X104** – IRIG-B00X, incl. System Contact (Supervision Contact)

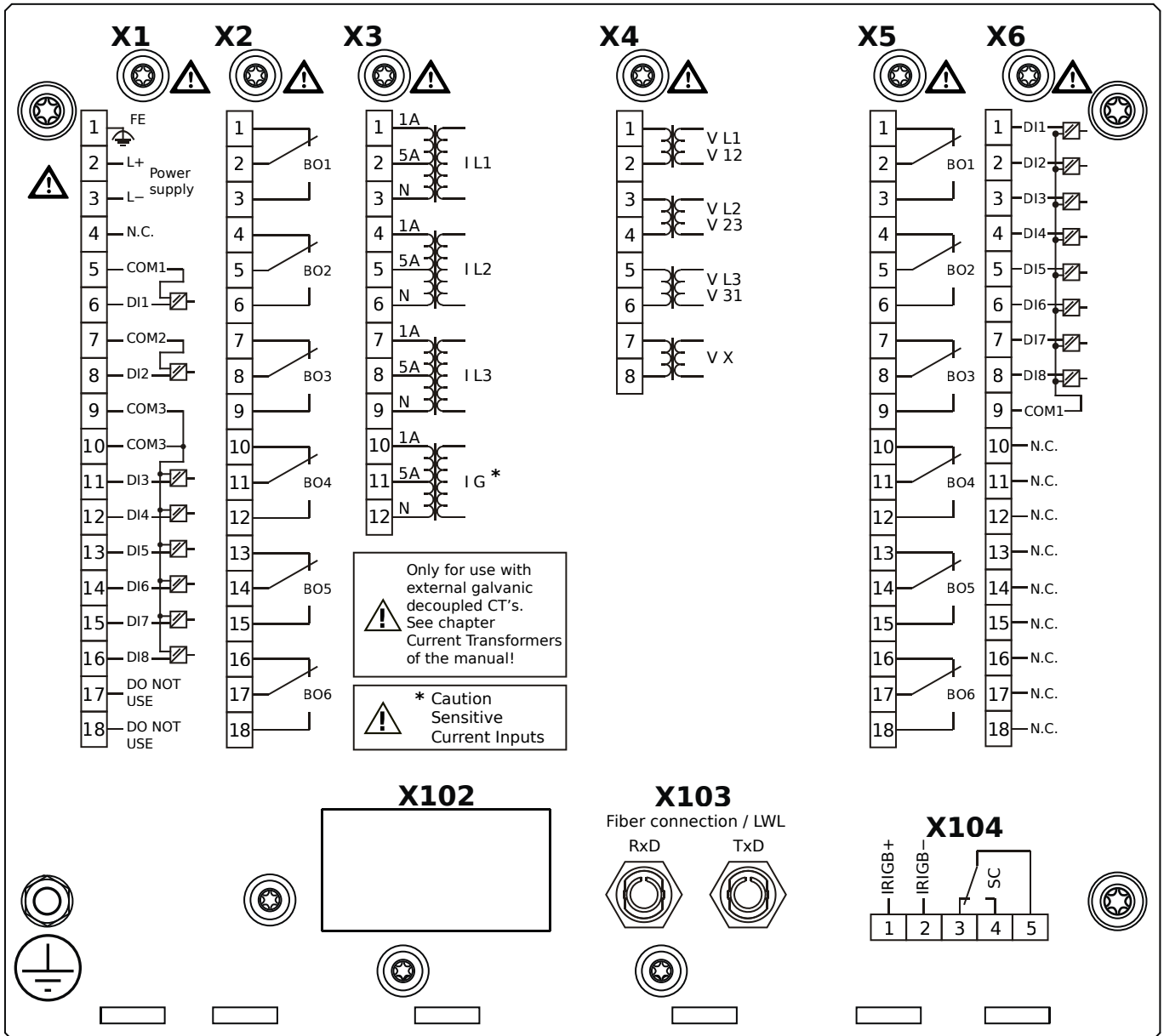
MCA4-2D1ADA



Housing B2, large display, door mounting

- X1** – DI8-X1: Wide-range power supply unit, incl. 2 non-grouped digital inputs and 6 grouped digital inputs
- X2** – OR6: Assembly Group with 6 Output Relays
- X3** – TIs: Standard phase current measuring card and sensitive ground current measuring
- X4** – TU: Card with 4 voltage transformer measuring inputs
- X5** – OR6: Assembly Group with 6 Output Relays
- X6** – DI8: Assembly Group with 8 Digital Inputs
- X103** – Profibus-DP, Fiber optics interface, ST Connector
- X104** – IRIG-B00X, incl. System Contact (Supervision Contact)

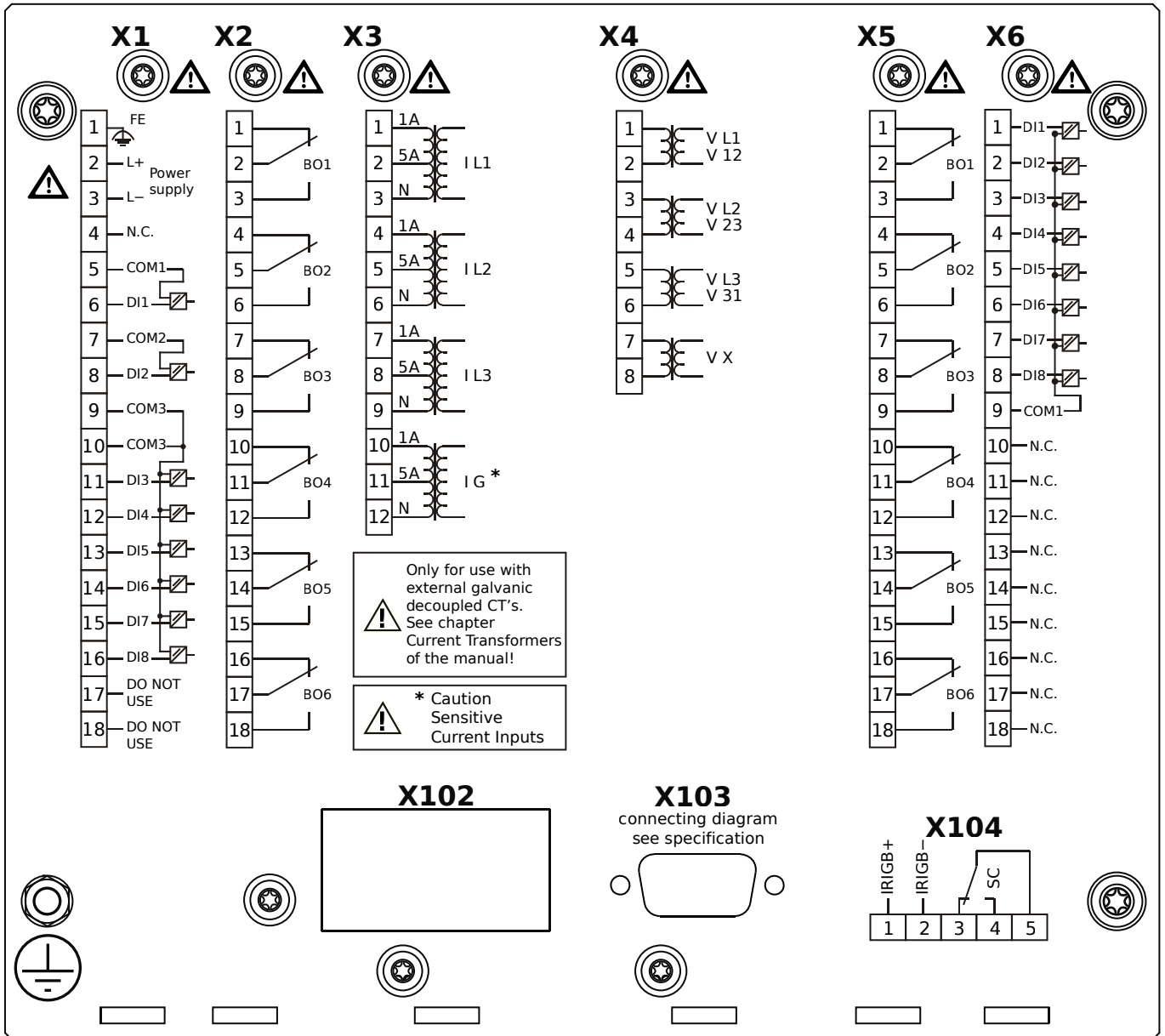
MCA4-2D1ADB



Housing B2, large display, door mounting

- X1** – DI8-X1: Wide-range power supply unit, incl. 2 non-grouped digital inputs and 6 grouped digital inputs
- X2** – OR6: Assembly Group with 6 Output Relays
- X3** – TIs: Standard phase current measuring card and sensitive ground current measuring
- X4** – TU: Card with 4 voltage transformer measuring inputs
- X5** – OR6: Assembly Group with 6 Output Relays
- X6** – DI8: Assembly Group with 8 Digital Inputs
- X103** – Profibus-DP, Fiber optics interface, ST Connector
- X104** – IRIG-B00X, incl. System Contact (Supervision Contact)

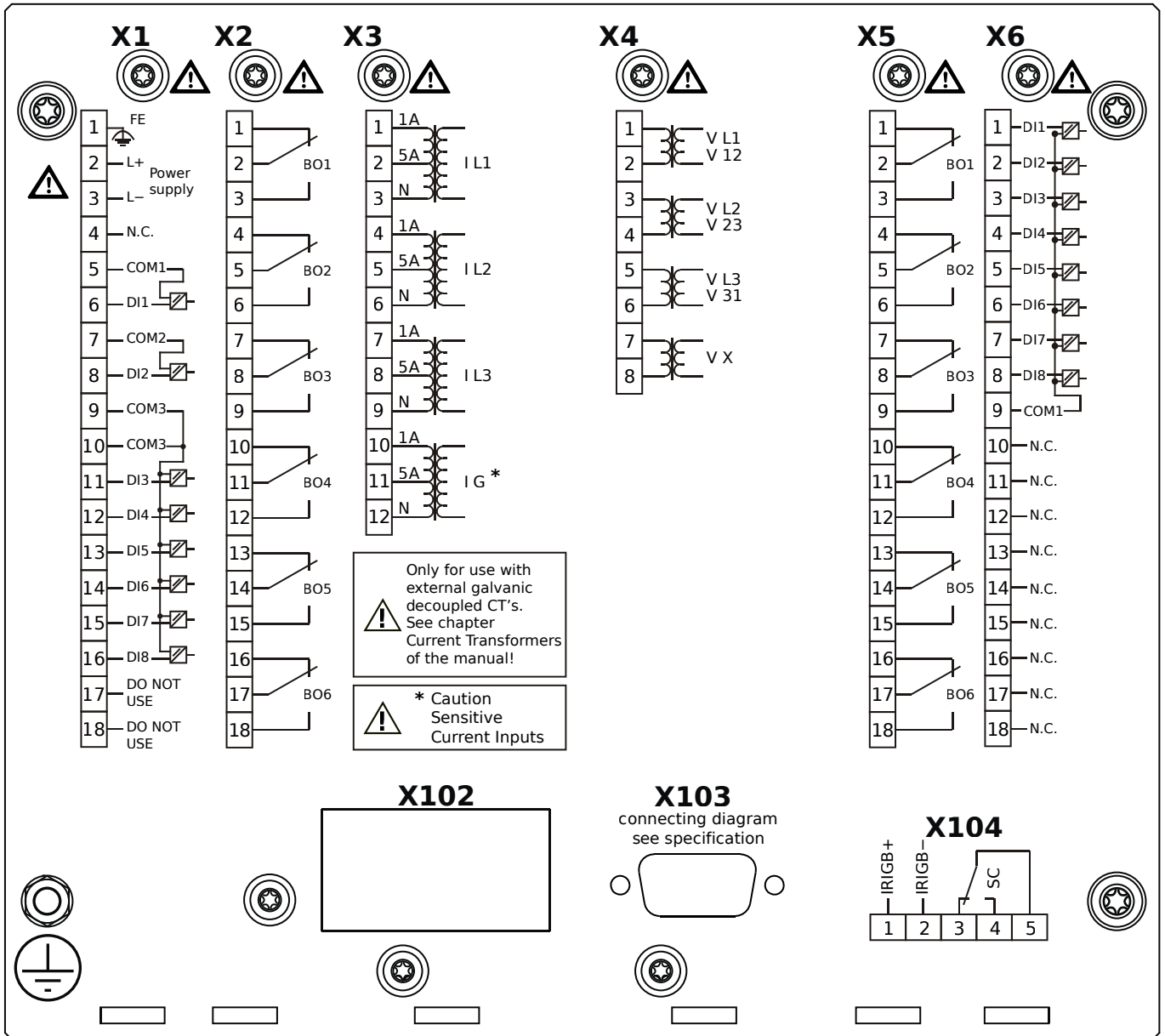
MCA4-2D1AEA



Housing B2, large display, door mounting

- X1** – DI8-X1: Wide-range power supply unit, incl. 2 non-grouped digital inputs and 6 grouped digital inputs
- X2** – OR6: Assembly Group with 6 Output Relays
- X3** – TIs: Standard phase current measuring card and sensitive ground current measuring
- X4** – TU: Card with 4 voltage transformer measuring inputs
- X5** – OR6: Assembly Group with 6 Output Relays
- X6** – DI8: Assembly Group with 8 Digital Inputs
- X103** – Profibus-DP, RS485, D-SUB
- X104** – IRIG-B00X, incl. System Contact (Supervision Contact)

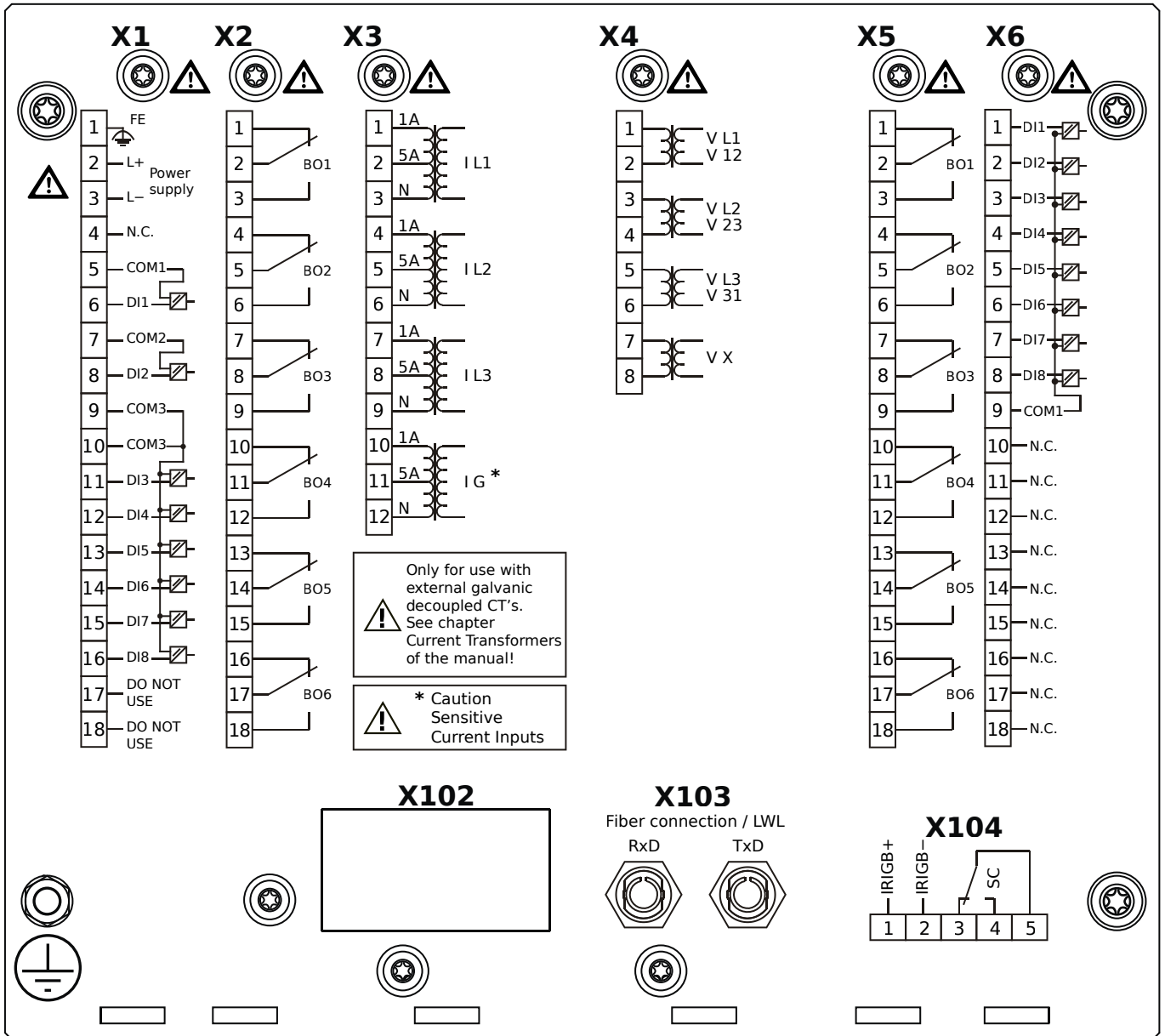
MCA4-2D1AEB



Housing B2, large display, door mounting

- X1** – DI8-X1: Wide-range power supply unit, incl. 2 non-grouped digital inputs and 6 grouped digital inputs
- X2** – OR6: Assembly Group with 6 Output Relays
- X3** – TIs: Standard phase current measuring card and sensitive ground current measuring
- X4** – TU: Card with 4 voltage transformer measuring inputs
- X5** – OR6: Assembly Group with 6 Output Relays
- X6** – DI8: Assembly Group with 8 Digital Inputs
- X103** – Profibus-DP, RS485, D-SUB
- X104** – IRIG-B00X, incl. System Contact (Supervision Contact)

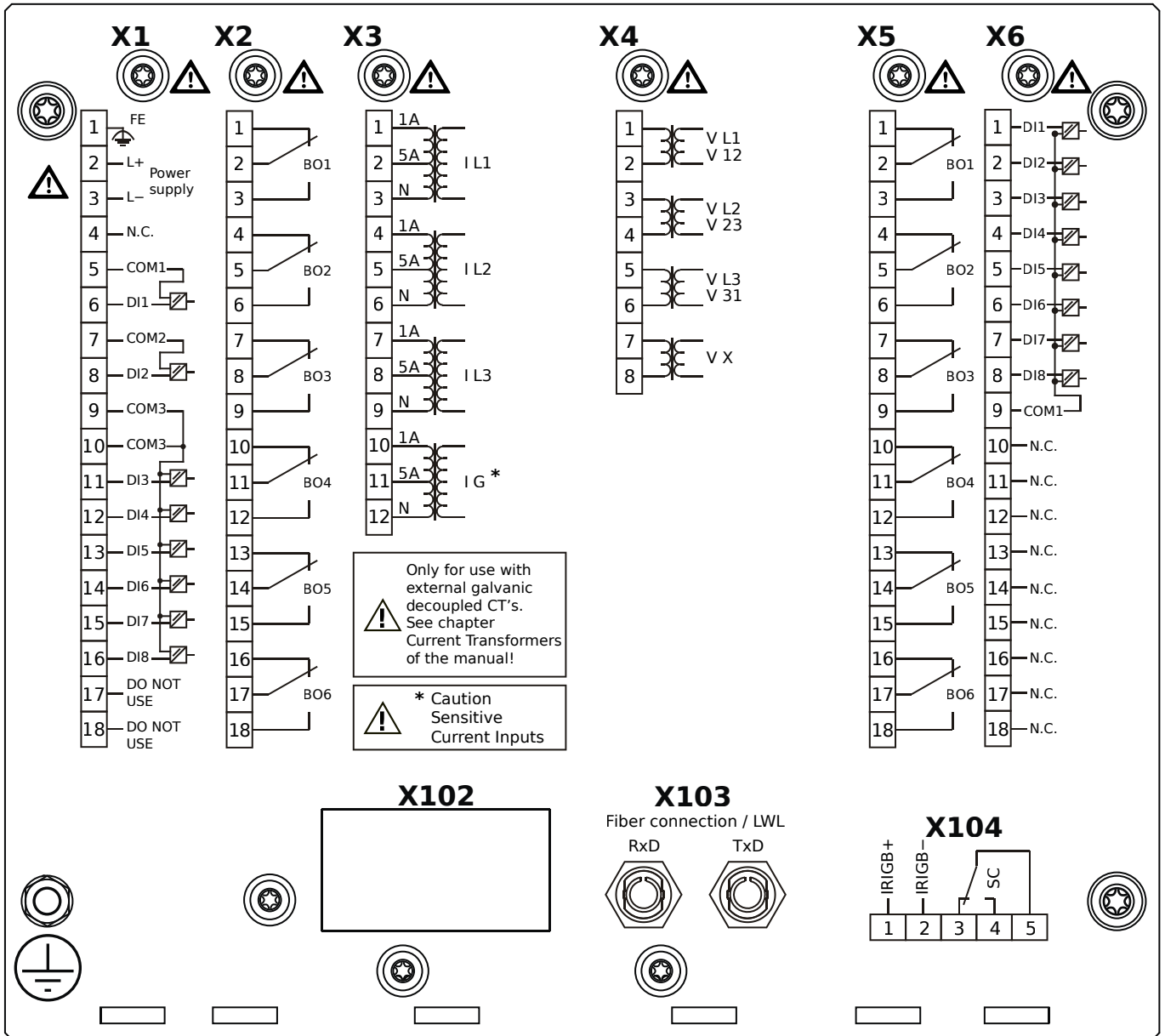
MCA4-2D1AFA



Housing B2, large display, door mounting

- X1** – DI8-X1: Wide-range power supply unit, incl. 2 non-grouped digital inputs and 6 grouped digital inputs
- X2** – OR6: Assembly Group with 6 Output Relays
- X3** – TIs: Standard phase current measuring card and sensitive ground current measuring
- X4** – TU: Card with 4 voltage transformer measuring inputs
- X5** – OR6: Assembly Group with 6 Output Relays
- X6** – DI8: Assembly Group with 8 Digital Inputs
- X103** – Modbus RTU / IEC 60870-5-103 / DNP3.0 RTU, Fiber optics interface, ST Connector
- X104** – IRIG-B00X, incl. System Contact (Supervision Contact)

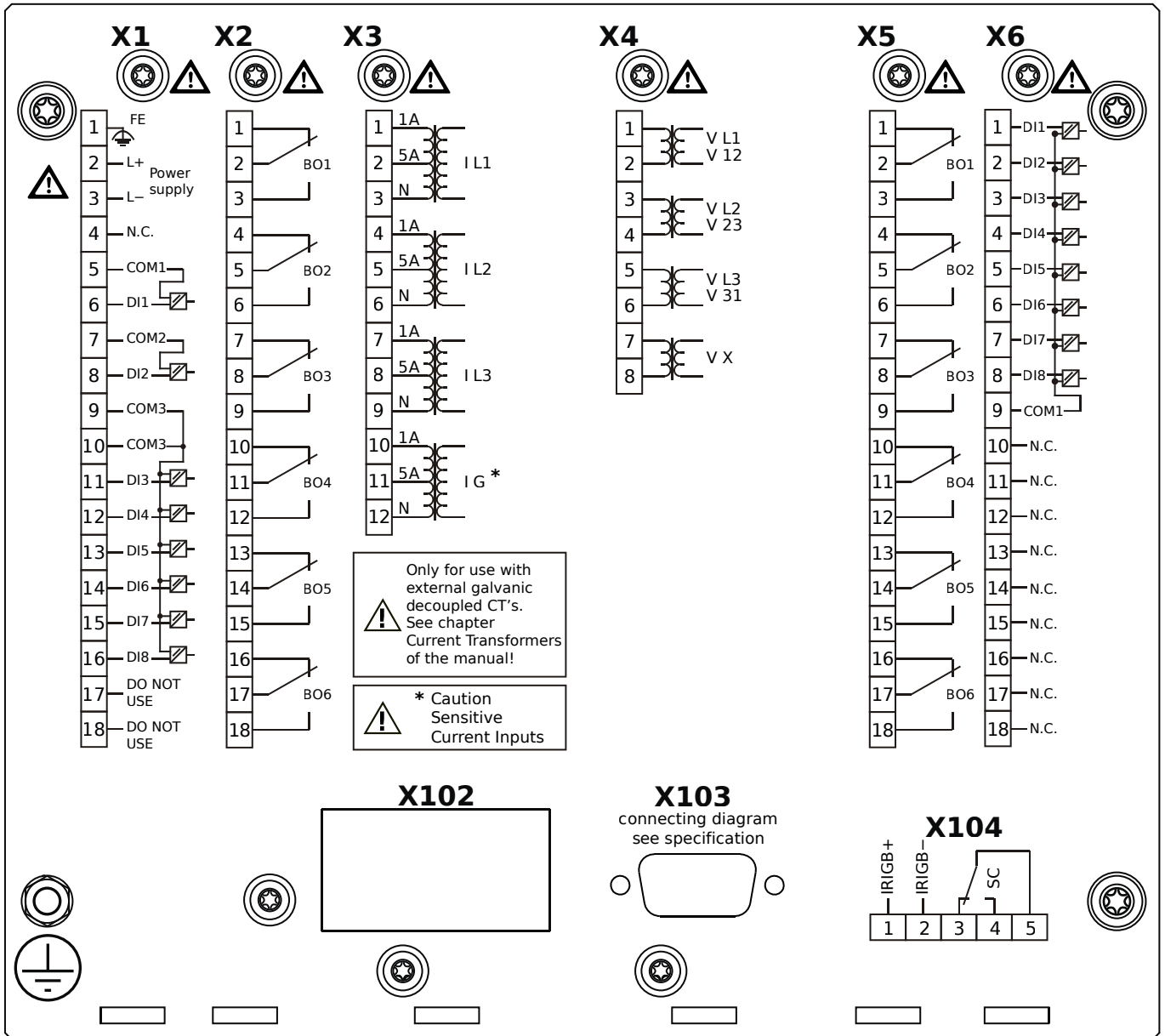
MCA4-2D1AFB



Housing B2, large display, door mounting

- X1** – DI8-X1: Wide-range power supply unit, incl. 2 non-grouped digital inputs and 6 grouped digital inputs
- X2** – OR6: Assembly Group with 6 Output Relays
- X3** – TIs: Standard phase current measuring card and sensitive ground current measuring
- X4** – TU: Card with 4 voltage transformer measuring inputs
- X5** – OR6: Assembly Group with 6 Output Relays
- X6** – DI8: Assembly Group with 8 Digital Inputs
- X103** – Modbus RTU / IEC 60870-5-103 / DNP3.0 RTU, Fiber optics interface, ST Connector
- X104** – IRIG-B00X, incl. System Contact (Supervision Contact)

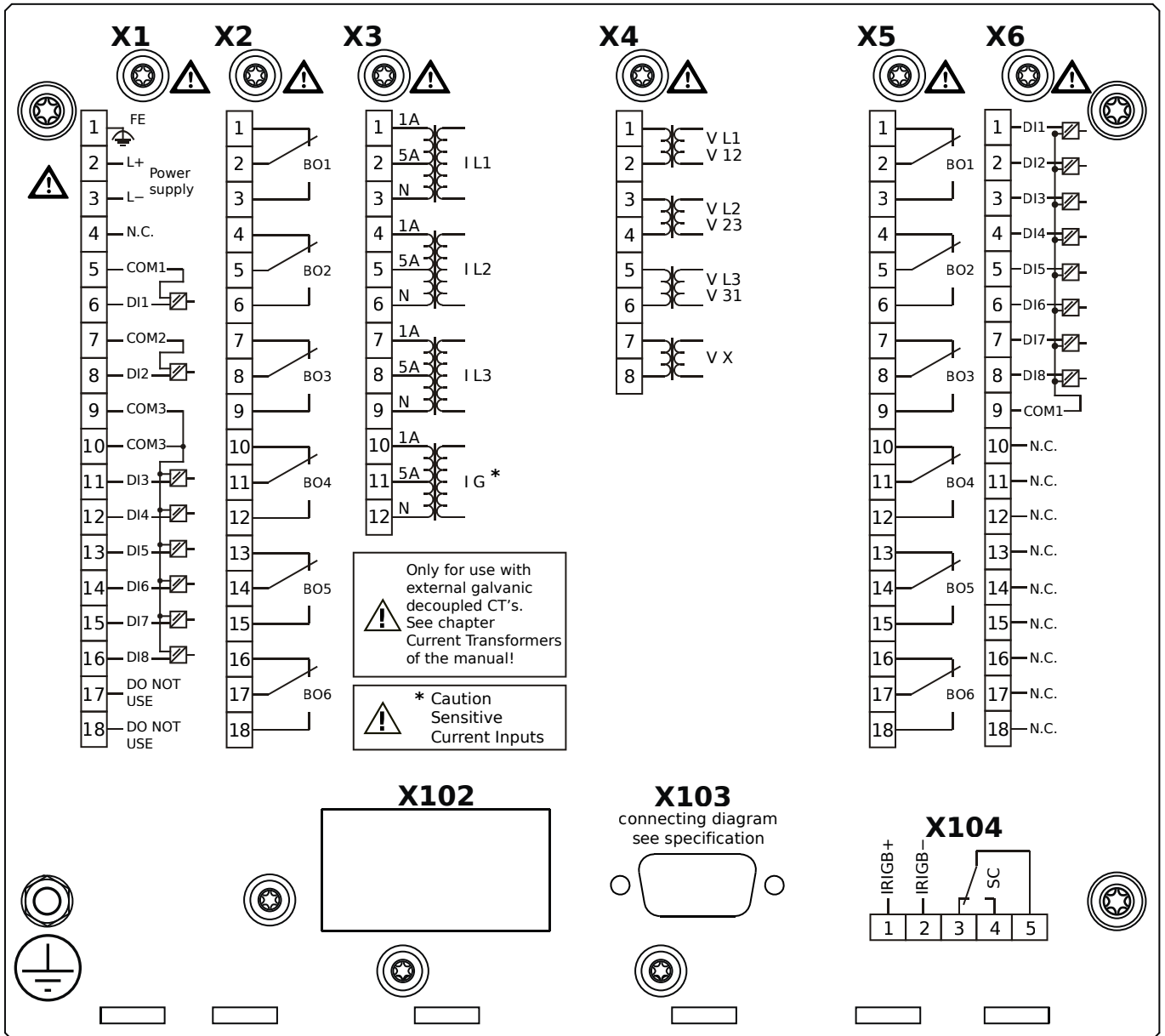
MCA4-2D1AGA



Housing B2, large display, door mounting

- X1** – DI8-X1: Wide-range power supply unit, incl. 2 non-grouped digital inputs and 6 grouped digital inputs
- X2** – OR6: Assembly Group with 6 Output Relays
- X3** – TIs: Standard phase current measuring card and sensitive ground current measuring
- X4** – TU: Card with 4 voltage transformer measuring inputs
- X5** – OR6: Assembly Group with 6 Output Relays
- X6** – DI8: Assembly Group with 8 Digital Inputs
- X103** – Modbus RTU / IEC 60870-5-103 / DNP3.0 RTU, RS485, D-SUB
- X104** – IRIG-B00X, incl. System Contact (Supervision Contact)

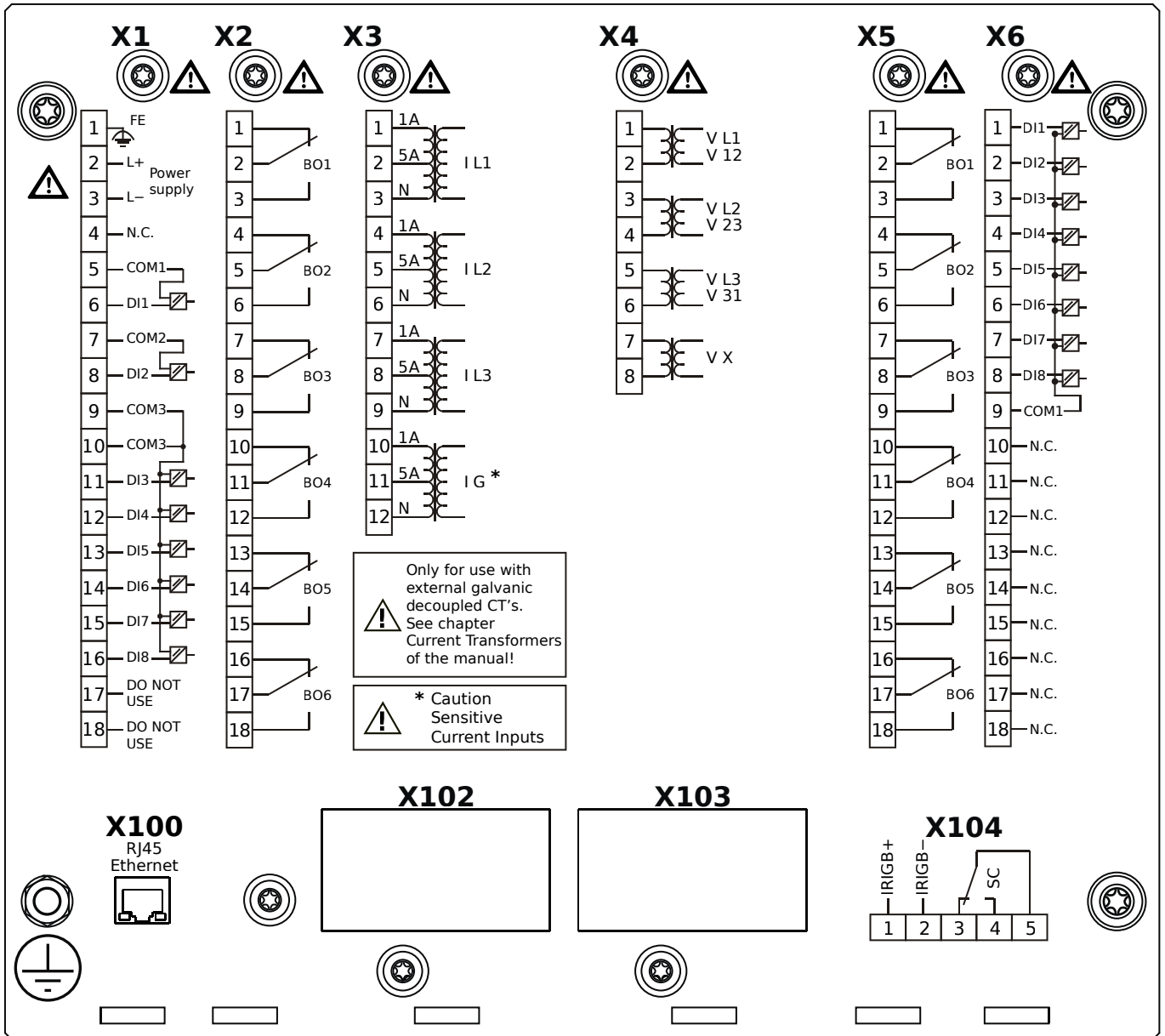
MCA4-2D1AGB



Housing B2, large display, door mounting

- X1** – DI8-X1: Wide-range power supply unit, incl. 2 non-grouped digital inputs and 6 grouped digital inputs
- X2** – OR6: Assembly Group with 6 Output Relays
- X3** – TIs: Standard phase current measuring card and sensitive ground current measuring
- X4** – TU: Card with 4 voltage transformer measuring inputs
- X5** – OR6: Assembly Group with 6 Output Relays
- X6** – DI8: Assembly Group with 8 Digital Inputs
- X103** – Modbus RTU / IEC 60870-5-103 / DNP3.0 RTU, RS485, D-SUB
- X104** – IRIG-B00X, incl. System Contact (Supervision Contact)

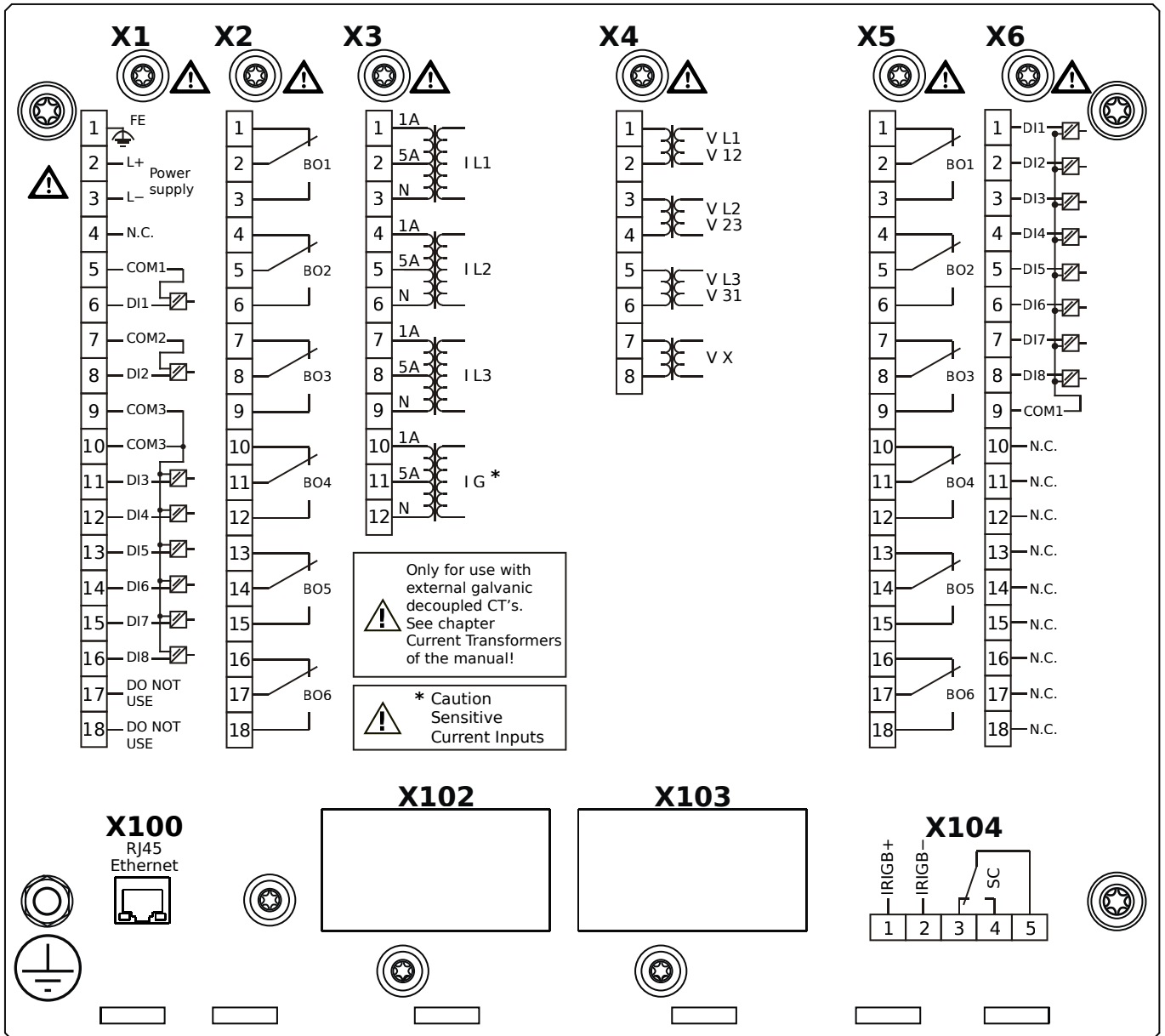
MCA4-2D1AHA



Housing B2, large display, door mounting

- X1** – DI8-X1: Wide-range power supply unit, incl. 2 non-grouped digital inputs and 6 grouped digital inputs
- X2** – OR6: Assembly Group with 6 Output Relays
- X3** – TIs: Standard phase current measuring card and sensitive ground current measuring
- X4** – TU: Card with 4 voltage transformer measuring inputs
- X5** – OR6: Assembly Group with 6 Output Relays
- X6** – DI8: Assembly Group with 8 Digital Inputs
- X100** – IEC 61850 / Modbus TCP / DNP3.0 TCP/UDP, Ethernet interface, 100 Mbit/s, RJ45 (BASE100-FX)
- X104** – IRIG-B00X, incl. System Contact (Supervision Contact)

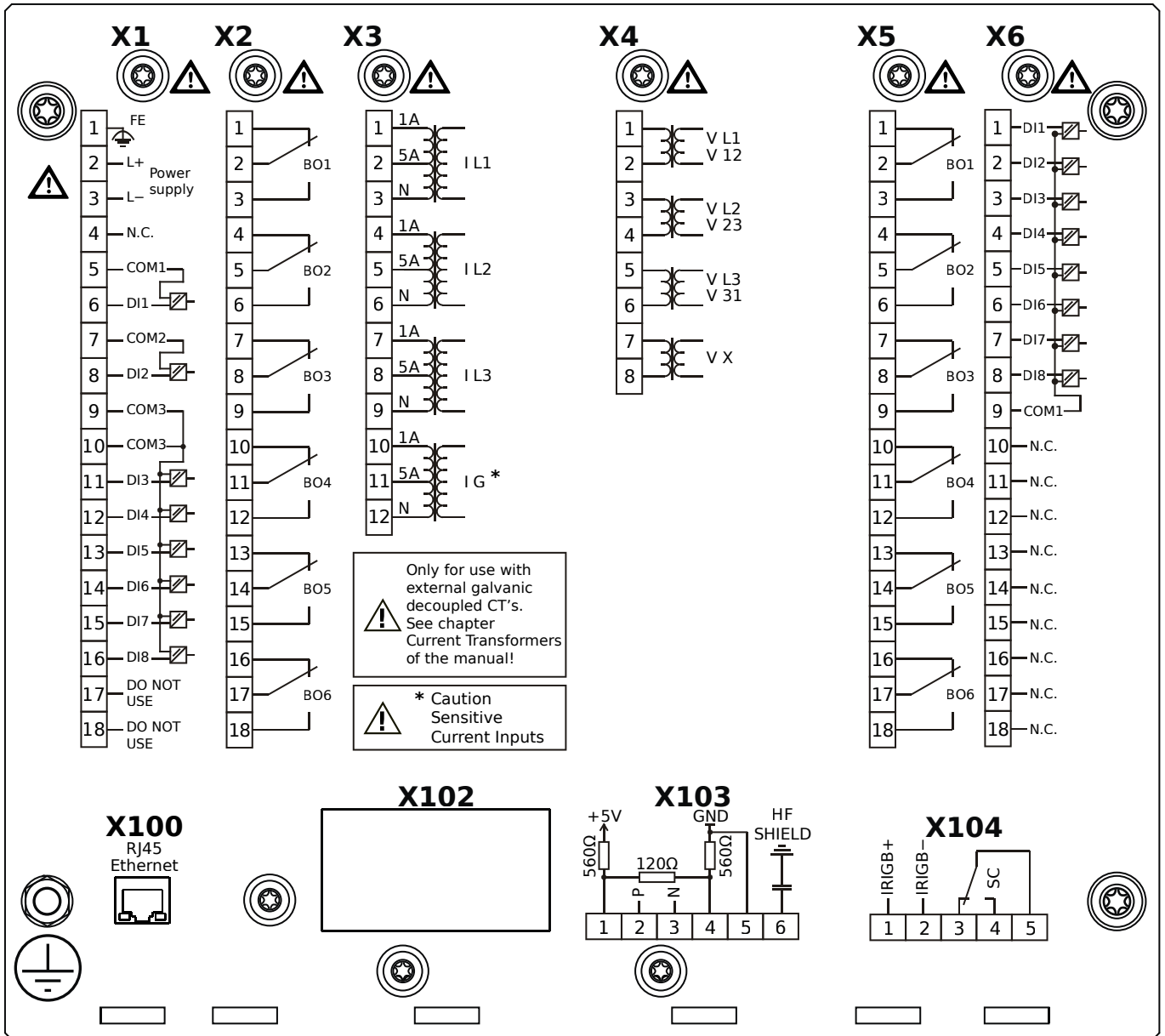
MCA4-2D1AHB



Housing B2, large display, door mounting

- X1** – DI8-X1: Wide-range power supply unit, incl. 2 non-grouped digital inputs and 6 grouped digital inputs
- X2** – OR6: Assembly Group with 6 Output Relays
- X3** – TIs: Standard phase current measuring card and sensitive ground current measuring
- X4** – TU: Card with 4 voltage transformer measuring inputs
- X5** – OR6: Assembly Group with 6 Output Relays
- X6** – DI8: Assembly Group with 8 Digital Inputs
- X100** – IEC 61850 / Modbus TCP / DNP3.0 TCP/UDP, Ethernet interface, 100 Mbit/s, RJ45 (BASE100-FX)
- X104** – IRIG-B00X, incl. System Contact (Supervision Contact)

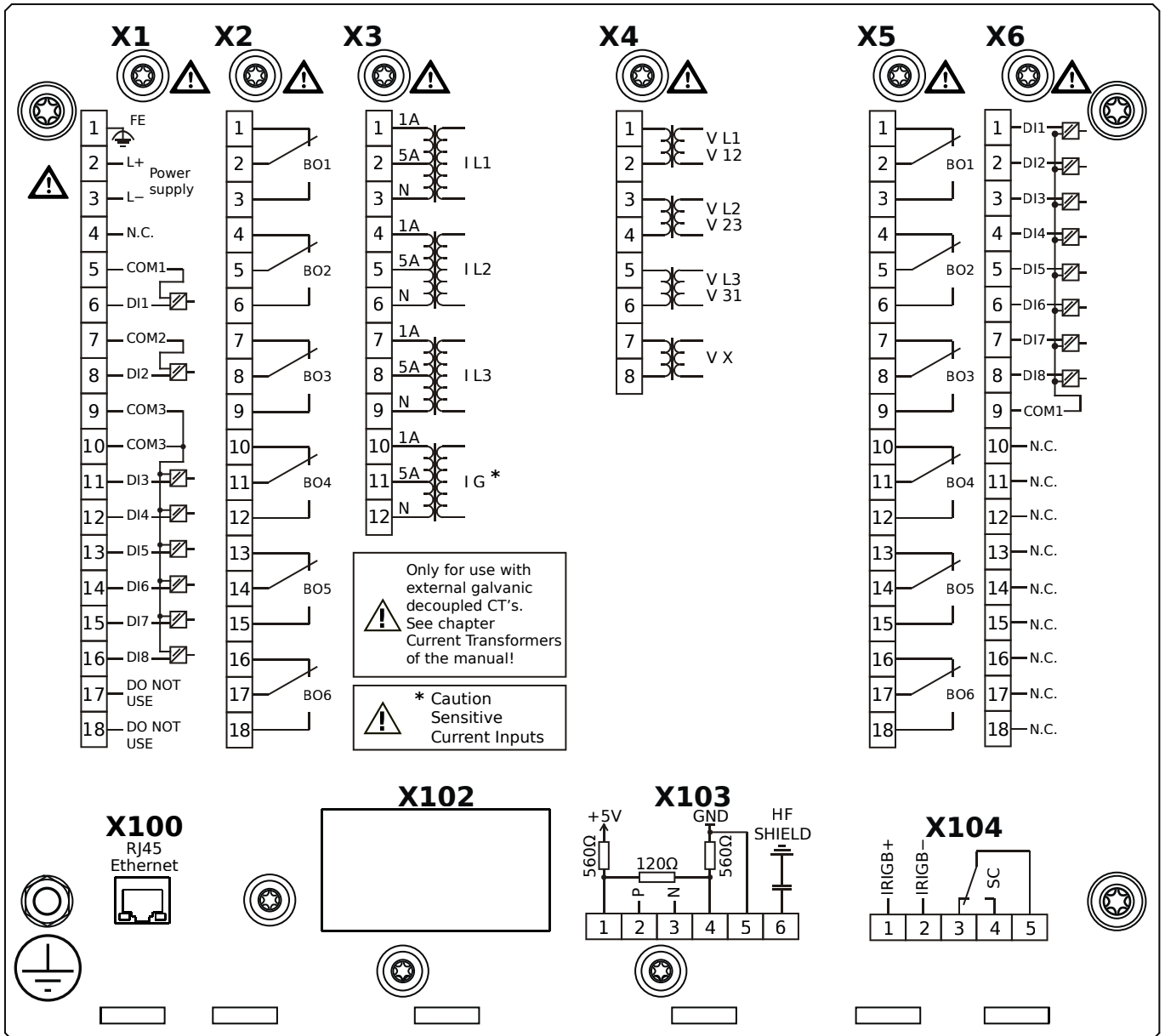
MCA4-2D1AIA



Housing B2, large display, door mounting

- X1** – DI8-X1: Wide-range power supply unit, incl. 2 non-grouped digital inputs and 6 grouped digital inputs
- X2** – OR6: Assembly Group with 6 Output Relays
- X3** – TIs: Standard phase current measuring card and sensitive ground current measuring
- X4** – TU: Card with 4 voltage transformer measuring inputs
- X5** – OR6: Assembly Group with 6 Output Relays
- X6** – DI8: Assembly Group with 8 Digital Inputs
- X100** – Modbus TCP / DNP3.0 TCP/UDP, Ethernet interface, 100 Mbit/s, RJ45 (BASE100-FX)
- X103** – IEC 60870-5-103 / Modbus RTU / DNP3.0 RTU, RS485, Terminals
- X104** – IRIG-B00X, incl. System Contact (Supervision Contact)

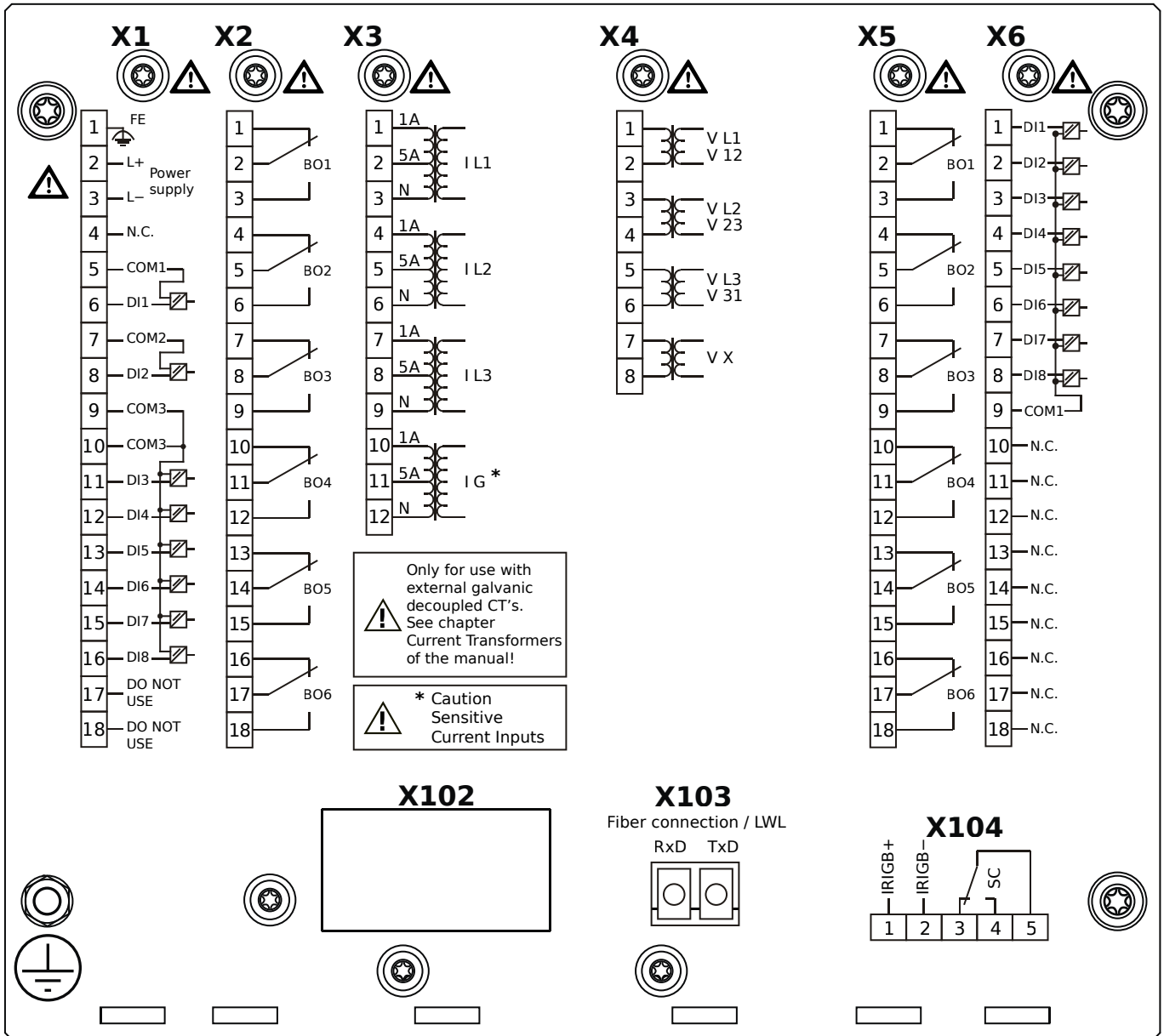
MCA4-2D1AIB



Housing B2, large display, door mounting

- X1** – DI8-X1: Wide-range power supply unit, incl. 2 non-grouped digital inputs and 6 grouped digital inputs
- X2** – OR6: Assembly Group with 6 Output Relays
- X3** – TIs: Standard phase current measuring card and sensitive ground current measuring
- X4** – TU: Card with 4 voltage transformer measuring inputs
- X5** – OR6: Assembly Group with 6 Output Relays
- X6** – DI8: Assembly Group with 8 Digital Inputs
- X100** – Modbus TCP / DNP3.0 TCP/UDP, Ethernet interface, 100 Mbit/s, RJ45 (BASE100-FX)
- X103** – IEC 60870-5-103 / Modbus RTU / DNP3.0 RTU, RS485, Terminals
- X104** – IRIG-B00X, incl. System Contact (Supervision Contact)

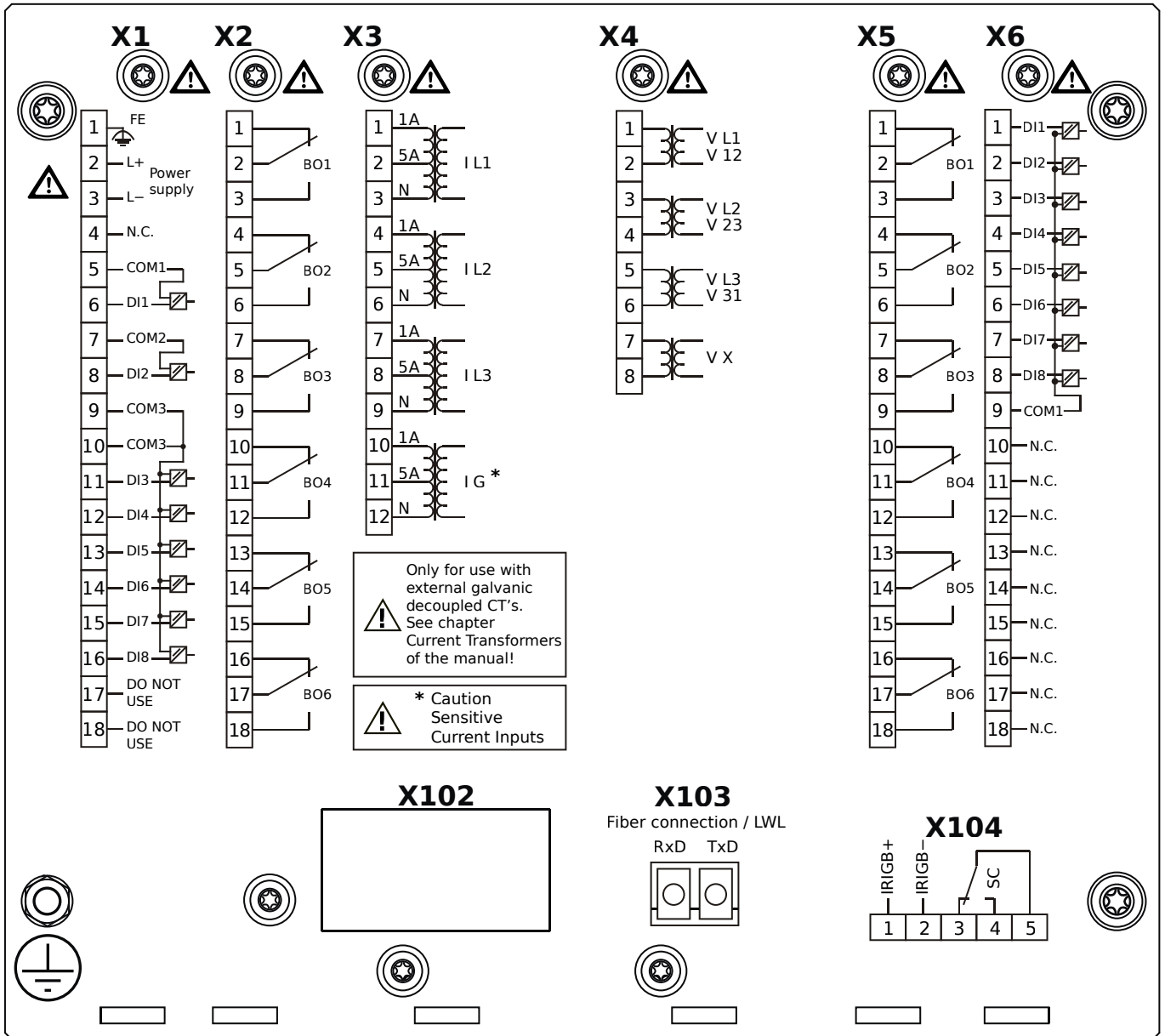
MCA4-2D1AKA



Housing B2, large display, door mounting

- X1** – DI8-X1: Wide-range power supply unit, incl. 2 non-grouped digital inputs and 6 grouped digital inputs
- X2** – OR6: Assembly Group with 6 Output Relays
- X3** – TIs: Standard phase current measuring card and sensitive ground current measuring
- X4** – TU: Card with 4 voltage transformer measuring inputs
- X5** – OR6: Assembly Group with 6 Output Relays
- X6** – DI8: Assembly Group with 8 Digital Inputs
- X103** – IEC 61850 / Modbus TCP / DNP3.0 TCP/UDP, Fiber optics interface, LC Connector
- X104** – IRIG-B00X, incl. System Contact (Supervision Contact)

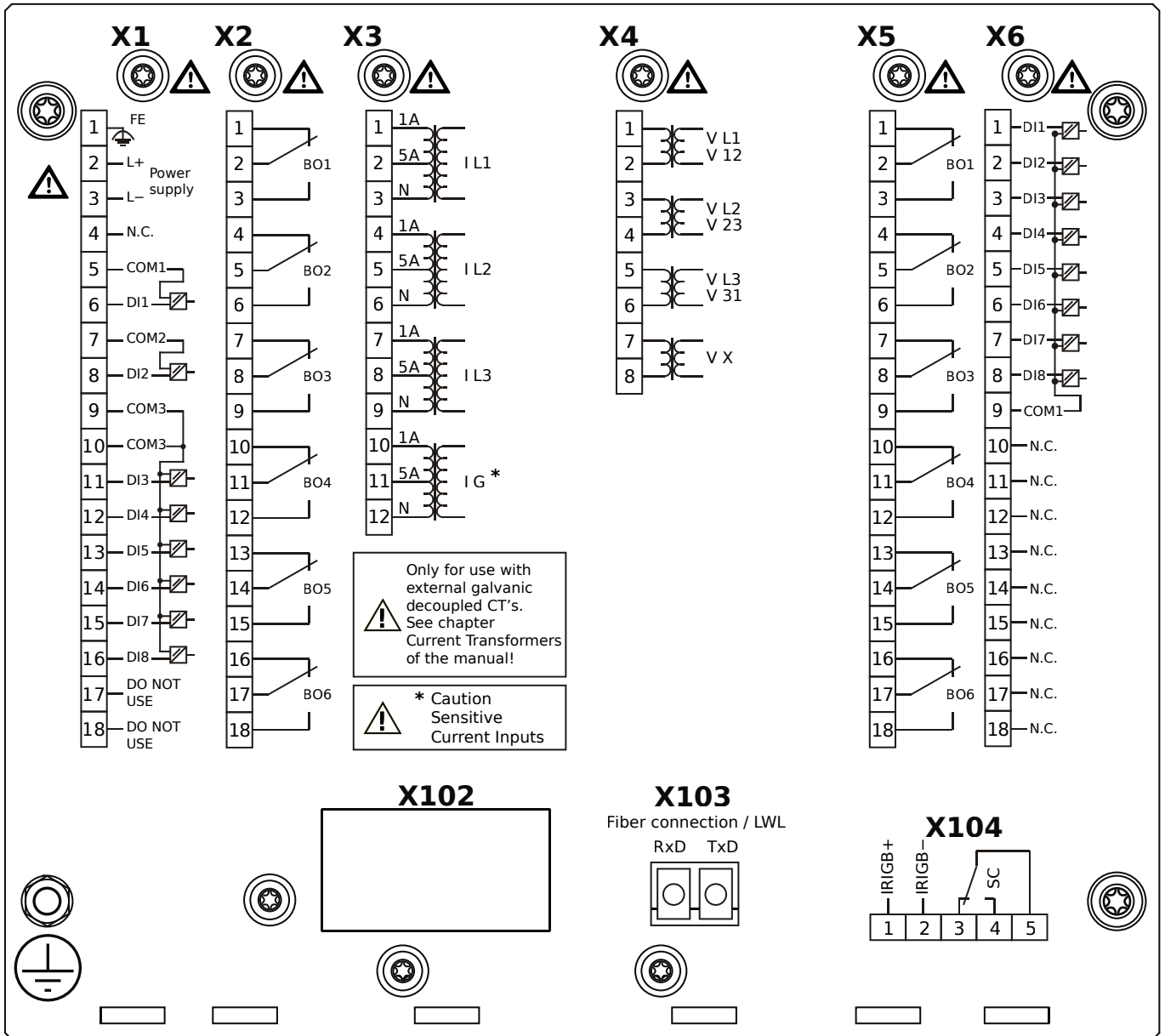
MCA4-2D1AKB



Housing B2, large display, door mounting

- X1** – DI8-X1: Wide-range power supply unit, incl. 2 non-grouped digital inputs and 6 grouped digital inputs
- X2** – OR6: Assembly Group with 6 Output Relays
- X3** – TIs: Standard phase current measuring card and sensitive ground current measuring
- X4** – TU: Card with 4 voltage transformer measuring inputs
- X5** – OR6: Assembly Group with 6 Output Relays
- X6** – DI8: Assembly Group with 8 Digital Inputs
- X103** – IEC 61850 / Modbus TCP / DNP3.0 TCP/UDP, Fiber optics interface, LC Connector
- X104** – IRIG-B00X, incl. System Contact (Supervision Contact)

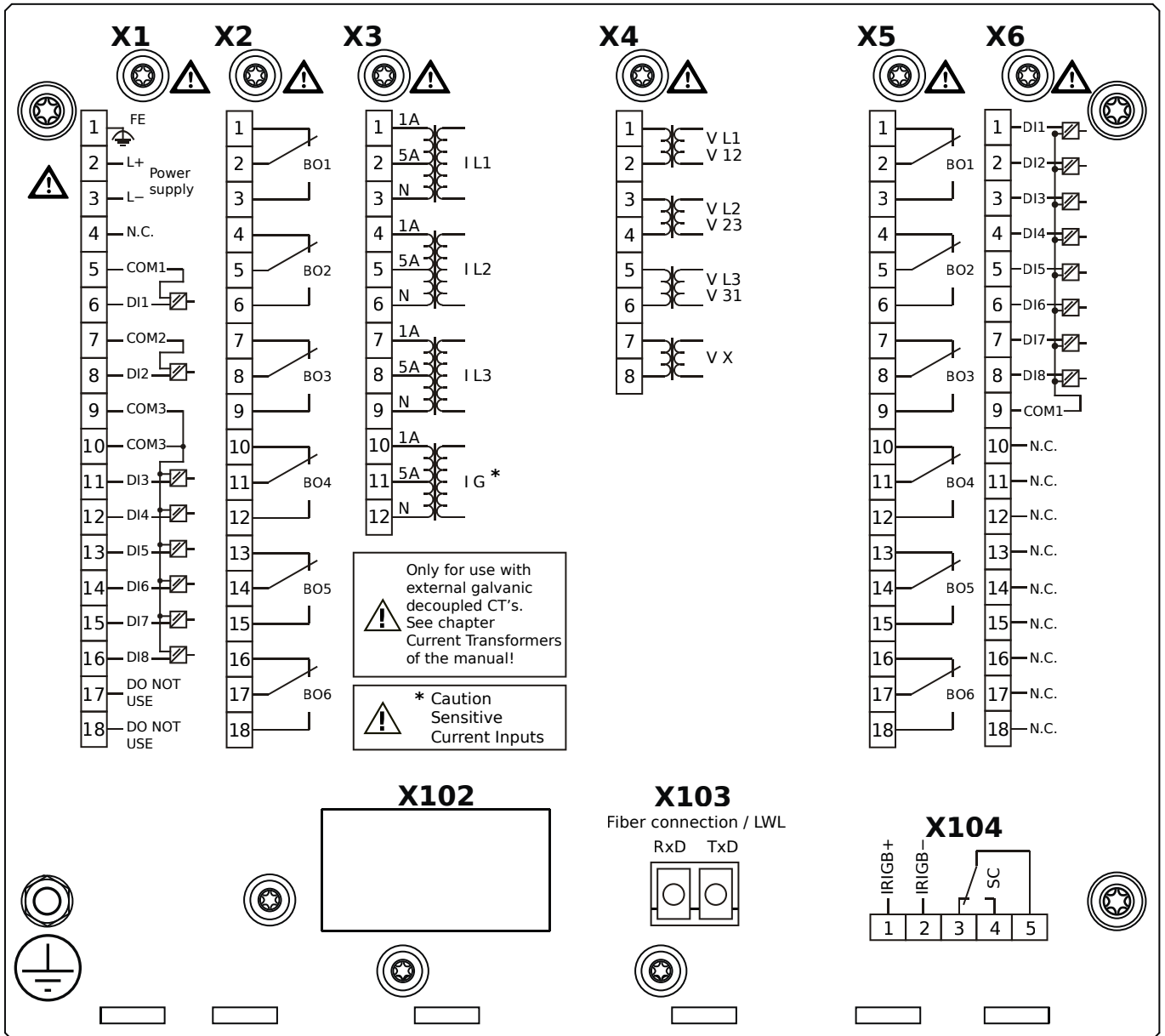
MCA4-2D1ALA



Housing B2, large display, door mounting

- X1** – DI8-X1: Wide-range power supply unit, incl. 2 non-grouped digital inputs and 6 grouped digital inputs
- X2** – OR6: Assembly Group with 6 Output Relays
- X3** – TIs: Standard phase current measuring card and sensitive ground current measuring
- X4** – TU: Card with 4 voltage transformer measuring inputs
- X5** – OR6: Assembly Group with 6 Output Relays
- X6** – DI8: Assembly Group with 8 Digital Inputs
- X103** – Modbus TCP / DNP3.0 TCP/UDP, Fiber optics interface, LC Connector
- X104** – IRIG-B00X, incl. System Contact (Supervision Contact)

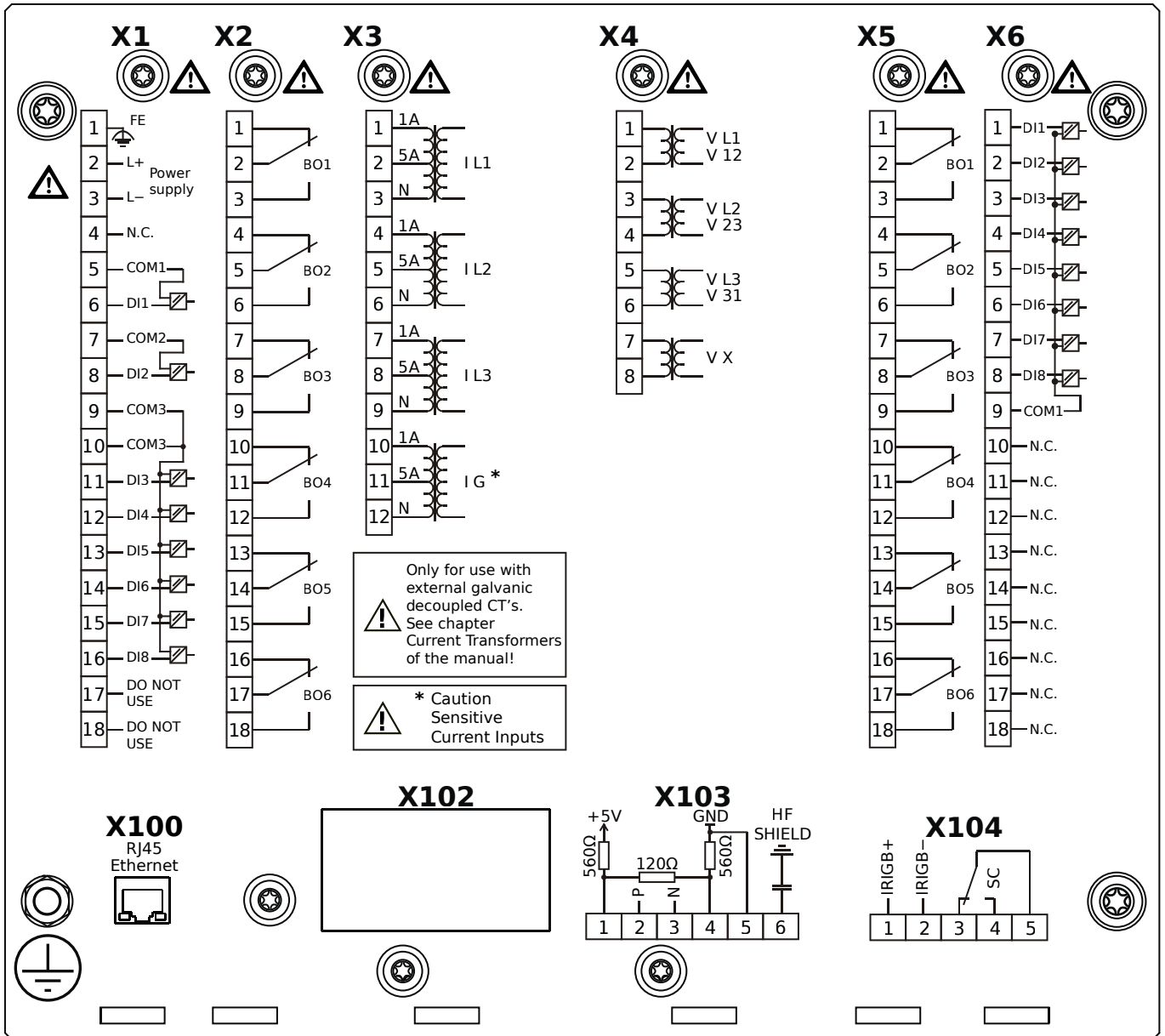
MCA4-2D1ALB



Housing B2, large display, door mounting

- X1** – DI8-X1: Wide-range power supply unit, incl. 2 non-grouped digital inputs and 6 grouped digital inputs
- X2** – OR6: Assembly Group with 6 Output Relays
- X3** – TIs: Standard phase current measuring card and sensitive ground current measuring
- X4** – TU: Card with 4 voltage transformer measuring inputs
- X5** – OR6: Assembly Group with 6 Output Relays
- X6** – DI8: Assembly Group with 8 Digital Inputs
- X103** – Modbus TCP / DNP3.0 TCP/UDP, Fiber optics interface, LC Connector
- X104** – IRIG-B00X, incl. System Contact (Supervision Contact)

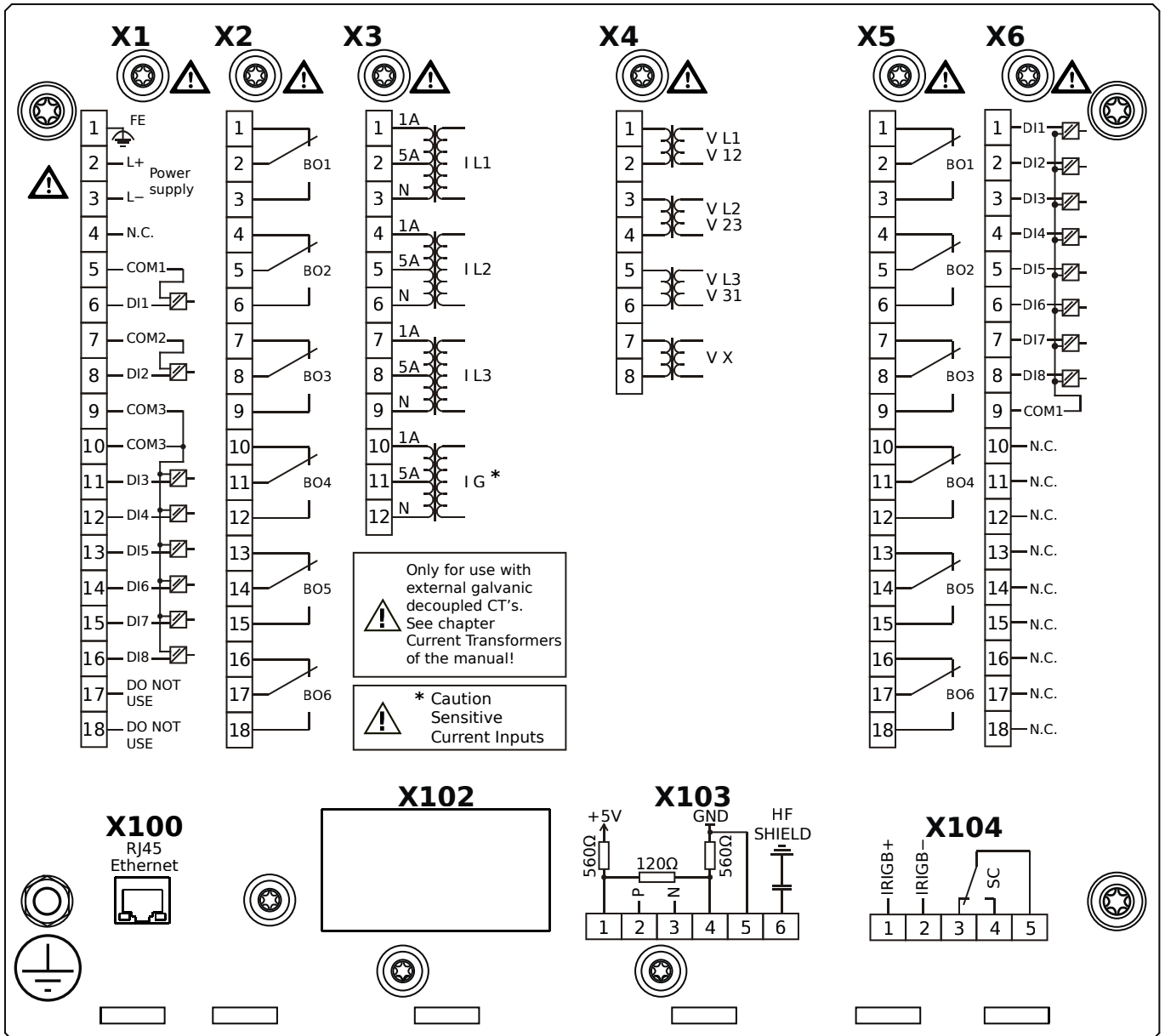
MCA4-2D1ATA



Housing B2, large display, door mounting

- X1** – DI8-X1: Wide-range power supply unit, incl. 2 non-grouped digital inputs and 6 grouped digital inputs
- X2** – OR6: Assembly Group with 6 Output Relays
- X3** – TIs: Standard phase current measuring card and sensitive ground current measuring
- X4** – TU: Card with 4 voltage transformer measuring inputs
- X5** – OR6: Assembly Group with 6 Output Relays
- X6** – DI8: Assembly Group with 8 Digital Inputs
- X100** – IEC 61850 / Modbus TCP / DNP3.0 TCP/UDP, Ethernet interface, 100 Mbit/s, RJ45 (BASE100-FX)
- X103** – IEC 60870-5-103 / Modbus RTU / DNP3.0 RTU, RS485, Terminals
- X104** – IRIG-B00X, incl. System Contact (Supervision Contact)

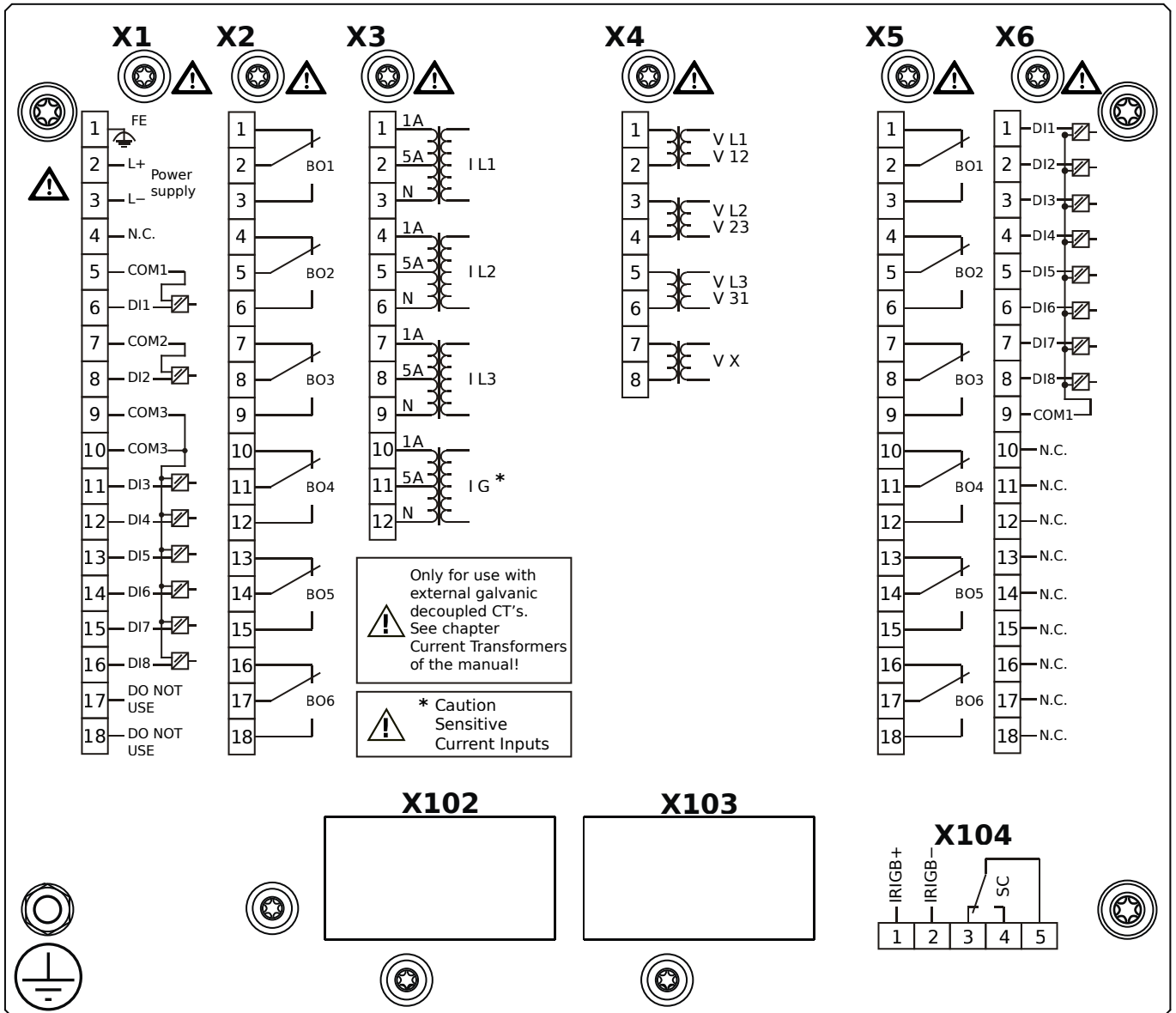
MCA4-2D1ATB



Housing B2, large display, door mounting

- X1** – DI8-X1: Wide-range power supply unit, incl. 2 non-grouped digital inputs and 6 grouped digital inputs
- X2** – OR6: Assembly Group with 6 Output Relays
- X3** – TIs: Standard phase current measuring card and sensitive ground current measuring
- X4** – TU: Card with 4 voltage transformer measuring inputs
- X5** – OR6: Assembly Group with 6 Output Relays
- X6** – DI8: Assembly Group with 8 Digital Inputs
- X100** – IEC 61850 / Modbus TCP / DNP3.0 TCP/UDP, Ethernet interface, 100 Mbit/s, RJ45 (BASE100-FX)
- X103** – IEC 60870-5-103 / Modbus RTU / DNP3.0 RTU, RS485, Terminals
- X104** – IRIG-B00X, incl. System Contact (Supervision Contact)

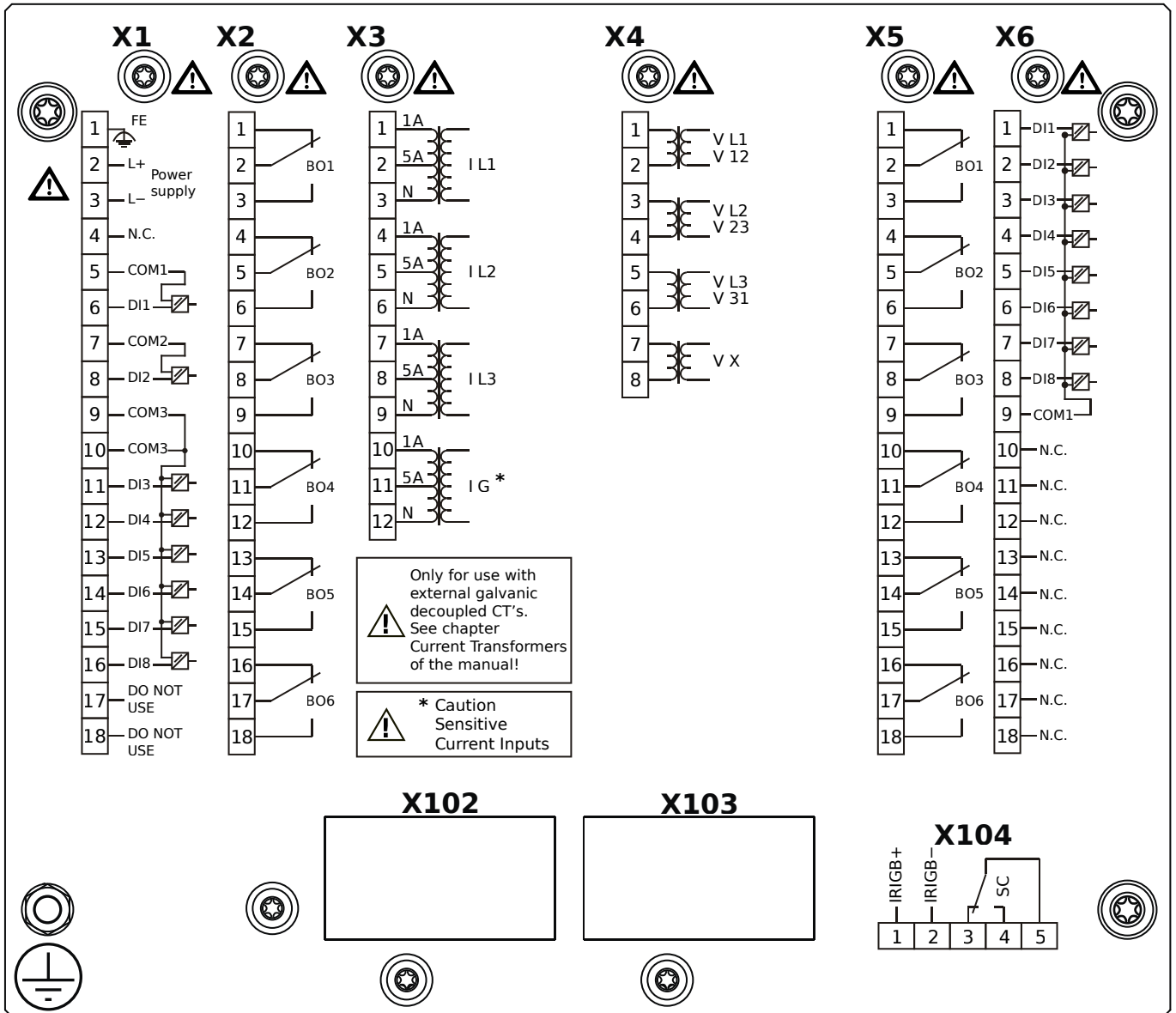
MCA4-2D1BAA



Housing B2, large display, door mounting 19" (flush mounting)

- X1** – DI8-X1: Wide-range power supply unit, incl. 2 non-grouped digital inputs and 6 grouped digital inputs
- X2** – OR6: Assembly Group with 6 Output Relays
- X3** – TIs: Standard phase current measuring card and sensitive ground current measuring
- X4** – TU: Card with 4 voltage transformer measuring inputs
- X5** – OR6: Assembly Group with 6 Output Relays
- X6** – DI8: Assembly Group with 8 Digital Inputs
- X104** – IRIG-B00X, incl. System Contact (Supervision Contact)

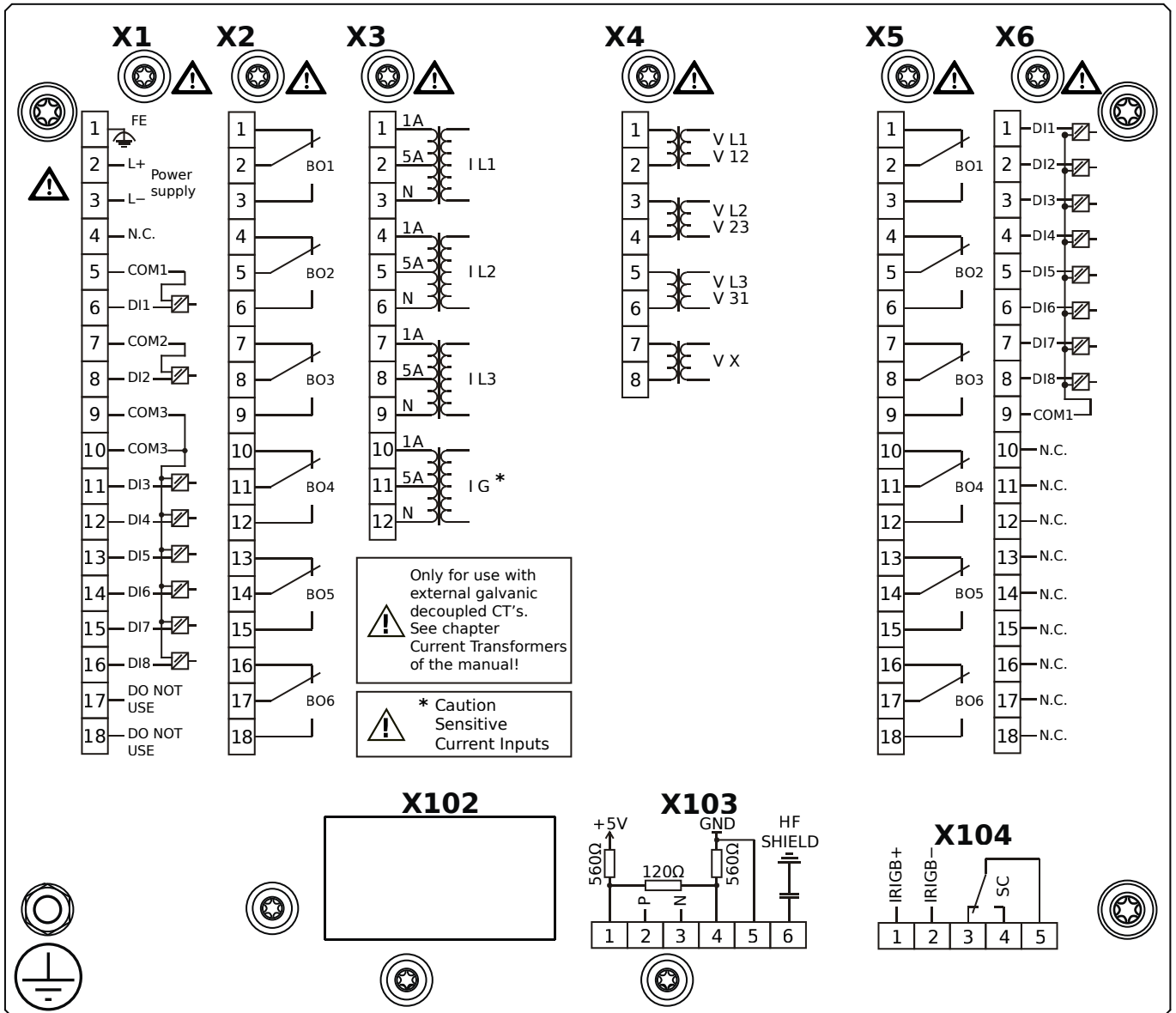
MCA4-2D1BAB



Housing B2, large display, door mounting 19" (flush mounting)

- X1** – DI8-X1: Wide-range power supply unit, incl. 2 non-grouped digital inputs and 6 grouped digital inputs
- X2** – OR6: Assembly Group with 6 Output Relays
- X3** – TIs: Standard phase current measuring card and sensitive ground current measuring
- X4** – TU: Card with 4 voltage transformer measuring inputs
- X5** – OR6: Assembly Group with 6 Output Relays
- X6** – DI8: Assembly Group with 8 Digital Inputs
- X104** – IRIG-B00X, incl. System Contact (Supervision Contact)

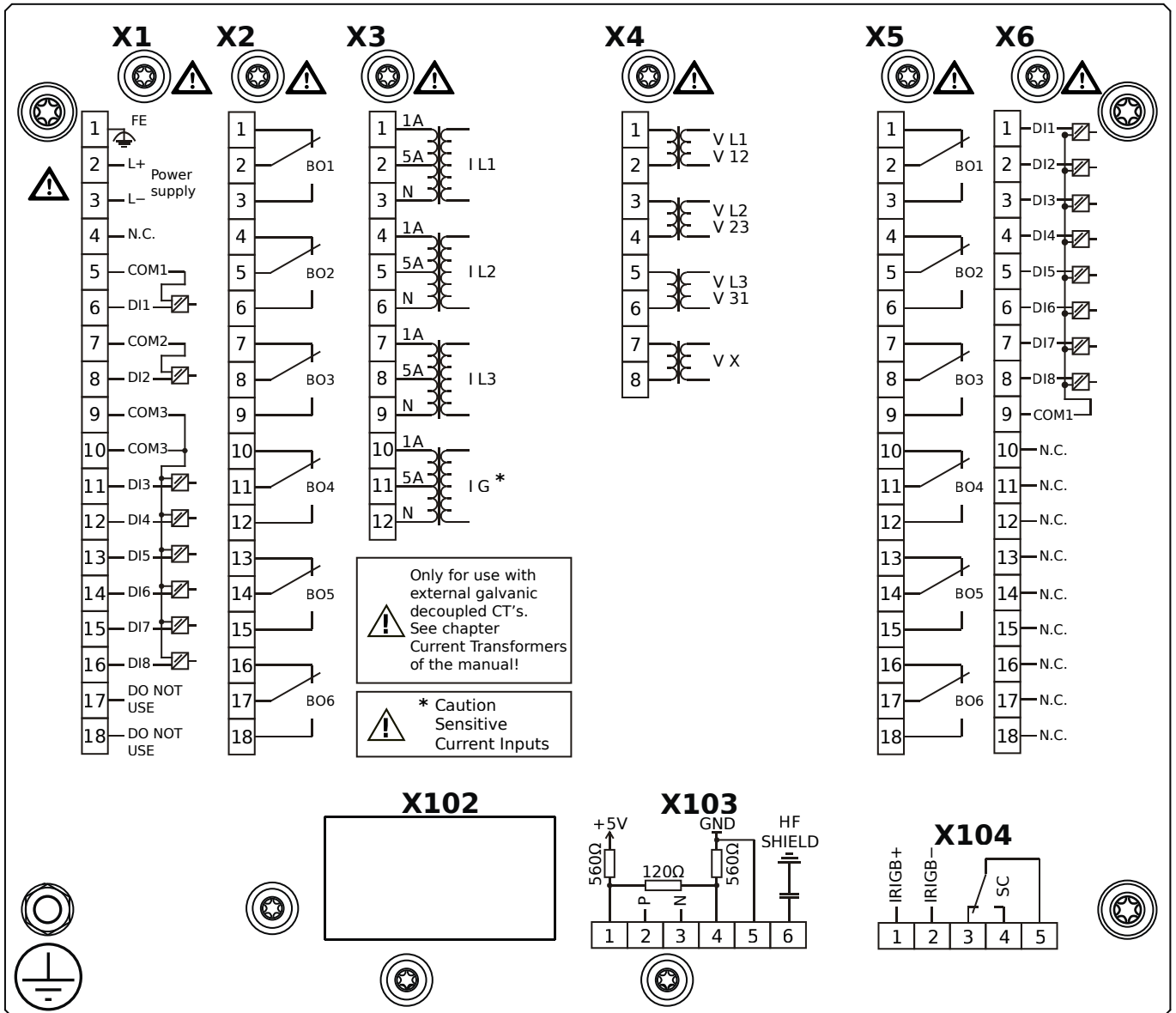
MCA4-2D1BBA



Housing B2, large display, door mounting 19" (flush mounting)

- X1** – DI8-X1: Wide-range power supply unit, incl. 2 non-grouped digital inputs and 6 grouped digital inputs
- X2** – OR6: Assembly Group with 6 Output Relays
- X3** – TIs: Standard phase current measuring card and sensitive ground current measuring
- X4** – TU: Card with 4 voltage transformer measuring inputs
- X5** – OR6: Assembly Group with 6 Output Relays
- X6** – DI8: Assembly Group with 8 Digital Inputs
- X103** – Modbus RTU / IEC 60870-5-103 / DNP3.0 RTU, RS485, Terminals
- X104** – IRIG-B00X, incl. System Contact (Supervision Contact)

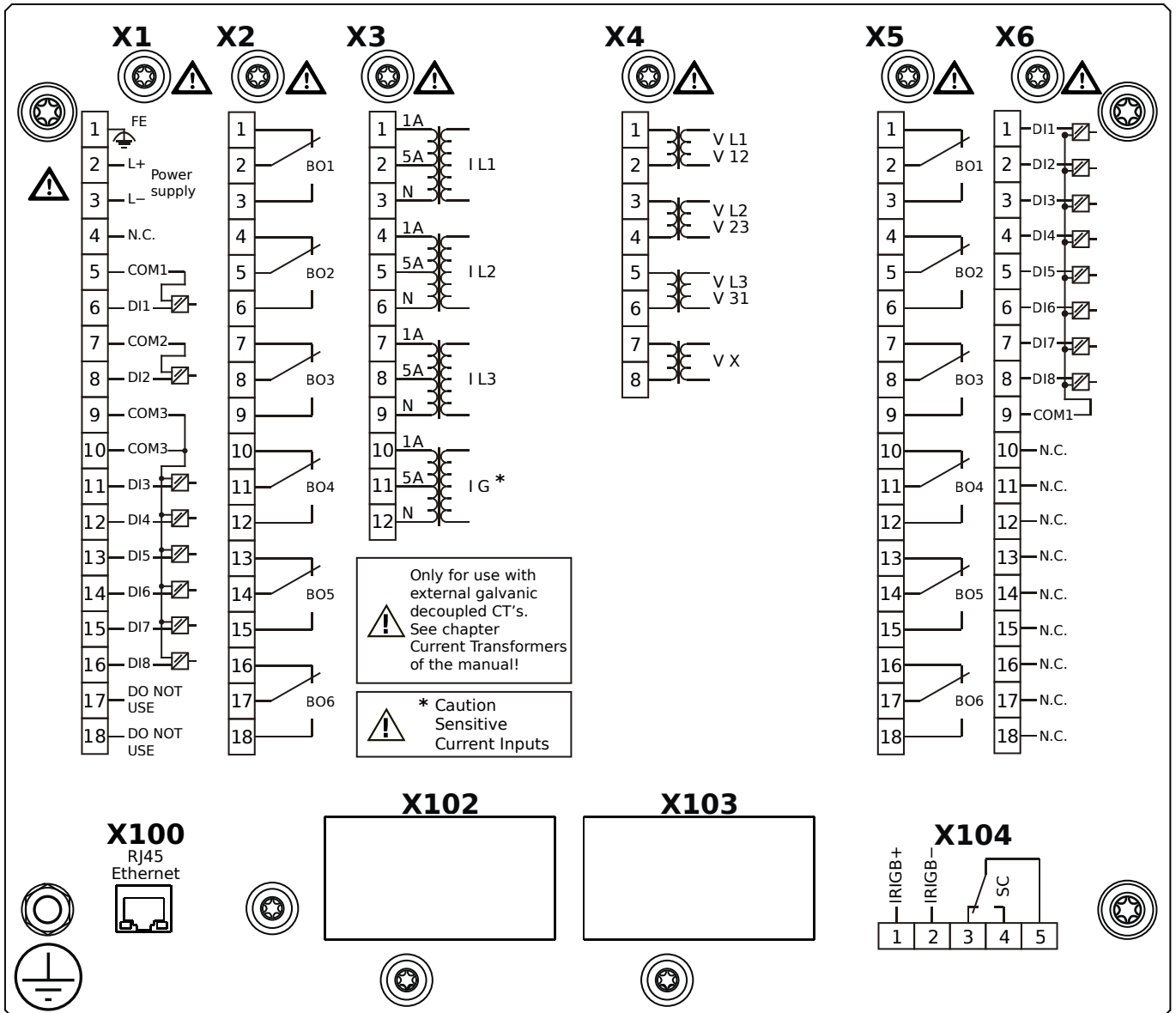
MCA4-2D1BBB



Housing B2, large display, door mounting 19" (flush mounting)

- X1** – DI8-X1: Wide-range power supply unit, incl. 2 non-grouped digital inputs and 6 grouped digital inputs
- X2** – OR6: Assembly Group with 6 Output Relays
- X3** – TIs: Standard phase current measuring card and sensitive ground current measuring
- X4** – TU: Card with 4 voltage transformer measuring inputs
- X5** – OR6: Assembly Group with 6 Output Relays
- X6** – DI8: Assembly Group with 8 Digital Inputs
- X103** – Modbus RTU / IEC 60870-5-103 / DNP3.0 RTU, RS485, Terminals
- X104** – IRIG-B00X, incl. System Contact (Supervision Contact)

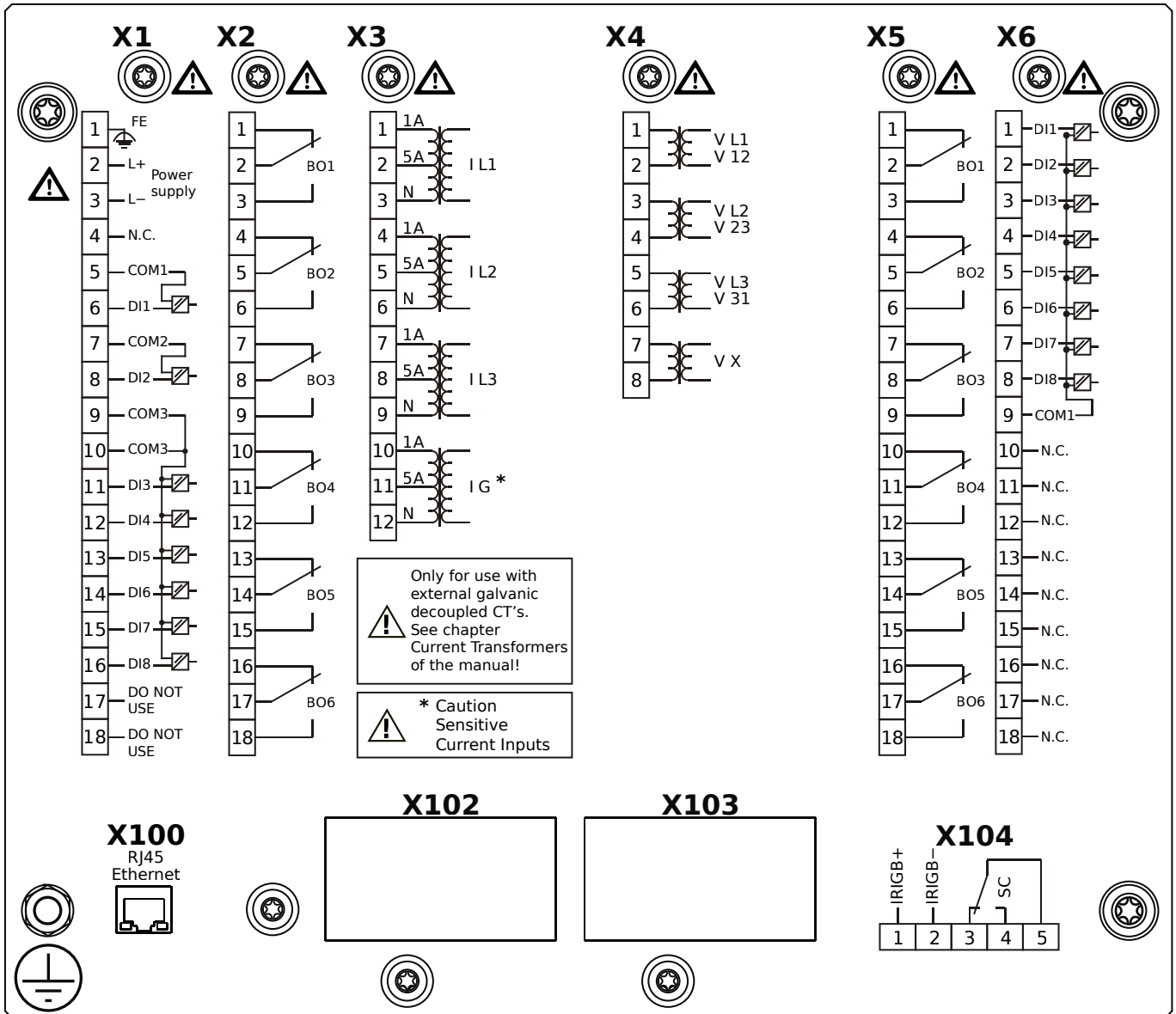
MCA4-2D1BCA



Housing B2, large display, door mounting 19" (flush mounting)

- X1** – DI8-X1: Wide-range power supply unit, incl. 2 non-grouped digital inputs and 6 grouped digital inputs
- X2** – OR6: Assembly Group with 6 Output Relays
- X3** – TIs: Standard phase current measuring card and sensitive ground current measuring
- X4** – TU: Card with 4 voltage transformer measuring inputs
- X5** – OR6: Assembly Group with 6 Output Relays
- X6** – DI8: Assembly Group with 8 Digital Inputs
- X100** – Modbus TCP / DNP3.0 TCP/UDP, Ethernet interface, 100 Mbit/s, RJ45 (BASE100-FX)
- X104** – IRIG-B00X, incl. System Contact (Supervision Contact)

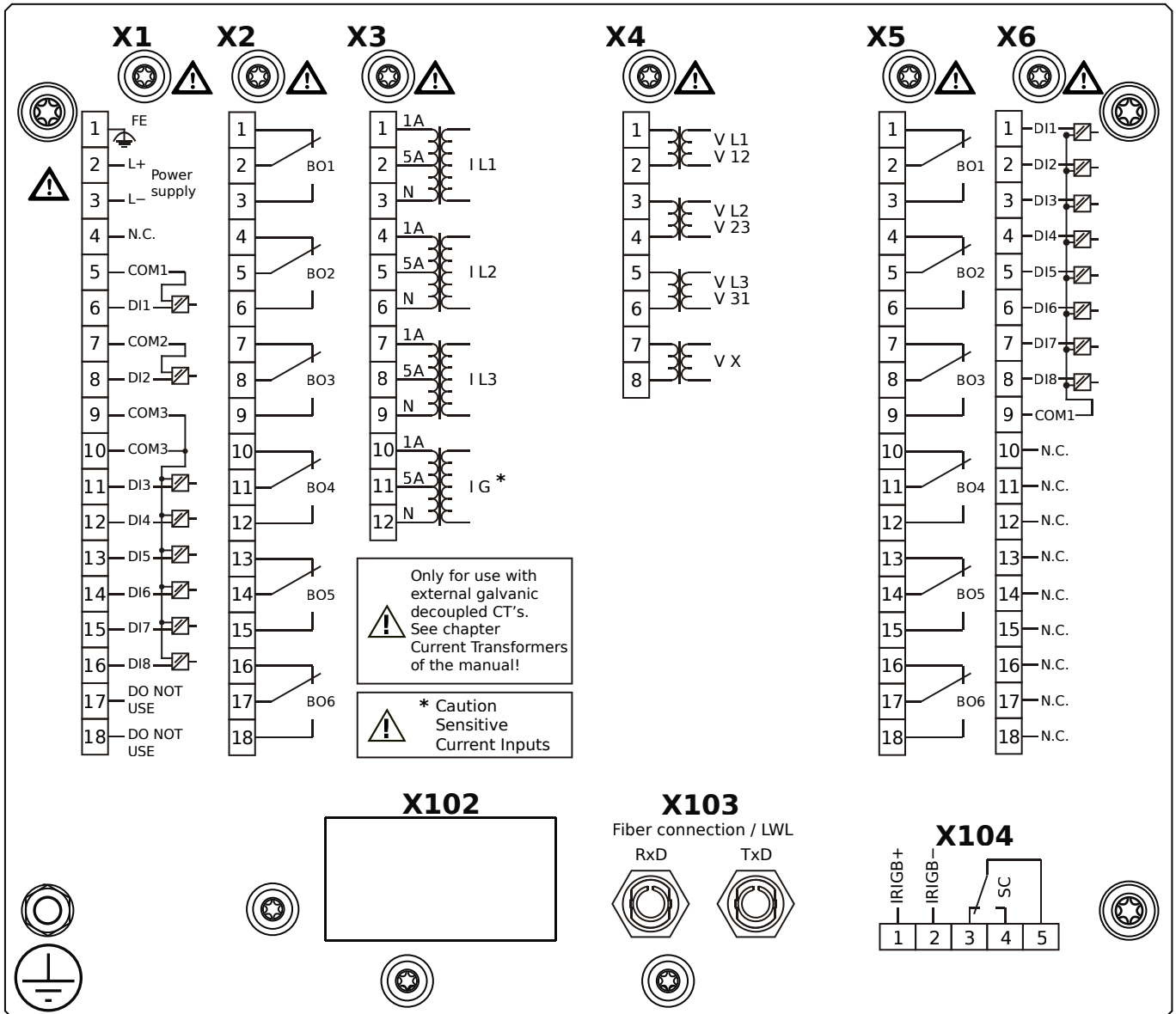
MCA4-2D1BCB



Housing B2, large display, door mounting 19" (flush mounting)

- X1** – DI8-X1: Wide-range power supply unit, incl. 2 non-grouped digital inputs and 6 grouped digital inputs
- X2** – OR6: Assembly Group with 6 Output Relays
- X3** – TIs: Standard phase current measuring card and sensitive ground current measuring
- X4** – TU: Card with 4 voltage transformer measuring inputs
- X5** – OR6: Assembly Group with 6 Output Relays
- X6** – DI8: Assembly Group with 8 Digital Inputs
- X100** – Modbus TCP / DNP3.0 TCP/UDP, Ethernet interface, 100 Mbit/s, RJ45 (BASE100-FX)
- X104** – IRIG-B00X, incl. System Contact (Supervision Contact)

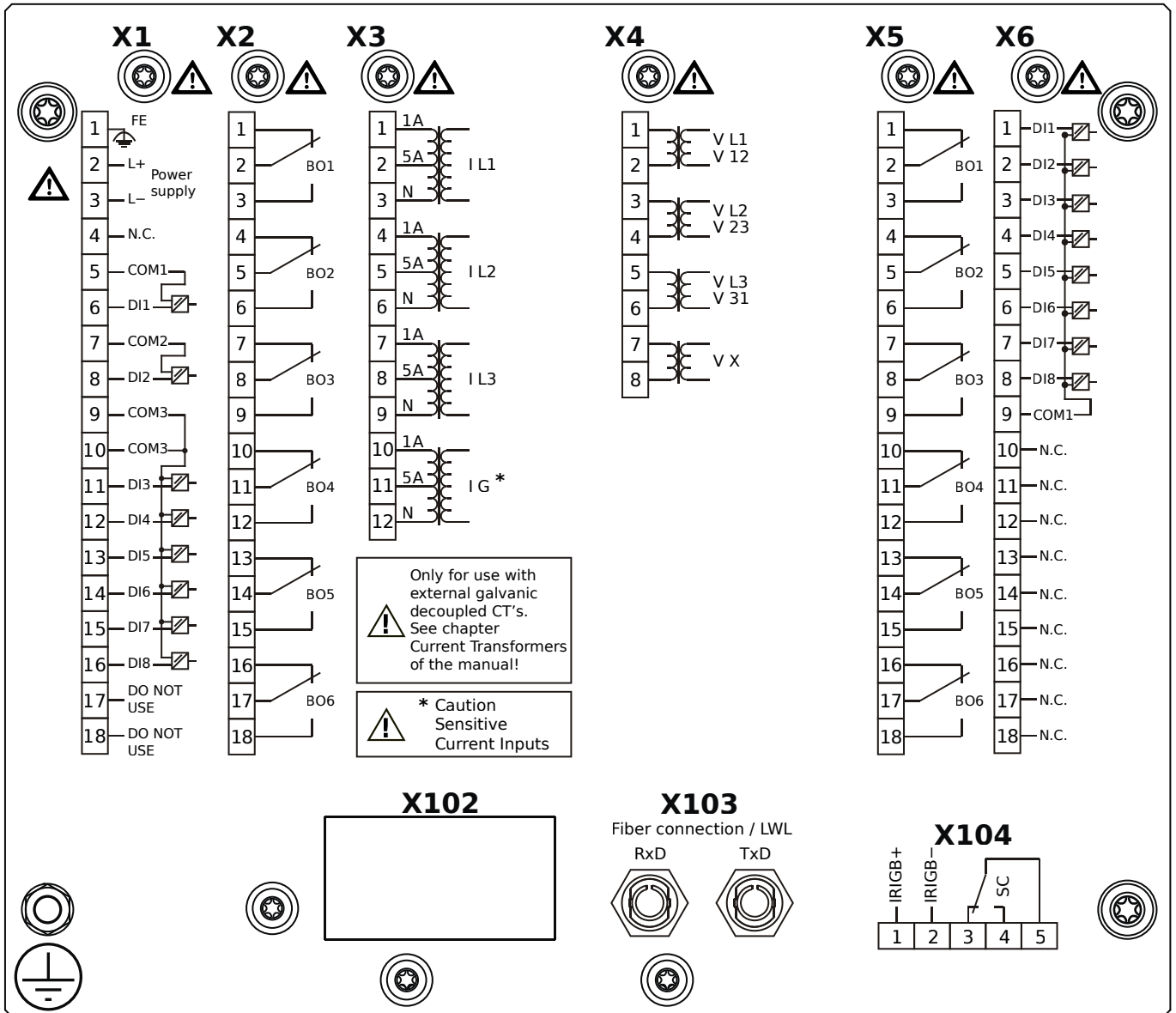
MCA4-2D1BDA



Housing B2, large display, door mounting 19" (flush mounting)

- X1** – DI8-X1: Wide-range power supply unit, incl. 2 non-grouped digital inputs and 6 grouped digital inputs
- X2** – OR6: Assembly Group with 6 Output Relays
- X3** – TIs: Standard phase current measuring card and sensitive ground current measuring
- X4** – TU: Card with 4 voltage transformer measuring inputs
- X5** – OR6: Assembly Group with 6 Output Relays
- X6** – DI8: Assembly Group with 8 Digital Inputs
- X103** – Profibus-DP, Fiber optics interface, ST Connector
- X104** – IRIG-B00X, incl. System Contact (Supervision Contact)

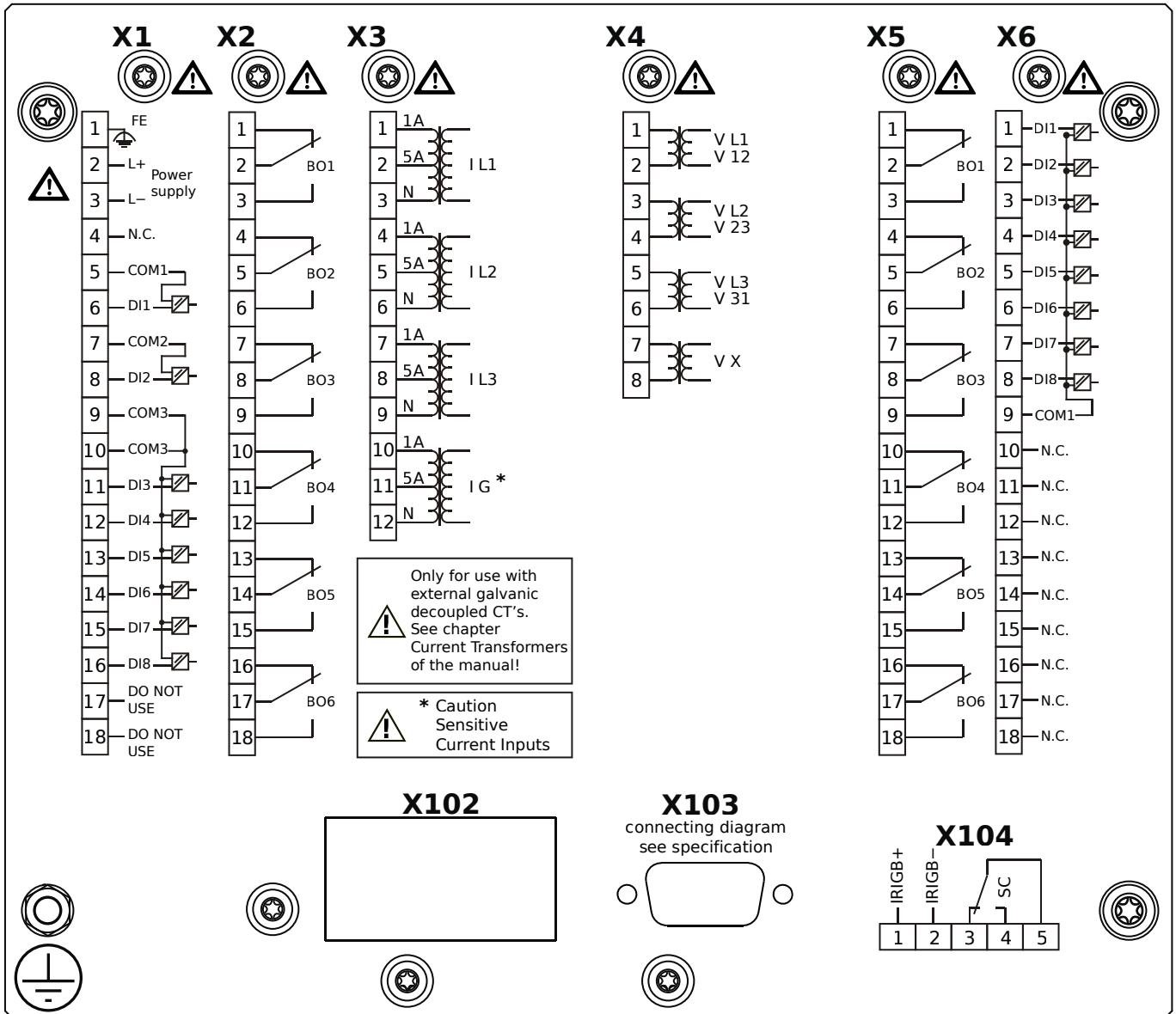
MCA4-2D1BDB



Housing B2, large display, door mounting 19" (flush mounting)

- X1** – DI8-X1: Wide-range power supply unit, incl. 2 non-grouped digital inputs and 6 grouped digital inputs
- X2** – OR6: Assembly Group with 6 Output Relays
- X3** – TIs: Standard phase current measuring card and sensitive ground current measuring
- X4** – TU: Card with 4 voltage transformer measuring inputs
- X5** – OR6: Assembly Group with 6 Output Relays
- X6** – DI8: Assembly Group with 8 Digital Inputs
- X103** – Profibus-DP, Fiber optics interface, ST Connector
- X104** – IRIG-B00X, incl. System Contact (Supervision Contact)

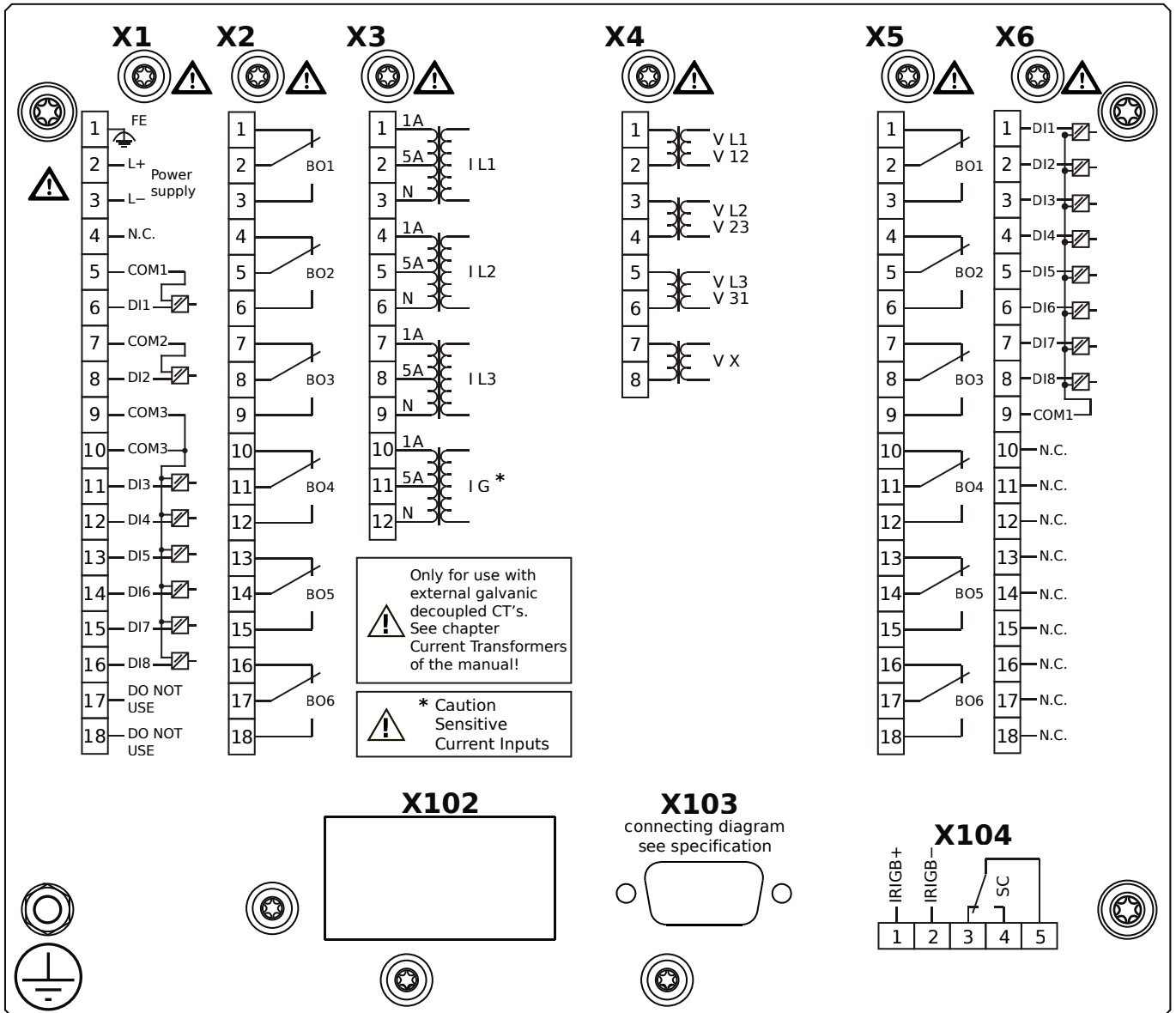
MCA4-2D1BEA



Housing B2, large display, door mounting 19" (flush mounting)

- X1** – DI8-X1: Wide-range power supply unit, incl. 2 non-grouped digital inputs and 6 grouped digital inputs
- X2** – OR6: Assembly Group with 6 Output Relays
- X3** – TIs: Standard phase current measuring card and sensitive ground current measuring
- X4** – TU: Card with 4 voltage transformer measuring inputs
- X5** – OR6: Assembly Group with 6 Output Relays
- X6** – DI8: Assembly Group with 8 Digital Inputs
- X103** – Profibus-DP, RS485, D-SUB
- X104** – IRIG-B00X, incl. System Contact (Supervision Contact)

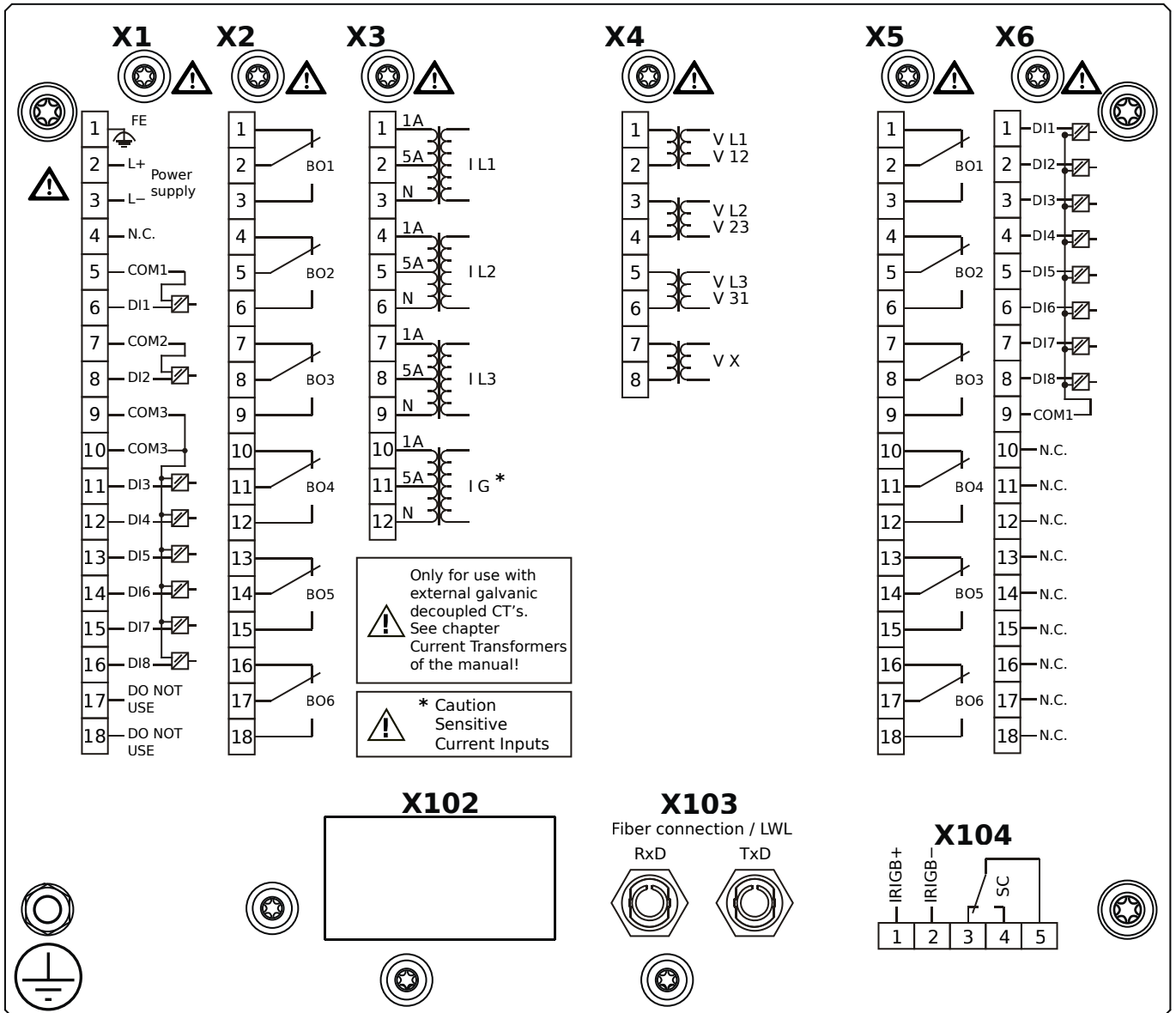
MCA4-2D1BEB



Housing B2, large display, door mounting 19" (flush mounting)

- X1** – DI8-X1: Wide-range power supply unit, incl. 2 non-grouped digital inputs and 6 grouped digital inputs
- X2** – OR6: Assembly Group with 6 Output Relays
- X3** – TIs: Standard phase current measuring card and sensitive ground current measuring
- X4** – TU: Card with 4 voltage transformer measuring inputs
- X5** – OR6: Assembly Group with 6 Output Relays
- X6** – DI8: Assembly Group with 8 Digital Inputs
- X103** – Profibus-DP, RS485, D-SUB
- X104** – IRIG-B00X, incl. System Contact (Supervision Contact)

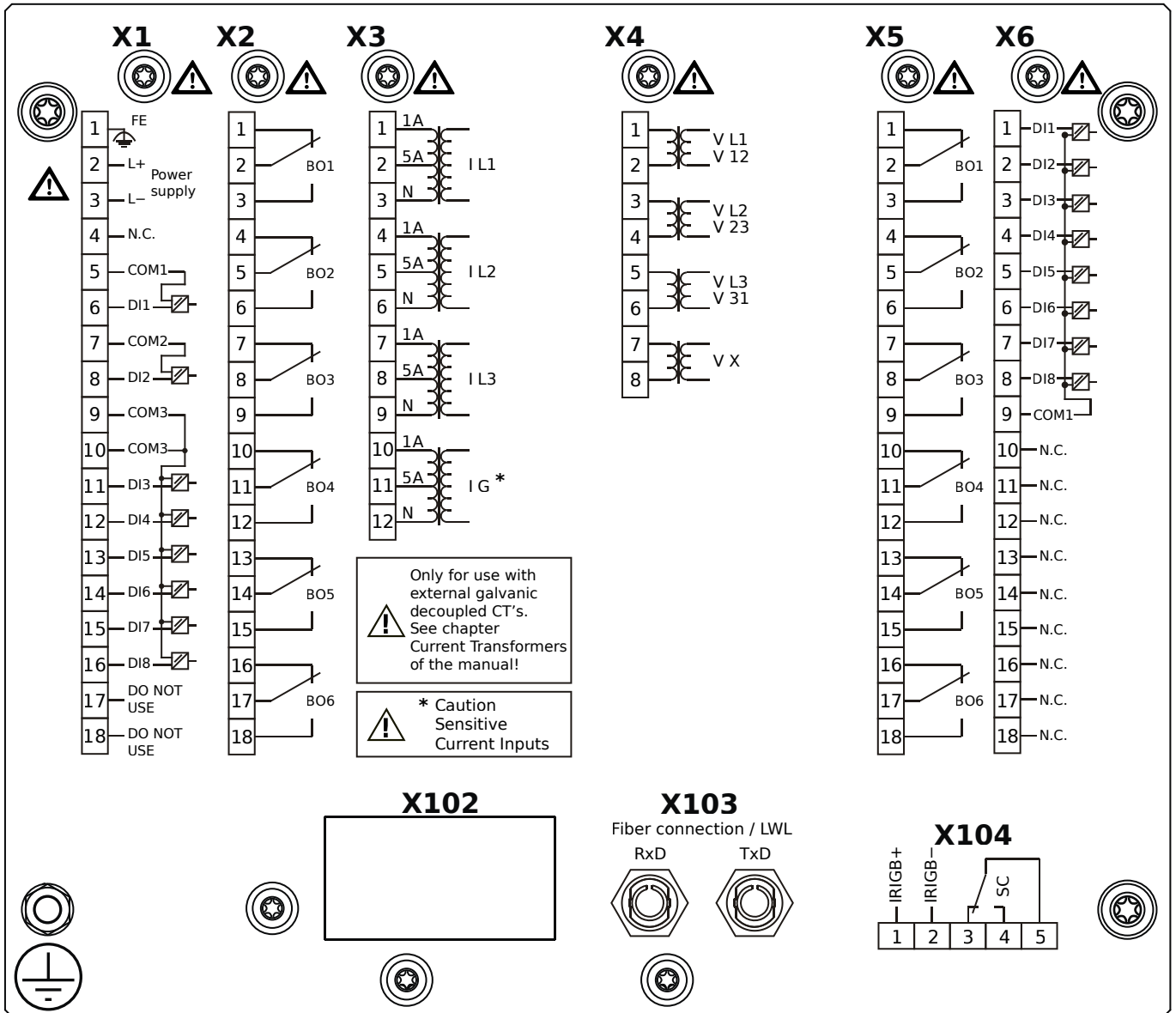
MCA4-2D1BFA



Housing B2, large display, door mounting 19" (flush mounting)

- X1** – DI8-X1: Wide-range power supply unit, incl. 2 non-grouped digital inputs and 6 grouped digital inputs
- X2** – OR6: Assembly Group with 6 Output Relays
- X3** – TIs: Standard phase current measuring card and sensitive ground current measuring
- X4** – TU: Card with 4 voltage transformer measuring inputs
- X5** – OR6: Assembly Group with 6 Output Relays
- X6** – DI8: Assembly Group with 8 Digital Inputs
- X103** – Modbus RTU / IEC 60870-5-103 / DNP3.0 RTU, Fiber optics interface, ST Connector
- X104** – IRIG-B00X, incl. System Contact (Supervision Contact)

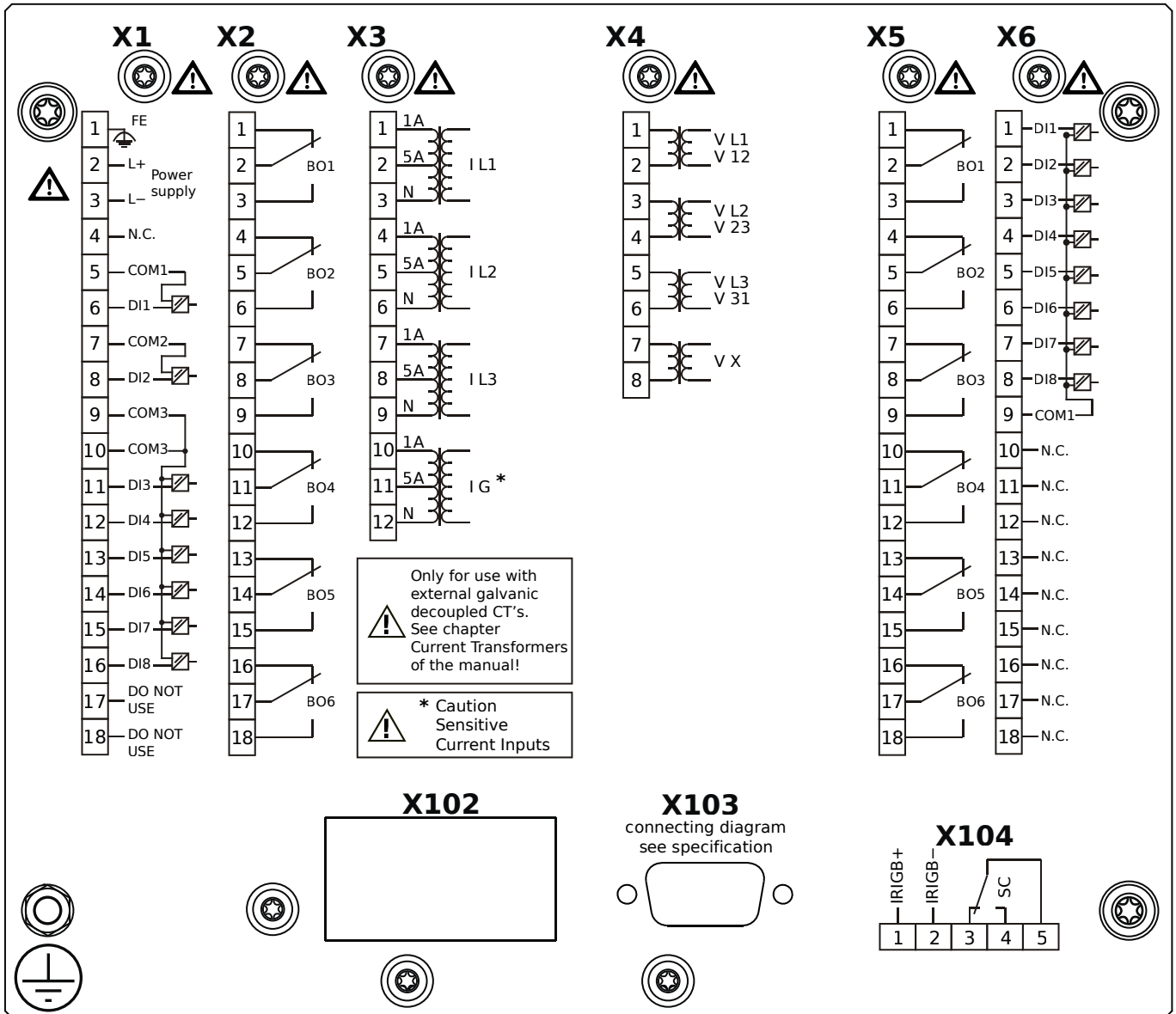
MCA4-2D1BFB



Housing B2, large display, door mounting 19" (flush mounting)

- X1** – DI8-X1: Wide-range power supply unit, incl. 2 non-grouped digital inputs and 6 grouped digital inputs
- X2** – OR6: Assembly Group with 6 Output Relays
- X3** – TIs: Standard phase current measuring card and sensitive ground current measuring
- X4** – TU: Card with 4 voltage transformer measuring inputs
- X5** – OR6: Assembly Group with 6 Output Relays
- X6** – DI8: Assembly Group with 8 Digital Inputs
- X103** – Modbus RTU / IEC 60870-5-103 / DNP3.0 RTU, Fiber optics interface, ST Connector
- X104** – IRIG-B00X, incl. System Contact (Supervision Contact)

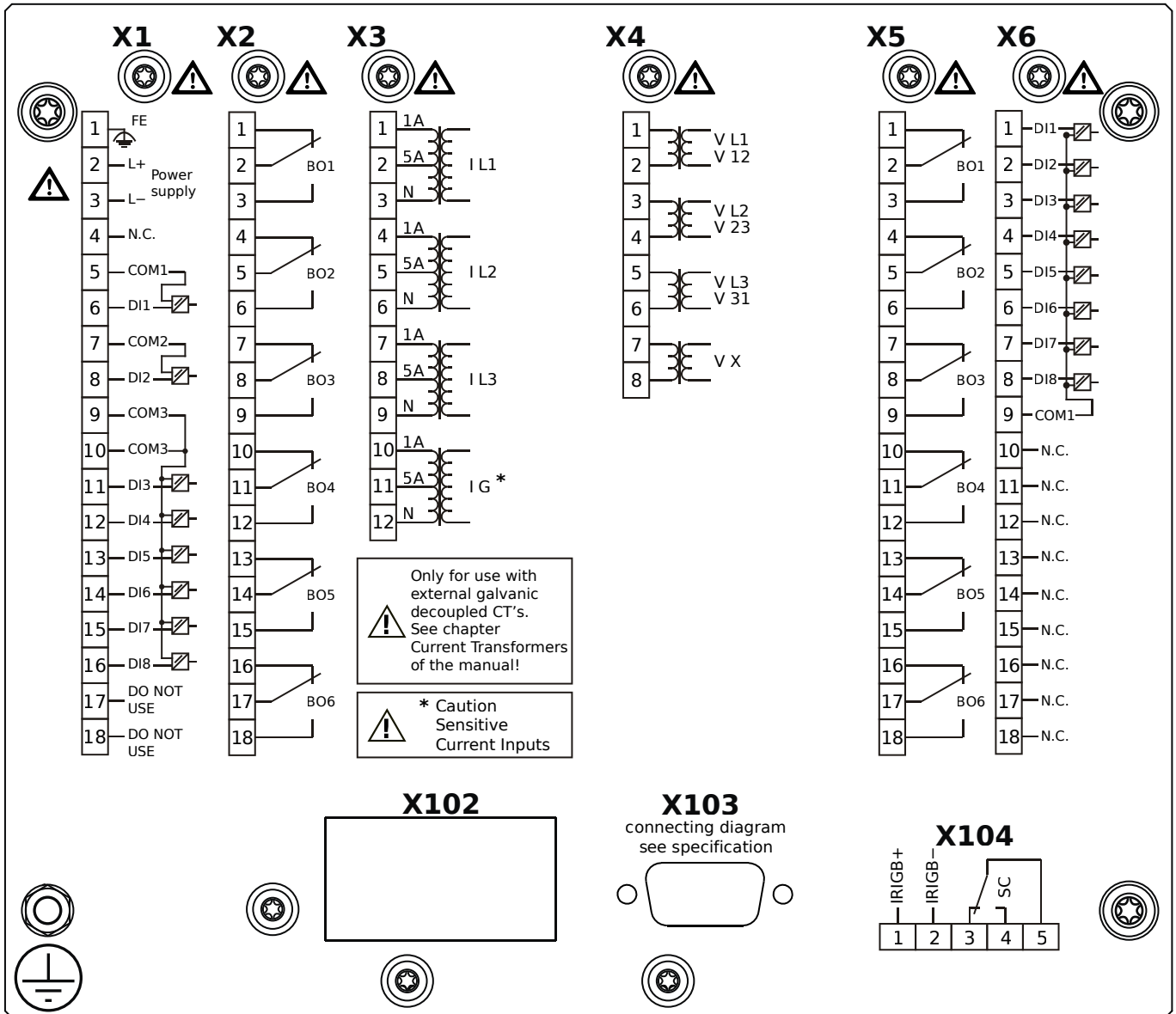
MCA4-2D1BGA



Housing B2, large display, door mounting 19" (flush mounting)

- X1** – DI8-X1: Wide-range power supply unit, incl. 2 non-grouped digital inputs and 6 grouped digital inputs
- X2** – OR6: Assembly Group with 6 Output Relays
- X3** – TIs: Standard phase current measuring card and sensitive ground current measuring
- X4** – TU: Card with 4 voltage transformer measuring inputs
- X5** – OR6: Assembly Group with 6 Output Relays
- X6** – DI8: Assembly Group with 8 Digital Inputs
- X103** – Modbus RTU / IEC 60870-5-103 / DNP3.0 RTU, RS485, D-SUB
- X104** – IRIG-B00X, incl. System Contact (Supervision Contact)

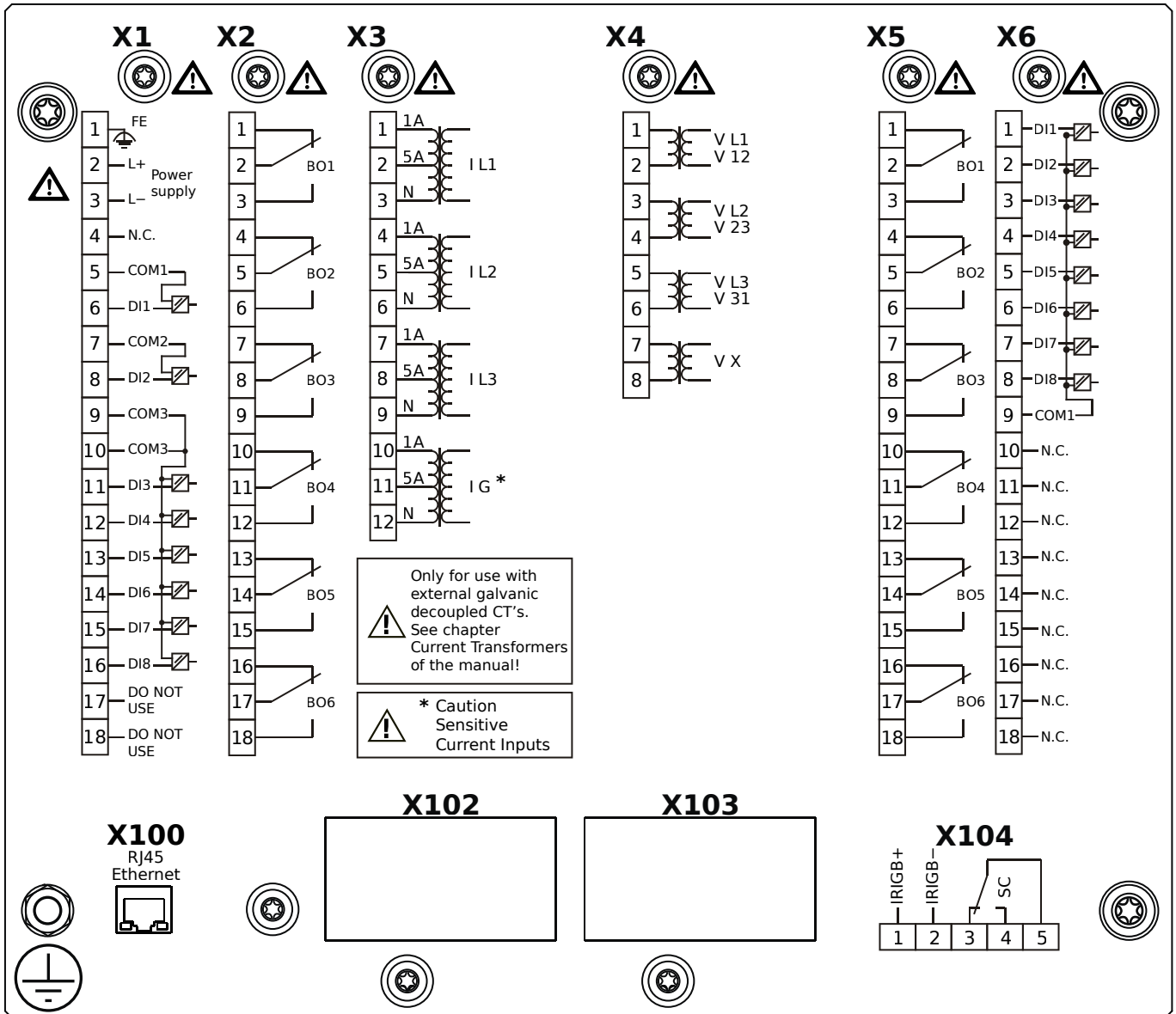
MCA4-2D1BGB



Housing B2, large display, door mounting 19" (flush mounting)

- X1** – DI8-X1: Wide-range power supply unit, incl. 2 non-grouped digital inputs and 6 grouped digital inputs
- X2** – OR6: Assembly Group with 6 Output Relays
- X3** – TIs: Standard phase current measuring card and sensitive ground current measuring
- X4** – TU: Card with 4 voltage transformer measuring inputs
- X5** – OR6: Assembly Group with 6 Output Relays
- X6** – DI8: Assembly Group with 8 Digital Inputs
- X103** – Modbus RTU / IEC 60870-5-103 / DNP3.0 RTU, RS485, D-SUB
- X104** – IRIG-B00X, incl. System Contact (Supervision Contact)

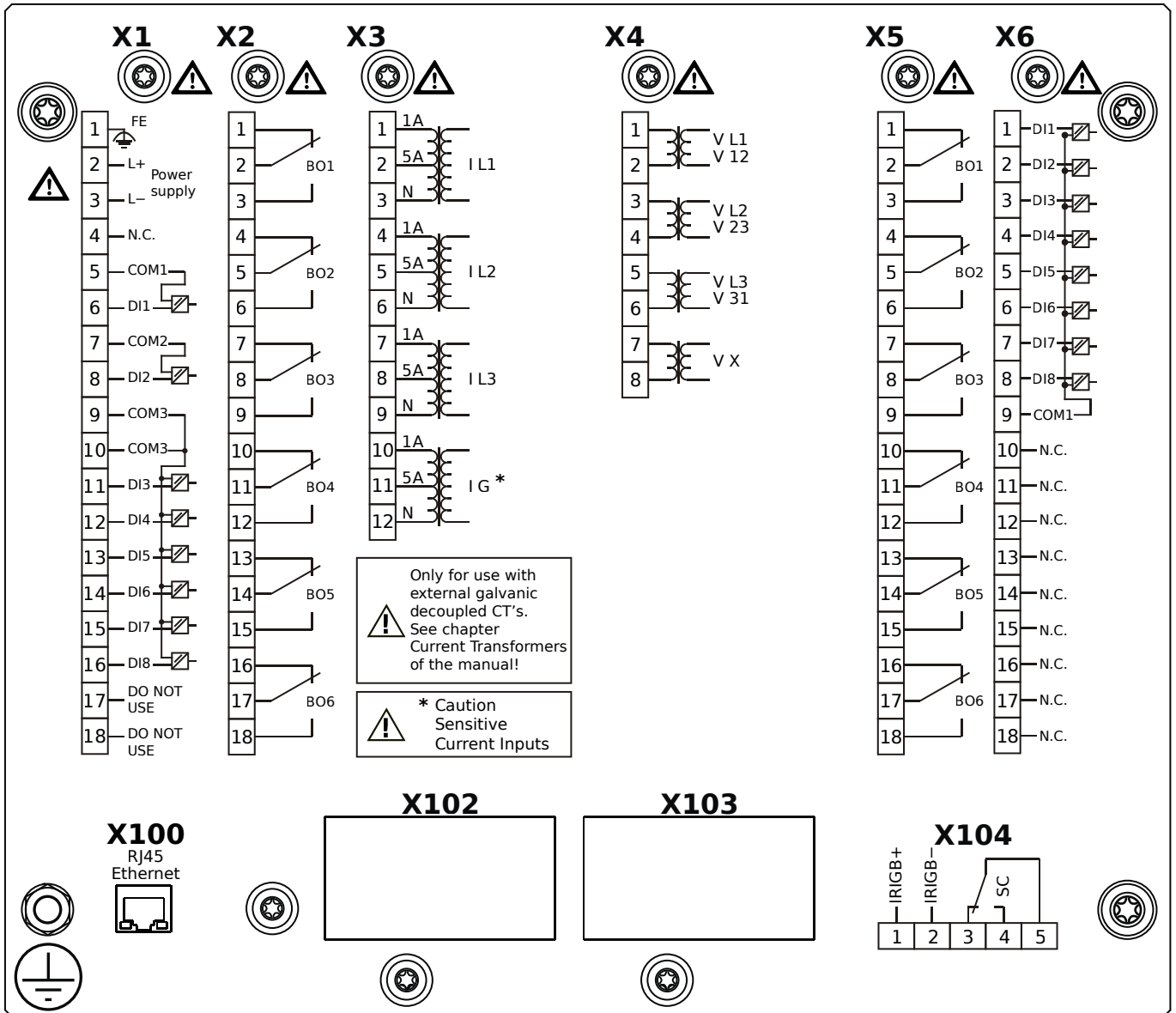
MCA4-2D1BHA



Housing B2, large display, door mounting 19" (flush mounting)

- X1** – DI8-X1: Wide-range power supply unit, incl. 2 non-grouped digital inputs and 6 grouped digital inputs
- X2** – OR6: Assembly Group with 6 Output Relays
- X3** – TIs: Standard phase current measuring card and sensitive ground current measuring
- X4** – TU: Card with 4 voltage transformer measuring inputs
- X5** – OR6: Assembly Group with 6 Output Relays
- X6** – DI8: Assembly Group with 8 Digital Inputs
- X100** – IEC 61850 / Modbus TCP / DNP3.0 TCP/UDP, Ethernet interface, 100 Mbit/s, RJ45 (BASE100-FX)
- X104** – IRIG-B00X, incl. System Contact (Supervision Contact)

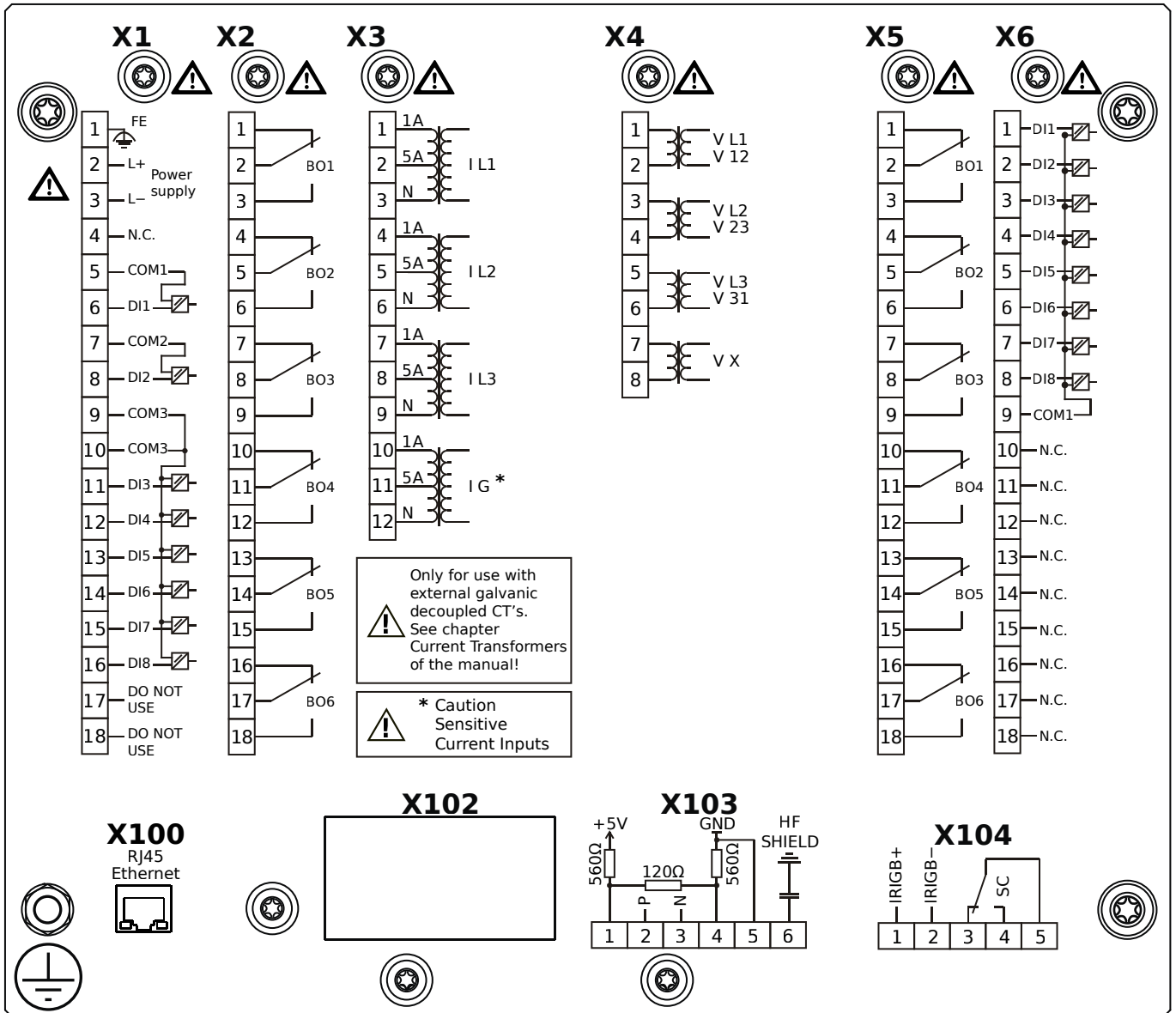
MCA4-2D1BHB



Housing B2, large display, door mounting 19" (flush mounting)

- X1** – DI8-X1: Wide-range power supply unit, incl. 2 non-grouped digital inputs and 6 grouped digital inputs
- X2** – OR6: Assembly Group with 6 Output Relays
- X3** – TIs: Standard phase current measuring card and sensitive ground current measuring
- X4** – TU: Card with 4 voltage transformer measuring inputs
- X5** – OR6: Assembly Group with 6 Output Relays
- X6** – DI8: Assembly Group with 8 Digital Inputs
- X100** – IEC 61850 / Modbus TCP / DNP3.0 TCP/UDP, Ethernet interface, 100 Mbit/s, RJ45 (BASE100-FX)
- X104** – IRIG-B00X, incl. System Contact (Supervision Contact)

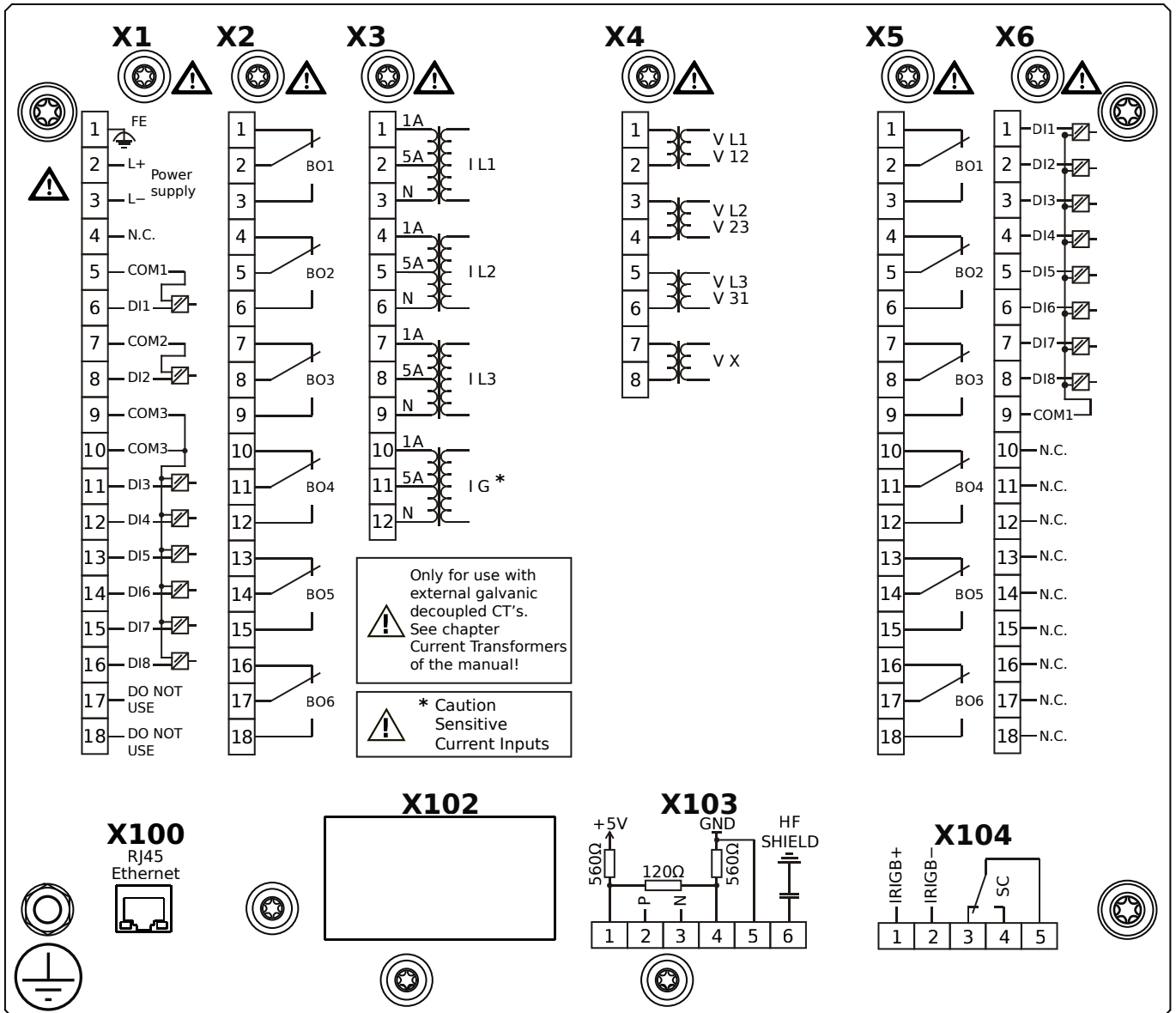
MCA4-2D1BIA



Housing B2, large display, door mounting 19" (flush mounting)

- X1** – DI8-X1: Wide-range power supply unit, incl. 2 non-grouped digital inputs and 6 grouped digital inputs
- X2** – OR6: Assembly Group with 6 Output Relays
- X3** – TIs: Standard phase current measuring card and sensitive ground current measuring
- X4** – TU: Card with 4 voltage transformer measuring inputs
- X5** – OR6: Assembly Group with 6 Output Relays
- X6** – DI8: Assembly Group with 8 Digital Inputs
- X100** – Modbus TCP / DNP3.0 TCP/UDP, Ethernet interface, 100 Mbit/s, RJ45 (BASE100-FX)
- X103** – IEC 60870-5-103 / Modbus RTU / DNP3.0 RTU, RS485, Terminals
- X104** – IRIG-B00X, incl. System Contact (Supervision Contact)

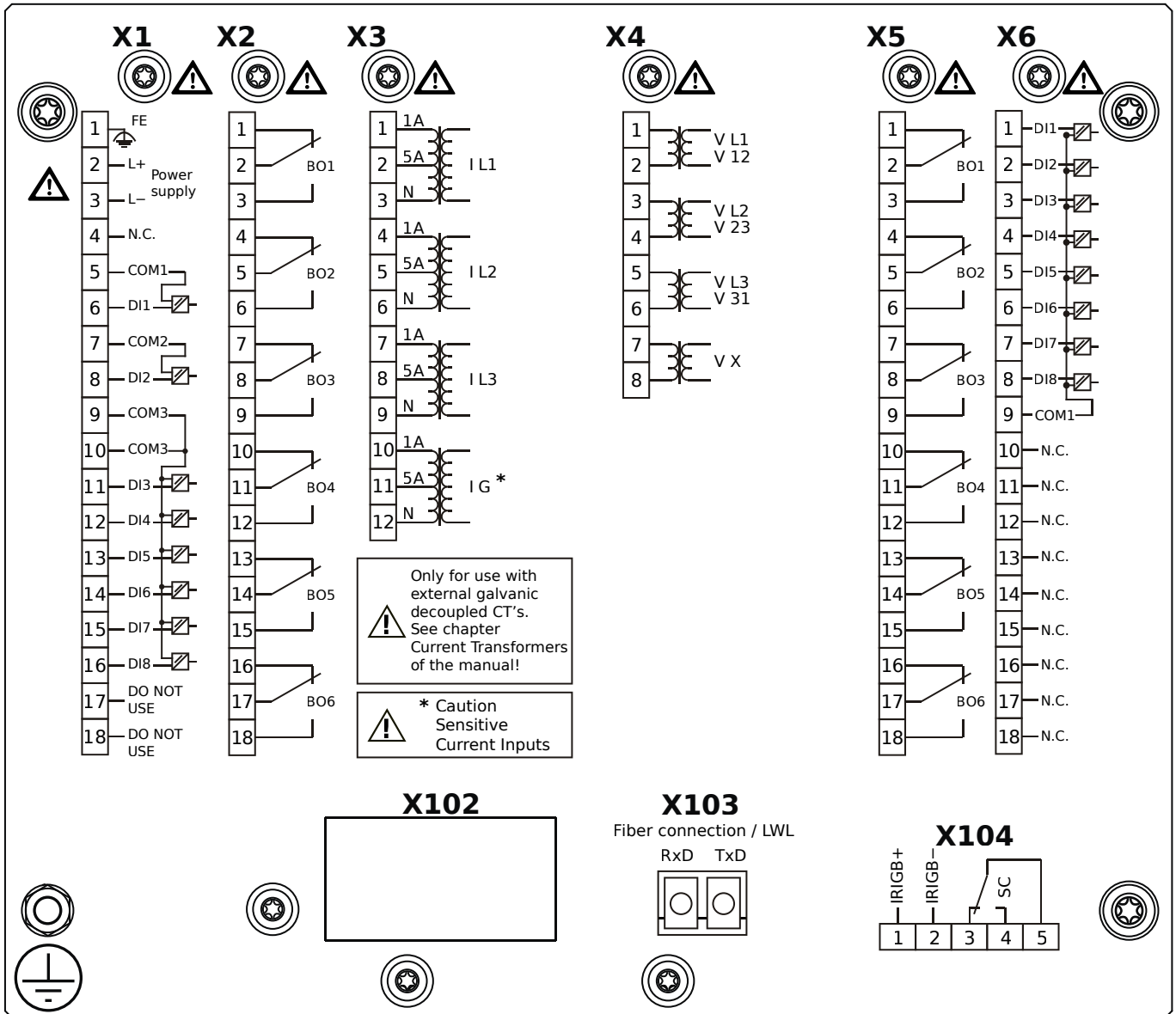
MCA4-2D1BIB



Housing B2, large display, door mounting 19" (flush mounting)

- X1** – DI8-X1: Wide-range power supply unit, incl. 2 non-grouped digital inputs and 6 grouped digital inputs
- X2** – OR6: Assembly Group with 6 Output Relays
- X3** – TIs: Standard phase current measuring card and sensitive ground current measuring
- X4** – TU: Card with 4 voltage transformer measuring inputs
- X5** – OR6: Assembly Group with 6 Output Relays
- X6** – DI8: Assembly Group with 8 Digital Inputs
- X100** – Modbus TCP / DNP3.0 TCP/UDP, Ethernet interface, 100 Mbit/s, RJ45 (BASE100-FX)
- X103** – IEC 60870-5-103 / Modbus RTU / DNP3.0 RTU, RS485, Terminals
- X104** – IRIG-B00X, incl. System Contact (Supervision Contact)

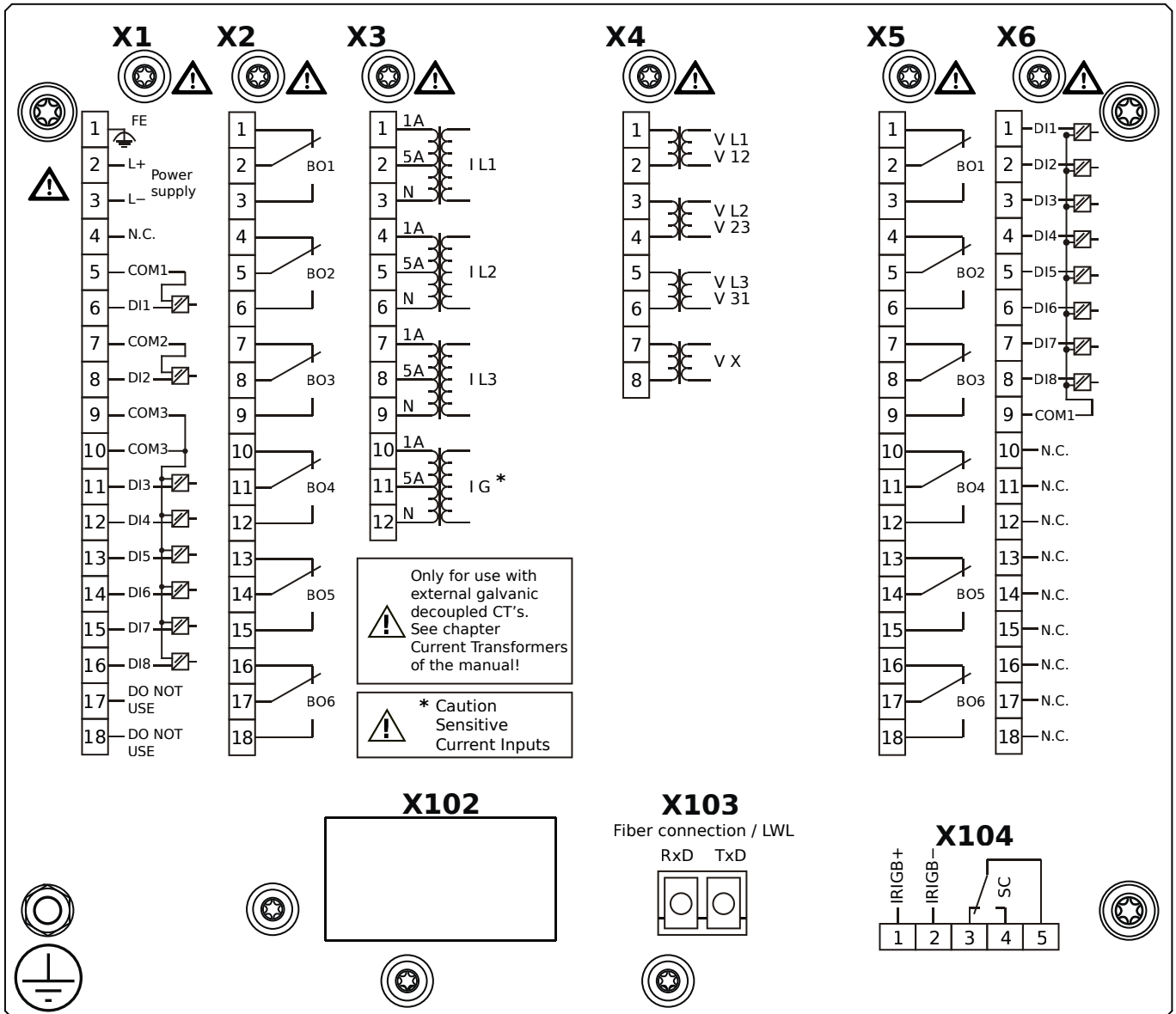
MCA4-2D1BKA



Housing B2, large display, door mounting 19" (flush mounting)

- X1** – DI8-X1: Wide-range power supply unit, incl. 2 non-grouped digital inputs and 6 grouped digital inputs
- X2** – OR6: Assembly Group with 6 Output Relays
- X3** – TIs: Standard phase current measuring card and sensitive ground current measuring
- X4** – TU: Card with 4 voltage transformer measuring inputs
- X5** – OR6: Assembly Group with 6 Output Relays
- X6** – DI8: Assembly Group with 8 Digital Inputs
- X103** – IEC 61850 / Modbus TCP / DNP3.0 TCP/UDP, Fiber optics interface, LC Connector
- X104** – IRIG-B00X, incl. System Contact (Supervision Contact)

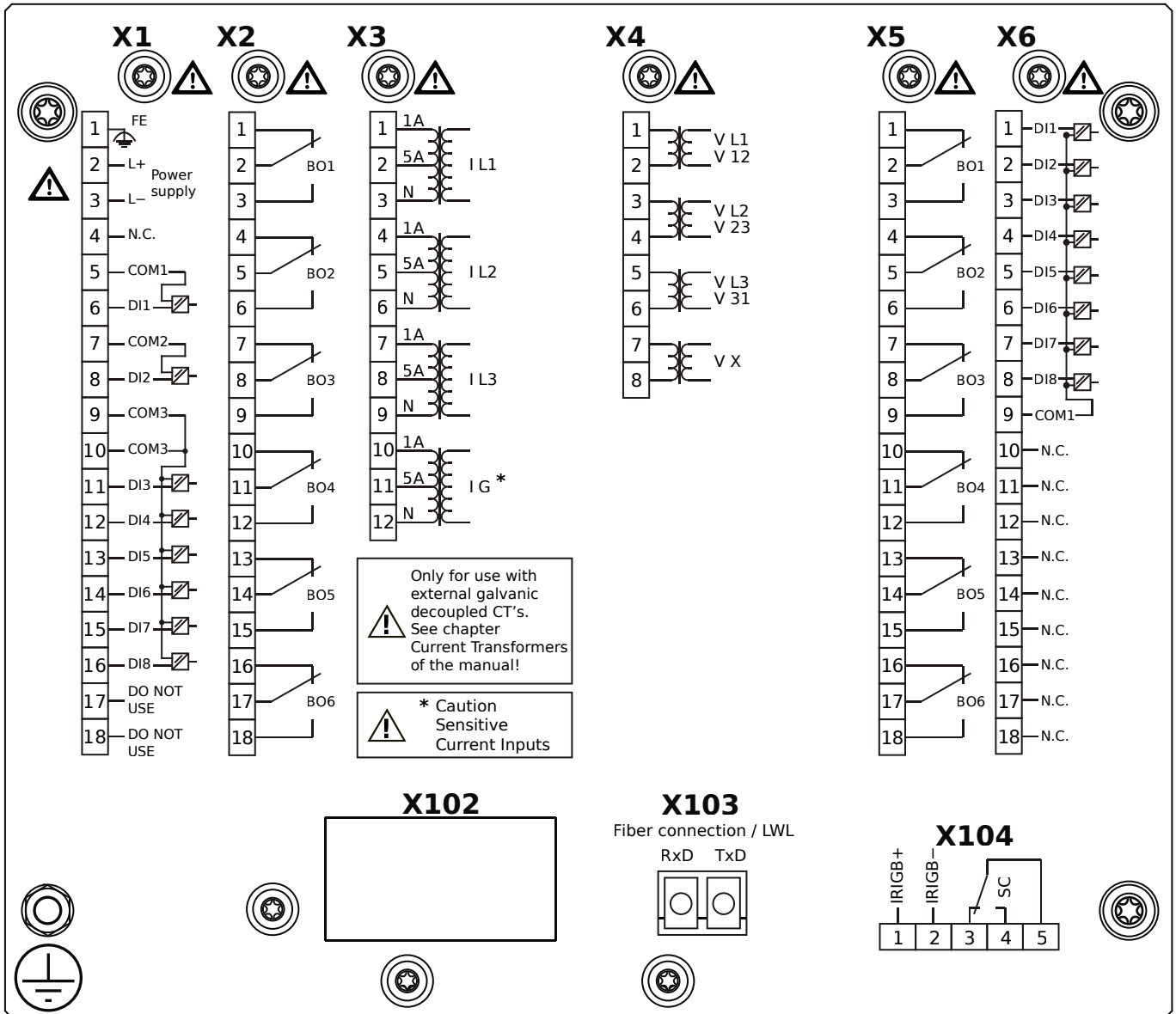
MCA4-2D1BKB



Housing B2, large display, door mounting 19" (flush mounting)

- X1** – DI8-X1: Wide-range power supply unit, incl. 2 non-grouped digital inputs and 6 grouped digital inputs
- X2** – OR6: Assembly Group with 6 Output Relays
- X3** – TIs: Standard phase current measuring card and sensitive ground current measuring
- X4** – TU: Card with 4 voltage transformer measuring inputs
- X5** – OR6: Assembly Group with 6 Output Relays
- X6** – DI8: Assembly Group with 8 Digital Inputs
- X103** – IEC 61850 / Modbus TCP / DNP3.0 TCP/UDP, Fiber optics interface, LC Connector
- X104** – IRIG-B00X, incl. System Contact (Supervision Contact)

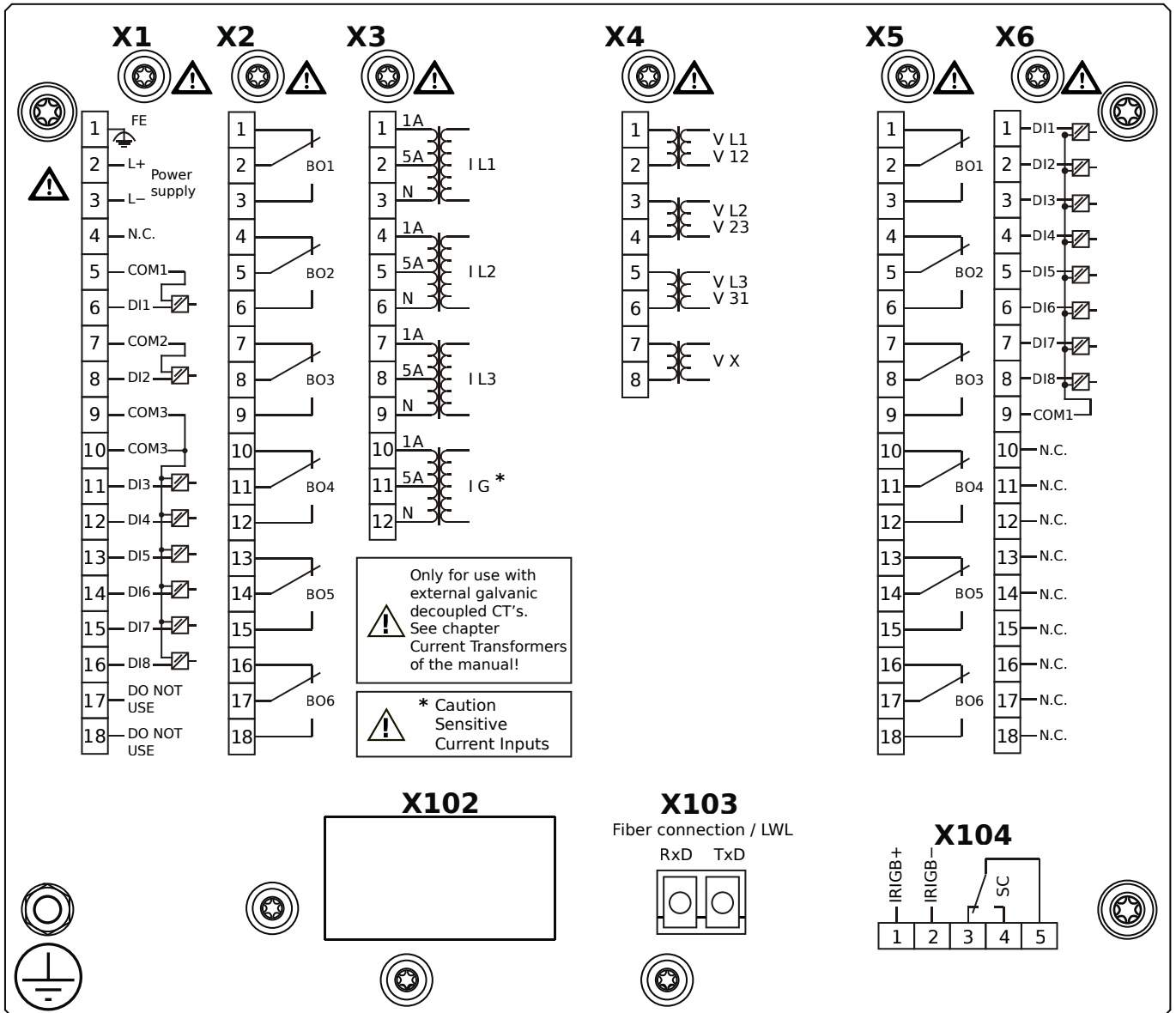
MCA4-2D1BLA



Housing B2, large display, door mounting 19" (flush mounting)

- X1** – DI8-X1: Wide-range power supply unit, incl. 2 non-grouped digital inputs and 6 grouped digital inputs
- X2** – OR6: Assembly Group with 6 Output Relays
- X3** – TIs: Standard phase current measuring card and sensitive ground current measuring
- X4** – TU: Card with 4 voltage transformer measuring inputs
- X5** – OR6: Assembly Group with 6 Output Relays
- X6** – DI8: Assembly Group with 8 Digital Inputs
- X103** – Modbus TCP / DNP3.0 TCP/UDP, Fiber optics interface, LC Connector
- X104** – IRIG-B00X, incl. System Contact (Supervision Contact)

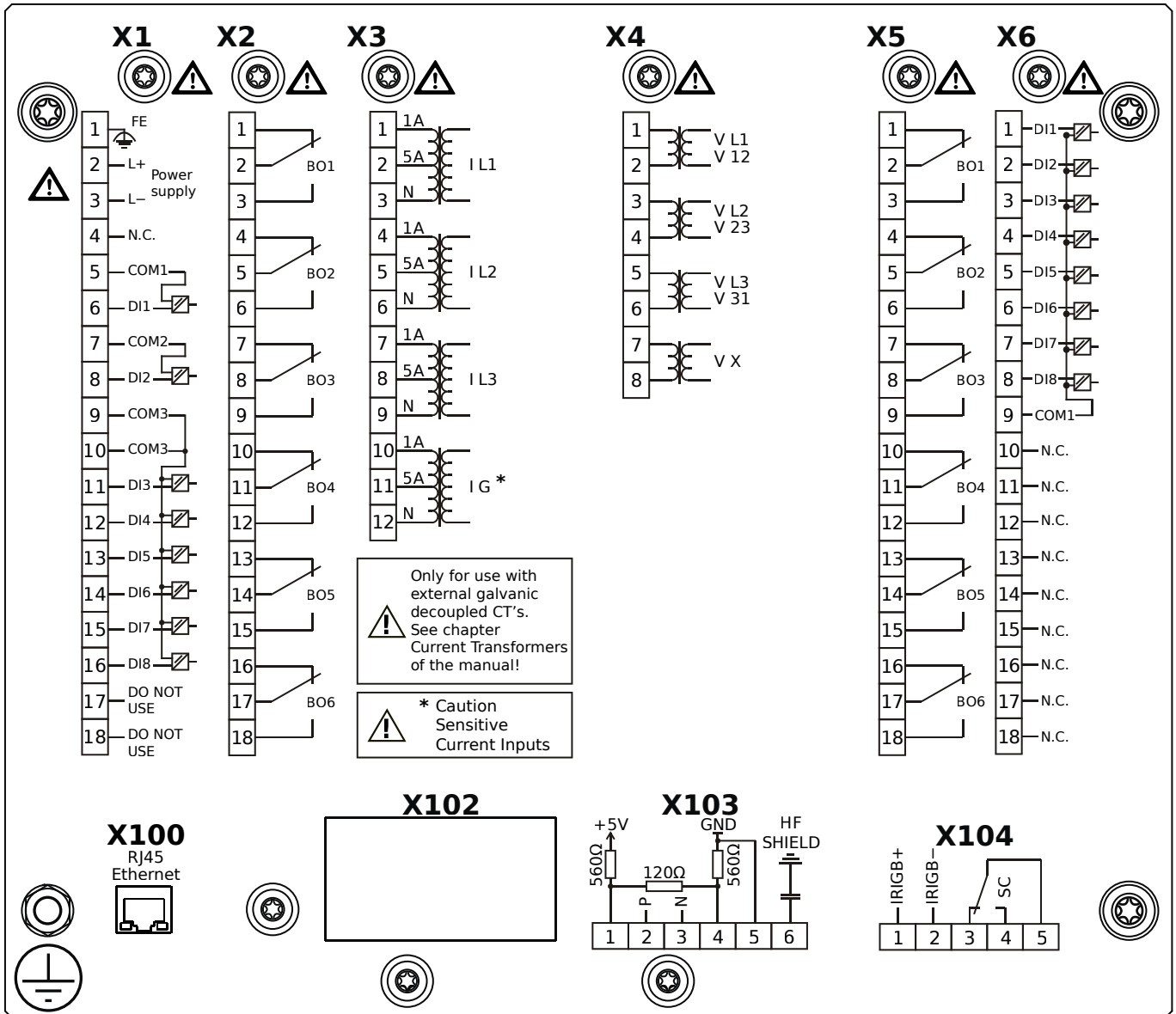
MCA4-2D1BLB



Housing B2, large display, door mounting 19" (flush mounting)

- X1** – DI8-X1: Wide-range power supply unit, incl. 2 non-grouped digital inputs and 6 grouped digital inputs
- X2** – OR6: Assembly Group with 6 Output Relays
- X3** – TIs: Standard phase current measuring card and sensitive ground current measuring
- X4** – TU: Card with 4 voltage transformer measuring inputs
- X5** – OR6: Assembly Group with 6 Output Relays
- X6** – DI8: Assembly Group with 8 Digital Inputs
- X103** – Modbus TCP / DNP3.0 TCP/UDP, Fiber optics interface, LC Connector
- X104** – IRIG-B00X, incl. System Contact (Supervision Contact)

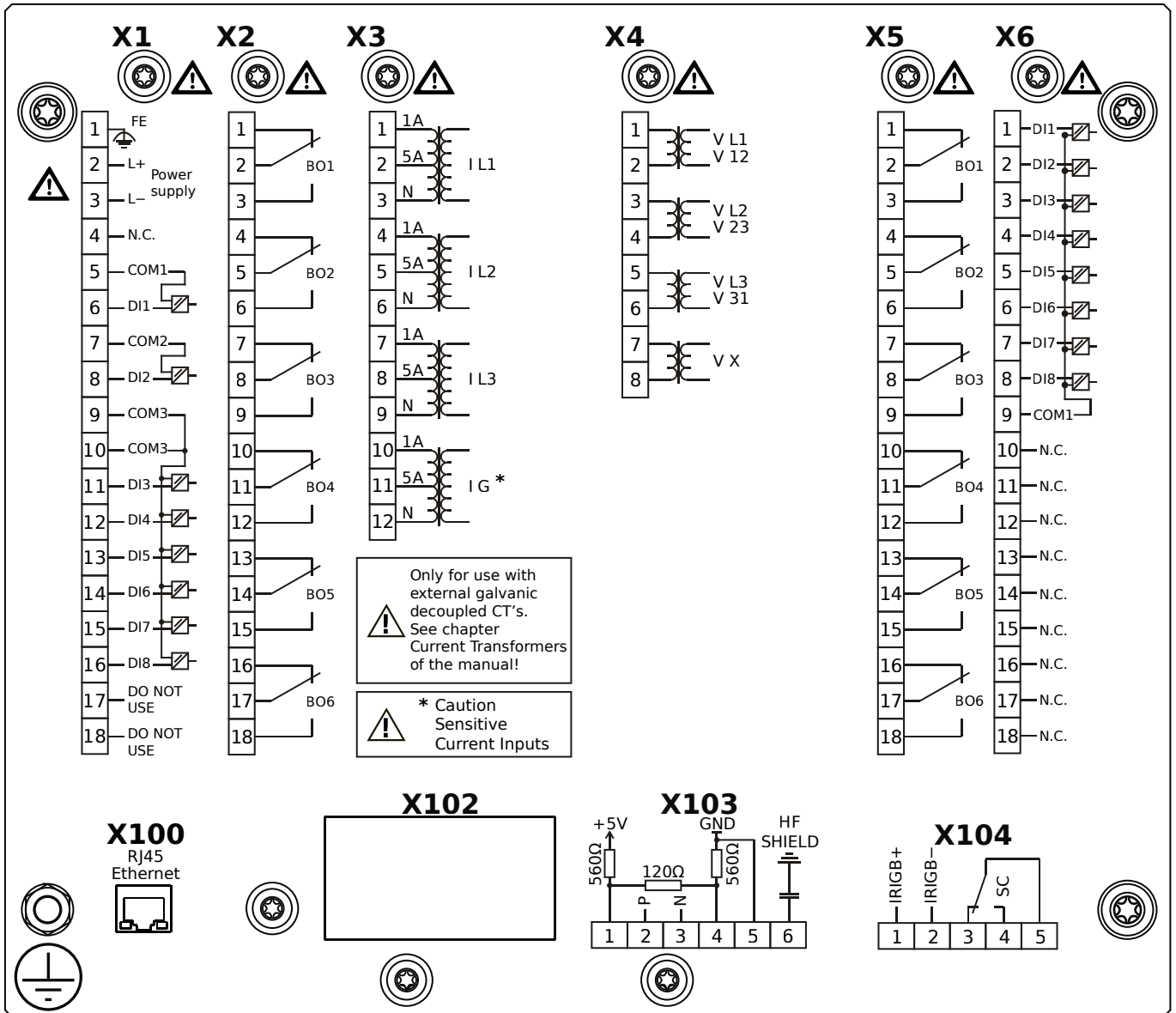
MCA4-2D1BTA



Housing B2, large display, door mounting 19" (flush mounting)

- X1** – DI8-X1: Wide-range power supply unit, incl. 2 non-grouped digital inputs and 6 grouped digital inputs
- X2** – OR6: Assembly Group with 6 Output Relays
- X3** – TIs: Standard phase current measuring card and sensitive ground current measuring
- X4** – TU: Card with 4 voltage transformer measuring inputs
- X5** – OR6: Assembly Group with 6 Output Relays
- X6** – DI8: Assembly Group with 8 Digital Inputs
- X100** – IEC 61850 / Modbus TCP / DNP3.0 TCP/UDP, Ethernet interface, 100 Mbit/s, RJ45 (BASE100-FX)
- X103** – IEC 60870-5-103 / Modbus RTU / DNP3.0 RTU, RS485, Terminals
- X104** – IRIG-B00X, incl. System Contact (Supervision Contact)

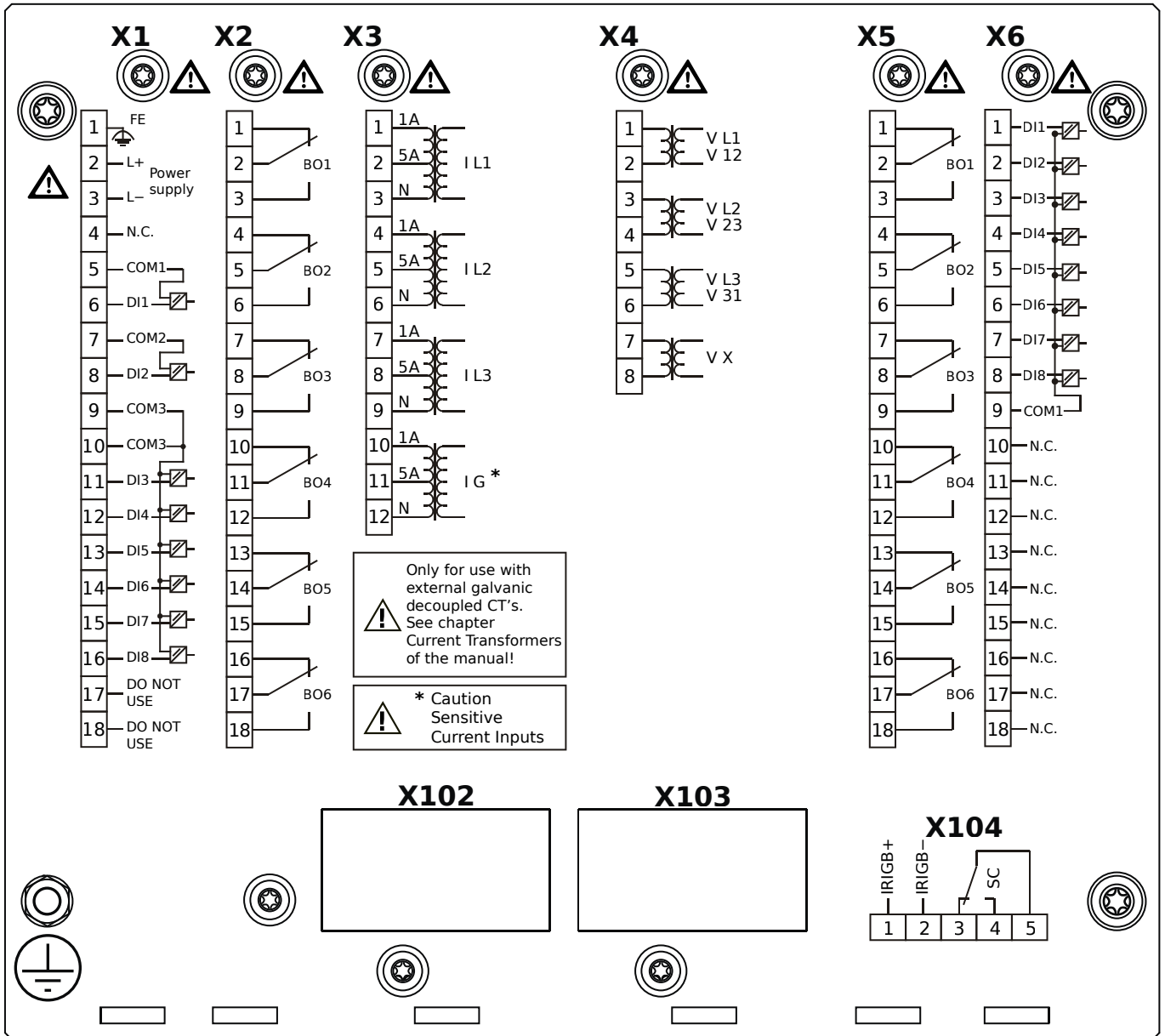
MCA4-2D1BTB



Housing B2, large display, door mounting 19" (flush mounting)

- X1** – DI8-X1: Wide-range power supply unit, incl. 2 non-grouped digital inputs and 6 grouped digital inputs
- X2** – OR6: Assembly Group with 6 Output Relays
- X3** – TIs: Standard phase current measuring card and sensitive ground current measuring
- X4** – TU: Card with 4 voltage transformer measuring inputs
- X5** – OR6: Assembly Group with 6 Output Relays
- X6** – DI8: Assembly Group with 8 Digital Inputs
- X100** – IEC 61850 / Modbus TCP / DNP3.0 TCP/UDP, Ethernet interface, 100 Mbit/s, RJ45 (BASE100-FX)
- X103** – IEC 60870-5-103 / Modbus RTU / DNP3.0 RTU, RS485, Terminals
- X104** – IRIG-B00X, incl. System Contact (Supervision Contact)

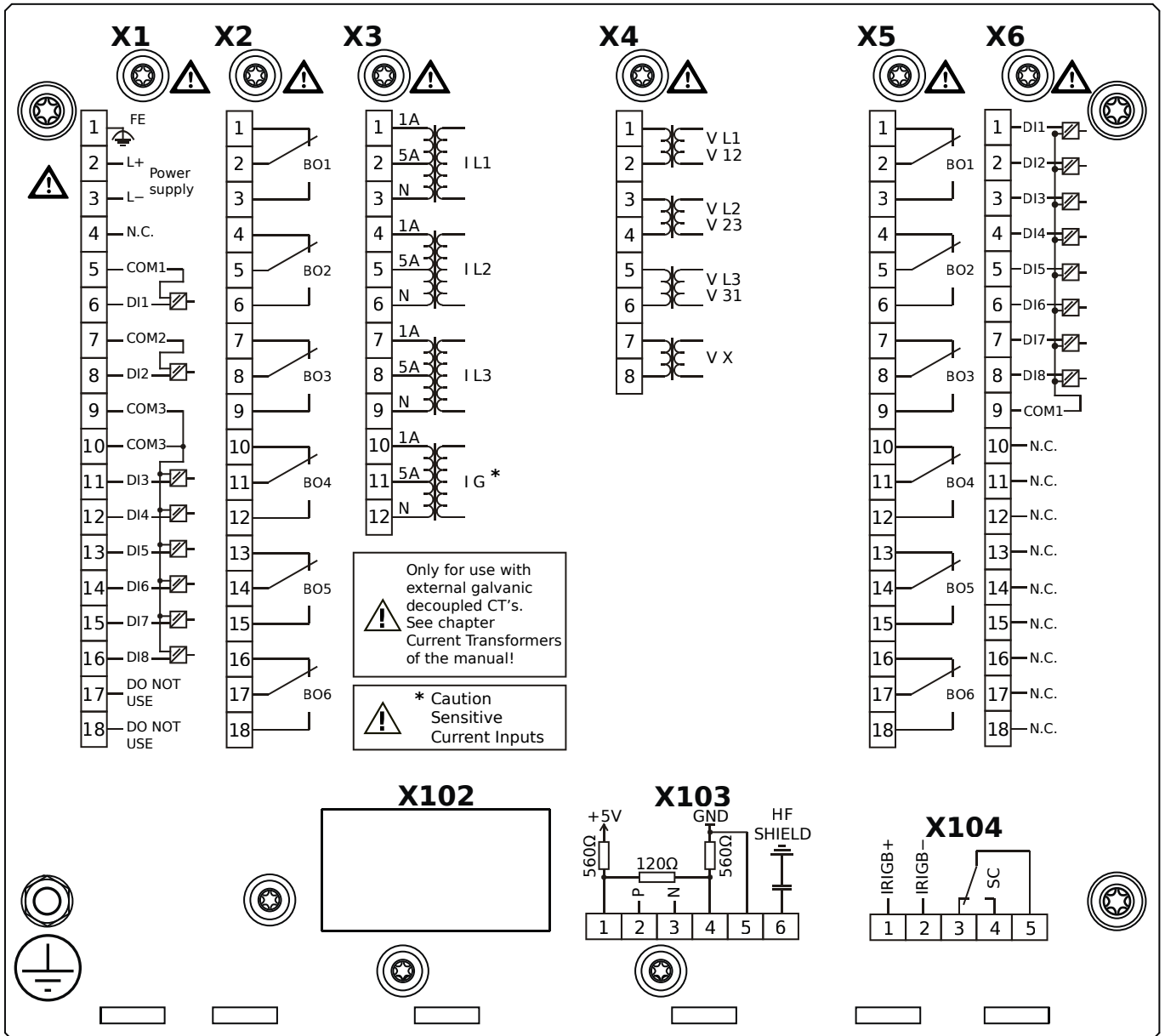
MCA4-2D1HAA



Housing B2, large display, door mounting

- X1** – DI8-X1: Wide-range power supply unit, incl. 2 non-grouped digital inputs and 6 grouped digital inputs
- X2** – OR6: Assembly Group with 6 Output Relays
- X3** – TIs: Standard phase current measuring card and sensitive ground current measuring
- X4** – TU: Card with 4 voltage transformer measuring inputs
- X5** – OR6: Assembly Group with 6 Output Relays
- X6** – DI8: Assembly Group with 8 Digital Inputs
- X104** – IRIG-B00X, incl. System Contact (Supervision Contact)

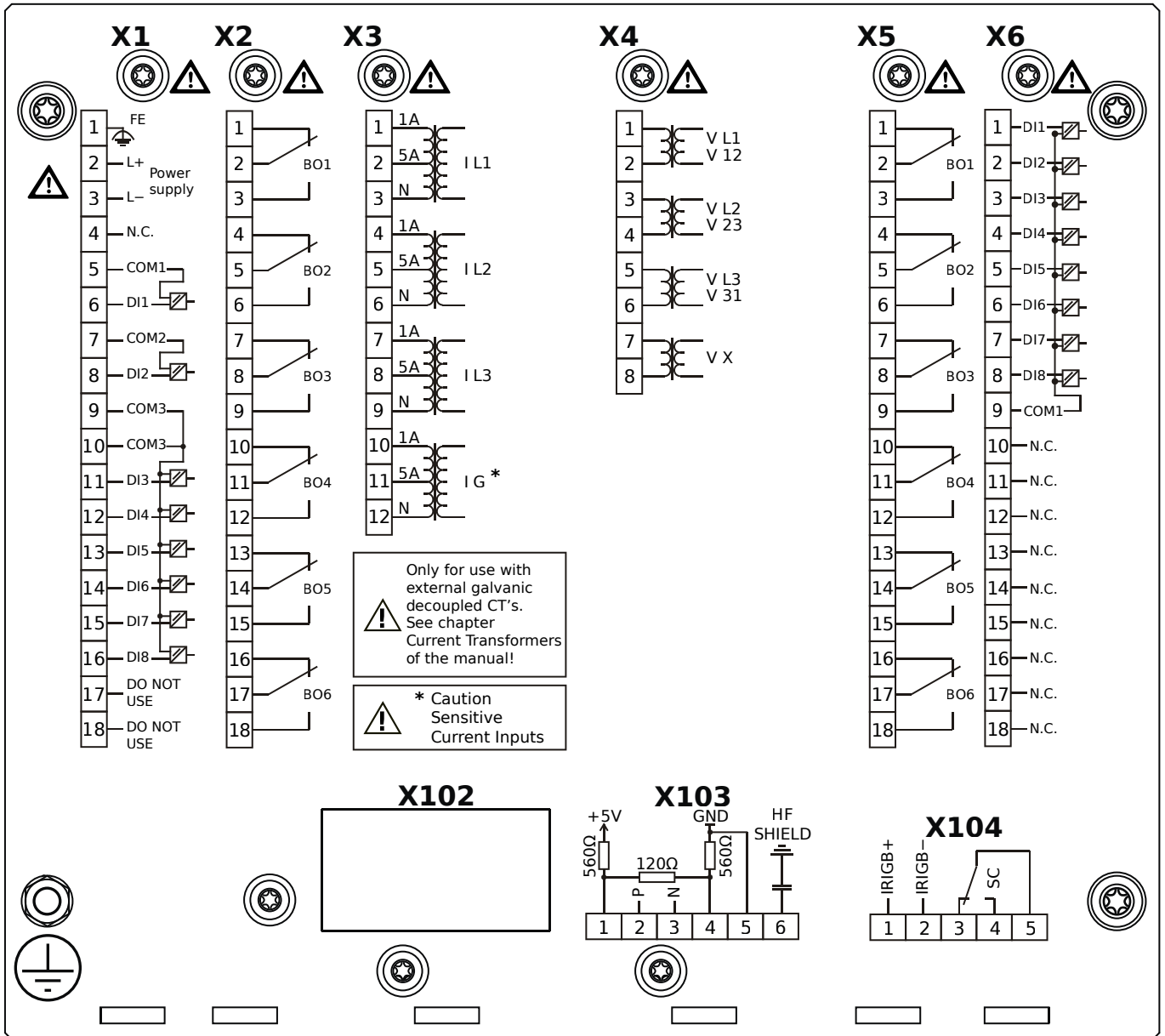
MCA4-2D1HBA



Housing B2, large display, door mounting

- X1** – DI8-X1: Wide-range power supply unit, incl. 2 non-grouped digital inputs and 6 grouped digital inputs
- X2** – OR6: Assembly Group with 6 Output Relays
- X3** – TIs: Standard phase current measuring card and sensitive ground current measuring
- X4** – TU: Card with 4 voltage transformer measuring inputs
- X5** – OR6: Assembly Group with 6 Output Relays
- X6** – DI8: Assembly Group with 8 Digital Inputs
- X103** – Modbus RTU / IEC 60870-5-103 / DNP3.0 RTU, RS485, Terminals
- X104** – IRIG-B00X, incl. System Contact (Supervision Contact)

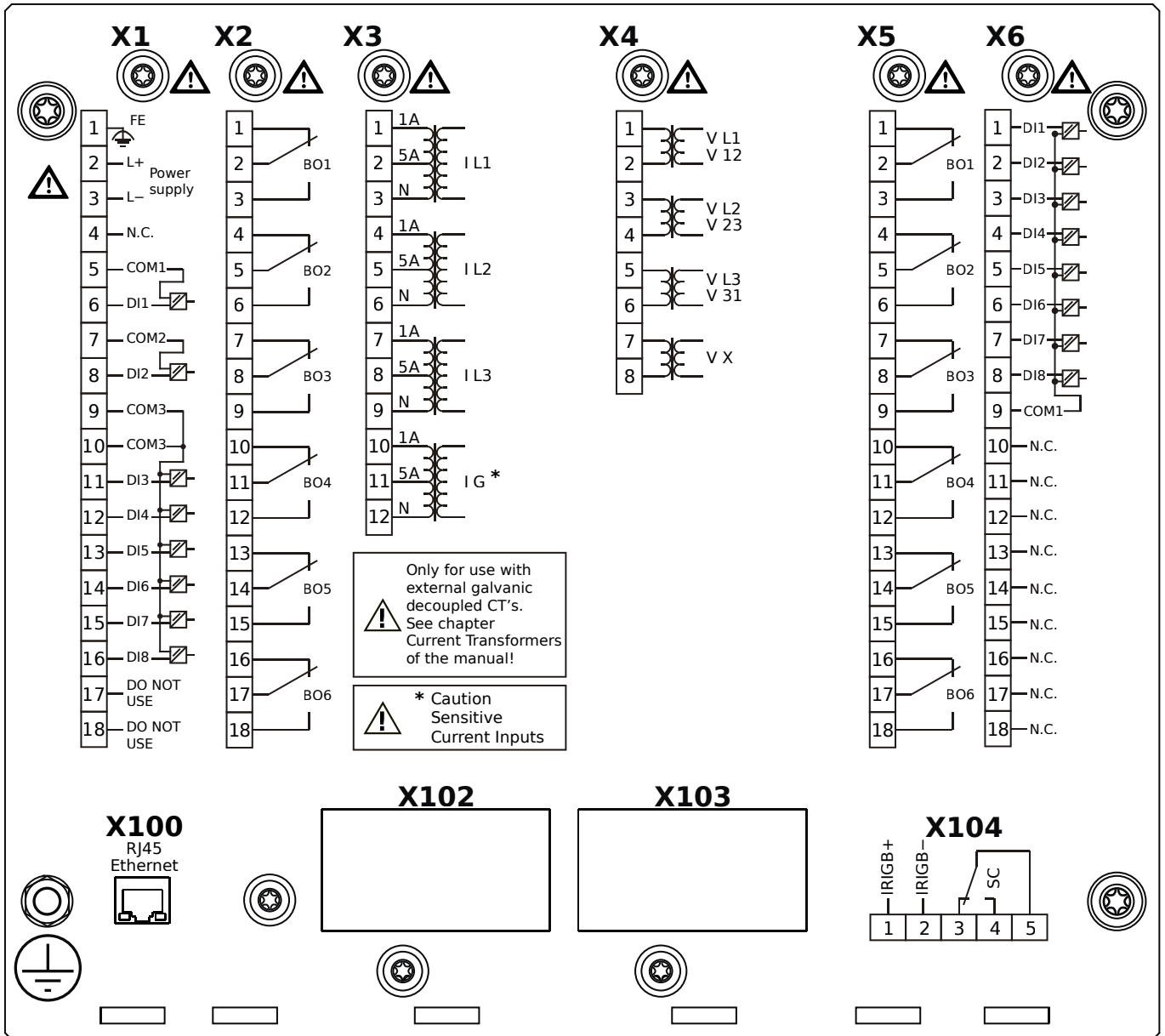
MCA4-2D1HBB



Housing B2, large display, door mounting

- X1** – DI8-X1: Wide-range power supply unit, incl. 2 non-grouped digital inputs and 6 grouped digital inputs
- X2** – OR6: Assembly Group with 6 Output Relays
- X3** – TIs: Standard phase current measuring card and sensitive ground current measuring
- X4** – TU: Card with 4 voltage transformer measuring inputs
- X5** – OR6: Assembly Group with 6 Output Relays
- X6** – DI8: Assembly Group with 8 Digital Inputs
- X103** – Modbus RTU / IEC 60870-5-103 / DNP3.0 RTU, RS485, Terminals
- X104** – IRIG-B00X, incl. System Contact (Supervision Contact)

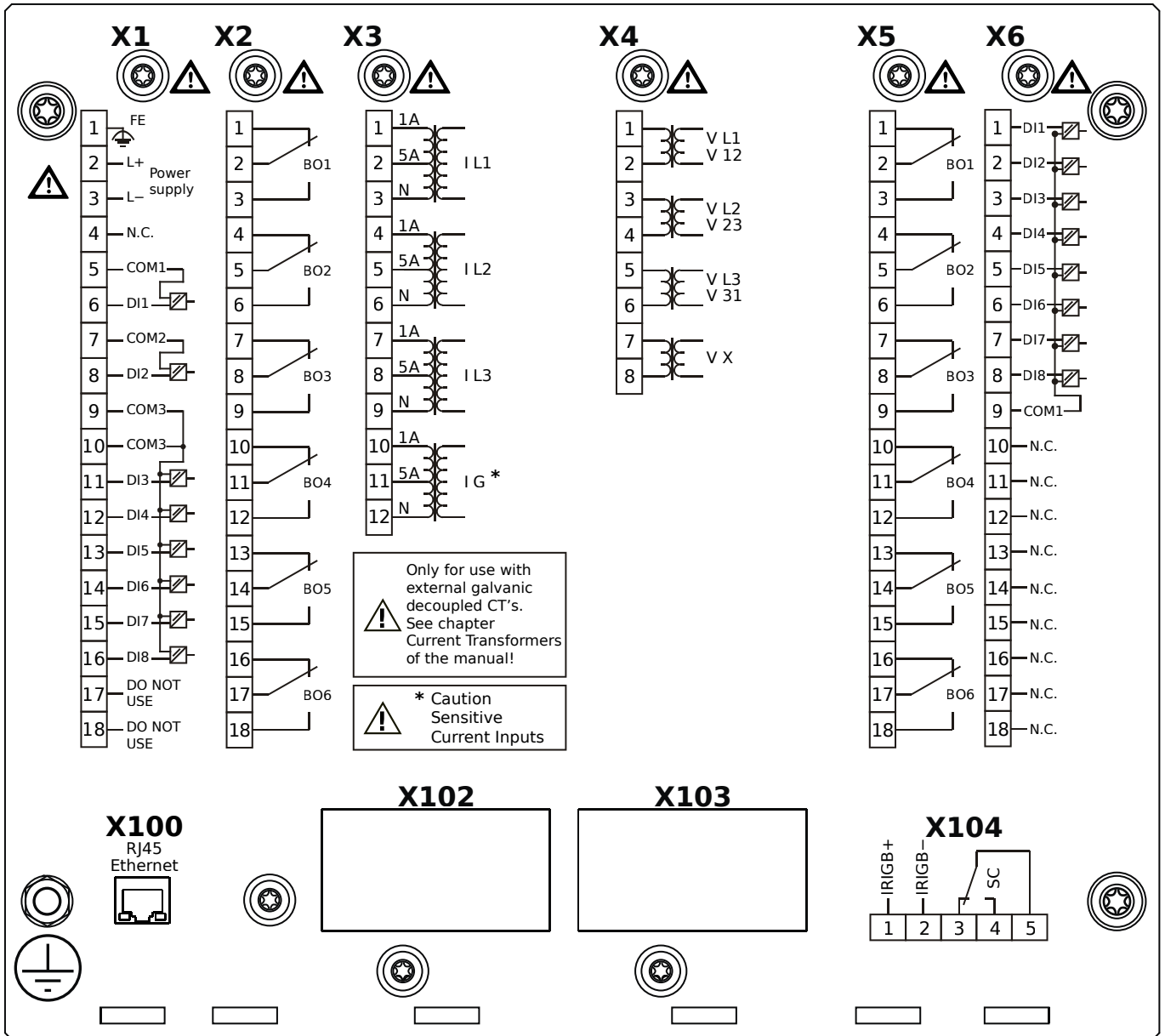
MCA4-2D1HCA



Housing B2, large display, door mounting

- X1** – DI8-X1: Wide-range power supply unit, incl. 2 non-grouped digital inputs and 6 grouped digital inputs
- X2** – OR6: Assembly Group with 6 Output Relays
- X3** – TIs: Standard phase current measuring card and sensitive ground current measuring
- X4** – TU: Card with 4 voltage transformer measuring inputs
- X5** – OR6: Assembly Group with 6 Output Relays
- X6** – DI8: Assembly Group with 8 Digital Inputs
- X100** – Modbus TCP / DNP3.0 TCP/UDP, Ethernet interface, 100 Mbit/s, RJ45 (BASE100-FX)
- X104** – IRIG-B00X, incl. System Contact (Supervision Contact)

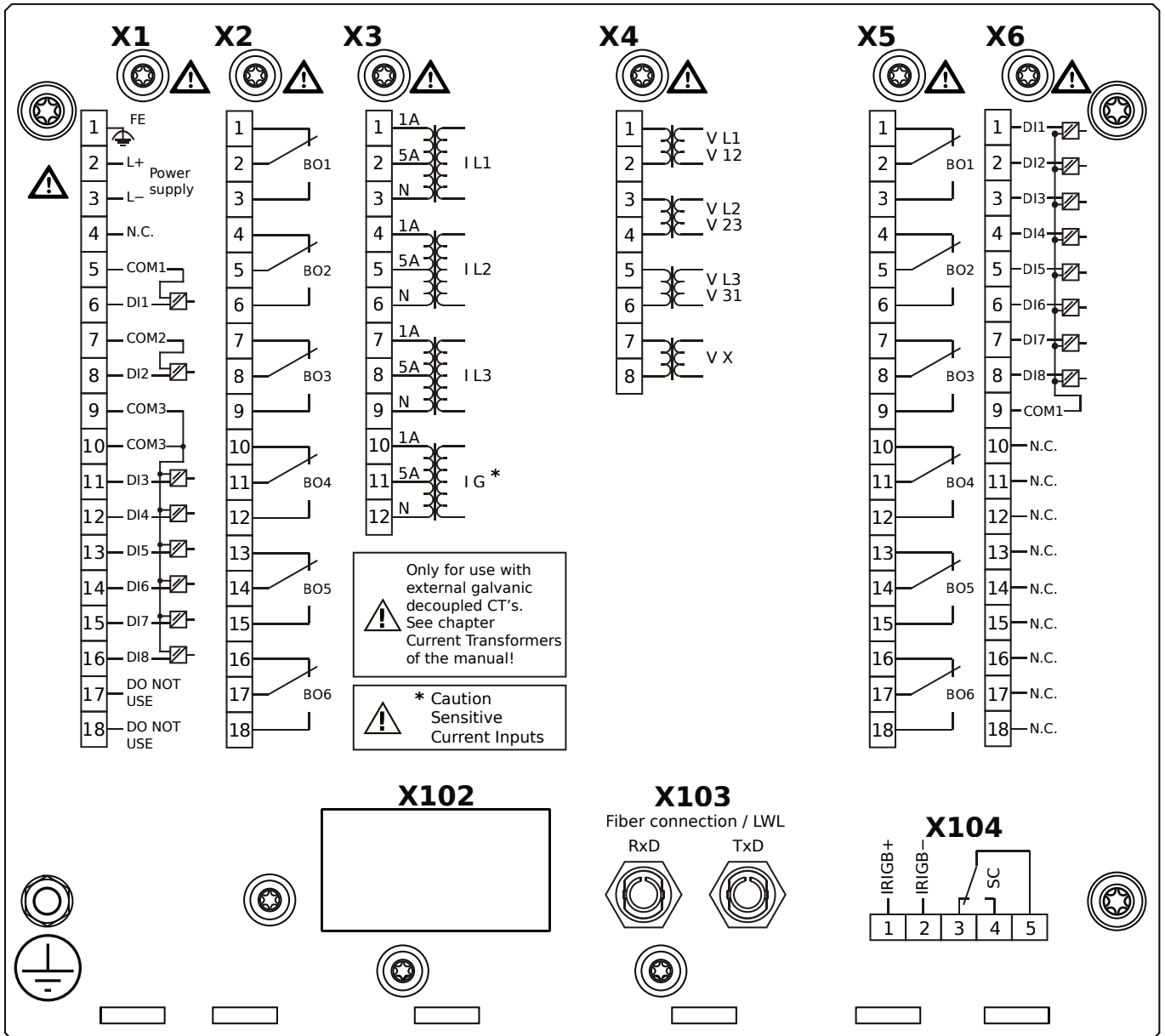
MCA4-2D1HCB



Housing B2, large display, door mounting

- X1** – DI8-X1: Wide-range power supply unit, incl. 2 non-grouped digital inputs and 6 grouped digital inputs
- X2** – OR6: Assembly Group with 6 Output Relays
- X3** – TIs: Standard phase current measuring card and sensitive ground current measuring
- X4** – TU: Card with 4 voltage transformer measuring inputs
- X5** – OR6: Assembly Group with 6 Output Relays
- X6** – DI8: Assembly Group with 8 Digital Inputs
- X100** – Modbus TCP / DNP3.0 TCP/UDP, Ethernet interface, 100 Mbit/s, RJ45 (BASE100-FX)
- X104** – IRIG-B00X, incl. System Contact (Supervision Contact)

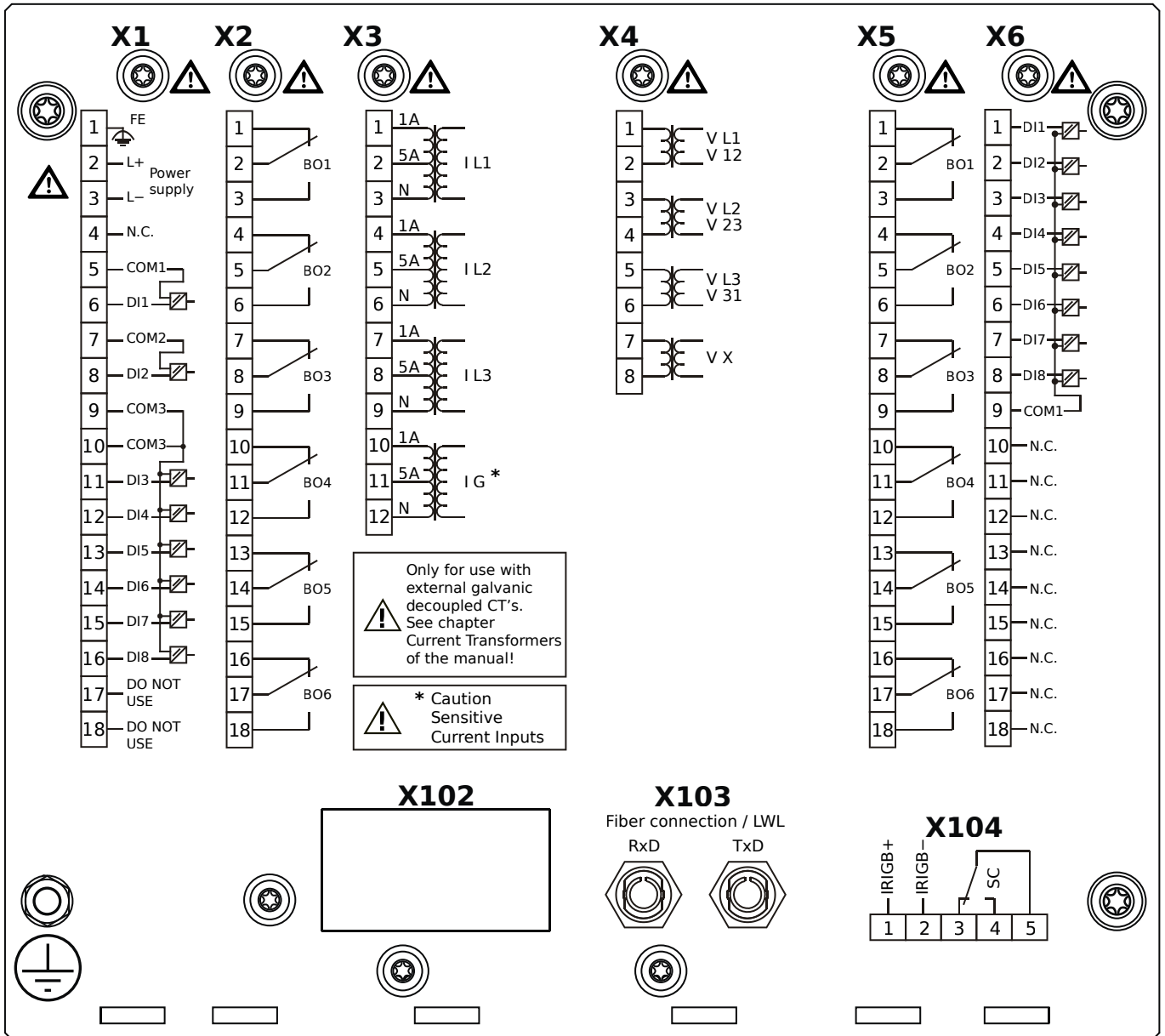
MCA4-2D1HDA



Housing B2, large display, door mounting

- X1** – DI8-X1: Wide-range power supply unit, incl. 2 non-grouped digital inputs and 6 grouped digital inputs
- X2** – OR6: Assembly Group with 6 Output Relays
- X3** – TIs: Standard phase current measuring card and sensitive ground current measuring
- X4** – TU: Card with 4 voltage transformer measuring inputs
- X5** – OR6: Assembly Group with 6 Output Relays
- X6** – DI8: Assembly Group with 8 Digital Inputs
- X103** – Profibus-DP, Fiber optics interface, ST Connector
- X104** – IRIG-B00X, incl. System Contact (Supervision Contact)

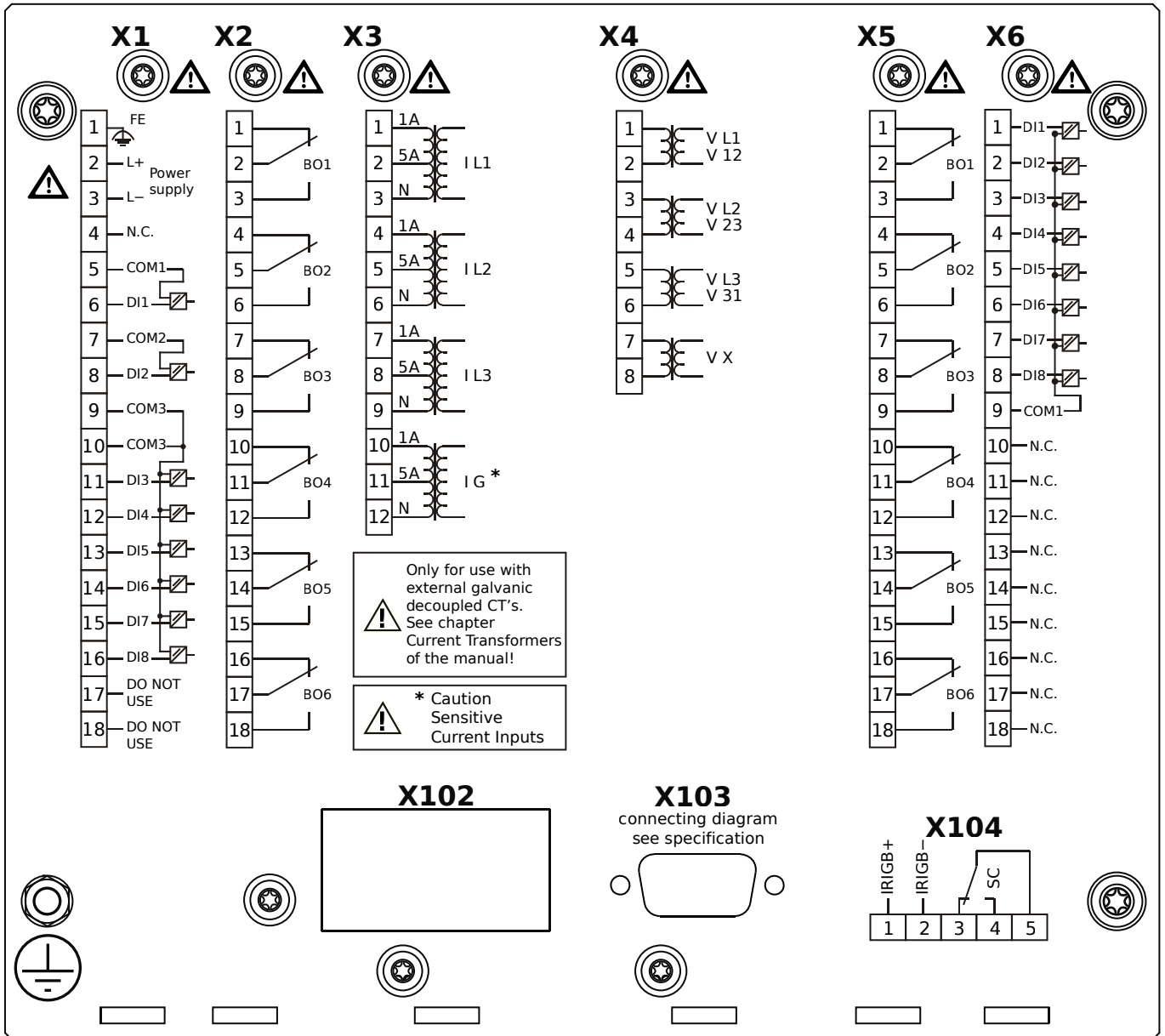
MCA4-2D1HDB



Housing B2, large display, door mounting

- X1** – DI8-X1: Wide-range power supply unit, incl. 2 non-grouped digital inputs and 6 grouped digital inputs
- X2** – OR6: Assembly Group with 6 Output Relays
- X3** – TIs: Standard phase current measuring card and sensitive ground current measuring
- X4** – TU: Card with 4 voltage transformer measuring inputs
- X5** – OR6: Assembly Group with 6 Output Relays
- X6** – DI8: Assembly Group with 8 Digital Inputs
- X103** – Profibus-DP, Fiber optics interface, ST Connector
- X104** – IRIG-B00X, incl. System Contact (Supervision Contact)

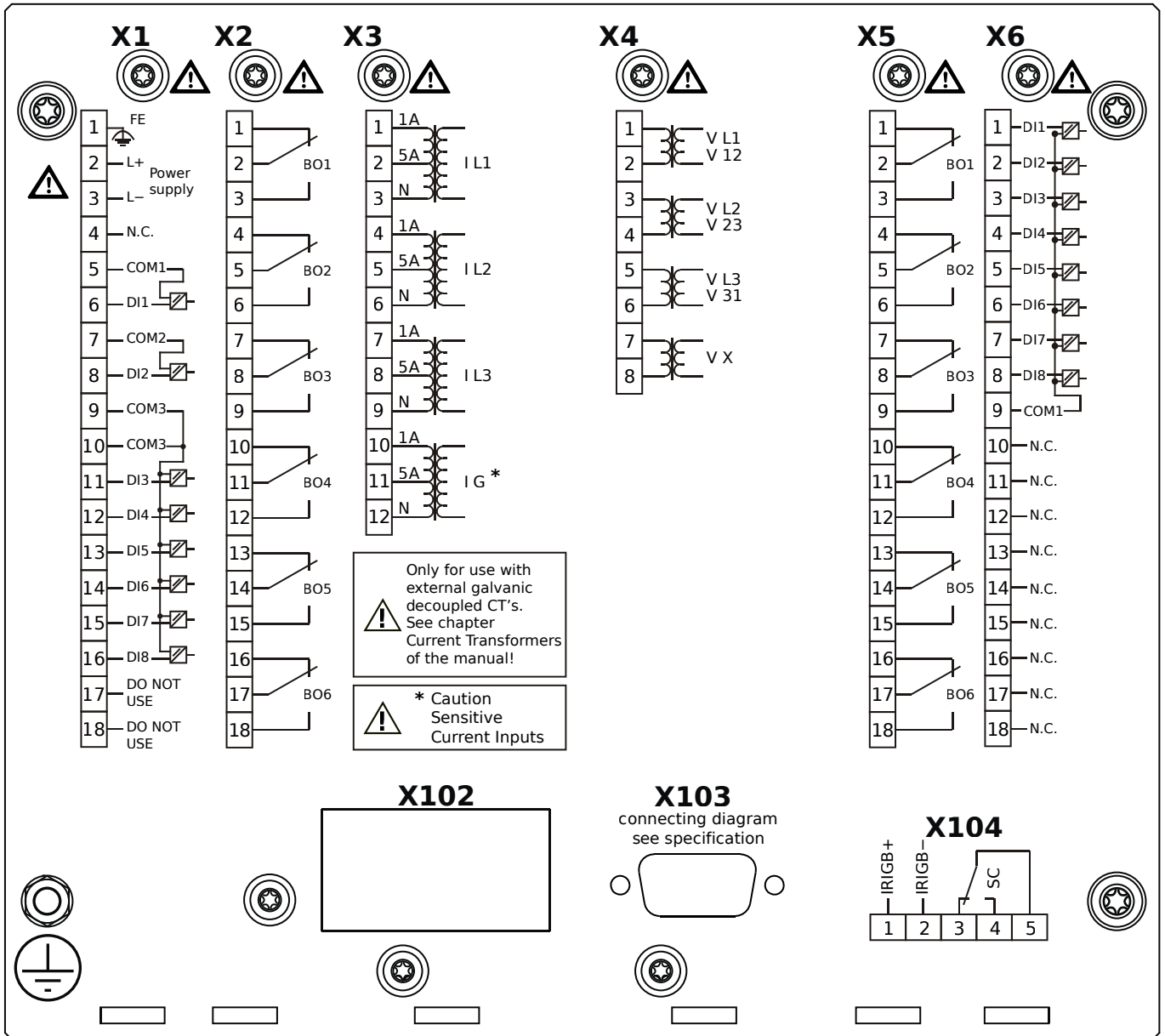
MCA4-2D1HEA



Housing B2, large display, door mounting

- X1** – DI8-X1: Wide-range power supply unit, incl. 2 non-grouped digital inputs and 6 grouped digital inputs
- X2** – OR6: Assembly Group with 6 Output Relays
- X3** – TIs: Standard phase current measuring card and sensitive ground current measuring
- X4** – TU: Card with 4 voltage transformer measuring inputs
- X5** – OR6: Assembly Group with 6 Output Relays
- X6** – DI8: Assembly Group with 8 Digital Inputs
- X103** – Profibus-DP, RS485, D-SUB
- X104** – IRIG-B00X, incl. System Contact (Supervision Contact)

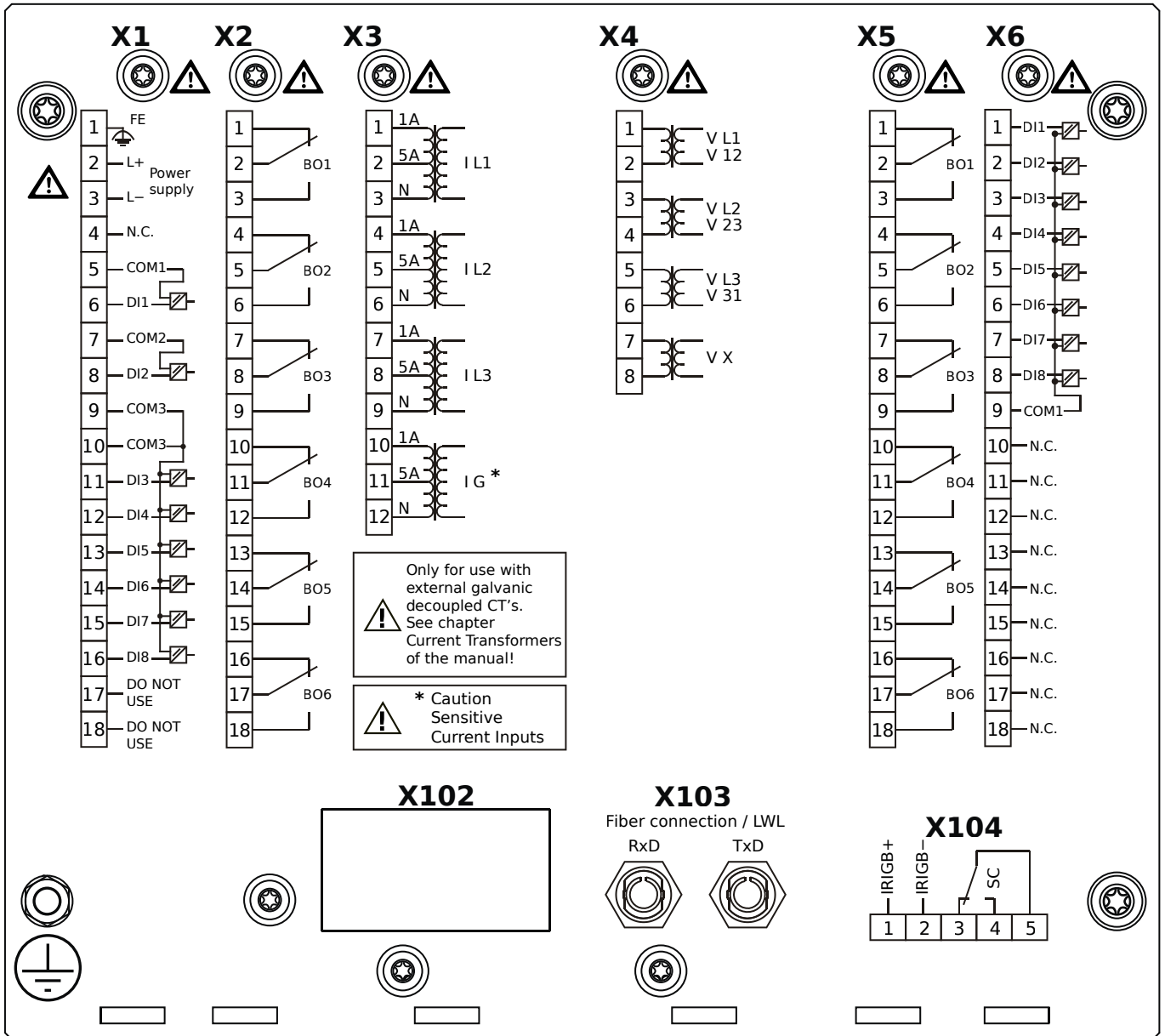
MCA4-2D1HEB



Housing B2, large display, door mounting

- X1** – DI8-X1: Wide-range power supply unit, incl. 2 non-grouped digital inputs and 6 grouped digital inputs
- X2** – OR6: Assembly Group with 6 Output Relays
- X3** – TIs: Standard phase current measuring card and sensitive ground current measuring
- X4** – TU: Card with 4 voltage transformer measuring inputs
- X5** – OR6: Assembly Group with 6 Output Relays
- X6** – DI8: Assembly Group with 8 Digital Inputs
- X103** – Profibus-DP, RS485, D-SUB
- X104** – IRIG-B00X, incl. System Contact (Supervision Contact)

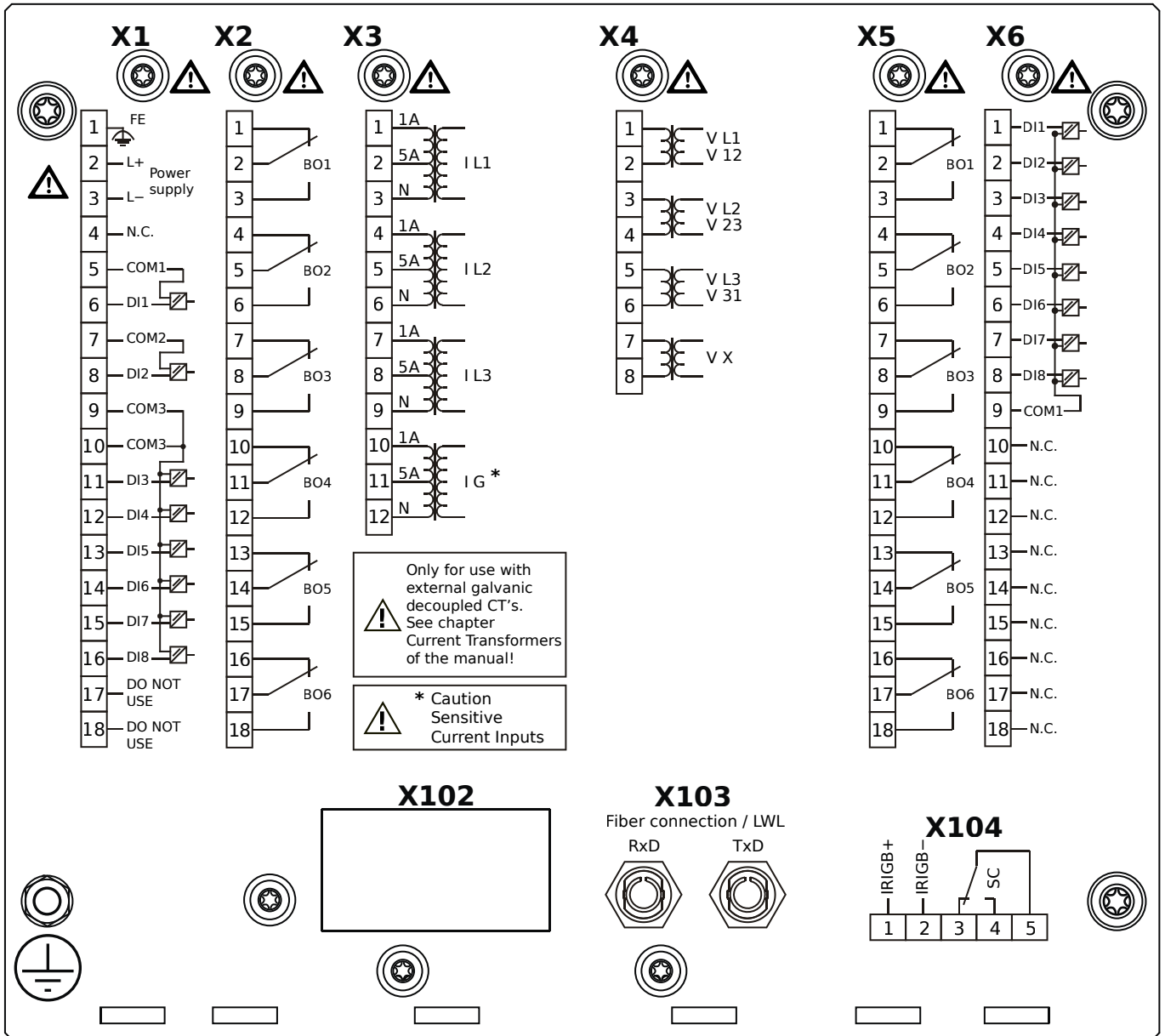
MCA4-2D1HFA



Housing B2, large display, door mounting

- X1** – DI8-X1: Wide-range power supply unit, incl. 2 non-grouped digital inputs and 6 grouped digital inputs
- X2** – OR6: Assembly Group with 6 Output Relays
- X3** – TIs: Standard phase current measuring card and sensitive ground current measuring
- X4** – TU: Card with 4 voltage transformer measuring inputs
- X5** – OR6: Assembly Group with 6 Output Relays
- X6** – DI8: Assembly Group with 8 Digital Inputs
- X103** – Modbus RTU / IEC 60870-5-103 / DNP3.0 RTU, Fiber optics interface, ST Connector
- X104** – IRIG-B00X, incl. System Contact (Supervision Contact)

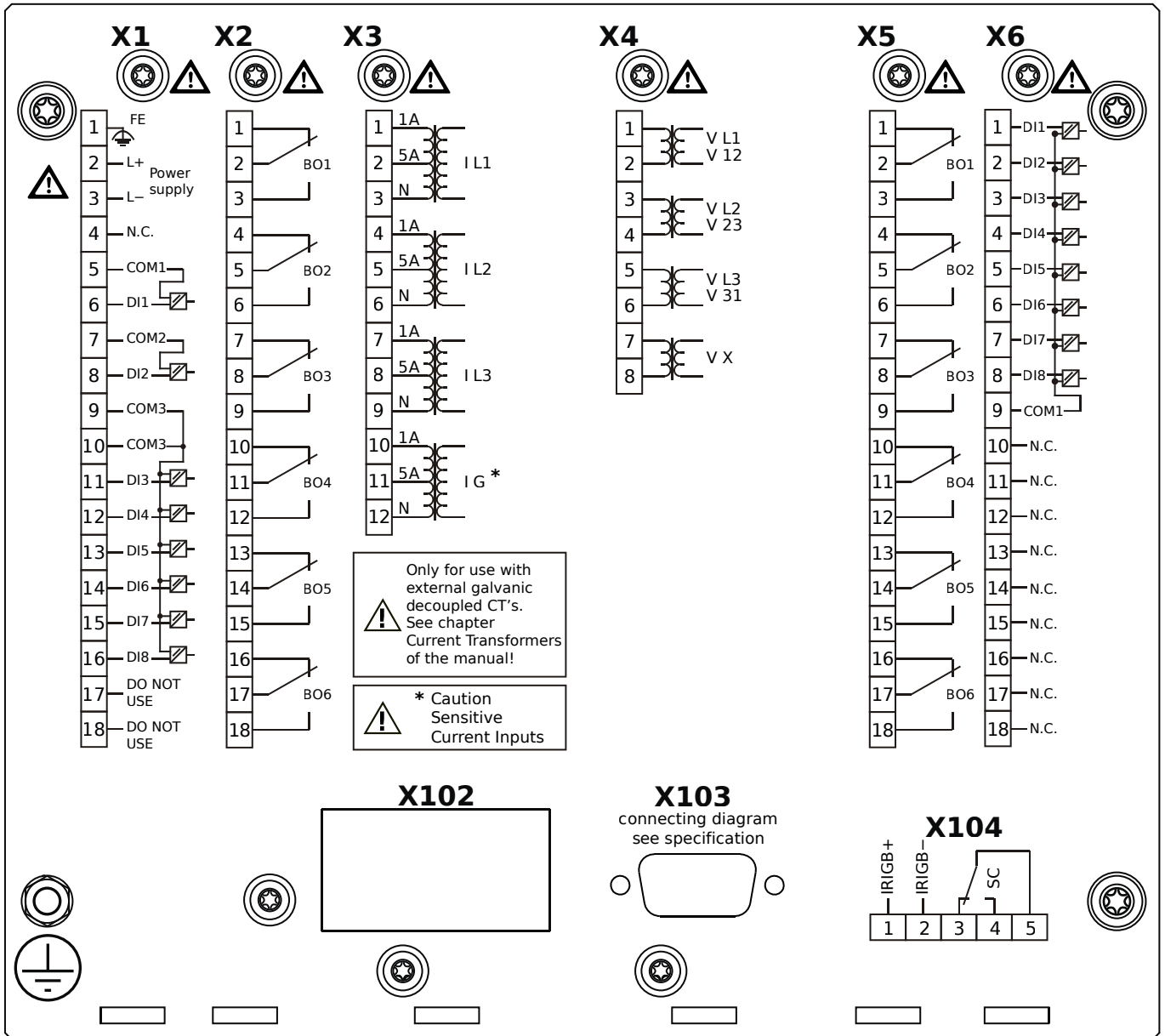
MCA4-2D1HFB



Housing B2, large display, door mounting

- X1** – DI8-X1: Wide-range power supply unit, incl. 2 non-grouped digital inputs and 6 grouped digital inputs
- X2** – OR6: Assembly Group with 6 Output Relays
- X3** – TIs: Standard phase current measuring card and sensitive ground current measuring
- X4** – TU: Card with 4 voltage transformer measuring inputs
- X5** – OR6: Assembly Group with 6 Output Relays
- X6** – DI8: Assembly Group with 8 Digital Inputs
- X103** – Modbus RTU / IEC 60870-5-103 / DNP3.0 RTU, Fiber optics interface, ST Connector
- X104** – IRIG-B00X, incl. System Contact (Supervision Contact)

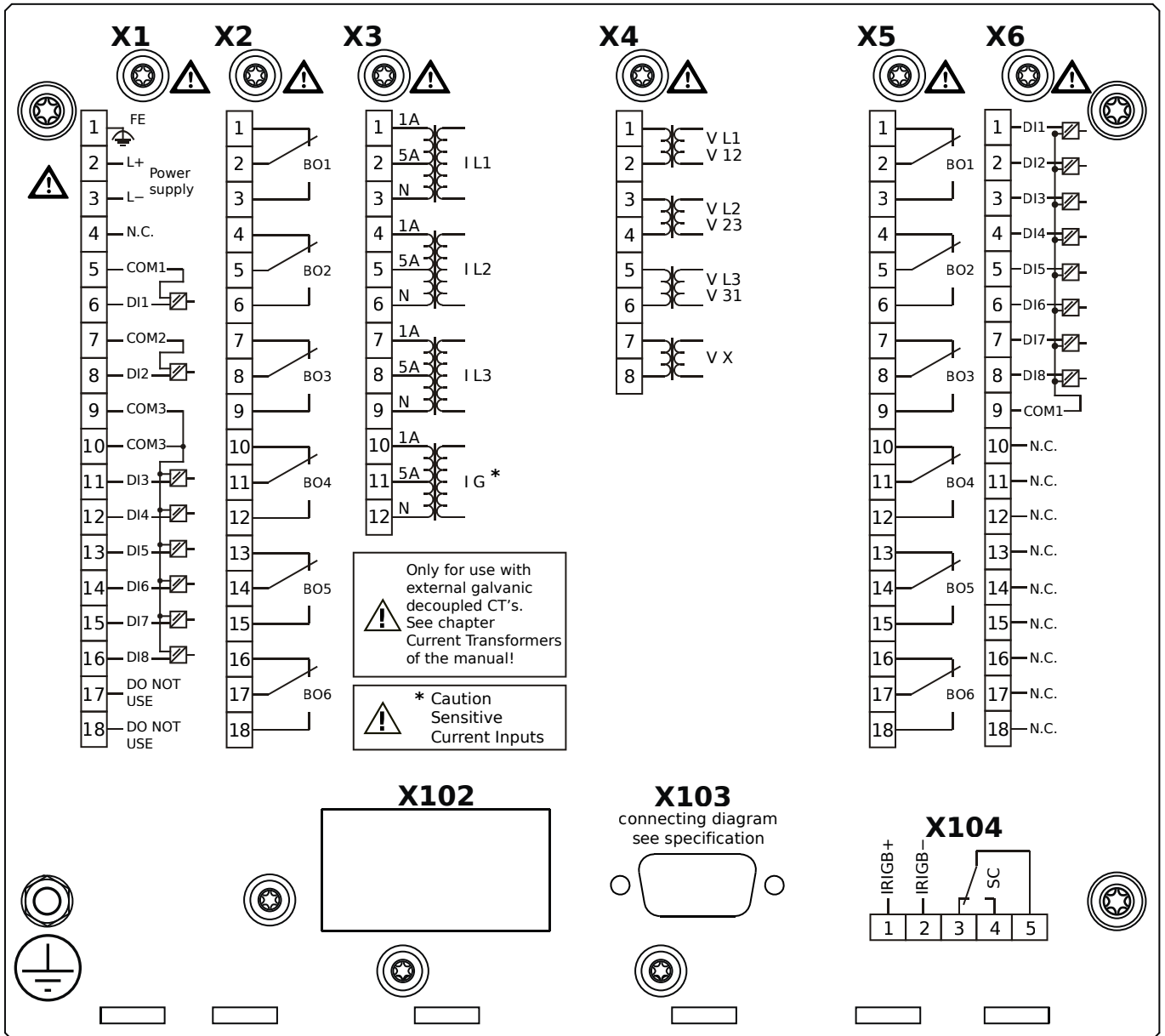
MCA4-2D1HGA



Housing B2, large display, door mounting

- X1** – DI8-X1: Wide-range power supply unit, incl. 2 non-grouped digital inputs and 6 grouped digital inputs
- X2** – OR6: Assembly Group with 6 Output Relays
- X3** – TIs: Standard phase current measuring card and sensitive ground current measuring
- X4** – TU: Card with 4 voltage transformer measuring inputs
- X5** – OR6: Assembly Group with 6 Output Relays
- X6** – DI8: Assembly Group with 8 Digital Inputs
- X103** – Modbus RTU / IEC 60870-5-103 / DNP3.0 RTU, RS485, D-SUB
- X104** – IRIG-B00X, incl. System Contact (Supervision Contact)

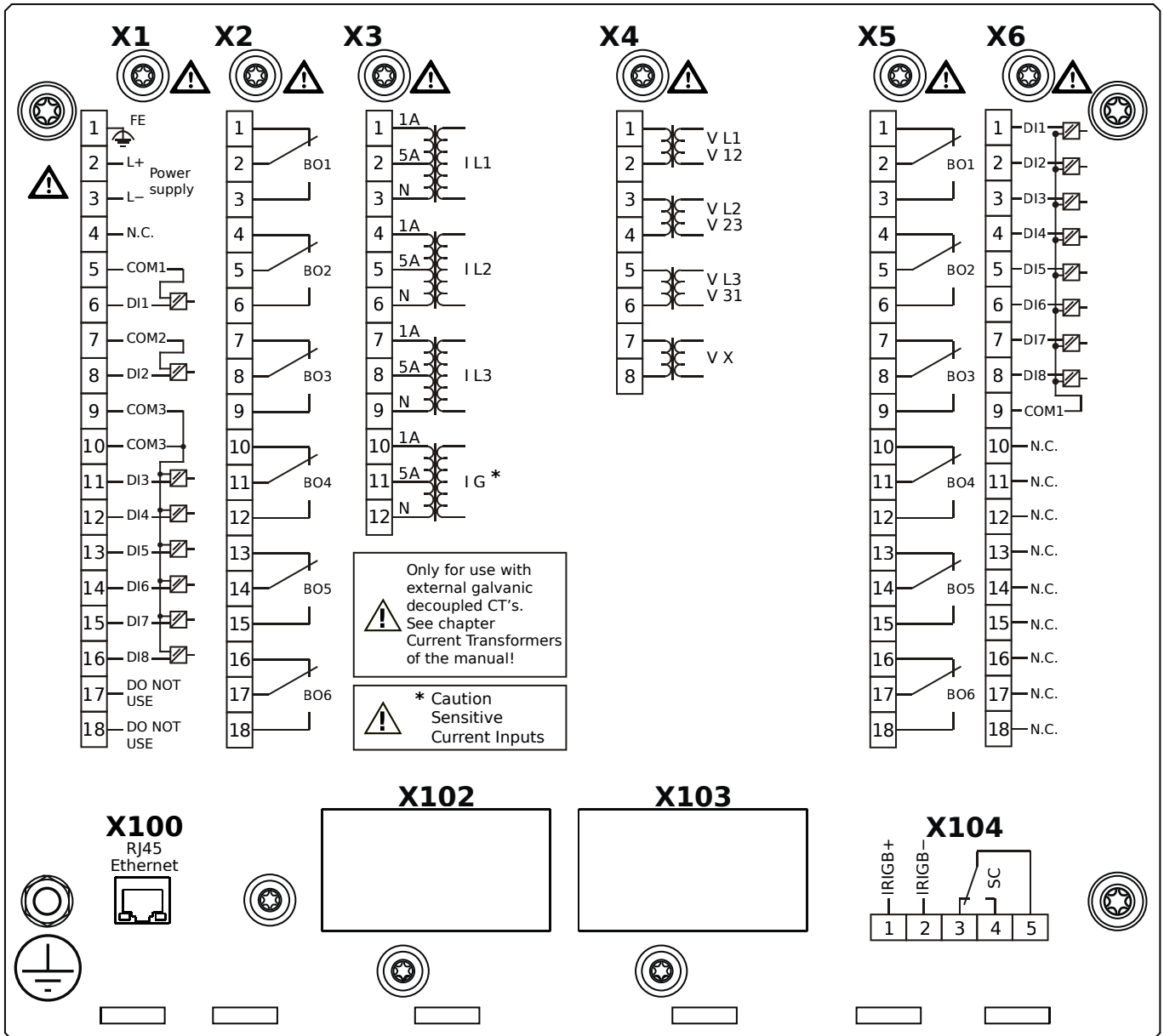
MCA4-2D1HGB



Housing B2, large display, door mounting

- X1** – DI8-X1: Wide-range power supply unit, incl. 2 non-grouped digital inputs and 6 grouped digital inputs
- X2** – OR6: Assembly Group with 6 Output Relays
- X3** – TIs: Standard phase current measuring card and sensitive ground current measuring
- X4** – TU: Card with 4 voltage transformer measuring inputs
- X5** – OR6: Assembly Group with 6 Output Relays
- X6** – DI8: Assembly Group with 8 Digital Inputs
- X103** – Modbus RTU / IEC 60870-5-103 / DNP3.0 RTU, RS485, D-SUB
- X104** – IRIG-B00X, incl. System Contact (Supervision Contact)

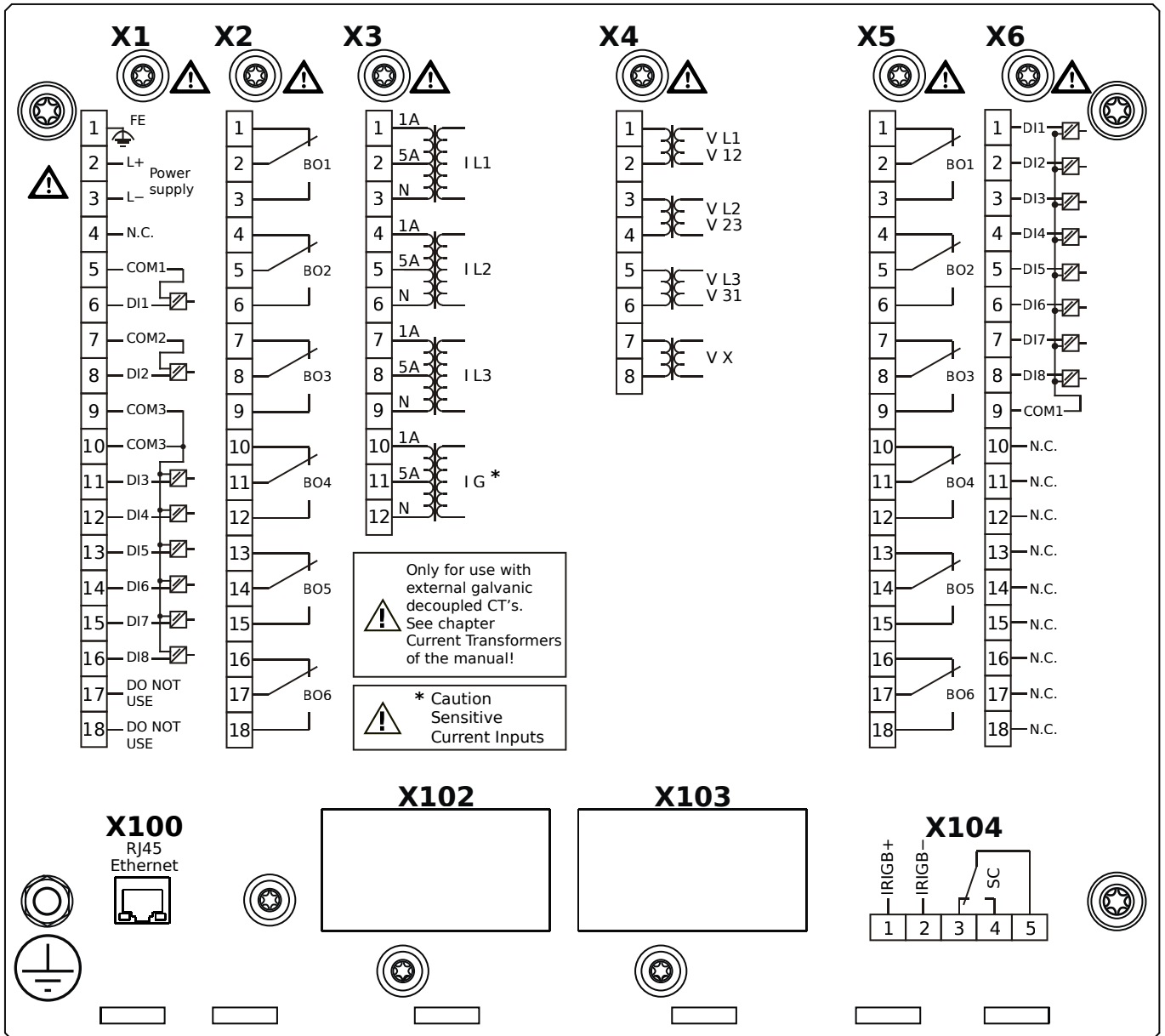
MCA4-2D1HHA



Housing B2, large display, door mounting

- X1** – DI8-X1: Wide-range power supply unit, incl. 2 non-grouped digital inputs and 6 grouped digital inputs
- X2** – OR6: Assembly Group with 6 Output Relays
- X3** – TIs: Standard phase current measuring card and sensitive ground current measuring
- X4** – TU: Card with 4 voltage transformer measuring inputs
- X5** – OR6: Assembly Group with 6 Output Relays
- X6** – DI8: Assembly Group with 8 Digital Inputs
- X100** – IEC 61850 / Modbus TCP / DNP3.0 TCP/UDP, Ethernet interface, 100 Mbit/s, RJ45 (BASE100-FX)
- X104** – IRIG-B00X, incl. System Contact (Supervision Contact)

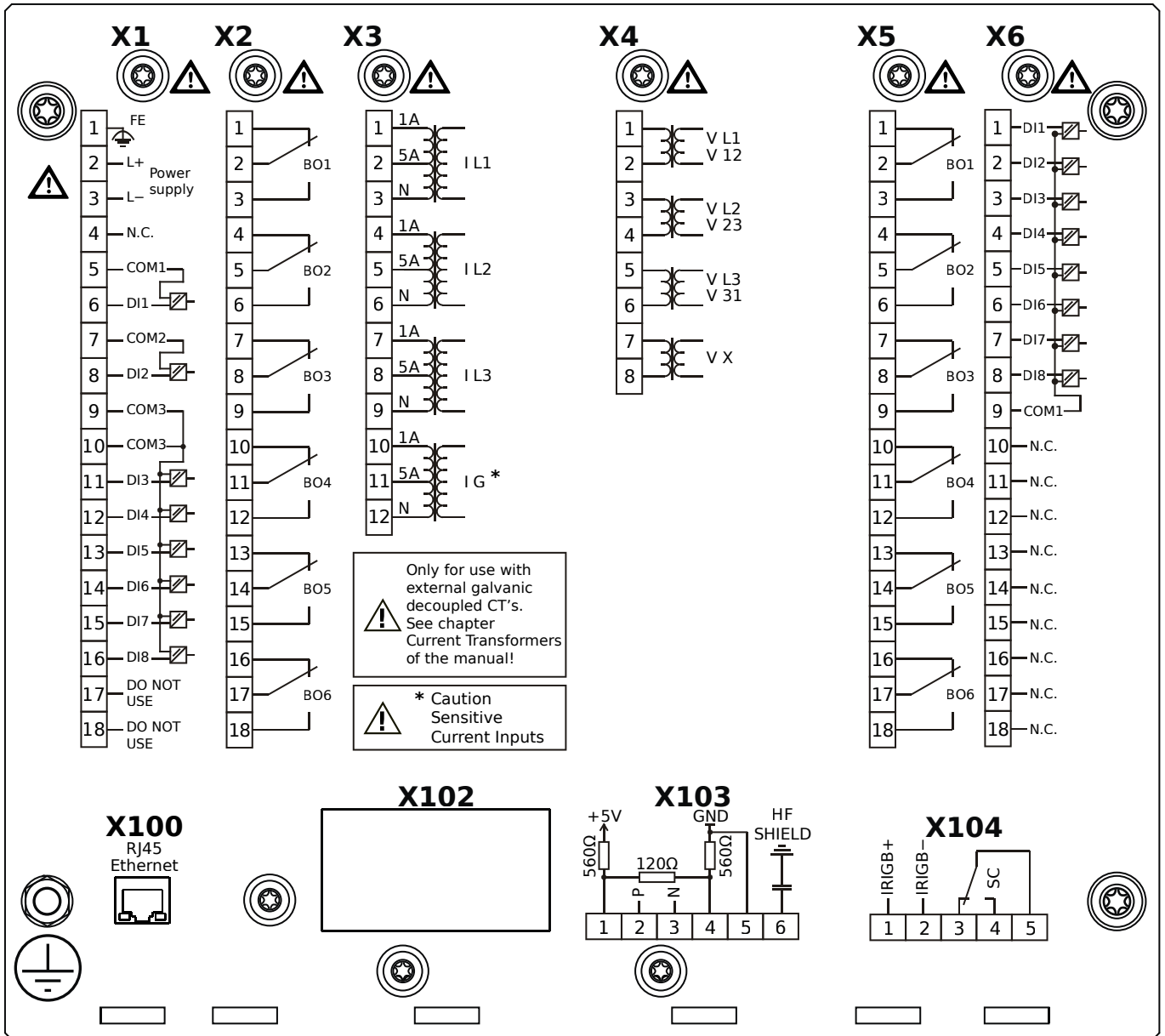
MCA4-2D1HHB



Housing B2, large display, door mounting

- X1** – DI8-X1: Wide-range power supply unit, incl. 2 non-grouped digital inputs and 6 grouped digital inputs
- X2** – OR6: Assembly Group with 6 Output Relays
- X3** – TIs: Standard phase current measuring card and sensitive ground current measuring
- X4** – TU: Card with 4 voltage transformer measuring inputs
- X5** – OR6: Assembly Group with 6 Output Relays
- X6** – DI8: Assembly Group with 8 Digital Inputs
- X100** – IEC 61850 / Modbus TCP / DNP3.0 TCP/UDP, Ethernet interface, 100 Mbit/s, RJ45 (BASE100-FX)
- X104** – IRIG-B00X, incl. System Contact (Supervision Contact)

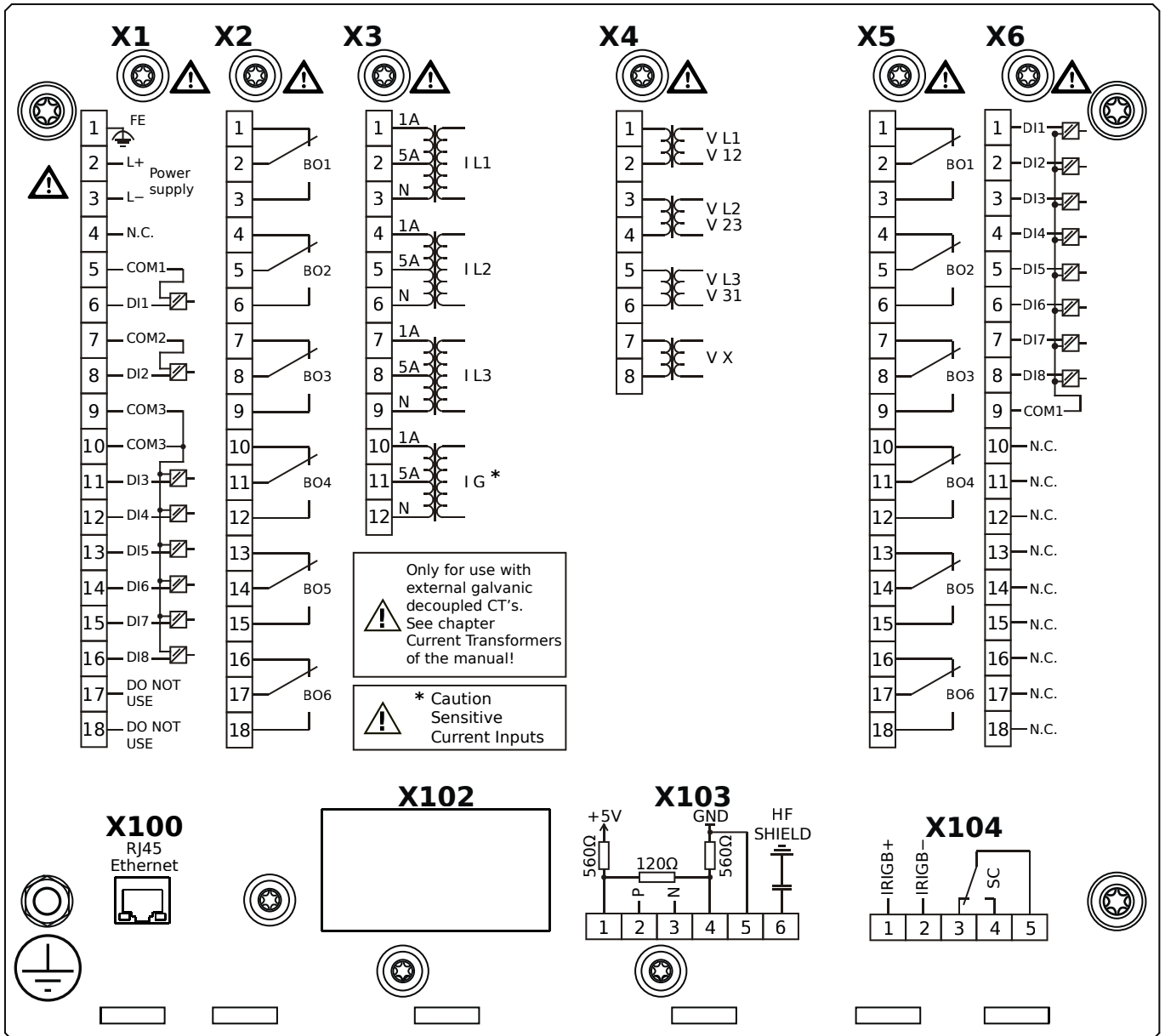
MCA4-2D1HIA



Housing B2, large display, door mounting

- X1** – DI8-X1: Wide-range power supply unit, incl. 2 non-grouped digital inputs and 6 grouped digital inputs
- X2** – OR6: Assembly Group with 6 Output Relays
- X3** – TIs: Standard phase current measuring card and sensitive ground current measuring
- X4** – TU: Card with 4 voltage transformer measuring inputs
- X5** – OR6: Assembly Group with 6 Output Relays
- X6** – DI8: Assembly Group with 8 Digital Inputs
- X100** – Modbus TCP / DNP3.0 TCP/UDP, Ethernet interface, 100 Mbit/s, RJ45 (BASE100-FX)
- X103** – IEC 60870-5-103 / Modbus RTU / DNP3.0 RTU, RS485, Terminals
- X104** – IRIG-B00X, incl. System Contact (Supervision Contact)

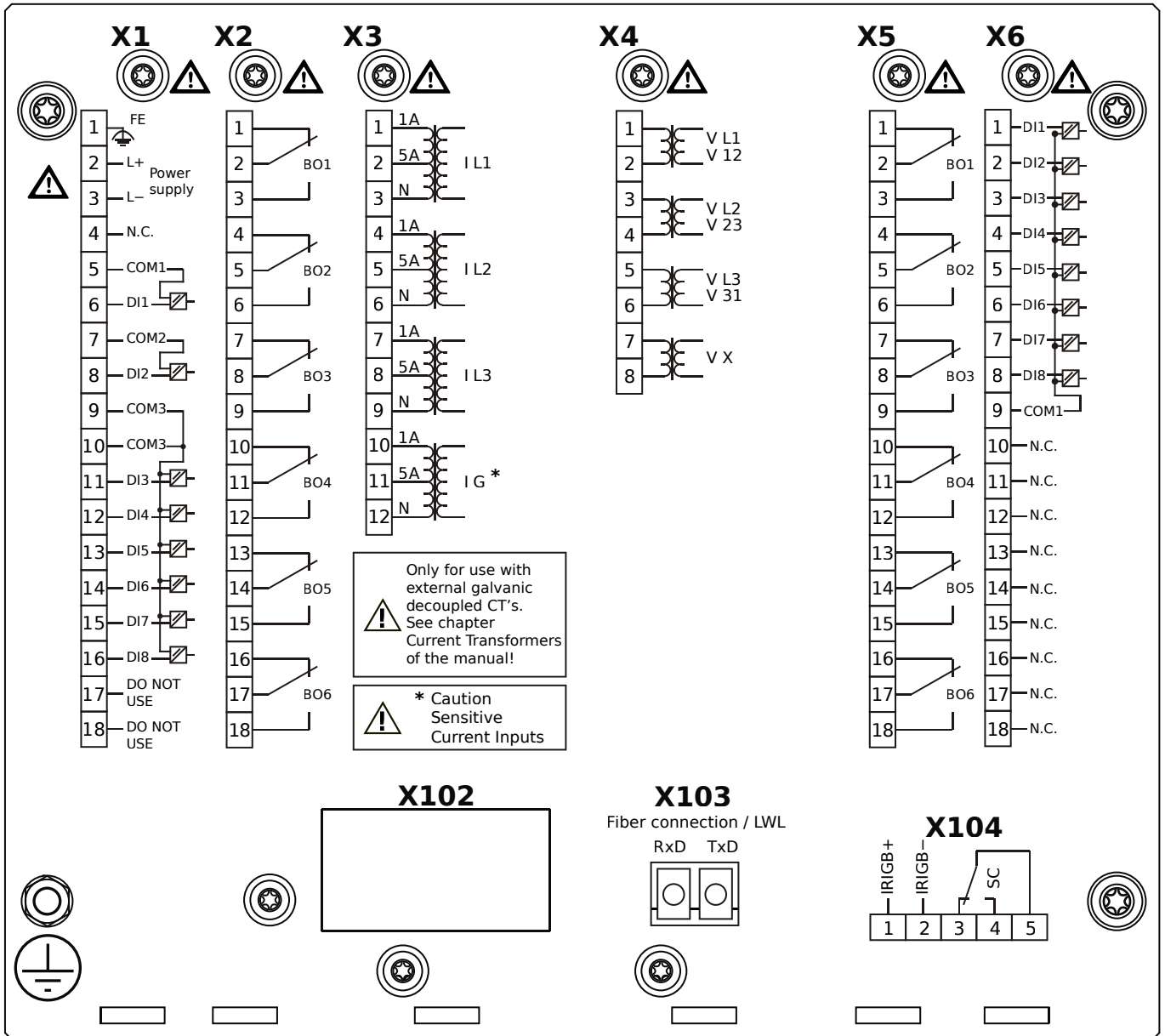
MCA4-2D1HIB



Housing B2, large display, door mounting

- X1** – DI8-X1: Wide-range power supply unit, incl. 2 non-grouped digital inputs and 6 grouped digital inputs
- X2** – OR6: Assembly Group with 6 Output Relays
- X3** – TIs: Standard phase current measuring card and sensitive ground current measuring
- X4** – TU: Card with 4 voltage transformer measuring inputs
- X5** – OR6: Assembly Group with 6 Output Relays
- X6** – DI8: Assembly Group with 8 Digital Inputs
- X100** – Modbus TCP / DNP3.0 TCP/UDP, Ethernet interface, 100 Mbit/s, RJ45 (BASE100-FX)
- X103** – IEC 60870-5-103 / Modbus RTU / DNP3.0 RTU, RS485, Terminals
- X104** – IRIG-B00X, incl. System Contact (Supervision Contact)

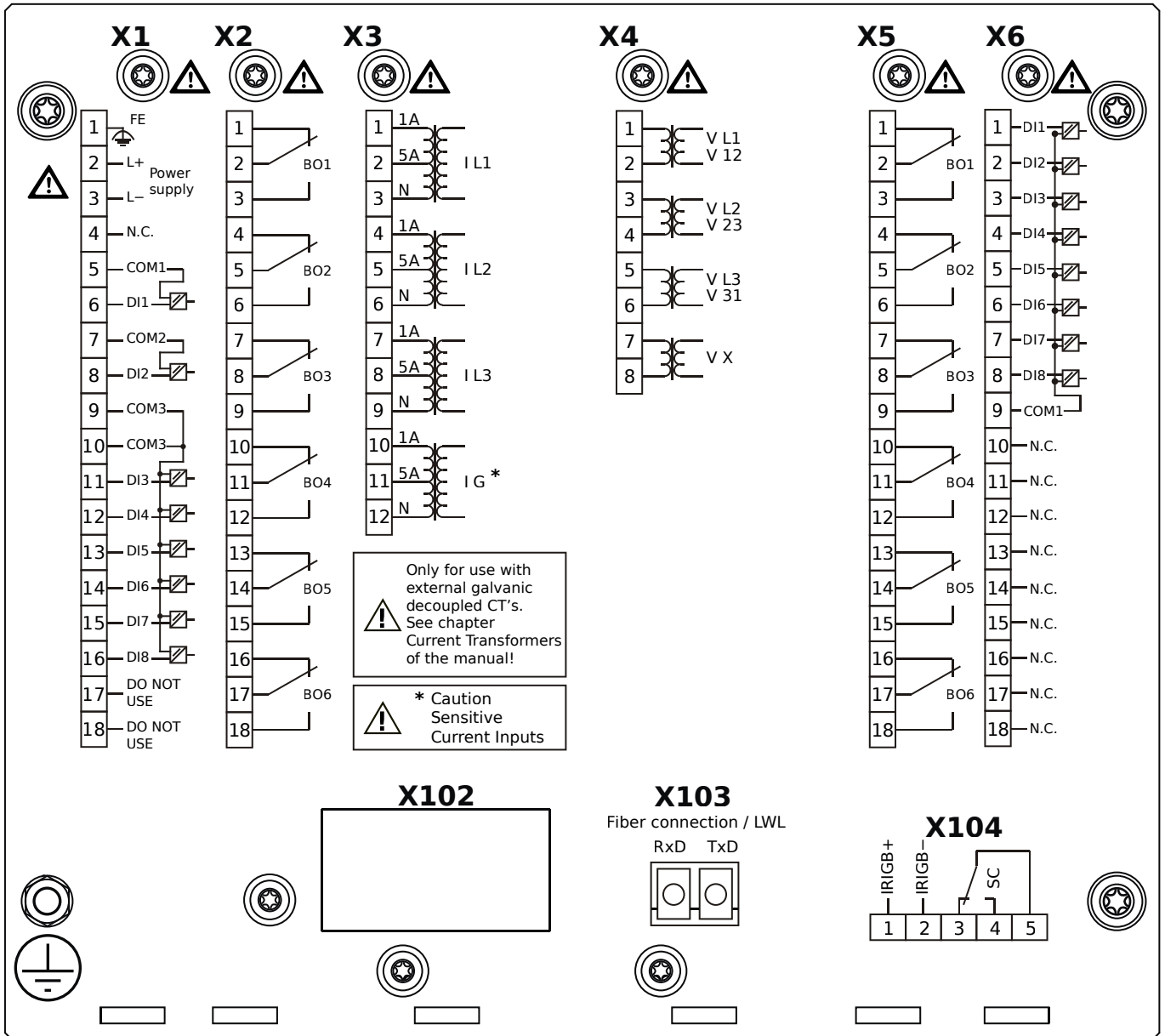
MCA4-2D1HKA



Housing B2, large display, door mounting

- X1** – DI8-X1: Wide-range power supply unit, incl. 2 non-grouped digital inputs and 6 grouped digital inputs
- X2** – OR6: Assembly Group with 6 Output Relays
- X3** – TIs: Standard phase current measuring card and sensitive ground current measuring
- X4** – TU: Card with 4 voltage transformer measuring inputs
- X5** – OR6: Assembly Group with 6 Output Relays
- X6** – DI8: Assembly Group with 8 Digital Inputs
- X103** – IEC 61850 / Modbus TCP / DNP3.0 TCP/UDP, Fiber optics interface, LC Connector
- X104** – IRIG-B00X, incl. System Contact (Supervision Contact)

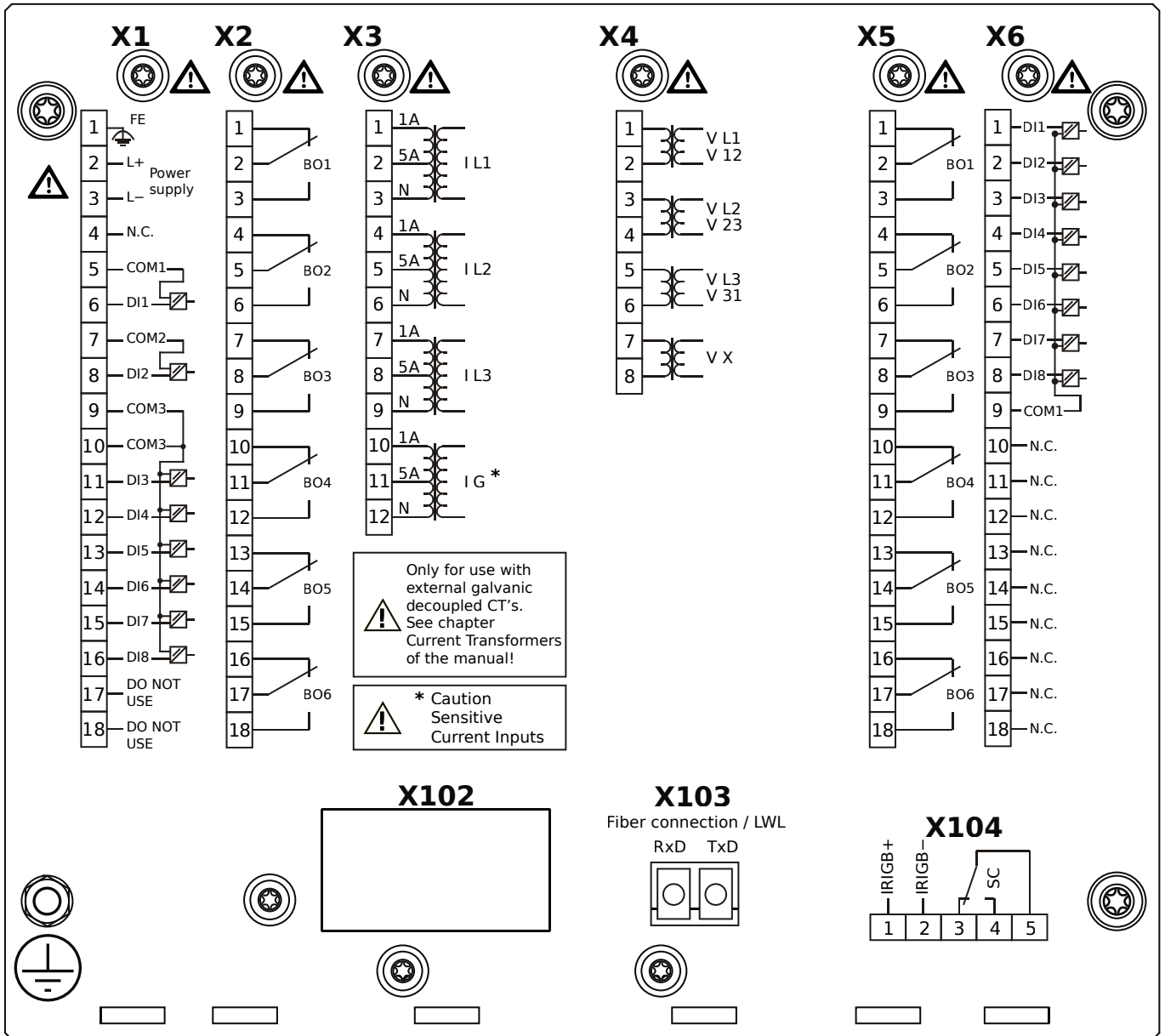
MCA4-2D1HKB



Housing B2, large display, door mounting

- X1** – DI8-X1: Wide-range power supply unit, incl. 2 non-grouped digital inputs and 6 grouped digital inputs
- X2** – OR6: Assembly Group with 6 Output Relays
- X3** – TIs: Standard phase current measuring card and sensitive ground current measuring
- X4** – TU: Card with 4 voltage transformer measuring inputs
- X5** – OR6: Assembly Group with 6 Output Relays
- X6** – DI8: Assembly Group with 8 Digital Inputs
- X103** – IEC 61850 / Modbus TCP / DNP3.0 TCP/UDP, Fiber optics interface, LC Connector
- X104** – IRIG-B00X, incl. System Contact (Supervision Contact)

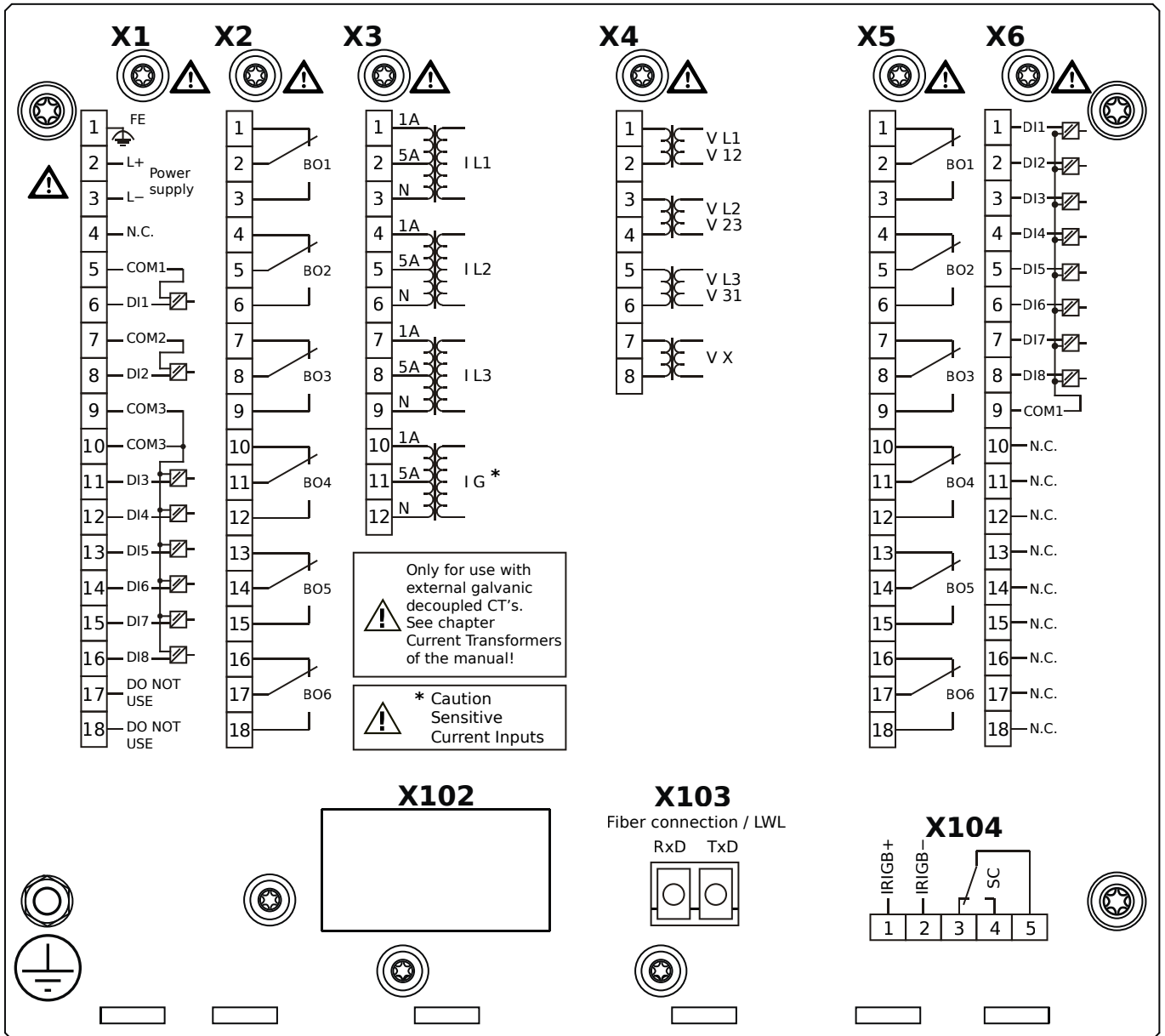
MCA4-2D1HLA



Housing B2, large display, door mounting

- X1** – DI8-X1: Wide-range power supply unit, incl. 2 non-grouped digital inputs and 6 grouped digital inputs
- X2** – OR6: Assembly Group with 6 Output Relays
- X3** – TIs: Standard phase current measuring card and sensitive ground current measuring
- X4** – TU: Card with 4 voltage transformer measuring inputs
- X5** – OR6: Assembly Group with 6 Output Relays
- X6** – DI8: Assembly Group with 8 Digital Inputs
- X103** – Modbus TCP / DNP3.0 TCP/UDP, Fiber optics interface, LC Connector
- X104** – IRIG-B00X, incl. System Contact (Supervision Contact)

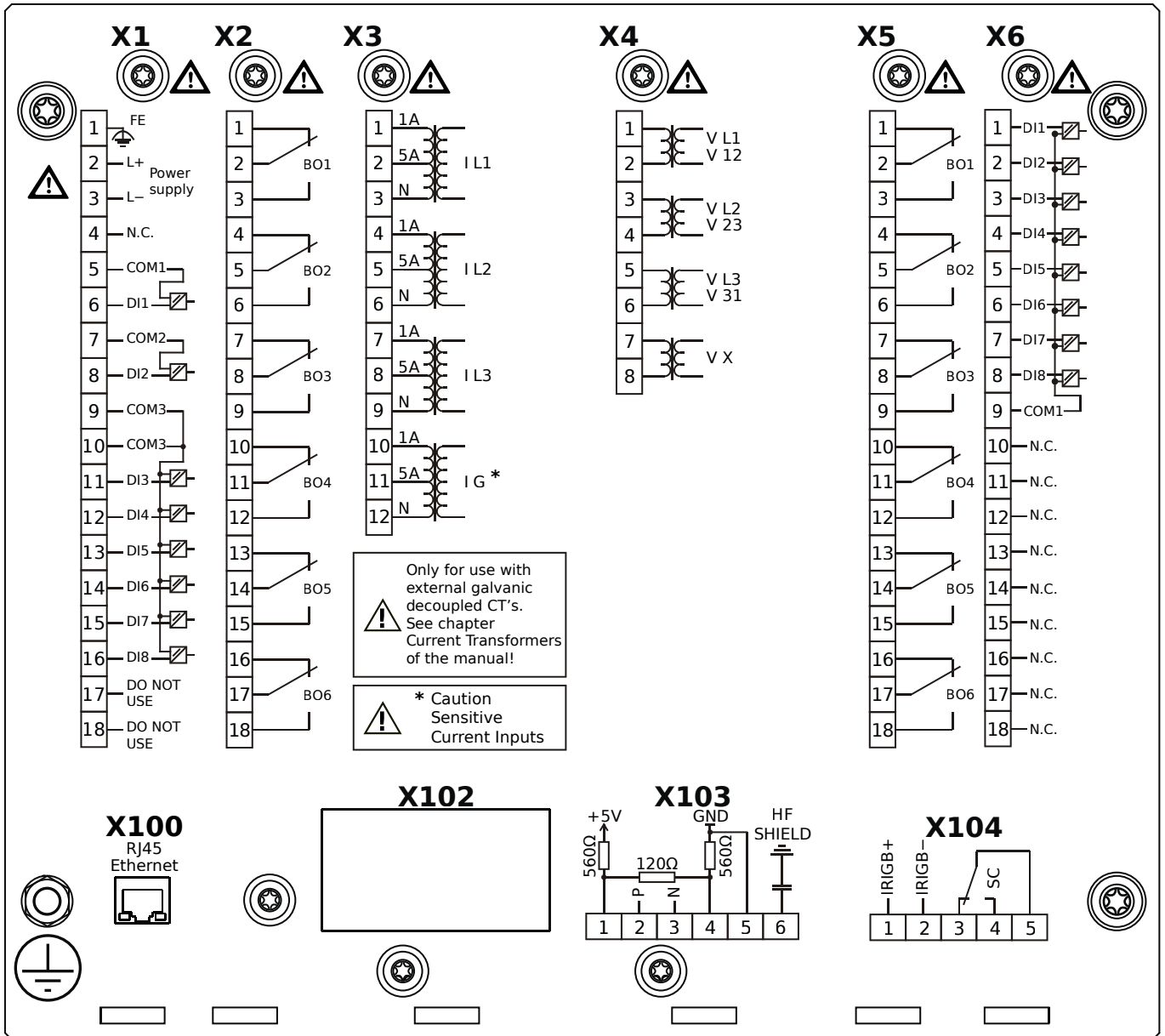
MCA4-2D1HLB



Housing B2, large display, door mounting

- X1** – DI8-X1: Wide-range power supply unit, incl. 2 non-grouped digital inputs and 6 grouped digital inputs
- X2** – OR6: Assembly Group with 6 Output Relays
- X3** – TIs: Standard phase current measuring card and sensitive ground current measuring
- X4** – TU: Card with 4 voltage transformer measuring inputs
- X5** – OR6: Assembly Group with 6 Output Relays
- X6** – DI8: Assembly Group with 8 Digital Inputs
- X103** – Modbus TCP / DNP3.0 TCP/UDP, Fiber optics interface, LC Connector
- X104** – IRIG-B00X, incl. System Contact (Supervision Contact)

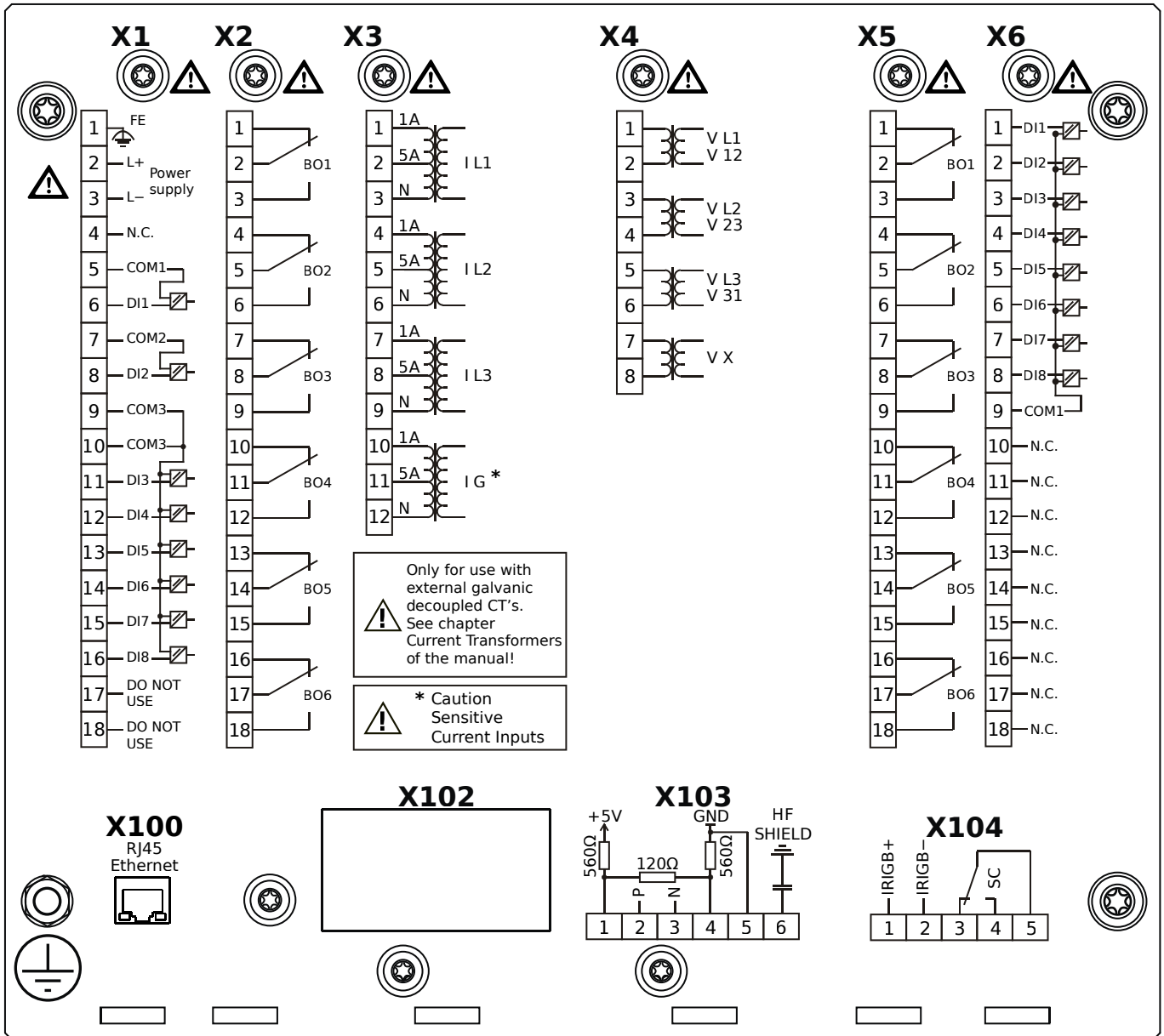
MCA4-2D1HTA



Housing B2, large display, door mounting

- X1** – DI8-X1: Wide-range power supply unit, incl. 2 non-grouped digital inputs and 6 grouped digital inputs
- X2** – OR6: Assembly Group with 6 Output Relays
- X3** – TIs: Standard phase current measuring card and sensitive ground current measuring
- X4** – TU: Card with 4 voltage transformer measuring inputs
- X5** – OR6: Assembly Group with 6 Output Relays
- X6** – DI8: Assembly Group with 8 Digital Inputs
- X100** – IEC 61850 / Modbus TCP / DNP3.0 TCP/UDP, Ethernet interface, 100 Mbit/s, RJ45 (BASE100-FX)
- X103** – IEC 60870-5-103 / Modbus RTU / DNP3.0 RTU, RS485, Terminals
- X104** – IRIG-B00X, incl. System Contact (Supervision Contact)

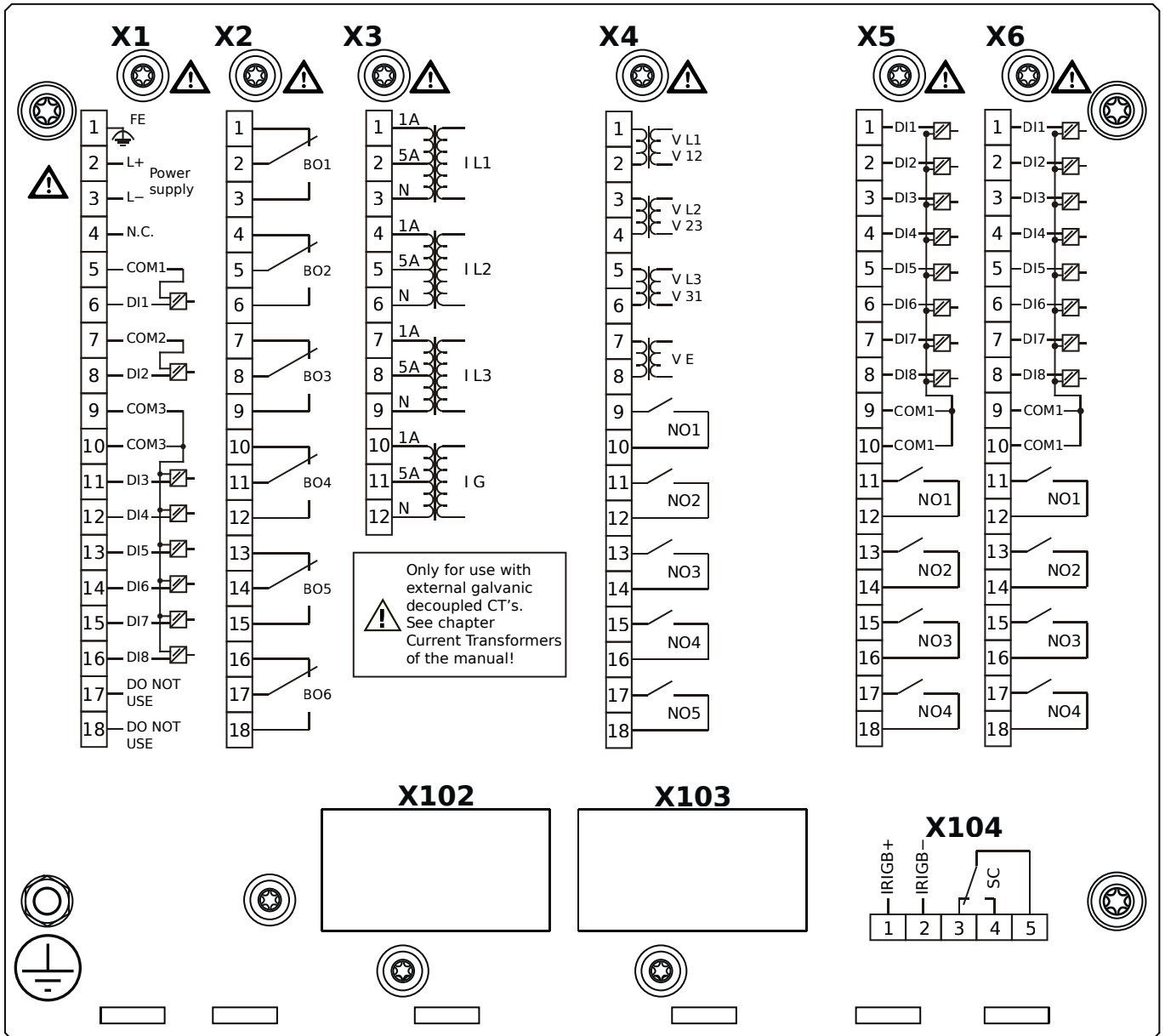
MCA4-2D1HTB



Housing B2, large display, door mounting

- X1** – DI8-X1: Wide-range power supply unit, incl. 2 non-grouped digital inputs and 6 grouped digital inputs
- X2** – OR6: Assembly Group with 6 Output Relays
- X3** – TIs: Standard phase current measuring card and sensitive ground current measuring
- X4** – TU: Card with 4 voltage transformer measuring inputs
- X5** – OR6: Assembly Group with 6 Output Relays
- X6** – DI8: Assembly Group with 8 Digital Inputs
- X100** – IEC 61850 / Modbus TCP / DNP3.0 TCP/UDP, Ethernet interface, 100 Mbit/s, RJ45 (BASE100-FX)
- X103** – IEC 60870-5-103 / Modbus RTU / DNP3.0 RTU, RS485, Terminals
- X104** – IRIG-B00X, incl. System Contact (Supervision Contact)

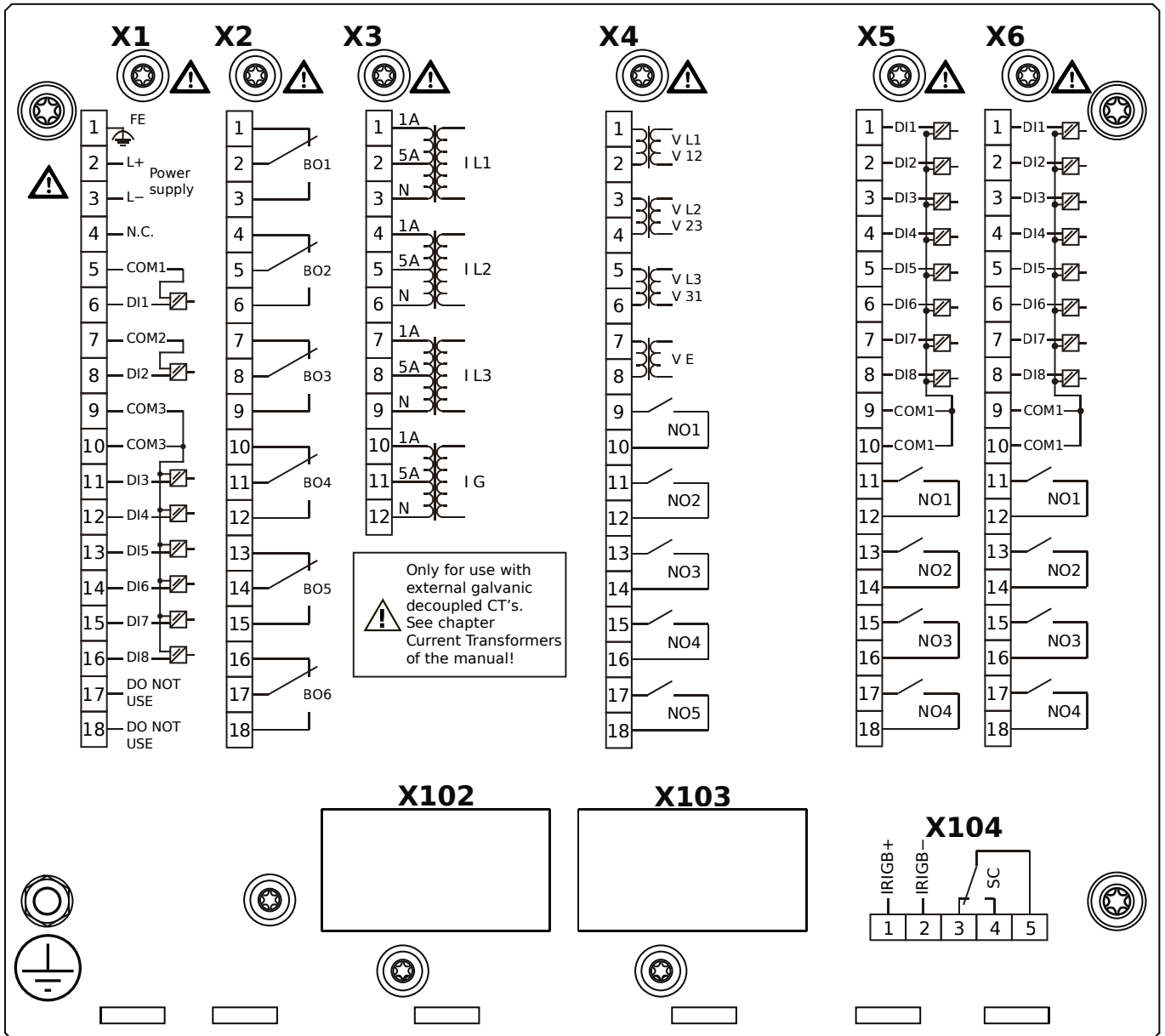
MCA4-2E0AAA



Housing B2, large display, door mounting

- X1** – DI8-X1: Wide-range power supply unit, incl. 2 non-grouped digital inputs and 6 grouped digital inputs
- X2** – OR6: Assembly Group with 6 Output Relays
- X3** – TI: Standard current measuring card
- X4** – TU-OR5: Voltage measuring assembly group with 5 additional Output Relays (normally open)
- X5** – DI8-OR4: Assembly Group with 8 Digital Inputs and 4 Output Relays
- X6** – DI8-OR4: Assembly Group with 8 Digital Inputs and 4 Output Relays
- X104** – IRIG-B00X, incl. System Contact (Supervision Contact)

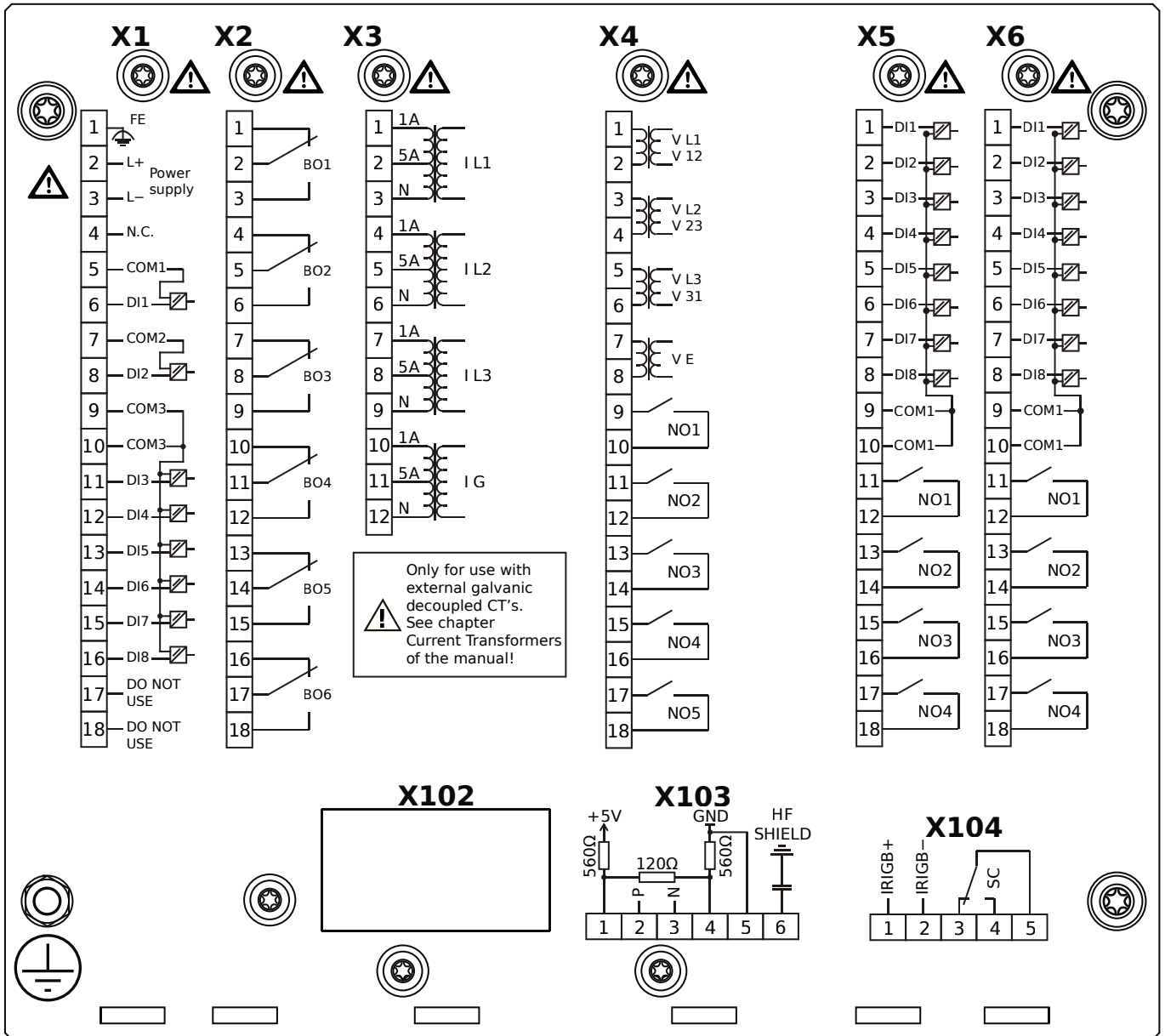
MCA4-2E0AAB



Housing B2, large display, door mounting

- X1** – DI8-X1: Wide-range power supply unit, incl. 2 non-grouped digital inputs and 6 grouped digital inputs
- X2** – OR6: Assembly Group with 6 Output Relays
- X3** – TI: Standard current measuring card
- X4** – TU-OR5: Voltage measuring assembly group with 5 additional Output Relays (normally open)
- X5** – DI8-OR4: Assembly Group with 8 Digital Inputs and 4 Output Relays
- X6** – DI8-OR4: Assembly Group with 8 Digital Inputs and 4 Output Relays
- X104** – IRIG-B00X, incl. System Contact (Supervision Contact)

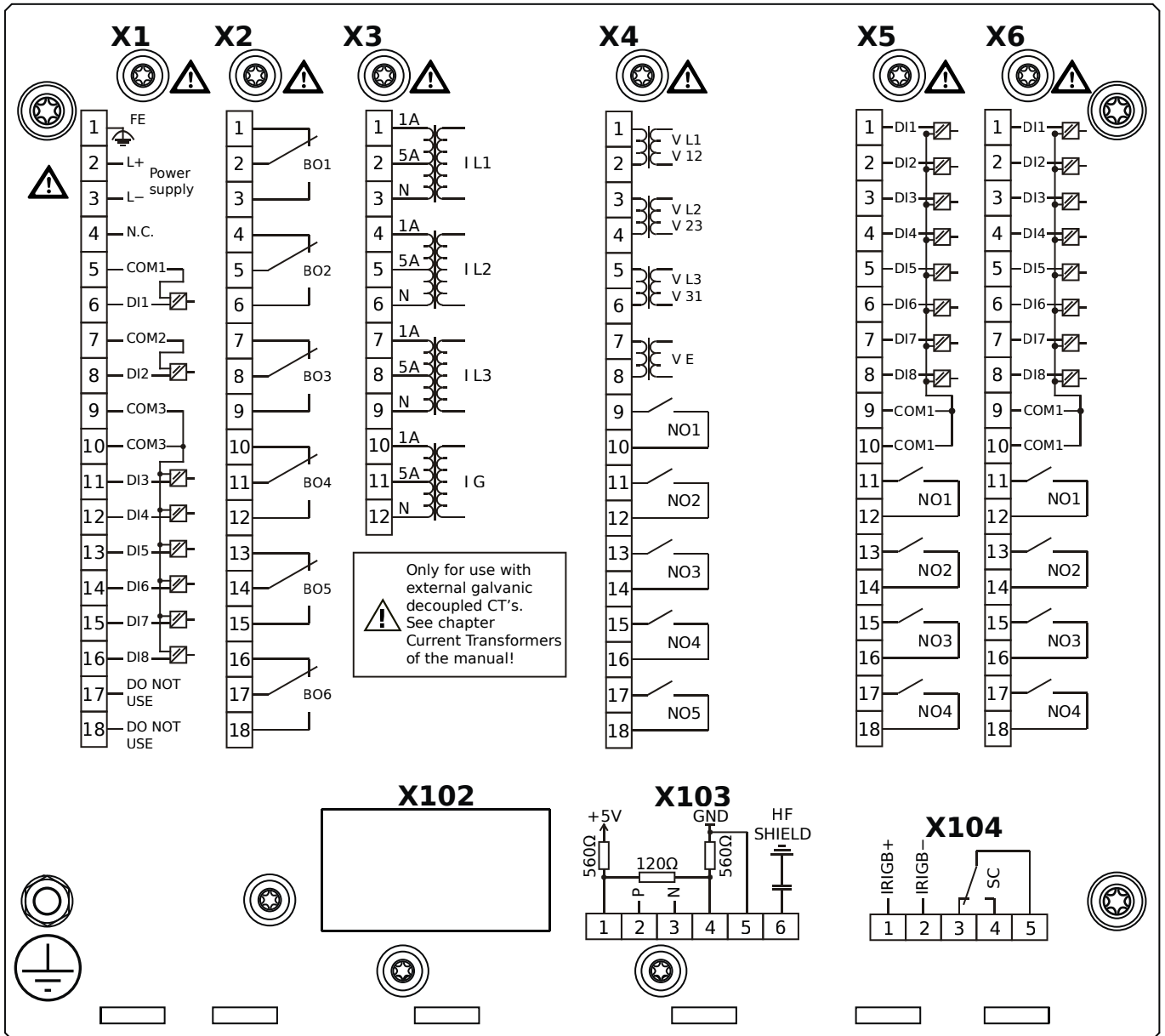
MCA4-2E0ABA



Housing B2, large display, door mounting

- X1** – DI8-X1: Wide-range power supply unit, incl. 2 non-grouped digital inputs and 6 grouped digital inputs
- X2** – OR6: Assembly Group with 6 Output Relays
- X3** – TI: Standard current measuring card
- X4** – TU-OR5: Voltage measuring assembly group with 5 additional Output Relays (normally open)
- X5** – DI8-OR4: Assembly Group with 8 Digital Inputs and 4 Output Relays
- X6** – DI8-OR4: Assembly Group with 8 Digital Inputs and 4 Output Relays
- X103** – Modbus RTU / IEC 60870-5-103 / DNP3.0 RTU, RS485, Terminals
- X104** – IRIG-B00X, incl. System Contact (Supervision Contact)

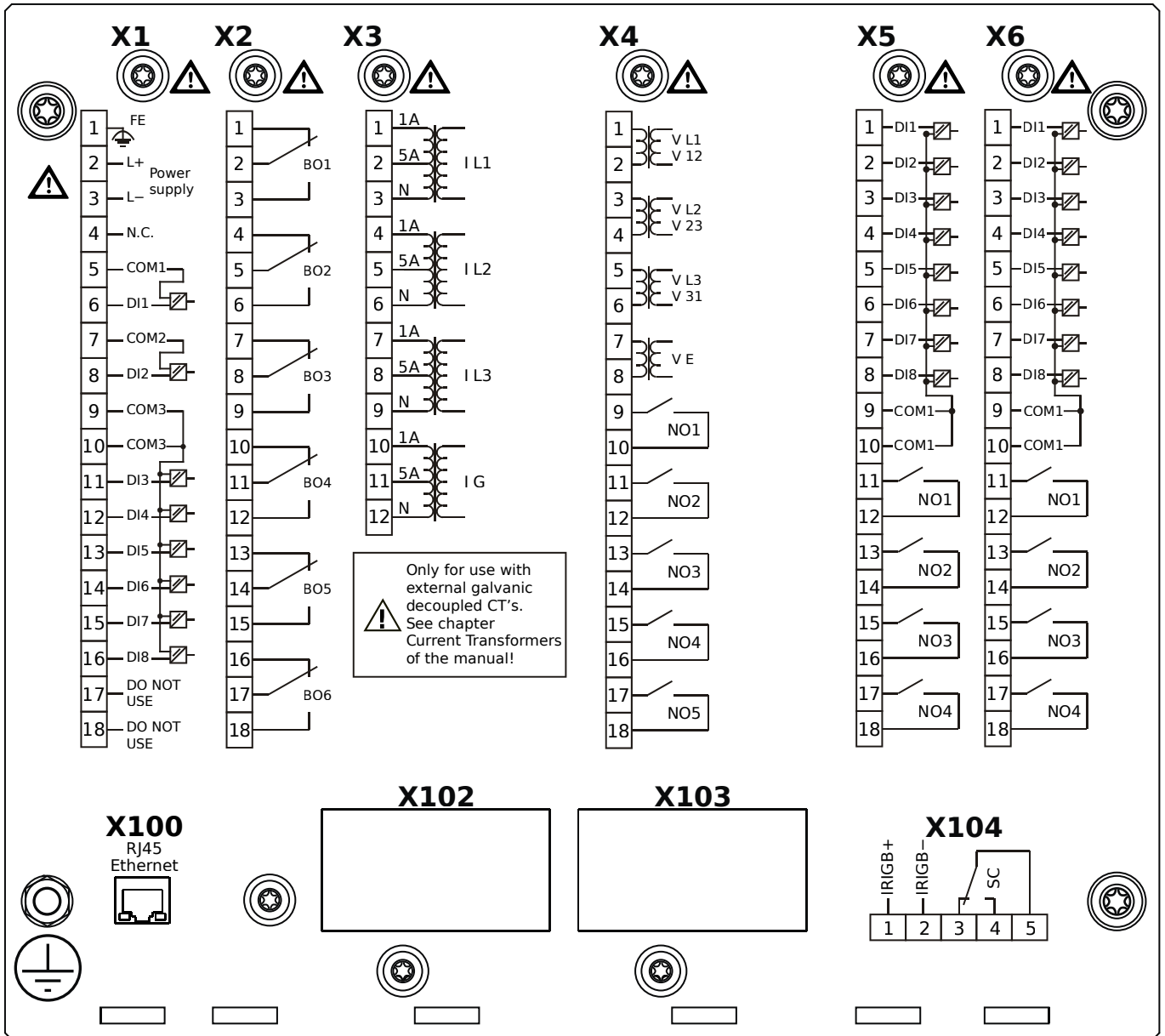
MCA4-2E0ABB



Housing B2, large display, door mounting

- X1** – DI8-X1: Wide-range power supply unit, incl. 2 non-grouped digital inputs and 6 grouped digital inputs
- X2** – OR6: Assembly Group with 6 Output Relays
- X3** – TI: Standard current measuring card
- X4** – TU-OR5: Voltage measuring assembly group with 5 additional Output Relays (normally open)
- X5** – DI8-OR4: Assembly Group with 8 Digital Inputs and 4 Output Relays
- X6** – DI8-OR4: Assembly Group with 8 Digital Inputs and 4 Output Relays
- X103** – Modbus RTU / IEC 60870-5-103 / DNP3.0 RTU, RS485, Terminals
- X104** – IRIG-B00X, incl. System Contact (Supervision Contact)

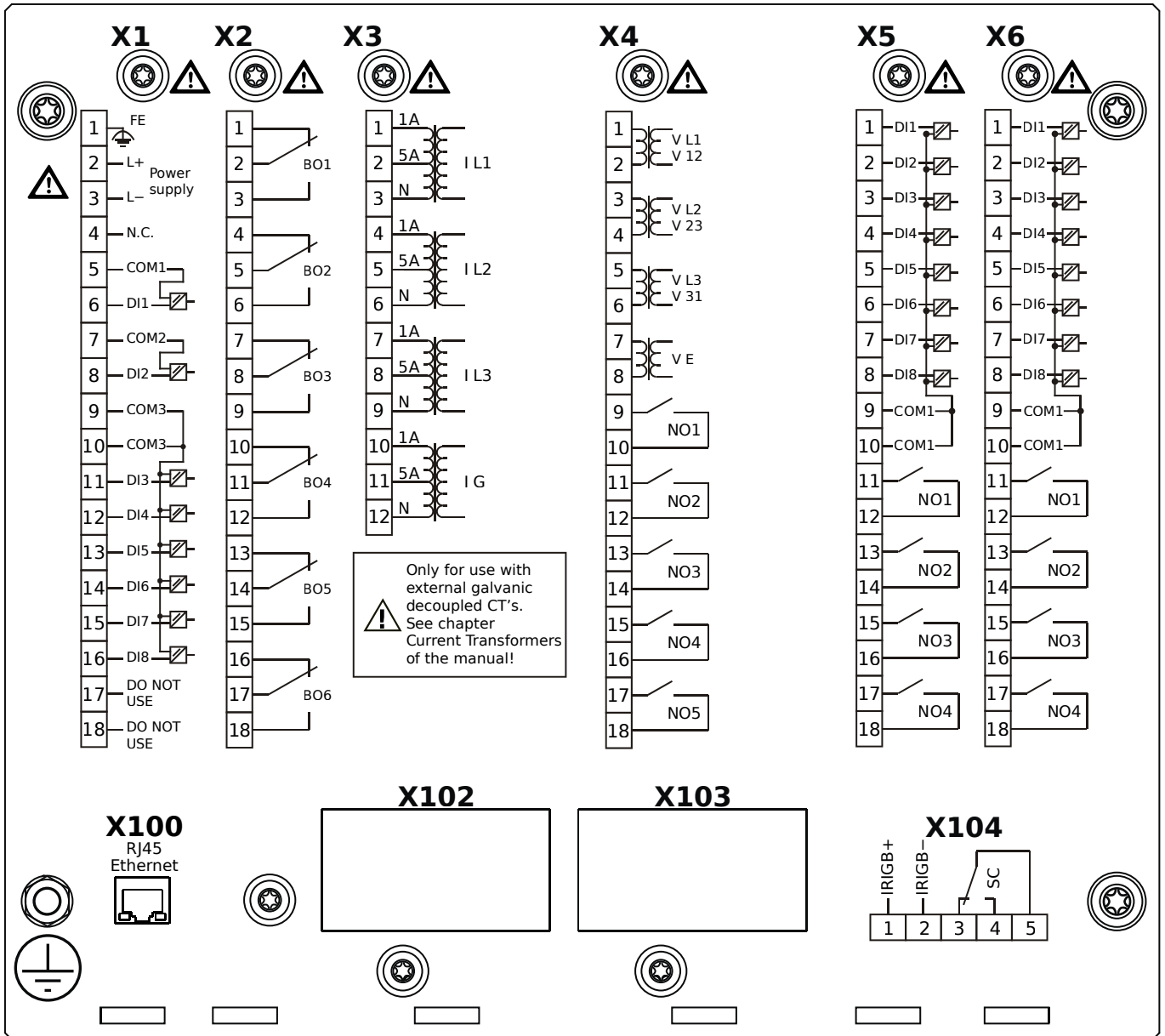
MCA4-2E0ACA



Housing B2, large display, door mounting

- X1** – DI8-X1: Wide-range power supply unit, incl. 2 non-grouped digital inputs and 6 grouped digital inputs
- X2** – OR6: Assembly Group with 6 Output Relays
- X3** – TI: Standard current measuring card
- X4** – TU-OR5: Voltage measuring assembly group with 5 additional Output Relays (normally open)
- X5** – DI8-OR4: Assembly Group with 8 Digital Inputs and 4 Output Relays
- X6** – DI8-OR4: Assembly Group with 8 Digital Inputs and 4 Output Relays
- X100** – Modbus TCP / DNP3.0 TCP/UDP, Ethernet interface, 100 Mbit/s, RJ45 (BASE100-FX)
- X104** – IRIG-B00X, incl. System Contact (Supervision Contact)

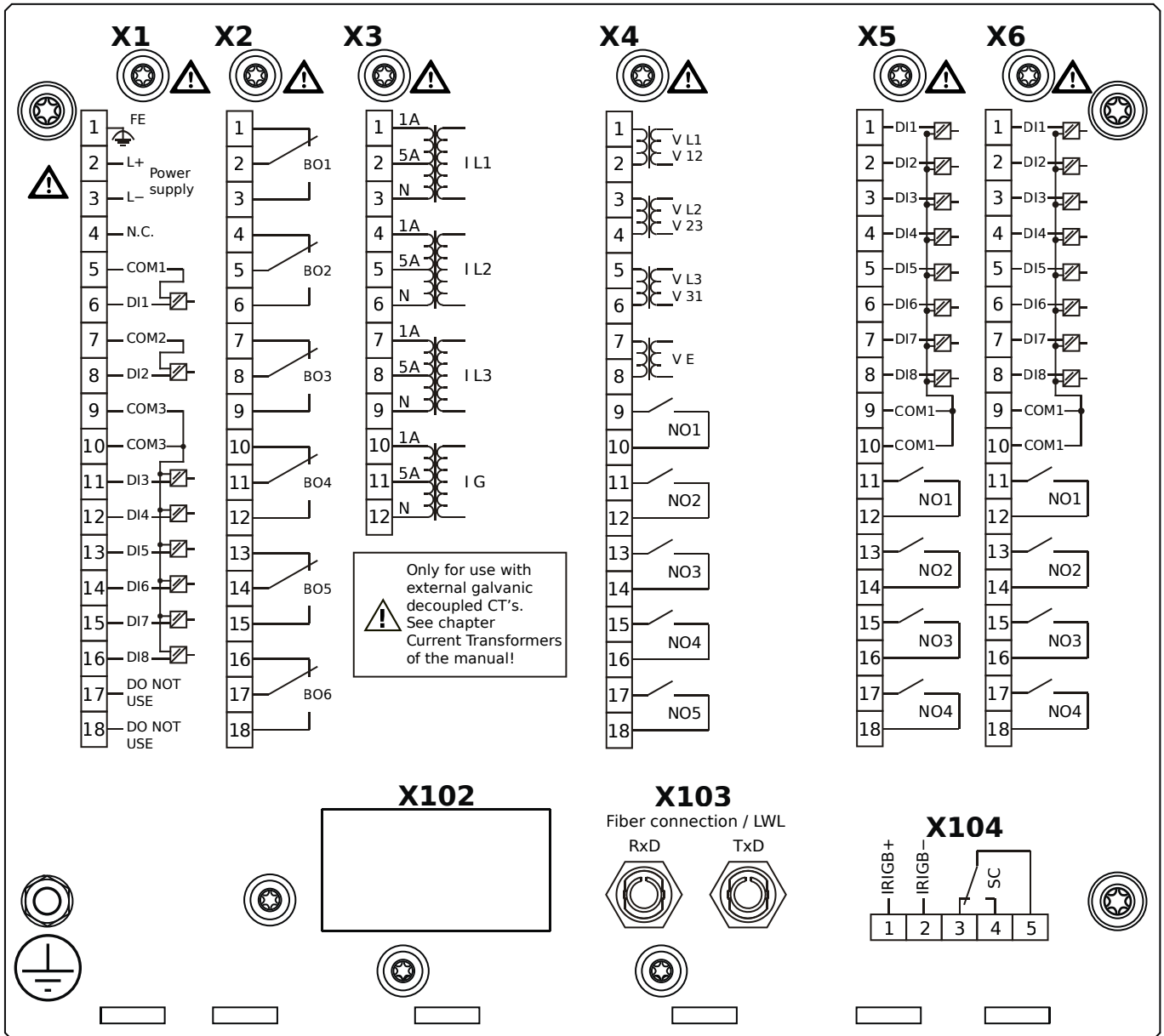
MCA4-2E0ACB



Housing B2, large display, door mounting

- X1** – DI8-X1: Wide-range power supply unit, incl. 2 non-grouped digital inputs and 6 grouped digital inputs
- X2** – OR6: Assembly Group with 6 Output Relays
- X3** – TI: Standard current measuring card
- X4** – TU-OR5: Voltage measuring assembly group with 5 additional Output Relays (normally open)
- X5** – DI8-OR4: Assembly Group with 8 Digital Inputs and 4 Output Relays
- X6** – DI8-OR4: Assembly Group with 8 Digital Inputs and 4 Output Relays
- X100** – Modbus TCP / DNP3.0 TCP/UDP, Ethernet interface, 100 Mbit/s, RJ45 (BASE100-FX)
- X104** – IRIG-B00X, incl. System Contact (Supervision Contact)

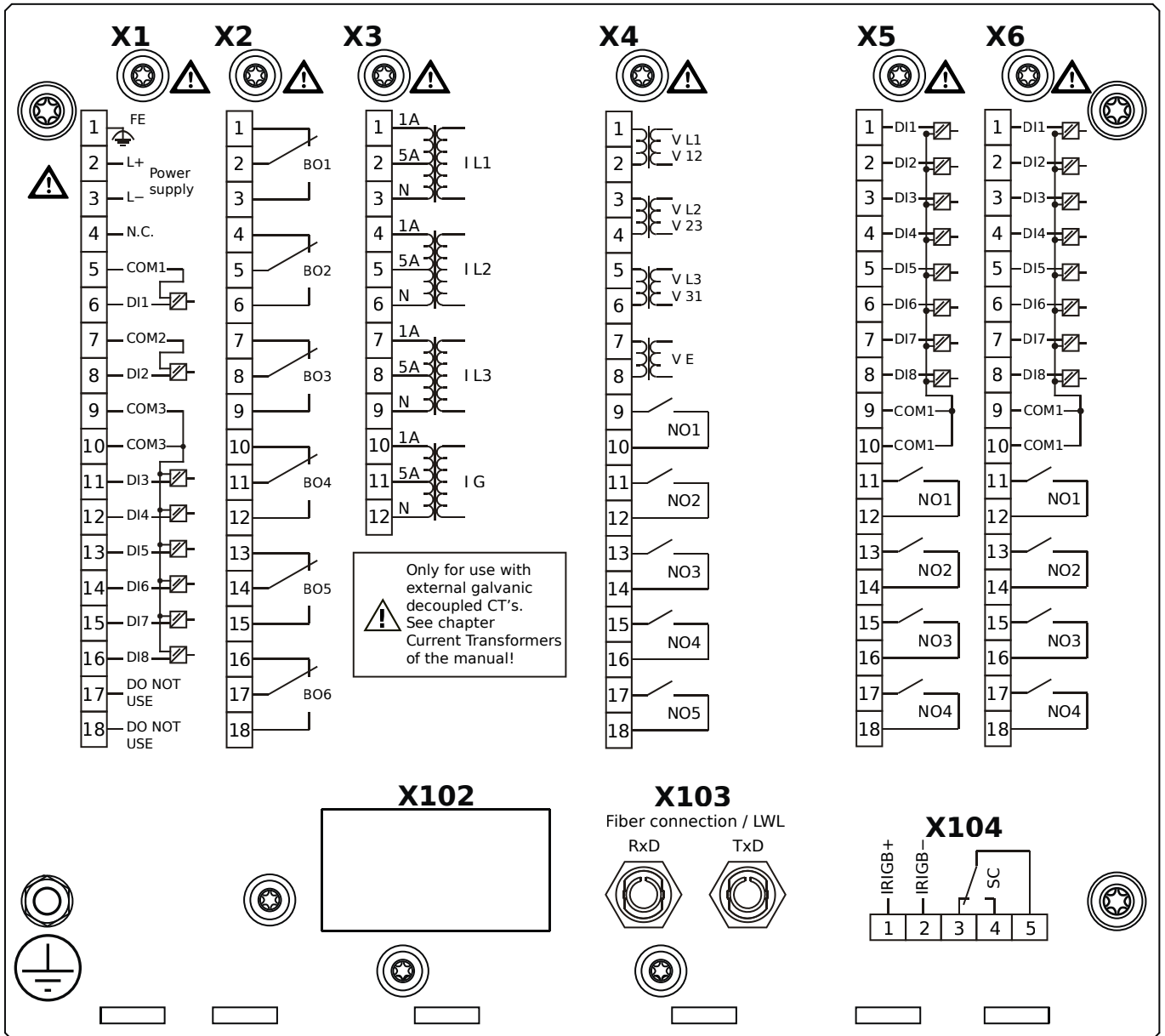
MCA4-2E0ADA



Housing B2, large display, door mounting

- X1** – DI8-X1: Wide-range power supply unit, incl. 2 non-grouped digital inputs and 6 grouped digital inputs
- X2** – OR6: Assembly Group with 6 Output Relays
- X3** – TI: Standard current measuring card
- X4** – TU-OR5: Voltage measuring assembly group with 5 additional Output Relays (normally open)
- X5** – DI8-OR4: Assembly Group with 8 Digital Inputs and 4 Output Relays
- X6** – DI8-OR4: Assembly Group with 8 Digital Inputs and 4 Output Relays
- X103** – Profibus-DP, Fiber optics interface, ST Connector
- X104** – IRIG-B00X, incl. System Contact (Supervision Contact)

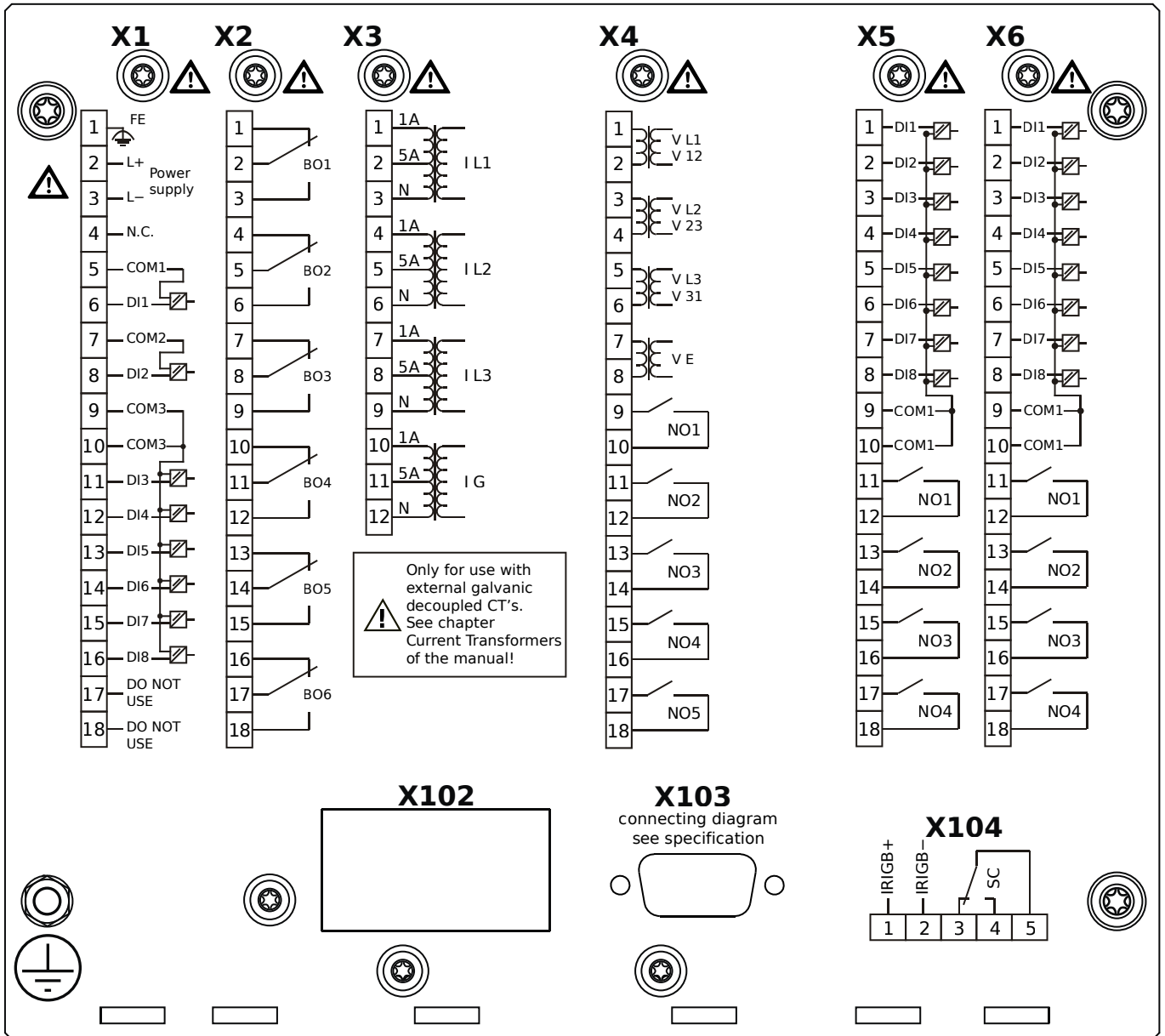
MCA4-2E0ADB



Housing B2, large display, door mounting

- X1** – DI8-X1: Wide-range power supply unit, incl. 2 non-grouped digital inputs and 6 grouped digital inputs
- X2** – OR6: Assembly Group with 6 Output Relays
- X3** – TI: Standard current measuring card
- X4** – TU-OR5: Voltage measuring assembly group with 5 additional Output Relays (normally open)
- X5** – DI8-OR4: Assembly Group with 8 Digital Inputs and 4 Output Relays
- X6** – DI8-OR4: Assembly Group with 8 Digital Inputs and 4 Output Relays
- X103** – Profibus-DP, Fiber optics interface, ST Connector
- X104** – IRIG-B00X, incl. System Contact (Supervision Contact)

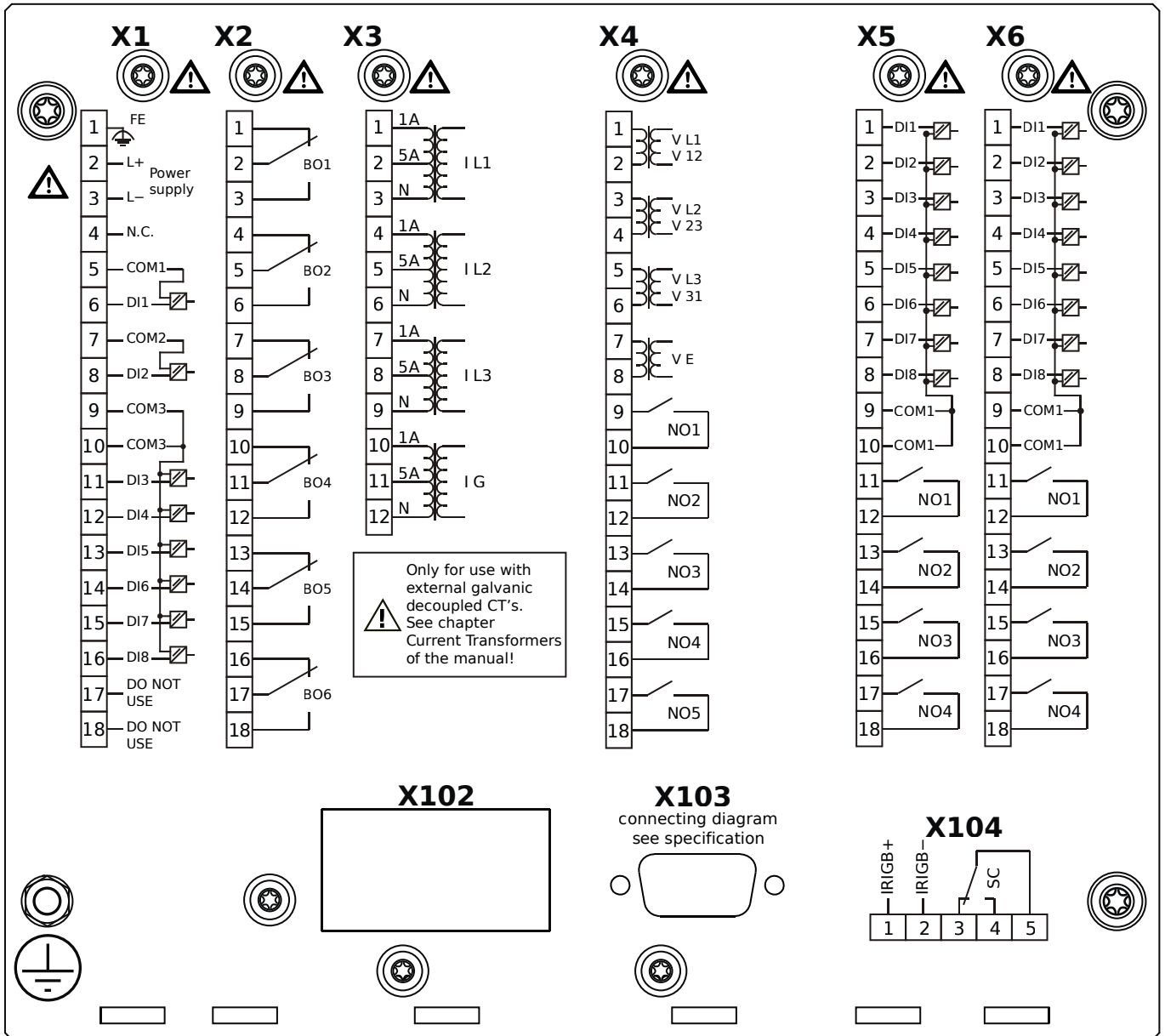
MCA4-2E0AEA



Housing B2, large display, door mounting

- X1** – DI8-X1: Wide-range power supply unit, incl. 2 non-grouped digital inputs and 6 grouped digital inputs
- X2** – OR6: Assembly Group with 6 Output Relays
- X3** – TI: Standard current measuring card
- X4** – TU-OR5: Voltage measuring assembly group with 5 additional Output Relays (normally open)
- X5** – DI8-OR4: Assembly Group with 8 Digital Inputs and 4 Output Relays
- X6** – DI8-OR4: Assembly Group with 8 Digital Inputs and 4 Output Relays
- X103** – Profibus-DP, RS485, D-SUB
- X104** – IRIG-B00X, incl. System Contact (Supervision Contact)

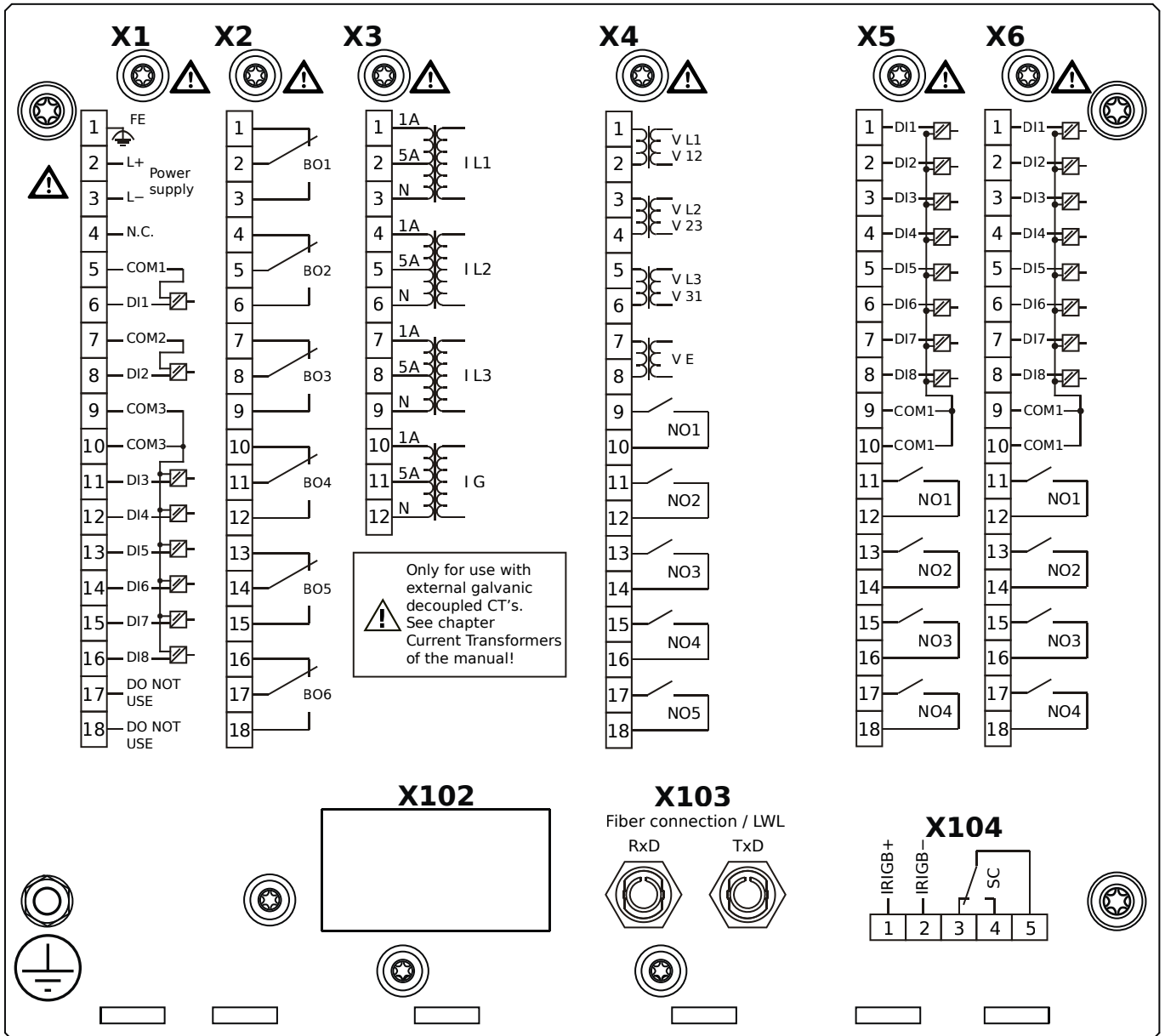
MCA4-2E0AEB



Housing B2, large display, door mounting

- X1** – DI8-X1: Wide-range power supply unit, incl. 2 non-grouped digital inputs and 6 grouped digital inputs
- X2** – OR6: Assembly Group with 6 Output Relays
- X3** – TI: Standard current measuring card
- X4** – TU-OR5: Voltage measuring assembly group with 5 additional Output Relays (normally open)
- X5** – DI8-OR4: Assembly Group with 8 Digital Inputs and 4 Output Relays
- X6** – DI8-OR4: Assembly Group with 8 Digital Inputs and 4 Output Relays
- X103** – Profibus-DP, RS485, D-SUB
- X104** – IRIG-B00X, incl. System Contact (Supervision Contact)

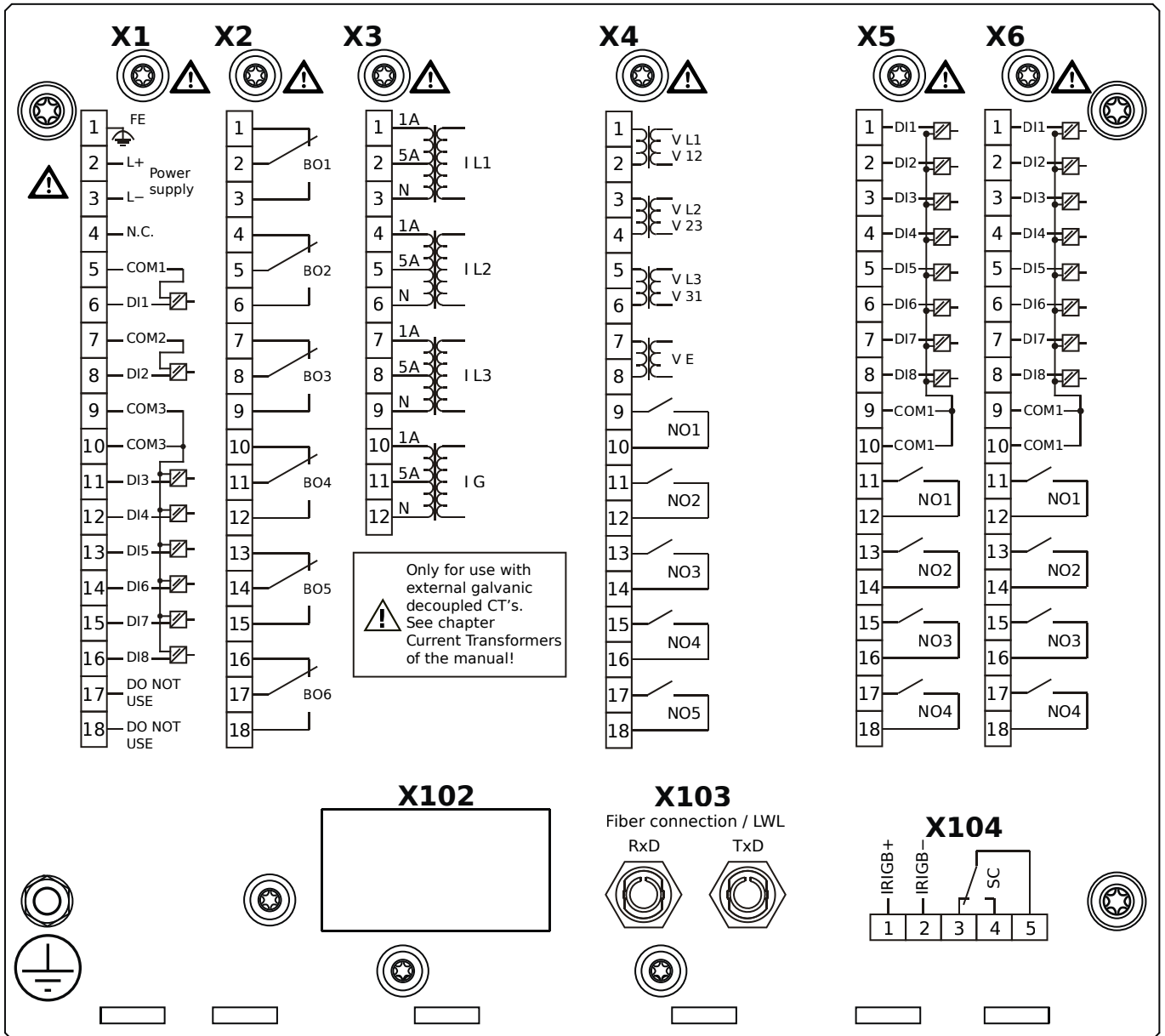
MCA4-2E0AFA



Housing B2, large display, door mounting

- X1** – DI8-X1: Wide-range power supply unit, incl. 2 non-grouped digital inputs and 6 grouped digital inputs
- X2** – OR6: Assembly Group with 6 Output Relays
- X3** – TI: Standard current measuring card
- X4** – TU-OR5: Voltage measuring assembly group with 5 additional Output Relays (normally open)
- X5** – DI8-OR4: Assembly Group with 8 Digital Inputs and 4 Output Relays
- X6** – DI8-OR4: Assembly Group with 8 Digital Inputs and 4 Output Relays
- X103** – Modbus RTU / IEC 60870-5-103 / DNP3.0 RTU, Fiber optics interface, ST Connector
- X104** – IRIG-B00X, incl. System Contact (Supervision Contact)

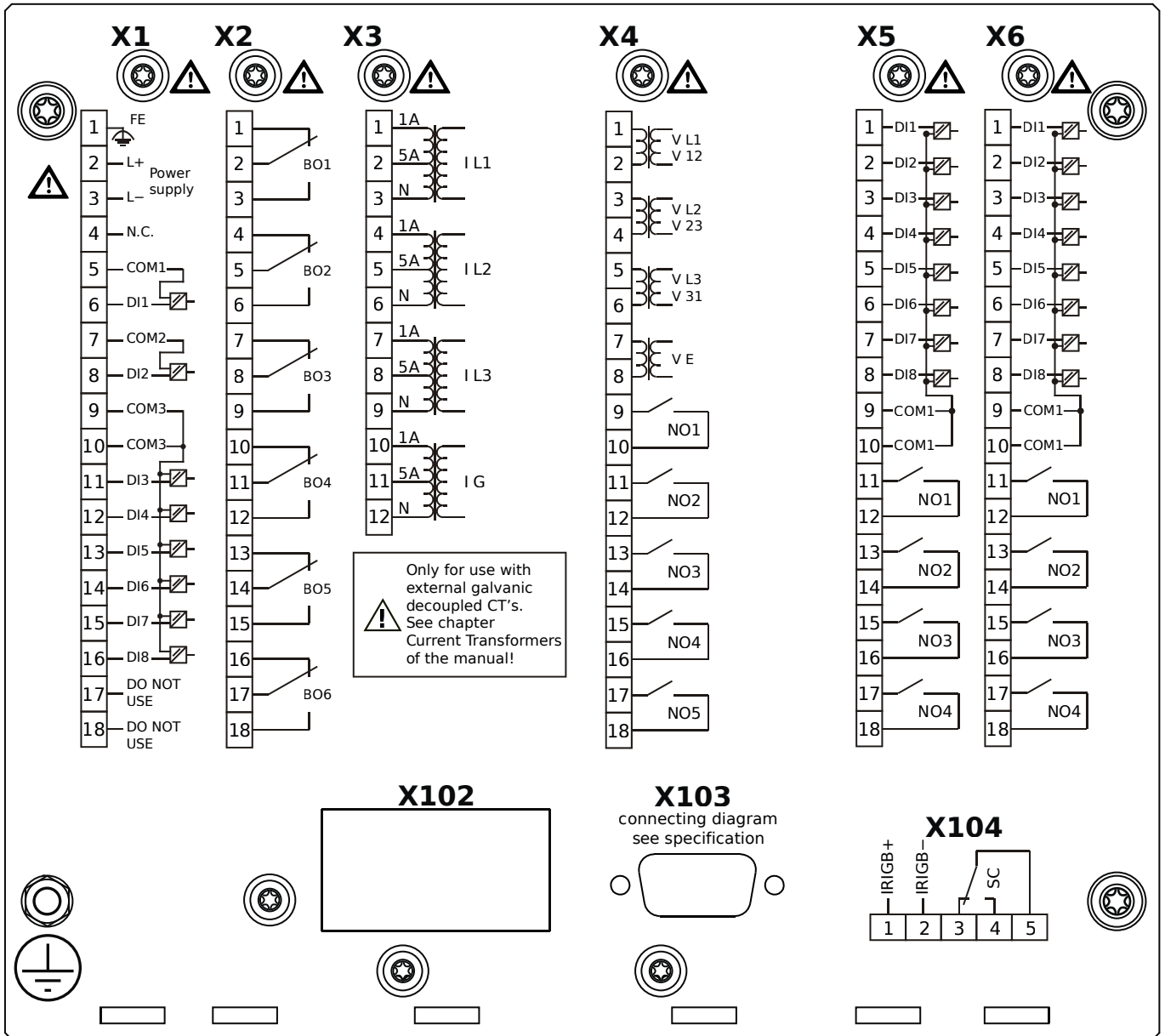
MCA4-2E0AFB



Housing B2, large display, door mounting

- X1** – DI8-X1: Wide-range power supply unit, incl. 2 non-grouped digital inputs and 6 grouped digital inputs
- X2** – OR6: Assembly Group with 6 Output Relays
- X3** – TI: Standard current measuring card
- X4** – TU-OR5: Voltage measuring assembly group with 5 additional Output Relays (normally open)
- X5** – DI8-OR4: Assembly Group with 8 Digital Inputs and 4 Output Relays
- X6** – DI8-OR4: Assembly Group with 8 Digital Inputs and 4 Output Relays
- X103** – Modbus RTU / IEC 60870-5-103 / DNP3.0 RTU, Fiber optics interface, ST Connector
- X104** – IRIG-B00X, incl. System Contact (Supervision Contact)

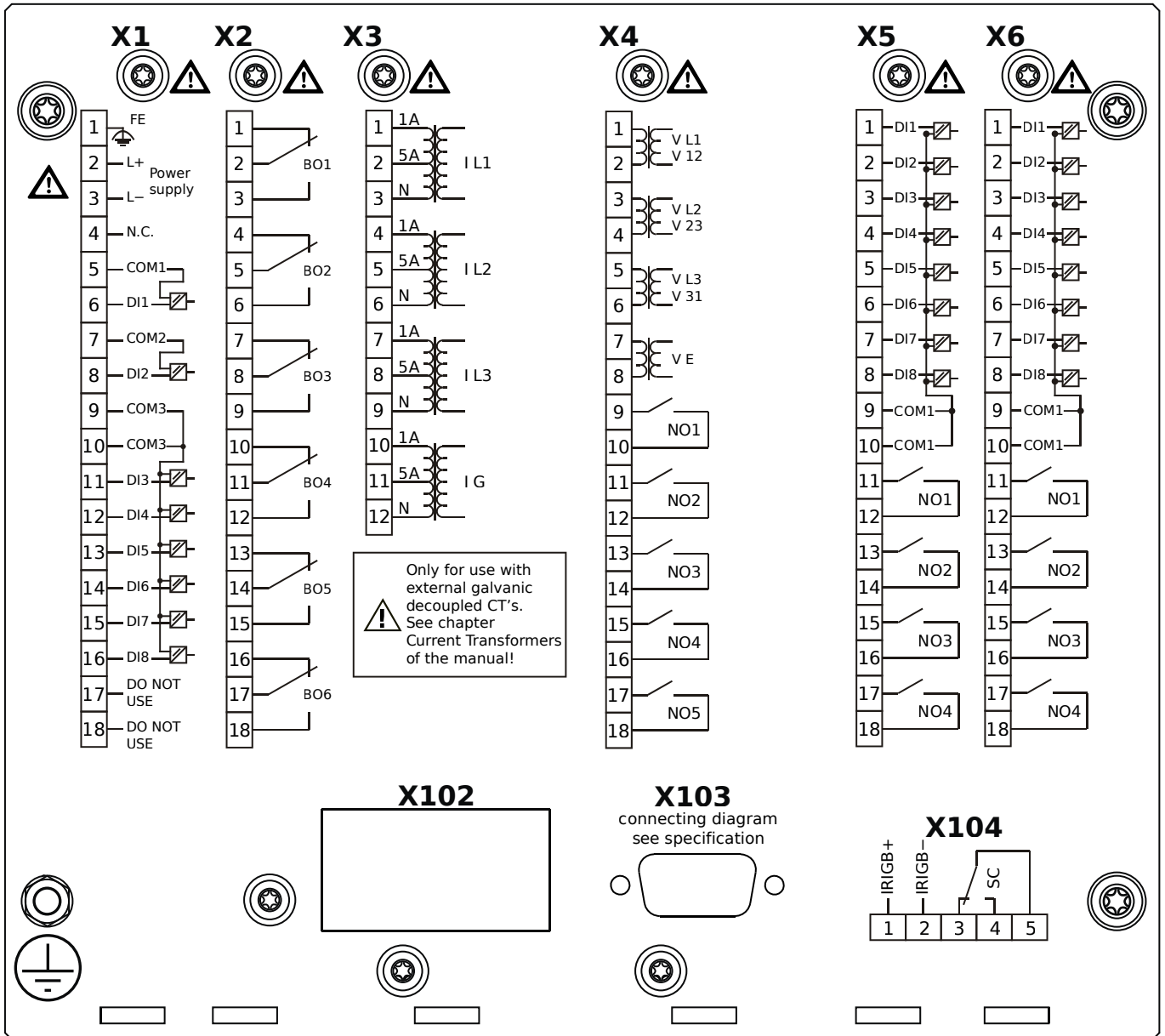
MCA4-2E0AGA



Housing B2, large display, door mounting

- X1** – DI8-X1: Wide-range power supply unit, incl. 2 non-grouped digital inputs and 6 grouped digital inputs
- X2** – OR6: Assembly Group with 6 Output Relays
- X3** – TI: Standard current measuring card
- X4** – TU-OR5: Voltage measuring assembly group with 5 additional Output Relays (normally open)
- X5** – DI8-OR4: Assembly Group with 8 Digital Inputs and 4 Output Relays
- X6** – DI8-OR4: Assembly Group with 8 Digital Inputs and 4 Output Relays
- X103** – Modbus RTU / IEC 60870-5-103 / DNP3.0 RTU, RS485, D-SUB
- X104** – IRIG-B00X, incl. System Contact (Supervision Contact)

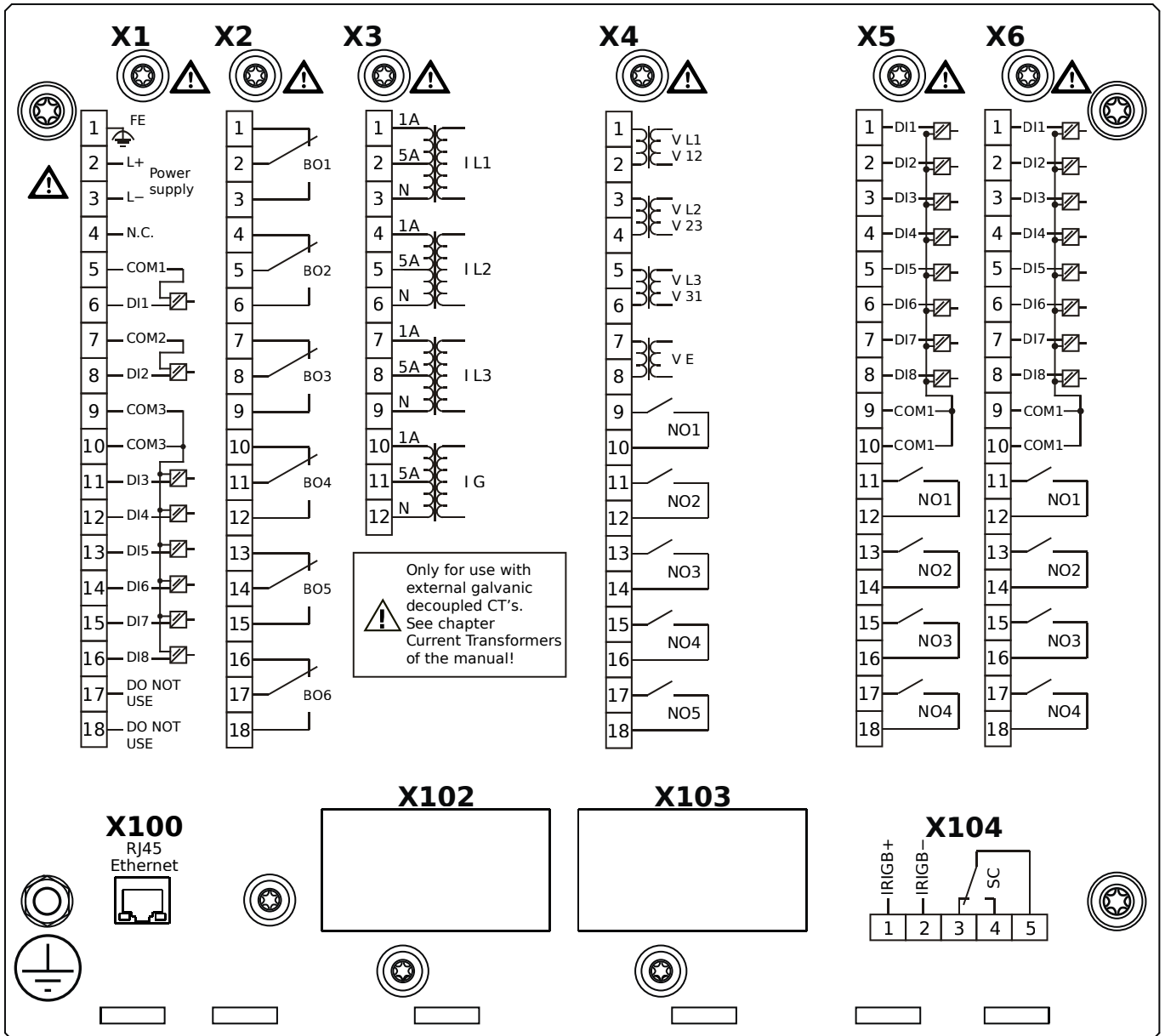
MCA4-2E0AGB



Housing B2, large display, door mounting

- X1** – DI8-X1: Wide-range power supply unit, incl. 2 non-grouped digital inputs and 6 grouped digital inputs
- X2** – OR6: Assembly Group with 6 Output Relays
- X3** – TI: Standard current measuring card
- X4** – TU-OR5: Voltage measuring assembly group with 5 additional Output Relays (normally open)
- X5** – DI8-OR4: Assembly Group with 8 Digital Inputs and 4 Output Relays
- X6** – DI8-OR4: Assembly Group with 8 Digital Inputs and 4 Output Relays
- X103** – Modbus RTU / IEC 60870-5-103 / DNP3.0 RTU, RS485, D-SUB
- X104** – IRIG-B00X, incl. System Contact (Supervision Contact)

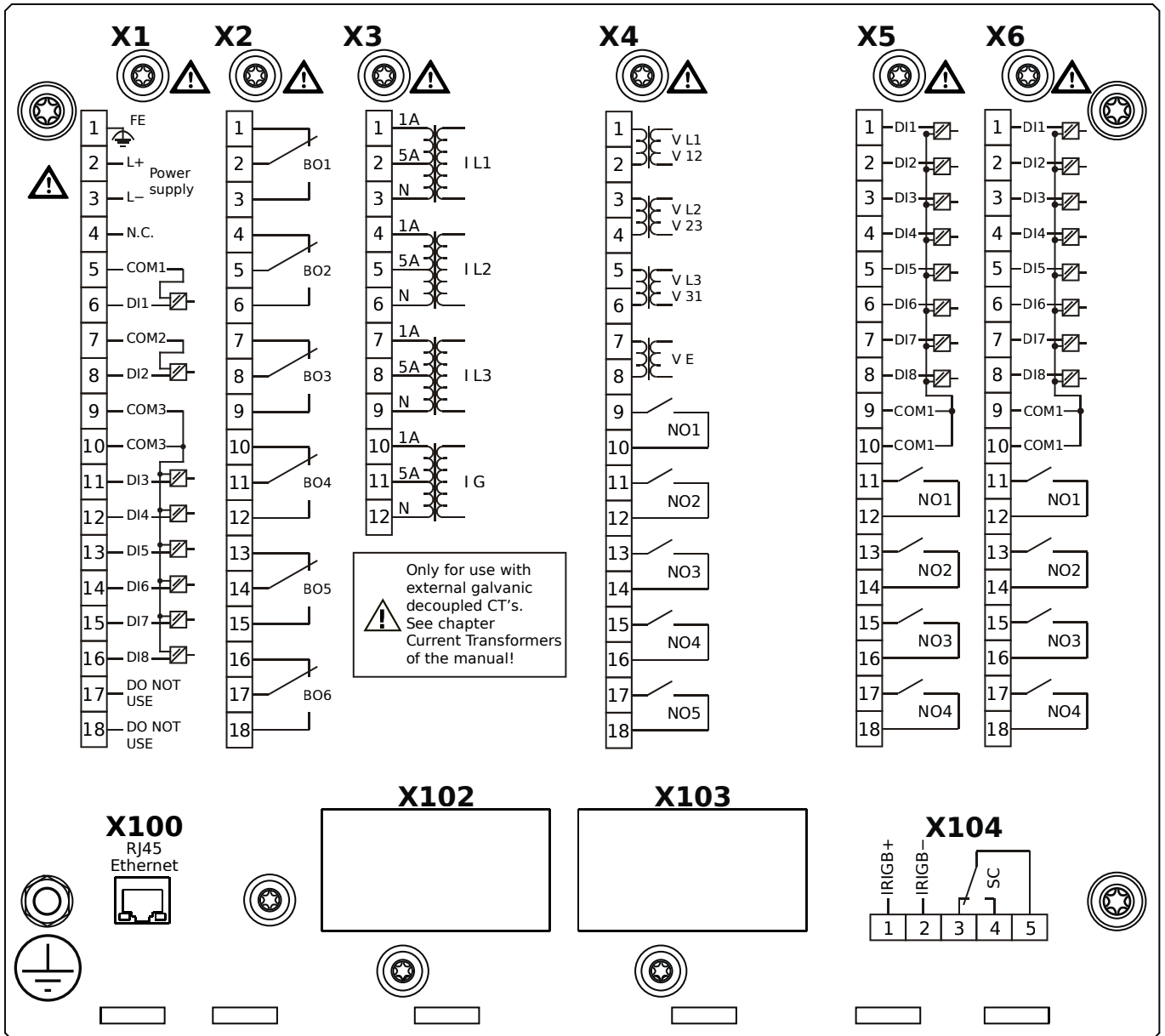
MCA4-2E0AHA



Housing B2, large display, door mounting

- X1** – DI8-X1: Wide-range power supply unit, incl. 2 non-grouped digital inputs and 6 grouped digital inputs
- X2** – OR6: Assembly Group with 6 Output Relays
- X3** – TI: Standard current measuring card
- X4** – TU-OR5: Voltage measuring assembly group with 5 additional Output Relays (normally open)
- X5** – DI8-OR4: Assembly Group with 8 Digital Inputs and 4 Output Relays
- X6** – DI8-OR4: Assembly Group with 8 Digital Inputs and 4 Output Relays
- X100** – IEC 61850 / Modbus TCP / DNP3.0 TCP/UDP, Ethernet interface, 100 Mbit/s, RJ45 (BASE100-FX)
- X104** – IRIG-B00X, incl. System Contact (Supervision Contact)

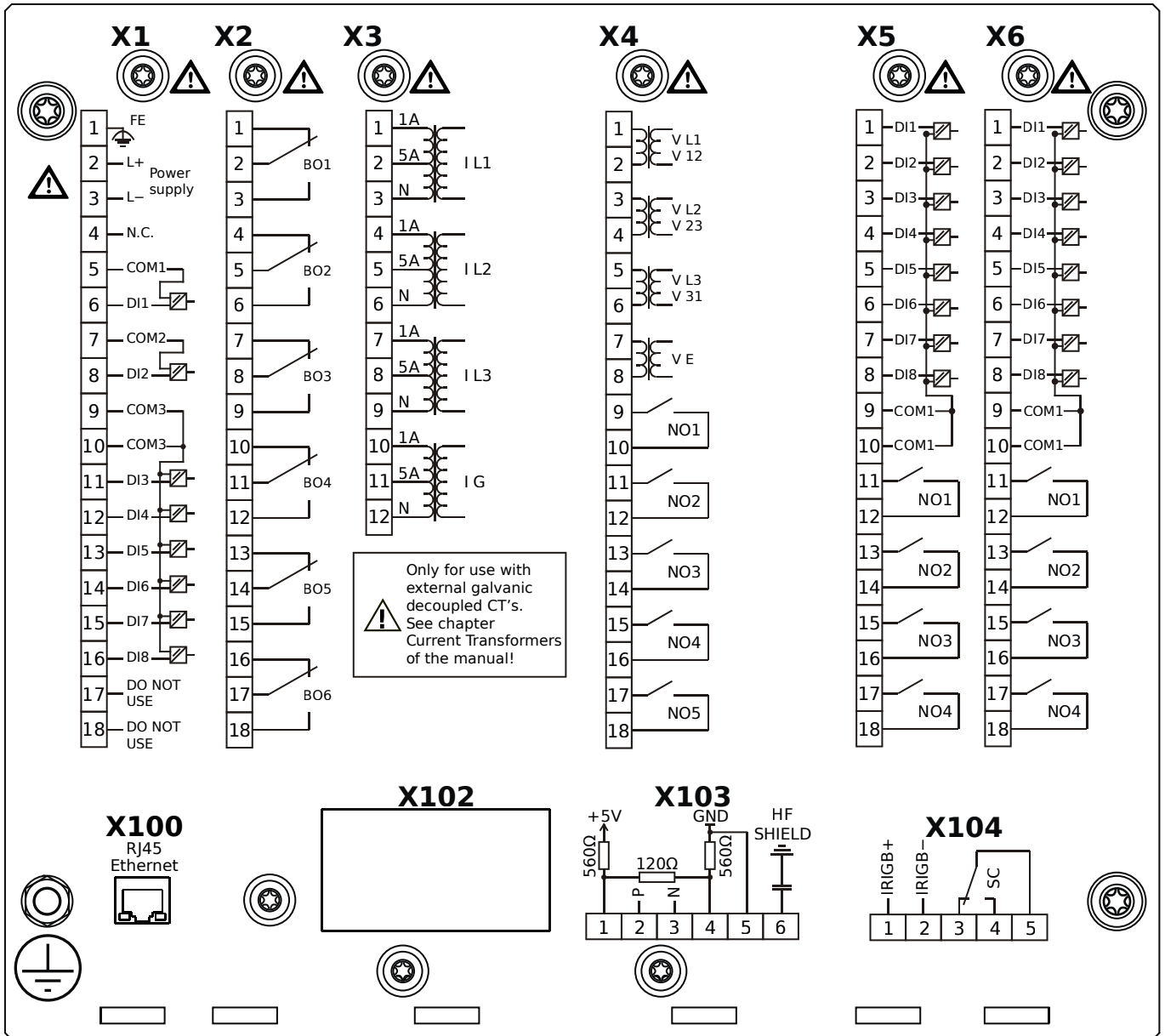
MCA4-2E0AHB



Housing B2, large display, door mounting

- X1** – DI8-X1: Wide-range power supply unit, incl. 2 non-grouped digital inputs and 6 grouped digital inputs
- X2** – OR6: Assembly Group with 6 Output Relays
- X3** – TI: Standard current measuring card
- X4** – TU-OR5: Voltage measuring assembly group with 5 additional Output Relays (normally open)
- X5** – DI8-OR4: Assembly Group with 8 Digital Inputs and 4 Output Relays
- X6** – DI8-OR4: Assembly Group with 8 Digital Inputs and 4 Output Relays
- X100** – IEC 61850 / Modbus TCP / DNP3.0 TCP/UDP, Ethernet interface, 100 Mbit/s, RJ45 (BASE100-FX)
- X104** – IRIG-B00X, incl. System Contact (Supervision Contact)

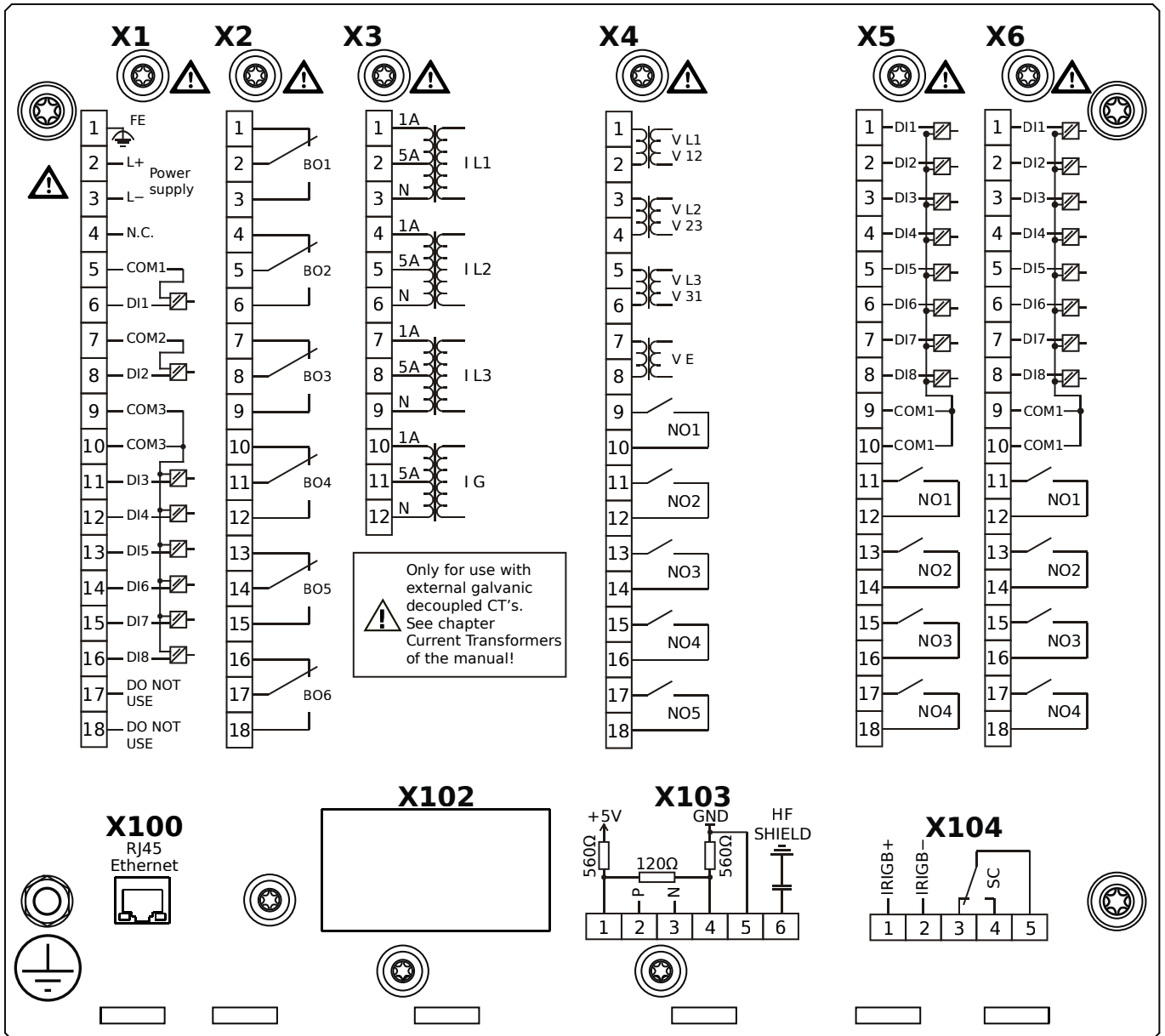
MCA4-2E0AIA



Housing B2, large display, door mounting

- X1** – DI8-X1: Wide-range power supply unit, incl. 2 non-grouped digital inputs and 6 grouped digital inputs
- X2** – OR6: Assembly Group with 6 Output Relays
- X3** – TI: Standard current measuring card
- X4** – TU-OR5: Voltage measuring assembly group with 5 additional Output Relays (normally open)
- X5** – DI8-OR4: Assembly Group with 8 Digital Inputs and 4 Output Relays
- X6** – DI8-OR4: Assembly Group with 8 Digital Inputs and 4 Output Relays
- X100** – Modbus TCP / DNP3.0 TCP/UDP, Ethernet interface, 100 Mbit/s, RJ45 (BASE100-FX)
- X103** – IEC 60870-5-103 / Modbus RTU / DNP3.0 RTU, RS485, Terminals
- X104** – IRIG-B00X, incl. System Contact (Supervision Contact)

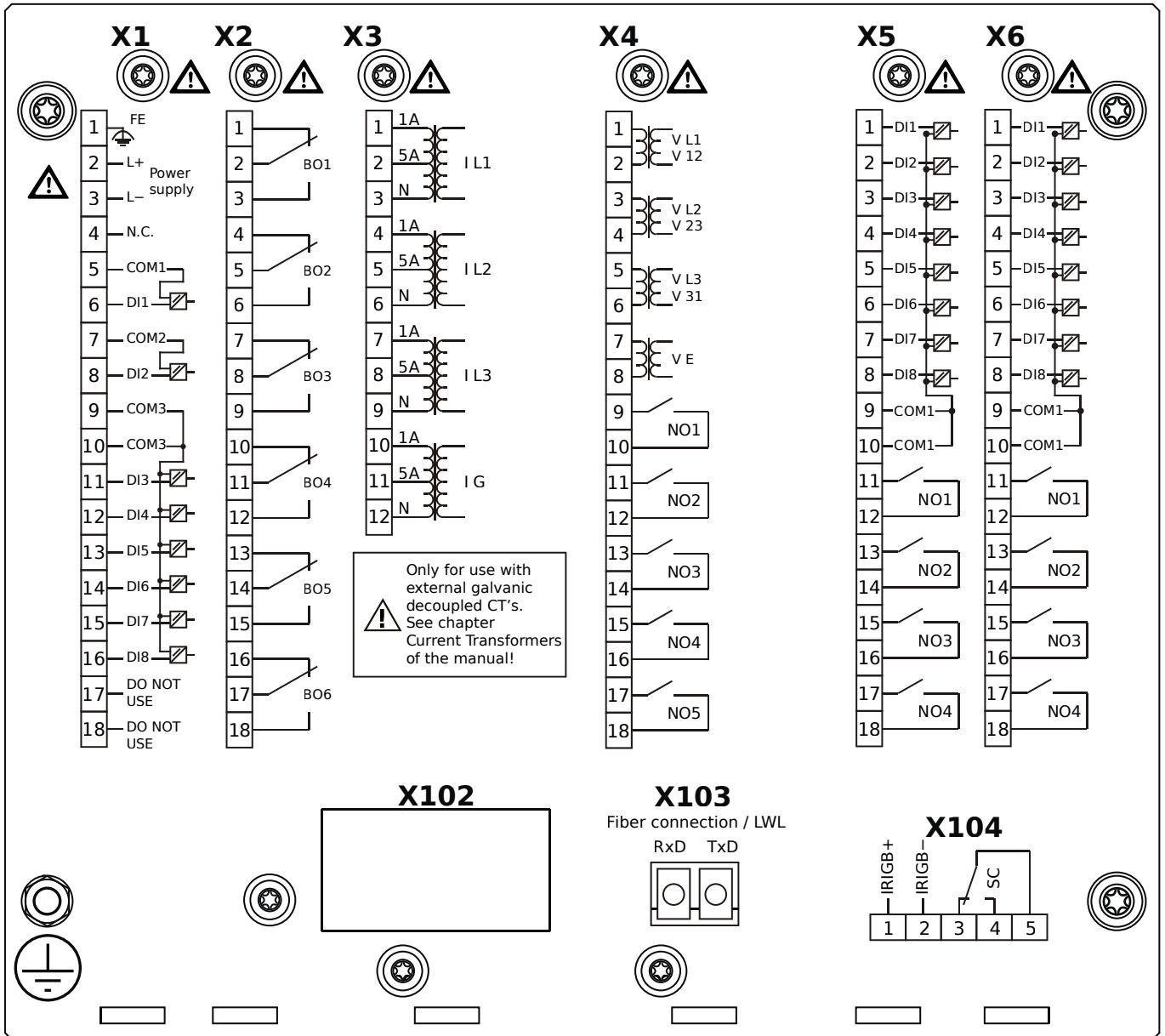
MCA4-2E0AIB



Housing B2, large display, door mounting

- X1** – DI8-X1: Wide-range power supply unit, incl. 2 non-grouped digital inputs and 6 grouped digital inputs
- X2** – OR6: Assembly Group with 6 Output Relays
- X3** – TI: Standard current measuring card
- X4** – TU-OR5: Voltage measuring assembly group with 5 additional Output Relays (normally open)
- X5** – DI8-OR4: Assembly Group with 8 Digital Inputs and 4 Output Relays
- X6** – DI8-OR4: Assembly Group with 8 Digital Inputs and 4 Output Relays
- X100** – Modbus TCP / DNP3.0 TCP/UDP, Ethernet interface, 100 Mbit/s, RJ45 (BASE100-FX)
- X103** – IEC 60870-5-103 / Modbus RTU / DNP3.0 RTU, RS485, Terminals
- X104** – IRIG-B00X, incl. System Contact (Supervision Contact)

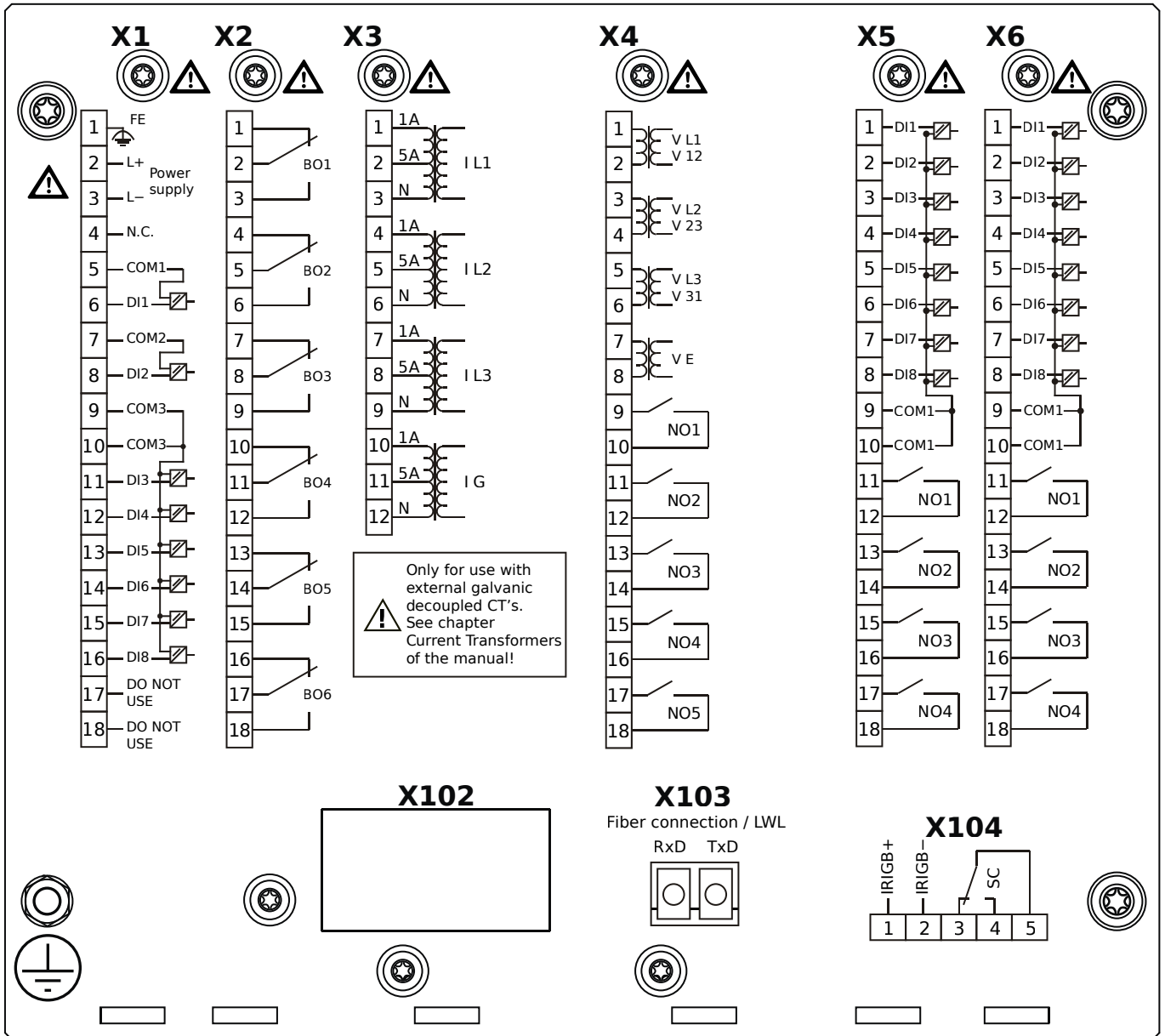
MCA4-2E0AKA



Housing B2, large display, door mounting

- X1** – DI8-X1: Wide-range power supply unit, incl. 2 non-grouped digital inputs and 6 grouped digital inputs
- X2** – OR6: Assembly Group with 6 Output Relays
- X3** – TI: Standard current measuring card
- X4** – TU-OR5: Voltage measuring assembly group with 5 additional Output Relays (normally open)
- X5** – DI8-OR4: Assembly Group with 8 Digital Inputs and 4 Output Relays
- X6** – DI8-OR4: Assembly Group with 8 Digital Inputs and 4 Output Relays
- X103** – IEC 61850 / Modbus TCP / DNP3.0 TCP/UDP, Fiber optics interface, LC Connector
- X104** – IRIG-B00X, incl. System Contact (Supervision Contact)

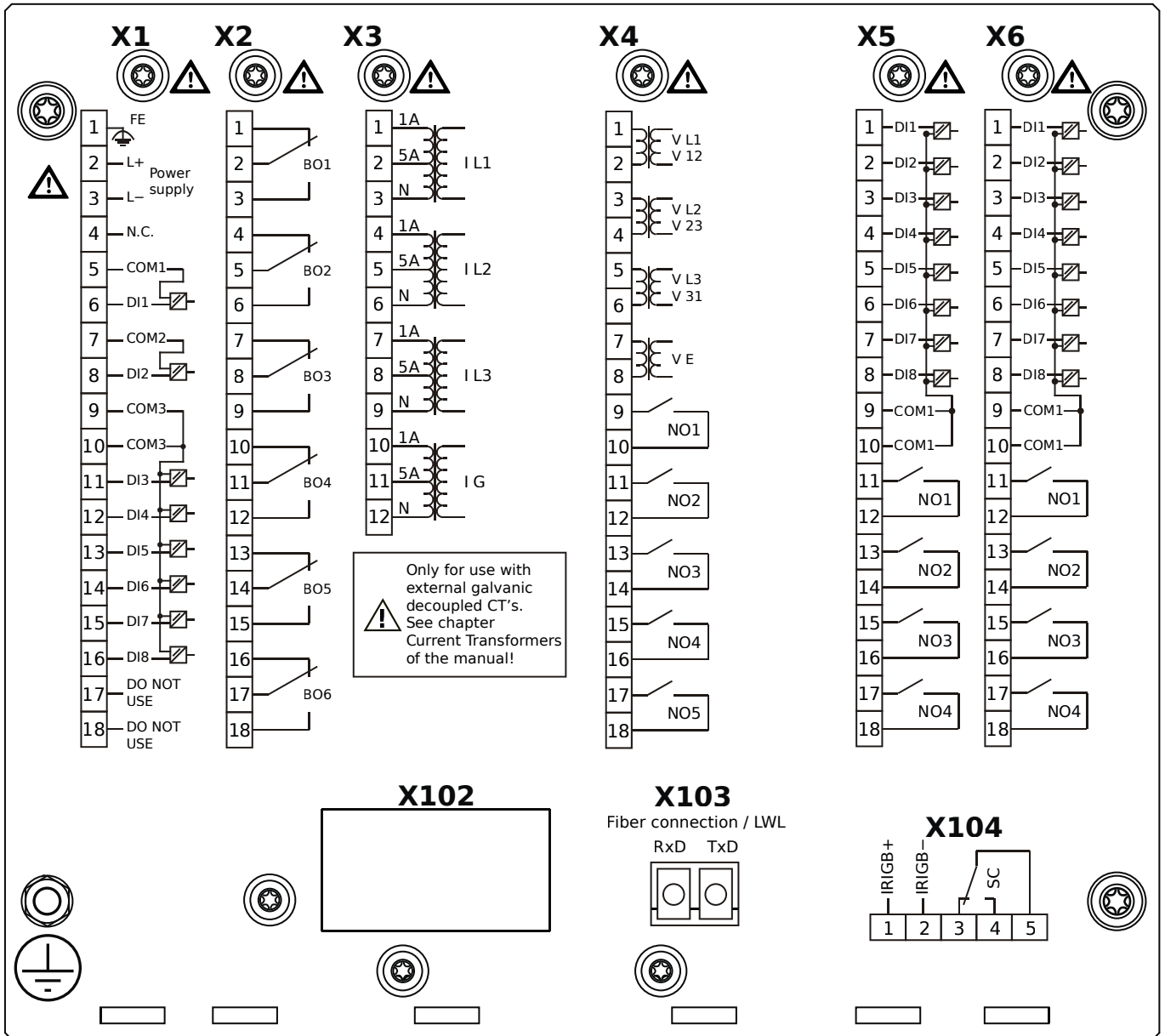
MCA4-2E0AKB



Housing B2, large display, door mounting

- X1** – DI8-X1: Wide-range power supply unit, incl. 2 non-grouped digital inputs and 6 grouped digital inputs
- X2** – OR6: Assembly Group with 6 Output Relays
- X3** – TI: Standard current measuring card
- X4** – TU-OR5: Voltage measuring assembly group with 5 additional Output Relays (normally open)
- X5** – DI8-OR4: Assembly Group with 8 Digital Inputs and 4 Output Relays
- X6** – DI8-OR4: Assembly Group with 8 Digital Inputs and 4 Output Relays
- X103** – IEC 61850 / Modbus TCP / DNP3.0 TCP/UDP, Fiber optics interface, LC Connector
- X104** – IRIG-B00X, incl. System Contact (Supervision Contact)

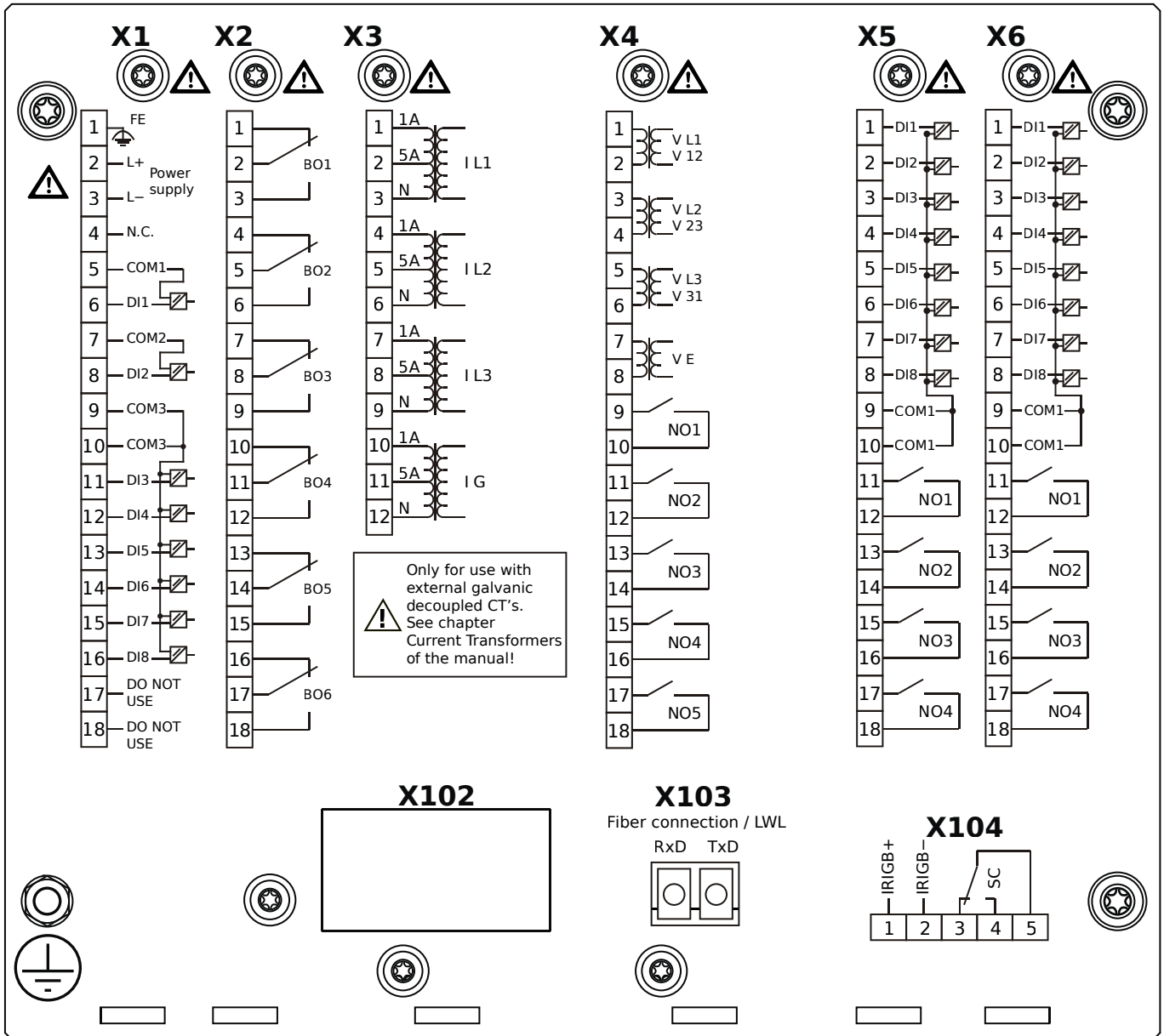
MCA4-2E0ALA



Housing B2, large display, door mounting

- X1** – DI8-X1: Wide-range power supply unit, incl. 2 non-grouped digital inputs and 6 grouped digital inputs
- X2** – OR6: Assembly Group with 6 Output Relays
- X3** – TI: Standard current measuring card
- X4** – TU-OR5: Voltage measuring assembly group with 5 additional Output Relays (normally open)
- X5** – DI8-OR4: Assembly Group with 8 Digital Inputs and 4 Output Relays
- X6** – DI8-OR4: Assembly Group with 8 Digital Inputs and 4 Output Relays
- X103** – Modbus TCP / DNP3.0 TCP/UDP, Fiber optics interface, LC Connector
- X104** – IRIG-B00X, incl. System Contact (Supervision Contact)

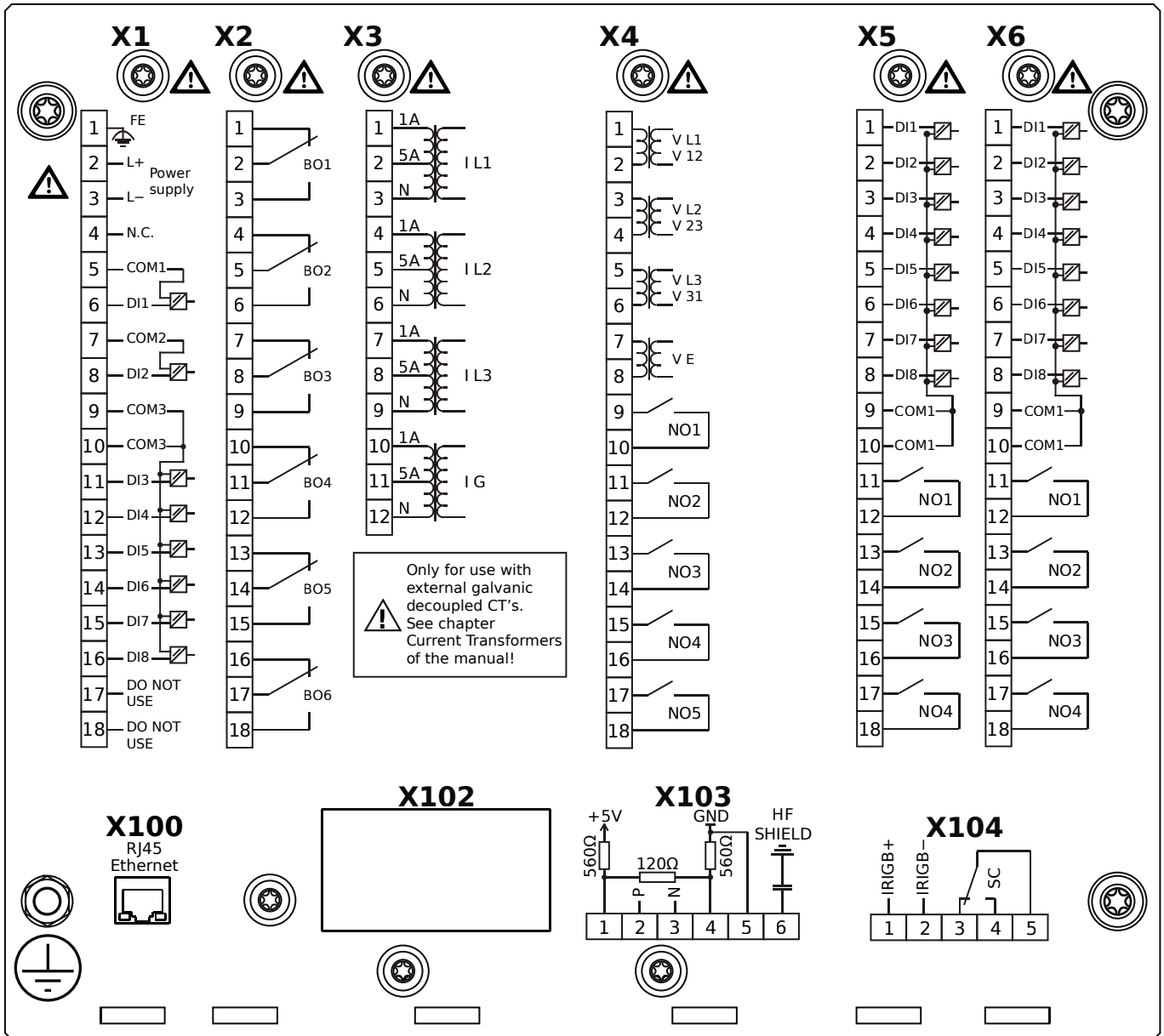
MCA4-2E0ALB



Housing B2, large display, door mounting

- X1** – DI8-X1: Wide-range power supply unit, incl. 2 non-grouped digital inputs and 6 grouped digital inputs
- X2** – OR6: Assembly Group with 6 Output Relays
- X3** – TI: Standard current measuring card
- X4** – TU-OR5: Voltage measuring assembly group with 5 additional Output Relays (normally open)
- X5** – DI8-OR4: Assembly Group with 8 Digital Inputs and 4 Output Relays
- X6** – DI8-OR4: Assembly Group with 8 Digital Inputs and 4 Output Relays
- X103** – Modbus TCP / DNP3.0 TCP/UDP, Fiber optics interface, LC Connector
- X104** – IRIG-B00X, incl. System Contact (Supervision Contact)

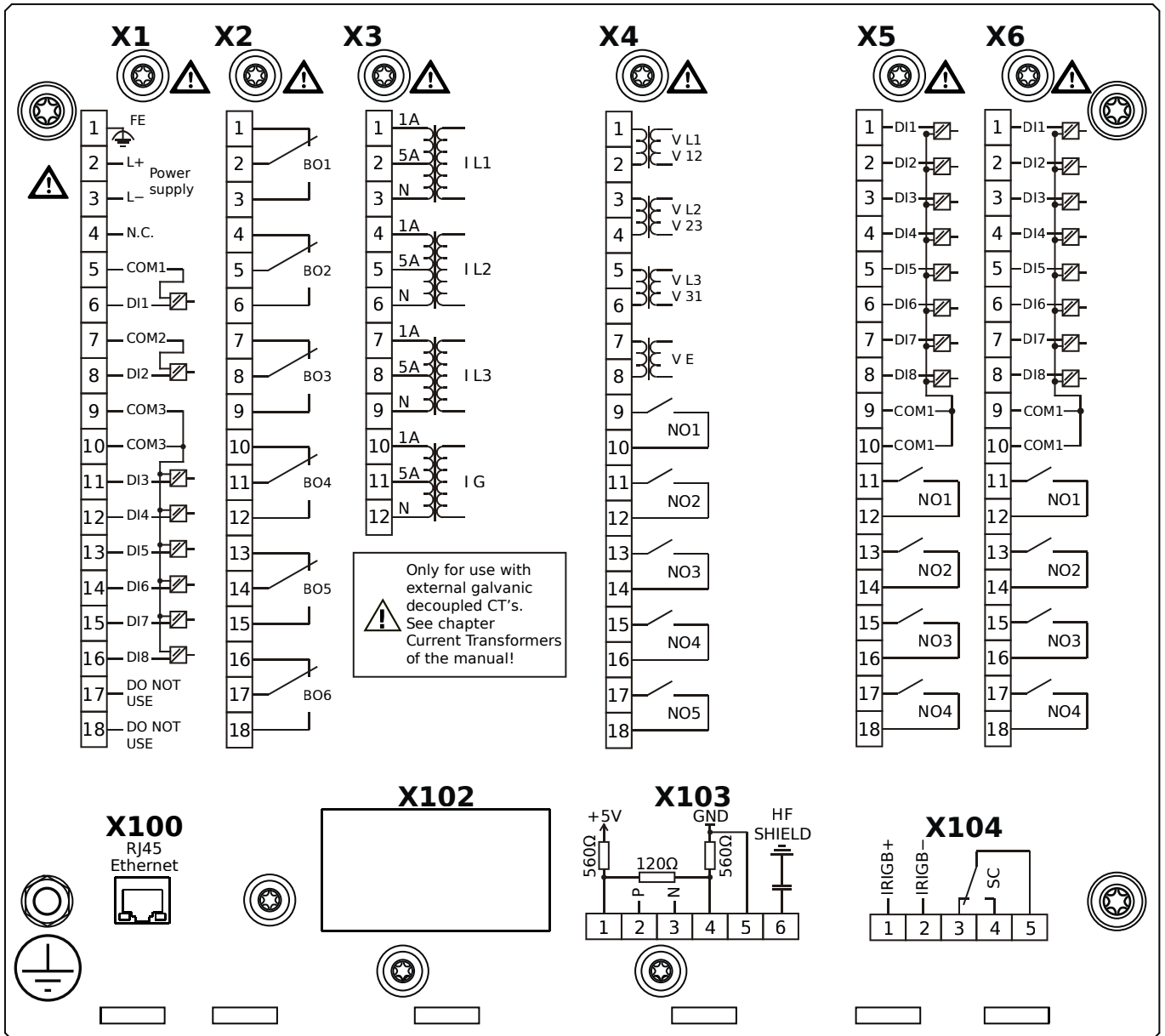
MCA4-2E0ATA



Housing B2, large display, door mounting

- X1** – DI8-X1: Wide-range power supply unit, incl. 2 non-grouped digital inputs and 6 grouped digital inputs
- X2** – OR6: Assembly Group with 6 Output Relays
- X3** – TI: Standard current measuring card
- X4** – TU-OR5: Voltage measuring assembly group with 5 additional Output Relays (normally open)
- X5** – DI8-OR4: Assembly Group with 8 Digital Inputs and 4 Output Relays
- X6** – DI8-OR4: Assembly Group with 8 Digital Inputs and 4 Output Relays
- X100** – IEC 61850 / Modbus TCP / DNP3.0 TCP/UDP, Ethernet interface, 100 Mbit/s, RJ45 (BASE100-FX)
- X103** – IEC 60870-5-103 / Modbus RTU / DNP3.0 RTU, RS485, Terminals
- X104** – IRIG-B00X, incl. System Contact (Supervision Contact)

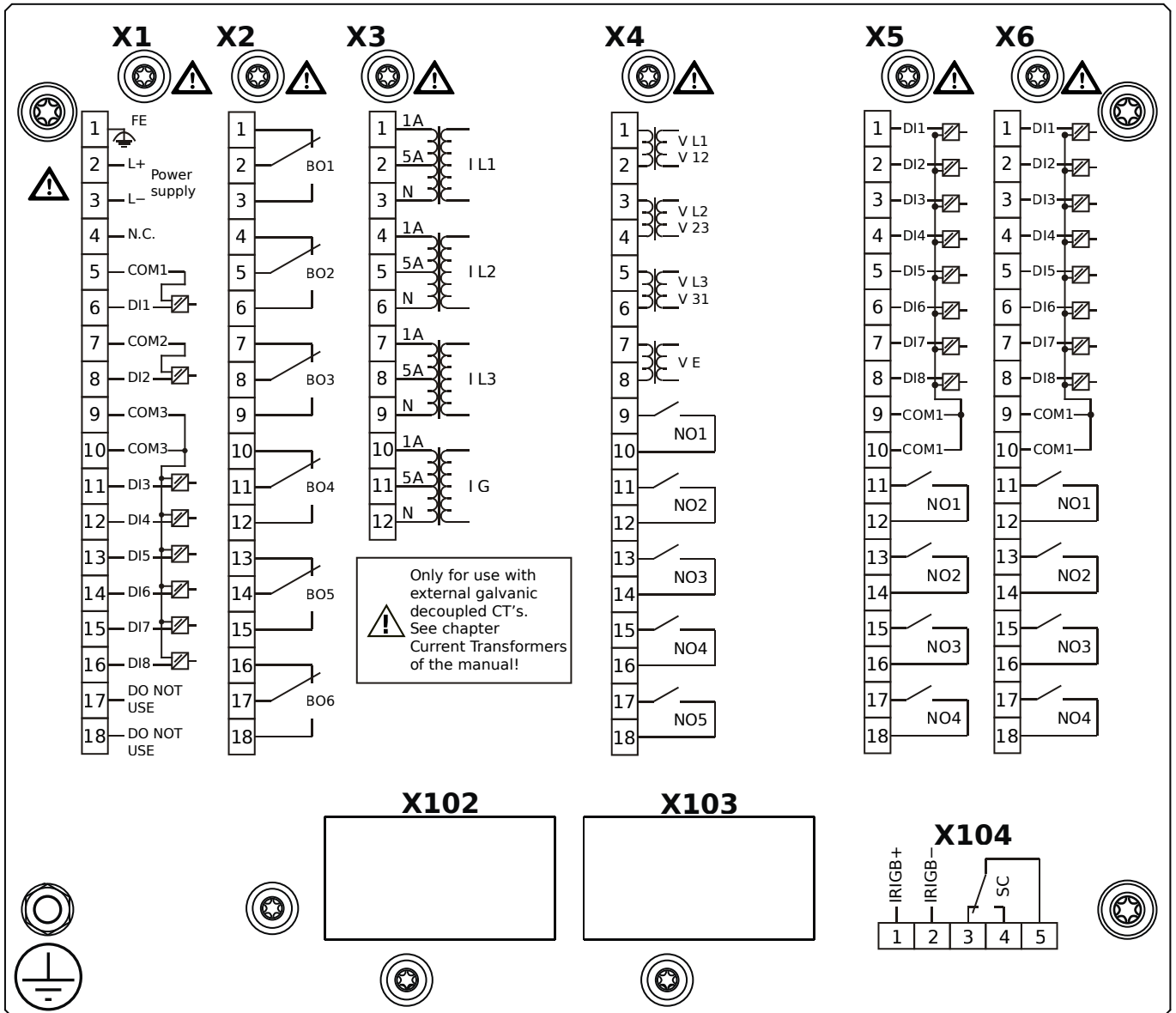
MCA4-2E0ATB



Housing B2, large display, door mounting

- X1** – DI8-X1: Wide-range power supply unit, incl. 2 non-grouped digital inputs and 6 grouped digital inputs
- X2** – OR6: Assembly Group with 6 Output Relays
- X3** – TI: Standard current measuring card
- X4** – TU-OR5: Voltage measuring assembly group with 5 additional Output Relays (normally open)
- X5** – DI8-OR4: Assembly Group with 8 Digital Inputs and 4 Output Relays
- X6** – DI8-OR4: Assembly Group with 8 Digital Inputs and 4 Output Relays
- X100** – IEC 61850 / Modbus TCP / DNP3.0 TCP/UDP, Ethernet interface, 100 Mbit/s, RJ45 (BASE100-FX)
- X103** – IEC 60870-5-103 / Modbus RTU / DNP3.0 RTU, RS485, Terminals
- X104** – IRIG-B00X, incl. System Contact (Supervision Contact)

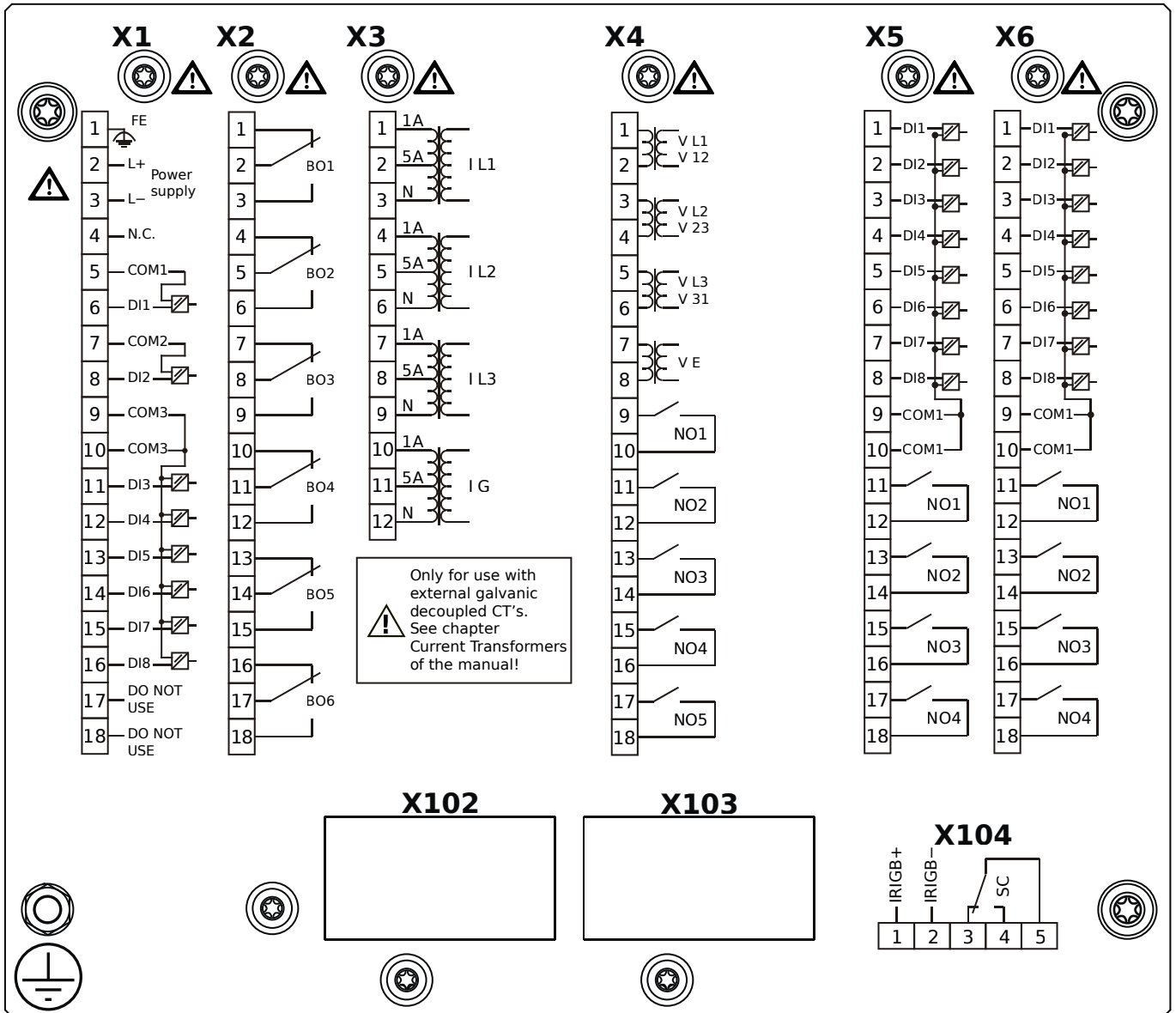
MCA4-2E0BAA



Housing B2, large display, door mounting 19" (flush mounting)

- X1** – DI8-X1: Wide-range power supply unit, incl. 2 non-grouped digital inputs and 6 grouped digital inputs
- X2** – OR6: Assembly Group with 6 Output Relays
- X3** – TI: Standard current measuring card
- X4** – TU-OR5: Voltage measuring assembly group with 5 additional Output Relays (normally open)
- X5** – DI8-OR4: Assembly Group with 8 Digital Inputs and 4 Output Relays
- X6** – DI8-OR4: Assembly Group with 8 Digital Inputs and 4 Output Relays
- X104** – IRIG-B00X, incl. System Contact (Supervision Contact)

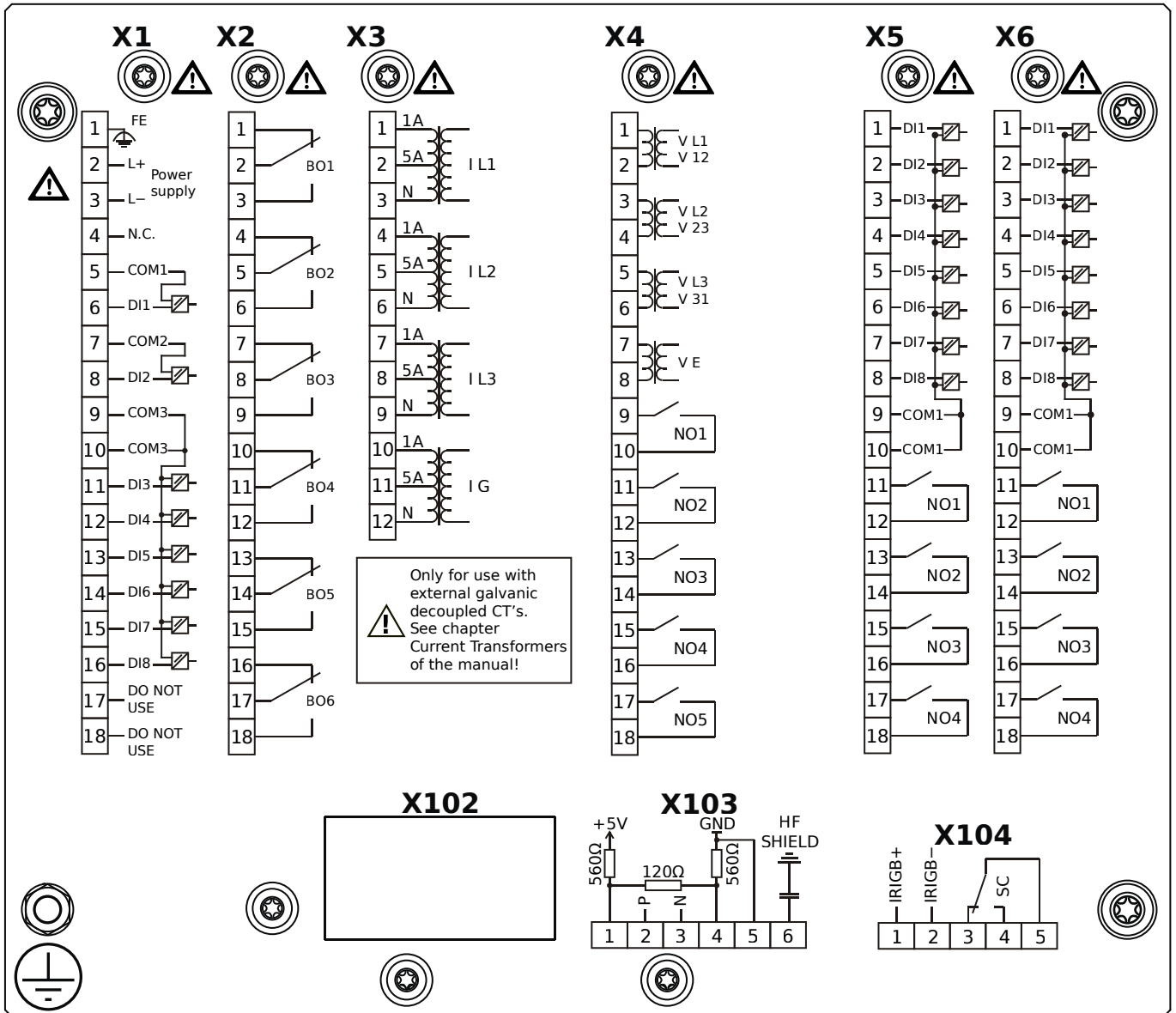
MCA4-2E0BAB



Housing B2, large display, door mounting 19" (flush mounting)

- X1** – DI8-X1: Wide-range power supply unit, incl. 2 non-grouped digital inputs and 6 grouped digital inputs
- X2** – OR6: Assembly Group with 6 Output Relays
- X3** – TI: Standard current measuring card
- X4** – TU-OR5: Voltage measuring assembly group with 5 additional Output Relays (normally open)
- X5** – DI8-OR4: Assembly Group with 8 Digital Inputs and 4 Output Relays
- X6** – DI8-OR4: Assembly Group with 8 Digital Inputs and 4 Output Relays
- X104** – IRIG-B00X, incl. System Contact (Supervision Contact)

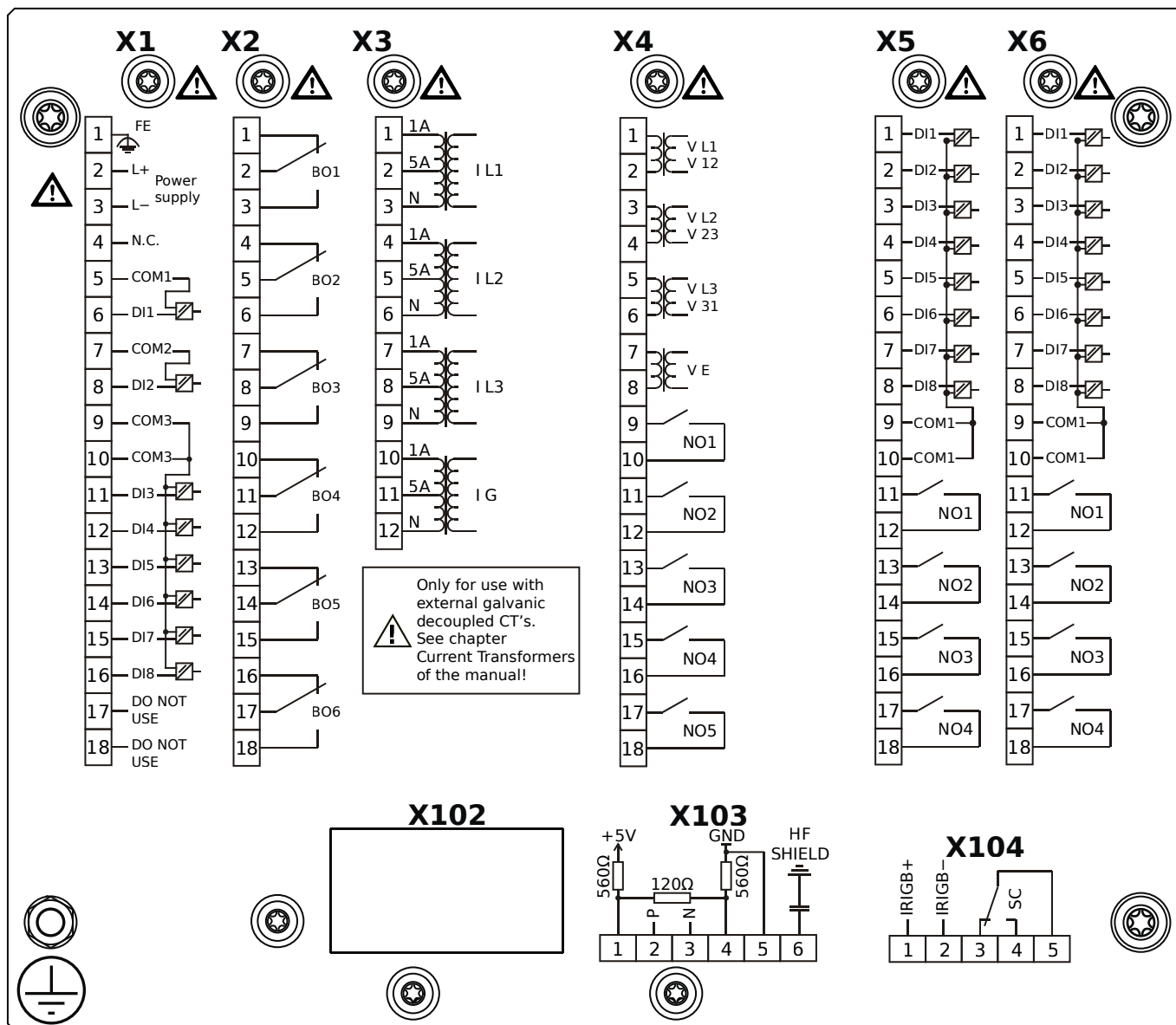
MCA4-2E0BBA



Housing B2, large display, door mounting 19" (flush mounting)

- X1** – DI8-X1: Wide-range power supply unit, incl. 2 non-grouped digital inputs and 6 grouped digital inputs
- X2** – OR6: Assembly Group with 6 Output Relays
- X3** – TI: Standard current measuring card
- X4** – TU-OR5: Voltage measuring assembly group with 5 additional Output Relays (normally open)
- X5** – DI8-OR4: Assembly Group with 8 Digital Inputs and 4 Output Relays
- X6** – DI8-OR4: Assembly Group with 8 Digital Inputs and 4 Output Relays
- X103** – Modbus RTU / IEC 60870-5-103 / DNP3.0 RTU, RS485, Terminals
- X104** – IRIG-B00X, incl. System Contact (Supervision Contact)

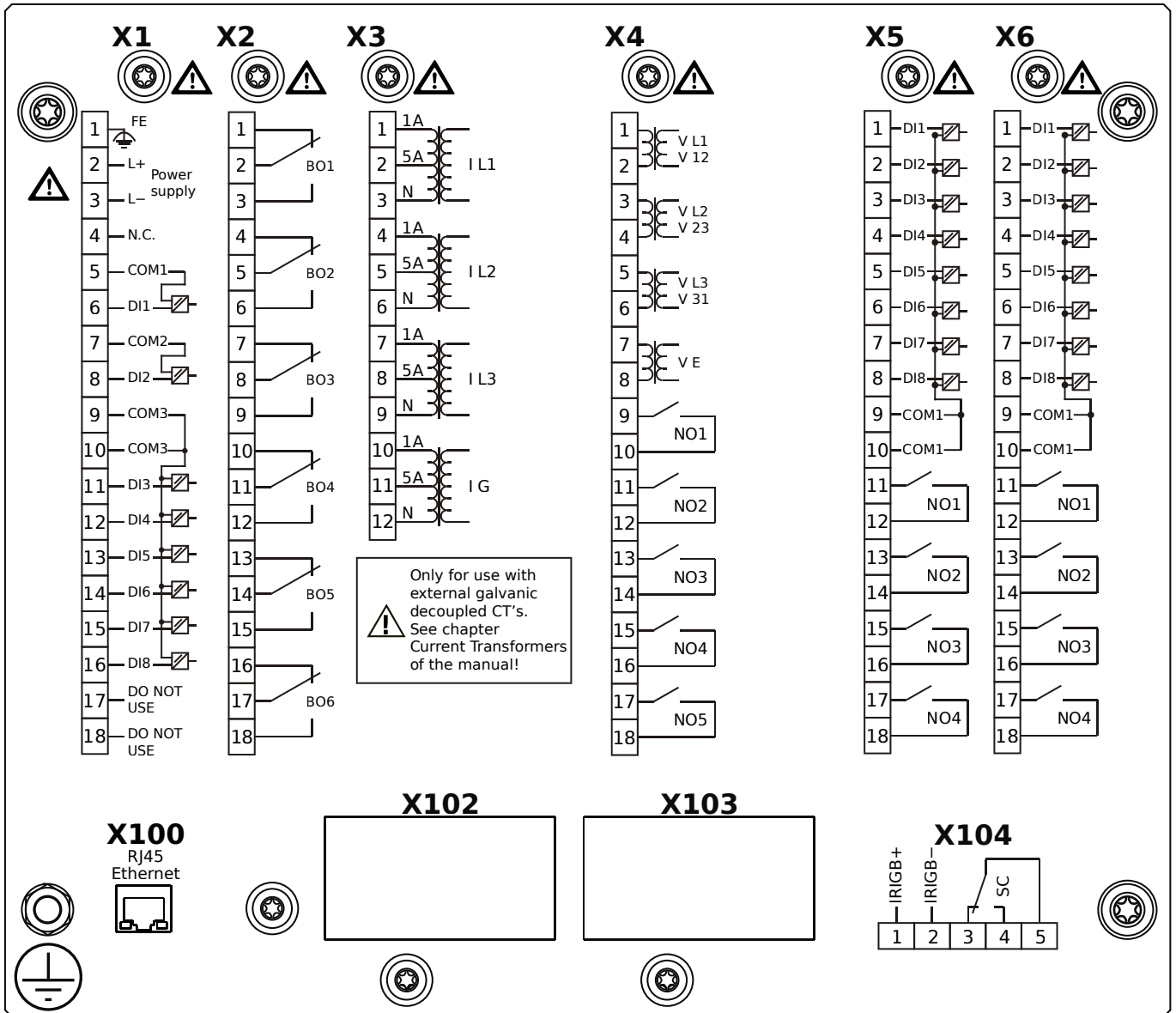
MCA4-2E0BBB



Housing B2, large display, door mounting 19" (flush mounting)

- X1** – DI8-X1: Wide-range power supply unit, incl. 2 non-grouped digital inputs and 6 grouped digital inputs
- X2** – OR6: Assembly Group with 6 Output Relays
- X3** – TI: Standard current measuring card
- X4** – TU-OR5: Voltage measuring assembly group with 5 additional Output Relays (normally open)
- X5** – DI8-OR4: Assembly Group with 8 Digital Inputs and 4 Output Relays
- X6** – DI8-OR4: Assembly Group with 8 Digital Inputs and 4 Output Relays
- X103** – Modbus RTU / IEC 60870-5-103 / DNP3.0 RTU, RS485, Terminals
- X104** – IRIG-B00X, incl. System Contact (Supervision Contact)

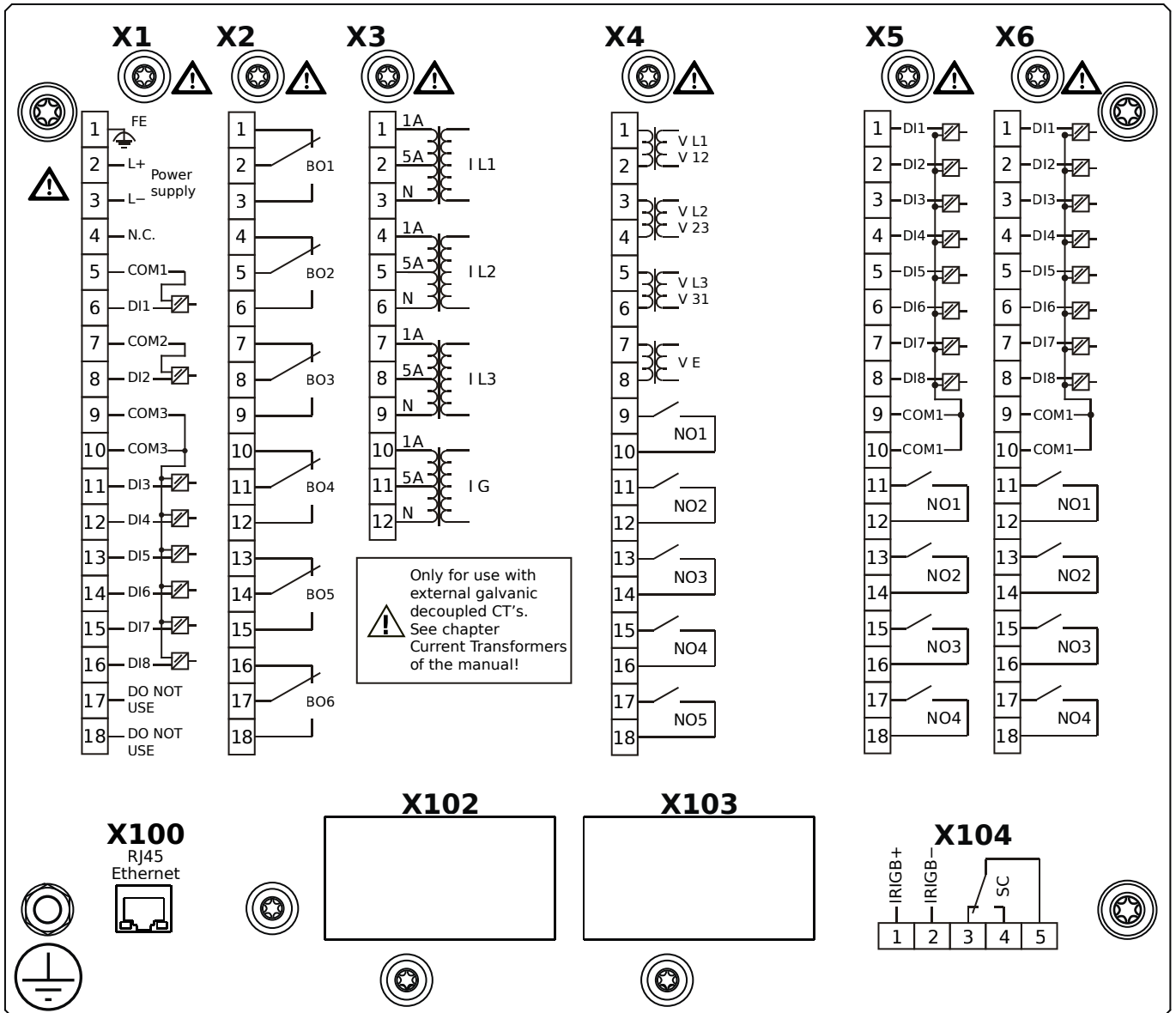
MCA4-2E0BCA



Housing B2, large display, door mounting 19" (flush mounting)

- X1** – DI8-X1: Wide-range power supply unit, incl. 2 non-grouped digital inputs and 6 grouped digital inputs
- X2** – OR6: Assembly Group with 6 Output Relays
- X3** – TI: Standard current measuring card
- X4** – TU-OR5: Voltage measuring assembly group with 5 additional Output Relays (normally open)
- X5** – DI8-OR4: Assembly Group with 8 Digital Inputs and 4 Output Relays
- X6** – DI8-OR4: Assembly Group with 8 Digital Inputs and 4 Output Relays
- X100** – Modbus TCP / DNP3.0 TCP/UDP, Ethernet interface, 100 Mbit/s, RJ45 (BASE100-FX)
- X104** – IRIG-B00X, incl. System Contact (Supervision Contact)

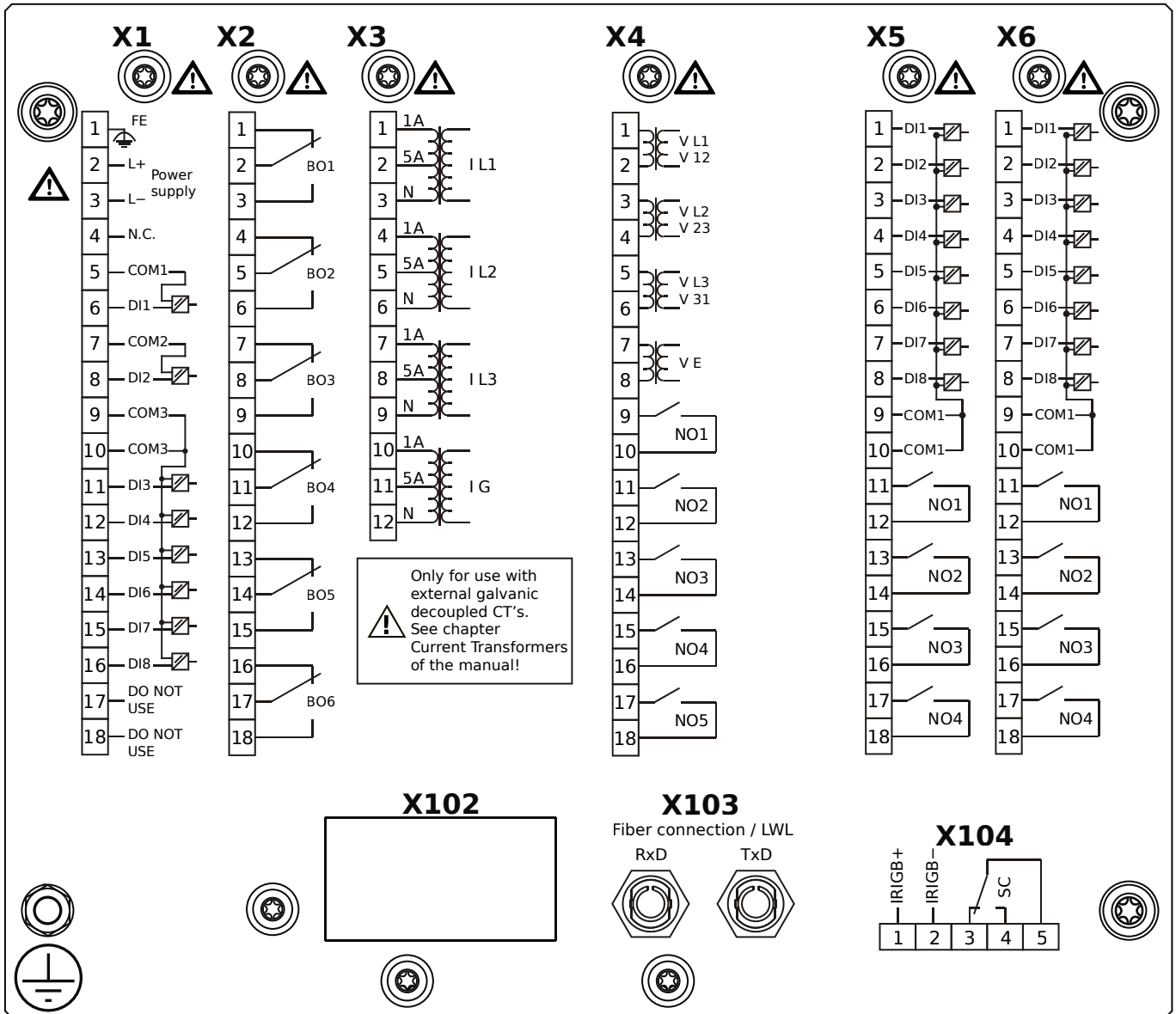
MCA4-2E0BCB



Housing B2, large display, door mounting 19" (flush mounting)

- X1** – DI8-X1: Wide-range power supply unit, incl. 2 non-grouped digital inputs and 6 grouped digital inputs
- X2** – OR6: Assembly Group with 6 Output Relays
- X3** – TI: Standard current measuring card
- X4** – TU-OR5: Voltage measuring assembly group with 5 additional Output Relays (normally open)
- X5** – DI8-OR4: Assembly Group with 8 Digital Inputs and 4 Output Relays
- X6** – DI8-OR4: Assembly Group with 8 Digital Inputs and 4 Output Relays
- X100** – Modbus TCP / DNP3.0 TCP/UDP, Ethernet interface, 100 Mbit/s, RJ45 (BASE100-FX)
- X104** – IRIG-B00X, incl. System Contact (Supervision Contact)

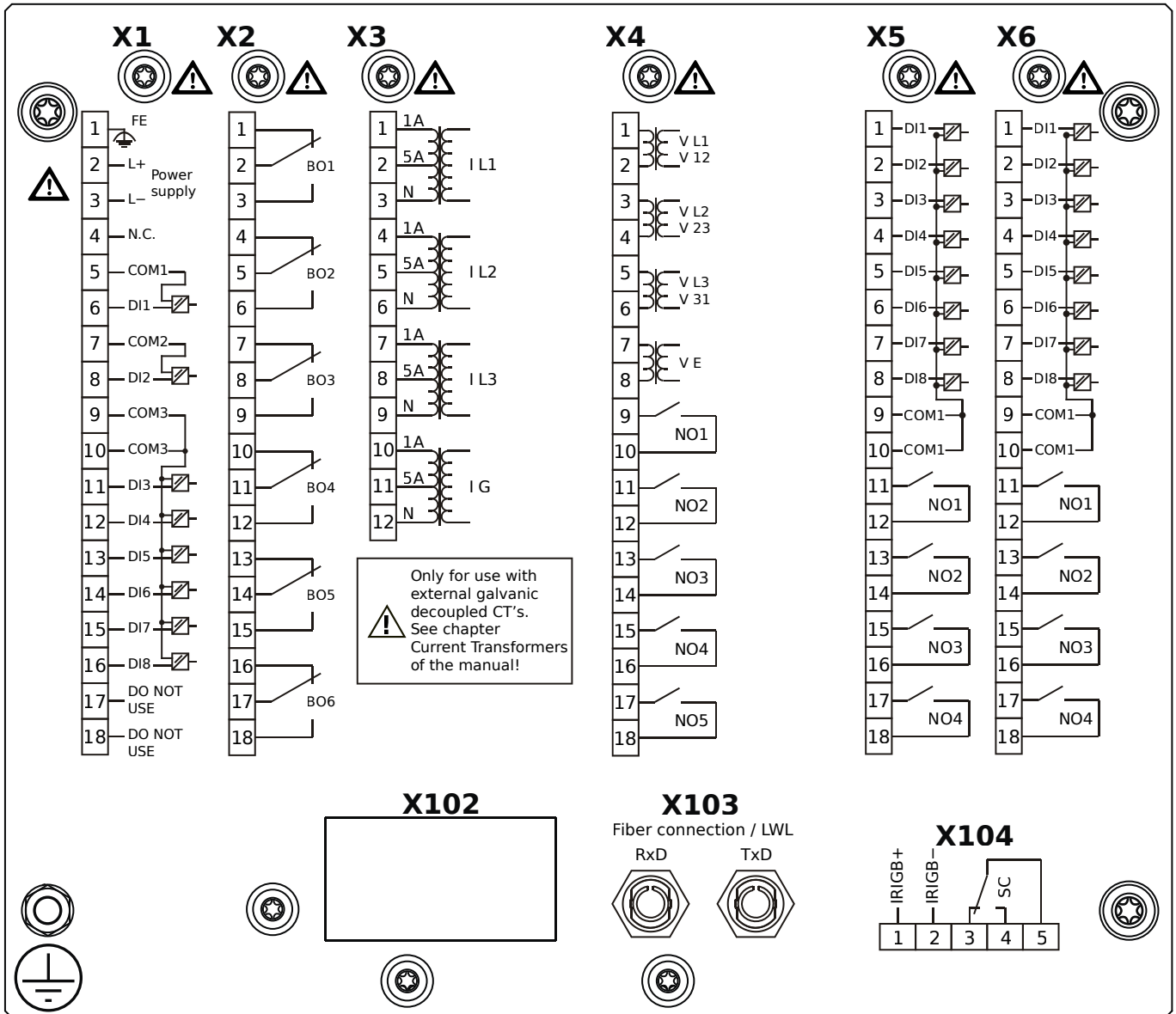
MCA4-2E0BDA



Housing B2, large display, door mounting 19" (flush mounting)

- X1** – DI8-X1: Wide-range power supply unit, incl. 2 non-grouped digital inputs and 6 grouped digital inputs
- X2** – OR6: Assembly Group with 6 Output Relays
- X3** – TI: Standard current measuring card
- X4** – TU-OR5: Voltage measuring assembly group with 5 additional Output Relays (normally open)
- X5** – DI8-OR4: Assembly Group with 8 Digital Inputs and 4 Output Relays
- X6** – DI8-OR4: Assembly Group with 8 Digital Inputs and 4 Output Relays
- X103** – Profibus-DP, Fiber optics interface, ST Connector
- X104** – IRIG-B00X, incl. System Contact (Supervision Contact)

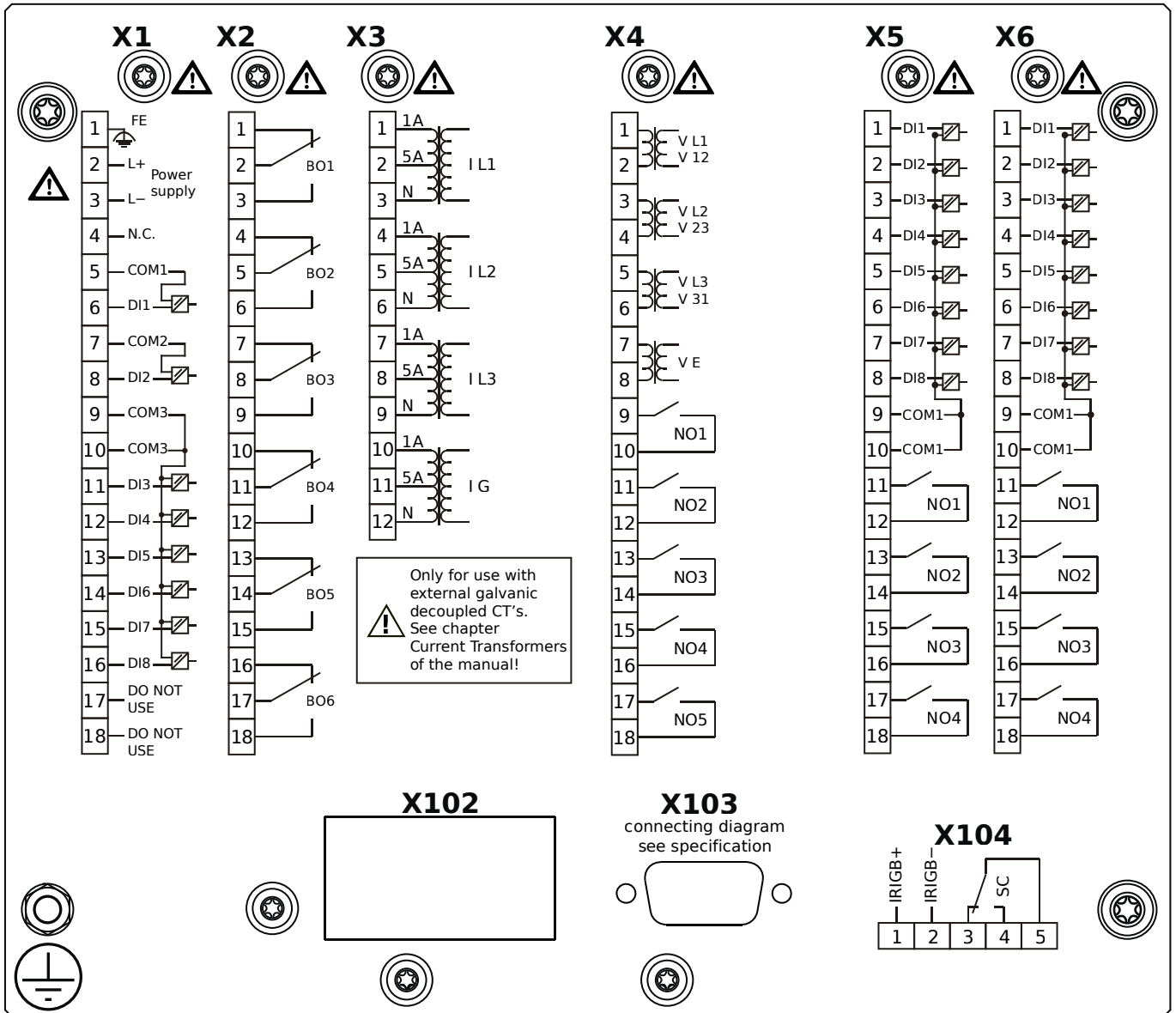
MCA4-2E0BDB



Housing B2, large display, door mounting 19" (flush mounting)

- X1** – DI8-X1: Wide-range power supply unit, incl. 2 non-grouped digital inputs and 6 grouped digital inputs
- X2** – OR6: Assembly Group with 6 Output Relays
- X3** – TI: Standard current measuring card
- X4** – TU-OR5: Voltage measuring assembly group with 5 additional Output Relays (normally open)
- X5** – DI8-OR4: Assembly Group with 8 Digital Inputs and 4 Output Relays
- X6** – DI8-OR4: Assembly Group with 8 Digital Inputs and 4 Output Relays
- X103** – Profibus-DP, Fiber optics interface, ST Connector
- X104** – IRIG-B00X, incl. System Contact (Supervision Contact)

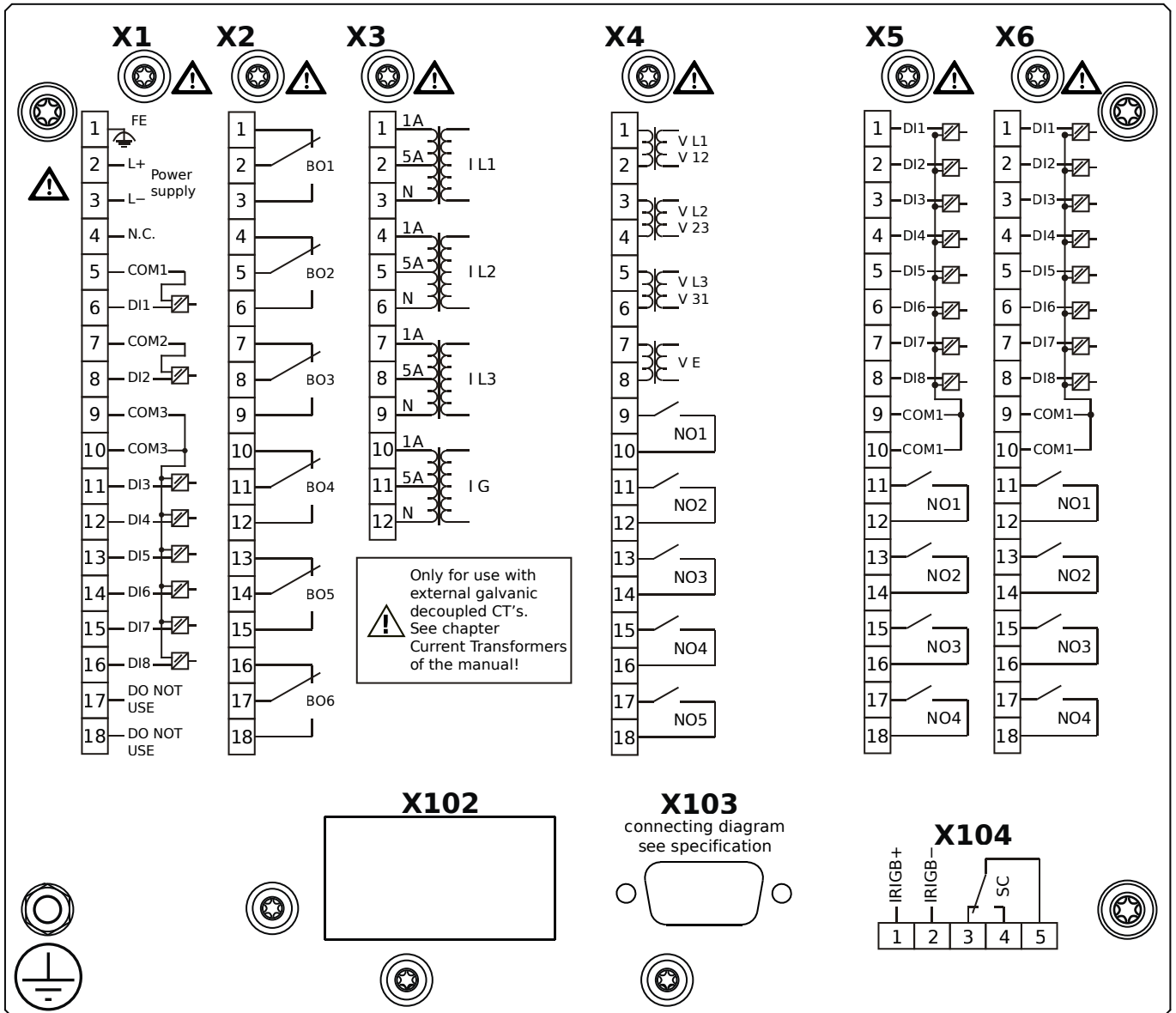
MCA4-2E0BEA



Housing B2, large display, door mounting 19" (flush mounting)

- X1** – DI8-X1: Wide-range power supply unit, incl. 2 non-grouped digital inputs and 6 grouped digital inputs
- X2** – OR6: Assembly Group with 6 Output Relays
- X3** – TI: Standard current measuring card
- X4** – TU-OR5: Voltage measuring assembly group with 5 additional Output Relays (normally open)
- X5** – DI8-OR4: Assembly Group with 8 Digital Inputs and 4 Output Relays
- X6** – DI8-OR4: Assembly Group with 8 Digital Inputs and 4 Output Relays
- X103** – Profibus-DP, RS485, D-SUB
- X104** – IRIG-B00X, incl. System Contact (Supervision Contact)

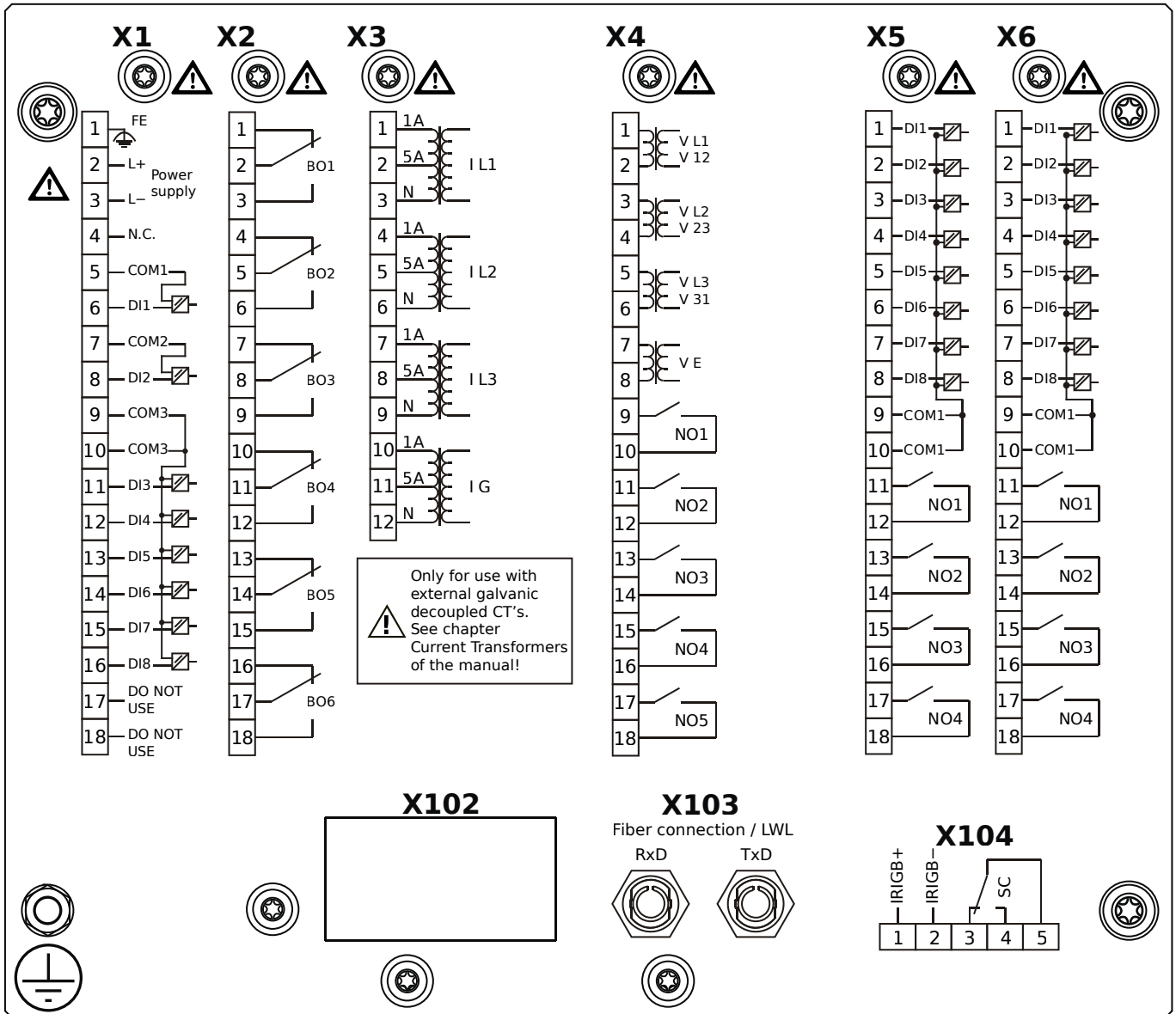
MCA4-2E0BEB



Housing B2, large display, door mounting 19" (flush mounting)

- X1** – DI8-X1: Wide-range power supply unit, incl. 2 non-grouped digital inputs and 6 grouped digital inputs
- X2** – OR6: Assembly Group with 6 Output Relays
- X3** – TI: Standard current measuring card
- X4** – TU-OR5: Voltage measuring assembly group with 5 additional Output Relays (normally open)
- X5** – DI8-OR4: Assembly Group with 8 Digital Inputs and 4 Output Relays
- X6** – DI8-OR4: Assembly Group with 8 Digital Inputs and 4 Output Relays
- X103** – Profibus-DP, RS485, D-SUB
- X104** – IRIG-B00X, incl. System Contact (Supervision Contact)

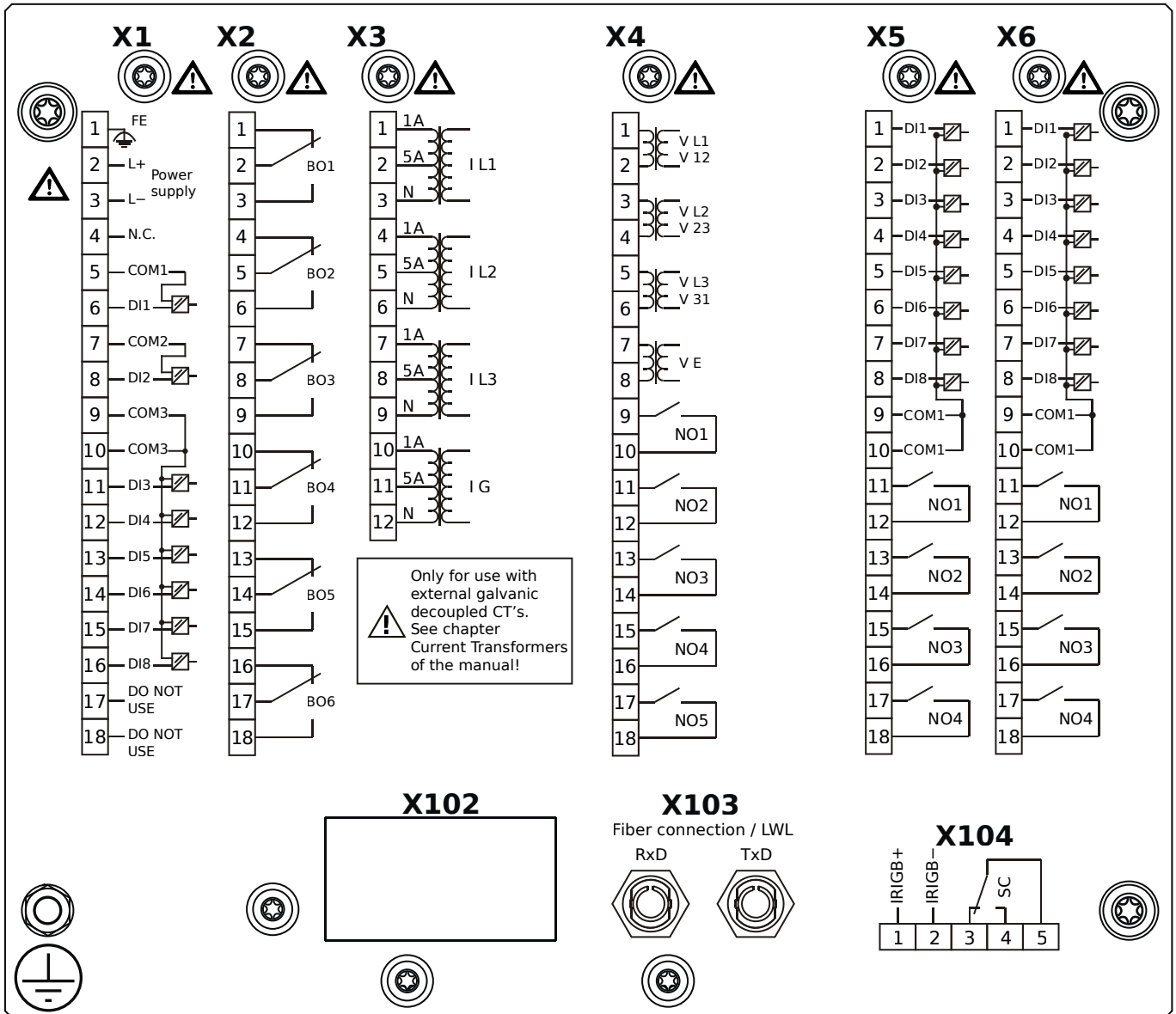
MCA4-2E0BFA



Housing B2, large display, door mounting 19" (flush mounting)

- X1** – DI8-X1: Wide-range power supply unit, incl. 2 non-grouped digital inputs and 6 grouped digital inputs
- X2** – OR6: Assembly Group with 6 Output Relays
- X3** – TI: Standard current measuring card
- X4** – TU-OR5: Voltage measuring assembly group with 5 additional Output Relays (normally open)
- X5** – DI8-OR4: Assembly Group with 8 Digital Inputs and 4 Output Relays
- X6** – DI8-OR4: Assembly Group with 8 Digital Inputs and 4 Output Relays
- X103** – Modbus RTU / IEC 60870-5-103 / DNP3.0 RTU, Fiber optics interface, ST Connector
- X104** – IRIG-B00X, incl. System Contact (Supervision Contact)

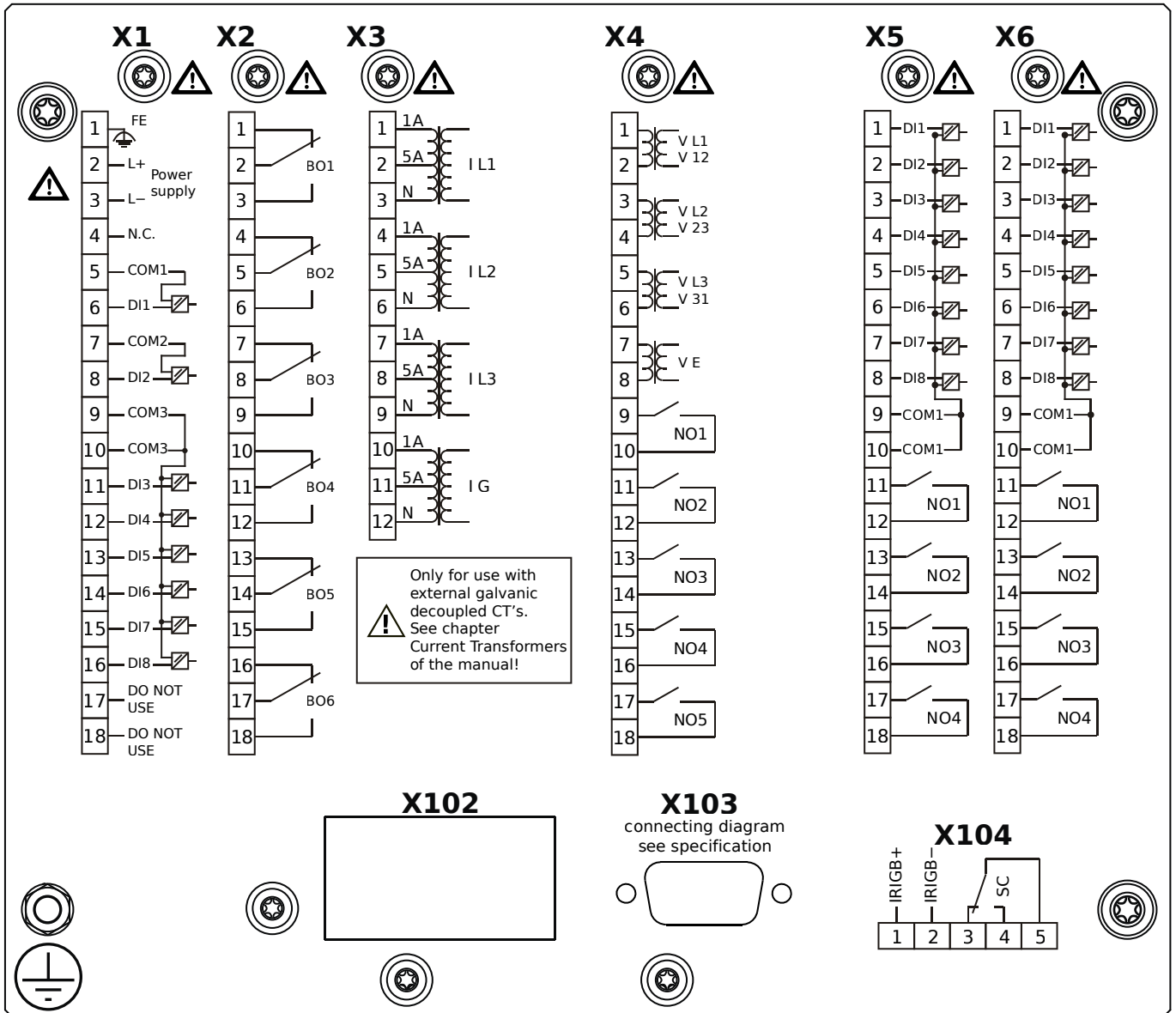
MCA4-2E0BFB



Housing B2, large display, door mounting 19" (flush mounting)

- X1** – DI8-X1: Wide-range power supply unit, incl. 2 non-grouped digital inputs and 6 grouped digital inputs
- X2** – OR6: Assembly Group with 6 Output Relays
- X3** – TI: Standard current measuring card
- X4** – TU-OR5: Voltage measuring assembly group with 5 additional Output Relays (normally open)
- X5** – DI8-OR4: Assembly Group with 8 Digital Inputs and 4 Output Relays
- X6** – DI8-OR4: Assembly Group with 8 Digital Inputs and 4 Output Relays
- X103** – Modbus RTU / IEC 60870-5-103 / DNP3.0 RTU, Fiber optics interface, ST Connector
- X104** – IRIG-B00X, incl. System Contact (Supervision Contact)

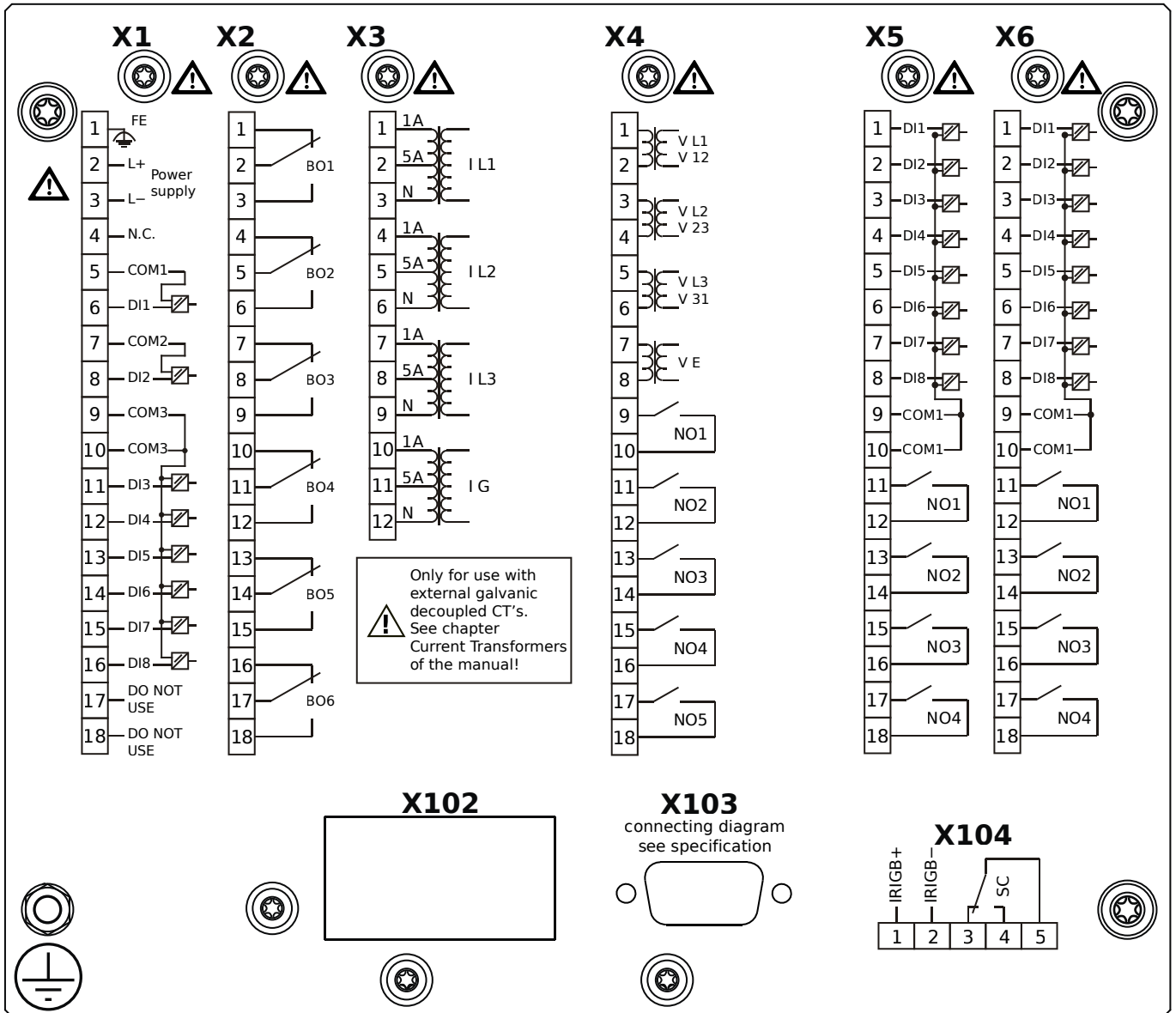
MCA4-2E0BGA



Housing B2, large display, door mounting 19" (flush mounting)

- X1** – DI8-X1: Wide-range power supply unit, incl. 2 non-grouped digital inputs and 6 grouped digital inputs
- X2** – OR6: Assembly Group with 6 Output Relays
- X3** – TI: Standard current measuring card
- X4** – TU-OR5: Voltage measuring assembly group with 5 additional Output Relays (normally open)
- X5** – DI8-OR4: Assembly Group with 8 Digital Inputs and 4 Output Relays
- X6** – DI8-OR4: Assembly Group with 8 Digital Inputs and 4 Output Relays
- X103** – Modbus RTU / IEC 60870-5-103 / DNP3.0 RTU, RS485, D-SUB
- X104** – IRIG-B00X, incl. System Contact (Supervision Contact)

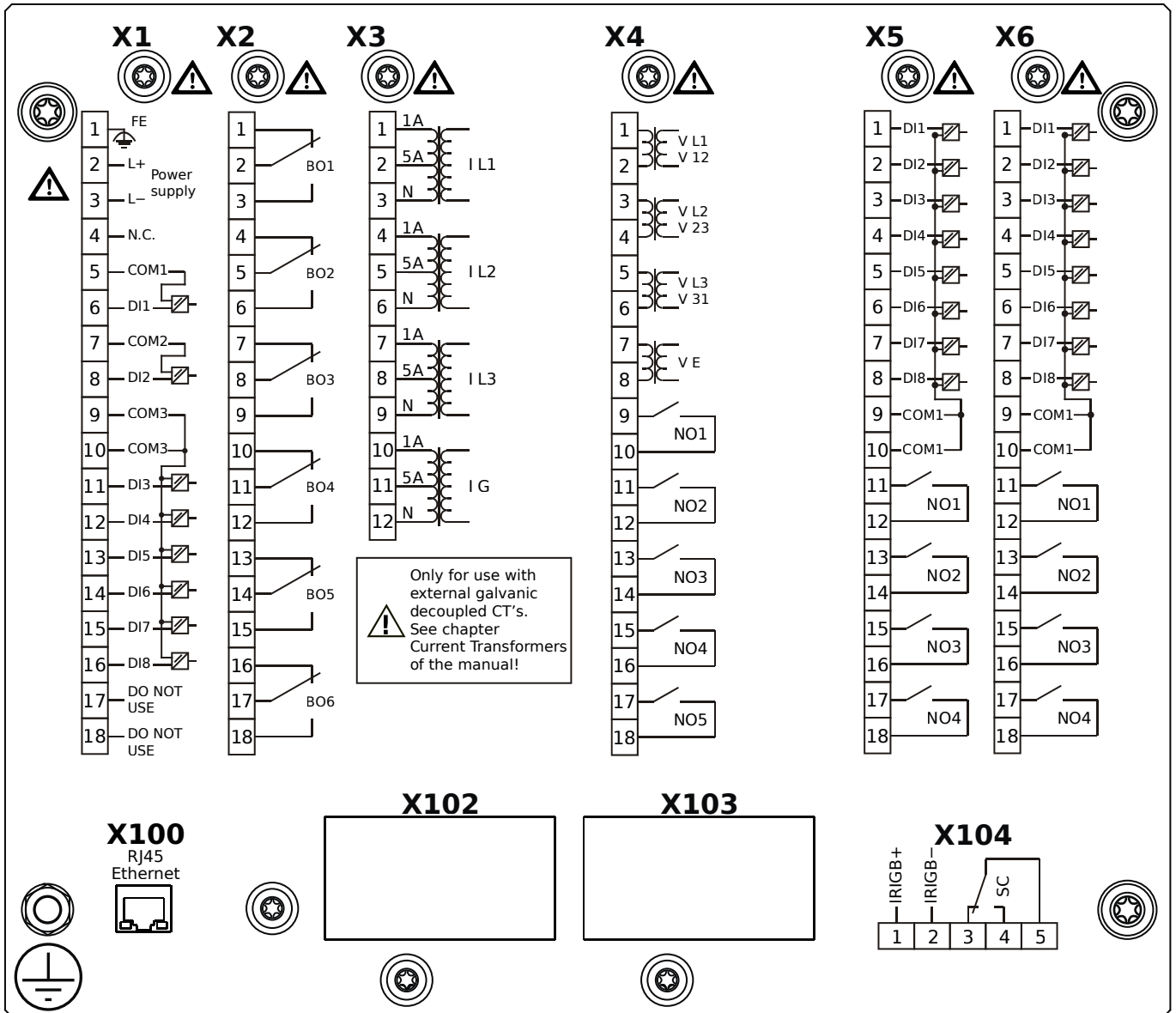
MCA4-2E0BGB



Housing B2, large display, door mounting 19" (flush mounting)

- X1** – DI8-X1: Wide-range power supply unit, incl. 2 non-grouped digital inputs and 6 grouped digital inputs
- X2** – OR6: Assembly Group with 6 Output Relays
- X3** – TI: Standard current measuring card
- X4** – TU-OR5: Voltage measuring assembly group with 5 additional Output Relays (normally open)
- X5** – DI8-OR4: Assembly Group with 8 Digital Inputs and 4 Output Relays
- X6** – DI8-OR4: Assembly Group with 8 Digital Inputs and 4 Output Relays
- X103** – Modbus RTU / IEC 60870-5-103 / DNP3.0 RTU, RS485, D-SUB
- X104** – IRIG-B00X, incl. System Contact (Supervision Contact)

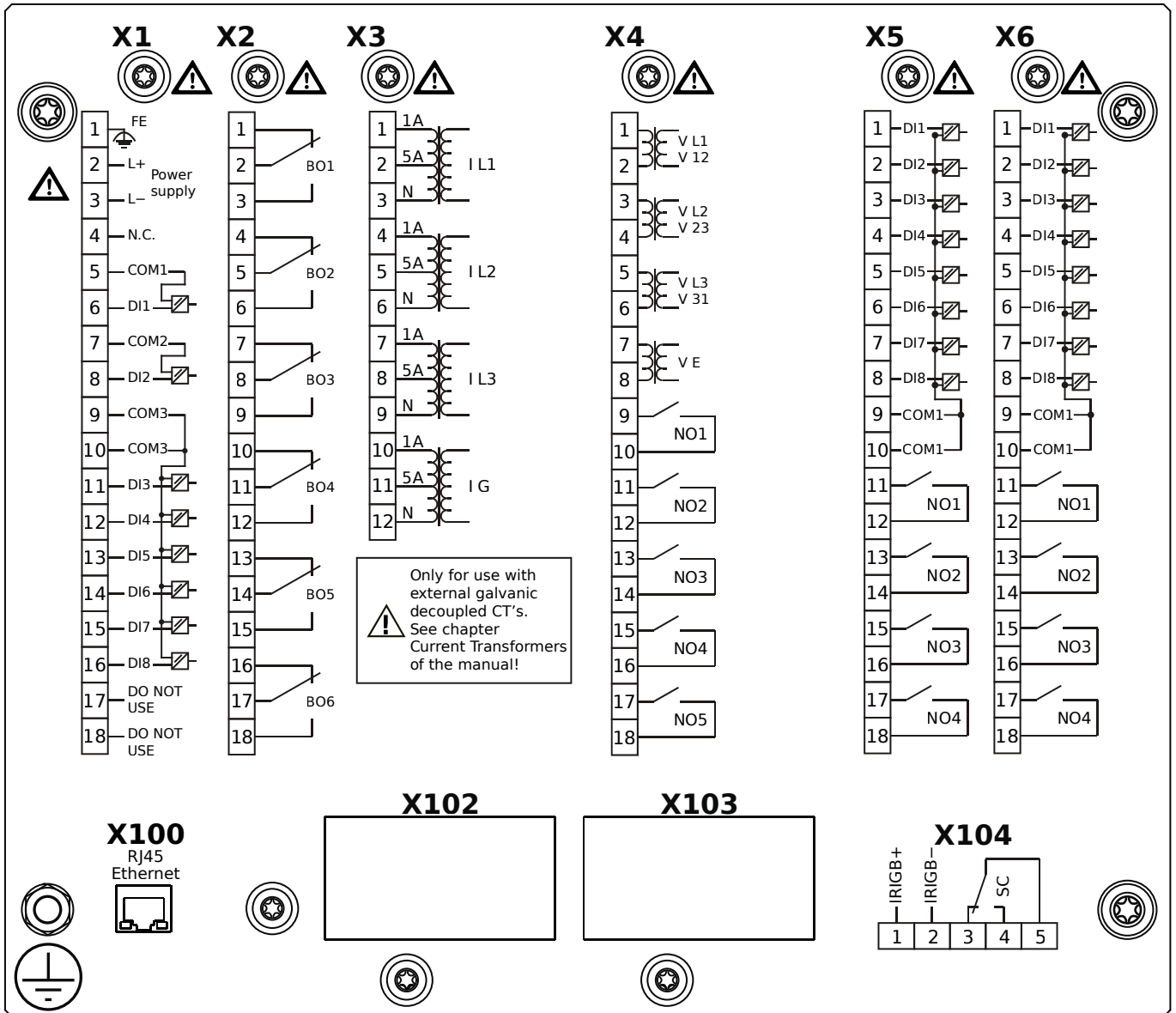
MCA4-2E0BHA



Housing B2, large display, door mounting 19" (flush mounting)

- X1** – DI8-X1: Wide-range power supply unit, incl. 2 non-grouped digital inputs and 6 grouped digital inputs
- X2** – OR6: Assembly Group with 6 Output Relays
- X3** – TI: Standard current measuring card
- X4** – TU-OR5: Voltage measuring assembly group with 5 additional Output Relays (normally open)
- X5** – DI8-OR4: Assembly Group with 8 Digital Inputs and 4 Output Relays
- X6** – DI8-OR4: Assembly Group with 8 Digital Inputs and 4 Output Relays
- X100** – IEC 61850 / Modbus TCP / DNP3.0 TCP/UDP, Ethernet interface, 100 Mbit/s, RJ45 (BASE100-FX)
- X104** – IRIG-B00X, incl. System Contact (Supervision Contact)

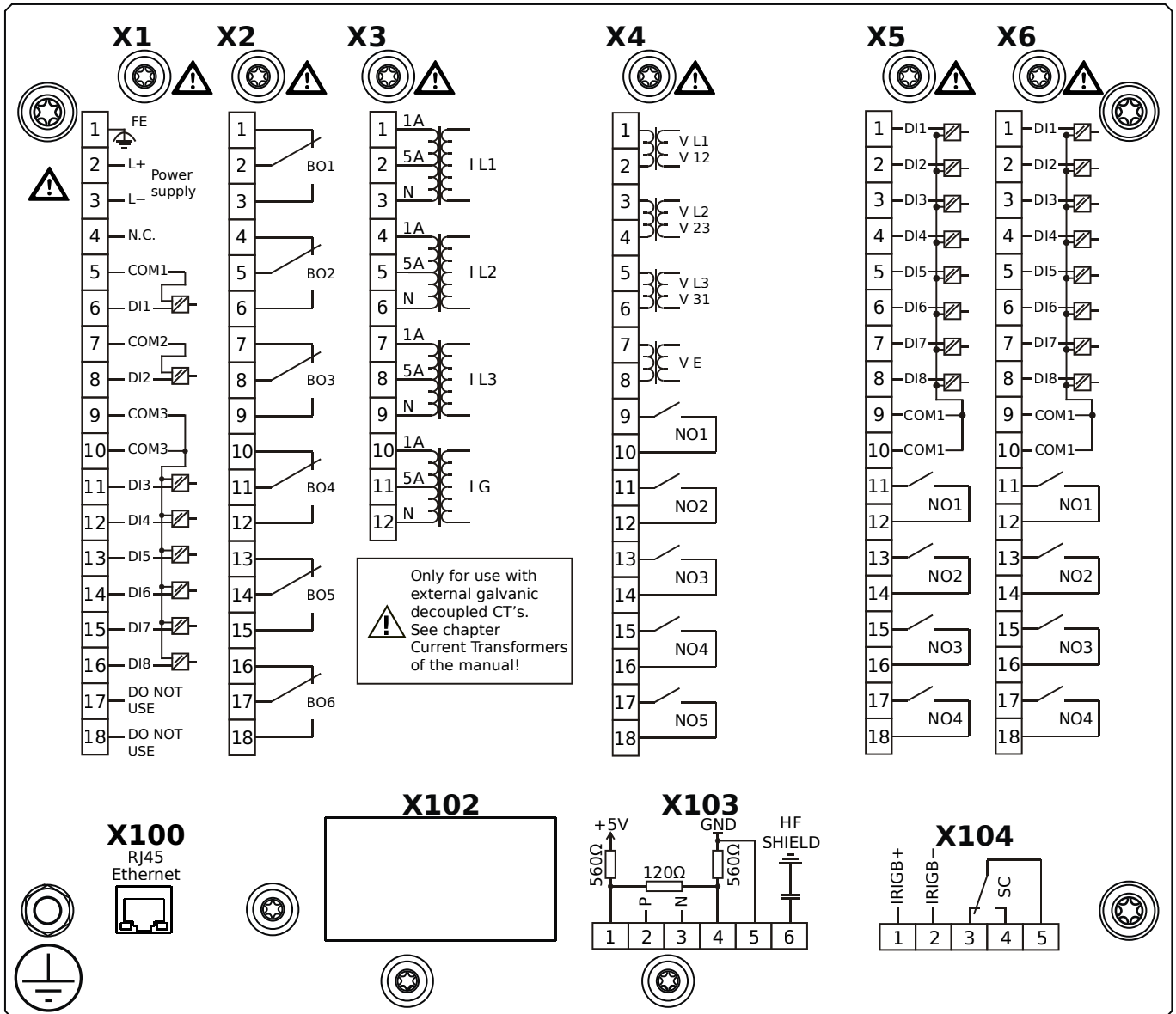
MCA4-2E0BHB



Housing B2, large display, door mounting 19" (flush mounting)

- X1** – DI8-X1: Wide-range power supply unit, incl. 2 non-grouped digital inputs and 6 grouped digital inputs
- X2** – OR6: Assembly Group with 6 Output Relays
- X3** – TI: Standard current measuring card
- X4** – TU-OR5: Voltage measuring assembly group with 5 additional Output Relays (normally open)
- X5** – DI8-OR4: Assembly Group with 8 Digital Inputs and 4 Output Relays
- X6** – DI8-OR4: Assembly Group with 8 Digital Inputs and 4 Output Relays
- X100** – IEC 61850 / Modbus TCP / DNP3.0 TCP/UDP, Ethernet interface, 100 Mbit/s, RJ45 (BASE100-FX)
- X104** – IRIG-B00X, incl. System Contact (Supervision Contact)

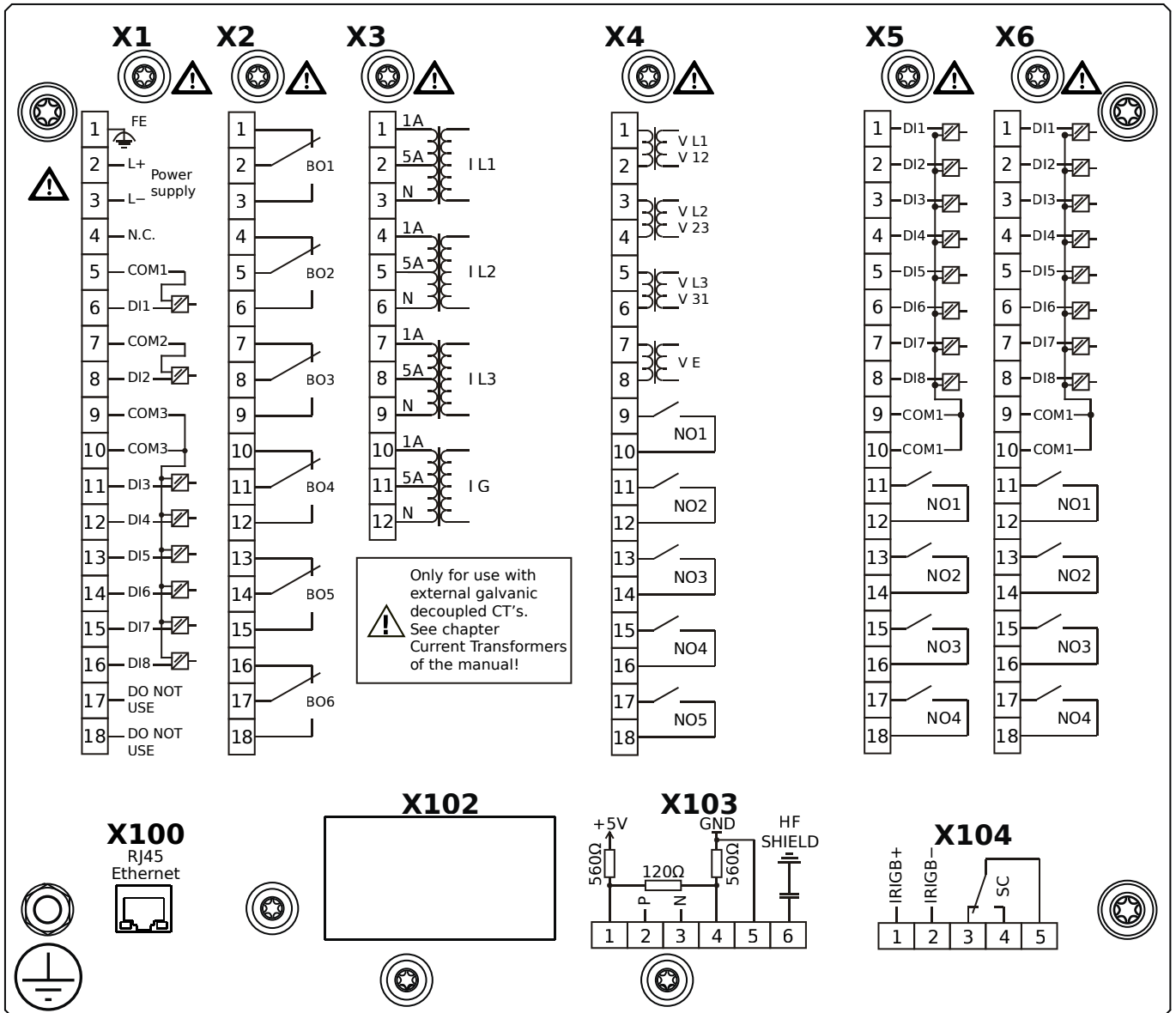
MCA4-2E0BIA



Housing B2, large display, door mounting 19" (flush mounting)

- X1** – DI8-X1: Wide-range power supply unit, incl. 2 non-grouped digital inputs and 6 grouped digital inputs
- X2** – OR6: Assembly Group with 6 Output Relays
- X3** – TI: Standard current measuring card
- X4** – TU-OR5: Voltage measuring assembly group with 5 additional Output Relays (normally open)
- X5** – DI8-OR4: Assembly Group with 8 Digital Inputs and 4 Output Relays
- X6** – DI8-OR4: Assembly Group with 8 Digital Inputs and 4 Output Relays
- X100** – Modbus TCP / DNP3.0 TCP/UDP, Ethernet interface, 100 Mbit/s, RJ45 (BASE100-FX)
- X103** – IEC 60870-5-103 / Modbus RTU / DNP3.0 RTU, RS485, Terminals
- X104** – IRIG-B00X, incl. System Contact (Supervision Contact)

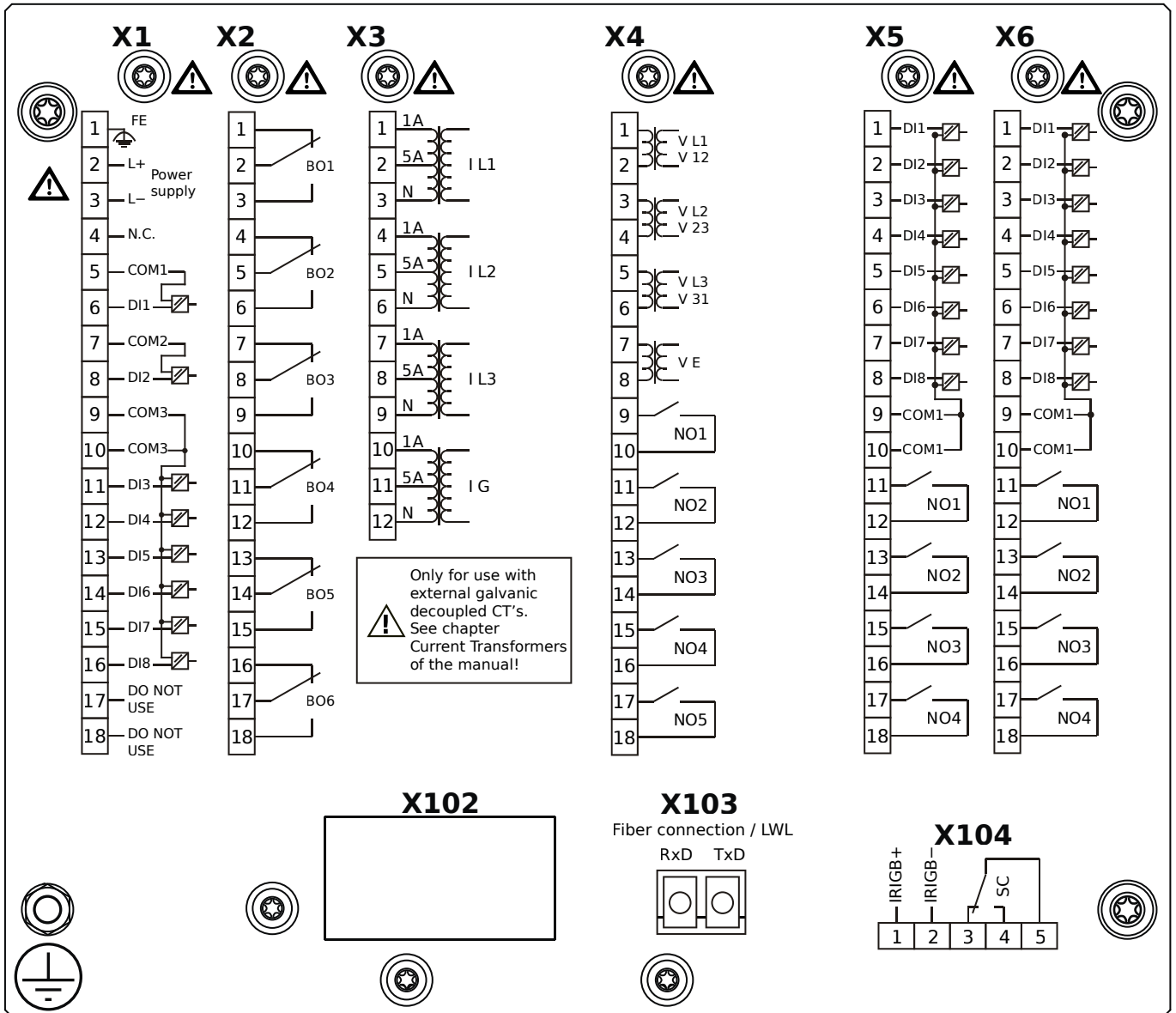
MCA4-2E0BIB



Housing B2, large display, door mounting 19" (flush mounting)

- X1** – DI8-X1: Wide-range power supply unit, incl. 2 non-grouped digital inputs and 6 grouped digital inputs
- X2** – OR6: Assembly Group with 6 Output Relays
- X3** – TI: Standard current measuring card
- X4** – TU-OR5: Voltage measuring assembly group with 5 additional Output Relays (normally open)
- X5** – DI8-OR4: Assembly Group with 8 Digital Inputs and 4 Output Relays
- X6** – DI8-OR4: Assembly Group with 8 Digital Inputs and 4 Output Relays
- X100** – Modbus TCP / DNP3.0 TCP/UDP, Ethernet interface, 100 Mbit/s, RJ45 (BASE100-FX)
- X103** – IEC 60870-5-103 / Modbus RTU / DNP3.0 RTU, RS485, Terminals
- X104** – IRIG-B00X, incl. System Contact (Supervision Contact)

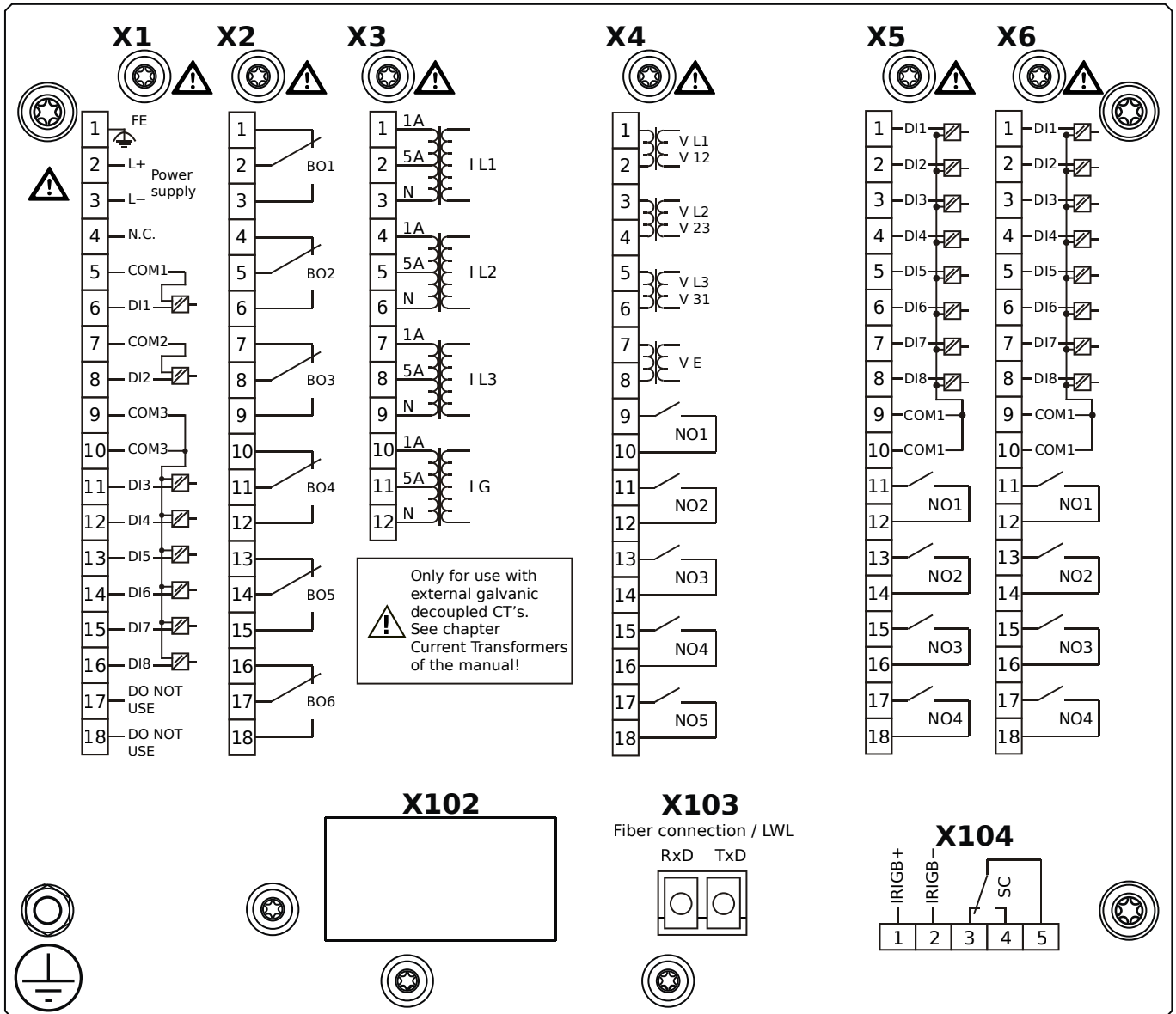
MCA4-2E0BKA



Housing B2, large display, door mounting 19" (flush mounting)

- X1** – DI8-X1: Wide-range power supply unit, incl. 2 non-grouped digital inputs and 6 grouped digital inputs
- X2** – OR6: Assembly Group with 6 Output Relays
- X3** – TI: Standard current measuring card
- X4** – TU-OR5: Voltage measuring assembly group with 5 additional Output Relays (normally open)
- X5** – DI8-OR4: Assembly Group with 8 Digital Inputs and 4 Output Relays
- X6** – DI8-OR4: Assembly Group with 8 Digital Inputs and 4 Output Relays
- X103** – IEC 61850 / Modbus TCP / DNP3.0 TCP/UDP, Fiber optics interface, LC Connector
- X104** – IRIG-B00X, incl. System Contact (Supervision Contact)

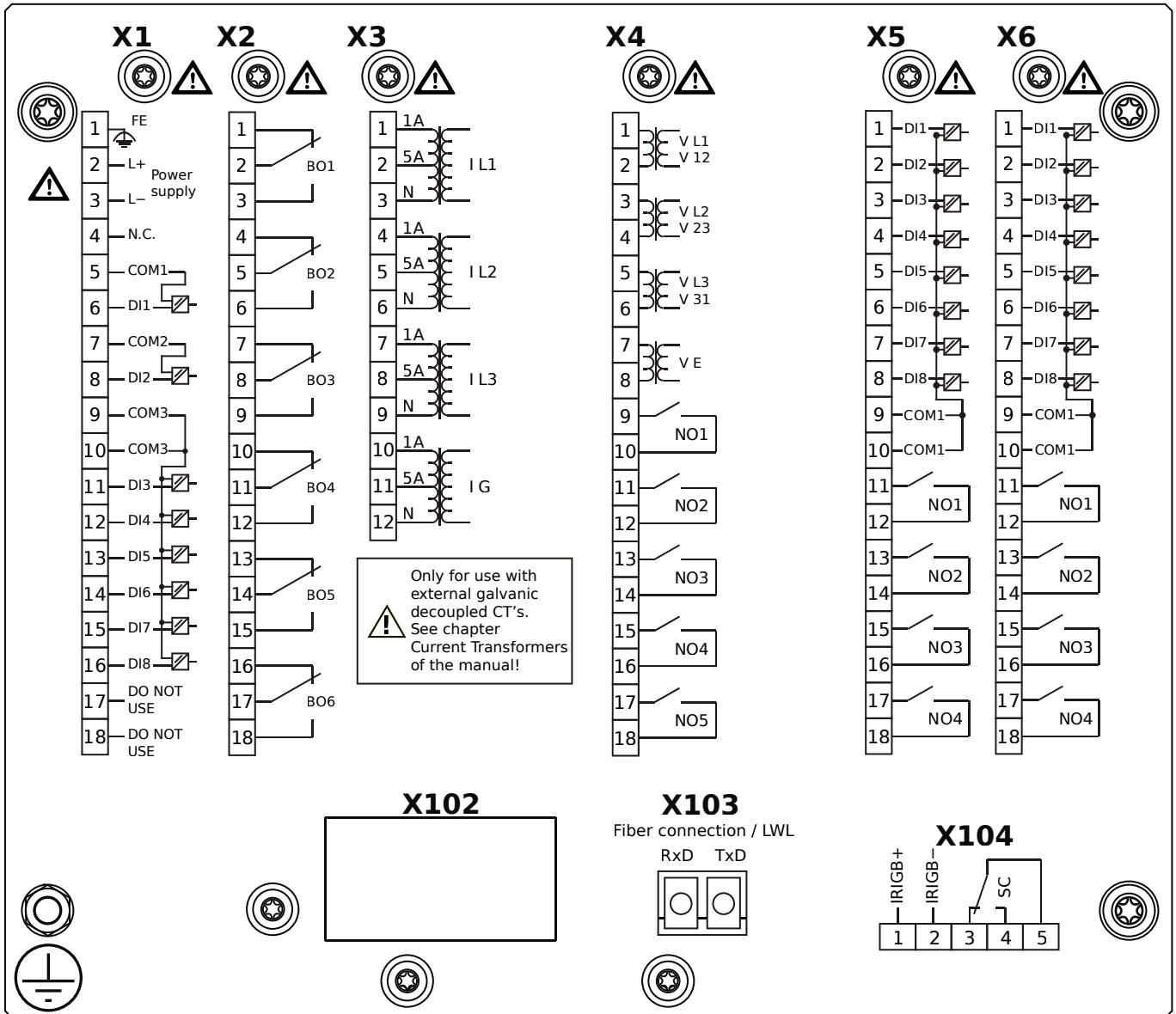
MCA4-2E0BKB



Housing B2, large display, door mounting 19" (flush mounting)

- X1** – DI8-X1: Wide-range power supply unit, incl. 2 non-grouped digital inputs and 6 grouped digital inputs
- X2** – OR6: Assembly Group with 6 Output Relays
- X3** – TI: Standard current measuring card
- X4** – TU-OR5: Voltage measuring assembly group with 5 additional Output Relays (normally open)
- X5** – DI8-OR4: Assembly Group with 8 Digital Inputs and 4 Output Relays
- X6** – DI8-OR4: Assembly Group with 8 Digital Inputs and 4 Output Relays
- X103** – IEC 61850 / Modbus TCP / DNP3.0 TCP/UDP, Fiber optics interface, LC Connector
- X104** – IRIG-B00X, incl. System Contact (Supervision Contact)

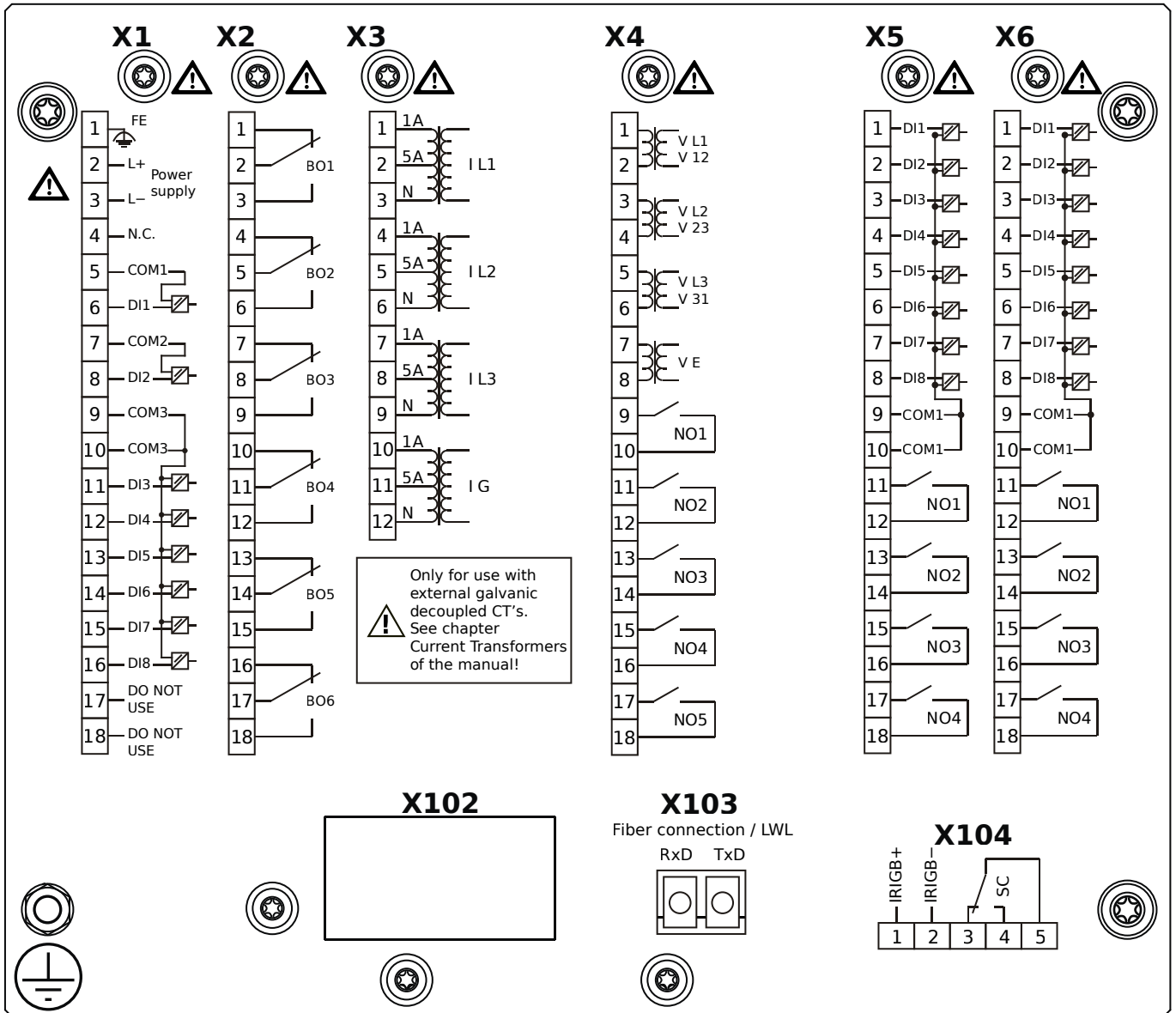
MCA4-2E0BLA



Housing B2, large display, door mounting 19" (flush mounting)

- X1** – DI8-X1: Wide-range power supply unit, incl. 2 non-grouped digital inputs and 6 grouped digital inputs
- X2** – OR6: Assembly Group with 6 Output Relays
- X3** – TI: Standard current measuring card
- X4** – TU-OR5: Voltage measuring assembly group with 5 additional Output Relays (normally open)
- X5** – DI8-OR4: Assembly Group with 8 Digital Inputs and 4 Output Relays
- X6** – DI8-OR4: Assembly Group with 8 Digital Inputs and 4 Output Relays
- X103** – Modbus TCP / DNP3.0 TCP/UDP, Fiber optics interface, LC Connector
- X104** – IRIG-B00X, incl. System Contact (Supervision Contact)

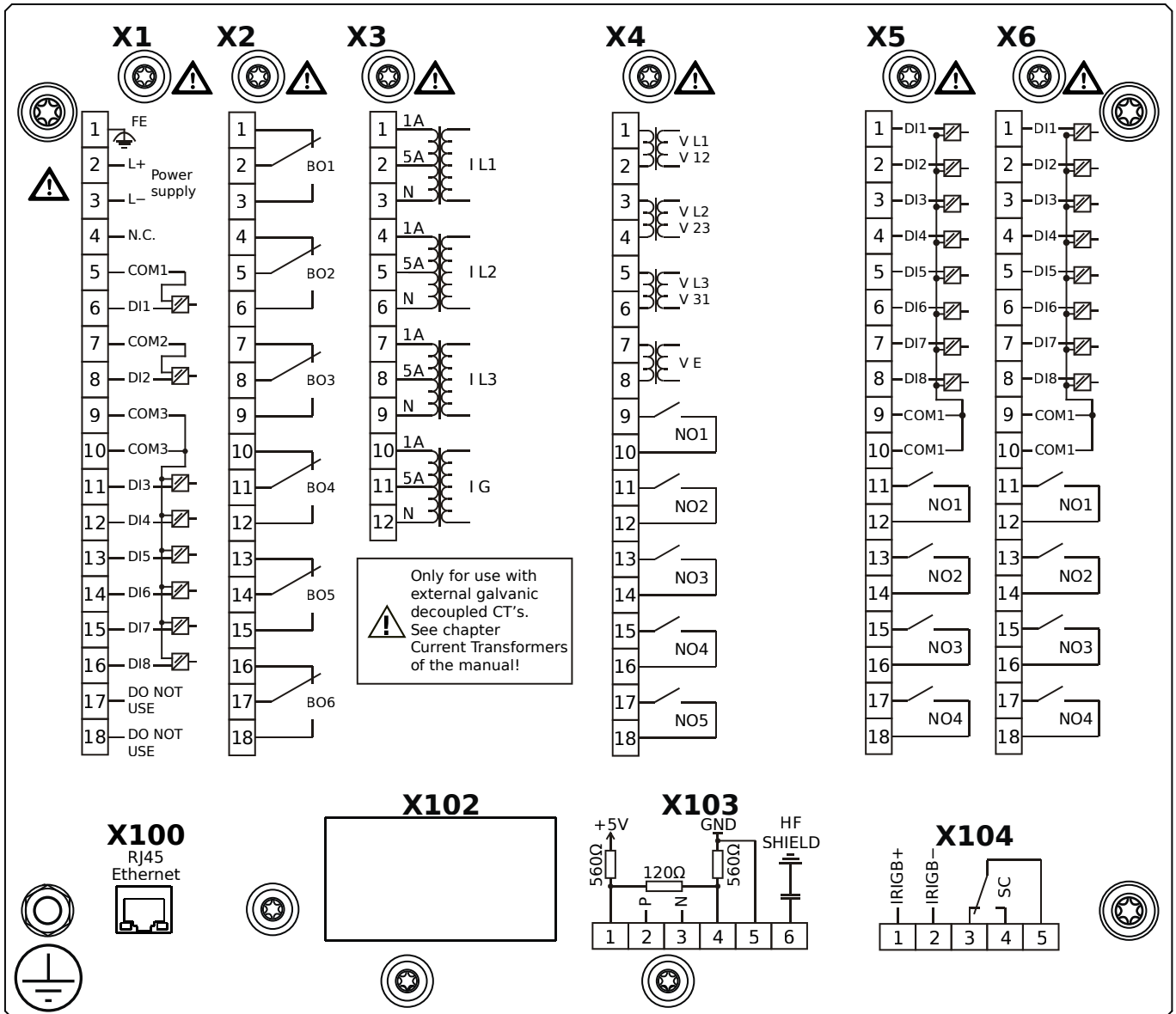
MCA4-2E0BLB



Housing B2, large display, door mounting 19" (flush mounting)

- X1** – DI8-X1: Wide-range power supply unit, incl. 2 non-grouped digital inputs and 6 grouped digital inputs
- X2** – OR6: Assembly Group with 6 Output Relays
- X3** – TI: Standard current measuring card
- X4** – TU-OR5: Voltage measuring assembly group with 5 additional Output Relays (normally open)
- X5** – DI8-OR4: Assembly Group with 8 Digital Inputs and 4 Output Relays
- X6** – DI8-OR4: Assembly Group with 8 Digital Inputs and 4 Output Relays
- X103** – Modbus TCP / DNP3.0 TCP/UDP, Fiber optics interface, LC Connector
- X104** – IRIG-B00X, incl. System Contact (Supervision Contact)

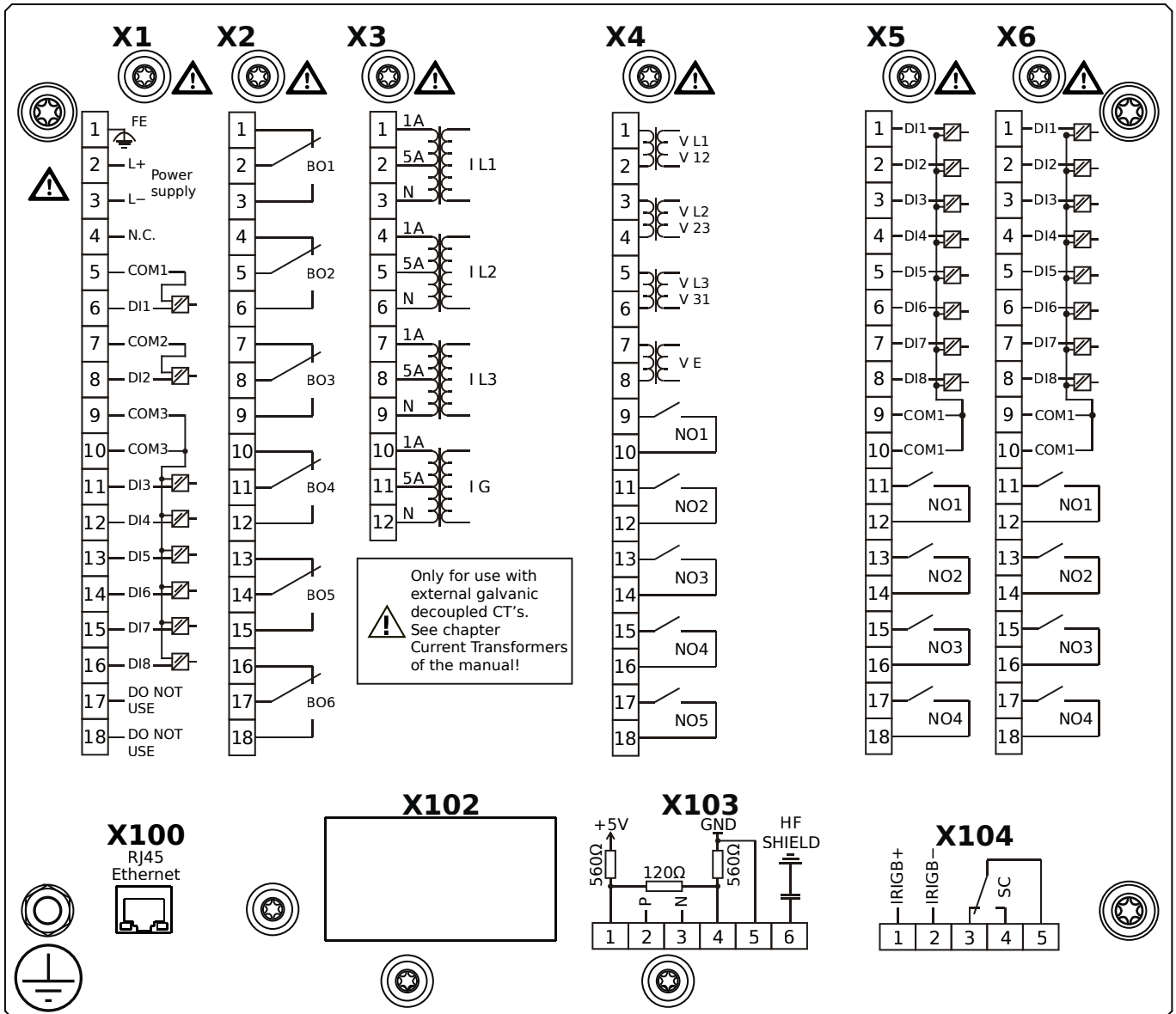
MCA4-2E0BTA



Housing B2, large display, door mounting 19" (flush mounting)

- X1** – DI8-X1: Wide-range power supply unit, incl. 2 non-grouped digital inputs and 6 grouped digital inputs
- X2** – OR6: Assembly Group with 6 Output Relays
- X3** – TI: Standard current measuring card
- X4** – TU-OR5: Voltage measuring assembly group with 5 additional Output Relays (normally open)
- X5** – DI8-OR4: Assembly Group with 8 Digital Inputs and 4 Output Relays
- X6** – DI8-OR4: Assembly Group with 8 Digital Inputs and 4 Output Relays
- X100** – IEC 61850 / Modbus TCP / DNP3.0 TCP/UDP, Ethernet interface, 100 Mbit/s, RJ45 (BASE100-FX)
- X103** – IEC 60870-5-103 / Modbus RTU / DNP3.0 RTU, RS485, Terminals
- X104** – IRIG-B00X, incl. System Contact (Supervision Contact)

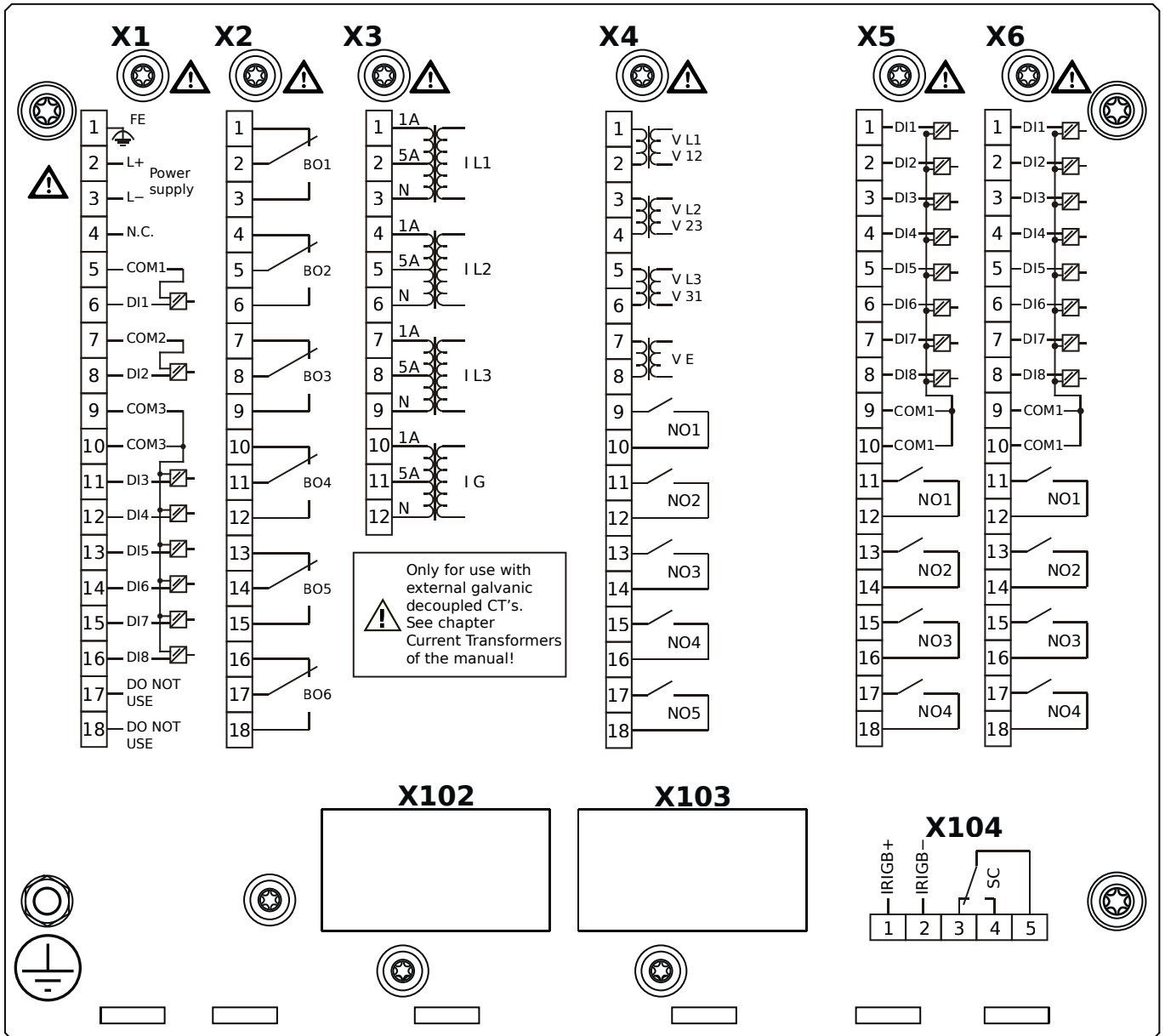
MCA4-2E0BTB



Housing B2, large display, door mounting 19" (flush mounting)

- X1** – DI8-X1: Wide-range power supply unit, incl. 2 non-grouped digital inputs and 6 grouped digital inputs
- X2** – OR6: Assembly Group with 6 Output Relays
- X3** – TI: Standard current measuring card
- X4** – TU-OR5: Voltage measuring assembly group with 5 additional Output Relays (normally open)
- X5** – DI8-OR4: Assembly Group with 8 Digital Inputs and 4 Output Relays
- X6** – DI8-OR4: Assembly Group with 8 Digital Inputs and 4 Output Relays
- X100** – IEC 61850 / Modbus TCP / DNP3.0 TCP/UDP, Ethernet interface, 100 Mbit/s, RJ45 (BASE100-FX)
- X103** – IEC 60870-5-103 / Modbus RTU / DNP3.0 RTU, RS485, Terminals
- X104** – IRIG-B00X, incl. System Contact (Supervision Contact)

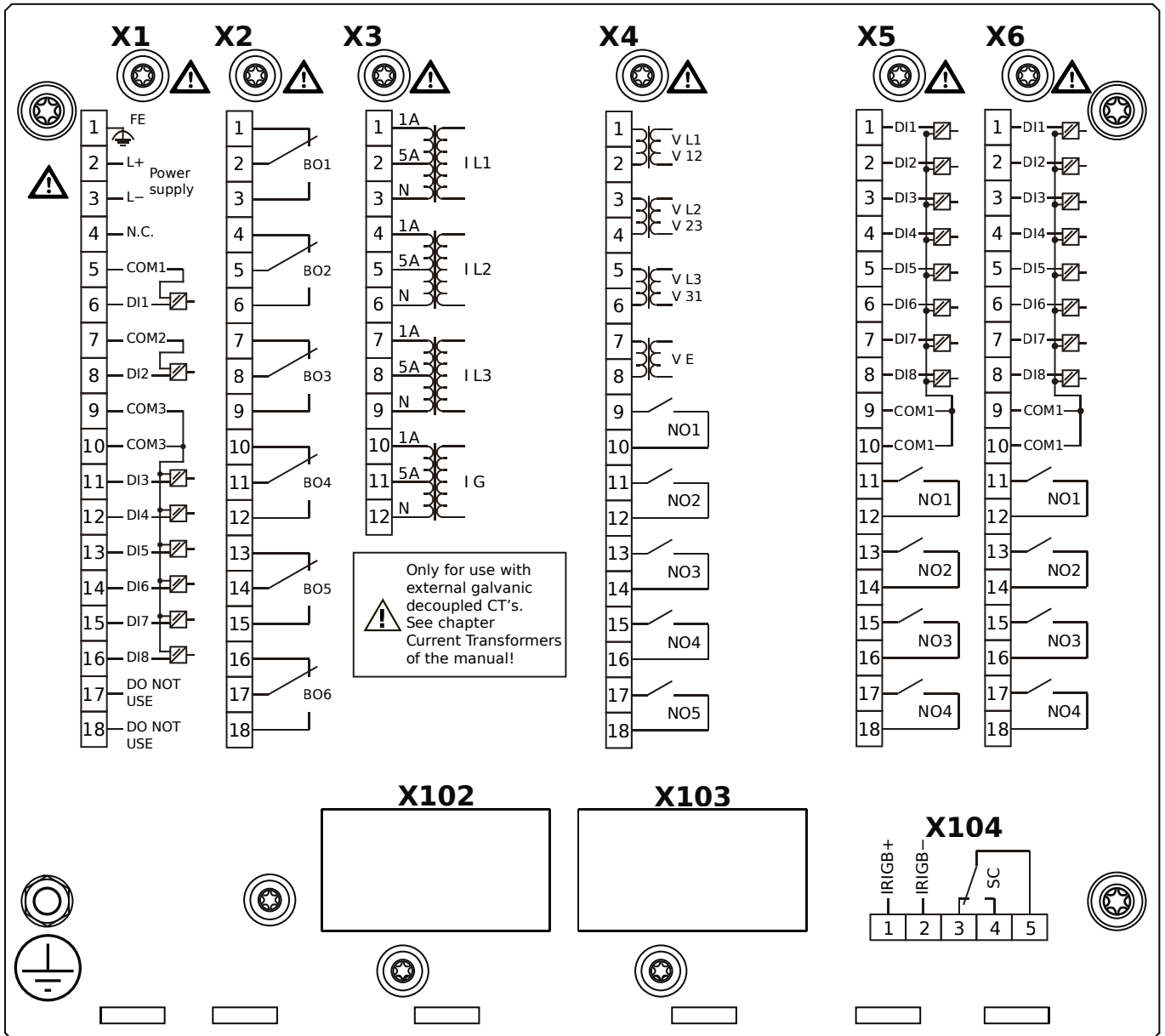
MCA4-2E0HAA



Housing B2, large display, door mounting

- X1** – DI8-X1: Wide-range power supply unit, incl. 2 non-grouped digital inputs and 6 grouped digital inputs
- X2** – OR6: Assembly Group with 6 Output Relays
- X3** – TI: Standard current measuring card
- X4** – TU-OR5: Voltage measuring assembly group with 5 additional Output Relays (normally open)
- X5** – DI8-OR4: Assembly Group with 8 Digital Inputs and 4 Output Relays
- X6** – DI8-OR4: Assembly Group with 8 Digital Inputs and 4 Output Relays
- X104** – IRIG-B00X, incl. System Contact (Supervision Contact)

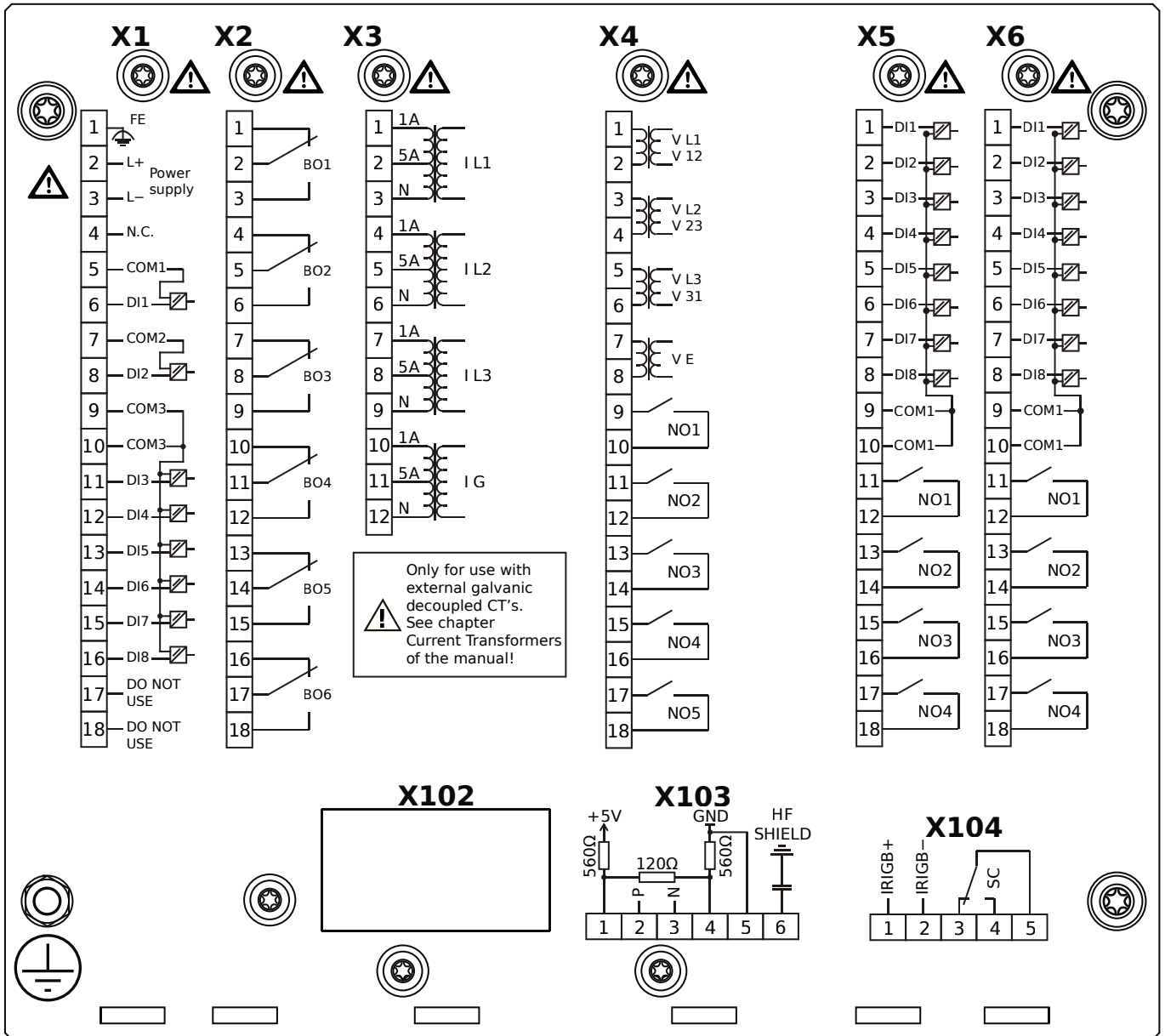
MCA4-2E0HAB



Housing B2, large display, door mounting

- X1** – DI8-X1: Wide-range power supply unit, incl. 2 non-grouped digital inputs and 6 grouped digital inputs
- X2** – OR6: Assembly Group with 6 Output Relays
- X3** – TI: Standard current measuring card
- X4** – TU-OR5: Voltage measuring assembly group with 5 additional Output Relays (normally open)
- X5** – DI8-OR4: Assembly Group with 8 Digital Inputs and 4 Output Relays
- X6** – DI8-OR4: Assembly Group with 8 Digital Inputs and 4 Output Relays
- X104** – IRIG-B00X, incl. System Contact (Supervision Contact)

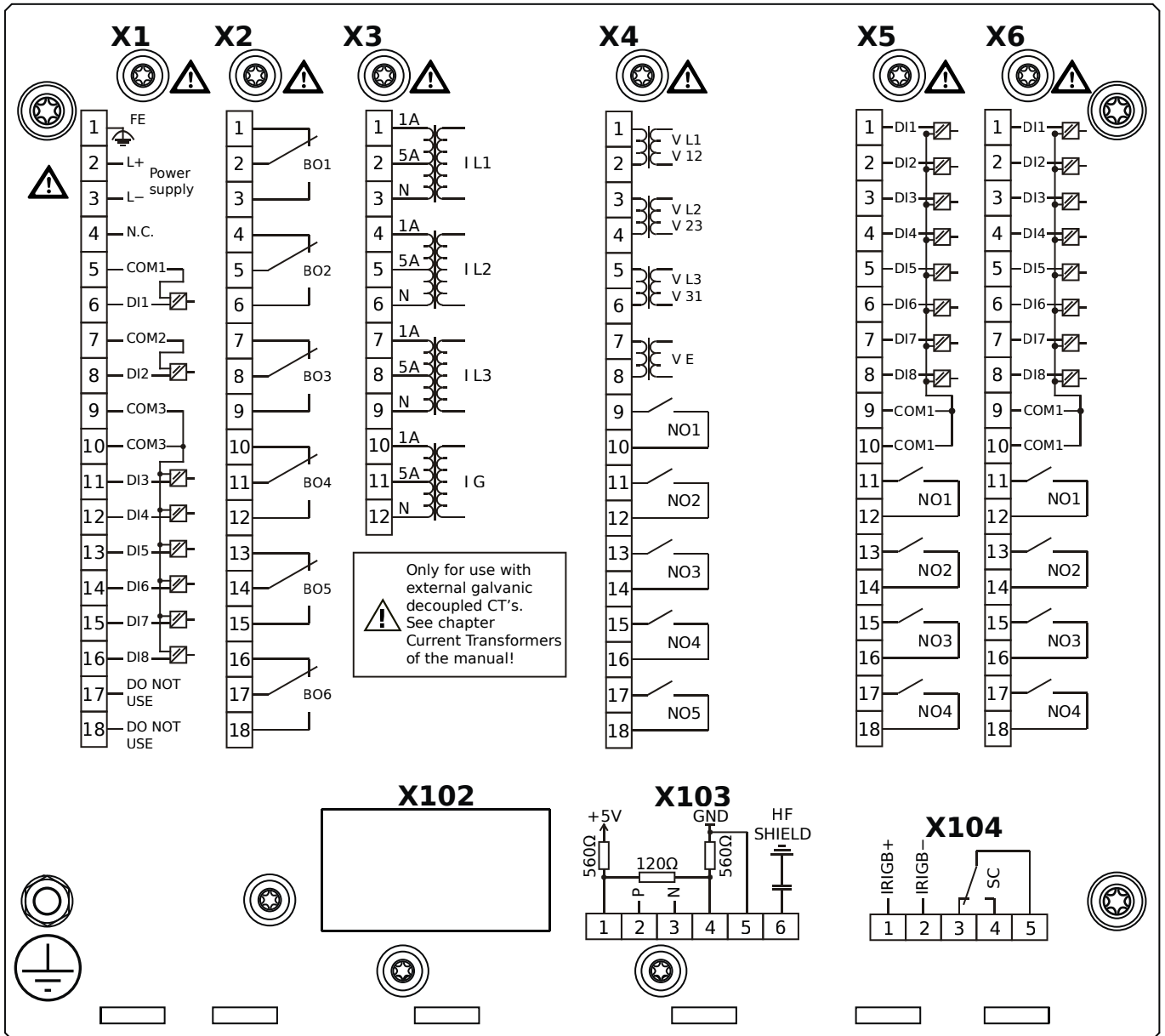
MCA4-2E0HBA



Housing B2, large display, door mounting

- X1** – DI8-X1: Wide-range power supply unit, incl. 2 non-grouped digital inputs and 6 grouped digital inputs
- X2** – OR6: Assembly Group with 6 Output Relays
- X3** – TI: Standard current measuring card
- X4** – TU-OR5: Voltage measuring assembly group with 5 additional Output Relays (normally open)
- X5** – DI8-OR4: Assembly Group with 8 Digital Inputs and 4 Output Relays
- X6** – DI8-OR4: Assembly Group with 8 Digital Inputs and 4 Output Relays
- X103** – Modbus RTU / IEC 60870-5-103 / DNP3.0 RTU, RS485, Terminals
- X104** – IRIG-B00X, incl. System Contact (Supervision Contact)

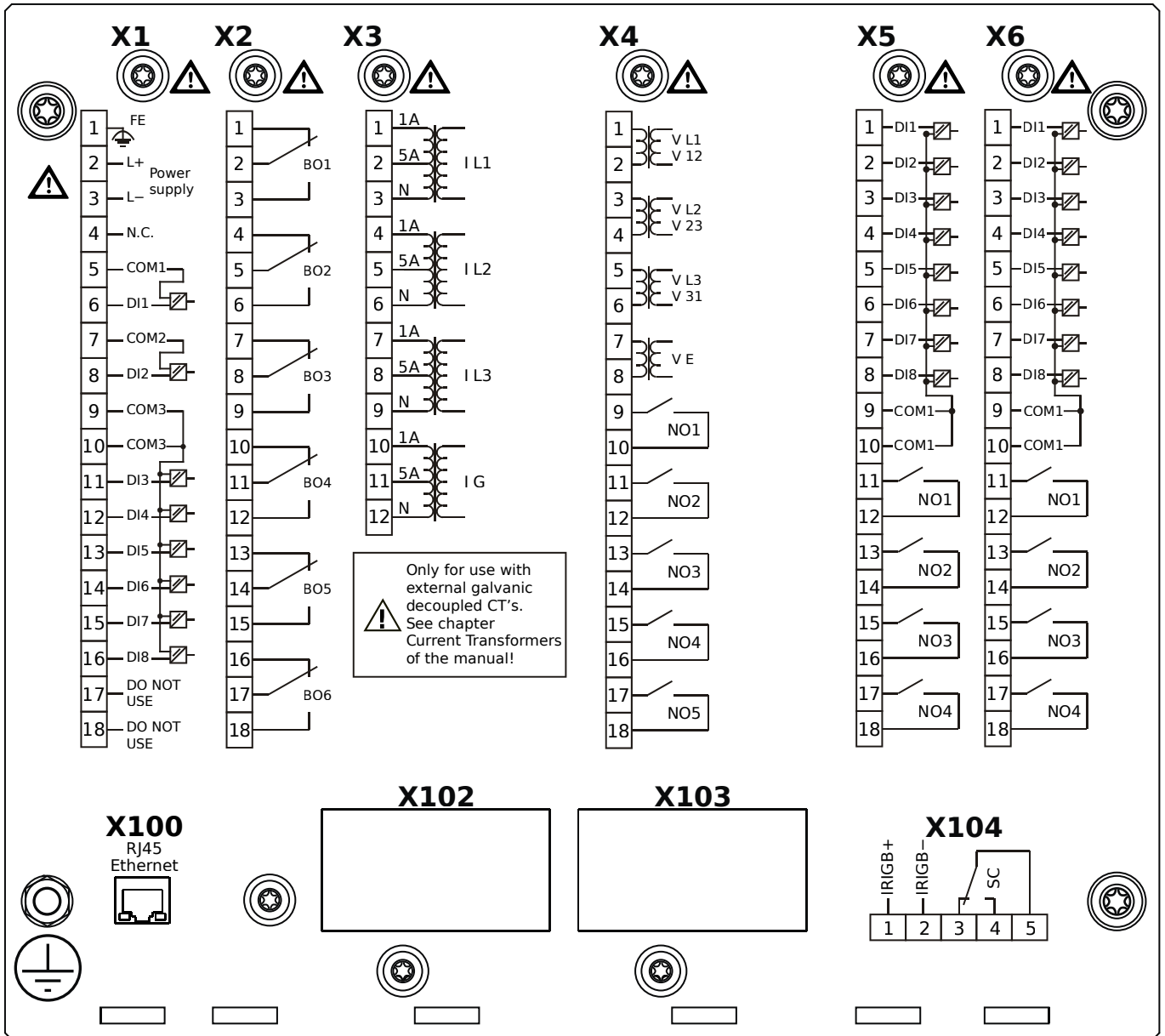
MCA4-2E0HBB



Housing B2, large display, door mounting

- X1** – DI8-X1: Wide-range power supply unit, incl. 2 non-grouped digital inputs and 6 grouped digital inputs
- X2** – OR6: Assembly Group with 6 Output Relays
- X3** – TI: Standard current measuring card
- X4** – TU-OR5: Voltage measuring assembly group with 5 additional Output Relays (normally open)
- X5** – DI8-OR4: Assembly Group with 8 Digital Inputs and 4 Output Relays
- X6** – DI8-OR4: Assembly Group with 8 Digital Inputs and 4 Output Relays
- X103** – Modbus RTU / IEC 60870-5-103 / DNP3.0 RTU, RS485, Terminals
- X104** – IRIG-B00X, incl. System Contact (Supervision Contact)

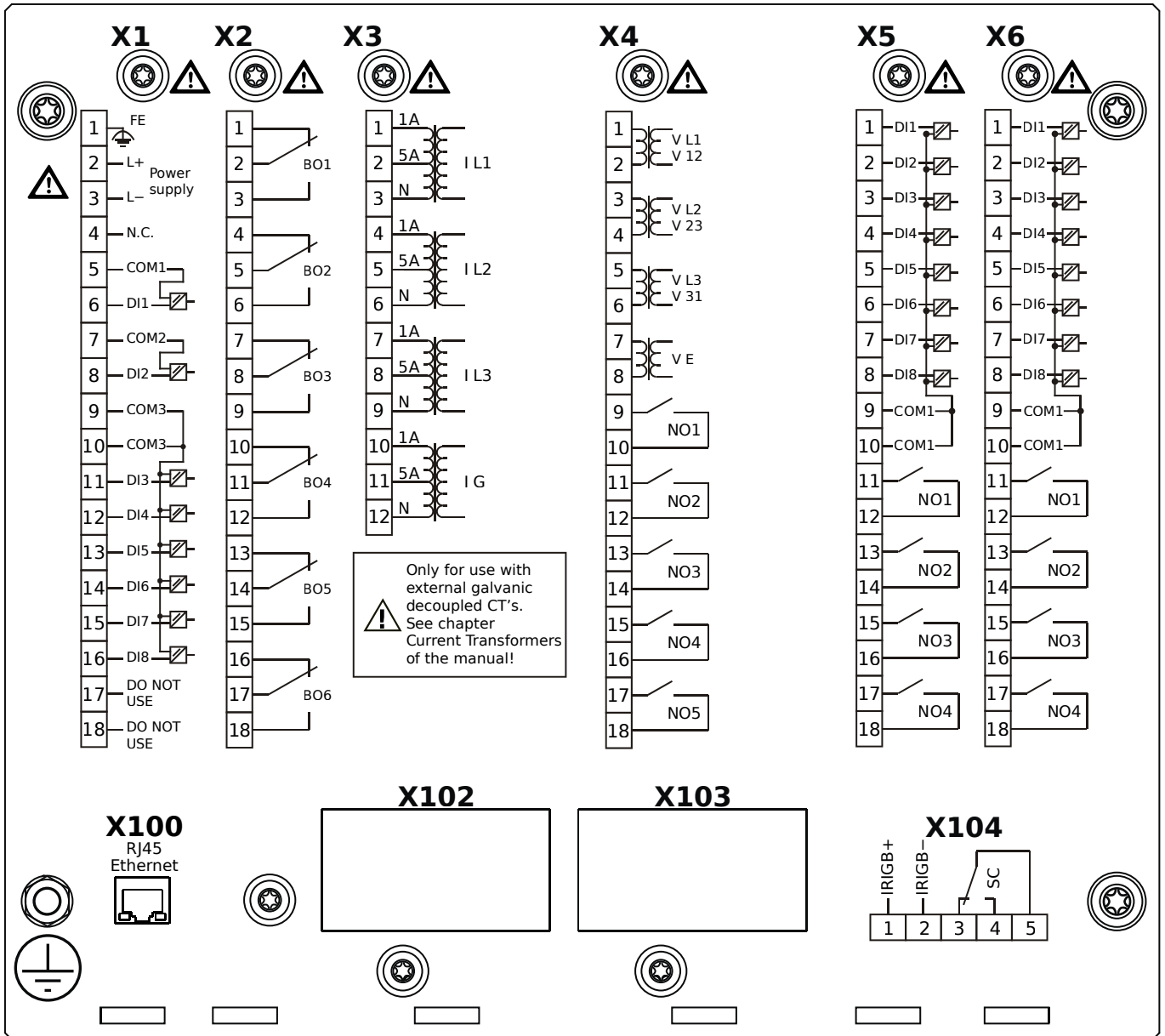
MCA4-2E0HCA



Housing B2, large display, door mounting

- X1** – DI8-X1: Wide-range power supply unit, incl. 2 non-grouped digital inputs and 6 grouped digital inputs
- X2** – OR6: Assembly Group with 6 Output Relays
- X3** – TI: Standard current measuring card
- X4** – TU-OR5: Voltage measuring assembly group with 5 additional Output Relays (normally open)
- X5** – DI8-OR4: Assembly Group with 8 Digital Inputs and 4 Output Relays
- X6** – DI8-OR4: Assembly Group with 8 Digital Inputs and 4 Output Relays
- X100** – Modbus TCP / DNP3.0 TCP/UDP, Ethernet interface, 100 Mbit/s, RJ45 (BASE100-FX)
- X104** – IRIG-B00X, incl. System Contact (Supervision Contact)

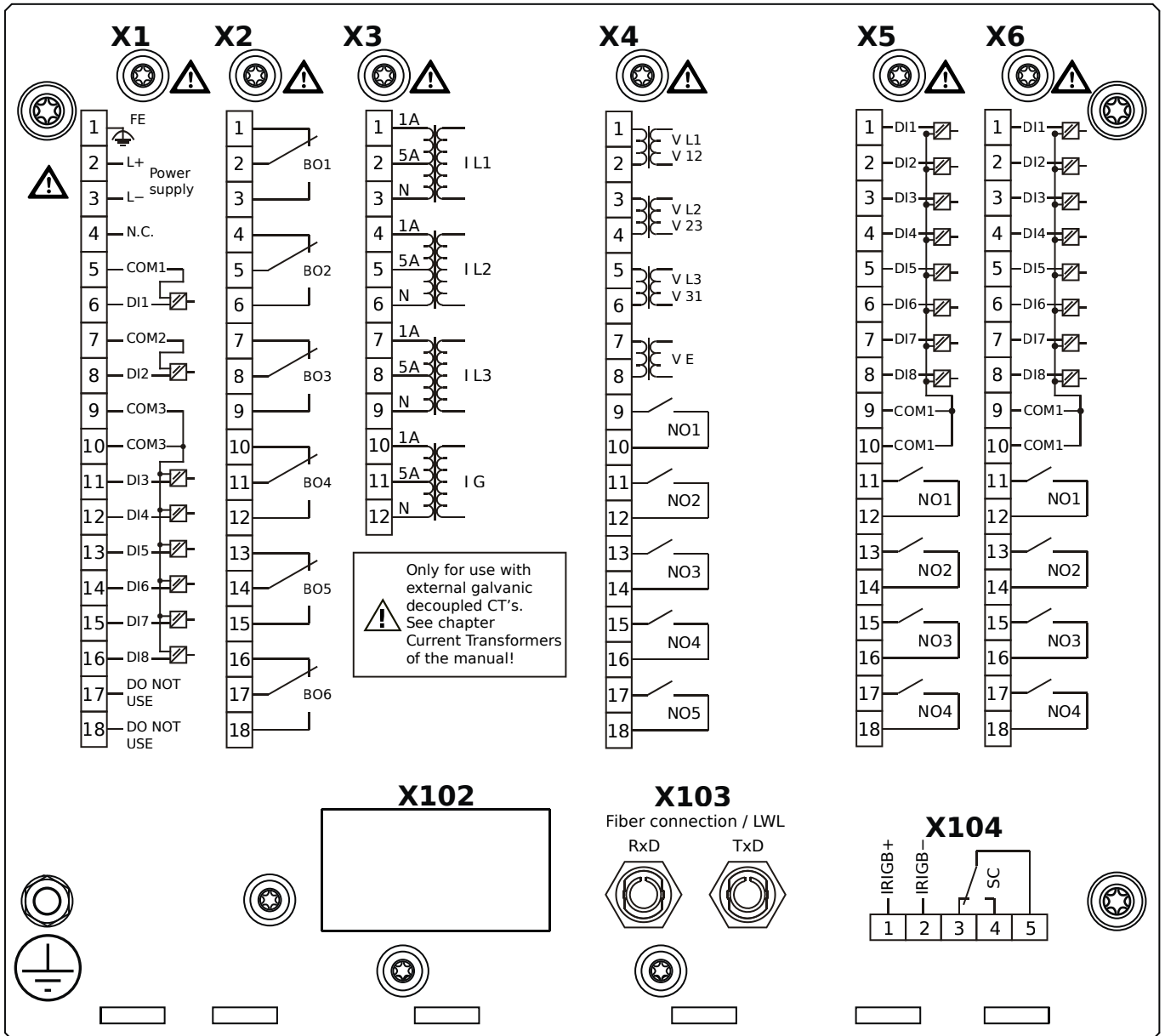
MCA4-2E0HCB



Housing B2, large display, door mounting

- X1** – DI8-X1: Wide-range power supply unit, incl. 2 non-grouped digital inputs and 6 grouped digital inputs
- X2** – OR6: Assembly Group with 6 Output Relays
- X3** – TI: Standard current measuring card
- X4** – TU-OR5: Voltage measuring assembly group with 5 additional Output Relays (normally open)
- X5** – DI8-OR4: Assembly Group with 8 Digital Inputs and 4 Output Relays
- X6** – DI8-OR4: Assembly Group with 8 Digital Inputs and 4 Output Relays
- X100** – Modbus TCP / DNP3.0 TCP/UDP, Ethernet interface, 100 Mbit/s, RJ45 (BASE100-FX)
- X104** – IRIG-B00X, incl. System Contact (Supervision Contact)

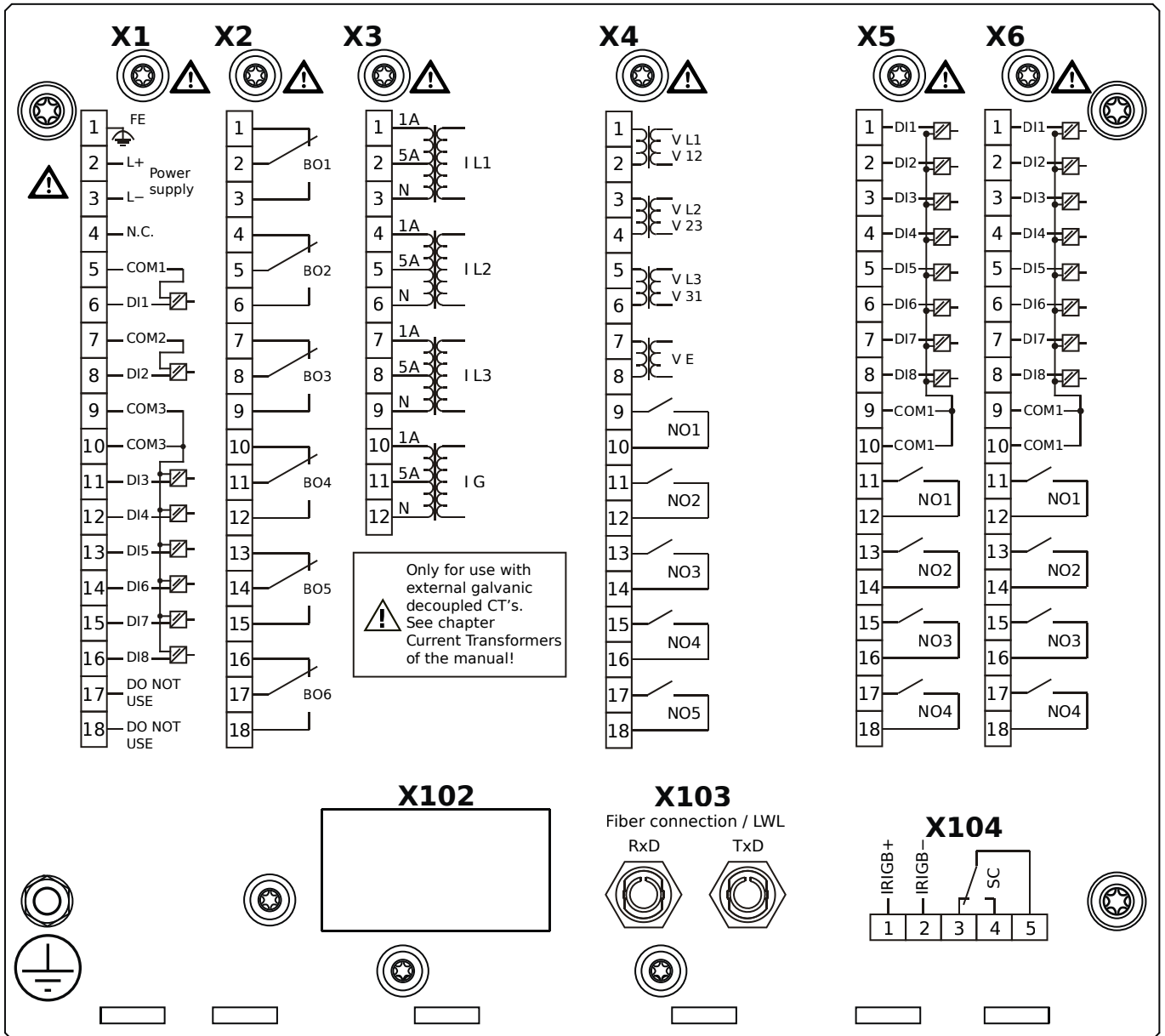
MCA4-2E0HDA



Housing B2, large display, door mounting

- X1** – DI8-X1: Wide-range power supply unit, incl. 2 non-grouped digital inputs and 6 grouped digital inputs
- X2** – OR6: Assembly Group with 6 Output Relays
- X3** – TI: Standard current measuring card
- X4** – TU-OR5: Voltage measuring assembly group with 5 additional Output Relays (normally open)
- X5** – DI8-OR4: Assembly Group with 8 Digital Inputs and 4 Output Relays
- X6** – DI8-OR4: Assembly Group with 8 Digital Inputs and 4 Output Relays
- X103** – Profibus-DP, Fiber optics interface, ST Connector
- X104** – IRIG-B00X, incl. System Contact (Supervision Contact)

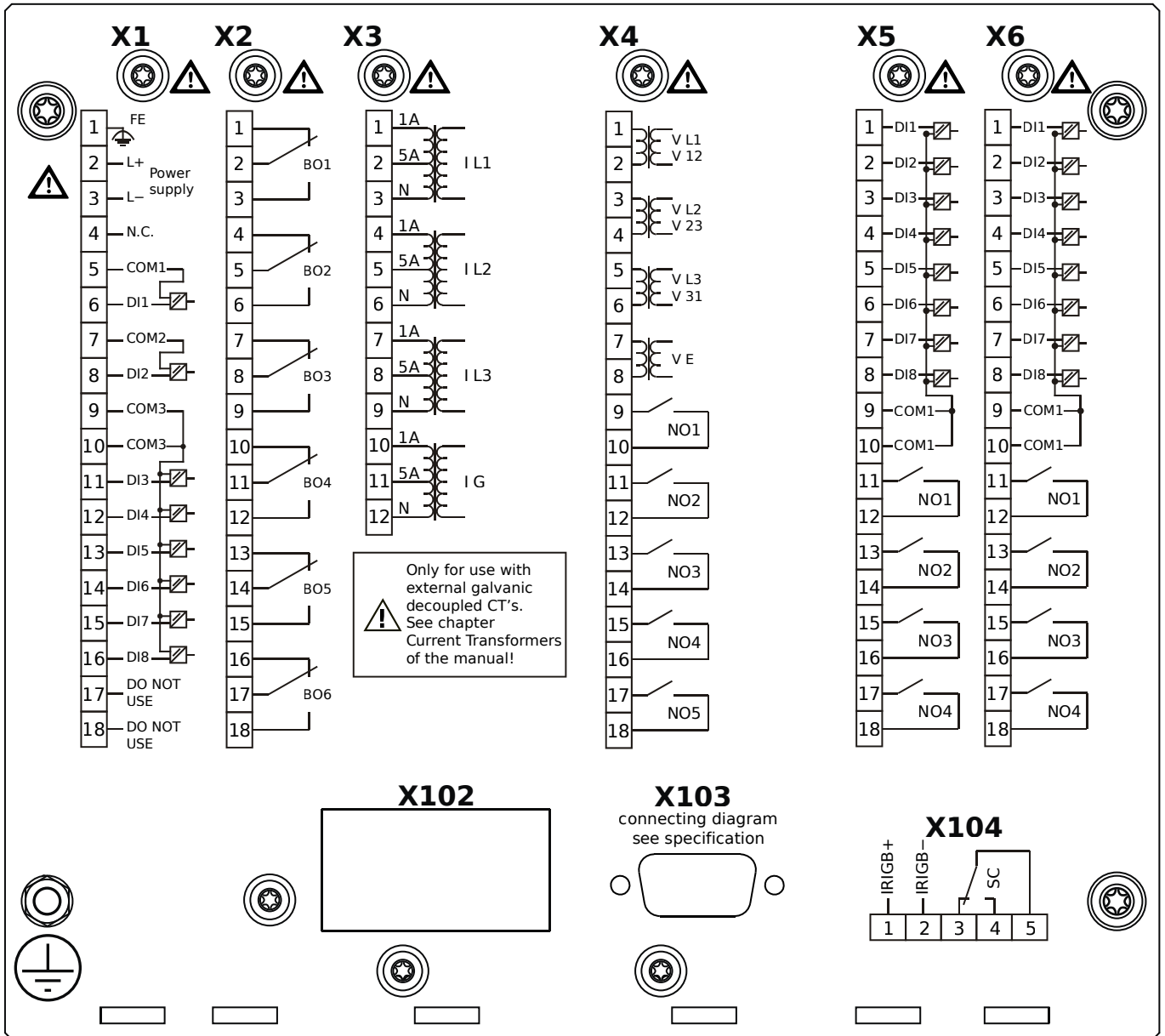
MCA4-2E0HDB



Housing B2, large display, door mounting

- X1** – DI8-X1: Wide-range power supply unit, incl. 2 non-grouped digital inputs and 6 grouped digital inputs
- X2** – OR6: Assembly Group with 6 Output Relays
- X3** – TI: Standard current measuring card
- X4** – TU-OR5: Voltage measuring assembly group with 5 additional Output Relays (normally open)
- X5** – DI8-OR4: Assembly Group with 8 Digital Inputs and 4 Output Relays
- X6** – DI8-OR4: Assembly Group with 8 Digital Inputs and 4 Output Relays
- X103** – Profibus-DP, Fiber optics interface, ST Connector
- X104** – IRIG-B00X, incl. System Contact (Supervision Contact)

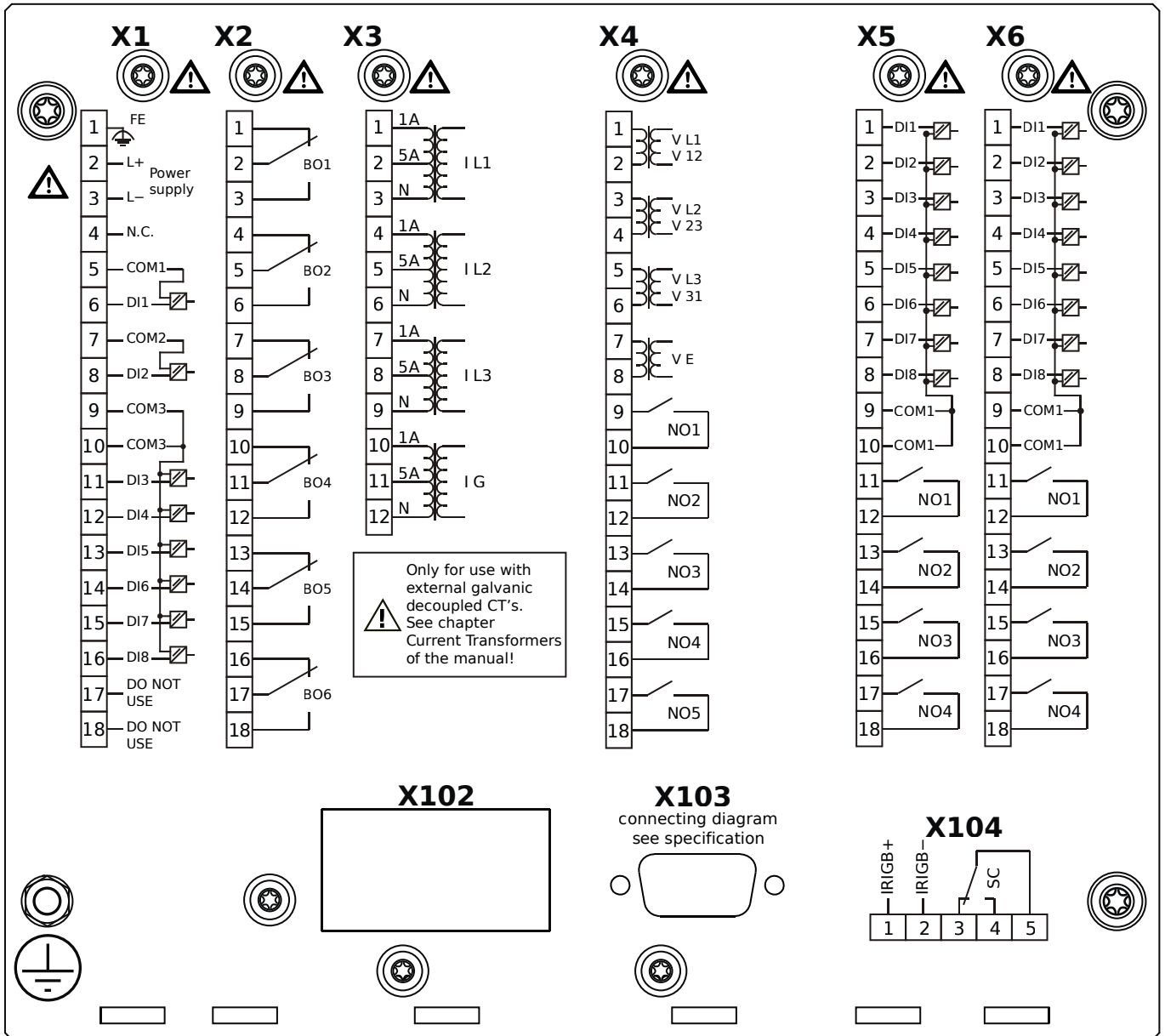
MCA4-2E0HEA



Housing B2, large display, door mounting

- X1** – DI8-X1: Wide-range power supply unit, incl. 2 non-grouped digital inputs and 6 grouped digital inputs
- X2** – OR6: Assembly Group with 6 Output Relays
- X3** – TI: Standard current measuring card
- X4** – TU-OR5: Voltage measuring assembly group with 5 additional Output Relays (normally open)
- X5** – DI8-OR4: Assembly Group with 8 Digital Inputs and 4 Output Relays
- X6** – DI8-OR4: Assembly Group with 8 Digital Inputs and 4 Output Relays
- X103** – Profibus-DP, RS485, D-SUB
- X104** – IRIG-B00X, incl. System Contact (Supervision Contact)

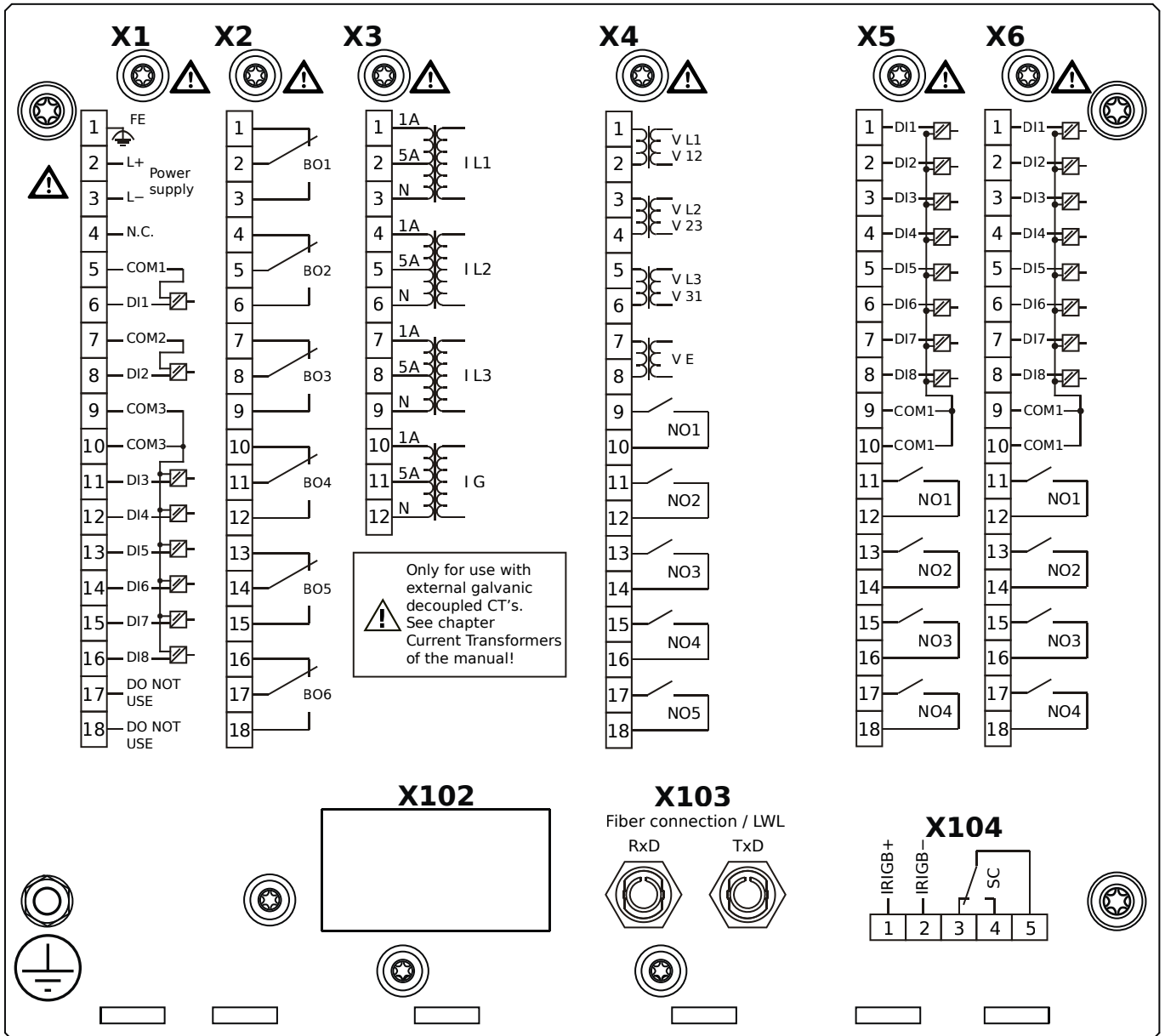
MCA4-2E0HEB



Housing B2, large display, door mounting

- X1** – DI8-X1: Wide-range power supply unit, incl. 2 non-grouped digital inputs and 6 grouped digital inputs
- X2** – OR6: Assembly Group with 6 Output Relays
- X3** – TI: Standard current measuring card
- X4** – TU-OR5: Voltage measuring assembly group with 5 additional Output Relays (normally open)
- X5** – DI8-OR4: Assembly Group with 8 Digital Inputs and 4 Output Relays
- X6** – DI8-OR4: Assembly Group with 8 Digital Inputs and 4 Output Relays
- X103** – Profibus-DP, RS485, D-SUB
- X104** – IRIG-B00X, incl. System Contact (Supervision Contact)

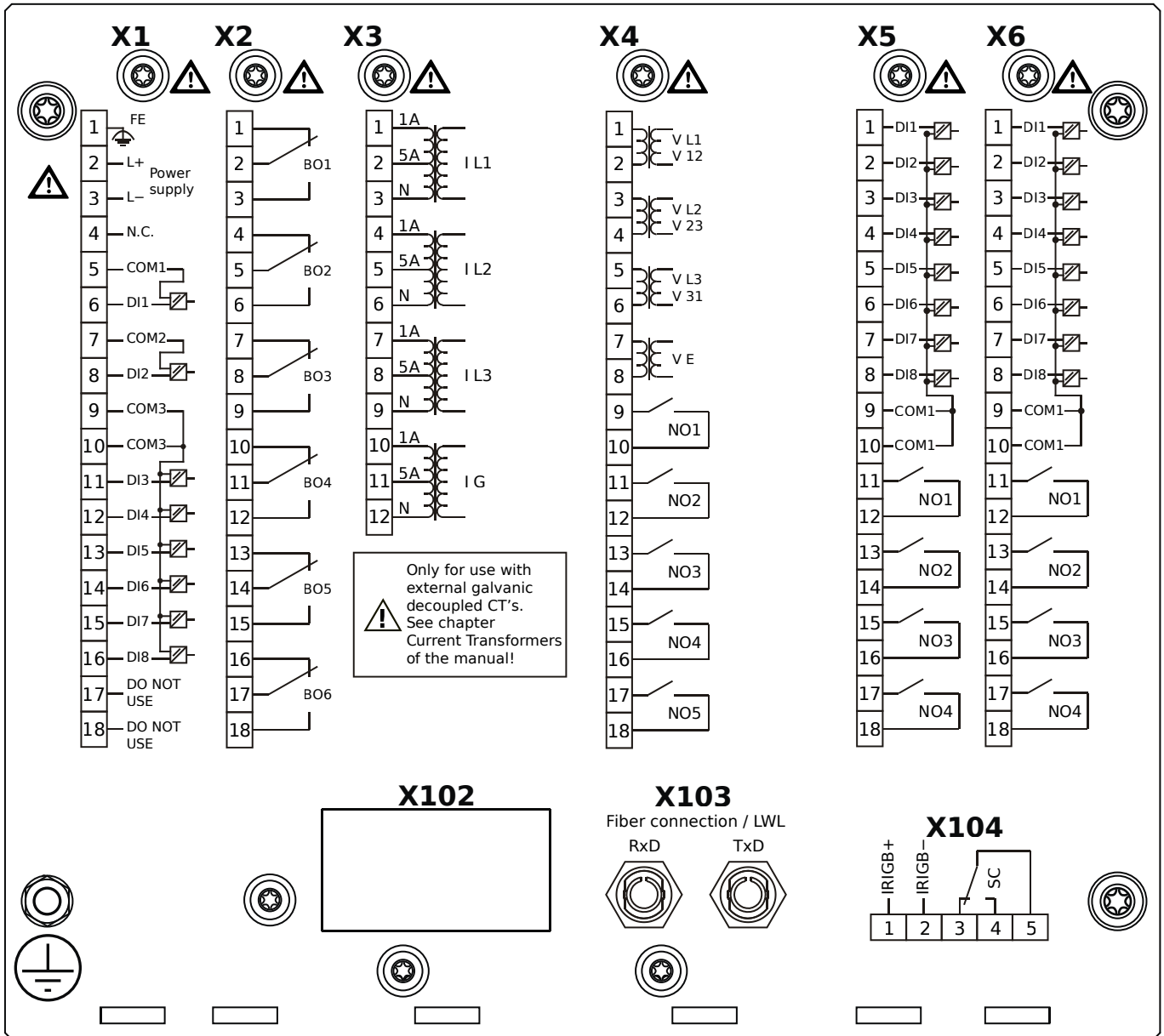
MCA4-2E0HFA



Housing B2, large display, door mounting

- X1** – DI8-X1: Wide-range power supply unit, incl. 2 non-grouped digital inputs and 6 grouped digital inputs
- X2** – OR6: Assembly Group with 6 Output Relays
- X3** – TI: Standard current measuring card
- X4** – TU-OR5: Voltage measuring assembly group with 5 additional Output Relays (normally open)
- X5** – DI8-OR4: Assembly Group with 8 Digital Inputs and 4 Output Relays
- X6** – DI8-OR4: Assembly Group with 8 Digital Inputs and 4 Output Relays
- X103** – Modbus RTU / IEC 60870-5-103 / DNP3.0 RTU, Fiber optics interface, ST Connector
- X104** – IRIG-B00X, incl. System Contact (Supervision Contact)

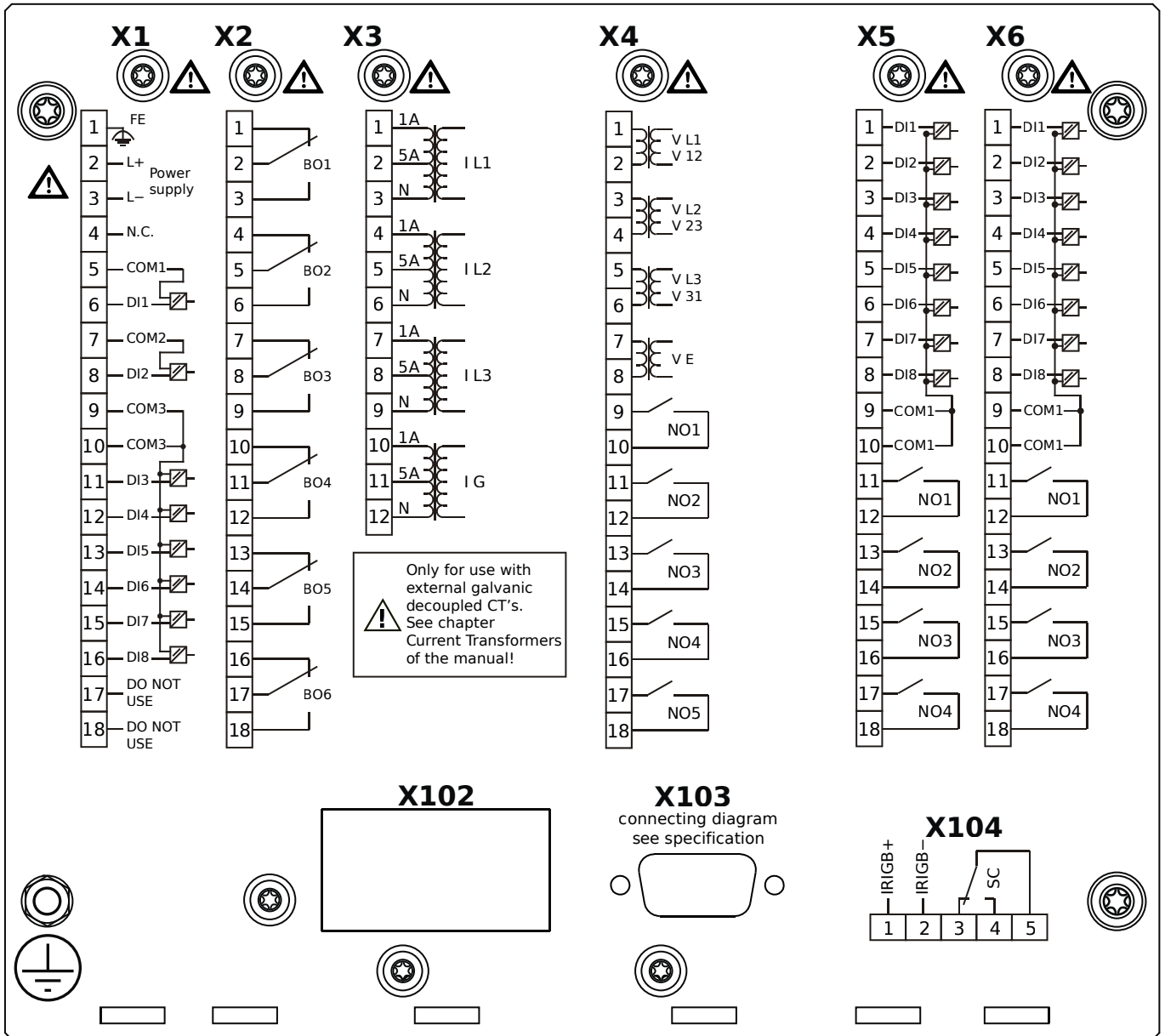
MCA4-2E0HFB



Housing B2, large display, door mounting

- X1** – DI8-X1: Wide-range power supply unit, incl. 2 non-grouped digital inputs and 6 grouped digital inputs
- X2** – OR6: Assembly Group with 6 Output Relays
- X3** – TI: Standard current measuring card
- X4** – TU-OR5: Voltage measuring assembly group with 5 additional Output Relays (normally open)
- X5** – DI8-OR4: Assembly Group with 8 Digital Inputs and 4 Output Relays
- X6** – DI8-OR4: Assembly Group with 8 Digital Inputs and 4 Output Relays
- X103** – Modbus RTU / IEC 60870-5-103 / DNP3.0 RTU, Fiber optics interface, ST Connector
- X104** – IRIG-B00X, incl. System Contact (Supervision Contact)

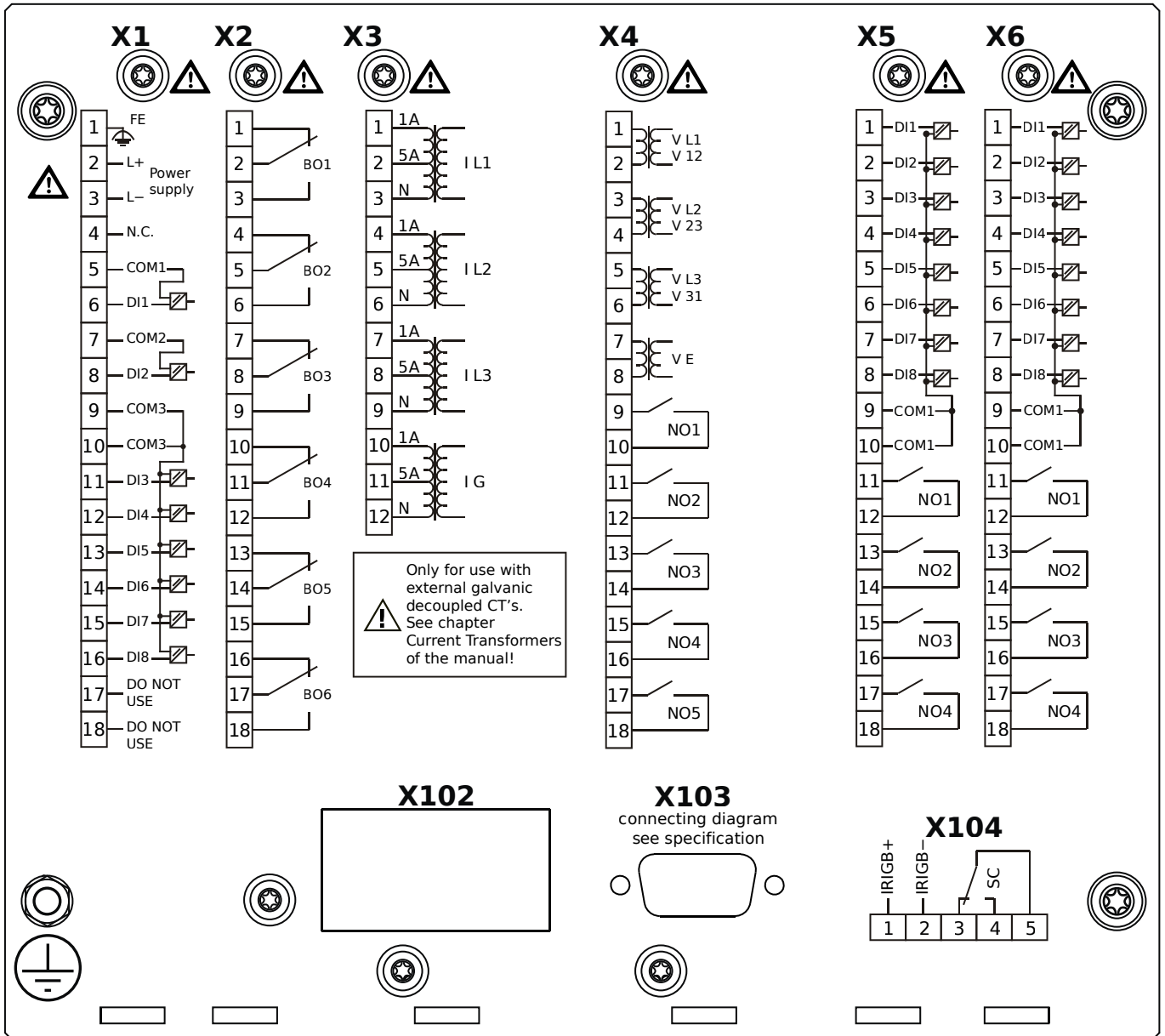
MCA4-2E0HGA



Housing B2, large display, door mounting

- X1** – DI8-X1: Wide-range power supply unit, incl. 2 non-grouped digital inputs and 6 grouped digital inputs
- X2** – OR6: Assembly Group with 6 Output Relays
- X3** – TI: Standard current measuring card
- X4** – TU-OR5: Voltage measuring assembly group with 5 additional Output Relays (normally open)
- X5** – DI8-OR4: Assembly Group with 8 Digital Inputs and 4 Output Relays
- X6** – DI8-OR4: Assembly Group with 8 Digital Inputs and 4 Output Relays
- X103** – Modbus RTU / IEC 60870-5-103 / DNP3.0 RTU, RS485, D-SUB
- X104** – IRIG-B00X, incl. System Contact (Supervision Contact)

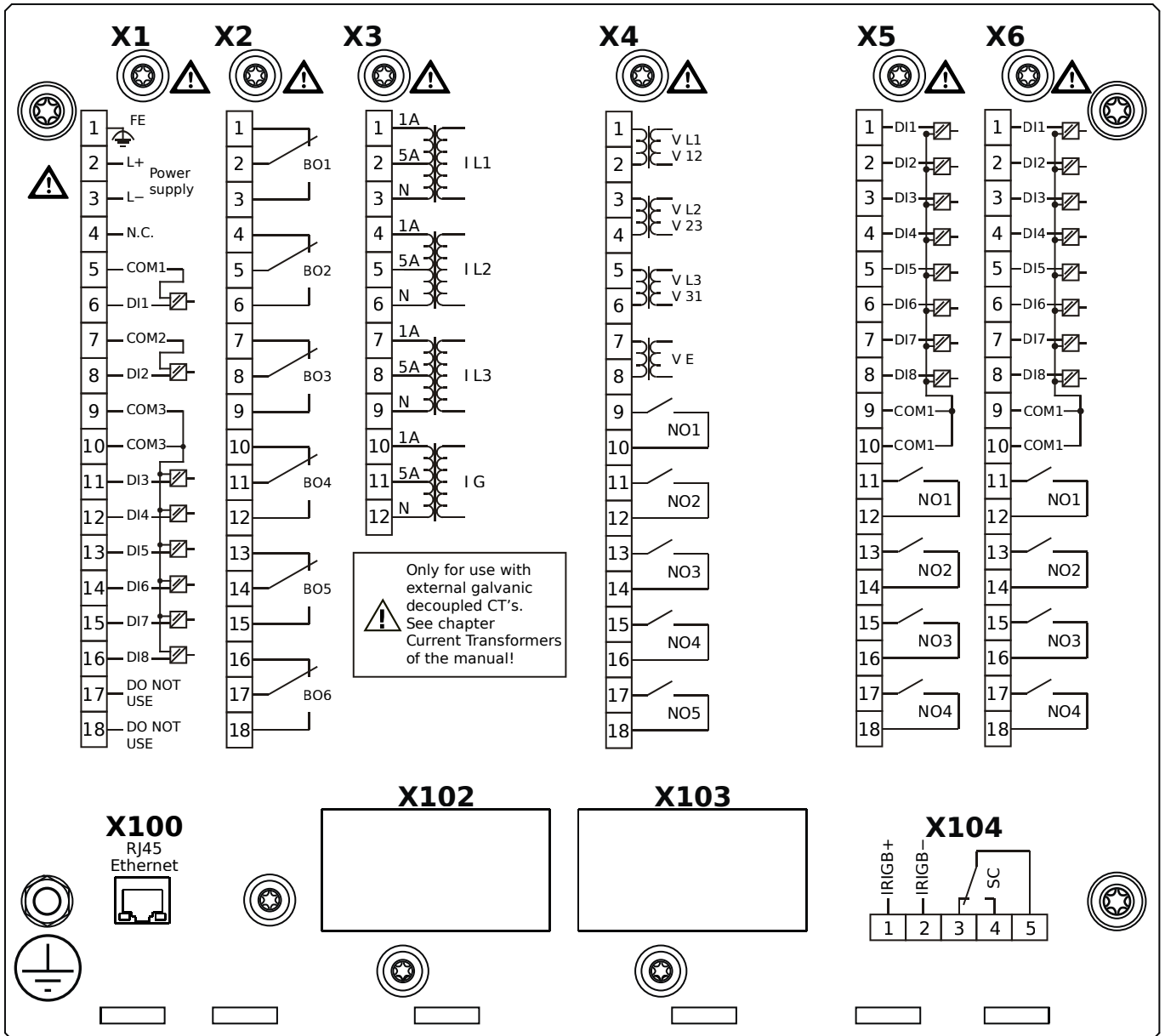
MCA4-2E0HGB



Housing B2, large display, door mounting

- X1** – DI8-X1: Wide-range power supply unit, incl. 2 non-grouped digital inputs and 6 grouped digital inputs
- X2** – OR6: Assembly Group with 6 Output Relays
- X3** – TI: Standard current measuring card
- X4** – TU-OR5: Voltage measuring assembly group with 5 additional Output Relays (normally open)
- X5** – DI8-OR4: Assembly Group with 8 Digital Inputs and 4 Output Relays
- X6** – DI8-OR4: Assembly Group with 8 Digital Inputs and 4 Output Relays
- X103** – Modbus RTU / IEC 60870-5-103 / DNP3.0 RTU, RS485, D-SUB
- X104** – IRIG-B00X, incl. System Contact (Supervision Contact)

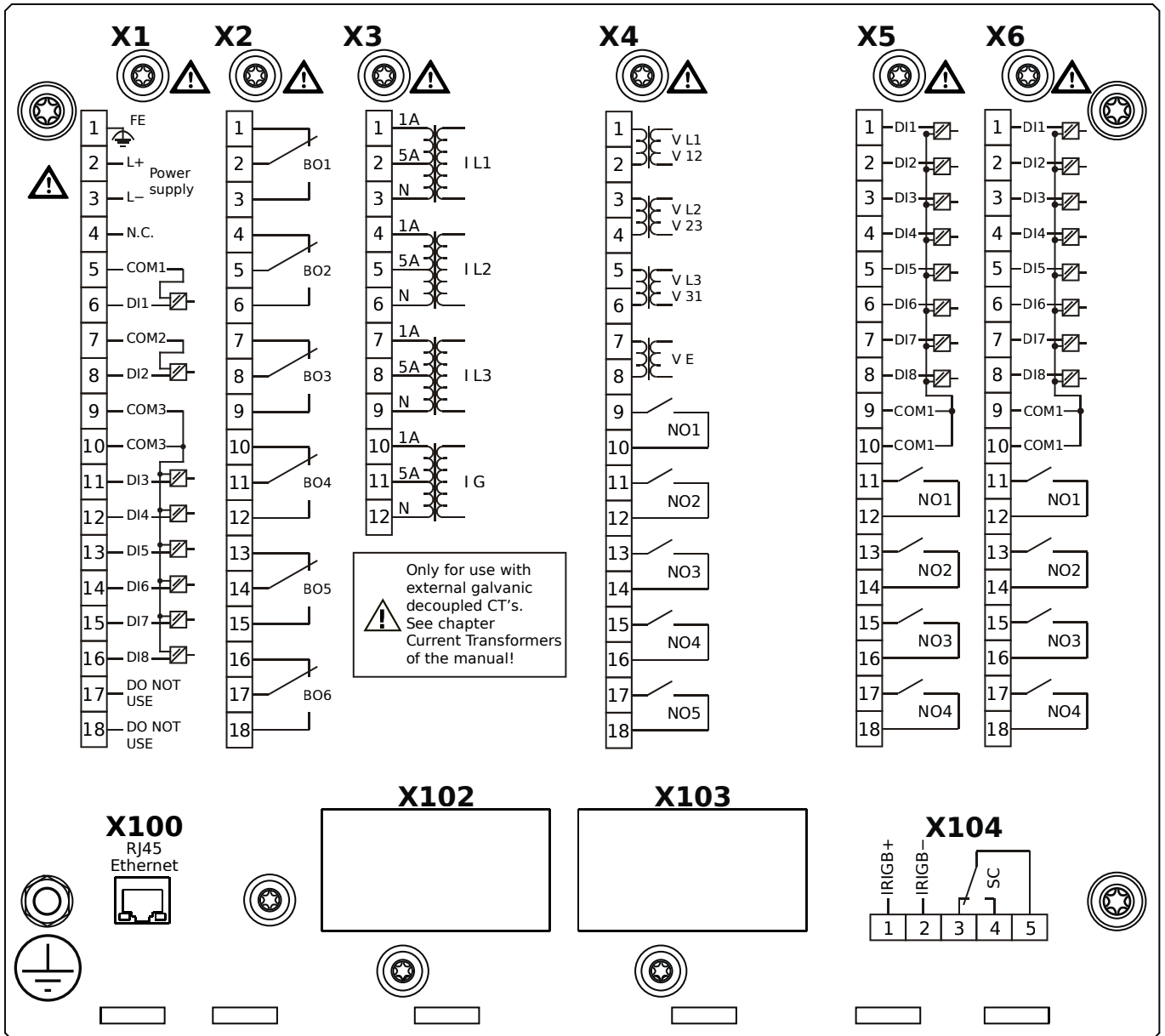
MCA4-2E0HHA



Housing B2, large display, door mounting

- X1** – DI8-X1: Wide-range power supply unit, incl. 2 non-grouped digital inputs and 6 grouped digital inputs
- X2** – OR6: Assembly Group with 6 Output Relays
- X3** – TI: Standard current measuring card
- X4** – TU-OR5: Voltage measuring assembly group with 5 additional Output Relays (normally open)
- X5** – DI8-OR4: Assembly Group with 8 Digital Inputs and 4 Output Relays
- X6** – DI8-OR4: Assembly Group with 8 Digital Inputs and 4 Output Relays
- X100** – IEC 61850 / Modbus TCP / DNP3.0 TCP/UDP, Ethernet interface, 100 Mbit/s, RJ45 (BASE100-FX)
- X104** – IRIG-B00X, incl. System Contact (Supervision Contact)

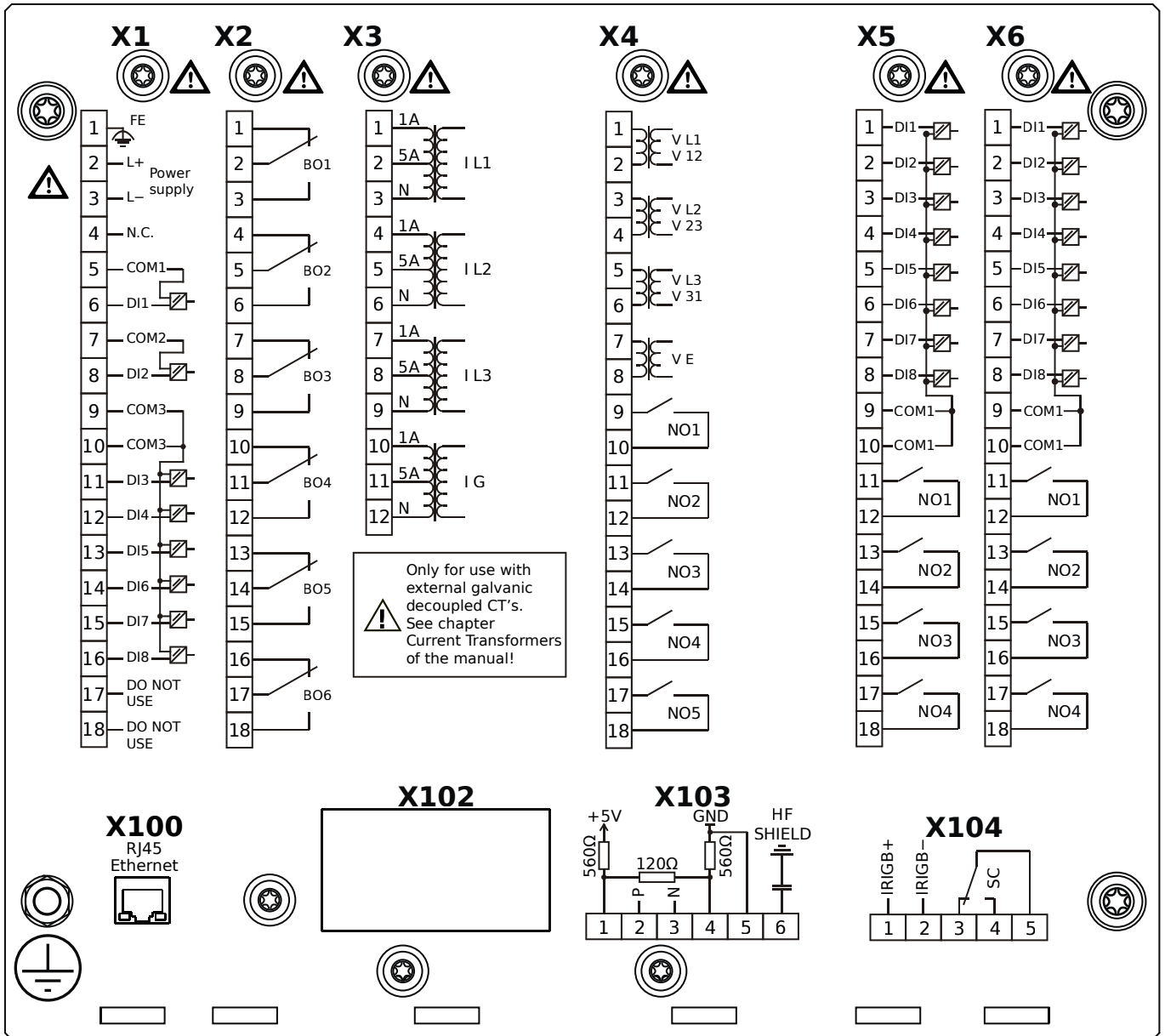
MCA4-2E0HHB



Housing B2, large display, door mounting

- X1** – DI8-X1: Wide-range power supply unit, incl. 2 non-grouped digital inputs and 6 grouped digital inputs
- X2** – OR6: Assembly Group with 6 Output Relays
- X3** – TI: Standard current measuring card
- X4** – TU-OR5: Voltage measuring assembly group with 5 additional Output Relays (normally open)
- X5** – DI8-OR4: Assembly Group with 8 Digital Inputs and 4 Output Relays
- X6** – DI8-OR4: Assembly Group with 8 Digital Inputs and 4 Output Relays
- X100** – IEC 61850 / Modbus TCP / DNP3.0 TCP/UDP, Ethernet interface, 100 Mbit/s, RJ45 (BASE100-FX)
- X104** – IRIG-B00X, incl. System Contact (Supervision Contact)

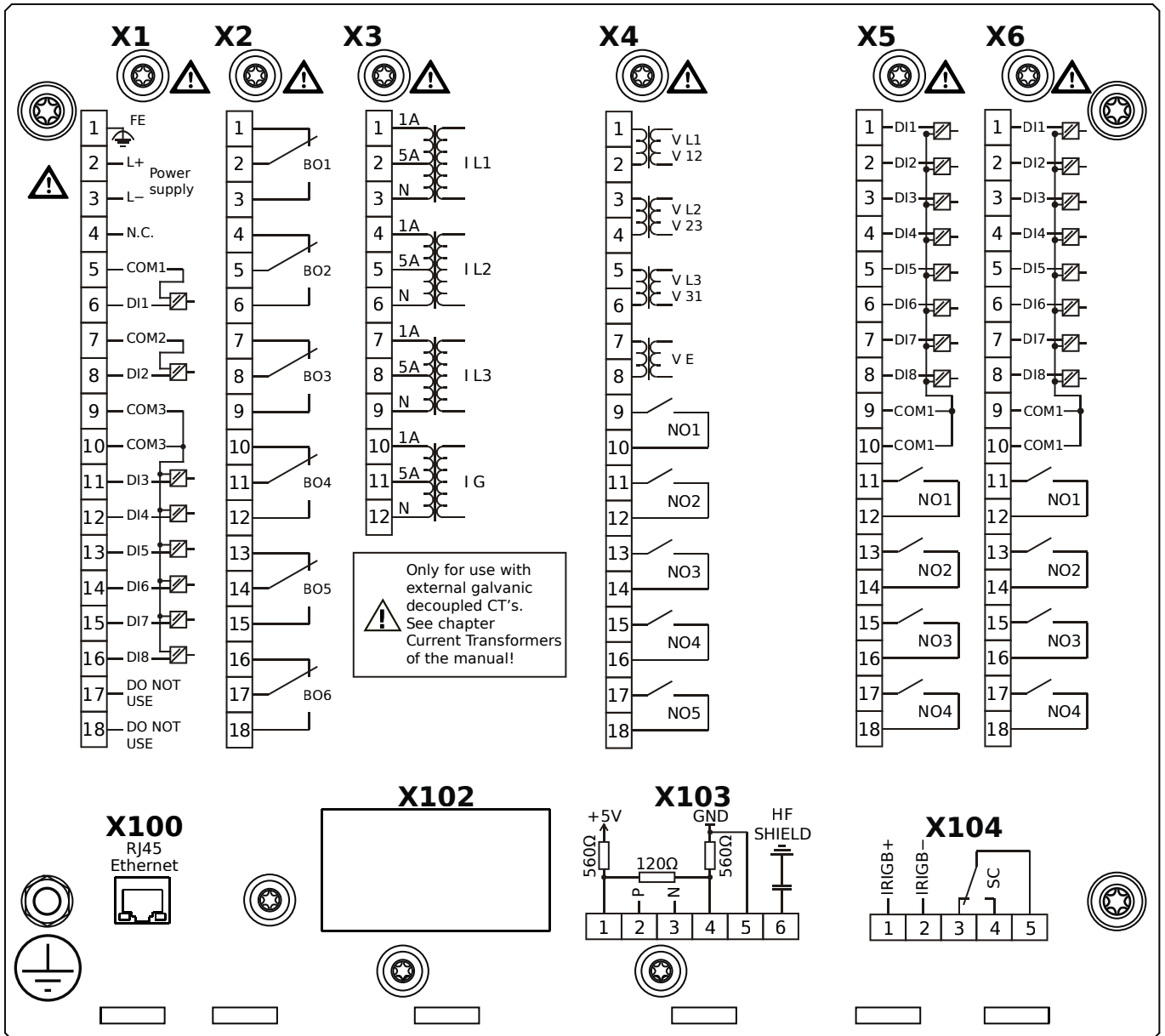
MCA4-2E0HIA



Housing B2, large display, door mounting

- X1** – DI8-X1: Wide-range power supply unit, incl. 2 non-grouped digital inputs and 6 grouped digital inputs
- X2** – OR6: Assembly Group with 6 Output Relays
- X3** – TI: Standard current measuring card
- X4** – TU-OR5: Voltage measuring assembly group with 5 additional Output Relays (normally open)
- X5** – DI8-OR4: Assembly Group with 8 Digital Inputs and 4 Output Relays
- X6** – DI8-OR4: Assembly Group with 8 Digital Inputs and 4 Output Relays
- X100** – Modbus TCP / DNP3.0 TCP/UDP, Ethernet interface, 100 Mbit/s, RJ45 (BASE100-FX)
- X103** – IEC 60870-5-103 / Modbus RTU / DNP3.0 RTU, RS485, Terminals
- X104** – IRIG-B00X, incl. System Contact (Supervision Contact)

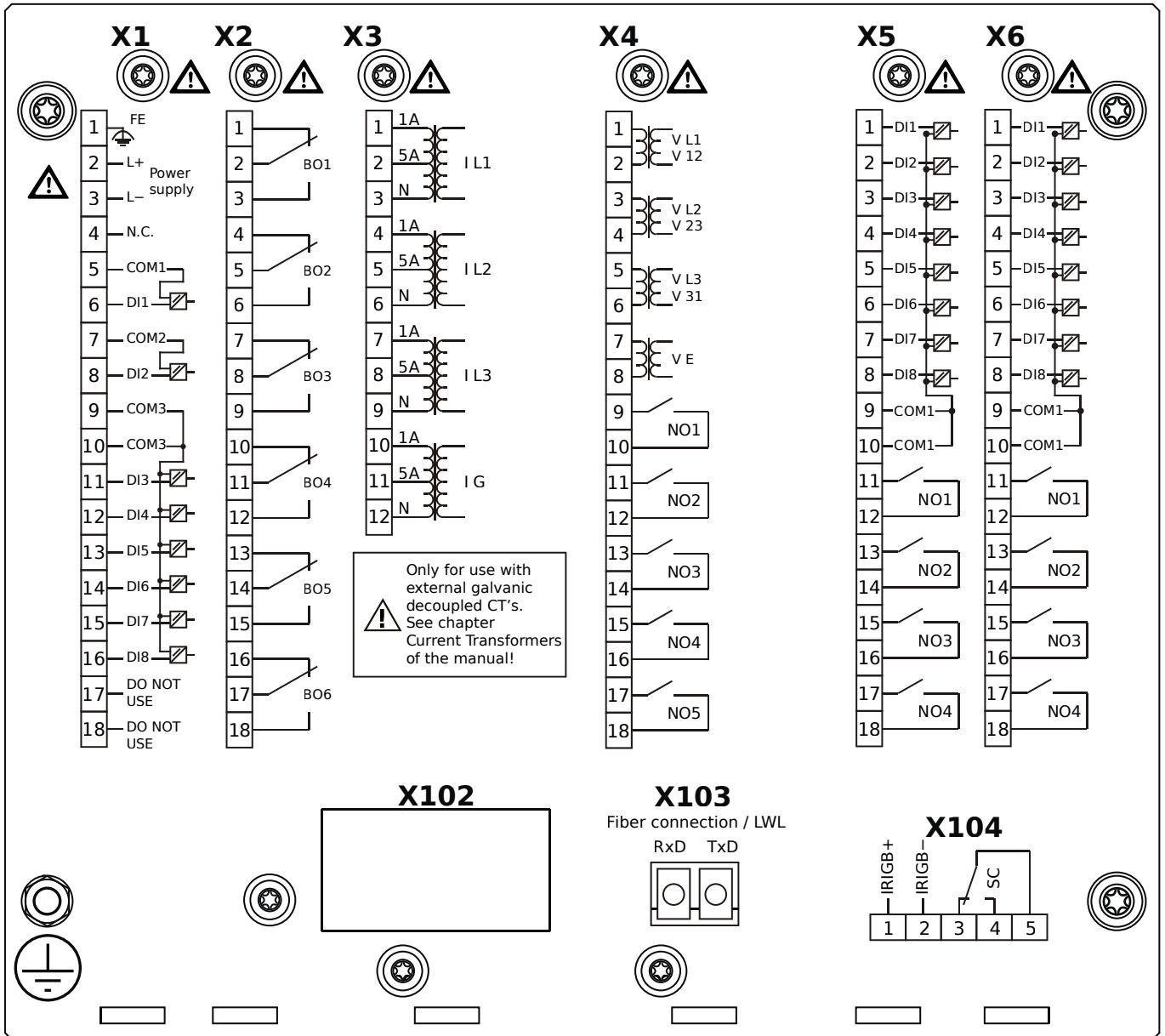
MCA4-2E0HIB



Housing B2, large display, door mounting

- X1** – DI8-X1: Wide-range power supply unit, incl. 2 non-grouped digital inputs and 6 grouped digital inputs
- X2** – OR6: Assembly Group with 6 Output Relays
- X3** – TI: Standard current measuring card
- X4** – TU-OR5: Voltage measuring assembly group with 5 additional Output Relays (normally open)
- X5** – DI8-OR4: Assembly Group with 8 Digital Inputs and 4 Output Relays
- X6** – DI8-OR4: Assembly Group with 8 Digital Inputs and 4 Output Relays
- X100** – Modbus TCP / DNP3.0 TCP/UDP, Ethernet interface, 100 Mbit/s, RJ45 (BASE100-FX)
- X103** – IEC 60870-5-103 / Modbus RTU / DNP3.0 RTU, RS485, Terminals
- X104** – IRIG-B00X, incl. System Contact (Supervision Contact)

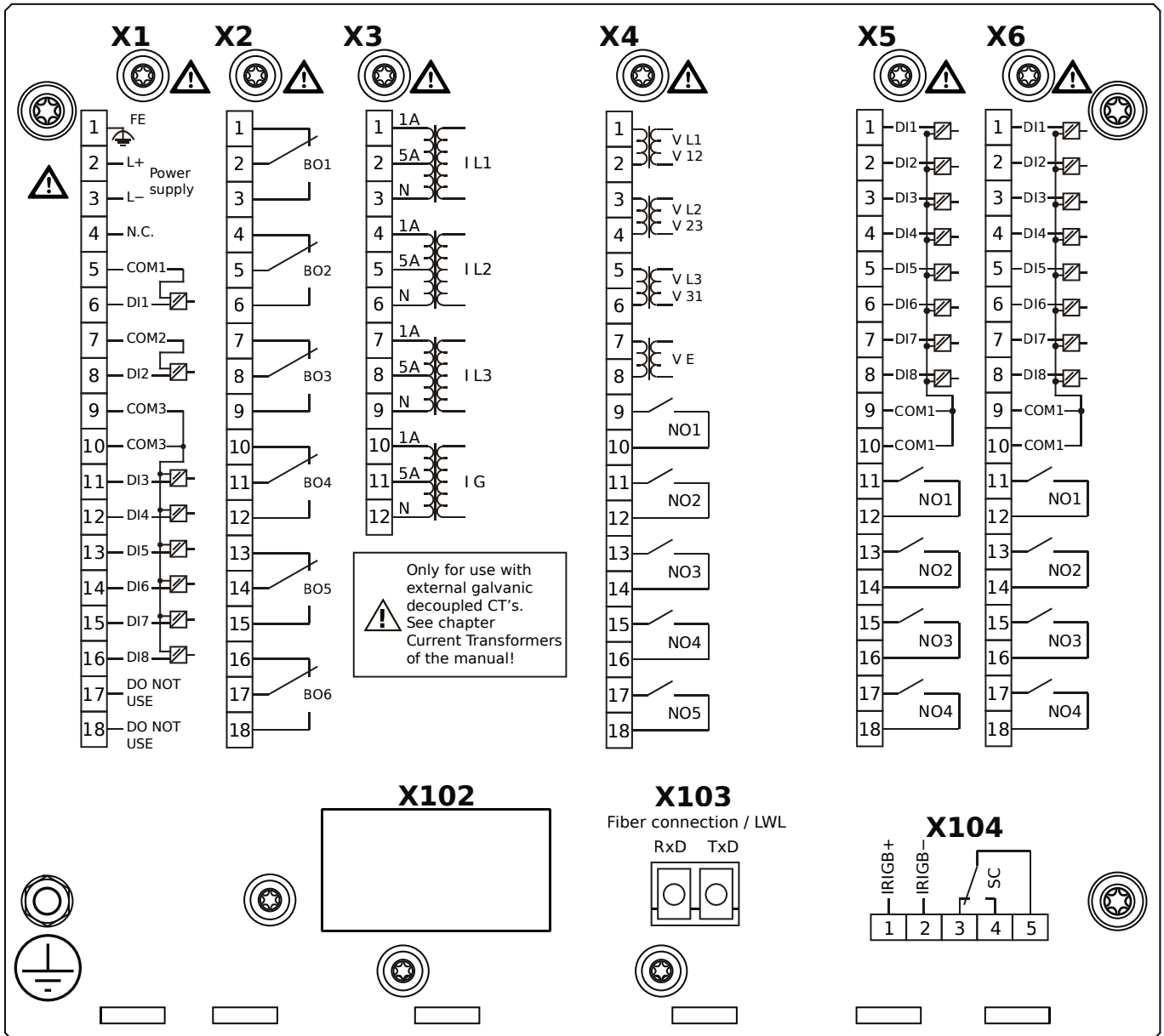
MCA4-2E0HKA



Housing B2, large display, door mounting

- X1** – DI8-X1: Wide-range power supply unit, incl. 2 non-grouped digital inputs and 6 grouped digital inputs
- X2** – OR6: Assembly Group with 6 Output Relays
- X3** – TI: Standard current measuring card
- X4** – TU-OR5: Voltage measuring assembly group with 5 additional Output Relays (normally open)
- X5** – DI8-OR4: Assembly Group with 8 Digital Inputs and 4 Output Relays
- X6** – DI8-OR4: Assembly Group with 8 Digital Inputs and 4 Output Relays
- X103** – IEC 61850 / Modbus TCP / DNP3.0 TCP/UDP, Fiber optics interface, LC Connector
- X104** – IRIG-B00X, incl. System Contact (Supervision Contact)

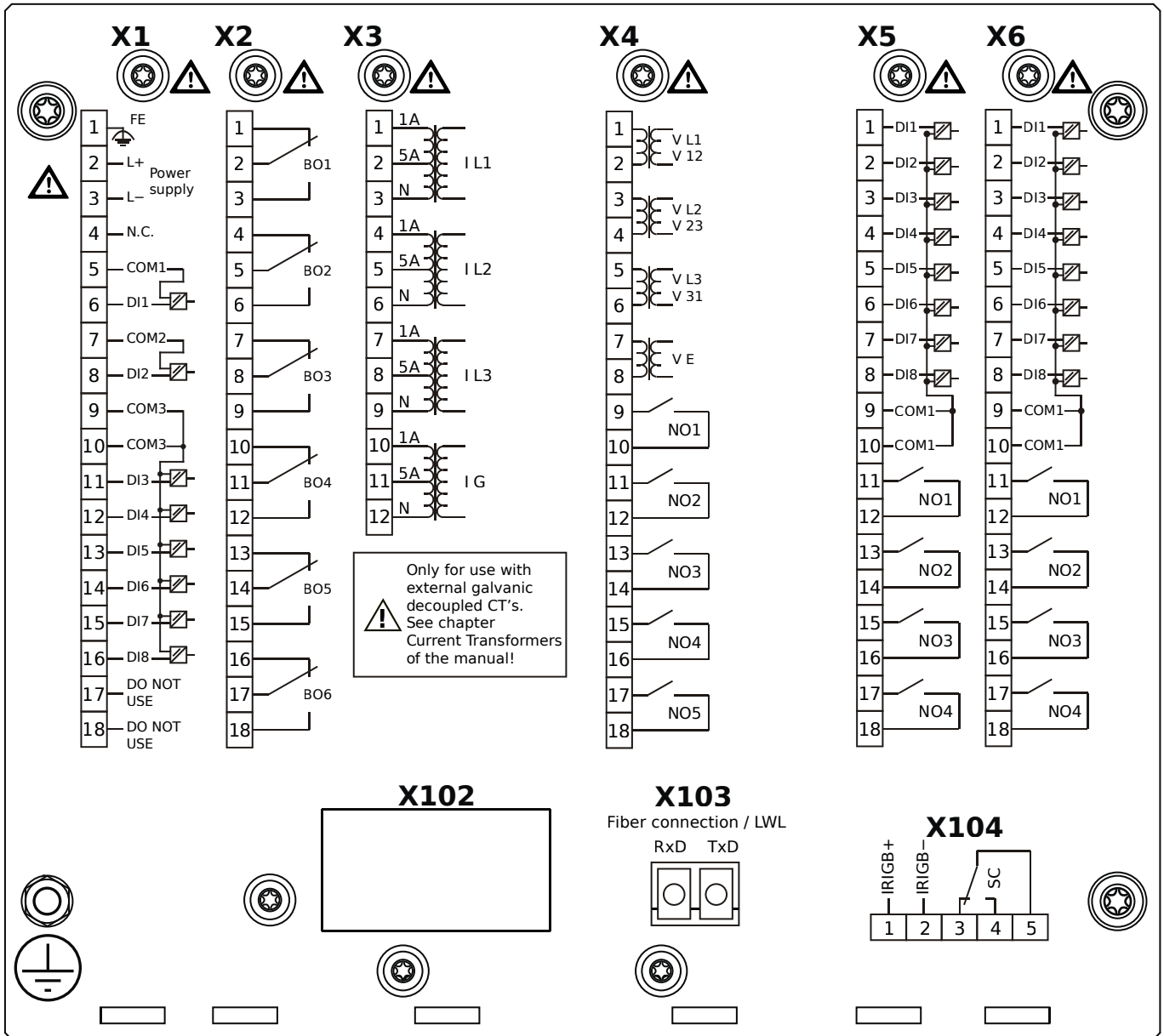
MCA4-2E0HKB



Housing B2, large display, door mounting

- X1** – DI8-X1: Wide-range power supply unit, incl. 2 non-grouped digital inputs and 6 grouped digital inputs
- X2** – OR6: Assembly Group with 6 Output Relays
- X3** – TI: Standard current measuring card
- X4** – TU-OR5: Voltage measuring assembly group with 5 additional Output Relays (normally open)
- X5** – DI8-OR4: Assembly Group with 8 Digital Inputs and 4 Output Relays
- X6** – DI8-OR4: Assembly Group with 8 Digital Inputs and 4 Output Relays
- X103** – IEC 61850 / Modbus TCP / DNP3.0 TCP/UDP, Fiber optics interface, LC Connector
- X104** – IRIG-B00X, incl. System Contact (Supervision Contact)

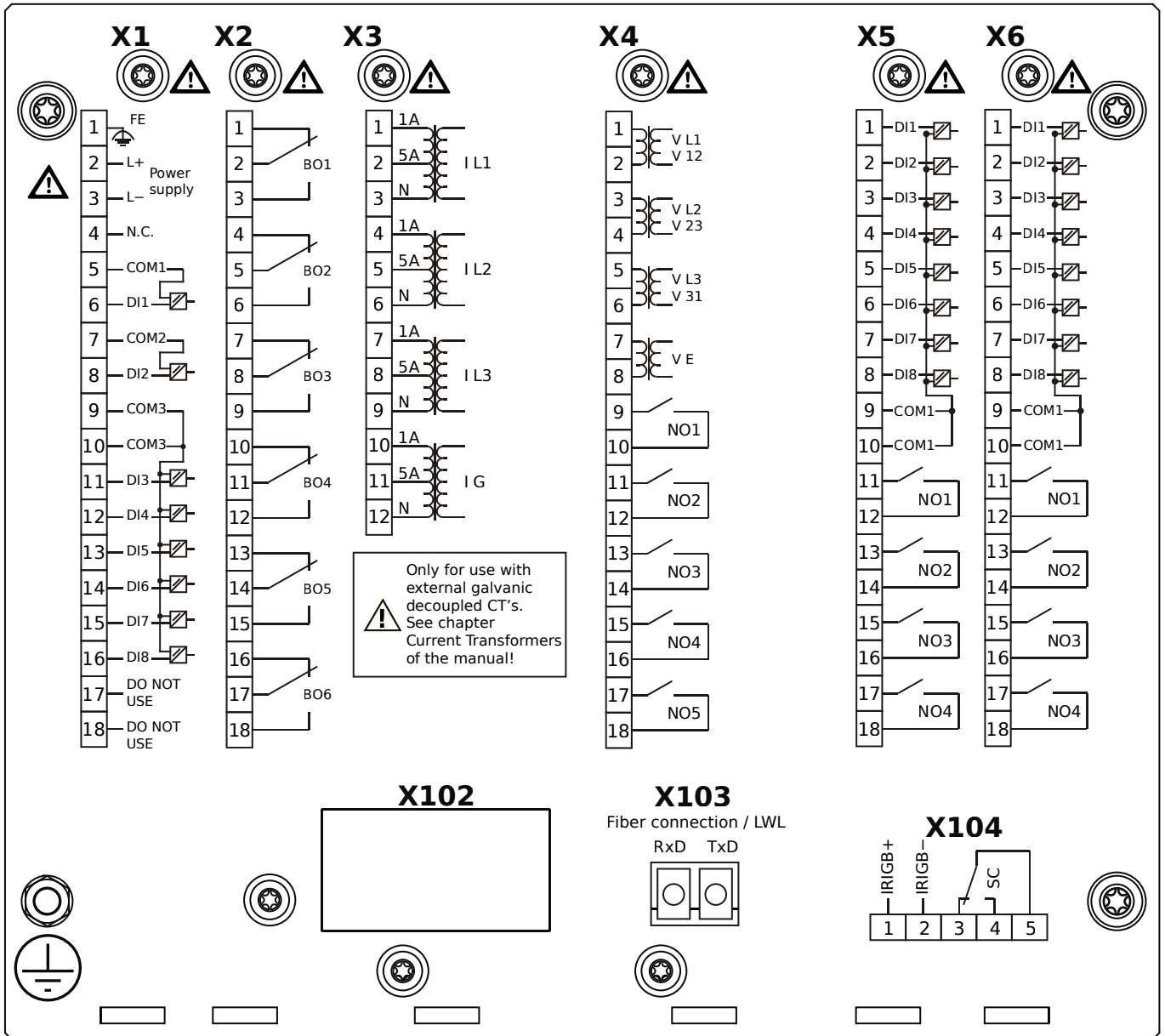
MCA4-2E0HLA



Housing B2, large display, door mounting

- X1** – DI8-X1: Wide-range power supply unit, incl. 2 non-grouped digital inputs and 6 grouped digital inputs
- X2** – OR6: Assembly Group with 6 Output Relays
- X3** – TI: Standard current measuring card
- X4** – TU-OR5: Voltage measuring assembly group with 5 additional Output Relays (normally open)
- X5** – DI8-OR4: Assembly Group with 8 Digital Inputs and 4 Output Relays
- X6** – DI8-OR4: Assembly Group with 8 Digital Inputs and 4 Output Relays
- X103** – Modbus TCP / DNP3.0 TCP/UDP, Fiber optics interface, LC Connector
- X104** – IRIG-B00X, incl. System Contact (Supervision Contact)

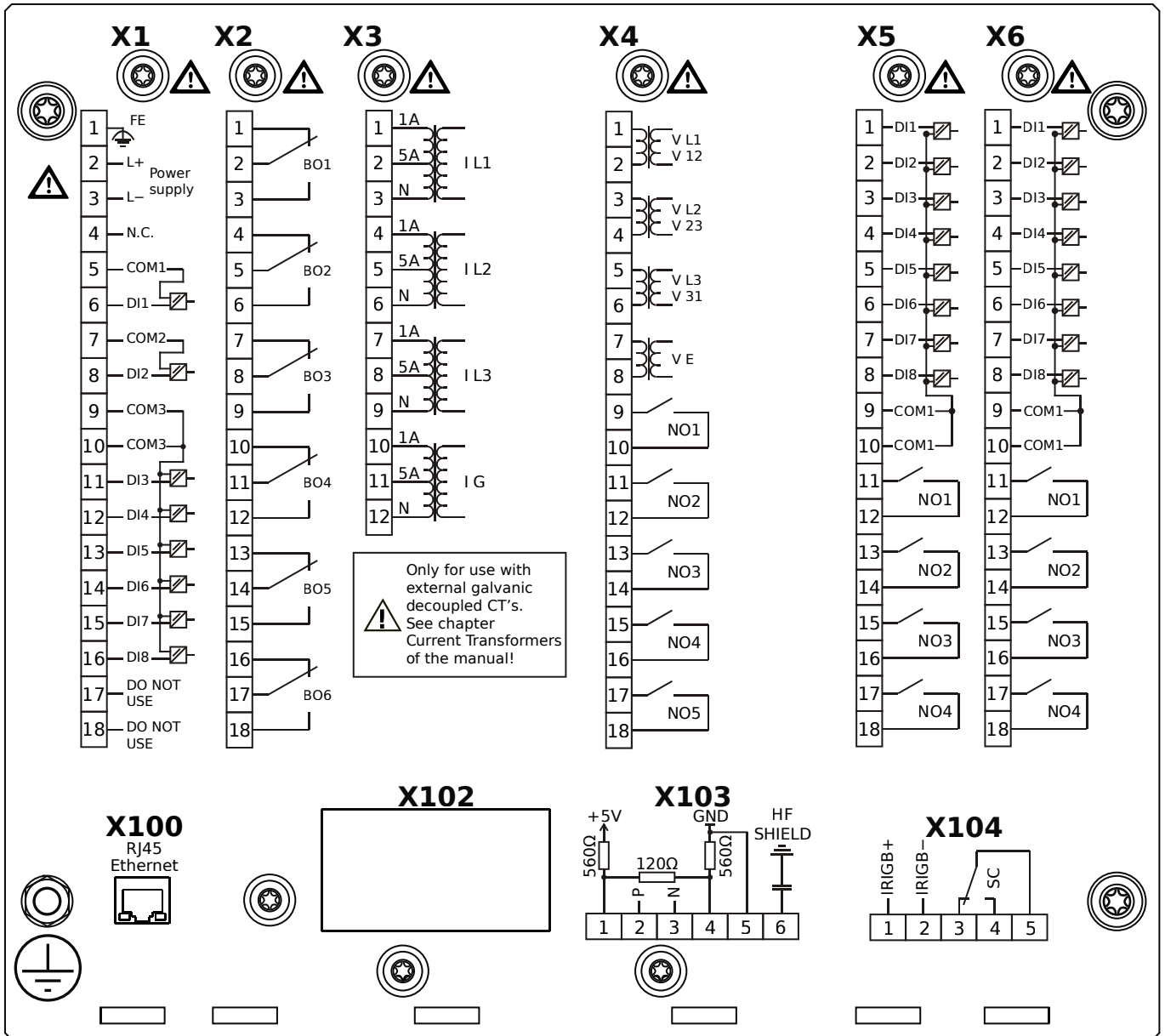
MCA4-2E0HLB



Housing B2, large display, door mounting

- X1** – DI8-X1: Wide-range power supply unit, incl. 2 non-grouped digital inputs and 6 grouped digital inputs
- X2** – OR6: Assembly Group with 6 Output Relays
- X3** – TI: Standard current measuring card
- X4** – TU-OR5: Voltage measuring assembly group with 5 additional Output Relays (normally open)
- X5** – DI8-OR4: Assembly Group with 8 Digital Inputs and 4 Output Relays
- X6** – DI8-OR4: Assembly Group with 8 Digital Inputs and 4 Output Relays
- X103** – Modbus TCP / DNP3.0 TCP/UDP, Fiber optics interface, LC Connector
- X104** – IRIG-B00X, incl. System Contact (Supervision Contact)

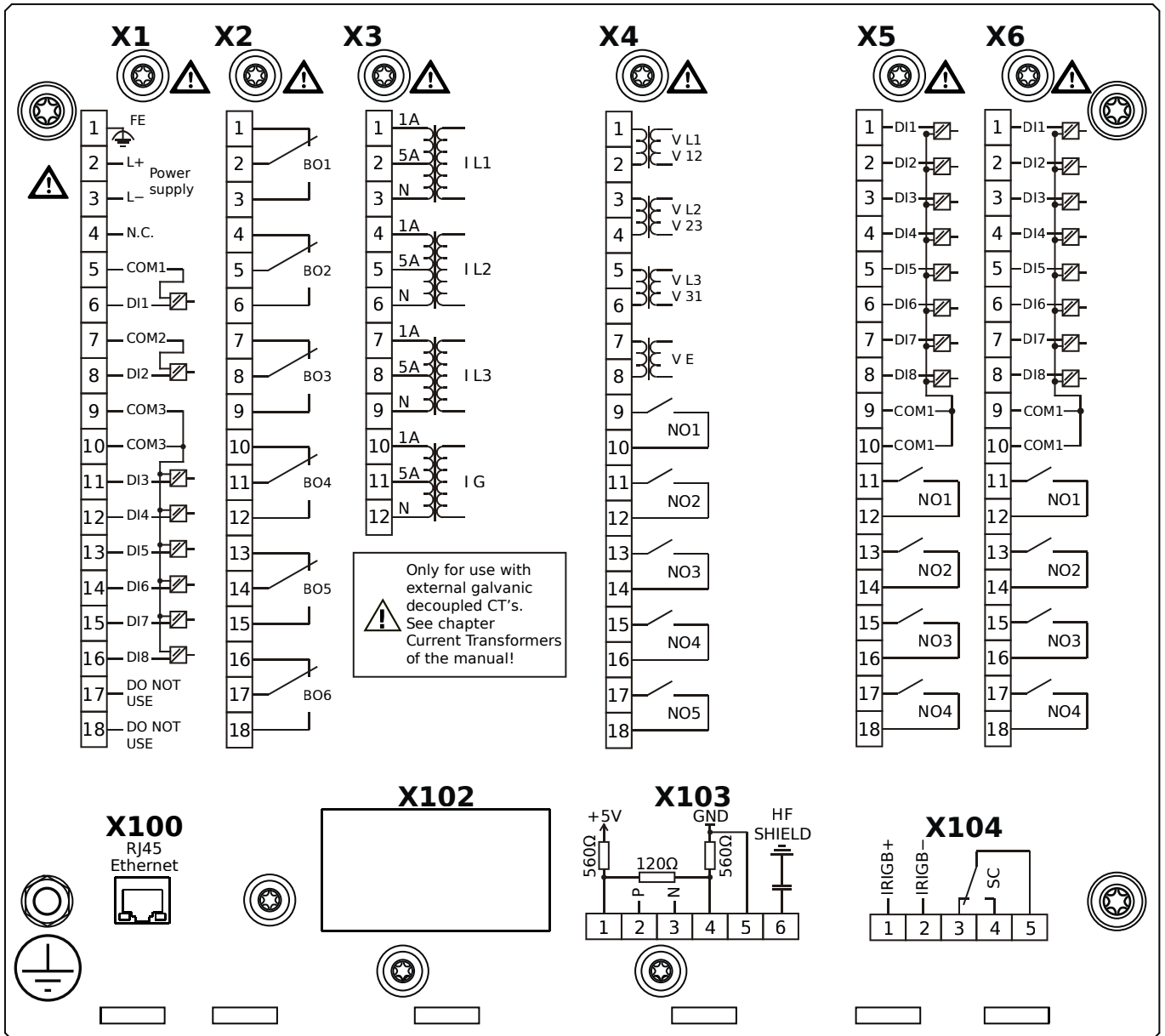
MCA4-2E0HTA



Housing B2, large display, door mounting

- X1** – DI8-X1: Wide-range power supply unit, incl. 2 non-grouped digital inputs and 6 grouped digital inputs
- X2** – OR6: Assembly Group with 6 Output Relays
- X3** – TI: Standard current measuring card
- X4** – TU-OR5: Voltage measuring assembly group with 5 additional Output Relays (normally open)
- X5** – DI8-OR4: Assembly Group with 8 Digital Inputs and 4 Output Relays
- X6** – DI8-OR4: Assembly Group with 8 Digital Inputs and 4 Output Relays
- X100** – IEC 61850 / Modbus TCP / DNP3.0 TCP/UDP, Ethernet interface, 100 Mbit/s, RJ45 (BASE100-FX)
- X103** – IEC 60870-5-103 / Modbus RTU / DNP3.0 RTU, RS485, Terminals
- X104** – IRIG-B00X, incl. System Contact (Supervision Contact)

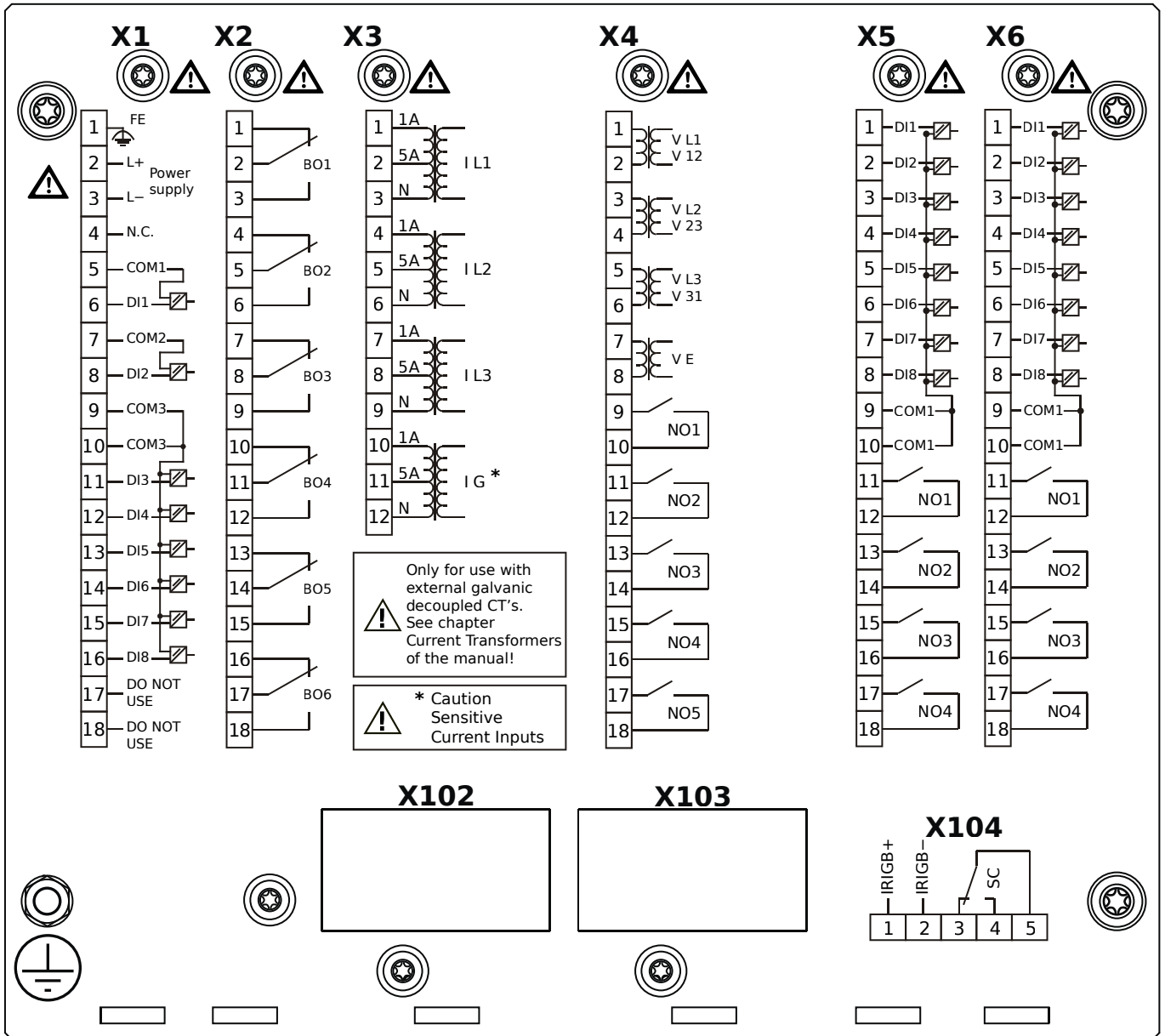
MCA4-2E0HTB



Housing B2, large display, door mounting

- X1** – DI8-X1: Wide-range power supply unit, incl. 2 non-grouped digital inputs and 6 grouped digital inputs
- X2** – OR6: Assembly Group with 6 Output Relays
- X3** – TI: Standard current measuring card
- X4** – TU-OR5: Voltage measuring assembly group with 5 additional Output Relays (normally open)
- X5** – DI8-OR4: Assembly Group with 8 Digital Inputs and 4 Output Relays
- X6** – DI8-OR4: Assembly Group with 8 Digital Inputs and 4 Output Relays
- X100** – IEC 61850 / Modbus TCP / DNP3.0 TCP/UDP, Ethernet interface, 100 Mbit/s, RJ45 (BASE100-FX)
- X103** – IEC 60870-5-103 / Modbus RTU / DNP3.0 RTU, RS485, Terminals
- X104** – IRIG-B00X, incl. System Contact (Supervision Contact)

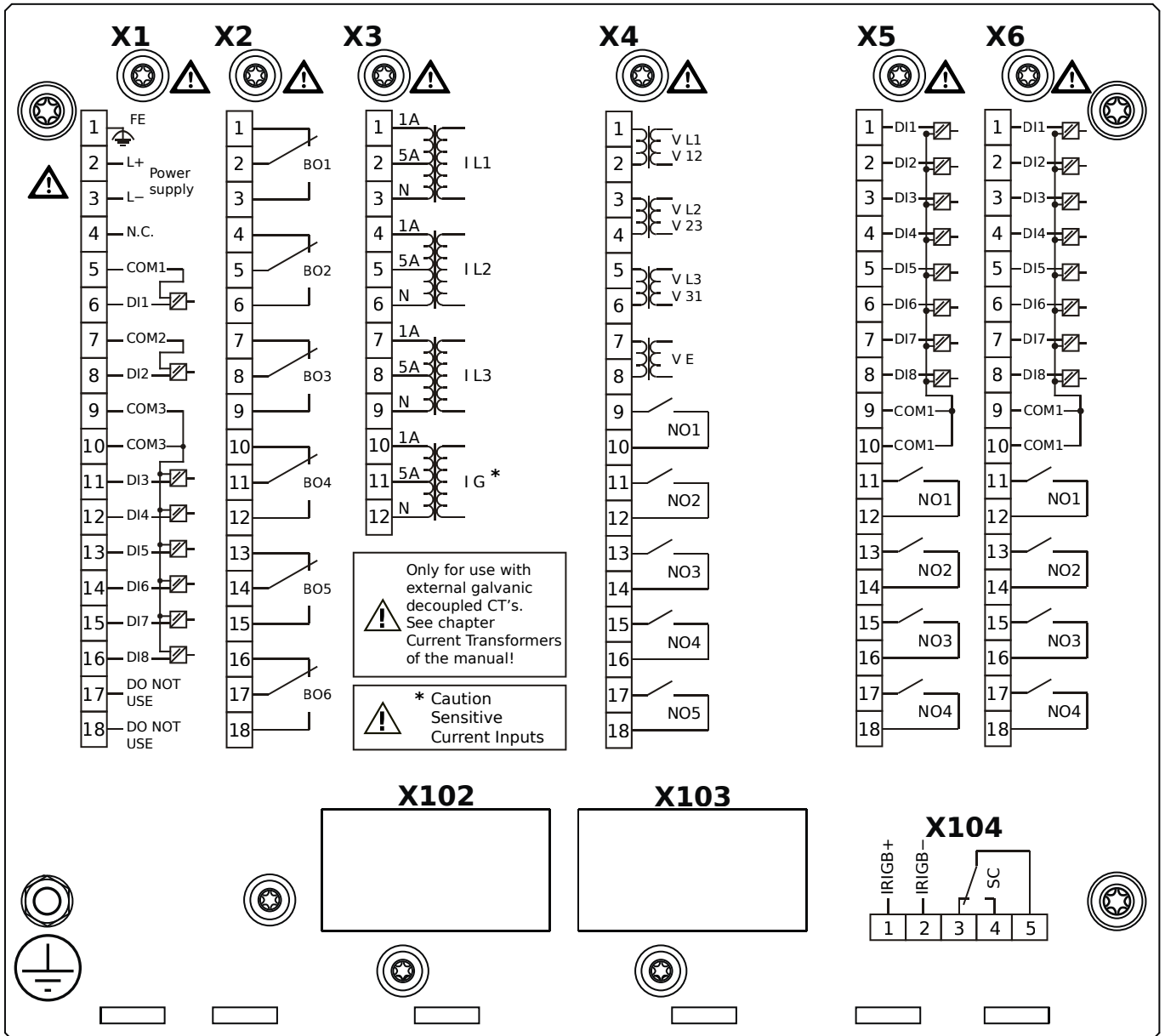
MCA4-2E1AAA



Housing B2, large display, door mounting

- X1** – DI8-X1: Wide-range power supply unit, incl. 2 non-grouped digital inputs and 6 grouped digital inputs
- X2** – OR6: Assembly Group with 6 Output Relays
- X3** – TIs: Standard phase current measuring card and sensitive ground current measuring
- X4** – TU-OR5: Voltage measuring assembly group with 5 additional Output Relays (normally open)
- X5** – DI8-OR4: Assembly Group with 8 Digital Inputs and 4 Output Relays
- X6** – DI8-OR4: Assembly Group with 8 Digital Inputs and 4 Output Relays
- X104** – IRIG-B00X, incl. System Contact (Supervision Contact)

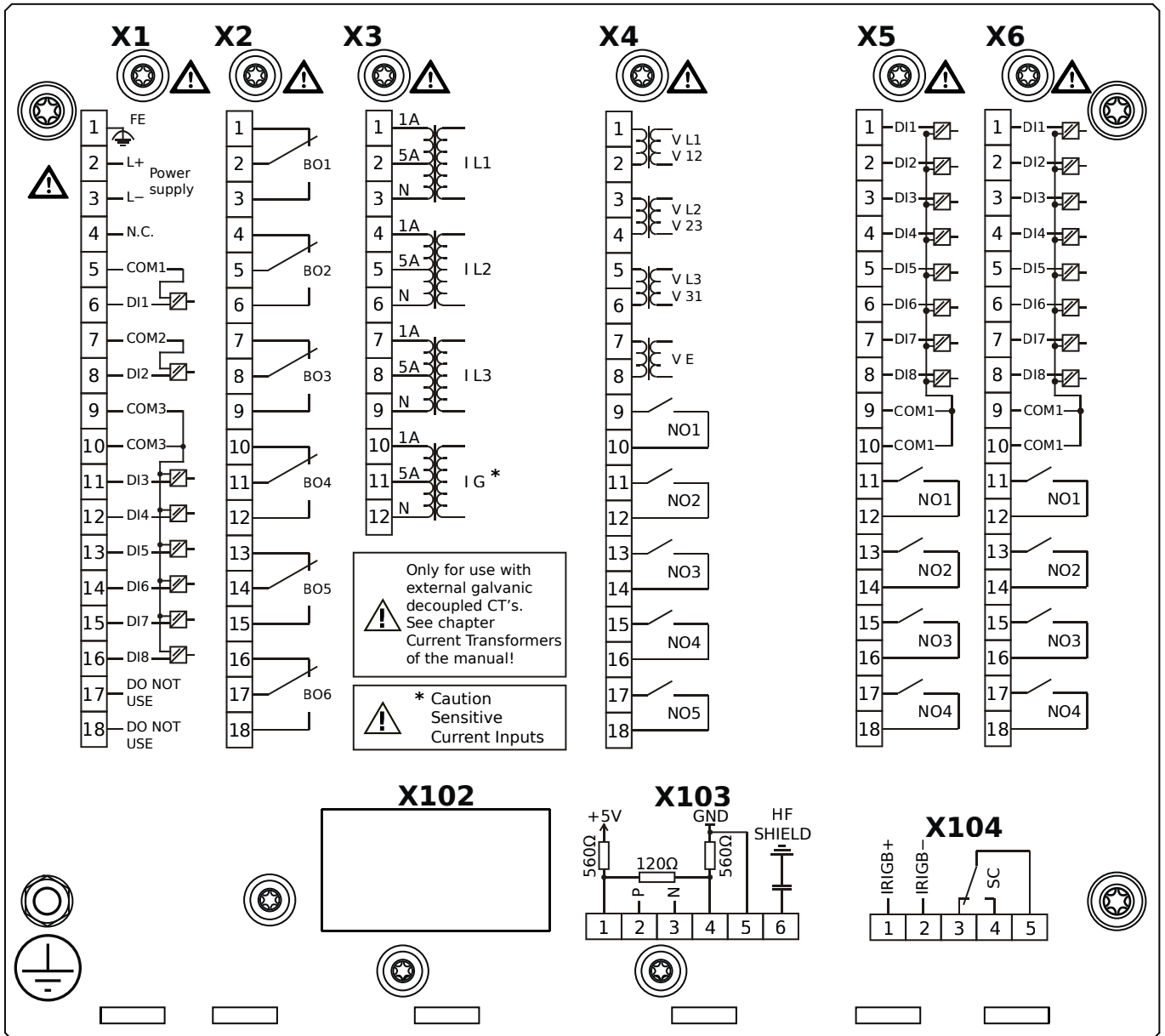
MCA4-2E1AAB



Housing B2, large display, door mounting

- X1** – DI8-X1: Wide-range power supply unit, incl. 2 non-grouped digital inputs and 6 grouped digital inputs
- X2** – OR6: Assembly Group with 6 Output Relays
- X3** – TIs: Standard phase current measuring card and sensitive ground current measuring
- X4** – TU-OR5: Voltage measuring assembly group with 5 additional Output Relays (normally open)
- X5** – DI8-OR4: Assembly Group with 8 Digital Inputs and 4 Output Relays
- X6** – DI8-OR4: Assembly Group with 8 Digital Inputs and 4 Output Relays
- X104** – IRIG-B00X, incl. System Contact (Supervision Contact)

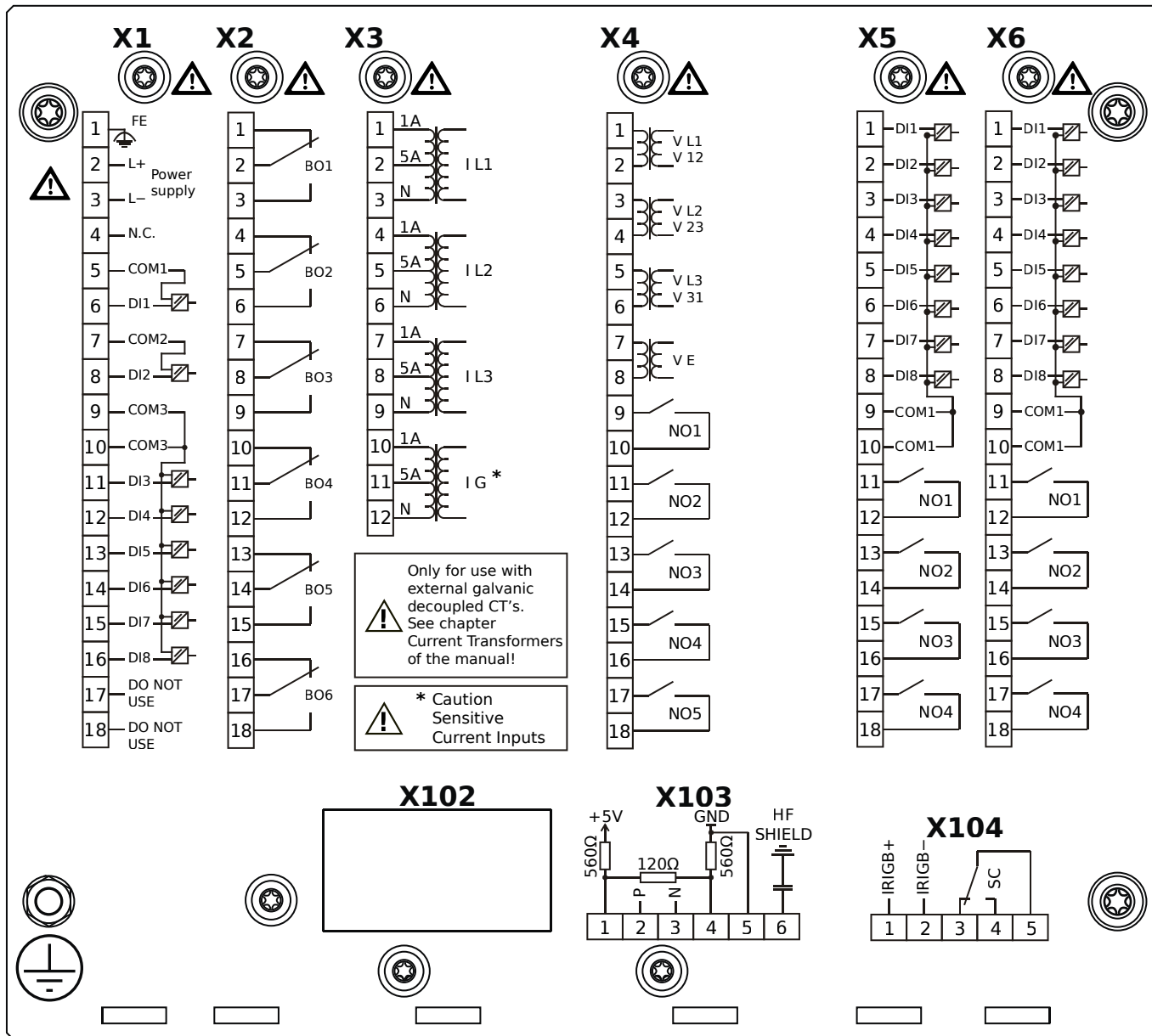
MCA4-2E1ABA



Housing B2, large display, door mounting

- X1** – DI8-X1: Wide-range power supply unit, incl. 2 non-grouped digital inputs and 6 grouped digital inputs
- X2** – OR6: Assembly Group with 6 Output Relays
- X3** – TIs: Standard phase current measuring card and sensitive ground current measuring
- X4** – TU-OR5: Voltage measuring assembly group with 5 additional Output Relays (normally open)
- X5** – DI8-OR4: Assembly Group with 8 Digital Inputs and 4 Output Relays
- X6** – DI8-OR4: Assembly Group with 8 Digital Inputs and 4 Output Relays
- X103** – Modbus RTU / IEC 60870-5-103 / DNP3.0 RTU, RS485, Terminals
- X104** – IRIG-B00X, incl. System Contact (Supervision Contact)

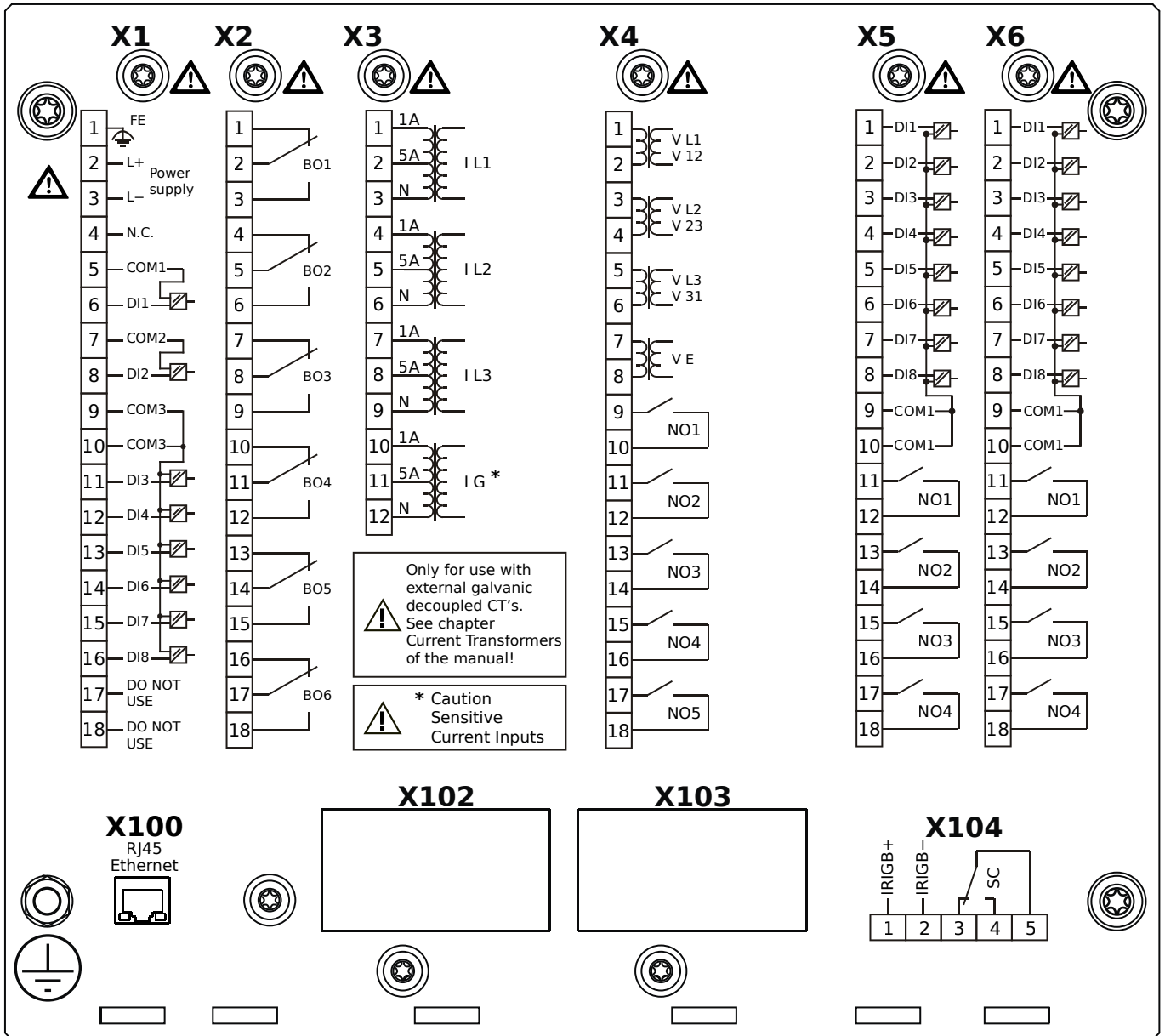
MCA4-2E1ABB



Housing B2, large display, door mounting

- X1** – DI8-X1: Wide-range power supply unit, incl. 2 non-grouped digital inputs and 6 grouped digital inputs
- X2** – OR6: Assembly Group with 6 Output Relays
- X3** – TIs: Standard phase current measuring card and sensitive ground current measuring
- X4** – TU-OR5: Voltage measuring assembly group with 5 additional Output Relays (normally open)
- X5** – DI8-OR4: Assembly Group with 8 Digital Inputs and 4 Output Relays
- X6** – DI8-OR4: Assembly Group with 8 Digital Inputs and 4 Output Relays
- X103** – Modbus RTU / IEC 60870-5-103 / DNP3.0 RTU, RS485, Terminals
- X104** – IRIG-B00X, incl. System Contact (Supervision Contact)

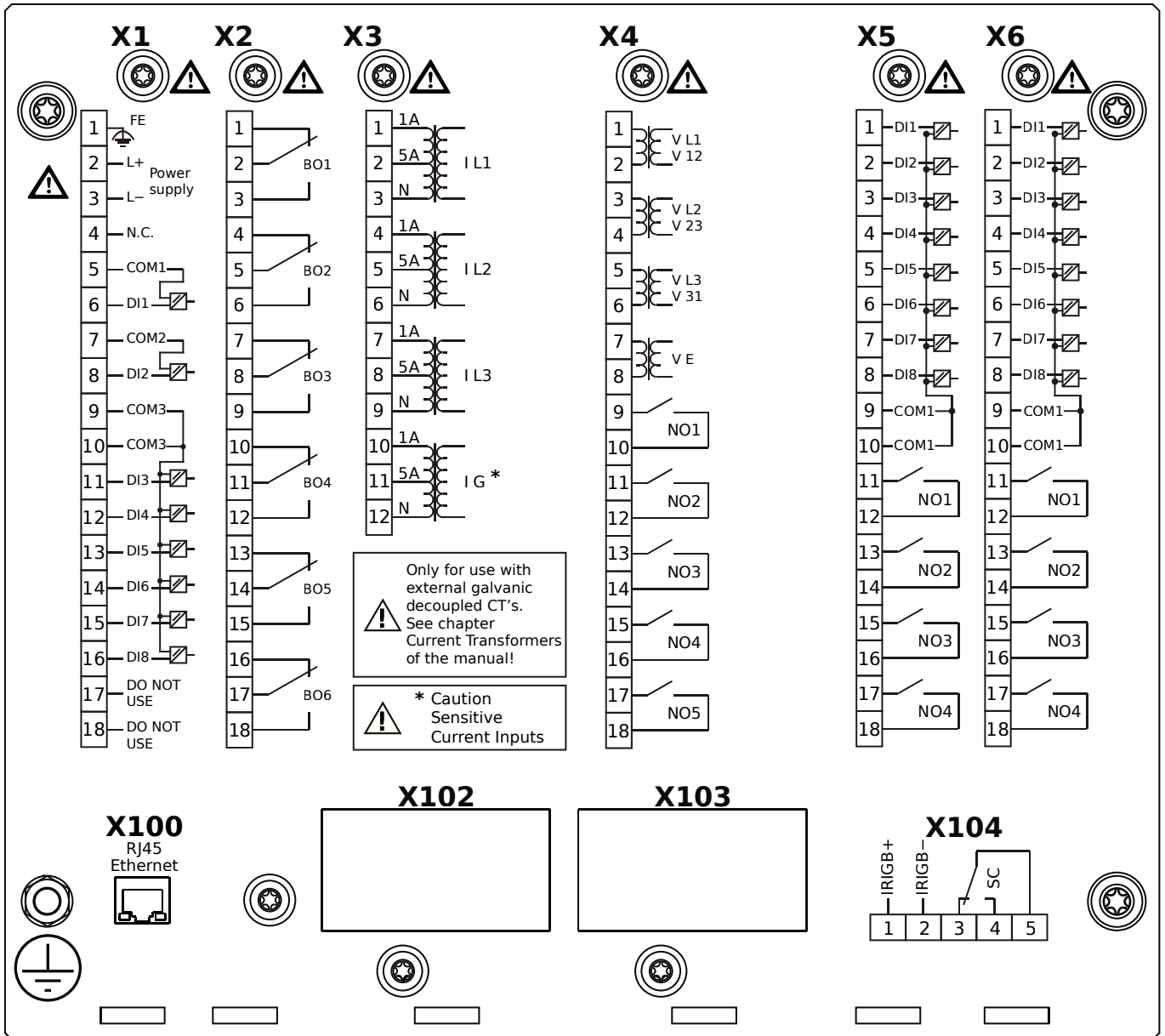
MCA4-2E1ACA



Housing B2, large display, door mounting

- X1** – DI8-X1: Wide-range power supply unit, incl. 2 non-grouped digital inputs and 6 grouped digital inputs
- X2** – OR6: Assembly Group with 6 Output Relays
- X3** – TIs: Standard phase current measuring card and sensitive ground current measuring
- X4** – TU-OR5: Voltage measuring assembly group with 5 additional Output Relays (normally open)
- X5** – DI8-OR4: Assembly Group with 8 Digital Inputs and 4 Output Relays
- X6** – DI8-OR4: Assembly Group with 8 Digital Inputs and 4 Output Relays
- X100** – Modbus TCP / DNP3.0 TCP/UDP, Ethernet interface, 100 Mbit/s, RJ45 (BASE100-FX)
- X104** – IRIG-B00X, incl. System Contact (Supervision Contact)

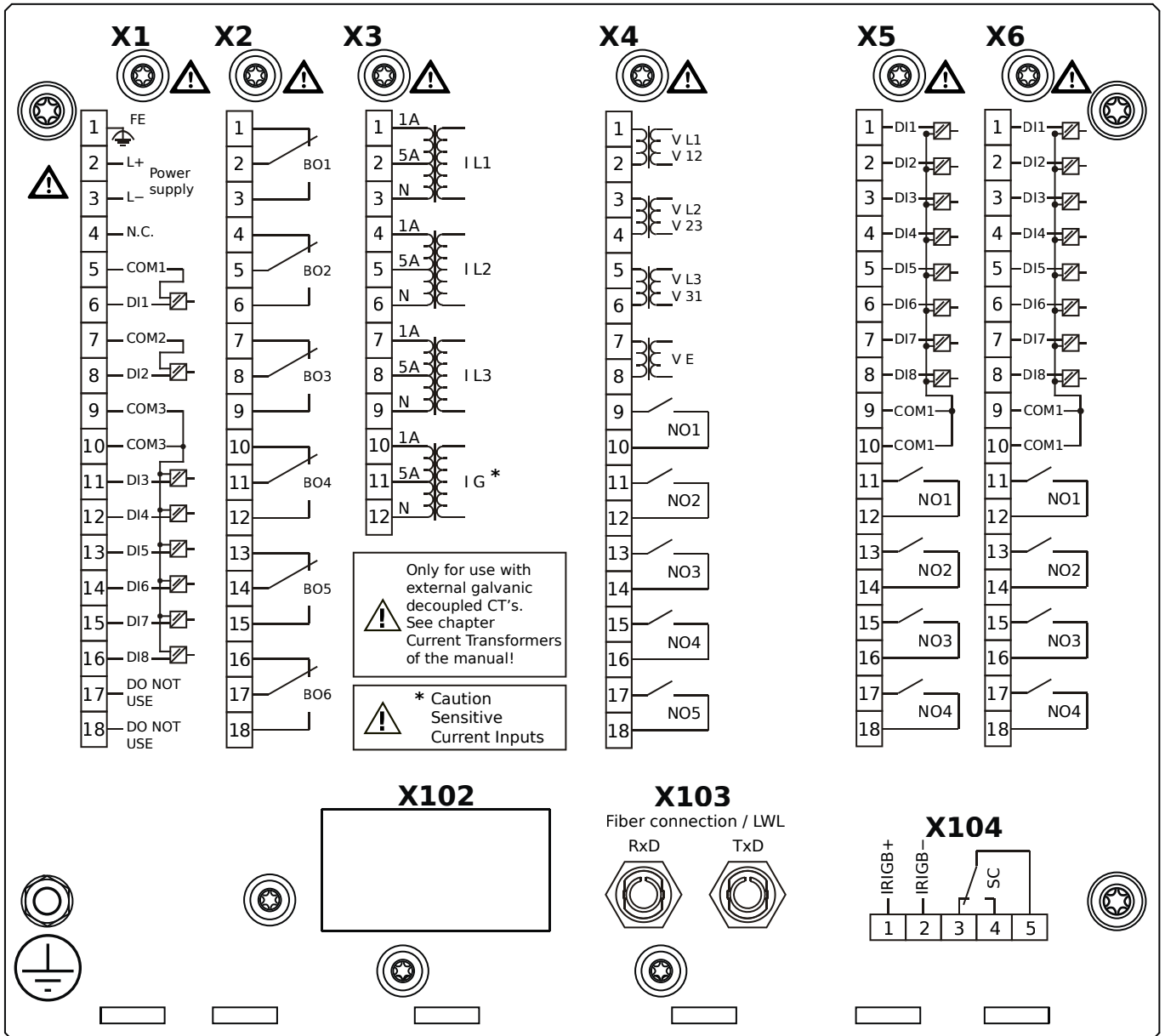
MCA4-2E1ACB



Housing B2, large display, door mounting

- X1** – DI8-X1: Wide-range power supply unit, incl. 2 non-grouped digital inputs and 6 grouped digital inputs
- X2** – OR6: Assembly Group with 6 Output Relays
- X3** – TIs: Standard phase current measuring card and sensitive ground current measuring
- X4** – TU-OR5: Voltage measuring assembly group with 5 additional Output Relays (normally open)
- X5** – DI8-OR4: Assembly Group with 8 Digital Inputs and 4 Output Relays
- X6** – DI8-OR4: Assembly Group with 8 Digital Inputs and 4 Output Relays
- X100** – Modbus TCP / DNP3.0 TCP/UDP, Ethernet interface, 100 Mbit/s, RJ45 (BASE100-FX)
- X104** – IRIG-B00X, incl. System Contact (Supervision Contact)

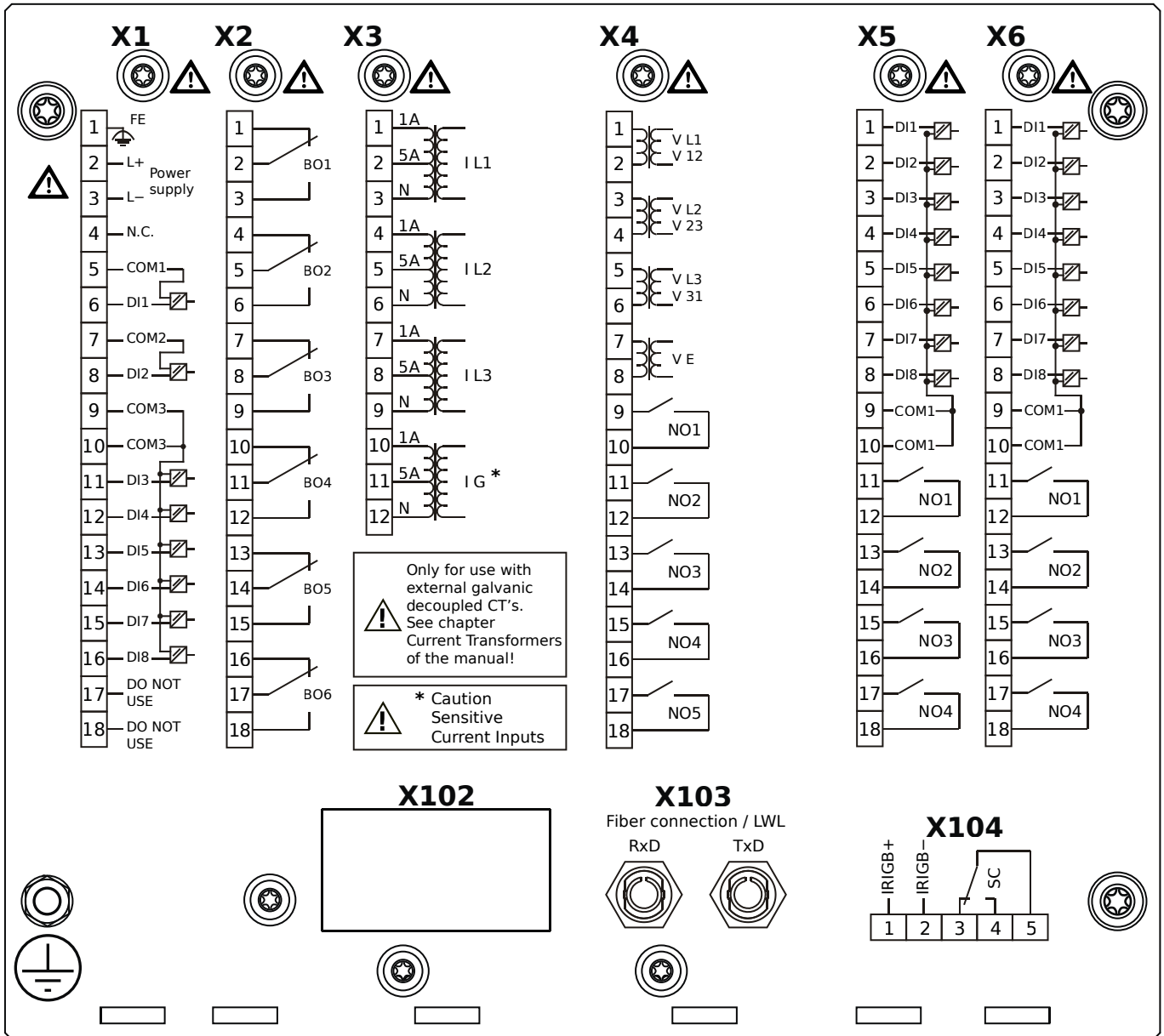
MCA4-2E1ADA



Housing B2, large display, door mounting

- X1** – DI8-X1: Wide-range power supply unit, incl. 2 non-grouped digital inputs and 6 grouped digital inputs
- X2** – OR6: Assembly Group with 6 Output Relays
- X3** – TIs: Standard phase current measuring card and sensitive ground current measuring
- X4** – TU-OR5: Voltage measuring assembly group with 5 additional Output Relays (normally open)
- X5** – DI8-OR4: Assembly Group with 8 Digital Inputs and 4 Output Relays
- X6** – DI8-OR4: Assembly Group with 8 Digital Inputs and 4 Output Relays
- X103** – Profibus-DP, Fiber optics interface, ST Connector
- X104** – IRIG-B00X, incl. System Contact (Supervision Contact)

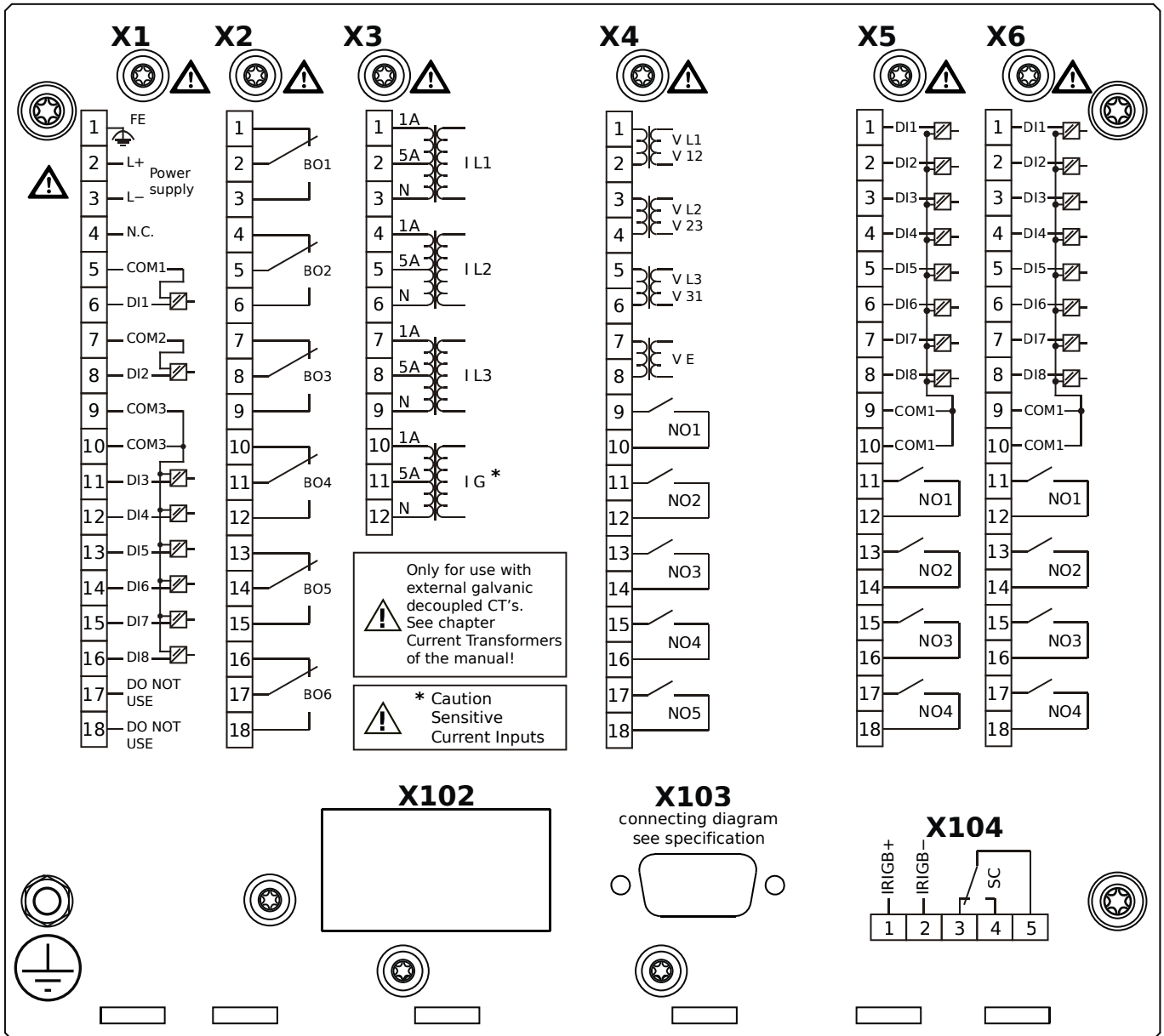
MCA4-2E1ADB



Housing B2, large display, door mounting

- X1** – DI8-X1: Wide-range power supply unit, incl. 2 non-grouped digital inputs and 6 grouped digital inputs
- X2** – OR6: Assembly Group with 6 Output Relays
- X3** – TIs: Standard phase current measuring card and sensitive ground current measuring
- X4** – TU-OR5: Voltage measuring assembly group with 5 additional Output Relays (normally open)
- X5** – DI8-OR4: Assembly Group with 8 Digital Inputs and 4 Output Relays
- X6** – DI8-OR4: Assembly Group with 8 Digital Inputs and 4 Output Relays
- X103** – Profibus-DP, Fiber optics interface, ST Connector
- X104** – IRIG-B00X, incl. System Contact (Supervision Contact)

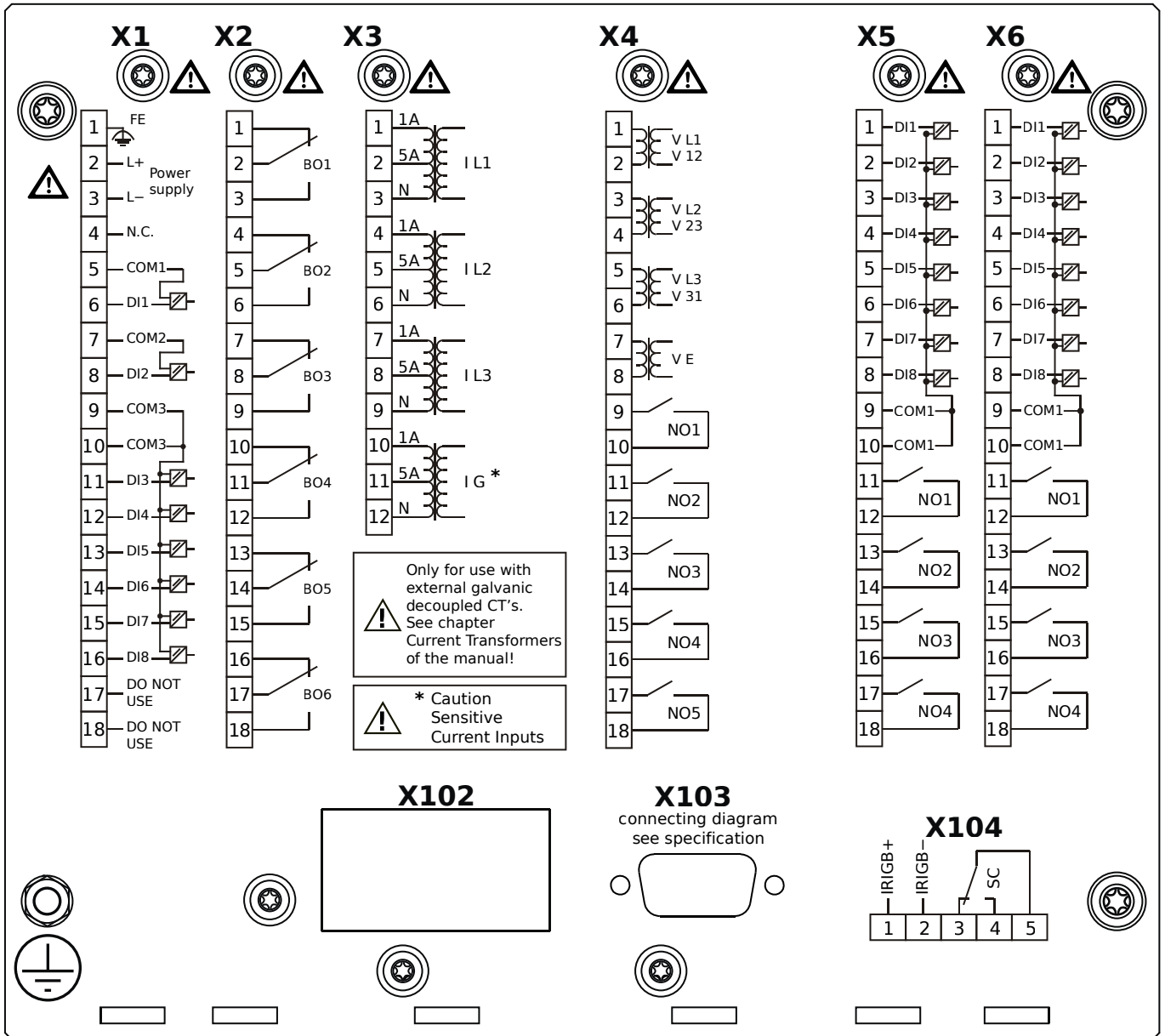
MCA4-2E1AEA



Housing B2, large display, door mounting

- X1** – DI8-X1: Wide-range power supply unit, incl. 2 non-grouped digital inputs and 6 grouped digital inputs
- X2** – OR6: Assembly Group with 6 Output Relays
- X3** – TIs: Standard phase current measuring card and sensitive ground current measuring
- X4** – TU-OR5: Voltage measuring assembly group with 5 additional Output Relays (normally open)
- X5** – DI8-OR4: Assembly Group with 8 Digital Inputs and 4 Output Relays
- X6** – DI8-OR4: Assembly Group with 8 Digital Inputs and 4 Output Relays
- X103** – Profibus-DP, RS485, D-SUB
- X104** – IRIG-B00X, incl. System Contact (Supervision Contact)

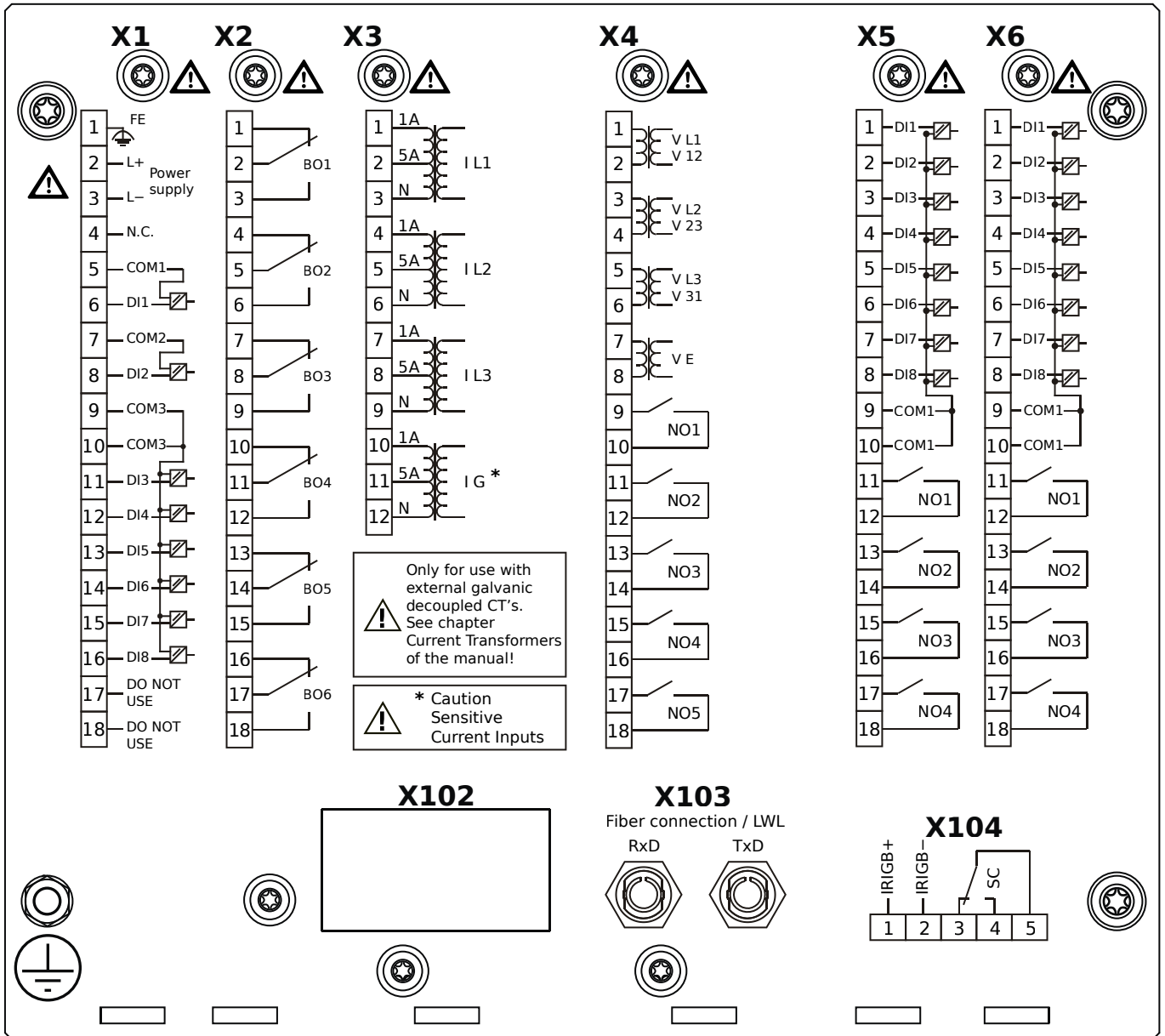
MCA4-2E1AEB



Housing B2, large display, door mounting

- X1** – DI8-X1: Wide-range power supply unit, incl. 2 non-grouped digital inputs and 6 grouped digital inputs
- X2** – OR6: Assembly Group with 6 Output Relays
- X3** – TIs: Standard phase current measuring card and sensitive ground current measuring
- X4** – TU-OR5: Voltage measuring assembly group with 5 additional Output Relays (normally open)
- X5** – DI8-OR4: Assembly Group with 8 Digital Inputs and 4 Output Relays
- X6** – DI8-OR4: Assembly Group with 8 Digital Inputs and 4 Output Relays
- X103** – Profibus-DP, RS485, D-SUB
- X104** – IRIG-B00X, incl. System Contact (Supervision Contact)

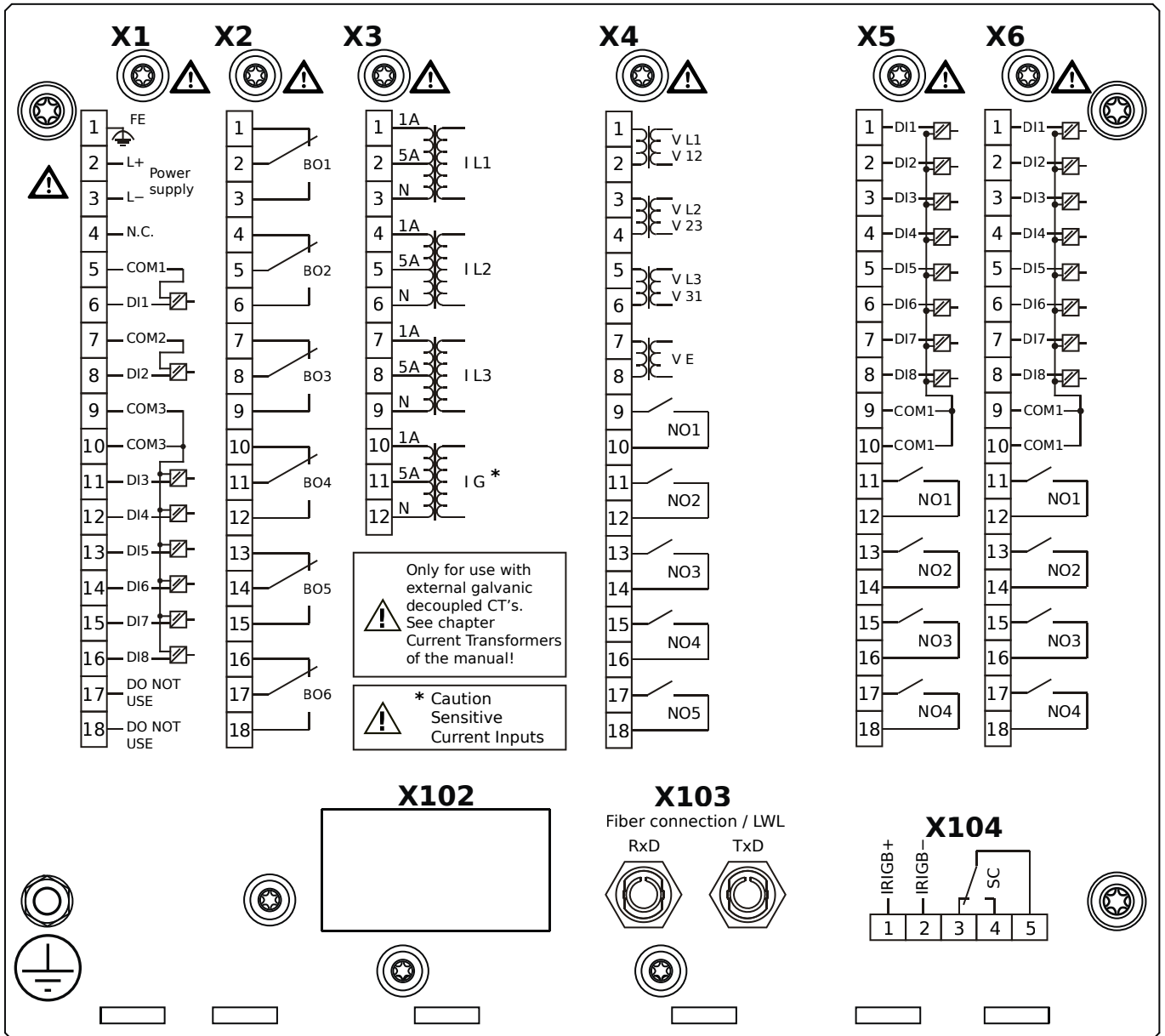
MCA4-2E1AFA



Housing B2, large display, door mounting

- X1** – DI8-X1: Wide-range power supply unit, incl. 2 non-grouped digital inputs and 6 grouped digital inputs
- X2** – OR6: Assembly Group with 6 Output Relays
- X3** – TIs: Standard phase current measuring card and sensitive ground current measuring
- X4** – TU-OR5: Voltage measuring assembly group with 5 additional Output Relays (normally open)
- X5** – DI8-OR4: Assembly Group with 8 Digital Inputs and 4 Output Relays
- X6** – DI8-OR4: Assembly Group with 8 Digital Inputs and 4 Output Relays
- X103** – Modbus RTU / IEC 60870-5-103 / DNP3.0 RTU, Fiber optics interface, ST Connector
- X104** – IRIG-B00X, incl. System Contact (Supervision Contact)

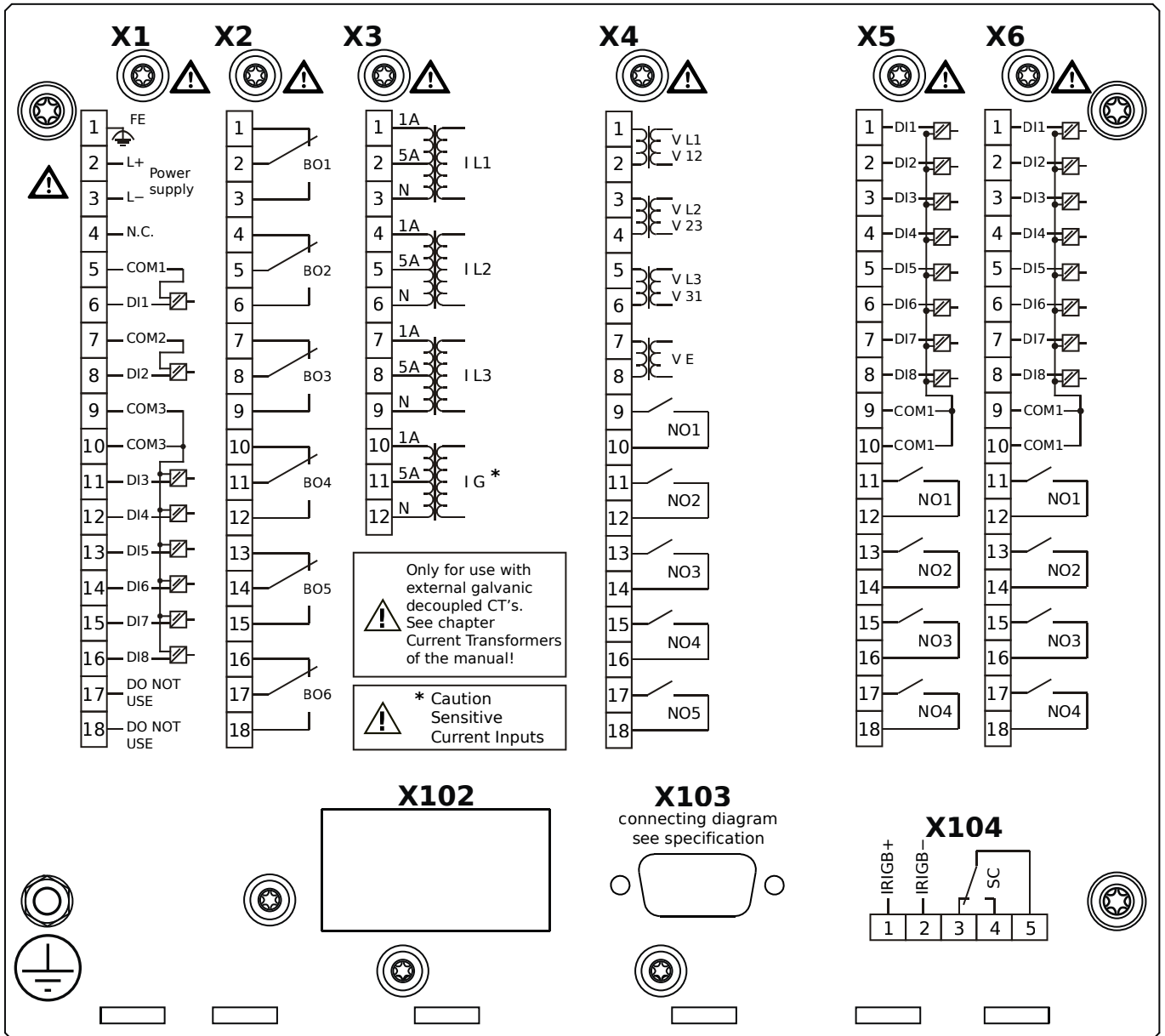
MCA4-2E1AFB



Housing B2, large display, door mounting

- X1** – DI8-X1: Wide-range power supply unit, incl. 2 non-grouped digital inputs and 6 grouped digital inputs
- X2** – OR6: Assembly Group with 6 Output Relays
- X3** – TIs: Standard phase current measuring card and sensitive ground current measuring
- X4** – TU-OR5: Voltage measuring assembly group with 5 additional Output Relays (normally open)
- X5** – DI8-OR4: Assembly Group with 8 Digital Inputs and 4 Output Relays
- X6** – DI8-OR4: Assembly Group with 8 Digital Inputs and 4 Output Relays
- X103** – Modbus RTU / IEC 60870-5-103 / DNP3.0 RTU, Fiber optics interface, ST Connector
- X104** – IRIG-B00X, incl. System Contact (Supervision Contact)

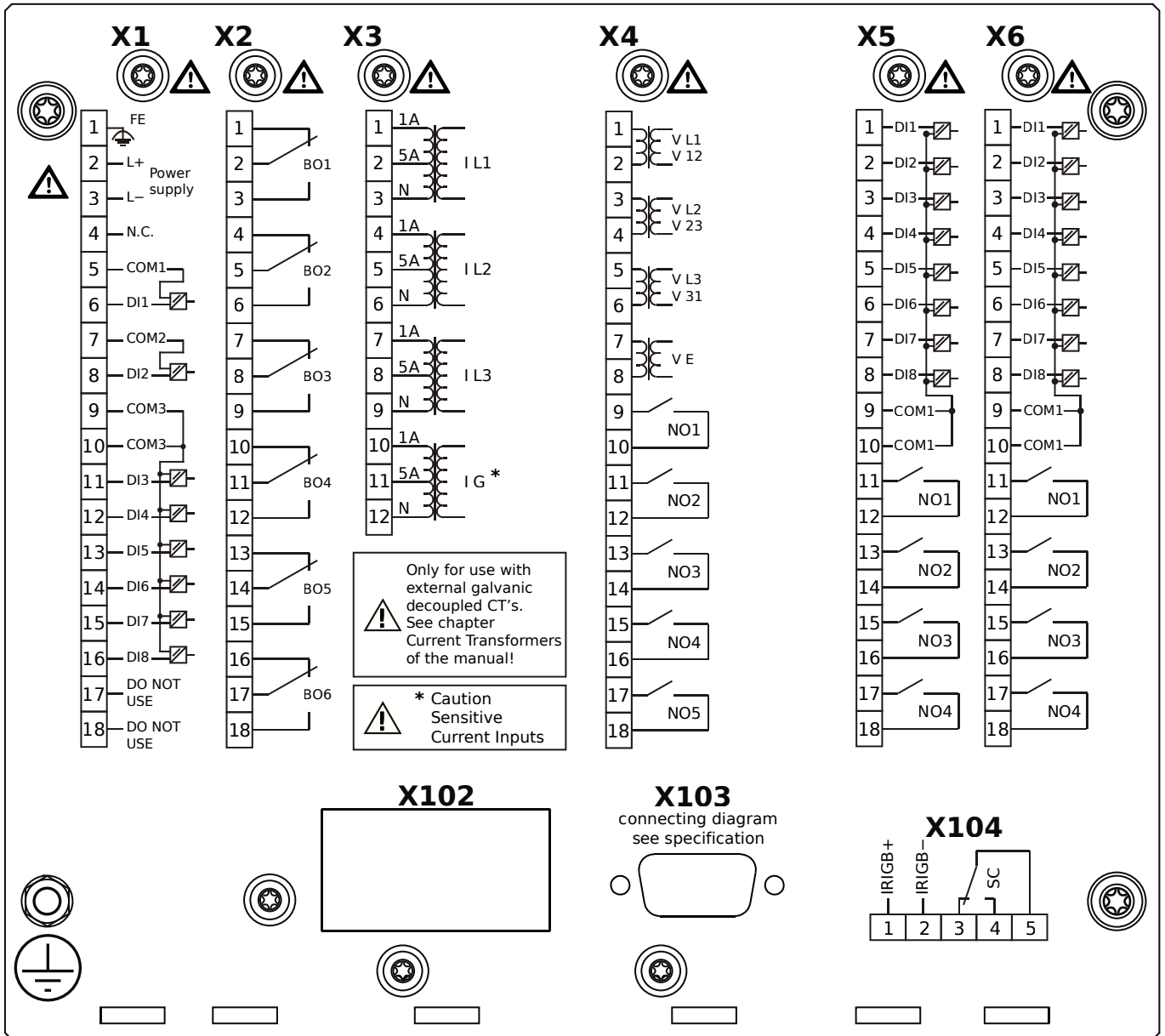
MCA4-2E1AGA



Housing B2, large display, door mounting

- X1** – DI8-X1: Wide-range power supply unit, incl. 2 non-grouped digital inputs and 6 grouped digital inputs
- X2** – OR6: Assembly Group with 6 Output Relays
- X3** – TIs: Standard phase current measuring card and sensitive ground current measuring
- X4** – TU-OR5: Voltage measuring assembly group with 5 additional Output Relays (normally open)
- X5** – DI8-OR4: Assembly Group with 8 Digital Inputs and 4 Output Relays
- X6** – DI8-OR4: Assembly Group with 8 Digital Inputs and 4 Output Relays
- X103** – Modbus RTU / IEC 60870-5-103 / DNP3.0 RTU, RS485, D-SUB
- X104** – IRIG-B00X, incl. System Contact (Supervision Contact)

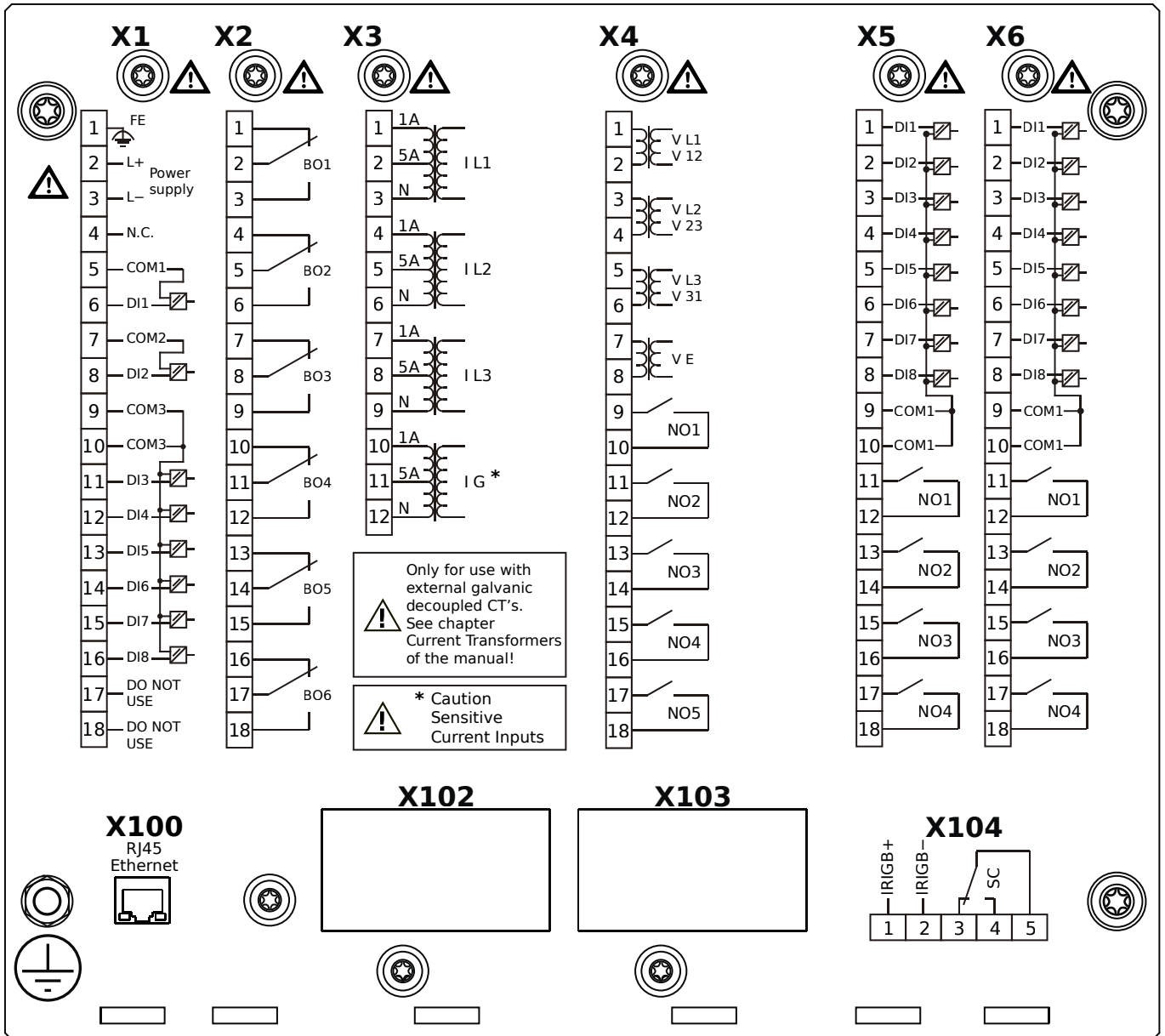
MCA4-2E1AGB



Housing B2, large display, door mounting

- X1** – DI8-X1: Wide-range power supply unit, incl. 2 non-grouped digital inputs and 6 grouped digital inputs
- X2** – OR6: Assembly Group with 6 Output Relays
- X3** – TIs: Standard phase current measuring card and sensitive ground current measuring
- X4** – TU-OR5: Voltage measuring assembly group with 5 additional Output Relays (normally open)
- X5** – DI8-OR4: Assembly Group with 8 Digital Inputs and 4 Output Relays
- X6** – DI8-OR4: Assembly Group with 8 Digital Inputs and 4 Output Relays
- X103** – Modbus RTU / IEC 60870-5-103 / DNP3.0 RTU, RS485, D-SUB
- X104** – IRIG-B00X, incl. System Contact (Supervision Contact)

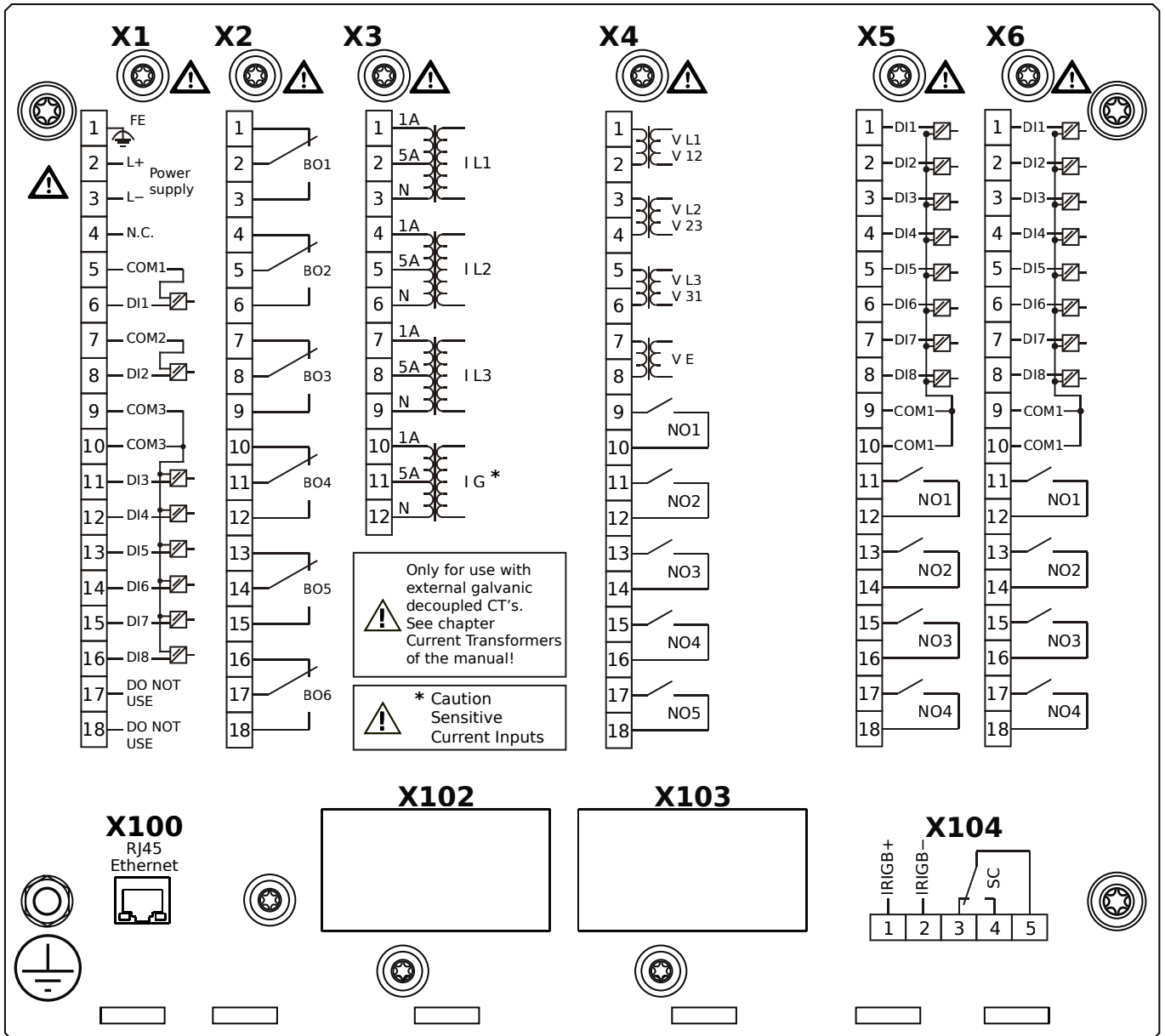
MCA4-2E1AHA



Housing B2, large display, door mounting

- X1** – DI8-X1: Wide-range power supply unit, incl. 2 non-grouped digital inputs and 6 grouped digital inputs
- X2** – OR6: Assembly Group with 6 Output Relays
- X3** – TIs: Standard phase current measuring card and sensitive ground current measuring
- X4** – TU-OR5: Voltage measuring assembly group with 5 additional Output Relays (normally open)
- X5** – DI8-OR4: Assembly Group with 8 Digital Inputs and 4 Output Relays
- X6** – DI8-OR4: Assembly Group with 8 Digital Inputs and 4 Output Relays
- X100** – IEC 61850 / Modbus TCP / DNP3.0 TCP/UDP, Ethernet interface, 100 Mbit/s, RJ45 (BASE100-FX)
- X104** – IRIG-B00X, incl. System Contact (Supervision Contact)

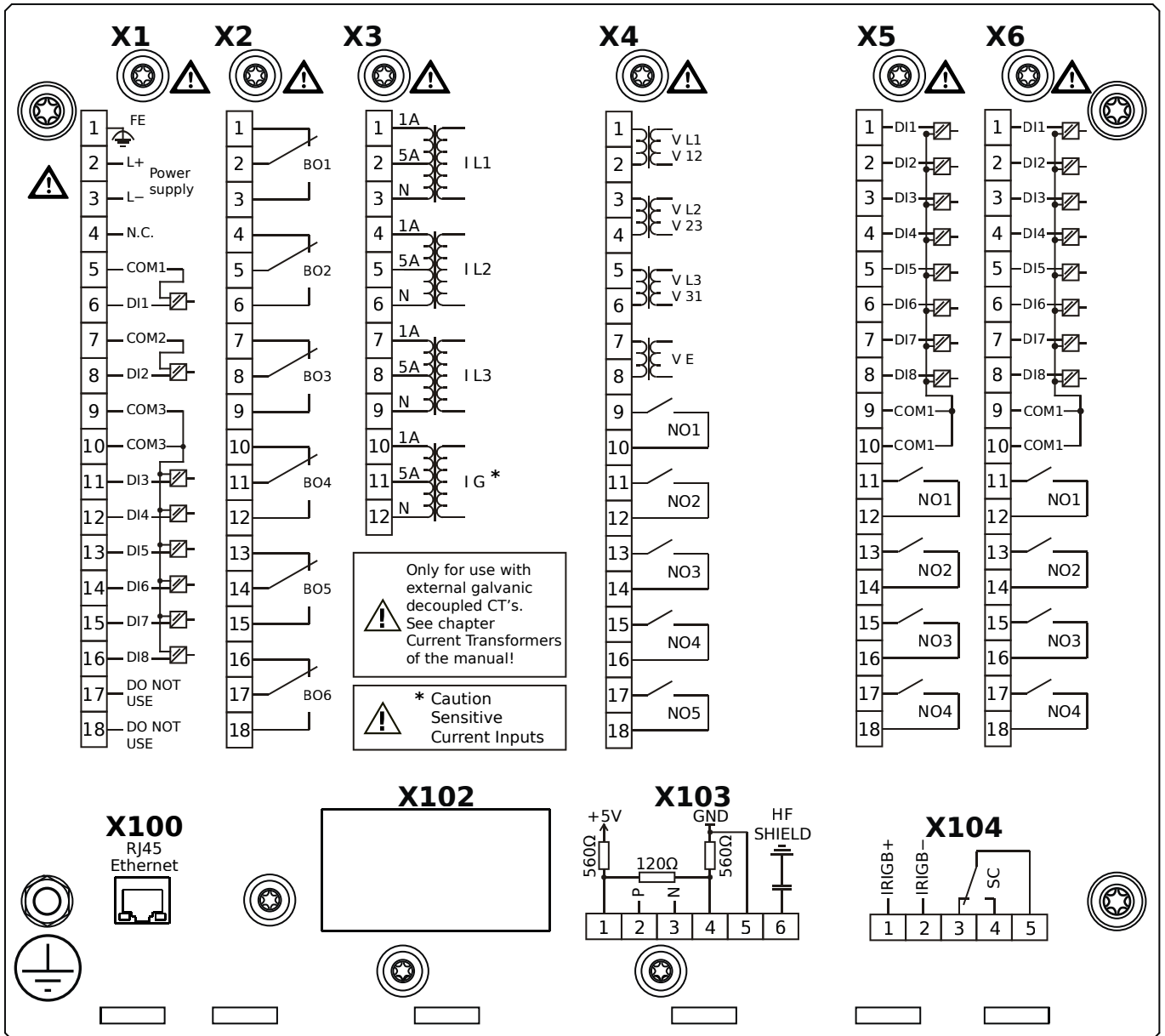
MCA4-2E1AHB



Housing B2, large display, door mounting

- X1** – DI8-X1: Wide-range power supply unit, incl. 2 non-grouped digital inputs and 6 grouped digital inputs
- X2** – OR6: Assembly Group with 6 Output Relays
- X3** – TIs: Standard phase current measuring card and sensitive ground current measuring
- X4** – TU-OR5: Voltage measuring assembly group with 5 additional Output Relays (normally open)
- X5** – DI8-OR4: Assembly Group with 8 Digital Inputs and 4 Output Relays
- X6** – DI8-OR4: Assembly Group with 8 Digital Inputs and 4 Output Relays
- X100** – IEC 61850 / Modbus TCP / DNP3.0 TCP/UDP, Ethernet interface, 100 Mbit/s, RJ45 (BASE100-FX)
- X104** – IRIG-B00X, incl. System Contact (Supervision Contact)

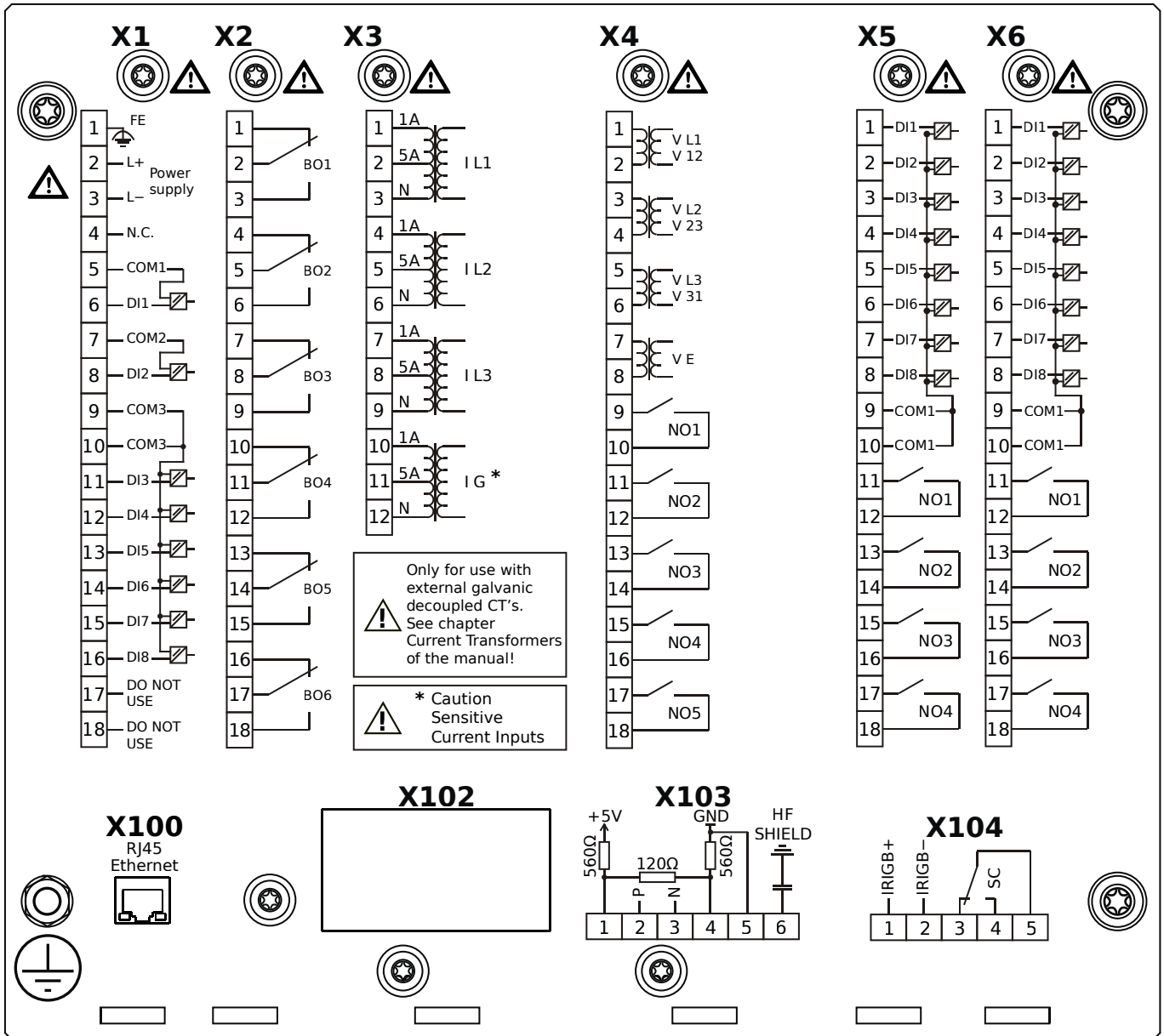
MCA4-2E1AIA



Housing B2, large display, door mounting

- X1** – DI8-X1: Wide-range power supply unit, incl. 2 non-grouped digital inputs and 6 grouped digital inputs
- X2** – OR6: Assembly Group with 6 Output Relays
- X3** – TIs: Standard phase current measuring card and sensitive ground current measuring
- X4** – TU-OR5: Voltage measuring assembly group with 5 additional Output Relays (normally open)
- X5** – DI8-OR4: Assembly Group with 8 Digital Inputs and 4 Output Relays
- X6** – DI8-OR4: Assembly Group with 8 Digital Inputs and 4 Output Relays
- X100** – Modbus TCP / DNP3.0 TCP/UDP, Ethernet interface, 100 Mbit/s, RJ45 (BASE100-FX)
- X103** – IEC 60870-5-103 / Modbus RTU / DNP3.0 RTU, RS485, Terminals
- X104** – IRIG-B00X, incl. System Contact (Supervision Contact)

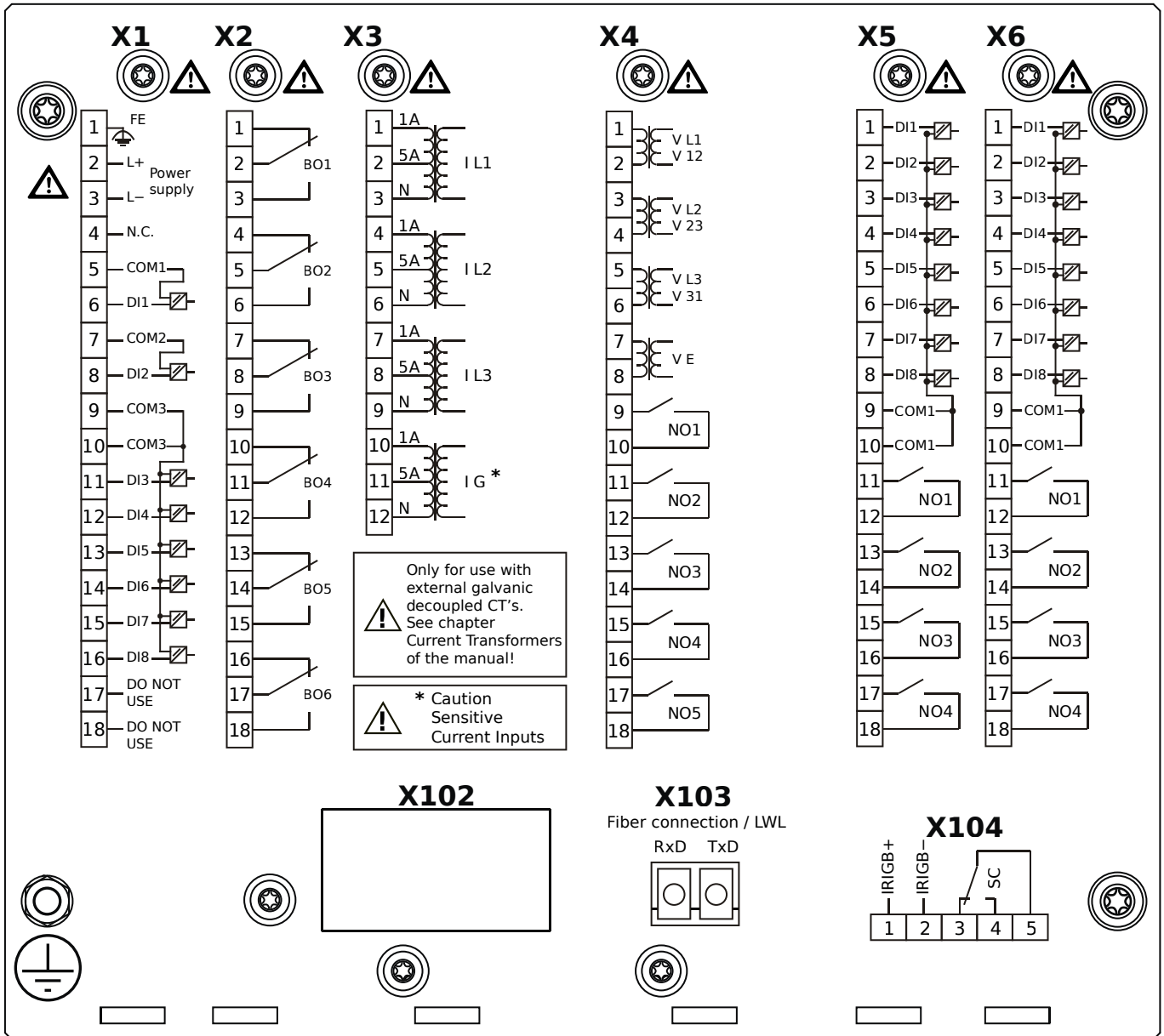
MCA4-2E1AIB



Housing B2, large display, door mounting

- X1** – DI8-X1: Wide-range power supply unit, incl. 2 non-grouped digital inputs and 6 grouped digital inputs
- X2** – OR6: Assembly Group with 6 Output Relays
- X3** – TIs: Standard phase current measuring card and sensitive ground current measuring
- X4** – TU-OR5: Voltage measuring assembly group with 5 additional Output Relays (normally open)
- X5** – DI8-OR4: Assembly Group with 8 Digital Inputs and 4 Output Relays
- X6** – DI8-OR4: Assembly Group with 8 Digital Inputs and 4 Output Relays
- X100** – Modbus TCP / DNP3.0 TCP/UDP, Ethernet interface, 100 Mbit/s, RJ45 (BASE100-FX)
- X103** – IEC 60870-5-103 / Modbus RTU / DNP3.0 RTU, RS485, Terminals
- X104** – IRIG-B00X, incl. System Contact (Supervision Contact)

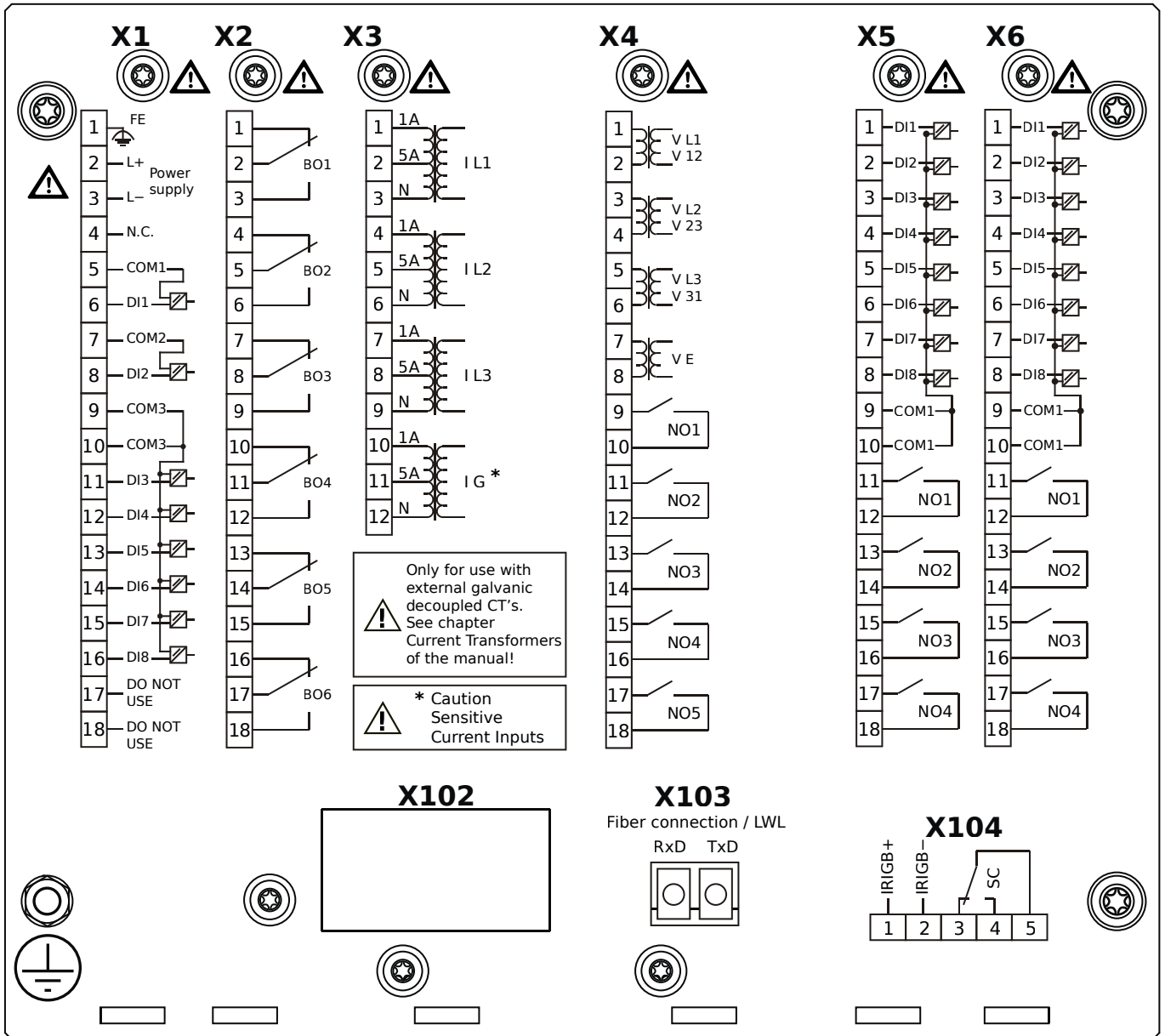
MCA4-2E1AKA



Housing B2, large display, door mounting

- X1** – DI8-X1: Wide-range power supply unit, incl. 2 non-grouped digital inputs and 6 grouped digital inputs
- X2** – OR6: Assembly Group with 6 Output Relays
- X3** – TIs: Standard phase current measuring card and sensitive ground current measuring
- X4** – TU-OR5: Voltage measuring assembly group with 5 additional Output Relays (normally open)
- X5** – DI8-OR4: Assembly Group with 8 Digital Inputs and 4 Output Relays
- X6** – DI8-OR4: Assembly Group with 8 Digital Inputs and 4 Output Relays
- X103** – IEC 61850 / Modbus TCP / DNP3.0 TCP/UDP, Fiber optics interface, LC Connector
- X104** – IRIG-B00X, incl. System Contact (Supervision Contact)

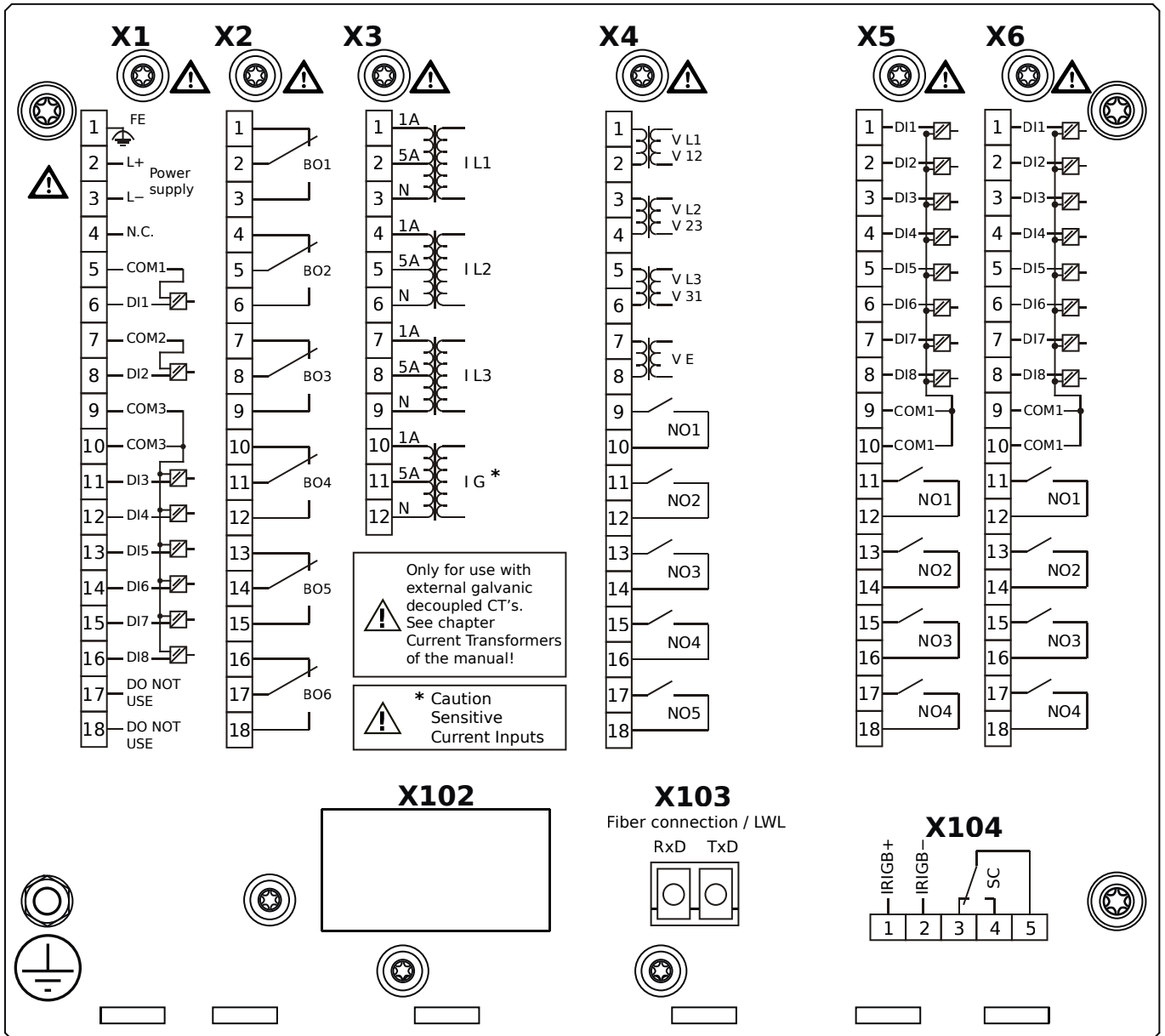
MCA4-2E1AKB



Housing B2, large display, door mounting

- X1** – DI8-X1: Wide-range power supply unit, incl. 2 non-grouped digital inputs and 6 grouped digital inputs
- X2** – OR6: Assembly Group with 6 Output Relays
- X3** – TIs: Standard phase current measuring card and sensitive ground current measuring
- X4** – TU-OR5: Voltage measuring assembly group with 5 additional Output Relays (normally open)
- X5** – DI8-OR4: Assembly Group with 8 Digital Inputs and 4 Output Relays
- X6** – DI8-OR4: Assembly Group with 8 Digital Inputs and 4 Output Relays
- X103** – IEC 61850 / Modbus TCP / DNP3.0 TCP/UDP, Fiber optics interface, LC Connector
- X104** – IRIG-B00X, incl. System Contact (Supervision Contact)

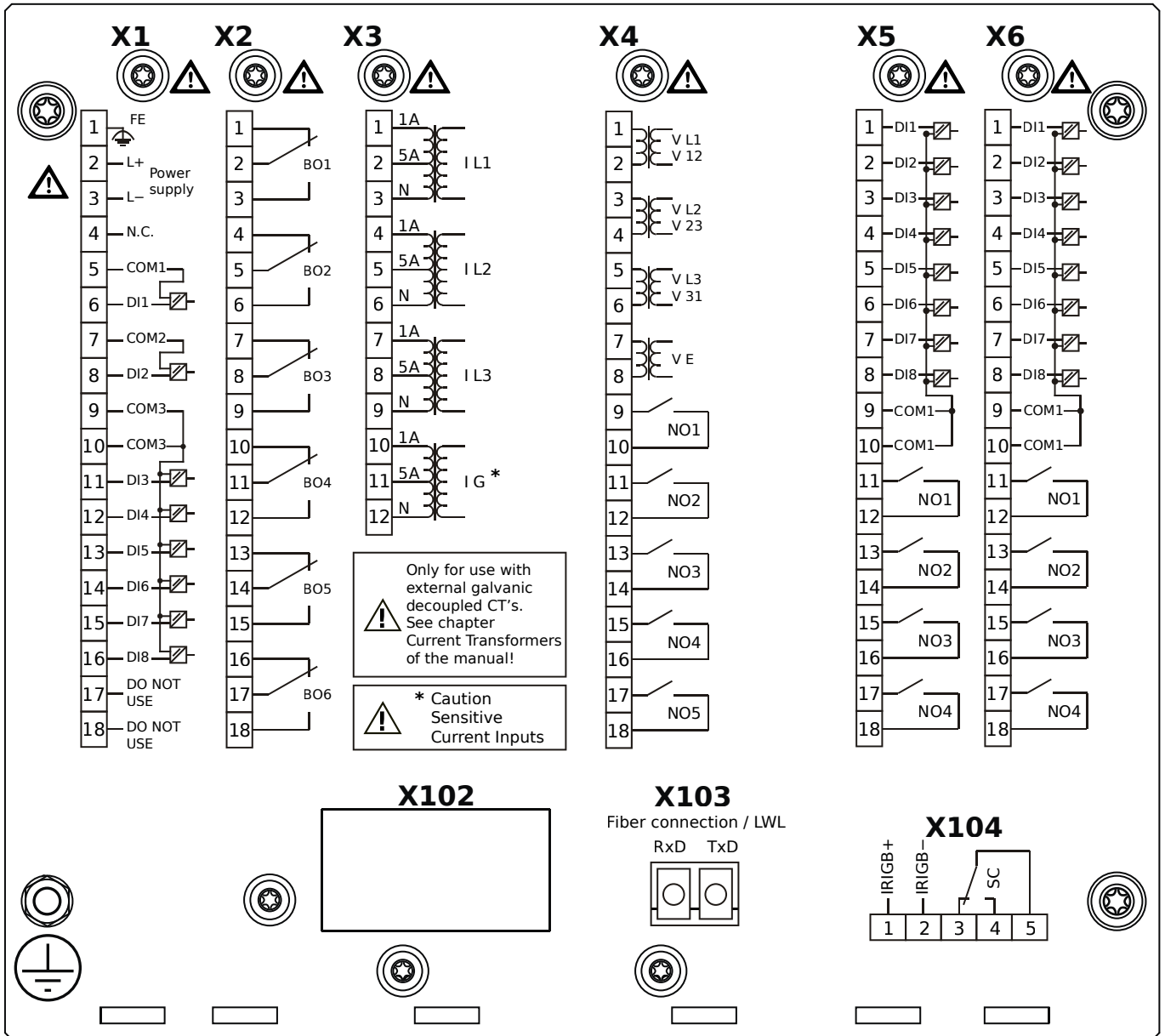
MCA4-2E1ALA



Housing B2, large display, door mounting

- X1** – DI8-X1: Wide-range power supply unit, incl. 2 non-grouped digital inputs and 6 grouped digital inputs
- X2** – OR6: Assembly Group with 6 Output Relays
- X3** – TIs: Standard phase current measuring card and sensitive ground current measuring
- X4** – TU-OR5: Voltage measuring assembly group with 5 additional Output Relays (normally open)
- X5** – DI8-OR4: Assembly Group with 8 Digital Inputs and 4 Output Relays
- X6** – DI8-OR4: Assembly Group with 8 Digital Inputs and 4 Output Relays
- X103** – Modbus TCP / DNP3.0 TCP/UDP, Fiber optics interface, LC Connector
- X104** – IRIG-B00X, incl. System Contact (Supervision Contact)

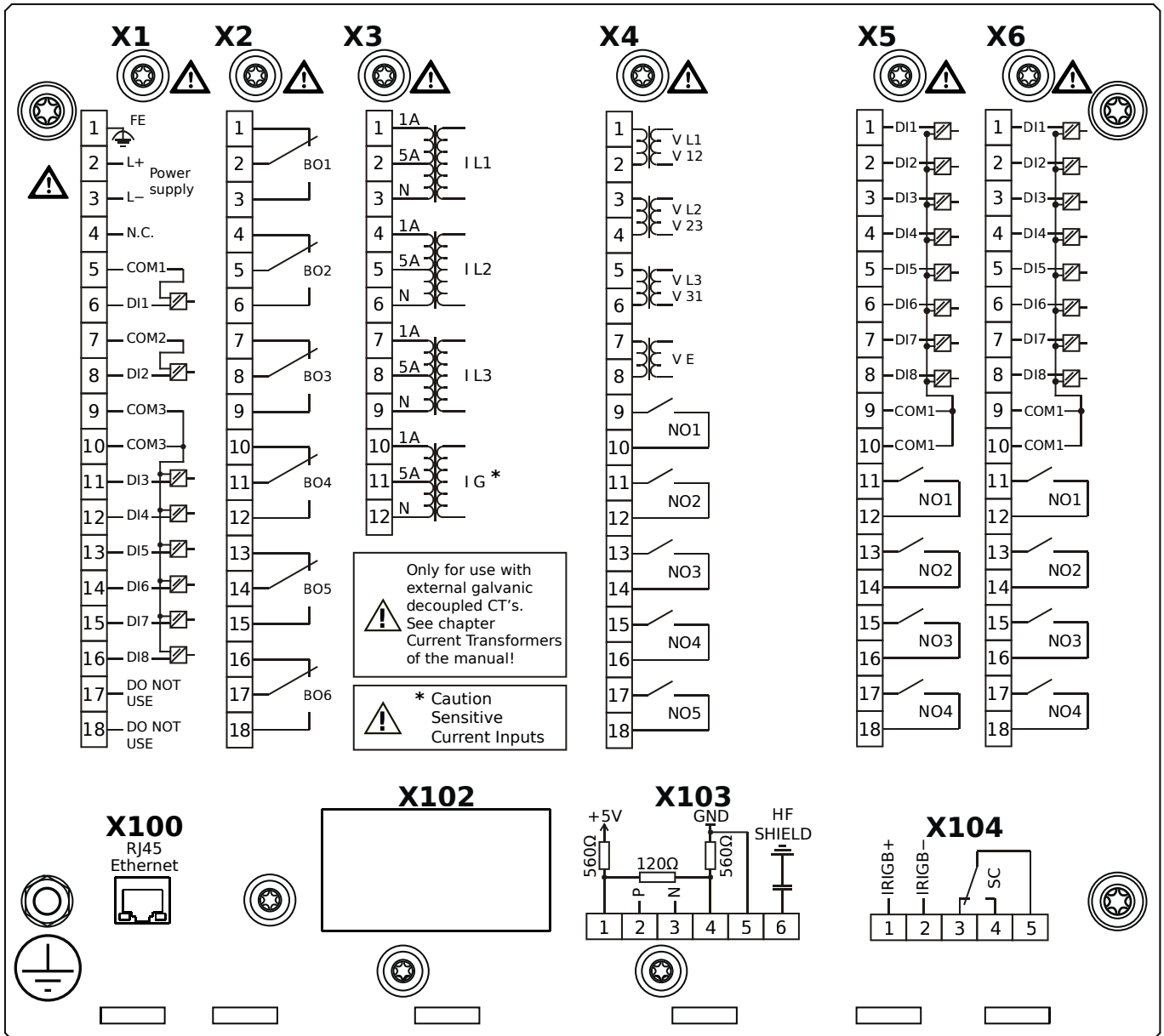
MCA4-2E1ALB



Housing B2, large display, door mounting

- X1** – DI8-X1: Wide-range power supply unit, incl. 2 non-grouped digital inputs and 6 grouped digital inputs
- X2** – OR6: Assembly Group with 6 Output Relays
- X3** – TIs: Standard phase current measuring card and sensitive ground current measuring
- X4** – TU-OR5: Voltage measuring assembly group with 5 additional Output Relays (normally open)
- X5** – DI8-OR4: Assembly Group with 8 Digital Inputs and 4 Output Relays
- X6** – DI8-OR4: Assembly Group with 8 Digital Inputs and 4 Output Relays
- X103** – Modbus TCP / DNP3.0 TCP/UDP, Fiber optics interface, LC Connector
- X104** – IRIG-B00X, incl. System Contact (Supervision Contact)

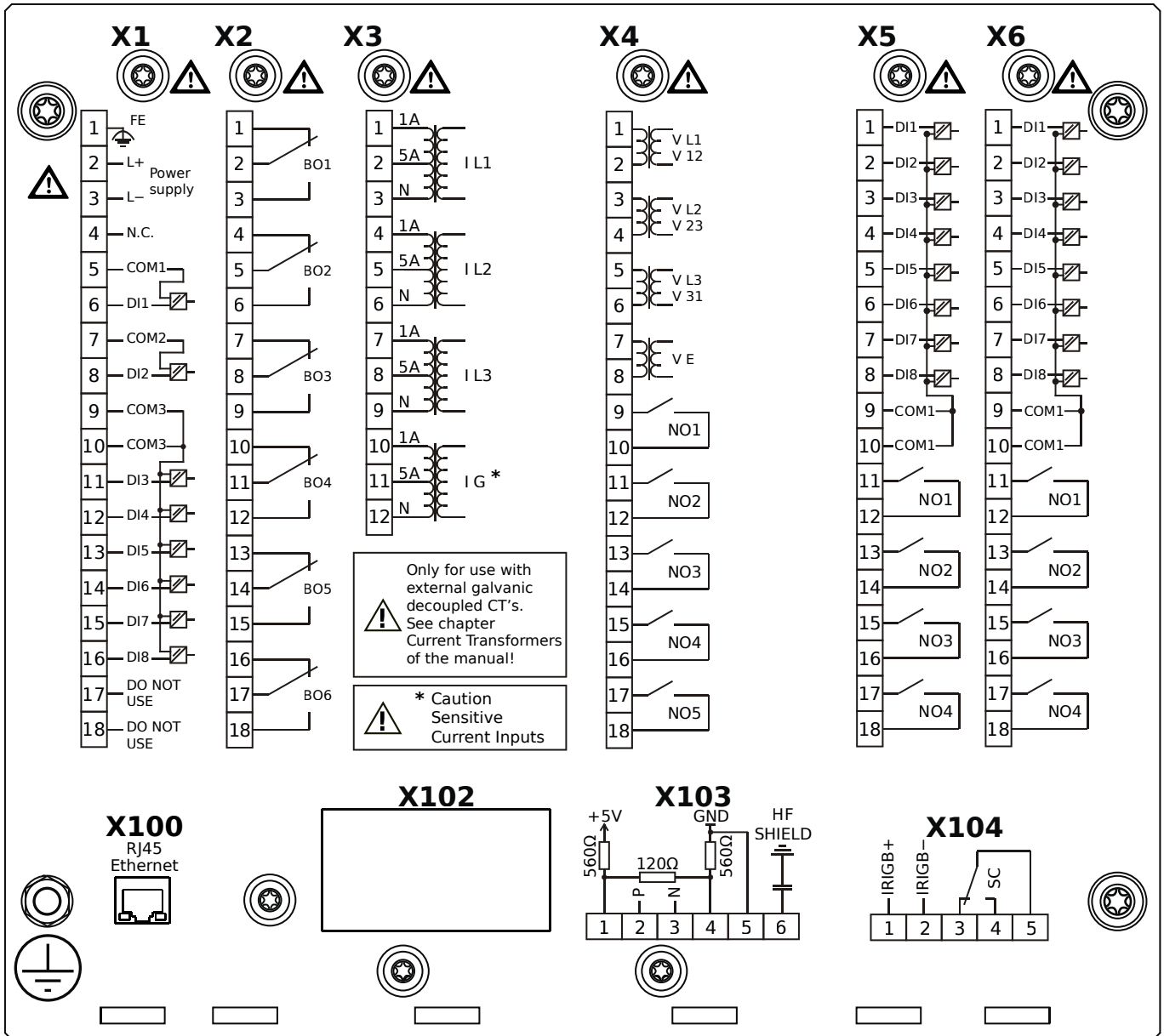
MCA4-2E1ATA



Housing B2, large display, door mounting

- X1** – DI8-X1: Wide-range power supply unit, incl. 2 non-grouped digital inputs and 6 grouped digital inputs
- X2** – OR6: Assembly Group with 6 Output Relays
- X3** – TIs: Standard phase current measuring card and sensitive ground current measuring
- X4** – TU-OR5: Voltage measuring assembly group with 5 additional Output Relays (normally open)
- X5** – DI8-OR4: Assembly Group with 8 Digital Inputs and 4 Output Relays
- X6** – DI8-OR4: Assembly Group with 8 Digital Inputs and 4 Output Relays
- X100** – IEC 61850 / Modbus TCP / DNP3.0 TCP/UDP, Ethernet interface, 100 Mbit/s, RJ45 (BASE100-FX)
- X103** – IEC 60870-5-103 / Modbus RTU / DNP3.0 RTU, RS485, Terminals
- X104** – IRIG-B00X, incl. System Contact (Supervision Contact)

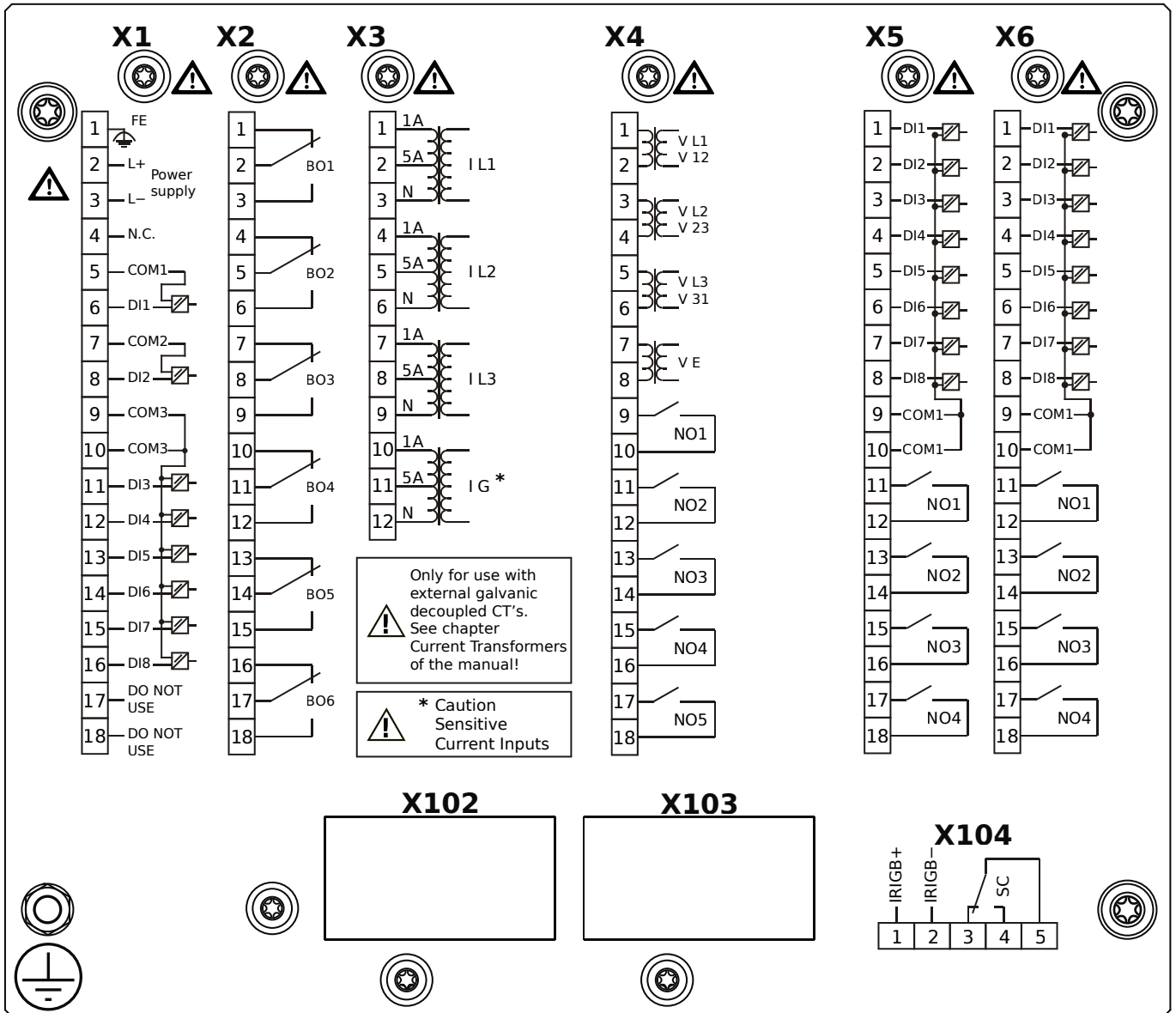
MCA4-2E1ATB



Housing B2, large display, door mounting

- X1** – DI8-X1: Wide-range power supply unit, incl. 2 non-grouped digital inputs and 6 grouped digital inputs
- X2** – OR6: Assembly Group with 6 Output Relays
- X3** – TIs: Standard phase current measuring card and sensitive ground current measuring
- X4** – TU-OR5: Voltage measuring assembly group with 5 additional Output Relays (normally open)
- X5** – DI8-OR4: Assembly Group with 8 Digital Inputs and 4 Output Relays
- X6** – DI8-OR4: Assembly Group with 8 Digital Inputs and 4 Output Relays
- X100** – IEC 61850 / Modbus TCP / DNP3.0 TCP/UDP, Ethernet interface, 100 Mbit/s, RJ45 (BASE100-FX)
- X103** – IEC 60870-5-103 / Modbus RTU / DNP3.0 RTU, RS485, Terminals
- X104** – IRIG-B00X, incl. System Contact (Supervision Contact)

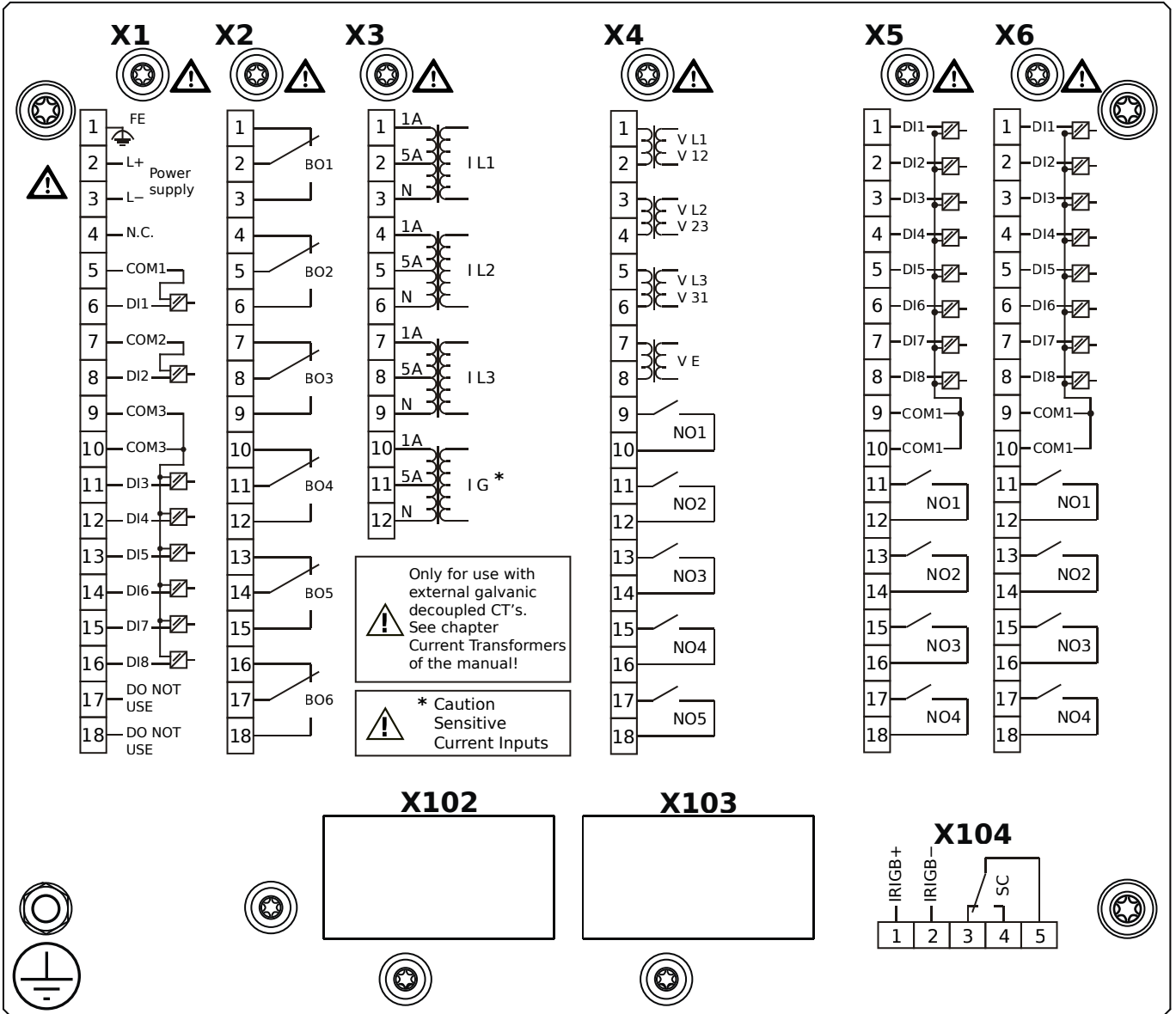
MCA4-2E1BAA



Housing B2, large display, door mounting 19" (flush mounting)

- X1** – DI8-X1: Wide-range power supply unit, incl. 2 non-grouped digital inputs and 6 grouped digital inputs
- X2** – OR6: Assembly Group with 6 Output Relays
- X3** – TIs: Standard phase current measuring card and sensitive ground current measuring
- X4** – TU-OR5: Voltage measuring assembly group with 5 additional Output Relays (normally open)
- X5** – DI8-OR4: Assembly Group with 8 Digital Inputs and 4 Output Relays
- X6** – DI8-OR4: Assembly Group with 8 Digital Inputs and 4 Output Relays
- X104** – IRIG-B00X, incl. System Contact (Supervision Contact)

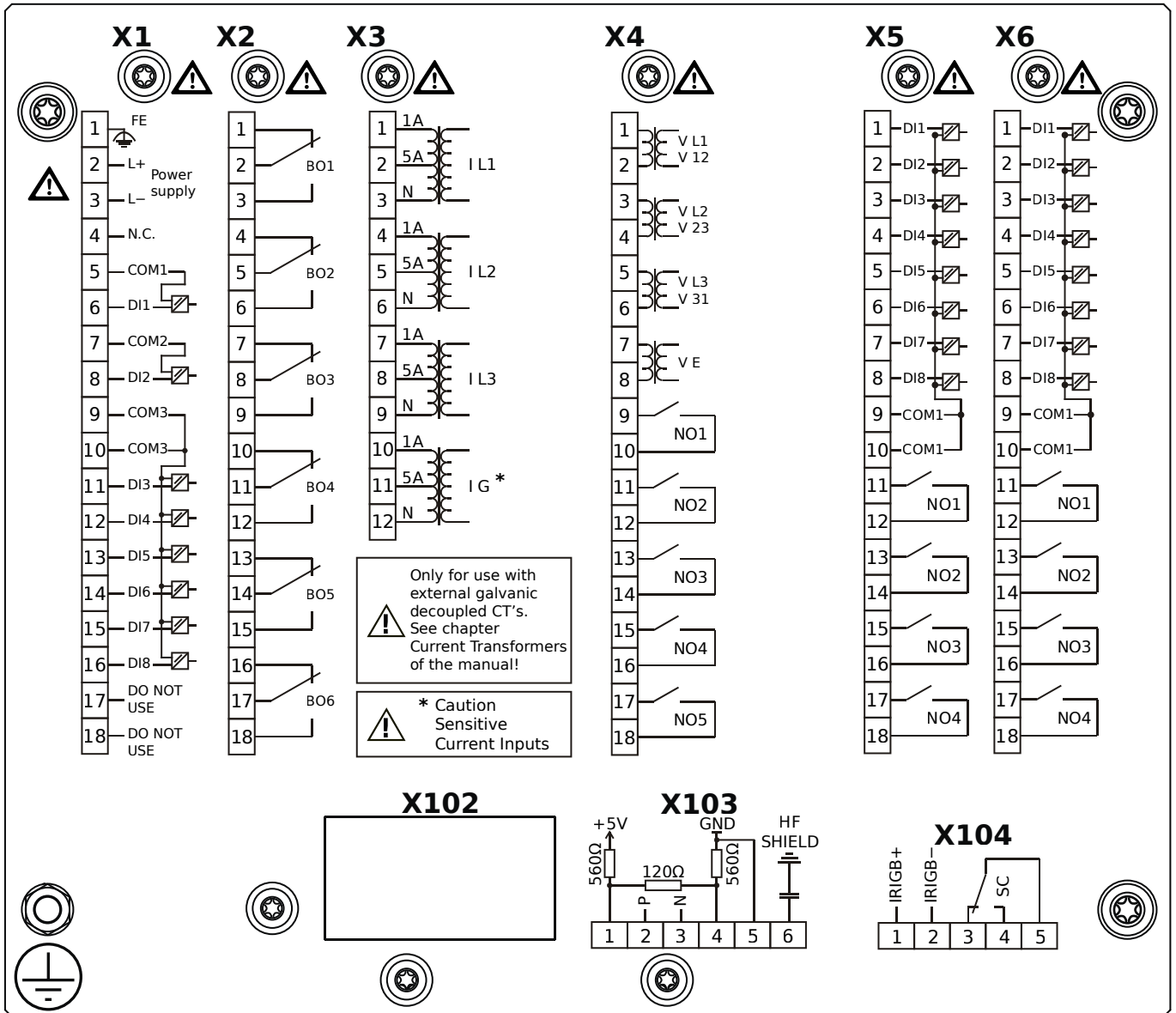
MCA4-2E1BAB



Housing B2, large display, door mounting 19" (flush mounting)

- X1** – DI8-X1: Wide-range power supply unit, incl. 2 non-grouped digital inputs and 6 grouped digital inputs
- X2** – OR6: Assembly Group with 6 Output Relays
- X3** – TIs: Standard phase current measuring card and sensitive ground current measuring
- X4** – TU-OR5: Voltage measuring assembly group with 5 additional Output Relays (normally open)
- X5** – DI8-OR4: Assembly Group with 8 Digital Inputs and 4 Output Relays
- X6** – DI8-OR4: Assembly Group with 8 Digital Inputs and 4 Output Relays
- X104** – IRIG-B00X, incl. System Contact (Supervision Contact)

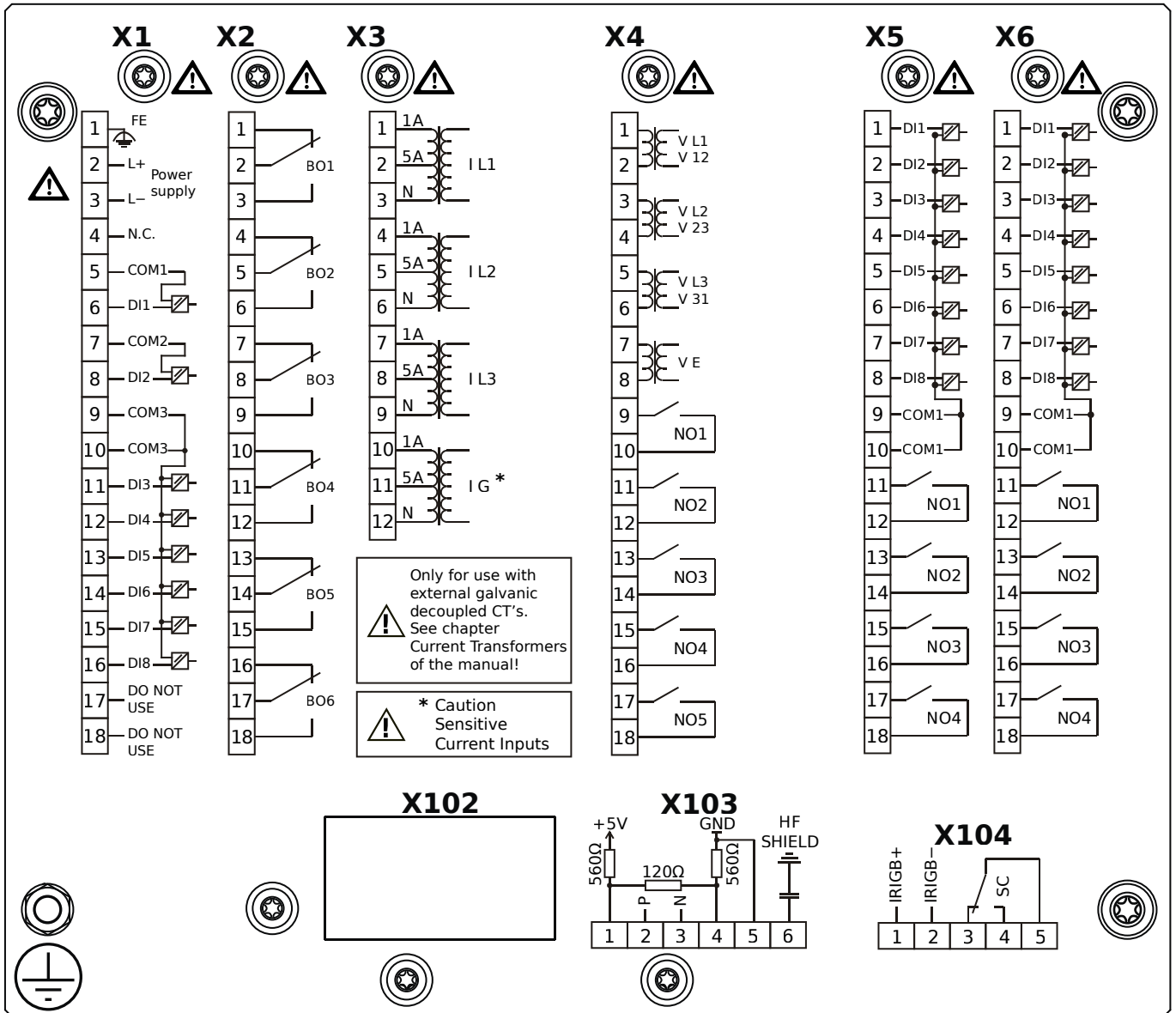
MCA4-2E1BBA



Housing B2, large display, door mounting 19" (flush mounting)

- X1** – DI8-X1: Wide-range power supply unit, incl. 2 non-grouped digital inputs and 6 grouped digital inputs
- X2** – OR6: Assembly Group with 6 Output Relays
- X3** – TIs: Standard phase current measuring card and sensitive ground current measuring
- X4** – TU-OR5: Voltage measuring assembly group with 5 additional Output Relays (normally open)
- X5** – DI8-OR4: Assembly Group with 8 Digital Inputs and 4 Output Relays
- X6** – DI8-OR4: Assembly Group with 8 Digital Inputs and 4 Output Relays
- X103** – Modbus RTU / IEC 60870-5-103 / DNP3.0 RTU, RS485, Terminals
- X104** – IRIG-B00X, incl. System Contact (Supervision Contact)

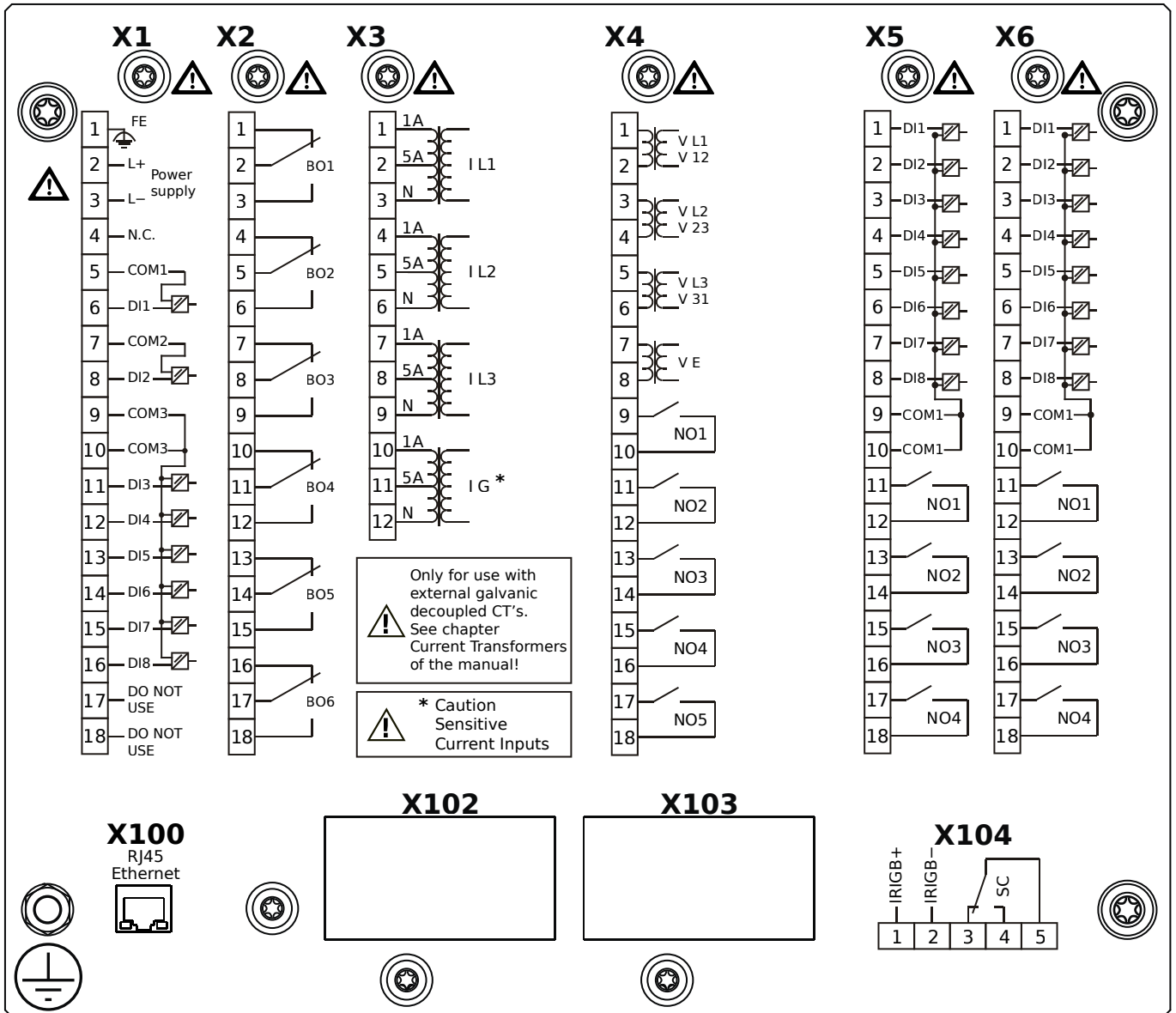
MCA4-2E1BBB



Housing B2, large display, door mounting 19" (flush mounting)

- X1** – DI8-X1: Wide-range power supply unit, incl. 2 non-grouped digital inputs and 6 grouped digital inputs
- X2** – OR6: Assembly Group with 6 Output Relays
- X3** – TIs: Standard phase current measuring card and sensitive ground current measuring
- X4** – TU-OR5: Voltage measuring assembly group with 5 additional Output Relays (normally open)
- X5** – DI8-OR4: Assembly Group with 8 Digital Inputs and 4 Output Relays
- X6** – DI8-OR4: Assembly Group with 8 Digital Inputs and 4 Output Relays
- X103** – Modbus RTU / IEC 60870-5-103 / DNP3.0 RTU, RS485, Terminals
- X104** – IRIG-B00X, incl. System Contact (Supervision Contact)

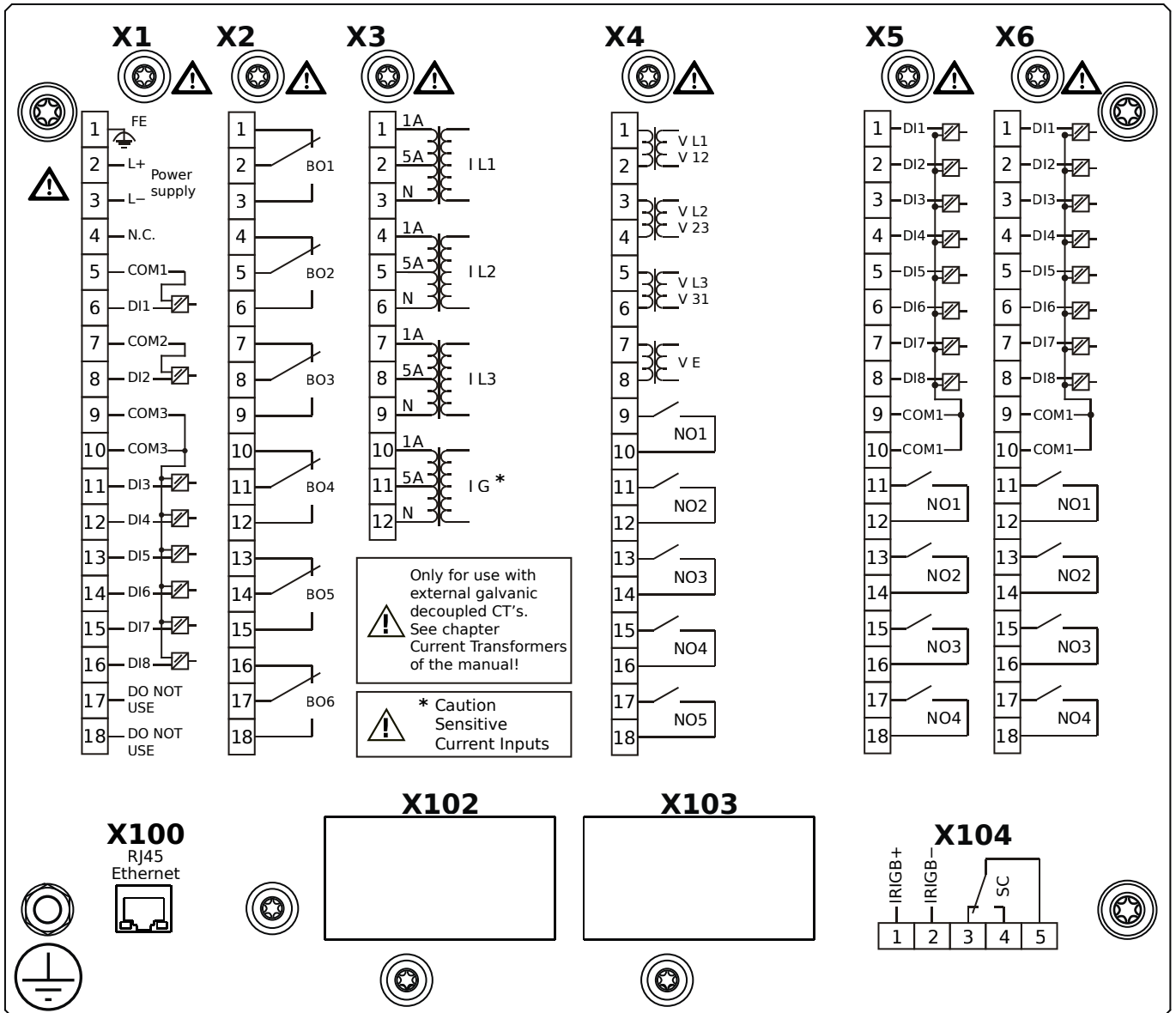
MCA4-2E1BCA



Housing B2, large display, door mounting 19" (flush mounting)

- X1** – DI8-X1: Wide-range power supply unit, incl. 2 non-grouped digital inputs and 6 grouped digital inputs
- X2** – OR6: Assembly Group with 6 Output Relays
- X3** – TIs: Standard phase current measuring card and sensitive ground current measuring
- X4** – TU-OR5: Voltage measuring assembly group with 5 additional Output Relays (normally open)
- X5** – DI8-OR4: Assembly Group with 8 Digital Inputs and 4 Output Relays
- X6** – DI8-OR4: Assembly Group with 8 Digital Inputs and 4 Output Relays
- X100** – Modbus TCP / DNP3.0 TCP/UDP, Ethernet interface, 100 Mbit/s, RJ45 (BASE100-FX)
- X104** – IRIG-B00X, incl. System Contact (Supervision Contact)

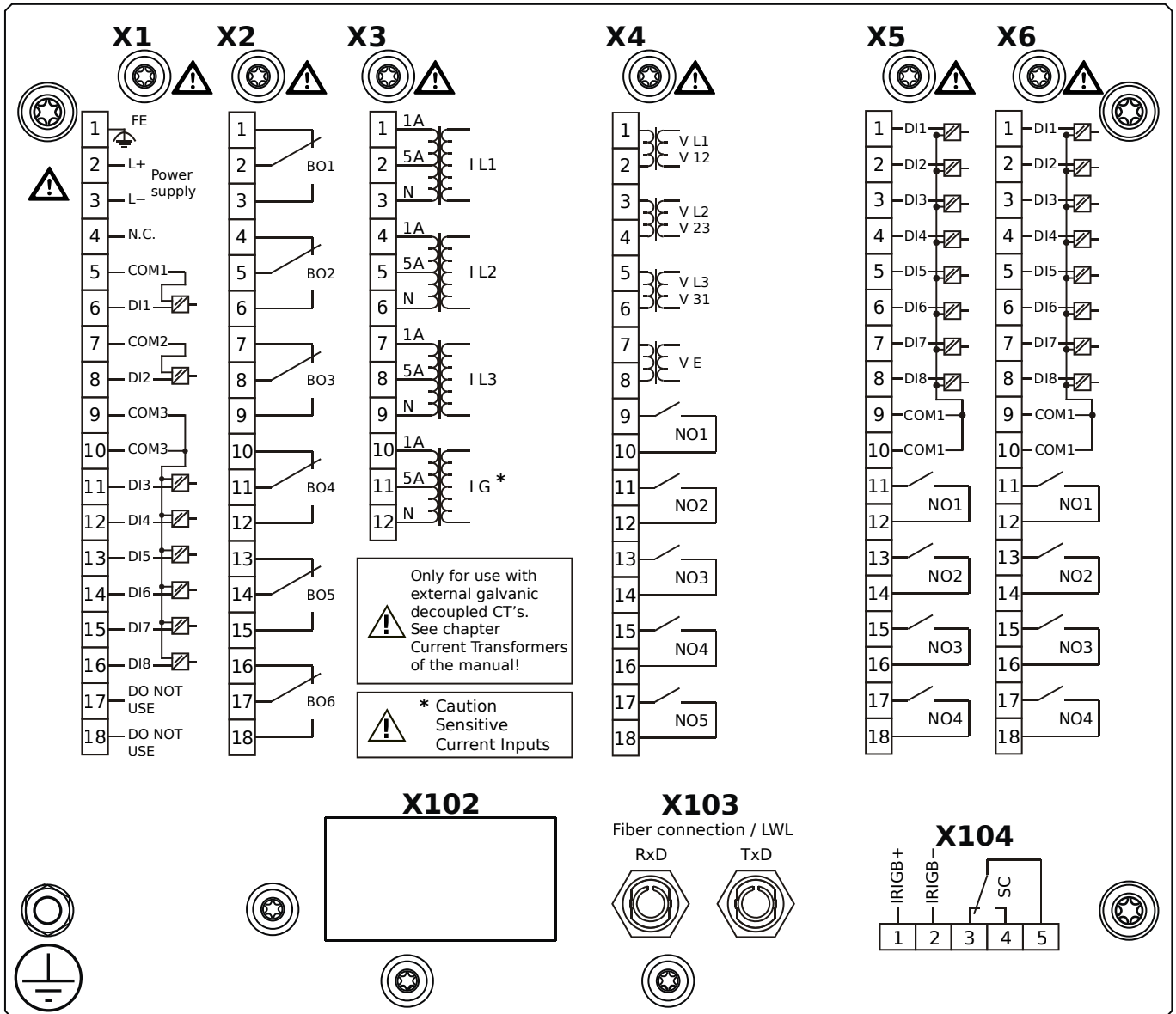
MCA4-2E1BCB



Housing B2, large display, door mounting 19" (flush mounting)

- X1** – DI8-X1: Wide-range power supply unit, incl. 2 non-grouped digital inputs and 6 grouped digital inputs
- X2** – OR6: Assembly Group with 6 Output Relays
- X3** – TIs: Standard phase current measuring card and sensitive ground current measuring
- X4** – TU-OR5: Voltage measuring assembly group with 5 additional Output Relays (normally open)
- X5** – DI8-OR4: Assembly Group with 8 Digital Inputs and 4 Output Relays
- X6** – DI8-OR4: Assembly Group with 8 Digital Inputs and 4 Output Relays
- X100** – Modbus TCP / DNP3.0 TCP/UDP, Ethernet interface, 100 Mbit/s, RJ45 (BASE100-FX)
- X104** – IRIG-B00X, incl. System Contact (Supervision Contact)

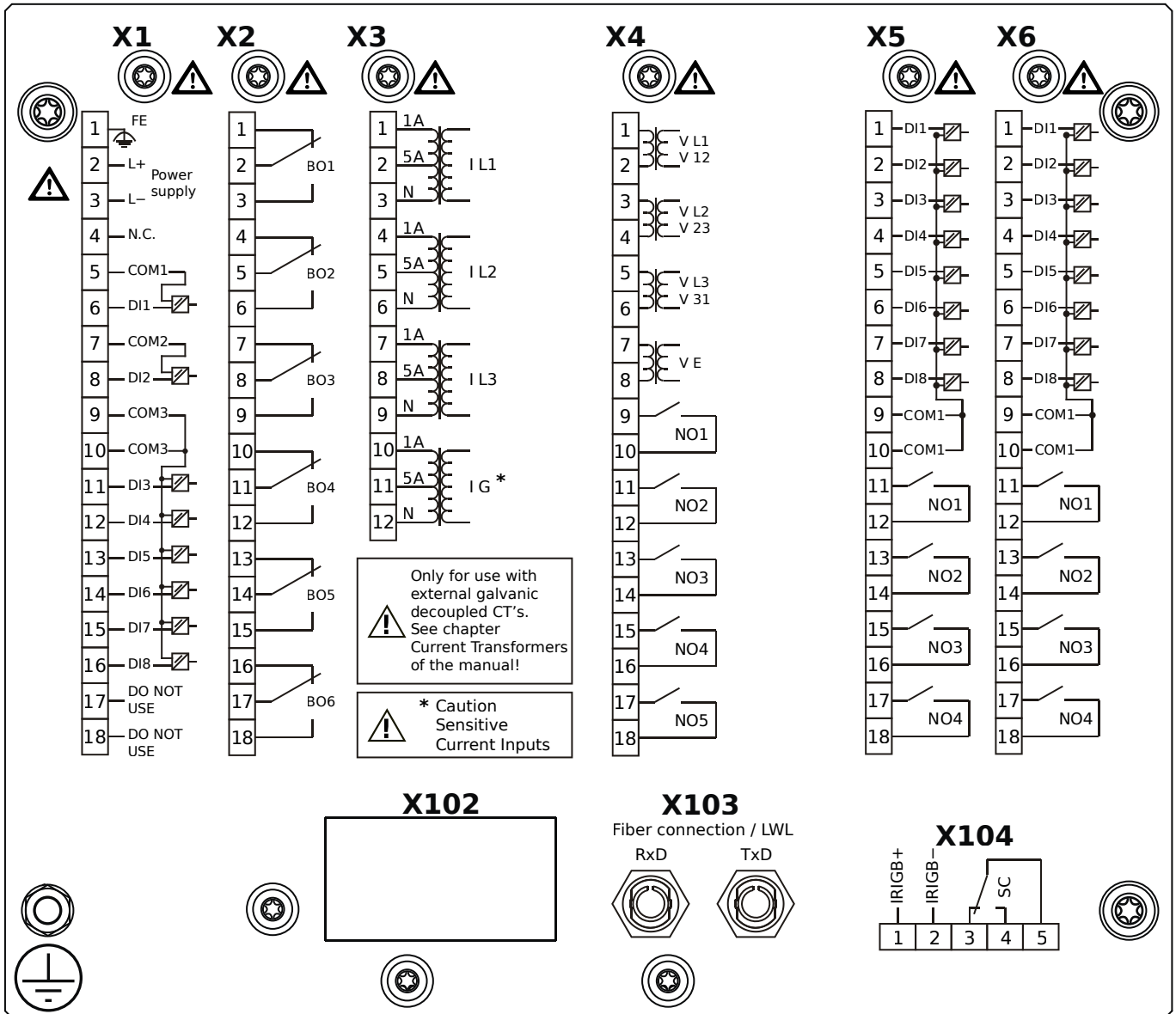
MCA4-2E1BDA



Housing B2, large display, door mounting 19" (flush mounting)

- X1** – DI8-X1: Wide-range power supply unit, incl. 2 non-grouped digital inputs and 6 grouped digital inputs
- X2** – OR6: Assembly Group with 6 Output Relays
- X3** – TIs: Standard phase current measuring card and sensitive ground current measuring
- X4** – TU-OR5: Voltage measuring assembly group with 5 additional Output Relays (normally open)
- X5** – DI8-OR4: Assembly Group with 8 Digital Inputs and 4 Output Relays
- X6** – DI8-OR4: Assembly Group with 8 Digital Inputs and 4 Output Relays
- X103** – Profibus-DP, Fiber optics interface, ST Connector
- X104** – IRIG-B00X, incl. System Contact (Supervision Contact)

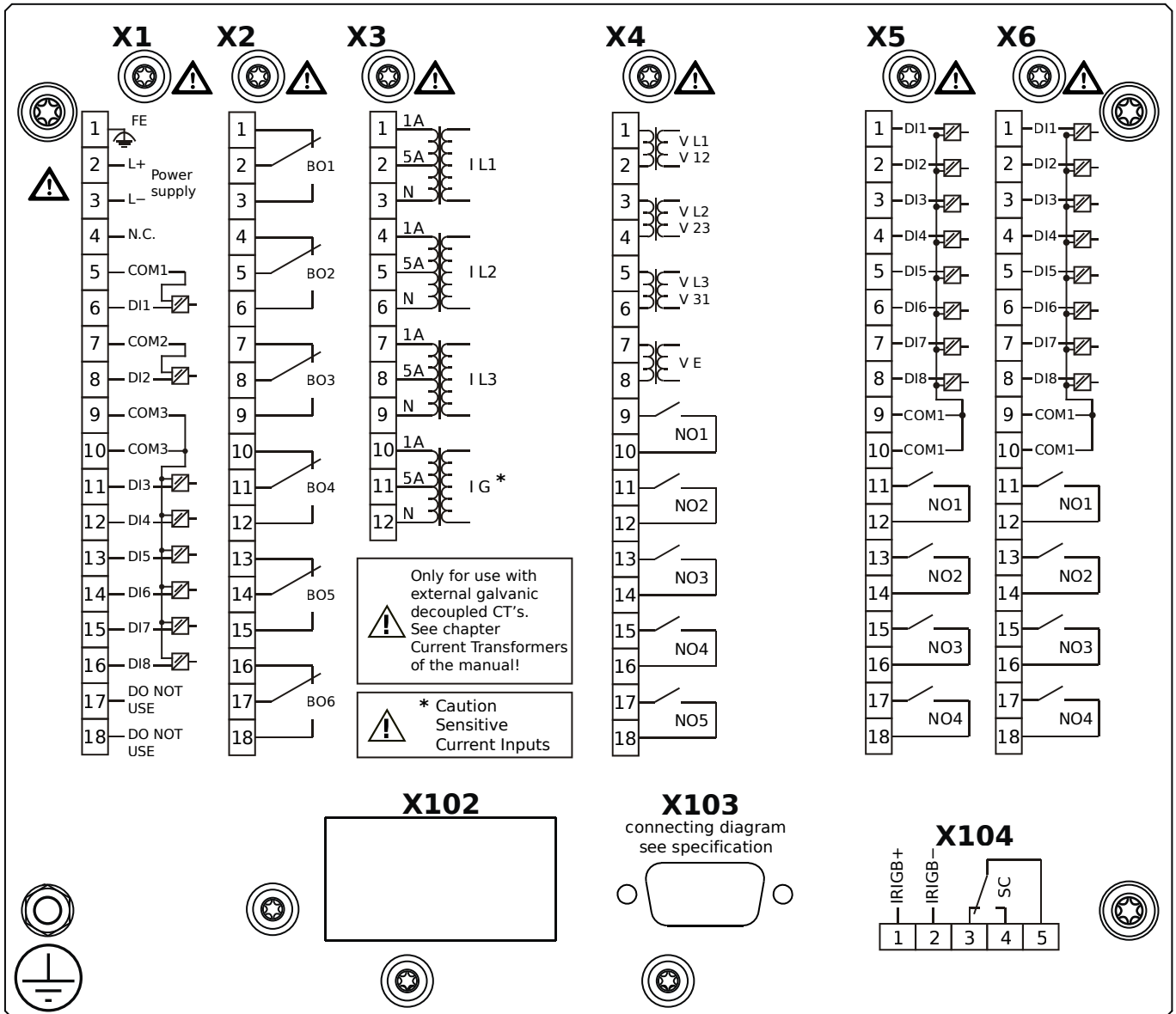
MCA4-2E1BDB



Housing B2, large display, door mounting 19" (flush mounting)

- X1** – DI8-X1: Wide-range power supply unit, incl. 2 non-grouped digital inputs and 6 grouped digital inputs
- X2** – OR6: Assembly Group with 6 Output Relays
- X3** – TIs: Standard phase current measuring card and sensitive ground current measuring
- X4** – TU-OR5: Voltage measuring assembly group with 5 additional Output Relays (normally open)
- X5** – DI8-OR4: Assembly Group with 8 Digital Inputs and 4 Output Relays
- X6** – DI8-OR4: Assembly Group with 8 Digital Inputs and 4 Output Relays
- X103** – Profibus-DP, Fiber optics interface, ST Connector
- X104** – IRIG-B00X, incl. System Contact (Supervision Contact)

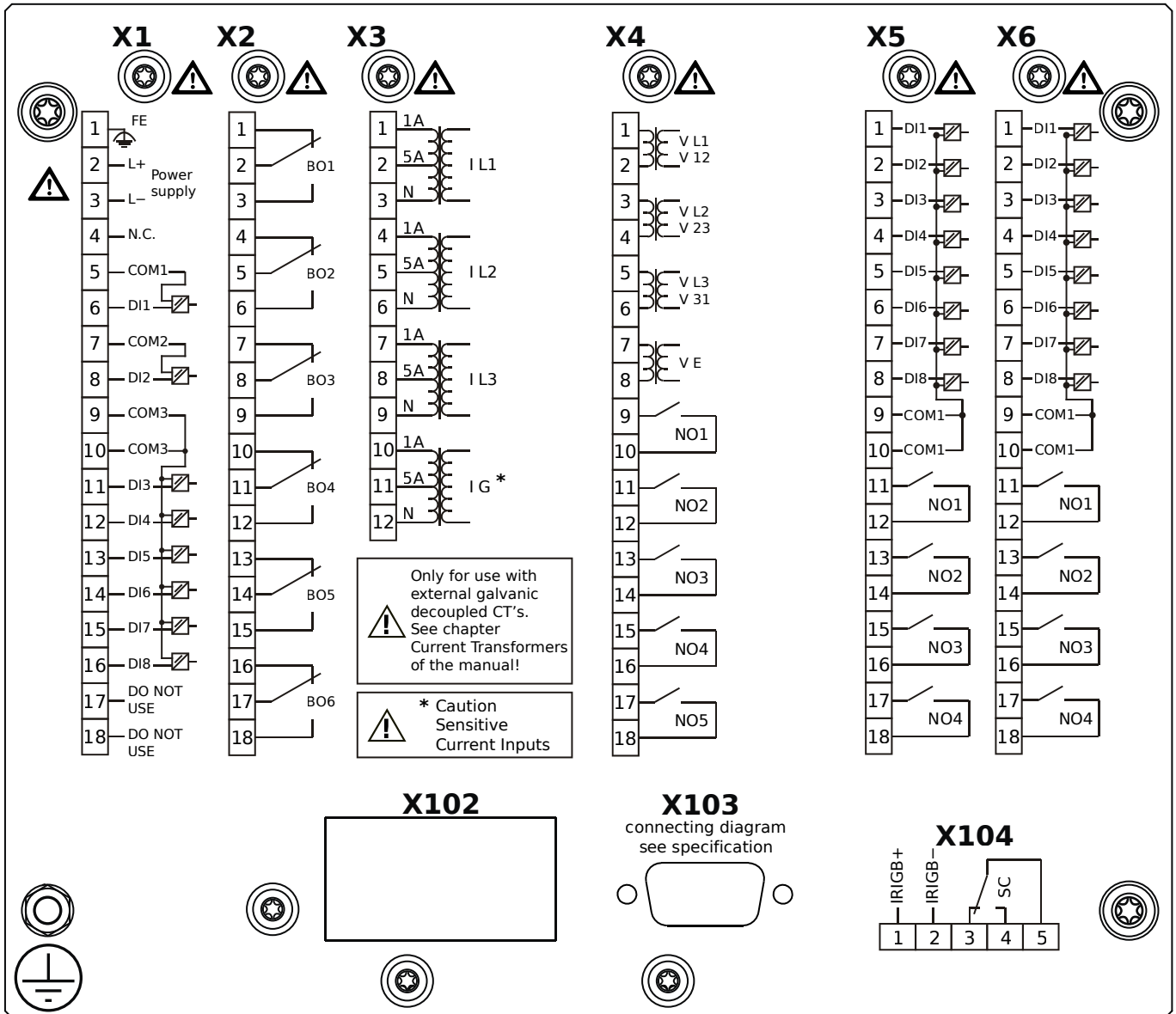
MCA4-2E1BEA



Housing B2, large display, door mounting 19" (flush mounting)

- X1** – DI8-X1: Wide-range power supply unit, incl. 2 non-grouped digital inputs and 6 grouped digital inputs
- X2** – OR6: Assembly Group with 6 Output Relays
- X3** – TIs: Standard phase current measuring card and sensitive ground current measuring
- X4** – TU-OR5: Voltage measuring assembly group with 5 additional Output Relays (normally open)
- X5** – DI8-OR4: Assembly Group with 8 Digital Inputs and 4 Output Relays
- X6** – DI8-OR4: Assembly Group with 8 Digital Inputs and 4 Output Relays
- X103** – Profibus-DP, RS485, D-SUB
- X104** – IRIG-B00X, incl. System Contact (Supervision Contact)

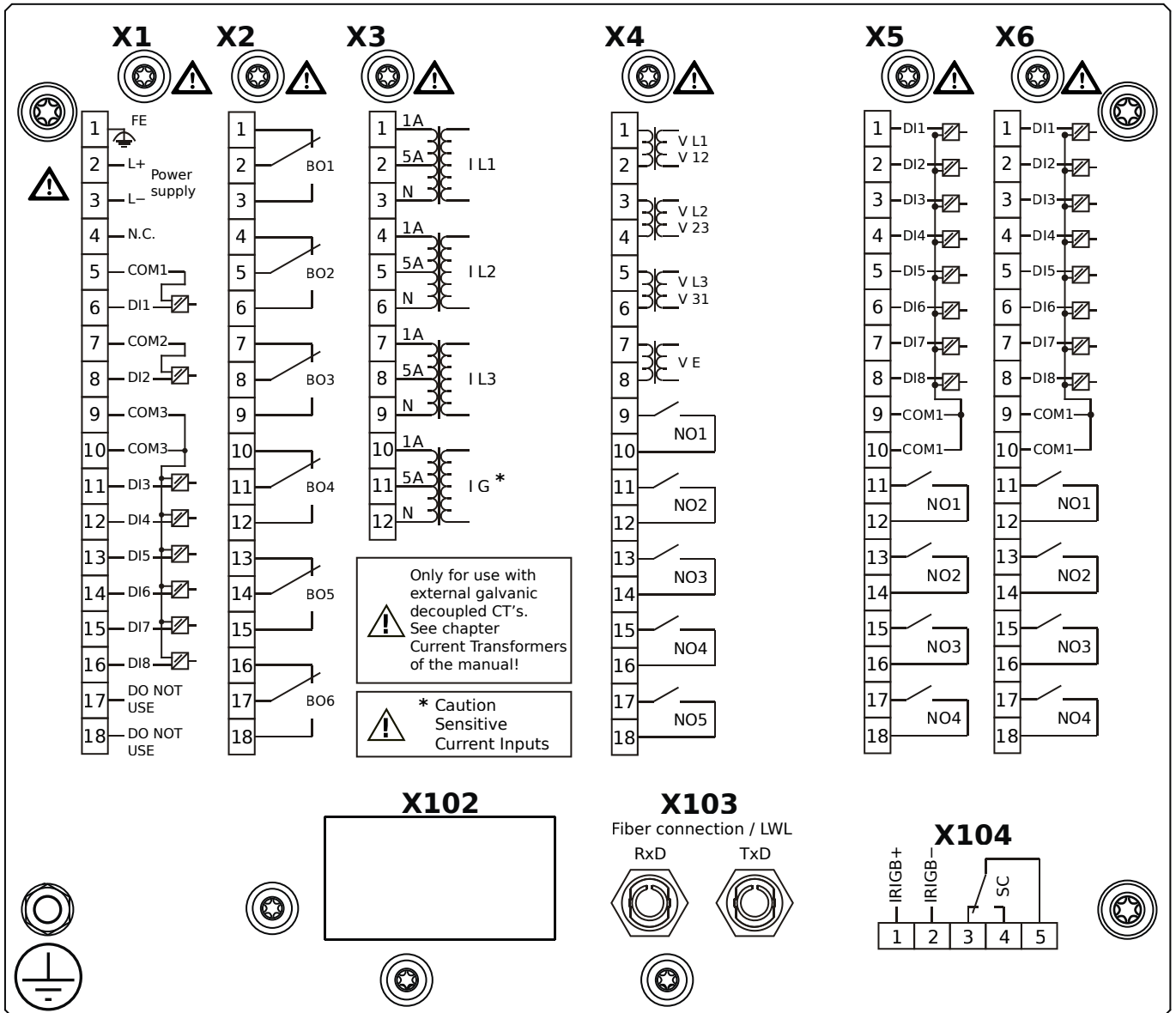
MCA4-2E1BEB



Housing B2, large display, door mounting 19" (flush mounting)

- X1** – DI8-X1: Wide-range power supply unit, incl. 2 non-grouped digital inputs and 6 grouped digital inputs
- X2** – OR6: Assembly Group with 6 Output Relays
- X3** – TIs: Standard phase current measuring card and sensitive ground current measuring
- X4** – TU-OR5: Voltage measuring assembly group with 5 additional Output Relays (normally open)
- X5** – DI8-OR4: Assembly Group with 8 Digital Inputs and 4 Output Relays
- X6** – DI8-OR4: Assembly Group with 8 Digital Inputs and 4 Output Relays
- X103** – Profibus-DP, RS485, D-SUB
- X104** – IRIG-B00X, incl. System Contact (Supervision Contact)

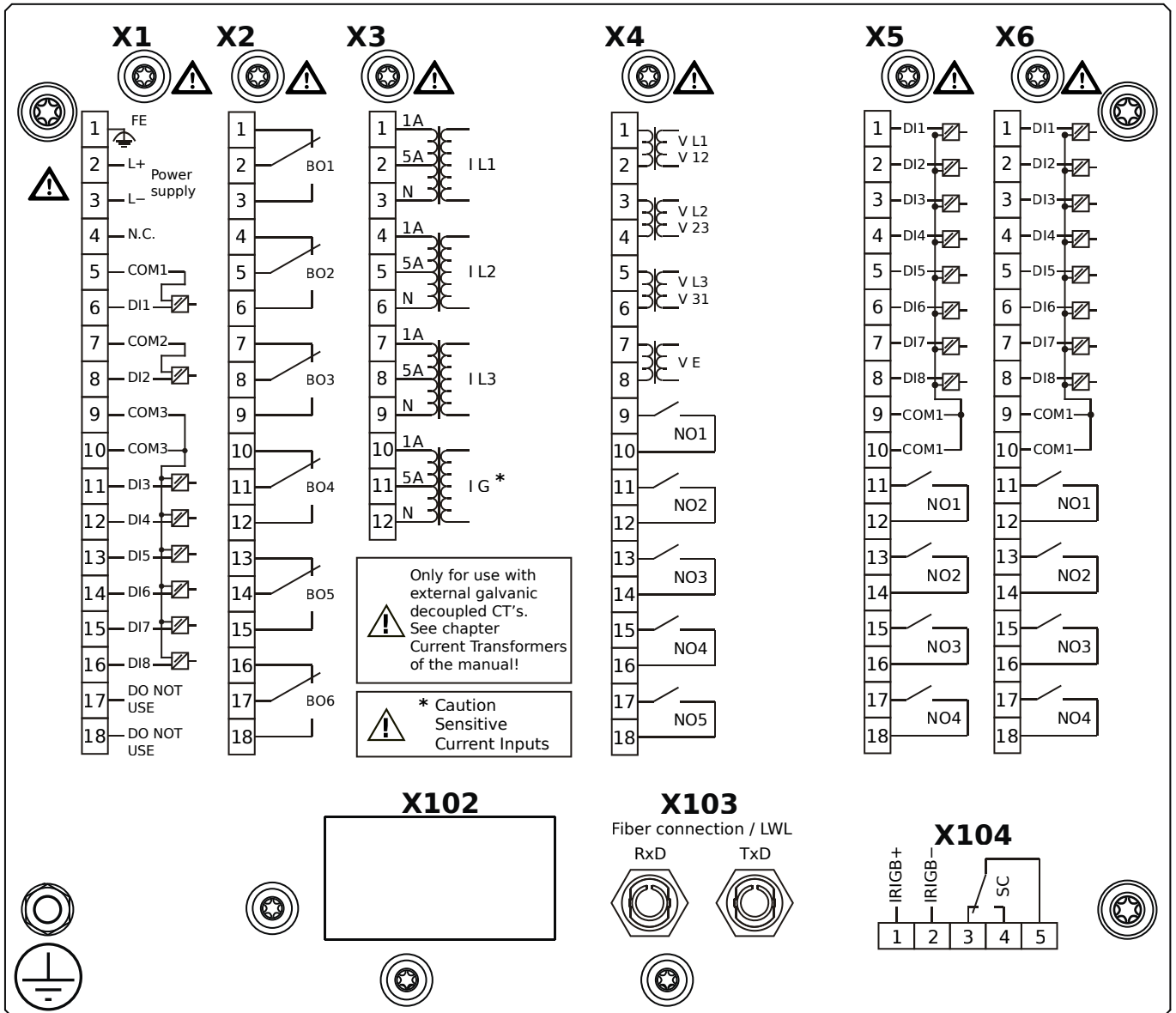
MCA4-2E1BFA



Housing B2, large display, door mounting 19" (flush mounting)

- X1** – DI8-X1: Wide-range power supply unit, incl. 2 non-grouped digital inputs and 6 grouped digital inputs
- X2** – OR6: Assembly Group with 6 Output Relays
- X3** – TIs: Standard phase current measuring card and sensitive ground current measuring
- X4** – TU-OR5: Voltage measuring assembly group with 5 additional Output Relays (normally open)
- X5** – DI8-OR4: Assembly Group with 8 Digital Inputs and 4 Output Relays
- X6** – DI8-OR4: Assembly Group with 8 Digital Inputs and 4 Output Relays
- X103** – Modbus RTU / IEC 60870-5-103 / DNP3.0 RTU, Fiber optics interface, ST Connector
- X104** – IRIG-B00X, incl. System Contact (Supervision Contact)

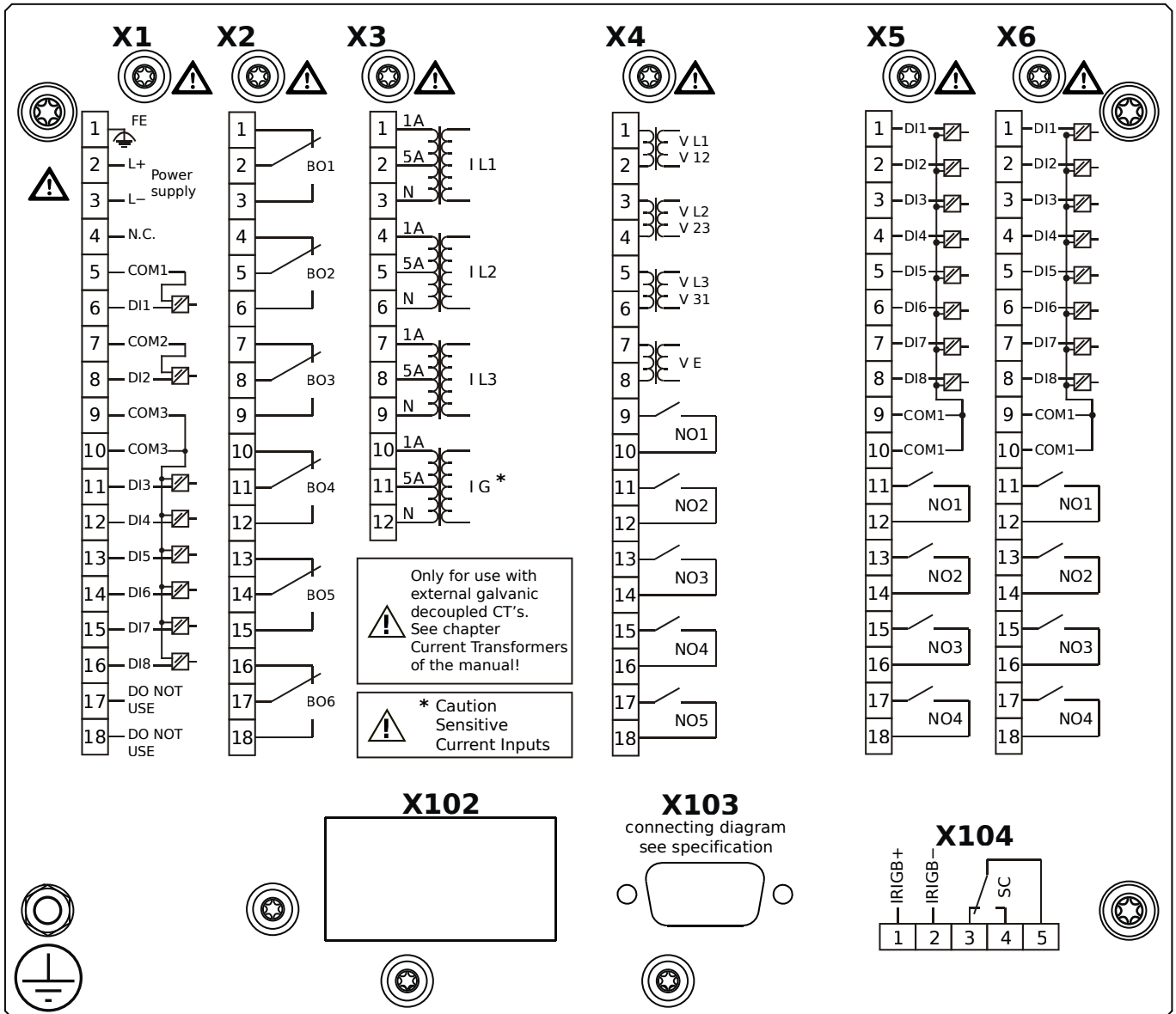
MCA4-2E1BFB



Housing B2, large display, door mounting 19" (flush mounting)

- X1** – DI8-X1: Wide-range power supply unit, incl. 2 non-grouped digital inputs and 6 grouped digital inputs
- X2** – OR6: Assembly Group with 6 Output Relays
- X3** – TIs: Standard phase current measuring card and sensitive ground current measuring
- X4** – TU-OR5: Voltage measuring assembly group with 5 additional Output Relays (normally open)
- X5** – DI8-OR4: Assembly Group with 8 Digital Inputs and 4 Output Relays
- X6** – DI8-OR4: Assembly Group with 8 Digital Inputs and 4 Output Relays
- X103** – Modbus RTU / IEC 60870-5-103 / DNP3.0 RTU, Fiber optics interface, ST Connector
- X104** – IRIG-B00X, incl. System Contact (Supervision Contact)

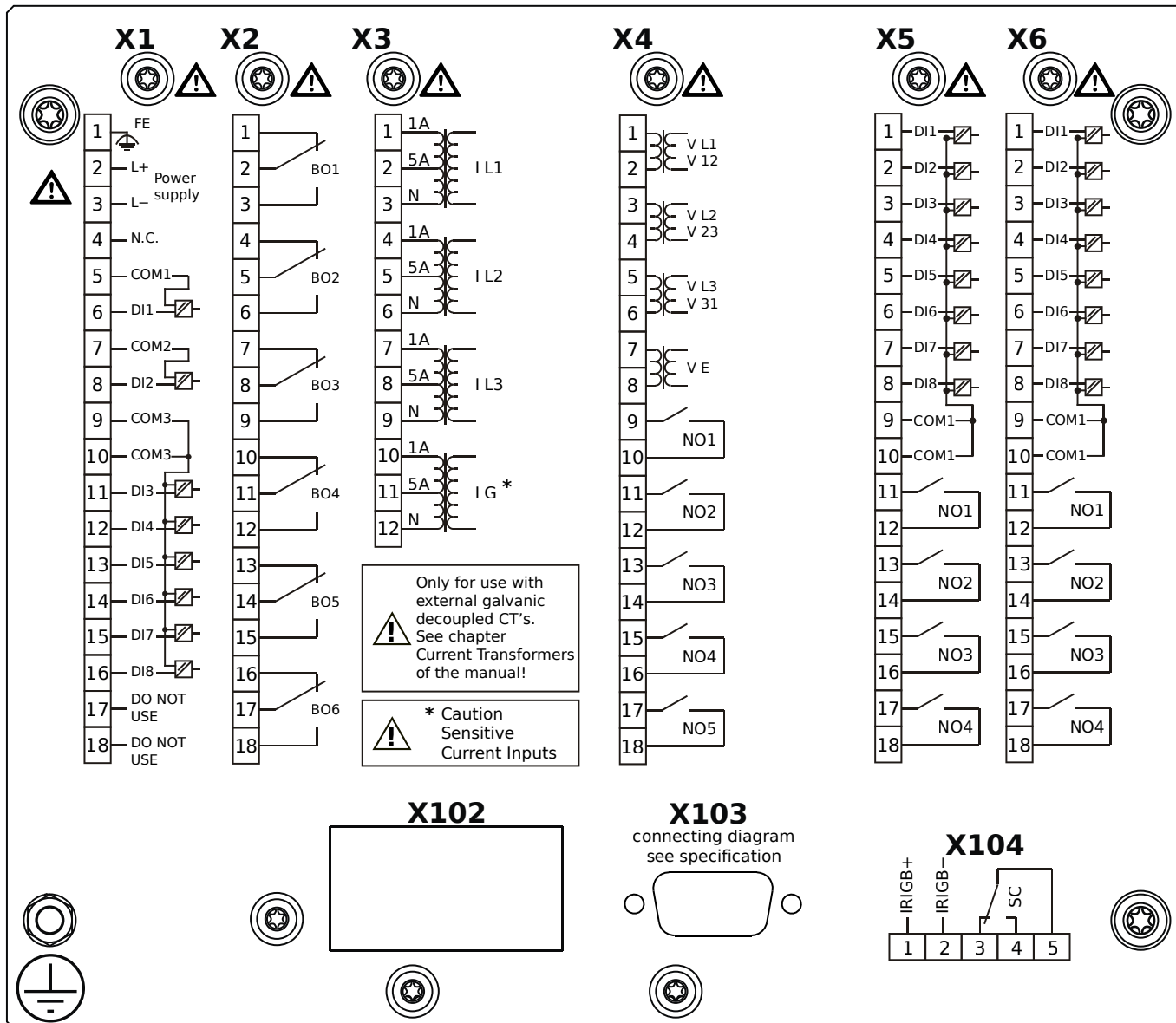
MCA4-2E1BGA



Housing B2, large display, door mounting 19" (flush mounting)

- X1** – DI8-X1: Wide-range power supply unit, incl. 2 non-grouped digital inputs and 6 grouped digital inputs
- X2** – OR6: Assembly Group with 6 Output Relays
- X3** – TIs: Standard phase current measuring card and sensitive ground current measuring
- X4** – TU-OR5: Voltage measuring assembly group with 5 additional Output Relays (normally open)
- X5** – DI8-OR4: Assembly Group with 8 Digital Inputs and 4 Output Relays
- X6** – DI8-OR4: Assembly Group with 8 Digital Inputs and 4 Output Relays
- X103** – Modbus RTU / IEC 60870-5-103 / DNP3.0 RTU, RS485, D-SUB
- X104** – IRIG-B00X, incl. System Contact (Supervision Contact)

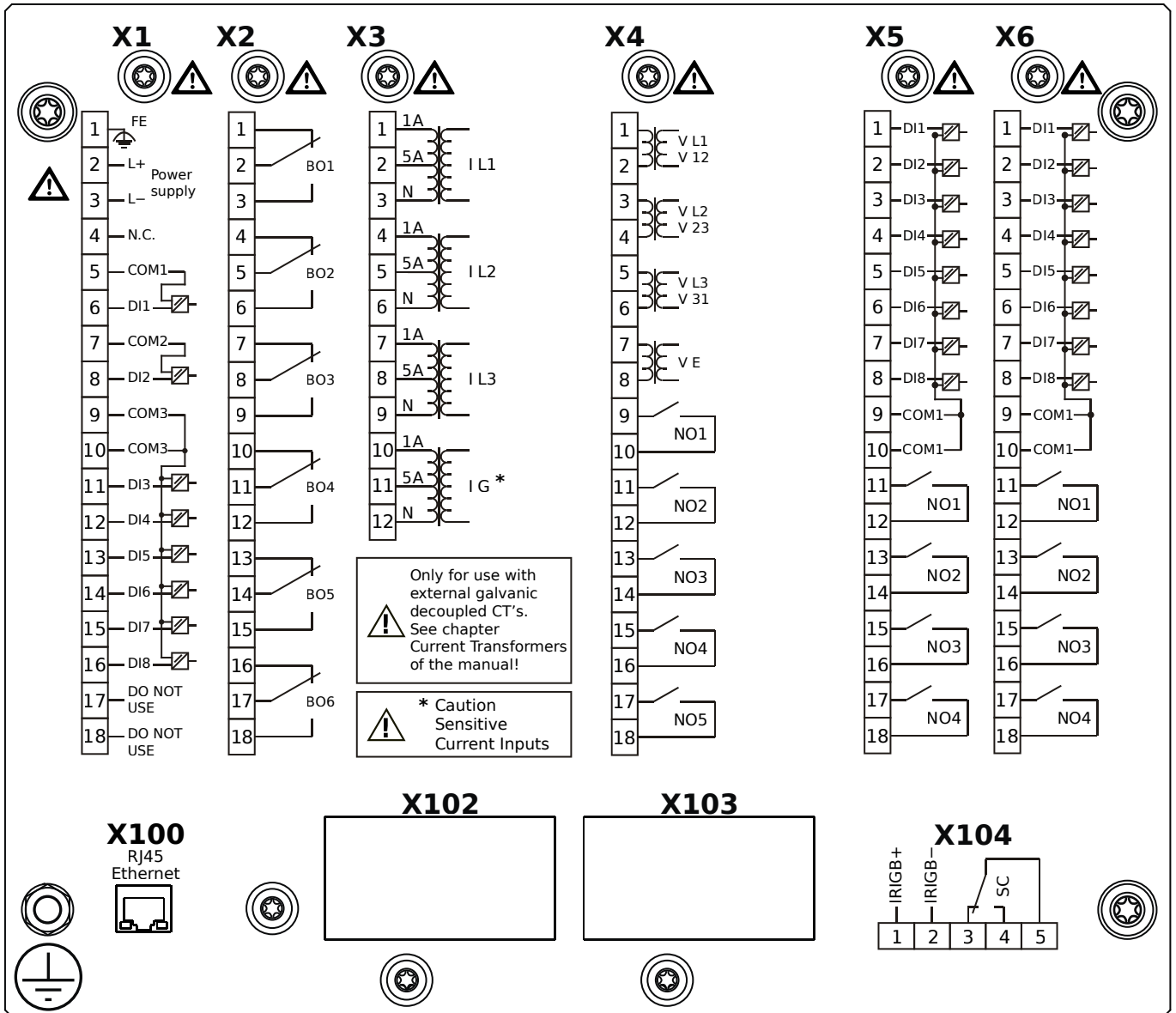
MCA4-2E1BGB



Housing B2, large display, door mounting 19" (flush mounting)

- X1** – DI8-X1: Wide-range power supply unit, incl. 2 non-grouped digital inputs and 6 grouped digital inputs
- X2** – OR6: Assembly Group with 6 Output Relays
- X3** – TIs: Standard phase current measuring card and sensitive ground current measuring
- X4** – TU-OR5: Voltage measuring assembly group with 5 additional Output Relays (normally open)
- X5** – DI8-OR4: Assembly Group with 8 Digital Inputs and 4 Output Relays
- X6** – DI8-OR4: Assembly Group with 8 Digital Inputs and 4 Output Relays
- X103** – Modbus RTU / IEC 60870-5-103 / DNP3.0 RTU, RS485, D-SUB
- X104** – IRIG-B00X, incl. System Contact (Supervision Contact)

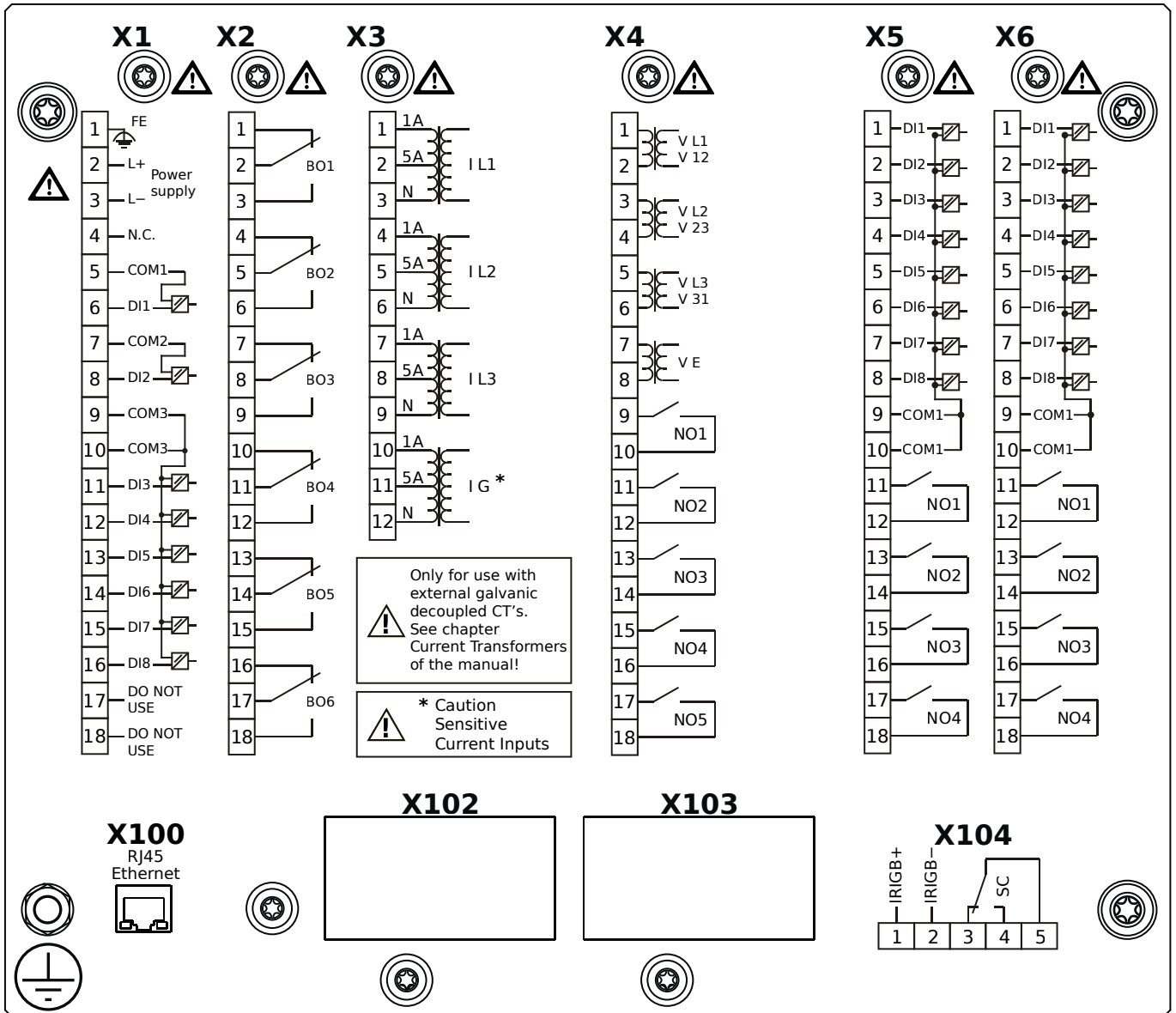
MCA4-2E1BHA



Housing B2, large display, door mounting 19" (flush mounting)

- X1** – DI8-X1: Wide-range power supply unit, incl. 2 non-grouped digital inputs and 6 grouped digital inputs
- X2** – OR6: Assembly Group with 6 Output Relays
- X3** – TIs: Standard phase current measuring card and sensitive ground current measuring
- X4** – TU-OR5: Voltage measuring assembly group with 5 additional Output Relays (normally open)
- X5** – DI8-OR4: Assembly Group with 8 Digital Inputs and 4 Output Relays
- X6** – DI8-OR4: Assembly Group with 8 Digital Inputs and 4 Output Relays
- X100** – IEC 61850 / Modbus TCP / DNP3.0 TCP/UDP, Ethernet interface, 100 Mbit/s, RJ45 (BASE100-FX)
- X104** – IRIG-B00X, incl. System Contact (Supervision Contact)

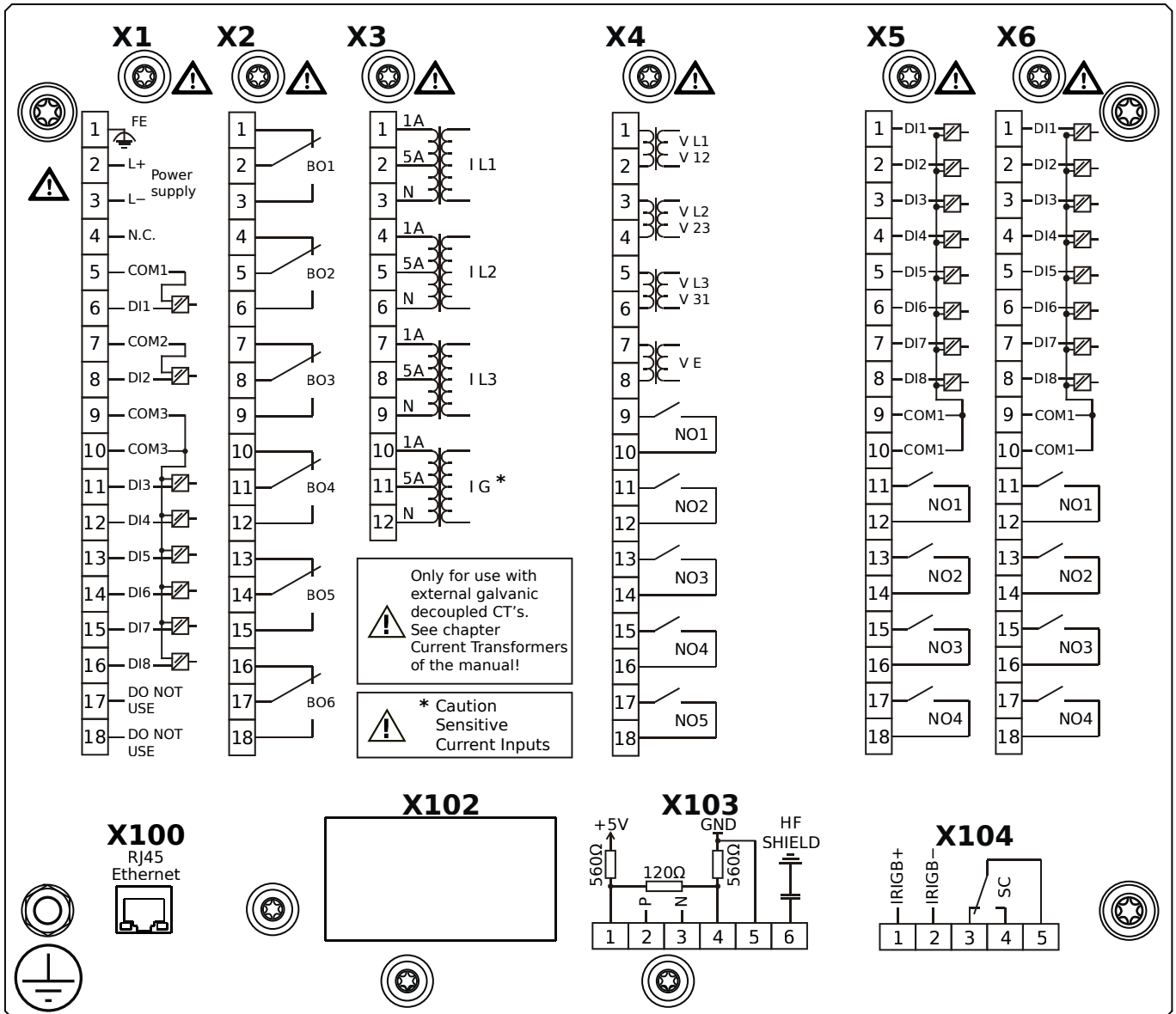
MCA4-2E1BHB



Housing B2, large display, door mounting 19" (flush mounting)

- X1** – DI8-X1: Wide-range power supply unit, incl. 2 non-grouped digital inputs and 6 grouped digital inputs
- X2** – OR6: Assembly Group with 6 Output Relays
- X3** – TIs: Standard phase current measuring card and sensitive ground current measuring
- X4** – TU-OR5: Voltage measuring assembly group with 5 additional Output Relays (normally open)
- X5** – DI8-OR4: Assembly Group with 8 Digital Inputs and 4 Output Relays
- X6** – DI8-OR4: Assembly Group with 8 Digital Inputs and 4 Output Relays
- X100** – IEC 61850 / Modbus TCP / DNP3.0 TCP/UDP, Ethernet interface, 100 Mbit/s, RJ45 (BASE100-FX)
- X104** – IRIG-B00X, incl. System Contact (Supervision Contact)

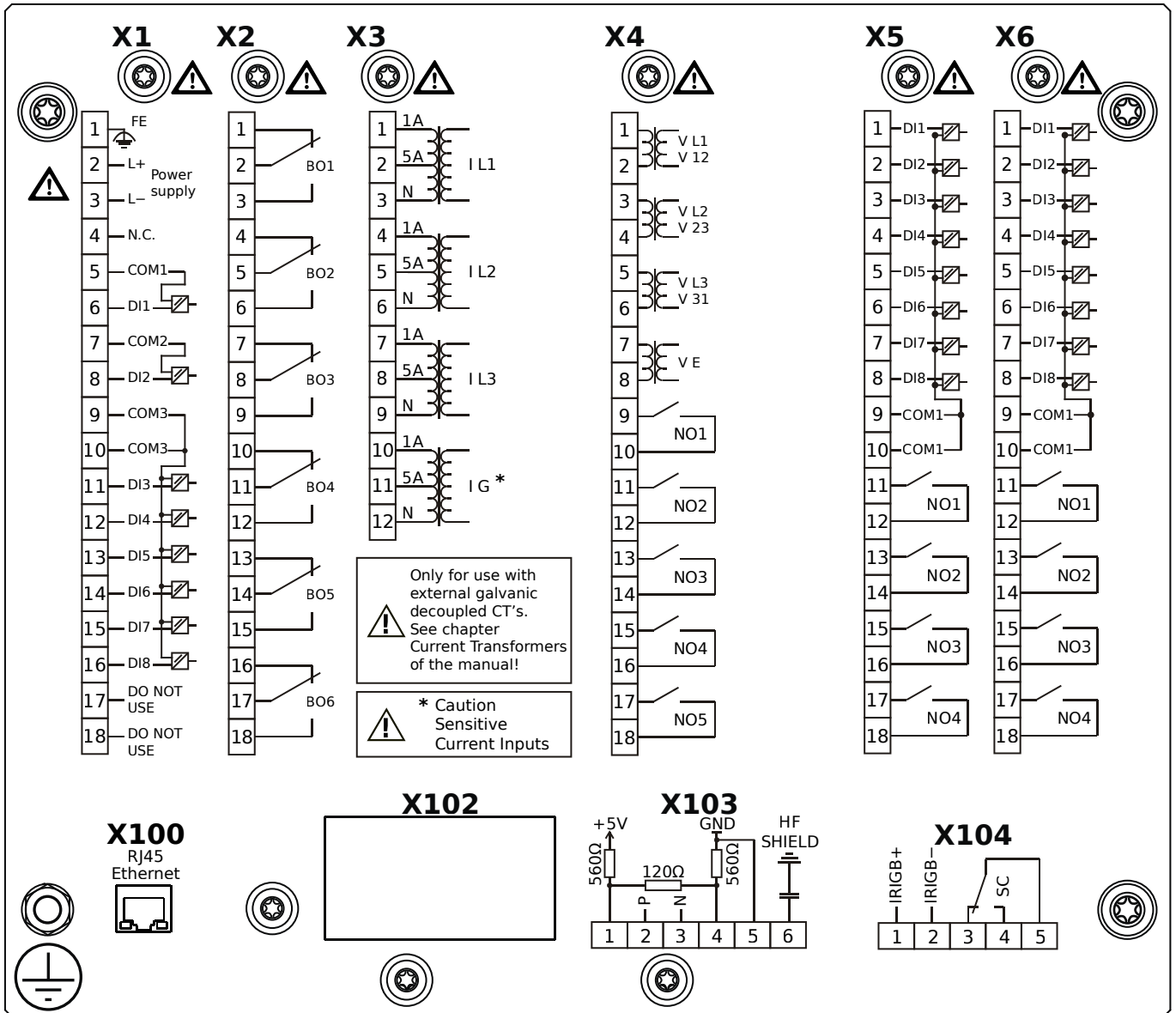
MCA4-2E1BIA



Housing B2, large display, door mounting 19" (flush mounting)

- X1** – DI8-X1: Wide-range power supply unit, incl. 2 non-grouped digital inputs and 6 grouped digital inputs
- X2** – OR6: Assembly Group with 6 Output Relays
- X3** – TIs: Standard phase current measuring card and sensitive ground current measuring
- X4** – TU-OR5: Voltage measuring assembly group with 5 additional Output Relays (normally open)
- X5** – DI8-OR4: Assembly Group with 8 Digital Inputs and 4 Output Relays
- X6** – DI8-OR4: Assembly Group with 8 Digital Inputs and 4 Output Relays
- X100** – Modbus TCP / DNP3.0 TCP/UDP, Ethernet interface, 100 Mbit/s, RJ45 (BASE100-FX)
- X103** – IEC 60870-5-103 / Modbus RTU / DNP3.0 RTU, RS485, Terminals
- X104** – IRIG-B00X, incl. System Contact (Supervision Contact)

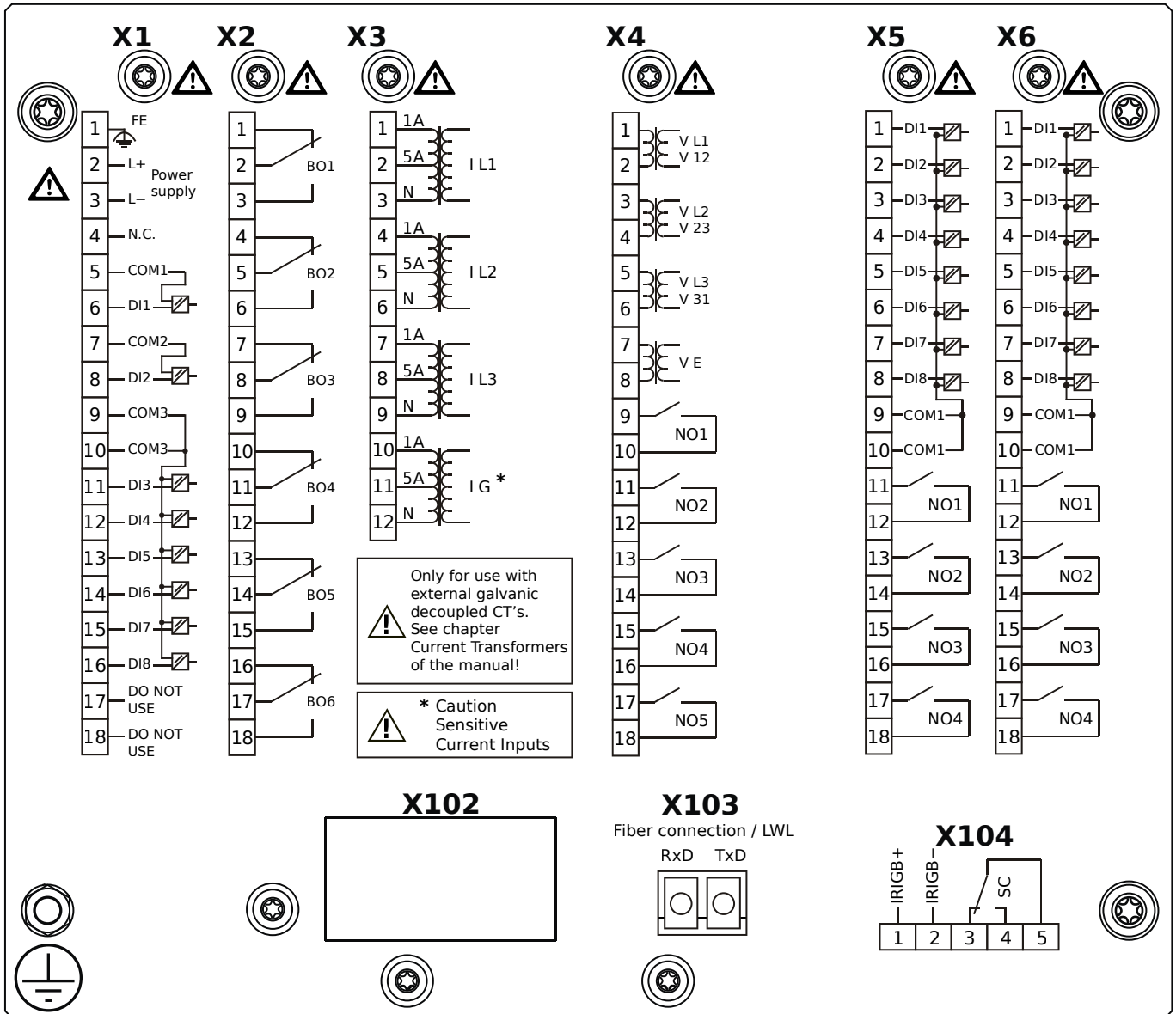
MCA4-2E1BIB



Housing B2, large display, door mounting 19" (flush mounting)

- X1** – DI8-X1: Wide-range power supply unit, incl. 2 non-grouped digital inputs and 6 grouped digital inputs
- X2** – OR6: Assembly Group with 6 Output Relays
- X3** – TIs: Standard phase current measuring card and sensitive ground current measuring
- X4** – TU-OR5: Voltage measuring assembly group with 5 additional Output Relays (normally open)
- X5** – DI8-OR4: Assembly Group with 8 Digital Inputs and 4 Output Relays
- X6** – DI8-OR4: Assembly Group with 8 Digital Inputs and 4 Output Relays
- X100** – Modbus TCP / DNP3.0 TCP/UDP, Ethernet interface, 100 Mbit/s, RJ45 (BASE100-FX)
- X103** – IEC 60870-5-103 / Modbus RTU / DNP3.0 RTU, RS485, Terminals
- X104** – IRIG-B00X, incl. System Contact (Supervision Contact)

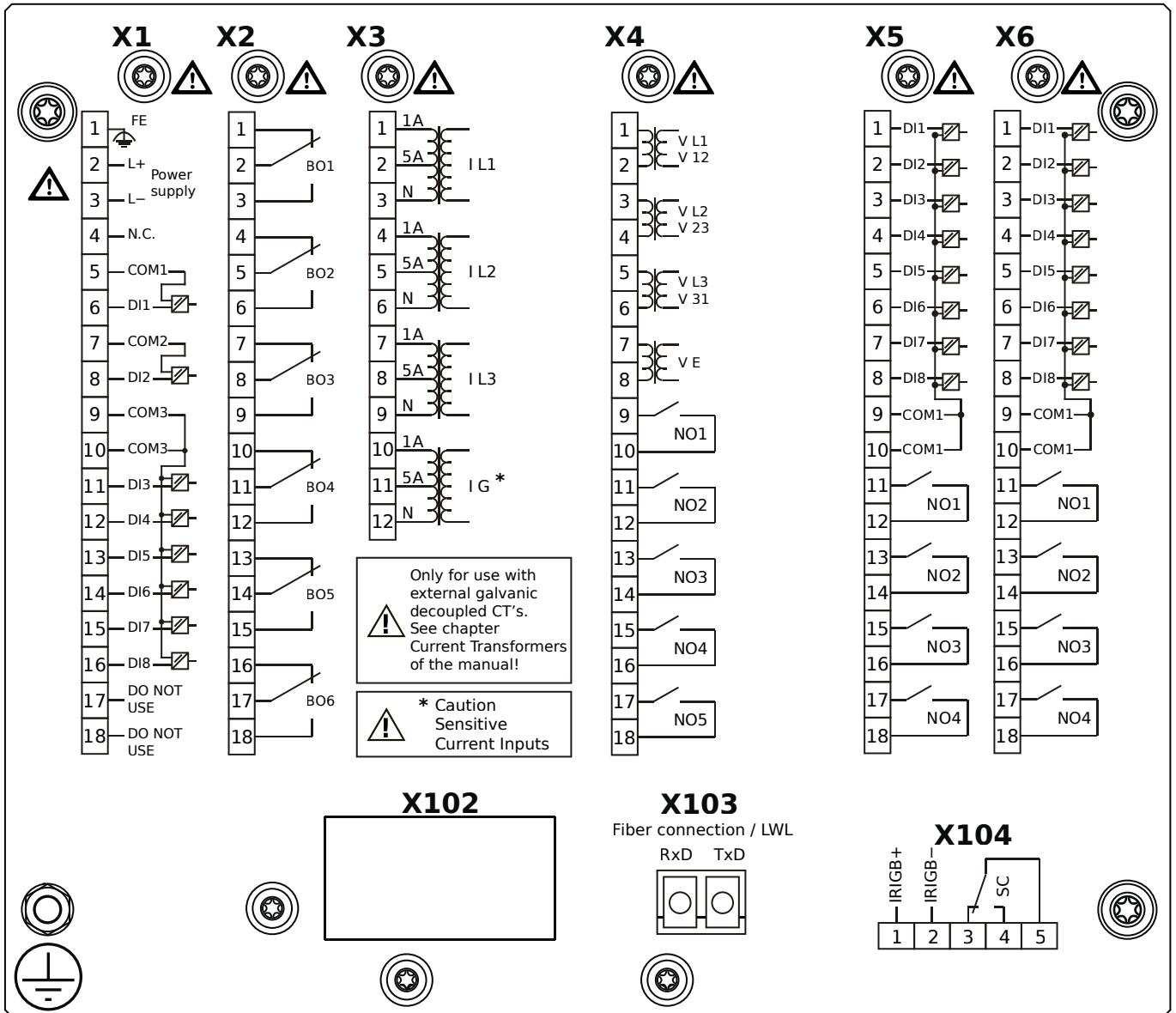
MCA4-2E1BKA



Housing B2, large display, door mounting 19" (flush mounting)

- X1** – DI8-X1: Wide-range power supply unit, incl. 2 non-grouped digital inputs and 6 grouped digital inputs
- X2** – OR6: Assembly Group with 6 Output Relays
- X3** – TIs: Standard phase current measuring card and sensitive ground current measuring
- X4** – TU-OR5: Voltage measuring assembly group with 5 additional Output Relays (normally open)
- X5** – DI8-OR4: Assembly Group with 8 Digital Inputs and 4 Output Relays
- X6** – DI8-OR4: Assembly Group with 8 Digital Inputs and 4 Output Relays
- X103** – IEC 61850 / Modbus TCP / DNP3.0 TCP/UDP, Fiber optics interface, LC Connector
- X104** – IRIG-B00X, incl. System Contact (Supervision Contact)

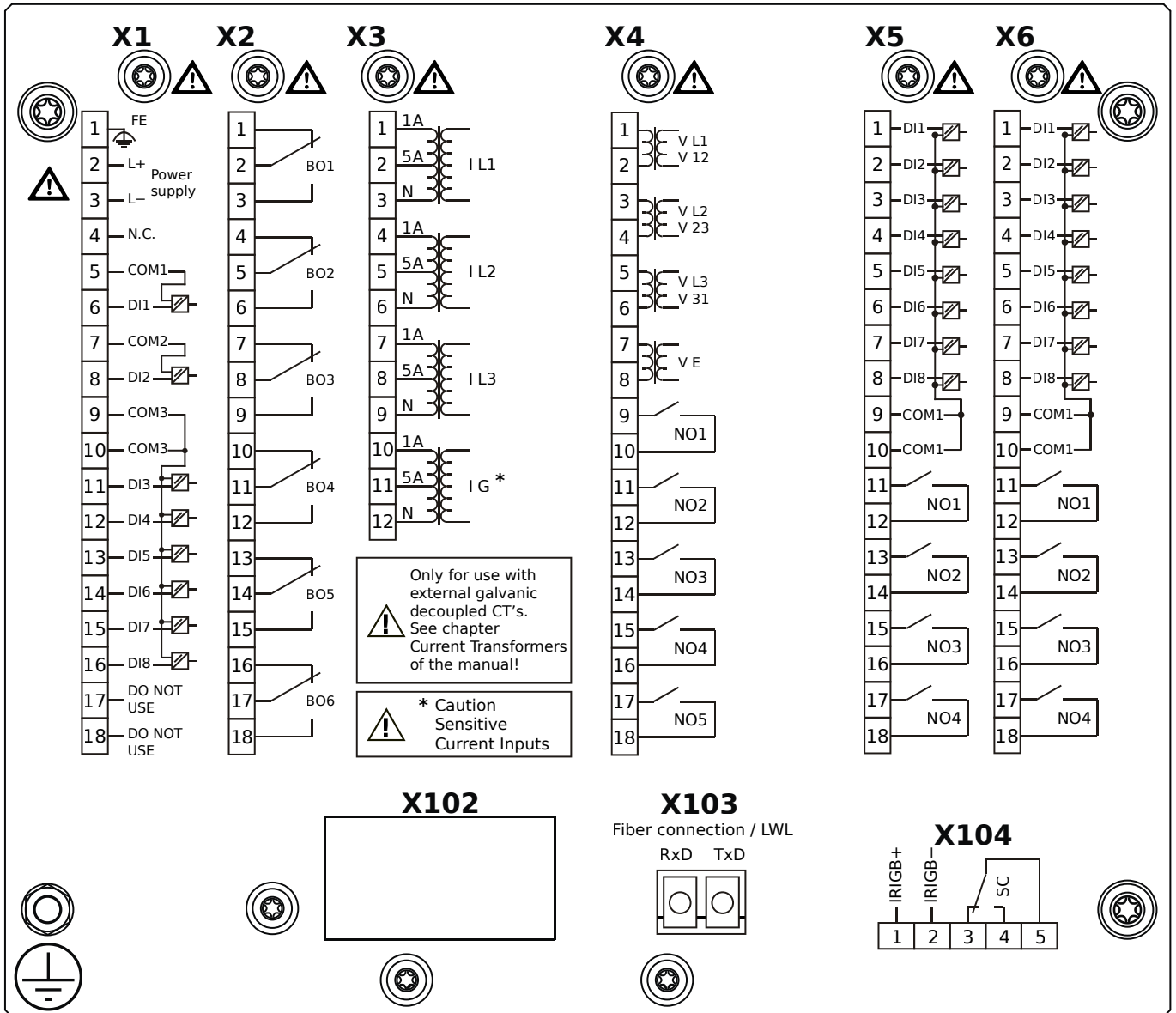
MCA4-2E1BKB



Housing B2, large display, door mounting 19" (flush mounting)

- X1** – DI8-X1: Wide-range power supply unit, incl. 2 non-grouped digital inputs and 6 grouped digital inputs
- X2** – OR6: Assembly Group with 6 Output Relays
- X3** – TIs: Standard phase current measuring card and sensitive ground current measuring
- X4** – TU-OR5: Voltage measuring assembly group with 5 additional Output Relays (normally open)
- X5** – DI8-OR4: Assembly Group with 8 Digital Inputs and 4 Output Relays
- X6** – DI8-OR4: Assembly Group with 8 Digital Inputs and 4 Output Relays
- X103** – IEC 61850 / Modbus TCP / DNP3.0 TCP/UDP, Fiber optics interface, LC Connector
- X104** – IRIG-B00X, incl. System Contact (Supervision Contact)

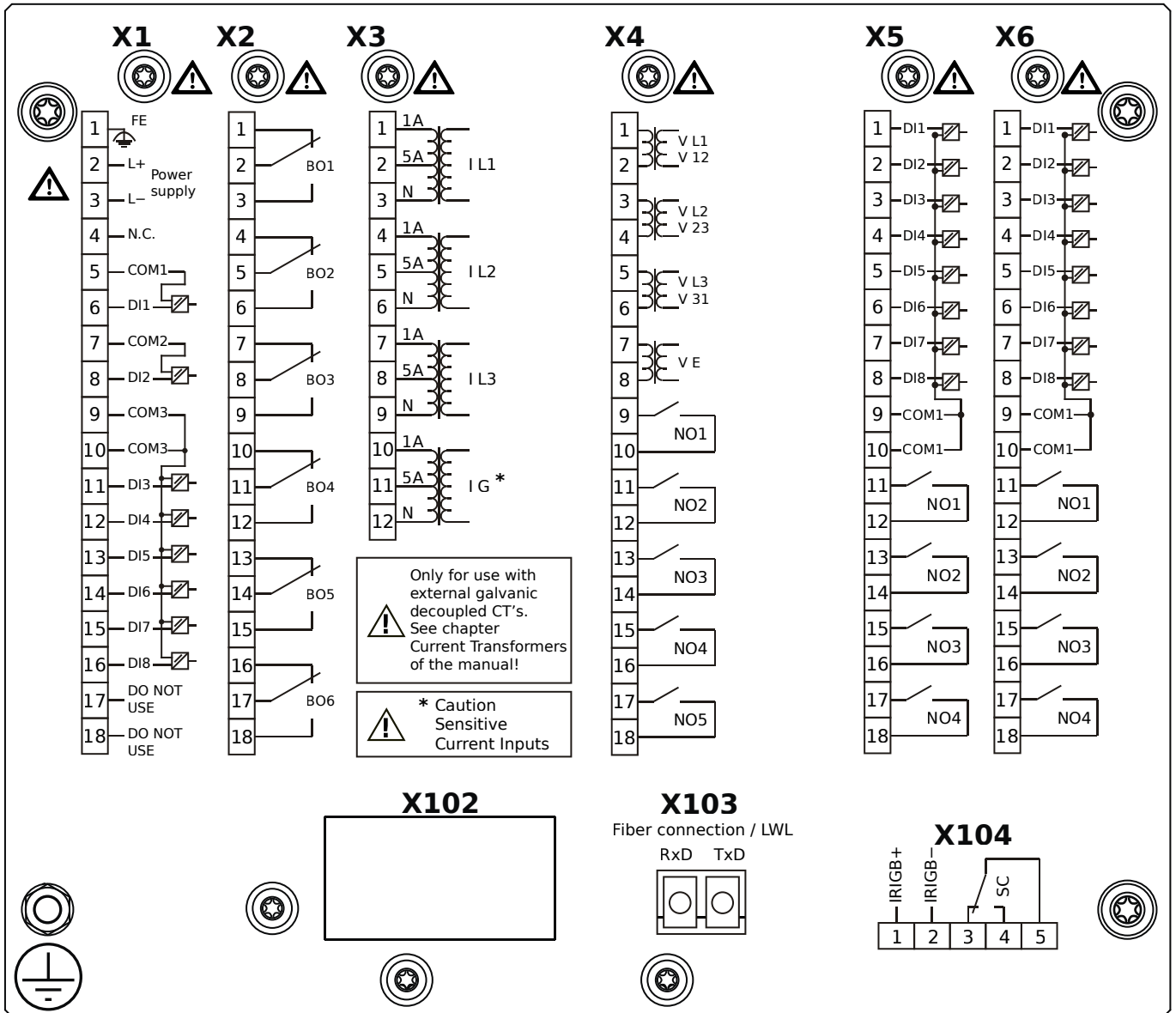
MCA4-2E1BLA



Housing B2, large display, door mounting 19" (flush mounting)

- X1** – DI8-X1: Wide-range power supply unit, incl. 2 non-grouped digital inputs and 6 grouped digital inputs
- X2** – OR6: Assembly Group with 6 Output Relays
- X3** – TIs: Standard phase current measuring card and sensitive ground current measuring
- X4** – TU-OR5: Voltage measuring assembly group with 5 additional Output Relays (normally open)
- X5** – DI8-OR4: Assembly Group with 8 Digital Inputs and 4 Output Relays
- X6** – DI8-OR4: Assembly Group with 8 Digital Inputs and 4 Output Relays
- X103** – Modbus TCP / DNP3.0 TCP/UDP, Fiber optics interface, LC Connector
- X104** – IRIG-B00X, incl. System Contact (Supervision Contact)

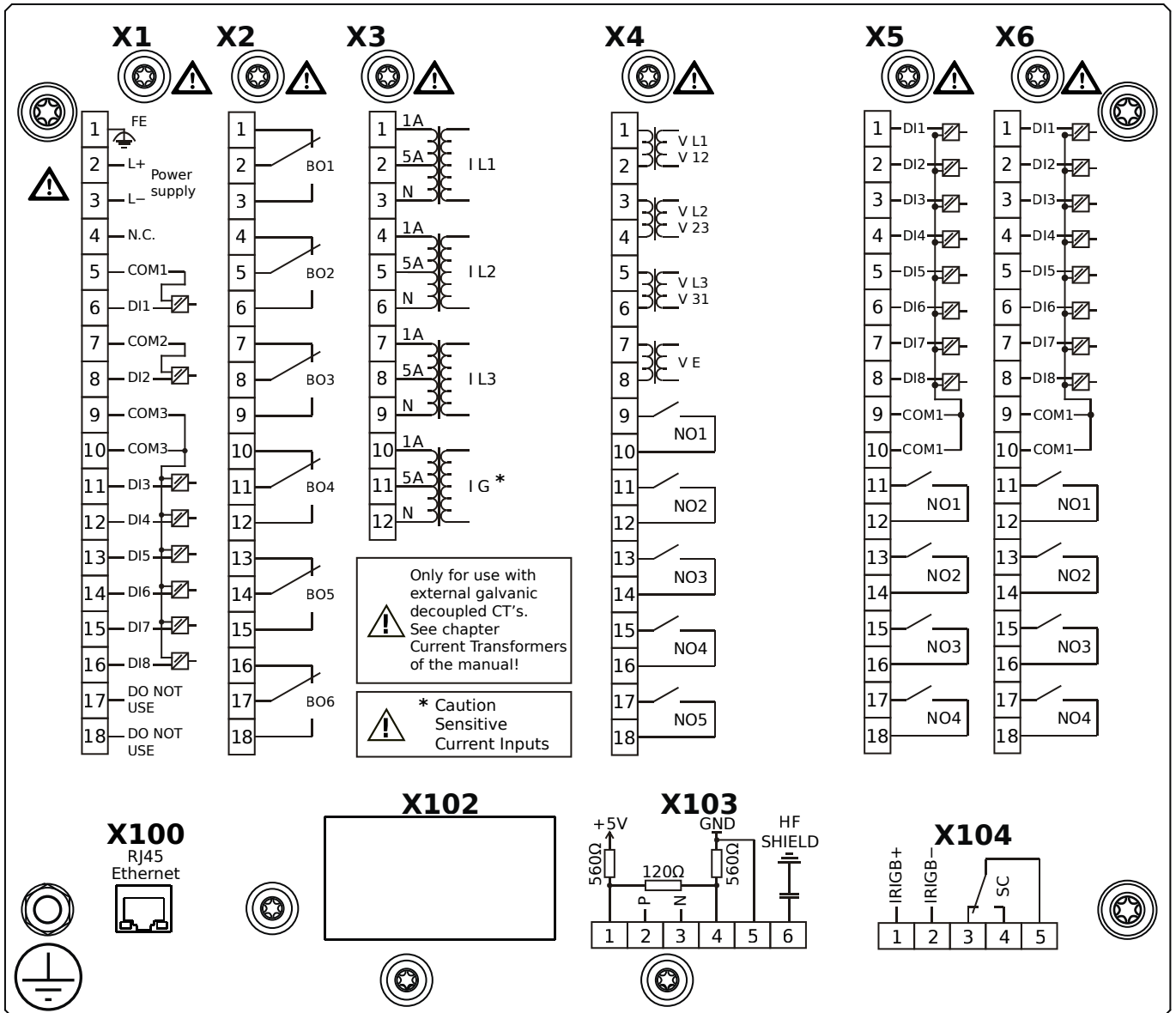
MCA4-2E1BLB



Housing B2, large display, door mounting 19" (flush mounting)

- X1** – DI8-X1: Wide-range power supply unit, incl. 2 non-grouped digital inputs and 6 grouped digital inputs
- X2** – OR6: Assembly Group with 6 Output Relays
- X3** – TIs: Standard phase current measuring card and sensitive ground current measuring
- X4** – TU-OR5: Voltage measuring assembly group with 5 additional Output Relays (normally open)
- X5** – DI8-OR4: Assembly Group with 8 Digital Inputs and 4 Output Relays
- X6** – DI8-OR4: Assembly Group with 8 Digital Inputs and 4 Output Relays
- X103** – Modbus TCP / DNP3.0 TCP/UDP, Fiber optics interface, LC Connector
- X104** – IRIG-B00X, incl. System Contact (Supervision Contact)

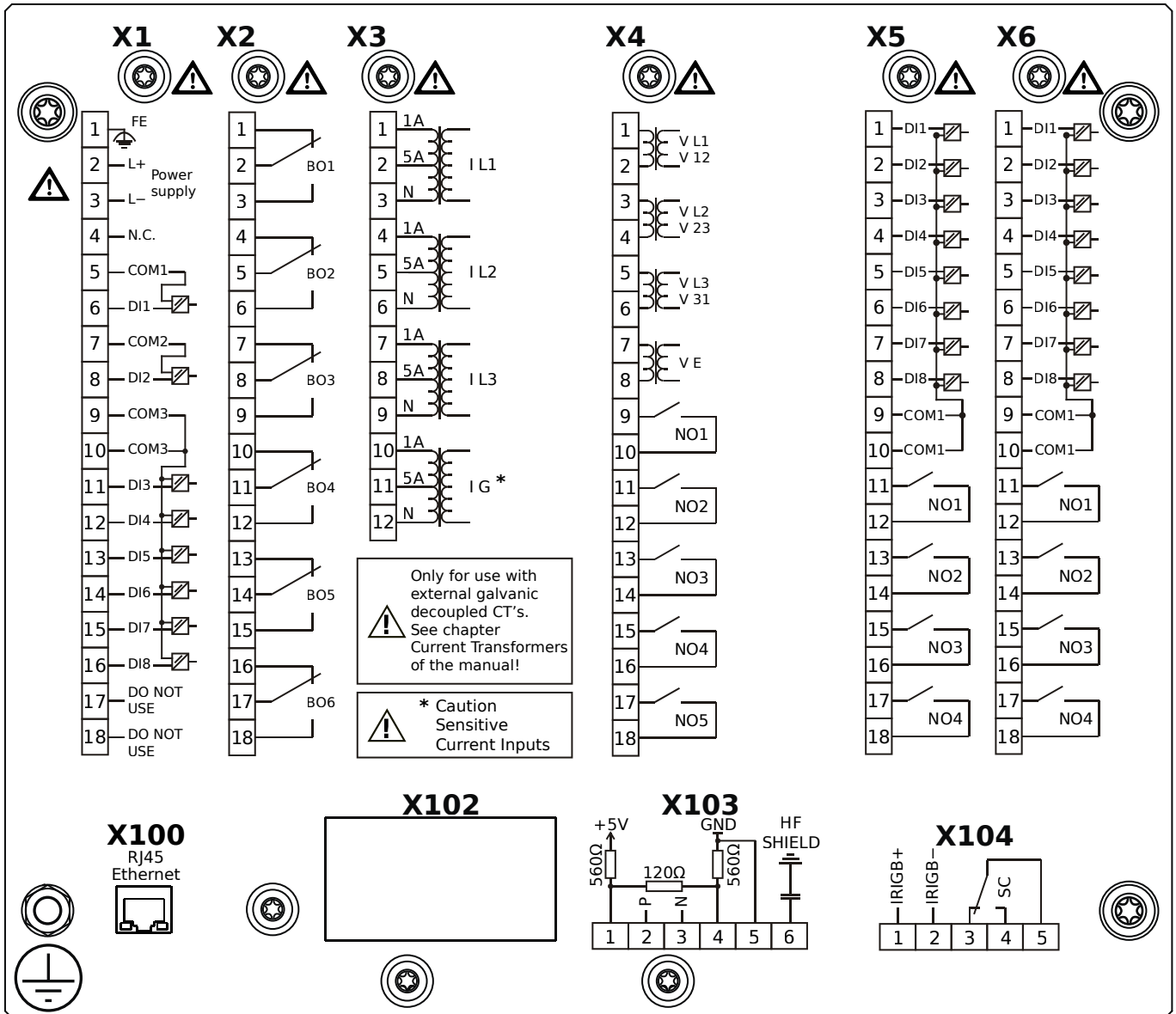
MCA4-2E1BTA



Housing B2, large display, door mounting 19" (flush mounting)

- X1** – DI8-X1: Wide-range power supply unit, incl. 2 non-grouped digital inputs and 6 grouped digital inputs
- X2** – OR6: Assembly Group with 6 Output Relays
- X3** – TIs: Standard phase current measuring card and sensitive ground current measuring
- X4** – TU-OR5: Voltage measuring assembly group with 5 additional Output Relays (normally open)
- X5** – DI8-OR4: Assembly Group with 8 Digital Inputs and 4 Output Relays
- X6** – DI8-OR4: Assembly Group with 8 Digital Inputs and 4 Output Relays
- X100** – IEC 61850 / Modbus TCP / DNP3.0 TCP/UDP, Ethernet interface, 100 Mbit/s, RJ45 (BASE100-FX)
- X103** – IEC 60870-5-103 / Modbus RTU / DNP3.0 RTU, RS485, Terminals
- X104** – IRIG-B00X, incl. System Contact (Supervision Contact)

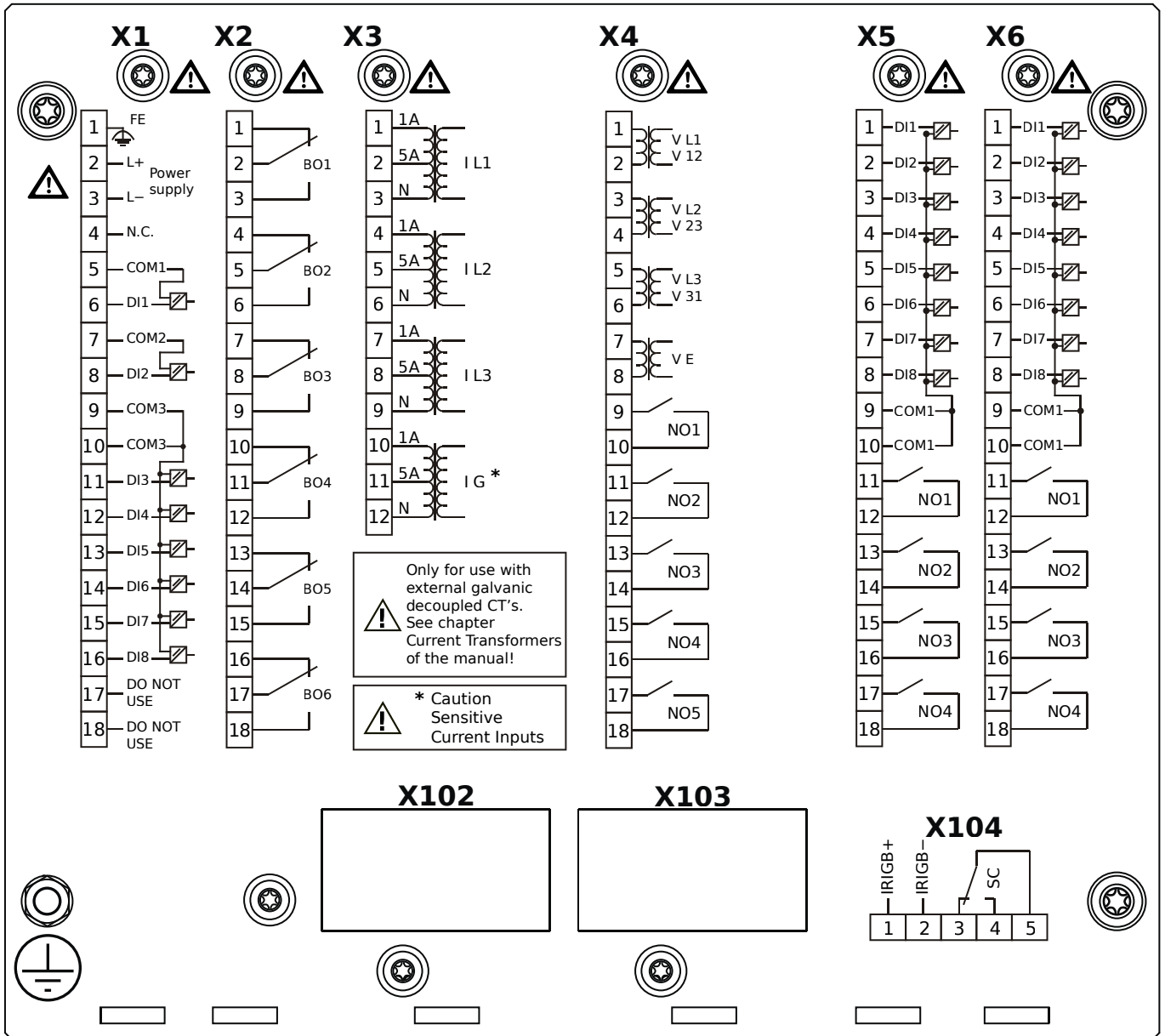
MCA4-2E1BTB



Housing B2, large display, door mounting 19" (flush mounting)

- X1** – DI8-X1: Wide-range power supply unit, incl. 2 non-grouped digital inputs and 6 grouped digital inputs
- X2** – OR6: Assembly Group with 6 Output Relays
- X3** – TIs: Standard phase current measuring card and sensitive ground current measuring
- X4** – TU-OR5: Voltage measuring assembly group with 5 additional Output Relays (normally open)
- X5** – DI8-OR4: Assembly Group with 8 Digital Inputs and 4 Output Relays
- X6** – DI8-OR4: Assembly Group with 8 Digital Inputs and 4 Output Relays
- X100** – IEC 61850 / Modbus TCP / DNP3.0 TCP/UDP, Ethernet interface, 100 Mbit/s, RJ45 (BASE100-FX)
- X103** – IEC 60870-5-103 / Modbus RTU / DNP3.0 RTU, RS485, Terminals
- X104** – IRIG-B00X, incl. System Contact (Supervision Contact)

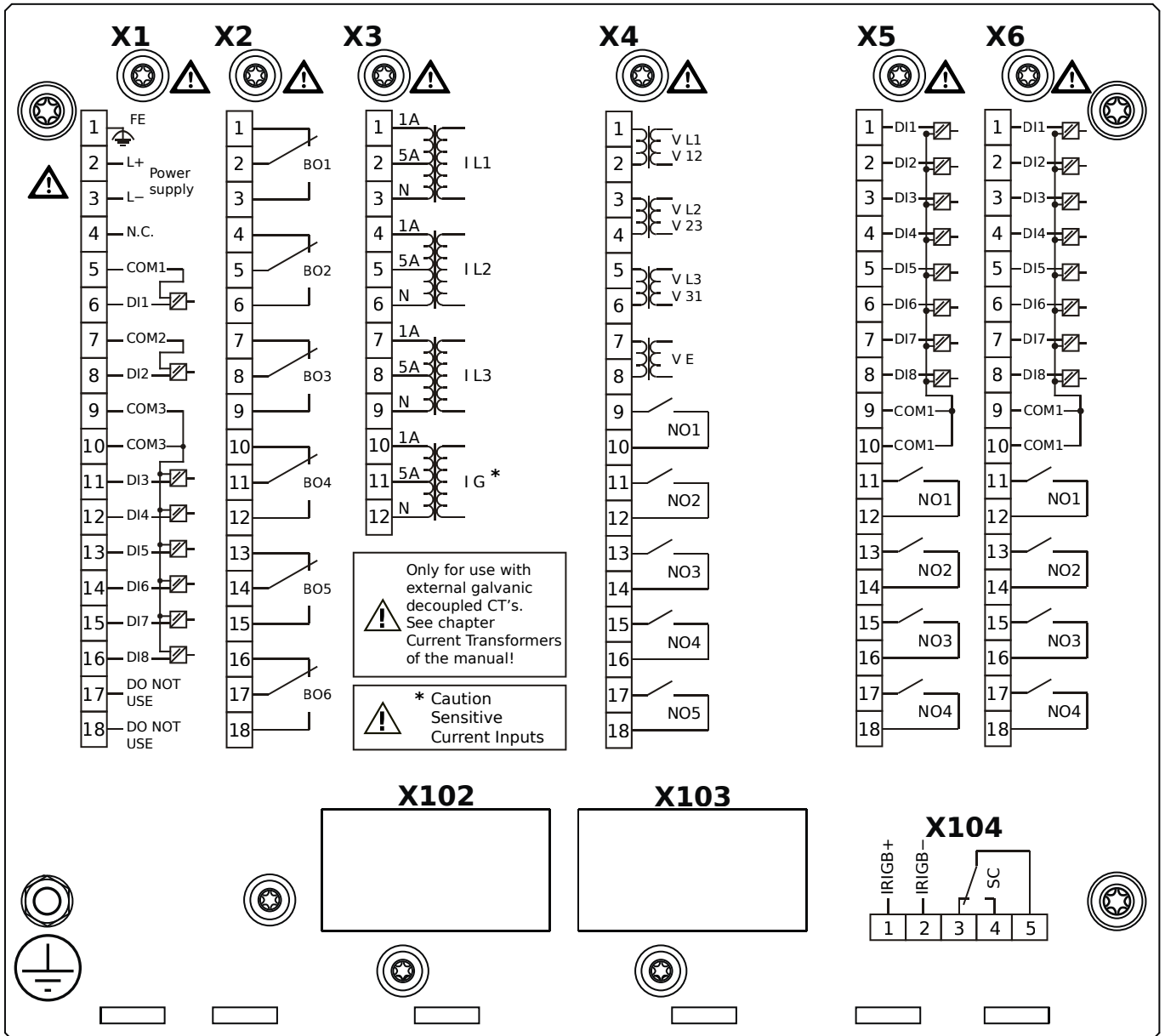
MCA4-2E1HAA



Housing B2, large display, door mounting

- X1** – DI8-X1: Wide-range power supply unit, incl. 2 non-grouped digital inputs and 6 grouped digital inputs
- X2** – OR6: Assembly Group with 6 Output Relays
- X3** – TIs: Standard phase current measuring card and sensitive ground current measuring
- X4** – TU-OR5: Voltage measuring assembly group with 5 additional Output Relays (normally open)
- X5** – DI8-OR4: Assembly Group with 8 Digital Inputs and 4 Output Relays
- X6** – DI8-OR4: Assembly Group with 8 Digital Inputs and 4 Output Relays
- X104** – IRIG-B00X, incl. System Contact (Supervision Contact)

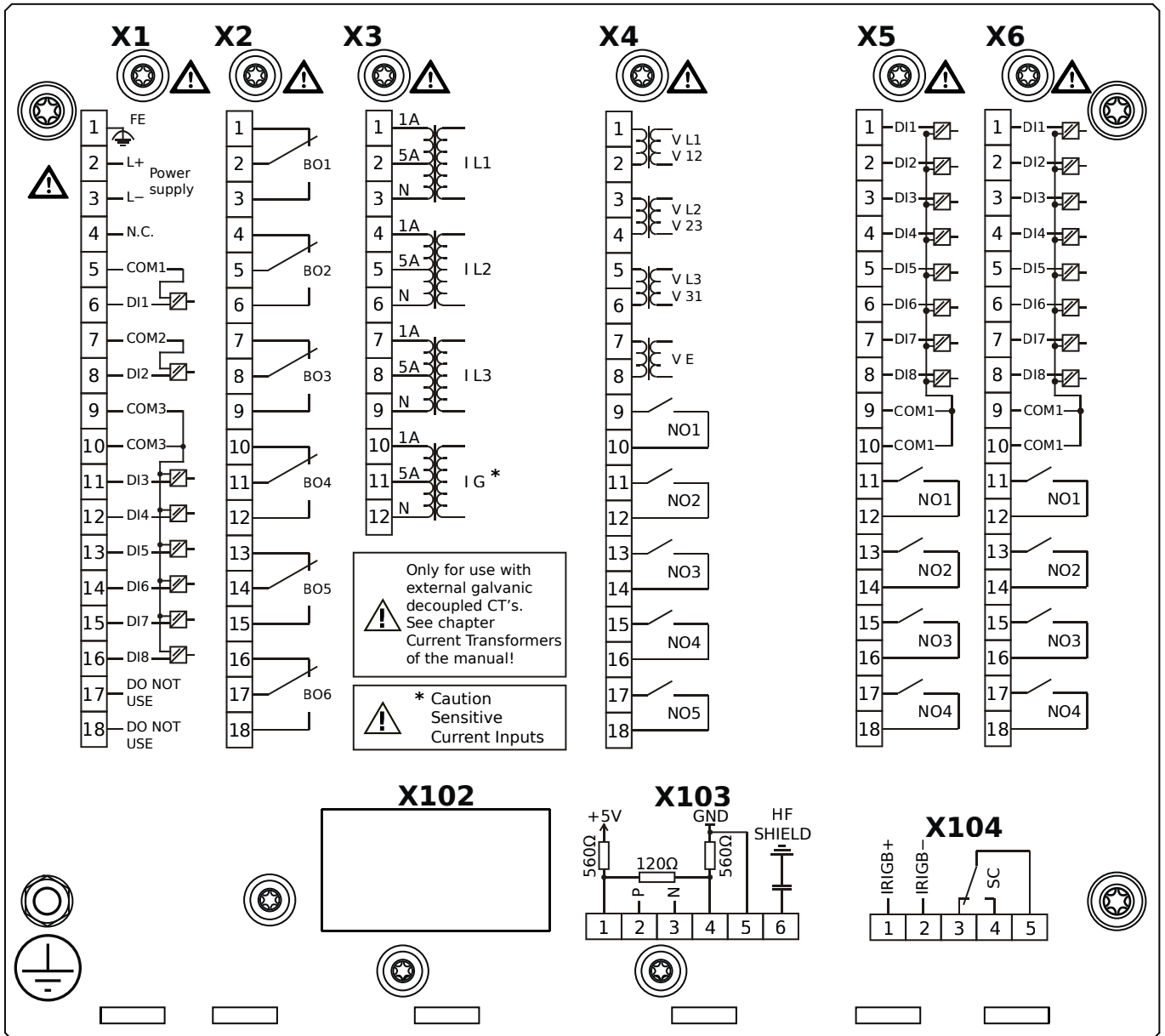
MCA4-2E1HAB



Housing B2, large display, door mounting

- X1** – DI8-X1: Wide-range power supply unit, incl. 2 non-grouped digital inputs and 6 grouped digital inputs
- X2** – OR6: Assembly Group with 6 Output Relays
- X3** – TIs: Standard phase current measuring card and sensitive ground current measuring
- X4** – TU-OR5: Voltage measuring assembly group with 5 additional Output Relays (normally open)
- X5** – DI8-OR4: Assembly Group with 8 Digital Inputs and 4 Output Relays
- X6** – DI8-OR4: Assembly Group with 8 Digital Inputs and 4 Output Relays
- X104** – IRIG-B00X, incl. System Contact (Supervision Contact)

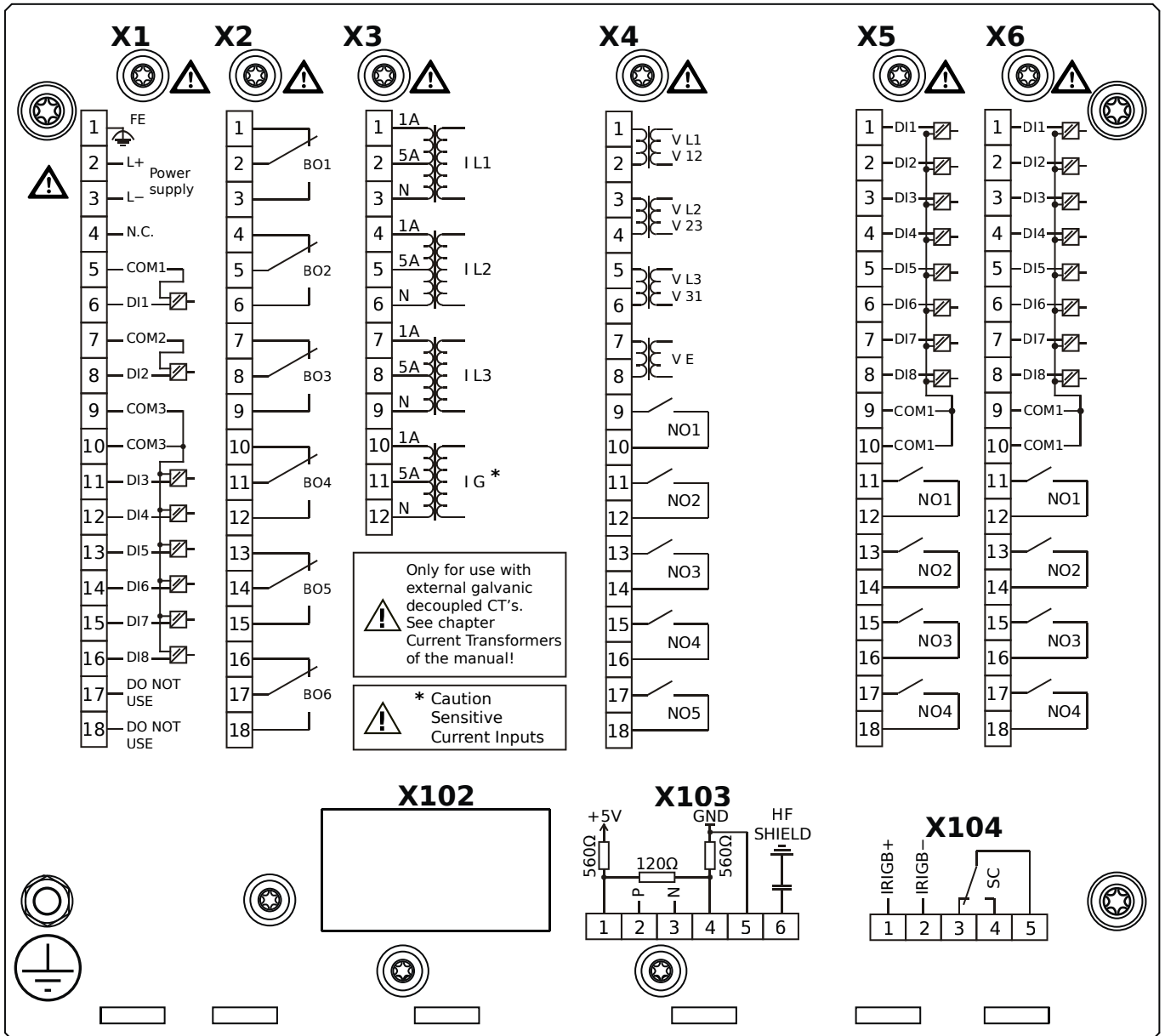
MCA4-2E1HBA



Housing B2, large display, door mounting

- X1** – DI8-X1: Wide-range power supply unit, incl. 2 non-grouped digital inputs and 6 grouped digital inputs
- X2** – OR6: Assembly Group with 6 Output Relays
- X3** – TIs: Standard phase current measuring card and sensitive ground current measuring
- X4** – TU-OR5: Voltage measuring assembly group with 5 additional Output Relays (normally open)
- X5** – DI8-OR4: Assembly Group with 8 Digital Inputs and 4 Output Relays
- X6** – DI8-OR4: Assembly Group with 8 Digital Inputs and 4 Output Relays
- X103** – Modbus RTU / IEC 60870-5-103 / DNP3.0 RTU, RS485, Terminals
- X104** – IRIG-B00X, incl. System Contact (Supervision Contact)

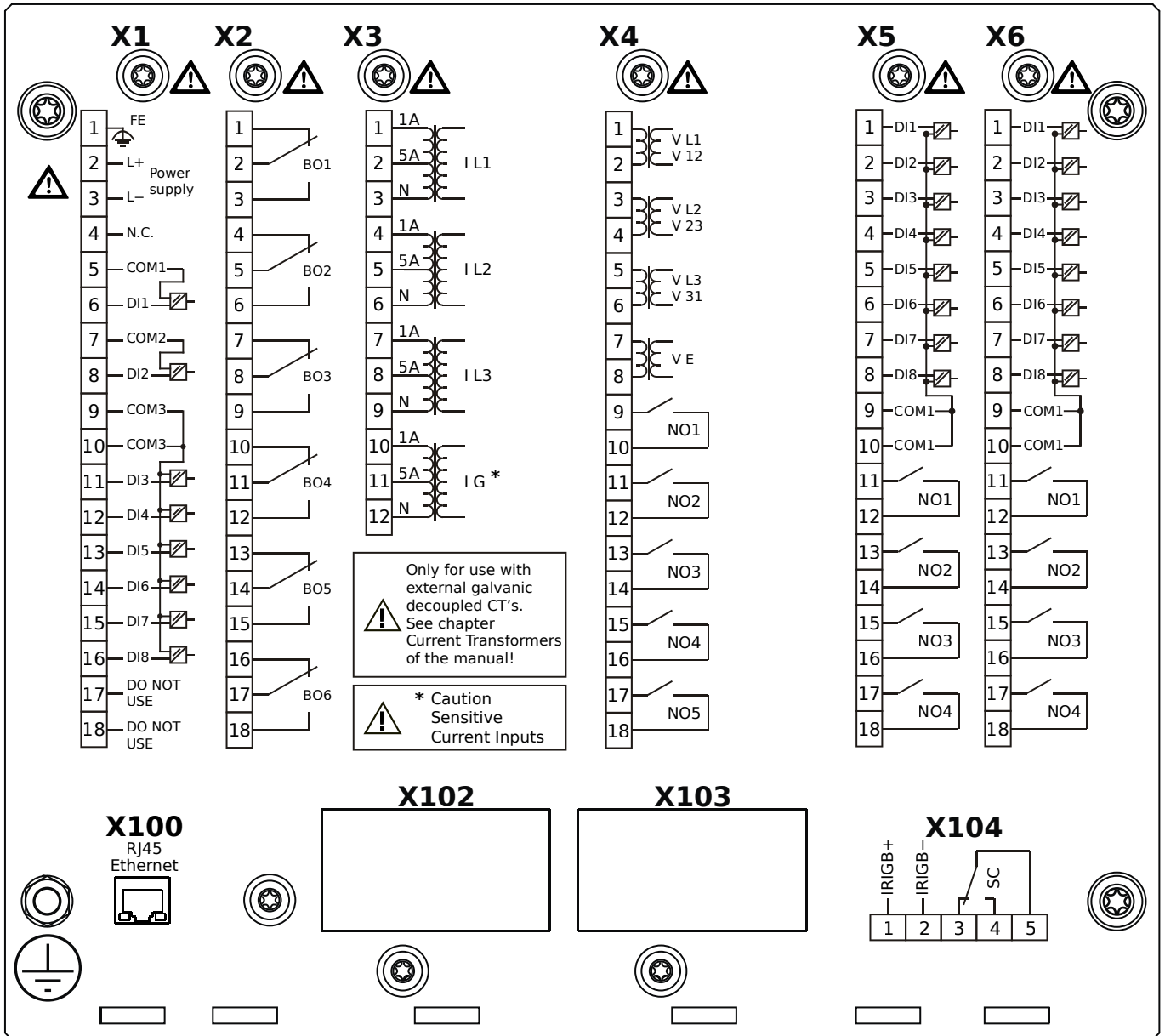
MCA4-2E1HBB



Housing B2, large display, door mounting

- X1** – DI8-X1: Wide-range power supply unit, incl. 2 non-grouped digital inputs and 6 grouped digital inputs
- X2** – OR6: Assembly Group with 6 Output Relays
- X3** – TIs: Standard phase current measuring card and sensitive ground current measuring
- X4** – TU-OR5: Voltage measuring assembly group with 5 additional Output Relays (normally open)
- X5** – DI8-OR4: Assembly Group with 8 Digital Inputs and 4 Output Relays
- X6** – DI8-OR4: Assembly Group with 8 Digital Inputs and 4 Output Relays
- X103** – Modbus RTU / IEC 60870-5-103 / DNP3.0 RTU, RS485, Terminals
- X104** – IRIG-B00X, incl. System Contact (Supervision Contact)

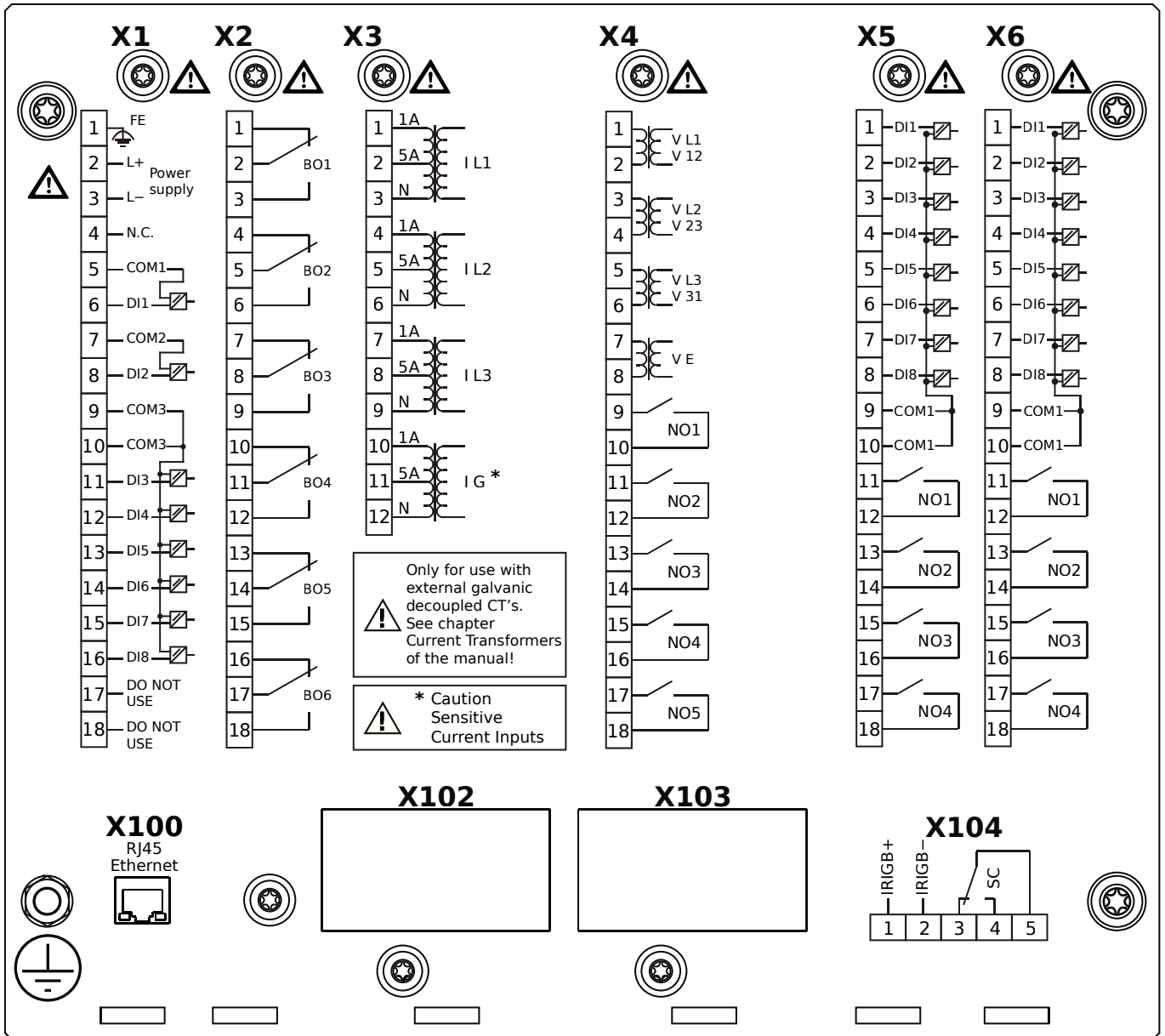
MCA4-2E1HCA



Housing B2, large display, door mounting

- X1** – DI8-X1: Wide-range power supply unit, incl. 2 non-grouped digital inputs and 6 grouped digital inputs
- X2** – OR6: Assembly Group with 6 Output Relays
- X3** – TIs: Standard phase current measuring card and sensitive ground current measuring
- X4** – TU-OR5: Voltage measuring assembly group with 5 additional Output Relays (normally open)
- X5** – DI8-OR4: Assembly Group with 8 Digital Inputs and 4 Output Relays
- X6** – DI8-OR4: Assembly Group with 8 Digital Inputs and 4 Output Relays
- X100** – Modbus TCP / DNP3.0 TCP/UDP, Ethernet interface, 100 Mbit/s, RJ45 (BASE100-FX)
- X104** – IRIG-B00X, incl. System Contact (Supervision Contact)

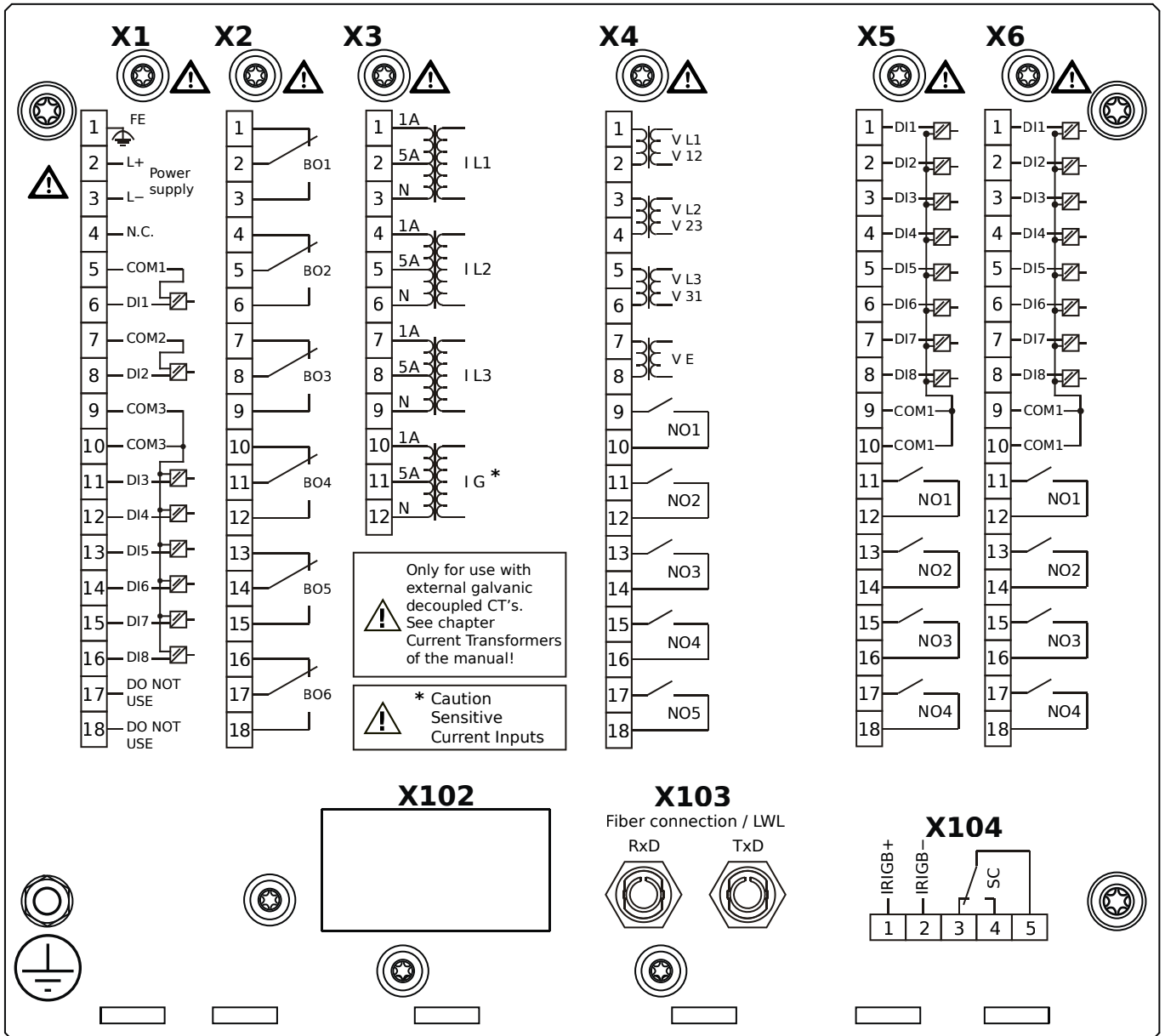
MCA4-2E1HCB



Housing B2, large display, door mounting

- X1** – DI8-X1: Wide-range power supply unit, incl. 2 non-grouped digital inputs and 6 grouped digital inputs
- X2** – OR6: Assembly Group with 6 Output Relays
- X3** – TIs: Standard phase current measuring card and sensitive ground current measuring
- X4** – TU-OR5: Voltage measuring assembly group with 5 additional Output Relays (normally open)
- X5** – DI8-OR4: Assembly Group with 8 Digital Inputs and 4 Output Relays
- X6** – DI8-OR4: Assembly Group with 8 Digital Inputs and 4 Output Relays
- X100** – Modbus TCP / DNP3.0 TCP/UDP, Ethernet interface, 100 Mbit/s, RJ45 (BASE100-FX)
- X104** – IRIG-B00X, incl. System Contact (Supervision Contact)

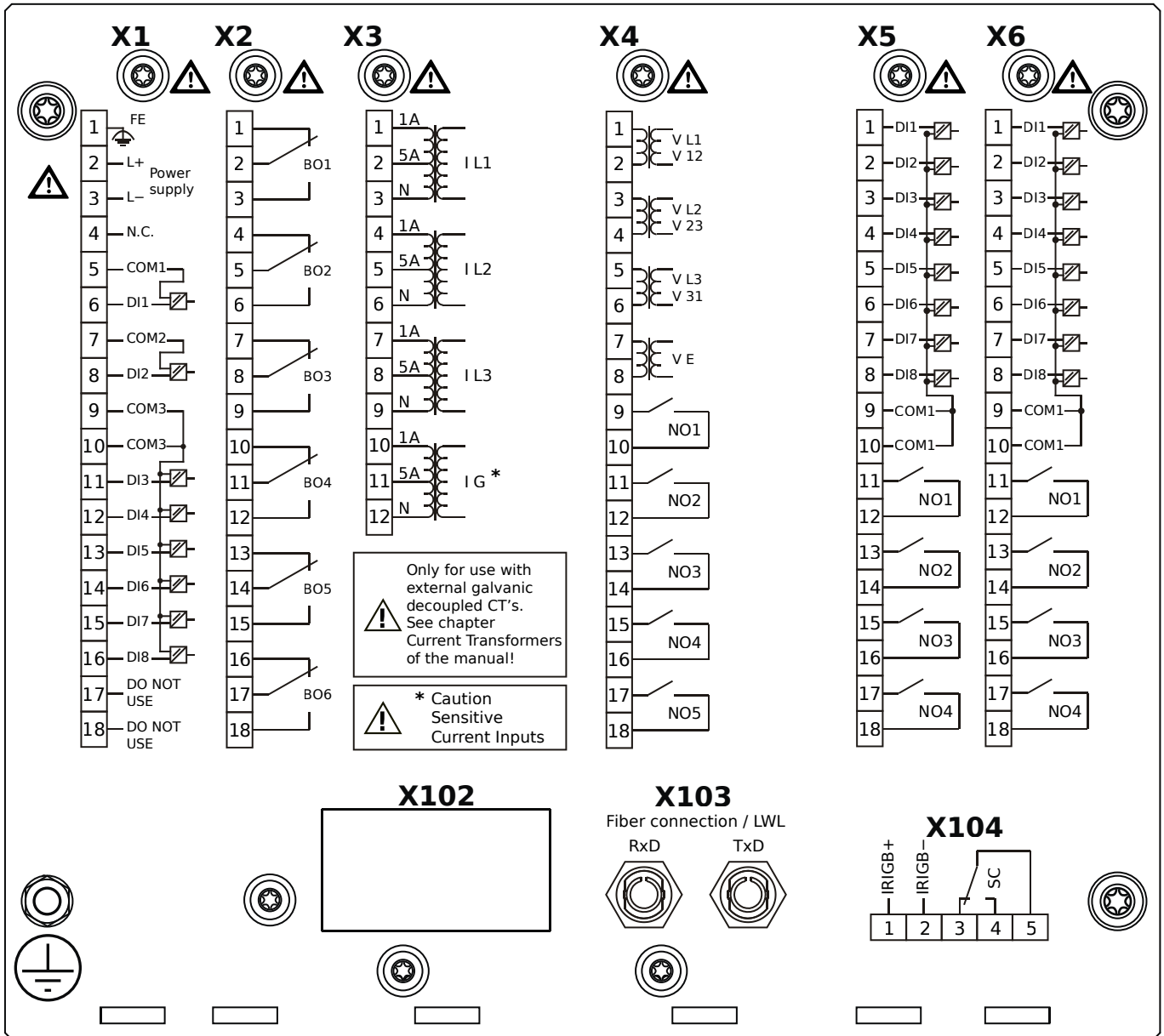
MCA4-2E1HDA



Housing B2, large display, door mounting

- X1** – DI8-X1: Wide-range power supply unit, incl. 2 non-grouped digital inputs and 6 grouped digital inputs
- X2** – OR6: Assembly Group with 6 Output Relays
- X3** – TIs: Standard phase current measuring card and sensitive ground current measuring
- X4** – TU-OR5: Voltage measuring assembly group with 5 additional Output Relays (normally open)
- X5** – DI8-OR4: Assembly Group with 8 Digital Inputs and 4 Output Relays
- X6** – DI8-OR4: Assembly Group with 8 Digital Inputs and 4 Output Relays
- X103** – Profibus-DP, Fiber optics interface, ST Connector
- X104** – IRIG-B00X, incl. System Contact (Supervision Contact)

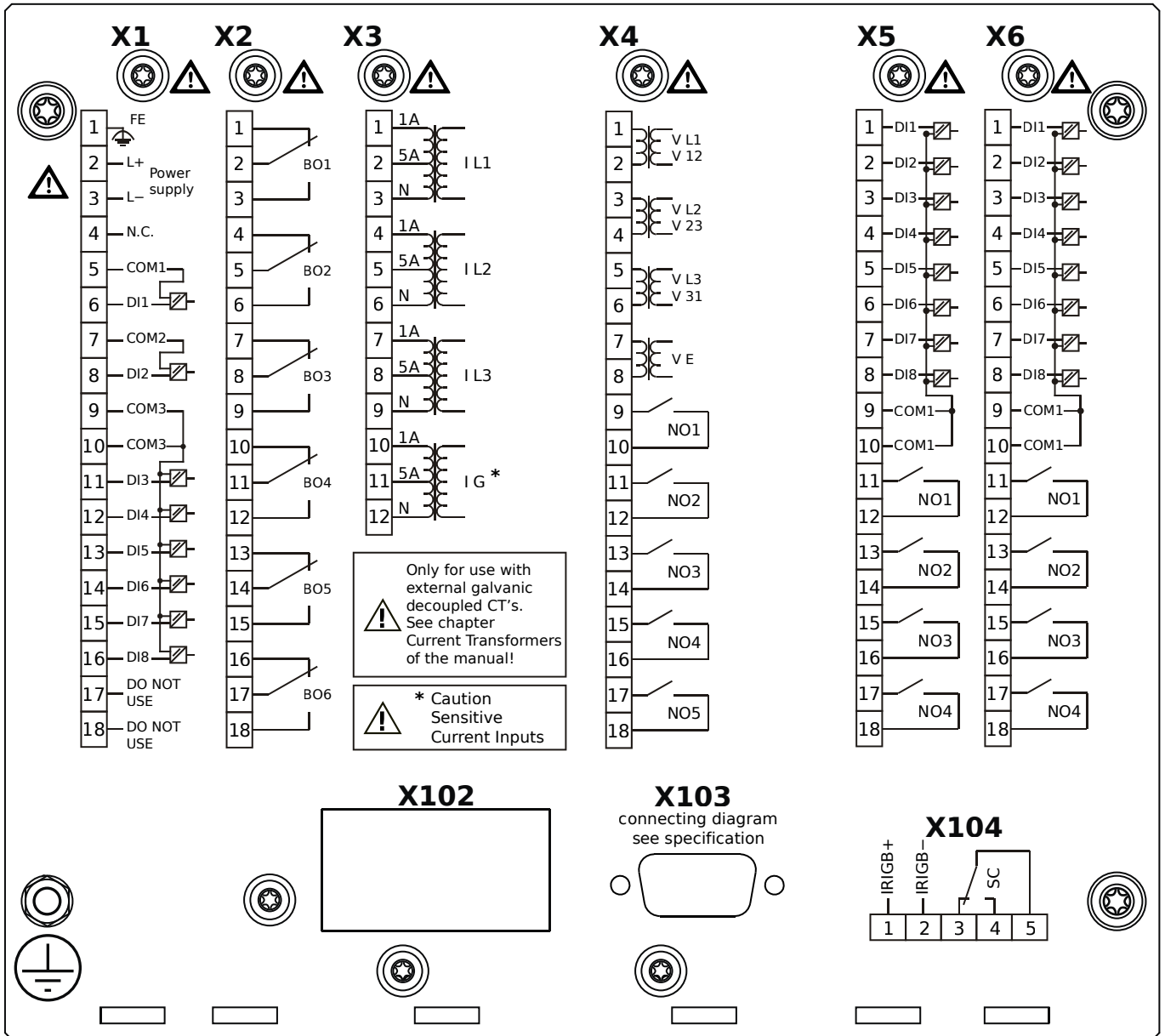
MCA4-2E1HDB



Housing B2, large display, door mounting

- X1** – DI8-X1: Wide-range power supply unit, incl. 2 non-grouped digital inputs and 6 grouped digital inputs
- X2** – OR6: Assembly Group with 6 Output Relays
- X3** – TIs: Standard phase current measuring card and sensitive ground current measuring
- X4** – TU-OR5: Voltage measuring assembly group with 5 additional Output Relays (normally open)
- X5** – DI8-OR4: Assembly Group with 8 Digital Inputs and 4 Output Relays
- X6** – DI8-OR4: Assembly Group with 8 Digital Inputs and 4 Output Relays
- X103** – Profibus-DP, Fiber optics interface, ST Connector
- X104** – IRIG-B00X, incl. System Contact (Supervision Contact)

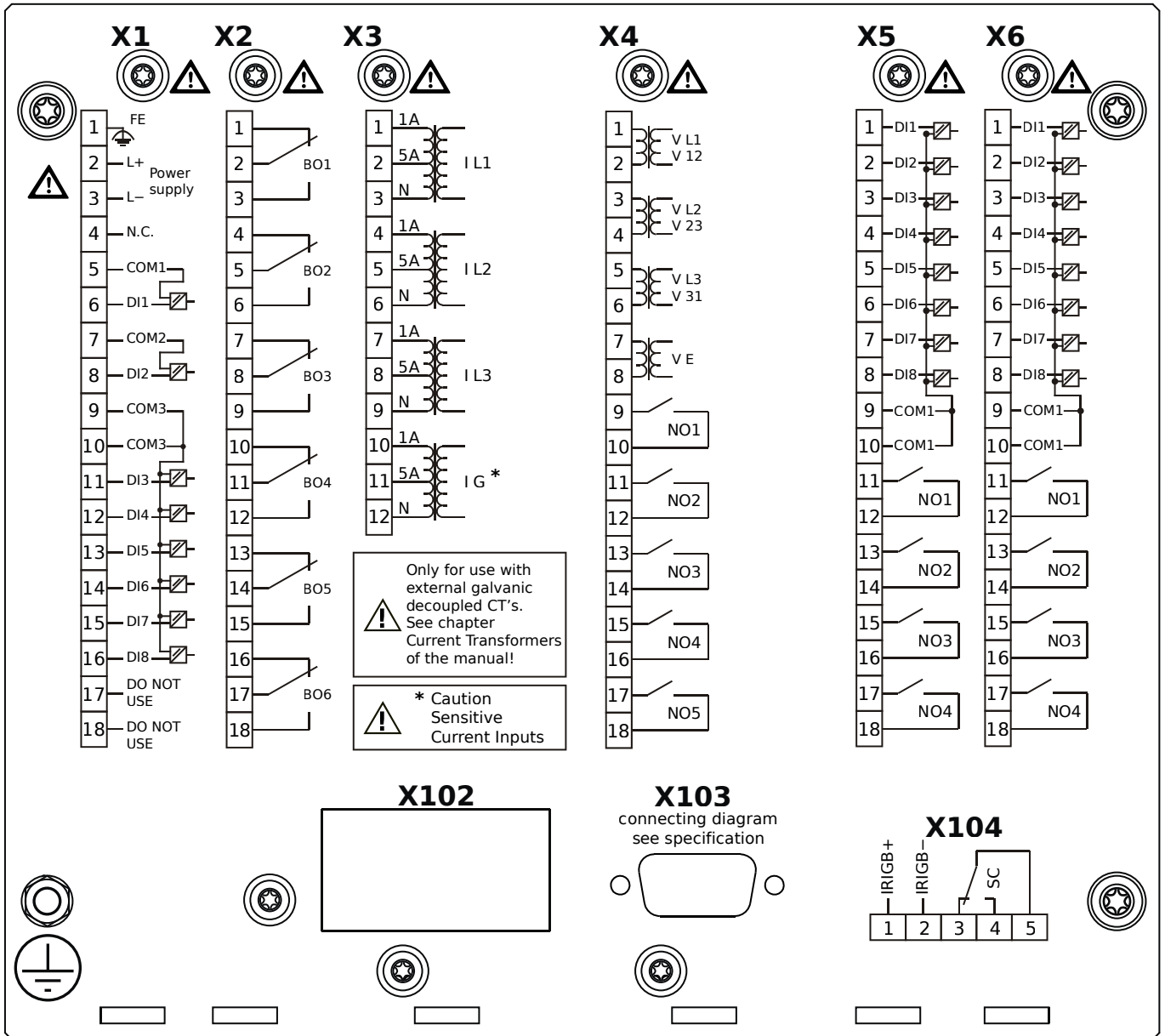
MCA4-2E1HEA



Housing B2, large display, door mounting

- X1** – DI8-X1: Wide-range power supply unit, incl. 2 non-grouped digital inputs and 6 grouped digital inputs
- X2** – OR6: Assembly Group with 6 Output Relays
- X3** – TIs: Standard phase current measuring card and sensitive ground current measuring
- X4** – TU-OR5: Voltage measuring assembly group with 5 additional Output Relays (normally open)
- X5** – DI8-OR4: Assembly Group with 8 Digital Inputs and 4 Output Relays
- X6** – DI8-OR4: Assembly Group with 8 Digital Inputs and 4 Output Relays
- X103** – Profibus-DP, RS485, D-SUB
- X104** – IRIG-B00X, incl. System Contact (Supervision Contact)

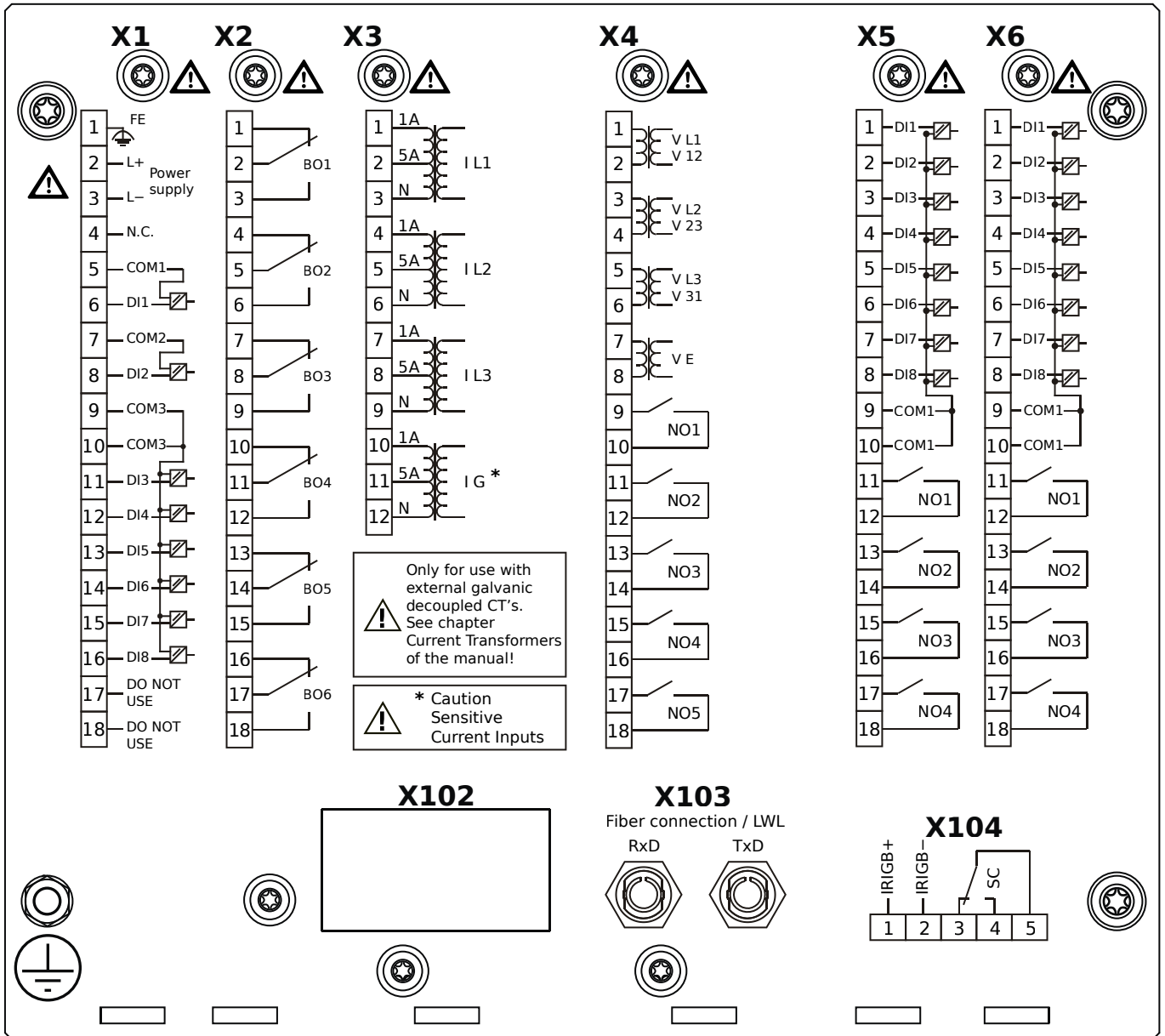
MCA4-2E1HEB



Housing B2, large display, door mounting

- X1** – DI8-X1: Wide-range power supply unit, incl. 2 non-grouped digital inputs and 6 grouped digital inputs
- X2** – OR6: Assembly Group with 6 Output Relays
- X3** – TIs: Standard phase current measuring card and sensitive ground current measuring
- X4** – TU-OR5: Voltage measuring assembly group with 5 additional Output Relays (normally open)
- X5** – DI8-OR4: Assembly Group with 8 Digital Inputs and 4 Output Relays
- X6** – DI8-OR4: Assembly Group with 8 Digital Inputs and 4 Output Relays
- X103** – Profibus-DP, RS485, D-SUB
- X104** – IRIG-B00X, incl. System Contact (Supervision Contact)

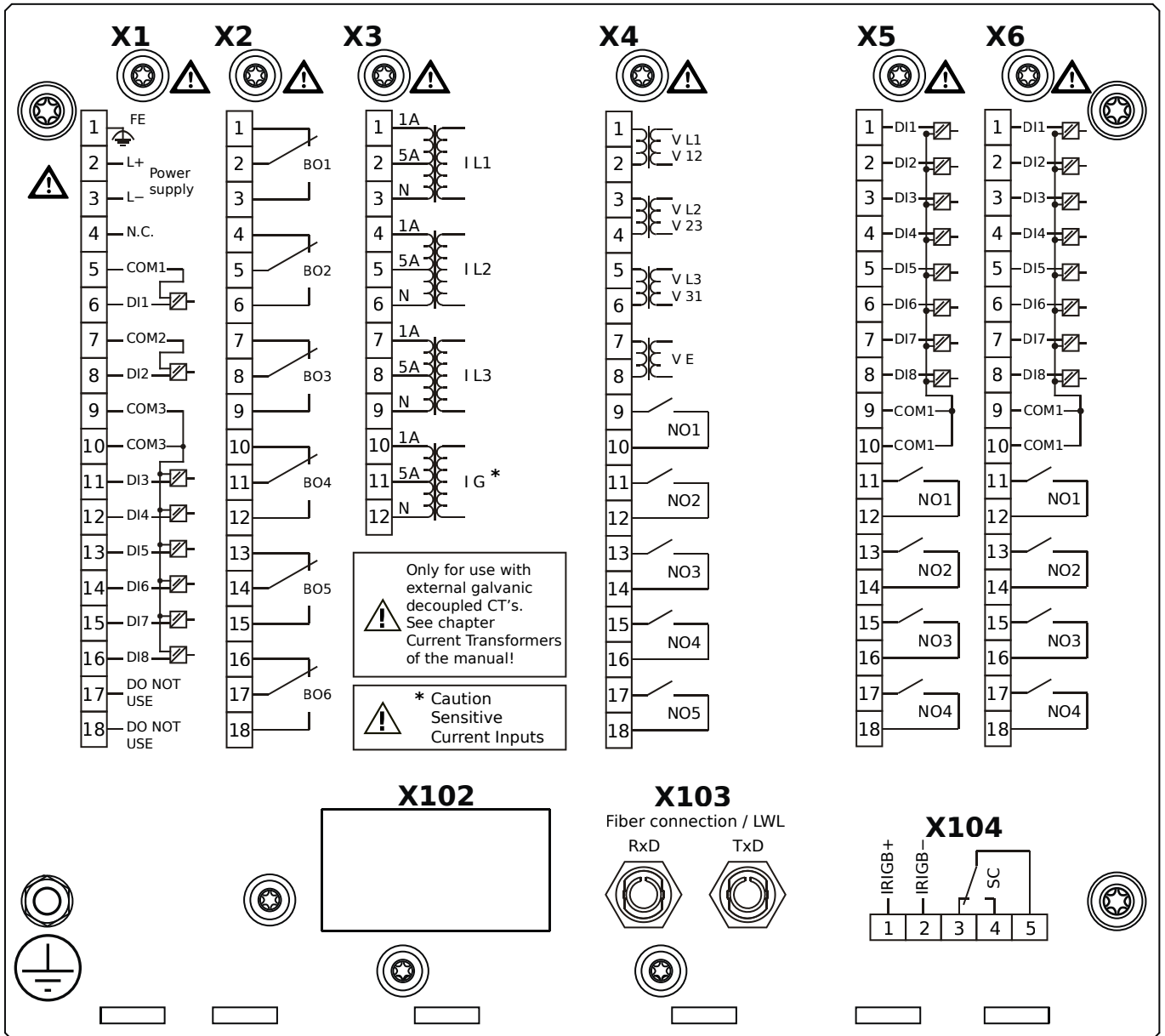
MCA4-2E1HFA



Housing B2, large display, door mounting

- X1** – DI8-X1: Wide-range power supply unit, incl. 2 non-grouped digital inputs and 6 grouped digital inputs
- X2** – OR6: Assembly Group with 6 Output Relays
- X3** – TIs: Standard phase current measuring card and sensitive ground current measuring
- X4** – TU-OR5: Voltage measuring assembly group with 5 additional Output Relays (normally open)
- X5** – DI8-OR4: Assembly Group with 8 Digital Inputs and 4 Output Relays
- X6** – DI8-OR4: Assembly Group with 8 Digital Inputs and 4 Output Relays
- X103** – Modbus RTU / IEC 60870-5-103 / DNP3.0 RTU, Fiber optics interface, ST Connector
- X104** – IRIG-B00X, incl. System Contact (Supervision Contact)

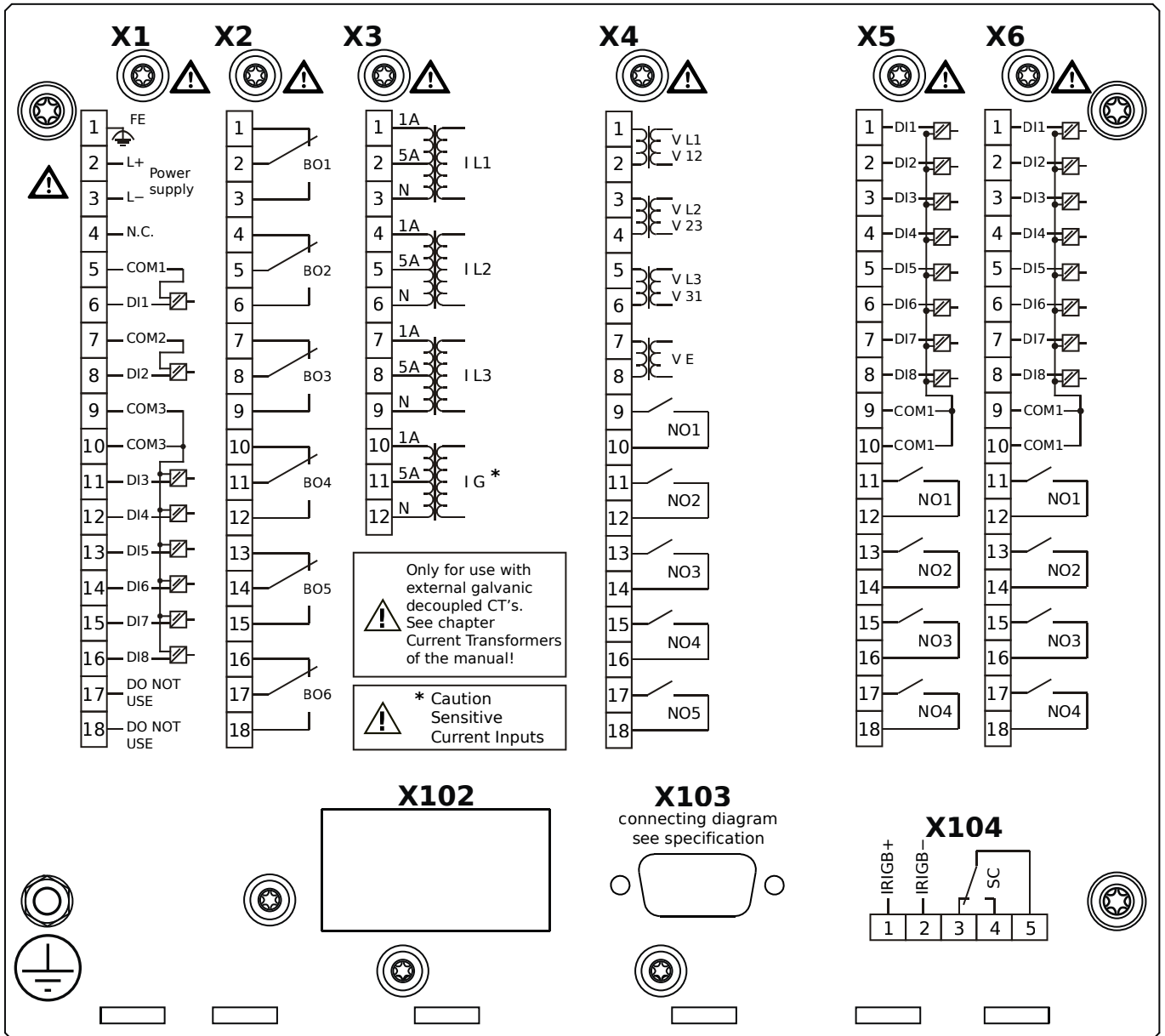
MCA4-2E1HFB



Housing B2, large display, door mounting

- X1** – DI8-X1: Wide-range power supply unit, incl. 2 non-grouped digital inputs and 6 grouped digital inputs
- X2** – OR6: Assembly Group with 6 Output Relays
- X3** – TIs: Standard phase current measuring card and sensitive ground current measuring
- X4** – TU-OR5: Voltage measuring assembly group with 5 additional Output Relays (normally open)
- X5** – DI8-OR4: Assembly Group with 8 Digital Inputs and 4 Output Relays
- X6** – DI8-OR4: Assembly Group with 8 Digital Inputs and 4 Output Relays
- X103** – Modbus RTU / IEC 60870-5-103 / DNP3.0 RTU, Fiber optics interface, ST Connector
- X104** – IRIG-B00X, incl. System Contact (Supervision Contact)

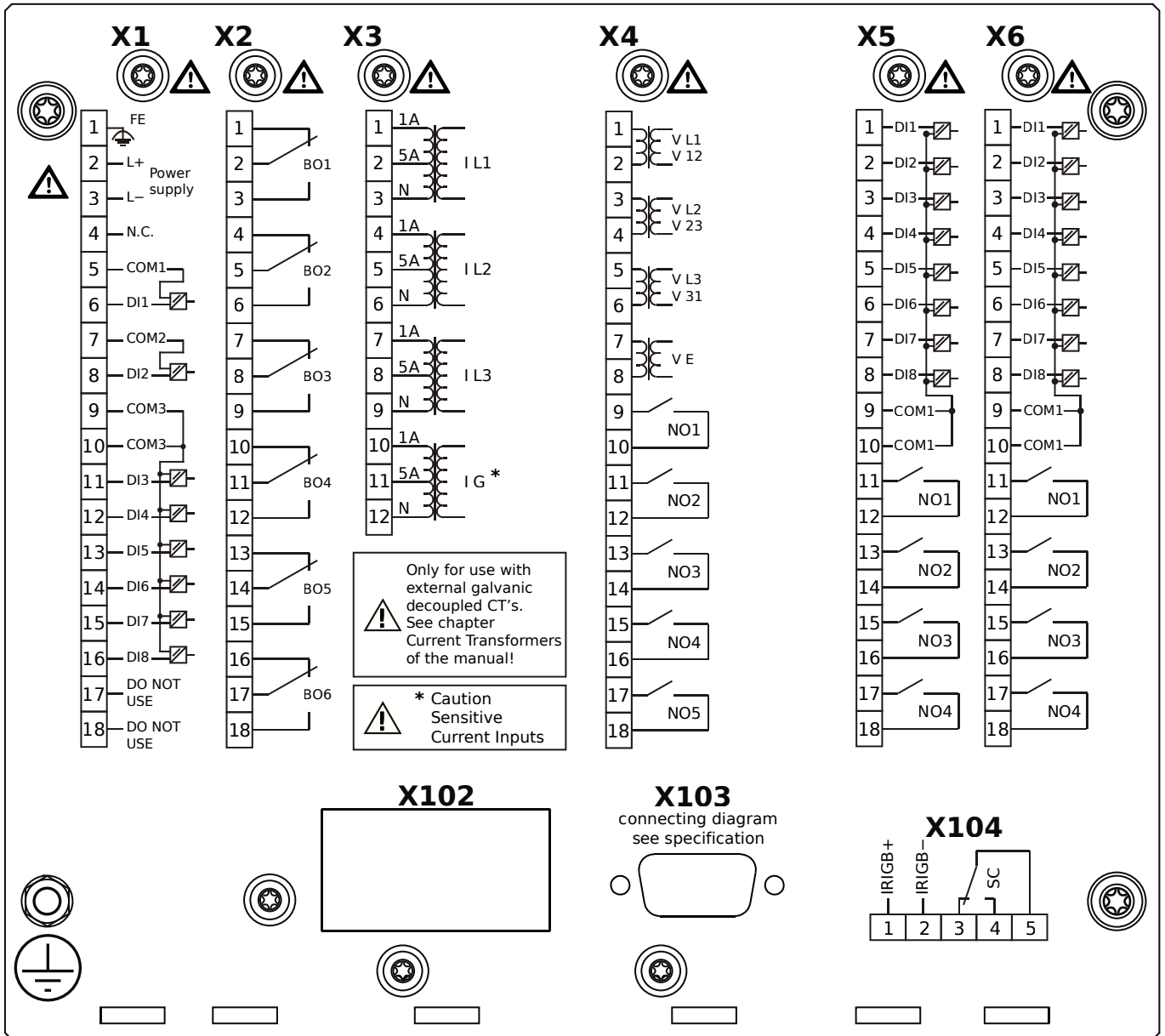
MCA4-2E1HGA



Housing B2, large display, door mounting

- X1** – DI8-X1: Wide-range power supply unit, incl. 2 non-grouped digital inputs and 6 grouped digital inputs
- X2** – OR6: Assembly Group with 6 Output Relays
- X3** – TIs: Standard phase current measuring card and sensitive ground current measuring
- X4** – TU-OR5: Voltage measuring assembly group with 5 additional Output Relays (normally open)
- X5** – DI8-OR4: Assembly Group with 8 Digital Inputs and 4 Output Relays
- X6** – DI8-OR4: Assembly Group with 8 Digital Inputs and 4 Output Relays
- X103** – Modbus RTU / IEC 60870-5-103 / DNP3.0 RTU, RS485, D-SUB
- X104** – IRIG-B00X, incl. System Contact (Supervision Contact)

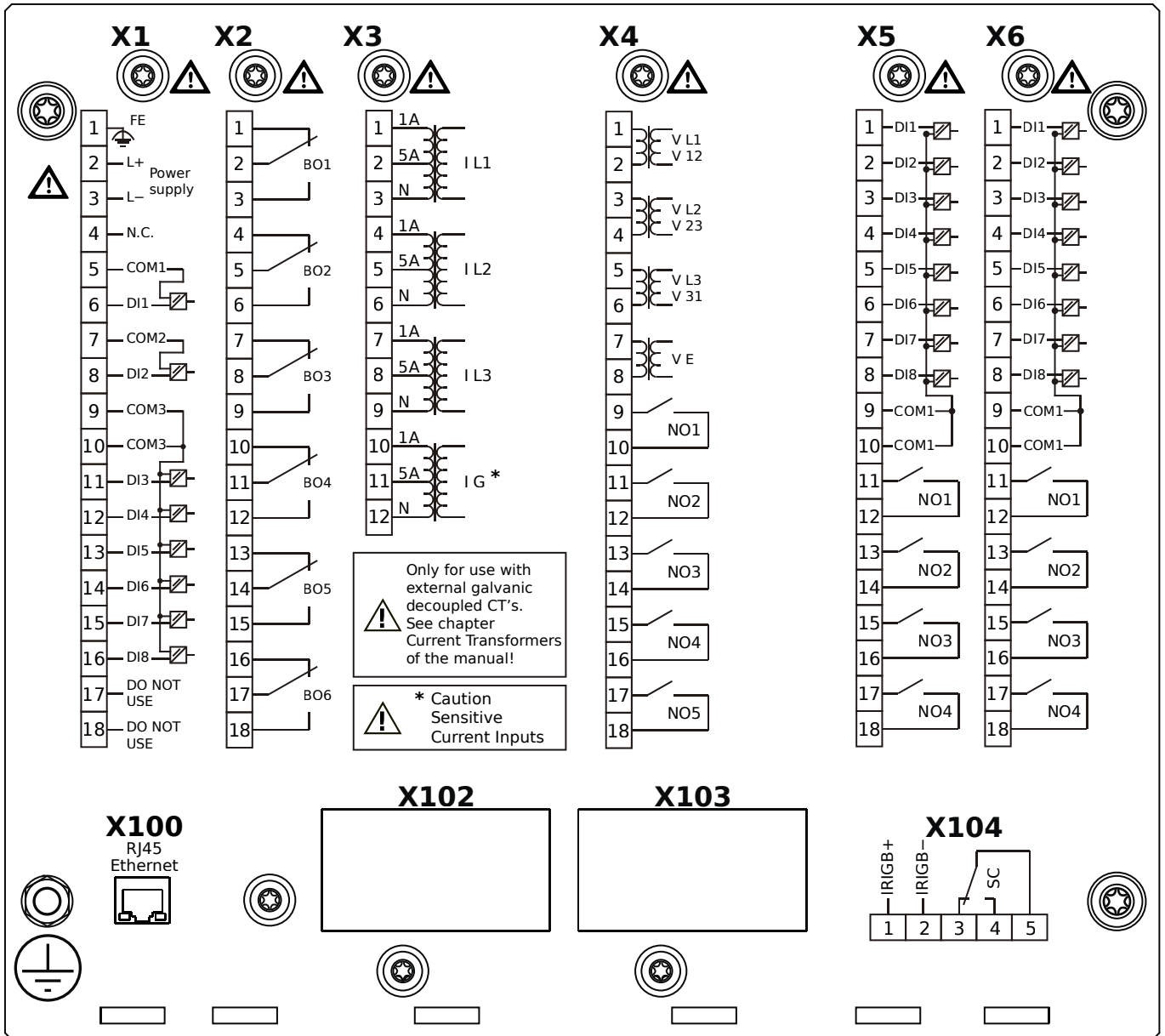
MCA4-2E1HGB



Housing B2, large display, door mounting

- X1** – DI8-X1: Wide-range power supply unit, incl. 2 non-grouped digital inputs and 6 grouped digital inputs
- X2** – OR6: Assembly Group with 6 Output Relays
- X3** – TIs: Standard phase current measuring card and sensitive ground current measuring
- X4** – TU-OR5: Voltage measuring assembly group with 5 additional Output Relays (normally open)
- X5** – DI8-OR4: Assembly Group with 8 Digital Inputs and 4 Output Relays
- X6** – DI8-OR4: Assembly Group with 8 Digital Inputs and 4 Output Relays
- X103** – Modbus RTU / IEC 60870-5-103 / DNP3.0 RTU, RS485, D-SUB
- X104** – IRIG-B00X, incl. System Contact (Supervision Contact)

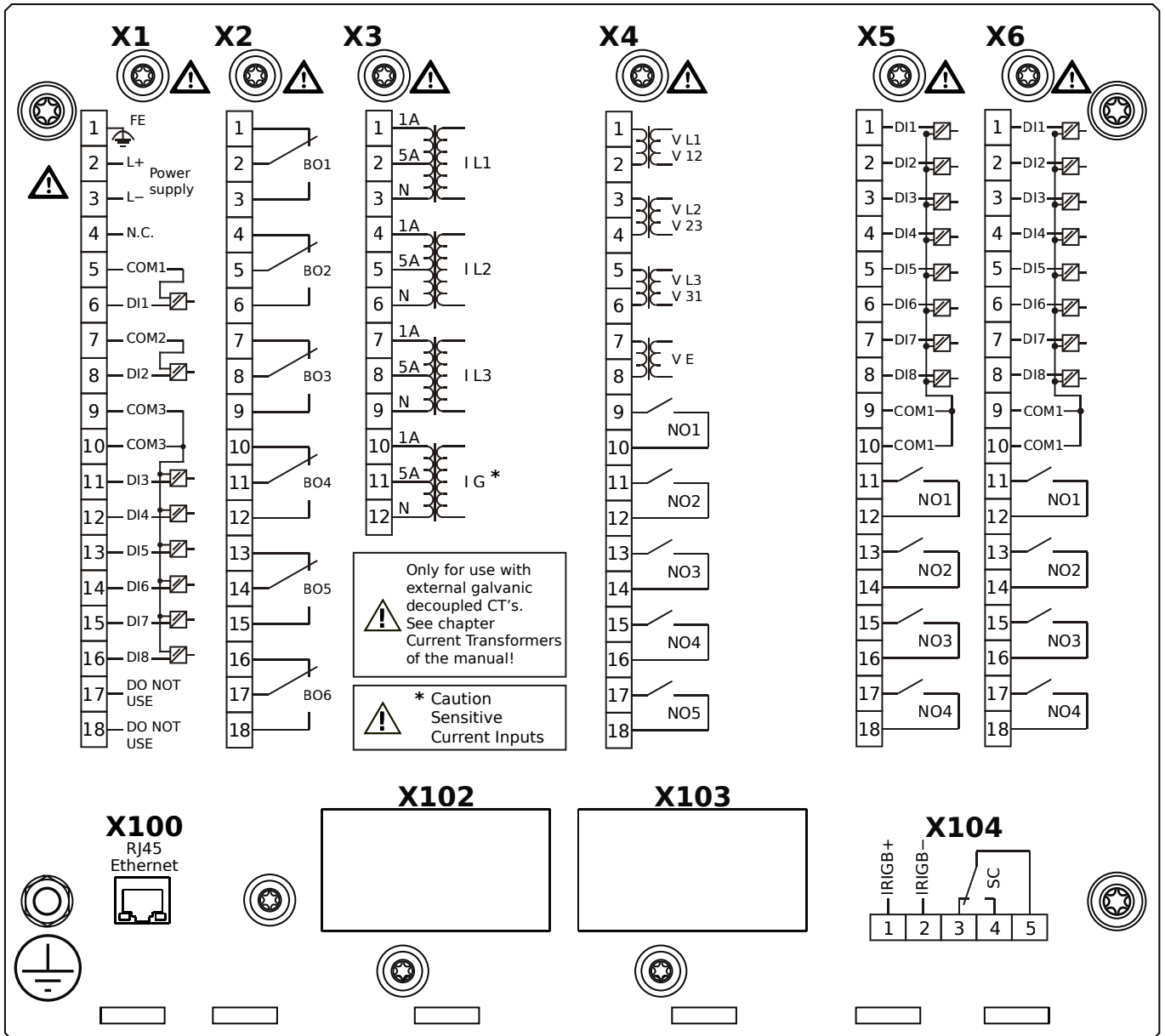
MCA4-2E1HHA



Housing B2, large display, door mounting

- X1** – DI8-X1: Wide-range power supply unit, incl. 2 non-grouped digital inputs and 6 grouped digital inputs
- X2** – OR6: Assembly Group with 6 Output Relays
- X3** – TIs: Standard phase current measuring card and sensitive ground current measuring
- X4** – TU-OR5: Voltage measuring assembly group with 5 additional Output Relays (normally open)
- X5** – DI8-OR4: Assembly Group with 8 Digital Inputs and 4 Output Relays
- X6** – DI8-OR4: Assembly Group with 8 Digital Inputs and 4 Output Relays
- X100** – IEC 61850 / Modbus TCP / DNP3.0 TCP/UDP, Ethernet interface, 100 Mbit/s, RJ45 (BASE100-FX)
- X104** – IRIG-B00X, incl. System Contact (Supervision Contact)

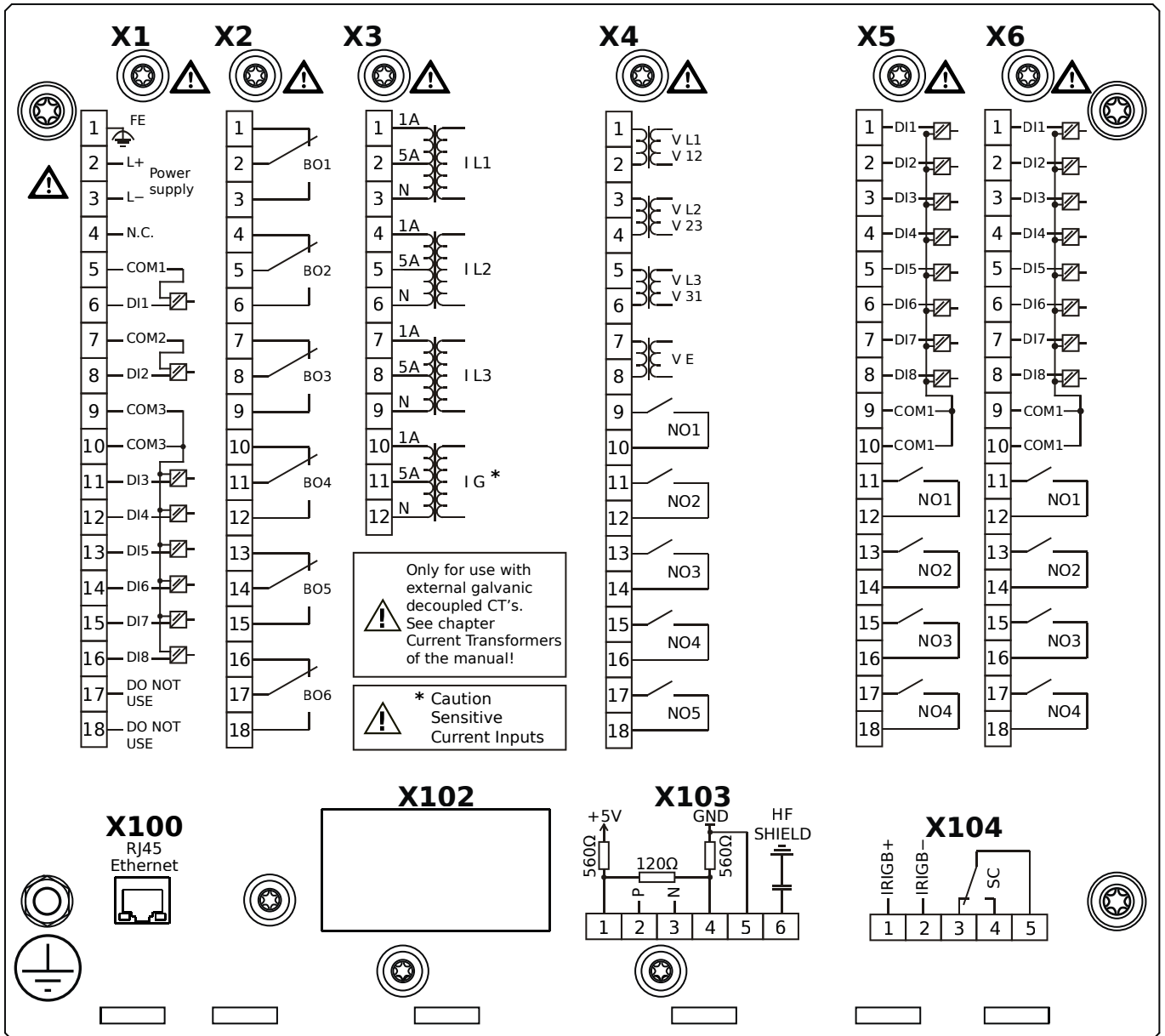
MCA4-2E1HHB



Housing B2, large display, door mounting

- X1** – DI8-X1: Wide-range power supply unit, incl. 2 non-grouped digital inputs and 6 grouped digital inputs
- X2** – OR6: Assembly Group with 6 Output Relays
- X3** – TIs: Standard phase current measuring card and sensitive ground current measuring
- X4** – TU-OR5: Voltage measuring assembly group with 5 additional Output Relays (normally open)
- X5** – DI8-OR4: Assembly Group with 8 Digital Inputs and 4 Output Relays
- X6** – DI8-OR4: Assembly Group with 8 Digital Inputs and 4 Output Relays
- X100** – IEC 61850 / Modbus TCP / DNP3.0 TCP/UDP, Ethernet interface, 100 Mbit/s, RJ45 (BASE100-FX)
- X104** – IRIG-B00X, incl. System Contact (Supervision Contact)

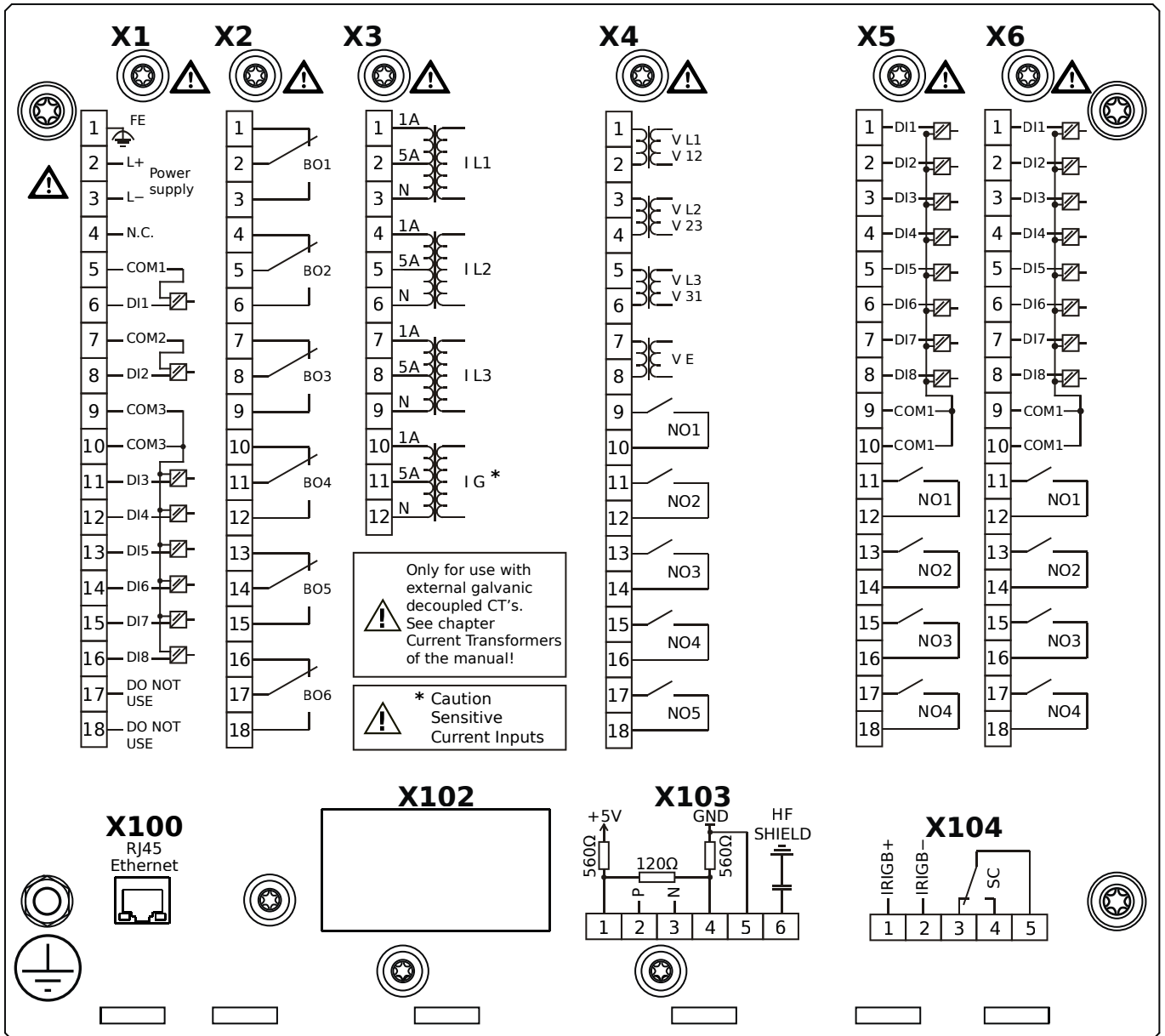
MCA4-2E1HIA



Housing B2, large display, door mounting

- X1** – DI8-X1: Wide-range power supply unit, incl. 2 non-grouped digital inputs and 6 grouped digital inputs
- X2** – OR6: Assembly Group with 6 Output Relays
- X3** – TIs: Standard phase current measuring card and sensitive ground current measuring
- X4** – TU-OR5: Voltage measuring assembly group with 5 additional Output Relays (normally open)
- X5** – DI8-OR4: Assembly Group with 8 Digital Inputs and 4 Output Relays
- X6** – DI8-OR4: Assembly Group with 8 Digital Inputs and 4 Output Relays
- X100** – Modbus TCP / DNP3.0 TCP/UDP, Ethernet interface, 100 Mbit/s, RJ45 (BASE100-FX)
- X103** – IEC 60870-5-103 / Modbus RTU / DNP3.0 RTU, RS485, Terminals
- X104** – IRIG-B00X, incl. System Contact (Supervision Contact)

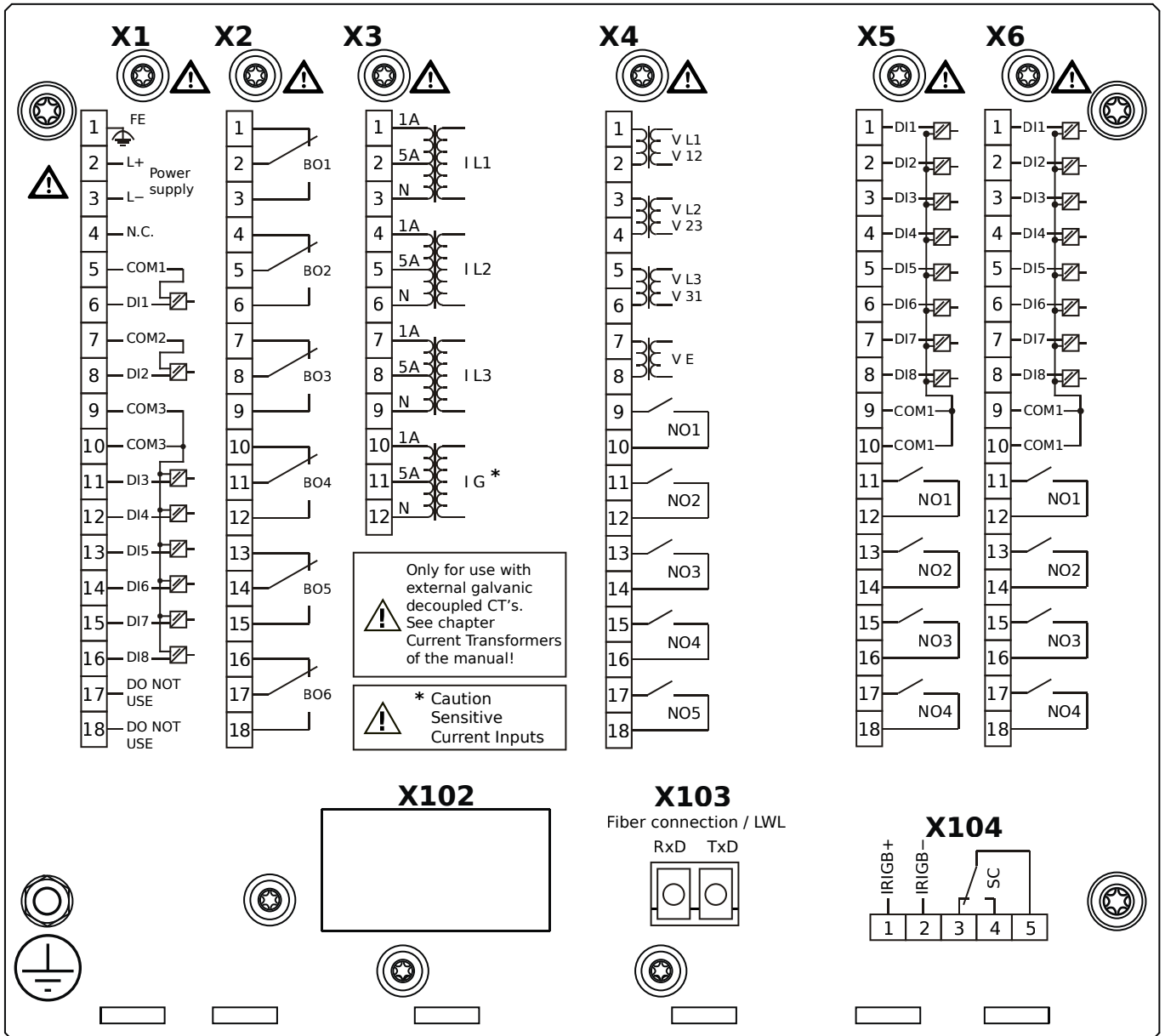
MCA4-2E1HIB



Housing B2, large display, door mounting

- X1** – DI8-X1: Wide-range power supply unit, incl. 2 non-grouped digital inputs and 6 grouped digital inputs
- X2** – OR6: Assembly Group with 6 Output Relays
- X3** – TIs: Standard phase current measuring card and sensitive ground current measuring
- X4** – TU-OR5: Voltage measuring assembly group with 5 additional Output Relays (normally open)
- X5** – DI8-OR4: Assembly Group with 8 Digital Inputs and 4 Output Relays
- X6** – DI8-OR4: Assembly Group with 8 Digital Inputs and 4 Output Relays
- X100** – Modbus TCP / DNP3.0 TCP/UDP, Ethernet interface, 100 Mbit/s, RJ45 (BASE100-FX)
- X103** – IEC 60870-5-103 / Modbus RTU / DNP3.0 RTU, RS485, Terminals
- X104** – IRIG-B00X, incl. System Contact (Supervision Contact)

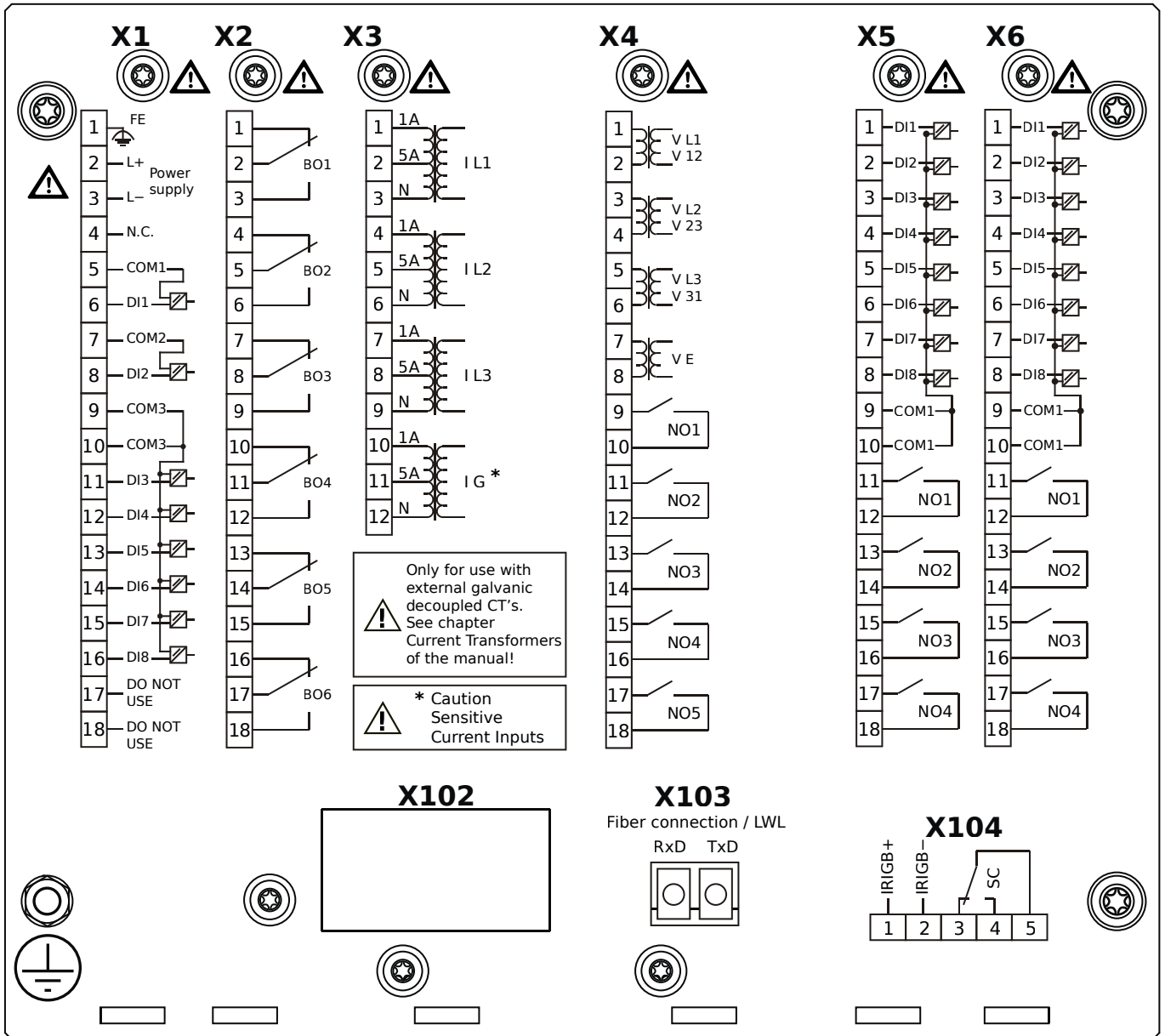
MCA4-2E1HKA



Housing B2, large display, door mounting

- X1** – DI8-X1: Wide-range power supply unit, incl. 2 non-grouped digital inputs and 6 grouped digital inputs
- X2** – OR6: Assembly Group with 6 Output Relays
- X3** – TIs: Standard phase current measuring card and sensitive ground current measuring
- X4** – TU-OR5: Voltage measuring assembly group with 5 additional Output Relays (normally open)
- X5** – DI8-OR4: Assembly Group with 8 Digital Inputs and 4 Output Relays
- X6** – DI8-OR4: Assembly Group with 8 Digital Inputs and 4 Output Relays
- X103** – IEC 61850 / Modbus TCP / DNP3.0 TCP/UDP, Fiber optics interface, LC Connector
- X104** – IRIG-B00X, incl. System Contact (Supervision Contact)

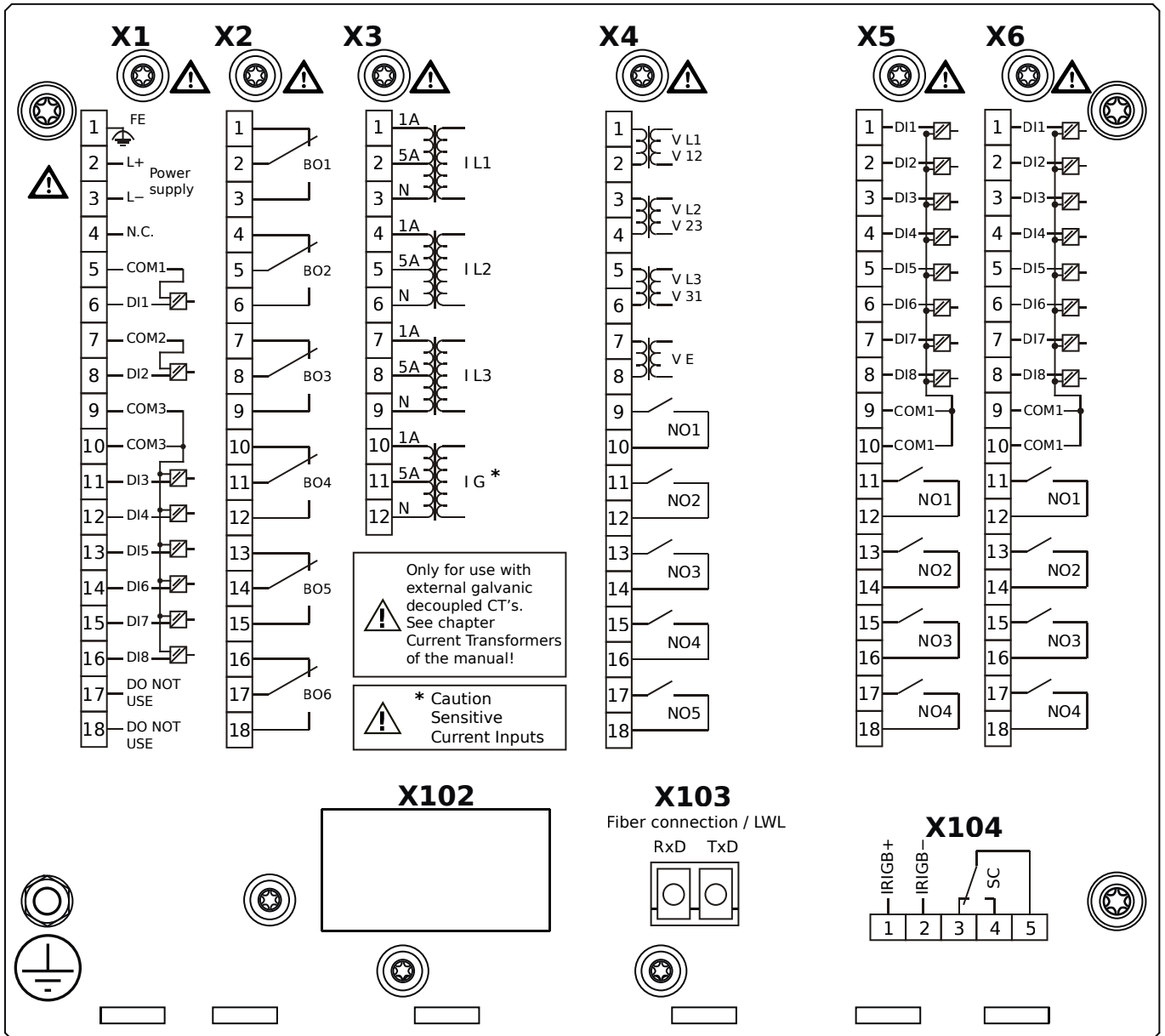
MCA4-2E1HKB



Housing B2, large display, door mounting

- X1** – DI8-X1: Wide-range power supply unit, incl. 2 non-grouped digital inputs and 6 grouped digital inputs
- X2** – OR6: Assembly Group with 6 Output Relays
- X3** – TIs: Standard phase current measuring card and sensitive ground current measuring
- X4** – TU-OR5: Voltage measuring assembly group with 5 additional Output Relays (normally open)
- X5** – DI8-OR4: Assembly Group with 8 Digital Inputs and 4 Output Relays
- X6** – DI8-OR4: Assembly Group with 8 Digital Inputs and 4 Output Relays
- X103** – IEC 61850 / Modbus TCP / DNP3.0 TCP/UDP, Fiber optics interface, LC Connector
- X104** – IRIG-B00X, incl. System Contact (Supervision Contact)

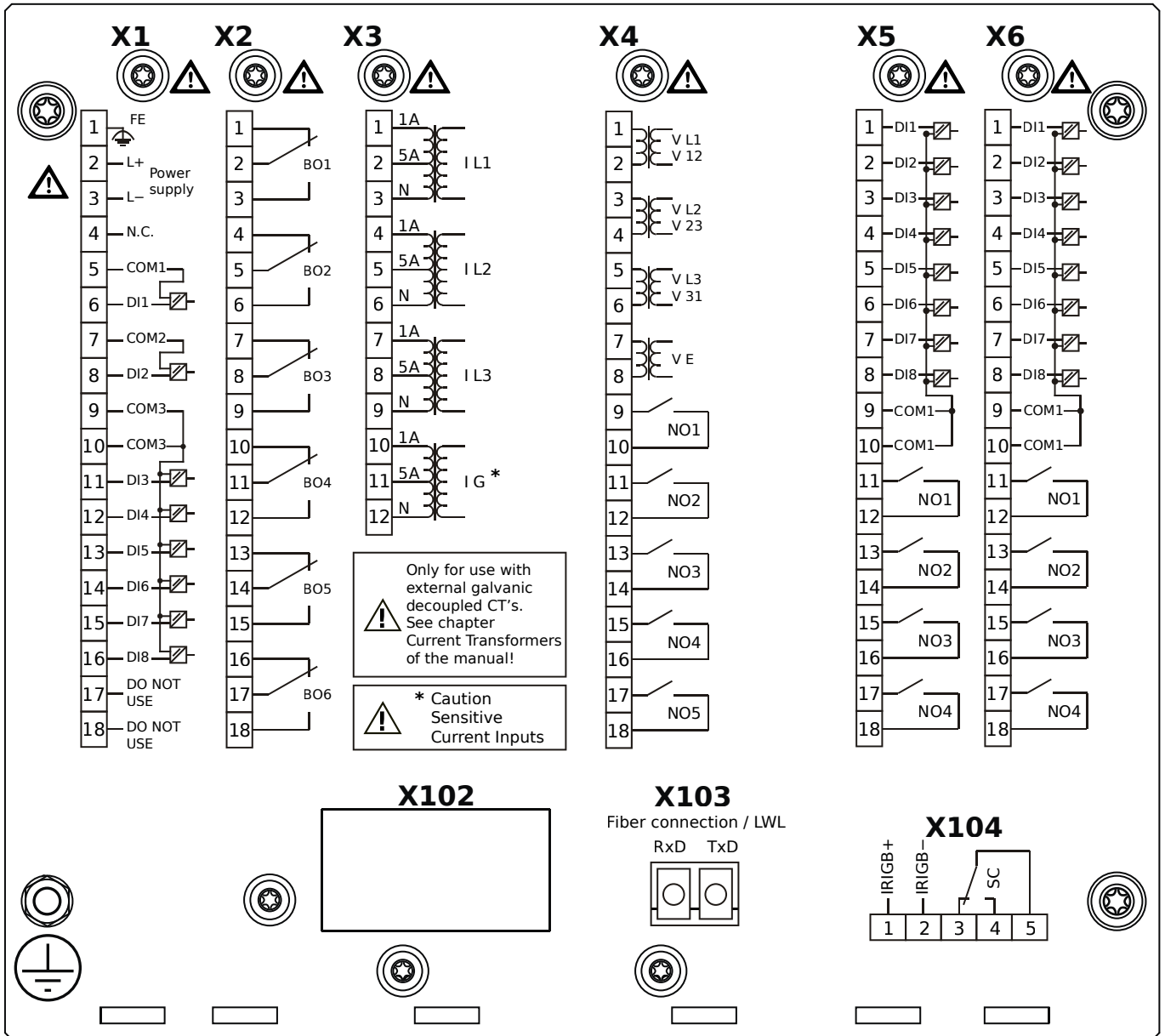
MCA4-2E1HLA



Housing B2, large display, door mounting

- X1** – DI8-X1: Wide-range power supply unit, incl. 2 non-grouped digital inputs and 6 grouped digital inputs
- X2** – OR6: Assembly Group with 6 Output Relays
- X3** – TIs: Standard phase current measuring card and sensitive ground current measuring
- X4** – TU-OR5: Voltage measuring assembly group with 5 additional Output Relays (normally open)
- X5** – DI8-OR4: Assembly Group with 8 Digital Inputs and 4 Output Relays
- X6** – DI8-OR4: Assembly Group with 8 Digital Inputs and 4 Output Relays
- X103** – Modbus TCP / DNP3.0 TCP/UDP, Fiber optics interface, LC Connector
- X104** – IRIG-B00X, incl. System Contact (Supervision Contact)

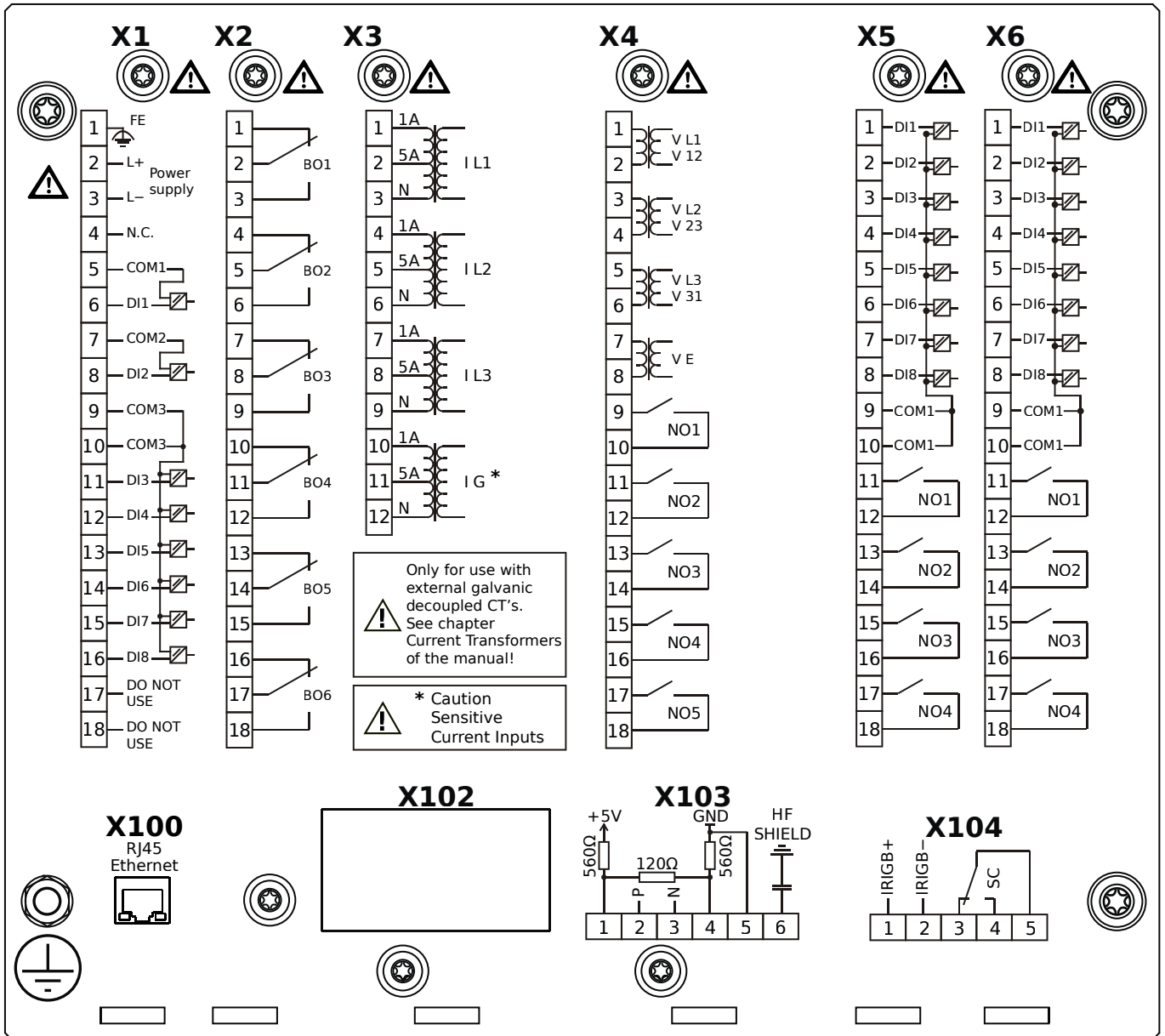
MCA4-2E1HLB



Housing B2, large display, door mounting

- X1** – DI8-X1: Wide-range power supply unit, incl. 2 non-grouped digital inputs and 6 grouped digital inputs
- X2** – OR6: Assembly Group with 6 Output Relays
- X3** – TIs: Standard phase current measuring card and sensitive ground current measuring
- X4** – TU-OR5: Voltage measuring assembly group with 5 additional Output Relays (normally open)
- X5** – DI8-OR4: Assembly Group with 8 Digital Inputs and 4 Output Relays
- X6** – DI8-OR4: Assembly Group with 8 Digital Inputs and 4 Output Relays
- X103** – Modbus TCP / DNP3.0 TCP/UDP, Fiber optics interface, LC Connector
- X104** – IRIG-B00X, incl. System Contact (Supervision Contact)

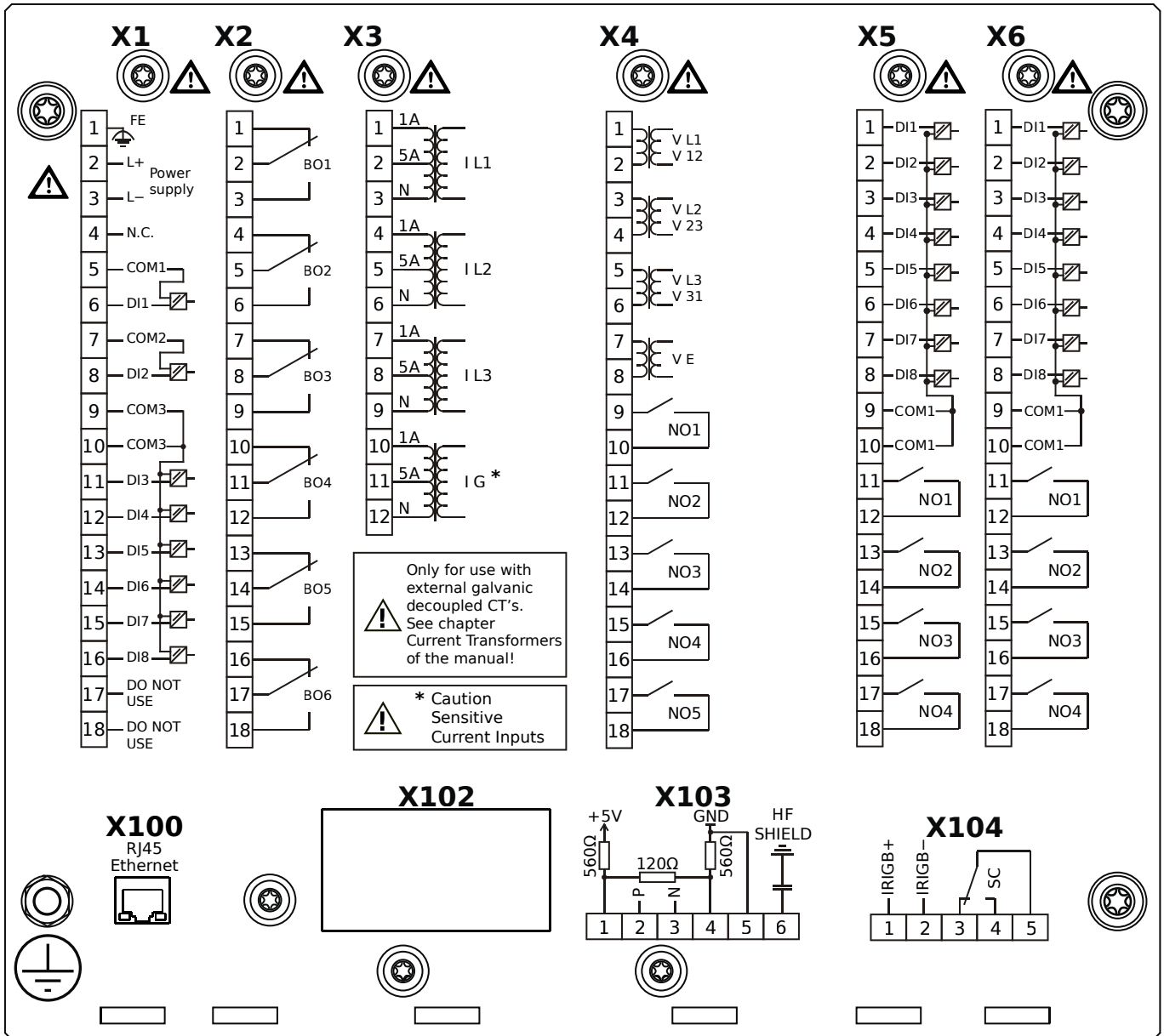
MCA4-2E1HTA



Housing B2, large display, door mounting

- X1** – DI8-X1: Wide-range power supply unit, incl. 2 non-grouped digital inputs and 6 grouped digital inputs
- X2** – OR6: Assembly Group with 6 Output Relays
- X3** – TIs: Standard phase current measuring card and sensitive ground current measuring
- X4** – TU-OR5: Voltage measuring assembly group with 5 additional Output Relays (normally open)
- X5** – DI8-OR4: Assembly Group with 8 Digital Inputs and 4 Output Relays
- X6** – DI8-OR4: Assembly Group with 8 Digital Inputs and 4 Output Relays
- X100** – IEC 61850 / Modbus TCP / DNP3.0 TCP/UDP, Ethernet interface, 100 Mbit/s, RJ45 (BASE100-FX)
- X103** – IEC 60870-5-103 / Modbus RTU / DNP3.0 RTU, RS485, Terminals
- X104** – IRIG-B00X, incl. System Contact (Supervision Contact)

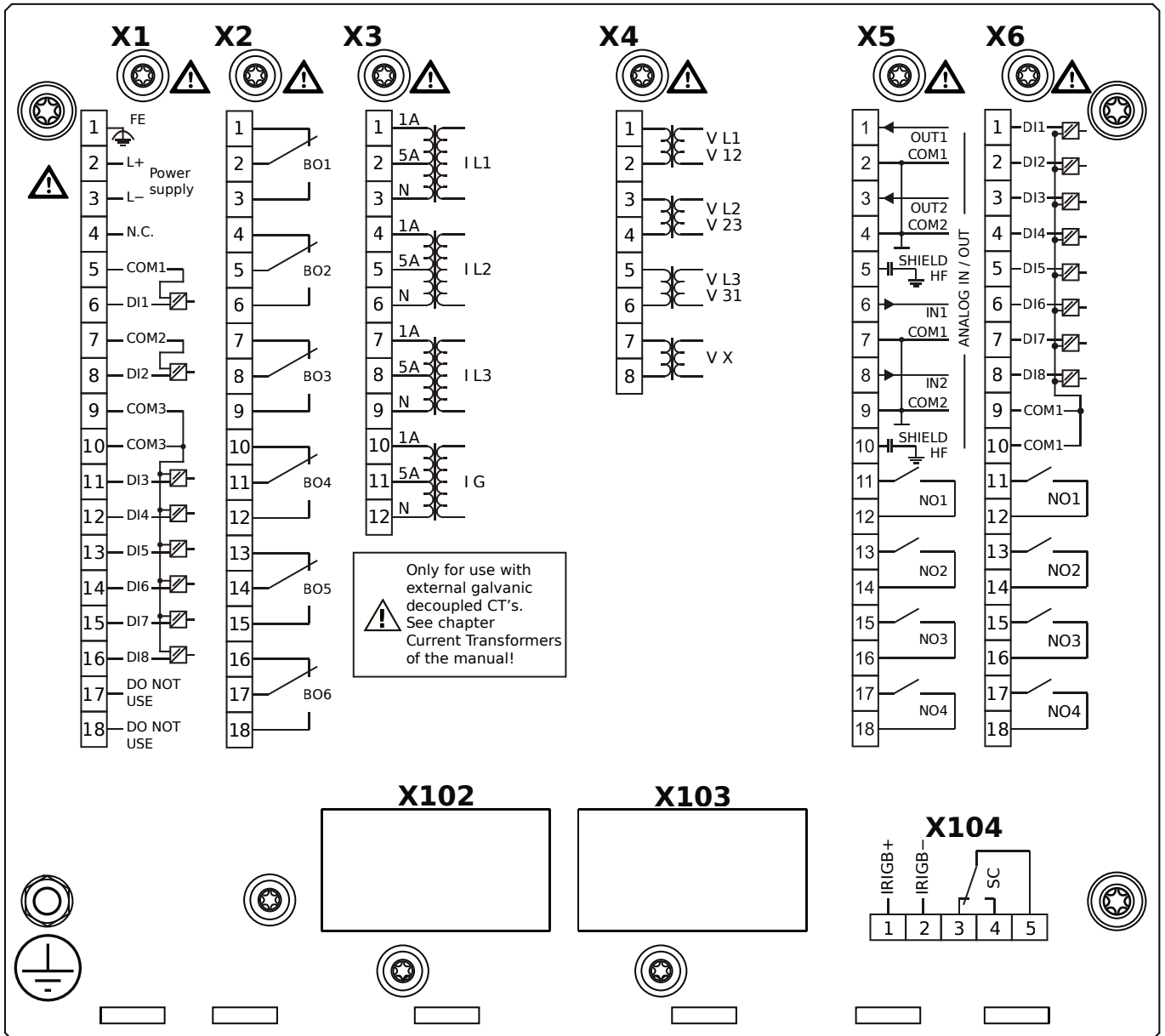
MCA4-2E1HTB



Housing B2, large display, door mounting

- X1** – DI8-X1: Wide-range power supply unit, incl. 2 non-grouped digital inputs and 6 grouped digital inputs
- X2** – OR6: Assembly Group with 6 Output Relays
- X3** – TIs: Standard phase current measuring card and sensitive ground current measuring
- X4** – TU-OR5: Voltage measuring assembly group with 5 additional Output Relays (normally open)
- X5** – DI8-OR4: Assembly Group with 8 Digital Inputs and 4 Output Relays
- X6** – DI8-OR4: Assembly Group with 8 Digital Inputs and 4 Output Relays
- X100** – IEC 61850 / Modbus TCP / DNP3.0 TCP/UDP, Ethernet interface, 100 Mbit/s, RJ45 (BASE100-FX)
- X103** – IEC 60870-5-103 / Modbus RTU / DNP3.0 RTU, RS485, Terminals
- X104** – IRIG-B00X, incl. System Contact (Supervision Contact)

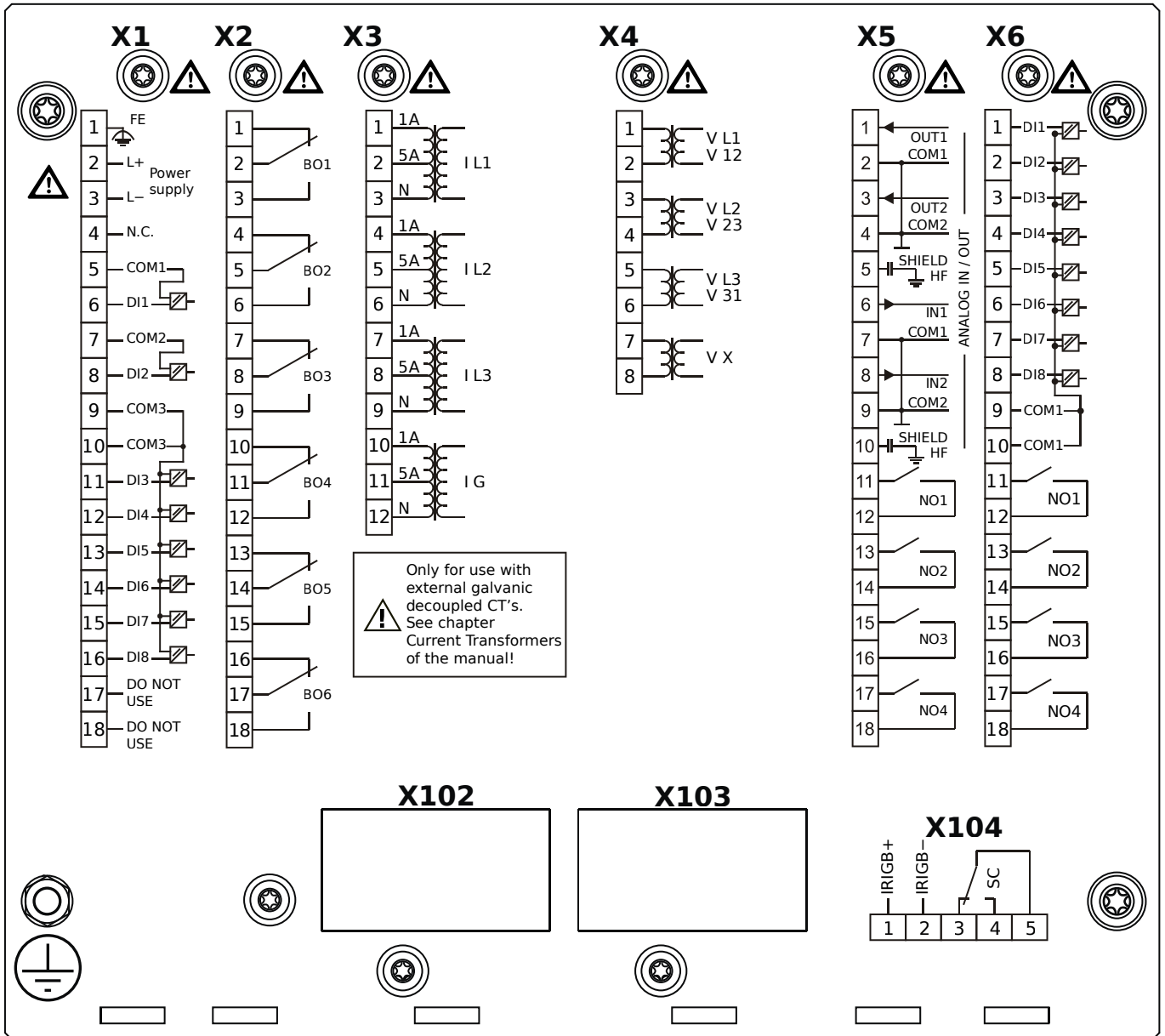
MCA4-2F0AAA



Housing B2, large display, door mounting

- X1** – DI8-X1: Wide-range power supply unit, incl. 2 non-grouped digital inputs and 6 grouped digital inputs
- X2** – OR6: Assembly Group with 6 Output Relays
- X3** – TI: Standard current measuring card
- X4** – TU: Card with 4 voltage transformer measuring inputs
- X5** – AnIO2-OR4: Assembly Group with 2 Analog Inputs, 2 Analog Outputs and 4 Output Relays
- X6** – DI8-OR4: Assembly Group with 8 Digital Inputs and 4 Output Relays
- X104** – IRIG-B00X, incl. System Contact (Supervision Contact)

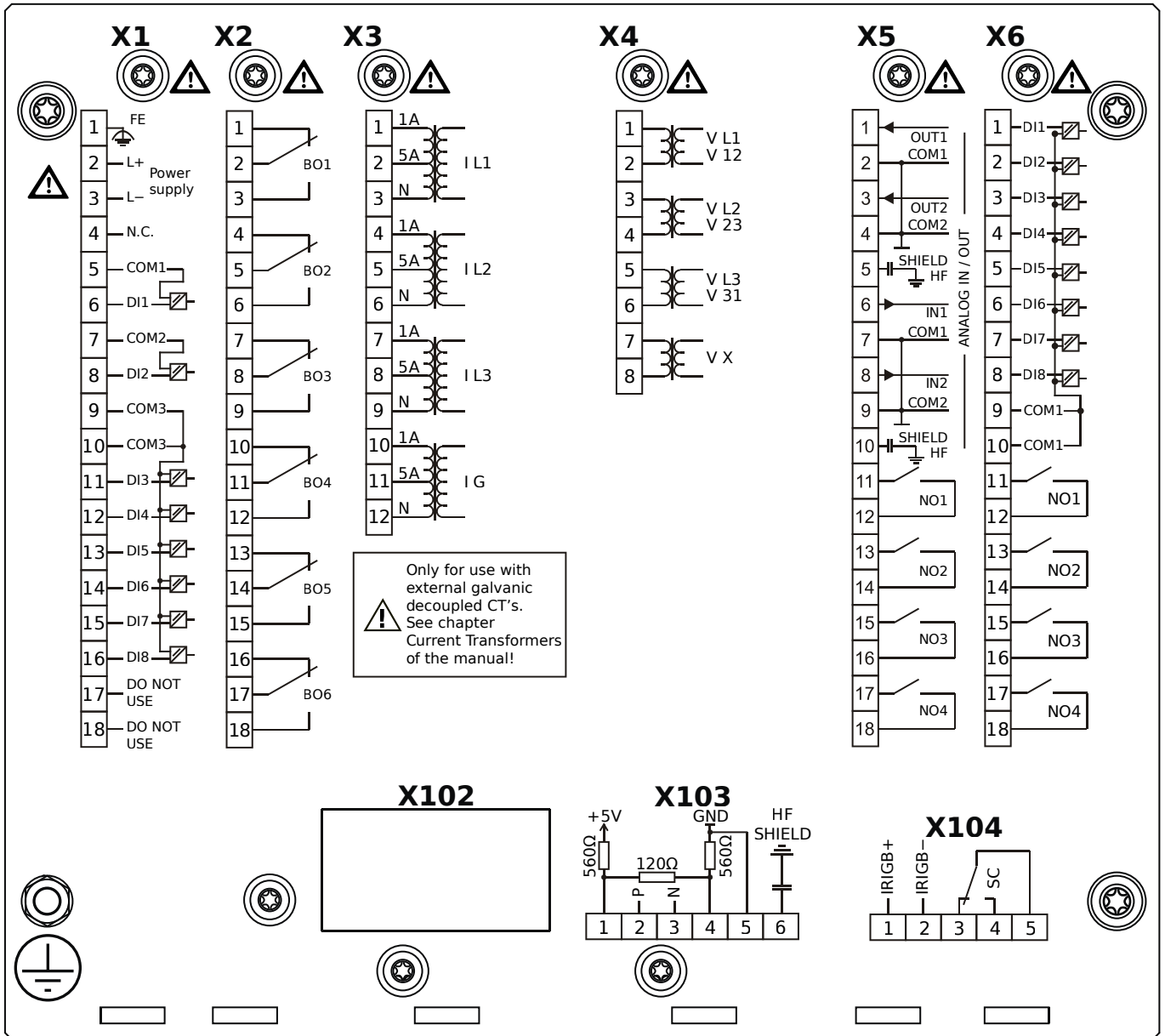
MCA4-2F0AAB



Housing B2, large display, door mounting

- X1** – DI8-X1: Wide-range power supply unit, incl. 2 non-grouped digital inputs and 6 grouped digital inputs
- X2** – OR6: Assembly Group with 6 Output Relays
- X3** – TI: Standard current measuring card
- X4** – TU: Card with 4 voltage transformer measuring inputs
- X5** – AnIO2-OR4: Assembly Group with 2 Analog Inputs, 2 Analog Outputs and 4 Output Relays
- X6** – DI8-OR4: Assembly Group with 8 Digital Inputs and 4 Output Relays
- X104** – IRIG-B00X, incl. System Contact (Supervision Contact)

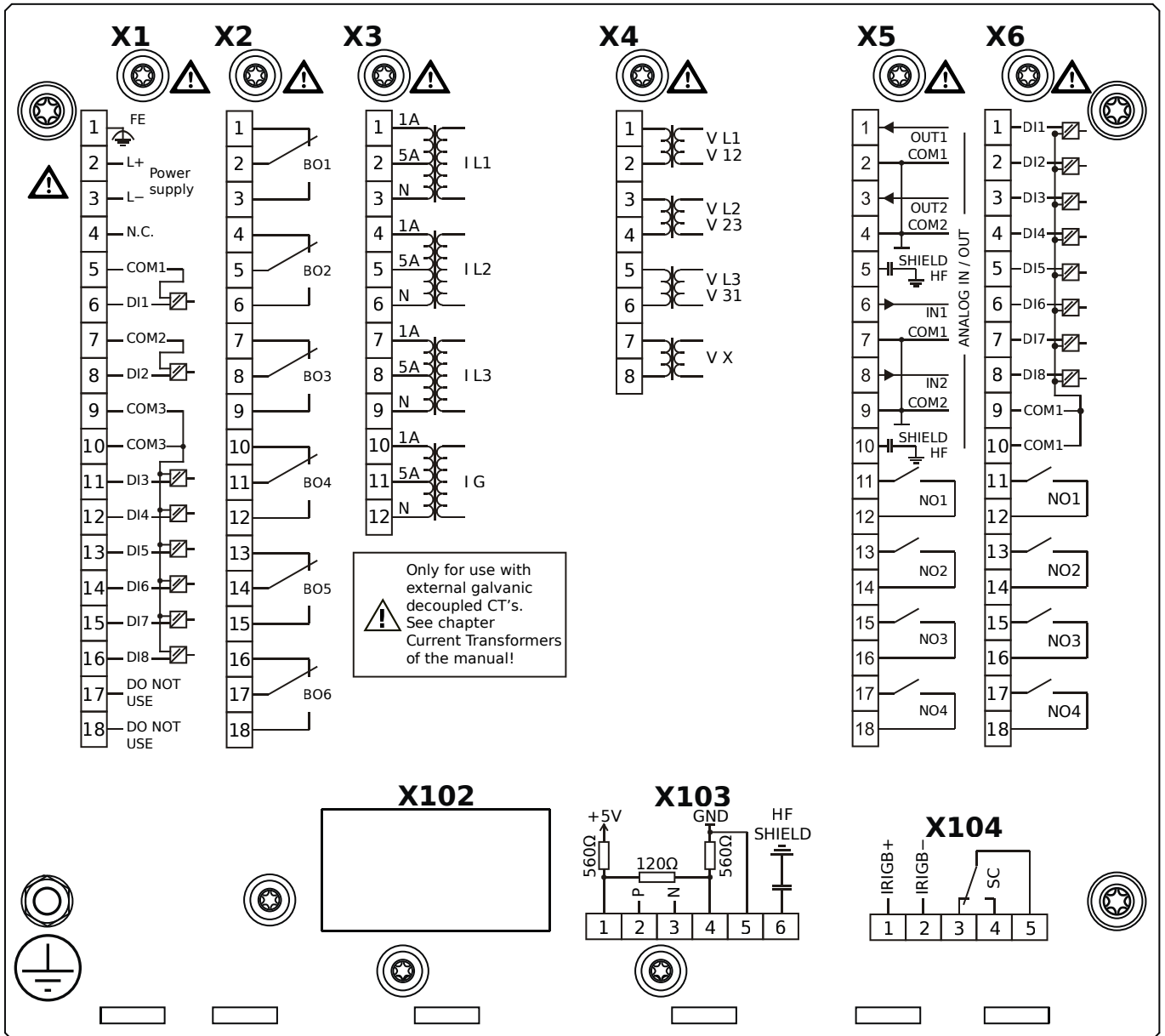
MCA4-2F0ABA



Housing B2, large display, door mounting

- X1** – DI8-X1: Wide-range power supply unit, incl. 2 non-grouped digital inputs and 6 grouped digital inputs
- X2** – OR6: Assembly Group with 6 Output Relays
- X3** – TI: Standard current measuring card
- X4** – TU: Card with 4 voltage transformer measuring inputs
- X5** – AnIO2-OR4: Assembly Group with 2 Analog Inputs, 2 Analog Outputs and 4 Output Relays
- X6** – DI8-OR4: Assembly Group with 8 Digital Inputs and 4 Output Relays
- X103** – Modbus RTU / IEC 60870-5-103 / DNP3.0 RTU, RS485, Terminals
- X104** – IRIG-B00X, incl. System Contact (Supervision Contact)

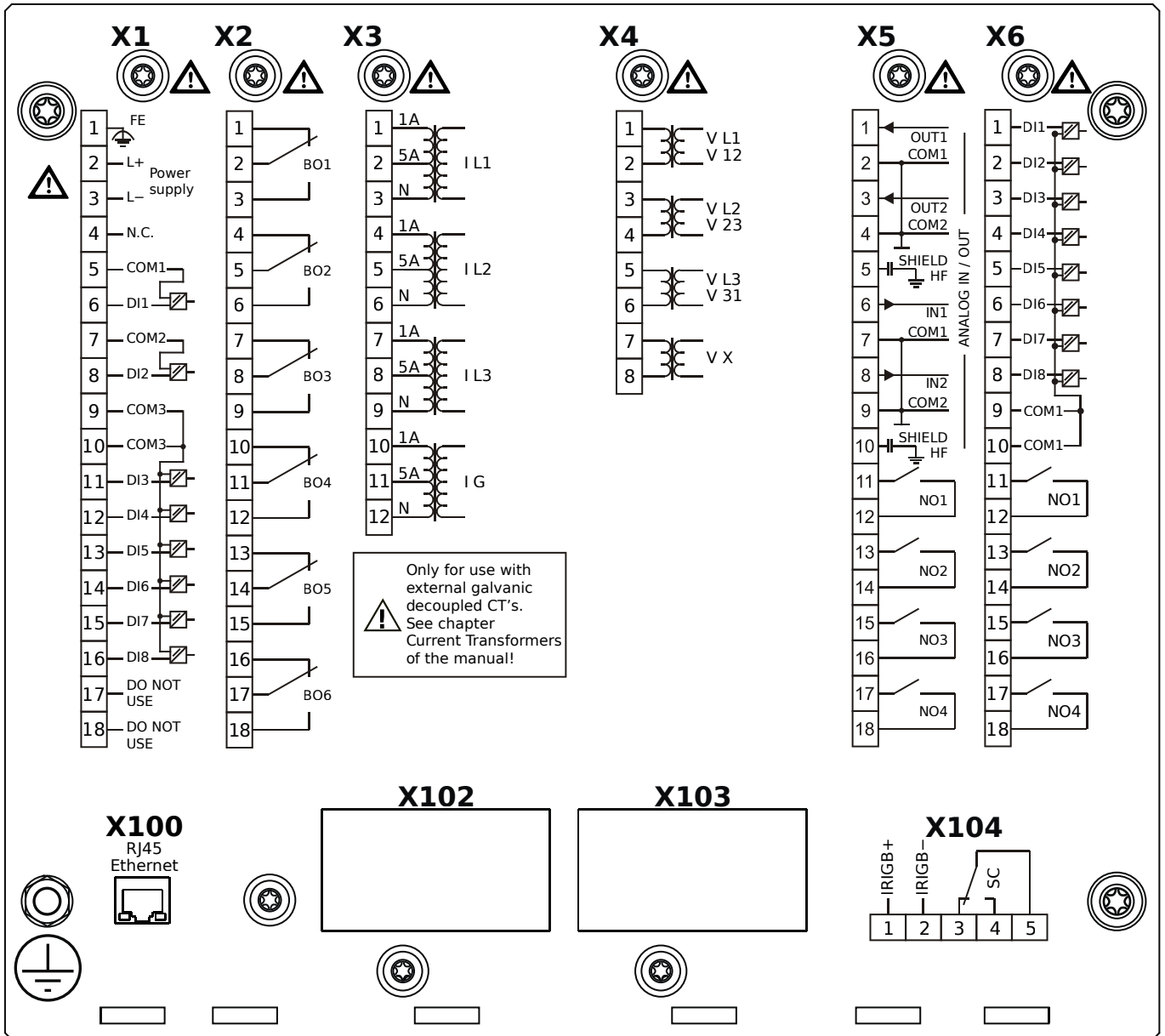
MCA4-2F0ABB



Housing B2, large display, door mounting

- X1** – DI8-X1: Wide-range power supply unit, incl. 2 non-grouped digital inputs and 6 grouped digital inputs
- X2** – OR6: Assembly Group with 6 Output Relays
- X3** – TI: Standard current measuring card
- X4** – TU: Card with 4 voltage transformer measuring inputs
- X5** – AnIO2-OR4: Assembly Group with 2 Analog Inputs, 2 Analog Outputs and 4 Output Relays
- X6** – DI8-OR4: Assembly Group with 8 Digital Inputs and 4 Output Relays
- X103** – Modbus RTU / IEC 60870-5-103 / DNP3.0 RTU, RS485, Terminals
- X104** – IRIG-B00X, incl. System Contact (Supervision Contact)

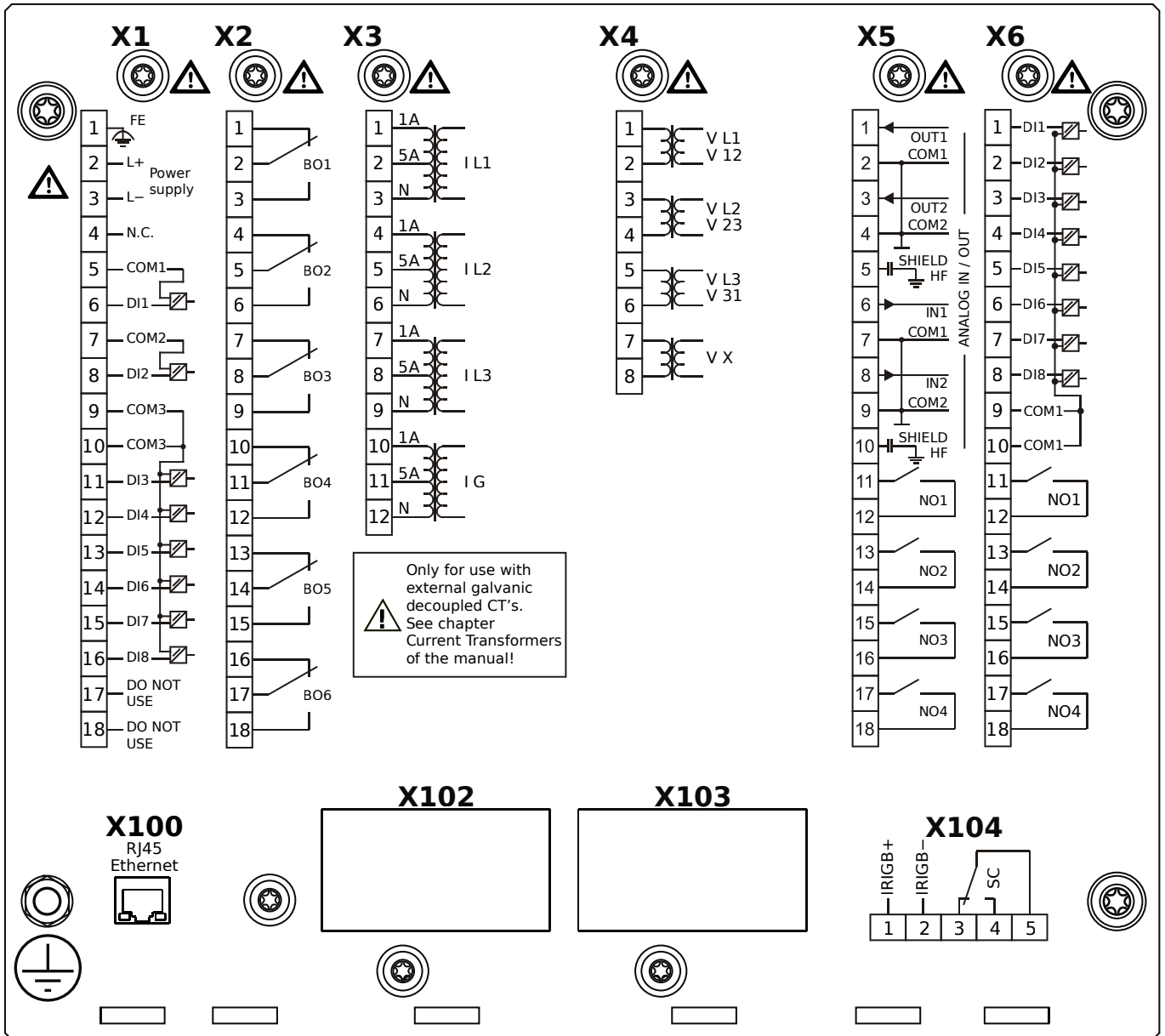
MCA4-2F0ACA



Housing B2, large display, door mounting

- X1** – DI8-X1: Wide-range power supply unit, incl. 2 non-grouped digital inputs and 6 grouped digital inputs
- X2** – OR6: Assembly Group with 6 Output Relays
- X3** – TI: Standard current measuring card
- X4** – TU: Card with 4 voltage transformer measuring inputs
- X5** – AnIO2-OR4: Assembly Group with 2 Analog Inputs, 2 Analog Outputs and 4 Output Relays
- X6** – DI8-OR4: Assembly Group with 8 Digital Inputs and 4 Output Relays
- X100** – Modbus TCP / DNP3.0 TCP/UDP, Ethernet interface, 100 Mbit/s, RJ45 (BASE100-FX)
- X104** – IRIG-B00X, incl. System Contact (Supervision Contact)

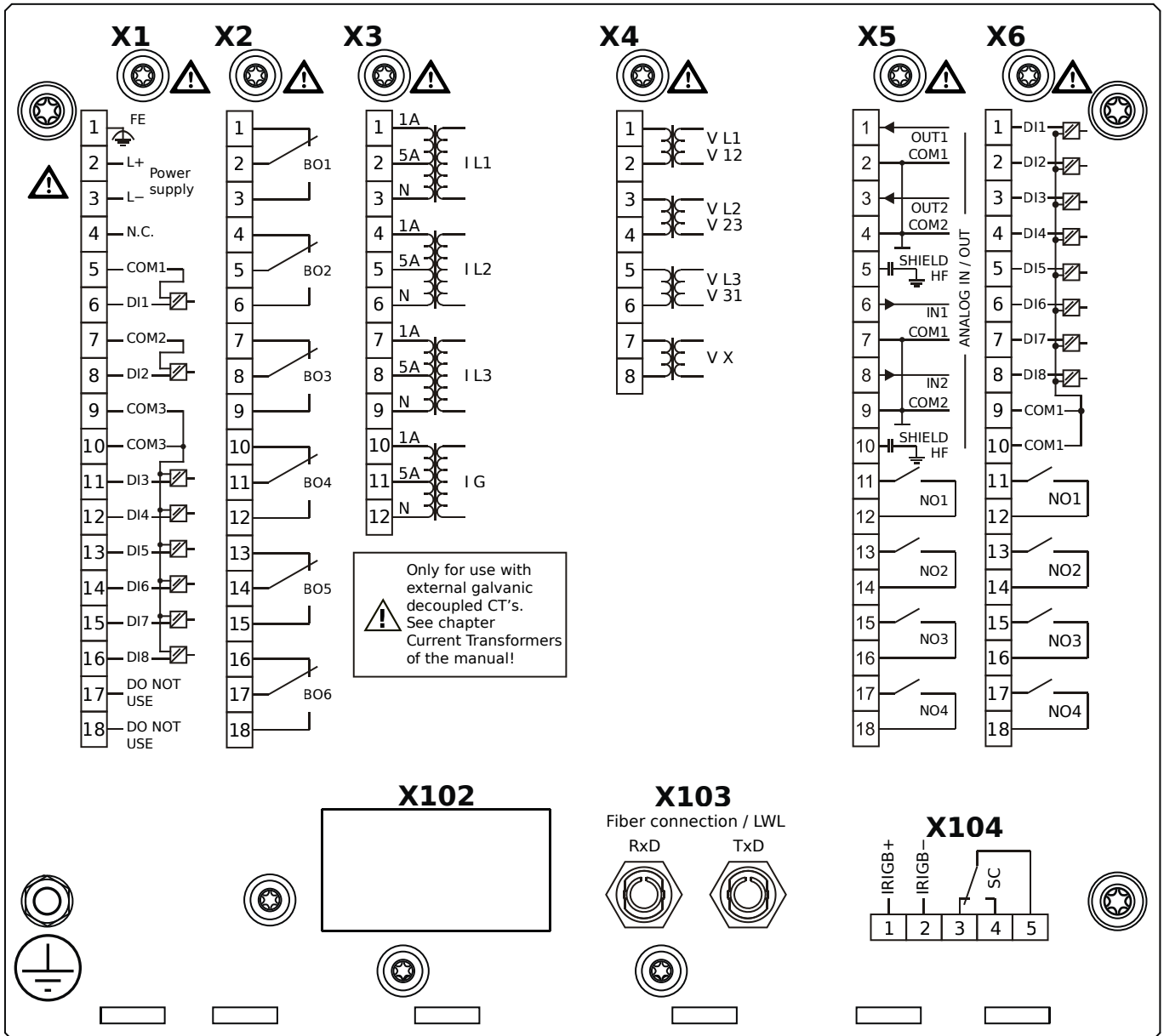
MCA4-2F0ACB



Housing B2, large display, door mounting

- X1** – DI8-X1: Wide-range power supply unit, incl. 2 non-grouped digital inputs and 6 grouped digital inputs
- X2** – OR6: Assembly Group with 6 Output Relays
- X3** – TI: Standard current measuring card
- X4** – TU: Card with 4 voltage transformer measuring inputs
- X5** – AnIO2-OR4: Assembly Group with 2 Analog Inputs, 2 Analog Outputs and 4 Output Relays
- X6** – DI8-OR4: Assembly Group with 8 Digital Inputs and 4 Output Relays
- X100** – Modbus TCP / DNP3.0 TCP/UDP, Ethernet interface, 100 Mbit/s, RJ45 (BASE100-FX)
- X104** – IRIG-B00X, incl. System Contact (Supervision Contact)

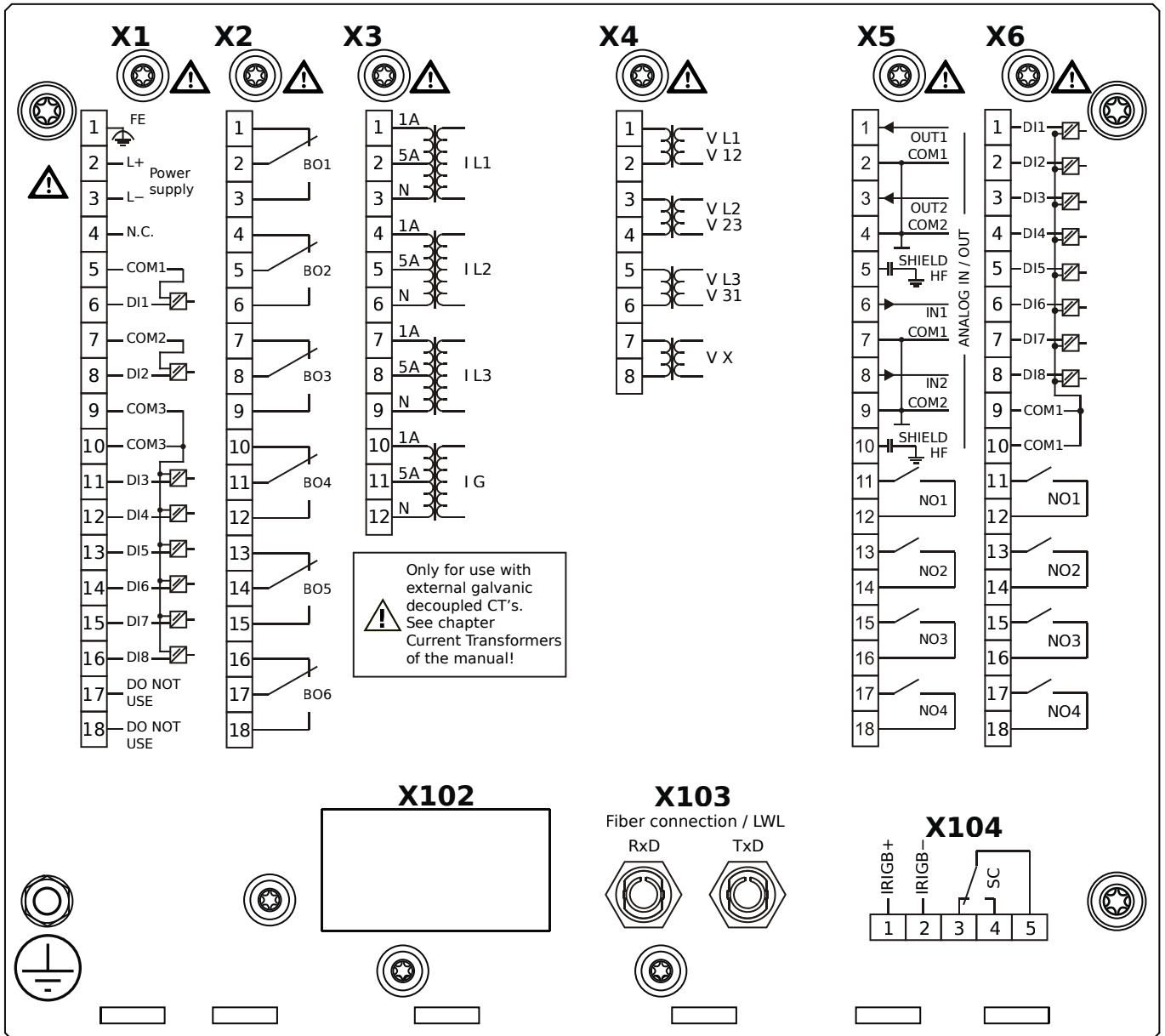
MCA4-2F0ADA



Housing B2, large display, door mounting

- X1** – DI8-X1: Wide-range power supply unit, incl. 2 non-grouped digital inputs and 6 grouped digital inputs
- X2** – OR6: Assembly Group with 6 Output Relays
- X3** – TI: Standard current measuring card
- X4** – TU: Card with 4 voltage transformer measuring inputs
- X5** – AnIO2-OR4: Assembly Group with 2 Analog Inputs, 2 Analog Outputs and 4 Output Relays
- X6** – DI8-OR4: Assembly Group with 8 Digital Inputs and 4 Output Relays
- X103** – Profibus-DP, Fiber optics interface, ST Connector
- X104** – IRIG-B00X, incl. System Contact (Supervision Contact)

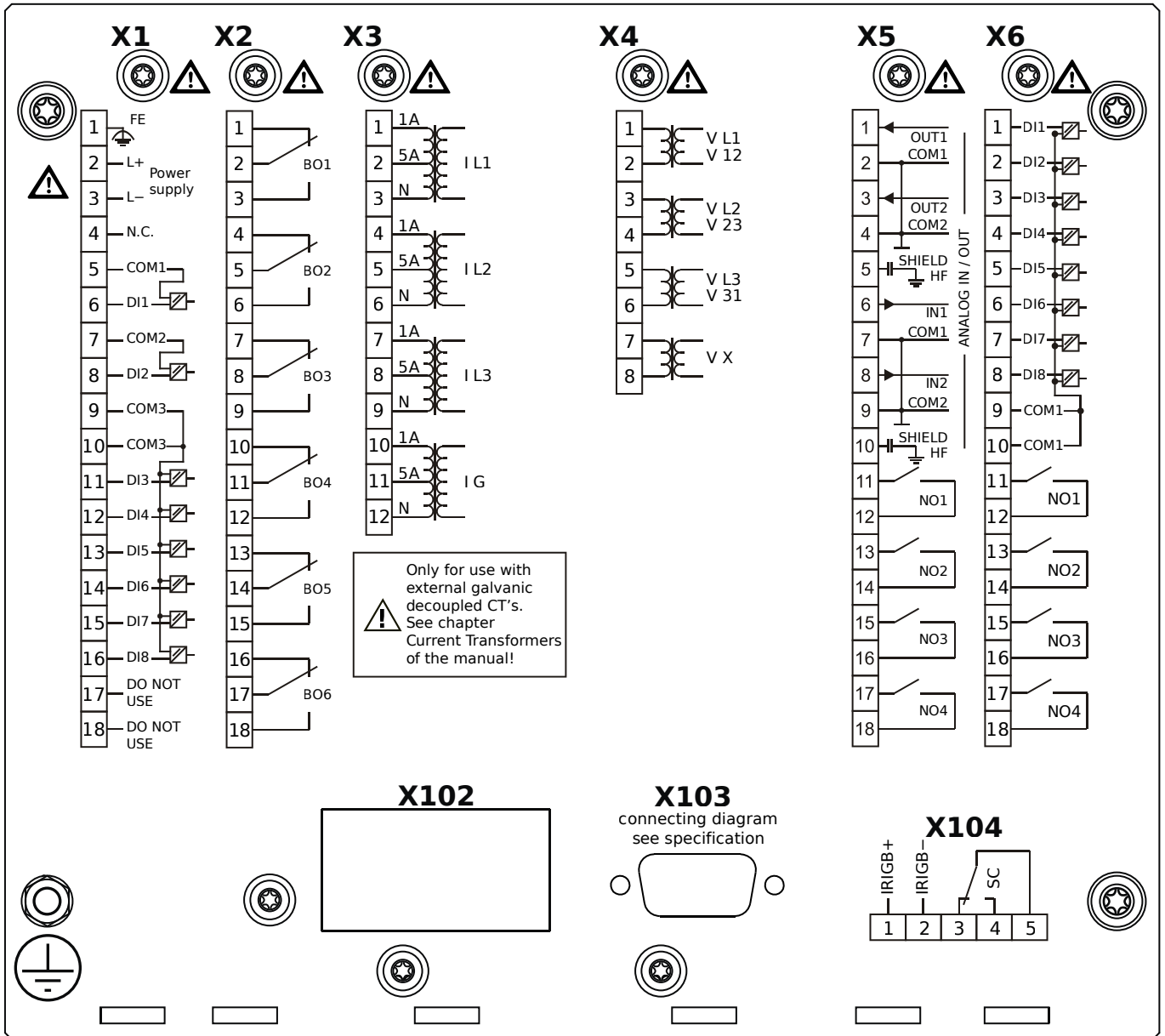
MCA4-2F0ADB



Housing B2, large display, door mounting

- X1** – DI8-X1: Wide-range power supply unit, incl. 2 non-grouped digital inputs and 6 grouped digital inputs
- X2** – OR6: Assembly Group with 6 Output Relays
- X3** – TI: Standard current measuring card
- X4** – TU: Card with 4 voltage transformer measuring inputs
- X5** – AnIO2-OR4: Assembly Group with 2 Analog Inputs, 2 Analog Outputs and 4 Output Relays
- X6** – DI8-OR4: Assembly Group with 8 Digital Inputs and 4 Output Relays
- X103** – Profibus-DP, Fiber optics interface, ST Connector
- X104** – IRIG-B00X, incl. System Contact (Supervision Contact)

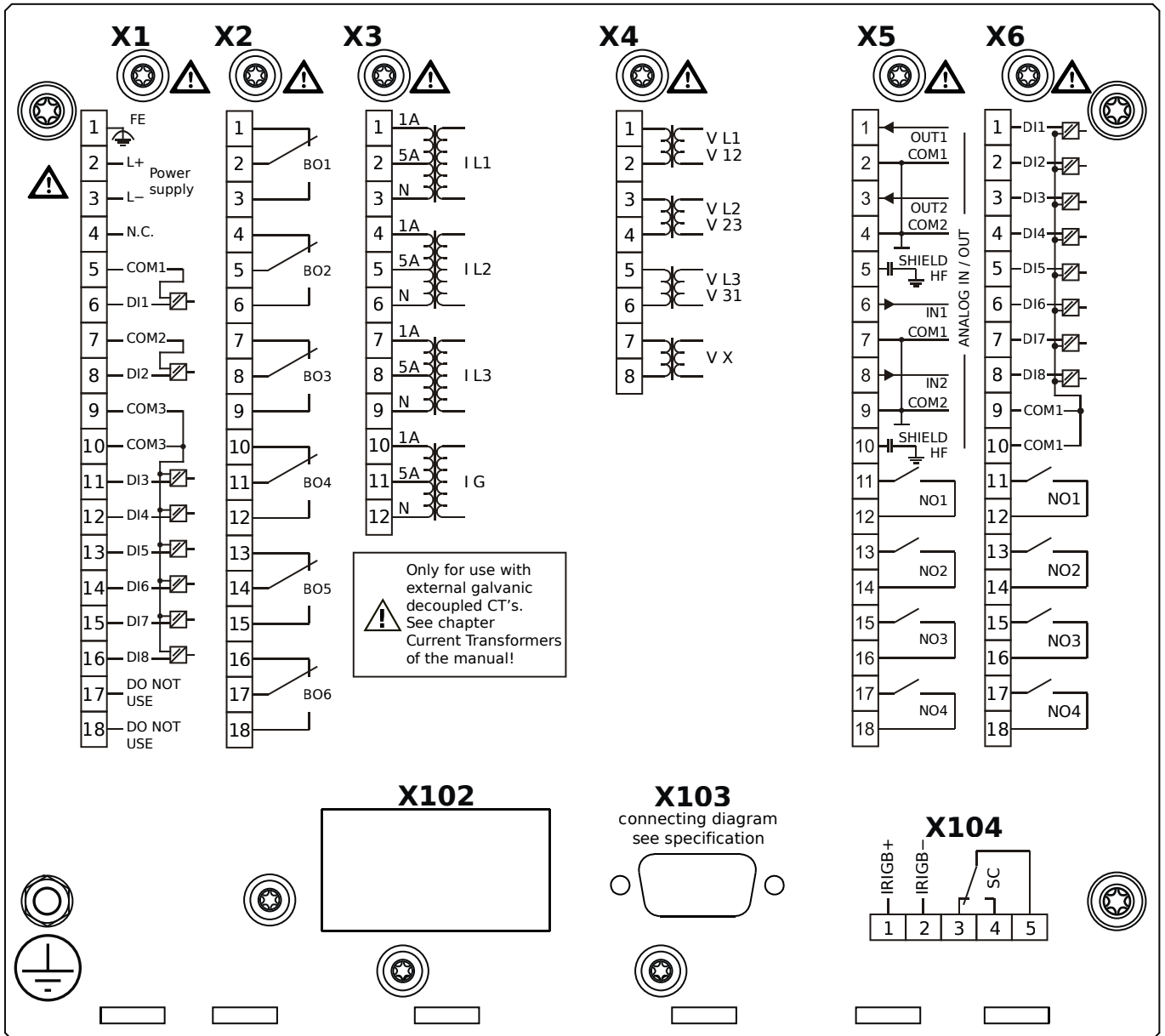
MCA4-2F0AEA



Housing B2, large display, door mounting

- X1** – DI8-X1: Wide-range power supply unit, incl. 2 non-grouped digital inputs and 6 grouped digital inputs
- X2** – OR6: Assembly Group with 6 Output Relays
- X3** – TI: Standard current measuring card
- X4** – TU: Card with 4 voltage transformer measuring inputs
- X5** – AnIO2-OR4: Assembly Group with 2 Analog Inputs, 2 Analog Outputs and 4 Output Relays
- X6** – DI8-OR4: Assembly Group with 8 Digital Inputs and 4 Output Relays
- X103** – Profibus-DP, RS485, D-SUB
- X104** – IRIG-B00X, incl. System Contact (Supervision Contact)

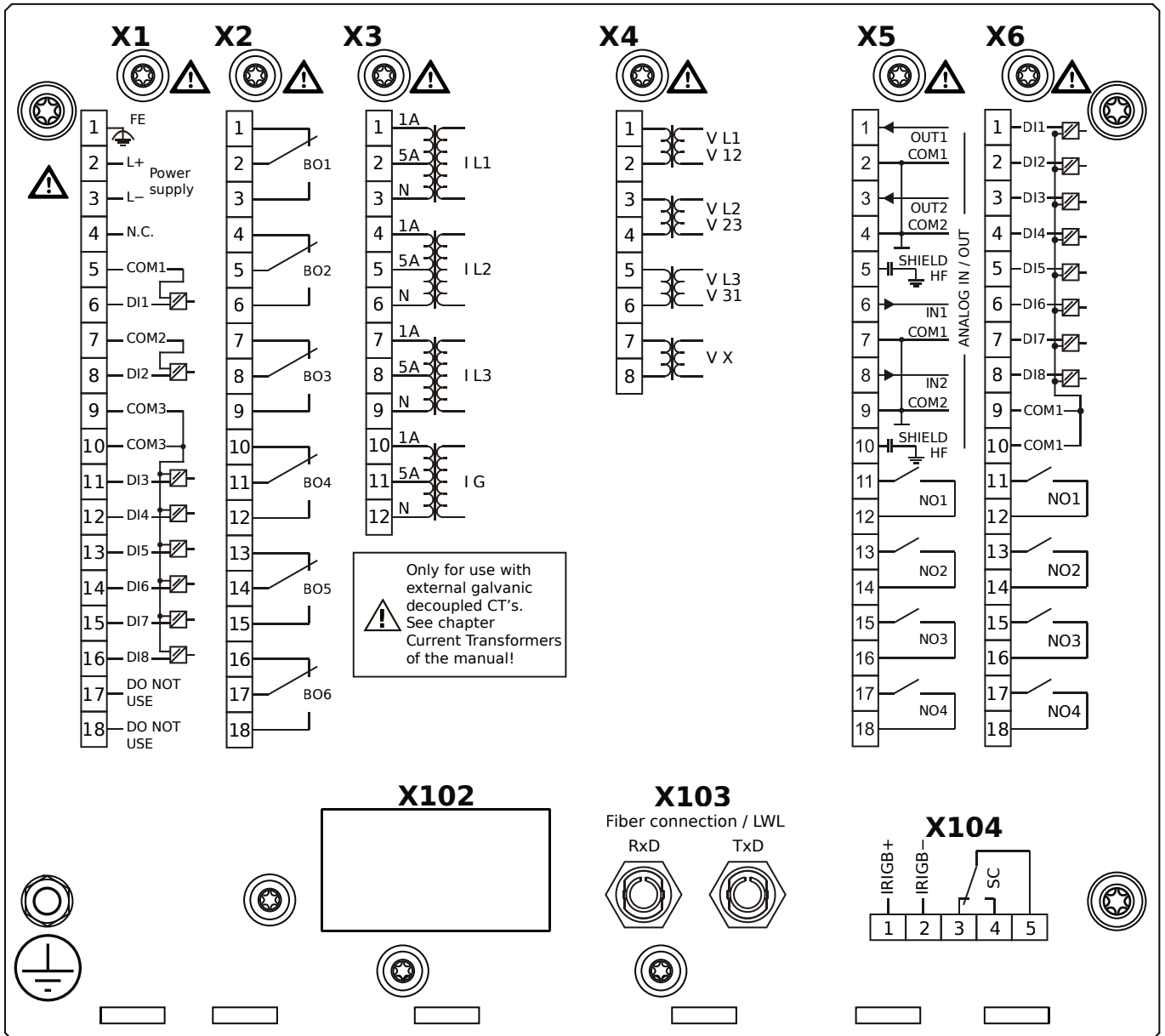
MCA4-2F0AEB



Housing B2, large display, door mounting

- X1** – DI8-X1: Wide-range power supply unit, incl. 2 non-grouped digital inputs and 6 grouped digital inputs
- X2** – OR6: Assembly Group with 6 Output Relays
- X3** – TI: Standard current measuring card
- X4** – TU: Card with 4 voltage transformer measuring inputs
- X5** – AnIO2-OR4: Assembly Group with 2 Analog Inputs, 2 Analog Outputs and 4 Output Relays
- X6** – DI8-OR4: Assembly Group with 8 Digital Inputs and 4 Output Relays
- X103** – Profibus-DP, RS485, D-SUB
- X104** – IRIG-B00X, incl. System Contact (Supervision Contact)

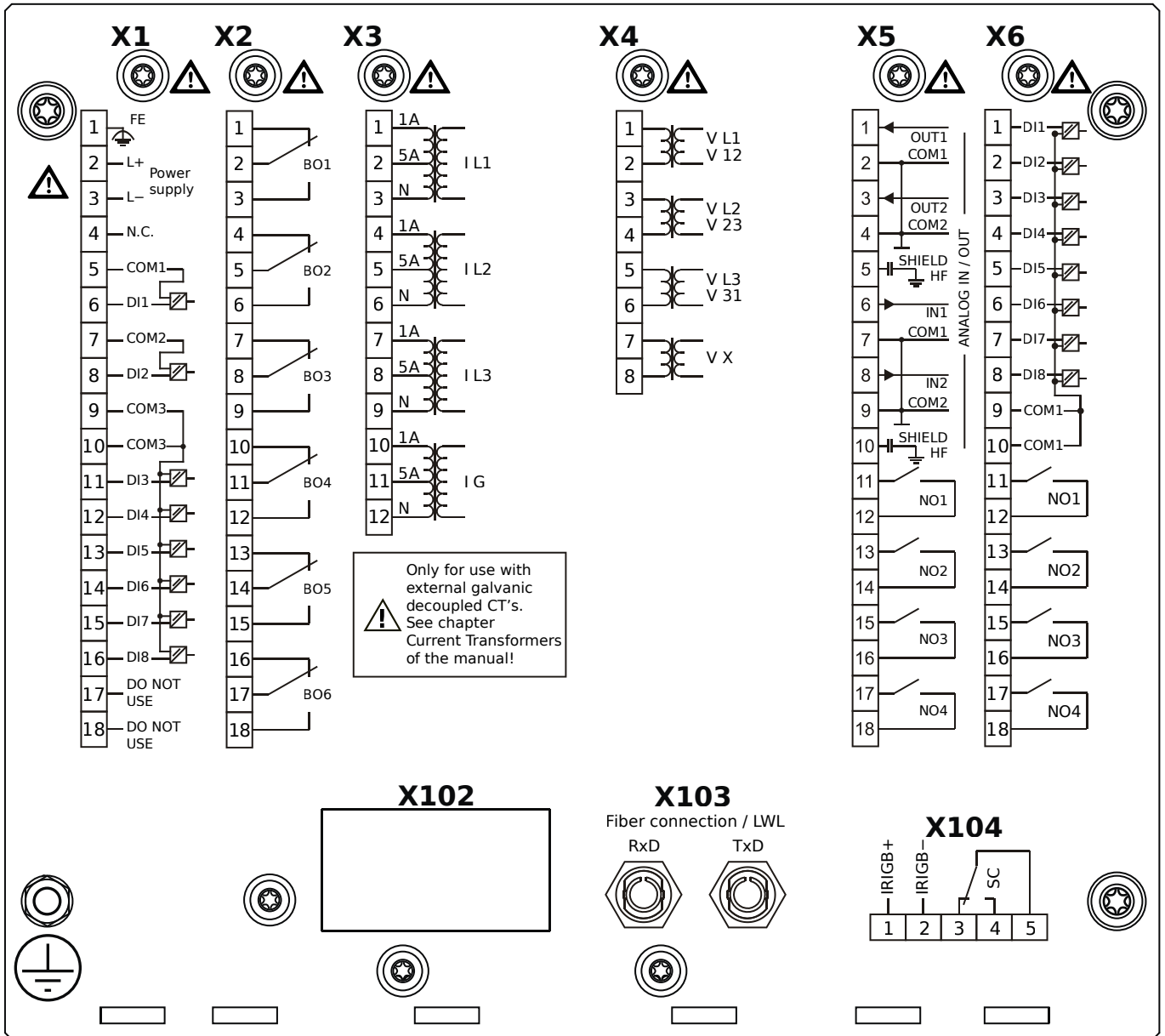
MCA4-2F0AFA



Housing B2, large display, door mounting

- X1** – DI8-X1: Wide-range power supply unit, incl. 2 non-grouped digital inputs and 6 grouped digital inputs
- X2** – OR6: Assembly Group with 6 Output Relays
- X3** – TI: Standard current measuring card
- X4** – TU: Card with 4 voltage transformer measuring inputs
- X5** – AnIO2-OR4: Assembly Group with 2 Analog Inputs, 2 Analog Outputs and 4 Output Relays
- X6** – DI8-OR4: Assembly Group with 8 Digital Inputs and 4 Output Relays
- X103** – Modbus RTU / IEC 60870-5-103 / DNP3.0 RTU, Fiber optics interface, ST Connector
- X104** – IRIG-B00X, incl. System Contact (Supervision Contact)

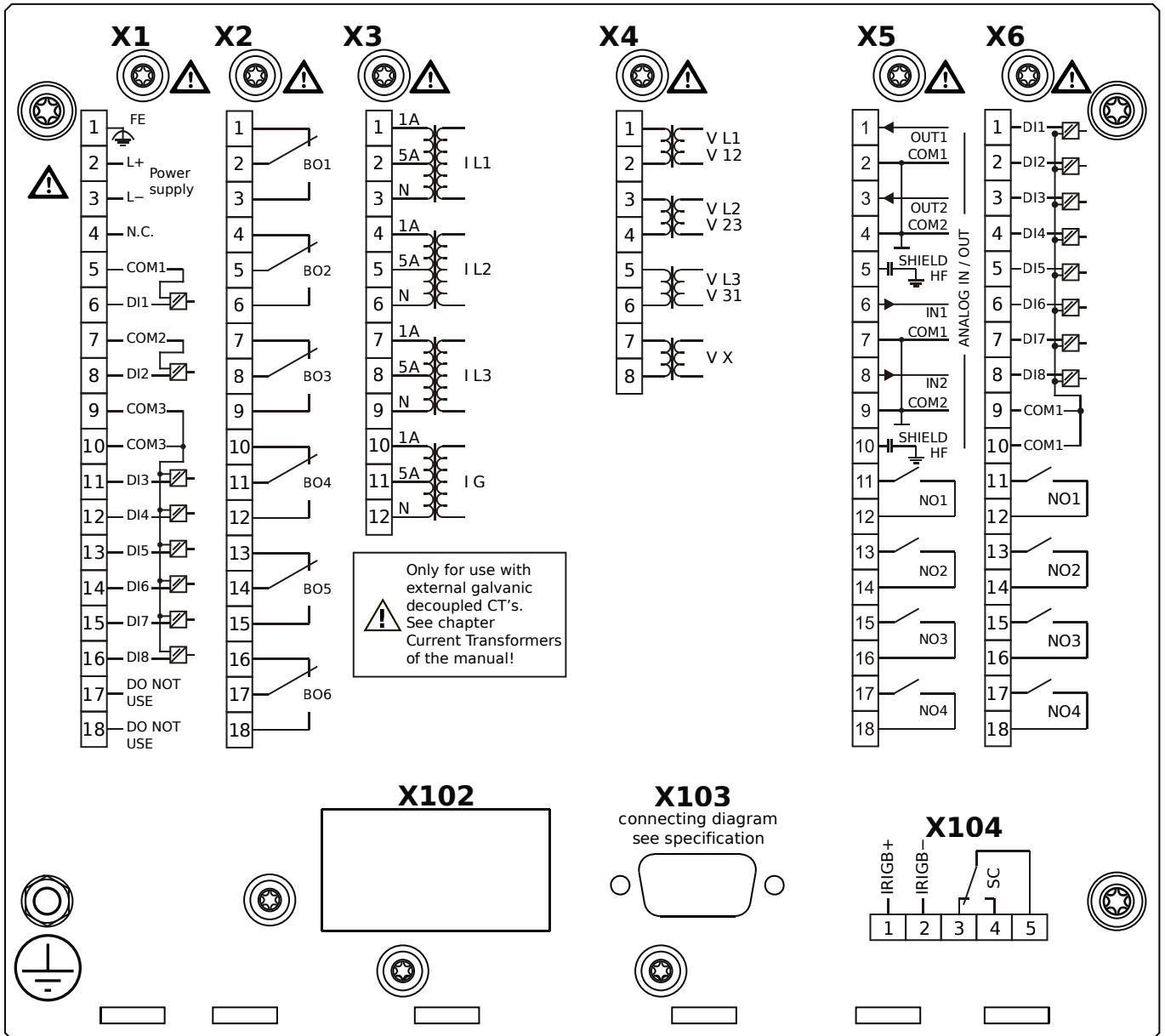
MCA4-2F0AFB



Housing B2, large display, door mounting

- X1** – DI8-X1: Wide-range power supply unit, incl. 2 non-grouped digital inputs and 6 grouped digital inputs
- X2** – OR6: Assembly Group with 6 Output Relays
- X3** – TI: Standard current measuring card
- X4** – TU: Card with 4 voltage transformer measuring inputs
- X5** – AnIO2-OR4: Assembly Group with 2 Analog Inputs, 2 Analog Outputs and 4 Output Relays
- X6** – DI8-OR4: Assembly Group with 8 Digital Inputs and 4 Output Relays
- X103** – Modbus RTU / IEC 60870-5-103 / DNP3.0 RTU, Fiber optics interface, ST Connector
- X104** – IRIG-B00X, incl. System Contact (Supervision Contact)

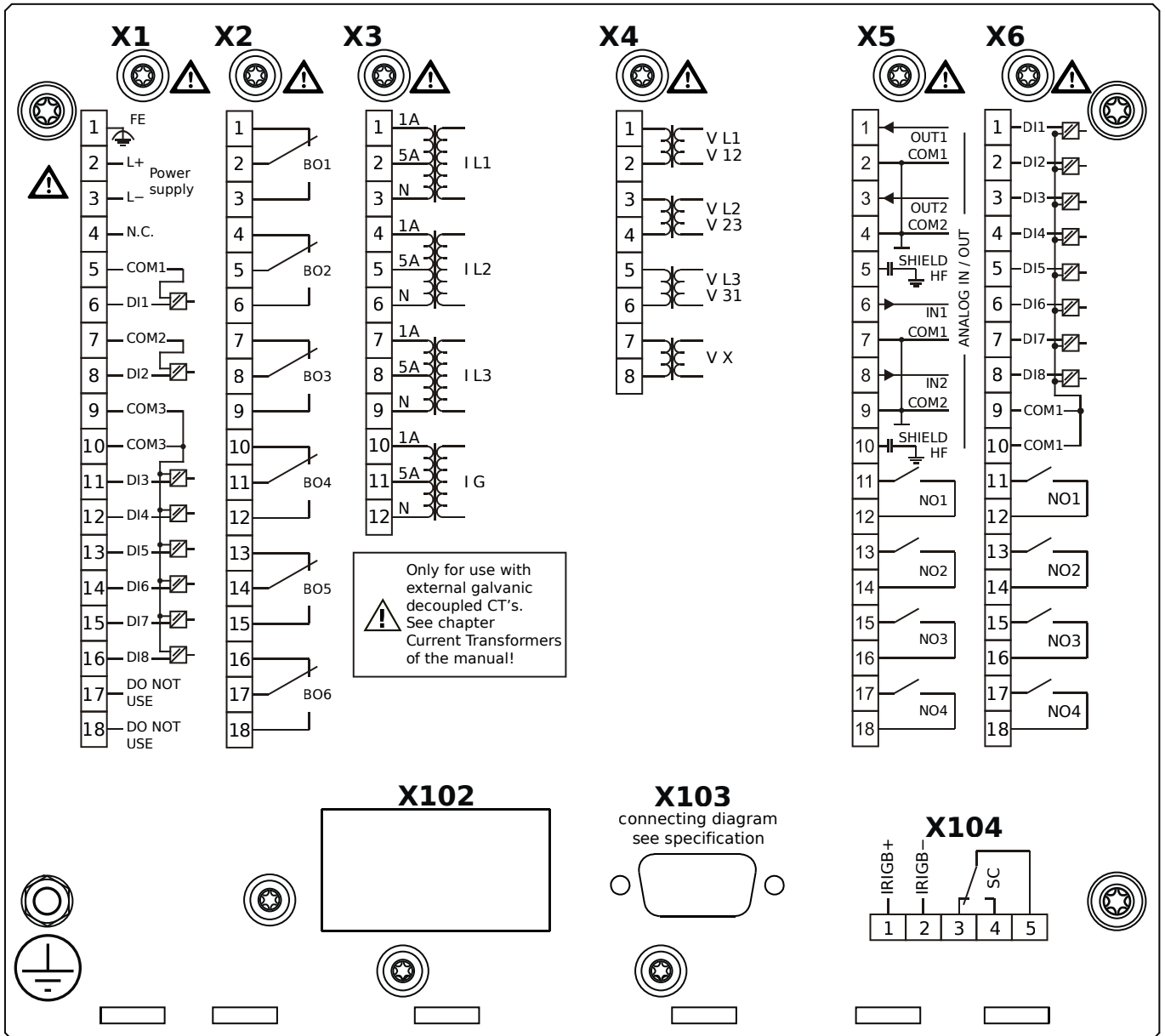
MCA4-2F0AGA



Housing B2, large display, door mounting

- X1** – DI8-X1: Wide-range power supply unit, incl. 2 non-grouped digital inputs and 6 grouped digital inputs
- X2** – OR6: Assembly Group with 6 Output Relays
- X3** – TI: Standard current measuring card
- X4** – TU: Card with 4 voltage transformer measuring inputs
- X5** – AnIO2-OR4: Assembly Group with 2 Analog Inputs, 2 Analog Outputs and 4 Output Relays
- X6** – DI8-OR4: Assembly Group with 8 Digital Inputs and 4 Output Relays
- X103** – Modbus RTU / IEC 60870-5-103 / DNP3.0 RTU, RS485, D-SUB
- X104** – IRIG-B00X, incl. System Contact (Supervision Contact)

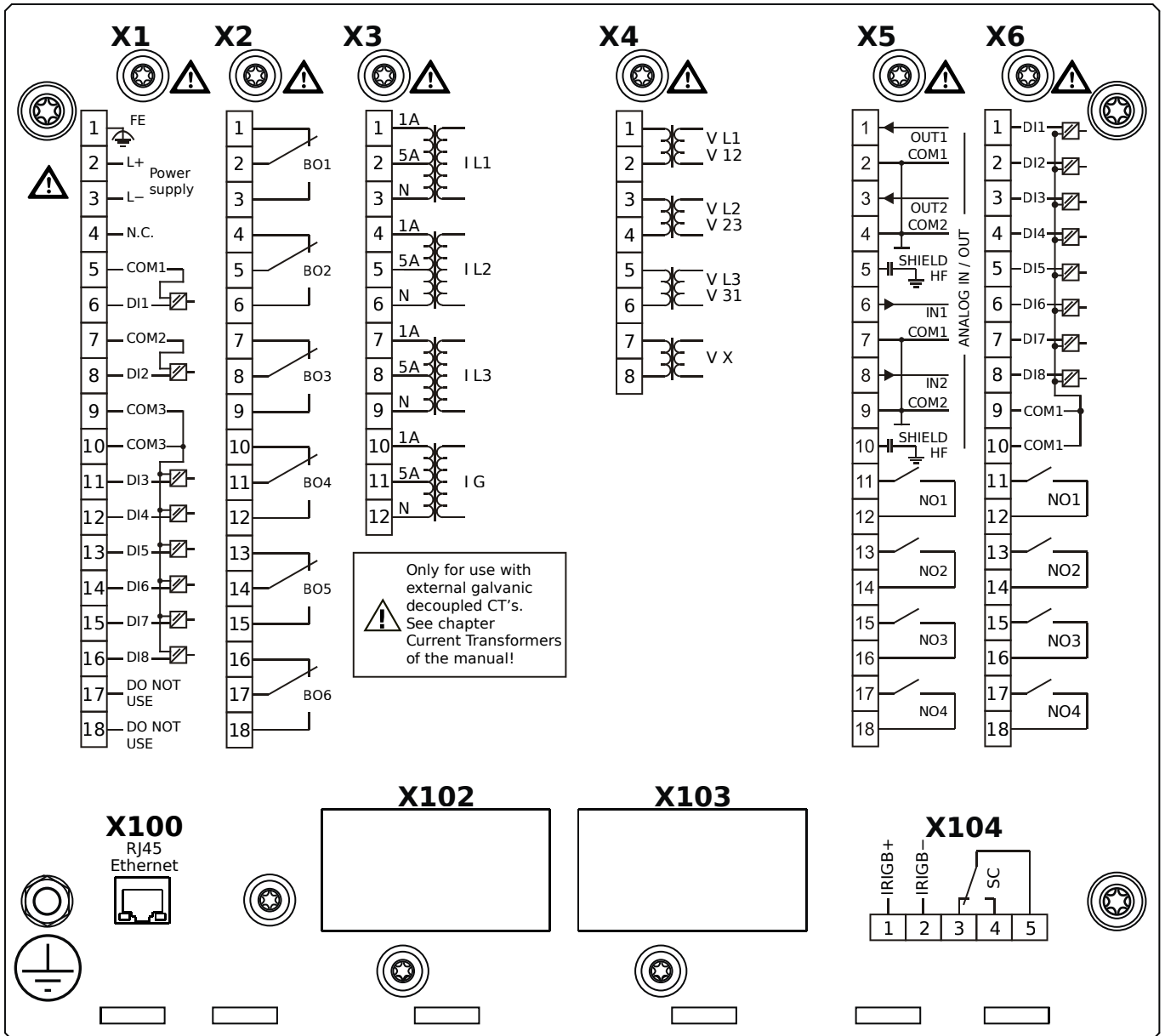
MCA4-2F0AGB



Housing B2, large display, door mounting

- X1** – DI8-X1: Wide-range power supply unit, incl. 2 non-grouped digital inputs and 6 grouped digital inputs
- X2** – OR6: Assembly Group with 6 Output Relays
- X3** – TI: Standard current measuring card
- X4** – TU: Card with 4 voltage transformer measuring inputs
- X5** – AnIO2-OR4: Assembly Group with 2 Analog Inputs, 2 Analog Outputs and 4 Output Relays
- X6** – DI8-OR4: Assembly Group with 8 Digital Inputs and 4 Output Relays
- X103** – Modbus RTU / IEC 60870-5-103 / DNP3.0 RTU, RS485, D-SUB
- X104** – IRIG-B00X, incl. System Contact (Supervision Contact)

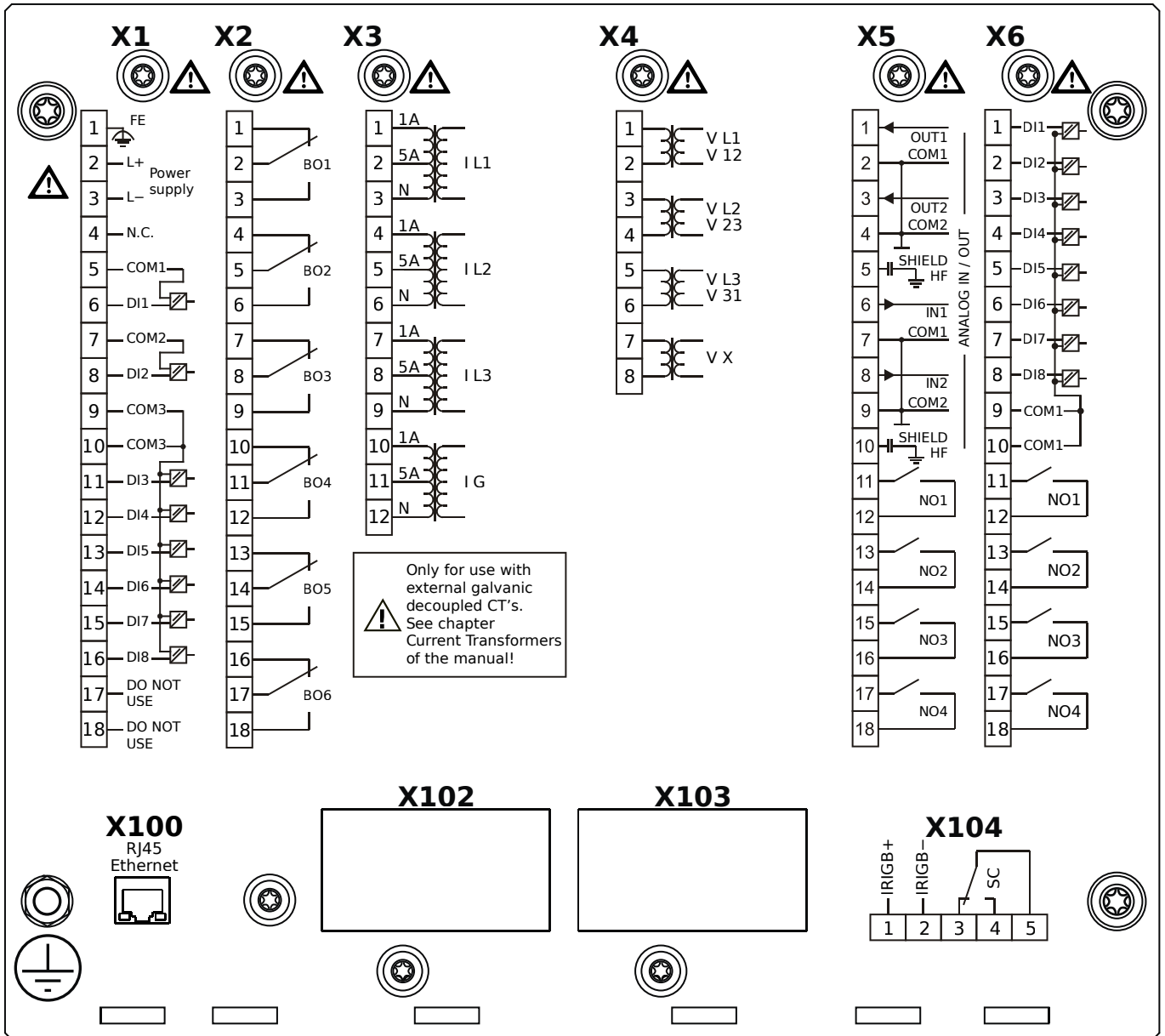
MCA4-2F0AHA



Housing B2, large display, door mounting

- X1** – DI8-X1: Wide-range power supply unit, incl. 2 non-grouped digital inputs and 6 grouped digital inputs
- X2** – OR6: Assembly Group with 6 Output Relays
- X3** – TI: Standard current measuring card
- X4** – TU: Card with 4 voltage transformer measuring inputs
- X5** – AnIO2-OR4: Assembly Group with 2 Analog Inputs, 2 Analog Outputs and 4 Output Relays
- X6** – DI8-OR4: Assembly Group with 8 Digital Inputs and 4 Output Relays
- X100** – IEC 61850 / Modbus TCP / DNP3.0 TCP/UDP, Ethernet interface, 100 Mbit/s, RJ45 (BASE100-FX)
- X104** – IRIG-B00X, incl. System Contact (Supervision Contact)

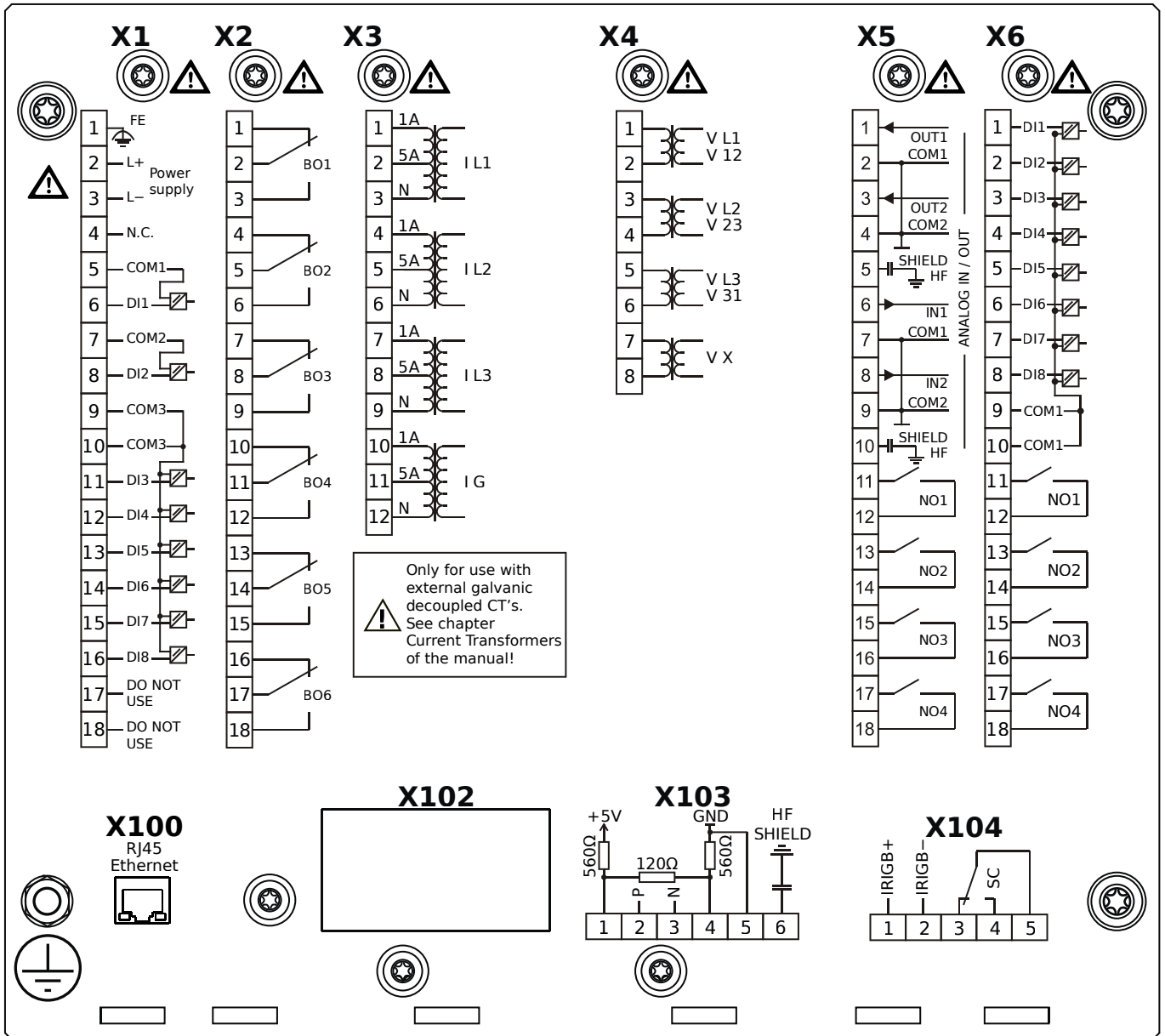
MCA4-2F0AHB



Housing B2, large display, door mounting

- X1** – DI8-X1: Wide-range power supply unit, incl. 2 non-grouped digital inputs and 6 grouped digital inputs
- X2** – OR6: Assembly Group with 6 Output Relays
- X3** – TI: Standard current measuring card
- X4** – TU: Card with 4 voltage transformer measuring inputs
- X5** – AnIO2-OR4: Assembly Group with 2 Analog Inputs, 2 Analog Outputs and 4 Output Relays
- X6** – DI8-OR4: Assembly Group with 8 Digital Inputs and 4 Output Relays
- X100** – IEC 61850 / Modbus TCP / DNP3.0 TCP/UDP, Ethernet interface, 100 Mbit/s, RJ45 (BASE100-FX)
- X104** – IRIG-B00X, incl. System Contact (Supervision Contact)

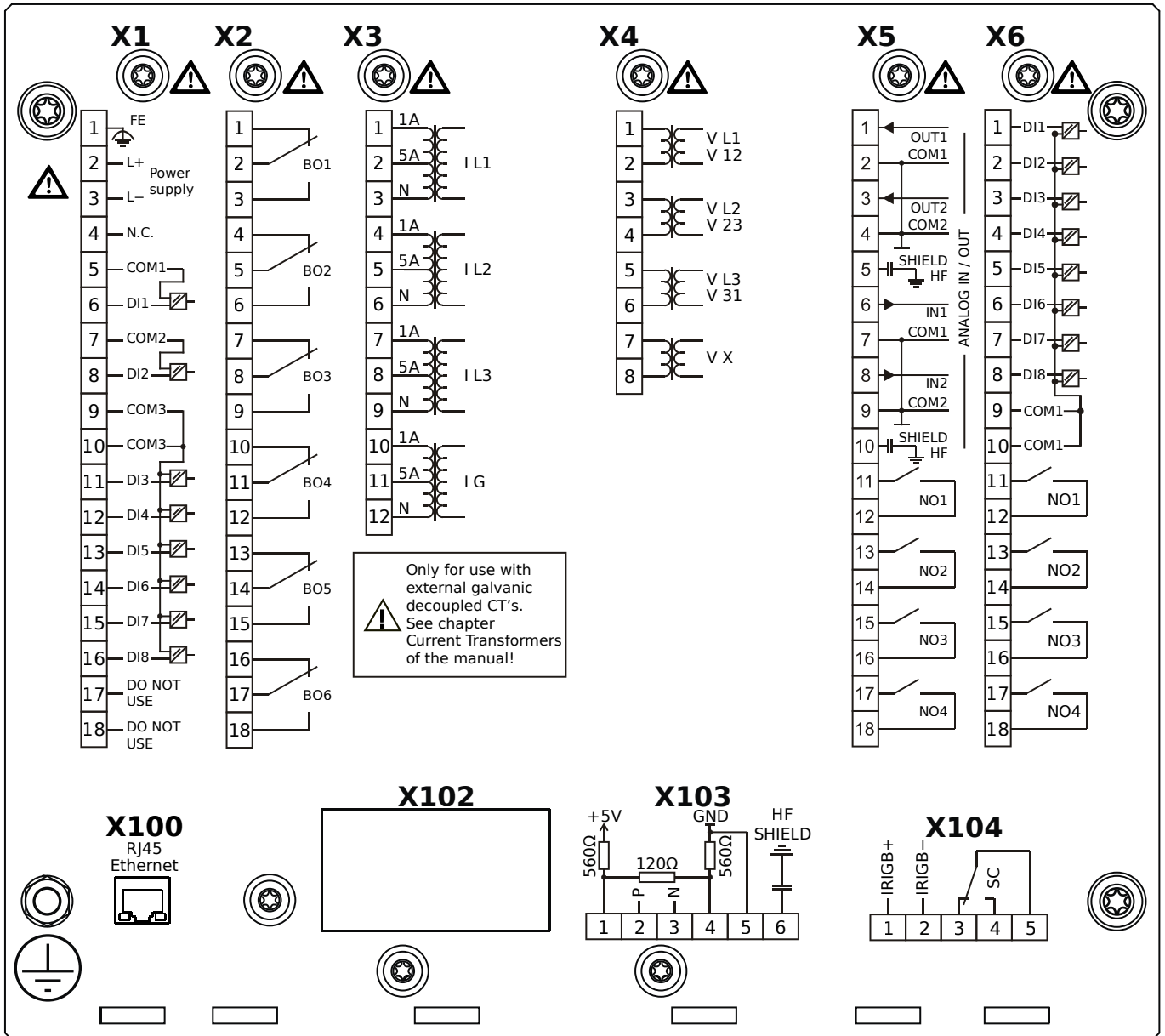
MCA4-2F0AIA



Housing B2, large display, door mounting

- X1** – DI8-X1: Wide-range power supply unit, incl. 2 non-grouped digital inputs and 6 grouped digital inputs
- X2** – OR6: Assembly Group with 6 Output Relays
- X3** – TI: Standard current measuring card
- X4** – TU: Card with 4 voltage transformer measuring inputs
- X5** – AnIO2-OR4: Assembly Group with 2 Analog Inputs, 2 Analog Outputs and 4 Output Relays
- X6** – DI8-OR4: Assembly Group with 8 Digital Inputs and 4 Output Relays
- X100** – Modbus TCP / DNP3.0 TCP/UDP, Ethernet interface, 100 Mbit/s, RJ45 (BASE100-FX)
- X103** – IEC 60870-5-103 / Modbus RTU / DNP3.0 RTU, RS485, Terminals
- X104** – IRIG-B00X, incl. System Contact (Supervision Contact)

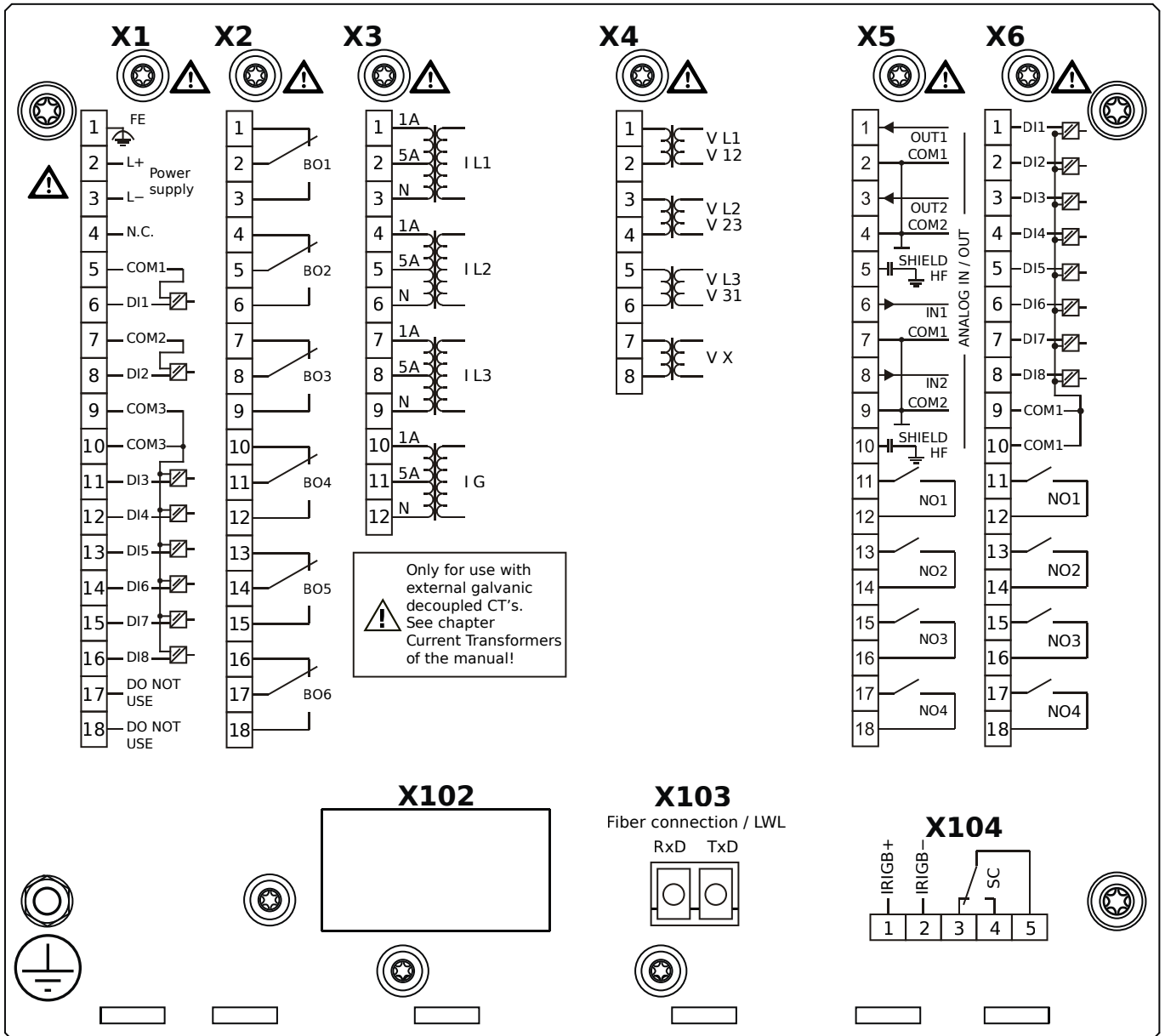
MCA4-2F0AIB



Housing B2, large display, door mounting

- X1** – DI8-X1: Wide-range power supply unit, incl. 2 non-grouped digital inputs and 6 grouped digital inputs
- X2** – OR6: Assembly Group with 6 Output Relays
- X3** – TI: Standard current measuring card
- X4** – TU: Card with 4 voltage transformer measuring inputs
- X5** – AnIO2-OR4: Assembly Group with 2 Analog Inputs, 2 Analog Outputs and 4 Output Relays
- X6** – DI8-OR4: Assembly Group with 8 Digital Inputs and 4 Output Relays
- X100** – Modbus TCP / DNP3.0 TCP/UDP, Ethernet interface, 100 Mbit/s, RJ45 (BASE100-FX)
- X103** – IEC 60870-5-103 / Modbus RTU / DNP3.0 RTU, RS485, Terminals
- X104** – IRIG-B00X, incl. System Contact (Supervision Contact)

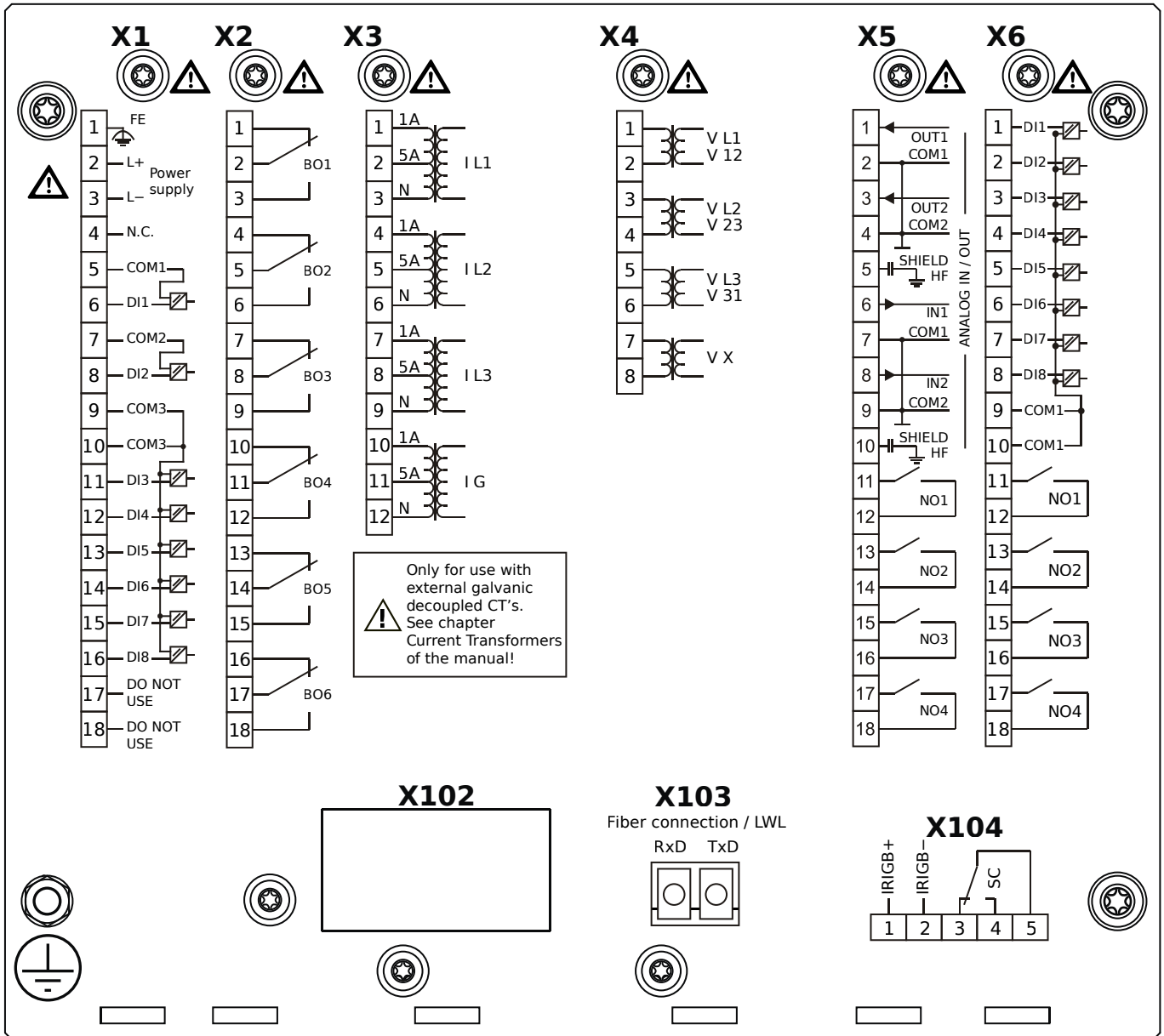
MCA4-2F0AKA



Housing B2, large display, door mounting

- X1** – DI8-X1: Wide-range power supply unit, incl. 2 non-grouped digital inputs and 6 grouped digital inputs
- X2** – OR6: Assembly Group with 6 Output Relays
- X3** – TI: Standard current measuring card
- X4** – TU: Card with 4 voltage transformer measuring inputs
- X5** – AnIO2-OR4: Assembly Group with 2 Analog Inputs, 2 Analog Outputs and 4 Output Relays
- X6** – DI8-OR4: Assembly Group with 8 Digital Inputs and 4 Output Relays
- X103** – IEC 61850 / Modbus TCP / DNP3.0 TCP/UDP, Fiber optics interface, LC Connector
- X104** – IRIG-B00X, incl. System Contact (Supervision Contact)

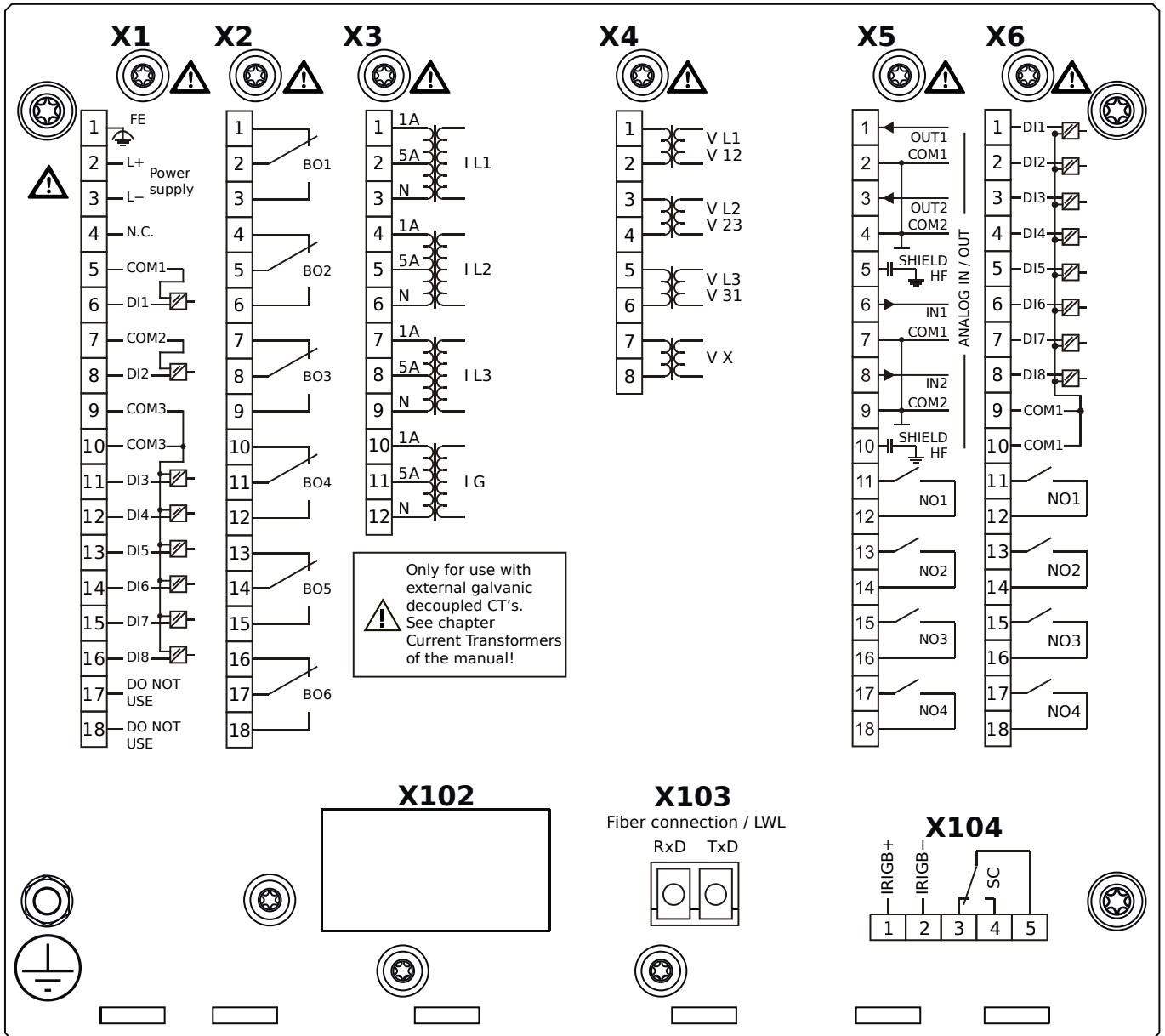
MCA4-2F0AKB



Housing B2, large display, door mounting

- X1** – DI8-X1: Wide-range power supply unit, incl. 2 non-grouped digital inputs and 6 grouped digital inputs
- X2** – OR6: Assembly Group with 6 Output Relays
- X3** – TI: Standard current measuring card
- X4** – TU: Card with 4 voltage transformer measuring inputs
- X5** – AnIO2-OR4: Assembly Group with 2 Analog Inputs, 2 Analog Outputs and 4 Output Relays
- X6** – DI8-OR4: Assembly Group with 8 Digital Inputs and 4 Output Relays
- X103** – IEC 61850 / Modbus TCP / DNP3.0 TCP/UDP, Fiber optics interface, LC Connector
- X104** – IRIG-B00X, incl. System Contact (Supervision Contact)

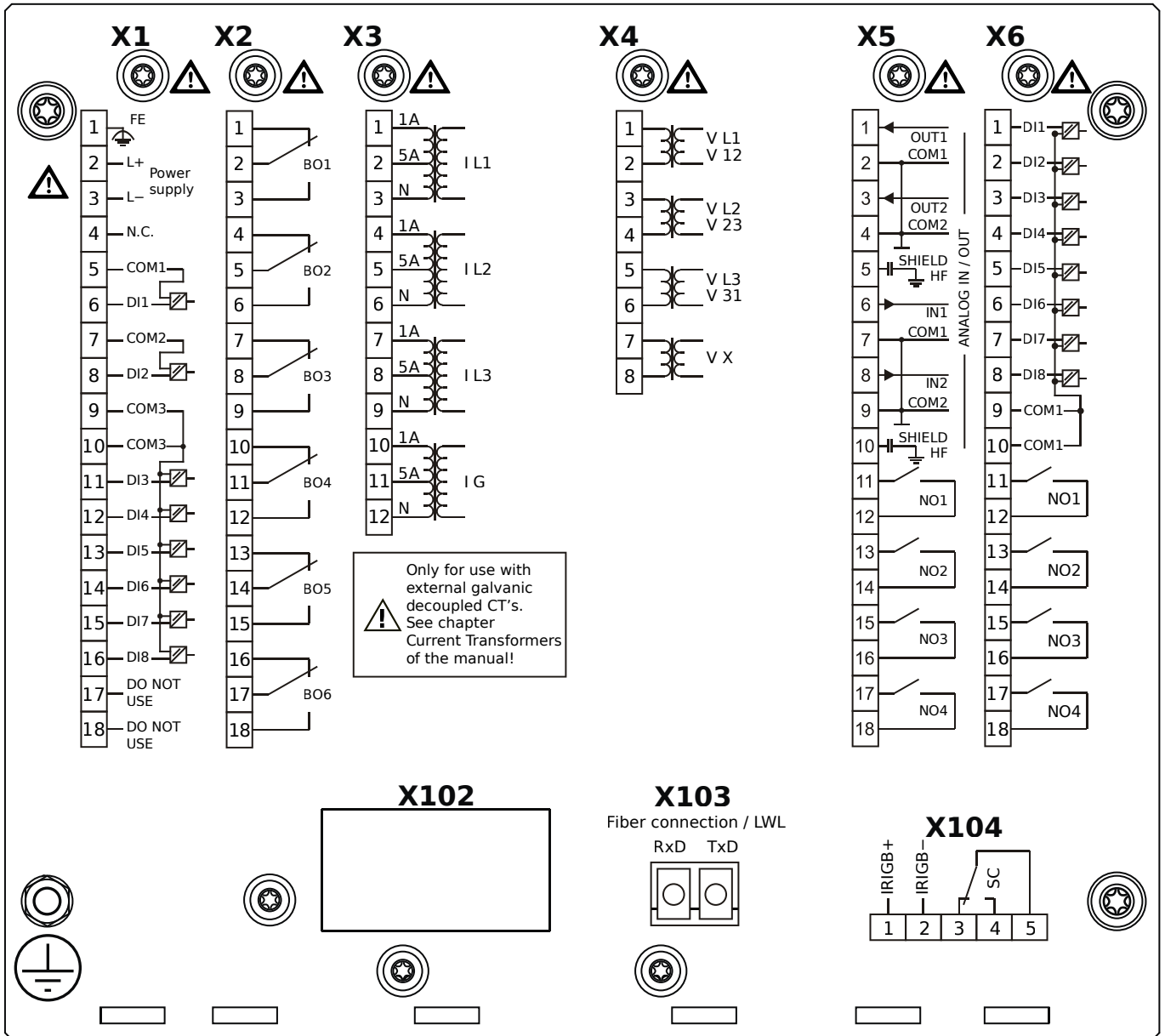
MCA4-2F0ALA



Housing B2, large display, door mounting

- X1** – DI8-X1: Wide-range power supply unit, incl. 2 non-grouped digital inputs and 6 grouped digital inputs
- X2** – OR6: Assembly Group with 6 Output Relays
- X3** – TI: Standard current measuring card
- X4** – TU: Card with 4 voltage transformer measuring inputs
- X5** – AnIO2-OR4: Assembly Group with 2 Analog Inputs, 2 Analog Outputs and 4 Output Relays
- X6** – DI8-OR4: Assembly Group with 8 Digital Inputs and 4 Output Relays
- X103** – Modbus TCP / DNP3.0 TCP/UDP, Fiber optics interface, LC Connector
- X104** – IRIG-B00X, incl. System Contact (Supervision Contact)

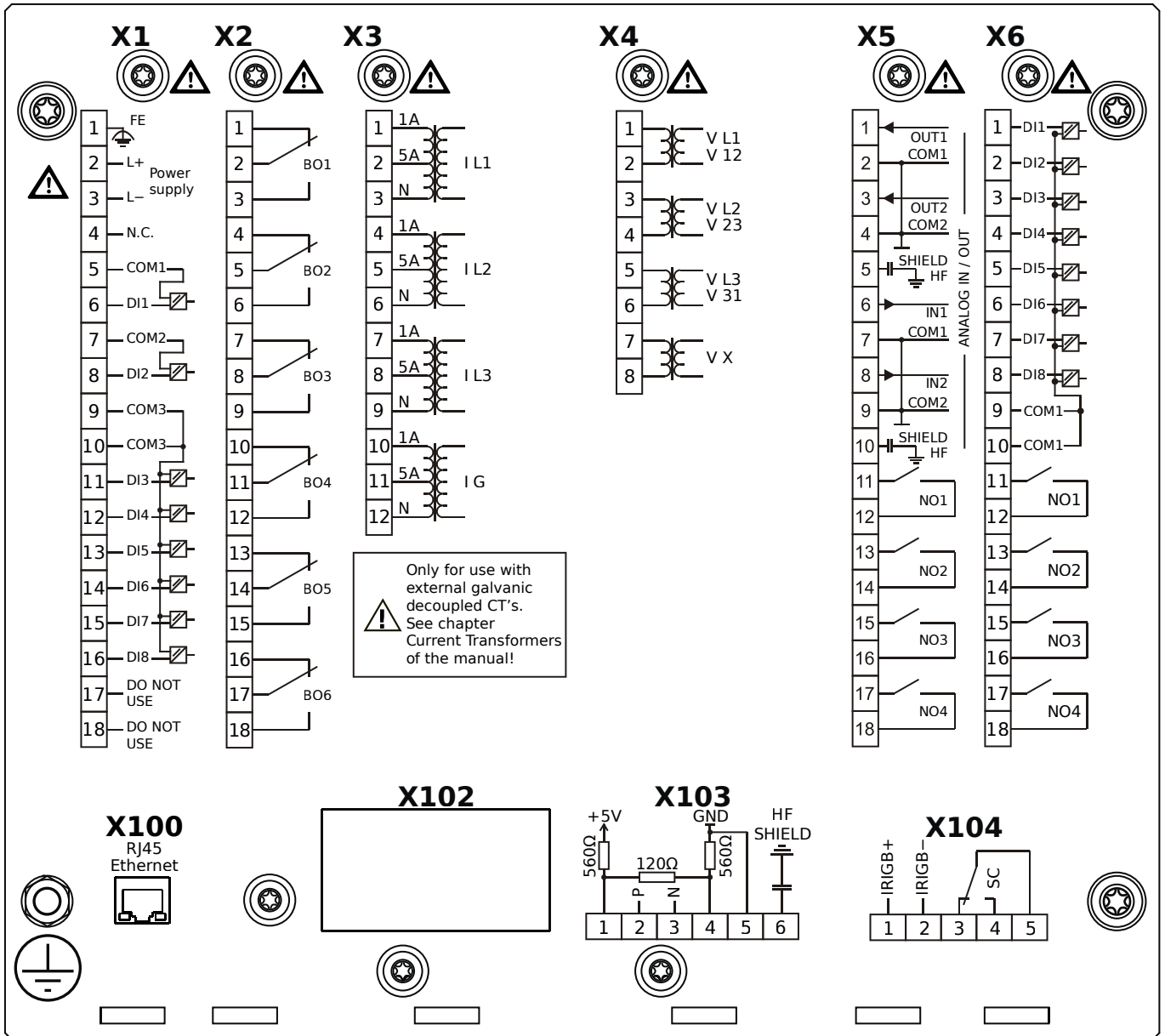
MCA4-2F0ALB



Housing B2, large display, door mounting

- X1** – DI8-X1: Wide-range power supply unit, incl. 2 non-grouped digital inputs and 6 grouped digital inputs
- X2** – OR6: Assembly Group with 6 Output Relays
- X3** – TI: Standard current measuring card
- X4** – TU: Card with 4 voltage transformer measuring inputs
- X5** – AnIO2-OR4: Assembly Group with 2 Analog Inputs, 2 Analog Outputs and 4 Output Relays
- X6** – DI8-OR4: Assembly Group with 8 Digital Inputs and 4 Output Relays
- X103** – Modbus TCP / DNP3.0 TCP/UDP, Fiber optics interface, LC Connector
- X104** – IRIG-B00X, incl. System Contact (Supervision Contact)

MCA4-2F0ATA



Housing B2, large display, door mounting

X1 – DI8-X1: Wide-range power supply unit, incl. 2 non-grouped digital inputs and 6 grouped digital inputs

X2 – OR6: Assembly Group with 6 Output Relays

X3 – TI: Standard current measuring card

X4 – TU: Card with 4 voltage transformer measuring inputs

X5 – AnIO2-OR4: Assembly Group with 2 Analog Inputs, 2 Analog Outputs and 4 Output Relays

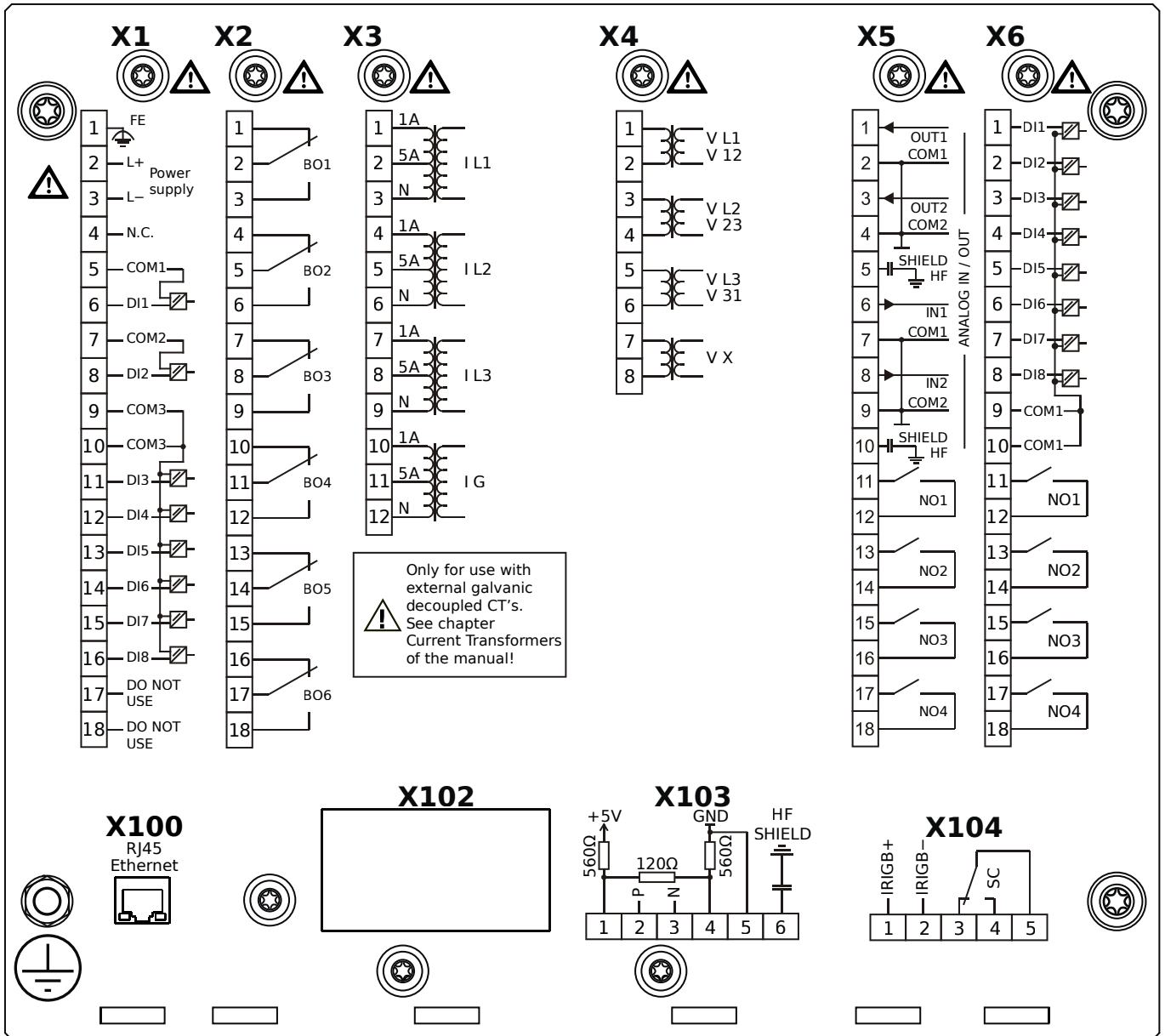
X6 – DI8-OR4: Assembly Group with 8 Digital Inputs and 4 Output Relays

X100 – IEC 61850 / Modbus TCP / DNP3.0 TCP/UDP, Ethernet interface, 100 Mbit/s, RJ45 (BASE100-FX)

X103 – IEC 60870-5-103 / Modbus RTU / DNP3.0 RTU, RS485, Terminals

X104 – IRIG-B00X, incl. System Contact (Supervision Contact)

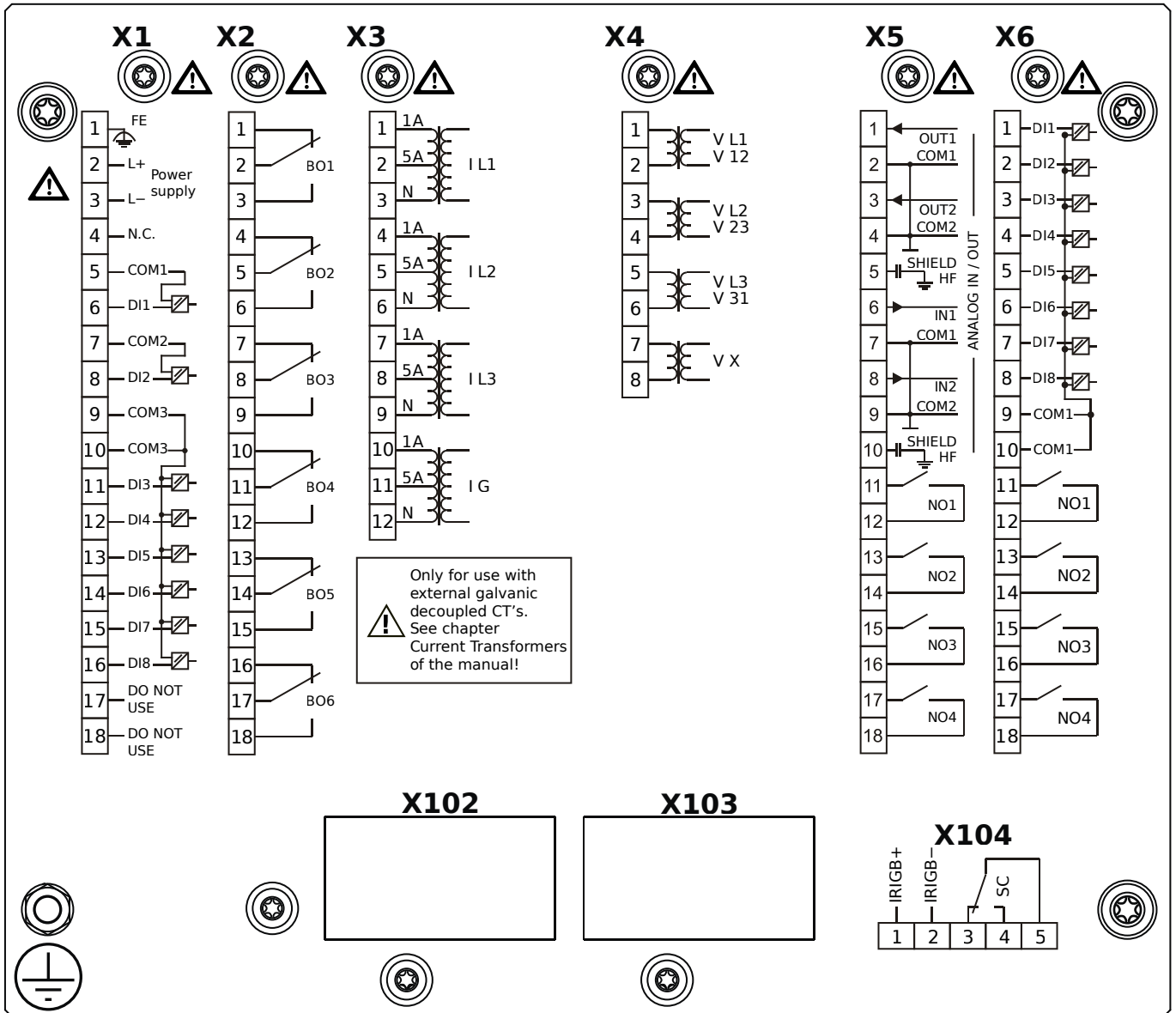
MCA4-2F0ATB



Housing B2, large display, door mounting

- X1** – DI8-X1: Wide-range power supply unit, incl. 2 non-grouped digital inputs and 6 grouped digital inputs
- X2** – OR6: Assembly Group with 6 Output Relays
- X3** – TI: Standard current measuring card
- X4** – TU: Card with 4 voltage transformer measuring inputs
- X5** – AnIO2-OR4: Assembly Group with 2 Analog Inputs, 2 Analog Outputs and 4 Output Relays
- X6** – DI8-OR4: Assembly Group with 8 Digital Inputs and 4 Output Relays
- X100** – IEC 61850 / Modbus TCP / DNP3.0 TCP/UDP, Ethernet interface, 100 Mbit/s, RJ45 (BASE100-FX)
- X103** – IEC 60870-5-103 / Modbus RTU / DNP3.0 RTU, RS485, Terminals
- X104** – IRIG-B00X, incl. System Contact (Supervision Contact)

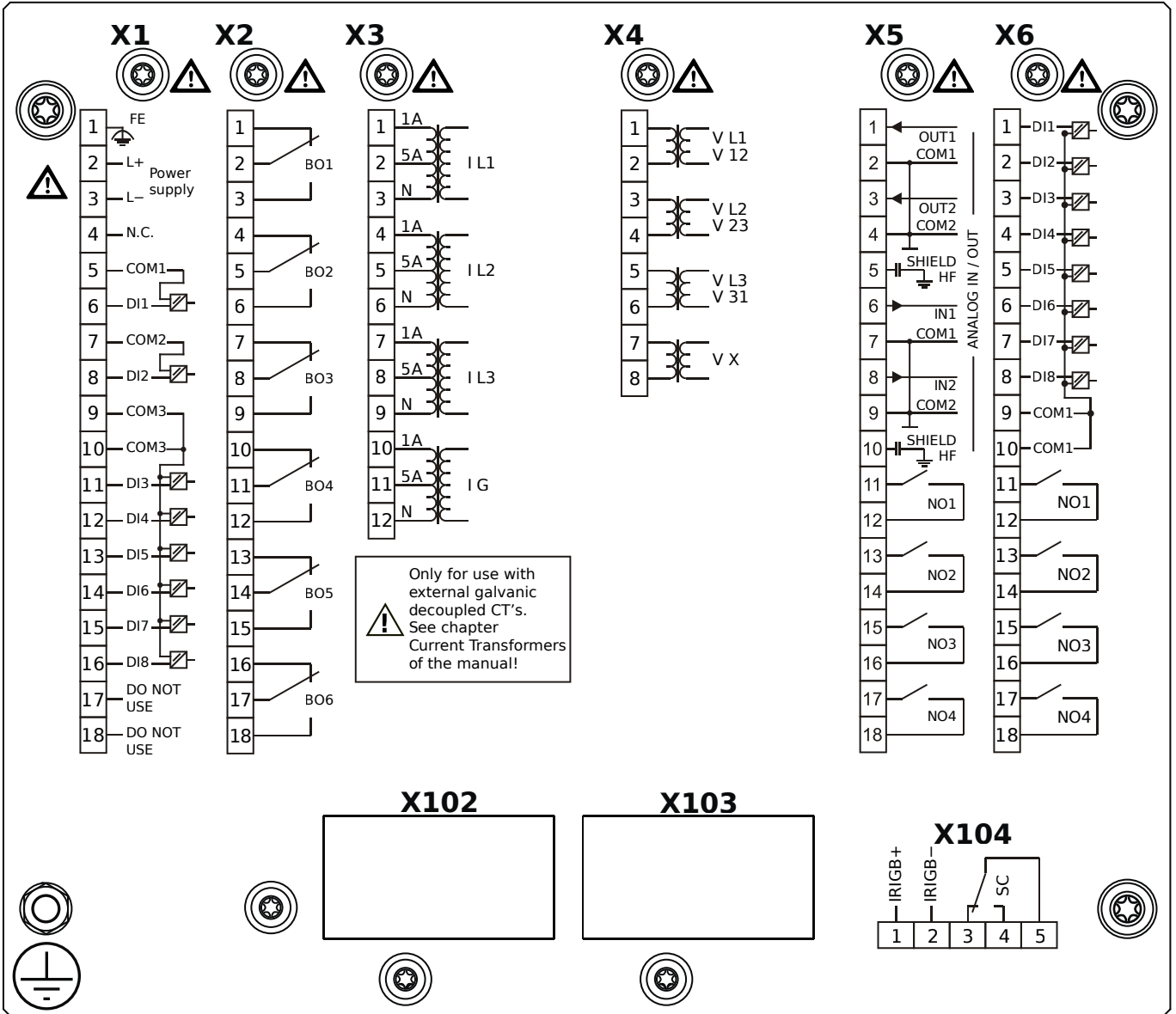
MCA4-2F0BAA



Housing B2, large display, door mounting 19" (flush mounting)

- X1** – DI8-X1: Wide-range power supply unit, incl. 2 non-grouped digital inputs and 6 grouped digital inputs
- X2** – OR6: Assembly Group with 6 Output Relays
- X3** – TI: Standard current measuring card
- X4** – TU: Card with 4 voltage transformer measuring inputs
- X5** – AnIO2-OR4: Assembly Group with 2 Analog Inputs, 2 Analog Outputs and 4 Output Relays
- X6** – DI8-OR4: Assembly Group with 8 Digital Inputs and 4 Output Relays
- X104** – IRIG-B00X, incl. System Contact (Supervision Contact)

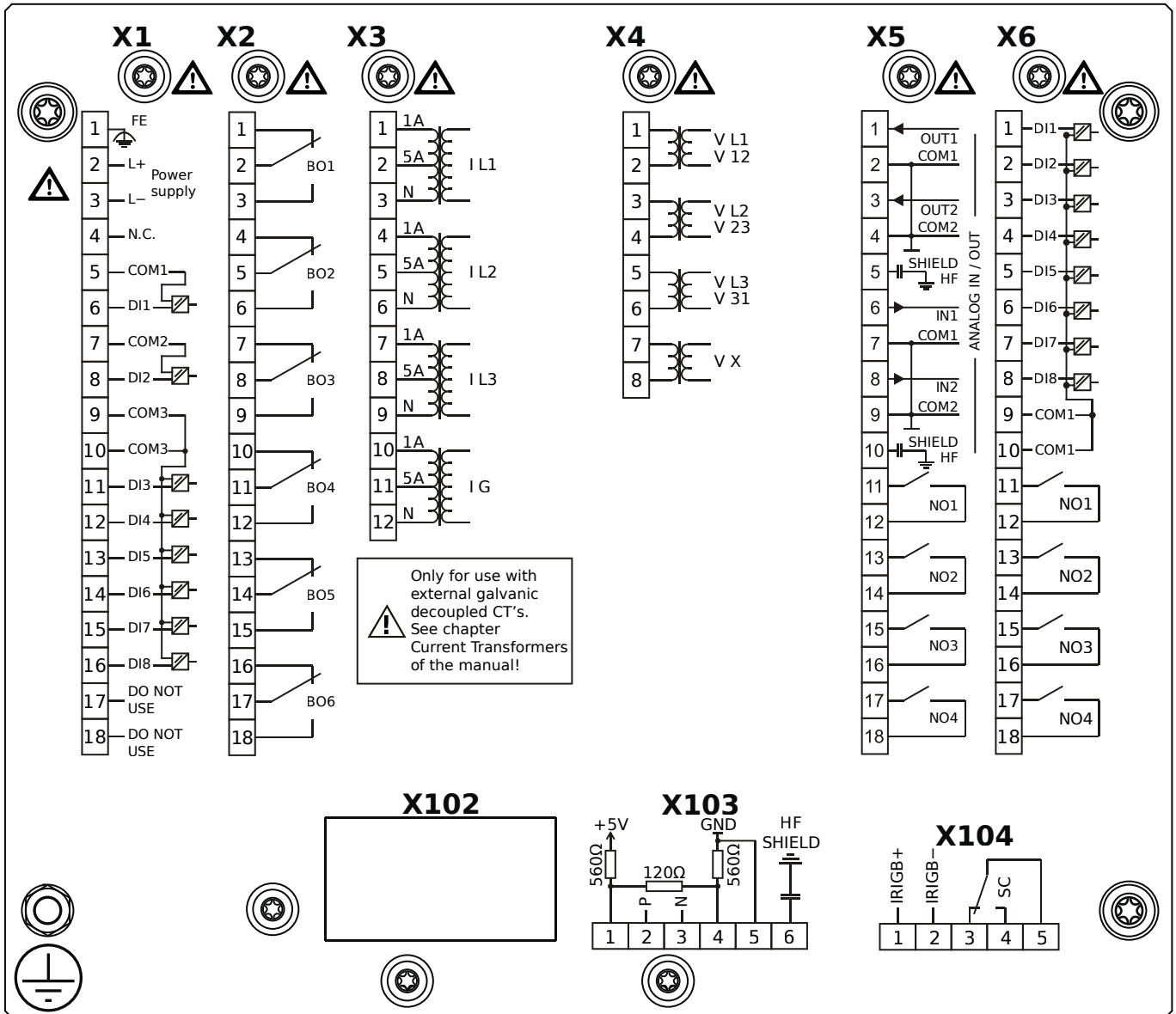
MCA4-2F0BAB



Housing B2, large display, door mounting 19" (flush mounting)

- X1** – DI8-X1: Wide-range power supply unit, incl. 2 non-grouped digital inputs and 6 grouped digital inputs
- X2** – OR6: Assembly Group with 6 Output Relays
- X3** – TI: Standard current measuring card
- X4** – TU: Card with 4 voltage transformer measuring inputs
- X5** – AnIO2-OR4: Assembly Group with 2 Analog Inputs, 2 Analog Outputs and 4 Output Relays
- X6** – DI8-OR4: Assembly Group with 8 Digital Inputs and 4 Output Relays
- X104** – IRIG-B00X, incl. System Contact (Supervision Contact)

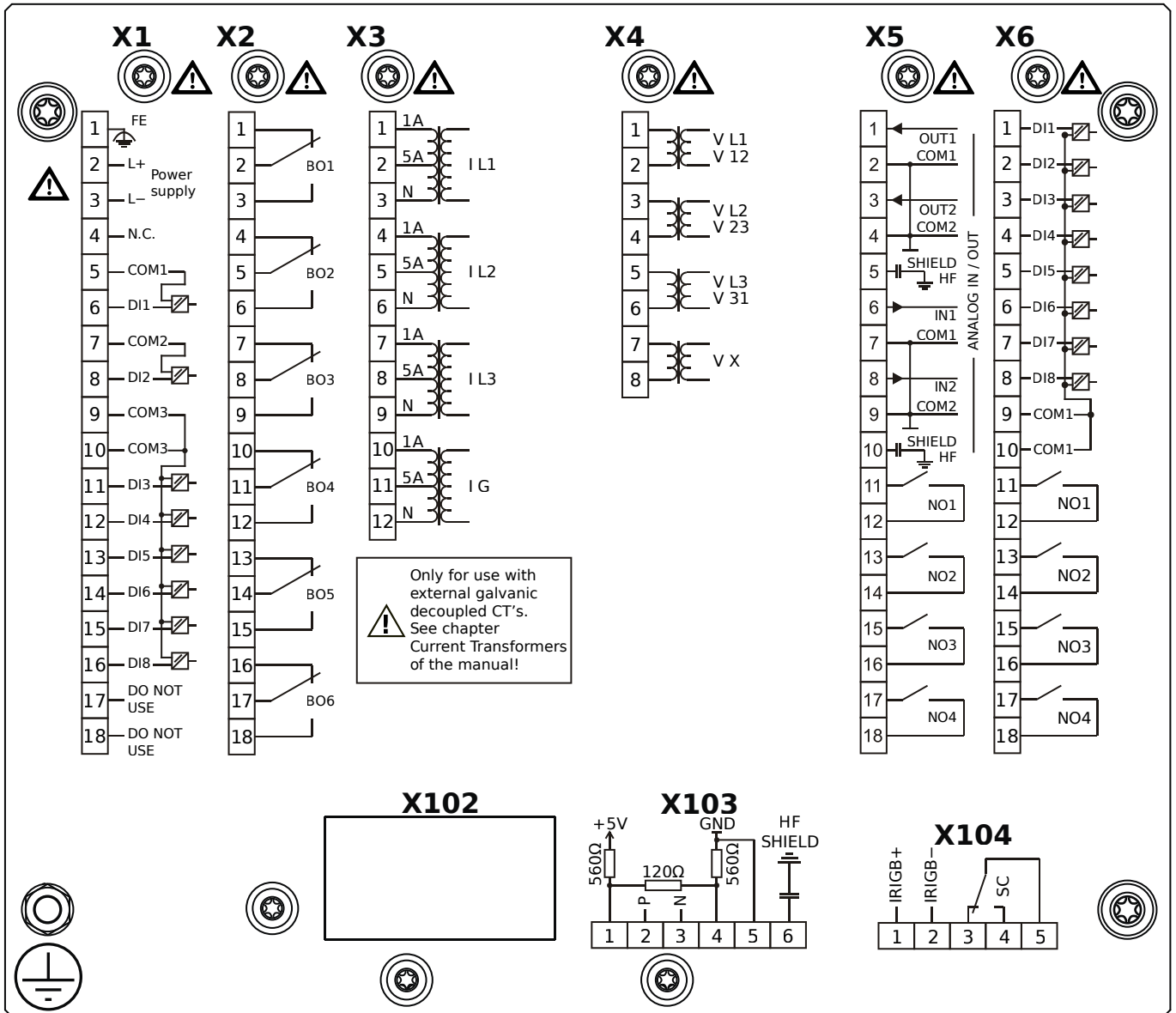
MCA4-2F0BBA



Housing B2, large display, door mounting 19" (flush mounting)

- X1** – DI8-X1: Wide-range power supply unit, incl. 2 non-grouped digital inputs and 6 grouped digital inputs
- X2** – OR6: Assembly Group with 6 Output Relays
- X3** – TI: Standard current measuring card
- X4** – TU: Card with 4 voltage transformer measuring inputs
- X5** – AnIO2-OR4: Assembly Group with 2 Analog Inputs, 2 Analog Outputs and 4 Output Relays
- X6** – DI8-OR4: Assembly Group with 8 Digital Inputs and 4 Output Relays
- X103** – Modbus RTU / IEC 60870-5-103 / DNP3.0 RTU, RS485, Terminals
- X104** – IRIG-B00X, incl. System Contact (Supervision Contact)

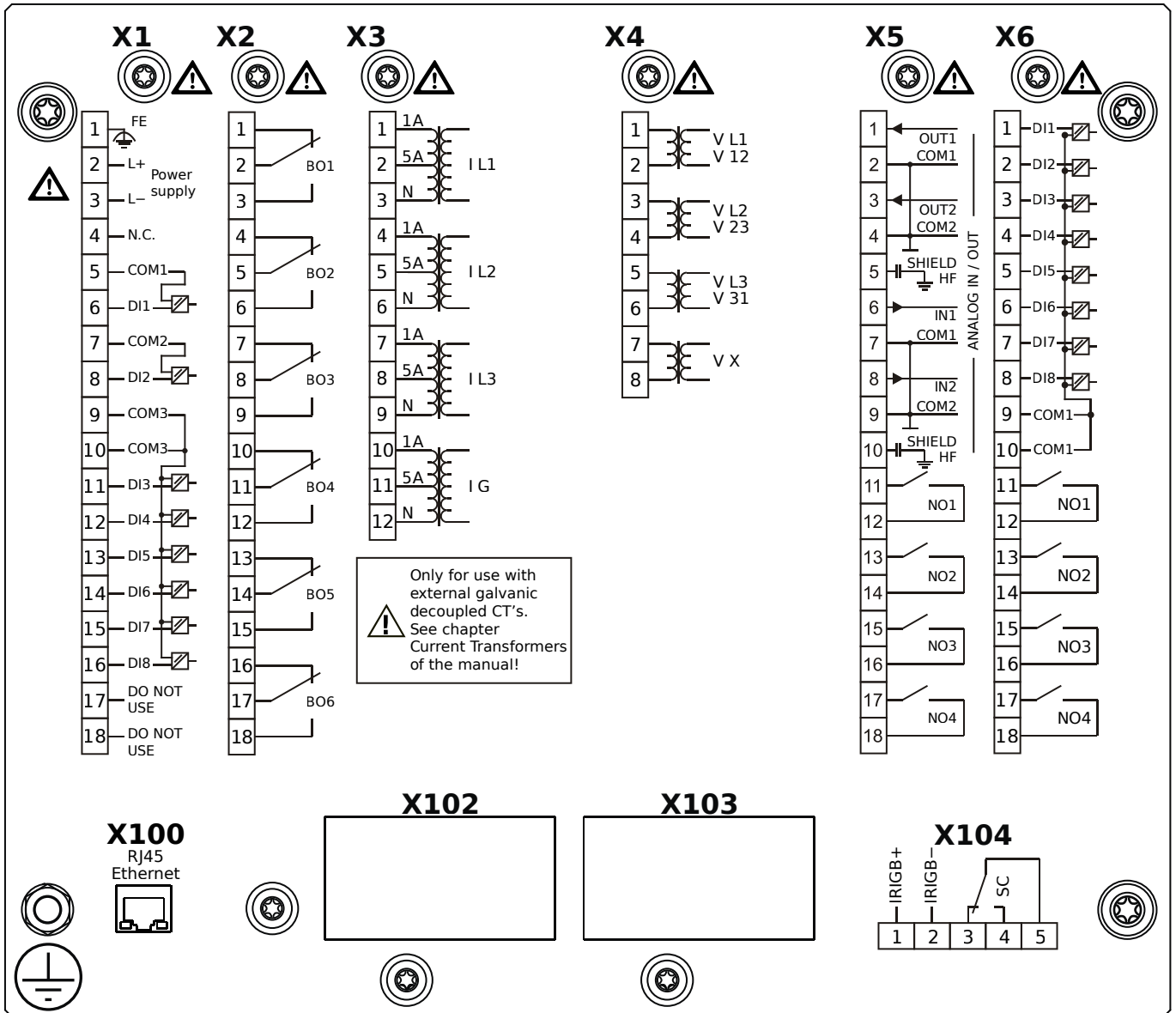
MCA4-2F0BBB



Housing B2, large display, door mounting 19" (flush mounting)

- X1** – DI8-X1: Wide-range power supply unit, incl. 2 non-grouped digital inputs and 6 grouped digital inputs
- X2** – OR6: Assembly Group with 6 Output Relays
- X3** – TI: Standard current measuring card
- X4** – TU: Card with 4 voltage transformer measuring inputs
- X5** – AnIO2-OR4: Assembly Group with 2 Analog Inputs, 2 Analog Outputs and 4 Output Relays
- X6** – DI8-OR4: Assembly Group with 8 Digital Inputs and 4 Output Relays
- X103** – Modbus RTU / IEC 60870-5-103 / DNP3.0 RTU, RS485, Terminals
- X104** – IRIG-B00X, incl. System Contact (Supervision Contact)

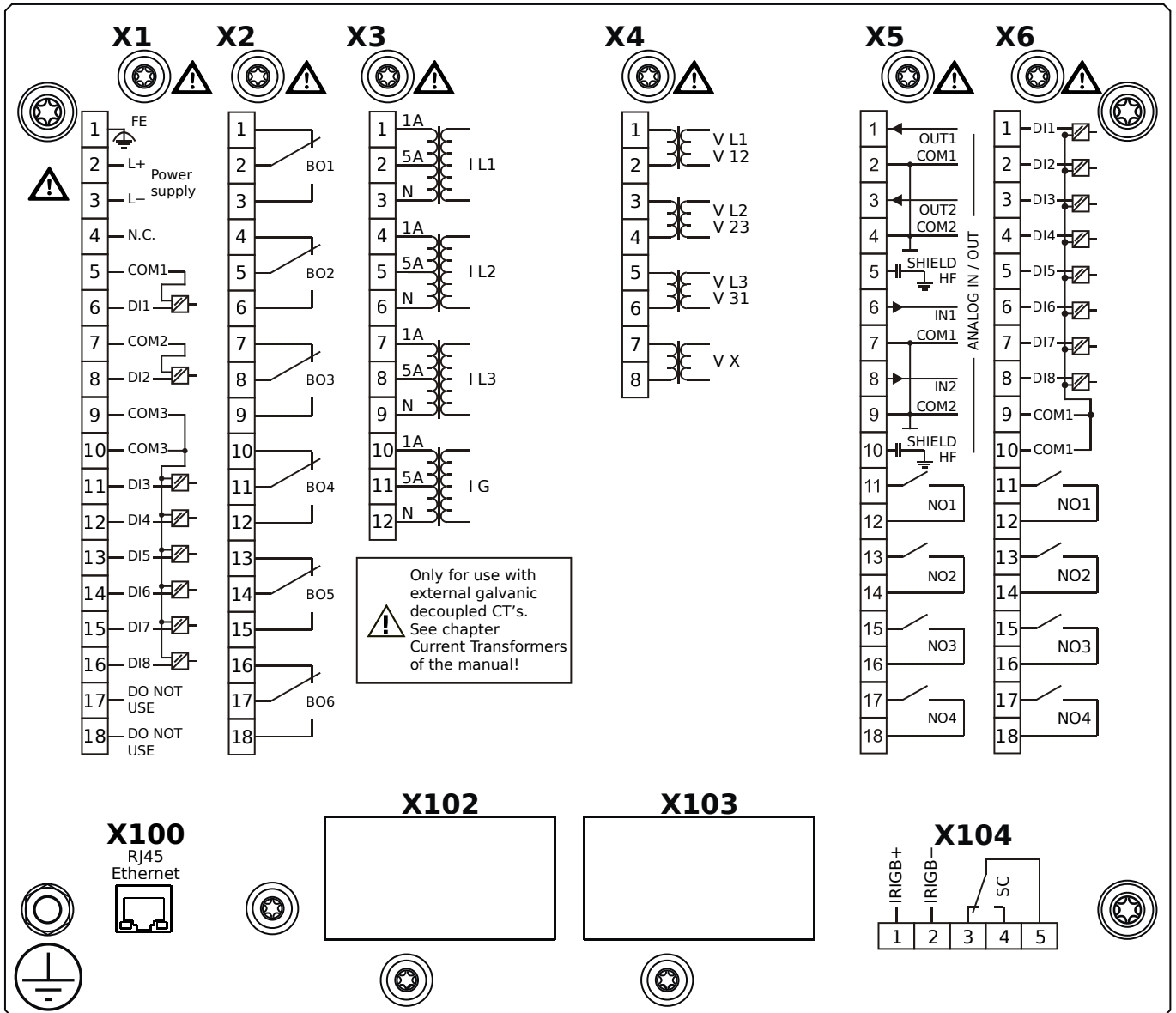
MCA4-2F0BCA



Housing B2, large display, door mounting 19" (flush mounting)

- X1** – DI8-X1: Wide-range power supply unit, incl. 2 non-grouped digital inputs and 6 grouped digital inputs
- X2** – OR6: Assembly Group with 6 Output Relays
- X3** – TI: Standard current measuring card
- X4** – TU: Card with 4 voltage transformer measuring inputs
- X5** – AnIO2-OR4: Assembly Group with 2 Analog Inputs, 2 Analog Outputs and 4 Output Relays
- X6** – DI8-OR4: Assembly Group with 8 Digital Inputs and 4 Output Relays
- X100** – Modbus TCP / DNP3.0 TCP/UDP, Ethernet interface, 100 Mbit/s, RJ45 (BASE100-FX)
- X104** – IRIG-B00X, incl. System Contact (Supervision Contact)

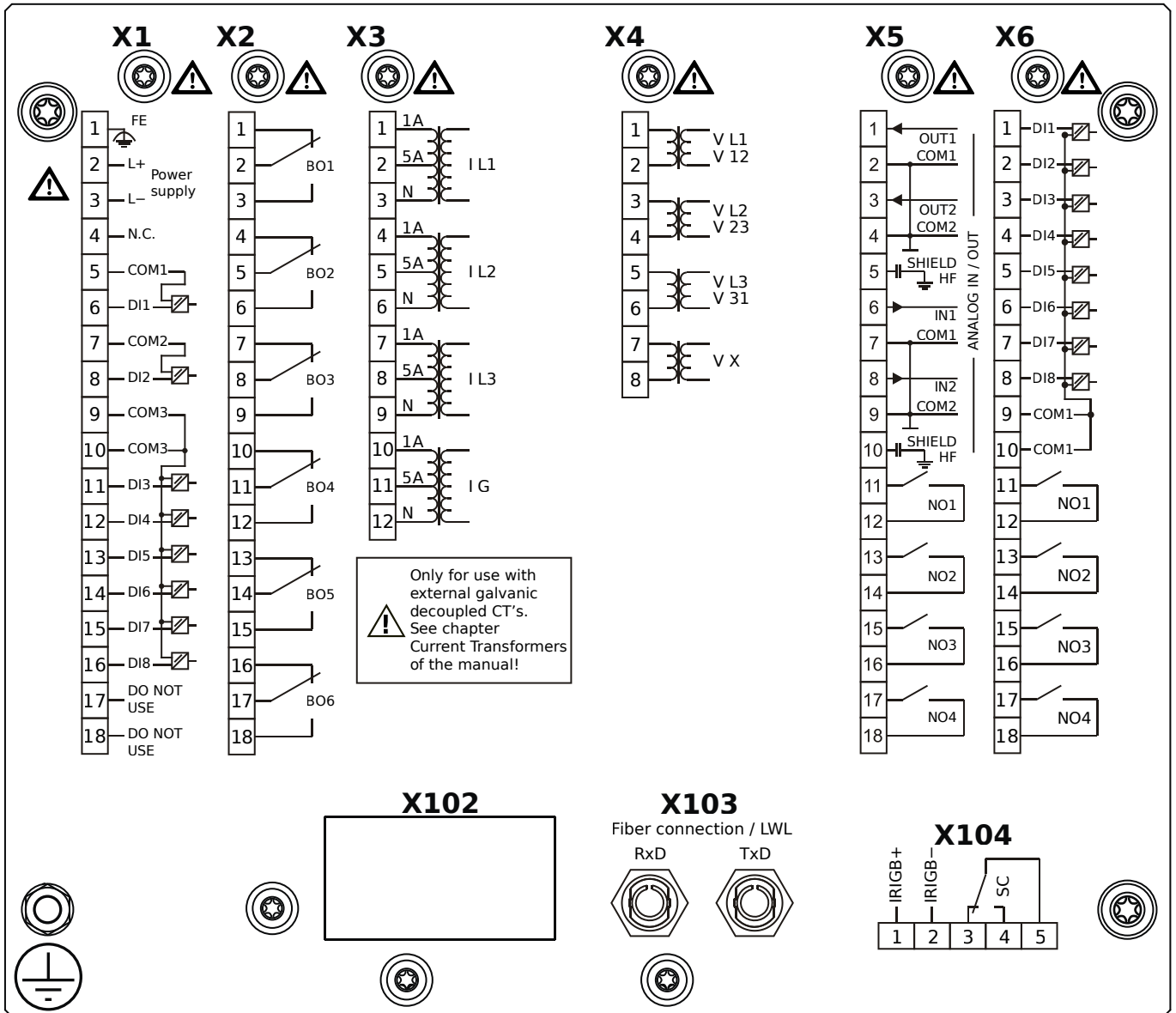
MCA4-2F0BCB



Housing B2, large display, door mounting 19" (flush mounting)

- X1** – DI8-X1: Wide-range power supply unit, incl. 2 non-grouped digital inputs and 6 grouped digital inputs
- X2** – OR6: Assembly Group with 6 Output Relays
- X3** – TI: Standard current measuring card
- X4** – TU: Card with 4 voltage transformer measuring inputs
- X5** – AnIO2-OR4: Assembly Group with 2 Analog Inputs, 2 Analog Outputs and 4 Output Relays
- X6** – DI8-OR4: Assembly Group with 8 Digital Inputs and 4 Output Relays
- X100** – Modbus TCP / DNP3.0 TCP/UDP, Ethernet interface, 100 Mbit/s, RJ45 (BASE100-FX)
- X104** – IRIG-B00X, incl. System Contact (Supervision Contact)

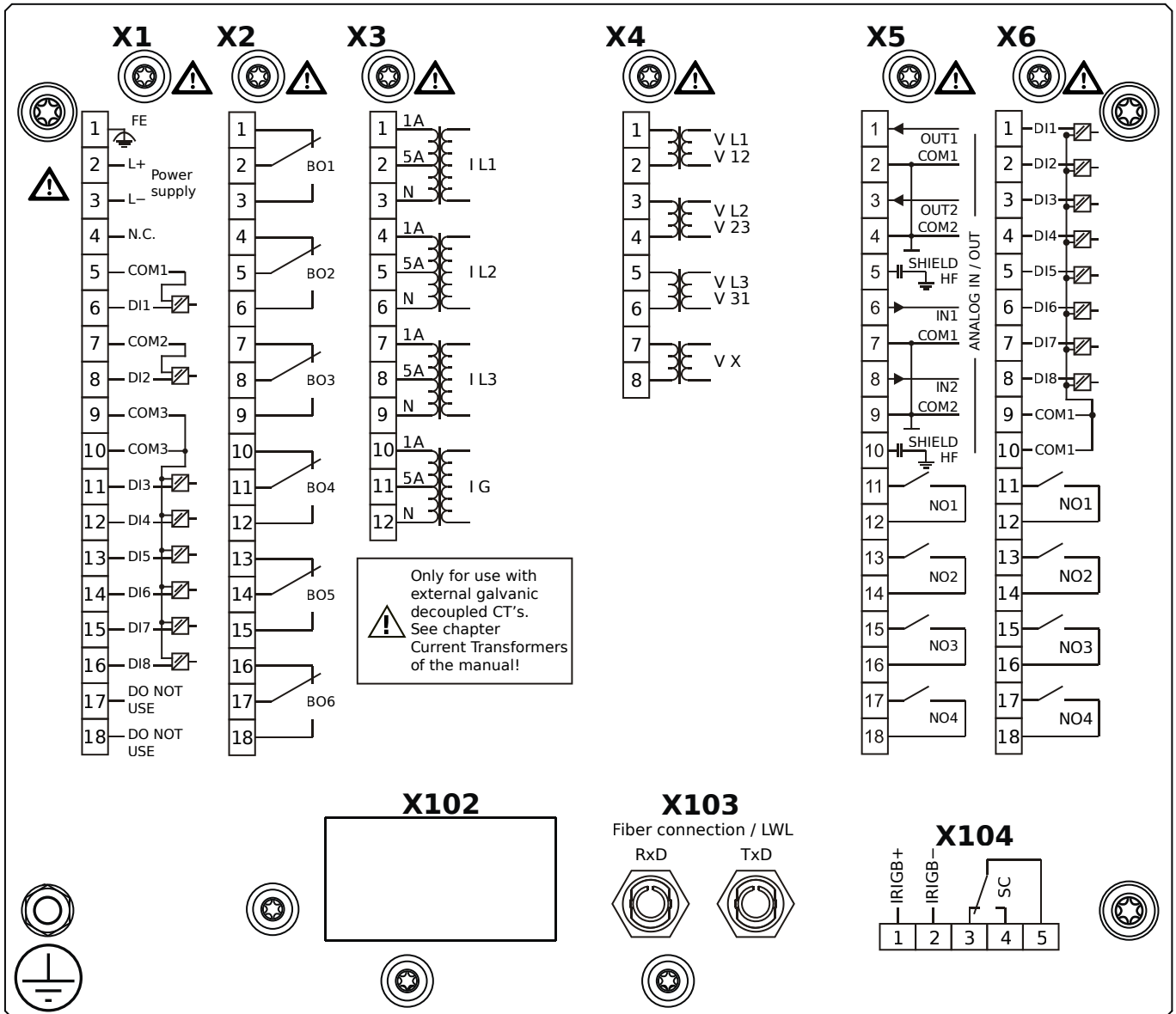
MCA4-2F0BDA



Housing B2, large display, door mounting 19" (flush mounting)

- X1** – DI8-X1: Wide-range power supply unit, incl. 2 non-grouped digital inputs and 6 grouped digital inputs
- X2** – OR6: Assembly Group with 6 Output Relays
- X3** – TI: Standard current measuring card
- X4** – TU: Card with 4 voltage transformer measuring inputs
- X5** – AnIO2-OR4: Assembly Group with 2 Analog Inputs, 2 Analog Outputs and 4 Output Relays
- X6** – DI8-OR4: Assembly Group with 8 Digital Inputs and 4 Output Relays
- X103** – Profibus-DP, Fiber optics interface, ST Connector
- X104** – IRIG-B00X, incl. System Contact (Supervision Contact)

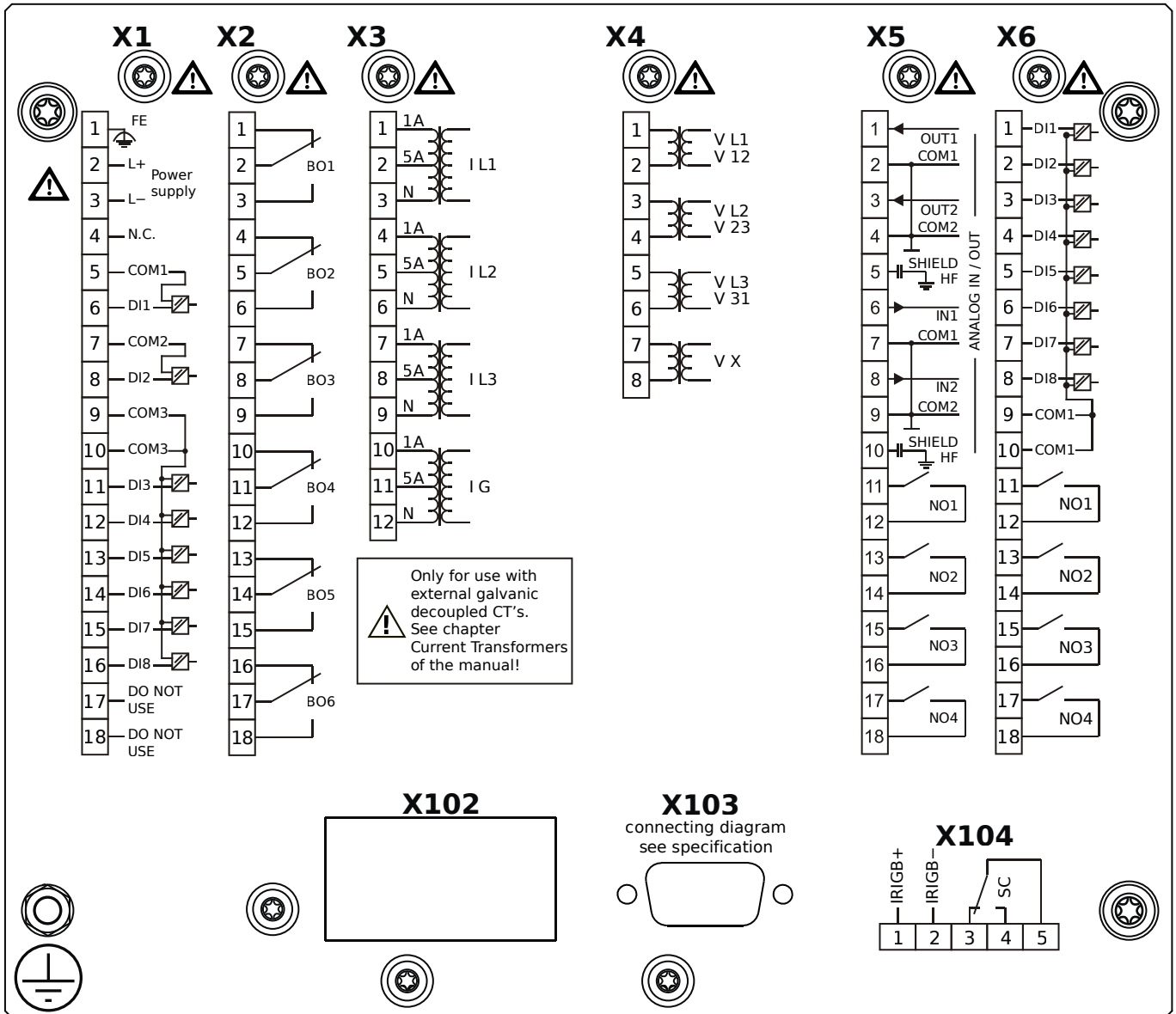
MCA4-2F0BDB



Housing B2, large display, door mounting 19" (flush mounting)

- X1** – DI8-X1: Wide-range power supply unit, incl. 2 non-grouped digital inputs and 6 grouped digital inputs
- X2** – OR6: Assembly Group with 6 Output Relays
- X3** – TI: Standard current measuring card
- X4** – TU: Card with 4 voltage transformer measuring inputs
- X5** – AnIO2-OR4: Assembly Group with 2 Analog Inputs, 2 Analog Outputs and 4 Output Relays
- X6** – DI8-OR4: Assembly Group with 8 Digital Inputs and 4 Output Relays
- X103** – Profibus-DP, Fiber optics interface, ST Connector
- X104** – IRIG-B00X, incl. System Contact (Supervision Contact)

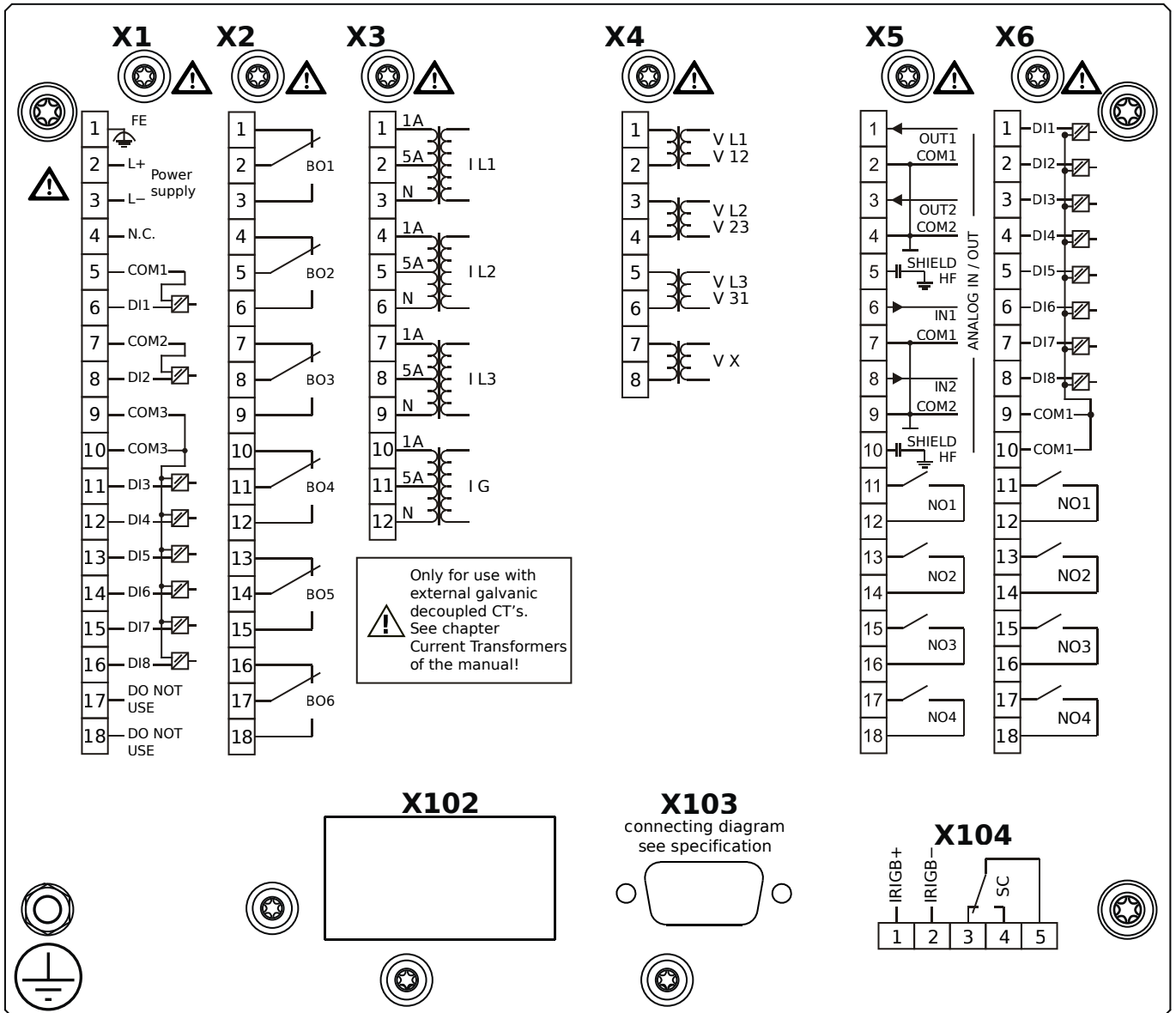
MCA4-2F0BEA



Housing B2, large display, door mounting 19" (flush mounting)

- X1** – DI8-X1: Wide-range power supply unit, incl. 2 non-grouped digital inputs and 6 grouped digital inputs
- X2** – OR6: Assembly Group with 6 Output Relays
- X3** – TI: Standard current measuring card
- X4** – TU: Card with 4 voltage transformer measuring inputs
- X5** – AnIO2-OR4: Assembly Group with 2 Analog Inputs, 2 Analog Outputs and 4 Output Relays
- X6** – DI8-OR4: Assembly Group with 8 Digital Inputs and 4 Output Relays
- X103** – Profibus-DP, RS485, D-SUB
- X104** – IRIG-B00X, incl. System Contact (Supervision Contact)

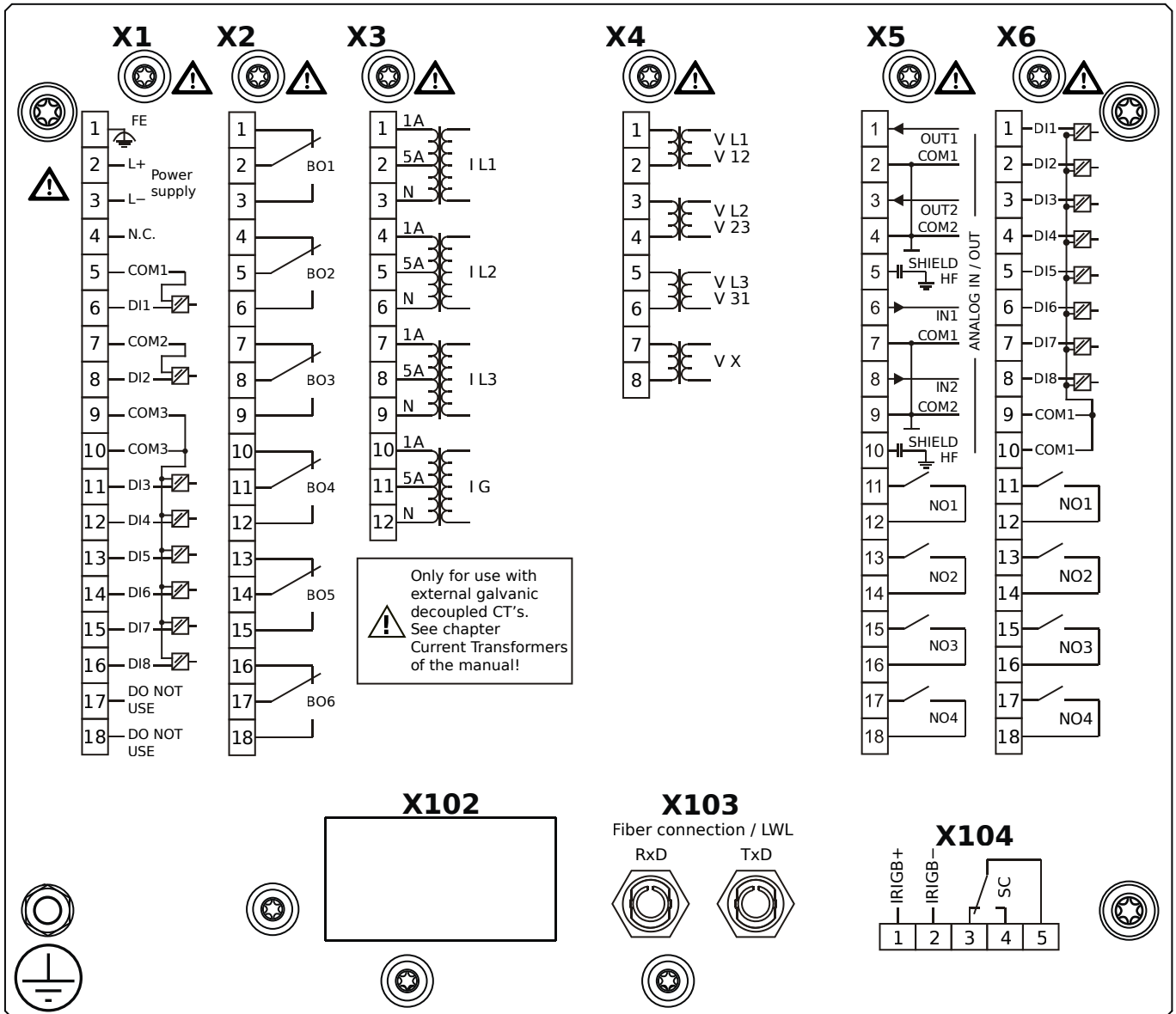
MCA4-2F0BEB



Housing B2, large display, door mounting 19" (flush mounting)

- X1** – DI8-X1: Wide-range power supply unit, incl. 2 non-grouped digital inputs and 6 grouped digital inputs
- X2** – OR6: Assembly Group with 6 Output Relays
- X3** – TI: Standard current measuring card
- X4** – TU: Card with 4 voltage transformer measuring inputs
- X5** – AnIO2-OR4: Assembly Group with 2 Analog Inputs, 2 Analog Outputs and 4 Output Relays
- X6** – DI8-OR4: Assembly Group with 8 Digital Inputs and 4 Output Relays
- X103** – Profibus-DP, RS485, D-SUB
- X104** – IRIG-B00X, incl. System Contact (Supervision Contact)

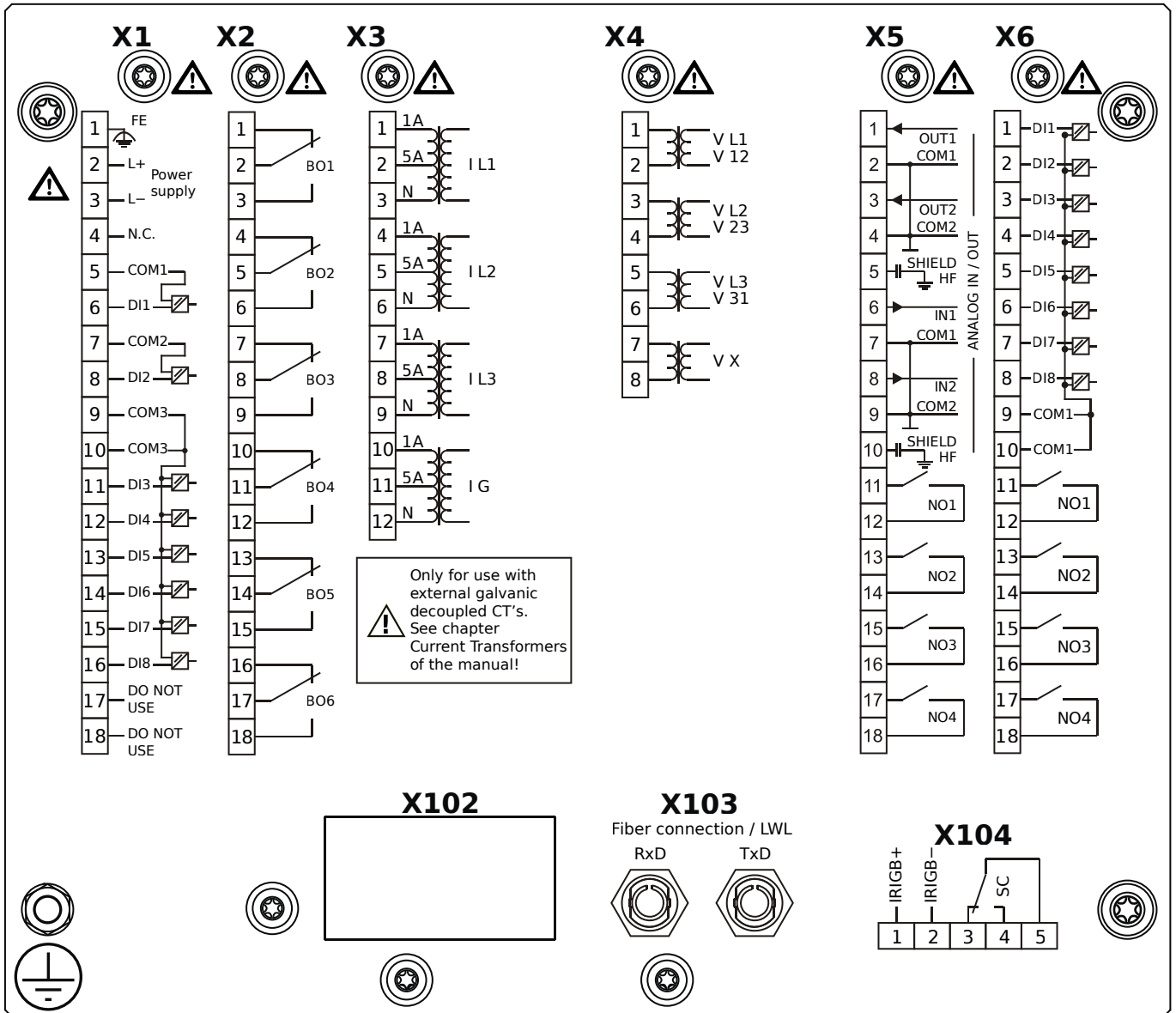
MCA4-2F0BFA



Housing B2, large display, door mounting 19" (flush mounting)

- X1** – DI8-X1: Wide-range power supply unit, incl. 2 non-grouped digital inputs and 6 grouped digital inputs
- X2** – OR6: Assembly Group with 6 Output Relays
- X3** – TI: Standard current measuring card
- X4** – TU: Card with 4 voltage transformer measuring inputs
- X5** – AnIO2-OR4: Assembly Group with 2 Analog Inputs, 2 Analog Outputs and 4 Output Relays
- X6** – DI8-OR4: Assembly Group with 8 Digital Inputs and 4 Output Relays
- X103** – Modbus RTU / IEC 60870-5-103 / DNP3.0 RTU, Fiber optics interface, ST Connector
- X104** – IRIG-B00X, incl. System Contact (Supervision Contact)

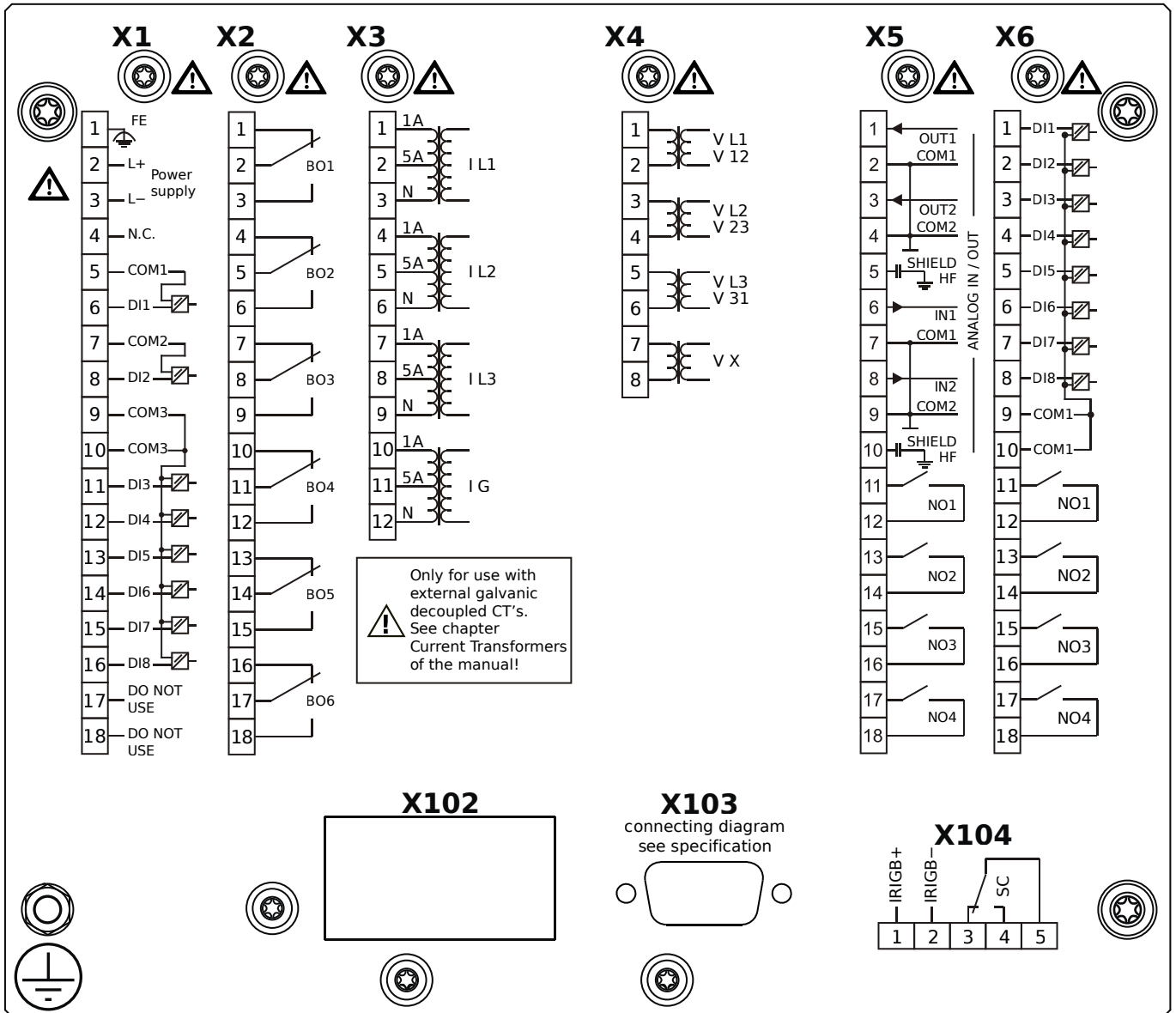
MCA4-2F0BFB



Housing B2, large display, door mounting 19" (flush mounting)

- X1** – DI8-X1: Wide-range power supply unit, incl. 2 non-grouped digital inputs and 6 grouped digital inputs
- X2** – OR6: Assembly Group with 6 Output Relays
- X3** – TI: Standard current measuring card
- X4** – TU: Card with 4 voltage transformer measuring inputs
- X5** – AnIO2-OR4: Assembly Group with 2 Analog Inputs, 2 Analog Outputs and 4 Output Relays
- X6** – DI8-OR4: Assembly Group with 8 Digital Inputs and 4 Output Relays
- X103** – Modbus RTU / IEC 60870-5-103 / DNP3.0 RTU, Fiber optics interface, ST Connector
- X104** – IRIG-B00X, incl. System Contact (Supervision Contact)

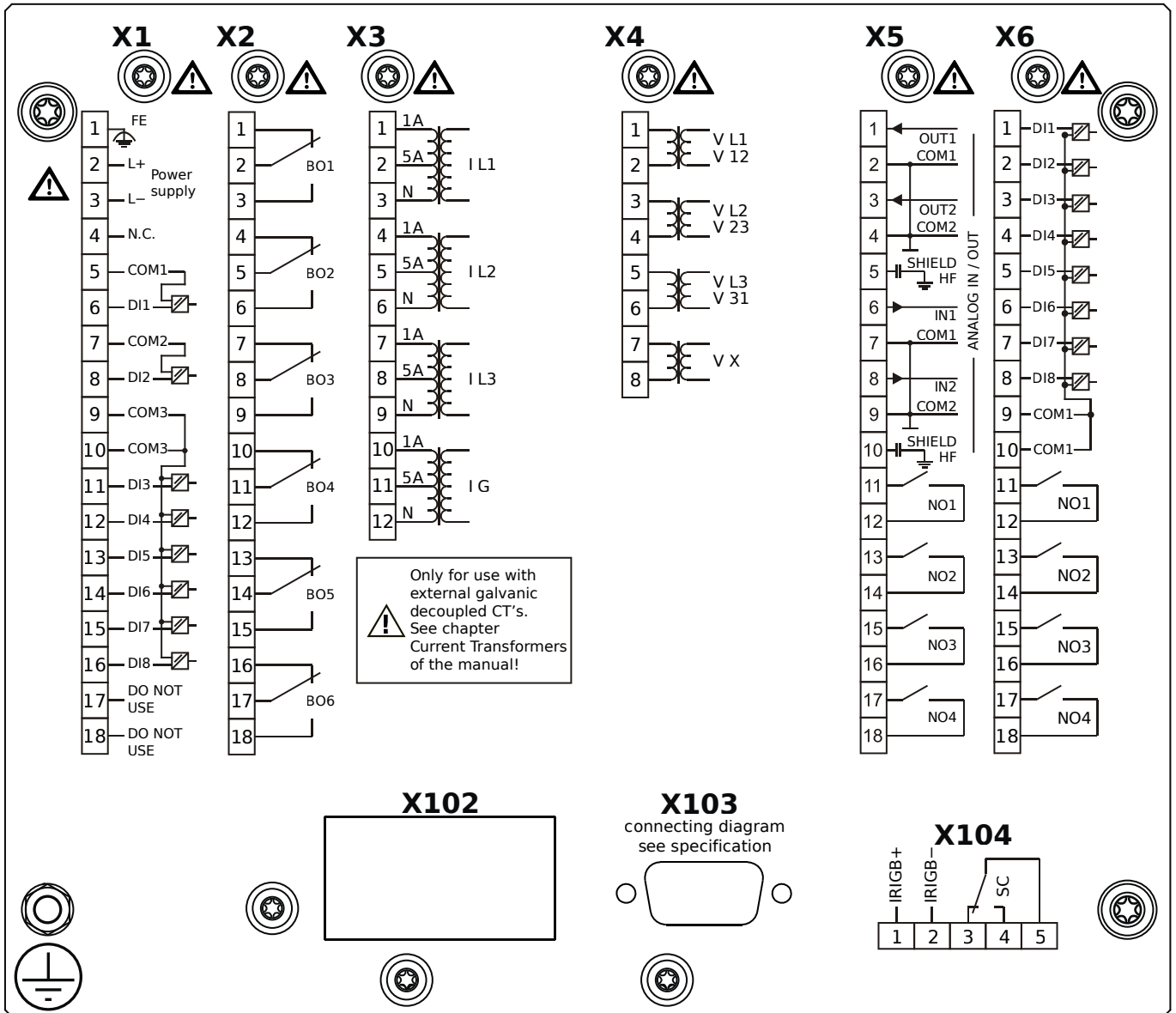
MCA4-2F0BGA



Housing B2, large display, door mounting 19" (flush mounting)

- X1** – DI8-X1: Wide-range power supply unit, incl. 2 non-grouped digital inputs and 6 grouped digital inputs
- X2** – OR6: Assembly Group with 6 Output Relays
- X3** – TI: Standard current measuring card
- X4** – TU: Card with 4 voltage transformer measuring inputs
- X5** – AnIO2-OR4: Assembly Group with 2 Analog Inputs, 2 Analog Outputs and 4 Output Relays
- X6** – DI8-OR4: Assembly Group with 8 Digital Inputs and 4 Output Relays
- X103** – Modbus RTU / IEC 60870-5-103 / DNP3.0 RTU, RS485, D-SUB
- X104** – IRIG-B00X, incl. System Contact (Supervision Contact)

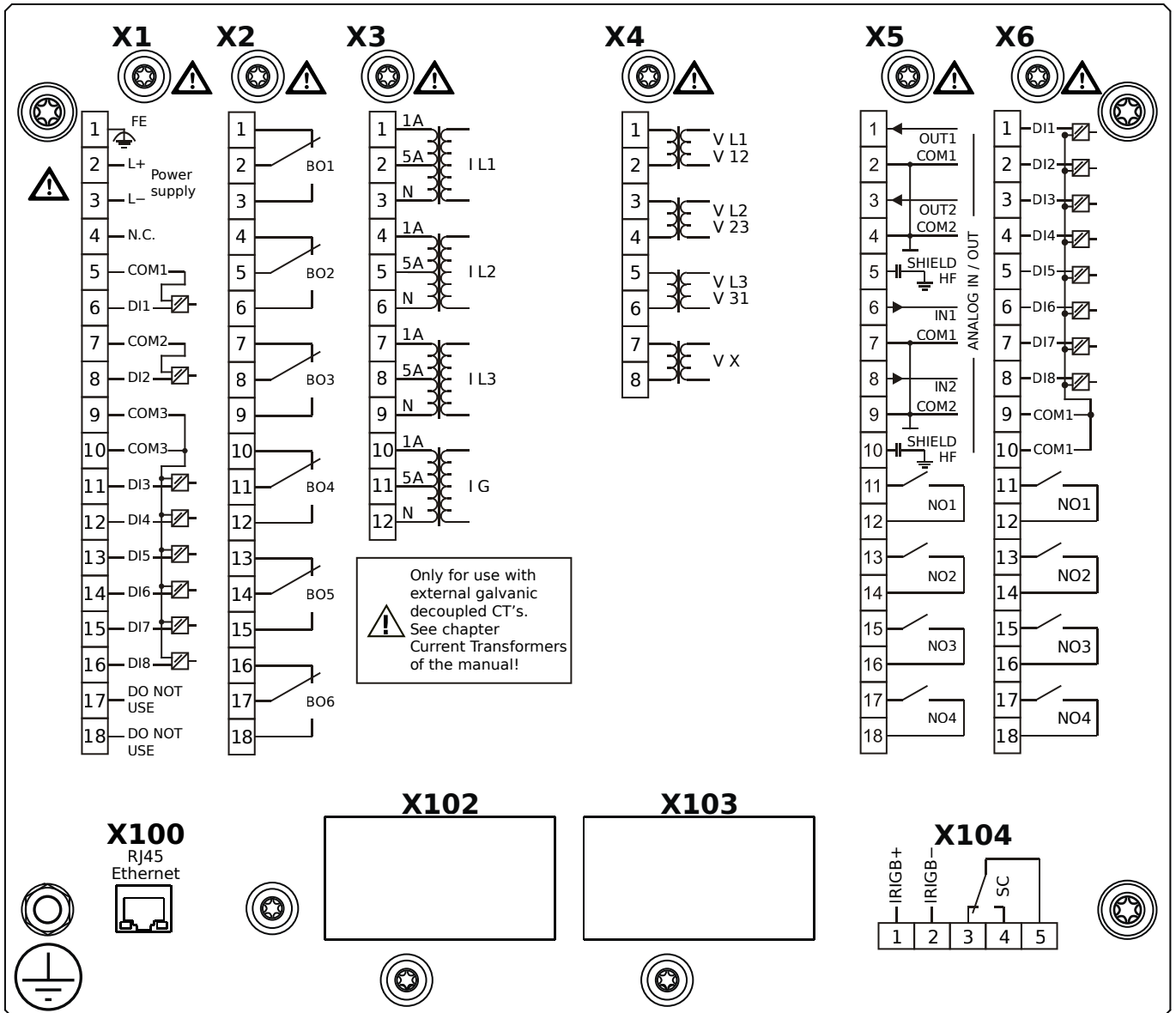
MCA4-2F0BGB



Housing B2, large display, door mounting 19" (flush mounting)

- X1** – DI8-X1: Wide-range power supply unit, incl. 2 non-grouped digital inputs and 6 grouped digital inputs
- X2** – OR6: Assembly Group with 6 Output Relays
- X3** – TI: Standard current measuring card
- X4** – TU: Card with 4 voltage transformer measuring inputs
- X5** – AnIO2-OR4: Assembly Group with 2 Analog Inputs, 2 Analog Outputs and 4 Output Relays
- X6** – DI8-OR4: Assembly Group with 8 Digital Inputs and 4 Output Relays
- X103** – Modbus RTU / IEC 60870-5-103 / DNP3.0 RTU, RS485, D-SUB
- X104** – IRIG-B00X, incl. System Contact (Supervision Contact)

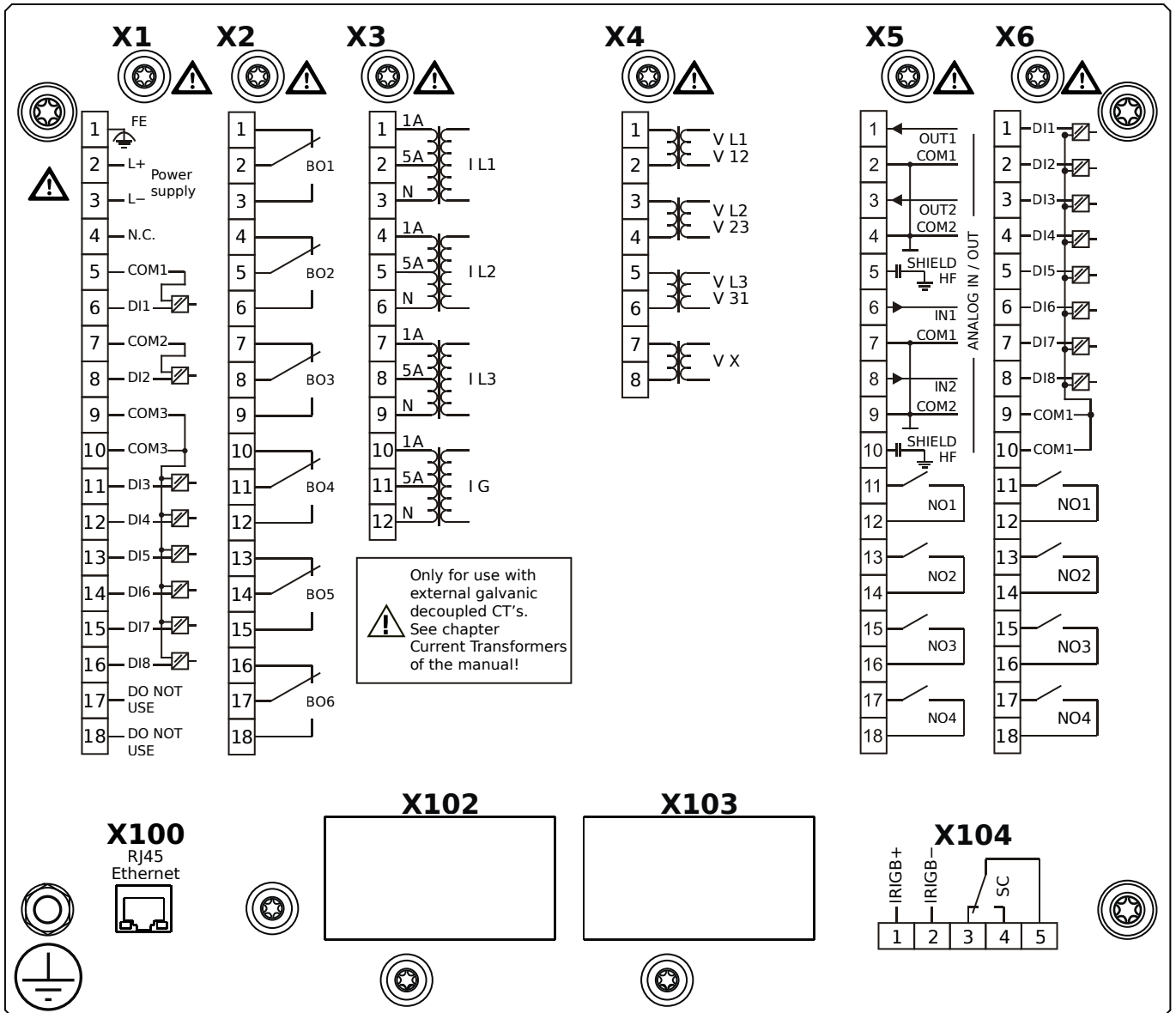
MCA4-2F0BHA



Housing B2, large display, door mounting 19" (flush mounting)

- X1** – DI8-X1: Wide-range power supply unit, incl. 2 non-grouped digital inputs and 6 grouped digital inputs
- X2** – OR6: Assembly Group with 6 Output Relays
- X3** – TI: Standard current measuring card
- X4** – TU: Card with 4 voltage transformer measuring inputs
- X5** – AnIO2-OR4: Assembly Group with 2 Analog Inputs, 2 Analog Outputs and 4 Output Relays
- X6** – DI8-OR4: Assembly Group with 8 Digital Inputs and 4 Output Relays
- X100** – IEC 61850 / Modbus TCP / DNP3.0 TCP/UDP, Ethernet interface, 100 Mbit/s, RJ45 (BASE100-FX)
- X104** – IRIG-B00X, incl. System Contact (Supervision Contact)

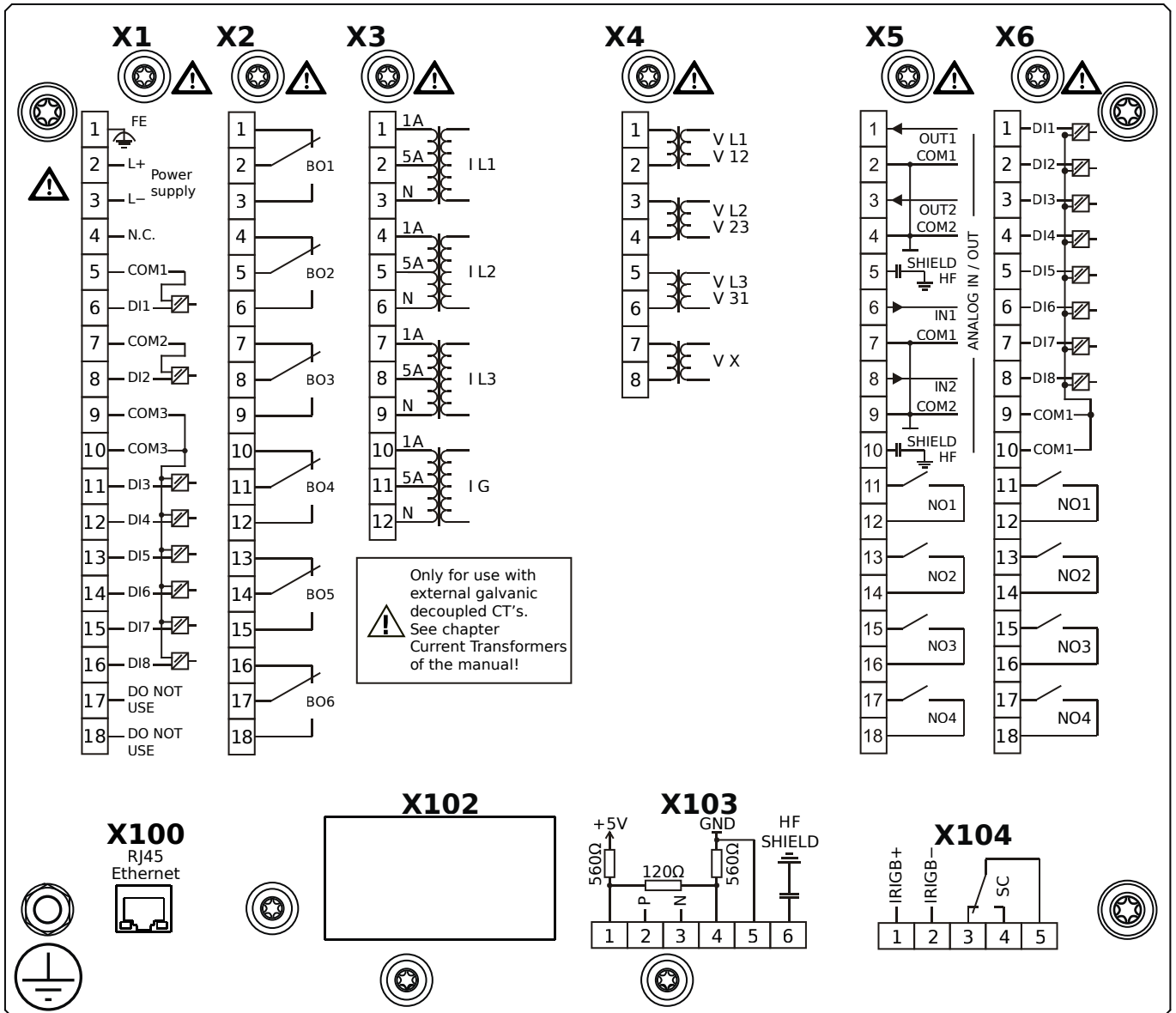
MCA4-2F0BHB



Housing B2, large display, door mounting 19" (flush mounting)

- X1** – DI8-X1: Wide-range power supply unit, incl. 2 non-grouped digital inputs and 6 grouped digital inputs
- X2** – OR6: Assembly Group with 6 Output Relays
- X3** – TI: Standard current measuring card
- X4** – TU: Card with 4 voltage transformer measuring inputs
- X5** – AnIO2-OR4: Assembly Group with 2 Analog Inputs, 2 Analog Outputs and 4 Output Relays
- X6** – DI8-OR4: Assembly Group with 8 Digital Inputs and 4 Output Relays
- X100** – IEC 61850 / Modbus TCP / DNP3.0 TCP/UDP, Ethernet interface, 100 Mbit/s, RJ45 (BASE100-FX)
- X104** – IRIG-B00X, incl. System Contact (Supervision Contact)

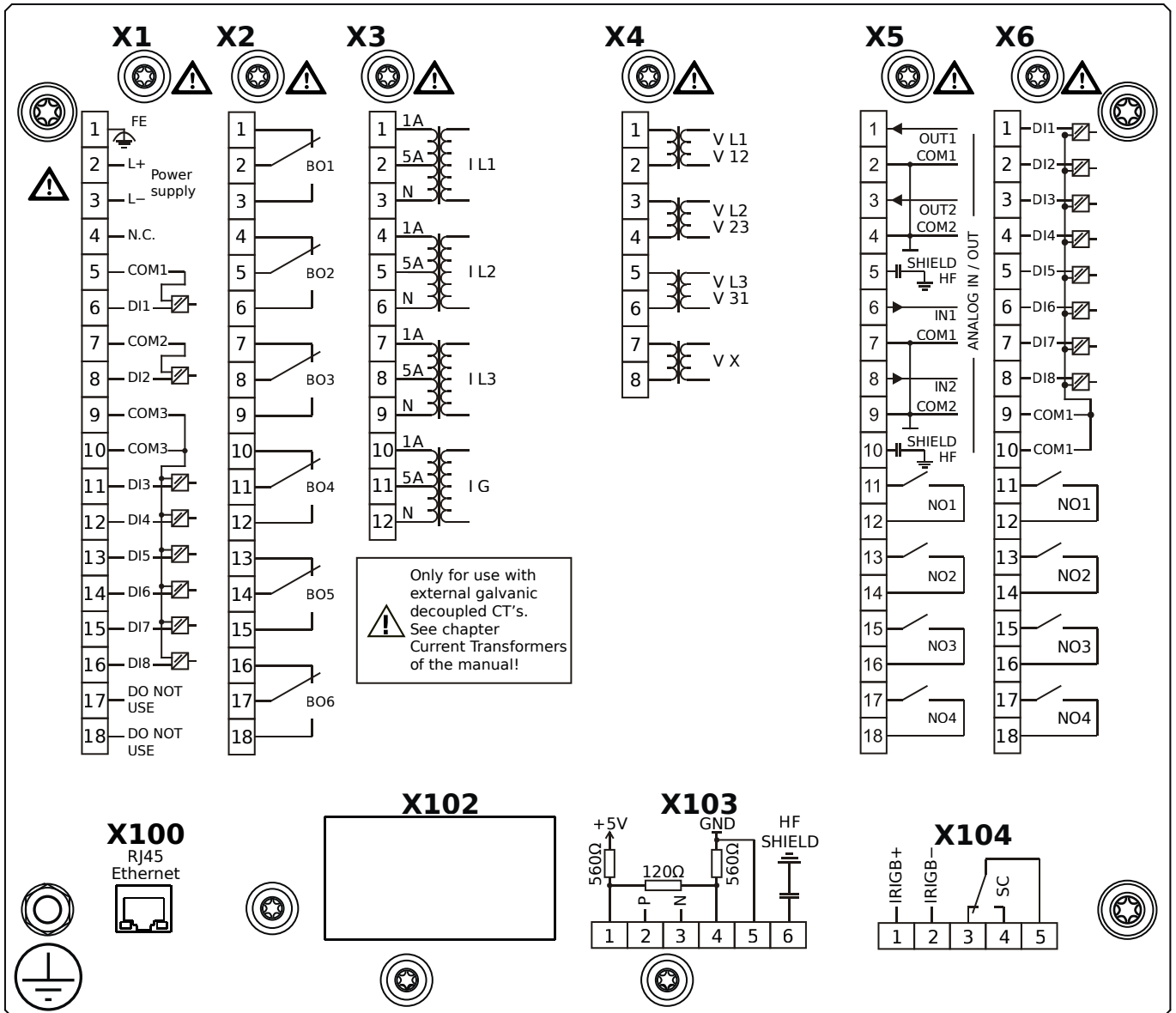
MCA4-2F0BIA



Housing B2, large display, door mounting 19" (flush mounting)

- X1** – DI8-X1: Wide-range power supply unit, incl. 2 non-grouped digital inputs and 6 grouped digital inputs
- X2** – OR6: Assembly Group with 6 Output Relays
- X3** – TI: Standard current measuring card
- X4** – TU: Card with 4 voltage transformer measuring inputs
- X5** – AnIO2-OR4: Assembly Group with 2 Analog Inputs, 2 Analog Outputs and 4 Output Relays
- X6** – DI8-OR4: Assembly Group with 8 Digital Inputs and 4 Output Relays
- X100** – Modbus TCP / DNP3.0 TCP/UDP, Ethernet interface, 100 Mbit/s, RJ45 (BASE100-FX)
- X103** – IEC 60870-5-103 / Modbus RTU / DNP3.0 RTU, RS485, Terminals
- X104** – IRIG-B00X, incl. System Contact (Supervision Contact)

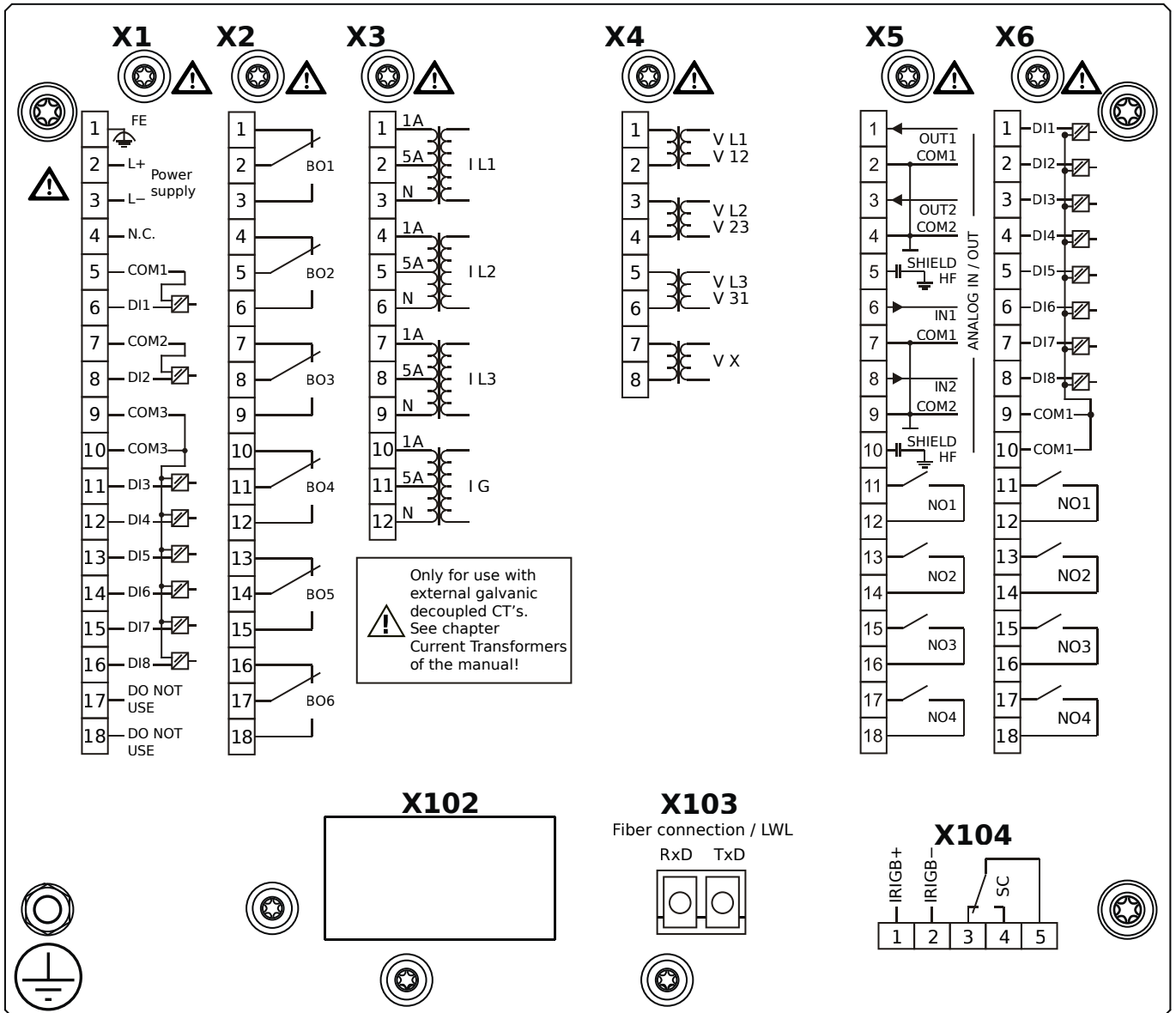
MCA4-2F0BIB



Housing B2, large display, door mounting 19" (flush mounting)

- X1** – DI8-X1: Wide-range power supply unit, incl. 2 non-grouped digital inputs and 6 grouped digital inputs
- X2** – OR6: Assembly Group with 6 Output Relays
- X3** – TI: Standard current measuring card
- X4** – TU: Card with 4 voltage transformer measuring inputs
- X5** – AnIO2-OR4: Assembly Group with 2 Analog Inputs, 2 Analog Outputs and 4 Output Relays
- X6** – DI8-OR4: Assembly Group with 8 Digital Inputs and 4 Output Relays
- X100** – Modbus TCP / DNP3.0 TCP/UDP, Ethernet interface, 100 Mbit/s, RJ45 (BASE100-FX)
- X103** – IEC 60870-5-103 / Modbus RTU / DNP3.0 RTU, RS485, Terminals
- X104** – IRIG-B00X, incl. System Contact (Supervision Contact)

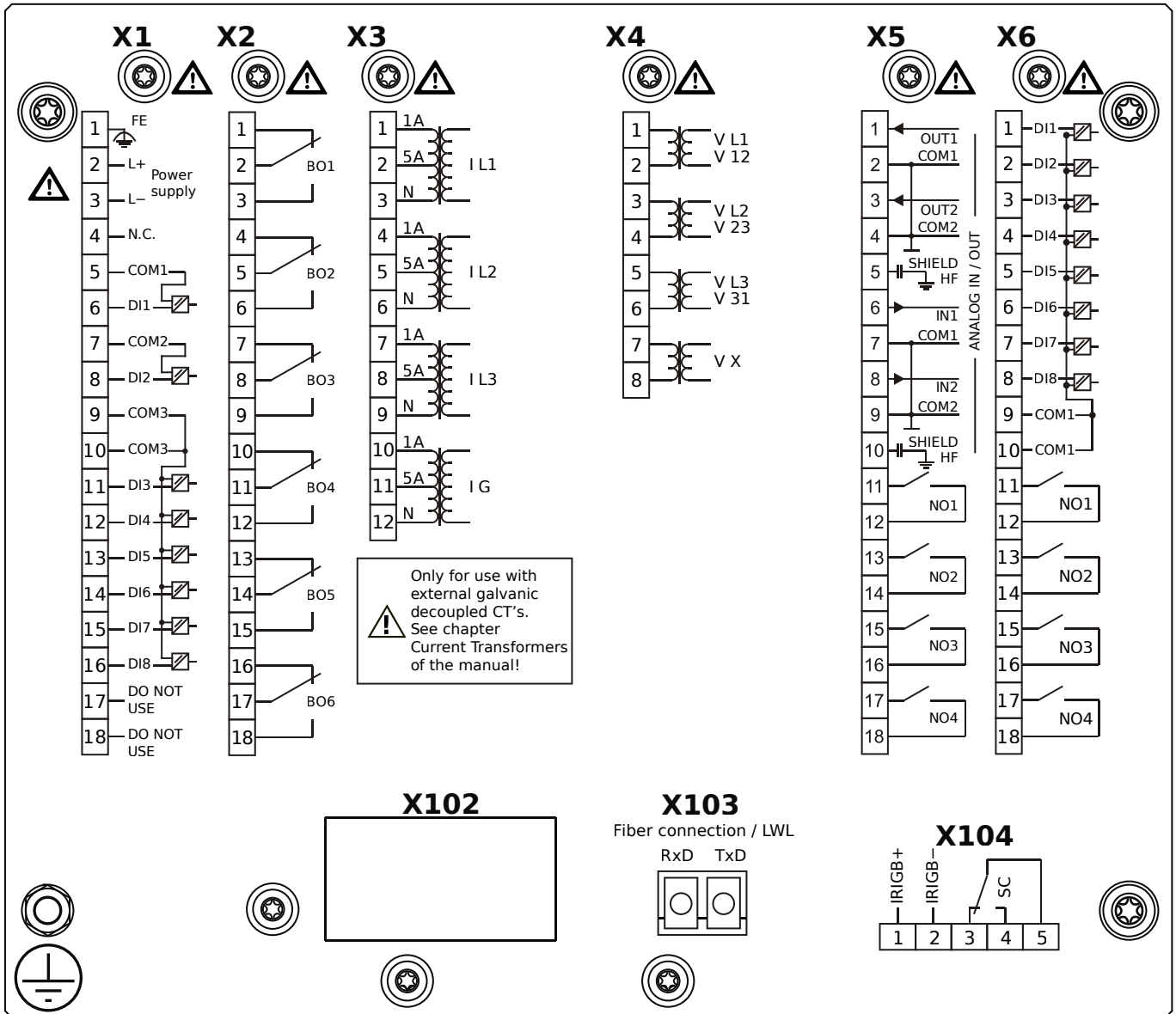
MCA4-2F0BKA



Housing B2, large display, door mounting 19" (flush mounting)

- X1** – DI8-X1: Wide-range power supply unit, incl. 2 non-grouped digital inputs and 6 grouped digital inputs
- X2** – OR6: Assembly Group with 6 Output Relays
- X3** – TI: Standard current measuring card
- X4** – TU: Card with 4 voltage transformer measuring inputs
- X5** – AnIO2-OR4: Assembly Group with 2 Analog Inputs, 2 Analog Outputs and 4 Output Relays
- X6** – DI8-OR4: Assembly Group with 8 Digital Inputs and 4 Output Relays
- X103** – IEC 61850 / Modbus TCP / DNP3.0 TCP/UDP, Fiber optics interface, LC Connector
- X104** – IRIG-B00X, incl. System Contact (Supervision Contact)

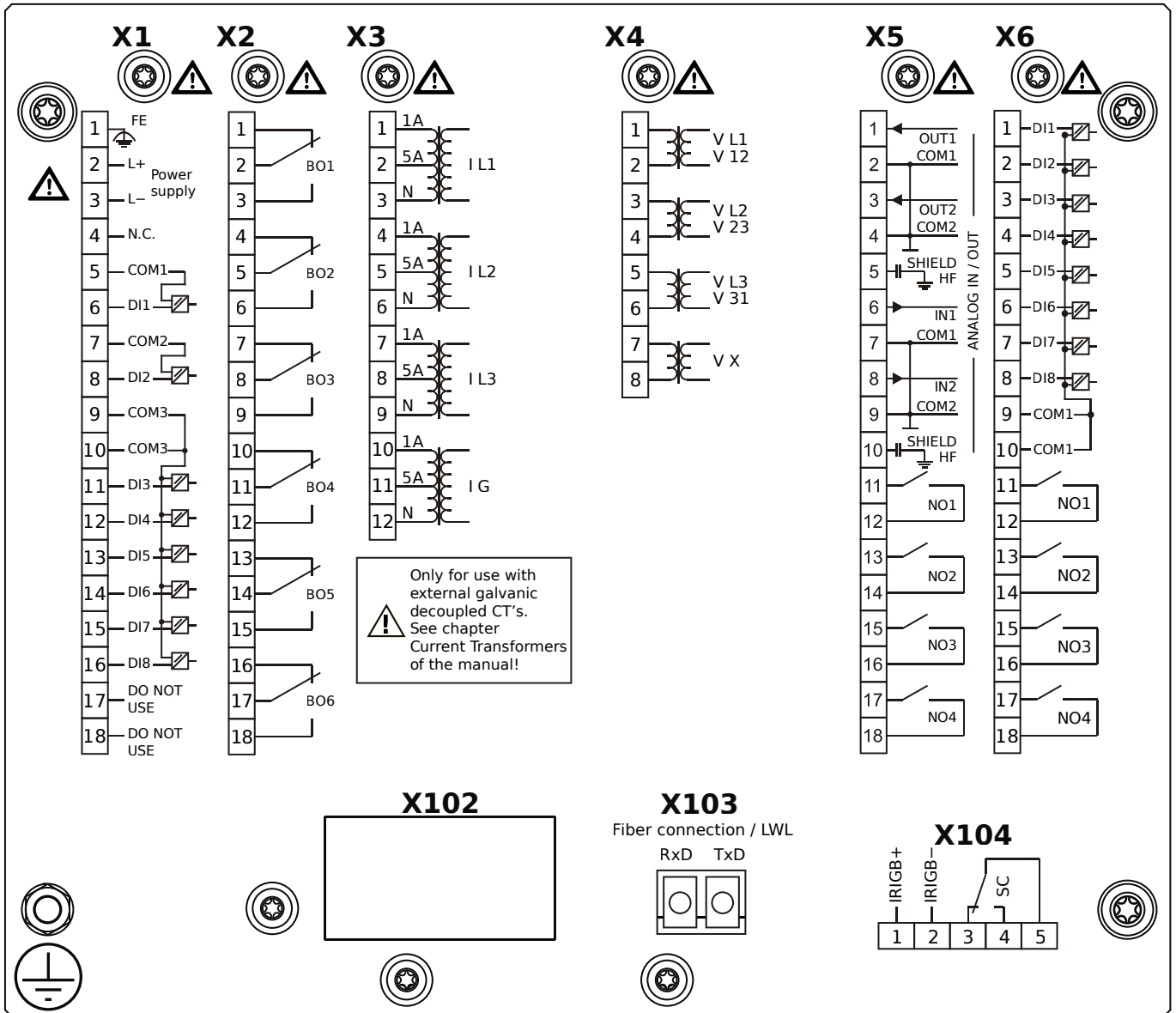
MCA4-2F0BKB



Housing B2, large display, door mounting 19" (flush mounting)

- X1** – DI8-X1: Wide-range power supply unit, incl. 2 non-grouped digital inputs and 6 grouped digital inputs
- X2** – OR6: Assembly Group with 6 Output Relays
- X3** – TI: Standard current measuring card
- X4** – TU: Card with 4 voltage transformer measuring inputs
- X5** – AnIO2-OR4: Assembly Group with 2 Analog Inputs, 2 Analog Outputs and 4 Output Relays
- X6** – DI8-OR4: Assembly Group with 8 Digital Inputs and 4 Output Relays
- X103** – IEC 61850 / Modbus TCP / DNP3.0 TCP/UDP, Fiber optics interface, LC Connector
- X104** – IRIG-B00X, incl. System Contact (Supervision Contact)

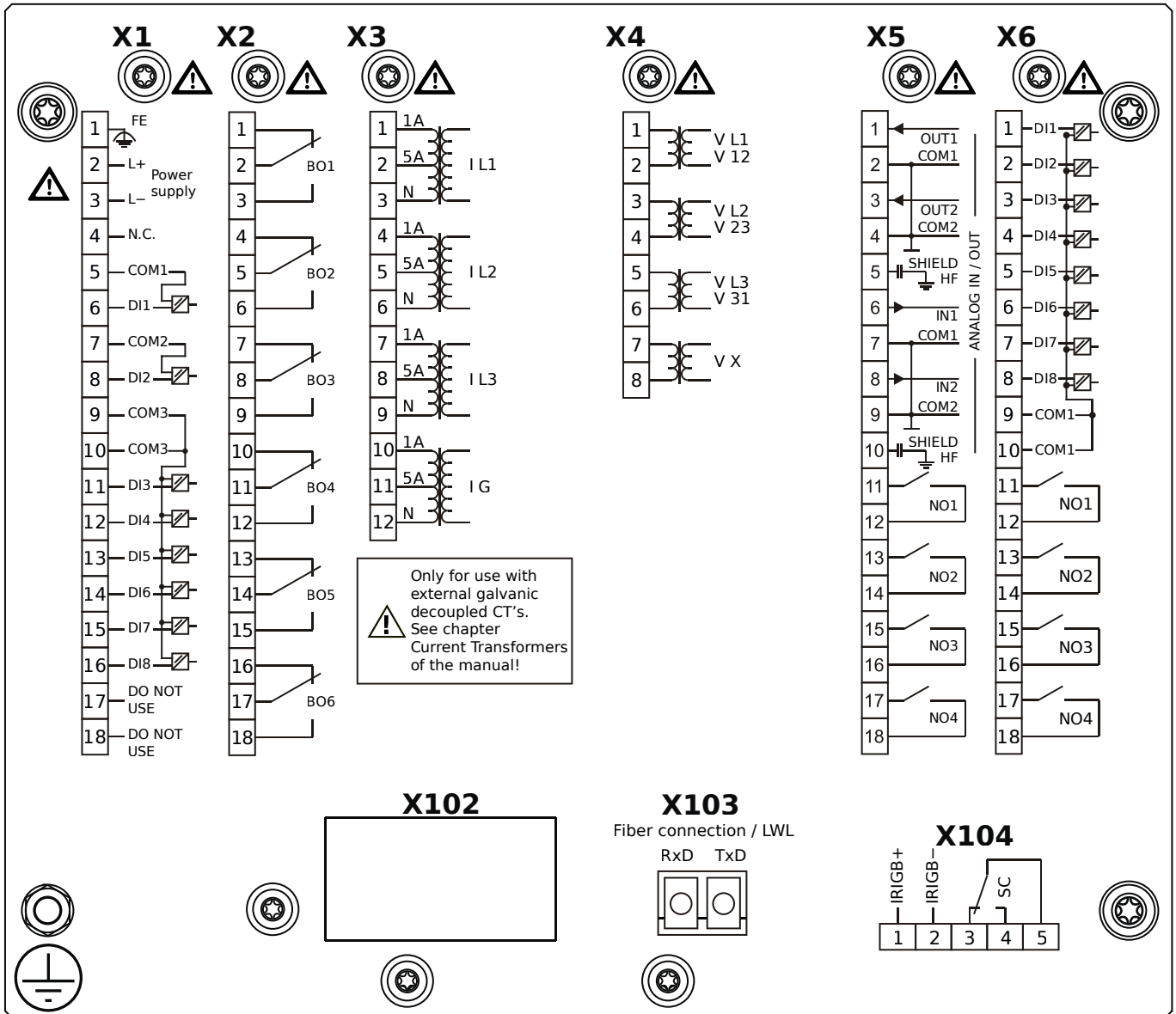
MCA4-2F0BLA



Housing B2, large display, door mounting 19" (flush mounting)

- X1** – DI8-X1: Wide-range power supply unit, incl. 2 non-grouped digital inputs and 6 grouped digital inputs
- X2** – OR6: Assembly Group with 6 Output Relays
- X3** – TI: Standard current measuring card
- X4** – TU: Card with 4 voltage transformer measuring inputs
- X5** – AnIO2-OR4: Assembly Group with 2 Analog Inputs, 2 Analog Outputs and 4 Output Relays
- X6** – DI8-OR4: Assembly Group with 8 Digital Inputs and 4 Output Relays
- X103** – Modbus TCP / DNP3.0 TCP/UDP, Fiber optics interface, LC Connector
- X104** – IRIG-B00X, incl. System Contact (Supervision Contact)

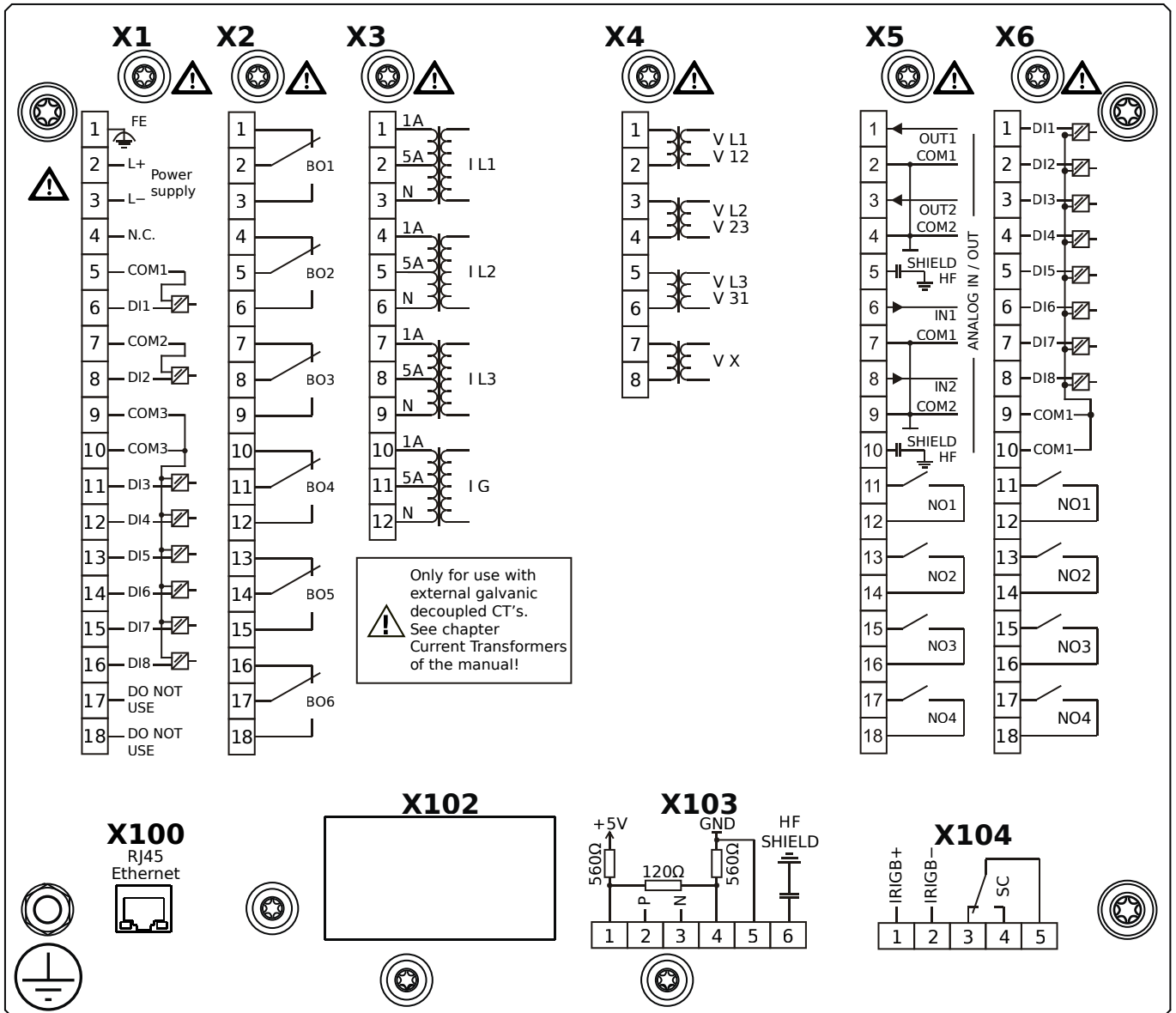
MCA4-2F0BLB



Housing B2, large display, door mounting 19" (flush mounting)

- X1** – DI8-X1: Wide-range power supply unit, incl. 2 non-grouped digital inputs and 6 grouped digital inputs
- X2** – OR6: Assembly Group with 6 Output Relays
- X3** – TI: Standard current measuring card
- X4** – TU: Card with 4 voltage transformer measuring inputs
- X5** – AnIO2-OR4: Assembly Group with 2 Analog Inputs, 2 Analog Outputs and 4 Output Relays
- X6** – DI8-OR4: Assembly Group with 8 Digital Inputs and 4 Output Relays
- X103** – Modbus TCP / DNP3.0 TCP/UDP, Fiber optics interface, LC Connector
- X104** – IRIG-B00X, incl. System Contact (Supervision Contact)

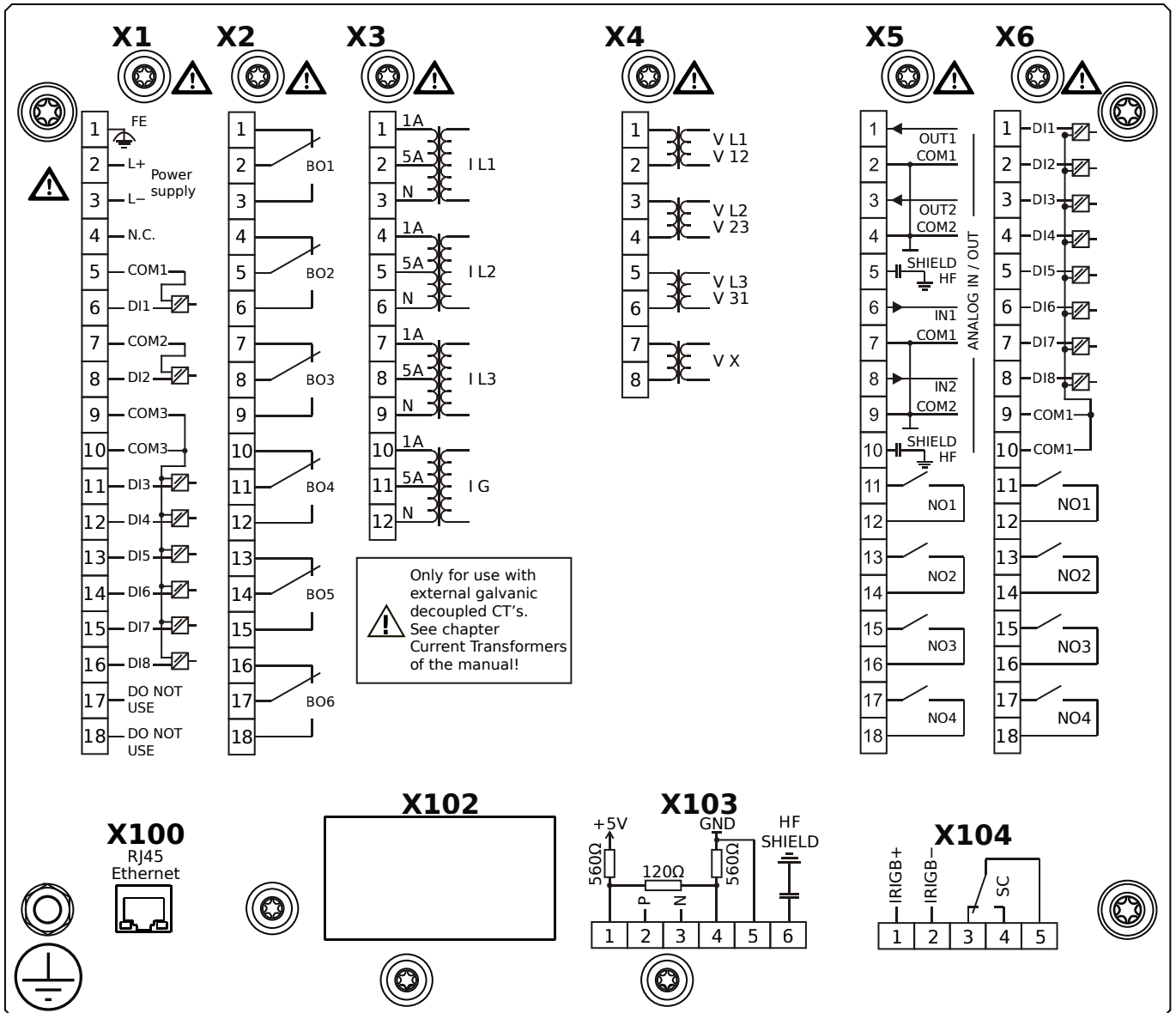
MCA4-2F0BTA



Housing B2, large display, door mounting 19" (flush mounting)

- X1** – DI8-X1: Wide-range power supply unit, incl. 2 non-grouped digital inputs and 6 grouped digital inputs
- X2** – OR6: Assembly Group with 6 Output Relays
- X3** – TI: Standard current measuring card
- X4** – TU: Card with 4 voltage transformer measuring inputs
- X5** – AnIO2-OR4: Assembly Group with 2 Analog Inputs, 2 Analog Outputs and 4 Output Relays
- X6** – DI8-OR4: Assembly Group with 8 Digital Inputs and 4 Output Relays
- X100** – IEC 61850 / Modbus TCP / DNP3.0 TCP/UDP, Ethernet interface, 100 Mbit/s, RJ45 (BASE100-FX)
- X103** – IEC 60870-5-103 / Modbus RTU / DNP3.0 RTU, RS485, Terminals
- X104** – IRIG-B00X, incl. System Contact (Supervision Contact)

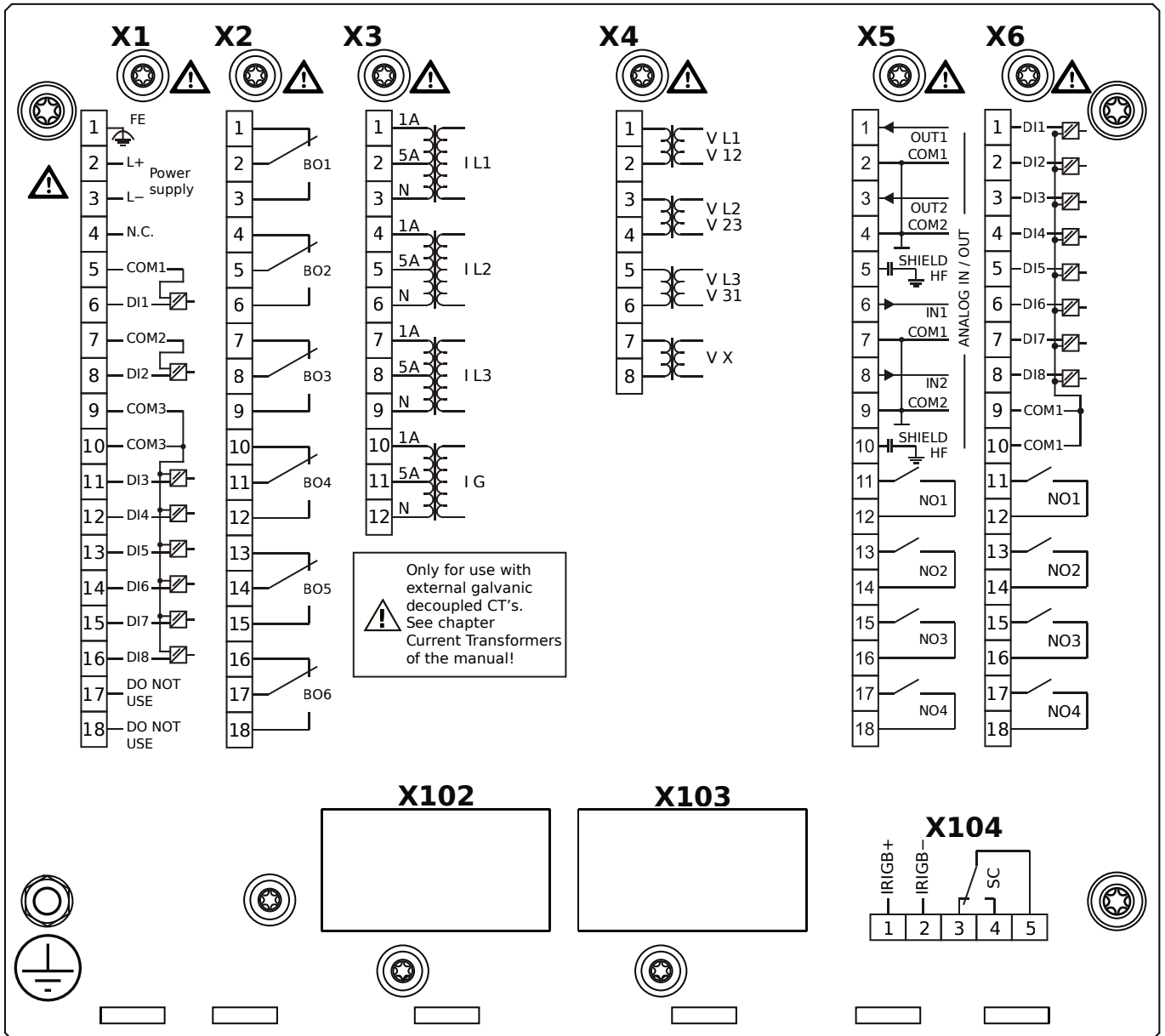
MCA4-2F0BTB



Housing B2, large display, door mounting 19" (flush mounting)

- X1** – DI8-X1: Wide-range power supply unit, incl. 2 non-grouped digital inputs and 6 grouped digital inputs
- X2** – OR6: Assembly Group with 6 Output Relays
- X3** – TI: Standard current measuring card
- X4** – TU: Card with 4 voltage transformer measuring inputs
- X5** – AnIO2-OR4: Assembly Group with 2 Analog Inputs, 2 Analog Outputs and 4 Output Relays
- X6** – DI8-OR4: Assembly Group with 8 Digital Inputs and 4 Output Relays
- X100** – IEC 61850 / Modbus TCP / DNP3.0 TCP/UDP, Ethernet interface, 100 Mbit/s, RJ45 (BASE100-FX)
- X103** – IEC 60870-5-103 / Modbus RTU / DNP3.0 RTU, RS485, Terminals
- X104** – IRIG-B00X, incl. System Contact (Supervision Contact)

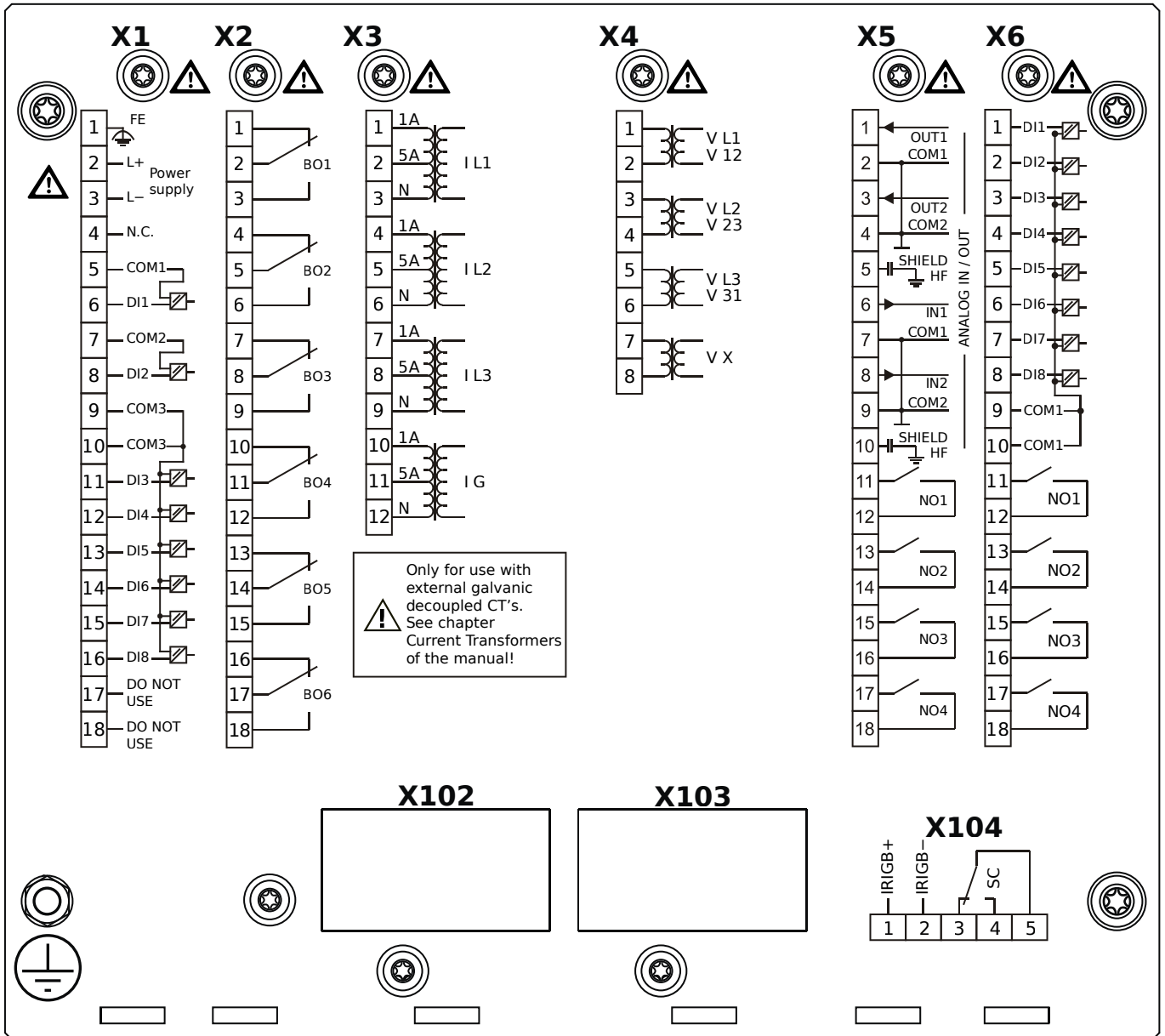
MCA4-2F0HAA



Housing B2, large display, door mounting

- X1** – DI8-X1: Wide-range power supply unit, incl. 2 non-grouped digital inputs and 6 grouped digital inputs
- X2** – OR6: Assembly Group with 6 Output Relays
- X3** – TI: Standard current measuring card
- X4** – TU: Card with 4 voltage transformer measuring inputs
- X5** – AnIO2-OR4: Assembly Group with 2 Analog Inputs, 2 Analog Outputs and 4 Output Relays
- X6** – DI8-OR4: Assembly Group with 8 Digital Inputs and 4 Output Relays
- X104** – IRIG-B00X, incl. System Contact (Supervision Contact)

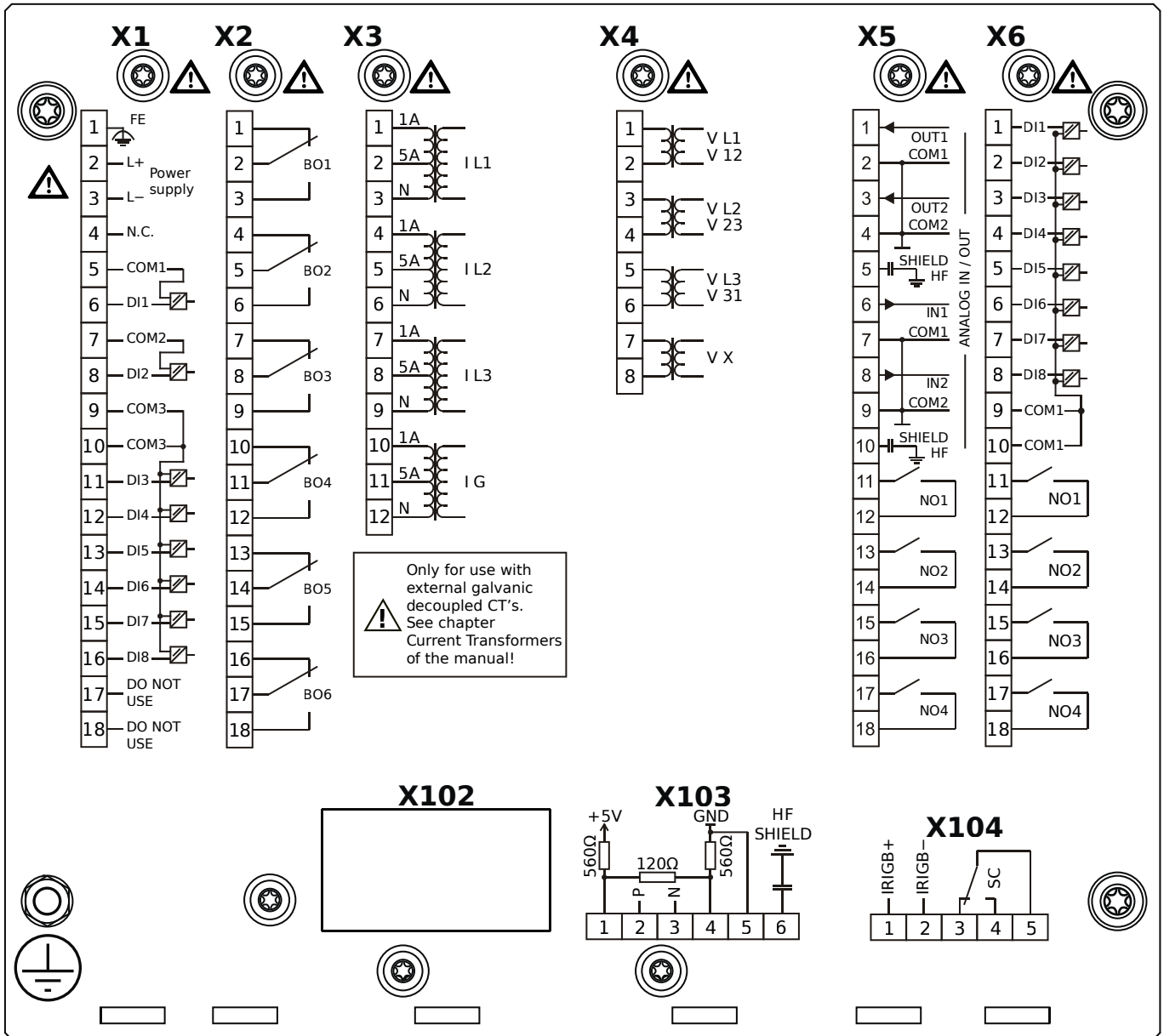
MCA4-2F0HAB



Housing B2, large display, door mounting

- X1** – DI8-X1: Wide-range power supply unit, incl. 2 non-grouped digital inputs and 6 grouped digital inputs
- X2** – OR6: Assembly Group with 6 Output Relays
- X3** – TI: Standard current measuring card
- X4** – TU: Card with 4 voltage transformer measuring inputs
- X5** – AnIO2-OR4: Assembly Group with 2 Analog Inputs, 2 Analog Outputs and 4 Output Relays
- X6** – DI8-OR4: Assembly Group with 8 Digital Inputs and 4 Output Relays
- X104** – IRIG-B00X, incl. System Contact (Supervision Contact)

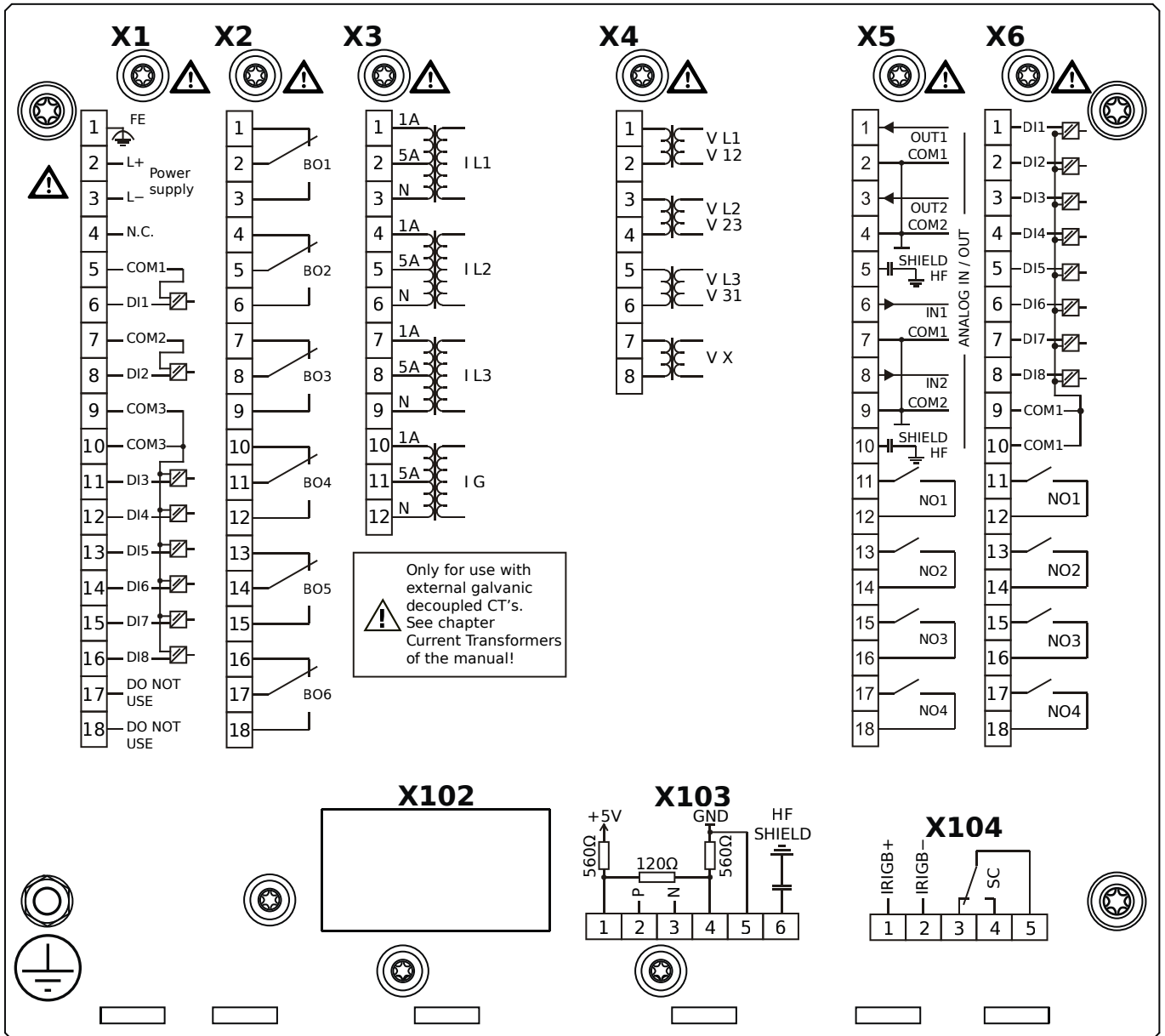
MCA4-2F0HBA



Housing B2, large display, door mounting

- X1** – DI8-X1: Wide-range power supply unit, incl. 2 non-grouped digital inputs and 6 grouped digital inputs
- X2** – OR6: Assembly Group with 6 Output Relays
- X3** – TI: Standard current measuring card
- X4** – TU: Card with 4 voltage transformer measuring inputs
- X5** – AnIO2-OR4: Assembly Group with 2 Analog Inputs, 2 Analog Outputs and 4 Output Relays
- X6** – DI8-OR4: Assembly Group with 8 Digital Inputs and 4 Output Relays
- X103** – Modbus RTU / IEC 60870-5-103 / DNP3.0 RTU, RS485, Terminals
- X104** – IRIG-B00X, incl. System Contact (Supervision Contact)

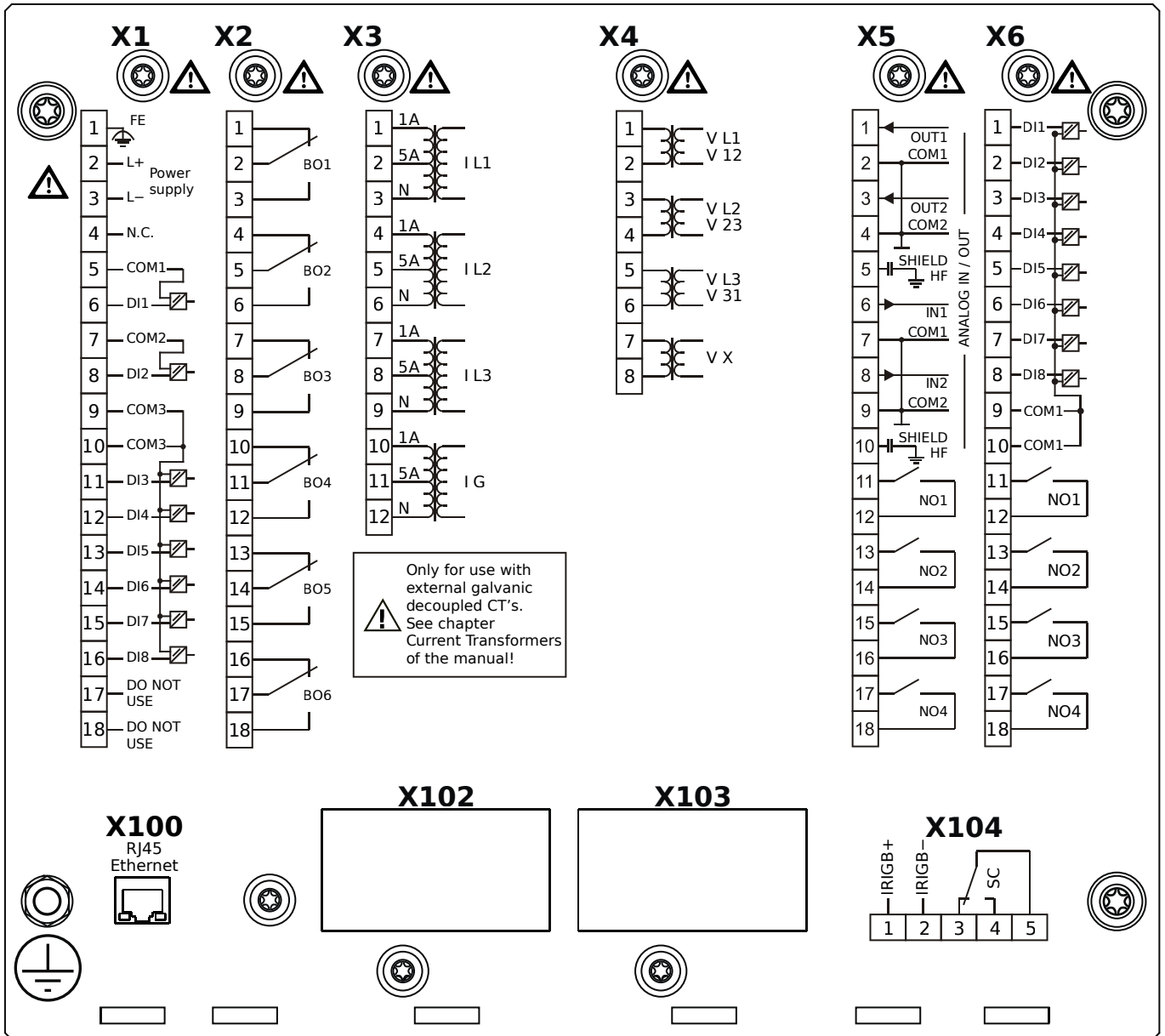
MCA4-2F0HBB



Housing B2, large display, door mounting

- X1** – DI8-X1: Wide-range power supply unit, incl. 2 non-grouped digital inputs and 6 grouped digital inputs
- X2** – OR6: Assembly Group with 6 Output Relays
- X3** – TI: Standard current measuring card
- X4** – TU: Card with 4 voltage transformer measuring inputs
- X5** – AnIO2-OR4: Assembly Group with 2 Analog Inputs, 2 Analog Outputs and 4 Output Relays
- X6** – DI8-OR4: Assembly Group with 8 Digital Inputs and 4 Output Relays
- X103** – Modbus RTU / IEC 60870-5-103 / DNP3.0 RTU, RS485, Terminals
- X104** – IRIG-B00X, incl. System Contact (Supervision Contact)

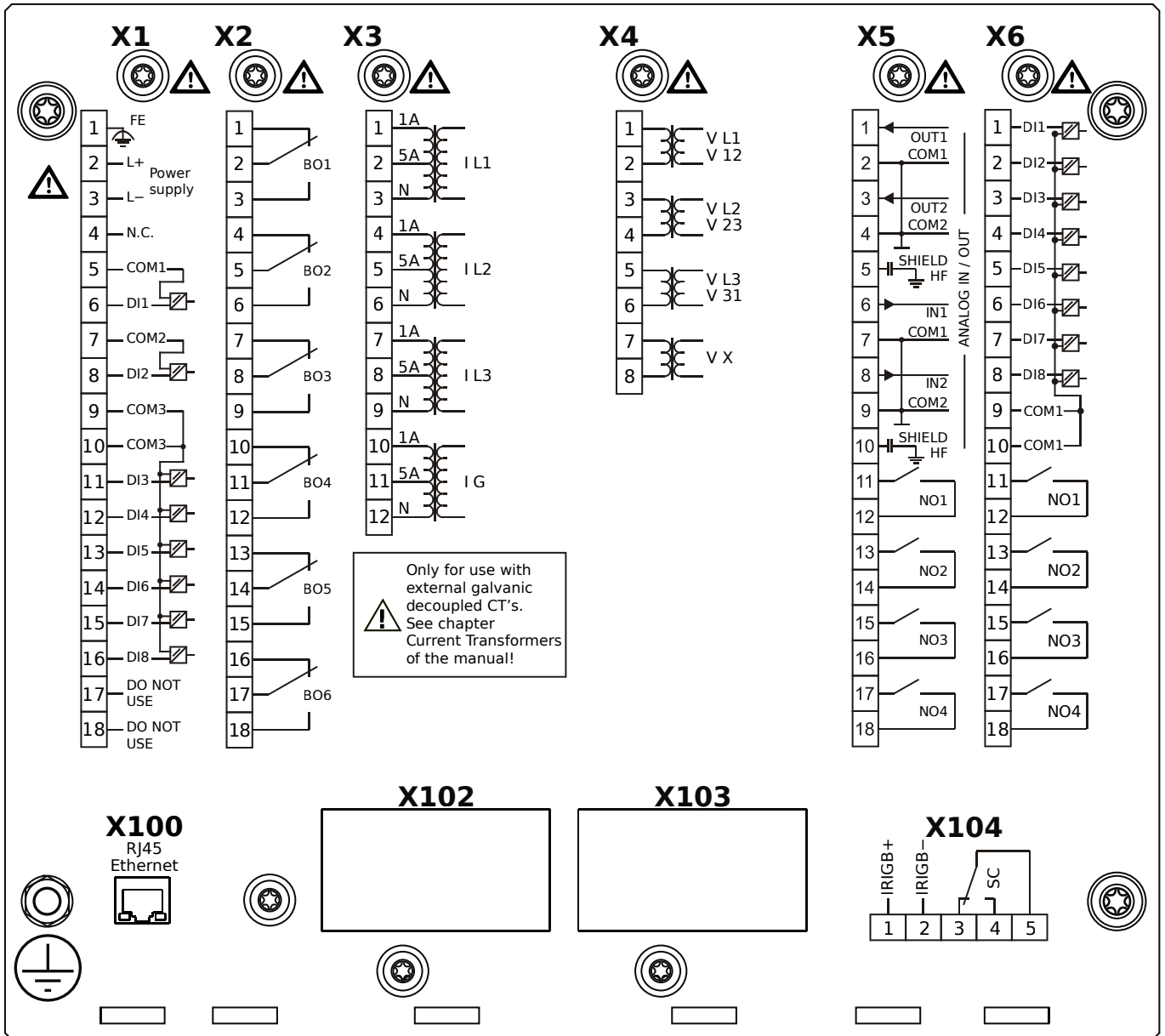
MCA4-2F0HCA



Housing B2, large display, door mounting

- X1** – DI8-X1: Wide-range power supply unit, incl. 2 non-grouped digital inputs and 6 grouped digital inputs
- X2** – OR6: Assembly Group with 6 Output Relays
- X3** – TI: Standard current measuring card
- X4** – TU: Card with 4 voltage transformer measuring inputs
- X5** – AnIO2-OR4: Assembly Group with 2 Analog Inputs, 2 Analog Outputs and 4 Output Relays
- X6** – DI8-OR4: Assembly Group with 8 Digital Inputs and 4 Output Relays
- X100** – Modbus TCP / DNP3.0 TCP/UDP, Ethernet interface, 100 Mbit/s, RJ45 (BASE100-FX)
- X104** – IRIG-B00X, incl. System Contact (Supervision Contact)

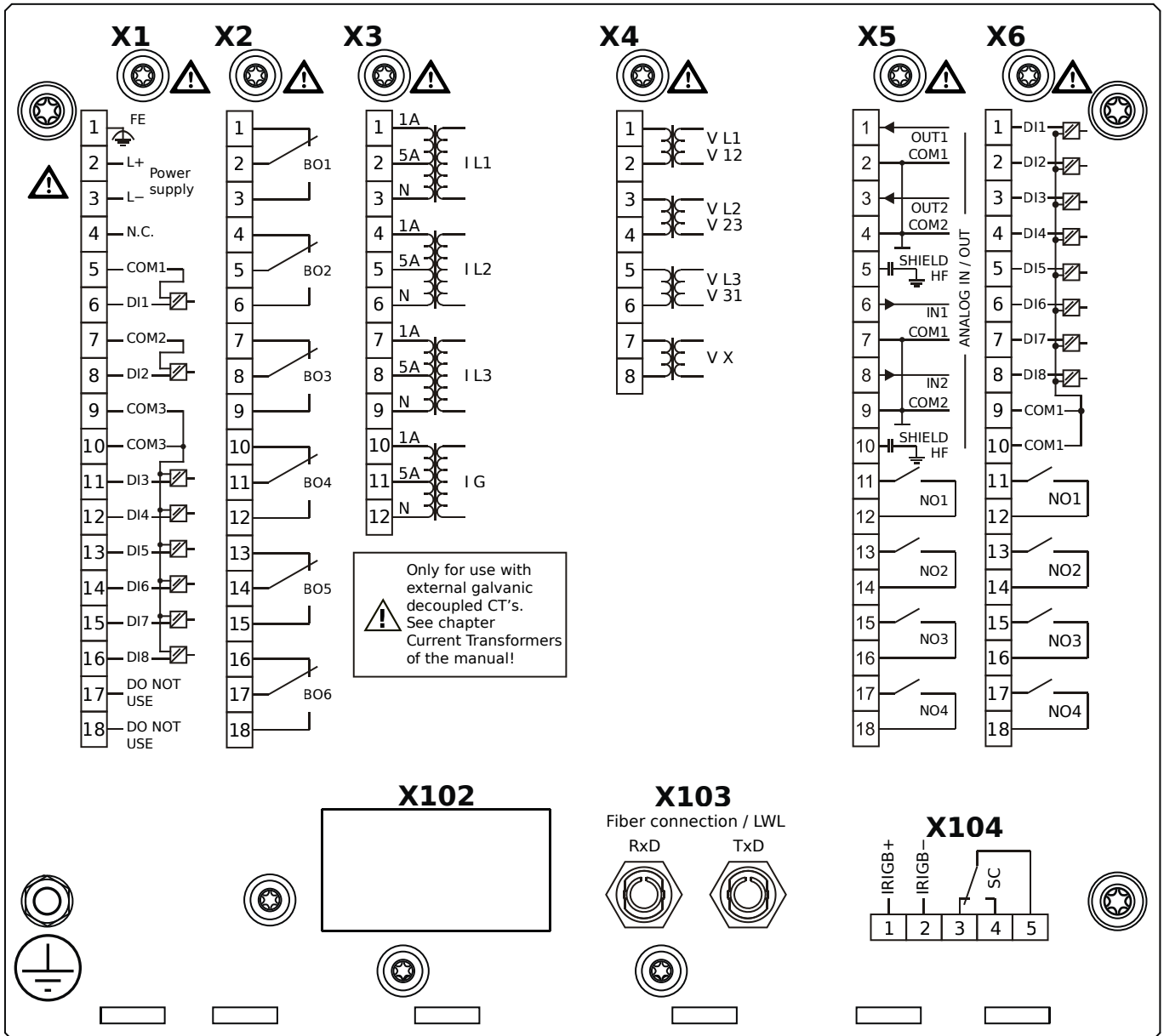
MCA4-2F0HCB



Housing B2, large display, door mounting

- X1** – DI8-X1: Wide-range power supply unit, incl. 2 non-grouped digital inputs and 6 grouped digital inputs
- X2** – OR6: Assembly Group with 6 Output Relays
- X3** – TI: Standard current measuring card
- X4** – TU: Card with 4 voltage transformer measuring inputs
- X5** – AnIO2-OR4: Assembly Group with 2 Analog Inputs, 2 Analog Outputs and 4 Output Relays
- X6** – DI8-OR4: Assembly Group with 8 Digital Inputs and 4 Output Relays
- X100** – Modbus TCP / DNP3.0 TCP/UDP, Ethernet interface, 100 Mbit/s, RJ45 (BASE100-FX)
- X104** – IRIG-B00X, incl. System Contact (Supervision Contact)

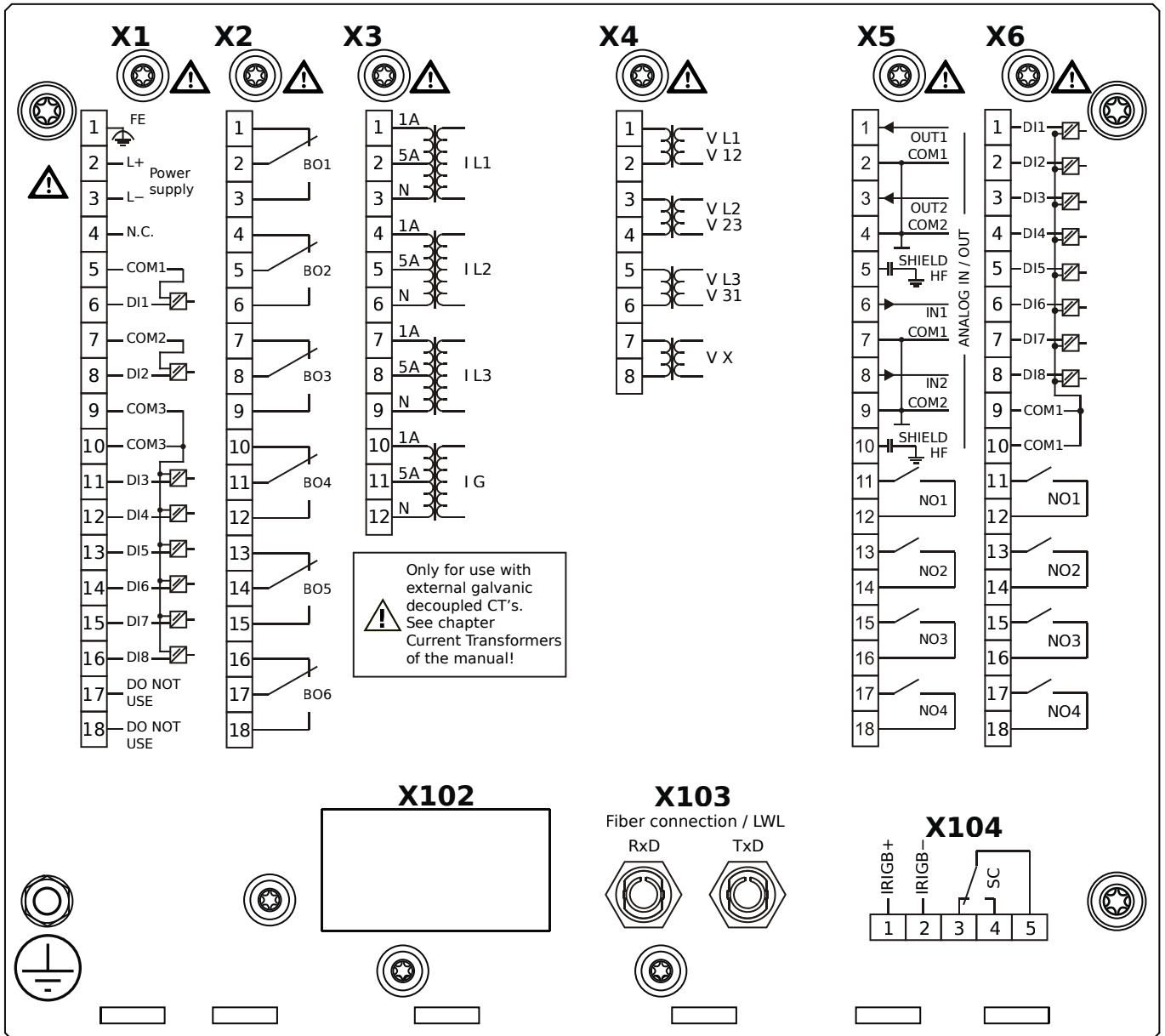
MCA4-2F0HDA



Housing B2, large display, door mounting

- X1** – DI8-X1: Wide-range power supply unit, incl. 2 non-grouped digital inputs and 6 grouped digital inputs
- X2** – OR6: Assembly Group with 6 Output Relays
- X3** – TI: Standard current measuring card
- X4** – TU: Card with 4 voltage transformer measuring inputs
- X5** – AnIO2-OR4: Assembly Group with 2 Analog Inputs, 2 Analog Outputs and 4 Output Relays
- X6** – DI8-OR4: Assembly Group with 8 Digital Inputs and 4 Output Relays
- X103** – Profibus-DP, Fiber optics interface, ST Connector
- X104** – IRIG-B00X, incl. System Contact (Supervision Contact)

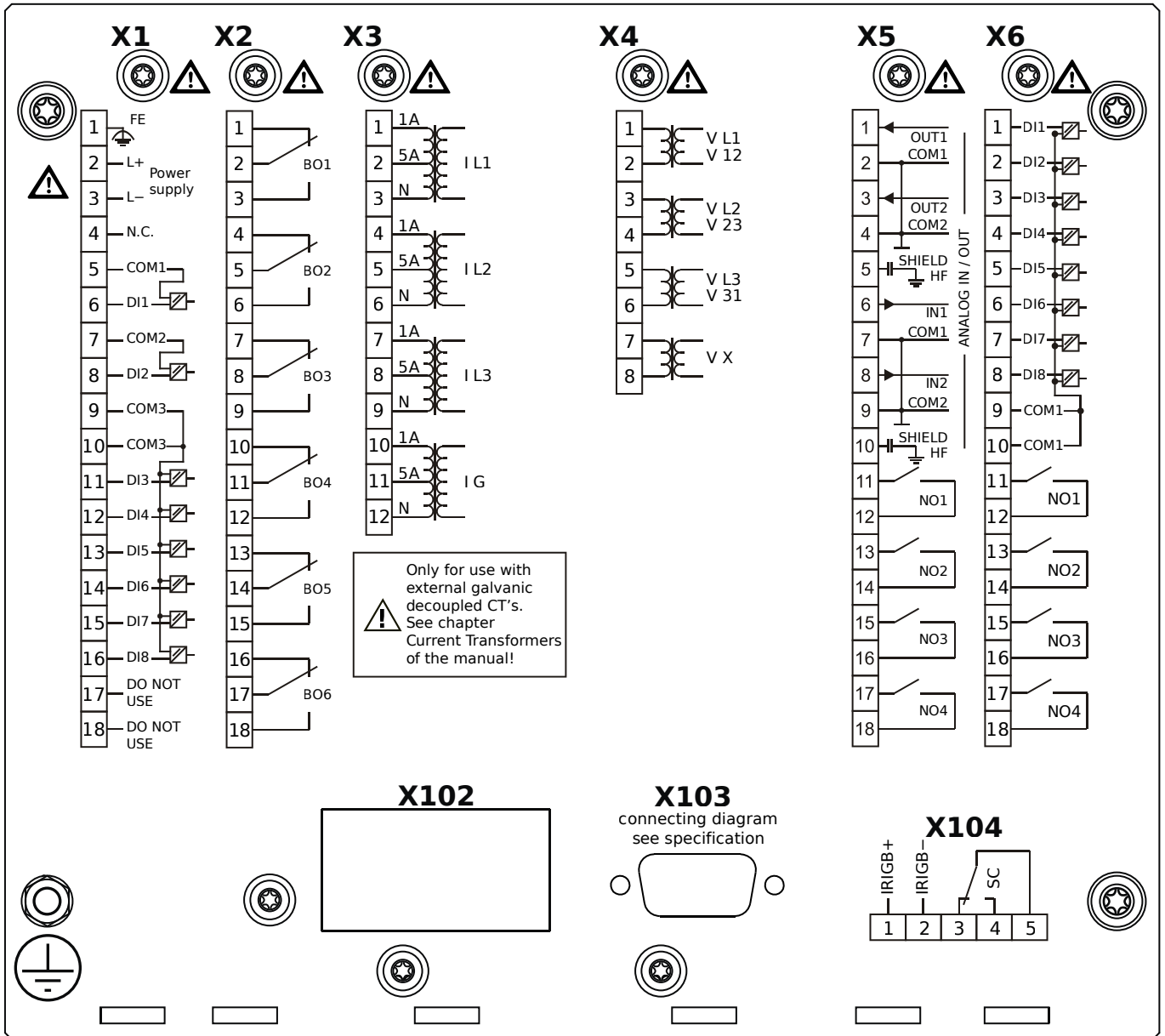
MCA4-2F0HDB



Housing B2, large display, door mounting

- X1** – DI8-X1: Wide-range power supply unit, incl. 2 non-grouped digital inputs and 6 grouped digital inputs
- X2** – OR6: Assembly Group with 6 Output Relays
- X3** – TI: Standard current measuring card
- X4** – TU: Card with 4 voltage transformer measuring inputs
- X5** – AnIO2-OR4: Assembly Group with 2 Analog Inputs, 2 Analog Outputs and 4 Output Relays
- X6** – DI8-OR4: Assembly Group with 8 Digital Inputs and 4 Output Relays
- X103** – Profibus-DP, Fiber optics interface, ST Connector
- X104** – IRIG-B00X, incl. System Contact (Supervision Contact)

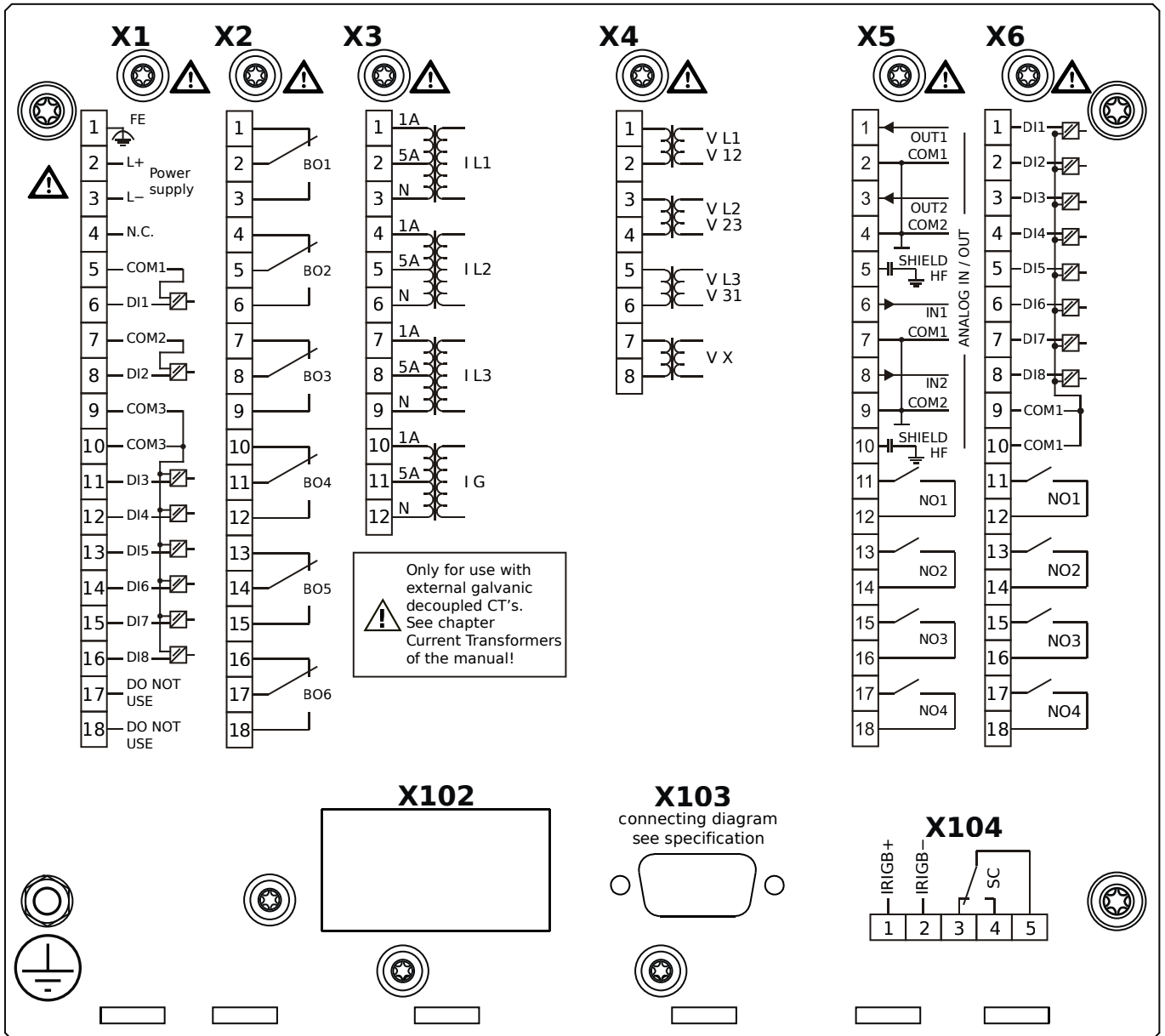
MCA4-2F0HEA



Housing B2, large display, door mounting

- X1** – DI8-X1: Wide-range power supply unit, incl. 2 non-grouped digital inputs and 6 grouped digital inputs
- X2** – OR6: Assembly Group with 6 Output Relays
- X3** – TI: Standard current measuring card
- X4** – TU: Card with 4 voltage transformer measuring inputs
- X5** – AnIO2-OR4: Assembly Group with 2 Analog Inputs, 2 Analog Outputs and 4 Output Relays
- X6** – DI8-OR4: Assembly Group with 8 Digital Inputs and 4 Output Relays
- X103** – Profibus-DP, RS485, D-SUB
- X104** – IRIG-B00X, incl. System Contact (Supervision Contact)

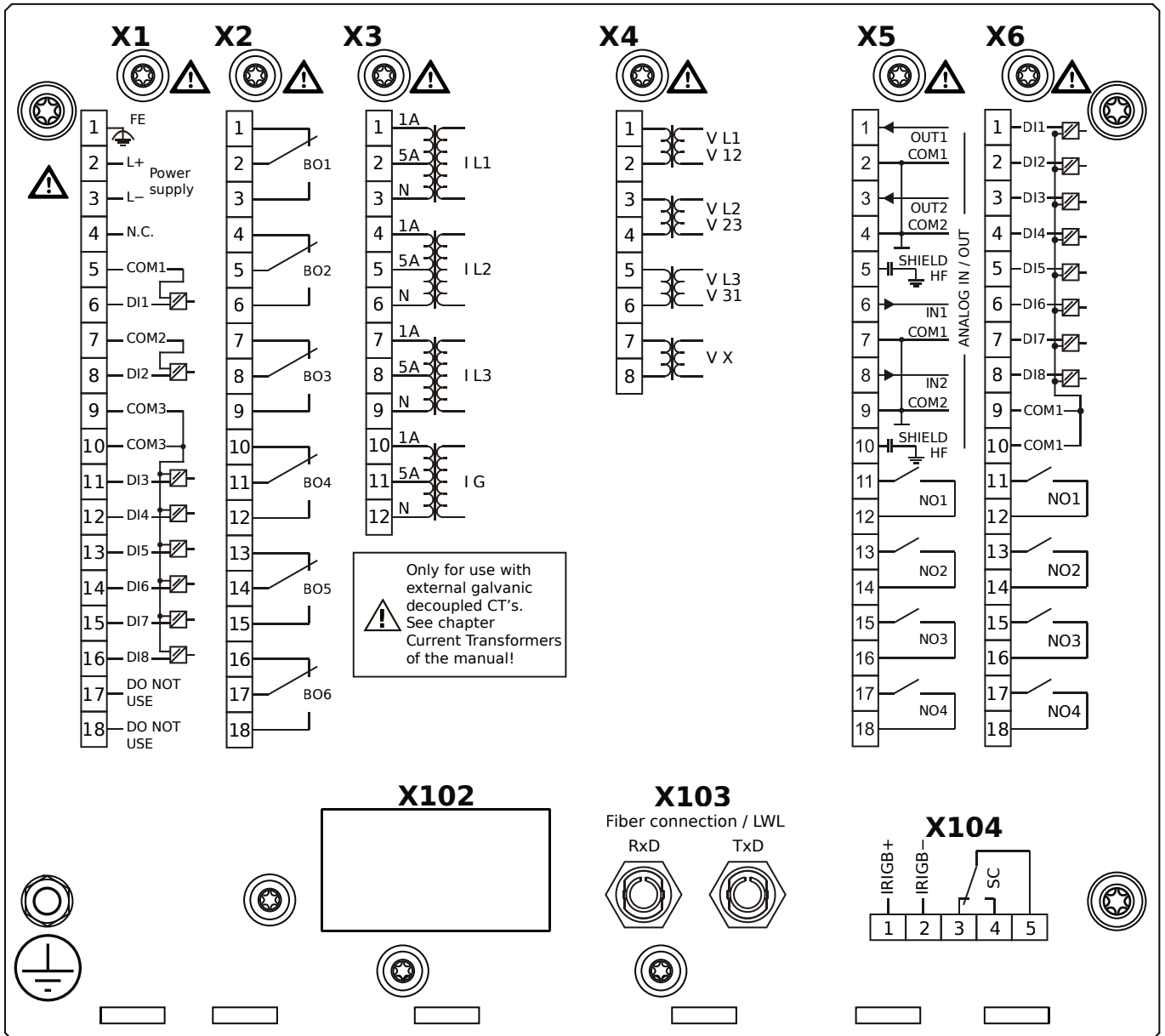
MCA4-2F0HEB



Housing B2, large display, door mounting

- X1** – DI8-X1: Wide-range power supply unit, incl. 2 non-grouped digital inputs and 6 grouped digital inputs
- X2** – OR6: Assembly Group with 6 Output Relays
- X3** – TI: Standard current measuring card
- X4** – TU: Card with 4 voltage transformer measuring inputs
- X5** – AnIO2-OR4: Assembly Group with 2 Analog Inputs, 2 Analog Outputs and 4 Output Relays
- X6** – DI8-OR4: Assembly Group with 8 Digital Inputs and 4 Output Relays
- X103** – Profibus-DP, RS485, D-SUB
- X104** – IRIG-B00X, incl. System Contact (Supervision Contact)

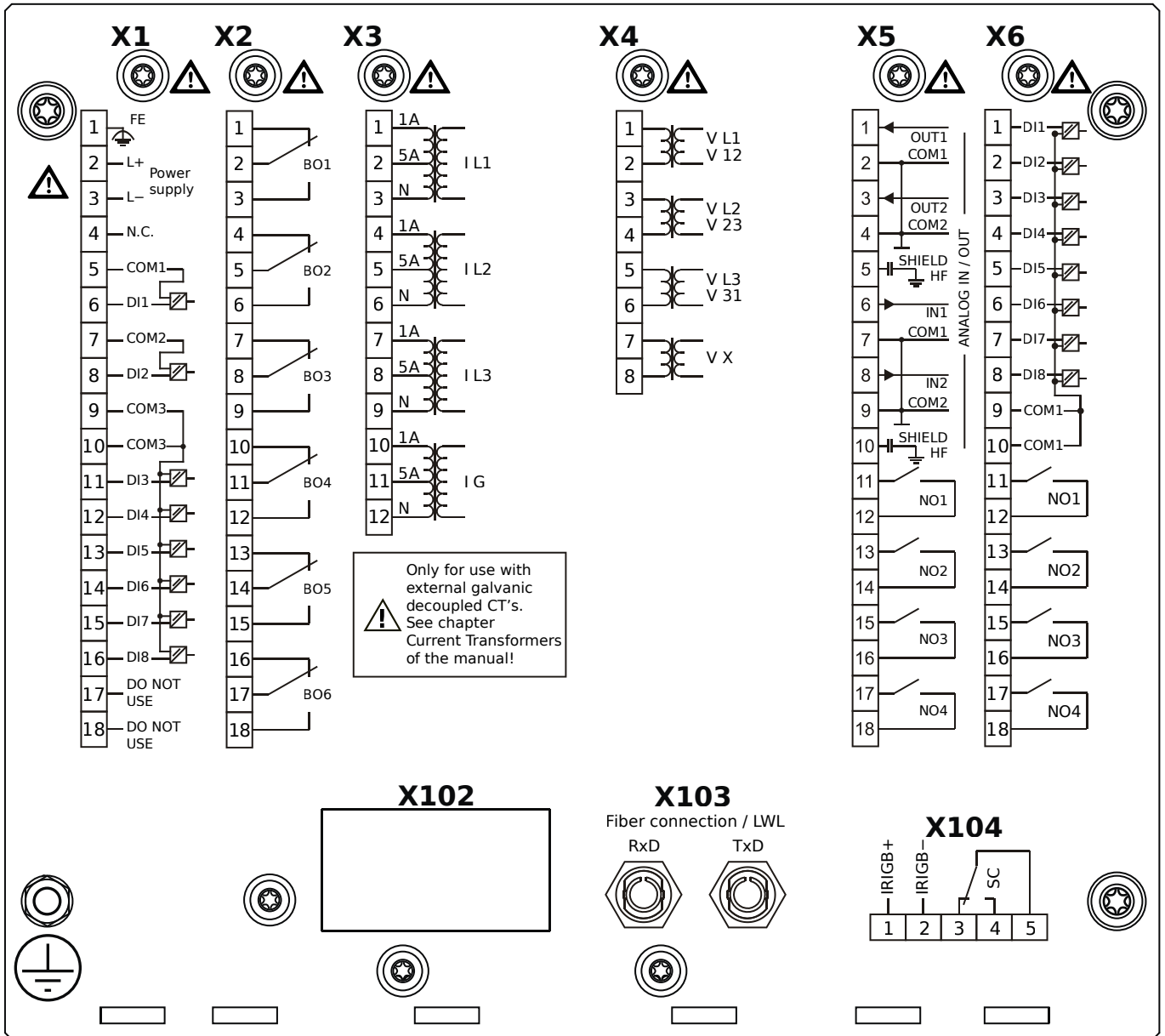
MCA4-2F0HFA



Housing B2, large display, door mounting

- X1** – DI8-X1: Wide-range power supply unit, incl. 2 non-grouped digital inputs and 6 grouped digital inputs
- X2** – OR6: Assembly Group with 6 Output Relays
- X3** – TI: Standard current measuring card
- X4** – TU: Card with 4 voltage transformer measuring inputs
- X5** – AnIO2-OR4: Assembly Group with 2 Analog Inputs, 2 Analog Outputs and 4 Output Relays
- X6** – DI8-OR4: Assembly Group with 8 Digital Inputs and 4 Output Relays
- X103** – Modbus RTU / IEC 60870-5-103 / DNP3.0 RTU, Fiber optics interface, ST Connector
- X104** – IRIG-B00X, incl. System Contact (Supervision Contact)

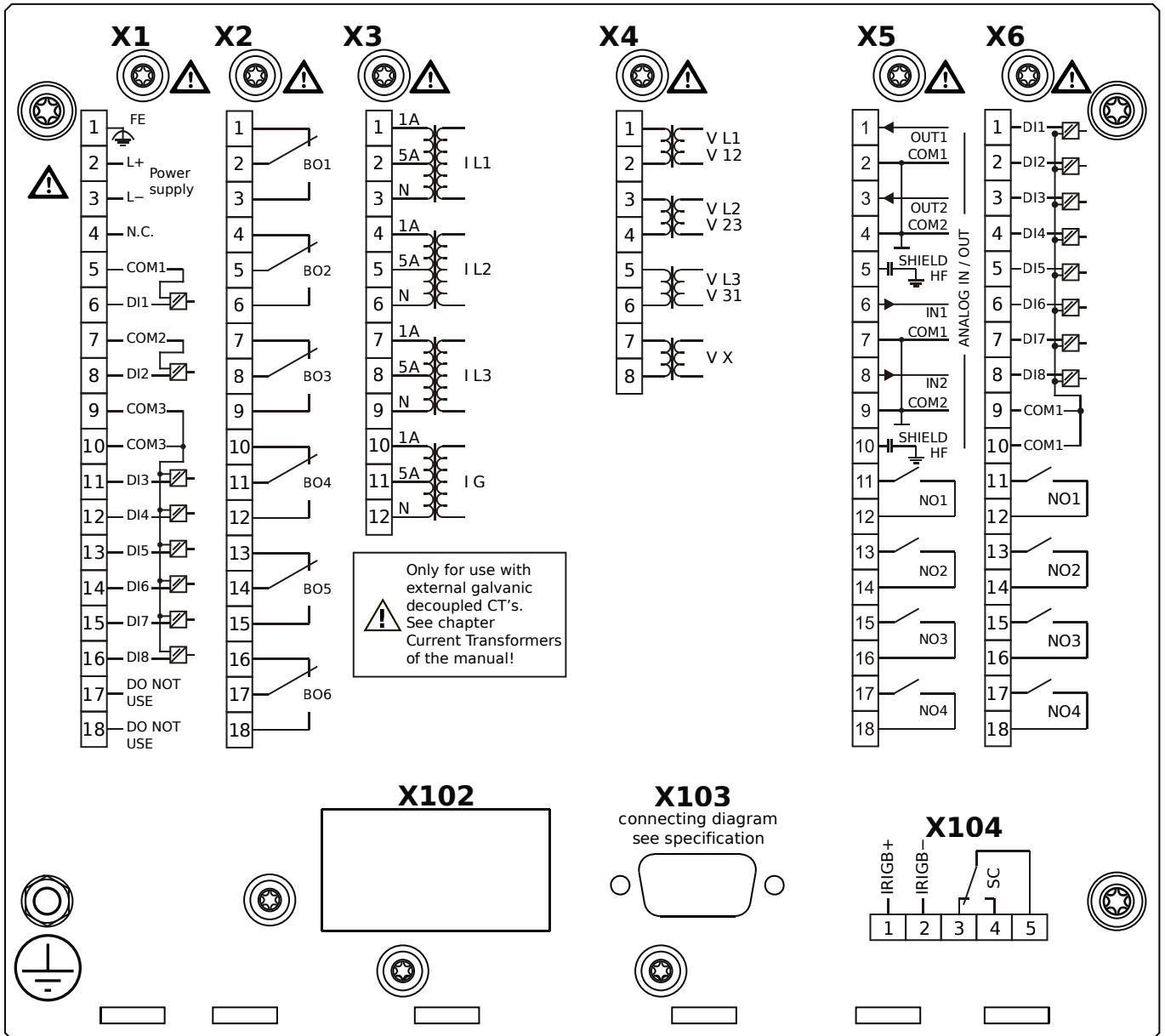
MCA4-2F0HFB



Housing B2, large display, door mounting

- X1** – DI8-X1: Wide-range power supply unit, incl. 2 non-grouped digital inputs and 6 grouped digital inputs
- X2** – OR6: Assembly Group with 6 Output Relays
- X3** – TI: Standard current measuring card
- X4** – TU: Card with 4 voltage transformer measuring inputs
- X5** – AnIO2-OR4: Assembly Group with 2 Analog Inputs, 2 Analog Outputs and 4 Output Relays
- X6** – DI8-OR4: Assembly Group with 8 Digital Inputs and 4 Output Relays
- X103** – Modbus RTU / IEC 60870-5-103 / DNP3.0 RTU, Fiber optics interface, ST Connector
- X104** – IRIG-B00X, incl. System Contact (Supervision Contact)

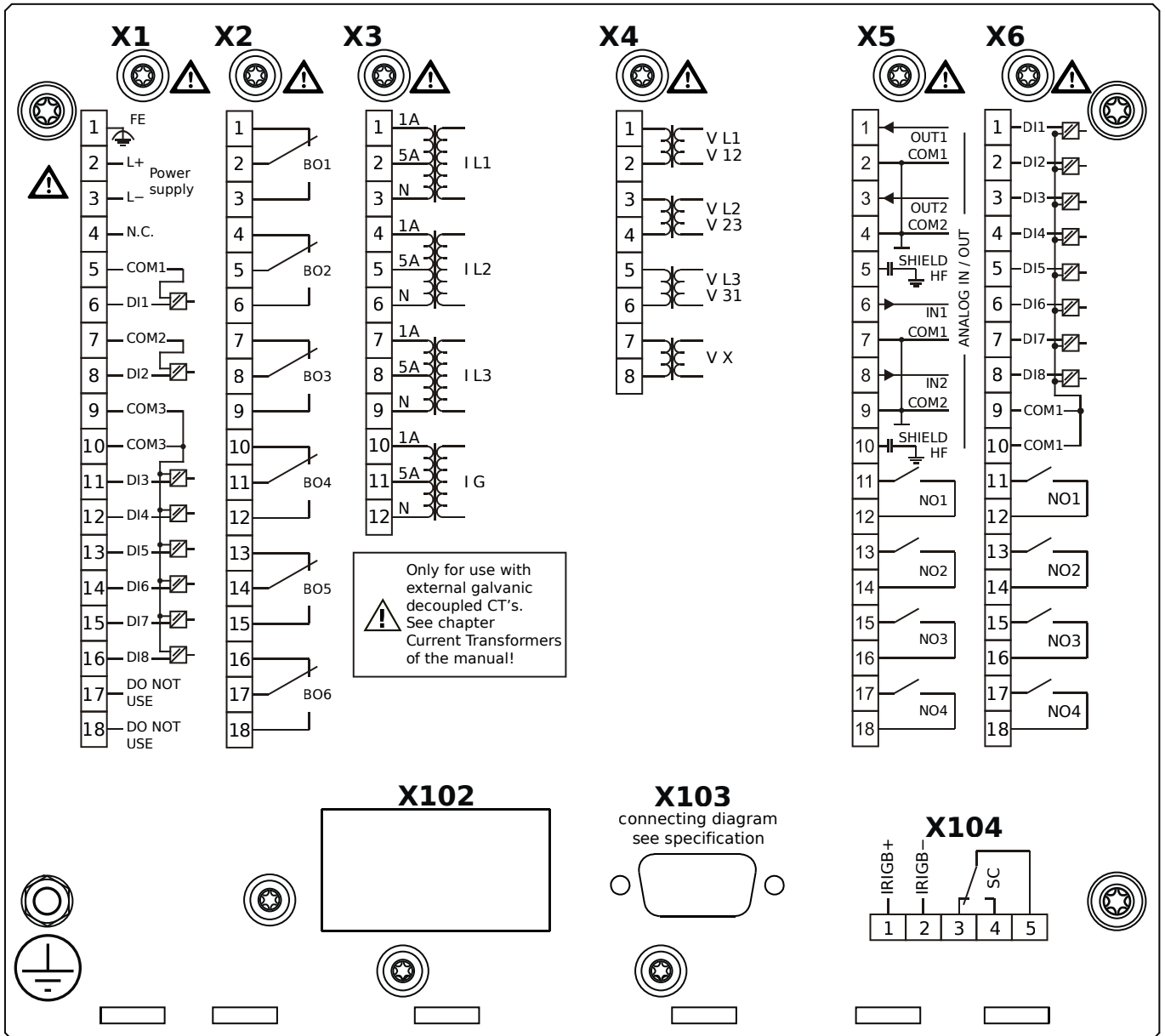
MCA4-2F0HGA



Housing B2, large display, door mounting

- X1** – DI8-X1: Wide-range power supply unit, incl. 2 non-grouped digital inputs and 6 grouped digital inputs
- X2** – OR6: Assembly Group with 6 Output Relays
- X3** – TI: Standard current measuring card
- X4** – TU: Card with 4 voltage transformer measuring inputs
- X5** – AnIO2-OR4: Assembly Group with 2 Analog Inputs, 2 Analog Outputs and 4 Output Relays
- X6** – DI8-OR4: Assembly Group with 8 Digital Inputs and 4 Output Relays
- X103** – Modbus RTU / IEC 60870-5-103 / DNP3.0 RTU, RS485, D-SUB
- X104** – IRIG-B00X, incl. System Contact (Supervision Contact)

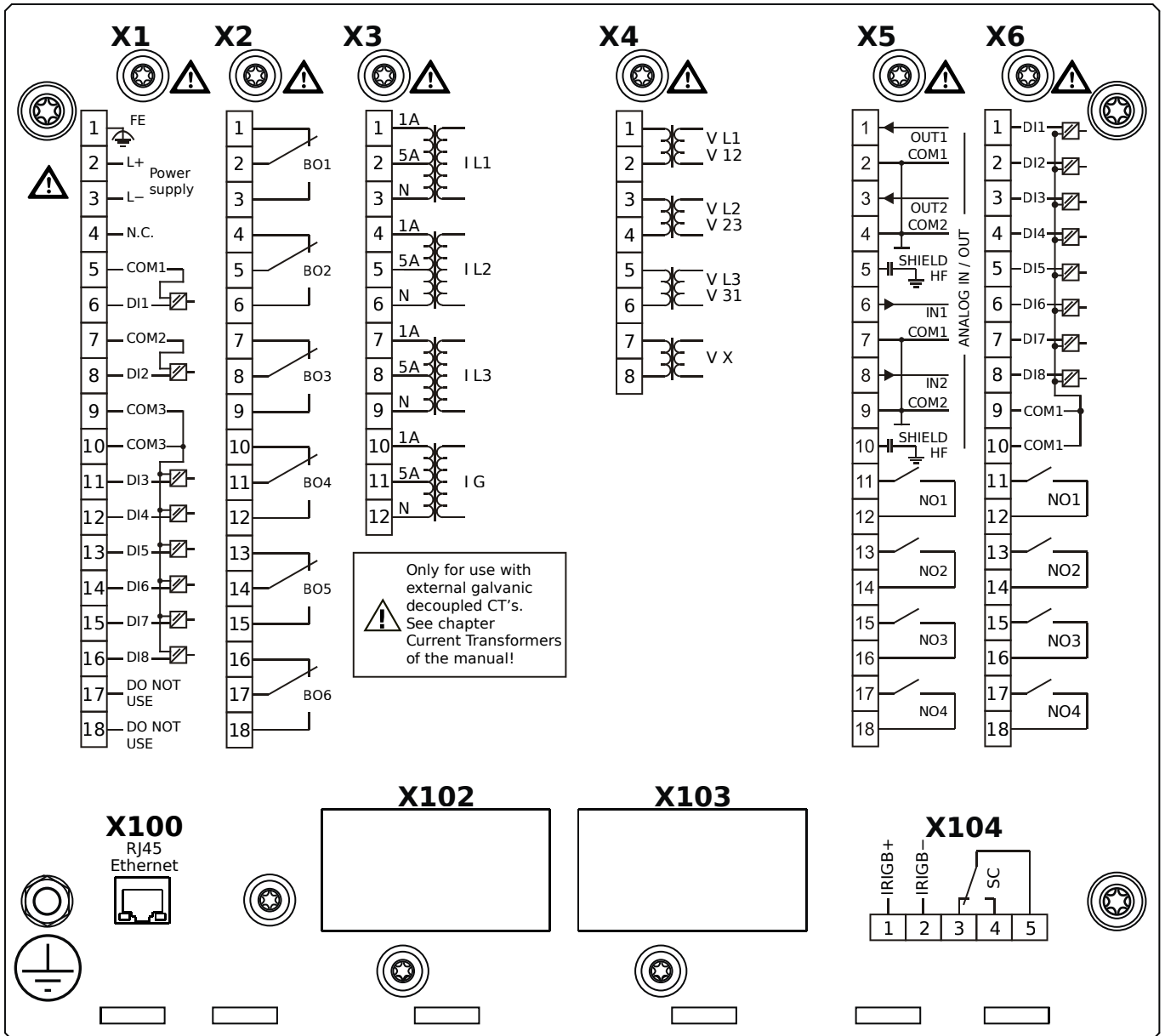
MCA4-2F0HGB



Housing B2, large display, door mounting

- X1** – DI8-X1: Wide-range power supply unit, incl. 2 non-grouped digital inputs and 6 grouped digital inputs
- X2** – OR6: Assembly Group with 6 Output Relays
- X3** – TI: Standard current measuring card
- X4** – TU: Card with 4 voltage transformer measuring inputs
- X5** – AnIO2-OR4: Assembly Group with 2 Analog Inputs, 2 Analog Outputs and 4 Output Relays
- X6** – DI8-OR4: Assembly Group with 8 Digital Inputs and 4 Output Relays
- X103** – Modbus RTU / IEC 60870-5-103 / DNP3.0 RTU, RS485, D-SUB
- X104** – IRIG-B00X, incl. System Contact (Supervision Contact)

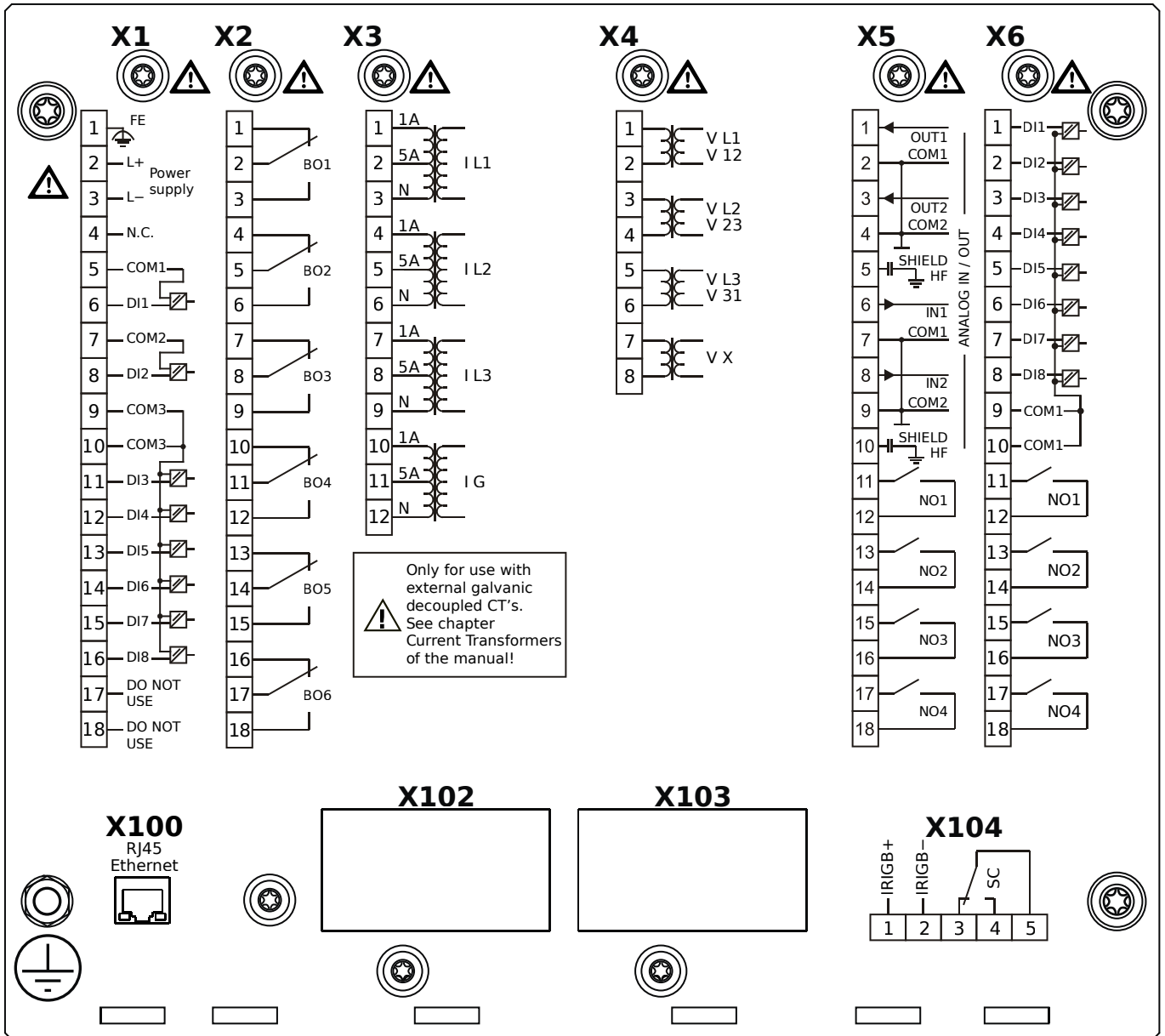
MCA4-2F0HHA



Housing B2, large display, door mounting

- X1** – DI8-X1: Wide-range power supply unit, incl. 2 non-grouped digital inputs and 6 grouped digital inputs
- X2** – OR6: Assembly Group with 6 Output Relays
- X3** – TI: Standard current measuring card
- X4** – TU: Card with 4 voltage transformer measuring inputs
- X5** – AnIO2-OR4: Assembly Group with 2 Analog Inputs, 2 Analog Outputs and 4 Output Relays
- X6** – DI8-OR4: Assembly Group with 8 Digital Inputs and 4 Output Relays
- X100** – IEC 61850 / Modbus TCP / DNP3.0 TCP/UDP, Ethernet interface, 100 Mbit/s, RJ45 (BASE100-FX)
- X104** – IRIG-B00X, incl. System Contact (Supervision Contact)

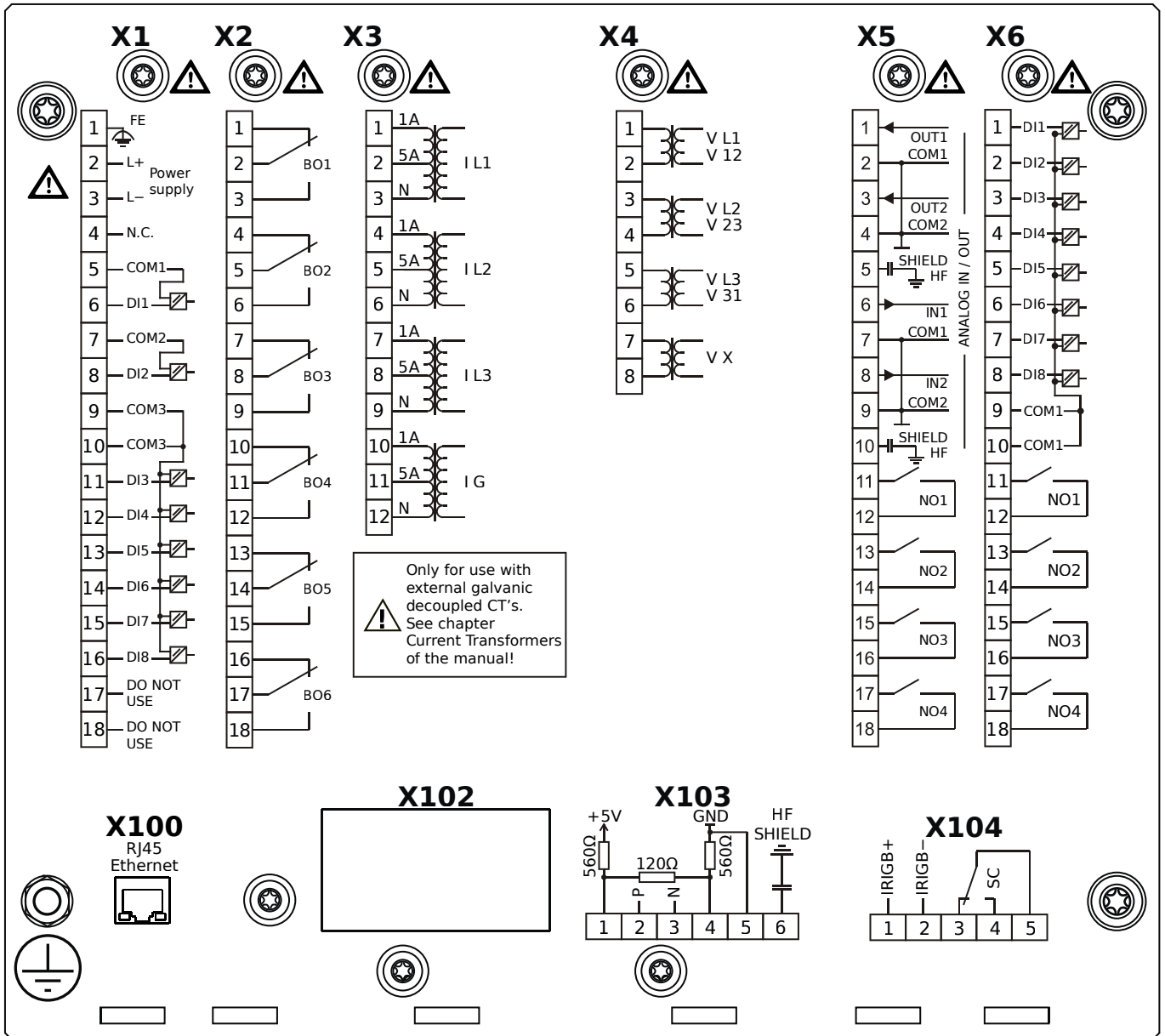
MCA4-2F0HHB



Housing B2, large display, door mounting

- X1** – DI8-X1: Wide-range power supply unit, incl. 2 non-grouped digital inputs and 6 grouped digital inputs
- X2** – OR6: Assembly Group with 6 Output Relays
- X3** – TI: Standard current measuring card
- X4** – TU: Card with 4 voltage transformer measuring inputs
- X5** – AnIO2-OR4: Assembly Group with 2 Analog Inputs, 2 Analog Outputs and 4 Output Relays
- X6** – DI8-OR4: Assembly Group with 8 Digital Inputs and 4 Output Relays
- X100** – IEC 61850 / Modbus TCP / DNP3.0 TCP/UDP, Ethernet interface, 100 Mbit/s, RJ45 (BASE100-FX)
- X104** – IRIG-B00X, incl. System Contact (Supervision Contact)

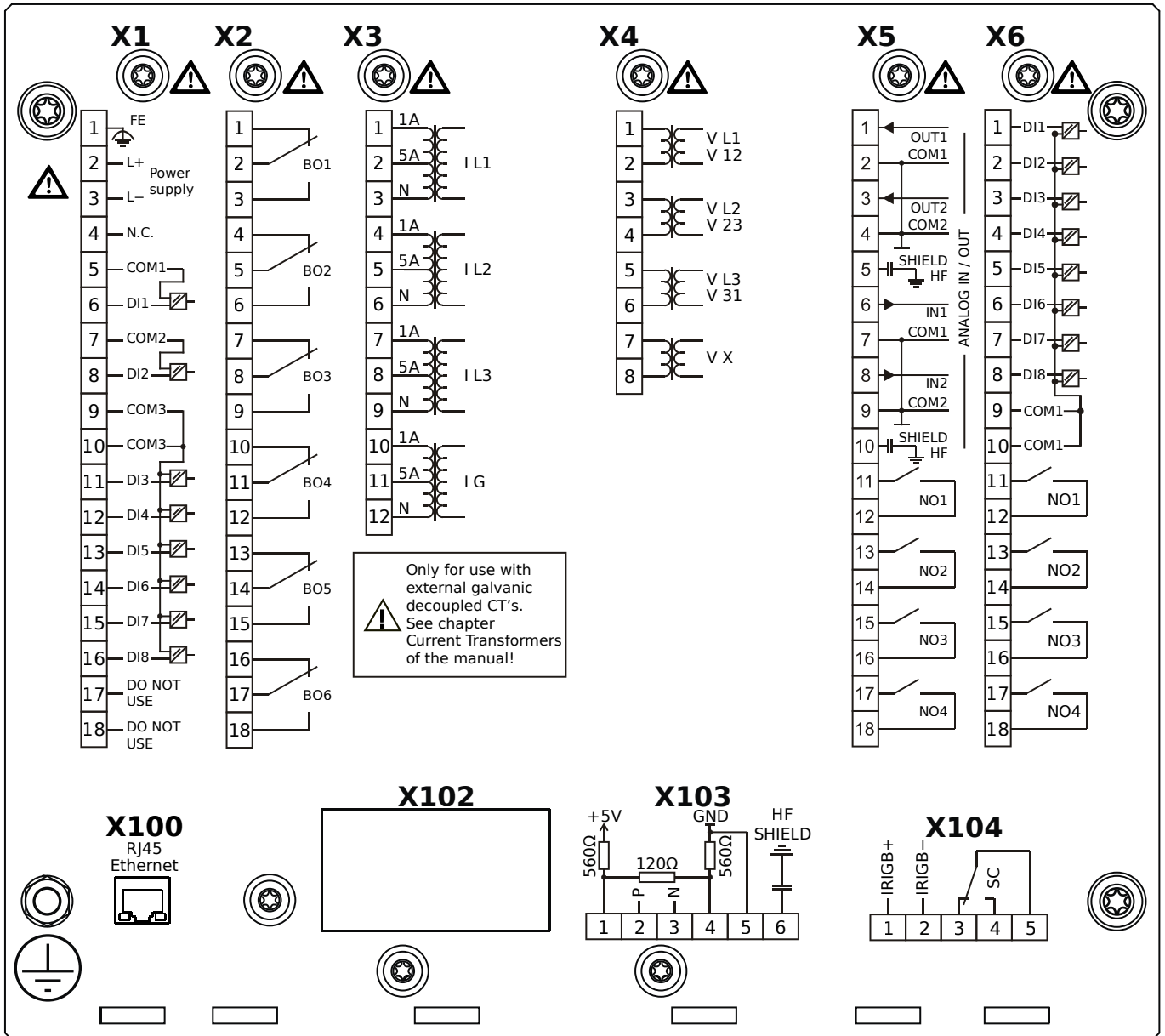
MCA4-2F0HIA



Housing B2, large display, door mounting

- X1** – DI8-X1: Wide-range power supply unit, incl. 2 non-grouped digital inputs and 6 grouped digital inputs
- X2** – OR6: Assembly Group with 6 Output Relays
- X3** – TI: Standard current measuring card
- X4** – TU: Card with 4 voltage transformer measuring inputs
- X5** – AnIO2-OR4: Assembly Group with 2 Analog Inputs, 2 Analog Outputs and 4 Output Relays
- X6** – DI8-OR4: Assembly Group with 8 Digital Inputs and 4 Output Relays
- X100** – Modbus TCP / DNP3.0 TCP/UDP, Ethernet interface, 100 Mbit/s, RJ45 (BASE100-FX)
- X103** – IEC 60870-5-103 / Modbus RTU / DNP3.0 RTU, RS485, Terminals
- X104** – IRIG-B00X, incl. System Contact (Supervision Contact)

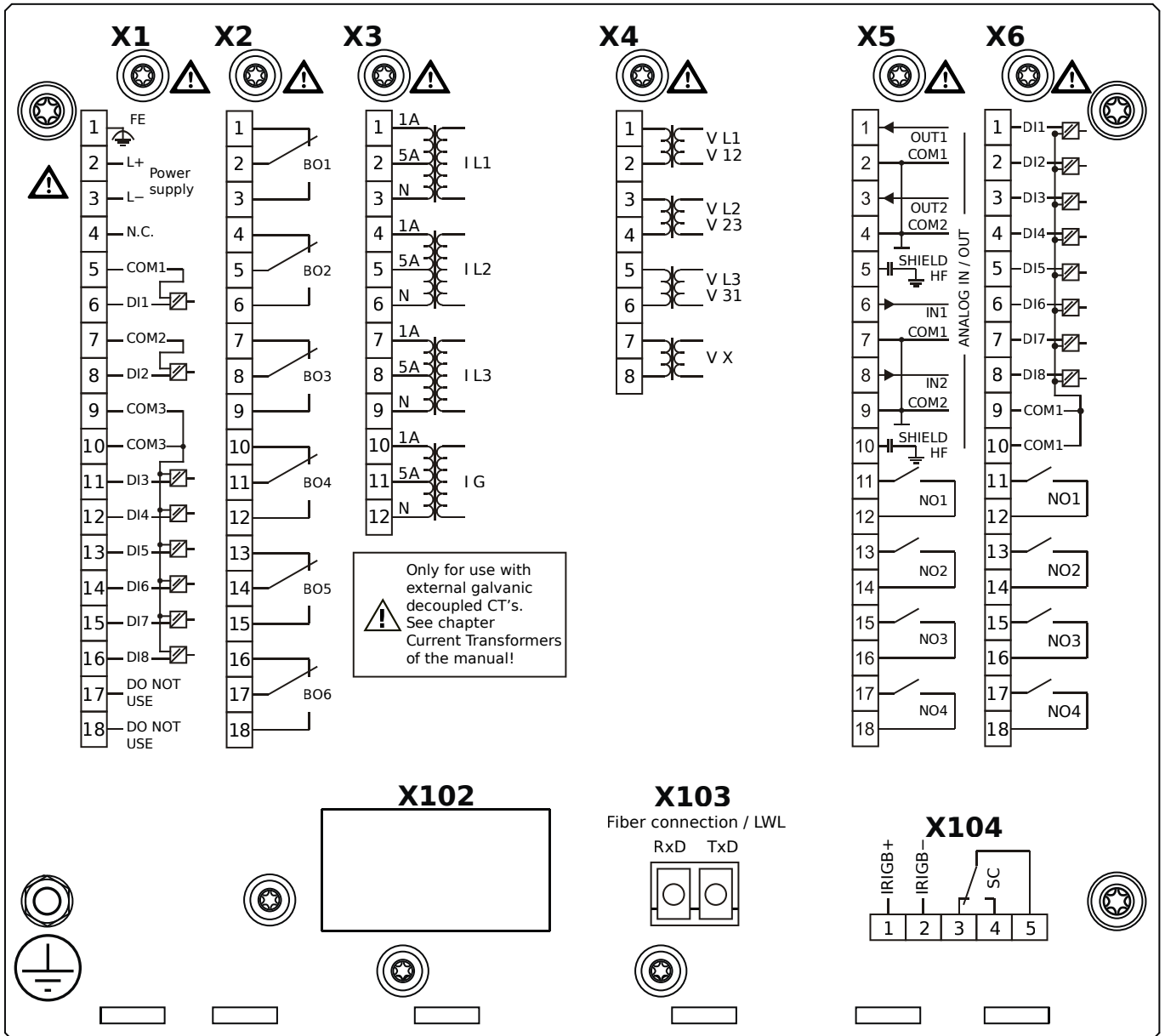
MCA4-2F0HIB



Housing B2, large display, door mounting

- X1** – DI8-X1: Wide-range power supply unit, incl. 2 non-grouped digital inputs and 6 grouped digital inputs
- X2** – OR6: Assembly Group with 6 Output Relays
- X3** – TI: Standard current measuring card
- X4** – TU: Card with 4 voltage transformer measuring inputs
- X5** – AnIO2-OR4: Assembly Group with 2 Analog Inputs, 2 Analog Outputs and 4 Output Relays
- X6** – DI8-OR4: Assembly Group with 8 Digital Inputs and 4 Output Relays
- X100** – Modbus TCP / DNP3.0 TCP/UDP, Ethernet interface, 100 Mbit/s, RJ45 (BASE100-FX)
- X103** – IEC 60870-5-103 / Modbus RTU / DNP3.0 RTU, RS485, Terminals
- X104** – IRIG-B00X, incl. System Contact (Supervision Contact)

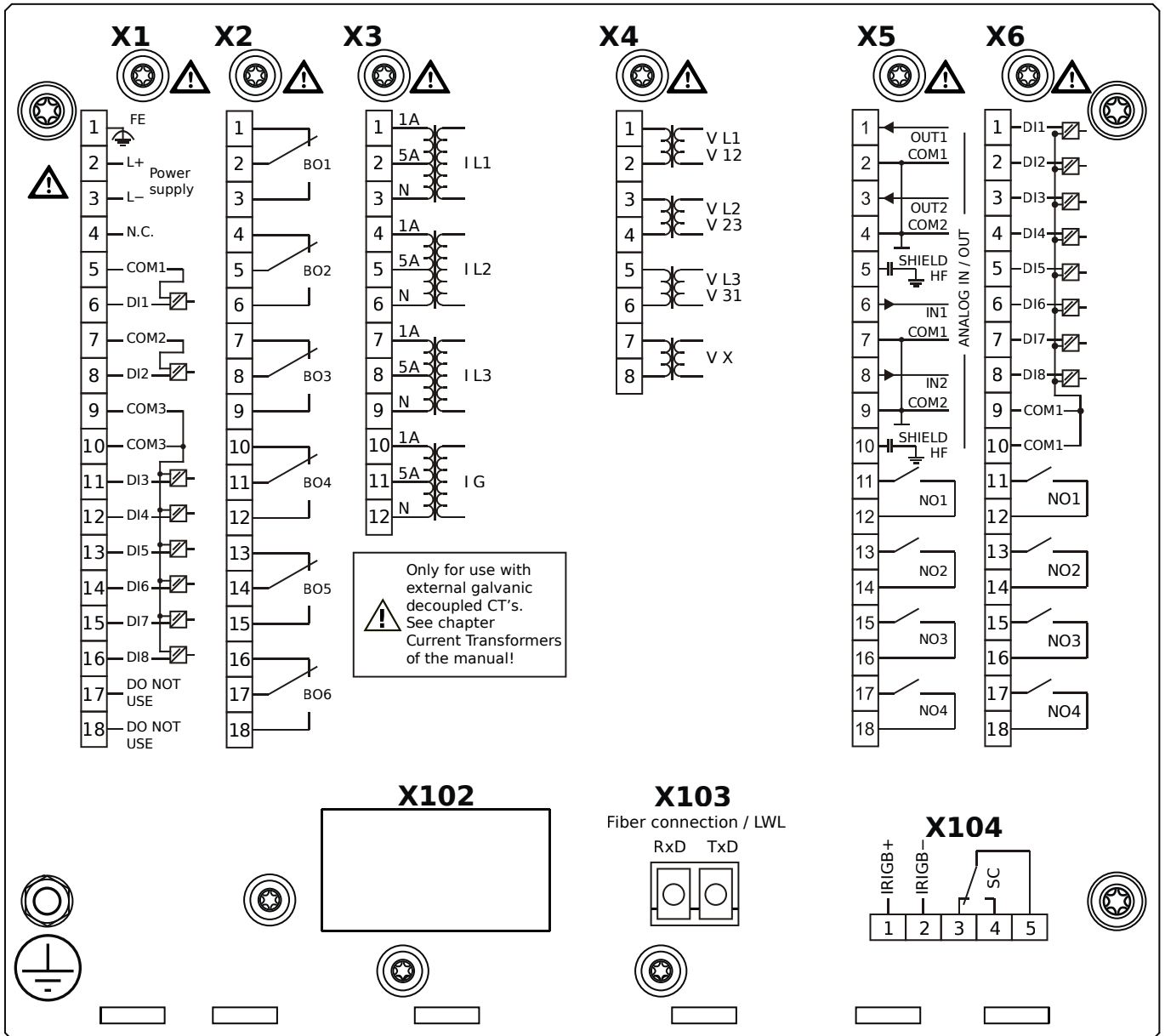
MCA4-2F0HKA



Housing B2, large display, door mounting

- X1** – DI8-X1: Wide-range power supply unit, incl. 2 non-grouped digital inputs and 6 grouped digital inputs
- X2** – OR6: Assembly Group with 6 Output Relays
- X3** – TI: Standard current measuring card
- X4** – TU: Card with 4 voltage transformer measuring inputs
- X5** – AnIO2-OR4: Assembly Group with 2 Analog Inputs, 2 Analog Outputs and 4 Output Relays
- X6** – DI8-OR4: Assembly Group with 8 Digital Inputs and 4 Output Relays
- X103** – IEC 61850 / Modbus TCP / DNP3.0 TCP/UDP, Fiber optics interface, LC Connector
- X104** – IRIG-B00X, incl. System Contact (Supervision Contact)

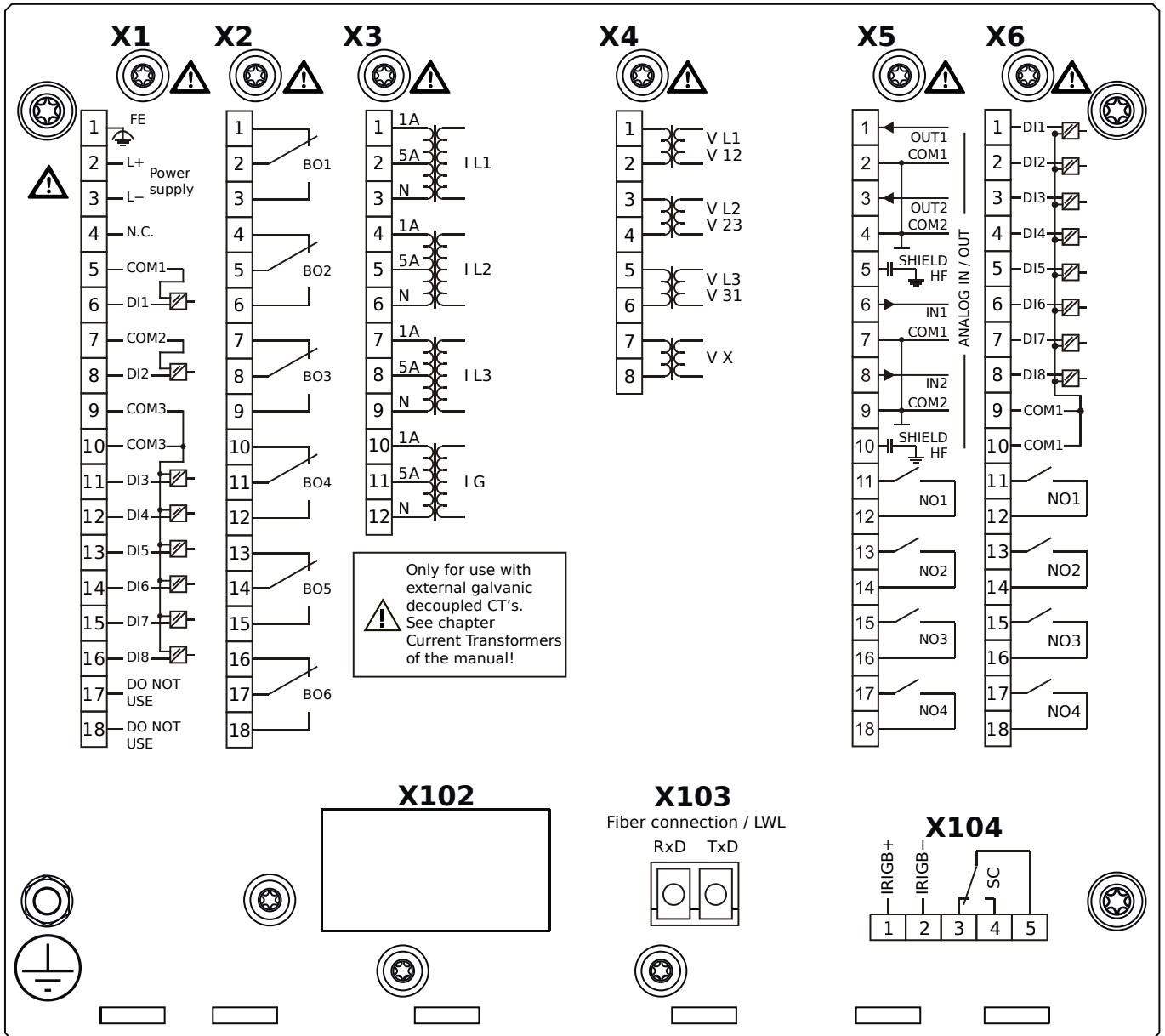
MCA4-2F0HKB



Housing B2, large display, door mounting

- X1** – DI8-X1: Wide-range power supply unit, incl. 2 non-grouped digital inputs and 6 grouped digital inputs
- X2** – OR6: Assembly Group with 6 Output Relays
- X3** – TI: Standard current measuring card
- X4** – TU: Card with 4 voltage transformer measuring inputs
- X5** – AnIO2-OR4: Assembly Group with 2 Analog Inputs, 2 Analog Outputs and 4 Output Relays
- X6** – DI8-OR4: Assembly Group with 8 Digital Inputs and 4 Output Relays
- X103** – IEC 61850 / Modbus TCP / DNP3.0 TCP/UDP, Fiber optics interface, LC Connector
- X104** – IRIG-B00X, incl. System Contact (Supervision Contact)

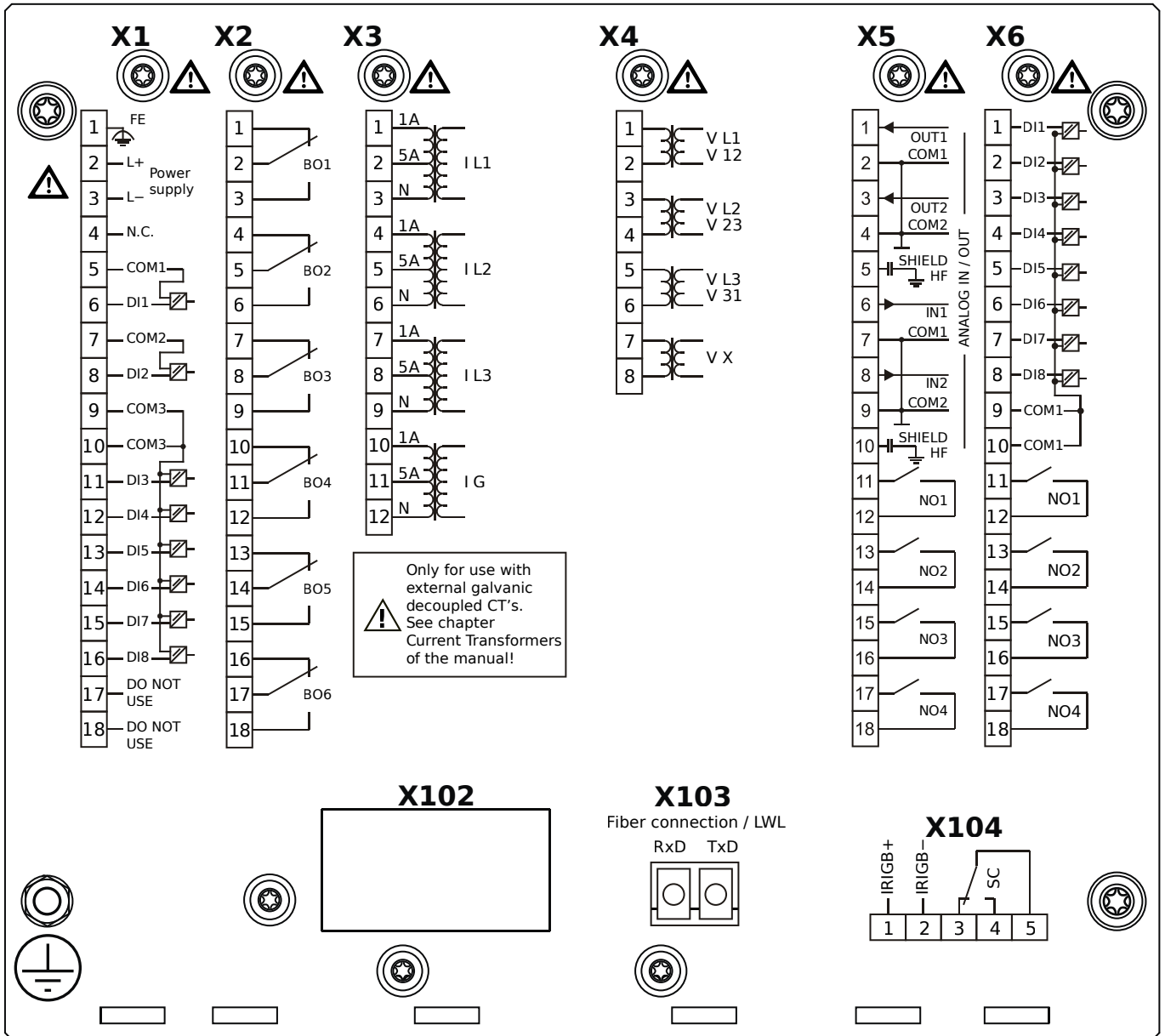
MCA4-2F0HLA



Housing B2, large display, door mounting

- X1** – DI8-X1: Wide-range power supply unit, incl. 2 non-grouped digital inputs and 6 grouped digital inputs
- X2** – OR6: Assembly Group with 6 Output Relays
- X3** – TI: Standard current measuring card
- X4** – TU: Card with 4 voltage transformer measuring inputs
- X5** – AnIO2-OR4: Assembly Group with 2 Analog Inputs, 2 Analog Outputs and 4 Output Relays
- X6** – DI8-OR4: Assembly Group with 8 Digital Inputs and 4 Output Relays
- X103** – Modbus TCP / DNP3.0 TCP/UDP, Fiber optics interface, LC Connector
- X104** – IRIG-B00X, incl. System Contact (Supervision Contact)

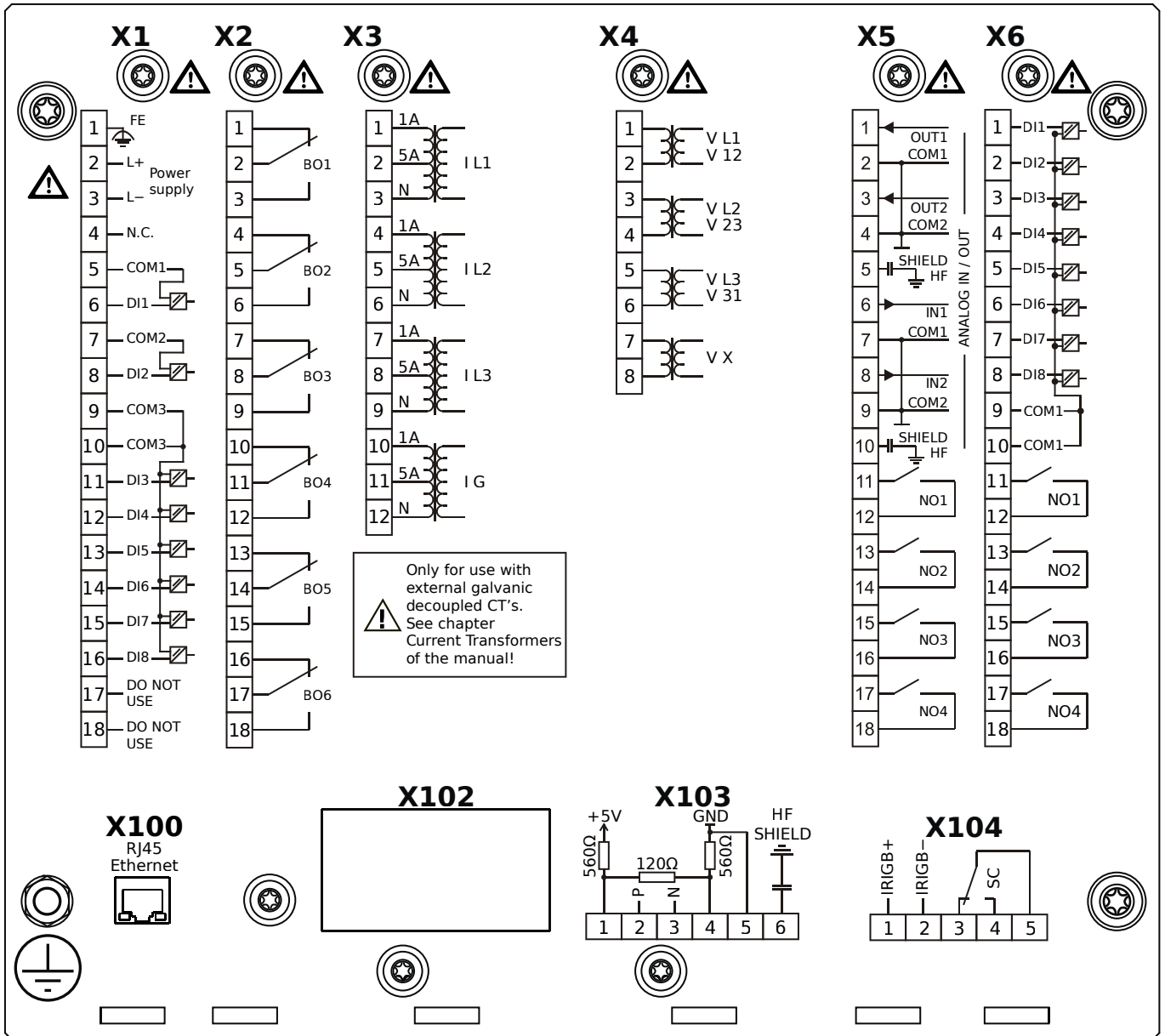
MCA4-2F0HLB



Housing B2, large display, door mounting

- X1** – DI8-X1: Wide-range power supply unit, incl. 2 non-grouped digital inputs and 6 grouped digital inputs
- X2** – OR6: Assembly Group with 6 Output Relays
- X3** – TI: Standard current measuring card
- X4** – TU: Card with 4 voltage transformer measuring inputs
- X5** – AnIO2-OR4: Assembly Group with 2 Analog Inputs, 2 Analog Outputs and 4 Output Relays
- X6** – DI8-OR4: Assembly Group with 8 Digital Inputs and 4 Output Relays
- X103** – Modbus TCP / DNP3.0 TCP/UDP, Fiber optics interface, LC Connector
- X104** – IRIG-B00X, incl. System Contact (Supervision Contact)

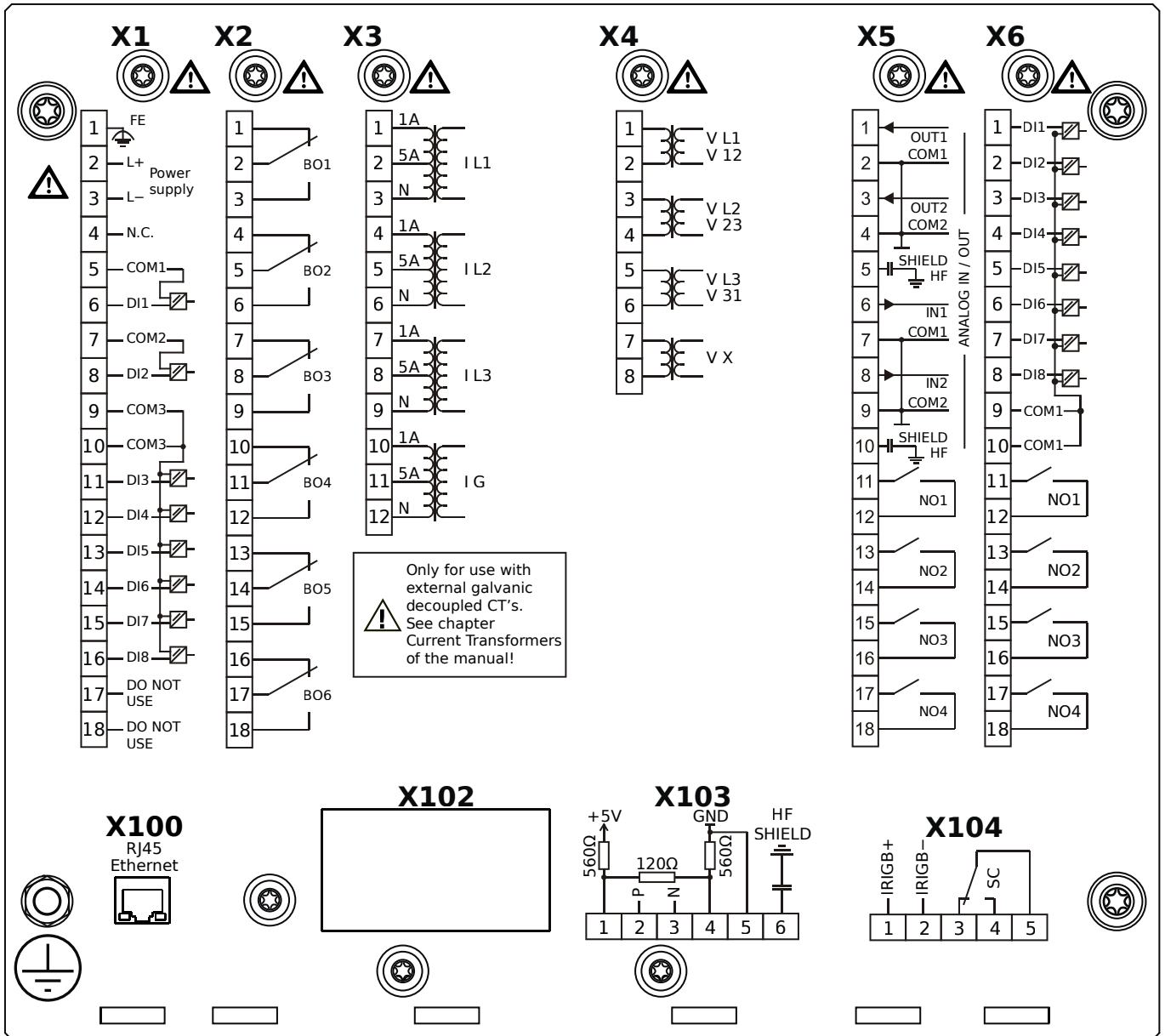
MCA4-2F0HTA



Housing B2, large display, door mounting

- X1** – DI8-X1: Wide-range power supply unit, incl. 2 non-grouped digital inputs and 6 grouped digital inputs
- X2** – OR6: Assembly Group with 6 Output Relays
- X3** – TI: Standard current measuring card
- X4** – TU: Card with 4 voltage transformer measuring inputs
- X5** – AnIO2-OR4: Assembly Group with 2 Analog Inputs, 2 Analog Outputs and 4 Output Relays
- X6** – DI8-OR4: Assembly Group with 8 Digital Inputs and 4 Output Relays
- X100** – IEC 61850 / Modbus TCP / DNP3.0 TCP/UDP, Ethernet interface, 100 Mbit/s, RJ45 (BASE100-FX)
- X103** – IEC 60870-5-103 / Modbus RTU / DNP3.0 RTU, RS485, Terminals
- X104** – IRIG-B00X, incl. System Contact (Supervision Contact)

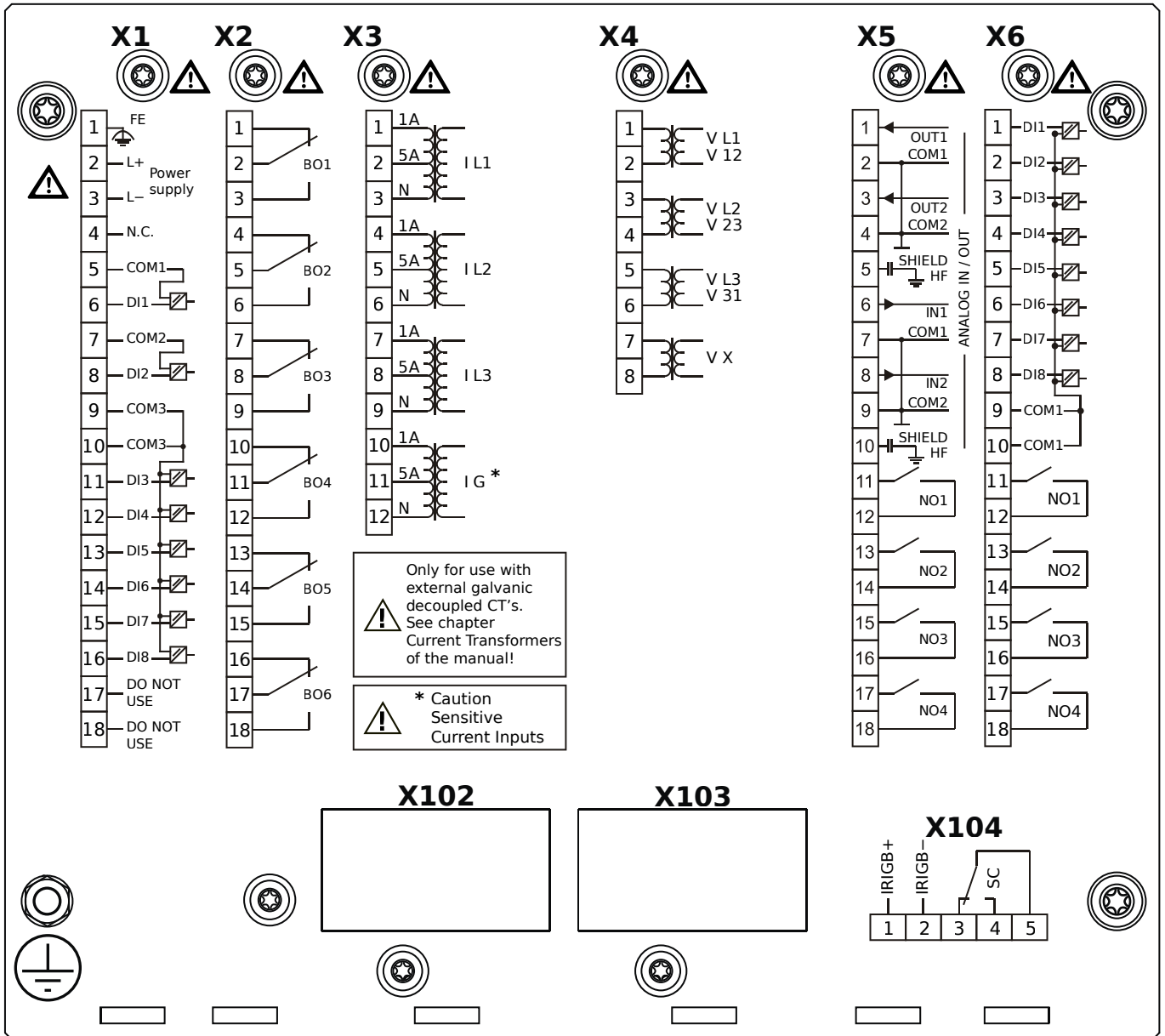
MCA4-2F0HTB



Housing B2, large display, door mounting

- X1** – DI8-X1: Wide-range power supply unit, incl. 2 non-grouped digital inputs and 6 grouped digital inputs
- X2** – OR6: Assembly Group with 6 Output Relays
- X3** – TI: Standard current measuring card
- X4** – TU: Card with 4 voltage transformer measuring inputs
- X5** – AnIO2-OR4: Assembly Group with 2 Analog Inputs, 2 Analog Outputs and 4 Output Relays
- X6** – DI8-OR4: Assembly Group with 8 Digital Inputs and 4 Output Relays
- X100** – IEC 61850 / Modbus TCP / DNP3.0 TCP/UDP, Ethernet interface, 100 Mbit/s, RJ45 (BASE100-FX)
- X103** – IEC 60870-5-103 / Modbus RTU / DNP3.0 RTU, RS485, Terminals
- X104** – IRIG-B00X, incl. System Contact (Supervision Contact)

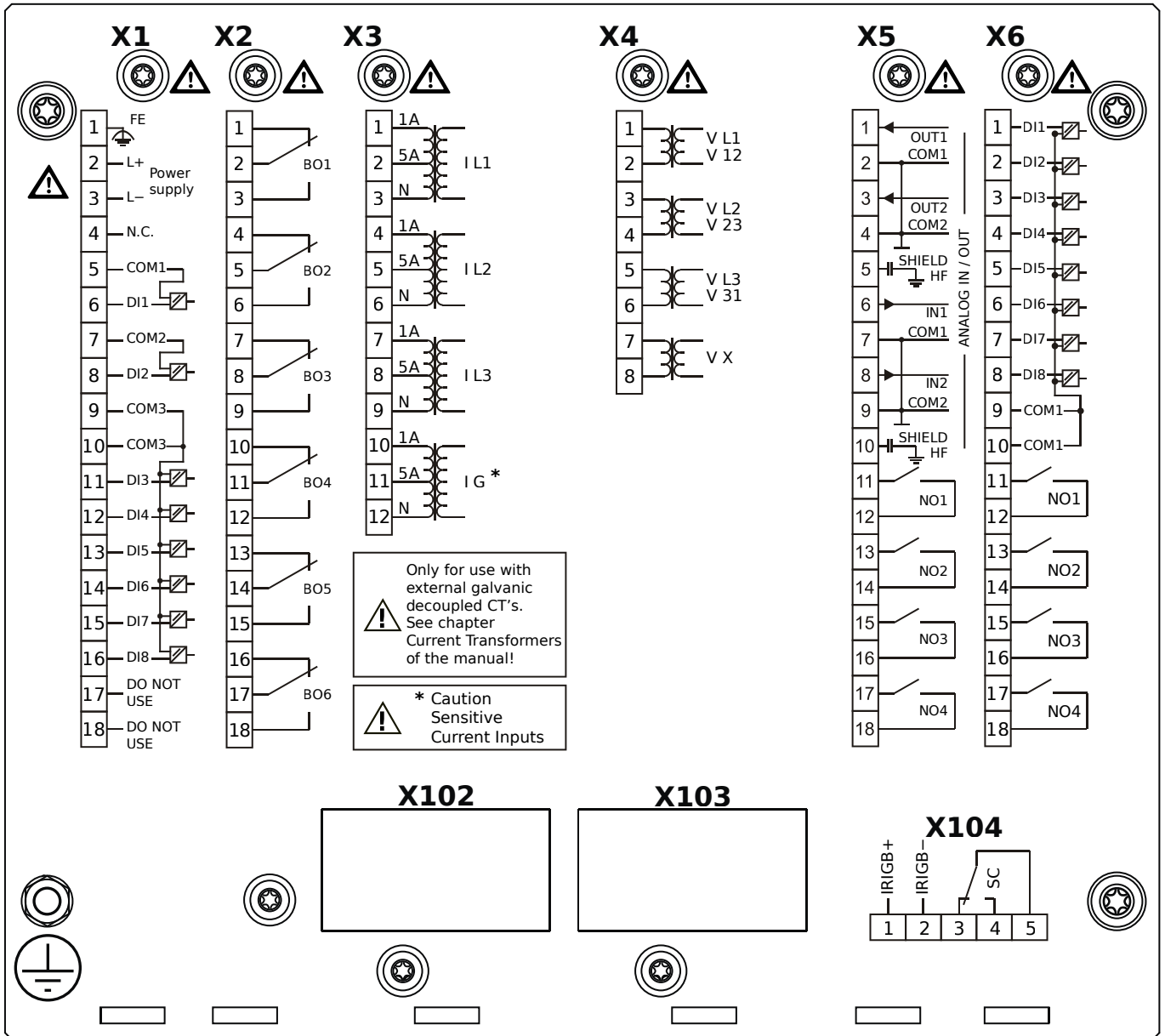
MCA4-2F1AAA



Housing B2, large display, door mounting

- X1** – DI8-X1: Wide-range power supply unit, incl. 2 non-grouped digital inputs and 6 grouped digital inputs
- X2** – OR6: Assembly Group with 6 Output Relays
- X3** – TIs: Standard phase current measuring card and sensitive ground current measuring
- X4** – TU: Card with 4 voltage transformer measuring inputs
- X5** – AnIO2-OR4: Assembly Group with 2 Analog Inputs, 2 Analog Outputs and 4 Output Relays
- X6** – DI8-OR4: Assembly Group with 8 Digital Inputs and 4 Output Relays
- X104** – IRIG-B00X, incl. System Contact (Supervision Contact)

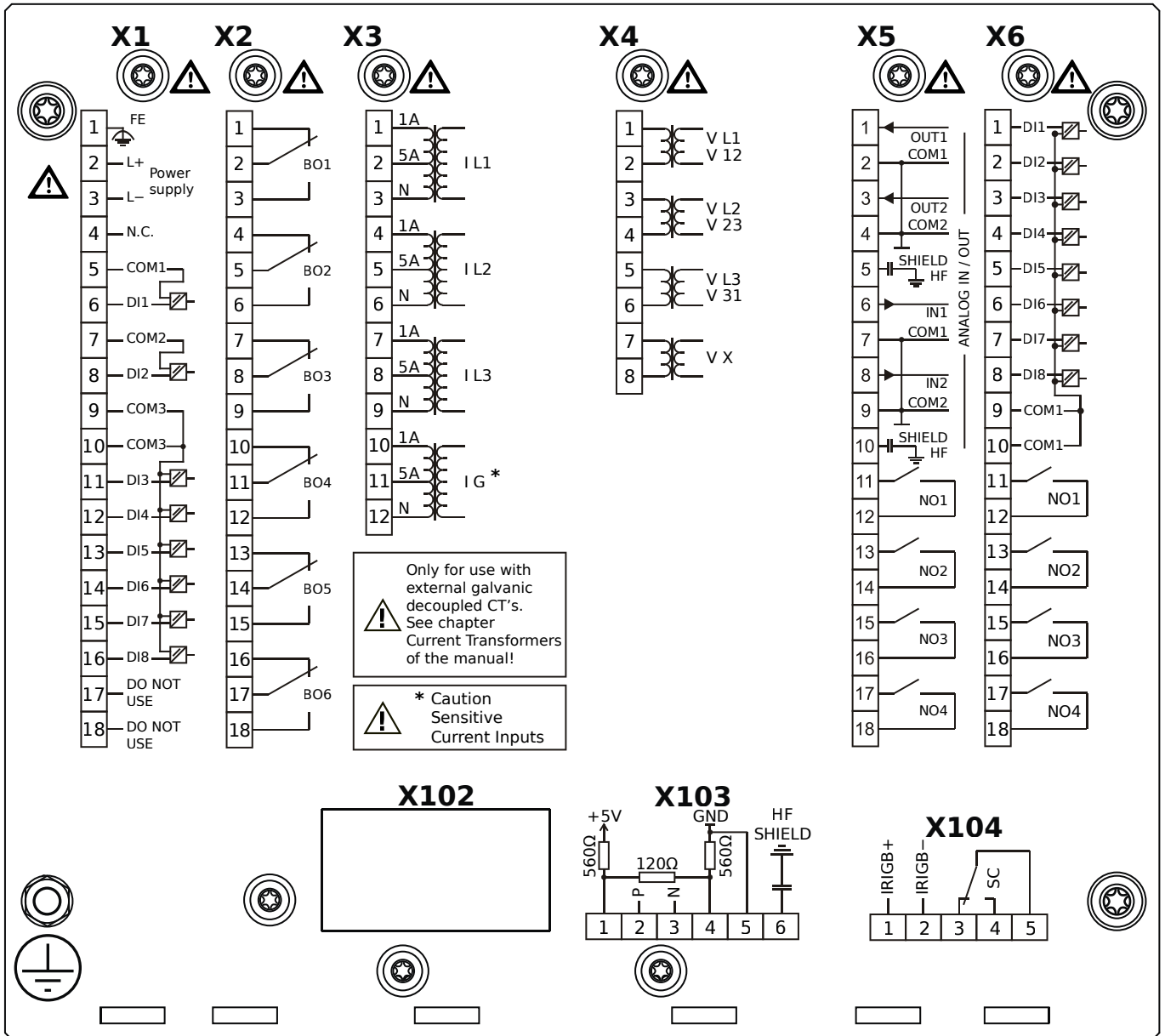
MCA4-2F1AAB



Housing B2, large display, door mounting

- X1** – DI8-X1: Wide-range power supply unit, incl. 2 non-grouped digital inputs and 6 grouped digital inputs
- X2** – OR6: Assembly Group with 6 Output Relays
- X3** – TIs: Standard phase current measuring card and sensitive ground current measuring
- X4** – TU: Card with 4 voltage transformer measuring inputs
- X5** – AnIO2-OR4: Assembly Group with 2 Analog Inputs, 2 Analog Outputs and 4 Output Relays
- X6** – DI8-OR4: Assembly Group with 8 Digital Inputs and 4 Output Relays
- X104** – IRIG-B00X, incl. System Contact (Supervision Contact)

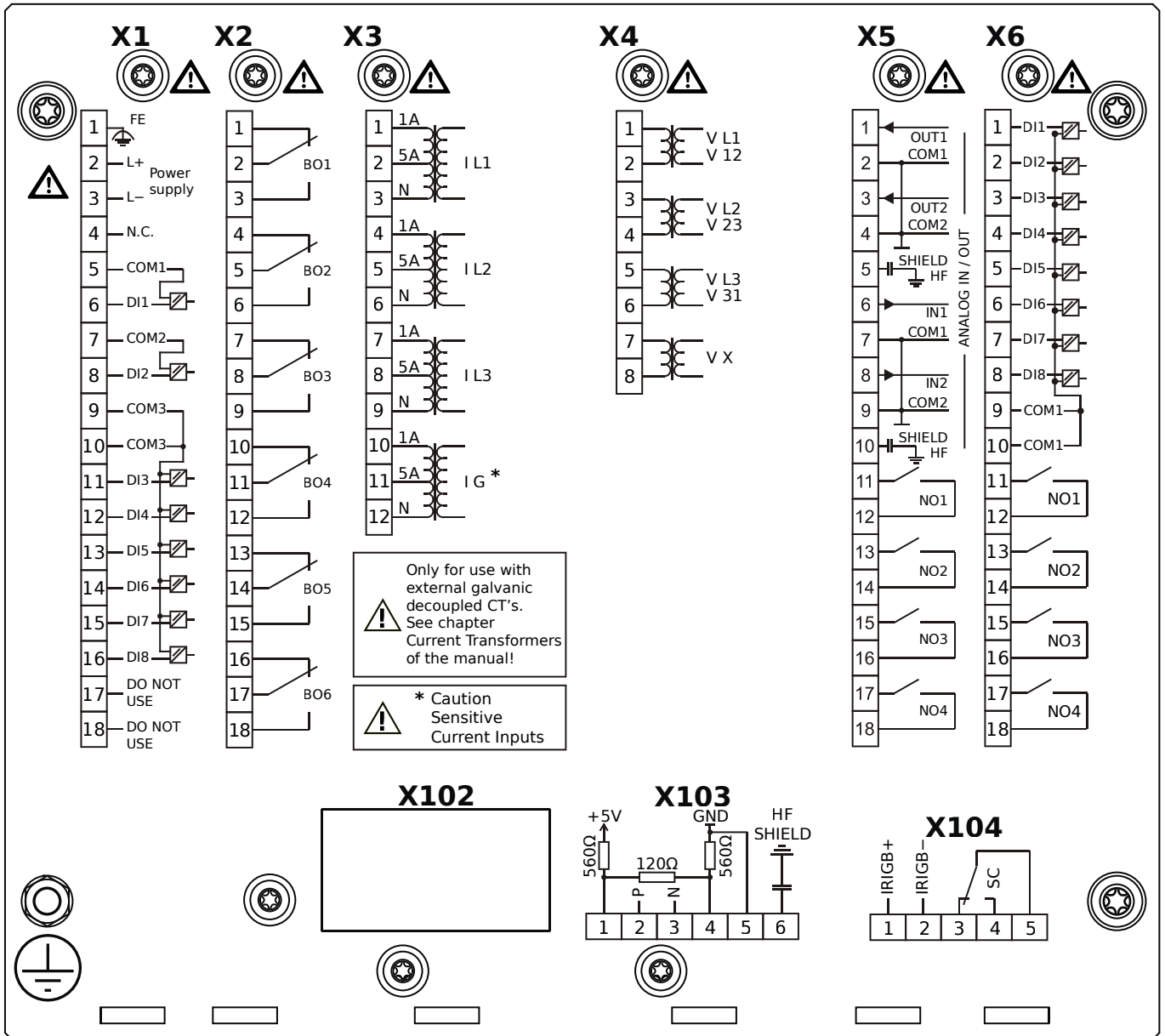
MCA4-2F1ABA



Housing B2, large display, door mounting

- X1** – DI8-X1: Wide-range power supply unit, incl. 2 non-grouped digital inputs and 6 grouped digital inputs
- X2** – OR6: Assembly Group with 6 Output Relays
- X3** – TIs: Standard phase current measuring card and sensitive ground current measuring
- X4** – TU: Card with 4 voltage transformer measuring inputs
- X5** – AnIO2-OR4: Assembly Group with 2 Analog Inputs, 2 Analog Outputs and 4 Output Relays
- X6** – DI8-OR4: Assembly Group with 8 Digital Inputs and 4 Output Relays
- X103** – Modbus RTU / IEC 60870-5-103 / DNP3.0 RTU, RS485, Terminals
- X104** – IRIG-B00X, incl. System Contact (Supervision Contact)

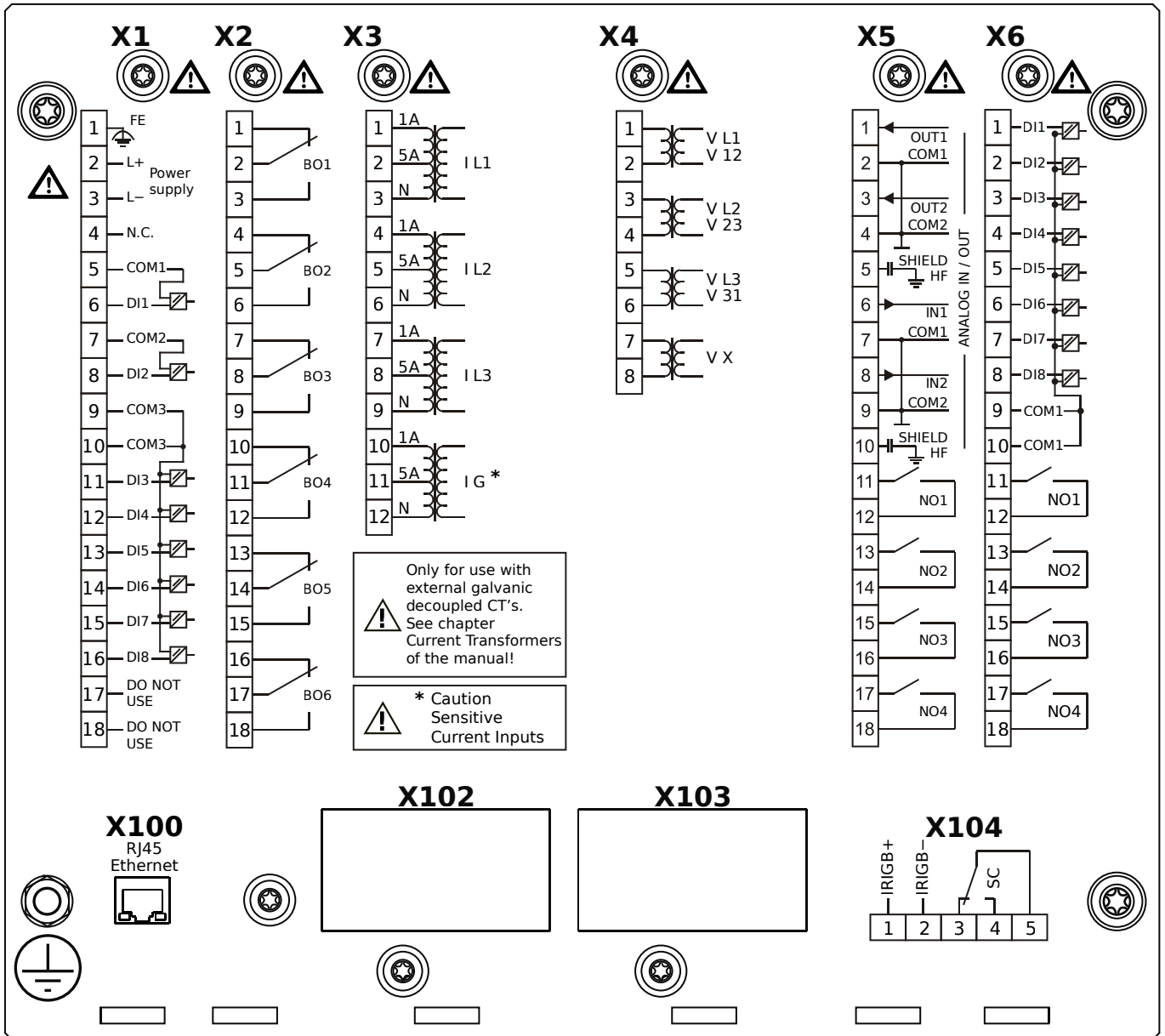
MCA4-2F1ABB



Housing B2, large display, door mounting

- X1** – DI8-X1: Wide-range power supply unit, incl. 2 non-grouped digital inputs and 6 grouped digital inputs
- X2** – OR6: Assembly Group with 6 Output Relays
- X3** – TIs: Standard phase current measuring card and sensitive ground current measuring
- X4** – TU: Card with 4 voltage transformer measuring inputs
- X5** – AnIO2-OR4: Assembly Group with 2 Analog Inputs, 2 Analog Outputs and 4 Output Relays
- X6** – DI8-OR4: Assembly Group with 8 Digital Inputs and 4 Output Relays
- X103** – Modbus RTU / IEC 60870-5-103 / DNP3.0 RTU, RS485, Terminals
- X104** – IRIG-B00X, incl. System Contact (Supervision Contact)

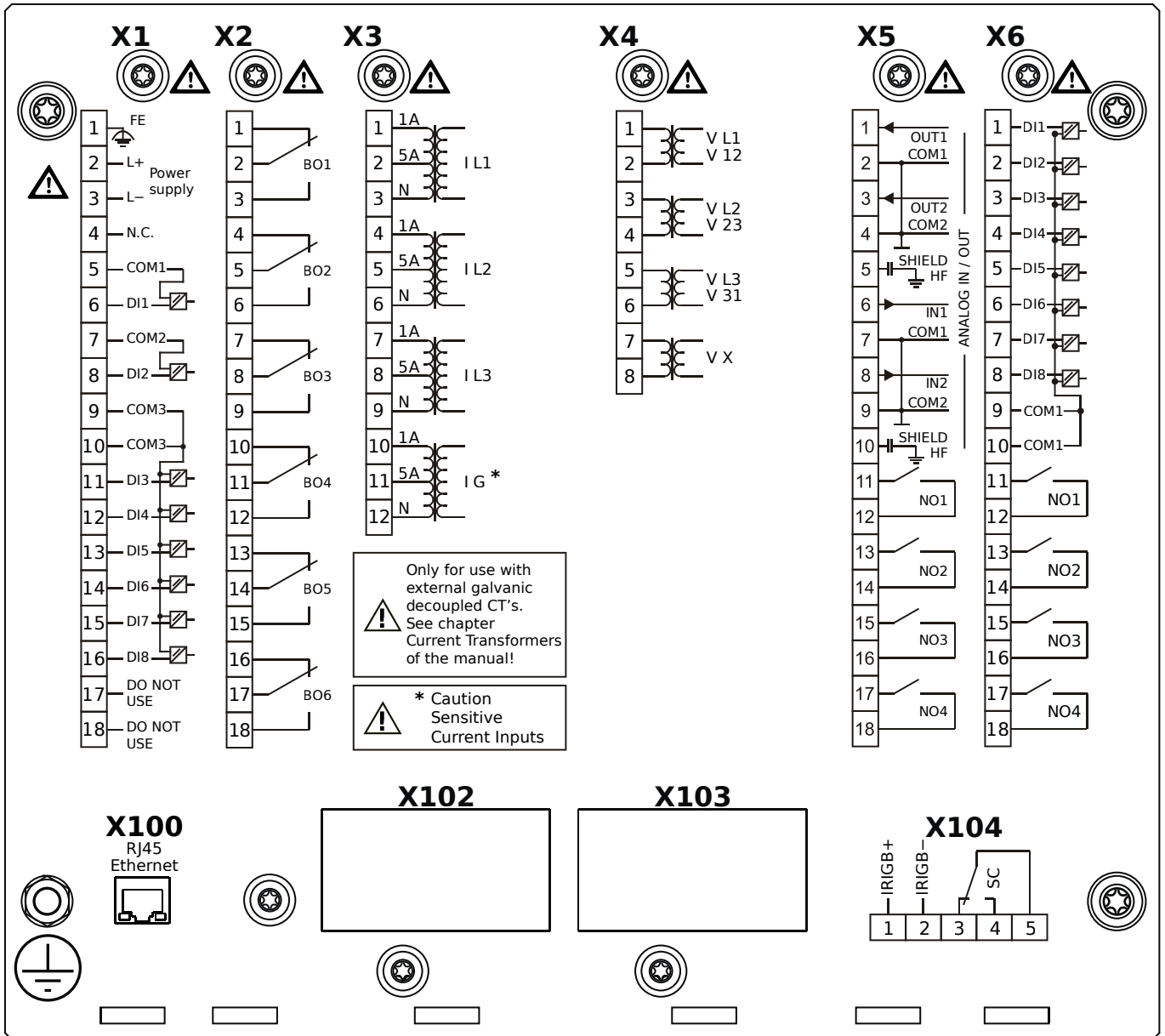
MCA4-2F1ACA



Housing B2, large display, door mounting

- X1** – DI8-X1: Wide-range power supply unit, incl. 2 non-grouped digital inputs and 6 grouped digital inputs
- X2** – OR6: Assembly Group with 6 Output Relays
- X3** – TIs: Standard phase current measuring card and sensitive ground current measuring
- X4** – TU: Card with 4 voltage transformer measuring inputs
- X5** – AnIO2-OR4: Assembly Group with 2 Analog Inputs, 2 Analog Outputs and 4 Output Relays
- X6** – DI8-OR4: Assembly Group with 8 Digital Inputs and 4 Output Relays
- X100** – Modbus TCP / DNP3.0 TCP/UDP, Ethernet interface, 100 Mbit/s, RJ45 (BASE100-FX)
- X104** – IRIG-B00X, incl. System Contact (Supervision Contact)

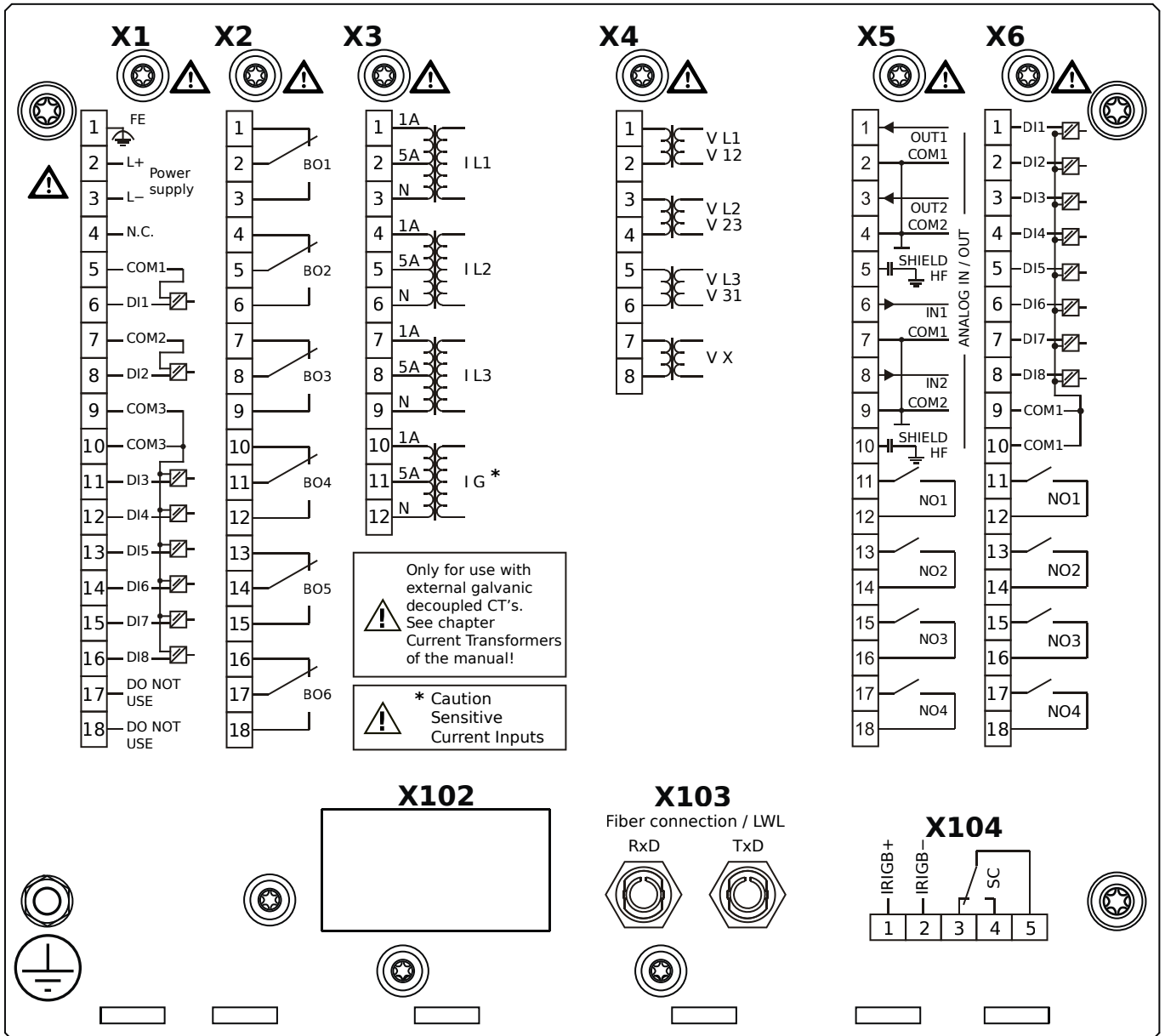
MCA4-2F1ACB



Housing B2, large display, door mounting

- X1** – DI8-X1: Wide-range power supply unit, incl. 2 non-grouped digital inputs and 6 grouped digital inputs
- X2** – OR6: Assembly Group with 6 Output Relays
- X3** – TIs: Standard phase current measuring card and sensitive ground current measuring
- X4** – TU: Card with 4 voltage transformer measuring inputs
- X5** – AnIO2-OR4: Assembly Group with 2 Analog Inputs, 2 Analog Outputs and 4 Output Relays
- X6** – DI8-OR4: Assembly Group with 8 Digital Inputs and 4 Output Relays
- X100** – Modbus TCP / DNP3.0 TCP/UDP, Ethernet interface, 100 Mbit/s, RJ45 (BASE100-FX)
- X104** – IRIG-B00X, incl. System Contact (Supervision Contact)

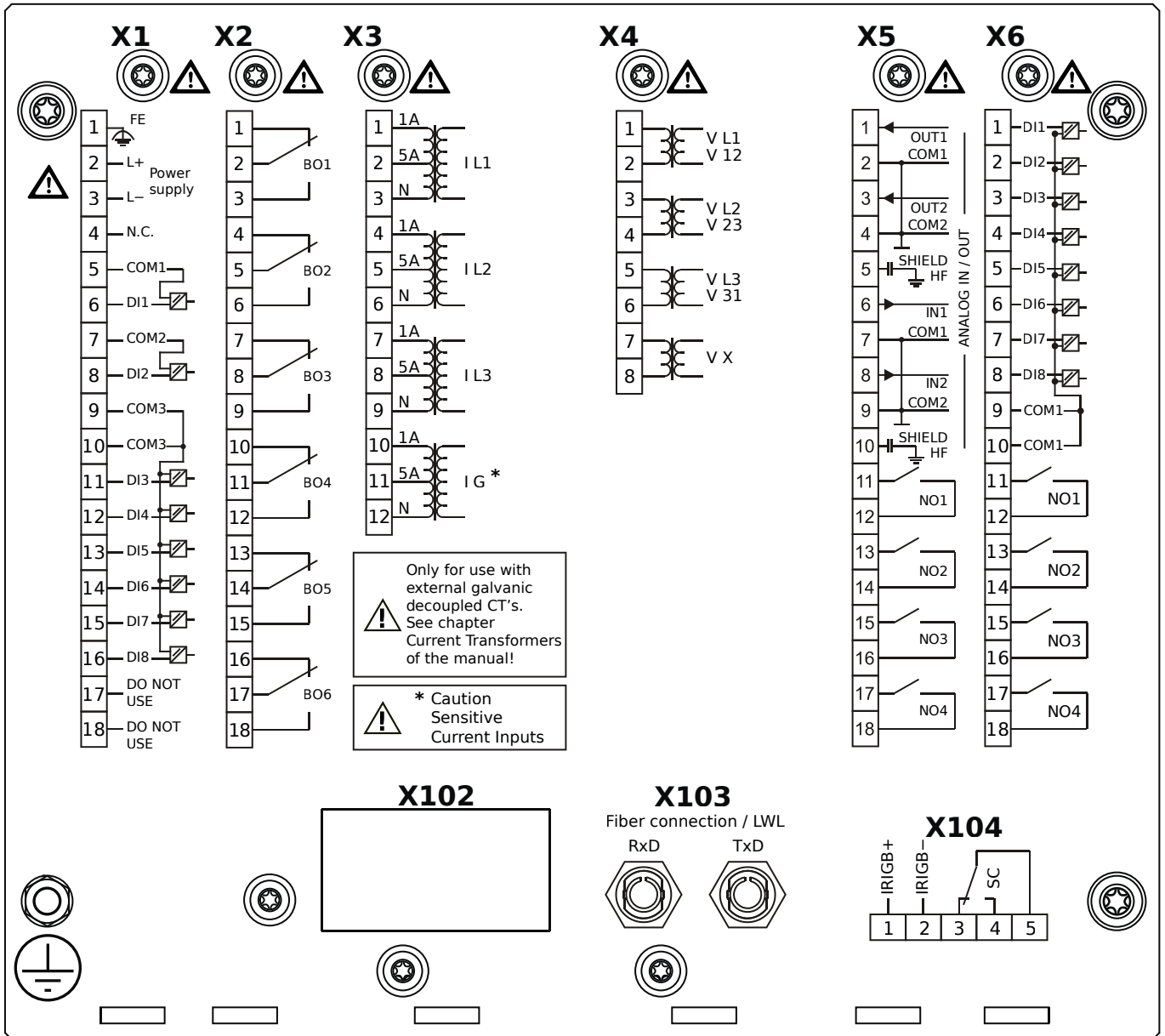
MCA4-2F1ADA



Housing B2, large display, door mounting

- X1** – DI8-X1: Wide-range power supply unit, incl. 2 non-grouped digital inputs and 6 grouped digital inputs
- X2** – OR6: Assembly Group with 6 Output Relays
- X3** – TIs: Standard phase current measuring card and sensitive ground current measuring
- X4** – TU: Card with 4 voltage transformer measuring inputs
- X5** – AnIO2-OR4: Assembly Group with 2 Analog Inputs, 2 Analog Outputs and 4 Output Relays
- X6** – DI8-OR4: Assembly Group with 8 Digital Inputs and 4 Output Relays
- X103** – Profibus-DP, Fiber optics interface, ST Connector
- X104** – IRIG-B00X, incl. System Contact (Supervision Contact)

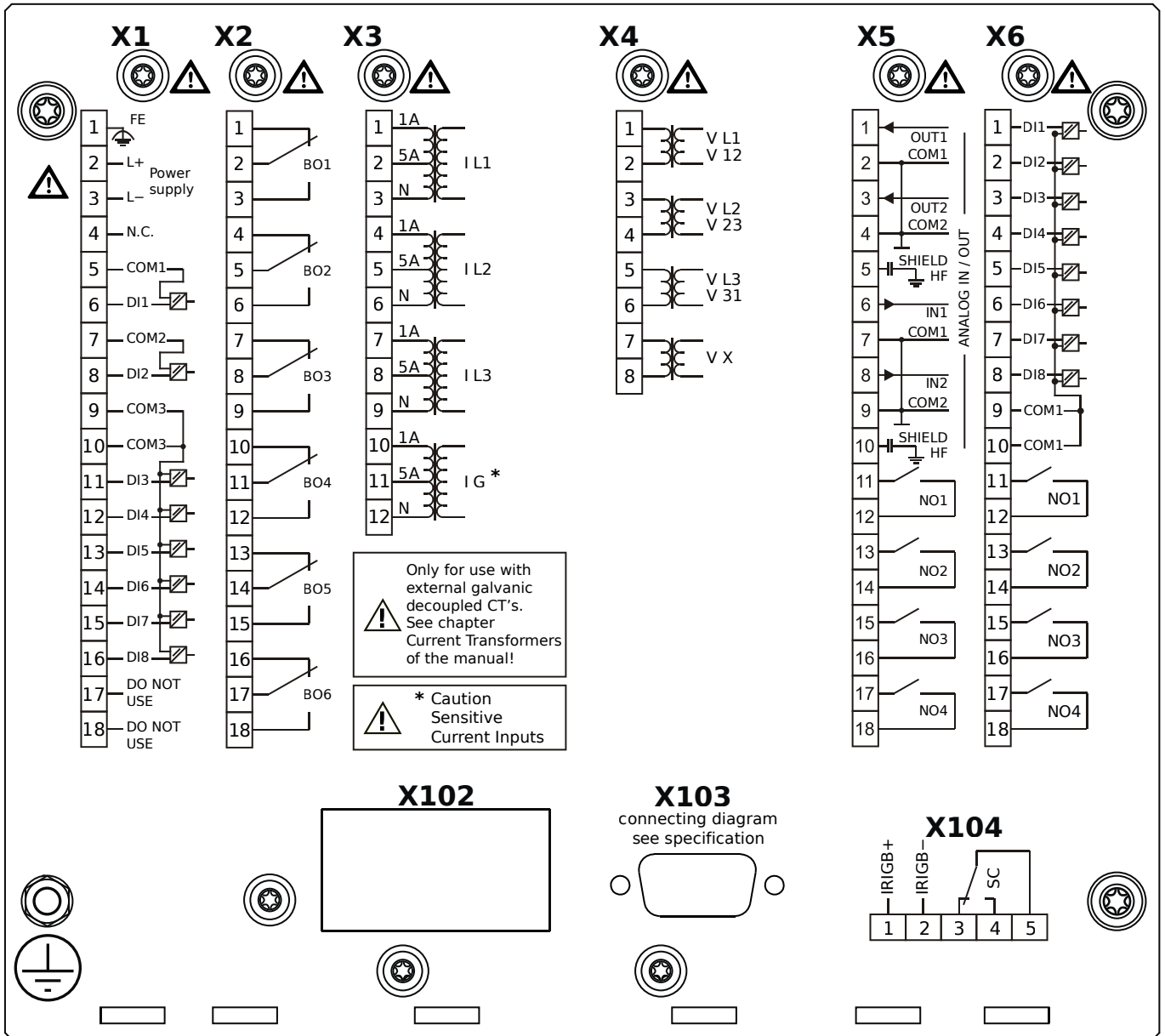
MCA4-2F1ADB



Housing B2, large display, door mounting

- X1** – DI8-X1: Wide-range power supply unit, incl. 2 non-grouped digital inputs and 6 grouped digital inputs
- X2** – OR6: Assembly Group with 6 Output Relays
- X3** – TIs: Standard phase current measuring card and sensitive ground current measuring
- X4** – TU: Card with 4 voltage transformer measuring inputs
- X5** – AnIO2-OR4: Assembly Group with 2 Analog Inputs, 2 Analog Outputs and 4 Output Relays
- X6** – DI8-OR4: Assembly Group with 8 Digital Inputs and 4 Output Relays
- X103** – Profibus-DP, Fiber optics interface, ST Connector
- X104** – IRIG-B00X, incl. System Contact (Supervision Contact)

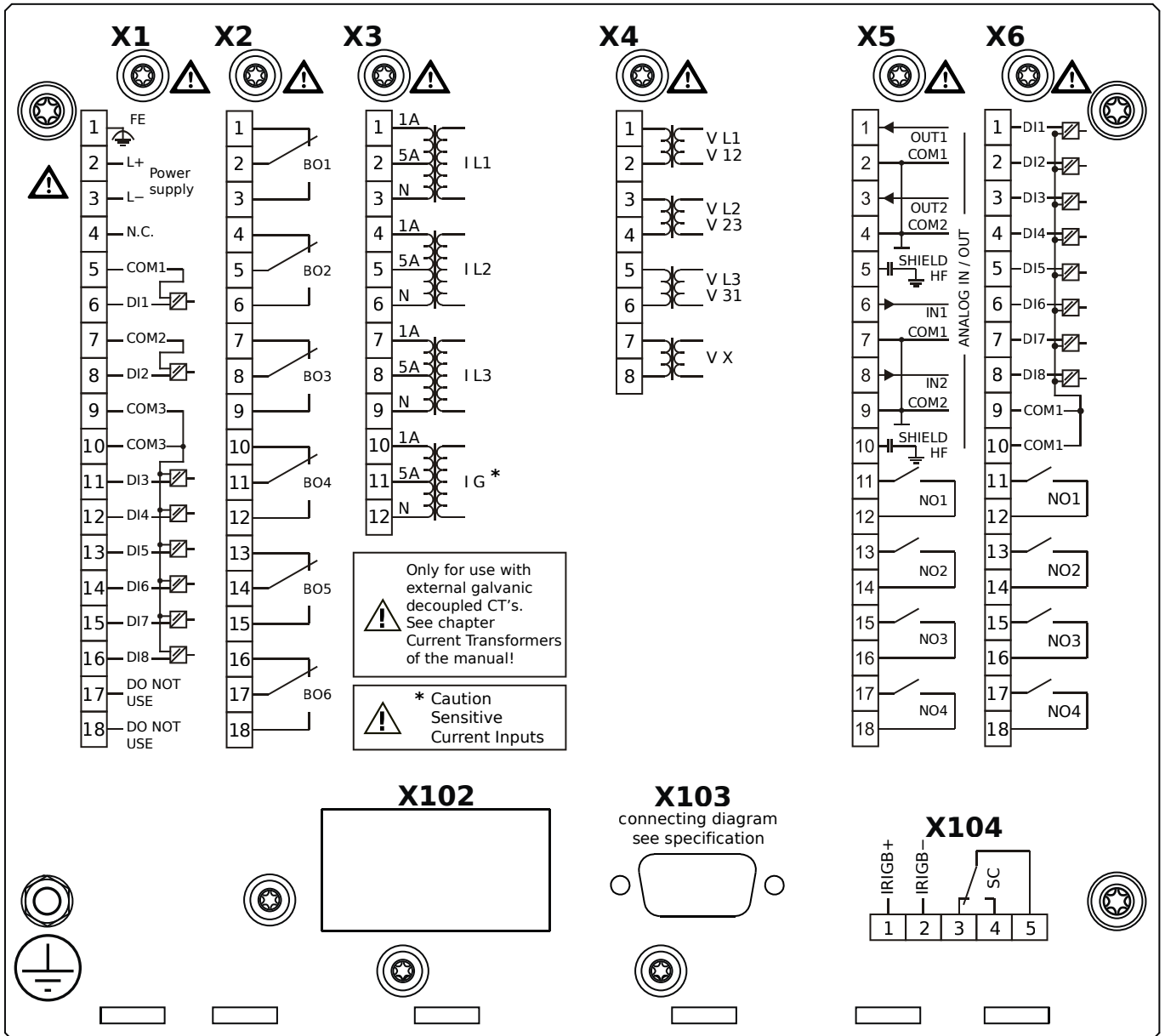
MCA4-2F1AEA



Housing B2, large display, door mounting

- X1** – DI8-X1: Wide-range power supply unit, incl. 2 non-grouped digital inputs and 6 grouped digital inputs
- X2** – OR6: Assembly Group with 6 Output Relays
- X3** – TIs: Standard phase current measuring card and sensitive ground current measuring
- X4** – TU: Card with 4 voltage transformer measuring inputs
- X5** – AnIO2-OR4: Assembly Group with 2 Analog Inputs, 2 Analog Outputs and 4 Output Relays
- X6** – DI8-OR4: Assembly Group with 8 Digital Inputs and 4 Output Relays
- X103** – Profibus-DP, RS485, D-SUB
- X104** – IRIG-B00X, incl. System Contact (Supervision Contact)

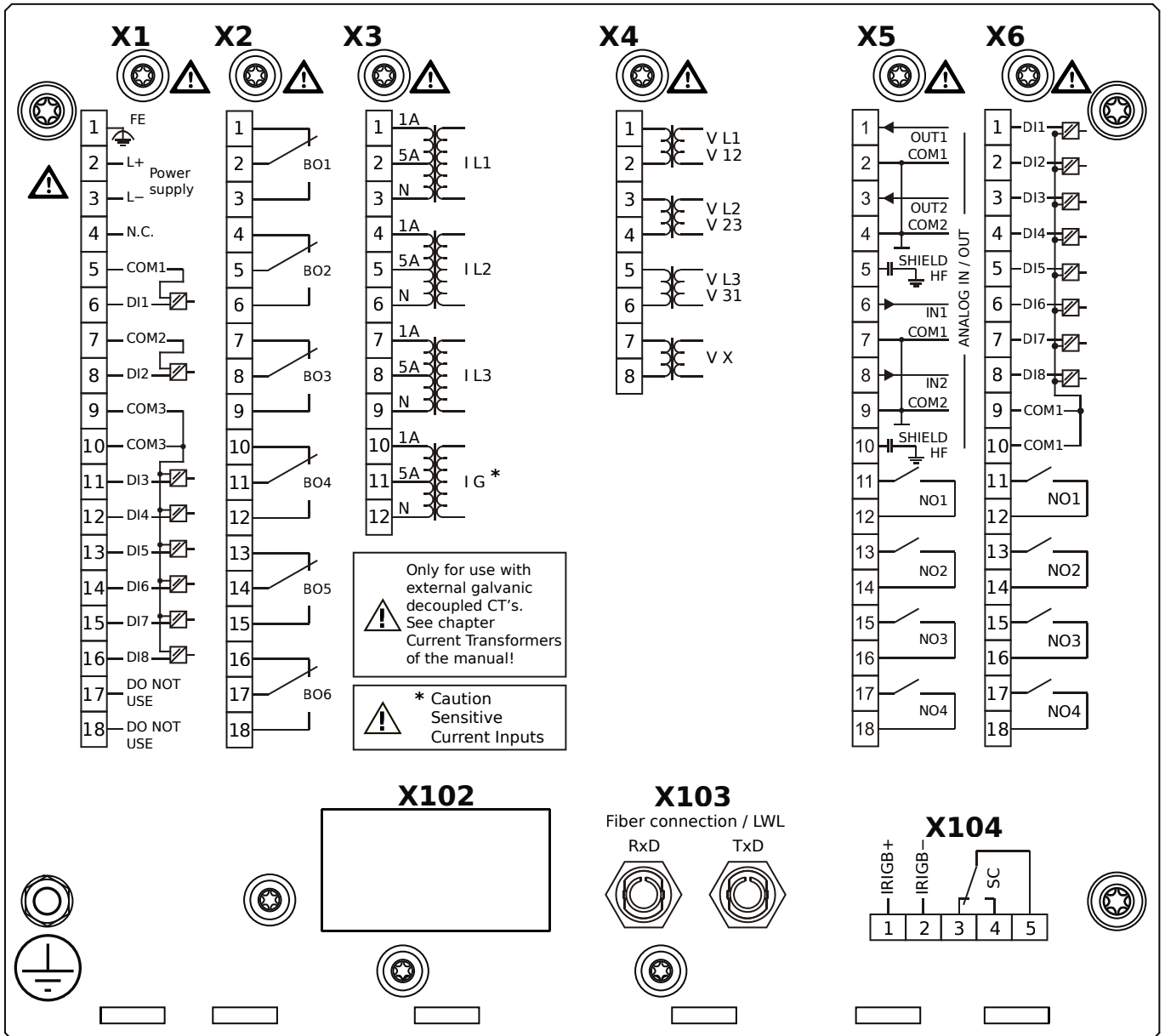
MCA4-2F1AEB



Housing B2, large display, door mounting

- X1** – DI8-X1: Wide-range power supply unit, incl. 2 non-grouped digital inputs and 6 grouped digital inputs
- X2** – OR6: Assembly Group with 6 Output Relays
- X3** – TIs: Standard phase current measuring card and sensitive ground current measuring
- X4** – TU: Card with 4 voltage transformer measuring inputs
- X5** – AnIO2-OR4: Assembly Group with 2 Analog Inputs, 2 Analog Outputs and 4 Output Relays
- X6** – DI8-OR4: Assembly Group with 8 Digital Inputs and 4 Output Relays
- X103** – Profibus-DP, RS485, D-SUB
- X104** – IRIG-B00X, incl. System Contact (Supervision Contact)

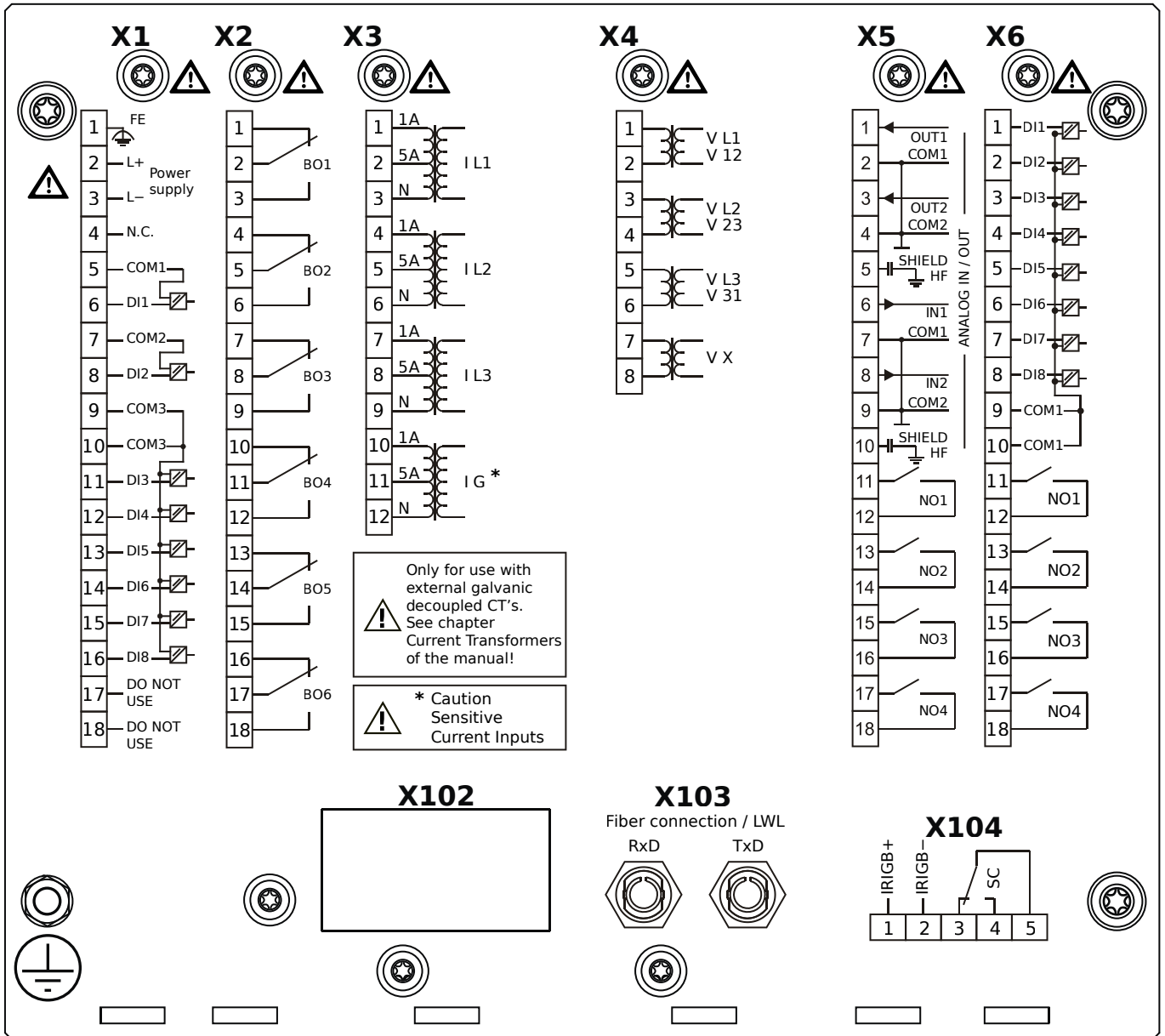
MCA4-2F1AFA



Housing B2, large display, door mounting

- X1** – DI8-X1: Wide-range power supply unit, incl. 2 non-grouped digital inputs and 6 grouped digital inputs
- X2** – OR6: Assembly Group with 6 Output Relays
- X3** – TIs: Standard phase current measuring card and sensitive ground current measuring
- X4** – TU: Card with 4 voltage transformer measuring inputs
- X5** – AnIO2-OR4: Assembly Group with 2 Analog Inputs, 2 Analog Outputs and 4 Output Relays
- X6** – DI8-OR4: Assembly Group with 8 Digital Inputs and 4 Output Relays
- X103** – Modbus RTU / IEC 60870-5-103 / DNP3.0 RTU, Fiber optics interface, ST Connector
- X104** – IRIG-B00X, incl. System Contact (Supervision Contact)

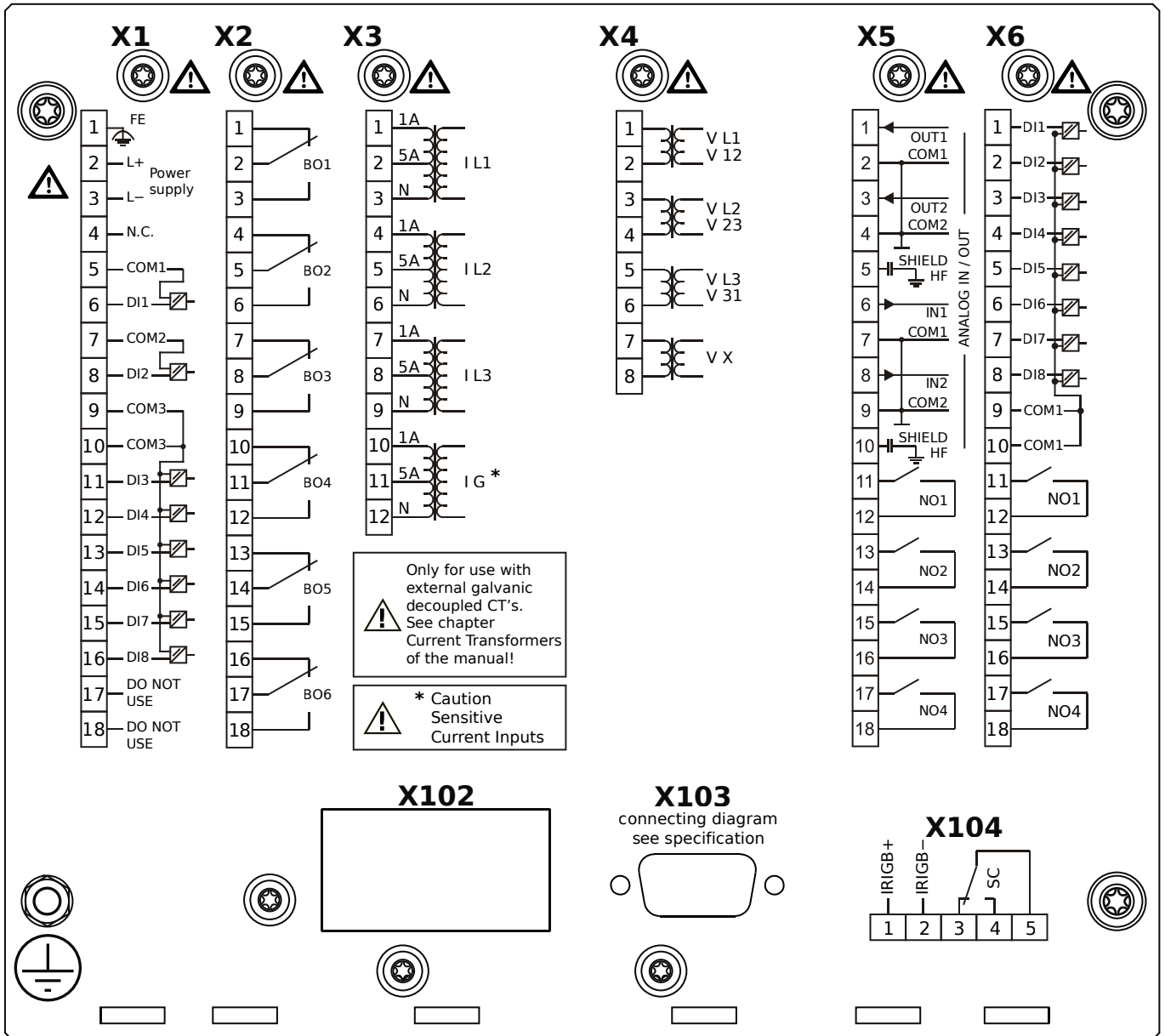
MCA4-2F1AFB



Housing B2, large display, door mounting

- X1** – DI8-X1: Wide-range power supply unit, incl. 2 non-grouped digital inputs and 6 grouped digital inputs
- X2** – OR6: Assembly Group with 6 Output Relays
- X3** – TIs: Standard phase current measuring card and sensitive ground current measuring
- X4** – TU: Card with 4 voltage transformer measuring inputs
- X5** – AnIO2-OR4: Assembly Group with 2 Analog Inputs, 2 Analog Outputs and 4 Output Relays
- X6** – DI8-OR4: Assembly Group with 8 Digital Inputs and 4 Output Relays
- X103** – Modbus RTU / IEC 60870-5-103 / DNP3.0 RTU, Fiber optics interface, ST Connector
- X104** – IRIG-B00X, incl. System Contact (Supervision Contact)

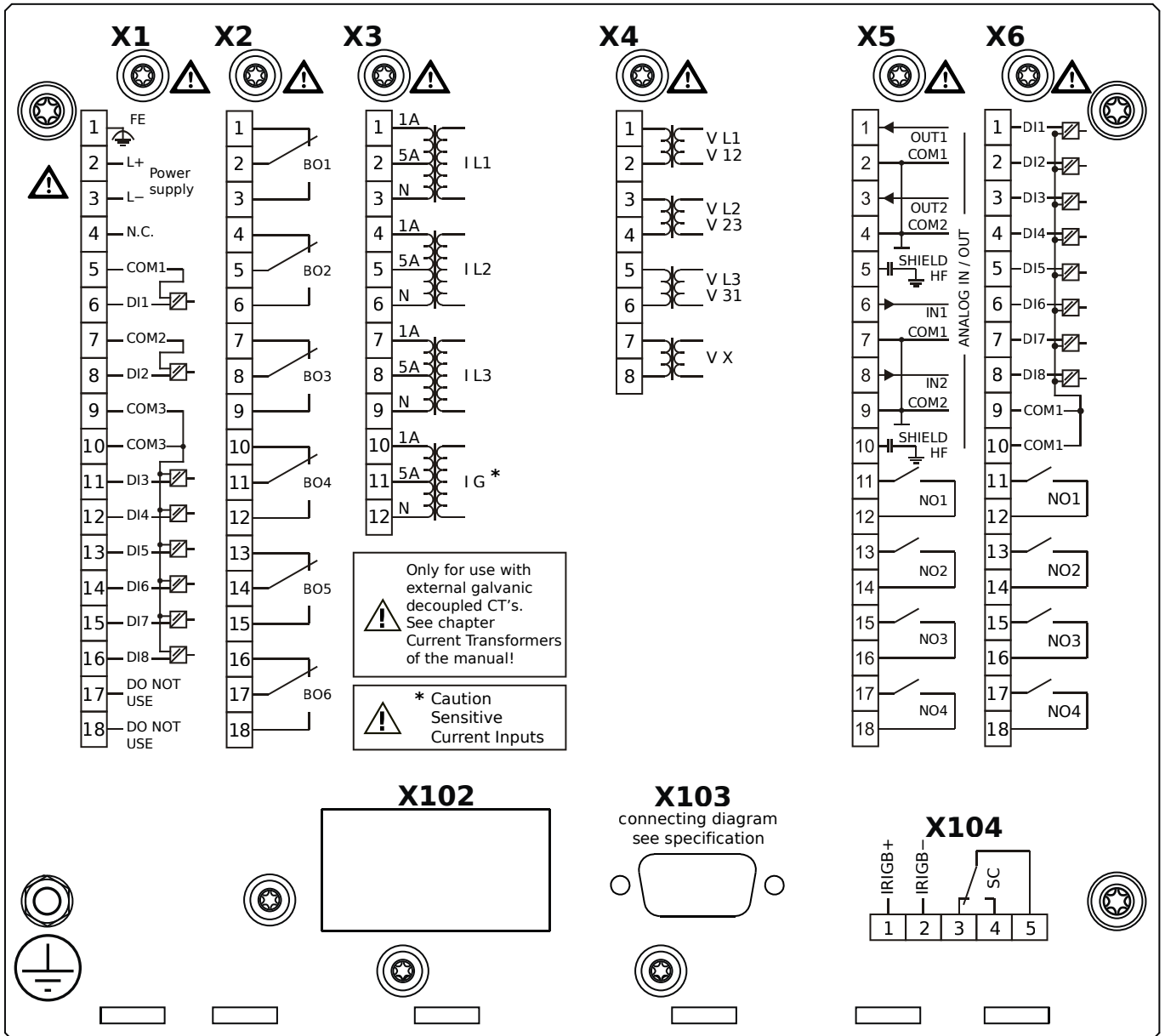
MCA4-2F1AGA



Housing B2, large display, door mounting

- X1** – DI8-X1: Wide-range power supply unit, incl. 2 non-grouped digital inputs and 6 grouped digital inputs
- X2** – OR6: Assembly Group with 6 Output Relays
- X3** – TIs: Standard phase current measuring card and sensitive ground current measuring
- X4** – TU: Card with 4 voltage transformer measuring inputs
- X5** – AnIO2-OR4: Assembly Group with 2 Analog Inputs, 2 Analog Outputs and 4 Output Relays
- X6** – DI8-OR4: Assembly Group with 8 Digital Inputs and 4 Output Relays
- X103** – Modbus RTU / IEC 60870-5-103 / DNP3.0 RTU, RS485, D-SUB
- X104** – IRIG-B00X, incl. System Contact (Supervision Contact)

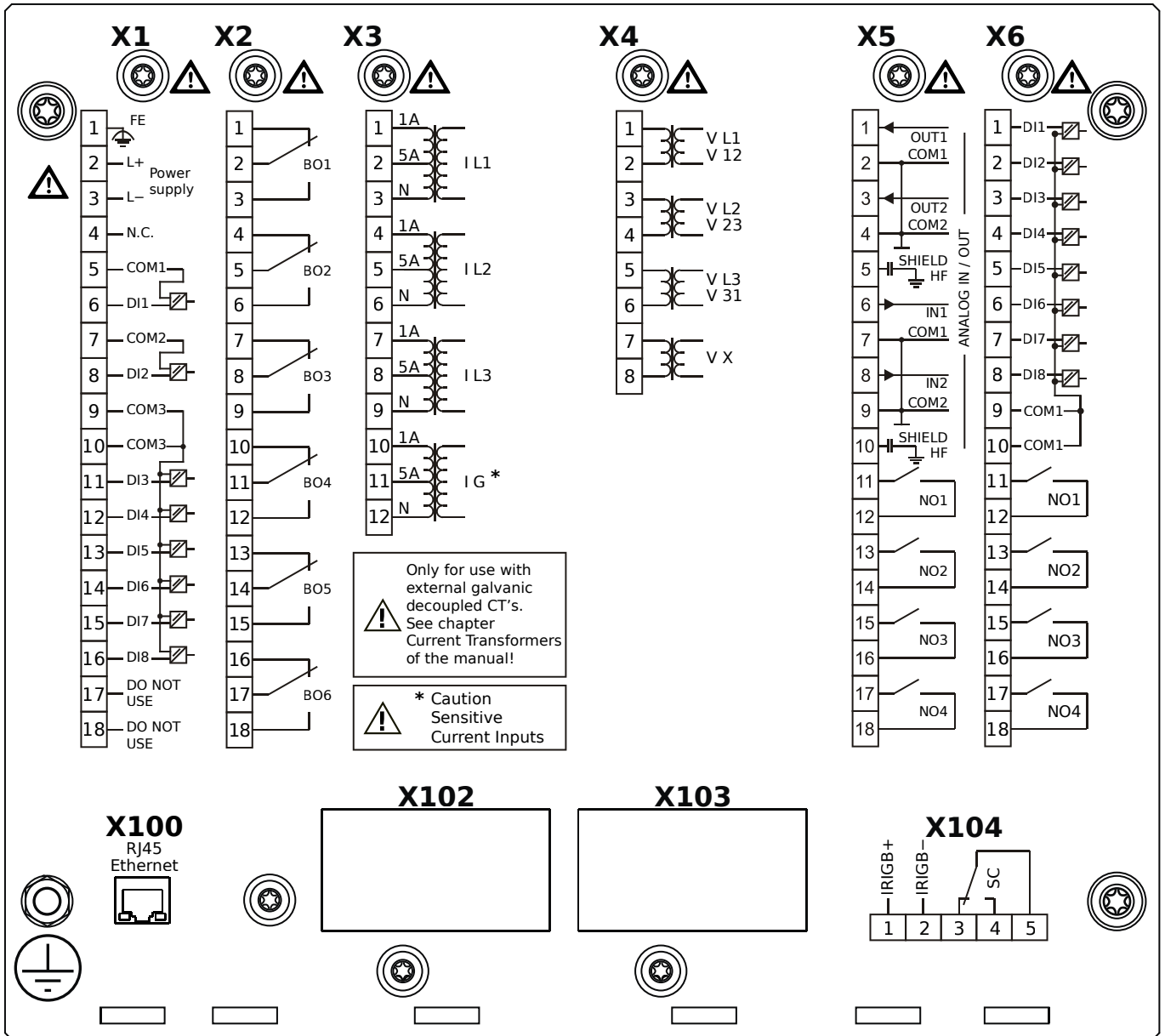
MCA4-2F1AGB



Housing B2, large display, door mounting

- X1** – DI8-X1: Wide-range power supply unit, incl. 2 non-grouped digital inputs and 6 grouped digital inputs
- X2** – OR6: Assembly Group with 6 Output Relays
- X3** – TIs: Standard phase current measuring card and sensitive ground current measuring
- X4** – TU: Card with 4 voltage transformer measuring inputs
- X5** – AnIO2-OR4: Assembly Group with 2 Analog Inputs, 2 Analog Outputs and 4 Output Relays
- X6** – DI8-OR4: Assembly Group with 8 Digital Inputs and 4 Output Relays
- X103** – Modbus RTU / IEC 60870-5-103 / DNP3.0 RTU, RS485, D-SUB
- X104** – IRIG-B00X, incl. System Contact (Supervision Contact)

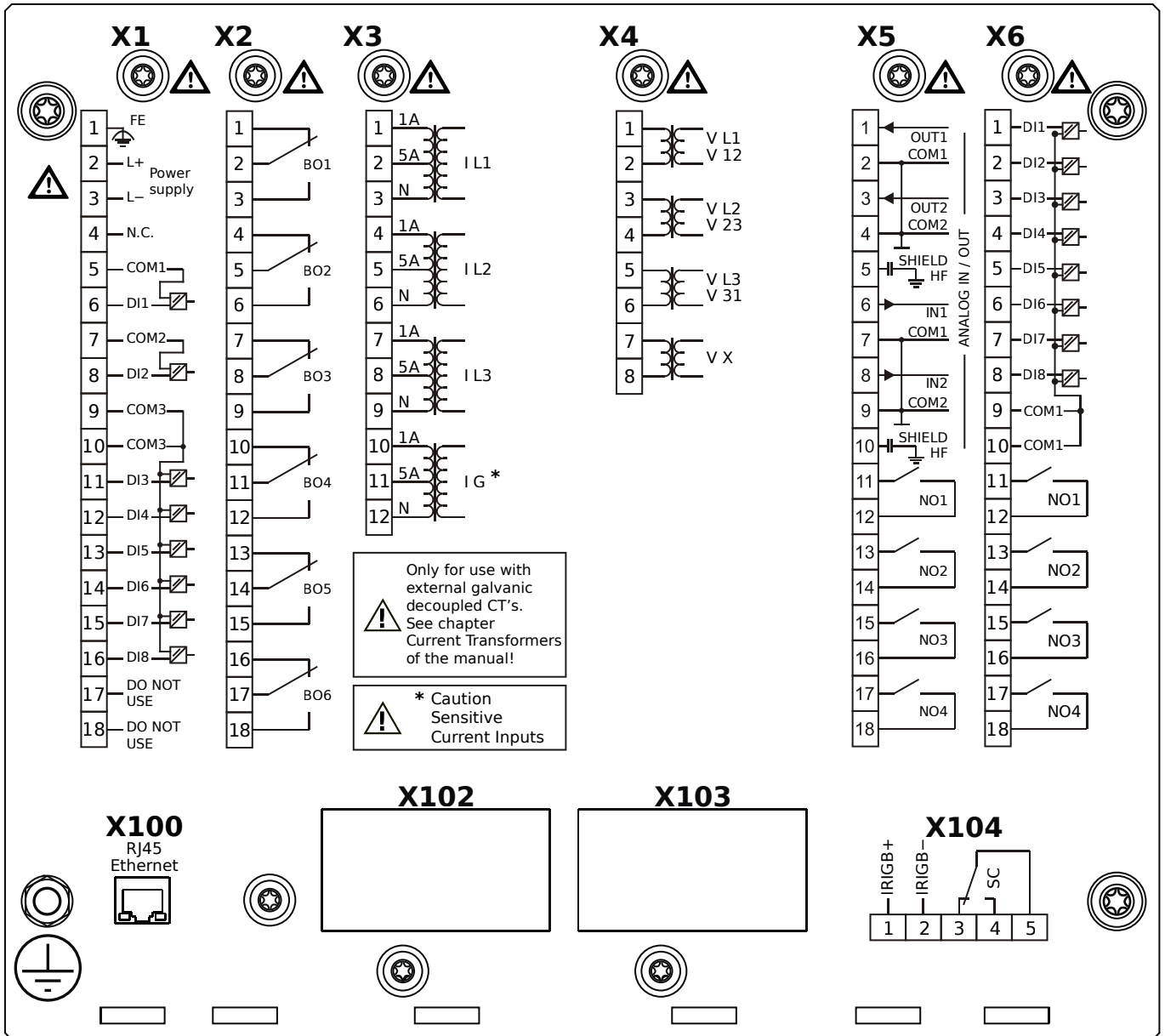
MCA4-2F1AHA



Housing B2, large display, door mounting

- X1** – DI8-X1: Wide-range power supply unit, incl. 2 non-grouped digital inputs and 6 grouped digital inputs
- X2** – OR6: Assembly Group with 6 Output Relays
- X3** – TIs: Standard phase current measuring card and sensitive ground current measuring
- X4** – TU: Card with 4 voltage transformer measuring inputs
- X5** – AnIO2-OR4: Assembly Group with 2 Analog Inputs, 2 Analog Outputs and 4 Output Relays
- X6** – DI8-OR4: Assembly Group with 8 Digital Inputs and 4 Output Relays
- X100** – IEC 61850 / Modbus TCP / DNP3.0 TCP/UDP, Ethernet interface, 100 Mbit/s, RJ45 (BASE100-FX)
- X104** – IRIG-B00X, incl. System Contact (Supervision Contact)

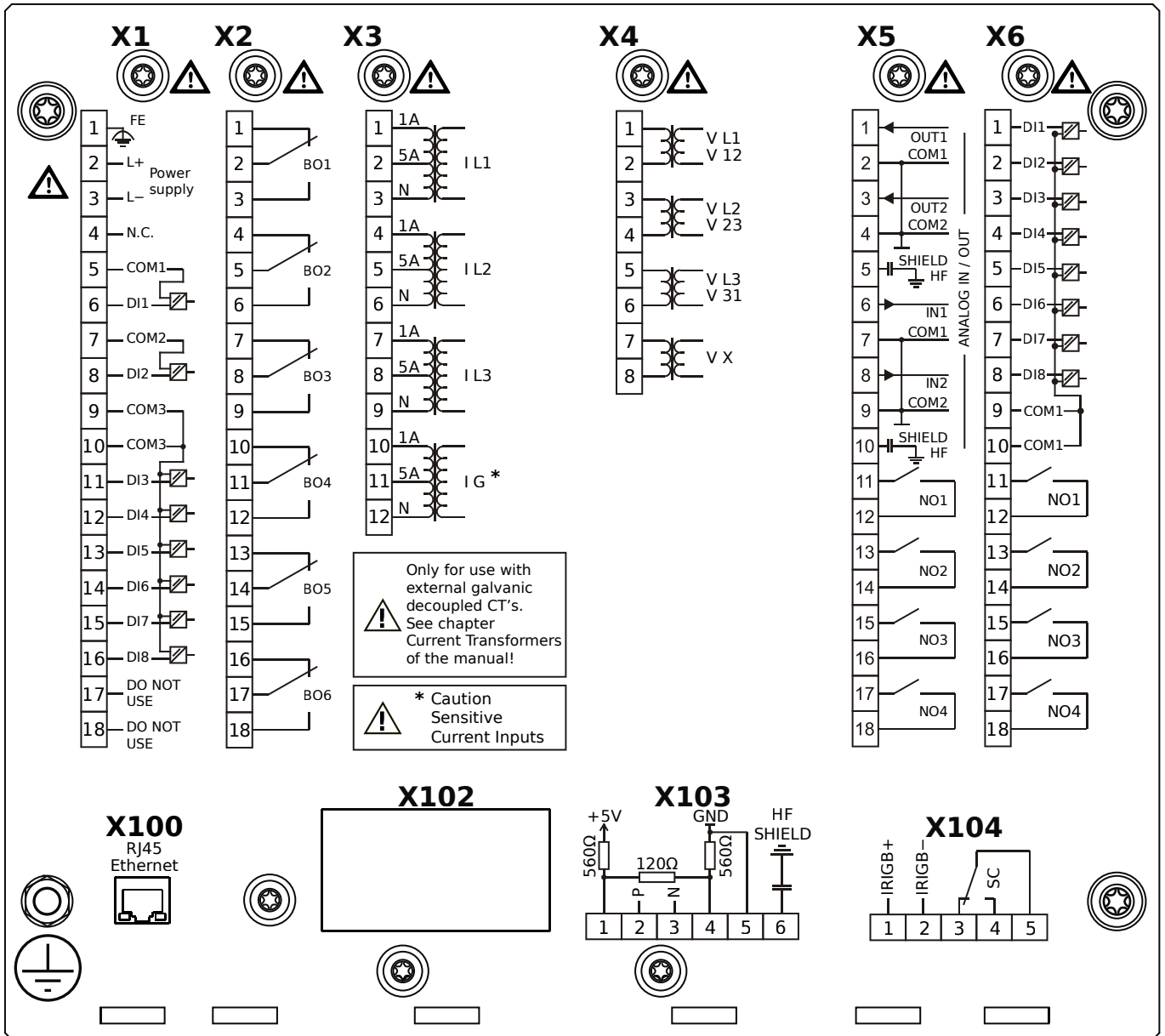
MCA4-2F1AHB



Housing B2, large display, door mounting

- X1** – DI8-X1: Wide-range power supply unit, incl. 2 non-grouped digital inputs and 6 grouped digital inputs
- X2** – OR6: Assembly Group with 6 Output Relays
- X3** – TIs: Standard phase current measuring card and sensitive ground current measuring
- X4** – TU: Card with 4 voltage transformer measuring inputs
- X5** – AnIO2-OR4: Assembly Group with 2 Analog Inputs, 2 Analog Outputs and 4 Output Relays
- X6** – DI8-OR4: Assembly Group with 8 Digital Inputs and 4 Output Relays
- X100** – IEC 61850 / Modbus TCP / DNP3.0 TCP/UDP, Ethernet interface, 100 Mbit/s, RJ45 (BASE100-FX)
- X104** – IRIG-B00X, incl. System Contact (Supervision Contact)

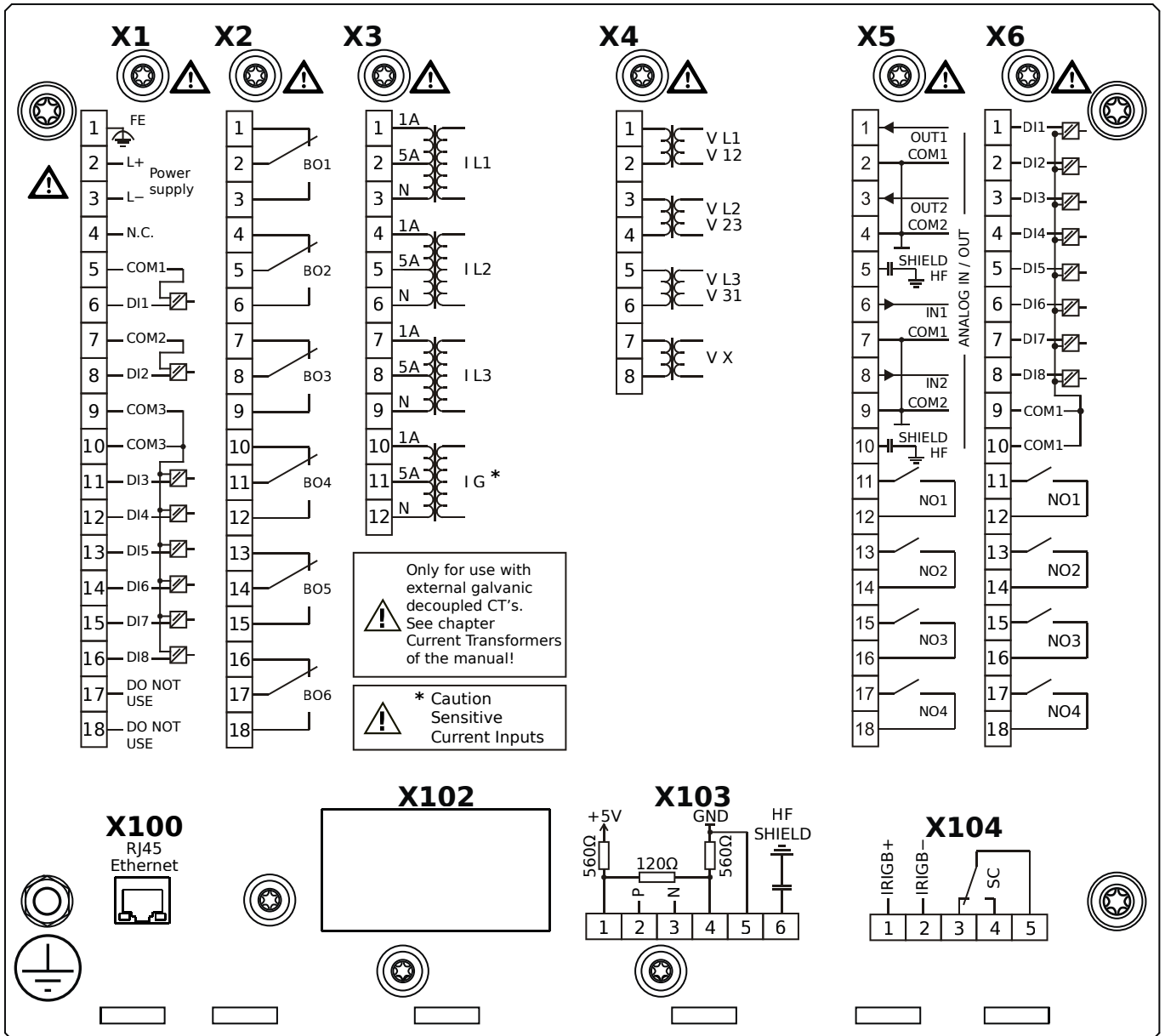
MCA4-2F1AIA



Housing B2, large display, door mounting

- X1** – DI8-X1: Wide-range power supply unit, incl. 2 non-grouped digital inputs and 6 grouped digital inputs
- X2** – OR6: Assembly Group with 6 Output Relays
- X3** – TIs: Standard phase current measuring card and sensitive ground current measuring
- X4** – TU: Card with 4 voltage transformer measuring inputs
- X5** – AnIO2-OR4: Assembly Group with 2 Analog Inputs, 2 Analog Outputs and 4 Output Relays
- X6** – DI8-OR4: Assembly Group with 8 Digital Inputs and 4 Output Relays
- X100** – Modbus TCP / DNP3.0 TCP/UDP, Ethernet interface, 100 Mbit/s, RJ45 (BASE100-FX)
- X103** – IEC 60870-5-103 / Modbus RTU / DNP3.0 RTU, RS485, Terminals
- X104** – IRIG-B00X, incl. System Contact (Supervision Contact)

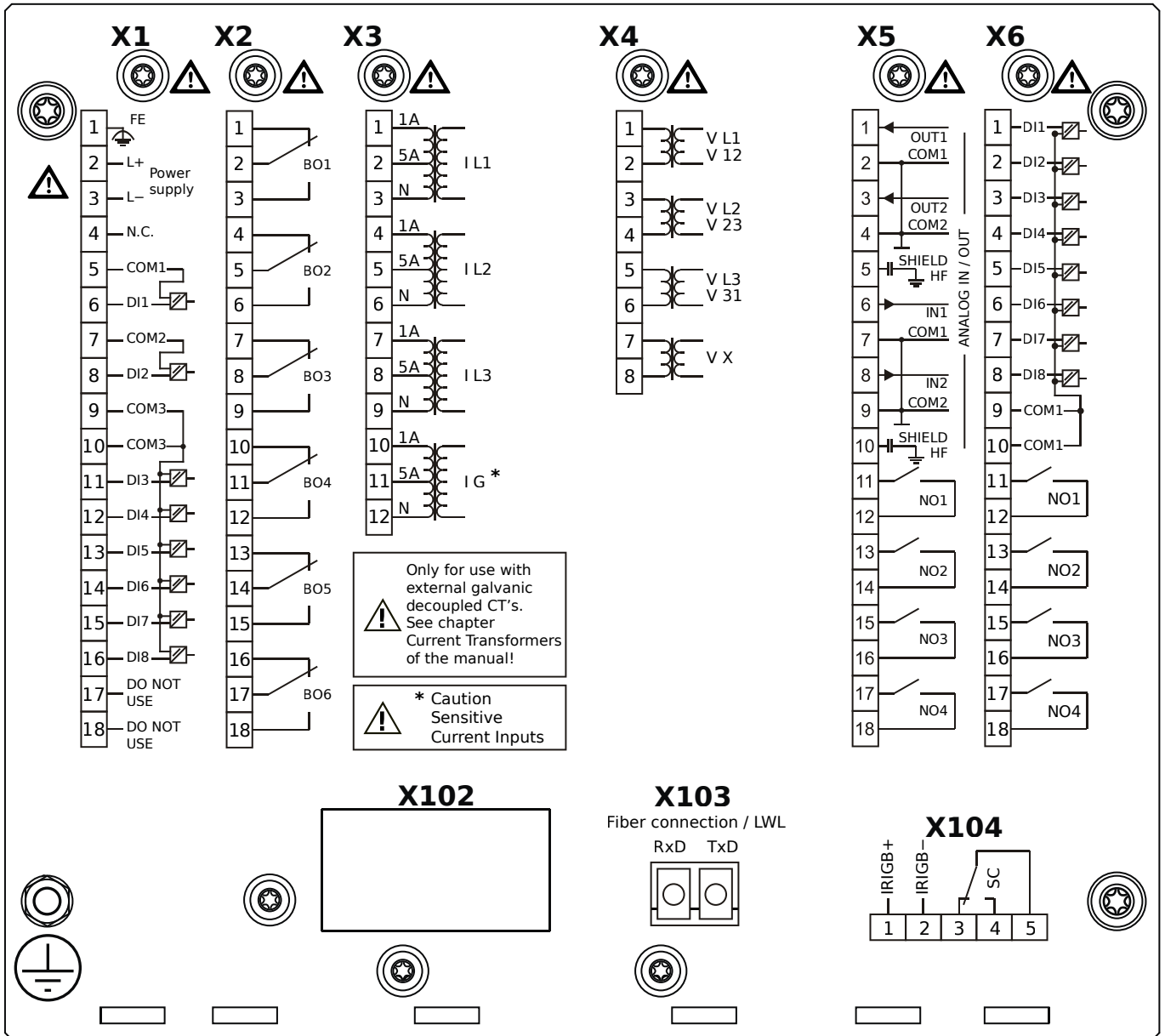
MCA4-2F1AIB



Housing B2, large display, door mounting

- X1** – DI8-X1: Wide-range power supply unit, incl. 2 non-grouped digital inputs and 6 grouped digital inputs
- X2** – OR6: Assembly Group with 6 Output Relays
- X3** – TIs: Standard phase current measuring card and sensitive ground current measuring
- X4** – TU: Card with 4 voltage transformer measuring inputs
- X5** – AnIO2-OR4: Assembly Group with 2 Analog Inputs, 2 Analog Outputs and 4 Output Relays
- X6** – DI8-OR4: Assembly Group with 8 Digital Inputs and 4 Output Relays
- X100** – Modbus TCP / DNP3.0 TCP/UDP, Ethernet interface, 100 Mbit/s, RJ45 (BASE100-FX)
- X103** – IEC 60870-5-103 / Modbus RTU / DNP3.0 RTU, RS485, Terminals
- X104** – IRIG-B00X, incl. System Contact (Supervision Contact)

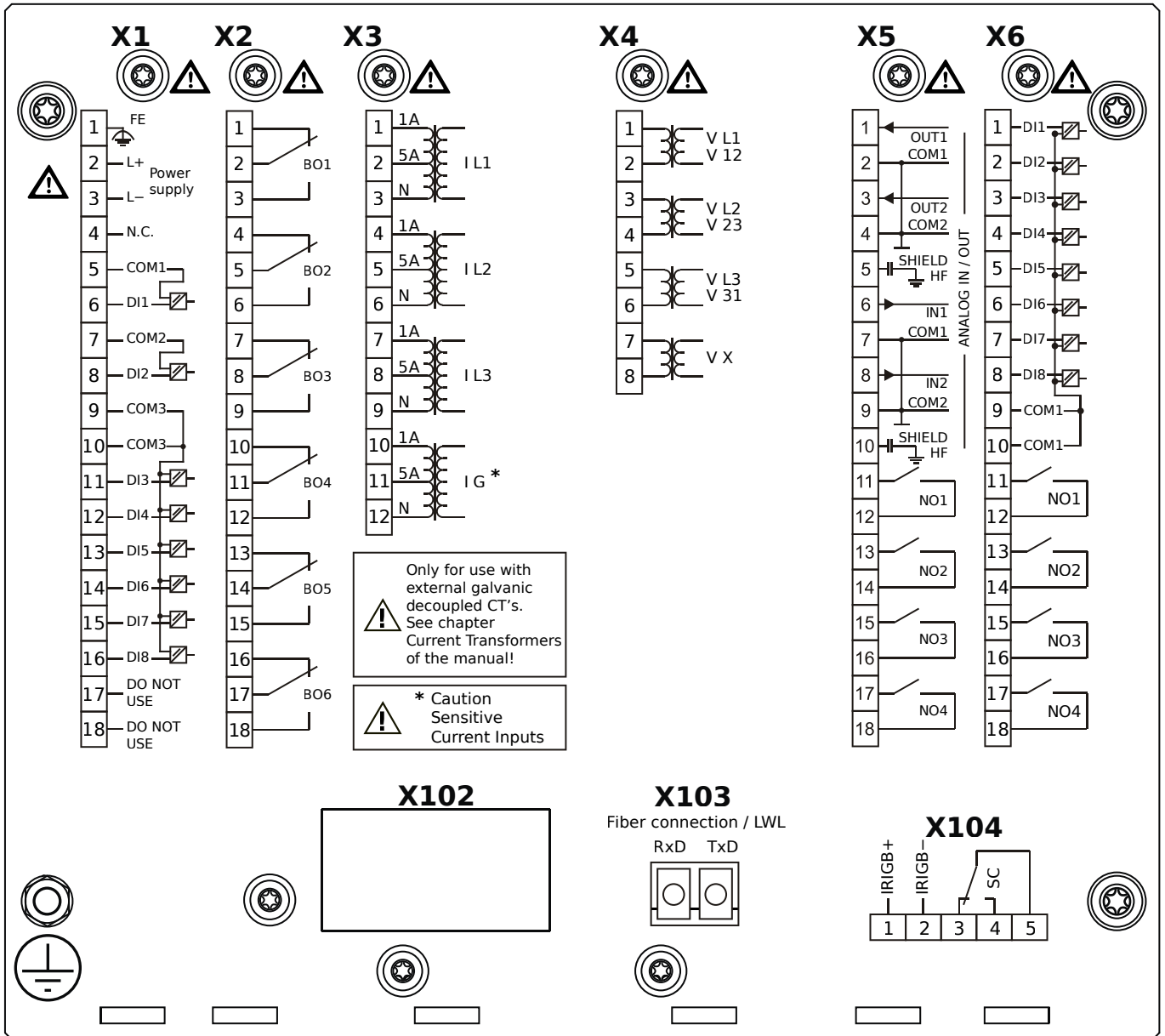
MCA4-2F1AKA



Housing B2, large display, door mounting

- X1** – DI8-X1: Wide-range power supply unit, incl. 2 non-grouped digital inputs and 6 grouped digital inputs
- X2** – OR6: Assembly Group with 6 Output Relays
- X3** – TIs: Standard phase current measuring card and sensitive ground current measuring
- X4** – TU: Card with 4 voltage transformer measuring inputs
- X5** – AnIO2-OR4: Assembly Group with 2 Analog Inputs, 2 Analog Outputs and 4 Output Relays
- X6** – DI8-OR4: Assembly Group with 8 Digital Inputs and 4 Output Relays
- X103** – IEC 61850 / Modbus TCP / DNP3.0 TCP/UDP, Fiber optics interface, LC Connector
- X104** – IRIG-B00X, incl. System Contact (Supervision Contact)

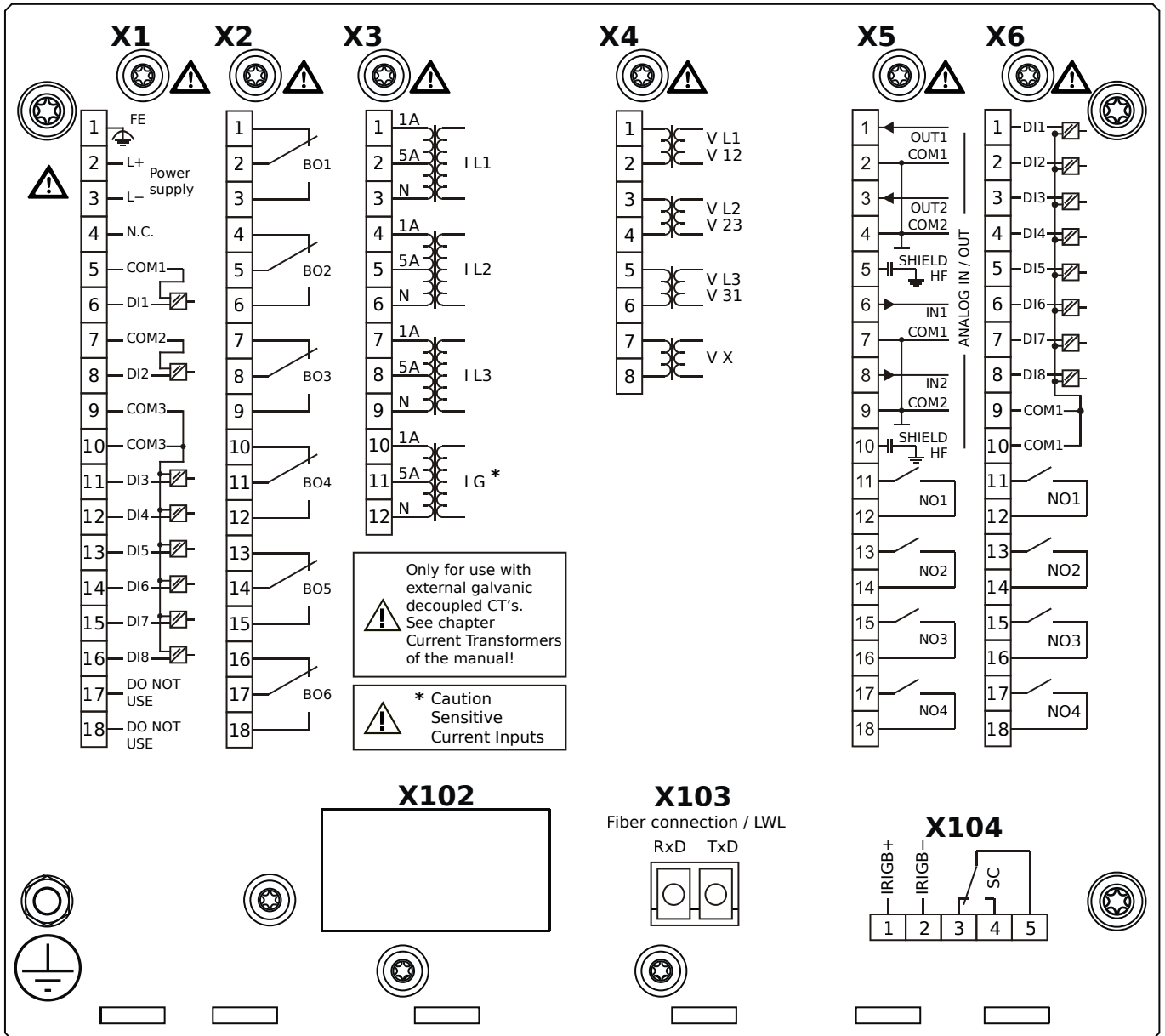
MCA4-2F1AKB



Housing B2, large display, door mounting

- X1** – DI8-X1: Wide-range power supply unit, incl. 2 non-grouped digital inputs and 6 grouped digital inputs
- X2** – OR6: Assembly Group with 6 Output Relays
- X3** – TIs: Standard phase current measuring card and sensitive ground current measuring
- X4** – TU: Card with 4 voltage transformer measuring inputs
- X5** – AnIO2-OR4: Assembly Group with 2 Analog Inputs, 2 Analog Outputs and 4 Output Relays
- X6** – DI8-OR4: Assembly Group with 8 Digital Inputs and 4 Output Relays
- X103** – IEC 61850 / Modbus TCP / DNP3.0 TCP/UDP, Fiber optics interface, LC Connector
- X104** – IRIG-B00X, incl. System Contact (Supervision Contact)

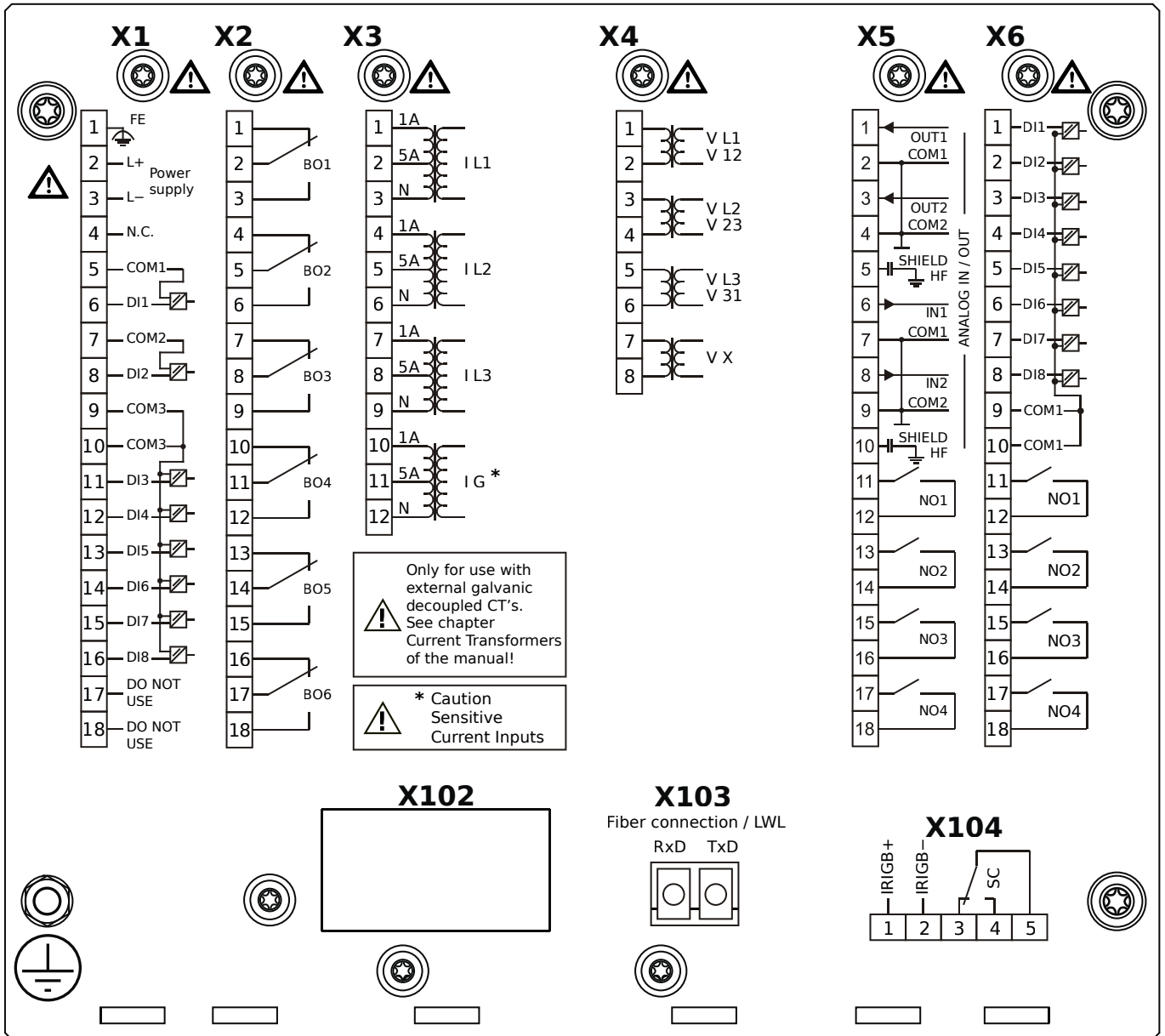
MCA4-2F1ALA



Housing B2, large display, door mounting

- X1** – DI8-X1: Wide-range power supply unit, incl. 2 non-grouped digital inputs and 6 grouped digital inputs
- X2** – OR6: Assembly Group with 6 Output Relays
- X3** – TIs: Standard phase current measuring card and sensitive ground current measuring
- X4** – TU: Card with 4 voltage transformer measuring inputs
- X5** – AnIO2-OR4: Assembly Group with 2 Analog Inputs, 2 Analog Outputs and 4 Output Relays
- X6** – DI8-OR4: Assembly Group with 8 Digital Inputs and 4 Output Relays
- X103** – Modbus TCP / DNP3.0 TCP/UDP, Fiber optics interface, LC Connector
- X104** – IRIG-B00X, incl. System Contact (Supervision Contact)

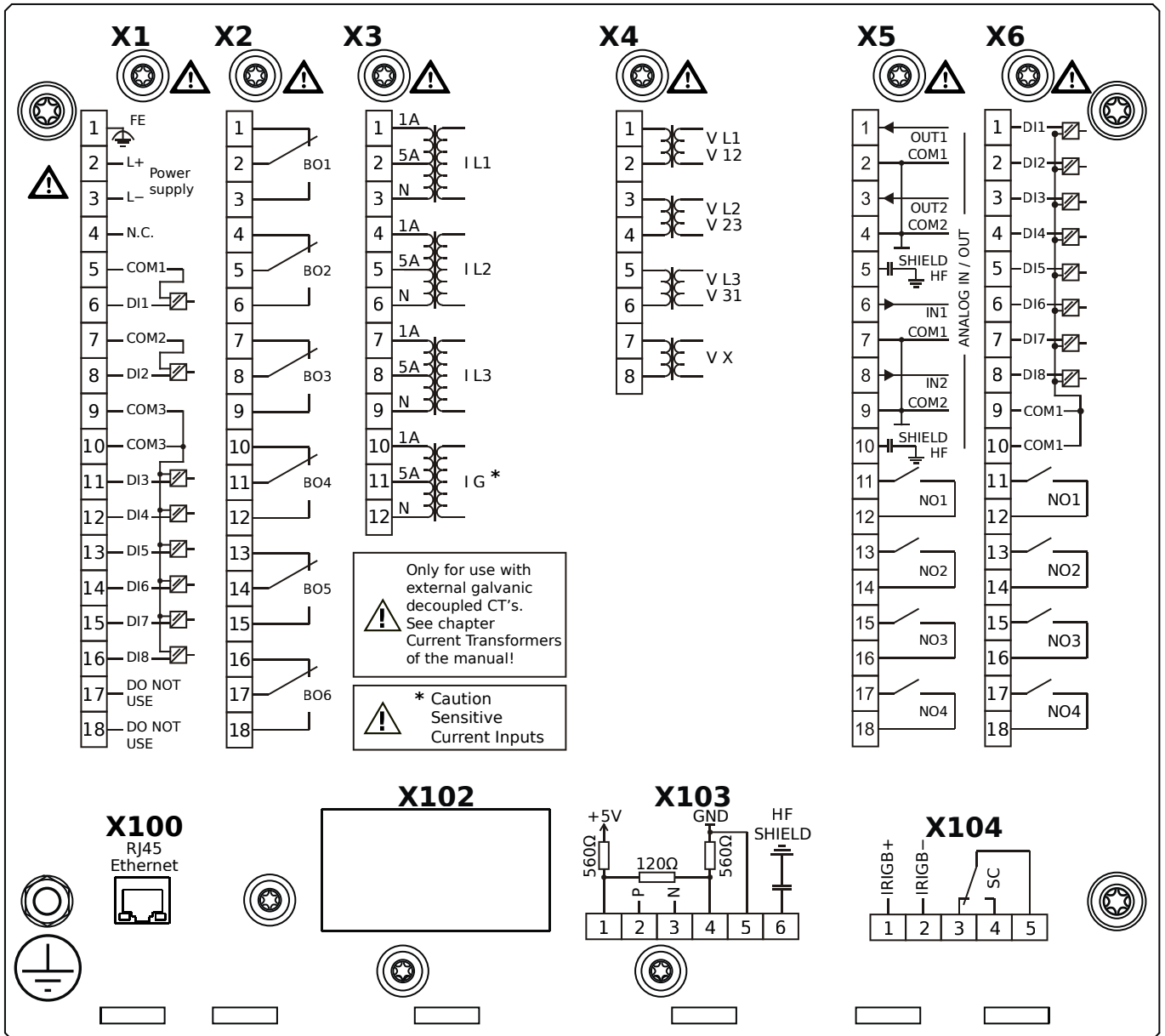
MCA4-2F1ALB



Housing B2, large display, door mounting

- X1** – DI8-X1: Wide-range power supply unit, incl. 2 non-grouped digital inputs and 6 grouped digital inputs
- X2** – OR6: Assembly Group with 6 Output Relays
- X3** – TIs: Standard phase current measuring card and sensitive ground current measuring
- X4** – TU: Card with 4 voltage transformer measuring inputs
- X5** – AnIO2-OR4: Assembly Group with 2 Analog Inputs, 2 Analog Outputs and 4 Output Relays
- X6** – DI8-OR4: Assembly Group with 8 Digital Inputs and 4 Output Relays
- X103** – Modbus TCP / DNP3.0 TCP/UDP, Fiber optics interface, LC Connector
- X104** – IRIG-B00X, incl. System Contact (Supervision Contact)

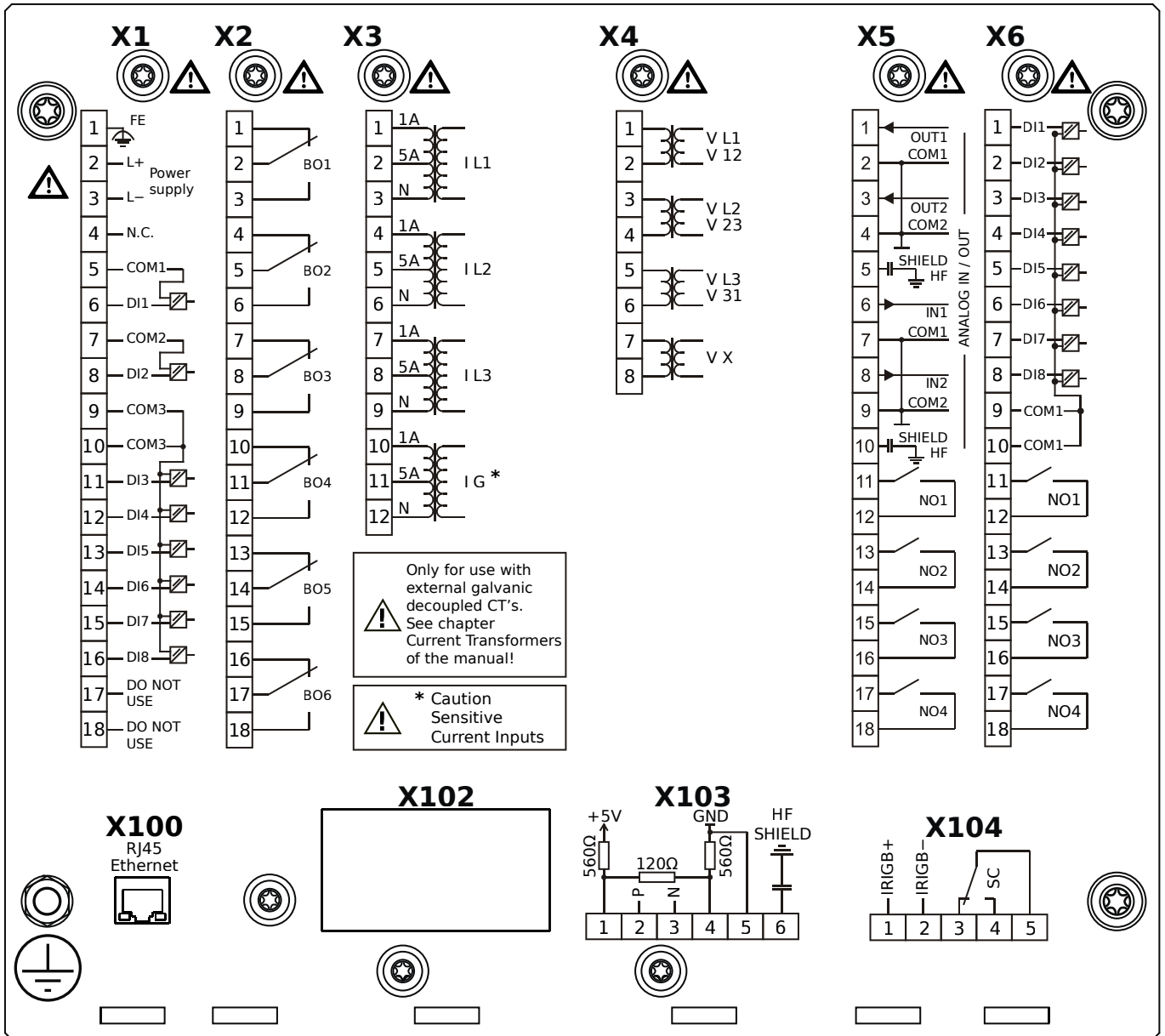
MCA4-2F1ATA



Housing B2, large display, door mounting

- X1** – DI8-X1: Wide-range power supply unit, incl. 2 non-grouped digital inputs and 6 grouped digital inputs
- X2** – OR6: Assembly Group with 6 Output Relays
- X3** – TIs: Standard phase current measuring card and sensitive ground current measuring
- X4** – TU: Card with 4 voltage transformer measuring inputs
- X5** – AnIO2-OR4: Assembly Group with 2 Analog Inputs, 2 Analog Outputs and 4 Output Relays
- X6** – DI8-OR4: Assembly Group with 8 Digital Inputs and 4 Output Relays
- X100** – IEC 61850 / Modbus TCP / DNP3.0 TCP/UDP, Ethernet interface, 100 Mbit/s, RJ45 (BASE100-FX)
- X103** – IEC 60870-5-103 / Modbus RTU / DNP3.0 RTU, RS485, Terminals
- X104** – IRIG-B00X, incl. System Contact (Supervision Contact)

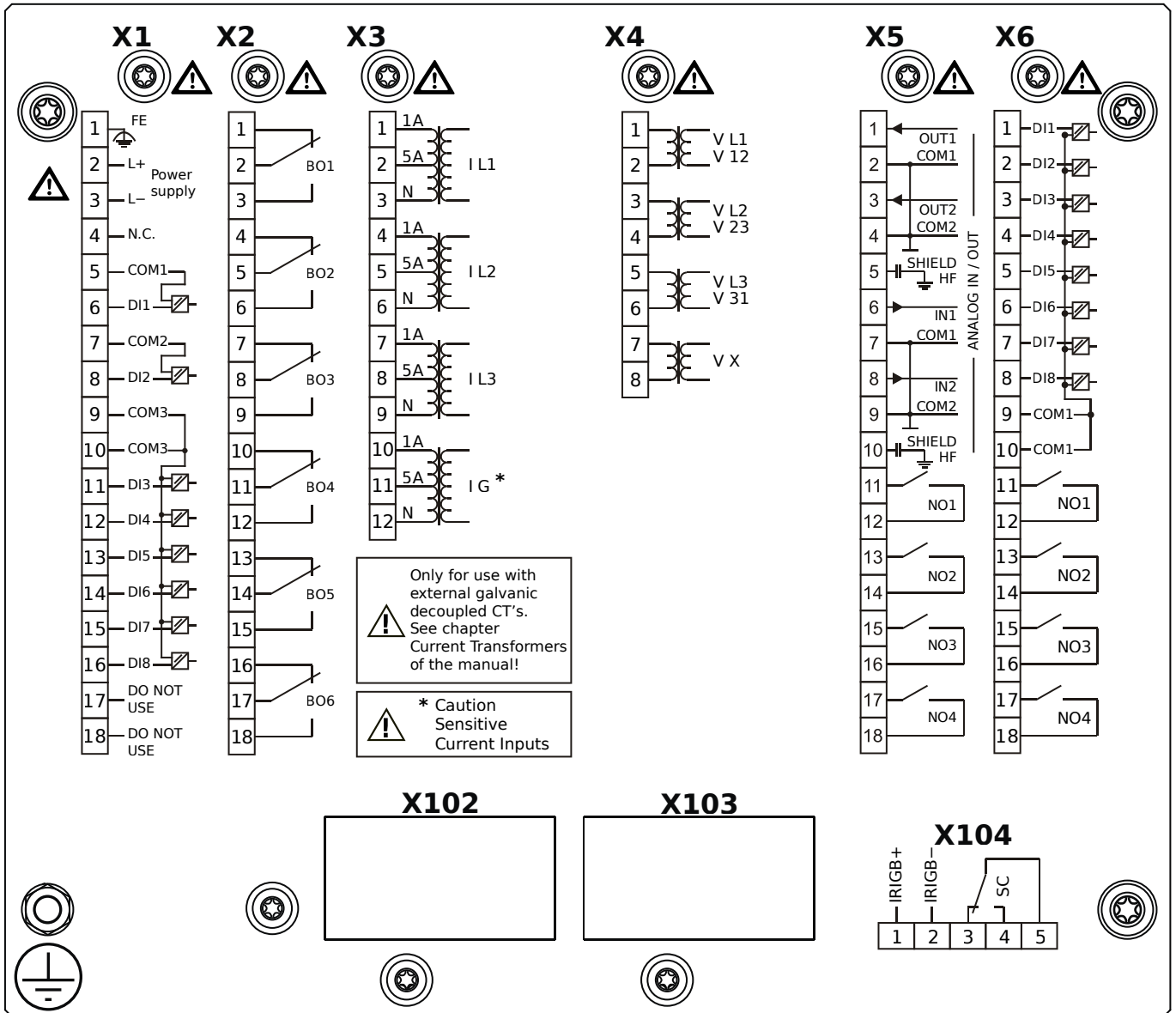
MCA4-2F1ATB



Housing B2, large display, door mounting

- X1** – DI8-X1: Wide-range power supply unit, incl. 2 non-grouped digital inputs and 6 grouped digital inputs
- X2** – OR6: Assembly Group with 6 Output Relays
- X3** – TIs: Standard phase current measuring card and sensitive ground current measuring
- X4** – TU: Card with 4 voltage transformer measuring inputs
- X5** – AnIO2-OR4: Assembly Group with 2 Analog Inputs, 2 Analog Outputs and 4 Output Relays
- X6** – DI8-OR4: Assembly Group with 8 Digital Inputs and 4 Output Relays
- X100** – IEC 61850 / Modbus TCP / DNP3.0 TCP/UDP, Ethernet interface, 100 Mbit/s, RJ45 (BASE100-FX)
- X103** – IEC 60870-5-103 / Modbus RTU / DNP3.0 RTU, RS485, Terminals
- X104** – IRIG-B00X, incl. System Contact (Supervision Contact)

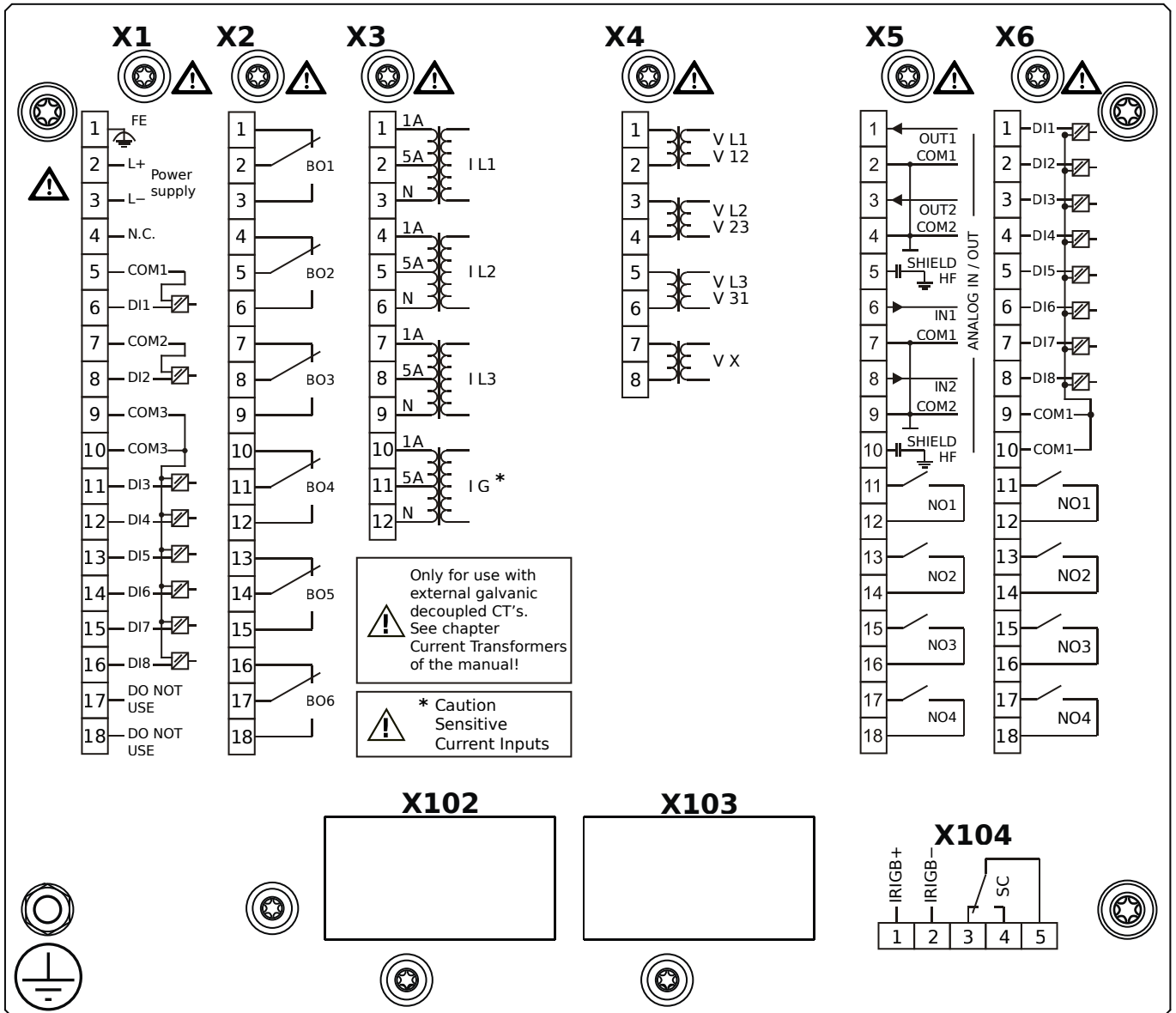
MCA4-2F1BAA



Housing B2, large display, door mounting 19" (flush mounting)

- X1** – DI8-X1: Wide-range power supply unit, incl. 2 non-grouped digital inputs and 6 grouped digital inputs
- X2** – OR6: Assembly Group with 6 Output Relays
- X3** – TIs: Standard phase current measuring card and sensitive ground current measuring
- X4** – TU: Card with 4 voltage transformer measuring inputs
- X5** – AnIO2-OR4: Assembly Group with 2 Analog Inputs, 2 Analog Outputs and 4 Output Relays
- X6** – DI8-OR4: Assembly Group with 8 Digital Inputs and 4 Output Relays
- X104** – IRIG-B00X, incl. System Contact (Supervision Contact)

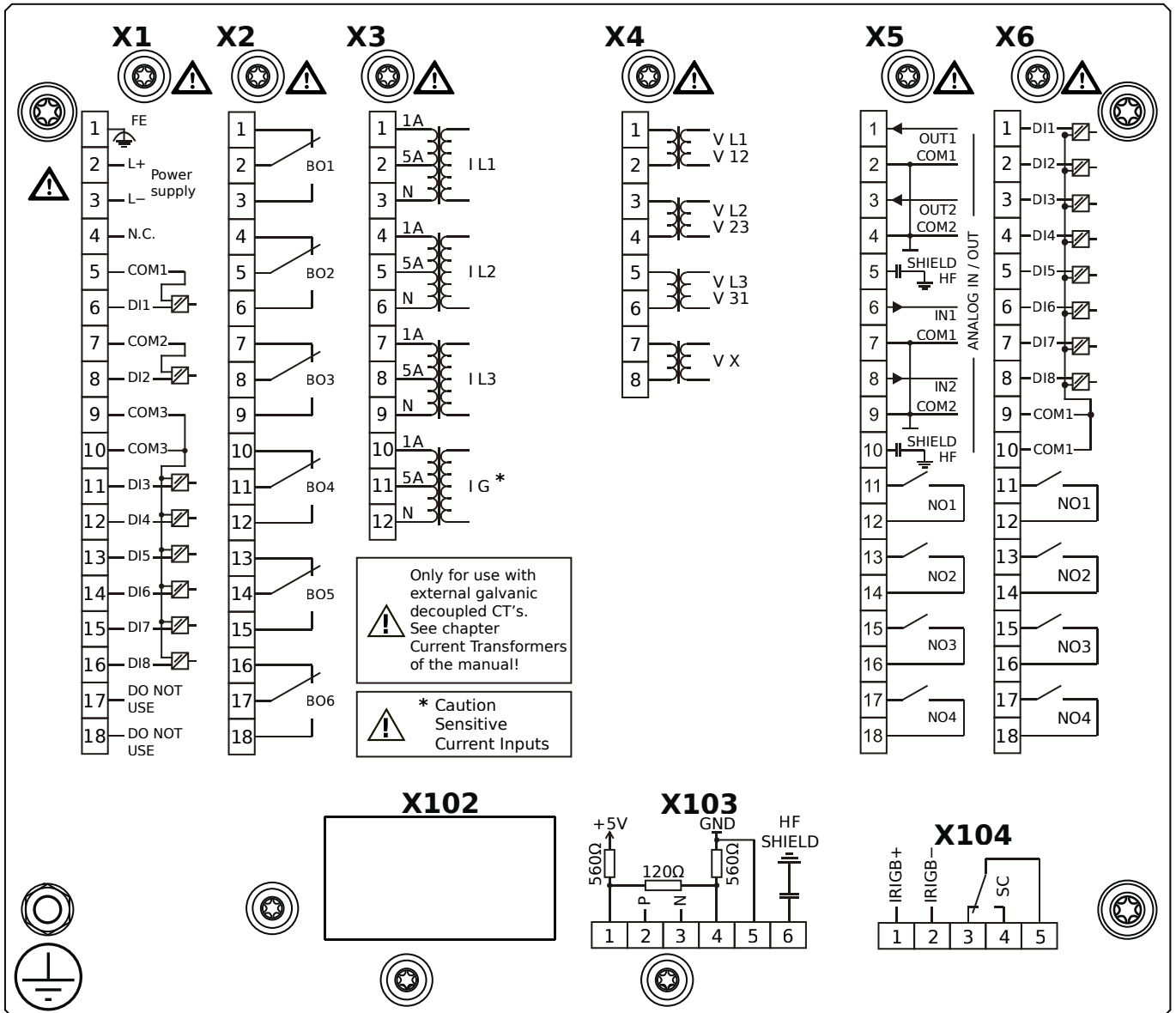
MCA4-2F1BAB



Housing B2, large display, door mounting 19" (flush mounting)

- X1** – DI8-X1: Wide-range power supply unit, incl. 2 non-grouped digital inputs and 6 grouped digital inputs
- X2** – OR6: Assembly Group with 6 Output Relays
- X3** – TIs: Standard phase current measuring card and sensitive ground current measuring
- X4** – TU: Card with 4 voltage transformer measuring inputs
- X5** – AnIO2-OR4: Assembly Group with 2 Analog Inputs, 2 Analog Outputs and 4 Output Relays
- X6** – DI8-OR4: Assembly Group with 8 Digital Inputs and 4 Output Relays
- X104** – IRIG-B00X, incl. System Contact (Supervision Contact)

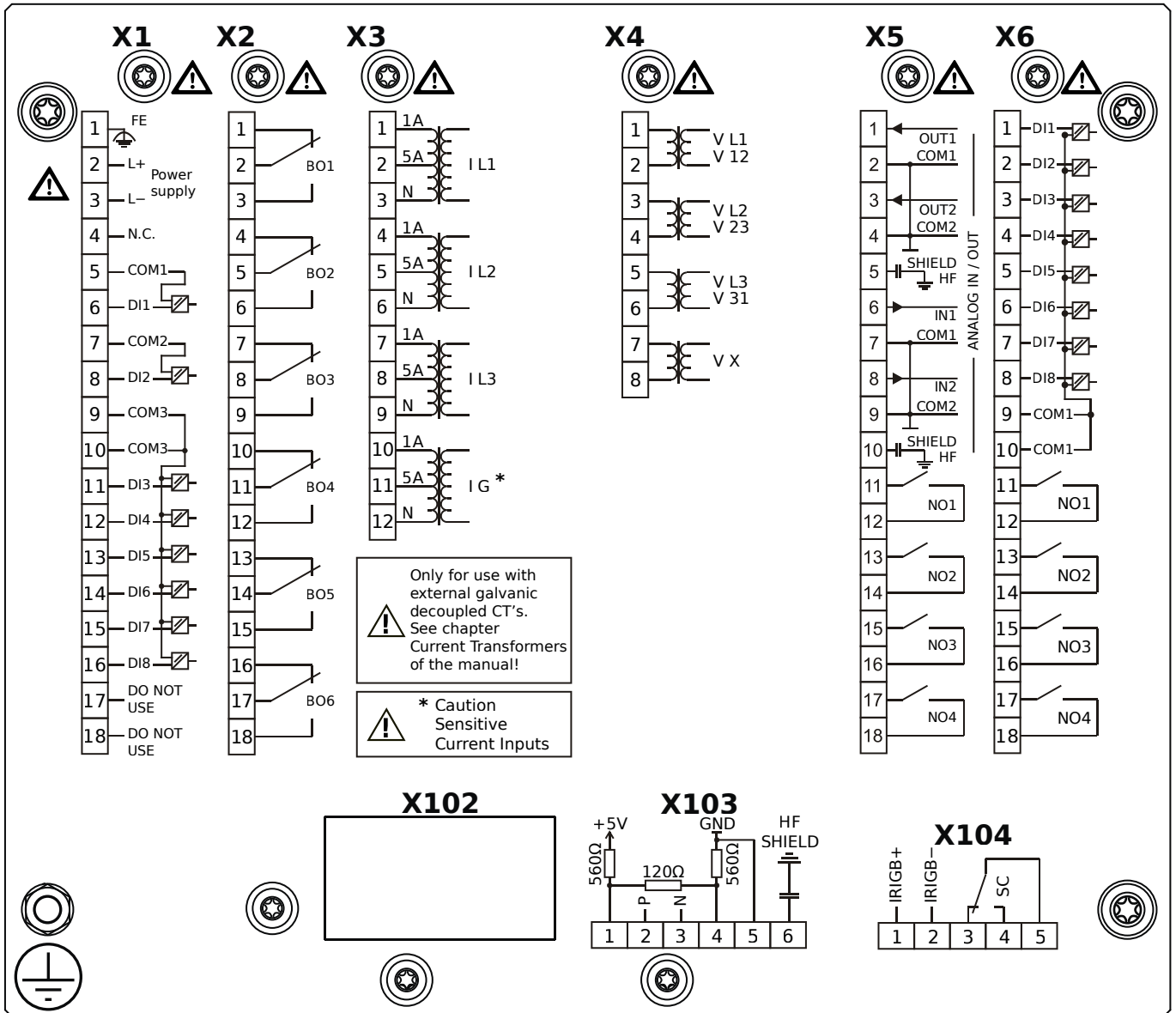
MCA4-2F1BBA



Housing B2, large display, door mounting 19" (flush mounting)

- X1** – DI8-X1: Wide-range power supply unit, incl. 2 non-grouped digital inputs and 6 grouped digital inputs
- X2** – OR6: Assembly Group with 6 Output Relays
- X3** – TIs: Standard phase current measuring card and sensitive ground current measuring
- X4** – TU: Card with 4 voltage transformer measuring inputs
- X5** – AnIO2-OR4: Assembly Group with 2 Analog Inputs, 2 Analog Outputs and 4 Output Relays
- X6** – DI8-OR4: Assembly Group with 8 Digital Inputs and 4 Output Relays
- X103** – Modbus RTU / IEC 60870-5-103 / DNP3.0 RTU, RS485, Terminals
- X104** – IRIG-B00X, incl. System Contact (Supervision Contact)

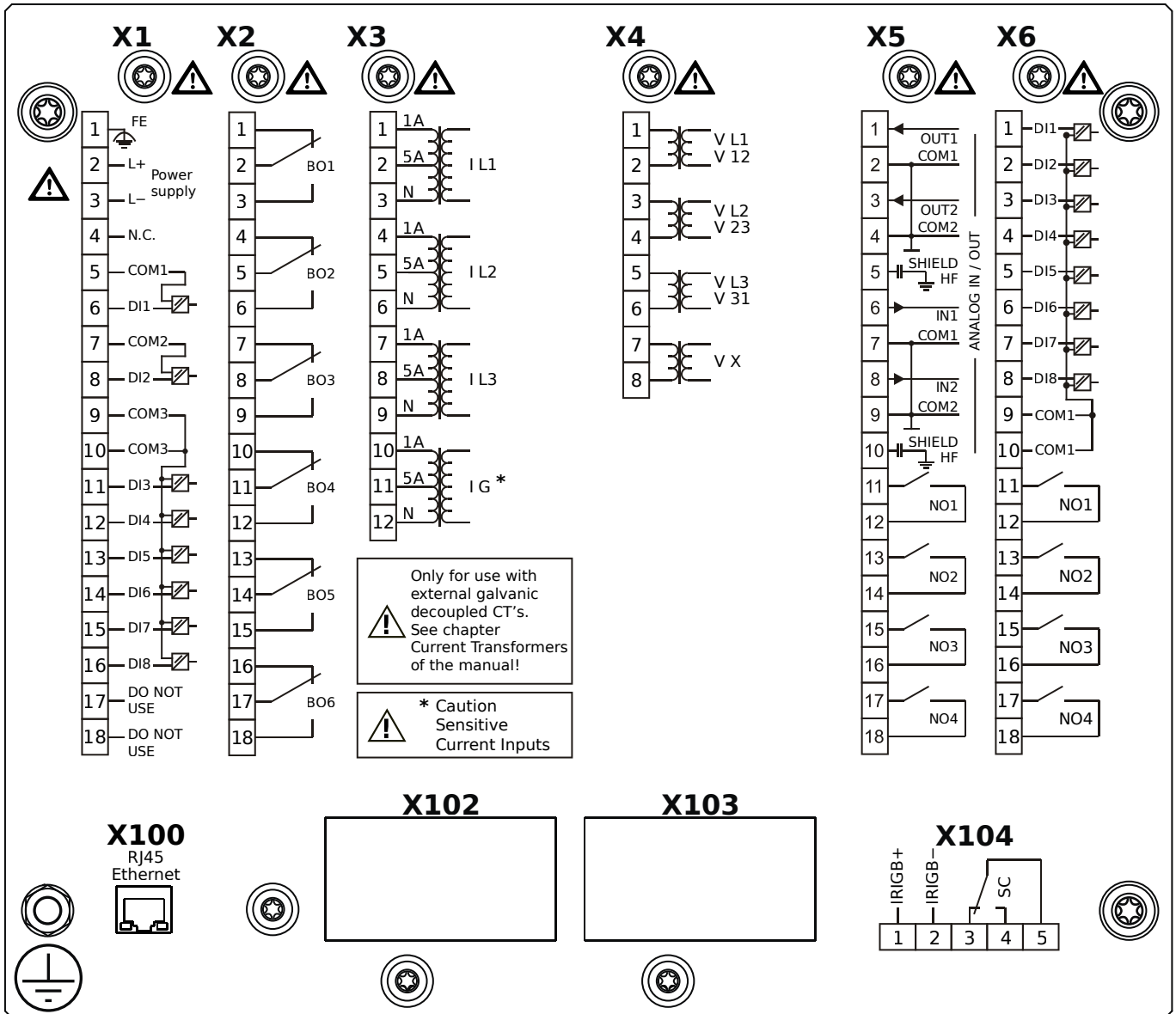
MCA4-2F1BBB



Housing B2, large display, door mounting 19" (flush mounting)

- X1** – DI8-X1: Wide-range power supply unit, incl. 2 non-grouped digital inputs and 6 grouped digital inputs
- X2** – OR6: Assembly Group with 6 Output Relays
- X3** – TIs: Standard phase current measuring card and sensitive ground current measuring
- X4** – TU: Card with 4 voltage transformer measuring inputs
- X5** – AnIO2-OR4: Assembly Group with 2 Analog Inputs, 2 Analog Outputs and 4 Output Relays
- X6** – DI8-OR4: Assembly Group with 8 Digital Inputs and 4 Output Relays
- X103** – Modbus RTU / IEC 60870-5-103 / DNP3.0 RTU, RS485, Terminals
- X104** – IRIG-B00X, incl. System Contact (Supervision Contact)

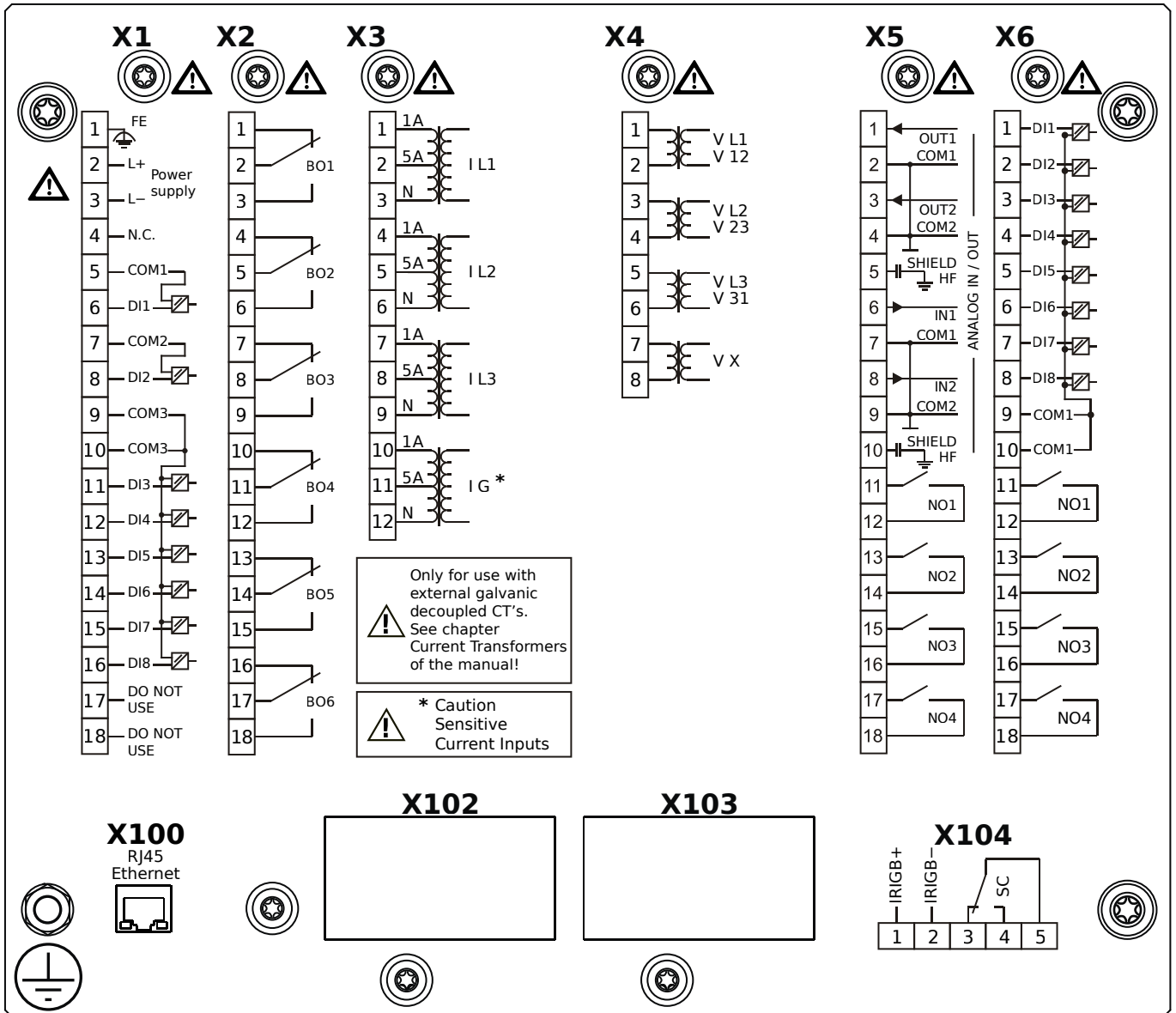
MCA4-2F1BCA



Housing B2, large display, door mounting 19" (flush mounting)

- X1** – DI8-X1: Wide-range power supply unit, incl. 2 non-grouped digital inputs and 6 grouped digital inputs
- X2** – OR6: Assembly Group with 6 Output Relays
- X3** – TIs: Standard phase current measuring card and sensitive ground current measuring
- X4** – TU: Card with 4 voltage transformer measuring inputs
- X5** – AnIO2-OR4: Assembly Group with 2 Analog Inputs, 2 Analog Outputs and 4 Output Relays
- X6** – DI8-OR4: Assembly Group with 8 Digital Inputs and 4 Output Relays
- X100** – Modbus TCP / DNP3.0 TCP/UDP, Ethernet interface, 100 Mbit/s, RJ45 (BASE100-FX)
- X104** – IRIG-B00X, incl. System Contact (Supervision Contact)

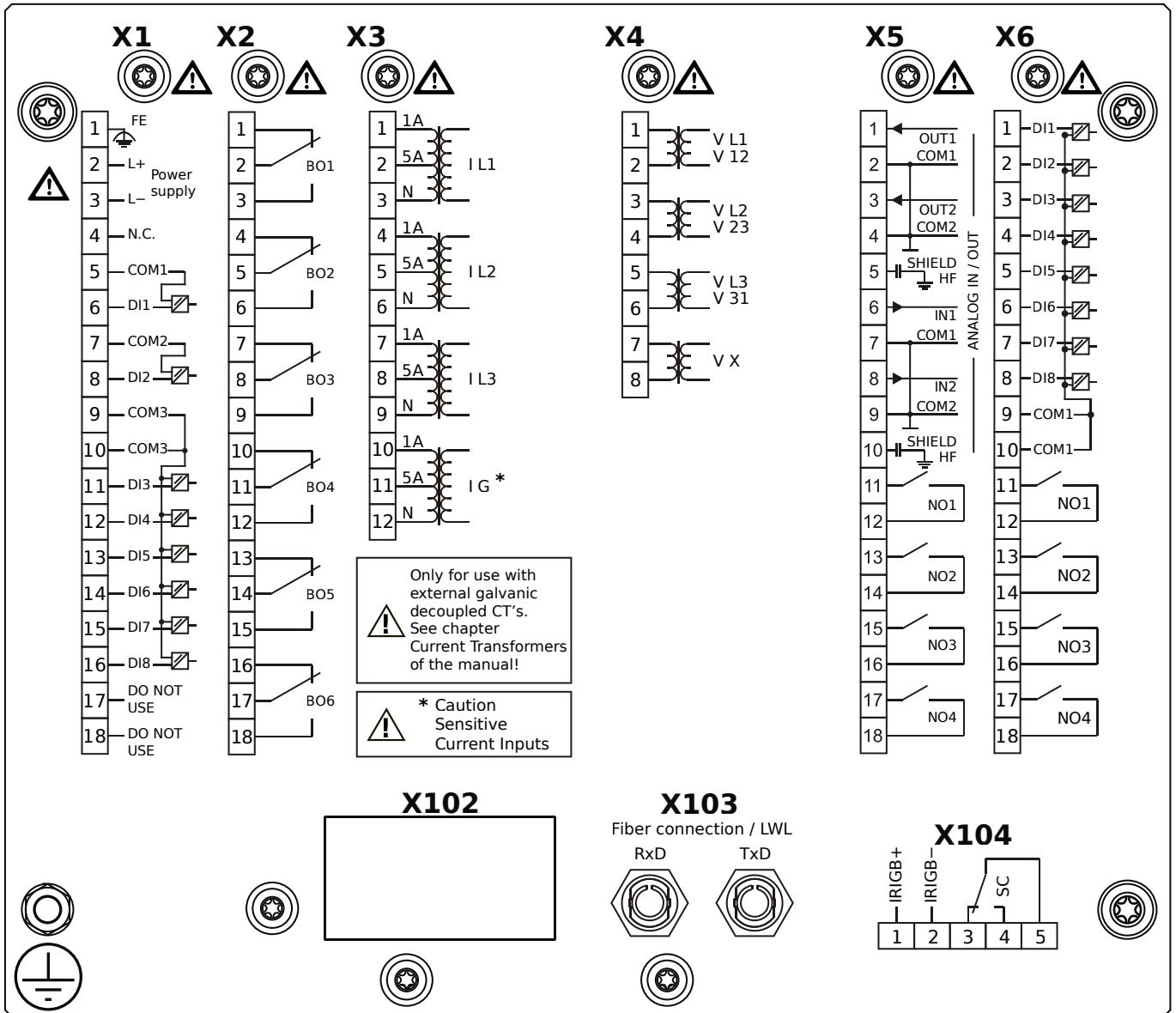
MCA4-2F1BCB



Housing B2, large display, door mounting 19" (flush mounting)

- X1** – DI8-X1: Wide-range power supply unit, incl. 2 non-grouped digital inputs and 6 grouped digital inputs
- X2** – OR6: Assembly Group with 6 Output Relays
- X3** – TIs: Standard phase current measuring card and sensitive ground current measuring
- X4** – TU: Card with 4 voltage transformer measuring inputs
- X5** – AnIO2-OR4: Assembly Group with 2 Analog Inputs, 2 Analog Outputs and 4 Output Relays
- X6** – DI8-OR4: Assembly Group with 8 Digital Inputs and 4 Output Relays
- X100** – Modbus TCP / DNP3.0 TCP/UDP, Ethernet interface, 100 Mbit/s, RJ45 (BASE100-FX)
- X104** – IRIG-B00X, incl. System Contact (Supervision Contact)

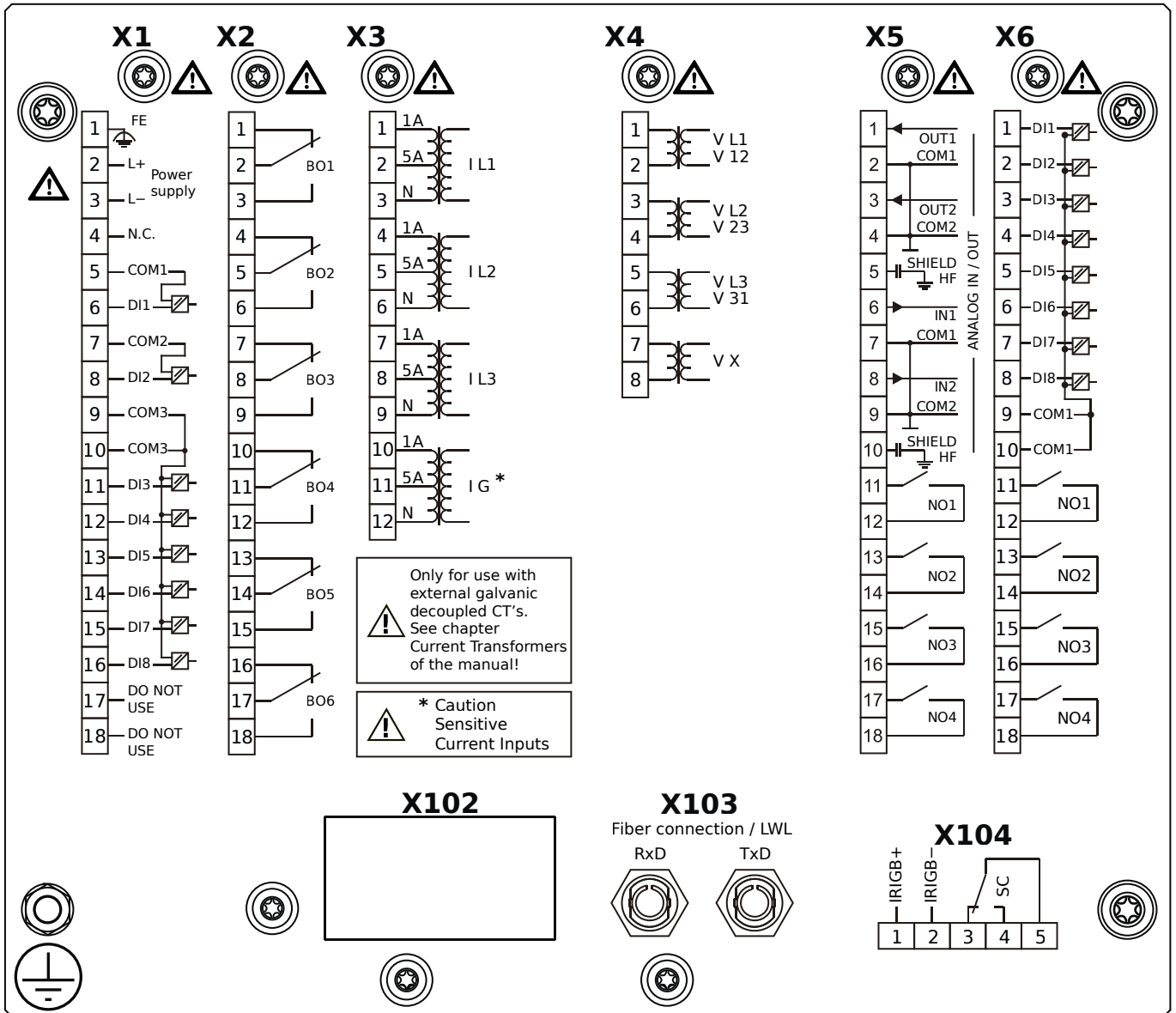
MCA4-2F1BDA



Housing B2, large display, door mounting 19" (flush mounting)

- X1** – DI8-X1: Wide-range power supply unit, incl. 2 non-grouped digital inputs and 6 grouped digital inputs
- X2** – OR6: Assembly Group with 6 Output Relays
- X3** – TIs: Standard phase current measuring card and sensitive ground current measuring
- X4** – TU: Card with 4 voltage transformer measuring inputs
- X5** – AnIO2-OR4: Assembly Group with 2 Analog Inputs, 2 Analog Outputs and 4 Output Relays
- X6** – DI8-OR4: Assembly Group with 8 Digital Inputs and 4 Output Relays
- X103** – Profibus-DP, Fiber optics interface, ST Connector
- X104** – IRIG-B00X, incl. System Contact (Supervision Contact)

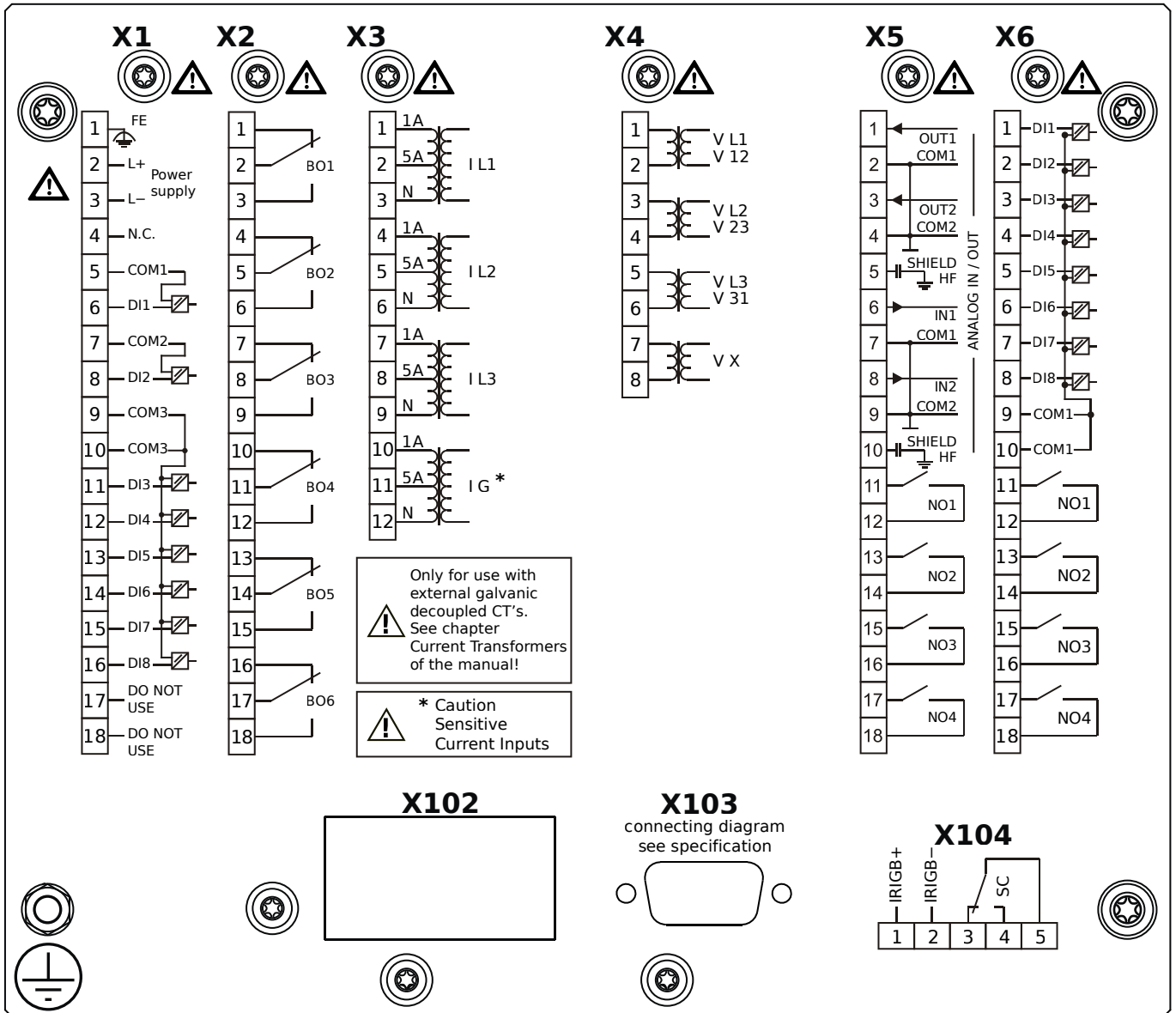
MCA4-2F1BDB



Housing B2, large display, door mounting 19" (flush mounting)

- X1** – DI8-X1: Wide-range power supply unit, incl. 2 non-grouped digital inputs and 6 grouped digital inputs
- X2** – OR6: Assembly Group with 6 Output Relays
- X3** – TIs: Standard phase current measuring card and sensitive ground current measuring
- X4** – TU: Card with 4 voltage transformer measuring inputs
- X5** – AnIO2-OR4: Assembly Group with 2 Analog Inputs, 2 Analog Outputs and 4 Output Relays
- X6** – DI8-OR4: Assembly Group with 8 Digital Inputs and 4 Output Relays
- X103** – Profibus-DP, Fiber optics interface, ST Connector
- X104** – IRIG-B00X, incl. System Contact (Supervision Contact)

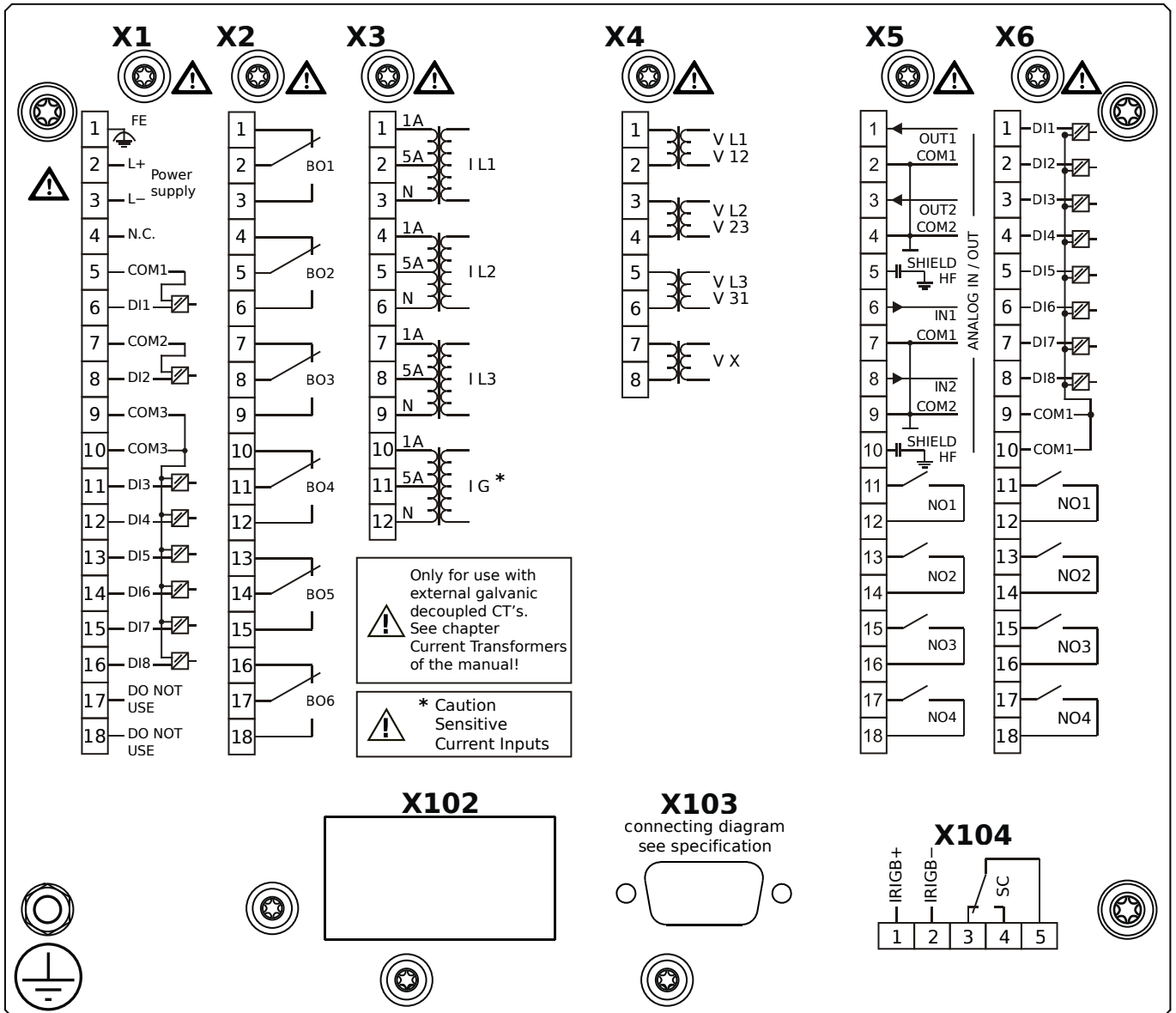
MCA4-2F1BEA



Housing B2, large display, door mounting 19" (flush mounting)

- X1** – DI8-X1: Wide-range power supply unit, incl. 2 non-grouped digital inputs and 6 grouped digital inputs
- X2** – OR6: Assembly Group with 6 Output Relays
- X3** – TIs: Standard phase current measuring card and sensitive ground current measuring
- X4** – TU: Card with 4 voltage transformer measuring inputs
- X5** – AnIO2-OR4: Assembly Group with 2 Analog Inputs, 2 Analog Outputs and 4 Output Relays
- X6** – DI8-OR4: Assembly Group with 8 Digital Inputs and 4 Output Relays
- X103** – Profibus-DP, RS485, D-SUB
- X104** – IRIG-B00X, incl. System Contact (Supervision Contact)

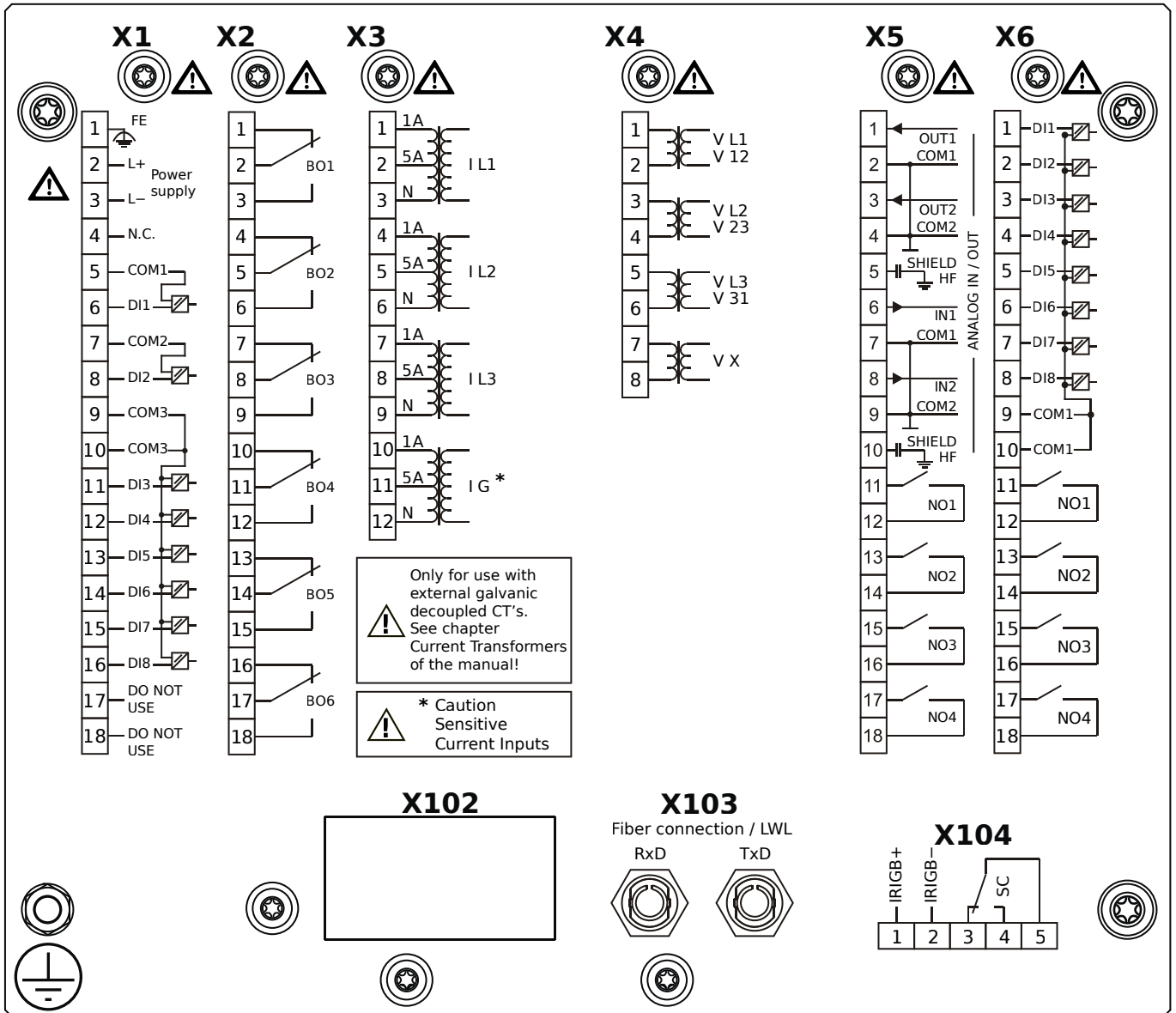
MCA4-2F1BEB



Housing B2, large display, door mounting 19" (flush mounting)

- X1** – DI8-X1: Wide-range power supply unit, incl. 2 non-grouped digital inputs and 6 grouped digital inputs
- X2** – OR6: Assembly Group with 6 Output Relays
- X3** – TIs: Standard phase current measuring card and sensitive ground current measuring
- X4** – TU: Card with 4 voltage transformer measuring inputs
- X5** – AnIO2-OR4: Assembly Group with 2 Analog Inputs, 2 Analog Outputs and 4 Output Relays
- X6** – DI8-OR4: Assembly Group with 8 Digital Inputs and 4 Output Relays
- X103** – Profibus-DP, RS485, D-SUB
- X104** – IRIG-B00X, incl. System Contact (Supervision Contact)

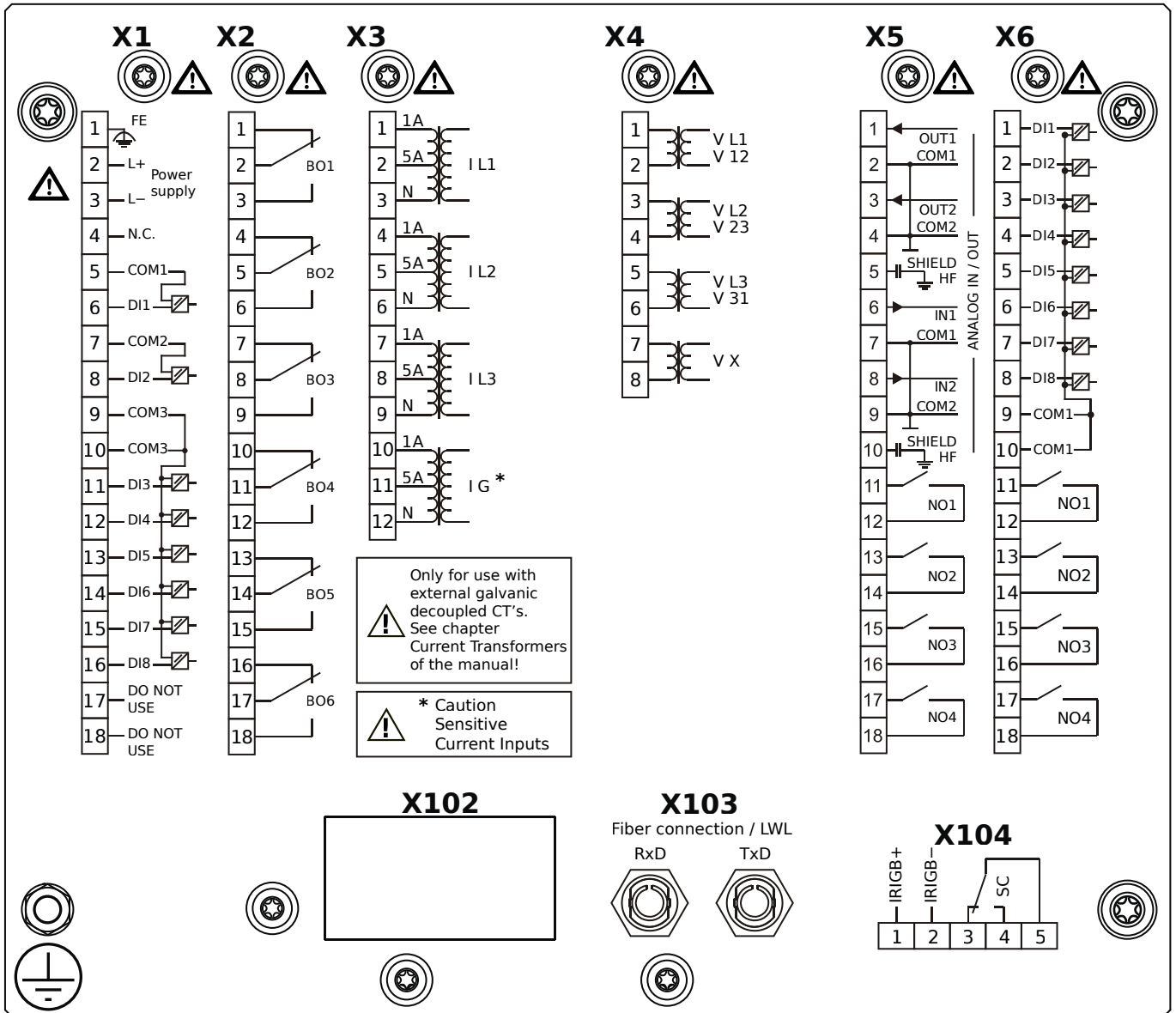
MCA4-2F1BFA



Housing B2, large display, door mounting 19" (flush mounting)

- X1** – DI8-X1: Wide-range power supply unit, incl. 2 non-grouped digital inputs and 6 grouped digital inputs
- X2** – OR6: Assembly Group with 6 Output Relays
- X3** – TIs: Standard phase current measuring card and sensitive ground current measuring
- X4** – TU: Card with 4 voltage transformer measuring inputs
- X5** – AnIO2-OR4: Assembly Group with 2 Analog Inputs, 2 Analog Outputs and 4 Output Relays
- X6** – DI8-OR4: Assembly Group with 8 Digital Inputs and 4 Output Relays
- X103** – Modbus RTU / IEC 60870-5-103 / DNP3.0 RTU, Fiber optics interface, ST Connector
- X104** – IRIG-B00X, incl. System Contact (Supervision Contact)

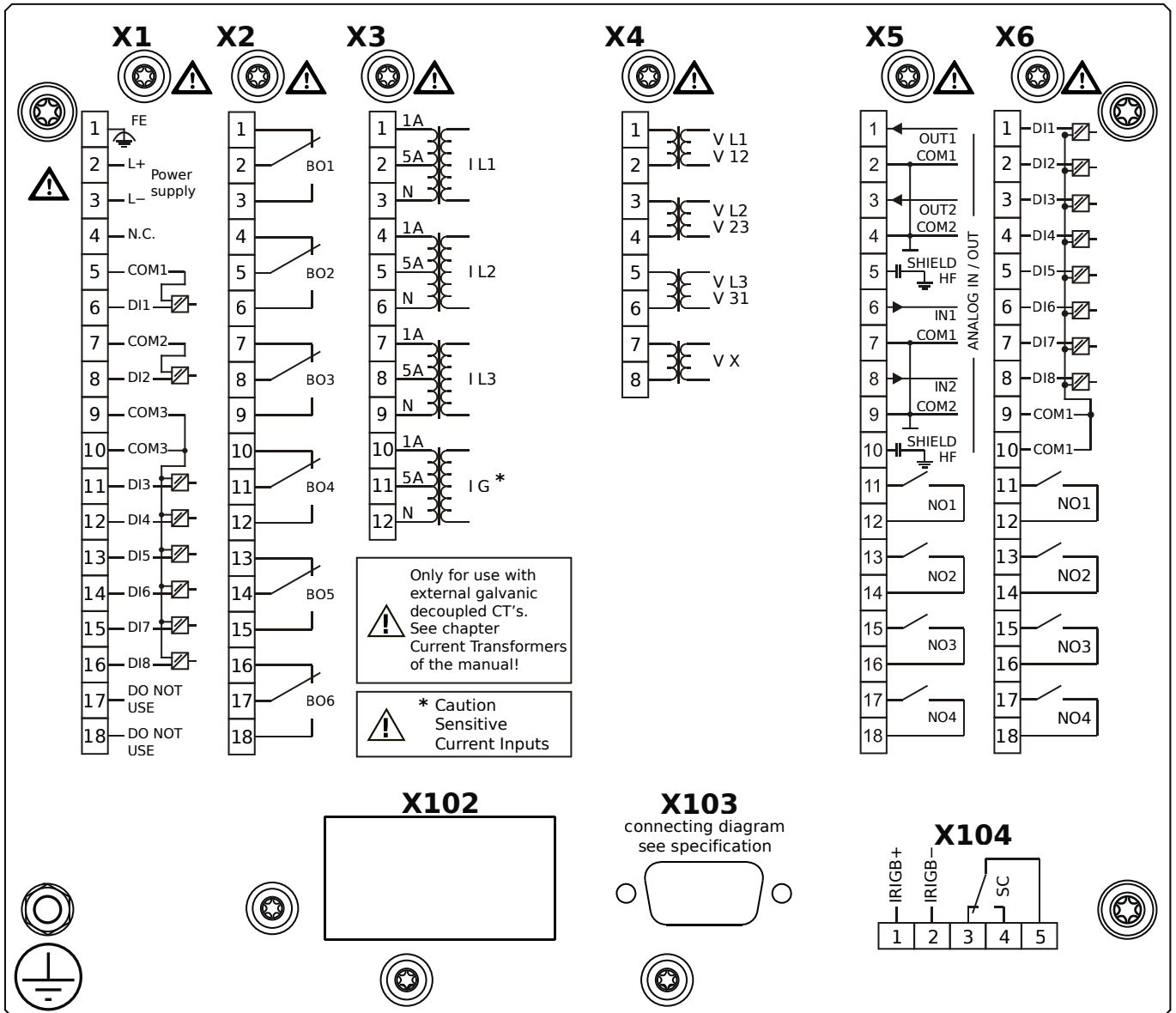
MCA4-2F1BFB



Housing B2, large display, door mounting 19" (flush mounting)

- X1** – DI8-X1: Wide-range power supply unit, incl. 2 non-grouped digital inputs and 6 grouped digital inputs
- X2** – OR6: Assembly Group with 6 Output Relays
- X3** – TIs: Standard phase current measuring card and sensitive ground current measuring
- X4** – TU: Card with 4 voltage transformer measuring inputs
- X5** – AnIO2-OR4: Assembly Group with 2 Analog Inputs, 2 Analog Outputs and 4 Output Relays
- X6** – DI8-OR4: Assembly Group with 8 Digital Inputs and 4 Output Relays
- X103** – Modbus RTU / IEC 60870-5-103 / DNP3.0 RTU, Fiber optics interface, ST Connector
- X104** – IRIG-B00X, incl. System Contact (Supervision Contact)

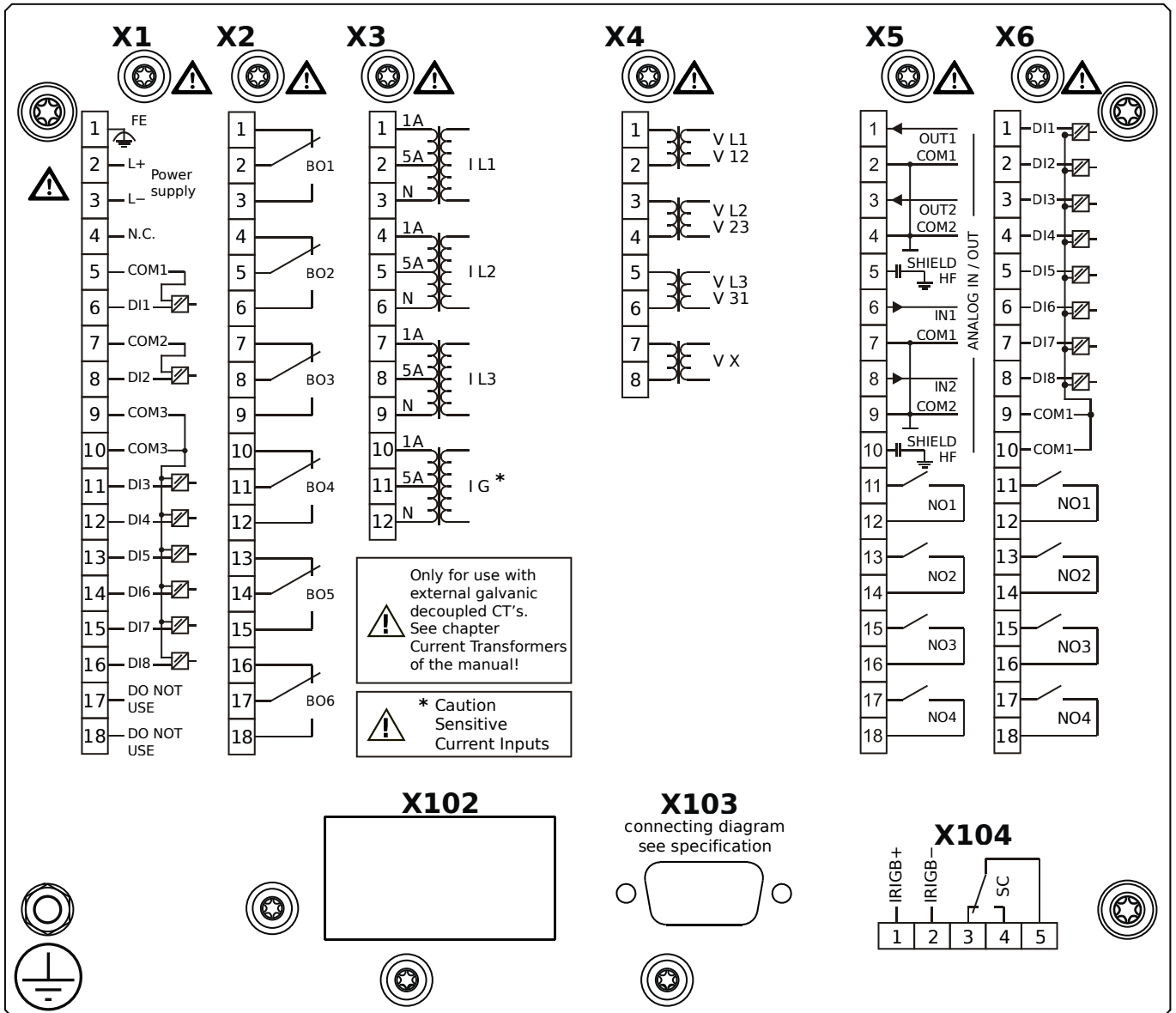
MCA4-2F1BGA



Housing B2, large display, door mounting 19" (flush mounting)

- X1** – DI8-X1: Wide-range power supply unit, incl. 2 non-grouped digital inputs and 6 grouped digital inputs
- X2** – OR6: Assembly Group with 6 Output Relays
- X3** – TIs: Standard phase current measuring card and sensitive ground current measuring
- X4** – TU: Card with 4 voltage transformer measuring inputs
- X5** – AnIO2-OR4: Assembly Group with 2 Analog Inputs, 2 Analog Outputs and 4 Output Relays
- X6** – DI8-OR4: Assembly Group with 8 Digital Inputs and 4 Output Relays
- X103** – Modbus RTU / IEC 60870-5-103 / DNP3.0 RTU, RS485, D-SUB
- X104** – IRIG-B00X, incl. System Contact (Supervision Contact)

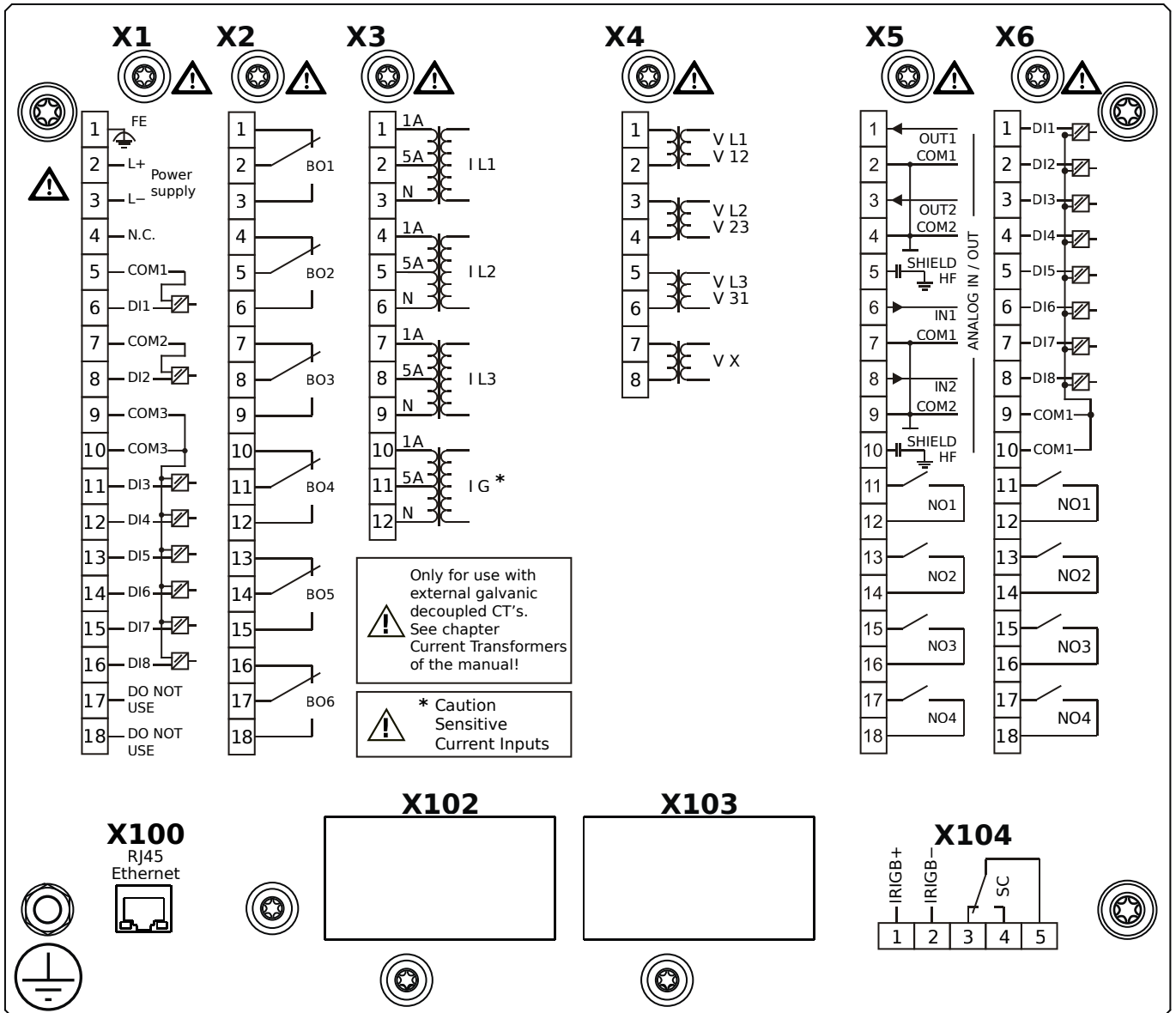
MCA4-2F1BGB



Housing B2, large display, door mounting 19" (flush mounting)

- X1** – DI8-X1: Wide-range power supply unit, incl. 2 non-grouped digital inputs and 6 grouped digital inputs
- X2** – OR6: Assembly Group with 6 Output Relays
- X3** – TIs: Standard phase current measuring card and sensitive ground current measuring
- X4** – TU: Card with 4 voltage transformer measuring inputs
- X5** – AnIO2-OR4: Assembly Group with 2 Analog Inputs, 2 Analog Outputs and 4 Output Relays
- X6** – DI8-OR4: Assembly Group with 8 Digital Inputs and 4 Output Relays
- X103** – Modbus RTU / IEC 60870-5-103 / DNP3.0 RTU, RS485, D-SUB
- X104** – IRIG-B00X, incl. System Contact (Supervision Contact)

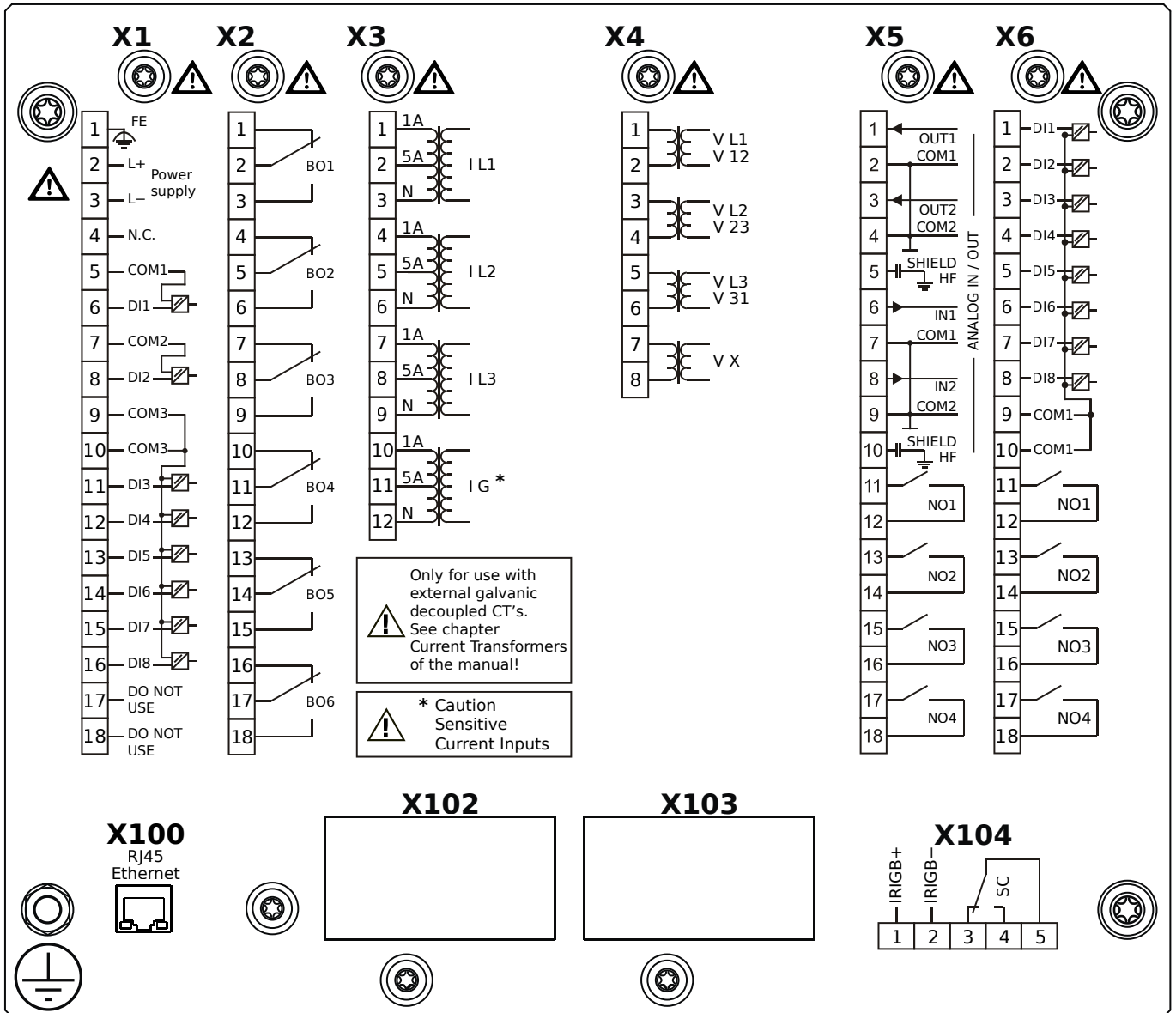
MCA4-2F1BHA



Housing B2, large display, door mounting 19" (flush mounting)

- X1** – DI8-X1: Wide-range power supply unit, incl. 2 non-grouped digital inputs and 6 grouped digital inputs
- X2** – OR6: Assembly Group with 6 Output Relays
- X3** – TIs: Standard phase current measuring card and sensitive ground current measuring
- X4** – TU: Card with 4 voltage transformer measuring inputs
- X5** – AnIO2-OR4: Assembly Group with 2 Analog Inputs, 2 Analog Outputs and 4 Output Relays
- X6** – DI8-OR4: Assembly Group with 8 Digital Inputs and 4 Output Relays
- X100** – IEC 61850 / Modbus TCP / DNP3.0 TCP/UDP, Ethernet interface, 100 Mbit/s, RJ45 (BASE100-FX)
- X104** – IRIG-B00X, incl. System Contact (Supervision Contact)

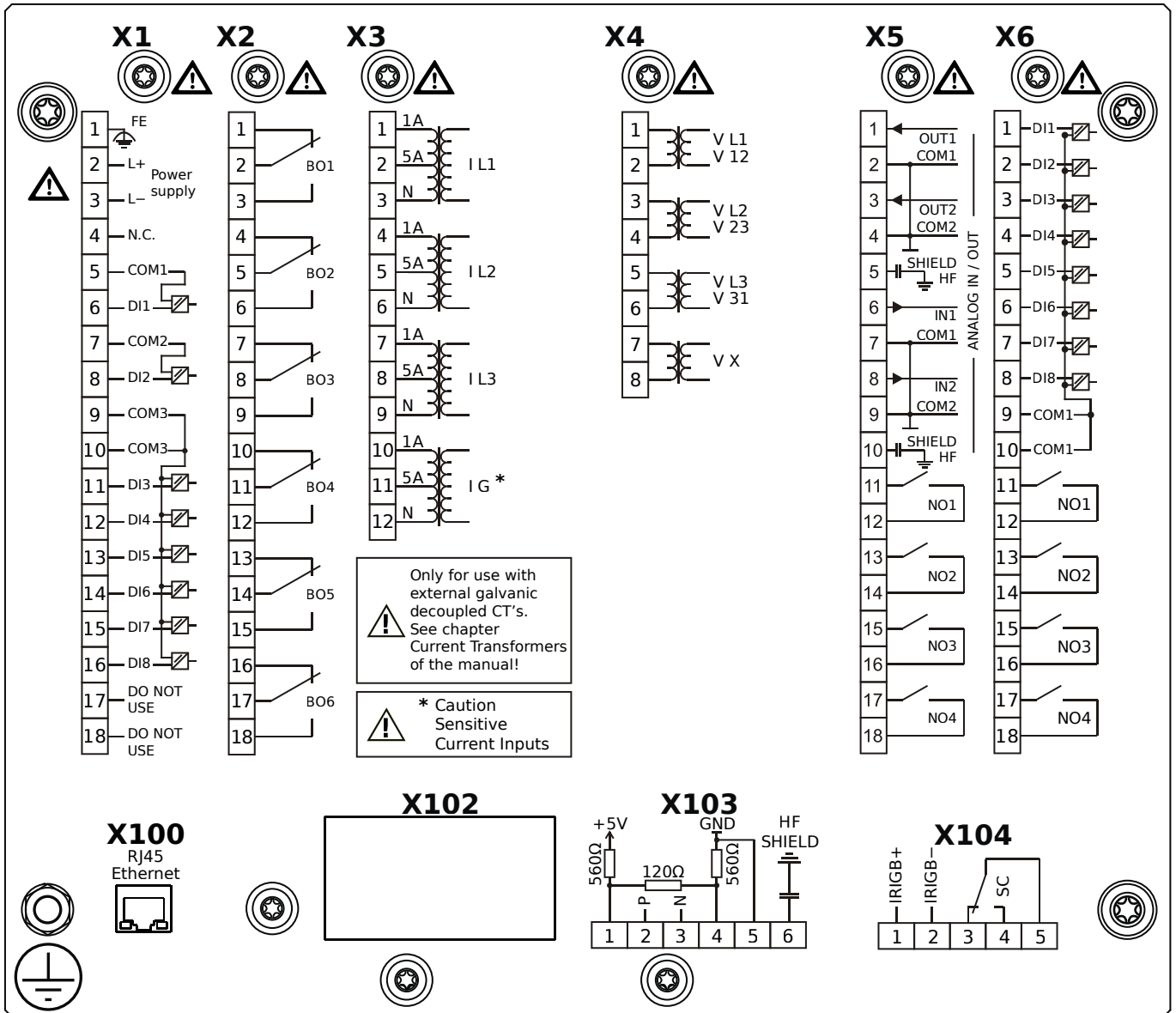
MCA4-2F1BHB



Housing B2, large display, door mounting 19" (flush mounting)

- X1** – DI8-X1: Wide-range power supply unit, incl. 2 non-grouped digital inputs and 6 grouped digital inputs
- X2** – OR6: Assembly Group with 6 Output Relays
- X3** – TIs: Standard phase current measuring card and sensitive ground current measuring
- X4** – TU: Card with 4 voltage transformer measuring inputs
- X5** – AnIO2-OR4: Assembly Group with 2 Analog Inputs, 2 Analog Outputs and 4 Output Relays
- X6** – DI8-OR4: Assembly Group with 8 Digital Inputs and 4 Output Relays
- X100** – IEC 61850 / Modbus TCP / DNP3.0 TCP/UDP, Ethernet interface, 100 Mbit/s, RJ45 (BASE100-FX)
- X104** – IRIG-B00X, incl. System Contact (Supervision Contact)

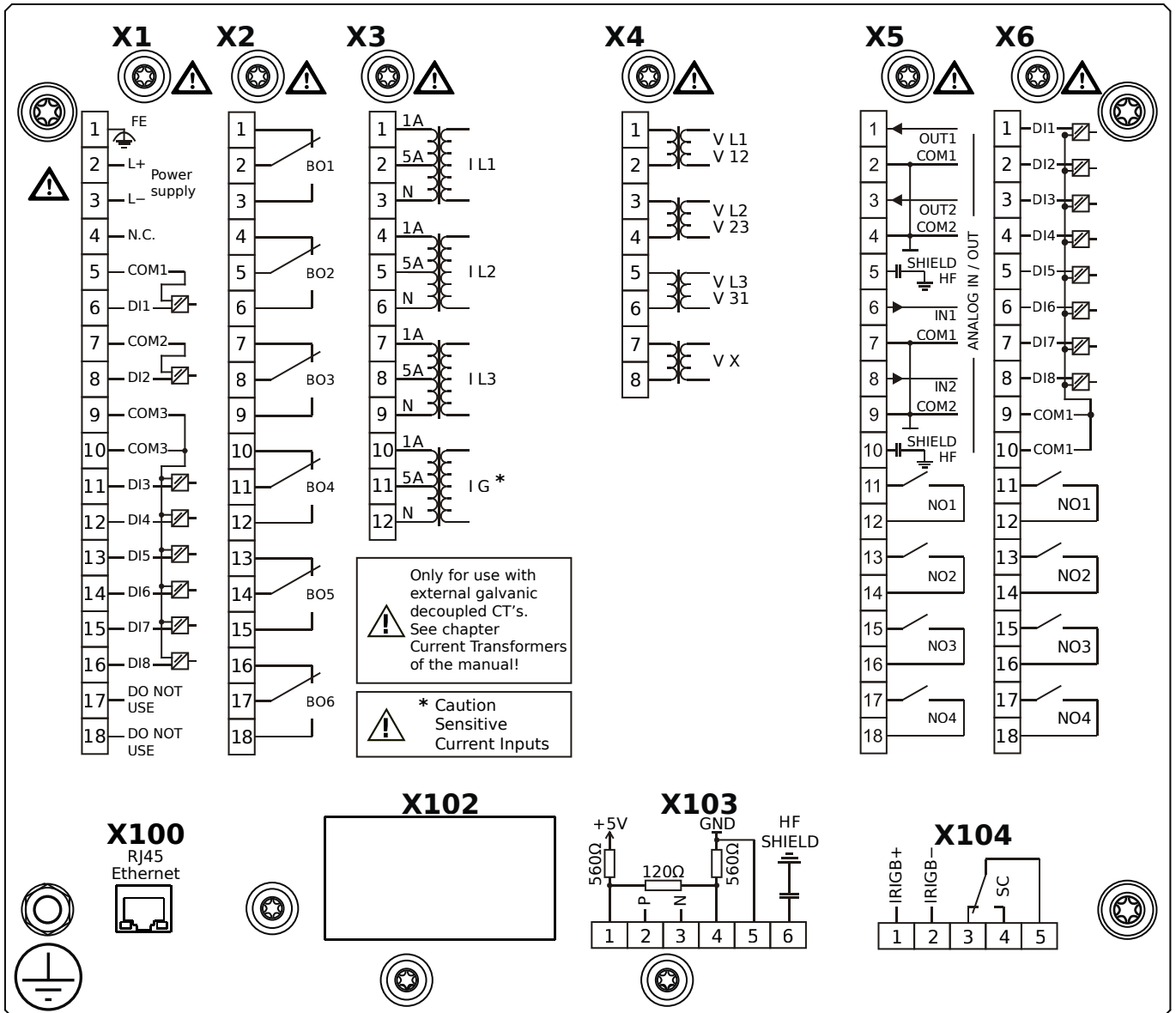
MCA4-2F1BIA



Housing B2, large display, door mounting 19" (flush mounting)

- X1** – DI8-X1: Wide-range power supply unit, incl. 2 non-grouped digital inputs and 6 grouped digital inputs
- X2** – OR6: Assembly Group with 6 Output Relays
- X3** – TIs: Standard phase current measuring card and sensitive ground current measuring
- X4** – TU: Card with 4 voltage transformer measuring inputs
- X5** – AnIO2-OR4: Assembly Group with 2 Analog Inputs, 2 Analog Outputs and 4 Output Relays
- X6** – DI8-OR4: Assembly Group with 8 Digital Inputs and 4 Output Relays
- X100** – Modbus TCP / DNP3.0 TCP/UDP, Ethernet interface, 100 Mbit/s, RJ45 (BASE100-FX)
- X103** – IEC 60870-5-103 / Modbus RTU / DNP3.0 RTU, RS485, Terminals
- X104** – IRIG-B00X, incl. System Contact (Supervision Contact)

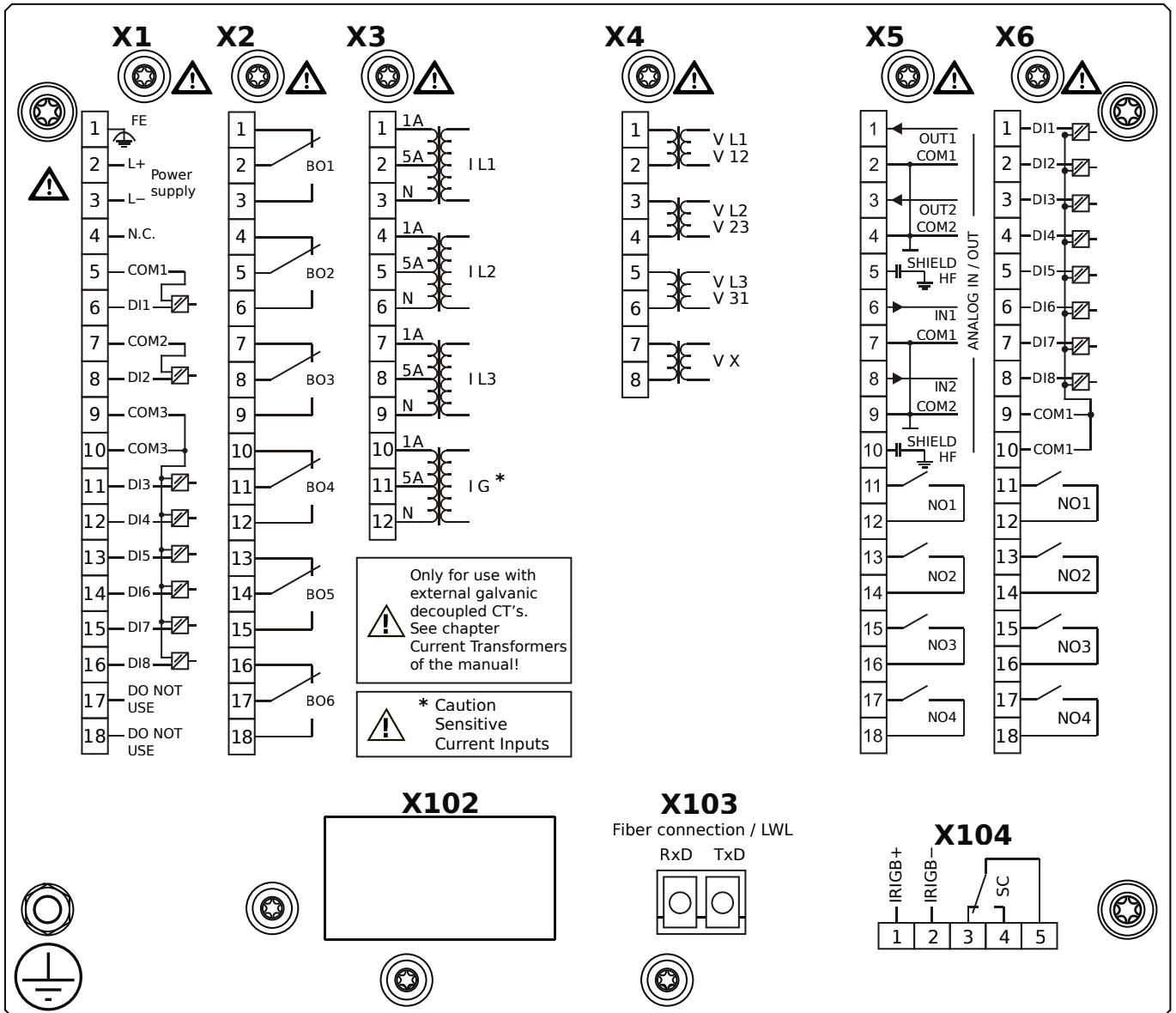
MCA4-2F1BIB



Housing B2, large display, door mounting 19" (flush mounting)

- X1** – DI8-X1: Wide-range power supply unit, incl. 2 non-grouped digital inputs and 6 grouped digital inputs
- X2** – OR6: Assembly Group with 6 Output Relays
- X3** – TIs: Standard phase current measuring card and sensitive ground current measuring
- X4** – TU: Card with 4 voltage transformer measuring inputs
- X5** – AnIO2-OR4: Assembly Group with 2 Analog Inputs, 2 Analog Outputs and 4 Output Relays
- X6** – DI8-OR4: Assembly Group with 8 Digital Inputs and 4 Output Relays
- X100** – Modbus TCP / DNP3.0 TCP/UDP, Ethernet interface, 100 Mbit/s, RJ45 (BASE100-FX)
- X103** – IEC 60870-5-103 / Modbus RTU / DNP3.0 RTU, RS485, Terminals
- X104** – IRIG-B00X, incl. System Contact (Supervision Contact)

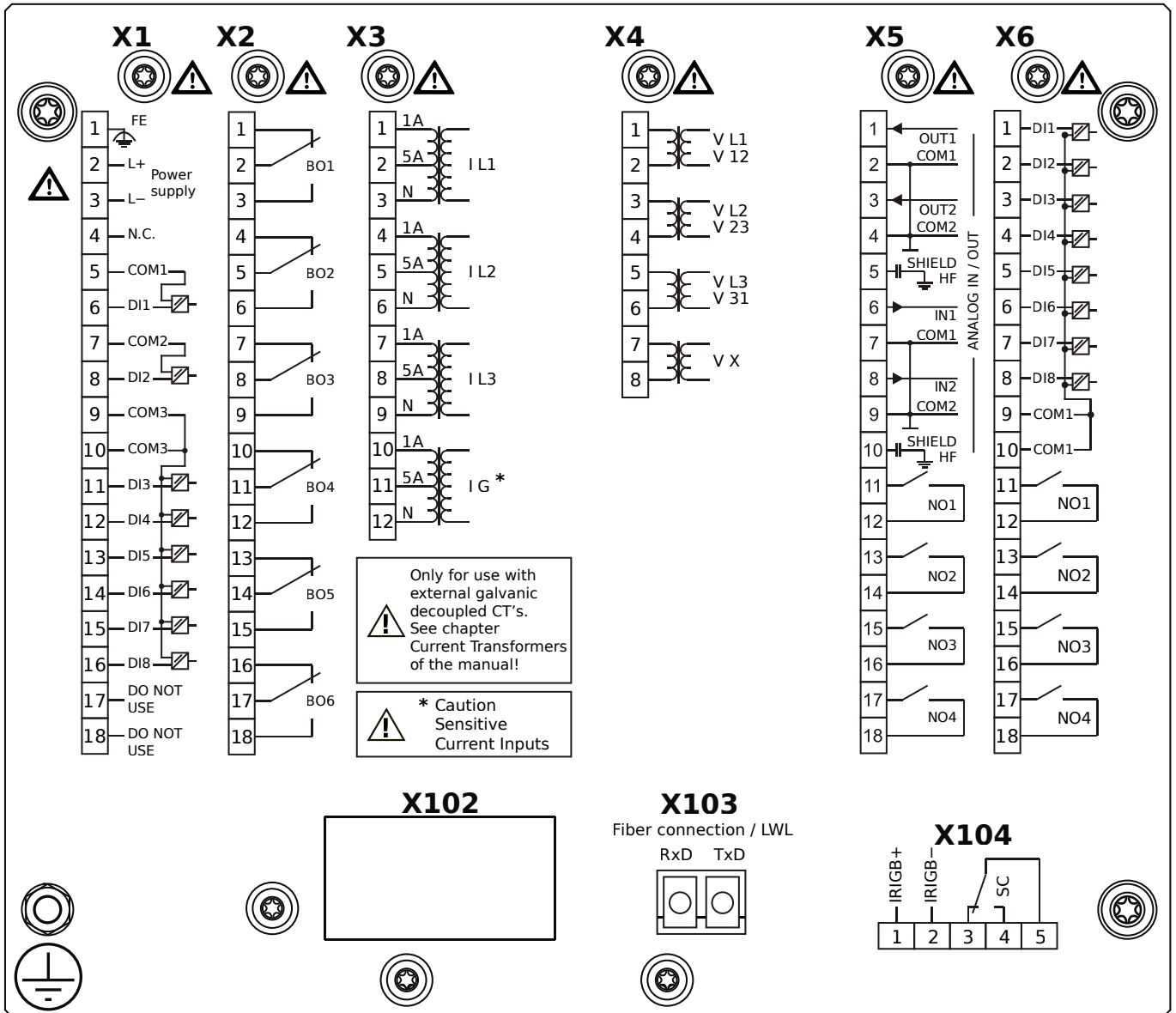
MCA4-2F1BKA



Housing B2, large display, door mounting 19" (flush mounting)

- X1** – DI8-X1: Wide-range power supply unit, incl. 2 non-grouped digital inputs and 6 grouped digital inputs
- X2** – OR6: Assembly Group with 6 Output Relays
- X3** – TIs: Standard phase current measuring card and sensitive ground current measuring
- X4** – TU: Card with 4 voltage transformer measuring inputs
- X5** – AnIO2-OR4: Assembly Group with 2 Analog Inputs, 2 Analog Outputs and 4 Output Relays
- X6** – DI8-OR4: Assembly Group with 8 Digital Inputs and 4 Output Relays
- X103** – IEC 61850 / Modbus TCP / DNP3.0 TCP/UDP, Fiber optics interface, LC Connector
- X104** – IRIG-B00X, incl. System Contact (Supervision Contact)

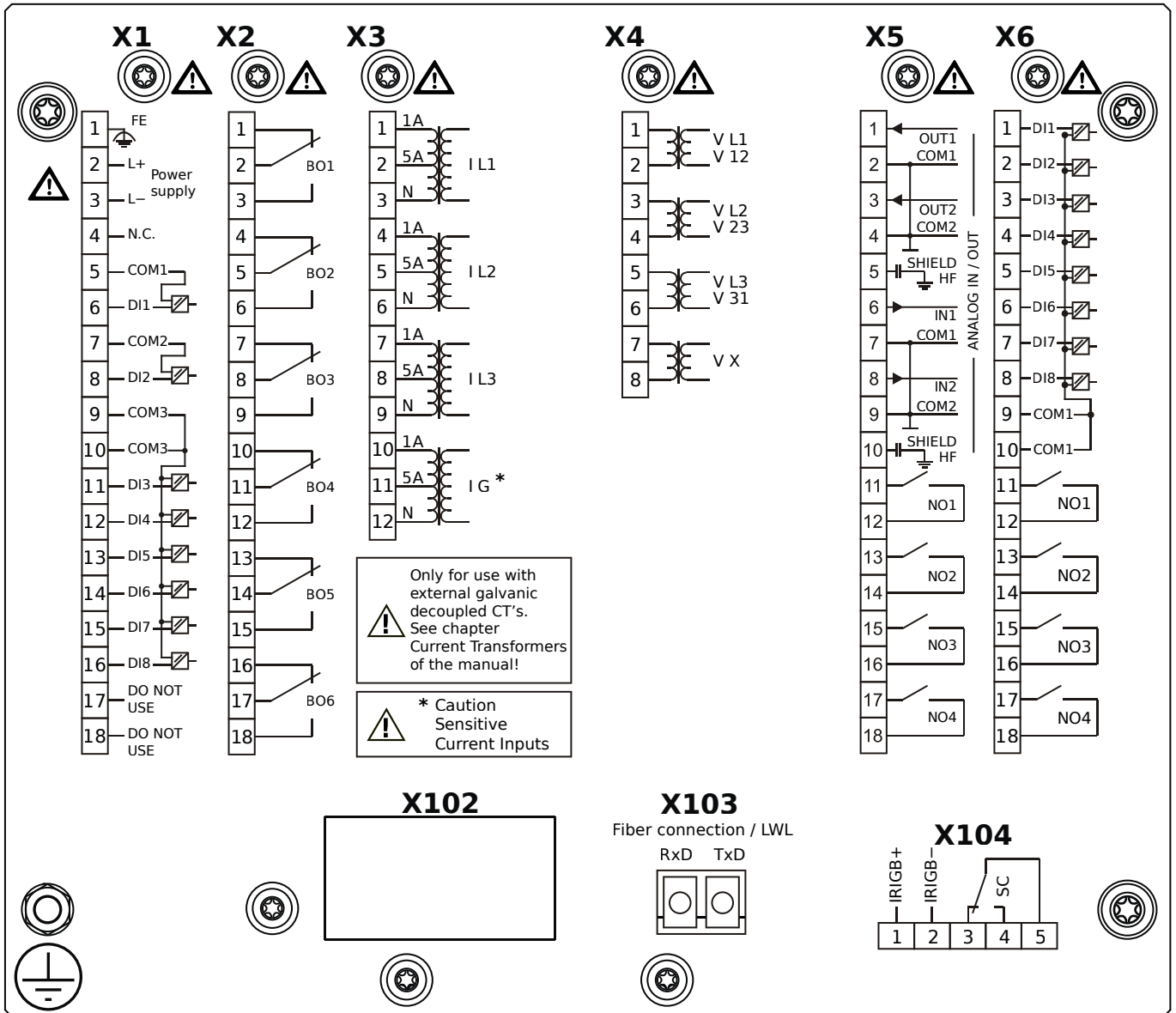
MCA4-2F1BKB



Housing B2, large display, door mounting 19" (flush mounting)

- X1** – DI8-X1: Wide-range power supply unit, incl. 2 non-grouped digital inputs and 6 grouped digital inputs
- X2** – OR6: Assembly Group with 6 Output Relays
- X3** – TIs: Standard phase current measuring card and sensitive ground current measuring
- X4** – TU: Card with 4 voltage transformer measuring inputs
- X5** – AnIO2-OR4: Assembly Group with 2 Analog Inputs, 2 Analog Outputs and 4 Output Relays
- X6** – DI8-OR4: Assembly Group with 8 Digital Inputs and 4 Output Relays
- X103** – IEC 61850 / Modbus TCP / DNP3.0 TCP/UDP, Fiber optics interface, LC Connector
- X104** – IRIG-B00X, incl. System Contact (Supervision Contact)

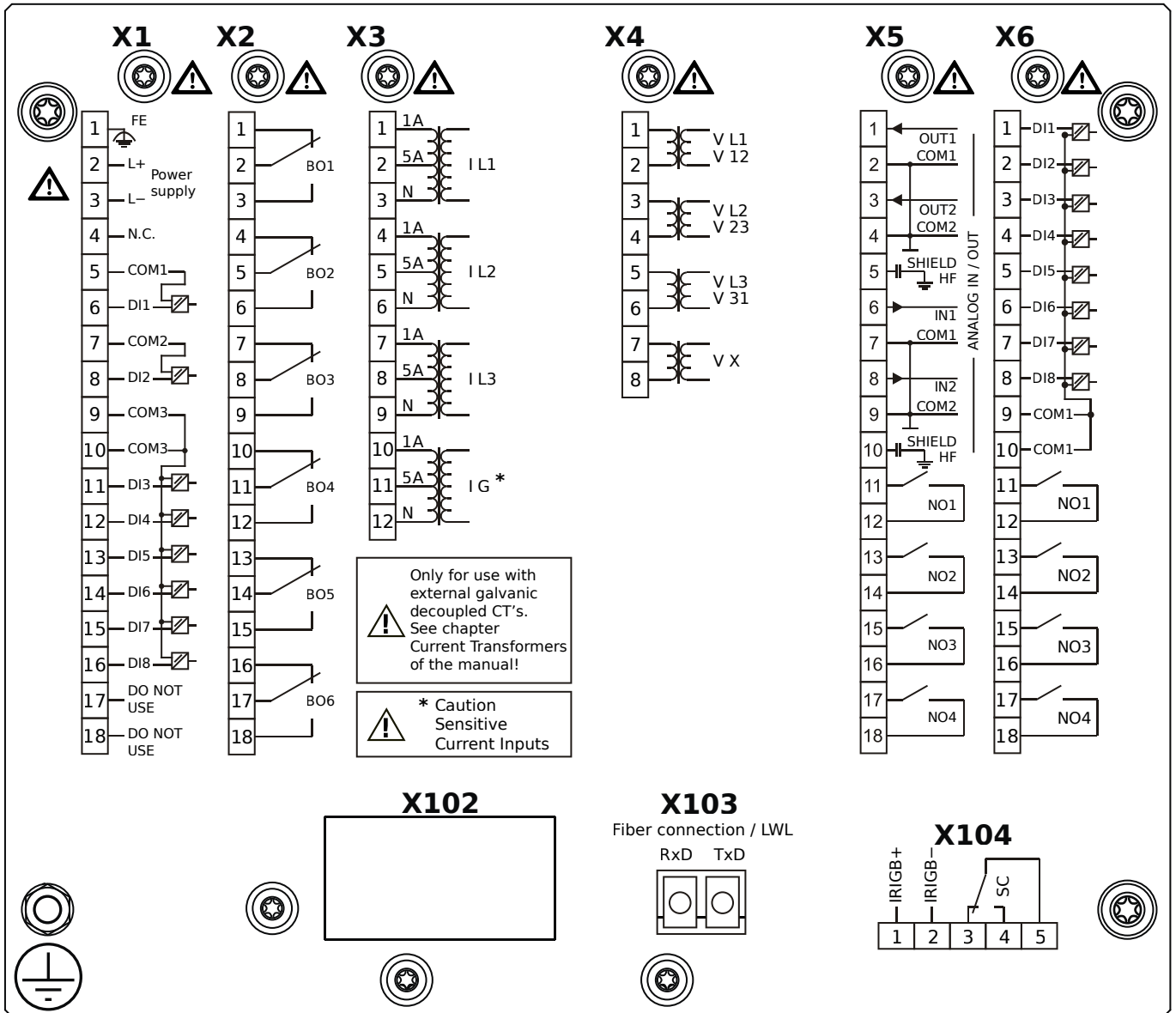
MCA4-2F1BLA



Housing B2, large display, door mounting 19" (flush mounting)

- X1** – DI8-X1: Wide-range power supply unit, incl. 2 non-grouped digital inputs and 6 grouped digital inputs
- X2** – OR6: Assembly Group with 6 Output Relays
- X3** – TIs: Standard phase current measuring card and sensitive ground current measuring
- X4** – TU: Card with 4 voltage transformer measuring inputs
- X5** – AnIO2-OR4: Assembly Group with 2 Analog Inputs, 2 Analog Outputs and 4 Output Relays
- X6** – DI8-OR4: Assembly Group with 8 Digital Inputs and 4 Output Relays
- X103** – Modbus TCP / DNP3.0 TCP/UDP, Fiber optics interface, LC Connector
- X104** – IRIG-B00X, incl. System Contact (Supervision Contact)

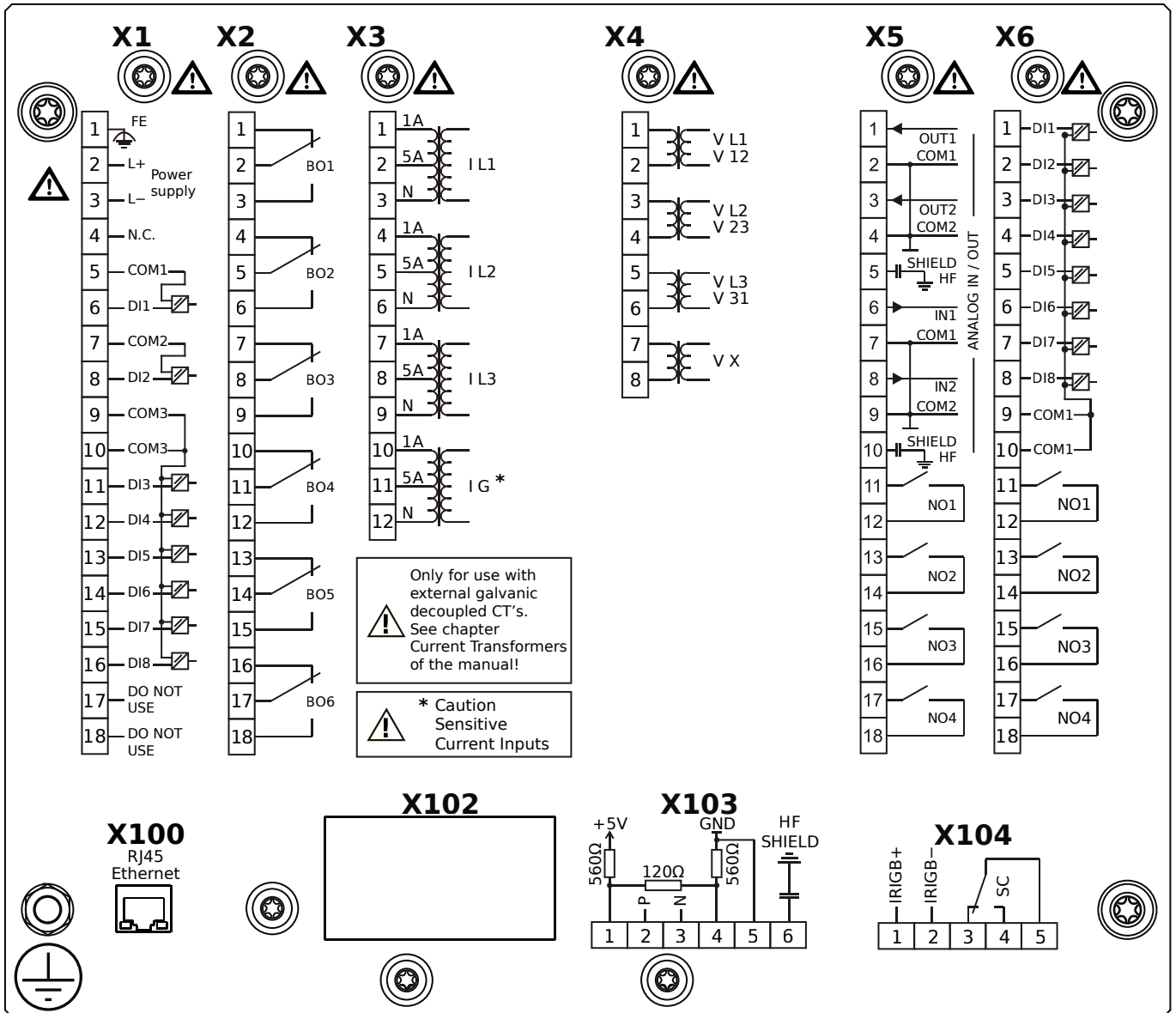
MCA4-2F1BLB



Housing B2, large display, door mounting 19" (flush mounting)

- X1** – DI8-X1: Wide-range power supply unit, incl. 2 non-grouped digital inputs and 6 grouped digital inputs
- X2** – OR6: Assembly Group with 6 Output Relays
- X3** – TIs: Standard phase current measuring card and sensitive ground current measuring
- X4** – TU: Card with 4 voltage transformer measuring inputs
- X5** – AnIO2-OR4: Assembly Group with 2 Analog Inputs, 2 Analog Outputs and 4 Output Relays
- X6** – DI8-OR4: Assembly Group with 8 Digital Inputs and 4 Output Relays
- X103** – Modbus TCP / DNP3.0 TCP/UDP, Fiber optics interface, LC Connector
- X104** – IRIG-B00X, incl. System Contact (Supervision Contact)

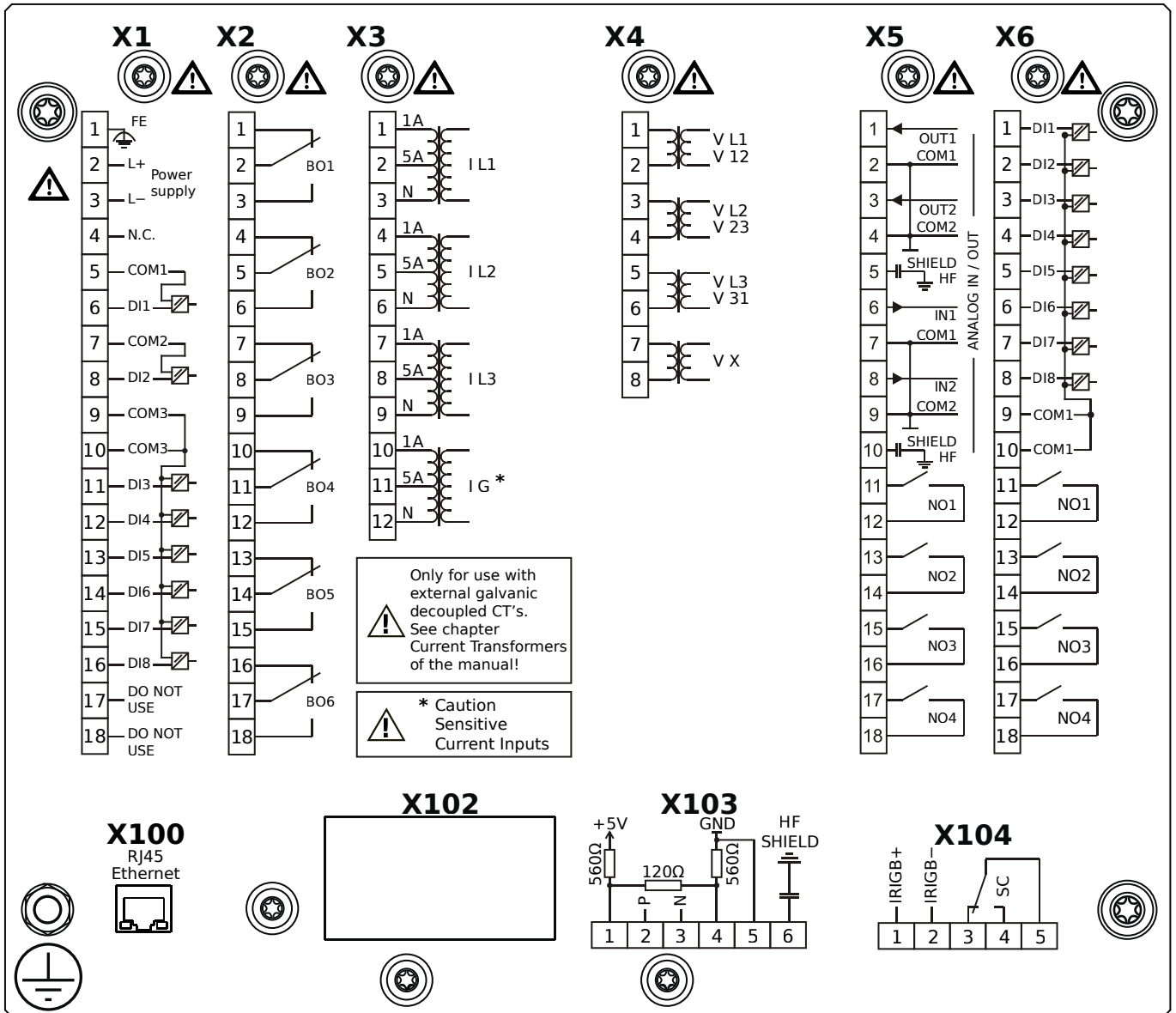
MCA4-2F1BTA



Housing B2, large display, door mounting 19" (flush mounting)

- X1** – DI8-X1: Wide-range power supply unit, incl. 2 non-grouped digital inputs and 6 grouped digital inputs
- X2** – OR6: Assembly Group with 6 Output Relays
- X3** – TIs: Standard phase current measuring card and sensitive ground current measuring
- X4** – TU: Card with 4 voltage transformer measuring inputs
- X5** – AnIO2-OR4: Assembly Group with 2 Analog Inputs, 2 Analog Outputs and 4 Output Relays
- X6** – DI8-OR4: Assembly Group with 8 Digital Inputs and 4 Output Relays
- X100** – IEC 61850 / Modbus TCP / DNP3.0 TCP/UDP, Ethernet interface, 100 Mbit/s, RJ45 (BASE100-FX)
- X103** – IEC 60870-5-103 / Modbus RTU / DNP3.0 RTU, RS485, Terminals
- X104** – IRIG-B00X, incl. System Contact (Supervision Contact)

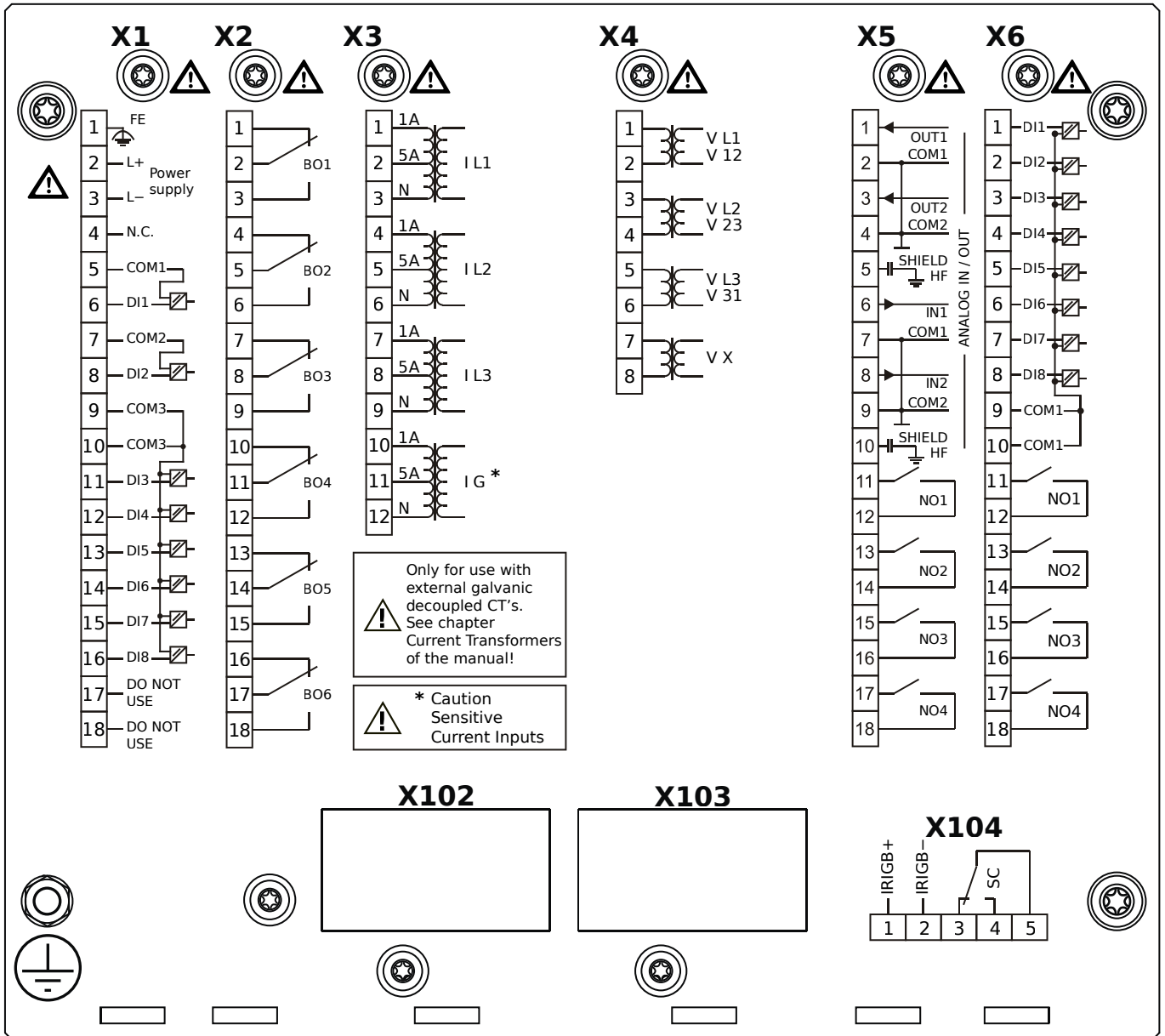
MCA4-2F1BTB



Housing B2, large display, door mounting 19" (flush mounting)

- X1** – DI8-X1: Wide-range power supply unit, incl. 2 non-grouped digital inputs and 6 grouped digital inputs
- X2** – OR6: Assembly Group with 6 Output Relays
- X3** – TIs: Standard phase current measuring card and sensitive ground current measuring
- X4** – TU: Card with 4 voltage transformer measuring inputs
- X5** – AnIO2-OR4: Assembly Group with 2 Analog Inputs, 2 Analog Outputs and 4 Output Relays
- X6** – DI8-OR4: Assembly Group with 8 Digital Inputs and 4 Output Relays
- X100** – IEC 61850 / Modbus TCP / DNP3.0 TCP/UDP, Ethernet interface, 100 Mbit/s, RJ45 (BASE100-FX)
- X103** – IEC 60870-5-103 / Modbus RTU / DNP3.0 RTU, RS485, Terminals
- X104** – IRIG-B00X, incl. System Contact (Supervision Contact)

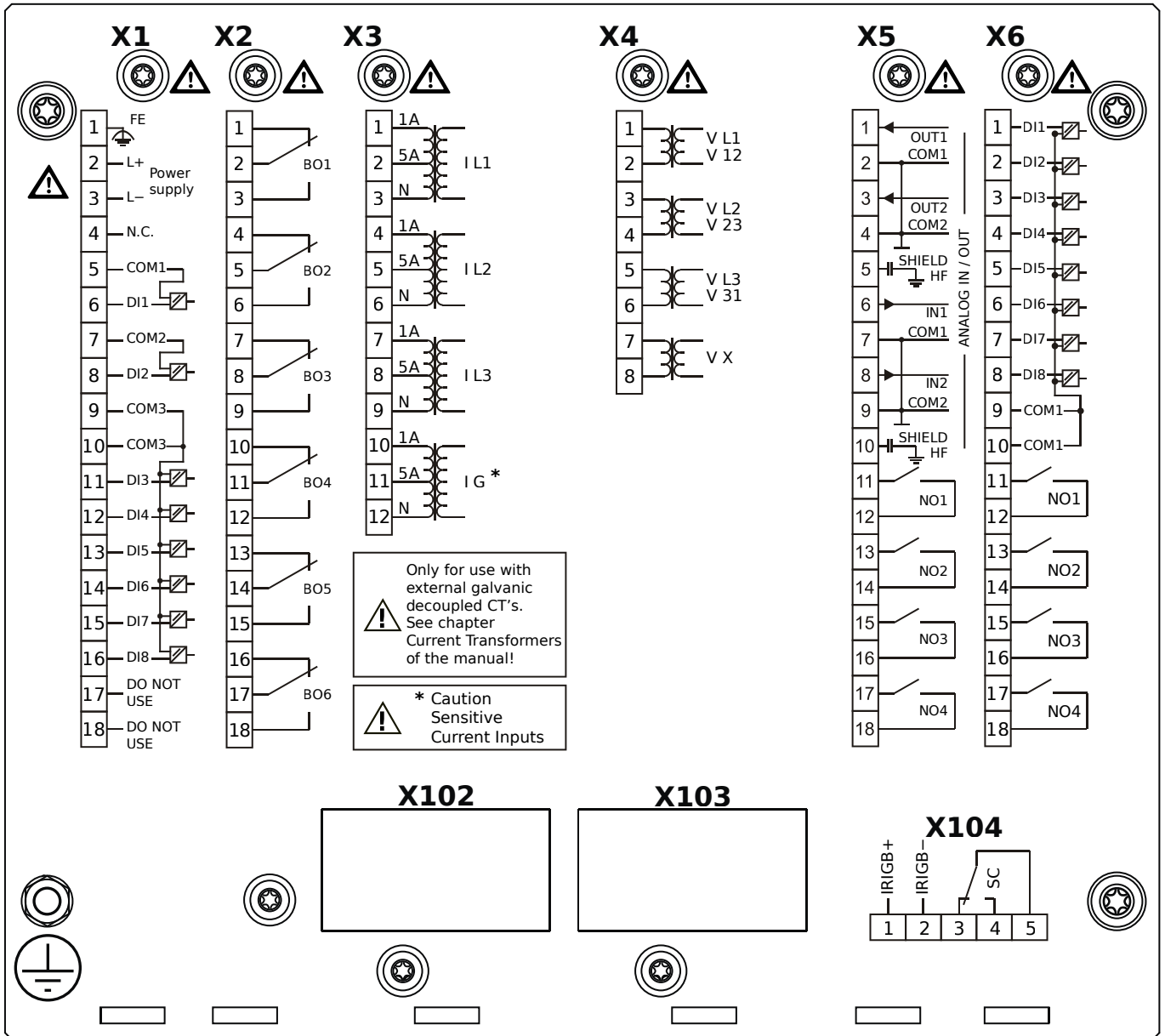
MCA4-2F1HAA



Housing B2, large display, door mounting

- X1** – DI8-X1: Wide-range power supply unit, incl. 2 non-grouped digital inputs and 6 grouped digital inputs
- X2** – OR6: Assembly Group with 6 Output Relays
- X3** – TIs: Standard phase current measuring card and sensitive ground current measuring
- X4** – TU: Card with 4 voltage transformer measuring inputs
- X5** – AnIO2-OR4: Assembly Group with 2 Analog Inputs, 2 Analog Outputs and 4 Output Relays
- X6** – DI8-OR4: Assembly Group with 8 Digital Inputs and 4 Output Relays
- X104** – IRIG-B00X, incl. System Contact (Supervision Contact)

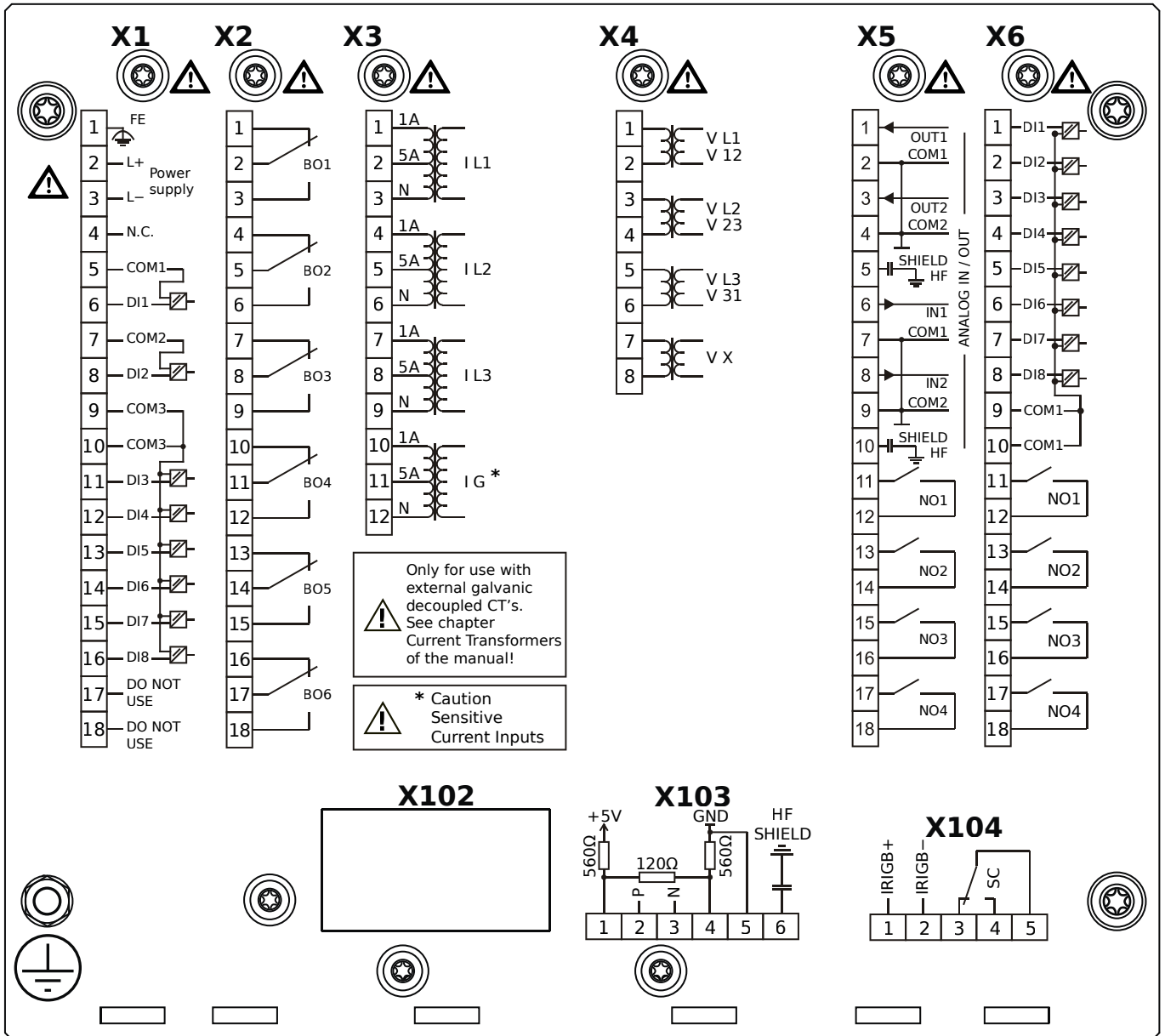
MCA4-2F1HAB



Housing B2, large display, door mounting

- X1** – DI8-X1: Wide-range power supply unit, incl. 2 non-grouped digital inputs and 6 grouped digital inputs
- X2** – OR6: Assembly Group with 6 Output Relays
- X3** – TIs: Standard phase current measuring card and sensitive ground current measuring
- X4** – TU: Card with 4 voltage transformer measuring inputs
- X5** – AnIO2-OR4: Assembly Group with 2 Analog Inputs, 2 Analog Outputs and 4 Output Relays
- X6** – DI8-OR4: Assembly Group with 8 Digital Inputs and 4 Output Relays
- X104** – IRIG-B00X, incl. System Contact (Supervision Contact)

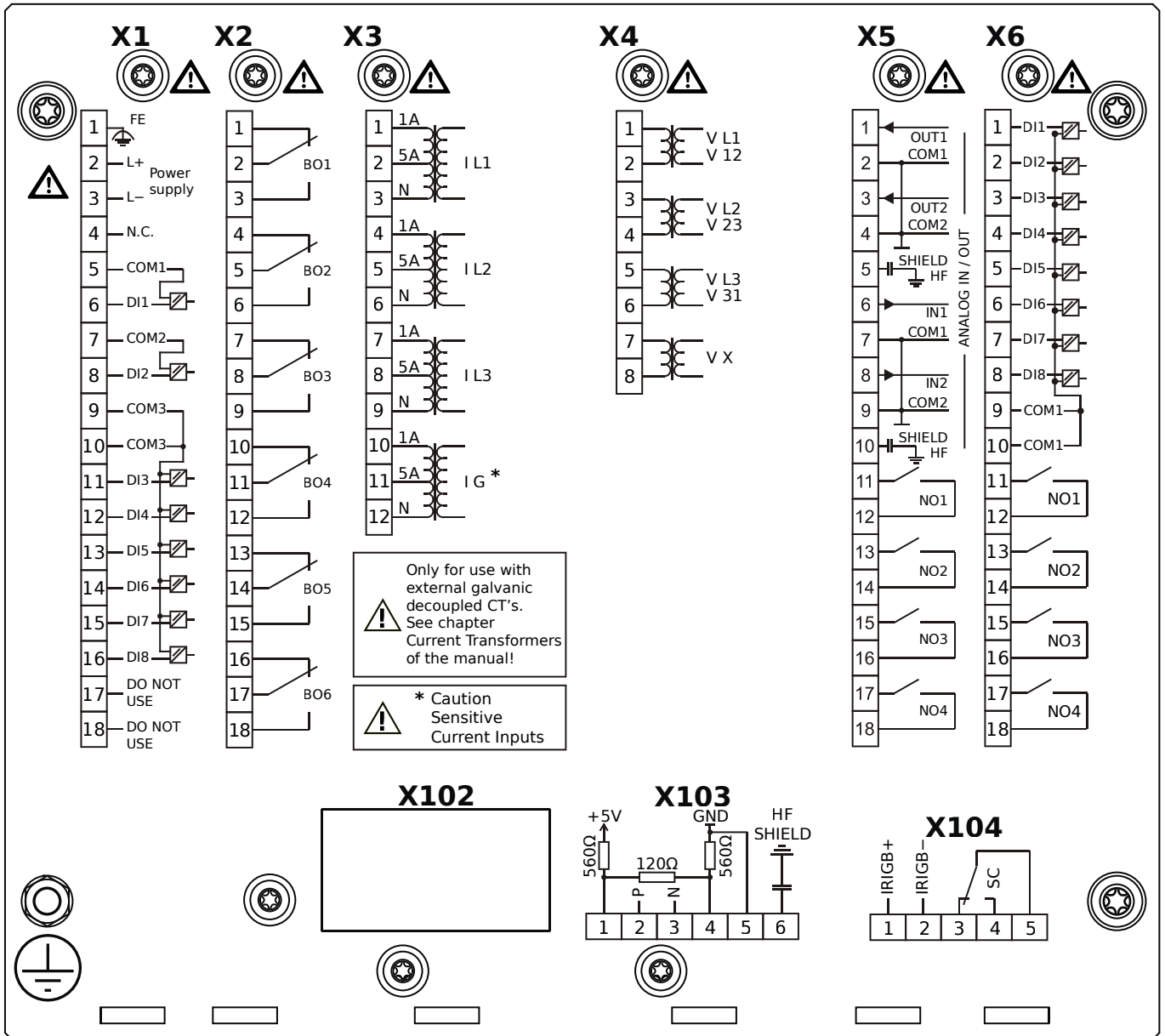
MCA4-2F1HBA



Housing B2, large display, door mounting

- X1** – DI8-X1: Wide-range power supply unit, incl. 2 non-grouped digital inputs and 6 grouped digital inputs
- X2** – OR6: Assembly Group with 6 Output Relays
- X3** – TIs: Standard phase current measuring card and sensitive ground current measuring
- X4** – TU: Card with 4 voltage transformer measuring inputs
- X5** – AnIO2-OR4: Assembly Group with 2 Analog Inputs, 2 Analog Outputs and 4 Output Relays
- X6** – DI8-OR4: Assembly Group with 8 Digital Inputs and 4 Output Relays
- X103** – Modbus RTU / IEC 60870-5-103 / DNP3.0 RTU, RS485, Terminals
- X104** – IRIG-B00X, incl. System Contact (Supervision Contact)

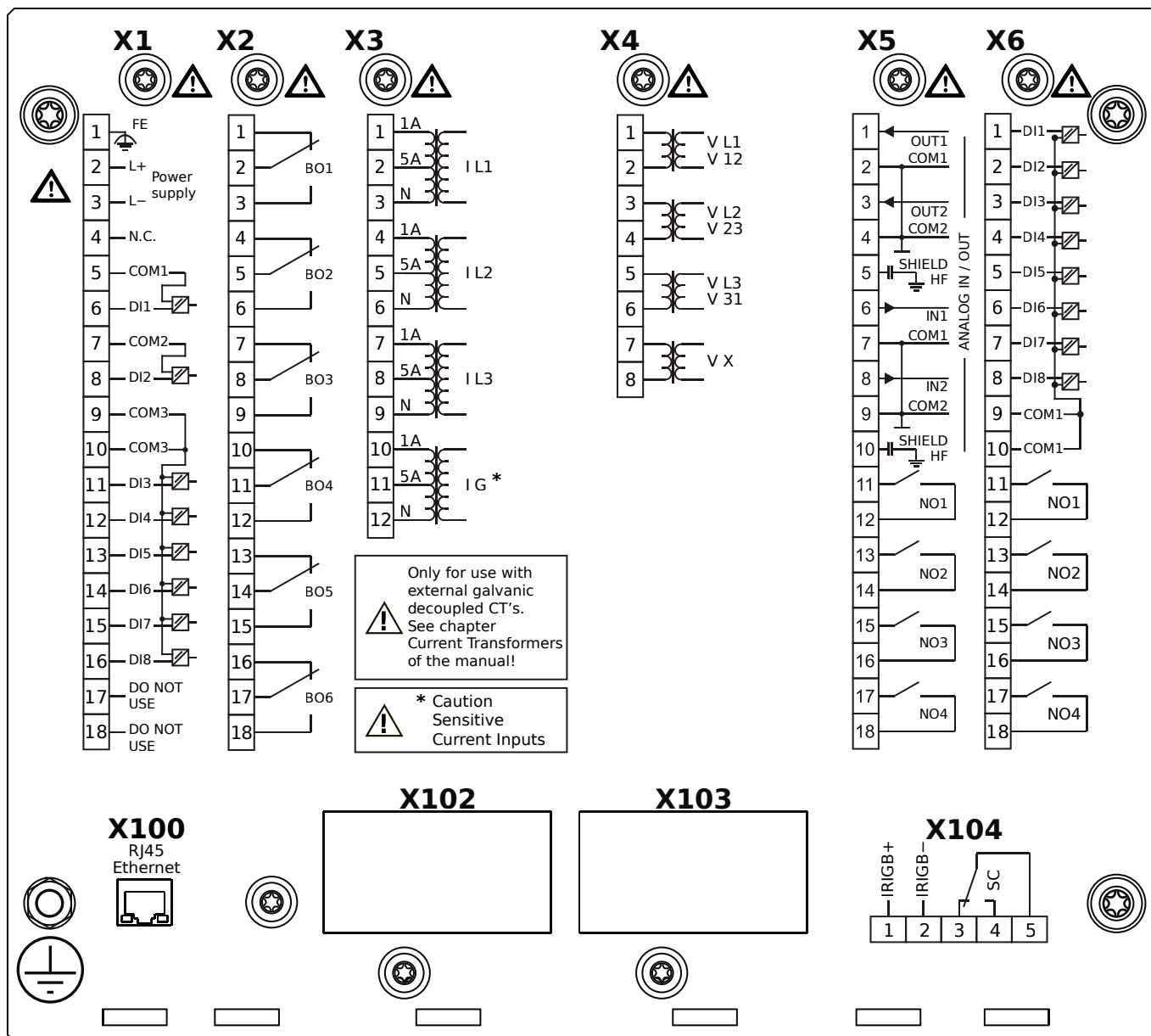
MCA4-2F1HBB



Housing B2, large display, door mounting

- X1** – DI8-X1: Wide-range power supply unit, incl. 2 non-grouped digital inputs and 6 grouped digital inputs
- X2** – OR6: Assembly Group with 6 Output Relays
- X3** – TIs: Standard phase current measuring card and sensitive ground current measuring
- X4** – TU: Card with 4 voltage transformer measuring inputs
- X5** – AnIO2-OR4: Assembly Group with 2 Analog Inputs, 2 Analog Outputs and 4 Output Relays
- X6** – DI8-OR4: Assembly Group with 8 Digital Inputs and 4 Output Relays
- X103** – Modbus RTU / IEC 60870-5-103 / DNP3.0 RTU, RS485, Terminals
- X104** – IRIG-B00X, incl. System Contact (Supervision Contact)

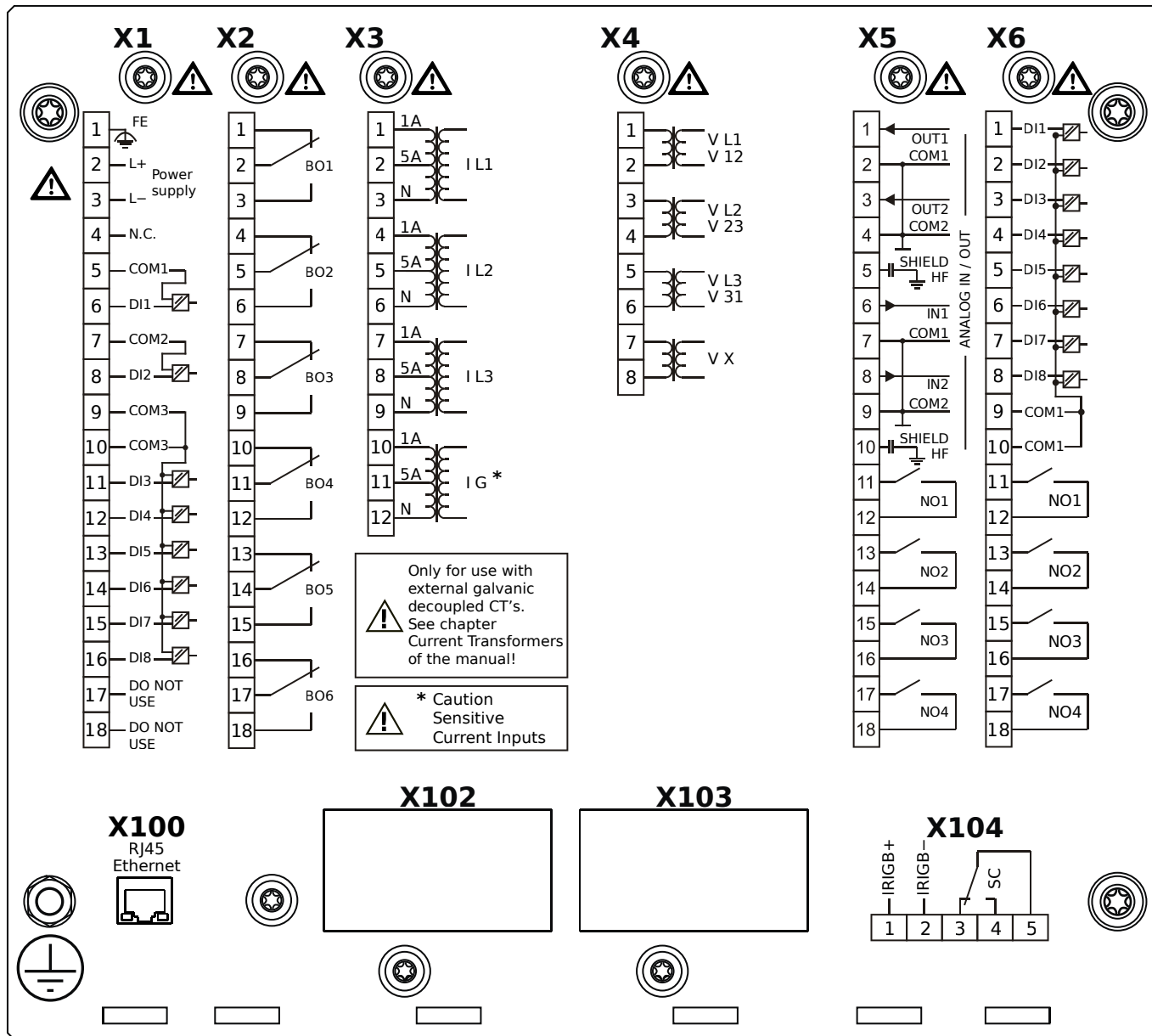
MCA4-2F1HCA



Housing B2, large display, door mounting

- X1** – DI8-X1: Wide-range power supply unit, incl. 2 non-grouped digital inputs and 6 grouped digital inputs
- X2** – OR6: Assembly Group with 6 Output Relays
- X3** – TIs: Standard phase current measuring card and sensitive ground current measuring
- X4** – TU: Card with 4 voltage transformer measuring inputs
- X5** – AnIO2-OR4: Assembly Group with 2 Analog Inputs, 2 Analog Outputs and 4 Output Relays
- X6** – DI8-OR4: Assembly Group with 8 Digital Inputs and 4 Output Relays
- X100** – Modbus TCP / DNP3.0 TCP/UDP, Ethernet interface, 100 Mbit/s, RJ45 (BASE100-FX)
- X104** – IRIG-B00X, incl. System Contact (Supervision Contact)

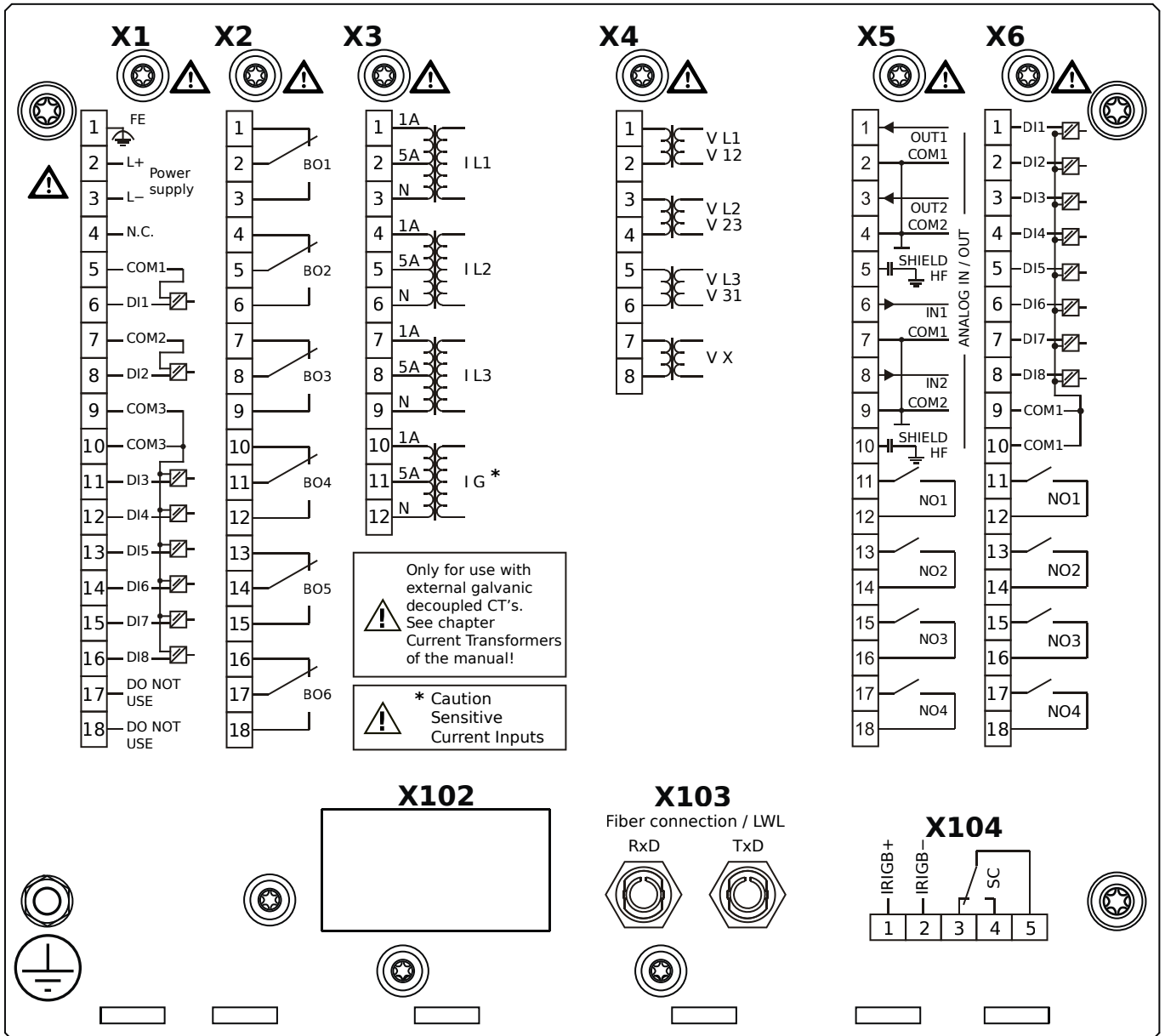
MCA4-2F1HCB



Housing B2, large display, door mounting

- X1** – DI8-X1: Wide-range power supply unit, incl. 2 non-grouped digital inputs and 6 grouped digital inputs
- X2** – OR6: Assembly Group with 6 Output Relays
- X3** – TIs: Standard phase current measuring card and sensitive ground current measuring
- X4** – TU: Card with 4 voltage transformer measuring inputs
- X5** – AnIO2-OR4: Assembly Group with 2 Analog Inputs, 2 Analog Outputs and 4 Output Relays
- X6** – DI8-OR4: Assembly Group with 8 Digital Inputs and 4 Output Relays
- X100** – Modbus TCP / DNP3.0 TCP/UDP, Ethernet interface, 100 Mbit/s, RJ45 (BASE100-FX)
- X104** – IRIG-B00X, incl. System Contact (Supervision Contact)

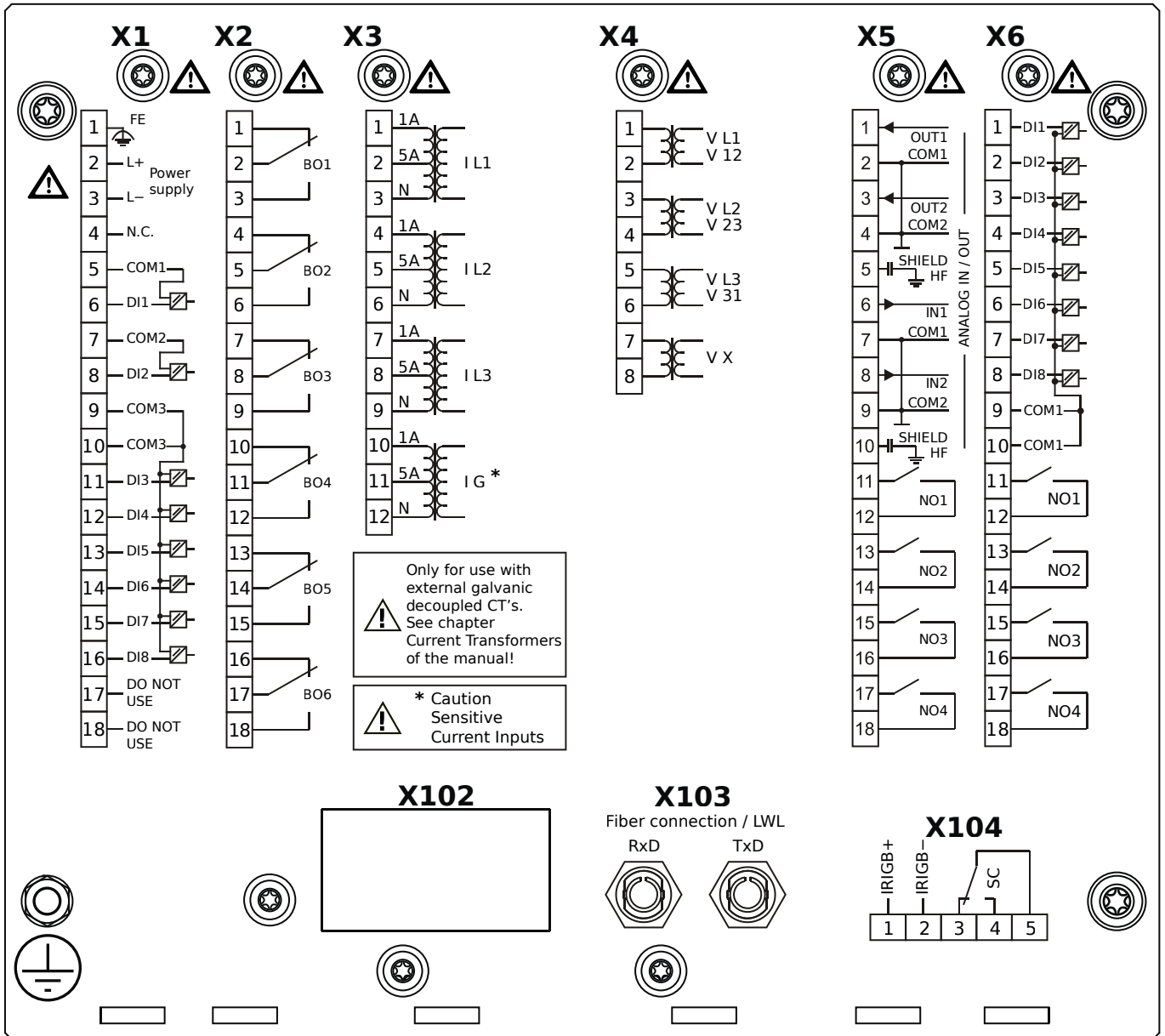
MCA4-2F1HDA



Housing B2, large display, door mounting

- X1** – DI8-X1: Wide-range power supply unit, incl. 2 non-grouped digital inputs and 6 grouped digital inputs
- X2** – OR6: Assembly Group with 6 Output Relays
- X3** – TIs: Standard phase current measuring card and sensitive ground current measuring
- X4** – TU: Card with 4 voltage transformer measuring inputs
- X5** – AnIO2-OR4: Assembly Group with 2 Analog Inputs, 2 Analog Outputs and 4 Output Relays
- X6** – DI8-OR4: Assembly Group with 8 Digital Inputs and 4 Output Relays
- X103** – Profibus-DP, Fiber optics interface, ST Connector
- X104** – IRIG-B00X, incl. System Contact (Supervision Contact)

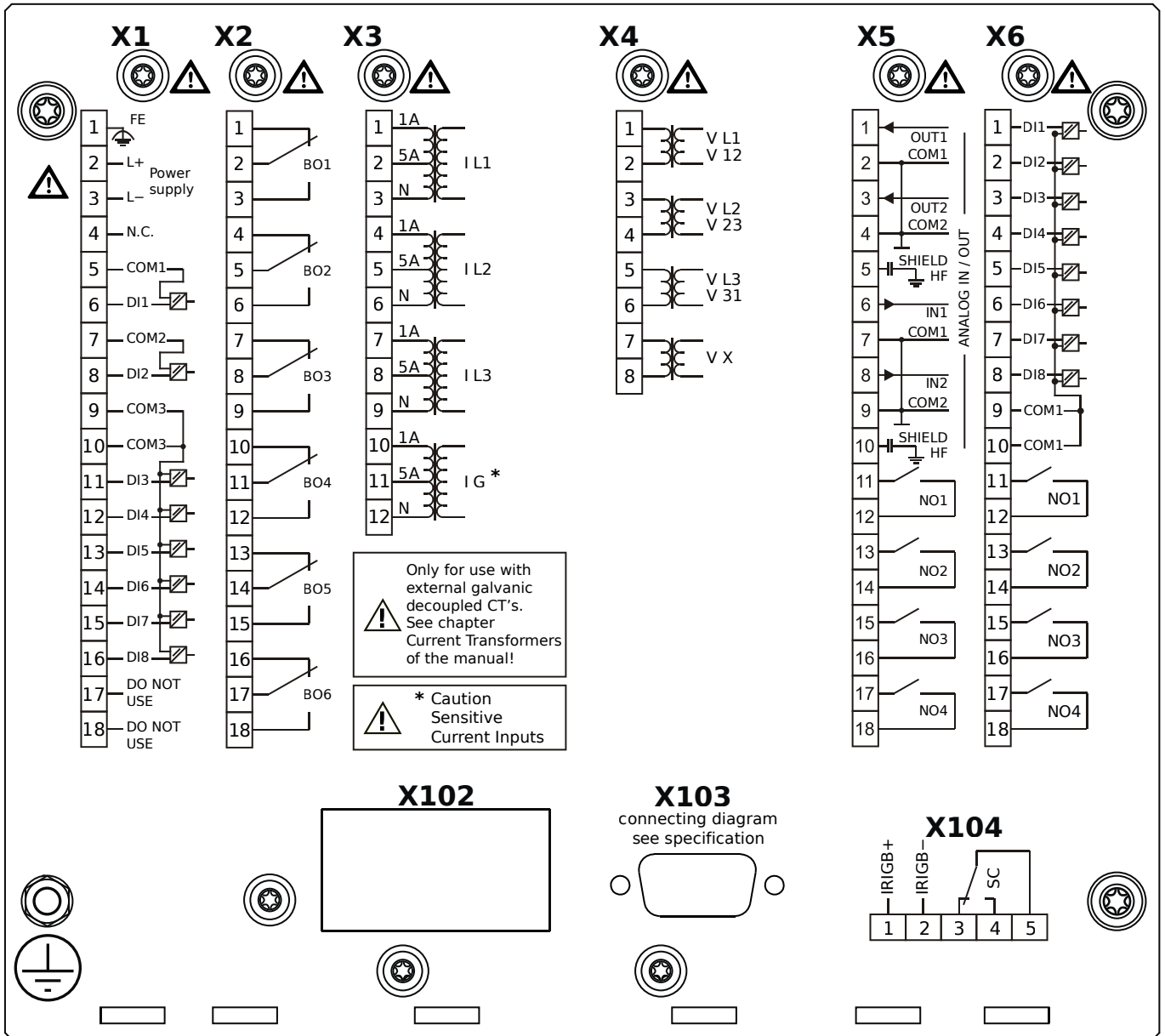
MCA4-2F1HDB



Housing B2, large display, door mounting

- X1** – DI8-X1: Wide-range power supply unit, incl. 2 non-grouped digital inputs and 6 grouped digital inputs
- X2** – OR6: Assembly Group with 6 Output Relays
- X3** – TIs: Standard phase current measuring card and sensitive ground current measuring
- X4** – TU: Card with 4 voltage transformer measuring inputs
- X5** – AnIO2-OR4: Assembly Group with 2 Analog Inputs, 2 Analog Outputs and 4 Output Relays
- X6** – DI8-OR4: Assembly Group with 8 Digital Inputs and 4 Output Relays
- X103** – Profibus-DP, Fiber optics interface, ST Connector
- X104** – IRIG-B00X, incl. System Contact (Supervision Contact)

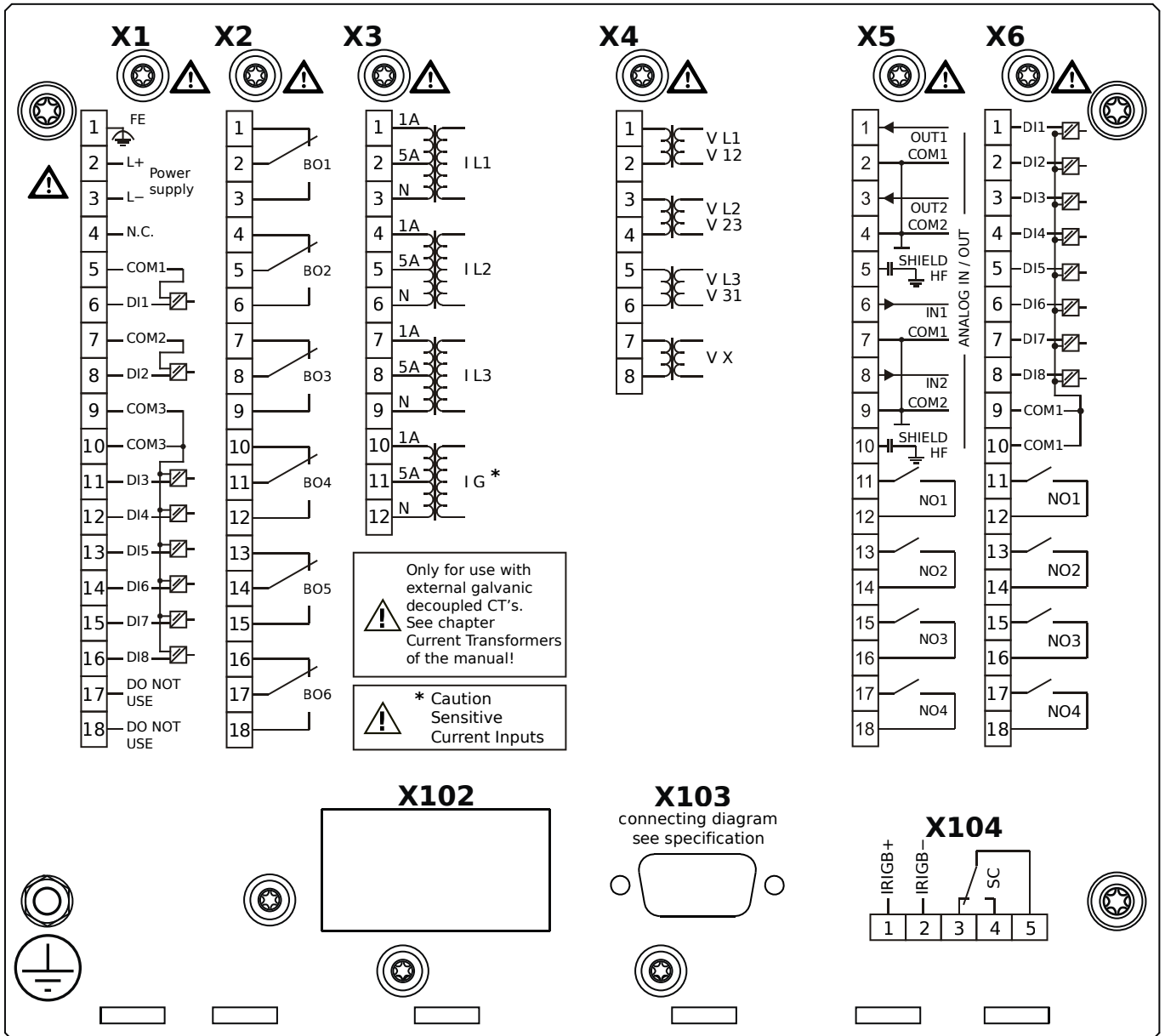
MCA4-2F1HEA



Housing B2, large display, door mounting

- X1** – DI8-X1: Wide-range power supply unit, incl. 2 non-grouped digital inputs and 6 grouped digital inputs
- X2** – OR6: Assembly Group with 6 Output Relays
- X3** – TIs: Standard phase current measuring card and sensitive ground current measuring
- X4** – TU: Card with 4 voltage transformer measuring inputs
- X5** – AnIO2-OR4: Assembly Group with 2 Analog Inputs, 2 Analog Outputs and 4 Output Relays
- X6** – DI8-OR4: Assembly Group with 8 Digital Inputs and 4 Output Relays
- X103** – Profibus-DP, RS485, D-SUB
- X104** – IRIG-B00X, incl. System Contact (Supervision Contact)

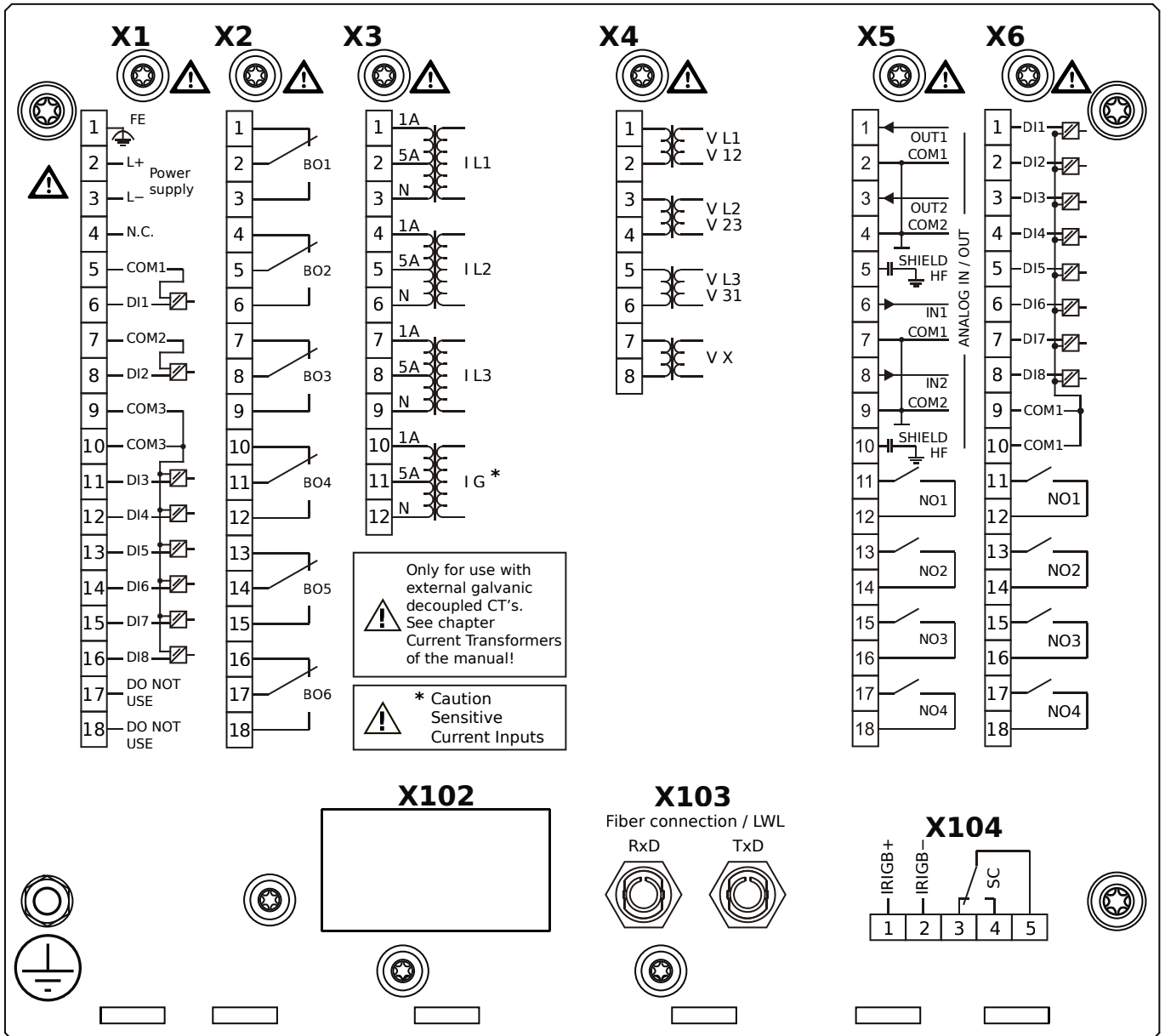
MCA4-2F1HEB



Housing B2, large display, door mounting

- X1** – DI8-X1: Wide-range power supply unit, incl. 2 non-grouped digital inputs and 6 grouped digital inputs
- X2** – OR6: Assembly Group with 6 Output Relays
- X3** – TIs: Standard phase current measuring card and sensitive ground current measuring
- X4** – TU: Card with 4 voltage transformer measuring inputs
- X5** – AnIO2-OR4: Assembly Group with 2 Analog Inputs, 2 Analog Outputs and 4 Output Relays
- X6** – DI8-OR4: Assembly Group with 8 Digital Inputs and 4 Output Relays
- X103** – Profibus-DP, RS485, D-SUB
- X104** – IRIG-B00X, incl. System Contact (Supervision Contact)

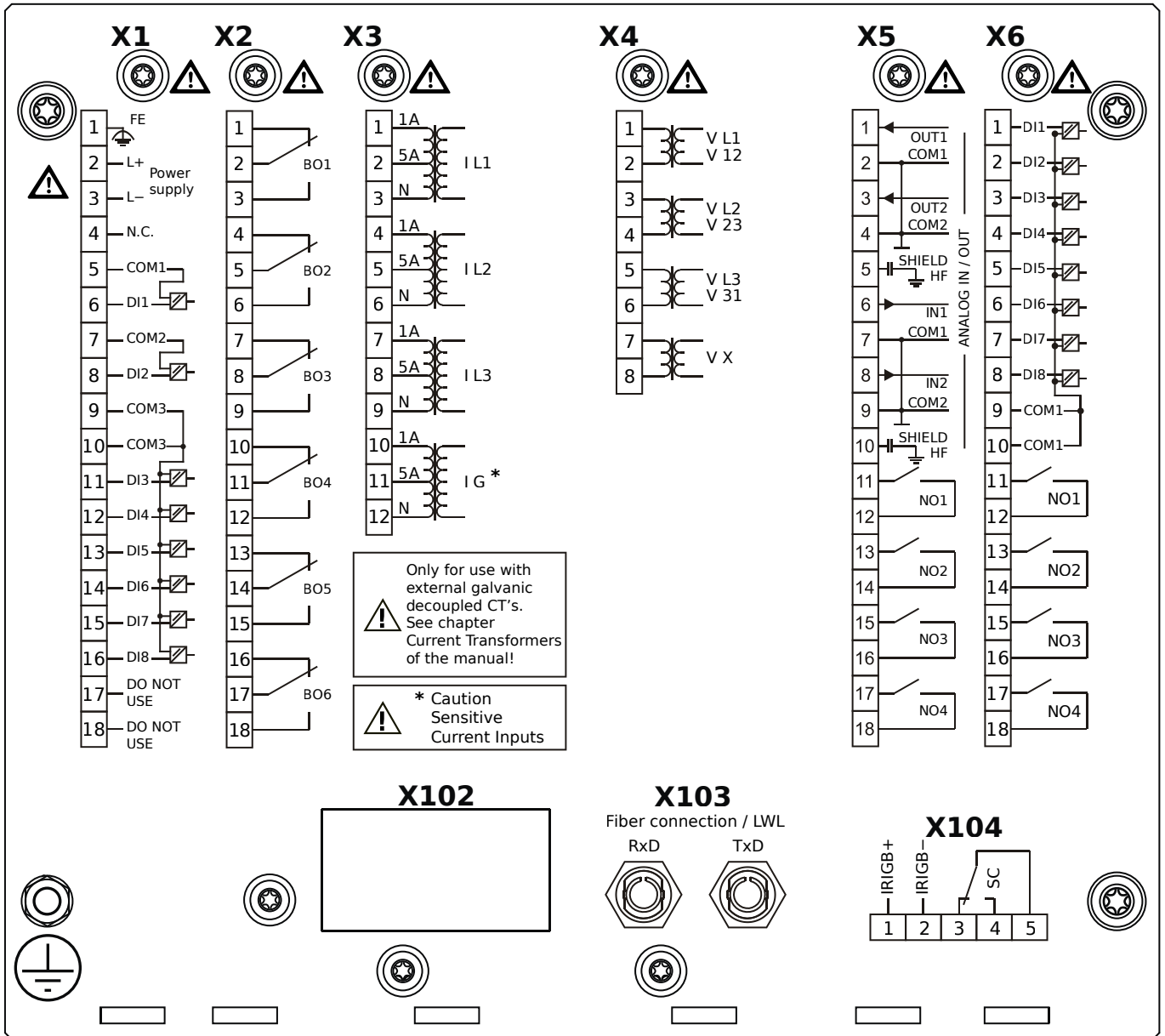
MCA4-2F1HFA



Housing B2, large display, door mounting

- X1** – DI8-X1: Wide-range power supply unit, incl. 2 non-grouped digital inputs and 6 grouped digital inputs
- X2** – OR6: Assembly Group with 6 Output Relays
- X3** – TIs: Standard phase current measuring card and sensitive ground current measuring
- X4** – TU: Card with 4 voltage transformer measuring inputs
- X5** – AnIO2-OR4: Assembly Group with 2 Analog Inputs, 2 Analog Outputs and 4 Output Relays
- X6** – DI8-OR4: Assembly Group with 8 Digital Inputs and 4 Output Relays
- X103** – Modbus RTU / IEC 60870-5-103 / DNP3.0 RTU, Fiber optics interface, ST Connector
- X104** – IRIG-B00X, incl. System Contact (Supervision Contact)

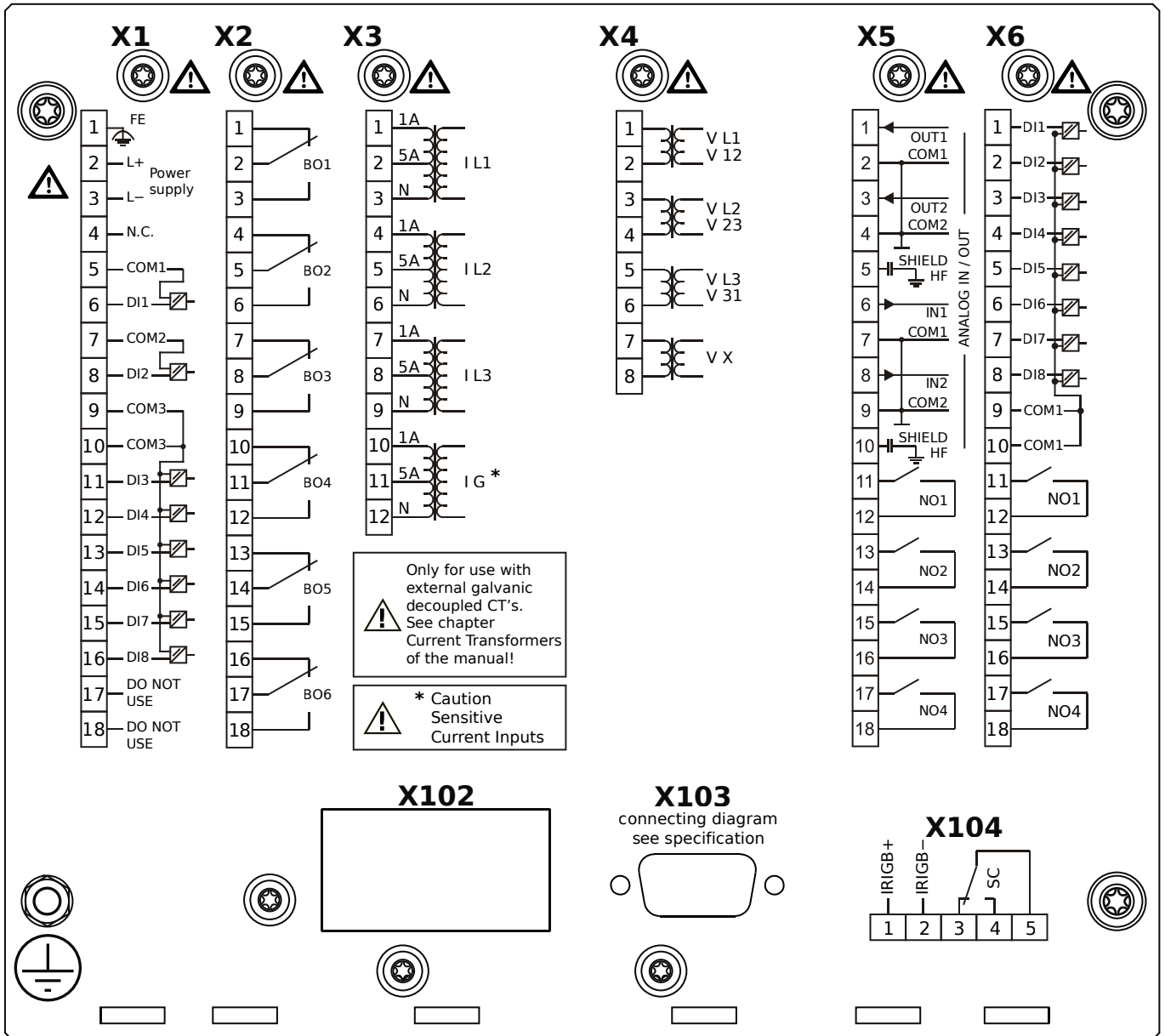
MCA4-2F1HFB



Housing B2, large display, door mounting

- X1** – DI8-X1: Wide-range power supply unit, incl. 2 non-grouped digital inputs and 6 grouped digital inputs
- X2** – OR6: Assembly Group with 6 Output Relays
- X3** – TIs: Standard phase current measuring card and sensitive ground current measuring
- X4** – TU: Card with 4 voltage transformer measuring inputs
- X5** – AnIO2-OR4: Assembly Group with 2 Analog Inputs, 2 Analog Outputs and 4 Output Relays
- X6** – DI8-OR4: Assembly Group with 8 Digital Inputs and 4 Output Relays
- X103** – Modbus RTU / IEC 60870-5-103 / DNP3.0 RTU, Fiber optics interface, ST Connector
- X104** – IRIG-B00X, incl. System Contact (Supervision Contact)

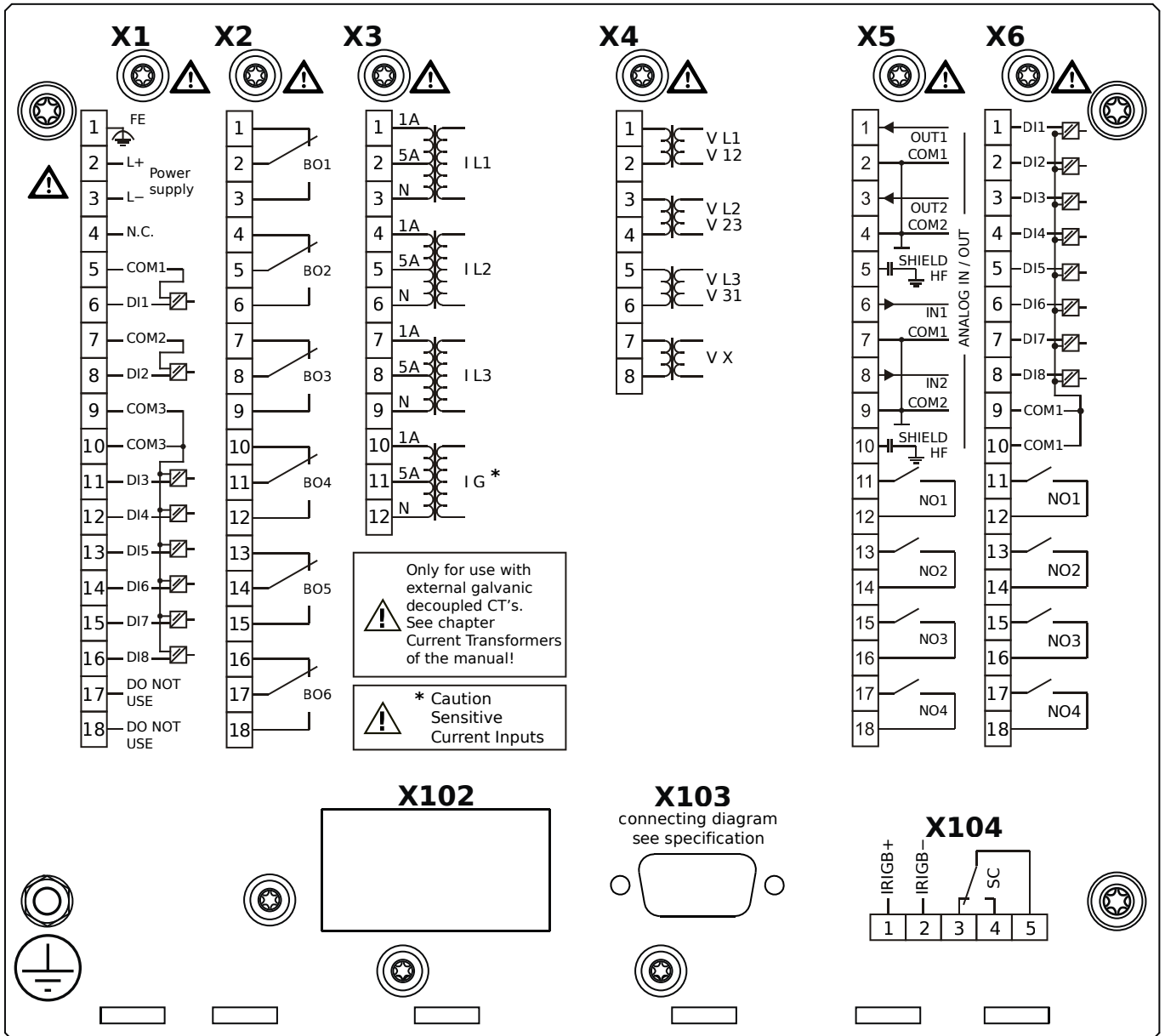
MCA4-2F1HGA



Housing B2, large display, door mounting

- X1** – DI8-X1: Wide-range power supply unit, incl. 2 non-grouped digital inputs and 6 grouped digital inputs
- X2** – OR6: Assembly Group with 6 Output Relays
- X3** – TIs: Standard phase current measuring card and sensitive ground current measuring
- X4** – TU: Card with 4 voltage transformer measuring inputs
- X5** – AnIO2-OR4: Assembly Group with 2 Analog Inputs, 2 Analog Outputs and 4 Output Relays
- X6** – DI8-OR4: Assembly Group with 8 Digital Inputs and 4 Output Relays
- X103** – Modbus RTU / IEC 60870-5-103 / DNP3.0 RTU, RS485, D-SUB
- X104** – IRIG-B00X, incl. System Contact (Supervision Contact)

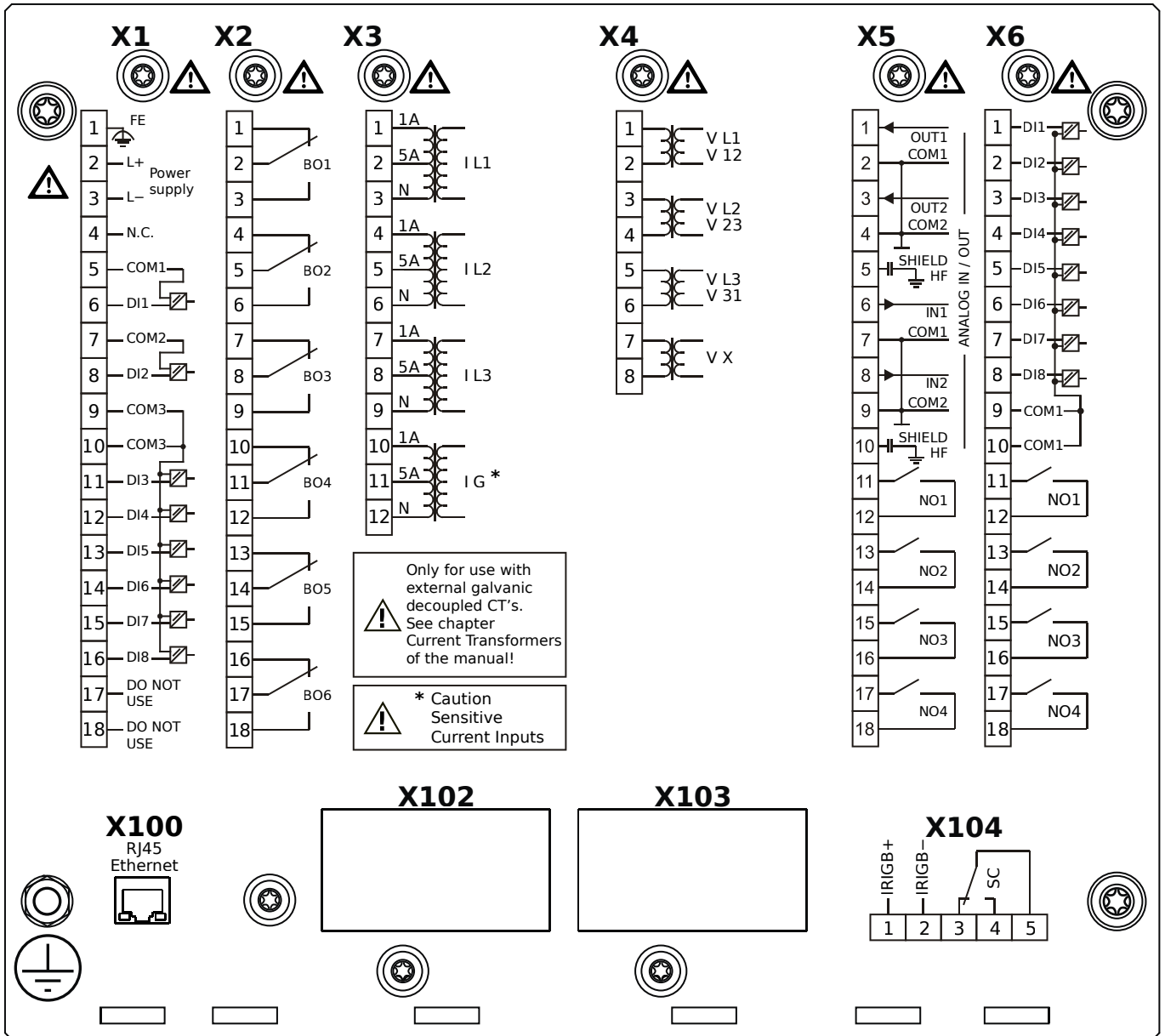
MCA4-2F1HGB



Housing B2, large display, door mounting

- X1** – DI8-X1: Wide-range power supply unit, incl. 2 non-grouped digital inputs and 6 grouped digital inputs
- X2** – OR6: Assembly Group with 6 Output Relays
- X3** – TIs: Standard phase current measuring card and sensitive ground current measuring
- X4** – TU: Card with 4 voltage transformer measuring inputs
- X5** – AnIO2-OR4: Assembly Group with 2 Analog Inputs, 2 Analog Outputs and 4 Output Relays
- X6** – DI8-OR4: Assembly Group with 8 Digital Inputs and 4 Output Relays
- X103** – Modbus RTU / IEC 60870-5-103 / DNP3.0 RTU, RS485, D-SUB
- X104** – IRIG-B00X, incl. System Contact (Supervision Contact)

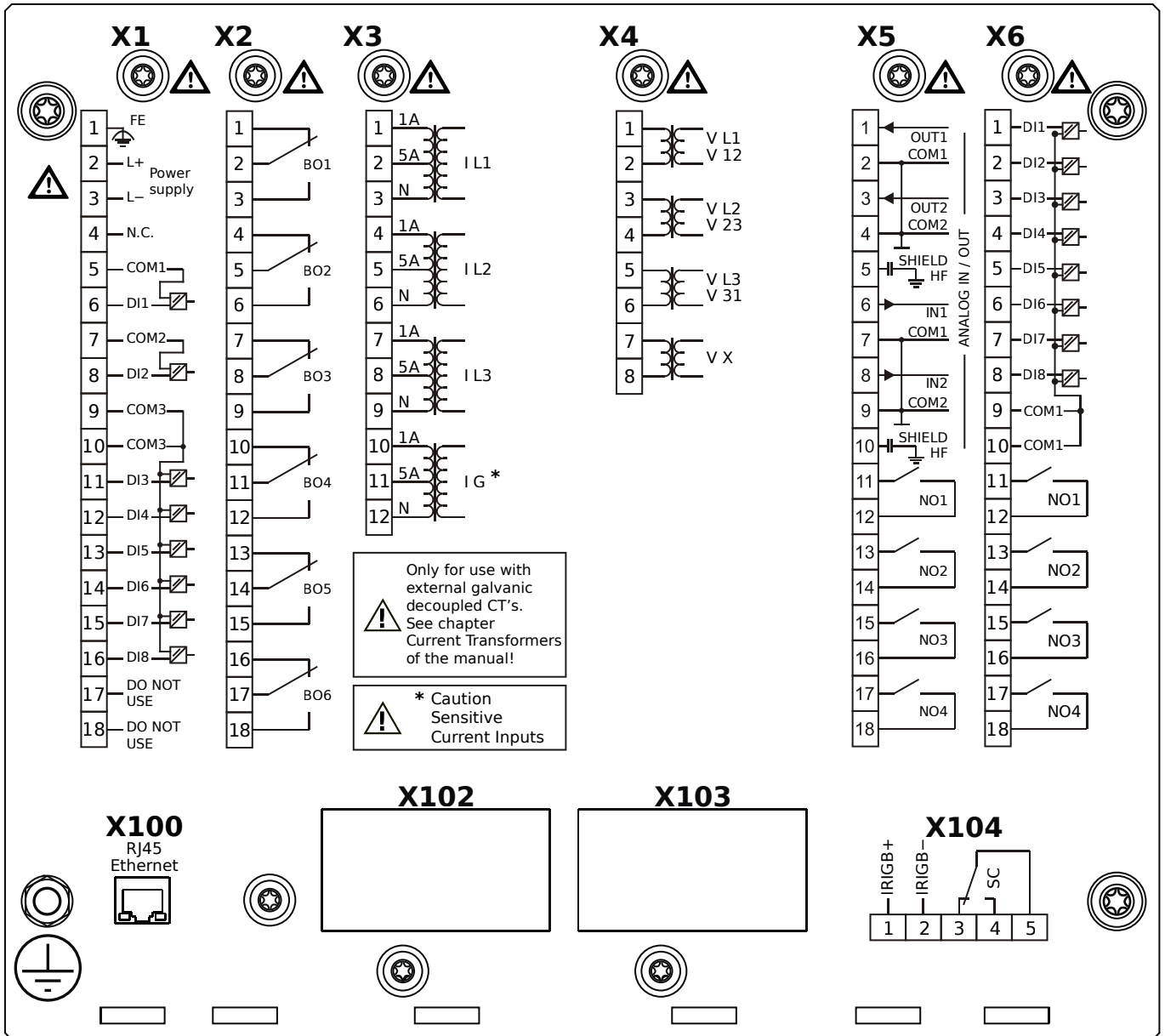
MCA4-2F1HHA



Housing B2, large display, door mounting

- X1** – DI8-X1: Wide-range power supply unit, incl. 2 non-grouped digital inputs and 6 grouped digital inputs
- X2** – OR6: Assembly Group with 6 Output Relays
- X3** – TIs: Standard phase current measuring card and sensitive ground current measuring
- X4** – TU: Card with 4 voltage transformer measuring inputs
- X5** – AnIO2-OR4: Assembly Group with 2 Analog Inputs, 2 Analog Outputs and 4 Output Relays
- X6** – DI8-OR4: Assembly Group with 8 Digital Inputs and 4 Output Relays
- X100** – IEC 61850 / Modbus TCP / DNP3.0 TCP/UDP, Ethernet interface, 100 Mbit/s, RJ45 (BASE100-FX)
- X104** – IRIG-B00X, incl. System Contact (Supervision Contact)

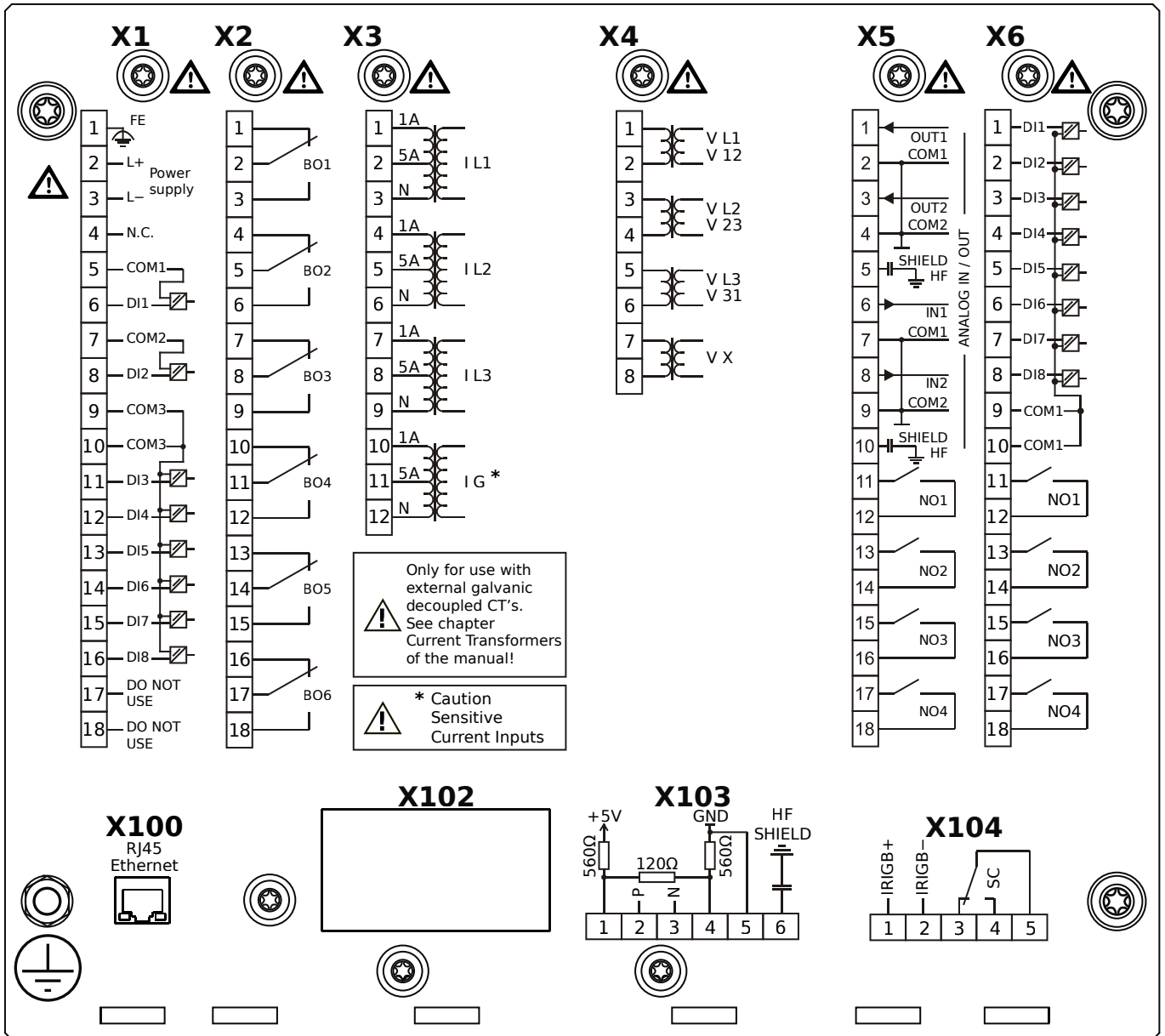
MCA4-2F1HHB



Housing B2, large display, door mounting

- X1** – DI8-X1: Wide-range power supply unit, incl. 2 non-grouped digital inputs and 6 grouped digital inputs
- X2** – OR6: Assembly Group with 6 Output Relays
- X3** – TIs: Standard phase current measuring card and sensitive ground current measuring
- X4** – TU: Card with 4 voltage transformer measuring inputs
- X5** – AnIO2-OR4: Assembly Group with 2 Analog Inputs, 2 Analog Outputs and 4 Output Relays
- X6** – DI8-OR4: Assembly Group with 8 Digital Inputs and 4 Output Relays
- X100** – IEC 61850 / Modbus TCP / DNP3.0 TCP/UDP, Ethernet interface, 100 Mbit/s, RJ45 (BASE100-FX)
- X104** – IRIG-B00X, incl. System Contact (Supervision Contact)

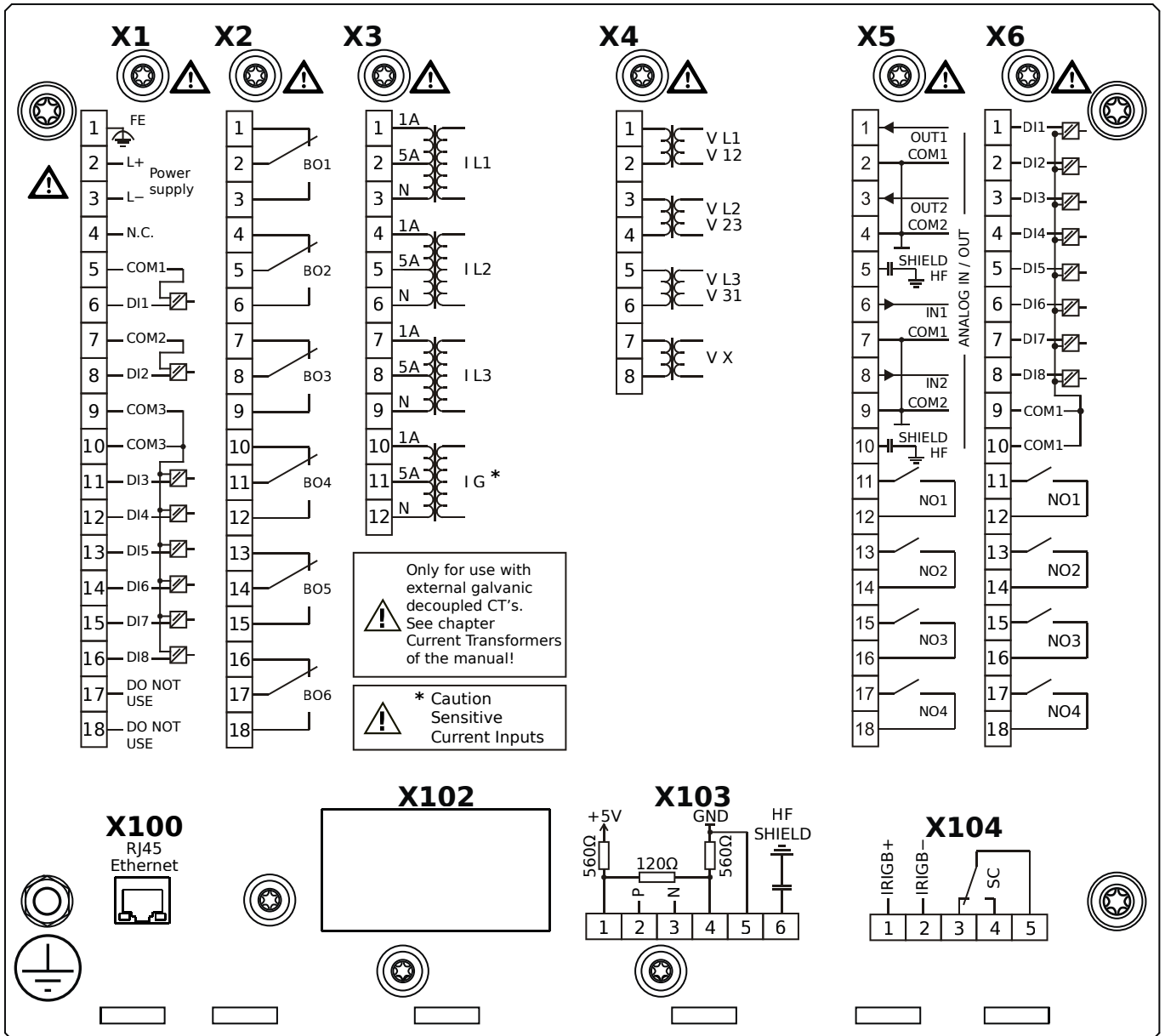
MCA4-2F1HIA



Housing B2, large display, door mounting

- X1** – DI8-X1: Wide-range power supply unit, incl. 2 non-grouped digital inputs and 6 grouped digital inputs
- X2** – OR6: Assembly Group with 6 Output Relays
- X3** – TIs: Standard phase current measuring card and sensitive ground current measuring
- X4** – TU: Card with 4 voltage transformer measuring inputs
- X5** – AnIO2-OR4: Assembly Group with 2 Analog Inputs, 2 Analog Outputs and 4 Output Relays
- X6** – DI8-OR4: Assembly Group with 8 Digital Inputs and 4 Output Relays
- X100** – Modbus TCP / DNP3.0 TCP/UDP, Ethernet interface, 100 Mbit/s, RJ45 (BASE100-FX)
- X103** – IEC 60870-5-103 / Modbus RTU / DNP3.0 RTU, RS485, Terminals
- X104** – IRIG-B00X, incl. System Contact (Supervision Contact)

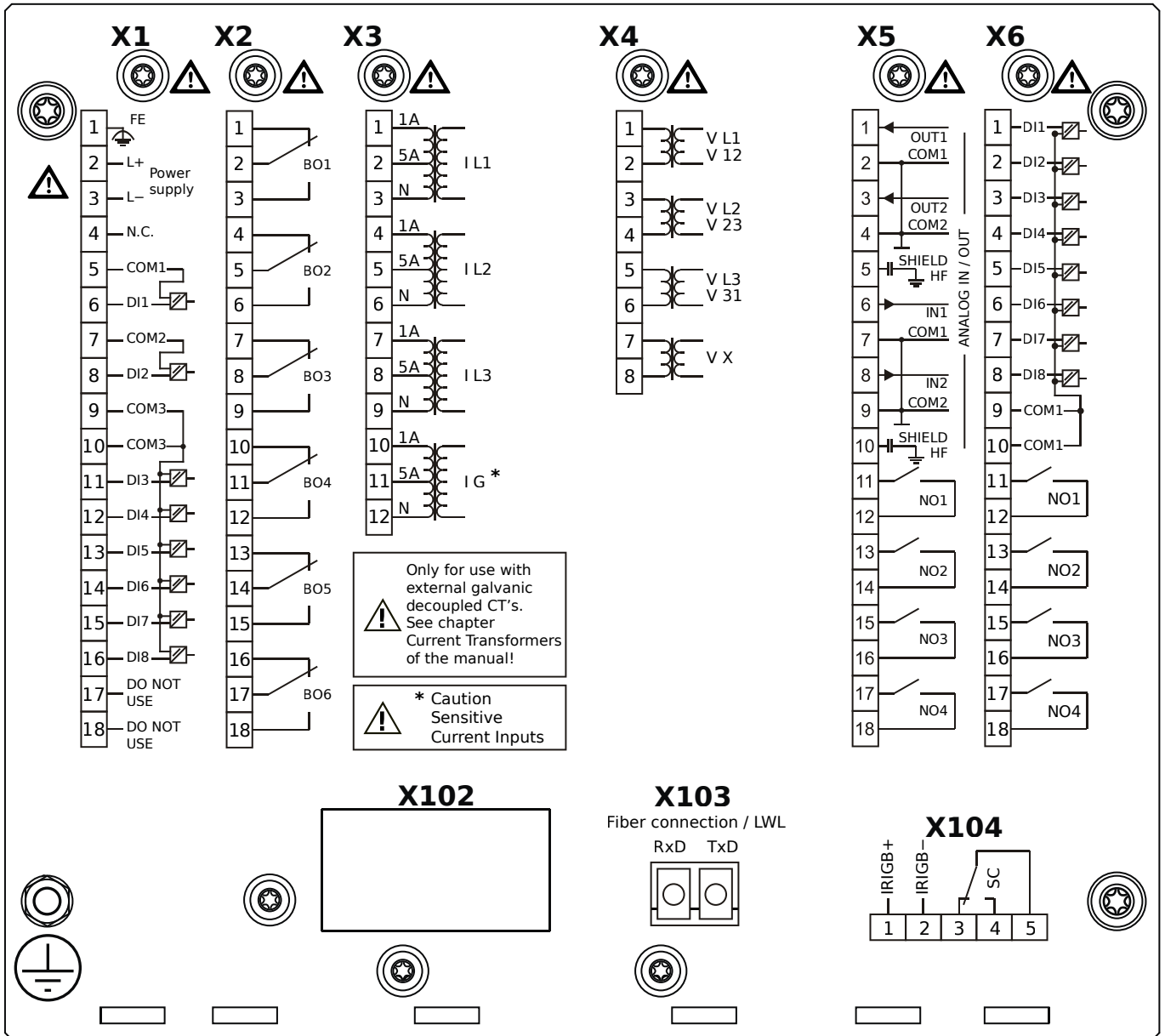
MCA4-2F1HIB



Housing B2, large display, door mounting

- X1** – DI8-X1: Wide-range power supply unit, incl. 2 non-grouped digital inputs and 6 grouped digital inputs
- X2** – OR6: Assembly Group with 6 Output Relays
- X3** – TIs: Standard phase current measuring card and sensitive ground current measuring
- X4** – TU: Card with 4 voltage transformer measuring inputs
- X5** – AnIO2-OR4: Assembly Group with 2 Analog Inputs, 2 Analog Outputs and 4 Output Relays
- X6** – DI8-OR4: Assembly Group with 8 Digital Inputs and 4 Output Relays
- X100** – Modbus TCP / DNP3.0 TCP/UDP, Ethernet interface, 100 Mbit/s, RJ45 (BASE100-FX)
- X103** – IEC 60870-5-103 / Modbus RTU / DNP3.0 RTU, RS485, Terminals
- X104** – IRIG-B00X, incl. System Contact (Supervision Contact)

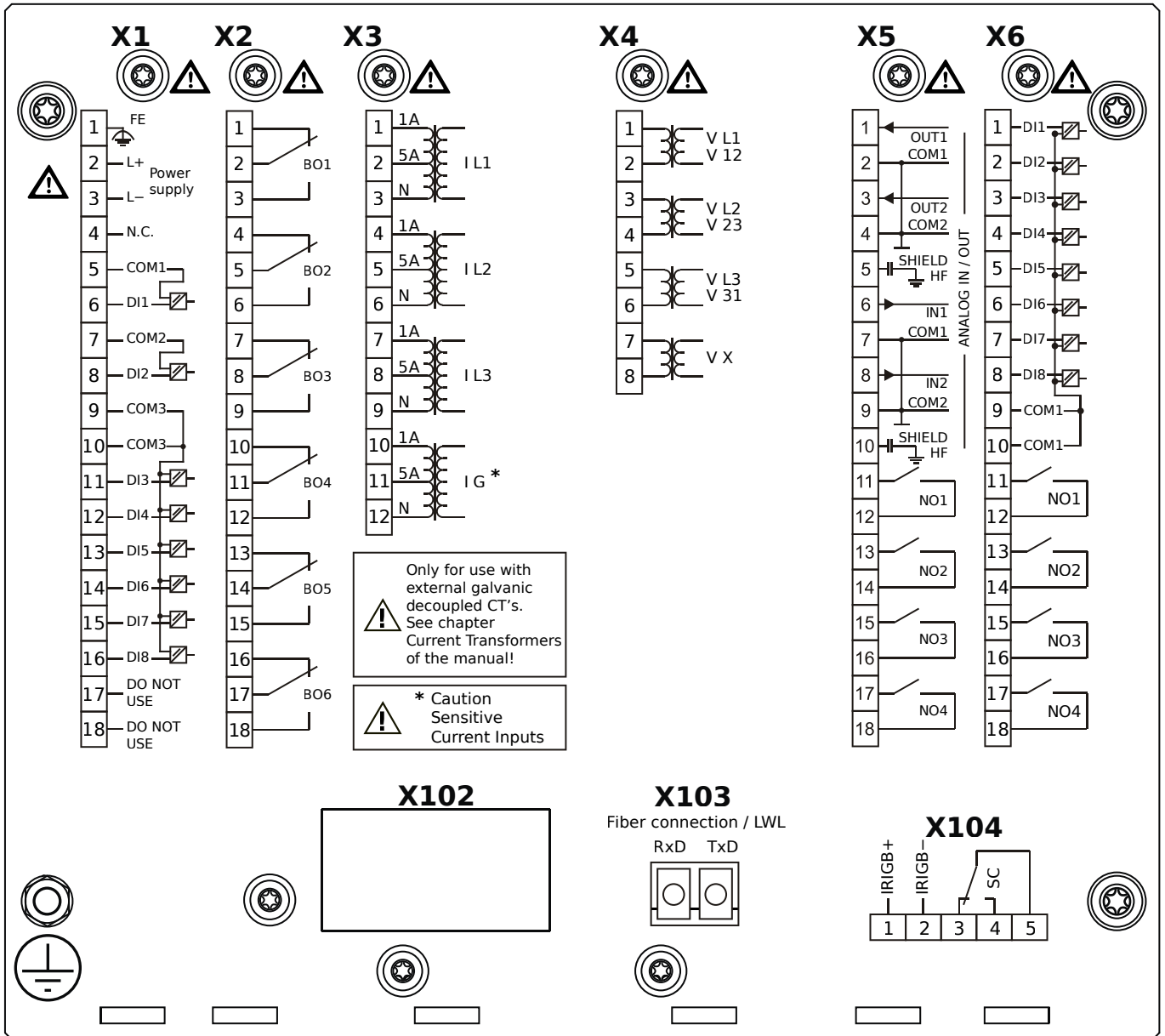
MCA4-2F1HKA



Housing B2, large display, door mounting

- X1** – DI8-X1: Wide-range power supply unit, incl. 2 non-grouped digital inputs and 6 grouped digital inputs
- X2** – OR6: Assembly Group with 6 Output Relays
- X3** – TIs: Standard phase current measuring card and sensitive ground current measuring
- X4** – TU: Card with 4 voltage transformer measuring inputs
- X5** – AnIO2-OR4: Assembly Group with 2 Analog Inputs, 2 Analog Outputs and 4 Output Relays
- X6** – DI8-OR4: Assembly Group with 8 Digital Inputs and 4 Output Relays
- X103** – IEC 61850 / Modbus TCP / DNP3.0 TCP/UDP, Fiber optics interface, LC Connector
- X104** – IRIG-B00X, incl. System Contact (Supervision Contact)

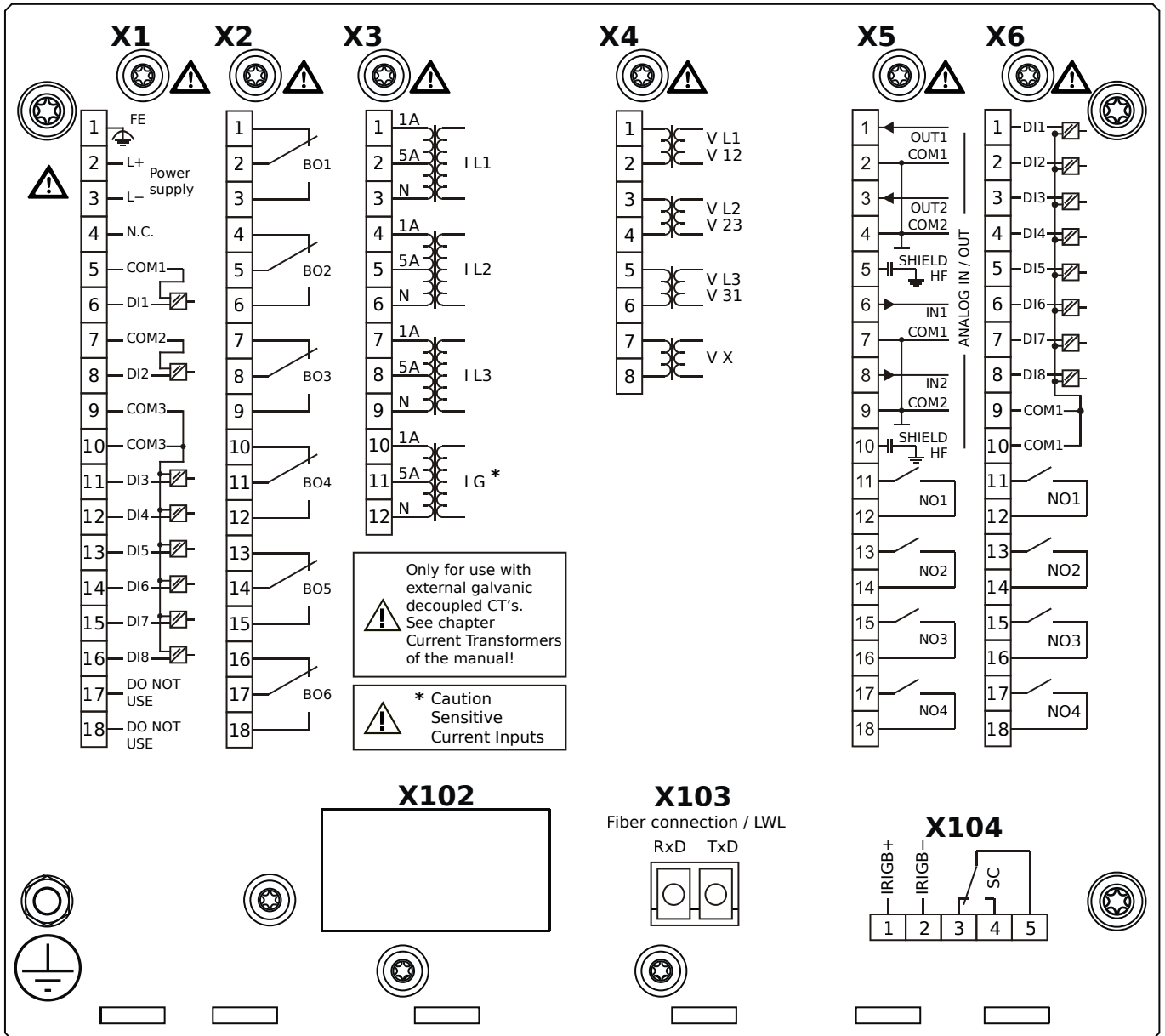
MCA4-2F1HKB



Housing B2, large display, door mounting

- X1** – DI8-X1: Wide-range power supply unit, incl. 2 non-grouped digital inputs and 6 grouped digital inputs
- X2** – OR6: Assembly Group with 6 Output Relays
- X3** – TIs: Standard phase current measuring card and sensitive ground current measuring
- X4** – TU: Card with 4 voltage transformer measuring inputs
- X5** – AnIO2-OR4: Assembly Group with 2 Analog Inputs, 2 Analog Outputs and 4 Output Relays
- X6** – DI8-OR4: Assembly Group with 8 Digital Inputs and 4 Output Relays
- X103** – IEC 61850 / Modbus TCP / DNP3.0 TCP/UDP, Fiber optics interface, LC Connector
- X104** – IRIG-B00X, incl. System Contact (Supervision Contact)

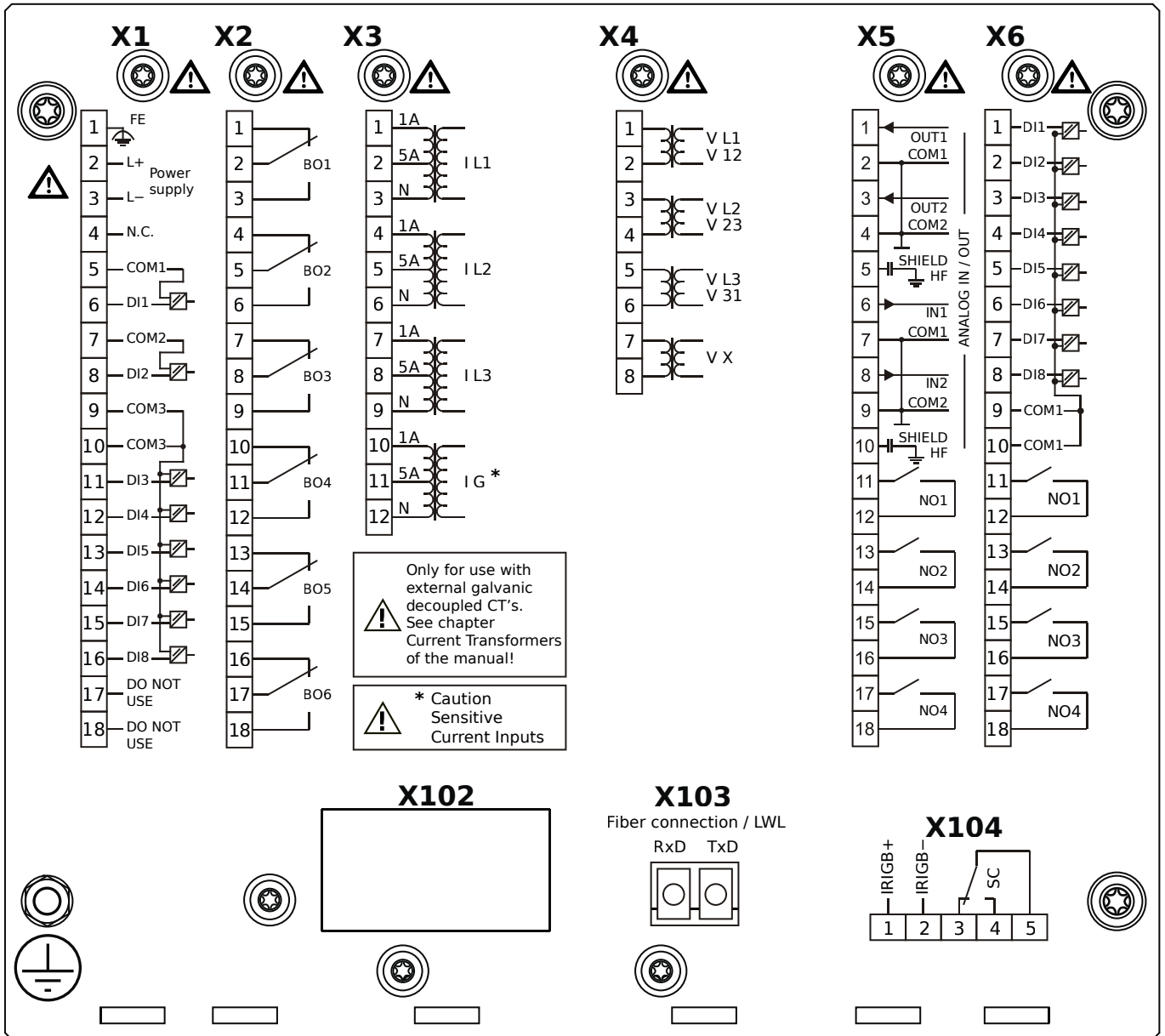
MCA4-2F1HLA



Housing B2, large display, door mounting

- X1** – DI8-X1: Wide-range power supply unit, incl. 2 non-grouped digital inputs and 6 grouped digital inputs
- X2** – OR6: Assembly Group with 6 Output Relays
- X3** – TIs: Standard phase current measuring card and sensitive ground current measuring
- X4** – TU: Card with 4 voltage transformer measuring inputs
- X5** – AnIO2-OR4: Assembly Group with 2 Analog Inputs, 2 Analog Outputs and 4 Output Relays
- X6** – DI8-OR4: Assembly Group with 8 Digital Inputs and 4 Output Relays
- X103** – Modbus TCP / DNP3.0 TCP/UDP, Fiber optics interface, LC Connector
- X104** – IRIG-B00X, incl. System Contact (Supervision Contact)

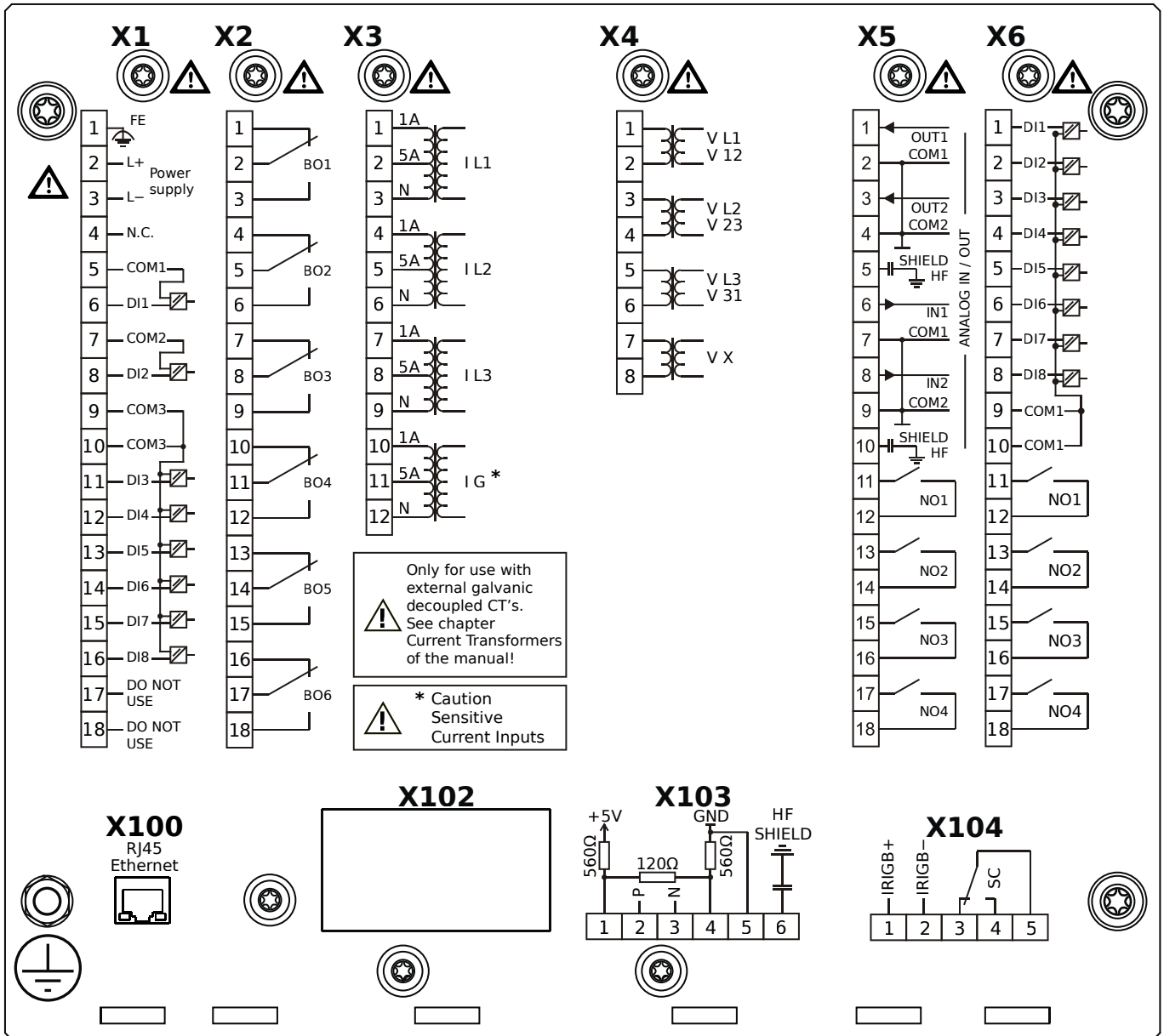
MCA4-2F1HLB



Housing B2, large display, door mounting

- X1** – DI8-X1: Wide-range power supply unit, incl. 2 non-grouped digital inputs and 6 grouped digital inputs
- X2** – OR6: Assembly Group with 6 Output Relays
- X3** – TIs: Standard phase current measuring card and sensitive ground current measuring
- X4** – TU: Card with 4 voltage transformer measuring inputs
- X5** – AnIO2-OR4: Assembly Group with 2 Analog Inputs, 2 Analog Outputs and 4 Output Relays
- X6** – DI8-OR4: Assembly Group with 8 Digital Inputs and 4 Output Relays
- X103** – Modbus TCP / DNP3.0 TCP/UDP, Fiber optics interface, LC Connector
- X104** – IRIG-B00X, incl. System Contact (Supervision Contact)

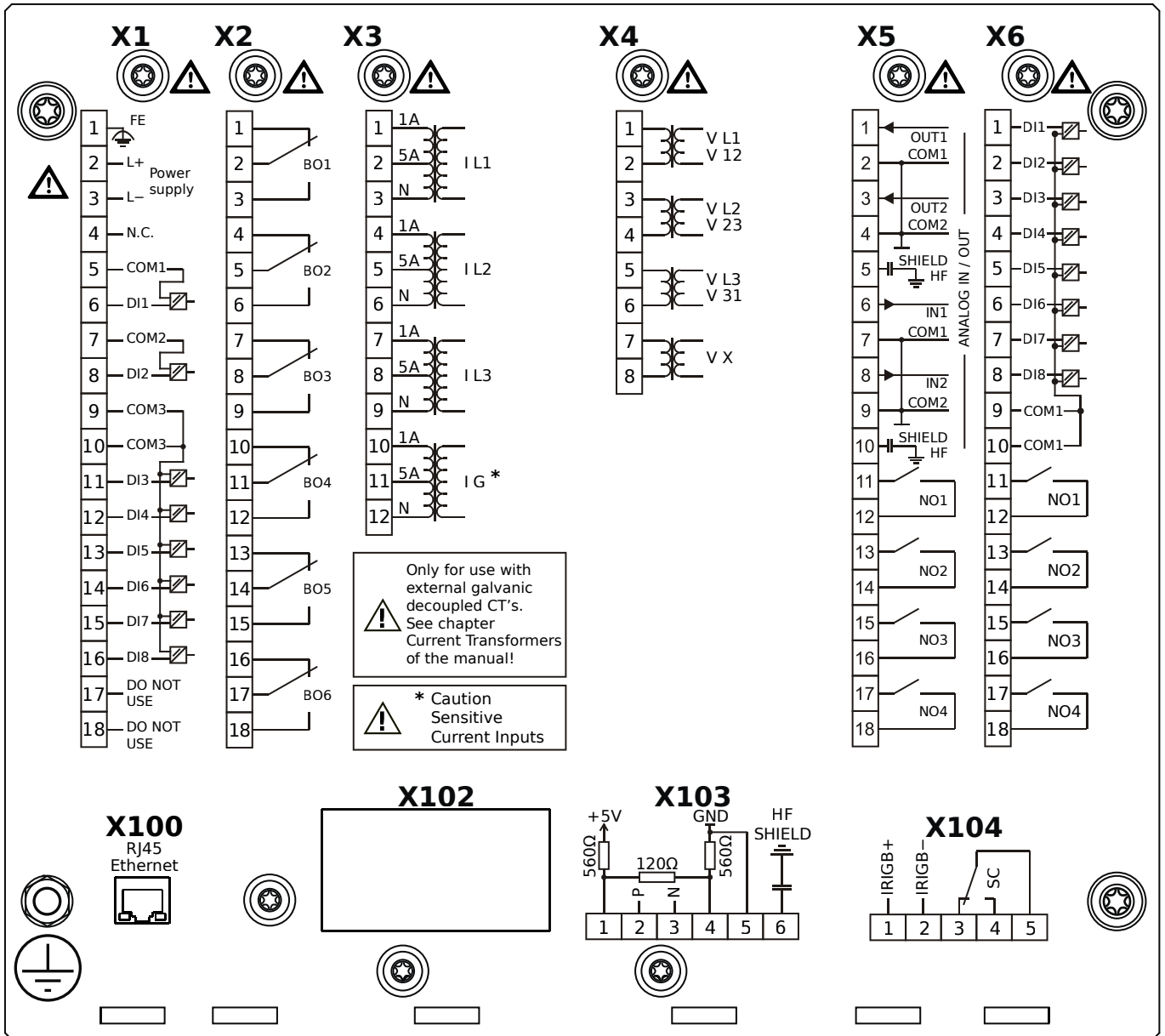
MCA4-2F1HTA



Housing B2, large display, door mounting

- X1** – DI8-X1: Wide-range power supply unit, incl. 2 non-grouped digital inputs and 6 grouped digital inputs
- X2** – OR6: Assembly Group with 6 Output Relays
- X3** – TIs: Standard phase current measuring card and sensitive ground current measuring
- X4** – TU: Card with 4 voltage transformer measuring inputs
- X5** – AnIO2-OR4: Assembly Group with 2 Analog Inputs, 2 Analog Outputs and 4 Output Relays
- X6** – DI8-OR4: Assembly Group with 8 Digital Inputs and 4 Output Relays
- X100** – IEC 61850 / Modbus TCP / DNP3.0 TCP/UDP, Ethernet interface, 100 Mbit/s, RJ45 (BASE100-FX)
- X103** – IEC 60870-5-103 / Modbus RTU / DNP3.0 RTU, RS485, Terminals
- X104** – IRIG-B00X, incl. System Contact (Supervision Contact)

MCA4-2F1HTB



Housing B2, large display, door mounting

- X1** – DI8-X1: Wide-range power supply unit, incl. 2 non-grouped digital inputs and 6 grouped digital inputs
- X2** – OR6: Assembly Group with 6 Output Relays
- X3** – TIs: Standard phase current measuring card and sensitive ground current measuring
- X4** – TU: Card with 4 voltage transformer measuring inputs
- X5** – AnIO2-OR4: Assembly Group with 2 Analog Inputs, 2 Analog Outputs and 4 Output Relays
- X6** – DI8-OR4: Assembly Group with 8 Digital Inputs and 4 Output Relays
- X100** – IEC 61850 / Modbus TCP / DNP3.0 TCP/UDP, Ethernet interface, 100 Mbit/s, RJ45 (BASE100-FX)
- X103** – IEC 60870-5-103 / Modbus RTU / DNP3.0 RTU, RS485, Terminals
- X104** – IRIG-B00X, incl. System Contact (Supervision Contact)